



TASKalfa 420i

TASKalfa 520i

PARTS LIST

Published in January 2010

2KSPL071

842KS121

Rev.1

NOTES

1. Indicate parts number and parts description together with the machine model name when placing an order.

e.g.	Parts Number	Parts Name	Machine Model	Quantity
	302KR94010	PARTS EMBLEM 42 ASSY SP (42ppm)	TASKalfa 420i	1
	302KS94210	PARTS EMBLEM 52 ASSY SP (52ppm)	TASKalfa 520i	1

2. Symbols in the "Parts Number" column.

- Parts with "•" are component parts or sub-assemblies of the assembly appearing immediately above them.

e.g.	Parts Number	Parts Name	Parts Number	Parts Name
	302H793311	PARTS TOP CASSETTE 2 ASSY	• 2BL04310	PLATE NUMBER
			• 2BL04370	PLATE NUMBER 2

- Parts with "••" are component parts or sub-assembly with "•" appearing immediately above them.

e.g.	Parts Number	Parts Name	Parts Number	Parts Name
	•302GR93185	PARTS REAR GUIDE FUSER UNIT	••2BL16290	CUT WASHER 3
			••2BL21340	SPRING CHANGE PULLEY

- Parts with "⊙" indicate regular maintenance parts.

3. Items indicated in Description column as (OPTION) are Consumable parts.

— CONTENTS —

FIG. 1	Covers	2	FIG. 16	Image Formation Section	34
FIG. 2	Frames	4	FIG. 17	Drive Section 1	36
FIG. 3	Paper Cassettes	6	FIG. 18	Drive Section 2	38
FIG. 4	Paper Feed Section 1	8	FIG. 19	Electrical Components 1	40
FIG. 5	Paper Feed Section 2	10	FIG. 20	Electrical Components 2	42
FIG. 6	Paper Feed Section 3	12	FIG. 21	Operation Section	44
FIG. 7	Paper Conveying Section	14	FIG. 22	Options 1	46
FIG. 8	Paper Exit Section (110V)	16	FIG. 23	Options 2	48
FIG. 8	Paper Exit Section (120/230/240V)	18	FIG. 24	Options 3 & Tools	50
FIG. 9	Scanner Section 1	20	FIG. 25	Maintenance Kits	52
FIG. 10	Scanner Section 2	22			
FIG. 11	Bypass Unit	24		• INDEX	53
FIG. 12	Bypass Feed Unit	26			
FIG. 13	Laser Scanner Section	28			
FIG. 14	Developing Section	30			
FIG. 15	Fuser Section	32			

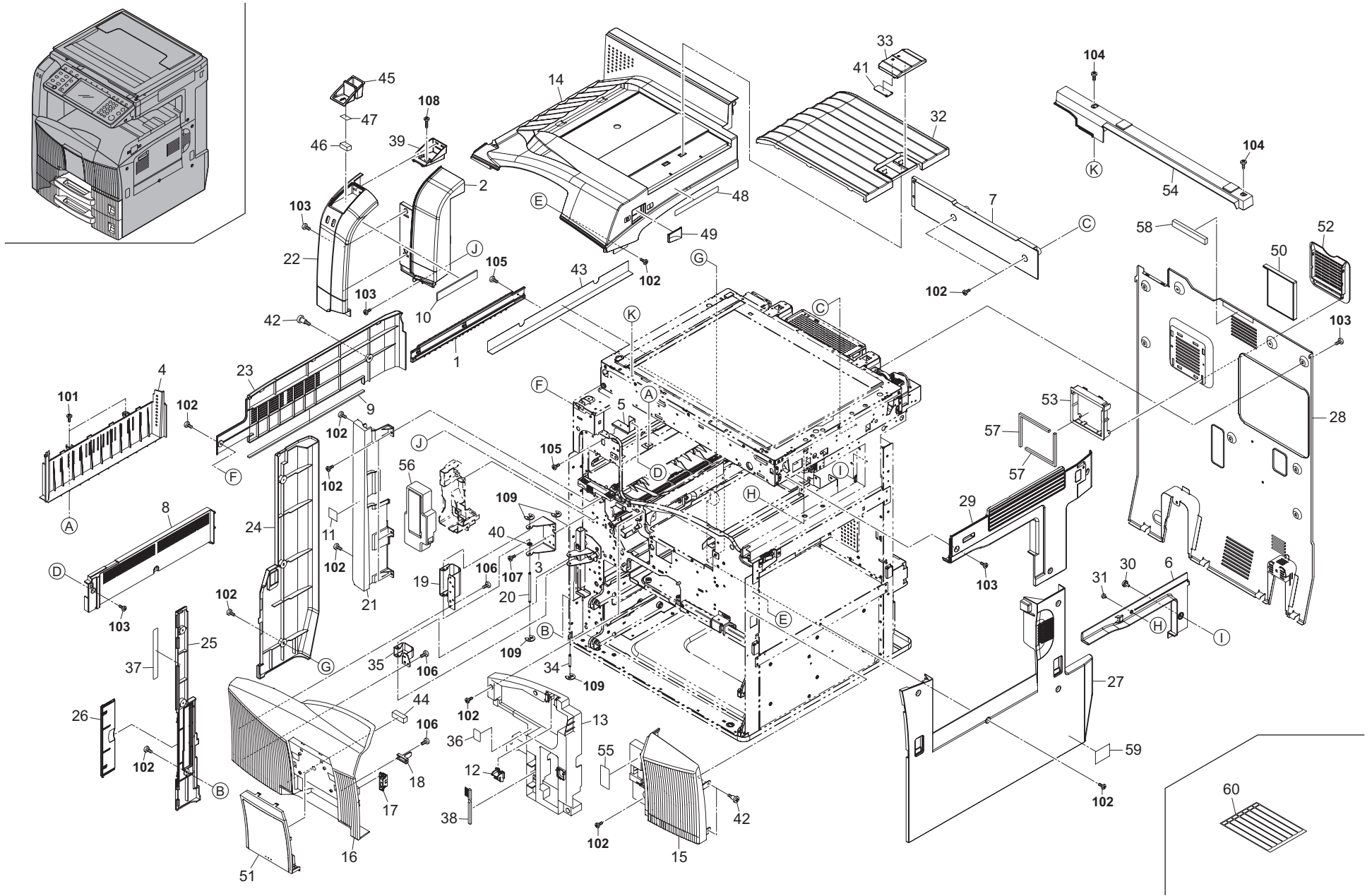


FIG. 1 Covers

2KR/2KS-1

Ref. No.	Part.No.	Alternative.	Description	Quantity				
				110	120	230	240	
⊙	1	302GR28071	2GR28071	GUIDE DU FEED R	1	1	1	1
⊙	2	302KS04120	2KS04120	COVER EXIT FRONT	1	1	1	1
3	2BL04220	2BL04220	MOUNT HINGE	1	1	1	1	
⊙	4	302KS04260	2KS04260	COVER EXIT LOW	1	1	1	1
5	2BJ04150	2BJ04150	MOUNT LEFT FRONT COVER	1	1	1	1	
6	302KS04210	2KS04210	COVER RIGHT TRAY	1	1	1	1	
7	302KS04200	2KS04200	COVER REAR TRAY	1	1	1	1	
⊙	8	302KS04130	2KS04130	COVER EXIT TOP	1	1	1	1
9	302GR04910	2GR04910	SPONGE TOP A	1	1	1	1	
10	302GR04920	2GR04920	SPONGE TOP B	1	1	1	1	
⊙	11	302G634070	2G634070	LABEL ENERGY STAR	1	1	1	1
12	2BL04200	2BL04200	LEVER CONT RELEASE	1	1	1	1	
13	302GR04321	2GR04321	INNER RIGHT COVER	1	1	1	1	
⊙	14	302KS04080	2KS04080	COVER TOP EJECT	1	1	1	1
⊙	15	302KS04020	2KS04020	COVER RIGHT FRONT	1	1	1	1
⊙	16	302KS04010	2KS04010	COVER CENTER FRONT	1	1	1	1
17	302H004660	2H004660	MAGNET CATCH	1	1	1	1	
⊙	18	302KP04330	2KP04330	HOLDER SWITCH	1	1	1	1
19	2BL04350	2BL04350	FRONT HINGE COVER P	1	1	1	1	
20	302BL04191	2BL04191	PIN COVER HINGE	1	1	1	1	
⊙	21	302KS04030	2KS04030	COVER LEFT FRONT LOW	1	1	1	1
⊙	22	302GR04050	2GR04050	COVER LEFT FRONT TOP	1	1	1	1
⊙	23	302GR04090	2GR04090	COVER LEFT SIDE TOP	1	1	1	1
⊙	24	302GR04100	2GR04100	COVER LEFT SIDE LOW	1	1	1	1
⊙	25	302BL04111	2BL04111	FRONT LEFT COVER	1	1	1	1
⊙	26	302BL04301	2BL04301	LID COVER LEFT	1	1	1	1
⊙	27	302KS04110	2KS04110	COVER RIGHT SIDE LOW	1	1	1	1
⊙	28	302KS04060	2KS04060	REAR COVER	1	1	1	1
⊙	29	302KS04100	2KS04100	COVER RIGHT SIDE TOP	1	1	1	1
30	3074315201	74315201	PIN, TONER HOPPER	1	1	1	1	
31	302A126131	2A126131	PIN, OPTION	1	1	1	1	
⊙	32	302KS04090	2KS04090	TRAY SUB	1	1	1	1
⊙	33	302KS04230	2KS04230	STOPPER PAPER	1	1	1	1
34	302BL04841	2BL04841	PIN COVER HINGE S	1	1	1	1	
35	2BL04480	2BL04480	FRONT HINGE S COVER	1	1	1	1	
36	302GR34181	2GR34181	LABEL SEP CLEANING	1	1	1	1	
⊙	37	302GR34190	2GR34190	LABEL CONVEYING JAM	1	1	1	1
⊙	38	2BL16220	5AAVBRUSH036	BRUSH CLEANER	1	1	1	1
39	302GR04311	2GR04311	GUIDE CLIP DISH	1	1	1	1	
40	2BL04880	2BL04880	FILM HINGE	1	1	1	1	
⊙	41	302KS04240	2KS04240	STOPPER PAPER SUB	1	1	1	1
42	302KS04380	2KS04380	PIN COVER BK	3	3	3	3	
43	302GR04440	2GR04440	SHEET PROTECT	1	1	1	1	
⊙	44	2BL06620	2BL06620	SPONGE FRONT	1	1	1	1
⊙	45	302GR04160	2GR04160	CLIP DISH	1	1	1	1
46	302GR04370	2GR04370	MAGNET CLIP DISH	1	1	1	1	
47	302GR04380	2GR04380	SEAL MAGNET	1	1	1	1	
⊙	48	302KS34190	2KS34190	LABEL SW CAUTION TW	1			
⊙	48	302KS34020	2KS34020	LABEL SW CAUTION EXP		1	1	1
⊙	49	302GR04170	2GR04170	COVER MAIN SW	1	1	1	1

Ref. No.	Part.No.	Alternative.	Description	Quantity				
				110	120	230	240	
⊙	50	302GR33090	2GR33090	FILTER VOC B	1	1	1	1
⊙	51	302KR94010	2KR94010	PARTS EMBLEM 42 ASSY SP (42ppm)	1	1	1	1
⊙	51	302KS94210	2KS94210	PARTS EMBLEM 52 ASSY SP (52ppm)	1	1	1	1
⊙	52	302KS04180	2KS04180	COVER OZONE	1	1	1	1
53	302KS04190	2KS04190	HOUSING OZONE COVER	1	1	1	1	
⊙	54	302KS04070	2KS04070	COVER ISU FRONT TOP	1	1	1	1
⊙	55	302GR34200	2GR34200	LABEL CONTAINER	1	1	1	1
⊙	56	302BL93131	2BL93131	PARTS, DISPOSAL TANK, TB700	1	1	1	1
57	302KS33010	2KS33010	SEAL HOUSING OZONE COVER	2	2	2	2	
58	7ZG65TSV+050H01	ZG112790	SHIELD GASKET	1	1	1	1	
59	302H734030	2H734030	LABEL CAUTION HG		1			
60	302KS34130	2KS34130	LABEL SW CAUTION SET			1		
101	7BB102306H	BB107050	+TP-FLAT T.T S SCREW 3X6					
102	7BB782308H	BB111300	+TP-FLAT T.T S SCREW 3X8 SR(BLACK)					
103	7BB182306H	BB112660	+TP-FLAT T.T S SCREW 3X6(BLACK)					
104	7BB180408H	BB111210	+BIND T.T S SCREW 4X8(BLACK)					
105	7BB100306H	BB046010	+BIND T.T S SCREW 3X6					
106	7BB200308H	BB105660	+BIND T.T P SCREW 3X8					
107	7BB000305H	BB063450	+BIND M SCREW 3X5					
108	7BB100314H	BB112130	+BIND T.T S SCREW 3X14					
109	7BD103060+++H01	BD018610	E STOP RING E-3					

- Parts with "*" are component parts or sub-assemblies of the assembly appearing immediately above them.
- Parts with "⊙" indicate regular maintenance parts.

- Parts with "••" are component parts or sub-assembly with "•" appearing immediately above them.

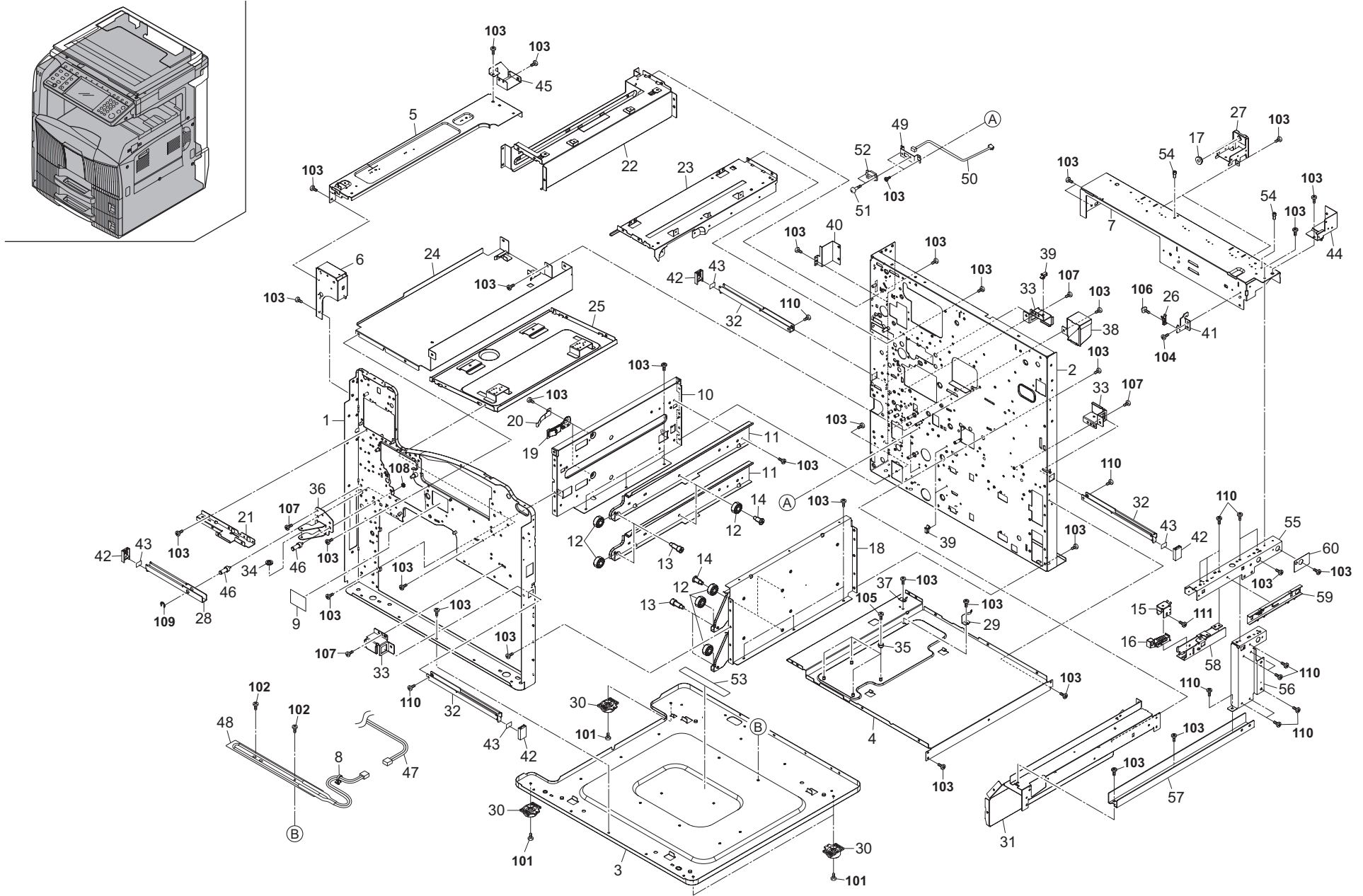


FIG. 2 Frames

2KR/2KS-1

Ref. No.	Part.No.	Alternative.	Description	Quantity			
				110	120	230	240
1	302FG02044	2FG02044	FRONT FRAME	1	1	1	1
2	302FG02053	2FG02053	REAR FRAME	1	1	1	1
3	302BL02033	2BL02033	BASE	1	1	1	1
4	302BL02041	2BL02041	BASE MIDDLE	1	1	1	1
5	302GR02521	2GR02521	UPPER LEFT PLATE	1	1	1	1
6	302BJ02011	2BJ02011	UPPER FRONT FRAME	1	1	1	1
7	302GR02511	2GR02511	UPPER REAR FRAME	1	1	1	1
8	M2107120	49827700	BINDING BAND SG-130	1	1	1	1
9	2BL05150	2BL05150	LABEL RADIATION	1	1	1	1
10	302FG02072	2FG02072	LOWER LEFT REINFORCEMENT	1	1	1	1
11	302FG07033	2FG07033	LEFT RAIL CASSETTE	2	2	2	2
12	302FG07020	2FG07020	PULLEY,CASSETTE RAIL	8	8	8	8
13	302GR02240	2GR02240	PIN FRONT CASSETTE RAIL	4	4	4	4
14	2FB06710	2FB06710	PIN CASSETTE RAIL	4	4	4	4
15	302GR02311	2GR02311	MOUNT RUBBER ISU	1	1	1	1
16	302GR02321	2GR02321	ADJUSTOR ISU	1	1	1	1
17	2AV12280	2AV12280	BASE RUBBER,SCANNER SECTION	2	2	2	2
18	302GR02250	2GR02250	LOWER RIGHT REINFORCEMENT	1	1	1	1
19	302GR02221	2GR02221	LEVER LOCK CASSETTE	2	2	2	2
20	302GR02230	2GR02230	SPRING LEVER	2	2	2	2
21	302GR02130	2GR02130	MOUNT TRAY EJECT	1	1	1	1
22	302GR02550	2GR02550	UPPER PLATE FIXING	1	1	1	1
23	302GR02111	2GR02111	UPPER PLATE DRUM	1	1	1	1
24	302BL02131	2BL02131	LOWER PLATE CONT	1	1	1	1
25	2BL02050	2BL02050	LOWER BASE LSU	1	1	1	1
26	2BJ02121	2BJ02121	HOLDER,FULCRUM	1	1	1	1
27	302GR02300	2GR02300	SUPPORT MOUNT DP	2	2	2	2
28	302KS02070	2KS02070	HANDLE B	1	1	1	1
29	2BL06840	2BL06840	SPRING BYPASS RET	1	1	1	1
30	302KS02050	2KS02050	MOUNT BASE	4	4	4	4
31	302BL02123	2BL02123	UPPER RIGHT PLATE	1	1	1	1
32	302KS02060	2KS02060	HANDLE A	3	3	3	3
33	2BL02150	2BL02150	MOUNT RIGHT HANDLE	3	3	3	3
34	2BL04880	2BL04880	FILM HINGE	1	1	1	1
35	2BL06590	2BL06590	PULLEY RAIL	4	4	4	4
36	2BL04470	2BL04470	MOUNT HINGE S	1	1	1	1
37	2BL06410	2BL06410	GROUND PLATE MIDDLE	1	1	1	1
38	302AR07721	2AR07721	COVER CASSETTE RAIL	1	1	1	1
39	7YZM610007++H01	YZ023340	ACCESS.SADDLE	3	3	3	3
40	302GR04290	2GR04290	MOUNT REAR COVER	1	1	1	1
41	2BJ02110	2BJ02110	FULCRUM PLATE,MIDDLE TRAY	1	1	1	1
42	302FZ02580	2FZ02580	CAP HANDLE	4	4	4	4
43	302FZ03110	2FZ03110	SEAL HANDLE	4	4	4	4
44	302GR04301	2GR04301	MOUNT COVER R	1	1	1	1
45	302KS04350	2KS04350	MOUNT COVER L	1	1	1	1
46	302BL02171	2BL02171	PIN HANDLE	2	2	2	2
47	302GR46740	2GR46740	WIRE DEHUMIDIFIER HEATER JUNCTION	1	1	1	1
48	302FB25052	2FB25052	HEATER DEHUMIDIFIER 120	1	1		
48	302FB25061	2FB25061	HEATER DEHUMIDIFIER 240			1	1
49	2AR07710	2AR07710	MOUNT,PAPER FEED DRAWER	2	2	2	2

Ref. No.	Part.No.	Alternative.	Description	Quantity			
				110	120	230	240
50	302GR46440	2GR46440	WIRE PRIMARY FEED UNIT2	2	2	2	2
51	3033927451	33927451	RETAINING PIN,DRAWER	4	4	4	4
52	7YCC08B2046+H02	YC026130	CONNECTOR	2	2	2	2
53	20305130	20305130	LABEL L,HIGH TEMPERATURE CAUTION(EX	1	1	1	1
54	302FB16320	2FB16320	PIN ROLLER RELEASE LEVER	2	2	2	2
55	302KS02010	2KS02010	STAY ISU UPPER RIGHT	1	1	1	1
56	302KS02020	2KS02020	STAY ISU MIDDLE RIGHT	1	1	1	1
57	302KS02030	2KS02030	STAY ISU LOWER RIGHT	1	1	1	1
58	302KS02040	2KS02040	MOUNT ISU ADJUST	1	1	1	1
59	302H702660	2H702660	GUIDE WIRE OPE F	1	1	1	1
60	302KS39080	2KS39080	FILM ISU L R	1	1	1	1
101	7BB607310H	BB106860	+TP-CUP M SCREW 3X10 R				
102	7BB000406H	BB112100	+BIND M SCREW 4X6				
103	7BB100306H	BB046010	+BIND T.T S SCREW 3X6				
104	7BB000305H	BB063450	+BIND M SCREW 3X5				
105	7BB007304H	BB105810	+TP-CUP M SCREW 3X4				
106	7BB007306H	BB112570	+TP-CUP M SCREW 3X6				
107	7BB100406H	BB106920	+BIND T.T S SCREW 4X6				
108	C1B14070	C1B14070	NUT SNM4(TRIVALENT CHROMATING)				
109	D1A00700	D1A00700	STOP RING E-7(TRIVALENT CHROMATING)				
110	7BB100408H	BB048820	+BIND T.T S SCREW 4X8				
111	7BB702306H	BB105630	+TP-FLAT T.T S SCREW 3X6 SR				

- Parts with "*" are component parts or sub-assemblies of the assembly appearing immediately above them.
- Parts with "⊙" indicate regular maintenance parts.

- Parts with "••" are component parts or sub-assembly with "•" appearing immediately above them.

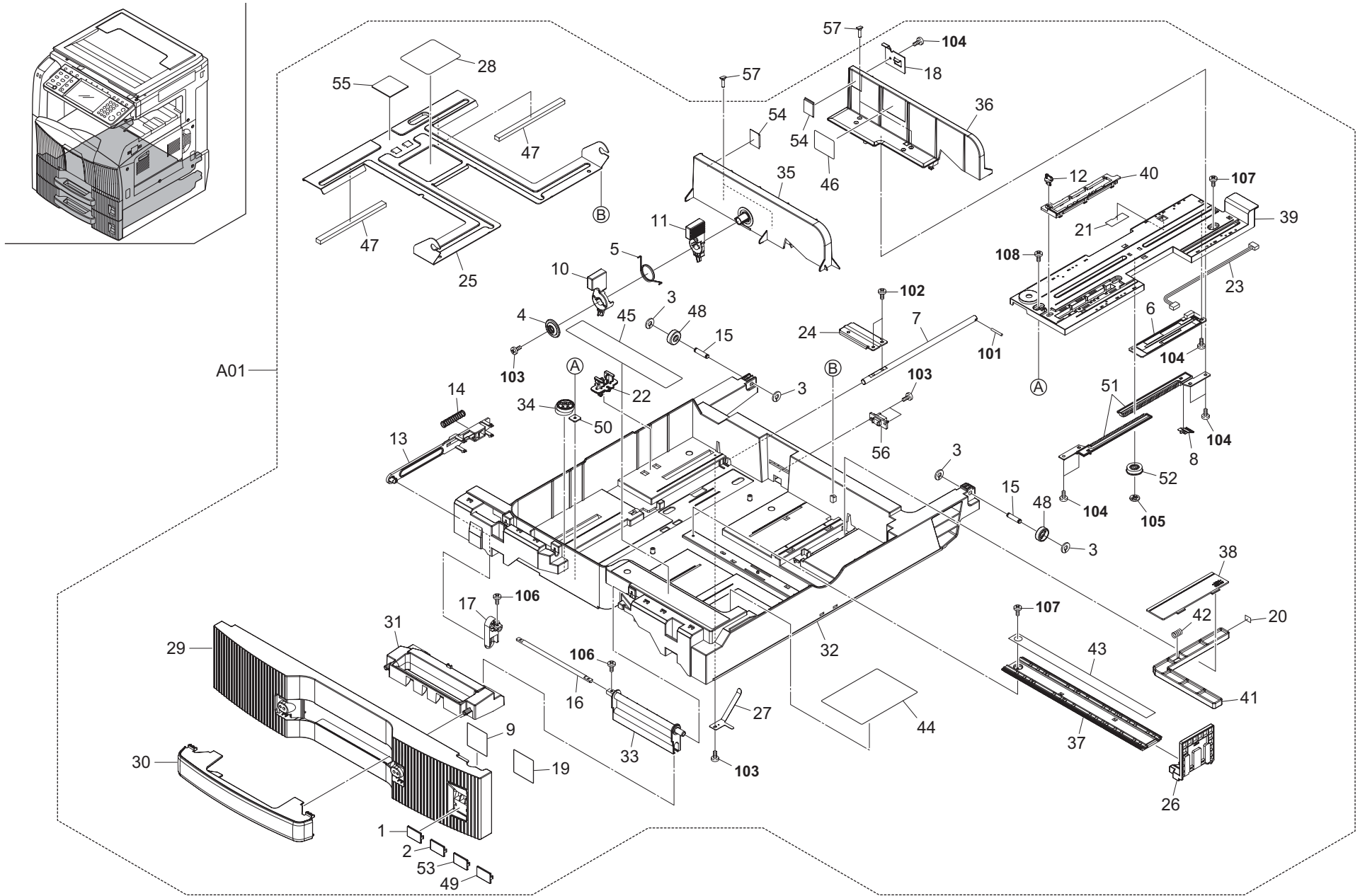


FIG. 3 Paper Cassettes

2KR/2KS-1

Ref. No.	Part.No.	Alternative.	Description	Quantity			
				110	120	230	240
⊙ A01	302H793311	2H793311	PARTS TOP CASSETTE 2 ASSY	2	2	2	2
1	*2BL04310	2BL04310	PLATE NUMBER	2	2	2	2
2	*2BL04370	2BL04370	PLATE NUMBER 2	2	2	2	2
3	*2C904550	2C904550	CUT WASHER 5	8	8	8	8
4	*2FB07050	2FB07050	PIN CURSOR	2	2	2	2
5	*2FB07060	2FB07060	SPRING CURSOR	2	2	2	2
⊙ 6	*2FG01020	2FG01020	SIZE DETECTION ASSY	2	2	2	2
7	*302AR07041	2AR07041	SHAFT,WORK PLATE	2	2	2	2
⊙ 8	*302BC07861	2BC07861	TERMINAL,PAPER SIZE DETECTION	2	2	2	2
9	*302FB05200	2FB05200	PLATE SIZE C	2	2	2	2
10	*302FB07032	2FB07032	LEVER CURSOR A	2	2	2	2
11	*302FB07042	2FB07042	LEVER CURSOR B	2	2	2	2
12	*302FB07420	2FB07420	PIN CASSETTE	2	2	2	2
13	*302GR09051	2GR09051	LEVER CASSETTE	2	2	2	2
14	*302GR09120	2GR09120	SPRING LEVER CASSETTE	2	2	2	2
15	*302GR09130	2GR09130	SHAFT PULLEY	4	4	4	4
16	*302GR09140	2GR09140	SHAFT HANDLE	2	2	2	2
17	*302GR09150	2GR09150	WORK PLATE HANDLE	2	2	2	2
18	*302GR09160	2GR09160	STOPPER PAPER	2	2	2	2
19	*302GR09201	2GR09201	PLATE SIZE INCH	2	2	2	2
20	*302GR09210	2GR09210	SEAL DETECTION PLATE	2	2	2	2
21	*302GR09250	2GR09250	FILM PWB COVER	2	2	2	2
22	*302GR09991	2GR09991	LIFT LOCK	2	2	2	2
23	*302GR46450	2GR46450	WIRE CASSETTE UNIT	2	2	2	2
24	*302H009070	2H009070	WORK PLATE LIFT CASSETTE	2	2	2	2
25	*302H009101	2H009101	BASE CASSETTE	2	2	2	2
26	*302H009110	2H009110	CURSOR C CASSETTE	2	2	2	2
27	*302H009120	2H009120	PLATE CASSETTE EARTH	2	2	2	2
28	*302H034070	2H034070	LABEL PAPER SET	2	2	2	2
⊙ 29	*302H709021	2H709021	COVER CASSETTE 2ND	2	2	2	2
⊙ 30	*302H709030	2H709030	COVER CASSETTE HANDLE	2	2	2	2
⊙ 31	*302H709040	2H709040	HANDLE CASSETTE	2	2	2	2
32	*302H709060	2H709060	CASSETTE 2ND	2	2	2	2
33	*302H709070	2H709070	JOINT HANDLE CASSETTE	2	2	2	2
34	*302H709080	2H709080	ADJUSTING PLATE CASSETTE	2	2	2	2
35	*302H709090	2H709090	FRONT CURSOR CASSETTE	2	2	2	2
36	*302H709100	2H709100	REAR CURSOR CASSETTE	2	2	2	2
37	*302H709110	2H709110	RAIL CURSOR R	2	2	2	2
38	*302H709120	2H709120	LID PAPER SIZE	2	2	2	2
39	*302H709130	2H709130	RAIL CURSOR A	2	2	2	2
40	*302H709140	2H709140	SUPPORT PLATE	2	2	2	2
41	*302H709150	2H709150	DETECTION PLATE PAPER SIZE	2	2	2	2
42	*302H709190	2H709190	SPRING PAD	2	2	2	2
43	*302H734050	2H734050	LABEL CASSETTE SIZE L	2	2	2	2
44	*302H734060	2H734060	LABEL CASSETTE SIZE S	2	2	2	2
45	*302H734070	2H734070	LABEL CASSETTE OPERATION B	2	2	2	2
46	*302H734080	2H734080	LABEL PAPER UPPER LIMIT	2	2	2	2
47	*33907210	33907210	CUSHION,CASSETTE WORK PLATE	4	4	4	4
48	*34907150	34907150	PULLEY,CASSETTE	4	4	4	4
49	*3CF04060	3CF04060	PLATE NUMBER4	2	2	2	2

Ref. No.	Part.No.	Alternative.	Description	Quantity			
				110	120	230	240
⊙ 51	*3CY06030	3CY06030	RETAINER M4	2	2	2	2
⊙ 52	*3CY06090	3CY06090	RACK CURSOR	4	4	4	4
⊙ 53	*3CY06100	3CY06100	GEAR 20,CURSOR	2	2	2	2
54	*5MVX321CE001	3CF04050	PLATE NUMBER 3 /3CF0405 A4	2	2	2	2
55	*60907170	60907170	CUSHION,CASSETTE R	4	4	4	4
56	*66107100	66107100	PAD,CASSETTE	2	2	2	2
57	*7YCC08B2046+H01	YC026110	CONNECTOR	2	2	2	2
	302GR09220	2GR09220	PIN CURSOR	8	8	8	8
101	5MBP2514WXSP	E0025250	SPRING PIN /M2.5 X 14 S-BLK				
102	7BB607408H	BB107040	+TP-CUP M SCREW 4X8 R				
103	7BB200308H	BB105660	+BIND T.T P SCREW 3X8				
104	7BB202308H	BB105690	+TP-FLAT T.T P SCREW 3X8				
105	5MBCS4025XSP	D4000400	CS STOP RING /X 4 X .25T S-BLK				
106	7BB000305H	BB063450	+BIND M SCREW 3X5				
107	7BB282308H	BB111240	+TP-FLAT T.T P SCREW 3X8(BLACK)				
108	7BB687408H	BB111270	+TP-CUP M SCREW 4X8 R(BLACK)				

- Parts with "*" are component parts or sub-assemblies of the assembly appearing immediately above them.
- Parts with "⊙" indicate regular maintenance parts.

- Parts with "••" are component parts or sub-assembly with "•" appearing immediately above them.

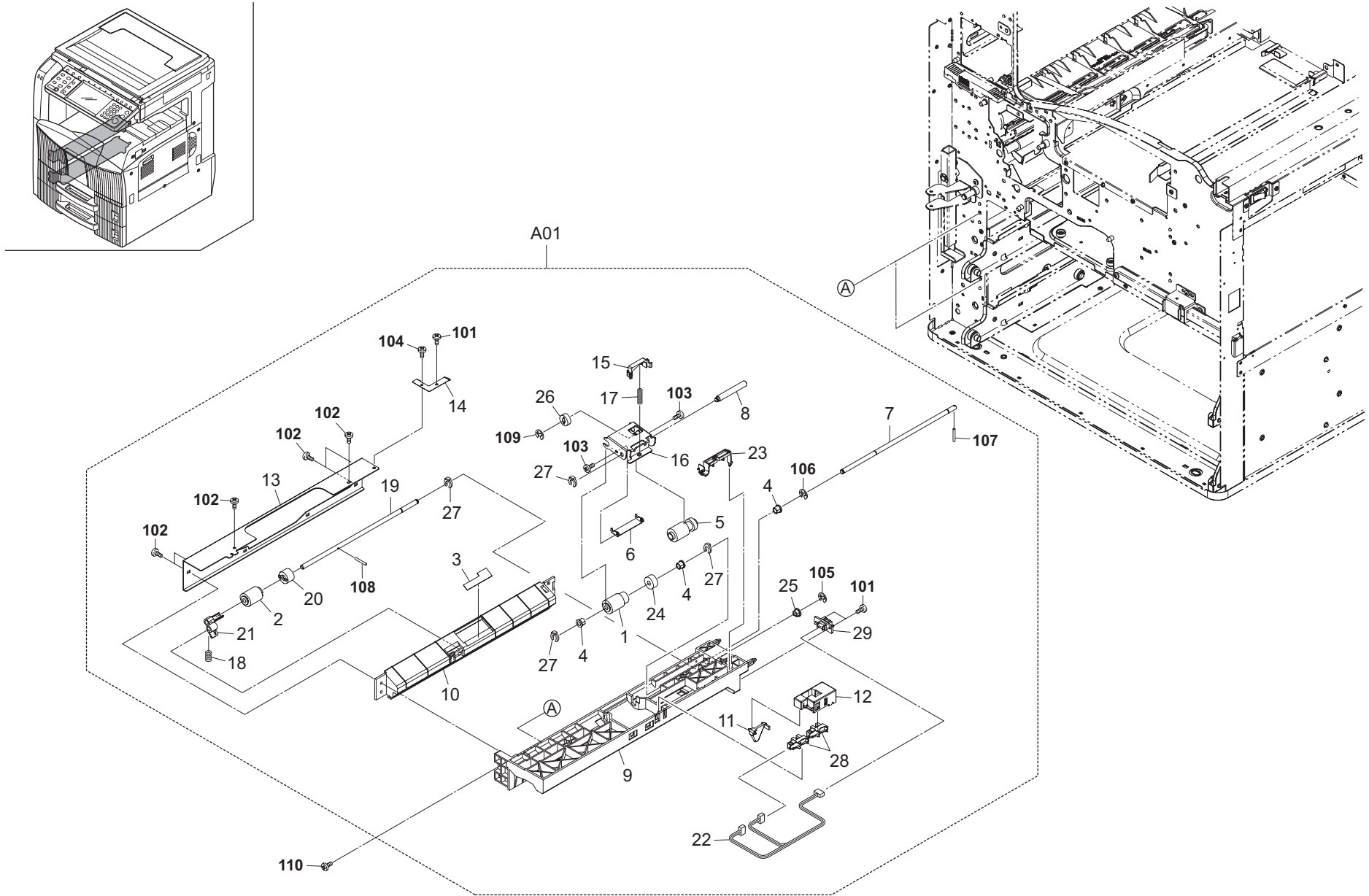


FIG. 4 Paper Feed Section 1

2KR/2KS-1

Ref. No.	Part.No.	Alternative.	Description	Quantity			
				110	120	230	240
⊙ A01	302KY94250	2KY94250	PARTS PRYMARY FEED UNIT SP	2	2	2	2
⊙ 1	*2AR07220	2AR07220	PULLEY,PAPER FEED	2	2	2	2
⊙ 2	*2AR07230	2AR07230	PULLEY,SEPARATION	2	2	2	2
⊙ 3	*2AR07660	2AR07660	GUIDE FILM,SEPARATION PULLEY	2	2	2	2
⊙ 4	*2BC06520	2BC06520	BUSHING 6,REGISTRATION	6	6	6	6
⊙ 5	*2BJ06010	2BJ06010	PULLEY FEED A	2	2	2	2
⊙ 6	*2BL07900	2BL07900	PLATE LEADING FEED	2	2	2	2
7	*302AR07252	2AR07252	SHAFT,PAPER FEED	2	2	2	2
8	*302AR07271	2AR07271	SHAFT,LEADING FEED	2	2	2	2
9	*302FG07253	2FG07253	UPPER HOUSING,PAPER FEED	2	2	2	2
10	*302FG07260	2FG07260	LOWER HOUSING,PAPER FEED	2	2	2	2
11	*302FG07290	2FG07290	ACTUATOR,PAPER EMPTY	2	2	2	2
12	*302FG07300	2FG07300	HOLDER,ACTUATOR	2	2	2	2
13	*302FG07310	2FG07310	REINFORCEMENT PRIMARY PAPER FEED	2	2	2	2
14	*302FG07330	2FG07330	GROUND PLATE,PRIMARY PAPER FEED	2	2	2	2
15	*302GR06060	2GR06060	HOLDER PICK	2	2	2	2
16	*302GR06070	2GR06070	SUPPORT PLATE FEED	2	2	2	2
17	*302GR06080	2GR06080	SPRING PICK	2	2	2	2
18	*302GR06091	2GR06091	SPRING SEPARATION	2	2	2	2
19	*302GR06101	2GR06101	SHAFT SEPARATION	2	2	2	2
⊙ 20	*302GR06110	2GR06110	TORQUE LIMITER 360	2	2	2	2
21	*302GR06201	2GR06201	LEVER SEPARATION RELEASE	2	2	2	2
22	*302GR46431	2GR46431	WIRE PRIMARY FEED UNIT1	2	2	2	2
23	*302H706010	2H706010	COVER PRIMARY WIRE	2	2	2	2
⊙ 24	*302KY06010	2KY06010	GEAR Z16 PAPER FEED	2	2	2	2
25	*34806040	34806040	LOWER BUSHING,PAPER FEED	2	2	2	2
⊙ 26	*34922420	34922420	GEAR 15	2	2	2	2
27	*5MVX1111DN003	2A806250	RING STOPPER /A-49 FEED A4	8	8	8	8
⊙ 28	*7NXGP1A173LCH01	NX115300	SENSOR OPT.	4	4	4	4
29	*7YCC08B2046+H01	YC026110	CONNECTOR	2	2	2	2

Ref. No.	Part.No.	Alternative.	Description	Quantity			
				110	120	230	240
101	7BB200308H	BB105660	+BIND T.T P SCREW 3X8				
102	7BB200310H	BB105670	+BIND T.T P SCREW 3X10				
103	7BB000304H	BB105720	+BIND M SCREW 3X4				
104	7BB000305H	BB063450	+BIND M SCREW 3X5				
105	D1A00400	D1A00400	STOP RING E-4(TRIVALENT CHROMATING)				
106	D1A00500	D1A00500	STOP RING E-5(TRIVALENT CHROMATING)				
107	5MBP2012WXSP	E0020120	SPRING PIN / M2 X 12 S-BLK				
108	E5120080	E5120080	PARALLEL PIN H7A 2X8 SUS				
109	7BD105060+++H01	BD018620	E STOP RING E-5				
110	7BB007306H	BB112570	+TP-CUP M SCREW 3X6				

- Parts with "*" are component parts or sub-assemblies of the assembly appearing immediately above them.
- Parts with "⊙" indicate regular maintenance parts.

- Parts with "••" are component parts or sub-assembly with "•" appearing immediately above them.

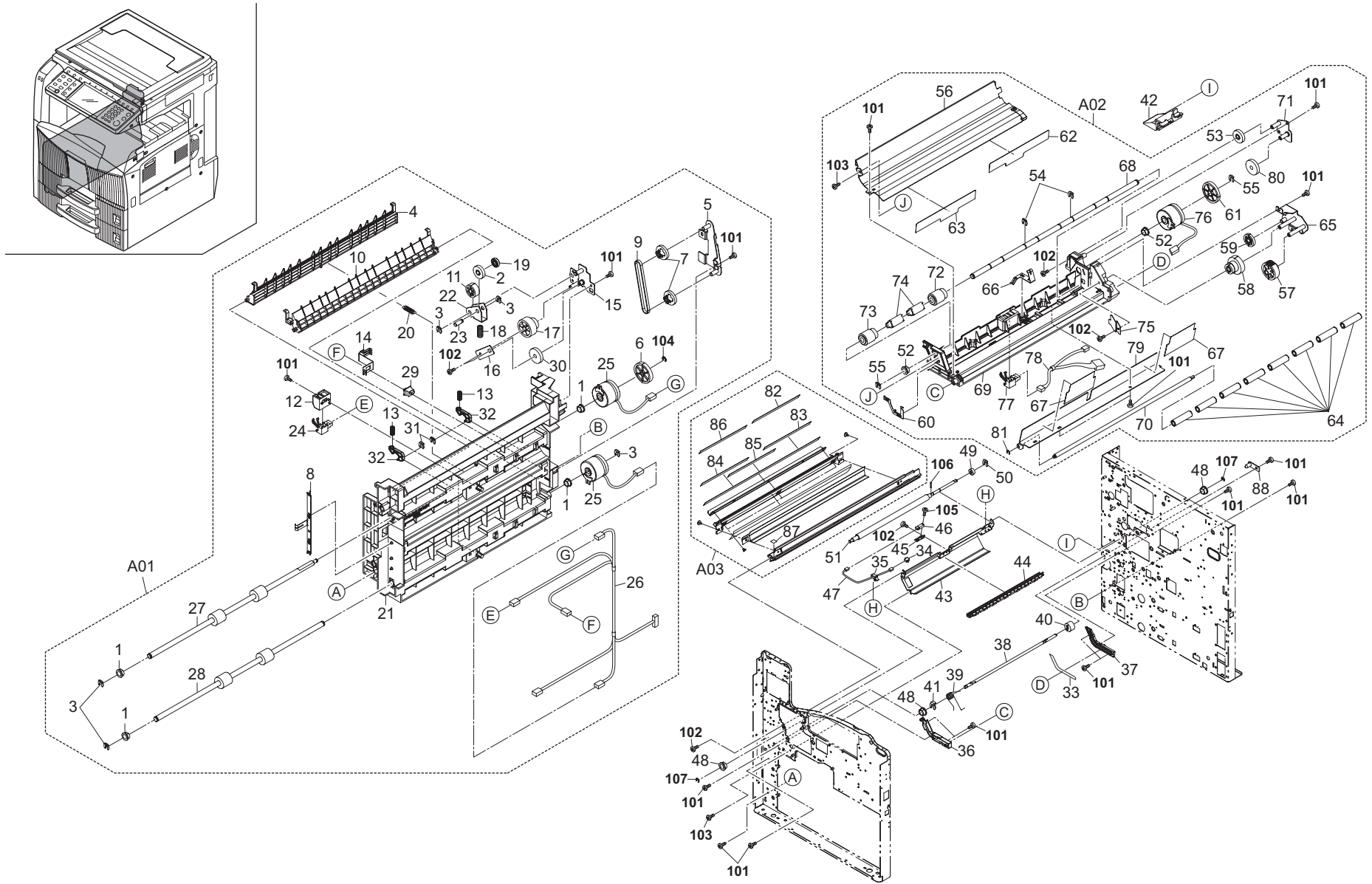


FIG. 5 Paper Feed Section 2

2KR/2KS-1

Ref. No.	Part.No.	Alternative.	Description	Quantity			
				110	120	230	240
⊙ A01	302GR93164	2GR93164	PARTS VERTICAL FEED UNIT	1	1	1	1
1	*28107310	49028101	BUSH 8	4	4	4	4
⊙ 2	*2AL06110	2AL06110	GEAR 25	1	1	1	1
3	*2BC06980	2BC06980	STOPPER 5	5	5	5	5
4	*2BL06110	2BL06110	GUIDE VERTICAL FEED	1	1	1	1
5	*2BL06130	2BL06130	MOUNT C FEED DRIVE	1	1	1	1
⊙ 6	*2BL06170	2BL06170	GEAR Z42 FEED	1	1	1	1
7	*2BL06180	2BL06180	GEAR Z28-P18 FEED	2	2	2	2
8	*2BL06220	2BL06220	EARTH VERTICAL FEED	1	1	1	1
⊙ 9	*2BL06320	2BL06320	BELT CONVEYING	1	1	1	1
10	*2BL06330	2BL06330	GUIDE B FEED	1	1	1	1
⊙ 11	*2BL06380	2BL06380	GEAR Z25 JOINT	1	1	1	1
12	*2BL06450	2BL06450	HOLDER FEED SWITCH	2	2	2	2
13	*2BL06460	2BL06460	SPRING LEFT COVER	2	2	2	2
14	*2BL06940	2BL06940	EARTH PUSH SWITCH	1	1	1	1
15	*2FG06020	2FG06020	MOUNT FEED DRIVE A	1	1	1	1
16	*2FG06030	2FG06030	MOUNT FEED DRIVE B	1	1	1	1
⊙ 17	*2FG06040	2FG06040	GEAR Z21-Z36 FEED	1	1	1	1
18	*2FG06070	2FG06070	SPRING FEED JOINT	1	1	1	1
19	*2FG06120	2FG06120	COLLAR FEED JOINT	1	1	1	1
20	*2FG06130	2FG06130	SPRING GUIDE FEED	1	1	1	1
21	*302FG06011	2FG06011	FRAME VERTICAL FEED A	1	1	1	1
22	*302FG06051	2FG06051	JOINT FEED DRIVE	1	1	1	1
23	*302FG06061	2FG06061	SHAFT FEED JOINT	1	1	1	1
⊙ 24	*302GR44220	2GR44220	SWITCH CONVEYING	2	2	2	2
25	*302GR44290	2GR44290	CLUTCH Z42S	2	2	2	2
⊙ 26	*302GR46260	2GR46260	WIRE CONVEYING	1	1	1	1
⊙ 27	*302KS94140	2KS94140	PARTS ROLLER B FEED SP	1	1	1	1
⊙ 28	*302KS94150	2KS94150	PARTS ROLLER C FEED SP	1	1	1	1
⊙ 29	*35927420	35927420	SWITCH,SIZE	1	1	1	1
⊙ 30	*36222250	36222250	GEAR 30,IDLE	1	1	1	1
31	*5MVX111DN003	2A806250	RING STOPPER /A-49 FEED A4	2	2	2	2
⊙ 32	*5MVX421DN003	2BL06490	LOCK COVER R /40283V0068A4	2	2	2	2
⊙ 33	2FG06220	2FG06220	FILM MIDDLE FEED RAIL R	1	1	1	1
34	7YCC03B1106+H01	YC047300	CONNECTOR	1	1	1	1
35	7YZM610007++H01	YZ023340	ACCESS.SADDLE	1	1	1	1
36	2BL06051	2BL06051	FRONT RAIL FEED	1	1	1	1
37	2BL06061	2BL06061	REAR RAIL FEED	1	1	1	1
38	302BL04521	2BL04521	SHAFT LEFT COVER M	1	1	1	1
39	302BL16232	2BL16232	SPRING CONV OPEN	1	1	1	1
40	2BL06950	2BL06950	DUMPER LEFT COVER	1	1	1	1
41	33973300	33973300	STOPPER 7,CARTRIDGE	1	1	1	1
42	2BL06430	2BL06430	COVER CONNECTOR	1	1	1	1
43	2BL06260	2BL06260	FRONT GUIDE REGIST	1	1	1	1
⊙ 44	2BL93450	2BL93450	PARTS.REGISTRATION CLEAN	1	1	1	1
45	2BL06440	2BL06440	MOUNT REGIST SWITCH	1	1	1	1
⊙ 46	2FG27110	2FG27110	SWITCH REGISTRATION	1	1	1	1
47	302GR46240	2GR46240	WIRE RESISTRATION	1	1	1	1
48	28107310	49028101	BUSH 8	3	3	3	3
⊙ 49	302KS08110	2KS08110	GEAR 18	1	1	1	1

- Parts with "*" are component parts or sub-assemblies of the assembly appearing immediately above them.
- Parts with "⊙" indicate regular maintenance parts.

Ref. No.	Part.No.	Alternative.	Description	Quantity			
				110	120	230	240
50	2BC06910	2BC06910	STOPPER 6	1	1	1	1
51	302FG06211	2FG06211	RIGHT ROLLER REGIST	1	1	1	1
⊙ A02	302GR93150	2GR93150	PARTS MIDDLE FEED UNIT	1	1	1	1
52	*28107310	49028101	BUSH 8	2	2	2	2
⊙ 53	*2AL06110	2AL06110	GEAR 25	1	1	1	1
54	*2BC06910	2BC06910	STOPPER 6	2	2	2	2
55	*2BC06980	2BC06980	STOPPER 5	2	2	2	2
56	*2BL06020	2BL06020	GUIDE A FEED	1	1	1	1
⊙ 57	*2BL06150	2BL06150	GEAR Z28 FEED	1	1	1	1
⊙ 58	*2BL06160	2BL06160	GEAR Z35-15 FEED	1	1	1	1
⊙ 59	*2BL06190	2BL06190	GEAR Z25 FEED	1	1	1	1
60	*2BL06230	2BL06230	GROUND PLATE A FEED	1	1	1	1
⊙ 61	*2BL06360	2BL06360	GEAR Z42 BYPASS	1	1	1	1
⊙ 62	*2BL06480	2BL06480	FILM REGIST F	1	1	1	1
⊙ 63	*2BL06970	2BL06970	FILM REGIST FF	1	1	1	1
⊙ 64	*2FG06110	2FG06110	PULLEY MIDDLE FEED	8	8	8	8
65	*2FG06160	2FG06160	MOUNT BYPASS FEED	1	1	1	1
66	*2FG06170	2FG06170	GROUND PLATE GUIDE A	1	1	1	1
67	*2FG06200	2FG06200	FILM MIDDLE FEED	2	2	2	2
68	*302BL06921	2BL06921	SHAFT FEED A	1	1	1	1
69	*302FG06083	2FG06083	HOUSING FEED	1	1	1	1
70	*302FG06101	2FG06101	SHAFT MIDDLE FEED	1	1	1	1
71	*302FG06151	2FG06151	MOUNT MID FEED DRIVE	1	1	1	1
⊙ 72	*302GR06010	2GR06010	PULLEY MIDDLE FEED A	1	1	1	1
⊙ 73	*302GR06020	2GR06020	PULLEY MIDDLE FEED B	1	1	1	1
74	*302GR06030	2GR06030	JOINT FEED	2	2	2	2
75	*302GR06220	2GR06220	HOLDER WIRE	1	1	1	1
⊙ 76	*302GR44140	2GR44140	CLUTCH REGISTRATION	1	1	1	1
77	*302GR44220	2GR44220	SWITCH CONVEYING	1	1	1	1
⊙ 78	*302GR46280	2GR46280	WIRE FEED 1	1	1	1	1
79	*302KS08160	2KS08160	GUIDE MIDDLE FEED	1	1	1	1
80	*36222250	36222250	GEAR 30,IDLE	1	1	1	1
81	*5MVX111DN007	2BT11070	STOPPER 3/2BT1107 A4	1	1	1	1
⊙ A03	302GR94481	2GR94481	PARTS,GUIDE TRANSFER	1	1	1	1
82	*2FG05070	2FG05070	LABEL DRUM CAUTION J	1	1	1	1
83	*2FG05080	2FG05080	LABEL DRUM CAUTION E1	1	1	1	1
84	*2FG05090	2FG05090	LABEL DRUM CAUTION E2	1	1	1	1
85	*2FG05100	2FG05100	LABEL DRUM CAUTION A	1	1	1	1
86	*2FG05110	2FG05110	LABEL DRUM CAUTION CN	1	1	1	1
87	*302KS22010	2KS22010	SPACER GUIDE TRANSFER	1	1	1	1
88	302GR02330	2GR02330	PIN FEED	1	1	1	1
101	7BB200308H	BB105660	+BIND T.T P SCREW 3X8				
102	7BB000305H	BB063450	+BIND M SCREW 3X5				
103	7BB100306H	BB046010	+BIND T.T S SCREW 3X6				
104	D1A00400	D1A00400	STOP RING E-4(TRIVALENT CHROMATING)				
105	7BB600312H	BB112150	+BIND M SCREW 3X12 R				
106	5MBP2012WXSP	E0020120	SPRING PIN / M2 X 12 S-BLK				
107	D1A00700	D1A00700	STOP RING E-7(TRIVALENT CHROMATING)				

- Parts with "•" are component parts or sub-assembly with "•" appearing immediately above them.

FIG. 6 Paper Feed Section 3

2KR/2KS-1

Ref. No.	Part.No.	Alternative.	Description	Quantity			
				110	120	230	240
⊙ A01	302KS94420	2KS94420	PARTS LEFT COVER MIDDLE ASSY SP	1	1	1	1
1	*2AC26310	2AC26310	SHIELD 10X8X20,GASKET	2	2	2	2
2	*2BJ04520	2BJ04520	FRONT PLATE EXIT L	1	1	1	1
⊙ 3	*2BJ21021	2BJ21021	LEVER GUIDE CHANGE U	1	1	1	1
4	*2BJ21030	2BJ21030	SPRING CHANGE UP	1	1	1	1
⊙ 5	*2BJ21040	2BJ21040	LEVER CHANGE UP B	1	1	1	1
⊙ 6	*2BL04550	2BL04550	LEVER L COVER LOCK M	2	2	2	2
7	*2BL04560	2BL04560	SPRING L COVER LOCK	2	2	2	2
8	*2BL04600	2BL04600	LEVER COVER RELEASE	1	1	1	1
9	*2BL04680	2BL04680	STRAP COVER	2	2	2	2
10	*2BL04700	2BL04700	GROUND PLATE LEFT B	2	2	2	2
11	*2BL21460	2BL21460	FILM WIRE PROTECT	1	1	1	1
12	*2BL21490	2BL21490	GUIDE FILM DU	1	1	1	1
13	*2BL21500	2BL21500	FILM WIRE PROTECT B	1	1	1	1
14	*2BL23110	2BL23110	GROUND PLATE LEFT FAN	3	3	3	3
⊙ 15	*2BL23170	2BL23170	SPONGE LEFT FAN	4	4	4	4
16	*302BJ04531	2BJ04531	REAR PLATE EXIT L	1	1	1	1
17	*302BL04541	2BL04541	SHAFT L COVER LOCK M	1	1	1	1
18	*302BL04622	2BL04622	PLATE LEFT COVER M	1	1	1	1
19	*302FB05380	2FB05380	LABEL VFEED CAUTION	1	1	1	1
⊙ 20	*302FG04062	2FG04062	COVER EXIT LEFT	1	1	1	1
21	*302FG21011	2FG21011	GUIDE CHANGE UP	1	1	1	1
22	*302FG23021	2FG23021	MOUNT OZONE FILTER A	1	1	1	1
23	*302GR02810	2GR02810	PIN LEFT COVER	2	2	2	2
24	*302GR04460	2GR04460	SEAL PROTECT OZONE	1	1	1	1
25	*302GR28051	2GR28051	GUIDE LEFT COVER M	1	1	1	1
⊙ 26	*302GR33080	2GR33080	FILTER VOC A	1	1	1	1
27	*302GR34150	2GR34150	LABEL HIGH TEMP	1	1	1	1
⊙ 28	*302GR44040	2GR44040	FAN DU 60-15	3	3	3	3
29	*302GR46310	2GR46310	WIRE CONVEYING FAN	1	1	1	1
⊙ A02	*302GR93185	2GR93185	PARTS REAR GUIDE FUSER UNIT	1	1	1	1
30	**2BL16290	2BL16290	CUT WASHER 3	4	4	4	4
31	**2BL21340	2BL21340	SPRING CHANGE PULLEY	4	4	4	4
32	**302AR20512	2AR20512	SHAFT,PRESSURE ROLLER SEPARATION C	4	4	4	4
33	**302BL20092	2BL20092	MOUNT REAR GUIDE	1	1	1	1
⊙ 34	**302BL20351	2BL20351	CLAW PRESS ROLLER	4	4	4	4
35	**302GR02840	2GR02840	PIN REAR GUIDE FIXING	2	2	2	2
⊙ 36	**302GR25350	2GR25350	SPRING CLAW PRESS	4	4	4	4
37	**302GR25371	2GR25371	REAR GUIDE FUSER	1	1	1	1
38	**302GR28041	2GR28041	GUIDE FEED SHIFT L	1	1	1	1
39	**302GR28100	2GR28100	PLATE SHAFT PULLEY	2	2	2	2
⊙ 40	**302GR28120	2GR28120	SHAFT CHANGE PULLEY	2	2	2	2
⊙ 41	**302GR28150	2GR28150	PULLEY FEED SHIFT	4	4	4	4
42	**302GR28160	2GR28160	GUIDE EXIT LT	1	1	1	1
43	**65009050	65009050	SPRING,DEVELOPING ROCK	2	2	2	2
44	*302K534130	2K534130	LABEL VFEED CAUTION	1	1	1	1
⊙ 45	*302KS04360	2KS04360	LEFT COVER MIDDLE	1	1	1	1
46	302BL06212	2BL06212	SHAFT FEED PULLEY	2	2	2	2
⊙ 47	2BL16080	2BL16080	PULLEY FEED	4	4	4	4
48	2BL06960	2BL06960	STRAP RELEASE	1	1	1	1

- Parts with "*" are component parts or sub-assemblies of the assembly appearing immediately above them.
- Parts with "⊙" indicate regular maintenance parts.

Ref. No.	Part.No.	Alternative.	Description	Quantity			
				110	120	230	240
⊙ 49	2BL16290	2BL16290	CUT WASHER 3	4	4	4	4
50	302GR34040	2GR34040	LABEL LEFT COVER A	1	1	1	1
⊙ 51	302BL06102	2BL06102	LEFT COVER FEED	1	1	1	1
52	2BL06340	2BL06340	SPRING FEED	2	2	2	2
53	302BL14241	2BL14241	CAM DLP	2	2	2	2
54	2BL14410	2BL14410	SPRING CAM	2	2	2	2
55	302BL14141	2BL14141	MOUNT CAM	2	2	2	2
56	302BL14231	2BL14231	SHAFT CAM	1	1	1	1
57	5MVM122DB003	2BM17920	BUSH POM /F0093 A4	1	1	1	1
⊙ 58	2BL14250	2BL14250	GEAR 18	1	1	1	1
59	302AR07541	2AR07541	RETAINING PIN,VERTICAL CONVEYING	1	1	1	1
60	2BC06980	2BC06980	STOPPER 5	1	1	1	1
61	302GR04900	2GR04900	SPONGE SIDE	2	2	2	2
101	7BB100306H	BB046010	+BIND T.T S SCREW 3X6				
102	7BB200306H	BB105650	+BIND T.T P SCREW 3X6				
103	7BB000305H	BB063450	+BIND M SCREW 3X5				
104	7BB200308H	BB105660	+BIND T.T P SCREW 3X8				
105	7BB202308H	BB105690	+TP-FLAT T.T P SCREW 3X8				
106	7BB100308H	BB045340	+BIND TAP-TITE S SCREW M3X8 CRFREF				
107	7BB687310H	BB115270	+TP-CUP M SCREW 3X10 R(BLACK)				
108	7BB100316H	BB040730	+BIND T.T S SCREW 3X16				
109	7BC00030A080H01	BC046150	WASHER M3X10X0.8T				

- Parts with "*•" are component parts or sub-assembly with "*" appearing immediately above them.

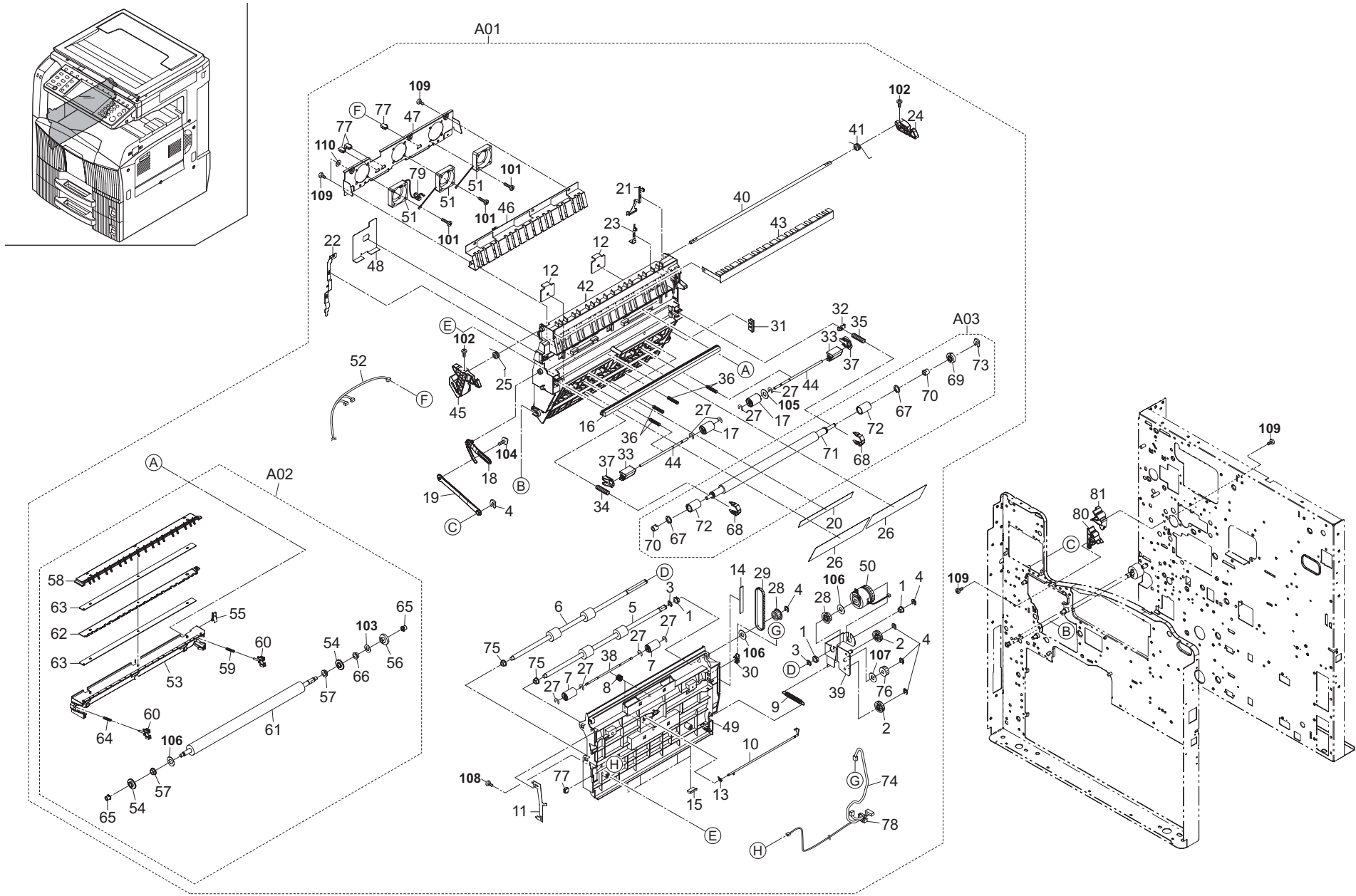


FIG. 7 Paper Conveying Section

2KR/2KS-1

Ref. No.	Part.No.	Alternative.	Description	Quantity			
				110	120	230	240
⊙ A01	302GR93142	2GR93142	FE-710	1	1	1	1
1	*28107310	49028101	BUSH 8	3	3	3	3
⊙ 2	*2AL06110	2AL06110	GEAR 25	2	2	2	2
3	*2BC06910	2BC06910	STOPPER 6	2	2	2	2
4	*2BC06980	2BC06980	STOPPER 5	6	6	6	6
⊙ 5	*2BL07020	2BL07020	ROLLER DU FEED UP	1	1	1	1
⊙ 6	*2BL07030	2BL07030	ROLLER DU FEED LOW	1	1	1	1
⊙ 7	*2BL07040	2BL07040	PULLEY DU	4	4	4	4
8	*2BL07060	2BL07060	SPRING DU PULLEY	2	2	2	2
9	*2BL07080	2BL07080	SPRING DU JOINT	1	1	1	1
⊙ 10	*2BL07090	2BL07090	ACTUATOR DU	1	1	1	1
11	*2BL07110	2BL07110	PLATE EARTH DU	1	1	1	1
12	*2BL07120	2BL07120	PLATE NUT DU	2	2	2	2
⊙ 13	*2BL07130	2BL07130	SPRING DU ACT.	1	1	1	1
14	*2BL07140	2BL07140	FILM WIRE DU	1	1	1	1
15	*2BL07150	2BL07150	GUIDE RIB DU	4	4	4	4
⊙ 16	*2BL07950	2BL07950	UNDER CLEANER REGIST	1	1	1	1
⊙ 17	*2BL16080	2BL16080	PULLEY FEED	2	2	2	2
18	*2BL16100	2BL16100	STRAP CONVEYING A	1	1	1	1
19	*2BL16110	2BL16110	STRAP CONVEYING B	1	1	1	1
⊙ 20	*2BL16130	2BL16130	GUIDE REGIST F	2	2	2	2
21	*2BL16150	2BL16150	PLATE TRANS B	1	1	1	1
22	*2BL16160	2BL16160	PLATE TRANS UNIT GND	1	1	1	1
⊙ 23	*2BL16170	2BL16170	PLATE SEPARATION B	1	1	1	1
⊙ 24	*2BL16190	2BL16190	HOOK CONVEYING	1	1	1	1
25	*2BL16200	2BL16200	SPRING CONVEYING	1	1	1	1
26	*2BL16250	2BL16250	GUIDE FEED F	2	2	2	2
27	*2BL16290	2BL16290	CUT WASHER 3	12	12	12	12
⊙ 28	*2BL21230	2BL21230	PULLEY EXIT T30	2	2	2	2
⊙ 29	*2BL21240	2BL21240	BELT EXIT P2M212	1	1	1	1
⊙ 30	*2C927210	2C927210	SENSOR 248NL1	1	1	1	1
31	*2FG16010	2FG16010	PLATE MID FEED UNIT	1	1	1	1
32	*2FG16250	2FG16250	SPACER REGIST	1	1	1	1
33	*2FG16290	2FG16290	GUIDE FEED	2	2	2	2
⊙ 34	*2FG16300	2FG16300	SPRING REGIST F	1	1	1	1
⊙ 35	*2FG16310	2FG16310	SPRING REGIST R	1	1	1	1
36	*2FG16320	2FG16320	SPRING FEED	4	4	4	4
37	*2FG16330	2FG16330	HOLDER SHAFT	2	2	2	2
38	*302BL07052	2BL07052	SHAFT DU PULLEY	2	2	2	2
39	*302BL07071	2BL07071	JOINT DU	1	1	1	1
40	*302BL16211	2BL16211	SHAFT CONVEYING	1	1	1	1
41	*302BL16241	2BL16241	SPRING CONVEYING B	1	1	1	1
42	*302FG16263	2FG16263	BASE CONVEYING A	1	1	1	1
43	*302FG16272	2FG16272	SHEET CONVEYING	1	1	1	1
⊙ 44	*302FG16281	2FG16281	SHAFT FEED	2	2	2	2
⊙ 45	*302GR24010	2GR24010	HANDLE CONVEYING	1	1	1	1
46	*302GR24020	2GR24020	PLATE PAPER GUIDE	1	1	1	1
47	*302GR24030	2GR24030	MOUNT CONVEYING FAN	1	1	1	1
48	*302GR24040	2GR24040	FILM COVER WIRE	1	1	1	1
49	*302GR29010	2GR29010	FRAME DU	1	1	1	1

Ref. No.	Part.No.	Alternative.	Description	Quantity			
				110	120	230	240
⊙ 50	*302GR44120	2GR44120	CLUTCH FEED	1	1	1	1
⊙ 51	*302GR44250	2GR44250	FAN CONVEYING 42-10	3	3	3	3
52	*302GR46730	2GR46730	WIRE CONVEYING FAN	1	1	1	1
⊙ A02	*302GR93281	2GR93281	TR-710	1	1	1	1
53	**2BL17010	2BL17010	HOUSING TRANSFER	1	1	1	1
⊙ 54	**2BL17040	2BL17040	PULLEY TRANS ROLLER	2	2	2	2
55	**2BL17050	2BL17050	PLATE TRANS UNIT	1	1	1	1
⊙ 56	**2BL17090	2BL17090	GEAR TRANS Z25H	1	1	1	1
57	**2BL17170	2BL17170	BUSHING 8	2	2	2	2
58	**2FG17010	2FG17010	HOLDER SEPARATION A	1	1	1	1
59	**2FG17160	2FG17160	SPRING TRANS R	1	1	1	1
⊙ 60	**302BL17061	2BL17061	BUSH TRANS ROLLER	2	2	2	2
⊙ 61	**302GR22010	2GR22010	ROLLER TRANSFER	1	1	1	1
62	**302GR22020	2GR22020	BRUSH SEPARATION	1	1	1	1
63	**302GR22030	2GR22030	SPACER SEPARATION	2	2	2	2
64	**302GR22050	2GR22050	SPRING TRANSFER F	1	1	1	1
65	**302GR22110	2GR22110	COLLAR TRANS ROLLER	2	2	2	2
66	**75718040	75718040	BUSHING,CLEANING BLADE SHAFT	1	1	1	1
⊙ A03	*302GR93340	2GR93340	PARTS,ROLLER REGIST SET	1	1	1	1
67	*2BL07970	2BL07970	CUT WASHER 10	2	2	2	2
68	**2BL16030	2BL16030	STOPPER BUSH	2	2	2	2
⊙ 69	**2BL16060	2BL16060	GEAR REGIST Z18	1	1	1	1
70	**2BL16260	2BL16260	BUSHING REGIST	2	2	2	2
⊙ 71	**2FG16021	2FG16021	ROLLER REGIST	1	1	1	1
72	**2FG16030	2FG16030	PULLEY REGIST	2	2	2	2
73	**5MVX111DN003	2A806250	RING STOPPER /A-49 FEED A4	1	1	1	1
74	*302KS46100	2KS46100	WIRE DUPLEX	1	1	1	1
75	*3CY07080	3CY07080	BUSHING 6	2	2	2	2
⊙ 76	*66506630	66506630	GEAR 20,IDLE	1	1	1	1
77	*7YCC02B1001+H01	YC014610	CONNECTOR	4	4	4	4
78	*7YZM420003++H01	YZ052580	ACCESS.BAND	1	1	1	1
79	*M21AH010	M21AH010	BAND,RSG-130-V0(KITAGAWA)	1	1	1	1
80	2FG16160	2FG16160	GUIDE ROLLER F	1	1	1	1
81	2FG16170	2FG16170	GUIDE ROLLER R	1	1	1	1
101	7BB100314H	BB112130	+BIND T.T S SCREW 3X14				
102	7BB007306H	BB112570	+TP-CUP M SCREW 3X6				
103	C2895150	C2895150	SHIM 8.2X1.0T				
104	7BB202306H	BB106940	+TP-FLAT T.T P SCREW 3X6				
105	C2604080	C2604080	PLAIN WASHER M4-8 (BRASS,N:)				
106	C2808200	C2808200	POLYESTER SLIDER WASHER 8X20X0.5T				
107	5MBWK62955NN	C2892950	POLY SLIDER /M6.2X9.5X0.5T PLASTC				
108	7BB600310H	BB112140	+BIND M SCREW 3X10 R				
109	7BB200308H	BB105660	+BIND T.T P SCREW 3X8				
110	7BC00030A080H01	BC046150	WASHER M3X10X0.8T				

- Parts with "*" are component parts or sub-assemblies of the assembly appearing immediately above them.
- Parts with "⊙" indicate regular maintenance parts.

- Parts with "••" are component parts or sub-assembly with "•" appearing immediately above them.

FIG. 8 Paper Exit Section (110V)

2KR/2KS-1

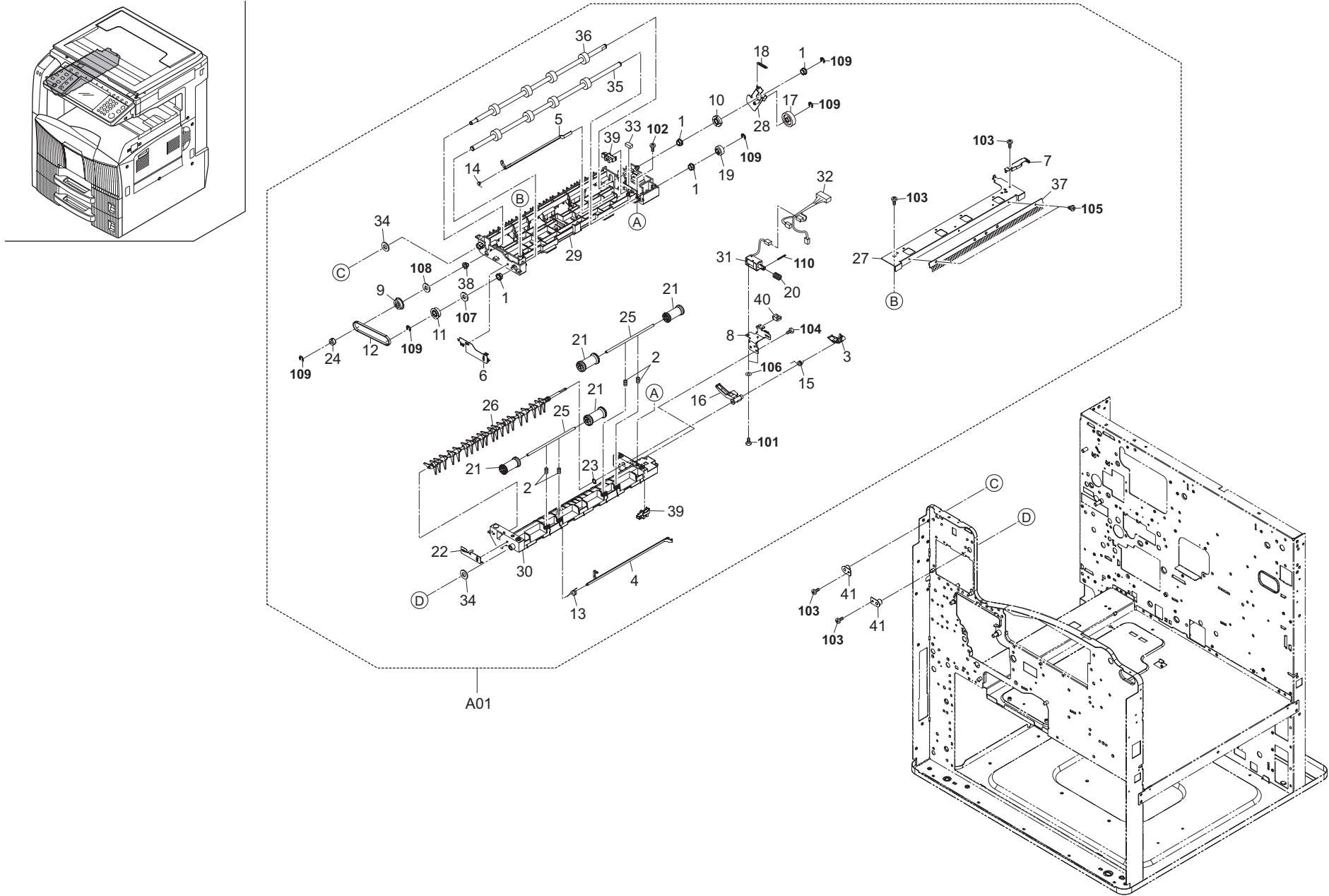


FIG. 8 Paper Exit Section (110V)

2KR/2KS-1

Ref. No.	Part.No.	Alternative.	Description	Quantity			
				110	120	230	240
⊙ A01	302GY93023	2GY93023	PARTS EXIT UNIT J	1			
1	*28107310	49028101	BUSH 8	4			
2	*2BL21070	2BL21070	SPRING EXIT PULLEY	4			
3	*2BL21100	2BL21100	LEVER GUIDE CHANGE	1			
⊙ 4	*2BL21120	2BL21120	ACTUATOR EXIT R	1			
⊙ 5	*2BL21130	2BL21130	ACTUATOR EXIT L	1			
6	*2BL21170	2BL21170	PLATE EARTH EXIT F	1			
7	*2BL21180	2BL21180	PLATE EARTH EXIT R	1			
8	*2BL21190	2BL21190	BKT SOLENOID	1			
⊙ 9	*2BL21211	2BL21211	PULLEY ONEWAY T30	1			
⊙ 10	*2BL21220	2BL21220	GEAR EXIT Z19	1			
⊙ 11	*2BL21230	2BL21230	PULLEY EXIT T30	1			
⊙ 12	*2BL21240	2BL21240	BELT EXIT P2M212	1			
13	*2BL21250	2BL21250	SPRING ACTUATOR R	1			
14	*2BL21260	2BL21260	SPRING ACTUATOR L	1			
15	*2BL21270	2BL21270	SPRING FEED SHIFT	1			
16	*2BL21370	2BL21370	LEVER GUIDE CHANGE B	1			
⊙ 17	*2BL21390	2BL21390	GEAR EXIT JOINT Z26S	1			
18	*2BL21400	2BL21400	SPRING EXIT JOINT	1			
⊙ 19	*2BL21430	2BL21430	GEAR EXIT Z20	1			
⊙ 20	*2BL21440	2BL21440	SPRING EXIT CHANGE	1			
21	*2BL21450	2BL21450	PULLEY EXIT B	4			
22	*2BL21470	2BL21470	PLATE EARTH CHANGE	1			
23	*2BL21510	2BL21510	CUT WASHER 6	1			
24	*2BL22580	2BL22580	COLLAR BELT	1			
25	*302BL21061	2BL21061	SHAFT EXIT PULLEY	2			
⊙ 26	*302BL21081	2BL21081	GUIDE EXIT CHANGE	1			
27	*302BL21162	2BL21162	BKT DISCHARGER	1			
28	*302BL21202	2BL21202	JOINT EXIT	1			
29	*302GR28014	2GR28014	FRAME EXIT UP	1			
30	*302GR28021	2GR28021	FRAME EXIT LOW	1			
⊙ 31	*302GR44160	2GR44160	SOLENOID FEED SHIFT	1			
32	*302GR46140	2GR46140	WIRE EJECT(C)	1			
33	*302H012330	2H012330	SEAL WIRE A	1			
34	*302KS28050	2KS28050	SPACER EXIT	2			
⊙ 35	*302KS94190	2KS94190	PARTS ROLLER EXIT J SP	1			
⊙ 36	*302KS94200	2KS94200	PARTS ROLLER FEED SHIFT SP	1			
⊙ 37	*34821210	34821210	STATIC ELIMINATOR B,EJECT	1			
38	*3CY07080	3CY07080	BUSHING 6	1			
⊙ 39	*7NXGP1A173LCH01	NX115300	SENSOR OPT.	2			
40	*M2104390	M2104390	EDGING,EDS-0607L(KITAGAWA)	1			
41	302GR02860	2GR02860	PIN EXIT	2			

Ref. No.	Part.No.	Alternative.	Description	Quantity			
				110	120	230	240
101	7BB000P03H	BB107130	+BIND M SCREW 2.6X3				
102	7BB200310H	BB105670	+BIND T.T P SCREW 3X10				
103	7BB100306H	BB046010	+BIND T.T S SCREW 3X6				
104	7BB200308H	BB105660	+BIND T.T P SCREW 3X8				
105	7BB008305H	BB112590	+FLAT FILLISTER M SCREW 3X5				
106	C2603080	C2603080	PLAIN WASHER M3-8 (BRASS,N:)				
107	C2808200	C2808200	POLYESTER SLIDER WASHER 8X20X0.5T				
108	C2891120	C2891120	POLYESTER SLIDER WASHER 6.2X12X0.25				
109	D1A00500	D1A00500	STOP RING E-5(TRIVALENT CHROMATING)				
110	5MBP2020WWLD	E1120200	SPRING PIN / M2 X 20 SUS-DP XX				

- Parts with "*" are component parts or sub-assemblies of the assembly appearing immediately above them.
- Parts with "⊙" indicate regular maintenance parts.

- Parts with "••" are component parts or sub-assembly with "•" appearing immediately above them.

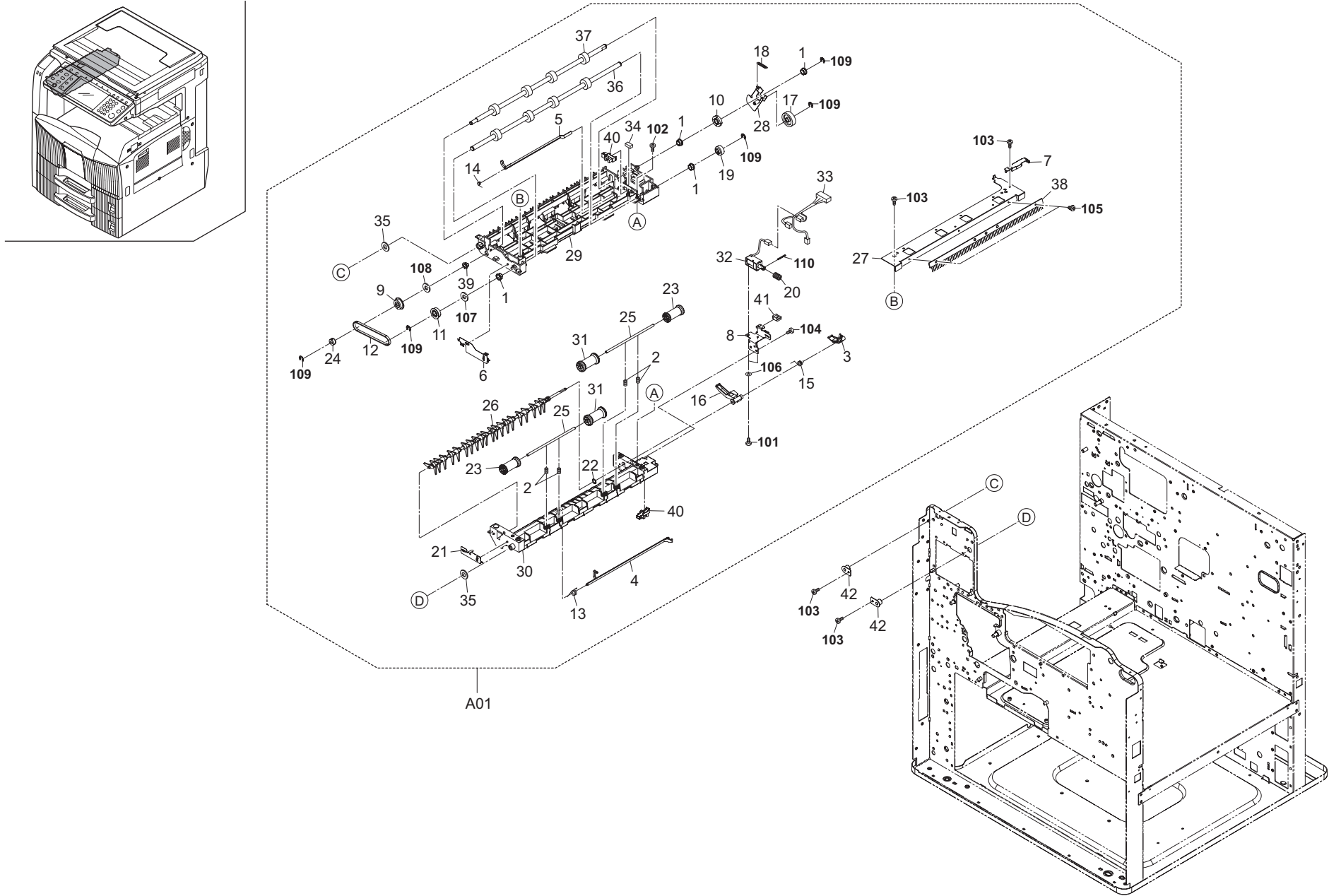


FIG. 8 Paper Exit Section (120/230/240V)

2KR/2KS-1

Ref. No.	Part.No.	Alternative.	Description	Quantity			
				110	120	230	240
⊙ A01	302GR93133	2GR93133	PARTS EXIT UNIT		1	1	1
1	*28107310	49028101	BUSH 8	4	4	4	4
2	*2BL21070	2BL21070	SPRING EXIT PULLEY	4	4	4	4
3	*2BL21100	2BL21100	LEVER GUIDE CHANGE	1	1	1	1
⊙ 4	*2BL21120	2BL21120	ACTUATOR EXIT R	1	1	1	1
⊙ 5	*2BL21130	2BL21130	ACTUATOR EXIT L	1	1	1	1
6	*2BL21170	2BL21170	PLATE EARTH EXIT F	1	1	1	1
7	*2BL21180	2BL21180	PLATE EARTH EXIT R	1	1	1	1
8	*2BL21190	2BL21190	BKT SOLENOID	1	1	1	1
⊙ 9	*2BL21211	2BL21211	PULLEY ONEWAY T30	1	1	1	1
⊙ 10	*2BL21220	2BL21220	GEAR EXIT Z19	1	1	1	1
⊙ 11	*2BL21230	2BL21230	PULLEY EXIT T30	1	1	1	1
⊙ 12	*2BL21240	2BL21240	BELT EXIT P2M212	1	1	1	1
13	*2BL21250	2BL21250	SPRING ACTUATOR R	1	1	1	1
14	*2BL21260	2BL21260	SPRING ACTUATOR L	1	1	1	1
15	*2BL21270	2BL21270	SPRING FEED SHIFT	1	1	1	1
16	*2BL21370	2BL21370	LEVER GUIDE CHANGE B	1	1	1	1
⊙ 17	*2BL21390	2BL21390	GEAR EXIT JOINT Z26S	1	1	1	1
18	*2BL21400	2BL21400	SPRING EXIT JOINT	1	1	1	1
⊙ 19	*2BL21430	2BL21430	GEAR EXIT Z20	1	1	1	1
⊙ 20	*2BL21440	2BL21440	SPRING EXIT CHANGE	1	1	1	1
21	*2BL21470	2BL21470	PLATE EARTH CHANGE	1	1	1	1
22	*2BL21510	2BL21510	CUT WASHER 6	1	1	1	1
23	*2BL21520	2BL21520	PULLEY EXIT C	2	2	2	2
24	*2BL22580	2BL22580	COLLAR BELT	1	1	1	1
25	*302BL21061	2BL21061	SHAFT EXIT PULLEY	2	2	2	2
⊙ 26	*302BL21081	2BL21081	GUIDE EXIT CHANGE	1	1	1	1
27	*302BL21162	2BL21162	BKT DISCHARGER	1	1	1	1
28	*302BL21202	2BL21202	JOINT EXIT	1	1	1	1
29	*302GR28014	2GR28014	FRAME EXIT UP	1	1	1	1
30	*302GR28021	2GR28021	FRAME EXIT LOW	1	1	1	1
31	*302GR28060	2GR28060	PULLEY EXIT	2	2	2	2
⊙ 32	*302GR44160	2GR44160	SOLENOID FEED SHIFT	1	1	1	1
33	*302GR46140	2GR46140	WIRE EJECT(C)	1	1	1	1
34	*302H012330	2H012330	SEAL WIRE A	1	1	1	1
35	*302KS28050	2KS28050	SPACER EXIT	2	2	2	2
⊙ 36	*302KS94180	2KS94180	PARTS ROLLER EXIT SP	1	1	1	1
⊙ 37	*302KS94200	2KS94200	PARTS ROLLER FEED SHIFT SP	1	1	1	1
⊙ 38	*34821210	34821210	STATIC ELIMINATOR B,EJECT	1	1	1	1
39	*3CY07080	3CY07080	BUSHING 6	1	1	1	1
⊙ 40	*7NXGP1A173LCH01	NX115300	SENSOR OPT.	2	2	2	2
41	*M2104390	M2104390	EDGING,EDS-0607L(KITAGAWA)	1	1	1	1
42	302GR02860	2GR02860	PIN EXIT	2	2	2	2

Ref. No.	Part.No.	Alternative.	Description	Quantity			
				110	120	230	240
101	7BB000P03H	BB107130	+BIND M SCREW 2.6X3				
102	7BB200310H	BB105670	+BIND T.T P SCREW 3X10				
103	7BB100306H	BB046010	+BIND T.T S SCREW 3X6				
104	7BB200308H	BB105660	+BIND T.T P SCREW 3X8				
105	7BB008305H	BB112590	+FLAT FILLISTER M SCREW 3X5				
106	C2603080	C2603080	PLAIN WASHER M3-8 (BRASS,N:)				
107	C2808200	C2808200	POLYESTER SLIDER WASHER 8X20X0.5T				
108	C2891120	C2891120	POLYESTER SLIDER WASHER 6.2X12X0.25				
109	D1A00500	D1A00500	STOP RING E-5(TRIVALENT CHROMATING)				
110	5MBP2020WWLD	E1120200	SPRING PIN / M2 X 20 SUS-DP XX				

- Parts with "*" are component parts or sub-assemblies of the assembly appearing immediately above them.
- Parts with "⊙" indicate regular maintenance parts.

- Parts with "••" are component parts or sub-assembly with "•" appearing immediately above them.

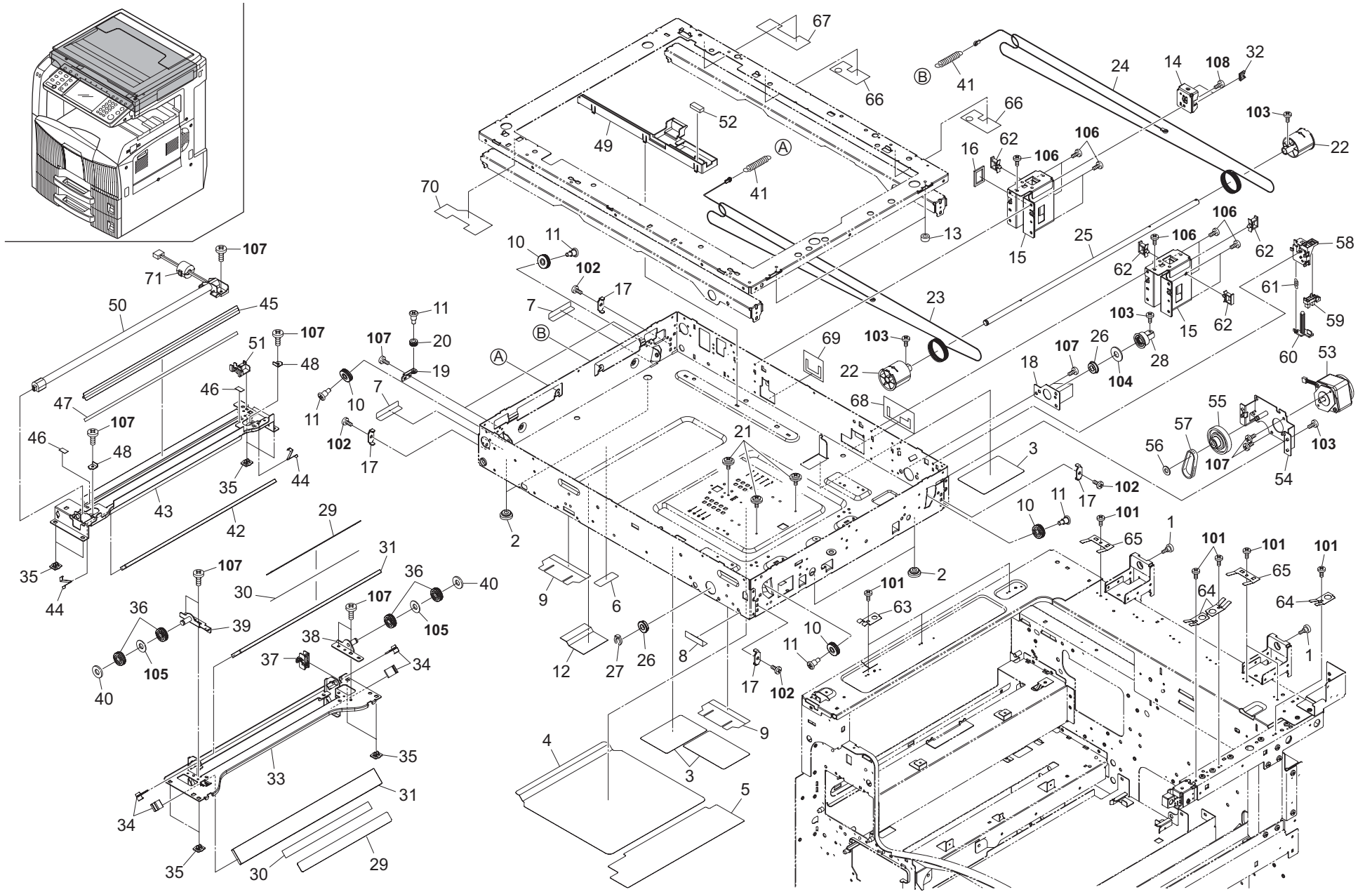


FIG. 9 Scanner Section 1

2KR/2KS-1

Ref. No.	Part.No.	Alternative.	Description	Quantity			
				110	120	230	240
⊙ 1	302GR17180	2GR17180	PIN SCANNER RETAINING	2	2	2	2
2	302H717290	2H717290	BASE RUBBER SCANNER SECTION	4	4	4	4
3	302GR17410	2GR17410	SEAL FRAME A	3	3	3	3
4	302GR17420	2GR17420	SEAL FRAME B	1	1	1	1
5	302GR17460	2GR17460	SEAL FRAME C	1	1	1	1
6	303KB28010	3KB28010	PAD JS SENSOR	1	1	1	1
7	302GR17930	2GR17930	SEAL SCANNER FRAME E	2	2	2	2
8	302FZ17051	2FZ17051	SEAL FRAME E	1	1	1	1
9	302H705180	2H705180	FILM OPE WIRE	2	2	2	2
10	302H717160	2H717160	PULLEY SCANNER	4	4	4	4
11	302GR17350	2GR17350	PIN WIRE PULLEY B	6	6	6	6
12	302DA12070	2DA12070	SEAL SCANNER	1	1	1	1
13	302H002380	2H002380	SHIELD SCREW	2	2	2	2
14	302H717400	2H717400	MOUNT DP PLATE	1	1	1	1
15	302GR17272	2GR17272	MOUNT DP HINGE	2	2	2	2
16	302H717150	2H717150	SEAL BRACKET ISU	1	1	1	1
17	302GR17790	2GR17790	PLATE HOLDER RAIL	4	4	4	4
18	302GR17880	2GR17880	HOLDER BEARING	1	1	1	1
19	302GR17860	2GR17860	PLATE PULLEY	2	2	2	2
⊙ 20	2BC07050	2BC07050	PULLEY,LIFT WIRE	2	2	2	2
21	302GR17660	2GR17660	PIN ISU	3	3	3	3
22	302H717250	2H717250	DRUM PULLEY	2	2	2	2
⊙ 23	302H717381	2H717381	WIRE SCANNER FRONT	1	1	1	1
⊙ 24	302H717391	2H717391	WIRE SCANNER REAR	1	1	1	1
25	302GR17190	2GR17190	SHAFT SCANNER	1	1	1	1
26	28107400	28107400	BEARING,688ZZNR	2	2	2	2
27	2BC06910	2BC06910	STOPPER 6	1	1	1	1
28	302GR17210	2GR17210	PULLEY SCANNER 43	1	1	1	1
29	302GR17830	2GR17830	PLATE MIRROR B	2	2	2	2
⊙ 30	302GR17840	2GR17840	SEAL PLATE MIRROR B	2	2	2	2
⊙ 31	2FB12180	2FB12180	MIRROR B	2	2	2	2
32	7YZM210006++H01	YZ038000	ACCESS.EDGING	2	2	2	2
33	302GR17091	2GR17091	MIRROR FRAME B	1	1	1	1
34	75712080	75712080	MIRROR HOLDER	4	4	4	4
35	2DC12230	2DC12230	SLIDER SCANNER	8	8	8	8
36	302H717370	2H717370	PULLEY SCANNER	4	4	4	4
37	302GR17150	2GR17150	GUIDE WIRE B	1	1	1	1
38	302GR17980	2GR17980	PULLEY PLATE B	1	1	1	1
39	302GR17131	2GR17131	ADJUSTING PLATE B	1	1	1	1
40	2BG22990	2BG22990	CUT WASHER 4	2	2	2	2
41	302C912291	2C912291	SPRING SCANNER TENSION	2	2	2	2
⊙ 42	2FB12140	2FB12140	MIRROR A	1	1	1	1
43	302GR17082	2GR17082	MIRROR FRAME A	1	1	1	1
44	2BC12190	2BC12190	SPRING,MIRROR HOLDER	2	2	2	2
45	302GR17250	2GR17250	REFLECTOR SCANNER	1	1	1	1
46	302GR17400	2GR17400	FILM LAMP	2	2	2	2
47	302GR17620	2GR17620	TAPE REFLECTOR	1	1	1	1
48	2C912150	2C912150	RETAINER WIRE	2	2	2	2
49	302GR17160	2GR17160	GUIDE WIRE C	1	1	1	1
⊙ 50	302H794260	2H794260	PARTS LAMP SCANNER	1	1	1	1

- Parts with "*" are component parts or sub-assemblies of the assembly appearing immediately above them.
- Parts with "⊙" indicate regular maintenance parts.

Ref. No.	Part.No.	Alternative.	Description	Quantity			
				110	120	230	240
51	302GR17140	2GR17140	GUIDE WIRE A	1	1	1	1
52	302H717320	2H717320	HOLDER GUIDE WIRE C	1	1	1	1
⊙ 53	302H794270	2H794270	PARTS MOTOR SCANNER	1	1	1	1
54	302GR17220	2GR17220	MOUNT SCANNER DRIVE	1	1	1	1
55	302GR17200	2GR17200	PULLEY SCANNER 47/34	1	1	1	1
56	5MVS665KB001	2BM40060	CUT WASHER	1	1	1	1
57	302GR17230	2GR17230	BELT SCANNER	1	1	1	1
58	302GR17300	2GR17300	MOUNT RELEASE SWITCH	1	1	1	1
⊙ 59	2C927210	2C927210	SENSOR 248NL1	1	1	1	1
⊙ 60	302GR17370	2GR17370	SWITCH RELEASE	1	1	1	1
61	302GR17380	2GR17380	SPRING RELEASE SWITCH	1	1	1	1
62	7YZM610001++H01	YZ010230	ACCESS SADDLE	4	4	4	4
63	302GR02531	2GR02531	GROUND PLATE ISU A	3	3	3	3
64	302GR02570	2GR02570	GROUND PLATE ISU C	3	3	3	3
65	302GR02580	2GR02580	GROUND PLATE ISU D	3	3	3	3
66	302H717410	2H717410	SEAL FRAME UPPER A	2	2	2	2
67	302H717420	2H717420	SEAL FRAME UPPER B	1	1	1	1
68	302H717460	2H717460	SEAL FRAME REAR A	1	1	1	1
69	302H717470	2H717470	SEAL FRAME REAR B	1	1	1	1
70	302H717480	2H717480	SEAL FRAME UPPER C	1	1	1	1
71	3HK27050	3HK27050	CORE 8-16X10	1	1	1	1
101	7BB100306H	BB046010	+BIND T.T S SCREW 3X6				
102	7BB702308H	BB107060	+TP-FLAT T.T S SCREW 3X8 SR				
103	7BB606308H	BB105280	+PAN M SCREW WITH SW W 3X8 R				
104	7BCW7085D020H01	C3791130	WAVE WASHER SUS WW8.5X13X0.2				
105	C2895950	C2895950	SHIM 6.2-1.0T				
106	7BB700308H	BB105600	+BIND T.T S SCREW 3X8 SR				
107	7BB700306H	BB105590	+BIND T.T S SCREW 3X6 SR				
108	7BB100408H	BB048820	+BIND T.T S SCREW 4X8				

- Parts with "••" are component parts or sub-assembly with "•" appearing immediately above them.

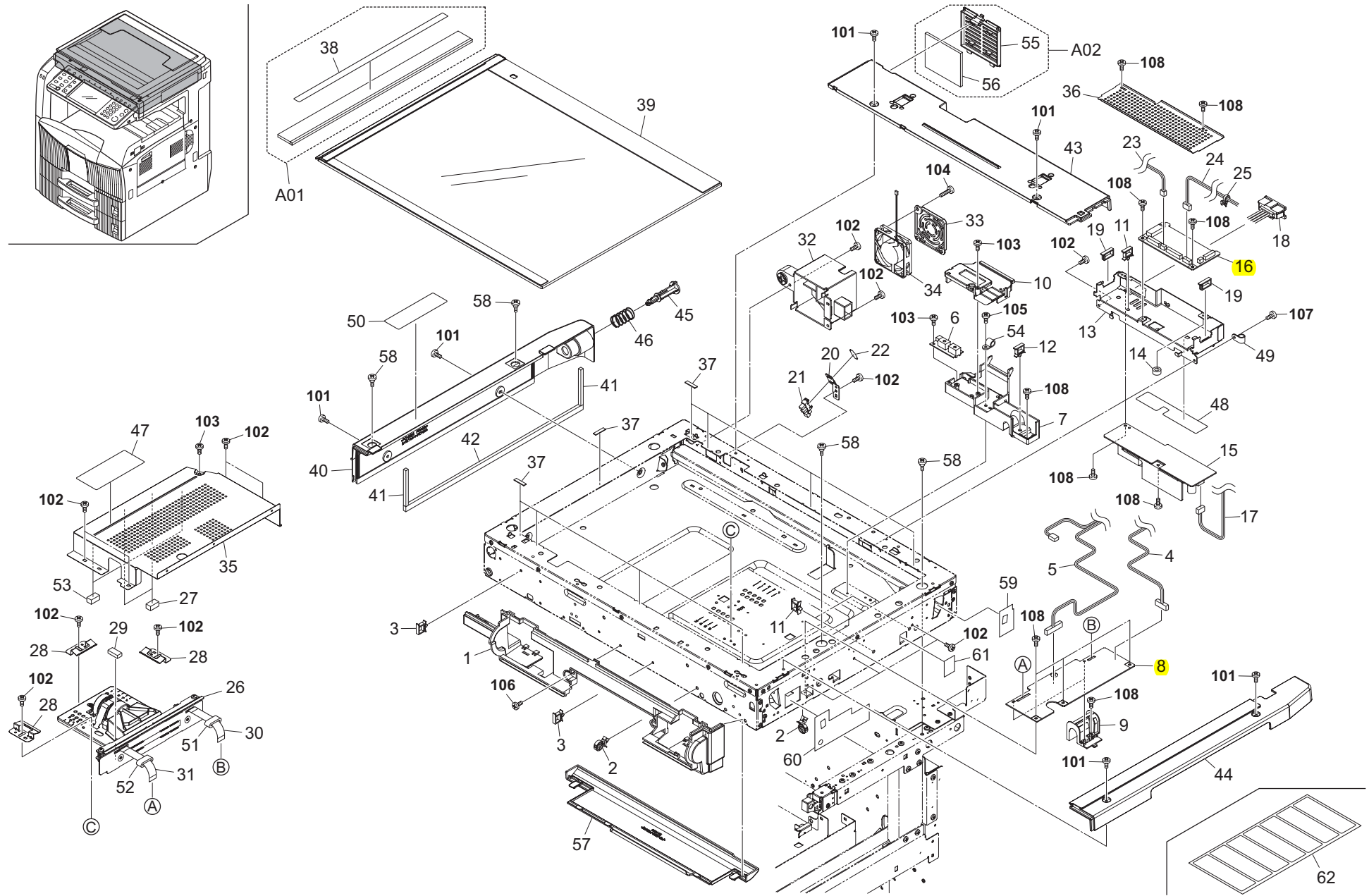


FIG. 10 Scanner Section 2

2KR/2KS-1

Ref. No.	Part.No.	Alternative.	Description	Quantity			
				110	120	230	240
⊙ 1	302H704240	2H704240	COVER ISU FRONT LOW	1	1	1	1
2	M70AF010	M70AF010	CLAMP,LCT-1.5SIEM(TAKEUCHI)	2	2	2	2
3	7YZM610007++H01	Y2023340	ACCESS.SADDLE	2	2	2	2
4	302H746671	2H746671	WIRE CCD DATA	1	1	1	1
5	302H746610	2H746610	WIRE ISC-ISM	1	1	1	1
⊙ 6	2C927090	2C927090	SENSOR ORIGINAL	1	1	1	1
7	302GR17740	2GR17740	GUIDE WIRE D	1	1	1	1
⊙ 8	302KS94080	2KS94080	PARTS PWB ISC SP	1	1	1	1
9	302H717020	2H717020	GUIDE FFC	2	2	2	2
10	302GR17770	2GR17770	GUIDE WIRE E	1	1	1	1
11	7YZM610001++H01	YZ010230	ACCESS SADDLE	3	3	3	3
12	7YZM610004++H01	YZ012210	ACCESS SADDLE	1	1	1	1
13	302H717010	2H717010	MOUNT SCANNER PWB	1	1	1	1
14	302H002380	2H002380	SHIELD SCREW	1	1	1	1
⊙ 15	302H794280	2H794280	PARTS UNIT LAMP INVERTER	1	1	1	1
⊙ 16	302H794061	2H794061	PARTS PWB ISM ASSY SP	1	1	1	1
17	302H746630	2H746630	WIRE INVERTER	1	1	1	1
18	302H746620	2H746620	WIRE ISM-LVU	1	1	1	1
19	7YZM210003++H01	YZ037970	ACCESS.EDGING	2	2	2	2
20	302GR17750	2GR17750	HOLDER PI	1	1	1	1
⊙ 21	2C927210	2C927210	SENSOR 248NL1	1	1	1	1
22	302GR17970	2GR17970	STOPPER PI	1	1	1	1
23	302H746660	2H746660	WIRE HP SW	1	1	1	1
24	302H746650	2H746650	WIRE OP SW	1	1	1	1
25	7YZM410002++H01	YZ042720	ACCESS.BAND	1	1	1	1
⊙ 26	302JZ93140	2JZ93140	PARTS ISU L	1	1	1	1
27	7ZG65TSV+010H01	ZG111180	SHIELD GASKET	2	2	2	2
28	302GR17680	2GR17680	PLATE SPRING ISU	3	3	3	3
29	7ZGSTG108015H01	ZG046740	SHIELD GASKET	1	1	1	1
30	302H746590	2H746590	WIRE CCD1	1	1	1	1
31	302H746600	2H746600	WIRE CCD2	1	1	1	1
32	302H717060	2H717060	BRACKET FAN ISU	1	1	1	1
33	302H717240	2H717240	COVER SHIELD FAN ISU	1	1	1	1
⊙ 34	302FZ44060	2FZ44060	FAN COOLING CONVEYING	1	1	1	1
35	302GR17561	2GR17561	COVER ISU	1	1	1	1
36	302H717030	2H717030	LID PWB	1	1	1	1
37	29812291	29812291	CUSHION,CONTACT GLASS	9	9	9	9
⊙ A01	302H793481	2H793481	PARTS CONTACT GLASS ADF ASSY	1	1	1	1
⊙ 38	*303LL02500	3LL02500	SHEET GLASS	1	1	1	1
⊙ 39	302KS94260	2KS94260	PARTS CONTACT GLASS (I) ASSY SP	1	1	1	1
⊙ 39	302KS94250	2KS94250	PARTS CONTACT GLASS (M) ASSY SP	1	1	1	1
⊙ 40	302H704270	2H704270	COVER ISU LEFT	1	1	1	1
41	302GR17910	2GR17910	SEAL COVER ISU LEFT A	2	2	2	2
42	302GR17920	2GR17920	SEAL COVER ISU LEFT B	1	1	1	1
⊙ 43	302H704281	2H704281	COVER ISU REAR	1	1	1	1
⊙ 44	302H704260	2H704260	COVER ISU RIGHT	1	1	1	1
45	302GR17262	2GR17262	RETAINER MIRROR FRAME A	1	1	1	1
46	302GR17360	2GR17360	SPRING FRAME RETAINER	1	1	1	1
47	2A105180	2A105180	LABEL,CAUTION CONTACT GLASS	1	1	1	1
48	302H717300	2H717300	SEAL MOUNT PWB	1	1	1	1

- Parts with "*" are component parts or sub-assemblies of the assembly appearing immediately above them.
- Parts with "⊙" indicate regular maintenance parts.

Ref. No.	Part.No.	Alternative.	Description	Quantity			
				110	120	230	240
49	M70A5010	M70A5010	CLAMP,EMT-4N(TAKEUCHI)	1	1	1	1
50	302H734340	2H734340	LABEL OPERATION CAUTION (TW)	1			
50	302H734110	2H734110	LABEL OPERATION CAUTION (EN)		1	1	1
51	7YBFQ550L001H01	YB106380	FERRITE CORE	1	1	1	1
52	7YBFZ265C001H01	YB110990	FERRITE CORE	1	1	1	1
53	7ZGSTG151018H01	ZG045090	SHIELD GASKET	2	2	2	2
54	M7005010	M7005010	CLAMP,EMT-3N(TAKEUCHI)	1	1	1	1
⊙ A02	302H794410	2H794410	PARTS FILTER ISU ASSY	1	1	1	1
⊙ 55	*302H704551	2H704551	COVER FILTER ISU	1	1	1	1
⊙ 56	*302H704560	2H704560	FILTER ISU	1	1	1	1
⊙ 57	302H704600	2H704600	COVER OPE HARNESS	1	1	1	1
⊙ 58	302GR17180	2GR17180	PIN SCANNER RETAINING	4	4	4	4
59	302H717450	2H717450	SEAL FRAME SIDE C	1	1	1	1
60	302H717432	2H717432	SEAL FRAME SIDE A	1	1	1	1
61	302H717440	2H717440	SEAL FRAME SIDE B	1	1	1	1
62	302H734200	2H734200	LABEL OPERATION CAUTION SET AE	1	1		
101	7BB180408H	BB111210	+BIND T.T S SCREW 4X8(BLACK)				
102	7BB100306H	BB046010	+BIND T.T S SCREW 3X6				
103	7BB200308H	BB105660	+BIND T.T P SCREW 3X8				
104	7BB200425H	BB106980	+BIND T.T P SCREW 4X25				
105	7BB700310H	BB106900	+BIND T.T S SCREW 3X10 SR				
106	7BB100406H	BB106920	+BIND T.T S SCREW 4X6				
107	7BB702308H	BB107060	+TP-FLAT T.T S SCREW 3X8 SR				
108	7BB700306H	BB105590	+BIND T.T S SCREW 3X6 SR				

- Parts with "*•" are component parts or sub-assembly with "*" appearing immediately above them.

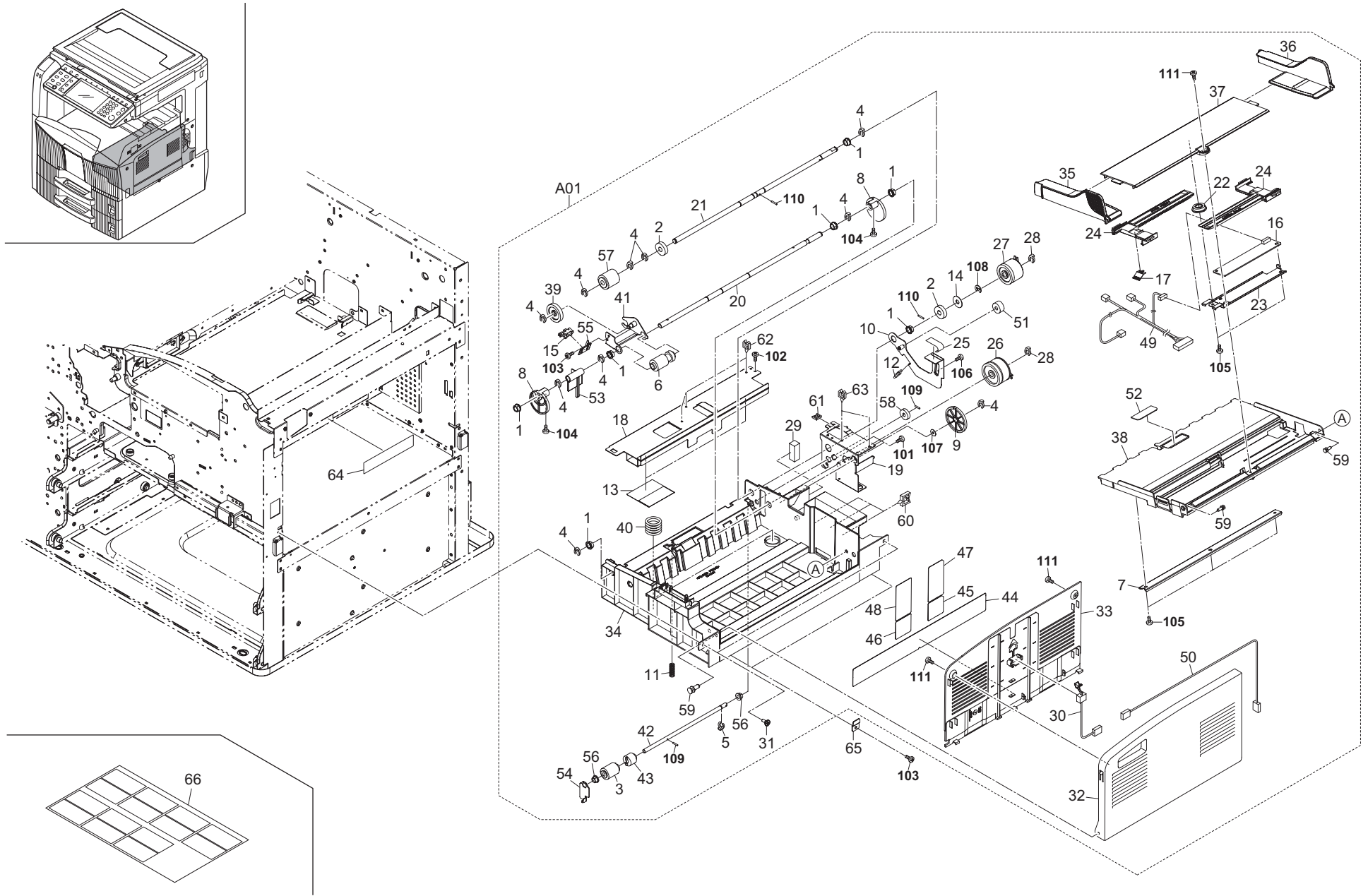


FIG. 11 Bypass Unit

2KR/2KS-1

Ref. No.	Part.No.	Alternative.	Description	Quantity			
				110	120	230	240
⊙ A01	302KS94481	2KS94481	PARTS BYPASS TW ASSY SP	1			
⊙ A01	302KS94342	2KS94342	PARTS BYPASS ASSY SP				
1	*28107310	49028101	BUSH 8	7	7	7	7
⊙ 2	*29415100	45729416	GEAR,TONER ROLLER	2	2	2	2
⊙ 3	*2AR07230	2AR07230	PULLEY,SEPARATION	1	1	1	1
⊙ 4	*2BC06910	2BC06910	STOPPER 6	10	10	10	10
5	*2BC06980	2BC06980	STOPPER 5	1	1	1	1
⊙ 6	*2BJ06010	2BJ06010	PULLEY FEED A	1	1	1	1
7	*2BL06650	2BL06650	STAY LIFTPLATE	1	1	1	1
8	*2BL06680	2BL06680	CAM BYPASS	2	2	2	2
⊙ 9	*2BL06720	2BL06720	GEAR 55/15	1	1	1	1
10	*2BL06850	2BL06850	JOINT RETARD	1	1	1	1
11	*2BL06860	2BL06860	SPRING RETARD	1	1	1	1
12	*2BL06870	2BL06870	SPRING JOINTRETARD	1	1	1	1
13	*2BL06880	2BL06880	FILM BYPASS	2	2	2	2
14	*2BL06990	2BL06990	STOPPER GEAR 8-25	1	1	1	1
⊙ 15	*2C927210	2C927210	SENSOR 248NL1	1	1	1	1
⊙ 16	*2FG01020	2FG01020	SIZE DETECTION ASS'Y	1	1	1	1
⊙ 17	*302BC07861	2BC07861	TERMINAL,PAPER SIZE DETECTION	1	1	1	1
18	*302BL06532	2BL06532	COVER BYPASSUNIT	1	1	1	1
19	*302BL06691	2BL06691	MOUNT BYPASSDRIVE	1	1	1	1
20	*302BL06761	2BL06761	SHAFT BYPASSCAM	1	1	1	1
21	*302BL06773	2BL06773	SHAFT BYPASS	1	1	1	1
⊙ 22	*302BM07410	2BM07410	GEAR GUIDE SIDE	1	1	1	1
23	*302GR08060	2GR08060	MOUNT SIZE PWB	1	1	1	1
⊙ 24	*302GR08071	2GR08071	RACK CURSOR	2	2	2	2
25	*302GR34250	2GR34250	LABEL JAM A4	1	1	1	1
⊙ 26	*302GR44131	2GR44131	CLUTCH FEED B	1	1	1	1
⊙ 27	*302GR44290	2GR44290	CLUTCH Z42S	1	1	1	1
28	*302H008180	2H008180	CUT WASHER MPF 5	2	2	2	2
29	*302H008330	2H008330	CUSHION MPF	1	1	1	1
⊙ 30	*302H044100	2H044100	SWITCH BYPASS SIZE	1	1	1	1
31	*302KS04380	2KS04380	PIN COVER BK	2	2	2	2
⊙ 32	*302KS08040	2KS08040	COVER BYPASSSTRAY	1	1	1	1
⊙ 33	*302KS08050	2KS08050	TABLE BYPASS	1	1	1	1
34	*302KS08061	2KS08061	BASE BYPASS	1	1	1	1
35	*302KS08070	2KS08070	FRONT CURSOR BYPASS	1	1	1	1
36	*302KS08080	2KS08080	REAR CURSOR BYPASS	1	1	1	1
37	*302KS08090	2KS08090	COVER CURSOR	1	1	1	1
38	*302KS08100	2KS08100	PLATE LIFT BYPASS	1	1	1	1
⊙ 39	*302KS08130	2KS08130	GEAR 30 FD EJECT IDLE	1	1	1	1
40	*302KS08140	2KS08140	SPRING BYPASS	2	2	2	2
41	*302KS08170	2KS08170	JOINT BYPASS PICK UP	1	1	1	1
42	*302KS08180	2KS08180	SHAFT RETARD	1	1	1	1
⊙ 43	*302KS08190	2KS08190	TORQUE LIMITER 620	1	1	1	1
⊙ 44	*302KS34040	2KS34040	LABEL BYPASS SIZE	1	1	1	1
45	*302KS34050	2KS34050	LABEL SET PAPER CAUTION LEFT A	1	1	1	1
46	*302KS34060	2KS34060	LABEL SET PAPER CAUTION LEFT B	1	1	1	1
47	*302KS34210	2KS34210	LABEL SET PAPER CAUTION C TW	1			
47	*302KS34090	2KS34090	LABEL SET PAPER CAUTION C ENG		1	1	1

- Parts with "*" are component parts or sub-assemblies of the assembly appearing immediately above them.
- Parts with "⊙" indicate regular maintenance parts.

Ref. No.	Part.No.	Alternative.	Description	Quantity			
				110	120	230	240
48	*302KS34220	2KS34220	LABEL SET PAPER CAUTION D TW	1			
48	*302KS34100	2KS34100	LABEL SET PAPER CAUTION D ENG				
49	*302KS46280	2KS46280	WIRE BYPASS UNIT	1	1	1	1
50	*302KS46290	2KS46290	WIRE BYPASS TRAY	1	1	1	1
⊙ 51	*302KY06010	2KY06010	GEAR Z16 PAPER FEED	1	1	1	1
52	*34806490	34806490	FRICITION PLATE,BYPASS LEADING FEED	1	1	1	1
53	*3A206100	3A206100	ARM,BYPASS PE	1	1	1	1
54	*3A206170	3A206170	HOLDER,RETARD	1	1	1	1
55	*3A206210	3A206210	MOUNT,BYPASS PE SWITCH	1	1	1	1
56	*3CY07080	3CY07080	BUSHING 6	2	2	2	2
⊙ 57	*61706770	61706770	UPPER PULLEY,BYPASS	1	1	1	1
⊙ 58	*66006810	66006810	GEAR,16 BYPASS PULLEY	1	1	1	1
59	*66007310	66007310	PIN,CASSETTE WORK PLATE	3	3	3	3
60	*7YZM610003++H01	YZ010250	ACCESS SADDLE	3	3	3	3
61	*M2104350	M2104350	EDGING,EDS-0607M(KITAGAWA)	1	1	1	1
62	*M2105210	M2105210	MINI CLAMP,UAMS-02WL-0(KITAGAWA)	3	3	3	3
63	*M2105740	M2105740	MINIATURE CLAMP,UAMS-05S-2	2	2	2	2
64	3A205010	3A205010	LABEL,CAUTION GEAR	1	1	1	1
65	2BL06890	2BL06890	PLATE BYPASS HOLD	2	2	2	2
66	302KS34140	2KS34140	LABEL SET PAPER CAUTION CD MULTI				1
101	7BB200306H	BB105650	+BIND T.T P SCREW 3X6				
102	7BB100306H	BB046010	+BIND T.T S SCREW 3X6				
103	7BB000305H	BB063450	+BIND M SCREW 3X5				
104	7BB600308H	BB055190	+BIND M SCREW 3X8 R				
105	7BB202308H	BB105690	+TP-FLAT T.T P SCREW 3X8				
106	7BB202306H	BB106940	+TP-FLAT T.T P SCREW 3X6				
107	C2895130	C2895130	SHIM 8.2-0.5T				
108	D1A00600	D1A00600	STOP RING E-6(TRIVALENT CHROMATING)				
109	5MBP2010WXSP	E0020100	SPRING PIN / M2 X 10 S-BLK				
110	5MBP2014WXSP	E0020140	SPRING PIN / M2 X 14 S-BLK				
111	7BB282308H	BB111240	+TP-FLAT T.T P SCREW 3X8(BLACK)				

- Parts with "*" are component parts or sub-assembly with "*" appearing immediately above them.

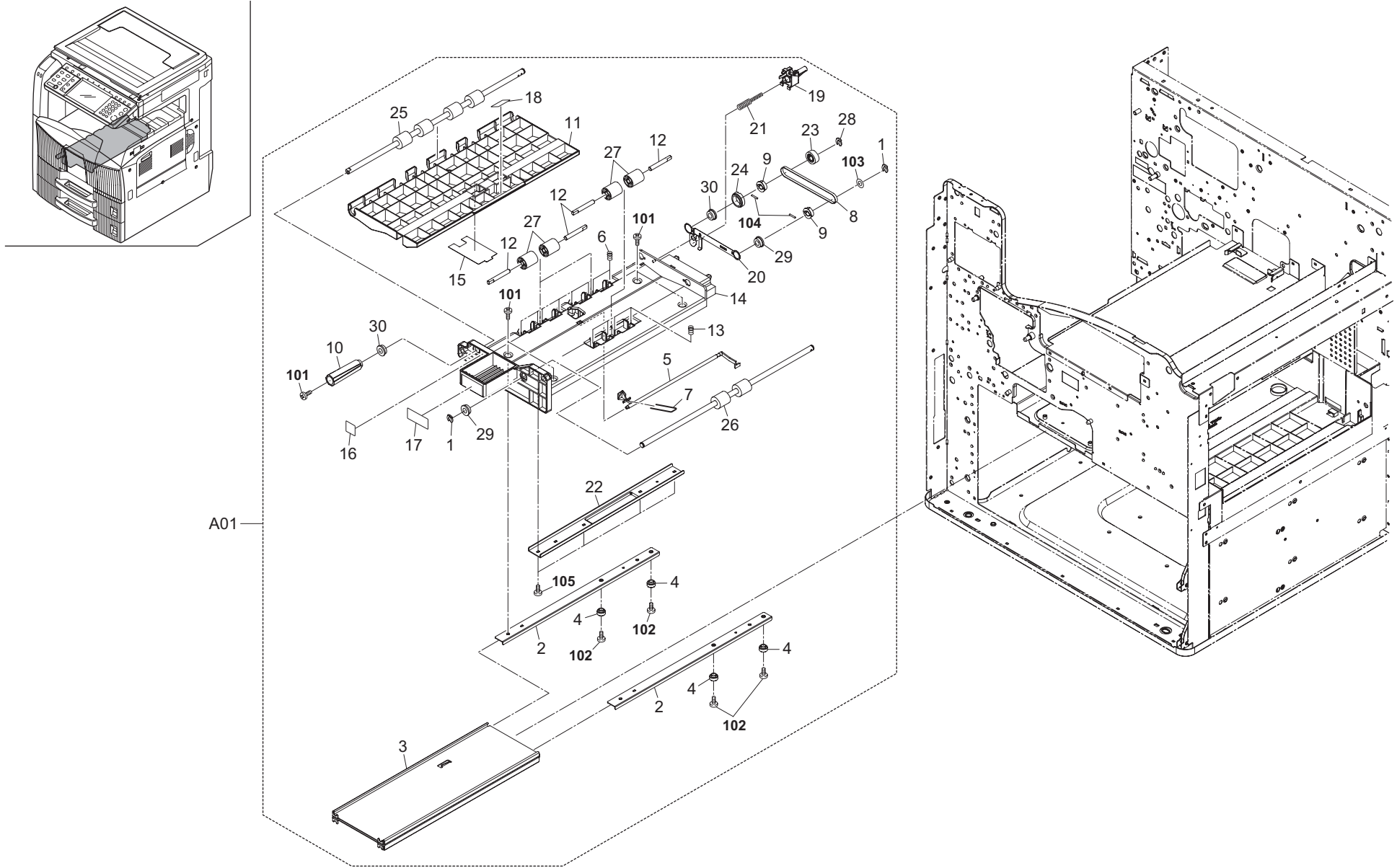


FIG. 12 Bypass Feed Unit

2KR/2KS-1

Ref. No.	Part.No.	Alternative.	Description	Quantity				Ref. No.	Part.No.	Alternative.	Description	Quantity			
				110	120	230	240					110	120	230	240
⊙ A01	302GR93122	2GR93122	PARTS BYPASS FEED UNIT	1	1	1	1	101	7BB007306H	BB112570	+TP-CUP M SCREW 3X6				
1	*2BC06910	2BC06910	STOPPER 6	2	2	2	2	102	7BB007304H	BB105810	+TP-CUP M SCREW 3X4				
2	*2BL06570	2BL06570	MOUNT RAIL	2	2	2	2	103	C2808200	C2808200	POLYESTER SLIDER WASHER 8X20X0.5T				
3	*2BL06580	2BL06580	RAIL BYPASS	1	1	1	1	104	5MBP2012WXSP	E0020120	SPRING PIN / M2 X 12 S-BLK				
4	*2BL06590	2BL06590	PULLEY RAIL	4	4	4	4	105	7BB200308H	BB105660	+BIND T.T P SCREW 3X8				
⊙ 5	*2BL06730	2BL06730	ACTUATOR BYPASSFEED	1	1	1	1								
6	*2BL06780	2BL06780	SPRING BYPASSFEED	8	8	8	8								
7	*2BL06800	2BL06800	SPRING BYPASS	1	1	1	1								
8	*2BL06810	2BL06810	BELT BYPASSFEED	1	1	1	1								
⊙ 9	*2BL06820	2BL06820	PULLEY25 BYPASSFEED	2	2	2	2								
10	*2BL06830	2BL06830	DIAL BYPASSFEED	1	1	1	1								
11	*302BL06521	2BL06521	UPPERGUIDE BYPASS	1	1	1	1								
12	*302BL06741	2BL06741	SHAFT BYPASSFEED	6	6	6	6								
13	*302GR06511	2GR06511	SPRING BYPASSFEED	4	4	4	4								
14	*302GR08102	2GR08102	BASE BYPASS FEED	1	1	1	1								
15	*302GR08110	2GR08110	FILM UPPER GUIDE	1	1	1	1								
16	*302GR34050	2GR34050	LABEL JAM A1	1	1	1	1								
17	*302GR34060	2GR34060	LABEL JAM A2	1	1	1	1								
18	*302GR34070	2GR34070	LABEL JAM A3	1	1	1	1								
19	*302KS08220	2KS08220	CASE EARTH SPRING	1	1	1	1								
20	*302KS08231	2KS08231	PLATE BYPASS EARTH	1	1	1	1								
21	*302KS08240	2KS08240	SPRING EARTH	1	1	1	1								
22	*302KS08250	2KS08250	STAY BYPASS	1	1	1	1								
⊙ 23	*302KS08260	2KS08260	GEAR ONE-WAY Z18	1	1	1	1								
24	*302KS08270	2KS08270	COLLAR BYPASS FEED	1	1	1	1								
⊙ 25	*302KS94161	2KS94161	PARTS ROLLER2 BYPASSFEED SP	1	1	1	1								
⊙ 26	*302KS94170	2KS94170	PARTS ROLLER4 BYPASSFEED SP	1	1	1	1								
⊙ 27	*3033906661	33906661	RIGHT PULLEY FEED	6	6	6	6								
28	*5MVX111DN003	2A806250	RING STOPPER /A-49 FEED A4	1	1	1	1								
29	*7BEMF128ZZ+EH01	BE116800	BEARING MF128ZZ ECE	2	2	2	2								
30	*7BEMF148ZZ+EH01	BE116810	BEARING MF148ZZ ECE	2	2	2	2								

- Parts with "*" are component parts or sub-assemblies of the assembly appearing immediately above them.
- Parts with "⊙" indicate regular maintenance parts.

- Parts with "••" are component parts or sub-assembly with "•" appearing immediately above them.

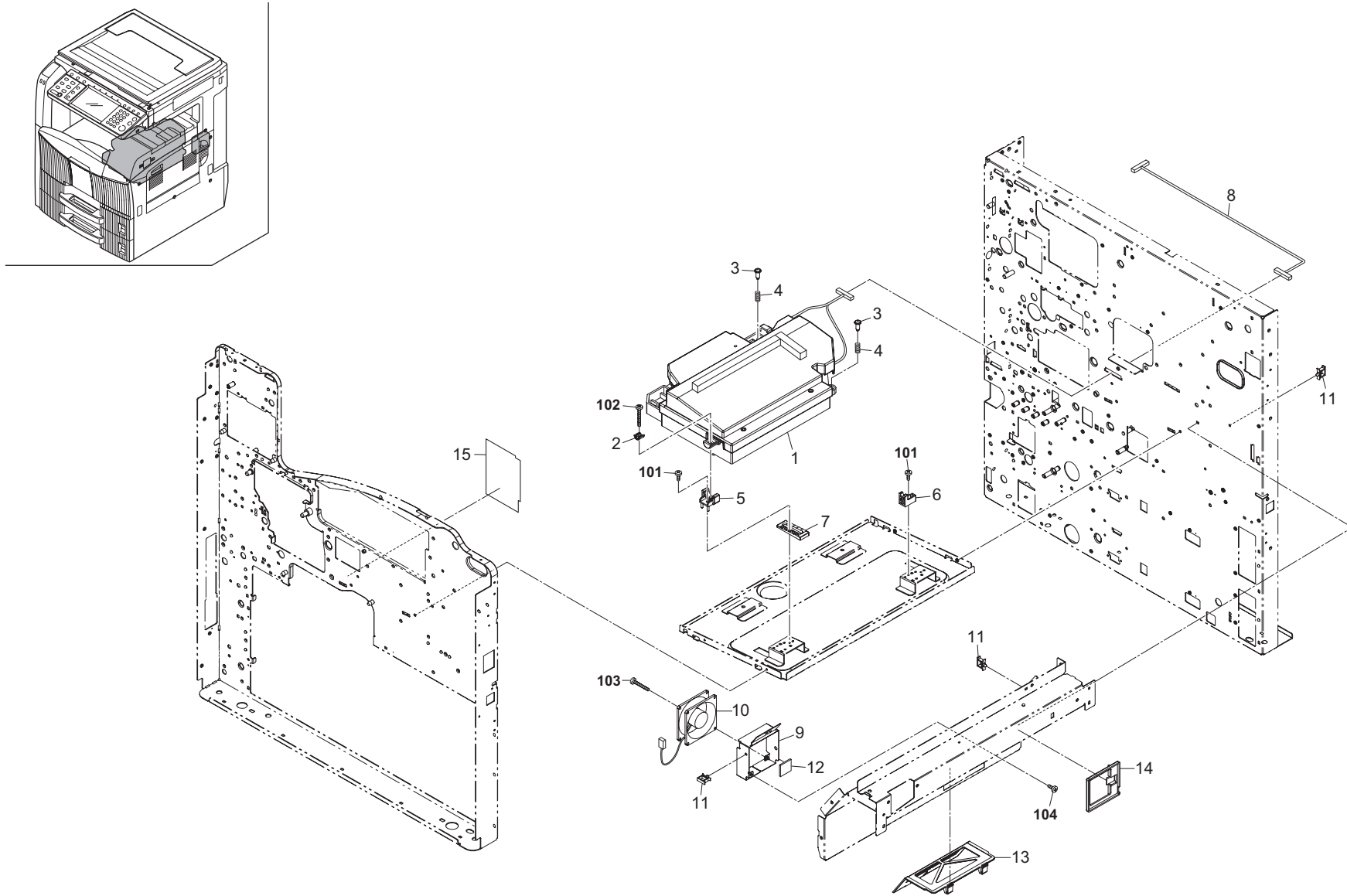


FIG. 13 Laser Scanner Section

2KR/2KS-1

Ref. No.	Part.No.	Alternative.	Description	Quantity					
				110	120	230	240		
⊙	1	302KS93040	2KS93040	PARTS LSU	1	1	1	1	
	2	2BL13120	2BL13120	FRONT MOUNT HOUSING	1	1	1	1	
	3	302GR02830	2GR02830	PIN LSU FIXING	2	2	2	2	
	4	2BL13290	2BL13290	SPRING FIX LSU	2	2	2	2	
	5	2BL13070	2BL13070	FRONT ADJUSTING LSU	1	1	1	1	
	6	2BL13060	2BL13060	REAR ADJUSTING LSU	1	1	1	1	
	7	2BL13250	2BL13250	ADJUSTING PLT LSU	1	1	1	1	
	8	302KS46040	2KS46040	WIRE LSU	1	1	1	1	
	9	2BL02230	2BL02230	MOUNT FAN	1	1	1	1	
	⊙	10	302GR44080	2GR44080	FAN LSU 60-25	1	1	1	1
		11	7YZM610007++H01	YZ023340	ACCESS SADDLE	3	3	3	3
		12	2BL02240	2BL02240	SPONGE FAN	1	1	1	1
	⊙	13	302GR94431	2GR94431	PARTS FILTER DUST F1 ASSY	1	1	1	1
	⊙	14	302GR94441	2GR94441	PARTS FILTER DUST F2 ASSY	1	1	1	1
		15	302GR33100	2GR33100	FILM DLP FLOW	1	1	1	1

Ref. No.	Part.No.	Alternative.	Description	Quantity			
				110	120	230	240
101	7BB600310H	BB112140	+BIND M SCREW 3X10 R				
102	7BB600425H	BB112610	+BIND M SCREW 4X25 R				
103	7BB600430H	BB112620	+BIND M SCREW 4X30 R				
104	7BB000305H	BB063450	+BIND M SCREW 3X5				

- Parts with "*" are component parts or sub-assemblies of the assembly appearing immediately above them.
- Parts with "⊙" indicate regular maintenance parts.

- Parts with "••" are component parts or sub-assembly with "•" appearing immediately above them.

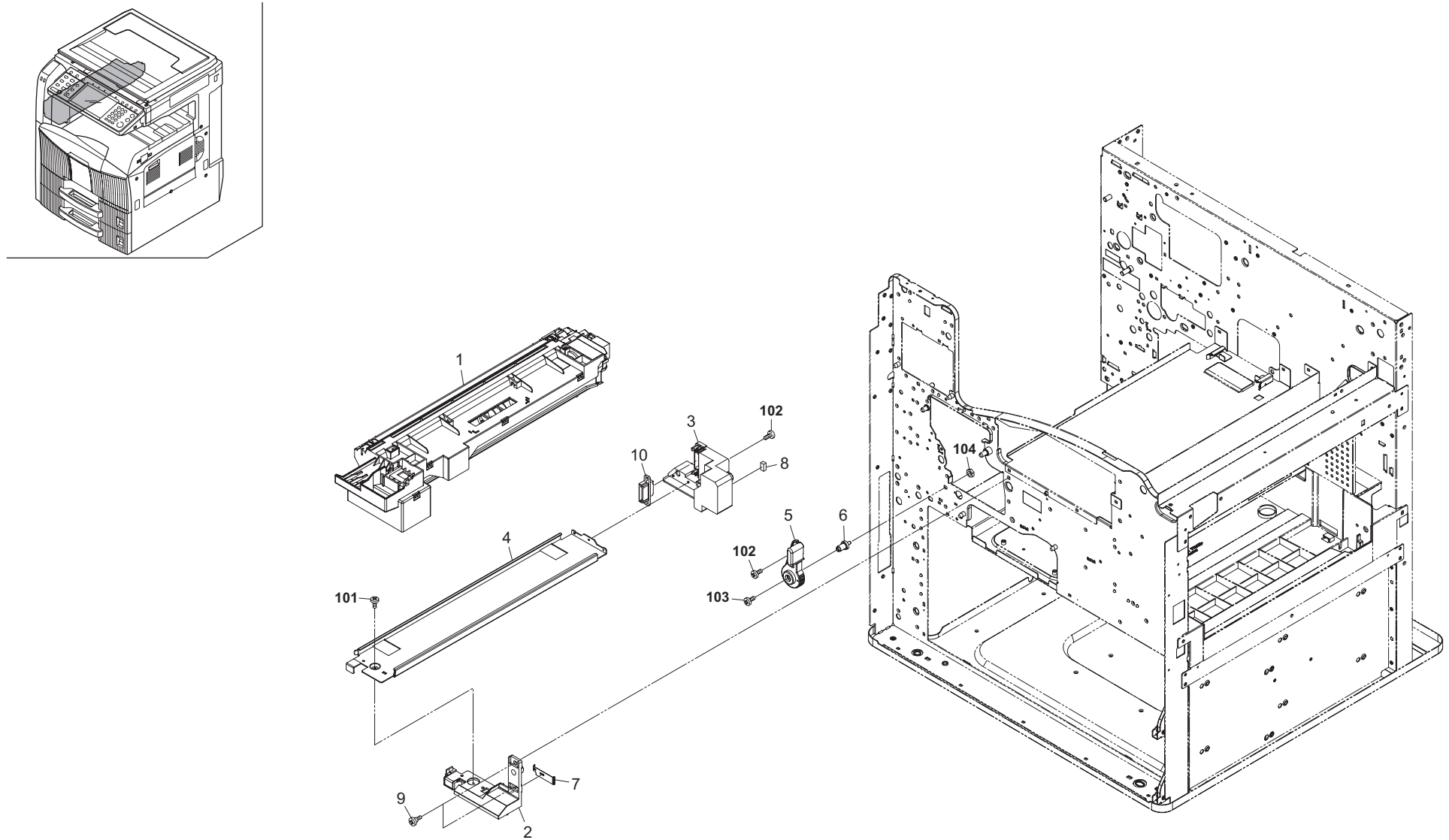


FIG. 14 Developing Section

2KR/2KS-1

Ref. No.	Part.No.	Alternative.	Description	Quantity			
				110	120	230	240
⊙ 1	302GR93034	2GR93034	DV-715	1	1	1	1
2	2BL14180	2BL14180	FRONT ARM RAIL	1	1	1	1
3	2BL14190	2BL14190	REAR ARM RAIL	1	1	1	1
4	2BL14200	2BL14200	RAIL DLP	1	1	1	1
5	302KS14010	2KS14010	LEVER DLP	1	1	1	1
6	2BL14220	2BL14220	PIN LEVER DLP	1	1	1	1
7	2BL14350	2BL14350	GROUND PLATE RAIL	1	1	1	1
8	302KS02090	2KS02090	SPONGE WIRE REAR	1	1	1	1
9	302GR02852	2GR02852	PIN DLP RAIL	2	2	2	2
10	7YCC10B1112+H01	YC046880	CONNECTOR	1	1	1	1

Ref. No.	Part.No.	Alternative.	Description	Quantity			
				110	120	230	240
101	7BB200308H	BB105660	+BIND T.T P SCREW 3X8				
102	7BB100306H	BB046010	+BIND T.T S SCREW 3X6				
103	7BB007306H	BB112570	+TP-CUP M SCREW 3X6				
104	C1B14070	C1B14070	NUT SNM4(TRIVALENT CHROMATING)				

- Parts with "*" are component parts or sub-assemblies of the assembly appearing immediately above them.
- Parts with "⊙" indicate regular maintenance parts.

- Parts with "••" are component parts or sub-assembly with "•" appearing immediately above them.

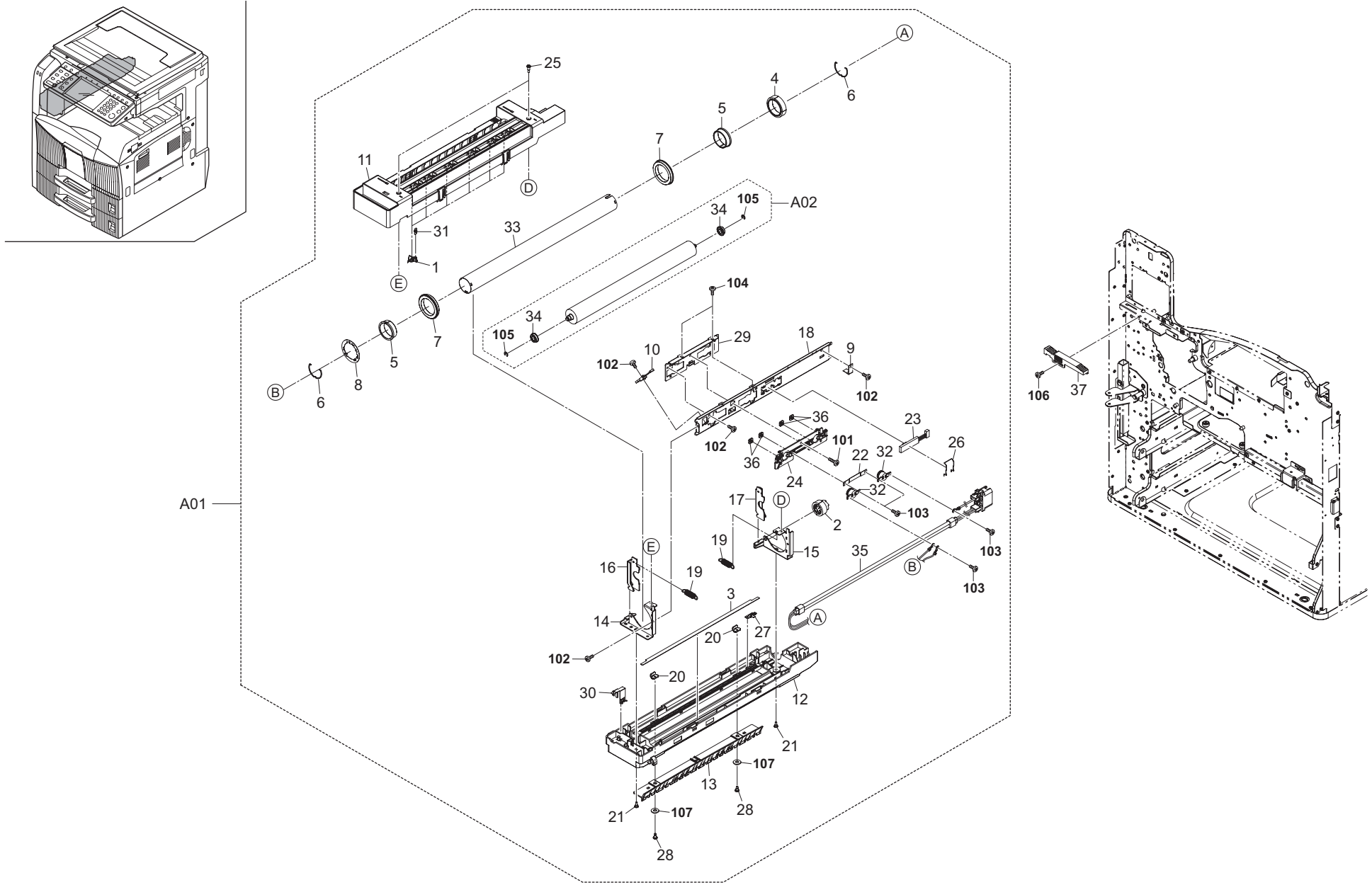


FIG. 15 Fuser Section

2KR/2KS-1

	Ref. No.	Part.No.	Alternative.	Description	Quantity			
					110	120	230	240
⊙	A01	302KS93070	2KS93070	PARTS FUSER 110 UNIT	1			
⊙	A01	302KS93010	2KS93010	PARTS FUSER 120 UNIT		1		
⊙	A01	302KS93020	2KS93020	PARTS FUSER 230 UNIT			1	1
⊙	1	*2BL20080	2BL20080	CLAW HEAT ROLLER	6	6	6	6
⊙	2	*2BL20260	2BL20260	GEAR FIXING Z33	1	1	1	1
⊙	3	*2BL20330	2BL20330	STATIC ELIMINATOR PRESS	1	1	1	1
⊙	4	*2FG20070	2FG20070	GEAR 49 HEAT ROLLER	1	1	1	1
⊙	5	*2FG20190	2FG20190	BUSHING HEAT ROLLER	2	2	2	2
⊙	6	*2FG20200	2FG20200	STOPPER HEAT ROLLER	2	2	2	2
⊙	7	*2FG20230	2FG20230	BEARING HEAT ROLLER	2	2	2	2
⊙	8	*2FG20280	2FG20280	GROUND PLATE FIXING	1	1	1	1
⊙	9	*302F725430	2F725430	STATIC ELIMINATOR HEAT ROLLER	1	1	1	1
⊙	10	*302FG20211	2FG20211	THERMISTOR FIXING	1	1	1	1
	11	*302GR25013	2GR25013	UPPER FRAME FUSER	1	1	1	1
	12	*302GR25023	2GR25023	LOWER FRAME FUSER	1	1	1	1
	13	*302GR25031	2GR25031	GUIDE CHUTE	1	1	1	1
	14	*302GR25040	2GR25040	FRONT FRAME FUSER	1	1	1	1
	15	*302GR25050	2GR25050	REAR FRAME FUSER	1	1	1	1
	16	*302GR25060	2GR25060	FRONT PRESSING PLATE	1	1	1	1
	17	*302GR25070	2GR25070	REAR PRESSING PLATE	1	1	1	1
	18	*302GR25080	2GR25080	STAY RIGHT FUSER	1	1	1	1
	19	*302GR25091	2GR25091	SPRING PRESSURE	2	2	2	2
	20	*302GR25100	2GR25100	PLATE GUIDE CHUTE	2	2	2	2
	21	*302GR25161	2GR25161	PIN LOWER FRAME	2	2	2	2
	22	*302GR25180	2GR25180	PLATE THERMO CUT	1	1	1	1
⊙	23	*302GR25190	2GR25190	THERMISTOR FUSER NC	1	1	1	1
	24	*302GR25201	2GR25201	HOLDER THERMO CUT	1	1	1	1
	25	*302GR25210	2GR25210	PIN UPPER FRAME	2	2	2	2
	26	*302GR25220	2GR25220	SPRING THERMISTOR	1	1	1	1
	27	*302GR25230	2GR25230	PLATE ELIMINATOR	1	1	1	1
	28	*302GR25241	2GR25241	PIN GUIDE CHUTE	2	2	2	2
	29	*302GR25250	2GR25250	MOUNT THERMO CUT HOLDER	1	1	1	1
	30	*302GR25270	2GR25270	GROUND PLATE FUSER	1	1	1	1
	31	*302GR25280	2GR25280	SPRING CLAW	6	6	6	6
⊙	32	*302GR25290	2GR25290	THERMOSTAT M FUSER	2	2	2	2
⊙	33	*302GR94270	2GR94270	PARTS,ROLLER HEAT SP	1	1	1	1
⊙	A02	*302GR94280	2GR94280	PARTS,ROLLER PRESS SP	1	1		
⊙	A02	*302GR94550	2GR94550	PARTS,ROLLER PRESS E SP			1	1
	34	**2C920330	2C920330	BEARING PRESSURE	2	2	2	2
⊙	35	*302KS94510	2KS94510	PARTS HEATER FUSER 110 ASSY SP	1			
⊙	35	*302KS94230	2KS94230	PARTS HEATER FUSER 120 ASSY SP		1		
⊙	35	*302KS94240	2KS94240	PARTS HEATER FUSER 230 ASSY SP			1	1
	36	*5MMS111SL002	2BY20050	NUT FUSER A/FS-1800/3800A4	4	4	4	4
	37	302GR02120	2GR02120	ADJUSTOR FUSER	1	1	1	1

	Ref. No.	Part.No.	Alternative.	Description	Quantity			
					110	120	230	240
	101	7BB100312H	BB046020	BIND T.T SCREW(+) M3X12				
	102	7BB100308H	BB045340	+BIND TAP-TITE S SCREW M3X8 CRFREE				
	103	7BB606308H	BB105280	+PAN M SCREW WITH SW W 3X8 R				
	104	7BB100306H	BB046010	+BIND T.T S SCREW 3X6				
	105	D1A00400	D1A00400	STOP RING E-4(TRIVALENT CHROMATING)				
	106	7BB607308H	BB112190	+TP-CUP M SCREW 3X8 R				
	107	5MBWW43802SP	C3990080	WAVE WASHER /M4.3X8.0X0.2T S-BLK				

- Parts with "*" are component parts or sub-assemblies of the assembly appearing immediately above them.
- Parts with "⊙" indicate regular maintenance parts.

- Parts with "••" are component parts or sub-assembly with "•" appearing immediately above them.

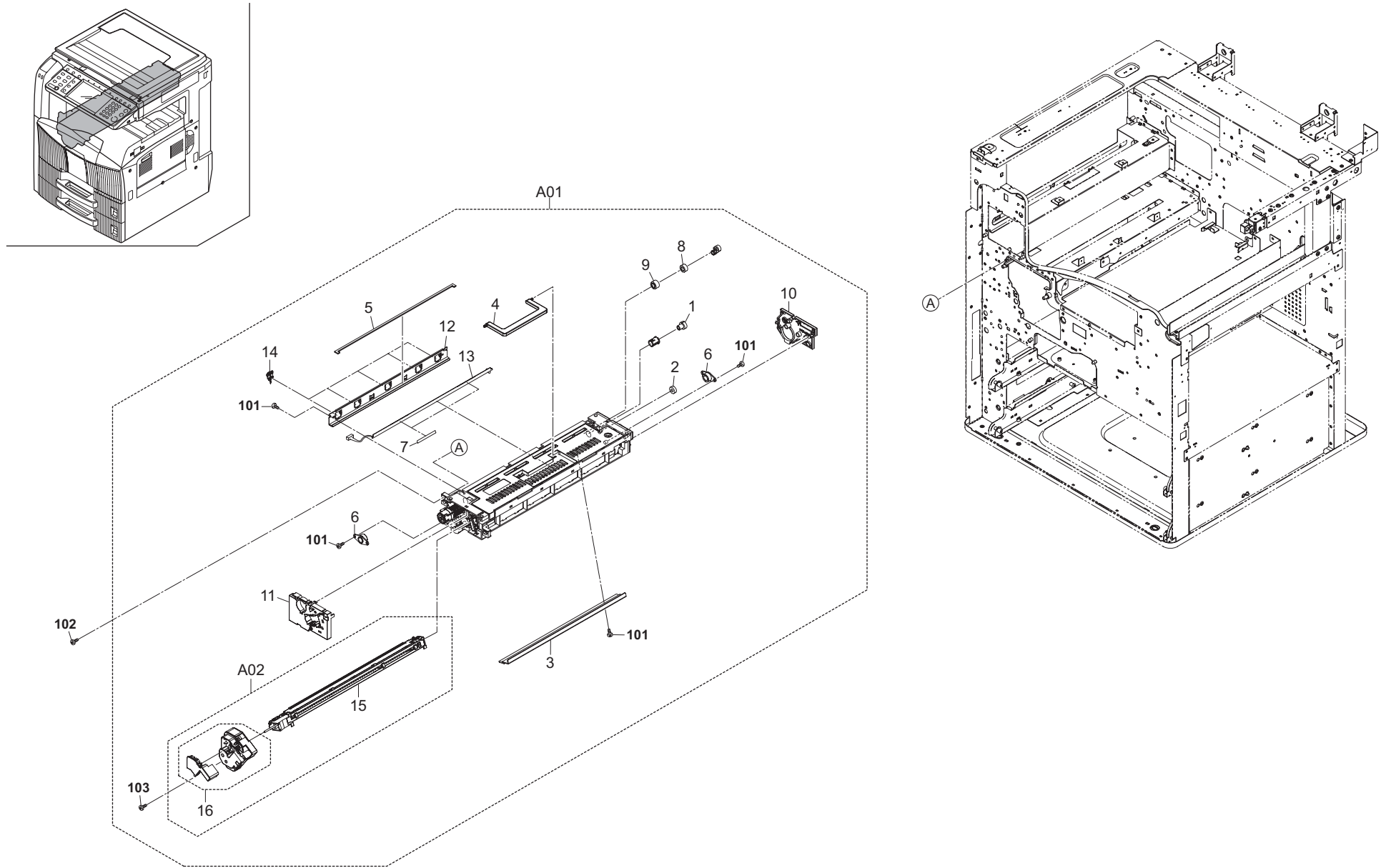


FIG. 16 Image Formation Section

2KR/2KS-1

Ref. No.	Part.No.	Alternative.	Description	Quantity			
				110	120	230	240
⊙ A01	302GR93042	2GR93042	DK-716	1	1	1	1
1	*2BL18160	2BL18160	GEAR SPIRAL 16	1	1	1	1
2	*2BL18170	2BL18170	GEAR IDLE 15	1	1	1	1
⊙ 3	*2BL18300	2BL18300	BLADE CLEANING	1	1	1	1
4	*2BL18320	2BL18320	HANDLE DRUM	1	1	1	1
5	*2BL18560	2BL18560	SPONGE LOWER SEAL	1	1	1	1
6	*2BL18630	2BL18630	BUSHING DRUM A	2	2	2	2
⊙ 7	*2BL18720	2BL18720	TAPE CLEANING LAMP	2	2	2	2
8	*2BL18870	2BL18870	GEAR CL ROLLER 15	1	1	1	1
⊙ 9	*2BL18880	2BL18880	GEAR CL ROLLER 16	1	1	1	1
10	*302BL18031	2BL18031	REAR COVER DRUM	1	1	1	1
11	*302GR12010	2GR12010	FRONT COVER DRUM	1	1	1	1
⊙ 12	*302GR12110	2GR12110	LOWER SEAL CLEANING	1	1	1	1
⊙ 13	*302GR44230	2GR44230	LAMP CLEANING	1	1	1	1
⊙ 14	*302GR93190	2GR93190	PARTS CLAW SEPARATION ASSY	5	5	5	5
⊙ A02	*302GR94531	2GR94531	PARTS MCH MOTOR SET ASSY	1	1	1	1
⊙ 15	**302GR93072	2GR93072	MC-710	1	1	1	1
⊙ 16	**302GR94451	2GR94451	PARTS MCH MOTOR ASSY	1	1	1	1

Ref. No.	Part.No.	Alternative.	Description	Quantity			
				110	120	230	240
101	7BB200308H	BB105660	+BIND T.T P SCREW 3X8				
102	7BB600308H	BB055190	+BIND M SCREW 3X8 R				
103	7BB202308H	BB105690	+TP-FLAT T.T P SCREW 3X8				

- Parts with "*" are component parts or sub-assemblies of the assembly appearing immediately above them.
- Parts with "⊙" indicate regular maintenance parts.

- Parts with "*•" are component parts or sub-assembly with "*" appearing immediately above them.

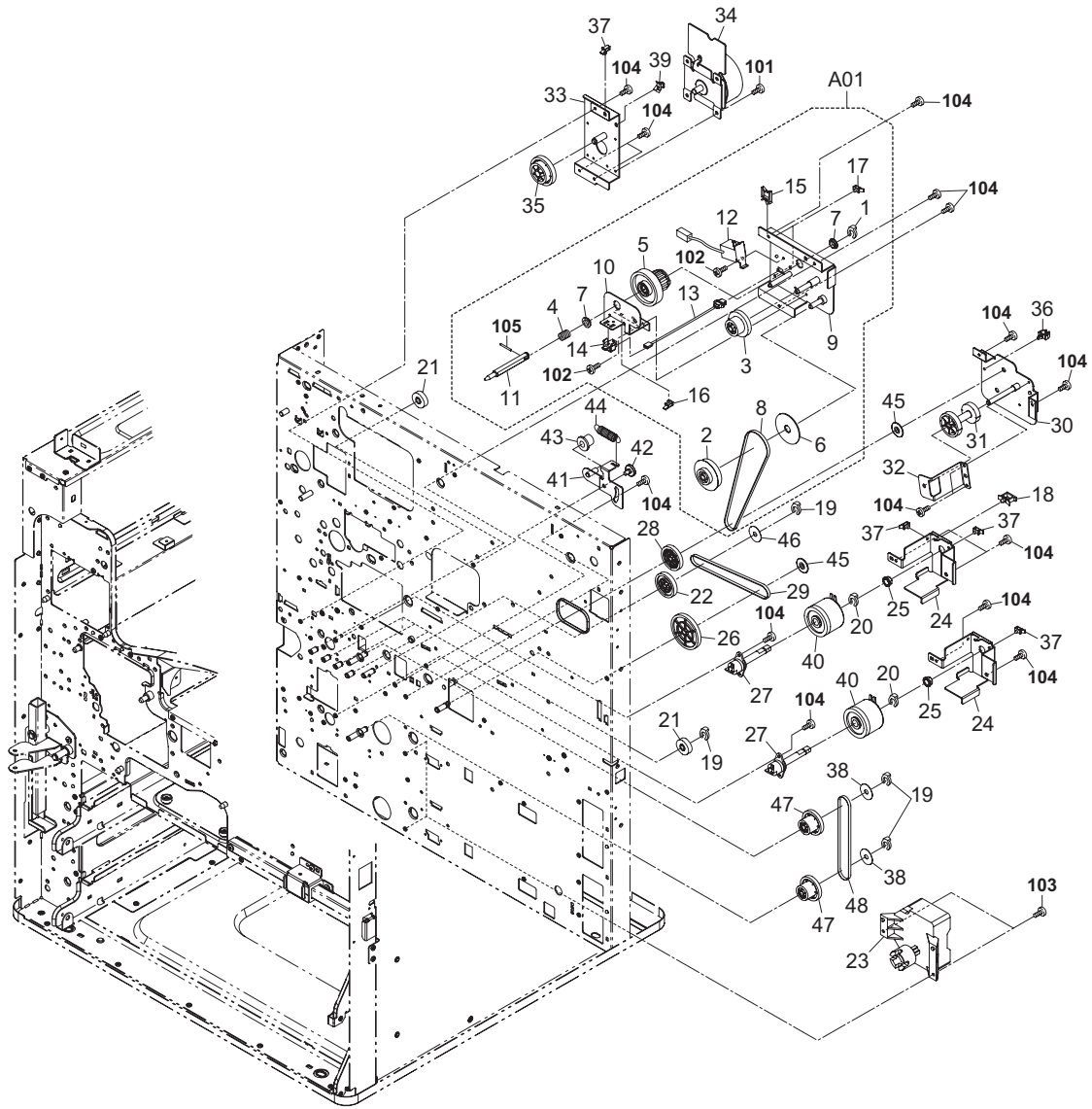
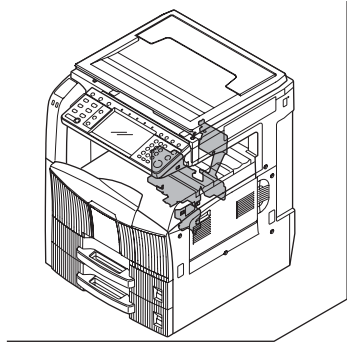


FIG. 17 Drive Section 1

2KR/2KS-1

	Ref. No.	Part.No.	Alternative.	Description	Quantity			
					110	120	230	240
⊙	A01	302KS94280	2KS94280	PARTS CONT DRIVE A ASSY SP		1		
⊙	A01	302KS94290	2KS94290	PARTS CONT DRIVE E ASSY SP			1	
⊙	A01	302KS94520	2KS94520	PARTS CONT DRIVE AO ASSY SP	1			1
⊙	1	*2BC06910	2BC06910	STOPPER 6	1	1	1	1
⊙	2	*2BL22480	2BL22480	GEAR Z24S-P40	1	1	1	1
⊙	3	*2BL22490	2BL22490	GEAR Z40S-Z25S	1	1	1	1
⊙	4	*2BL22510	2BL22510	SPRING DRIVE CONT.	1	1		1
⊙	4	*302KS31060	2KS31060	SPRING CONT JOINT			1	
⊙	5	*2BL22520	2BL22520	CLUTCH CONTAINER	1	1	1	1
⊙	6	*2BL22560	2BL22560	PULLEY CONT DRIVE	1	1	1	1
⊙	7	*2BL22570	2BL22570	BUSH DRIVE CONT 8	2	2	2	2
⊙	8	*2BL22590	2BL22590	BELT DRIVE CONTAINER	1	1	1	1
⊙	9	*302BL22443	2BL22443	PLATE DRIVE CONT.A	1	1	1	1
⊙	10	*302BL22451	2BL22451	PLATE DRIVE CONT.B	1	1	1	1
⊙	11	*302BL22461	2BL22461	SHAFT DRIVE CONT	1	1		1
⊙	11	*302KS31050	2KS31050	SHAFT CONT JOINT			1	
⊙	12	*302GR44150	2GR44150	SOLENOID TONER	1	1	1	1
⊙	13	*302GR46250	2GR46250	WIRE CONT SW	1	1	1	1
⊙	14	*66127010	66127010	SWITCH,COVER OPEN	1	1	1	1
⊙	15	*7YZM610003++H01	YZ010250	ACCESS SADDLE	1	1	1	1
⊙	16	*7YZM610007++H01	YZ023340	ACCESS.SADDLE	1	1	1	1
⊙	17	*7YZM610008++H01	YZ037940	ACCESS.SADDLE	2	2	2	2
⊙	18	M2109350	M2109350	WIRE SADDLE.YMC-15-0(KITAGAWA)	1	1	1	1
⊙	19	5MVX111DN003	2A806250	RING STOPPER /A-49 FEED A4	6	6	6	6
⊙	20	2BC06980	2BC06980	STOPPER 5	2	2	2	2
⊙	21	5MVG137DB025	2BL22740	GEAR M FEED Z25/D1026 A4	4	4	4	4
⊙	22	302BL22531	2BL22531	GEAR FEED Z41S-P15	1	1	1	1
⊙	23	302GR44112	2GR44112	MOTOR LIFT	2	2	2	2
⊙	24	2FG22090	2FG22090	BRACKET CLUTCH FEED	2	2	2	2
⊙	25	28107310	49028101	BUSH 8	2	2	2	2
⊙	26	2BL22540	2BL22540	GEAR Z60S-P20	1	1	1	1
⊙	27	302AR94040	2AR94040	PARTS PRIMARY PAPER FEED BUSHING AS	2	2	2	2
⊙	28	2BL22420	2BL22420	GEAR Z41S P18	1	1	1	1
⊙	29	2BL22400	2BL22400	BELT DRIVE MPF	1	1	1	1
⊙	30	302BL22371	2BL22371	PLATE DRIVE MPF A	1	1	1	1
⊙	31	2BL22550	2BL22550	GEAR Z40S-Z32S	1	1	1	1
⊙	32	2BL22380	2BL22380	PLATE DRIVE MPF B	1	1	1	1
⊙	33	302FG22071	2FG22071	PLATE DRIVE FEED A	1	1	1	1
⊙	34	302KS94110	2KS94110	PARTS MOTOR FEED SP	1	1	1	1
⊙	35	2BL22320	2BL22320	GEAR Z76H-Z35S	1	1	1	1
⊙	36	M2105740	M2105740	MINIATURE CLAMP,UAMS-05S-2	1	1	1	1
⊙	37	7YZM610007++H01	YZ023340	ACCESS.SADDLE	4	4	4	4
⊙	38	2BL22580	2BL22580	COLLAR BELT	2	2	2	2
⊙	39	7YZM510009++H01	YZ042790	ACCESS.SPACER	1	1	1	1
⊙	40	302GR44290	2GR44290	CLUTCH Z42S	2	2	2	2
⊙	41	302BL22811	2BL22811	PLATE TENSION A	1	1	1	1
⊙	42	302GR02820	2GR02820	PIN DRIVE TENSION	1	1	1	1
⊙	43	2BL22830	2BL22830	PULLEY TENSION	1	1	1	1
⊙	44	2BL22820	2BL22820	SPRING PULLEY	1	1	1	1
⊙	45	302BL22391	2BL22391	PULLEY MPF DRIVE	2	2	2	2

	Ref. No.	Part.No.	Alternative.	Description	Quantity			
					110	120	230	240
⊙	46	302FG22120	2FG22120	COLLAR BELT DRIVE	1	1	1	1
⊙	47	2BL22330	2BL22330	GEAR Z41S-Z24S-P30	2	2	2	2
⊙	48	2BL22350	2BL22350	BELT DRIVE FEED	1	1	1	1
	101	7BB000305H	BB063450	+BIND M SCREW 3X5				
	102	7BB000304H	BB105720	+BIND M SCREW 3X4				
	103	7BB702308H	BB107060	+TP-FLAT T.T S SCREW 3X8 SR				
	104	7BB100306H	BB046010	+BIND T.T S SCREW 3X6				
	105	E5120180	E5120180	PARALLEL PIN H7A 2X18 SUS				

- Parts with "*" are component parts or sub-assemblies of the assembly appearing immediately above them.
- Parts with "⊙" indicate regular maintenance parts.

- Parts with "••" are component parts or sub-assembly with "•" appearing immediately above them.

FIG. 18 Drive Section 2

2KR/2KS-1

Ref. No.	Part.No.	Alternative.	Description	Quantity			
				110	120	230	240
⊙ A01	302KS93050	2KS93050	PARTS MAIN DRIVE C	1	1	1	1
1	*28107310	49028101	BUSH 8	2	2	2	2
2	*2BC06910	2BC06910	STOPPER 6	7	7	7	7
3	*2BC06980	2BC06980	STOPPER 5	1	1	1	1
4	*2BL22140	2BL22140	GUIDE DLP	1	1	1	1
5	*2BL22160	2BL22160	GEAR DRUM Z76H-Z30H	1	1	1	1
6	*2BL22170	2BL22170	PLATE GUIDE DRUM	1	1	1	1
7	*2BL22190	2BL22190	GEAR Z50H	1	1	1	1
8	*2BL22210	2BL22210	GEAR JOINT Z32S	1	1	1	1
9	*2BL22220	2BL22220	GEAR Z36S-Z31H	1	1	1	1
10	*2BL22230	2BL22230	GEAR Z34H	1	1	1	1
11	*2BL22240	2BL22240	SPRING JOINT FUSER	1	1	1	1
12	*2BL22840	2BL22840	SHAFT DRIVE DRUM FW	1	1	1	1
13	*2FG22030	2FG22030	GEAR Z59H-Z44S	1	1	1	1
14	*2FG22040	2FG22040	GEAR Z22S	1	1	1	1
15	*302GR31030	2GR31030	GEAR DRUM Z70H	1	1	1	1
16	*302GR31930	2GR31930	SHAFT CLUTCH DLP	1	1	1	1
17	*302GR31940	2GR31940	PLATE DRIVE FRONT	1	1	1	1
18	*302GR31950	2GR31950	PLATE DRIVE REAR	1	1	1	1
⊙ 19	*302GR31960	2GR31960	GEAR Z28H	1	1	1	1
⊙ 20	*302GR31970	2GR31970	GEAR Z40H	1	1	1	1
⊙ 21	*302GR31980	2GR31980	GEAR Z30H	1	1	1	1
⊙ 22	*302GR31990	2GR31990	GEAR Z26H	1	1	1	1
⊙ 23	*302GR44301	2GR44301	CLUTCH DLP	1	1	1	1
⊙ 24	*302KS94100	2KS94100	PARTS MOTOR MAIN SP	1	1	1	1
25	*5MVG148DN027	2BL22770	GEAR Z37S/40633V0081A4	1	1	1	1
26	*5MVG169DN019	2BL22710	GEAR Z76H-Z35H /30633D0068A3	1	1	1	1
27	*5MVX111DN003	2A806250	RING STOPPER /A-49 FEED A4	2	2	2	2
28	*7YZM610007+++H01	YZ023340	ACCESS SADDLE	1	1	1	1
29	*G3169000	G3169000	BEARING 6900ZZNR	1	1	1	1
⊙ 30	302GR44030	2GR44030	FAN UPPER CONT 90-25	1	1	1	1
31	2BL23040	2BL23040	LID DLP DUCT	1	1	1	1
32	2BL22850	2BL22850	RETAINER FLYWHEEL	1	1	1	1
33	2BL22860	2BL22860	FLYWHEEL 190	1	1	1	1
34	2BL22870	2BL22870	WEIGHT 190	1	1	1	1
35	302BL26151	2BL26151	MOUNT BASE TERMINAL	1	1	1	1
36	2BL26160	2BL26160	PLATE TRANSFER A	1	1	1	1
37	2BL26170	2BL26170	PLATE SEPARATION A	1	1	1	1
⊙ 38	302GR01250	2GR01250	TONER SENSOR ASSY	1	1	1	1
39	302BL23051	2BL23051	DUCT MAIN A	1	1	1	1
40	2BL23060	2BL23060	DUCT MAIN B	1	1	1	1
⊙ 41	302GR44020	2GR44020	FAN FIXING 80-25	1	1	1	1
42	7YZM610003+++H01	YZ010250	ACCESS SADDLE	4	4	4	4
43	302GR46210	2GR46210	WIRE CONTAINER	1	1	1	1
44	302BL02221	2BL02221	RAIL DRUM R	1	1	1	1
45	7YZM610007+++H01	YZ023340	ACCESS SADDLE	5	5	5	5
46	2FG22060	2FG22060	PLATE DRIVE EXIT B	1	1	1	1
47	302BL22892	2BL22892	MOUNT FLYWHEEL	1	1	1	1
48	2BL23100	2BL23100	FILM COOLING	1	1	1	1
49	2BL22880	2BL22880	FILM BKT CLUTCH	1	1	1	1

- Parts with "*" are component parts or sub-assemblies of the assembly appearing immediately above them.
- Parts with "⊙" indicate regular maintenance parts.

Ref. No.	Part.No.	Alternative.	Description	Quantity			
				110	120	230	240
50	2BL22150	2BL22150	BRACKET CLUTCH	1	1	1	1
51	213+4410	49021301	BUSH,CUTTER	1	1	1	1
52	302GR02560	2GR02560	FILM SPRING DRUM COVER	1	1	1	1
53	302GR33031	2GR33031	HOLDER RFID	1	1	1	1
⊙ 54	302KP94200	2KP94200	PARTS PWB RFID ASSY SP	1	1	1	1
55	302KS46130	2KS46130	WIRE RFID	1	1	1	1
56	302GR02951	2GR02951	COVER DRUM Z	1	1	1	1
57	302GR02970	2GR02970	SHAFT DRUM COVER Z	1	1	1	1
58	302GR02030	2GR02030	HOLDER SHAFT F	1	1	1	1
59	302GR02040	2GR02040	HOLDER SHAFT R	1	1	1	1
60	302GR02050	2GR02050	GUIDE STRAP	1	1	1	1
61	302GR02060	2GR02060	STRAP DRUM COVER	1	1	1	1
62	302GR02071	2GR02071	ARM DRUM COVER A	1	1	1	1
63	302GR02081	2GR02081	ARM DRUM COVER B	1	1	1	1
64	5MVX111DN007	2BT11070	STOPPER 3/2BT1107 A4	1	1	1	1
65	302GR02090	2GR02090	SPRING DRUM COVER	1	1	1	1
66	302GR02961	2GR02961	STAY DRUM COVER Z	1	1	1	1
⊙ 67	302KS94120	2KS94120	PARTS MOTOR EJECT SP	1	1	1	1
68	302FG22051	2FG22051	PLATE DRIVE EXIT A	1	1	1	1
⊙ 69	2BL22800	2BL22800	GEAR Z47S-Z28S	1	1	1	1
⊙ 70	2BL22630	2BL22630	GEAR EXIT Z30S	1	1	1	1
⊙ 71	302GR44140	2GR44140	CLUTCH REGISTRATION	1	1	1	1
72	2BC06980	2BC06980	STOPPER 5	1	1	1	1
73	302GR33010	2GR33010	DUCT UPPER DRUM	1	1	1	1
74	2BL23120	2BL23120	COVER DUCT DRUM	1	1	1	1
75	302GR33020	2GR33020	DUCT UPPER CONT	1	1	1	1
76	302GR02980	2GR02980	SEAL DRUM COVER	1	1	1	1
77	2BL07140	2BL07140	FILM WIRE DU	1	1	1	1
78	302KS02080	2KS02080	FILM RFID	1	1	1	1
101	7BB100306H	BB046010	+BIND T.T S SCREW 3X6				
102	7BB000305H	BB063450	+BIND M SCREW 3X5				
103	7BB007305H	BB107020	+TP-CUP M SCREW 3X5				
104	7BB000406H	BB112100	+BIND M SCREW 4X6				
105	7BB200308H	BB105660	+BIND T.T P SCREW 3X8				
106	7BB202308H	BB105690	+TP-FLAT T.T P SCREW 3X8				
107	7BB702308H	BB107060	+TP-FLAT T.T S SCREW 3X8 SR				
108	C2895130	C2895130	SHIM 8.2-0.5T				
109	C2896110	C2896110	SHIM,10.2-0.25T				
110	5MBP2012WPLD	E5120120	PARALLEL PIN / M2 X 12 SUS-DP				
111	D1A00700	D1A00700	STOP RING E-7(TRIVALENT CHROMATING)				
112	7BD108080+++H01	BD042930	STOP RING 8.0X0.8T				
113	E5130180	E5130180	PARALLEL PIN H7A 3X18 SUS				
114	7BB600310H	BB112140	+BIND M SCREW 3X10 R				

- Parts with "••" are component parts or sub-assembly with "•" appearing immediately above them.

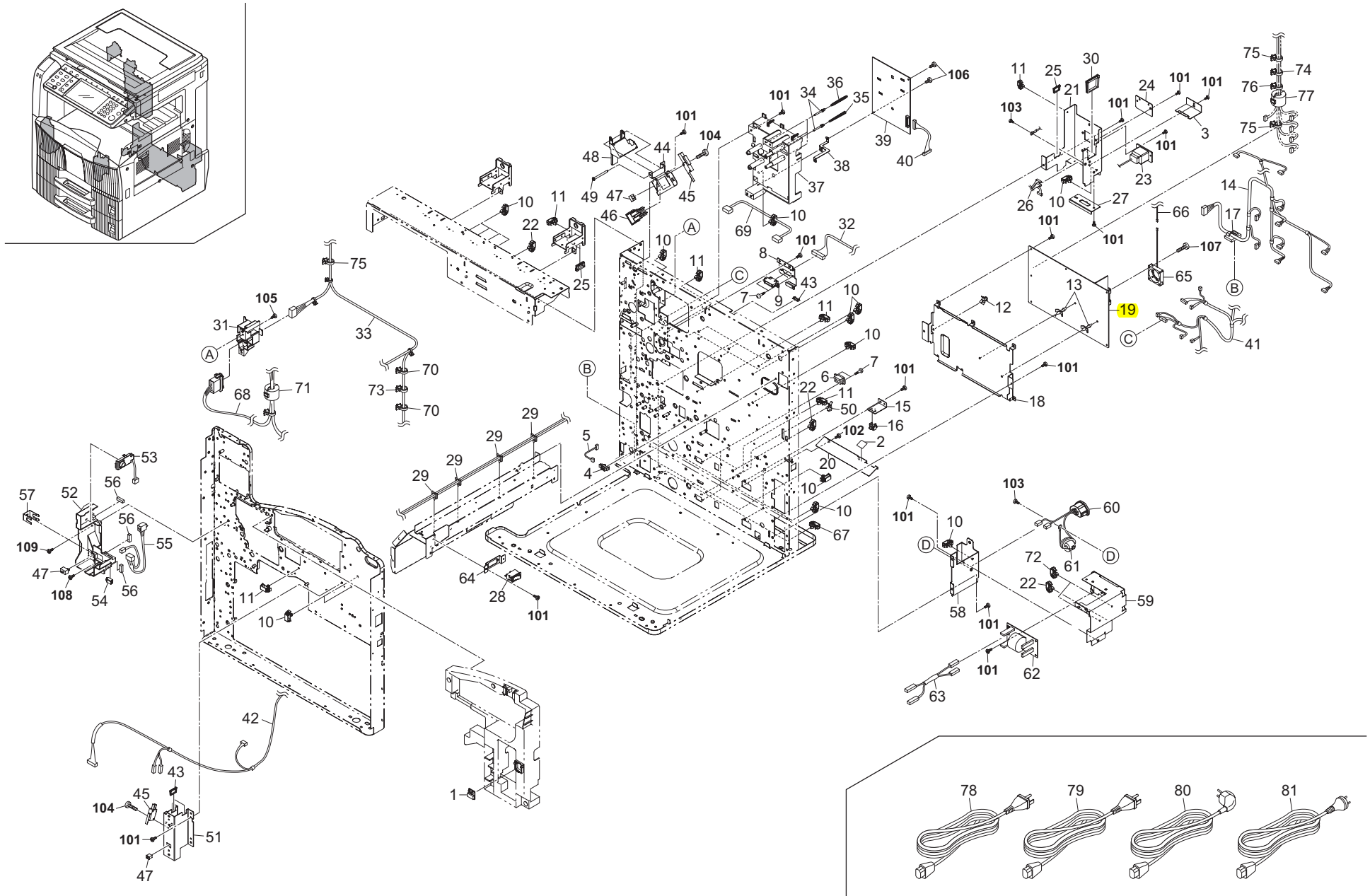


FIG. 19 Electrical Components 1

2KR/2KS-1

Ref. No.	Part.No.	Alternative.	Description	Quantity				
				110	120	230	240	
⊙	1	302H094300	2H094300	PARTS,HUMIDITY SENSOR,SP	1	1	1	1
	2	302GR34310	2GR34310	LABEL ELE SHOCK CAUTION	1	1	1	1
	3	302GR39190	2GR39190	COVER CONN	1	1	1	1
⊙	4	2C927210	2C927210	SENSOR 248NL1	1	1	1	1
	5	302GR46300	2GR46300	WIRE BYPASS FEED PI	1	1	1	1
	6	7YCC08B2046+H02	YC026130	CONNECTOR	2	2	2	2
	7	3033927451	33927451	RETAINING PIN,DRAWER	6	6	6	6
	8	2BL26200	2BL26200	MOUNT DRUM DRAWER	1	1	1	1
	9	7YCC10B1112+H01	YC046880	CONNECTOR	1	1	1	1
	10	7YZM610003++H01	YZ010250	ACCESS SADDLE	20	20	20	20
	11	7YZM610007++H01	YZ023340	ACCESS SADDLE	6	6	6	6
	12	7YZM510009++H01	YZ042790	ACCESS SPACER	1	1	1	1
	13	7YZM510007++H01	YZ042780	ACCESS SPACER	2	2	2	2
	14	302KS46020	2KS46020	WIRE PAPER FEED(C)	1	1	1	1
	15	302FG07050	2FG07050	MOUNT,CASSETTE SWITCH	2	2	2	2
⊙	16	66127010	66127010	SWITCH,COVER OPEN	2	2	2	2
	17	M2105970	M2105970	CLAMP,CKN-10(KITAGAWA)	1	1	1	1
	18	302GR39081	2GR39081	MOUNT POWER PWB	1	1	1	1
⊙	19	302GR45011	2GR45011	LVU 100	1	1		
⊙	19	302GR45021	2GR45021	LVU 200			1	1
	20	2BJ26210	2BJ26210	SHIELD SUBWIRE	1	1	1	1
	21	302GR39090	2GR39090	MOUNT OPTION I/F	1	1	1	1
	22	7YZM610001++H01	YZ010230	ACCESS SADDLE	4	4	4	4
	23	302GR46160	2GR46160	WIRE FINISHER SOCKET	1	1	1	1
	24	302FB26290	2FB26290	LID VENDOR	1	1	1	1
	25	M2104250	M2104250	EDGING,EDS-17L(KITAGAWA)	3	3	3	3
	26	302KS46080	2KS46080	WIRE OPTION(C)	1	1	1	1
	27	2AR26340	2AR26340	MOUNT,DECK CONNECTOR	1	1	1	1
⊙	28	7SC010101+++H01	SC023350	SW,SEESAW	1	1	1	1
	29	7YZM610002++H01	YZ010240	ACCESS SADDLE	4	4	4	4
	30	M2104280	M2104280	EDGING,EDS-25L(KITAGAWA)	1	1	1	1
	31	302GR39222	2GR39222	MOUNT FIXING DRAWER	1	1	1	1
	32	302KS46050	2KS46050	WIRE DRAWER	1	1	1	1
	33	302KS46260	2KS46260	WIRE PRIMARY	1	1	1	1
	34	302BL26061	2BL26061	PIN TERMINAL	4	4	4	4
	35	2BL26070	2BL26070	SPRING TERMINAL	1	1	1	1
	36	2BL26270	2BL26270	SPRING TERMINAL T	3	3	3	3
	37	302BL26051	2BL26051	CASE HIGH VOLTAGE	1	1	1	1
	38	2BL26080	2BL26080	GROUND PLATE HV	1	1	1	1
⊙	39	302GR45032	2GR45032	HVU	1	1	1	1
	40	302KS46030	2KS46030	WIRE HIGH VOLTAGE(C)	1	1	1	1
	41	302KS46300	2KS46300	WIRE MOTOR(TW)	1			
	41	302KS46070	2KS46070	WIRE MOTOR(C)	1	1	1	1
	42	302KS46010	2KS46010	WIRE FRONT(C)	1	1	1	1
	43	M2104210	M2104210	EDGING,EDS-2	3	3	3	3
	44	2BL26110	2BL26110	LEFT MOUNT I/L	1	1	1	1
⊙	45	2FB27160	2FB27160	INTER LOCK SWITCH	2	2	2	2
⊙	46	2AR27040	2AR27040	SWITCH,INTERLOCK	1	1	1	1
⊙	47	35927420	35927420	SWITCH,SIZE	3	3	3	3
	48	2BL26120	2BL26120	LEFT WORK PLATE I/L	1	1	1	1

- Parts with "*" are component parts or sub-assemblies of the assembly appearing immediately above them.
- Parts with "⊙" indicate regular maintenance parts.

Ref. No.	Part.No.	Alternative.	Description	Quantity				
				110	120	230	240	
	49	302BL26281	2BL26281	SHAFT I/L	1	1	1	1
	50	M2109350	M2109350	WIRE SADDLE,YMC-15-0(KITAGAWA)	1	1	1	1
	51	2BL04060	2BL04060	FRONT MOUNT COVER	1	1	1	1
	52	302GR04330	2GR04330	INNER LEFT COVER	1	1	1	1
⊙	53	302GR01191	2GR01191	TONER DETECTION ASS'Y	1	1	1	1
	54	7YCC05B1106+H01	YC047310	CONNECTOR	1	1	1	1
	55	302GR46291	2GR46291	WIRE TONER DISPOSAL	1	1	1	1
	56	302KS02100	2KS02100	SPONGE WIRE INNER LEFT	3	3	3	3
	57	2BL04450	2BL04450	GROUND PLATE INNER L	1	1	1	1
	58	302FG26102	2FG26102	MOUNT INLET A	1	1	1	1
	59	302GR39142	2GR39142	MOUNT PWB FILTER	1	1	1	1
	60	302GR01240	2GR01240	INLET ASS'Y	1	1	1	1
⊙	61	7YBCP8P8E001H01	YB020910	FERRITE CORE	1	1	1	1
⊙	62	302GR45090	2GR45090	UNIT FILTER	1	1		
⊙	62	302GR45100	2GR45100	UNIT FILTER 200			1	1
	63	302GR46650	2GR46650	WIRE FILTER-LVU	1	1	1	1
	64	302GR39121	2GR39121	MOUNT MAIN SW	1	1	1	1
⊙	65	302GR44260	2GR44260	FAN LVU 42-10	1	1	1	1
	66	302GR46750	2GR46750	WIRE LVU FAN	1	1	1	1
	67	7YZM610005++H01	YZ012220	ACCESS SADDLE	1	1	1	1
	68	302KS46180	2KS46180	WIRE FIXING DRAWER SP	1	1	1	1
	69	302KS46190	2KS46190	WIRE DLP CL	1	1	1	1
	70	M2107250	M2107250	BAND, RSG-100(KITAGAWA)	2	2	2	2
	71	7YBEG6G6U001H01	YB045290	FERRITE CORE	1	1	1	1
	72	7YZM610008++H01	YZ037940	ACCESS.SADDLE	2	2	2	2
	73	7YZM420003++H01	YZ052580	ACCESS.BAND	1	1	1	1
	74	7YZM420002++H01	YZ045260	ACCESS.BAND	1	1	1	1
	75	M0207000	49826601	BINDING BAND,KB-100-1	3	3	3	3
	76	M0207000	49826601	BINDING BAND,KB-100-1	1	1	1	1
	77	61727600	61727600	CORE,13-30X34	1			
	78	3065027601	65027601	POWER CORD 110	1			
	79	3019527401	19527401	POWER CORD(120)		1		
	80	2AR27800	2AR27800	POWER CORD(230)			1	
	81	7AAACCAS+10H001	AA063380	AC CORD ASSY AS				1
	101	7BB100306H	BB046010	+BIND T.T S SCREW 3X6				
	102	7BB000305H	BB063450	+BIND M SCREW 3X5				
	103	B9604060	B9604060	GROUNDING SCREW M4X6 (BRASS,N;)				
	104	7BB600314H	BB112160	+BIND M SCREW 3X14 R				
	105	7BB007306H	BB112570	+TP-CUP M SCREW 3X6				
	106	7BB200308H	BB105660	+BIND T.T P SCREW 3X8				
	107	7BB000314H	BB023710	+BIND SCREW M3X14				
	108	7BB102306H	BB107050	+TP-FLAT T.T S SCREW 3X6				
	109	7BB100308H	BB045340	+BIND TAP-TITE S SCREW M3X8 CRFREE				

- Parts with "••" are component parts or sub-assembly with "•" appearing immediately above them.

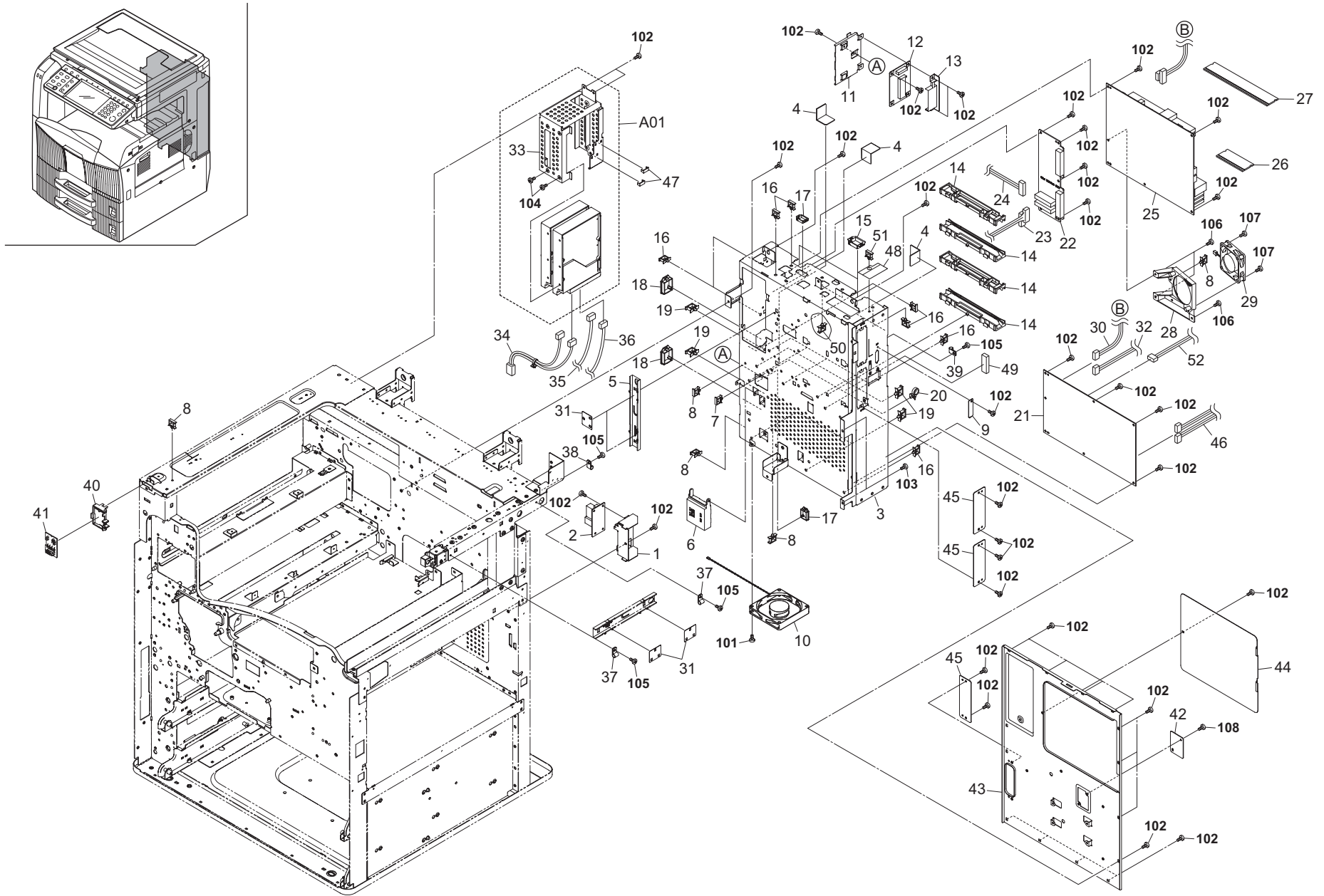


FIG. 20 Electrical Components 2

2KR/2KS-1

Ref. No.	Part.No.	Alternative.	Description	Quantity			
				110	120	230	240
1	302KS39060	2KS39060	MOUNT RELAY	1	1	1	1
2	302KS94090	2KS94090	PARTS PWB RELAY SP	1	1	1	1
3	302KS39010	2KS39010	CONT BOX	1	1	1	1
4	302KS39070	2KS39070	FILM PARTITION	3	3	3	3
5	302H702660	2H702660	GUIDE WIRE OPE F	1	1	1	1
6	302H702240	2H702240	BRACKET PPT	1	1	1	1
7	7YZM610010++H01	YZ042990	ACCESS.SADDLE	1	1	1	1
8	7YZM610007++H01	YZ023340	ACCESS.SADDLE	5	5	5	5
9	302H739260	2H739260	LID DP	1	1	1	1
10	302GR44050	2GR44050	FAN CONTROLLER 80-15	1	1	1	1
11	302KS39050	2KS39050	MOUNT CF PWB	1	1	1	1
12	302H794020	2H794020	PARTS PWB CF ASSY SP	1	1	1	1
13	302H739770	2H739770	GUIDE CF	1	1	1	1
14	302H739040	2H739040	RAIL PWB	4	4	4	4
15	7YZM210002++H01	YZ004730	ACCESS.EDGING	2	2	2	2
16	7YZM610003++H01	YZ010250	ACCESS SADDLE	12	12	12	12
17	7YZM210003++H01	YZ037970	ACCESS.EDGING	2	2	2	2
18	7YZM210004++H01	YZ037980	ACCESS.EDGING	2	2	2	2
19	7YZM610005++H01	YZ012220	ACCESS SADDLE	5	5	5	5
20	M2107250	M2107250	BAND,RSG-100(KITAGAWA)	1	1	1	1
21	302KS94060	2KS94060	PARTS PWB ENGINE SP	1	1	1	1
22	302H794031	2H794031	PARTS PWB KUIO IF ASSY SP	1	1	1	1
23	302KS46210	2KS46210	WIRE MAIN-KUIO	1	1	1	1
24	302KS46110	2KS46110	WIRE CF	1	1	1	1
25	302KS94010	2KS94010	PARTS MAIN PWB ASSY SP	1	1	1	1
25	302KS94020	2KS94020	PARTS MAIN PWB ASSY EU SP	1	1	1	1
26	302KS94040	2KS94040	PARTS CODE DIMM SP	1	1	1	1
27	302KS94360	2KS94360	PARTS MEMORY MODULE SP	1	1	1	1
28	302H739170	2H739170	MOUNT FAN MAIN	1	1	1	1
29	302FZ44040	2FZ44040	FAN BOX COOLING	1	1	1	1
30	302KS46200	2KS46200	WIRE MAIN-ENGINE	1	1	1	1
31	302H702540	2H702540	FILM WIRE OPE	4	4	4	4
32	302KS46160	2KS46160	WIRE SUB PWB	1	1	1	1
A01	302KS93060	2KS93060	PARTS HDD ASSY	1	1	1	1
33	*302KS39030	2KS39030	BRACKET HDD	1	1	1	1
34	302H746890	2H746890	WIRE HDD POWER	1	1	1	1
35	302KS46230	2KS46230	WIRE HDD DATA1	1	1	1	1
36	302KS46240	2KS46240	WIRE HDD DATA2	1	1	1	1
37	7YZM320002++H01	YZ106280	ACCESS.CLAMP	2	2	2	2
38	M7005030	M7005030	CLAMP,EMT-5N(TAKEUCHI)	1	1	1	1
39	M70A5010	M70A5010	CLAMP,EMT-4N(TAKEUCHI)	1	1	1	1
40	302GR39131	2GR39131	HOUSING LED PWB	1	1	1	1
41	302H001240	2H001240	OPERATION FRONT PWB ASS'Y	1	1	1	1
42	2BJ26150	2BJ26150	LID MMD	1	1	1	1
43	302KS39020	2KS39020	LID SHIELD	1	1	1	1
44	302KS39040	2KS39040	LID MAIN PWB	1	1	1	1
45	2DD26070	2DD26070	PLATE OPTION	3	3	3	3
46	302KS46250	2KS46250	WIRE SCANNER POWER	1	1	1	1
47	7YZM390011++H01	YZ050250	ACCESS.CLAMP	2	2	2	2
48	302KS39090	2KS39090	FILM BOX UPPER	1	1	1	1

Ref. No.	Part.No.	Alternative.	Description	Quantity			
				110	120	230	240
49	7ZG65TSV+033H01	ZG048420	SHIELD GASKET	1	1	1	1
50	7YZM610001++H01	YZ010230	ACCESS SADDLE	2	2	2	2
51	7YZM610008++H01	YZ037940	ACCESS.SADDLE	1	1	1	1
52	302KS46090	2KS46090	WIRE COUNTER	1	1	1	1
101	7BB100320H	BB112650	+BIND T.T S SCREW 3X20				
102	7BB100306H	BB046010	+BIND T.T S SCREW 3X6				
103	7BB000305H	BB063450	+BIND M SCREW 3X5				
104	B9A90010	B9A90010	+PAN SCREW 6-32X0.25				
105	7BB102306H	BB107050	+TP-FLAT T.T S SCREW 3X6				
106	7BB700308H	BB105600	+BIND T.T S SCREW 3X8 SR				
107	7BB300323H	BB105800	+BIND T.T B SCREW 3X23				
108	7BB700306H	BB105590	+BIND T.T S SCREW 3X6 SR				

- Parts with "*" are component parts or sub-assemblies of the assembly appearing immediately above them.
- Parts with "⊙" indicate regular maintenance parts.

- Parts with "••" are component parts or sub-assembly with "*" appearing immediately above them.

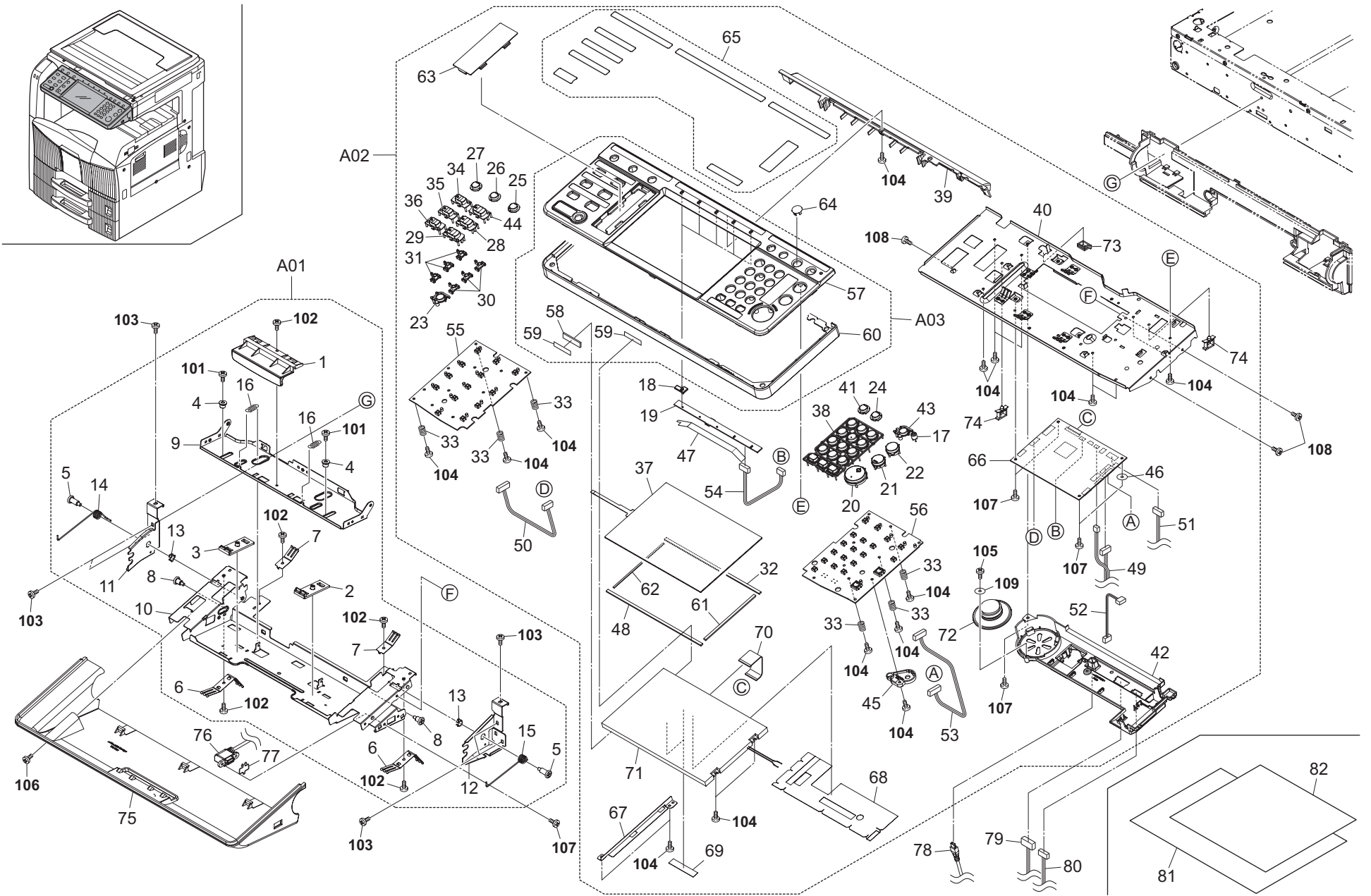


FIG. 21 Operation Section

2KR/2KS-1

Ref. No.	Part.No.	Alternative.	Description	Quantity			
				110	120	230	240
⊙ A01	302H793470	2H793470	PARTS OPERATION LOW UNIT	1	1	1	1
1	*302GR05070	2GR05070	HANDLE OPE	1	1	1	1
2	*302GR05120	2GR05120	MOUNT SLIDE	1	1	1	1
3	*302H005320	2H005320	MOUNT SLIDE LEFT	1	1	1	1
4	*302H005340	2H005340	BUSH SLIDE OPE	2	2	2	2
5	*302H005350	2H005350	PIN HINGE OPE	2	2	2	2
6	*302H005360	2H005360	PLATE GROUND BASE OPE	2	2	2	2
7	*302H005370	2H005370	PLATE GROUND MOUNT OPE	2	2	2	2
8	*302H005690	2H005690	PIN HINGE OPE C	2	2	2	2
9	*302H705111	2H705111	MOUNT HANDLE OPE	1	1	1	1
10	*302H705121	2H705121	BASE OPERATION	1	1	1	1
11	*302H705330	2H705330	HINGE OPE LEFT	1	1	1	1
12	*302H705340	2H705340	HINGE OPE RIGHT	1	1	1	1
13	*302H705350	2H705350	BUSH PIN OPE	2	2	2	2
14	*302H705900	2H705900	SPRING HINGE OPE L	1	1	1	1
15	*302H705910	2H705910	SPRING HINGE OPE R	1	1	1	1
16	*75018250	75018250	SPRING CLEANING SOLENOID	2	2	2	2
⊙ A02	302KS94470	2KS94470	PARTS OPERATION TW ASSY SP	1			
⊙ A02	302KS94301	2KS94301	PARTS OPERATION ASSY SP	1	1	1	1
17	*302GR05280	2GR05280	LENS POWER LED	1	1	1	1
18	*302GR05290	2GR05290	LENS LED	5	5	5	5
⊙ 19	*302H001230	2H001230	OPERATION UPPER PWB ASS'Y	1	1	1	1
⊙ 20	*302H005130	2H005130	KEY START	1	1	1	1
⊙ 21	*302H005140	2H005140	KEY STOP	1	1	1	1
⊙ 22	*302H005150	2H005150	KEY RESET	1	1	1	1
⊙ 23	*302H005191	2H005191	KEY ACCESS	1	1	1	1
⊙ 24	*302H005200	2H005200	KEY LOG OUT	1	1	1	1
⊙ 25	*302H005210	2H005210	KEY HELP	1	1	1	1
⊙ 26	*302H005220	2H005220	KEY COUNTER	1	1	1	1
⊙ 27	*302H005230	2H005230	KEY SYSTEM	1	1	1	1
⊙ 28	*302H005250	2H005250	KEY SEND	1	1	1	1
⊙ 29	*302H005260	2H005260	KEY DOCUMENT	1	1	1	1
⊙ 30	*302H005300	2H005300	LENS KEY A	3	3	3	3
⊙ 31	*302H005310	2H005310	LENS KEY B	3	3	3	3
32	*302H005610	2H005610	SPONGE LCD	1	1	1	1
33	*302H005620	2H005620	SPRING EARTH LCD	6	6	6	6
⊙ 34	*302H005630	2H005630	KEY STATUS	1	1	1	1
⊙ 35	*302H005640	2H005640	KEY PROGRAM	1	1	1	1
⊙ 36	*302H005650	2H005650	KEY APPLICATION	1	1	1	1
⊙ 37	*302H094271	2H094271	PARTS, TABLET OPERATION, SP	1	1	1	1
⊙ 38	*302H705040	2H705040	KEY 10	1	1	1	1
⊙ 39	*302H705101	2H705101	COVER OPE REAR	1	1	1	1
40	*302H705131	2H705131	MOUNT LCD	1	1	1	1
⊙ 41	*302H705140	2H705140	KEY INTERRUPT	1	1	1	1
42	*302H705150	2H705150	MOUNT INVERTER	1	1	1	1
⊙ 43	*302H705190	2H705190	KEY POWER SUPPLY	1	1	1	1
⊙ 44	*302H705320	2H705320	KEY COPY	1	1	1	1
45	*302H705360	2H705360	SPACER KEY	1	1	1	1
46	*302H705380	2H705380	SHEET OPE PWB	1	1	1	1
47	*302H705390	2H705390	PLATE LED PWB	1	1	1	1

- Parts with "*" are component parts or sub-assemblies of the assembly appearing immediately above them.
- Parts with "⊙" indicate regular maintenance parts.

Ref. No.	Part.No.	Alternative.	Description	Quantity			
				110	120	230	240
48	*302H705610	2H705610	CUSHION LCD	1	1	1	1
49	*302H746230	2H746230	WIRE PANEL JOINT	1	1	1	1
50	*302H746240	2H746240	WIRE OPERATION LEFT	1	1	1	1
51	*302H746260	2H746260	WIRE PANEL-LVU JOINT	1	1	1	1
52	*302H746860	2H746860	WIRE PANEL INVERTER	1	1	1	1
53	*302H746870	2H746870	WIRE OPERATION RIGHT	1	1	1	1
54	*302H746880	2H746880	WIRE OPERATION UPPER	1	1	1	1
⊙ 55	*302H794120	2H794120	PARTS PWB PANEL LEFT ASSY SP	1	1	1	1
⊙ 56	*302H794160	2H794160	PARTS PWB PANEL RIGHT ASSY SP	1	1	1	1
⊙ A03	*302H794800	2H794800	PARTS COVER OPERATION SET	1	1	1	1
⊙ 57	**302H705012	2H705012	COVER OPERATION	1	1	1	1
58	**302KS61240	2KS61240	SPACER LCD A	1	1	1	1
59	**302KS61250	2KS61250	SPACER LCD B	2	2	2	2
⊙ 60	**302KY05030	2KY05030	COVER OUTLINE OPERATION	1	1	1	1
61	*302K505270	2K505270	SPONGE LCD A	1	1	1	1
62	*302K505280	2K505280	SPONGE LCD B	1	1	1	1
⊙ 63	*302KS05010	2KS05010	COVER KEY COLOR	1	1	1	1
⊙ 64	*302KS05020	2KS05020	COVER LID ENERGY SAVE	1	1	1	1
65	*302KS05100	2KS05100	SHEET OPE SET E TW	1			
65	*302KS05041	2KS05041	SHEET OPE SET B		1	1	1
⊙ 66	*302KS94530	2KS94530	PARTS PWB PANEL MAIN TW SP	1			
⊙ 66	*302KS94450	2KS94450	PARTS PWB PANEL MAIN SP		1	1	1
67	*302KY05010	2KY05010	HOLDER LCD	1	1	1	1
68	*302KY05020	2KY05020	GUIDE LCD WIRE	1	1	1	1
69	*302KY05040	2KY05040	FILM LCD WIRE	2	2	2	2
70	*302KY46050	2KY46050	WIRE PANEL LCD	1	1	1	1
⊙ 71	*302KY94150	2KY94150	PARTS LCD OPERATION SP	1	1	1	1
⊙ 72	*7YG57S011GP+H01	YG042080	SPEAKER	1	1	1	1
73	*7YZM210006++H01	YZ038000	ACCESS.EDGING	1	1	1	1
74	*7YZM610008++H01	YZ037940	ACCESS.SADDLE	2	2	2	2
⊙ 75	302KS05090	2KS05090	COVER BASE OPERATION	1	1	1	1
76	302H746851	2H746851	WIRE USB HOST	1	1	1	1
77	302H005661	2H005661	SPRING USB HOST	1	1	1	1
78	302H746791	2H746791	WIRE MAIN-PANEL USB	1	1	1	1
79	302KS46270	2KS46270	WIRE MAIN-OPERATION	1	1	1	1
80	302H746250	2H746250	WIRE PANEL-LVU	1	1	1	1
81	302KS05051	2KS05051	SHEET OPE SET C			1	1
82	302KS05061	2KS05061	SHEET OPE SET D			1	1
101	7BB700310H	BB106900	+BIND T.T S SCREW 3X10 SR				
102	7BB100306H	BB046010	+BIND T.T S SCREW 3X6				
103	7BB100406H	BB106920	+BIND T.T S SCREW 4X6				
104	7BB200308H	BB105660	+BIND T.T P SCREW 3X8				
105	7BB202308H	BB105690	+TP-FLAT T.T P SCREW 3X8				
106	7BB180408H	BB111210	+BIND T.T S SCREW 4X8(BLACK)				
107	7BB700308H	BB105600	+BIND T.T S SCREW 3X8 SR				
108	7BB700306H	BB105590	+BIND T.T S SCREW 3X6 SR				
109	7BC00045C080H01	BC047540	WASHER M4.5X12X08T CRFREE				

- Parts with "••" are component parts or sub-assembly with "•" appearing immediately above them.

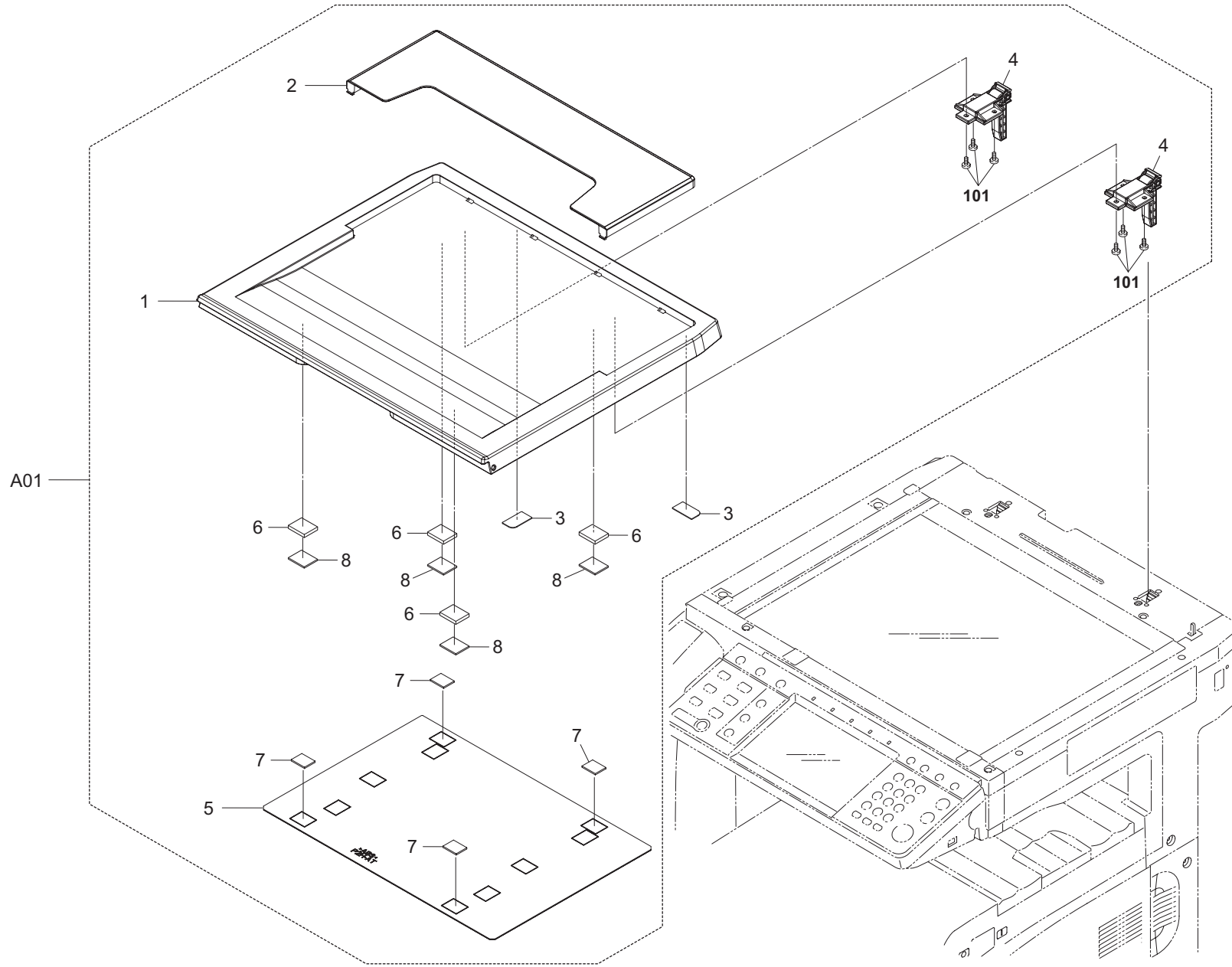


FIG. 22 Options 1

2KR/2KS-1

Ref. No.	Part.No.	Alternative.	Description	Quantity			
				110	120	230	240
A01	1202H70UN0	022H70UN	PLATEN COVER TYPE(E) (OPTION)	1	1	1	1
1	*302H717500	2H717500	COVER PLATEN	1	1	1	1
2	*302H717510	2H717510	COVER POCKET	1	1	1	1
3	*302H717520	2H717520	STOPPER RELEASE SWITCH	2	2	2	2
4	*302H717600	2H717600	HINGI ORIGINAL HOLDER	2	2	2	2
5	*303JC04200	3JC04200	PLATE ORIGINAL	1	1	1	1
6	*303K502080	3K502080	SPONGE ORIGINAL MAT	4	4	4	4
7	*303MX02021	3MX02021	CUSHION ORIGINAL MAT A	4	4	4	4
8	*303MX02031	3MX02031	CUSHION ORIGINAL MAT B	4	4	4	4

Ref. No.	Part.No.	Alternative.	Description	Quantity			
				110	120	230	240
101	7BB280410H	BB111250	+BIND T.T P SCREW 4X10(BLACK)				

- Parts with "*" are component parts or sub-assemblies of the assembly appearing immediately above them.
- Parts with "⊙" indicate regular maintenance parts.

- Parts with "••" are component parts or sub-assembly with "*" appearing immediately above them.

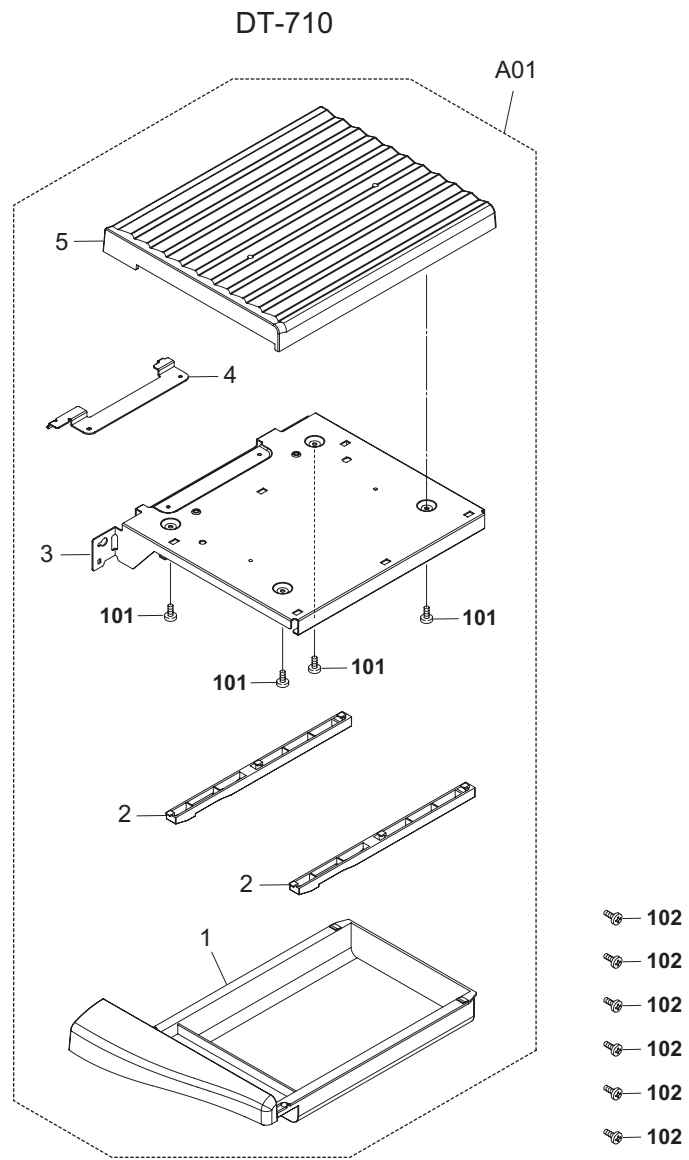


FIG. 23 Options 2

2KR/2KS-1

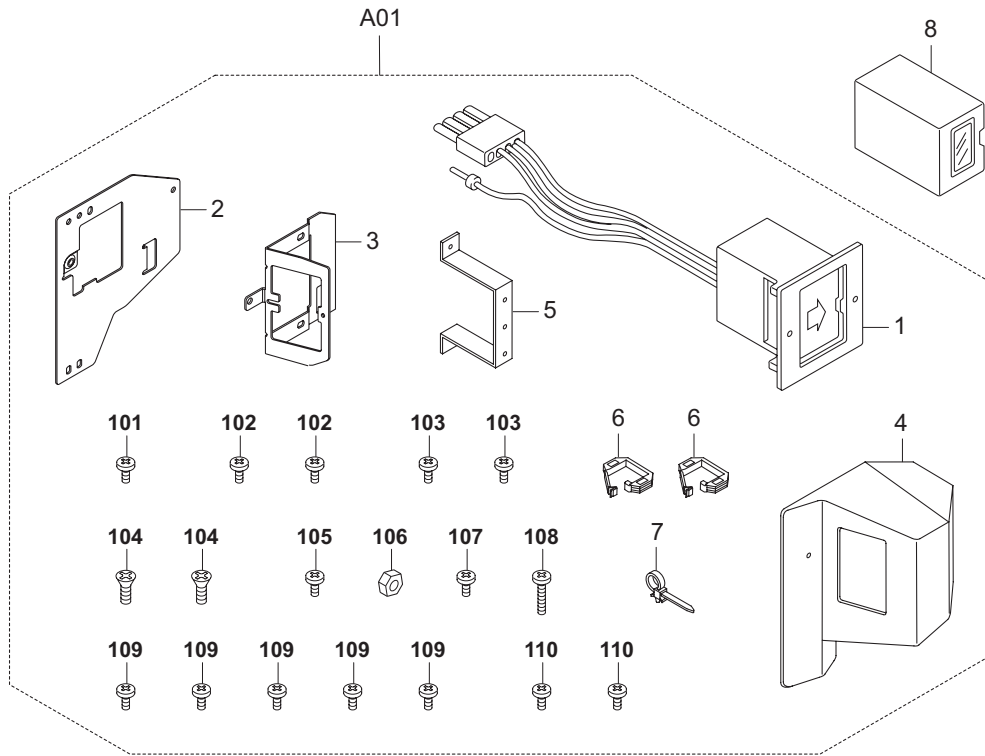
Ref. No.	Part.No.	Alternative.	Description	Quantity			
				110	120	230	240
A01	1902H70UN0	092H70UN	DT-710/DOCUMENT TRAY (OPTION)	1	1	1	1
1	*2BJ60530	2BJ60530	LOWER WING TRAY	1	1	1	1
2	*302BJ60541	2BJ60541	RAIL WING TRAY	2	2	2	2
3	*302GR04490	2GR04490	MOUNT WING TRAY	1	1	1	1
4	*302GR04500	2GR04500	HOLDER WING TRAY	1	1	1	1
5	*302H704880	2H704880	UPPER WING TRAY	1	1	1	1

Ref. No.	Part.No.	Alternative.	Description	Quantity			
				110	120	230	240
101	7BB200306H	BB105650	+BIND T.T P SCREW 3X6				
102	7BB000306H	BB106880	+BIND M SCREW 3X6				

- Parts with "*" are component parts or sub-assemblies of the assembly appearing immediately above them.
- Parts with "⊙" indicate regular maintenance parts.

- Parts with ".•" are component parts or sub-assembly with ".•" appearing immediately above them.

Key Counter



Tools

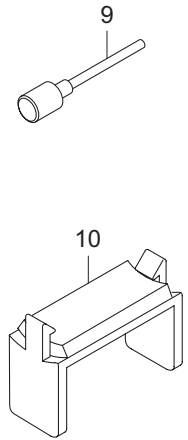


FIG. 24 Options 3 & Tools

2KR/2KS-1

Ref. No.	Part.No.	Alternative.	Description	Quantity			
				110	120	230	240
⊙ A01	302A369708	2A369708	SET PARTS KEYCOUNTER NEW COLOR	1	1	1	1
1	*3029236241	29236241	SOCKET ASS'Y,KEY COUNTER	1	1	1	1
2	*302GR03010	2GR03010	RETAINER KEY COUNTER COVER	1	1	1	1
3	*302GR03020	2GR03020	RETAINER KEY COUNTER	1	1	1	1
4	*3066060011	66060011	COVER,KEY COUNTER	1	1	1	1
5	*3066060041	66060041	MOUNT,KEY COUNTER	1	1	1	1
6	*7YZM210006++H01	YZ038000	ACCESS.EDGING	2	2	2	2
7	*M21AH010	M21AH010	BAND,RSG-130-V0(KITAGAWA)	1	1	1	1
⊙ 8	82142540	82142540	KEY COUNTER	1	1	1	1
9	302FZ17100	2FZ17100	PIN POSITIONING SP	1	1	1	1
10	35968110	35968110	STOPPER WIRE ASS'Y SP	1	1	1	1

Ref. No.	Part.No.	Alternative.	Description	Quantity			
				110	120	230	240
101	5MBTPB3008PW++R	B1A63080	BIND T.T SCREW(+)/ M3 X 8 CRFREE P-T				
102	5MBTPB4010PW++R	B1A64100	BIND T.T SCREW(+)/ M4 X 10 CRFREE P-T				
103	5MBTPB4010TW++R	B1A54100	BIND T.T SCREW(+)/ M4 X 10 CRFREE S-T				
104	7BB003306H	BB040750	+COUNTER-SUNK HEAD SCREW M3X6 CRF				
105	7BB100420H	BB040740	+BIND TAP-TITE S SCREW M4X20 CRFREE				
106	7BC1003055++H01	BC018230	HEXA NUT M3				
107	B1B03080	B1B03080	+BIND SCREW M3X08				
108	B1B54300	B1B54300	+BIND TAP-TITE S SCREW M4X30(TRIVALE				
109	B4A04060	B4A04060	+TP-A SCREW M4X06(TRIVALENT CHROMA				
110	B4A04100	B4A04100	+TP-A SCREW M4X10(TRIVALENT CHROMA				

- Parts with "*" are component parts or sub-assemblies of the assembly appearing immediately above them.
- Parts with "⊙" indicate regular maintenance parts.

- Parts with "••" are component parts or sub-assembly with "•" appearing immediately above them.

FIG. 25 Maintenance Kits

2KR/2KS-1

Ref. No.	Part.No.	Alternative.	Description	Quantity			
				110	120	230	240
	1702KR7TW0	072KR7TW	MK-726/MAINTENANCE KIT (OPTION)	1			
			•PULLEY,PAPER FEED	2			
			•PULLEY,SEPARATION	3			
			•PULLEY FEED A	3			
			•UNDER CLEANER REGIST	1			
			•GUIDE REGIST F	2			
			•PARTS,REGISTRATION CLEAN	1			
			•TR-710	1			
			•PARTS,GUIDE TRANSFER	1			
			••LABEL DRUM CAUTION J	1			
	••LABEL DRUM CAUTION E1	1					
	••LABEL DRUM CAUTION E2	1					
	••LABEL DRUM CAUTION A	1					
	••LABEL DRUM CAUTION CN	1					
	•DV-715	1					
	•PARTS FUSER 110 UNIT	1					
	•DK-716	1					
	•UPPER PULLEY,BYPASS	1					
	1702KR7US0	072KR7US	MK-726/MAINTENANCE KIT (OPTION)		1		
			•PULLEY,PAPER FEED		2		
•PULLEY,SEPARATION				3			
•PULLEY FEED A				3			
•UNDER CLEANER REGIST				1			
•GUIDE REGIST F				2			
•PARTS,REGISTRATION CLEAN				1			
•TR-710				1			
•PARTS,GUIDE TRANSFER				1			
••LABEL DRUM CAUTION J				1			
••LABEL DRUM CAUTION E1		1					
••LABEL DRUM CAUTION E2		1					
••LABEL DRUM CAUTION A		1					
••LABEL DRUM CAUTION CN		1					
•DV-715		1					
•PARTS FUSER 120 UNIT		1					
•DK-716		1					
•UPPER PULLEY,BYPASS		1					

Ref. No.	Part.No.	Alternative.	Description	Quantity			
				110	120	230	240
	1702KR8NL0	072KR8NL	MK-726/MAINTENANCE KIT (OPTION)				1 1
			•PULLEY,PAPER FEED				2 2
			•PULLEY,SEPARATION				3 3
			•PULLEY FEED A				3 3
			•UNDER CLEANER REGIST				1 1
			•GUIDE REGIST F				2 2
			•PARTS,REGISTRATION CLEAN				1 1
			•TR-710				1 1
			•PARTS,GUIDE TRANSFER				1 1
			••LABEL DRUM CAUTION J				1 1
			••LABEL DRUM CAUTION E1				1 1
			••LABEL DRUM CAUTION E2				1 1
			••LABEL DRUM CAUTION A				1 1
			••LABEL DRUM CAUTION CN				1 1
			•DV-715				1 1
			•PARTS FUSER 230 UNIT				1 1
			•DK-716				1 1
•UPPER PULLEY,BYPASS				1 1			

- Parts with "•" are component parts or sub-assemblies of the assembly appearing immediately above them.
- Parts with "⊙" indicate regular maintenance parts.

- Parts with "••" are component parts or sub-assembly with "•" appearing immediately above them.

INDEX

2KR/2KS-1

	Part.No.	Alternative.	Description	Fig.No.		Part.No.	Alternative.	Description	Fig.No.
	1202H70UN0	022H70UN	PLATEN COVER TYPE(E)	22		2BL04450	2BL04450	GROUND PLATE INNER L	19
	1702KR7US0	072KR7US	MK-726/MAINTENANCE KIT	25		2BL04470	2BL04470	MOUNT HINGE S	2
	1702KR8NL0	072KR8NL	MK-726/MAINTENANCE KIT	25		2BL04480	2BL04480	FRONT HINGE S COVER	1
	1702KR7TW0	072KR7TW	MK-726/MAINTENANCE KIT	25	⊙	2BL04550	2BL04550	LEVER L COVER LOCK M	6
	1902H70UN0	092H70UN	DT-710/DOCUMENT TRAY	23		2BL04560	2BL04560	SPRING L COVER LOCK	6
	20305130	20305130	LABEL L,HIGH TEMPERATURE CAUTION(EXP)	2		2BL04600	2BL04600	LEVER COVER RELEASE	6
	213+4410	49021301	BUSH,CUTTER	18		2BL04680	2BL04680	STRAP COVER	6
	28107310	49028101	BUSH 8	5,7,8,11,17,18		2BL04700	2BL04700	GROUND PLATE LEFT B	6
	28107400	28107400	BEARING,688ZZNR	9		2BL04880	2BL04880	FILM HINGE	1,2
⊙	29415100	45729416	GEAR, TONER ROLLER	11		2BL05150	2BL05150	LABEL RADIATION	2
	29812291	29812291	CUSHION,CONTACT GLASS	10		2BL06020	2BL06020	GUIDE A FEED	5
	2A105180	2A105180	LABEL,CAUTION CONTACT GLASS	10		2BL06051	2BL06051	FRONT RAIL FEED	5
	2AC26310	2AC26310	SHIELD 10X8X20,GASKET	6		2BL06061	2BL06061	REAR RAIL FEED	5
⊙	2AL06110	2AL06110	GEAR 25	5,7		2BL06110	2BL06110	GUIDE VERTICAL FEED	5
⊙	2AR07220	2AR07220	PULLEY,PAPER FEED	4		2BL06130	2BL06130	MOUNT C FEED DRIVE	5
⊙	2AR07230	2AR07230	PULLEY,SEPARATION	4,11	⊙	2BL06150	2BL06150	GEAR Z28 FEED	5
	2AR07660	2AR07660	GUIDE FILM,SEPARATION PULLEY	4	⊙	2BL06160	2BL06160	GEAR Z35-15 FEED	5
	2AR07710	2AR07710	MOUNT,PAPER FEED DRAWER	2	⊙	2BL06170	2BL06170	GEAR Z42 FEED	5
	2AR26340	2AR26340	MOUNT,DECK CONNECTOR	19	⊙	2BL06180	2BL06180	GEAR Z28-P18 FEED	5
⊙	2AR27040	2AR27040	SWITCH,INTERLOCK	19	⊙	2BL06190	2BL06190	GEAR Z25 FEED	5
	2AR27800	2AR27800	POWER CORD(230)	19		2BL06220	2BL06220	EARTH VERTICAL FEED	5
	2AV12280	2AV12280	BASE RUBBER,SCANNER SECTION	2		2BL06230	2BL06230	GROUND PLATE A FEED	5
	2BC06520	2BC06520	BUSHING 6,REGISTRATION	4	⊙	2BL06260	2BL06260	FRONT GUIDE REGIST	5
	2BC06910	2BC06910	STOPPER 6	5,7,9,11,12,17,18		2BL06320	2BL06320	BELT CONVEYING	5
	2BC06980	2BC06980	STOPPER 5	5,6,7,11,17,18		2BL06330	2BL06330	GUIDE B FEED	5
⊙	2BC07050	2BC07050	PULLEY,LIFT WIRE	9	⊙	2BL06340	2BL06340	SPRING FEED	6
	2BC12190	2BC12190	SPRING,MIRROR HOLDER	9	⊙	2BL06360	2BL06360	GEAR Z42 BYPASS	5
	2BG22990	2BG22990	CUT WASHER 4	9	⊙	2BL06380	2BL06380	GEAR Z25 JOINT	5
	2BJ02110	2BJ02110	FULCRUM PLATE,MIDDLE TRAY	2		2BL06410	2BL06410	GROUND PLATE MIDDLE	2
	2BJ02121	2BJ02121	HOLDER,FULCRUM	2		2BL06430	2BL06430	COVER CONNECTOR	5
	2BJ04150	2BJ04150	MOUNT LEFT FRONT COVER	1		2BL06440	2BL06440	MOUNT REGIST SWITCH	5
	2BJ04520	2BJ04520	FRONT PLATE EXIT L	6		2BL06450	2BL06450	HOLDER FEED SWITCH	5
⊙	2BJ06010	2BJ06010	PULLEY FEED A	4,11	⊙	2BL06460	2BL06460	SPRING LEFT COVER	5
⊙	2BJ21021	2BJ21021	LEVER GUIDE CHANGE U	6		2BL06480	2BL06480	FILM REGIST F	5
	2BJ21030	2BJ21030	SPRING CHANGE UP	6		2BL06570	2BL06570	MOUNT RAIL	12
⊙	2BJ21040	2BJ21040	LEVER CHANGE UP B	6		2BL06580	2BL06580	RAIL BYPASS	12
	2BJ26150	2BJ26150	LID MMD	20	⊙	2BL06590	2BL06590	PULLEY RAIL	2,12
	2BJ26210	2BJ26210	SHIELD SUBWIRE	19		2BL06620	2BL06620	SPONGE FRONT	1
	2BJ60530	2BJ60530	LOWER WING TRAY	23		2BL06650	2BL06650	STAY LIFTPLATE	11
	2BL02050	2BL02050	LOWER BASE LSU	2	⊙	2BL06680	2BL06680	CAM BYPASS	11
	2BL02150	2BL02150	MOUNT RIGHT HANDLE	2	⊙	2BL06720	2BL06720	GEAR 55/15	11
	2BL02230	2BL02230	MOUNT FAN	13	⊙	2BL06730	2BL06730	ACTUATOR BYPASSFEED	12
	2BL02240	2BL02240	SPONGE FAN	13		2BL06780	2BL06780	SPRING BYPASSFEED	12
	2BL04060	2BL04060	FRONT MOUNT COVER	19		2BL06800	2BL06800	SPRING BYPASS	12
	2BL04200	2BL04200	LEVER CONT RELEASE	1	⊙	2BL06810	2BL06810	BELT BYPASSFEED	12
	2BL04220	2BL04220	MOUNT HINGE	1	⊙	2BL06820	2BL06820	PULLEY25 BYPASSFEED	12
	2BL04310	2BL04310	PLATE NUMBER	3		2BL06830	2BL06830	DIAL BYPASSFEED	12
	2BL04350	2BL04350	FRONT HINGE COVER P	1		2BL06840	2BL06840	SPRING BYPASS RET	2
	2BL04370	2BL04370	PLATE NUMBER 2	3		2BL06850	2BL06850	JOINT RETARD	11
						2BL06860	2BL06860	SPRING RETARD	11

• Parts with "⊙" indicate regular maintenance parts.

	Part.No.	Alternative.	Description	Fig.No.
	2BL06870	2BL06870	SPRING JOINTRETARD	11
	2BL06880	2BL06880	FILM BYPASS	11
	2BL06890	2BL06890	PLATE BYPASS HOLD	11
	2BL06940	2BL06940	EARTH PUSH SWITCH	5
	2BL06950	2BL06950	DUMPER LEFT COVER	5
	2BL06960	2BL06960	STRAP RELEASE	6
⊙	2BL06970	2BL06970	FILM REGIST FF	5
	2BL06990	2BL06990	STOPPER GEAR 8-25	11
⊙	2BL07020	2BL07020	ROLLER DU FEED UP	7
⊙	2BL07030	2BL07030	ROLLER DU FEED LOW	7
⊙	2BL07040	2BL07040	PULLEY DU	7
	2BL07060	2BL07060	SPRING DU PULLEY	7
	2BL07080	2BL07080	SPRING DU JOINT	7
⊙	2BL07090	2BL07090	ACTUATOR DU	7
	2BL07110	2BL07110	PLATE EARTH DU	7
	2BL07120	2BL07120	PLATE NUT DU	7
⊙	2BL07130	2BL07130	SPRING DU ACT.	7
	2BL07140	2BL07140	FILM WIRE DU	7,18
	2BL07150	2BL07150	GUIDE RIB DU	7
	2BL07900	2BL07900	PLATE LEADING FEED	4
⊙	2BL07950	2BL07950	UNDER CLEANER REGIST	7
	2BL07970	2BL07970	CUT WASHER 10	7
	2BL13060	2BL13060	REAR ADJUSTING LSU	13
	2BL13070	2BL13070	FRONT ADJUSTING LSU	13
	2BL13120	2BL13120	FRONT MOUNT HOUSING	13
	2BL13250	2BL13250	ADJUSTING PLT LSU	13
	2BL13290	2BL13290	SPRING FIX LSU	13
	2BL14180	2BL14180	FRONT ARM RAIL	14
	2BL14190	2BL14190	REAR ARM RAIL	14
	2BL14200	2BL14200	RAIL DLP	14
	2BL14220	2BL14220	PIN LEVER DLP	14
⊙	2BL14250	2BL14250	GEAR 18	6
	2BL14350	2BL14350	GROUND PLATE RAIL	14
	2BL14410	2BL14410	SPRING CAM	6
	2BL16030	2BL16030	STOPPER BUSH	7
⊙	2BL16060	2BL16060	GEAR REGIST Z18	7
⊙	2BL16080	2BL16080	PULLEY FEED	6,7
	2BL16100	2BL16100	STRAP CONVEYING A	7
	2BL16110	2BL16110	STRAP CONVEYING B	7
⊙	2BL16130	2BL16130	GUIDE REGIST F	7
	2BL16150	2BL16150	PLATE TRANS B	7
	2BL16160	2BL16160	PLATE TRANS UNIT GND	7
	2BL16170	2BL16170	PLATE SEPARATION B	7
⊙	2BL16190	2BL16190	HOOK CONVEYING	7
	2BL16200	2BL16200	SPRING CONVEYING	7
⊙	2BL16220	5AAVBRUSH036	BRUSH CLEANER	1
	2BL16250	2BL16250	GUIDE FEED F	7
	2BL16260	2BL16260	BUSHING REGIST	7
	2BL16290	2BL16290	CUT WASHER 3	6,7
	2BL17010	2BL17010	HOUSING TRANSFER	7

	Part.No.	Alternative.	Description	Fig.No.
⊙	2BL17040	2BL17040	PULLEY TRANS ROLLER	7
	2BL17050	2BL17050	PLATE TRANS UNIT	7
⊙	2BL17090	2BL17090	GEAR TRANS Z25H	7
	2BL17170	2BL17170	BUSHING 8	7
	2BL18160	2BL18160	GEAR SPIRAL 16	16
	2BL18170	2BL18170	GEAR IDLE 15	16
⊙	2BL18300	2BL18300	BLADE CLEANING	16
	2BL18320	2BL18320	HANDLE DRUM	16
	2BL18560	2BL18560	SPONGE LOWER SEAL	16
	2BL18630	2BL18630	BUSHING DRUM A	16
⊙	2BL18720	2BL18720	TAPE CLEANING LAMP	16
⊙	2BL18870	2BL18870	GEAR CL ROLLER 15	16
⊙	2BL18880	2BL18880	GEAR CL ROLLER 16	16
⊙	2BL20080	2BL20080	CLAW HEAT ROLLER	15
⊙	2BL20260	2BL20260	GEAR FIXING Z33	15
⊙	2BL20330	2BL20330	STATIC ELIMINATOR PRESS	15
	2BL21070	2BL21070	SPRING EXIT PULLEY	8
	2BL21100	2BL21100	LEVER GUIDE CHANGE	8
⊙	2BL21120	2BL21120	ACTUATOR EXIT R	8
⊙	2BL21130	2BL21130	ACTUATOR EXIT L	8
	2BL21170	2BL21170	PLATE EARTH EXIT F	8
	2BL21180	2BL21180	PLATE EARTH EXIT R	8
	2BL21190	2BL21190	BKT SOLENOID	8
⊙	2BL21211	2BL21211	PULLEY ONEWAY T30	8
⊙	2BL21220	2BL21220	GEAR EXIT Z19	8
⊙	2BL21230	2BL21230	PULLEY EXIT T30	7,8
⊙	2BL21240	2BL21240	BELT EXIT P2M212	7,8
	2BL21250	2BL21250	SPRING ACTUATOR R	8
	2BL21260	2BL21260	SPRING ACTUATOR L	8
	2BL21270	2BL21270	SPRING FEED SHIFT	8
	2BL21340	2BL21340	SPRING CHANGE PULLEY	6
	2BL21370	2BL21370	LEVER GUIDE CHANGE B	8
⊙	2BL21390	2BL21390	GEAR EXIT JOINT Z26S	8
	2BL21400	2BL21400	SPRING EXIT JOINT	8
⊙	2BL21430	2BL21430	GEAR EXIT Z20	8
⊙	2BL21440	2BL21440	SPRING EXIT CHANGE	8
	2BL21460	2BL21460	FILM WIRE PROTECT	6
	2BL21470	2BL21470	PLATE EARTH CHANGE	8
	2BL21490	2BL21490	GUIDE FILM DU	6
	2BL21500	2BL21500	FILM WIRE PROTECT B	6
	2BL21510	2BL21510	CUT WASHER 6	8
	2BL21520	2BL21520	PULLEY EXIT C	8
	2BL22140	2BL22140	GUIDE DLP	18
	2BL22150	2BL22150	BRACKET CLUTCH	18
	2BL22160	2BL22160	GEAR DRUM Z76H-Z30H	18
	2BL22170	2BL22170	PLATE GUIDE DRUM	18
	2BL22190	2BL22190	GEAR Z50H	18
	2BL22210	2BL22210	GEAR JOINT Z32S	18
	2BL22220	2BL22220	GEAR Z36S-Z31H	18
	2BL22230	2BL22230	GEAR Z34H	18

• Parts with "⊙" indicate regular maintenance parts.

	Part.No.	Alternative.	Description	Fig.No.
	2BL22240	2BL22240	SPRING JOINT FUSER	18
⊙	2BL22320	2BL22320	GEAR Z76H-Z35S	17
⊙	2BL22330	2BL22330	GEAR Z41S-Z24S-P30	17
⊙	2BL22350	2BL22350	BELT DRIVE FEED	17
	2BL22380	2BL22380	PLATE DRIVE MPF B	17
⊙	2BL22400	2BL22400	BELT DRIVE MPF	17
⊙	2BL22420	2BL22420	GEAR Z41S P18	17
⊙	2BL22480	2BL22480	GEAR Z24S-P40	17
⊙	2BL22490	2BL22490	GEAR Z40S-Z25S	17
	2BL22510	2BL22510	SPRING DRIVE CONT.	17
⊙	2BL22520	2BL22520	CLUTCH CONTAINER	17
⊙	2BL22540	2BL22540	GEAR Z60S-P20	17
⊙	2BL22550	2BL22550	GEAR Z40S-Z32S	17
⊙	2BL22560	2BL22560	PULLEY CONT DRIVE	17
⊙	2BL22570	2BL22570	BUSH DRIVE CONT 8	17
	2BL22580	2BL22580	COLLAR BELT	8,17
⊙	2BL22590	2BL22590	BELT DRIVE CONTAINER	17
⊙	2BL22630	2BL22630	GEAR EXIT Z30S	18
⊙	2BL22800	2BL22800	GEAR Z47S-Z28S	18
	2BL22820	2BL22820	SPRING PULLEY	17
	2BL22830	2BL22830	PULLEY TENSION	17
	2BL22840	2BL22840	SHAFT DRIVE DRUM FW	18
	2BL22850	2BL22850	RETAINER FLYWHEEL	18
	2BL22860	2BL22860	FLYWHEEL 190	18
	2BL22870	2BL22870	WEIGHT 190	18
	2BL22880	2BL22880	FILM BKT CLUTCH	18
	2BL23040	2BL23040	LID DLP DUCT	18
	2BL23060	2BL23060	DUCT MAIN B	18
	2BL23100	2BL23100	FILM COOLING	18
	2BL23110	2BL23110	GROUND PLATE LEFT FAN	6
	2BL23120	2BL23120	COVER DUCT DRUM	18
⊙	2BL23170	2BL23170	SPONGE LEFT FAN	6
	2BL26070	2BL26070	SPRING TERMINAL	19
	2BL26080	2BL26080	GROUND PLATE HV	19
	2BL26110	2BL26110	LEFT MOUNT I/L	19
	2BL26120	2BL26120	LEFT WORK PLATE I/L	19
	2BL26160	2BL26160	PLATE TRANSFER A	18
	2BL26170	2BL26170	PLATE SEPARATION A	18
	2BL26200	2BL26200	MOUNT DRUM DRAWER	19
	2BL26270	2BL26270	SPRING TERMINAL T	19
⊙	2BL93450	2BL93450	PARTS,REGISTRATION CLEAN	5
	2C904550	2C904550	CUT WASHER 5	3
	2C912150	2C912150	RETAINER WIRE	9
	2C920330	2C920330	BEARING PRESSURE	15
⊙	2C927090	2C927090	SENSOR ORIGINAL	10
⊙	2C927210	2C927210	SENSOR 248NL1	7,9,10,11,19
	2DC12230	2DC12230	SLIDER SCANNER	9
	2DD26070	2DD26070	PLATE OPTION	20
	2FB06710	2FB06710	PIN CASSETTE RAIL	2
	2FB07050	2FB07050	PIN CURSOR	3

	Part.No.	Alternative.	Description	Fig.No.
	2FB07060	2FB07060	SPRING CURSOR	3
⊙	2FB12140	2FB12140	MIRROR A	9
⊙	2FB12180	2FB12180	MIRROR B	9
⊙	2FB27160	2FB27160	INTER LOCK SWITCH	19
⊙	2FG01020	2FG01020	SIZE DETECTION ASS'Y	3,11
	2FG05070	2FG05070	LABEL DRUM CAUTION J	5
	2FG05080	2FG05080	LABEL DRUM CAUTION E1	5
	2FG05090	2FG05090	LABEL DRUM CAUTION E2	5
	2FG05100	2FG05100	LABEL DRUM CAUTION A	5
	2FG05110	2FG05110	LABEL DRUM CAUTION CN	5
	2FG06020	2FG06020	MOUNT FEED DRIVE A	5
	2FG06030	2FG06030	MOUNT FEED DRIVE B	5
⊙	2FG06040	2FG06040	GEAR Z21-Z36 FEED	5
	2FG06070	2FG06070	SPRING FEED JOINT	5
⊙	2FG06110	2FG06110	PULLEY MIDDLE FEED	5
	2FG06120	2FG06120	COLLAR FEED JOINT	5
	2FG06130	2FG06130	SPRING GUIDE FEED	5
	2FG06160	2FG06160	MOUNT BYPASS FEED	5
	2FG06170	2FG06170	GROUND PLATE GUIDE A	5
	2FG06200	2FG06200	FILM MIDDLE FEED	5
⊙	2FG06220	2FG06220	FILM MIDDLE FEED RAIL R	5
	2FG16010	2FG16010	PLATE MID FEED UNIT	7
⊙	2FG16021	2FG16021	ROLLER REGIST	7
	2FG16030	2FG16030	PULLEY REGIST	7
	2FG16160	2FG16160	GUIDE ROLLER F	7
	2FG16170	2FG16170	GUIDE ROLLER R	7
	2FG16250	2FG16250	SPACER REGIST	7
	2FG16290	2FG16290	GUIDE FEED	7
⊙	2FG16300	2FG16300	SPRING REGIST F	7
⊙	2FG16310	2FG16310	SPRING REGIST R	7
	2FG16320	2FG16320	SPRING FEED	7
	2FG16330	2FG16330	HOLDER SHAFT	7
	2FG17010	2FG17010	HOLDER SEPARATION A	7
	2FG17160	2FG17160	SPRING TRANS R	7
⊙	2FG20070	2FG20070	GEAR 49 HEAT ROLLER	15
⊙	2FG20190	2FG20190	BUSHING HEAT ROLLER	15
	2FG20200	2FG20200	STOPPER HEAT ROLLER	15
⊙	2FG20230	2FG20230	BEARING HEAT ROLLER	15
⊙	2FG20280	2FG20280	GROUND PLATE FIXING	15
	2FG22030	2FG22030	GEAR Z59H-Z44S	18
	2FG22040	2FG22040	GEAR Z22S	18
	2FG22060	2FG22060	PLATE DRIVE EXIT B	18
	2FG22090	2FG22090	BRACKET CLUTCH FEED	17
⊙	2FG27110	2FG27110	SWITCH REGISTRATION	5
	19527401	19527401	POWER CORD(120)	19
	3029236241	29236241	SOCKET ASS'Y,KEY COUNTER	24
	302A126131	2A126131	PIN,OPTION	1
⊙	302A369708	2A369708	SET PARTS KEYCOUNTER NEW COLOR	24
	302AR07041	2AR07041	SHAFT,WORK PLATE	3
	302AR07252	2AR07252	SHAFT,PAPER FEED	4

• Parts with "⊙" indicate regular maintenance parts.

Part.No.	Alternative.	Description	Fig.No.
302AR07271	2AR07271	SHAFT,LEADING FEED	4
302AR07541	2AR07541	RETAINING PIN,VERTICAL CONVEYING	6
302AR07721	2AR07721	COVER CASSETTE RAIL	2
302AR20512	2AR20512	SHAFT,PRESSURE ROLLER SEPARATION CLAW	6
302AR94040	2AR94040	PARTS PRIMARY PAPER FEED BUSHING ASSY	17
302BC07861	2BC07861	TERMINAL,PAPER SIZE DETECTION	3,11
302BJ02011	2BJ02011	UPPER FRONT FRAME	2
302BJ04531	2BJ04531	REAR PLATE EXIT L	6
302BJ60541	2BJ60541	RAIL WING TRAY	23
302BL02033	2BL02033	BASE	2
302BL02041	2BL02041	BASE MIDDLE	2
302BL02123	2BL02123	UPPER RIGHT PLATE	2
302BL02131	2BL02131	LOWER PLATE CONT	2
302BL02171	2BL02171	PIN HANDLE	2
302BL02221	2BL02221	RAIL DRUM R	18
302BL04111	2BL04111	FRONT LEFT COVER	1
302BL04191	2BL04191	PIN COVER HINGE	1
302BL04301	2BL04301	LID COVER LEFT	1
302BL04521	2BL04521	SHAFT LEFT COVER M	5
302BL04541	2BL04541	SHAFT L COVER LOCK M	6
302BL04622	2BL04622	PLATE LEFT COVER M	6
302BL04841	2BL04841	PIN COVER HINGE S	1
302BL06102	2BL06102	LEFT COVER FEED	6
302BL06212	2BL06212	SHAFT FEED PULLEY	6
302BL06521	2BL06521	UPPERGUIDE BYPASS	12
302BL06532	2BL06532	COVER BYPASSUNIT	11
302BL06691	2BL06691	MOUNT BYPASSDRIVE	11
302BL06741	2BL06741	SHAFT BYPASSFEED	12
302BL06761	2BL06761	SHAFT BYPASSCAM	11
302BL06773	2BL06773	SHAFT BYPASS	11
302BL06921	2BL06921	SHAFT FEED A	5
302BL07052	2BL07052	SHAFT DU PULLEY	7
302BL07071	2BL07071	JOINT DU	7
302BL14141	2BL14141	MOUNT CAM	6
302BL14231	2BL14231	SHAFT CAM	6
302BL14241	2BL14241	CAM DLP	6
302BL16211	2BL16211	SHAFT CONVEYING	7
302BL16232	2BL16232	SPRING CONV OPEN	5
302BL16241	2BL16241	SPRING CONVEYING B	7
302BL17061	2BL17061	BUSH TRANS ROLLER	7
302BL18031	2BL18031	REAR COVER DRUM	16
302BL20092	2BL20092	MOUNT REAR GUIDE	6
302BL20351	2BL20351	CLAW PRESS ROLLER	6
302BL21061	2BL21061	SHAFT EXIT PULLEY	8
302BL21081	2BL21081	GUIDE EXIT CHANGE	8
302BL21162	2BL21162	BKT DISCHARGER	8
302BL21202	2BL21202	JOINT EXIT	8
302BL22371	2BL22371	PLATE DRIVE MPF A	17
302BL22391	2BL22391	PULLEY MPF DRIVE	17
302BL22443	2BL22443	PLATE DRIVE CONT.A	17

Part.No.	Alternative.	Description	Fig.No.
302BL22451	2BL22451	PLATE DRIVE CONT.B	17
302BL22461	2BL22461	SHAFT DRIVE CONT	17
302BL22531	2BL22531	GEAR FEED Z41S-P15	17
302BL22811	2BL22811	PLATE TENSION A	17
302BL22892	2BL22892	MOUNT FLYWHEEL	18
302BL23051	2BL23051	DUCT MAIN A	18
302BL26051	2BL26051	CASE HIGH VOLTAGE	19
302BL26061	2BL26061	PIN TERMINAL	19
302BL26151	2BL26151	MOUNT BASE TERMINAL	18
302BL26281	2BL26281	SHAFT I/L	19
302BL93131	2BL93131	PARTS,DISPOSAL TANK,TB700	1
302BM07410	2BM07410	GEAR GUIDE SIDE	11
302C912291	2C912291	SPRING SCANNER TENSION	9
302DA12070	2DA12070	SEAL SCANNER	9
302F725430	2F725430	STATIC ELIMINATOR HEAT ROLLER	15
302FB05200	2FB05200	PLATE SIZE C	3
302FB05380	2FB05380	LABEL VFEED CAUTION	6
302FB07032	2FB07032	LEVER CURSOR A	3
302FB07042	2FB07042	LEVER CURSOR B	3
302FB07420	2FB07420	PIN CASSETTE	3
302FB16320	2FB16320	PIN ROLLER RELEASE LEVER	2
302FB25052	2FB25052	HEATER DEHUMIDIFIER 120	2
302FB25061	2FB25061	HEATER DEHUMIDIFIER 240	2
302FB26290	2FB26290	LID VENDOR	19
302FG02044	2FG02044	FRONT FRAME	2
302FG02053	2FG02053	REAR FRAME	2
302FG02072	2FG02072	LOWER LEFT REINFORCEMENT	2
302FG04062	2FG04062	COVER EXIT LEFT	6
302FG06011	2FG06011	FRAME VERTICAL FEED A	5
302FG06051	2FG06051	JOINT FEED DRIVE	5
302FG06061	2FG06061	SHAFT FEED JOINT	5
302FG06083	2FG06083	HOUSING FEED	5
302FG06101	2FG06101	SHAFT MIDDLE FEED	5
302FG06151	2FG06151	MOUNT MID FEED DRIVE	5
302FG06211	2FG06211	RIGHT ROLLER REGIST	5
302FG07020	2FG07020	PULLEY,CASSETTE RAIL	2
302FG07033	2FG07033	LEFT RAIL CASSETTE	2
302FG07050	2FG07050	MOUNT,CASSETTE SWITCH	19
302FG07253	2FG07253	UPPER HOUSING,PAPER FEED	4
302FG07260	2FG07260	LOWER HOUSING,PAPER FEED	4
302FG07290	2FG07290	ACTUATOR,PAPER EMPTY	4
302FG07300	2FG07300	HOLDER,ACTUATOR	4
302FG07310	2FG07310	REINFORCEMENT PRIMARY PAPER FEED	4
302FG07330	2FG07330	GROUND PLATE,PRIMARY PAPER FEED	4
302FG16263	2FG16263	BASE CONVEYING A	7
302FG16272	2FG16272	SHEET CONVEYING	7
302FG16281	2FG16281	SHAFT FEED	7
302FG20211	2FG20211	THERMISTOR FIXING	15
302FG21011	2FG21011	GUIDE CHANGE UP	6
302FG22051	2FG22051	PLATE DRIVE EXIT A	18

• Parts with "⊙" indicate regular maintenance parts.

Part.No.	Alternative.	Description	Fig.No.
302FG22071	2FG22071	PLATE DRIVE FEED A	17
302FG22120	2FG22120	COLLAR BELT DRIVE	17
302FG23021	2FG23021	MOUNT OZONE FILTER A	6
302FG26102	2FG26102	MOUNT INLET A	19
302FZ02580	2FZ02580	CAP HANDLE	2
302FZ03110	2FZ03110	SEAL HANDLE	2
302FZ17051	2FZ17051	SEAL FRAME E	9
302FZ17100	2FZ17100	PIN POSITIONING SP	24
⊙ 302FZ44040	2FZ44040	FAN BOX COOLING	20
⊙ 302FZ44060	2FZ44060	FAN COOLING CONVEYING	10
⊙ 302G634070	2G634070	LABEL ENERGY STAR	1
⊙ 302GR01191	2GR01191	TONER DETECTION ASS'Y	19
302GR01240	2GR01240	INLET ASS'Y	19
⊙ 302GR01250	2GR01250	TONER SENSOR ASSY	18
302GR02030	2GR02030	HOLDER SHAFT F	18
302GR02040	2GR02040	HOLDER SHAFT R	18
302GR02050	2GR02050	GUIDE STRAP	18
302GR02060	2GR02060	STRAP DRUM COVER	18
302GR02071	2GR02071	ARM DRUM COVER A	18
302GR02081	2GR02081	ARM DRUM COVER B	18
302GR02090	2GR02090	SPRING DRUM COVER	18
302GR02111	2GR02111	UPPER PLATE DRUM	2
302GR02120	2GR02120	ADJUSTOR FUSER	15
302GR02130	2GR02130	MOUNT TRAY EJECT	2
302GR02221	2GR02221	LEVER LOCK CASSETTE	2
302GR02230	2GR02230	SPRING LEVER	2
302GR02240	2GR02240	PIN FRONT CASSETTE RAIL	2
302GR02250	2GR02250	LOWER RIGHT REINFORCEMENT	2
302GR02300	2GR02300	SUPPORT MOUNT DP	2
302GR02311	2GR02311	MOUNT RUBBER ISU	2
302GR02321	2GR02321	ADJUSTOR ISU	2
302GR02330	2GR02330	PIN FEED	5
302GR02511	2GR02511	UPPER REAR FRAME	2
302GR02521	2GR02521	UPPER LEFT PLATE	2
302GR02531	2GR02531	GROUND PLATE ISU A	9
302GR02550	2GR02550	UPPER PLATE FIXING	2
302GR02560	2GR02560	FILM SPRING DRUM COVER	18
302GR02570	2GR02570	GROUND PLATE ISU C	9
302GR02580	2GR02580	GROUND PLATE ISU D	9
302GR02810	2GR02810	PIN LEFT COVER	6
302GR02820	2GR02820	PIN DRIVE TENSION	17
302GR02830	2GR02830	PIN LSU FIXING	13
302GR02840	2GR02840	PIN REAR GUIDE FIXING	6
302GR02852	2GR02852	PIN DLP RAIL	14
302GR02860	2GR02860	PIN EXIT	8
302GR02951	2GR02951	COVER DRUM Z	18
302GR02961	2GR02961	STAY DRUM COVER Z	18
302GR02970	2GR02970	SHAFT DRUM COVER Z	18
302GR02980	2GR02980	SEAL DRUM COVER	18
302GR03010	2GR03010	RETAINER KEY COUNTER COVER	24

Part.No.	Alternative.	Description	Fig.No.
302GR03020	2GR03020	RETAINER KEY COUNTER	24
⊙ 302GR04050	2GR04050	COVER LEFT FRONT TOP	1
⊙ 302GR04090	2GR04090	COVER LEFT SIDE TOP	1
⊙ 302GR04100	2GR04100	COVER LEFT SIDE LOW	1
⊙ 302GR04160	2GR04160	CLIP DISH	1
⊙ 302GR04170	2GR04170	COVER MAIN SW	1
302GR04290	2GR04290	MOUNT REAR COVER	2
302GR04301	2GR04301	MOUNT COVER R	2
302GR04311	2GR04311	GUIDE CLIP DISH	1
302GR04321	2GR04321	INNER RIGHT COVER	1
302GR04330	2GR04330	INNER LEFT COVER	19
302GR04370	2GR04370	MAGNET CLIP DISH	1
302GR04380	2GR04380	SEAL MAGNET	1
302GR04440	2GR04440	SHEET PROTECT	1
302GR04460	2GR04460	SEAL PROTECT OZONE	6
302GR04490	2GR04490	MOUNT WING TRAY	23
302GR04500	2GR04500	HOLDER WING TRAY	23
302GR04900	2GR04900	SPONGE SIDE	6
302GR04910	2GR04910	SPONGE TOP A	1
302GR04920	2GR04920	SPONGE TOP B	1
302GR05070	2GR05070	HANDLE OPE	21
302GR05120	2GR05120	MOUNT SLIDE	21
302GR05280	2GR05280	LENS POWER LED	21
302GR05290	2GR05290	LENS LED	21
⊙ 302GR06010	2GR06010	PULLEY MIDDLE FEED A	5
⊙ 302GR06020	2GR06020	PULLEY MIDDLE FEED B	5
302GR06030	2GR06030	JOINT FEED	5
302GR06060	2GR06060	HOLDER PICK	4
302GR06070	2GR06070	SUPPORT PLATE FEED	4
302GR06080	2GR06080	SPRING PICK	4
302GR06091	2GR06091	SPRING SEPARATION	4
⊙ 302GR06101	2GR06101	SHAFT SEPARATION	4
⊙ 302GR06110	2GR06110	TORQUE LIMITER 360	4
302GR06201	2GR06201	LEVER SEPARATION RELEASE	4
302GR06220	2GR06220	HOLDER WIRE	5
302GR06511	2GR06511	SPRING BYPASSFEED	12
⊙ 302GR08060	2GR08060	MOUNT SIZE PWB	11
302GR08071	2GR08071	RACK CURSOR	11
302GR08102	2GR08102	BASE BYPASS FEED	12
302GR08110	2GR08110	FILM UPPER GUIDE	12
302GR09051	2GR09051	LEVER CASSETTE	3
302GR09120	2GR09120	SPRING LEVER CASSETTE	3
302GR09130	2GR09130	SHAFT PULLEY	3
302GR09140	2GR09140	SHAFT HANDLE	3
302GR09150	2GR09150	WORK PLATE HANDLE	3
302GR09160	2GR09160	STOPPER PAPER	3
302GR09201	2GR09201	PLATE SIZE INCH	3
302GR09210	2GR09210	SEAL DETECTION PLATE	3
302GR09220	2GR09220	PIN CURSOR	3
302GR09250	2GR09250	FILM PWB COVER	3

• Parts with "⊙" indicate regular maintenance parts.

	Part.No.	Alternative.	Description	Fig.No.
	302GR09991	2GR09991	LIFT LOCK	3
	302GR12010	2GR12010	FRONT COVER DRUM	16
⊙	302GR12110	2GR12110	LOWER SEAL CLEANING	16
	302GR17082	2GR17082	MIRROR FRAME A	9
	302GR17091	2GR17091	MIRROR FRAME B	9
	302GR17131	2GR17131	ADJUSTING PLATE B	9
	302GR17140	2GR17140	GUIDE WIRE A	9
	302GR17150	2GR17150	GUIDE WIRE B	9
	302GR17160	2GR17160	GUIDE WIRE C	9
⊙	302GR17180	2GR17180	PIN SCANNER RETAINING	9,10
	302GR17190	2GR17190	SHAFT SCANNER	9
	302GR17200	2GR17200	PULLEY SCANNER 47/34	9
	302GR17210	2GR17210	PULLEY SCANNER 43	9
	302GR17220	2GR17220	MOUNT SCANNER DRIVE	9
	302GR17230	2GR17230	BELT SCANNER	9
	302GR17250	2GR17250	REFLECTOR SCANNER	9
	302GR17262	2GR17262	RETAINER MIRROR FRAME A	10
	302GR17272	2GR17272	MOUNT DP HINGE	9
	302GR17300	2GR17300	MOUNT RELEASE SWITCH	9
	302GR17350	2GR17350	PIN WIRE PULLEY B	9
⊙	302GR17360	2GR17360	SPRING FRAME RETAINER	10
	302GR17370	2GR17370	SWITCH RELEASE	9
	302GR17380	2GR17380	SPRING RELEASE SWITCH	9
	302GR17400	2GR17400	FILM LAMP	9
	302GR17410	2GR17410	SEAL FRAME A	9
	302GR17420	2GR17420	SEAL FRAME B	9
	302GR17460	2GR17460	SEAL FRAME C	9
	302GR17561	2GR17561	COVER ISU	10
	302GR17620	2GR17620	TAPE REFLECTOR	9
	302GR17660	2GR17660	PIN ISU	9
	302GR17680	2GR17680	PLATE SPRING ISU	10
	302GR17740	2GR17740	GUIDE WIRE D	10
	302GR17750	2GR17750	HOLDER PI	10
	302GR17770	2GR17770	GUIDE WIRE E	10
	302GR17790	2GR17790	PLATE HOLDER RAIL	9
	302GR17830	2GR17830	PLATE MIRROR B	9
⊙	302GR17840	2GR17840	SEAL PLATE MIRROR B	9
	302GR17860	2GR17860	PLATE PULLEY	9
	302GR17880	2GR17880	HOLDER BEARING	9
	302GR17910	2GR17910	SEAL COVER ISU LEFT A	10
	302GR17920	2GR17920	SEAL COVER ISU LEFT B	10
	302GR17930	2GR17930	SEAL SCANNER FRAME E	9
	302GR17970	2GR17970	STOPPER PI	10
⊙	302GR17980	2GR17980	PULLEY PLATE B	9
	302GR22010	2GR22010	ROLLER TRANSFER	7
	302GR22020	2GR22020	BRUSH SEPARATION	7
	302GR22030	2GR22030	SPACER SEPARATION	7
	302GR22050	2GR22050	SPRING TRANSFER F	7
	302GR22110	2GR22110	COLLAR TRANS ROLLER	7
⊙	302GR24010	2GR24010	HANDLE CONVEYING	7

	Part.No.	Alternative.	Description	Fig.No.
	302GR24020	2GR24020	PLATE PAPER GUIDE	7
	302GR24030	2GR24030	MOUNT CONVEYING FAN	7
	302GR24040	2GR24040	FILM COVER WIRE	7
	302GR25013	2GR25013	UPPER FRAME FUSER	15
	302GR25023	2GR25023	LOWER FRAME FUSER	15
	302GR25031	2GR25031	GUIDE CHUTE	15
	302GR25040	2GR25040	FRONT FRAME FUSER	15
	302GR25050	2GR25050	REAR FRAME FUSER	15
	302GR25060	2GR25060	FRONT PRESSING PLATE	15
	302GR25070	2GR25070	REAR PRESSING PLATE	15
	302GR25080	2GR25080	STAY RIGHT FUSER	15
	302GR25091	2GR25091	SPRING PRESSURE	15
	302GR25100	2GR25100	PLATE GUIDE CHUTE	15
	302GR25161	2GR25161	PIN LOWER FRAME	15
	302GR25180	2GR25180	PLATE THERMO CUT	15
⊙	302GR25190	2GR25190	THERMISTOR FUSER NC	15
	302GR25201	2GR25201	HOLDER THERMO CUT	15
	302GR25210	2GR25210	PIN UPPER FRAME	15
	302GR25220	2GR25220	SPRING THERMISTOR	15
	302GR25230	2GR25230	PLATE ELIMINATOR	15
	302GR25241	2GR25241	PIN GUIDE CHUTE	15
	302GR25250	2GR25250	MOUNT THERMO CUT HOLDER	15
	302GR25270	2GR25270	GROUND PLATE FUSER	15
	302GR25280	2GR25280	SPRING CLAW	15
⊙	302GR25290	2GR25290	THERMOSTAT M FUSER	15
⊙	302GR25350	2GR25350	SPRING CLAW PRESS	6
	302GR25371	2GR25371	REAR GUIDE FUSER	6
	302GR28014	2GR28014	FRAME EXIT UP	8
	302GR28021	2GR28021	FRAME EXIT LOW	8
	302GR28041	2GR28041	GUIDE FEED SHIFT L	6
	302GR28051	2GR28051	GUIDE LEFT COVER M	6
	302GR28060	2GR28060	PULLEY EXIT	8
⊙	302GR28071	2GR28071	GUIDE DU FEED R	1
	302GR28100	2GR28100	PLATE SHAFT PULLEY	6
⊙	302GR28120	2GR28120	SHAFT CHANGE PULLEY	6
⊙	302GR28150	2GR28150	PULLEY FEED SHIFT	6
	302GR28160	2GR28160	GUIDE EXIT LT	6
	302GR29010	2GR29010	FRAME DU	7
	302GR31030	2GR31030	GEAR DRUM Z70H	18
	302GR31930	2GR31930	SHAFT CLUTCH DLP	18
	302GR31940	2GR31940	PLATE DRIVE FRONT	18
	302GR31950	2GR31950	PLATE DRIVE REAR	18
⊙	302GR31960	2GR31960	GEAR Z28H	18
⊙	302GR31970	2GR31970	GEAR Z40H	18
⊙	302GR31980	2GR31980	GEAR Z30H	18
⊙	302GR31990	2GR31990	GEAR Z26H	18
	302GR33010	2GR33010	DUCT UPPER DRUM	18
	302GR33020	2GR33020	DUCT UPPER CONT	18
	302GR33031	2GR33031	HOLDER RFID	18
⊙	302GR33080	2GR33080	FILTER VOC A	6

• Parts with "⊙" indicate regular maintenance parts.

Part.No.	Alternative.	Description	Fig.No.
⊙ 302GR33090	2GR33090	FILTER VOC B	1
302GR33100	2GR33100	FILM DLP FLOW	13
⊙ 302GR34040	2GR34040	LABEL LEFT COVER A	6
302GR34050	2GR34050	LABEL JAM A1	12
302GR34060	2GR34060	LABEL JAM A2	12
302GR34070	2GR34070	LABEL JAM A3	12
302GR34150	2GR34150	LABEL HIGH TEMP	6
302GR34181	2GR34181	LABEL SEP CLEANING	1
⊙ 302GR34190	2GR34190	LABEL CONVEYING JAM	1
⊙ 302GR34200	2GR34200	LABEL CONTAINER	1
302GR34250	2GR34250	LABEL JAM A4	11
302GR34310	2GR34310	LABEL ELE SHOCK CAUTION	19
302GR39081	2GR39081	MOUNT POWER PWB	19
302GR39090	2GR39090	MOUNT OPTION I/F	19
302GR39121	2GR39121	MOUNT MAIN SW	19
302GR39131	2GR39131	HOUSING LED PWB	20
302GR39142	2GR39142	MOUNT PWB FILTER	19
302GR39190	2GR39190	COVER CONN	19
302GR39222	2GR39222	MOUNT FIXING DRAWER	19
⊙ 302GR44020	2GR44020	FAN FIXING 80-25	18
⊙ 302GR44030	2GR44030	FAN UPPER CONT 90-25	18
⊙ 302GR44040	2GR44040	FAN DU 60-15	6
302GR44050	2GR44050	FAN CONTROLLER 80-15	20
⊙ 302GR44080	2GR44080	FAN LSU 60-25	13
⊙ 302GR44112	2GR44112	MOTOR LIFT	17
⊙ 302GR44120	2GR44120	CLUTCH FEED	7
⊙ 302GR44131	2GR44131	CLUTCH FEED B	11
⊙ 302GR44140	2GR44140	CLUTCH REGISTRATION	5,18
⊙ 302GR44150	2GR44150	SOLENOID TONER	17
⊙ 302GR44160	2GR44160	SOLENOID FEED SHIFT	8
⊙ 302GR44220	2GR44220	SWITCH CONVEYING	5
⊙ 302GR44230	2GR44230	LAMP CLEANING	16
⊙ 302GR44250	2GR44250	FAN CONVEYING 42-10	7
⊙ 302GR44260	2GR44260	FAN LVU 42-10	19
⊙ 302GR44290	2GR44290	CLUTCH Z42S	5,11,17
⊙ 302GR44301	2GR44301	CLUTCH DLP	18
⊙ 302GR45011	2GR45011	LVU 100	19
⊙ 302GR45021	2GR45021	LVU 200	19
⊙ 302GR45032	2GR45032	HVU	19
⊙ 302GR45090	2GR45090	UNIT FILTER	19
⊙ 302GR45100	2GR45100	UNIT FILTER 200	19
302GR46140	2GR46140	WIRE EJECT(C)	8
302GR46160	2GR46160	WIRE FINISHER SOCKET	19
302GR46210	2GR46210	WIRE CONTAINER	18
302GR46240	2GR46240	WIRE RESISTRATION	5
302GR46250	2GR46250	WIRE CONT SW	17
302GR46260	2GR46260	WIRE CONVEYING	5
302GR46280	2GR46280	WIRE FEED 1	5
302GR46291	2GR46291	WIRE TONER DISPOSAL	19
302GR46300	2GR46300	WIRE BYPASS FEED PI	19

Part.No.	Alternative.	Description	Fig.No.
302GR46310	2GR46310	WIRE CONVEYING FAN	6
302GR46431	2GR46431	WIRE PRIMARY FEED UNIT1	4
302GR46440	2GR46440	WIRE PRIMARY FEED UNIT2	2
302GR46450	2GR46450	WIRE CASSETTE UNIT	3
302GR46650	2GR46650	WIRE FILTER-LVU	19
302GR46730	2GR46730	WIRE CONVEYING FAN	7
302GR46740	2GR46740	WIRE DEHUMIDIFIER HEATER JUNCTION	2
302GR46750	2GR46750	WIRE LVU FAN	19
⊙ 302GR93034	2GR93034	DV-715	14
⊙ 302GR93042	2GR93042	DK-716	16
⊙ 302GR93072	2GR93072	MC-710	16
⊙ 302GR93122	2GR93122	PARTS BYPASS FEED UNIT	12
⊙ 302GR93133	2GR93133	PARTS EXIT UNIT	8
⊙ 302GR93142	2GR93142	FE-710	7
⊙ 302GR93150	2GR93150	PARTS MIDDLE FEED UNIT	5
⊙ 302GR93164	2GR93164	PARTS VERTICAL FEED UNIT	5
⊙ 302GR93185	2GR93185	PARTS REAR GUIDE FUSER UNIT	6
⊙ 302GR93190	2GR93190	PARTS CLAW SEPARATION ASSY	16
⊙ 302GR93281	2GR93281	TR-710	7
⊙ 302GR93340	2GR93340	PARTS,ROLLER REGIST SET	7
⊙ 302GR94270	2GR94270	PARTS,ROLLER HEAT SP	15
⊙ 302GR94280	2GR94280	PARTS,ROLLER PRESS SP	15
⊙ 302GR94431	2GR94431	PARTS FILTER DUST F1 ASSY	13
⊙ 302GR94441	2GR94441	PARTS FILTER DUST F2 ASSY	13
⊙ 302GR94451	2GR94451	PARTS MCH MOTOR ASSY	16
⊙ 302GR94481	2GR94481	PARTS,GUIDE TRANSFER	5
⊙ 302GR94531	2GR94531	PARTS MCH MOTOR SET ASSY	16
⊙ 302GR94550	2GR94550	PARTS,ROLLER PRESS E SP	15
⊙ 302H001230	2H001230	OPERATION UPPER PWB ASS'Y	21
302H001240	2H001240	OPERATION FRONT PWB ASS'Y	20
302H002380	2H002380	SHIELD SCREW	9,10
⊙ 302H004660	2H004660	MAGNET CATCH	1
⊙ 302H005130	2H005130	KEY START	21
⊙ 302H005140	2H005140	KEY STOP	21
⊙ 302H005150	2H005150	KEY RESET	21
⊙ 302H005191	2H005191	KEY ACCESS	21
⊙ 302H005200	2H005200	KEY LOG OUT	21
⊙ 302H005210	2H005210	KEY HELP	21
⊙ 302H005220	2H005220	KEY COUNTER	21
⊙ 302H005230	2H005230	KEY SYSTEM	21
⊙ 302H005250	2H005250	KEY SEND	21
⊙ 302H005260	2H005260	KEY DOCUMENT	21
⊙ 302H005300	2H005300	LENS KEY A	21
⊙ 302H005310	2H005310	LENS KEY B	21
⊙ 302H005320	2H005320	MOUNT SLIDE LEFT	21
302H005340	2H005340	BUSH SLIDE OPE	21
302H005350	2H005350	PIN HINGE OPE	21
302H005360	2H005360	PLATE GROUND BASE OPE	21
302H005370	2H005370	PLATE GROUND MOUNT OPE	21
302H005610	2H005610	SPONGE LCD	21

• Parts with "⊙" indicate regular maintenance parts.

	Part.No.	Alternative.	Description	Fig.No.
	302H005620	2H005620	SPRING EARTH LCD	21
⊙	302H005630	2H005630	KEY STATUS	21
⊙	302H005640	2H005640	KEY PROGRAM	21
⊙	302H005650	2H005650	KEY APPLICATION	21
	302H005661	2H005661	SPRING USB HOST	21
	302H005690	2H005690	PIN HINGE OPE C	21
	302H008180	2H008180	CUT WASHER MPF 5	11
	302H008330	2H008330	CUSHION MPF	11
	302H009070	2H009070	WORK PLATE LIFT CASSETTE	3
	302H009101	2H009101	BASE CASSETTE	3
	302H009110	2H009110	CURSOR C CASSETTE	3
	302H009120	2H009120	PLATE CASSETTE EARTH	3
	302H012330	2H012330	SEAL WIRE A	8
	302H034070	2H034070	LABEL PAPER SET	3
⊙	302H044100	2H044100	SWITCH BYPASS SIZE	11
⊙	302H094271	2H094271	PARTS, TABLET OPERATION, SP	21
⊙	302H094300	2H094300	PARTS, HUMIDITY SENSOR, SP	19
	302H702240	2H702240	BRACKET PPT	20
	302H702540	2H702540	FILM WIRE OPE	20
	302H702660	2H702660	GUIDE WIRE OPE F	2
⊙	302H704240	2H704240	COVER ISU FRONT LOW	10
⊙	302H704260	2H704260	COVER ISU RIGHT	10
⊙	302H704270	2H704270	COVER ISU LEFT	10
⊙	302H704281	2H704281	COVER ISU REAR	10
⊙	302H704551	2H704551	COVER FILTER ISU	10
⊙	302H704560	2H704560	FILTER ISU	10
⊙	302H704600	2H704600	COVER OPE HARNESS	10
	302H704880	2H704880	UPPER WING TRAY	23
⊙	302H705012	2H705012	COVER OPERATION	21
⊙	302H705040	2H705040	KEY 10	21
⊙	302H705101	2H705101	COVER OPE REAR	21
	302H705111	2H705111	MOUNT HANDLE OPE	21
	302H705121	2H705121	BASE OPERATION	21
	302H705131	2H705131	MOUNT LCD	21
⊙	302H705140	2H705140	KEY INTERRUPT	21
	302H705150	2H705150	MOUNT INVERTER	21
	302H705180	2H705180	FILM OPE WIRE	9
⊙	302H705190	2H705190	KEY POWER SUPPLY	21
⊙	302H705320	2H705320	KEY COPY	21
	302H705330	2H705330	HINGE OPE LEFT	21
	302H705340	2H705340	HINGE OPE RIGHT	21
	302H705350	2H705350	BUSH PIN OPE	21
	302H705360	2H705360	SPACER KEY	21
	302H705380	2H705380	SHEET OPE PWB	21
	302H705390	2H705390	PLATE LED PWB	21
	302H705610	2H705610	CUSHION LCD	21
	302H705900	2H705900	SPRING HINGE OPE L	21
	302H705910	2H705910	SPRING HINGE OPE R	21
	302H706010	2H706010	COVER PRIMARY WIRE	4
⊙	302H709021	2H709021	COVER CASSETTE 2ND	3

	Part.No.	Alternative.	Description	Fig.No.
⊙	302H709030	2H709030	COVER CASSETTE HANDLE	3
⊙	302H709040	2H709040	HANDLE CASSETTE	3
	302H709060	2H709060	CASSETTE 2ND	3
	302H709070	2H709070	JOINT HANDLE CASSETTE	3
	302H709080	2H709080	ADJUSTING PLATE CASSETTE	3
	302H709090	2H709090	FRONT CURSOR CASSETTE	3
	302H709100	2H709100	REAR CURSOR CASSETTE	3
	302H709110	2H709110	RAIL CURSOR R	3
	302H709120	2H709120	LID PAPER SIZE	3
	302H709130	2H709130	RAIL CURSOR A	3
	302H709140	2H709140	SUPPORT PLATE	3
	302H709150	2H709150	DETECTION PLATE PAPER SIZE	3
	302H709190	2H709190	SPRING PAD	3
	302H717010	2H717010	MOUNT SCANNER PWB	10
	302H717020	2H717020	GUIDE FFC	10
	302H717030	2H717030	LID PWB	10
	302H717060	2H717060	BRACKET FAN ISU	10
	302H717150	2H717150	SEAL BRACKET ISU	9
	302H717160	2H717160	PULLEY SCANNER	9
	302H717240	2H717240	COVER SHIELD FAN ISU	10
	302H717250	2H717250	DRUM PULLEY	9
	302H717290	2H717290	BASE RUBBER SCANNER SECTION	9
	302H717300	2H717300	SEAL MOUNT PWB	10
	302H717320	2H717320	HOLDER GUIDE WIRE C	9
	302H717370	2H717370	PULLEY SCANNER	9
⊙	302H717381	2H717381	WIRE SCANNER FRONT	9
⊙	302H717391	2H717391	WIRE SCANNER REAR	9
	302H717400	2H717400	MOUNT DP PLATE	9
	302H717410	2H717410	SEAL FRAME UPPER A	9
	302H717420	2H717420	SEAL FRAME UPPER B	9
	302H717432	2H717432	SEAL FRAME SIDE A	10
	302H717440	2H717440	SEAL FRAME SIDE B	10
	302H717450	2H717450	SEAL FRAME SIDE C	10
	302H717460	2H717460	SEAL FRAME REAR A	9
	302H717470	2H717470	SEAL FRAME REAR B	9
	302H717480	2H717480	SEAL FRAME UPPER C	9
	302H717500	2H717500	COVER PLATEN	22
	302H717510	2H717510	COVER POCKET	22
	302H717520	2H717520	STOPPER RELEASE SWITCH	22
	302H717600	2H717600	HINGI ORIGINAL HOLDER	22
	302H734030	2H734030	LABEL CAUTION HG	1
	302H734050	2H734050	LABEL CASSETTE SIZE L	3
	302H734060	2H734060	LABEL CASSETTE SIZE S	3
	302H734070	2H734070	LABEL CASSETTE OPERATION B	3
	302H734080	2H734080	LABEL PAPER UPPER LIMIT	3
	302H734110	2H734110	LABEL OPERATION CAUTION (EN)	10
	302H734200	2H734200	LABEL OPERATION CAUTION SET AE	10
	302H734340	2H734340	LABEL OPERATION CAUTION (TW)	10
	302H739040	2H739040	RAIL PWB	20
	302H739170	2H739170	MOUNT FAN MAIN	20

• Parts with "⊙" indicate regular maintenance parts.

Part.No.	Alternative.	Description	Fig.No.
302H739260	2H739260	LID DP	20
302H739770	2H739770	GUIDE CF	20
302H746230	2H746230	WIRE PANEL JOINT	21
302H746240	2H746240	WIRE OPERATION LEFT	21
302H746250	2H746250	WIRE PANEL-LVU	21
302H746260	2H746260	WIRE PANEL-LVU JOINT	21
302H746590	2H746590	WIRE CCD1	10
302H746600	2H746600	WIRE CCD2	10
302H746610	2H746610	WIRE ISC-ISM	10
302H746620	2H746620	WIRE ISM-LVU	10
302H746630	2H746630	WIRE INVERTER	10
302H746650	2H746650	WIRE OP SW	10
302H746660	2H746660	WIRE HP SW	10
302H746671	2H746671	WIRE CCD DATA	10
302H746791	2H746791	WIRE MAIN-PANEL USB	21
302H746851	2H746851	WIRE USB HOST	21
302H746860	2H746860	WIRE PANEL INVERTER	21
302H746870	2H746870	WIRE OPERATION RIGHT	21
302H746880	2H746880	WIRE OPERATION UPPER	21
302H746890	2H746890	WIRE HDD POWER	20
⊙ 302H793311	2H793311	PARTS TOP CASSETTE 2 ASSY	3
⊙ 302H793470	2H793470	PARTS OPERATION LOW UNIT	21
⊙ 302H793481	2H793481	PARTS CONTACT GLASS ADF ASSY	10
⊙ 302H794020	2H794020	PARTS PWB CF ASSY SP	20
⊙ 302H794031	2H794031	PARTS PWB KUIO IF ASSY SP	20
⊙ 302H794061	2H794061	PARTS PWB ISM ASSY SP	10
⊙ 302H794120	2H794120	PARTS PWB PANEL LEFT ASSY SP	21
⊙ 302H794160	2H794160	PARTS PWB PANEL RIGHT ASSY SP	21
⊙ 302H794260	2H794260	PARTS LAMP SCANNER	9
⊙ 302H794270	2H794270	PARTS MOTOR SCANNER	9
⊙ 302H794280	2H794280	PARTS UNIT LAMP INVERTER	10
⊙ 302H794410	2H794410	PARTS FILTER ISU ASSY	10
⊙ 302H794800	2H794800	PARTS COVER OPERATION SET	21
⊙ 302JZ93140	2JZ93140	PARTS ISU L	10
302K505270	2K505270	SPONGE LCD A	21
302K505280	2K505280	SPONGE LCD B	21
302K534130	2K534130	LABEL VFEED CAUTION	6
⊙ 302KP04330	2KP04330	HOLDER SWITCH	1
⊙ 302KP94200	2KP94200	PARTS PWB RFID ASSY SP	18
⊙ 302KR94010	2KR94010	PARTS EMBLEM 42 ASSY SP	1
302KS02010	2KS02010	STAY ISU UPPER RIGHT	2
302KS02020	2KS02020	STAY ISU MIDDLE RIGHT	2
302KS02030	2KS02030	STAY ISU LOWER RIGHT	2
⊙ 302KS02040	2KS02040	MOUNT ISU ADJUST	2
302KS02050	2KS02050	MOUNT BASE	2
302KS02060	2KS02060	HANDLE A	2
302KS02070	2KS02070	HANDLE B	2
302KS02080	2KS02080	FILM RFID	18
302KS02090	2KS02090	SPONGE WIRE REAR	14
302KS02100	2KS02100	SPONGE WIRE INNER LEFT	19

Part.No.	Alternative.	Description	Fig.No.
⊙ 302KS04010	2KS04010	COVER CENTER FRONT	1
⊙ 302KS04020	2KS04020	COVER RIGHT FRONT	1
⊙ 302KS04030	2KS04030	COVER LEFT FRONT LOW	1
⊙ 302KS04060	2KS04060	REAR COVER	1
⊙ 302KS04070	2KS04070	COVER ISU FRONT TOP	1
⊙ 302KS04080	2KS04080	COVER TOP EJECT	1
⊙ 302KS04090	2KS04090	TRAY SUB	1
⊙ 302KS04100	2KS04100	COVER RIGHT SIDE TOP	1
⊙ 302KS04110	2KS04110	COVER RIGHT SIDE LOW	1
⊙ 302KS04120	2KS04120	COVER EXIT FRONT	1
⊙ 302KS04130	2KS04130	COVER EXIT TOP	1
⊙ 302KS04180	2KS04180	COVER OZONE	1
302KS04190	2KS04190	HOUSING OZONE COVER	1
302KS04200	2KS04200	COVER REAR TRAY	1
302KS04210	2KS04210	COVER RIGHT TRAY	1
⊙ 302KS04230	2KS04230	STOPPER PAPER	1
⊙ 302KS04240	2KS04240	STOPPER PAPER SUB	1
⊙ 302KS04260	2KS04260	COVER EXIT LOW	1
302KS04350	2KS04350	MOUNT COVER L	2
⊙ 302KS04360	2KS04360	LEFT COVER MIDDLE	6
302KS04380	2KS04380	PIN COVER BK	1,11
⊙ 302KS05010	2KS05010	COVER KEY COLOR	21
⊙ 302KS05020	2KS05020	COVER LID ENERGY SAVE	21
302KS05041	2KS05041	SHEET OPE SET B	21
302KS05051	2KS05051	SHEET OPE SET C	21
302KS05061	2KS05061	SHEET OPE SET D	21
⊙ 302KS05090	2KS05090	COVER BASE OPERATION	21
302KS05100	2KS05100	SHEET OPE SET E TW	21
⊙ 302KS08040	2KS08040	COVER BYPASSSTRAY	11
⊙ 302KS08050	2KS08050	TABLE BYPASS	11
302KS08061	2KS08061	BASE BYPASS	11
302KS08070	2KS08070	FRONT CURSOR BYPASS	11
302KS08080	2KS08080	REAR CURSOR BYPASS	11
302KS08090	2KS08090	COVER CURSOR	11
302KS08100	2KS08100	PLATE LIFT BYPASS	11
⊙ 302KS08110	2KS08110	GEAR 18	5
⊙ 302KS08130	2KS08130	GEAR 30 FD EJECT IDLE	11
302KS08140	2KS08140	SPRING BYPASS	11
302KS08160	2KS08160	GUIDE MIDDLE FEED	5
302KS08170	2KS08170	JOINT BYPASS PICK UP	11
302KS08180	2KS08180	SHAFT RETARD	11
⊙ 302KS08190	2KS08190	TORQUE LIMITER 620	11
302KS08220	2KS08220	CASE EARTH SPRING	12
302KS08231	2KS08231	PLATE BYPASS EARTH	12
302KS08240	2KS08240	SPRING EARTH	12
302KS08250	2KS08250	STAY BYPASS	12
⊙ 302KS08260	2KS08260	GEAR ONE-WAY Z18	12
302KS08270	2KS08270	COLLAR BYPASS FEED	12
302KS14010	2KS14010	LEVER DLP	14
302KS22010	2KS22010	SPACER GUIDE TRANSFER	5

• Parts with "⊙" indicate regular maintenance parts.

	Part.No.	Alternative.	Description	Fig.No.
	302KS28050	2KS28050	SPACER EXIT	8
	302KS31050	2KS31050	SHAFT CONT JOINT	17
	302KS31060	2KS31060	SPRING CONT JOINT	17
	302KS33010	2KS33010	SEAL HOUSING OZONE COVER	1
⊙	302KS34020	2KS34020	LABEL SW CAUTION EXP	1
⊙	302KS34040	2KS34040	LABEL BYPASS SIZE	11
	302KS34050	2KS34050	LABEL SET PAPER CAUTION LEFT A	11
	302KS34060	2KS34060	LABEL SET PAPER CAUTION LEFT B	11
	302KS34090	2KS34090	LABEL SET PAPER CAUTION C ENG	11
	302KS34100	2KS34100	LABEL SET PAPER CAUTION D ENG	11
	302KS34130	2KS34130	LABEL SW CAUTION SET	1
	302KS34140	2KS34140	LABEL SET PAPER CAUTION CD MULTI	11
⊙	302KS34190	2KS34190	LABEL SW CAUTION TW	1
	302KS34210	2KS34210	LABEL SET PAPER CAUTION C TW	11
	302KS34220	2KS34220	LABEL SET PAPER CAUTION D TW	11
	302KS39010	2KS39010	CONT BOX	20
	302KS39020	2KS39020	LID SHIELD	20
	302KS39030	2KS39030	BRACKET HDD	20
	302KS39040	2KS39040	LID MAIN PWB	20
	302KS39050	2KS39050	MOUNT CF PWB	20
	302KS39060	2KS39060	MOUNT RELAY	20
	302KS39070	2KS39070	FILM PARTITION	20
	302KS39080	2KS39080	FILM ISU L R	2
	302KS39090	2KS39090	FILM BOX UPPER	20
	302KS46010	2KS46010	WIRE FRONT(C)	19
	302KS46020	2KS46020	WIRE PAPER FEED(C)	19
	302KS46030	2KS46030	WIRE HIGH VOLTAGE(C)	19
	302KS46040	2KS46040	WIRE LSU	13
	302KS46050	2KS46050	WIRE DRAWER	19
	302KS46070	2KS46070	WIRE MOTOR(C)	19
	302KS46080	2KS46080	WIRE OPTION(C)	19
	302KS46090	2KS46090	WIRE COUNTER	20
	302KS46100	2KS46100	WIRE DUPLEX	7
	302KS46110	2KS46110	WIRE CF	20
	302KS46130	2KS46130	WIRE RFID	18
	302KS46160	2KS46160	WIRE SUB PWB	20
	302KS46180	2KS46180	WIRE FIXING DRAWER SP	19
	302KS46190	2KS46190	WIRE DLP CL	19
	302KS46200	2KS46200	WIRE MAIN-ENGINE	20
	302KS46210	2KS46210	WIRE MAIN-KUIO	20
	302KS46230	2KS46230	WIRE HDD DATA1	20
	302KS46240	2KS46240	WIRE HDD DATA2	20
	302KS46250	2KS46250	WIRE SCANNER POWER	20
	302KS46260	2KS46260	WIRE PRIMARY	19
	302KS46270	2KS46270	WIRE MAIN-OPERATION	21
	302KS46280	2KS46280	WIRE BYPASS UNIT	11
	302KS46290	2KS46290	WIRE BYPASS TRAY	11
	302KS46300	2KS46300	WIRE MOTOR(TW)	19
	302KS61240	2KS61240	SPACER LCD A	21
	302KS61250	2KS61250	SPACER LCD B	21

	Part.No.	Alternative.	Description	Fig.No.
⊙	302KS93010	2KS93010	PARTS FUSER 120 UNIT	15
⊙	302KS93020	2KS93020	PARTS FUSER 230 UNIT	15
⊙	302KS93040	2KS93040	PARTS LSU	13
⊙	302KS93050	2KS93050	PARTS MAIN DRIVE C	18
⊙	302KS93060	2KS93060	PARTS HDD ASSY	20
⊙	302KS93070	2KS93070	PARTS FUSER 110 UNIT	15
⊙	302KS94010	2KS94010	PARTS MAIN PWB ASSY SP	20
⊙	302KS94020	2KS94020	PARTS MAIN PWB ASSY EU SP	20
⊙	302KS94040	2KS94040	PARTS CODE DIMM SP	20
⊙	302KS94060	2KS94060	PARTS PWB ENGINE SP	20
⊙	302KS94080	2KS94080	PARTS PWB ISC SP	10
⊙	302KS94090	2KS94090	PARTS PWB RELAY SP	20
⊙	302KS94100	2KS94100	PARTS MOTOR MAIN SP	18
⊙	302KS94110	2KS94110	PARTS MOTOR FEED SP	17
⊙	302KS94120	2KS94120	PARTS MOTOR EJECT SP	18
⊙	302KS94140	2KS94140	PARTS ROLLER B FEED SP	5
⊙	302KS94150	2KS94150	PARTS ROLLER C FEED SP	5
⊙	302KS94161	2KS94161	PARTS ROLLER2 BYPASSFEED SP	12
⊙	302KS94170	2KS94170	PARTS ROLLER4 BYPASSFEED SP	12
⊙	302KS94180	2KS94180	PARTS ROLLER EXIT SP	8
⊙	302KS94200	2KS94200	PARTS ROLLER FEED SHIFT SP	8
⊙	302KS94210	2KS94210	PARTS EMBLEM 52 ASSY SP	1
⊙	302KS94230	2KS94230	PARTS HEATER FUSER 120 ASSY SP	15
⊙	302KS94240	2KS94240	PARTS HEATER FUSER 230 ASSY SP	15
⊙	302KS94250	2KS94250	PARTS CONTACT GLASS (M) ASSY SP	10
⊙	302KS94260	2KS94260	PARTS CONTACT GLASS (I) ASSY SP	10
⊙	302KS94280	2KS94280	PARTS CONT DRIVE A ASSY SP	17
⊙	302KS94290	2KS94290	PARTS CONT DRIVE E ASSY SP	17
⊙	302KS94301	2KS94301	PARTS OPERATION ASSY SP	21
⊙	302KS94342	2KS94342	PARTS BYPASS ASSY SP	11
⊙	302KS94360	2KS94360	PARTS MEMORY MODULE SP	20
⊙	302KS94420	2KS94420	PARTS LEFT COVER MIDDLE ASSY SP	6
⊙	302KS94450	2KS94450	PARTS PWB PANEL MAIN SP	21
⊙	302KS94470	2KS94470	PARTS OPERATION TW ASSY SP	21
⊙	302KS94481	2KS94481	PARTS BYPASS TW ASSY SP	11
⊙	302KS94510	2KS94510	PARTS HEATER FUSER 110 ASSY SP	15
⊙	302KS94520	2KS94520	PARTS CONT DRIVE AO ASSY SP	17
⊙	302KS94530	2KS94530	PARTS PWB PANEL MAIN TW SP	21
	302KY05010	2KY05010	HOLDER LCD	21
	302KY05020	2KY05020	GUIDE LCD WIRE	21
⊙	302KY05030	2KY05030	COVER OUTLINE OPERATION	21
	302KY05040	2KY05040	FILM LCD WIRE	21
⊙	302KY06010	2KY06010	GEAR Z16 PAPER FEED	4, 11
	302KY46050	2KY46050	WIRE PANEL LCD	21
⊙	302KY94150	2KY94150	PARTS LCD OPERATION SP	21
⊙	302KY94250	2KY94250	PARTS PRYMARY FEED UNIT SP	4
⊙	3033906661	33906661	RIGHT PULLEY FEED	12
	3033927451	33927451	RETAINING PIN,DRAWER	2, 19
	303JC04200	3JC04200	PLATE ORIGINAL	22
	303K502080	3K502080	SPONGE ORIGINAL MAT	22

• Parts with "⊙" indicate regular maintenance parts.

	Part.No.	Alternative.	Description	Fig.No.
⊙	303KB28010	3KB28010	PAD JS SENSOR	9
	303LL02500	3LL02500	SHEET GLASS	10
	303MX02021	3MX02021	CUSHION ORIGINAL MAT A	22
	303MX02031	3MX02031	CUSHION ORIGINAL MAT B	22
	3065027601	65027601	POWER CORD 110	19
	3066060011	66060011	COVER,KEY COUNTER	24
	3066060041	66060041	MOUNT,KEY COUNTER	24
	3074315201	74315201	PIN,TONER HOPPER	1
	33907210	33907210	CUSHION,CASSETTE WORK PLATE	3
	33973300	33973300	STOPPER 7,CARTRIDGE	5
	34806040	34806040	LOWER BUSHING,PAPER FEED	4
	34806490	34806490	FRICTION PLATE,BYPASS LEADING FEED	11
⊙	34821210	34821210	STATIC ELIMINATOR B,EJECT	8
	34907150	34907150	PULLEY,CASSETTE	3
⊙	34922420	34922420	GEAR 15	4
⊙	35927420	35927420	SWITCH,SIZE	5,19
⊙	35968110	35968110	STOPPER WIRE ASS'Y SP	24
⊙	36222250	36222250	GEAR 30,IDLE	5
	3A205010	3A205010	LABEL,CAUTION GEAR	11
	3A206100	3A206100	ARM,BYPASS PE	11
	3A206170	3A206170	HOLDER,RETARD	11
	3A206210	3A206210	MOUNT,BYPASS PE SWITCH	11
	3CF04060	3CF04060	PLATE NUMBER4	3
	3CY06030	3CY06030	RETAINER M4	3
⊙	3CY06090	3CY06090	RACK CURSOR	3
⊙	3CY06100	3CY06100	GEAR 20,CURSOR	3
	3CY07080	3CY07080	BUSHING 6	7,8,11
	3HK27050	3HK27050	CORE 8-16X10	9
	5MMS111SL002	2BY20050	NUT FUSER A/FS-1800/3800A4	15
⊙	5MVG137DB025	2BL22740	GEAR M FEED Z25/D1026 A4	17
	5MVG148DN027	2BL22770	GEAR Z37S/40633V0081A4	18
	5MVG169DN019	2BL22710	GEAR Z76H-Z35H /30633D0068A3	18
	5MVM122DB003	2BM17920	BUSH POM /F0093 A4	6
	5MVS665KB001	2BM40060	CUT WASHER	9
	5MVX111DN003	2A806250	RING STOPPER /A-49 FEED A4	4,5,7,12,17,18
	5MVX111DN007	2BT11070	STOPPER 3/2BT1107 A4	5,18
	5MVX321CE001	3CF04050	PLATE NUMBER 3 /3CF0405 A4	3
⊙	5MVX421DN003	2BL06490	LOCK COVER R /40283V0068A4	5
	60907170	60907170	CUSHION,CASSETTE R	3
⊙	61706770	61706770	UPPER PULLEY,BYPASS	11
	61727600	61727600	CORE,13-30X34	19
	65009050	65009050	SPRING,DEVELOPING ROCK	6
⊙	66006810	66006810	GEAR,16 BYPASS PULLEY	11
	66007310	66007310	PIN,CASSETTE WORK PLATE	11
	66107100	66107100	PAD,CASSETTE	3
⊙	66127010	66127010	SWITCH,COVER OPEN	17,19
⊙	66506630	66506630	GEAR 20,IDLE	7
	75018250	75018250	SPRING CLEANING SOLENOID	21
	75712080	75712080	MIRROR HOLDER	9
	75718040	75718040	BUSHING,CLEANING BLADE SHAFT	7

	Part.No.	Alternative.	Description	Fig.No.
	7AAACCAS+10H001	AA063380	AC CORD ASSY AS	19
	7BEMF128ZZ+EH01	BE116800	BEARING MF128ZZ ECE	12
	7BEMF148ZZ+EH01	BE116810	BEARING MF148ZZ ECE	12
⊙	7NXGP1A173LCH01	NX115300	SENSOR OPT.	4,8
⊙	7SC010101+++H01	SC023350	SW,SEESAW	19
	7YBCP8P8E001H01	YB020910	FERRITE CORE	19
	7YBEG6G6U001H01	YB045290	FERRITE CORE	19
	7YBFQ550L001H01	YB106380	FERRITE CORE	10
	7YBFZ65C001H01	YB110990	FERRITE CORE	10
	7YCC02B1001+H01	YC014610	CONNECTOR	7
	7YCC03B1106+H01	YC047300	CONNECTOR	5
	7YCC05B1106+H01	YC047310	CONNECTOR	19
	7YCC08B2046+H01	YC026110	CONNECTOR	3,4
	7YCC08B2046+H02	YC026130	CONNECTOR	2,19
	7YCC10B1112+H01	YC046880	CONNECTOR	14,19
⊙	7YG57S011GP+H01	YG042080	SPEAKER	21
	7YZM210002++H01	YZ004730	ACCESS.EDGING	20
	7YZM210003++H01	YZ037970	ACCESS.EDGING	10,20
	7YZM210004++H01	YZ037980	ACCESS.EDGING	20
	7YZM210006++H01	YZ038000	ACCESS.EDGING	9,21,24
	7YZM320002++H01	YZ106280	ACCESS.CLAMP	20
	7YZM390011++H01	YZ050250	ACCESS.CLAMP	20
	7YZM410002++H01	YZ042720	ACCESS.BAND	10
	7YZM420002++H01	YZ045260	ACCESS.BAND	19
	7YZM420003++H01	YZ052580	ACCESS.BAND	7,19
	7YZM510007++H01	YZ042780	ACCESS.SPACER	19
	7YZM510009++H01	YZ042790	ACCESS.SPACER	17
	7YZM610001++H01	YZ010230	ACCESS SADDLE	9,10,19,20
	7YZM610002++H01	YZ010240	ACCESS SADDLE	19
	7YZM610003++H01	YZ010250	ACCESS SADDLE	11,17,18,19,20
	7YZM610004++H01	YZ012210	ACCESS SADDLE	10
	7YZM610005++H01	YZ012220	ACCESS SADDLE	19,20
	7YZM610007++H01	YZ023340	ACCESS.SADDLE	2,5,10,13,17,18,19,20
	7YZM610008++H01	YZ037940	ACCESS.SADDLE	17,19,20,21
	7YZM610010++H01	YZ042990	ACCESS.SADDLE	20
	7ZG65TSV+010H01	ZG111180	SHIELD GASKET	10
	7ZG65TSV+033H01	ZG048420	SHIELD GASKET	20
	7ZG65TSV+050H01	ZG112790	SHIELD GASKET	1
	7ZG65TSV+050H01	ZG046740	SHIELD GASKET	10
	7ZG65TSV+050H01	ZG045090	SHIELD GASKET	10
⊙	82142540	82142540	KEY COUNTER	24
	G3169000	G3169000	BEARING 6900ZZNR	18
	M0207000	49826601	BINDING BAND,KB-100-1	19
	M2104210	M2104210	EDGING,EDS-2	19
	M2104250	M2104250	EDGING,EDS-17L(KITAGAWA)	19
	M2104280	M2104280	EDGING,EDS-25L(KITAGAWA)	19
	M2104350	M2104350	EDGING,EDS-0607M(KITAGAWA)	11
	M2104390	M2104390	EDGING,EDS-0607L(KITAGAWA)	8
	M2105210	M2105210	MINI CLAMP,UAMS-02WL-0(KITAGAWA)	11

• Parts with "⊙" indicate regular maintenance parts.

Part.No.	Alternative.	Description	Fig.No.
M2105740	M2105740	MINIATURE CLAMP,UAMS-05S-2	11,17
M2105970	M2105970	CLAMP,CKN-10(KITAGAWA)	19
M2107120	49827700	BINDING BAND SG-130	2
M2107250	M2107250	BAND,RSG-100(KITAGAWA)	19,20
M2109350	M2109350	WIRE SADDLE,YMC-15-0(KITAGAWA)	17,19
M21AH010	M21AH010	BAND,RSG-130-V0(KITAGAWA)	7,24
M7005010	M7005010	CLAMP,EMT-3N(TAKEUCHI)	10
M7005030	M7005030	CLAMP,EMT-5N(TAKEUCHI)	20
M70A5010	M70A5010	CLAMP,EMT-4N(TAKEUCHI)	10,20
M70AF010	M70AF010	CLAMP,LCT-1.5SIEM(TAKEUCHI)	10

• Parts with "⊙" indicate regular maintenance parts.

KYOCERA MITA EUROPE B.V.

Hoeksteen 40, 2132 MS Hoofddorp,
The Netherlands
Phone: +31.20.654.0000
Home page: <http://www.kyoceramita-europe.com>
Email: info@kyoceramita-europe.com

KYOCERA MITA NEDERLAND B.V.
Beechavenue 25, 1119RA Schiphol-Rijk
The Netherlands
Phone: +31.20.58.77.200

KYOCERA MITA (UK) LTD
8 Beacontree Plaza
Gillette Way Reading Berks RG2 0BS,
U.K.
Phone: +44.1189.311.500

KYOCERA MITA ITALIA S.p.A.
Via G. Verdi, 89 / 91, 20063 Cernusco s/N
Milano, Italy
Phone: +39.02.92179.1

S.A. KYOCERA MITA BELGIUM N.V.
Hermestraat 8A, 1930 Zaventem,
Belgium
Phone: +32.2.720.9270

KYOCERA MITA FRANCE S.A.
Parc Les Algorithmes Saint Aubin
91194 GIF-SUR-YVETTE,
France
Phone: +33.1.6985.2600

KYOCERA MITA ESPAÑA S.A.
Edificio Kyocera, Avda de Manacor No. 2,
28290 Las Matas (Madrid),
Spain
Phone: +34.91.631.8392

KYOCERA MITA FINLAND OY
Kirvesmiehenkatu 4, 00880 Helsinki,
Finland
Phone: +358.9.4780.5200

KYOCERA MITA (SCHWEIZ)
Hohlstrasse 614, 8048 Zürich
Switzerland
Phone: +41.1.908.4949

KYOCERA MITA DEUTSCHLAND GMBH
Otto-Hahn-Str. 12 D-40670 Meerbusch,
Germany
Phone: +49.2159.918.0

KYOCERA MITA GMBH AUSTRIA
Eduard-Kittenberger-Gasse 95,
1230 Wien,
Austria
Phone: +43.1.86338.210

KYOCERA MITA SVENSKA AB
Esbogatan 16B 164 75 Kista,
Sweden
Phone: +46.8.546.55000

KYOCERA MITA NORGE
Postboks 150 Oppsal, NO 0619 Oslo
Olaf Helsetsvei 6, NO 0694 Oslo,
Norway
Phone: +47.22.62.73.00

KYOCERA MITA DANMARK A/S
Ejby Industrivej 1, DK-2600 Glostrup,
Denmark
Phone: +45.5687.1100

KYOCERA MITA PORTUGAL LDA.
Rua do Centro Cultural, 41 (Alvalade) 1700-106 Lisbon,
Portugal
Phone: +351.21.842.9100

KYOCERA MITA SOUTH AFRICA (PTY) LTD.
527 Kyalami Boulevard,
Kyalami Business Park Midrand,
South Africa
Phone: +27.(0)11.540.2600

KYOCERA MITA AMERICA, INC.

Headquarters:
225 Sand Road,
Fairfield, New Jersey 07004-0008,
U.S.A.
Phone: (973) 808-8444

KYOCERA MITA AUSTRALIA PTY. LTD.
Level 3, 6-10 Talavera Road, North Ryde,
N.S.W. 2113 Australia
Phone: (02) 9888-9999

KYOCERA MITA NEW ZEALAND LTD.
1-3 Parkhead Place, Albany
P.O. Box 302 125 NHPC, Auckland,
New Zealand
Phone: (09) 415-4517

KYOCERA MITA (THAILAND) CORP., LTD.
9/209 Ratchada-Prachachem Road,
Bang Sue, Bangkok 10800, Thailand
Phone: (02) 586-0320

KYOCERA MITA SINGAPORE PTE LTD.
121 Genting Lane, 3rd Level,
Singapore 349572
Phone: 67418733

KYOCERA MITA HONG KONG LIMITED
11/F., Mita Centre,
552-566, Castle Peak Road,
Tsuen Wan, New Territories,
Hong Kong
Phone: 24297422

KYOCERA MITA TAIWAN Corporation.
7F-1 ~2, No.41, Lane 221, Gangchi Rd.
Neihu District, Taipei, Taiwan, 114. R.O.C.
Phone: (02) 87511560

KYOCERA MITA Corporation

2-28, 1-chome, Tamatsukuri, Chuo-ku
Osaka 540-8585, Japan
Phone: (06) 6764-3555
<http://www.kyoceramita.com>

KYOCERA MITA AMERICA, INC.

Headquarters:

225 Sand Road,
Fairfield, New Jersey 07004-0008
TEL : (973) 808-8444
FAX : (973) 882-6000

New York Branch:

1410 Broadway 23rd floor
New York, NY 10018
TEL : (917) 286-5400
FAX : (917) 286-5402

Northeastern Region:

225 Sand Road,
Fairfield, New Jersey 07004-0008
TEL : (973) 808-8444
FAX : (973) 882-4401

Midwestern Region:

201 Hansen Court Suite 119
Wood Dale, Illinois 60191
TEL : (630) 238-9982
FAX : (630) 238-9487

Western Region:

14101 Alton Parkway,
Irvine, California 92618-7006
TEL : (949) 457-9000
FAX : (949) 457-9119

Southeastern Region:

1500 Oakbrook Drive,
Norcross, Georgia 30093
TEL : (770) 729-9786
FAX : (770) 729-9873

Southwestern Region:

2825 West Story Road,
Irving, Texas 75038-5299
TEL : (972) 550-8987
FAX : (972) 252-9786

National Operation Center & National Training Center:

2825 West Story Road,
Irving, Texas 75038-5299
TEL : (972) 659-0055
FAX : (972) 570-5816

Latin America Division:

8240 N.W. 52nd. Terrace Dawson Building,
Suite 108 Miami, Florida 33166
TEL : (305) 421-6640
FAX : (305) 421-6666

KYOCERA MITA CANADA, LTD.

6120 Kestrel Road, Mississauga,
Ontario L5T 1S8, Canada
TEL : (905) 670-4425
FAX : (905) 670-8116

KYOCERA MITA MEXICO, S.A. DE C.V.

Av. 16 de Septiembre #407
Col. Santa Inés,
Azcapotzalco México,
D.F. 02130, México
TEL : (55) 5383-2741
FAX : (55) 5383-7804

©2010 KYOCERA MITA Corporation

<http://www.kyoceramita.com>

 **KYOCERA** is a trademark of Kyocera Corporation

Printed in U.S.A.