



**7 G 3011i**  
**7 G 3511i**  
**PF-791/PF-810**  
**DP-7100/DP-7110/DP-7120**  
**DF-791/DF-7120**  
**AK-740**  
**MT-730(B)**  
**PH-7A/PH-7C/PH-7D**  
**FAX System 12**

## **PARTS LIST**

Published in June 2016  
2RHPL070  
First Edition

**TASKalfa 3011i**  
**TASKalfa 3511i**  
**PF-791/PF-810**  
**DP-7100/DP-7110/DP-7120**  
**DF-791/DF-7120**  
**AK-740**  
**MT-730(B)**  
**PH-7B**  
**FAX System 12**

## **パーツリスト**

2016年6月初版  
2RHPL010

# CONVERSION LIST

June 27, 2016

## 1102RG2US0 TASKalfa 3011i 120V60HZ

Rev.0		Part.No.	Alternative.	Description	Note	Quantity
Fig. No.	Ref. No.					
2	2	302DY04010	2DY04010	EMBLEM KC 1SG 70 B		1
2	7	302RG34010	2RG34010	LABEL EMBLEM L		1

## 1102RG2CS0 CS 3011i

Part.No.	Alternative.	Description	Note	Quantity
302DY04060	2DY04060	EMBLEM CS 1SG 70 B		1
302RG34020	2RG34020	LABEL EMBLEM L CS		1



## 1102RH2US0 TASKalfa 3511i 120V60HZ

Rev.0		Part.No.	Alternative.	Description	Note	Quantity
Fig. No.	Ref. No.					
2	2	302DY04010	2DY04010	EMBLEM KC 1SG 70 B		1
2	7	302RH34010	2RH34010	LABEL EMBLEM H		1

## 1102RH2CS0 CS 3511i

Part.No.	Alternative.	Description	Note	Quantity
302DY04060	2DY04060	EMBLEM CS 1SG 70 B		1
302RH34130	2RH34130	LABEL EMBLEM H CS		1



### Items listed in the revision columns are defined as follows.

Item	Description
Add	Add a new part
Del	Delete a part
Design-chg.	A design changed part (Parts number version up)
Part No-chg.	A part number is changed to other one.
Quantity-chg.	Change Quantity of parts to use
Others	Other changes

### Revision history

Rev.	Date	Remarks

### Symbols in the parts list

- Parts without a Ref.No. in the illustration indicate they are not supplied.
- Parts with a Ref.No. of 500 and above in the illustration indicate they are not selected for service parts.
- Parts with "•" are component parts or sub-assemblies of the assembly appearing immediately above them.
- Parts with "••" are component parts or sub-assembly with "•" appearing immediately above them.

### <Notation of products>

For the purpose of this parts list, products are identified as following.  
TASKalfa 3011i : 30ppm  
TASKalfa 3511i : 35ppm

### 改訂欄記載項目の内容は以下の通りです。

記載項目	内容
Add	新規部品の追加
Del	部品の削除
Design-chg.	部品の設変（版数アップ）
Part No-chg.	部品番号の変更
Quantity-chg.	部品の個数変更
Others	その他の変更

### 改訂履歴

Rev.	改訂日	備考

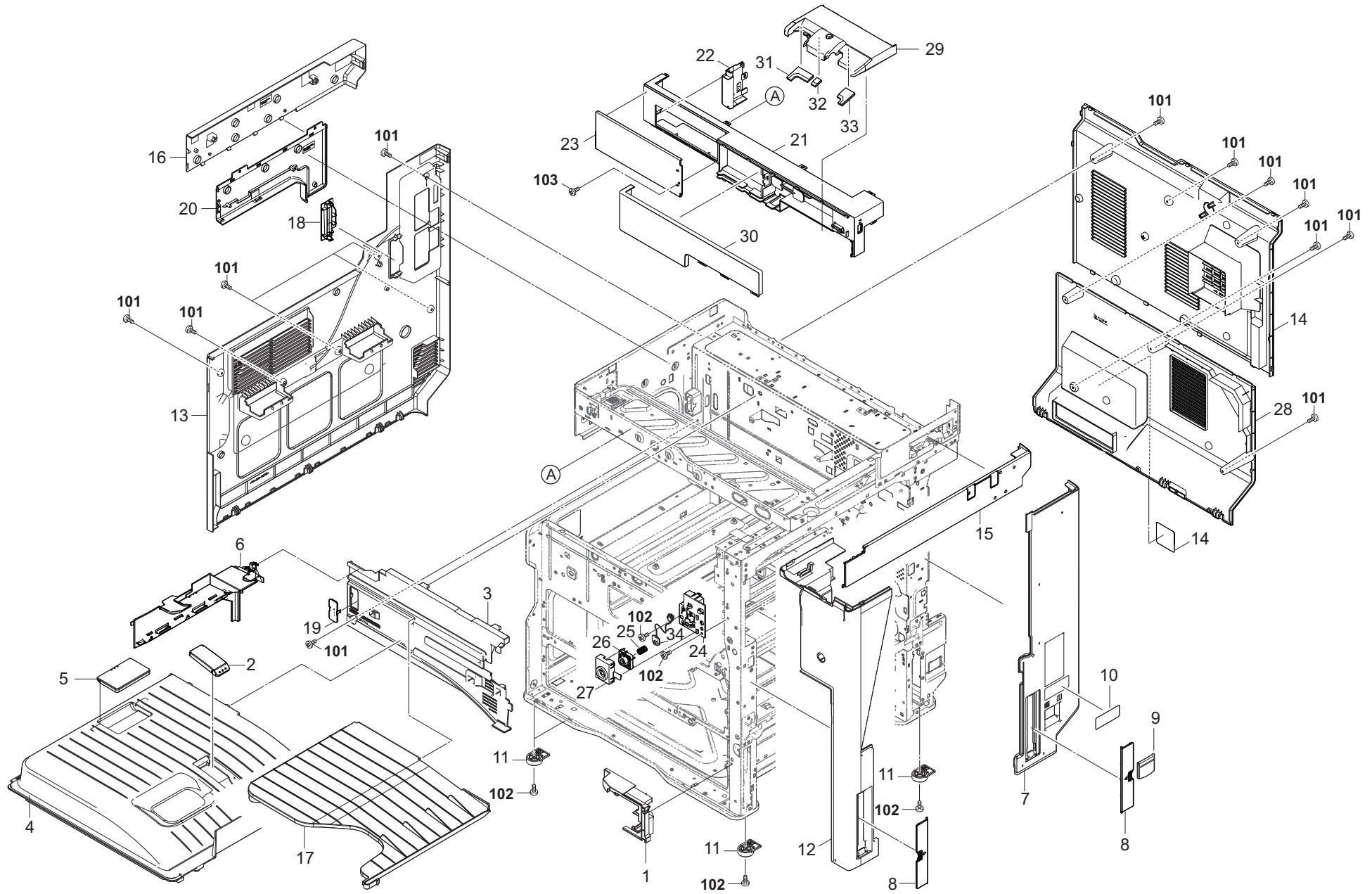
### 記号の見方

イラスト中で Ref 番号がない部品は供給できません。  
イラスト中で 500 番台の Ref 番号が付いている部品はサービスパーツに選定されていません。  
部品番号欄の • 印は、組立部品の単品部品及び準組立部品を表わします。  
部品番号欄の •• 印は、準組立部品の単品部品を表わします。

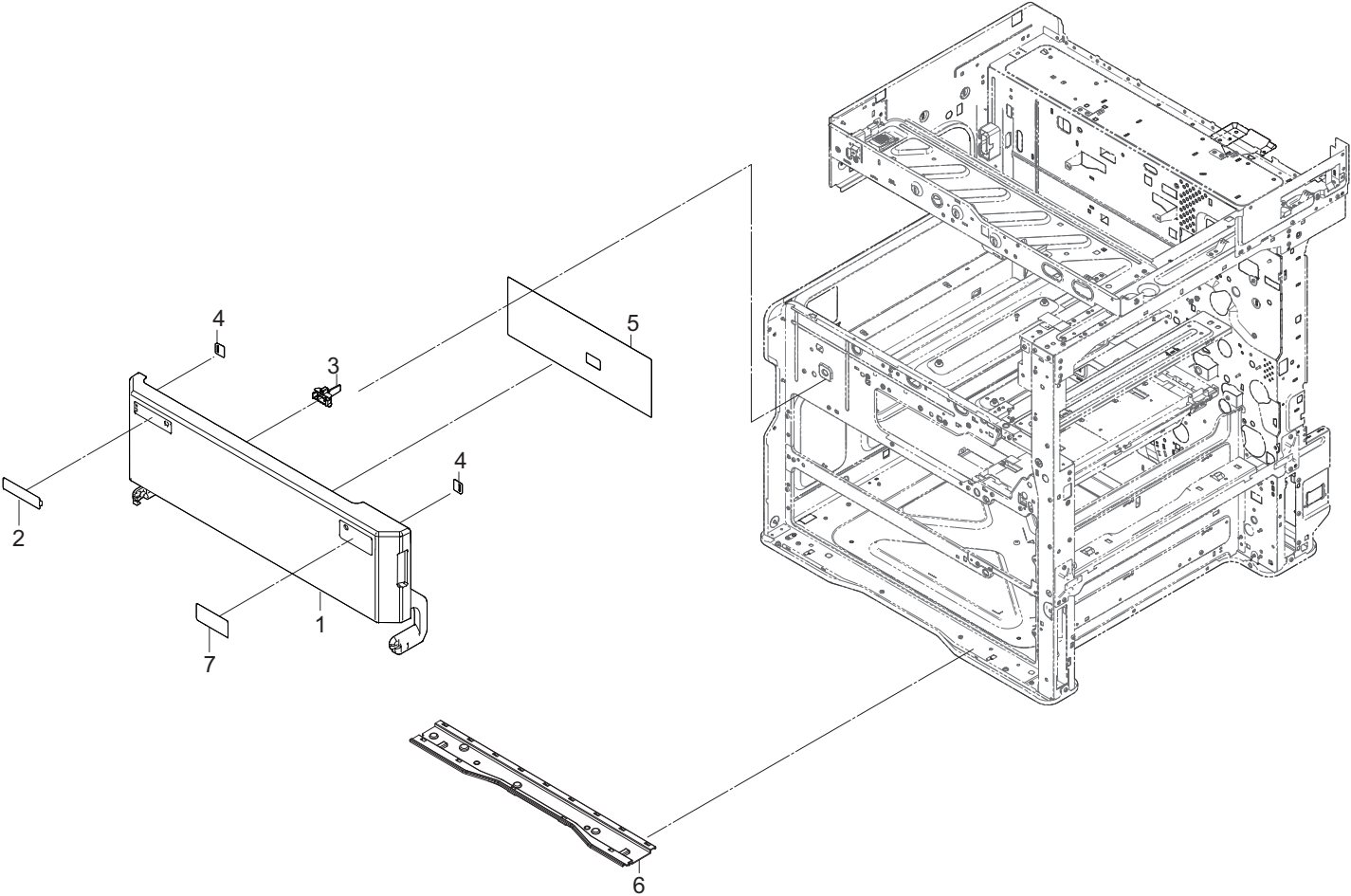
### <本体機種区別表記>

パーツリスト中の本体機種区別は、以下の様に記載します。  
TASKalfa 3011i : 30ppm  
TASKalfa 3511i : 35ppm













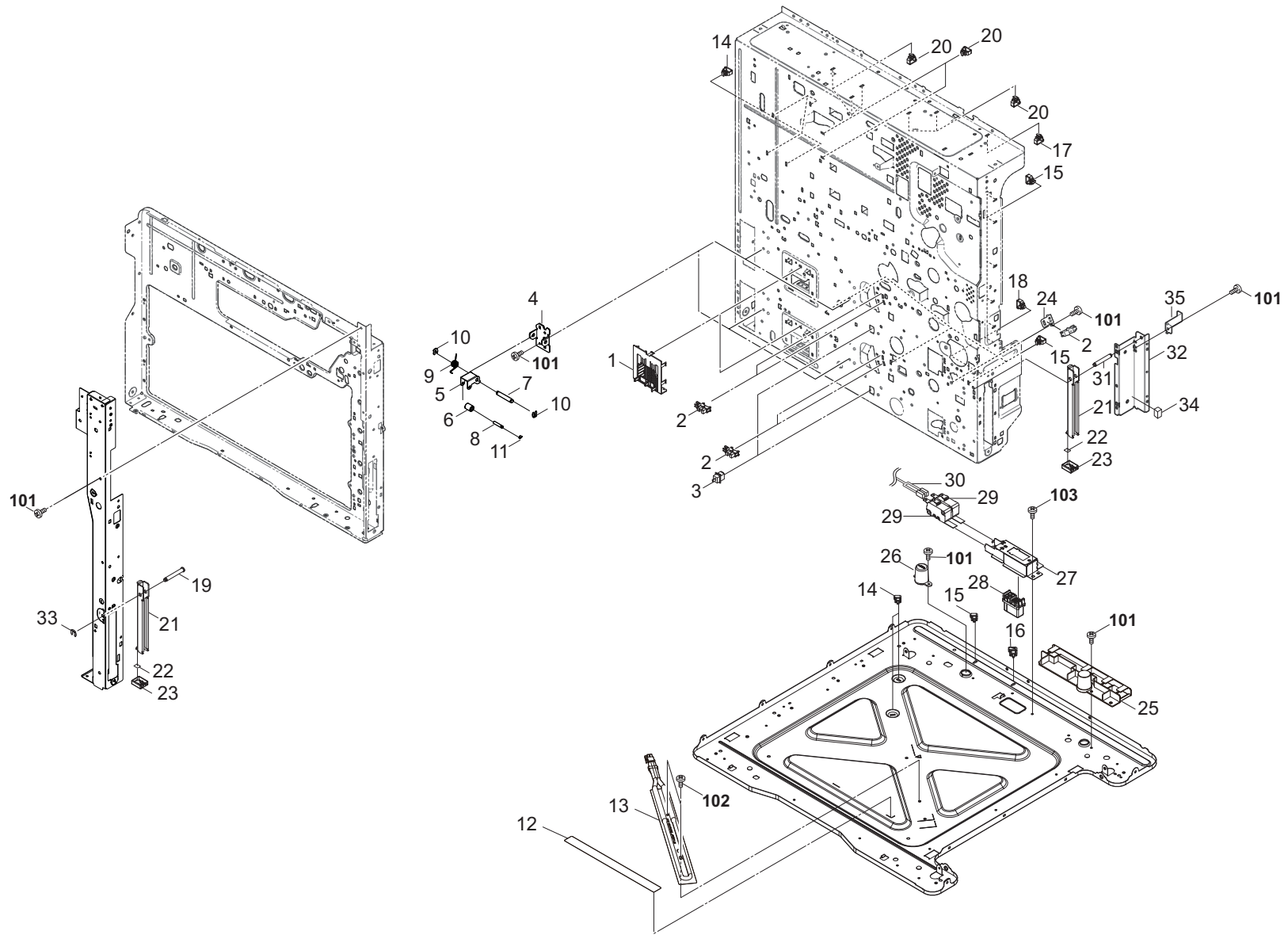


FIG. 3 Frames 1

2RG/2RH

Ref. No. 番号	Part.No. 部品番号	Alternative. 代替部品番号	Description 部品名称	Notes 備考	Revision 改訂	Quantity 個数			
						100 (日本)	120	230	240
1	302K309410	2K309410	PLATE SIZE DETECTION			2	2	2	2
2	7NXGP1S173LCH01	NX116910	SENSOR OPT.			5	5	5	5
3	7SP01000001+H01	SP044290	SW.PUSH			2	2	2	2
4	302NL09021	2NL09021	HOLDER CASSETTE HOOK			4	4	4	4
5	302K909640	2K909640	LEVER CASSETTE HOOK			4	4	4	4
6	303LW24060	3LW24060	PULLEY EJECT			4	4	4	4
7	303NF02280	3NF02280	SHAFT HOOK FULCRUM			4	4	4	4
8	302K909630	2K909630	SHAFT HOOK PULLEY			4	4	4	4
9	302NL09060	2NL09060	SPRING CASSETTE HOOK			4	4	4	4
10	5MVX111DN003	2A806250	RING STOPPER /A-49 FEED A4			8	8	8	8
11	5MVX111DN007	2BT11070	STOPPER 3 /2BT1107 A4			4	4	4	4
12	303RC34080	3RC34080	LABEL HIGH TEMPERATURE CAUTION			1	1	1	1
13	302RH44030	2RH44030	HEATER DEHUMIDIFIER 100			1			
13	302RH44040	2RH44040	HEATER DEHUMIDIFIER 120				1		
13	302RH44050	2RH44050	HEATER DEHUMIDIFIER 240					1	1
14	7YZM390002++H01	YZ012140	ACCESS.CLAMP			5	5	5	5
15	7YZM610009++H01	YZ042980	ACCESS.SADDLE			7	7	7	7
16	7YZM610014++H01	YZ043030	ACCESS.SADDLE			1	1	1	1
17	7YZM610002++H01	YZ010240	ACCESS.SADDLE			1	1	1	1
18	7YZM610007++H01	YZ023340	ACCESS.SADDLE			2	2	2	2
19	302MV02240	2MV02240	PIN FRONT HANDLE			1	1	1	1
20	7YZM610011++H01	YZ043000	ACCESS.SADDLE			7	7	7	7
21	302JF02160	2JF02160	HANDLE			2	2	2	2
22	302FZ03110	2FZ03110	SEAL HANDLE			2	2	2	2
23	302FZ02580	2FZ02580	CAP HANDLE			2	2	2	2
24	302K302841	2K302841	MOUNT DECK PI			1	1	1	1
25	302RH39110	2RH39110	GUIDE WIRE MAIN SW			1	1	1	1
26	302K302920	2K302920	CAP DECK PIN			1	1	1	1
27	302K302911	2K302911	MOUNT DECK DRAWER			1	1	1	1
28	302K346660	2K346660	WIRE PF DRAWER 200					1	1
28	302K346470	2K346470	WIRE PF DRAWER			1	1		
29	2FB27160	2FB27160	INTER LOCK SWITCH			2	2	2	2
30	302NL46280	2NL46280	WIRE CASSETTE HEATER JOINT			2	2	2	2
31	302MV02220	2MV02220	SHAFT HANDLE			1	1	1	1
32	302MV02232	2MV02232	MOUNT REAR HANDLE			1	1	1	1
33	302FZ25740	2FZ25740	STOPPER 4			1	1	1	1
34	302LF33B10	2LF33B10	SPONGE LOWER RIGHT SP			1	1	1	1
35	302K002751	2K002751	STAY SHIELD POWER			1	1	1	1
101	7BB700308H	BB105600	+BIND T.T S SCREW 3X8 SR						
102	7BB100406H	BB106920	+BIND T.T S SCREW 4X6						
103	7BB102306H	BB107050	+TP-FLAT T.T S SCREW 3X6						

• Parts with a Ref.No. of 500 and above in the illustration indicate they are not selected for service parts.

• イラスト中で 500 番台の Ref 番号が付いている部品はサービスパーツに選定されていません。

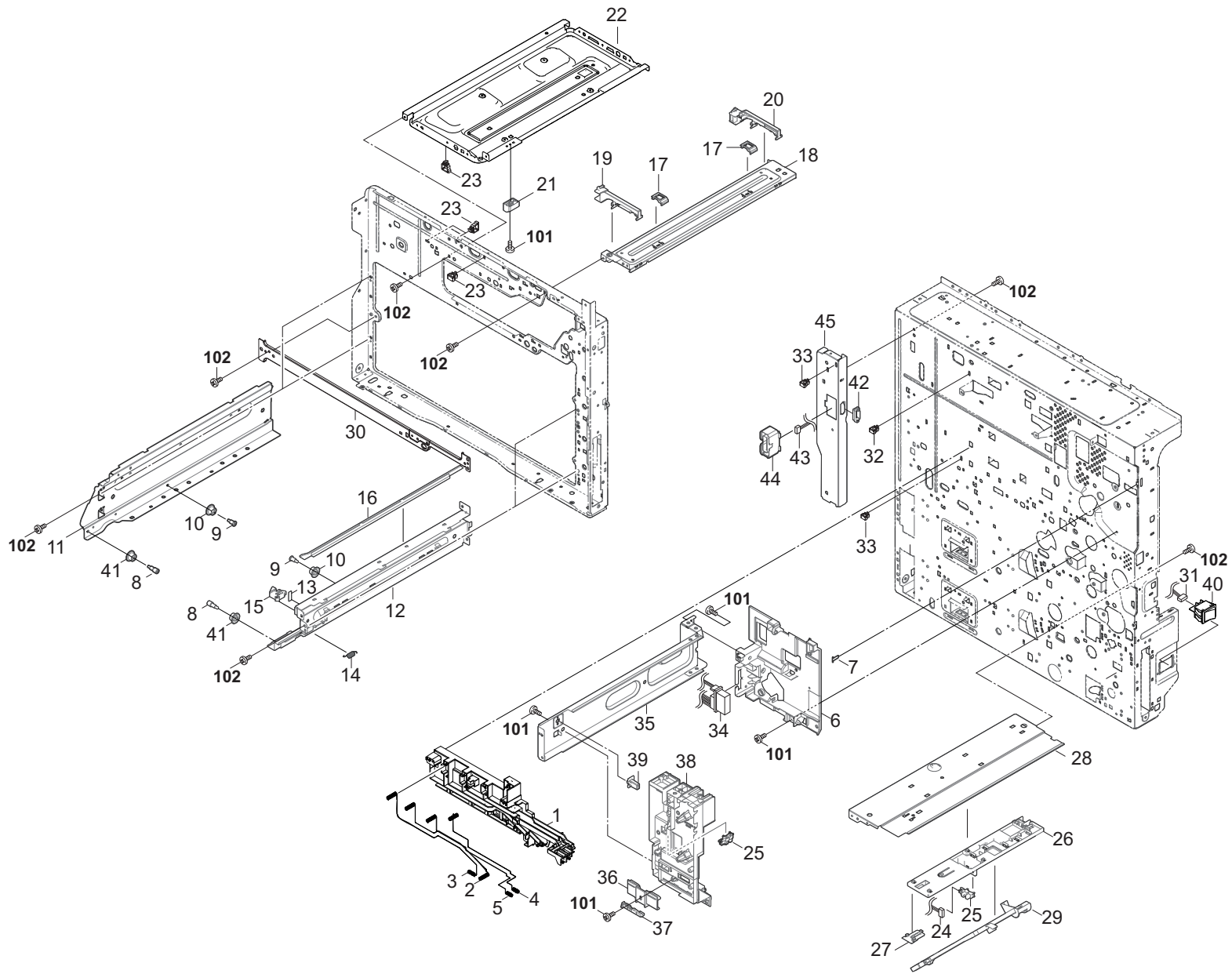


FIG. 4 Frames 2

2RG/2RH

Ref. No. 番号	Part.No. 部品番号	Alternative. 代替部品番号	Description 部 品 名 称	Notes 備 考	Revision 改 訂	Quantity 個数			
						100(日本)	120	230	240
1	302K339061	2K339061	BASE TERMINAL			1	1	1	1
2	302K339070	2K339070	TERMINAL DRUM A			1	1	1	1
3	302K339080	2K339080	TERMINAL DLP A			1	1	1	1
4	302K339090	2K339090	TERMINAL TRANSFER A			1	1	1	1
5	302K339100	2K339100	TERMINAL SEPARATION A			1	1	1	1
6	302K302170	2K302170	FRAME REAR UPPER			1	1	1	1
7	302K302A10	2K302A10	LEVER RIGHT SW			1	1	1	1
8	302GR02240	2GR02240	PIN FRONT CASSETTE RAIL			4	4	4	4
9	2FB06710	2FB06710	PIN CASSETTE RAIL			4	4	4	4
10	302NL09030	2NL09030	PULLEY CASSETTE RAIL			4	4	4	4
11	302NL02091	2NL02091	RAIL CASSETTE LEFT			2	2	2	2
12	302NL02211	2NL02211	RAIL CASSETTE RIGHT			2	2	2	2
13	303MH06010	3MH06010	PAD RAIL			2	2	2	2
14	302MV02310	2MV02310	SPRING LEVER LIFT CASSETTE			2	2	2	2
15	302K302760	2K302760	LEVER LIFT CASSETTE			2	2	2	2
16	303NN02370	3NN02370	RAIL FEED			2	2	2	2
17	302K302640	2K302640	GUIDE DRUM COVER			2	2	2	2
18	302K302121	2K302121	RAIL DRUM			1	1	1	1
19	302K302690	2K302690	RAIL HOLDER FRONT			1	1	1	1
20	302K302700	2K302700	RAIL HOLDER REAR			1	1	1	1
21	302K302960	2K302960	STOPPER CONTAINER			1	1	1	1
22	302RH02030	2RH02030	BASE LSU			1	1	1	1
23	7YZM610009++H01	YZ042980	ACCESS.SADDLE			4	4	4	4
24	302NL46370	2NL46370	WIRE LIMIT SENSOR			1	1	1	1
25	7NXGP1S173LCH01	NX116910	SENSOR OPT.			2	2	2	2
26	302NL06010	2NL06010	HOLDER SENSOR			1	1	1	1
27	303NN02450	3NN02450	GUIDE PRIMARY FEED			1	1	1	1
28	303NN02143	3NN02143	STAY UPPER FEED			1	1	1	1
29	302K302811	2K302811	ACTUATOR PAPER EMPTY			1	1	1	1
30	302MV02041	2MV02041	STAY FRONT FRAME			1	1	1	1
31	302RH46170	2RH46170	WIRE MAIN SWITCH			1	1	1	1
32	7YZM610010++H01	YZ042990	ACCESS.SADDLE			1	1	1	1
33	7YZM390002++H01	YZ012140	ACCESS.CLAMP			2	2	2	2
34	302RH46100	2RH46100	WIRE FUSER HEATER			1	1	1	1
35	302NL02071	2NL02071	GUIDE FUSER			1	1	1	1
36	302K325340	2K325340	MOUNT FUSER FRONT			1	1	1	1
37	302K325350	2K325350	ADJUSTER FUSER			1	1	1	1
38	302K302161	2K302161	FRAME FRONT UPPER			1	1	1	1
39	302NL02100	2NL02100	JOINT FUSER			1	1	1	1
40	7SC020403+++H01	SC136170	SW.SEE SAW			1	1	1	1
41	302NL09130	2NL09130	PULLEY CASSETTE RAIL			4	4	4	4
42	7YZM210005++H01	YZ037990	ACCESS.EDGING			1	1	1	1
43	302RH46310	2RH46310	WIRE BRIDGE JOINT			1	1	1	1
44	302NL02080	2NL02080	BRACKET DRAWER			1	1	1	1
45	302NL02060	2NL02060	STAY REAR FRAME			1	1	1	1
101	7BB702308H	BB107060	+TP-FLAT T.T S SCREW 3X8 SR						
102	7BB700308H	BB105600	+BIND T.T S SCREW 3X8 SR						

• Parts with a Ref.No. of 500 and above in the illustration indicate they are not selected for service parts.

• イラスト中で 500 番台の Ref 番号が付いている部品はサービスパーツに選定されていません。

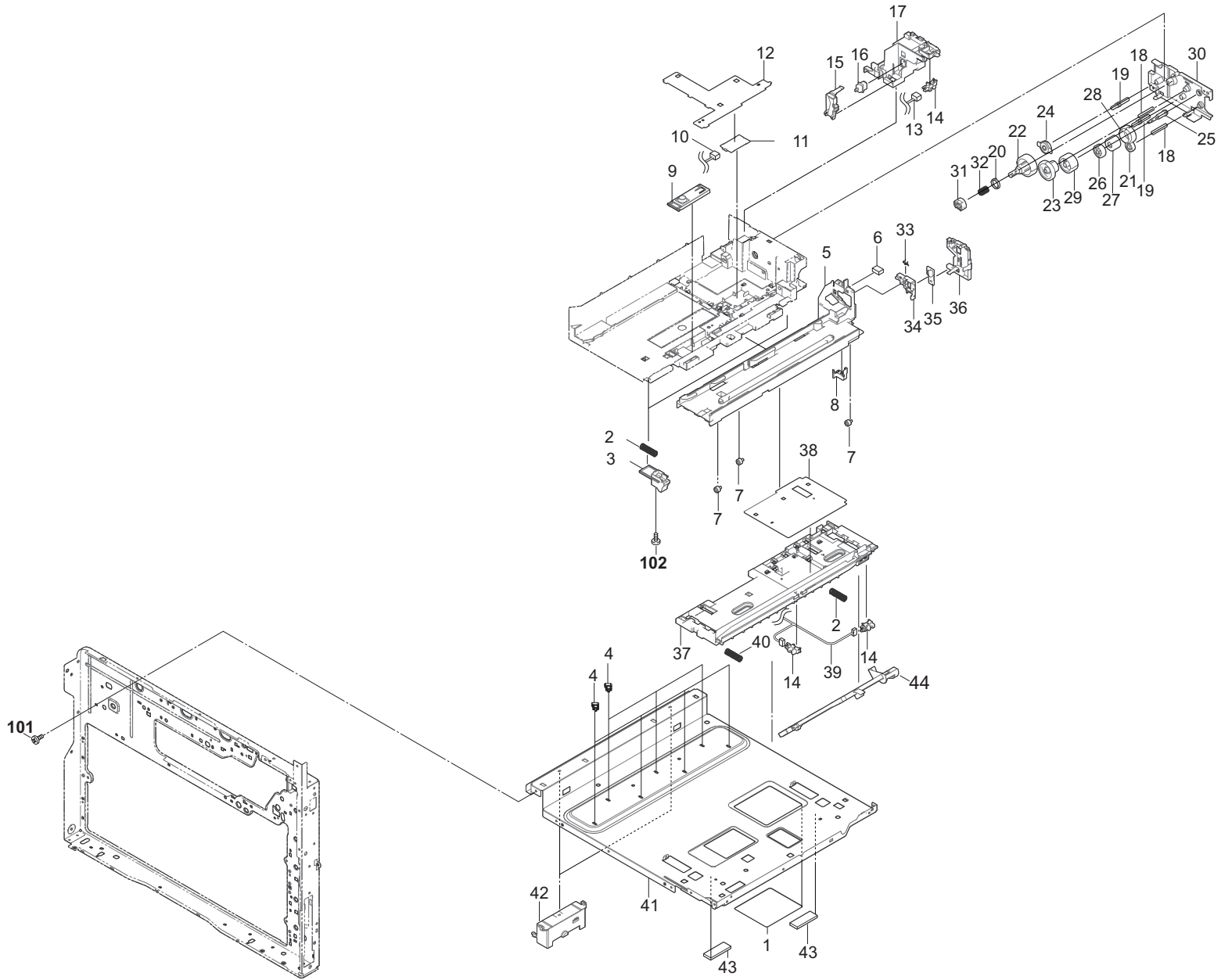


FIG. 5 Frames 3

2RG/2RH

Ref. No. 番号	Part.No. 部品番号	Alternative. 代替部品番号	Description 部 品 名 称	Notes 備 考	Revision 改 訂	Quantity 個数			
						100(日本)	120	230	240
1	302NL02340	2NL02340	SHEET BASE MIDDLE			1	1	1	1
2	302K302A60	2K302A60	SPRING DLP PUSH			3	3	3	3
3	302NL02190	2NL02190	SLIDER REMOVEMENT DLP			2	2	2	2
4	7YZM390002++H01	YZ012140	ACCESS.CLAMP			7	7	7	7
5	302NL02120	2NL02120	RAIL DLP			1	1	1	1
6	302HG12440	2HG12440	SEAL BLADE SIDE B			1	1	1	1
7	302K309070	2K309070	PULLEY CASSETTE			3	3	3	3
8	302K302580	2K302580	PLATE DLP BIAS			1	1	1	1
9	302KK94070	2KK94070	PARTS CONT SENSOR ASSY SP			1	1	1	1
10	302RH46060	2RH46060	WIRE CONTAINER RAIL			1	1	1	1
11	302K394070	2K394070	PARTS PWB RFID ASSY SP			1	1	1	1
12	302NL02140	2NL02140	SHEET RAIL			1	1	1	1
13	302NL46080	2NL46080	WIRE CONTAINER SET			1	1	1	1
14	7NXGP1S173LCH01	NX116910	SENSOR OPT.			3	3	3	3
15	302K302A40	2K302A40	PLATE CONTAINER SWITCH			1	1	1	1
16	7SP01000001+H01	SP044290	SW.PUSH			1	1	1	1
17	302NL02220	2NL02220	HOLDER SENSOR			1	1	1	1
18	303NN31060	3NN31060	SHAFT GEAR			2	2	2	2
19	302K302860	2K302860	PIN JOINT CONTAINER C			2	2	2	2
20	5MVM177XN007	2A814100	BUSH MIXER /A-49 DLP A4			1	1	1	1
21	302K906240	2K906240	GEAR FEED DRIVE Z20L			1	1	1	1
22	302NL02170	2NL02170	GEAR CONTAINER Z42R			1	1	1	1
23	302NL02180	2NL02180	GEAR Z22R 40R			1	1	1	1
24	302NL02230	2NL02230	GEAR Z23L			1	1	1	1
25	302K302850	2K302850	PIN JOINT CONTAINER B			1	1	1	1
26	302K394270	2K394270	PARTS GEAR CONTAINER Z25L SP			1	1	1	1
27	302MW31010	2MW31010	TORQUE LIMITER 4000			1	1	1	1
28	302K394280	2K394280	PARTS GEAR CONTAINER Z35R SP			1	1	1	1
29	302HN31200	2HN31200	GEAR Z35L			1	1	1	1
30	302NL02150	2NL02150	COVER RAIL DRIVE			1	1	1	1
31	302K302540	2K302540	JOINT CONTAINER PADDLE A			1	1	1	1
32	302K302780	2K302780	SPRING JOINT PADDLE			1	1	1	1
33	302K302590	2K302590	SPRING DLP GROUND			1	1	1	1
34	302RH02180	2RH02180	MOUNT DLP PWB			1	1	1	1
35	302RH94210	2RH94210	PARTS PWB DEVE CONNECT ASSY SP			1	1	1	1
36	302NL02160	2NL02160	COVER RAIL DLP			1	1	1	1
37	302K302191	2K302191	MOUNT CONTAINER			1	1	1	1
38	302K302240	2K302240	SHEET MOUNT CONTAINER			1	1	1	1
39	302K346270	2K346270	WIRE REGIST			1	1	1	1
40	2C902590	2C902590	SPRING DEV PUSH F			1	1	1	1
41	302NL02040	2NL02040	BASE MIDDLE			1	1	1	1
42	302MV02160	2MV02160	HANDLE COVER LEFT			2	2	2	2
43	302K302A70	2K302A70	SPONGE DLP LEVER			2	2	2	2
44	302K302811	2K302811	ACTUATOR PAPER EMPTY			1	1	1	1
101	7BB700308H	BB105600	+BIND T.T S SCREW 3X8 SR						
102	7BB202308H	BB105690	+TP-FLAT T.T P SCREW 3X8						

• Parts with a Ref.No. of 500 and above in the illustration indicate they are not selected for service parts.

• イラスト中で 500 番台の Ref 番号が付いている部品はサービスパーツに選定されていません。

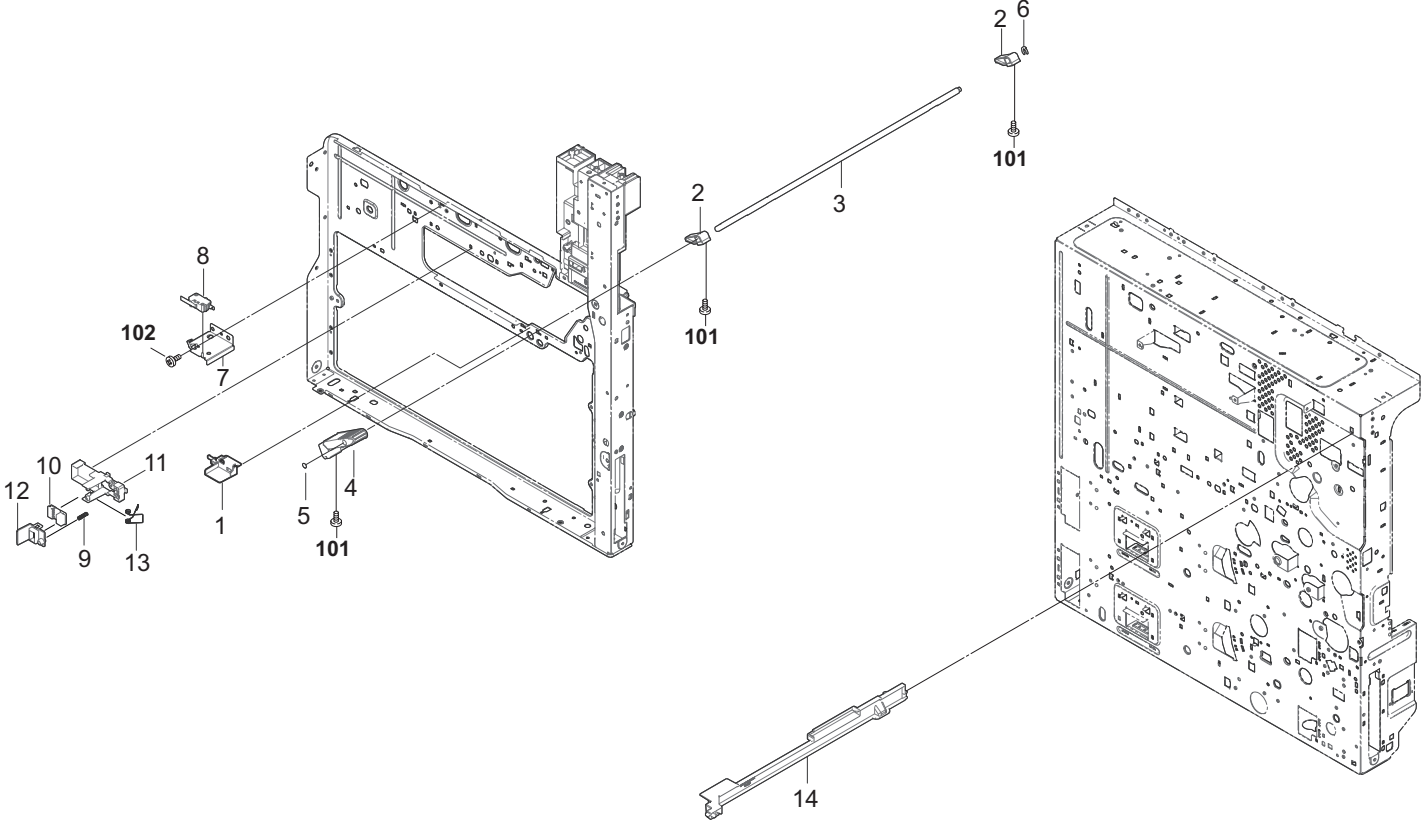


FIG. 6 Frames 4

2RG/2RH

Ref. No. 番号	Part.No. 部品番号	Alternative. 代替部品番号	Description 部 品 名 称	Notes 備 考	Revision 改 訂	Quantity 個数			
						100(日本)	120	230	240
1	302K304350	2K304350	COVER INNER FRONT SUB			1	1	1	1
2	302K302330	2K302330	CAM REMOVED DLP			2	2	2	2
3	302K302320	2K302320	SHAFT REMOVED DLP			1	1	1	1
4	302NL02310	2NL02310	LEVER REMOVED DLP			1	1	1	1
5	302NL34080	2NL34080	LABEL D			1	1	1	1
6	2BC06980	2BC06980	STOPPER 5			1	1	1	1
7	2FB27160	2FB27160	INTER LOCK SWITCH			1	1	1	1
8	302NL02201	2NL02201	MOUNT INTERLOCK SW			1	1	1	1
9	302K302660	2K302660	SPRING EARTH DRUM PWB			1	1	1	1
10	302K394080	2K394080	PARTS PWB DRUM CONNECT ASSY SP			1	1	1	1
11	302K302220	2K302220	MOUNT JUNCTION PWB			1	1	1	1
12	302K302730	2K302730	COVER CONNECTOR			1	1	1	1
13	302K302740	2K302740	SPRING EARTH CONNECTOR			1	1	1	1
14	302NL04190	2NL04190	COVER EXIT TOP			1	1	1	1
101	7BB607306H	BB105770	+TP-CUP M SCREW 3X6 R						
102	7BB700308H	BB105600	+BIND T.T S SCREW 3X8 SR						

• Parts with a Ref.No. of 500 and above in the illustration indicate they are not selected for service parts.

・イラスト中で 500 番台の Ref 番号が付いている部品はサービスパーツに選定されていません。



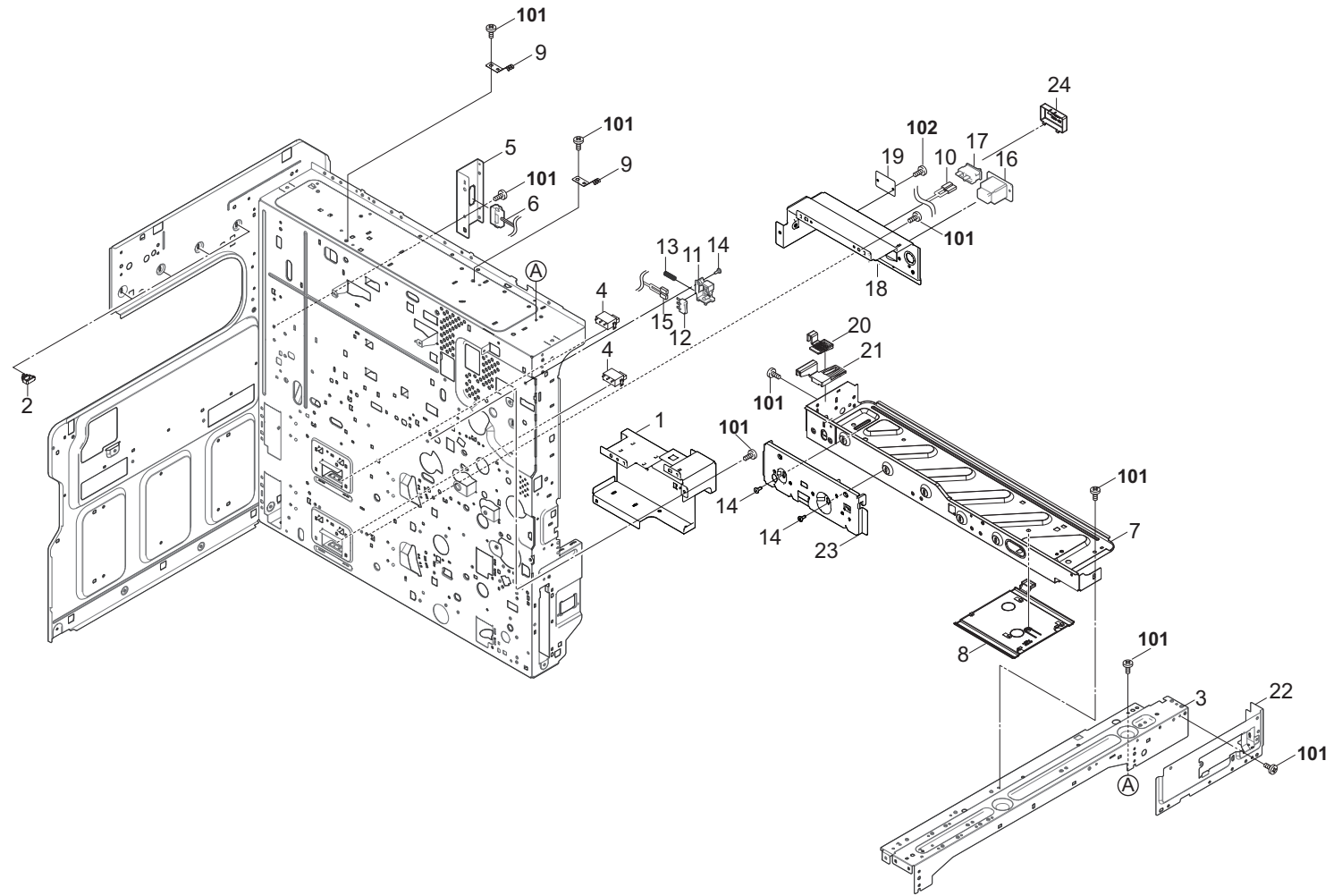


FIG. 7 Frames 5

2RG/2RH

Ref. No. 番号	Part.No. 部品番号	Alternative. 代替部品番号	Description 部品名称	Notes 備考	Revision 改訂	Quantity 個数			
						100(日本)	120	230	240
1	302RH39060	2RH39060	MOUNT BOX			1	1	1	1
2	7YZM390002++H01	YZ012140	ACCESS.CLAMP			4	4	4	4
3	302MV02093	2MV02093	MOUNT SCANNER RIGHT			1	1	1	1
4	7SP03090001+H01	SP145850	PUSH SWITCH 03 SN /SW-192 N			2	2	2	2
5	302NL39080	2NL39080	MOUNT DF CONNECTOR			1	1	1	1
6	302RH46280	2RH46280	WIRE DF JOINT			1	1	1	1
7	302NL02242	2NL02242	MOUNT SCANNER FRONT			1	1	1	1
8	302MV04290	2MV04290	COVER EXIT FRONT TOP			1	1	1	1
9	302K302A50	2K302A50	PLATE EARTH ISU			2	2	2	2
10	302NL46290	2NL46290	WIRE HEATER SWITCH			1	1	1	1
11	302K302940	2K302940	MOUNT RIGHT INTERLOCK			1	1	1	1
12	7SM010205+++H01	SM147320	SW.MICRO			1	1	1	1
13	302H008140	2H008140	SPRING BYPASSFFED			1	1	1	1
14	2FB20860	2FB20860	PIN FUSER COVER			3	3	3	3
15	302RH46390	2RH46390	WIRE RIGHT ILSW			1	1	1	1
16	302RH46190	2RH46190	WIRE INLET ASSY			1	1	1	1
17	7SC010105+++H01	SC125000	SW.SEE SAW			1	1	1	1
18	302RH39120	2RH39120	MOUNT INLET			1	1	1	1
19	302FB26290	2FB26290	LID VENDOR			1	1	1	1
20	302K302210	2K302210	MOUNT SCANNER ADJUST			1	1	1	1
21	302K302200	2K302200	SPACER SCANNER ADJUST			1	1	1	1
22	302MV02132	2MV02132	MOUNT OPTION			1	1	1	1
23	302RH02090	2RH02090	MOUNT OPTION			1	1	1	1
24	302K302890	2K302890	LID DEHUMIDIFIER SW			1	1	1	1
101	7BB700308H	BB105600	+BIND T.T S SCREW 3X8 SR						
102	7BB702308H	BB107060	+TP-FLAT T.T S SCREW 3X8 SR						

• Parts with a Ref.No. of 500 and above in the illustration indicate they are not selected for service parts.

• イラスト中で 500 番台の Ref 番号が付いている部品はサービスパーツに選定されていません。

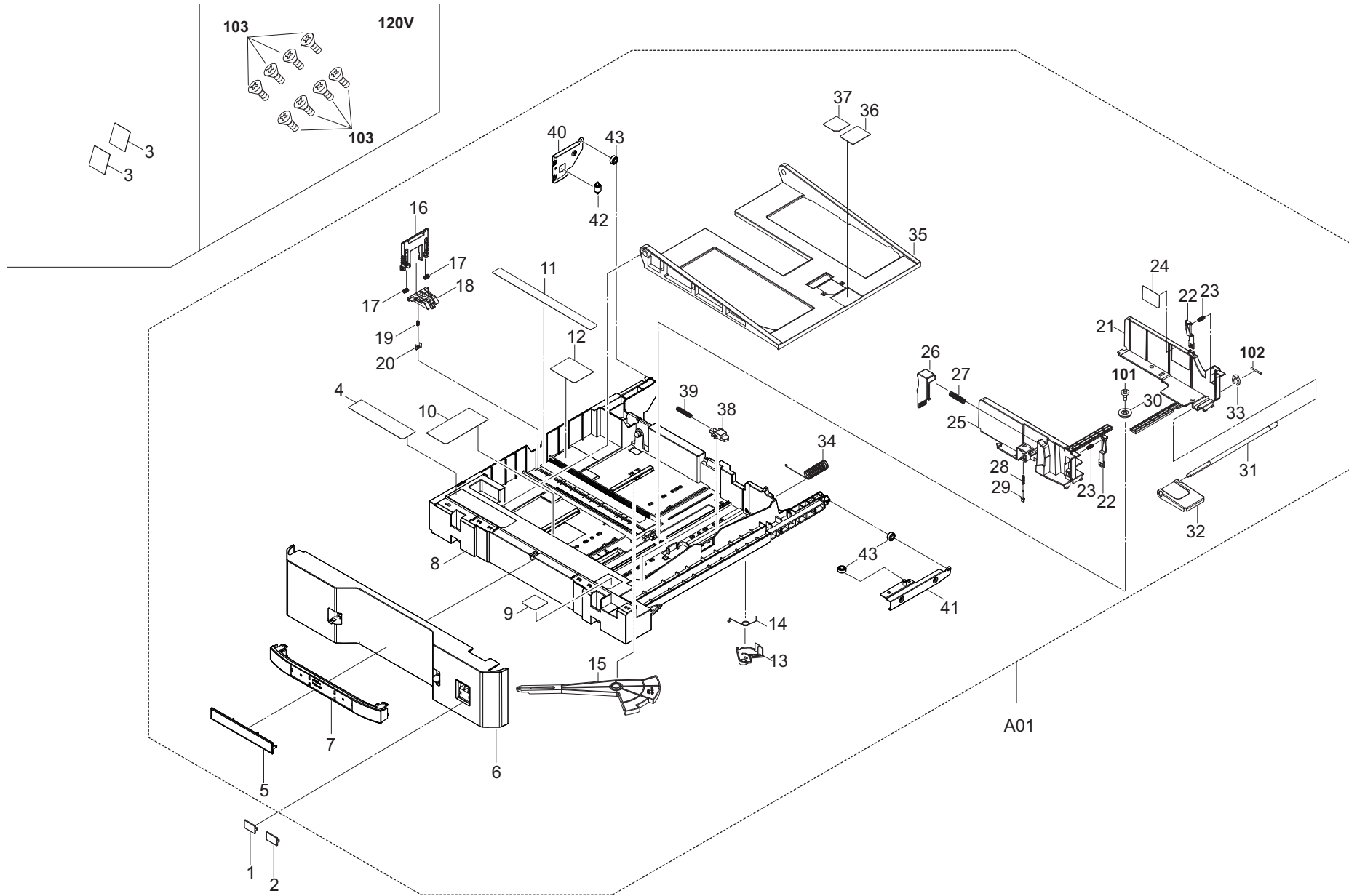


FIG. 8 Paper Cassette

2RG/2RH

Ref. No. 番号	Part.No. 部品番号	Alternative. 代替部品番号	Description 部品名称	Notes 備考	Revision 改訂	Quantity 個数			
						100(日本)	120	230	240
1	2BL04310	2BL04310	PLATE NUMBER			1	1	1	1
2	2BL04370	2BL04370	PLATE NUMBER 2			1	1	1	1
3	302MV34300	2MV34300	SHEET CASSETTE C			2		2	2
3	302MV34430	2MV34430	SHEET CASSETTE I				2		
A01	302RH93010	2RH93010	CT-7105			2	2	2	2
4	*302MV34330	2MV34330	LABEL OPERATION L			2	2	2	2
5	*302NL09070	2NL09070	EMBLEM CASSETTE			2	2	2	2
6	*302RH04410	2RH04410	COVER CASSETTE			2	2	2	2
7	*302NL09080	2NL09080	HANDLE CASSETTE			2	2	2	2
8	*302NL09010	2NL09010	CASSETTE			2	2	2	2
9	*302MV34340	2MV34340	LABEL OPERATION S			2	2	2	2
10	*302MV34310	2MV34310	LABEL CASSETTE SIZE A			2	2	2	2
11	*302MV34360	2MV34360	LABEL CASSETTE SIZE B			2	2	2	2
12	*302MV34320	2MV34320	LABEL OPERATION CURSOR			2	2	2	2
13	*302MV09050	2MV09050	PLATE SIDE SWITCH			2	2	2	2
14	*302K309220	2K309220	SPRING SIDE SWITCH			2	2	2	2
15	*302MV09040	2MV09040	ARM SIZE DETECTION			2	2	2	2
16	*302K309270	2K309270	CURSOR END			2	2	2	2
17	*2C907360	2C907360	SPRING CURSOR R			4	4	4	4
18	*302K309141	2K309141	SLIDER CURSOR END			2	2	2	2
19	*302K309360	2K309360	SPRING SIZE SET			2	2	2	2
20	*302K309350	2K309350	STOPPER SIZE SET			2	2	2	2
21	*302MV09080	2MV09080	CURSOR CASSETTE REAR			2	2	2	2
22	*302K309190	2K309190	LEVER CURSOR SET			4	4	4	4
23	*302K309370	2K309370	SPRING CURSOR SET			4	4	4	4
24	*302RH34070	2RH34070	LABEL PAPER LIMIT			2	2	2	2
25	*302MV09090	2MV09090	CURSOR CASSETTE FRONT			2	2	2	2
26	*302K309200	2K309200	LEVER RELEASE CURSOR F			2	2	2	2
27	*302K309210	2K309210	SPRING RELEASE CURSOR F			2	2	2	2
28	*302K309380	2K309380	SPRING SIZE SET F			2	2	2	2
29	*302HN09240	2HN09240	SIZE FIX			2	2	2	2
30	*302K394380	2K394380	PARTS GEAR Z18 SP			2	2	2	2
31	*302K309180	2K309180	SHAFT DRIVE LIFT			2	2	2	2
32	*302K309171	2K309171	PLATE LIFT BASE CASSETTE			2	2	2	2
33	*2BC06910	2BC06910	STOPPER 6			2	2	2	2
34	*302K309300	2K309300	SPRING CASSETTE LIFT EARTH			2	2	2	2
35	*302MV09021	2MV09021	BASE CASSETTE			2	2	2	2
36	*2C907140	2C907140	PAD CASSETTE			2	2	2	2
37	*302MV34350	2MV34350	LABEL PAPER SET			2	2	2	2
38	*302K309150	2K309150	LIFT BASE CASSETTE SUB			4	4	4	4
39	*302K309160	2K309160	SPRING LEVER LIFT CASSETTE SUB			4	4	4	4
40	*302NL09091	2NL09091	PLATE CASSETTE LEFT			2	2	2	2
41	*302NL09101	2NL09101	PLATE CASSETTE RIGHT			2	2	2	2
42	*302FZ07020	2FZ07020	PULLEY MPT BYPASS			2	2	2	2
43	*302FG07020	2FG07020	PULLEY,CASSETTE RAIL			6	6	6	6
101	7BB202410H	BB106850	+TP-FLAT T.T.P SCREW 4X10						
102	5MBP2514WXSP	E0025250	SPRING PIN						
103	7BB203308H	BB106950	+FLAT HEAD T.T.P SCREW 3X8						

• Parts with a Ref.No. of 500 and above in the illustration indicate they are not selected for service parts.

• イラスト中で 500 番台の Ref 番号が付いている部品はサービスパーツに選定されていません。

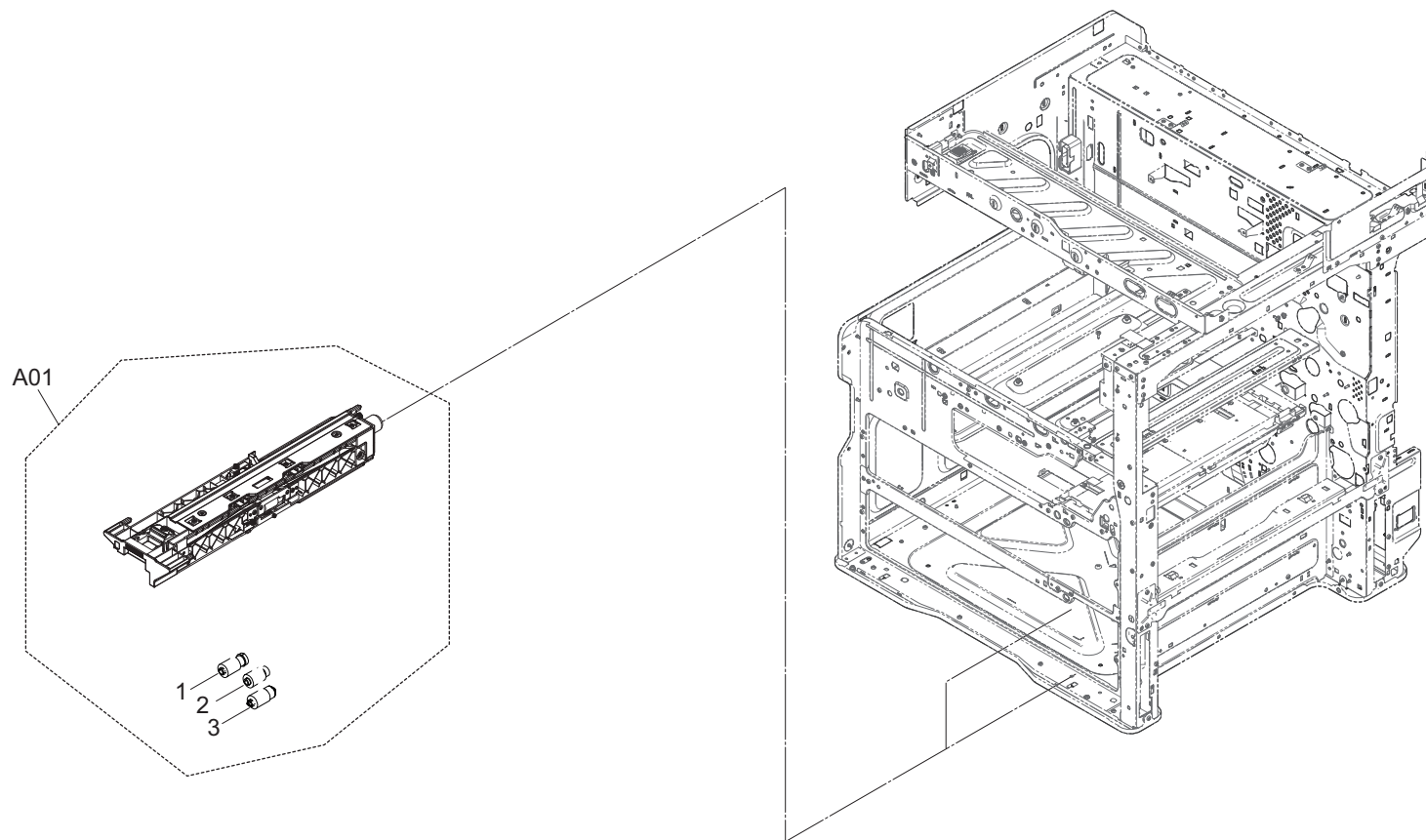


FIG. 9 Paper Feed Section 1

2RG/2RH

Ref. No. 番号	Part.No. 部品番号	Alternative. 代替部品番号	Description 部品名称	Notes 備考	Revision 改訂	Quantity 個数			
						100(日本)	120	230	240
A01	302MV94061	2MV94061	PARTS PRIMARY FEED ASSY SP			2	2	2	2
1	•302HN06080	2HN06080	PULLEY PICKUP ASSY			2	2	2	2
2	•302F906230	2F906230	PULLEY FEED ASSY			2	2	2	2
3	•302F909171	2F909171	RETARD ROLLER ASSY			2	2	2	2

• Parts with a Ref.No. of 500 and above in the illustration indicate they are not selected for service parts.

・イラスト中で 500 番台の Ref 番号が付いている部品はサービスパーツに選定されていません。

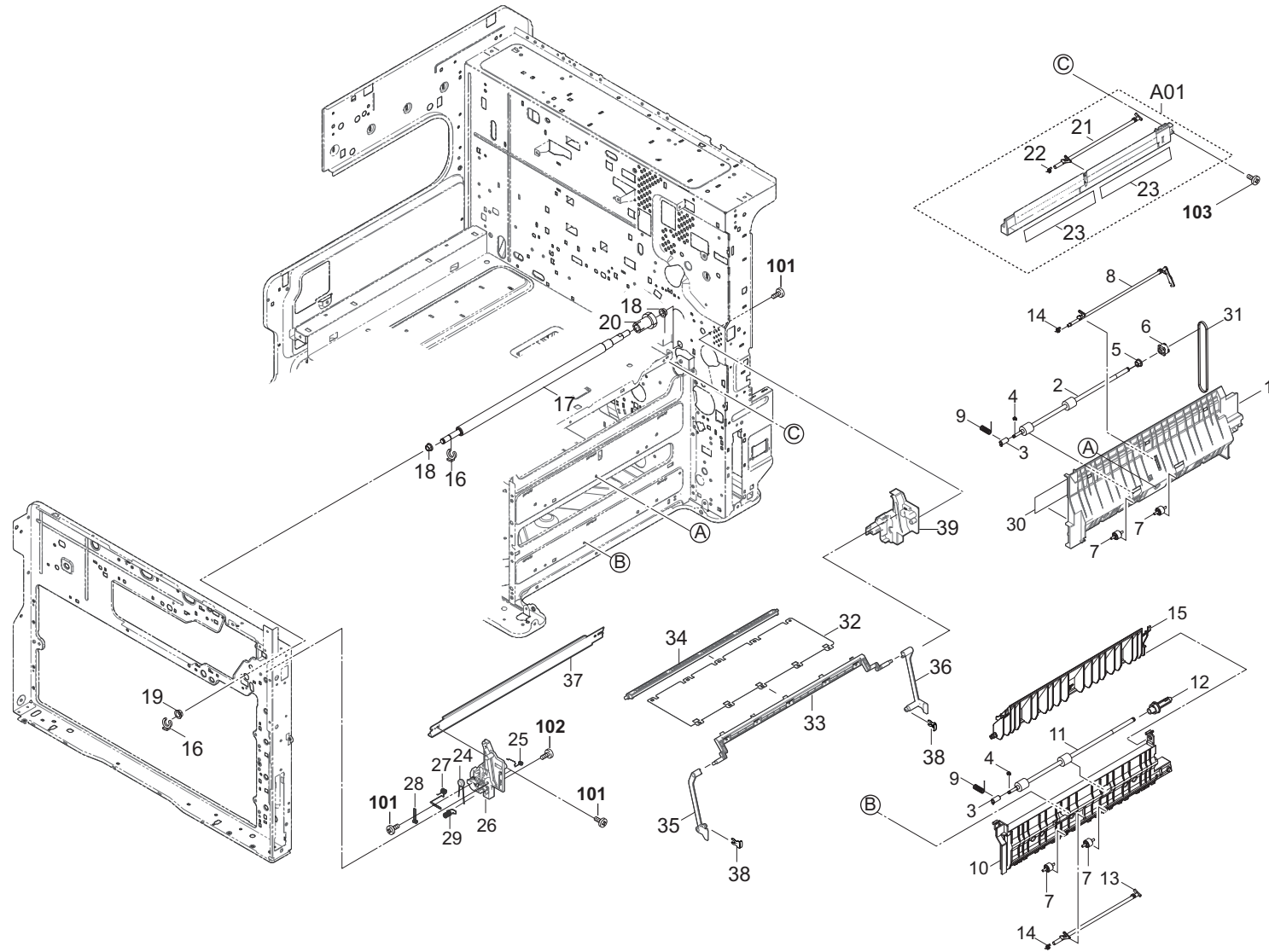


FIG. 10 Paper Feed Section 2

2RG/2RH

Ref. No. 番号	Part.No. 部品番号	Alternative. 代替部品番号	Description 部品名称	Notes 備考	Revision 改訂	Quantity 個数			
						100(日本)	120	230	240
1	302NL06020	2NL06020	GUIDE FEED OUTER			1	1	1	1
2	302MV94310	2MV94310	PARTS ROLLER FEED UPPER SP			1	1	1	1
3	302K329270	2K329270	BUSH DU			2	2	2	2
4	5MVX111DN007	2BT11070	STOPPER 3 /2BT1107 A4			2	2	2	2
5	302H024370	2H024370	BUSH 6 EW			1	1	1	1
6	303MR29040	3MR29040	PULLEY 26-6 DUPLEX			1	1	1	1
7	302HN24400	2HN24400	PULLEY PA			4	4	4	4
8	302K302831	2K302831	ACTUATOR DECK FEED			1	1	1	1
9	302MV07121	2MV07121	SPRING EARTH FEED			2	2	2	2
10	302MV07020	2MV07020	GUIDE FEED LOW			1	1	1	1
11	302MV94320	2MV94320	PARTS ROLLER FEED LOWER SP			1	1	1	1
12	303NN24110	3NN24110	JOINT PULLEY 26-6			1	1	1	1
13	302K306140	2K306140	ACTUATOR REGIST			1	1	1	1
14	302K306150	2K306150	SPRING ACTUATOR REGIST			2	2	2	2
15	302MV07030	2MV07030	GUIDE FEED			1	1	1	1
16	2BC06910	2BC06910	STOPPER 6			2	2	2	2
17	302K394230	2K394230	PARTS ROLLER REGIST LEFT SP			1	1	1	1
18	302H024830	2H024830	BUSH 8			2	2	2	2
19	302H024360	2H024360	BUSH 8 EW			1	1	1	1
20	302K394310	2K394310	PARTS GEAR REGIST Z28L-Z18L SP			1	1	1	1
A01	302K394540	2K394540	PARTS FEED UNIT ASSY SP			1	1	1	1
21	*302K306140	2K306140	ACTUATOR REGIST			1	1	1	1
22	*302K306150	2K306150	SPRING ACTUATOR REGIST			1	1	1	1
23	*302K306160	2K306160	SHEET REGIST LEFT			2	2	2	2
24	302K345120	2K345120	VARISTOR TC			1	1	1	1
25	302K324350	2K324350	SPRING EARTH REGIST B			1	1	1	1
26	302K302710	2K302710	RAIL LINK ARM F			1	1	1	1
27	302K324310	2K324310	SPRING EARTH REGIST A			1	1	1	1
28	302K324410	2K324410	SPRING EARTH REGIST D			1	1	1	1
29	302K324380	2K324380	SPRING EARTH REGIST C			1	1	1	1
30	302NL06080	2NL06080	SHEET FEED OUT A			1	1	1	1
31	302MV07110	2MV07110	BELT FEED			1	1	1	1
32	302K302630	2K302630	SHEET DRUM COVER			1	1	1	1
33	302K302610	2K302610	HOLDER DRUM COVER RIGHT			1	1	1	1
34	302K302620	2K302620	HOLDER DRUM COVER LEFT			1	1	1	1
35	302K302670	2K302670	ARM DRUM COVER FRONT			1	1	1	1
36	302K302680	2K302680	ARM DRUM COVER REAR			1	1	1	1
37	302K324160	2K324160	GUIDE TRANS LEFT			1	1	1	1
38	302K312080	2K312080	STOPPER DRUM			2	2	2	2
39	302K302720	2K302720	RAIL LINK ARM R			1	1	1	1
101	7BB200308H	BB105660	+BIND T.T P SCREW 3X8						
102	7BB702308H	BB107060	+TP-FLAT T.T S SCREW 3X8 SR						
103	7BB700308H	BB105600	+BIND T.T S SCREW 3X8 SR						

• Parts with a Ref.No. of 500 and above in the illustration indicate they are not selected for service parts.

• イラスト中で 500 番台の Ref 番号が付いている部品はサービスパーツに選定されていません。



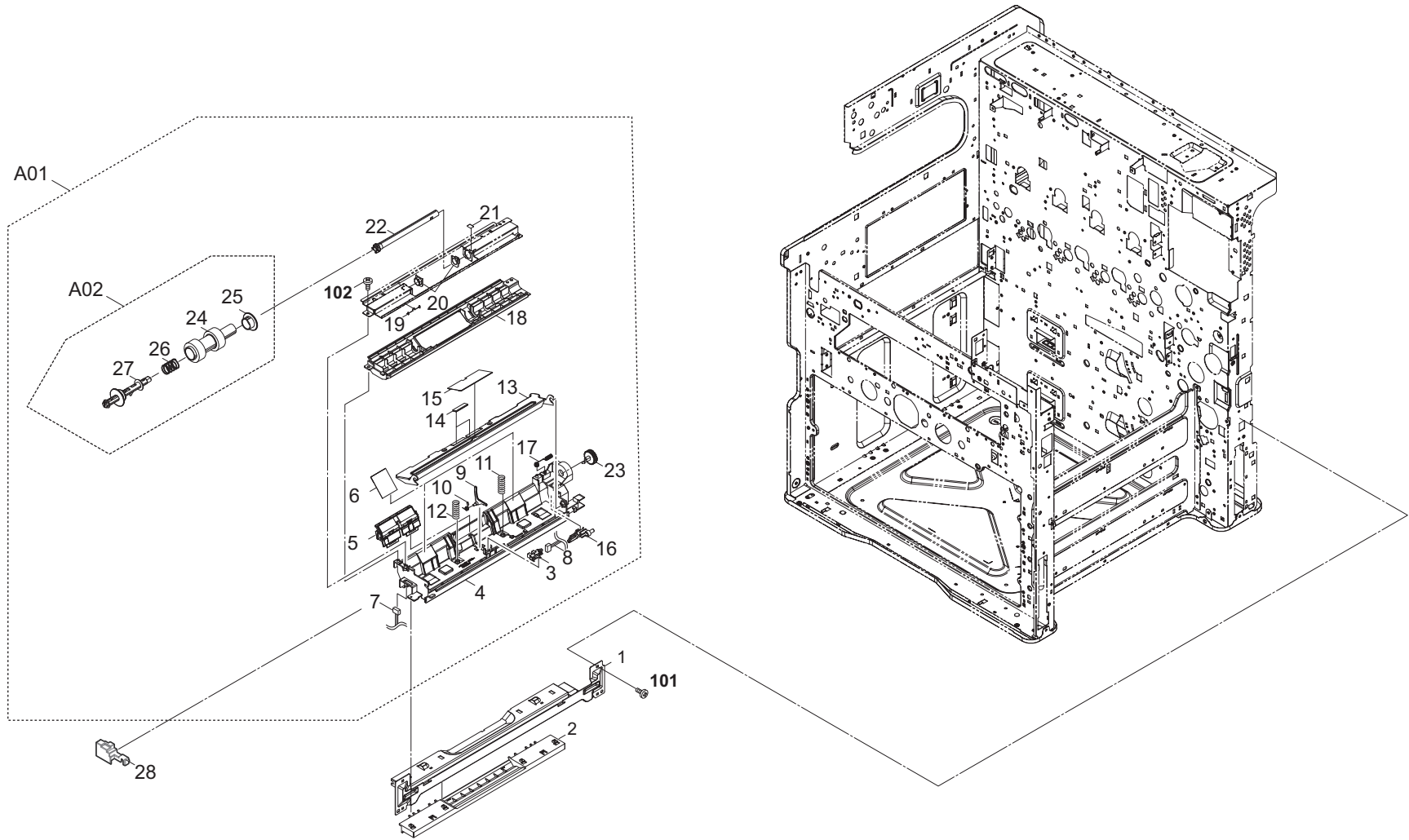


FIG. 11 Paper Feed Section 3

2RG/2RH

Ref. No. 番号	Part.No. 部品番号	Alternative. 代替部品番号	Description 部品名称	Notes 備考	Revision 改訂	Quantity 個数			
						100(日本)	120	230	240
1	302K302141	2K302141	STAY RIGHT HANDLE			1	1	1	1
2	302MV07040	2MV07040	GUIDE FEED INNER			1	1	1	1
A01	302RH94200	2RH94200	PARTS MPF UNIT SP			1	1	1	1
3	*7NXGP1S173LCH01	NX116910	SENSOR OPT.			1	1	1	1
4	*302MV08010	2MV08010	BASE MPF			1	1	1	1
5	*302RH94180	2RH94180	PARTS PAD SEPARATION ASSY SP			1	1	1	1
6	*302K308480	2K308480	SEAL SIDE MPF			2	2	2	2
7	*302MV46450	2MV46450	WIRE MPF SIZE UNIT 1			1	1	1	1
8	*302MV46580	2MV46580	WIRE MPF			1	1	1	1
9	*302K308020	2K308020	ACTUATOR MPF			1	1	1	1
10	*302K308250	2K308250	SPRING ACTUATOR			1	1	1	1
11	*302RH08080	2RH08080	SPRING LIFT R			1	1	1	1
12	*302RH08070	2RH08070	SPRING LIFT F			1	1	1	1
13	*302K308101	2K308101	LIFT PLATE			1	1	1	1
14	*302K308110	2K308110	PAD LIFT			2	2	2	2
15	*302K308340	2K308340	SEAL GUIDE PAD			1	1	1	1
16	*302K308140	2K308140	ARM LIFT			1	1	1	1
17	*302K308240	2K308240	SPRING EARTH			1	1	1	1
18	*302K308030	2K308030	GUIDE UPPER MPF			1	1	1	1
19	*302K308260	2K308260	WIRE EARTH MPF			1	1	1	1
20	*302K308070	2K308070	BUSH 10			2	2	2	2
21	*302MV34190	2MV34190	LABEL J			1	1	1	1
22	*302K308080	2K308080	SHAFT MPF			1	1	1	1
23	*302K394320	2K394320	PARTS GEAR MPF Z28 SP			1	1	1	1
A02	*302MV94021	2MV94021	PARTS ROLLER MPF ASSY SP			1	1	1	1
24	**302K308150	2K308150	ROLLER MPF			1	1	1	1
25	**302MV08030	2MV08030	PULLEY MPF			1	1	1	1
26	**302K308270	2K308270	SPRING MPF ROLL			1	1	1	1
27	**302MV08020	2MV08020	PIN FEED ROLL			1	1	1	1
28	302MV08050	2MV08050	COVER MPF WIRE			1	1	1	1
101	7BB700308H	BB105600	+BIND T.T S SCREW 3X8 SR						
102	7BB200308H	BB105660	+BIND T.T P SCREW 3X8						

• Parts with a Ref.No. of 500 and above in the illustration indicate they are not selected for service parts.

・イラスト中で 500 番台の Ref 番号が付いている部品はサービスパーツに選定されていません。

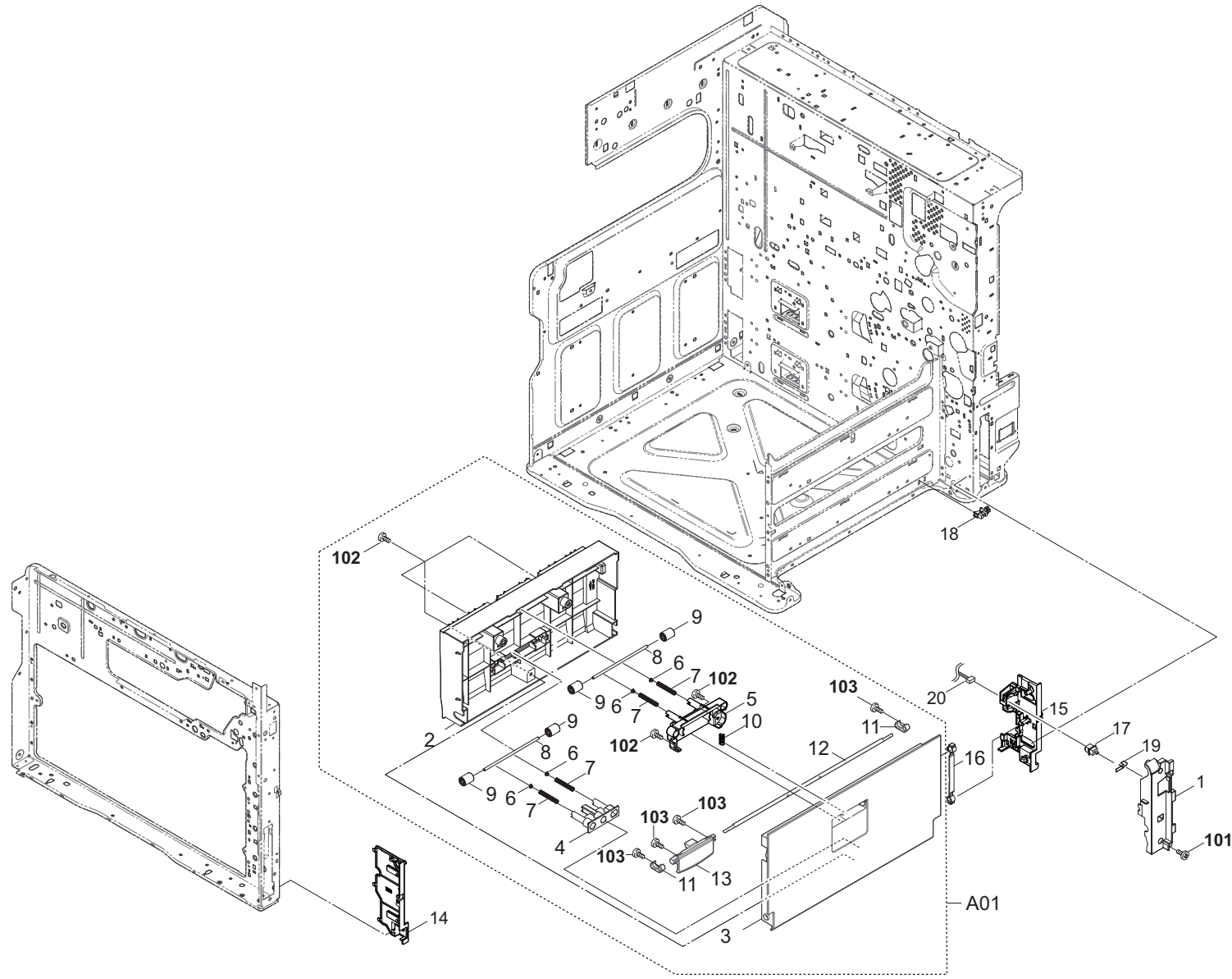


FIG. 12 Paper Feed Section 4

2RG/2RH

Ref. No. 番号	Part.No. 部品番号	Alternative. 代替部品番号	Description 部 品 名 称	Notes 備 考	Revision 改 訂	Quantity 個数			
						100 (日本)	120	230	240
1	302MV07080	2MV07080	COVER SW FEED			1	1	1	1
A01	302RH94170	2RH94170	PARTS COVER RIGHT LOW ASSY SP			1	1	1	1
2	*302MV07051	2MV07051	GUIDE COVER INNER			1	1	1	1
3	*302RH04400	2RH04400	COVER RIGHT LOW			1	1	1	1
4	*302MV07070	2MV07070	HOLDER SPRING			1	1	1	1
5	*302NL06060	2NL06060	COVER HANDLE			1	1	1	1
6	*2FM04150	2FM04150	CAP SPRING /B-11 ENCLOSURE A4			4	4	4	4
7	*303NN24180	3NN24180	SPRING FEED LOW			4	4	4	4
8	*302BG06152	2BG06152	SHAFT FEED B			2	2	2	2
9	*3HY07120	3HY07120	PULLEY 15 DUPLEX			4	4	4	4
10	*302FZ20021	2FZ20021	SPRING LID			1	1	1	1
11	*302K906670	2K906670	HOOK FEED LOW			2	2	2	2
12	*302NL06070	2NL06070	SHAFT FEED LOW HOOK			1	1	1	1
13	*303PC06060	3PC06060	HANDLE FEED LOW			1	1	1	1
14	302NL06040	2NL06040	HOLDER HOOK F			1	1	1	1
15	302NL06050	2NL06050	HOLDER HOOK R			1	1	1	1
16	2BG06480	2BG06480	BAND B			1	1	1	1
17	7SP01000001+H01	SP044290	SW.PUSH			1	1	1	1
18	7NXGP1S173LCH01	NX116910	SENSOR OPT.			1	1	1	1
19	303NN24250	3NN24250	SPRING EARTH SW			1	1	1	1
20	302MV46520	2MV46520	WIRE RIGHT COVER SW			1	1	1	1
101	7BB700308H	BB105600	+BIND T.T S SCREW 3X8 SR						
102	7BB200410H	BB105700	+BIND T.T P SCREW 4X10						
103	7BB600306H	BB105730	+BIND M SCREW 3X6 R						

• Parts with a Ref.No. of 500 and above in the illustration indicate they are not selected for service parts.

• イラスト中で 500 番の Ref 番号が付いている部品はサービスパーツに選定されていません。

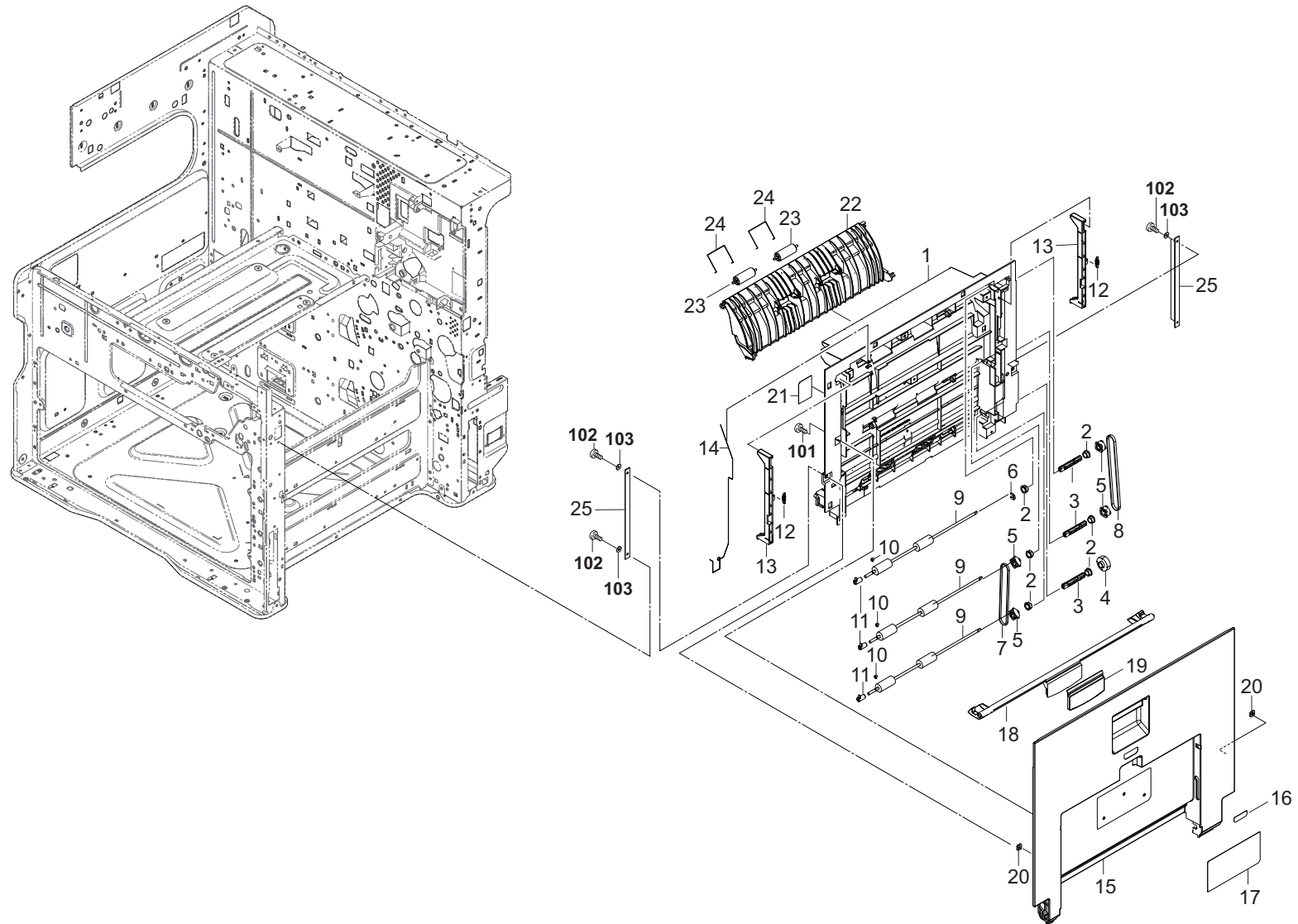


FIG. 13 Paper Conveying Section 1

2RG/2RH

Ref. No. 番号	Part.No. 部品番号	Alternative. 代替部品番号	Description 部品名称	Notes 備考	Revision 改訂	Quantity 個数			
						100(日本)	120	230	240
A01	302RH94190	2RH94190	PARTS RIGHT COVER UNIT SP			1	1	1	1
1	*302K304531	2K304531	GUIDE RIGHT COVER			1	1	1	1
2	*302H024360	2H024360	BUSH 8 EW			6	6	6	6
3	*302K329220	2K329220	SHAFT DU			3	3	3	3
4	*302K394400	2K394400	PARTS GEAR DU Z27L SP			1	1	1	1
5	*302K329280	2K329280	PULLEY DU 26			4	4	4	4
6	*2BC06980	2BC06980	STOPPER 5			1	1	1	1
7	*302K329240	2K329240	BELT DU A			1	1	1	1
8	*302K329250	2K329250	BELT DU B			1	1	1	1
9	*302K394250	2K394250	PARTS ROLLER DU SP			3	3	3	3
10	*5MVX111DN007	2BT11070	STOPPER 3 /2BT1107 A4			3	3	3	3
11	*302K329270	2K329270	BUSH DU			3	3	3	3
12	*302K304540	2K304540	SPRING HOOK			2	2	2	2
13	*302K304571	2K304571	JOINT JUNCTION HOOK			2	2	2	2
14	*302K329230	2K329230	WIRE EARTH DU			1	1	1	1
15	*302RH04370	2RH04370	COVER RIGHT MIDDLE			1	1	1	1
16	*302MV34250	2MV34250	LABEL COVER CAUTION			1	1	1	1
17	*302MV34260	2MV34260	LABEL BYPASS CAUTION			1	1	1	1
18	*302K304520	2K304520	HOOK RIGHT COVER			1	1	1	1
19	*302MV04300	2MV04300	COVER RIGHT HOOK			1	1	1	1
20	*5MMS111SL002	2BY20050	NUT FUSER A /FS-1800/3800 A4			2	2	2	2
21	*302MV34400	2MV34400	LABEL HIGH TEMP			1	1	1	1
22	*302K328200	2K328200	GUIDE EXIT RIGHT			1	1	1	1
23	*302K329020	2K329020	PULLEY DU			2	2	2	2
24	*302K329030	2K329030	SPRING DU FEED			2	2	2	2
25	302K304591	2K304591	STRAP RIGHT COVER			2	2	2	2
101	7BB200308H	BB105660	+BIND T.T P SCREW 3X8						
102	7BB600308H1	BB105850	+BIND M SCREW 3X8 R						
103	7BC00030A080H01	BC046150	WASHER M3X10X0.8T						

• Parts with a Ref.No. of 500 and above in the illustration indicate they are not selected for service parts.

・イラスト中で 500 番台の Ref 番号が付いている部品はサービスパーツに選定されていません。

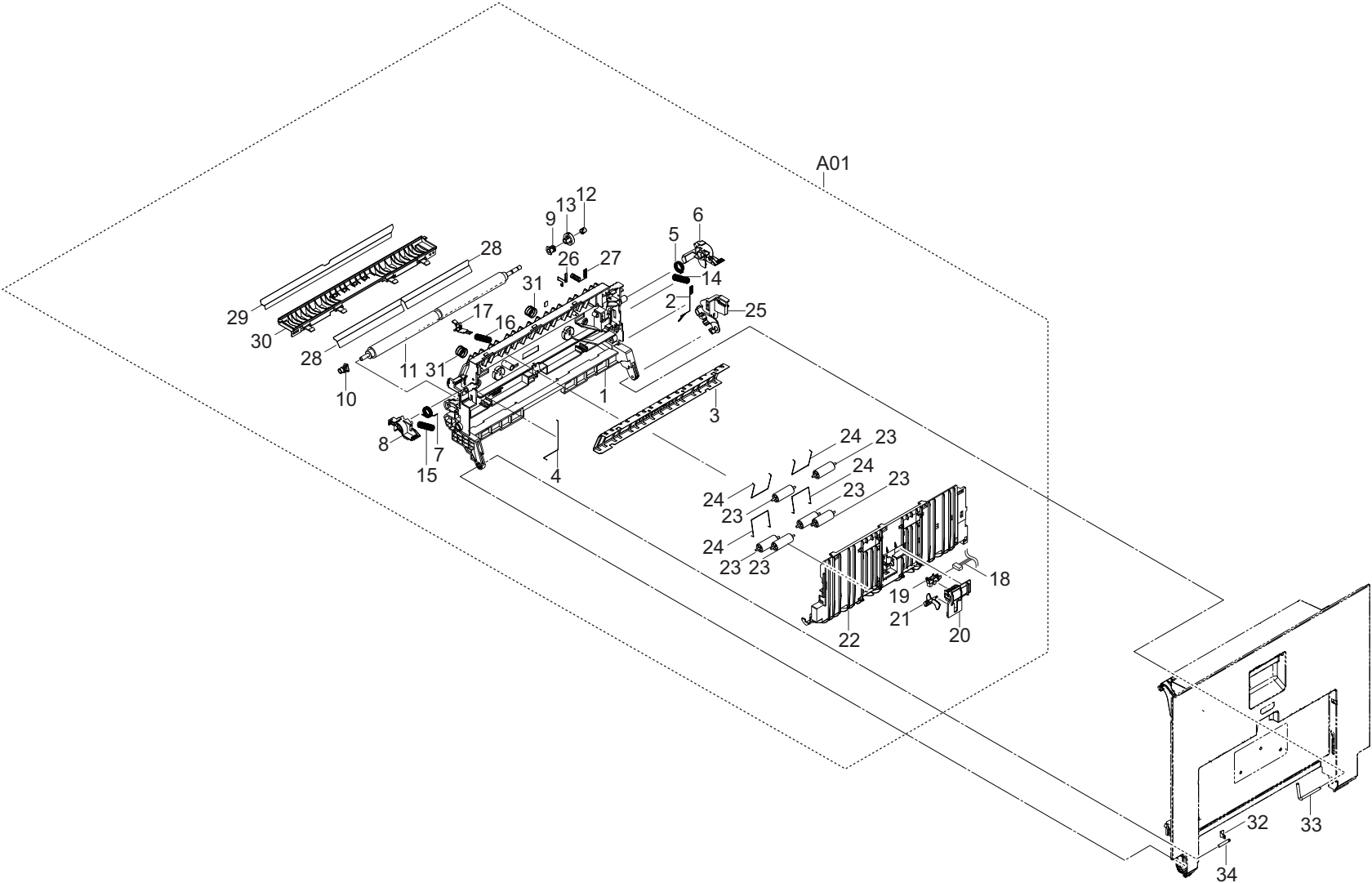


FIG. 14 Paper Conveying Section 2

2RG/2RH

Ref. No. 番号	Part.No. 部品番号	Alternative. 代替部品番号	Description 部品名称	Notes 備考	Revision 改訂	Quantity 個数			
						100(日本)	120	230	240
A01	302NL94070	2NL94070	PARTS CONVEYING UNIT SP			1	1	1	1
1	*302K324011	2K324011	BASE CONVEYING			1	1	1	1
2	*302K324080	2K324080	TERMINAL TRANSFER			1	1	1	1
3	*302NL24090	2NL24090	GUIDE CONVEYING			1	1	1	1
4	*302K324130	2K324130	SPRING EARTH CONVEYING			1	1	1	1
5	*302K324360	2K324360	SPRING CONVEYING R			1	1	1	1
6	*302K324070	2K324070	LEVER CONVEYING R			1	1	1	1
7	*302K324110	2K324110	SPRING CONVEYING F			1	1	1	1
8	*302K324060	2K324060	LEVER CONVEYING F			1	1	1	1
9	*302K324270	2K324270	BUSH REGIST R			1	1	1	1
10	*302K324180	2K324180	BUSH REGIST F			1	1	1	1
11	*302K394220	2K394220	PARTS ROLLER REGIST RIGHT SP			1	1	1	1
12	*302H722470	2H722470	COLLAR TRANS ROLLER			1	1	1	1
13	*302K394330	2K394330	PARTS GEAR REGIST Z24R SP			1	1	1	1
14	*302K324440	2K324440	SPRING REGIST R			1	1	1	1
15	*302K324200	2K324200	SPRING REGIST F			1	1	1	1
16	*302K324500	2K324500	SPRING REGIST C			1	1	1	1
17	*302K324470	2K324470	BUSH REGIST C			1	1	1	1
18	*302K346090	2K346090	WIRE DU			1	1	1	1
19	*7NXGP1S173LCH01	NX116910	SENSOR OPT.			1	1	1	1
20	*302K329060	2K329060	RETAINER ACTUATOR			1	1	1	1
21	*302K329040	2K329040	ACTUATOR DU			1	1	1	1
22	*302K329010	2K329010	FRAME DU			1	1	1	1
23	*302K329020	2K329020	PULLEY DU			6	6	6	6
24	*302K329030	2K329030	SPRING DU FEED			4	4	4	4
25	*302K324322	2K324322	COVER HARNESS			1	1	1	1
26	*302K324340	2K324340	TERMINAL SEPARATION B			1	1	1	1
27	*302K324090	2K324090	TERMINAL SEPARATION A			1	1	1	1
28	*302K324290	2K324290	FILM GUIDE REGIST			2	2	2	2
29	*302NL24050	2NL24050	FILM GUIDE FEED JUNCTION			1	1	1	1
30	*302NL24040	2NL24040	GUIDE FEED JUNCTION			1	1	1	1
31	*302K324510	2K324510	SPRING TRANSFER LIFT			2	2	2	2
32	302K304630	2K304630	FILM CONVEYING SHAFT			1	1	1	1
33	302K304560	2K304560	SHAFT RIGHT COVER R			1	1	1	1
34	302K304550	2K304550	SHAFT RIGHT COVER F			1	1	1	1

• Parts with a Ref.No. of 500 and above in the illustration indicate they are not selected for service parts.

• イラスト中で 500 番台の Ref 番号が付いている部品はサービスパーツに選定されていません。



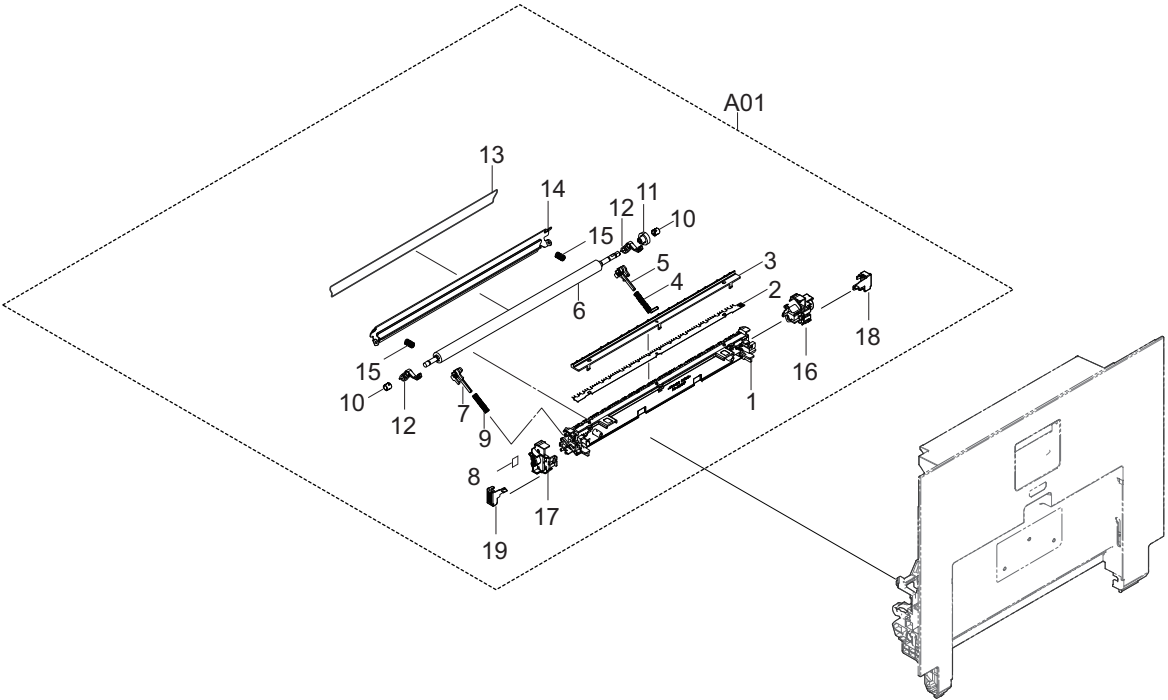


FIG. 15 Paper Conveying Section 3

2RG/2RH

Ref. No. 番号	Part.No. 部品番号	Alternative. 代替部品番号	Description 部品名称	Notes 備考	Revision 改訂	Quantity 個数			
						100(日本)	120	230	240
A01	302NL93090	2NL93090	TR-7105			1	1	1	1
1	*302K324030	2K324030	HOLDER TRANSFER			1	1	1	1
2	*302K324100	2K324100	HOLDER SEPARATION			1	1	1	1
3	*302K324150	2K324150	PLATE SEPARATION			1	1	1	1
4	*302K324370	2K324370	SPRING TRANSFER R			1	1	1	1
5	*302K324430	2K324430	BUSH TRANSFER ROLL R			1	1	1	1
6	*302K324020	2K324020	ROLLER TRANSFER			1	1	1	1
7	*302K324240	2K324240	BUSH TRANSFER ROLL F			1	1	1	1
8	*302MV34180	2MV34180	LABEL I			1	1	1	1
9	*302K324210	2K324210	SPRING TRANSFER F			1	1	1	1
10	*302H722470	2H722470	COLLAR TRANS ROLLER			1	1	1	1
11	*302K324170	2K324170	GEAR TRANSFER Z18L			1	1	1	1
12	*302K324280	2K324280	LEVER TRANSFER			2	2	2	2
13	*302K324520	2K324520	SHEET TRANSFER RIGHT			1	1	1	1
14	*302NL24110	2NL24110	GUIDE TRANSFER RIGHT B			1	1	1	1
15	*302K324230	2K324230	SPRING GUIDE TRANSFER			2	2	2	2
16	*302K324260	2K324260	HOOK TRANSFER R			1	1	1	1
17	*302K324250	2K324250	HOOK TRANSFER F			1	1	1	1
18	*302MV24020	2MV24020	LEVER HOOK R			1	1	1	1
19	*302MV24010	2MV24010	LEVER HOOK F			1	1	1	1

• Parts with a Ref.No. of 500 and above in the illustration indicate they are not selected for service parts.

・イラスト中で 500 番台の Ref 番号が付いている部品はサービスパーツに選定されていません。

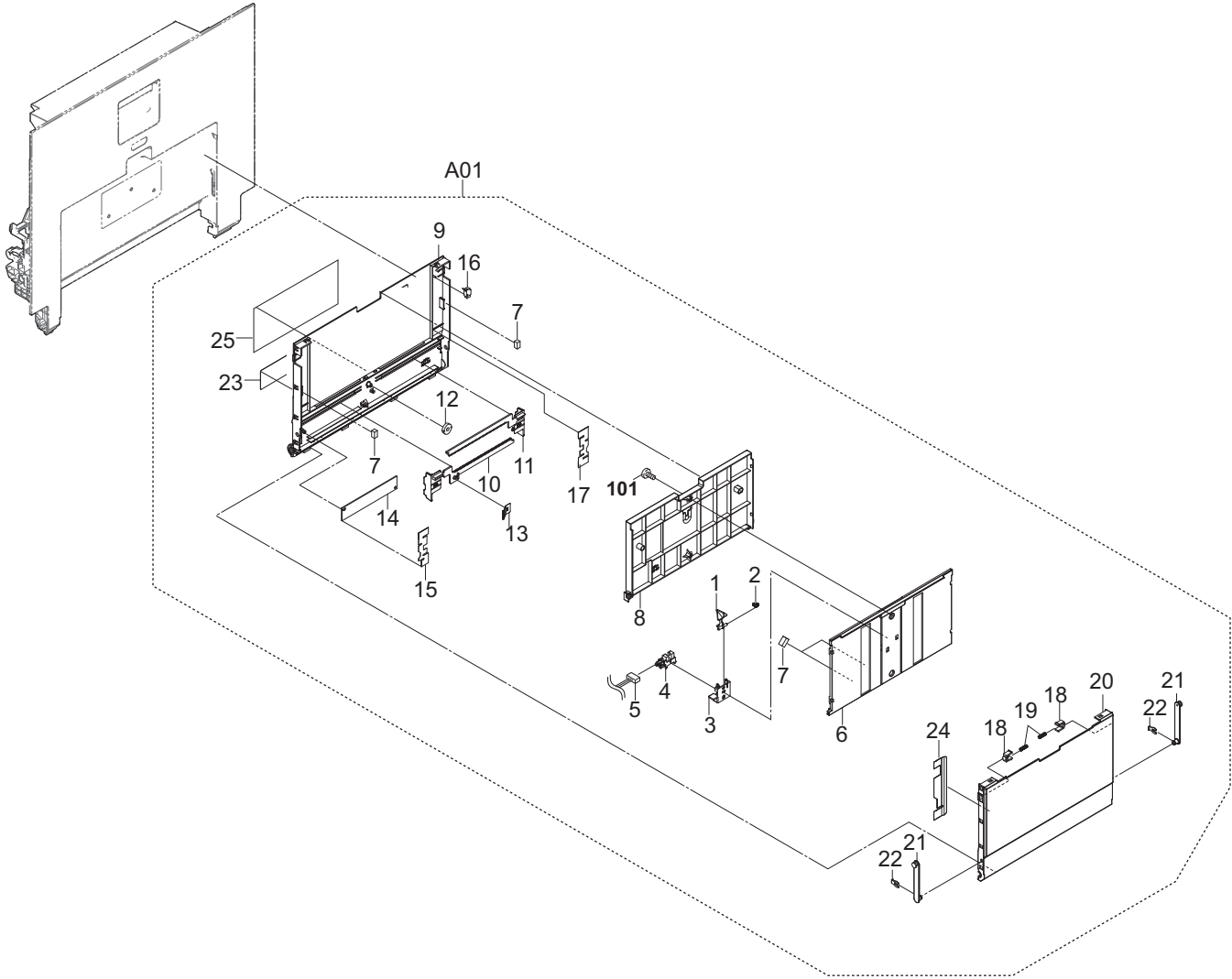


FIG. 16 Paper Conveying Section 4

2RG/2RH

Ref. No. 番号	Part.No. 部品番号	Alternative. 代替部品番号	Description 部品名称	Notes 備考	Revision 改訂	Quantity 個数			
						100(日本)	120	230	240
A01	302NL94152	2NL94152	PARTS MPF TABLE ASSY SP			1	1	1	1
1	*302K908211	2K908211	ACTUATOR SIZE DETECTION			1	1	1	1
2	*302K908220	2K908220	SPRING-TORSION SIZE DETECTION			1	1	1	1
3	*302K908580	2K908580	HOLDER SIZE DETECTION			1	1	1	1
4	*7NXGP1S173LCH01	NX116910	SENSOR OPT.			1	1	1	1
5	*302MV46510	2MV46510	WIRE MPF SIZE UNIT 2			1	1	1	1
6	*302MV08430	2MV08430	TABLE MPF B			1	1	1	1
7	*302H708150	2H708150	SPONGE WIRE MPT			4	4	4	4
8	*302MV08420	2MV08420	TABLE MPF A			1	1	1	1
9	*302MV08410	2MV08410	TABLE MPF			1	1	1	1
10	*302MV08441	2MV08441	CURSOR FRONT MPF			1	1	1	1
11	*302MV08451	2MV08451	CURSOR REAR MPF			1	1	1	1
12	*2C906080	2C906080	GEAR 18 BYPASS			1	1	1	1
13	*2C906090	2C906090	TERMINAL PAPER SIZE			1	1	1	1
14	*302C994030	2C994030	PARTS PWB MPF SIZE ASSY SP			1	1	1	1
15	*302MV08460	2MV08460	GUIDE FRONT MPF WIRE			1	1	1	1
16	*76727010	76727010	ORIGINAL SIZE SWITCH			1	1	1	1
17	*302MV08470	2MV08470	GUIDE REAR MPF WIRE			1	1	1	1
18	*302R408220	2R408220	STOPPER BYPASS TABLE			2	2	2	2
19	*302MV08500	2MV08500	SPRING MPF			2	2	2	2
20	*302MV08400	2MV08400	COVER MPF			1	1	1	1
21	*302R408230	2R408230	STRAP LINK MPF			2	2	2	2
22	*302K308470	2K308470	STOPPER STRAP			2	2	2	2
23	*302MV34270	2MV34270	LABEL BYPASS TABLE			1	1	1	1
24	*302MV08520	2MV08520	SHEET MPF WIRE A			1	1	1	1
25	*302NL34140	2NL34140	LABEL MPF CAUTION			1	1	1	1
101	7BB200308H	BB105660	+BIND T.T P SCREW 3X8						

• Parts with a Ref.No. of 500 and above in the illustration indicate they are not selected for service parts.

• イラスト中で 500 番台の Ref 番号が付いている部品はサービスパーツに選定されていません。

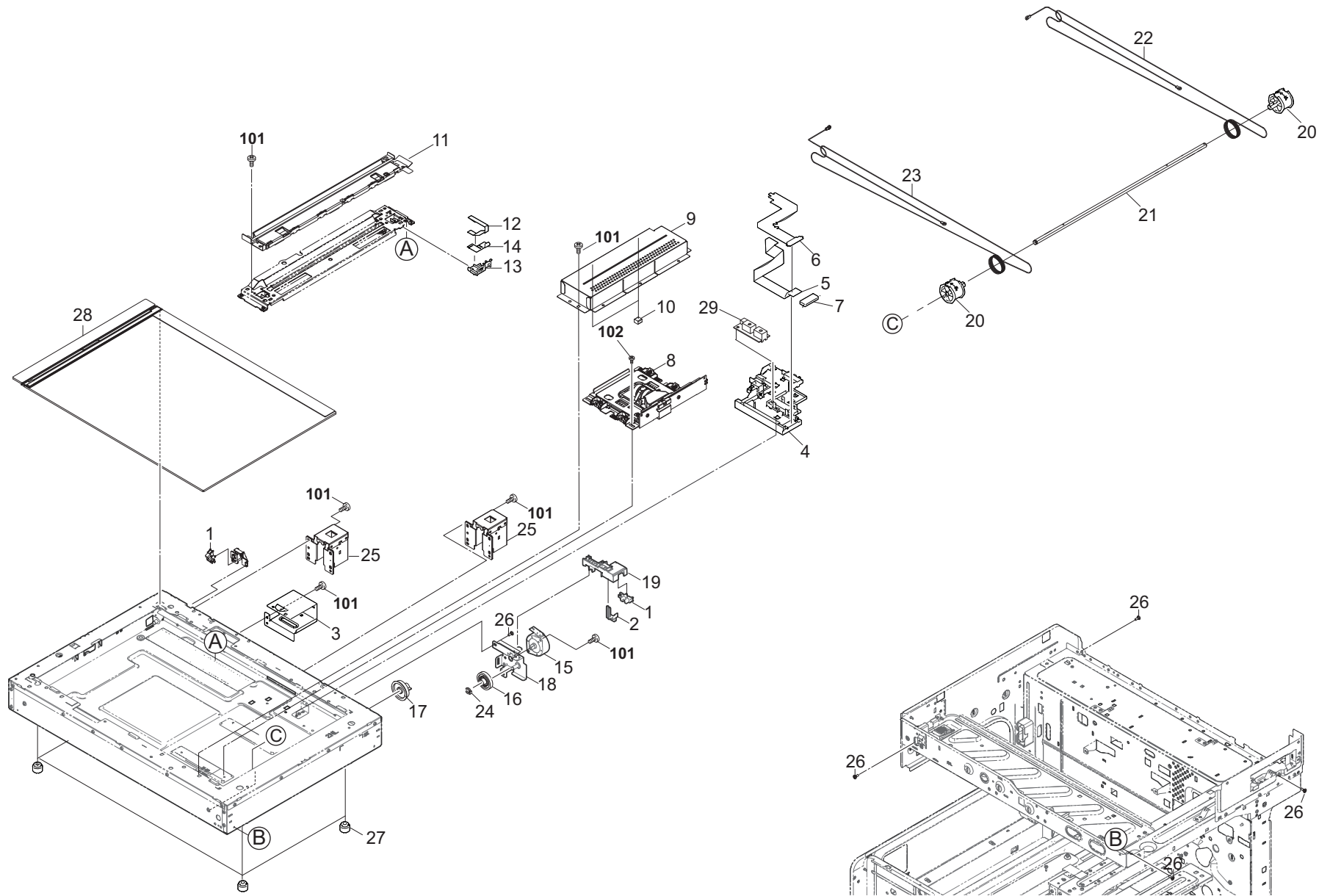


FIG. 17 Scanner Section 1

2RG/2RH

Ref. No. 番号	Part.No. 部品番号	Alternative. 代替部品番号	Description 部品名称	Notes 備考	Revision 改訂	Quantity 個数			
						100(日本)	120	230	240
1	7NXGP1S173LCH01	NX116910	SENSOR OPT.			2	2	2	2
2	302NL17020	2NL17020	SWITCH RELEASE			1	1	1	1
3	302RH17010	2RH17010	MOUNT CONNECTOR			1	1	1	1
4	302RH17020	2RH17020	GUIDE FFC			1	1	1	1
5	302RH46210	2RH46210	WIRE FFC CCD			1	1	1	1
6	302RH17030	2RH17030	FILM FFC CCD			1	1	1	1
7	7YBFZZ65C001H01	YB110990	FERRITE CORE			1	1	1	1
8	302ND93110	2ND93110	PARTS ISU ASSY H SP			1	1	1	1
9	302MV17030	2MV17030	COVER LENS			1	1	1	1
10	7ZG65TSV+010H01	ZG111180	SHIELD GASKET			2	2	2	2
11	302L793100	2L793100	PARTS MOUNT LED ASSY SP			1	1	1	1
12	302RH46250	2RH46250	WIRE FFC LED			1	1	1	1
13	302K317172	2K317172	GUIDE FFC LED C			1	1	1	1
14	302RH17110	2RH17110	SHEET FFC LED			1	1	1	1
15	302HN44100	2HN44100	MOTOR REVERSE			1	1	1	1
16	302K394370	2K394370	PARTS GEAR Z18-Z63R SP			1	1	1	1
17	302RH17060	2RH17060	GEAR P54			1	1	1	1
18	302NL17010	2NL17010	MOUNT DRIVE			1	1	1	1
19	302NL17030	2NL17030	HOLDER SWITCH			1	1	1	1
20	302RH17040	2RH17040	PULLEY DRUM			2	2	2	2
21	302RH17050	2RH17050	SHAFT MOTOR DRIVE			1	1	1	1
22	302K317140	2K317140	WIRE SCANNER BLACK			1	1	1	1
23	302K317150	2K317150	WIRE SCANNER GRAY			1	1	1	1
24	2BC06980	2BC06980	STOPPER 5			1	1	1	1
25	302NL17050	2NL17050	MOUNT DP			2	2	2	2
26	2FB20860	2FB20860	PIN FUSER COVER			6	6	6	6
27	302K317180	2K317180	CUSHION ISU			4	4	4	4
28	302RH94160	2RH94160	PARTS CONTACT-GLASS ASSY(C) SP			1		1	1
28	302RH94150	2RH94150	PARTS CONTACT-GLASS ASSY(I) SP				1		
29	302ND94800	2ND94800	PARTS SENSOR OPT SP			1	1	1	1
101	7BB700308H	BB105600	+BIND T.T S SCREW 3X8 SR						
102	7BB606308H	BB105280	+PAN M SCREW WITH SW W 3X8 R						

• Parts with a Ref.No. of 500 and above in the illustration indicate they are not selected for service parts.

• イラスト中で 500 番台の Ref 番号が付いている部品はサービスパーツに選定されていません。

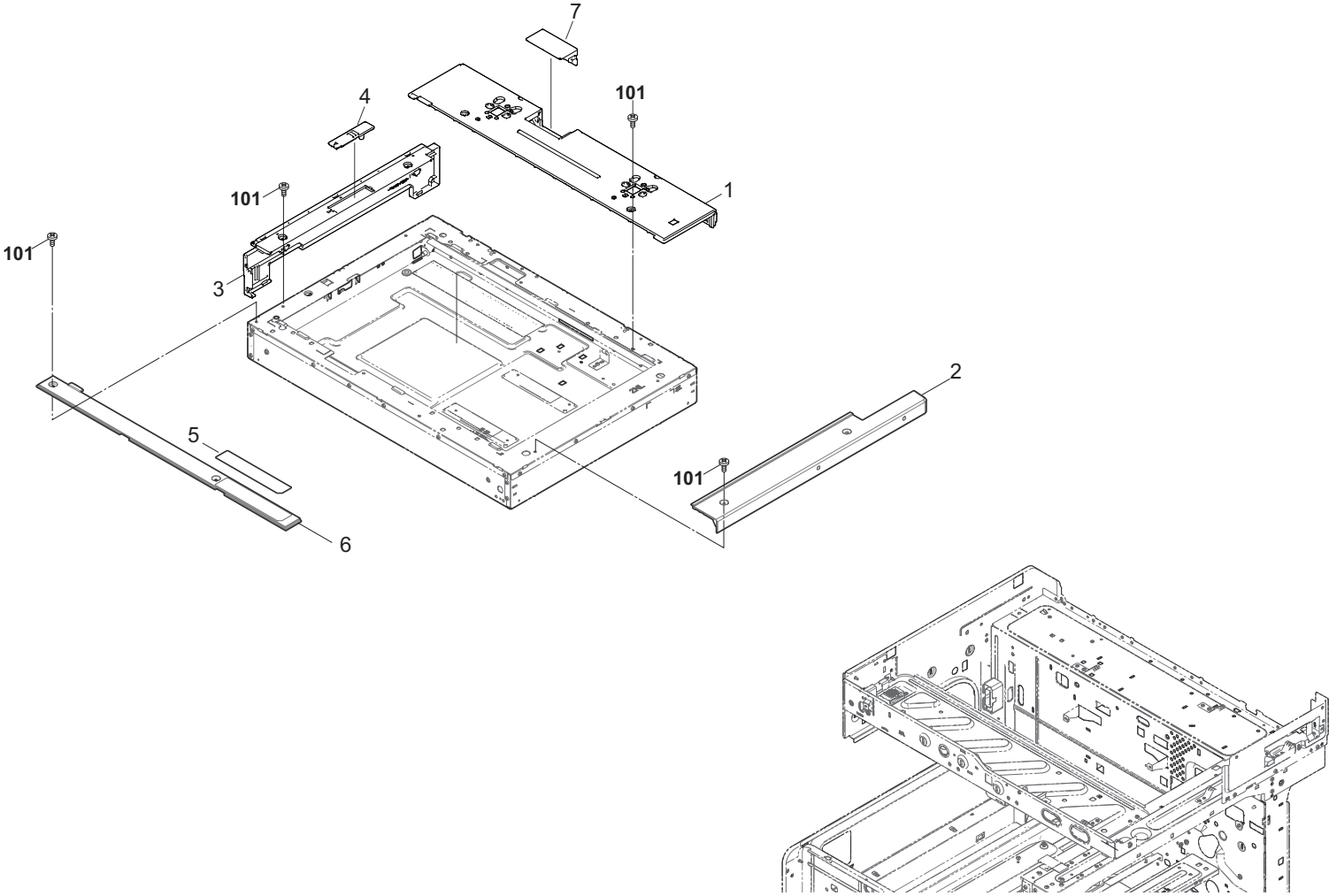


FIG. 18 Scanner Section 2

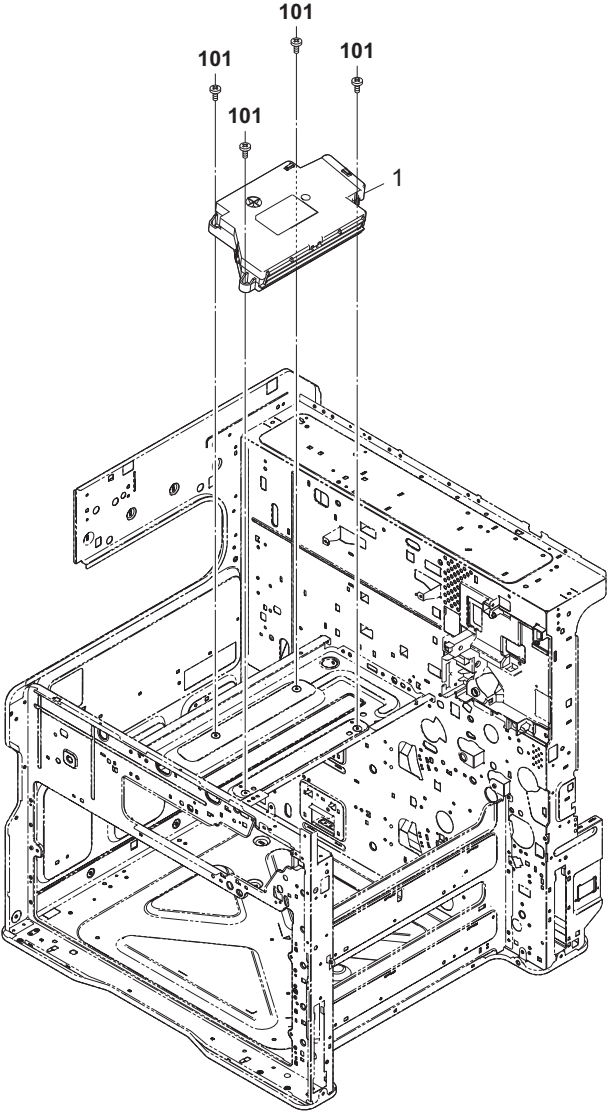
2RG/2RH

Ref. No. 番号	Part.No. 部品番号	Alternative. 代替部品番号	Description 部品名称	Notes 備考	Revision 改訂	Quantity 個数			
						100(日本)	120	230	240
1	302RH04130	2RH04130	COVER ISU REAR			1	1	1	1
2	302RH04120	2RH04120	COVER ISU RIGHT			1	1	1	1
3	302RH04110	2RH04110	COVER ISU LEFT			1	1	1	1
4	302RH04230	2RH04230	COVER ISU LEFT SUB			1	1	1	1
5	302RH34040	2RH34040	LABEL OPERATION CAUTION A			1			
5	302RH34050	2RH34050	LABEL OPERATION CAUTION B				1	1	1
6	302RH04100	2RH04100	COVER ISU FRONT A				1	1	1
7	302RH04330	2RH04330	LID DP			1	1	1	1
101	7BB782308H	BB111300	+TP-FLAT T.T S SCREW 3X8 SR(BLACK)						

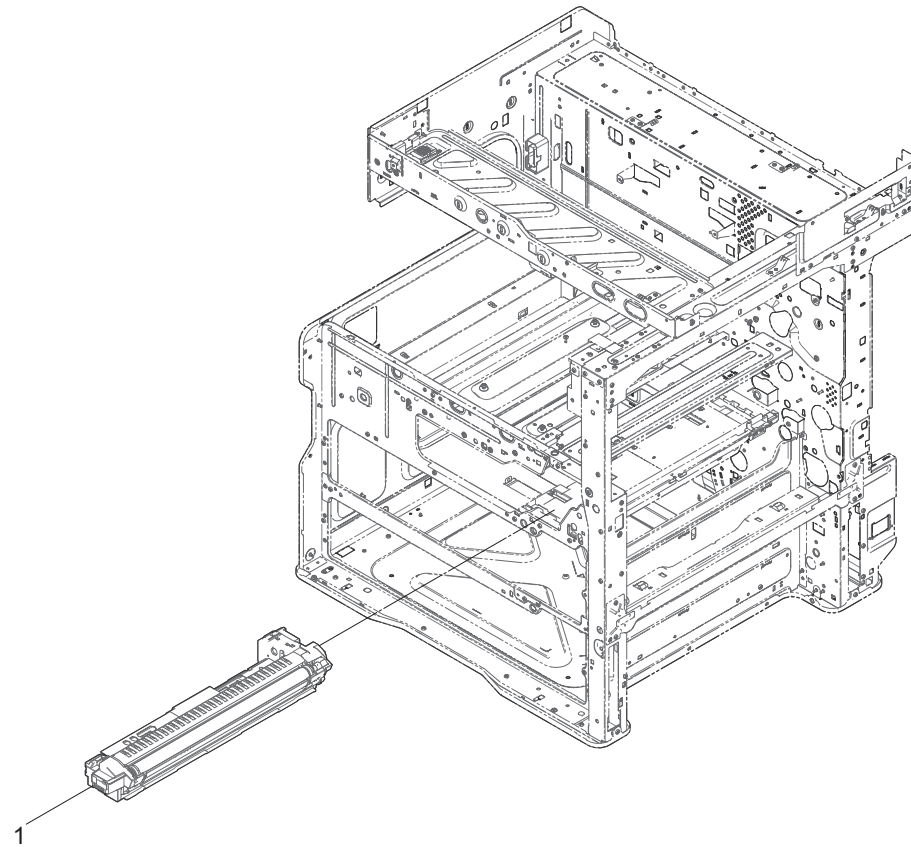
• Parts with a Ref.No. of 500 and above in the illustration indicate they are not selected for service parts.

・イラスト中で 500 番台の Ref 番号が付いている部品はサービスパーツに選定されていません。

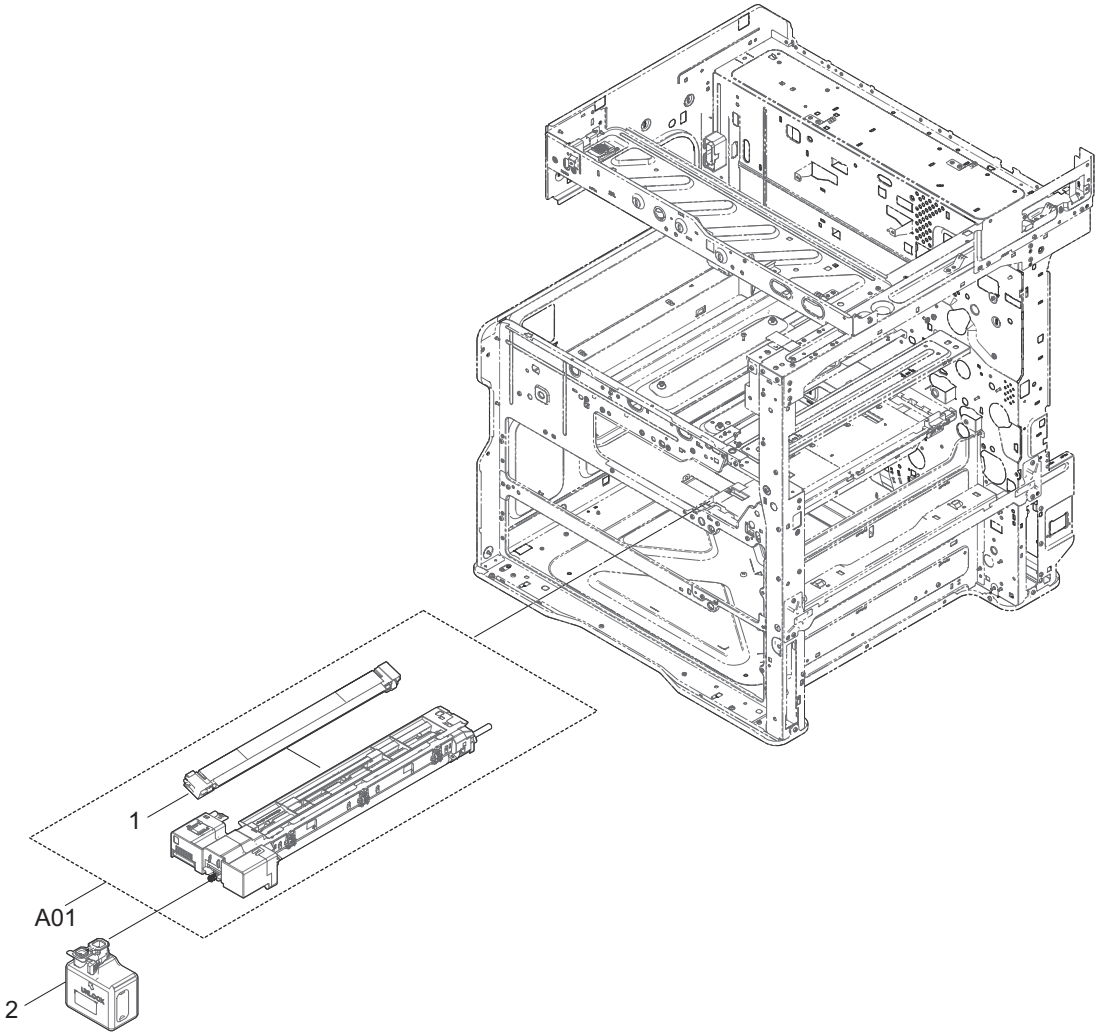




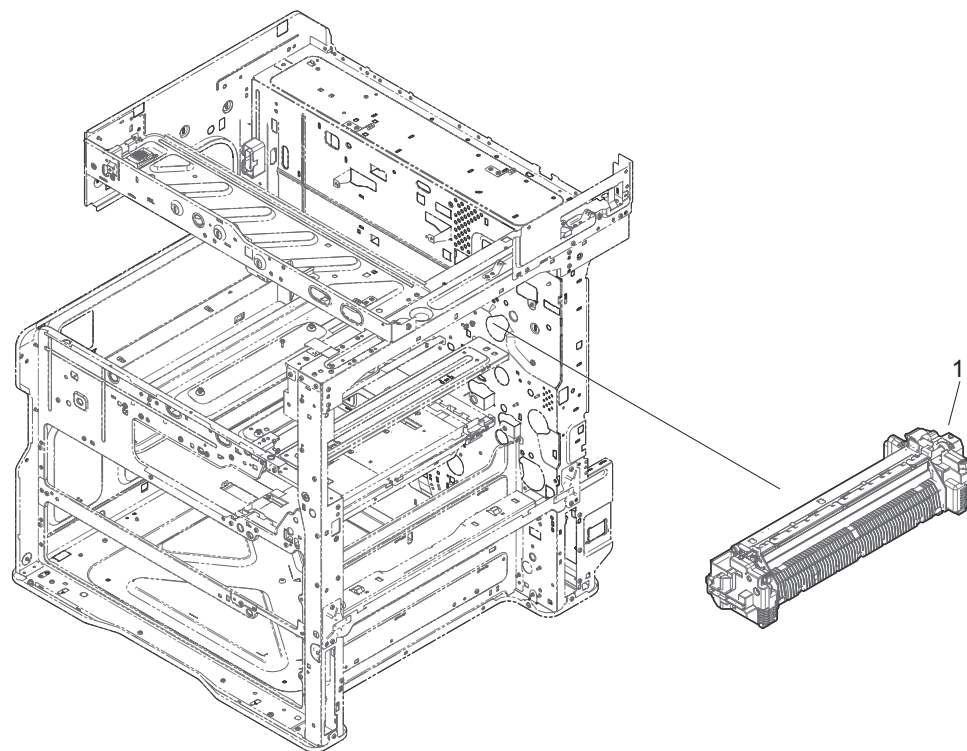
















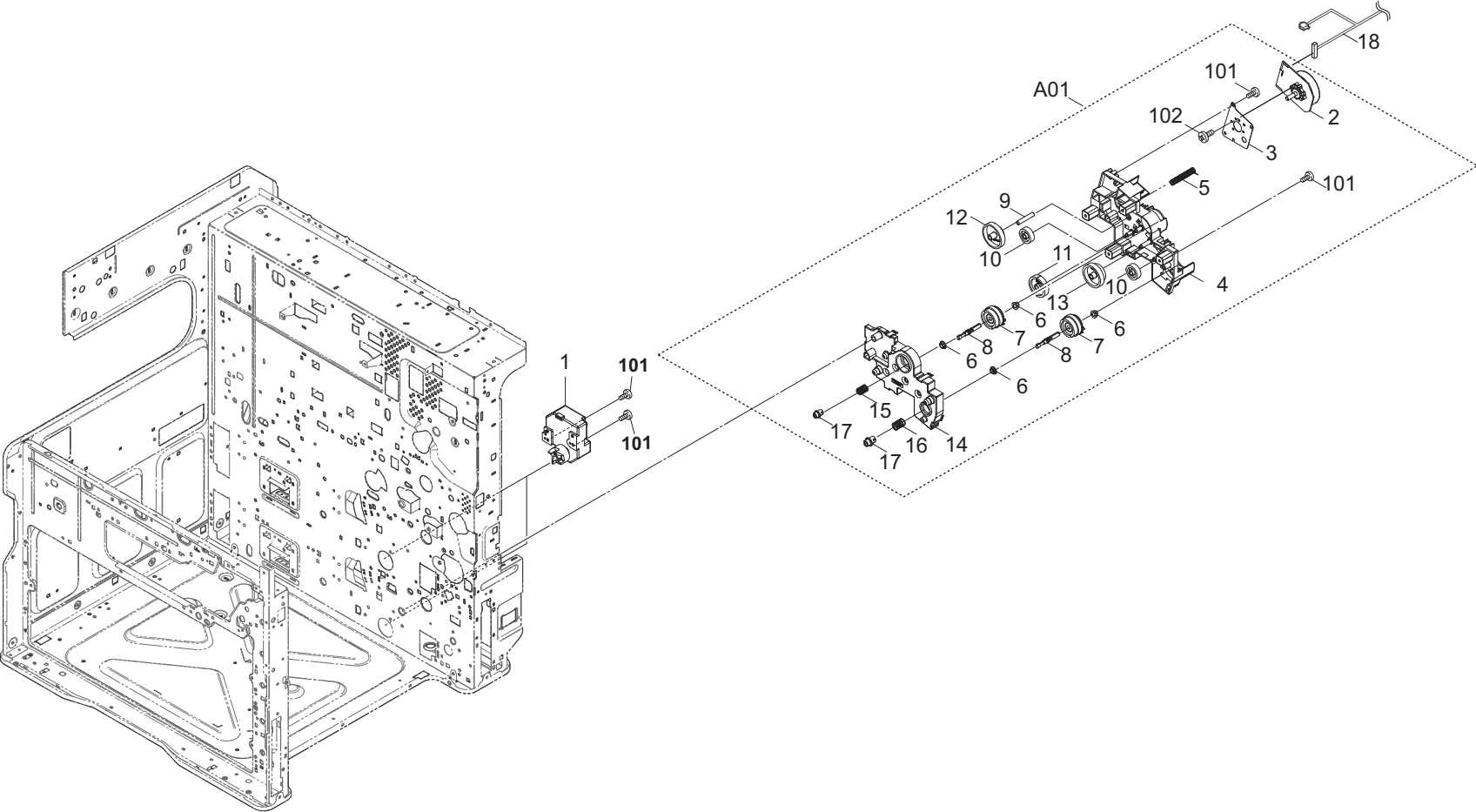


FIG. 23 Drive Section 1

2RG/2RH

Ref. No. 番号	Part.No. 部品番号	Alternative. 代替部品番号	Description 部品名称	Notes 備考	Revision 改訂	Quantity 個数			
						100(日本)	120	230	240
1	302K394190	2K394190	PARTS MOTOR LIFT ASSY SP			2	2	2	2
A01	302MV93110	2MV93110	DR-8315D			1	1	1	1
2	302LC94291	2LC94291	PARTS MOTOR-BL W10 SP			1	1	1	1
3	302MV31030	2MV31030	PLATE MOTOR LOW			1	1	1	1
4	302MV31010	2MV31010	HOLDER DRIVE LOW A			1	1	1	1
5	302MV31040	2MV31040	SPRING EARTH FEED LOW			1	1	1	1
6	302HN31590	2HN31590	BUSH DRIVE			4	4	4	4
7	302KV44041	2KV44041	CLUTCH 50 Z35R			2	2	2	2
8	302K331240	2K331240	SHAFT CLUTCH FEED			2	2	2	2
9	303NN31060	3NN31060	SHAFT GEAR			1	1	1	1
10	303NN31050	3NN31050	GEAR Z27L IDLE			2	2	2	2
11	302K331081	2K331081	GEAR Z40R IDLE			1	1	1	1
12	303NN31040	3NN31040	GEAR Z77R Z23L			1	1	1	1
13	303NN31070	3NN31070	GEAR Z33R Z44R			1	1	1	1
14	302MV31020	2MV31020	HOLDER DRIVE LOW B			1	1	1	1
15	302HN31410	2HN31410	SPRING FEED			1	1	1	1
16	303NN31080	3NN31080	SPRING JOINT SHAFT			1	1	1	1
17	302HN31660	2HN31660	JOINT SHAFT CASSETTE			2	2	2	2
18	302RH46020	2RH46020	WIRE FEED DRIVE			1	1	1	1
101	7BB700308H	BB105600	+BIND T.T S SCREW 3X8 SR						
102	7BB000304H	BB105720	+BIND M SCREW 3X4						

• Parts with a Ref.No. of 500 and above in the illustration indicate they are not selected for service parts.

・イラスト中で 500 番台の Ref 番号が付いている部品はサービスパーツに選定されていません。



FIG. 24 Drive Section 2

2RG/2RH

Ref. No. 番号	Part.No. 部品番号	Alternative. 代替部品番号	Description 部品名称	Notes 備考	Revision 改訂	Quantity 個数			
						100(日本)	120	230	240
A01	302NL93010	2NL93010	DR-7105			1	1	1	1
1	*302HN31410	2HN31410	SPRING FEED			1	1	1	1
2	*302HN31590	2HN31590	BUSH DRIVE			6	6	6	6
3	*302HN31650	2HN31650	SPRING INPUT MPF			1	1	1	1
4	*302HN31660	2HN31660	JOINT SHAFT CASSETTE			1	1	1	1
5	*302HN44160	2HN44160	SOLENOID MPF			1	1	1	1
6	*302K331030	2K331030	PLATE DRIVE			1	1	1	1
7	*302K331040	2K331040	GEAR Z191R			1	1	1	1
8	*302K331050	2K331050	GEAR Z112R-Z37L			1	1	1	1
9	*302K331060	2K331060	GEAR Z38R			2	2	2	2
10	*302K331070	2K331070	GEAR Z29L INPUT DLP			1	1	1	1
11	*302K331081	2K331081	GEAR Z40R IDLE			3	3	3	3
12	*302K331090	2K331090	GEAR Z43L IDLE			3	3	3	3
13	*302K331100	2K331100	GEAR RATCHET Z28S			1	1	1	1
14	*302K331110	2K331110	GEAR INPUT FUSER Z30S			1	1	1	1
15	*302K331120	2K331120	GEAR Z101L-Z33L			1	1	1	1
16	*302K331140	2K331140	GEAR Z30R IDLE			2	2	2	2
17	*302K331150	2K331150	GEAR Z42R-Z36R			1	1	1	1
18	*302K331160	2K331160	GEAR Z48R-Z22S			1	1	1	1
19	*302K331170	2K331170	GEAR Z28S			1	1	1	1
20	*302K331180	2K331180	GEAR Z45S INPUT MPF A			1	1	1	1
21	*302K331190	2K331190	GEAR Z45S INPUT MPF B			1	1	1	1
22	*302K331200	2K331200	CAM MPF			1	1	1	1
23	*302K331210	2K331210	SPRING JOINT DLP			1	1	1	1
24	*302K331220	2K331220	SPRING RATCHET FUSER			1	1	1	1
25	*302K331240	2K331240	SHAFT CLUTCH FEED			1	1	1	1
26	*302K331250	2K331250	SPRING EARTH MOTOR			1	1	1	1
27	*302K331260	2K331260	PIN DRIVE A			3	3	3	3
28	*302K394201	2K394201	PARTS MOTOR-BL W30 SP			1	1	1	1
29	*302NL31050	2NL31050	SHAFT DU			2	2	2	2
30	*5MVX111DN003	2A806250	RING STOPPER /A-49 FEED A4			2	2	2	2
31	*302KV44041	2KV44041	CLUTCH 50 Z35R			3	3	3	3
32	*302NL31010	2NL31010	HOLDER FEED DRIVE A			1	1	1	1
33	*302NL31020	2NL31020	HOLDER FEED DRIVE B			1	1	1	1
34	*302NL31030	2NL31030	GEAR Z21L Z26R			1	1	1	1
35	*302NL31040	2NL31040	PIN DRIVE			1	1	1	1
36	*7YCC02B1003+H01	YC013860	CONNECTOR 292254-2			1	1	1	1
37	*302KV31320	2KV31320	GEAR Z32L			2	2	2	2
38	*302K331230	2K331230	BUSH DRIVE 8			1	1	1	1
39	302RH46240	2RH46240	WIRE DRIVE			1	1	1	1
101	7BB000304H	BB105720	+BIND M SCREW 3X4						
102	7BB200308H	BB105660	+BIND T.T P SCREW 3X8						
103	7BB700312H	BB106820	+BIND T.T S SCREW 3X12 SR						

• Parts with a Ref.No. of 500 and above in the illustration indicate they are not selected for service parts.

• イラスト中で 500 番台の Ref 番号が付いている部品はサービスパーツに選定されていません。

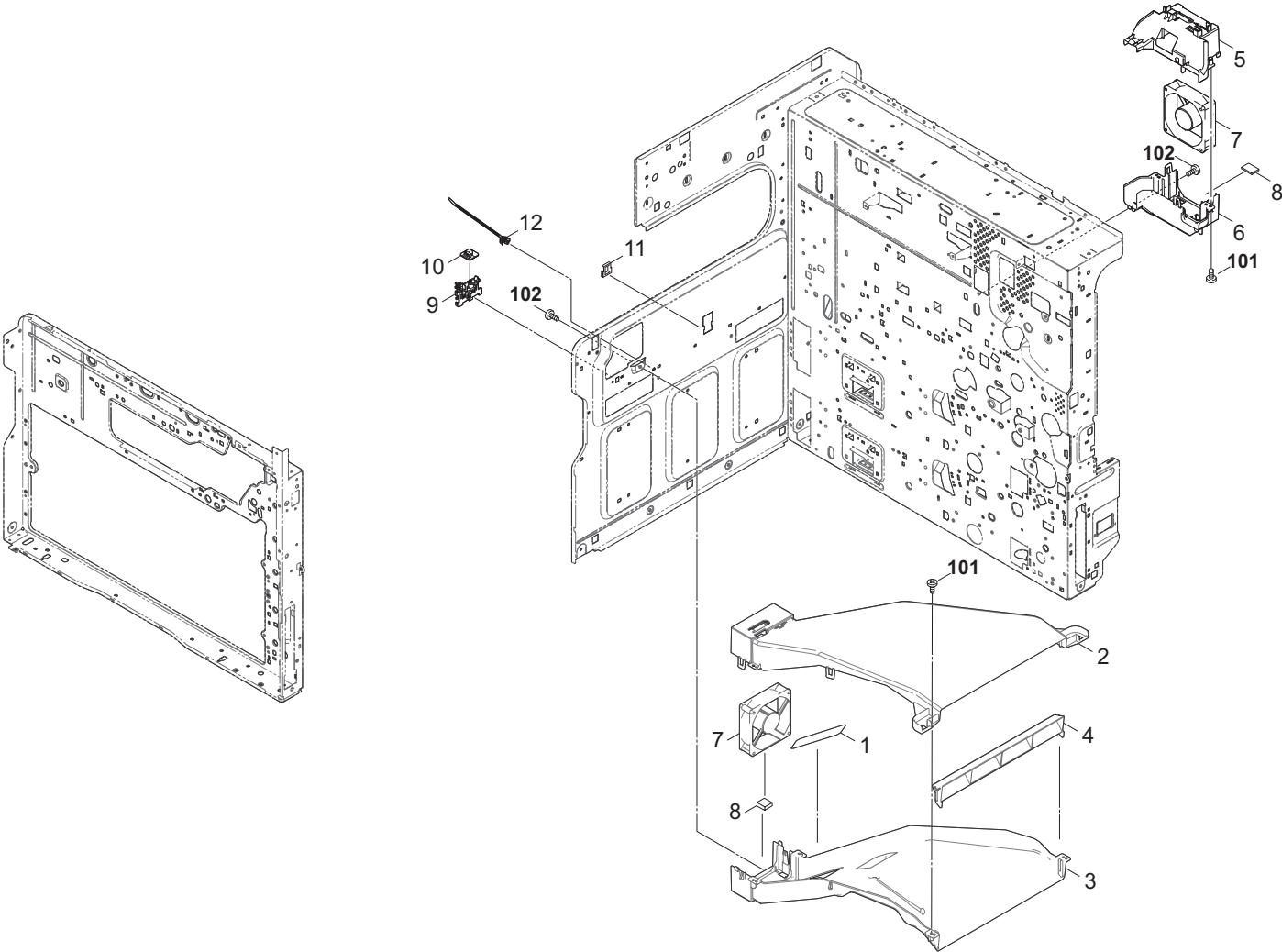


FIG. 25 Cooling Section

2RG/2RH

Ref. No. 番号	Part.No. 部品番号	Alternative. 代替部品番号	Description 部品名称	Notes 備考	Revision 改訂	Quantity 個数			
						100(日本)	120	230	240
1	302FB23340	2FB23340	FILM UPPER REAR DUCT			1	1	1	1
2	302K333010	2K333010	DUCT MAIN UPPER			1	1	1	1
3	302K333020	2K333020	DUCT MAIN LOWER			1	1	1	1
4	302K333030	2K333030	DUCT SEPARATION			1	1	1	1
5	302K333041	2K333041	DUCT REAR UPPER			1	1	1	1
6	302K333051	2K333051	DUCT REAR LOWER			1	1	1	1
7	302NG94220	2NG94220	PARTS FAN MOTOR SP			2	2	2	2
8	302LC31511	2LC31511	SEAL MOTOR DC			2	2	2	2
9	302RH33010	2RH33010	DUCT BRACKET			1	1	1	1
10	302NP94120	2NP94120	PARTS PWB THERMISTOR ASSY SP			1	1	1	1
11	7YZM210005++H01	YZ037990	ACCESS.EDGING			1	1	1	1
12	7YZM410004++H01	YZ148350	ACCESS.BAND			1	1	1	1
101	7BB700308H	BB105600	+BIND T.T S SCREW 3X8 SR						
102	7BB702308H	BB107060	+TP-FLAT T.T S SCREW 3X8 SR						

• Parts with a Ref.No. of 500 and above in the illustration indicate they are not selected for service parts.

・イラスト中で 500 番台の Ref 番号が付いている部品はサービスパーツに選定されていません。

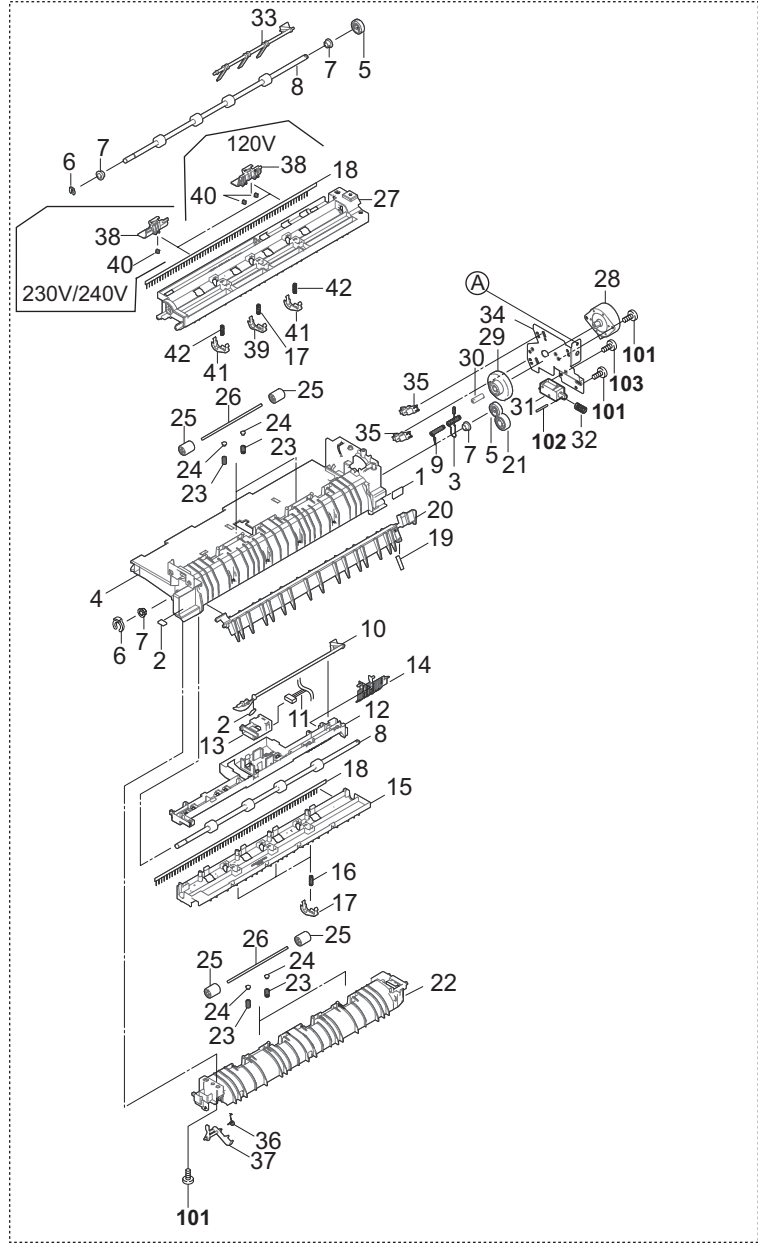
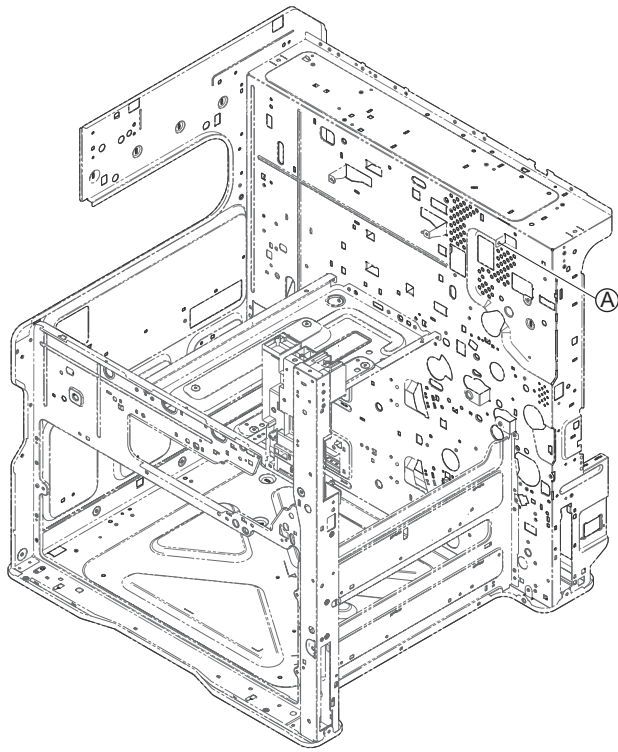


FIG. 26 Exit Section

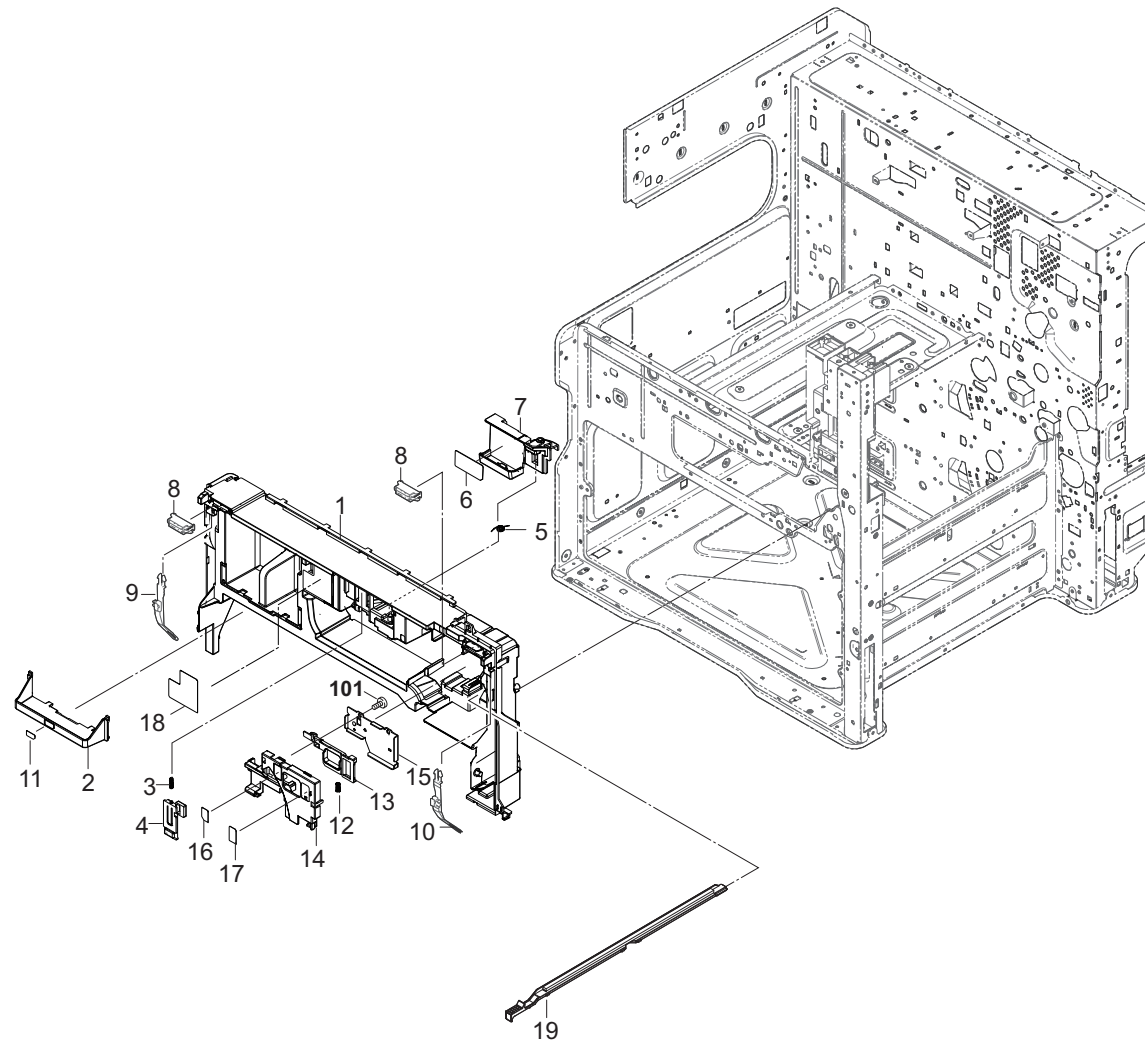
2RG/2RH

Ref. No. 番号	Part.No. 部品番号	Alternative. 代替部品番号	Description 部品名称	Notes 備考	Revision 改訂	Quantity 個数			
						100(日本)	120	230	240
A01	302NL94050	2NL94050	PARTS EXIT UNIT SP				1		
A01	302NL94060	2NL94060	PARTS EXIT UNIT J SP			1		1	1
1	*302NL28040	2NL28040	CUSHION GUIDE CHANGE			1	1	1	1
2	*302K328240	2K328240	CUSHION GUIDE CHANGE B			2	2	2	2
3	*302K328210	2K328210	WIRE EXIT ROLLER EARTH			1	1	1	1
4	*302K328011	2K328011	BASE CONVEYING EXIT			1	1	1	1
5	*302K394350	2K394350	PARTS GEAR Z22S EXIT SP			2	2	2	2
6	*5MVX111DN003	2A806250	RING STOPPER /A-49 FEED A4			2	2	2	2
7	*302H024370	2H024370	BUSH 6 EW			4	4	4	4
8	*302K394240	2K394240	PARTS ROLLER EXIT SP			2	2	2	2
9	*302K328170	2K328170	SPRING EXIT EARTH			1	1	1	1
10	*302NL28060	2NL28060	ACTUATOR EXIT OVERFLOW			1	1	1	1
11	*302K346020	2K346020	WIRE EJECT UNIT			1	1	1	1
12	*302K328181	2K328181	LID EXIT EMPTY SWITCH			1	1	1	1
13	*302K394180	2K394180	PARTS SWITCH EXIT PAPER EMPTY SP			1	1	1	1
14	*302NL28050	2NL28050	PLATE EXIT OVERFLOW			1	1	1	1
15	*302K328100	2K328100	GUIDE EXIT MIDDLE			1	1	1	1
16	*302K328090	2K328090	GUIDE EXIT PUSH			3	3	3	3
17	*302K328260	2K328260	SPRING GUIDE EXIT PUSH			4	4	4	4
18	*302K328250	2K328250	STATIC-ELIMINATOR EXIT			2	2	2	2
19	*302K328220	2K328220	CUSHION GUIDE CHANGE A			1	1	1	1
20	*302K328050	2K328050	GUIDE CHANGE			1	1	1	1
21	*302K394360	2K394360	PARTS GEAR Z25S EXIT INPUT SP			1	1	1	1
22	*302K328030	2K328030	FRAME EXIT LOWER			1	1	1	1
23	*302F928170	2F928170	SPRING PULLEY			8	8	8	8
24	*2FM04150	2FM04150	CAP SPRING /B-11 ENCLOSURE A4			8	8	8	8
25	*302F929260	2F929260	PULLEY DU LOW			8	8	8	8
26	*302K324460	2K324460	SHAFT FEED			4	4	4	4
27	*302K328020	2K328020	FRAME EXIT UPPER			1	1	1	1
28	*302HN44100	2HN44100	MOTOR REVERSE			1	1	1	1
29	*302K394340	2K394340	PARTS GEAR Z74R-Z22S EXIT SP			1	1	1	1
30	*303MA16560	3MA16560	SHAFT GEAR BELT			1	1	1	1
31	*302F944090	2F944090	SOLENOID ASSY			1	1	1	1
32	*302K328150	2K328150	SPRING SOLENOID			1	1	1	1
33	*302NL28020	2NL28020	ACTUATOR EXIT JS			1	1	1	1
34	*302K328111	2K328111	PLATE EXIT MOTOR			1	1	1	1
35	*7NXGP1S173LCH01	NX116910	SENSOR OPT.			2	2	2	2
36	*302K328270	2K328270	SPRING EXIT FUSER SWITCH			1	1	1	1
37	*302K328160	2K328160	ARM ACTUATOR EXIT			1	1	1	1
38	*302K328321	2K328321	GUIDE EXIT OVERFLOW JS_A			2		2	2
38	*302NL28030	2NL28030	GUIDE EXIT OVERFLOW JS INCH				2		
39	*302K328290	2K328290	GUIDE EXIT PUSH JS			1	1	1	1
40	*302K328330	2K328330	PULLEY FEED 6			2	4	2	2
41	*302NL28010	2NL28010	GUIDE EXIT PUSH JS			2	2	2	2
42	*302FZ28270	2FZ28270	SPRING EXIT PUSH			2	2	2	2
101	7BB202308H	BB105690	+TP-FLAT T.T P SCREW 3X8						
102	7BP012520+++H01	BP010470	SPRING PIN 2.5X20(SUS)						
103	7BB000303H	BB107000	+BIND M SCREW 3X3						

• Parts with a Ref.No. of 500 and above in the illustration indicate they are not selected for service parts.

• イラスト中で 500 番台の Ref 番号が付いている部品はサービスパーツに選定されていません。







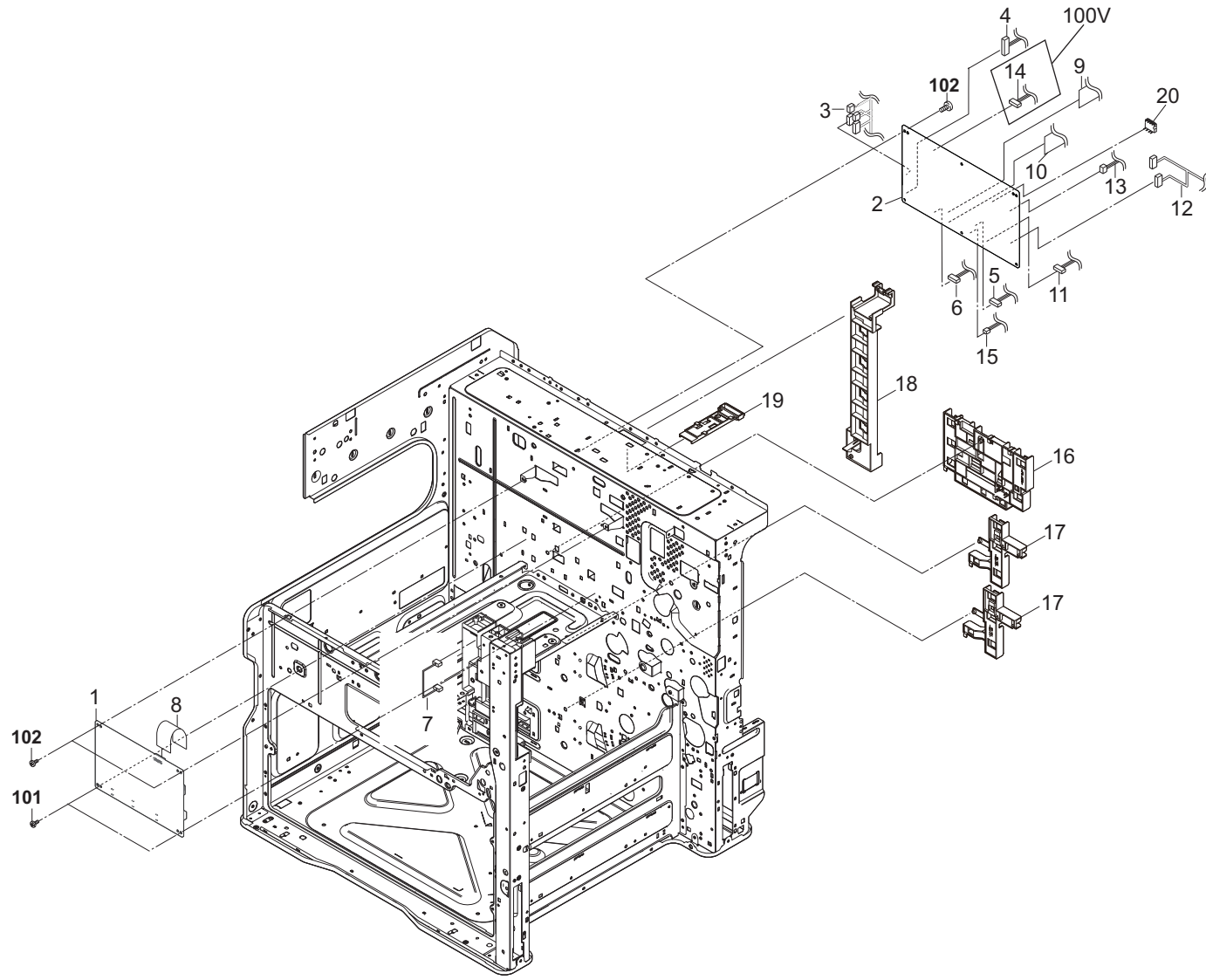


FIG. 28 Electrical Components 1

2RG/2RH

Ref. No. 番号	Part.No. 部品番号	Alternative. 代替部品番号	Description 部品名称	Notes 備考	Revision 改訂	Quantity 個数			
						100 (日本)	120	230	240
1	302NL94110	2NL94110	PARTS HIGH VOLTAGE SP			1	1	1	1
2	302RH94130	2RH94130	PARTS PWB ENGINE ASSY SP			1	1	1	1
3	302RH46050	2RH46050	WIRE ENGINE-LVU			1	1	1	1
4	302RH46080	2RH46080	WIRE FRONT SWITCH			1	1	1	1
5	302RH46090	2RH46090	WIRE PF JOINT			1	1	1	1
6	302RH46330	2RH46330	WIRE LSU JOINT			1	1	1	1
7	302K346030	2K346030	WIRE FUSER JAM SENS			1	1	1	1
8	302NL46360	2NL46360	WIRE FFC HVU			1	1	1	1
9	302RH46160	2RH46160	WIRE FFC MAIN-ENGINE			1	1	1	1
10	302RH46470	2RH46470	WIRE FFC MAIN-ENGINE 2			1	1	1	1
11	302RH46030	2RH46030	WIRE CASSETTE SWITCH			1	1	1	1
12	302NL46020	2NL46020	WIRE CONVEYING JOINT			1	1	1	1
13	302RH46200	2RH46200	WIRE EJECT FAN			1	1	1	1
14	302RH46220	2RH46220	WIRE COIN VENDER			1			
15	302RH46120	2RH46120	WIRE POLYGON MOTOR JOINT			1	1	1	1
16	302RH39070	2RH39070	GUIDE WIRE REAR A			1	1	1	1
17	302RH39080	2RH39080	GUIDE WIRE REAR B			2	2	2	2
18	302RH39090	2RH39090	GUIDE WIRE REAR C			1	1	1	1
19	302RH39100	2RH39100	GUIDE WIRE ISU			1	1	1	1
20	302LF94510	2LF94510	PARTS IC EEPROM SP			1	1	1	1
101	7BB702308H	BB107060	+TP-FLAT T.T S SCREW 3X8 SR						
102	7BB700308H	BB105600	+BIND T.T S SCREW 3X8 SR						

• Parts with a Ref.No. of 500 and above in the illustration indicate they are not selected for service parts.

・イラスト中で 500 番台の Ref 番号が付いている部品はサービスパーツに選定されていません。

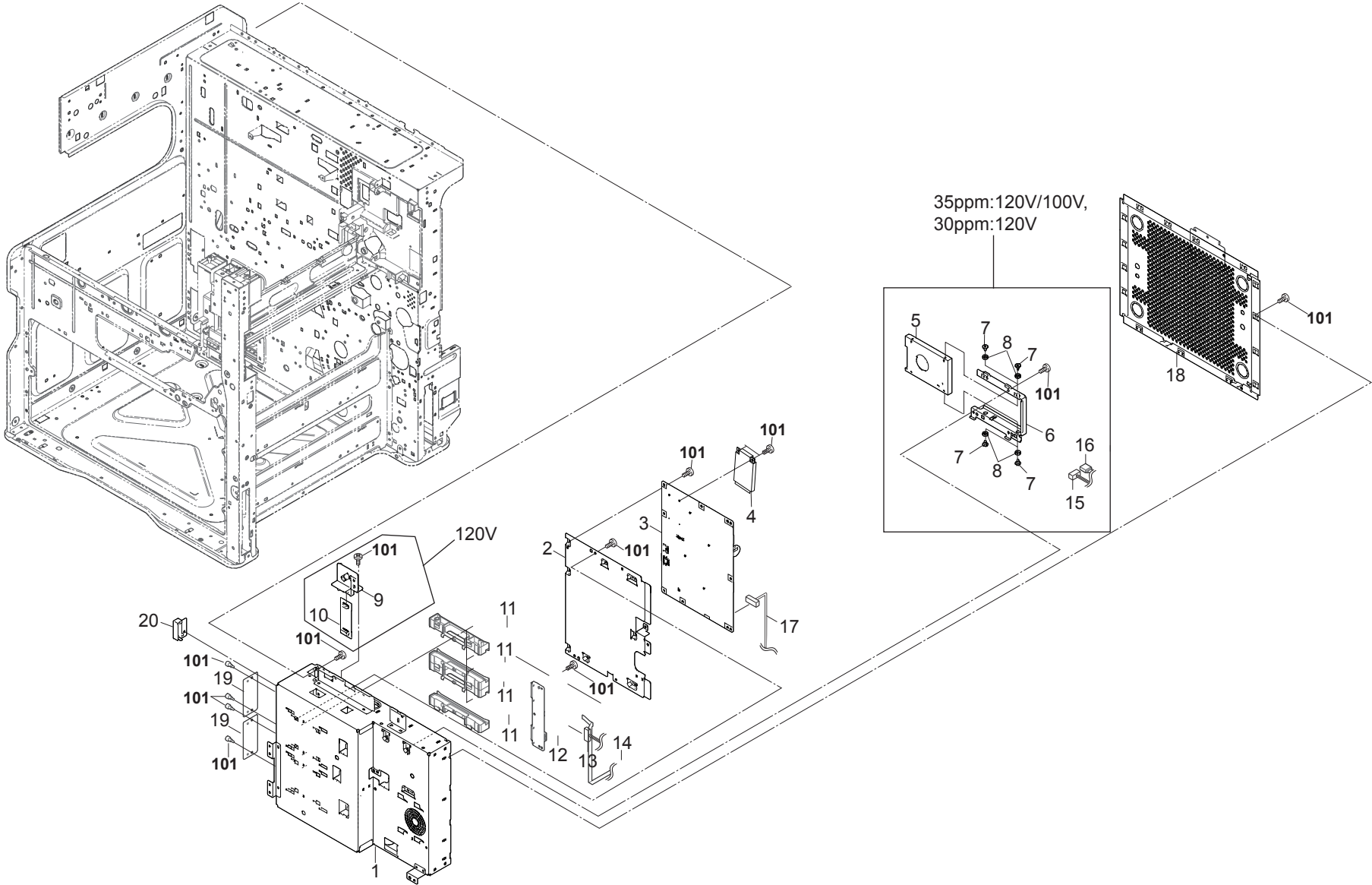


FIG. 29 Electrical Components 2

2RG/2RH

Ref. No. 番号	Part.No. 部品番号	Alternative. 代替部品番号	Description 部品名称	Notes 備考	Revision 改訂	Quantity 個数			
						100(日本)	120	230	240
1	302RH39010	2RH39010	BOX CONTROLLER			1	1	1	1
2	302RH39030	2RH39030	PLATE CONTROLLER SUB			1	1	1	1
3	302RH94120	2RH94120	PARTS PWB MAIN ASSY SP					1	
3	302RH94250	2RH94250	PARTS PWB MAIN ASSY EU SP			1	1		1
4	302ND94670	2ND94670	PARTS SSD SP	35ppm		1	1		
4	302L794170	2L794170	PARTS SSD SP	30ppm		1			
5	302ND93180	2ND93180	PARTS STORAGE DEVICE SP	35ppm:120V/100V,30ppm:120V		1	1	1	1
6	302RH39160	2RH39160	BRACKET HDD	35ppm:120V/100V,30ppm:120V		1	1		
7	302MV39341	2MV39341	PIN HDD	35ppm:120V/100V,30ppm:120V		4	4		
8	302JD19140	2JD19140	BUSHING FAN	35ppm:120V/100V,30ppm:120V		4	4		
9	303RR94010	3RR94010	PARTS WIFI UNIT SP				1		
10	302ND46731	2ND46731	CONN.CORD ASSY FPC WIFI				1		
11	302R439070	2R439070	RAIL KUIO			4	4	4	4
12	302K994270	2K994270	PARTS PWB KUIO ASSY SP			1	1	1	1
13	302RH46410	2RH46410	WIRE KUIO POWER			1	1	1	1
14	302RH46320	2RH46320	WIRE FFC KUIO			1	1	1	1
15	302RH46360	2RH46360	WIRE HDD POWER	35ppm:120V/100V,30ppm:120V		1	1		
16	302N446130	2N446130	WIRE HDD DATA 1	35ppm:120V/100V,30ppm:120V		1	1		
17	302RH46040	2RH46040	WIRE MAIN-LVU			1	1	1	1
18	302RH39020	2RH39020	LID CONTROLLER			1	1	1	1
19	302RH39220	2RH39220	PLATE OPTION			2	2	2	2
20	302RH39180	2RH39180	LID SD-CARD			1	1	1	1
101	7BB700308H	BB105600	+BIND T.T S SCREW 3X8 SR						

• Parts with a Ref.No. of 500 and above in the illustration indicate they are not selected for service parts.

• イラスト中で 500 番台の Ref 番号が付いている部品はサービスパーツに選定されていません。

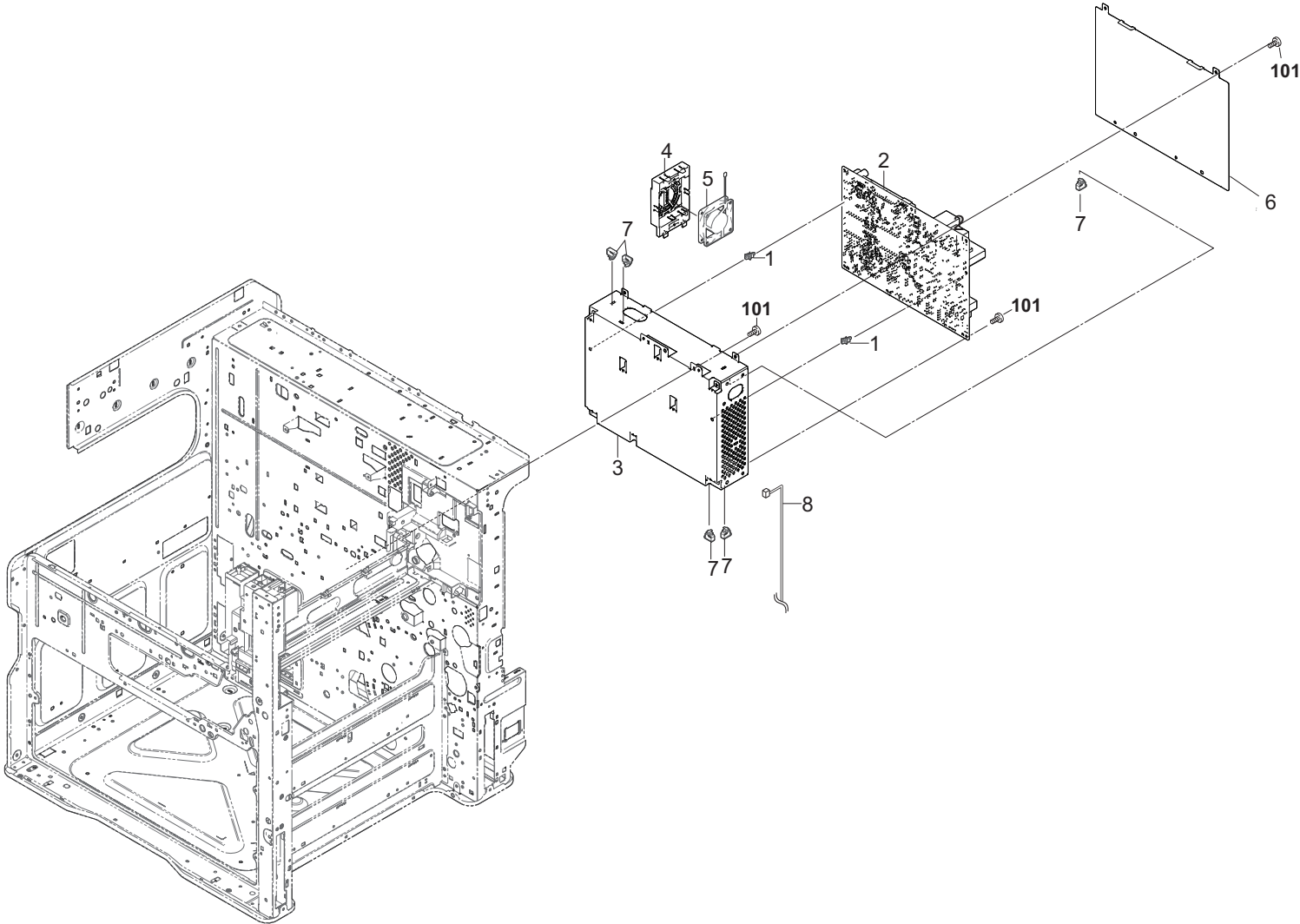


FIG. 30 Electrical Components 3

2RG/2RH

Ref. No. 番号	Part.No. 部品番号	Alternative. 代替部品番号	Description 部品名称	Notes 備考	Revision 改訂	Quantity 個数			
						100(日本)	120	230	240
1	7YZM510007++H01	YZ042780	ACCESS.SPACER			2	2	2	2
2	302RH94220	2RH94220	PARTS UNIT LOW VOLTAGE 100 SP			1	1		
2	302RH94230	2RH94230	PARTS UNIT LOW VOLTAGE 200 SP					1	1
3	302RH39040	2RH39040	BOX POWER			1	1	1	1
4	302RH39130	2RH39130	BRACKET FAN POWER			1	1	1	1
5	302FZ94420	2FZ94420	PARTS.FAN COOLING CONVEYING SP			1	1	1	1
6	302RH39050	302RH39050	LID POWER			1	1	1	1
7	7YZM610010++H01	YZ042990	ACCESS.SADDLE			5	5	5	5
8	302RH46420	2RH46420	WIRE HEATER SWITCH JOINT			1	1	1	1
101	7BB700308H	BB105600	+BIND T.T S SCREW 3X8 SR						

• Parts with a Ref.No. of 500 and above in the illustration indicate they are not selected for service parts.

・イラスト中で 500 番台の Ref 番号が付いている部品はサービスパーツに選定されていません。



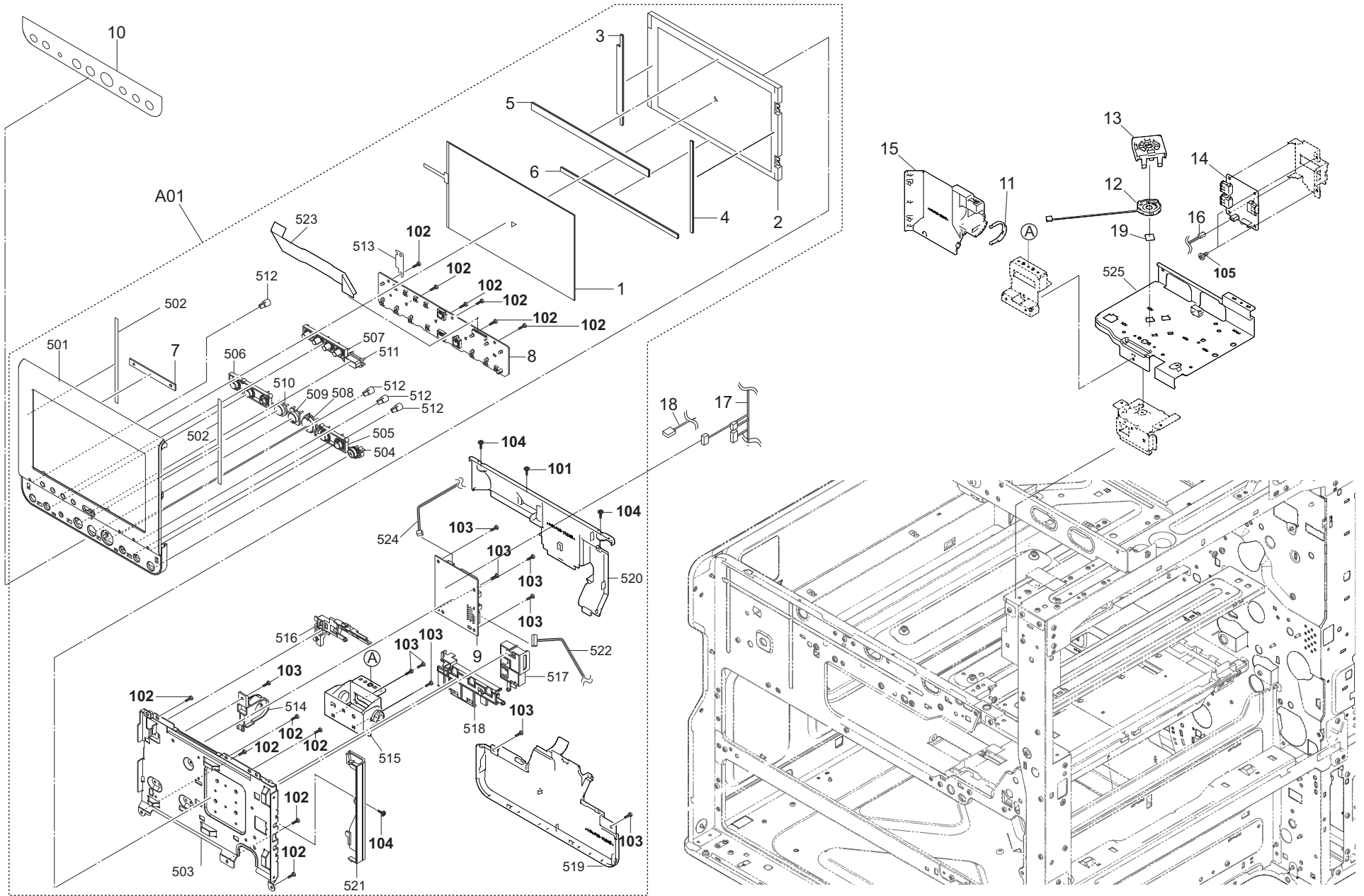


FIG. 31 Operation Section

2RG/2RH

Ref. No. 番号	Part.No. 部品番号	Alternative. 代替部品番号	Description 部品名称	Notes 備考	Revision 改訂	Quantity 個数			
						100(日本)	120	230	240
A01	302RH94140	2RH94140	PARTS OPERATION UNIT SP			1	1	1	1
1	*302RH94070	2RH94070	PARTS TABLET OPERATION SP			1	1	1	1
2	*302RH94060	2RH94060	PARTS LCD OPERATION SP			1	1	1	1
3	*302RH05210	2RH05210	SPONGE LCD A			1	1	1	1
4	*302RH05220	2RH05220	SPONGE LCD B			1	1	1	1
5	*302RH05230	2RH05230	SPONGE LCD C			1	1	1	1
6	*302RH05240	2RH05240	SPONGE LCD D			1	1	1	1
7	*302RH94050	2RH94050	PARTS PWB NFC ASSY SP			1	1	1	1
8	*302RH94040	2RH94040	PARTS PWB OPERATION ASSY SP			1	1	1	1
9	*302RH94030	2RH94030	PARTS PWB PANEL MAIN ASSY SP			1	1	1	1
10	302RH05340	2RH05340	SHEET OPERATION				1	1	1
10	302RH05350	2RH05350	SHEET OPERATION JP			1			
11	302RH05370	2RH05370	HOLDER WIRE OPERATION			1	1	1	1
12	302RH94100	2RH94100	PARTS SPEAKER SP			1	1	1	1
13	302RH05290	2RH05290	HOLDER SPEAKER			1	1	1	1
14	302RH94020	2RH94020	PARTS PWB USB HUB ASSY SP			1	1	1	1
15	302RH05360	2RH05360	COVER OPERATION D			1	1	1	1
16	302RH46150	2RH46150	WIRE USB HUB			1	1	1	1
17	302RH46140	2RH46140	WIRE MAIN-OPERATION			1	1	1	1
18	302RH46130	2RH46130	WIRE PANEL DATA			1	1	1	1
19	303H321120	3H321120	CUSHION HOLDER			1	1	1	1
101	7BB282308H	BB111240	+TP-FLAT T.T P SCREW 3X8(BLACK)						
102	7BB200308H	BB105660	+BIND T.T P SCREW 3X8						
103	7BB702308H	BB107060	+TP-FLAT T.T S SCREW 3X8 SR						
104	7BB782308H	BB111300	+TP-FLAT T.T S SCREW 3X8 SR(BLACK)						
105	7BB700308H	BB105600	+BIND T.T S SCREW 3X8 SR						

• Parts with a Ref.No. of 500 and above in the illustration indicate they are not selected for service parts.

• イラスト中で 500 番台の Ref 番号が付いている部品はサービスパーツに選定されていません。

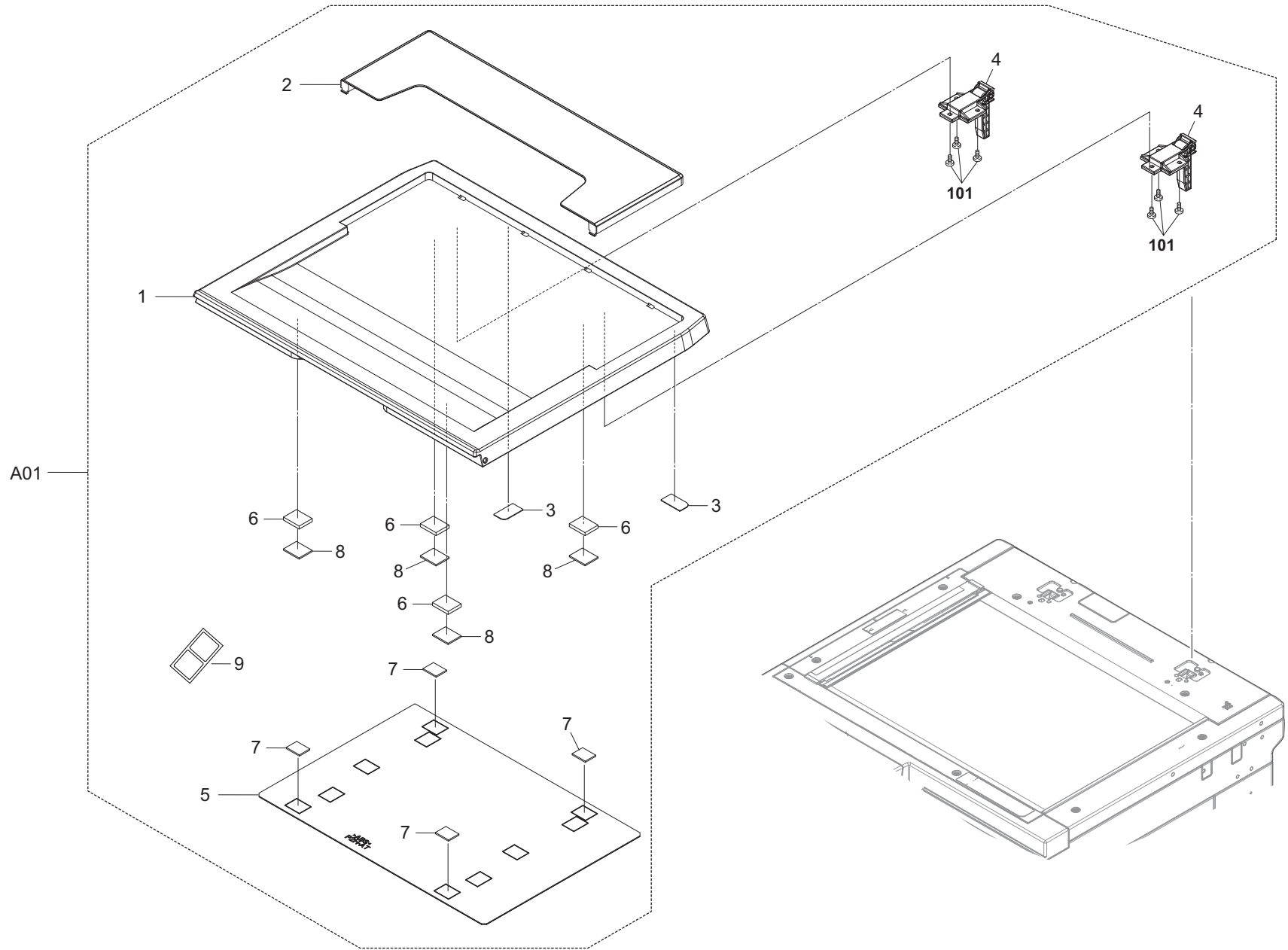


FIG. 32 Options 1

2RG/2RH

Ref. No. 番号	Part.No. 部品番号	Alternative. 代替部品番号	Description 部品名称	Notes 備考	Revision 改訂	Quantity 個数			
						100(日本)	120	230	240
A01	1202H70UN0	022H70UN	PLATEN COVER TYPE(E)			1	1	1	1
1	*302H717500	2H717500	COVER PLATEN			1	1	1	1
2	*302H717510	2H717510	COVER POCKET			1	1	1	1
3	*302H717520	2H717520	STOPPER RELEASE SWITCH			2	2	2	2
4	*302H717600	2H717600	HINGI ORIGINAL HOLDER			2	2	2	2
5	*303JC04201	3JC04200	PLATE ORIGINAL			1	1	1	1
6	*303K502080	3K502080	SPONGE ORIGINAL MAT			4	4	4	4
7	*303MX02021	3MX02021	CUSHION ORIGINAL MAT A			4	4	4	4
8	*303MX02031	3MX02031	CUSHION ORIGINAL MAT B			4	4	4	4
9	*303PH34070	3PH34070	LABEL ISU REAR			1	1	1	1
101	7BB280410H	BB111250	+BIND T.T.P SCREW 4X10(BLACK)						

• Parts with a Ref.No. of 500 and above in the illustration indicate they are not selected for service parts.

・イラスト中で 500 番台の Ref 番号が付いている部品はサービスパーツに選定されていません。

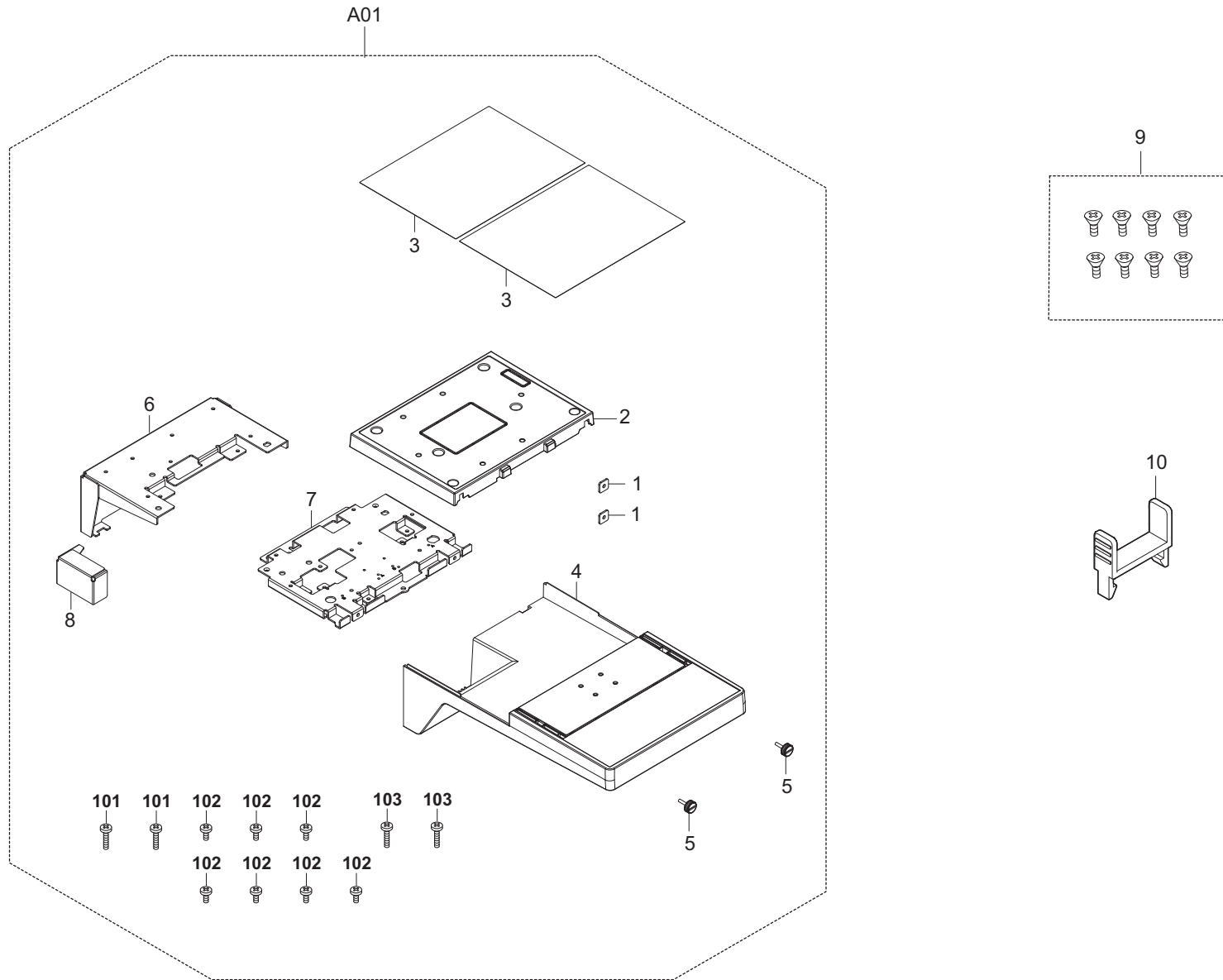


FIG. 33 Options 2

2RG/2RH

Ref. No. 番号	Part.No. 部品番号	Alternative. 代替部品番号	Description 部品名称	Notes 備考	Revision 改訂	Quantity 個数			
						100(日本)	120	230	240
A01	1902LC0UN2	092LC0U2	DT-730(B)/DOCUMENT TRAY	OPTION		1	1	1	1
1	*3CY06030	3CY06030	RETAINER M4			2	2	2	2
2	*302LC04601	2LC04601	COVER TRAY			1	1	1	1
3	*302LC04660	2LC04660	SHEET TRAY			2	2	2	2
4	*302LC04710	2LC04710	COVER TRAY LOWER			1	1	1	1
5	*303NS24410	3NS24410	SCREW PLATE DF			2	2	2	2
6	*302LC04611	2LC04611	STAY TRAY			1	1	1	1
7	*302LC04621	2LC04621	MOUNT TRAY			1	1	1	1
8	*302LC04670	2LC04670	PLATE TRAY			1	1	1	1
9	302N494220	2N494220	PARTS CURSOR SCREW SET SP			1	1	1	1
10	302RH94010	2RH94010	PARTS STOPPER WIRE ASSY SP			1	1	1	1
101	7BB607414H	BB107160	+TP-CUP M SCREW 4X14 R						
102	7BB180408H	BB111210	+BIND T.T S SCREW 4X8(BLACK)						
103	7BB607410H	BB106870	+TP-CUP M SCREW 4X10 R						

• Parts with a Ref.No. of 500 and above in the illustration indicate they are not selected for service parts.

・イラスト中で 500 番台の Ref 番号が付いている部品はサービスパーツに選定されていません。

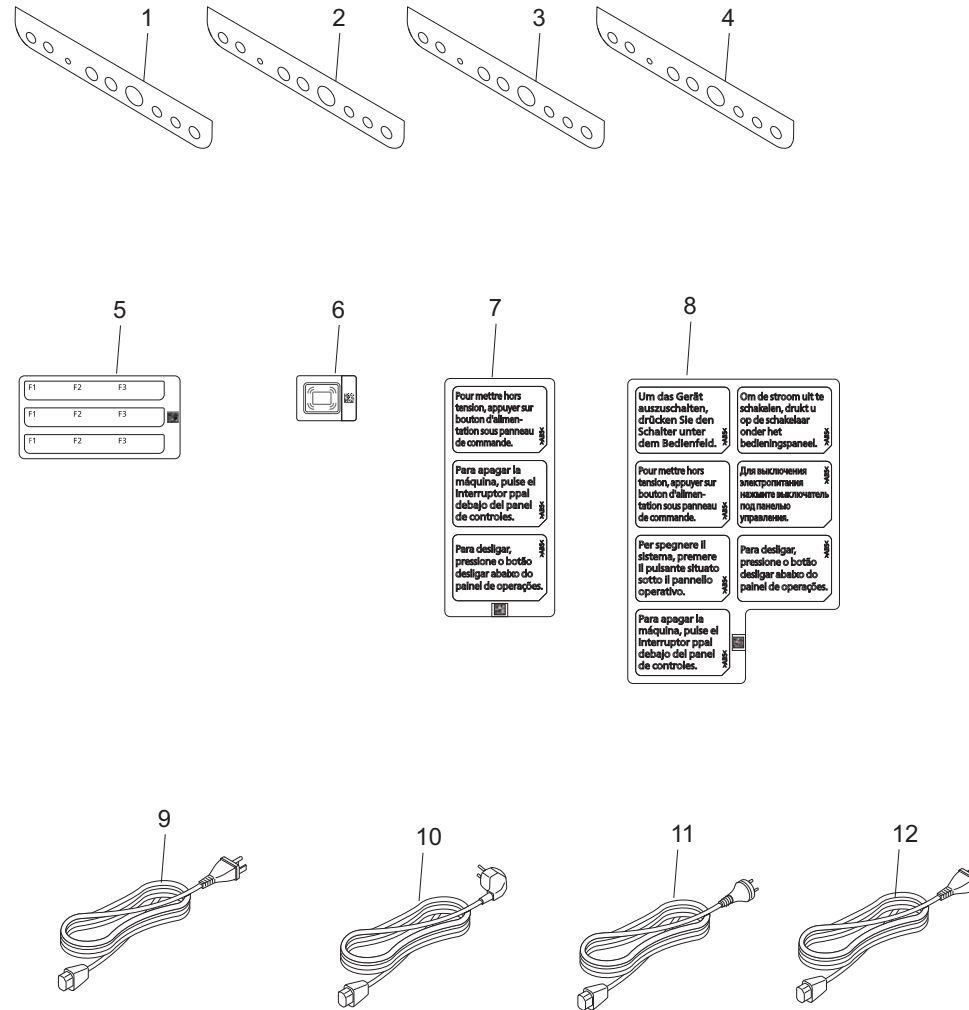


FIG. 34 Accessories

2RG/2RH

Ref. No. 番号	Part.No. 部品番号	Alternative. 代替部品番号	Description 部 品 名 称	Notes 備 考	Revision 改 訂	Quantity 個数			
						100(日本)	120	230	240
1	302ND05500	2ND05500	SHEET OPERATION NL					1	
2	302ND05510	2ND05510	SHEET OPERATION FRA				1	1	
3	302ND05520	2ND05520	SHEET OPERATION SPA				1	1	
4	302ND05530	2ND05530	SHEET OPERATION PTB				1	1	
5	302ND05540	2ND05540	SHEET OPERATION FUNCTION			1	1	1	1
6	302ND34230	2ND34230	LABEL CARD-READER			1	1	1	1
7	302RH34150	2RH34150	LABEL SW CAUTION US				1		
8	302RH34160	2RH34160	LABEL SW CAUTION NL					1	
9	7AAACCUS+13H002	AA151950	AC CORD ASSY US				1		
10	302RH94240	2RH94240	AC CORD ASSY EU					1	
11	7AAACCAS+10H001	AA063380	AC CORD ASSY AS						1
12	7AAACCJP+15H010	AA151960	AC CORD ASSY JP			1			

• Parts with a Ref.No. of 500 and above in the illustration indicate they are not selected for service parts.

・イラスト中で 500 番台の Ref 番号が付いている部品はサービスパーツに選定されていません。



FIG. 35 Maintenance Kits

2RG/2RH

Ref. No. 番号	Part.No. 部品番号	Alternative. 代替部品番号	Description 部品名称	Notes 備考	Revision 改訂	Quantity 個数			
						100(日本)	120	230	240
	1702NL7US0	1702NL7US0	MK-7107/MAINTENANCE KIT DK-7105 DV-7105 FK-7107 TR-7105		OPTION		1 1 1 1		
	1702NL8AS0	1702NL8AS0	MK-7109/MAINTENANCE KIT DK-7105 DV-7105 FK-7105 TR-7105		OPTION				1 1 1 1
	1702NL8NL0	1702NL8NL0	MK-7105/MAINTENANCE KIT DK-7105 DV-7105 FK-7105 TR-7105		OPTION			1 1 1 1	
	1702NL9JP0	1702NL9JP0	MK-7106/MAINTENANCE KIT DK-7105 DV-7105 FK-7106 TR-7105		OPTION	1 1 1 1			

• Parts with a Ref.No. of 500 and above in the illustration indicate they are not selected for service parts.

・イラスト中で 500 番台の Ref 番号が付いている部品はサービスパーツに選定されていません。

## INDEX / 索引

2GR/2RH

Part.No. 部品番号	Alternative. 代替部品番号	Description 部品名称	Fig.No.
1702NL7US0	1702NL7US0	MK-7107/MAINTENANCE KIT	35
1702NL8AS0	1702NL8AS0	MK-7109/MAINTENANCE KIT	35
1702NL8NL0	1702NL8NL0	MK-7105/MAINTENANCE KIT	35
1702NL9JP0	1702NL9JP0	MK-7106/MAINTENANCE KIT	35
1902LC0UN2	092LC0U2	DT-730(B)/DOCUMENT TRAY	33
2BC06910	2BC06910	STOPPER 6	8,10
2BC06980	2BC06980	STOPPER 5	6,13,17
2BG06480	2BG06480	BAND B	12
2BL04310	2BL04310	PLATE NUMBER	8
2BL04370	2BL04370	PLATE NUMBER 2	8
2C902590	2C902590	SPRING DEV PUSH F	5
2C906080	2C906080	GEAR 18 BYPASS	16
2C906090	2C906090	TERMINAL PAPER SIZE	16
2C907140	2C907140	PAD CASSETTE	8
2C907360	2C907360	SPRING CURSOR R	8
2FB06710	2FB06710	PIN CASSETTE RAIL	4
2FB20860	2FB20860	PIN FUSER COVER	7,17
2FB27160	2FB27160	INTER LOCK SWITCH	3,6
2FM04150	2FM04150	CAP SPRING /B-11 ENCLOSURE A4	12,26
302BG06152	2BG06152	SHAFT FEED B	12
302C994030	2C994030	PARTS PWB MPF SIZE ASSY SP	16
302DY04010	2DY04010	EMBLEM KC 1SG 70 B	2
302F906230	2F906230	PULLEY FEED ASSY	9
302F909171	2F909171	RETARD ROLLER ASSY	9
302F928170	2F928170	SPRING PULLEY	26
302F929260	2F929260	PULLEY DU LOW	26
302F931270	2F931270	SPRING FUSER	1
302F944090	2F944090	SOLENOID ASSY	26
302FB23340	2FB23340	FILM UPPER REAR DUCT	25
302FB26290	2FB26290	LID VENDOR	7
302FG07020	2FG07020	PULLEY,CASSETTE RAIL	8
302FZ02580	2FZ02580	CAP HANDLE	3
302FZ03110	2FZ03110	SEAL HANDLE	3
302FZ04240	2FZ04240	LID COVER LEFT	1
302FZ07020	2FZ07020	PULLEY MPT BYPASS	8
302FZ20021	2FZ20021	SPRING LID	12
302FZ25740	2FZ25740	STOPPER 4	3
302FZ28270	2FZ28270	SPRING EXIT PUSH	26
302FZ94420	2FZ94420	PARTS,FAN COOLING CONVEYING SP	30
302GR02240	2GR02240	PIN FRONT CASSETTE RAIL	4
302H004560	2H004560	STOPPER PAPER	1
302H004652	2H004652	HOLDER SWITCH	2
302H004660	2H004660	MAGNET CATCH	27
302H008140	2H008140	SPRING BYPASSFFED	7
302H024360	2H024360	BUSH 8 EW	10,13
302H024370	2H024370	BUSH 6 EW	10,26
302H024830	2H024830	BUSH 8	10
302H708150	2H708150	SPONGE WIRE MPT	16
302H717500	2H717500	COVER PLATEN	32
302H717510	2H717510	COVER POCKET	32
302H717520	2H717520	STOPPER RELEASE SWITCH	32

Part.No. 部品番号	Alternative. 代替部品番号	Description 部品名称	Fig.No.
302H717600	2H717600	HINGI ORIGINAL HOLDER	32
302H722470	2H722470	COLLAR TRANS ROLLER	14,15
302HG12440	2HG12440	SEAL BLADE SIDE B	5
302HN06080	2HN06080	PULLEY PICKUP ASSY	9
302HN09240	2HN09240	SIZE FIX	8
302HN24400	2HN24400	PULLEY PA	10
302HN31200	2HN31200	GEAR Z35L	5
302HN31410	2HN31410	SPRING FEED	23,24
302HN31590	2HN31590	BUSH DRIVE	23,24
302HN31650	2HN31650	SPRING INPUT MPF	24
302HN31660	2HN31660	JOINT SHAFT CASSETTE	23,24
302HN44100	2HN44100	MOTOR REVERSE	17,26
302HN44160	2HN44160	SOLENOID MPF	24
302JD19140	2JD19140	BUSHING FAN	29
302JF02160	2JF02160	HANDLE	3
302K002751	2K002751	STAY SHIELD POWER	3
302K302121	2K302121	RAIL DRUM	4
302K302141	2K302141	STAY RIGHT HANDLE	11
302K302161	2K302161	FRAME FRONT UPPER	4
302K302170	2K302170	FRAME REAR UPPER	4
302K302191	2K302191	MOUNT CONTAINER	5
302K302200	2K302200	SPACER SCANNER ADJUST	7
302K302210	2K302210	MOUNT SCANNER ADJUST	7
302K302220	2K302220	MOUNT JUNCTION PWB	6
302K302240	2K302240	SHEET MOUNT CONTAINER	5
302K302260	2K302260	COVER INNER BASE	2
302K302320	2K302320	SHAFT REMOVAL DLP	6
302K302330	2K302330	CAM REMOVAL DLP	6
302K302361	2K302361	STOPPER REMOVAL DLP	27
302K302540	2K302540	JOINT CONTAINER PADDLE A	5
302K302580	2K302580	PLATE DLP BIAS	5
302K302590	2K302590	SPRING DLP GROUND	5
302K302610	2K302610	HOLDER DRUM COVER RIGHT	10
302K302620	2K302620	HOLDER DRUM COVER LEFT	10
302K302630	2K302630	SHEET DRUM COVER	10
302K302640	2K302640	GUIDE DRUM COVER	4
302K302660	2K302660	SPRING EARTH DRUM PWB	6
302K302670	2K302670	ARM DRUM COVER FRONT	10
302K302680	2K302680	ARM DRUM COVER REAR	10
302K302690	2K302690	RAIL HOLDER FRONT	4
302K302700	2K302700	RAIL HOLDER REAR	4
302K302710	2K302710	RAIL LINK ARM F	10
302K302720	2K302720	RAIL LINK ARM R	10
302K302730	2K302730	COVER CONNECTOR	6
302K302740	2K302740	SPRING EARTH CONNECTOR	6
302K302760	2K302760	LEVER LIFT CASSETTE	4
302K302772	2K302772	PLATE STOPPER REMOVAL	27
302K302780	2K302780	SPRING JOINT PADDLE	5
302K302811	2K302811	ACTUATOR PAPER EMPTY	4,5
302K302831	2K302831	ACTUATOR DECK FEED	10
302K302841	2K302841	MOUNT DECK PI	3

Part.No. 部品番号	Alternative. 代替部品番号	Description 部品名称	Fig.No.
302K302850	2K302850	PIN JOINT CONTAINER B	5
302K302860	2K302860	PIN JOINT CONTAINER C	5
302K302890	2K302890	LID DEHUMIDIFIER SW	7
302K302911	2K302911	MOUNT DECK DRAWER	3
302K302920	2K302920	CAP DECK PIN	3
302K302940	2K302940	MOUNT RIGHT INTERLOCK	7
302K302960	2K302960	STOPPER CONTAINER	4
302K302990	2K302990	SPRING STOPPER DLP B	27
302K302A10	2K302A10	LEVER RIGHT SW	4
302K302A40	2K302A40	PLATE CONTAINER SWITCH	5
302K302A50	2K302A50	PLATE EARTH ISU	7
302K302A60	2K302A60	SPRING DLP PUSH	5
302K302A70	2K302A70	SPONGE DLP LEVER	5
302K304230	2K304230	STRAP COVER FRONT R	27
302K304270	2K304270	LEVER CONTAINER	27
302K304280	2K304280	STOPPER CONTAINER	27
302K304300	2K304300	SPRING LEVER CONTAINER	27
302K304320	2K304320	STRAP COVER FRONT L	27
302K304350	2K304350	COVER INNER FRONT SUB	6
302K304360	2K304360	SPRING STOPPER CONTAINER	27
302K304370	2K304370	STOPPER PAPER B	1
302K304520	2K304520	HOOK RIGHT COVER	13
302K304531	2K304531	GUIDE RIGHT COVER	13
302K304540	2K304540	SPRING HOOK	13
302K304550	2K304550	SHAFT RIGHT COVER F	14
302K304560	2K304560	SHAFT RIGHT COVER R	14
302K304571	2K304571	JOINT JUNCTION HOOK	13
302K304591	2K304591	STRAP RIGHT COVER	13
302K304630	2K304630	FILM CONVEYING SHAFT	14
302K306140	2K306140	ACTUATOR REGIST	10
302K306150	2K306150	SPRING ACTUATOR REGIST	10
302K306160	2K306160	SHEET REGIST LEFT	10
302K308020	2K308020	ACTUATOR MPF	11
302K308030	2K308030	GUIDE UPPER MPF	11
302K308070	2K308070	BUSH 10	11
302K308080	2K308080	SHAFT MPF	11
302K308101	2K308101	LIFT PLATE	11
302K308110	2K308110	PAD LIFT	11
302K308140	2K308140	ARM LIFT	11
302K308150	2K308150	ROLLER MPF	11
302K308240	2K308240	SPRING EARTH	11
302K308250	2K308250	SPRING ACTUATOR	11
302K308260	2K308260	WIRE EARTH MPF	11
302K308270	2K308270	SPRING MPF ROLL	11
302K308340	2K308340	SEAL GUIDE PAD	11
302K308470	2K308470	STOPPER STRAP	16
302K308480	2K308480	SEAL SIDE MPF	11
302K309070	2K309070	PULLEY CASSETTE	5
302K309141	2K309141	SLIDER CURSOR END	8
302K309150	2K309150	LIFT BASE CASSETTE SUB	8
302K309160	2K309160	SPRING LEVER LIFT CASSETTE SUB	8

Part.No. 部品番号	Alternative. 代替部品番号	Description 部品名称	Fig.No.
302K309171	2K309171	PLATE LIFT BASE CASSETTE	8
302K309180	2K309180	SHAFT DRIVE LIFT	8
302K309190	2K309190	LEVER CURSOR SET	8
302K309200	2K309200	LEVER RELEASE CURSOR F	8
302K309210	2K309210	SPRING RELEASE CURSOR F	8
302K309220	2K309220	SPRING SIDE SWITCH	8
302K309270	2K309270	CURSOR END	8
302K309300	2K309300	SPRING CASSETTE LIFT EARTH	8
302K309350	2K309350	STOPPER SIZE SET	8
302K309360	2K309360	SPRING SIZE SET	8
302K309370	2K309370	SPRING CURSOR SET	8
302K309380	2K309380	SPRING SIZE SET F	8
302K309410	2K309410	PLATE SIZE DETECTION	3
302K312080	2K312080	STOPPER DRUM	10
302K317140	2K317140	WIRE SCANNER BLACK	17
302K317150	2K317150	WIRE SCANNER GRAY	17
302K317172	2K317172	GUIDE FFC LED C	17
302K317180	2K317180	CUSHION ISU	17
302K324011	2K324011	BASE CONVEYING	14
302K324020	2K324020	ROLLER TRANSFER	15
302K324030	2K324030	HOLDER TRANSFER	15
302K324060	2K324060	LEVER CONVEYING F	14
302K324070	2K324070	LEVER CONVEYING R	14
302K324080	2K324080	TERMINAL TRANSFER	14
302K324090	2K324090	TERMINAL SEPARATION A	14
302K324100	2K324100	HOLDER SEPARATION	15
302K324110	2K324110	SPRING CONVEYING F	14
302K324130	2K324130	SPRING EARTH CONVEYING	14
302K324150	2K324150	PLATE SEPARATION	15
302K324160	2K324160	GUIDE TRANS LEFT	10
302K324170	2K324170	GEAR TRANSFER Z18L	15
302K324180	2K324180	BUSH REGIST F	14
302K324200	2K324200	SPRING REGIST F	14
302K324210	2K324210	SPRING TRANSFER F	15
302K324230	2K324230	SPRING GUIDE TRANSFER	15
302K324240	2K324240	BUSH TRANSFER ROLL F	15
302K324250	2K324250	HOOK TRANSFER F	15
302K324260	2K324260	HOOK TRANSFER R	15
302K324270	2K324270	BUSH REGIST R	14
302K324280	2K324280	LEVER TRANSFER	15
302K324290	2K324290	FILM GUIDE REGIST	14
302K324310	2K324310	SPRING EARTH REGIST A	10
302K324322	2K324322	COVER HARNESS	14
302K324340	2K324340	TERMINAL SEPARATION B	14
302K324350	2K324350	SPRING EARTH REGIST B	10
302K324360	2K324360	SPRING CONVEYING R	14
302K324370	2K324370	SPRING TRANSFER R	15
302K324380	2K324380	SPRING EARTH REGIST C	10
302K324410	2K324410	SPRING EARTH REGIST D	10
302K324430	2K324430	BUSH TRANSFER ROLL R	15
302K324440	2K324440	SPRING REGIST R	14

Part.No. 部品番号	Alternative. 代替部品番号	Description 部品名称	Fig.No.
302K324460	2K324460	SHAFT FEED	26
302K324470	2K324470	BUSH REGIST C	14
302K324500	2K324500	SPRING REGIST C	14
302K324510	2K324510	SPRING TRANSFER LIFT	14
302K324520	2K324520	SHEET TRANSFER RIGHT	15
302K325340	2K325340	MOUNT FUSER FRONT	4
302K325350	2K325350	ADJUSTER FUSER	4
302K328011	2K328011	BASE CONVEYING EXIT	26
302K328020	2K328020	FRAME EXIT UPPER	26
302K328030	2K328030	FRAME EXIT LOWER	26
302K328050	2K328050	GUIDE CHANGE	26
302K328090	2K328090	GUIDE EXIT PUSH	26
302K328100	2K328100	GUIDE EXIT MIDDLE	26
302K328111	2K328111	PLATE EXIT MOTOR	26
302K328150	2K328150	SPRING SOLENOID	26
302K328160	2K328160	ARM ACTUATOR EXIT	26
302K328170	2K328170	SPRING EXIT EARTH	26
302K328181	2K328181	LID EXIT EMPTY SWITCH	26
302K328200	2K328200	GUIDE EXIT RIGHT	13
302K328210	2K328210	WIRE EXIT ROLLER EARTH	26
302K328220	2K328220	CUSHION GUIDE CHANGE A	26
302K328240	2K328240	CUSHION GUIDE CHANGE B	26
302K328250	2K328250	STATIC-ELIMINATOR EXIT	26
302K328260	2K328260	SPRING GUIDE EXIT PUSH	26
302K328270	2K328270	SPRING EXIT FUSER SWITCH	26
302K328290	2K328290	GUIDE EXIT PUSH JS	26
302K328300	2K328300	TRAY EJECT	1
302K328321	2K328321	GUIDE EXIT OVERFLOW JS_A	26
302K328330	2K328330	PULLEY FEED 6	26
302K329010	2K329010	FRAME DU	14
302K329020	2K329020	PULLEY DU	13,14
302K329030	2K329030	SPRING DU FEED	13,14
302K329040	2K329040	ACTUATOR DU	14
302K329060	2K329060	RETAINER ACTUATOR	14
302K329220	2K329220	SHAFT DU	13
302K329230	2K329230	WIRE EARTH DU	13
302K329240	2K329240	BELT DU A	13
302K329250	2K329250	BELT DU B	13
302K329270	2K329270	BUSH DU	10,13
302K329280	2K329280	PULLEY DU 26	13
302K331030	2K331030	PLATE DRIVE	24
302K331040	2K331040	GEAR Z191R	24
302K331050	2K331050	GEAR Z112R-Z37L	24
302K331060	2K331060	GEAR Z38R	24
302K331070	2K331070	GEAR Z29L INPUT DLP	24
302K331081	2K331081	GEAR Z40R IDLE	23,24
302K331090	2K331090	GEAR Z43L IDLE	24
302K331100	2K331100	GEAR RATCHET Z28S	24
302K331110	2K331110	GEAR INPUT FUSER Z30S	24
302K331120	2K331120	GEAR Z101L-Z33L	24
302K331140	2K331140	GEAR Z30R IDLE	24

Part.No. 部品番号	Alternative. 代替部品番号	Description 部品名称	Fig.No.
302K331150	2K331150	GEAR Z42R-Z36R	24
302K331160	2K331160	GEAR Z48R-Z22S	24
302K331170	2K331170	GEAR Z28S	24
302K331180	2K331180	GEAR Z45S INPUT MPF A	24
302K331190	2K331190	GEAR Z45S INPUT MPF B	24
302K331200	2K331200	CAM MPF	24
302K331210	2K331210	SPRING JOINT DLP	24
302K331220	2K331220	SPRING RATCHET FUSER	24
302K331230	2K331230	BUSH DRIVE 8	24
302K331240	2K331240	SHAFT CLUTCH FEED	23,24
302K331250	2K331250	SPRING EARTH MOTOR	24
302K331260	2K331260	PIN DRIVE A	24
302K333010	2K333010	DUCT MAIN UPPER	25
302K333020	2K333020	DUCT MAIN LOWER	25
302K333030	2K333030	DUCT SEPARATION	25
302K333041	2K333041	DUCT REAR UPPER	25
302K333051	2K333051	DUCT REAR LOWER	25
302K334170	2K334170	LABEL TONER CONTAINER PULL	27
302K339061	2K339061	BASE TERMINAL	4
302K339070	2K339070	TERMINAL DRUM A	4
302K339080	2K339080	TERMINAL DLP A	4
302K339090	2K339090	TERMINAL TRANSFER A	4
302K339100	2K339100	TERMINAL SEPARATION A	4
302K345120	2K345120	VARISTOR TC	10
302K346020	2K346020	WIRE EJECT UNIT	26
302K346030	2K346030	WIRE FUSER JAM SENS	28
302K346090	2K346090	WIRE DU	14
302K346270	2K346270	WIRE REGIST	5
302K346470	2K346470	WIRE PF DRAWER	3
302K346660	2K346660	WIRE PF DRAWER 200	3
302K393130	2K393130	WT-475	21
302K394070	2K394070	PARTS PWB RFID ASSY SP	5
302K394080	2K394080	PARTS PWB DRUM CONNECT ASSY SP	6
302K394180	2K394180	PARTS SWITCH EXIT PAPER EMPTY SP	26
302K394190	2K394190	PARTS MOTOR LIFT ASSY SP	23
302K394201	2K394201	PARTS MOTOR-BL W30 SP	24
302K394220	2K394220	PARTS ROLLER REGIST RIGHT SP	14
302K394230	2K394230	PARTS ROLLER REGIST LEFT SP	10
302K394240	2K394240	PARTS ROLLER EXIT SP	26
302K394250	2K394250	PARTS ROLLER DU SP	13
302K394270	2K394270	PARTS GEAR CONTAINER Z25L SP	5
302K394280	2K394280	PARTS GEAR CONTAINER Z35R SP	5
302K394310	2K394310	PARTS GEAR REGIST Z28L-Z18L SP	10
302K394320	2K394320	PARTS GEAR MPF Z28 SP	11
302K394330	2K394330	PARTS GEAR REGIST Z24R SP	14
302K394340	2K394340	PARTS GEAR Z74R-Z22S EXIT SP	26
302K394350	2K394350	PARTS GEAR Z22S EXIT SP	26
302K394360	2K394360	PARTS GEAR Z25S EXIT INPUT SP	26
302K394370	2K394370	PARTS GEAR Z18-Z63R SP	17
302K394380	2K394380	PARTS GEAR Z18 SP	8
302K394400	2K394400	PARTS GEAR DU Z27L SP	13

Part.No. 部品番号	Alternative. 代替部品番号	Description 部品名称	Fig.No.
302K394540	2K394540	PARTS FEED UNIT ASSY SP	10
302K906240	2K906240	GEAR FEED DRIVE Z20L	5
302K906670	2K906670	HOOK FEED LOW	12
302K908211	2K908211	ACTUATOR SIZE DETECTION	16
302K908220	2K908220	SPRING-TORSION SIZE DETECTION	16
302K908580	2K908580	HOLDER SIZE DETECTION	16
302K909630	2K909630	SHAFT HOOK PULLEY	3
302K909640	2K909640	LEVER CASSETTE HOOK	3
302K994270	2K994270	PARTS PWB KUJO ASSY SP	29
302KK94070	2KK94070	PARTS CONT SENSOR ASSY SP	5
302KV31320	2KV31320	GEAR Z32L	24
302KV44041	2KV44041	CLUTCH 50 Z35R	23,24
302L793100	2L793100	PARTS MOUNT LED ASSY SP	17
302L794170	2L794170	PARTS SSD SP	29
302LC04601	2LC04601	COVER TRAY	33
302LC04611	2LC04611	STAY TRAY	33
302LC04621	2LC04621	MOUNT TRAY	33
302LC04660	2LC04660	SHEET TRAY	33
302LC04670	2LC04670	PLATE TRAY	33
302LC04710	2LC04710	COVER TRAY LOWER	33
302LC31511	2LC31511	SEAL MOTOR DC	25
302LC94291	2LC94291	PARTS MOTOR-BL W10 SP	23
302LF33B10	2LF33B10	SPONGE LOWER RIGHT SP	3
302LF94510	2LF94510	PARTS IC EEPROM SP	28
302MN04100	2MN04100	LID DF CONNECTOR	1
302MV02041	2MV02041	STAY FRONT FRAME	4
302MV02093	2MV02093	MOUNT SCANNER RIGHT	7
302MV02132	2MV02132	MOUNT OPTION	7
302MV02160	2MV02160	HANDLE COVER LEFT	5
302MV02190	2MV02190	FOOT	1
302MV02220	2MV02220	SHAFT HANDLE	3
302MV02232	2MV02232	MOUNT REAR HANDLE	3
302MV02240	2MV02240	PIN FRONT HANDLE	3
302MV02310	2MV02310	SPRING LEVER LIFT CASSETTE	4
302MV04230	2MV04230	COVER INNER FRONT LOWER	1
302MV04290	2MV04290	COVER EXIT FRONT TOP	7
302MV04300	2MV04300	COVER RIGHT HOOK	13
302MV07020	2MV07020	GUIDE FEED LOW	10
302MV07030	2MV07030	GUIDE FEED	10
302MV07040	2MV07040	GUIDE FEED INNER	11
302MV07051	2MV07051	GUIDE COVER INNER	12
302MV07070	2MV07070	HOLDER SPRING	12
302MV07080	2MV07080	COVER SW FEED	12
302MV07110	2MV07110	BELT FEED	10
302MV07121	2MV07121	SPRING EARTH FEED	10
302MV08010	2MV08010	BASE MPF	11
302MV08020	2MV08020	PIN FEED ROLL	11
302MV08030	2MV08030	PULLEY MPF	11
302MV08050	2MV08050	COVER MPF WIRE	11
302MV08400	2MV08400	COVER MPF	16
302MV08410	2MV08410	TABLE MPF	16

Part.No. 部品番号	Alternative. 代替部品番号	Description 部品名称	Fig.No.
302MV08420	2MV08420	TABLE MPF A	16
302MV08430	2MV08430	TABLE MPF B	16
302MV08441	2MV08441	CURSOR FRONT MPF	16
302MV08451	2MV08451	CURSOR REAR MPF	16
302MV08460	2MV08460	GUIDE FRONT MPF WIRE	16
302MV08470	2MV08470	GUIDE REAR MPF WIRE	16
302MV08500	2MV08500	SPRING MPF	16
302MV08520	2MV08520	SHEET MPF WIRE A	16
302MV09021	2MV09021	BASE CASSETTE	8
302MV09040	2MV09040	ARM SIZE DETECTION	8
302MV09050	2MV09050	PLATE SIDE SWITCH	8
302MV09080	2MV09080	CURSOR CASSETTE REAR	8
302MV09090	2MV09090	CURSOR CASSETTE FRONT	8
302MV17030	2MV17030	COVER LENS	17
302MV24010	2MV24010	LEVER HOOK F	15
302MV24020	2MV24020	LEVER HOOK R	15
302MV31010	2MV31010	HOLDER DRIVE LOW A	23
302MV31020	2MV31020	HOLDER DRIVE LOW B	23
302MV31030	2MV31030	PLATE MOTOR LOW	23
302MV31040	2MV31040	SPRING EARTH FEED LOW	23
302MV34180	2MV34180	LABEL I	15
302MV34190	2MV34190	LABEL J	11
302MV34250	2MV34250	LABEL COVER CAUTION	13
302MV34260	2MV34260	LABEL BYPASS CAUTION	13
302MV34270	2MV34270	LABEL BYPASS TABLE	16
302MV34300	2MV34300	SHEET CASSETTE C	8
302MV34310	2MV34310	LABEL CASSETTE SIZE A	8
302MV34320	2MV34320	LABEL OPERATION CURSOR	8
302MV34330	2MV34330	LABEL OPERATION L	8
302MV34340	2MV34340	LABEL OPERATION S	8
302MV34350	2MV34350	LABEL PAPER SET	8
302MV34360	2MV34360	LABEL CASSETTE SIZE B	8
302MV34400	2MV34400	LABEL HIGH TEMP	13
302MV34410	2MV34410	LABEL COVER CAUTION 9NATIONS	13
302MV34430	2MV34430	SHEET CASSETTE I	8
302MV39341	2MV39341	PIN HDD	29
302MV46450	2MV46450	WIRE MPF SIZE UNIT 1	11
302MV46510	2MV46510	WIRE MPF SIZE UNIT 2	16
302MV46520	2MV46520	WIRE RIGHT COVER SW	12
302MV46580	2MV46580	WIRE MPF	11
302MV93110	2MV93110	DR-8315D	23
302MV94021	2MV94021	PARTS ROLLER MPF ASSY SP	11
302MV94061	2MV94061	PARTS PRIMARY FEED ASSY SP	9
302MV94310	2MV94310	PARTS ROLLER FEED UPPER SP	10
302MV94320	2MV94320	PARTS ROLLER FEED LOWER SP	10
302MW31010	2MW31010	TORQUE LIMITER 4000	5
302N446130	2N446130	WIRE HDD DATA 1	29
302N494220	2N494220	PARTS CURSOR SCREW SET SP	33
302ND05500	2ND05500	SHEET OPERATION NL	34
302ND05510	2ND05510	SHEET OPERATION FRA	34
302ND05520	2ND05520	SHEET OPERATION SPA	34

Part.No. 部品番号	Alternative. 代替部品番号	Description 部品名称	Fig.No.
302ND05530	2ND05530	SHEET OPERATION PTB	34
302ND05540	2ND05540	SHEET OPERATION FUNCTION	34
302ND34230	2ND34230	LABEL CARD-READER	34
302ND46731	2ND46731	CONN.CORD ASSY FPC WIFI	29
302ND93110	2ND93110	PARTS ISU ASSY H SP	17
302ND93180	2ND93180	PARTS STORAGE DEVICE SP	29
302ND94670	2ND94670	PARTS SSD SP	29
302ND94800	2ND94800	PARTS SENSOR OPT SP	17
302NG94220	2NG94220	PARTS FAN MOTOR SP	25
302NG94300	2NG94300	PARTS PWB SWITCH ASSY SP	1
302NL02040	2NL02040	BASE MIDDLE	5
302NL02060	2NL02060	STAY REAR FRAME	4
302NL02071	2NL02071	GUIDE FUSER	4
302NL02080	2NL02080	BRACKET DRAWER	4
302NL02091	2NL02091	RAIL CASSETTE LEFT	4
302NL02100	2NL02100	JOINT FUSER	4
302NL02120	2NL02120	RAIL DLP	5
302NL02140	2NL02140	SHEET RAIL	5
302NL02150	2NL02150	COVER RAIL DRIVE	5
302NL02160	2NL02160	COVER RAIL DLP	5
302NL02170	2NL02170	GEAR CONTAINER Z42R	5
302NL02180	2NL02180	GEAR Z22R 40R	5
302NL02190	2NL02190	SLIDER REMOVALMENT DLP	5
302NL02201	2NL02201	MOUNT INTERLOCK SW	6
302NL02211	2NL02211	RAIL CASSETTE RIGHT	4
302NL02220	2NL02220	HOLDER SENSOR	5
302NL02230	2NL02230	GEAR Z23L	5
302NL02242	2NL02242	MOUNT SCANNER FRONT	7
302NL02310	2NL02310	LEVER REMOVALMENT DLP	6
302NL02320	2NL02320	LEVER HOOK REMOVALMENT	27
302NL02340	2NL02340	SHEET BASE MIDDLE	5
302NL04180	2NL04180	COVER TRAY LEFT	1
302NL04190	2NL04190	COVER EXIT TOP	6
302NL04240	2NL04240	COVER INNER FRONT	27
302NL04250	2NL04250	LID AK	1
302NL04260	2NL04260	COVER HOLDER BOX	27
302NL04270	2NL04270	PLATE MAGNET	2
302NL06010	2NL06010	HOLDER SENSOR	4
302NL06020	2NL06020	GUIDE FEED OUTER	10
302NL06040	2NL06040	HOLDER HOOK F	12
302NL06050	2NL06050	HOLDER HOOK R	12
302NL06060	2NL06060	COVER HANDLE	12
302NL06070	2NL06070	SHAFT FEED LOW HOOK	12
302NL06080	2NL06080	SHEET FEED OUT A	10
302NL09010	2NL09010	CASSETTE	8
302NL09021	2NL09021	HOLDER CASSETTE HOOK	3
302NL09030	2NL09030	PULLEY CASSETTE RAIL	4
302NL09060	2NL09060	SPRING CASSETTE HOOK	3
302NL09070	2NL09070	EMBLEM CASSETTE	8
302NL09080	2NL09080	HANDLE CASSETTE	8
302NL09091	2NL09091	PLATE CASSETTE LEFT	8

Part.No. 部品番号	Alternative. 代替部品番号	Description 部品名称	Fig.No.
302NL09101	2NL09101	PLATE CASSETTE RIGHT	8
302NL09130	2NL09130	PULLEY CASSETTE RAIL	4
302NL17010	2NL17010	MOUNT DRIVE	17
302NL17020	2NL17020	SWITCH RELEASE	17
302NL17030	2NL17030	HOLDER SWITCH	17
302NL17050	2NL17050	MOUNT DP	17
302NL24040	2NL24040	GUIDE FEED JUNCTION	14
302NL24050	2NL24050	FILM GUIDE FEED JUNCTION	14
302NL24090	2NL24090	GUIDE CONVEYING	14
302NL24110	2NL24110	GUIDE TRANSFER RIGHT B	15
302NL28010	2NL28010	GUIDE EXIT PUSH JS	26
302NL28020	2NL28020	ACTUATOR EXIT JS	26
302NL28030	2NL28030	GUIDE EXIT OVERFLOW JS INCH	26
302NL28040	2NL28040	CUSHION GUIDE CHANGE	26
302NL28050	2NL28050	PLATE EXIT OVERFLOW	26
302NL28060	2NL28060	ACTUATOR EXIT OVERFLOW	26
302NL31010	2NL31010	HOLDER FEED DRIVE A	24
302NL31020	2NL31020	HOLDER FEED DRIVE B	24
302NL31030	2NL31030	GEAR Z21L Z26R	24
302NL31040	2NL31040	PIN DRIVE	24
302NL31050	2NL31050	SHAFT DU	24
302NL34050	2NL34050	SHEET COVER FRONT	2
302NL34060	2NL34060	LABEL PUSH STOPPER	27
302NL34070	2NL34070	LABEL ARROW STOPPER	27
302NL34080	2NL34080	LABEL D	6
302NL34100	2NL34100	LABEL BOTTLE WASTE	27
302NL34110	2NL34110	LABEL W1	27
302NL34140	2NL34140	LABEL MPF CAUTION	16
302NL39080	2NL39080	MOUNT DF CONNECTOR	7
302NL46020	2NL46020	WIRE CONVEYING JOINT	28
302NL46080	2NL46080	WIRE CONTAINER SET	5
302NL46280	2NL46280	WIRE CASSETTE HEATER JOINT	3
302NL46290	2NL46290	WIRE HEATER SWITCH	7
302NL46360	2NL46360	WIRE FFC HVU	28
302NL46370	2NL46370	WIRE LIMIT SENSOR	4
302NL93010	2NL93010	DR-7105	24
302NL93020	2NL93020	DK-7105	21
302NL93030	2NL93030	DV-7105	20
302NL93051	2NL93051	FK-7106	22
302NL93061	2NL93061	FK-7107	22
302NL93071	2NL93071	FK-7105	22
302NL93080	2NL93080	MC-7105	21
302NL93090	2NL93090	TR-7105	15
302NL94040	2NL94040	PARTS CLEANER REGIST ASSY SP	27
302NL94050	2NL94050	PARTS EXIT UNIT SP	26
302NL94060	2NL94060	PARTS EXIT UNIT J SP	26
302NL94070	2NL94070	PARTS CONVEYING UNIT SP	14
302NL94110	2NL94110	PARTS HIGH VOLTAGE SP	28
302NL94152	2NL94152	PARTS MPF TABLE ASSY SP	16
302NP94120	2NP94120	PARTS PWB THERMISTOR ASSY SP	25
302R408220	2R408220	STOPPER BYPASS TABLE	16

Part.No. 部品番号	Alternative. 代替部品番号	Description 部品名称	Fig.No.
302R408230	2R408230	STRAP LINK MPF	16
302R439070	2R439070	RAIL KUJO	29
302RG34010	2RG34010	LABEL EMBLEM L	2
302RH02030	2RH02030	BASE LSU	4
302RH02090	2RH02090	MOUNT OPTION	7
302RH02180	2RH02180	MOUNT DLP PWB	5
302RH04010	2RH04010	COVER FRONT	2
302RH04020	2RH04020	COVER FRONT TOP	1
302RH04060	2RH04060	COVER RIGHT TOP	1
302RH04070	2RH04070	COVER LEFT LOW	1
302RH04080	2RH04080	COVER LEFT TOP	1
302RH04090	2RH04090	COVER ISU FRONT	1
302RH04100	2RH04100	COVER ISU FRONT A	18
302RH04110	2RH04110	COVER ISU LEFT	18
302RH04120	2RH04120	COVER ISU RIGHT	18
302RH04130	2RH04130	COVER ISU REAR	18
302RH04140	2RH04140	COVER REAR LOW	1
302RH04150	2RH04150	COVER REAR TOP	1
302RH04230	2RH04230	COVER ISU LEFT SUB	18
302RH04250	2RH04250	COVER FRONT RIGHT TOP	1
302RH04270	2RH04270	LID CARD-READER	1
302RH04280	2RH04280	COVER KEYBOARD	1
302RH04290	2RH04290	COVER MAIN SW	1
302RH04300	2RH04300	KEY MAIN POWER	1
302RH04310	2RH04310	HOLDER MAIN POWER	1
302RH04320	2RH04320	MOUNT MAIN POWER	1
302RH04330	2RH04330	LID DP	18
302RH04340	2RH04340	COVER FRONT MIDDLE	1
302RH04350	2RH04350	COVER LEFT MIDDLE	1
302RH04360	2RH04360	COVER TRAY	1
302RH04370	2RH04370	COVER RIGHT MIDDLE	13
302RH04380	2RH04380	COVER EXIT REAR	1
302RH04390	2RH04390	COVER RIGHT REAR	1
302RH04400	2RH04400	COVER RIGHT LOW	12
302RH04410	2RH04410	COVER CASSETTE	8
302RH04430	2RH04430	SPONGE SHIELD A	1
302RH04440	2RH04440	SPONGE SHIELD B	1
302RH04450	2RH04450	SPONGE SHIELD C	1
302RH05210	2RH05210	SPONGE LCD A	31
302RH05220	2RH05220	SPONGE LCD B	31
302RH05230	2RH05230	SPONGE LCD C	31
302RH05240	2RH05240	SPONGE LCD D	31
302RH05290	2RH05290	HOLDER SPEAKER	31
302RH05340	2RH05340	SHEET OPERATION	31
302RH05350	2RH05350	SHEET OPERATION JP	31
302RH05360	2RH05360	COVER OPERATION D	31
302RH05370	2RH05370	HOLDER WIRE OPERATION	31
302RH08070	2RH08070	SPRING LIFT F	11
302RH08080	2RH08080	SPRING LIFT R	11
302RH17010	2RH17010	MOUNT CONNECTOR	17
302RH17020	2RH17020	GUIDE FFC	17

Part.No. 部品番号	Alternative. 代替部品番号	Description 部品名称	Fig.No.
302RH17030	2RH17030	FILM FFC CCD	17
302RH17040	2RH17040	PULLEY DRUM	17
302RH17050	2RH17050	SHAFT MOTOR DRIVE	17
302RH17060	2RH17060	GEAR P54	17
302RH17110	2RH17110	SHEET FFC LED	17
302RH33010	2RH33010	DUCT BRACKET	25
302RH34010	2RH34010	LABEL EMBLEM H	2
302RH34020	2RH34020	LABEL SW CAUTION	1
302RH34030	2RH34030	LABEL SW CAUTION JP	1
302RH34040	2RH34040	LABEL OPERATION CAUTION A	18
302RH34050	2RH34050	LABEL OPERATION CAUTION B	18
302RH34070	2RH34070	LABEL PAPER LIMIT	8
302RH34120	2RH34120	LABEL DEHUMIDIFIER SWITCH	1
302RH34150	2RH34150	LABEL SW CAUTION US	34
302RH34160	2RH34160	LABEL SW CAUTION NL	34
302RH39010	2RH39010	BOX CONTROLLER	29
302RH39020	2RH39020	LID CONTROLLER	29
302RH39030	2RH39030	PLATE CONTROLLER SUB	29
302RH39040	2RH39040	BOX POWER	30
302RH39050	302RH39050	LID POWER	30
302RH39060	2RH39060	MOUNT BOX	7
302RH39070	2RH39070	GUIDE WIRE REAR A	28
302RH39080	2RH39080	GUIDE WIRE REAR B	28
302RH39090	2RH39090	GUIDE WIRE REAR C	28
302RH39100	2RH39100	GUIDE WIRE ISU	28
302RH39110	2RH39110	GUIDE WIRE MAIN SW	3
302RH39120	2RH39120	MOUNT INLET	7
302RH39130	2RH39130	BRACKET FAN POWER	30
302RH39160	2RH39160	BRACKET HDD	29
302RH39180	2RH39180	LID SD-CARD	29
302RH39220	2RH39220	PLATE OPTION	29
302RH44030	2RH44030	HEATER DEHUMIDIFIER 100	3
302RH44040	2RH44040	HEATER DEHUMIDIFIER 120	3
302RH44050	2RH44050	HEATER DEHUMIDIFIER 240	3
302RH46020	2RH46020	WIRE FEED DRIVE	23
302RH46030	2RH46030	WIRE CASSETTE SWITCH	28
302RH46040	2RH46040	WIRE MAIN-LVU	29
302RH46050	2RH46050	WIRE ENGINE-LVU	28
302RH46060	2RH46060	WIRE CONTAINER RAIL	5
302RH46080	2RH46080	WIRE FRONT SWITCH	28
302RH46090	2RH46090	WIRE PF JOINT	28
302RH46100	2RH46100	WIRE FUSER HEATER	4
302RH46120	2RH46120	WIRE POLYGON MOTOR JOINT	28
302RH46130	2RH46130	WIRE PANEL DATA	31
302RH46140	2RH46140	WIRE MAIN-OPERATION	31
302RH46150	2RH46150	WIRE USB HUB	31
302RH46160	2RH46160	WIRE FFC MAIN-ENGINE	28
302RH46170	2RH46170	WIRE MAIN SWITCH	4
302RH46190	2RH46190	WIRE INLET ASSY	7
302RH46200	2RH46200	WIRE EJECT FAN	28
302RH46210	2RH46210	WIRE FFC CCD	17

Part.No. 部品番号	Alternative. 代替部品番号	Description 部品名称	Fig.No.
302RH46220	2RH46220	WIRE COIN VENDER	28
302RH46240	2RH46240	WIRE DRIVE	24
302RH46250	2RH46250	WIRE FFC LED	17
302RH46280	2RH46280	WIRE DF JOINT	7
302RH46310	2RH46310	WIRE BRIDGE JOINT	4
302RH46320	2RH46320	WIRE FFC KUIO	29
302RH46330	2RH46330	WIRE LSU JOINT	28
302RH46360	2RH46360	WIRE HDD POWER	29
302RH46390	2RH46390	WIRE RIGHT ILSW	7
302RH46410	2RH46410	WIRE KUIO POWER	29
302RH46420	2RH46420	WIRE HEATER SWITCH JOINT	30
302RH46470	2RH46470	WIRE FFC MAIN-ENGINE 2	28
302RH93010	2RH93010	CT-7105	8
302RH93030	2RH93030	LK-7106	19
302RH94010	2RH94010	PARTS STOPPER WIRE ASSY SP	33
302RH94020	2RH94020	PARTS PWB USB HUB ASSY SP	31
302RH94030	2RH94030	PARTS PWB PANEL MAIN ASSY SP	31
302RH94040	2RH94040	PARTS PWB OPERATION ASSY SP	31
302RH94050	2RH94050	PARTS PWB NFC ASSY SP	31
302RH94060	2RH94060	PARTS LCD OPERATION SP	31
302RH94070	2RH94070	PARTS TABLET OPERATION SP	31
302RH94100	2RH94100	PARTS SPEAKER SP	31
302RH94120	2RH94120	PARTS PWB MAIN ASSY SP	29
302RH94130	2RH94130	PARTS PWB ENGINE ASSY SP	28
302RH94140	2RH94140	PARTS OPERATION UNIT SP	31
302RH94150	2RH94150	PARTS CONTACT-GLASS ASSY(I) SP	17
302RH94160	2RH94160	PARTS CONTACT-GLASS ASSY(C) SP	17
302RH94170	2RH94170	PARTS COVER RIGHT LOW ASSY SP	12
302RH94180	2RH94180	PARTS PAD SEPARATION ASSY SP	11
302RH94190	2RH94190	PARTS RIGHT COVER UNIT SP	13
302RH94200	2RH94200	PARTS MPF UNIT SP	11
302RH94210	2RH94210	PARTS PWB DEVE CONNECT ASSY SP	5
302RH94220	2RH94220	PARTS UNIT LOW VOLTAGE 100 SP	30
302RH94230	2RH94230	PARTS UNIT LOW VOLTAGE 200 SP	30
302RH94240	2RH94240	AC CORD ASSY EU	34
302RH94250	2RH94250	PARTS PWB MAIN ASSY EU SP	29
303H321120	3H321120	CUSHION HOLDER	31
303JC04201	3JC04201	PLATE ORIGINAL	32
303K502080	3K502080	SPONGE ORIGINAL MAT	32
303LW24060	3LW24060	PULLEY EJECT	3
303MA16560	3MA16560	SHAFT GEAR BELT	26
303MH06010	3MH06010	PAD RAIL	4
303MR29040	3MR29040	PULLEY 26-6 DUPLEX	10
303MX02021	3MX02021	CUSHION ORIGINAL MAT A	32
303MX02031	3MX02031	CUSHION ORIGINAL MAT B	32
303NF02280	3NF02280	SHAFT HOOK FULCRUM	3
303NN02143	3NN02143	STAY UPPER FEED	4
303NN02370	3NN02370	RAIL FEED	4
303NN02450	3NN02450	GUIDE PRIMARY FEED	4
303NN24110	3NN24110	JOINT PULLEY 26-6	10
303NN24180	3NN24180	SPRING FEED LOW	12

Part.No. 部品番号	Alternative. 代替部品番号	Description 部品名称	Fig.No.
303NN24250	3NN24250	SPRING EARTH SW	12
303NN31040	3NN31040	GEAR Z77R Z23L	23
303NN31050	3NN31050	GEAR Z27L IDLE	23
303NN31060	3NN31060	SHAFT GEAR	5,23
303NN31070	3NN31070	GEAR Z33R Z44R	23
303NN31080	3NN31080	SPRING JOINT SHAFT	23
303NS24410	3NS24410	SCREW PLATE DF	33
303PC06060	3PC06060	HANDLE FEED LOW	12
303PH34070	3PH34070	LABEL ISU REAR	32
303RC34080	3RC34080	LABEL HIGH TEMPERATURE CAUTION	3
303RR94010	3RR94010	PARTS WIFI UNIT SP	29
3CY06030	3CY06030	RETAINER M4	33
3HY07120	3HY07120	PULLEY 15 DUPLEX	12
5MMS111SL002	2BY20050	NUT FUSER A /FS-1800/3800 A4	13
5MVM177XN007	2A814100	BUSH MIXER /A-49 DLP A4	5
5MVX111DN003	2A806250	RING STOPPER /A-49 FEED A4	3,24,26
5MVX111DN007	2BT11070	STOPPER 3 /2BT1107 A4	3,10,13
76727010	76727010	ORIGINAL SIZE SWITCH	16
7AAACCAS+10H001	AA063380	AC CORD ASSY AS	34
7AAACCJP+15H010	AA151960	AC CORD ASSY JP	34
7AAACCUS+13H002	AA151950	AC CORD ASSY US	34
7NXGP1S173LCH01	NX116910	SENSOR OPT.	3,4,5,11,12,14,16,17,26
7SC010105+++H01	SC125000	SW.SEESAW	7
7SC020403+++H01	SC136170	SW.SEESAW	4
7SM010205+++H01	SM147320	SW.MICRO	7
7SP01000001+H01	SP044290	SW.PUSH	3,5,12
7SP03090001+H01	SP145850	PUSH SWITCH 03 SN /SW-192 N	7
7YBFZZ65C001H01	YB110990	FERRITE CORE	17
7YCC02B1003+H01	YC013860	CONNECTOR 292254-2	24
7YZM210005+++H01	YZ037990	ACCESS.EDGING	4,25
7YZM390002++H01	YZ012140	ACCESS.CLAMP	3,4,5,7
7YZM410004+++H01	YZ148350	ACCESS.BAND	25
7YZM510007+++H01	YZ042780	ACCESS.SPACER	30
7YZM610002+++H01	YZ010240	ACCESS.SADDLE	3
7YZM610007+++H01	YZ023340	ACCESS.SADDLE	3
7YZM610009+++H01	YZ042980	ACCESS.SADDLE	3,4
7YZM610010+++H01	YZ042990	ACCESS.SADDLE	4,30
7YZM610011+++H01	YZ043000	ACCESS.SADDLE	3
7YZM610014+++H01	YZ043030	ACCESS.SADDLE	3
7ZG65TSV+010H01	ZG111180	SHIELD GASKET	17



---

**PF-791**

———— CONTENTS/ 目次 ————

FIG. 1	Covers .....	2
FIG. 2	Frames .....	4
FIG. 3	Paper Cassette .....	6
FIG. 4	Paper Feed Section .....	9
FIG. 5	Drive Section & Electrical Components .....	11
FIG. 6	Accessories & Options .....	13
	• INDEX / 索引 .....	15

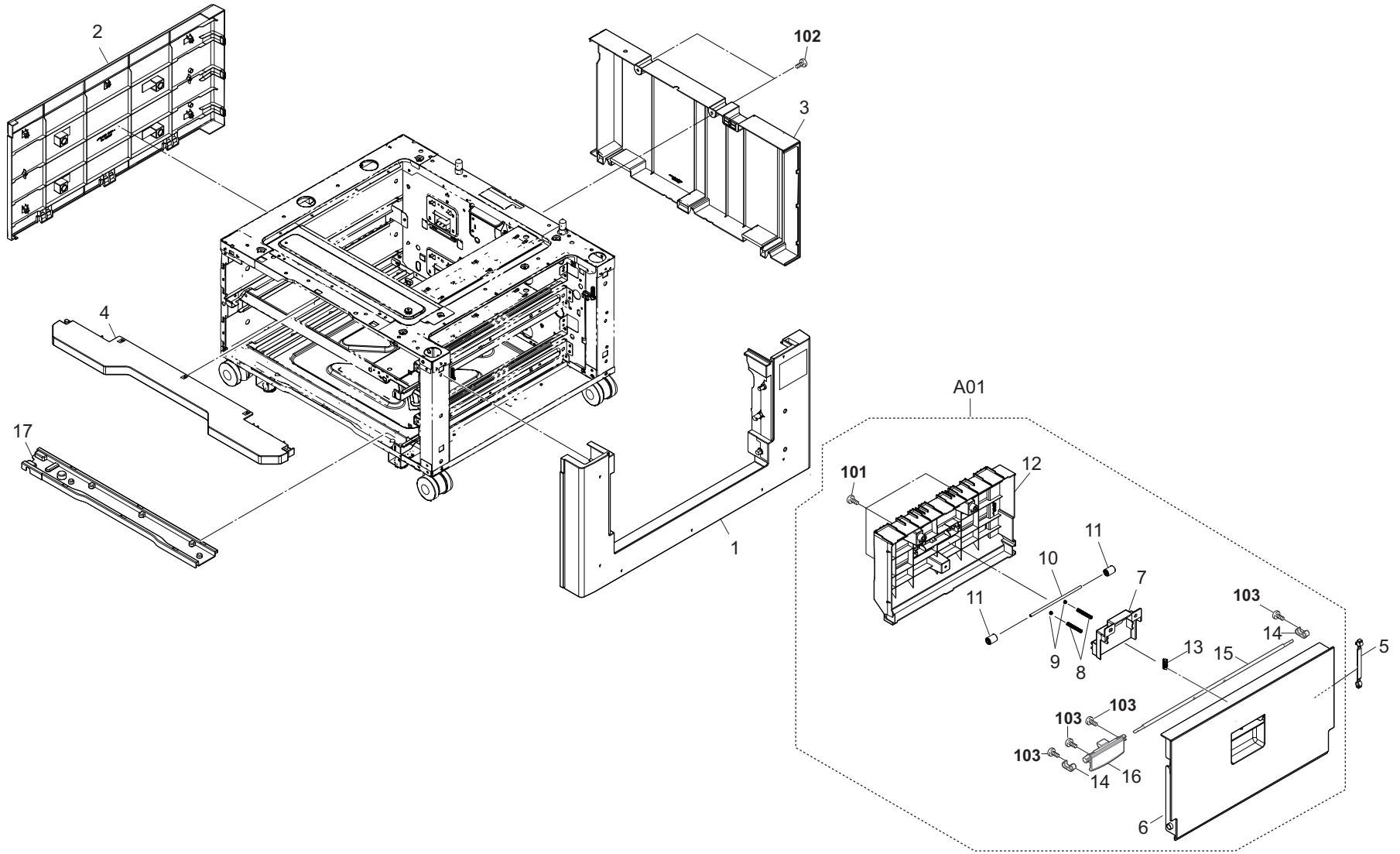


FIG. 1 Covers

3PJ

Ref. No. 番号	Part.No. 部品番号	Alternative. 代替部品番号	Description 部品名称	Notes 備考	Revision 改訂	Quantity 個数			
						100(日本)	120	230	240
1	303PJ04020	3PJ04020	COVER RIGHT			1	1	1	
2	303N404020	3N404020	COVER LEFT			1	1	1	
3	303N404030	3N404030	COVER REAR			1	1	1	
4	303PJ04010	3PJ04010	COVER TOP			1	1	1	
5	2BG06480	2BG06480	BAND B			1	1	1	
A01	303PJ94010	3N494010	PARTS COVER RIGHT FEED ASSY SP			1	1	1	
6	*303PJ04030	3PJ04030	COVER RIGHT FEED			1	1	1	
7	*303PJ04050	3PJ04050	COVER HANDLE			1	1	1	
8	*2DC12170	2DC12170	SPRING TENSION			2	2	2	
9	*2FM04150	5MVM163DN005	CAP SPRING /B-11 ENCLOSURE A4			2	2	2	
10	*302BG06152	2BG06152	SHAFT FEED B			1	1	1	
11	*3HY07120	3HY07120	PULLEY 15 DUPLEX			2	2	2	
12	*303N404521	3N404521	GUIDE COVER RIGHT			1	1	1	
13	*302FZ20021	2FZ20021	SPRING LID			1	1	1	
14	*302K906670	2K906670	HOOK FEED LOW			2	2	2	
15	*302NL06070	2NL06070	SHAFT FEED LOW HOOK			1	1	1	
16	*303PC06060	3PC06060	HANDLE FEED LOW			1	1	1	
17	303N402390	3N402390	COVER INNER BASE			1	1	1	
101	7BB200408H	BB106960	+BIND T.T P SCREW 4X8						
102	7BB782308H	BB111300	+TP-FLAT T.T S SCREW 3X8 SR(BLACK)						
103	7BB600306H	BB105730	+BIND M SCREW 3X6 R						

• Parts with a Ref.No. of 500 and above in the illustration indicate they are not selected for service parts.

・イラスト中で 500 番台の Ref 番号が付いている部品はサービスパーツに選定されていません。

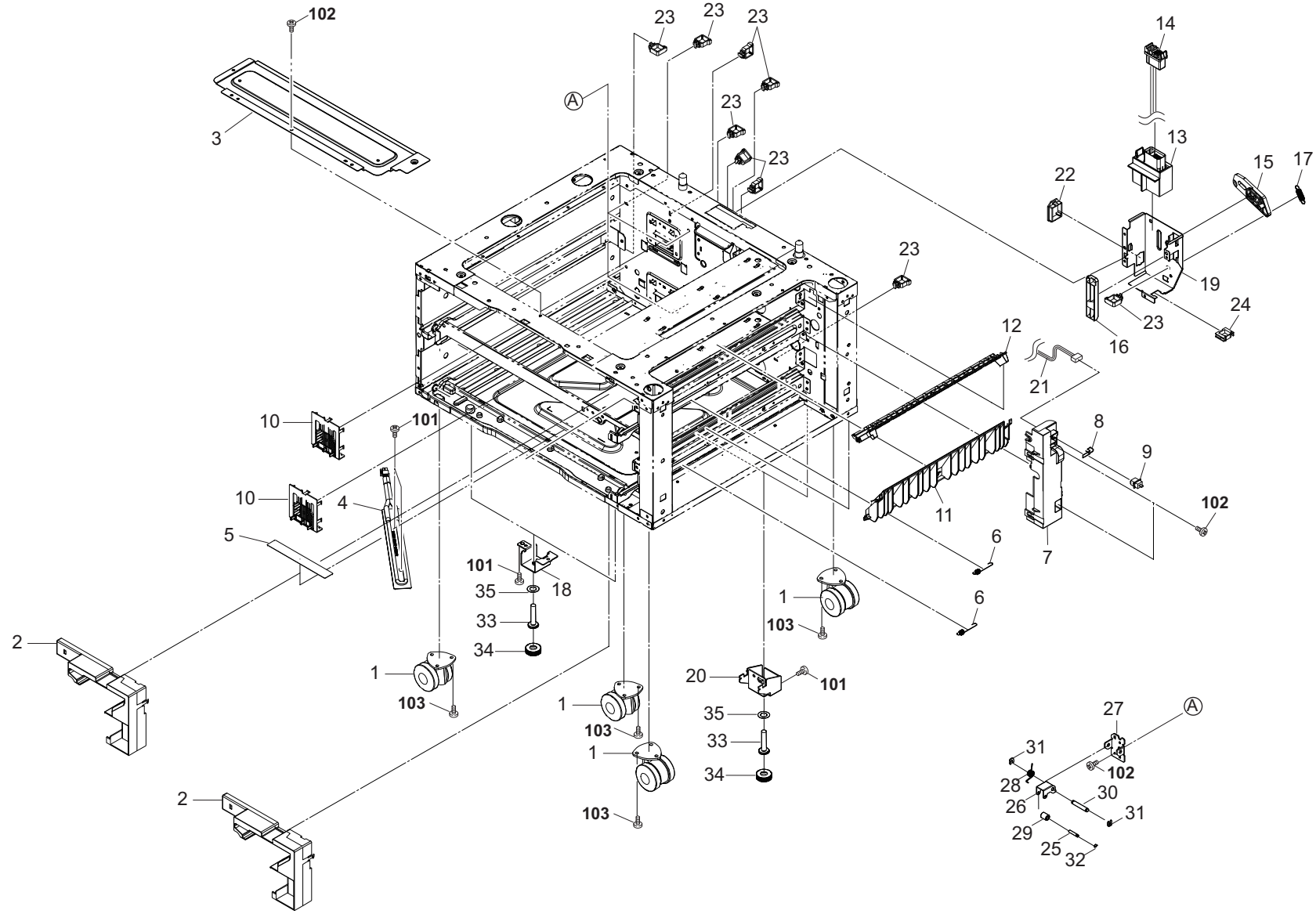




FIG. 3 Paper Cassette

3PJ

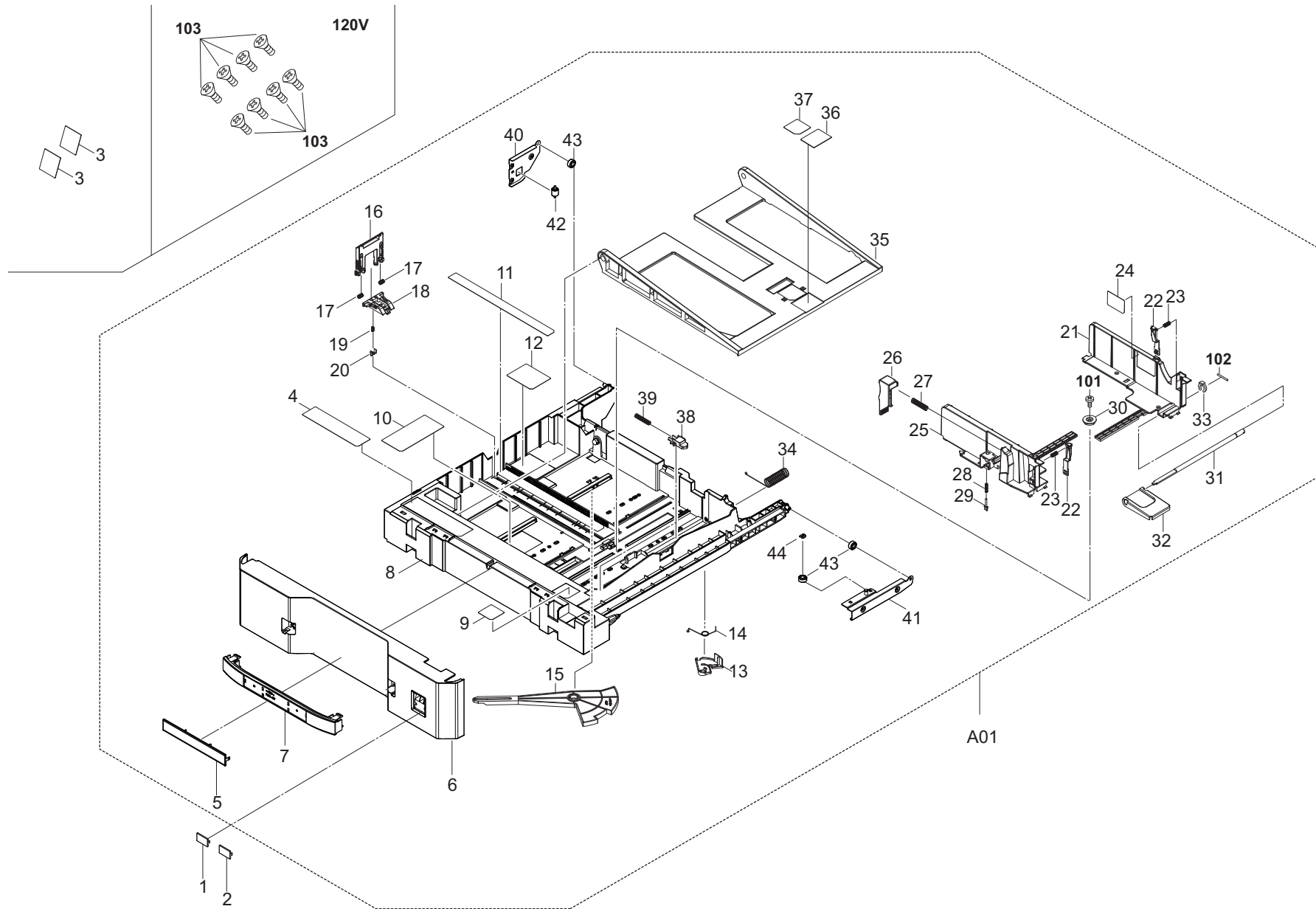


FIG. 3 Paper Cassette

3PJ-1

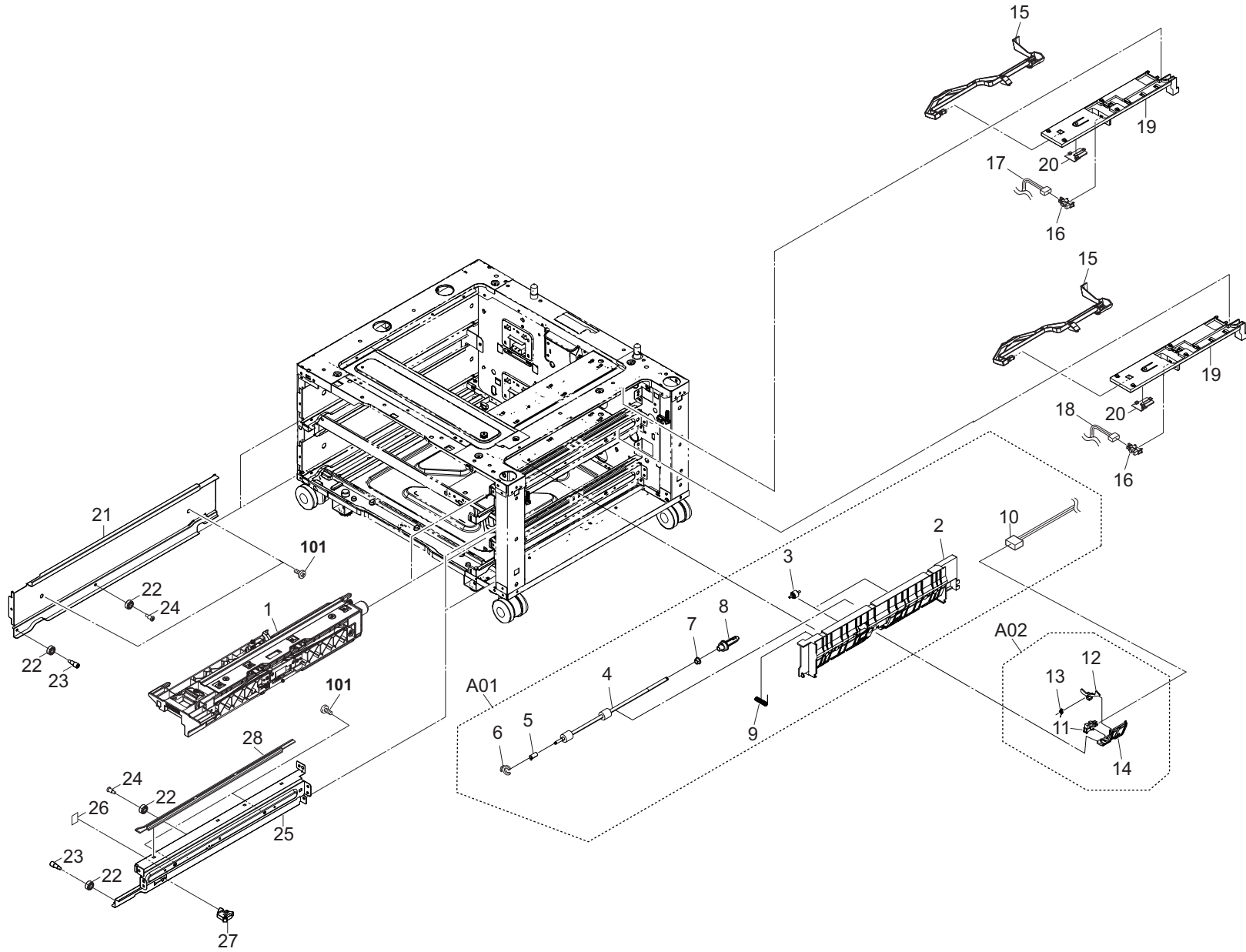
Ref. No. 番号	Part.No. 部品番号	Alternative. 代替部品番号	Description 部品名称	Notes 備考	Revision 改訂	Quantity 個数			
						100(日本)	120	230	240
1	3CF04060	3CF04060	PLATE NUMBER4			1	1	1	
2	5MVX321CE001	3CF04050	PLATE NUMBER 3/3CF0405 A4			1	1	1	
3	302MV34430	2MV34430	SHEET CASSETTE I				2		
3	302MV34300	2MV34300	SHEET CASSETTE C			2		2	
A01	302NP93010	2NP93010	CT-8325			2	2	2	
4	*302MV34330	2MV34330	LABEL OPERATION L			2	2	2	
5	*302NL09070	2NL09070	EMBLEM CASSETTE			2	2	2	
6	*302NL09050	2NL09050	COVER CASSETTE			2	2	2	
7	*302NL09080	2NL09080	HANDLE CASSETTE			2	2	2	
8	*302NL09010	2NL09010	CASSETTE			2	2	2	
9	*302MV34340	2MV34340	LABEL OPERATION S			2	2	2	
10	*302MV34310	2MV34310	LABEL CASSETTE SIZE A			2	2	2	
11	*302MV34360	2MV34360	LABEL CASSETTE SIZE B			2	2	2	
12	*302MV34320	2MV34320	LABEL OPERATION CURSOR			2	2	2	
13	*302MV09050	2MV09050	PLATE SIDE SWITCH			2	2	2	
14	*302K309220	2K309220	SPRING SIDE SWITCH			2	2	2	
15	*302MV09040	2MV09040	ARM SIZE DETECTION			2	2	2	
16	*302K309270	2K309270	CURSOR END			2	2	2	
17	*2C907360	2C907360	SPRING CURSOR R			4	4	4	
18	*302K309141	2K309141	SLIDER CURSOR END			2	2	2	
19	*302K309360	2K309360	SPRING SIZE SET			2	2	2	
20	*302K309350	2K309350	STOPPER SIZE SET			2	2	2	
21	*302MV09080	2MV09080	CURSOR CASSETTE REAR			2	2	2	
22	*302K309190	2K309190	LEVER CURSOR SET			4	4	4	
23	*302K309370	2K309370	SPRING CURSOR SET			4	4	4	
24	*302MV34370	2MV34370	LABEL PAPER LIMIT			2	2	2	
25	*302MV09090	2MV09090	CURSOR CASSETTE FRONT			2	2	2	
26	*302K309200	2K309200	LEVER RELEASE CURSOR F			2	2	2	
27	*302K309210	2K309210	SPRING RELEASE CURSOR F			2	2	2	
28	*302K309380	2K309380	SPRING SIZE SET F			2	2	2	
29	*302HN09240	2HN09240	SIZE FIX			2	2	2	
30	*302K394380	2K394380	PARTS GEAR Z18 SP			2	2	2	
31	*302K309180	2K309180	SHAFT DRIVE LIFT			2	2	2	
32	*302K309170	2K309170	PLATE LIFT BASE CASSETTE			2	2	2	
33	*2BC06910	2BC06910	STOPPER 6			2	2	2	
34	*302K309300	2K309300	SPRING CASSETTE LIFT EARTH			2	2	2	
35	*302MV09021	2MV09021	BASE CASSETTE			2	2	2	
36	*2C907140	2C907140	PAD CASSETTE			2	2	2	
37	*302MV34350	2MV34350	LABEL PAPER SET			2	2	2	
38	*302K309150	2K309150	LIFT BASE CASSETTE SUB			4	4	4	
39	*302K309160	2K309160	SPRING LEVER LIFT CASSETTE SUB			4	4	4	
40	*302NL09090	2NL09090	PLATE CASSETTE LEFT			2	2	2	
41	*302NL09100	2NL09100	PLATE CASSETTE RIGHT			2	2	2	
42	*302FZ07020	2FZ07020	PULLEY MPT BYPASS			2	2	2	
43	*302FG07020	2FG07020	PULLEY,CASSETTE RAIL			6	6	6	
44	*302FB09830	2FB09830	CUT WASHER 4			2	2	2	

• Parts with a Ref.No. of 500 and above in the illustration indicate they are not selected for service parts.

• イラスト中で 500 番台の Ref 番号が付いている部品はサービスパーツに選定されていません。









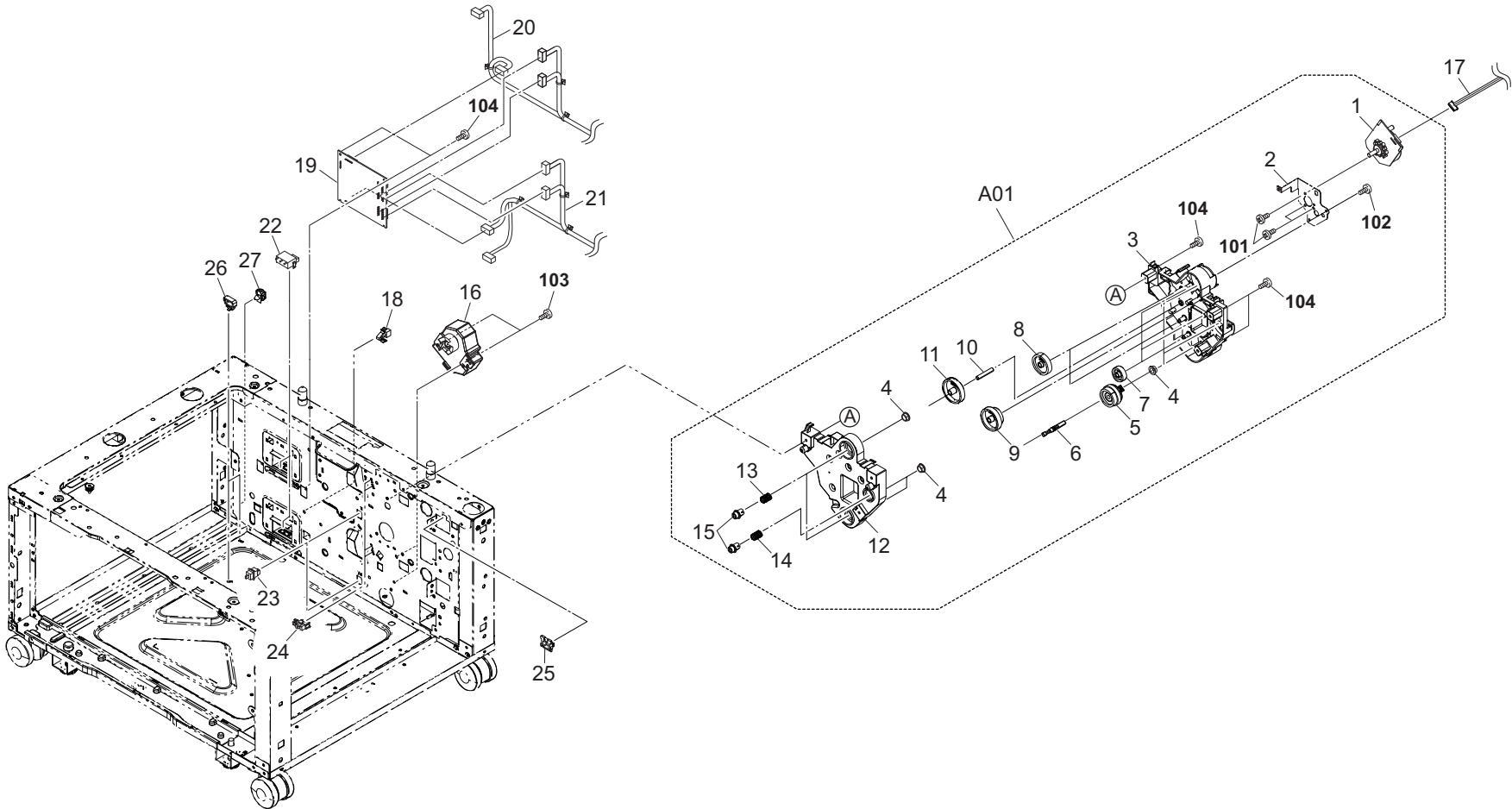


FIG. 5 Dive Section & Electrical Components

3PJ

Ref. No. 番号	Part.No. 部品番号	Alternative. 代替部品番号	Description 部品名称	Notes 備考	Revision 改訂	Quantity 個数			
						100(日本)	120	230	240
A01	303NN94070	3NN94070	PARTS DRIVE ASSY SP			1	1	1	
1	*303NN94021	3NN94021	PARTS MOTOR-BL W10 SP			1	1	1	
2	*303NN31030	3NN31030	PLATE MOTOR			1	1	1	
3	*303NN31012	3NN31012	HOLDER DRIVE A			1	1	1	
4	*302HN31590	2HN31590	BUSH DRIVE			6	6	6	
5	*302KV44041	2KV44041	CLUTCH 50 Z35R			3	3	3	
6	*302K331240	2K331240	SHAFT CLUTCH FEED			3	3	3	
7	*303NN31050	3NN31050	GEAR Z27L IDLE			3	3	3	
8	*302K331081	2K331081	GEAR Z40R IDLE			2	2	2	
9	*303NN31070	3NN31070	GEAR Z33R Z44R			1	1	1	
10	*303NN31060	3NN31060	SHAFT GEAR			1	1	1	
11	*303NN31040	3NN31040	GEAR Z77R Z23L			1	1	1	
12	*303NN31022	3NN31022	HOLDER DRIVE B			1	1	1	
13	*302HN31410	2HN31410	SPRING FEED			2	2	2	
14	*303NN31080	3NN31080	SPRING JOINT SHAFT			1	1	1	
15	*302HN31660	2HN31660	JOINT SHAFT CASSETTE			3	3	3	
16	302K394190	2K394190	PARTS MOTOR LIFT ASSY SP			2	2	2	
17	303NN46020	3NN46020	WIRE MOTOR			1	1	1	
18	7YZM510009++H01	YZ042790	ACCESS.SPACER			1	1	1	
19	303N494022	3N494022	PARTS PWB PF MAIN ASSY SP			1	1	1	
20	303N446020	3N446020	WIRE UPPER SENSOR			1	1	1	
21	303NN46040	3NN46040	WIRE LOWER SENSOR			1	1	1	
22	5ESP03090001+01	SP000360	PUSH SWITCH 03 SN /SW-192 N			2	2	2	
23	7SP01000001+H01	SP044290	SW.PUSH			2	2	2	
24	7NXGP1S173LCH01	NX116910	SENSOR OPT.			4	4	4	
25	7YZM210006++H01	YZ038000	ACCESS.EDGING			1	1	1	
26	7YZM390002++H01	YZ012140	ACCESS.CLAMP			2	2	2	
27	7YZM410001++H01	YZ037950	ACCESS.BAND			1	1	1	
101	7BB000304H	BB105720	+BIND M SCREW 3X4						
102	7BB200308H	BB105660	+BIND T.T P SCREW 3X8						
103	7BB700308H	BB105600	+BIND T.T S SCREW 3X8 SR						
104	7BB700312H	BB106820	+BIND T.T S SCREW 3X12 SR						

• Parts with a Ref.No. of 500 and above in the illustration indicate they are not selected for service parts.

・イラスト中で 500 番台の Ref 番号が付いている部品はサービスパーツに選定されていません。

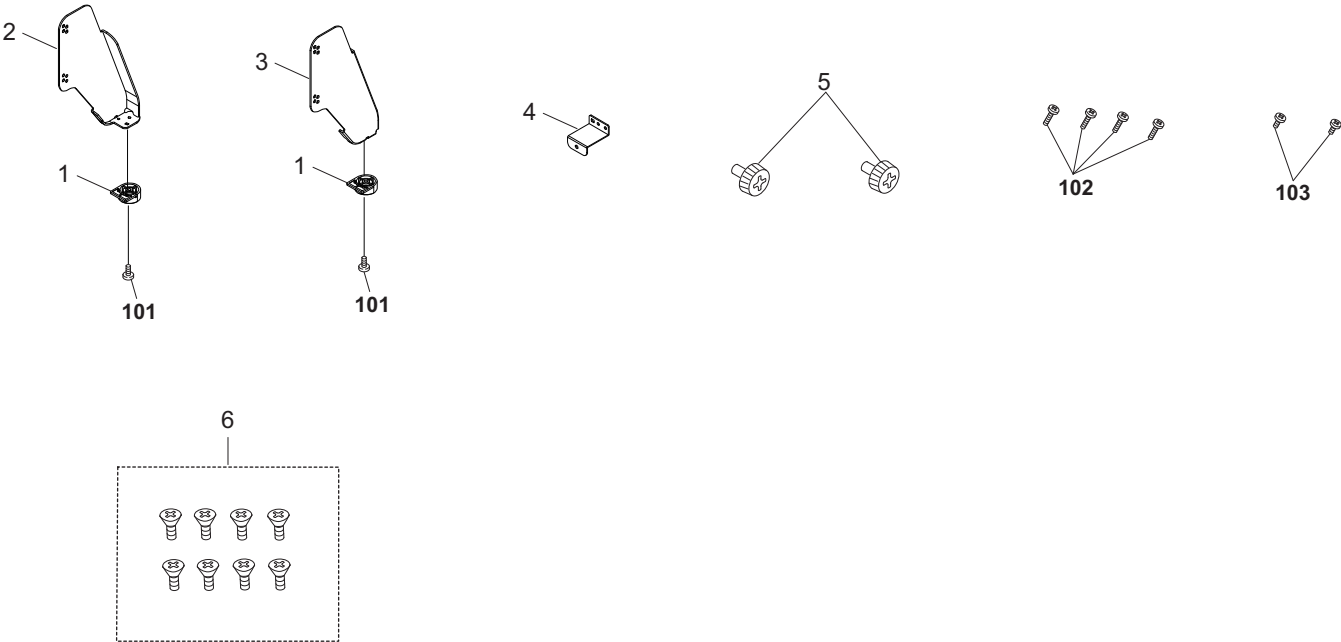


FIG. 6 Accessories & Options

3PJ

Ref. No. 番号	Part.No. 部品番号	Alternative. 代替部品番号	Description 部品名称	Notes 備考	Revision 改訂	Quantity 個数			
						100(日本)	120	230	240
1	302FZ02600	2FZ02600	FOOT			2	2	2	
2	303LM02291	3LM02291	FULCRUM PLATE L			1	1	1	
3	303LM02301	3LM02301	FULCRUM PLATE R			1	1	1	
4	303N402360	3N402360	MOUNT PF			1	1	1	
5	303H321080	3H321080	RETAINING PIN TRAY			2	2	2	
6	302N494220	2N494220	PARTS CURSOR SCREW SET SP			1	1	1	
101	7BB782410H	BB111310	+TP-FLAT T.T S SCREW 4X10 SR(BLACK)						
102	7BB780420H	BB116060	+BIND T.T S SCREW 4X20 SR(BLACK)						
103	7BB700312H	BB106820	+BIND T.T S SCREW 3X12 SR						

• Parts with a Ref.No. of 500 and above in the illustration indicate they are not selected for service parts.

・イラスト中で 500 番台の Ref 番号が付いている部品はサービスパーツに選定されていません。

Part.No. 部品番号	Alternative. 代替部品番号	Description 部品名称	Fig.No.
2BC06910	2BC06910	STOPPER 6	3
2BG06480	2BG06480	BAND B	1
2C907140	2C907140	PAD CASSETTE	3
2C907360	2C907360	SPRING CURSOR R	3
2DC12170	2DC12170	SPRING TENSION	1
2FB06710	2FB06710	PIN CASSETTE RAIL	4
2FM04150	5MVM163DN005	CAP SPRING /B-11 ENCLOSURE A4	1
302A002171	2A002171	CASTER UA	2
302BG06152	2BG06152	SHAFT FEED B	1
302FG07020	2FG07020	PULLEY,CASSETTE RAIL	3
302FZ02600	2FZ02600	FOOT	6
302FZ07020	2FZ07020	PULLEY MPT BYPASS	3
302FZ20021	2FZ20021	SPRING LID	1
302GR02240	2GR02240	PIN FRONT CASSETTE RAIL	4
302H024370	2H024370	BUSH 6 EW	4
302HN09240	2HN09240	SIZE FIX	3
302HN24400	2HN24400	PULLEY PA	4
302HN31410	2HN31410	SPRING FEED	5
302HN31590	2HN31590	BUSH DRIVE	5
302HN31660	2HN31660	JOINT SHAFT CASSETTE	5
302K302420	2K302420	HEATER DEHUMIDIFIER 100	2
302K302430	2K302430	HEATER DEHUMIDIFIER 120	2
302K302440	2K302440	HEATER DEHUMIDIFIER 240	2
302K302760	2K302760	LEVER LIFT CASSETTE	4
302K302790	2K302790	SPRING LEVER LIFT CASSETTE	2
302K309141	2K309141	SLIDER CURSOR END	3
302K309150	2K309150	LIFT BASE CASSETTE SUB	3
302K309160	2K309160	SPRING LEVER LIFT CASSETTE SUB	3
302K309170	2K309170	PLATE LIFT BASE CASSETTE	3
302K309180	2K309180	SHAFT DRIVE LIFT	3
302K309190	2K309190	LEVER CURSOR SET	3
302K309200	2K309200	LEVER RELEASE CURSOR F	3
302K309210	2K309210	SPRING RELEASE CURSOR F	3
302K309220	2K309220	SPRING SIDE SWITCH	3
302K309270	2K309270	CURSOR END	3
302K309300	2K309300	SPRING CASSETTE LIFT EARTH	3
302K309350	2K309350	STOPPER SIZE SET	3
302K309360	2K309360	SPRING SIZE SET	3
302K309370	2K309370	SPRING CURSOR SET	3
302K309380	2K309380	SPRING SIZE SET F	3
302K309410	2K309410	PLATE SIZE DETECTION	2
302K329270	2K329270	BUSH DU	4
302K331081	2K331081	GEAR Z40R IDLE	5
302K331240	2K331240	SHAFT CLUTCH FEED	5
302K394190	2K394190	PARTS MOTOR LIFT ASSY SP	5
302K394380	2K394380	PARTS GEAR Z18 SP	3
302K906670	2K906670	HOOK FEED LOW	1
302K909630	2K909630	SHAFT HOOK PULLEY	2
302K909640	2K909640	LEVER CASSETTE HOOK	2
302KP34220	2KP34220	LABEL HIGH TEMPERATURE CAUTION	2
302KV44041	2KV44041	CLUTCH 50 Z35R	5

Part.No. 部品番号	Alternative. 代替部品番号	Description 部品名称	Fig.No.
302MV09021	2MV09021	BASE CASSETTE	3
302MV09040	2MV09040	ARM SIZE DETECTION	3
302MV09050	2MV09050	PLATE SIDE SWITCH	3
302MV09080	2MV09080	CURSOR CASSETTE REAR	3
302MV09090	2MV09090	CURSOR CASSETTE FRONT	3
302MV34300	2MV34300	SHEET CASSETTE C	3
302MV34310	2MV34310	LABEL CASSETTE SIZE A	3
302MV34320	2MV34320	LABEL OPERATION CURSOR	3
302MV34330	2MV34330	LABEL OPERATION L	3
302MV34340	2MV34340	LABEL OPERATION S	3
302MV34350	2MV34350	LABEL PAPER SET	3
302MV34360	2MV34360	LABEL CASSETTE SIZE B	3
302MV34370	2MV34370	LABEL PAPER LIMIT	3
302MV34430	2MV34430	SHEET CASSETTE I	3
302MV94061	2MV94061	PARTS PRIMARY FEED ASSY SP	4
302MV94320	2MV94320	PARTS ROLLER FEED LOWER SP	4
302NL06070	2NL06070	SHAFT FEED LOW HOOK	1
302NL09010	2NL09010	CASSETTE	3
302NL09020	2NL09020	HOLDER CASSETTE HOOK	2
302NL09030	2NL09030	PULLEY CASSETTE RAIL	4
302NL09050	2NL09050	COVER CASSETTE	3
302NL09060	2NL09060	SPRING CASSETTE HOOK	2
302NL09070	2NL09070	EMBLEM CASSETTE	3
302NL09080	2NL09080	HANDLE CASSETTE	3
302NL09090	2NL09090	PLATE CASSETTE LEFT	3
302NL09100	2NL09100	PLATE CASSETTE RIGHT	3
302NP93010	2NP93010	CT-8325	3
303H321080	3H321080	RETAINING PIN TRAY	6
303LM02132	3LM02132	BOLT STOPPER	2
303LM02170	3LM02170	RUBBER BOLT	2
303LM02230	3LM02230	SHEET BOLT RUBBER	2
303LM02240	3LM02240	PLATE BOLT	2
303LM02291	3LM02291	FULCRUM PLATE L	6
303LM02301	3LM02301	FULCRUM PLATE R	6
303LW24060	3LW24060	PULLEY EJECT	2
303MH06010	3MH06010	PAD RAIL	4
303N402180	3N402180	PLATE DRAWER	2
303N402350	3N402350	LID UPPER	2
303N402360	3N402360	MOUNT PF	6
303N402390	3N402390	COVER INNER BASE	1
303N404020	3N404020	COVER LEFT	1
303N404030	3N404030	COVER REAR	1
303N404521	3N404521	GUIDE COVER RIGHT	1
303N424010	3N424010	GUIDE FEED UPPER	2
303N424150	3N424150	COVER SW FEED	2
303N446020	3N446020	WIRE UPPER SENSOR	5
303N494022	3N494022	PARTS PWB PF MAIN ASSY SP	5
302N494220	2N494220	PARTS CURSOR SCREW SET SP	6
303NF02280	3NF02280	SHAFT HOOK FULCRUM	2
303NN02150	3NN02150	HOLDER SENSOR	4
303NN02191	3NN02191	MOUNT DRAWER	2





---

**PF-810**

———— CONTENTS/ 目次 ————

FIG. 1	Covers .....	2
FIG. 2	Frames .....	4
FIG. 3	Paper Cassette .....	6
FIG. 4	Paper Feed Section 1 .....	9
FIG. 5	Paper Feed Section 2 .....	12
FIG. 6	Paper Feed Section 3 .....	14
FIG. 7	Drive Section .....	17
FIG. 8	Electrical Components .....	19
FIG. 9	Accessories .....	21
• INDEX / 索引 .....		23

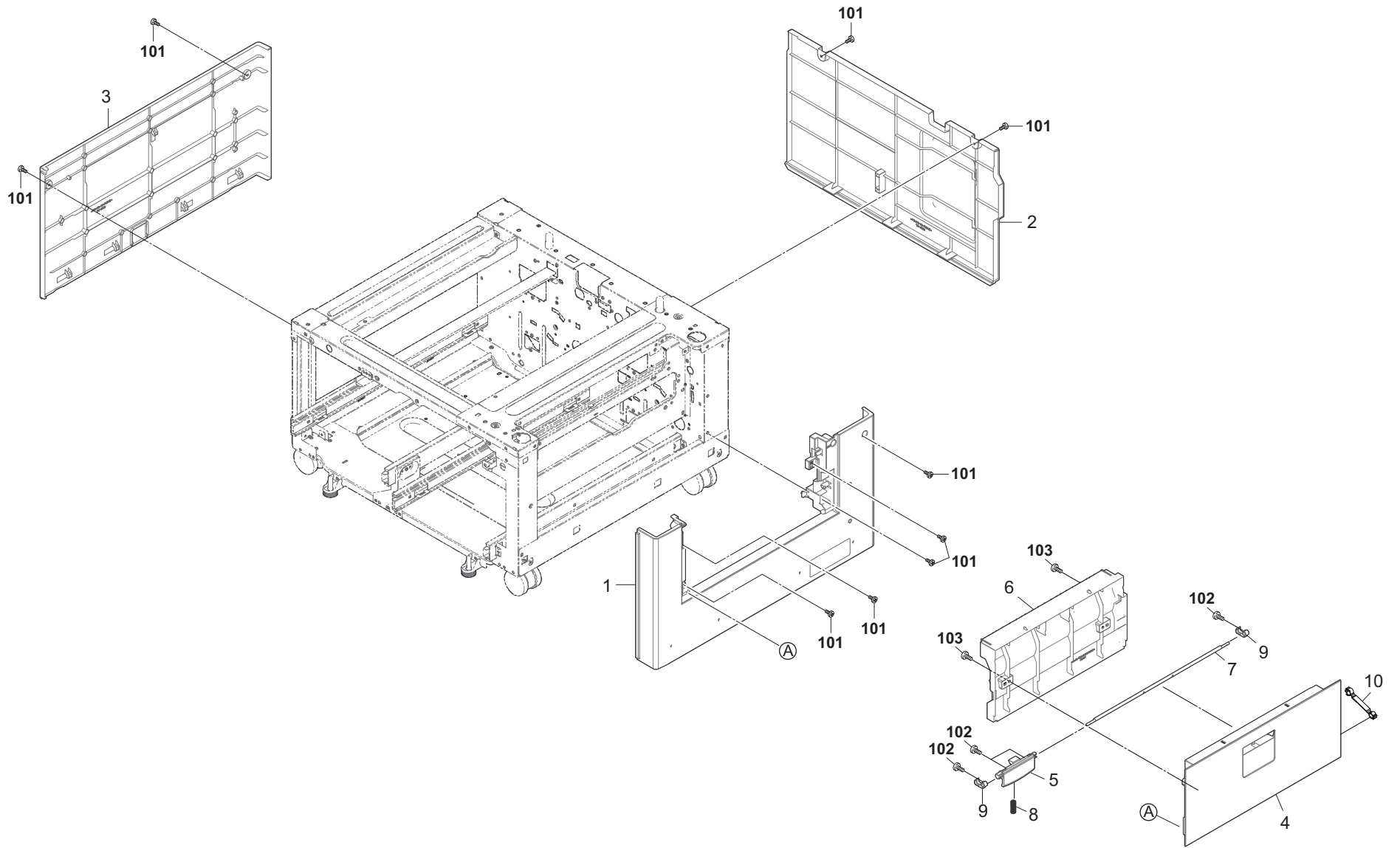


FIG. 1 Covers

3PC

Ref. No. 番号	Part.No. 部品番号	Alternative. 代替部品番号	Description 部品名称	Notes 備考	Revision 改訂	Quantity 個数			
						100(日本)	120	230	240
1	303PC04030	3PC04030	COVER RIGHT			1	1	1	
2	303PC04050	3PC04050	COVER REAR			1	1	1	
3	303PC04040	3PC04040	COVER LEFT			1	1	1	
4	303PC06040	3PC06040	COVER FEED LOW			1	1	1	
5	303PC06060	3PC06060	HANDLE FEED LOW			1	1	1	
6	303PC06070	3PC06070	GUIDE VF COVER			1	1	1	
7	303PC06090	3PC06090	SHAFT FEED LOW			1	1	1	
8	302FZ20021	2FZ20021	SPRING LID			1	1	1	
9	302K906670	2K906670	HOOK FEED LOW			2	2	2	
10	303NJ06050	3NJ06050	STRAP			1	1	1	
101	7BB782308H	BB111300	+TP-FLAT T.T S SCREW 3X8 SR(BLACK)						
102	7BB600306H	BB105730	+BIND M SCREW 3X6 R						
103	7BB200410H	BB105700	+BIND T.T P SCREW 4X10						

• Parts with a Ref.No. of 500 and above in the illustration indicate they are not selected for service parts.

・イラスト中で 500 番台の Ref 番号が付いている部品はサービスパーツに選定されていません。

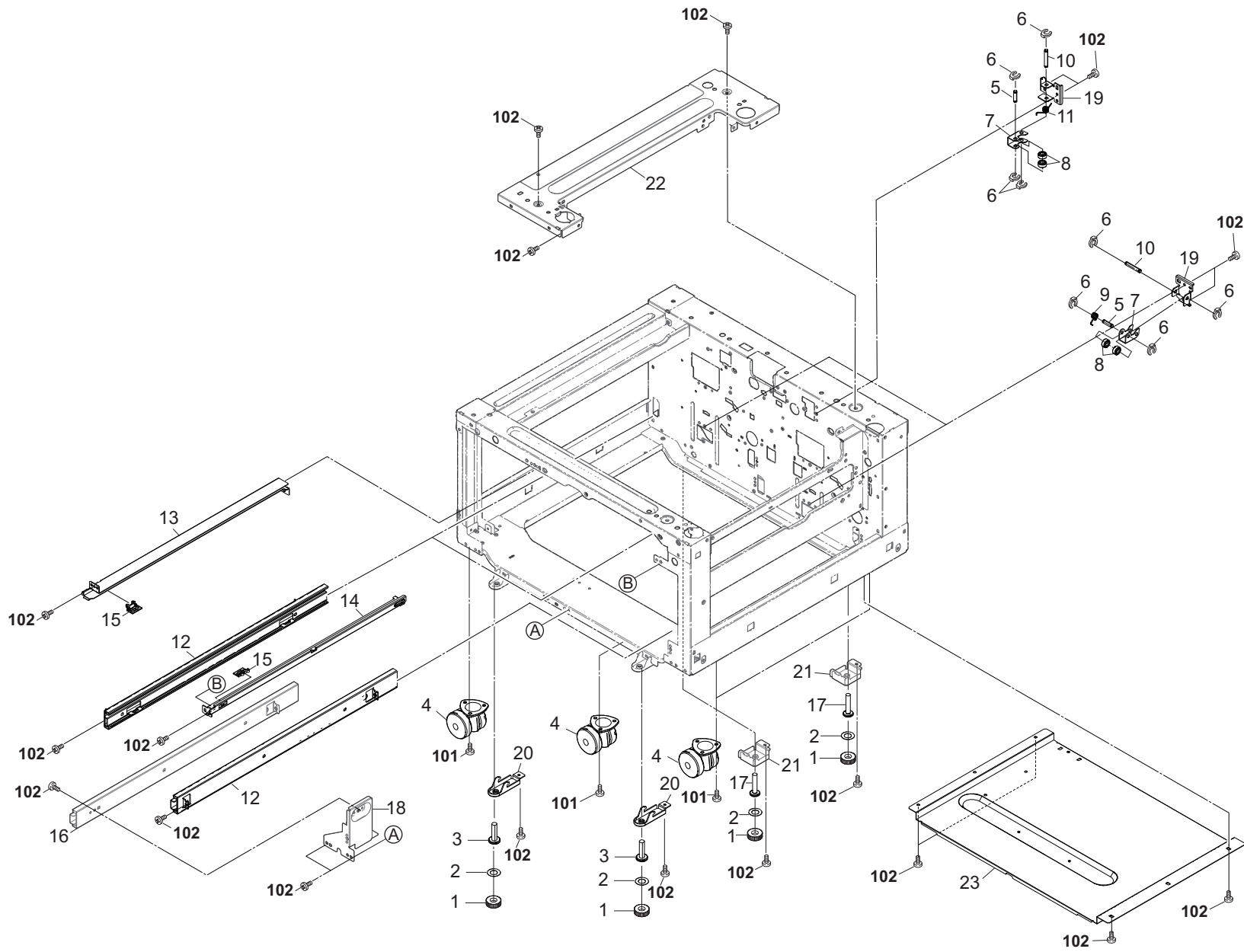


FIG. 2 Frames

3PC

Ref. No. 番号	Part.No. 部品番号	Alternative. 代替部品番号	Description 部品名称	Notes 備考	Revision 改訂	Quantity 個数			
						100(日本)	120	230	240
1	303LM02170	3LM02170	RUBBER BOLT			4	4	4	
2	303LM02230	3LM02230	SHEET BOLT RUBBER			4	4	4	
3	303NF02210	3NF02210	BOLT DECK STOPPER			2	2	2	
4	302A002171	2A002171	CASTER UA			4	4	4	
5	303NF02290	3NF02290	SHAFT HOOK PULLEY			3	3	3	
6	5MVX111DN003	2A806250	RING STOPPER /A-49 FEED A4			12	12	12	
7	303NF02270	3NF02270	LEVER DECK HOOK			3	3	3	
8	302FG07020	2FG07020	PULLEY,CASSETTE RAIL			6	6	6	
9	303NF02310	3NF02310	SPRING DECK HOOK			2	2	2	
10	303NF02280	3NF02280	SHAFT HOOK FULCRUM			3	3	3	
11	302LH02050	2LH02050	SPRING CASSETTE HOOK			1	1	1	
12	303NF10030	3NF10030	SLIDER DECK			3	3	3	
13	303NF02150	3NF02150	RAIL DECK FEED			1	1	1	
14	303NF02260	3NF02260	RAIL CONVEYING			1	1	1	
15	302FZ09050	2FZ09050	SLIDER CASSETTE			2	2	2	
16	303PC10010	3PC10010	SLIDER DECK			1	1	1	
17	303LM02132	3LM02132	BOLT STOPPER			2	2	2	
18	303PC02150	3PC02150	MOUNT SLIDER DECK			1	1	1	
19	303NF02301	3NF02301	HOLDER DECK HOOK			3	3	3	
20	303NF02130	3NF02130	PLATE BOLT FRONT			2	2	2	
21	303PC02160	3PC02160	MOUNT FOOT REAR			2	2	2	
22	303PC02060	3PC02060	STAY UPPER RIGHT			1	1	1	
23	303NF02121	3NF02121	PLATE LOW			1	1	1	
101	7BB606512H	BB105300	+BIND M SCREW WITH SW W 5X12 R						
102	7BB700410H	BB107090	+BIND T.T S SCREW 4X10 SR						

• Parts with a Ref.No. of 500 and above in the illustration indicate they are not selected for service parts.

• イラスト中で 500 番台の Ref 番号が付いている部品はサービスパーツに選定されていません。

FIG. 3 Paper Cassettes

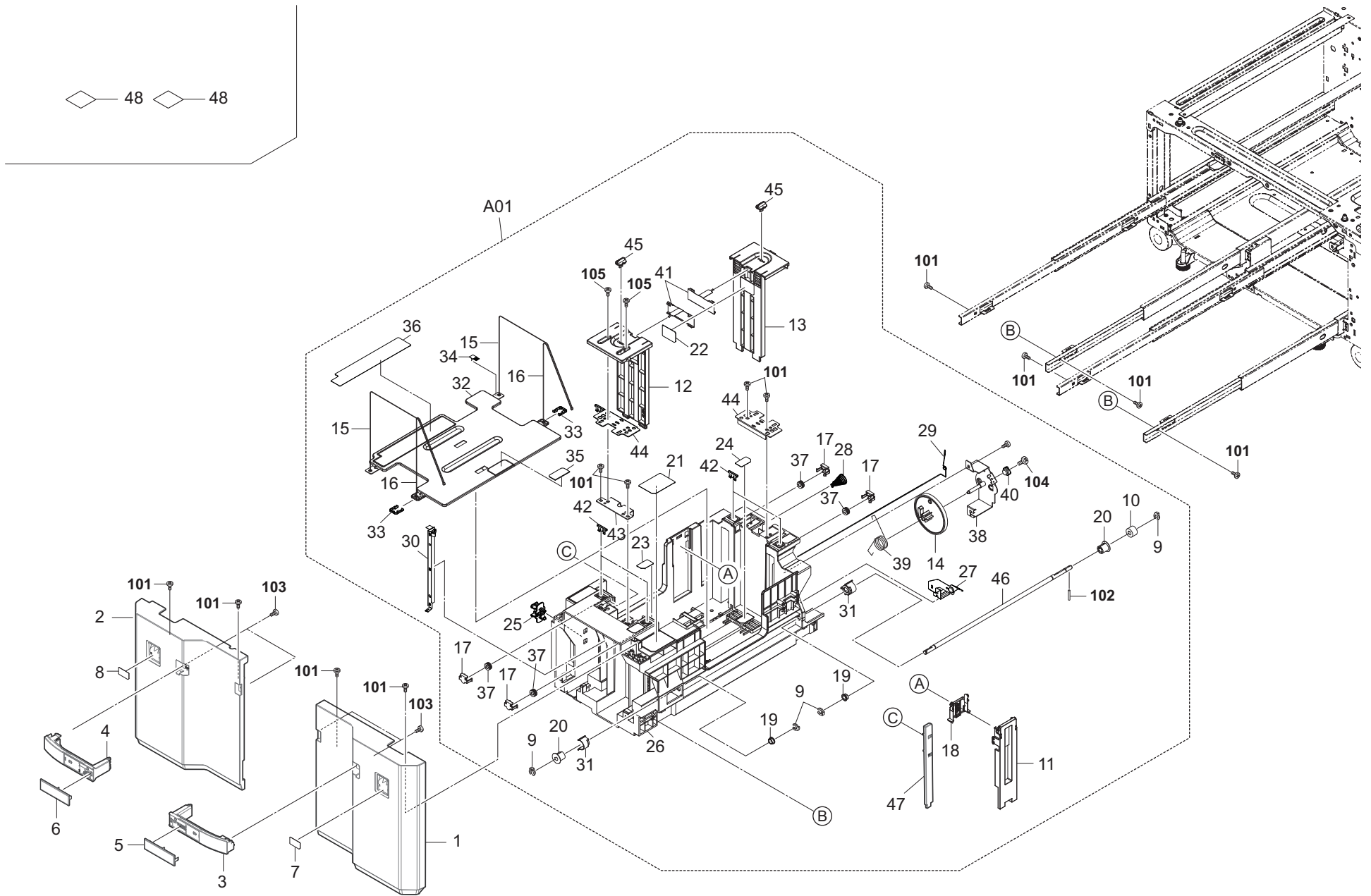




FIG. 3 Paper Cassettes

3PC

Ref. No. 番号	Part.No. 部品番号	Alternative. 代替部品番号	Description 部品名称	Notes 備考	Revision 改訂	Quantity 個数			
						100(日本)	120	230	240
1	303PC04010	3PC04010	COVER FRONT RIGHT			1	1	1	
2	303PC04020	3PC04020	COVER FRONT LEFT			1	1	1	
3	303PC04060	3PC04060	HANDLE DECK RIGHT			1	1	1	
4	303PC04070	3PC04070	HANDLE DECK LEFT			1	1	1	
5	303PC04080	3PC04080	EMBLEM DECK RIGHT			1	1	1	
6	303PC04090	3PC04090	EMBLEM DECK LEFT			1	1	1	
7	5MVX321CE001	3CF04050	LABEL CASSETTE NUMBER 3			1	1	1	
8	3CF04060	3CF04060	LABEL CASSETTE NUMBER 4			1	1	1	
A01	303NF94112	3NF94112	PARTS DECK UNIT(INCHI) SP	Inch			2		
A01	303NF94023	3NF94023	PARTS DECK UNIT SP	Metric		2		2	
9	*2BC06980	2BC06980	STOPPER 5			8	8	8	
10	*2BC07110	2BC07110	GEAR 20			2	2	2	
11	*303NF10070	3NF10070	CURSOR END DECK	Metric		2		2	
12	*303NF10080	3NF10080	CURSOR DECK FRONT			2	2	2	
13	*303NF10090	3NF10090	CURSOR DECK REAR			2	2	2	
14	*303NF10160	3NF10160	GEAR DAMPER 100			2	2	2	
15	*303NF10180	3NF10180	WIRE LIFT A			4	4	4	
16	*303NF10190	3NF10190	WIRE LIFT B			4	4	4	
17	*303NF10220	3NF10220	STOPPER PULLEY			8	8	8	
18	*303NF10410	3NF10410	CURSOR END SUB	Metric		2		2	
19	*28107310	49028101	BUSH 8			4	4	4	
20	*2BC07020	2BC07020	FRONT PULLEY,LIFT DRIVE			4	4	4	
21	*303NF34030	3NF34030	LABEL DECK PAPER DIRECTION			2	2	2	
22	*303NF34040	3NF34040	LABEL DECK PAPER LIMIT			2	2	2	
23	*303NF34060	3NF34060	LABEL DECK SIZE B	Metric		2		2	
24	*303NF34080	3NF34080	LABEL DECK SIZE D	Metric		2		2	
25	*302GR09991	2GR09991	LIFT LOCK			2	2	2	
26	*303NF10012	3NF10012	DECK CASSETTE			2	2	2	
27	*303NF10430	3NF10430	PLATE EARTH REAR			2	2	2	
28	*303NF10450	3NF10450	WIRE EARTH B			2	2	2	
29	*303NF10440	3NF10440	WIRE EARTH A			2	2	2	
30	*303NF10420	3NF10420	PLATE EARTH FRONT			2	2	2	
31	*303NF10320	3NF10320	HOLDER PULLEY			4	4	4	
32	*303NF10051	3NF10051	PLATE LIFT DECK			2	2	2	
33	*2BC07120	2BC07120	SPACER,DECK LIFT			4	4	4	
34	*303JY37220	3JY37220	STATIC ELIMINATOR CURSOR			2	2	2	
35	*303NF10020	3NF10020	PAD BOTTOM DECK			2	2	2	
36	*303NF34011	3NF34011	LABEL DECK OPERATION A	Metric		2		2	
37	*303NF10300	3NF10300	PULLEY LIFT WIRE			8	8	8	
38	*303NF10140	3NF10140	MOUNT DECK DAMPER			2	2	2	
39	*303NF10170	3NF10170	SPRING LIFT STOPPER			2	2	2	
40	*302G404160	2G404160	DAMPER			2	2	2	
41	*303NF10100	3NF10100	PLATE DECK SUB			4	4	4	
42	*303NF10150	3NF10150	PLATE WIRE LOCK			8	8	8	
43	*303NF10390	3NF10390	MOUNT CURSOR ADJUST			2	2	2	
44	*303NF10110	3NF10110	MOUNT CURSOR			4	4	4	
45	*303NF10250	3NF10250	PIN CURSOR LOCK			4	4	4	
46	*303NF10130	3NF10130	SHAFT DECK LIFT			2	2	2	
47	*303NF10510	3NF10510	CURSOR END A4	Metric		2		2	

• Parts with a Ref.No. of 500 and above in the illustration indicate they are not selected for service parts.

• イラスト中で 500 番台の Ref 番号が付いている部品はサービスパーツに選定されていません。

FIG. 3 Paper Cassettes

3PC

Ref. No. 番号	Part.No. 部品番号	Alternative. 代替部品番号	Description 部品名称	Notes 備考	Revision 改訂	Quantity 個数			
						100(日本)	120	230	240
48	302MV34430	2MV34430	SHEET CASSETTE I	Inch			2		
48	302MV34300	2MV34300	SHEET CASSETTE C	Metric		2		2	
101	7BB200410H	BB105700	+BIND T.T P SCREW 4X10						
102	E0030240	48129504	SPRING PIN 3X24						
103	7BB200310H	BB105670	+BIND T.T P SCREW 3X10						
104	7BB007304H	BB105810	+TP-CUP M SCREW 3X4						
105	7BB700410H	BB107090	+BIND T.T S SCREW 4X10 SR						

• Parts with a Ref.No. of 500 and above in the illustration indicate they are not selected for service parts.

・イラスト中で 500 番台の Ref 番号が付いている部品はサービスパーツに選定されていません。

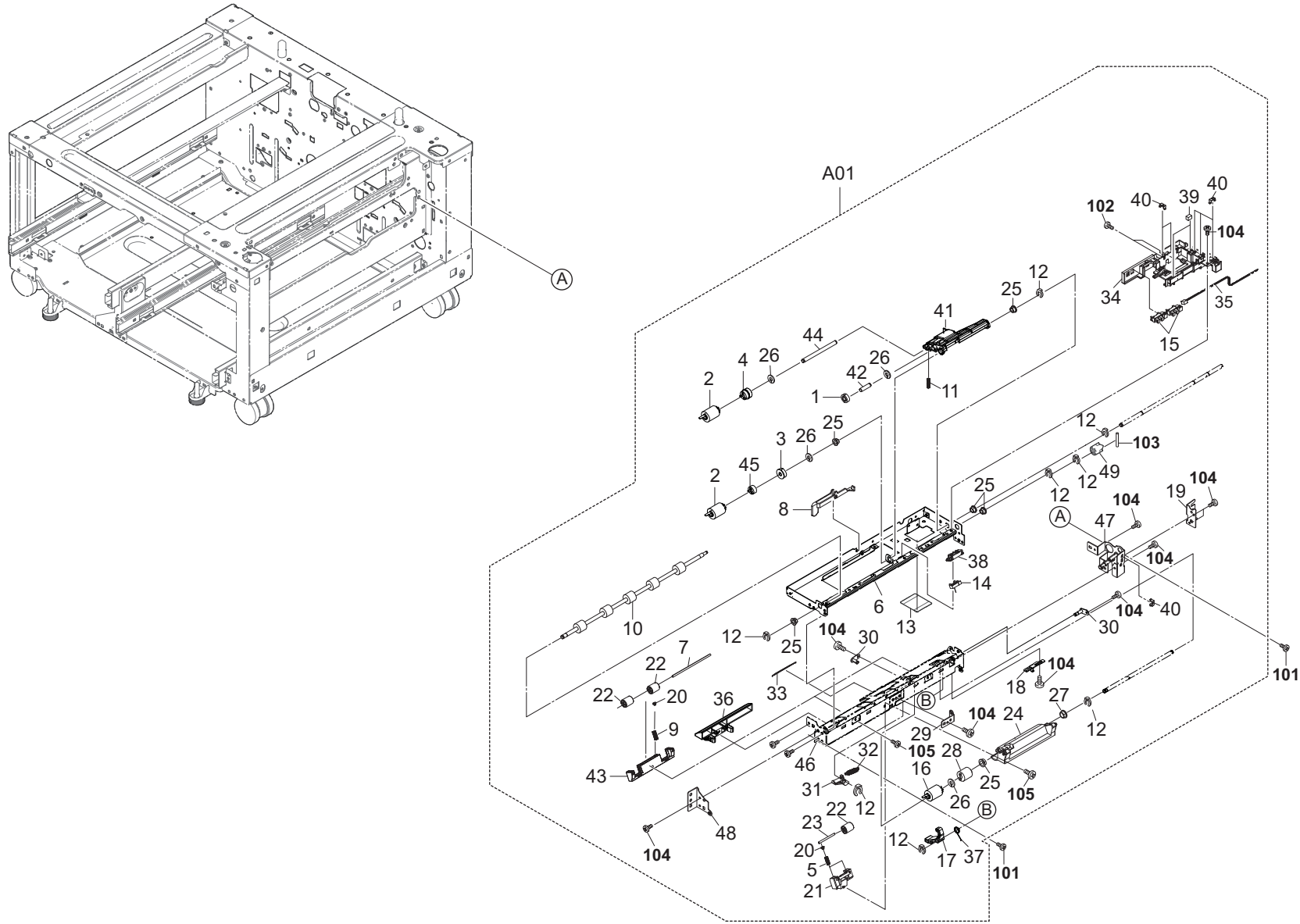


FIG. 4 Paper Feed Section 1

3PC

Ref. No. 番号	Part.No. 部品番号	Alternative. 代替部品番号	Description 部品名称	Notes 備考	Revision 改訂	Quantity 個数			
						100(日本)	120	230	240
A01	303PC94010	3PC94010	PARTS PRIMARY FEED UNIT RIGHT SP			1	1	1	
1	*302N406170	2N406170	GEAR Z28 FEED			1	1	1	
2	*302N406030	2N406030	PULLEY FEED			2	2	2	
3	*302N406100	2N406100	GEAR Z32 FEED OW			1	1	1	
4	*302N406110	2N406110	GEAR Z32 PICKUP			1	1	1	
5	*302F925780	2F925780	SPRING DU			2	2	2	
6	*302N406010	2N406010	PLATE FRAME UPPER			1	1	1	
7	*302K906510	2K906510	SHAFT FEED LOW			2	2	2	
8	*302K906321	2K906321	ACTUATOR PAPER EMPTY			1	1	1	
9	*302F708310	2F708310	SPRING LOCK MPF			2	2	2	
10	*302K994420	2K994420	PARTS ROLLER ASSIST SP			1	1	1	
11	*302K906260	2K906260	SPRING PICK UP			1	1	1	
12	*5MVX111DN003	2A806250	RING STOPPER /A-49 FEED A4			8	8	8	
13	*303NF06350	3NF06350	SHEET SOLENOID			1	1	1	
14	*302K994580	2K994580	PARTS SENSOR OPT. SP			1	1	1	
15	*303M894260	3M894260	PARTS SENSOR OPT SP			2	2	2	
16	*302N406040	2N406040	PULLEY RETARD			1	1	1	
17	*302N406160	2N406160	LEVER RETARD LOCK			1	1	1	
18	*302K906420	2K906420	PLATE RETARD ADJUST			1	1	1	
19	*302K906270	2K906270	MOUNT PRIMARY FEED R			1	1	1	
20	*2FM04150	5MVM163DN005	CAP SPRING /B-11 ENCLOSURE A4			4	4	4	
21	*302K906700	2K906700	HOLDER PULLEY			1	1	1	
22	*302F929260	2F929260	PULLEY DU LOW			5	5	5	
23	*302K906710	2K906710	SHAFT ASSIST PULLEY			1	1	1	
24	*302K906151	2K906151	HOLDER RETARD			1	1	1	
25	*302K324450	2K324450	BUSH 6			6	6	6	
26	*302K924820	2K924820	CUT-WASHER 4			4	4	4	
27	*34806040	34806040	LOWER BUSHING,PAPER FEED			1	1	1	
28	*302K906750	2K906750	TORQUE-LIMITER 390			1	1	1	
29	*302K906300	2K906300	PLATE RETARD HOLDER			1	1	1	
30	*302N406150	2N406150	FULCRUM-PIN RETARD			2	2	2	
31	*302N406130	2N406130	LEVER RETARD RELEASE			1	1	1	
32	*302N406200	2N406200	SPRING RETARD			1	1	1	
33	*302K906721	2K906721	SHEET PRIMARY FEED HI			1	1	1	
34	*302K906250	2K906250	GUIDE PRIM FEED WIRE			1	1	1	
35	*303NJ46160	3NJ46160	WIRE PRIMARY FEED UNIT			1	1	1	
36	*302N406060	2N406060	GUIDE FRONT LOWER			1	1	1	
37	*302N406140	2N406140	SPRING RETARD LOCK			1	1	1	
38	*302K906290	2K906290	HOLDER SENSOR FEED			1	1	1	
39	*302H708150	2H708150	SPONGE WIRE MPT			2	2	2	
40	*302K931080	2K931080	WIRE STOPPER			6	6	6	
41	*302N406050	2N406050	HOLDER PICKUP			1	1	1	
42	*302K906080	2K906080	PIN PICK UP IDLE			1	1	1	
43	*302K906280	2K906280	HOLDER PRIM FEED PULLEY			2	2	2	
44	*302N406070	2N406070	SHAFT PICKUP PRIMARY			1	1	1	
45	*302N406120	2N406120	ONEWAY-CLUTCH 6			1	1	1	
46	*302N406020	2N406020	PLATE FRAME LOWER			1	1	1	

• Parts with a Ref.No. of 500 and above in the illustration indicate they are not selected for service parts.

• イラスト中で 500 番の Ref 番号が付いている部品はサービスパーツに選定されていません。

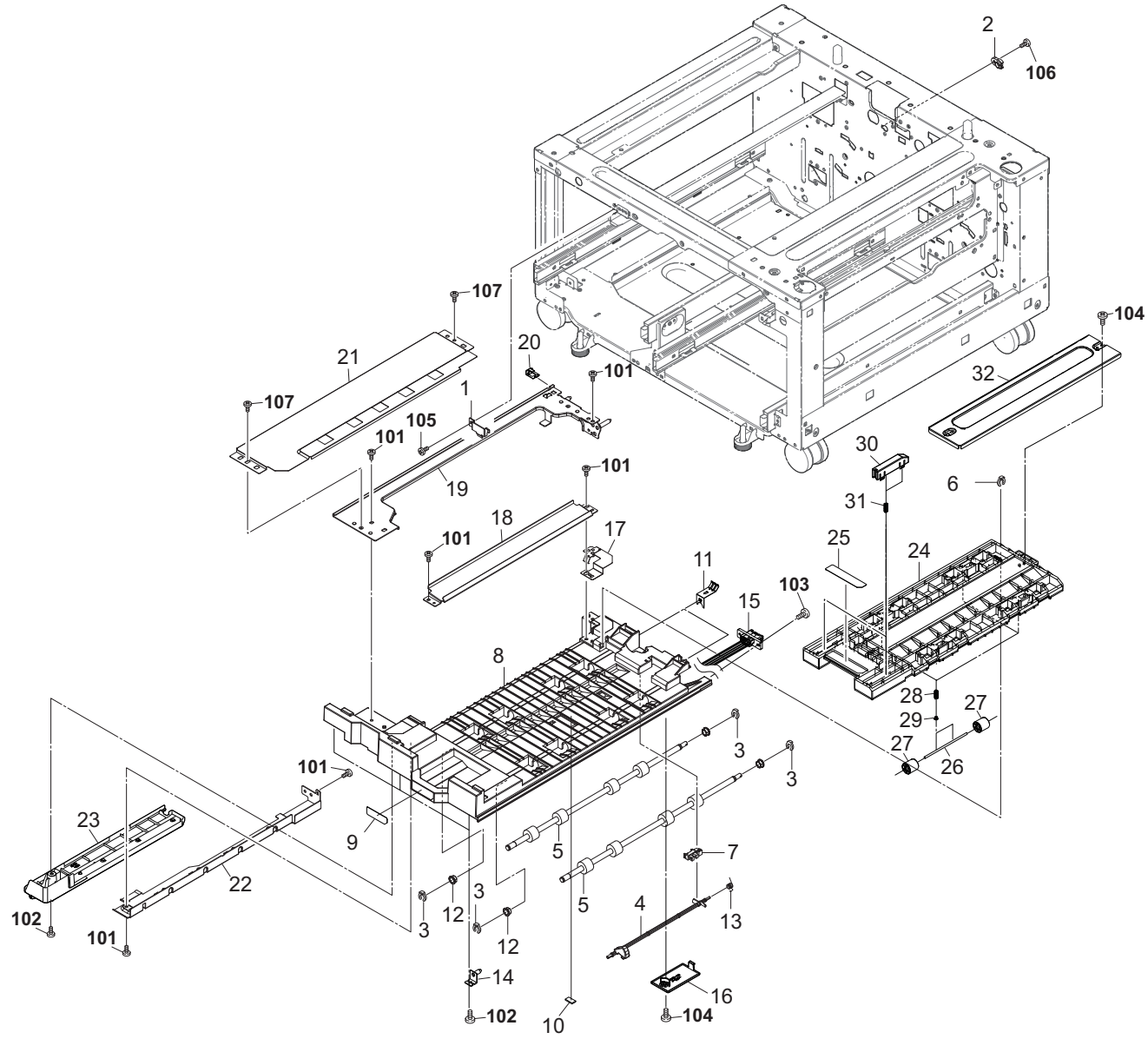
FIG. 4 Paper Feed Section 1

3PC

Ref. No. 番号	Part.No. 部品番号	Alternative. 代替部品番号	Description 部品名称	Notes 備考	Revision 改訂	Quantity 個数			
						100(日本)	120	230	240
47	*302K906111	2K906111	PLATE PRIMARY FEED DRIVE			1	1	1	
48	*302K906100	2K906100	MOUNT PRIMARY FEED			1	1	1	
49	*302K931530	2K931530	COUPLING DRIVE			1	1	1	
101	7BB700410H	BB107090	+BIND T.T S SCREW 4X10 SR						
102	7BB600306H	BB105730	+BIND M SCREW 3X6 R						
103	7BP512012B0CH01	BP126440	PARALLEL PIN 2.0X12						
104	7BB700308H	BB105600	+BIND T.T S SCREW 3X8 SR						
105	7BB200308H	BB105660	+BIND T.T P SCREW 3X8						

• Parts with a Ref.No. of 500 and above in the illustration indicate they are not selected for service parts.

・イラスト中で 500 番台の Ref 番号が付いている部品はサービスパーツに選定されていません。





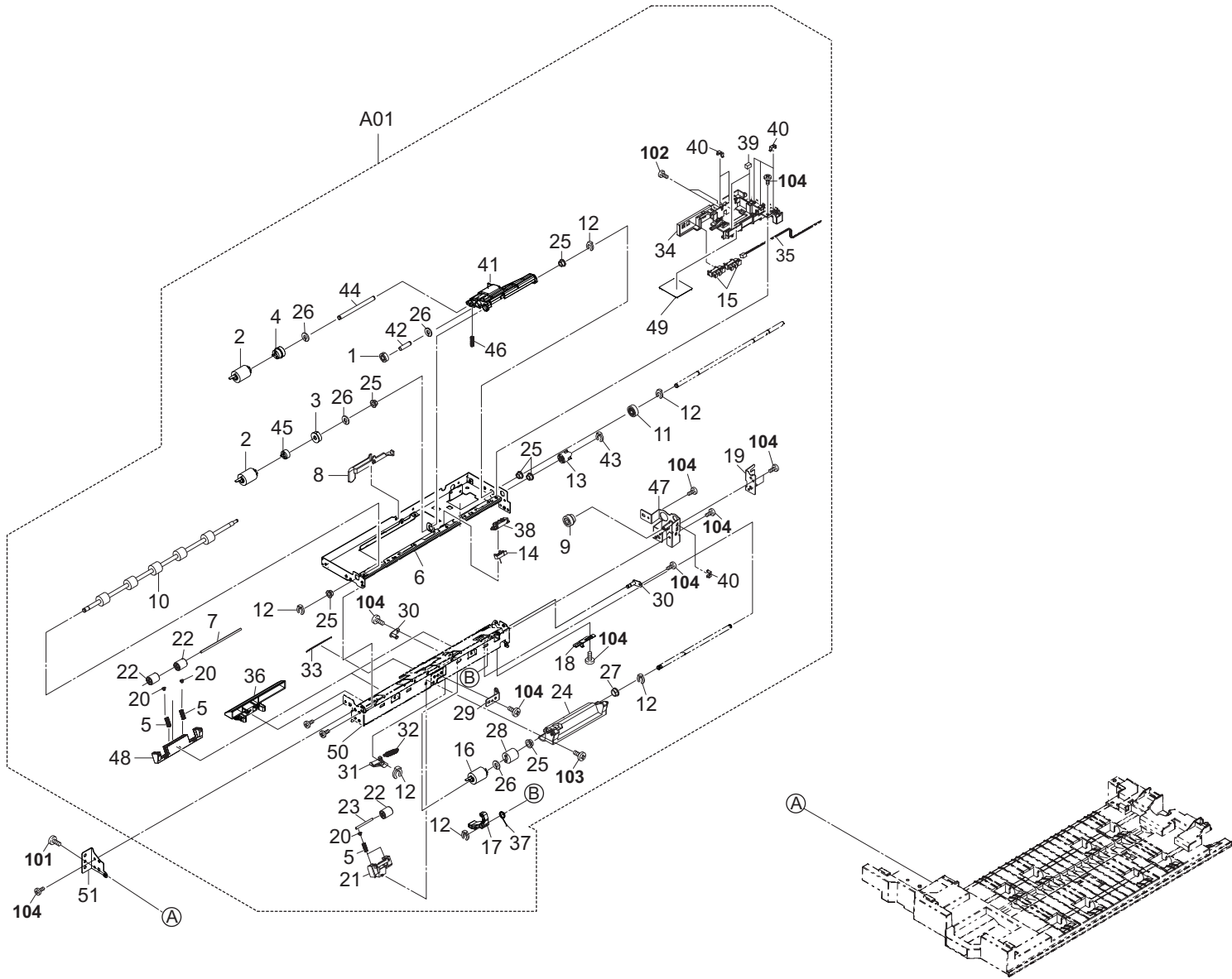




FIG. 6 Paper Feed Section 3

3PC

Ref. No. 番号	Part.No. 部品番号	Alternative. 代替部品番号	Description 部 品 名 称	Notes 備 考	Revision 改 訂	Quantity 個数			
						100(日本)	120	230	240
A01	302N294030	2N294030	PARTS PRIMARY FEED UNIT DECK SP			1	1	1	
1	*302N406170	2N406170	GEAR Z28 FEED			1	1	1	
2	*302N406030	2N406030	PULLEY FEED			2	2	2	
3	*302N406100	2N406100	GEAR Z32 FEED OW			1	1	1	
4	*302N406110	2N406110	GEAR Z32 PICKUP			1	1	1	
5	*302F925780	2F925780	SPRING DU			6	6	6	
6	*302N406010	2N406010	PLATE FRAME UPPER			1	1	1	
7	*302K906510	2K906510	SHAFT FEED LOW			2	2	2	
8	*302K906321	2K906321	ACTUATOR PAPER EMPTY			1	1	1	
9	*302K906230	2K906230	GEAR PRIMARY FEED IDLE Z20R Z16L			1	1	1	
10	*303NJ94050	3NJ94050	PARTS ROLLER ASSIST SP			1	1	1	
11	*302K906240	2K906240	GEAR FEED DRIVE Z20L			1	1	1	
12	*5MVX111DN003	2A806250	RING STOPPER /A-49 FEED A4			6	6	6	
13	*303NJ06040	3NJ06040	GEAR PRIMARY FEED Z17L OW			1	1	1	
14	*302K994580	2K994580	PARTS SENSOR OPT. SP			1	1	1	
15	*303M894260	3M894260	PARTS SENSOR OPT SP			2	2	2	
16	*302N406040	2N406040	PULLEY RETARD			1	1	1	
17	*302N406160	2N406160	LEVER RETARD LOCK			1	1	1	
18	*302K906420	2K906420	PLATE RETARD ADJUST			1	1	1	
19	*302K906270	2K906270	MOUNT PRIMARY FEED R			1	1	1	
20	*2FM04150	5MVM163DN005	CAP SPRING /B-11 ENCLOSURE A4			6	6	6	
21	*302K906700	2K906700	HOLDER PULLEY			1	1	1	
22	*302F929260	2F929260	PULLEY DU LOW			5	5	5	
23	*302K906710	2K906710	SHAFT ASSIST PULLEY			1	1	1	
24	*302K906151	2K906151	HOLDER RETARD			1	1	1	
25	*302K324450	2K324450	BUSH 6			6	6	6	
26	*302K924820	2K924820	CUT-WASHER 4			4	4	4	
27	*34806040	34806040	LOWER BUSHING,PAPER FEED			1	1	1	
28	*302K906750	2K906750	TORQUE-LIMITER 390			1	1	1	
29	*302K906300	2K906300	PLATE RETARD HOLDER			1	1	1	
30	*302N406150	2N406150	FULCRUM-PIN RETARD			2	2	2	
31	*302N406130	2N406130	LEVER RETARD RELEASE			1	1	1	
32	*302N406200	2N406200	SPRING RETARD			1	1	1	
33	*302K906721	2K906721	SHEET PRIMARY FEED HI			1	1	1	
34	*302K906250	2K906250	GUIDE PRIM FEED WIRE			1	1	1	
35	*303NJ46160	3NJ46160	WIRE PRIMARY FEED UNIT			1	1	1	
36	*302N406060	2N406060	GUIDE FRONT LOWER			1	1	1	
37	*302N406140	2N406140	SPRING RETARD LOCK			1	1	1	
38	*302K906290	2K906290	HOLDER SENSOR FEED			1	1	1	
39	*302H708150	2H708150	SPONGE WIRE MPT			2	2	2	
40	*302K931080	2K931080	WIRE STOPPER			6	6	6	
41	*302N406050	2N406050	HOLDER PICKUP			1	1	1	
42	*302K906080	2K906080	PIN PICK UP IDLE			1	1	1	
43	*5MVX111DN007	2BT11070	STOPPER 3 /2BT1107 A4			1	1	1	
44	*302N406070	2N406070	SHAFT PICKUP PRIMARY			1	1	1	
45	*302N406120	2N406120	ONEWAY-CLUTCH 6			1	1	1	
46	*302K906260	2K906260	SPRING PICK UP			1	1	1	

• Parts with a Ref.No. of 500 and above in the illustration indicate they are not selected for service parts.

• イラスト中で 500 番台の Ref 番号が付いている部品はサービスパーツに選定されていません。

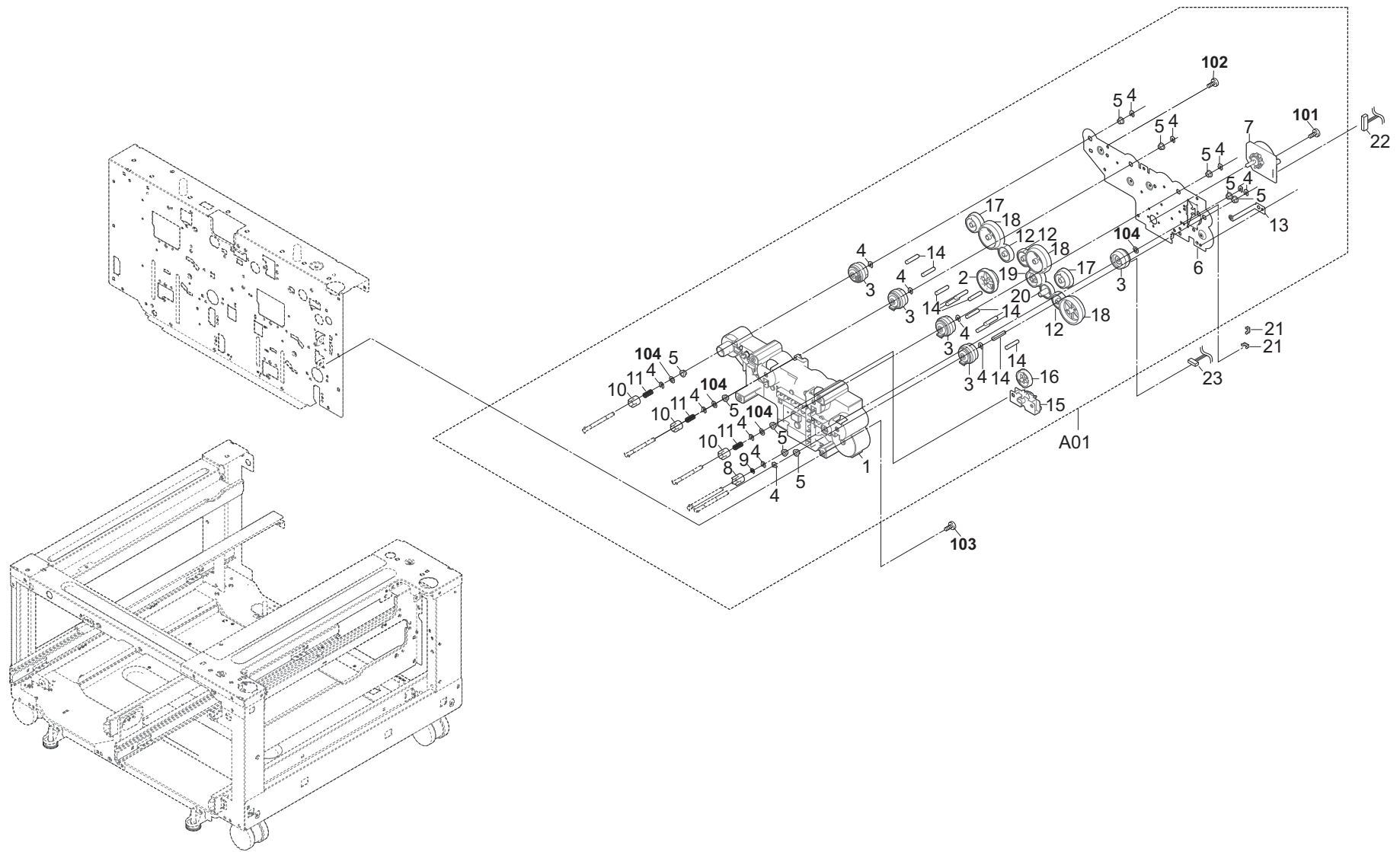
FIG. 6 Paper Feed Section 3

3PC

Ref. No. 番号	Part.No. 部品番号	Alternative. 代替部品番号	Description 部品名称	Notes 備考	Revision 改訂	Quantity 個数			
						100(日本)	120	230	240
47	*302K906111	2K906111	PLATE PRIMARY FEED DRIVE			1	1	1	
48	*302K906280	2K906280	HOLDER PRIM FEED PULLEY			2	2	2	
49	*303NF06350	3NF06350	SHEET SOLENOID			1	1	1	
50	*302N406020	2N406020	PLATE FRAME LOWER			1	1	1	
51	302K906100	2K906100	MOUNT PRIMARY FEED			1	1	1	
101	7BB700410H	BB107090	+BIND T.T S SCREW 4X10 SR						
102	7BB600306H	BB105730	+BIND M SCREW 3X6 R						
103	7BB200308H	BB105660	+BIND T.T P SCREW 3X8						
104	7BB700308H	BB105600	+BIND T.T S SCREW 3X8 SR						

• Parts with a Ref.No. of 500 and above in the illustration indicate they are not selected for service parts.

・イラスト中で 500 番台の Ref 番号が付いている部品はサービスパーツに選定されていません。





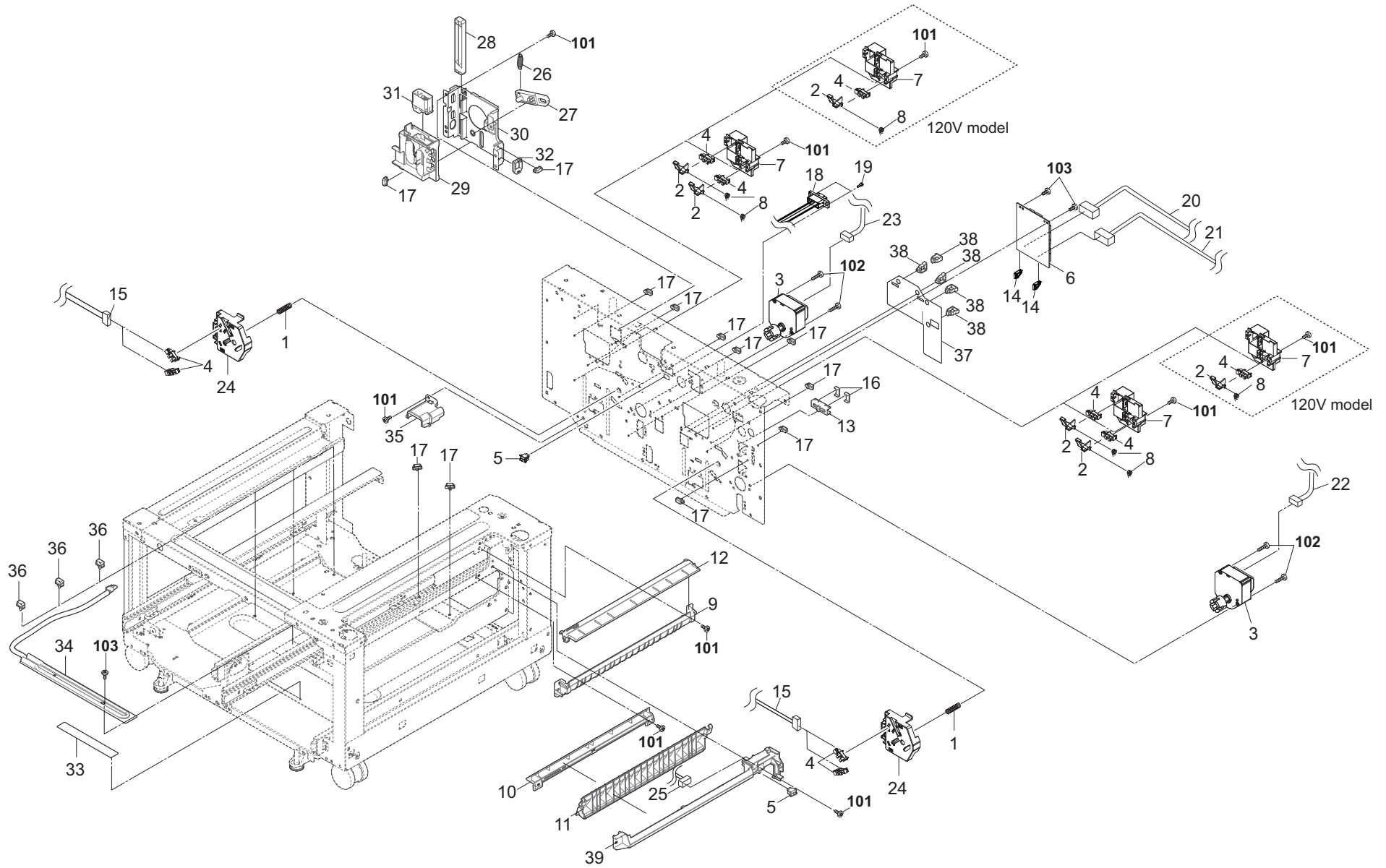


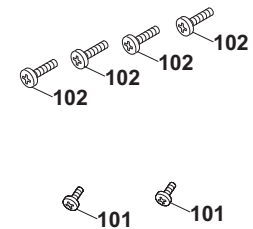
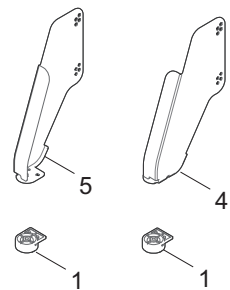
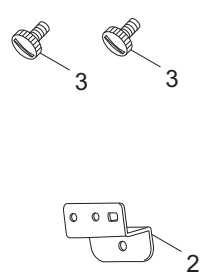
FIG. 8 Electrical Components

3PC

Ref. No. 番号	Part.No. 部品番号	Alternative. 代替部品番号	Description 部品名称	Notes 備考	Revision 改訂	Quantity 個数			
						100(日本)	120	230	240
1	2C902080	2C902080	SPRING DEV PUSH			2	2	2	
2	303NF10230	3NF10230	ACTUATOR CASSETTE			4	2	4	
3	303NF94090	3NF94090	PARTS MOTOR LIFT DECK SP			2	2	2	
4	303M894260	3M894260	PARTS SENSOR OPT SP			8	6	8	
5	7SP01000006+H01	SP121020	SW.PUSH			2	2	2	
6	303PC94030	3PC94030	PARTS PWB FRONT DECK ASSY SP			1	1	1	
7	303NF10240	3NF10240	MOUNT ACTUATOR CASSETTE			2	2	2	
8	302H729120	2H729120	SPRING ACT DU			4	2	4	
9	303PC06010	3PC06010	GUIDE UPPER MID			1	1	1	
10	303PC06020	3PC06020	GUIDE LOWER MID			1	1	1	
11	303PC06050	3PC06050	GUIDE JUNCTION LOW			1	1	1	
12	303PC06100	3PC06100	GUIDE JUNCTION UPPER			1	1	1	
13	302LF39050	2LF39050	GUIDE WIRE FRONT PWB			1	1	1	
14	302K939230	2K939230	HOLDER PWB			2	2	2	
15	303NF46100	3NF46100	WIRE PAPER SENSOR			2	2	2	
16	303LL02330	3LL02330	HOLDER WIRE D			2	2	2	
17	7YZM610008++H01	YZ037940	ACCESS.SADDLE			16	16	16	
18	303PC46100	3PC46100	WIRE LEFT DECK			1	1	1	
19	3CZ02240	3CZ02240	PIN,DRAWER SIDE CONVEYING			2	2	2	
20	303PC46040	3PC46040	WIRE LEFT			1	1	1	
21	303PC46050	3PC46050	WIRE RIGHT			1	1	1	
22	303PC46030	3PC46030	WIRE LIFT MOTOR			1	1	1	
23	303PC46060	3PC46060	WIRE RIGHT DECK			1	1	1	
24	303NF10330	3NF10330	HOLDER DECK SENSOR			2	2	2	
25	303PC46070	3PC46070	WIRE VERTICAL			1	1	1	
26	303NN02220	3NN02220	SPRING MACHINE			1	1	1	
27	303PC02200	3PC02200	ARM DRAWER			1	1	1	
28	303PC02210	3PC02210	ARM MACHINE			1	1	1	
29	303PC02220	3PC02220	MOUNT DRAWER			1	1	1	
30	303PC02230	3PC02230	PLATE DRAWER			1	1	1	
31	303PC46010	3PC46010	WIRE INTERFACE			1	1		
31	303PC46090	3PC46090	WIRE INTERFACE 200						1
32	7YZM210002++H01	YZ004730	ACCESS.EDGING			1	1	1	
33	302KP34220	2KP34220	LABEL HIGH TEMPERATURE CAUTION			1	1	1	
34	302H745070	2H745070	CASSETTE HEATER 100			1			
34	302H745080	2H745080	HEATER DEHUMIDIFIER 240						1
34	302H745090	2H745090	HEATER DEHUMIDIFIER 120				1		
35	303NF04140	3NF04140	COVER CONNECTOR HEATER			1	1	1	
36	7YZM610001++H01	YZ010230	ACCESS SADDLE			3	3	3	
37	303PC02240	3PC02240	FILM PROTECTOR			1	1	1	
38	7YZM610011++H01	YZ043000	ACCESS.SADDLE			5	5	5	
39	303PC06030	3PC06030	GUIDE VF RIGHT			1	1	1	
101	7BB700410H	BB107090	+BIND T.T S SCREW 4X10 SR						
102	7BB700330H	BB106840	+BIND T.T S SCREW 3X30 SR						
103	7BB700308H	BB105600	+BIND T.T S SCREW 3X8 SR						
104	7BB702308H	BB107060	+TP-FLAT T.T S SCREW 3X8 SR						

• Parts with a Ref.No. of 500 and above in the illustration indicate they are not selected for service parts.

• イラスト中で 500 番台の Ref 番号が付いている部品はサービスパーツに選定されていません。







## INDEX / 索引

3PC

Part.No. 部品番号	Alternative. 代替部品番号	Description 部品名称	Fig.No.
28107310	49028101	BUSH 8	3,5
34806040	34806040	LOWER BUSHING,PAPER FEED	4,6
2BC06910	2BC06910	STOPPER 6	5
2BC06980	2BC06980	STOPPER 5	3
2BC07020	2BC07020	FRONT PULLEY,LIFT DRIVE	3
2BC07110	2BC07110	GEAR 20	3
2BC07120	2BC07120	SPACER,DECK LIFT	3
2C902080	2C902080	SPRING DEV PUSH	8
2FM04150	5MVM163DN005	CAP SPRING /B-11 ENCLOSURE A4	4,5,6
302A002171	2A002171	CASTER UA	2
302F708310	2F708310	SPRING LOCK MPF	4,5
302F925780	2F925780	SPRING DU	4,6
302F929260	2F929260	PULLEY DU LOW	4,6
302FG07020	2FG07020	PULLEY,CASSETTE RAIL	2
302FZ02600	2FZ02600	FOOT	9
302FZ09050	2FZ09050	SLIDER CASSETTE	2
302FZ20021	2FZ20021	SPRING LID	1
302G404160	2G404160	DAMPER	3
302GR09991	2GR09991	LIFT LOCK	3
302H702590	2H702590	BUSH SCREW	7
302H708150	2H708150	SPONGE WIRE MPT	4,6
302H722760	2H722760	PULLEY MIDDLE A	5
302H729120	2H729120	SPRING ACT DU	5,8
302H745070	2H745070	CASSETTE HEATER 100	8
302H745080	2H745080	HEATER DEHUMIDIFIER 240	8
302H745090	2H745090	HEATER DEHUMIDIFIER 120	8
302K324450	2K324450	BUSH 6	4,6
302K906080	2K906080	PIN PICK UP IDLE	4,6
302K906100	2K906100	MOUNT PRIMARY FEED	4,6
302K906111	2K906111	PLATE PRIMARY FEED DRIVE	4,6
302K906151	2K906151	HOLDER RETARD	4,6
302K906230	2K906230	GEAR PRIMARY FEED IDLE Z20R Z16L	6
302K906240	2K906240	GEAR FEED DRIVE Z20L	6
302K906250	2K906250	GUIDE PRIM FEED WIRE	4,6
302K906260	2K906260	SPRING PICK UP	4,6
302K906270	2K906270	MOUNT PRIMARY FEED R	4,6
302K906280	2K906280	HOLDER PRIM FEED PULLEY	4,6
302K906290	2K906290	HOLDER SENSOR FEED	4,6
302K906300	2K906300	PLATE RETARD HOLDER	4,6
302K906321	2K906321	ACTUATOR PAPER EMPTY	4,6
302K906420	2K906420	PLATE RETARD ADJUST	4,6
302K906510	2K906510	SHAFT FEED LOW	4,5
302K906670	2K906670	HOOK FEED LOW	1
302K906700	2K906700	HOLDER PULLEY	4,6
302K906710	2K906710	SHAFT ASSIST PULLEY	4,6
302K906721	2K906721	SHEET PRIMARY FEED HI	4,6
302K906750	2K906750	TORQUE-LIMITER 390	4,6
302K924820	2K924820	CUT-WASHER 4	4,6,7
302K931080	2K931080	WIRE STOPPER	4,6,7
302K931530	2K931530	COUPLING DRIVE	4,7
302K939230	2K939230	HOLDER PWB	8

Part.No. 部品番号	Alternative. 代替部品番号	Description 部品名称	Fig.No.
302K994331	2K994331	PARTS MOTOR-BL W30 SP	7
302K994420	2K994420	PARTS ROLLER ASSIST SP	4
302K994580	2K994580	PARTS SENSOR OPT. SP	4,6
302KP34220	2KP34220	LABEL HIGH TEMPERATURE CAUTION	8
302KV44041	2KV44041	CLUTCH 50 Z35R	7
302LF39050	2LF39050	GUIDE WIRE FRONT PWB	8
302LH02050	2LH02050	SPRING CASSETTE HOOK	2
302MV34300	2MV34300	SHEET CASSETTE C	3
302MV34430	2MV34430	SHEET CASSETTE I	3
302N294030	2N294030	PARTS PRIMARY FEED UNIT DECK SP	6
302N406010	2N406010	PLATE FRAME UPPER	4,6
302N406020	2N406020	PLATE FRAME LOWER	4,6
302N406030	2N406030	PULLEY FEED	4,6
302N406040	2N406040	PULLEY RETARD	4,6
302N406050	2N406050	HOLDER PICKUP	4,6
302N406060	2N406060	GUIDE FRONT LOWER	4,6
302N406070	2N406070	SHAFT PICKUP PRIMARY	4,6
302N406100	2N406100	GEAR Z32 FEED OW	4,6
302N406110	2N406110	GEAR Z32 PICKUP	4,6
302N406120	2N406120	ONEWAY-CLUTCH 6	4,6
302N406130	2N406130	LEVER RETARD RELEASE	4,6
302N406140	2N406140	SPRING RETARD LOCK	4,6
302N406150	2N406150	FULCRUM-PIN RETARD	4,6
302N406160	2N406160	LEVER RETARD LOCK	4,6
302N406170	2N406170	GEAR Z28 FEED	4,6
302N406200	2N406200	SPRING RETARD	4,6
303H321080	3H321080	RETAINING PIN TRAY	9
303JY37220	3JY37220	STATIC ELIMINATOR CURSOR	3
303LL02330	3LL02330	HOLDER WIRE D	8
303LM02132	3LM02132	BOLT STOPPER	2
303LM02170	3LM02170	RUBBER BOLT	2
303LM02230	3LM02230	SHEET BOLT RUBBER	2
303LM02291	3LM02291	FULCRUM-PLATE L	9
303LM02301	3LM02301	FULCRUM-PLATE R	9
303M894260	3M894260	PARTS SENSOR OPT SP	4,5,6,8
303NF02121	3NF02121	PLATE LOW	2
303NF02130	3NF02130	PLATE BOLT FRONT	2
303NF02150	3NF02150	RAIL DECK FEED	2
303NF02210	3NF02210	BOLT DECK STOPPER	2
303NF02260	3NF02260	RAIL CONVEYING	2
303NF02270	3NF02270	LEVER DECK HOOK	2
303NF02280	3NF02280	SHAFT HOOK FULCRUM	2
303NF02290	3NF02290	SHAFT HOOK PULLEY	2
303NF02301	3NF02301	HOLDER DECK HOOK	2
303NF02310	3NF02310	SPRING DECK HOOK	2
303NF04140	3NF04140	COVER CONNECTOR HEATER	8
303NF06010	3NF06010	GUIDE HF LOWER	5
303NF06030	3NF06030	GUIDE HF LEFT	5
303NF06040	3NF06040	ACTUATOR HF	5
303NF06050	3NF06050	PLATE HF L	5
303NF06060	3NF06060	PLATE HF ROLLER	5

Part.No. 部品番号	Alternative. 代替部品番号	Description 部品名称	Fig.No.
303NF06070	3NF06070	SLIDER HF RAIL	5
303NF06080	3NF06080	GUIDE HF UPPER	5
303NF06150	3NF06150	STOPPER HF	5
303NF06180	3NF06180	LEVER HF UPPER	5
303NF06250	3NF06250	COVER FEED LEFT	5
303NF06260	3NF06260	LID WIRE	5
303NF06270	3NF06270	PIN HF LOWER	5
303NF06282	3NF06282	RAIL HF LOWER	5
303NF06310	3NF06310	STAY GUIDE UPPER	5
303NF06320	3NF06320	SPRING DECK FEED	5
303NF06330	3NF06330	BUSH FEED HF	5
303NF06340	3NF06340	CUSHION ACTUATOR	5
303NF06350	3NF06350	SHEET SOLENOID	4,6
303NF10012	3NF10012	DECK CASSETTE	3
303NF10020	3NF10020	PAD BOTTOM DECK	3
303NF10030	3NF10030	SLIDER DECK	2
303NF10051	3NF10051	PLATE LIFT DECK	3
303NF10070	3NF10070	CURSOR END DECK	3
303NF10080	3NF10080	CURSOR DECK FRONT	3
303NF10090	3NF10090	CURSOR DECK REAR	3
303NF10100	3NF10100	PLATE DECK SUB	3
303NF10110	3NF10110	MOUNT CURSOR	3
303NF10130	3NF10130	SHAFT DECK LIFT	3
303NF10140	3NF10140	MOUNT DECK DAMPER	3
303NF10150	3NF10150	PLATE WIRE LOCK	3
303NF10160	3NF10160	GEAR DAMPER 100	3
303NF10170	3NF10170	SPRING LIFT STOPPER	3
303NF10180	3NF10180	WIRE LIFT A	3
303NF10190	3NF10190	WIRE LIFT B	3
303NF10220	3NF10220	STOPPER PULLEY	3
303NF10230	3NF10230	ACTUATOR CASSETTE	8
303NF10240	3NF10240	MOUNT ACTUATOR CASSETTE	8
303NF10250	3NF10250	PIN CURSOR LOCK	3
303NF10300	3NF10300	PULLEY LIFT WIRE	3
303NF10320	3NF10320	HOLDER PULLEY	3
303NF10330	3NF10330	HOLDER DECK SENSOR	8
303NF10390	3NF10390	MOUNT CURSOR ADJUST	3
303NF10410	3NF10410	CURSOR END SUB	3
303NF10420	3NF10420	PLATE EARTH FRONT	3
303NF10430	3NF10430	PLATE EARTH REAR	3
303NF10440	3NF10440	WIRE EARTH A	3
303NF10450	3NF10450	WIRE EARTH B	3
303NF10510	3NF10510	CURSOR END A4	3
303NF31030	3NF31030	PLATE EARTH FEED	7
303NF31040	3NF31040	GEAR Z51L Z60L	7
303NF31150	3NF31150	GEAR Z34L	7
303NF31160	3NF31160	GEAR Z36R	7
303NF31170	3NF31170	SPRING DRIVE	7
303NF31180	3NF31180	COUPLING DRIVE	7
303NF34011	3NF34011	LABEL DECK OPERATION A	3
303NF34030	3NF34030	LABEL DECK PAPER DIRECTION	3

Part.No. 部品番号	Alternative. 代替部品番号	Description 部品名称	Fig.No.
303NF34040	3NF34040	LABEL DECK PAPER LIMIT	3
303NF34060	3NF34060	LABEL DECK SIZE B	3
303NF34080	3NF34080	LABEL DECK SIZE D	3
303NF34100	3NF34100	LABEL DECK B1	5
303NF34110	3NF34110	LABEL DECK B2	5
303NF46100	3NF46100	WIRE PAPER SENSOR	8
303NF46220	3NF46220	WIRE LEFT DECK 2	5
303NF94023	3NF94023	PARTS DECK UNIT SP	3
303NF94090	3NF94090	PARTS MOTOR LIFT DECK SP	8
303NF94100	3NF94100	PARTS ROLLER CONVEYING DECK SP	5
303NF94112	3NF94112	PARTS DECK UNIT(INCHI) SP	3
303NJ06040	3NJ06040	GEAR PRIMARY FEED Z17L OW	6
303NJ06050	3NJ06050	STRAP	1
303NJ31031	3NJ31031	BRACKET GEAR CHANGE	7
303NJ31060	3NJ31060	GEAR Z60R	7
303NJ31070	3NJ31070	GEAR Z56L-Z40R	7
303NJ31120	3NJ31120	PIN FEED DRIVE	7
303NJ31140	3NJ31140	GEAR Z40R-Z34L	7
303NJ46160	3NJ46160	WIRE PRIMARY FEED UNIT	4,6
303NJ94050	3NJ94050	PARTS ROLLER ASSIST SP	6
303NN02220	3NN02220	SPRING MACHINE	8
303PC02060	3PC02060	STAY UPPER RIGHT	2
303PC02150	3PC02150	MOUNT SLIDER DECK	2
303PC02160	3PC02160	MOUNT FOOT REAR	2
303PC02170	3PC02170	MOUNT PF	9
303PC02200	3PC02200	ARM DRAWER	8
303PC02210	3PC02210	ARM MACHINE	8
303PC02220	3PC02220	MOUNT DRAWER	8
303PC02230	3PC02230	PLATE DRAWER	8
303PC02240	3PC02240	FILM PROTECTOR	8
303PC04010	3PC04010	COVER FRONT RIGHT	3
303PC04020	3PC04020	COVER FRONT LEFT	3
303PC04030	3PC04030	COVER RIGHT	1
303PC04040	3PC04040	COVER LEFT	1
303PC04050	3PC04050	COVER REAR	1
303PC04060	3PC04060	HANDLE DECK RIGHT	3
303PC04070	3PC04070	HANDLE DECK LEFT	3
303PC04080	3PC04080	EMBLEM DECK RIGHT	3
303PC04090	3PC04090	EMBLEM DECK LEFT	3
303PC06010	3PC06010	GUIDE UPPER MID	8
303PC06020	3PC06020	GUIDE LOWER MID	8
303PC06030	3PC06030	GUIDE VF RIGHT	8
303PC06040	3PC06040	COVER FEED LOW	1
303PC06050	3PC06050	GUIDE JUNCTION LOW	8
303PC06060	3PC06060	HANDLE FEED LOW	1
303PC06070	3PC06070	GUIDE VF COVER	1
303PC06090	3PC06090	SHAFT FEED LOW	1
303PC06100	3PC06100	GUIDE JUNCTION UPPER	8
303PC06120	3PC06120	SLIDER HF FRONT	5
303PC06130	3PC06130	RAIL HF LEFT	5
303PC10010	3PC10010	SLIDER DECK	2

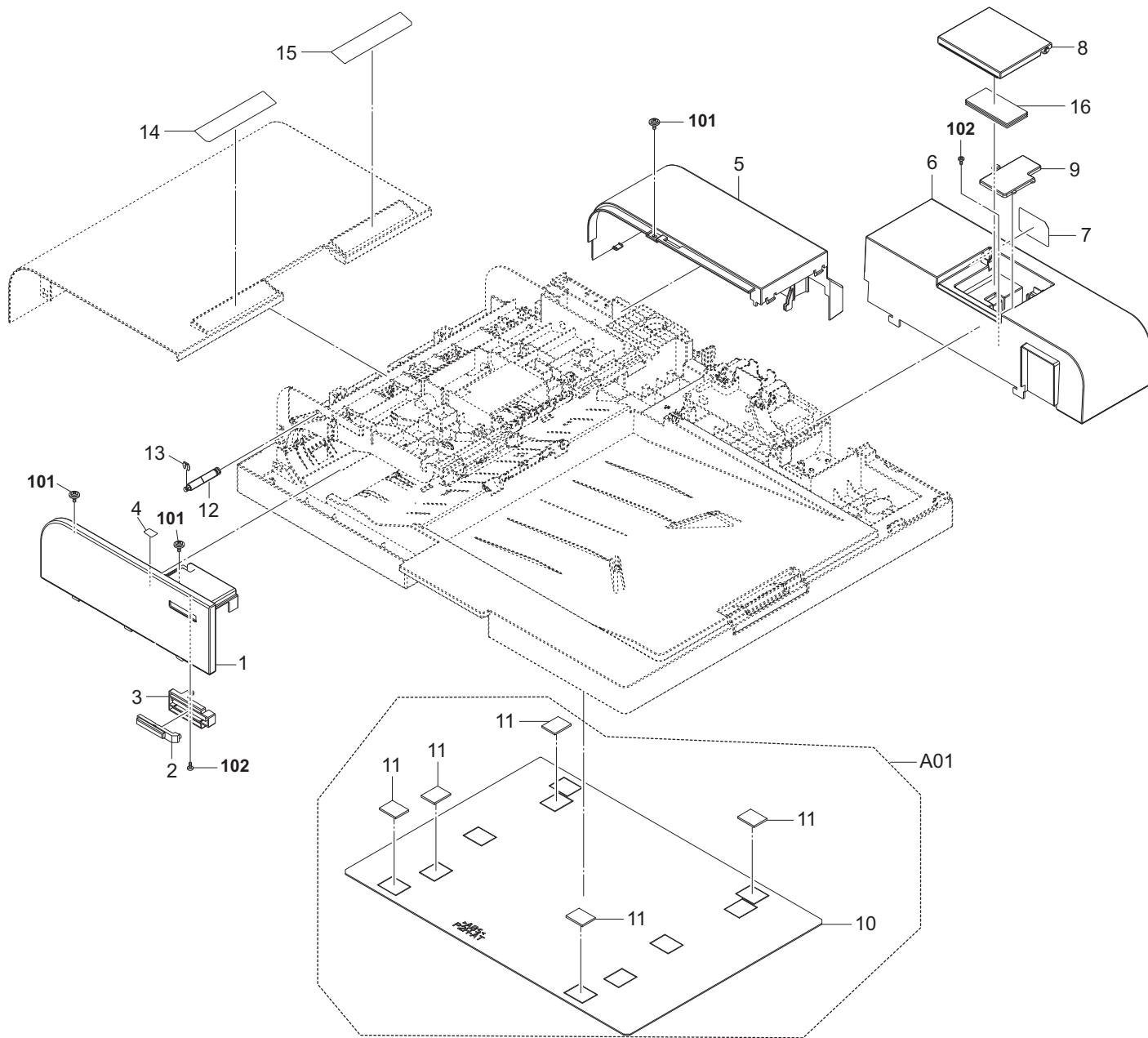


---

**DP-7100**

—— CONTENTS / 目次 ——

FIG. 1	Covers .....	2
FIG. 2	Frames .....	4
FIG. 3	Table Assy .....	6
FIG. 4	Paper Conveying Section .....	8
FIG. 5	Paper Feed Section 1 .....	10
FIG. 6	Paper Feed Section 2 .....	12
FIG. 7	Paper Feed Section 3 .....	14
FIG. 8	Drive Section & Electrical Components .....	16
FIG. 9	Wire Section .....	18
FIG. 10	Accessories .....	20
	• NDEX / 索引 .....	22





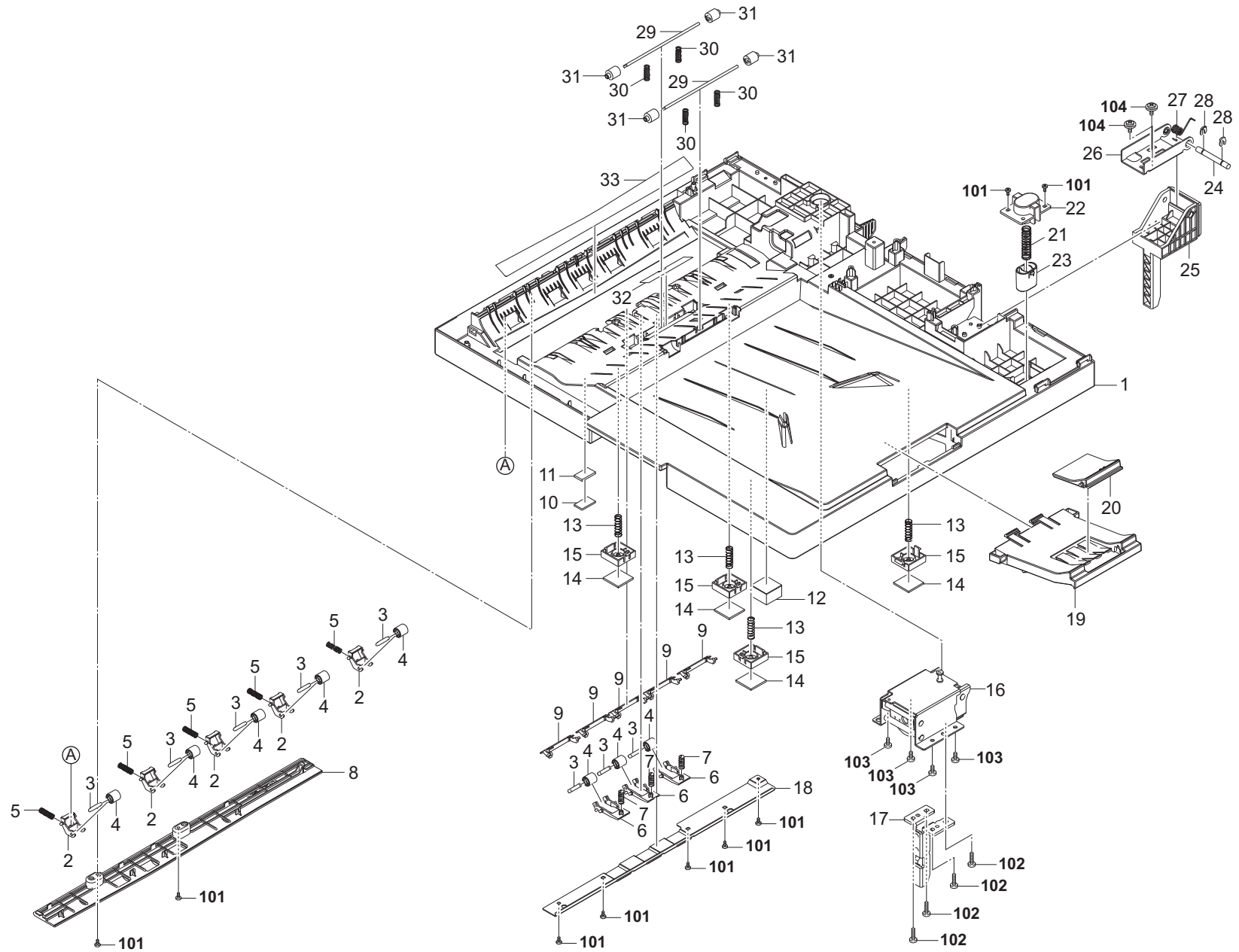




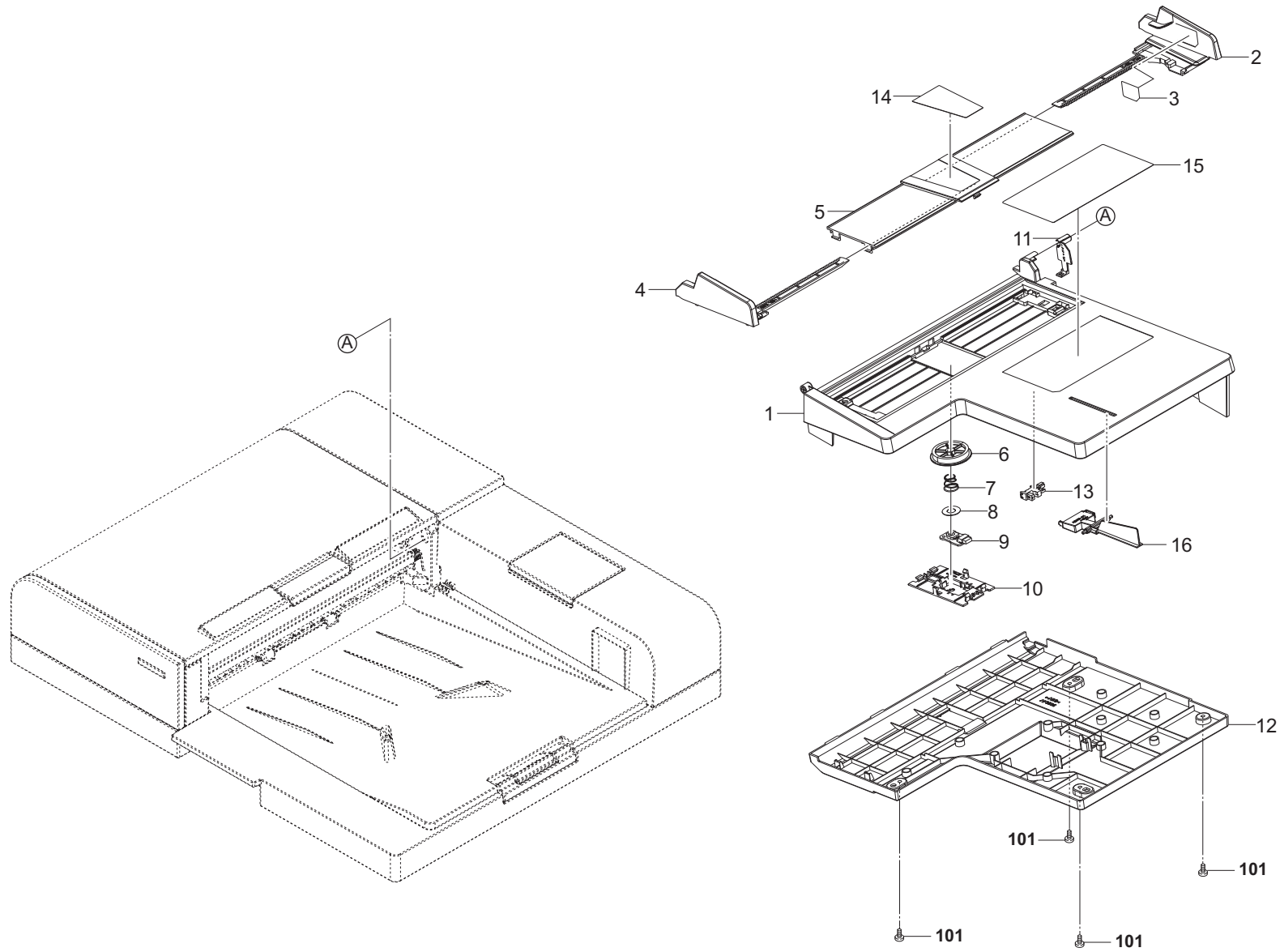
FIG. 2 Frames

3R7

Ref. No. 番号	Part.No. 部品番号	Alternative. 代替部品番号	Description 部品名称	Notes 備考	Revision 改訂	Quantity 個数			
						100(日本)	120	230	240
1	303R702010	3R702010	BASE DP			1	1	1	1
2	303M424190	3M424190	HOLDER LEFT PULLEY			5	5	5	5
3	303M824200	3M824200	SHAFT PULLEY			8	8	8	8
4	303M824210	3M824210	PULLEY CONVEYING BK			8	8	8	8
5	302H008140	2H008140	SPRING BYPASSFFED			5	5	5	5
6	303M824121	3M824121	HOLDER RIGHT PULLEY			3	3	3	3
7	303NA06110	3NA06110	SPRING PICK UP			3	3	3	3
8	303R704050	3R704050	COVER LEFT			1	1	1	1
9	303M824160	3M824160	GUIDE RIGHT READING			5	5	5	5
10	303J902370	3J902370	CUSHION ORIGINAL MAT			1	1	1	1
11	303M802320	3M802320	SPONGE ORIGINAL MAT A			1	1	1	1
12	303P202010	3P202010	SPONGE MAT			1	1	1	1
13	302KA28040	2KA28040	SPRING SOL			4	4	4	4
14	303LL02530	3LL02530	CUSHION ORIGINAL MAT			4	4	4	4
15	303R702050	3R702050	MOUNT CUSHION			4	4	4	4
16	303R702020	3R702020	HINGE LEFT			1	1	1	1
17	303R702030	3R702030	STAY HINGE			1	1	1	1
18	303R702040	3R702040	STAY BASE LOWER			1	1	1	1
19	303R702100	3R702100	TRAY SLIDE			1	1	1	1
20	303R702110	3R702110	STOPPER EJECT			1	1	1	1
21	303JX02090	3JX02090	SPRING PUSH SW			1	1	1	1
22	303LL02150	3LL02150	HOLDER SPRING PUSH SW			1	1	1	1
23	303LL02390	3LL02390	PUSH SW			1	1	1	1
24	303M802150	3M802150	SHAFT HINGE			1	1	1	1
25	303R702070	3R702070	HINGE RIGHT BASE			1	1	1	1
26	303R702080	3R702080	HINGE RIGHT MOUNT			1	1	1	1
27	303R702130	3R702130	SPRING HINGE RIGHT			1	1	1	1
28	5MVX111DN003	2A806250	RING STOPPER /A-49 FEED A4			2	2	2	2
29	303R728020	3R728020	SHAFT EJECT PULLEY			2	2	2	2
30	303J906031	3J906031	SPRING SEPARATION			4	4	4	4
31	3HK10030	3HK10030	PULLEY EJECT			4	4	4	4
32	303R702140	3R702140	SHEET SHIFT PULLEY			1	1	1	1
33	303R724120	3R724120	SHEET LEFT GUIDE			1	1	1	1
101	7BB200308H	BB105660	+BIND T.T P SCREW 3X8						
102	7BB700412H	BB106830	+BIND T.T S SCREW 4X12 SR						
103	7BB200410H	BB105700	+BIND T.T P SCREW 4X10						
104	7BB202410H	BB106850	+TP-FLAT T.T P SCREW 4X10						

• Parts with a Ref.No. of 500 and above in the illustration indicate they are not selected for service parts.

・イラスト中で 500 番台の Ref 番号が付いている部品はサービスパーツに選定されていません。





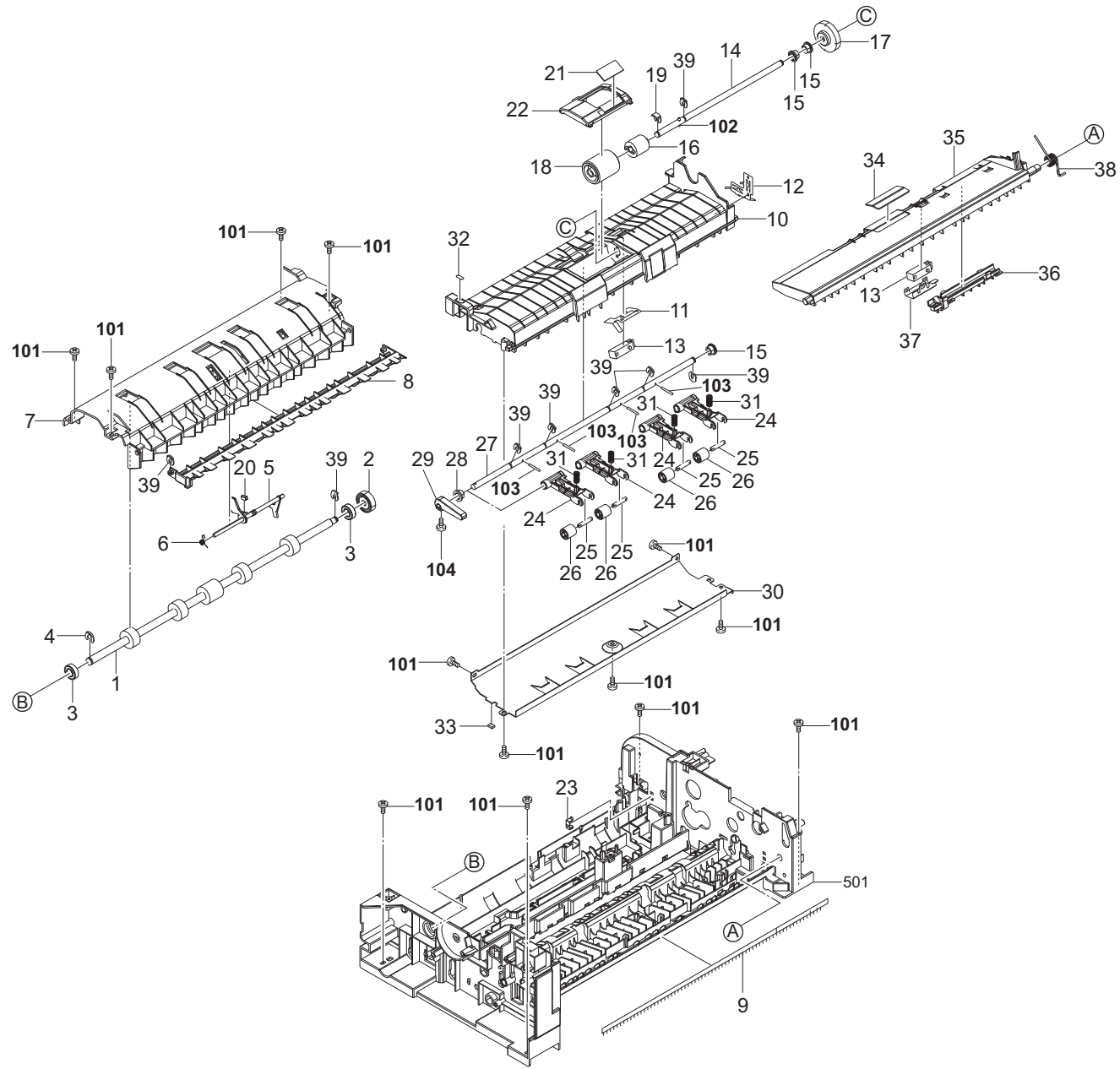


FIG. 4 Paper Conveying Section

3R7

Ref. No. 番号	Part.No. 部品番号	Alternative. 代替部品番号	Description 部 品 名 称	Notes 備 考	Revision 改 訂	Quantity 個数			
						100(日本)	120	230	240
1	303R794020	3R794020	PARTS ROLLER REGISTRATION SP			1	1	1	1
2	303LL31190	3LL31190	GEAR Z25L REGISTRATION			1	1	1	1
3	7BE008165431H01	BE119730	BEARING 688ZZ			2	2	2	2
4	2BC06910	2BC06910	STOPPER 6			1	1	1	1
5	303R724070	3R724070	ACTUATOR REGIST SW			1	1	1	1
6	302K928190	2K928190	SPRING-TORSION SWITCHBACK			1	1	1	1
7	303R724050	3R724050	GUIDE REGIST			1	1	1	1
8	303R729050	3R729050	GUIDE LOOP SHIFT			1	1	1	1
9	303K502130	3K502130	STATIC ELIMINATOR EJECT			1	1	1	1
10	303R707090	3R707090	GUIDE LOWER PF			1	1	1	1
11	303R707120	3R707120	EARTH SENSOR A			1	1	1	1
12	303R707150	3R707150	EARTH SENSOR B			1	1	1	1
13	303NW94060	3NW94060	PARTS SENSOR OPT. SP			2	2	2	2
14	303R707230	3R707230	SHAFT SEPARATION			1	1	1	1
15	302K324450	2K324450	BUSH 6			3	3	3	3
16	303LL07521	3LL07521	TORQUE-LIMITER 400			1	1	1	1
17	303R731050	3R731050	GEAR Z30L			1	1	1	1
18	303LL07190	3LL07190	PULLEY SEPARATION			1	1	1	1
19	5MVL177DN001	2FB06810	RING STOPPER 4			1	1	1	1
20	303P202020	3P202020	CUSHION COVER FRONT			1	1	1	1
21	303R707340	3R707340	FILM SEPARATION			1	1	1	1
22	303R707100	3R707100	GUIDE SEPARATION			1	1	1	1
23	302K931080	2K931080	WIRE STOPPER			1	1	1	1
24	303R707130	3R707130	HOLDER DU PRESS			4	4	4	4
25	303M824200	3M824200	SHAFT PULLEY			4	4	4	4
26	303M824210	3M824210	PULLEY CONVEYING BK			4	4	4	4
27	303R707280	3R707280	SHAFT DU PRESS			1	1	1	1
28	302H702590	2H702590	BUSH SCREW			1	1	1	1
29	303R707300	3R707300	LEVER DU PRESS			1	1	1	1
30	303R707290	3R707290	STAY GUIDE LOWER PF			1	1	1	1
31	302F925780	2F925780	SPRING DU			4	4	4	4
32	303R734100	3R734100	LABEL C2			1	1	1	1
33	303JY28280	3JY28280	CUSHION EJECT GUIDE B			1	1	1	1
34	303JX06260	3JX06260	PAD LIFT			1	1	1	1
35	303R707020	3R707020	GUIDE LIFT			1	1	1	1
36	303R707310	3R707310	COVER GUIDE LIFT			1	1	1	1
37	303R707320	3R707320	HOLDER GUIDE SENSOR			1	1	1	1
38	303R707250	3R707250	SPRING GUIDE LIFT			1	1	1	1
39	5MVX111DN003	2A806250	RING STOPPER /A-49 FEED A4			8	8	8	8
101	7BB200308H	BB105660	+BIND T.T P SCREW 3X8						
102	5MBP2010WXSP	E0020100	SPRING PIN / M2 X 10 S-BLK						
103	7BP512016B0CH01	BP126140	PARALLEL PIN 2.0X16						
104	7BB700308H	BB105600	+BIND T.T S SCREW 3X8 SR						

• Parts with a Ref.No. of 500 and above in the illustration indicate they are not selected for service parts.

• イラスト中で 500 番台の Ref 番号が付いている部品はサービスパーツに選定されていません。

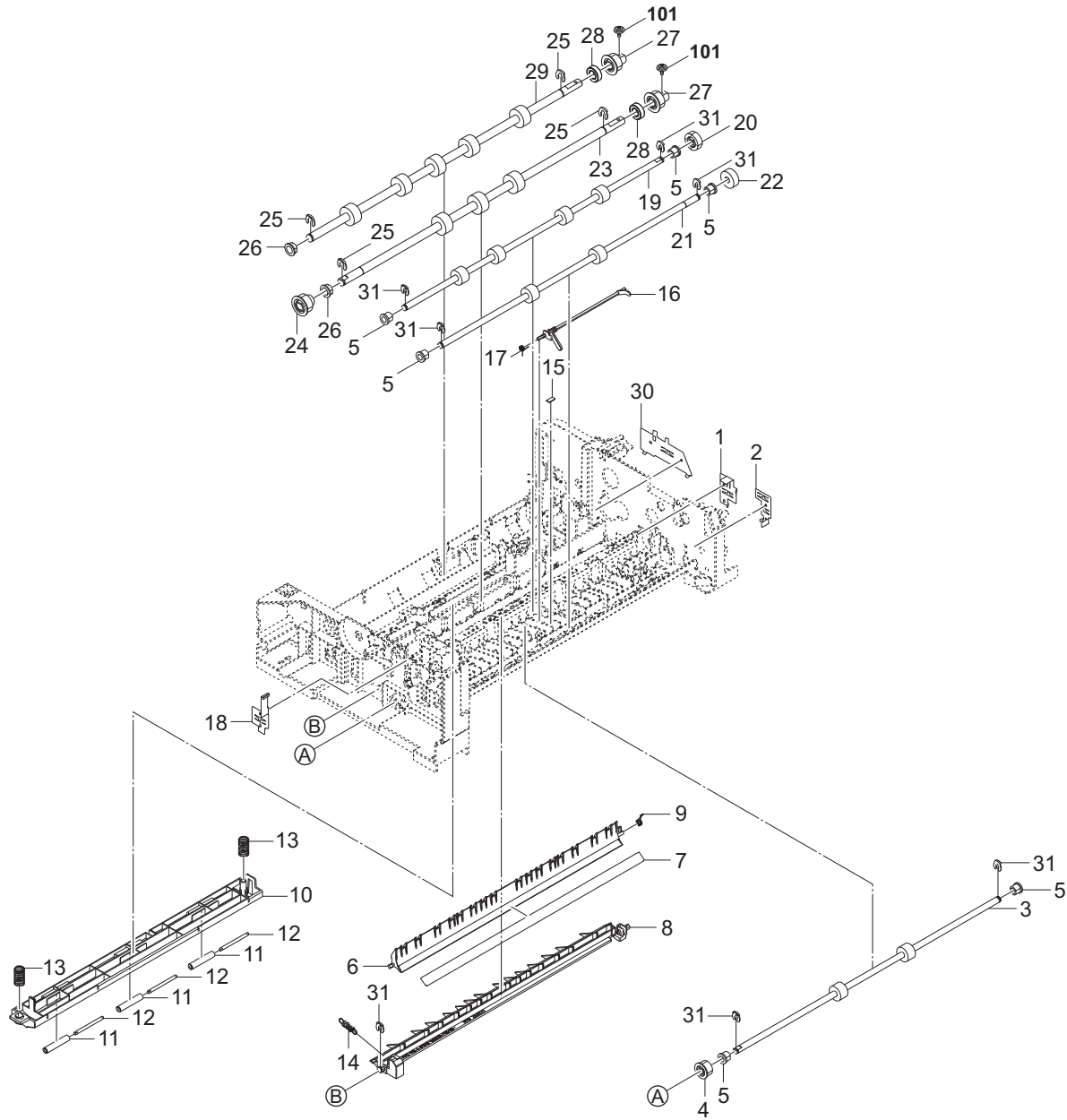


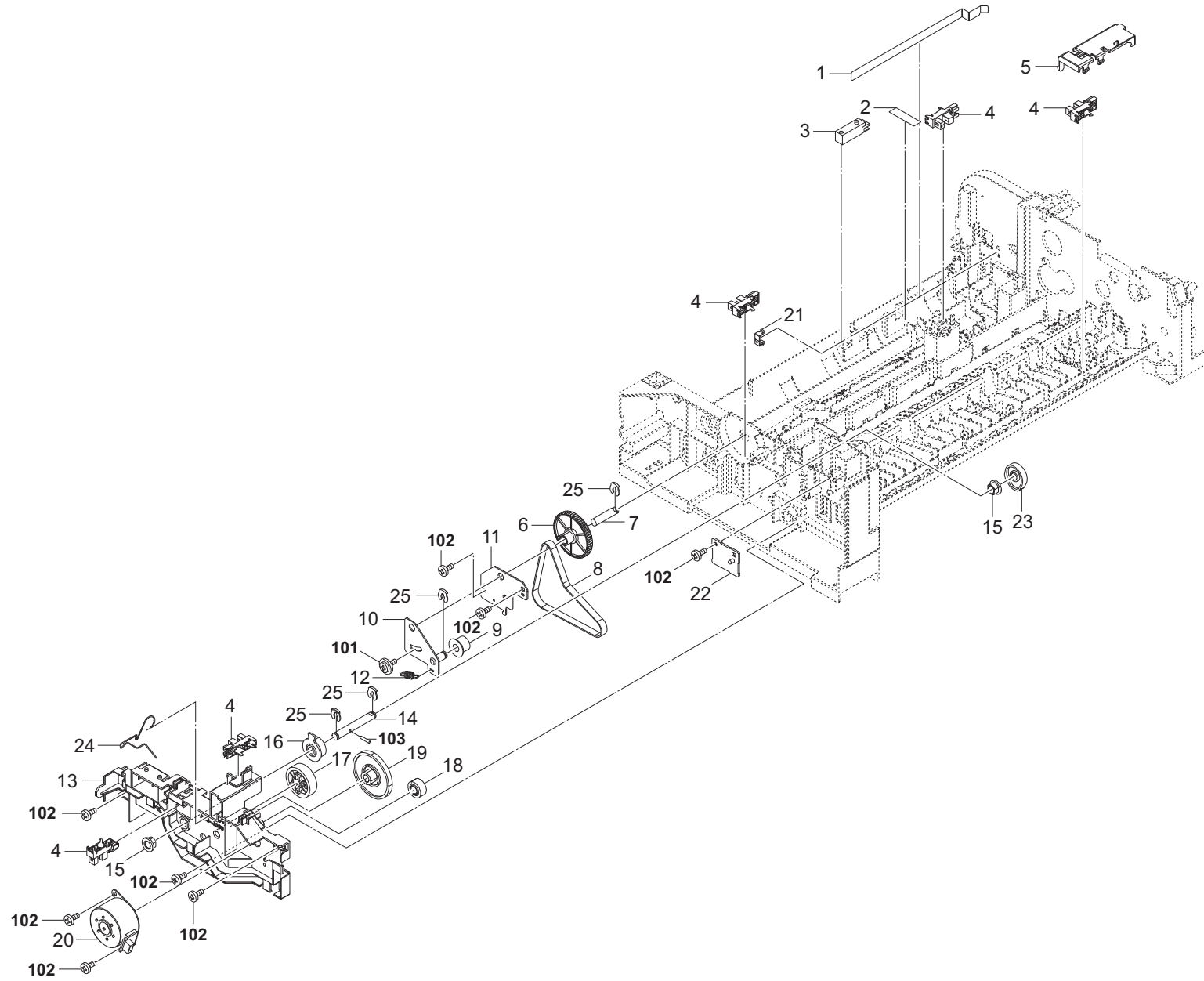
FIG. 5 Paper Feed Section 1

3R7

Ref. No. 番号	Part.No. 部品番号	Alternative. 代替部品番号	Description 部品名称	Notes 備考	Revision 改訂	Quantity 個数			
						100(日本)	120	230	240
1	303R724100	3R724100	PLATE EARTH B			1	1	1	1
2	303R724110	3R724110	PLATE EARTH C			1	1	1	1
3	303R794070	3R794070	PARTS ROLLER SHIFT SP			1	1	1	1
4	303R731180	3R731180	PULLEY 24 S2M			1	1	1	1
5	2BC06520	2BC06520	BUSHING 6,REGISTRATION			6	6	6	6
6	303R729040	3R729040	GUIDE EJECT SHIFT B			1	1	1	1
7	303R729060	3R729060	SHEET SHIFT GUIDE			1	1	1	1
8	303R729030	3R729030	GUIDE EJECT SHIFT A			1	1	1	1
9	303R729070	3R729070	SPRING SHIFT GUIDE			1	1	1	1
10	303R724060	3R724060	GUIDE READING			1	1	1	1
11	303LL24190	3LL24190	PULLEY GUIDE READING			3	3	3	3
12	303M824130	3M824130	SHAFT GUIDE READING			3	3	3	3
13	303M824140	3M824140	SPRING GUIDE READING			2	2	2	2
14	303R729080	3R729080	SPRING GUIDE EJECT			1	1	1	1
15	303LJ02260	3LJ02260	CUSHION GUIDE			1	1	1	1
16	303R724080	3R724080	ACTUATOR EJECT SW			1	1	1	1
17	302K928190	2K928190	SPRING-TORSION SWITCHBACK			1	1	1	1
18	303R724160	3R724160	PLATE EARTH D			1	1	1	1
19	303R794060	3R794060	PARTS ROLLER LOOP SP			1	1	1	1
20	303R731110	3R731110	GEAR Z20R			1	1	1	1
21	303R794050	3R794050	PARTS ROLLER EXIT SP			1	1	1	1
22	303JX31170	3JX31170	GEAR 20 R ONEWAY			1	1	1	1
23	303R794040	3R794040	PARTS ROLLER CONVEYING RIGHT SP			1	1	1	1
24	303R731190	3R731190	PULLEY 30 S2M			1	1	1	1
25	2BC06910	2BC06910	STOPPER 6			4	4	4	4
26	28107310	28107310	BUSH 8			2	2	2	2
27	303LL31330	3LL31330	PULLEY 38 CONVEYING			2	2	2	2
28	7BE008165431H01	BE119730	BEARING 688ZZ			2	2	2	2
29	303R794030	3R794030	PARTS ROLLER CONVEYING LEFT SP			1	1	1	1
30	303R724090	3R724090	PLATE EARTH A			1	1	1	1
31	5MVX111DN003	2A806250	RING STOPPER /A-49 FEED A4			7	7	7	7
101	7BB607306H	BB105770	+TP-CUP M SCREW 3X6 R						

• Parts with a Ref.No. of 500 and above in the illustration indicate they are not selected for service parts.

• イラスト中で 500 番台の Ref 番号が付いている部品はサービスパーツに選定されていません。







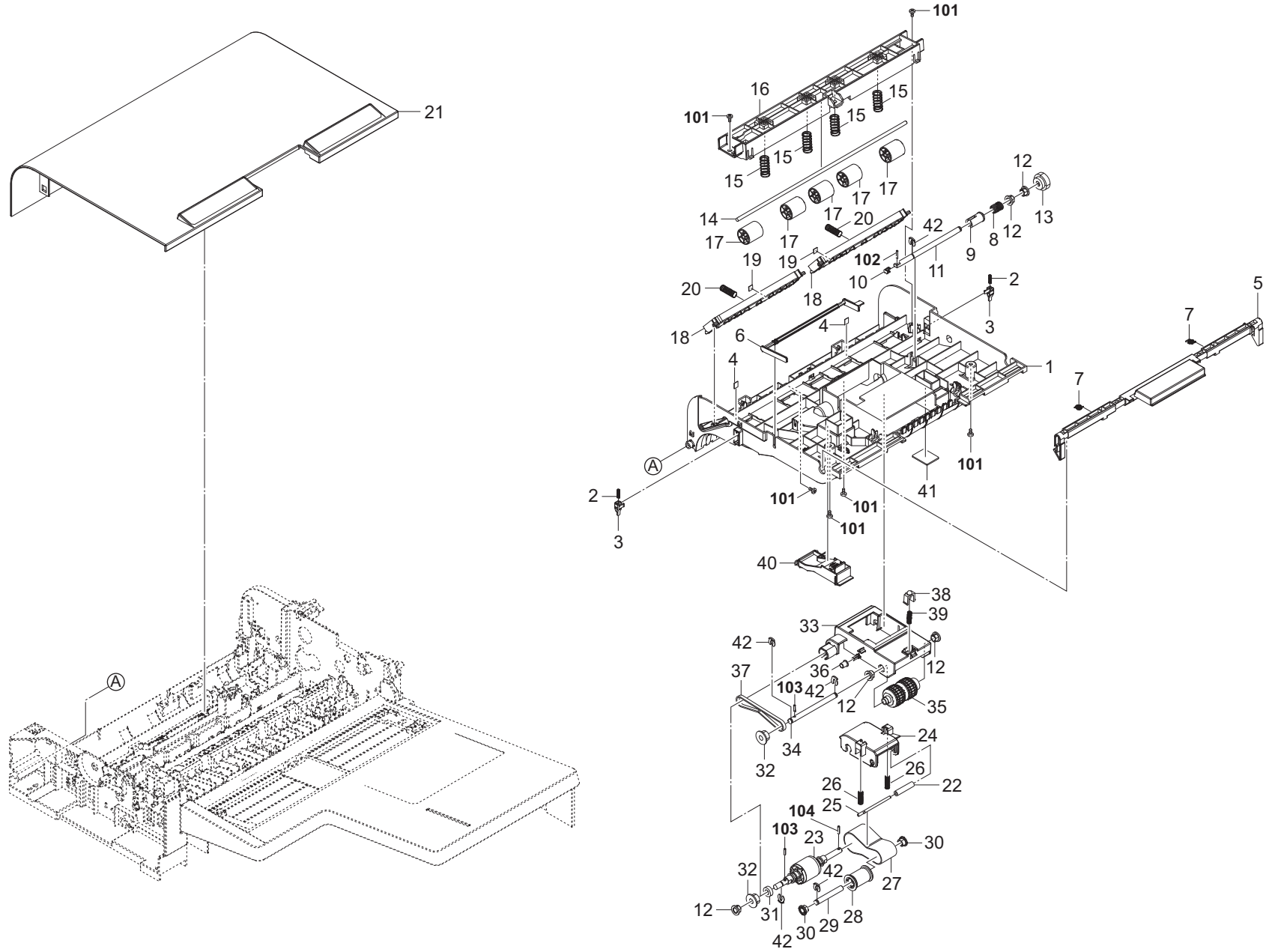


FIG. 7 Paper Feed Section 3

3R7

Ref. No. 番号	Part.No. 部品番号	Alternative. 代替部品番号	Description 部 品 名 称	Notes 備 考	Revision 改 訂	Quantity 個数			
						100(日本)	120	230	240
1	303R707010	3R707010	GUIDE FEED			1	1	1	1
2	302LV12110	2LV12110	SPRING CLN ROLL L			2	2	2	2
3	303LJ07060	3LJ07060	LEVER PUSH DU			2	2	2	2
4	303JY28280	3JY28280	CUSHION EJECT GUIDE B			2	2	2	2
5	303R707030	3R707030	HANDLE PF COVER			1	1	1	1
6	303R707050	3R707050	ACTUATOR HOLDER LF			1	1	1	1
7	302FZ08430	2FZ08430	SPRING SOLENOID MPT			2	2	2	2
8	2BL22510	2BL22510	SPRING DRIVE CONT.			1	1	1	1
9	303M807090	3M807090	JOINT PF DRIVE B			1	1	1	1
10	303M807190	3M807190	CAP SHAFT			1	1	1	1
11	303R707190	3R707190	SHAFT PF DRIVE			1	1	1	1
12	302H702590	2H702590	BUSH SCREW			5	5	5	5
13	303LL31170	3LL31170	GEAR Z18L PF			1	1	1	1
14	303R707210	3R707210	SHAFT REGISTRATION			1	1	1	1
15	303LL07170	3LL07170	SPRING REGISTRATION			4	4	4	4
16	303R707040	3R707040	MOUNT PULLEY REGISTRATION			1	1	1	1
17	303P724170	3P724170	PULLEY REGISTRATION			5	5	5	5
18	303R707080	3R707080	GUIDE PRESS			2	2	2	2
19	302HN24360	2HN24360	SPONGE A			2	2	2	2
20	302R406050	2R406050	SPRING PICKUP			2	2	2	2
21	303R704040	3R704040	COVER PF			1	1	1	1
22	303H607280	3H607280	PULLEY TENSION			1	1	1	1
23	303R794090	3R794090	PARTS PAPER FEED ASSY SP			1	1	1	1
24	303R707140	3R707140	HOLDER PF			1	1	1	1
25	303R707220	3R707220	SHAFT PULLEY TENSION			1	1	1	1
26	303R707260	3R707260	SPRING BELT TENSION			2	2	2	2
27	303LL07531	3LL07531	BELT PF			1	1	1	1
28	303M407050	3M407050	COLLAR PF B			1	1	1	1
29	303M407060	3M407060	SHAFT BELT			1	1	1	1
30	302K324450	2K324450	BUSH 6			2	2	2	2
31	7BE006124431H01	24431H01	BEARING MR126ZZ			1	1	1	1
32	303M407220	3M407220	PULLEY 20 LF			2	2	2	2
33	303R707110	3R707110	HOLDER LF			1	1	1	1
34	303M407210	3M407210	SHAFT LF			1	1	1	1
35	303M407480	3M407480	PULLEY LF			1	1	1	1
36	303M407200	3M407200	PULLEY HOLDER LF			1	1	1	1
37	303R707180	3R707180	BELT 176 LF			1	1	1	1
38	2FB07330	2FB07330	STOPPER BYPASS TABLE			1	1	1	1
39	303M407160	3M407160	SPRING HOLDER LF			1	1	1	1
40	303R707070	3R707070	LEVER PF RELEASE			1	1	1	1
41	303JX04150	3JX04150	FELT PF COVER			1	1	1	1
42	5MVX111DN003	2A806250	RING STOPPER /A-49 FEED A4			5	5	5	5
101	7BB200308H	BB105660	+BIND T.T P SCREW 3X8						
102	5MBP2010WXSP	E0020100	SPRING PIN / M2 X 10 S-BLK						
103	E0020080	48100208	SPRING PIN 2X8						
104	5MBP1208WXSP	E0012080	SPRING PIN /M1.2 X 8 XX						

• Parts with a Ref.No. of 500 and above in the illustration indicate they are not selected for service parts.

• イラスト中で 500 番の Ref 番号が付いている部品はサービスパーツに選定されていません。

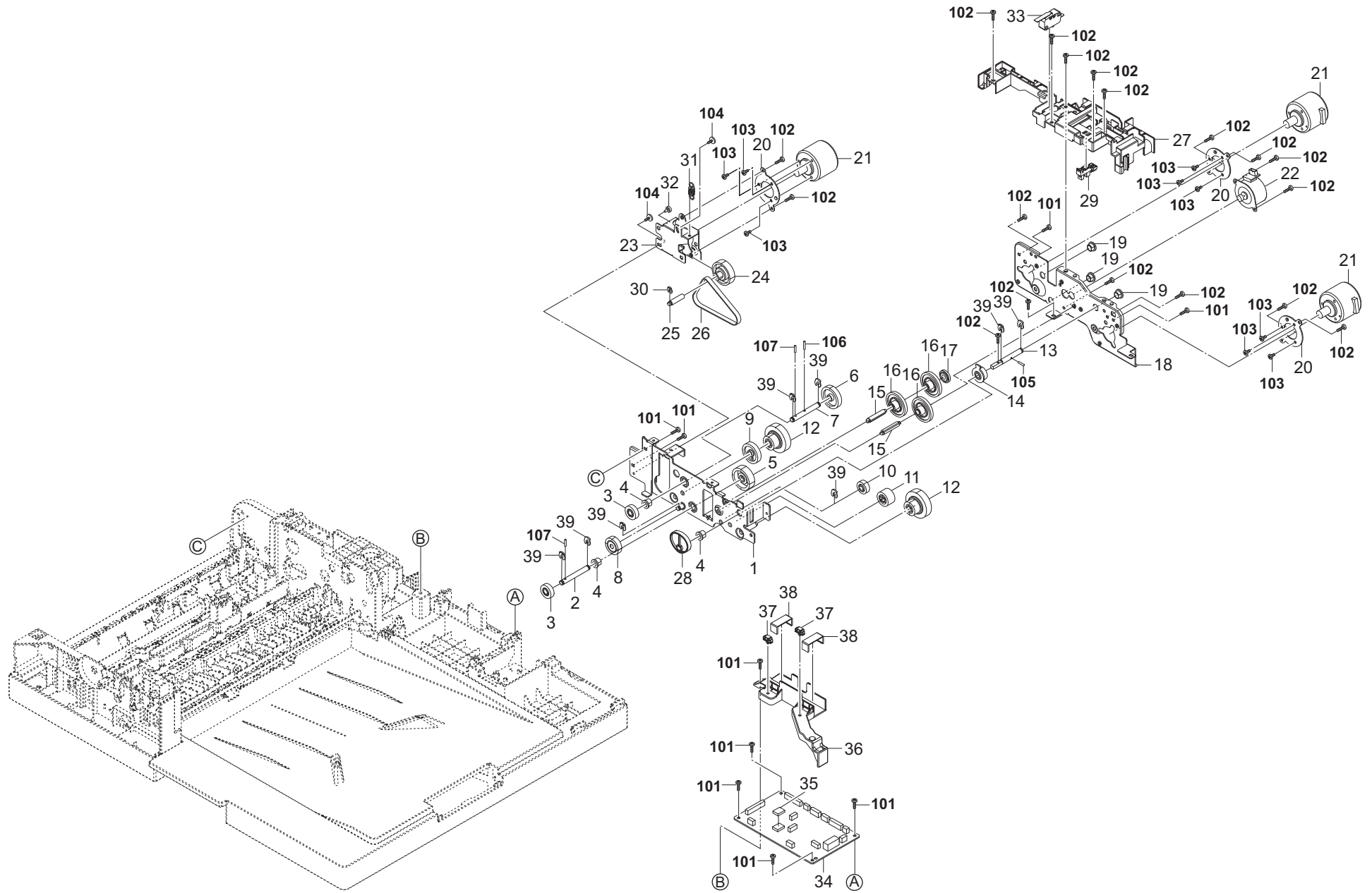


FIG. 8 Drive Section & Electrical Components

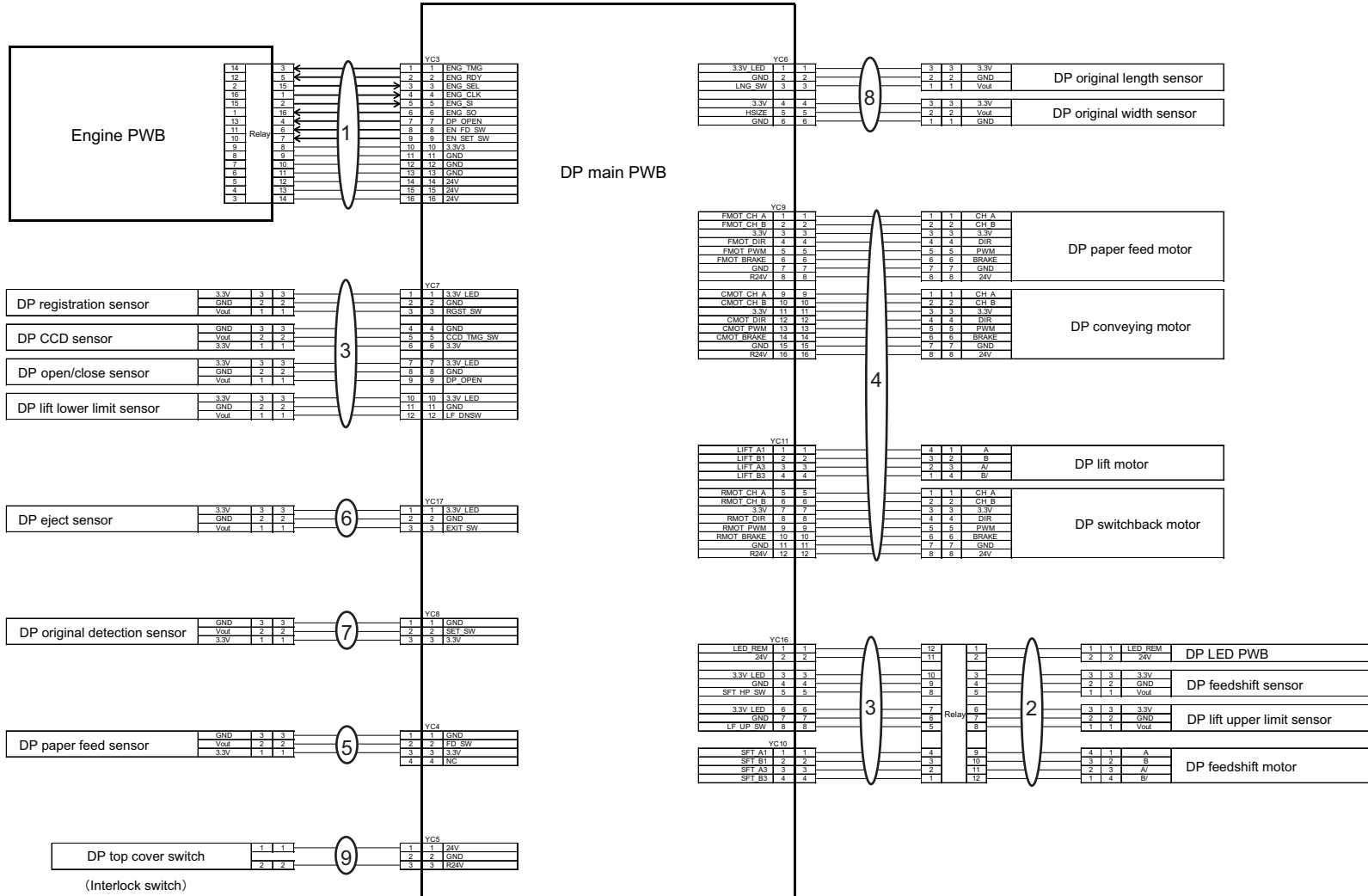
3R7

Ref. No. 番号	Part.No. 部品番号	Alternative. 代替部品番号	Description 部品名称	Notes 備考	Revision 改訂	Quantity 個数			
						100(日本)	120	230	240
1	303R731020	3R731020	MOUNT DRIVE B			1	1	1	1
2	303R731140	3R731140	SHAFT SEPARATION DRIVE			1	1	1	1
3	302LK28130	2LK28130	GEAR Z16R			2	2	2	2
4	2BC06520	2BC06520	BUSHING 6,REGISTRATION			3	3	3	3
5	303R731060	3R731060	GEAR Z35R ONEWAY			1	1	1	1
6	303R731040	3R731040	GEAR Z34R			1	1	1	1
7	303R731130	3R731130	SHAFT FEED DRIVE			1	1	1	1
8	303R731270	3R731270	GEAR Z20L ONEWAY			1	1	1	1
9	302K031180	2K031180	GEAR DLP Z31R			1	1	1	1
10	302K314380	2K314380	GEAR DLP Z18L			1	1	1	1
11	302K924060	2K924060	GEAR Z22R			1	1	1	1
12	303R731070	3R731070	GEAR Z69R Z21L			2	2	2	2
13	303R731100	3R731100	SHAFT CAM LIFT			1	1	1	1
14	303LL31260	3LL31260	GEAR Z32S LIFT			1	1	1	1
15	303R731080	3R731080	PIN LIFT DRIVE			2	2	2	2
16	303H622331	3H622331	GEAR 20/65 IDLE			3	3	3	3
17	303M807130	3M807130	COLLAR FEED			1	1	1	1
18	303R731010	3R731010	MOUNT DRIVE A			1	1	1	1
19	302H702590	2H702590	BUSH SCREW			3	3	3	3
20	303R731300	3R731300	MOUNT MOTOR			3	3	3	3
21	303R794080	3R794080	PARTS MOTOR-BL INNER W10 SP			3	3	3	3
22	302H794310	2H794310	PARTS MOTOR ROTARY GUIDE			1	1	1	1
23	303R731030	3R731030	MOUNT CONV DRIVE			1	1	1	1
24	303R731120	3R731120	GEAR Z59R T22			1	1	1	1
25	303R731250	3R731250	SHAFT CONV DRIVE			1	1	1	1
26	303R731290	3R731290	BELT 201			1	1	1	1
27	303R702060	3R702060	GUIDE WIRE DRIVE			1	1	1	1
28	303R731090	3R731090	CAM LIFT			1	1	1	1
29	302P794010	2P794010	PARTS SENSOR OPT. SP			1	1	1	1
30	302LF12410	2LF12410	STOPPER 3			1	1	1	1
31	2BC16470	2BC16470	SPRING,CONVEYING HOOK			1	1	1	1
32	3CZ02230	3CZ02230	PIN,HOOK FULCRUM			1	1	1	1
33	2FB27160	2FB27160	INTER LOCK SWITCH			1	1	1	1
34	303R794010	3R794010	PARTS PWB DRIVER ASSY SP			1	1	1	1
35	7UMDEC016K81HQ1	UM034070	IC.EEPROM			1	1	1	1
36	303R702120	3R702120	GUIDE WIRE PWB			1	1	1	1
37	7YZM610007++H01	YZ023340	ACCESS.SADDLE			2	2	2	2
38	303LL02180	3LL02180	HOLDER WIRE A			2	2	2	2
39	5MVX111DN003	2A806250	RING STOPPER /A-49 FEED A4			8	8	8	8
101	7BB200308H	BB105660	+BIND T.T P SCREW 3X8						
102	7BB700308H	BB105600	+BIND T.T S SCREW 3X8 SR						
103	7BB000303H	BB107000	+BIND M SCREW 3X3						
104	7BB606306H	BB105260	+PAN M SCREW WITH SW W 3X6 R						
105	E5120100	E5120100	PARALLEL PIN H7A 2X10 SUS						
106	5MBP2012WXSP	E0020120	SPRING PIN / M2 X 12 S-BLK						
107	5MBP2010WXSP	E0020100	SPRING PIN / M2 X 10 S-BLK						

• Parts with a Ref.No. of 500 and above in the illustration indicate they are not selected for service parts.

• イラスト中で 500 番台の Ref 番号が付いている部品はサービスパーツに選定されていません。

FIG. 9 Wire Section





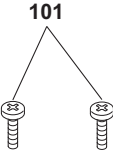
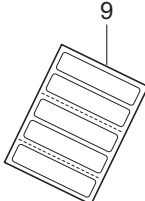
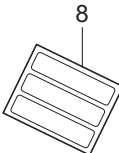
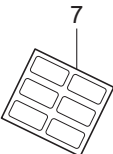
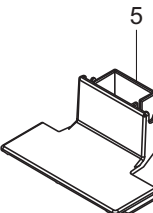
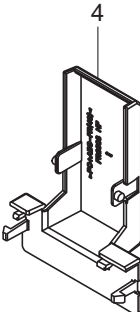
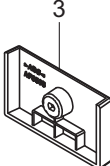
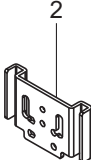
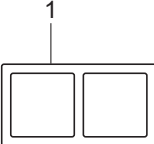




FIG. 10 Accessories

3R7

Ref. No. 番号	Part.No. 部品番号	Alternative. 代替部品番号	Description 部品名称	Notes 備考	Revision 改訂	Quantity 個数			
						100(日本)	120	230	240
1	303R734080	3R734080	LABEL ISU COVER			1	1	1	1
2	303R702150	3R702150	PLATE HINGE STOPPER			1	1	1	1
3	303R704060	3R704060	COVER HINGE LEFT			1	1	1	1
4	303R704100	3R704100	COVER WIRE INTERFACE A			1	1	1	1
5	303R704110	3R704110	COVER WIRE INTERFACE B			1	1	1	1
6	303R834060	3R834060	LABEL FACE UP US				1		
7	303R834130	3R834130	LABEL FACE UP NL					1	
8	303R734050	3R734050	LABEL CAUTION US				1		
9	303R734110	3R734110	LABEL CAUTION NL					1	
101	7BB200412H	BB105710	+BIND T.T P SCREW 4X12						
102	7BB782308H	BB111300	+TP-FLAT T.T S SCREW 3X8 SR(BLACK)						

• Parts with a Ref.No. of 500 and above in the illustration indicate they are not selected for service parts.

・イラスト中で 500 番台の Ref 番号が付いている部品はサービスパーツに選定されていません。

Part.No. 部品番号	Alternative. 代替部品番号	Description 部 品 名 称	Fig.No.
28107310	28107310	BUSH 8	5
28801190	28801190	PULLEY,TIMING BELT	6
2BC06520	2BC06520	BUSHING 6,REGISTRATION	5
2BC06520	2BC06520	BUSHING 6,REGISTRATION	8
2BC06910	2BC06910	STOPPER 6	4
2BC06910	2BC06910	STOPPER 6	5
2BC16470	2BC16470	SPRING,CONVEYING HOOK	8
2BL22510	2BL22510	SPRING DRIVE CONT.	7
2FB07330	2FB07330	STOPPER BYPASS TABLE	7
2FB27160	2FB27160	INTER LOCK SWITCH	8
2FT18370	2FT18370	POLYSLIDER WASHER	3
302F925780	2F925780	SPRING DU	4
302FZ08430	2FZ08430	SPRING SOLENOID MPT	7
302FZ25740	2FZ25740	STOPPER 4	1
302H008140	2H008140	SPRING BYPASSFFED	2
302H702590	2H702590	BUSH SCREW	4
302H702590	2H702590	BUSH SCREW	6,7,8
302H712650	2H712650	SPRING DRUM JOINT	3
302H721210	2H721210	GEAR RELEASE Z52S	6
302H794310	2H794310	PARTS MOTOR ROTARY GUIDE	6
302H794310	2H794310	PARTS MOTOR ROTARY GUIDE	8
302HN24360	2HN24360	SPONGE A	7
302K031180	2K031180	GEAR DLP Z31R	8
302K314380	2K314380	GEAR DLP Z18L	8
302K324450	2K324450	BUSH 6	4
302K324450	2K324450	BUSH 6	7
302K924060	2K924060	GEAR Z22R	8
302K928190	2K928190	SPRING-TORSION SWITCHBACK	4
302K928190	2K928190	SPRING-TORSION SWITCHBACK	5
302K931080	2K931080	WIRE STOPPER	4
302K931080	2K931080	WIRE STOPPER	6
302KA28040	2KA28040	SPRING SOL	2
302LF12410	2LF12410	STOPPER 3	8
302LK28130	2LK28130	GEAR Z16R	8
302LV12110	2LV12110	SPRING CLN ROLL L	7
302N904100	2N904100	CLEANER CLOTH	1
302NG06180	2NG06180	GEAR FEED Z27	6
302P794010	2P794010	PARTS SENSOR OPT. SP	3
302P794010	2P794010	PARTS SENSOR OPT. SP	6,8
302R406050	2R406050	SPRING PICKUP	7
303H607280	3H607280	PULLEY TENSION	7
303H622331	3H622331	GEAR 20/65 IDLE	8
303J902370	3J902370	CUSHION ORIGINAL MAT	2
303J906031	3J906031	SPRING SEPARATION	2
303JC04201	3JC04201	PLATE ORIGINAL	1
303JX02090	3JX02090	SPRING PUSH SW	2
303JX04150	3JX04150	FELT PF COVER	7
303JX06260	3JX06260	PAD LIFT	4
303JX31170	3JX31170	GEAR 20 R ONEWAY	5
303JY28280	3JY28280	CUSHION EJECT GUIDE B	4
303JY28280	3JY28280	CUSHION EJECT GUIDE B	7

Part.No. 部品番号	Alternative. 代替部品番号	Description 部 品 名 称	Fig.No.
303K502130	3K502130	STATIC ELIMINATOR EJECT	4
303LJ02260	3LJ02260	CUSHION GUIDE	5
303LJ07060	3LJ07060	LEVER PUSH DU	7
303LL02150	3LL02150	HOLDER SPRING PUSH SW	2
303LL02180	3LL02180	HOLDER WIRE A	8
303LL02390	3LL02390	PUSH SW	2
303LL02530	3LL02530	CUSHION ORIGINAL MAT	2
303LL07170	3LL07170	SPRING REGISTRATION	7
303LL07190	3LL07190	PULLEY SEPARATION	4
303LL07521	3LL07521	TORQUE-LIMITER 400	4
303LL07531	3LL07531	BELT PF	7
303LL24190	3LL24190	PULLEY GUIDE READING	5
303LL31170	3LL31170	GEAR Z18L PF	7
303LL31190	3LL31190	GEAR Z25L REGISTRATION	4
303LL31260	3LL31260	GEAR Z32S LIFT	6
303LL31260	3LL31260	GEAR Z32S LIFT	8
303LL31330	3LL31330	PULLEY 38 CONVEYING	5
303LL31390	3LL31390	SPRING TENSION CONV	6
303LL94031	3LL94031	PARTS MAT ASSY	1
303M407050	3M407050	COLLAR PF B	7
303M407060	3M407060	SHAFT BELT	7
303M407160	3M407160	SPRING HOLDER LF	7
303M407200	3M407200	PULLEY HOLDER LF	7
303M407210	3M407210	SHAFT LF	7
303M407220	3M407220	PULLEY 20 LF	7
303M407300	3M407300	LENS LED	1
303M407480	3M407480	PULLEY LF	7
303M424190	3M424190	HOLDER LEFT PULLEY	2
303M802150	3M802150	SHAFT HINGE	2
303M802320	3M802320	SPONGE ORIGINAL MAT A	2
303M807090	3M807090	JOINT PF DRIVE B	7
303M807130	3M807130	COLLAR FEED	8
303M807190	3M807190	CAP SHAFT	7
303M824121	3M824121	HOLDER RIGHT PULLEY	2
303M824130	3M824130	SHAFT GUIDE READING	5
303M824140	3M824140	SPRING GUIDE READING	5
303M824160	3M824160	GUIDE RIGHT READING	2
303M824200	3M824200	SHAFT PULLEY	2
303M824200	3M824200	SHAFT PULLEY	4
303M824210	3M824210	PULLEY CONVEYING BK	2
303M824210	3M824210	PULLEY CONVEYING BK	4
303M894100	3M894100	PARTS PWB LED ASSY SP	6
303MX02021	3MX02021	CUSHION ORIGINAL MAT A	1
303NA06110	3NA06110	SPRING PICK UP	2
303NV31010	3NV31010	DIAL JAM REMOVENT	6
303NW94040	3NW94040	PARTS SENSOR OPT. SP	6
303NW94060	3NW94060	PARTS SENSOR OPT. SP	4
303P202010	3P202010	SPONGE MAT	2
303P202020	3P202020	CUSHION COVER FRONT	4
303P724170	3P724170	PULLEY REGISTRATION	7
303R302040	3R302040	ARM PF COVER	1

Part.No. 部品番号	Alternative. 代替部品番号	Description 部品名称	Fig.No.
303R394050	3R394050	PARTS PWB PAPER SIZE SENSOR ASSY SP	3
303R702010	3R702010	BASE DP	2
303R702020	3R702020	HINGE LEFT	2
303R702030	3R702030	STAY HINGE	2
303R702040	3R702040	STAY BASE LOWER	2
303R702050	3R702050	MOUNT CUSHION	2
303R702060	3R702060	GUIDE WIRE DRIVE	8
303R702070	3R702070	HINGE RIGHT BASE	2
303R702080	3R702080	HINGE RIGHT MOUNT	2
303R702100	3R702100	TRAY SLIDE	2
303R702110	3R702110	STOPPER EJECT	2
303R702120	3R702120	GUIDE WIRE PWB	8
303R702130	3R702130	SPRING HINGE RIGHT	2
303R702140	3R702140	SHEET SHIFT PULLEY	2
303R702150	3R702150	PLATE HINGE STOPPER	10
303R704010	3R704010	COVER FRONT	1
303R704020	3R704020	COVER REAR LEFT	1
303R704030	3R704030	COVER REAR RIGHT	1
303R704040	3R704040	COVER PF	7
303R704050	3R704050	COVER LEFT	2
303R704060	3R704060	COVER HINGE LEFT	10
303R704070	3R704070	LID REAR COVER	1
303R704080	3R704080	LID INNER COVER	1
303R704100	3R704100	COVER WIRE INTERFACE A	10
303R704110	3R704110	COVER WIRE INTERFACE B	10
303R706010	3R706010	TABLE MAIN	3
303R706020	3R706020	COVER TABLE	3
303R706030	3R706030	CURSOR FRONT	3
303R706040	3R706040	CURSOR REAR	3
303R706050	3R706050	COVER CURSOR	3
303R706060	3R706060	GEAR DETECTION	3
303R706070	3R706070	ACTUATOR SIZE DETECTION	3
303R706080	3R706080	COVER SIZE SWITCH	3
303R706090	3R706090	COVER TABLE WIRE	3
303R707010	3R707010	GUIDE FEED	7
303R707020	3R707020	GUIDE LIFT	4
303R707030	3R707030	HANDLE PF COVER	7
303R707040	3R707040	MOUNT PULLEY REGISTRATION	7
303R707050	3R707050	ACTUATOR HOLDER LF	7
303R707070	3R707070	LEVER PF RELEASE	7
303R707080	3R707080	GUIDE PRESS	7
303R707090	3R707090	GUIDE LOWER PF	4
303R707100	3R707100	GUIDE SEPARATION	4
303R707110	3R707110	HOLDER LF	7
303R707120	3R707120	EARTH SENSOR A	4
303R707130	3R707130	HOLDER DU PRESS	4
303R707140	3R707140	HOLDER PF	7
303R707150	3R707150	EARTH SENSOR B	4
303R707180	3R707180	BELT 176 LF	7
303R707190	3R707190	SHAFT PF DRIVE	7
303R707210	3R707210	SHAFT REGISTRATION	7

Part.No. 部品番号	Alternative. 代替部品番号	Description 部品名称	Fig.No.
303R707220	3R707220	SHAFT PULLEY TENSION	7
303R707230	3R707230	SHAFT SEPARATION	4
303R707250	3R707250	SPRING GUIDE LIFT	4
303R707260	3R707260	SPRING BELT TENSION	7
303R707280	3R707280	SHAFT DU PRESS	4
303R707290	3R707290	STAY GUIDE LOWER PF	4
303R707300	3R707300	LEVER DU PRESS	4
303R707310	3R707310	COVER GUIDE LIFT	4
303R707320	3R707320	HOLDER GUIDE SENSOR	4
303R707340	3R707340	FILM SEPARATION	4
303R724050	3R724050	GUIDE REGIST	4
303R724060	3R724060	GUIDE READING	5
303R724070	3R724070	ACTUATOR REGIST SW	4
303R724080	3R724080	ACTUATOR EJECT SW	5
303R724090	3R724090	PLATE EARTH A	5
303R724100	3R724100	PLATE EARTH B	5
303R724110	3R724110	PLATE EARTH C	5
303R724120	3R724120	SHEET LEFT GUIDE	2
303R724130	3R724130	PLATE EARTH TIMING SW	6
303R724140	3R724140	COVER PI SENSOR	6
303R724150	3R724150	HOLDER LENS	1
303R724160	3R724160	PLATE EARTH D	5
303R724170	3R724170	FILM WIRE GUIDE	6
303R728020	3R728020	SHAFT EJECT PULLEY	2
303R729030	3R729030	GUIDE EJECT SHIFT A	5
303R729040	3R729040	GUIDE EJECT SHIFT B	5
303R729050	3R729050	GUIDE LOOP SHIFT	4
303R729060	3R729060	SHEET SHIFT GUIDE	5
303R729070	3R729070	SPRING SHIFT GUIDE	5
303R729080	3R729080	SPRING GUIDE EJECT	5
303R731010	3R731010	MOUNT DRIVE A	8
303R731020	3R731020	MOUNT DRIVE B	8
303R731030	3R731030	MOUNT CONV DRIVE	8
303R731040	3R731040	GEAR Z34R	8
303R731050	3R731050	GEAR Z30L	4
303R731060	3R731060	GEAR Z35R ONEWAY	8
303R731070	3R731070	GEAR Z69R Z21L	8
303R731080	3R731080	PIN LIFT DRIVE	8
303R731090	3R731090	CAM LIFT	8
303R731100	3R731100	SHAFT CAM LIFT	8
303R731110	3R731110	GEAR Z20R	5
303R731120	3R731120	GEAR Z59R T22	8
303R731130	3R731130	SHAFT FEED DRIVE	8
303R731140	3R731140	SHAFT SEPARATION DRIVE	8
303R731150	3R731150	CAM SHIFT	6
303R731160	3R731160	GUIDE FRONT WIRE	6
303R731170	3R731170	PLATE TENSION	6
303R731180	3R731180	PULLEY 24 S2M	5
303R731190	3R731190	PULLEY 30 S2M	5
303R731200	3R731200	SHAFT DIAL	6
303R731210	3R731210	GEAR Z80 Z20	6

Part.No. 部品番号	Alternative. 代替部品番号	Description 部品名称	Fig.No.
303R731220	3R731220	SHAFT CAM SHIFT	6
303R731230	3R731230	BELT 234	6
303R731250	3R731250	SHAFT CONV DRIVE	8
303R731260	3R731260	MOUNT FRONT DRIVE	6
303R731270	3R731270	GEAR Z20L ONEWAY	8
303R731290	3R731290	BELT 201	8
303R731300	3R731300	MOUNT MOTOR	8
303R731310	3R731310	SPRING FRONT DRIVE	6
303R734010	3R734010	LABEL SIZE DIRECTION METRIC	1
303R734020	3R734020	LABEL SIZE DIRECTION INCH	1
303R734030	3R734030	LABEL ORIGINAL MAX	3
303R734040	3R734040	LABEL CAUTION JP	3
303R734050	3R734050	LABEL CAUTION US	10
303R734060	3R734060	LABEL CAUTION IN	3
303R734070	3R734070	LABEL CAUTION ME	3
303R734080	3R734080	LABEL ISU COVER	10
303R734090	3R734090	LABEL C1	1
303R734100	3R734100	LABEL C2	4
303R734110	3R734110	LABEL CAUTION NL	10
303R746010	3R746010	WIRE INTERFACE	9
303R746020	3R746020	WIRE FRONT	9
303R746030	3R746030	WIRE SENSOR	9
303R746040	3R746040	WIRE MOTOR	9
303R746050	3R746050	WIRE FEED SENSOR	9
303R746060	3R746060	WIRE EXIT SENSOR	9
303R746070	3R746070	WIRE ORIGINAL SENSOR	9
303R746080	3R746080	WIRE TABLE	9
303R746090	3R746090	WIRE INTERLOCK	9
303R794010	3R794010	PARTS PWB DRIVER ASSY SP	8
303R794020	3R794020	PARTS ROLLER REGISTRATION SP	4
303R794030	3R794030	PARTS ROLLER CONVEYING LEFT SP	5
303R794040	3R794040	PARTS ROLLER CONVEYING RIGHT SP	5
303R794050	3R794050	PARTS ROLLER EXIT SP	5
303R794060	3R794060	PARTS ROLLER LOOP SP	5
303R794070	3R794070	PARTS ROLLER SHIFT SP	5
303R794080	3R794080	PARTS MOTOR-BL INNER W10 SP	8
303R794090	3R794090	PARTS PAPER FEED ASSY SP	7
303R834010	3R834010	LABEL CAUTION HINGE	1
303R834040	3R834040	LABEL FACE UP JP	3
303R834050	3R834050	LABEL FACE UP EN	3
303R834060	3R834060	LABEL FACE UP US	10
303R834130	3R834130	LABEL FACE UP NL	10
3CZ02230	3CZ02230	PIN,HOOK FULCRUM	8
3HK10030	3HK10030	PULLEY EJECT	2
5MVL177DN001	2FB06810	RING STOPPER 4	4
5MVX111DN003	2A806250	RING STOPPER /A-49 FEED A4	2
5MVX111DN003	2A806250	RING STOPPER /A-49 FEED A4	4,5,6,7,8
7BE006124431H01	24431H01	BEARING MR126ZZ	7
7BE008165431H01	BE119730	BEARING 688ZZ	4
7BE008165431H01	BE119730	BEARING 688ZZ	5
7UMDEC016K81HQ1	UM034070	IC.EEPROM	8

Part.No. 部品番号	Alternative. 代替部品番号	Description 部品名称	Fig.No.
7YZM610007++H01	YZ023340	ACCESS.SADDLE	8

---

**DP-7110**

—— CONTENTS / 目次 ——

FIG. 1	Cover .....	2
FIG. 2	Frame .....	4
FIG. 3	Table Assy .....	6
FIG. 4	Paper Conveying Section .....	8
FIG. 5	Paper Feed Section 1 .....	11
FIG. 6	Paper Feed Section 2 .....	13
FIG. 7	Drive&Electrical .....	16
FIG. 8	Wire Section .....	18
FIG. 9	Accessories .....	20
	• INDEX / 索引 .....	22

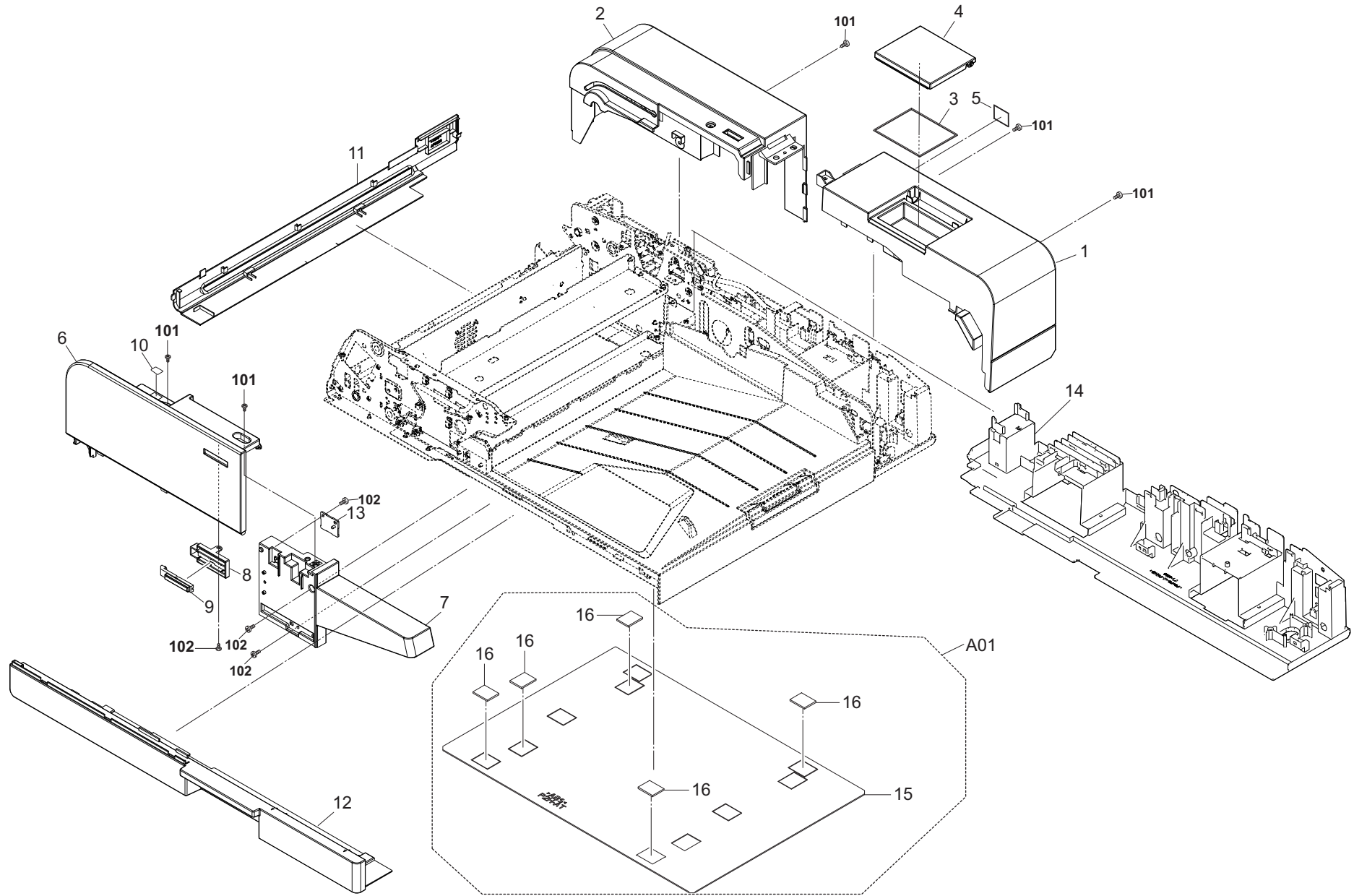


FIG. 1 Covers

3R8

Ref. No. 番号	Part.No. 部品番号	Alternative. 代替部品番号	Description 部品名称	Notes 備考	Revision 改訂	Quantity 個数			
						100(日本)	120	230	240
1	303R804080	3R804080	COVER REAR RIGHT			1	1	1	1
2	303R804070	3R804070	COVER REAR LEFT			1	1	1	1
3	302N904100	2N904100	CLEANER CLOTH			1	1	1	1
4	303R704070	3R704070	LID REAR COVER			1	1	1	1
5	303R834010	3R834010	LABEL CAUTION HINGE			1	1	1	1
6	303R804060	3R804060	COVER FRONT TOP			1	1	1	1
7	303R804030	3R804030	COVER INNER			1	1	1	1
8	303R724150	3R724150	HOLDER LENS			1	1	1	1
9	303M407300	3M407300	LENS LED			1	1	1	1
10	303M434040	3M434040	LABEL C			1	1	1	1
11	303R804020	3R804020	COVER LEFT			1	1	1	1
12	303R804090	3R804090	COVER FRONT BOTTOM			1	1	1	1
13	303M894100	3M894100	PARTS PWB LED ASSY SP			1	1	1	1
14	303R804140	3R804140	COVER HINGE BOTTOM			1	1	1	1
A01	303LL94031	3LL94031	PARTS MAT ASSY			1	1	1	1
15	*303JC04201	3JC04201	PLATE ORIGINAL			1	1	1	1
16	*303MX02021	3MX02021	CUSHION ORIGINAL MAT A			5	5	5	5
101	7BB282308H	BB111240	+TP-FLAT T.T P SCREW 3X8(BLACK)						
102	7BB780308H	BB111200	+BIND T.T S SCREW 3X8 SR(BLACK)						

• Parts with a Ref.No. of 500 and above in the illustration indicate they are not selected for service parts.

・イラスト中で 500 番台の Ref 番号が付いている部品はサービスパーツに選定されていません。



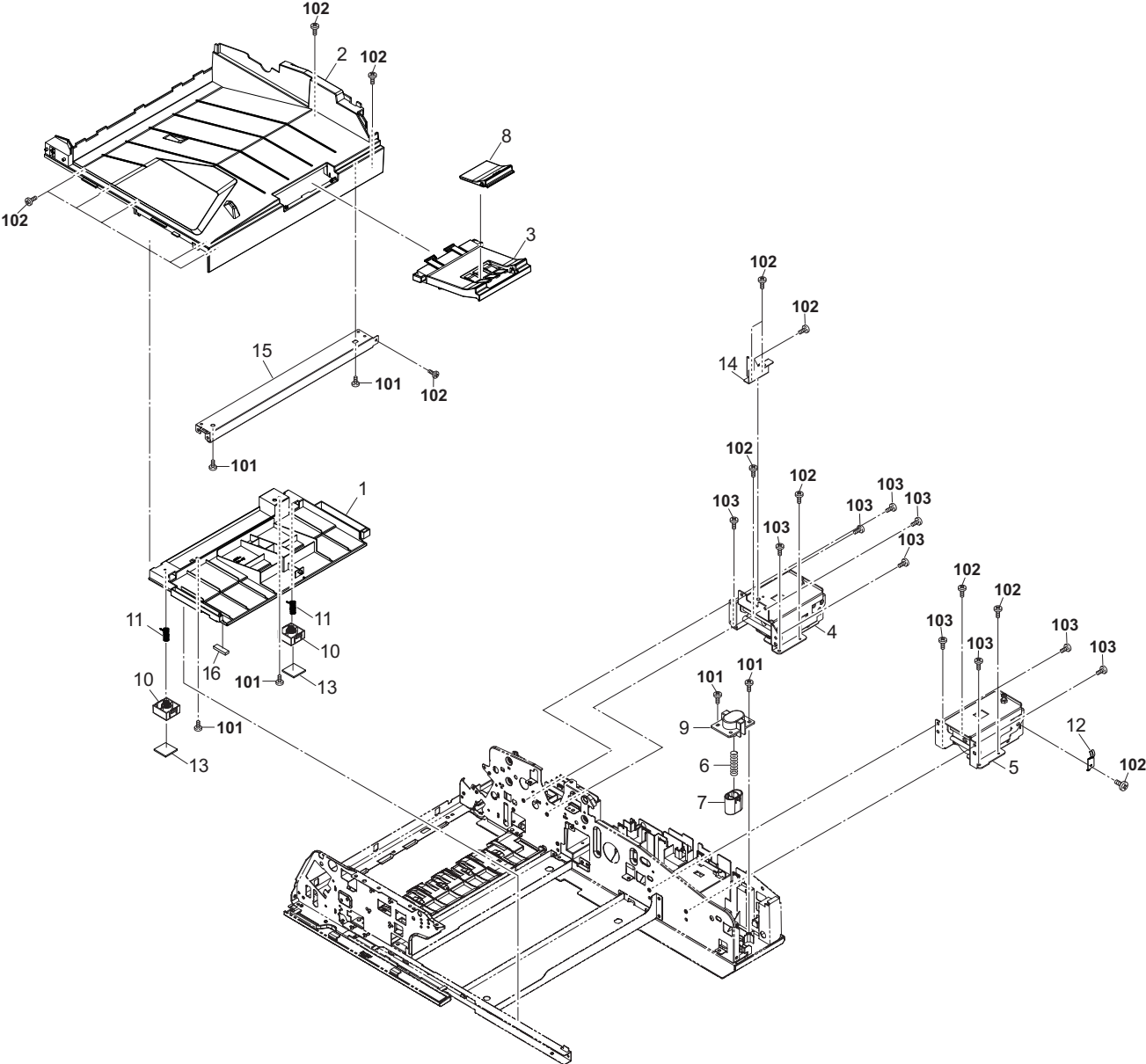


FIG. 2 Frames

Ref. No. 番号	Part.No. 部品番号	Alternative. 代替部品番号	Description 部品名称	Notes 備考	Revision 改訂	Quantity 個数			
						100(日本)	120	230	240
1	303R804130	3R804130	COVER BOTTOM RIGHT			1	1	1	1
2	303R804010	3R804010	TRAY EJECT			1	1	1	1
3	303R702100	3R702100	TRAY SLIDE			1	1	1	1
4	303M402021	3M402021	HINGE LEFT			1	1	1	1
5	303M402031	3M402031	HINGE RIGHT			1	1	1	1
6	303JX02090	3JX02090	SPRING PUSH SW			1	1	1	1
7	303LL02390	3LL02390	PUSH SW			1	1	1	1
8	303R702110	3R702110	STOPPER EJECT			1	1	1	1
9	303LL02150	3LL02150	HOLDER SPRING PUSH SW			1	1	1	1
10	303LL02410	3LL02410	MOUNT CUSHION			2	2	2	2
11	303LL02430	3LL02430	SPRING PUSH MAT			2	2	2	2
12	303LL02520	3LL02520	GROUND PLATE HINGE			1	1	1	1
13	303LL02530	3LL02530	CUSHION ORIGINAL MAT			2	2	2	2
14	303M402180	3M402180	PLATE HINGE UPPER			1	1	1	1
15	303M402190	3M402190	STAY EJECT TRAY			1	1	1	1
16	303NV02070	3NV02070	CUSHION BASE			1	1	1	1
101	7BB200308H	BB105660	+BIND T.T P SCREW 3X8						
102	7BB700308H	BB105600	+BIND T.T S SCREW 3X8 SR						
103	7BB700408H	BB105640	+BIND T.T S SCREW 4X8 SR						

• Parts with a Ref.No. of 500 and above in the illustration indicate they are not selected for service parts.

・イラスト中で 500 番台の Ref 番号が付いている部品はサービスパーツに選定されていません。

FIG. 3 Table Assy

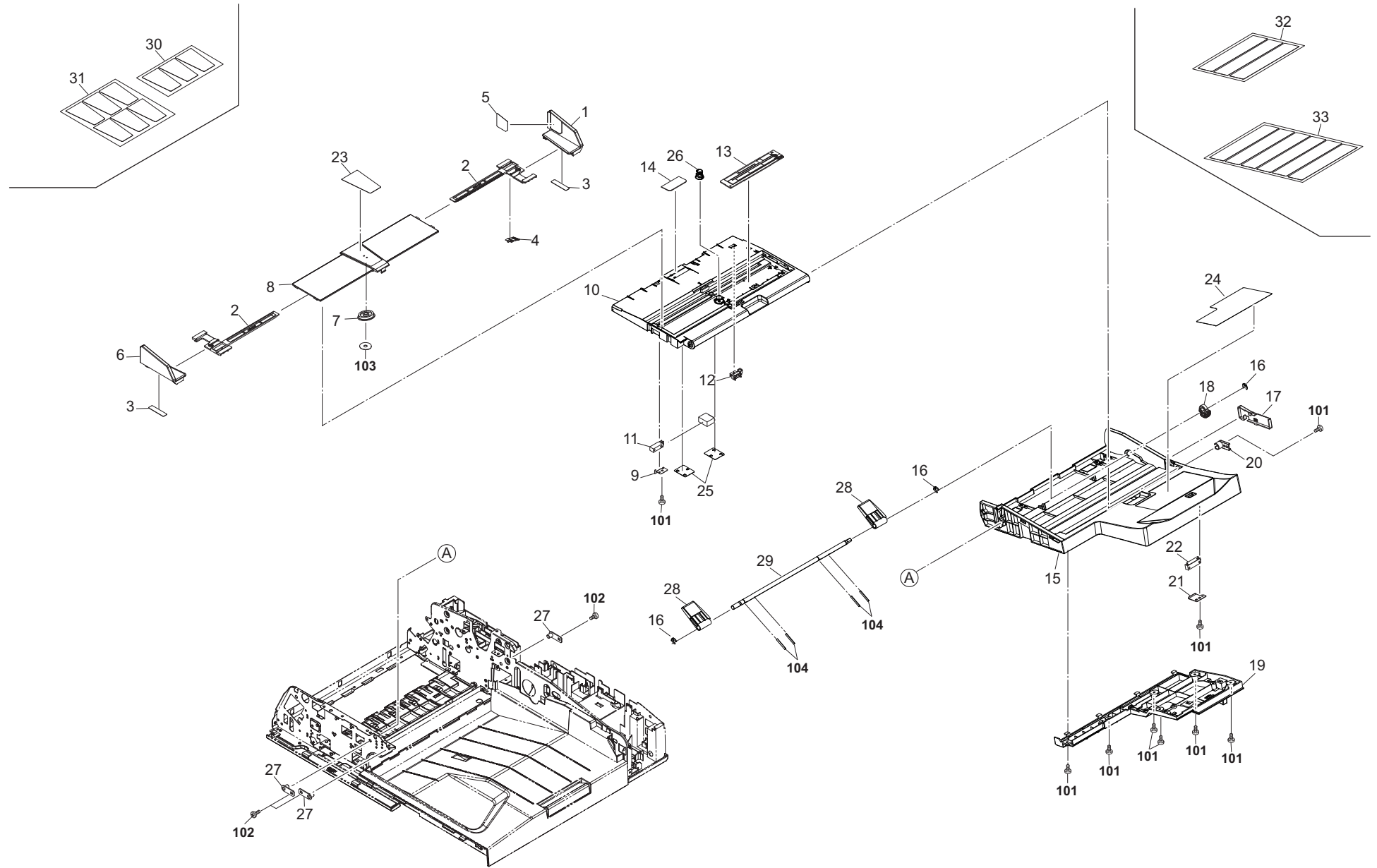


FIG. 3 Table Assy

3R8

Ref. No. 番号	Part.No. 部品番号	Alternative. 代替部品番号	Description 部品名称	Notes 備考	Revision 改訂	Quantity 個数			
						100(日本)	120	230	240
1	303R806020	3R806020	CURSOR REAR			1	1	1	1
2	303M406031	3M406031	RACK TABLE			2	2	2	2
3	3HL06090	3HL06090	CUSHION CURSOR			2	2	2	2
4	3HL06110	3HL06110	TERMINAL PAPER SIZE			1	1	1	1
5	303R834030	3R834030	LABEL ORIGINAL MAX			1	1	1	1
6	303R806010	3R806010	CURSOR FRONT			1	1	1	1
7	303JX06070	3JX06070	PINION GEAR			1	1	1	1
8	303R806040	3R806040	COVER CURSOR			1	1	1	1
9	303JX06090	3JX06090	SENSOR EARTH			1	1	1	1
10	303R806050	3R806050	TABLE LIFT			1	1	1	1
11	303NW94060	3NW94060	PARTS SENSOR OPT. SP			1	1	1	1
12	303M894260	3M894260	PARTS SENSOR OPT SP			1	1	1	1
13	303M894270	3M894270	PARTS PWB SIZE DETECTION ASSY SP			1	1	1	1
14	3A707290	3A707290	PAD,LIFT			1	1	1	1
15	303R806030	3R806030	BASE TABLE			1	1	1	1
16	2BC06910	2BC06910	STOPPER 6			3	3	3	3
17	303M406130	3M406130	COVER TABLE REAR			1	1	1	1
18	303M406070	3M406070	GEAR LIFT Z30			1	1	1	1
19	303R806060	3R806060	COVER TABLE			1	1	1	1
20	303M406080	3M406080	BUSH TABLE			1	1	1	1
21	303LL06090	3LL06090	MOUNT ORIGINAL SENSOR			1	1	1	1
22	303NW94050	3NW94050	PARTS SENSOR OPT. SP			1	1	1	1
23	303R834040	3R834040	LABEL FACE UP JP			1			
23	303R834050	3R834050	LABEL FACE UP EN				1	1	1
24	303R834070	3R834070	LABEL CAUTION JP			1			
24	303R834090	3R834090	LABEL CAUTION IN				1		
24	303R834100	3R834100	LABEL CAUTION ME					1	1
25	302H702540	2H702540	FILM WIRE OPE			2	2	2	2
26	302H712650	2H712650	SPRING DRUM JOINT			1	1	1	1
27	303M402210	3M402210	PIN TABLE			3	3	3	3
28	303M406050	3M406050	LEVER LIFT			2	2	2	2
29	303M406060	3M406060	SHAFT LIFT			1	1	1	1
30	303R834060	3R834060	LABEL FACE UP US				1		
31	303R834130	3R834130	LABEL FACE UP NL					1	1
32	303R834080	3R834080	LABEL CAUTION US				1		
33	303R834120	3R834120	LABEL CAUTION NL					1	1
101	7BB200308H	BB105660	+BIND T.T P SCREW 3X8						
102	7BB700308H	BB105600	+BIND T.T S SCREW 3X8 SR						
103	7BC06062N050H01	BC125260	POLYSLIDER 6.2X22X0.5T						
104	7BP513025B0CH01	BP125270	PARALLEL PIN 3X25						

• Parts with a Ref.No. of 500 and above in the illustration indicate they are not selected for service parts.

• イラスト中で 500 番台の Ref 番号が付いている部品はサービスパーツに選定されていません。

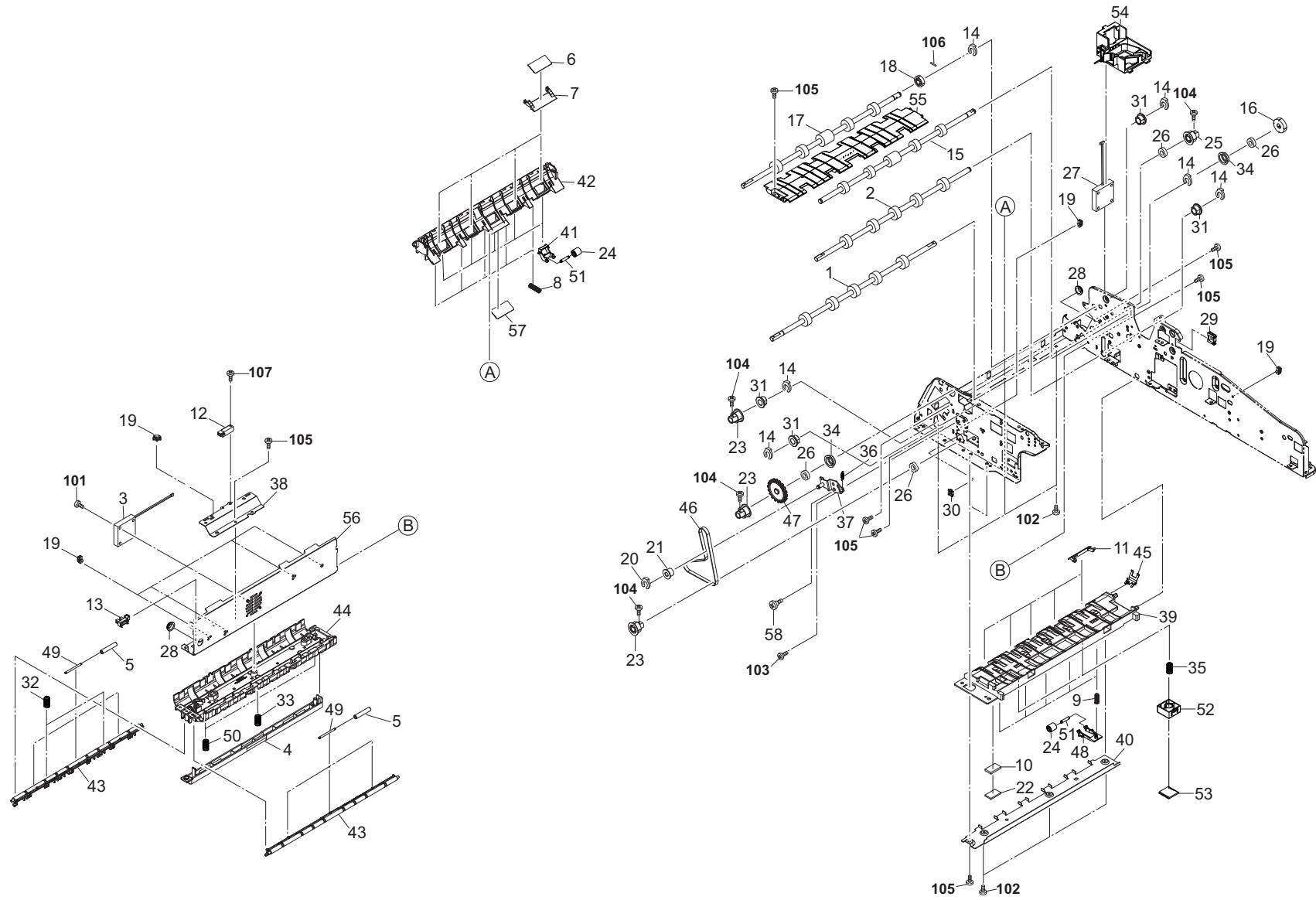


FIG. 4 Paper Conveying Section

3R8

Ref. No. 番号	Part.No. 部品番号	Alternative. 代替部品番号	Description 部品名称	Notes 備考	Revision 改訂	Quantity 個数			
						100(日本)	120	230	240
1	303M494090	3M494090	PARTS ROLLER CONVEYING LEFT SP			1	1	1	1
2	303M494100	3M494100	PARTS ROLLER CONVEYING RIGHT SP			1	1	1	1
3	302H744090	2H744090	FAN COOLING CONV			1	1	1	1
4	303M424251	3M424251	GUIDE READING			1	1	1	1
5	303LL24190	3LL24190	PULLEY GUIDE READING			6	6	6	6
6	303M424200	3M424200	SHEET LEFT READING			4	4	4	4
7	303M424210	3M424210	GUIDE LEFT READING			4	4	4	4
8	302H008140	2H008140	SPRING BYPASSFFED			5	5	5	5
9	303NA06110	3NA06110	SPRING PICK UP			5	5	5	5
10	303M802320	3M802320	SPONGE ORIGINAL MAT A			1	1	1	1
11	303M824160	3M824160	GUIDE RIGHT READING			5	5	5	5
12	303NW94040	3NW94040	PARTS SENSOR OPT. SP			1	1	1	1
13	303M894260	3M894260	PARTS SENSOR OPT SP			1	1	1	1
14	2BC06910	2BC06910	STOPPER 6			6	6	6	6
15	303M494070	3M494070	PARTS ROLLER REGISTRATION SP			1	1	1	1
16	303M431110	3M431110	GEAR Z26			1	1	1	1
17	303M494080	3M494080	PARTS ROLLER CONVEYING UPPER SP			1	1	1	1
18	303M431340	3M431340	GEAR 22 CIS IDLE			1	1	1	1
19	7YZM610007++H01	YZ023340	ACCESS.SADDLE			7	7	7	7
20	5MVX111DN003	2A806250	RING STOPPER/A-49 FEED A4			1	1	1	1
21	28801190	48928800	PULLEY,TIMING BELT			1	1	1	1
22	303J902370	3J902370	CUSHION ORIGINAL MAT			1	1	1	1
23	303LL31330	3LL31330	PULLEY 38 CONVEYING			3	3	3	3
24	303M824210	3M824210	PULLEY CONVEYING BK			10	10	10	10
25	303M431320	3M431320	PULLEY 48 CONV HIGH			1	1	1	1
26	7BE008165431H01	BE119730	BEARING 688ZZ			4	4	4	4
27	302H044120	2H044120	FAN COOLING 40-15			1	1	1	1
28	7YZM110001++H01	YZ009420	ACCESS.BUSHING			2	2	2	2
29	7YZM210005++H01	YZ037990	ACCESS.EDGING			1	1	1	1
30	7YZM210006++H01	YZ038000	ACCESS.EDGING			1	1	1	1
31	28107310	49028101	BUSH 8			4	4	4	4
32	302HN04250	2HN04250	SPRING SIDE COVER			2	2	2	2
33	302K309370	2K309370	SPRING CURSOR SET			1	1	1	1
34	302K931960	2K931960	HOLDER BEARING 688ZZ			2	2	2	2
35	303LL02430	3LL02430	SPRING PUSH MAT			2	2	2	2
36	303LL31390	3LL31390	SPRING TENSION CONV			1	1	1	1
37	303LL31520	3LL31520	PLATE TENSION EJECT			1	1	1	1
38	303M402100	3M402100	MOUNT TIMING SW			1	1	1	1
39	303M424170	3M424170	GUIDE CONV RIGHT			1	1	1	1
40	303M424180	3M424180	STAY CONV RIGHT			1	1	1	1
41	303M424190	3M424190	HOLDER LEFT PULLEY			5	5	5	5
42	303M424221	3M424221	GUIDE CONV LEFT			1	1	1	1
43	303M424261	3M424261	HOLDER READ PULLEY			2	2	2	2
44	303M424270	3M424270	GUIDE CONVEYING LOW			1	1	1	1
45	303M424280	3M424280	PLATE EARTH CONV LOWER			1	1	1	1
46	303M431270	3M431270	BELT 60S1.5M326			1	1	1	1
47	303M431280	3M431280	KNOB JAM REMOVAL			1	1	1	1
48	303M824121	3M824121	HOLDER RIGHT PULLEY			5	5	5	5

• Parts with a Ref.No. of 500 and above in the illustration indicate they are not selected for service parts.

• イラスト中で 500 番台の Ref 番号が付いている部品はサービスパーツに選定されていません。

FIG. 4 Paper Conveying Section

Ref. No. 番号	Part.No. 部品番号	Alternative. 代替部品番号	Description 部品名称	Notes 備考	Revision 改訂	Quantity 個数			
						100(日本)	120	230	240
52	303LL02410	3LL02410	MOUNT CUSHION			2	2	2	2
53	303LL02530	3LL02530	CUSHION ORIGINAL MAT			2	2	2	2
54	303M402111	3M402111	HOLDER FAN			1	1	1	1
55	303M424060	3M424060	GUIDE REGIST LOWER			1	1	1	1
56	303M402060	3M402060	STAY CONVEYING			1	1	1	1
57	303M424440	3M424440	SHEET GUIDE CONV LEFT			1	1	1	1
58	3CZ02230	3CZ02230	PIN,HOOK FULCRUM			1	1	1	1
101	7BB100316H1	BB107080	+BIND T.T S SCREW 3X16						
102	7BB200308H	BB105660	+BIND T.T P SCREW 3X8						
103	7BB606308H	BB105280	+PAN M SCREW WITH SW W 3X8 R						
104	7BB607308H	BB112190	+TP-CUP M SCREW 3X8 R						
105	7BB700308H	BB105600	+BIND T.T S SCREW 3X8 SR						
106	5MBP2012WXSP	E0020120	SPRING PIN / M2 X 12 S-BLK						
107	7BB100312H1	BB112480	+BIND T.T S SCREW 3X12						

• Parts with a Ref.No. of 500 and above in the illustration indicate they are not selected for service parts.

・イラスト中で 500 番台の Ref 番号が付いている部品はサービスパーツに選定されていません。

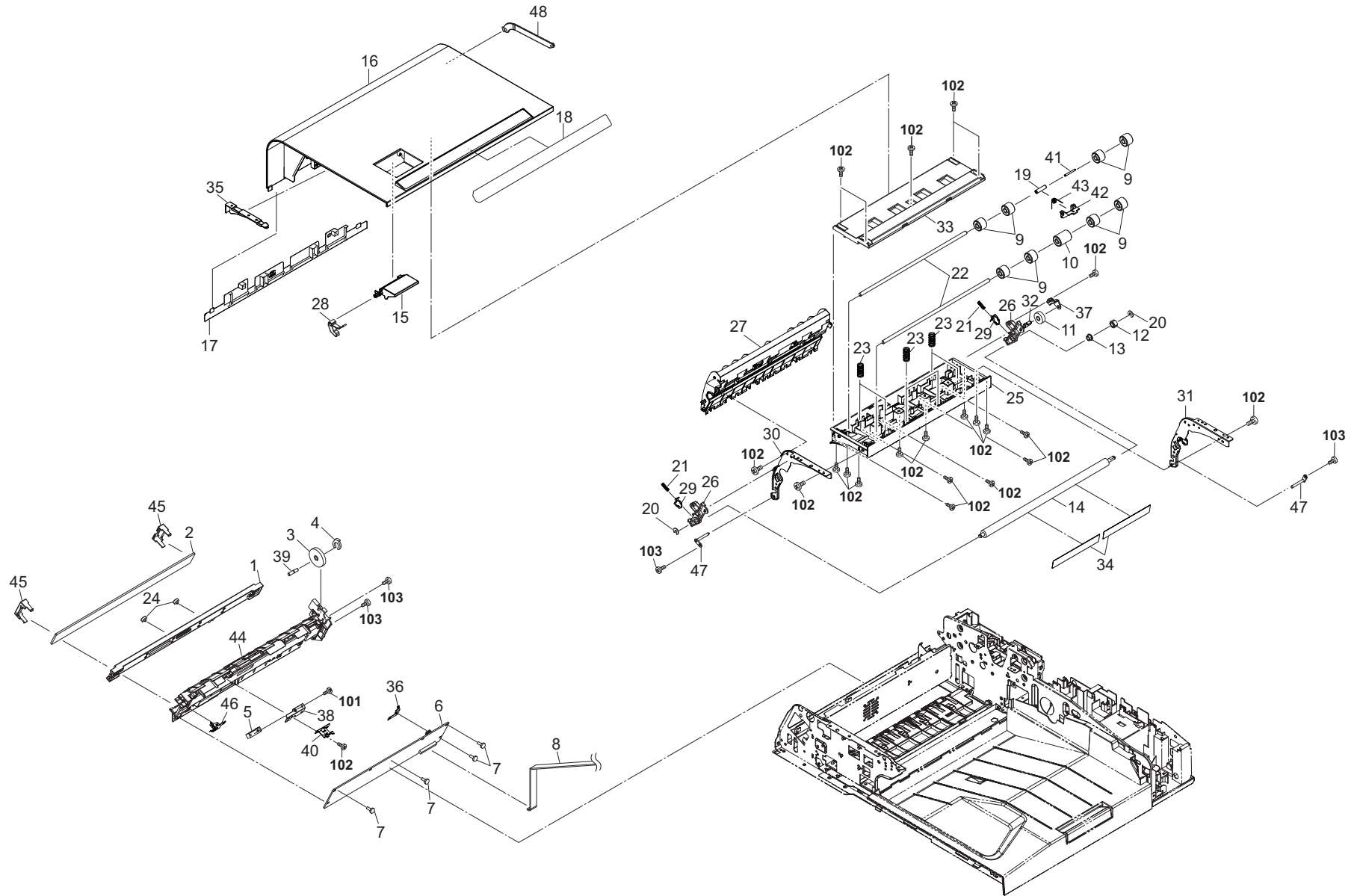




FIG 5 Paper Feed Section 1

3R8

Ref. No. 番号	Part.No. 部品番号	Alternative. 代替部品番号	Description 部品名称	Notes 備考	Revision 改訂	Quantity 個数			
						100(日本)	120	230	240
1	303P294020	3P294020	PARTS SENSOR A3 COLOR CIS(C) SP			1	1	1	1
2	303NW24020	3NW24020	GLASS CIS			1	1	1	1
3	2BL06170	2BL06170	GEAR Z42 FEED			1	1	1	1
4	5MVX111DN003	2A806250	RING STOPPER/A-49 FEED A4			1	1	1	1
5	303NW94040	3NW94040	PARTS SENSOR OPT. SP			1	1	1	1
6	303R894020	3R894020	PARTS PWB SHD ASSY SP			1	1	1	1
7	7YZM510019++H01	YZ123830	ACCESS.SPACER			4	4	4	4
8	303R846020	303R846020	WIRE INTERFACE VIDEO			1	1	1	1
9	303M424300	3M424300	PULLEY REGISTRATION BK			8	8	8	8
10	303M424310	3M424310	PULLEY REG B BK			1	1	1	1
11	302FZ08370	2FZ08370	GEAR JOINT MPT UNIT			1	1	1	1
12	2CK17050	2CK17050	GEAR IDLE Z14S			1	1	1	1
13	302K324450	2K324450	BUSH 6			1	1	1	1
14	303M494060	3M494060	PARTS ROLLER CIS SP			1	1	1	1
15	303R804040	3R804040	HANDLE COVER PF			1	1	1	1
16	303R804051	3R804051	COVER PF			1	1	1	1
17	303R804100	3R804100	COVER PF BOTTOM			1	1	1	1
18	303R834020	3R834020	LABEL SIZE INDICATOR			1	1	1	1
19	303M424400	3M424400	PULLY CIS ROLLER			1	1	1	1
20	302FB09830	2FB09830	CUT WASHER 4			2	2	2	2
21	303H316360	3H316360	SPRING CONVEYING			2	2	2	2
22	303LL07130	3LL07130	SHAFT REGISTRATION PULLEY			2	2	2	2
23	303LL07170	3LL07170	SPRING REGISTRATION			6	6	6	6
24	303NW24050	3NW24050	SPACER CIS			2	2	2	2
25	303M407260	3M407260	GUIDE REGIST UPPER			1	1	1	1
26	303M407270	3M407270	ARM CIS ROLLER FRONT			2	2	2	2
27	303M407291	3M407291	GUIDE CIS ROLLER			1	1	1	1
28	303M407310	3M407310	LEVER HANDLE			1	1	1	1
29	303M407330	3M407330	PLATE EARTH CIS ROLLER			2	2	2	2
30	303M407340	3M407340	PLATE PF COVER FRONT			1	1	1	1
31	303M407350	3M407350	PLATE PF COVER REAR			1	1	1	1
32	303M407360	3M407360	SHAFT CIS IDLE			1	1	1	1
33	303M407370	3M407370	HOLDER REGIST PULLEY			1	1	1	1
34	303M407410	3M407410	SHEET CIS ROLLER			2	2	2	2
35	303M407510	3M407510	COVER PF FRONT			1	1	1	1
36	303NW24060	3NW24060	PLATE EARTH CIS REAR			1	1	1	1
37	303M407530	3M407530	HOLDER GEAR			1	1	1	1
38	303M424130	3M424130	MOUNT CIS SW			1	1	1	1
39	303M424240	3M424240	SHAFT CIS IDLE			1	1	1	1
40	303M424290	3M424290	PLATE EARTH SHD PWB			1	1	1	1
41	303M424340	3M424340	SHAFT CIS PULLEY			1	1	1	1
42	303M424350	3M424350	HOLDER CIS PULLEY			1	1	1	1
43	303M424420	3M424420	SPRING CIS PULLEY			1	1	1	1
44	303NW24012	3NW24012	HOUSING CIS			1	1	1	1
45	303NW24030	3NW24030	STOPPER CIS GLASS			2	2	2	2
46	303NW24040	3NW24040	PLATE EARTH CIS			1	1	1	1
47	303LL02190	3LL02190	PIN PF COVER			2	2	2	2
48	303M407380	3M407380	STRAP PF COVER			1	1	1	1
101	7BB100312H1	BB112480	+BIND T.T S SCREW 3X12						
102	7BB200308H	BB105660	+BIND T.T P SCREW 3X8						
103	7BB700308H	BB105600	+BIND T.T S SCREW 3X8 SR						

• Parts with a Ref.No. of 500 and above in the illustration indicate they are not selected for service parts.

• イラスト中で 500 番台の Ref 番号が付いている部品はサービスパーツに選定されていません。

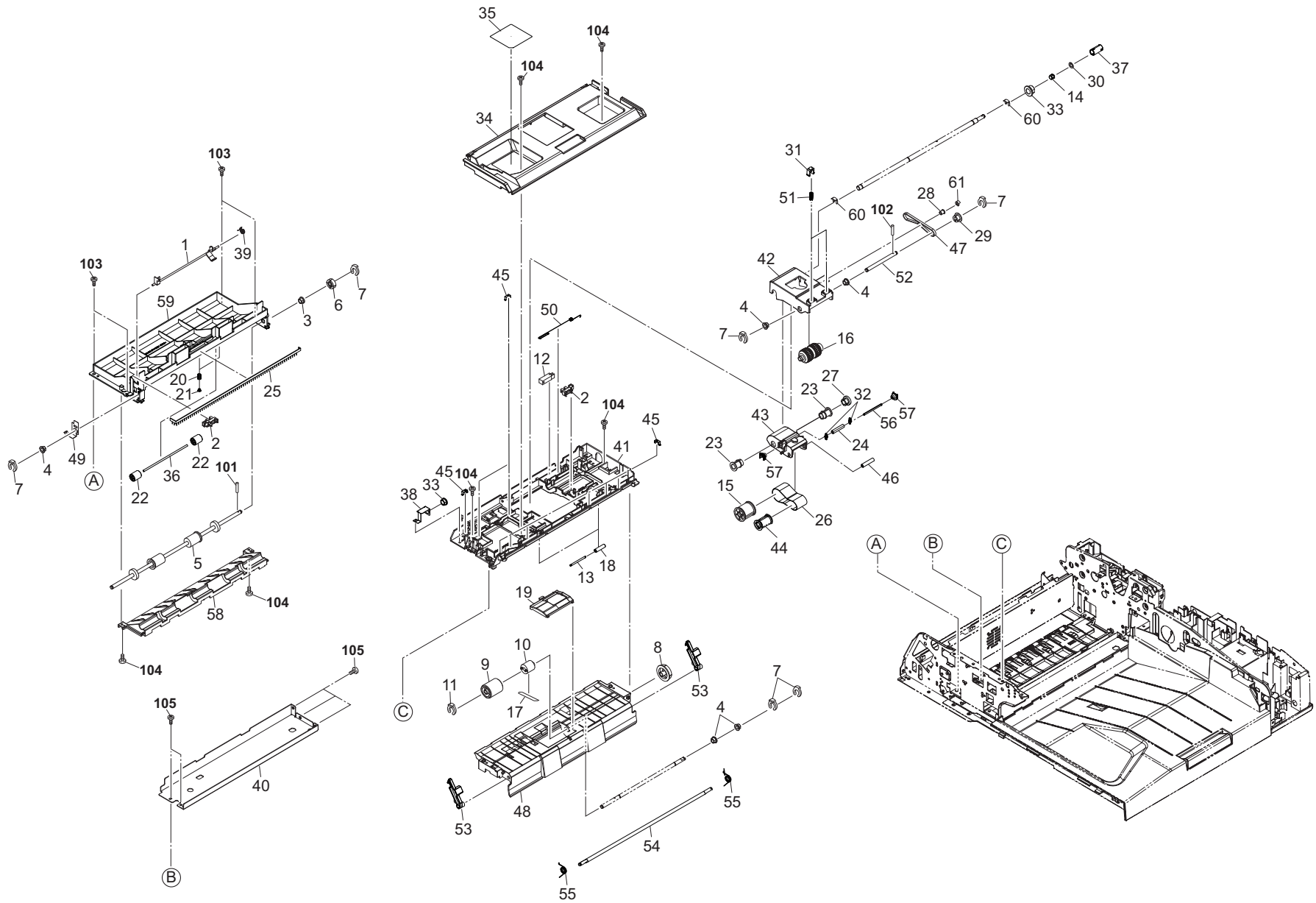


FIG. 6 Paper Feed Section 2

3R8

Ref. No. 番号	Part.No. 部品番号	Alternative. 代替部品番号	Description 部 品 名 称	Notes 備 考	Revision 改 訂	Quantity 個数			
						100(日本)	120	230	240
1	303M429040	3M429040	ACTUATOR EJECT SW			1	1	1	1
2	303M894260	3M894260	PARTS SENSOR OPT SP			2	2	2	2
3	302H702590	2H702590	BUSH SCREW			1	1	1	1
4	302K324450	2K324450	BUSH 6			5	5	5	5
5	303M494110	3M494110	PARTS ROLLER EJECT SP			1	1	1	1
6	3H622020	3H622020	GEAR CIS ROLLER 20			1	1	1	1
7	5MVX111DN003	2A806250	RING STOPPER/A-49 FEED A4			6	6	6	6
8	303M407110	3M407110	GEAR Z33			1	1	1	1
9	303LL07190	3LL07190	PULLEY SEPARATION			1	1	1	1
10	303JX07400	3JX07400	TORQUE LIMITER FEED			1	1	1	1
11	5MVL177DN001	2FB06810	RING STOPPER 4			1	1	1	1
12	303NW94040	3NW94040	PARTS SENSOR OPT. SP			1	1	1	1
13	303M824130	3M824130	SHAFT GUIDE READING			1	1	1	1
14	302K906180	2K906180	JOINT RETARD DRIVE			1	1	1	1
15	303NV07020	3NV07020	COLLAR PF C			1	1	1	1
16	303M407480	3M407480	PULLEY LF			1	1	1	1
17	303MW07060	3MW07060	FILM TORQUE LIMITER			1	1	1	1
18	303LL24190	3LL24190	PULLEY GUIDE READING			2	2	2	2
19	303M494200	3M494200	PARTS GUIDE SEPARATE ASSY SP			1	1	1	1
20	2C907360	2C907360	SPRING CURSOR R			2	2	2	2
21	2FM04150	5MVM163DN005	CAP SPRING /B-11 ENCLOSURE A4			2	2	2	2
22	302F929260	2F929260	PULLEY DU LOW			2	2	2	2
23	303H607131	3H607131	BUSHING PF HOLDER			2	2	2	2
24	303H607280	3H607280	PULLEY TENSION			1	1	1	1
25	303K502130	3K502130	STATIC ELIMINATOR EJECT			1	1	1	1
26	303LL07531	3LL07531	BELT PF			1	1	1	1
27	303M407080	3M407080	PULLEY 20			1	1	1	1
28	303M407200	3M407200	PULLEY HOLDER LF			1	1	1	1
29	303M407220	3M407220	PULLEY 20 LF			1	1	1	1
30	2BG22990	2BG22990	CUT WASHER 4			1	1	1	1
31	2FB07330	2FB07330	STOPPER BYPASS TABLE			2	2	2	2
32	303M407540	3M407540	SPRING BELT TENTION			2	2	2	2
33	28107310	49028101	BUSH 8			2	2	2	2
34	303M407021	3M407021	COVER PF ROLLER			1	1	1	1
35	303R834110	3R834110	LABEL JAM			1	1	1	1
36	302K324460	2K324460	SHAFT FEED			1	1	1	1
37	302K906140	2K906140	COUPLING PRIMARY FEED DRIVE			1	1	1	1
38	303M407550	3M407550	PLATE EARTH SHAFT PF			1	1	1	1
39	302K928190	2K928190	SPRING-TORSION SWITCHBACK			1	1	1	1
40	303M402070	3M402070	STAY LOOP UPPER			1	1	1	1
41	303M407011	3M407011	GUIDE UPPER			1	1	1	1
42	303M407030	3M407030	HOLDER LF			1	1	1	1
43	303M407040	3M407040	HOLDER PF			1	1	1	1
44	303M407050	3M407050	COLLAR PF B			1	1	1	1
45	302K931080	2K931080	WIRE STOPPER			9	9	9	9
46	303M407060	3M407060	SHAFT BELT			1	1	1	1
47	303M407090	3M407090	BELT 172 LF			1	1	1	1
48	303M407101	3M407101	GUIDE LOWER PF			1	1	1	1

• Parts with a Ref.No. of 500 and above in the illustration indicate they are not selected for service parts.

• イラスト中で 500 番台の Ref 番号が付いている部品はサービスパーツに選定されていません。

FIG. 6 Paper Feed Section 2

3R8

Ref. No. 番号	Part.No. 部品番号	Alternative. 代替部品番号	Description 部品名称	Notes 備考	Revision 改訂	Quantity 個数			
						100(日本)	120	230	240
52	303M407210	3M407210	SHAFT LF			1	1	1	1
53	303M407231	3M407231	HOOK COVER			2	2	2	2
54	303M407240	3M407240	SHAFT HOOK			1	1	1	1
55	303M407421	3M407421	SPRING HOOK FRONT			2	2	2	2
56	303M407440	3M407440	SHAFT PULLEY TENSION			1	1	1	1
57	303M407450	3M407450	SLIDER TENSION			2	2	2	2
58	303M424231	3M424231	GUIDE EJECT LOWER			1	1	1	1
59	303M429020	3M429020	GUIDE EJECT UPPER			1	1	1	1
60	5MVL177DN002	2FB06820	RING STOPPER 6			2	2	2	2
61	5MVX111DN007	2BT11070	STOPPER 3 /2BT1107 A4			1	1	1	1
101	5MBP2010WXSP	E0020100	SPRING PIN / M2 X 10 S-BLK						
102	E0020080	48100208	SPRING PIN 2X8						
103	7BB100306H1	BB105820	+BIND T.T S SCREW 3X6						
104	7BB200308H	BB105660	+BIND T.T P SCREW 3X8						
105	7BB700308H	BB105600	+BIND T.T S SCREW 3X8 SR						

• Parts with a Ref.No. of 500 and above in the illustration indicate they are not selected for service parts.

・イラスト中で 500 番台の Ref 番号が付いている部品はサービスパーツに選定されていません。

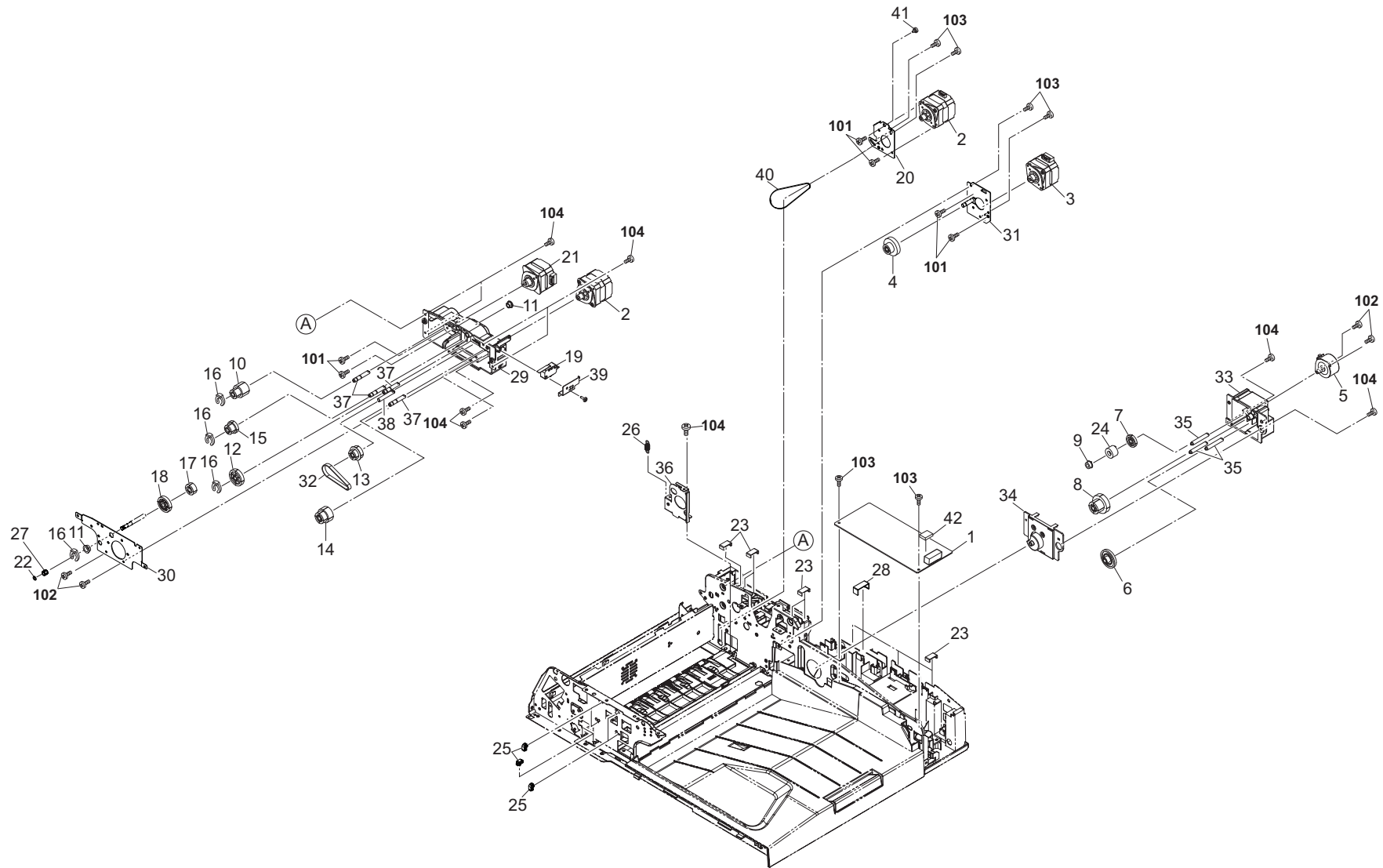


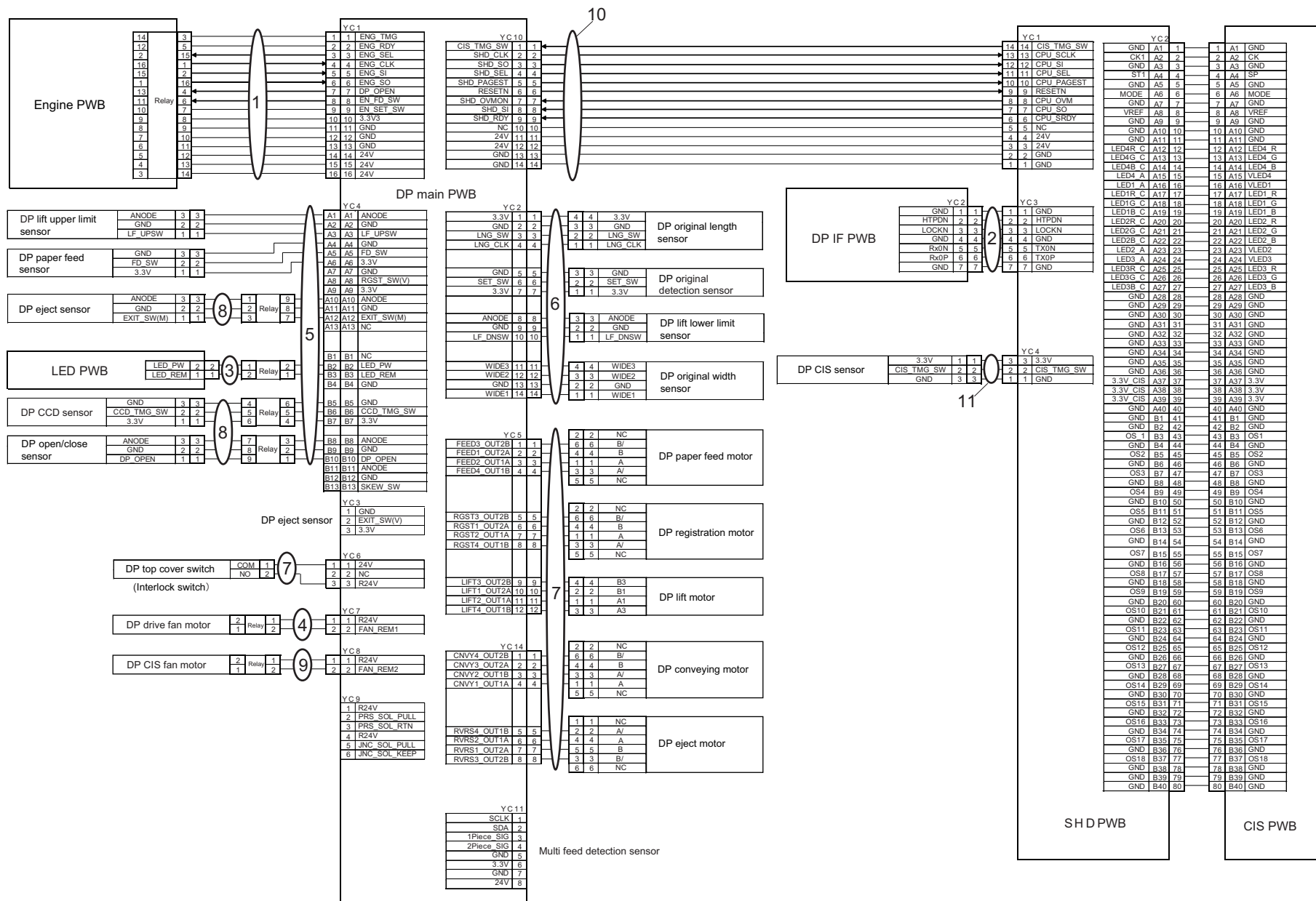
FIG. 7 Drive&Electrical

3R8

Ref. No. 番号	Part.No. 部品番号	Alternative. 代替部品番号	Description 部 品 名 称	Notes 備 考	Revision 改 訂	Quantity 個数			
						100(日本)	120	230	240
1	303R894030	3R894030	PARTS PWB DRIVER ASSY SP			1	1	1	1
2	303M494041	3M494041	PARTS MOTOR CONVEYING SP			2	2	2	2
3	302KY94070	2KY94070	PARTS MOTOR DU SP			1	1	1	1
4	303M431440	3NW94031	GEAR EXIT Z43 Z20			1	1	1	1
5	302H794310	2H794310	PARTS MOTOR ROTARY GUIDE			1	1	1	1
6	303H622331	3H622331	GEAR 20/65 IDLE			1	1	1	1
7	303M494120	3M494120	PARTS GEAR Z42 SP			1	1	1	1
8	303M494130	3M494130	PARTS GEAR JOINT Z20 Z65 SP			1	1	1	1
9	3H622160	3H622160	GEAR 20 JOINT			1	1	1	1
10	303M431101	3M431101	GEAR Z43 Z22			1	1	1	1
11	302K324450	2K324450	BUSH 6			2	2	2	2
12	303M431050	3M431050	GEAR Z35			1	1	1	1
13	303M431060	3M431060	GEAR Z20 P48			1	1	1	1
14	303M431090	3M431090	GEAR Z30 Z23			1	1	1	1
15	303M431400	3M431400	GEAR Z25 Z19			1	1	1	1
16	5MVX111DN003	2A806250	RING STOPPER /A-49 FEED A4			4	4	4	4
17	303M431040	3M431040	GEAR Z22 ONEWAY			1	1	1	1
18	3HK22040	3HK22040	GR 33 CONV			1	1	1	1
19	2FB27160	2FB27160	INTER LOCK SWITCH			1	1	1	1
20	303M431300	3M431300	MOUNT CONV MOTOR A			1	1	1	1
21	303M494182	3M494182	PARTS MOTOR REGISTRATION SP			1	1	1	1
22	2BG22990	2BG22990	CUT WASHER 4			1	1	1	1
23	303LL02330	3LL02330	HOLDER WIRE D			8	8	8	8
24	303M406160	3M406160	TORQUE-LIMITER 1000			1	1	1	1
25	7YZM610007++H01	YZ023340	ACCESS.SADDLE			6	6	6	6
26	2BC16470	2BC16470	SPRING,CONVEYING HOOK			1	1	1	1
27	302K906180	2K906180	JOINT RETARD DRIVE			1	1	1	1
28	303LL02180	3LL02180	HOLDER WIRE A			1	1	1	1
29	303M431013	3M431013	MOUNT PF DRIVE			1	1	1	1
30	303M431021	3M431021	PLATE PF DRIVE			1	1	1	1
31	303M431200	3M431200	MOUNT LOOP DRIVE			1	1	1	1
32	303M431120	3M431120	BELT 146			1	1	1	1
33	303M431141	3M431141	MOUNT LIFT DRIVE			1	1	1	1
34	303M431150	3M431150	COVER LIFT DRIVE			1	1	1	1
35	303M431230	3M431230	PIN LIFT DRIVE A			3	3	3	3
36	303M431311	3M431311	MOUNT CONV MOTOR B			1	1	1	1
37	303M431360	3M431360	SHAFT PF DRIVE C			4	4	4	4
38	303M431390	3M431390	SHAFT PF DRIVE F			1	1	1	1
39	303M431410	3M431410	MOUNT INTERLOCK SW			1	1	1	1
40	303M431290	3M431290	BELT 60S1.5M161			1	1	1	1
41	3CZ02230	3CZ02230	PIN,HOOK FULCRUM			1	1	1	1
42	303R894040	3R894040	PARTS IC.EEPROM SP			1	1	1	1
101	7BB000306H	BB106880	+BIND M SCREW 3X6						
102	7BB200308H	BB105660	+BIND T.T P SCREW 3X8						
103	7BB606308H	BB105280	+PAN M SCREW WITH SW W 3X8 R						
104	7BB700308H	BB105600	+BIND T.T S SCREW 3X8 SR						

• Parts with a Ref.No. of 500 and above in the illustration indicate they are not selected for service parts.

・イラスト中で 500 番の Ref 番号が付いている部品はサービスパーツに選定されていません。







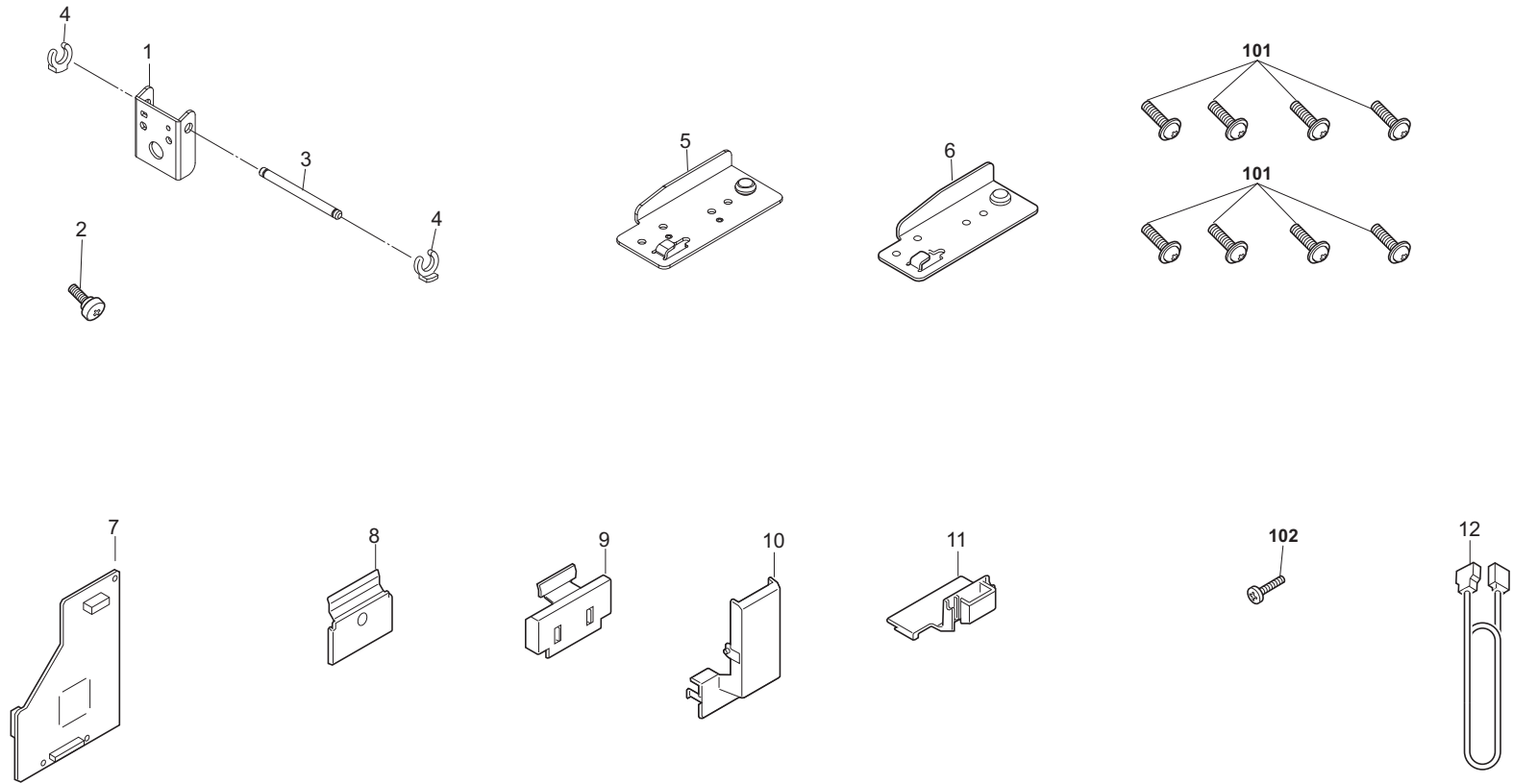


FIG. 9 Accessories

Ref. No. 番号	Part.No. 部品番号	Alternative. 代替部品番号	Description 部品名称	Notes 備考	Revision 改訂	Quantity 個数			
						100(日本)	120	230	240
1	303M402170	3M402170	PLATE ANGLE			1	1	1	1
2	303JX02260	3JX02260	PIN HINGE			1	1	1	1
3	303JX02391	3JX02391	SHAFT ANGLE RESTRICTION			1	1	1	1
4	5MVX111DN003	2A806250	RING STOPPER /A-49 FEED A4			2	2	2	2
5	303M402200	3M402200	PLATE GUIDE HINGE			1	1	1	1
6	303LL02380	3LL02380	PLATE GUIDE HINGE			1	1	1	1
7	303R894050	3R894050	PARTS PWB DPIF ASSY SP			1	1	1	1
8	303M404070	3M404070	COVER HINGE LEFT			1	1	1	1
9	303R804120	303R80412	COVER HINGE RIGHT			1	1	1	1
10	303R704100	3R704100	COVER WIRE INTERFACE A			1	1	1	1
11	303R704110	3R704110	COVER WIRE INTERFACE B			1	1	1	1
12	302N246010	2N246010	WIRE PANEL DATA JOINT			1	1	1	1
101	7BB607414H	BB107160	+TP-CUP M SCREW 4X14 R						
102	7BB780308H	BB111200	+BIND T.T S SCREW 3X8 SR(BLACK)						

• Parts with a Ref.No. of 500 and above in the illustration indicate they are not selected for service parts.

・イラスト中で 500 番台の Ref 番号が付いている部品はサービスパーツに選定されていません。

Part.No. 部品番号	Alternative. 代替部品番号	Description 部品名称	Fig.No.
28107310	49028101	BUSH 8	4
28107310	49028101	BUSH 8	6
28801190	48928800	PULLEY,TIMING BELT	4
2BC06910	2BC06910	STOPPER 6	3
2BC06910	2BC06910	STOPPER 6	4
2BC16470	2BC16470	SPRING,CONVEYING HOOK	7
2BG22990	2BG22990	CUT WASHER 4	6
2BG22990	2BG22990	CUT WASHER 4	7
2BL06170	2BL06170	GEAR Z42 FEED	5
2C907360	2C907360	SPRING CURSOR R	6
2CK17050	2CK17050	GEAR IDLE Z14S	5
2FB07330	2FB07330	STOPPER BYPASS TABLE	6
2FB27160	2FB27160	INTER LOCK SWITCH	7
2FM04150	5MVM163DN005	CAP SPRING /B-11 ENCLOSURE A4	6
302F929260	2F929260	PULLEY DU LOW	6
302FB09830	2FB09830	CUT WASHER 4	5
302FZ08370	2FZ08370	GEAR JOINT MPT UNIT	5
302H008140	2H008140	SPRING BYPASSFFED	4
302H044120	2H044120	FAN COOLING 40-15	4
302H702540	2H702540	FILM WIRE OPE	3
302H702590	2H702590	BUSH SCREW	6
302H712650	2H712650	SPRING DRUM JOINT	3
302H744090	2H744090	FAN COOLING CONV	4
302H794310	2H794310	PARTS MOTOR ROTARY GUIDE	7
302HN04250	2HN04250	SPRING SIDE COVER	4
302K309370	2K309370	SPRING CURSOR SET	4
302K324450	2K324450	BUSH 6	5
302K324450	2K324450	BUSH 6	6,7
302K324460	2K324460	SHAFT FEED	6
302K906140	2K906140	COUPLING PRIMARY FEED DRIVE	6
302K906180	2K906180	JOINT RETARD DRIVE	6
302K906180	2K906180	JOINT RETARD DRIVE	7
302K928190	2K928190	SPRING-TORSION SWITCHBACK	6
302K931080	2K931080	WIRE STOPPER	6
302K931960	2K931960	HOLDER BEARING 688ZZ	4
302KY94070	2KY94070	PARTS MOTOR DU SP	7
302N246010	2N246010	WIRE PANEL DATA JOINT	9
302N904100	2N904100	CLEANER CLOTH	1
303H316360	3H316360	SPRING CONVEYING	5
303H607131	3H607131	BUSHING PF HOLDER	6
303H607280	3H607280	PULLEY TENSION	6
303H622331	3H622331	GEAR 20/65 IDLE	7
303J902370	3J902370	CUSHION ORIGINAL MAT	4
303JC04201	3JC04201	PLATE ORIGINAL	1
303JX02090	3JX02090	SPRING PUSH SW	2
303JX02260	3JX02260	PIN HINGE	9
303JX02391	3JX02391	SHAFT ANGLE RESTRICTION	9
303JX06070	3JX06070	PINION GEAR	3
303JX06090	3JX06090	SENSOR EARTH	3
303JX07400	3JX07400	TORQUE LIMITER FEED	6
303K502130	3K502130	STATIC ELIMINATOR EJECT	6

Part.No. 部品番号	Alternative. 代替部品番号	Description 部品名称	Fig.No.
303LL02150	3LL02150	HOLDER SPRING PUSH SW	2
303LL02180	3LL02180	HOLDER WIRE A	7
303LL02190	3LL02190	PIN PF COVER	5
303LL02330	3LL02330	HOLDER WIRE D	7
303LL02380	3LL02380	PLATE GUIDE HINGE	9
303LL02390	3LL02390	PUSH SW	2
303LL02410	3LL02410	MOUNT CUSHION	2
303LL02410	3LL02410	MOUNT CUSHION	4
303LL02430	3LL02430	SPRING PUSH MAT	2
303LL02430	3LL02430	SPRING PUSH MAT	4
303LL02520	3LL02520	GROUND PLATE HINGE	2
303LL02530	3LL02530	CUSHION ORIGINAL MAT	2
303LL02530	3LL02530	CUSHION ORIGINAL MAT	4
303LL06090	3LL06090	MOUNT ORIGINAL SENSOR	3
303LL07130	3LL07130	SHAFT REGISTRATION PULLEY	5
303LL07170	3LL07170	SPRING REGISTRATION	5
303LL07190	3LL07190	PULLEY SEPARATION	6
303LL07531	3LL07531	BELT PF	6
303LL24190	3LL24190	PULLEY GUIDE READING	4
303LL24190	3LL24190	PULLEY GUIDE READING	6
303LL31330	3LL31330	PULLEY 38 CONVEYING	4
303LL31390	3LL31390	SPRING TENSION CONV	4
303LL31520	3LL31520	PLATE TENSION EJECT	4
303LL94031	3LL94031	PARTS MAT ASSY	1
303M402021	3M402021	HINGE LEFT	2
303M402031	3M402031	HINGE RIGHT	2
303M402060	3M402060	STAY CONVEYING	4
303M402070	3M402070	STAY LOOP UPPER	6
303M402100	3M402100	MOUNT TIMING SW	4
303M402111	3M402111	HOLDER FAN	4
303M402170	3M402170	PLATE ANGLE	9
303M402180	3M402180	PLATE HINGE UPPER	2
303M402190	3M402190	STAY EJECT TRAY	2
303M402200	3M402200	PLATE GUIDE HINGE	9
303M402210	3M402210	PIN TABLE	3
303M404070	3M404070	COVER HINGE LEFT	9
303M406031	3M406031	RACK TABLE	3
303M406050	3M406050	LEVER LIFT	3
303M406060	3M406060	SHAFT LIFT	3
303M406070	3M406070	GEAR LIFT Z30	3
303M406080	3M406080	BUSH TABLE	3
303M406130	3M406130	COVER TABLE REAR	3
303M406160	3M406160	TORQUE-LIMITER 1000	7
303M407011	3M407011	GUIDE UPPER	6
303M407021	3M407021	COVER PF ROLLER	6
303M407030	3M407030	HOLDER LF	6
303M407040	3M407040	HOLDER PF	6
303M407050	3M407050	COLLAR PF B	6
303M407060	3M407060	SHAFT BELT	6
303M407080	3M407080	PULLEY 20	6
303M407090	3M407090	BELT 172 LF	6

Part.No. 部品番号	Alternative. 代替部品番号	Description 部品名称	Fig.No.
303M407101	3M407101	GUIDE LOWER PF	6
303M407110	3M407110	GEAR Z33	6
303M407150	3M407150	SPRING EARTH	6
303M407160	3M407160	SPRING HOLDER LF	6
303M407200	3M407200	PULLEY HOLDER LF	6
303M407210	3M407210	SHAFT LF	6
303M407220	3M407220	PULLEY 20 LF	6
303M407231	3M407231	HOOK COVER	6
303M407240	3M407240	SHAFT HOOK	6
303M407260	3M407260	GUIDE REGIST UPPER	5
303M407270	3M407270	ARM CIS ROLLER FRONT	5
303M407291	3M407291	GUIDE CIS ROLLER	5
303M407300	3M407300	LENS LED	1
303M407310	3M407310	LEVER HANDLE	5
303M407330	3M407330	PLATE EARTH CIS ROLLER	5
303M407340	3M407340	PLATE PF COVER FRONT	5
303M407350	3M407350	PLATE PF COVER REAR	5
303M407360	3M407360	SHAFT CIS IDLE	5
303M407370	3M407370	HOLDER REGIST PULLEY	5
303M407380	3M407380	STRAP PF COVER	5
303M407410	3M407410	SHEET CIS ROLLER	5
303M407421	3M407421	SPRING HOOK FRONT	6
303M407440	3M407440	SHAFT PULLEY TENSION	6
303M407450	3M407450	SLIDER TENSION	6
303M407480	3M407480	PULLEY LF	6
303M407510	3M407510	COVER PF FRONT	5
303M407530	3M407530	HOLDER GEAR	5
303M407540	3M407540	SPRING BELT TENTION	6
303M407550	3M407550	PLATE EARTH SHAFT PF	6
303M424060	3M424060	GUIDE REGIST LOWER	4
303M424130	3M424130	MOUNT CIS SW	5
303M424170	3M424170	GUIDE CONV RIGHT	4
303M424180	3M424180	STAY CONV RIGHT	4
303M424190	3M424190	HOLDER LEFT PULLEY	4
303M424200	3M424200	SHEET LEFT READING	4
303M424210	3M424210	GUIDE LEFT READING	4
303M424221	3M424221	GUIDE CONV LEFT	4
303M424231	3M424231	GUIDE EJECT LOWER	6
303M424240	3M424240	SHAFT CIS IDLE	5
303M424251	3M424251	GUIDE READING	4
303M424261	3M424261	HOLDER READ PULLEY	4
303M424270	3M424270	GUIDE CONVEYING LOW	4
303M424280	3M424280	PLATE EARTH CONV LOWER	4
303M424290	3M424290	PLATE EARTH SHD PWB	5
303M424300	3M424300	PULLEY REGISTRATION BK	5
303M424310	3M424310	PULLEY REG B BK	5
303M424340	3M424340	SHAFT CIS PULLEY	5
303M424350	3M424350	HOLDER CIS PULLEY	5
303M424400	3M424400	PULLY CIS ROLLER	5
303M424420	3M424420	SPRING CIS PULLEY	5
303M424440	3M424440	SHEET GUIDE CONV LEFT	4

Part.No. 部品番号	Alternative. 代替部品番号	Description 部品名称	Fig.No.
303M429020	3M429020	GUIDE EJECT UPPER	6
303M429030	3M429030	PLATE EARTH EJECT	6
303M429040	3M429040	ACTUATOR EJECT SW	6
303M431013	3M431013	MOUNT PF DRIVE	7
303M431021	3M431021	PLATE PF DRIVE	7
303M431040	3M431040	GEAR Z22 ONEWAY	7
303M431050	3M431050	GEAR Z35	7
303M431060	3M431060	GEAR Z20 P48	7
303M431090	3M431090	GEAR Z30 Z23	7
303M431101	3M431101	GEAR Z43 Z22	7
303M431110	3M431110	GEAR Z26	4
303M431120	3M431120	BELT 146	7
303M431141	3M431141	MOUNT LIFT DRIVE	7
303M431150	3M431150	COVER LIFT DRIVE	7
303M431200	3M431200	MOUNT LOOP DRIVE	7
303M431230	3M431230	PIN LIFT DRIVE A	7
303M431270	3M431270	BELT 60S1.5M326	4
303M431280	3M431280	KNOB JAM REMOVAL	4
303M431290	3M431290	BELT 60S1.5M161	7
303M431300	3M431300	MOUNT CONV MOTOR A	7
303M431311	3M431311	MOUNT CONV MOTOR B	7
303M431320	3M431320	PULLEY 48 CONV HIGH	4
303M431340	3M431340	GEAR 22 CIS IDLE	4
303M431360	3M431360	SHAFT PF DRIVE C	7
303M431390	3M431390	SHAFT PF DRIVE F	7
303M431400	3M431400	GEAR Z25 Z19	7
303M431410	3M431410	MOUNT INTERLOCK SW	7
303M431440	3M431440	GEAR EXIT Z43 Z20	7
303M434040	3M434040	LABEL C	1
303M446030	3M446030	WIRE FEED UNIT	8
303M446040	3M446040	WIRE TABLE UNIT	8
303M446050	3M446050	WIRE MOTOR1	8
303M446080	3M446080	WIRE FRONT	8
303M446100	3M446100	WIRE CIS FAN	8
303M446110	3M446110	WIRE SHD	8
303M446120	3M446120	WIRE CISTMG	8
303M446150	3M446150	WIRE FAN	8
303M494041	3M494041	PARTS MOTOR CONVEYING SP	7
303M494060	3M494060	PARTS ROLLER CIS SP	5
303M494070	3M494070	PARTS ROLLER REGISTRATION SP	4
303M494080	3M494080	PARTS ROLLER CONVEYING UPPER SP	4
303M494090	3M494090	PARTS ROLLER CONVEYING LEFT SP	4
303M494100	3M494100	PARTS ROLLER CONVEYING RIGHT SP	4
303M494110	3M494110	PARTS ROLLER EJECT SP	6
303M494120	3M494120	PARTS GEAR Z42 SP	7
303M494130	3M494130	PARTS GEAR JOINT Z20 Z65 SP	7
303M494182	3M494182	PARTS MOTOR REGISTRATION SP	7
303M494200	3M494200	PARTS GUIDE SEPARATE ASSY SP	6
303M802320	3M802320	SPONGE ORIGINAL MAT A	4
303M824121	3M824121	HOLDER RIGHT PULLEY	4
303M824130	3M824130	SHAFT GUIDE READING	4

Part.No. 部品番号	Alternative. 代替部品番号	Description 部品名称	Fig.No.
303M824130	3M824130	SHAFT GUIDE READING	6
303M824140	3M824140	SPRING GUIDE READING	4
303M824160	3M824160	GUIDE RIGHT READING	4
303M824200	3M824200	SHAFT PULLEY	4
303M824210	3M824210	PULLEY CONVEYING BK	4
303M894100	3M894100	PARTS PWB LED ASSY SP	1
303M894260	3M894260	PARTS SENSOR OPT SP	3
303M894260	3M894260	PARTS SENSOR OPT SP	4,6
303M894270	3M894270	PARTS PWB SIZE DETECTION ASSY SP	3
303MW07060	3MW07060	FILM TORQUE LIMITER	6
303MX02021	3MX02021	CUSHION ORIGINAL MAT A	1
303NA06110	3NA06110	SPRING PICK UP	4
303NV02070	3NV02070	CUSHION BASE	2
303NV07020	3NV07020	COLLAR PF C	6
303NW24012	3NW24012	HOUSING CIS	5
303NW24020	3NW24020	GLASS CIS	5
303NW24030	3NW24030	STOPPER CIS GLASS	5
303NW24040	3NW24040	PLATE EARTH CIS	5
303NW24050	3NW24050	SPACER CIS	5
303NW24060	3NW24060	PLATE EARTH CIS REAR	5
303NW94040	3NW94040	PARTS SENSOR OPT. SP	4
303NW94040	3NW94040	PARTS SENSOR OPT. SP	5,6
303NW94050	3NW94050	PARTS SENSOR OPT. SP	3
303NW94060	3NW94060	PARTS SENSOR OPT. SP	3
303P294020	3P294020	PARTS SENSOR A3 COLOR CIS(C) SP	5
303R702100	3R702100	TRAY SLIDE	2
303R702110	3R702110	STOPPER EJECT	2
303R704070	3R704070	LID REAR COVER	1
303R704100	3R704100	COVER WIRE INTERFACE A	9
303R704110	3R704110	COVER WIRE INTERFACE B	9
303R724150	3R724150	HOLDER LENS	1
303R804010	3R804010	TRAY EJECT	2
303R804020	3R804020	COVER LEFT	1
303R804030	3R804030	COVER INNER	1
303R804040	3R804040	HANDLE COVER PF	5
303R804051	3R804051	COVER PF	5
303R804060	3R804060	COVER FRONT TOP	1
303R804070	3R804070	COVER REAR LEFT	1
303R804080	3R804080	COVER REAR RIGHT	1
303R804090	3R804090	COVER FRONT BOTTOM	1
303R804100	3R804100	COVER PF BOTTOM	5
303R804120	303R80412	COVER HINGE RIGHT	9
303R804130	3R804130	COVER BOTTOM RIGHT	2
303R804140	3R804140	COVER HINGE BOTTOM	1
303R806010	3R806010	CURSOR FRONT	3
303R806020	3R806020	CURSOR REAR	3
303R806030	3R806030	BASE TABLE	3
303R806040	3R806040	COVER CURSOR	3
303R806050	3R806050	TABLE LIFT	3
303R806060	3R806060	COVER TABLE	3
303R834010	3R834010	LABEL CAUTION HINGE	1

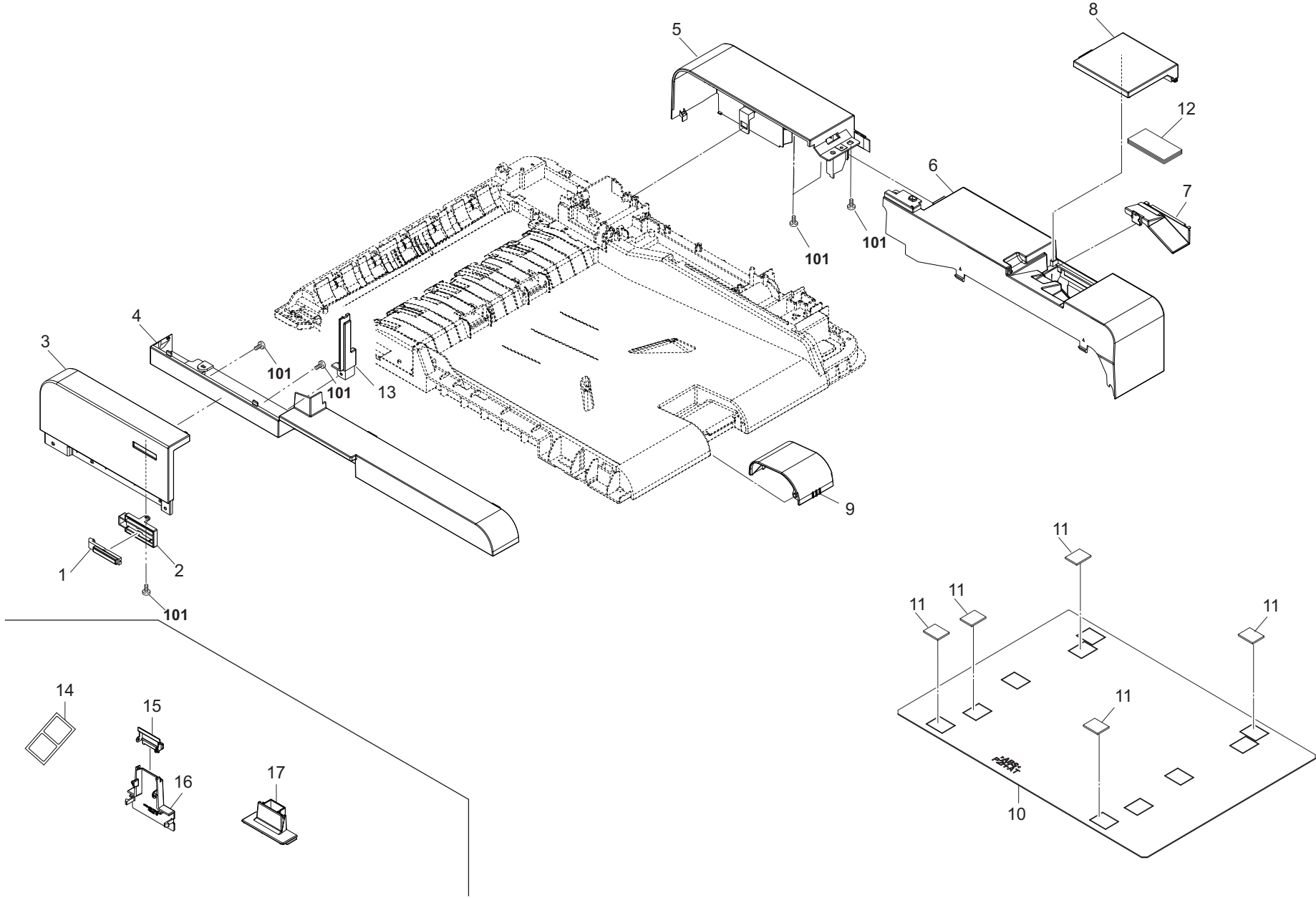
Part.No. 部品番号	Alternative. 代替部品番号	Description 部品名称	Fig.No.
303R834020	3R834020	LABEL SIZE INDICATOR	5
303R834030	3R834030	LABEL ORIGINAL MAX	3
303R834040	3R834040	LABEL FACE UP JP	3
303R834050	3R834050	LABEL FACE UP EN	3
303R834060	3R834060	LABEL FACE UP US	3
303R834070	3R834070	LABEL CAUTION JP	3
303R834080	3R834080	LABEL CAUTION US	3
303R834090	3R834090	LABEL CAUTION IN	3
303R834100	3R834100	LABEL CAUTION ME	3
303R834110	3R834110	LABEL JAM	6
303R834120	3R834120	LABEL CAUTION NL	3
303R834130	3R834130	LABEL FACE UP NL	3
303R846010	3R846010	WIRE INTERFACE	8
303R846020	303R846020	WIRE INTERFACE VIDEO	5
303R846020	3R846020	WIRE INTERFACE VIDEO	8
303R846030	3R846030	WIRE LED	8
303R894020	3R894020	PARTS PWB SHD ASSY SP	5
303R894030	3R894030	PARTS PWB DRIVER ASSY SP	7
303R894040	3R894040	PARTS IC.EEPROM SP	7
303R894050	3R894050	PARTS PWB DPIF ASSY SP	9
3A707290	3A707290	PAD,LIFT	3
3CZ02230	3CZ02230	PIN,HOOK FULCRUM	4
3CZ02230	3CZ02230	PIN,HOOK FULCRUM	7
3H622020	3H622020	GEAR CIS ROLLER 20	6
3H622160	3H622160	GEAR 20 JOINT	7
3HK22040	3HK22040	GR 33 CONV	7
3HL06090	3HL06090	CUSHION CURSOR	3
3HL06110	3HL06110	TERMINAL PAPER SIZE	3
5MVL177DN001	2FB06810	RING STOPPER 4	6
5MVL177DN002	2FB06820	RING STOPPER 6	6
5MVX111DN003	2A806250	RING STOPPER/A-49 FEED A4	4
5MVX111DN003	2A806250	RING STOPPER/A-49 FEED A4	5,6,7,9
5MVX111DN007	2BT11070	STOPPER 3 /2BT1107 A4	6
7BE008165431H01	BE119730	BEARING 688ZZ	4
7YZM110001++H01	YZ009420	ACCESS.BUSHING	4
7YZM210005++H01	YZ037990	ACCESS.EDGING	4
7YZM210006++H01	YZ038000	ACCESS.EDGING	4
7YZM510019++H01	YZ123830	ACCESS.SPACER	5
7YZM610007++H01	YZ023340	ACCESS.SADDLE	4
7YZM610007++H01	YZ023340	ACCESS.SADDLE	7

---

**DP-7120**

—— CONTENTS / 目次 ——

FIG. 1	Cover .....	2
FIG. 2	Frame .....	4
FIG. 3	Table Assy .....	6
FIG. 4	Paper Conveying Section .....	8
FIG. 5	Paper Feed Section 1 .....	10
FIG. 6	Paper Feed Section 2 .....	12
FIG. 7	Drive&Electrical .....	14
FIG. 8	Wire Section .....	16
	• INDEX / 索引 .....	18







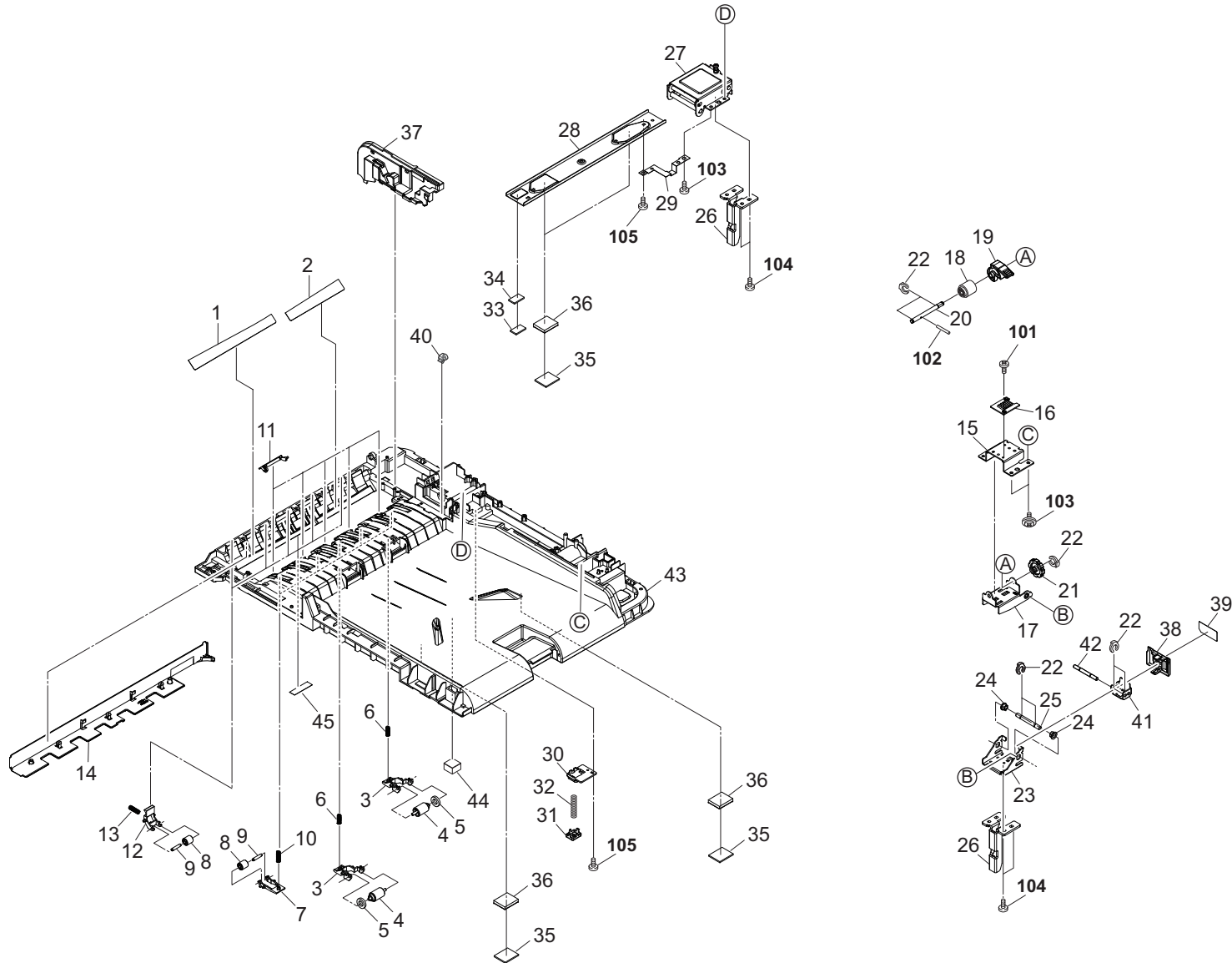


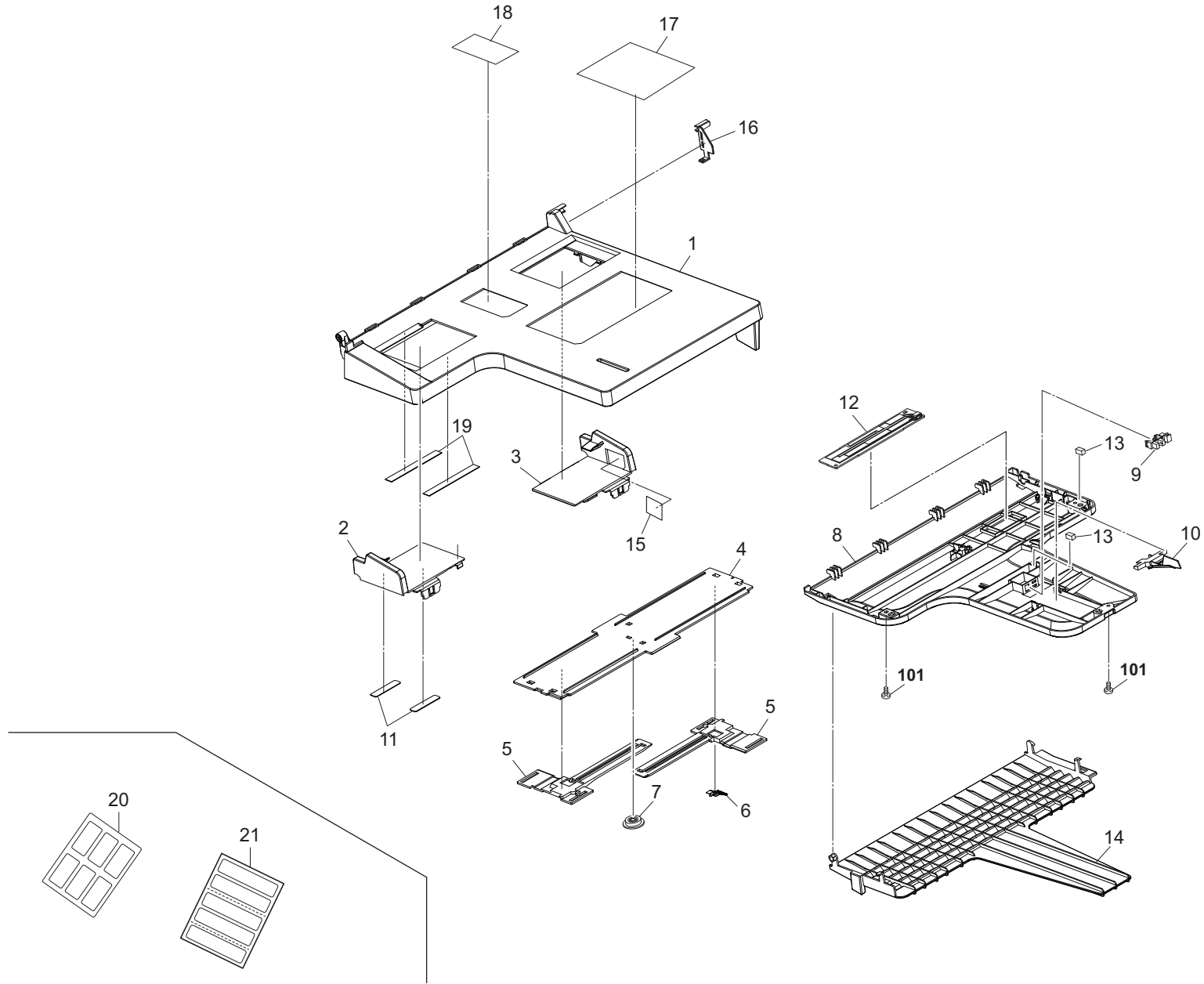
FIG. 2 Frames

3RJ

Ref. No. 番号	Part.No. 部品番号	Alternative. 代替部品番号	Description 部 品 名 称	Notes 備 考	Revision 改 訂	Quantity 個数			
						100(日本)	120	230	240
1	303M824170	3M824170	SHEET LEFT GUIDE F			1	1	1	1
2	303M824180	3M824180	SHEET LEFT GUIDE R			1	1	1	1
3	303M828030	3M828030	HOLDER PULLEY EJECT			2	2	2	2
4	303M828040	3M828040	PULLEY EJECT			2	2	2	2
5	303M828050	3M828050	SPONGE EJECT			2	2	2	2
6	302H728100	2H728100	SPRING EXIT PULLEY			2	2	2	2
7	303M824121	3M824121	HOLDER RIGHT PULLEY			5	5	5	5
8	303M824210	3M824210	PULLEY CONVEYING BK			10	10	10	10
9	303M824200	3M824200	SHAFT PULLEY			10	10	10	10
10	303J906031	3J906031	SPRING SEPARATION			5	5	5	5
11	303RJ24010	3RJ24010	GUIDE RIGHT READING			5	5	5	5
12	303M824100	3M824100	HOLDER LEFT PULLEY			5	5	5	5
13	302H008140	2H008140	SPRING BYPASSFFED			5	5	5	5
14	303RJ04070	3RJ04070	COVER LEFT			1	1	1	1
15	303M802140	3M802140	RIGHT HINGE B UPPER			1	1	1	1
16	303M802190	3M802190	RACK ADJUSTMENT SKEW			1	1	1	1
17	303M802130	3M802130	RIGHT HINGE B LOWER			1	1	1	1
18	3AK20130	3AK20130	GEAR,WORM MAIN TRAY			1	1	1	1
19	302MV04590	2MV04590	LEVER ADJUST SKEW			1	1	1	1
20	303M802170	3M802170	SHAFT ADJUST SKEW			1	1	1	1
21	302MV04580	2MV04580	HANDLE ADJUST SKEW			1	1	1	1
22	5MVX111DN003	2A806250	RING STOPPER /A-49 FEED A4			7	7	7	7
23	303M802120	3M802120	RIGHT HINGE A			1	1	1	1
24	302K324450	2K324450	BUSH 6			2	2	2	2
25	303M802150	3M802150	SHAFT HINGE			1	1	1	1
26	303M802100	3M802100	STAY HINGE			2	2	2	2
27	303M802021	3M802021	LEFT HINGE			1	1	1	1
28	303M802220	3M802220	PLATE BASE			1	1	1	1
29	303M802230	3M802230	GROUND PLATE BASE			1	1	1	1
30	3HL02230	3HL02230	MOUNT PUSH SW			1	1	1	1
31	303PH02010	3PH02010	PUSH SW DP			1	1	1	1
32	3HL02250	3HL02250	SPRING,PUSH SWITCH			1	1	1	1
33	303J902370	3J902370	CUSHION ORIGINAL MAT			1	1	1	1
34	303M802320	3M802320	SPONGE ORIGINAL MAT A			1	1	1	1
35	303MX02031	3MX02031	CUSHION ORIGINAL MAT B			4	4	4	4
36	303PH02030	3PH02030	SPONGE ORIGINAL MAT FILM			4	4	4	4
37	302MV04570	2MV04570	INNER COVER WIRE			1	1	1	1
38	303RJ04150	3RJ04150	COVER HINGE			1	1	1	1
39	303R834010	3R834010	LABEL CAUTION HINGE			1	1	1	1
40	7YZM410004++H01	YZ148350	ACCESS.BAND			1	1	1	1
41	303M802300	3M802300	PLATE LIMITATION ANGLE			1	1	1	1
42	303M802310	3M802310	SHAFT LIMITATION ANGLE			1	1	1	1
43	303RJ02030	3RJ02030	BASE DP			1	1	1	1
44	303P202010	3P202010	SPONGE MAT			1	1	1	1
45	303PH02020	3PH02020	FILM READING LEFT			1	1	1	1
101	7BB700308H	BB105600	+BIND T.T S SCREW 3X8 SR						
102	7BP512010B0CH01	BP126160	PARALLEL PIN 2.0X10						
103	7BB202410H	BB106850	+TP-FLAT T.T P SCREW 4X10						
104	7BB700410H	BB107090	+BIND T.T S SCREW 4X10 SR						
105	7BB200308H	BB105660	+BIND T.T P SCREW 3X8						

• Parts with a Ref.No. of 500 and above in the illustration indicate they are not selected for service parts.

• イラスト中で 500 番台の Ref 番号が付いている部品はサービスパーツに選定されていません。





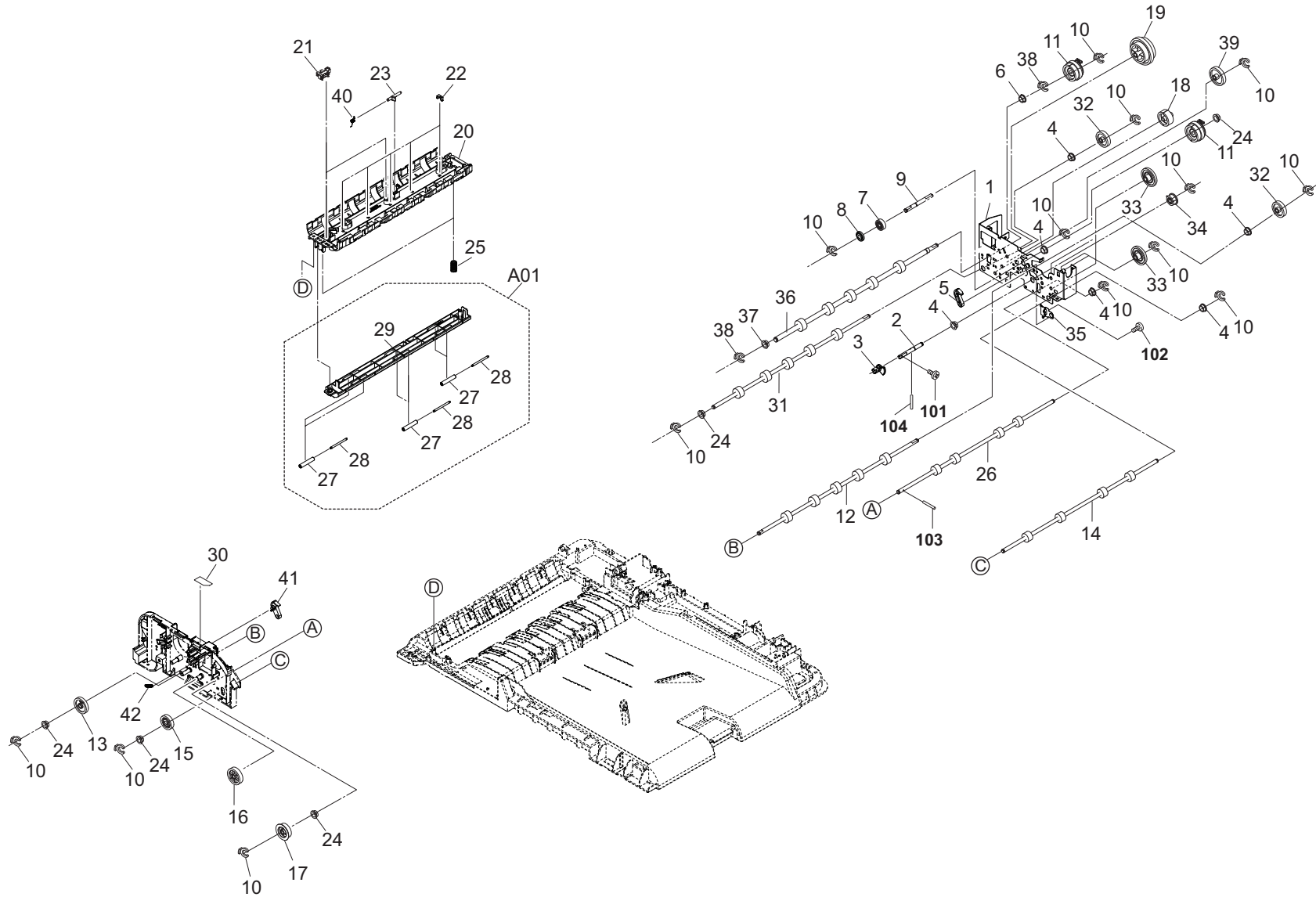


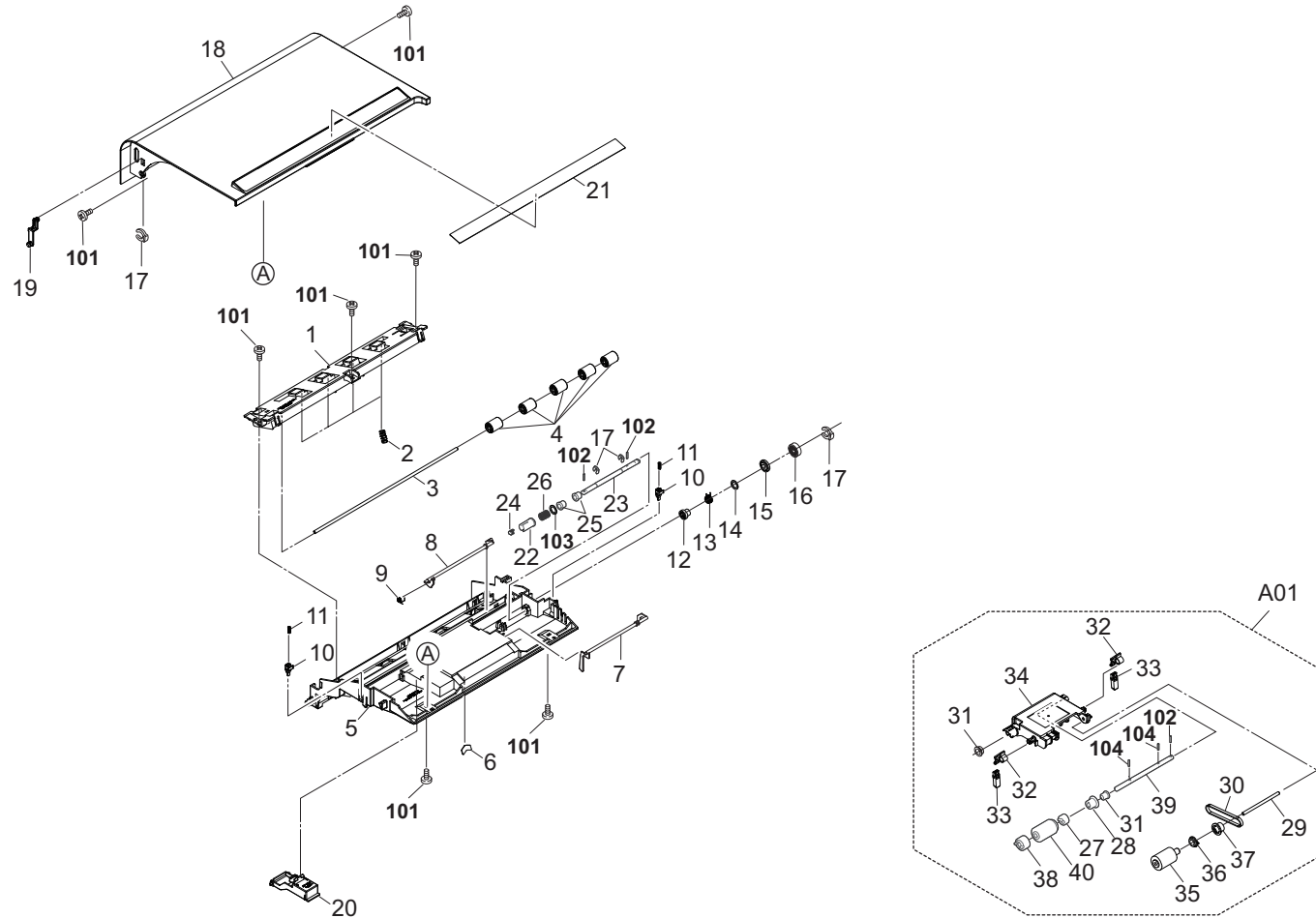
FIG. 4 Paper Conveying Section

3RJ

Ref. No. 番号	Part.No. 部品番号	Alternative. 代替部品番号	Description 部 品 名 称	Notes 備 考	Revision 改 訂	Quantity 個数			
						100(日本)	120	230	240
1	303M831011	3M831011	MOUNT DRIVE MAIN			1	1	1	1
2	303M829060	3M829060	SHAFT CAM SHIFT			1	1	1	1
3	303M829070	3M829070	CAM SHIFT			1	1	1	1
4	302K324450	2K324450	BUSH 6			6	6	6	6
5	3HL07170	3HL07170	REAR HOOK PF COVER			1	1	1	1
6	28107310	49028101	BUSH 8			1	1	1	1
7	302H731700	2H731700	GEAR Z21 CONT			1	1	1	1
8	303M807130	3M807130	COLLAR FEED			1	1	1	1
9	303M831040	3M831040	SHAFT FEED			1	1	1	1
10	5MVX111DN003	2A806250	RING STOPPER /A-49 FEED A4			14	14	14	14
11	302KV44041	2KV44041	CLUTCH 50 Z35R			2	2	2	2
12	303M894130	3M894130	PARTS ROLLER CONVEYING B SP			1	1	1	1
13	303M894190	3M894190	PARTS GEAR Z33L SP			1	1	1	1
14	303M894140	3M894140	PARTS ROLLER EXIT SP			1	1	1	1
15	303M894220	3M894220	PARTS GEAR Z29L ONEWAY SP			1	1	1	1
16	302H731730	2H731730	GEAR Z34L MIDDLE			1	1	1	1
17	303M894210	3M894210	PARTS GEAR Z29R SP			1	1	1	1
18	302F914160	2F914160	GEAR Z30H			1	1	1	1
19	303M894160	3M894160	PARTS GEAR Z41L Z58L Z76L SP			1	1	1	1
20	303M824071	3M824071	GUIDE CONVEYING LOW			1	1	1	1
21	303M894260	3M894260	PARTS SENSOR OPT SP			2	2	2	2
22	302K931080	2K931080	WIRE STOPPER			5	5	5	5
23	303M824191	3M824191	ACTUATOR TIMING			1	1	1	1
24	302H702590	2H702590	BUSH SCREW			5	5	5	5
25	303M824140	3M824140	SPRING GUIDE READING			2	2	2	2
26	303M894150	3M894150	PARTS ROLLER LOOP SP			1	1	1	1
A01	303M894080	3M894080	PARTS GUIDE READING ASSY SP			1	1	1	1
27	*303LL24190	3LL24190	PULLEY GUIDE READING			6	6	6	6
28	*303M824130	3M824130	SHAFT GUIDE READING			6	6	6	6
29	*303M824150	3M824150	GUIDE READING			1	1	1	1
30	303RJ34050	3RJ34050	LABEL JAM C1			1	1	1	1
31	303M894120	3M894120	PARTS ROLLER CONVEYING A SP			1	1	1	1
32	303M894170	3M894170	PARTS GEAR Z32R SP			2	2	2	2
33	303H622331	3H622331	GEAR 20/65 IDLE			3	3	3	3
34	303LL31260	3LL31260	GEAR Z32S LIFT			1	1	1	1
35	303M802250	3M802250	PLATE EARTH DU			1	1	1	1
36	303M894110	3M894110	PARTS ROLLER REGISTRATION SP			1	1	1	1
37	302H024830	2H024830	BUSH 8			1	1	1	1
38	2BC06910	2BC06910	STOPPER 6			2	2	2	2
39	303M894180	3M894180	PARTS GEAR Z38L SP			1	1	1	1
40	303LJ24090	3LJ24090	SPRING TIMING			1	1	1	1
41	303HL07161	3HL07161	FRONT HOOK PF COVER			1	1	1	1
42	2AC18300	2AC18300	SPRING,CLEANING			1	1	1	1
101	7BB607306H	BB105770	+TP-CUP M SCREW 3X6 R						
102	7BB700308H	BB105600	+BIND T.T S SCREW 3X8 SR						
103	5MBP2010PXLJ	EP120100	PARALLEL PIN H7 / M2 X 10 SUS						
104	7BP512010B0CH01	BP126160	PARALLEL PIN 2.0X10						

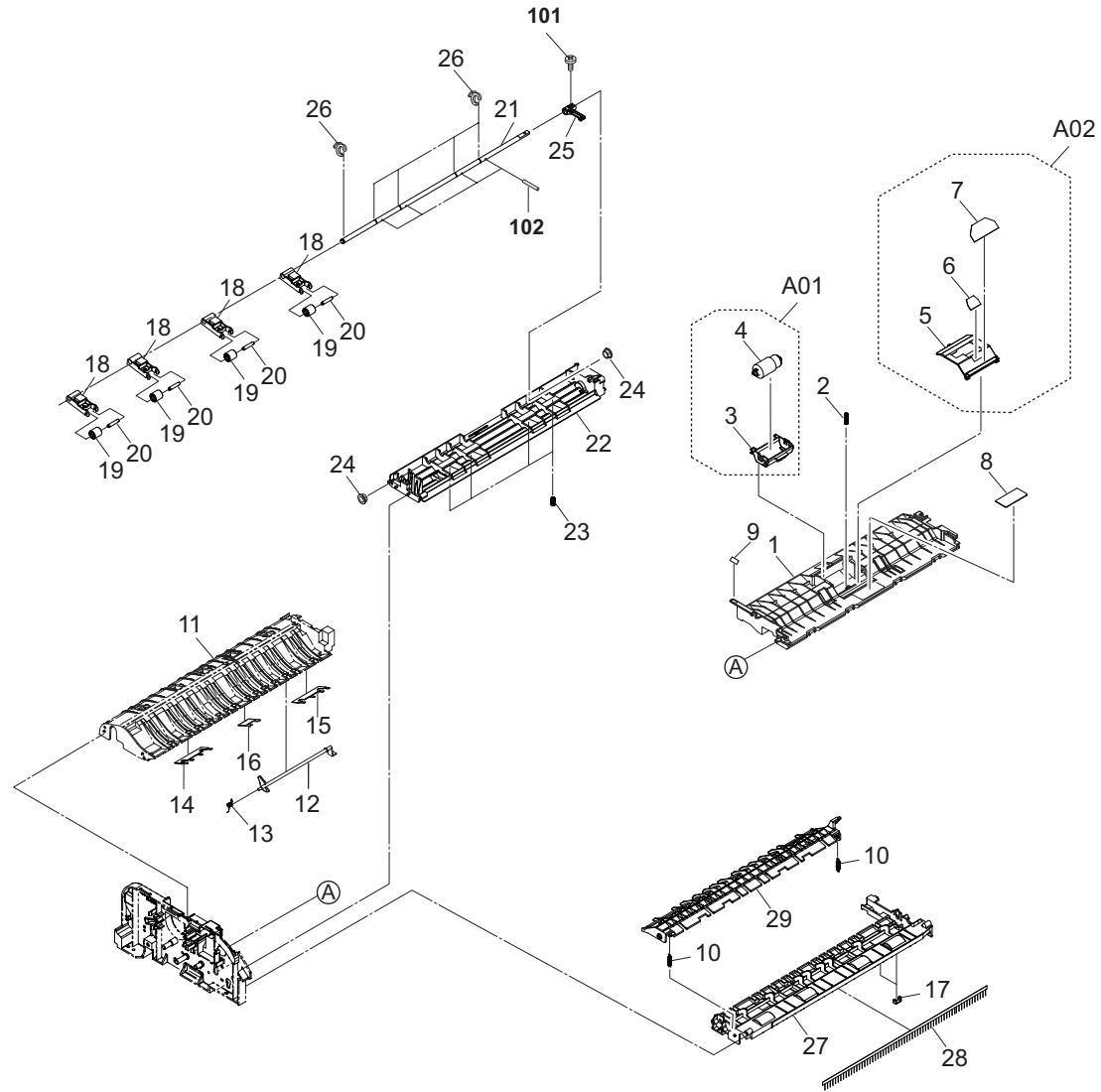
• Parts with a Ref.No. of 500 and above in the illustration indicate they are not selected for service parts.

• イラスト中で 500 番台の Ref 番号が付いている部品はサービスパーツに選定されていません。

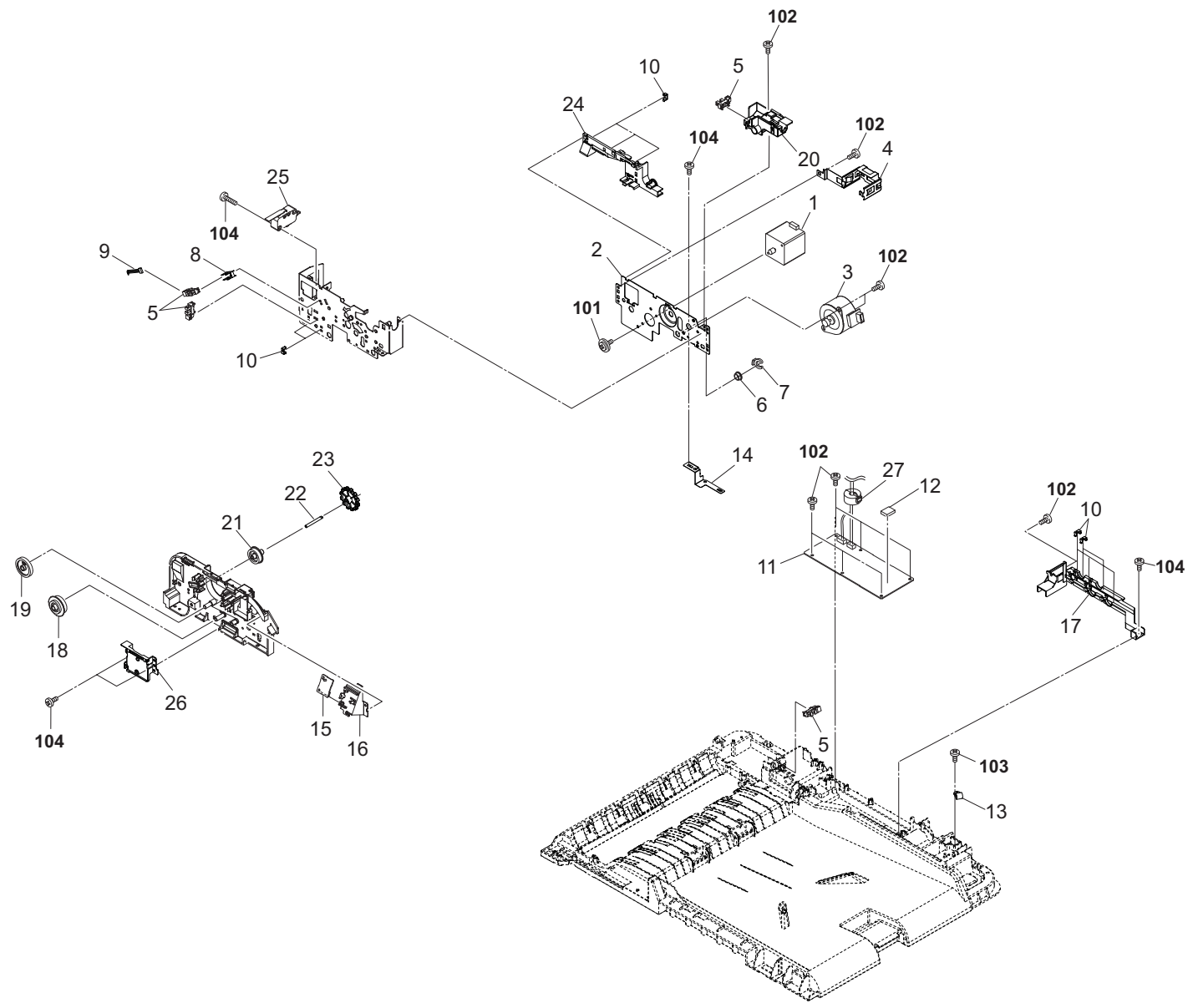




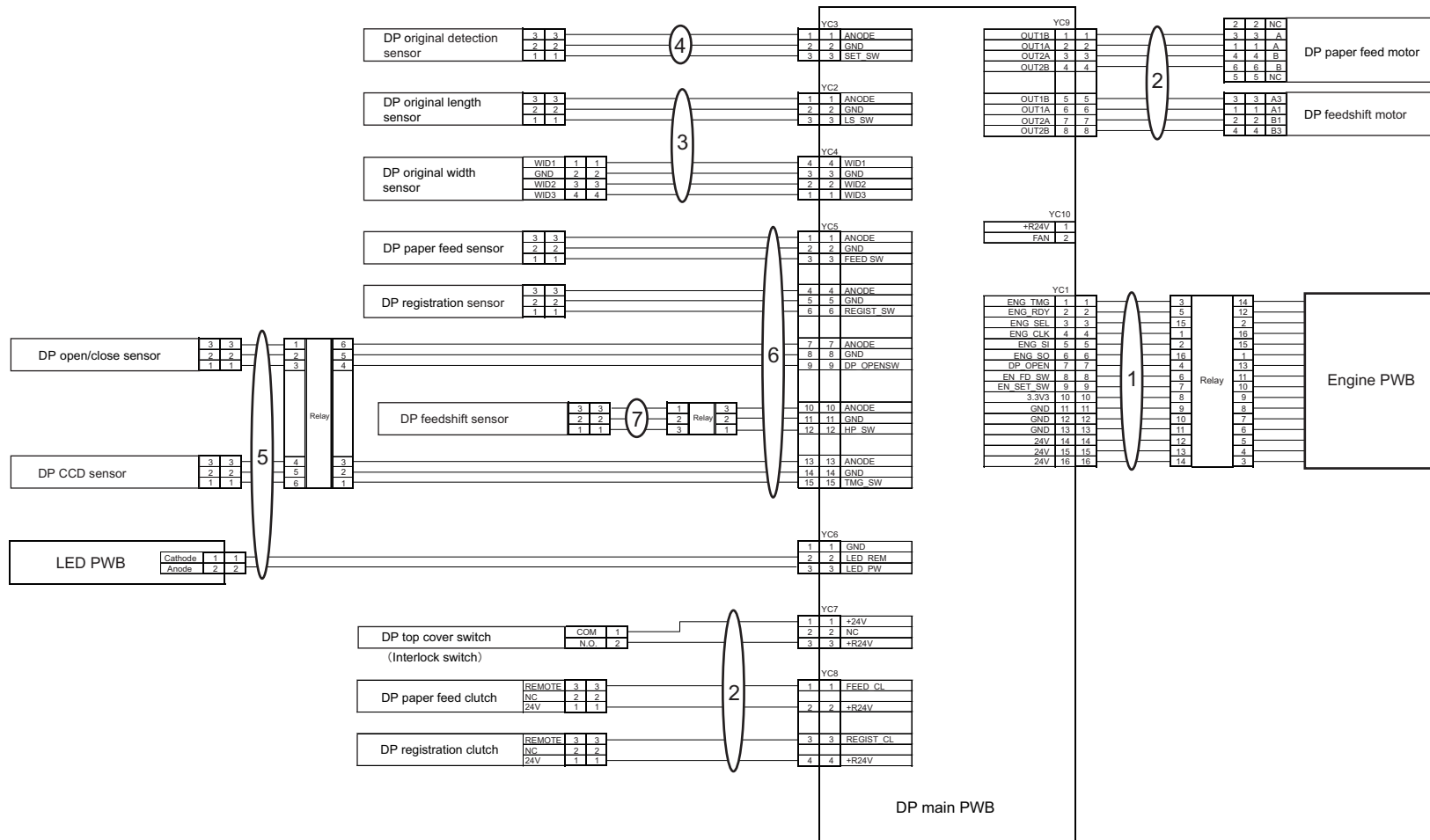














## INDEX / 索引

3RJ

Part.No. 部品番号	Alternative. 代替部品番号	Description 部品名称	Fig.No.
28107310	49028101	BUSH 8	4
36211110	36211110	PULLEY,LEADING FEED ADF	5
36211500	36211500	GEAR,LEADING FEED JOINT	5
2AC18300	2AC18300	SPRING,CLEANING	4
2BC06910	2BC06910	STOPPER 6	4
2BJ21030	2BJ21030	SPRING CHANGE UP	6
2BL22510	2BL22510	SPRING DRIVE CONT.	5
2FB27160	2FB27160	INTER LOCK SWITCH	7
302F909171	2F909171	RETARD ROLLER ASSY	6
302F914160	2F914160	GEAR Z30H	4
302F925780	2F925780	SPRING DU	6
302GR06110	2GR06110	TORQUE LIMITER 360	5
302H008140	2H008140	SPRING BYPASSFFED	2
302H024830	2H024830	BUSH 8	4
302H702590	2H702590	BUSH SCREW	4,6,7
302H728100	2H728100	SPRING EXIT PULLEY	2
302H731700	2H731700	GEAR Z21 CONT	4,5
302H731730	2H731730	GEAR Z34L MIDDLE	4
302HG25560	2HG25560	SPRING ACTUATOR EXIT	5
302K324450	2K324450	BUSH 6	2,4
302K931080	2K931080	WIRE STOPPER	4,6,7
302KV44041	2KV44041	CLUTCH 50 Z35R	4
302KY94140	2KY94140	PARTS MOTOR ROTARY SP	7
302MV04570	2MV04570	INNER COVER WIRE	2
302MV04580	2MV04580	HANDLE ADJUST SKEW	2
302MV04590	2MV04590	LEVER ADJUST SKEW	2
302MV04610	2MV04610	GUIDE RETARD	6
302MV04620	2MV04620	HOLDER RETARD	6
302MV04640	2MV04640	LEVER PF RELEASE	5
302MV04651	2MV04651	GUIDE CONVEYING UPPER	5
302MV04660	2MV04660	HOLDER FEED	5
302MV04670	2MV04670	SHAFT PAPER FEED	5
302MV04690	2MV04690	FILM DU CENTER	6
302MV94141	2MV94141	PARTS PAPER FEED ASSY SP	5
302MV94150	2MV94150	PARTS GUIDE RETARD ASSY SP	6
302MV94160	2MV94160	PARTS HOLDER RETARD ASSY SP	6
302N904100	2N904100	CLEANER CLOTH	1
303A707121	3A707121	PULLEY LEADING FEED	5
303H622331	3H622331	GEAR 20/65 IDLE	4
303HK07081	3HK07081	COLLAR S SPRING	5
303HL07031	3HL07031	SHAFT LEADING FEED	5
303HL07161	3HL07161	FRONT HOOK PF COVER	4
303J902370	3J902370	CUSHION ORIGINAL MAT	2
303J906031	3J906031	SPRING SEPARATION	2
303JC04201	3JC04201	PLATE ORIGINAL	1
303JX02380	3JX02380	STATIC ELIMINATOR EJECT	6
303K502070	3K502070	SEAL WIRE	3
303K507102	3K507102	PAD FRONT SEP	6
303K507110	3K507110	STOPPER PF COVER	5
303LJ07060	3LJ07060	LEVER PUSH DU	5
303LJ07070	3LJ07070	SPRING PUSH DU	5

Part.No. 部品番号	Alternative. 代替部品番号	Description 部品名称	Fig.No.
303LJ24090	3LJ24090	SPRING TIMING	4,6
303LL06100	3LL06100	COVER TABLE WIRE	3
303LL24190	3LL24190	PULLEY GUIDE READING	4
303LL31260	3LL31260	GEAR Z32S LIFT	4
303M407300	3M407300	LENS LED	1
303M802021	3M802021	LEFT HINGE	2
303M802060	3M802060	MOUNT JAM REMOVAL	7
303M802071	3M802071	PLATE EARTH HINGE	7
303M802100	3M802100	STAY HINGE	2
303M802110	3M802110	MOUNT TABLE	7
303M802120	3M802120	RIGHT HINGE A	2
303M802130	3M802130	RIGHT HINGE B LOWER	2
303M802140	3M802140	RIGHT HINGE B UPPER	2
303M802150	3M802150	SHAFT HINGE	2
303M802170	3M802170	SHAFT ADJUST SKEW	2
303M802190	3M802190	RACK ADJUSTMENT SKEW	2
303M802210	3M802210	GUIDE WIRE DRIVE	7
303M802220	3M802220	PLATE BASE	2
303M802230	3M802230	GROUND PLATE BASE	2
303M802240	3M802240	PLATE EARTH MOTOR	7
303M802250	3M802250	PLATE EARTH DU	4
303M802300	3M802300	PLATE LIMITATION ANGLE	2
303M802310	3M802310	SHAFT LIMITATION ANGLE	2
303M802320	3M802320	SPONGE ORIGINAL MAT A	2
303M806071	3M806071	RACK TABLE	3
303M807041	3M807041	MOUNT PULLEY REGISTRATION	5
303M807060	3M807060	ACTUATOR ORIGINAL SET	5
303M807090	3M807090	JOINT PF DRIVE B	5
303M807100	3M807100	SHAFT PF DRIVE	5
303M807130	3M807130	COLLAR FEED	4,5
303M807140	3M807140	SPRING SEPARATION	6
303M807150	3M807150	FILM FRONT SEPARATION	6
303M807170	3M807170	STOPPER ORIGINAL A	5
303M807181	3M807181	STOPPER ORIGINAL B	5
303M807190	3M807190	CAP SHAFT	5
303M807201	3M807201	SHEET STOPPER	5
303M824015	3M824015	GUIDE CONVEYING	6
303M824032	3M824032	GUIDE PAPER FEED	6
303M824071	3M824071	GUIDE CONVEYING LOW	4
303M824080	3M824080	SHAFT REGISTRATION	5
303M824090	3M824090	ACTUATOR FEED	5
303M824100	3M824100	HOLDER LEFT PULLEY	2
303M824110	3M824110	ACTUATOR REGISTRATION	6
303M824121	3M824121	HOLDER RIGHT PULLEY	2
303M824130	3M824130	SHAFT GUIDE READING	4
303M824140	3M824140	SPRING GUIDE READING	4
303M824150	3M824150	GUIDE READING	4
303M824170	3M824170	SHEET LEFT GUIDE F	2
303M824180	3M824180	SHEET LEFT GUIDE R	2
303M824191	3M824191	ACTUATOR TIMING	4
303M824200	3M824200	SHAFT PULLEY	2,6



Part.No. 部品番号	Alternative. 代替部品番号	Description 部品名称	Fig.No.
303M824210	3M824210	PULLEY CONVEYING BK	2,6
303M824220	3M824220	PULLEY REGISTRATION BK	5
303M828021	3M828021	GUIDE EXIT	6
303M828030	3M828030	HOLDER PULLEY EJECT	2
303M828040	3M828040	PULLEY EJECT	2
303M828050	3M828050	SPONGE EJECT	2
303M829012	3M829012	GUIDE SHIFT	6
303M829020	3M829020	SHAFT GUIDE SHIFT	6
303M829030	3M829030	LEVER GUIDE SHIFT	6
303M829040	3M829040	HOLDER DU PRESS	6
303M829051	3M829051	GUIDE DUPLEX	6
303M829060	3M829060	SHAFT CAM SHIFT	4
303M829070	3M829070	CAM SHIFT	4
303M829230	3M829230	FILM DU FRONT	6
303M829240	3M829240	FILM DU REAR	6
303M831011	3M831011	MOUNT DRIVE MAIN	4
303M831020	3M831020	MOUNT MOTOR	7
303M831040	3M831040	SHAFT FEED	4
303M831120	3M831120	SHAFT JAM REMOVAL	7
303M831130	3M831130	DIAL JAM REMOVAL	7
303M846020	3M846020	WIRE DRIVE	8
303M846030	3M846030	WIRE TABLE	8
303M846040	3M846040	WIRE SETSW	8
303M846050	3M846050	WIRE BASE	8
303M846060	3M846060	WIRE SENSOR	7,7
303M846070	3M846070	WIRE HPSW	8
303M894080	3M894080	PARTS GUIDE READING ASSY SP	4
303M894100	3M894100	PARTS PWB LED ASSY SP	7
303M894110	3M894110	PARTS ROLLER REGISTRATION SP	4
303M894120	3M894120	PARTS ROLLER CONVEYING A SP	4
303M894130	3M894130	PARTS ROLLER CONVEYING B SP	4
303M894140	3M894140	PARTS ROLLER EXIT SP	4
303M894150	3M894150	PARTS ROLLER LOOP SP	4
303M894160	3M894160	PARTS GEAR Z41L Z58L Z76L SP	4
303M894170	3M894170	PARTS GEAR Z32R SP	4
303M894180	3M894180	PARTS GEAR Z38L SP	4
303M894190	3M894190	PARTS GEAR Z33L SP	4
303M894200	3M894200	PARTS GEAR Z34R Z26S SP	7
303M894210	3M894210	PARTS GEAR Z29R SP	4
303M894220	3M894220	PARTS GEAR Z29L ONEWAY SP	4
303M894240	3M894240	PARTS GEAR Z39S SP	7
303M894260	3M894260	PARTS SENSOR OPT SP	3,4,7
303M894270	3M894270	PARTS PWB SIZE DETECTION ASSY SP	3
303MW24070	3MW24070	SPRING REGISTRATION	5
303MX02021	3MX02021	CUSHION ORIGINAL MAT A	1
303MX02031	3MX02031	CUSHION ORIGINAL MAT B	2
303P202010	3P202010	SPONGE MAT	2
303PH02010	3PH02010	PUSH SW DP	2
303PH02020	3PH02020	FILM READING LEFT	2
303PH02030	3PH02030	SPONGE ORIGINAL MAT FILM	2
303PH44011	3PH44011	MOTOR DP	7

Part.No. 部品番号	Alternative. 代替部品番号	Description 部品名称	Fig.No.
303R724150	3R724150	HOLDER LENS	1
303R734030	3R734030	LABEL ORIGINAL MAX	3
303R734050	3R734050	LABEL CAUTION US	3
303R734060	3R734060	LABEL CAUTION IN	3
303R734080	3R734080	LABEL ISU COVER	1
303R734100	3R734100	LABEL C2	6
303R834010	3R834010	LABEL CAUTION HINGE	2
303RJ02010	3RJ02010	GUIDE WIRE PWB	7
303RJ02020	3RJ02020	MOUNT LED	7
303RJ02030	3RJ02030	BASE DP	2
303RJ04010	3RJ04010	COVER FRONT A	1
303RJ04030	3RJ04030	COVER REAR A	1
303RJ04040	3RJ04040	COVER REAR B	1
303RJ04050	3RJ04050	COVER PF	5
303RJ04060	3RJ04060	COVER FRONT BASE	1
303RJ04070	3RJ04070	COVER LEFT	2
303RJ04080	3RJ04080	COVER LID	1
303RJ04090	3RJ04090	COVER WIRE INTERFACE	1
303RJ04100	3RJ04100	SUB COVER WIRE INTERFACE	1
303RJ04110	3RJ04110	COVER WIRE INTERFACE B	1
303RJ04120	3RJ04120	COVER FRONT B	1
303RJ04130	3RJ04130	STOPPER EJECT	1
303RJ04140	3RJ04140	LID INNER COVER	1
303RJ04150	3RJ04150	COVER HINGE	2
303RJ06010	3RJ06010	TABLE MAIN	3
303RJ06020	3RJ06020	FRONT CURSOR	3
303RJ06030	3RJ06030	REAR CURSOR	3
303RJ06040	3RJ06040	COVER CURSOR	3
303RJ06050	3RJ06050	COVER TABLE	3
303RJ06060	3RJ06060	TRAY LOOP	3
303RJ06070	3RJ06070	CUSHION TABLE	3
303RJ24010	3RJ24010	GUIDE RIGHT READING	2
303RJ31010	3RJ31010	GEAR Z29S	7
303RJ34010	3RJ34010	LABEL SIZE INDICATOR	5
303RJ34020	3RJ34020	LABEL FACE UP JP	3
303RJ34030	3RJ34030	LABEL FACE UP EN	3
303RJ34040	3RJ34040	LABEL CAUTION JP	3
303RJ34050	3RJ34050	LABEL JAM C1	4
303RJ34060	3RJ34060	LABEL FACE UP US	3
303RJ34070	3RJ34070	LABEL FACE UP NL	3
303RJ34080	3RJ34080	LABEL CAUTION NL	3
303RJ46010	3RJ46010	WIRE INTERFACE	8
303RJ94010	3RJ94010	PARTS PWB DRIVER ASSY SP	7
3AK20130	3AK20130	GEAR, WORM MAIN TRAY	2
3BC07130	3BC07130	ONE-WAY CLUTCH 6	5
3BR07040	3BR07040	PULLEY, PAPER FEED	5
3HK07140	3HK07140	SPRING LF	5
3HK07240	3HK07240	FRICTION PLATE LF	6
3HK07270	3HK07270	COLLAR PF	5
3HK27050	3HK27050	CORE 8-16X10	7
3HL02230	3HL02230	MOUNT PUSH SW	2



---

**DF-791**

Rev.1

———— CONTENTS ————

FIG. 1	Covers .....	2
FIG. 2	Frames .....	4
FIG. 3	Paper Feed Section 1 .....	6
FIG. 4	Paper Feed Section 2 .....	9
FIG. 5	Paper Feed Section 3 .....	12
FIG. 6	Main Exit Section .....	15
FIG. 7	Drive Section .....	17
FIG. 8	Electrical Components .....	19
FIG. 9	Accessories.....	21
	• INDEX .....	23

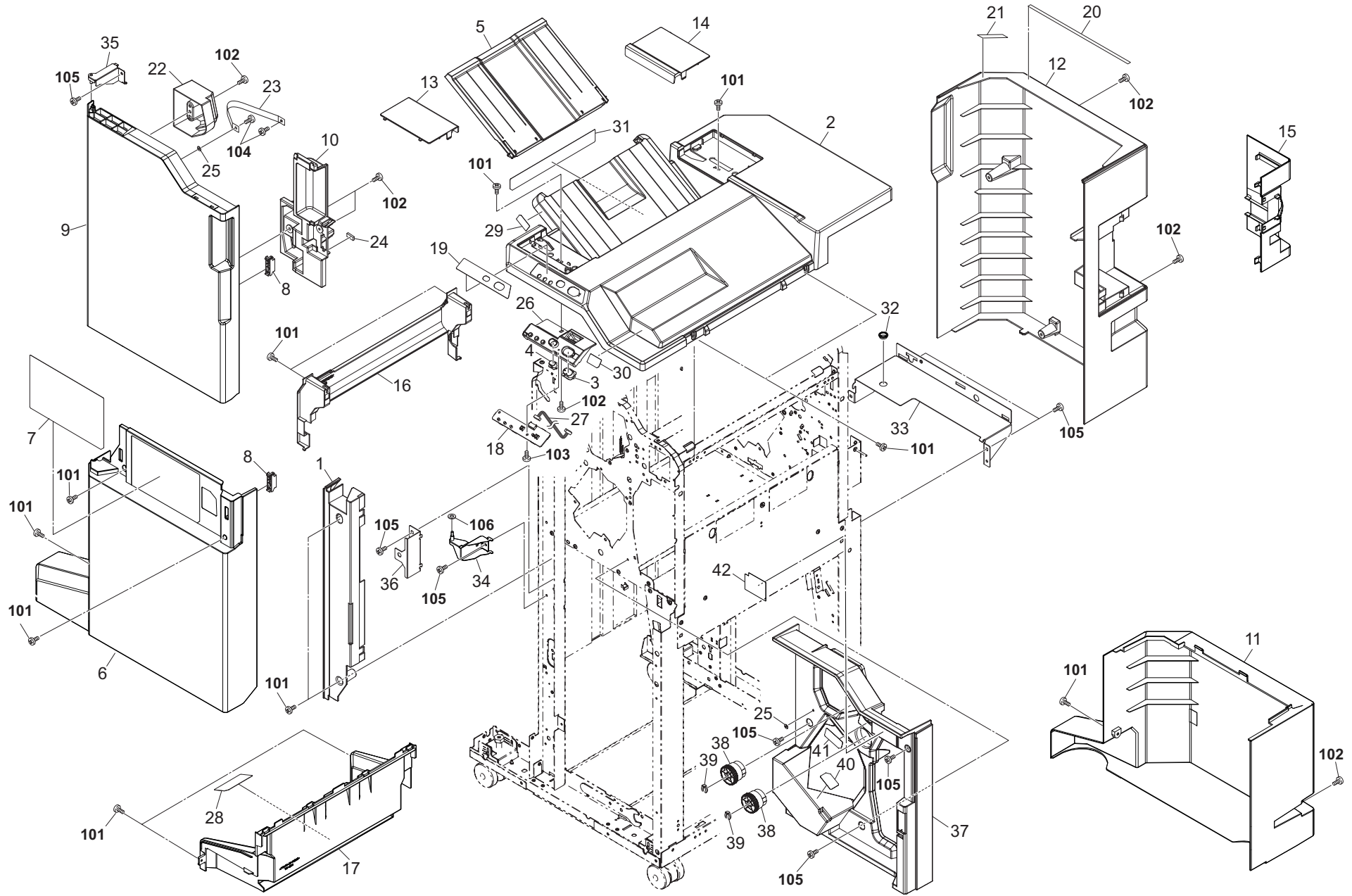


FIG. 1 Covers

3PG-1

Ref. No. 番号	Part.No. 部品番号	Alternative. 代替部品番号	Description 部 品 名 称	Notes 備 考	Revision 改 訂	Quantity 個数			
						100(日本)	120	230	240
1	303NB04050	3NB04050	COVER FRONT LEFT UPPER			1	1	1	1
2	303NB04011	3NB04011	COVER TOP			1	1	1	1
3	303PG04090	3PG04090	KEY STAPLER			1	1	1	1
4	303NB04240	3NB04240	KEY SELECT			1	1	1	1
5	303NB04111	3NB04111	TRAY B SLIDE			1	1	1	1
6	303PG04010	3PG04010	COVER FRONT LOWER			1	1	1	1
7	303NB34200	3NB34200	LABEL OPERATION			1	1	1	1
8	302H004660	2H004660	MAGNET CATCH			2	2	2	2
9	303NB04022	3NB04022	COVER FRONT UPPER			1	1	1	1
10	303NB04171	3NB04171	COVER HANDLE			1	1	1	1
11	303PG04020	3PG04020	COVER REAR LOWER			1	1	1	1
12	303NB04081	3NB04081	COVER REAR UPPER			1	1	1	1
13	303NB04120	3NB04120	LID TOP FRONT			1	1	1	1
14	303NB04130	3NB04130	LID TOP REAR			1	1	1	1
15	303NC04063	3NC04063	COVER LID REAR			1	1	1	1
16	303NB04141	3NB04141	COVER MAIN EXIT			1	1	1	1
17	303PG04030	3PG04030	COVER LEFT LOWER			1	1	1	1
18	303NB94030	3NB94030	PARTS PWB OPERATION ASSY SP			1	1	1	1
19	303NB04221	3NB04221	SHEET OPERATION			1	1	1	1
20	302H715300	2H715300	FILM MAG COVER C			1	1	1	1
21	302HN02930	2HN02930	SHEET HOUSING LEFT			1	1	1	1
22	303NB04320	3NB04320	STOPPER FRONT COVER			1	1	1	1
23	302BL04681	2BL04681	STRAP COVER			1	1	1	1
24	63213320	63213320	CUSHION,ORIGINAL COLLECTION			1	1	1	1
25	302LW04260	2LW04260	SPACER USB			2	2	2	2
26	303NB04211	3NB04211	MOUNT OPERATION			1	1	1	1
27	303NB46160	3NB46160	WIRE OPERATION			1	1	1	1
28	303NB34220	3NB34220	LABEL CAUTION MAIN TRAY			1	1	1	1
29	303NB34070	3NB34070	LABEL B			1	1	1	1
30	303PG04070	3PG04070	SHEET TOP COVER B			1	1	1	1
31	303NB34230	3NB34230	LABEL MANUAL STAPLER			1	1	1	1
32	7YZM110001++H01	YZ009420	ACCESS.BUSHING			1	1	1	1
33	303NB04310	3NB04310	MOUNT REAR COVER			1	1	1	1
34	303PG04080	3PG04080	FULCRUM PLATE COVER MIDDLE			1	1	1	1
35	303NB04250	3NB04250	FULCRUM-PLATE COVER UPPER			1	1	1	1
36	303NB04330	3NB04330	REINFORCEMENT FULCRUM MIDDLE			1	1	1	1
37	303NB04063	3NB04063	COVER INNER UPPER			1	1	1	1
38	303NB04200	3NB04200	HANDLE JAM REMOVAL			2	2	2	2
39	2BC06910	2BC06910	STOPPER 6			2	2	2	2
40	303NB34240	3NB34240	LABEL A STAPLER			1	1	1	1
41	303NB34210	3NB34210	LABEL D3 D5			1	1	1	1
42	303NB34250	3NB34250	LABEL D1			1	1	1	1
101	7BB782410H	BB111310	+TP-FLAT T.T S SCREW 4X10 SR(BLACK)						
102	7BB200410H	BB105700	+BIND T.T P SCREW 4X10						
103	7BB200308H	BB105660	+BIND T.T P SCREW 3X8						
104	7BB282308H	BB111240	+TP-FLAT T.T P SCREW 3X8(BLACK)						
105	7BB700408H	BB105640	+BIND T.T S SCREW 4X8 SR						
106	C2804100	C2804100	POLYESTER SLIDER WASHER 4.1X10X0.5T						

• Parts with a Ref.No. of 500 and above in the illustration indicate they are not selected for service parts.

• イラスト中で 500 番台の Ref 番号が付いている部品はサービスパーツに選定されていません。

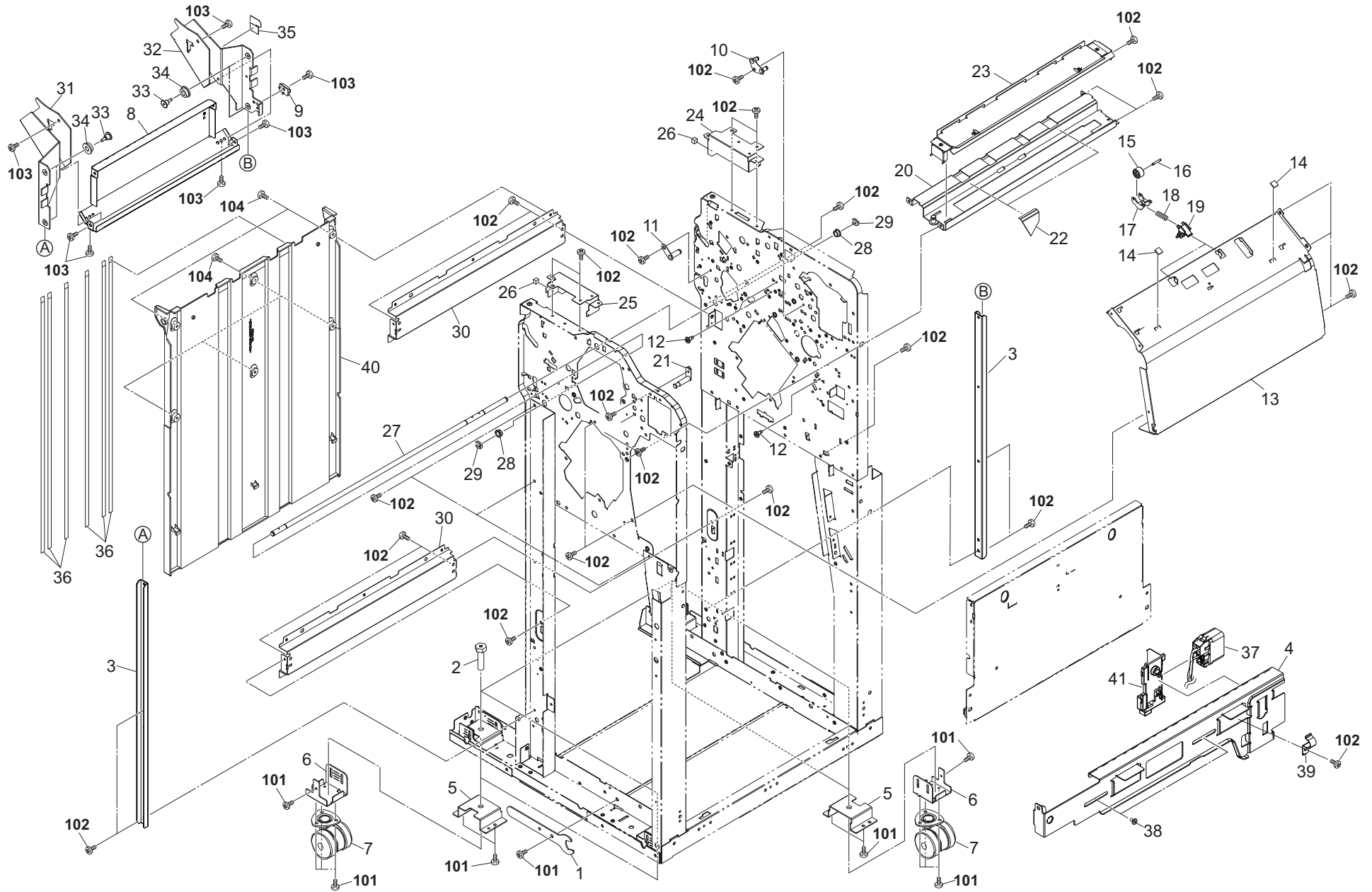


FIG. 2 Frames

3PG-1

Ref. No. 番号	Part.No. 部品番号	Alternative. 代替部品番号	Description 部 品 名 称	Notes 備 考	Revision 改 訂	Quantity 個数			
						100(日本)	120	230	240
1	303LT03130	3LT03130	SPANNER			1	1	1	1
2	303LT03140	3LT03140	BOLT M10L40			4	4	4	4
3	303PG37010	3PG37010	RAIL MAIN TRAY			2	2	2	2
4	303NB02341	3NB02341	PLATE LOCK JUNCTION D			1	1	1	1
5	303NB02220	3NB02220	PLATE HOLDER CASTER			4	4	4	4
6	303NB02211	3NB02211	PLATE CASTER			4	4	4	4
7	302N202011	2N202011	CASTER 100 CN			4	4	4	4
8	303NB37110	3NB37110	FRAME MAIN TRAY CENTER			1	1	1	1
9	303NB37090	3NB37090	LEVER SENSOR			1	1	1	1
10	303NB31030	3NB31030	MOUNT FEED IDLE			1	1	1	1
11	303NB31110	3NB31110	PIN EJECT DRIVE			1	1	1	1
12	302GR25241	2GR25241	PIN GUIDE CHUTE			3	3	3	3
13	303NB24090	3NB24090	GUIDE BOOKLET LEFT			1	1	1	1
14	303H321120	3H321120	CUSHION HOLDER			2	2	2	2
15	303NB36661	3NB36661	PULLEY MIDDLE			2	2	2	2
16	303NB36110	3NB36110	SHAFT MIDDLE PULLEY			2	2	2	2
17	303NB36100	3NB36100	HOLDER MIDDLE PULLEY			2	2	2	2
18	303NB36670	3NB36670	SPRING PULLEY			2	2	2	2
19	303NB36120	3NB36120	MOUNT MIDDLE PULLEY			2	2	2	2
20	303NB07030	3NB07030	STAY PUNCH			1	1	1	1
21	303NB04290	3NB04290	PLATE PIN HANDLE			1	1	1	1
22	303NB07140	3NB07140	SHEET ROLLER FEED			2	2	2	2
23	303NB07040	3NB07040	GUIDE PUNCH			1	1	1	1
24	303NB02240	3NB02240	MOUNT MAIL REAR			1	1	1	1
25	303NB02230	3NB02230	MOUNT MAIL FRONT			1	1	1	1
26	303JY24AD0	3JY24AD0	CUSHION B			2	2	2	2
27	303NB37070	3NB37070	SHAFT MAIN TRAY			1	1	1	1
28	28107310	49028101	BUSH 8			2	2	2	2
29	2BC06910	2BC06910	STOPPER 6			2	2	2	2
30	303NB02180	3NB02180	STAY PARTITION			2	2	2	2
31	303NB37100	3NB37100	FRAME MAIN TRAY FRONT			1	1	1	1
32	303NB37120	3NB37120	FRAME MAIN TRAY REAR			1	1	1	1
33	303NB37130	3NB37130	PIN RAIL			4	4	4	4
34	3AK20200	3AK20200	PULLEY,MAIN TRAY			4	4	4	4
35	303NB37190	3NB37190	FILM FRAME TRAY			1	1	1	1
36	303NB02200	3NB02200	FILM PARTITION			6	6	6	6
37	303NB46190	3NB46190	WIRE INTERFACE B			1	1	1	1
38	3CZ02230	3CZ02230	PIN,HOOK FULCRUM			2	2	2	2
39	303NB02131	3NB02131	SPRING-PLATE JUNCTION			1	1	1	1
40	303NB02171	3NB02171	PARTITION FINISHER			1	1	1	1
41	303NB02360	3NB02360	GUIDE DRAWER			1	1	1	1
101	7BB700412H	BB106830	+BIND T.T S SCREW 4X12 SR						
102	7BB700408H	BB105640	+BIND T.T S SCREW 4X8 SR						
103	7BB782410H	BB111310	+TP-FLAT T.T S SCREW 4X10 SR(BLACK)						
104	7BB782308H	BB111300	+TP-FLAT T.T S SCREW 3X8 SR(BLACK)						

• Parts with a Ref.No. of 500 and above in the illustration indicate they are not selected for service parts.

• イラスト中で 500 番台の Ref 番号が付いている部品はサービスパーツに選定されていません。



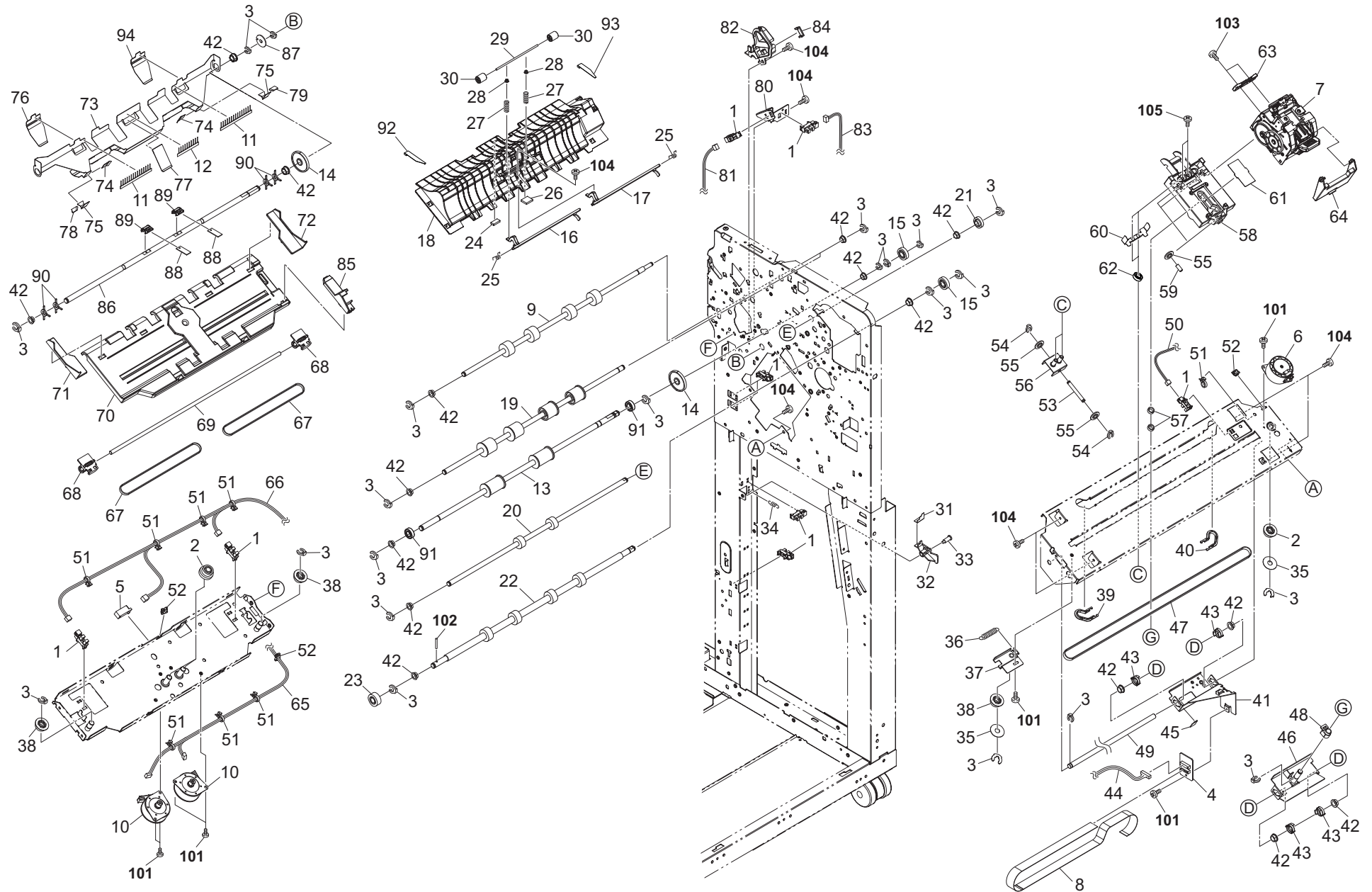


FIG. 3 Paper Feed Section 1

Ref. No. 番号	Part.No. 部品番号	Alternative. 代替部品番号	Description 部品名称	Notes 備考	Revision 改訂	Quantity 個数			
						100(日本)	120	230	240
1	303M894260	3M894260	PARTS SENSOR OPT SP			9	9	9	9
2	303NB28130	3NB28130	GEAR Z45-P30			3	3	3	3
3	2BC06910	2BC06910	STOPPER 6			21	21	21	21
4	303NB94020	3NB94020	PARTS PWB STAPLER ASSY SP			1	1	1	1
5	303NW94060	3NW94060	PARTS SENSOR OPT. SP			1	1	1	1
6	303NB94040	3NB94040	PARTS MOTOR-PM MOVING SP			1	1	1	1
7	303NB94130	3NB94130	PARTS STAPLER EH600 SP			1	1	1	1
8	303NB46110	3NB46110	WIRE FFC			1	1	1	1
9	303NB94090	3NB94090	PARTS ROLLER EXIT SP			1	1	1	1
10	302HN44100	2HN44100	MOTOR REVERSE			2	2	2	2
11	303NB36580	3NB36580	STATIC-ELIMINATOR PAPER STOPPER			2	2	2	2
12	303NB36460	3NB36460	STATIC-ELIMINATOR EJECT			1	1	1	1
13	303NB94080	3NB94080	PARTS ROLLER MIDDLE SP			1	1	1	1
14	303NB36150	3NB36150	GEAR 41 PADDLE A			2	2	2	2
15	303NB31010	3NB31010	GEAR Z35R			2	2	2	2
16	303NB24181	3NB24181	ACTUATOR MIDDLE			1	1	1	1
17	303NB24190	3NB24190	ACTUATOR DRUM			1	1	1	1
18	303NB24050	3NB24050	GUIDE MIDDLE CONVEYING LOWER			1	1	1	1
19	303NB94060	3NB94060	PARTS ROLLER SUB EXIT SP			1	1	1	1
20	303NB94070	3NB94070	PARTS ROLLER SUB CONVEYING SP			1	1	1	1
21	303NB31020	3NB31020	GEAR Z35L			1	1	1	1
22	303NB94100	3NB94100	PARTS ROLLER FEED LOWER SP			1	1	1	1
23	302KS08110	2KS08110	GEAR 18			1	1	1	1
24	63213320	63213320	CUSHION,ORIGINAL COLLECTION			1	1	1	1
25	302K928190	2K928190	SPRING-TORSION SWITCHBACK			2	2	2	2
26	303H321120	3H321120	CUSHION HOLDER			1	1	1	1
27	302H728100	2H728100	SPRING EXIT PULLEY			2	2	2	2
28	2FM04150	5MVM163DN005	CAP SPRING /B-11 ENCLOSURE A4			2	2	2	2
29	302K324460	2K324460	SHAFT FEED			1	1	1	1
30	303B817020	3B817020	PULLEY SUB EJECT			2	2	2	2
31	303NB37161	3NB37161	FILM SENSOR			1	1	1	1
32	303NB37172	3NB37172	PLATE DETECTION			1	1	1	1
33	303J902280	3J902280	PIN PAPER FEED			1	1	1	1
34	302F902180	2F902180	SPRING LEVER EF			1	1	1	1
35	303JY38240	3JY38240	SPACER 25			2	2	2	2
36	72418140	72418140	SPRING, BLADE			1	1	1	1
37	303NB38100	3NB38100	PLATE STAPLER UNIT TENSION			1	1	1	1
38	3AP02040	3AP02040	PULLEY 30,DUPLEX			3	3	3	3
39	303NB38071	3NB38071	RAIL STAPLER SHIFT FRONT			1	1	1	1
40	303NB38121	3NB38121	RAIL STAPLER SHIFT REAR			1	1	1	1
41	303NB38131	3NB38131	MOUNT PRINT STAPLER			1	1	1	1
42	28107310	49028101	BUSH 8			16	16	16	16
43	303NB38150	3NB38150	STOPPER BUSH			4	4	4	4
44	303NC46100	3NC46100	WIRE STAPLER			1	1	1	1
45	302KK24390	2KK24390	FILM DU GUIDE			1	1	1	1
46	303NB38051	3NB38051	PLATE STAPLER SHIFT			1	1	1	1
47	303NB38030	3NB38030	BELT STAPLER SHIFT			1	1	1	1
48	303NB38110	3NB38110	STOPPER DRIVE BELT			1	1	1	1
49	303NB38040	3NB38040	SHAFT STAPLER SHIFT			1	1	1	1
50	303NC46160	3NC46160	WIRE STP HP SENSOR			1	1	1	1

• Parts with a Ref.No. of 500 and above in the illustration indicate they are not selected for service parts.

• イラスト中で 500 番台の Ref 番号が付いている部品はサービスパーツに選定されていません。

FIG. 3 Paper Feed Section 1

3PG-1

Ref. No. 番号	Part.No. 部品番号	Alternative. 代替部品番号	Description 部品名称	Notes 備考	Revision 改訂	Quantity 個数			
						100(日本)	120	230	240
51	M21AH010	M21AH010	BAND,RSG-130-V0(KITAGAWA)			8	8	8	8
52	M2104350	M2104350	EDGING,EDS-0607M(KITAGAWA)			3	3	3	3
53	303NB38080	3NB38080	SHAFT STOPPER PULLEY			1	1	1	1
54	5MVX111DN003	2A806250	RING STOPPER /A-49 FEED A4			2	2	2	2
55	5MVM176DN001	3B706020	PULLEY RAIL CASS /40283V0034 A4			5	5	5	5
56	303NB38060	3NB38060	STOPPER STAPLER MOUNT			1	1	1	1
57	3B807230	3B807230	COLLAR,MIDDLE BELT			2	2	2	2
58	303NB38021	3NB38021	MOUNT STAPLER			1	1	1	1
59	303NB38090	3NB38090	SHAFT MOUNT PULLEY			3	3	3	3
60	303NB38190	3NB38190	PLATE EARTH STAPLER			1	1	1	1
61	303NB38160	3NB38160	FILM STAPLER			1	1	1	1
62	7BE006124431H01	BE119720	BEARING MR126ZZ			2	2	2	2
63	303NB38180	3NB38180	GUIDE STAPLER			1	1	1	1
64	303NB38140	3NB38140	COVER STAPLER			1	1	1	1
65	303NC46150	3NC46150	WIRE MID TRAY MOTOR			1	1	1	1
66	303NC46140	3NC46140	WIRE MID TRAY SENSOR			1	1	1	1
67	302FB09720	2FB09720	BELT FRONT DRIVE			2	2	2	2
68	303NB36070	3NB36070	HOLDER CURSOR			2	2	2	2
69	303NB36060	3NB36060	SHAFT CURSOR			1	1	1	1
70	303NB36022	3NB36022	GUIDE MIDDLE TRAY			1	1	1	1
71	303NB36031	3NB36031	CURSOR F MIDDLE TRAY			1	1	1	1
72	303NB36041	3NB36041	CURSOR R MIDDLE TRAY			1	1	1	1
73	303NB36082	3NB36082	GUIDE PAPER STOPPER			1	1	1	1
74	303NB36420	3NB36420	FILM GUIDE STOPPER			2	2	2	2
75	303NB36510	3NB36510	FILM GUIDE STOPPER B			2	2	2	2
76	303PG36010	3PG36010	FILM GUIDE STOPPER F			1	1	1	1
77	303NB36430	3NB36430	FILM GUIDE STOPPER C			1	1	1	1
78	303NB36650	3NB36650	FILM GUIDE STOPPER E			1	1	1	1
79	303NB36640	3NB36640	FILM GUIDE STOPPER D			1	1	1	1
80	303NB36321	3NB36321	MOUNT PI UPPER GUIDE			1	1	1	1
81	303NC46080	3NC46080	WIRE CI SENSOR			1	1	1	1
82	303NB36050	3NB36050	DUCT UPPER GUIDE WIRE 1			1	1	1	1
83	303NB46080	3NB46080	WIRE MTRAY SURF			1	1	1	1
84	303LL02330	3LL02330	HOLDER WIRE D			1	1	1	1
85	303NB36450	3NB36450	COVER MIDDLE TRAY WIRE			1	1	1	1
86	303NB36141	3NB36141	SHAFT PADDLE A			1	1	1	1
87	303NB36160	3NB36160	PLATE PULSE PADDLE A			1	1	1	1
88	303NB36130	3NB36130	SHEET PADDLE A			2	2	2	2
89	303NB36240	3NB36240	HOLDER PADDLE			2	2	2	2
90	303NB36550	3NB36550	RUBBER FEED			4	4	4	4
91	7BE008165431H01	BE119730	BEARING 688ZZ			2	2	2	2
92	303PG24010	3PG24010	SHEET CONVEYING GUIDE F			1	1	1	1
93	303PG24020	3PG24020	SHEET CONVEYING GUIDE R			1	1	1	1
94	303PG36020	3PG36020	FILM GUIDE STOPPER R			1	1	1	1
101	7BB700308H	BB105600	+BIND T.T S SCREW 3X8 SR						
102	5MBP2012WXSP	E0020120	SPRING PIN/M2 X 12 S-BLK						
103	7BB202306H	BB106940	+TP-FLAT T.T P SCREW 3X6						
104	7BB700408H	BB105640	+BIND T.T S SCREW 4X8 SR						
105	7BB607410H	BB106870	+TP-CUP M SCREW 4X10 R						

• Parts with a Ref.No. of 500 and above in the illustration indicate they are not selected for service parts.

• イラスト中で 500 番台の Ref 番号が付いている部品はサービスパーツに選定されていません。

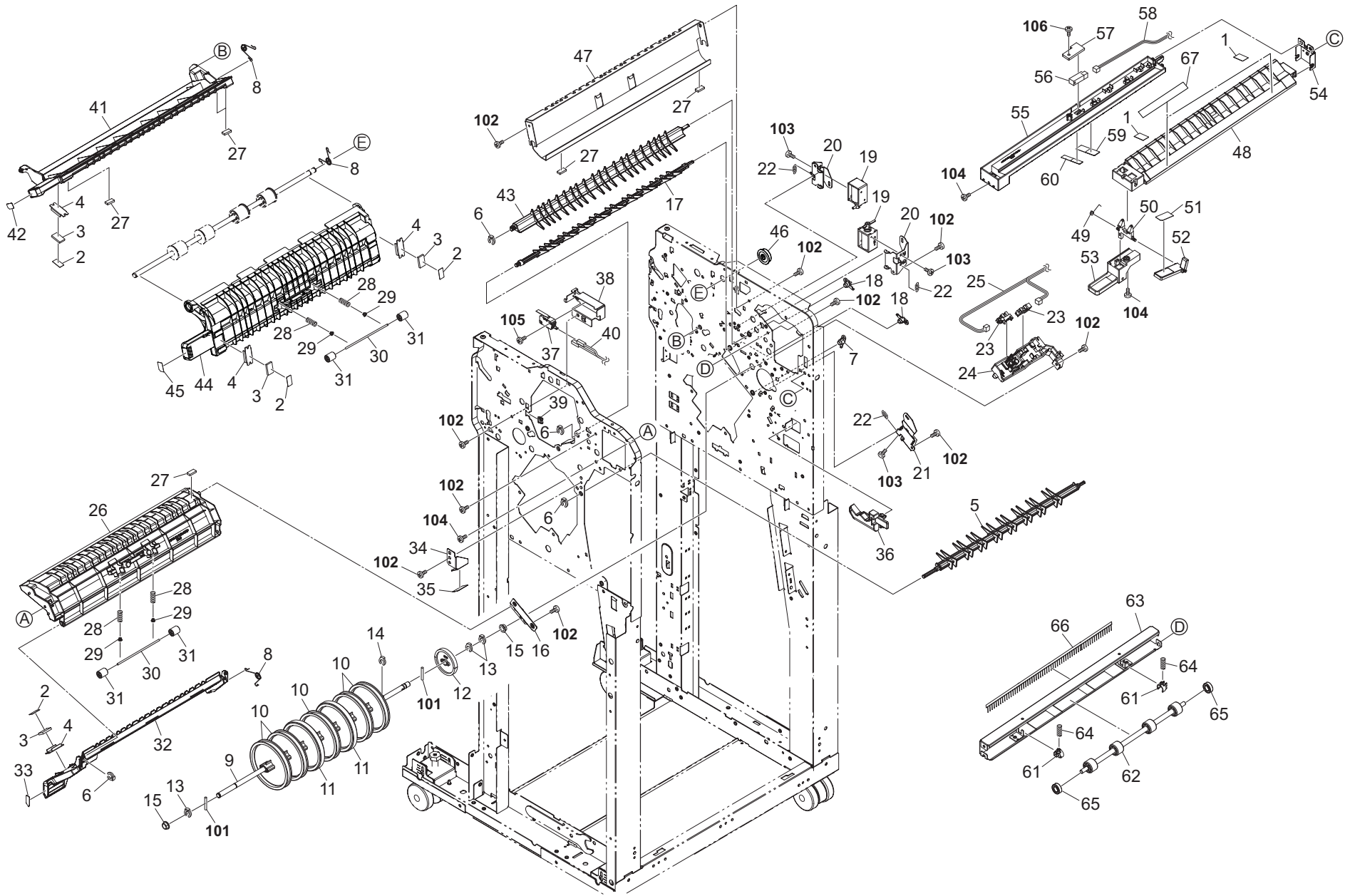


FIG. 4 Paper Feed Section 2

Ref. No. 番号	Part.No. 部品番号	Alternative. 代替部品番号	Description 部品名称	Notes 備考	Revision 改訂	Quantity 個数			
						100(日本)	120	230	240
1	303PG07010	3PG07010	SHEET FEED IN			2	2	2	2
2	302GR04380	2GR04380	SEAL MAGNET			4	4	4	4
3	302GR04370	2GR04370	MAGNET CLIP DISH			4	4	4	4
4	303NB24210	3NB24210	HOLDER MAGNET			4	4	4	4
5	303NB24120	3NB24120	GUIDE FEED SHIFT BOOKLET			1	1	1	1
6	5MVX111DN003	2A806250	RING STOPPER /A-49 FEED A4			4	4	4	4
7	303NB24160	3NB24160	LEVER SOLENOID C			1	1	1	1
8	303NB24220	3NB24220	SPRING GUIDE HOLD			3	3	3	3
9	303NB24261	3NB24261	SHAFT DRUM			1	1	1	1
10	303H316390	3H316390	GUIDE WHEEL DRUM			5	5	5	5
11	303H316370	3H316370	GUIDE DRUM ASS'Y			2	2	2	2
12	3H316050	3H316050	GEAR 46 DRUM DRIVE			1	1	1	1
13	2BC06910	2BC06910	STOPPER 6			3	3	3	3
14	33973300	33973300	STOPPER 7,CARTRIDGE			1	1	1	1
15	28107310	49028101	BUSH 8			2	2	2	2
16	303NB24290	3NB24290	MOUNT GUIDE DRUM			1	1	1	1
17	303NB24111	3NB24111	GUIDE FEED SHIFT DRUM			1	1	1	1
18	303NB24140	3NB24140	LEVER SOLENOID AB			2	2	2	2
19	302K994370	2K994370	PARTS SOLENOID FEED SHIFT SP			2	2	2	2
20	303NB24130	3NB24130	MOUNT SOLENOID AB			2	2	2	2
21	303NB24150	3NB24150	MOUNT SOLENOID C			1	1	1	1
22	302FZ08190	2FZ08190	SPRING HOLDER MPT			3	3	3	3
23	303M894260	3M894260	PARTS SENSOR OPT SP			2	2	2	2
24	303NB24200	3NB24200	MOUNT PI ACTUATOR			1	1	1	1
25	303NB46100	3NB46100	WIRE ME SENSOR			1	1	1	1
26	303NB24060	3NB24060	GUIDE DRUM UPPER			1	1	1	1
27	63213320	63213320	CUSHION,ORIGINAL COLLECTION			6	6	6	6
28	302H728100	2H728100	SPRING EXIT PULLEY			4	4	4	4
29	2FM04150	5MVM163DN005	CAP SPRING /B-11 ENCLOSURE A4			4	4	4	4
30	302K324460	2K324460	SHAFT FEED			2	2	2	2
31	303B817020	3B817020	PULLEY SUB EJECT			4	4	4	4
32	303NB24071	3NB24071	GUIDE DRUM LOWER			1	1	1	1
33	303NB34170	3NB34170	LABEL D6 NEW			1	1	1	1
34	303NB24280	3NB24280	MOUNT MAGNET			1	1	1	1
35	303NB24330	3NB24330	FILM MAGNET			1	1	1	1
36	303NB24320	3NB24320	STOPPER GUIDE			1	1	1	1
37	2FB27160	2FB27160	INTER LOCK SWITCH			1	1	1	1
38	303NB36330	3NB36330	MOUNT INTERLOCK UPPER GUIDE			1	1	1	1
39	M2104350	M2104350	EDGING,EDS-0607M(KITAGAWA)			1	1	1	1
40	303NB46070	3NB46070	WIRE FRONT			1	1	1	1
41	303NB24040	3NB24040	GUIDE MIDDLE CONVEYING UPPER			1	1	1	1
42	303NB34040	3NB34040	LABEL D4			1	1	1	1
43	303NB24100	3NB24100	GUIDE FEED SHIFT SUB			1	1	1	1
44	303NB24031	3NB24031	GUIDE SUB LEFT OPEN			1	1	1	1
45	303NB34020	3NB34020	LABEL D2			1	1	1	1

• Parts with a Ref.No. of 500 and above in the illustration indicate they are not selected for service parts.

• イラスト中で 500 番の Ref 番号が付いている部品はサービスパーツに選定されていません。

FIG. 4 Paper Feed Section 2

Ref. No. 番号	Part.No. 部品番号	Alternative. 代替部品番号	Description 部品名称	Notes 備考	Revision 改訂	Quantity 個数			
						100(日本)	120	230	240
46	303NB31130	3NB31130	PULLEY P42 EXIT			1	1	1	1
47	303NB24010	3NB24010	GUIDE SUB RIGHT			1	1	1	1
48	303NB07021	3NB07021	GUIDE FEED LOWER			1	1	1	1
49	303NB07120	3NB07120	SPRING-TORSION GUIDE HOOK			1	1	1	1
50	303NB07100	3NB07100	HOOK GUIDE FEED LOWER			1	1	1	1
51	303NC34020	3NC34020	LABEL D1			1	1	1	1
52	303NB07110	3NB07110	LEVER GUIDE FEED LOWER			1	1	1	1
53	303NB07091	3NB07091	HANDLE GUIDE FEED LOWER			1	1	1	1
54	303NB07080	3NB07080	MOUNT LOWER GUIDE FEED			1	1	1	1
55	303NB07011	3NB07011	GUIDE FEED UPPER			1	1	1	1
56	303NW94060	3NW94060	PARTS SENSOR OPT. SP			1	1	1	1
57	303NB07150	3NB07150	LID SENSOR			1	1	1	1
58	303NC46080	3NC46080	WIRE CI SENSOR			1	1	1	1
59	303NB07170	3NB07170	SHEET FEED IN A			1	1	1	1
60	303NB07180	3NB07180	SHEET FEED IN B			1	1	1	1
61	303NB07160	3NB07160	HOLDER BEARING			2	2	2	2
62	303NB94111	3NB94111	PARTS ROLLER FEED UPPER SP			1	1	1	1
63	303NB07071	3NB07071	GUIDE FEED ROLLER			1	1	1	1
64	302H724030	2H724030	SPRING REGIST F			2	2	2	2
65	7BE006124431H01	BE119720	BEARING MR126ZZ			2	2	2	2
66	63212210	63212210	STATIC ELIMINATOR,EJECT			1	1	1	1
67	303NB07190	3NB07190	SHEET FEED IN C			2	2	2	2
101	7BP512514B0CH01	BP126560	PARALLEL PIN 2.5X14						
102	7BB700408H	BB105640	+BIND T.T S SCREW 4X8 SR						
103	7BB007303H	BB105750	+TP-CUP M SCREW 3X3						
104	7BB200410H	BB105700	+BIND T.T P SCREW 4X10						
105	7BB700316H	BB106910	+BIND T.T S SCREW 3X16 SR						
106	7BB282308H	BB111240	+TP-FLAT T.T P SCREW 3X8(BLACK)						

• Parts with a Ref.No. of 500 and above in the illustration indicate they are not selected for service parts.

• イラスト中で 500 番台の Ref 番号が付いている部品はサービスパーツに選定されていません。

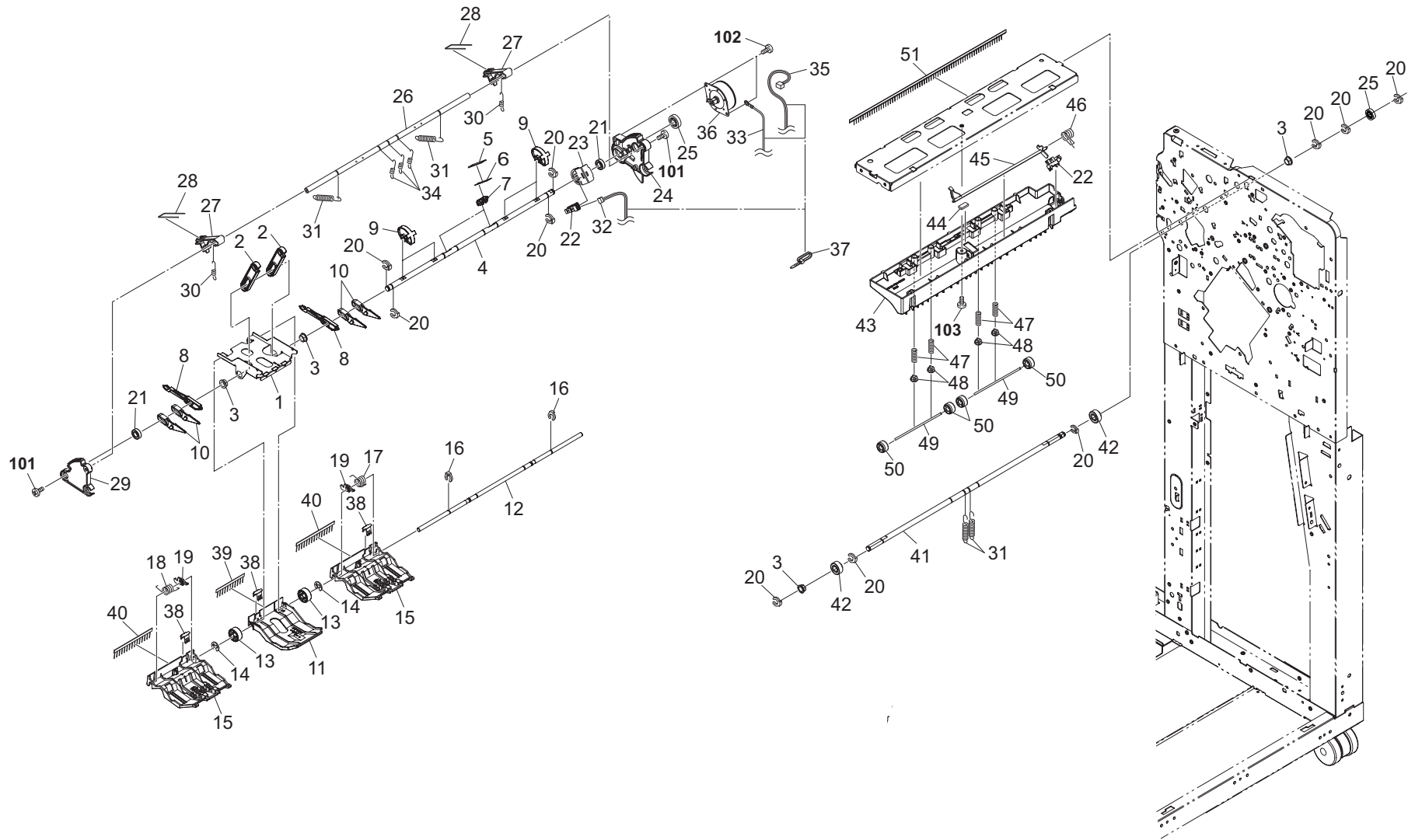


FIG. 5 Paper Feed Section 3

Ref. No. 番号	Part.No. 部品番号	Alternative. 代替部品番号	Description 部 品 名 称	Notes 備 考	Revision 改 訂	Quantity 個数			
						100(日本)	120	230	240
1	303NB36190	3NB36190	MOUNT EXIT PULLEY			1	1	1	1
2	303NB36370	3NB36370	LEVER UPPER EXIT			2	2	2	2
3	28107310	49028101	BUSH 8			4	4	4	4
4	303NB36271	3NB36271	SHAFT PADDLE B			1	1	1	1
5	303NB36260	3NB36260	SHEET PADDLE B			2	2	2	2
6	303NB36480	3NB36480	FILM PADDLE B			2	2	2	2
7	303NB36240	3NB36240	HOLDER PADDLE			2	2	2	2
8	303NB36380	3NB36380	BRAKE EXIT			2	2	2	2
9	303NB36600	3NB36600	CAM PADDLE			4	4	4	4
10	303NB36591	3NB36591	LEVER PAPER PRESS			4	4	4	4
11	303NB36350	3NB36350	GUIDE CENTER			1	1	1	1
12	303NB36230	3NB36230	SHAFT PAPER PRESS			1	1	1	1
13	303NB36200	3NB36200	PULLEY EXIT			2	2	2	2
14	302FB09830	2FB09830	CUT WASHER 4			2	2	2	2
15	303NB36224	3NB36224	GUIDE PAPER PRESS			2	2	2	2
16	5MVX111DN003	2A806250	RING STOPPER /A-49 FEED A4			2	2	2	2
17	303NB36540	3NB36540	SPRING EXIT R			1	1	1	1
18	303NB36530	3NB36530	SPRING EXIT F			1	1	1	1
19	303NB36521	3NB36521	GUIDE PAPER EXIT			2	2	2	2
20	2BC06910	2BC06910	STOPPER 6			10	10	10	10
21	7BE008165431H01	BE119730	BEARING 688ZZ			2	2	2	2
22	303M894260	3M894260	PARTS SENSOR OPT SP			2	2	2	2
23	303NB36250	3NB36250	MOUNT PI PADDLE B			1	1	1	1
24	303NB36180	3NB36180	FRAME EXIT REAR			1	1	1	1
25	303NB31010	3NB31010	GEAR Z35R			2	2	2	2
26	303NB36210	3NB36210	SHAFT UPPER GUIDE			1	1	1	1
27	303NB36390	3NB36390	LEVER BRAKE EXIT			2	2	2	2
28	303NB36410	3NB36410	SPRING LEVER BRAKE			2	2	2	2
29	303NB36170	3NB36170	FRAME EXIT FRONT			1	1	1	1
30	303NB36290	3NB36290	SPRING EXIT PULLEY			2	2	2	2
31	303NB36300	3NB36300	SPRING GUIDE PAPER PRESS			4	4	4	4
32	303NC46120	3NC46120	WIRE PADDLE SENSOR			1	1	1	1
33	303NC46170	3NC46170	WIRE MOTOR EARTH			1	1	1	1
34	303NB36630	3NB36630	SPRING EXIT PRESS			3	3	3	3
35	303NC46110	3NC46110	WIRE NCK MOTOR			1	1	1	1
36	302HN44100	2HN44100	MOTOR REVERSE			1	1	1	1
37	7YZM420003++H01	YZ052580	ACCESS.BAND			1	1	1	1
38	303NB36471	3NB36471	PLATE EARTH EJECT			3	3	3	3
39	303NB36500	3NB36500	STATIC-ELIMINATOR EJECT CENTER			1	1	1	1
40	303NB36490	3NB36490	STATIC-ELIMINATOR EJECT SIDE			2	2	2	2
41	303NB36310	3NB36310	SHAFT UPPER EXIT DRIVE			1	1	1	1
42	2BL21430	2BL21430	GEAR EXIT Z20			2	2	2	2
43	303NB24020	3NB24020	GUIDE SUB EJECT			1	1	1	1
44	63213320	63213320	CUSHION.ORIGINAL COLLECTION			1	1	1	1
45	303NB24170	3NB24170	ACTUATOR SUB			1	1	1	1

• Parts with a Ref.No. of 500 and above in the illustration indicate they are not selected for service parts.

• イラスト中で 500 番台の Ref 番号が付いている部品はサービスパーツに選定されていません。



FIG. 5 Paper Feed Section 3

Ref. No. 番号	Part.No. 部品番号	Alternative. 代替部品番号	Description 部品名称	Notes 備考	Revision 改訂	Quantity 個数			
						100(日本)	120	230	240
46	302K928190	2K928190	SPRING-TORSION SWITCHBACK			1	1	1	1
47	302H728100	2H728100	SPRING EXIT PULLEY			4	4	4	4
48	2FM04150	5MVM163DN005	CAP SPRING /B-11 ENCLOSURE A4			4	4	4	4
49	302K324460	2K324460	SHAFT FEED			2	2	2	2
50	303NB24310	3NB24310	PULLEY SUB EJECT			4	4	4	4
51	303NB24300	3NB24300	STATIC-ELIMINATOR SUB EJECT			1	1	1	1
101	7BB607410H	BB106870	+TP-CUP M SCREW 4X10 R						
102	7BB200308H	BB105660	+BIND T.T P SCREW 3X8						
103	7BB700408H	BB105640	+BIND T.T S SCREW 4X8 SR						

• Parts with a Ref.No. of 500 and above in the illustration indicate they are not selected for service parts.

・イラスト中で 500 番台の Ref 番号が付いている部品はサービスパーツに選定されていません。

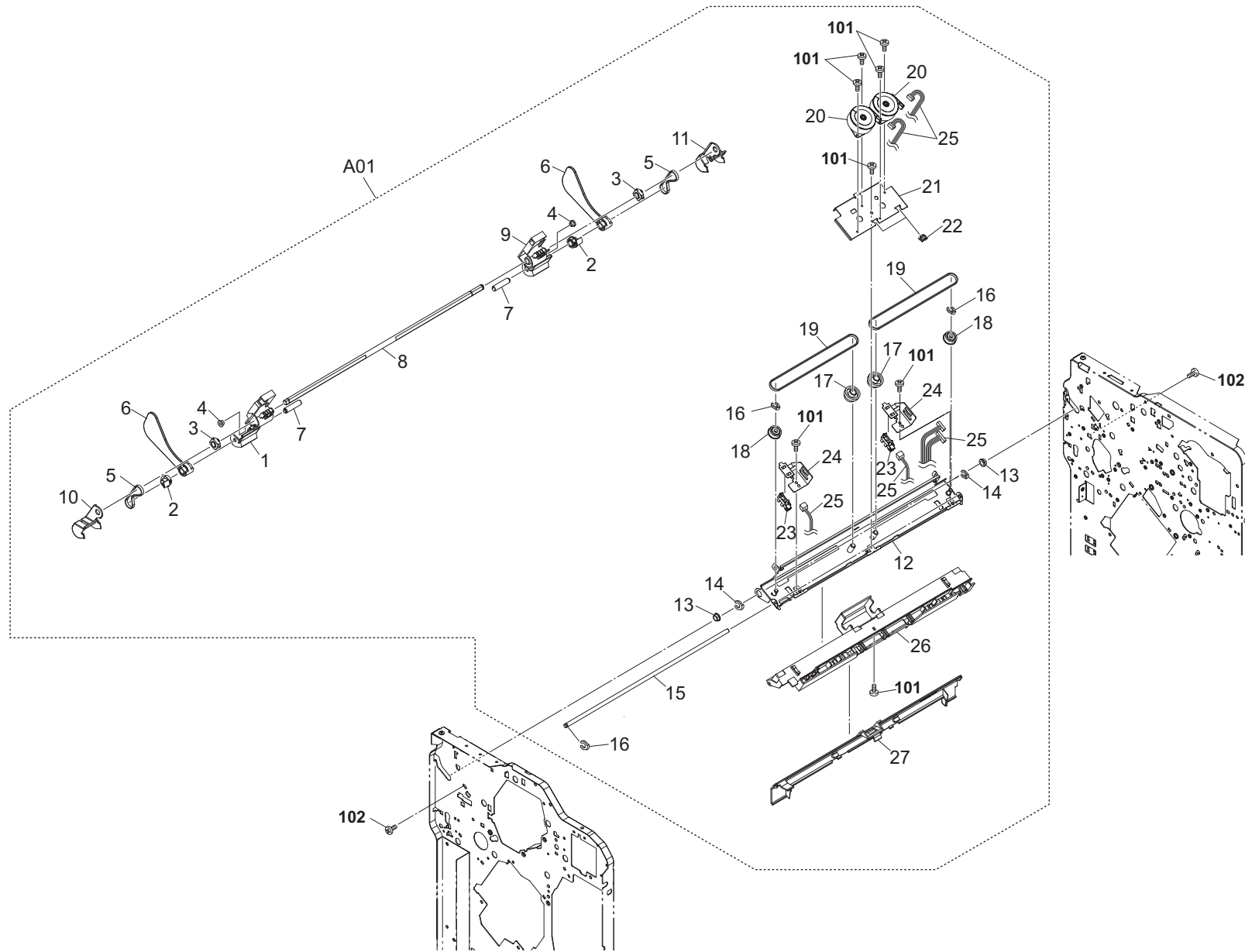


FIG. 6 Main Exit Section

Ref. No. 番号	Part.No. 部品番号	Alternative. 代替部品番号	Description 部 品 名 称	Notes 備 考	Revision 改 訂	Quantity 個数			
						100(日本)	120	230	240
A01	303NB94121	3NB94121	PARTS MAIN EXIT SP			1	1	1	1
1	303NB28020	3NB28020	SLIDER F MAIN EXIT			1	1	1	1
2	303NB28060	3NB28060	PULLEY 26 TURN			2	2	2	2
3	302H029110	2H029110	PULLEY 26 DU			2	2	2	2
4	2C902520	2C902520	COLLAR LEVER CONT.			2	2	2	2
5	303NB28070	3NB28070	BELT 138			2	2	2	2
6	303NB28010	3NB28010	CURSOR MAIN EXIT			2	2	2	2
7	303NB28080	3NB28080	SHAFT CURSOR			2	2	2	2
8	303NB28090	3NB28090	SHAFT DRIVE			1	1	1	1
9	303NB28030	3NB28030	SLIDER R MAIN EXIT			1	1	1	1
10	303NB28040	3NB28040	CAP F MAIN EXIT			1	1	1	1
11	303NB28050	3NB28050	CAP R MAIN EXIT			1	1	1	1
12	303NB28120	3NB28120	STAY MAIN EXIT			1	1	1	1
13	28107310	49028101	BUSH 8			2	2	2	2
14	2BC06910	2BC06910	STOPPER 6			2	2	2	2
15	303NB28100	3NB28100	SHAFT GUIDE			1	1	1	1
16	5MVX111DN003	2A806250	RING STOPPER /A-49 FEED A4			4	4	4	4
17	303NB28130	3NB28130	GEAR Z45-P30			2	2	2	2
18	302FB09610	2FB09610	PULLEY 30 DU			2	2	2	2
19	303NB28110	3NB28110	BELT 396			2	2	2	2
20	302HN44100	2HN44100	MOTOR REVERSE			2	2	2	2
21	303NB28140	3NB28140	MOUNT SLIDE DRIVE			1	1	1	1
22	M2104350	M2104350	EDGING,EDS-0607M(KITAGAWA)			2	2	2	2
23	303M894260	3M894260	PARTS SENSOR OPT SP			2	2	2	2
24	303NB28150	3NB28150	MOUNT PI SLIDE			2	2	2	2
25	303NB46140	3NB46140	WIRE SHIFT			1	1	1	1
26	303NB28160	3NB28160	GUIDE RETAINING			1	1	1	1
27	303NB28222	3NB28222	GUIDE TURN			1	1	1	1
101	7BB700308H	BB105600	+BIND T.T S SCREW 3X8 SR						
102	7BB700408H	BB105640	+BIND T.T S SCREW 4X8 SR						

• Parts with a Ref.No. of 500 and above in the illustration indicate they are not selected for service parts.

• イラスト中で 500 番台の Ref 番号が付いている部品はサービスパーツに選定されていません。

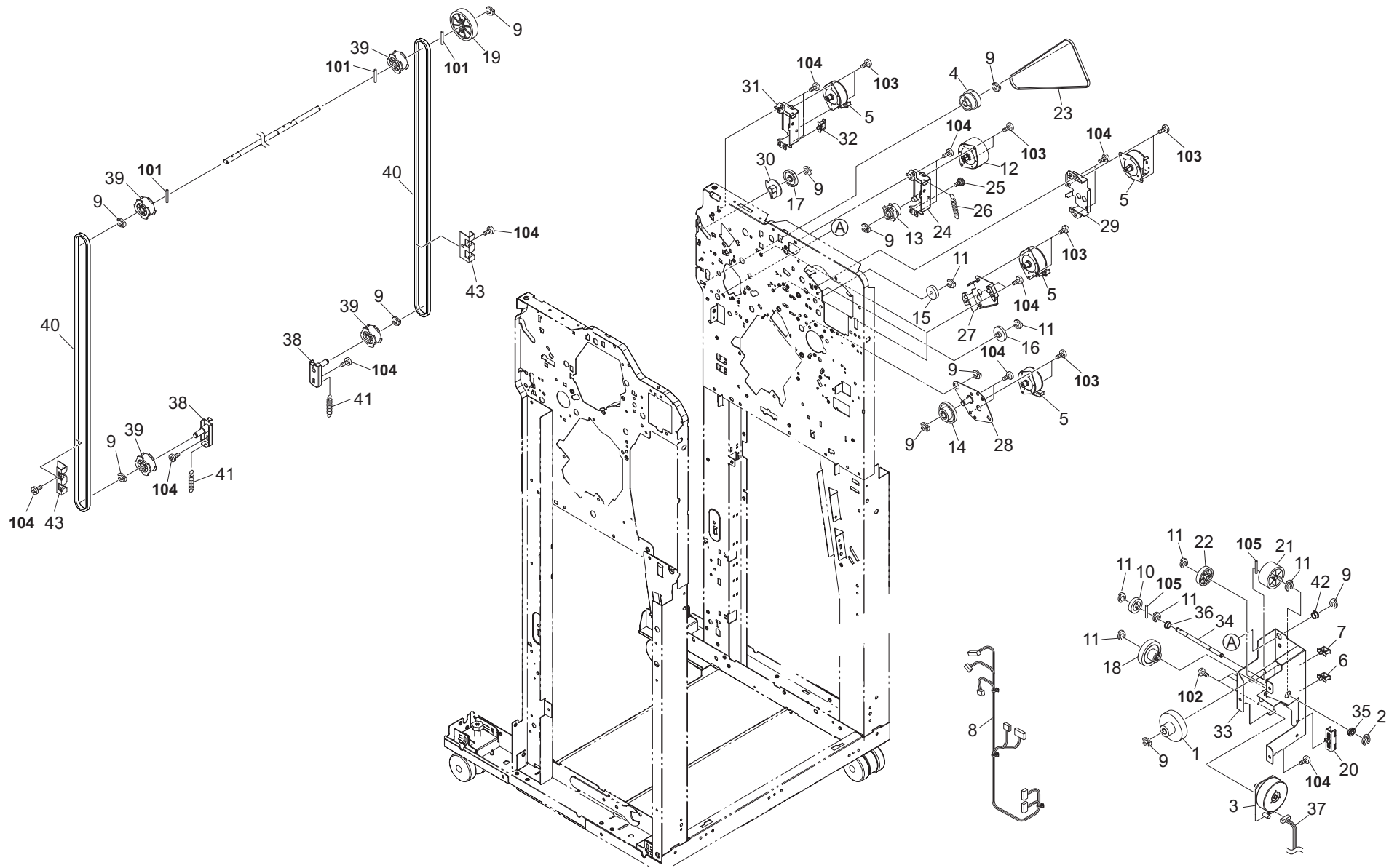


FIG. 7 Drive Section

3PG-1

Ref. No. 番号	Part.No. 部品番号	Alternative. 代替部品番号	Description 部品名称	Notes 備考	Revision 改訂	Quantity 個数			
						100(日本)	120	230	240
1	3AK20080	3AK20080	GEAR 18/50			1	1	1	1
2	302FZ25740	2FZ25740	STOPPER 4			1	1	1	1
3	303NB94051	3NB94051	PARTS MOTOR-BL BRAKE SP			1	1	1	1
4	303NB31100	3NB31100	GEAR Z35L-P42			1	1	1	1
5	302HN44100	2HN44100	MOTOR REVERSE			5	5	5	5
6	7YZM610003++H01	YZ010250	ACCESS SADDLE			1	1	1	1
7	M21AH010	M21AH010	BAND,RSG-130-V0(KITAGAWA)			1	1	1	1
8	303NB46050	3NB46050	WIRE MOTOR 2			1	1	1	1
9	2BC06910	2BC06910	STOPPER 6			11	11	11	11
10	302H731280	2H731280	GEAR Z29R MIDDLE			1	1	1	1
11	5MVX111DN003	2A806250	RING STOPPER /A-49 FEED A4			7	7	7	7
12	303NB94040	3NB94040	PARTS MOTOR-PM MOVING SP			1	1	1	1
13	303NB31070	3NB31070	GEAR Z35R-P35			1	1	1	1
14	303NB31050	3NB31050	GEAR Z70R-Z20			1	1	1	1
15	303K531040	3K531040	GEAR 42			1	1	1	1
16	303K531120	3K531120	GEAR 48 LOOP ROLLER			1	1	1	1
17	303NB28180	3NB28180	GEAR Z55R			1	1	1	1
18	303NB37030	3NB37030	GEAR Z34L Z52L			1	1	1	1
19	3AK20090	3AK20090	GEAR 51			1	1	1	1
20	302LF39050	2LF39050	GUIDE WIRE FRONT PWB			1	1	1	1
21	303NB37040	3NB37040	GEAR WORM			1	1	1	1
22	303NB37050	3NB37050	GEAR Z60R			1	1	1	1
23	303NB31090	3NB31090	BELT 504			1	1	1	1
24	303NB31080	3NB31080	MOUNT EJECT DRIVE			1	1	1	1
25	3CZ02230	3CZ02230	PIN,HOOK FULCRUM			1	1	1	1
26	27302160	48527301	SPRING,RELEASE LEVER			1	1	1	1
27	303NB31120	3NB31120	MOUNT CONVEYING			2	2	2	2
28	303NB31060	3NB31060	MOUNT DRUM DRIVE			1	1	1	1
29	303NB31040	3NB31040	MOUNT FEED IN DRIVE			1	1	1	1
30	303NB28170	3NB28170	PLATE TURN PULSE			1	1	1	1
31	303NB28190	3NB28190	MOUNT TURN DRIVE			1	1	1	1
32	7YZM610007++H01	YZ023340	ACCESS.SADDLE			1	1	1	1
33	303NB37011	3NB37011	MOUNT DRIVE			1	1	1	1
34	303NB37020	3NB37020	SHAFT WORM			1	1	1	1
35	74808080	74808080	BEARING,686ZZNR			1	1	1	1
36	302K324450	2K324450	BUSH 6			1	1	1	1
37	303NB46090	3NB46090	WIRE MTRAY MOTOR			1	1	1	1
38	303NB37060	3NB37060	PLATE TENSION			2	2	2	2
39	303NB37200	3NB37200	PULLEY 20S5M			4	4	4	4
40	303PG37020	3PG37020	BELT LIFT			2	2	2	2
41	303JY28200	3JY28200	SPRING MAIN TRAY			2	2	2	2
42	28107310	49028101	BUSH 8			1	1	1	1
43	3AK20050	3AK20050	HOLDER,TIMING BELT			2	2	2	2
101	E5125200	E5125200	PARALLEL PIN H7A 2.5X20 SUS						
102	7BB007304H	BB105810	+TP-CUP M SCREW 3X4						
103	7BB700308H	BB105600	+BIND T.T S SCREW 3X8 SR						
104	7BB700408H	BB105640	+BIND T.T S SCREW 4X8 SR						
105	5MBP2012WPLD	E5120120	PARALLEL PIN/M2 X 12 SUS-DP						

• Parts with a Ref.No. of 500 and above in the illustration indicate they are not selected for service parts.

• イラスト中で 500 番台の Ref 番号が付いている部品はサービスパーツに選定されていません。



FIG. 8 Electrical Components

Ref. No. 番号	Part.No. 部品番号	Alternative. 代替部品番号	Description 部品名称	Notes 備考	Revision 改訂	Quantity 個数			
						100(日本)	120	230	240
1	303NB04100	3NB04100	COVER TRAY B EJECT			1	1	1	1
2	303NW94050	3NW94050	PARTS SENSOR OPT. SP			1	1	1	1
3	303NB94140	3NB94140	PARTS SENSOR OPT. SP			1	1	1	1
4	302KV44041	2KV44041	CLUTCH 50 Z35R			1	1	1	1
5	5MVX111DN003	2A806250	RING STOPPER /A-49 FEED A4			1	1	1	1
6	2FB27160	2FB27160	INTER LOCK SWITCH			1	1	1	1
7	303NB94012	3NB94012	PARTS PWB MAIN ASSY SP			1	1	1	1
8	303PG46020	3PG46020	WIRE MOTOR			1	1	1	1
9	303H327460	3H327460	SENSOR A,SEPARATION			1	1	1	1
10	302LF39050	2LF39050	GUIDE WIRE FRONT PWB			2	2	2	2
11	303JY38601	3JY38601	EDGING FFC			1	1	1	1
12	7YZM610003++H01	YZ010250	ACCESS SADDLE			3	3	3	3
13	7YZM110001++H01	YZ009420	ACCESS.BUSHING			1	1	1	1
14	7YZM610001++H01	YZ010230	ACCESS SADDLE			9	9	9	9
15	303NB24250	3NB24250	MOUNT LIMIT SENSOR SUB			1	1	1	1
16	303NB46170	3NB46170	WIRE B-TRAY FULL			1	1	1	1
17	303NB28210	3NB28210	MOUNT PI HOME			1	1	1	1
18	303NB28200	3NB28200	MOUNT PI SET			1	1	1	1
19	303M894260	3M894260	PARTS SENSOR OPT SP			2	2	2	2
20	7YZM610007++H01	YZ023340	ACCESS.SADDLE			1	1	1	1
21	M2104350	M2104350	EDGING,EDS-0607M(KITAGAWA)			1	1	1	1
22	303NB39040	3NB39040	GUIDE WIRE FRONT			2	2	2	2
23	7YZM110003++H01	YZ034780	ACCESS,BUSHING			1	1	1	1
24	303NB46200	3NB46200	WIRE INTERFACE C			1	1	1	1
25	302K931080	2K931080	WIRE STOPPER			5	5	5	5
26	303LL02330	3LL02330	HOLDER WIRE D			4	4	4	4
27	M21AH010	M21AH010	BAND,RSG-130-V0(KITAGAWA)			2	2	2	2
28	7YZM390015++H01	YZ124850	ACCESS.CLAMP			4	4	4	4
29	303NB39010	3NB39010	MOUNT PWB			1	1	1	1
30	7YZM510007++H01	YZ042780	ACCESS.SPACER			1	1	1	1
31	303LL02180	3LL02180	HOLDER WIRE A			1	1	1	1
32	303NB46120	3NB46120	WIRE MTRAY HP			1	1	1	1
33	303NB39021	3NB39021	GUIDE WIRE REAR LEFT			1	1	1	1
34	303NB39030	3NB39030	GUIDE WIRE REAR RIGHT			1	1	1	1
35	303PG46010	3PG46010	WIRE SENSOR			1	1	1	1
36	303NB46020	3NB46020	WIRE SENSOR 1			1	1	1	1
101	7BB700312H	BB106820	+BIND T.T S SCREW 3X12 SR						
102	7BB782410H	BB111310	+TP-FLAT T.T S SCREW 4X10 SR(BLACK)						
103	7BB700308H	BB105600	+BIND T.T S SCREW 3X8 SR						
104	7BB700408H	BB105640	+BIND T.T S SCREW 4X8 SR						
105	7BB600314H	BB112160	+BIND M SCREW 3X14 R						
106	7BB200308H	BB105660	+BIND T.T P SCREW 3X8						

• Parts with a Ref.No. of 500 and above in the illustration indicate they are not selected for service parts.

• イラスト中で 500 番台の Ref 番号が付いている部品はサービスパーツに選定されていません。

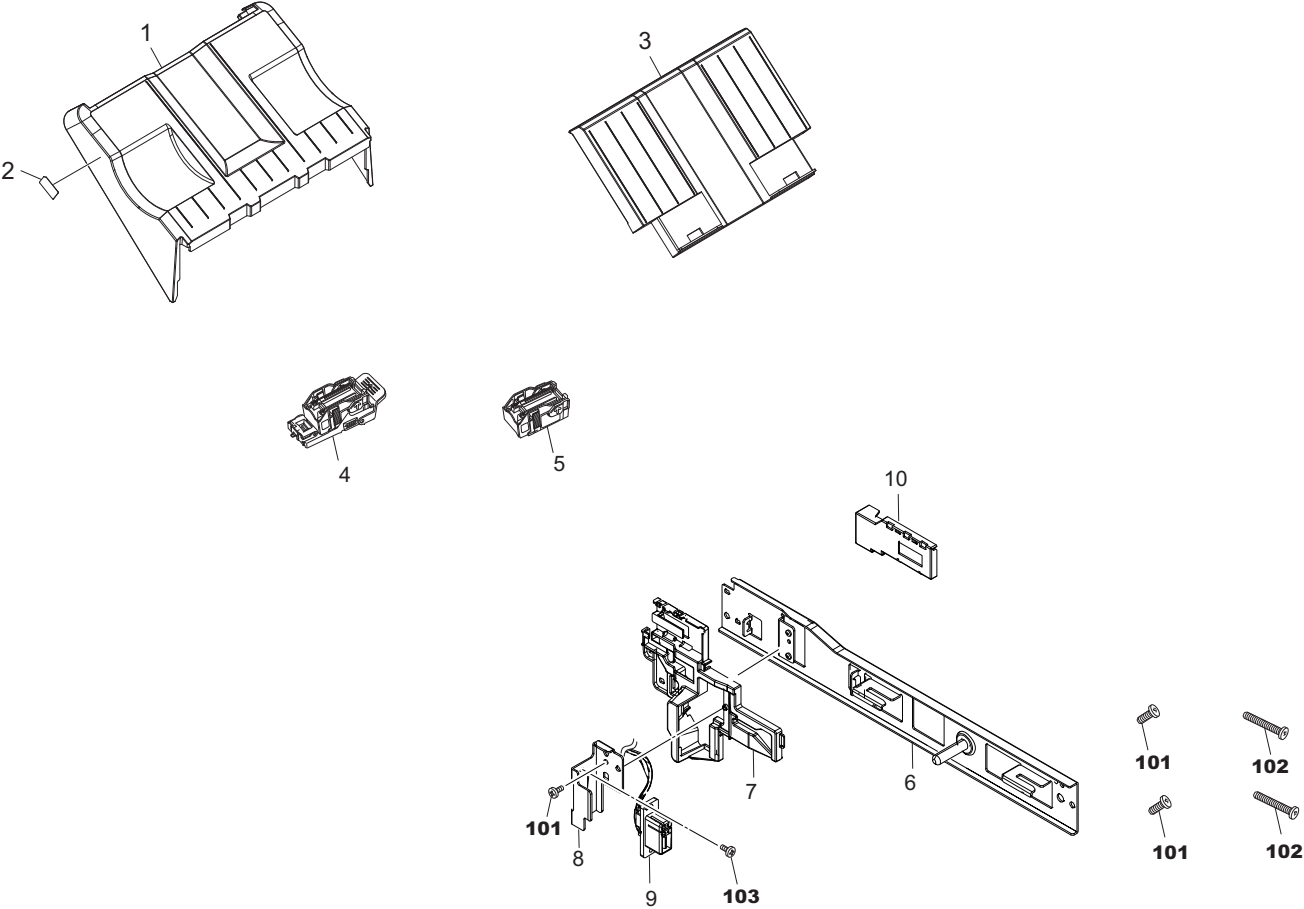




FIG. 9 Accessories

Ref. No. 番号	Part.No. 部品番号	Alternative. 代替部品番号	Description 部品名称	Notes 備考	Revision 改訂	Quantity 個数			
						100(日本)	120	230	240
1	303NB37140	3NB37140	TRAY MAIN UP			1	1	1	1
2	303NB34060	3NB34060	LABEL A			1	1	1	1
3	303NB37150	3NB37150	TRAY MAIN LOW			1	1	1	1
4	303NB38200	3NB38200	CARTRIDGE EH600			1	1	1	1
5	1903NB0UN0	093NB0UN	SH-12/STAPLE HOLDER	OPTION		1	1	1	1
6	303NB02370	3NB02370	PLATE JUNCTION D			1	1	1	1
7	303NB02390	3NB02390	SLIDER DRAWER			1	1	1	1
8	303NB02381	3NB02381	MOUNT DRAWER			1	1	1	1
9	303NB46180	3NB46180	WIRE INTERFACE A			1	1	1	1
10	303NB02420	3NB02420	COVER INTERFACE			1	1	1	1
101	7BB700408H	BB105640	+BIND T.T S SCREW 4X8 SR						
102	7BB780420H	BB116060	+BIND T.T S SCREW 4X20 SR(BLACK)						
103	7BB700412H	BB106830	+BIND T.T S SCREW 4X12 SR						

• Parts with a Ref.No. of 500 and above in the illustration indicate they are not selected for service parts.

・イラスト中で 500 番台の Ref 番号が付いている部品はサービスパーツに選定されていません。

Part.No. 部品番号	Alternative. 代替部品番号	Description 部品名称	Fig.No.
28107310	49028101	BUSH 8	2,3,4,5,7
33973300	33973300	STOPPER 7,CARTRIDGE	4
63212210	63212210	STATIC ELIMINATOR,EJECT	4
63213320	63213320	CUSHION,ORIGINAL COLLECTION	1,3,4,5
72418140	72418140	SPRING, BLADE	3
74808080	74808080	BEARING,686ZZNR	7
1903NB0UN0	093NB0UN	SH-12/STAPLE HOLDER	9
2BC06910	2BC06910	STOPPER 6	1,2,3,4,5,6,7
2BL21430	2BL21430	GEAR EXIT Z20	5
2C902520	2C902520	COLLAR LEVER CONT.	6
2FB27160	2FB27160	INTER LOCK SWITCH	4,8
2FM04150	5MVM163DN005	CAP SPRING /B-11 ENCLOSURE A4	3,4,5
302BL04681	2BL04681	STRAP COVER	1
302F902180	2F902180	SPRING LEVER EF	3
302FB09610	2FB09610	PULLEY 30 DU	6
302FB09720	2FB09720	BELT FRONT DRIVE	3
302FB09830	2FB09830	CUT WASHER 4	5
302FZ08190	2FZ08190	SPRING HOLDER MPT	4
302FZ25740	2FZ25740	STOPPER 4	7
302GR04370	2GR04370	MAGNET CLIP DISH	4
302GR04380	2GR04380	SEAL MAGNET	4
302GR25241	2GR25241	PIN GUIDE CHUTE	2
302H004660	2H004660	MAGNET CATCH	1
302H029110	2H029110	PULLEY 26 DU	6
302H715300	2H715300	FILM MAG COVER C	1
302H724030	2H724030	SPRING REGIST F	4
302H728100	2H728100	SPRING EXIT PULLEY	3,4,5
302H731280	2H731280	GEAR Z29R MIDDLE	7
302HN02930	2HN02930	SHEET HOUSING LEFT	1
302HN44100	2HN44100	MOTOR REVERSE	3,5,6,7
302K324450	2K324450	BUSH 6	7
302K324460	2K324460	SHAFT FEED	3,4,5
302K928190	2K928190	SPRING-TORSION SWITCHBACK	3,5
302K931080	2K931080	WIRE STOPPER	8
302K994370	2K994370	PARTS SOLENOID FEED SHIFT SP	4
302KK24390	2KK24390	FILM DU GUIDE	3
302KS08110	2KS08110	GEAR 18	3
302KV44041	2KV44041	CLUTCH 50 Z35R	8
302LF39050	2LF39050	GUIDE WIRE FRONT PWB	7,8
302LW04260	2LW04260	SPACER USB	1
302N202011	2N202011	CASTER 100 CN	2
303B817020	3B817020	PULLEY SUB EJECT	3,4
303H316370	3H316370	GUIDE DRUM ASS'Y	4
303H316390	3H316390	GUIDE WHEEL DRUM	4
303H321120	3H321120	CUSHION HOLDER	2,3
303H327460	3H327460	SENSOR A,SEPARATION	8
303J902280	3J902280	PIN PAPER FEED	3
303JY24AD0	3JY24AD0	CUSHION B	2
303JY28200	3JY28200	SPRING MAIN TRAY	7
303JY38240	3JY38240	SPACER 25	3
303JY38601	3JY38601	EDGING FFC	8

Part.No. 部品番号	Alternative. 代替部品番号	Description 部品名称	Fig.No.
303K531040	3K531040	GEAR 42	7
303K531120	3K531120	GEAR 48 LOOP ROLLER	7
303LL02180	3LL02180	HOLDER WIRE A	8
303LL02330	3LL02330	HOLDER WIRE D	3,8
303LT03130	3LT03130	SPANNER	2
303LT03140	3LT03140	BOLT M10L40	2
303M894260	3M894260	PARTS SENSOR OPT SP	3,4,5,6,8
303NB02131	3NB02131	SPRING-PLATE JUNCTION	2
303NB02171	3NB02171	PARTITION FINISHER	2
303NB02180	3NB02180	STAY PARTITION	2
303NB02200	3NB02200	FILM PARTITION	2
303NB02211	3NB02211	PLATE CASTER	2
303NB02220	3NB02220	PLATE HOLDER CASTER	2
303NB02230	3NB02230	MOUNT MAIL FRONT	2
303NB02240	3NB02240	MOUNT MAIL REAR	2
303NB02341	3NB02341	PLATE LOCK JUNCTION D	2
303NB02360	3NB02360	GUIDE DRAWER	2
303NB02370	3NB02370	PLATE JUNCTION D	9
303NB02381	3NB02381	MOUNT DRAWER	9
303NB02390	3NB02390	SLIDER DRAWER	9
303NB02420	3NB02420	COVER INTERFACE	9
303NB04011	3NB04011	COVER TOP	1
303NB04022	3NB04022	COVER FRONT UPPER	1
303NB04050	3NB04050	COVER FRONT LEFT UPPER	1
303NB04063	3NB04063	COVER INNER UPPER	1
303NB04081	3NB04081	COVER REAR UPPER	1
303NB04100	3NB04100	COVER TRAY B EJECT	8
303NB04111	3NB04111	TRAY B SLIDE	1
303NB04120	3NB04120	LID TOP FRONT	1
303NB04130	3NB04130	LID TOP REAR	1
303NB04141	3NB04141	COVER MAIN EXIT	1
303NB04171	3NB04171	COVER HANDLE	1
303NB04200	3NB04200	HANDLE JAM REMOVAL	1
303NB04211	3NB04211	MOUNT OPERATION	1
303NB04221	3NB04221	SHEET OPERATION	1
303NB04240	3NB04240	KEY SELECT	1
303NB04250	3NB04250	FULCRUM-PLATE COVER UPPER	1
303NB04290	3NB04290	PLATE PIN HANDLE	2
303NB04310	3NB04310	MOUNT REAR COVER	1
303NB04320	3NB04320	STOPPER FRONT COVER	1
303NB04330	3NB04330	REINFORCEMENT FULCRUM MIDDLE	1
303NB07011	3NB07011	GUIDE FEED UPPER	4
303NB07021	3NB07021	GUIDE FEED LOWER	4
303NB07030	3NB07030	STAY PUNCH	2
303NB07040	3NB07040	GUIDE PUNCH	2
303NB07071	3NB07071	GUIDE FEED ROLLER	4
303NB07080	3NB07080	MOUNT LOWER GUIDE FEED	4
303NB07091	3NB07091	HANDLE GUIDE FEED LOWER	4
303NB07100	3NB07100	HOOK GUIDE FEED LOWER	4
303NB07110	3NB07110	LEVER GUIDE FEED LOWER	4
303NB07120	3NB07120	SPRING-TORSION GUIDE HOOK	4

Part.No. 部品番号	Alternative. 代替部品番号	Description 部品名称	Fig.No.
303NB07140	3NB07140	SHEET ROLLER FEED	2
303NB07150	3NB07150	LID SENSOR	4
303NB07160	3NB07160	HOLDER BEARING	4
303NB07170	3NB07170	SHEET FEED IN A	4
303NB07180	3NB07180	SHEET FEED IN B	4
303NB07190	3NB07190	SHEET FEED IN C	4
303NB24010	3NB24010	GUIDE SUB RIGHT	4
303NB24020	3NB24020	GUIDE SUB EJECT	5
303NB24031	3NB24031	GUIDE SUB LEFT OPEN	4
303NB24040	3NB24040	GUIDE MIDDLE CONVEYING UPPER	4
303NB24050	3NB24050	GUIDE MIDDLE CONVEYING LOWER	3
303NB24060	3NB24060	GUIDE DRUM UPPER	4
303NB24071	3NB24071	GUIDE DRUM LOWER	4
303NB24090	3NB24090	GUIDE BOOKLET LEFT	2
303NB24100	3NB24100	GUIDE FEED SHIFT SUB	4
303NB24111	3NB24111	GUIDE FEED SHIFT DRUM	4
303NB24120	3NB24120	GUIDE FEED SHIFT BOOKLET	4
303NB24130	3NB24130	MOUNT SOLENOID AB	4
303NB24140	3NB24140	LEVER SOLENOID AB	4
303NB24150	3NB24150	MOUNT SOLENOID C	4
303NB24160	3NB24160	LEVER SOLENOID C	4
303NB24170	3NB24170	ACTUATOR SUB	5
303NB24181	3NB24181	ACTUATOR MIDDLE	3
303NB24190	3NB24190	ACTUATOR DRUM	3
303NB24200	3NB24200	MOUNT PI ACTUATOR	4
303NB24210	3NB24210	HOLDER MAGNET	4
303NB24220	3NB24220	SPRING GUIDE HOLD	4
303NB24250	3NB24250	MOUNT LIMIT SENSOR SUB	8
303NB24261	3NB24261	SHAFT DRUM	4
303NB24280	3NB24280	MOUNT MAGNET	4
303NB24290	3NB24290	MOUNT GUIDE DRUM	4
303NB24300	3NB24300	STATIC-ELIMINATOR SUB EJECT	5
303NB24310	3NB24310	PULLEY SUB EJECT	5
303NB24320	3NB24320	STOPPER GUIDE	4
303NB24330	3NB24330	FILM MAGNET	4
303NB28010	3NB28010	CURSOR MAIN EXIT	6
303NB28020	3NB28020	SLIDER F MAIN EXIT	6
303NB28030	3NB28030	SLIDER R MAIN EXIT	6
303NB28040	3NB28040	CAP F MAIN EXIT	6
303NB28050	3NB28050	CAP R MAIN EXIT	6
303NB28060	3NB28060	PULLEY 26 TURN	6
303NB28070	3NB28070	BELT 138	6
303NB28080	3NB28080	SHAFT CURSOR	6
303NB28090	3NB28090	SHAFT DRIVE	6
303NB28100	3NB28100	SHAFT GUIDE	6
303NB28110	3NB28110	BELT 396	6
303NB28120	3NB28120	STAY MAIN EXIT	6
303NB28130	3NB28130	GEAR Z45-P30	3,6
303NB28140	3NB28140	MOUNT SLIDE DRIVE	6
303NB28150	3NB28150	MOUNT PI SLIDE	6
303NB28160	3NB28160	GUIDE RETAINING	6

Part.No. 部品番号	Alternative. 代替部品番号	Description 部品名称	Fig.No.
303NB28170	3NB28170	PLATE TURN PULSE	7
303NB28180	3NB28180	GEAR Z55R	7
303NB28190	3NB28190	MOUNT TURN DRIVE	7
303NB28200	3NB28200	MOUNT PI SET	8
303NB28210	3NB28210	MOUNT PI HOME	8
303NB28222	3NB28222	GUIDE TURN	6
303NB31010	3NB31010	GEAR Z35R	3,5
303NB31020	3NB31020	GEAR Z35L	3
303NB31030	3NB31030	MOUNT FEED IDLE	2
303NB31040	3NB31040	MOUNT FEED IN DRIVE	7
303NB31050	3NB31050	GEAR Z70R-Z20	7
303NB31060	3NB31060	MOUNT DRUM DRIVE	7
303NB31070	3NB31070	GEAR Z35R-P35	7
303NB31080	3NB31080	MOUNT EJECT DRIVE	7
303NB31090	3NB31090	BELT 504	7
303NB31100	3NB31100	GEAR Z35L-P42	7
303NB31110	3NB31110	PIN EJECT DRIVE	2
303NB31120	3NB31120	MOUNT CONVEYING	7
303NB31130	3NB31130	PULLEY P42 EXIT	4
303NB34020	3NB34020	LABEL D2	4
303NB34040	3NB34040	LABEL D4	4
303NB34060	3NB34060	LABEL A	9
303NB34070	3NB34070	LABEL B	1
303NB34170	3NB34170	LABEL D6 NEW	4
303NB34200	3NB34200	LABEL OPERATION	1
303NB34210	3NB34210	LABEL D3 D5	1
303NB34220	3NB34220	LABEL CAUTION MAIN TRAY	1
303NB34230	3NB34230	LABEL MANUAL STAPLER	1
303NB34240	3NB34240	LABEL A STAPLER	1
303NB34250	3NB34250	LABEL D1	1
303NB36022	3NB36022	GUIDE MIDDLE TRAY	3
303NB36031	3NB36031	CURSOR F MIDDLE TRAY	3
303NB36041	3NB36041	CURSOR R MIDDLE TRAY	3
303NB36050	3NB36050	DUCT UPPER GUIDE WIRE 1	3
303NB36060	3NB36060	SHAFT CURSOR	3
303NB36070	3NB36070	HOLDER CURSOR	3
303NB36082	3NB36082	GUIDE PAPER STOPPER	3
303NB36100	3NB36100	HOLDER MIDDLE PULLEY	2
303NB36110	3NB36110	SHAFT MIDDLE PULLEY	2
303NB36120	3NB36120	MOUNT MIDDLE PULLEY	2
303NB36130	3NB36130	SHEET PADDLE A	3
303NB36141	3NB36141	SHAFT PADDLE A	3
303NB36150	3NB36150	GEAR 41 PADDLE A	3
303NB36160	3NB36160	PLATE PULSE PADDLE A	3
303NB36170	3NB36170	FRAME EXIT FRONT	5
303NB36180	3NB36180	FRAME EXIT REAR	5
303NB36190	3NB36190	MOUNT EXIT PULLEY	5
303NB36200	3NB36200	PULLEY EXIT	5
303NB36210	3NB36210	SHAFT UPPER GUIDE	5
303NB36224	3NB36224	GUIDE PAPER PRESS	5
303NB36230	3NB36230	SHAFT PAPER PRESS	5

Part.No. 部品番号	Alternative. 代替部品番号	Description 部品名称	Fig.No.
303NB36240	3NB36240	HOLDER PADDLE	3,5
303NB36250	3NB36250	MOUNT PI PADDLE B	5
303NB36260	3NB36260	SHEET PADDLE B	5
303NB36271	3NB36271	SHAFT PADDLE B	5
303NB36290	3NB36290	SPRING EXIT PULLEY	5
303NB36300	3NB36300	SPRING GUIDE PAPER PRESS	5
303NB36310	3NB36310	SHAFT UPPER EXIT DRIVE	5
303NB36321	3NB36321	MOUNT PI UPPER GUIDE	3
303NB36330	3NB36330	MOUNT INTERLOCK UPPER GUIDE	4
303NB36350	3NB36350	GUIDE CENTER	5
303NB36370	3NB36370	LEVER UPPER EXIT	5
303NB36380	3NB36380	BRAKE EXIT	5
303NB36390	3NB36390	LEVER BRAKE EXIT	5
303NB36410	3NB36410	SPRING LEVER BRAKE	5
303NB36420	3NB36420	FILM GUIDE STOPPER	3
303NB36430	3NB36430	FILM GUIDE STOPPER C	3
303NB36450	3NB36450	COVER MIDDLE TRAY WIRE	3
303NB36460	3NB36460	STATIC-ELIMINATOR EJECT	3
303NB36471	3NB36471	PLATE EARTH EJECT	5
303NB36480	3NB36480	FILM PADDLE B	5
303NB36490	3NB36490	STATIC-ELIMINATOR EJECT SIDE	5
303NB36500	3NB36500	STATIC-ELIMINATOR EJECT CENTER	5
303NB36510	3NB36510	FILM GUIDE STOPPER B	3
303NB36521	3NB36521	GUIDE PAPER EXIT	5
303NB36530	3NB36530	SPRING EXIT F	5
303NB36540	3NB36540	SPRING EXIT R	5
303NB36550	3NB36550	RUBBER FEED	3
303NB36580	3NB36580	STATIC-ELIMINATOR PAPER STOPPER	3
303NB36591	3NB36591	LEVER PAPER PRESS	5
303NB36600	3NB36600	CAM PADDLE	5
303NB36630	3NB36630	SPRING EXIT PRESS	5
303NB36640	3NB36640	FILM GUIDE STOPPER D	3
303NB36650	3NB36650	FILM GUIDE STOPPER E	3
303NB36661	3NB36661	PULLEY MIDDLE	2
303NB36670	3NB36670	SPRING PULLEY	2
303NB37011	3NB37011	MOUNT DRIVE	7
303NB37020	3NB37020	SHAFT WORM	7
303NB37030	3NB37030	GEAR Z34L Z52L	7
303NB37040	3NB37040	GEAR WORM	7
303NB37050	3NB37050	GEAR Z60R	7
303NB37060	3NB37060	PLATE TENSION	7
303NB37070	3NB37070	SHAFT MAIN TRAY	2
303NB37090	3NB37090	LEVER SENSOR	2
303NB37100	3NB37100	FRAME MAIN TRAY FRONT	2
303NB37110	3NB37110	FRAME MAIN TRAY CENTER	2
303NB37120	3NB37120	FRAME MAIN TRAY REAR	2
303NB37130	3NB37130	PIN RAIL	2
303NB37140	3NB37140	TRAY MAIN UP	9
303NB37150	3NB37150	TRAY MAIN LOW	9
303NB37161	3NB37161	FILM SENSOR	3
303NB37172	3NB37172	PLATE DETECTION	3

Part.No. 部品番号	Alternative. 代替部品番号	Description 部品名称	Fig.No.
303NB37190	3NB37190	FILM FRAME TRAY	2
303NB37200	3NB37200	PULLEY 20SSM	7
303NB38021	3NB38021	MOUNT STAPLER	3
303NB38030	3NB38030	BELT STAPLER SHIFT	3
303NB38040	3NB38040	SHAFT STAPLER SHIFT	3
303NB38051	3NB38051	PLATE STAPLER SHIFT	3
303NB38060	3NB38060	STOPPER STAPLER MOUNT	3
303NB38071	3NB38071	RAIL STAPLER SHIFT FRONT	3
303NB38080	3NB38080	SHAFT STOPPER PULLEY	3
303NB38090	3NB38090	SHAFT MOUNT PULLEY	3
303NB38100	3NB38100	PLATE STAPLER UNIT TENSION	3
303NB38110	3NB38110	STOPPER DRIVE BELT	3
303NB38121	3NB38121	RAIL STAPLER SHIFT REAR	3
303NB38131	3NB38131	MOUNT PRINT STAPLER	3
303NB38140	3NB38140	COVER STAPLER	3
303NB38150	3NB38150	STOPPER BUSH	3
303NB38160	3NB38160	FILM STAPLER	3
303NB38180	3NB38180	GUIDE STAPLER	3
303NB38190	3NB38190	PLATE EARTH STAPLER	3
303NB38200	3NB38200	CARTRIDGE EH600	9
303NB39010	3NB39010	MOUNT PWB	8
303NB39021	3NB39021	GUIDE WIRE REAR LEFT	8
303NB39030	3NB39030	GUIDE WIRE REAR RIGHT	8
303NB39040	3NB39040	GUIDE WIRE FRONT	8
303NB46020	3NB46020	WIRE SENSOR 1	8
303NB46050	3NB46050	WIRE MOTOR 2	7
303NB46070	3NB46070	WIRE FRONT	4
303NB46080	3NB46080	WIRE MTRAY SURF	3
303NB46090	3NB46090	WIRE MTRAY MOTOR	7
303NB46100	3NB46100	WIRE ME SENSOR	4
303NB46110	3NB46110	WIRE FFC	3
303NB46120	3NB46120	WIRE MTRAY HP	8
303NB46140	3NB46140	WIRE SHIFT	6
303NB46160	3NB46160	WIRE OPERATION	1
303NB46170	3NB46170	WIRE B-TRAY FULL	8
303NB46180	3NB46180	WIRE INTERFACE A	9
303NB46190	3NB46190	WIRE INTERFACE B	2
303NB46200	3NB46200	WIRE INTERFACE C	8
303NB94012	3NB94012	PARTS PWB MAIN ASSY SP	8
303NB94020	3NB94020	PARTS PWB STAPLER ASSY SP	3
303NB94030	3NB94030	PARTS PWB OPERATION ASSY SP	1
303NB94040	3NB94040	PARTS MOTOR-PM MOVING SP	3,7
303NB94051	3NB94051	PARTS MOTOR-BL BRAKE SP	7
303NB94060	3NB94060	PARTS ROLLER SUB EXIT SP	3
303NB94070	3NB94070	PARTS ROLLER SUB CONVEYING SP	3
303NB94080	3NB94080	PARTS ROLLER MIDDLE SP	3
303NB94090	3NB94090	PARTS ROLLER EXIT SP	3
303NB94100	3NB94100	PARTS ROLLER FEED LOWER SP	3
303NB94111	3NB94111	PARTS ROLLER FEED UPPER SP	4
303NB94121	3NB94121	PARTS MAIN EXIT SP	6
303NB94130	3NB94130	PARTS STAPLER EH600 SP	3



---

**DF-7120**

—— CONTENTS / 目次 ——

FIG. 1	Covers .....	2
FIG. 2	Frames .....	4
FIG. 3	Paper Feed Section 1 .....	6
FIG. 4	Paper Feed Section 2 .....	9
FIG. 5	Paper Feed Section 3 .....	11
FIG. 6	Drive Section & Electrical Components .....	13
FIG. 7	Wire Section .....	16
FIG. 8	Accessories .....	18
	• INDEX / 索引 .....	20

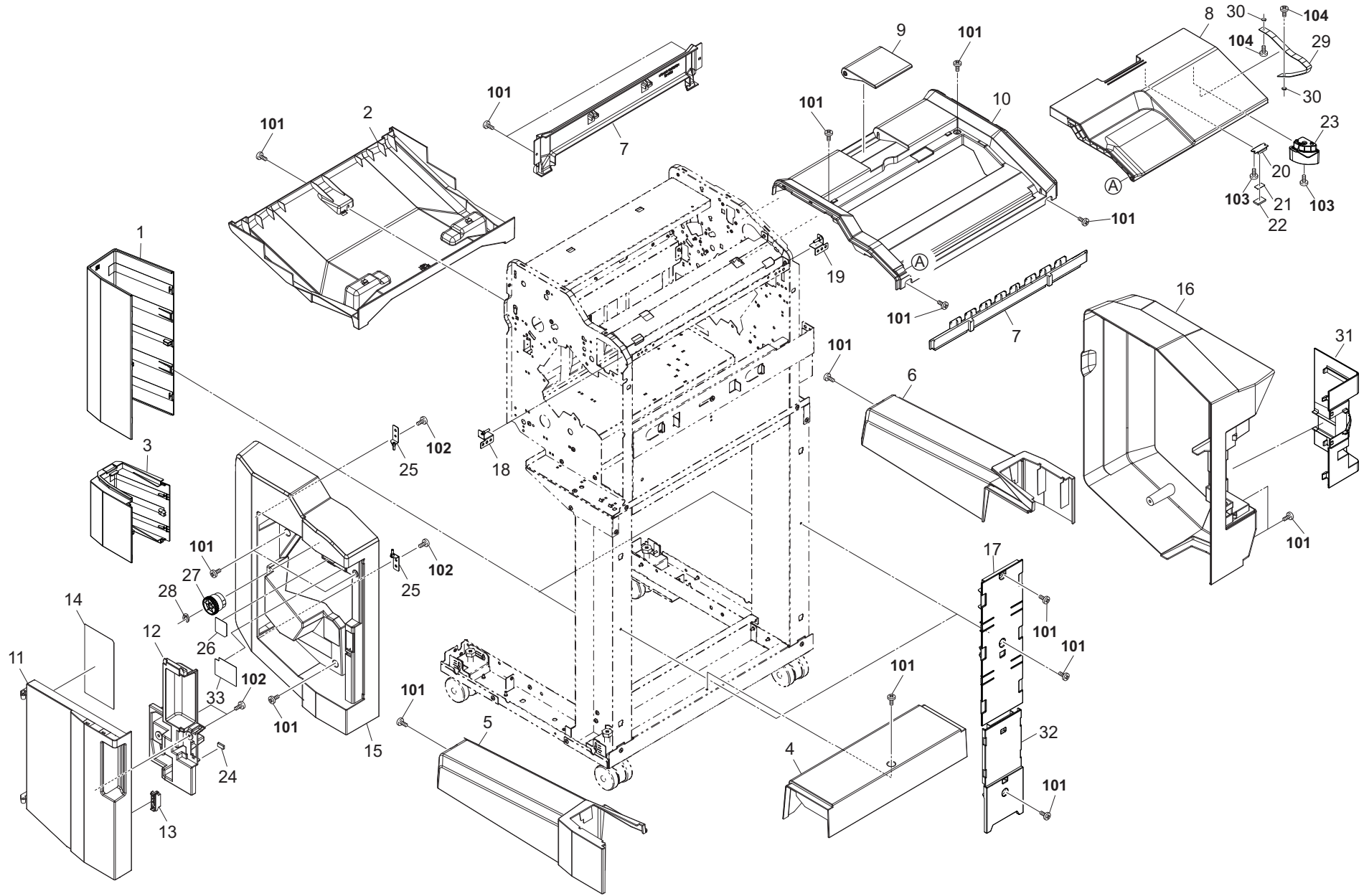




FIG. 1 Covers

3RV

Ref. No. 番号	Part.No. 部品番号	Alternative. 代替部品番号	Description 部品名称	Notes 備考	Revision 改訂	Quantity 個数			
						100(日本)	120	230	240
1	303NC04200	3NC04200	COVER LEG UP			2	2	2	
2	303NC04080	3NC04080	COVER BOTTOM			1	1	1	
3	303NC04230	3NC04230	COVER LEG LOW			2	2	2	
4	303NC04130	3NC04130	COVER FOOT MIDDLE			1	1	1	
5	303NC04111	3NC04111	COVER FOOT LOWER FRONT			1	1	1	
6	303NC04121	3NC04121	COVER FOOT LOWER REAR			1	1	1	
7	303NC04070	3NC04070	COVER LEFT UPPER			1	1	1	
8	303NC04022	3NC04022	COVER TOP OPEN			1	1	1	
9	303NC04141	3NC04141	COVER PAPER STOPPER			1	1	1	
10	303NC04011	3NC04011	COVER TOP			1	1	1	
11	303NC04043	3NC04043	COVER FRONT OPEN			1	1	1	
12	303NB04171	3NB04171	COVER HANDLE			1	1	1	
13	302H004660	2H004660	MAGNET CATCH			1	1	1	
14	303NC34100	3NC34100	LABEL OPERATION			1	1	1	
15	303NC04034	3NC04034	COVER FRONT			1	1	1	
16	303NC04051	3NC04051	COVER REAR			1	1	1	
17	303NC04220	3NC04220	LID LEG UP			2	2	2	
18	303NC04160	3NC04160	FULCRUM-PLATE TOP FRONT			1	1	1	
19	303NC04170	3NC04170	FULCRUM-PLATE TOP REAR			1	1	1	
20	303NB24210	3NB24210	HOLDER MAGNET			1	1	1	
21	302GR04380	2GR04380	SEAL MAGNET			1	1	1	
22	302GR04370	2GR04370	MAGNET CLIP DISH			1	1	1	
23	302LC04460	2LC04460	STOPPER CONTAINER			1	1	1	
24	63213320	63213320	CUSHION,ORIGINAL COLLECTION			1	1	1	
25	303NC04151	3NC04151	FULCRUM-PLATE FRONT			2	2	2	
26	303NC34110	3NC34110	LABEL D3			1	1	1	
27	303NB04200	3NB04200	HANDLE JAM REMOVENT			1	1	1	
28	2BC06910	2BC06910	STOPPER 6			1	1	1	
29	302BL04681	2BL04681	STRAP COVER			1	1	1	
30	302LW04260	2LW04260	SPACER USB			2	2	2	
31	303NC04063	3NC04063	COVER LID REAR			1	1	1	
32	303NC04250	3NC04250	LID LEG LOW			1	1	1	
33	303NB34250	3NB34250	LABEL D1			1	1	1	
34	303RV04010	3RV04010	COVER TOP RIGHT			1	1	1	
101	7BB782410H	BB111310	+TP-FLAT T.T S SCREW 4X10 SR(BLACK)						
102	7BB200410H	BB105700	+BIND T.T P SCREW 4X10						
103	7BB200308H	BB105660	+BIND T.T P SCREW 3X8						
104	7BB282308H	BB111240	+TP-FLAT T.T P SCREW 3X8(BLACK)						

• Parts with a Ref.No. of 500 and above in the illustration indicate they are not selected for service parts.

• イラスト中で 500 番台の Ref 番号が付いている部品はサービスパーツに選定されていません。

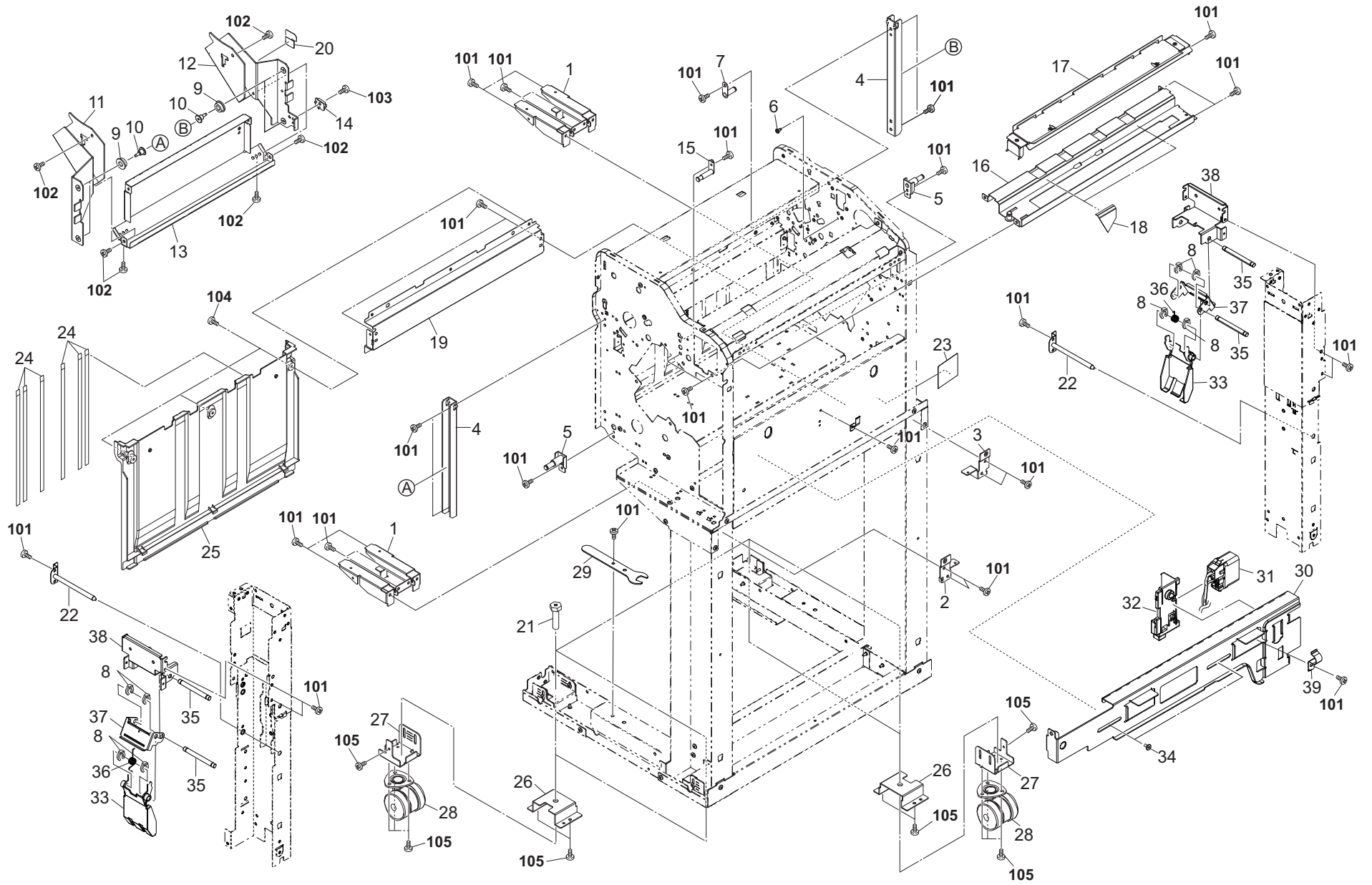


FIG. 2 Frames

Ref. No. 番号	Part.No. 部品番号	Alternative. 代替部品番号	Description 部品名称	Notes 備考	Revision 改訂	Quantity 個数			
						100(日本)	120	230	240
1	303NC02150	3NC02150	PLATE LEFT			2	2	2	
2	303NC02140	3NC02140	PLATE RIGHT F			1	1	1	
3	303NC02160	3NC02160	PLATE RIGHT R			1	1	1	
4	303NC37130	3NC37130	RAIL MAIN TRAY			2	2	2	
5	303NC37050	3NC37050	PLATE PULLEY			2	2	2	
6	302GR25241	2GR25241	PIN GUIDE CHUTE			1	1	1	
7	303NB31110	3NB31110	PIN EJECT DRIVE			1	1	1	
8	2BC06910	2BC06910	STOPPER 6			8	8	8	
9	3AK20200	3AK20200	PULLEY,MAIN TRAY			4	4	4	
10	303NB37130	3NB37130	PIN RAIL			4	4	4	
11	303NC37080	3NC37080	FRAME MAIN TRAY FRONT			1	1	1	
12	303NC37100	3NC37100	FRAME MAIN TRAY REAR			1	1	1	
13	303NB37110	3NB37110	FRAME MAIN TRAY CENTER			1	1	1	
14	303NC37031	3NC37031	LEVER SENSOR			1	1	1	
15	303NB04290	3NB04290	PLATE PIN HANDLE			1	1	1	
16	303RW07020	3RW07020	STAY PUNCH			1	1	1	
17	303NB07040	3NB07040	GUIDE PUNCH			1	1	1	
18	303NB07140	3NB07140	SHEET ROLLER FEED			2	2	2	
19	303NB02180	3NB02180	STAY PARTITION			1	1	1	
20	303NB37190	3NB37190	FILM FRAME TRAY			1	1	1	
21	303LT03140	3LT03140	BOLT M10L40			4	4	4	
22	303NC02250	3NC02250	STOPPER LEG			2	2	2	
23	303NB02410	3NB02410	FILM DRAWER			1	1	1	
24	303NC02110	3NC02110	FILM PARTITION			6	6	6	
25	303NC02101	3NC02101	PARTITION FINISHER			1	1	1	
26	303NB02220	3NB02220	PLATE HOLDER CASTER			4	4	4	
27	303NB02211	3NB02211	PLATE CASTER			4	4	4	
28	302N202011	2N202011	CASTER UA			4	4	4	
29	303LT03130	3LT03130	SPANNER			1	1	1	
30	303NB02341	3NB02341	PLATE LOCK JUNCTION D			1	1	1	
31	303NB46190	3NB46190	WIRE INTERFACE B			1	1	1	
32	303NB02360	3NB02360	GUIDE DRAWER			1	1	1	
33	303NC02300	3NC02300	PLATE HAND			2	2	2	
34	3CZ02230	3CZ02230	PIN,HOOK FULCRUM			2	2	2	
35	303NC02230	3NC02230	SHAFT HANDLE			4	4	4	
36	303NC02240	3NC02240	SPRING HANDLE B			2	2	2	
37	303NC02220	3NC02220	PLATE HANDLE			2	2	2	
38	303NC02210	3NC02210	PLATE LEG U			2	2	2	
39	303NB02131	3NB02131	SPRING-PLATE JUNCTION			1	1	1	
101	7BB700408H	BB105640	+BIND T.T S SCREW 4X8 SR						
102	7BB782410H	BB111310	+TP-FLAT T.T S SCREW 4X10 SR(BLACK)						
103	7BB700308H	BB105600	+BIND T.T S SCREW 3X8 SR						
104	7BB782308H	BB111300	+TP-FLAT T.T S SCREW 3X8 SR(BLACK)						
105	7BB700412H	BB106830	+BIND T.T S SCREW 4X12 SR						

• Parts with a Ref.No. of 500 and above in the illustration indicate they are not selected for service parts.

• イラスト中で 500 番台の Ref 番号が付いている部品はサービスパーツに選定されていません。

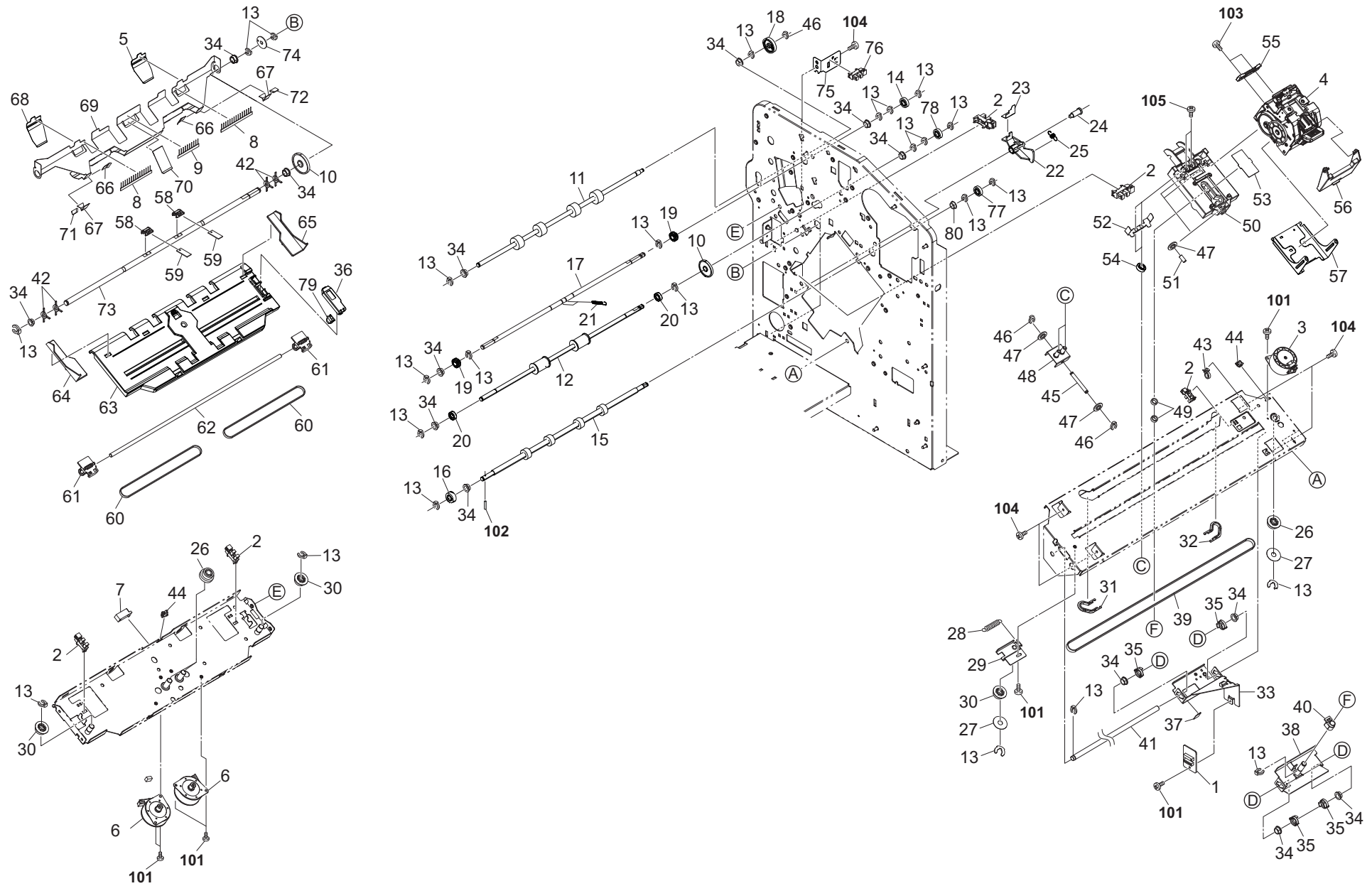


FIG. 3 Paper Feed Section 1

3RV

Ref. No. 番号	Part.No. 部品番号	Alternative. 代替部品番号	Description 部 品 名 称	Notes 備 考	Revision 改 訂	Quantity 個数			
						100(日本)	120	230	240
1	303NB94020	3NB94020	PARTS PWB STAPLER ASSY SP			1	1	1	
2	303M894260	3M894260	PARTS SENSOR OPT SP			6	6	6	
3	303NB94040	3NB94040	PARTS MOTOR-PM MOVING SP			1	1	1	
4	303JY44011	3JY44011	STAPLER EH590			1	1	1	
5	303PG36020	3PG36020	FILM GUIDE STOPPER R			1	1	1	
6	302HN44100	2HN44100	MOTOR REVERSE			2	2	2	
7	303NW94060	3NW94060	PARTS SENSOR OPT. SP			1	1	1	
8	303NB36580	3NB36580	STATIC-ELIMINATOR PAPER STOPPER			2	2	2	
9	303NB36460	3NB36460	STATIC-ELIMINATOR EJECT			1	1	1	
10	303NB36150	3NB36150	GEAR 41 PADDLE A			2	2	2	
11	303NC36010	3NC36010	ROLLER EXIT			1	1	1	
12	303RW94050	3RW94050	PARTS ROLLER MIDDLE SP			1	1	1	
13	2BC06910	2BC06910	STOPPER 6			25	25	25	
14	303NB31010	3NB31010	GEAR Z35R			1	1	1	
15	303RW94020	3RW94020	PARTS ROLLER FEED LOWER SP			1	1	1	
16	302KS08110	2KS08110	GEAR 18			1	1	1	
17	303NB36310	3NB36310	SHAFT UPPER EXIT DRIVE			1	1	1	
18	303NF31060	3NF31060	GEAR Z35R			1	1	1	
19	2BL21430	2BL21430	GEAR EXIT Z20			2	2	2	
20	7BE008165431H01	BE119730	BEARING 688ZZ			2	2	2	
21	303NB36300	3NB36300	SPRING GUIDE PAPER PRESS			2	2	2	
22	303NB37172	3NB37172	PLATE DETECTION			1	1	1	
23	303NB37161	3NB37161	FILM SENSOR			1	1	1	
24	303J902280	3J902280	PIN PAPER FEED			1	1	1	
25	302F902180	2F902180	SPRING LEVER EF			1	1	1	
26	303NB28130	3NB28130	GEAR Z45-P30			3	3	3	
27	303JY38240	3JY38240	SPACER 25			2	2	2	
28	72418140	72418140	SPRING, BLADE			1	1	1	
29	303NB38100	3NB38100	PLATE STAPLER UNIT TENSION			1	1	1	
30	3AP02040	3AP02040	PULLEY 30,DUPLEX			3	3	3	
31	303NB38071	3NB38071	RAIL STAPLER SHIFT FRONT			1	1	1	
32	303NB38121	3NB38121	RAIL STAPLER SHIFT REAR			1	1	1	
33	303NB38131	3NB38131	MOUNT PRINT STAPLER			1	1	1	
34	28107310	49028101	BUSH 8			14	14	14	
35	303NB38150	3NB38150	STOPPER BUSH			4	4	4	
36	303PW36160	3PW36160	COVER MIDDLE TRAY WIRE			1	1	1	
37	302KK24390	2KK24390	FILM DU GUIDE			1	1	1	
38	303NB38051	3NB38051	PLATE STAPLER SHIFT			1	1	1	
39	303NB38030	3NB38030	BELT STAPLER SHIFT			1	1	1	
40	303NB38110	3NB38110	STOPPER DRIVE BELT			1	1	1	
41	303NB38040	3NB38040	SHAFT STAPLER SHIFT			1	1	1	
42	303NB36550	3NB36550	RUBBER FEED			4	4	4	
43	M21AH010	M21AH010	BAND,RSG-130-V0(KITAGAWA)			1	1	1	
44	M2104350	M2104350	EDGING,EDS-0607M(KITAGAWA)			2	2	2	
45	303NB38080	3NB38080	SHAFT STOPPER PULLEY			1	1	1	
46	5MVX111DN003	2A806250	RING STOPPER /A-49 FEED A4			3	3	3	
47	5MVM176DN001	3B706020	PULLEY RAIL CASS /40283V0034 A4			5	5	5	
48	303NB38060	3NB38060	STOPPER STAPLER MOUNT			1	1	1	

• Parts with a Ref.No. of 500 and above in the illustration indicate they are not selected for service parts.

• イラスト中で 500 番台の Ref 番号が付いている部品はサービスパーツに選定されていません。

FIG. 3 Paper Feed Section 1

3RV

Ref. No. 番号	Part.No. 部品番号	Alternative. 代替部品番号	Description 部品名称	Notes 備考	Revision 改訂	Quantity 個数			
						100(日本)	120	230	240
49	3B807230	3B807230	COLLAR,MIDDLE BELT			2	2	2	
50	303NB38021	3NB38021	MOUNT STAPLER			1	1	1	
51	303NB38090	3NB38090	SHAFT MOUNT PULLEY			3	3	3	
52	303NB38190	3NB38190	PLATE EARTH STAPLER			1	1	1	
53	303NB38160	3NB38160	FILM STAPLER			1	1	1	
54	7BE006124431H01	BE119720	BEARING MR126ZZ			2	2	2	
55	303NB38180	3NB38180	GUIDE STAPLER			1	1	1	
56	303NB38140	3NB38140	COVER STAPLER			1	1	1	
57	303NC38011	3NC38011	SPACER STAPLER			1	1	1	
58	303NB36240	3NB36240	HOLDER PADDLE			2	2	2	
59	303NC36030	3NC36030	SHEET PADDLE A			2	2	2	
60	302FB09720	2FB09720	BELT FRONT DRIVE			2	2	2	
61	303NB36070	3NB36070	HOLDER CURSOR			2	2	2	
62	303NB36060	3NB36060	SHAFT CURSOR			1	1	1	
63	303RW36020	3RW36020	GUIDE MIDDLE TRAY			1	1	1	
64	303NB36031	3NB36031	CURSOR F MIDDLE TRAY			1	1	1	
65	303NB36041	3NB36041	CURSOR R MIDDLE TRAY			1	1	1	
66	303NB36420	3NB36420	FILM GUIDE STOPPER			2	2	2	
67	303NB36510	3NB36510	FILM GUIDE STOPPER B			2	2	2	
68	303PG36010	3PG36010	FILM GUIDE STOPPER F			1	1	1	
69	303NB36082	3NB36082	GUIDE PAPER STOPPER			1	1	1	
70	303NB36430	3NB36430	FILM GUIDE STOPPER C			1	1	1	
71	303NB36650	3NB36650	FILM GUIDE STOPPER E			1	1	1	
72	303NB36640	3NB36640	FILM GUIDE STOPPER D			1	1	1	
73	303NB36141	3NB36141	SHAFT PADDLE A			1	1	1	
74	303NB36160	3NB36160	PLATE PULSE PADDLE A			1	1	1	
75	303PW36240	3PW36240	MOUNT PI UPPER GUIDE			1	1	1	
76	302P794010	2P794010	PARTS SENSOR OPT. SP			1	1	1	
77	302HN22070	2HN22070	GEAR Z22L TC ROLL			1	1	1	
78	303JX31390	3JX31390	GEAR 22 R			1	1	1	
79	7SP01000006+H01	SP121020	SW.PUSH			1	1	1	
80	7BE008121R31H01	BE121740	BEARING MF128ZZ			1	1	1	
101	7BB700308H	BB105600	+BIND T.T S SCREW 3X8 SR						
102	5MBP2012WXSP	E0020120	SPRING PIN / M2 X 12 S-BLK						
103	7BB202306H	BB106940	+TP-FLAT T.T P SCREW 3X6						
104	7BB700408H	BB105640	+BIND T.T S SCREW 4X8 SR						
105	7BB607410H	BB106870	+TP-CUP M SCREW 4X10 R						

• Parts with a Ref.No. of 500 and above in the illustration indicate they are not selected for service parts.

• イラスト中で 500 番台の Ref 番号が付いている部品はサービスパーツに選定されていません。

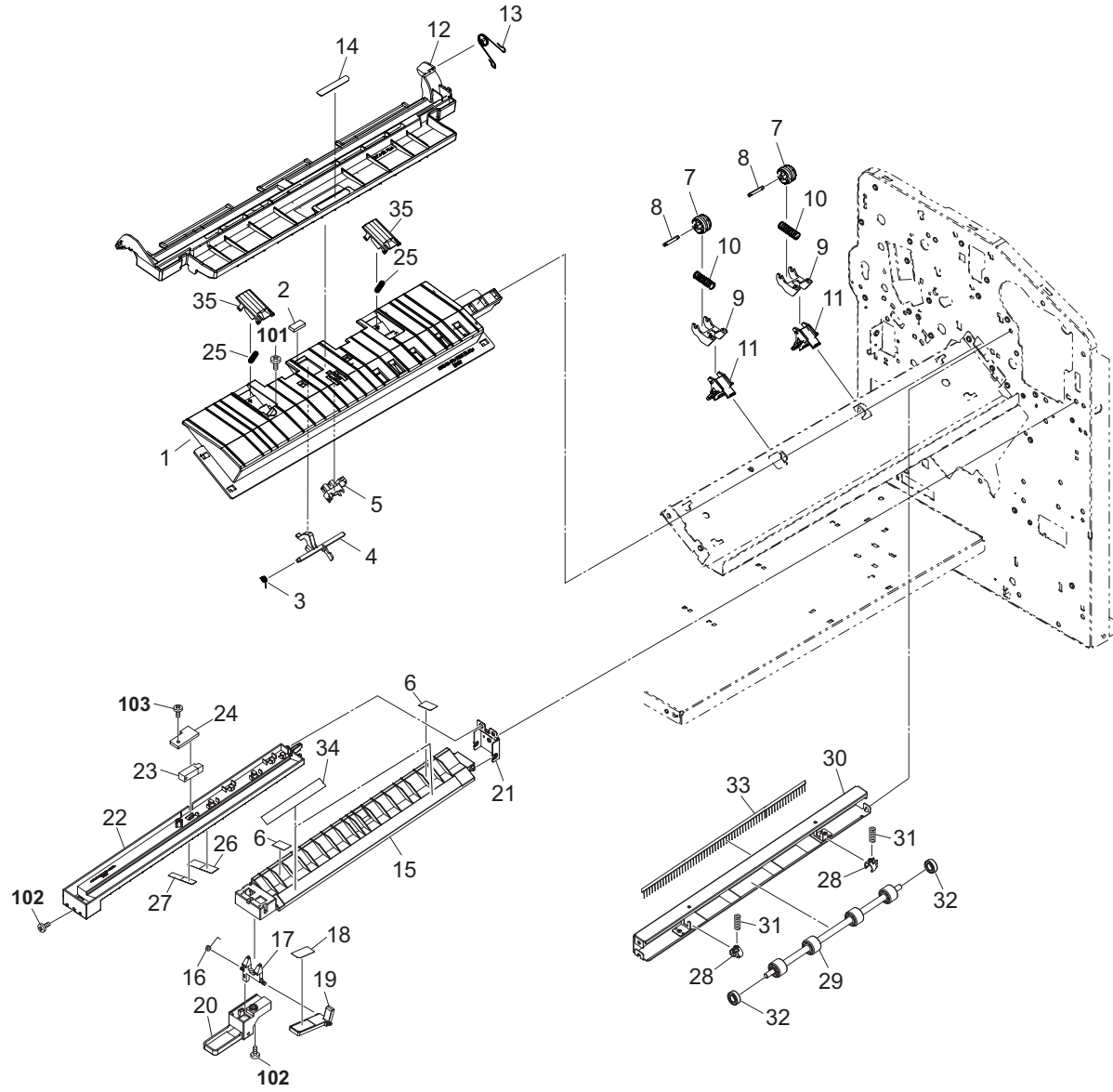


FIG. 4 Paper Feed Section 2

3RV

Ref. No. 番号	Part.No. 部品番号	Alternative. 代替部品番号	Description 部品名称	Notes 備考	Revision 改訂	Quantity 個数			
						100(日本)	120	230	240
1	303NC24022	3NC24022	GUIDE CONVEYING LOWER			1	1	1	
2	63213320	63213320	CUSHION,ORIGINAL COLLECTION			1	1	1	
3	302K928190	2K928190	SPRING-TORSION SWITCHBACK			1	1	1	
4	303NC24041	3NC24041	ACTUATOR CONVEYING			1	1	1	
5	303M894260	3M894260	PARTS SENSOR OPT SP			1	1	1	
6	303PG07010	3PG07010	SHEET FEED IN			2	2	2	
7	303NB36661	3NB36661	PULLEY MIDDLE			2	2	2	
8	303NB36110	3NB36110	SHAFT MIDDLE PULLEY			2	2	2	
9	303NB36100	3NB36100	HOLDER MIDDLE PULLEY			2	2	2	
10	3H608230	3H608230	SPRING C PULLEY			2	2	2	
11	303NB36120	3NB36120	MOUNT MIDDLE PULLEY			2	2	2	
12	303NC24012	3NC24012	GUIDE CONVEYING UPPER			1	1	1	
13	303RW24160	3RW24160	SPRING GUIDE HOLD			1	1	1	
14	303NC34030	3NC34030	LABEL D2			1	1	1	
15	303NB07021	3NB07021	GUIDE FEED LOWER			1	1	1	
16	303NB07120	3NB07120	SPRING-TORSION GUIDE HOOK			1	1	1	
17	303NB07100	3NB07100	HOOK GUIDE FEED LOWER			1	1	1	
18	303NC34020	3NC34020	LABEL D1			1	1	1	
19	303NB07110	3NB07110	LEVER GUIDE FEED LOWER			1	1	1	
20	303NB07092	3NB07092	HANDLE GUIDE FEED LOWER			1	1	1	
21	303NB07080	3NB07080	MOUNT LOWER GUIDE FEED			1	1	1	
22	303NB07011	3NB07011	GUIDE FEED UPPER			1	1	1	
23	303NW94060	3NW94060	PARTS SENSOR OPT. SP			1	1	1	
24	303NB07150	3NB07150	LID SENSOR			1	1	1	
25	303NC24070	3NC24070	SPRING EXIT PUSH			2	2	2	
26	303NB07170	3NB07170	SHEET FEED IN A			1	1	1	
27	303NB07180	3NB07180	SHEET FEED IN B			1	1	1	
28	303NB07160	3NB07160	HOLDER BEARING			2	2	2	
29	303RW94030	3RW94030	PARTS ROLLER FEED UPPER SP			1	1	1	
30	303RW07040	3RW07040	GUIDE FEED ROLLER			1	1	1	
31	302H724030	2H724030	SPRING REGIST F			2	2	2	
32	7BE006124431H01	BE119720	BEARING MR126ZZ			2	2	2	
33	63212210	63212210	STATIC ELIMINATOR,EJECT			1	1	1	
34	303NB07190	3NB07190	SHEET FEED IN C			2	2	2	
35	303NC24060	3NC24060	GUIDE EXIT PUSH			2	2	2	
101	7BB700408H	BB105640	+BIND T.T S SCREW 4X8 SR						
102	7BB200410H	BB105700	+BIND T.T P SCREW 4X10						
103	7BB282308H	BB111240	+TP-FLAT T.T P SCREW 3X8(BLACK)						

• Parts with a Ref.No. of 500 and above in the illustration indicate they are not selected for service parts.

• イラスト中で 500 番台の Ref 番号が付いている部品はサービスパーツに選定されていません。



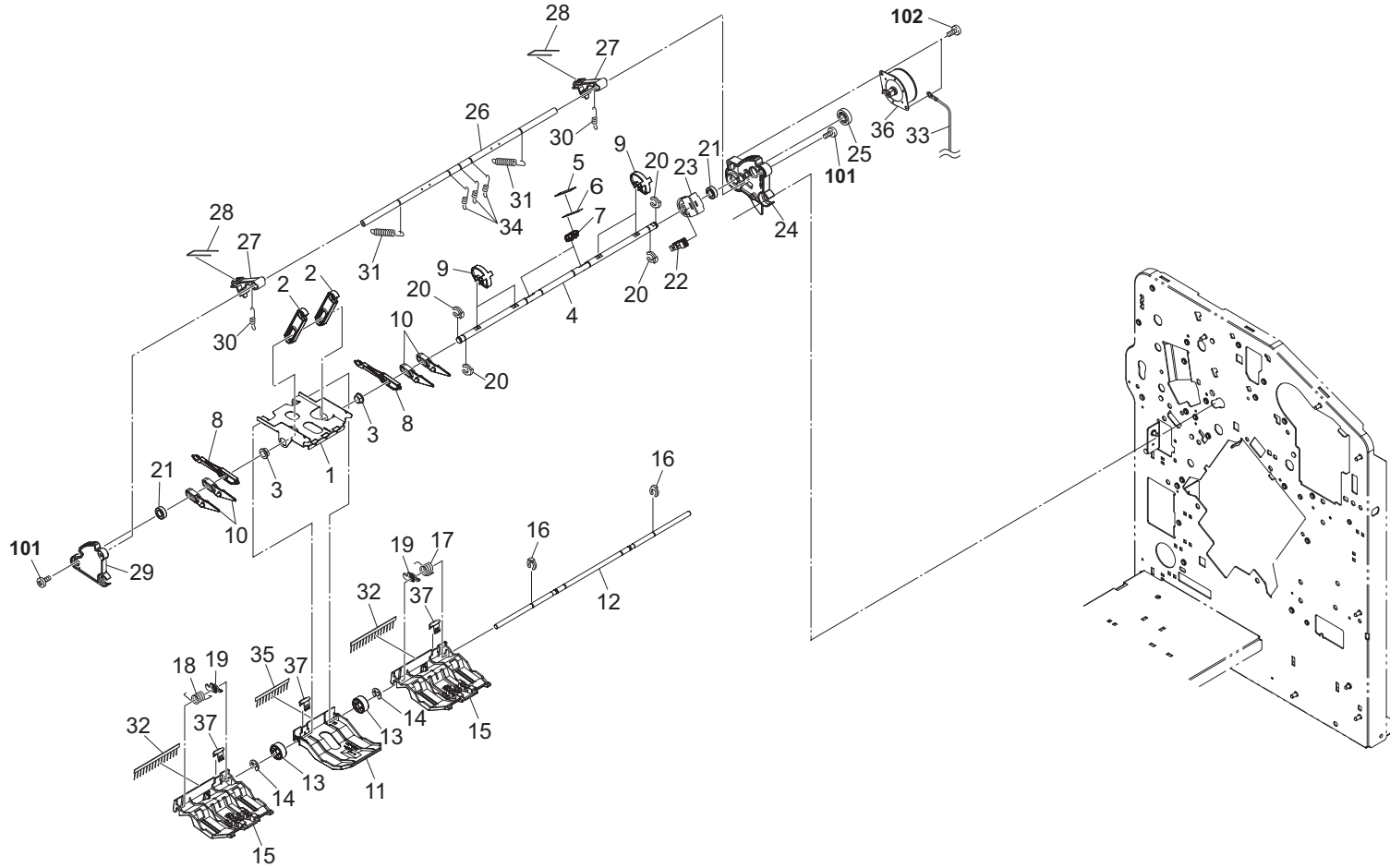


FIG. 5 Paper Feed Section 3

3RV

Ref. No. 番号	Part.No. 部品番号	Alternative. 代替部品番号	Description 部品名称	Notes 備考	Revision 改訂	Quantity 個数			
						100(日本)	120	230	240
1	303NB36190	3NB36190	MOUNT EXIT PULLEY			1	1	1	
2	303NB36370	3NB36370	LEVER UPPER EXIT			2	2	2	
3	28107310	49028101	BUSH 8			2	2	2	
4	303NB36271	3NB36271	SHAFT PADDLE B			1	1	1	
5	303NB36260	3NB36260	SHEET PADDLE B			2	2	2	
6	303NB36480	3NB36480	FILM PADDLE B			2	2	2	
7	303NB36240	3NB36240	HOLDER PADDLE			2	2	2	
8	303NB36380	3NB36380	BRAKE EXIT			2	2	2	
9	303NB36600	3NB36600	CAM PADDLE			4	4	4	
10	303NB36591	3NB36591	LEVER PAPER PRESS			4	4	4	
11	303NB36350	3NB36350	GUIDE CENTER			1	1	1	
12	303NB36230	3NB36230	SHAFT PAPER PRESS			1	1	1	
13	303NB36200	3NB36200	PULLEY EXIT			2	2	2	
14	302FB09830	2FB09830	CUT WASHER 4			2	2	2	
15	303NB36224	3NB36224	GUIDE PAPER PRESS			2	2	2	
16	5MVX111DN003	2A806250	RING STOPPER /A-49 FEED A4			2	2	2	
17	303NB36540	3NB36540	SPRING EXIT R			1	1	1	
18	303NB36530	3NB36530	SPRING EXIT F			1	1	1	
19	303NB36521	3NB36521	GUIDE PAPER EXIT			2	2	2	
20	2BC06910	2BC06910	STOPPER 6			4	4	4	
21	7BE008165431H01	BE119730	BEARING 688ZZ			2	2	2	
22	303M894260	3M894260	PARTS SENSOR OPT SP			1	1	1	
23	303NB36250	3NB36250	MOUNT PI PADDLE B			1	1	1	
24	303NB36180	3NB36180	FRAME EXIT REAR			1	1	1	
25	303NB31010	3NB31010	GEAR Z35R			1	1	1	
26	303NB36210	3NB36210	SHAFT UPPER GUIDE			1	1	1	
27	303NB36390	3NB36390	LEVER BRAKE EXIT			2	2	2	
28	303NB36410	3NB36410	SPRING LEVER BRAKE			2	2	2	
29	303NB36170	3NB36170	FRAME EXIT FRONT			1	1	1	
30	303NB36290	3NB36290	SPRING EXIT PULLEY			2	2	2	
31	303NC36020	3NC36020	SPRING GUIDE PAPER PRESS B			2	2	2	
32	303NB36490	3NB36490	STATIC-ELIMINATOR EJECT SIDE			2	2	2	
33	303NC46170	3NC46170	WIRE MOTOR EARTH			1	1	1	
34	303NB36630	3NB36630	SPRING EXIT PRESS			3	3	3	
35	303NB36500	3NB36500	STATIC-ELIMINATOR EJECT CENTER			1	1	1	
36	302HN44100	2HN44100	MOTOR REVERSE			1	1	1	
37	303NB36471	3NB36471	PLATE EARTH EJECT			3	3	3	
101	7BB607410H	BB106870	+TP-CUP M SCREW 4X10 R						
102	7BB200308H	BB105660	+BIND T.T P SCREW 3X8						

• Parts with a Ref.No. of 500 and above in the illustration indicate they are not selected for service parts.

• イラスト中で 500 番台の Ref 番号が付いている部品はサービスパーツに選定されていません。

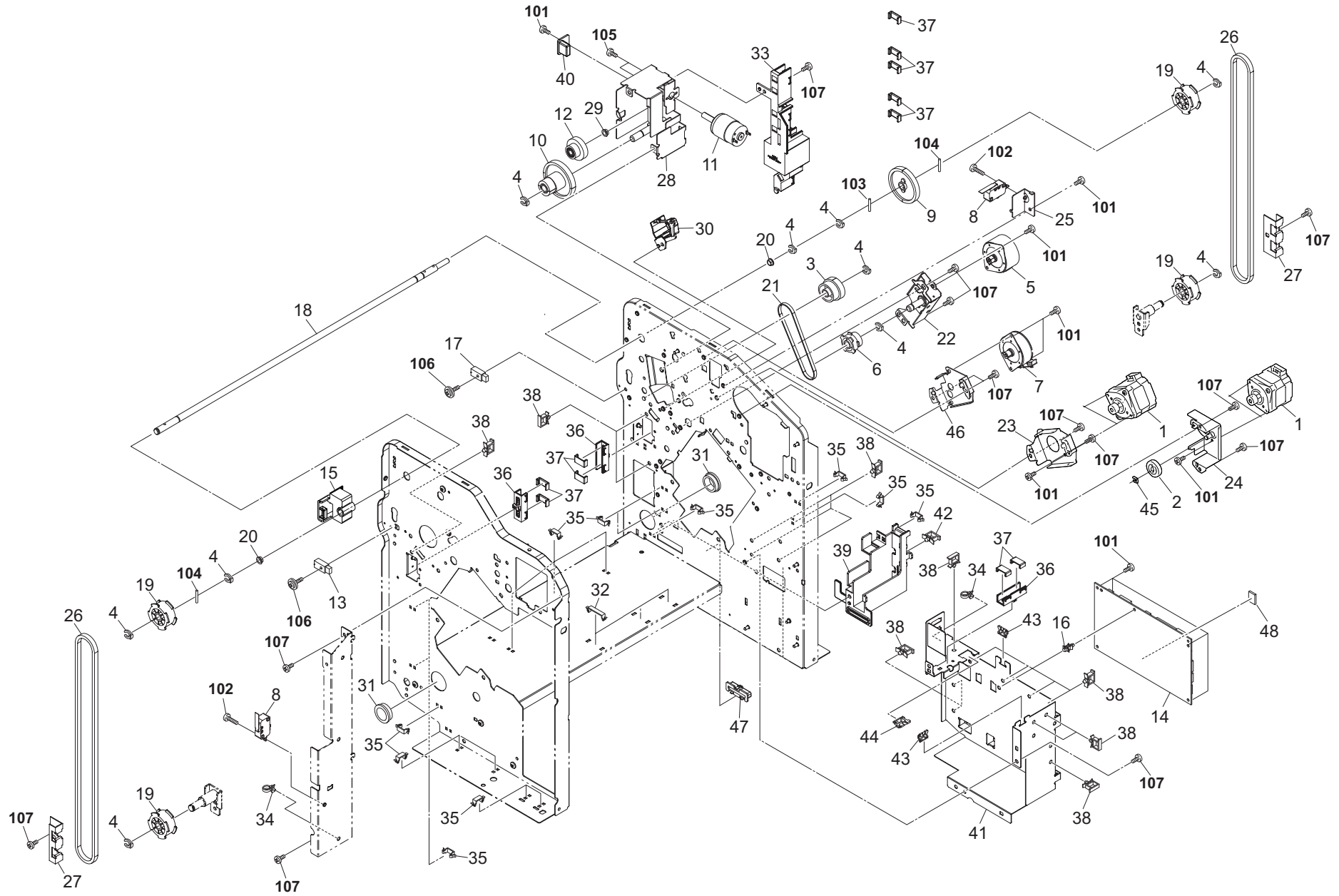


FIG. 6 Drive Section & Electrical Components

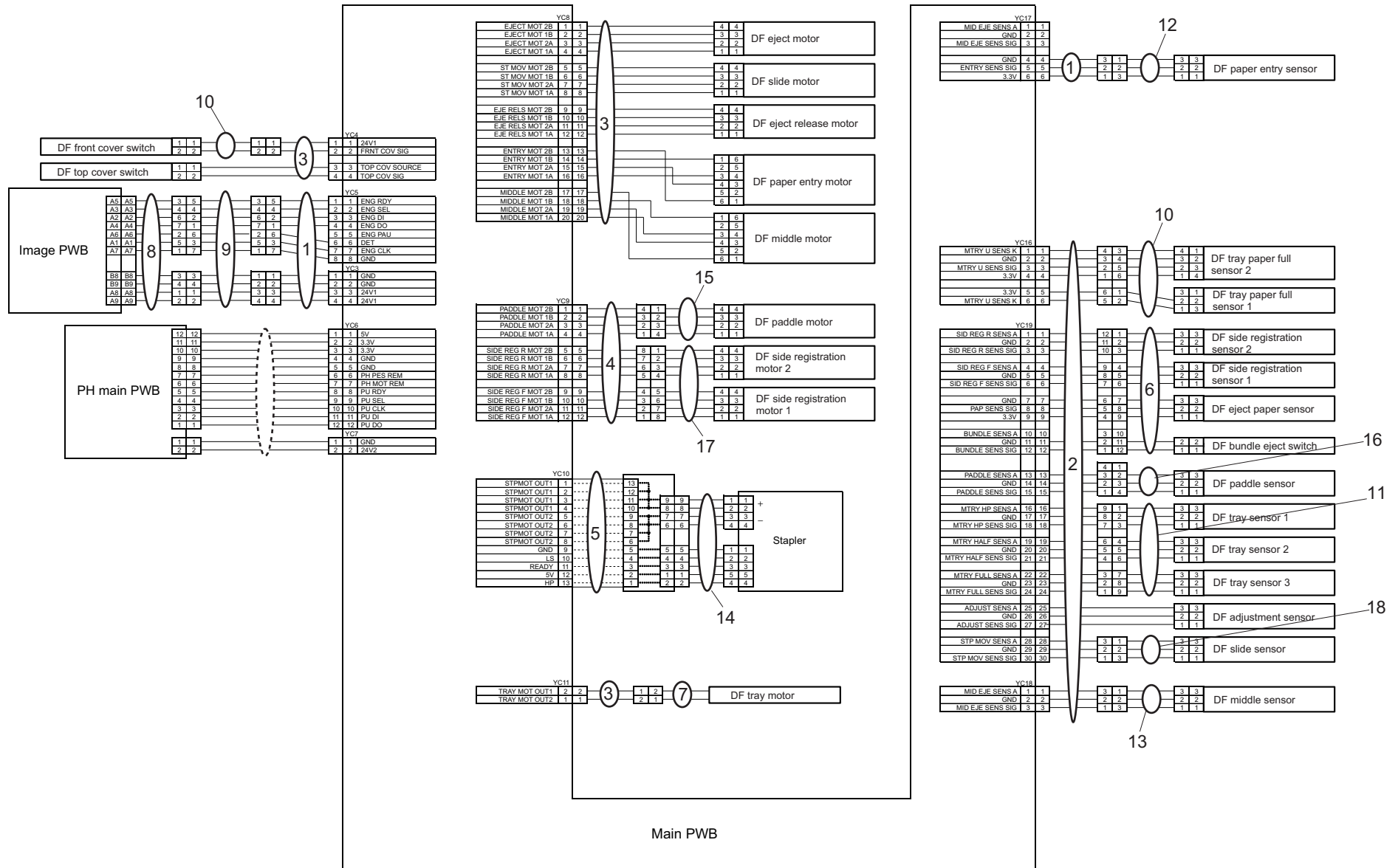
3RV

Ref. No. 番号	Part.No. 部品番号	Alternative. 代替部品番号	Description 部品名称	Notes 備考	Revision 改訂	Quantity 個数			
						100(日本)	120	230	240
1	303NV94010	3NV94010	PARTS MOTOR DP SP			2	2	2	
2	302H731280	2H731280	GEAR Z29R MIDDLE			1	1	1	
3	303NB31100	3NB31100	GEAR Z35L-P42			1	1	1	
4	2BC06910	2BC06910	STOPPER 6			9	9	9	
5	303NB94040	3NB94040	PARTS MOTOR-PM MOVING SP			1	1	1	
6	303NB31070	3NB31070	GEAR Z35R-P35			1	1	1	
7	302HN44100	2HN44100	MOTOR REVERSE			1	1	1	
8	2FB27160	2FB27160	INTER LOCK SWITCH			2	2	2	
9	3H316050	3H316050	GEAR 46 DRUM DRIVE			1	1	1	
10	303NC37020	3NC37020	GEAR Z60 Z18			1	1	1	
11	303NC94020	3NC94020	PARTS DC MOTOR ASSY SP			1	1	1	
12	302K931760	2K931760	WORM WHEEL Z56L-Z20S			1	1	1	
13	303H327460	3H327460	SENSOR A,SEPARATION			1	1	1	
14	303RV94010	3RV94010	PARTS PWB DF MAIN ASSY SP			1	1	1	
15	303NC37180	3NC37180	STOPPER FRONT BELT			1	1	1	
16	7YZM510007++H01	YZ042780	ACCESS.SPACER			1	1	1	
17	303NB94140	3NB94140	PARTS SENSOR OPT. SP			1	1	1	
18	303NC37060	3NC37060	SHAFT MAIN TRAY			1	1	1	
19	303NC37140	3NC37140	PULLEY 32S3M			4	4	4	
20	28107310	49028101	BUSH 8			2	2	2	
21	303NC31010	3NC31010	BELT 236			1	1	1	
22	303NB31080	3NB31080	MOUNT EJECT DRIVE			1	1	1	
23	303NB31120	3NB31120	MOUNT CONVEYING			1	1	1	
24	303RW31010	3RW31010	MOUNT FEED IN DRIVE			1	1	1	
25	303NC04180	3NC04180	MOUNT TOP SW			1	1	1	
26	303NC37150	3NC37150	BELT LIFT			2	2	2	
27	303NC37160	3NC37160	HOLDER TIMING BELT			2	2	2	
28	303NC37011	3NC37011	MOUNT DRIVE			1	1	1	
29	302K324450	2K324450	BUSH 6			1	1	1	
30	303NC39020	3NC39020	DUCT UPPER GUIDE WIRE 1			1	1	1	
31	7YZM110003++H01	YZ034780	ACCESS,BUSHING			2	2	2	
32	7YZM390015++H01	YZ124850	ACCESS.CLAMP			3	3	3	
33	303NC39032	3NC39032	DUCT UPPER GUIDE WIRE 2			1	1	1	
34	M21AH010	M21AH010	BAND,RSG-130-V0(KITAGAWA)			2	2	2	
35	302K931080	2K931080	WIRE STOPPER			13	13	13	
36	302LF39050	2LF39050	GUIDE WIRE FRONT PWB			3	3	3	
37	303LL02330	3LL02330	HOLDER WIRE D			11	11	11	
38	7YZM610001++H01	YZ010230	ACCESS SADDLE			13	13	13	
39	303NC39050	3NC39050	GUIDE FFC			1	1	1	
40	303NC37190	3NC37190	STOPPER REAR BELT			1	1	1	
41	303NC39011	3NC39011	MOUNT PWB			1	1	1	
42	7YZM610008++H01	YZ037940	ACCESS.SADDLE			1	1	1	
43	M2104350	M2104350	EDGING,EDS-0607M(KITAGAWA)			2	2	2	
44	7YZM210005++H01	YZ037990	ACCESS.EDGING			1	1	1	
45	5MVX111DN003	2A806250	RING STOPPER /A-49 FEED A4			1	1	1	
46	303RW31020	RW31020	MOUNT CONVEYING			1	1	1	
47	303JY38601	3JY38601	EDGING FFC			1	1	1	
48	7UMDEC002K81HQ2	NCQA5050	IC.EEPROM			1	1	1	

• Parts with a Ref.No. of 500 and above in the illustration indicate they are not selected for service parts.

• イラスト中で 500 番台の Ref 番号が付いている部品はサービスパーツに選定されていません。







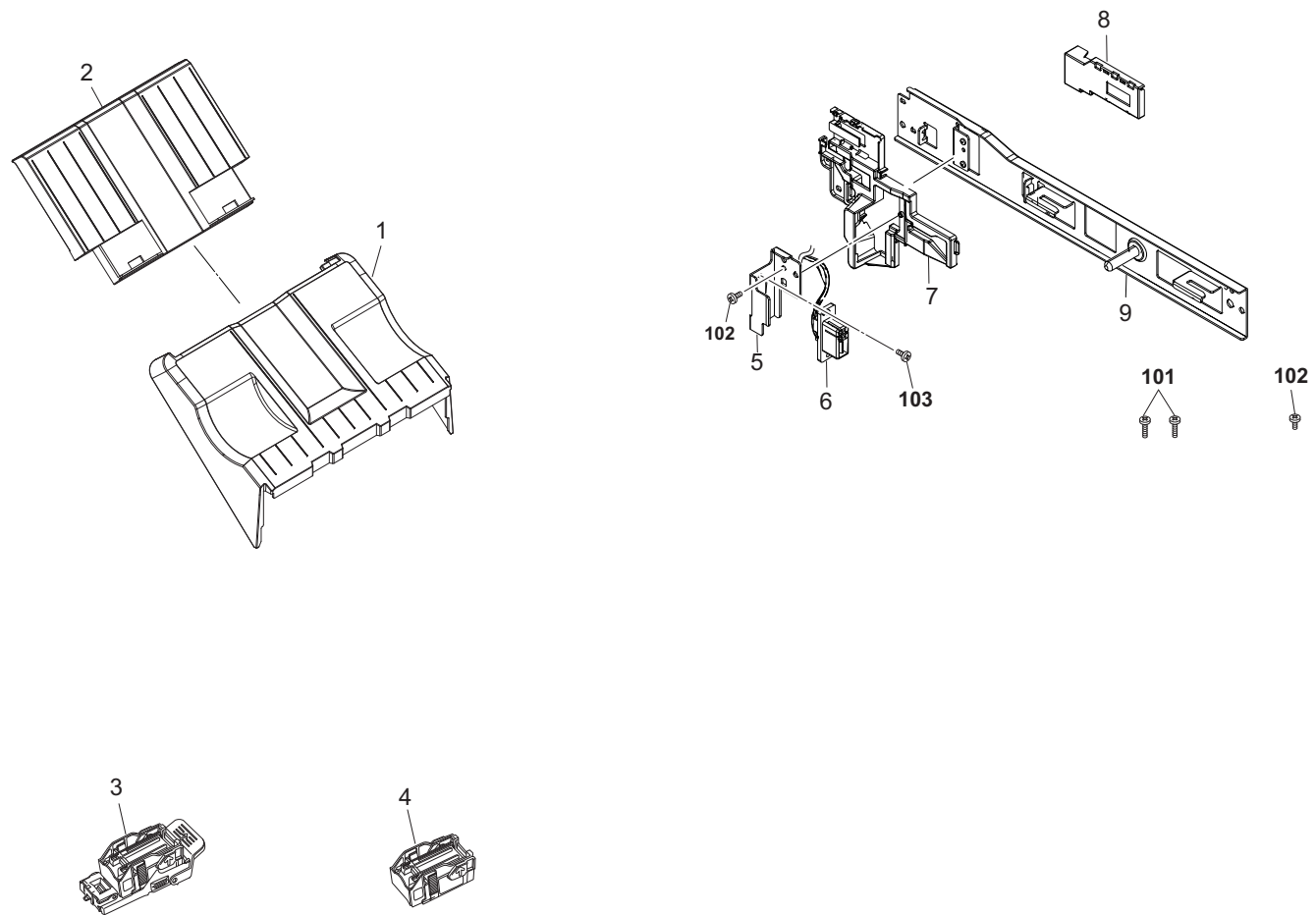




FIG. 8 Accessories

3RV

Ref. No. 番号	Part.No. 部品番号	Alternative. 代替部品番号	Description 部品名称	Notes 備考	Revision 改訂	Quantity 個数			
						100(日本)	120	230	240
1	303RW37010	3RW37010	TRAY MAIN UP			1	1	1	
2	303RW37020	3RW37020	TRAY MAIN LOW			1	1	1	
3	303JY38750	3JY38750	CARTRIDGE EH590			1	1	1	
4	1903JY0000	093JY000	SH-10/STAPLE HOLDER	OPTION		1	1	1	
5	303NB02381	3NB02381	MOUNT DRAWER			1	1	1	
6	303NB46180	3NB46180	WIRE INTERFACE A			1	1	1	
7	303NB02390	3NB02390	SLIDER DRAWER			1	1	1	
8	303NB02420	3NB02420	COVER INTERFACE			1	1	1	
9	303NB02370	3NB02370	PLATE JUNCTION D			1	1	1	
101	7BB780420H	BB116060	+BIND T.T S SCREW 4X20 SR(BLACK)						
102	7BB700408H	BB105640	+BIND T.T S SCREW 4X8 SR						
103	7BB700412H	BB106830	+BIND T.T S SCREW 4X12 SR						

• Parts with a Ref.No. of 500 and above in the illustration indicate they are not selected for service parts.

・イラスト中で 500 番台の Ref 番号が付いている部品はサービスパーツに選定されていません。

Part.No. 部品番号	Alternative. 代替部品番号	Description 部品名称	Fig.No.
1903JY0000	093JY000	SH-10/STAPLE HOLDER	8
28107310	49028101	BUSH 8	3,5,6
2BC06910	2BC06910	STOPPER 6	1,2,3,5,6
2BL21430	2BL21430	GEAR EXIT Z20	3
2FB27160	2FB27160	INTER LOCK SWITCH	6
302BL04681	2BL04681	STRAP COVER	1
302F902180	2F902180	SPRING LEVER EF	3
302FB09720	2FB09720	BELT FRONT DRIVE	3
302FB09830	2FB09830	CUT WASHER 4	5
302GR04370	2GR04370	MAGNET CLIP DISH	1
302GR04380	2GR04380	SEAL MAGNET	1
302GR25241	2GR25241	PIN GUIDE CHUTE	2
302H004660	2H004660	MAGNET CATCH	1
302H724030	2H724030	SPRING REGIST F	4
302H731280	2H731280	GEAR Z29R MIDDLE	6
302HN22070	2HN22070	GEAR Z22L TC ROLL	3
302HN44100	2HN44100	MOTOR REVERSE	3,5,6
302K324450	2K324450	BUSH 6	6
302K928190	2K928190	SPRING-TORSION SWITCHBACK	4
302K931080	2K931080	WIRE STOPPER	6
302K931760	2K931760	WORM WHEEL Z56L-Z20S	6
302K946AH0	2K946AH0	WIRE DC MOTOR	7
302KK24390	2KK24390	FILM DU GUIDE	3
302KS08110	2KS08110	GEAR 18	3
302LC04460	2LC04460	STOPPER CONTAINER	1
302LF39050	2LF39050	GUIDE WIRE FRONT PWB	6
302LW04260	2LW04260	SPACER USB	1
302N202011	2N202011	CASTER UA	2
302P794010	2P794010	PARTS SENSOR OPT. SP	3
303H327460	3H327460	SENSOR A, SEPARATION	6
303J902280	3J902280	PIN PAPER FEED	3
303JX31390	3JX31390	GEAR 22 R	3
303JY38240	3JY38240	SPACER 25	3
303JY38601	3JY38601	EDGING FFC	6
303JY38750	3JY38750	CARTRIDGE EH590	8
303JY44011	3JY44011	STAPLER EH590	3
303LL02330	3LL02330	HOLDER WIRE D	6
303LT03130	3LT03130	SPANNER	2
303LT03140	3LT03140	BOLT M10L40	2
303M894260	3M894260	PARTS SENSOR OPT SP	3,4,5
303NB02131	3NB02131	SPRING-PLATE JUNCTION	2
303NB02180	3NB02180	STAY PARTITION	2
303NB02211	3NB02211	PLATE CASTER	2
303NB02220	3NB02220	PLATE HOLDER CASTER	2
303NB02341	3NB02341	PLATE LOCK JUNCTION D	2
303NB02360	3NB02360	GUIDE DRAWER	2
303NB02370	3NB02370	PLATE JUNCTION D	8
303NB02381	3NB02381	MOUNT DRAWER	8
303NB02390	3NB02390	SLIDER DRAWER	8
303NB02410	3NB02410	FILM DRAWER	2
303NB02420	3NB02420	COVER INTERFACE	8

Part.No. 部品番号	Alternative. 代替部品番号	Description 部品名称	Fig.No.
303NB04171	3NB04171	COVER HANDLE	1
303NB04200	3NB04200	HANDLE JAM REMOVAL	1
303NB04290	3NB04290	PLATE PIN HANDLE	2
303NB07011	3NB07011	GUIDE FEED UPPER	4
303NB07021	3NB07021	GUIDE FEED LOWER	4
303NB07040	3NB07040	GUIDE PUNCH	2
303NB07080	3NB07080	MOUNT LOWER GUIDE FEED	4
303NB07092	3NB07092	HANDLE GUIDE FEED LOWER	4
303NB07100	3NB07100	HOOK GUIDE FEED LOWER	4
303NB07110	3NB07110	LEVER GUIDE FEED LOWER	4
303NB07120	3NB07120	SPRING-TORSION GUIDE HOOK	4
303NB07140	3NB07140	SHEET ROLLER FEED	2
303NB07150	3NB07150	LID SENSOR	4
303NB07160	3NB07160	HOLDER BEARING	4
303NB07170	3NB07170	SHEET FEED IN A	4
303NB07180	3NB07180	SHEET FEED IN B	4
303NB07190	3NB07190	SHEET FEED IN C	4
303NB24210	3NB24210	HOLDER MAGNET	1
303NB28130	3NB28130	GEAR Z45-P30	3
303NB31010	3NB31010	GEAR Z35R	3,5
303NB31070	3NB31070	GEAR Z35R-P35	6
303NB31080	3NB31080	MOUNT EJECT DRIVE	6
303NB31100	3NB31100	GEAR Z35L-P42	6
303NB31110	3NB31110	PIN EJECT DRIVE	2
303NB31120	3NB31120	MOUNT CONVEYING	6
303NB34250	3NB34250	LABEL D1	1
303NB36031	3NB36031	CURSOR F MIDDLE TRAY	3
303NB36041	3NB36041	CURSOR R MIDDLE TRAY	3
303NB36060	3NB36060	SHAFT CURSOR	3
303NB36070	3NB36070	HOLDER CURSOR	3
303NB36082	3NB36082	GUIDE PAPER STOPPER	3
303NB36100	3NB36100	HOLDER MIDDLE PULLEY	4
303NB36110	3NB36110	SHAFT MIDDLE PULLEY	4
303NB36120	3NB36120	MOUNT MIDDLE PULLEY	4
303NB36141	3NB36141	SHAFT PADDLE A	3
303NB36150	3NB36150	GEAR 41 PADDLE A	3
303NB36160	3NB36160	PLATE PULSE PADDLE A	3
303NB36170	3NB36170	FRAME EXIT FRONT	5
303NB36180	3NB36180	FRAME EXIT REAR	5
303NB36190	3NB36190	MOUNT EXIT PULLEY	5
303NB36200	3NB36200	PULLEY EXIT	5
303NB36210	3NB36210	SHAFT UPPER GUIDE	5
303NB36224	3NB36224	GUIDE PAPER PRESS	5
303NB36230	3NB36230	SHAFT PAPER PRESS	5
303NB36240	3NB36240	HOLDER PADDLE	3,5
303NB36250	3NB36250	MOUNT PI PADDLE B	5
303NB36260	3NB36260	SHEET PADDLE B	5
303NB36271	3NB36271	SHAFT PADDLE B	5
303NB36290	3NB36290	SPRING EXIT PULLEY	5
303NB36300	3NB36300	SPRING GUIDE PAPER PRESS	3
303NB36310	3NB36310	SHAFT UPPER EXIT DRIVE	3

Part.No. 部品番号	Alternative. 代替部品番号	Description 部品名称	Fig.No.
303NB36350	3NB36350	GUIDE CENTER	5
303NB36370	3NB36370	LEVER UPPER EXIT	5
303NB36380	3NB36380	BRAKE EXIT	5
303NB36390	3NB36390	LEVER BRAKE EXIT	5
303NB36410	3NB36410	SPRING LEVER BRAKE	5
303NB36420	3NB36420	FILM GUIDE STOPPER	3
303NB36430	3NB36430	FILM GUIDE STOPPER C	3
303NB36460	3NB36460	STATIC-ELIMINATOR EJECT	3
303NB36471	3NB36471	PLATE EARTH EJECT	5
303NB36480	3NB36480	FILM PADDLE B	5
303NB36490	3NB36490	STATIC-ELIMINATOR EJECT SIDE	5
303NB36500	3NB36500	STATIC-ELIMINATOR EJECT CENTER	5
303NB36510	3NB36510	FILM GUIDE STOPPER B	3
303NB36521	3NB36521	GUIDE PAPER EXIT	5
303NB36530	3NB36530	SPRING EXIT F	5
303NB36540	3NB36540	SPRING EXIT R	5
303NB36550	3NB36550	RUBBER FEED	3
303NB36580	3NB36580	STATIC-ELIMINATOR PAPER STOPPER	3
303NB36591	3NB36591	LEVER PAPER PRESS	5
303NB36600	3NB36600	CAM PADDLE	5
303NB36630	3NB36630	SPRING EXIT PRESS	5
303NB36640	3NB36640	FILM GUIDE STOPPER D	3
303NB36650	3NB36650	FILM GUIDE STOPPER E	3
303NB36661	3NB36661	PULLEY MIDDLE	4
303NB37110	3NB37110	FRAME MAIN TRAY CENTER	2
303NB37130	3NB37130	PIN RAIL	2
303NB37161	3NB37161	FILM SENSOR	3
303NB37172	3NB37172	PLATE DETECTION	3
303NB37190	3NB37190	FILM FRAME TRAY	2
303NB38021	3NB38021	MOUNT STAPLER	3
303NB38030	3NB38030	BELT STAPLER SHIFT	3
303NB38040	3NB38040	SHAFT STAPLER SHIFT	3
303NB38051	3NB38051	PLATE STAPLER SHIFT	3
303NB38060	3NB38060	STOPPER STAPLER MOUNT	3
303NB38071	3NB38071	RAIL STAPLER SHIFT FRONT	3
303NB38080	3NB38080	SHAFT STOPPER PULLEY	3
303NB38090	3NB38090	SHAFT MOUNT PULLEY	3
303NB38100	3NB38100	PLATE STAPLER UNIT TENSION	3
303NB38110	3NB38110	STOPPER DRIVE BELT	3
303NB38121	3NB38121	RAIL STAPLER SHIFT REAR	3
303NB38131	3NB38131	MOUNT PRINT STAPLER	3
303NB38140	3NB38140	COVER STAPLER	3
303NB38150	3NB38150	STOPPER BUSH	3
303NB38160	3NB38160	FILM STAPLER	3
303NB38180	3NB38180	GUIDE STAPLER	3
303NB38190	3NB38190	PLATE EARTH STAPLER	3
303NB46180	3NB46180	WIRE INTERFACE A	7,8
303NB46190	3NB46190	WIRE INTERFACE B	2,7
303NB94020	3NB94020	PARTS PWB STAPLER ASSY SP	3
303NB94040	3NB94040	PARTS MOTOR-PM MOVING SP	3,6
303NB94140	3NB94140	PARTS SENSOR OPT. SP	6

Part.No. 部品番号	Alternative. 代替部品番号	Description 部品名称	Fig.No.
303NC02101	3NC02101	PARTITION FINISHER	2
303NC02110	3NC02110	FILM PARTITION	2
303NC02140	3NC02140	PLATE RIGHT F	2
303NC02150	3NC02150	PLATE LEFT	2
303NC02160	3NC02160	PLATE RIGHT R	2
303NC02210	3NC02210	PLATE LEG U	2
303NC02220	3NC02220	PLATE HANDLE	2
303NC02230	3NC02230	SHAFT HANDLE	2
303NC02240	3NC02240	SPRING HANDLE B	2
303NC02250	3NC02250	STOPPER LEG	2
303NC02300	3NC02300	PLATE HAND	2
303NC04011	3NC04011	COVER TOP	1
303NC04022	3NC04022	COVER TOP OPEN	1
303NC04034	3NC04034	COVER FRONT	1
303NC04043	3NC04043	COVER FRONT OPEN	1
303NC04051	3NC04051	COVER REAR	1
303NC04063	3NC04063	COVER LID REAR	1
303NC04070	3NC04070	COVER LEFT UPPER	1
303NC04080	3NC04080	COVER BOTTOM	1
303NC04111	3NC04111	COVER FOOT LOWER FRONT	1
303NC04121	3NC04121	COVER FOOT LOWER REAR	1
303NC04130	3NC04130	COVER FOOT MIDDLE	1
303NC04141	3NC04141	COVER PAPER STOPPER	1
303NC04151	3NC04151	FULCRUM-PLATE FRONT	1
303NC04160	3NC04160	FULCRUM-PLATE TOP FRONT	1
303NC04170	3NC04170	FULCRUM-PLATE TOP REAR	1
303NC04180	3NC04180	MOUNT TOP SW	6
303NC04200	3NC04200	COVER LEG UP	1
303NC04220	3NC04220	LID LEG UP	1
303NC04230	3NC04230	COVER LEG LOW	1
303NC04250	3NC04250	LID LEG LOW	1
303NC24012	3NC24012	GUIDE CONVEYING UPPER	4
303NC24022	3NC24022	GUIDE CONVEYING LOWER	4
303NC24041	3NC24041	ACTUATOR CONVEYING	4
303NC24060	3NC24060	GUIDE EXIT PUSH	4
303NC24070	3NC24070	SPRING EXIT PUSH	4
303NC31010	3NC31010	BELT 236	6
303NC34020	3NC34020	LABEL D1	4
303NC34030	3NC34030	LABEL D2	4
303NC34100	3NC34100	LABEL OPERATION	1
303NC34110	3NC34110	LABEL D3	1
303NC36010	3NC36010	ROLLER EXIT	3
303NC36020	3NC36020	SPRING GUIDE PAPER PRESS B	5
303NC36030	3NC36030	SHEET PADDLE A	3
303NC37011	3NC37011	MOUNT DRIVE	6
303NC37020	3NC37020	GEAR Z60 Z18	6
303NC37031	3NC37031	LEVER SENSOR	2
303NC37050	3NC37050	PLATE PULLEY	2
303NC37060	3NC37060	SHAFT MAIN TRAY	6
303NC37080	3NC37080	FRAME MAIN TRAY FRONT	2
303NC37100	3NC37100	FRAME MAIN TRAY REAR	2

Part.No. 部品番号	Alternative. 代替部品番号	Description 部品名称	Fig.No.
303NC37130	3NC37130	RAIL MAIN TRAY	2
303NC37140	3NC37140	PULLEY 32S3M	6
303NC37150	3NC37150	BELT LIFT	6
303NC37160	3NC37160	HOLDER TIMING BELT	6
303NC37180	3NC37180	STOPPER FRONT BELT	6
303NC37190	3NC37190	STOPPER REAR BELT	6
303NC38011	3NC38011	SPACER STAPLER	3
303NC39011	3NC39011	MOUNT PWB	6
303NC39020	3NC39020	DUCT UPPER GUIDE WIRE 1	6
303NC39032	3NC39032	DUCT UPPER GUIDE WIRE 2	6
303NC39050	3NC39050	GUIDE FFC	6
303NC46060	3NC46060	WIRE FRONT	7
303NC46070	3NC46070	WIRE TRAY SENSOR	7
303NC46080	3NC46080	WIRE CI SENSOR	7
303NC46090	3NC46090	WIRE ME SENSOR	7
303NC46100	3NC46100	WIRE STAPLER	7
303NC46110	3NC46110	WIRE NCK MOTOR	7
303NC46120	3NC46120	WIRE PADDLE SENSOR	7
303NC46150	3NC46150	WIRE MID TRAY MOTOR	7
303NC46160	3NC46160	WIRE STP HP SENSOR	7
303NC46170	3NC46170	WIRE MOTOR EARTH	5
303NC94020	3NC94020	PARTS DC MOTOR ASSY SP	6
303NF31060	3NF31060	GEAR Z35R	3
303NV94010	3NV94010	PARTS MOTOR DP SP	6
303NW94060	3NW94060	PARTS SENSOR OPT. SP	3,4
303PG07010	3PG07010	SHEET FEED IN	4
303PG36010	3PG36010	FILM GUIDE STOPPER F	3
303PG36020	3PG36020	FILM GUIDE STOPPER R	3
303PW36160	3PW36160	COVER MIDDLE TRAY WIRE	3
303PW36240	3PW36240	MOUNT PI UPPER GUIDE	3
303RV04010	3RV04010	COVER TOP RIGHT	1
303RV46010	3RV46010	WIRE SENSOR 1	7
303RV46020	3RV46020	WIRE SENSOR 2	7
303RV46030	3RV46030	WIRE MOTOR 1	7
303RV46040	3RV46040	WIRE MOTOR 2	7
303RV46050	3RV46050	WIRE FFC	7
303RV46060	3RV46060	WIRE MID TRAY SENSOR	7
303RV94010	3RV94010	PARTS PWB DF MAIN ASSY SP	6
303RW07020	3RW07020	STAY PUNCH	2
303RW07040	3RW07040	GUIDE FEED ROLLER	4
303RW24160	3RW24160	SPRING GUIDE HOLD	4
303RW31010	3RW31010	MOUNT FEED IN DRIVE	6
303RW31020	RW31020	MOUNT CONVEYING	6
303RW36020	3RW36020	GUIDE MIDDLE TRAY	3
303RW37010	3RW37010	TRAY MAIN UP	8
303RW37020	3RW37020	TRAY MAIN LOW	8
303RW94020	3RW94020	PARTS ROLLER FEED LOWER SP	3
303RW94030	3RW94030	PARTS ROLLER FEED UPPER SP	4
303RW94050	3RW94050	PARTS ROLLER MIDDLE SP	3
3AK20200	3AK20200	PULLEY,MAIN TRAY	2
3AP02040	3AP02040	PULLEY 30,DUPLEX	3

Part.No. 部品番号	Alternative. 代替部品番号	Description 部品名称	Fig.No.
3B807230	3B807230	COLLAR,MIDDLE BELT	3
3CZ02230	3CZ02230	PIN,HOOK FULCRUM	2
3H316050	3H316050	GEAR 46 DRUM DRIVE	6
3H608230	3H608230	SPRING C PULLEY	4
5MVM176DN001	3B706020	PULLEY RAIL CASS /40283V0034 A4	3
5MVX111DN003	2A806250	RING STOPPER /A-49 FEED A4	3,5,6
63212210	63212210	STATIC ELIMINATOR,EJECT	4
63213320	63213320	CUSHION,ORIGINAL COLLECTION	1,4
72418140	72418140	SPRING, BLADE	3
7BE006124431H01	BE119720	BEARING MR126ZZ	3,4
7BE008121R31H01	BE121740	BEARING MF128ZZ	3
7BE008165431H01	BE119730	BEARING 688ZZ	3,5
7SP01000006+H01	SP121020	SW.PUSH	3
7UMDEC002K81HQ2	NCQA5050	IC.EEPROM	6
7YZM110003++H01	YZ034780	ACCESS,BUSHING	6
7YZM210005++H01	YZ037990	ACCESS,EDGING	6
7YZM390015++H01	YZ124850	ACCESS,CLAMP	6
7YZM510007++H01	YZ042780	ACCESS.SPACER	6
7YZM610001++H01	YZ010230	ACCESS,SADDLE	6
7YZM610008++H01	YZ037940	ACCESS,SADDLE	6
M2104350	M2104350	EDGING,EDS-0607M(KITAGAWA)	3,6
M21AH010	M21AH010	BAND,RSG-130-V0(KITAGAWA)	3,6

---

**AK-740**

—— CONTENTS ——

FIG. 1 AK-740 ..... 2

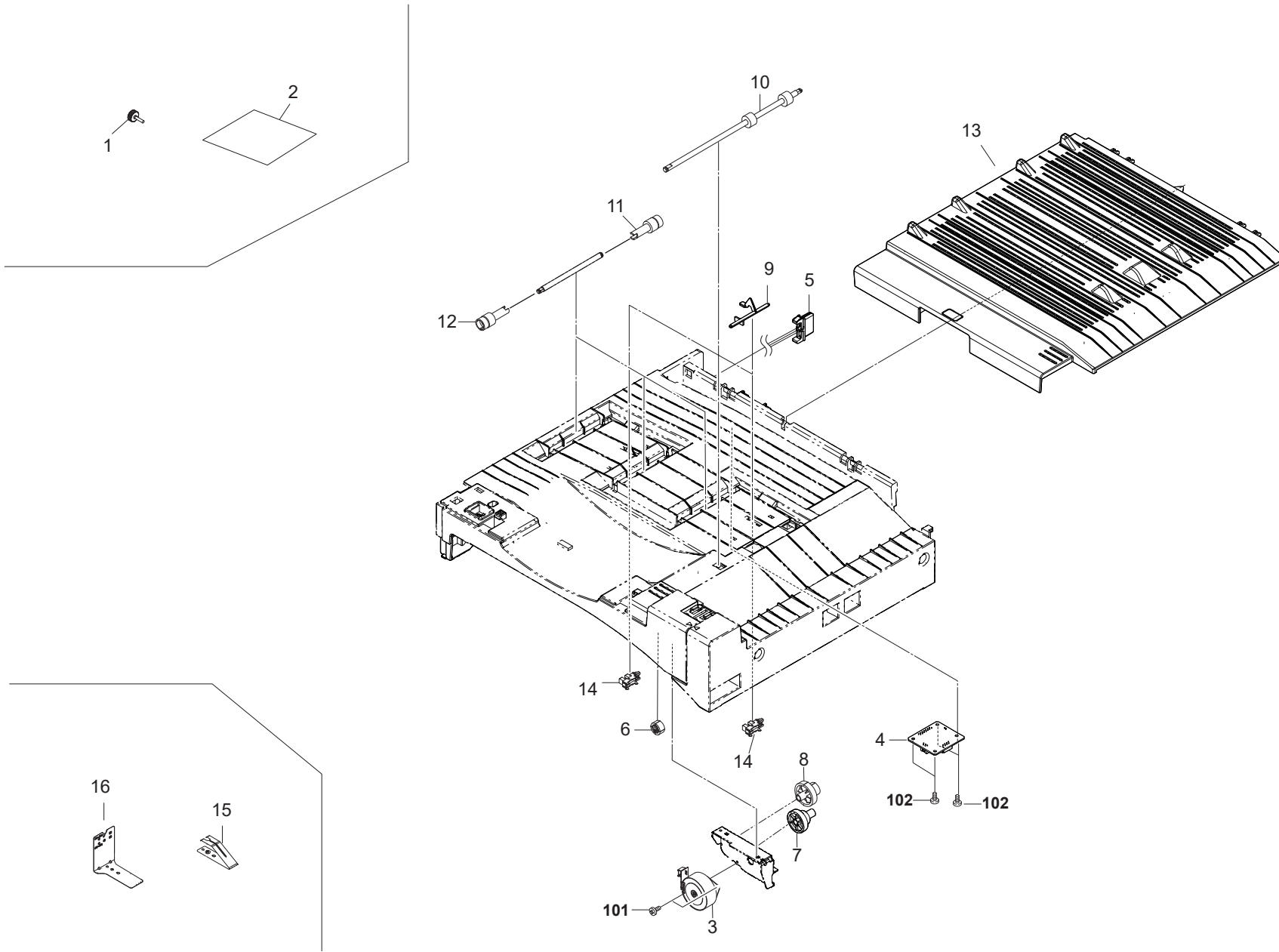


FIG. 1 AK-470

3PD

Ref. No. 番号	Part.No. 部品番号	Alternative. 代替部品番号	Description 部 品 名 称	Notes 備 考	Revision 改 訂	Quantity 個数			
						100(日本)	120	230	240
1	303NS24410	3NS24410	SCREW PLATE DF			1	1	1	1
2	303NS34050	3NS34050	LABEL PUSH SET			1	1	1	1
3	302K944060	2K944060	MOTOR PM FEED			1	1	1	1
4	303PD94050	3PD94050	PARTS PWB BRIDGE ASSY SP			1	1	1	1
5	303PD46010	3PD46010	WIRE INTERFACE			1	1	1	1
6	303NS94030	3NS94030	PARTS GEAR Z28 SP			1	1	1	1
7	303PD24090	3PD24090	GEAR Z52 Z32			1	1	1	1
8	303NS94050	3NS94050	PARTS GEAR Z28-Z56 SP			1	1	1	1
9	303PD24120	3PD24120	ACUTUATOR FEED			2	2	2	2
10	303PD94020	3PD94020	PARTS ROLLER FEED A SP			1	1	1	1
11	303PD94030	3PD94030	PARTS ROLLER FEED B SP			3	3	3	3
12	303PD94040	3PD94040	PARTS ROLLER FEED C SP			3	3	3	3
13	303PD94010	3PD94010	PARTS GUIDE UPPER ASSY SP			1	1	1	1
14	7NXSG2A141+++H01	NX120700	SENSOR OPT.			2	2	2	2
15	303PG02050	3PG02050	PLATE EARTH			1	1	1	1
16	303PG02060	3PG02060	PLATE HOLDER EARTH			1	1	1	1
101	7BB700308H	BB105600	+BIND T.T S SCREW 3X8 SR						
102	7BB200308H	BB105660	+BIND T.T P SCREW 3X8						

• Parts with a Ref.No. of 500 and above in the illustration indicate they are not selected for service parts.

・イラスト中で 500 番台の Ref 番号が付いている部品はサービスパーツに選定されていません。



---

**MT-730(B)**

———— CONTENTS/ 目次 ————

FIG. 1	Covers .....	2
FIG. 2	Paper Conveying Section 1 .....	4
FIG. 3	Paper Conveying Section 2 .....	7
FIG. 4	Accessories .....	9
FIG. 5	Options (AK-736) (MT-730(B)) .....	11
	• INDEX/ 索引.....	13



FIG. 1 Covers

3N0-3

Ref. No. 番号	Part.No. 部品番号	Alternative. 代替部品番号	Description 部 品 名 称	Notes 備 考	Revision 改 訂	Quantity 個数			
						100(日本)	120	230	240
1	303JY28280	3JY28280	CUSHION EJECT GUIDE B			2	2	2	2
2	303LW24110	3LW24110	MOUNT INTER ROCK			1	1	1	1
3	2FB27160	2FB27160	INTER LOCK SWITCH			1	1	1	1
4	303LW24031	3LW24031	STAY EJECT DF			1	1	1	1
5	303LW24100	3LW24100	MOUNT SENSOR EJECT			1	1	1	1
6	303H327460	3H327460	SENSOR A,SEPARATION			1	1	1	1
7	303H321120	3H321120	CUSHION HOLDER			3	3	3	3
8	7YZM610007++H01	YZ023340	ACCESS.SADDLE			2	2	2	2
9	303LW46040	3LW46040	WIRE MIDDLE			1	1	1	1
10	303LW24040	3LW24040	STAY EJECT			1	1	1	1
11	303N024020	3N024020	GUIDE FEED IN			1	1	1	1
12	303LW02130	3LW02130	BUSH LEVER			1	1	1	1
13	303LW24550	3LW24550	LEVER SEPARATE CLAW B			1	1	1	1
14	5MVX111DN003	2A806250	RING STOPPER /A-49 FEED A4			2	2	2	2
15	303LW24141	3LW24141	UPPER GUIDE ADMISSION			1	1	1	1
16	302H702590	2H702590	BUSH SCREW			1	1	1	1
17	303J902291	3J902291	PIN TABLE FULCRUM			4	4	4	4
18	303LW24190	3LW24190	SHAFT FEED PULLEY			3	3	3	3
19	303LW04030	3LW04030	COVER VERTICAL			1	1	1	1
20	303LW04070	3LW04070	LEVER VERTICAL COVER			1	1	1	1
21	5MMS626SD003	2BM04100	PLATE MAGCHATCH			2	2	2	2
22	303LW34030	3LW34030	LABEL PAPER CAUTION			1	1	1	1
23	2FG06070	2FG06070	SPRING FEED JOINT			6	6	6	6
24	302H008220	2H008220	PULLEY 15 MPF FEED			6	6	6	6
25	303J128320	3J128320	SPONGE EJECT			5	5	5	5
26	303J204070	3J204070	BIN EJECT S			7	7	7	7
27	303LW04020	3LW04020	COVER TOP			1	1	1	1
28	303LW04010	3LW04010	COVER SIDE			2	2	2	2
29	303LW34020	3LW34020	LABEL JAM			1	1	1	1
30	303LW02011	3LW02011	FRAME FRONT			1	1	1	1
31	303LW02021	3LW02021	FRAME REAR			1	1	1	1
32	302J002100	2J002100	SHEET GUIDE			4	4	4	4
33	303JY24AA0	3JY24AA0	CUSHION FEED			1	1	1	1
34	303N024060	3N024060	FILM FEED IN			4	4	4	4
101	7BB600320H	BB105740	+BIND M SCREW 3X20 R						
102	7BB700308H	BB105600	+BIND T.T S SCREW 3X8 SR						
103	7BB607312H	BB107140	+TP-CUP M SCREW 3X12 R						
104	7BB702308H	BB107060	+TP-FLAT T.T S SCREW 3X8 SR						

• Parts with a Ref.No. of 500 and above in the illustration indicate they are not selected for service parts.

• イラスト中で 500 番台の Ref 番号が付いている部品はサービスパーツに選定されていません。

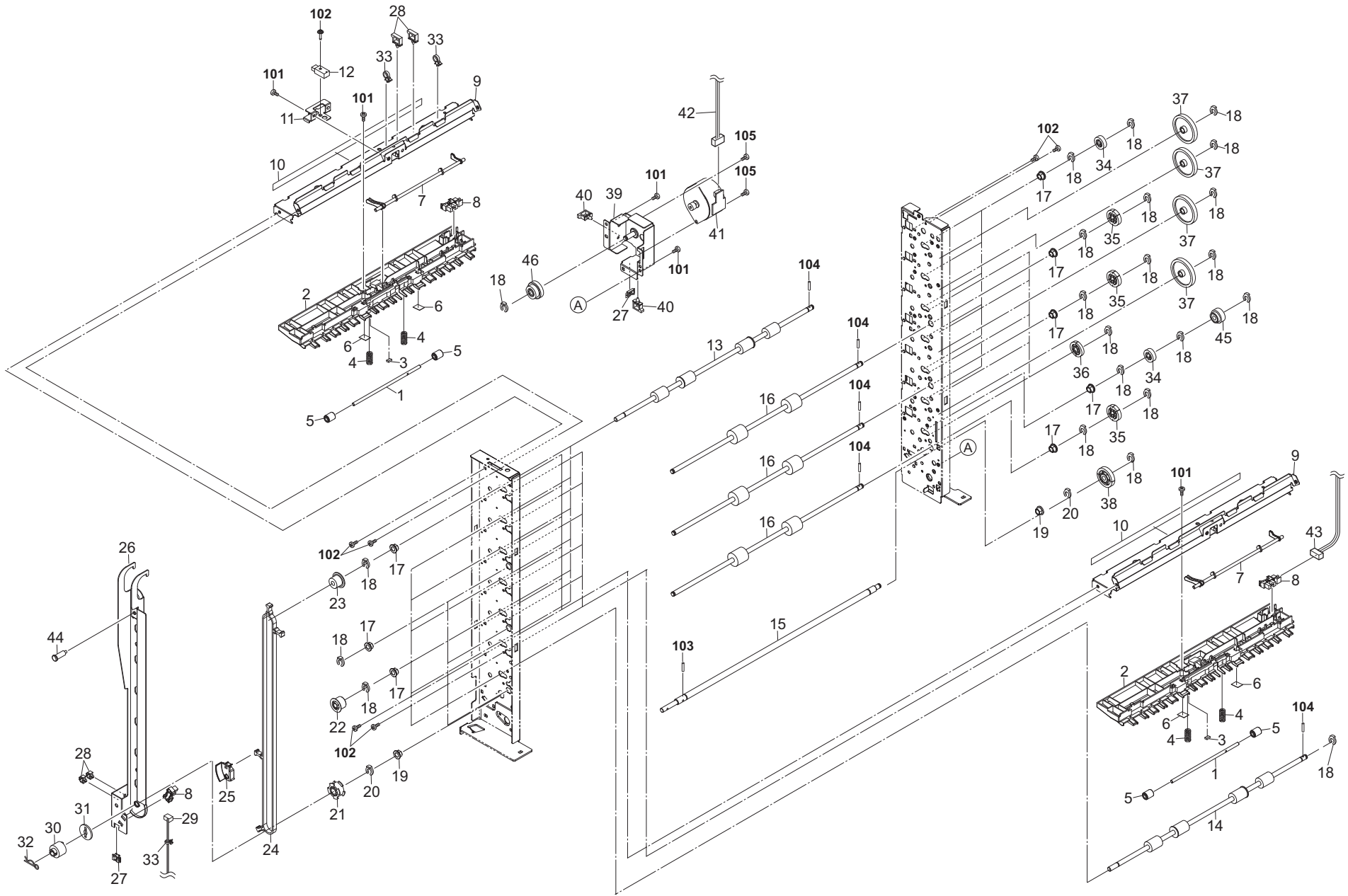


FIG. 2 Paper Conveying Section 1

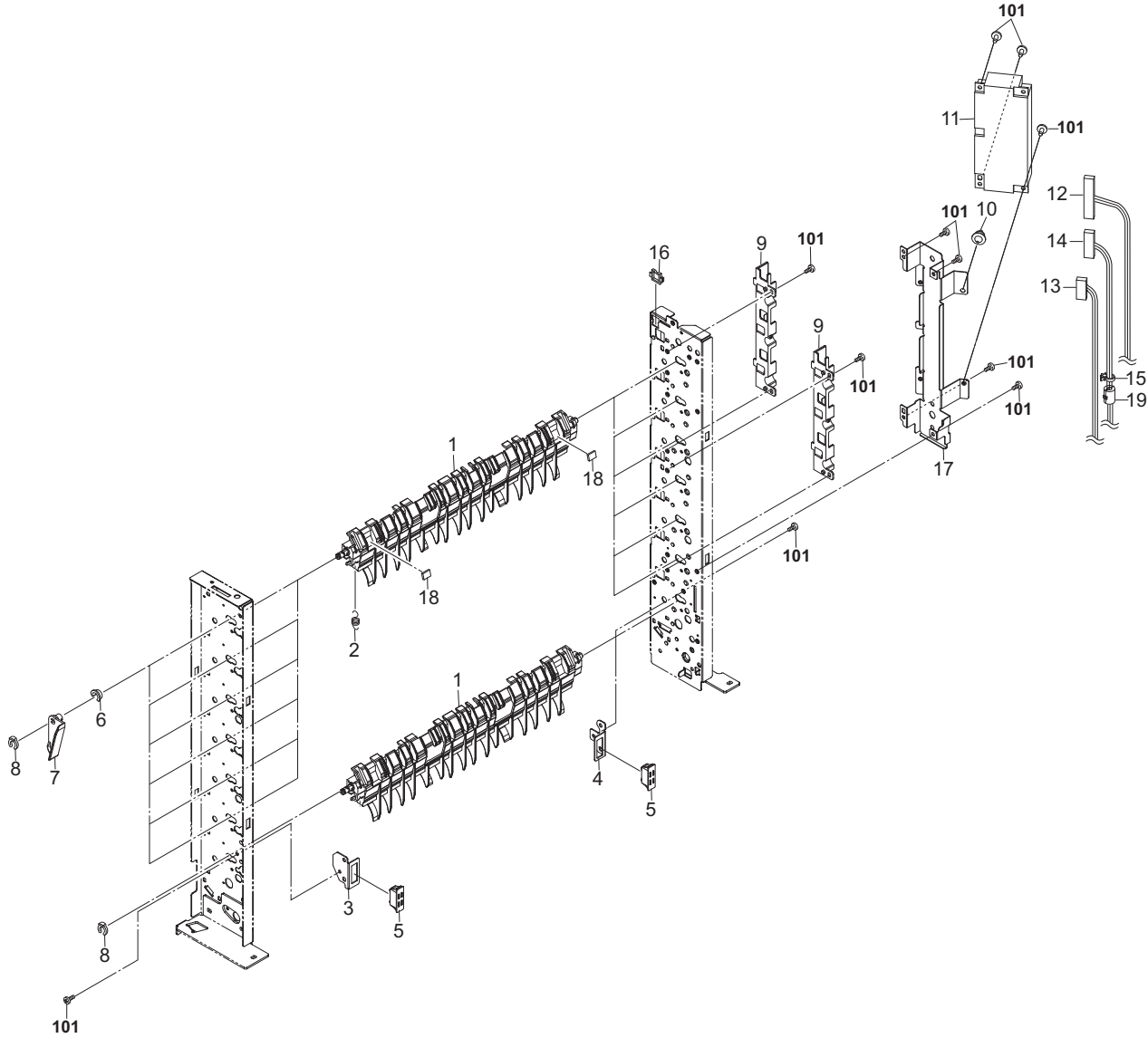
3N0-1

Ref. No. 番号	Part.No. 部品番号	Alternative. 代替部品番号	Description 部品名称	Notes 備考	Revision 改訂	Quantity 個数			
						100(日本)	120	230	240
1	303JY38180	3JY38180	SHAFT PULLEY SC			7	7	7	7
2	303LW24050	3LW24050	UPPER GUIDE EJECT			7	7	7	7
3	303JY28280	3JY28280	CUSHION EJECT GUIDE B			7	7	7	7
4	303LW24160	3LW24160	SPRING EXIT			14	14	14	14
5	303LW24060	3LW24060	PULLEY EJECT			14	14	14	14
6	303LW24170	3LW24170	FILM EJECT			14	14	14	14
7	303LW24070	3LW24070	ACTUATOR OVERFLOW			7	7	7	7
8	2C927210	2C927210	SENSOR 248NL1			8	8	8	8
9	303LW24040	3LW24040	STAY EJECT			7	7	7	7
10	63212210	63212210	STATIC ELIMINATOR,EJECT			7	7	7	7
11	303LW24100	3LW24100	MOUNT SENSOR EJECT			1	1	1	1
12	303H327470	3H327470	SENSOR B SEPARATION			1	1	1	1
13	303LW94020	3LW94020	PARTS ROLLER EJECT A			6	6	6	6
14	303N094020	3N094020	PARTS ROLLER EJECT C SP			1	1	1	1
15	303LW24520	3LW24520	SHAFT SEPARATE DRIVE			1	1	1	1
16	303LW94010	3LW94010	PARTS ROLLER CONVEYING			3	3	3	3
17	3CY07080	3CY07080	BUSHING 6			20	20	20	20
18	5MVX111DN003	2A806250	RING STOPPER /A-49 FEED A4			43	43	43	43
19	28107310	49028101	BUSH 8			2	2	2	2
20	2BC06910	2BC06910	STOPPER 6			2	2	2	2
21	3AK07230	3AK07230	PULLEY 20S3M			1	1	1	1
22	3BC08101	3BC08101	PULLEY,REGISTRATION			6	6	6	6
23	75722252	75722252	IDLE PULLEY 15			1	1	1	1
24	3B807380	3B807380	LOWER BELT,MIDDLE TRAY			1	1	1	1
25	303LW24530	3LW24530	SUPPORTPLATE BELT			1	1	1	1
26	303LW24540	3LW24540	MOUNT SEPARATE PI			1	1	1	1
27	7YZM210006++H01	YZ038000	ACCESS.EDGING			2	2	2	2
28	7YZM610007++H01	YZ023340	ACCESS.SADDLE			4	4	4	4
29	303LW46050	3LW46050	WIRE HP SENSOR			1	1	1	1
30	36706900	36706900	TORQUE LIMITER,PAPER FEED			1	1	1	1
31	3CG22030	3CG22030	JOINT,TORQUE LIMITER			1	1	1	1
32	E9000080	E9000080	PIN SNAP P8			1	1	1	1
33	M21AH010	M21AH010	BAND,RSG-130-V0(KITAGAWA)			3	3	3	3
34	3H622320	3H622320	GEAR 20 LIFT			7	7	7	7
35	66018180	66018180	GEAR 26,SPIRAL ROLLER			3	3	3	3
36	2BL06190	2BL06190	GEAR Z25 FEED			5	5	5	5
37	302F909540	2F909540	GEAR Z49			4	4	4	4
38	3HK22040	3HK22040	GR 33 CONV			1	1	1	1
39	303N031010	3N031010	MOUNT MOTOR			1	1	1	1
40	7YZM610008++H01	YZ037940	ACCESS.SADDLE			2	2	2	2
41	2FB27110	2FB27110	MOTOR FEED			1	1	1	1
42	303LW46030	3LW46030	WIRE MOTOR			1	1	1	1
43	303LW46070	3LW46070	WIRE SENSOR			1	1	1	1
44	3036006141	36006141	PIN,JAM REMOVAL DIAL			1	1	1	1
45	303N031020	3N031020	GEAR Z22			1	1	1	1
46	303N031030	3N031030	GEAR Z28 Z21			1	1	1	1

• Parts with a Ref.No. of 500 and above in the illustration indicate they are not selected for service parts.

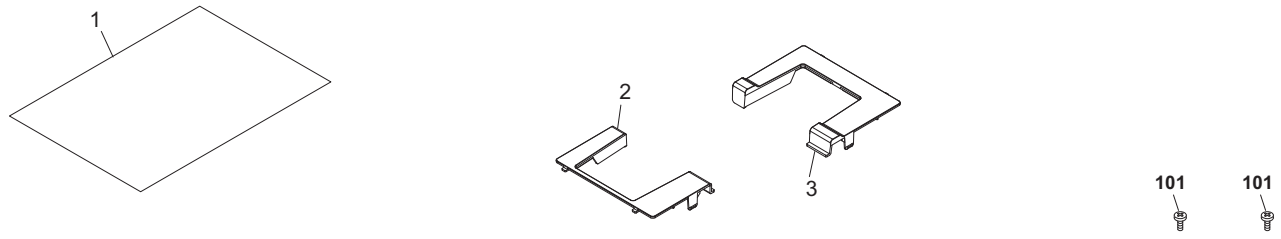
• イラスト中で 500 番台の Ref 番号が付いている部品はサービスパーツに選定されていません。













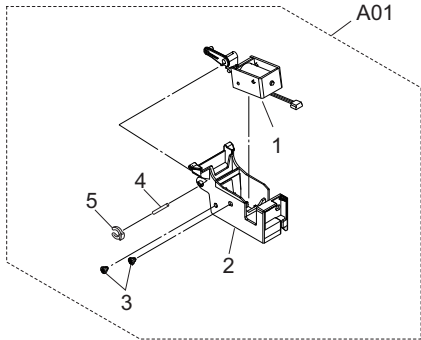
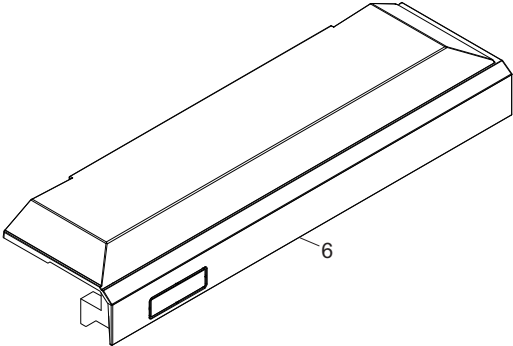
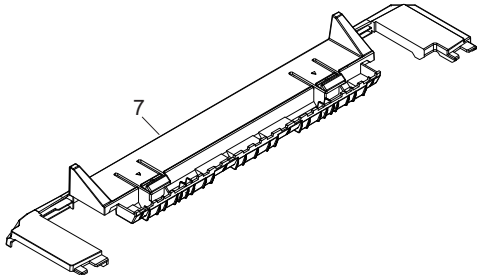


FIG. 5 Options (AK-736) (MT-730(B))

3N0-1

Ref. No. 番号	Part.No. 部品番号	Alternative. 代替部品番号	Description 部品名称	Notes 備考	Revision 改訂	Quantity 個数			
						100(日本)	120	230	240
A01	303N094030	3N094030	PARTS AK-736 SOLENOID ASSY SP			1	1	1	1
1	303N094050	3N094050	PARTS LEVER SOLENOID ASSY SP			1	1	1	1
2	303N024030	3N024030	HOLDER SOLENOID			1	1	1	1
3	302F325090	2F325090	STUD SCREW M3			2	2	2	2
4	303N024050	3N024050	SHAFT LEVER			1	1	1	1
5	5MVX111DN007	2BT11070	STOPPER 3/2BT1107 A4			1	1	1	1
6	303N004030	3N004030	COVER RIGHT			1	1	1	1
7	303N004040	3N004040	COVER LEFT			1	1	1	1
101	7BB700412H	BB106830	+BIND T.T S SCREW 4X12 SR						

• Parts with a Ref.No. of 500 and above in the illustration indicate they are not selected for service parts.

・イラスト中で 500 番台の Ref 番号が付いている部品はサービスパーツに選定されていません。

Part.No. 部品番号	Alternative. 代替部品番号	Description 部品名称	Fig.No.
28107310	49028101	BUSH 8	2
2BC06910	2BC06910	STOPPER 6	2
2BL06190	2BL06190	GEAR Z25 FEED	2
2C927210	2C927210	SENSOR 248NL1	2
2FB17200	2FB17200	MAGNET UPPER REG GUIDE	3
2FB27110	2FB27110	MOTOR FEED	2
2FB27160	2FB27160	INTER LOCK SWITCH	1
2FG06070	2FG06070	SPRING FEED JOINT	1
302F325090	2F325090	STUD SCREW M3	5
302F909540	2F909540	GEAR Z49	2
302H008220	2H008220	PULLEY 15 MPF FEED	1
302H702590	2H702590	BUSH SCREW	1
302J002100	2J002100	SHEET GUIDE	1
3036006141	36006141	PIN,JAM REMOVAL DIAL	2
303H321120	3H321120	CUSHION HOLDER	1
303H327460	3H327460	SENSOR A,SEPARATION	1
303H327470	3H327470	SENSOR B SEPARATION	2
303J128320	3J128320	SPONGE EJECT	1
303J204070	3J204070	BIN EJECT S	1
303J234010	3J234010	LABEL BIN	4
303J902291	3J902291	PIN TABLE FULCRUM	1
303JY24AA0	3JY24AA0	CUSHION FEED	1
303JY24AB0	3JY24AB0	CUSHION C ON	3
303JY28280	3JY28280	CUSHION EJECT GUIDE B	1,2
303JY38180	3JY38180	SHAFT PULLEY SC	2
303LW02011	3LW02011	FRAME FRONT	1
303LW02021	3LW02021	FRAME REAR	1
303LW02030	3LW02030	PLATE PWB	3
303LW02070	3LW02070	MOUNT MAGNET FRONT	3
303LW02080	3LW02080	MOUNT MAGNET REAR	3
303LW02110	3LW02110	GUIDE WIRE	3
303LW02130	3LW02130	BUSH LEVER	1,3
303LW04010	3LW04010	COVER SIDE	1
303LW04020	3LW04020	COVER TOP	1
303LW04030	3LW04030	COVER VERTICAL	1
303LW04070	3LW04070	LEVER VERTICAL COVER	1
303LW24011	3LW24011	GUIDE CONVEYING	3
303LW24031	3LW24031	STAY EJECT DF	1
303LW24040	3LW24040	STAY EJECT	1,2
303LW24050	3LW24050	UPPER GUIDE EJECT	2
303LW24060	3LW24060	PULLEY EJECT	2
303LW24070	3LW24070	ACTUATOR OVERFLOW	2
303LW24100	3LW24100	MOUNT SENSOR EJECT	1,2
303LW24110	3LW24110	MOUNT INTER ROCK	1
303LW24141	3LW24141	UPPER GUIDE ADMISSION	1
303LW24160	3LW24160	SPRING EXIT	2
303LW24170	3LW24170	FILM EJECT	2
303LW24180	3LW24180	SPRING PULL GUIDE	3
303LW24190	3LW24190	SHAFT FEED PULLEY	1
303LW24510	3LW24510	LEVER SEPARATE CLAW	3
303LW24520	3LW24520	SHAFT SEPARATE DRIVE	2

Part.No. 部品番号	Alternative. 代替部品番号	Description 部品名称	Fig.No.
303LW24530	3LW24530	SUPPORTPLATE BELT	2
303LW24540	3LW24540	MOUNT SEPARATE PI	2
303LW24550	3LW24550	LEVER SEPARATE CLAW B	1
303LW34020	3LW34020	LABEL JAM	1
303LW34030	3LW34030	LABEL PAPER CAUTION	1
303LW46010	3LW46010	WIRE MAIN	3
303LW46020	3LW46020	WIRE INTERFACE	3
303LW46030	3LW46030	WIRE MOTOR	2
303LW46040	3LW46040	WIRE MIDDLE	1
303LW46050	3LW46050	WIRE HP SENSOR	2
303LW46060	3LW46060	WIRE INTERLOCK SW	3
303LW46070	3LW46070	WIRE SENSOR	2
303LW94010	3LW94010	PARTS ROLLER CONVEYING	2
303LW94020	3LW94020	PARTS ROLLER EJECT A	2
303N004010	3N004010	COVER LID FRONT	4
303N004020	3N004020	COVER LID REAR	4
303N004030	3N004030	COVER RIGHT	5
303N004040	3N004040	COVER LEFT	5
303N024020	3N024020	GUIDE FEED IN	1
303N024030	3N024030	HOLDER SOLENOID	5
303N024050	3N024050	SHAFT LEVER	5
303N024060	3N024060	FILM FEED IN	1
303N031010	3N031010	MOUNT MOTOR	2
303N031020	3N031020	GEAR Z22	2
303N031030	3N031030	GEAR Z28 Z21	2
303N094020	3N094020	PARTS ROLLER EJECT C SP	2
303N094030	3N094030	PARTS AK-736 SOLENOID ASSY SP	5
303N094040	3N094040	PARTS PWB MAIN ASSY B SP	3
303N094050	3N094050	PARTS LEVER SOLENOID ASSY SP	5
36706900	36706900	TORQUE LIMITER,PAPER FEED	2
3AK07230	3AK07230	PULLEY 20S3M	2
3B807380	3B807380	LOWER BELT,MIDDLE TRAY	2
3BC08101	3BC08101	PULLEY,REGISTRATION	2
3CG22030	3CG22030	JOINT,TORQUE LIMITER	2
3CY07080	3CY07080	BUSHING 6	2
3H622320	3H622320	GEAR 20 LIFT	2
3HK22040	3HK22040	GR 33 CONV	2
5MMS626SD003	2BM04100	PLATE MAGCHATCH	1
5MVX111DN003	2A806250	RING STOPPER /A-49 FEED A4	1,2,3
5MVX111DN007	2BT11070	STOPPER 3 /2BT1107 A4	5
63212210	63212210	STATIC ELIMINATOR,EJECT	2
66018180	66018180	GEAR 26, SPIRAL ROLLER	2
75722252	75722252	IDLE PULLEY 15	2
7YBEJ0J0D001H01	YB045400	FERRITE CORE	3
7YZM210006++H01	YZ038000	ACCESS.EDGING	2,3
7YZM610007++H01	YZ023340	ACCESS.SADDLE	1,2
7YZM610008++H01	YZ037940	ACCESS.SADDLE	2
E9000080	E9000080	PIN SNAP P8	2
M2108000	49628603	SPACER,KGLS-3S	3
M21AH010	M21AH010	BAND,RSG-130-V0(KITAGAWA)	2,3

---

**PH-7B**

**PH-7A**

**PH-7C**

**PH-7D**

Rev.3

———— CONTENTS/ 目次 ————

FIG. 1	PH-7B .....	2
FIG. 2	PH-7A .....	5
FIG. 3	PH-7C .....	8
FIG. 4	PH-7D .....	11



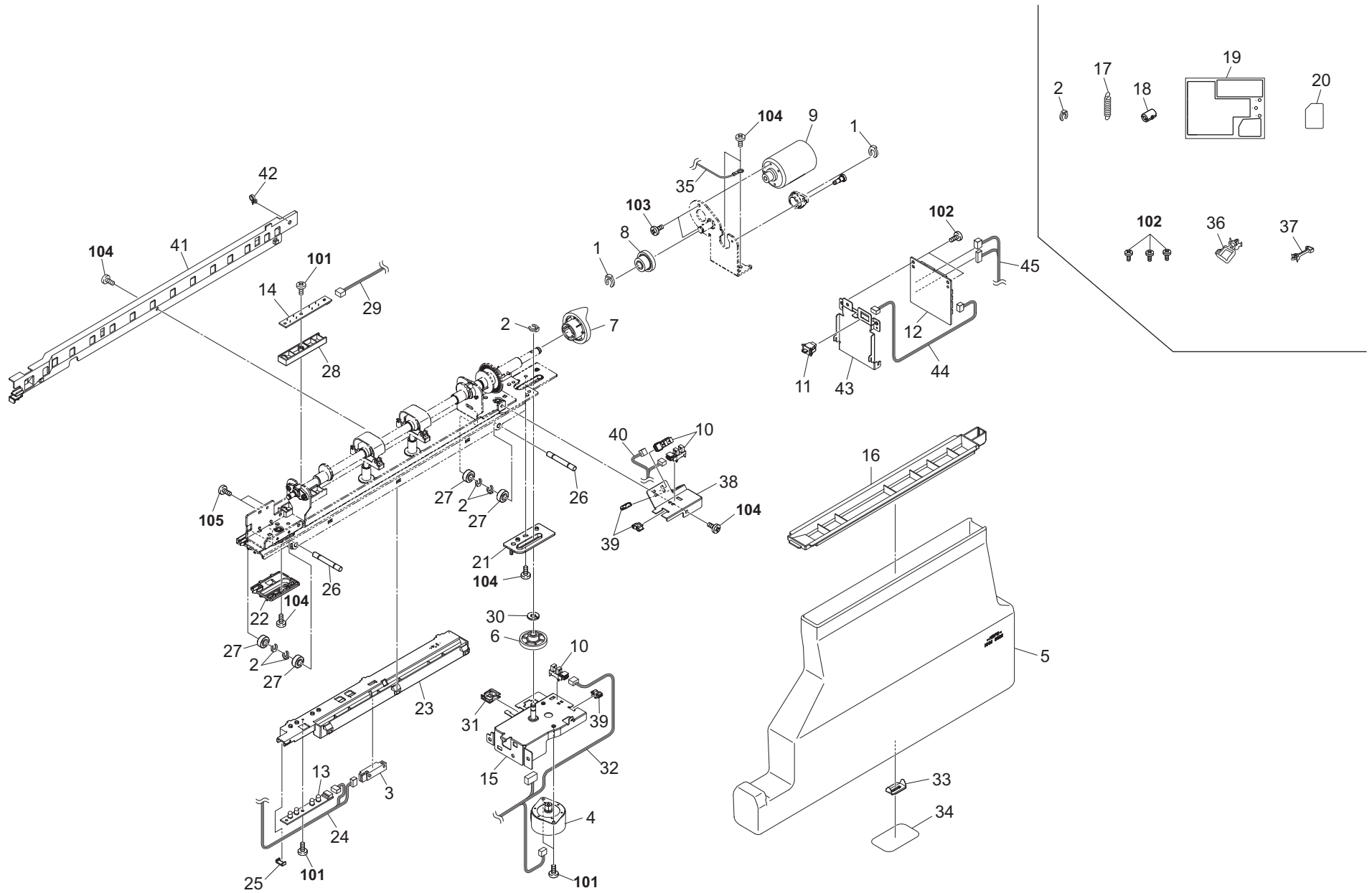


FIG. 1 PH-7B

3NK-3

Ref. No. 番号	Part.No. 部品番号	Alternative. 代替部品番号	Description 部品名称	Notes 備考	Revision 改訂	Quantity 個数			
						100(日本)	120	230	240
1	2BC06910	2BC06910	STOPPER 6			2			
2	2BC06980	2BC06980	STOPPER 5			6			
3	303H327500	3H327500	SENSOR FEED B			1			
4	303NB94040	3NB94040	PARTS MOTOR-PM MOVING SP			1			
5	303NK02010	3NK02010	TANK DISPOSAL			1			
6	303NK31020	3NK31020	GEAR Z63R-Z24S			1			
7	3H416110	3H416110	GEAR 40 CAM DRIVE			1			
8	3H416120	3H416120	GEAR 16-51 IDLE			1			
9	3H427010	3H427010	MOTOR PUNCH			1			
10	303M894260	3M894260	PARTS SENSOR OPT SP			3			
11	7SP01000006+H01	SP121020	SW.PUSH			1			
12	303NK94011	3NK94011	PARTS PWB PUNCH ASSY SP			1			
13	303NK94020	3NK94020	PARTS PWB SENSOR A ASSY SP			1			
14	303NK94030	3NK94030	PARTS PWB SENSOR B ASSY SP			1			
15	303NK31010	3NK31010	MOUNT PUNCH MOVING MOTOR			1			
16	303NK02020	3NK02020	GUIDE DISPOSAL TANK			1			
17	303NK02070	3NK02070	SPRING PUNCH			1			
18	M70CA010	M70CA010	FERRITE CORE,SFT-72SN(TAKEUCHI)			1			
19	303NK34012	3NK34012	LABEL DISPOSAL TANK			1			
20	303NK02080	3NK02080	SHEET MOTOR			1			
21	303NK35080	3NK35080	GUIDE PUNCH FRONT			1			
22	303NK35090	3NK35090	GUIDE PUNCH REAR			1			
23	303NK35060	3NK35060	GUIDE WIRE A			1			
24	303NK46070	3NK46070	WIRE PH UNIT J			1			
25	303LL02330	3LL02330	HOLDER WIRE D			1			
26	303NK35100	3NK35100	SHAFT PULLEY			2			
27	302FG07020	2FG07020	PULLEY,CASSETTE RAIL			4			
28	303NK35070	3NK35070	COVER PAPER DETECTION SENSOR			1			
29	303NK46040	3NK46040	WIRE PH PTR			1			
30	2C904550	2C904550	CUT WASHER 5			1			
31	7YZM210005++H01	YZ037990	ACCESS.EDGING			1			
32	303NK46020	3NK46020	WIRE PH MOT			1			
33	303H402040	3H402040	GROUND PLATE TANK			1			
34	303H402050	3H402050	FILM GROUND PLATE			1			
35	303NK46080	3NK46080	WIRE EARTH			1			
36	7YZM610017++H01	YZ049360	ACCESS.SADDLE			1			
37	7YZM610023++H01	YZ128180	ACCESS.SADDLE			1			
38	303NK35040	3NK35040	MOUNT PULSE DETECTION			1			
39	M2104260	M2104260	EDGING,EDS-0607U(KITAGAWA)			3			
40	303NK46050	3NK46050	WIRE PH PI			1			
41	303NK35280	3NK35280	GUIDE WIRE B			1			
42	7YZM410002++H01	YZ042720	ACCESS.BAND			1			
43	303NK02030	3NK02030	MOUNT PWB			1			
44	303NK46060	3NK46060	WIRE PH TANK SW			1			
45	303NK46010	3NK46010	WIRE PH IF			1			

• Parts with a Ref.No. of 500 and above in the illustration indicate they are not selected for service parts.

• イラスト中で 500 番台の Ref 番号が付いている部品はサービスパーツに選定されていません。



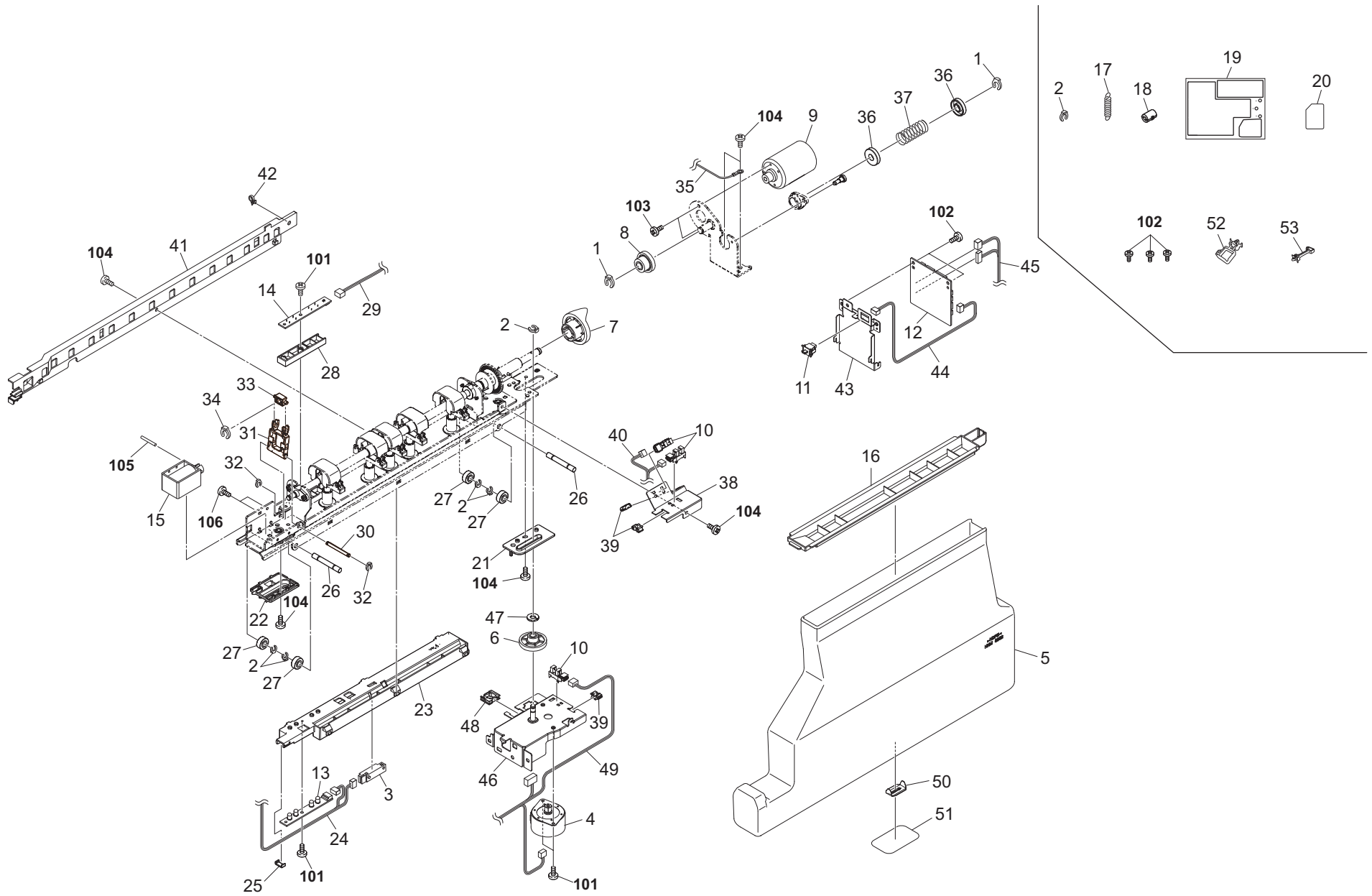


FIG. 2 PH-7A

3NK-3

Ref. No. 番号	Part.No. 部品番号	Alternative. 代替部品番号	Description 部 品 名 称	Notes 備 考	Revision 改 訂	Quantity 個数			
						100(日本)	120	230	240
1	2BC06910	2BC06910	STOPPER 6				2		
2	2BC06980	2BC06980	STOPPER 5				6		
3	303H327500	3H327500	SENSOR FEED B				1		
4	303NB94040	3NB94040	PARTS MOTOR-PM MOVING SP				1		
5	303NK02010	3NK02010	TANK DISPOSAL				1		
6	303NK31020	3NK31020	GEAR Z63R-Z24S				1		
7	3H416110	3H416110	GEAR 40 CAM DRIVE				1		
8	3H416120	3H416120	GEAR 16-51 IDLE				1		
9	3H427010	3H427010	MOTOR PUNCH				1		
10	303M894260	3M894260	PARTS SENSOR OPT SP				3		
11	7SP01000006+H01	SP121020	SW.PUSH				1		
12	303NK94011	3NK94011	PARTS PWB PUNCH ASSY SP				1		
13	303NK94020	3NK94020	PARTS PWB SENSOR A ASSY SP				1		
14	303NK94030	3NK94030	PARTS PWB SENSOR B ASSY SP				1		
15	3H427060	3H427060	SOLENOID PUNCH				1		
16	303NK02020	3NK02020	GUIDE DISPOSAL TANK				1		
17	303NK02070	3NK02070	SPRING PUNCH				1		
18	M70CA010	M70CA010	FERRITE CORE,SFT-72SN(TAKEUCHI)				1		
19	303NK34012	3NK34012	LABEL DISPOSAL TANK				1		
20	303NK02080	3NK02080	SHEET MOTOR				1		
21	303NK35080	3NK35080	GUIDE PUNCH FRONT				1		
22	303NK35090	3NK35090	GUIDE PUNCH REAR				1		
23	303NK35060	3NK35060	GUIDE WIRE A				1		
24	303NK46030	3NK46030	WIRE PH UNIT				1		
25	303LL02330	3LL02330	HOLDER WIRE D				1		
26	303NK35100	3NK35100	SHAFT PULLEY				2		
27	302FG07020	2FG07020	PULLEY,CASSETTE RAIL				4		
28	303NK35070	3NK35070	COVER PAPER DETECTION SENSOR				1		
29	303NK46040	3NK46040	WIRE PH PTR				1		
30	3H416170	3H416170	SHAFT SHIFT				1		
31	3H416080	3H416080	LEVER SHIFT				1		
32	5MVX111DN007	2BT11070	STOPPER 3 /2BT1107 A4				2		
33	3H416380	3H416380	COLLAR SHIFT				1		
34	5MVX111DN003	2A806250	RING STOPPER /A-49 FEED A4				1		
35	303NK46080	3NK46080	WIRE EARTH				1		
36	3H416070	3H416070	COLLAR PRESSURE				2		
37	3H416190	3H416190	SPRING SHIFT				1		
38	303NK35040	3NK35040	MOUNT PULSE DETECTION				1		
39	M2104260	M2104260	EDGING,EDS-0607U(KITAGAWA)				3		
40	303NK46050	3NK46050	WIRE PH PI				1		
41	303NK35280	3NK35280	GUIDE WIRE B				1		
42	7YZM410002++H01	YZ042720	ACCESS.BAND				1		
43	303NK02030	3NK02030	MOUNT PWB				1		
44	303NK46060	3NK46060	WIRE PH TANK SW				1		
45	303NK46010	3NK46010	WIRE PH IF				1		

• Parts with a Ref.No. of 500 and above in the illustration indicate they are not selected for service parts.

• イラスト中で 500 番台の Ref 番号が付いている部品はサービスパーツに選定されていません。

FIG. 2 PH-7A

3NK-3

Ref. No. 番号	Part.No. 部品番号	Alternative. 代替部品番号	Description 部品名称	Notes 備考	Revision 改訂	Quantity 個数			
						100(日本)	120	230	240
46	303NK31010	3NK31010	MOUNT PUNCH MOVING MOTOR				1		
47	2C904550	2C904550	CUT WASHER 5				1		
48	7YZM210005++H01	YZ037990	ACCESS.EDGING				1		
49	303NK46020	3NK46020	WIRE PH MOT				1		
50	303H402040	3H402040	GROUND PLATE TANK				1		
51	303H402050	3H402050	FILM GROUND PLATE				1		
52	7YZM610017++H01	YZ049360	ACCESS.SADDLE				1		
53	7YZM610023++H01	YZ128180	ACCESS.SADDLE				1		
101	7BB200308H	BB105660	+BIND T.T P SCREW 3X8						
102	7BB700308H	BB105600	+BIND T.T S SCREW 3X8 SR						
103	7BB607306H	BB105770	+TP-CUP M SCREW 3X6 R						
104	7BB700408H	BB105640	+BIND T.T S SCREW 4X8 SR						
105	E0130240	E0130240	SPRING PIN 3X24(SUS)						
106	7BB007305H	BB107020	+TP-CUP M SCREW 3X5						

• Parts with a Ref.No. of 500 and above in the illustration indicate they are not selected for service parts.

・イラスト中で 500 番台の Ref 番号が付いている部品はサービスパーツに選定されていません。

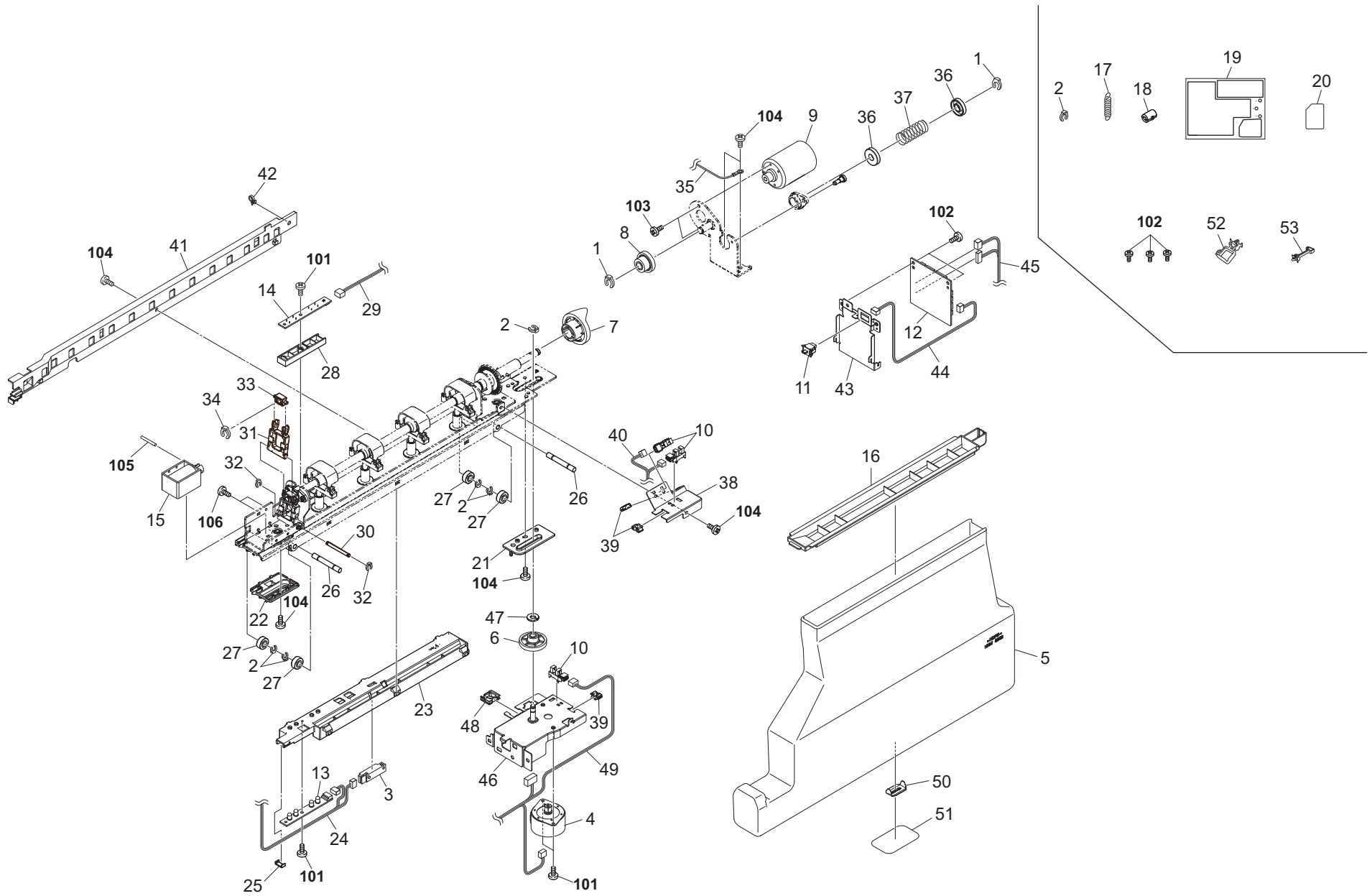


FIG. 3 PH-7C

3NK-3

Ref. No. 番号	Part.No. 部品番号	Alternative. 代替部品番号	Description 部品名称	Notes 備考	Revision 改訂	Quantity 個数			
						100(日本)	120	230	240
1	2BC06910	2BC06910	STOPPER 6					2	2
2	2BC06980	2BC06980	STOPPER 5					6	6
3	303H327500	3H327500	SENSOR FEED B					1	1
4	303NB94040	3NB94040	PARTS MOTOR-PM MOVING SP					1	1
5	303NK02010	3NK02010	TANK DISPOSAL					1	1
6	303NK31020	3NK31020	GEAR Z63R-Z24S					1	1
7	3H416110	3H416110	GEAR 40 CAM DRIVE					1	1
8	3H416120	3H416120	GEAR 16-51 IDLE					1	1
9	3H427010	3H427010	MOTOR PUNCH					1	1
10	303M894260	3M894260	PARTS SENSOR OPT SP					3	3
11	7SP01000006+H01		SW,PUSH					1	1
12	303NK94011	3NK94011	PARTS PWB PUNCH ASSY SP					1	1
13	303NK94020	3NK94020	PARTS PWB SENSOR A ASSY SP					1	1
14	303NK94030	3NK94030	PARTS PWB SENSOR B ASSY SP					1	1
15	3H427060	3H427060	SOLENOID PUNCH					1	1
16	303NK02020	3NK02020	GUIDE DISPOSAL TANK					1	1
17	303NK02070	3NK02070	SPRING PUNCH					1	1
18	M70CA010	M70CA010	FERRITE CORE,SFT-72SN(TAKEUCHI)					1	1
19	303NK34012	3NK34012	LABEL DISPOSAL TANK					1	1
20	303NK02080	3NK02080	SHEET MOTOR					1	1
21	303NK35080	3NK35080	GUIDE PUNCH FRONT					1	1
22	303NK35090	3NK35090	GUIDE PUNCH REAR					1	1
23	303NK35060	3NK35060	GUIDE WIRE A					1	1
24	303NK46030	3NK46030	WIRE PH UNIT					1	1
25	303LL02330	3LL02330	HOLDER WIRE D					1	1
26	303NK35100	3NK35100	SHAFT PULLEY					2	2
27	302FG07020	2FG07020	PULLEY,CASSETTE RAIL					4	4
28	303NK35070	3NK35070	COVER PAPER DETECTION SENSOR					1	1
29	303NK46040	3NK46040	WIRE PH PTR					1	1
30	3H416170	3H416170	SHAFT SHIFT					1	1
31	3H416080	3H416080	LEVER SHIFT					1	1
32	5MVX111DN007	2BT11070	STOPPER 3 /2BT1107 A4					2	2
33	3H416380	3H416380	COLLAR SHIFT					1	1
34	5MVX111DN003	2A806250	RING STOPPER /A-49 FEED A4					1	1
35	303NK46080	3NK46080	WIRE EARTH					1	1
36	3H416070	3H416070	COLLAR PRESSURE					2	2
37	3H416190	3H416190	SPRING SHIFT					1	1
38	303NK35040	3NK35040	MOUNT PULSE DETECTION					1	1
39	M2104260	M2104260	EDGING,EDS-0607U(KITAGAWA)					3	3
40	303NK46050	3NK46050	WIRE PH PI					1	1
41	303NK35280	3NK35280	GUIDE WIRE B					1	1
42	7YZM410002++H01	YZ042720	ACCESS.BAND					1	1
43	303NK02030	3NK02030	MOUNT PWB					1	1
44	303NK46060	3NK46060	WIRE PH TANK SW					1	1
45	303NK46010	3NK46010	WIRE PH IF					1	1

• Parts with a Ref.No. of 500 and above in the illustration indicate they are not selected for service parts.

• イラスト中で 500 番台の Ref 番号が付いている部品はサービスパーツに選定されていません。



FIG. 3 PH-7C

3NK-3

Ref. No. 番号	Part.No. 部品番号	Alternative. 代替部品番号	Description 部品名称	Notes 備考	Revision 改訂	Quantity 個数			
						100(日本)	120	230	240
46	303NK31010	3NK31010	MOUNT PUNCH MOVING MOTOR					1	1
47	2C904550	2C904550	CUT WASHER 5					1	1
48	7YZM210005++H01	YZ037990	ACCESS.EDGING					1	1
49	303NK46020	3NK46020	WIRE PH MOT					1	1
50	303H402040	3H402040	GROUND PLATE TANK					1	1
51	303H402050	3H402050	FILM GROUND PLATE					1	1
52	7YZM610017++H01	YZ049360	ACCESS.SADDLE					1	1
53	7YZM610023++H01	YZ128180	ACCESS.SADDLE					1	1
101	7BB200308H	BB105660	+BIND T.T P SCREW 3X8						
102	7BB700308H	BB105600	+BIND T.T S SCREW 3X8 SR						
103	7BB607306H	BB105770	+TP-CUP M SCREW 3X6 R						
104	7BB700408H	BB105640	+BIND T.T S SCREW 4X8 SR						
105	E0130240	E0130240	SPRING PIN 3X24(SUS)						
106	7BB007305H	BB107020	+TP-CUP M SCREW 3X5						

• Parts with a Ref.No. of 500 and above in the illustration indicate they are not selected for service parts.

・イラスト中で 500 番台の Ref 番号が付いている部品はサービスパーツに選定されていません。

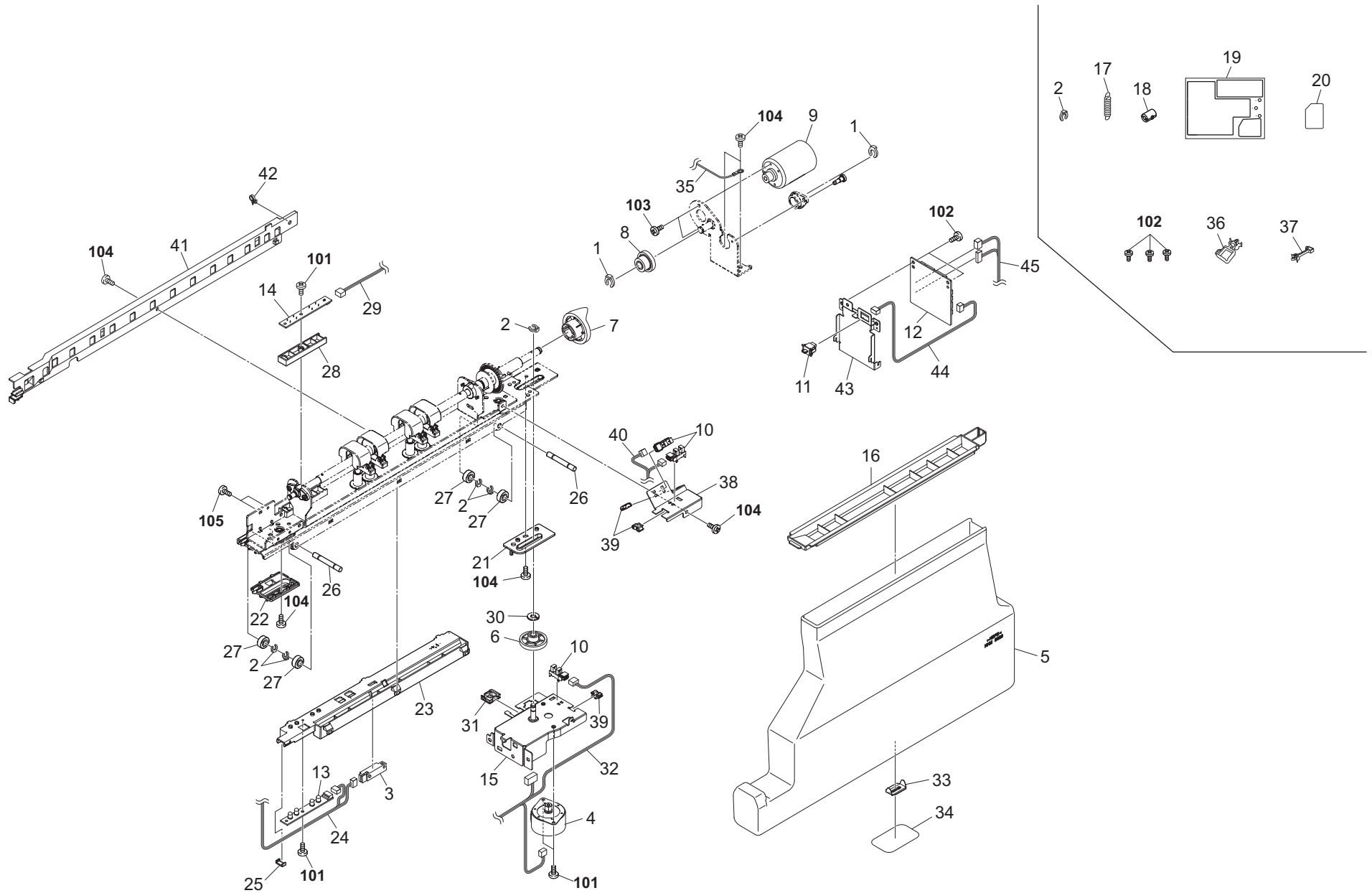


FIG. 4 PH-7D

3NK-3

Ref. No. 番号	Part.No. 部品番号	Alternative. 代替部品番号	Description 部品名称	Notes 備考	Revision 改訂	Quantity 個数			
						100(日本)	120	230	240
1	2BC06910	2BC06910	STOPPER 6					2	
2	2BC06980	2BC06980	STOPPER 5					6	
3	303H327500	3H327500	SENSOR FEED B					1	
4	303NB94040	3NB94040	PARTS MOTOR-PM MOVING SP					1	
5	303NK02010	3NK02010	TANK DISPOSAL					1	
6	303NK31020	3NK31020	GEAR Z63R-Z24S					1	
7	3H416110	3H416110	GEAR 40 CAM DRIVE					1	
8	3H416120	3H416120	GEAR 16-51 IDLE					1	
9	3H427010	3H427010	MOTOR PUNCH					1	
10	303M894260	3M894260	PARTS SENSOR OPT SP					3	
11	7SP01000006+H01	SP121020	SW,PUSH					1	
12	303NK94011	3NK94011	PARTS PWB PUNCH ASSY SP					1	
13	303NK94020	3NK94020	PARTS PWB SENSOR A ASSY SP					1	
14	303NK94030	3NK94030	PARTS PWB SENSOR B ASSY SP					1	
15	303NK31010	3NK31010	MOUNT PUNCH MOVING MOTOR					1	
16	303NK02020	3NK02020	GUIDE DISPOSAL TANK					1	
17	303NK02070	3NK02070	SPRING PUNCH					1	
18	M70CA010	M70CA010	FERRITE CORE,SFT-72SN(TAKEUCHI)					1	
19	303NK34012	3NK34012	LABEL DISPOSAL TANK					1	
20	303NK02080	3NK02080	SHEET MOTOR					1	
21	303NK35080	3NK35080	GUIDE PUNCH FRONT					1	
22	303NK35090	3NK35090	GUIDE PUNCH REAR					1	
23	303NK35060	3NK35060	GUIDE WIRE A					1	
24	303NK46070	3NK46070	WIRE PH UNIT J					1	
25	303LL02330	3LL02330	HOLDER WIRE D					1	
26	303NK35100	3NK35100	SHAFT PULLEY					2	
27	302FG07020	2FG07020	PULLEY,CASSETTE RAIL					4	
28	303NK35070	3NK35070	COVER PAPER DETECTION SENSOR					1	
29	303NK46040	3NK46040	WIRE PH PTR					1	
30	2C904550	2C904550	CUT WASHER 5					1	
31	7YZM210005++H01	YZ037990	ACCESS.EDGING					1	
32	303NK46020	3NK46020	WIRE PH MOT					1	
33	303H402040	3H402040	GROUND PLATE TANK					1	
34	303H402050	3H402050	FILM GROUND PLATE					1	
35	303NK46080	3NK46080	WIRE EARTH					1	
36	7YZM610017++H01	YZ049360	ACCESS.SADDLE					1	
37	7YZM610023++H01	YZ128180	ACCESS.SADDLE					1	
38	303NK35040	3NK35040	MOUNT PULSE DETECTION					1	
39	M2104260	M2104260	EDGING,EDS-0607U(KITAGAWA)					3	
40	303NK46050	3NK46050	WIRE PH PI					1	
41	303NK35280	3NK35280	GUIDE WIRE B					1	
42	7YZM410002++H01	YZ042720	ACCESS.BAND					1	
43	303NK02030	3NK02030	MOUNT PWB					1	
44	303NK46060	3NK46060	WIRE PH TANK SW					1	
45	303NK46010	3NK46010	WIRE PH IF					1	

• Parts with a Ref.No. of 500 and above in the illustration indicate they are not selected for service parts.

• イラスト中で 500 番台の Ref 番号が付いている部品はサービスパーツに選定されていません。

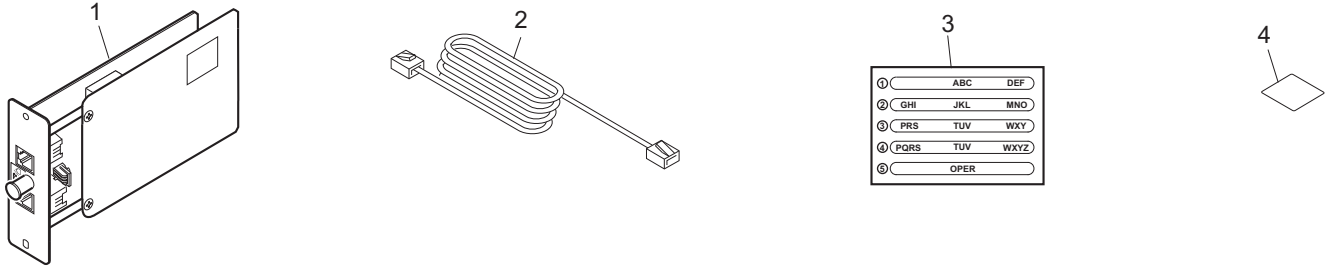


---

# **FAX System 12**

—— CONTENTS / 目次 ——

FIG. 1 FAX System 12 ..... 2







**KYOCERA Document Solutions Europe B.V.**

Bloemlaan 4, 2132 NP Hoofddorp,  
The Netherlands  
Phone: +31-20-654-0000  
Fax: +31-20-653-1256

**KYOCERA Document Solutions Nederland B.V.**

Beechavenue 25, 1119 RA Schiphol-Rijk,  
The Netherlands  
Phone: +31-20-5877200  
Fax: +31-20-5877260

**KYOCERA Document Solutions (U.K.) Limited**

Eldon Court, 75-77 London Road,  
Reading, Berkshire RG1 5BS,  
United Kingdom  
Phone: +44-118-931-1500  
Fax: +44-118-931-1108

**KYOCERA Document Solutions Italia S.p.A.**

Via Monfalcone 15, 20132, Milano, Italy,  
Phone: +39-02-921791  
Fax: +39-02-92179-600

**KYOCERA Document Solutions Belgium N.V.**

Sint-Martinusweg 199-201 1930 Zaventem,  
Belgium  
Phone: +32-2-7209270  
Fax: +32-2-7208748

**KYOCERA Document Solutions France S.A.S.**

Espace Technologique de St Aubin  
Route de l'Orme 91195 Gif-sur-Yvette CEDEX,  
France  
Phone: +33-1-69852600  
Fax: +33-1-69853409

**KYOCERA Document Solutions Espana, S.A.**

Edificio Kyocera, Avda. de Manacor No.2,  
28290 Las Matas (Madrid), Spain  
Phone: +34-91-6318392  
Fax: +34-91-6318219

© 2016 KYOCERA Document Solutions Inc.

 is a trademark of KYOCERA Corporation

**KYOCERA Document Solutions Finland Oy**

Atomitie 5C, 00370 Helsinki,  
Finland  
Phone: +358-9-47805200  
Fax: +358-9-47805390

**KYOCERA Document Solutions Europe B.V., Amsterdam (NL) Zürich Branch**

Hohlstrasse 614, 8048 Zürich,  
Switzerland  
Phone: +41-44-9084949  
Fax: +41-44-9084950

**KYOCERA Bilgitas Document Solutions Turkey A.S.**

Gülbahar Mahallesi Otello Kamil Sk. No:6 Mecidiyeköy  
34394 Şişli İstanbul, Turkey  
Phone: +90-212-356-7000  
Fax: +90-212-356-6725

**KYOCERA Document Solutions Deutschland GmbH**

Otto-Hahn-Strasse 12, 40670 Meerbusch,  
Germany  
Phone: +49-2159-9180  
Fax: +49-2159-918100

**KYOCERA Document Solutions Austria GmbH**

Altmannsdorferstraße 91, Stiege 1, 2. OG, Top 1, 1120,  
Wien, Austria  
Phone: +43-1-863380  
Fax: +43-1-86338-400

**KYOCERA Document Solutions Nordic AB**

Esbogatan 16B 164 75 Kista, Sweden  
Phone: +46-8-546-550-00  
Fax: +46-8-546-550-10

京セラドキュメントソリューションズ株式会社  
京セラドキュメントソリューションズジャパン株式会社

 は京セラ株式会社の登録商標です。

**KYOCERA Document Solutions Norge Nuf**

Olaf Helsetsv. 6, 0619 Oslo, Norway  
Phone: +47-22-62-73-00  
Fax: +47-22-62-72-00

**KYOCERA Document Solutions Danmark A/S**

Ejby Industrivej 60, DK-2600 Glostrup,  
Denmark  
Phone: +45-70223880  
Fax: +45-45765850

**KYOCERA Document Solutions Portugal Lda.**

Rua do Centro Cultural, 41 (Alvalade) 1700-106 Lisboa,  
Portugal  
Phone: +351-21-843-6780  
Fax: +351-21-849-3312

**KYOCERA Document Solutions South Africa (Pty) Ltd.**

KYOCERA House, Hertford Office Park,  
90 Bekker Road (Cnr. Allandale), Midrand, South Africa  
Phone: +27-11-540-2600  
Fax: +27-11-466-3050

**KYOCERA Document Solutions Russia LLC.**

Building 2, 51/4, Schepkina St., 129110, Moscow,  
Russia  
Phone: +7(495)741-0004  
Fax: +7(495)741-0018

**KYOCERA Document Solutions Middle East**

Dubai Internet City, Bldg. 17,  
Office 157 P.O. Box 500817, Dubai,  
United Arab Emirates  
Phone: +971-04-433-0412

**KYOCERA Document Solutions Inc.**

2-28, 1-chome, Tamatsukuri, Chuo-ku  
Osaka 540-8585, Japan  
Phone: +81-6-6764-3555  
<http://www.kyoceradocumentsolutions.com>