



TASKalfa 3010i

TASKalfa 3510i

PARTS LIST

Published in September 2014

2NLPL073

Rev.3

— CONTENTS —

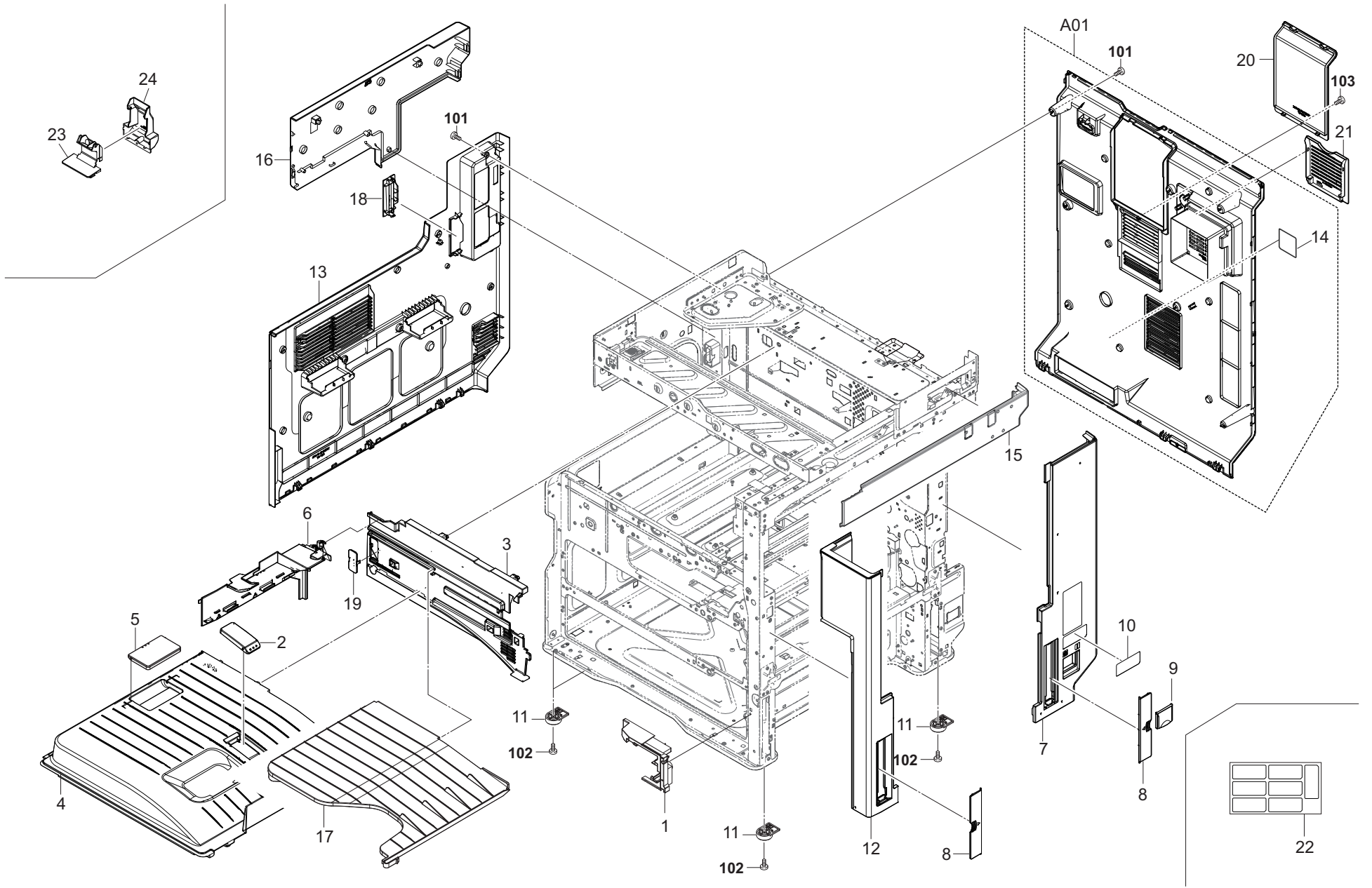
FIG. 1 Covers 1	2	FIG. 21 Image Formation Section	42
FIG. 2 Covers 2	4	FIG. 22 Fuser Section	44
FIG. 3 Frames 1	6	FIG. 23 Drive Section 1	46
FIG. 4 Frames 2	8	FIG. 24 Drive Section 2	48
FIG. 5 Frames 3	10	FIG. 25 Cooling Section	50
FIG. 6 Frames 4	12	FIG. 26 Exit Section	52
FIG. 7 Frames 5	14	FIG. 27 Inner Section	54
FIG. 8 Paper Cassette	16	FIG. 28 Electrical Components 1	56
FIG. 9 Paper Feed Section 1	18	FIG. 29 Electrical Components 2	58
FIG. 10 Paper Feed Section 2	20	FIG. 30 Electrical Components 3	60
FIG. 11 Paper Feed Section 3	22	FIG. 31 Operation Section	62
FIG. 12 Paper Feed Section 4	24	FIG. 32 Options 1	64
FIG. 13 Paper Conveying Section 1	26	FIG. 33 Options 2	66
FIG. 14 Paper Conveying Section 2	28	FIG. 34 Accessories	68
FIG. 15 Paper Conveying Section 3	30	FIG. 35 Maintenance Kits	70
FIG. 16 Paper Conveying Section 4	32		
FIG. 17 Scanner Section 1	34		
FIG. 18 Scanner Section 2	36		
FIG. 19 Laser Scanner Section	38		
FIG. 20 Developer Section	40		
		• INDEX	71

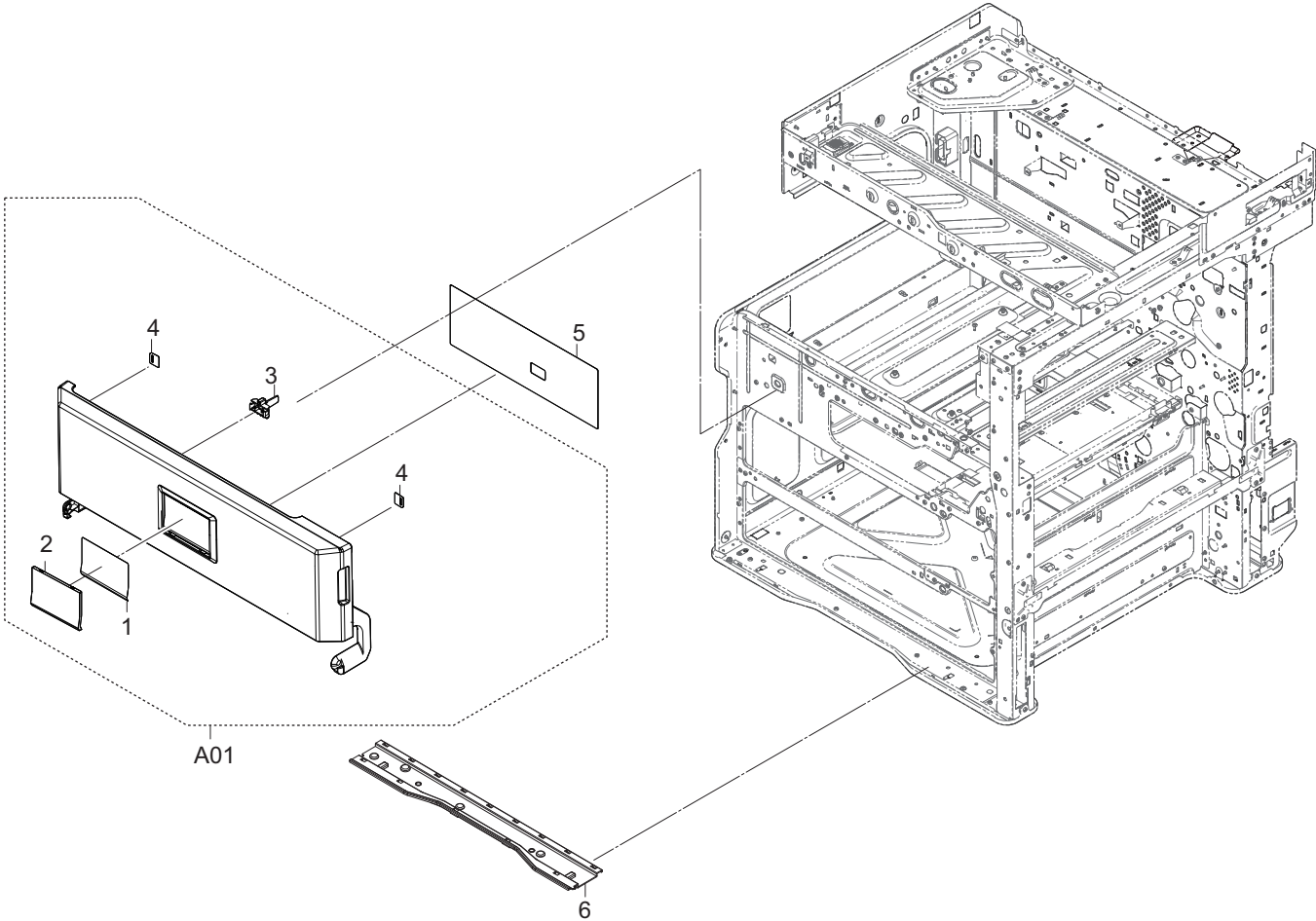
<Notation of products>

For the purpose of this parts list, products are identified as following.

TASKalfa 3010i : 30ppm

TASKalfa 3510i : 35ppm





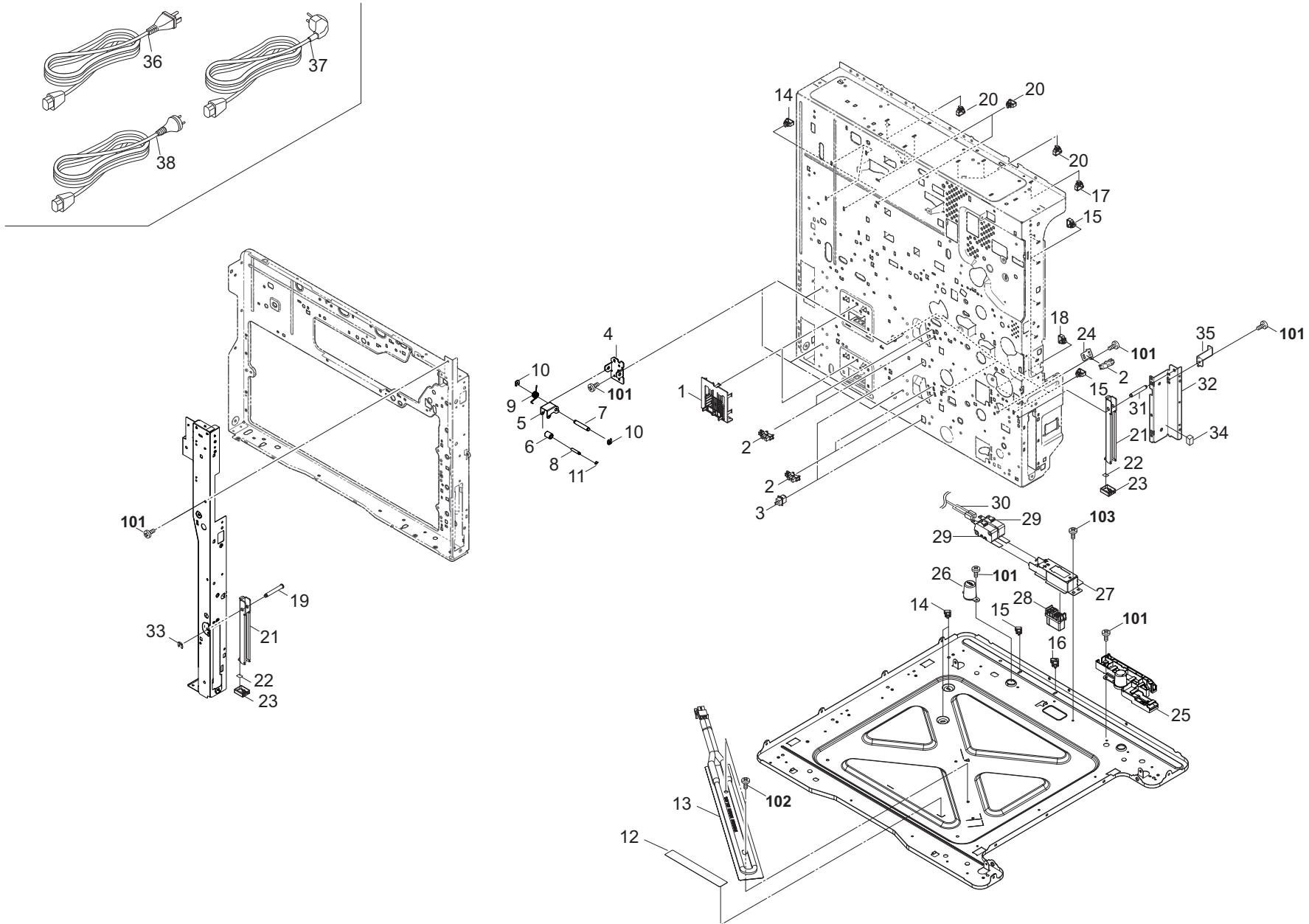


FIG. 3 Frames 1

2P8/2NL

Ref. No.	Part.No.	Alternative.	Description	Notes	Quantity		
					120	230	240
1	302K309410	2K309410	PLATE SIZE DETECTION		2	2	2
⊙ 2	7NXGP1S173LCH01	NX116910	SENSOR OPT.		5	5	5
⊙ 3	7SP0100001+H01	SP044290	SW.PUSH		2	2	2
4	302NL09020	2NL09020	HOLDER CASSETTE HOOK		4	4	4
5	302K909640	2K909640	LEVER CASSETTE HOOK		4	4	4
6	303LW24060	3LW24060	PULLEY EJECT		4	4	4
7	303NF02280	3NF02280	SHAFT HOOK FULCRUM		4	4	4
8	302K909630	2K909630	SHAFT HOOK PULLEY		4	4	4
9	302NL09060	2NL09060	SPRING CASSETTE HOOK		4	4	4
10	5MVX111DN003	2A806250	RING STOPPER /A-49 FEED A4		8	8	8
11	5MVX111DN007	2BT11070	STOPPER 3 /2BT1107 A4		4	4	4
12	302KP34220	2KP34220	LABEL HIGH TEMPERATURE CAUTION		1	1	1
⊙ 13	302K302440	2K302440	HEATER DEHUMIDIFIER 240			1	1
⊙ 13	302K302430	2K302430	HEATER DEHUMIDIFIER 120		1		
14	7YZM390002++H01	YZ012140	ACCESS.CLAMP		5	5	5
15	7YZM610009++H01	YZ042980	ACCESS.SADDLE		7	7	7
16	7YZM610014++H01	YZ043030	ACCESS.SADDLE		1	1	1
17	7YZM610002++H01	YZ010240	ACCESS SADDLE		1	1	1
18	7YZM610007++H01	YZ023340	ACCESS.SADDLE		2	2	2
19	302MV02240	2MV02240	PIN FRONT HANDLE		1	1	1
20	7YZM610011++H01	YZ043000	ACCESS.SADDLE		7	7	7
21	302JF02160	2JF02160	HANDLE		2	2	2
22	302FZ03110	2FZ03110	SEAL HANDLE		2	2	2
23	302FZ02580	2FZ02580	CAP HANDLE		2	2	2
24	302K302840	2K302840	MOUNT DECK PI		1	1	1
25	302NL39060	2NL39060	GUIDE WIRE MAIN SW		1	1	1
26	302K302920	2K302920	CAP DECK PIN		1	1	1
27	302K302910	2K302910	MOUNT DECK DRAWER		1	1	1
28	302K346660	2K346660	WIRE PF DRAWER 200			1	1
28	302K346470	2K346470	WIRE PF DRAWER		1		
⊙ 29	2FB27160	2FB27160	INTER LOCK SWITCH		2	2	2
30	302NL46280	2NL46280	WIRE CASSETTE HEATER JOINT		2	2	2
31	302MV02220	2MV02220	SHAFT HANDLE		1	1	1
32	302MV02231	2MV02231	MOUNT REAR HANDLE		1	1	1
33	302FZ25740	2FZ25740	STOPPER 4		1	1	1
34	302LF33B10	2LF33B10	SPONGE LOWER RIGHT SP		1	1	1
35	302K002750	2K002750	STAY SHIELD POWER		1	1	1
36	3019527401	19527401	POWER CORD(120)		1		
37	302AR94050	2AR94050	PARTS AC CORD EU SP			1	
38	7AAACCAS+10H001	AA063380	AC CORD ASSY AS				1
101	7BB700308H	BB105600	+BIND T.T S SCREW 3X8 SR				
102	7BB100406H	BB106920	+BIND T.T S SCREW 4X6				
103	7BB102306H	BB107050	+TP-FLAT T.T S SCREW 3X6				

- Parts with "*" are component parts or sub-assemblies of the assembly appearing immediately above them.
- Parts with "⊙" indicate regular maintenance parts.

- Parts with "••" are component parts or sub-assembly with "•" appearing immediately above them.

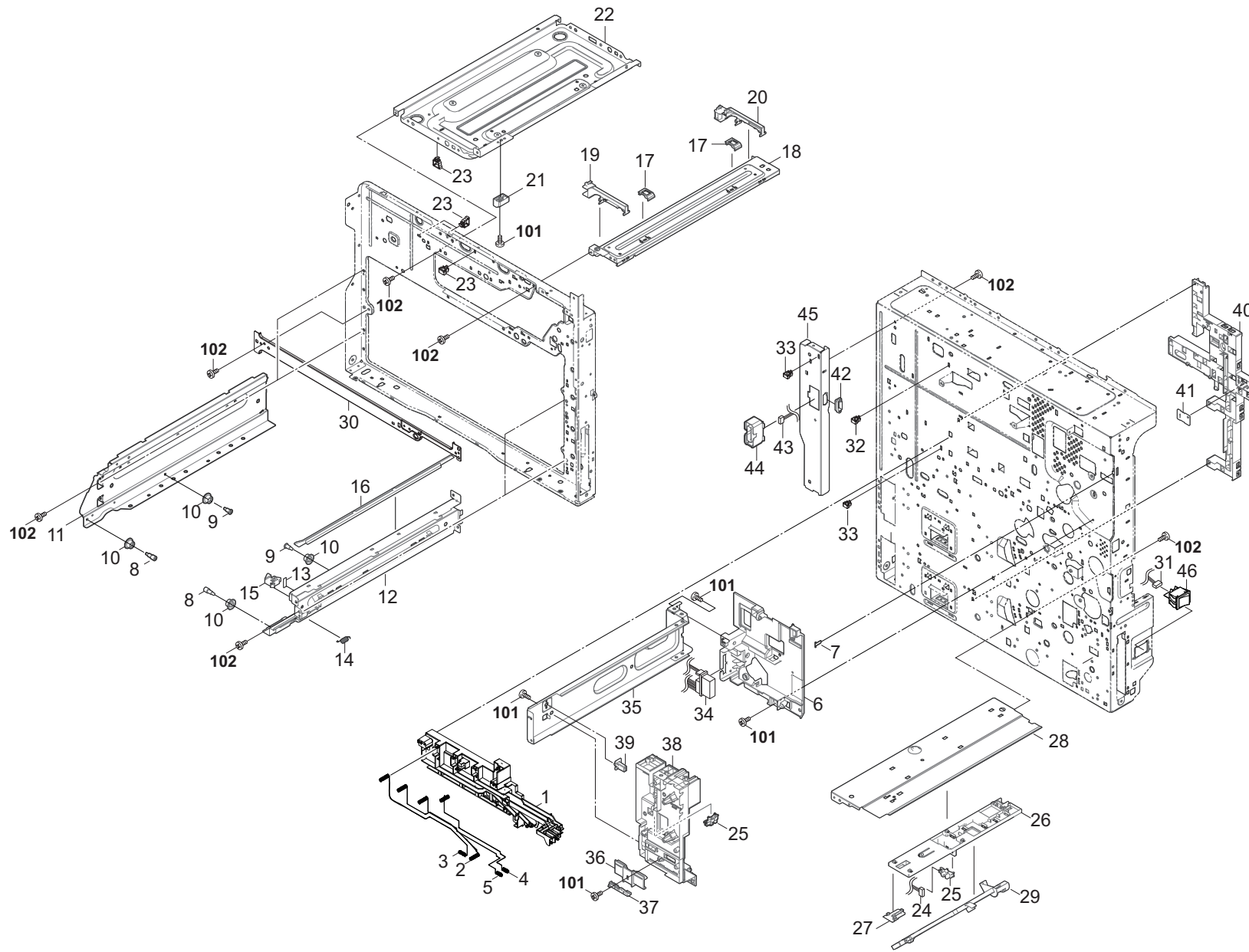


FIG. 4 Frames 2

2P8/2NL-1

Ref. No.	Part.No.	Alternative.	Description	Notes	Quantity		
					120	230	240
1	302K339060	2K339060	BASE TERMINAL		1	1	1
2	302K339070	2K339070	TERMINAL DRUM A		1	1	1
3	302K339080	2K339080	TERMINAL DLP A		1	1	1
4	302K339090	2K339090	TERMINAL TRANSFER A		1	1	1
5	302K339100	2K339100	TERMINAL SEPARATION A		1	1	1
6	302K302170	2K302170	FRAME REAR UPPER		1	1	1
7	302K302A10	2K302A10	LEVER RIGHT SW		1	1	1
8	302GR02240	2GR02240	PIN FRONT CASSETTE RAIL		4	4	4
9	2FB06710	2FB06710	PIN CASSETTE RAIL		4	4	4
⊙ 10	302NL09030	2NL09030	PULLEY CASSETTE RAIL		8	8	8
11	302NL02090	2NL02090	RAIL CASSETTE LEFT		2	2	2
12	302NL02210	2NL02210	RAIL CASSETTE RIGHT		2	2	2
13	303MH06010	3MH06010	PAD RAIL		2	2	2
14	302MV02310	2MV02310	SPRING LEVER LIFT CASSETTE		2	2	2
15	302K302760	2K302760	LEVER LIFT CASSETTE		2	2	2
16	303NN02370	3NN02370	RAIL FEED		2	2	2
17	302K302640	2K302640	GUIDE DRUM COVER		2	2	2
18	302K302120	2K302120	RAIL DRUM		1	1	1
19	302K302690	2K302690	RAIL HOLDER FRONT		1	1	1
20	302K302700	2K302700	RAIL HOLDER REAR		1	1	1
21	302K302960	2K302960	STOPPER CONTAINER		1	1	1
22	302K302071	2K302071	BASE LSU		1	1	1
23	7YZM610009++H01	YZ042980	ACCESS.SADDLE		4	4	4
24	302NL46370	2NL46370	WIRE LIMIT SENSOR		1	1	1
⊙ 25	7NXGP1S173LCH01	NX116910	SENSOR OPT.		2	2	2
26	302NL06010	2NL06010	HOLDER SENSOR		1	1	1
27	303NN02450	3NN02450	GUIDE PRIMARY FEED		1	1	1
28	303NN02143	3NN02143	STAY UPPER FEED		1	1	1
29	302K302811	2K302811	ACTUATOR PAPER EMPTY		1	1	1
30	302MV02040	2MV02040	STAY FRONT FRAME		1	1	1
31	302NL46270	2NL46270	WIRE MAIN SWITCH		1	1	1
32	7YZM610010++H01	YZ042990	ACCESS.SADDLE		1	1	1
33	7YZM390002++H01	YZ012140	ACCESS.CLAMP		2	2	2
34	302NL46150	2NL46150	WIRE FUSER HEATER		1	1	1
35	302NL02070	2NL02070	GUIDE FUSER		1	1	1
36	302K325340	2K325340	MOUNT FUSER FRONT		1	1	1
37	302K325350	2K325350	ADJUSTER FUSER		1	1	1
38	302K302161	2K302161	FRAME FRONT UPPER		1	1	1
39	302NL02100	2NL02100	JOINT FUSER		1	1	1
40	302NL39050	2NL39050	GUIDE WIRE REAR		1	1	1
⊙ 41	302H701280	2H701280	PWB SUB ASSY		1	1	1
42	7YZM210003++H01	YZ037970	ACCESS.EDGING		1	1	1
43	302NL46120	2NL46120	WIRE BRIDGE JOINT		1	1	1
44	302NL02080	2NL02080	BRACKET DRAWER		1	1	1
45	302NL02060	2NL02060	STAY REAR FRAME		1	1	1
⊙ 46	7SC020403+++H01	SC136170	SW.SEE SAW		1	1	1
101	7BB702308H	BB107060	+TP-FLAT T.T S SCREW 3X8 SR				
102	7BB700308H	BB105600	+BIND T.T S SCREW 3X8 SR				

- Parts with "*" are component parts or sub-assemblies of the assembly appearing immediately above them.
- Parts with "⊙" indicate regular maintenance parts.

- Parts with "••" are component parts or sub-assembly with "•" appearing immediately above them.

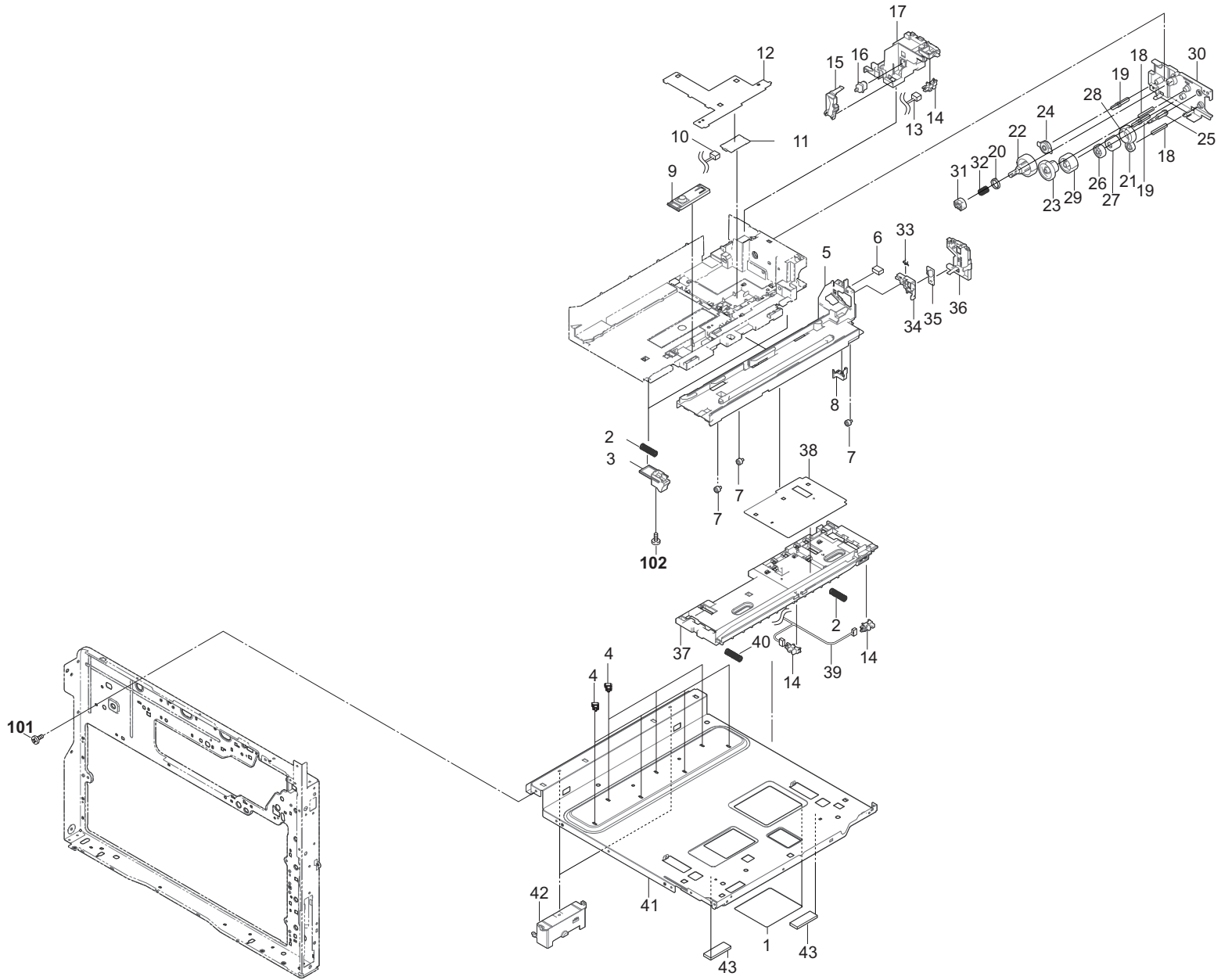


FIG. 5 Frames 3

2P8/2NL-2

Ref. No.	Part.No.	Alternative.	Description	Notes	Quantity			
					120	230	240	
1	302NL02340	2NL02340	SHEET BASE MIDDLE		1	1	1	
2	302K302A60	2K302A60	SPRING DLP PUSH		3	3	3	
3	302NL02190	2NL02190	SLIDER REMOVAL DLP		2	2	2	
4	7YZM390002++H01	YZ012140	ACCESS.CLAMP		7	7	7	
5	302NL02120	2NL02120	RAIL DLP		1	1	1	
6	302HG12440	2HG12440	SEAL BLADE SIDE B		1	1	1	
7	302K309070	2K309070	PULLEY CASSETTE		3	3	3	
8	302K302580	2K302580	PLATE DLP BIAS		1	1	1	
⊙	302KK94070	2KK94070	PARTS CONT SENSOR ASSY SP		1	1	1	
10	302NL46070	2NL46070	WIRE CONTAINER RAIL		1	1	1	
⊙	302K394070	2K394070	PARTS PWB RFID ASSY SP		1	1	1	
12	302NL02140	2NL02140	SHEET RAIL		1	1	1	
13	302NL46080	2NL46080	WIRE CONTAINER SET		1	1	1	
⊙	7NXGP1S173LCH01	NX116910	SENSOR OPT.		3	3	3	
15	302K302A40	2K302A40	PLATE CONTAINER SWITCH		1	1	1	
⊙	7SP01000001+H01	SP044290	SW.PUSH		1	1	1	
17	302NL02220	2NL02220	HOLDER SENSOR		1	1	1	
18	303NN31060	3NN31060	SHAFT GEAR		2	2	2	
19	302K302860	2K302860	PIN JOINT CONTAINER C		2	2	2	
20	5MVM177XN007	2A814100	BUSH MIXER /A-49 DLP A4		1	1	1	
⊙	302K906240	2K906240	GEAR FEED DRIVE Z20L		1	1	1	
⊙	22	302NL02170	2NL02170	GEAR CONTAINER Z42R		1	1	1
⊙	23	302NL02180	2NL02180	GEAR Z22R 40R		1	1	1
⊙	24	302NL02230	2NL02230	GEAR Z23L		1	1	1
25	302K302850	2K302850	PIN JOINT CONTAINER B		1	1	1	
⊙	26	302K302500	2K302500	GEAR CONTAINER Z25L		1	1	1
27	302MW31010	2MW31010	TORQUE LIMITER 4000		1	1	1	
⊙	28	302K302510	2K302510	GEAR CONTAINER Z35R		1	1	1
⊙	29	302HN31200	2HN31200	GEAR Z35L		1	1	1
30	302NL02150	2NL02150	COVER RAIL DRIVE		1	1	1	
31	302K302540	2K302540	JOINT CONTAINER PADDLE A		1	1	1	
32	302K302780	2K302780	SPRING JOINT PADDLE		1	1	1	
33	302K302590	2K302590	SPRING DLP GROUND		1	1	1	
34	302K302600	2K302600	MOUNT DLP PWB		1	1	1	
⊙	35	302K394090	2K394090	PARTS PWB DEVE CONNECT ASSY SP		1	1	1
36	302NL02160	2NL02160	COVER RAIL DLP		1	1	1	
37	302K302191	2K302191	MOUNT CONTAINER		1	1	1	
38	302K302240	2K302240	SHEET MOUNT CONTAINER		1	1	1	
39	302K346270	2K346270	WIRE REGIST		1	1	1	
40	2C902590	2C902590	SPRING DEV PUSH F		1	1	1	
41	302NL02040	2NL02040	BASE MIDDLE		1	1	1	
42	302MV02160	2MV02160	HANDLE COVER LEFT		2	2	2	
43	302K302A70	2K302A70	SPONGE DLP LEVER		2	2	2	
101	7BB700308H	BB105600	+BIND T.T S SCREW 3X8 SR					
102	7BB202308H	BB105690	+TP-FLAT T.T P SCREW 3X8					

- Parts with "*" are component parts or sub-assemblies of the assembly appearing immediately above them.
- Parts with "⊙" indicate regular maintenance parts.

- Parts with "••" are component parts or sub-assembly with "•" appearing immediately above them.

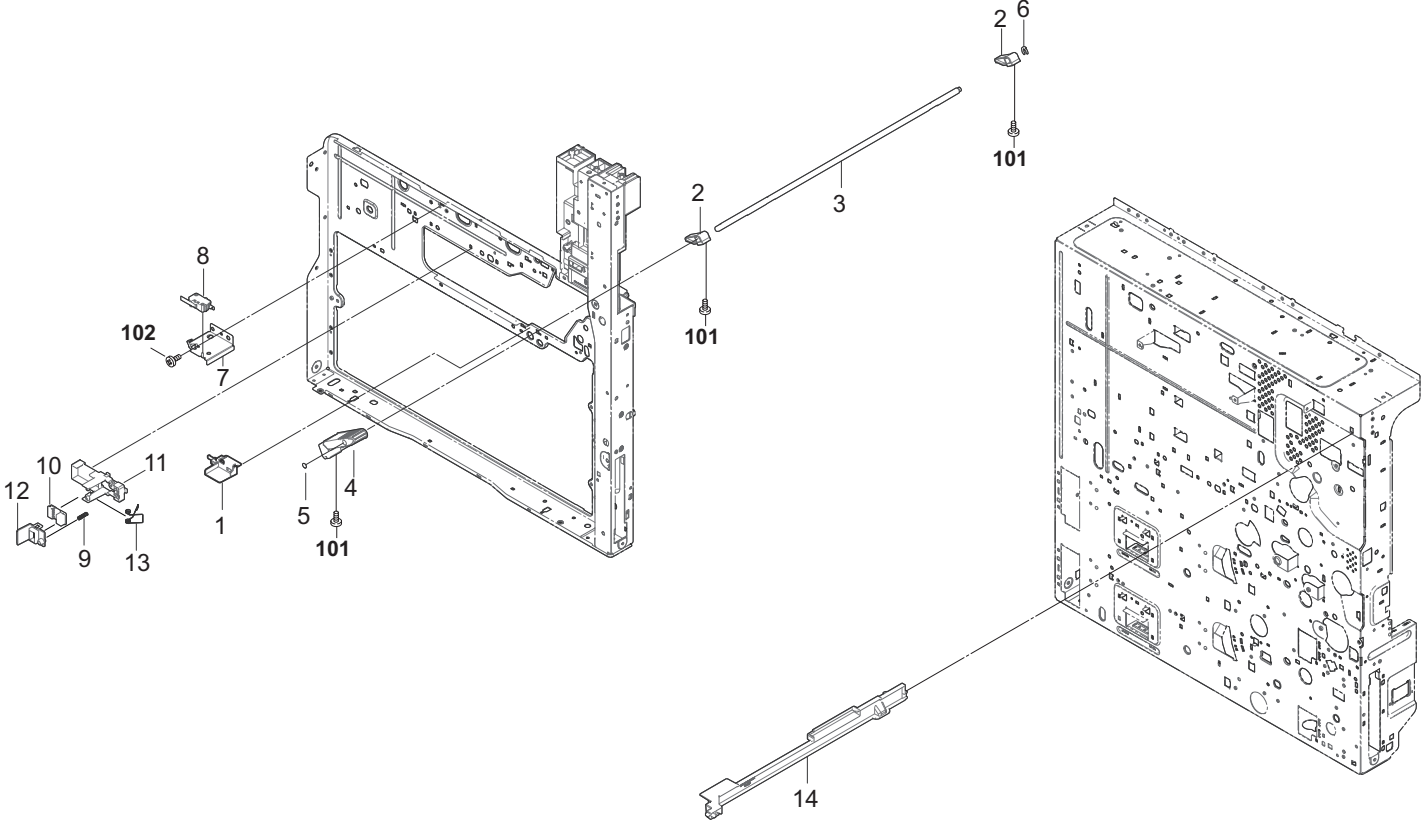


FIG. 6 Frames 4

2P8/2NL

Ref. No.	Part.No.	Alternative.	Description	Notes	Quantity		
					120	230	240
1	302K304350	2K304350	COVER INNER FRONT SUB		1	1	1
2	302K302330	2K302330	CAM REMOVED DLP		2	2	2
3	302K302320	2K302320	SHAFT REMOVED DLP		1	1	1
4	302NL02310	2NL02310	LEVER REMOVED DLP		1	1	1
5	302NL34080	2NL34080	LABEL D		1	1	1
6	2BC06980	2BC06980	STOPPER 5		1	1	1
⊙ 7	2FB27160	2FB27160	INTER LOCK SWITCH		1	1	1
8	302NL02200	2NL02200	MOUNT INTERLOCK SW		1	1	1
9	302K302660	2K302660	SPRING EARTH DRUM PWB		1	1	1
⊙ 10	302K301170	2K301170	PWB DRUM CONNECT ASSY		1	1	1
11	302K302220	2K302220	MOUNT JUNCTION PWB		1	1	1
⊙ 12	302K302730	2K302730	COVER CONNECTOR		1	1	1
13	302K302740	2K302740	SPRING EARTH CONNECTOR		1	1	1
⊙ 14	302NL04190	2NL04190	COVER EXIT TOP		1	1	1
101	7BB607306H	BB105770	+TP-CUP M SCREW 3X6 R				
102	7BB700308H	BB105600	+BIND T.T S SCREW 3X8 SR				

- Parts with "•" are component parts or sub-assemblies of the assembly appearing immediately above them.
- Parts with "⊙" indicate regular maintenance parts.

- Parts with "••" are component parts or sub-assembly with "•" appearing immediately above them.

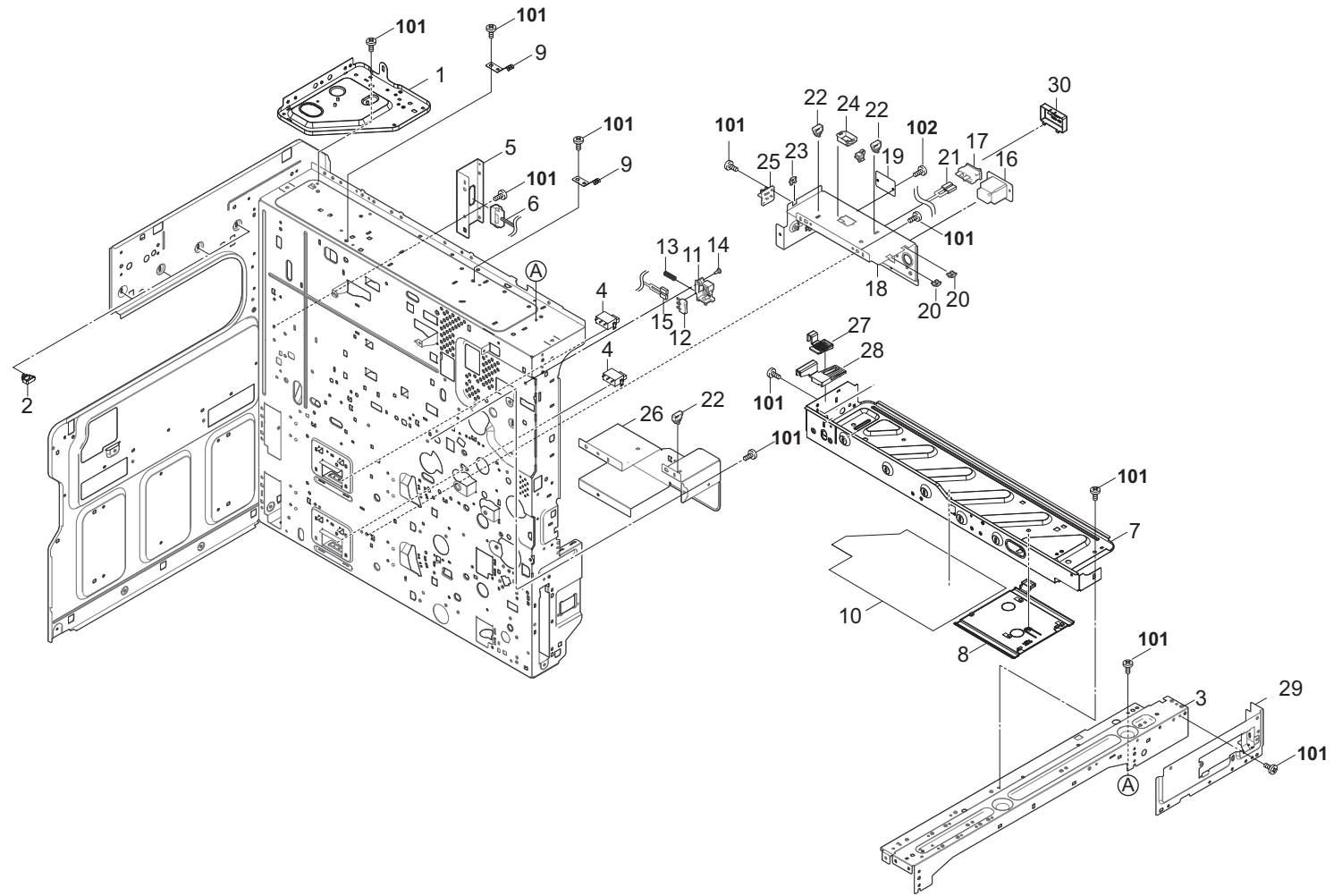


FIG. 7 Frames 5

2P8/2NL-1

Ref. No.	Part.No.	Alternative.	Description	Notes	Quantity		
					120	230	240
1	302MV02110	2MV02110	MOUNT SCANNER REAR		1	1	1
2	7YZM390002++H01	YZ012140	ACCESS.CLAMP		4	4	4
3	302MV02092	2MV02092	MOUNT SCANNER RIGHT		1	1	1
⊙	4	5ESP03090001+01	SP000360	PUSH SWITCH 03 SN /SW-192 N	2	2	2
5	302NL39080	2NL39080	MOUNT DF CONNECTOR		1	1	1
6	302NL46110	2NL46110	WIRE DF JOINT		1	1	1
7	302NL02240	2NL02240	MOUNT SCANNER FRONT		1	1	1
⊙	8	302MV04290	2MV04290	COVER EXIT FRONT TOP	1	1	1
9	302K302A50	2K302A50	PLATE EARTH ISU		2	2	2
10	302NL02360	2NL02360	SHEET SCANNER FRONT		1	1	1
11	302K302940	2K302940	MOUNT RIGHT INTERLOCK		1	1	1
⊙	12	7SM010202+++H01	SM044270	SW.MICRO	1	1	1
13	302H008140	2H008140	SPRING BYPASSFFED		1	1	1
14	2FB20860	2FB20860	PIN FUSER COVER		1	1	1
15	302K346070	2K346070	WIRE RIGHT COVER SW		1	1	1
16	302NL46300	2NL46300	WIRE INLET ASSY		1	1	1
⊙	17	7SC010105+++H01	SC125000	SW.SEESAW	1	1	1
18	302NL39040	2NL39040	MOUNT INLET		1	1	1
19	302FB26290	2FB26290	LID VENDOR		1	1	1
20	7YZM210005++H01	YZ037990	ACCESS.EDGING		2	2	2
21	302NL46290	2NL46290	WIRE HEATER SWITCH		1	1	1
22	7YZM610010+++H01	YZ042990	ACCESS.SADDLE		3	3	3
23	7YZM210006++H01	YZ038000	ACCESS.EDGING		1	1	1
24	7YZM210002+++H01	YZ004730	ACCESS.EDGING		1	1	1
⊙	25	302NP94120	2NP94120	PARTS PWB THERMISTOR ASSY SP	1	1	1
26	302NL39070	2NL39070	MOUNT BOX		1	1	1
27	302K302210	2K302210	MOUNT SCANNER ADJUST		1	1	1
28	302K302200	2K302200	SPACER SCANNER ADJUST		1	1	1
29	302MV02131	2MV02131	MOUNT OPTION		1	1	1
30	302K302890	2K302890	LID DEHUMIDIFIER SW				
101	7BB700308H	BB105600	+BIND T.T S SCREW 3X8 SR				
102	7BB702308H	BB107060	+TP-FLAT T.T S SCREW 3X8 SR				

- Parts with "*" are component parts or sub-assemblies of the assembly appearing immediately above them.
- Parts with "⊙" indicate regular maintenance parts.

- Parts with "••" are component parts or sub-assembly with "•" appearing immediately above them.

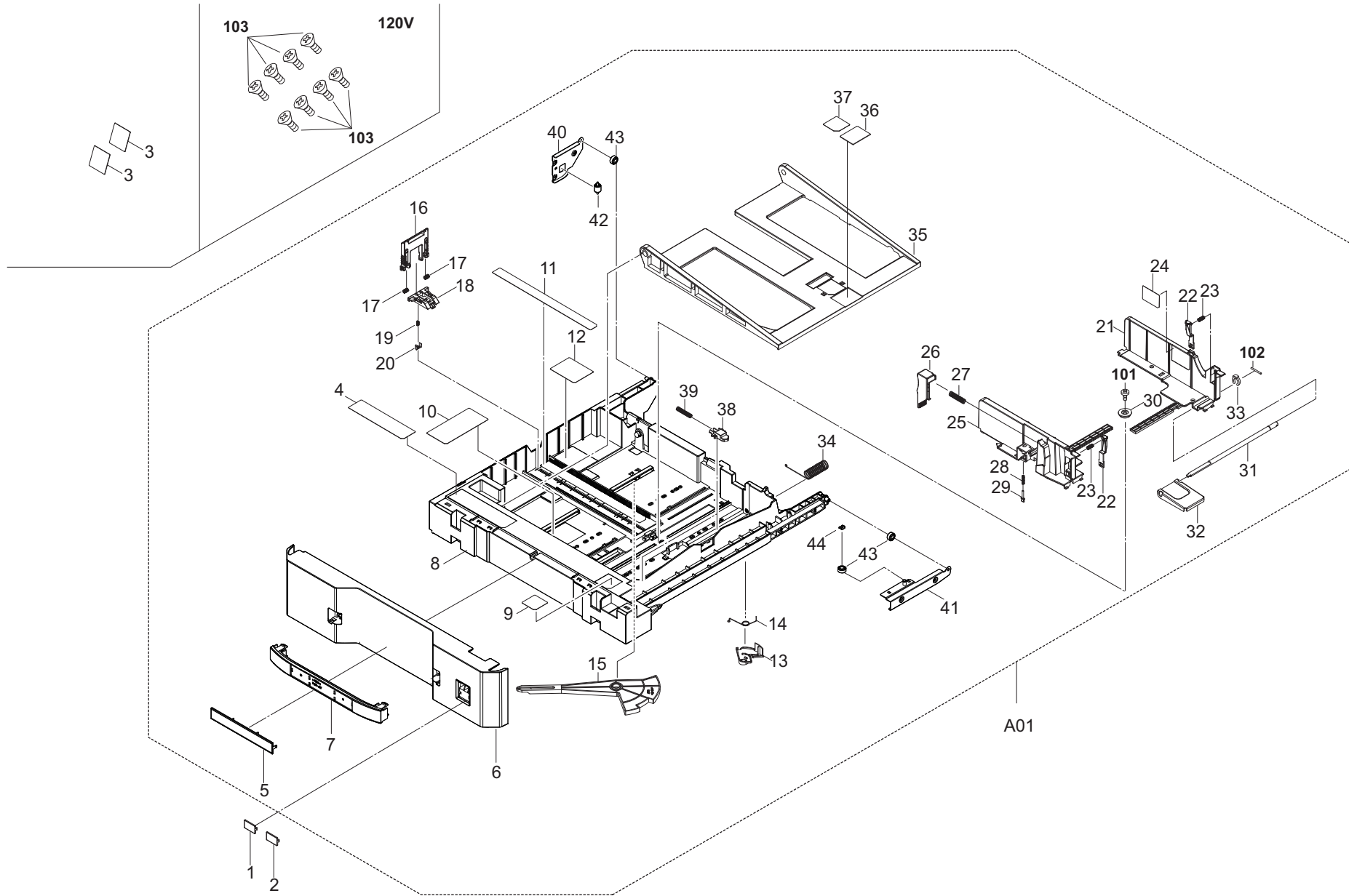


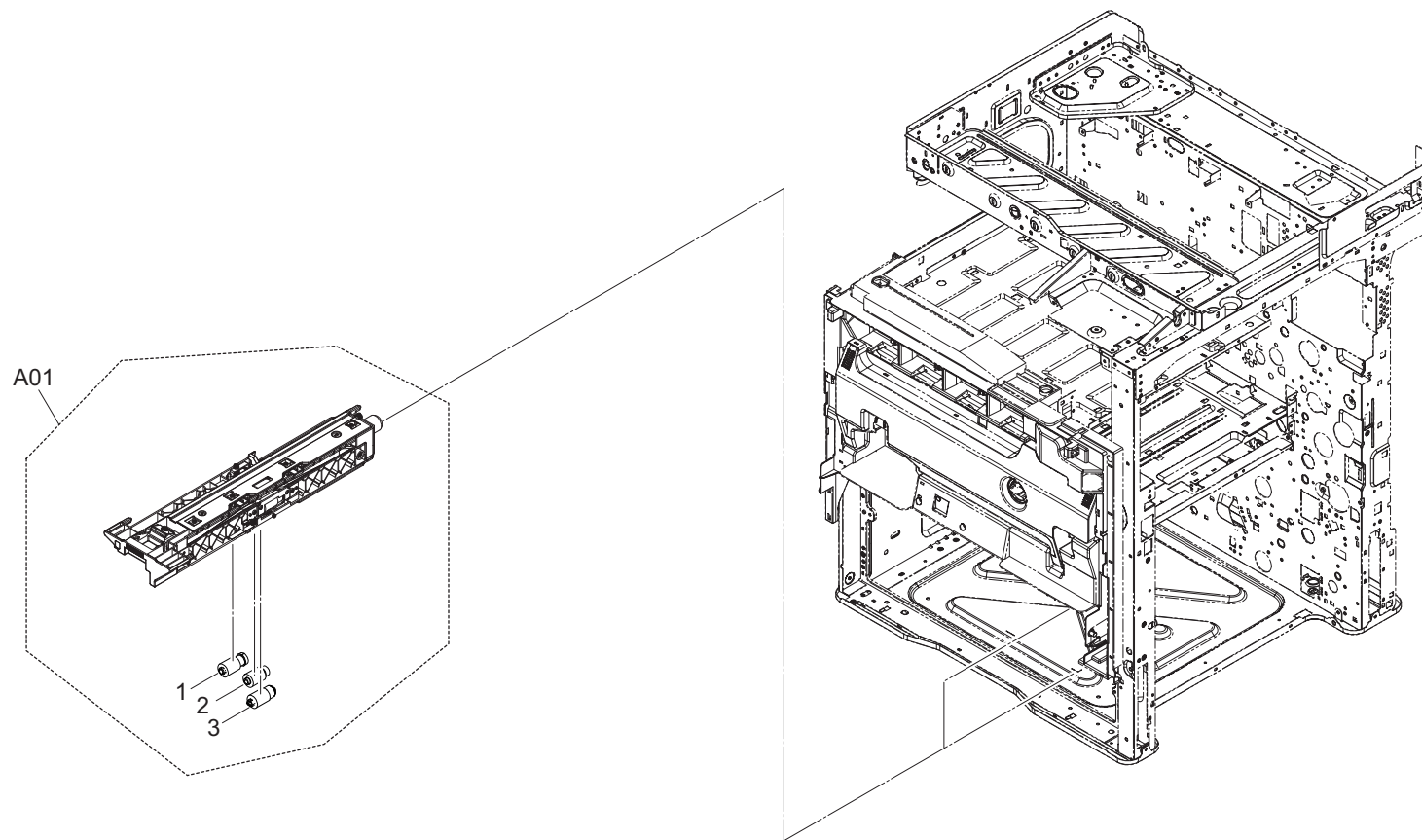
FIG. 8 Paper Cassette

2P8/2NL

Ref. No.	Part.No.	Alternative.	Description	Notes	Quantity		
					120	230	240
1	2BL04310	2BL04310	PLATE NUMBER		1	1	1
2	2BL04370	2BL04370	PLATE NUMBER 2		1	1	1
3	302MV34300	2MV34300	SHEET CASSETTE C			2	2
3	302MV34430	2MV34430	SHEET CASSETTE I		2		
⊙ A01	302NP93010	2NP93010	CT-8325		2	2	2
4	*302MV34330	2MV34330	LABEL OPERATION L		2	2	2
5	*302NL09070	2NL09070	EMBLEM CASSETTE		2	2	2
⊙ 6	*302NL09050	2NL09050	COVER CASSETTE		2	2	2
7	*302NL09080	2NL09080	HANDLE CASSETTE		2	2	2
8	*302NL09010	2NL09010	CASSETTE		2	2	2
9	*302MV34340	2MV34340	LABEL OPERATION S		2	2	2
10	*302MV34310	2MV34310	LABEL CASSETTE SIZE A		2	2	2
11	*302MV34360	2MV34360	LABEL CASSETTE SIZE B		2	2	2
12	*302MV34320	2MV34320	LABEL OPERATION CURSOR		2	2	2
13	*302MV09050	2MV09050	PLATE SIDE SWITCH		2	2	2
14	*302K309220	2K309220	SPRING SIDE SWITCH		2	2	2
15	*302MV09040	2MV09040	ARM SIZE DETECTION		2	2	2
16	*302K309270	2K309270	CURSOR END		2	2	2
17	*2C907360	2C907360	SPRING CURSOR R		4	4	4
18	*302K309141	2K309141	SLIDER CURSOR END		2	2	2
19	*302K309360	2K309360	SPRING SIZE SET		2	2	2
20	*302K309350	2K309350	STOPPER SIZE SET		2	2	2
21	*302MV09080	2MV09080	CURSOR CASSETTE REAR		2	2	2
22	*302K309190	2K309190	LEVER CURSOR SET		4	4	4
23	*302K309370	2K309370	SPRING CURSOR SET		4	4	4
24	*302MV34370	2MV34370	LABEL PAPER LIMIT		2	2	2
25	*302MV09090	2MV09090	CURSOR CASSETTE FRONT		2	2	2
26	*302K309200	2K309200	LEVER RELEASE CURSOR F		2	2	2
27	*302K309210	2K309210	SPRING RELEASE CURSOR F		2	2	2
28	*302K309380	2K309380	SPRING SIZE SET F		2	2	2
29	*302HN09240	2HN09240	SIZE FIX		2	2	2
⊙ 30	*302K394380	2K394380	PARTS GEAR Z18 SP		2	2	2
31	*302K309180	2K309180	SHAFT DRIVE LIFT		2	2	2
32	*302K309170	2K309170	PLATE LIFT BASE CASSETTE		2	2	2
33	*2BC06910	2BC06910	STOPPER 6		2	2	2
34	*302K309300	2K309300	SPRING CASSETTE LIFT EARTH		2	2	2
35	*302MV09021	2MV09021	BASE CASSETTE		2	2	2
36	*2C907140	2C907140	PAD CASSETTE		2	2	2
37	*302MV34350	2MV34350	LABEL PAPER SET		2	2	2
38	*302K309150	2K309150	LIFT BASE CASSETTE SUB		4	4	4
39	*302K309160	2K309160	SPRING LEVER LIFT CASSETTE SUB		4	4	4
40	*302NL09090	2NL09090	PLATE CASSETTE LEFT		2	2	2
41	*302NL09100	2NL09100	PLATE CASSETTE RIGHT		2	2	2
42	*302FZ07020	2FZ07020	PULLEY MPT BYPASS		2	2	2
43	*302FG07020	2FG07020	PULLEY,CASSETTE RAIL		6	6	6
44	*5MVX111DN003	2A806250	RING STOPPER /A-49 FEED A4		2	2	2
101	7BB202410H	BB106850	+TP-FLAT T.T P SCREW 4X10				
102	5MBP2514WXSP	E0025250	SPRING PIN				
103	7BB203308H	BB106950	+FLAT HEAD T.T P SCREW 3X8				

- Parts with "*" are component parts or sub-assemblies of the assembly appearing immediately above them.
- Parts with "⊙" indicate regular maintenance parts.

- Parts with "••" are component parts or sub-assembly with "•" appearing immediately above them.



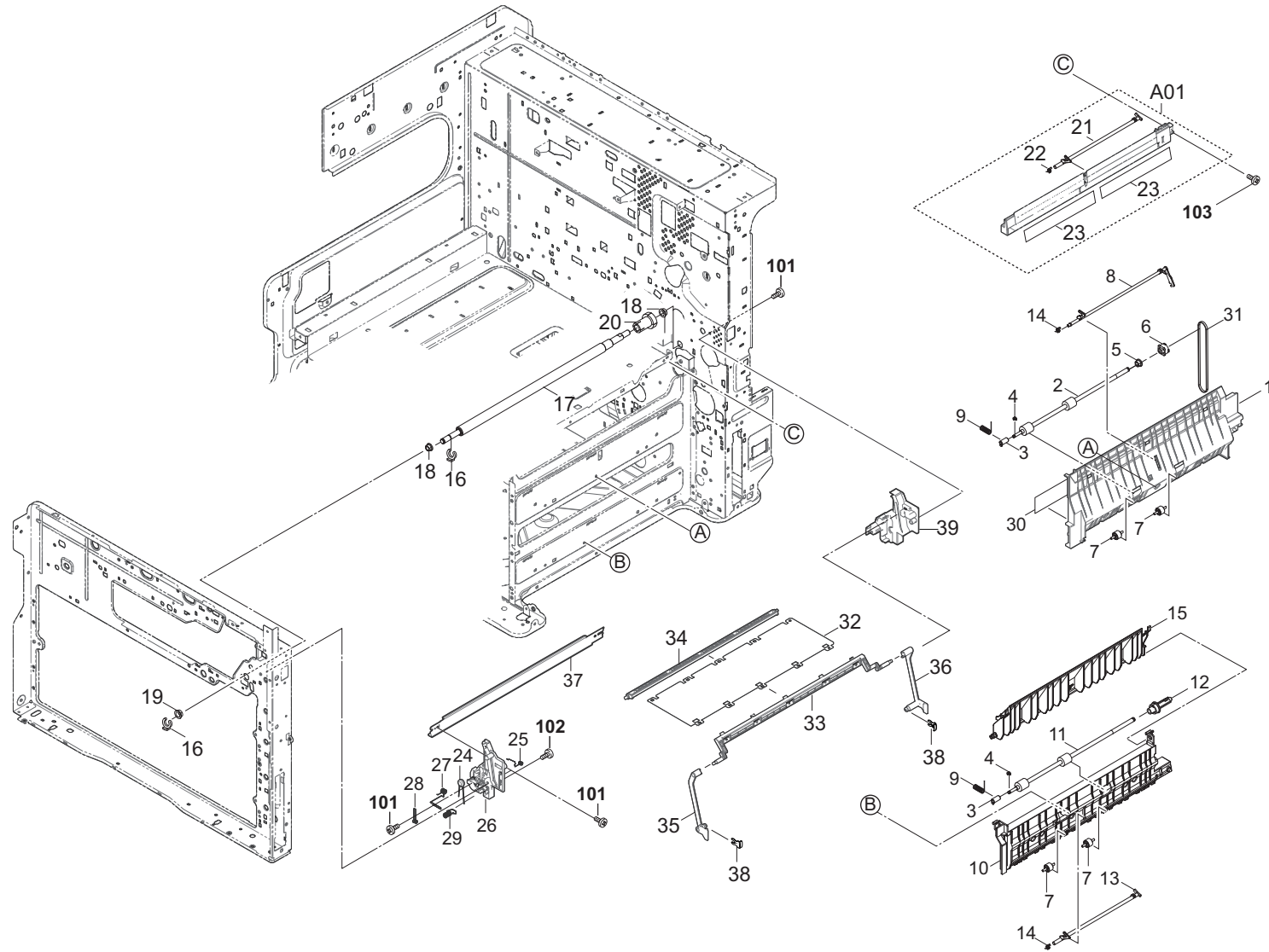


FIG. 10 Paper Feed Section 2

2P8/2NL

Ref. No.	Part.No.	Alternative.	Description	Notes	Quantity		
					120	230	240
1	302NL06020	2NL06020	GUIDE FEED OUTER		1	1	1
2	302MV94310	2MV94310	PARTS ROLLER FEED UPPER SP		1	1	1
3	302K329270	2K329270	BUSH DU		2	2	2
4	5MVX111DN007	2BT11070	STOPPER 3 /2BT1107 A4		2	2	2
5	302H024370	2H024370	BUSH 6 EW		1	1	1
6	303MR29040	3MR29040	PULLEY 26-6 DUPLEX		1	1	1
7	302HN24400	2HN24400	PULLEY PA		4	4	4
8	302K302831	2K302831	ACTUATOR DECK FEED		1	1	1
9	302MV07120	2MV07120	SPRING EARTH FEED		2	2	2
10	302MV07020	2MV07020	GUIDE FEED LOW		1	1	1
11	302MV94320	2MV94320	PARTS ROLLER FEED LOWER SP		1	1	1
12	303NN24110	3NN24110	JOINT PULLEY 26-6		1	1	1
13	302K306140	2K306140	ACTUATOR REGIST		1	1	1
14	302K306150	2K306150	SPRING ACTUATOR REGIST		2	2	2
15	302MV07030	2MV07030	GUIDE FEED		1	1	1
16	2BC06910	2BC06910	STOPPER 6		2	2	2
17	302K394230	2K394230	PARTS ROLLER REGIST LEFT SP		1	1	1
18	302H024830	2H024830	BUSH 8		2	2	2
19	302H024360	2H024360	BUSH 8 EW		1	1	1
20	302K394310	2K394310	PARTS GEAR REGIST Z28L-Z18L SP		1	1	1
A01	302K394540	2K394540	PARTS FEED UNIT ASSY SP		1	1	1
21	*302K306140	2K306140	ACTUATOR REGIST		1	1	1
22	*302K306150	2K306150	SPRING ACTUATOR REGIST		1	1	1
23	*302K306160	2K306160	SHEET REGIST LEFT		2	2	2
24	302K345120	2K345120	VARISTOR TC		1	1	1
25	302K324350	2K324350	SPRING EARTH REGIST B		1	1	1
26	302K302710	2K302710	RAIL LINK ARM F		1	1	1
27	302K324310	2K324310	SPRING EARTH REGIST A		1	1	1
28	302K324410	2K324410	SPRING EARTH REGIST D		1	1	1
29	302K324380	2K324380	SPRING EARTH REGIST C		1	1	1
30	302NL06080	2NL06080	SHEET FEED OUT A		1	1	1
31	302MV07110	2MV07110	BELT FEED		1	1	1
32	302K302630	2K302630	SHEET DRUM COVER		1	1	1
33	302K302610	2K302610	HOLDER DRUM COVER RIGHT		1	1	1
34	302K302620	2K302620	HOLDER DRUM COVER LEFT		1	1	1
35	302K302670	2K302670	ARM DRUM COVER FRONT		1	1	1
36	302K302680	2K302680	ARM DRUM COVER REAR		1	1	1
37	302K324160	2K324160	GUIDE TRANS LEFT		1	1	1
38	302K312080	2K312080	STOPPER DRUM		2	2	2
39	302K302720	2K302720	RAIL LINK ARM R		1	1	1
101	7BB200308H	BB105660	+BIND T.T P SCREW 3X8				
102	7BB702308H	BB107060	+TP-FLAT T.T S SCREW 3X8 SR				
103	7BB700308H	BB105600	+BIND T.T S SCREW 3X8 SR				

- Parts with "*" are component parts or sub-assemblies of the assembly appearing immediately above them.
- Parts with "⊙" indicate regular maintenance parts.

- Parts with "••" are component parts or sub-assembly with "•" appearing immediately above them.

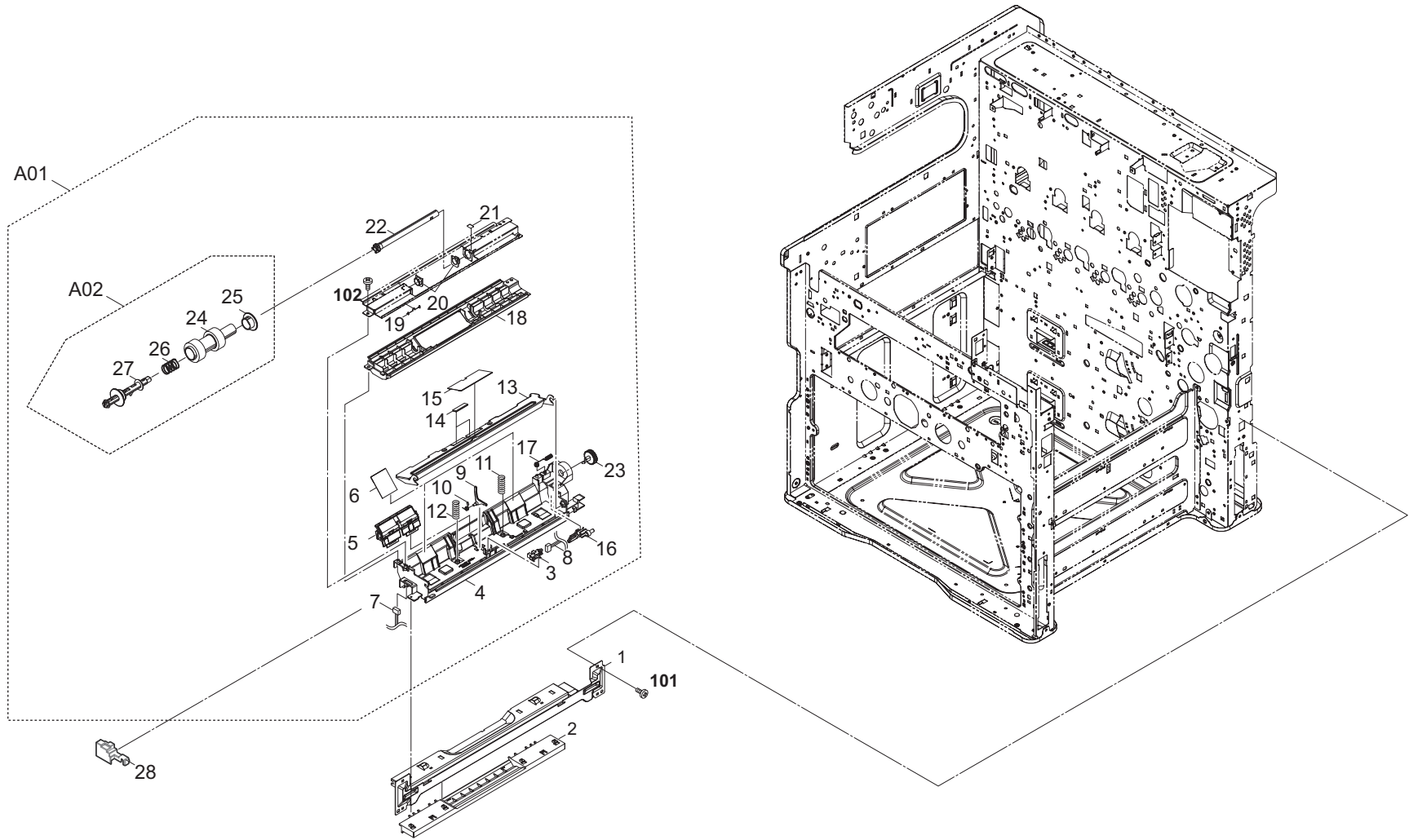


FIG. 11 Paper Feed Section 3

2P8/2NL

Ref. No.	Part.No.	Alternative.	Description	Notes	Quantity		
					120	230	240
1	302K302140	2K302140	STAY RIGHT HANDLE		1	1	1
2	302MV07040	2MV07040	GUIDE FEED INNER		1	1	1
⊙ A01	302MV94070	2MV94070	PARTS MPF UNIT SP		1	1	1
⊙ 3	•7NXGP1S173LCH01	NX116910	SENSOR OPT.		1	1	1
4	•302MV08010	2MV08010	BASE MPF		1	1	1
⊙ 5	•302MV94010	2MV94010	PARTS PAD SEPARATION ASSY SP		1	1	1
6	•302K308480	2K308480	SEAL SIDE MPF		2	2	2
7	•302MV46450	2MV46450	WIRE MPF SIZE UNIT 1		1	1	1
8	•302MV46580	2MV46580	WIRE MPF		1	1	1
9	•302K308020	2K308020	ACTUATOR MPF		1	1	1
10	•302K308250	2K308250	SPRING ACTUATOR		1	1	1
11	•302K308120	2K308120	SPRING LIFT R		1	1	1
12	•302K308130	2K308130	SPRING LIFT F		1	1	1
13	•302K308101	2K308101	LIFT PLATE		1	1	1
14	•302K308110	2K308110	PAD LIFT		2	2	2
15	•302K308340	2K308340	SEAL GUIDE PAD		1	1	1
16	•302K308140	2K308140	ARM LIFT		1	1	1
17	•302K308240	2K308240	SPRING EARTH		1	1	1
18	•302K308030	2K308030	GUIDE UPPER MPF		1	1	1
19	•302K308260	2K308260	WIRE EARTH MPF		1	1	1
20	•302K308070	2K308070	BUSH 10		2	2	2
21	•302MV34190	2MV34190	LABEL J		1	1	1
22	•302K308080	2K308080	SHAFT MPF		1	1	1
⊙ 23	•302K394320	2K394320	PARTS GEAR MPF Z28 SP		1	1	1
⊙ A02	•302MV94020	2MV94020	PARTS ROLLER MPF ASSY SP		1	1	1
⊙ 24	••302K308150	2K308150	ROLLER MPF		1	1	1
⊙ 25	••302MV08030	2MV08030	PULLEY MPF		1	1	1
26	••302K308270	2K308270	SPRING MPF ROLL		1	1	1
27	••302MV08020	2MV08020	PIN FEED ROLL		1	1	1
⊙ 28	302MV08050	2MV08050	COVER MPF WIRE		1	1	1
101	7BB700308H	BB105600	+BIND T.T S SCREW 3X8 SR				
102	7BB200308H	BB105660	+BIND T.T P SCREW 3X8				

- Parts with "•" are component parts or sub-assemblies of the assembly appearing immediately above them.
- Parts with "⊙" indicate regular maintenance parts.

- Parts with "••" are component parts or sub-assembly with "•" appearing immediately above them.

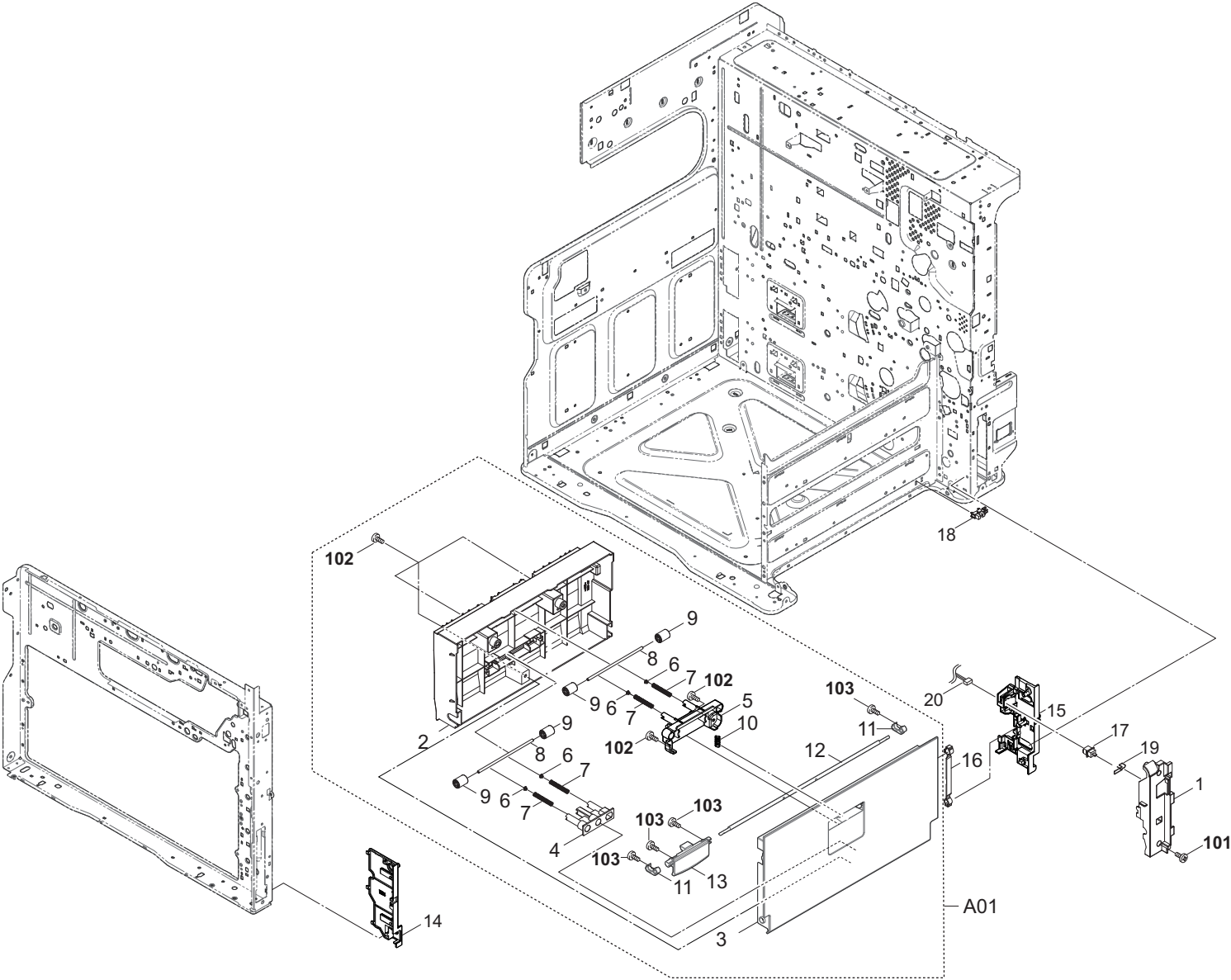


FIG. 12 Paper Feed Section 4

2P8/2NL-3

Ref. No.	Part.No.	Alternative.	Description	Notes	Quantity		
					120	230	240
1	302MV07080	2MV07080	COVER SW FEED		1	1	1
⊙ A01	302NP94230	2NP94230	PARTS COVER RIGHT LOW ASSY SP		1	1	1
2	*302MV07051	2MV07051	GUIDE COVER INNER		1	1	1
⊙ 3	*302NL04340	2NL04340	COVER RIGHT LOW		1	1	1
4	*302MV07070	2MV07070	HOLDER SPRING		1	1	1
5	*302NL06060	2NL06060	COVER HANDLE		1	1	1
6	*2FM04150	2FM04150	CAP SPRING /B-11 ENCLOSURE A4		4	4	4
7	*303NN24180	3NN24180	SPRING FEED LOW		4	4	4
8	*302BG06152	2BG06152	SHAFT FEED B		2	2	2
⊙ 9	*3HY07120	3HY07120	PULLEY 15 DUPLEX		4	4	4
10	*302FZ20021	2FZ20021	SPRING LID		1	1	1
11	*302K906670	2K906670	HOOK FEED LOW		2	2	2
12	*302NL06070	2NL06070	SHAFT FEED LOW HOOK		1	1	1
13	*303PC06060	3PC06060	HANDLE FEED LOW		1	1	1
14	302NL06040	2NL06040	HOLDER HOOK F		1	1	1
15	302NL06050	2NL06050	HOLDER HOOK R		1	1	1
16	2BG06480	2BG06480	BAND B		1	1	1
⊙ 17	7SP01000001+H01	SP044290	SW.PUSH		1	1	1
⊙ 18	7NXGP1S173LCH01	NX116910	SENSOR OPT.		1	1	1
19	303NN24250	3NN24250	SPRING EARTH SW		1	1	1
20	302MV46520	2MV46520	WIRE RIGHT COVER SW		1	1	1
101	7BB700308H	BB105600	+BIND T.T S SCREW 3X8 SR				
102	7BB200410H	BB105700	+BIND T.T P SCREW 4X10				
103	7BB600306H	BB105730	+BIND M SCREW 3X6 R				

- Parts with "*" are component parts or sub-assemblies of the assembly appearing immediately above them.
- Parts with "⊙" indicate regular maintenance parts.

- Parts with "••" are component parts or sub-assembly with "•" appearing immediately above them.

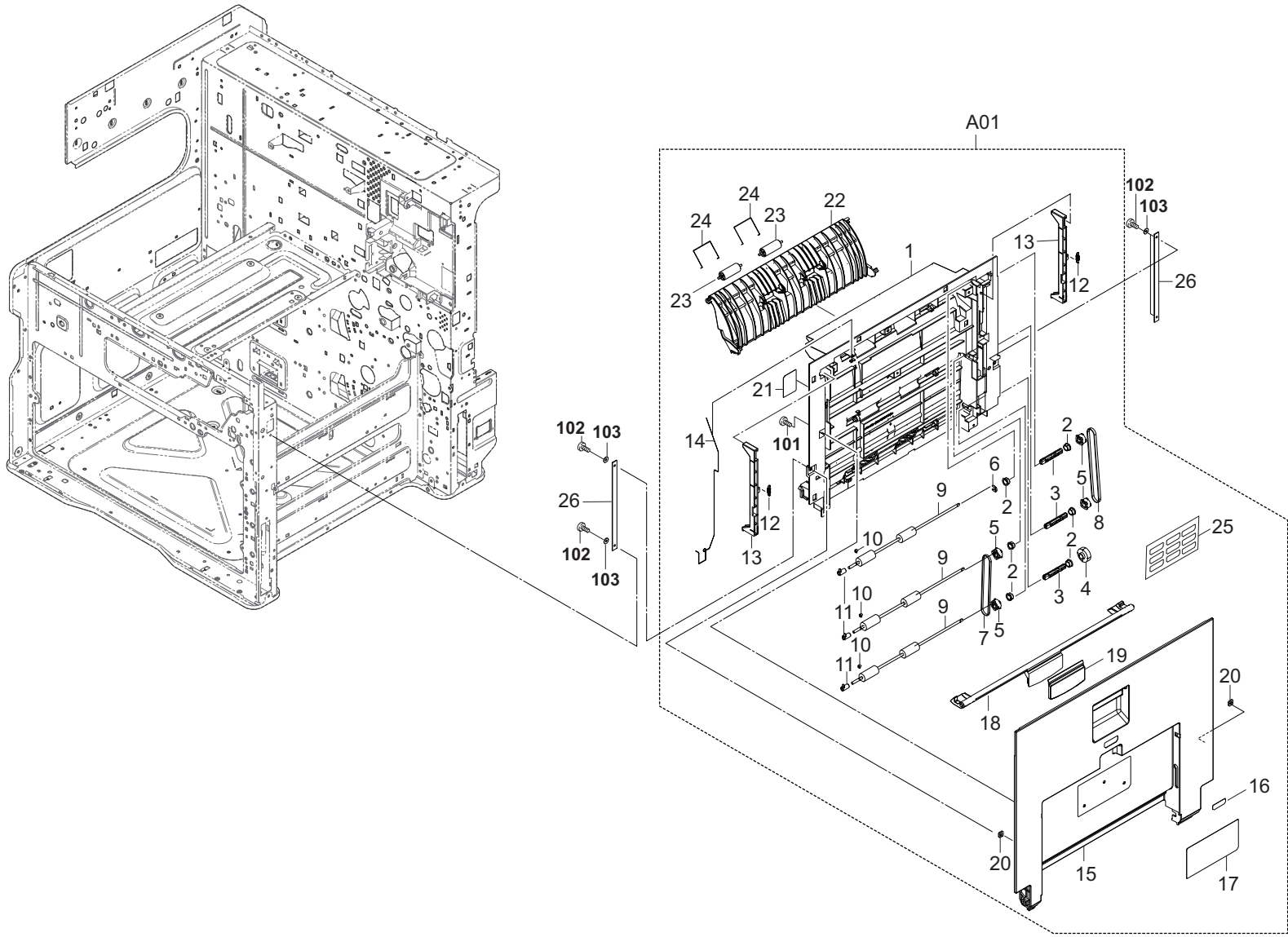


FIG. 13 Paper Conveying Section 1

2P8/2NL-2

Ref. No.	Part.No.	Alternative.	Description	Notes	Quantity		
					120	230	240
⊙ A01	302NL94080	2NL94080	PARTS COVER RIGHT ASSY SP		1	1	1
1	*302K304531	2K304531	GUIDE RIGHT COVER		1	1	1
2	*302H024360	2H024360	BUSH 8 EW		6	6	6
3	*302K329220	2K329220	SHAFT DU		3	3	3
⊙ 4	*302K394400	2K394400	PARTS GEAR DU Z27L SP		1	1	1
5	*302K329280	2K329280	PULLEY DU 26		4	4	4
6	*2BC06980	2BC06980	STOPPER 5		1	1	1
7	*302K329240	2K329240	BELT DU A		1	1	1
8	*302K329250	2K329250	BELT DU B		1	1	1
⊙ 9	*302K329210	2K329210	PARTS ROLLER DU SP		3	3	3
10	*5MVX1111DN007	2BT11070	STOPPER 3 /2BT1107 A4		3	3	3
11	*302K329270	2K329270	BUSH DU		3	3	3
12	*302K304540	2K304540	SPRING HOOK		2	2	2
13	*302K304571	2K304571	JOINT JUNCTION HOOK		2	2	2
14	*302K329230	2K329230	WIRE EARTH DU		1	1	1
15	*302NL04330	2NL04330	COVER RIGHT MIDDLE		1	1	1
16	*302MV34250	2MV34250	LABEL COVER CAUTION		1	1	1
17	*302MV34260	2MV34260	LABEL BYPASS CAUTION		1	1	1
18	*302K304520	2K304520	HOOK RIGHT COVER		1	1	1
19	*302MV04300	2MV04300	COVER RIGHT HOOK		1	1	1
20	*5MMS1111SL002	2BY20050	NUT FUSER A /FS-1800/3800 A4		2	2	2
21	*302MV34400	2MV34400	LABEL HIGH TEMP		1	1	1
22	*302K328200	2K328200	GUIDE EXIT RIGHT		1	1	1
⊙ 23	*302K329020	2K329020	PULLEY DU		2	2	2
24	*302K329030	2K329030	SPRING DU FEED		2	2	2
25	*302MV34410	2MV34410	LABEL COVER CAUTION 9NATIONS		1	1	1
26	302K304591	2K304591	STRAP RIGHT COVER		2	2	2
101	7BB200308H	BB105660	+BIND T.T P SCREW 3X8				
102	7BB600308H1	BB105850	+BIND M SCREW 3X8 R				
103	7BC00030A080H01	BC046150	WASHER M3X10X0.8T				

- Parts with "*" are component parts or sub-assemblies of the assembly appearing immediately above them.
- Parts with "⊙" indicate regular maintenance parts.

- Parts with "••" are component parts or sub-assembly with "•" appearing immediately above them.

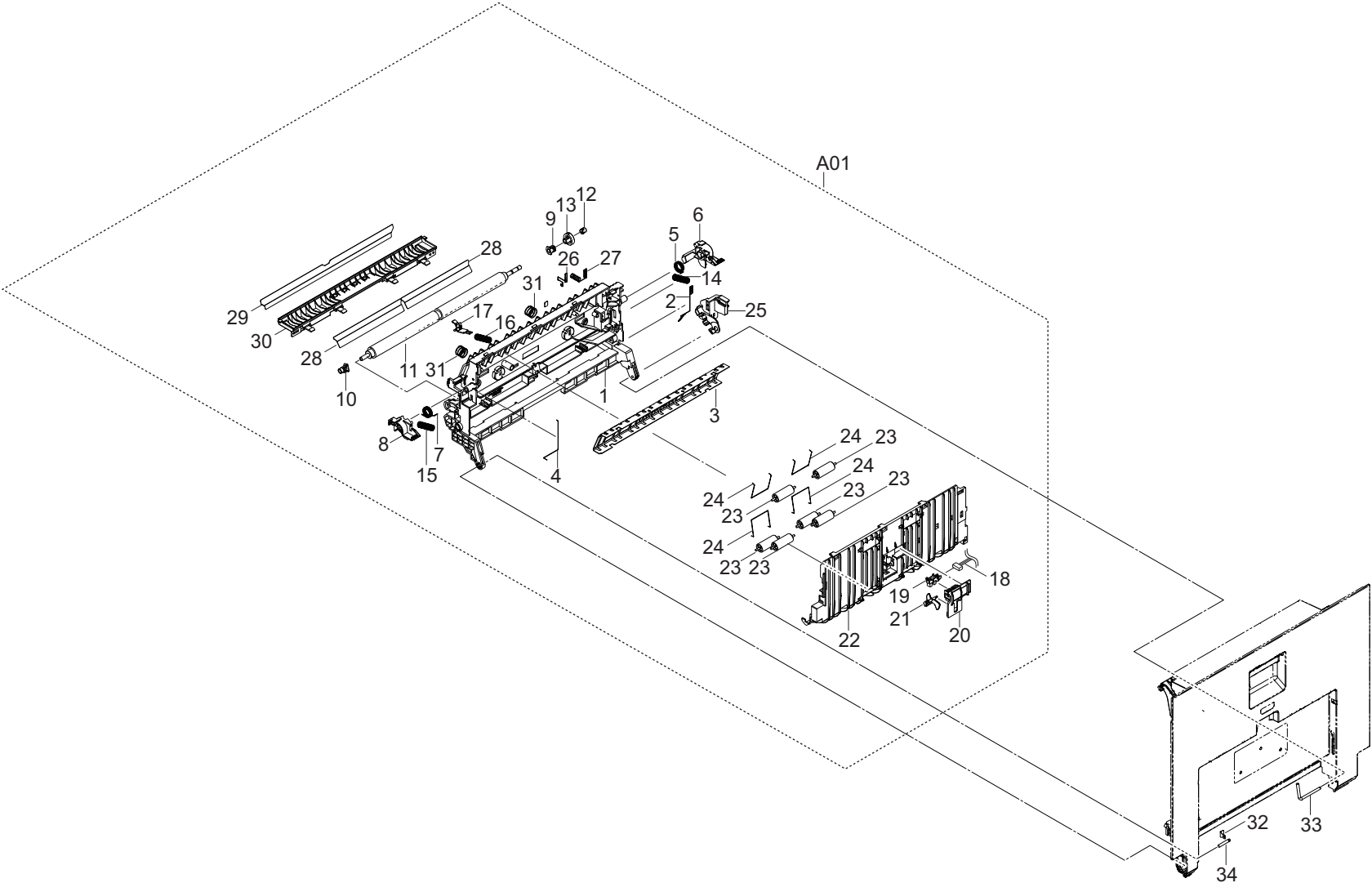


FIG. 14 Paper Conveying Section 2

2P8/2NL-2

Ref. No.	Part.No.	Alternative.	Description	Notes	Quantity		
					120	230	240
⊙ A01	302NL94070	2NL94070	PARTS CONVEYING UNIT SP		1	1	1
1	*302K324011	2K324011	BASE CONVEYING		1	1	1
2	*302K324080	2K324080	TERMINAL TRANSFER		1	1	1
3	*302NL24090	2NL24090	GUIDE CONVEYING		1	1	1
4	*302K324130	2K324130	SPRING EARTH CONVEYING		1	1	1
5	*302K324360	2K324360	SPRING CONVEYING R		1	1	1
6	*302K324070	2K324070	LEVER CONVEYING R		1	1	1
7	*302K324110	2K324110	SPRING CONVEYING F		1	1	1
8	*302K324060	2K324060	LEVER CONVEYING F		1	1	1
9	*302K324270	2K324270	BUSH REGIST R		1	1	1
10	*302K324180	2K324180	BUSH REGIST F		1	1	1
11	*302K394220	2K394220	PARTS ROLLER REGIST RIGHT SP		1	1	1
12	*302H722470	2H722470	COLLAR TRANS ROLLER		1	1	1
13	*302K394330	2K394330	PARTS GEAR REGIST Z24R SP		1	1	1
14	*302K324440	2K324440	SPRING REGIST R		1	1	1
15	*302K324200	2K324200	SPRING REGIST F		1	1	1
16	*302K324500	2K324500	SPRING REGIST C		1	1	1
17	*302K324470	2K324470	BUSH REGIST C		1	1	1
18	*302K346090	2K346090	WIRE DU		1	1	1
⊙ 19	*7NXGP1S173LCH01	NX116910	SENSOR OPT.		1	1	1
20	*302K329060	2K329060	RETAINER ACTUATOR		1	1	1
21	*302K329040	2K329040	ACTUATOR DU		1	1	1
22	*302K329010	2K329010	FRAME DU		1	1	1
23	*302K329020	2K329020	PULLEY DU		6	6	6
24	*302K329030	2K329030	SPRING DU FEED		4	4	4
25	*302K324322	2K324322	COVER HARNESS		1	1	1
26	*302K324340	2K324340	TERMINAL SEPARATION B		1	1	1
27	*302K324090	2K324090	TERMINAL SEPARATION A		1	1	1
28	*302K324290	2K324290	FILM GUIDE REGIST		2	2	2
29	*302NL24050	2NL24050	FILM GUIDE FEED JUNCTION		1	1	1
30	*302NL24040	2NL24040	GUIDE FEED JUNCTION		1	1	1
31	*302K324510	2K324510	SPRING TRANSFER LIFT		2	2	2
32	302K304630	2K304630	FILM CONVEYING SHAFT		1	1	1
33	302K304560	2K304560	SHAFT RIGHT COVER R		1	1	1
34	302K304550	2K304550	SHAFT RIGHT COVER F		1	1	1

- Parts with "*" are component parts or sub-assemblies of the assembly appearing immediately above them.
- Parts with "⊙" indicate regular maintenance parts.

- Parts with "••" are component parts or sub-assembly with "•" appearing immediately above them.

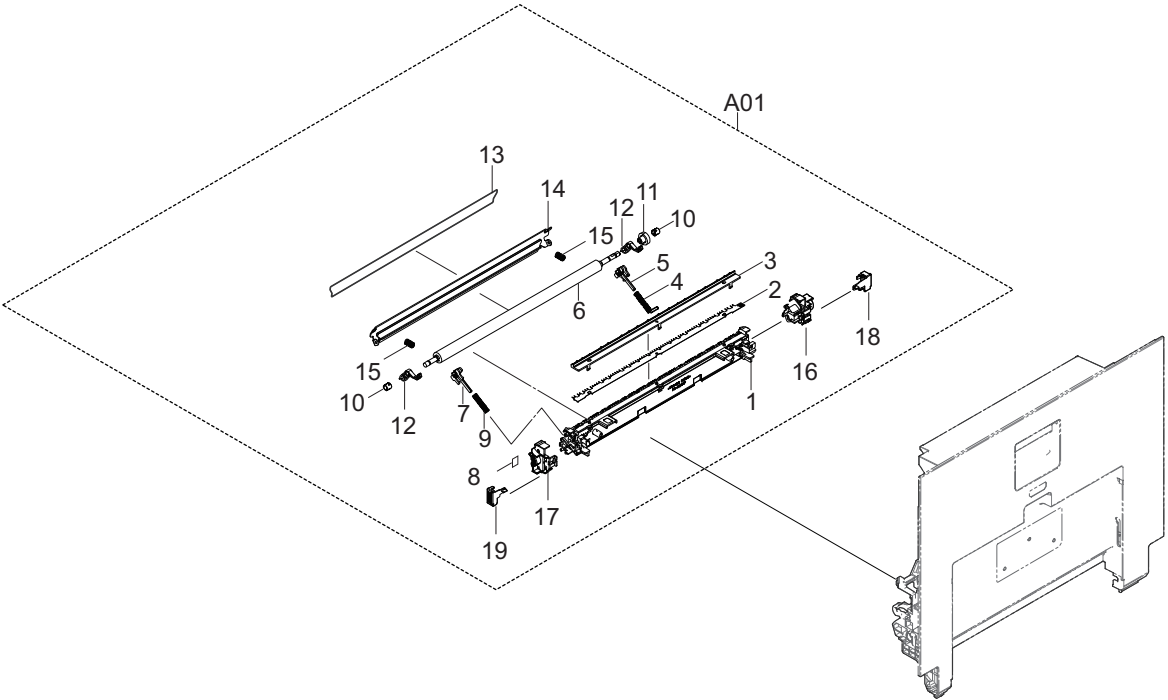


FIG. 15 Paper Conveying Section 3

2P8/2NL-2

Ref. No.	Part.No.	Alternative.	Description	Notes	Quantity		
					120	230	240
⊙ A01	302NL93090	2NL93090	TR-7105		1	1	1
1	•302K324030	2K324030	HOLDER TRANSFER		1	1	1
2	•302K324100	2K324100	HOLDER SEPARATION		1	1	1
3	•302K324150	2K324150	PLATE SEPARATION		1	1	1
4	•302K324370	2K324370	SPRING TRANSFER R		1	1	1
5	•302K324430	2K324430	BUSH TRANSFER ROLL R		1	1	1
6	•302K324020	2K324020	ROLLER TRANSFER		1	1	1
7	•302K324240	2K324240	BUSH TRANSFER ROLL F		1	1	1
8	•302MV34180	2MV34180	LABEL I		1	1	1
9	•302K324210	2K324210	SPRING TRANSFER F		1	1	1
10	•302H722470	2H722470	COLLAR TRANS ROLLER		1	1	1
⊙ 11	•302K324170	2K324170	GEAR TRANSFER Z18L		1	1	1
12	•302K324280	2K324280	LEVER TRANSFER		2	2	2
13	•302K324520	2K324520	SHEET TRANSFER RIGHT		1	1	1
14	•302NL24110	2NL24110	GUIDE TRANSFER RIGHT B		1	1	1
15	•302K324230	2K324230	SPRING GUIDE TRANSFER		2	2	2
16	•302K324260	2K324260	HOOK TRANSFER R		1	1	1
17	•302K324250	2K324250	HOOK TRANSFER F		1	1	1
18	•302MV24020	2MV24020	LEVER HOOK R		1	1	1
19	•302MV24010	2MV24010	LEVER HOOK F		1	1	1

- Parts with "•" are component parts or sub-assemblies of the assembly appearing immediately above them.
- Parts with "⊙" indicate regular maintenance parts.

- Parts with "••" are component parts or sub-assembly with "•" appearing immediately above them.

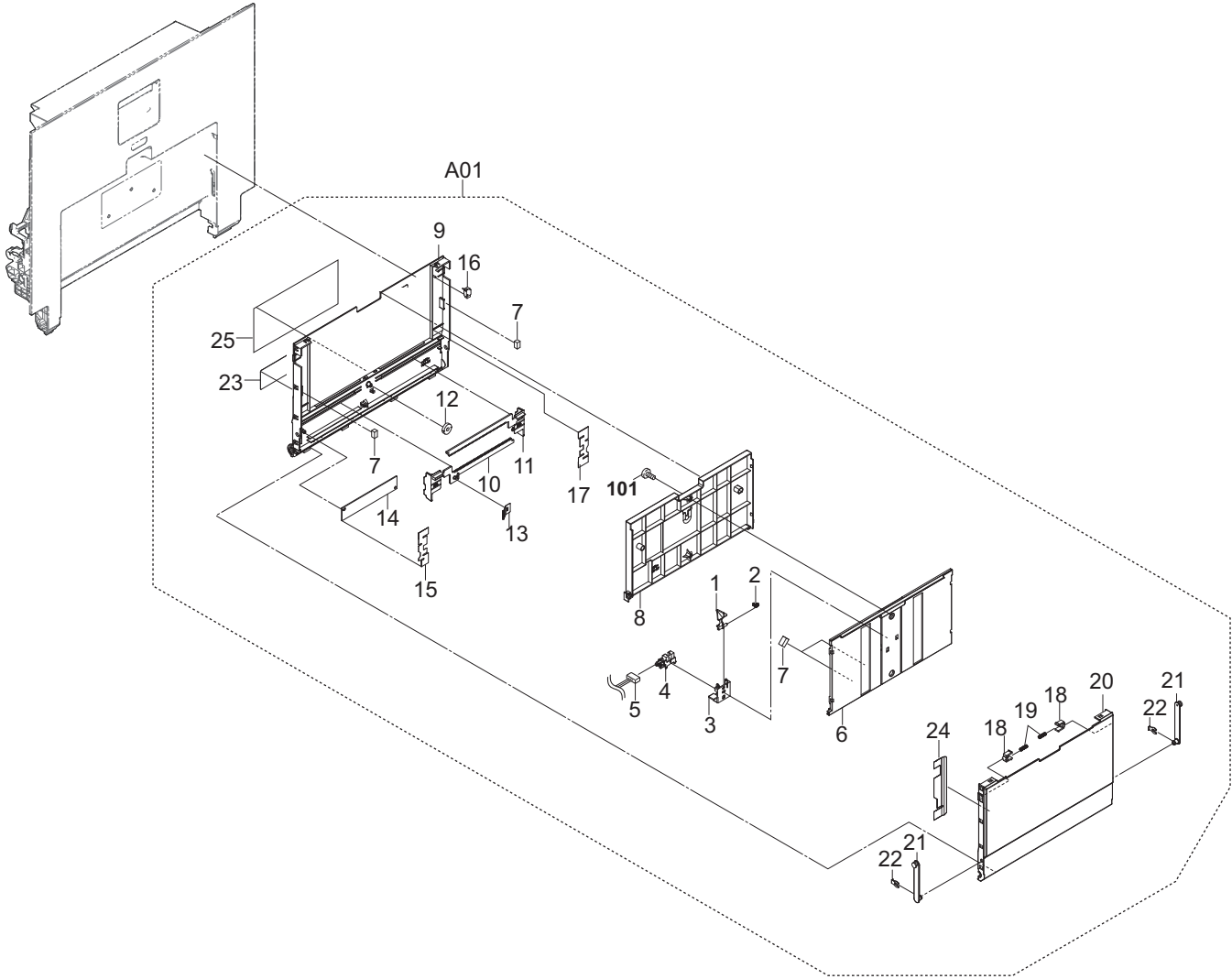


FIG. 16 Paper Conveying Section 4

2P8/2NL

Ref. No.	Part.No.	Alternative.	Description	Notes	Quantity		
					120	230	240
⊙ A01	302NL94150	2NL94150	PARTS MPF TABLE ASSY SP		1	1	1
1	•302K908211	2K908211	ACTUATOR SIZE DETECTION		1	1	1
2	•302K908220	2K908220	SPRING-TORSION SIZE DETECTION		1	1	1
3	•302K908580	2K908580	HOLDER SIZE DETECTION		1	1	1
⊙ 4	•7NXGP1S173LCH01	NX116910	SENSOR OPT.		1	1	1
5	•302MV46510	2MV46510	WIRE MPF SIZE UNIT 2		1	1	1
6	•302MV08430	2MV08430	TABLE MPF B		1	1	1
7	•302H708150	2H708150	SPONGE WIRE MPT		4	4	4
8	•302MV08420	2MV08420	TABLE MPF A		1	1	1
9	•302MV08410	2MV08410	TABLE MPF		1	1	1
10	•302MV08440	2MV08440	CURSOR FRONT MPF		1	1	1
11	•302MV08450	2MV08450	CURSOR REAR MPF		1	1	1
⊙ 12	•2C906080	2C906080	GEAR 18 BYPASS		1	1	1
13	•2C906090	2C906090	TERMINAL PAPER SIZE		1	1	1
⊙ 14	•2C901050	2C901050	PCB MPF SIZE ASSY		1	1	1
15	•302MV08460	2MV08460	GUIDE FRONT MPF WIRE		1	1	1
⊙ 16	•76727010	76727010	ORIGINAL SIZE SWITCH		1	1	1
17	•302MV08470	2MV08470	GUIDE REAR MPF WIRE		1	1	1
18	•2FB07330	2FB07330	STOPPER BYPASS TABLE		2	2	2
19	•302MV08500	2MV08500	SPRING MPF		2	2	2
⊙ 20	•302MV08400	2MV08400	COVER MPF		1	1	1
21	•302K308460	2K308460	STRAP LINK MPF		2	2	2
22	•302K308470	2K308470	STOPPER STRAP		2	2	2
23	•302MV34270	2MV34270	LABEL BYPASS TABLE		1	1	1
24	•302MV08520	2MV08520	SHEET MPF WIRE A		1	1	1
25	•302NL34140	2NL34140	LABEL MPF CAUTION		1	1	1
101	7BB200308H	BB105660	+BIND T.T P SCREW 3X8				

- Parts with "•" are component parts or sub-assemblies of the assembly appearing immediately above them.
- Parts with "⊙" indicate regular maintenance parts.

- Parts with "••" are component parts or sub-assembly with "•" appearing immediately above them.

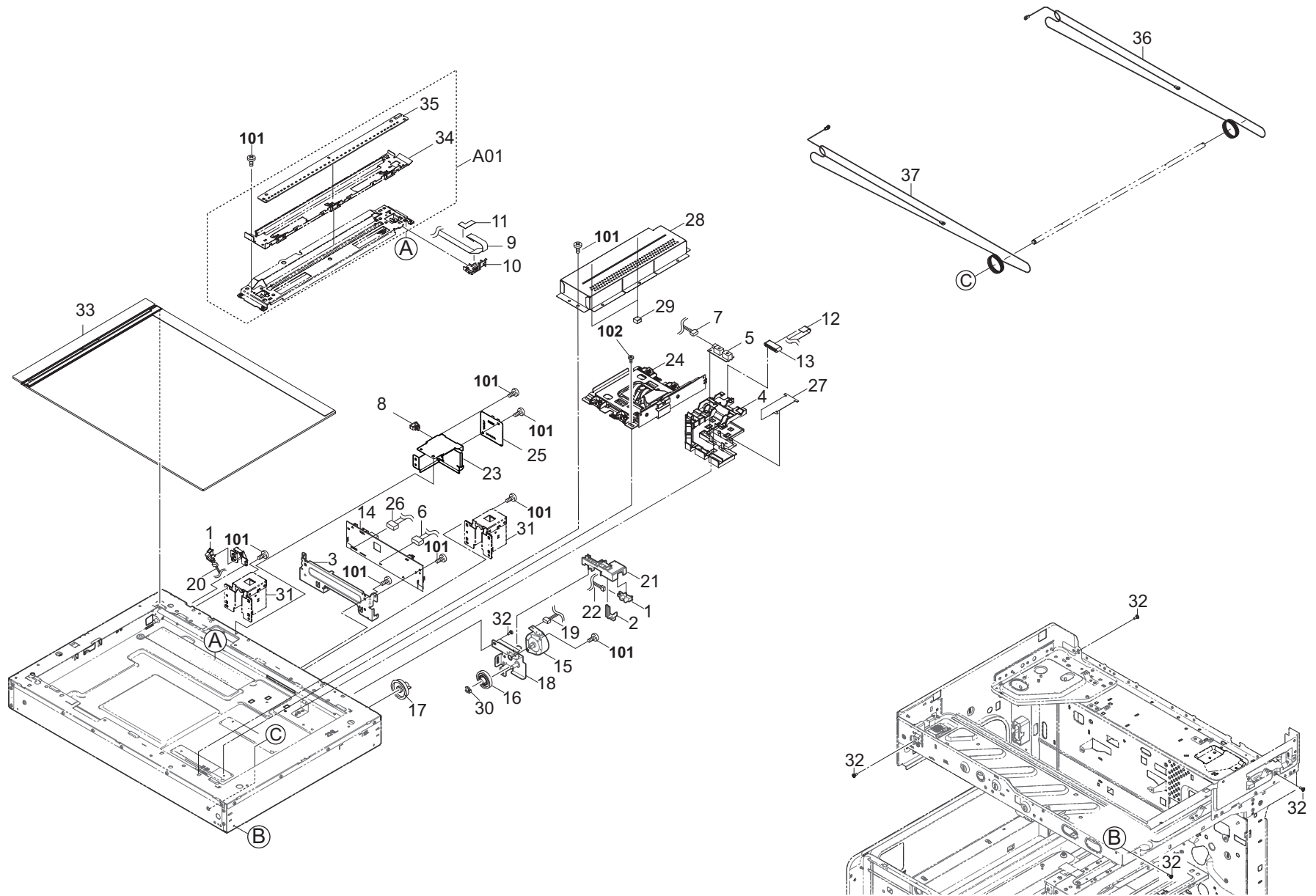


FIG. 17 Scanner Section 1

2P8/2NL-3

Ref. No.	Part.No.	Alternative.	Description	Notes	Quantity		
					120	230	240
⊙ 1	7NXGP1S173LCH01	NX116910	SENSOR OPT.		2	2	2
2	302NL17020	2NL17020	SWITCH RELEASE		1	1	1
3	302NL17040	2NL17040	MOUNT ISC		1	1	1
4	302MV17040	2MV17040	GUIDE FFC CCD		1	1	1
⊙ 5	302H044110	2H044110	SENSOR ORIGINAL		1	1	1
6	302MV46600	2MV46600	WIRE CCD POWER		1	1	1
7	302K946750	2K946750	WIRE ORIGINAL SENSOR		1	1	1
8	7YZM390002++H01	YZ012140	ACCESS.CLAMP		1	1	1
9	302MV46630	2MV46630	WIRE FFC LED		1	1	1
10	302K317172	2K317172	GUIDE FFC LED C		1	1	1
11	302K317791	2K317791	SHEET FFC LED		1	1	1
12	302NL46380	2NL46380	WIRE FFC CCD		1	1	1
13	7YBFZZ65C001H01	YB110990	FERRITE CORE		1	1	1
⊙ 14	302NP94180	2NP94180	PARTS PWB ISC ASSY SP		1	1	1
⊙ 15	302HN44100	2HN44100	MOTOR REVERSE		1	1	1
⊙ 16	302K394370	2K394370	PARTS GEAR Z18-Z63R SP		1	1	1
⊙ 17	302K317350	2K317350	GEAR Z54		1	1	1
18	302NL17010	2NL17010	MOUNT DRIVE		1	1	1
19	302NP46500	2NP46500	WIRE SCANNER MOT		1	1	1
20	302NP46490	2NP46490	WIRE HP SENSOR		1	1	1
21	302NL17030	2NL17030	HOLDER SWITCH		1	1	1
22	302NP46480	2NP46480	WIRE OPEN SENSOR		1	1	1
23	302NL17070	2NL17070	MOUNT JUNCTION PWB		1	1	1
⊙ 24	302NP93130	2NP93130	PARTS ISU		1	1	1
⊙ 25	302NP94160	2NP94160	PARTS PWB DP JUNCTION ASSY SP		1	1	1
26	302NP46420	2NP46420	WIRE DP JUNCTION		1	1	1
27	302MV17110	2MV17110	FILM FFC CCD		1	1	1
28	302MV17030	2MV17030	COVER LENS		1	1	1
29	7ZG65TSV+010H01	ZG111180	SHIELD GASKET		2	2	2
30	2BC06980	2BC06980	STOPPER 5		1	1	1
31	302NL17050	2NL17050	MOUNT DP		2	2	2
32	2FB20860	2FB20860	PIN FUSER COVER		6	6	6
⊙ 33	302MV94110	2MV94110	PARTS CONTACT-GLASS ASSY(C) SP			1	1
⊙ 33	302MV94100	2MV94100	PARTS CONTACT-GLASS ASSY(I) SP		1		
⊙ A01	302NP93090	2NP93090	PARTS MOUNT LED ASSY SP		1	1	1
34	*302K317470	2K317470	MOUNT LED		1	1	1
⊙ 35	*302NP94170	2NP94170	PARTS PWB SCANNER LED ASSY SP		1	1	1
36	302K317140	2K317140	WIRE SCANNER BLACK		1	1	1
37	302K317150	2K317150	WIRE SCANNER GRAY		1	1	1
101	7BB700308H	BB105600	+BIND T.T S SCREW 3X8 SR				
102	7BB606308H	BB105280	+PAN M SCREW WITH SW W 3X8 R				

- Parts with "*" are component parts or sub-assemblies of the assembly appearing immediately above them.
- Parts with "⊙" indicate regular maintenance parts.

- Parts with "••" are component parts or sub-assembly with "•" appearing immediately above them.

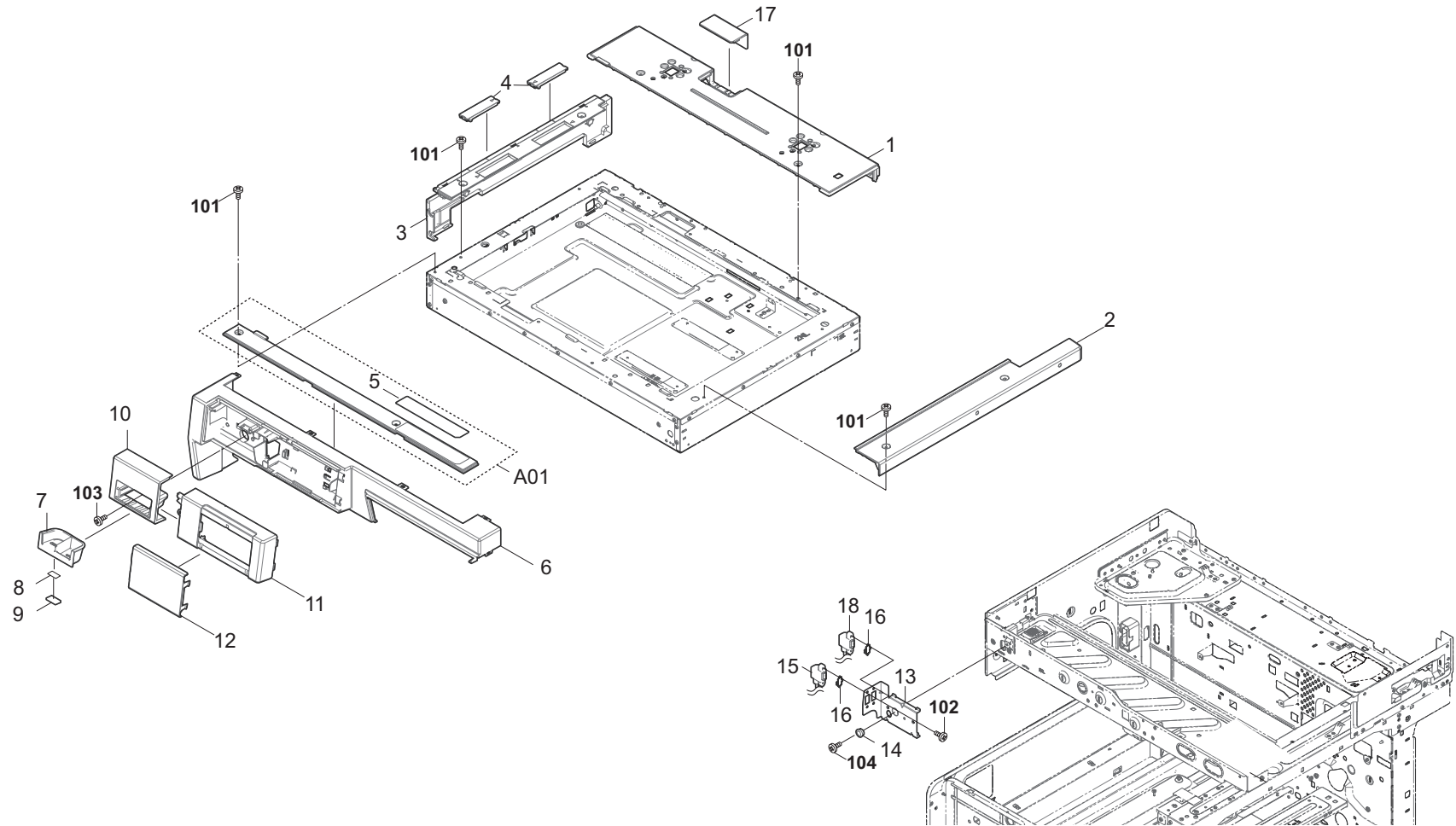


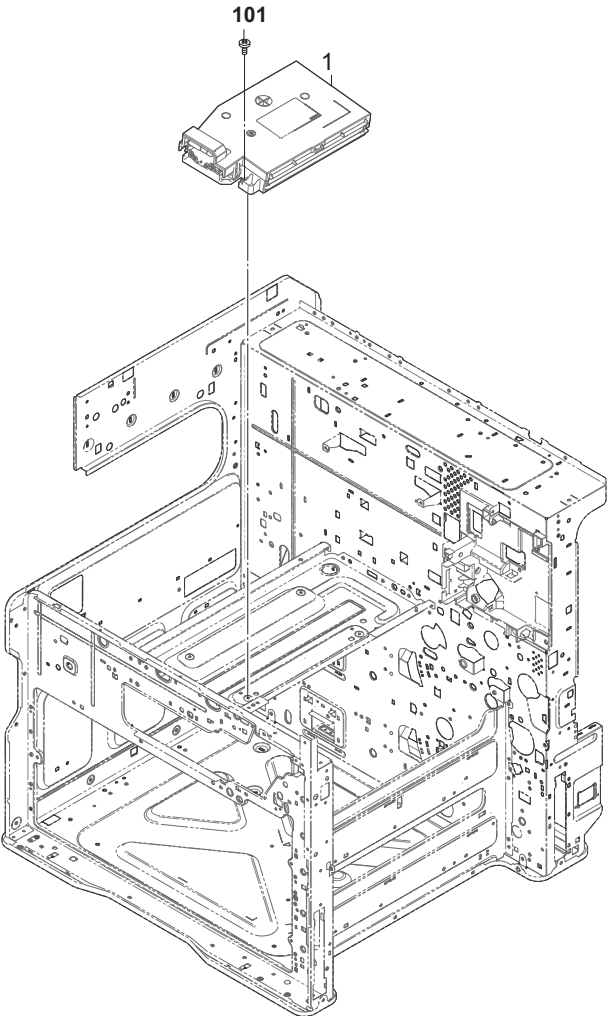
FIG. 18 Scanner Section 2

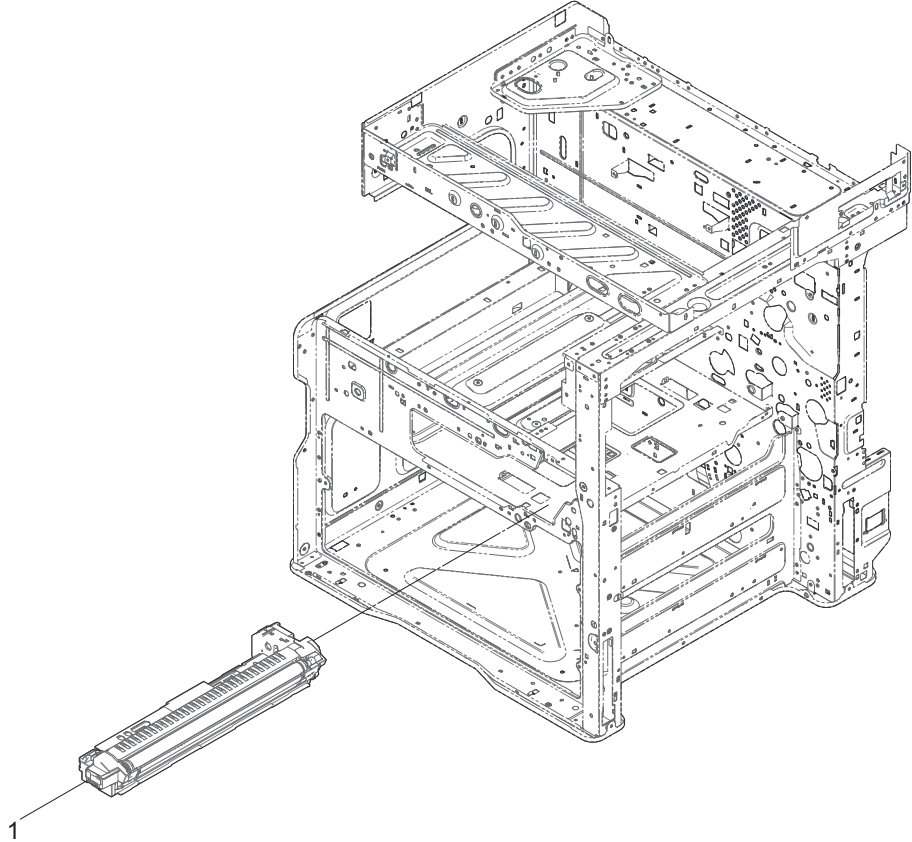
2P8/2NL-2

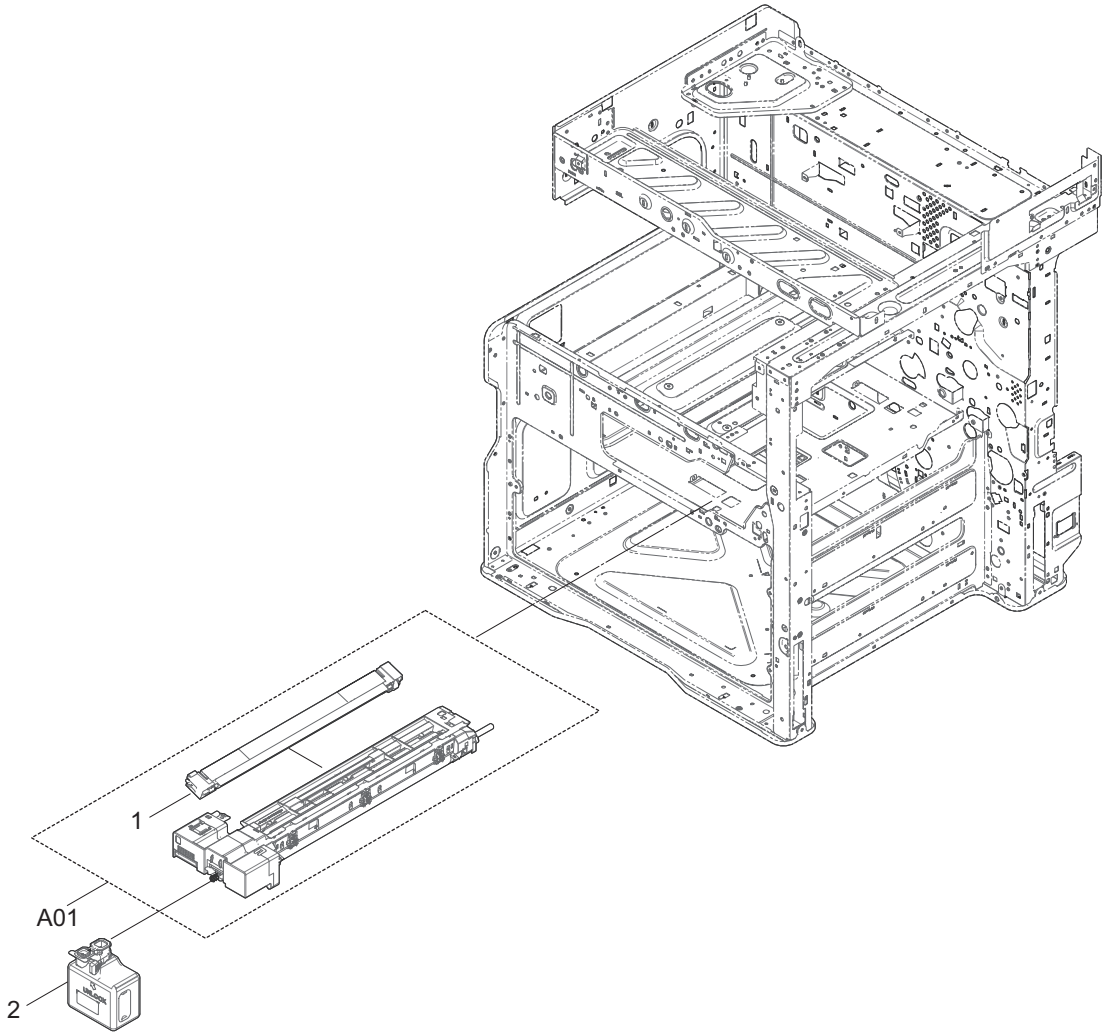
Ref. No.	Part.No.	Alternative.	Description	Notes	Quantity		
					120	230	240
⊙ 1	302NL04150	2NL04150	COVER ISU REAR		1	1	1
⊙ 2	302NL04140	2NL04140	COVER ISU RIGHT		1	1	1
⊙ 3	302NL04131	2NL04131	COVER ISU LEFT		1	1	1
⊙ 4	302LC04340	2LC04340	COVER ISU LEFT SUB		2	2	2
⊙ A01	302NP94200	2NP94200	PARTS COVER ISU FRONT A ASSY E SP		1	1	1
5	*302LC34031	2LC34031	LABEL OPERATION CAUTION B		1	1	1
⊙ 6	302NL04120	2NL04120	COVER ISU FRONT		1	1	1
⊙ 7	302N404130	2N404130	CASE CLIP		1	1	1
8	302GR04380	2GR04380	SEAL MAGNET		1	1	1
9	302GR04370	2GR04370	MAGNET CLIP DISH		1	1	1
⊙ 10	302N404241	2N404241	LID USB FRONT		1	1	1
⊙ 11	302NL04220	2NL04220	LID ISU FRONT		2	2	2
⊙ 12	302N404040	2N404040	LID CARD		1	1	1
13	302NL04230	2NL04230	MOUNT USB		1	1	1
14	302H005340	2H005340	BUSH SLIDE OPE		1	1	1
15	302NL46240	2NL46240	WIRE USB CARD READER		1	1	1
16	302K905900	2K905900	SPRING USB HOLD		2	2	2
⊙ 17	302NL04210	2NL04210	LID DP		1	1	1
18	302NL46230	2NL46230	WIRE USB KEYBOARD		1	1	1
101	7BB782308H	BB111300	+TP-FLAT T.T S SCREW 3X8 SR(BLACK)				
102	7BB000306H	BB106880	+BIND M SCREW 3X6				
103	7BB700312H	BB106820	+BIND T.T S SCREW 3X12 SR				
104	7BB700308H	BB105600	+BIND T.T S SCREW 3X8 SR				

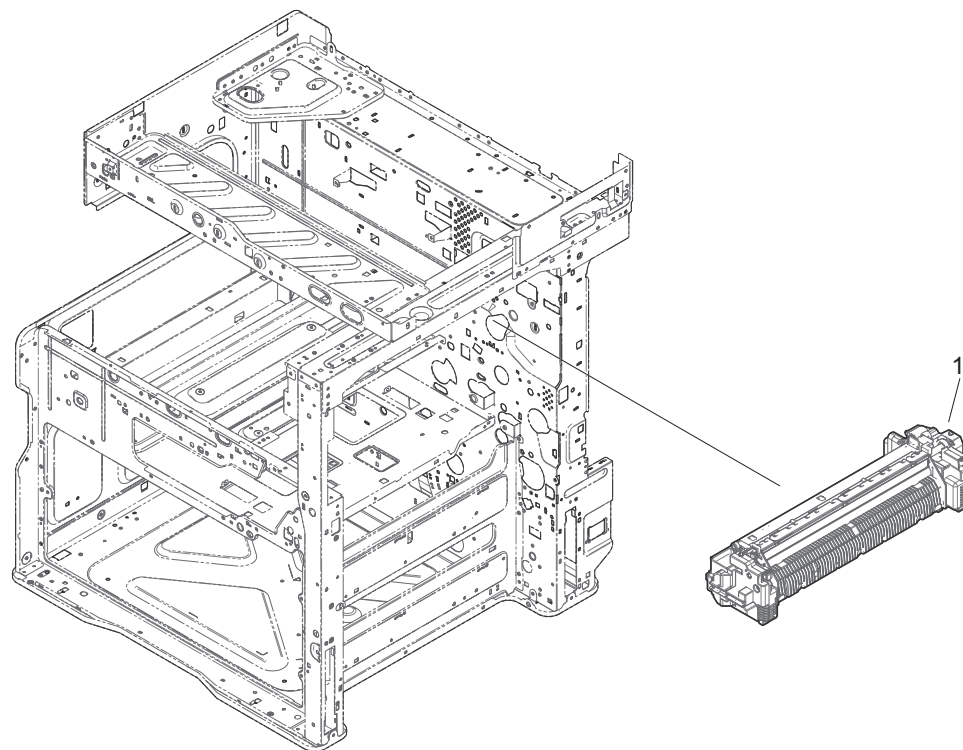
- Parts with "*" are component parts or sub-assemblies of the assembly appearing immediately above them.
- Parts with "⊙" indicate regular maintenance parts.

- Parts with "••" are component parts or sub-assembly with "•" appearing immediately above them.









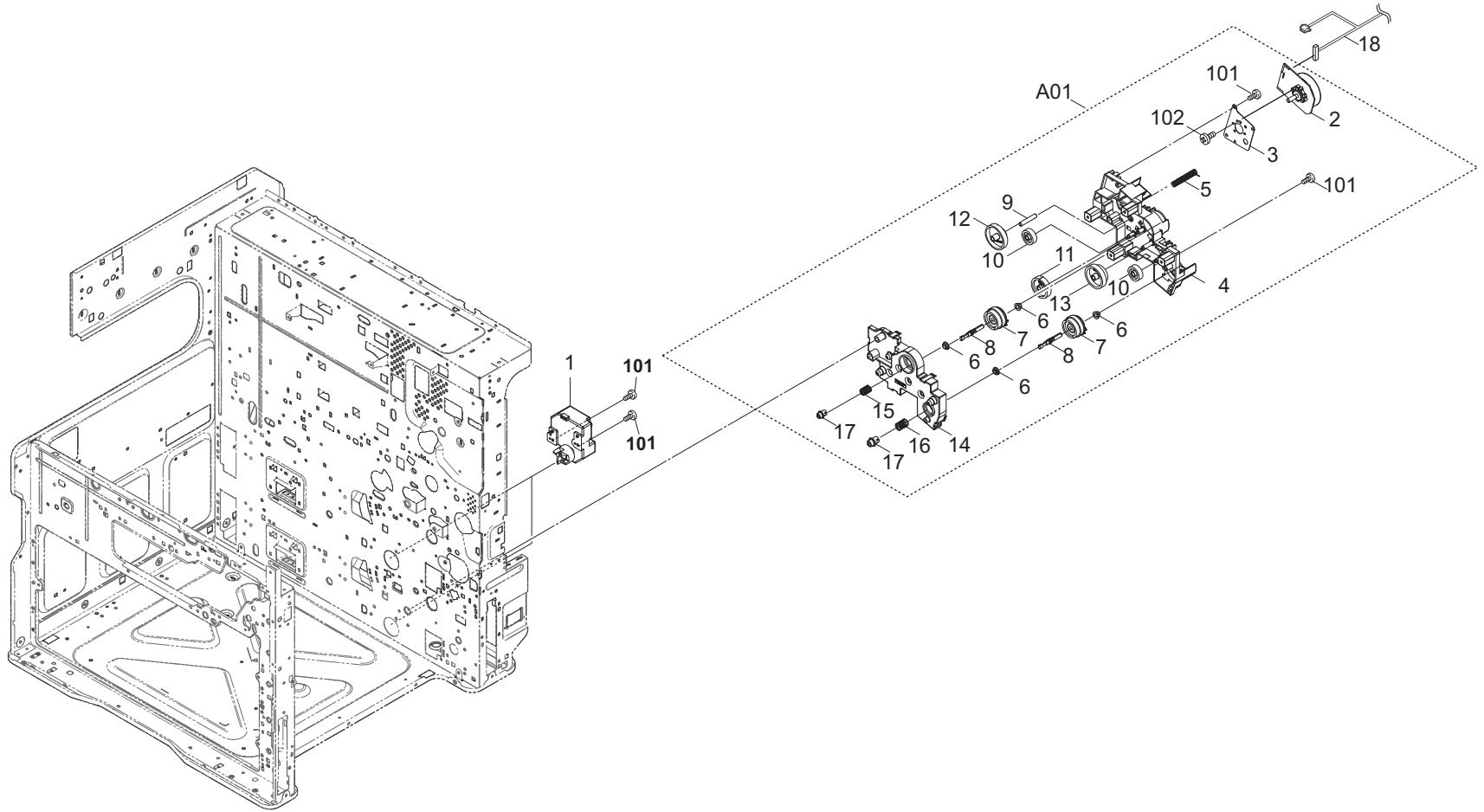


FIG. 24 Drive Section 2

2P8/2NL

Ref. No.	Part.No.	Alternative.	Description	Notes	Quantity		
					120	230	240
⊙ A01	302NL93010	2NL93010	DR-7105		1	1	1
1	*302HN31410	2HN31410	SPRING FEED		1	1	1
2	*302HN31590	2HN31590	BUSH DRIVE		6	6	6
3	*302HN31650	2HN31650	SPRING INPUT MPF		1	1	1
4	*302HN31660	2HN31660	JOINT SHAFT CASSETTE		1	1	1
⊙ 5	*302HN44160	2HN44160	SOLENOID MPF		1	1	1
6	*302K331030	2K331030	PLATE DRIVE		1	1	1
⊙ 7	*302K331040	2K331040	GEAR Z191R		1	1	1
⊙ 8	*302K331050	2K331050	GEAR Z112R-Z37L		1	1	1
⊙ 9	*302K331060	2K331060	GEAR Z38R		2	2	2
⊙ 10	*302K331070	2K331070	GEAR Z29L INPUT DLP		1	1	1
⊙ 11	*302K331081	2K331081	GEAR Z40R IDLE		3	3	3
⊙ 12	*302K331090	2K331090	GEAR Z43L IDLE		3	3	3
⊙ 13	*302K331100	2K331100	GEAR RATCHET Z28S		1	1	1
⊙ 14	*302K331110	2K331110	GEAR INPUT FUSER Z30S		1	1	1
⊙ 15	*302K331120	2K331120	GEAR Z101L-Z33L		1	1	1
⊙ 16	*302K331140	2K331140	GEAR Z30R IDLE		2	2	2
⊙ 17	*302K331150	2K331150	GEAR Z42R-Z36R		1	1	1
⊙ 18	*302K331160	2K331160	GEAR Z48R-Z22S		1	1	1
⊙ 19	*302K331170	2K331170	GEAR Z28S		1	1	1
⊙ 20	*302K331180	2K331180	GEAR Z45S INPUT MPF A		1	1	1
⊙ 21	*302K331190	2K331190	GEAR Z45S INPUT MPF B		1	1	1
22	*302K331200	2K331200	CAM MPF		1	1	1
23	*302K331210	2K331210	SPRING JOINT DLP		1	1	1
24	*302K331220	2K331220	SPRING RATCHET FUSER		1	1	1
25	*302K331240	2K331240	SHAFT CLUTCH FEED		1	1	1
26	*302K331250	2K331250	SPRING EARTH MOTOR		1	1	1
27	*302K331260	2K331260	PIN DRIVE A		3	3	3
⊙ 28	*302K394201	2K394201	PARTS MOTOR-BL W30 SP		1	1	1
29	*302NL31050	2NL31050	SHAFT DU		2	2	2
30	*5MVX111DN003	2A806250	RING STOPPER /A-49 FEED A4		2	2	2
⊙ 31	*302KV44041	2KV44041	CLUTCH 50 Z35R		3	3	3
32	*302NL31010	2NL31010	HOLDER FEED DRIVE A		1	1	1
33	*302NL31020	2NL31020	HOLDER FEED DRIVE B		1	1	1
⊙ 34	*302NL31030	2NL31030	GEAR Z21L Z26R		1	1	1
35	*302NL31040	2NL31040	PIN DRIVE		1	1	1
36	*7YCC02B1003+H01	YC013860	CONNECTOR 292254-2		1	1	1
⊙ 37	*302KV31320	2KV31320	GEAR Z32L		2	2	2
38	*302K331230	2K331230	BUSH DRIVE 8		1	1	1
39	302K346040	2K346040	WIRE MAIN MOT		1	1	1
40	302K346010	2K346010	WIRE SOL/CLT/MOT		1	1	1
101	7BB000304H	BB105720	+BIND M SCREW 3X4				
102	7BB200308H	BB105660	+BIND T.T P SCREW 3X8				
103	7BB700312H	BB106820	+BIND T.T S SCREW 3X12 SR				

- Parts with "*" are component parts or sub-assemblies of the assembly appearing immediately above them.
- ⊙ Parts with "⊙" indicate regular maintenance parts.

- Parts with "••" are component parts or sub-assembly with "•" appearing immediately above them.

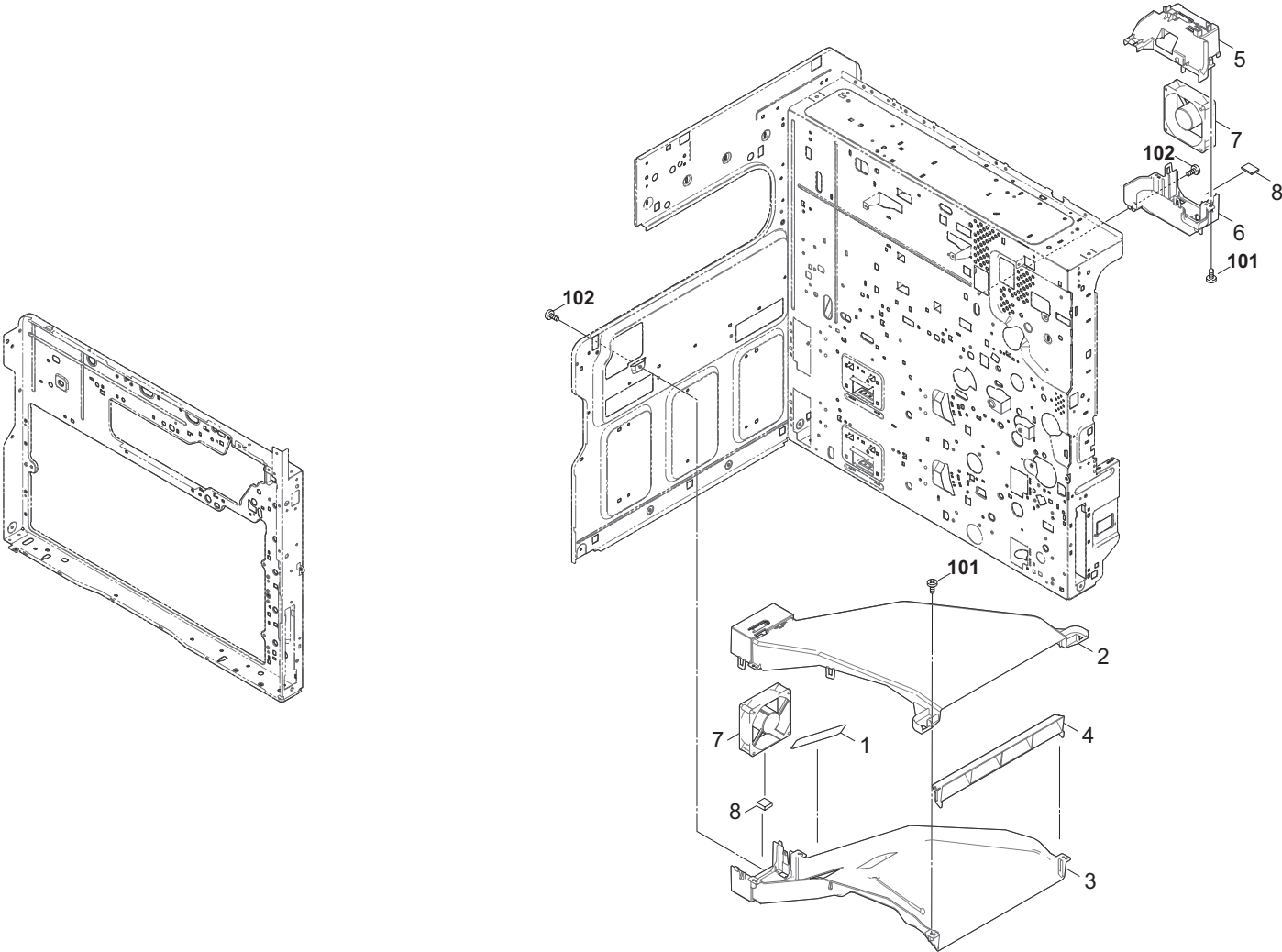


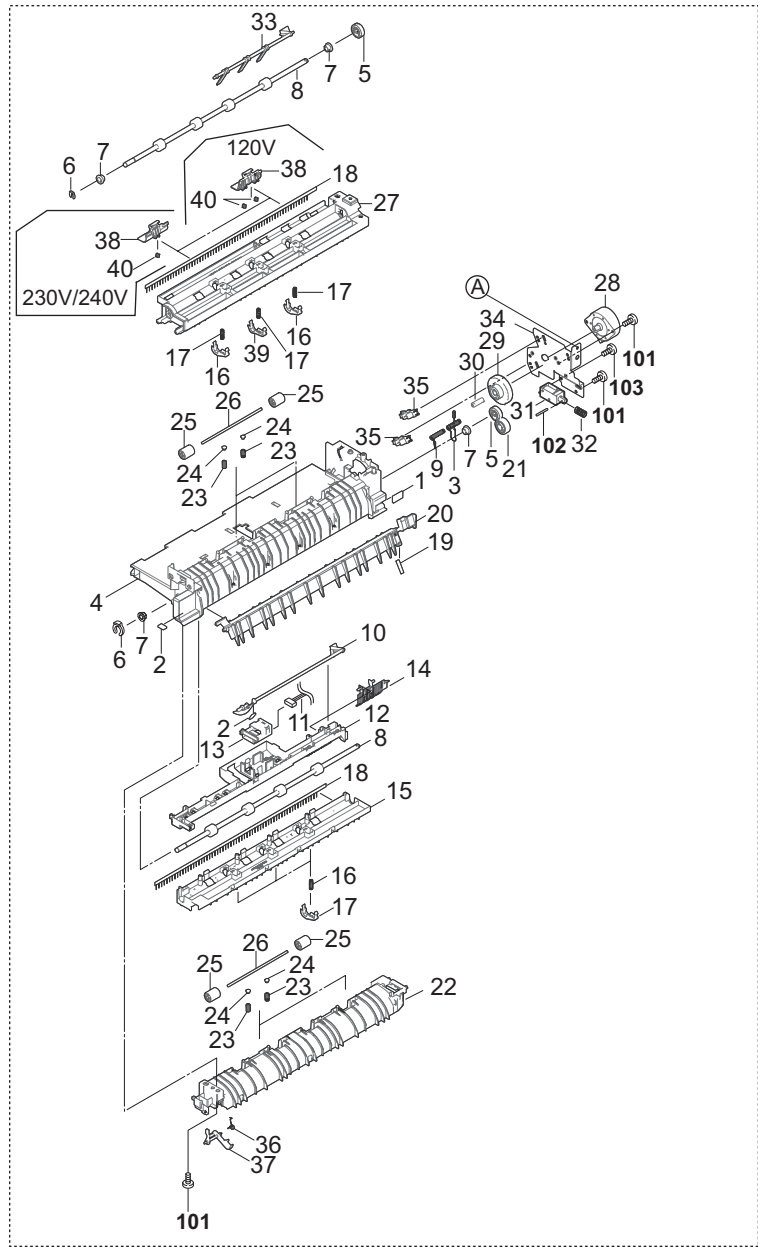
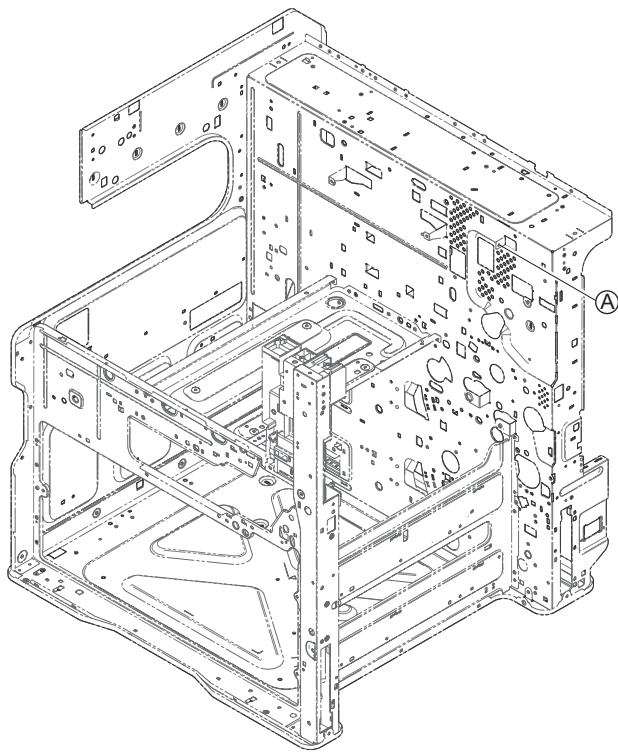
FIG. 25 Cooling Section

2P8/2NL

Ref. No.	Part.No.	Alternative.	Description	Notes	Quantity		
					120	230	240
1	302FB23340	2FB23340	FILM UPPER REAR DUCT		1	1	1
2	302K333010	2K333010	DUCT MAIN UPPER		1	1	1
3	302K333020	2K333020	DUCT MAIN LOWER		1	1	1
4	302K333030	2K333030	DUCT SEPARATION		1	1	1
5	302K333040	2K333040	DUCT REAR UPPER		1	1	1
6	302K333050	2K333050	DUCT REAR LOWER		1	1	1
⊙ 7	302NG94220	2NG94220	PARTS FAN MOTOR SP		2	2	2
8	302LC31511	2LC31511	SEAL MOTOR DC		2	2	2
101	7BB700308H	BB105600	+BIND T.T S SCREW 3X8 SR				
102	7BB702308H	BB107060	+TP-FLAT T.T S SCREW 3X8 SR				

- Parts with "•" are component parts or sub-assemblies of the assembly appearing immediately above them.
- Parts with "⊙" indicate regular maintenance parts.

- Parts with "••" are component parts or sub-assembly with "•" appearing immediately above them.



A01

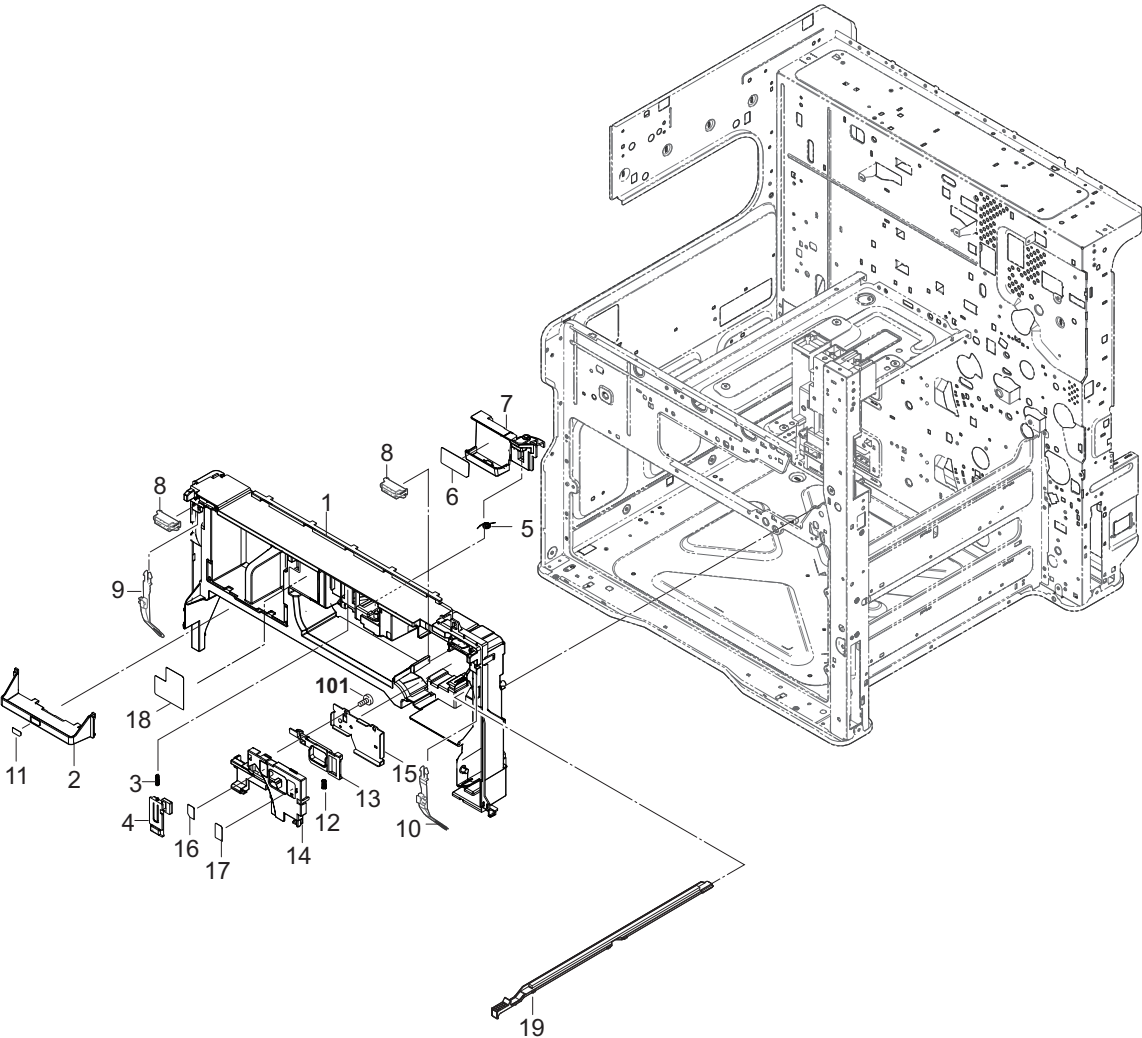


FIG. 27 Inner Section

2P8/2NL-2

Ref. No.	Part.No.	Alternative.	Description	Notes	Quantity			
					120	230	240	
1	302NL04240	2NL04240	COVER INNER FRONT		1	1	1	
2	302NL04260	2NL04260	COVER HOLDER BOX		1	1	1	
3	302K304360	2K304360	SPRING STOPPER CONTAINER		1	1	1	
4	302K304280	2K304280	STOPPER CONTAINER		1	1	1	
5	302K304300	2K304300	SPRING LEVER CONTAINER		1	1	1	
6	302K334170	2K334170	LABEL TONER CONTAINER PULL		1	1	1	
7	302K304270	2K304270	LEVER CONTAINER		1	1	1	
8	302H004660	2H004660	MAGNET CATCH		2	2	2	
9	302K304320	2K304320	STRAP COVER FRONT L		1	1	1	
10	302K304230	2K304230	STRAP COVER FRONT R		1	1	1	
11	302NL34110	2NL34110	LABEL W1		1	1	1	
12	302K302990	2K302990	SPRING STOPPER DLP B		1	1	1	
13	302NL02320	2NL02320	LEVER HOOK REMOVAL		1	1	1	
14	302K302361	2K302361	STOPPER REMOVAL DLP		1	1	1	
15	302K302771	2K302771	PLATE STOPPER REMOVAL		1	1	1	
16	302NL34060	2NL34060	LABEL PUSH STOPPER		1	1	1	
17	302NL34070	2NL34070	LABEL ARROW STOPPER		1	1	1	
18	302NL34100	2NL34100	LABEL BOTTLE WASTE		1	1	1	
⊙	19	302NL94040	2NL94040	PARTS CLEANER REGIST ASSY SP		1	1	1
101	7BB200308H	BB105660	+BIND T.T P SCREW 3X8					

- Parts with "*" are component parts or sub-assemblies of the assembly appearing immediately above them.
- Parts with "⊙" indicate regular maintenance parts.

- Parts with "••" are component parts or sub-assembly with "•" appearing immediately above them.

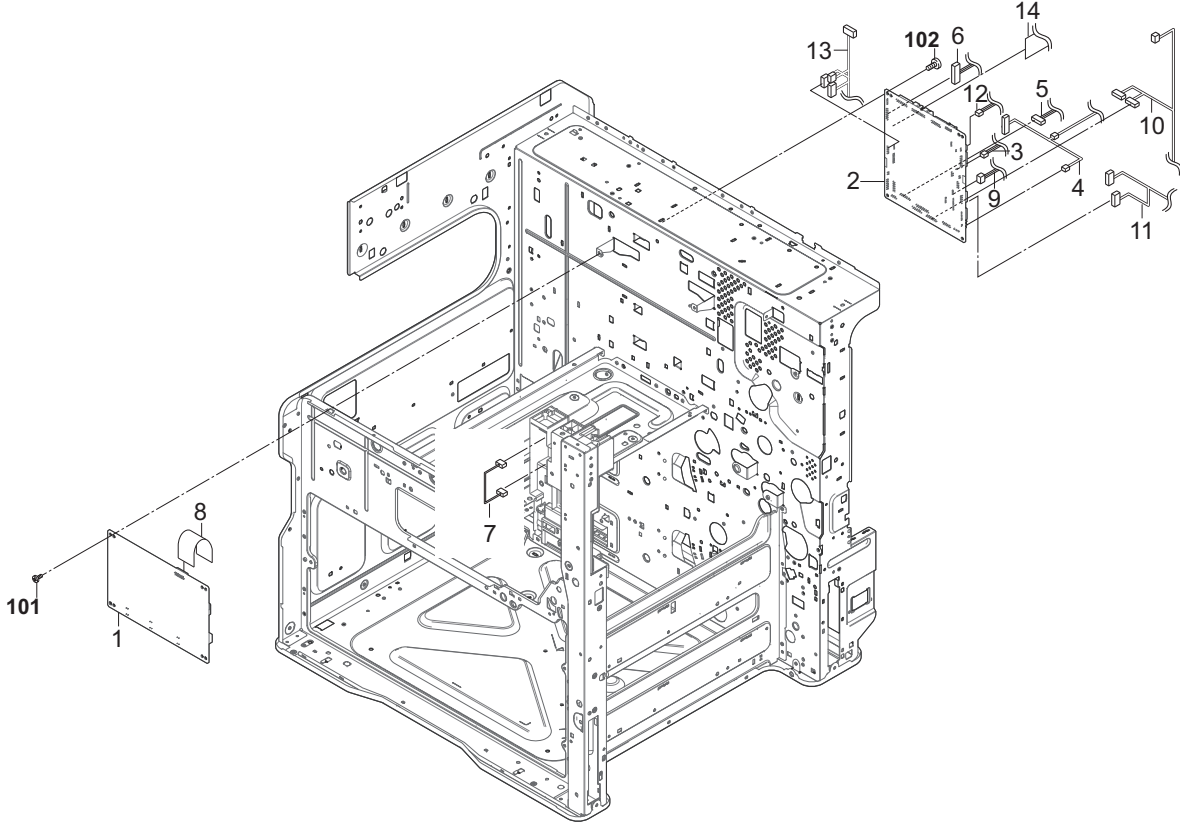


FIG. 28 Electrical Components 1

2P8/2NL

Ref. No.	Part.No.	Alternative.	Description	Notes	Quantity		
					120	230	240
⊙ 1	302NL94110	2NL94110	PARTS HIGH VOLTAGE SP		1	1	1
⊙ 2	302NL94120	2NL94120	PARTS PWB ENGINE ASSY SP		1	1	1
3	302NL46180	2NL46180	WIRE JOB SEPARATOR JOINT		1	1	1
4	302NL46090	2NL46090	WIRE FRONT SWITCH		1	1	1
5	302NL46100	2NL46100	WIRE PF JOINT		1	1	1
6	302NL46010	2NL46010	WIRE LSU		1	1	1
7	302K346030	2K346030	WIRE FUSER JAM SENS		1	1	1
8	302NL46360	2NL46360	WIRE FFC HVU		1	1	1
9	302K346570	2K346570	WIRE SUB		1	1	1
10	302NL46040	2NL46040	WIRE CASSETTE SWITCH		1	1	1
11	302NL46020	2NL46020	WIRE CONVEYING JOINT		1	1	1
12	302K346480	2K346480	WIRE EJECT FAN		1	1	1
13	302NL46060	2NL46060	WIRE ENGINE-LVU		1	1	1
14	302NL46250	2NL46250	WIRE FFC MAIN-ENGINE		1	1	1
101	7BB702308H	BB107060	+TP-FLAT T.T S SCREW 3X8 SR				
102	7BB700308H	BB105600	+BIND T.T S SCREW 3X8 SR				

- Parts with "*" are component parts or sub-assemblies of the assembly appearing immediately above them.
- Parts with "⊙" indicate regular maintenance parts.

- Parts with "••" are component parts or sub-assembly with "•" appearing immediately above them.

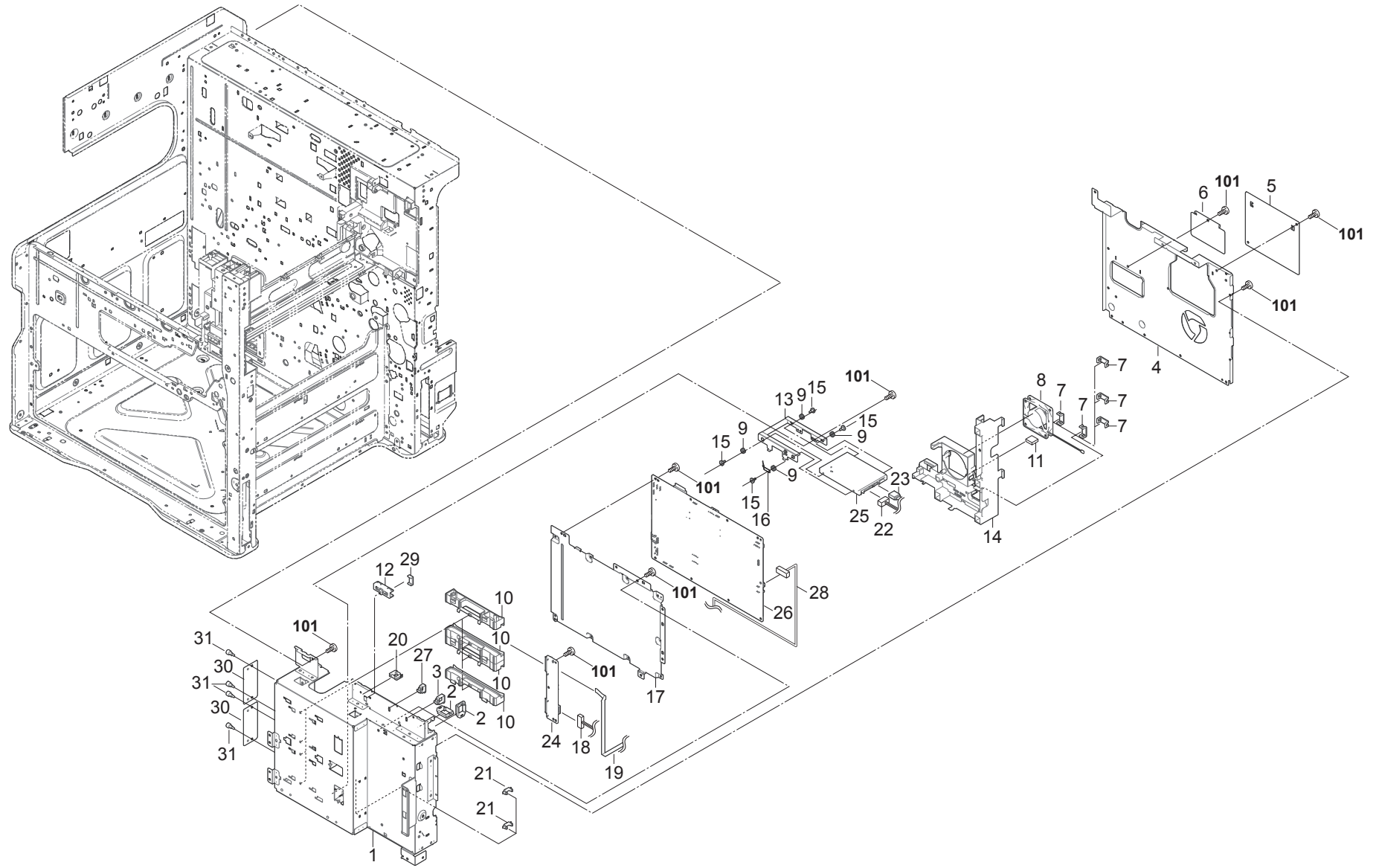


FIG. 29 Electrical Components 2

2P8/2NL-2

Ref. No.	Part.No.	Alternative.	Description	Notes	Quantity		
					120	230	240
1	302NL39010	2NL39010	BOX CONTROLLER		1	1	1
2	7YZM210002++H01	YZ004730	ACCESS.EDGING		2	2	2
3	7YZM610011++H01	YZ043000	ACCESS.SADDLE		1	1	1
4	302NL39100	2NL39100	LID CONTROLLER		1	1	1
5	302NL39110	2NL39110	LID DP		1	1	1
6	302NL39120	2NL39120	LID FAX BOARD		1	1	1
7	303LT02020	3LT02020	LID WIRE GUIDE		5	5	5
⊙	8	302FZ44040	2FZ44040	FAN BOX COOLING	1	1	1
9	302JD19140	2JD19140	BUSHING FAN		4	4	4
10	302K939030	2K939030	RAIL PWB		4	4	4
11	302LC31511	2LC31511	SEAL MOTOR DC		1	1	1
12	302LF39050	2LF39050	GUIDE WIRE FRONT PWB		1	1	1
13	302MV39040	2MV39040	BRACKET HDD		1	1	1
14	302MV39050	2MV39050	HOLDER FAN MAIN		1	1	1
15	302MV39340	2MV39340	PIN HDD		4	4	4
16	302MV39350	2MV39350	SPRING EARTH HDD		1	1	1
17	302NL39090	2NL39090	BRACKET MAIN		1	1	1
18	302NP46460	2NP46460	WIRE KUJO POWER		1	1	1
19	302NP46470	2NP46470	WIRE FFC KUJO		1	1	1
20	7YZM210005++H01	YZ037990	ACCESS.EDGING		1	1	1
21	7YZM390011++H01	YZ050250	ACCESS.CLAMP		2	2	2
22	302MV46210	2MV46210	WIRE HDD POWER		1	1	1
23	302NP46530	2NP46530	WIRE HDD SIG		1	1	1
⊙	24	302K994270	2K994270	PARTS PWB KUJO ASSY SP	1	1	1
⊙	25	302MV93130	2MV93130	PARTS STORAGE DEVICE SP	1	1	1
⊙	26	302NL94131	2NL94131	PARTS PWB MAIN ASSY SP	1		1
⊙	26	302NL94141	2NL94141	PARTS PWB MAIN ASSY EU SP		1	
27	7YZM610010++H01	YZ042990	ACCESS.SADDLE		1	1	1
28	302NL46050	2NL46050	WIRE MAIN-LVU		1	1	1
29	303LL02330	3LL02330	HOLDER WIRE D		1	1	1
30	302K339050	2K339050	PLATE OPTION		2	2	2
31	5MMT263SN012++R	2D903100	SCREW OP / M3 X 8 CRFREE A4		4	4	4
101	7BB700308H	BB105600	+BIND T.T S SCREW 3X8 SR				

- Parts with "•" are component parts or sub-assemblies of the assembly appearing immediately above them.
- Parts with "⊙" indicate regular maintenance parts.

- Parts with "••" are component parts or sub-assembly with "•" appearing immediately above them.

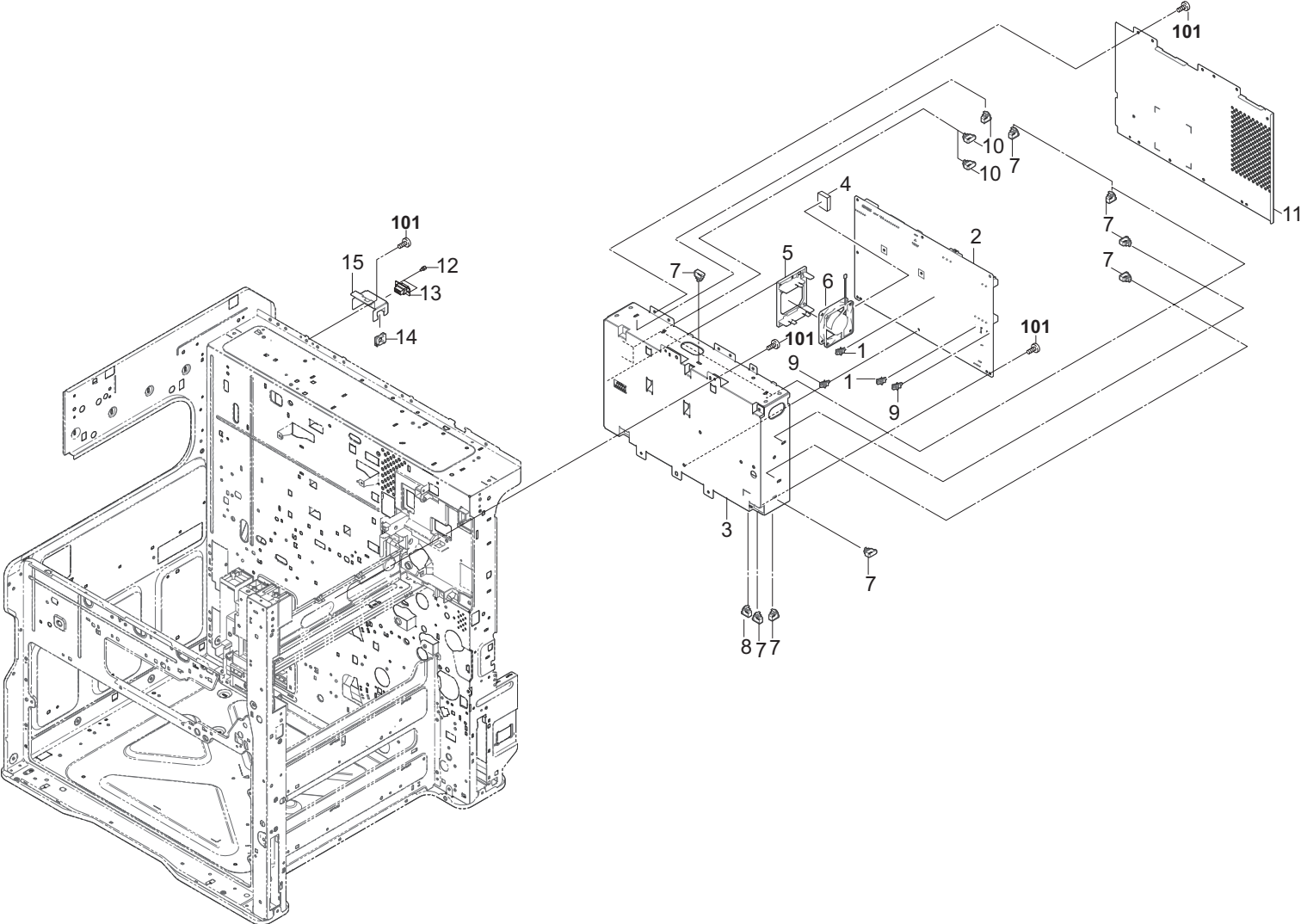


FIG. 30 Electrical Components 3

2P8/2NL-2

Ref. No.	Part.No.	Alternative.	Description	Notes	Quantity		
					120	230	240
1	7YZM510007++H01	YZ042780	ACCESS.SPACER		2	2	2
⊙ 2	302NL94090	2NL94090	PARTS LOW VOLTAGE 100 SP		1		
⊙ 2	302NL94100	2NL94100	PARTS LOW VOLTAGE 200 SP			1	1
3	302NL39020	2NL39020	BOX POWER		1	1	1
4	302K933C10	2K933C10	SEAL TONER EXIT E		1	1	1
5	302MV39250	2MV39250	BRACKET FAN POWER		1	1	1
⊙ 6	302FZ94420	2FZ94420	PARTS,FAN COOLING CONVEYING SP		1	1	1
7	7YZM610010++H01	YZ042990	ACCESS.SADDLE		8	8	8
8	7YZM610011++H01	YZ043000	ACCESS.SADDLE		1	1	1
9	7YZM510021++H01	YZ127660	ACCESS.SPACER		2	2	2
10	7YZM610009++H01	YZ042980	ACCESS.SADDLE		3	3	3
11	302NL39030	2NL39030	LID POWER		1	1	1
12	M0208010	M0208010	SPACER,SFS-2.6S-B1WM(JST)		2	2	2
13	302NP46360	2NP46360	WIRE DP		1	1	1
14	7YZM210005++H01	YZ037990	ACCESS.EDGING		1	1	1
15	302NP39150	2NP39150	MOUNT DP CONNECTOR		1	1	1
101	7BB700308H	BB105600	+BIND T.T S SCREW 3X8 SR				

- Parts with "*" are component parts or sub-assemblies of the assembly appearing immediately above them.
- Parts with "⊙" indicate regular maintenance parts.

- Parts with "••" are component parts or sub-assembly with "•" appearing immediately above them.

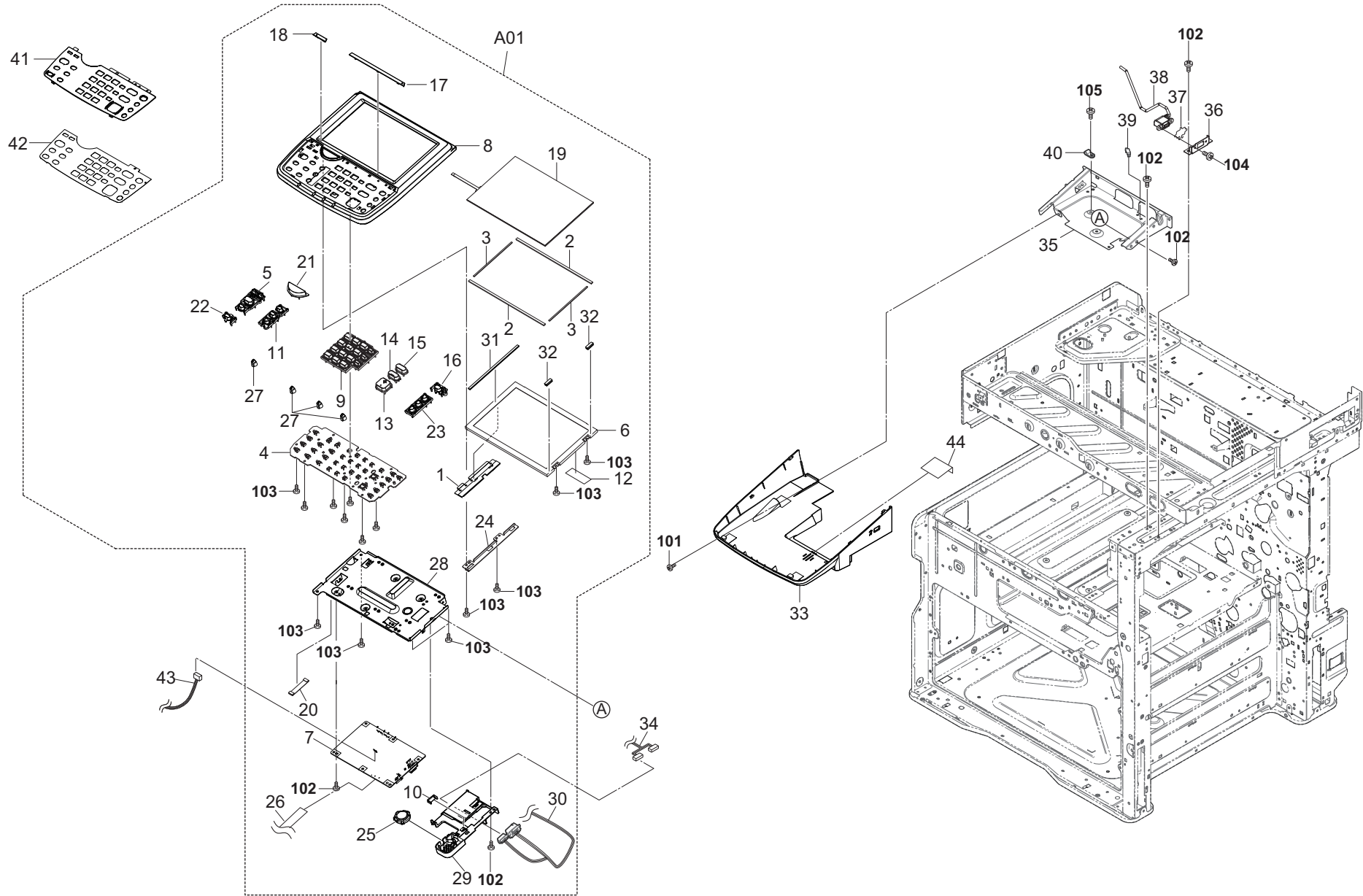


FIG. 31 Operation Section

2P8/2NL-2

Ref. No.	Part.No.	Alternative.	Description	Notes	Quantity		
					120	230	240
⊙ A01	302NL94031	2NL94031	PARTS OPERATION UNIT SP		1	1	1
1	*302N405210	2N405210	FILM LCD WIRE		1	1	1
2	*302N405241	2N405241	SPONGE LCD A		2	2	2
3	*302N405251	2N405251	SPONGE LCD B		2	2	2
⊙ 4	*302N494180	2N494180	PARTS PWB OPERATION ASSY SP		1	1	1
5	*302N405080	2N405080	KEY MENU		1	1	1
⊙ 6	*302N494090	2N494090	PARTS LCD OPERATION SP		1	1	1
⊙ 7	*302N494150	2N494150	PARTS PWB PANEL MAIN ASSY SP		1	1	1
8	*302NL05010	2NL05010	COVER OPERATION A		1	1	1
⊙ 9	*302LC05050	2LC05050	KEY 10		1	1	1
10	*303LL02330	3LL02330	HOLDER WIRE D		1	1	1
11	*302N405070	2N405070	KEY FUNCTION		1	1	1
12	*302H722690	2H722690	SHEET WIRE CONV E		1	1	1
13	*302N205190	2N205190	KEY START B		1	1	1
14	*302LC05100	2LC05100	KEY STOP		1	1	1
15	*302LC05110	2LC05110	KEY RESET		1	1	1
16	*302N405090	2N405090	KEY POWER		1	1	1
⊙ 17	*302N405140	2N405140	LID OPERATION SHEET A		1	1	1
⊙ 18	*302N405150	2N405150	LID OPERATION SHEET B		1	1	1
⊙ 19	*302N494100	2N494100	PARTS TABLET OPERATION SP		1	1	1
20	*302LC05420	2LC05420	FILM FFC		1	1	1
21	*302N405100	2N405100	KEY HOME		1	1	1
22	*302N405110	2N405110	KEY DISPLAY		1	1	1
23	*302N405120	2N405120	KEY RIGHT SIDE		1	1	1
24	*302LC05270	2LC05270	HOLDER LCD		1	1	1
⊙ 25	*302LC94370	2LC94370	PARTS SPEAKER SP		1	1	1
26	*302N446050	2N446050	WIRE FFC KEY PWB		1	1	1
27	*302N405200	2N405200	LENS LED		4	4	4
28	*302NL05030	2NL05030	MOUNT MAIN PWB		1	1	1
29	*302NL05040	2NL05040	GUIDE WIRE OPERATION		1	1	1
30	*302NP46450	2NP46450	WIRE PANEL JOINT		1	1	1
31	*302N405260	2N405260	SPACER LCD A		1	1	1
32	*302N405270	2N405270	SPACER LCD B		2	2	2
⊙ 33	302NL05020	2NL05020	COVER OPERATION B		1	1	1
34	302NL46200	2NL46200	WIRE MAIN-OPERATION		1	1	1
35	302NL05050	2NL05050	MOUNT OPERATION		1	1	1
36	302MV05050	2MV05050	MOUNT USB		1	1	1
37	302K905900	2K905900	SPRING USB HOLD		1	1	1
38	302NL46210	2NL46210	WIRE USB HOST		1	1	1
39	7YZM390011++H01	YZ050250	ACCESS.CLAMP		1	1	1
40	M7005010	M7005010	CLAMP,EMT-3N(TAKEUCHI)		1	1	1
⊙ 41	302N905010	2N905010	PANEL OPERATION		1	1	1
42	302N905510	2N905510	SHEET OPERATION EN		1	1	1
42	302N905630	2N905630	SHEET OPERATION KDA EN		1	1	1
43	302NL46190	2NL46190	WIRE PANEL DATA		1	1	1
44	302MV05090	2MV05090	FILM COVER LOW		1	1	1
101	7BB782308H	BB111300	+TP-FLAT T.T S SCREW 3X8 SR(BLACK)				
102	7BB700308H	BB105600	+BIND T.T S SCREW 3X8 SR				
103	7BB200308H	BB105660	+BIND T.T P SCREW 3X8				
104	7BB000306H	BB106880	+BIND M SCREW 3X6				
105	7BB702308H	BB107060	+TP-FLAT T.T S SCREW 3X8 SR				

- Parts with "*" are component parts or sub-assemblies of the assembly appearing immediately above them.
- Parts with "⊙" indicate regular maintenance parts.

- Parts with "••" are component parts or sub-assembly with "•" appearing immediately above them.

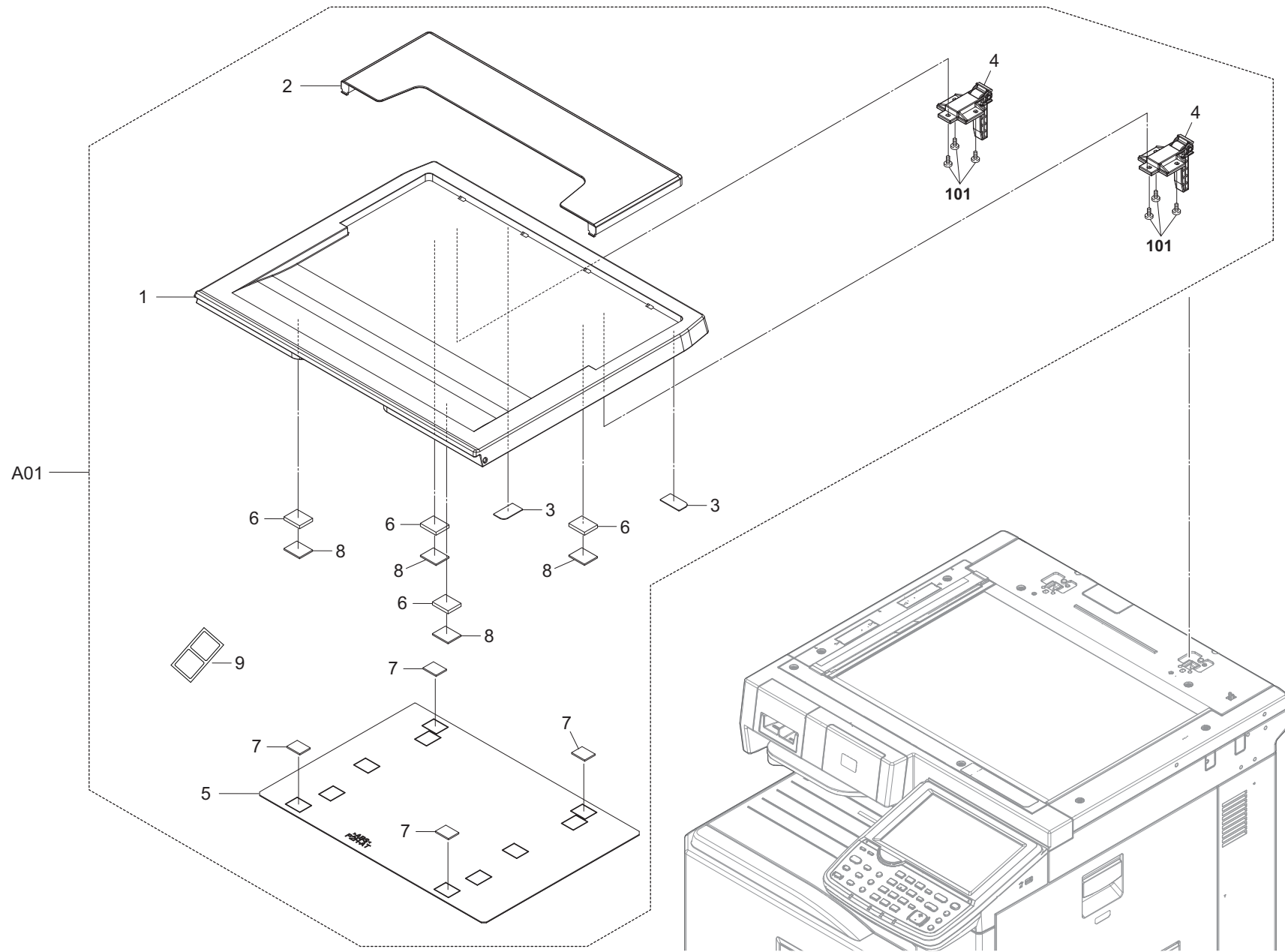


FIG. 32 Options 1

2P8/2NL

Ref. No.	Part.No.	Alternative.	Description	Notes	Quantity		
					120	230	240
A01	1202H70UN0	022H70UN	PLATEN COVER TYPE(E)		1	1	1
1	*302H717500	2H717500	COVER PLATEN		1	1	1
2	*302H717510	2H717510	COVER POCKET		1	1	1
3	*302H717520	2H717520	STOPPER RELEASE SWITCH		2	2	2
4	*302H717600	2H717600	HINGI ORIGINAL HOLDER		2	2	2
5	*303JC04201	3JC04200	PLATE ORIGINAL		1	1	1
6	*303K502080	3K502080	SPONGE ORIGINAL MAT		4	4	4
7	*303MX02021	3MX02021	CUSHION ORIGINAL MAT A		4	4	4
8	*303MX02031	3MX02031	CUSHION ORIGINAL MAT B		4	4	4
9	*303PH34070	3PH34070	LABEL ISU REAR		1	1	1
101	7BB280410H	BB111250	+BIND T.T P SCREW 4X10(BLACK)				

- Parts with "•" are component parts or sub-assemblies of the assembly appearing immediately above them.
- Parts with "⊙" indicate regular maintenance parts.

- Parts with "••" are component parts or sub-assembly with "•" appearing immediately above them.

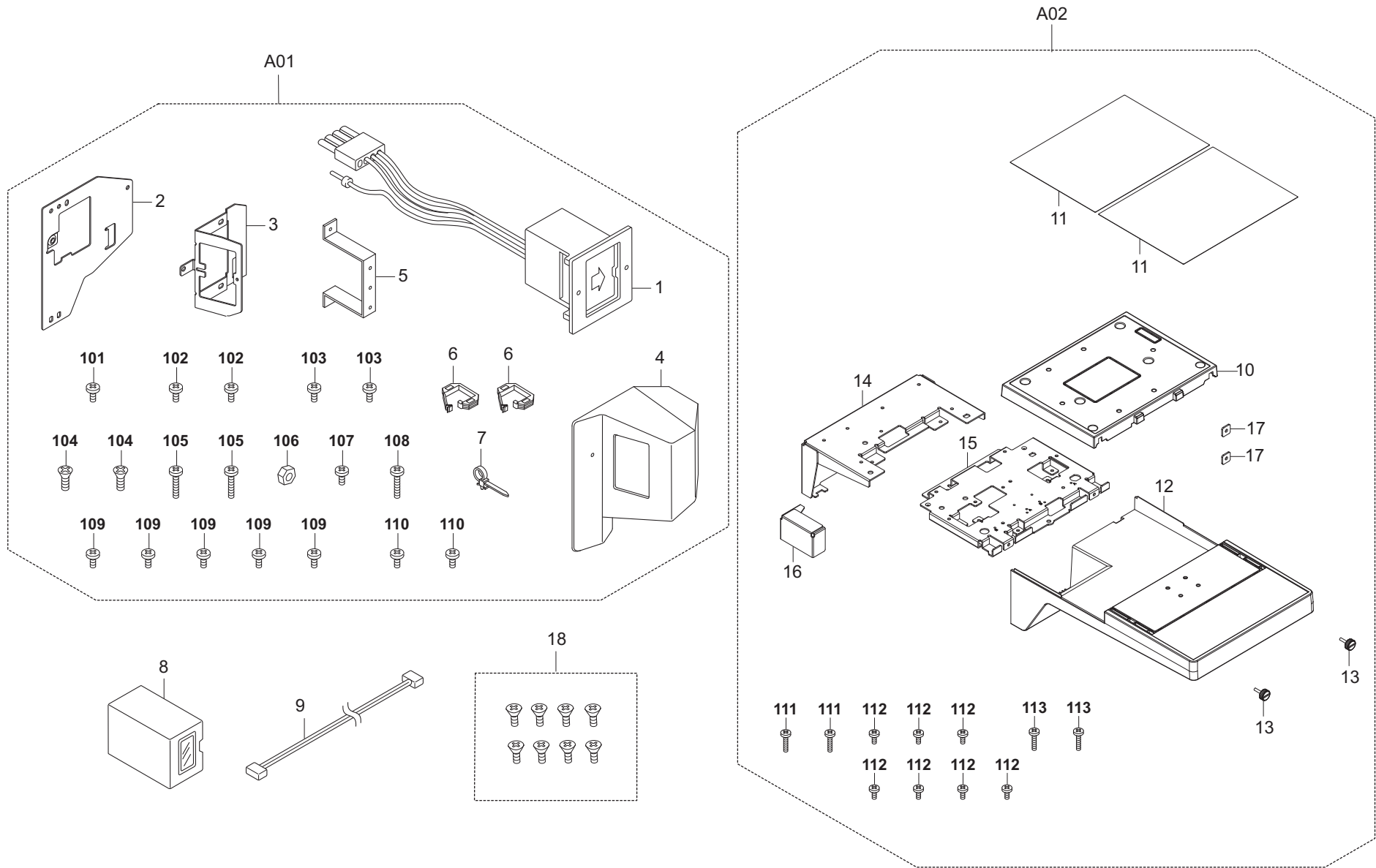


FIG. 33 Options 2

2P8/2NL

Ref. No.	Part.No.	Alternative.	Description	Notes	Quantity		
					120	230	240
⊙ A01	302A369709	2A369709	SET PARTS KEYCOUNTER NEW COLOR		1	1	1
1	*3029236241	29236241	SOCKET ASS'Y,KEY COUNTER		1	1	1
2	*302GR03010	2GR03010	RETAINER KEY COUNTER COVER		1	1	1
3	*302GR03020	2GR03020	RETAINER KEY COUNTER		1	1	1
4	*3066060011	66060011	COVER,KEY COUNTER		1	1	1
5	*3066060041	66060041	MOUNT,KEY COUNTER		1	1	1
6	*7YZM210006++H01	YZ038000	ACCESS.EDGING		2	2	2
7	*M21AH010	M21AH010	BAND,RSG-130-V0(KITAGAWA)		1	1	1
⊙ 8	3025418011	25418011	KEY COUNTER		1	1	1
9	302MV46090	2MV46090	WIRE KEY COUNTER		1	1	1
A02	1902LC0UN2	092LC0U2	DT-730(B)/DOCUMENT TRAY	OPTION	1	1	1
⊙ 10	*302LC04601	2LC04601	COVER TRAY		1	1	1
11	*302LC04660	2LC04660	SHEET TRAY		2	2	2
⊙ 12	*302LC04710	2LC04710	COVER TRAY LOWER		1	1	1
13	*303NS24410	3NS24410	SCREW PLATE DF		2	2	2
14	*302LC04611	2LC04611	STAY TRAY		1	1	1
15	*302LC04621	2LC04621	MOUNT TRAY		1	1	1
16	*302LC04670	2LC04670	PLATE TRAY		1	1	1
17	*3CY06030	3CY06030	RETAINER M4		2	2	2
⊙ 18	302N494220	2N494220	PARTS CURSOR SCREW SET SP		1	1	1
101	5MBTPB3008PW++R	B1A63080	BIND T.T SCREW(+) / M3 X 8 CRFREE P-T				
102	5MBTPB4010PW++R	B1A64100	BIND T.T SCREW(+) / M4 X 10 CRFREE P-T				
103	5MBTPB4010TW++R	B1A54100	BIND T.T SCREW(+) / M4 X 10 CRFREE S-T				
104	7BB003306H	BB040750	+COUNTER-SUNK HEAD SCREW M3X6 CRFREE				
105	7BB100420H	BB040740	+BIND TAP-TITE S SCREW M4X20 CRFREE				
106	7BC1003055++H01	BC018230	HEXA NUT M3				
107	B1B03080	B1B03080	+BIND SCREW M3X08				
108	B1B54300	B1B54300	+BIND TAP-TITE S SCREW M4X30(TRIVALENT C				
109	B4A04060	B4A04060	+TP-A SCREW M4X06(TRIVALENT CHROMATING)				
110	B4A04100	B4A04100	+TP-A SCREW M4X10(TRIVALENT CHROMATING)				
111	7BB607414H	BB107160	+TP-CUP M SCREW 4X14 R				
112	7BB180408H	BB111210	+BIND T.T S SCREW 4X8(BLACK)				
113	7BB607410H	BB106870	+TP-CUP M SCREW 4X10 R				

- Parts with "*" are component parts or sub-assemblies of the assembly appearing immediately above them.
- Parts with "⊙" indicate regular maintenance parts.

- Parts with "••" are component parts or sub-assembly with "•" appearing immediately above them.

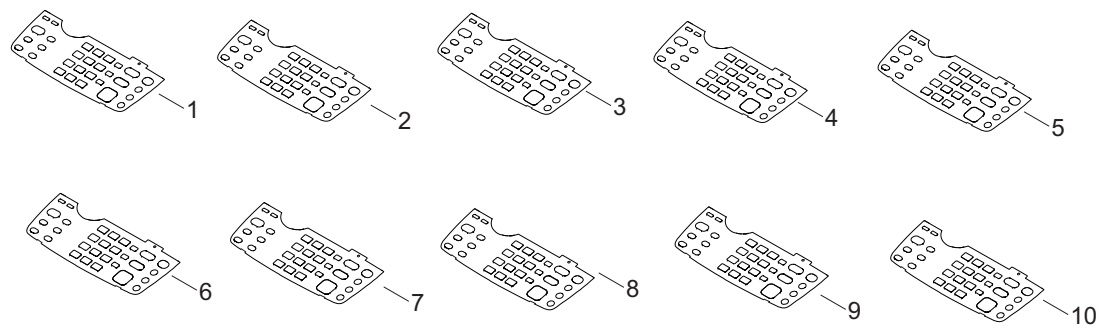


FIG. 34 Accessories

2P8/2NL

Ref. No.	Part.No.	Alternative.	Description	Notes	Quantity		
					120	230	240
1	302N905530	2N905530	SHEET OPERATION DE			1	
2	302N905540	2N905540	SHEET OPERATION FR			1	
3	302N905550	2N905550	SHEET OPERATION TL			1	
4	302N905560	2N905560	SHEET OPERATION ES			1	
5	302N905570	2N905570	SHEET OPERATION PT			1	
6	302N905580	2N905580	SHEET OPERATION NL			1	
7	302N905590	2N905590	SHEET OPERATION RU			1	
8	302N905640	2N905640	SHEET OPERATION KDA FR		1		
9	302N905650	2N905650	SHEET OPERATION KDA ES		1		
10	302N905660	2N905660	SHEET OPERATION KDA PT		1		

- Parts with "•" are component parts or sub-assemblies of the assembly appearing immediately above them.
- Parts with "⊙" indicate regular maintenance parts.

- Parts with "••" are component parts or sub-assembly with "•" appearing immediately above them.

FIG. 35 Maintenance Kits

2P8/2NL-1

Ref. No.	Part.No.	Alternative.	Description	Notes	Quantity		
					120	230	240
	1702NL7US0	1702NL7US0	MK-7107/MAINTENANCE KIT	OPTION	1		
			DK-7105		1		
			DV-7105		1		
			FK-7107		1		
			TR-7105		1		
	1702NL8AS0	1702NL8AS0	MK-7109/MAINTENANCE KIT	OPTION			1
			DK-7105				1
			DV-7105				1
			FK-7105				1
			TR-7105				1
	1702NL8NL0	1702NL8NL0	MK-7105/MAINTENANCE KIT	OPTION		1	
			DK-7105			1	
			DV-7105			1	
			FK-7105			1	
			TR-7105			1	

- Parts with "•" are component parts or sub-assemblies of the assembly appearing immediately above them.
- Parts with "⊙" indicate regular maintenance parts.

- Parts with "••" are component parts or sub-assembly with "•" appearing immediately above them.

INDEX

2P8/2NL-3

Part.No.	Alternative.	Description	Fig.No.
1202H70UN0	022H70UN	PLATEN COVER TYPE(E)	32
1702NL7JUS0	1702NL7JUS0	MK-7107/MAINTENANCE KIT	35
1702NL8AS0	1702NL8AS0	MK-7109/MAINTENANCE KIT	35
1702NL8NLO	1702NL8NLO	MK-7105/MAINTENANCE KIT	35
1902LC0UN2	092LC0U2	DT-730(B)/DOCUMENT TRAY	33
2BC06910	2BC06910	STOPPER 6	8,10
2BC06980	2BC06980	STOPPER 5	6,13,17
2BG06480	2BG06480	BAND B	12
2BL04310	2BL04310	PLATE NUMBER	8
2BL04370	2BL04370	PLATE NUMBER 2	8
⊙ 2C901050	2C901050	PCB MPF SIZE ASSY	16
2C902590	2C902590	SPRING DEV PUSH F	5
⊙ 2C906080	2C906080	GEAR 18 BYPASS	16
2C906090	2C906090	TERMINAL PAPER SIZE	16
2C907140	2C907140	PAD CASSETTE	8
2C907360	2C907360	SPRING CURSOR R	8
2FB06710	2FB06710	PIN CASSETTE RAIL	4
2FB07330	2FB07330	STOPPER BYPASS TABLE	16
2FB20860	2FB20860	PIN FUSER COVER	7,17
⊙ 2FB27160	2FB27160	INTER LOCK SWITCH	3,6
2FM04150	2FM04150	CAP SPRING /B-11 ENCLOSURE A4	12,26
3019527401	19527401	POWER CORD(120)	3
⊙ 3025418011	25418011	KEY COUNTER	33
3029236241	29236241	SOCKET ASSY.KEY COUNTER	33
⊙ 302A369709	2A369709	SET PARTS KEYCOUNTER NEW COLOR	33
302AR94050	2AR94050	PARTS AC CORD EU SP	3
302BG06152	2BG06152	SHAFT FEED B	12
302F906230	2F906230	PULLEY FEED ASSY	9
302F909171	2F909171	RETARD ROLLER ASSY	9
302F928170	2F928170	SPRING PULLEY	26
302F929260	2F929260	PULLEY DU LOW	26
⊙ 302F944090	2F944090	SOLENOID ASSY	26
302FB23340	2FB23340	FILM UPPER REAR DUCT	25
302FB26290	2FB26290	LID VENDOR	7
302FG07020	2FG07020	PULLEY,CASSETTE RAIL	8
302FZ02580	2FZ02580	CAP HANDLE	3
302FZ03110	2FZ03110	SEAL HANDLE	3
⊙ 302FZ04240	2FZ04240	LID COVER LEFT	1
302FZ07020	2FZ07020	PULLEY MPT BYPASS	8
302FZ20021	2FZ20021	SPRING LID	12
302FZ25740	2FZ25740	STOPPER 4	3
⊙ 302FZ44040	2FZ44040	FAN BOX COOLING	29
⊙ 302FZ94420	2FZ94420	PARTS,FAN COOLING CONVEYING SP	30
302GR02240	2GR02240	PIN FRONT CASSETTE RAIL	4
302GR03010	2GR03010	RETAINER KEY COUNTER COVER	33
302GR03020	2GR03020	RETAINER KEY COUNTER	33
302GR04370	2GR04370	MAGNET CLIP DISH	18
302GR04380	2GR04380	SEAL MAGNET	18
⊙ 302H004560	2H004560	STOPPER PAPER	1
302H004652	2H004652	HOLDER SWITCH	2

Part.No.	Alternative.	Description	Fig.No.
302H004660	2H004660	MAGNET CATCH	27
302H005340	2H005340	BUSH SLIDE OPE	18
302H008140	2H008140	SPRING BYPASSFFED	7
302H024360	2H024360	BUSH 8 EW	10,13
302H024370	2H024370	BUSH 6 EW	10,26
302H024830	2H024830	BUSH 8	10
⊙ 302H044110	2H044110	SENSOR ORIGINAL	17
⊙ 302H701280	2H701280	PWB SUB ASSY	4
⊙ 302H704170	2H704170	COVER MAIN SW	1
302H708150	2H708150	SPONGE WIRE MPT	16
302H717500	2H717500	COVER PLATEN	32
302H717510	2H717510	COVER POCKET	32
302H717520	2H717520	STOPPER RELEASE SWITCH	32
302H717600	2H717600	HINGI ORIGINAL HOLDER	32
302H722470	2H722470	COLLAR TRANS ROLLER	14,15
302H722690	2H722690	SHEET WIRE CONV E	31
302HG12440	2HG12440	SEAL BLADE SIDE B	5
302HN06080	2HN06080	PULLEY PICKUP ASSY	9
302HN09240	2HN09240	SIZE FIX	8
302HN24400	2HN24400	PULLEY PA	10
⊙ 302HN31200	2HN31200	GEAR Z35L	5
302HN31410	2HN31410	SPRING FEED	23,24
302HN31590	2HN31590	BUSH DRIVE	23,24
302HN31650	2HN31650	SPRING INPUT MPF	24
302HN31660	2HN31660	JOINT SHAFT CASSETTE	23,24
⊙ 302HN44100	2HN44100	MOTOR REVERSE	17,26
⊙ 302HN44160	2HN44160	SOLENOID MPF	24
302JD19140	2JD19140	BUSHING FAN	29
302JF02160	2JF02160	HANDLE	3
302K002750	2K002750	STAY SHIELD POWER	3
⊙ 302K301170	2K301170	PWB DRUM CONNECT ASSY	6
302K302071	2K302071	BASE LSU	4
302K302120	2K302120	RAIL DRUM	4
302K302140	2K302140	STAY RIGHT HANDLE	11
302K302161	2K302161	FRAME FRONT UPPER	4
302K302170	2K302170	FRAME REAR UPPER	4
302K302191	2K302191	MOUNT CONTAINER	5
302K302200	2K302200	SPACER SCANNER ADJUST	7
302K302210	2K302210	MOUNT SCANNER ADJUST	7
302K302220	2K302220	MOUNT JUNCTION PWB	6
302K302240	2K302240	SHEET MOUNT CONTAINER	5
302K302260	2K302260	COVER INNER BASE	2
302K302320	2K302320	SHAFT REMOVED DLP	6
302K302330	2K302330	CAM REMOVED DLP	6
302K302361	2K302361	STOPPER REMOVED DLP	27
⊙ 302K302430	2K302430	HEATER DEHUMIDIFIER 120	3
⊙ 302K302440	2K302440	HEATER DEHUMIDIFIER 240	3
⊙ 302K302500	2K302500	GEAR CONTAINER Z25L	5
⊙ 302K302510	2K302510	GEAR CONTAINER Z35R	5
302K302540	2K302540	JOINT CONTAINER PADDLE A	5

• Parts with "⊙" indicate regular maintenance parts.

	Part.No.	Alternative.	Description	Fig.No.
	302K302580	2K302580	PLATE DLP BIAS	5
	302K302590	2K302590	SPRING DLP GROUND	5
	302K302600	2K302600	MOUNT DLP PWB	5
	302K302610	2K302610	HOLDER DRUM COVER RIGHT	10
	302K302620	2K302620	HOLDER DRUM COVER LEFT	10
	302K302630	2K302630	SHEET DRUM COVER	10
	302K302640	2K302640	GUIDE DRUM COVER	4
	302K302660	2K302660	SPRING EARTH DRUM PWB	6
	302K302670	2K302670	ARM DRUM COVER FRONT	10
	302K302680	2K302680	ARM DRUM COVER REAR	10
	302K302690	2K302690	RAIL HOLDER FRONT	4
	302K302700	2K302700	RAIL HOLDER REAR	4
	302K302710	2K302710	RAIL LINK ARM F	10
	302K302720	2K302720	RAIL LINK ARM R	10
⊙	302K302730	2K302730	COVER CONNECTOR	6
	302K302740	2K302740	SPRING EARTH CONNECTOR	6
	302K302760	2K302760	LEVER LIFT CASSETTE	4
	302K302771	2K302771	PLATE STOPPER REMOVAL	27
	302K302780	2K302780	SPRING JOINT PADDLE	5
	302K302811	2K302811	ACTUATOR PAPER EMPTY	4
	302K302831	2K302831	ACTUATOR DECK FEED	10
	302K302840	2K302840	MOUNT DECK PI	3
	302K302850	2K302850	PIN JOINT CONTAINER B	5
	302K302860	2K302860	PIN JOINT CONTAINER C	5
	302K302890	2K302890	LID DEHUMIDIFIER SW	7
	302K302910	2K302910	MOUNT DECK DRAWER	3
	302K302920	2K302920	CAP DECK PIN	3
	302K302940	2K302940	MOUNT RIGHT INTERLOCK	7
	302K302960	2K302960	STOPPER CONTAINER	4
	302K302990	2K302990	SPRING STOPPER DLP B	27
	302K302A10	2K302A10	LEVER RIGHT SW	4
	302K302A40	2K302A40	PLATE CONTAINER SWITCH	5
	302K302A50	2K302A50	PLATE EARTH ISU	7
	302K302A60	2K302A60	SPRING DLP PUSH	5
	302K302A70	2K302A70	SPONGE DLP LEVER	5
⊙	302K304030	2K304030	COVER TRAY	1
	302K304230	2K304230	STRAP COVER FRONT R	27
	302K304270	2K304270	LEVER CONTAINER	27
	302K304280	2K304280	STOPPER CONTAINER	27
	302K304300	2K304300	SPRING LEVER CONTAINER	27
	302K304320	2K304320	STRAP COVER FRONT L	27
	302K304350	2K304350	COVER INNER FRONT SUB	6
	302K304360	2K304360	SPRING STOPPER CONTAINER	27
	302K304370	2K304370	STOPPER PAPER B	1
	302K304520	2K304520	HOOK RIGHT COVER	13
	302K304531	2K304531	GUIDE RIGHT COVER	13
	302K304540	2K304540	SPRING HOOK	13
	302K304550	2K304550	SHAFT RIGHT COVER F	14
	302K304560	2K304560	SHAFT RIGHT COVER R	14
	302K304571	2K304571	JOINT JUNCTION HOOK	13

	Part.No.	Alternative.	Description	Fig.No.
	302K304591	2K304591	STRAP RIGHT COVER	13
	302K304630	2K304630	FILM CONVEYING SHAFT	14
	302K306140	2K306140	ACTUATOR REGIST	10
	302K306150	2K306150	SPRING ACTUATOR REGIST	10
	302K306160	2K306160	SHEET REGIST LEFT	10
	302K308020	2K308020	ACTUATOR MPF	11
	302K308030	2K308030	GUIDE UPPER MPF	11
	302K308070	2K308070	BUSH 10	11
	302K308080	2K308080	SHAFT MPF	11
	302K308101	2K308101	LIFT PLATE	11
	302K308110	2K308110	PAD LIFT	11
	302K308120	2K308120	SPRING LIFT R	11
	302K308130	2K308130	SPRING LIFT F	11
	302K308140	2K308140	ARM LIFT	11
⊙	302K308150	2K308150	ROLLER MPF	11
	302K308240	2K308240	SPRING EARTH	11
	302K308250	2K308250	SPRING ACTUATOR	11
	302K308260	2K308260	WIRE EARTH MPF	11
	302K308270	2K308270	SPRING MPF ROLL	11
	302K308340	2K308340	SEAL GUIDE PAD	11
	302K308460	2K308460	STRAP LINK MPF	16
	302K308470	2K308470	STOPPER STRAP	16
	302K308480	2K308480	SEAL SIDE MPF	11
	302K309070	2K309070	PULLEY CASSETTE	5
	302K309141	2K309141	SLIDER CURSOR END	8
	302K309150	2K309150	LIFT BASE CASSETTE SUB	8
	302K309160	2K309160	SPRING LEVER LIFT CASSETTE SUB	8
	302K309170	2K309170	PLATE LIFT BASE CASSETTE	8
	302K309180	2K309180	SHAFT DRIVE LIFT	8
	302K309190	2K309190	LEVER CURSOR SET	8
	302K309200	2K309200	LEVER RELEASE CURSOR F	8
	302K309210	2K309210	SPRING RELEASE CURSOR F	8
	302K309220	2K309220	SPRING SIDE SWITCH	8
	302K309270	2K309270	CURSOR END	8
	302K309300	2K309300	SPRING CASSETTE LIFT EARTH	8
	302K309350	2K309350	STOPPER SIZE SET	8
	302K309360	2K309360	SPRING SIZE SET	8
	302K309370	2K309370	SPRING CURSOR SET	8
	302K309380	2K309380	SPRING SIZE SET F	8
	302K309410	2K309410	PLATE SIZE DETECTION	3
	302K312080	2K312080	STOPPER DRUM	10
	302K317140	2K317140	WIRE SCANNER BLACK	17
	302K317150	2K317150	WIRE SCANNER GRAY	17
	302K317172	2K317172	GUIDE FFC LED C	17
⊙	302K317350	2K317350	GEAR Z54	17
	302K317470	2K317470	MOUNT LED	17
	302K317791	2K317791	SHEET FFC LED	17
	302K324011	2K324011	BASE CONVEYING	14
	302K324020	2K324020	ROLLER TRANSFER	15
	302K324030	2K324030	HOLDER TRANSFER	15

• Parts with "⊙" indicate regular maintenance parts.

Part.No.	Alternative.	Description	Fig.No.
302K324060	2K324060	LEVER CONVEYING F	14
302K324070	2K324070	LEVER CONVEYING R	14
302K324080	2K324080	TERMINAL TRANSFER	14
302K324090	2K324090	TERMINAL SEPARATION A	14
302K324100	2K324100	HOLDER SEPARATION	15
302K324110	2K324110	SPRING CONVEYING F	14
302K324130	2K324130	SPRING EARTH CONVEYING	14
302K324150	2K324150	PLATE SEPARATION	15
302K324160	2K324160	GUIDE TRANS LEFT	10
302K324170	2K324170	GEAR TRANSFER Z18L	15
302K324180	2K324180	BUSH REGIST F	14
302K324200	2K324200	SPRING REGIST F	14
302K324210	2K324210	SPRING TRANSFER F	15
302K324230	2K324230	SPRING GUIDE TRANSFER	15
302K324240	2K324240	BUSH TRANSFER ROLL F	15
302K324250	2K324250	HOOK TRANSFER F	15
302K324260	2K324260	HOOK TRANSFER R	15
302K324270	2K324270	BUSH REGIST R	14
302K324280	2K324280	LEVER TRANSFER	15
302K324290	2K324290	FILM GUIDE REGIST	14
302K324310	2K324310	SPRING EARTH REGIST A	10
302K324322	2K324322	COVER HARNESS	14
302K324340	2K324340	TERMINAL SEPARATION B	14
302K324350	2K324350	SPRING EARTH REGIST B	10
302K324360	2K324360	SPRING CONVEYING R	14
302K324370	2K324370	SPRING TRANSFER R	15
302K324380	2K324380	SPRING EARTH REGIST C	10
302K324410	2K324410	SPRING EARTH REGIST D	10
302K324430	2K324430	BUSH TRANSFER ROLL R	15
302K324440	2K324440	SPRING REGIST R	14
302K324460	2K324460	SHAFT FEED	26
302K324470	2K324470	BUSH REGIST C	14
302K324500	2K324500	SPRING REGIST C	14
302K324510	2K324510	SPRING TRANSFER LIFT	14
302K324520	2K324520	SHEET TRANSFER RIGHT	15
302K325340	2K325340	MOUNT FUSER FRONT	4
302K325350	2K325350	ADJUSTER FUSER	4
302K328011	2K328011	BASE CONVEYING EXIT	26
302K328020	2K328020	FRAME EXIT UPPER	26
302K328030	2K328030	FRAME EXIT LOWER	26
302K328050	2K328050	GUIDE CHANGE	26
302K328090	2K328090	GUIDE EXIT PUSH	26
302K328100	2K328100	GUIDE EXIT MIDDLE	26
302K328110	2K328110	PLATE EXIT MOTOR	26
302K328150	2K328150	SPRING SOLENOID	26
302K328160	2K328160	ARM ACTUATOR EXIT	26
302K328170	2K328170	SPRING EXIT EARTH	26
302K328181	2K328181	LID EXIT EMPTY SWITCH	26
302K328200	2K328200	GUIDE EXIT RIGHT	13
302K328210	2K328210	WIRE EXIT ROLLER EARTH	26

Part.No.	Alternative.	Description	Fig.No.
302K328220	2K328220	CUSHION GUIDE CHANGE A	26
302K328230	2K328230	GEAR Z25S EXIT INPUT	26
302K328240	2K328240	CUSHION GUIDE CHANGE B	26
302K328250	2K328250	STATIC-ELIMINATOR EXIT	26
302K328260	2K328260	SPRING GUIDE EXIT PUSH	26
302K328270	2K328270	SPRING EXIT FUSER SWITCH	26
302K328290	2K328290	GUIDE EXIT PUSH JS	26
302K328300	2K328300	TRAY EJECT	1
302K328321	2K328321	GUIDE EXIT OVERFLOW JS_A	26
302K328330	2K328330	PULLEY FEED 6	26
302K329010	2K329010	FRAME DU	14
302K329020	2K329020	PULLEY DU	13,14
302K329030	2K329030	SPRING DU FEED	13,14
302K329040	2K329040	ACTUATOR DU	14
302K329060	2K329060	RETAINER ACTUATOR	14
302K329210	2K329210	PARTS ROLLER DU SP	13
302K329220	2K329220	SHAFT DU	13
302K329230	2K329230	WIRE EARTH DU	13
302K329240	2K329240	BELT DU A	13
302K329250	2K329250	BELT DU B	13
302K329270	2K329270	BUSH DU	10,13
302K329280	2K329280	PULLEY DU 26	13
302K331030	2K331030	PLATE DRIVE	24
302K331040	2K331040	GEAR Z191R	24
302K331050	2K331050	GEAR Z112R-Z37L	24
302K331060	2K331060	GEAR Z38R	24
302K331070	2K331070	GEAR Z29L INPUT DLP	24
302K331081	2K331081	GEAR Z40R IDLE	23,24
302K331090	2K331090	GEAR Z43L IDLE	24
302K331100	2K331100	GEAR RATCHET Z28S	24
302K331110	2K331110	GEAR INPUT FUSER Z30S	24
302K331120	2K331120	GEAR Z101L-Z33L	24
302K331140	2K331140	GEAR Z30R IDLE	24
302K331150	2K331150	GEAR Z42R-Z36R	24
302K331160	2K331160	GEAR Z48R-Z22S	24
302K331170	2K331170	GEAR Z28S	24
302K331180	2K331180	GEAR Z45S INPUT MPF A	24
302K331190	2K331190	GEAR Z45S INPUT MPF B	24
302K331200	2K331200	CAM MPF	24
302K331210	2K331210	SPRING JOINT DLP	24
302K331220	2K331220	SPRING RATCHET FUSER	24
302K331230	2K331230	BUSH DRIVE 8	24
302K331240	2K331240	SHAFT CLUTCH FEED	23,24
302K331250	2K331250	SPRING EARTH MOTOR	24
302K331260	2K331260	PIN DRIVE A	24
302K333010	2K333010	DUCT MAIN UPPER	25
302K333020	2K333020	DUCT MAIN LOWER	25
302K333030	2K333030	DUCT SEPARATION	25
302K333040	2K333040	DUCT REAR UPPER	25
302K333050	2K333050	DUCT REAR LOWER	25

• Parts with "⊙" indicate regular maintenance parts.

Part.No.	Alternative.	Description	Fig.No.
302K334170	2K334170	LABEL TONER CONTAINER PULL	27
302K339050	2K339050	PLATE OPTION	29
302K339060	2K339060	BASE TERMINAL	4
302K339070	2K339070	TERMINAL DRUM A	4
302K339080	2K339080	TERMINAL DLP A	4
302K339090	2K339090	TERMINAL TRANSFER A	4
302K339100	2K339100	TERMINAL SEPARATION A	4
302K345120	2K345120	VARISTOR TC	10
302K346010	2K346010	WIRE SOL/CLT/MOT	24
302K346020	2K346020	WIRE EJECT UNIT	26
302K346030	2K346030	WIRE FUSER JAM SENS	28
302K346040	2K346040	WIRE MAIN MOT	24
302K346070	2K346070	WIRE RIGHT COVER SW	7
302K346090	2K346090	WIRE DU	14
302K346270	2K346270	WIRE REGIST	5
302K346470	2K346470	WIRE PF DRAWER	3
302K346480	2K346480	WIRE EJECT FAN	28
302K346570	2K346570	WIRE SUB	28
302K346660	2K346660	WIRE PF DRAWER 200	3
302K393130	2K393130	WT-475	21
302K394070	2K394070	PARTS PWB RFID ASSY SP	5
302K394090	2K394090	PARTS PWB DEVE CONNECT ASSY SP	5
302K394180	2K394180	PARTS SWITCH EXIT PAPER EMPTY SP	26
302K394190	2K394190	PARTS MOTOR LIFT ASSY SP	23
302K394201	2K394201	PARTS MOTOR-BL W30 SP	24
302K394220	2K394220	PARTS ROLLER REGIST RIGHT SP	14
302K394230	2K394230	PARTS ROLLER REGIST LEFT SP	10
302K394240	2K394240	PARTS ROLLER EXIT SP	26
302K394310	2K394310	PARTS GEAR REGIST Z28L-Z18L SP	10
302K394320	2K394320	PARTS GEAR MPF Z28 SP	11
302K394330	2K394330	PARTS GEAR REGIST Z24R SP	14
302K394340	2K394340	PARTS GEAR Z74R-Z22S EXIT SP	26
302K394350	2K394350	PARTS GEAR Z22S EXIT SP	26
302K394370	2K394370	PARTS GEAR Z18-Z63R SP	17
302K394380	2K394380	PARTS GEAR Z18 SP	8
302K394400	2K394400	PARTS GEAR DU Z27L SP	13
302K394540	2K394540	PARTS FEED UNIT ASSY SP	10
302K905900	2K905900	SPRING USB HOLD	18,31
302K906240	2K906240	GEAR FEED DRIVE Z20L	5
302K906670	2K906670	HOOK FEED LOW	12
302K908211	2K908211	ACTUATOR SIZE DETECTION	16
302K908220	2K908220	SPRING-TORSION SIZE DETECTION	16
302K908580	2K908580	HOLDER SIZE DETECTION	16
302K909630	2K909630	SHAFT HOOK PULLEY	3
302K909640	2K909640	LEVER CASSETTE HOOK	3
302K933C10	2K933C10	SEAL TONER EXIT E	30
302K939030	2K939030	RAIL PWB	29
302K946750	2K946750	WIRE ORIGINAL SENSOR	17
302K994270	2K994270	PARTS PWB KUIO ASSY SP	29
302K94070	2K94070	PARTS CONT SENSOR ASSY SP	5

Part.No.	Alternative.	Description	Fig.No.
302KP34220	2KP34220	LABEL HIGH TEMPERATURE CAUTION	3
302KV31320	2KV31320	GEAR Z32L	24
302KV44041	2KV44041	CLUTCH 50 Z35R	23,24
302LC04272	2LC04272	EMBLEM	2
302LC04340	2LC04340	COVER ISU LEFT SUB	18
302LC04601	2LC04601	COVER TRAY	33
302LC04611	2LC04611	STAY TRAY	33
302LC04621	2LC04621	MOUNT TRAY	33
302LC04660	2LC04660	SHEET TRAY	33
302LC04670	2LC04670	PLATE TRAY	33
302LC04710	2LC04710	COVER TRAY LOWER	33
302LC05050	2LC05050	KEY 10	31
302LC05100	2LC05100	KEY STOP	31
302LC05110	2LC05110	KEY RESET	31
302LC05270	2LC05270	HOLDER LCD	31
302LC05420	2LC05420	FILM FFC	31
302LC31511	2LC31511	SEAL MOTOR DC	25,29
302LC34031	2LC34031	LABEL OPERATION CAUTION B	18
302LC34620	2LC34620	LABEL SW CAUTION EN	1
302LC34630	2LC34630	LABEL SW CAUTION SET A	1
302LC94291	2LC94291	PARTS MOTOR-BL W10 SP	23
302LC94370	2LC94370	PARTS SPEAKER SP	31
302LF33B10	2LF33B10	SPONGE LOWER RIGHT SP	3
302LF39050	2LF39050	GUIDE WIRE FRONT PWB	29
302MN04100	2MN04100	LID DF CONNECTOR	1
302MV02040	2MV02040	STAY FRONT FRAME	4
302MV02092	2MV02092	MOUNT SCANNER RIGHT	7
302MV02110	2MV02110	MOUNT SCANNER REAR	7
302MV02131	2MV02131	MOUNT OPTION	7
302MV02160	2MV02160	HANDLE COVER LEFT	5
302MV02190	2MV02190	FOOT	1
302MV02220	2MV02220	SHAFT HANDLE	3
302MV02231	2MV02231	MOUNT REAR HANDLE	3
302MV02240	2MV02240	PIN FRONT HANDLE	3
302MV02310	2MV02310	SPRING LEVER LIFT CASSETTE	4
302MV04230	2MV04230	COVER INNER FRONT LOWER	1
302MV04290	2MV04290	COVER EXIT FRONT TOP	7
302MV04300	2MV04300	COVER RIGHT HOOK	13
302MV05050	2MV05050	MOUNT USB	31
302MV05090	2MV05090	FILM COVER LOW	31
302MV07020	2MV07020	GUIDE FEED LOW	10
302MV07030	2MV07030	GUIDE FEED	10
302MV07040	2MV07040	GUIDE FEED INNER	11
302MV07051	2MV07051	GUIDE COVER INNER	12
302MV07070	2MV07070	HOLDER SPRING	12
302MV07080	2MV07080	COVER SW FEED	12
302MV07110	2MV07110	BELT FEED	10
302MV07120	2MV07120	SPRING EARTH FEED	10
302MV08010	2MV08010	BASE MPF	11
302MV08020	2MV08020	PIN FEED ROLL	11

• Parts with "⊙" indicate regular maintenance parts.

	Part.No.	Alternative.	Description	Fig.No.
⊙	302MV08030	2MV08030	PULLEY MPF	11
⊙	302MV08050	2MV08050	COVER MPF WIRE	11
⊙	302MV08400	2MV08400	COVER MPF	16
	302MV08410	2MV08410	TABLE MPF	16
	302MV08420	2MV08420	TABLE MPF A	16
	302MV08430	2MV08430	TABLE MPF B	16
	302MV08440	2MV08440	CURSOR FRONT MPF	16
	302MV08450	2MV08450	CURSOR REAR MPF	16
	302MV08460	2MV08460	GUIDE FRONT MPF WIRE	16
	302MV08470	2MV08470	GUIDE REAR MPF WIRE	16
	302MV08500	2MV08500	SPRING MPF	16
	302MV08520	2MV08520	SHEET MPF WIRE A	16
	302MV09021	2MV09021	BASE CASSETTE	8
	302MV09040	2MV09040	ARM SIZE DETECTION	8
	302MV09050	2MV09050	PLATE SIDE SWITCH	8
	302MV09080	2MV09080	CURSOR CASSETTE REAR	8
	302MV09090	2MV09090	CURSOR CASSETTE FRONT	8
	302MV17030	2MV17030	COVER LENS	17
	302MV17040	2MV17040	GUIDE FFC CCD	17
	302MV17110	2MV17110	FILM FFC CCD	17
	302MV24010	2MV24010	LEVER HOOK F	15
	302MV24020	2MV24020	LEVER HOOK R	15
	302MV31010	2MV31010	HOLDER DRIVE LOW A	23
	302MV31020	2MV31020	HOLDER DRIVE LOW B	23
	302MV31030	2MV31030	PLATE MOTOR LOW	23
	302MV31040	2MV31040	SPRING EARTH FEED LOW	23
	302MV34180	2MV34180	LABEL I	15
	302MV34190	2MV34190	LABEL J	11
	302MV34250	2MV34250	LABEL COVER CAUTION	13
	302MV34260	2MV34260	LABEL BYPASS CAUTION	13
	302MV34270	2MV34270	LABEL BYPASS TABLE	16
	302MV34300	2MV34300	SHEET CASSETTE C	8
	302MV34310	2MV34310	LABEL CASSETTE SIZE A	8
	302MV34320	2MV34320	LABEL OPERATION CURSOR	8
	302MV34330	2MV34330	LABEL OPERATION L	8
	302MV34340	2MV34340	LABEL OPERATION S	8
	302MV34350	2MV34350	LABEL PAPER SET	8
	302MV34360	2MV34360	LABEL CASSETTE SIZE B	8
	302MV34370	2MV34370	LABEL PAPER LIMIT	8
	302MV34400	2MV34400	LABEL HIGH TEMP	13
	302MV34410	2MV34410	LABEL COVER CAUTION 9NATIONS	13
	302MV34430	2MV34430	SHEET CASSETTE I	8
	302MV39040	2MV39040	BRACKET HDD	29
	302MV39050	2MV39050	HOLDER FAN MAIN	29
	302MV39250	2MV39250	BRACKET FAN POWER	30
	302MV39340	2MV39340	PIN HDD	29
	302MV39350	2MV39350	SPRING EARTH HDD	29
	302MV46090	2MV46090	WIRE KEY COUNTER	33
	302MV46210	2MV46210	WIRE HDD POWER	29
	302MV46450	2MV46450	WIRE MPF SIZE UNIT 1	11

	Part.No.	Alternative.	Description	Fig.No.
	302MV46510	2MV46510	WIRE MPF SIZE UNIT 2	16
	302MV46520	2MV46520	WIRE RIGHT COVER SW	12
	302MV46580	2MV46580	WIRE MPF	11
	302MV46600	2MV46600	WIRE CCD POWER	17
	302MV46630	2MV46630	WIRE FFC LED	17
⊙	302MV93110	2MV93110	DR-8315D	23
⊙	302MV93130	2MV93130	PARTS STORAGE DEVICE SP	29
⊙	302MV94010	2MV94010	PARTS PAD SEPARATION ASSY SP	11
⊙	302MV94020	2MV94020	PARTS ROLLER MPF ASSY SP	11
⊙	302MV94061	2MV94061	PARTS PRIMARY FEED ASSY SP	9
⊙	302MV94070	2MV94070	PARTS MPF UNIT SP	11
⊙	302MV94100	2MV94100	PARTS CONTACT-GLASS ASSY(I) SP	17
⊙	302MV94110	2MV94110	PARTS CONTACT-GLASS ASSY(C) SP	17
⊙	302MV94310	2MV94310	PARTS ROLLER FEED UPPER SP	10
⊙	302MV94320	2MV94320	PARTS ROLLER FEED LOWER SP	10
	302MW31010	2MW31010	TORQUE LIMITER 4000	5
	302N205190	2N205190	KEY START B	31
⊙	302N404040	2N404040	LID CARD	18
⊙	302N404130	2N404130	CASE CLIP	18
⊙	302N404241	2N404241	LID USB FRONT	18
	302N405070	2N405070	KEY FUNCTION	31
	302N405080	2N405080	KEY MENU	31
	302N405090	2N405090	KEY POWER	31
	302N405100	2N405100	KEY HOME	31
	302N405110	2N405110	KEY DISPLAY	31
	302N405120	2N405120	KEY RIGHT SIDE	31
⊙	302N405140	2N405140	LID OPERATION SHEET A	31
⊙	302N405150	2N405150	LID OPERATION SHEET B	31
	302N405200	2N405200	LENS LED	31
	302N405210	2N405210	FILM LCD WIRE	31
	302N405241	2N405241	SPONGE LCD A	31
	302N405251	2N405251	SPONGE LCD B	31
	302N405260	2N405260	SPACER LCD A	31
	302N405270	2N405270	SPACER LCD B	31
	302N446050	2N446050	WIRE FFC KEY PWB	31
⊙	302N494090	2N494090	PARTS LCD OPERATION SP	31
⊙	302N494100	2N494100	PARTS TABLET OPERATION SP	31
⊙	302N494150	2N494150	PARTS PWB PANEL MAIN ASSY SP	31
⊙	302N494180	2N494180	PARTS PWB OPERATION ASSY SP	31
⊙	302N494220	2N494220	PARTS CURSOR SCREW SET SP	33
⊙	302N905010	2N905010	PANEL OPERATION	31
	302N905510	2N905510	SHEET OPERATION EN	31
	302N905530	2N905530	SHEET OPERATION DE	34
	302N905540	2N905540	SHEET OPERATION FR	34
	302N905550	2N905550	SHEET OPERATION TL	34
	302N905560	2N905560	SHEET OPERATION ES	34
	302N905570	2N905570	SHEET OPERATION PT	34
	302N905580	2N905580	SHEET OPERATION NL	34
	302N905590	2N905590	SHEET OPERATION RU	34
	302N905630	2N905630	SHEET OPERATION KDA EN	31

• Parts with "⊙" indicate regular maintenance parts.

	Part.No.	Alternative.	Description	Fig.No.
	302N905640	2N905640	SHEET OPERATION KDA FR	34
	302N905650	2N905650	SHEET OPERATION KDA ES	34
	302N905660	2N905660	SHEET OPERATION KDA PT	34
⊙	302NG94220	2NG94220	PARTS FAN MOTOR SP	25
	302NL02040	2NL02040	BASE MIDDLE	5
	302NL02060	2NL02060	STAY REAR FRAME	4
	302NL02070	2NL02070	GUIDE FUSER	4
	302NL02080	2NL02080	BRACKET DRAWER	4
	302NL02090	2NL02090	RAIL CASSETTE LEFT	4
	302NL02100	2NL02100	JOINT FUSER	4
	302NL02120	2NL02120	RAIL DLP	5
	302NL02140	2NL02140	SHEET RAIL	5
	302NL02150	2NL02150	COVER RAIL DRIVE	5
	302NL02160	2NL02160	COVER RAIL DLP	5
⊙	302NL02170	2NL02170	GEAR CONTAINER Z42R	5
⊙	302NL02180	2NL02180	GEAR Z22R 40R	5
	302NL02190	2NL02190	SLIDER REMOVAL DLP	5
	302NL02200	2NL02200	MOUNT INTERLOCK SW	6
	302NL02210	2NL02210	RAIL CASSETTE RIGHT	4
	302NL02220	2NL02220	HOLDER SENSOR	5
⊙	302NL02230	2NL02230	GEAR Z23L	5
	302NL02240	2NL02240	MOUNT SCANNER FRONT	7
	302NL02310	2NL02310	LEVER REMOVAL DLP	6
	302NL02320	2NL02320	LEVER HOOK REMOVAL	27
	302NL02340	2NL02340	SHEET BASE MIDDLE	5
	302NL02360	2NL02360	SHEET SCANNER FRONT	7
⊙	302NL04020	2NL04020	COVER FRONT TOP	1
⊙	302NL04040	2NL04040	COVER EXIT REAR	1
⊙	302NL04060	2NL04060	COVER RIGHT REAR	1
⊙	302NL04090	2NL04090	COVER RIGHT TOP	1
⊙	302NL04100	2NL04100	COVER LEFT LOW	1
⊙	302NL04110	2NL04110	COVER LEFT TOP	1
⊙	302NL04120	2NL04120	COVER ISU FRONT	18
⊙	302NL04131	2NL04131	COVER ISU LEFT	18
⊙	302NL04140	2NL04140	COVER ISU RIGHT	18
⊙	302NL04150	2NL04150	COVER ISU REAR	18
⊙	302NL04180	2NL04180	COVER TRAY LEFT	1
⊙	302NL04190	2NL04190	COVER EXIT TOP	6
	302NL04200	2NL04200	LID CONTROLLER	1
⊙	302NL04210	2NL04210	LID DP	18
⊙	302NL04220	2NL04220	LID ISU FRONT	18
	302NL04230	2NL04230	MOUNT USB	18
	302NL04240	2NL04240	COVER INNER FRONT	27
	302NL04250	2NL04250	LID AK	1
	302NL04260	2NL04260	COVER HOLDER BOX	27
	302NL04270	2NL04270	PLATE MAGNET	2
	302NL04310	2NL04310	COVER FILTER REAR	1
	302NL04330	2NL04330	COVER RIGHT MIDDLE	13
⊙	302NL04340	2NL04340	COVER RIGHT LOW	12
	302NL05010	2NL05010	COVER OPERATION A	31

	Part.No.	Alternative.	Description	Fig.No.
⊙	302NL05020	2NL05020	COVER OPERATION B	31
	302NL05030	2NL05030	MOUNT MAIN PWB	31
	302NL05040	2NL05040	GUIDE WIRE OPERATION	31
	302NL05050	2NL05050	MOUNT OPERATION	31
	302NL06010	2NL06010	HOLDER SENSOR	4
	302NL06020	2NL06020	GUIDE FEED OUTER	10
	302NL06040	2NL06040	HOLDER HOOK F	12
	302NL06050	2NL06050	HOLDER HOOK R	12
	302NL06060	2NL06060	COVER HANDLE	12
	302NL06070	2NL06070	SHAFT FEED LOW HOOK	12
	302NL06080	2NL06080	SHEET FEED OUT A	10
	302NL09010	2NL09010	CASSETTE	8
	302NL09020	2NL09020	HOLDER CASSETTE HOOK	3
⊙	302NL09030	2NL09030	PULLEY CASSETTE RAIL	4
⊙	302NL09050	2NL09050	COVER CASSETTE	8
	302NL09060	2NL09060	SPRING CASSETTE HOOK	3
	302NL09070	2NL09070	EMBLEM CASSETTE	8
	302NL09080	2NL09080	HANDLE CASSETTE	8
	302NL09090	2NL09090	PLATE CASSETTE LEFT	8
	302NL09100	2NL09100	PLATE CASSETTE RIGHT	8
	302NL17010	2NL17010	MOUNT DRIVE	17
	302NL17020	2NL17020	SWITCH RELEASE	17
	302NL17030	2NL17030	HOLDER SWITCH	17
	302NL17040	2NL17040	MOUNT ISC	17
	302NL17050	2NL17050	MOUNT DP	17
	302NL17070	2NL17070	MOUNT JUNCTION PWB	17
	302NL24040	2NL24040	GUIDE FEED JUNCTION	14
	302NL24050	2NL24050	FILM GUIDE FEED JUNCTION	14
	302NL24090	2NL24090	GUIDE CONVEYING	14
	302NL24110	2NL24110	GUIDE TRANSFER RIGHT B	15
	302NL28020	2NL28020	ACTUATOR EXIT JS	26
	302NL28030	2NL28030	GUIDE EXIT OVERFLOW JS INCH	26
	302NL28040	2NL28040	CUSHION GUIDE CHANGE	26
	302NL28050	2NL28050	PLATE EXIT OVERFLOW	26
	302NL28060	2NL28060	ACTUATOR EXIT OVERFLOW	26
	302NL31010	2NL31010	HOLDER FEED DRIVE A	24
	302NL31020	2NL31020	HOLDER FEED DRIVE B	24
⊙	302NL31030	2NL31030	GEAR Z21L Z26R	24
	302NL31040	2NL31040	PIN DRIVE	24
	302NL31050	2NL31050	SHAFT DU	24
	302NL34010	2NL34010	SHEET EMBLEM	2
	302NL34050	2NL34050	SHEET COVER FRONT	2
	302NL34060	2NL34060	LABEL PUSH STOPPER	27
	302NL34070	2NL34070	LABEL ARROW STOPPER	27
	302NL34080	2NL34080	LABEL D	6
	302NL34090	2NL34090	LABEL DEHUMIDIFIER SWITCH	1
	302NL34100	2NL34100	LABEL BOTTLE WASTE	27
	302NL34110	2NL34110	LABEL W1	27
	302NL34140	2NL34140	LABEL MPF CAUTION	16
	302NL39010	2NL39010	BOX CONTROLLER	29

• Parts with "⊙" indicate regular maintenance parts.

Part.No.	Alternative.	Description	Fig.No.
302NL39020	2NL39020	BOX POWER	30
302NL39030	2NL39030	LID POWER	30
302NL39040	2NL39040	MOUNT INLET	7
302NL39050	2NL39050	GUIDE WIRE REAR	4
302NL39060	2NL39060	GUIDE WIRE MAIN SW	3
302NL39070	2NL39070	MOUNT BOX	7
302NL39080	2NL39080	MOUNT DF CONNECTOR	7
302NL39090	2NL39090	BRACKET MAIN	29
302NL39100	2NL39100	LID CONTROLLER	29
302NL39110	2NL39110	LID DP	29
302NL39120	2NL39120	LID FAX BOARD	29
302NL46010	2NL46010	WIRE LSU	28
302NL46020	2NL46020	WIRE CONVEYING JOINT	28
302NL46030	2NL46030	WIRE FEED DRIVE	23
302NL46040	2NL46040	WIRE CASSETTE SWITCH	28
302NL46050	2NL46050	WIRE MAIN-LVU	29
302NL46060	2NL46060	WIRE ENGINE-LVU	28
302NL46070	2NL46070	WIRE CONTAINER RAIL	5
302NL46080	2NL46080	WIRE CONTAINER SET	5
302NL46090	2NL46090	WIRE FRONT SWITCH	28
302NL46100	2NL46100	WIRE PF JOINT	28
302NL46110	2NL46110	WIRE DF JOINT	7
302NL46120	2NL46120	WIRE BRIDGE JOINT	4
302NL46150	2NL46150	WIRE FUSER HEATER	4
302NL46180	2NL46180	WIRE JOB SEPARATOR JOINT	28
302NL46190	2NL46190	WIRE PANEL DATA	31
302NL46200	2NL46200	WIRE MAIN-OPERATION	31
302NL46210	2NL46210	WIRE USB HOST	31
302NL46230	2NL46230	WIRE USB KEYBOARD	18
302NL46240	2NL46240	WIRE USB CARD READER	18
302NL46250	2NL46250	WIRE FFC MAIN-ENGINE	28
302NL46270	2NL46270	WIRE MAIN SWITCH	4
302NL46280	2NL46280	WIRE CASSETTE HEATER JOINT	3
302NL46290	2NL46290	WIRE HEATER SWITCH	7
302NL46300	2NL46300	WIRE INLET ASSY	7
302NL46360	2NL46360	WIRE FFC HVU	28
302NL46370	2NL46370	WIRE LIMIT SENSOR	4
302NL46380	2NL46380	WIRE FFC CCD	17
⊙ 302NL93010	2NL93010	DR-7105	24
⊙ 302NL93020	2NL93020	DK-7105	21
⊙ 302NL93030	2NL93030	DV-7105	20
⊙ 302NL93040	2NL93040	LK-7105	19
⊙ 302NL93060	2NL93060	FK-7107	22
⊙ 302NL93070	2NL93070	FK-7105	22
⊙ 302NL93080	2NL93080	MC-7105	21
⊙ 302NL93090	2NL93090	TR-7105	15
⊙ 302NL94011	2NL94011	PARTS COVER FRONT ASSY 35 SP	2
⊙ 302NL94020	2NL94020	PARTS COVER REAR ASSY SP	1
⊙ 302NL94031	2NL94031	PARTS OPERATION UNIT SP	31
⊙ 302NL94040	2NL94040	PARTS CLEANER REGIST ASSY SP	27

Part.No.	Alternative.	Description	Fig.No.
⊙ 302NL94050	2NL94050	PARTS EXIT UNIT SP	26
⊙ 302NL94060	2NL94060	PARTS EXIT UNIT J SP	26
⊙ 302NL94070	2NL94070	PARTS CONVEYING UNIT SP	14
⊙ 302NL94080	2NL94080	PARTS COVER RIGHT ASSY SP	13
⊙ 302NL94090	2NL94090	PARTS LOW VOLTAGE 100 SP	30
⊙ 302NL94100	2NL94100	PARTS LOW VOLTAGE 200 SP	30
⊙ 302NL94110	2NL94110	PARTS HIGH VOLTAGE SP	28
⊙ 302NL94120	2NL94120	PARTS PWB ENGINE ASSY SP	28
⊙ 302NL94131	2NL94131	PARTS PWB MAIN ASSY SP	29
⊙ 302NL94141	2NL94141	PARTS PWB MAIN ASSY EU SP	29
⊙ 302NL94150	2NL94150	PARTS MPF TABLE ASSY SP	16
302NP39150	2NP39150	MOUNT DP CONNECTOR	30
302NP46360	2NP46360	WIRE DP	30
302NP46420	2NP46420	WIRE DP JUNCTION	17
302NP46450	2NP46450	WIRE PANEL JOINT	31
302NP46460	2NP46460	WIRE KUJO POWER	29
302NP46470	2NP46470	WIRE FFC KUJO	29
302NP46480	2NP46480	WIRE OPEN SENSOR	17
302NP46490	2NP46490	WIRE HP SENSOR	17
302NP46500	2NP46500	WIRE SCANNER MOT	17
302NP46530	2NP46530	WIRE HDD SIG	29
⊙ 302NP93010	2NP93010	CT-8325	8
⊙ 302NP93090	2NP93090	PARTS MOUNT LED ASSY SP	17
⊙ 302NP93130	2NP93130	PARTS ISU	17
⊙ 302NP94120	2NP94120	PARTS PWB THERMISTOR ASSY SP	7
⊙ 302NP94160	2NP94160	PARTS PWB DP JUNCTION ASSY SP	17
⊙ 302NP94170	2NP94170	PARTS PWB SCANNER LED ASSY SP	17
⊙ 302NP94180	2NP94180	PARTS PWB ISC ASSY SP	17
⊙ 302NP94200	2NP94200	PARTS COVER ISU FRONT A ASSY E SP	18
⊙ 302NP94230	2NP94230	PARTS COVER RIGHT LOW ASSY SP	12
302P834010	2P834010	SHEET EMBLEM	2
⊙ 302P894011	2P894011	PARTS COVER FRONT ASSY 30 SP	2
303JC04201	3JC04200	PLATE ORIGINAL	32
303K502080	3K502080	SPONGE ORIGINAL MAT	32
303LL02330	3LL02330	HOLDER WIRE D	29,31
303LT02020	3LT02020	LID WIRE GUIDE	29
303LW24060	3LW24060	PULLEY EJECT	3
303M404180	3M404180	COVER INTERFACE B	1
303M404190	3M404190	COVER INTERFACE C	1
303MA16560	3MA16560	SHAFT GEAR BELT	26
303MH06010	3MH06010	PAD RAIL	4
303MR29040	3MR29040	PULLEY 26-6 DUPLEX	10
303MX02021	3MX02021	CUSHION ORIGINAL MAT A	32
303MX02031	3MX02031	CUSHION ORIGINAL MAT B	32
303NF02280	3NF02280	SHAFT HOOK FULCRUM	3
303NN02143	3NN02143	STAY UPPER FEED	4
303NN02370	3NN02370	RAIL FEED	4
303NN02450	3NN02450	GUIDE PRIMARY FEED	4
303NN24110	3NN24110	JOINT PULLEY 26-6	10
303NN24180	3NN24180	SPRING FEED LOW	12

• Parts with "⊙" indicate regular maintenance parts.

KYOCERA Document Solutions America, Inc.**Headquarters**

225 Sand Road,
Fairfield, New Jersey 07004-0008, USA
Phone: +1-973-808-8444
Fax: +1-973-882-6000

Latin America

8240 NW 52nd Terrace Dawson Building, Suite 100
Miami, Florida 33166, USA
Phone: +1-305-421-6640
Fax: +1-305-421-6666

KYOCERA Document Solutions Canada, Ltd.

6120 Kestrel Rd., Mississauga, ON L5T 1S8,
Canada
Phone: +1-905-670-4425
Fax: +1-905-670-8116

**KYOCERA Document Solutions
Mexico, S.A. de C.V.**

Calle Arquimedes No. 130, 4 Piso, Colonia Polanco
Chapultepec, Delegacion Miguel Hidalgo,
Distrito Federal, C.P. 11560, México
Phone: +52-555-383-2741
Fax: +52-555-383-7804

KYOCERA Document Solutions Brazil, Ltda.

Alameda África, 545, Pólo Empresarial Consbrás,
Tamboré, Santana de Parnaíba-SP, CEP 06543-306,
Brazil
Phone: +55-11-4195-8496
Fax: +55-11-4195-6167

**KYOCERA Document Solutions
Australia Pty. Ltd.**

Level 3, 6-10 Talavera Road North Ryde N.S.W, 2113,
Australia
Phone: +61-2-9888-9999
Fax: +61-2-9888-9588

**KYOCERA Document Solutions
New Zealand Ltd.**

Ground Floor, 19 Byron Avenue, Takapuna, Auckland,
New Zealand
Phone: +64-9-415-4517
Fax: +64-9-415-4597

KYOCERA Document Solutions Asia Limited

16/F.,Mita Centre, 552-566, Castle Peak Road
Tsuenwan, NT, Hong Kong
Phone: +852-2610-2181
Fax: +852-2610-2063

**KYOCERA Document Solutions
(China) Corporation**

8F, No. 288 Nanjing Road West, Huangpu District,
Shanghai,200003, China
Phone: +86-21-5301-1777
Fax: +86-21-5302-8300

**KYOCERA Document Solutions
(Thailand) Corp., Ltd.**

335 Ratchadapisek Road, Bangsue, Bangkok 10800,
Thailand
Phone: +66-2-586-0333
Fax: +66-2-586-0278

**KYOCERA Document Solutions
Singapore Pte. Ltd.**

12 Tai Seng Street #04-01A,
Luxasia Building, Singapore 534118
Phone: +65-6741-8733
Fax: +65-6748-3788

**KYOCERA Document Solutions
Hong Kong Limited**

16/F.,Mita Centre, 552-566, Castle Peak Road
Tsuenwan, NT, Hong Kong
Phone: +852-3582-4000
Fax: +852-3185-1399

**KYOCERA Document Solutions
Taiwan Corporation**

6F., No.37, Sec. 3, Minquan E. Rd.,
Zhongshan Dist., Taipei 104, Taiwan R.O.C.
Phone: +886-2-2507-6709
Fax: +886-2-2507-8432

KYOCERA Document Solutions Korea Co., Ltd.

18F, Kangnam bldg, 1321-1,
Seocho-Dong, Seocho-Gu, Seoul, Korea
Phone: +822-6933-4050
Fax: +822-747-0084

**KYOCERA Document Solutions
India Private Limited**

Second floor, Centrum Plaza, Golf Course Road,
Sector-53, Gurgaon, Haryana 122002, India
Phone: +91-0124-4671000
Fax: +91-0124-4671001

KYOCERA Document Solutions Europe B.V.

Bloemlaan 4, 2132 NP Hoofddorp,
The Netherlands
Phone: +31-20-654-0000
Fax: +31-20-653-1256

KYOCERA Document Solutions Nederland B.V.

Beechavenue 25, 1119 RA Schiphol-Rijk,
The Netherlands
Phone: +31-20-5877200
Fax: +31-20-5877260

KYOCERA Document Solutions (U.K.) Limited

Eldon Court, 75-77 London Road,
Reading, Berkshire RG1 5BS,
United Kingdom
Phone: +44-118-931-1500
Fax: +44-118-931-1108

KYOCERA Document Solutions Italia S.p.A.

Via Verdi, 89/91 20063 Cernusco s/N.(MI),
Italy
Phone: +39-02-921791
Fax: +39-02-92179-600

KYOCERA Document Solutions Belgium N.V.

Sint-Martinusweg 199-201 1930 Zaventem,
Belgium
Phone: +32-2-7209270
Fax: +32-2-7208748

KYOCERA Document Solutions France S.A.S.

Espace Technologique de St Aubin
Route de l'Orme 91195 Gif-sur-Yvette CEDEX,
France
Phone: +33-1-69852600
Fax: +33-1-69853409

KYOCERA Document Solutions Espana, S.A.

Edificio Kyocera, Avda. de Manacor No.2,
28290 Las Matas (Madrid), Spain
Phone: +34-91-6318392
Fax: +34-91-6318219

KYOCERA Document Solutions Finland Oy

Atomitie 5C, 00370 Helsinki,
Finland
Phone: +358-9-47805200
Fax: +358-9-47805390

**KYOCERA Document Solutions
Europe B.V., Amsterdam (NL) Zürich Branch**

Hohlstrasse 614, 8048 Zürich,
Switzerland
Phone: +41-44-9084949
Fax: +41-44-9084950

**KYOCERA Document Solutions
Deutschland GmbH**

Otto-Hahn-Strasse 12, 40670 Meerbusch,
Germany
Phone: +49-2159-9180
Fax: +49-2159-918100

KYOCERA Document Solutions Austria GmbH

Eduard-Kittenberger-Gasse 95, 1230 Vienna,
Austria
Phone: +43-1-863380
Fax: +43-1-86338-400

KYOCERA Document Solutions Nordic AB

Esbogatan 16B 164 75 Kista, Sweden
Phone: +46-8-546-550-00
Fax: +46-8-546-550-10

KYOCERA Document Solutions Norge Nuf

Postboks 150 Oppsal, 0619 Oslo,
Norway
Phone: +47-22-62-73-00
Fax: +47-22-62-72-00

KYOCERA Document Solutions Danmark A/S

Ejby Industrivej 60, DK-2600 Glostrup,
Denmark
Phone: +45-70223880
Fax: +45-45765850

KYOCERA Document Solutions Portugal Lda.

Rua do Centro Cultural, 41 (Alvalade) 1700-106 Lisboa,
Portugal
Phone: +351-21-843-6780
Fax: +351-21-849-3312

**KYOCERA Document Solutions
South Africa (Pty) Ltd.**

KYOCERA House, Hertford Office Park,
90 Bekker Road (Cnr. Allandale), Midrand, South Africa.
Phone: +27-11-540-2600
Fax: +27-11-466-3050

KYOCERA Document Solutions Russia LLC

Botanichesky pereulok 5, Moscow, 129090,
Russia
Phone: +7(495)741-0004
Fax: +7(495)741-0018

KYOCERA Document Solutions Middle East

Dubai Internet City, Bldg. 17,
Office 157 P.O. Box 500817, Dubai,
United Arab Emirates
Phone: +971-04-433-0412

KYOCERA Document Solutions Inc.

2-28, 1-chome, Tamatsukuri, Chuo-ku
Osaka 540-8585, Japan
Phone: +81-6-6764-3555
<http://www.kyoceradocumentsolutions.com>

© 2014 KYOCERA Document Solutions Inc.

 is a trademark of KYOCERA Corporation