



TASKalfa 2551ci

PARTS LIST

Published in September 2014

2NPPL074

Rev.4

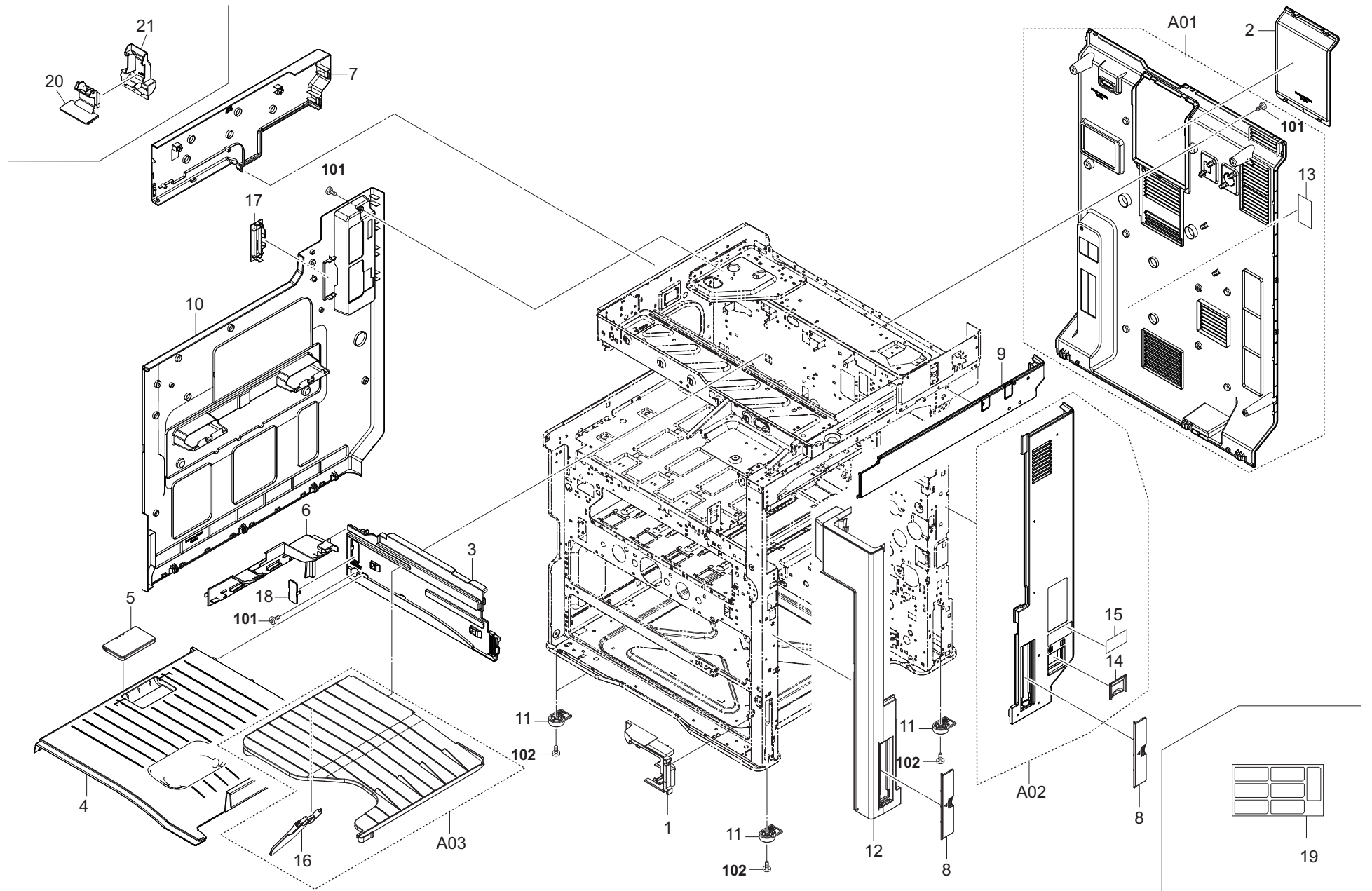


FIG. 1 Covers 1

2NP-2

Ref. No.	Part.No.	Alternative.	Description	Notes	Quantity		
					120	230	240
1	302MV04230	2MV04230	COVER INNER FRONT LOWER		1	1	1
2	302NL04200	2NL04200	LID CONTROLLER		1	1	1
⊙ 3	302NP04040	2NP04040	COVER EXIT REAR		1	1	1
⊙ 4	302NP04030	2NP04030	COVER TRAY		1	1	1
⊙ 5	302H004560	2H004560	STOPPER PAPER		1	1	1
⊙ 6	302NP04180	2NP04180	COVER TRAY LEFT		1	1	1
⊙ 7	302NP04110	2NP04110	COVER LEFT TOP		1	1	1
⊙ 8	302FZ04240	2FZ04240	LID COVER LEFT		2	2	2
⊙ 9	302NL04090	2NL04090	COVER RIGHT TOP		1	1	1
⊙ 10	302NP04100	2NP04100	COVER LEFT LOW		1	1	1
11	302MV02190	2MV02190	FOOT		4	4	4
⊙ 12	302MV04020	2MV04020	COVER FRONT TOP		1	1	1
⊙ A01	302NP94010	2NP94010	PARTS COVER REAR ASSY E SP		1	1	1
13	*302NL34090	2NL34090	LABEL DEHUMIDIFIER SWITCH		1	1	1
⊙ A02	302NP94050	2NP94050	PARTS COVER RIGHT REAR ASSY EN SP		1	1	1
⊙ 14	*302H704170	2H704170	COVER MAIN SW		1	1	1
15	*302LC34620	2LC34620	LABEL SW CAUTION EN		1	1	1
⊙ A03	302MV94550	2MV94550	PARTS TRAY EJECT ASSY SP		1	1	1
16	*302K317820	2K317820	STOPPER PAPER C		1	1	1
17	302MN04100	2MN04100	LID DF CONNECTOR		1	1	1
18	302NL04250	2NL04250	LID AK		1	1	1
19	302LC34630	2LC34630	LABEL SW CAUTION SET A		1	1	1
20	303M404180	3M404180	COVER INTERFACE B		1	1	1
21	303M404190	3M404190	COVER INTERFACE C		1	1	1
101	7BB782308H	BB111300	+TP-FLAT T.T S SCREW 3X8 SR(BLACK)				
102	7BB700308H	BB105600	+BIND T.T S SCREW 3X8 SR				

- Parts with "*" are component parts or sub-assemblies of the assembly appearing immediately above them.
- Parts with "⊙" indicate regular maintenance parts.

- Parts with "••" are component parts or sub-assembly with "•" appearing immediately above them.

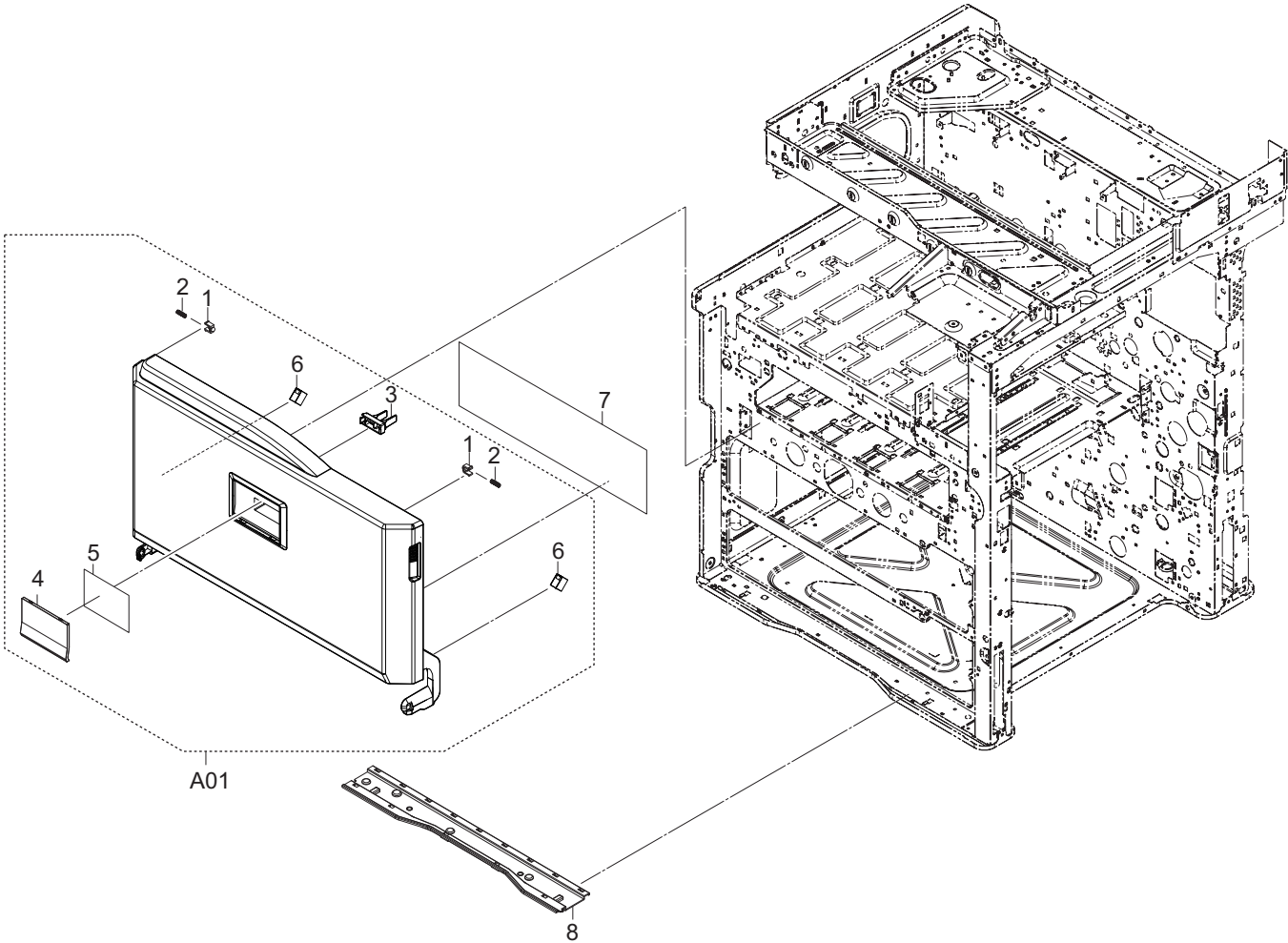


FIG. 3 Frames 1

2NP-1

Ref. No.	Part.No.	Alternative.	Description	Notes	Quantity		
					120	230	240
1	302K002D70	2K002D70	SHEET GUIDE FEED		1	1	1
⊙ 2	7NXGP1S173LCH01	NX116910	SENSOR OPT.		5	5	5
⊙ 3	7SP01000001+H01	SP044290	SW.PUSH		2	2	2
4	302K309410	2K309410	PLATE SIZE DETECTION		2	2	2
5	302MV02200	2MV02200	STAY FRONT RIGHT		1	1	1
6	302K002531	2K002531	RAIL MIDDLE TRANSFER F		1	1	1
7	302MV34080	2MV34080	LABEL MIDDLE TRANSFER		1	1	1
8	302JF02160	2JF02160	HANDLE		2	2	2
9	302FZ03110	2FZ03110	SEAL HANDLE		2	2	2
10	302FZ02580	2FZ02580	CAP HANDLE		2	2	2
11	302MV02240	2MV02240	PIN FRONT HANDLE		1	1	1
12	302FZ25740	2FZ25740	STOPPER 4		1	1	1
⊙ 13	302K302440	2K302440	HEATER DEHUMIDIFIER 240			1	1
⊙ 13	302K302430	2K302430	HEATER DEHUMIDIFIER 120		1		
14	302KP34220	2KP34220	LABEL HIGH TEMPERATURE CAUTION		1	1	1
15	302K302920	2K302920	CAP DECK PIN		1	1	1
16	302NL39060	2NL39060	GUIDE WIRE MAIN SW		1	1	1
17	302K302840	2K302840	MOUNT DECK PI		1	1	1
18	302K302910	2K302910	MOUNT DECK DRAWER		1	1	1
19	302K346660	2K346660	WIRE PF DRAWER 200			1	1
⊙ 19	302K346470	2K346470	WIRE PF DRAWER		1		
20	2FB27160	2FB27160	INTER LOCK SWITCH		2	2	2
⊙ 21	7YZM390002++H01	YZ012140	ACCESS.CLAMP		2	2	2
22	7YZM610009++H01	YZ042980	ACCESS.SADDLE		4	4	4
23	7YZM610010++H01	YZ042990	ACCESS.SADDLE		10	10	10
24	302MV39270	2MV39270	GUIDE WIRE LVU B		1	1	1
25	302MV39230	2MV39230	STAY POWER		1	1	1
26	302K031420	2K031420	SPRING MAIN DRIVE B		1	1	1
27	302MV02220	2MV02220	SHAFT HANDLE		1	1	1
28	302MV02231	2MV02231	MOUNT REAR HANDLE		1	1	1
29	302K002650	2K002650	DUCT CORD		1	1	1
30	302K046290	2K046290	WIRE PAPER EMPTY/BOTTOM UP		1	1	1
31	302MV46320	2MV46320	WIRE PF SIG		1	1	1
32	302NP46080	2NP46080	WIRE CASSETTE2 PI		1	1	1
33	7YZM510006++H01	YZ042710	ACCESS.SPACER		1	1	1
34	302MV46560	2MV46560	WIRE FEED UNIT PI2		1	1	1
35	302K002930	2K002930	SLIDER MIDDLE TRANSFER F		1	1	1
36	302K002960	2K002960	SPRING MIDDLE TRANSFER SLIDER		1	1	1
37	7YZM610003++H01	YZ010250	ACCESS SADDLE		1	1	1
38	7YZM210002++H01	YZ004730	ACCESS.EDGING		1	1	1
39	7YZM610011++H01	YZ043000	ACCESS.SADDLE		2	2	2
40	302LF33B10	2LF33B10	SPONGE LOWER RIGHT SP		2	2	2
41	302AR94050	2AR94050	PARTS AC CORD EU SP			1	
42	7AAACCAS+10H001	AA063380	AC CORD ASSY AS				1
43	3019527401	19527401	POWER CORD(120)		1		
101	7BB700308H	BB105600	+BIND T.T S SCREW 3X8 SR				
102	7BB100406H	BB106920	+BIND T.T S SCREW 4X6				

- Parts with "*" are component parts or sub-assemblies of the assembly appearing immediately above them.
- Parts with "⊙" indicate regular maintenance parts.

- Parts with "••" are component parts or sub-assembly with "•" appearing immediately above them.

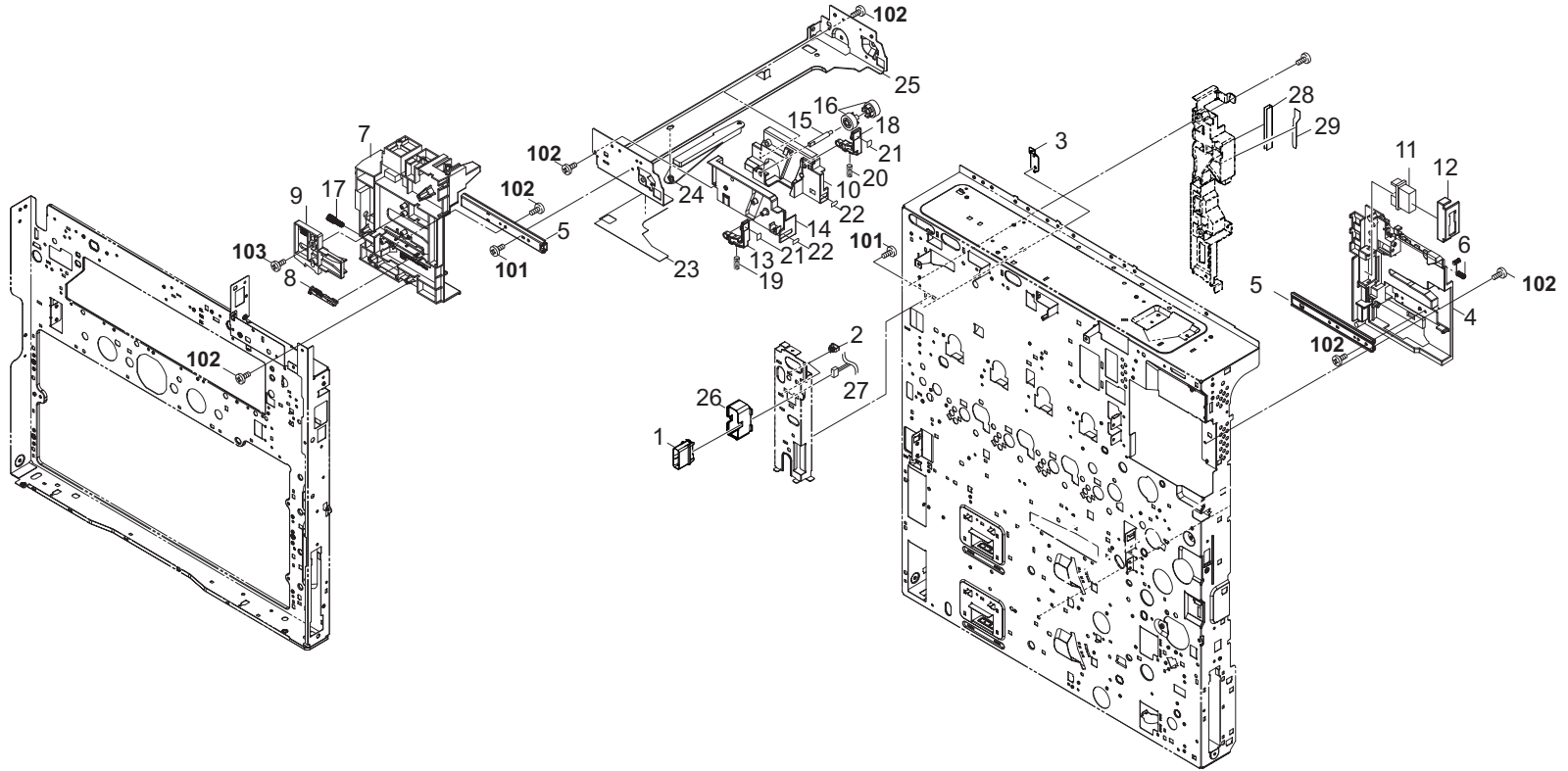


FIG. 4 Frames 2

2NP-2

Ref. No.	Part.No.	Alternative.	Description	Notes	Quantity		
					120	230	240
1	302NP46140	2NP46140	WIRE BRIDGE 1		1	1	1
2	7YZM390002++H01	YZ012140	ACCESS.CLAMP		2	2	2
3	302NP39100	2NP39100	MOUNT ENGINE PWB B		1	1	1
4	302K002151	2K002151	FRAME REAR UPPER		1	1	1
5	302K026090	2K026090	SLIDER ASSY		2	2	2
6	302K002671	2K002671	SPRING EARTH EXIT		1	1	1
7	302K002141	2K002141	FRAME FRONT UPPER		1	1	1
8	302K325350	2K325350	ADJUSTER FUSER		1	1	1
9	302K002290	2K002290	MOUNT FUSER FRONT		1	1	1
10	302K026030	2K026030	COVER FUSER MOUNT REAR		1	1	1
11	302NP46260	2NP46260	WIRE FUSER UNIT 1		1	1	1
12	302K002660	2K002660	HOLDER DRAWER FUSER		1	1	1
13	302MV26010	2MV26010	LEVER FUSER RELEASE FRONT		1	1	1
14	302K026020	2K026020	COVER FUSER MOUNT FRONT		1	1	1
15	302K026130	2K026130	SHAFT RAIL		1	1	1
⊙	302K026120	2K026120	GEAR IDLE Z20S		2	2	2
17	302K026080	2K026080	SPRING EARTH FUSER RAIL		1	1	1
18	302MV26020	2MV26020	LEVER FUSER RELEASE REAR		1	1	1
19	302K026060	2K026060	SPRING FUSER LOCK LEVER		1	1	1
20	302K026180	2K026180	SPRING FUSER LOCK LEVER R		1	1	1
21	302MV34170	2MV34170	LABEL H2		2	2	2
22	302MV34240	2MV34240	LABEL PUSH		2	2	2
23	302K026190	2K026190	SHEET RAIL		1	1	1
24	302K026150	2K026150	LEVER TRANSFER SHIELD		1	1	1
25	302K026010	2K026010	BASE FUSER MOUNT		1	1	1
26	302NL02080	2NL02080	BRACKET DRAWER		1	1	1
27	302NP46240	2NP46240	WIRE RFID PWB		1	1	1
28	302NP39140	2NP39140	SHEET WIRE		1	1	1
29	302NP39160	2NP39160	SHEET WIRE A		1	1	1
101	7BB700308H	BB105600	+BIND T.T S SCREW 3X8 SR				
102	7BB200308H	BB105660	+BIND T.T P SCREW 3X8				
103	7BB202308H	BB105690	+TP-FLAT T.T P SCREW 3X8				

- Parts with "*" are component parts or sub-assemblies of the assembly appearing immediately above them.
- Parts with "⊙" indicate regular maintenance parts.

- Parts with "••" are component parts or sub-assembly with "•" appearing immediately above them.

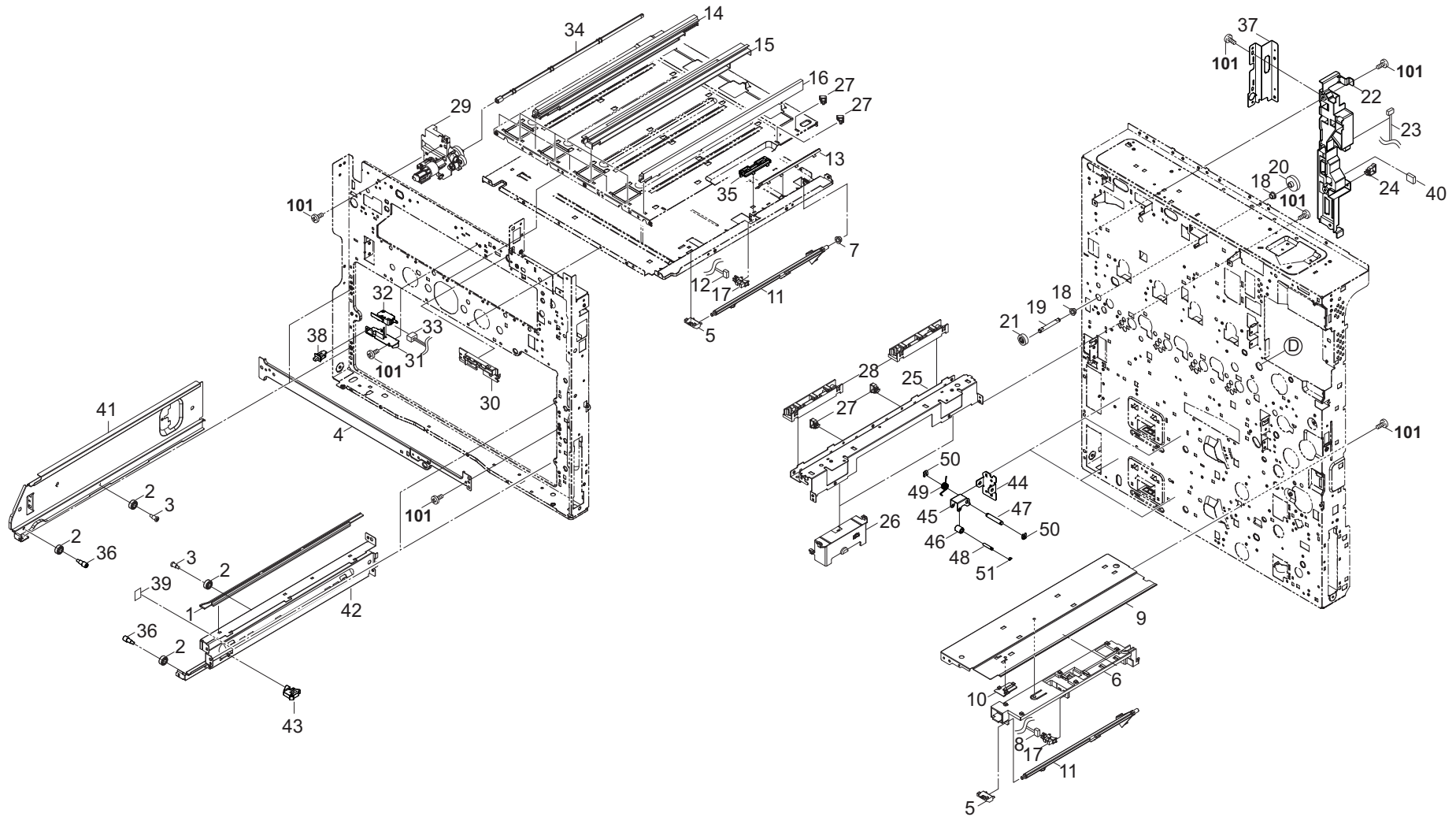


FIG. 5 Frames 3

2NP-1

Ref. No.	Part.No.	Alternative.	Description	Notes	Quantity		
					120	230	240
1	303NN02370	3NN02370	RAIL FEED		1	1	1
2	302NL09030	2NL09030	PULLEY CASSETTE RAIL		4	4	4
3	2FB06710	2FB06710	PIN CASSETTE RAIL		2	2	2
4	302MV02040	2MV02040	STAY FRONT FRAME		1	1	1
5	302K002590	2K002590	GUIDE ACTUATOR		2	2	2
6	302MV06020	2MV06020	HOLDER SENSOR		1	1	1
7	302H702590	2H702590	BUSH SCREW		1	1	1
8	303NN46130	3NN46130	WIRE LIMIT JUNCTION UPPER		1	1	1
9	303NN02143	3NN02143	STAY UPPER FEED		1	1	1
10	303NN02450	3NN02450	GUIDE PRIMARY FEED		1	1	1
11	302K002230	2K002230	ACTUATOR PAPER EMPTY		2	2	2
12	302K046300	2K046300	WIRE LIFT FULL		1	1	1
13	302K002980	2K002980	HOLDER CORD SENSOR		1	1	1
14	302K002340	2K002340	RAIL DRUM R		4	4	4
15	302K002350	2K002350	RAIL DRUM L		4	4	4
16	302K002360	2K002360	RAIL DRUM BK		1	1	1
17	7NXGP1S173LCH01	NX116910	SENSOR OPT.		1	1	1
18	302H024370	2H024370	BUSH 6 EW		2	2	2
19	302K031730	2K031730	SHAFT BELT CLEANING DRIVE		1	1	1
20	302K031720	2K031720	GEAR BELT CLEANING DRIVE Z30L		1	1	1
21	302K031740	2K031740	GEAR BELT CLEANING DRIVE Z20L		1	1	1
22	302NP39130	2NP39130	HOLDER CORD		1	1	1
23	302NP46060	2NP46060	WIRE DF POWER		1	1	1
24	7YZM610003++H01	YZ010250	ACCESS SADDLE		1	1	1
25	302K002110	2K002110	STAY HANDLE LEFT		1	1	1
26	302MV02160	2MV02160	HANDLE COVER LEFT		2	2	2
27	7YZM610009++H01	YZ042980	ACCESS.SADDLE		4	4	4
28	302K002820	2K002820	HOLDER CORD REAR		2	2	2
29	302K094041	2K094041	PARTS PIPE TRANSFER CLEANING ASSY SP		1	1	1
30	302K002C40	2K002C40	HOLDER CORD FRONT		1	1	1
31	302NP02060	2NP02060	MOUNT INTERLOCK SW		1	1	1
32	2FB27160	2FB27160	INTER LOCK SWITCH		1	1	1
33	302NP46160	2NP46160	WIRE FRONT/RIGHT SW		1	1	1
34	302MV21110	2MV21110	SHAFT TRANSFER CLEANING DRIVE		1	1	1
35	302K002770	2K002770	HOLDER CORD SENSOR SUB		1	1	1
36	302GR02240	2GR02240	PIN FRONT CASSETTE RAIL		2	2	2
37	302NP39080	2NP39080	MOUNT DF CONNECTOR		1	1	1
38	7SP01000004+H01	SP136500	SW.PUSH		1	1	1
39	303MH06010	3MH06010	PAD RAIL		1	1	1
40	302H012330	2H012330	SEAL WIRE A		1	1	1
41	302NP02050	2NP02050	RAIL CASSETTE LEFT		1	1	1
42	302NL02210	2NL02210	RAIL CASSETTE RIGHT		1	1	1
43	302K302760	2K302760	LEVER LIFT CASSETTE		1	1	1
44	302NL09020	2NL09020	HOLDER CASSETTE HOOK		4	4	4
45	302K909640	2K909640	LEVER CASSETTE HOOK		4	4	4
46	303LW24060	3LW24060	PULLEY EJECT		4	4	4
47	303NF02280	3NF02280	SHAFT HOOK FULCRUM		4	4	4
48	302K909630	2K909630	SHAFT HOOK PULLEY		4	4	4
49	302NL09060	2NL09060	SPRING CASSETTE HOOK		4	4	4
50	5MVX111DN003	2A806250	RING STOPPER /A-49 FEED A4		8	8	8
51	5MVX111DN007	2BT11070	STOPPER 3 /2BT1107 A4		4	4	4
101	7BB700308H	BB105600	+BIND T.T S SCREW 3X8 SR				

- Parts with "*" are component parts or sub-assemblies of the assembly appearing immediately above them.
- Parts with "⊙" indicate regular maintenance parts.

- Parts with "••" are component parts or sub-assembly with "•" appearing immediately above them.

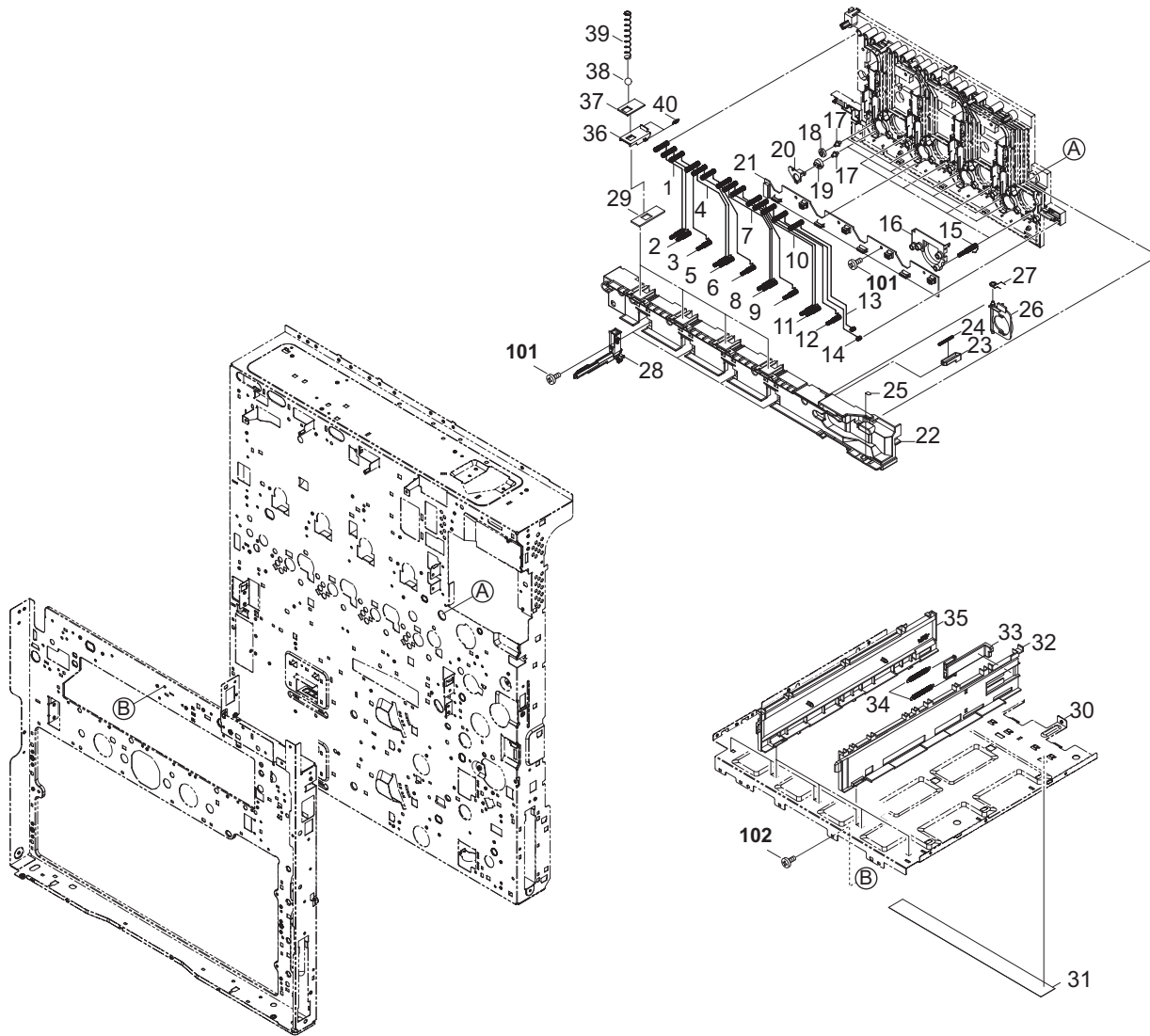


FIG. 6 Frames 4

2NP

Ref. No.	Part.No.	Alternative.	Description	Notes	Quantity		
					120	230	240
1	302K039280	2K039280	SPRING HV SLEEVE Y		1	1	1
2	302K039240	2K039240	SPRING HV MAG Y		1	1	1
3	302K039200	2K039200	SPRING HV MAIN Y		1	1	1
4	302K039270	2K039270	SPRING HV SLEEVE C		1	1	1
5	302K039230	2K039230	SPRING HV MAG C		1	1	1
6	302K039190	2K039190	SPRING HV MAIN C		1	1	1
7	302K039260	2K039260	SPRING HV SLEEVE M		1	1	1
8	302K039220	2K039220	SPRING HV MAG M		1	1	1
9	302K039180	2K039180	SPRING HV MAIN M		1	1	1
10	302K039250	2K039250	SPRING HV SLEEVE BK		1	1	1
11	302K039210	2K039210	SPRING HV MAG BK		1	1	1
12	302K039170	2K039170	SPRING HV MAIN BK		1	1	1
13	302K039290	2K039290	SPRING HV TRANSFER		1	1	1
14	302K039300	2K039300	SPRING HV SEPARATION		1	1	1
15	302K039160	2K039160	SPRING DRUM PWB		4	4	4
16	302K039140	2K039140	LID TERMINAL		4	4	4
17	302K015250	2K015250	PIN TONER SUPPLY		8	8	8
⊙ 18	302K015230	2K015230	GEAR IDLE Z22S		4	4	4
⊙ 19	302K015240	2K015240	GEAR JOINT Z26S		4	4	4
20	302K015460	2K015460	COVER GEAR SUPPLY		4	4	4
⊙ 21	302NP94190	2NP94190	PARTS PWB DRUM DLP CONNECT ASSY SP		1	1	1
22	302K002601	2K002601	RAIL MIDDLE TRANSFER R		1	1	1
23	302K002940	2K002940	SLIDER MIDDLE TRANSFER R		1	1	1
24	302K002960	2K002960	SPRING MIDDLE TRANSFER SLIDER		1	1	1
25	302MV34080	2MV34080	LABEL MIDDLE TRANSFER		1	1	1
26	302K002950	2K002950	WORK-PLATE MIDDLE TRANSFER COUPLING		1	1	1
27	302K002970	2K002970	SPRING MIDDLE TRANSFER COUPLING		1	1	1
⊙ 28	302K094050	2K094050	PARTS TONER SUPPLY ASSY SP		4	4	4
29	302K015350	2K015350	SEAL TONER SUPPLY A		4	4	4
30	302K002050	2K002050	BASE CONTAINER		1	1	1
31	302K002D51	2K002D51	SEAL TONER		1	1	1
32	302K002A40	2K002A40	RAIL CONTAINER L		4	4	4
33	302K002A60	2K002A60	DAMPER CONTAINER		4	4	4
34	302K002B70	2K002B70	SPRING DAMPER CONT		8	8	8
35	302K002A50	2K002A50	RAIL CONTAINER R		4	4	4
36	302K015200	2K015200	SHUTTER TONER SUPPLY A		4	4	4
37	302K015340	2K015340	SEAL SHUTTER SUPPLY		4	4	4
38	302K015500	2K015500	BALL TN FEED		4	4	4
39	302K015490	2K015490	SPRING TN FEED		4	4	4
40	302K015320	2K015320	SPRING SHUTTER SUPPLY A		8	8	8
101	7BB200308H	BB105660	+BIND T.T P SCREW 3X8				
102	7BB700308H	BB105600	+BIND T.T S SCREW 3X8 SR				

- Parts with "*" are component parts or sub-assemblies of the assembly appearing immediately above them.
- Parts with "⊙" indicate regular maintenance parts.

- Parts with "••" are component parts or sub-assembly with "•" appearing immediately above them.

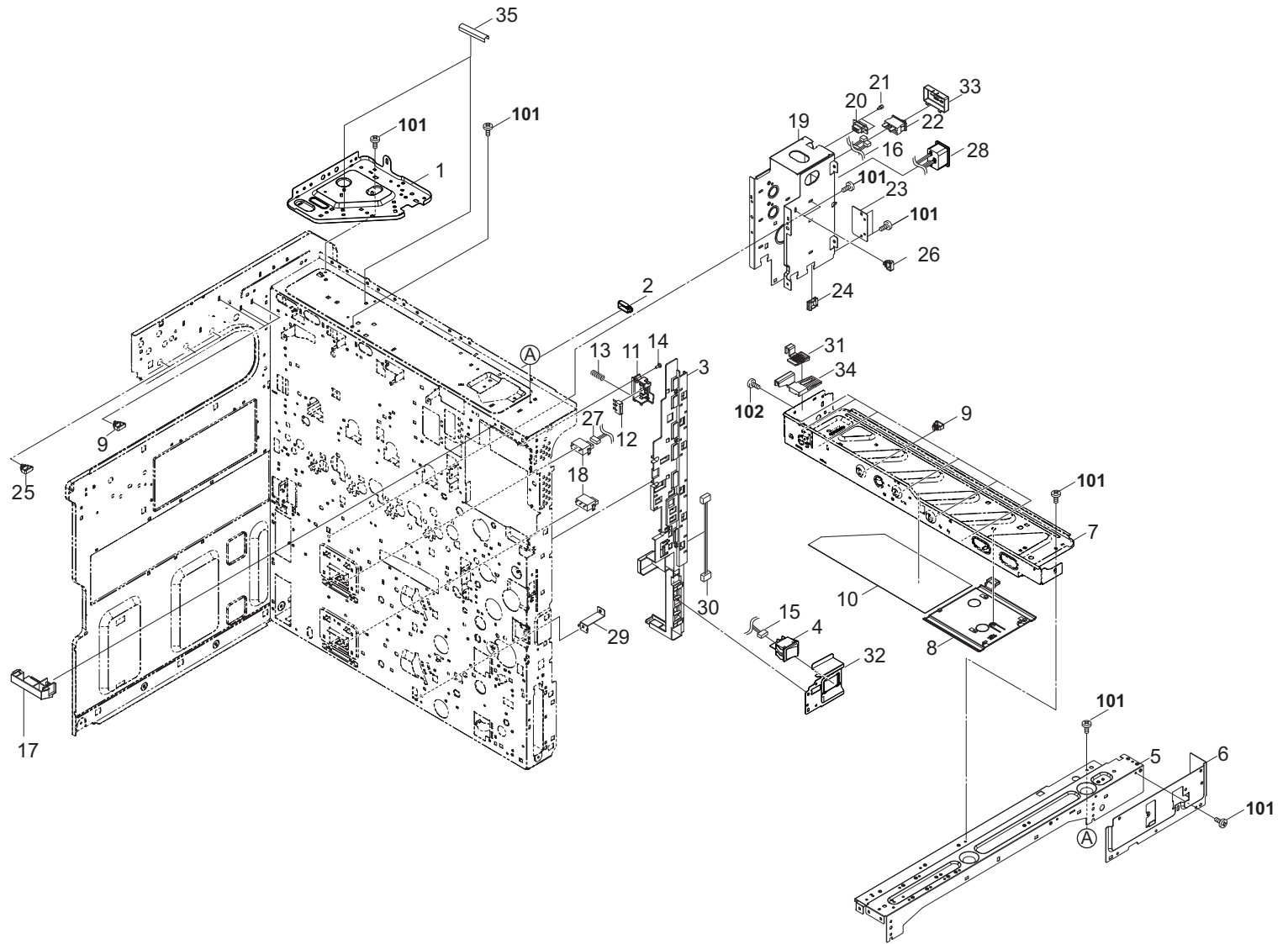


FIG. 7 Frames 5

2NP-2

Ref. No.	Part.No.	Alternative.	Description	Notes	Quantity		
					120	230	240
1	302NP02110	2NP02110	MOUNT SCANNER REAR		1	1	1
2	7YZM210003++H01	YZ037970	ACCESS.EDGING		1	1	1
3	302MV02341	2MV02341	HOLDER CORD RIGHT		1	1	1
⊙	4	7SC020403+++H01	SC136170	SW.SEE SAW	1	1	1
5	302MV02092	2MV02092	MOUNT SCANNER RIGHT		1	1	1
6	302MV02131	2MV02131	MOUNT OPTION		1	1	1
7	302NL02240	2NL02240	MOUNT SCANNER FRONT		1	1	1
⊙	8	302MV04290	2MV04290	COVER EXIT FRONT TOP	1	1	1
9	7YZM390002++H01	YZ012140	ACCESS.CLAMP		10	10	10
10	302NL02360	2NL02360	SHEET SCANNER FRONT		1	1	1
11	302K002210	2K002210	MOUNT RIGHT INTERLOCK		1	1	1
⊙	12	7SM010101+++H01	SM042310	SW.MICRO	1	1	1
13	302H008140	2H008140	SPRING BYPASSFFED		1	1	1
14	2FB20860	2FB20860	PIN FUSER COVER		1	1	1
15	302NP46121	2NP46121	WIRE MAIN SWITCH		1	1	1
16	302NP46110	2NP46110	WIRE AC CASSETTE SW		1	1	1
17	302K002A00	2K002A00	COVER EXIT HARNESS		1	1	1
⊙	18	5ESP03090001+01	SP000360	PUSH SWITCH 03 SN /SW-192 N	2	2	2
19	302MV39380	2MV39380	MOUNT INLET (CHN)		1	1	1
20	302NP46330	2NP46330	WIRE DF		1	1	1
21	M0208010	M0208010	SPACER,SFS-2.6S-B1WM(JST)		2	2	2
⊙	22	7SC010105+++H01	SC125000	SW.SEE SAW	1	1	1
23	302FB26290	2FB26290	LID VENDOR		1	1	1
24	7YZM210005++H01	YZ037990	ACCESS.EDGING		1	1	1
25	7YZM610009++H01	YZ042980	ACCESS.SADDLE		3	3	3
26	7YZM610010++H01	YZ042990	ACCESS.SADDLE		2	2	2
27	302K046280	2K046280	WIRE CASSETTE SIZE SW		1	1	1
28	302NP46100	2NP46100	WIRE INLET		1	1	1
29	302K002750	2K002750	STAY SHIELD POWER		1	1	1
30	302MV46440	2MV46440	WIRE MPF SIZE 2		1	1	1
31	302K302210	2K302210	MOUNT SCANNER ADJUST		1	1	1
32	302NP39050	2NP39050	MOUNT MAIN SW		1	1	1
33	302K302890	2K302890	LID DEHUMIDIFIER SW		1	1	1
34	302K302200	2K302200	SPACER SCANNER ADJUST		1	1	1
35	303JY28390	3JY28390	COVER WIRE EJECT		2	2	2
101	7BB700308H	BB105600	+BIND T.T S SCREW 3X8 SR				
102	7BB702308H	BB107060	+TP-FLAT T.T S SCREW 3X8 SR				

- Parts with "*" are component parts or sub-assemblies of the assembly appearing immediately above them.
- Parts with "⊙" indicate regular maintenance parts.

- Parts with "••" are component parts or sub-assembly with "•" appearing immediately above them.

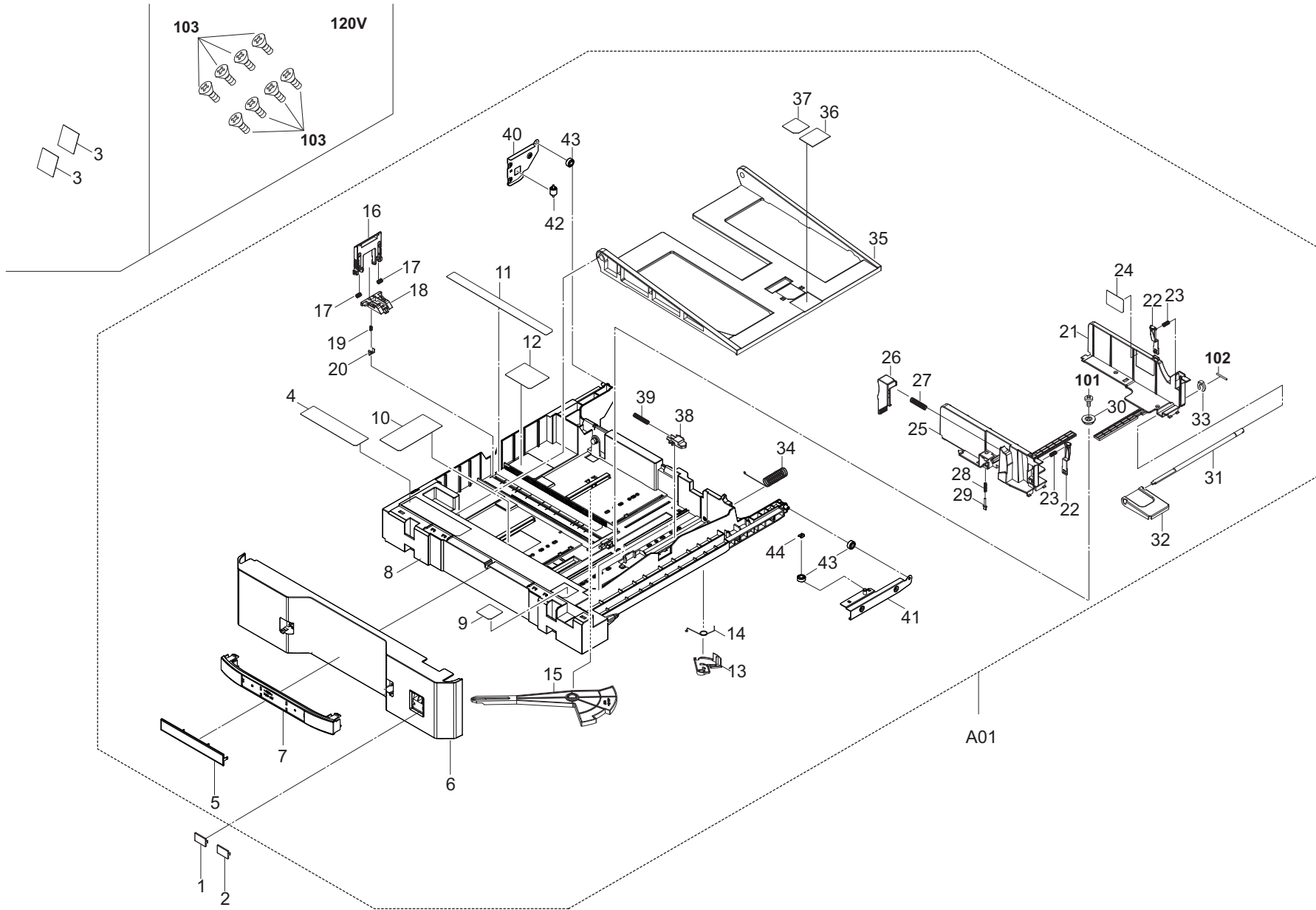


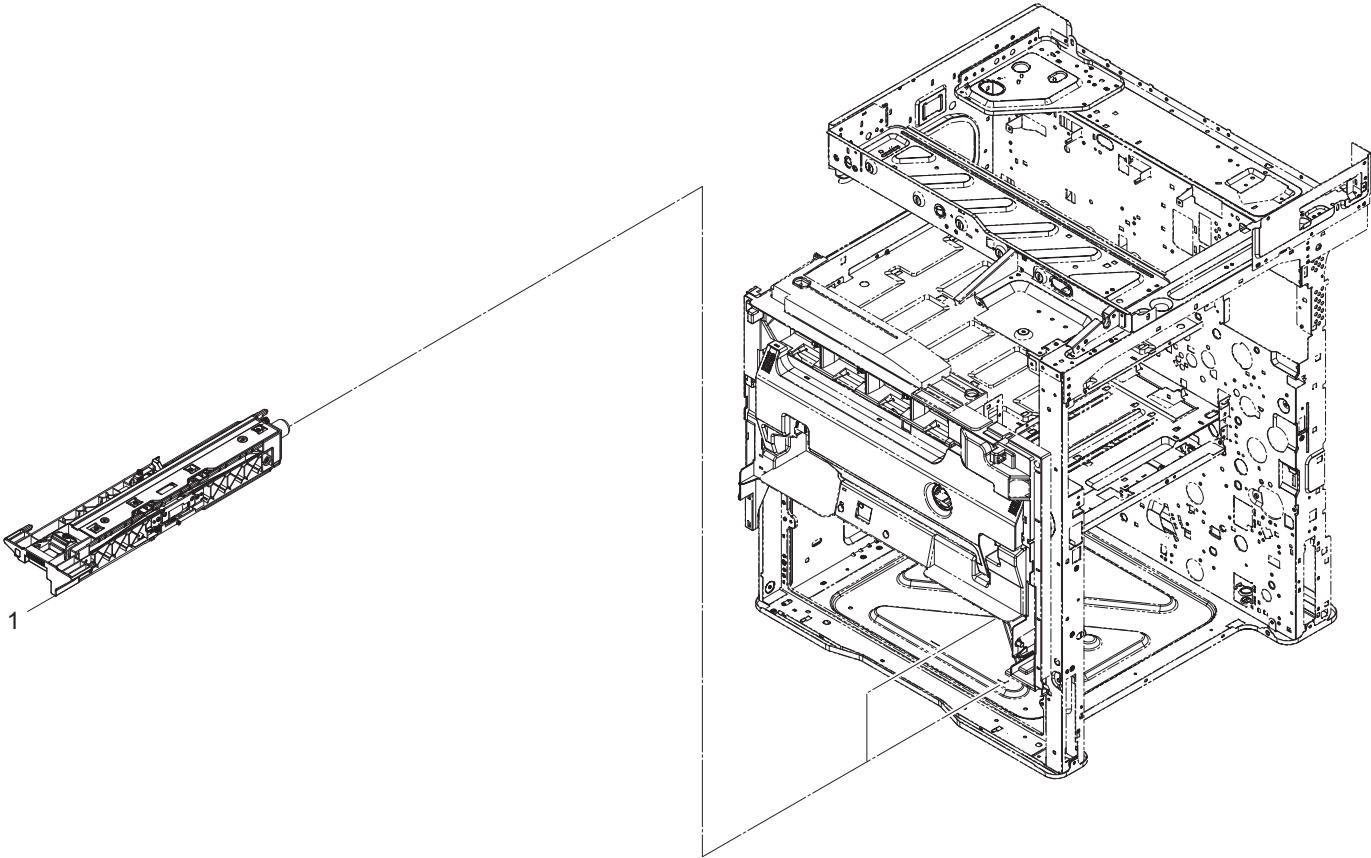
FIG. 8 Paper Cassette

2NP-2

Ref. No.	Part.No.	Alternative.	Description	Notes	Quantity		
					120	230	240
1	2BL04310	2BL04310	PLATE NUMBER		1	1	1
2	2BL04370	2BL04370	PLATE NUMBER 2		1	1	1
3	302MV34300	2MV34300	SHEET CASSETTE C			2	2
3	302MV34430	2MV34430	SHEET CASSETTE I		2		
⊙ A01	302NP93010	2NP93010	CT-8325		2	2	2
4	*302MV34330	2MV34330	LABEL OPERATION L		2	2	2
5	*302NL09070	2NL09070	EMBLEM CASSETTE		2	2	2
⊙ 6	*302NL09050	2NL09050	COVER CASSETTE		2	2	2
7	*302NL09080	2NL09080	HANDLE CASSETTE		2	2	2
8	*302NL09010	2NL09010	CASSETTE		2	2	2
9	*302MV34340	2MV34340	LABEL OPERATION S		2	2	2
10	*302MV34310	2MV34310	LABEL CASSETTE SIZE A		2	2	2
11	*302MV34360	2MV34360	LABEL CASSETTE SIZE B		2	2	2
12	*302MV34320	2MV34320	LABEL OPERATION CURSOR		2	2	2
13	*302MV09050	2MV09050	PLATE SIDE SWITCH		2	2	2
14	*302K309220	2K309220	SPRING SIDE SWITCH		2	2	2
15	*302MV09040	2MV09040	ARM SIZE DETECTION		2	2	2
16	*302K309270	2K309270	CURSOR END		2	2	2
17	*2C907360	2C907360	SPRING CURSOR R		4	4	4
18	*302K309141	2K309141	SLIDER CURSOR END		2	2	2
19	*302K309360	2K309360	SPRING SIZE SET		2	2	2
20	*302K309350	2K309350	STOPPER SIZE SET		2	2	2
21	*302MV09080	2MV09080	CURSOR CASSETTE REAR		2	2	2
22	*302K309190	2K309190	LEVER CURSOR SET		4	4	4
23	*302K309370	2K309370	SPRING CURSOR SET		4	4	4
24	*302MV34370	2MV34370	LABEL PAPER LIMIT		2	2	2
25	*302MV09090	2MV09090	CURSOR CASSETTE FRONT		2	2	2
26	*302K309200	2K309200	LEVER RELEASE CURSOR F		2	2	2
27	*302K309210	2K309210	SPRING RELEASE CURSOR F		2	2	2
28	*302K309380	2K309380	SPRING SIZE SET F		2	2	2
29	*302HN09240	2HN09240	SIZE FIX		2	2	2
⊙ 30	*302K394380	2K394380	PARTS GEAR Z18 SP		2	2	2
31	*302K309180	2K309180	SHAFT DRIVE LIFT		2	2	2
32	*302K309170	2K309170	PLATE LIFT BASE CASSETTE		2	2	2
33	*2BC06910	2BC06910	STOPPER 6		2	2	2
34	*302K309300	2K309300	SPRING CASSETTE LIFT EARTH		2	2	2
35	*302MV09021	2MV09021	BASE CASSETTE		2	2	2
36	*2C907140	2C907140	PAD CASSETTE		2	2	2
37	*302MV34350	2MV34350	LABEL PAPER SET		2	2	2
38	*302K309150	2K309150	LIFT BASE CASSETTE SUB		4	4	4
39	*302K309160	2K309160	SPRING LEVER LIFT CASSETTE SUB		4	4	4
40	*302NL09090	2NL09090	PLATE CASSETTE LEFT		2	2	2
41	*302NL09100	2NL09100	PLATE CASSETTE RIGHT		2	2	2
42	*302FZ07020	2FZ07020	PULLEY MPT BYPASS		2	2	2
43	*302FG07020	2FG07020	PULLEY,CASSETTE RAIL		6	6	6
44	*302FB09830	2FB09830	CUT WASHER 4		2	2	2
101	7BB202410H	BB106850	+TP-FLAT T.T P SCREW 4X10				
102	5MBP2514WXSP	E0025250	SPRING PIN				
103	7BB203308H	BB106950	+FLAT HEAD T.T P SCREW 3X8				

- Parts with "*" are component parts or sub-assemblies of the assembly appearing immediately above them.
- Parts with "⊙" indicate regular maintenance parts.

- Parts with "••" are component parts or sub-assembly with "•" appearing immediately above them.



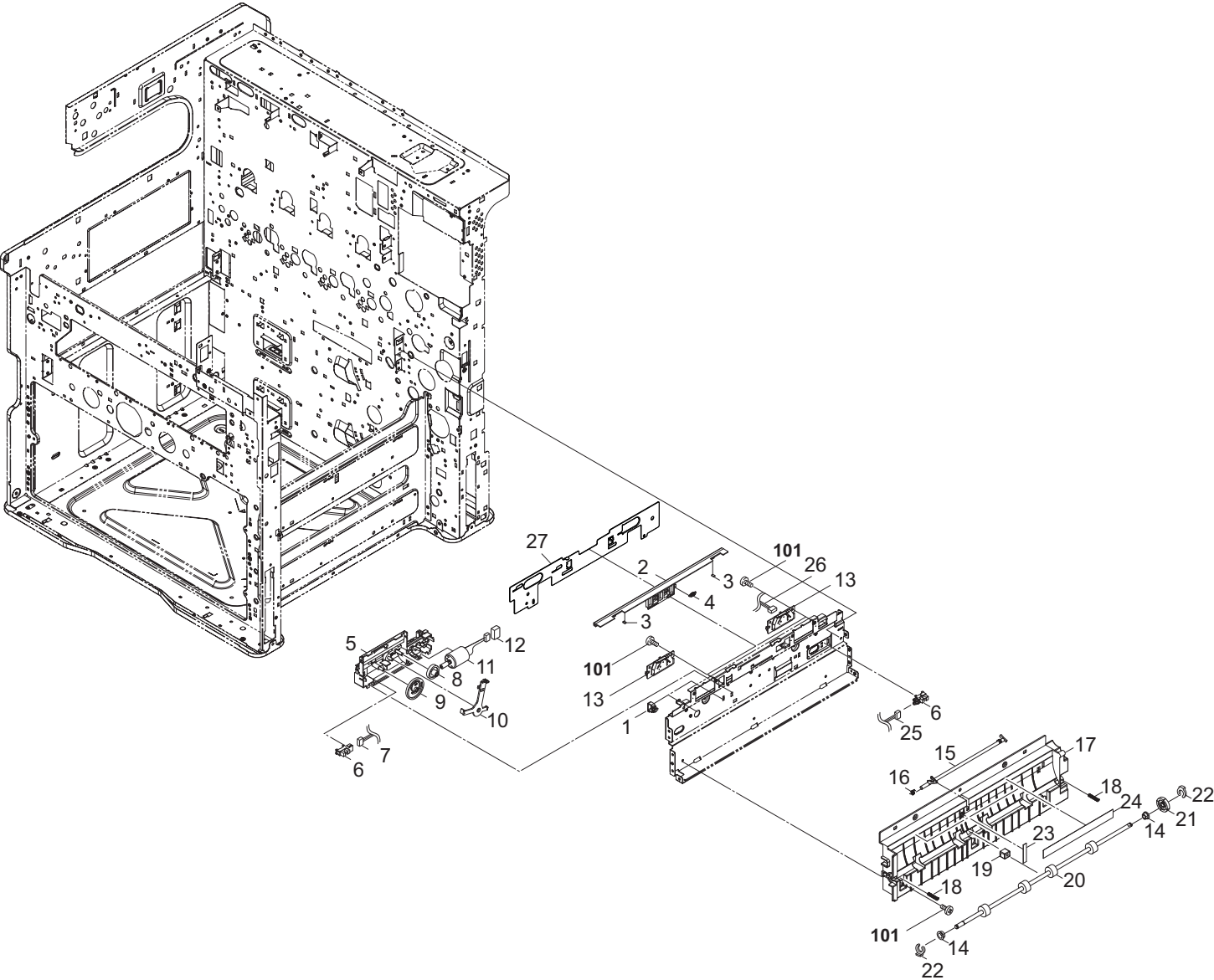


FIG. 10 Paper Feed Section 2

2NP-3

Ref. No.	Part.No.	Alternative.	Description	Notes	Quantity		
					120	230	240
1	7YZM610009++H01	YZ042980	ACCESS.SADDLE		2	2	2
2	302K002870	2K002870	SHUTTER ID SENSOR CLEANING		1	1	1
3	302HN02970	2HN02970	FELT CLEANER ID		2	2	2
4	302K002C60	2K002C60	SPRING ID CLEANING		1	1	1
5	302K002860	2K002860	CASE ID SENSOR CLEANING		1	1	1
⊙	7NXGP1S173LCH01	NX116910	SENSOR OPT.		2	2	2
7	302K046420	2K046420	WIRE ID SENS MOT/PI		1	1	1
⊙	302K002880	2K002880	WORM-WHEEL ID SENSOR CLEANING		1	1	1
⊙	302K002890	2K002890	GEAR ID SENSOR CLEANING Z71R		1	1	1
10	302K002900	2K002900	ARM ID SENSOR CLEANING		1	1	1
⊙	302K094100	2K094100	PARTS DC MOTOR SP		1	1	1
12	7YCC02B1202+H01	YC127480	CONNECTOR		1	1	1
⊙	302K094290	2K094290	PARTS ID SENSOR ASSY SP		2	2	2
14	302H024370	2H024370	BUSH 6 EW		2	2	2
15	302K306140	2K306140	ACTUATOR REGIST		1	1	1
16	302K306150	2K306150	SPRING ACTUATOR REGIST		1	1	1
17	302K002172	2K002172	GUIDE FEED CASSETTE		1	1	1
18	302K002540	2K002540	SPRING EARTH MIDDLE		2	2	2
19	302K002C00	2K002C00	BUSH MIDDLE		1	1	1
⊙	302K094330	2K094330	PARTS ROLLER MIDDLE SP		1	1	1
⊙	302HS31120	2HS31120	GEAR Z27L CLUTCH		1	1	1
22	5MVX111DN003	2A806250	RING STOPPER /A-49 FEED A4		2	2	2
23	302K002D70	2K002D70	SHEET GUIDE FEED		1	1	1
24	302K002500	2K002500	SHEET REGIST		2	2	2
25	302K046380	2K046380	WIRE RESIST		1	1	1
26	302K046310	2K046310	WIRE ID SENSOR		1	1	1
27	302K002130	2K002130	PLATE ID SENSOR		1	1	1
101	7BB700308H	BB105600	+BIND T.T S SCREW 3X8 SR				

- Parts with "*" are component parts or sub-assemblies of the assembly appearing immediately above them.
- Parts with "⊙" indicate regular maintenance parts.

- Parts with "••" are component parts or sub-assembly with "•" appearing immediately above them.

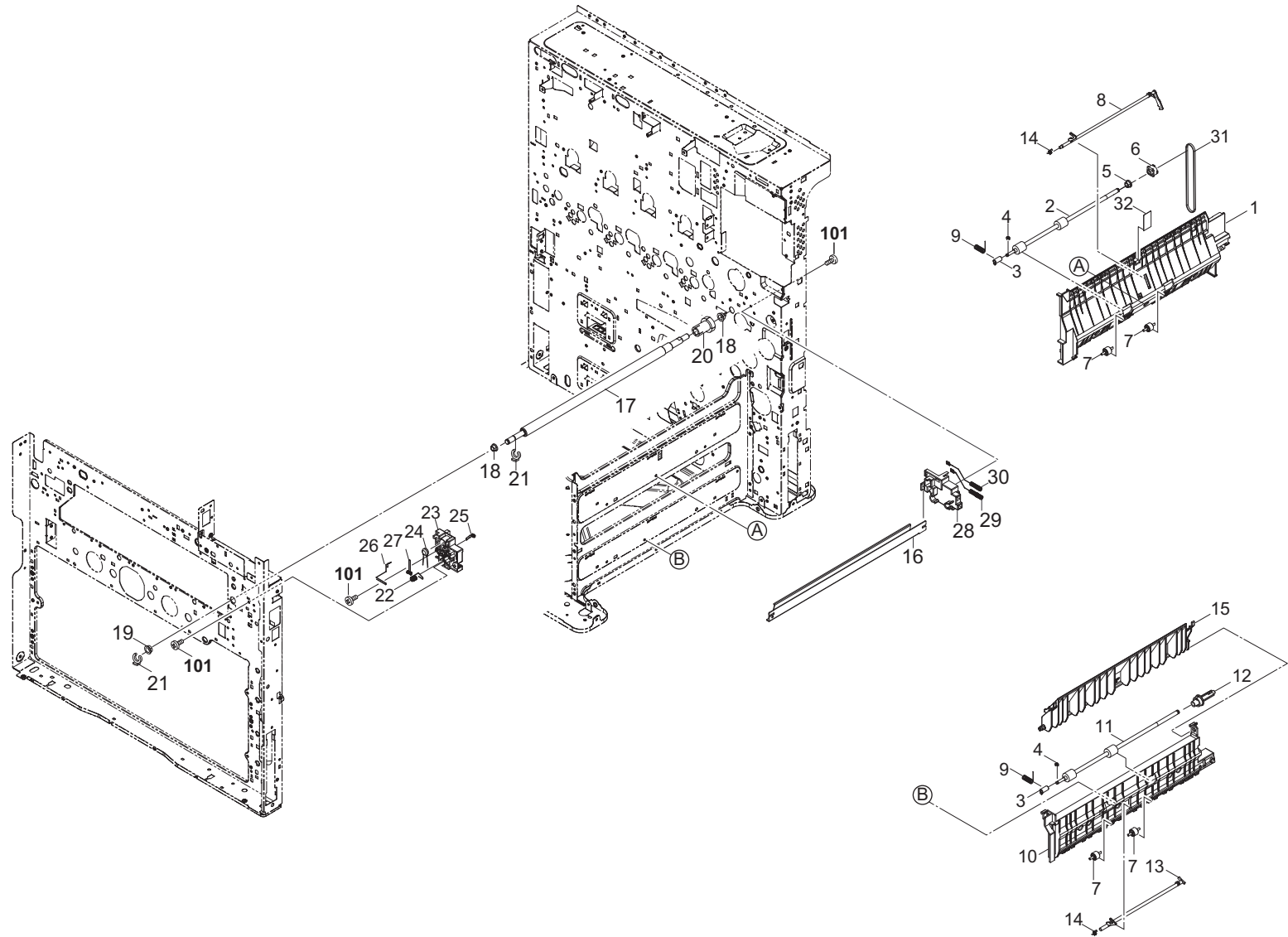


FIG. 11 Paper Feed Section 3

2NP

Ref. No.	Part.No.	Alternative.	Description	Notes	Quantity		
					120	230	240
1	302MV07011	2MV07011	GUIDE FEED OUT		1	1	1
⊙ 2	302MV94310	2MV94310	PARTS ROLLER FEED UPPER SP		1	1	1
3	302K329270	2K329270	BUSH DU		2	2	2
4	5MVX111DN007	2BT11070	STOPPER 3 /2BT1107 A4		2	2	2
5	302H024370	2H024370	BUSH 6 EW		1	1	1
⊙ 6	303MR29040	3MR29040	PULLEY 26-6 DUPLEX		1	1	1
⊙ 7	302HN24400	2HN24400	PULLEY PA		4	4	4
8	302K302831	2K302831	ACTUATOR DECK FEED		1	1	1
9	302MV07120	2MV07120	SPRING EARTH FEED		2	2	2
10	302MV07020	2MV07020	GUIDE FEED LOW		1	1	1
⊙ 11	302MV94320	2MV94320	PARTS ROLLER FEED LOWER SP		1	1	1
12	303NN24110	3NN24110	JOINT PULLEY 26-6		1	1	1
13	302K306140	2K306140	ACTUATOR REGIST		1	1	1
14	302K306150	2K306150	SPRING ACTUATOR REGIST		2	2	2
15	302MV07030	2MV07030	GUIDE FEED		1	1	1
16	302K002A20	2K002A20	GUIDE TRANSFER LEFT		1	1	1
⊙ 17	302K394230	2K394230	PARTS ROLLER REGIST LEFT SP		1	1	1
18	302H024830	2H024830	BUSH 8		2	2	2
19	302H024360	2H024360	BUSH 8 EW		1	1	1
⊙ 20	302K394310	2K394310	PARTS GEAR REGIST Z28L-Z18L SP		1	1	1
21	2BC06910	2BC06910	STOPPER 6		2	2	2
22	302K002D40	2K002D40	SPRING EARTH REG C		1	1	1
23	302K002271	2K002271	GUIDE REGIST FRONT		1	1	1
24	302K345120	2K345120	VARISTOR TC		1	1	1
25	302K002490	2K002490	SPRING EARTH REG D		1	1	1
26	302K002480	2K002480	SPRING EARTH REG B		1	1	1
27	302K002470	2K002470	SPRING EARTH REG A		1	1	1
28	302K002280	2K002280	GUIDE REGIST REAR		1	1	1
29	302K002520	2K002520	TERMINAL SEPARATION B		1	1	1
30	302K002510	2K002510	TERMINAL TRANSFER C		1	1	1
31	302MV07110	2MV07110	BELT FEED		1	1	1
32	302K002E00	2K002E00	SHEET GUIDE CASSETTE		1	1	1
101	7BB200308H	BB105660	+BIND T.T P SCREW 3X8				

- Parts with "*" are component parts or sub-assemblies of the assembly appearing immediately above them.
- Parts with "⊙" indicate regular maintenance parts.

- Parts with "••" are component parts or sub-assembly with "•" appearing immediately above them.

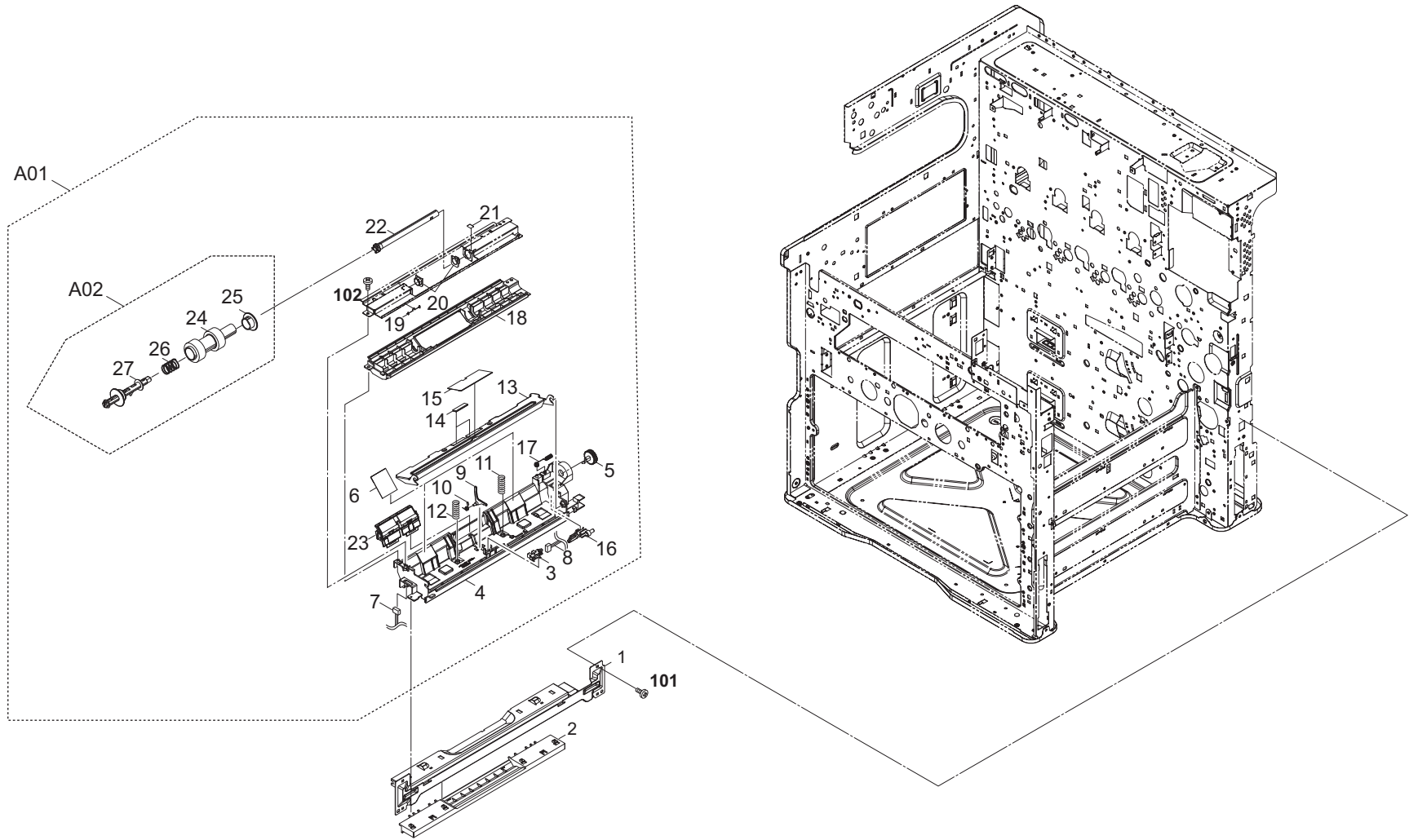


FIG. 12 Paper Feed Section 4

2NP-1

Ref. No.	Part.No.	Alternative.	Description	Notes	Quantity		
					120	230	240
1	302K302140	2K302140	STAY RIGHT HANDLE		1	1	1
2	302MV07040	2MV07040	GUIDE FEED INNER		1	1	1
⊙ A01	302MV94070	2MV94070	PARTS MPF UNIT SP		1	1	1
⊙ 3	•7NXGP1S173LCH01	NX116910	SENSOR OPT.		1	1	1
4	•302MV08010	2MV08010	BASE MPF		1	1	1
⊙ 5	•302K394320	2K394320	PARTS GEAR MPF Z28 SP		1	1	1
6	•302K308480	2K308480	SEAL SIDE MPF		2	2	2
7	•302MV46450	2MV46450	WIRE MPF SIZE UNIT 1		1	1	1
8	•302MV46580	2MV46580	WIRE MPF		1	1	1
9	•302K308020	2K308020	ACTUATOR MPF		1	1	1
10	•302K308250	2K308250	SPRING ACTUATOR		1	1	1
11	•302K308120	2K308120	SPRING LIFT R		1	1	1
12	•302K308130	2K308130	SPRING LIFT F		1	1	1
13	•302K308101	2K308101	LIFT PLATE		1	1	1
14	•302K308110	2K308110	PAD LIFT		2	2	2
15	•302K308340	2K308340	SEAL GUIDE PAD		1	1	1
16	•302K308140	2K308140	ARM LIFT		1	1	1
17	•302K308240	2K308240	SPRING EARTH		1	1	1
18	•302K308030	2K308030	GUIDE UPPER MPF		1	1	1
19	•302K308260	2K308260	WIRE EARTH MPF		1	1	1
20	•302K308070	2K308070	BUSH 10		2	2	2
21	•302MV34190	2MV34190	LABEL J		1	1	1
22	•302K308080	2K308080	SHAFT MPF		1	1	1
⊙ 23	•302MV94010	2MV94010	PARTS PAD SEPARATION ASSY SP		1	1	1
⊙ A02	•302MV94020	2MV94020	PARTS ROLLER MPF ASSY SP		1	1	1
⊙ 24	••302K308150	2K308150	ROLLER MPF		1	1	1
⊙ 25	••302MV08030	2MV08030	PULLEY MPF		1	1	1
26	••302K308270	2K308270	SPRING MPF ROLL		1	1	1
27	••302MV08020	2MV08020	PIN FEED ROLL		1	1	1
101	7BB700308H	BB105600	+BIND T.T S SCREW 3X8 SR				
102	7BB200308H	BB105660	+BIND T.T P SCREW 3X8				

- Parts with "•" are component parts or sub-assemblies of the assembly appearing immediately above them.
- Parts with "⊙" indicate regular maintenance parts.

- Parts with "••" are component parts or sub-assembly with "•" appearing immediately above them.

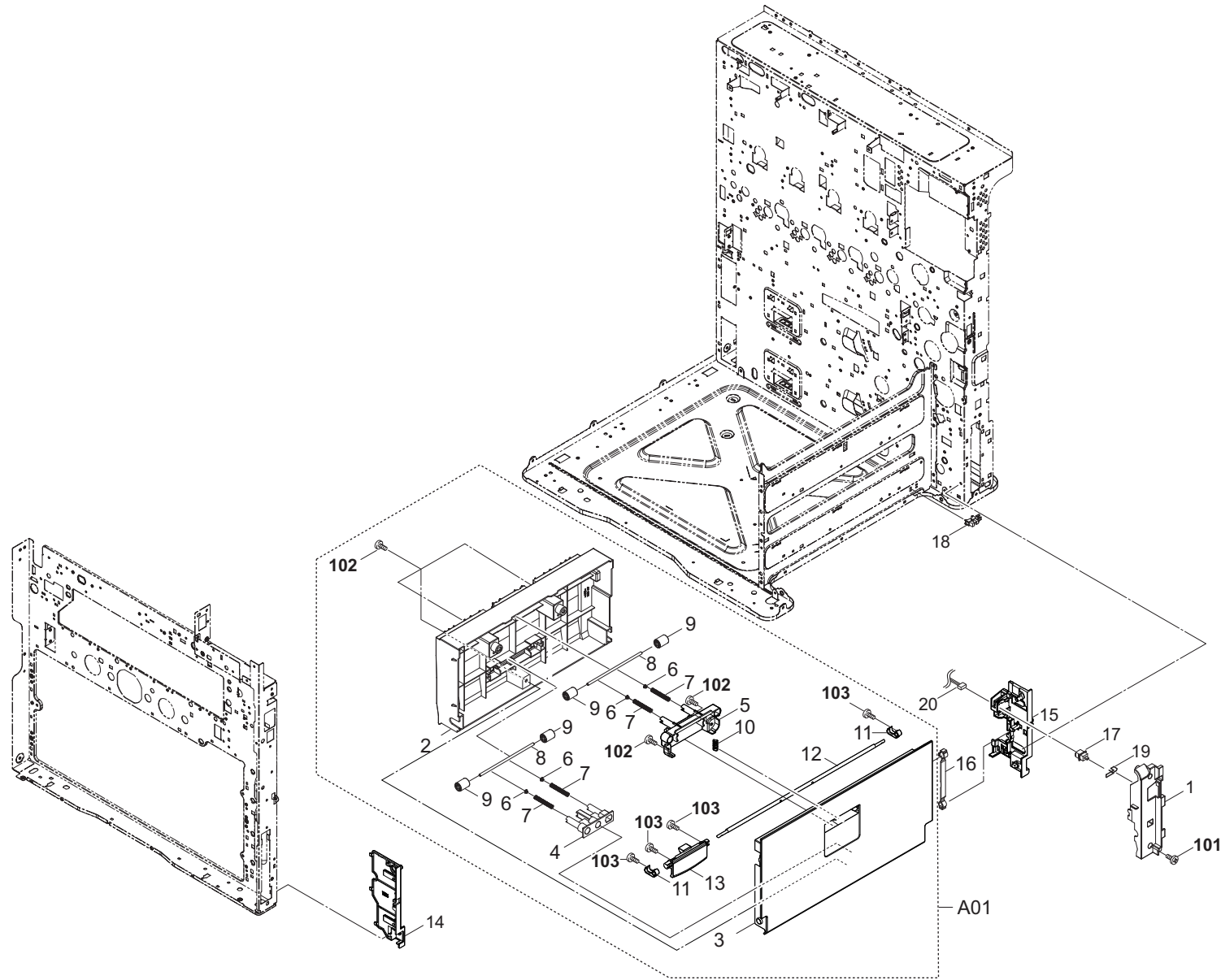


FIG. 13 Paper Feed Section 5

2NP-4

Ref. No.	Part.No.	Alternative.	Description	Notes	Quantity		
					120	230	240
1	302MV07080	2MV07080	COVER SW FEED		1	1	1
⊙ A01	302NP94230	2NP94230	PARTS COVER RIGHT LOW ASSY SP		1	1	1
2	*302MV07051	2MV07051	GUIDE COVER INNER		1	1	1
⊙ 3	*302NL04340	2NL04340	COVER RIGHT LOW		1	1	1
4	*302MV07070	2MV07070	HOLDER SPRING		1	1	1
5	*302NL06060	2NL06060	COVER HANDLE		1	1	1
6	*2FM04150	2FM04150	CAP SPRING /B-11 ENCLOSURE A4		4	4	4
7	*303NN24180	3NN24180	SPRING FEED LOW		4	4	4
8	*302BG06152	2BG06152	SHAFT FEED B		2	2	2
⊙ 9	*3HY07120	3HY07120	PULLEY 15 DUPLEX		4	4	4
10	*302FZ20021	2FZ20021	SPRING LID		1	1	1
11	*302K906670	2K906670	HOOK FEED LOW		2	2	2
12	*302NL06070	2NL06070	SHAFT FEED LOW HOOK		1	1	1
13	*303PC06060	3PC06060	HANDLE FEED LOW		1	1	1
14	302NL06040	2NL06040	HOLDER HOOK F		1	1	1
15	302NL06050	2NL06050	HOLDER HOOK R		1	1	1
16	2BG06480	2BG06480	BAND B		1	1	1
⊙ 17	7SP01000001+H01	SP044290	SW.PUSH		1	1	1
⊙ 18	7NXGP1S173LCH01	NX116910	SENSOR OPT.		1	1	1
19	303NN24250	3NN24250	SPRING EARTH SW		1	1	1
20	302MV46520	2MV46520	WIRE RIGHT COVER SW		1	1	1
101	7BB700308H	BB105600	+BIND T.T S SCREW 3X8 SR				
102	7BB200410H	BB105700	+BIND T.T P SCREW 4X10				
103	7BB600306H	BB105730	+BIND M SCREW 3X6 R				

- Parts with "*" are component parts or sub-assemblies of the assembly appearing immediately above them.
- Parts with "⊙" indicate regular maintenance parts.

- Parts with "••" are component parts or sub-assembly with "•" appearing immediately above them.

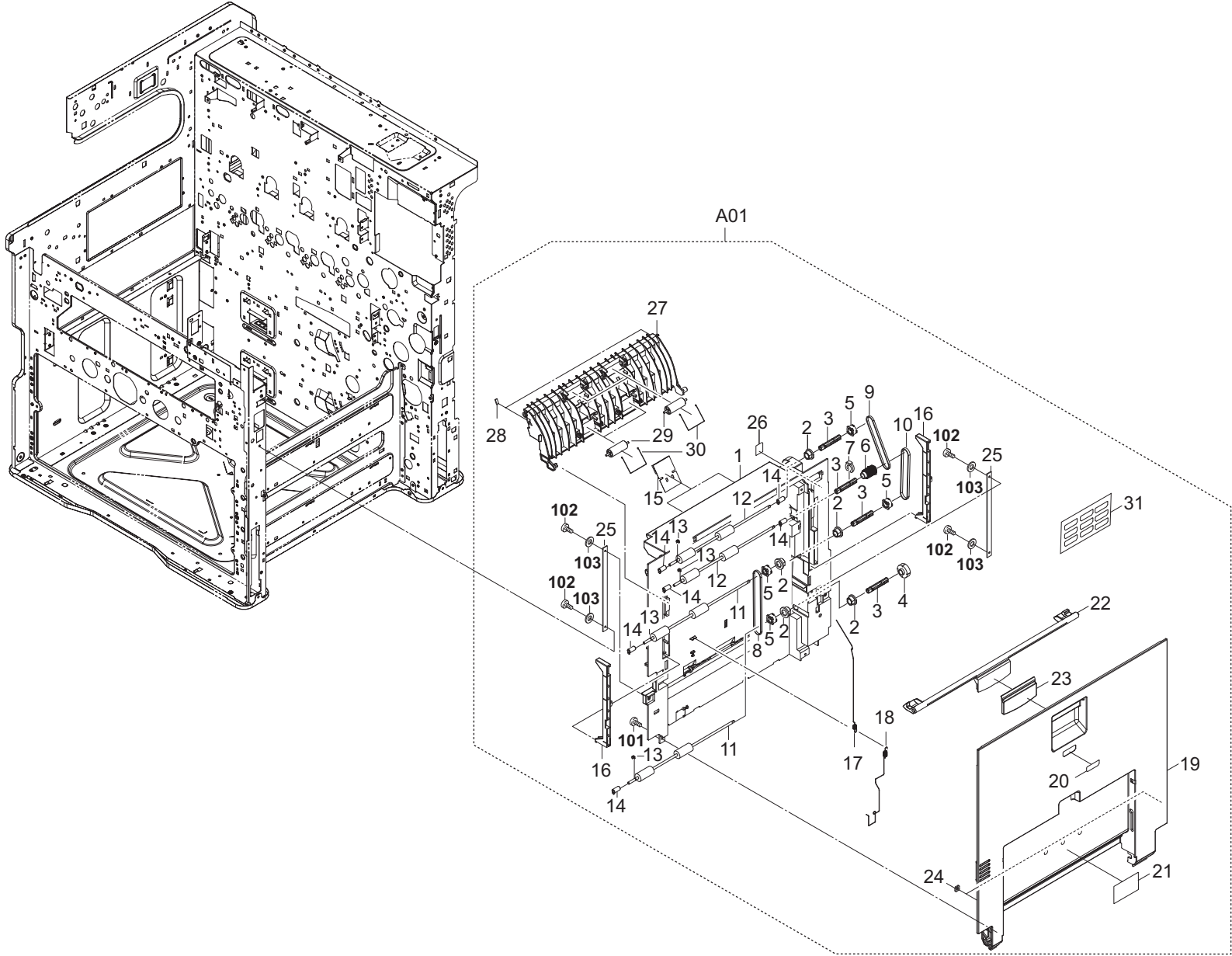


FIG. 14 Paper Conveying Section 1

2NP

Ref. No.	Part.No.	Alternative.	Description	Notes	Quantity		
					120	230	240
⊙ A01	302MV94450	2MV94450	PARTS COVER RIGHT ASSY SP		1	1	1
1	*302K029016	2K029016	GUIDE RIGHT COVER		1	1	1
2	*302H024830	2H024830	BUSH 8		5	5	5
3	*302K329220	2K329220	SHAFT DU		4	4	4
⊙ 4	*302K394400	2K394400	PARTS GEAR DU Z27L SP		1	1	1
⊙ 5	*302K329280	2K329280	PULLEY DU 26		4	4	4
6	*302K029030	2K029030	PULLEY DU 26 B		1	1	1
7	*2BC06910	2BC06910	STOPPER 6		1	1	1
8	*302MV07110	2MV07110	BELT FEED		1	1	1
9	*302KV29090	2KV29090	BELT S2M-Z108		1	1	1
10	*303J131270	3J131270	BELT S2M 230		1	1	1
⊙ 11	*302K394250	2K394250	PARTS ROLLER DU SP		2	2	2
⊙ 12	*302K094390	2K094390	PARTS ROLLER DU B SP		2	2	2
13	*5MVX111DN007	2BT11070	STOPPER 3 /2BT1107 A4		4	4	4
14	*302K329270	2K329270	BUSH DU		6	6	6
15	*302K029100	2K029100	SPONGE RIGHT COVER		2	2	2
16	*302K304571	2K304571	JOINT JUNCTION HOOK		2	2	2
17	*302K029070	2K029070	WIRE EARTH DU B		1	1	1
18	*302K029060	2K029060	WIRE EARTH DU A		1	1	1
19	*302MV04271	2MV04271	COVER RIGHT MIDDLE		1	1	1
20	*302MV34250	2MV34250	LABEL COVER CAUTION		1	1	1
21	*302MV34260	2MV34260	LABEL BYPASS CAUTION		1	1	1
22	*302K304520	2K304520	HOOK RIGHT COVER		1	1	1
23	*302MV04300	2MV04300	COVER RIGHT HOOK		1	1	1
24	*5MMS111SL002	2BY20050	NUT FUSER A /FS-1800/3800 A4		2	2	2
25	*302K304591	2K304591	STRAP RIGHT COVER		2	2	2
26	*302MV34400	2MV34400	LABEL HIGH TEMP		1	1	1
27	*302K029050	2K029050	GUIDE EXIT RIGHT		1	1	1
28	*302K029090	2K029090	SPONGE GUIDE		2	2	2
⊙ 29	*302K329020	2K329020	PULLEY DU		4	4	4
30	*302K029080	2K029080	SPRING DU FEED		4	4	4
31	*302MV34410	2MV34410	LABEL COVER CAUTION 9NATIONS		1	1	1
101	7BB200308H	BB105660	+BIND T.T P SCREW 3X8				
102	7BB700308H	BB105600	+BIND T.T S SCREW 3X8 SR				
103	7BC00030A080H01	BC046150	WASHER M3X10X0.8T				

- Parts with "*" are component parts or sub-assemblies of the assembly appearing immediately above them.
- Parts with "⊙" indicate regular maintenance parts.

- Parts with "••" are component parts or sub-assembly with "•" appearing immediately above them.

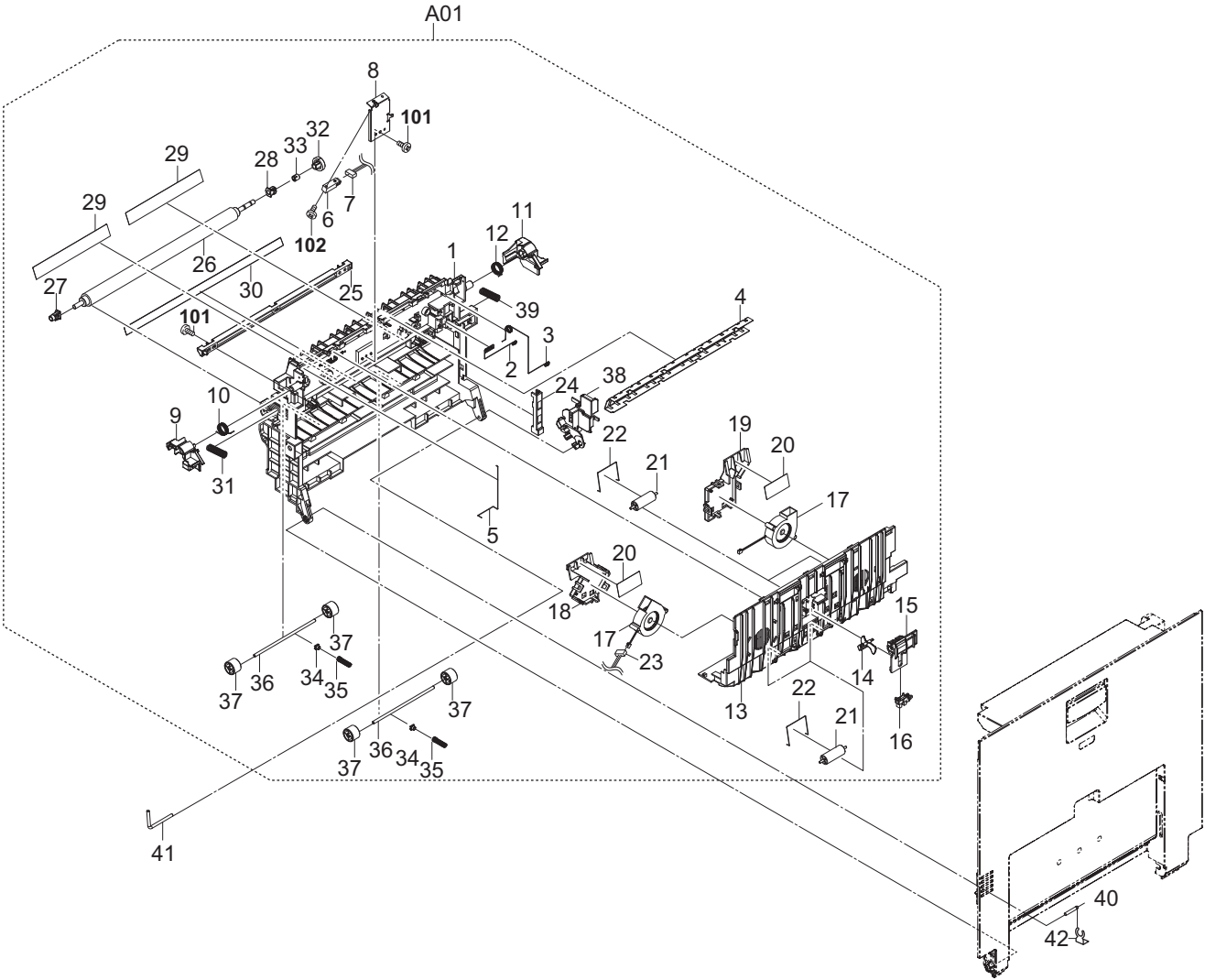


FIG. 15 Paper Conveying Section 2

2NP-1

Ref. No.	Part.No.	Alternative.	Description	Notes	Quantity		
					120	230	240
⊙ A01	302MV94431	2MV94431	PARTS CONVEYING UNIT SP		1	1	1
1	•302K024014	2K024014	BASE CONVEYING		1	1	1
2	•302K024140	2K024140	TERMINAL TRANSFER B		1	1	1
3	•302K024151	2K024151	TERMINAL SEPARATION A		1	1	1
4	•302K024110	2K024110	GUIDE CONVEYING		1	1	1
5	•302K024160	2K024160	SPRING EARTH CONVEYING		1	1	1
⊙ 6	•3H327410	3H327410	SENSOR,CONVEYING		1	1	1
7	•302K046890	2K046890	WIRE CONVEYING UNIT PI		1	1	1
8	•302K024380	2K024380	HOLDER SENSOR		1	1	1
9	•302K024232	2K024232	LEVER CONVEYING F		1	1	1
10	•302K324110	2K324110	SPRING CONVEYING F		1	1	1
11	•302K024242	2K024242	LEVER CONVEYING R		1	1	1
12	•302K324360	2K324360	SPRING CONVEYING R		1	1	1
13	•302K024271	2K024271	FRAME DU		1	1	1
14	•302K329040	2K329040	ACTUATOR DU		1	1	1
15	•302K329060	2K329060	RETAINER ACTUATOR		1	1	1
⊙ 16	•7NXGP1S173LCH01	NX116910	SENSOR OPT.		1	1	1
⊙ 17	•302MV94560	2MV94560	PARTS FAN MOTOR SET SP		2	2	2
18	•302K024310	2K024310	COVER DUCT FRONT		1	1	1
19	•302K024320	2K024320	COVER DUCT REAR		1	1	1
20	•302K024330	2K024330	SHEET FAN PRESS		2	2	2
⊙ 21	•302K329020	2K329020	PULLEY DU		4	4	4
22	•302K329030	2K329030	SPRING DU FEED		4	4	4
23	•302K046041	2K046041	WIRE CONVEYING UNIT		1	1	1
24	•302K024280	2K024280	FRAME DU B		1	1	1
25	•302K024300	2K024300	BASE CONVEYING SUB		1	1	1
⊙ 26	•302K094420	2K094420	PARTS ROLLER REGIST RIGHT SP		1	1	1
27	•302K324180	2K324180	BUSH REGIST F		1	1	1
28	•302K324270	2K324270	BUSH REGIST R		1	1	1
29	•302K024220	2K024220	SHEET REGIST R		2	2	2
30	•302K024431	2K024431	SHEET REGIST LOW		1	1	1
31	•302K024440	2K024440	SPRING REGIST F		1	1	1
⊙ 32	•302K394330	2K394330	PARTS GEAR REGIST Z24R SP		1	1	1
33	•302H722470	2H722470	COLLAR TRANS ROLLER		1	1	1
34	•302KV24090	2KV24090	BUSH SPRING FEED		2	2	2
35	•302K024190	2K024190	SPRING MIDDLE PULLEY		2	2	2
36	•302K324460	2K324460	SHAFT FEED		2	2	2
37	•302MV24030	2MV24030	PULLEY MIDDLE		4	4	4
38	•302K024250	2K024250	COVER HARNESS		1	1	1
39	•302K024450	2K024450	SPRING REGIST R		1	1	1
40	302K304550	2K304550	SHAFT RIGHT COVER F		1	1	1
41	302K304560	2K304560	SHAFT RIGHT COVER R		1	1	1
42	302K304630	2K304630	FILM CONVEYING SHAFT		1	1	1
101	7BB200308H	BB105660	+BIND T.T P SCREW 3X8				
102	7BB607312H	BB107140	+TP-CUP M SCREW 3X12 R				

- Parts with "•" are component parts or sub-assemblies of the assembly appearing immediately above them.
- ⊙ Parts with "⊙" indicate regular maintenance parts.

- Parts with "••" are component parts or sub-assembly with "•" appearing immediately above them.

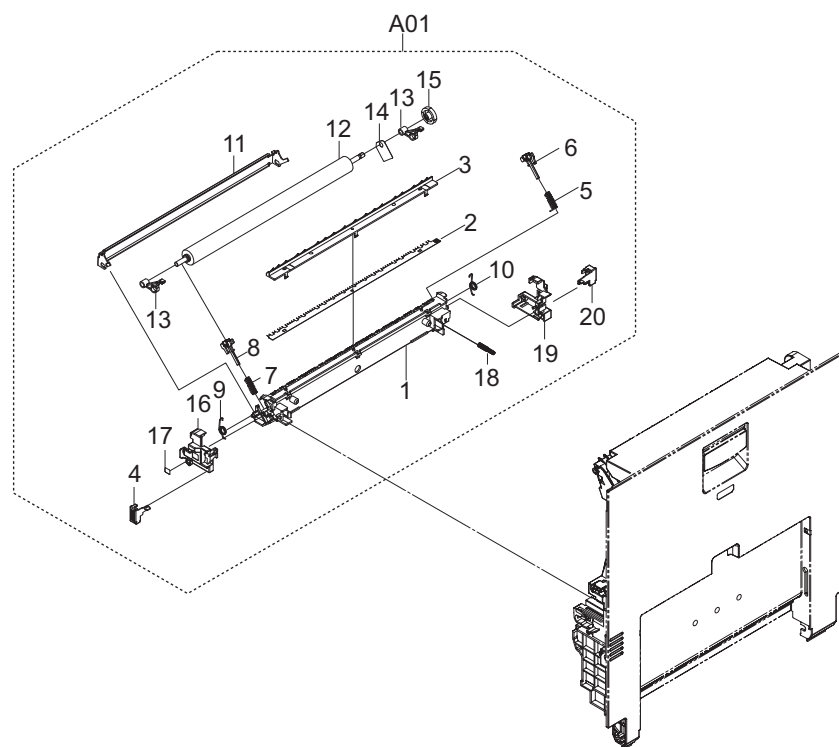


FIG. 16 Paper Conveying Section 3

2NP-1

Ref. No.	Part.No.	Alternative.	Description	Notes	Quantity		
					120	230	240
⊙ A01	302MV93080	2MV93080	TR-8315B		1	1	1
1	•302K024050	2K024050	HOLDER TRANSFER		1	1	1
2	•302K324150	2K324150	PLATE SEPARATION		1	1	1
3	•302K024060	2K024060	HOLDER SEPARATION		1	1	1
4	•302MV24010	2MV24010	LEVER HOOK F		1	1	1
5	•302MV24050	2MV24050	SPRING TRANSFER R		1	1	1
6	•302K324430	2K324430	BUSH TRANSFER ROLL R		1	1	1
7	•302K024170	2K024170	SPRING TRANSFER F		1	1	1
8	•302K324240	2K324240	BUSH TRANSFER ROLL F		1	1	1
9	•302K024200	2K024200	SPRING GUIDE		1	1	1
10	•302K024340	2K024340	SPRING GUIDE R		1	1	1
11	•302K024120	2K024120	GUIDE TRANSFER RIGHT		1	1	1
⊙ 12	•302MV94330	2MV94330	PARTS ROLLER TRANSFER SP		1	1	1
13	•302K024091	2K024091	LEVER TRANSFER		2	2	2
14	•302K024350	2K024350	SHEET TRANSFER		1	1	1
⊙ 15	•302K024410	2K024410	GEAR TRANSFER Z25		1	1	1
16	•302K024070	2K024070	HOOK TRANSFER F		1	1	1
17	•302MV34180	2MV34180	LABEL I		1	1	1
18	•302K024130	2K024130	TERMINAL TRANSFER A		1	1	1
19	•302K024080	2K024080	HOOK TRANSFER R		1	1	1
20	•302MV24020	2MV24020	LEVER HOOK R		1	1	1

- Parts with "•" are component parts or sub-assemblies of the assembly appearing immediately above them.
- Parts with "⊙" indicate regular maintenance parts.

- Parts with "••" are component parts or sub-assembly with "•" appearing immediately above them.

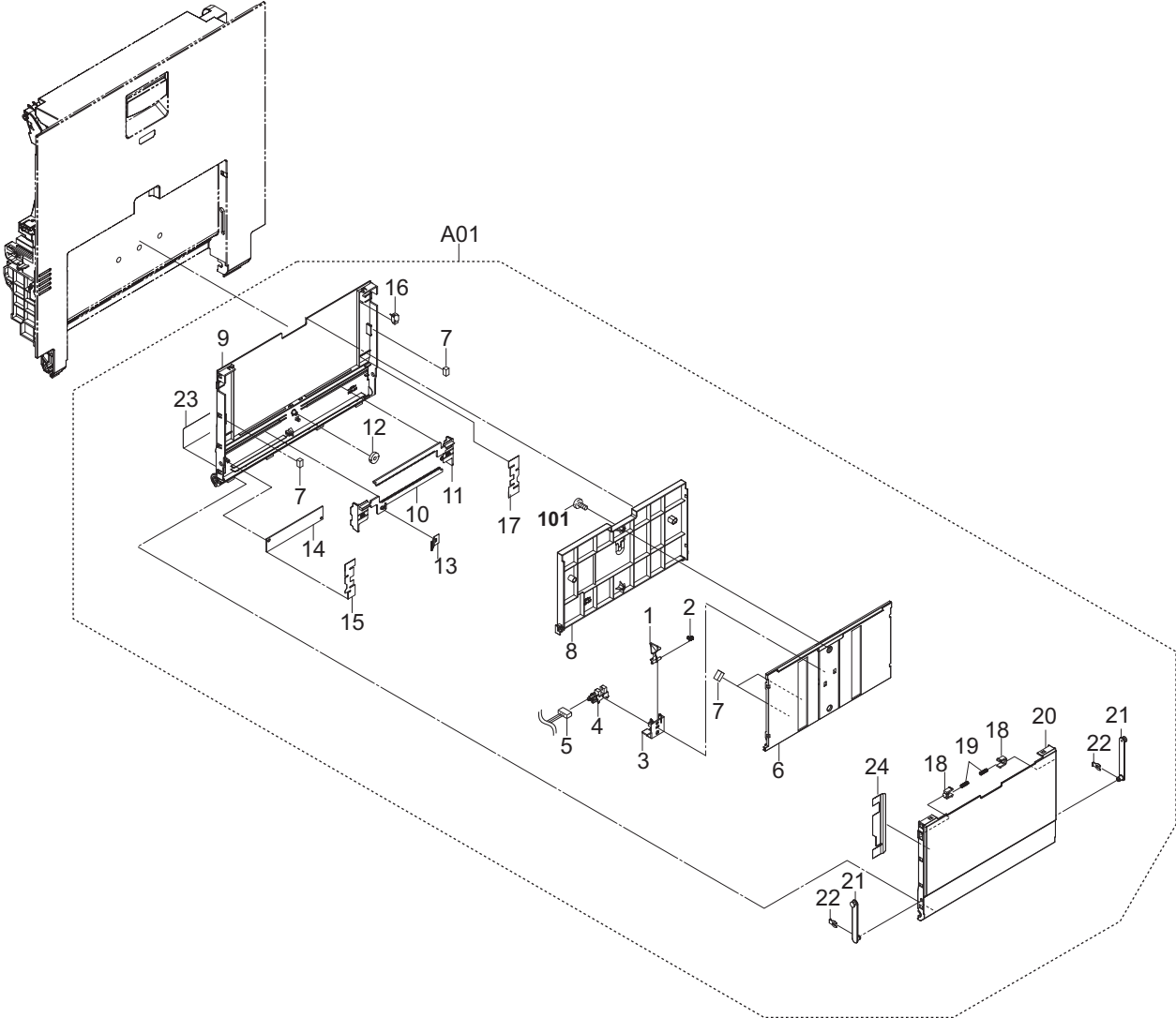


FIG. 17 Paper Conveying Section 4

2NP

Ref. No.	Part.No.	Alternative.	Description	Notes	Quantity		
					120	230	240
⊙ A01	302MV94080	2MV94080	PARTS MPF TABLE ASSY SP		1	1	1
1	•302K908211	2K908211	ACTUATOR SIZE DETECTION		1	1	1
2	•302K908220	2K908220	SPRING-TORSION SIZE DETECTION		1	1	1
3	•302K908580	2K908580	HOLDER SIZE DETECTION		1	1	1
⊙ 4	•7NXGP1S173LCH01	NX116910	SENSOR OPT.		1	1	1
5	•302MV46510	2MV46510	WIRE MPF SIZE UNIT 2		1	1	1
6	•302MV08430	2MV08430	TABLE MPF B		1	1	1
7	•302H708150	2H708150	SPONGE WIRE MPT		4	4	4
8	•302MV08420	2MV08420	TABLE MPF A		1	1	1
9	•302MV08410	2MV08410	TABLE MPF		1	1	1
10	•302MV08440	2MV08440	CURSOR FRONT MPF		1	1	1
11	•302MV08450	2MV08450	CURSOR REAR MPF		1	1	1
⊙ 12	•2C906080	2C906080	GEAR 18 BYPASS		1	1	1
13	•2C906090	2C906090	TERMINAL PAPER SIZE		1	1	1
⊙ 14	•2C901050	2C901050	PCB MPF SIZE ASSY		1	1	1
15	•302MV08460	2MV08460	GUIDE FRONT MPF WIRE		1	1	1
⊙ 16	•76727010	76727010	ORIGINAL SIZE SWITCH		1	1	1
17	•302MV08470	2MV08470	GUIDE REAR MPF WIRE		1	1	1
18	•2FB07330	2FB07330	STOPPER BYPASS TABLE		2	2	2
19	•302MV08500	2MV08500	SPRING MPF		2	2	2
20	•302MV08400	2MV08400	COVER MPF		1	1	1
21	•302K308460	2K308460	STRAP LINK MPF		2	2	2
22	•302K308470	2K308470	STOPPER STRAP		2	2	2
23	•302MV34270	2MV34270	LABEL BYPASS TABLE		1	1	1
24	•302MV08520	2MV08520	SHEET MPF WIRE A		1	1	1
101	7BB200308H	BB105660	+BIND T.T P SCREW 3X8				

- Parts with "•" are component parts or sub-assemblies of the assembly appearing immediately above them.
- Parts with "⊙" indicate regular maintenance parts.

- Parts with "••" are component parts or sub-assembly with "•" appearing immediately above them.

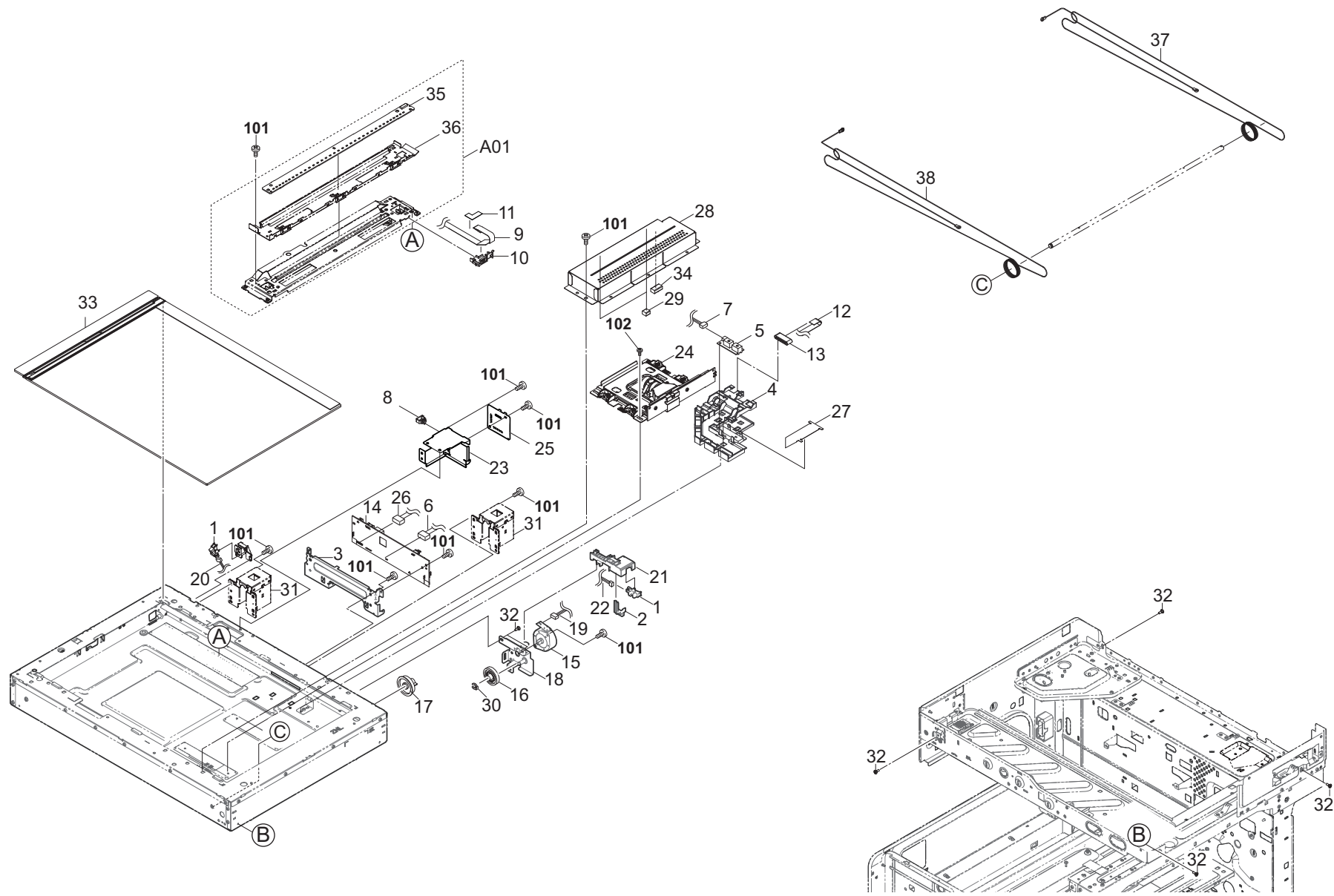


FIG. 18 Scanner Section 1

2NP-4

Ref. No.	Part.No.	Alternative.	Description	Notes	Quantity		
					120	230	240
⊙ 1	7NXGP1S173LCH01	NX116910	SENSOR OPT.		2	2	2
2	302NL17020	2NL17020	SWITCH RELEASE		1	1	1
3	302NL17040	2NL17040	MOUNT ISC		1	1	1
4	302MV17040	2MV17040	GUIDE FFC CCD		1	1	1
⊙ 5	302H044110	2H044110	SENSOR ORIGINAL		1	1	1
6	302MV46600	2MV46600	WIRE CCD POWER		1	1	1
7	302K946750	2K946750	WIRE ORIGINAL SENSOR		1	1	1
8	7YZM390002++H01	YZ012140	ACCESS.CLAMP		1	1	1
9	302MV46630	2MV46630	WIRE FFC LED		1	1	1
10	302K317172	2K317172	GUIDE FFC LED C		1	1	1
11	302K317791	2K317791	SHEET FFC LED		1	1	1
12	302NL46380	2NL46380	WIRE FFC CCD		1	1	1
13	7YBFZZ65C001H01	YB110990	FERRITE CORE		1	1	1
⊙ 14	302NP94180	2NP94180	PARTS PWB ISC ASSY SP		1	1	1
⊙ 15	302HN44100	2HN44100	MOTOR REVERSE		1	1	1
⊙ 16	302K394370	2K394370	PARTS GEAR Z18-Z63R SP		1	1	1
⊙ 17	302K317350	2K317350	GEAR Z54		1	1	1
18	302NL17010	2NL17010	MOUNT DRIVE		1	1	1
19	302NP46500	2NP46500	WIRE SCANNER MOT		1	1	1
20	302NP46490	2NP46490	WIRE HP SENSOR		1	1	1
21	302NL17030	2NL17030	HOLDER SWITCH		1	1	1
22	302NP46480	2NP46480	WIRE OPEN SENSOR		1	1	1
23	302NL17070	2NL17070	MOUNT JUNCTION PWB		1	1	1
⊙ 24	302NP93130	2NP93130	PARTS ISU		1	1	1
⊙ 25	302NP94160	2NP94160	PARTS PWB DP JUNCTION ASSY SP		1	1	1
26	302NP46420	2NP46420	WIRE DP JUNCTION		1	1	1
27	302MV17110	2MV17110	FILM FFC CCD		1	1	1
28	302MV17030	2MV17030	COVER LENS		1	1	1
29	7ZG65TSV+010H01	ZG111180	SHIELD GASKET		2	2	2
30	2BC06980	2BC06980	STOPPER 5		1	1	1
31	302NL17050	2NL17050	MOUNT DP		2	2	2
32	2FB20860	2FB20860	PIN FUSER COVER		6	6	6
⊙ 33	302MV94110	2MV94110	PARTS CONTACT-GLASS ASSY(C) SP			1	1
⊙ 33	302MV94100	2MV94100	PARTS CONTACT-GLASS ASSY(I) SP		1		
34	7ZGSSTG77015H01	ZG020580	SHIELD GASKET		1	1	1
⊙ A01	302NP93090	2NP93090	PARTS MOUNT LED ASSY SP		1	1	1
⊙ 35	302NP94170	2NP94170	PARTS PWB SCANNER LED ASSY SP		1	1	1
36	302K317470	2K317470	MOUNT LED		1	1	1
37	302K317140	2K317140	WIRE SCANNER BLACK		1	1	1
38	302K317150	2K317150	WIRE SCANNER GRAY		1	1	1
101	7BB700308H	BB105600	+BIND T.T S SCREW 3X8 SR				
102	7BB606308H	BB105280	+PAN M SCREW WITH SW W 3X8 R				

- Parts with "*" are component parts or sub-assemblies of the assembly appearing immediately above them.
- Parts with "⊙" indicate regular maintenance parts.

- Parts with "••" are component parts or sub-assembly with "•" appearing immediately above them.

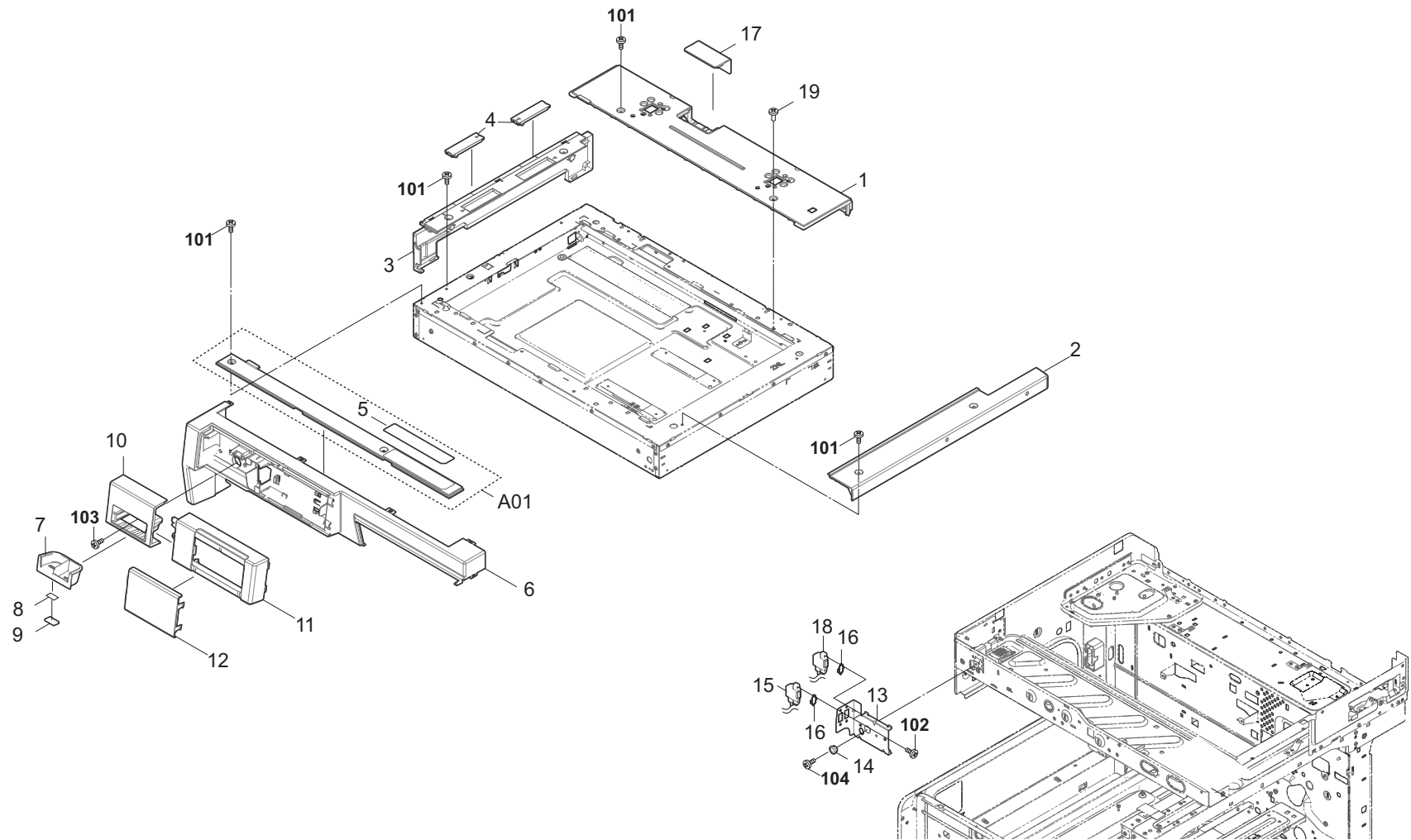


FIG. 19 Scanner Section 2

2NP-1

Ref. No.	Part.No.	Alternative.	Description	Notes	Quantity		
					120	230	240
⊙ 1	302NL04150	2NL04150	COVER ISU REAR		1	1	1
⊙ 2	302NL04140	2NL04140	COVER ISU RIGHT		1	1	1
⊙ 3	302NL04131	2NL04131	COVER ISU LEFT		1	1	1
⊙ 4	302LC04340	2LC04340	COVER ISU LEFT SUB		2	2	2
⊙ A01	302NP94200	2NP94200	PARTS COVER ISU FRONT A ASSY E SP		1	1	1
⊙ 5	*302LC34031	2LC34031	LABEL OPERATION CAUTION B		1	1	1
⊙ 6	302NP04120	2NP04120	COVER ISU FRONT		1	1	1
⊙ 7	302N404130	2N404130	CASE CLIP		1	1	1
8	302GR04380	2GR04380	SEAL MAGNET		1	1	1
9	302GR04370	2GR04370	MAGNET CLIP DISH		1	1	1
⊙ 10	302N404241	2N404241	LID USB FRONT		1	1	1
⊙ 11	302NL04220	2NL04220	LID ISU FRONT		1	1	1
⊙ 12	302N404040	2N404040	LID CARD		1	1	1
13	302NL04230	2NL04230	MOUNT USB		1	1	1
14	302H005340	2H005340	BUSH SLIDE OPE		1	1	1
15	302NP46520	2NP46520	WIRE USB CARD READER		1	1	1
16	302K905900	2K905900	SPRING USB HOLD		2	2	2
⊙ 17	302NL04210	2NL04210	LID DP		1	1	1
18	302NP46510	2NP46510	WIRE USB KEY BOARD		1	1	1
19	303MH04040	3MH04040	PIN COVER		1	1	1
101	7BB782308H	BB111300	+TP-FLAT T.T S SCREW 3X8 SR(BLACK)				
102	7BB000306H	BB106880	+BIND M SCREW 3X6				
103	7BB700312H	BB106820	+BIND T.T S SCREW 3X12 SR				
104	7BB700308H	BB105600	+BIND T.T S SCREW 3X8 SR				

- Parts with "*" are component parts or sub-assemblies of the assembly appearing immediately above them.
- Parts with "⊙" indicate regular maintenance parts.

- Parts with "••" are component parts or sub-assembly with "•" appearing immediately above them.

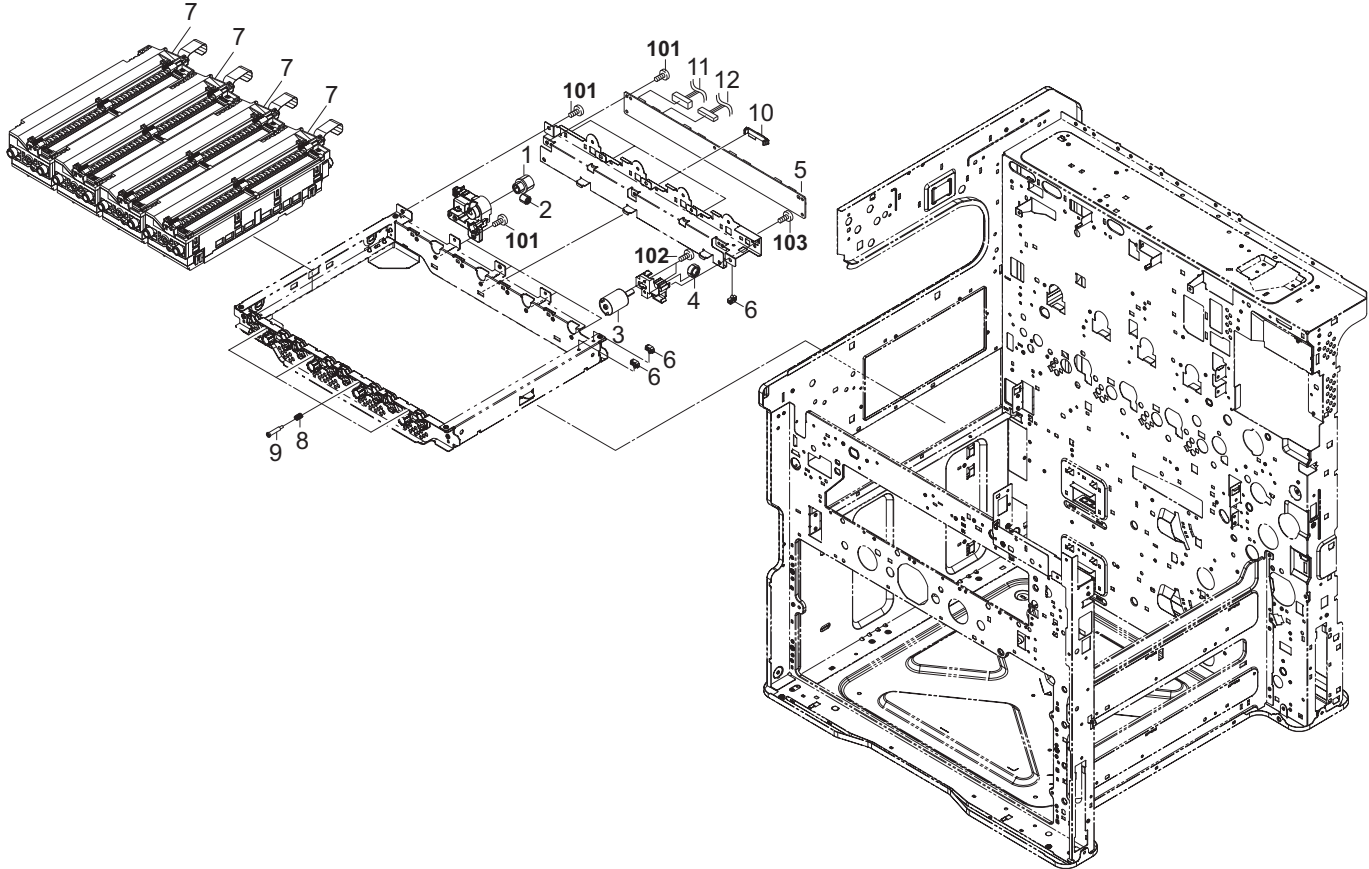


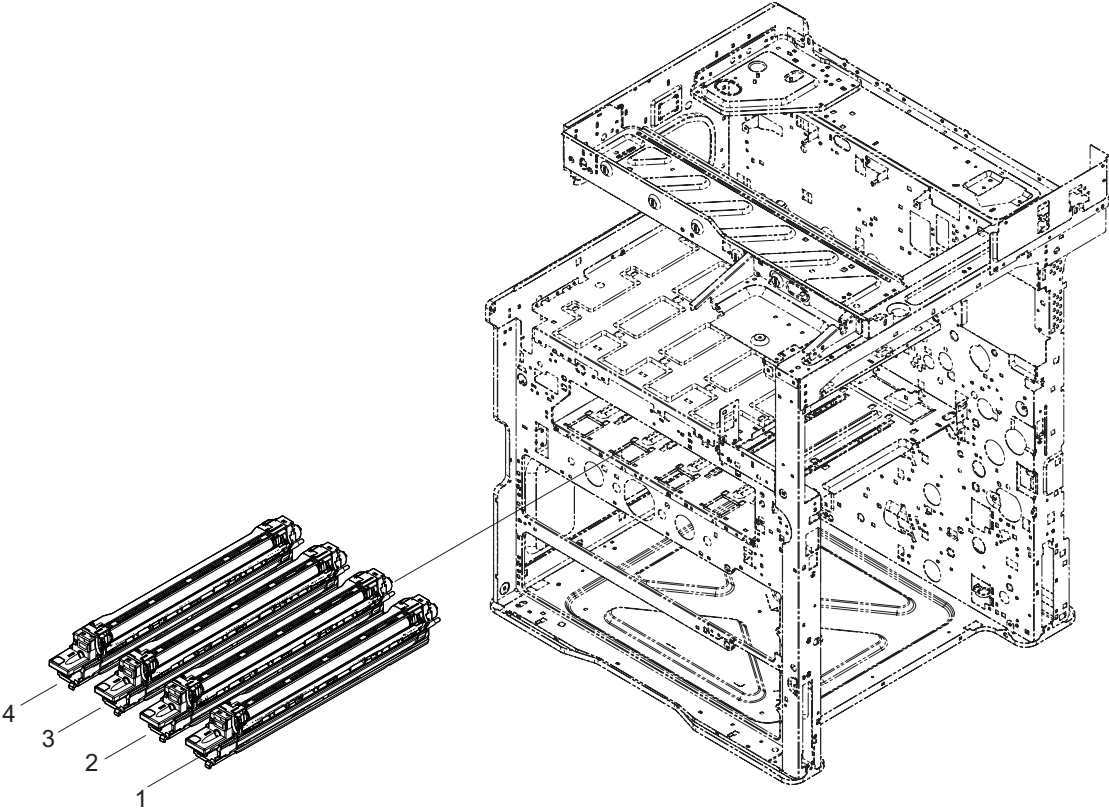
FIG. 20 Laser Scanner Section

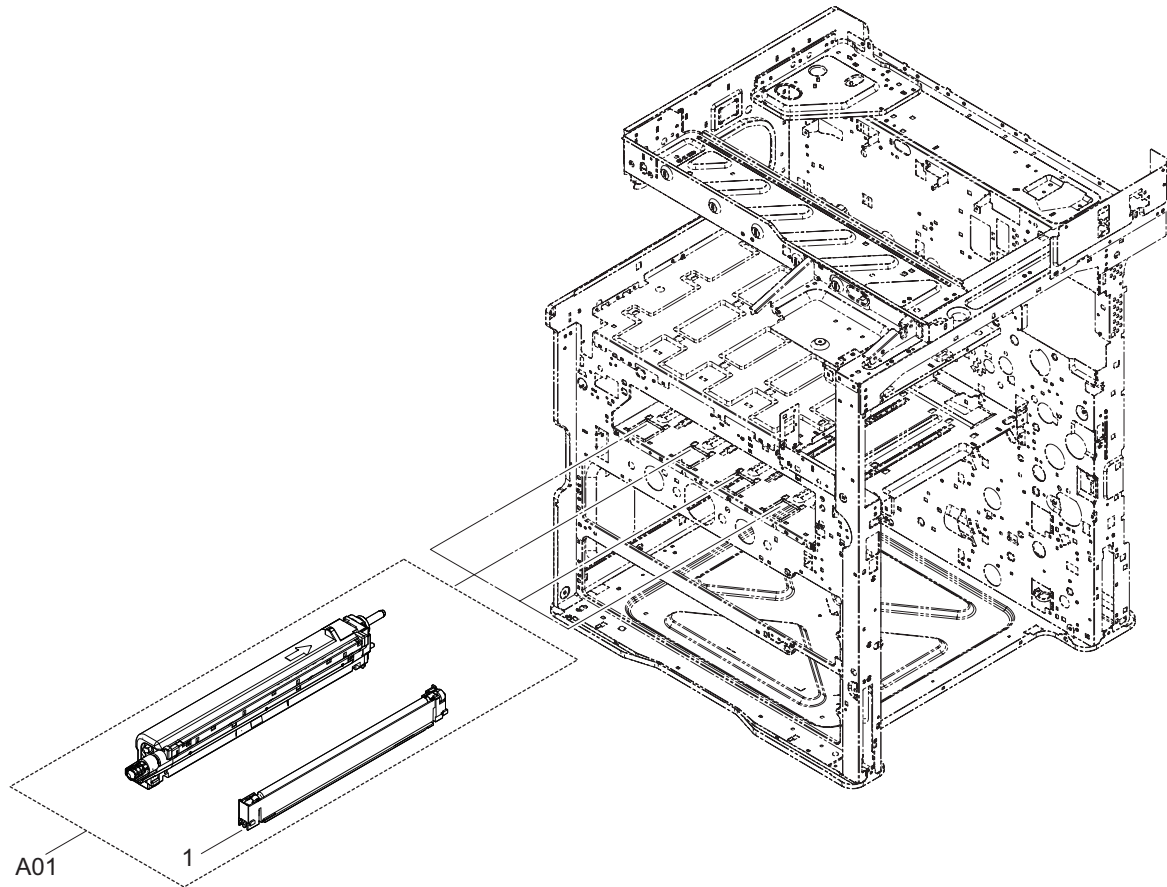
2NP

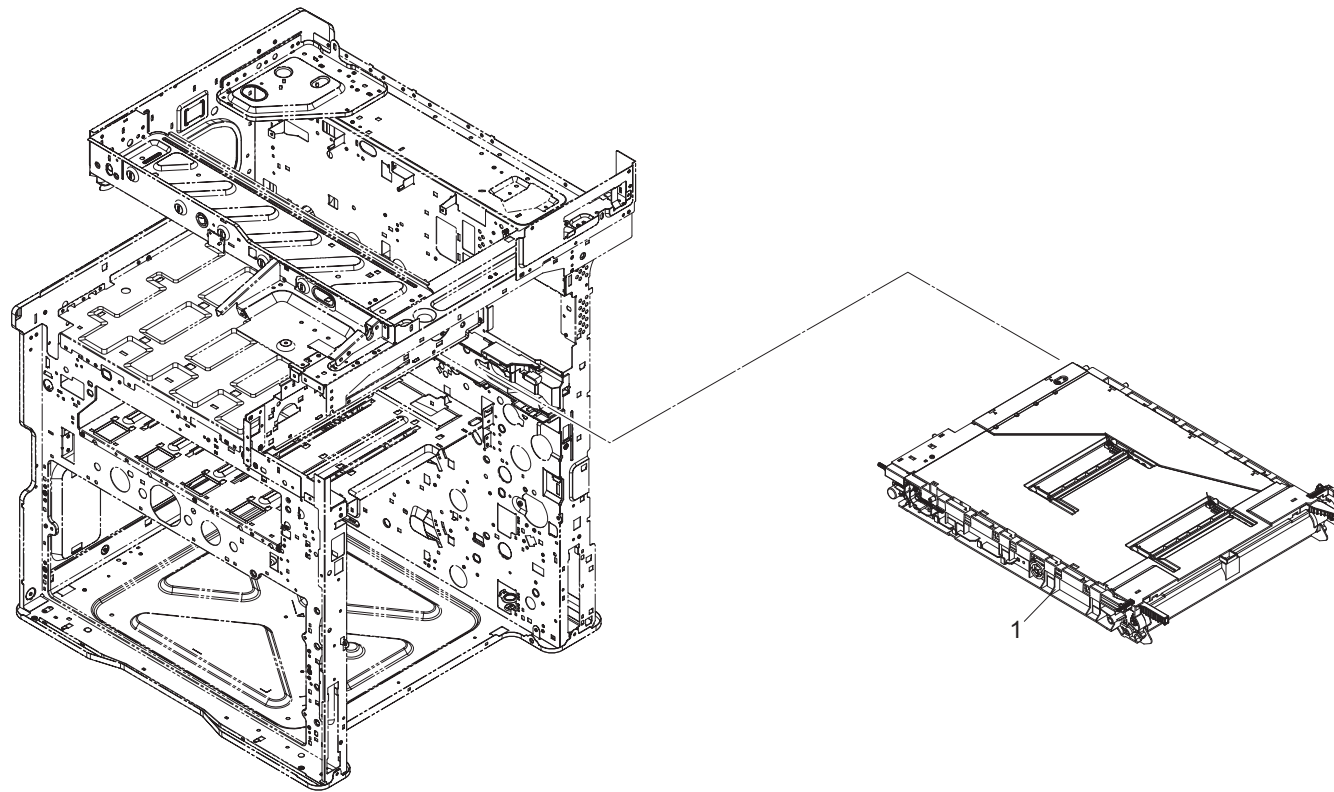
Ref. No.	Part.No.	Alternative.	Description	Notes	Quantity		
					120	230	240
⊙ 1	302K902401	2K902401	GEAR Z27S Z27R		4	4	4
⊙ 2	302K902391	2K902391	GEAR Z14R		4	4	4
⊙ 3	302K094090	2K094090	PARTS MOTOR-DC ASSY C SP		1	1	1
⊙ 4	302K994520	2K994520	PARTS GEAR Z32L SP		1	1	1
⊙ 5	302K094170	2K094170	PARTS PWB LSU CONNECT ASSY SP		1	1	1
6	7YZM610007++H01	YZ023340	ACCESS.SADDLE		3	3	3
⊙ 7	302NP93120	2NP93120	LK-8325		4	4	4
8	302K902480	2K902480	SPRING-COMPRESSION LSU RETAINING		4	4	4
9	302K902470	2K902470	PIN LSU RETAINING		4	4	4
10	7YZM390003++H01	YZ042070	ACCESS.CLAMP		4	4	4
11	302K046200	2K046200	WIRE ENGINE_MAIN-LSU CONNECT 2		1	1	1
12	302K046220	2K046220	WIRE MAIN-LSU CONNECT 2		1	1	1
101	7BB700308H	BB105600	+BIND T.T S SCREW 3X8 SR				
102	7BB000304H	BB105720	+BIND M SCREW 3X4				
103	7BB200308H	BB105660	+BIND T.T P SCREW 3X8				

- Parts with "*" are component parts or sub-assemblies of the assembly appearing immediately above them.
- Parts with "⊙" indicate regular maintenance parts.

- Parts with "••" are component parts or sub-assembly with "•" appearing immediately above them.







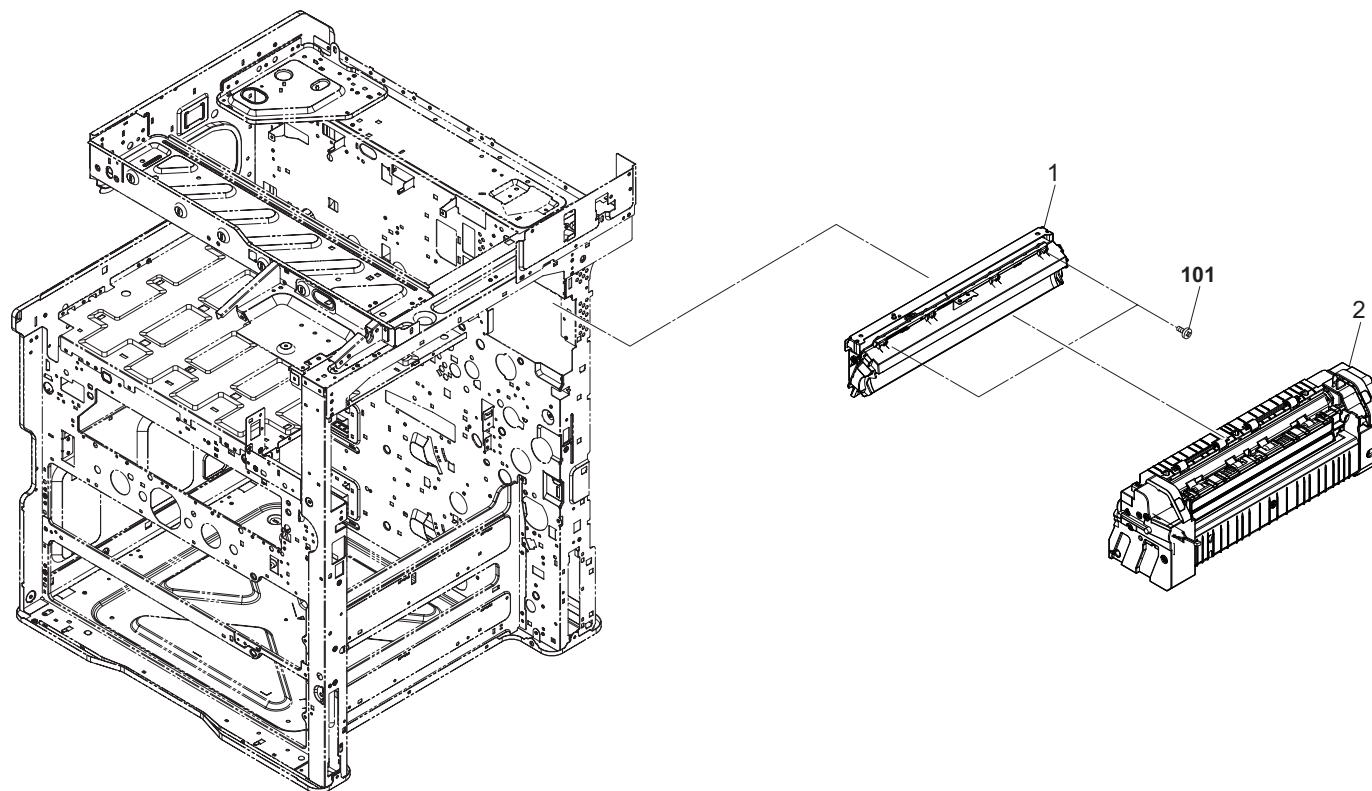


FIG. 24 Fuser Section

2NP

Ref. No.	Part.No.	Alternative.	Description	Notes	Quantity		
					120	230	240
⊙ 1	302LC93090	2LC93090	FK-8507 IH			1	1
⊙ 1	302LC93080	2LC93080	FK-8506 IH		1		
⊙ 2	302NP93080	2NP93080	FK-8325		1	1	1
101	7BB700308H	BB105600	+BIND T.T S SCREW 3X8 SR				

- Parts with "•" are component parts or sub-assemblies of the assembly appearing immediately above them.
- Parts with "⊙" indicate regular maintenance parts.

- Parts with "••" are component parts or sub-assembly with "•" appearing immediately above them.

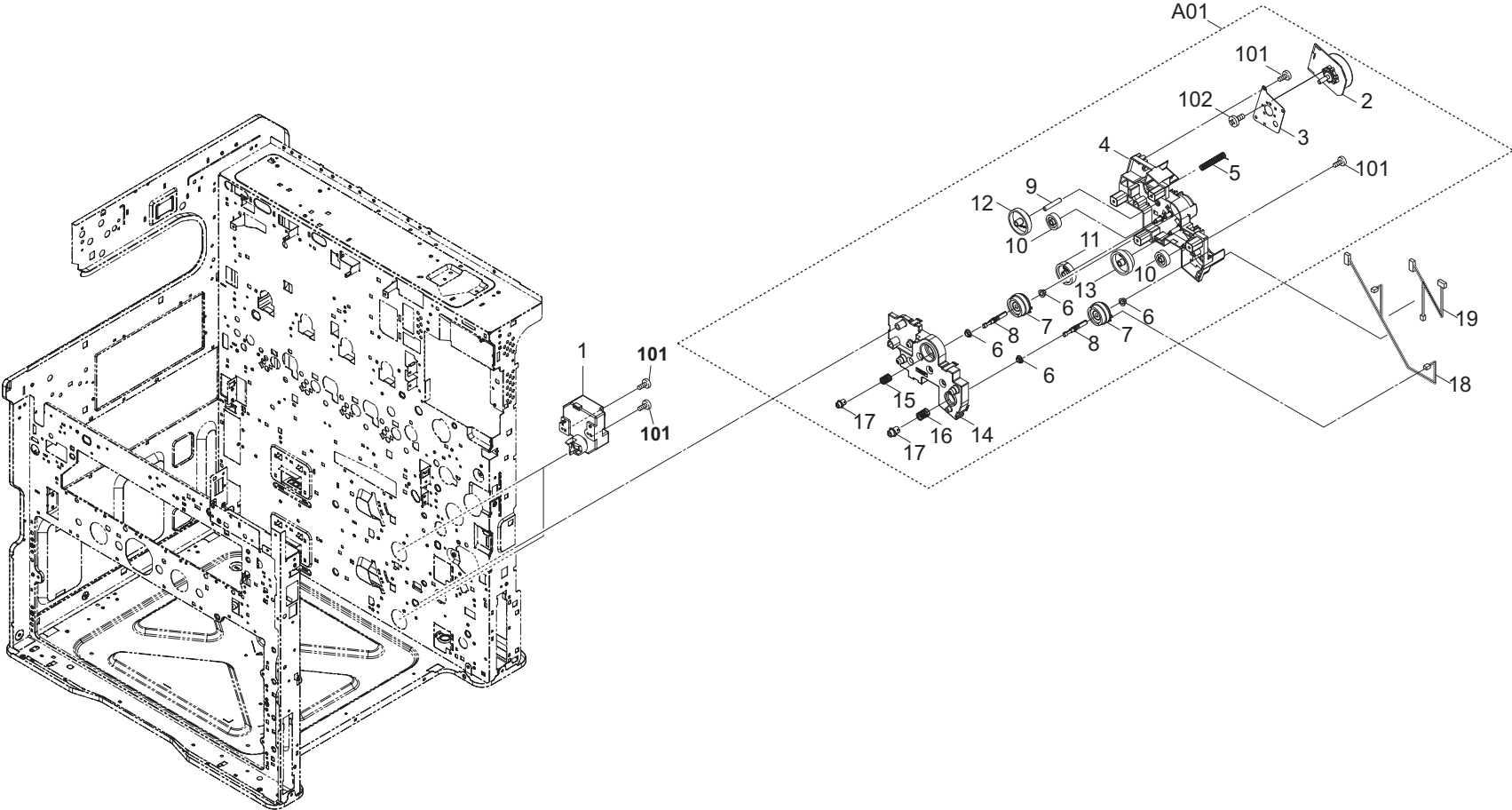


FIG. 25 Drive Section 1

2NP-1

Ref. No.	Part.No.	Alternative.	Description	Notes	Quantity		
					120	230	240
⊙	1	302K394190	2K394190	PARTS MOTOR LIFT ASSY SP	2	2	2
⊙	A01	302MV93110	2MV93110	DR-8315D	1	1	1
⊙	2	*302LC94291	2LC94291	PARTS MOTOR-BL W10 SP	1	1	1
	3	*302MV31030	2MV31030	PLATE MOTOR LOW	1	1	1
	4	*302MV31010	2MV31010	HOLDER DRIVE LOW A	1	1	1
	5	*302MV31040	2MV31040	SPRING EARTH FEED LOW	1	1	1
	6	*302HN31590	2HN31590	BUSH DRIVE	4	4	4
⊙	7	*302KV44041	2KV44041	CLUTCH 50 Z35R	2	2	2
	8	*302K331240	2K331240	SHAFT CLUTCH FEED	2	2	2
	9	*303NN31060	3NN31060	SHAFT GEAR	1	1	1
⊙	10	*303NN31050	3NN31050	GEAR Z27L IDLE	2	2	2
⊙	11	*302K331081	2K331081	GEAR Z40R IDLE	1	1	1
⊙	12	*303NN31040	3NN31040	GEAR Z77R Z23L	1	1	1
⊙	13	*303NN31070	3NN31070	GEAR Z33R Z44R	1	1	1
	14	*302MV31020	2MV31020	HOLDER DRIVE LOW B	1	1	1
	15	*302HN31410	2HN31410	SPRING FEED	1	1	1
	16	*303NN31080	3NN31080	SPRING JOINT SHAFT	1	1	1
	17	*302HN31660	2HN31660	JOINT SHAFT CASSETTE	2	2	2
	18	302MV46530	2MV46530	WIRE CASSETTE2 MOT/CLT 2	1	1	1
	19	302MV46400	2MV46400	WIRE RIGHT COVER 2	1	1	1
	101	7BB700308H	BB105600	+BIND T.T S SCREW 3X8 SR			
	102	7BB000304H	BB105720	+BIND M SCREW 3X4			

- Parts with "*" are component parts or sub-assemblies of the assembly appearing immediately above them.
- Parts with "⊙" indicate regular maintenance parts.

- Parts with "••" are component parts or sub-assembly with "•" appearing immediately above them.

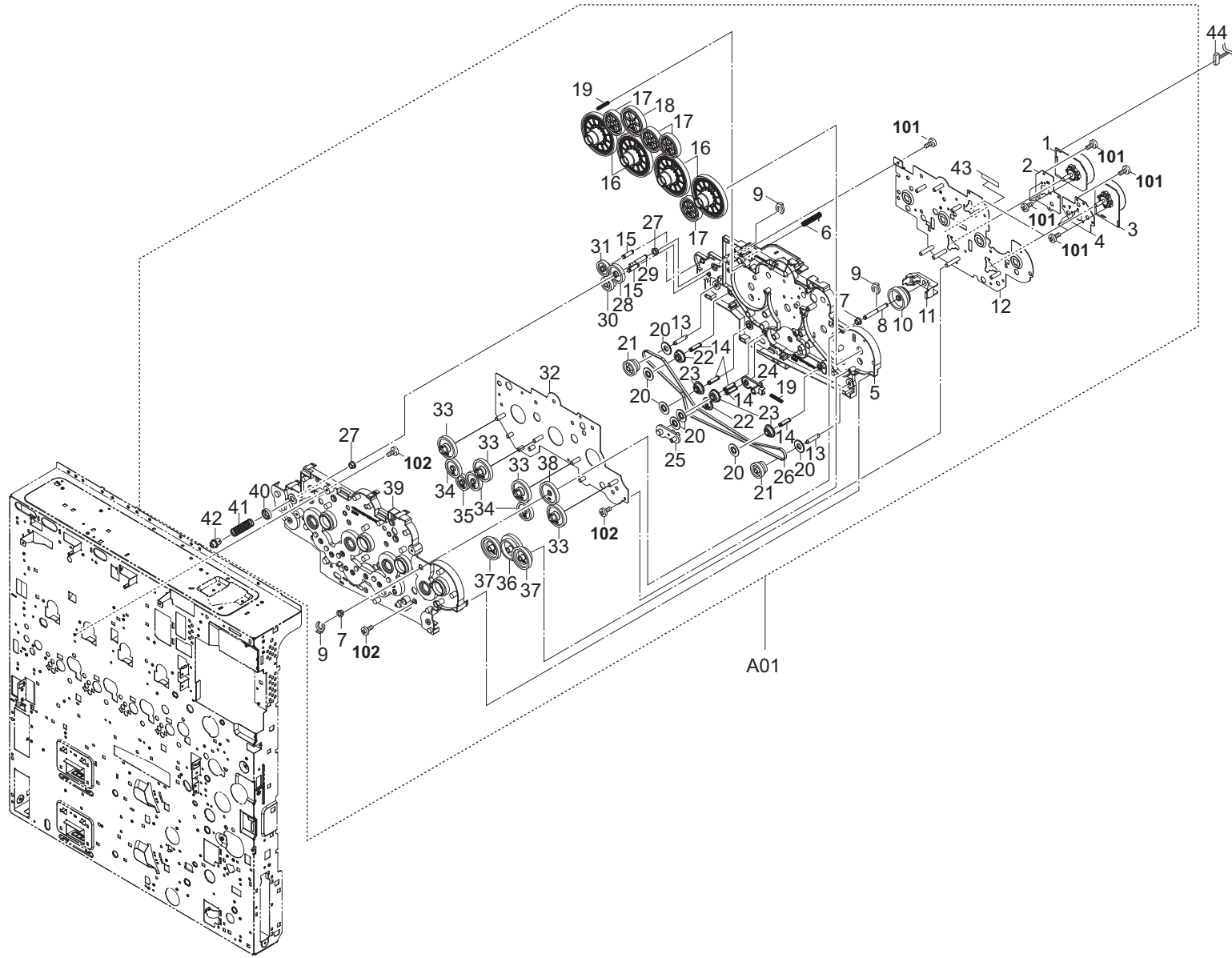


FIG. 26 Drive Section 2

2NP

Ref. No.	Part.No.	Alternative.	Description	Notes	Quantity		
					120	230	240
⊙ A01	302K093122	2K093122	DR-895A		1	1	1
⊙ 1	*302K994331	2K994331	PARTS MOTOR-BL W30 SP		1	1	1
⊙ 2	*302K031090	2K031090	PLATE MOTOR DLP		1	1	1
⊙ 3	*302LC94301	2LC94301	PARTS MOTOR-BL W20 DRUM SP		2	2	2
⊙ 4	*302K031080	2K031080	PLATE MOTOR MAIN		2	2	2
⊙ 5	*302K031020	2K031020	BASE MAIN DRIVE R		1	1	1
⊙ 6	*302K031420	2K031420	SPRING MAIN DRIVE B		1	1	1
⊙ 7	*302H024370	2H024370	BUSH 6 EW		2	2	2
⊙ 8	*302K031350	2K031350	SHAFT DLP		1	1	1
⊙ 9	*5MVX111DN003	2A806250	RING STOPPER /A-49 FEED A4		3	3	3
⊙ 10	*302K094320	2K094320	PARTS CLUTCH 50 Z45L SP		1	1	1
⊙ 11	*302K031450	2K031450	HOLDER CLUTCH		1	1	1
⊙ 12	*302K031060	2K031060	PLATE MAIN DRIVE R		1	1	1
⊙ 13	*302HN31680	2HN31680	PIN DRIVE B		2	2	2
⊙ 14	*302HN31670	2HN31670	PIN DRIVE A		5	5	5
⊙ 15	*302HN31640	2HN31640	PIN DRIVE MT		2	2	2
⊙ 16	*302MV94360	2MV94360	PARTS GEAR DRUM Z180L SP		4	4	4
⊙ 17	*302MV94370	2MV94370	PARTS GEAR DRUM Z100R SP		4	4	4
⊙ 18	*302MV94380	2MV94380	PARTS GEAR DRUM Z120L SP		1	1	1
⊙ 19	*302K031410	2K031410	SPRING MAIN DRIVE A		2	2	2
⊙ 20	*302K031380	2K031380	COLLAR MIDDLE CLN A		7	7	7
⊙ 21	*302K031290	2K031290	GEAR CLN Z30R-Z32		2	2	2
⊙ 22	*302K031330	2K031330	PULLEY MIDDLE CLN Z30		2	2	2
⊙ 23	*302K031340	2K031340	PULLEY MIDDLE CLN IDLE		3	3	3
⊙ 24	*302K031440	2K031440	BASE TENSION R		1	1	1
⊙ 25	*302K031431	2K031431	BASE TENSION F		1	1	1
⊙ 26	*302KV02A90	2KV02A90	BELT S2M Z371		1	1	1
⊙ 27	*302H702590	2H702590	BUSH SCREW		2	2	2
⊙ 28	*302K031320	2K031320	GEAR MIDDLE CLN Z37R		1	1	1
⊙ 29	*302K031370	2K031370	SHAFT MIDDLE CLN		1	1	1
⊙ 30	*302K031300	2K031300	GEAR MIDDLE CLN Z27L-Z21L		1	1	1
⊙ 31	*302K031310	2K031310	GEAR MIDDLE CLN Z30R		1	1	1
⊙ 32	*302K031050	2K031050	PLATE MAIN DRIVE F		1	1	1
⊙ 33	*302K031140	2K031140	GEAR DLP Z45R		4	4	4
⊙ 34	*302K031170	2K031170	GEAR DLP Z37L		3	3	3
⊙ 35	*302K031180	2K031180	GEAR DLP Z31R		1	1	1
⊙ 36	*302K031150	2K031150	GEAR DLP Z87R-Z66L		1	1	1
⊙ 37	*302K031160	2K031160	GEAR DLP Z53R-Z45R		2	2	2
⊙ 38	*302K031190	2K031190	GEAR DLP Z45L		1	1	1
⊙ 39	*302K031010	2K031010	BASE MAIN DRIVE F		1	1	1
⊙ 40	*302K031390	2K031390	COLLAR MIDDLE CLN B		1	1	1
⊙ 41	*302K031480	2K031480	SPRING MIDDLE CLN		1	1	1
⊙ 42	*302HN31660	2HN31660	JOINT SHAFT CASSETTE		1	1	1
⊙ 43	*7ZGSSTG47023H01	ZG127800	SHIELD GASKET		1	1	1
⊙ 44	302K046140	2K046140	WIRE DRUM-DLP MOT		1	1	1
101	7BB000304H	BB105720	+BIND M SCREW 3X4				
102	7BB200308H	BB105660	+BIND T.T.P SCREW 3X8				

- Parts with "*" are component parts or sub-assemblies of the assembly appearing immediately above them.
- Parts with "⊙" indicate regular maintenance parts.

- Parts with "••" are component parts or sub-assembly with "•" appearing immediately above them.

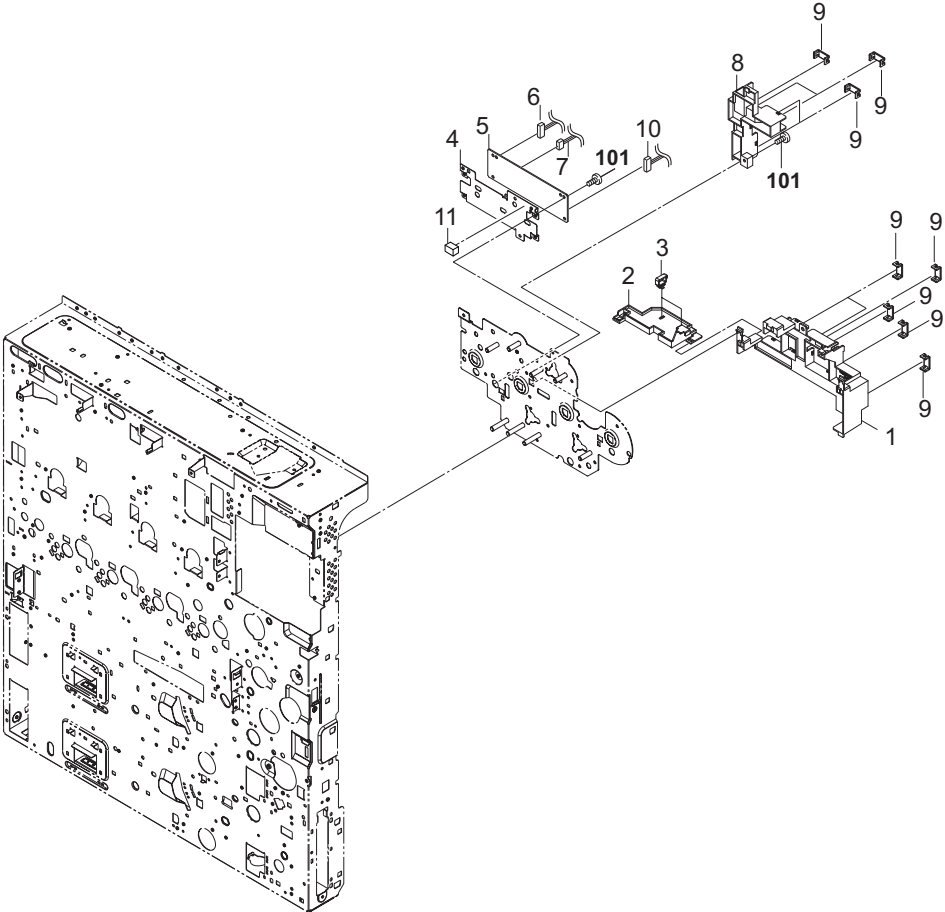


FIG. 27 Drive Section 3

2NP-2

Ref. No.	Part.No.	Alternative.	Description	Notes	Quantity		
					120	230	240
1	302K031462	2K031462	GUIDE WIRE MAIN DRIVE		1	1	1
2	302K039320	2K039320	GUIDE WIRE ENGINE SUB		1	1	1
3	7YZM610013++H01	YZ043020	ACCESS.SADDLE		2	2	2
4	302K039100	2K039100	LID ENGINE SUB		1	1	1
⊙	302NP94110	2NP94110	PARTS PWB ENGINE CONNECT ASSY SP		1	1	1
6	302K046340	2K046340	WIRE ENGINE2 - DRUM/DLP CONNECT		1	1	1
7	302NP46200	2NP46200	WIRE ENGINE1-2 MOT		1	1	1
8	302K031620	2K031620	GUIDE WIRE SUB		1	1	1
9	303LT02020	3LT02020	LID WIRE GUIDE		11	11	11
10	302MV46410	2MV46410	WIRE ENGINE-LVU		1	1	1
11	7ZGSTG101015H01	ZG011800	SHIELD GASKET		1	1	1
101	7BB700308H	BB105600	+BIND T.T S SCREW 3X8 SR				

- Parts with "•" are component parts or sub-assemblies of the assembly appearing immediately above them.
- Parts with "⊙" indicate regular maintenance parts.

- Parts with "••" are component parts or sub-assembly with "•" appearing immediately above them.

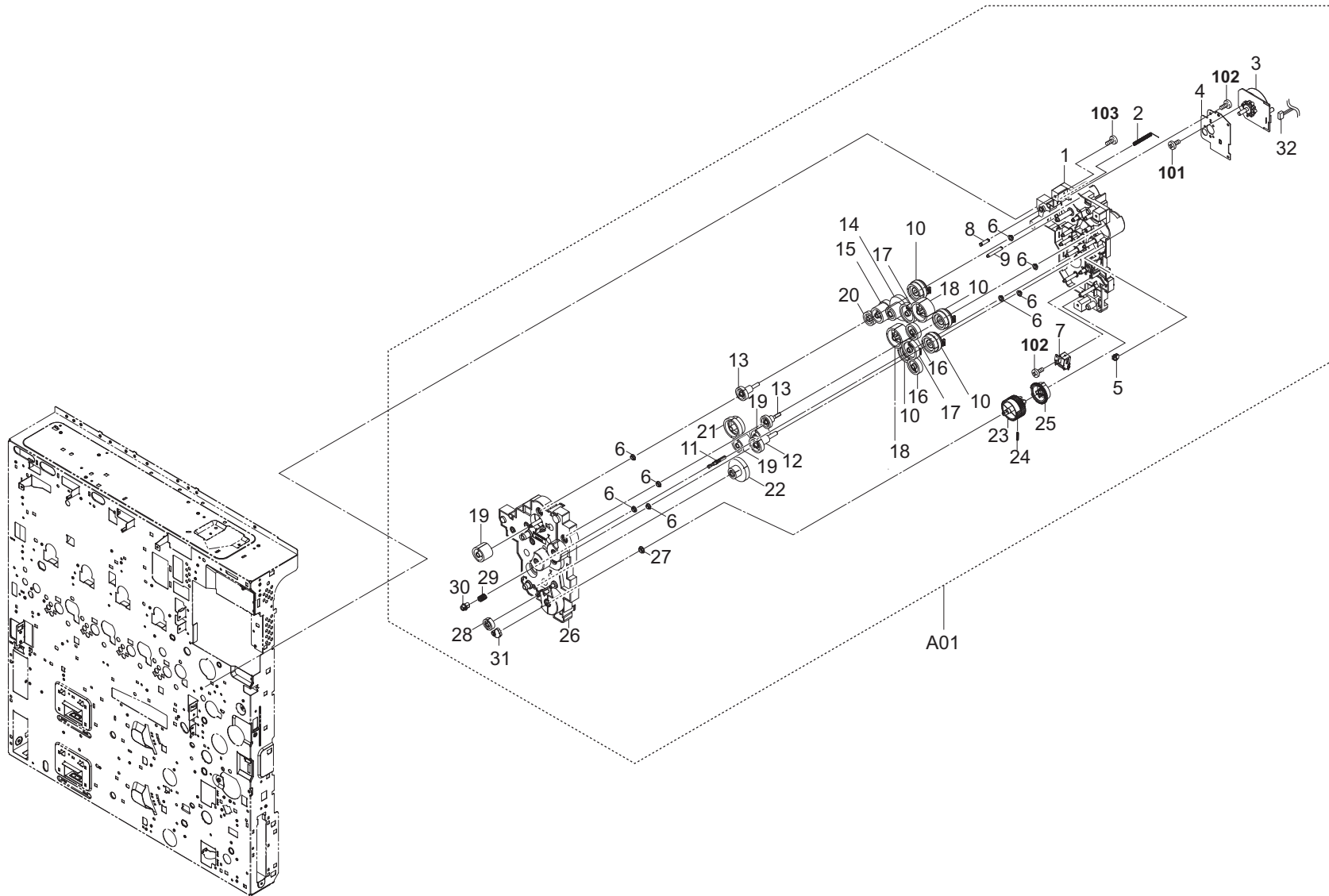


FIG. 28 Drive Section 4

2NP

Ref. No.	Part.No.	Alternative.	Description	Notes	Quantity		
					120	230	240
⊙ A01	302K093142	2K093142	DR-895C		1	1	1
1	*302K031501	2K031501	HOLDER FEED DRIVE A		1	1	1
2	*302K031570	2K031570	SPRING EARTH F		1	1	1
⊙ 3	*302K994321	2K994321	PARTS MOTOR-BL W20 SP		1	1	1
4	*302K031560	2K031560	PLATE FEED DRIVE		1	1	1
5	*7YCC02B1003+H01	YC013860	CONNECTOR 292254-2		1	1	1
6	*302HN31590	2HN31590	BUSH DRIVE		8	8	8
7	*302HN44160	2HN44160	SOLENOID MPF		1	1	1
8	*302HN31640	2HN31640	PIN DRIVE MT		1	1	1
9	*302K331260	2K331260	PIN DRIVE A		1	1	1
⊙ 10	*302KV44041	2KV44041	CLUTCH 50 Z35R		4	4	4
11	*302K331240	2K331240	SHAFT CLUTCH FEED		1	1	1
⊙ 12	*302K031550	2K031550	GEAR Z30L OUTPUT CL		1	1	1
⊙ 13	*302K331130	2K331130	GEAR Z32L		2	2	2
⊙ 14	*302K031520	2K031520	GEAR Z84R-Z27L		1	1	1
⊙ 15	*302K031530	2K031530	GEAR Z61R-Z32R		1	1	1
⊙ 16	*302K031540	2K031540	GEAR Z32L IDLE		2	2	2
⊙ 17	*302K331081	2K331081	GEAR Z40R IDLE		2	2	2
⊙ 18	*302K331090	2K331090	GEAR Z43L IDLE		2	2	2
⊙ 19	*302K331140	2K331140	GEAR Z30R IDLE		3	3	3
⊙ 20	*302K031300	2K031300	GEAR MIDDLE CLN Z27L-Z21L		1	1	1
⊙ 21	*302K331160	2K331160	GEAR Z48R-Z22S		1	1	1
⊙ 22	*302K331150	2K331150	GEAR Z42R-Z36R		1	1	1
⊙ 23	*302K331180	2K331180	GEAR Z45S INPUT MPF A		1	1	1
24	*302HN31650	2HN31650	SPRING INPUT MPF		1	1	1
⊙ 25	*302K331190	2K331190	GEAR Z45S INPUT MPF B		1	1	1
26	*302K031511	2K031511	HOLDER FEED DRIVE B		1	1	1
27	*302K331230	2K331230	BUSH DRIVE 8		1	1	1
⊙ 28	*302K331170	2K331170	GEAR Z28S		1	1	1
29	*302HN31410	2HN31410	SPRING FEED		1	1	1
30	*302HN31660	2HN31660	JOINT SHAFT CASSETTE		1	1	1
31	*302K331200	2K331200	CAM MPF		1	1	1
32	*302K046020	2K046020	WIRE FEED UNIT 2		1	1	1
101	7BB000304H	BB105720	+BIND M SCREW 3X4				
102	7BB200308H	BB105660	+BIND T.T P SCREW 3X8				
103	7BB700308H	BB105600	+BIND T.T S SCREW 3X8 SR				

- Parts with "*" are component parts or sub-assemblies of the assembly appearing immediately above them.
- Parts with "⊙" indicate regular maintenance parts.

- Parts with "••" are component parts or sub-assembly with "•" appearing immediately above them.

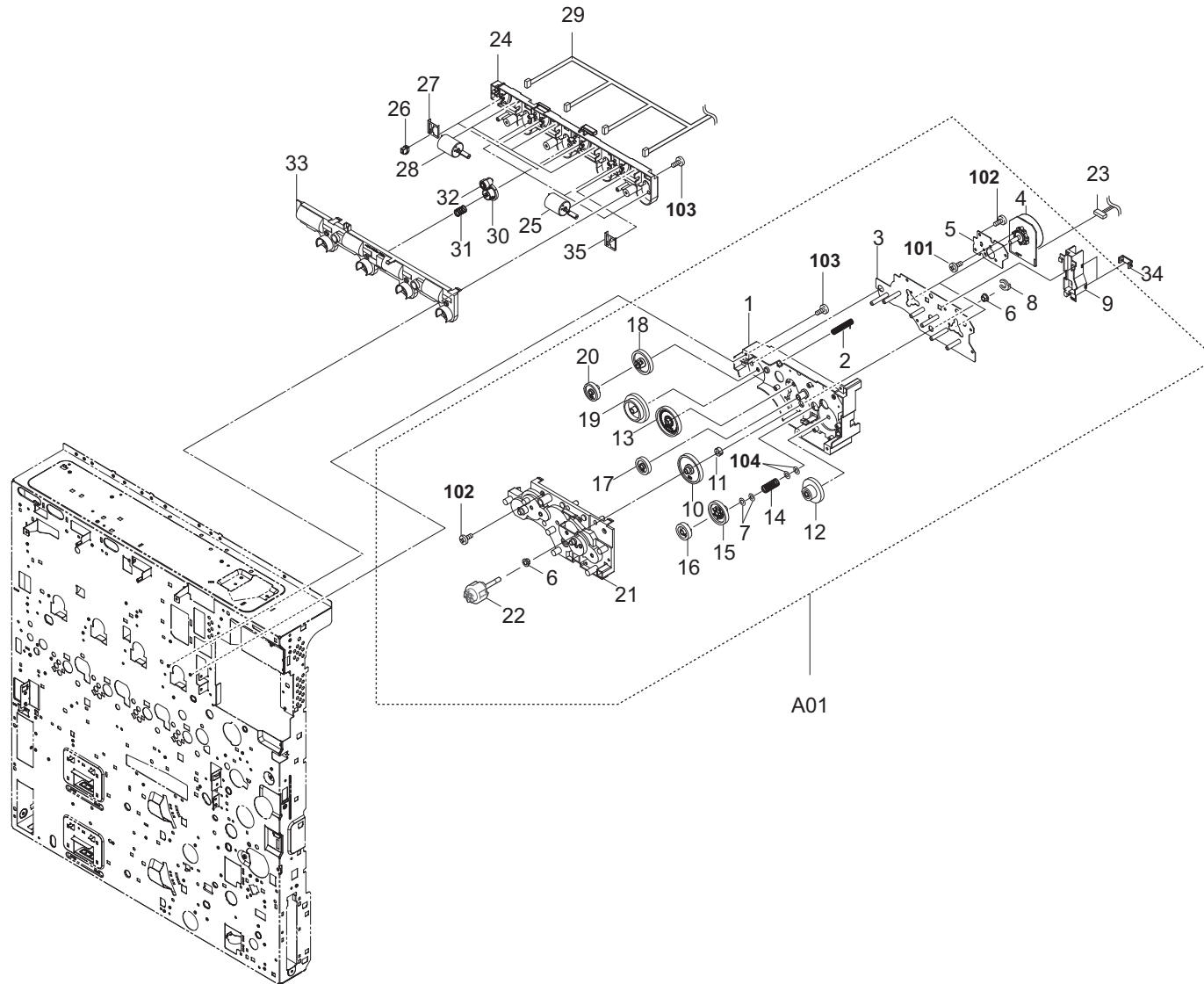


FIG. 29 Drive Section 5

2NP-2

Ref. No.	Part.No.	Alternative.	Description	Notes	Quantity		
					120	230	240
⊙ A01	302K093132	2K093132	DR-895B		1	1	1
1	*302K031040	2K031040	BASE MIDDLE DRIVE R		1	1	1
2	*302K031420	2K031420	SPRING MAIN DRIVE B		1	1	1
3	*302K031070	2K031070	PLATE MIDDLE DRIVE		1	1	1
⊙ 4	*302K994321	2K994321	PARTS MOTOR-BL W20 SP		2	2	2
5	*302K031100	2K031100	PLATE MOTOR MIDDLE		2	2	2
6	*302H024370	2H024370	BUSH 6 EW		2	2	2
7	*2FT18370	2FT18370	POLYSLIDER WASHER		2	2	2
8	*5MVX111DN003	2A806250	RING STOPPER /A-49 FEED A4		1	1	1
9	*302K031470	2K031470	GUIDE WIRE MIDDLE DRIVE		1	1	1
⊙ 10	*302MV94390	2MV94390	PARTS GEAR MIDDLE TRANS Z89R SP		1	1	1
11	*5AAVCLTCH018	2A806910	ONE WAY CLUTCH /A-49 MPF A4		1	1	1
⊙ 12	*302MV94400	2MV94400	PARTS GEAR MIDDLE TRANS Z90R-Z37L SP		1	1	1
⊙ 13	*302K031260	2K031260	GEAR FUSER Z74R-Z24		1	1	1
14	*302K031611	2K031611	SPRING FUSER		1	1	1
⊙ 15	*302K031270	2K031270	GEAR FUSER Z45		1	1	1
⊙ 16	*302K031600	2K031600	GEAR FUSER Z24		1	1	1
⊙ 17	*302K031280	2K031280	GEAR FUSER Z25		1	1	1
⊙ 18	*302K031210	2K031210	GEAR DLP Z45R		1	1	1
⊙ 19	*302K031150	2K031150	GEAR DLP Z87R-Z66L		1	1	1
⊙ 20	*302K031200	2K031200	GEAR DLP Z53R		1	1	1
21	*302K031030	2K031030	BASE MIDDLE DRIVE F		1	1	1
⊙ 22	*302K094640	2K094640	PARTS DRIVE MIDDLE TRANS SP		1	1	1
23	302K046180	2K046180	WIRE BELT-FUSER MOT		1	1	1
24	302K015022	2K015022	HOLDER TONER DRIVE B		1	1	1
⊙ 25	302NP94220	2NP94220	PARTS DC MOTOR SP		1	1	1
26	7YCC02B1003+H01	YC013860	CONNECTOR 292254-2		4	4	4
27	302K015540	2K015540	SHEET HOLDER TONER DRIVE		3	3	3
⊙ 28	302K094100	2K094100	PARTS DC MOTOR SP		3	3	3
29	302K046130	2K046130	WIRE TONER SUPPLY MOT		1	1	1
⊙ 30	302K015040	2K015040	GEAR Z50S		4	4	4
31	302K015270	2K015270	SPRING JOINT CONTAINER		4	4	4
⊙ 32	302K015030	2K015030	GEAR Z20S-Z26L		4	4	4
33	302K015010	2K015010	HOLDER TONER DRIVE A		1	1	1
34	303LT02020	3LT02020	LID WIRE GUIDE		2	2	2
35	302NP31010	2NP31010	SHEET HOLDER TONER DRIVE		1	1	1
101	7BB000304H	BB105720	+BIND M SCREW 3X4				
102	7BB200308H	BB105660	+BIND T.T P SCREW 3X8				
103	7BB700308H	BB105600	+BIND T.T S SCREW 3X8 SR				
104	7BC06062J025C01	BC134840	POLY SLIDER WASHER M6.2X18X0.25T				

- Parts with "*" are component parts or sub-assemblies of the assembly appearing immediately above them.
- Parts with "⊙" indicate regular maintenance parts.

- Parts with "••" are component parts or sub-assembly with "•" appearing immediately above them.

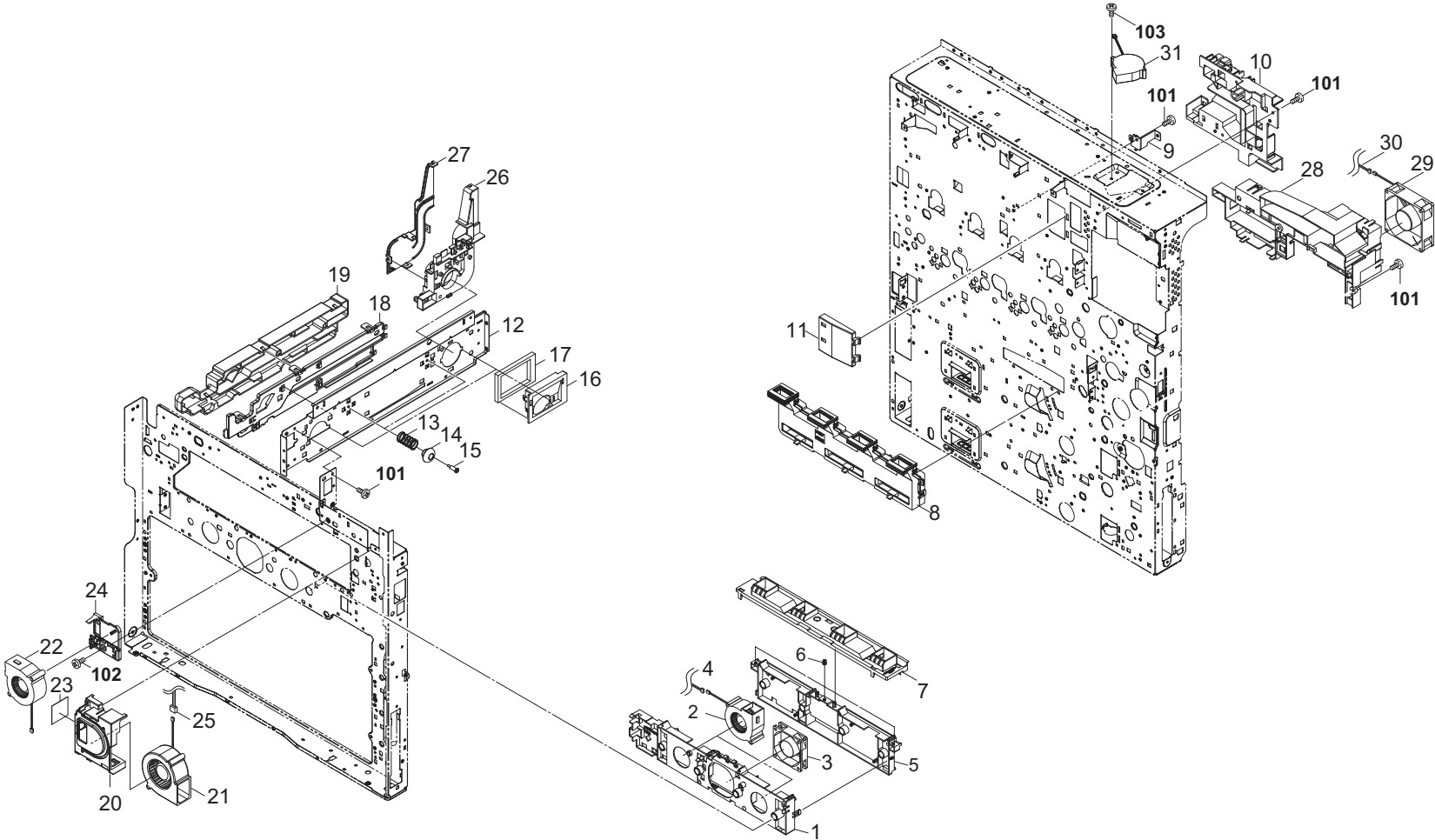


FIG. 30 Cooling Section

Ref. No.	Part.No.	Alternative.	Description	Notes	Quantity		
					120	230	240
1	302K033060	2K033060	DUCT INPUT DLP A		1	1	1
2	302LC94380	2LC94380	PARTS FAN COOLING LSU 60 SP		2	2	2
3	302FZ94420	2FZ94420	PARTS,FAN COOLING CONVEYING SP		1	1	1
4	302K046370	2K046370	WIRE FAN MOT DLP/LSU		1	1	1
5	302K033070	2K033070	DUCT INPUT DLP B		1	1	1
6	302K033090	2K033090	SPRING DUCT		3	3	3
7	302K033080	2K033080	DUCT INPUT DLP C		1	1	1
8	302MV94050	2MV94050	PARTS DUCT OUTPUT DLP IN ASSY SP		1	1	1
9	302K002740	2K002740	STAY SHIELD IH		1	1	1
10	302K033012	2K033012	DUCT EXIT		1	1	1
11	302K002C21	2K002C21	DUCT HIGH VOLTAGE		1	1	1
12	302MV02360	2MV02360	GUIDE FUSER		1	1	1
13	302K926220	2K926220	SPRING IH		2	2	2
14	302LK26050	2LK26050	CAP SPRING		2	2	2
15	303LL24250	3LL24250	PIN READING GUIDE		2	2	2
16	302K002C70	2K002C70	DUCT IH COIL		2	2	2
17	302K002D00	2K002D00	SPONGE IH COIL		2	2	2
18	302MV33020	2MV33020	DUCT CONTAINER B		1	1	1
19	302MV33030	2MV33030	DUCT CONTAINER C		1	1	1
20	302K002261	2K002261	BRACKET FAN DLP		1	1	1
21	302FZ94380	2FZ94380	PARTS,FAN COOLING DLP 70 SP		1	1	1
22	302K994360	2K994360	PARTS FAN COOLING LSU 60 SP		1	1	1
23	302K002D60	2K002D60	SEAL DLP FAN		1	1	1
24	302K002790	2K002790	DUCT CONTAINER A		1	1	1
25	302MV46680	2MV46680	WIRE IH-DLP FAN		1	1	1
26	302K002191	2K002191	DUCT IH		1	1	1
27	302K002781	2K002781	DUCT IH COVER		1	1	1
28	302K033040	2K033040	DUCT OUT DLP C		1	1	1
29	302NG94220	2NG94220	PARTS FAN MOTOR SP		1	1	1
30	302MV46070	2MV46070	WIRE FAN MOT LVU		1	1	1
31	302MV94560	2MV94560	PARTS FAN MOTOR SET SP		1	1	1
101	7BB700308H	BB105600	+BIND T.T S SCREW 3X8 SR				
102	7BB200312H	BB105680	+BIND T.T P SCREW 3X12				
103	7BB700320H	BB105620	+BIND T.T S SCREW 3X20 SR				

- Parts with "*" are component parts or sub-assemblies of the assembly appearing immediately above them.
- Parts with "⊙" indicate regular maintenance parts.

- Parts with "••" are component parts or sub-assembly with "•" appearing immediately above them.

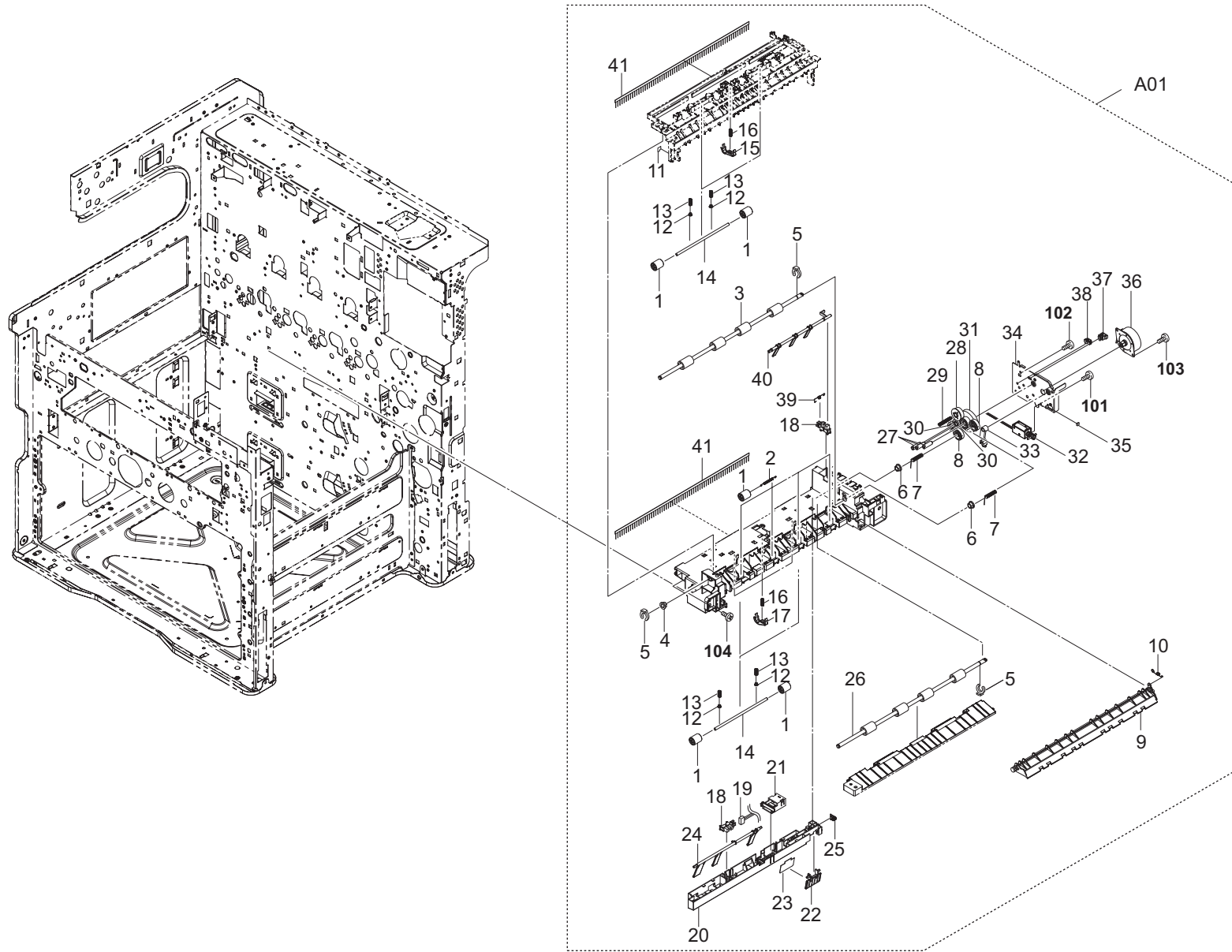


FIG. 31 Exit Section

2NP-4

Ref. No.	Part.No.	Alternative.	Description	Notes	Quantity		
					120	230	240
⊙ A01	302K094010	2K094010	PARTS EXIT UNIT SP		1	1	1
⊙ 1	*302F929260	2F929260	PULLEY DU LOW		12	12	12
⊙ 2	*302K028280	2K028280	SPRING GUIDE PULLEY		4	4	4
⊙ 3	*302K094350	2K094350	PARTS ROLLER EXIT REVERSE SP		1	1	1
⊙ 4	*302H702590	2H702590	BUSH SCREW		1	1	1
⊙ 5	*5MVX111DN003	2A806250	RING STOPPER /A-49 FEED A4		3	3	3
⊙ 6	*302H024370	2H024370	BUSH 6 EW		2	2	2
⊙ 7	*302K028200	2K028200	SPRING EXIT EARTH A		2	2	2
⊙ 8	*302K394350	2K394350	PARTS GEAR Z22S EXIT SP		2	2	2
⊙ 9	*302K028060	2K028060	GUIDE CHANGE		1	1	1
⊙ 10	*302K028190	2K028190	SPRING SOLENOID A		1	1	1
⊙ 11	*302K028300	2K028300	SHEET EXIT FRAME		1	1	1
⊙ 12	*2FM04150	2FM04150	CAP SPRING /B-11 ENCLOSURE A4		8	8	8
⊙ 13	*302K028210	2K028210	SPRING EXIT PULLEY		8	8	8
⊙ 14	*302K324460	2K324460	SHAFT FEED		4	4	4
⊙ 15	*302K328290	2K328290	GUIDE EXIT PUSH JS		1	1	1
⊙ 16	*302K328260	2K328260	SPRING GUIDE EXIT PUSH		4	4	4
⊙ 17	*302K328090	2K328090	GUIDE EXIT PUSH		3	3	3
⊙ 18	*7NXGP1S173LCH01	NX116910	SENSOR OPT.		2	2	2
⊙ 19	*302K046060	2K046060	WIRE EXIT UNIT2		1	1	1
⊙ 20	*302K028070	2K028070	COVER EXIT SENSOR		1	1	1
⊙ 21	*302MV94650	2MV94650	PARTS SWITCH EXIT PAPER EMPTY SP		1	1	1
⊙ 22	*302KK28110	2KK28110	PLATE EXIT		1	1	1
⊙ 23	*302K028320	2K028320	SHEET PLATE EXIT		1	1	1
⊙ 24	*302K028080	2K028080	ACTUATOR EXIT OVERFLOW LOW		1	1	1
⊙ 25	*302K028250	2K028250	SPRING EXIT EARTH C		1	1	1
⊙ 26	*302K094340	2K094340	PARTS ROLLER EXIT FD SP		1	1	1
⊙ 27	*303MA16560	3MA16560	SHAFT GEAR BELT		3	3	3
⊙ 28	*302K028260	2K028260	GEAR Z23S EXIT		1	1	1
⊙ 29	*302K028270	2K028270	SPRING EXIT EARTH D		1	1	1
⊙ 30	*302KP29090	2KP29090	GEAR IDLE Z18S		2	2	2
⊙ 31	*302K394340	2K394340	PARTS GEAR Z74R-Z22S EXIT SP		1	1	1
⊙ 32	*303LJ94150	3LJ94150	PARTS SOLENOID FEED SHIFT SP		1	1	1
⊙ 33	*302K028160	2K028160	LEVER SOLENOID		1	1	1
⊙ 34	*302K028180	2K028180	PLATE EXIT MOTOR		1	1	1
⊙ 35	*302K028310	2K028310	RUBBER EXIT		1	1	1
⊙ 36	*302HN44100	2HN44100	MOTOR REVERSE		1	1	1
⊙ 37	*7YZM610009++H01	YZ042980	ACCESS.SADDLE		1	1	1
⊙ 38	*7YZM610007++H01	YZ023340	ACCESS.SADDLE		1	1	1
⊙ 39	*302K028240	2K028240	SPRING EXIT EARTH B		1	1	1
⊙ 40	*302K028090	2K028090	ACTUATOR EXIT OVERFLOW UP		1	1	1
⊙ 41	*63212210	63212210	STATIC ELIMINATOR,EJECT		2	2	2
101	7BB200308H	BB105660	+BIND T.T P SCREW 3X8				
102	7BB000303H	BB107000	+BIND M SCREW 3X3				
103	7BB700308H	BB105600	+BIND T.T S SCREW 3X8 SR				
104	7BB200410H	BB105700	+BIND T.T P SCREW 4X10				

- Parts with "*" are component parts or sub-assemblies of the assembly appearing immediately above them.
- Parts with "⊙" indicate regular maintenance parts.

- Parts with "••" are component parts or sub-assembly with "•" appearing immediately above them.

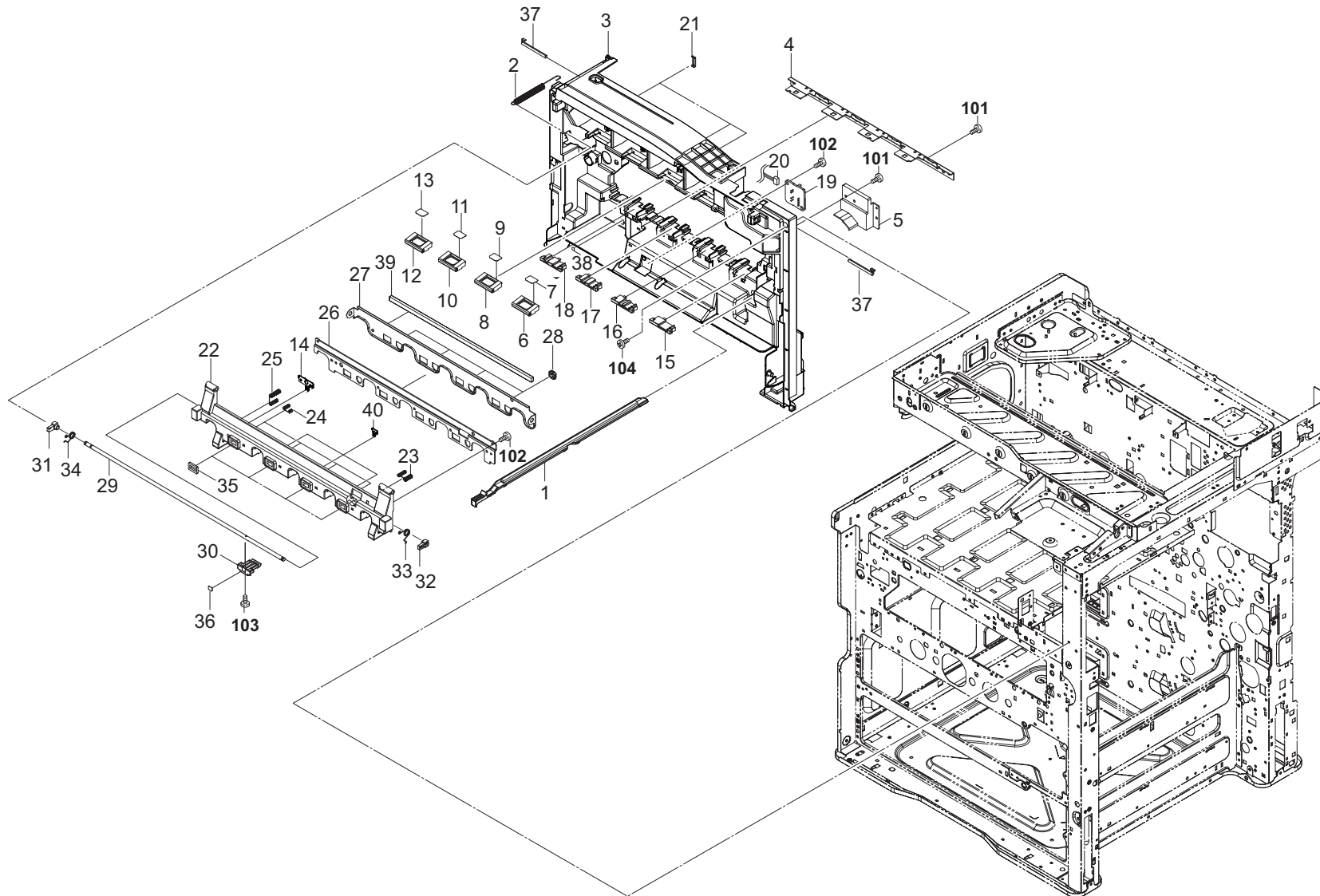


FIG. 32 Inner Section 1

2NP-2

Ref. No.	Part.No.	Alternative.	Description	Notes	Quantity		
					120	230	240
⊙ 1	302MV94030	2MV94030	PARTS CLEANING REGIST ASSY SP		1	1	1
2	302K002460	2K002460	SPRING RETAINER L		1	1	1
3	302NP02040	2NP02040	COVER INNER FRONT		1	1	1
4	302K002990	2K002990	BKT COVER INNER FRONT		1	1	1
5	302K002D30	2K002D30	COVER INNER DUCT		1	1	1
6	302K002B10	2K002B10	PIECE CONTAINER K		1	1	1
7	302K034090	2K034090	LABEL BLACK		1	1	1
8	302K002B20	2K002B20	PIECE CONTAINER M		1	1	1
9	302K034100	2K034100	LABEL MAGENTA		1	1	1
10	302K002B30	2K002B30	PIECE CONTAINER C		1	1	1
11	302K034110	2K034110	LABEL CYAN		1	1	1
12	302K002B40	2K002B40	PIECE CONTAINER Y		1	1	1
13	302K034120	2K034120	LABEL YELLOW		1	1	1
14	302NP03040	2NP03040	HOOK LEVER Y		1	1	1
15	302K002830	2K002830	PIECE RAIL BK		1	1	1
16	302K002840	2K002840	PIECE RAIL M		1	1	1
17	302K002850	2K002850	PIECE RAIL C		1	1	1
18	302K002680	2K002680	PIECE RAIL Y		1	1	1
⊙ 19	302NP94120	2NP94120	PARTS PWB THERMISTOR ASSY SP		1	1	1
20	302K046830	2K046830	WIRE HUMIT 2		1	1	1
21	302K317490	2K317490	LID GUIDE FFC LED		3	3	3
22	302K002371	2K002371	HOLDER RETAINER		1	1	1
23	302K002440	2K002440	SPRING DRUM EARTH A		1	1	1
24	302K002640	2K002640	SPRING DRUM EARTH B		4	4	4
25	302K002730	2K002730	SPRING DRUM EARTH C		1	1	1
26	302K002611	2K002611	REINFORCEMENT RETAINER		1	1	1
27	302NP03020	2NP03020	PLATE RETAINER		1	1	1
28	302K002630	2K002630	BUSH RETAINER		4	4	4
29	302K002420	2K002420	SHAFT RETAINER		1	1	1
30	302MV02280	2MV02280	LEVER RETAINER		1	1	1
31	302K002430	2K002430	HOOK RETAINER L		1	1	1
32	302K002390	2K002390	HOOK RETAINER R		1	1	1
33	302K002451	2K002451	SPRING RETAINER R		1	1	1
34	302K002E80	2K002E80	SPRING RETAINER L2		1	1	1
35	302K002560	2K002560	SEAL WASTE		4	4	4
36	302MV34110	2MV34110	LABEL E		1	1	1
37	302K002400	2K002400	PIN RETAINER		2	2	2
38	302K002240	2K002240	SEAL ADJUST BK		1	1	1
39	302MV03030	2MV03030	SEAL RETAINER		1	1	1
40	302NP03030	2NP03030	HOOK LEVER		3	3	3
101	7BB782308H	BB111300	+TP-FLAT T.T S SCREW 3X8 SR(BLACK)				
102	7BB200308H	BB105660	+BIND T.T P SCREW 3X8				
103	7BB607306H	BB105770	+TP-CUP M SCREW 3X6 R				
104	7BB700310H	BB106900	+BIND T.T S SCREW 3X10 SR				

- Parts with "*" are component parts or sub-assemblies of the assembly appearing immediately above them.
- Parts with "⊙" indicate regular maintenance parts.

- Parts with "••" are component parts or sub-assembly with "•" appearing immediately above them.

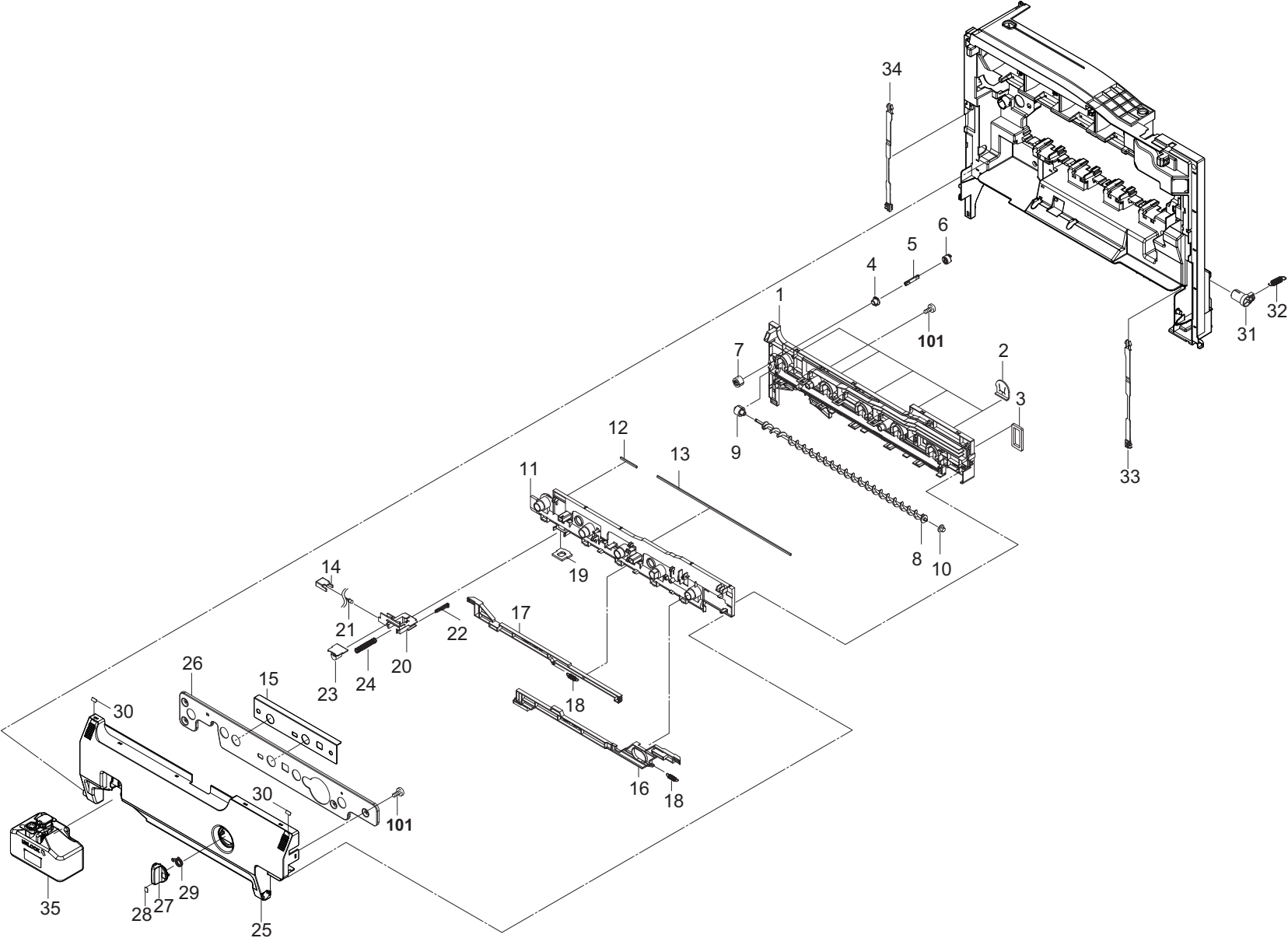


FIG. 33 Inner Section 2

2NP

Ref. No.	Part.No.	Alternative.	Description	Notes	Quantity			
					120	230	240	
1	302K003022	2K003022	CASE WASTE A		1	1	1	
2	302K003280	2K003280	SEAL CASE WASTE C		5	5	5	
3	302K003331	2K003331	SEAL CASE WASTE D		1	1	1	
4	302K003160	2K003160	BUSH WASTE		1	1	1	
5	302K003170	2K003170	SHAFT WASTE DRIVE		1	1	1	
6	302K003140	2K003140	JOINT WASTE C		1	1	1	
⊙	7	302K003110	2K003110	GEAR WASTE Z13L		1	1	1
8	302K003050	2K003050	SCREW WASTE		1	1	1	
⊙	9	302K003060	2K003060	GEAR SCREW WASTE Z13L		1	1	1
10	302K003290	2K003290	BUSH SCREW WASTE		1	1	1	
11	302K003031	2K003031	CASE WASTE B		1	1	1	
12	302K003270	2K003270	SEAL CASE WASTE B		1	1	1	
13	302K003260	2K003260	SEAL CASE WASTE A		1	1	1	
14	302K003320	2K003320	COVER SENSOR		1	1	1	
15	302MV03020	2MV03020	PLATE WASTE		1	1	1	
16	302K003092	2K003092	LOCK WASTE A		1	1	1	
17	302K003102	2K003102	LOCK WASTE B		1	1	1	
18	302K003231	2K003231	SPRING LOCK WASTE		2	2	2	
19	302K003250	2K003250	SEAL SHUTTER WASTE		1	1	1	
20	302K003041	2K003041	CASE SENSOR		1	1	1	
⊙	21	302K094280	2K094280	PARTS TONER FULL DETECT ASSY SP		1	1	1
22	5MVS313SB002	2BR08310	SPACER LED /43587J2063 A4		1	1	1	
23	302K003070	2K003070	SHUTTER WASTE TONER		1	1	1	
24	302K003200	2K003200	SPRING SHUTTER WASTE		1	1	1	
25	302NP03010	2NP03010	HOUSING WASTE		1	1	1	
26	302K003620	2K003620	PLATE HOUSING WASTE		1	1	1	
27	302MV03040	2MV03040	LEVER WASTE		1	1	1	
28	302MV34100	2MV34100	LABEL D		1	1	1	
29	302K003220	2K003220	SPRING LEVER WASTE		1	1	1	
30	302MV34240	2MV34240	LABEL PUSH		2	2	2	
31	302K002B50	2K002B50	ARM WASTE		1	1	1	
32	302K002B60	2K002B60	SPRING ARM WASTE		1	1	1	
33	302K304230	2K304230	STRAP COVER FRONT R		1	1	1	
34	302K304320	2K304320	STRAP COVER FRONT L		1	1	1	
35	302K093110	2K093110	WT-895		1	1	1	
101	7BB200308H	BB105660	+BIND T.T P SCREW 3X8					

- Parts with "*" are component parts or sub-assemblies of the assembly appearing immediately above them.
- Parts with "⊙" indicate regular maintenance parts.

- Parts with "••" are component parts or sub-assembly with "•" appearing immediately above them.

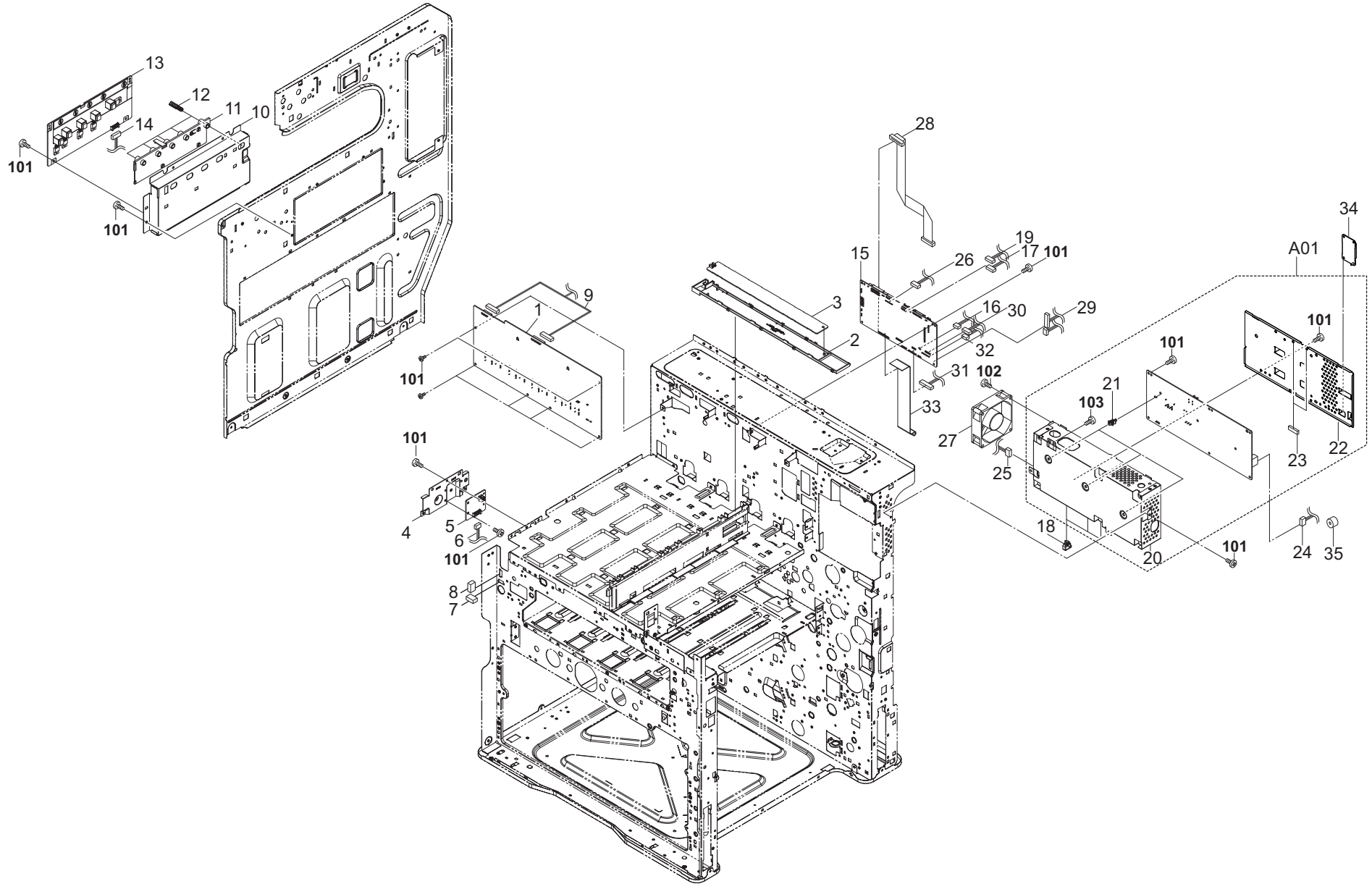


FIG. 34 Electrical Components 1

2NP

Ref. No.	Part.No.	Alternative.	Description	Notes	Quantity		
					120	230	240
⊙ 1	302K094260	2K094260	PARTS HVU1 SP		1	1	1
2	302K002B00	2K002B00	HOLDER RFID		1	1	1
⊙ 3	302K094200	2K094200	PARTS PWB RFID ASSY SP		1	1	1
4	302K002551	2K002551	HOLDER PWB MIDDLE		1	1	1
⊙ 5	302K094190	2K094190	PARTS PWB TRANSFER CONNECT ASSY SP		1	1	1
6	302K046350	2K046350	WIRE ENGINE2 - TC CONNECT		1	1	1
7	302K046400	2K046400	WIRE WT SENS 1		1	1	1
8	302NP46270	2NP46270	WIRE HUMIT 1		1	1	1
9	302NP46230	2NP46230	WIRE HIGH VOL1		1	1	1
10	302K039050	2K039050	SHIELD HI VOLTAGE TC1		1	1	1
11	302K039070	2K039070	BRACKET HV		1	1	1
12	302K039150	2K039150	SPRING CONTACT TC1		5	5	5
⊙ 13	302K094270	2K094270	PARTS HVU2 SP		1	1	1
14	302NP46280	2NP46280	WIRE ENGINE_MAIN-LSU CONNECT 1		1	1	1
⊙ 15	302NP94100	2NP94100	PARTS PWB ENGINE ASSY SP		1	1	1
16	302K046090	2K046090	WIRE SUB PWB		1	1	1
17	302NP46070	2NP46070	WIRE EXIT UNIT1		1	1	1
18	7YZM610010++H01	YZ042990	ACCESS.SADDLE		3	3	3
19	302K046640	2K046640	WIRE RELAY		1	1	1
⊙ A01	302MV94420	2MV94420	PARTS PWB IH 200 ASSY SP			1	1
⊙ A01	302MV94410	2MV94410	PARTS PWB IH 100 ASSY SP		1		
20	*302K039030	2K039030	SHIELD PWB IH		1	1	1
21	*7YZM510018++H01	YZ124540	ACCESS.SPACER		3	3	3
22	*302NP39040	2NP39040	COVER PWB IH		1	1	1
23	*7ZGSSTG34070H01	ZG131790	SHIELD GASKET		2	2	2
24	302NP46350	2NP46350	WIRE LVU-IH PRIMARY		1	1	1
25	302K046620	2K046620	WIRE ENGINE-IH		1	1	1
26	302NP46170	2NP46170	WIRE OPTION CONNECT		1	1	1
⊙ 27	302K094300	2K094300	PARTS FAN MOTOR SP		1	1	1
28	302NP46010	2NP46010	WIRE FFC ENGINE-MAIN SIG		1	1	1
29	302NP46030	2NP46030	WIRE ENGINE POWER1		1	1	1
30	302K046030	2K046030	WIRE FEED UNIT PI 1		1	1	1
31	302K046010	2K046010	WIRE FEED UNIT 1		1	1	1
32	302MV46430	2MV46430	WIRE MPF SIZE 1		1	1	1
33	302NP46020	2NP46020	WIRE FFC ENGINE 1-2 SIG		1	1	1
⊙ 34	302NP94130	2NP94130	PARTS PWB OPTION CONNECT ASSY SP		1	1	1
35	7YBER0R0E001H01	YB045410	FERRITE CORE		1	1	1
101	7BB700308H	BB105600	+BIND T.T S SCREW 3X8 SR				
102	7BB700330H	BB106840	+BIND T.T S SCREW 3X30 SR				
103	7BB200308H	BB105660	+BIND T.T P SCREW 3X8				

- Parts with "*" are component parts or sub-assemblies of the assembly appearing immediately above them.
- Parts with "⊙" indicate regular maintenance parts.

- Parts with "••" are component parts or sub-assembly with "•" appearing immediately above them.

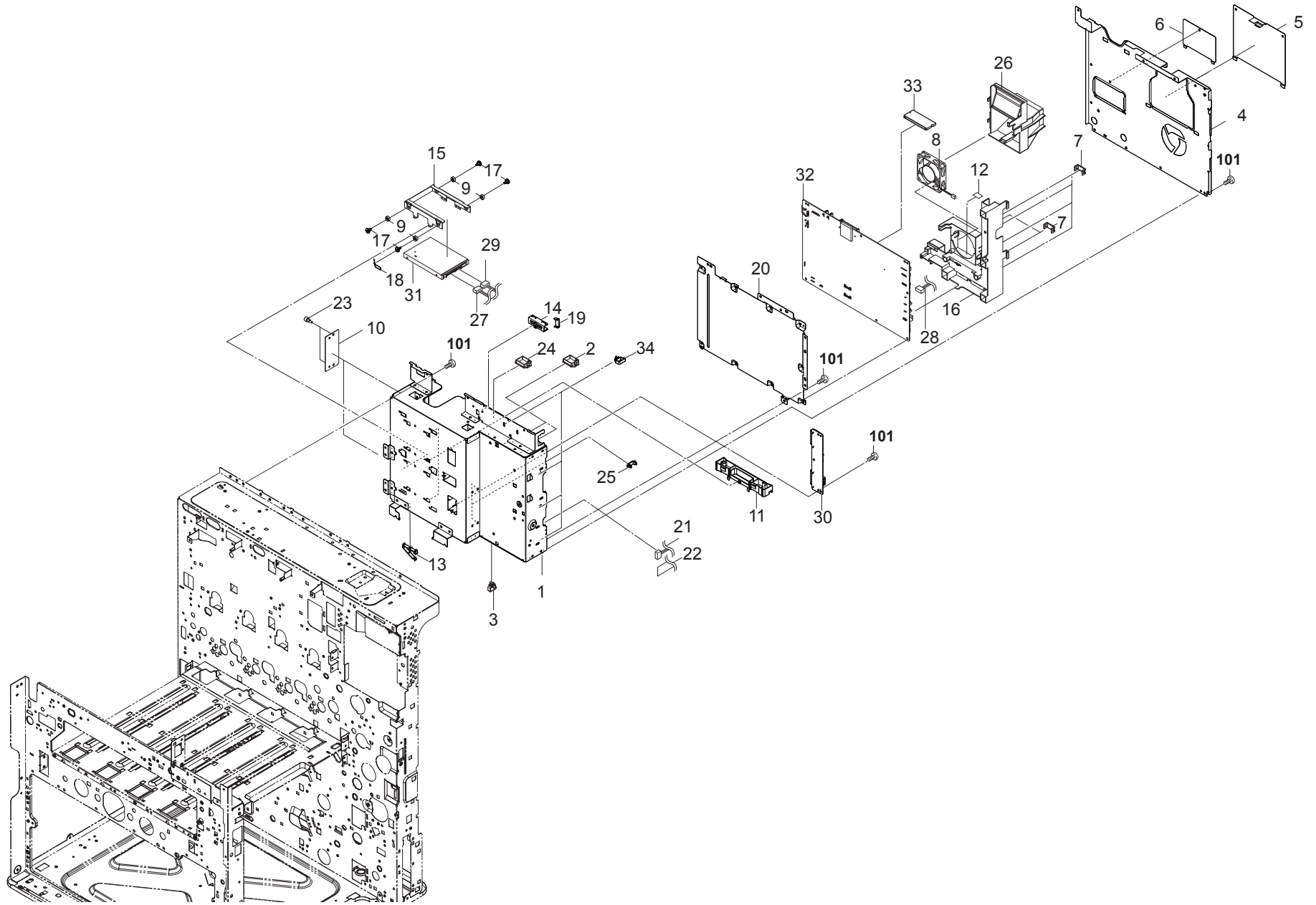


FIG. 35 Electrical Components 2

2NP-2

Ref. No.	Part.No.	Alternative.	Description	Notes	Quantity		
					120	230	240
1	302NP39010	2NP39010	BOX CONTROLLER		1	1	1
2	7YZM210002+++H01	YZ004730	ACCESS.EDGING		2	2	2
3	7YZM610011+++H01	YZ043000	ACCESS.SADDLE		1	1	1
4	302NL39100	2NL39100	LID CONTROLLER		1	1	1
5	302NL39110	2NL39110	LID DP		1	1	1
6	302NL39120	2NL39120	LID FAX BOARD		1	1	1
7	303LT02020	3LT02020	LID WIRE GUIDE		6	6	6
⊙ 8	302FZ44040	2FZ44040	FAN BOX COOLING		1	1	1
9	302JD19140	2JD19140	BUSHING FAN		4	4	4
10	302K339050	2K339050	PLATE OPTION		2	2	2
11	302K939030	2K939030	RAIL PWB		4	4	4
12	302LC31511	2LC31511	SEAL MOTOR DC		1	1	1
13	302LF02380	2LF02380	HOLDER FFC		1	1	1
14	302LF39050	2LF39050	GUIDE WIRE FRONT PWB		1	1	1
15	302MV39040	2MV39040	BRACKET HDD		1	1	1
16	302MV39050	2MV39050	HOLDER FAN MAIN		1	1	1
17	302MV39340	2MV39340	PIN HDD		4	4	4
18	302MV39350	2MV39350	SPRING EARTH HDD		1	1	1
19	303LL02330	3LL02330	HOLDER WIRE D		1	1	1
20	302NL39090	2NL39090	BRACKET MAIN		1	1	1
21	302NP46460	2NP46460	WIRE KUIO POWER		1	1	1
22	302NP46470	2NP46470	WIRE FFC KUIO		1	1	1
23	5MMT263SN012++R	2D903100	SCREW OP / M3 X 8 CRFREE A4		4	4	4
24	7YZM210005+++H01	YZ037990	ACCESS.EDGING		1	1	1
25	7YZM390011+++H01	YZ050250	ACCESS.CLAMP		2	2	2
26	302MV33010	2MV33010	DUCT OUT DLP D		1	1	1
27	302MV46210	2MV46210	WIRE HDD POWER		1	1	1
28	302NP46040	2NP46040	WIRE LVU-MAIN POWER		1	1	1
29	302NP46530	2NP46530	WIRE HDD SIG		1	1	1
⊙ 30	302K994270	2K994270	PARTS PWB KUIO ASSY SP		1	1	1
⊙ 31	302MV93130	2MV93130	PARTS STORAGE DEVICE SP		1	1	1
⊙ 32	302NP94141	2NP94141	PARTS PWB MAIN ASSY SP		1		1
⊙ 32	302NP94151	2NP94151	PARTS PWB MAIN ASSY EU SP			1	
⊙ 33	302LC94390	2LC94390	PARTS MEMORY MODULE SP		1	1	1
34	7YZM610010+++H01	YZ042990	ACCESS.SADDLE		4	4	4
101	7BB700308H	BB105600	+BIND T.T S SCREW 3X8 SR				

- Parts with "*" are component parts or sub-assemblies of the assembly appearing immediately above them.
- Parts with "⊙" indicate regular maintenance parts.

- Parts with "••" are component parts or sub-assembly with "•" appearing immediately above them.

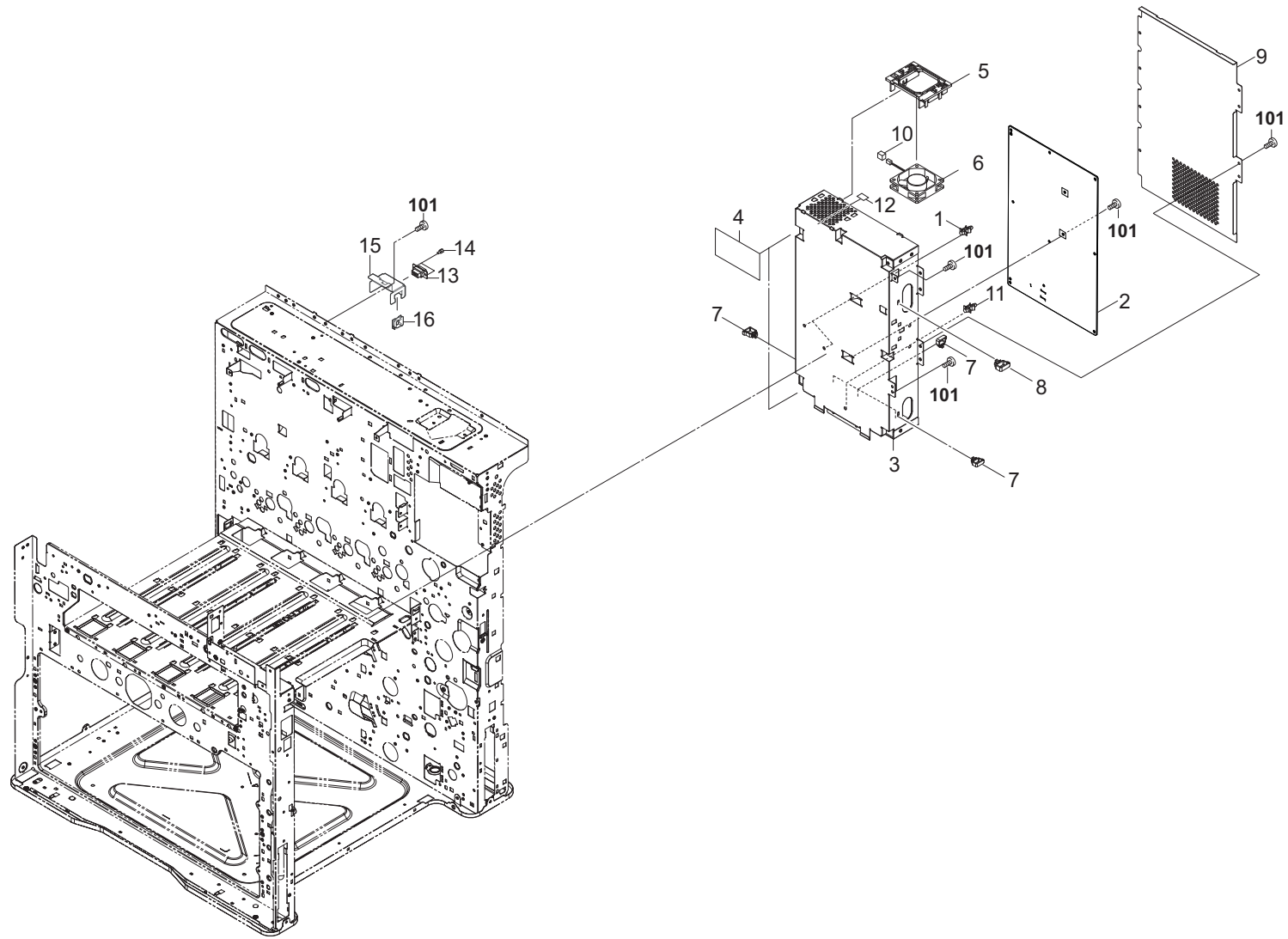


FIG. 36 Electrical Components 3

2NP-1

Ref. No.	Part.No.	Alternative.	Description	Notes	Quantity		
					120	230	240
1	7YZM510007++H01	YZ042780	ACCESS.SPACER		2	2	2
⊙ 2	302NP94090	2NP94090	PARTS UNIT LOW VOLTAGE 200 SP			1	1
⊙ 2	302NP94080	2NP94080	PARTS UNIT LOW VOLTAGE 100 SP		1		
3	302NP39020	2NP39020	BOX POWER		1	1	1
4	302MV39320	2MV39320	SHEET BOX POWER		2	2	2
5	302MV39250	2MV39250	BRACKET FAN POWER		1	1	1
⊙ 6	302FZ94420	2FZ94420	PARTS,FAN COOLING CONVEYING SP		1	1	1
7	7YZM610010++H01	YZ042990	ACCESS.SADDLE		5	5	5
8	7YZM610012++H01	YZ043010	ACCESS.SADDLE		1	1	1
9	302MV39220	2MV39220	LID POWER		1	1	1
10	7YCC02B1111+H01	YC045130	CONNECTOR		1	1	1
11	7YZM510021++H01	YZ127660	ACCESS.SPACER		1	1	1
12	302LC31511	2LC31511	SEAL MOTOR DC		1	1	1
13	302NP46360	2NP46360	WIRE DP		1	1	1
14	M0208010	M0208010	SPACER,SFS-2.6S-B1WM(JST)		2	2	2
15	302NP39150	2NP39150	MOUNT DP CONNECTOR		1	1	1
16	7YZM210005++H01	YZ037990	ACCESS.EDGING		1	1	1
101	7BB700308H	BB105600	+BIND T.T S SCREW 3X8 SR				

- Parts with "*" are component parts or sub-assemblies of the assembly appearing immediately above them.
- Parts with "⊙" indicate regular maintenance parts.

- Parts with "••" are component parts or sub-assembly with "•" appearing immediately above them.

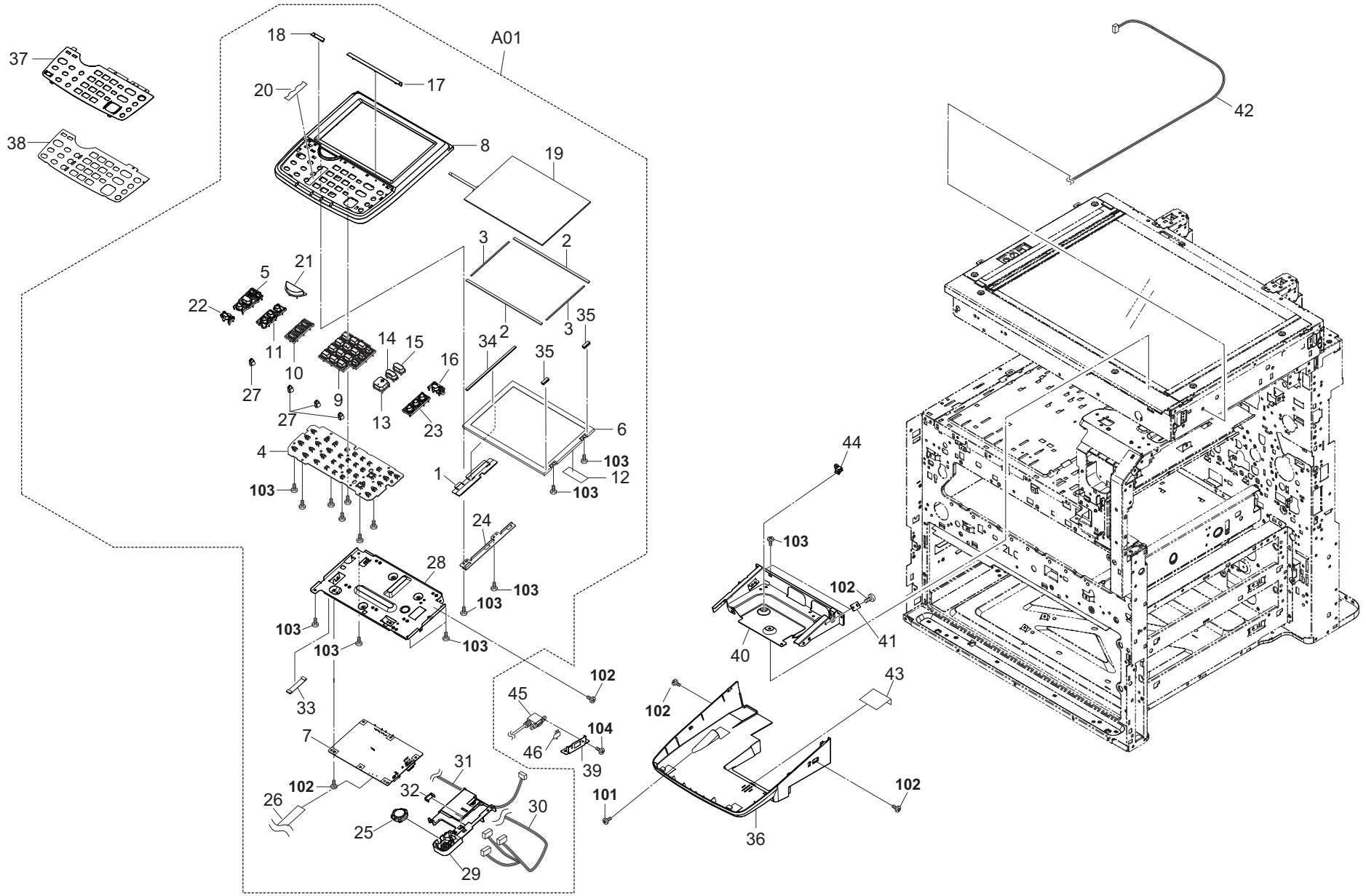


FIG. 37 Operation Section

2NP-2

Ref. No.	Part.No.	Alternative.	Description	Notes	Quantity		
					120	230	240
⊙ A01	302NP94071	2NP94071	PARTS OPERATION UNIT SP		1	1	1
1	*302N405210	2N405210	FILM LCD WIRE		1	1	1
2	*302N405241	2N405241	SPONGE LCD A		2	2	2
3	*302N405251	2N405251	SPONGE LCD B		2	2	2
⊙ 4	*302N494180	2N494180	PARTS PWB OPERATION ASSY SP		1	1	1
5	*302N405080	2N405080	KEY MENU		1	1	1
⊙ 6	*302N494090	2N494090	PARTS LCD OPERATION SP		1	1	1
⊙ 7	*302N494150	2N494150	PARTS PWB PANEL MAIN ASSY SP		1	1	1
8	*302NL05010	2NL05010	COVER OPERATION A		1	1	1
9	*302LC05050	2LC05050	KEY 10		1	1	1
10	*302N405060	2N405060	KEY COLOR		1	1	1
11	*302N405070	2N405070	KEY FUNCTION		1	1	1
12	*302H722690	2H722690	SHEET WIRE CONV E		1	1	1
13	*302N205190	2N205190	KEY START B		1	1	1
14	*302LC05100	2LC05100	KEY STOP		1	1	1
15	*302LC05110	2LC05110	KEY RESET		1	1	1
16	*302N405090	2N405090	KEY POWER		1	1	1
17	*302N405140	2N405140	LID OPERATION SHEET A		1	1	1
18	*302N405150	2N405150	LID OPERATION SHEET B		1	1	1
⊙ 19	*302N494100	2N494100	PARTS TABLET OPERATION SP		1	1	1
20	*302N405520	2N405520	SHEET COLOR		1	1	1
21	*302N405100	2N405100	KEY HOME		1	1	1
22	*302N405110	2N405110	KEY DISPLAY		1	1	1
23	*302N405120	2N405120	KEY RIGHT SIDE		1	1	1
24	*302LC05270	2LC05270	HOLDER LCD		1	1	1
⊙ 25	*302LC94370	2LC94370	PARTS SPEAKER SP		1	1	1
26	*302N446050	2N446050	WIRE FFC KEY PWB		1	1	1
27	*302N405200	2N405200	LENS LED		4	4	4
28	*302NL05030	2NL05030	MOUNT MAIN PWB		1	1	1
29	*302NL05040	2NL05040	GUIDE WIRE OPERATION		1	1	1
30	*302NP46450	2NP46450	WIRE PANEL JOINT		1	1	1
31	*302NP46390	2NP46390	WIRE PANEL DATA		1	1	1
32	*303LL02330	3LL02330	HOLDER WIRE D		1	1	1
33	*302LC05420	2LC05420	FILM FFC		1	1	1
34	*302N405260	2N405260	SPACER LCD A		1	1	1
35	*302N405270	2N405270	SPACER LCD B		2	2	2
36	302NL05020	2NL05020	COVER OPERATION B		1	1	1
37	302N405130	2N405130	PANEL OPERATION		1	1	1
38	302N405510	2N405510	SHEET OPERATION EN			1	1
38	302N405630	2N405630	SHEET OPERATION KDA EN		1		
39	302MV05050	2MV05050	MOUNT USB		1	1	1
40	302NL05050	2NL05050	MOUNT OPERATION		1	1	1
41	302K302A50	2K302A50	PLATE EARTH ISU		2	2	2
42	302NP46380	2NP46380	WIRE MAIN-OPERATION		1	1	1
43	302MV05090	2MV05090	FILM COVER LOW		1	1	1
44	M7005010	M7005010	CLAMP,EMT-3N(TAKEUCHI)		1	1	1
45	302NP46400	2NP46400	WIRE USB HOST		1	1	1
46	302K905900	2K905900	SPRING USB HOLD		1	1	1
101	7BB782308H	BB111300	+TP-FLAT T.T S SCREW 3X8 SR(BLACK)				
102	7BB700308H	BB105600	+BIND T.T S SCREW 3X8 SR				
103	7BB200308H	BB105660	+BIND T.T P SCREW 3X8				
104	7BB000306H	BB106880	+BIND M SCREW 3X6				

- Parts with "*" are component parts or sub-assemblies of the assembly appearing immediately above them.
- Parts with "⊙" indicate regular maintenance parts.

- Parts with "••" are component parts or sub-assembly with "•" appearing immediately above them.

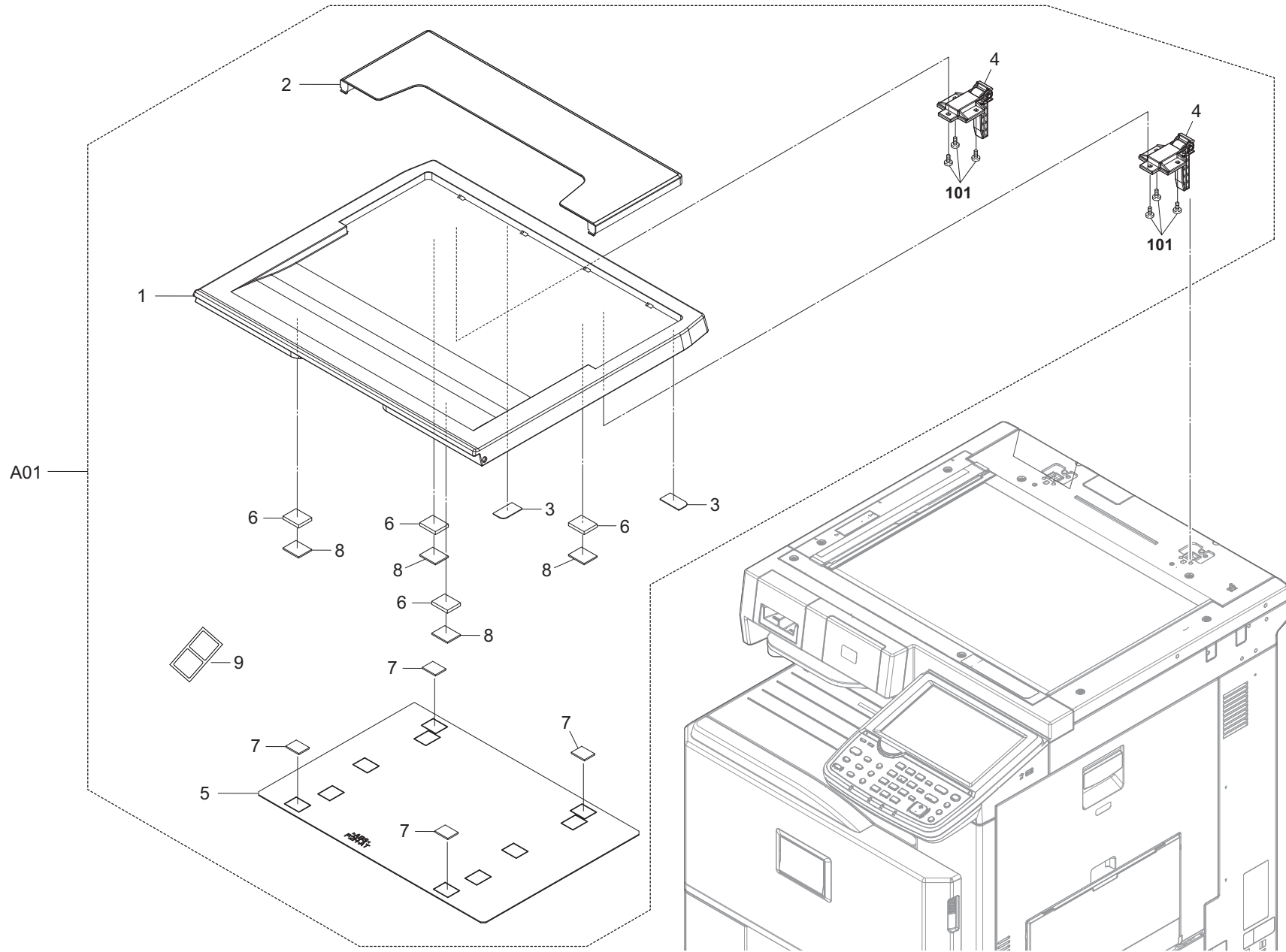


FIG. 38 Options 1

2NP-2

Ref. No.	Part.No.	Alternative.	Description	Notes	Quantity		
					120	230	240
A01	1202H70UN0	022H70UN	PLATEN COVER TYPE(E)	OPTION	1	1	1
1	•302H717500	2H717500	COVER PLATEN		1	1	1
2	•302H717510	2H717510	COVER POCKET		1	1	1
3	•302H717520	2H717520	STOPPER RELEASE SWITCH		2	2	2
4	•302H717600	2H717600	HINGI ORIGINAL HOLDER		2	2	2
5	•303JC04201	3JC04201	PLATE ORIGINAL		1	1	1
6	•303K502080	3K502080	SPONGE ORIGINAL MAT		4	4	4
7	•303MX02021	3MX02021	CUSHION ORIGINAL MAT A		4	4	4
8	•303MX02031	3MX02031	CUSHION ORIGINAL MAT B		4	4	4
9	•303PH34070	3PH34070	LABEL ISU REAR		1	1	1
101	7BB280410H	BB111250	+BIND T.T P SCREW 4X10(BLACK)				

- Parts with "•" are component parts or sub-assemblies of the assembly appearing immediately above them.
- Parts with "⊙" indicate regular maintenance parts.

- Parts with "••" are component parts or sub-assembly with "•" appearing immediately above them.

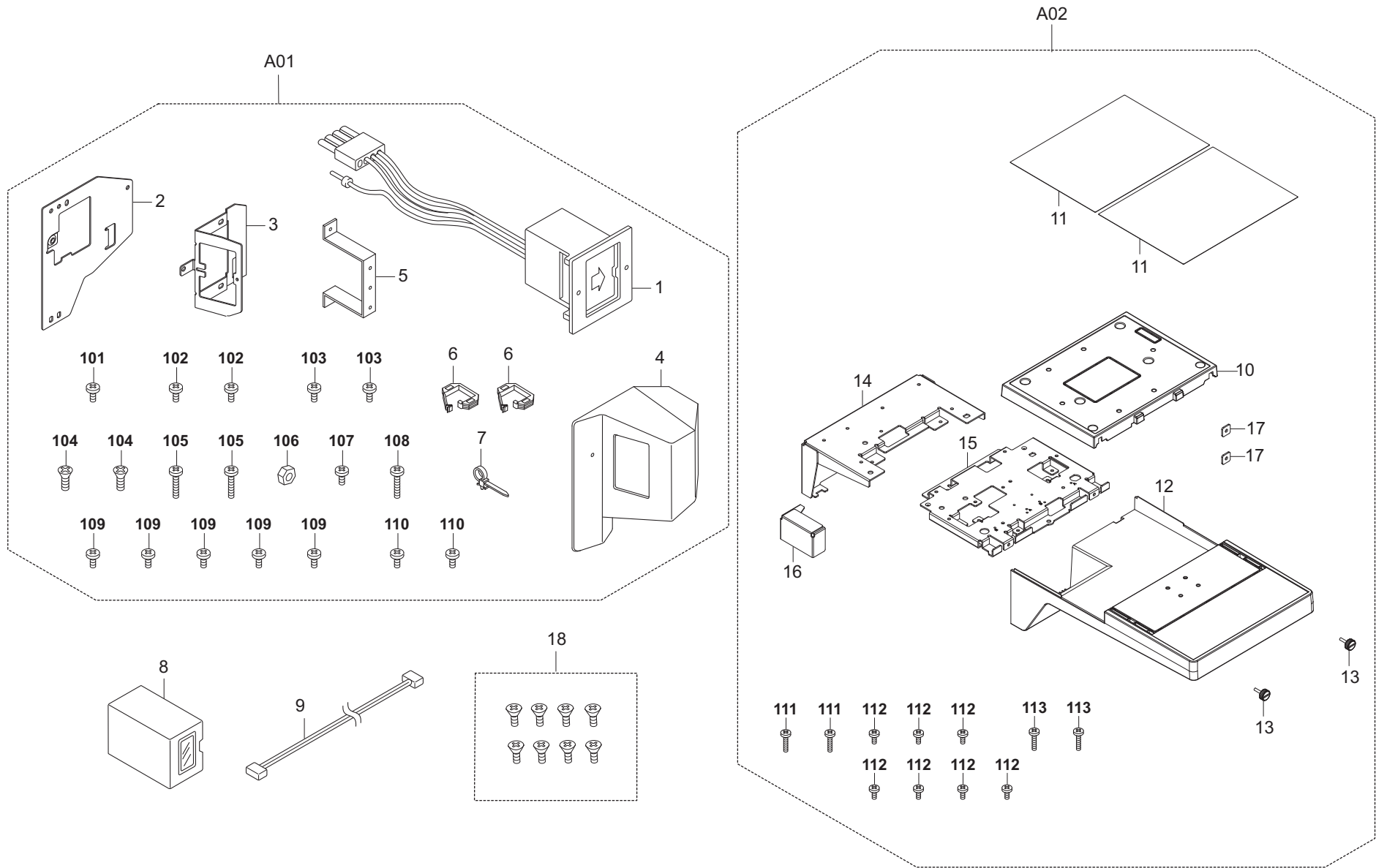


FIG. 39 Options 2

2NP

Ref. No.	Part.No.	Alternative.	Description	Notes	Quantity		
					120	230	240
⊙ A01	302A369709	2A369709	SET PARTS KEYCOUNTER NEW COLOR		1	1	1
1	*3029236241	29236241	SOCKET ASS'Y,KEY COUNTER		1	1	1
2	*302GR03010	2GR03010	RETAINER KEY COUNTER COVER		1	1	1
3	*302GR03020	2GR03020	RETAINER KEY COUNTER		1	1	1
4	*3066060011	66060011	COVER,KEY COUNTER		1	1	1
5	*3066060041	66060041	MOUNT,KEY COUNTER		1	1	1
6	*7YZM210006++H01	YZ038000	ACCESS.EDGING		2	2	2
7	*M21AH010	M21AH010	BAND,RSG-130-V0(KITAGAWA)		1	1	1
⊙ 8	3025418011	25418011	KEY COUNTER		1	1	1
9	302NP46410	2NP46410	WIRE KEY COUNTER		1	1	1
A02	1902LC0UN2	092LC0U2	DT-730(B)/DOCUMENT TRAY	OPTION	1	1	1
⊙ 10	*302LC04601	2LC04601	COVER TRAY		1	1	1
11	*302LC04660	2LC04660	SHEET TRAY		2	2	2
⊙ 12	*302LC04710	2LC04710	COVER TRAY LOWER		1	1	1
13	*303NS24410	3NS24410	SCREW PLATE DF		2	2	2
14	*302LC04611	2LC04611	STAY TRAY		1	1	1
15	*302LC04621	2LC04621	MOUNT TRAY		1	1	1
16	*302LC04670	2LC04670	PLATE TRAY		1	1	1
17	*3CY06030	3CY06030	RETAINER M4		2	2	2
⊙ 18	302N494220	2N494220	PARTS CURSOR SCREW SET SP		1	1	1
101	5MBTPB3008PW++R	B1A63080	BIND T.T SCREW(+) / M3 X 8 CRFREE P-T				
102	5MBTPB4010PW++R	B1A64100	BIND T.T SCREW(+) / M4 X 10 CRFREE P-T				
103	5MBTPB4010TW++R	B1A54100	BIND T.T SCREW(+) / M4 X 10 CRFREE S-T				
104	7BB003306H	BB040750	+COUNTER-SUNK HEAD SCREW M3X6 CRFREE				
105	7BB100420H	BB040740	+BIND TAP-TITE S SCREW M4X20 CRFREE				
106	7BC1003055++H01	BC018230	HEXA NUT M3				
107	B1B03080	B1B03080	+BIND SCREW M3X08				
108	B1B54300	B1B54300	+BIND TAP-TITE S SCREW M4X30(TRIVALENT C				
109	B4A04060	B4A04060	+TP-A SCREW M4X06(TRIVALENT CHROMATING)				
110	B4A04100	B4A04100	+TP-A SCREW M4X10(TRIVALENT CHROMATING)				
111	7BB607414H	BB107160	+TP-CUP M SCREW 4X14 R				
112	7BB180408H	BB111210	+BIND T.T S SCREW 4X8(BLACK)				
113	7BB607410H	BB106870	+TP-CUP M SCREW 4X10 R				

- Parts with "*" are component parts or sub-assemblies of the assembly appearing immediately above them.
- Parts with "⊙" indicate regular maintenance parts.

- Parts with "••" are component parts or sub-assembly with "•" appearing immediately above them.

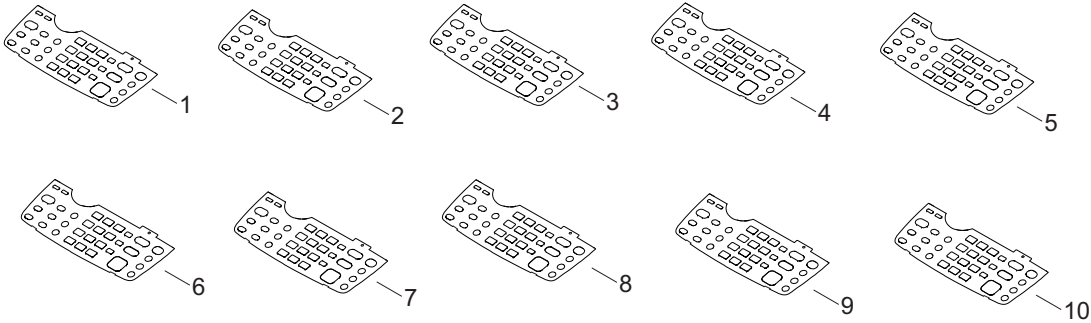


FIG. 40 Accessories

2NP

Ref. No.	Part.No.	Alternative.	Description	Notes	Quantity		
					120	230	240
1	302N405530	2N405530	SHEET OPERATION DE			1	
2	302N405540	2N405540	SHEET OPERATION FR			1	
3	302N405550	2N405550	SHEET OPERATION TL			1	
4	302N405560	2N405560	SHEET OPERATION ES			1	
5	302N405570	2N405570	SHEET OPERATION PT			1	
6	302N405580	2N405580	SHEET OPERATION NL			1	
7	302N405590	2N405590	SHEET OPERATION RU			1	
8	302N405640	2N405640	SHEET OPERATION KDA FR		1		
9	302N405650	2N405650	SHEET OPERATION KDA ES		1		
10	302N405660	2N405660	SHEET OPERATION KDA PT		1		

- Parts with "•" are component parts or sub-assemblies of the assembly appearing immediately above them.
- Parts with "⊙" indicate regular maintenance parts.

- Parts with "••" are component parts or sub-assembly with "•" appearing immediately above them.

FIG. 41 Maintenance Kits

2NP

Ref. No.	Part.No.	Alternative.	Description	Notes	Quantity		
					120	230	240
	1702NP0UN0	072NP0UN	MK-8325A/MAINTENANCE KIT		1	1	1
			PARTS PAD SEPARATION ASSY SP		1	1	1
			PARTS PRIMARY FEED ASSY SP		2	2	2
			PARTS ROLLER MPF ASSY SP		1	1	1
			PARTS CLEANING REGIST ASSY SP		1	1	1
			TR-8315A		1	1	1
			TR-8315B		1	1	1
			FK-8325		1	1	1
			DK-8325		1	1	1
			DV-8325K		1	1	1
	1702NP0UN1	072NP0U1	MK-8325B/MAINTENANCE KIT		1	1	1
			DK-8325		3	3	3
			DV-8325M		1	1	1
			DV-8325C		1	1	1
			DV-8325Y		1	1	1

- Parts with "•" are component parts or sub-assemblies of the assembly appearing immediately above them.
- Parts with "⊙" indicate regular maintenance parts.

- Parts with "••" are component parts or sub-assembly with "•" appearing immediately above them.

INDEX

2NP-4

Part.No.	Alternative.	Description	Fig.No.
1202H70UN0	022H70UN	PLATEN COVER TYPE(E)	38
1702NP0UN0	072NP0UN	MK-8325A/MAINTENANCE KIT	41
1702NP0UN1	072NP0U1	MK-8325B/MAINTENANCE KIT	41
1902LC0UN2	092LC0U2	DT-730(B)/DOCUMENT TRAY	39
2BC06910	2BC06910	STOPPER 6	8,11,14
2BC06980	2BC06980	STOPPER 5	18
2BG06480	2BG06480	BAND B	13
2BL04310	2BL04310	PLATE NUMBER	8
2BL04370	2BL04370	PLATE NUMBER 2	8
⊙ 2C901050	2C901050	PCB MPF SIZE ASSY	17
⊙ 2C906080	2C906080	GEAR 18 BYPASS	17
2C906090	2C906090	TERMINAL PAPER SIZE	17
2C907140	2C907140	PAD CASSETTE	8
2C907360	2C907360	SPRING CURSOR R	8
2FB06710	2FB06710	PIN CASSETTE RAIL	5
2FB07330	2FB07330	STOPPER BYPASS TABLE	2,17
2FB20860	2FB20860	PIN FUSER COVER	7,18
⊙ 2FB27160	2FB27160	INTER LOCK SWITCH	3,5
2FM04150	5MVM163DN005	CAP SPRING /B-11 ENCLOSURE A4	13,31
2FT18370	2FT18370	POLYSLIDER WASHER	29
3019527401	19527401	POWER CORD(120)	3
⊙ 3025418011	25418011	KEY COUNTER	39
3029236241	29236241	SOCKET ASS'Y,KEY COUNTER	39
⊙ 302A369709	2A369709	SET PARTS KEYCOUNTER NEW COLOR	39
302AR94050	2AR94050	PARTS AC CORD EU SP	3
302BG06152	2BG06152	SHAFT FEED B	13
⊙ 302F929260	2F929260	PULLEY DU LOW	31
302FB09830	2FB09830	CUT WASHER 4	8
302FB26290	2FB26290	LID VENDOR	7
302FG07020	2FG07020	PULLEY,CASSETTE RAIL	8
302FZ02580	2FZ02580	CAP HANDLE	3
302FZ03110	2FZ03110	SEAL HANDLE	3
⊙ 302FZ04240	2FZ04240	LID COVER LEFT	1
302FZ07020	2FZ07020	PULLEY MPT BYPASS	8
302FZ20021	2FZ20021	SPRING LID	13
302FZ25740	2FZ25740	STOPPER 4	3
⊙ 302FZ44040	2FZ44040	FAN BOX COOLING	35
⊙ 302FZ94380	2FZ94380	PARTS,FAN COOLING DLP 70 SP	30
⊙ 302FZ94420	2FZ94420	PARTS,FAN COOLING CONVEYING SP	30,36
302GR02240	2GR02240	PIN FRONT CASSETTE RAIL	5
302GR03010	2GR03010	RETAINER KEY COUNTER COVER	39
302GR03020	2GR03020	RETAINER KEY COUNTER	39
302GR04370	2GR04370	MAGNET CLIP DISH	19
302GR04380	2GR04380	SEAL MAGNET	19
⊙ 302H004560	2H004560	STOPPER PAPER	1
302H005340	2H005340	BUSH SLIDE OPE	19
302H008140	2H008140	SPRING BYPASSFFED	7
302H012330	2H012330	SEAL WIRE A	5
302H024360	2H024360	BUSH 8 EW	11

Part.No.	Alternative.	Description	Fig.No.
302H024370	2H024370	BUSH 6 EW	5,10,11,26,29,31
302H024830	2H024830	BUSH 8	11,14
⊙ 302H044110	2H044110	SENSOR ORIGINAL	18
302H702590	2H702590	BUSH SCREW	5,26,31
⊙ 302H704170	2H704170	COVER MAIN SW	1
302H708150	2H708150	SPONGE WIRE MPT	17
302H717500	2H717500	COVER PLATEN	38
302H717510	2H717510	COVER POCKET	38
302H717520	2H717520	STOPPER RELEASE SWITCH	38
302H717600	2H717600	HINGI ORIGINAL HOLDER	38
302H722470	2H722470	COLLAR TRANS ROLLER	15
302H722690	2H722690	SHEET WIRE CONV E	37
302HN02970	2HN02970	FELT CLEANER ID	10
302HN09240	2HN09240	SIZE FIX	8
⊙ 302HN24400	2HN24400	PULLEY PA	11
302HN31410	2HN31410	SPRING FEED	25,28
302HN31590	2HN31590	BUSH DRIVE	25,28
302HN31640	2HN31640	PIN DRIVE MT	26,28
302HN31650	2HN31650	SPRING INPUT MPF	28
302HN31660	2HN31660	JOINT SHAFT CASSETTE	25,26,28
302HN31670	2HN31670	PIN DRIVE A	26
302HN31680	2HN31680	PIN DRIVE B	26
⊙ 302HN44100	2HN44100	MOTOR REVERSE	18,31
302HN44160	2HN44160	SOLENOID MPF	28
⊙ 302HS31120	2HS31120	GEAR Z27L CLUTCH	10
302JD19140	2JD19140	BUSHING FAN	35
302JF02160	2JF02160	HANDLE	3
302K002050	2K002050	BASE CONTAINER	6
302K002110	2K002110	STAY HANDLE LEFT	5
302K002130	2K002130	PLATE ID SENSOR	10
302K002141	2K002141	FRAME FRONT UPPER	4
302K002151	2K002151	FRAME REAR UPPER	4
302K002172	2K002172	GUIDE FEED CASSETTE	10
302K002191	2K002191	DUCT IH	30
302K002210	2K002210	MOUNT RIGHT INTERLOCK	7
302K002230	2K002230	ACTUATOR PAPER EMPTY	5
302K002240	2K002240	SEAL ADJUST BK	32
302K002261	2K002261	BRACKET FAN DLP	30
302K002271	2K002271	GUIDE REGIST FRONT	11
302K002280	2K002280	GUIDE REGIST REAR	11
302K002290	2K002290	MOUNT FUSER FRONT	4
302K002340	2K002340	RAIL DRUM R	5
302K002350	2K002350	RAIL DRUM L	5
302K002360	2K002360	RAIL DRUM BK	5
302K002371	2K002371	HOLDER RETAINER	32
302K002390	2K002390	HOOK RETAINER R	32
302K002400	2K002400	PIN RETAINER	32
302K002420	2K002420	SHAFT RETAINER	32
302K002430	2K002430	HOOK RETAINER L	32

• Parts with "⊙" indicate regular maintenance parts.

Part.No.	Alternative.	Description	Fig.No.
302K002440	2K002440	SPRING DRUM EARTH A	32
302K002451	2K002451	SPRING RETAINER R	32
302K002460	2K002460	SPRING RETAINER L	32
302K002470	2K002470	SPRING EARTH REG A	11
302K002480	2K002480	SPRING EARTH REG B	11
302K002490	2K002490	SPRING EARTH REG D	11
302K002500	2K002500	SHEET REGIST	10
302K002510	2K002510	TERMINAL TRANSFER C	11
302K002520	2K002520	TERMINAL SEPARATION B	11
302K002531	2K002531	RAIL MIDDLE TRANSFER F	3
302K002540	2K002540	SPRING EARTH MIDDLE	10
302K002551	2K002551	HOLDER PWB MIDDLE	34
302K002560	2K002560	SEAL WASTE	32
302K002590	2K002590	GUIDE ACTUATOR	5
302K002601	2K002601	RAIL MIDDLE TRANSFER R	6
302K002611	2K002611	REINFORCEMENT RETAINER	32
302K002630	2K002630	BUSH RETAINER	32
302K002640	2K002640	SPRING DRUM EARTH B	32
302K002650	2K002650	DUCT CORD	3
302K002660	2K002660	HOLDER DRAWER FUSER	4
302K002671	2K002671	SPRING EARTH EXIT	4
302K002680	2K002680	PIECE RAIL Y	32
302K002730	2K002730	SPRING DRUM EARTH C	32
302K002740	2K002740	STAY SHIELD IH	30
302K002750	2K002750	STAY SHIELD POWER	7
302K002770	2K002770	HOLDER CORD SENSOR SUB	5
302K002781	2K002781	DUCT IH COVER	30
302K002790	2K002790	DUCT CONTAINER A	30
302K002820	2K002820	HOLDER CORD REAR	5
302K002830	2K002830	PIECE RAIL BK	32
302K002840	2K002840	PIECE RAIL M	32
302K002850	2K002850	PIECE RAIL C	32
302K002860	2K002860	CASE ID SENSOR CLEANING	10
302K002870	2K002870	SHUTTER ID SENSOR CLEANING	10
302K002880	2K002880	WORM-WHEEL ID SENSOR CLEANING	10
302K002890	2K002890	GEAR ID SENSOR CLEANING Z71R	10
302K002900	2K002900	ARM ID SENSOR CLEANING	10
302K002930	2K002930	SLIDER MIDDLE TRANSFER F	3
302K002940	2K002940	SLIDER MIDDLE TRANSFER R	6
302K002950	2K002950	WORK-PLATE MIDDLE TRANSFER COUPLING	6
302K002960	2K002960	SPRING MIDDLE TRANSFER SLIDER	3,6
302K002970	2K002970	SPRING MIDDLE TRANSFER COUPLING	6
302K002980	2K002980	HOLDER CORD SENSOR	5
302K002990	2K002990	BKT COVER INNER FRONT	32
302K002A00	2K002A00	COVER EXIT HARNESS	7
302K002A20	2K002A20	GUIDE TRANSFER LEFT	11
302K002A40	2K002A40	RAIL CONTAINER L	6
302K002A50	2K002A50	RAIL CONTAINER R	6
302K002A60	2K002A60	DAMPER CONTAINER	6
302K002B00	2K002B00	HOLDER RFID	34

Part.No.	Alternative.	Description	Fig.No.
302K002B10	2K002B10	PIECE CONTAINER K	32
302K002B20	2K002B20	PIECE CONTAINER M	32
302K002B30	2K002B30	PIECE CONTAINER C	32
302K002B40	2K002B40	PIECE CONTAINER Y	32
302K002B50	2K002B50	ARM WASTE	33
302K002B60	2K002B60	SPRING ARM WASTE	33
302K002B70	2K002B70	SPRING DAMPER CONT	6
302K002C00	2K002C00	BUSH MIDDLE	10
302K002C21	2K002C21	DUCT HIGH VOLTAGE	30
302K002C40	2K002C40	HOLDER CORD FRONT	5
302K002C60	2K002C60	SPRING ID CLEANING	10
302K002C70	2K002C70	DUCT IH COIL	30
302K002D00	2K002D00	SPONGE IH COIL	30
302K002D30	2K002D30	COVER INNER DUCT	32
302K002D40	2K002D40	SPRING EARTH REG C	11
302K002D51	2K002D51	SEAL TONER	6
302K002D60	2K002D60	SEAL DLP FAN	30
302K002D70	2K002D70	SHEET GUIDE FEED	3,10
302K002E00	2K002E00	SHEET GUIDE CASSETTE	11
302K002E80	2K002E80	SPRING RETAINER L2	32
302K003022	2K003022	CASE WASTE A	33
302K003031	2K003031	CASE WASTE B	33
302K003041	2K003041	CASE SENSOR	33
302K003050	2K003050	SCREW WASTE	33
302K003060	2K003060	GEAR SCREW WASTE Z13L	33
302K003070	2K003070	SHUTTER WASTE TONER	33
302K003092	2K003092	LOCK WASTE A	33
302K003102	2K003102	LOCK WASTE B	33
302K003110	2K003110	GEAR WASTE Z13L	33
302K003140	2K003140	JOINT WASTE C	33
302K003160	2K003160	BUSH WASTE	33
302K003170	2K003170	SHAFT WASTE DRIVE	33
302K003200	2K003200	SPRING SHUTTER WASTE	33
302K003220	2K003220	SPRING LEVER WASTE	33
302K003231	2K003231	SPRING LOCK WASTE	33
302K003250	2K003250	SEAL SHUTTER WASTE	33
302K003260	2K003260	SEAL CASE WASTE A	33
302K003270	2K003270	SEAL CASE WASTE B	33
302K003280	2K003280	SEAL CASE WASTE C	33
302K003290	2K003290	BUSH SCREW WASTE	33
302K003320	2K003320	COVER SENSOR	33
302K003331	2K003331	SEAL CASE WASTE D	33
302K003620	2K003620	PLATE HOUSING WASTE	33
302K015010	2K015010	HOLDER TONER DRIVE A	29
302K015022	2K015022	HOLDER TONER DRIVE B	29
302K015030	2K015030	GEAR Z20S-Z26L	29
302K015040	2K015040	GEAR Z50S	29
302K015200	2K015200	SHUTTER TONER SUPPLY A	6
302K015230	2K015230	GEAR IDLE Z22S	6
302K015240	2K015240	GEAR JOINT Z26S	6

• Parts with "⊙" indicate regular maintenance parts.

Part.No.	Alternative.	Description	Fig.No.
302K015250	2K015250	PIN TONER SUPPLY	6
302K015270	2K015270	SPRING JOINT CONTAINER	29
302K015320	2K015320	SPRING SHUTTER SUPPLY A	6
302K015340	2K015340	SEAL SHUTTER SUPPLY	6
302K015350	2K015350	SEAL TONER SUPPLY A	6
302K015460	2K015460	COVER GEAR SUPPLY	6
302K015490	2K015490	SPRING TN FEED	6
302K015500	2K015500	BALL TN FEED	6
302K015540	2K015540	SHEET HOLDER TONER DRIVE	29
302K024014	2K024014	BASE CONVEYING	15
302K024050	2K024050	HOLDER TRANSFER	16
302K024060	2K024060	HOLDER SEPARATION	16
302K024070	2K024070	HOOK TRANSFER F	16
302K024080	2K024080	HOOK TRANSFER R	16
302K024091	2K024091	LEVER TRANSFER	16
302K024110	2K024110	GUIDE CONVEYING	15
302K024120	2K024120	GUIDE TRANSFER RIGHT	16
302K024130	2K024130	TERMINAL TRANSFER A	16
302K024140	2K024140	TERMINAL TRANSFER B	15
302K024151	2K024151	TERMINAL SEPARATION A	15
302K024160	2K024160	SPRING EARTH CONVEYING	15
302K024170	2K024170	SPRING TRANSFER F	16
302K024190	2K024190	SPRING MIDDLE PULLEY	15
302K024200	2K024200	SPRING GUIDE	16
302K024220	2K024220	SHEET REGIST R	15
302K024232	2K024232	LEVER CONVEYING F	15
302K024242	2K024242	LEVER CONVEYING R	15
302K024250	2K024250	COVER HARNESS	15
302K024271	2K024271	FRAME DU	15
302K024280	2K024280	FRAME DU B	15
302K024300	2K024300	BASE CONVEYING SUB	15
302K024310	2K024310	COVER DUCT FRONT	15
302K024320	2K024320	COVER DUCT REAR	15
302K024330	2K024330	SHEET FAN PRESS	15
302K024340	2K024340	SPRING GUIDE R	16
302K024350	2K024350	SHEET TRANSFER	16
302K024380	2K024380	HOLDER SENSOR	15
302K024410	2K024410	GEAR TRANSFER Z25	16
302K024431	2K024431	SHEET REGIST LOW	15
302K024440	2K024440	SPRING REGIST F	15
302K024450	2K024450	SPRING REGIST R	15
302K026010	2K026010	BASE FUSER MOUNT	4
302K026020	2K026020	COVER FUSER MOUNT FRONT	4
302K026030	2K026030	COVER FUSER MOUNT REAR	4
302K026060	2K026060	SPRING FUSER LOCK LEVER	4
302K026080	2K026080	SPRING EARTH FUSER RAIL	4
302K026090	2K026090	SLIDER ASSY	4
302K026120	2K026120	GEAR IDLE Z20S	4
302K026130	2K026130	SHAFT RAIL	4
302K026150	2K026150	LEVER TRANSFER SHIELD	4

Part.No.	Alternative.	Description	Fig.No.
302K026180	2K026180	SPRING FUSER LOCK LEVER R	4
302K026190	2K026190	SHEET RAIL	4
302K028060	2K028060	GUIDE CHANGE	31
302K028070	2K028070	COVER EXIT SENSOR	31
302K028080	2K028080	ACTUATOR EXIT OVERFLOW LOW	31
302K028090	2K028090	ACTUATOR EXIT OVERFLOW UP	31
302K028160	2K028160	LEVER SOLENOID	31
302K028180	2K028180	PLATE EXIT MOTOR	31
302K028190	2K028190	SPRING SOLENOID A	31
302K028200	2K028200	SPRING EXIT EARTH A	31
302K028210	2K028210	SPRING EXIT PULLEY	31
302K028240	2K028240	SPRING EXIT EARTH B	31
302K028250	2K028250	SPRING EXIT EARTH C	31
302K028260	2K028260	GEAR Z23S EXIT	31
302K028270	2K028270	SPRING EXIT EARTH D	31
302K028280	2K028280	SPRING GUIDE PULLEY	31
302K028300	2K028300	SHEET EXIT FRAME	31
302K028310	2K028310	RUBBER EXIT	31
302K028320	2K028320	SHEET PLATE EXIT	31
302K029016	2K029016	GUIDE RIGHT COVER	14
302K029030	2K029030	PULLEY DU 26 B	14
302K029050	2K029050	GUIDE EXIT RIGHT	14
302K029060	2K029060	WIRE EARTH DU A	14
302K029070	2K029070	WIRE EARTH DU B	14
302K029080	2K029080	SPRING DU FEED	14
302K029090	2K029090	SPONGE GUIDE	14
302K029100	2K029100	SPONGE RIGHT COVER	14
302K031010	2K031010	BASE MAIN DRIVE F	26
302K031020	2K031020	BASE MAIN DRIVE R	26
302K031030	2K031030	BASE MIDDLE DRIVE F	29
302K031040	2K031040	BASE MIDDLE DRIVE R	29
302K031050	2K031050	PLATE MAIN DRIVE F	26
302K031060	2K031060	PLATE MAIN DRIVE R	26
302K031070	2K031070	PLATE MIDDLE DRIVE	29
302K031080	2K031080	PLATE MOTOR MAIN	26
302K031090	2K031090	PLATE MOTOR DLP	26
302K031100	2K031100	PLATE MOTOR MIDDLE	29
302K031140	2K031140	GEAR DLP Z45R	26
302K031150	2K031150	GEAR DLP Z87R-Z66L	26,29
302K031160	2K031160	GEAR DLP Z53R-Z45R	26
302K031170	2K031170	GEAR DLP Z37L	26
302K031180	2K031180	GEAR DLP Z31R	26
302K031190	2K031190	GEAR DLP Z45L	26
302K031200	2K031200	GEAR DLP Z53R	29
302K031210	2K031210	GEAR DLP Z45R	29
302K031260	2K031260	GEAR FUSER Z74R-Z24	29
302K031270	2K031270	GEAR FUSER Z45	29
302K031280	2K031280	GEAR FUSER Z25	29
302K031290	2K031290	GEAR CLN Z30R-Z32	26
302K031300	2K031300	GEAR MIDDLE CLN Z27L-Z21L	26,28

• Parts with "⊙" indicate regular maintenance parts.

	Part.No.	Alternative.	Description	Fig.No.
⊙	302K031310	2K031310	GEAR MIDDLE CLN Z30R	26
⊙	302K031320	2K031320	GEAR MIDDLE CLN Z37R	26
⊙	302K031330	2K031330	PULLEY MIDDLE CLN Z30	26
⊙	302K031340	2K031340	PULLEY MIDDLE CLN IDLE	26
	302K031350	2K031350	SHAFT DLP	26
	302K031370	2K031370	SHAFT MIDDLE CLN	26
	302K031380	2K031380	COLLAR MIDDLE CLN A	26
	302K031390	2K031390	COLLAR MIDDLE CLN B	26
	302K031410	2K031410	SPRING MAIN DRIVE A	26
	302K031420	2K031420	SPRING MAIN DRIVE B	3,26,29
	302K031431	2K031431	BASE TENSION F	26
	302K031440	2K031440	BASE TENSION R	26
	302K031450	2K031450	HOLDER CLUTCH	26
	302K031462	2K031462	GUIDE WIRE MAIN DRIVE	27
	302K031470	2K031470	GUIDE WIRE MIDDLE DRIVE	29
	302K031480	2K031480	SPRING MIDDLE CLN	26
	302K031501	2K031501	HOLDER FEED DRIVE A	28
	302K031511	2K031511	HOLDER FEED DRIVE B	28
⊙	302K031520	2K031520	GEAR Z84R-Z27L	28
⊙	302K031530	2K031530	GEAR Z61R-Z32R	28
⊙	302K031540	2K031540	GEAR Z32L IDLE	28
⊙	302K031550	2K031550	GEAR Z30L OUTPUT CL	28
	302K031560	2K031560	PLATE FEED DRIVE	28
	302K031570	2K031570	SPRING EARTH F	28
⊙	302K031600	2K031600	GEAR FUSER Z24	29
	302K031611	2K031611	SPRING FUSER	29
	302K031620	2K031620	GUIDE WIRE SUB	27
⊙	302K031720	2K031720	GEAR BELT CLEANING DRIVE Z30L	5
	302K031730	2K031730	SHAFT BELT CLEANING DRIVE	5
⊙	302K031740	2K031740	GEAR BELT CLEANING DRIVE Z20L	5
	302K033012	2K033012	DUCT EXIT	30
	302K033040	2K033040	DUCT OUT DLP C	30
	302K033060	2K033060	DUCT INPUT DLP A	30
	302K033070	2K033070	DUCT INPUT DLP B	30
	302K033080	2K033080	DUCT INPUT DLP C	30
	302K033090	2K033090	SPRING DUCT	30
	302K034090	2K034090	LABEL BLACK	32
	302K034100	2K034100	LABEL MAGENTA	32
	302K034110	2K034110	LABEL CYAN	32
	302K034120	2K034120	LABEL YELLOW	32
	302K039030	2K039030	SHIELD PWB IH	34
	302K039050	2K039050	SHIELD HI VOLTAGE TC1	34
	302K039070	2K039070	BRACKET HV	34
	302K039100	2K039100	LID ENGINE SUB	27
	302K039140	2K039140	LID TERMINAL	6
	302K039150	2K039150	SPRING CONTACT TC1	34
	302K039160	2K039160	SPRING DRUM PWB	6
	302K039170	2K039170	SPRING HV MAIN BK	6
	302K039180	2K039180	SPRING HV MAIN M	6
	302K039190	2K039190	SPRING HV MAIN C	6

	Part.No.	Alternative.	Description	Fig.No.
	302K039200	2K039200	SPRING HV MAIN Y	6
	302K039210	2K039210	SPRING HV MAG BK	6
	302K039220	2K039220	SPRING HV MAG M	6
	302K039230	2K039230	SPRING HV MAG C	6
	302K039240	2K039240	SPRING HV MAG Y	6
	302K039250	2K039250	SPRING HV SLEEVE BK	6
	302K039260	2K039260	SPRING HV SLEEVE M	6
	302K039270	2K039270	SPRING HV SLEEVE C	6
	302K039280	2K039280	SPRING HV SLEEVE Y	6
	302K039290	2K039290	SPRING HV TRANSFER	6
	302K039300	2K039300	SPRING HV SEPARATION	6
	302K039320	2K039320	GUIDE WIRE ENGINE SUB	27
	302K046010	2K046010	WIRE FEED UNIT 1	34
	302K046020	2K046020	WIRE FEED UNIT 2	28
	302K046030	2K046030	WIRE FEED UNIT PI 1	34
	302K046041	2K046041	WIRE CONVEYING UNIT	15
	302K046060	2K046060	WIRE EXIT UNIT2	31
	302K046090	2K046090	WIRE SUB PWB	34
	302K046130	2K046130	WIRE TONER SUPPLY MOT	29
	302K046140	2K046140	WIRE DRUM-DLP MOT	26
	302K046180	2K046180	WIRE BELT-FUSER MOT	29
	302K046200	2K046200	WIRE ENGINE_MAIN-LSU CONNECT 2	20
	302K046220	2K046220	WIRE MAIN-LSU CONNECT 2	20
	302K046280	2K046280	WIRE CASSETTE SIZE SW	7
	302K046290	2K046290	WIRE PAPER EMPTY/BOTTOM UP	3
	302K046300	2K046300	WIRE LIFT FULL	5
	302K046310	2K046310	WIRE ID SENSOR	10
	302K046340	2K046340	WIRE ENGINE2 - DRUM/DLP CONNECT	27
	302K046350	2K046350	WIRE ENGINE2 - TC CONNECT	34
	302K046370	2K046370	WIRE FAN MOT DLP/LSU	30
	302K046380	2K046380	WIRE RESIST	10
	302K046400	2K046400	WIRE WT SENS 1	34
	302K046420	2K046420	WIRE ID SENS MOT/PI	10
	302K046620	2K046620	WIRE ENGINE-IH	34
	302K046640	2K046640	WIRE RELAY	34
	302K046830	2K046830	WIRE HUMIT 2	32
	302K046890	2K046890	WIRE CONVEYING UNIT PI	15
	302K093110	2K093110	WT-895	33
⊙	302K093122	2K093122	DR-895A	26
⊙	302K093132	2K093132	DR-895B	29
⊙	302K093142	2K093142	DR-895C	28
⊙	302K094010	2K094010	PARTS EXIT UNIT SP	31
⊙	302K094041	2K094041	PARTS PIPE TRANSFER CLEANING ASSY SP	5
⊙	302K094050	2K094050	PARTS TONER SUPPLY ASSY SP	6
⊙	302K094090	2K094090	PARTS MOTOR-DC ASSY C SP	10,20
⊙	302K094100	2K094100	PARTS DC MOTOR SP	29
⊙	302K094170	2K094170	PARTS PWB LSU CONNECT ASSY SP	20
⊙	302K094190	2K094190	PARTS PWB TRANSFER CONNECT ASSY SP	34
⊙	302K094200	2K094200	PARTS PWB RFID ASSY SP	34
⊙	302K094260	2K094260	PARTS HVU1 SP	34

• Parts with "⊙" indicate regular maintenance parts.

	Part.No.	Alternative.	Description	Fig.No.
⊙	302K094270	2K094270	PARTS HVU2 SP	34
⊙	302K094280	2K094280	PARTS TONER FULL DETECT ASSY SP	33
⊙	302K094290	2K094290	PARTS ID SENSOR ASSY SP	10
⊙	302K094300	2K094300	PARTS FAN MOTOR SP	34
⊙	302K094320	2K094320	PARTS CLUTCH 50 Z45L SP	26
⊙	302K094330	2K094330	PARTS ROLLER MIDDLE SP	10
⊙	302K094340	2K094340	PARTS ROLLER EXIT FD SP	31
⊙	302K094350	2K094350	PARTS ROLLER EXIT REVERSE SP	31
⊙	302K094390	2K094390	PARTS ROLLER DU B SP	14
⊙	302K094420	2K094420	PARTS ROLLER REGIST RIGHT SP	15
⊙	302K094640	2K094640	PARTS DRIVE MIDDLE TRANS SP	29
	302K302140	2K302140	STAY RIGHT HANDLE	12
	302K302200	2K302200	SPACER SCANNER ADJUST	7
	302K302210	2K302210	MOUNT SCANNER ADJUST	7
	302K302260	2K302260	COVER INNER BASE	2
⊙	302K302430	2K302430	HEATER DEHUMIDIFIER 120	3
⊙	302K302440	2K302440	HEATER DEHUMIDIFIER 240	3
	302K302760	2K302760	LEVER LIFT CASSETTE	5
	302K302831	2K302831	ACTUATOR DECK FEED	11
	302K302840	2K302840	MOUNT DECK PI	3
	302K302890	2K302890	LID DEHUMIDIFIER SW	7
	302K302910	2K302910	MOUNT DECK DRAWER	3
	302K302920	2K302920	CAP DECK PIN	3
	302K302A50	2K302A50	PLATE EARTH ISU	37
	302K304230	2K304230	STRAP COVER FRONT R	33
	302K304320	2K304320	STRAP COVER FRONT L	33
	302K304520	2K304520	HOOK RIGHT COVER	14
	302K304550	2K304550	SHAFT RIGHT COVER F	15
	302K304560	2K304560	SHAFT RIGHT COVER R	15
	302K304571	2K304571	JOINT JUNCTION HOOK	14
	302K304591	2K304591	STRAP RIGHT COVER	14
	302K304630	2K304630	FILM CONVEYING SHAFT	15
	302K306140	2K306140	ACTUATOR REGIST	10,11
	302K306150	2K306150	SPRING ACTUATOR REGIST	10,11
	302K308020	2K308020	ACTUATOR MPF	12
	302K308030	2K308030	GUIDE UPPER MPF	12
	302K308070	2K308070	BUSH 10	12
	302K308080	2K308080	SHAFT MPF	12
	302K308101	2K308101	LIFT PLATE	12
	302K308110	2K308110	PAD LIFT	12
	302K308120	2K308120	SPRING LIFT R	12
	302K308130	2K308130	SPRING LIFT F	12
	302K308140	2K308140	ARM LIFT	12
⊙	302K308150	2K308150	ROLLER MPF	12
	302K308240	2K308240	SPRING EARTH	12
	302K308250	2K308250	SPRING ACTUATOR	12
	302K308260	2K308260	WIRE EARTH MPF	12
	302K308270	2K308270	SPRING MPF ROLL	12
	302K308340	2K308340	SEAL GUIDE PAD	12
	302K308460	2K308460	STRAP LINK MPF	17

	Part.No.	Alternative.	Description	Fig.No.
	302K308470	2K308470	STOPPER STRAP	17
	302K308480	2K308480	SEAL SIDE MPF	12
	302K309141	2K309141	SLIDER CURSOR END	8
	302K309150	2K309150	LIFT BASE CASSETTE SUB	8
	302K309160	2K309160	SPRING LEVER LIFT CASSETTE SUB	8
	302K309170	2K309170	PLATE LIFT BASE CASSETTE	8
	302K309180	2K309180	SHAFT DRIVE LIFT	8
	302K309190	2K309190	LEVER CURSOR SET	8
	302K309200	2K309200	LEVER RELEASE CURSOR F	8
	302K309210	2K309210	SPRING RELEASE CURSOR F	8
	302K309220	2K309220	SPRING SIDE SWITCH	8
	302K309270	2K309270	CURSOR END	8
	302K309300	2K309300	SPRING CASSETTE LIFT EARTH	8
	302K309350	2K309350	STOPPER SIZE SET	8
	302K309360	2K309360	SPRING SIZE SET	8
	302K309370	2K309370	SPRING CURSOR SET	8
	302K309380	2K309380	SPRING SIZE SET F	8
	302K309410	2K309410	PLATE SIZE DETECTION	3
	302K317140	2K317140	WIRE SCANNER BLACK	18
	302K317150	2K317150	WIRE SCANNER GRAY	18
	302K317172	2K317172	GUIDE FFC LED C	18
⊙	302K317350	2K317350	GEAR Z54	18
	302K317470	2K317470	MOUNT LED	18
	302K317490	2K317490	LID GUIDE FFC LED	32
	302K317791	2K317791	SHEET FFC LED	18
	302K317820	2K317820	STOPPER PAPER C	1
	302K324110	2K324110	SPRING CONVEYING F	15
	302K324150	2K324150	PLATE SEPARATION	16
	302K324180	2K324180	BUSH REGIST F	15
	302K324240	2K324240	BUSH TRANSFER ROLL F	16
	302K324270	2K324270	BUSH REGIST R	15
	302K324360	2K324360	SPRING CONVEYING R	15
	302K324430	2K324430	BUSH TRANSFER ROLL R	16
	302K324460	2K324460	SHAFT FEED	15,31
	302K325350	2K325350	ADJUSTER FUSER	4
	302K328090	2K328090	GUIDE EXIT PUSH	31
	302K328260	2K328260	SPRING GUIDE EXIT PUSH	31
	302K328290	2K328290	GUIDE EXIT PUSH JS	31
⊙	302K329020	2K329020	PULLEY DU	14,15
	302K329030	2K329030	SPRING DU FEED	15
	302K329040	2K329040	ACTUATOR DU	15
	302K329060	2K329060	RETAINER ACTUATOR	15
	302K329220	2K329220	SHAFT DU	14
	302K329270	2K329270	BUSH DU	11,14
⊙	302K329280	2K329280	PULLEY DU 26	14
⊙	302K331081	2K331081	GEAR Z40R IDLE	25,28
⊙	302K331090	2K331090	GEAR Z43L IDLE	28
⊙	302K331130	2K331130	GEAR Z32L	28
⊙	302K331140	2K331140	GEAR Z30R IDLE	28
⊙	302K331150	2K331150	GEAR Z42R-Z36R	28

• Parts with "⊙" indicate regular maintenance parts.

	Part.No.	Alternative.	Description	Fig.No.
⊙	302K331160	2K331160	GEAR Z48R-Z22S	28
⊙	302K331170	2K331170	GEAR Z28S	28
⊙	302K331180	2K331180	GEAR Z45S INPUT MPF A	28
⊙	302K331190	2K331190	GEAR Z45S INPUT MPF B	28
	302K331200	2K331200	CAM MPF	28
	302K331230	2K331230	BUSH DRIVE 8	28
	302K331240	2K331240	SHAFT CLUTCH FEED	25,28
	302K331260	2K331260	PIN DRIVE A	28
	302K339050	2K339050	PLATE OPTION	35
	302K345120	2K345120	VARIATOR TC	11
	302K346470	2K346470	WIRE PF DRAWER	3
	302K346660	2K346660	WIRE PF DRAWER 200	3
⊙	302K394190	2K394190	PARTS MOTOR LIFT ASSY SP	25
⊙	302K394230	2K394230	PARTS ROLLER REGIST LEFT SP	11
⊙	302K394250	2K394250	PARTS ROLLER DU SP	14
⊙	302K394310	2K394310	PARTS GEAR REGIST Z28L-Z18L SP	11
⊙	302K394320	2K394320	PARTS GEAR MPF Z28 SP	12
⊙	302K394330	2K394330	PARTS GEAR REGIST Z24R SP	15
⊙	302K394340	2K394340	PARTS GEAR Z74R-Z22S EXIT SP	31
⊙	302K394350	2K394350	PARTS GEAR Z22S EXIT SP	31
⊙	302K394370	2K394370	PARTS GEAR Z18-Z63R SP	18
⊙	302K394380	2K394380	PARTS GEAR Z18 SP	8
⊙	302K394400	2K394400	PARTS GEAR DU Z27L SP	14
⊙	302K902391	2K902391	GEAR Z14R	20
⊙	302K902401	2K902401	GEAR Z27S Z27R	20
	302K902470	2K902470	PIN LSU RETAINING	20
	302K902480	2K902480	SPRING-COMPRESSION LSU RETAINING	20
	302K905900	2K905900	SPRING USB HOLD	19,37
	302K906670	2K906670	HOOK FEED LOW	13
	302K908211	2K908211	ACTUATOR SIZE DETECTION	17
	302K908220	2K908220	SPRING-TORSION SIZE DETECTION	17
	302K908580	2K908580	HOLDER SIZE DETECTION	17
	302K909630	2K909630	SHAFT HOOK PULLEY	5
	302K909640	2K909640	LEVER CASSETTE HOOK	5
	302K926220	2K926220	SPRING IH	30
	302K939030	2K939030	RAIL PWB	35
	302K946750	2K946750	WIRE ORIGINAL SENSOR	18
⊙	302K994270	2K994270	PARTS PWB KUIO ASSY SP	35
⊙	302K994321	2K994321	PARTS MOTOR-BL W20 SP	28,29
⊙	302K994331	2K994331	PARTS MOTOR-BL W30 SP	26
⊙	302K994360	2K994360	PARTS FAN COOLING LSU 60 SP	30
⊙	302K994520	2K994520	PARTS GEAR Z32L SP	20
	302K28110	2K28110	PLATE EXIT	31
⊙	302KP29090	2KP29090	GEAR IDLE Z18S	31
	302KP34220	2KP34220	LABEL HIGH TEMPERATURE CAUTION	3
	302KV02A90	2KV02A90	BELT S2M Z371	26
	302KV24090	2KV24090	BUSH SPRING FEED	15
	302KV29090	2KV29090	BELT S2M-Z108	14
⊙	302KV44041	2KV44041	CLUTCH 50 Z35R	25,28
	302LC04272	2LC04272	EMBLEM	2

	Part.No.	Alternative.	Description	Fig.No.
⊙	302LC04340	2LC04340	COVER ISU LEFT SUB	19
⊙	302LC04601	2LC04601	COVER TRAY	39
	302LC04611	2LC04611	STAY TRAY	39
	302LC04621	2LC04621	MOUNT TRAY	39
	302LC04660	2LC04660	SHEET TRAY	39
	302LC04670	2LC04670	PLATE TRAY	39
⊙	302LC04710	2LC04710	COVER TRAY LOWER	39
	302LC05050	2LC05050	KEY 10	37
	302LC05100	2LC05100	KEY STOP	37
	302LC05110	2LC05110	KEY RESET	37
	302LC05270	2LC05270	HOLDER LCD	37
	302LC05420	2LC05420	FILM FFC	37
	302LC31511	2LC31511	SEAL MOTOR DC	35,36
	302LC34031	2LC34031	LABEL OPERATION CAUTION B	19
	302LC34620	2LC34620	LABEL SW CAUTION EN	1
	302LC34630	2LC34630	LABEL SW CAUTION SET A	1
⊙	302LC93080	2LC93080	FK-8506 IH	24
⊙	302LC93090	2LC93090	FK-8507 IH	24
⊙	302LC94291	2LC94291	PARTS MOTOR-BL W10 SP	25
⊙	302LC94301	2LC94301	PARTS MOTOR-BL W20 DRUM SP	26
⊙	302LC94370	2LC94370	PARTS SPEAKER SP	37
⊙	302LC94380	2LC94380	PARTS FAN COOLING LSU 60 SP	30
⊙	302LC94390	2LC94390	PARTS MEMORY MODULE SP	35
	302LF02380	2LF02380	HOLDER FFC	35
	302LF33B10	2LF33B10	SPONGE LOWER RIGHT SP	3
	302LF39050	2LF39050	GUIDE WIRE FRONT PWB	35
	302LK26050	2LK26050	CAP SPRING	30
	302MN04100	2MN04100	LID DF CONNECTOR	1
	302MV02040	2MV02040	STAY FRONT FRAME	5
	302MV02092	2MV02092	MOUNT SCANNER RIGHT	7
	302MV02131	2MV02131	MOUNT OPTION	7
	302MV02160	2MV02160	HANDLE COVER LEFT	5
	302MV02190	2MV02190	FOOT	1
	302MV02200	2MV02200	STAY FRONT RIGHT	3
	302MV02220	2MV02220	SHAFT HANDLE	3
	302MV02231	2MV02231	MOUNT REAR HANDLE	3
	302MV02240	2MV02240	PIN FRONT HANDLE	3
	302MV02280	2MV02280	LEVER RETAINER	32
	302MV02341	2MV02341	HOLDER CORD RIGHT	7
	302MV02360	2MV02360	GUIDE FUSER	30
	302MV03020	2MV03020	PLATE WASTE	33
	302MV03030	2MV03030	SEAL RETAINER	32
	302MV03040	2MV03040	LEVER WASTE	33
⊙	302MV04020	2MV04020	COVER FRONT TOP	1
	302MV04230	2MV04230	COVER INNER FRONT LOWER	1
	302MV04271	2MV04271	COVER RIGHT MIDDLE	14
⊙	302MV04290	2MV04290	COVER EXIT FRONT TOP	7
	302MV04300	2MV04300	COVER RIGHT HOOK	14
	302MV04320	2MV04320	SPRING FRONT COVER L	2
	302MV05050	2MV05050	MOUNT USB	37

• Parts with "⊙" indicate regular maintenance parts.

Part.No.	Alternative.	Description	Fig.No.
302MV05090	2MV05090	FILM COVER LOW	37
302MV06020	2MV06020	HOLDER SENSOR	5
302MV07011	2MV07011	GUIDE FEED OUT	11
302MV07020	2MV07020	GUIDE FEED LOW	11
302MV07030	2MV07030	GUIDE FEED	11
302MV07040	2MV07040	GUIDE FEED INNER	12
302MV07051	2MV07051	GUIDE COVER INNER	13
302MV07070	2MV07070	HOLDER SPRING	13
302MV07080	2MV07080	COVER SW FEED	13
302MV07110	2MV07110	BELT FEED	11,14
302MV07120	2MV07120	SPRING EARTH FEED	11
302MV08010	2MV08010	BASE MPF	12
302MV08020	2MV08020	PIN FEED ROLL	12
302MV08030	2MV08030	PULLEY MPF	12
302MV08400	2MV08400	COVER MPF	17
302MV08410	2MV08410	TABLE MPF	17
302MV08420	2MV08420	TABLE MPF A	17
302MV08430	2MV08430	TABLE MPF B	17
302MV08440	2MV08440	CURSOR FRONT MPF	17
302MV08450	2MV08450	CURSOR REAR MPF	17
302MV08460	2MV08460	GUIDE FRONT MPF WIRE	17
302MV08470	2MV08470	GUIDE REAR MPF WIRE	17
302MV08500	2MV08500	SPRING MPF	17
302MV08520	2MV08520	SHEET MPF WIRE A	17
302MV09021	2MV09021	BASE CASSETTE	8
302MV09040	2MV09040	ARM SIZE DETECTION	8
302MV09050	2MV09050	PLATE SIDE SWITCH	8
302MV09080	2MV09080	CURSOR CASSETTE REAR	8
302MV09090	2MV09090	CURSOR CASSETTE FRONT	8
302MV17030	2MV17030	COVER LENS	18
302MV17040	2MV17040	GUIDE FFC CCD	18
302MV17110	2MV17110	FILM FFC CCD	18
302MV21110	2MV21110	SHAFT TRANSFER CLEANING DRIVE	5
302MV24010	2MV24010	LEVER HOOK F	16
302MV24020	2MV24020	LEVER HOOK R	16
302MV24030	2MV24030	PULLEY MIDDLE	15
302MV24050	2MV24050	SPRING TRANSFER R	16
302MV26010	2MV26010	LEVER FUSER RELEASE FRONT	4
302MV26020	2MV26020	LEVER FUSER RELEASE REAR	4
302MV31010	2MV31010	HOLDER DRIVE LOW A	25
302MV31020	2MV31020	HOLDER DRIVE LOW B	25
302MV31030	2MV31030	PLATE MOTOR LOW	25
302MV31040	2MV31040	SPRING EARTH FEED LOW	25
302MV33010	2MV33010	DUCT OUT DLP D	35
302MV33020	2MV33020	DUCT CONTAINER B	30
302MV33030	2MV33030	DUCT CONTAINER C	30
302MV34080	2MV34080	LABEL MIDDLE TRANSFER	3,6
302MV34100	2MV34100	LABEL D	33
302MV34110	2MV34110	LABEL E	32
302MV34170	2MV34170	LABEL H2	4

Part.No.	Alternative.	Description	Fig.No.
302MV34180	2MV34180	LABEL I	16
302MV34190	2MV34190	LABEL J	12
302MV34240	2MV34240	LABEL PUSH	4,33
302MV34250	2MV34250	LABEL COVER CAUTION	14
302MV34260	2MV34260	LABEL BYPASS CAUTION	14
302MV34270	2MV34270	LABEL BYPASS TABLE	17
302MV34300	2MV34300	SHEET CASSETTE C	8
302MV34310	2MV34310	LABEL CASSETTE SIZE A	8
302MV34320	2MV34320	LABEL OPERATION CURSOR	8
302MV34330	2MV34330	LABEL OPERATION L	8
302MV34340	2MV34340	LABEL OPERATION S	8
302MV34350	2MV34350	LABEL PAPER SET	8
302MV34360	2MV34360	LABEL CASSETTE SIZE B	8
302MV34370	2MV34370	LABEL PAPER LIMIT	8
302MV34400	2MV34400	LABEL HIGH TEMP	14
302MV34410	2MV34410	LABEL COVER CAUTION 9NATIONS	14
302MV34430	2MV34430	SHEET CASSETTE I	8
302MV39040	2MV39040	BRACKET HDD	35
302MV39050	2MV39050	HOLDER FAN MAIN	35
302MV39220	2MV39220	LID POWER	36
302MV39230	2MV39230	STAY POWER	3
302MV39250	2MV39250	BRACKET FAN POWER	36
302MV39270	2MV39270	GUIDE WIRE LVU B	3
302MV39320	2MV39320	SHEET BOX POWER	36
302MV39340	2MV39340	PIN HDD	35
302MV39350	2MV39350	SPRING EARTH HDD	35
302MV39380	2MV39380	MOUNT INLET (CHN)	7
302MV46070	2MV46070	WIRE FAN MOT LVU	30
302MV46210	2MV46210	WIRE HDD POWER	35
302MV46320	2MV46320	WIRE PF SIG	3
302MV46400	2MV46400	WIRE RIGHT COVER 2	25
302MV46410	2MV46410	WIRE ENGINE-LVU	27
302MV46430	2MV46430	WIRE MPF SIZE 1	34
302MV46440	2MV46440	WIRE MPF SIZE 2	7
302MV46450	2MV46450	WIRE MPF SIZE UNIT 1	12
302MV46510	2MV46510	WIRE MPF SIZE UNIT 2	17
302MV46520	2MV46520	WIRE RIGHT COVER SW	13
302MV46530	2MV46530	WIRE CASSETTE2 MOT/CLT 2	25
302MV46560	2MV46560	WIRE FEED UNIT PI2	3
302MV46580	2MV46580	WIRE MPF	12
302MV46600	2MV46600	WIRE CCD POWER	18
302MV46630	2MV46630	WIRE FFC LED	18
302MV46680	2MV46680	WIRE IH-DLP FAN	30
302MV93070	2MV93070	TR-8315A	23
302MV93080	2MV93080	TR-8315B	16
302MV93110	2MV93110	DR-8315D	25
302MV93130	2MV93130	PARTS STORAGE DEVICE SP	35
302MV94010	2MV94010	PARTS PAD SEPARATION ASSY SP	12
302MV94020	2MV94020	PARTS ROLLER MPF ASSY SP	12
302MV94030	2MV94030	PARTS CLEANING REGIST ASSY SP	32

• Parts with "⊙" indicate regular maintenance parts.

	Part.No.	Alternative.	Description	Fig.No.
⊙	302MV94050	2MV94050	PARTS DUCT OUTPUT DLP IN ASSY SP	30
⊙	302MV94061	2MV94061	PARTS PRIMARY FEED ASSY SP	9
⊙	302MV94070	2MV94070	PARTS MPF UNIT SP	12
⊙	302MV94080	2MV94080	PARTS MPF TABLE ASSY SP	17
⊙	302MV94100	2MV94100	PARTS CONTACT-GLASS ASSY(I) SP	18
⊙	302MV94110	2MV94110	PARTS CONTACT-GLASS ASSY(C) SP	18
⊙	302MV94310	2MV94310	PARTS ROLLER FEED UPPER SP	11
⊙	302MV94320	2MV94320	PARTS ROLLER FEED LOWER SP	11
⊙	302MV94330	2MV94330	PARTS ROLLER TRANSFER SP	16
⊙	302MV94360	2MV94360	PARTS GEAR DRUM Z180L SP	26
⊙	302MV94370	2MV94370	PARTS GEAR DRUM Z100R SP	26
⊙	302MV94380	2MV94380	PARTS GEAR DRUM Z120L SP	26
⊙	302MV94390	2MV94390	PARTS GEAR MIDDLE TRANS Z89R SP	29
⊙	302MV94400	2MV94400	PARTS GEAR MIDDLE TRANS Z90R-Z37L SP	29
⊙	302MV94420	2MV94420	PARTS PWB IH 200 ASSY SP	34
⊙	302MV94431	2MV94431	PARTS CONVEYING UNIT SP	15
⊙	302MV94450	2MV94450	PARTS COVER RIGHT ASSY SP	14
⊙	302MV94550	2MV94550	PARTS TRAY EJECT ASSY SP	1
⊙	302MV94560	2MV94560	PARTS FAN MOTOR SET SP	15,30
⊙	302MV94650	2MV94650	PARTS SWITCH EXIT PAPER EMPTY SP	31
⊙	302N205190	2N205190	KEY START B	37
⊙	302N404040	2N404040	LID CARD	19
⊙	302N404130	2N404130	CASE CLIP	19
⊙	302N404241	2N404241	LID USB FRONT	19
	302N405060	2N405060	KEY COLOR	37
	302N405070	2N405070	KEY FUNCTION	37
	302N405080	2N405080	KEY MENU	37
	302N405090	2N405090	KEY POWER	37
	302N405100	2N405100	KEY HOME	37
	302N405110	2N405110	KEY DISPLAY	37
	302N405120	2N405120	KEY RIGHT SIDE	37
	302N405130	2N405130	PANEL OPERATION	37
	302N405140	2N405140	LID OPERATION SHEET A	37
	302N405150	2N405150	LID OPERATION SHEET B	37
	302N405200	2N405200	LENS LED	37
	302N405210	2N405210	FILM LCD WIRE	37
	302N405241	2N405241	SPONGE LCD A	37
	302N405251	2N405251	SPONGE LCD B	37
	302N405260	2N405260	SPACER LCD A	37
	302N405270	2N405270	SPACER LCD B	37
	302N405510	2N405510	SHEET OPERATION EN	37
	302N405520	2N405520	SHEET COLOR	37
	302N405530	2N405530	SHEET OPERATION DE	40
	302N405540	2N405540	SHEET OPERATION FR	40
	302N405550	2N405550	SHEET OPERATION TL	40
	302N405560	2N405560	SHEET OPERATION ES	40
	302N405570	2N405570	SHEET OPERATION PT	40
	302N405580	2N405580	SHEET OPERATION NL	40
	302N405590	2N405590	SHEET OPERATION RU	40
	302N405630	2N405630	SHEET OPERATION KDA EN	37

	Part.No.	Alternative.	Description	Fig.No.
	302N405640	2N405640	SHEET OPERATION KDA FR	40
	302N405650	2N405650	SHEET OPERATION KDA ES	40
	302N405660	2N405660	SHEET OPERATION KDA PT	40
	302N446050	2N446050	WIRE FFC KEY PWB	37
⊙	302N494090	2N494090	PARTS LCD OPERATION SP	37
⊙	302N494100	2N494100	PARTS TABLET OPERATION SP	37
⊙	302N494150	2N494150	PARTS PWB PANEL MAIN ASSY SP	37
⊙	302N494180	2N494180	PARTS PWB OPERATION ASSY SP	37
⊙	302N494220	2N494220	PARTS CURSOR SCREW SET SP	39
⊙	302NG94220	2NG94220	PARTS FAN MOTOR SP	30
	302NL02080	2NL02080	BRACKET DRAWER	4
	302NL02210	2NL02210	RAIL CASSETTE RIGHT	5
	302NL02240	2NL02240	MOUNT SCANNER FRONT	7
	302NL02360	2NL02360	SHEET SCANNER FRONT	7
⊙	302NL04090	2NL04090	COVER RIGHT TOP	1
⊙	302NL04131	2NL04131	COVER ISU LEFT	19
⊙	302NL04140	2NL04140	COVER ISU RIGHT	19
⊙	302NL04150	2NL04150	COVER ISU REAR	19
	302NL04200	2NL04200	LID CONTROLLER	1
⊙	302NL04210	2NL04210	LID DP	19
⊙	302NL04220	2NL04220	LID ISU FRONT	19
	302NL04230	2NL04230	MOUNT USB	19
	302NL04250	2NL04250	LID AK	1
⊙	302NL04340	2NL04340	COVER RIGHT LOW	13
	302NL05010	2NL05010	COVER OPERATION A	37
	302NL05020	2NL05020	COVER OPERATION B	37
	302NL05030	2NL05030	MOUNT MAIN PWB	37
	302NL05040	2NL05040	GUIDE WIRE OPERATION	37
	302NL05050	2NL05050	MOUNT OPERATION	37
	302NL06040	2NL06040	HOLDER HOOK F	13
	302NL06050	2NL06050	HOLDER HOOK R	13
	302NL06060	2NL06060	COVER HANDLE	13
	302NL06070	2NL06070	SHAFT FEED LOW HOOK	13
	302NL09010	2NL09010	CASSETTE	8
	302NL09020	2NL09020	HOLDER CASSETTE HOOK	5
⊙	302NL09030	2NL09030	PULLEY CASSETTE RAIL	5
⊙	302NL09050	2NL09050	COVER CASSETTE	8
	302NL09060	2NL09060	SPRING CASSETTE HOOK	5
	302NL09070	2NL09070	EMBLEM CASSETTE	8
	302NL09080	2NL09080	HANDLE CASSETTE	8
	302NL09090	2NL09090	PLATE CASSETTE LEFT	8
	302NL09100	2NL09100	PLATE CASSETTE RIGHT	8
	302NL17010	2NL17010	MOUNT DRIVE	18
	302NL17020	2NL17020	SWITCH RELEASE	18
	302NL17030	2NL17030	HOLDER SWITCH	18
	302NL17040	2NL17040	MOUNT ISC	18
	302NL17050	2NL17050	MOUNT DP	18
	302NL17070	2NL17070	MOUNT JUNCTION PWB	18
	302NL34090	2NL34090	LABEL DEHUMIDIFIER SWITCH	1
	302NL39060	2NL39060	GUIDE WIRE MAIN SW	3

• Parts with "⊙" indicate regular maintenance parts.

Part.No.	Alternative.	Description	Fig.No.
302NL39090	2NL39090	BRACKET MAIN	35
302NL39100	2NL39100	LID CONTROLLER	35
302NL39110	2NL39110	LID DP	35
302NL39120	2NL39120	LID FAX BOARD	35
302NL46380	2NL46380	WIRE FFC CCD	18
302NP02040	2NP02040	COVER INNER FRONT	32
302NP02050	2NP02050	RAIL CASSETTE LEFT	5
302NP02060	2NP02060	MOUNT INTERLOCK SW	5
302NP02110	2NP02110	MOUNT SCANNER REAR	7
302NP03010	2NP03010	HOUSING WASTE	33
302NP03020	2NP03020	PLATE RETAINER	32
302NP03030	2NP03030	HOOK LEVER	32
302NP03040	2NP03040	HOOK LEVER Y	32
⊙ 302NP04030	2NP04030	COVER TRAY	1
⊙ 302NP04040	2NP04040	COVER EXIT REAR	1
⊙ 302NP04100	2NP04100	COVER LEFT LOW	1
⊙ 302NP04110	2NP04110	COVER LEFT TOP	1
⊙ 302NP04120	2NP04120	COVER ISU FRONT	19
⊙ 302NP04180	2NP04180	COVER TRAY LEFT	1
302NP04200	2NP04200	HOLDER SWITCH	2
302NP04210	2NP04210	FILM STRAP	2
302NP31010	2NP31010	SHEET HOLDER TONER DRIVE	29
302NP34010	2NP34010	SHEET EMBLEM	2
302NP34040	2NP34040	SHEET COVER FRONT	2
302NP39010	2NP39010	BOX CONTROLLER	35
302NP39020	2NP39020	BOX POWER	36
302NP39040	2NP39040	COVER PWB IH	34
302NP39050	2NP39050	MOUNT MAIN SW	7
302NP39080	2NP39080	MOUNT DF CONNECTOR	5
302NP39100	2NP39100	MOUNT ENGINE PWB B	4
302NP39130	2NP39130	HOLDER CORD	5
302NP39140	2NP39140	SHEET WIRE	4
302NP39150	2NP39150	MOUNT DP CONNECTOR	36
302NP39160	2NP39160	SHEET WIRE A	4
302NP46010	2NP46010	WIRE FFC ENGINE-MAIN SIG	34
302NP46020	2NP46020	WIRE FFC ENGINE 1-2 SIG	34
302NP46030	2NP46030	WIRE ENGINE POWER1	34
302NP46040	2NP46040	WIRE LVU-MAIN POWER	35
302NP46060	2NP46060	WIRE DF POWER	5
302NP46070	2NP46070	WIRE EXIT UNIT1	34
302NP46080	2NP46080	WIRE CASSETTE2 PI	3
302NP46100	2NP46100	WIRE INLET	7
302NP46110	2NP46110	WIRE AC CASSETTE SW	7
302NP46121	2NP46121	WIRE MAIN SWITCH	7
302NP46140	2NP46140	WIRE BRIDGE 1	4
302NP46160	2NP46160	WIRE FRONT/RIGHT SW	5
302NP46170	2NP46170	WIRE OPTION CONNECT	34
302NP46200	2NP46200	WIRE ENGINE1-2 MOT	27
302NP46230	2NP46230	WIRE HIGH VOL1	34
302NP46240	2NP46240	WIRE RFID PWB	4

Part.No.	Alternative.	Description	Fig.No.
302NP46260	2NP46260	WIRE FUSER UNIT 1	4
302NP46270	2NP46270	WIRE HUMIT 1	34
302NP46280	2NP46280	WIRE ENGINE_MAIN-LSU CONNECT 1	34
302NP46330	2NP46330	WIRE DF	7
302NP46350	2NP46350	WIRE LVU-IH PRIMARY	34
302NP46360	2NP46360	WIRE DP	36
302NP46380	2NP46380	WIRE MAIN-OPERATION	37
302NP46390	2NP46390	WIRE PANEL DATA	37
302NP46400	2NP46400	WIRE USB HOST	37
302NP46410	2NP46410	WIRE KEY COUNTER	39
302NP46420	2NP46420	WIRE DP JUNCTION	18
302NP46450	2NP46450	WIRE PANEL JOINT	37
302NP46460	2NP46460	WIRE KUIO POWER	35
302NP46470	2NP46470	WIRE FFC KUIO	35
302NP46480	2NP46480	WIRE OPEN SENSOR	18
302NP46490	2NP46490	WIRE HP SENSOR	18
302NP46500	2NP46500	WIRE SCANNER MOT	18
302NP46510	2NP46510	WIRE USB KEY BOARD	19
302NP46520	2NP46520	WIRE USB CARD READER	19
302NP46530	2NP46530	WIRE HDD SIG	35
⊙ 302NP93010	2NP93010	CT-8325	8
⊙ 302NP93020	2NP93020	MC-8325	22
⊙ 302NP93030	2NP93030	DK-8325	22
⊙ 302NP93040	2NP93040	DV-8325C	21
⊙ 302NP93050	2NP93050	DV-8325K	21
⊙ 302NP93060	2NP93060	DV-8325M	21
⊙ 302NP93070	2NP93070	DV-8325Y	21
⊙ 302NP93080	2NP93080	FK-8325	24
⊙ 302NP93090	2NP93090	PARTS MOUNT LED ASSY SP	18
⊙ 302NP93120	2NP93120	LK-8325	20
⊙ 302NP93130	2NP93130	PARTS ISU	18
⊙ 302NP94010	2NP94010	PARTS COVER REAR ASSY E SP	1
⊙ 302NP94040	2NP94040	PARTS COVER FRONT ASSY 25 SP	2
⊙ 302NP94050	2NP94050	PARTS COVER RIGHT REAR ASSY EN SP	1
⊙ 302NP94071	2NP94071	PARTS OPERATION UNIT SP	37
⊙ 302NP94080	2NP94080	PARTS UNIT LOW VOLTAGE 100 SP	36
⊙ 302NP94090	2NP94090	PARTS UNIT LOW VOLTAGE 200 SP	36
⊙ 302NP94100	2NP94100	PARTS PWB ENGINE ASSY SP	34
⊙ 302NP94110	2NP94110	PARTS PWB ENGINE CONNECT ASSY SP	27
⊙ 302NP94120	2NP94120	PARTS PWB THERMISTOR ASSY SP	32
⊙ 302NP94130	2NP94130	PARTS PWB OPTION CONNECT ASSY SP	34
⊙ 302NP94141	2NP94141	PARTS PWB MAIN ASSY SP	35
⊙ 302NP94151	2NP94151	PARTS PWB MAIN ASSY EU SP	35
⊙ 302NP94160	2NP94160	PARTS PWB DP JUNCTION ASSY SP	18
⊙ 302NP94170	2NP94170	PARTS PWB SCANNER LED ASSY SP	18
⊙ 302NP94180	2NP94180	PARTS PWB ISC ASSY SP	18
⊙ 302NP94190	2NP94190	PARTS PWB DRUM DLP CONNECT ASSY SP	6
⊙ 302NP94200	2NP94200	PARTS COVER ISU FRONT A ASSY E SP	19
⊙ 302NP94220	2NP94220	PARTS DC MOTOR SP	29
⊙ 302NP94230	2NP94230	PARTS COVER RIGHT LOW ASSY SP	13

• Parts with "⊙" indicate regular maintenance parts.

	Part.No.	Alternative.	Description	Fig.No.
	303J131270	3J131270	BELT S2M 230	14
	303JC04201	3JC04200	PLATE ORIGINAL	38
	303JY28390	3JY28390	COVER WIRE EJECT	7
	303K502080	3K502080	SPONGE ORIGINAL MAT	38
⊙	303LJ94150	3LJ94150	PARTS SOLENOID FEED SHIFT SP	31
	303LL02330	3LL02330	HOLDER WIRE D	35,37
	303LL24250	3LL24250	PIN READING GUIDE	30
	303LT02020	3LT02020	LID WIRE GUIDE	27,29,35
	303LW24060	3LW24060	PULLEY EJECT	5
	303M404180	3M404180	COVER INTERFACE B	1
	303M404190	3M404190	COVER INTERFACE C	1
	303MA16560	3MA16560	SHAFT GEAR BELT	31
	303MH04040	3MH04040	PIN COVER	19
	303MH06010	3MH06010	PAD RAIL	5
⊙	303MR29040	3MR29040	PULLEY 26-6 DUPLEX	11
	303MX02021	3MX02021	CUSHION ORIGINAL MAT A	38
	303MX02031	3MX02031	CUSHION ORIGINAL MAT B	38
	303NF02280	3NF02280	SHAFT HOOK FULCRUM	5
	303NN02143	3NN02143	STAY UPPER FEED	5
	303NN02370	3NN02370	RAIL FEED	5
	303NN02450	3NN02450	GUIDE PRIMARY FEED	5
	303NN24110	3NN24110	JOINT PULLEY 26-6	11
	303NN24180	3NN24180	SPRING FEED LOW	13
	303NN24250	3NN24250	SPRING EARTH SW	13
⊙	303NN31040	3NN31040	GEAR Z77R Z23L	25
⊙	303NN31050	3NN31050	GEAR Z27L IDLE	25
	303NN31060	3NN31060	SHAFT GEAR	25
⊙	303NN31070	3NN31070	GEAR Z33R Z44R	25
	303NN31080	3NN31080	SPRING JOINT SHAFT	25
	303NN46130	3NN46130	WIRE LIMIT JUNCTION UPPER	5
	303NS24410	3NS24410	SCREW PLATE DF	39
	303PC06060	3PC06060	HANDLE FEED LOW	13
	303PH34070	3PH34070	LABEL ISU REAR	38
	3066060011	66060011	COVER,KEY COUNTER	39
	3066060041	66060041	MOUNT,KEY COUNTER	39
	3CY06030	3CY06030	RETAINER M4	39
⊙	3H327410	3H327410	SENSOR,CONVEYING	15
⊙	3HY07120	3HY07120	PULLEY 15 DUPLEX	13
	5AAVCLTCH018	2A806910	ONE WAY CLUTCH /A-49 MPFz A4	29
⊙	5ESP03090001+01	SP000360	PUSH SWITCH 03 SN /SW-192 N	7
	5MMS111SL002	2BY20050	NUT FUSER A /FS-1800/3800 A4	14
	5MMT263SN012++R	2D903100	SCREW OP / M3 X 8 CRFREE A4	35
	5MVS313SB002	2BR08310	SPACER LED /43587J2063 A4	33
	5MVX111DN003	2A806250	RING STOPPER /A-49 FEED A4	5,10,26,29,31
	5MVX111DN007	2BT11070	STOPPER 3 /2BT1107 A4	5,11,14
	63212210	63212210	STATIC ELIMINATOR,EJECT	31
⊙	76727010	76727010	ORIGINAL SIZE SWITCH	17
	7AAACCAS+10H001	AA063380	AC CORD ASSY AS	3
⊙	7NXGP1S173LCH01	NX116910	SENSOR OPT.	3,5,10,12,13,15,17,18,31

	Part.No.	Alternative.	Description	Fig.No.
⊙	7SC010105+++H01	SC125000	SW.SEE SAW	7
⊙	7SC020403+++H01	SC136170	SW.SEE SAW	7
⊙	7SM010101+++H01	SM042310	SW.MICRO	7
⊙	7SP01000001+H01	SP044290	SW.PUSH	3,13
⊙	7SP01000004+H01	SP136500	SW.PUSH	5
	7YBER0R0E001H01	YB045410	FERRITE CORE	34
	7YBFZZ65C001H01	YB110990	FERRITE CORE	18
	7YCC02B1003+H01	YC013860	CONNECTOR 292254-2	28,29
	7YCC02B1111+H01	YC045130	CONNECTOR	36
	7YCC02B1202+H01	YC127480	CONNECTOR	10
	7YZM210002++H01	YZ004730	ACCESS.EDGING	3,35
	7YZM210003++H01	YZ037970	ACCESS.EDGING	7
	7YZM210005++H01	YZ037990	ACCESS.EDGING	7,35,36
	7YZM210006++H01	YZ038000	ACCESS.EDGING	39
	7YZM390002++H01	YZ012140	ACCESS.CLAMP	3,4,7,18
	7YZM390003++H01	YZ042070	ACCESS.CLAMP	20
	7YZM390011++H01	YZ050250	ACCESS.CLAMP	35
	7YZM510006++H01	YZ042710	ACCESS.SPACER	3
	7YZM510007++H01	YZ042780	ACCESS.SPACER	36
	7YZM510018++H01	YZ124540	ACCESS.SPACER	34
	7YZM510021++H01	YZ127660	ACCESS.SPACER	36
	7YZM610003++H01	YZ010250	ACCESS.SADDLE	3,5
	7YZM610007++H01	YZ023340	ACCESS.SADDLE	20,31
	7YZM610009++H01	YZ042980	ACCESS.SADDLE	3,5,7,10,31
	7YZM610010++H01	YZ042990	ACCESS.SADDLE	3,7,34,35,36
	7YZM610011++H01	YZ043000	ACCESS.SADDLE	3,35
	7YZM610012++H01	YZ043010	ACCESS.SADDLE	36
	7YZM610013++H01	YZ043020	ACCESS.SADDLE	27
	7ZG65TSV+010H01	ZG111180	SHIELD GASKET	18
	7ZGSSTG34070H01	ZG131790	SHIELD GASKET	34
	7ZGSSTG47023H01	ZG127800	SHIELD GASKET	26
	7ZGSSTG77015H01	ZG020580	SHIELD GASKET	18
	7ZGSSTG101015H01	ZG011800	SHIELD GASKET	27
	M0208010	M0208010	SPACER,SFS-2.6S-B1WM(JST)	7,36
	M21AH010	M21AH010	BAND,RSG-130-V0(KITAGAWA)	39
	M7005010	M7005010	CLAMP,EMT-3N(TAKEUCHI)	37

• Parts with "⊙" indicate regular maintenance parts.

KYOCERA Document Solutions America, Inc.**Headquarters**

225 Sand Road,
Fairfield, New Jersey 07004-0008, USA
Phone: +1-973-808-8444
Fax: +1-973-882-6000

Latin America

8240 NW 52nd Terrace Dawson Building, Suite 100
Miami, Florida 33166, USA
Phone: +1-305-421-6640
Fax: +1-305-421-6666

KYOCERA Document Solutions Canada, Ltd.

6120 Kestrel Rd., Mississauga, ON L5T 1S8,
Canada
Phone: +1-905-670-4425
Fax: +1-905-670-8116

**KYOCERA Document Solutions
Mexico, S.A. de C.V.**

Calle Arquimedes No. 130, 4 Piso, Colonia Polanco
Chapultepec, Delegacion Miguel Hidalgo,
Distrito Federal, C.P. 11560, México
Phone: +52-555-383-2741
Fax: +52-555-383-7804

KYOCERA Document Solutions Brazil, Ltda.

Alameda África, 545, Pólo Empresarial Consbrás,
Tamboré, Santana de Parnaíba-SP, CEP 06543-306,
Brazil
Phone: +55-11-4195-8496
Fax: +55-11-4195-6167

**KYOCERA Document Solutions
Australia Pty. Ltd.**

Level 3, 6-10 Talavera Road North Ryde N.S.W, 2113,
Australia
Phone: +61-2-9888-9999
Fax: +61-2-9888-9588

**KYOCERA Document Solutions
New Zealand Ltd.**

Ground Floor, 19 Byron Avenue, Takapuna, Auckland,
New Zealand
Phone: +64-9-415-4517
Fax: +64-9-415-4597

KYOCERA Document Solutions Asia Limited

16/F.,Mita Centre, 552-566, Castle Peak Road
Tsuenwan, NT, Hong Kong
Phone: +852-2610-2181
Fax: +852-2610-2063

**KYOCERA Document Solutions
(China) Corporation**

8F, No. 288 Nanjing Road West, Huangpu District,
Shanghai,200003, China
Phone: +86-21-5301-1777
Fax: +86-21-5302-8300

**KYOCERA Document Solutions
(Thailand) Corp., Ltd.**

335 Ratchadapisek Road, Bangsue, Bangkok 10800,
Thailand
Phone: +66-2-586-0333
Fax: +66-2-586-0278

**KYOCERA Document Solutions
Singapore Pte. Ltd.**

12 Tai Seng Street #04-01A,
Luxasia Building, Singapore 534118
Phone: +65-6741-8733
Fax: +65-6748-3788

**KYOCERA Document Solutions
Hong Kong Limited**

16/F.,Mita Centre, 552-566, Castle Peak Road
Tsuenwan, NT, Hong Kong
Phone: +852-3582-4000
Fax: +852-3185-1399

**KYOCERA Document Solutions
Taiwan Corporation**

6F., No.37, Sec. 3, Minquan E. Rd.,
Zhongshan Dist., Taipei 104, Taiwan R.O.C.
Phone: +886-2-2507-6709
Fax: +886-2-2507-8432

KYOCERA Document Solutions Korea Co., Ltd.

18F, Kangnam bldg, 1321-1,
Seocho-Dong, Seocho-Gu, Seoul, Korea
Phone: +822-6933-4050
Fax: +822-747-0084

**KYOCERA Document Solutions
India Private Limited**

Second floor, Centrum Plaza, Golf Course Road,
Sector-53, Gurgaon, Haryana 122002, India
Phone: +91-0124-4671000
Fax: +91-0124-4671001

KYOCERA Document Solutions Europe B.V.

Bloemlaan 4, 2132 NP Hoofddorp,
The Netherlands
Phone: +31-20-654-0000
Fax: +31-20-653-1256

KYOCERA Document Solutions Nederland B.V.

Beechavenue 25, 1119 RA Schiphol-Rijk,
The Netherlands
Phone: +31-20-5877200
Fax: +31-20-5877260

KYOCERA Document Solutions (U.K.) Limited

Eldon Court, 75-77 London Road,
Reading, Berkshire RG1 5BS,
United Kingdom
Phone: +44-118-931-1500
Fax: +44-118-931-1108

KYOCERA Document Solutions Italia S.p.A.

Via Verdi, 89/91 20063 Cernusco s/N.(MI),
Italy
Phone: +39-02-921791
Fax: +39-02-92179-600

KYOCERA Document Solutions Belgium N.V.

Sint-Martinusweg 199-201 1930 Zaventem,
Belgium
Phone: +32-2-7209270
Fax: +32-2-7208748

KYOCERA Document Solutions France S.A.S.

Espace Technologique de St Aubin
Route de l'Orme 91195 Gif-sur-Yvette CEDEX,
France
Phone: +33-1-69852600
Fax: +33-1-69853409

KYOCERA Document Solutions Espana, S.A.

Edificio Kyocera, Avda. de Manacor No.2,
28290 Las Matas (Madrid), Spain
Phone: +34-91-6318392
Fax: +34-91-6318219

KYOCERA Document Solutions Finland Oy

Atomitie 5C, 00370 Helsinki,
Finland
Phone: +358-9-47805200
Fax: +358-9-47805390

**KYOCERA Document Solutions
Europe B.V., Amsterdam (NL) Zürich Branch**

Hohlstrasse 614, 8048 Zürich,
Switzerland
Phone: +41-44-9084949
Fax: +41-44-9084950

**KYOCERA Document Solutions
Deutschland GmbH**

Otto-Hahn-Strasse 12, 40670 Meerbusch,
Germany
Phone: +49-2159-9180
Fax: +49-2159-918100

KYOCERA Document Solutions Austria GmbH

Eduard-Kittenberger-Gasse 95, 1230 Vienna,
Austria
Phone: +43-1-863380
Fax: +43-1-86338-400

KYOCERA Document Solutions Nordic AB

Esbogatan 16B 164 75 Kista, Sweden
Phone: +46-8-546-550-00
Fax: +46-8-546-550-10

KYOCERA Document Solutions Norge Nuf

Postboks 150 Oppsal, 0619 Oslo,
Norway
Phone: +47-22-62-73-00
Fax: +47-22-62-72-00

KYOCERA Document Solutions Danmark A/S

Ejby Industrivej 60, DK-2600 Glostrup,
Denmark
Phone: +45-70223880
Fax: +45-45765850

KYOCERA Document Solutions Portugal Lda.

Rua do Centro Cultural, 41 (Alvalade) 1700-106 Lisboa,
Portugal
Phone: +351-21-843-6780
Fax: +351-21-849-3312

**KYOCERA Document Solutions
South Africa (Pty) Ltd.**

KYOCERA House, Hertford Office Park,
90 Bekker Road (Cnr. Allandale), Midrand, South Africa.
Phone: +27-11-540-2600
Fax: +27-11-466-3050

KYOCERA Document Solutions Russia LLC

Botanichesky pereulok 5, Moscow, 129090,
Russia
Phone: +7(495)741-0004
Fax: +7(495)741-0018

KYOCERA Document Solutions Middle East

Dubai Internet City, Bldg. 17,
Office 157 P.O. Box 500817, Dubai,
United Arab Emirates
Phone: +971-04-433-0412

KYOCERA Document Solutions Inc.

2-28, 1-chome, Tamatsukuri, Chuo-ku
Osaka 540-8585, Japan
Phone: +81-6-6764-3555
<http://www.kyoceradocumentsolutions.com>

© 2014 KYOCERA Document Solutions Inc.

 is a trademark of KYOCERA Corporation