

# Service Bulletin

Ref. No. **COM-0218 (B056)**

[Service Information]

<Date> February 16, 2010

<b>Subject</b>	<b>Note when releasing the paper jam/maintaining the machine (Prohibition of use of the flammable sprays and liquids)</b>
<b>Model</b>	All models

**[WARNING]**  
**Please do not use the flammable sprays (the dust spray), and liquids such as gasoline and kerosene near the machine or inside the machine when releasing the paper jam or cleaning at the maintenance.**  
**Please instruct users as well.**

<Background>

If using the flammable sprays (dust spray) or liquids near the machine or inside the machine when releasing the paper jam or cleaning at the maintenance, it might cause a fire or an electric shock.

<Attention>

"Air-blow" or "Air-brush" is indicated as the way of cleaning the sensors and optical mirrors/lenses in the periodic maintenance procedures in PM List and Service manual.

However, "Air-blow" or "Air-brush" does not mean the flammable spray, etc.

Please absolutely do not use it.

User manual, Safety Guide and Service Manual will be revised after this.

A caution leaflet is bundled in the machine until revising the manuals.

The following is indicated in the revised manuals and the caution leaflet.

"Keep the machine away from flammable liquids, gases, and aerosols.  
 A fire or an electric shock might occur."

<b>KMC's Classification</b>	<input type="checkbox"/> Entire Stock Rework <input type="checkbox"/> In-Field modification by case	<input type="checkbox"/> In-Field modification at next visit <input checked="" type="checkbox"/> No modification necessary
<b>Field Measure:</b>	Please note the above.	
<b>Serial Nos. of Affected Machine:</b>	-----	

No.11-02-01/N000xxxxx

# Service Bulletin

 Ref. No. **COM-0257 (B469)**

&lt;Date&gt; December 21, 2011

<b>Subject</b>	<b>Mac OS 10.7 Lion: Alternative Scan Function since Scan to SMB is NO LONGER supported in the Latest Mac OS Version</b>
<b>Model</b>	<b>All MFP Models</b>

## <Background>

Scan to SMB using Mac OS X 10.7 client is no longer available, although it was supported until Mac Ver. 10.6.

This appears to be a known issue for Apple as it is affecting other competitor MFP products as well as hard disk vendors.

## <Cause>

Apple changed the infrastructure of Samba SMB (the SMB system for Unix) and this has caused a compatibility issue with the Scan to SMB feature supported by our device firmware.

## <Workaround>

Set up Scan to FTP in the Mac as an alternative to scan to SMB.  
Refer to the next page and after for details. (from a KTD document)

<b>KMC's Classification</b>	<input type="checkbox"/> Entire Stock Rework	<input type="checkbox"/> In-Field modification at next visit
	<input checked="" type="checkbox"/> In-Field modification by case	<input type="checkbox"/> No modification necessary
<b>Field Measure:</b> Please refer to the next page and after for details of setting up Scan to FTP		

# Service Bulletin

 Ref. No. **COM-0257 (B469)**

&lt;Date&gt; December 21, 2011

**\*This is from a document from KTD issued on November 17, 2011 that may have been distributed to related persons**

## Setting Up Scan to FTP

### Overview

Scanning via SMB protocol is not supported in Mac OS X 10.7 (OS X Lion) due to infrastructure changes in the OS by Apple, Inc. This document provides instructions for setting up the FTP server on computers running OS X Lion to enable the Scan to FTP option.

### General Process

1. Enable the FTP server on your Mac.
2. Register your Mac in the address book of your MFP.
3. To prepare a new scan, select the FTP address and press Start.

Warning: This solution requires opening the FTP port; therefore, caution must be taken from a security perspective. Port configuration should be reviewed with the network administrator prior to setup.

### Enable the FTP server on your Mac

1. Launch *Terminal* from the Applications > Utilities folder.

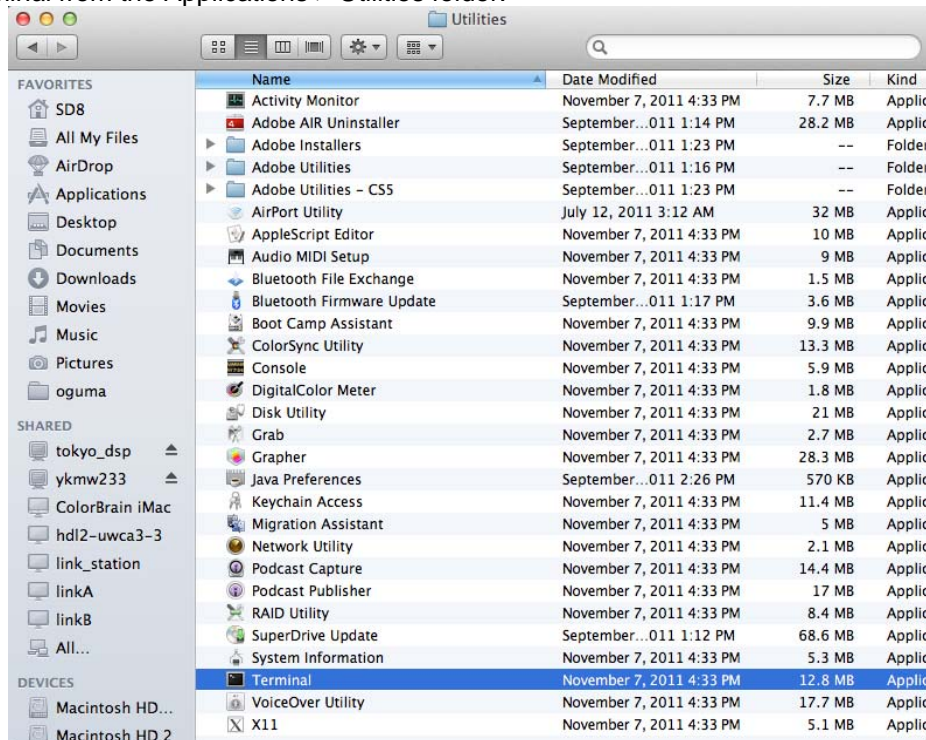


Figure 1: Selecting Terminal utility

2. Type the following command to start the FTP server on your Mac (Administrator password is required):  
`sudo launchctl load -w /System/Library/LaunchDaemons/ftp.plist.`
3. If the command executes successfully, there will be no output on the command line. If you see any error message, check your input and privileges and try again.

# Service Bulletin

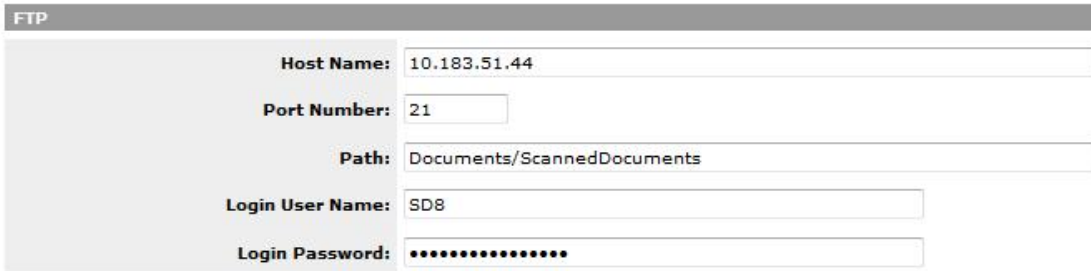
 Ref. No. **COM-0257 (B469)**

&lt;Date&gt; December 21, 2011

## Register your Mac in the MFP's address book

1. Open the Command Center of the MFP from your Web browser by entering the IP address of the MFP.
2. Log in as an Administrator.
3. Open the Basic tab, then select Address Book > Contacts.
4. Click Add Contact.
5. Enter a name and configure the FTP settings in the FTP section:

Value	Explanation
Host Name	Enter the IP address of your Mac
Port Number	Enter "21"
Path	Enter the absolute or relative path where scanned documents should be stored. Example of absolute path: "/Users/UserName/Documents/ScannedDocuments" (UserName should be your Mac user account name) Example of relative path: "Documents/ScannedDocuments"
Login User Name	Set the login name of the account you want to use on your Mac
Login Password	Set the login password for the login user name



FTP

Host Name: 10.183.51.44

Port Number: 21

Path: Documents/ScannedDocuments

Login User Name: SD8

Login Password: .....

Figure 2: FTP section of personal address

## Scan from MFP

Select the FTP address created above from the MFP panel and press the Start button. Scanned documents will be stored to the designated folder.

## How to stop FTP server on your Mac

1. Launch *Terminal* from the Applications > Utilities folder
2. Type the following command (Note: You may be required to enter the Administrator password):  
`sudo launchctl unload -w /System/Library/LaunchDaemons/ftp.plist`



# Service Bulletin

Ref. No. **COM-0288 (D114)**

[Service Information]

<Date> June 5, 2013

<b>Subject</b>	<b>Note when replacing the parts</b>
<b>Model</b>	<b>All</b>

**[Background]**

The machine may not be recovered or may have trouble in its function with changes of the internal data if incorrectly handled when replacing the parts. In order to avoid such, make sure not to perform the following 2 works.

**[Prohibition]**

**Do not replace 2 or more of the parts below at the same time (Color models)**

The applicable parts are the ones that have an electronic device capable of writing data.

>>Applicable parts : PWBs, EEPROM, Code DIMM, Memory, HDD

Do not replace the drum unit or developer unit with the parts above at the same time.

If 2 or more of the above parts need replacement, replace them one by one after correctly starting up the machine each time.

<<Note>>

If taking 2 or more of the above parts from the backup machine to recover another machine and taking them back, the backup machine may not work. (This is because the parts must be taken back at the same time) Therefore, for the color machines, do not use the parts from the backup machine but the service parts when replacing 2 or more of the above parts. The service parts once used can be used in other machine unless it is replaced together with one of the above parts at the same time.

**Do not replace the EEPROM (BW models / Color models)**

An EEPROM is a device that contains information unique to each of the machine and do not replace with the one from other machine.

When replacing the PWB with the EEPROM mounted, unmount the EEPROM from the PWB to replace and mount it on the new PWB.

Contact the regional HQ if replacing the EEPROM is needed. The condition is checked and it may be supplied if necessary. (Note only the EEPROM for the MFP models can be supplied and it is not available for the Printer models)

<b>KDC's Classification</b>	<input type="checkbox"/> Entire Stock Rework	<input type="checkbox"/> In-Field modification at next visit
	<input checked="" type="checkbox"/> In-Field modification by case	<input type="checkbox"/> No modification necessary
<b>Field Measure:</b>	Please note the above.	
<b>Serial Nos. of Affected Machine:</b>		

# Service Bulletin

 Ref. No. **COM-0292 (D133)**

[Service Information]

&lt;Date&gt; June 15, 2013

<b>Subject</b>	<b>Change of the serial number prefix at the 1st to 3rd digit for the maintenance kit</b>
<b>Model</b>	<b>A part of the maintenance kit*</b>

\* Refer to the table in the following pages for the affected kit.

The serial number prefixes at the 1st to 3rd digit for a part of the old maintenance kits are renewed for the kit management reason at factory.

[Background]

The same serial number prefixes had been applied to all the maintenance kits for the same model even if their specs differ because the serial number prefixes of the old maintenance kits had been set per model. Their managements at factory have become difficult, thus, the serial number prefixes are separately set per spec.

Ex.)

The following maintenance kits have the same serial number prefixes while they contain different fuser units. If the wrong fuser unit is bundled, the current system cannot check this error from the serial number prefix of the maintenance kit.

The correlative management by individually setting the serial number prefix for the maintenance kit per spec is necessary to check the error.

ITEM Code	Maintenance kit Ser./No. prefix	Fuser unit Ser./No. prefix	Drum unit Ser./No. prefix	Developing unit Ser./No. prefix
1702GN8NL0	PSA	KRR	KSE	KFV
1702GN7US0	PSA	KRQ	KSE	KFV
1702GN7TW0	PSA	KXH	KSE	KFV

<b>KDC's Classification</b>	<input type="checkbox"/> Entire Stock Rework <input type="checkbox"/> In-Field modification by case	<input type="checkbox"/> In-Field modification at next visit <input checked="" type="checkbox"/> No modification necessary
<b>Field Measure:</b>	Please note the above.	
<b>Serial Nos. of Affected Machine:</b>	To be informed later.	

# Service Bulletin

[Service Information]

Ref. No. **COM-0292 (D133)**

&lt;Date&gt; June 15, 2013

\* Deletion means discontinuance of production.

ITEM Code	ITEM name	Kit name	Before S/N prefix	After New S/N prefix
1702BJ3KS0	SET,KIT,MK705(CHN)	MK-705	--BA	--BA
1702BJTTW0	SET,KIT,MK705TW	MK-705	--BA	(Deletion)
2BJ82010	SET,KIT,MK705J	MK-705	--BA	(Deletion)
2BJ82020	SET,KIT,MK705U	MK-705	--BA	LLV
2BJ82030	SET,KIT,MK705E	MK-705	--BA	(Deletion)
2BJ82040	SET,KIT,MK705K	MK-705	--BA	(Deletion)
2BJ82080	SET,KIT,MK705E	MK-705	--BA	LLW
1702FD3KS0	SET,KIT,MK706(CHN)	MK-706	--BX	--BX
1702FDTTW0	SET,KIT,MK706TW	MK-706	--BX	LLX
2FD82010	MK-706J	MK-706	--BX	LLY
2FD82020	SET,KIT,MK706U	MK-706	--BX	LLZ
2FD82030	SET,KIT,MK706E	MK-706	--BX	LM1
1702FG3KS0	SET,KIT,MK707(CHN)	MK-707	--BY	--BY
1702FGTTW0	ST,KIT,MK707TW	MK-707	--BY	LM2
2FG82010	MK-707J	MK-707	--BY	LM3
2FG82020	SET,KIT,MK707U	MK-707	--BY	LM4
2FG82030	SET,KIT,MK707E	MK-707	--BY	LM5
1702FT3KS0	MK-420/MAINTENANCE KIT	MK-420	--CK	--CK
1702FT7US0	MK-420 120V60HZ/MAINTENANCE KIT	MK-420	--CK	LM6
1702FT8NL0	MK-420/MAINTENANCE KIT	MK-420	--CK	LM7
1702FT9JP0	MK-420/MAINTENANCE KIT	MK-420	--CK	LM8
1702FTTTW0	MK-420/MAINTENANCE KIT	MK-420	--CK	LM9
1702FB3KS0	MK-650A/MAINTENANCE KIT	MK-650A	--DN	(Deletion)
1702FB7US0	MK-650A 120V60HZ/MAINTENANCE KIT	MK-650A	--DN	--DN
1702FB8NL0	MK-650A/MAINTENANCE KIT	MK-650A	--DN	LMA
1702FB9JP0	MK-650A(H)/MAINTENANCE KIT	MK-650A	--DN	LMB
1702FC9JP0	MK-650A(L)/MAINTENANCE KIT	MK-650A	--DN	LMC
1702F87US0	MK-310 120V60HZ/MAINTENANCE KIT	MK-310	GPU	GPU
1702F88EU0	MK-310/MAINTENANCE KIT	MK-310	GPU	LKD
1702F88LV0	MK-310	MK-310	GPU	LKE
1702F88UT0	MK-310(UT)	MK-310	GPU	LKF
1702F8TTW0	MK-310/MAINTENANCE KIT	MK-310	GPU	LKG
1702HV9JP0	MK-310/MAINTENANCE KIT	MK-310	GPU	LKH
1702HV9RS0	MK-310/MAINTENANCE KIT	MK-310	GPU	LKJ
1702F97AD0	MK-320	MK-320	GPV	GPV
1702F97US0	MK-320 120V60HZ/MAINTENANCE KIT	MK-320	GPV	LKK
1702F98EU0	MK-320/MAINTENANCE KIT	MK-320	GPV	LKL
1702F98LV0	MK-320	MK-320	GPV	LKM
1702F98SM0	MK-320(SM)	MK-320	GPV	LKN
1702F98UT0	MK-320(UT)	MK-320	GPV	LKP
1702F9TTW0	MK-320/MAINTENANCE KIT	MK-320	GPV	LKQ
1702HW9JP0	MK-320/MAINTENANCE KIT	MK-320	GPV	LKR
1702F78C10	MK-440 C(CHU)/MAINTENANCE KIT	MK-440	GPW	GPW
1702F78CC0	MK-440(CHU)/MAINTENANCE KIT	MK-440	GPW	LKS
1702F78EU0	MK-440/MAINTENANCE KIT	MK-440	GPW	LKT

# Service Bulletin

Ref. No. **COM-0292 (D133)**

[Service Information]

&lt;Date&gt; June 15, 2013

ITEM Code	ITEM name	Kit name	Before S/N prefix	After New S/N prifix
1702F7TTW0	MK-440/MAINTENANCE KIT	MK-440	GPW	LKU
1702F88C10	MK-310 C(CHU)/MAINTENANCE KIT	MK-310	GPW	LKV
1702G39JP0	MK-440/MAINTENANCE KIT	MK-440	GPW	LKW
1702G39RS0	MK-440/MAINTENANCE KIT	MK-440	GPW	LKX
1702GN7US0	MK-715 120V60HZ/MAINTENANCE KIT	MK-715	PSA	PSA
1702GN8NL0	MK-715/MAINTENANCE KIT	MK-715	PSA	LMD
1702GNTTW0	MK-715/MAINTENANCE KIT	MK-715	PSA	(Deletion)
1702GR3KS0	MK-716/MAINTENANCE KIT	MK-716	PSB	PSB
1702GR7US0	MK-716 120V60HZ/MAINTENANCE KIT	MK-716	PSB	LME
1702GR8KR0	MK-716/MAINTENANCE KIT	MK-716	PSB	LMF
1702GR8NL0	MK-716/MAINTENANCE KIT	MK-716	PSB	LMG
1702GRTTW0	MK-716/MAINTENANCE KIT	MK-716	PSB	LMH
1702G12US0	MK-710 120V60HZ/MAINTENANCE KIT	MK-710	PSD	PSD
1702G13EU0	MK-710/MAINTENANCE KIT	MK-710	PSD	LMJ
1702G18KR0	MK-710/MAINTENANCE KIT	MK-710	PSD	LMK
1702G1TTW0	MK-710/MAINTENANCE KIT	MK-710	PSD	LML
1702H08KS0	MK-670/MAINTENANCE KIT	MK-670	PSJ	(Deletion)
1702H0TTW0	MK-670/MAINTENANCE KIT	MK-670	PSJ	(Deletion)
1702KA7US0	MK-880A/MAINTENANCE KIT	MK-880A	Q1J	(Deletion)
1702KA7US1	MK-880A/MAINTENANCE KIT	MK-880A	Q1J	Q1J
1702KA8KL0	MK-880A/MAINTENANCE KIT	MK-880A	Q1J	(Deletion)
1702KA8KL1	MK-880A/MAINTENANCE KIT	MK-880A	Q1J	LMM
1702KA8KR0	MK-880A/MAINTENANCE KIT	MK-880A	Q1J	(Deletion)
1702KA8KR2	MK-880A/MAINTENANCE KIT	MK-880A	Q1J	LMN
1702KA9JP0	MK-880A/MAINTENANCE KIT	MK-880A	Q1J	LMP
1702K57US0	MK-671/MAINTENANCE KIT	MK-671	Q35	Q35
1702K58KR0	MK-671/MAINTENANCE KIT	MK-671	Q35	LMQ
1702K58NL0	MK-671/MAINTENANCE KIT	MK-671	Q35	LMR
1702K59JP0	MK-671/MAINTENANCE KIT	MK-671	Q35	LMS
1702FZ0KS0	MK-825A/MAINTENANCE KIT	MK-825A	QCV	(Deletion)
1702FZ7US0	MK-825A 120V60HZ/MAINTENANCE KIT	MK-825A	QCV	QCV
1702FZ8AS0	MK-825(AS)/MAINTENANCE KIT	MK-825A	QCV	(Deletion)
1702FZ8KR0	MK-825A/MAINTENANCE KIT	MK-825A	QCV	LMT
1702FZ8NL1	MK-825A/MAINTENANCE KIT	MK-825A	QCV	LMU
1702FZTTW0	MK-825A/MAINTENANCE KIT	MK-825A	QCV	LMV
1702GB9JP0	MK-825A/MAINTENANCE KIT	MK-825A	QCV	LMW
1702JF7US0	MK-826A 120V60HZ/MAINTENANCE KIT	MK-826A	QCW	QCW
1702JF8NL1	MK-826A/MAINTENANCE KIT	MK-826A	QCW	LMX
1702JF9JP0	MK-826A/MAINTENANCE KIT	MK-826A	QCW	LMY
1702HP8KR0	MK-820A/MAINTENANCE KIT	MK-820A	QCY	(Deletion)
1902HP7US0	MK-820A 120V60HZ/MAINTENANCE KIT	MK-820A	QCY	QCY
1902HP8NL1	MK-820A/MAINTENANCE KIT	MK-820A	QCY	LMZ
1902HR9JP0	MK-820A/MAINTENANCE KIT	MK-820A	QCY	LN1
1702JZ7US0	MK-865A/MAINTENANCE KIT	MK-865A	QJP	(Deletion)
1702JZ7US1	MK-865A/MAINTENANCE KIT	MK-865A	QJP	QJP

# Service Bulletin

[Service Information]

Ref. No. **COM-0292 (D133)**

&lt;Date&gt; June 15, 2013

			Before	After
ITEM Code	ITEM name	Kit name	S/N prefix	New S/N prifix
1702JZ8EU0	MK-865A/MAINTENANCE KIT	MK-865A	QJP	(Deletion)
1702JZ8EU1	MK-865A/MAINTENANCE KIT	MK-865A	QJP	LN2
1702JZ8KR0	MK-865A/MAINTENANCE KIT	MK-865A	QJP	(Deletion)
1702JZ8KR3	MK-865A/MAINTENANCE KIT	MK-865A	QJP	LN3
1702JZ9JP0	MK-865A/MAINTENANCE KIT	MK-865A	QJP	LN4
1702H77US0	MK-855A/MAINTENANCE KIT	MK-855A	QJR	(Deletion)
1702H77US1	MK-855A/MAINTENANCE KIT	MK-855A	QJR	QJR
1702H78EU0	MK-855A/MAINTENANCE KIT	MK-855A	QJR	(Deletion)
1702H78EU1	MK-855A/MAINTENANCE KIT	MK-855A	QJR	LN5
1702H78KR0	MK-855A/MAINTENANCE KIT	MK-855A	QJR	(Deletion)
1702H78KR3	MK-855A/MAINTENANCE KIT	MK-855A	QJR	LN6
1702H79JP0	MK-855A/MAINTENANCE KIT	MK-855A	QJR	LN7
1702KP7US0	MK-660A/MAINTENANCE KIT	MK-660A	QKJ	QKJ
1702KP8KS0	MK-660A/MAINTENANCE KIT	MK-660A	QKJ	(Deletion)
1702KP8NL0	MK-660A/MAINTENANCE KIT	MK-660A	QKJ	LN8
1702KP9JP0	MK-660A(H)/MAINTENANCE KIT	MK-660A	QKJ	LN9
1702KPTTW0	MK-660A/MAINTENANCE KIT	MK-660A	QKJ	LNA
1702K87US0	MK-580/MAINTENANCE KIT	MK-580	QVT	QVT
1702K88NL0	MK-580/MAINTENANCE KIT	MK-580	QVT	LKY
1702KR7US0	MK-726/MAINTENANCE KIT	MK-726	QWQ	QWQ
1702KR8KR0	MK-726/MAINTENANCE KIT	MK-726	QWQ	LNB
1702KR8NL0	MK-726/MAINTENANCE KIT	MK-726	QWQ	LNC
1702KR9JP0	MK-726/MAINTENANCE KIT	MK-726	QWQ	LND
1702KRTTW0	MK-726/MAINTENANCE KIT	MK-726	QWQ	LNE
1702KY7US0	MK-856A/MAINTENANCE KIT	MK-856A	QXJ	(Deletion)
1702KY7US1	MK-856A/MAINTENANCE KIT	MK-856A	QXJ	QXJ
1702KY8KL0	MK-856A/MAINTENANCE KIT	MK-856A	QXJ	(Deletion)
1702KY8KL1	MK-856A/MAINTENANCE KIT	MK-856A	QXJ	LNF
1702KY9JP0	MK-856A/MAINTENANCE KIT	MK-856A	QXJ	LNG
1702J03KS0	MK-340/MAINTENANCE KIT	MK-340	WZS	WZS
1702J07US0	MK-340/MAINTENANCE KIT	MK-340	WZS	LKZ
1702J08AS0	MK-340/MAINTENANCE KIT	MK-340	WZS	LL1
1702J08CC0	MK-340(CHU)/MAINTENANCE KIT	MK-340	WZS	LL2
1702J08EU0	MK-340/MAINTENANCE KIT	MK-340	WZS	LL3
1702J08LV0	MK-340(OLIVETTI)	MK-340	WZS	LL4
1702J08US0	MK-340/MAINTENANCE KIT	MK-340	WZS	LL5
1702J08UT0	MK-340(UTAX)	MK-340	WZS	LL6
1702J0TTW0	MK-340/MAINTENANCE KIT	MK-340	WZS	LL7
1702J39JP0	MK-340/MAINTENANCE KIT	MK-340	WZS	LL8
1702J17US0	MK-350/MAINTENANCE KIT	MK-350	WZT	(Deletion)
1702J18AS0	MK-350/MAINTENANCE KIT	MK-350	WZT	(Deletion)
1702J18CC0	MK-350(CHU)/MAINTENANCE KIT	MK-350	WZT	(Deletion)
1702J18EU0	MK-350/MAINTENANCE KIT	MK-350	WZT	(Deletion)
1702J18LV0	MK-350(OLIVETTI)	MK-350	WZT	(Deletion)
1702J18US0	MK-350/MAINTENANCE KIT	MK-350	WZT	(Deletion)

# Service Bulletin

[Service Information]

 Ref. No. **COM-0292 (D133)**

&lt;Date&gt; June 15, 2013

			Before	After
ITEM Code	ITEM name	Kit name	S/N prefix	New S/N prifix
1702J18UT0	MK-350(UTAX)	MK-350	WZT	(Deletion)
1702J1TTW0	MK-350/MAINTENANCE KIT	MK-350	WZT	(Deletion)
1702J27US0	MK-360/MAINTENANCE KIT	MK-360	WZU	WZU
1702J28AS0	MK-360/MAINTENANCE KIT	MK-360	WZU	LL9
1702J28CC0	MK-360(CHU)/MAINTENANCE KIT	MK-360	WZU	LLA
1702J28EU0	MK-360/MAINTENANCE KIT	MK-360	WZU	LLB
1702J28LV0	MK-360(OLIVETTI)	MK-360	WZU	LLC
1702J28US0	MK-360/MAINTENANCE KIT	MK-360	WZU	LLD
1702J28UT0	MK-360(UTAX)	MK-360	WZU	LLE
1702J49JP0	MK-360/MAINTENANCE KIT	MK-360	WZU	LLF
1702HM2US0	MK-550/MAINTENANCE KIT	MK-550	WZV	WZV
1702HM3EU0	MK-550/MAINTENANCE KIT	MK-550	WZV	LLG
1702HMTTW0	MK-550/MAINTENANCE KIT	MK-550	WZV	LLH
1702J89JP0	MK-550/MAINTENANCE KIT	MK-550	WZV	LLJ
1702HN2US0	MK-560/MAINTENANCE KIT	MK-560	WZW	WZW
1702HN3EU0	MK-560/MAINTENANCE KIT	MK-560	WZW	LLK
1702HNTTW0	MK-560/MAINTENANCE KIT	MK-560	WZW	LLL
1702J99JP0	MK-560/MAINTENANCE KIT	MK-560	WZW	LLM
1702HG7US0	MK-570/MAINTENANCE KIT	MK-570	WZX	WZX
1702HG8EU0	MK-570/MAINTENANCE KIT	MK-570	WZX	LLN
1702HG8KR0	MK-570/MAINTENANCE KIT	MK-570	WZX	LLP
1702HG9JP0	MK-570/MAINTENANCE KIT	MK-570	WZX	LLQ
1702J53KS0	MK-450/MAINTENANCE KIT	MK-450	WZY	WZY
1702J58AS0	MK-450/MAINTENANCE KIT	MK-450	WZY	LLR
1702J58EU0	MK-450/MAINTENANCE KIT	MK-450	WZY	LLS
1702J58KR0	MK-450/MAINTENANCE KIT	MK-450	WZY	LLT
1702J5TTW0	MK-450/MAINTENANCE KIT	MK-450	WZY	LLU

# Service Bulletin

Ref. No. **2LC-0056 (C028)**

[Service information]

<Date> August 18, 2012

<b>Subject</b>	<b>DT-730 (--&gt;) correspond to TASKalfa 2550ci (2 screws added)</b>
<b>Model</b>	<b>TASKalfa5550ci, TASKalfa4550ci, TASKalfa3550ci, TASKalfa3050ci, TASKalfa7550ci, TASKalfa6550ci, TASKalfa5500i, TASKalfa4500i, TASKalfa3500i, TASKalfa8000i, TASKalfa6500i, (--&gt;)TASKalfa 2550ci</b>

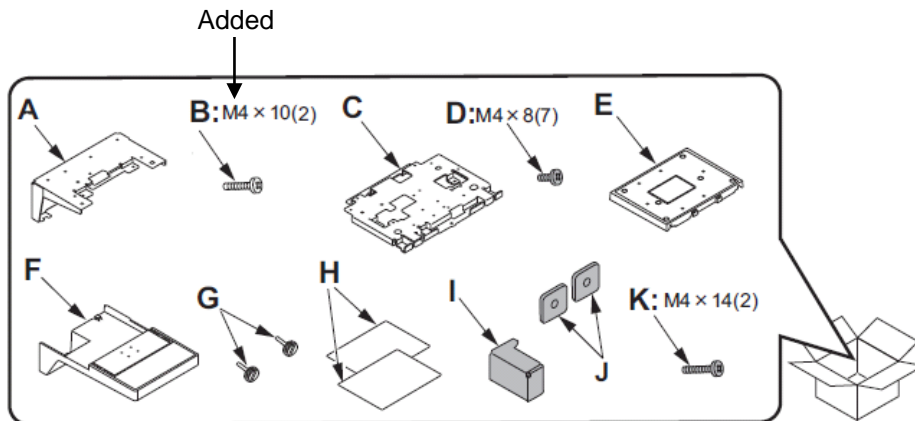
This time the description with (-->) is revised from the previous information.

<Number of changes: 6> Revised the descriptions of the new development model to the TASKalfa 2550ci and added the product name. Changed "Planned in February 2012" to "February 2012 production" in [Serial Nos. of Affected Machine].

2 pcs. of screws are added as follows to install the DT-730 in the (-->)TASKalfa 2550ci.  
Please note this when using the DT-730 with (-->) TASKalfa 2550ci.

### <Content of change>

- 7BB607410H : +TP-CUP M SCREW 4x10 R : 2 pcs.
- Distinction : Lot No. (22\*\*\*\* and after) indicated on the outer case barcode label



<Outer case barcode label>

ITEM CODE	092LC0U1	DESTINATION
<b>1902LC0UN1</b>		
MODEL NAME	DT-730	
LOT No.	QTY	REMARK
<b>182C001</b>	0001	1
ITEM CODE & QTY [1902LC0UN1001]		
ITEM CODE & QTY LOTNO [1902LC0UN11 182C001 0001]		
Assembled in China / Designed in Japan		

LOT No  
1st 2 digits indicates year and month  
In the case of the left:  
18 = August 2011 production

<b>KMC's Classification</b>	<input type="checkbox"/> Entire Stock Rework	<input type="checkbox"/> In-Field modification at next visit
	<input type="checkbox"/> In-Field modification by case	<input checked="" type="checkbox"/> No modification necessary
<b>Field Measure:</b> Please note the screws are separately required to use the DT-730 with (-->) TASKalfa 2550ci if they are not bundled.		
<b>Serial Nos. of Affected Machine:</b> (-->) February 2012 production (Lot No.: 22****)		

N00062883



(Revised issue 1)  
**Service Bulletin**

<b>Subject</b>	<b>Remote software upgrade ( (--&gt;) TASKalfa 2550ci, etc.)</b>
<b>Model</b>	<b>Remote software and Launcher program for FAX</b>

*This time the description with (-->) is revised from the previous information.*

*<Number of changes: 3> Added the product name in the subject, revised the firmware version in [File Name].*

**<Content of changes>**

No	Item	Content	CTL
1	New model support	The following new model is supported. (KM) TASKalfa 2550ci (UTAX/TA) 2550ci	89 90
2	Error message for the illegal file selection	An error message is displayed when selecting an illegal file after pressing [Rmt File Select] button but the same message appears when pressing [OK] button. Therefore, this is corrected.	576281 85
3	The waiting time change when timeout occurs	If timeout occurs during communication(during frame receiving), the waiting time for retrial is 8 minutes at the maximum. It is changed to 1 minute and after the time, an error occurs instead of retrial.	575761 88
4	Own Name display change (single byte/double byte)	Own Name (single byte/double byte) is indicated as 0000: port1 and 0001: port2, and it is not easy to understand. Therefore, the following is changed. [Change] The numbers are changed : [0000]→[1], [0001]→ [2]	587557 95
5	System Configuration Report display change	The port 2 own Tel number is indicated in the System Configuration Report while the OwnTel name is not indicated. Therefore, the own name, own number and ROM version are indicated in the report for port 1 and 2.	590465 97
6	System Configuration Report display change 2	The double byte Own Name is only indicated up to 16 characters in the System Configuration Report. Therefore, it is so changed to indicated up to 32 characters.	590476 98
7	Corrective measures for the failure in receiving the data partially	The data may not be received by the KM-3050/4050/5050and KM-2560/3060 in the conditions below. Therefore, this is corrected. <Condition> - Launcher VER 4.00.13 or later - The option of [Receive counter information only] is checked in the launcher	TF-11- 017 587561 94

PC remote program	Program No. *	set file ver.	Rmt****.exe file ver.		Support
Remote for KM	(-->) Rdiag51004	5.10.04	5.10.03	←New upgrade	1, 3, 4, 5
Launcher	(-->) Rlaun43004	4.30.04	4.30.02	←New upgrade	1, 2, 3, 7
Remote for UTA/TA	Rdiagen49003	4.90.03	4.90.02	←New upgrade	1, 3, 4, 5

For KM sales companies, it is possible to download firmware through KM Knowledge Cabi-NET.

<b>KMC's Classification</b>	<input type="checkbox"/> Entire Stock Rework	<input type="checkbox"/> In-Field modification at next visit
	<input checked="" type="checkbox"/> In-Field modification by case	<input type="checkbox"/> No modification necessary
<b>Field Measure:</b> Please upgrade the firmware when the above phenomenon arises.		
<b>Serial Nos. of Affected Machine:</b>		

N00063750/N00064053

# Service Bulletin

Ref. No. **2MV-0001 (C075)**

[Parts Change Information]

&lt;Date&gt; March 30, 2012

<b>Subject</b>	<b>Change since the 1st mass production*</b>
<b>Model</b>	<b>TASKalfa 2550ci</b>

\*This content is the parts change information based on the parts list for KME.  
For other destinations, refer to the reference parts list with the conversion list that will be separately issued

The following parts are changed, added or disused since the 1st mass production.

No.	Old Part No.	New Part No.	Description	Q'ty		Compati bility		Remarks	
				Old	New	Old	New		
<b>FIG. 1 Covers 1</b>									
1	302K004320 2K004320	302MV94550 2MV94550	PARTS TRAY EJECT ASSY SP	1	1	X	O	RefNo.6	63645 64106
2	-----	302K317820 2K317820	+STOPPER PAPER C	-	1	-	O		63645 64106
3	-----	302LC34160 2LC34160	LABEL SW CAUTION SET A	-	1	-	O	*1 only KME	64254
<b>FIG. 2 Covers 2</b>									
4	-----	302MV04330 2MV04330	SPRING FRONT COVER R	-	1	-	O		62364
5	302MV04320 2MV04320	302MV04320 2MV04320	SPRING FRONT COVER L	2	1	X	-	1pc changed to No.4	62364
6	302K004340 2K004340	302H004651 2H004651	HOLDER SWITCH	1	1	X	O	RefNo.3	62452
<b>FIG. 3 Frames 1</b>									
7	-----	7YZM610003++H01 YZ010250	ACCESS SADDLE	-	1	-	O		63478
<b>FIG. 4 Frames 2</b>									
8	-----	302MV94560 2MV94560	PARTS FAN MOTOR SET SP	-	1	-	O		63371
<b>FIG. 5 Frames 3</b>									
9	303NN02142 3NN02142	303NN02143 3NN02143	STAY UPPER FEED	1	1	X	O	RefNo.9	62580
<b>FIG. 7 Frames 5</b>									
10	7SC010203+++H01 SC131710	7SC010202+++H01 SC122390	SW.SEESAW	1	1	X	O	RefNo.2	63352
11	302MV46550 2MV46550	-----	WIRE RESET SW	1	-	X	-	RefNo.31	63352
12	7YZM610009++H01 YZ042980	7YZM610009++H01 YZ042980	ACCESS.SADDLE	8	7	X	-	RefNo.25	63993
<b>FIG. 11 Paper Feed Section 3</b>									
13	302K306150 2K306150	302K306150 2K306150	SPRING ACTUATOR REGIST	1	2	-	O		63205
14	-----	302MV07150 2MV07150	SPACER GUIDE	-	1	-	O		63643
15	-----	302MV07140 2MV07140	SHEET GUIDE	-	1	-	O		63643
<b>FIG. 13 Paper Feed Section 5</b>									
16	303NN24240 3NN24240	302MV07130 2MV07130	SPRING COVER HOOK	2	2	X	O	RefNo.13	62897
<b>FIG. 14 Paper Conveying Section 1</b>									
17	302K029015 2K029015	302K029016 2K029016	GUIDE RIGHT COVER	1	1	X	O	RefNo.1	63342

# Service Bulletin

[Parts Change Information]

Ref. No. **2MV-0001 (C075)**

&lt;Date&gt; March 30, 2012

No.	Old Part No.	New Part No.	Description	Q'ty		Compati- bility		Remarks	
				Old	New	Old	New		
<b>FIG. 15 Paper Conveying Section 2</b>									
18	302K024012 2K024012	302K024013 2K024013	BASE CONVEYING	1	1	X	O	RefNo.1	62583
19	302K024231 2K024231	302K024232 2K024232	LEVER CONVEYING F	1	1	X	O	RefNo.9	62583
20	302K024241 2K024241	302K024242 2K024242	LEVER CONVEYING R	1	1	X	O	RefNo.11	62583
21	302HN44210 2HN44210	302MV94560 2MV94560	PARTS FAN MOTOR SET SP	1	1	X	O	RefNo.17	64352
22	-----	302K024440 2K024440	SPRING REGIST F	-	1	-	O		62641
23	-----	302K024450 2K024450	SPRING REGIST R	-	1	-	O		62641
24	302K024210 2K024210	-----	SPRING REGIST	2	-	X	-	RefNo.31 changed to No.22,23	62641
25	302K024190 2K024190	302K024190 2K024190	SPRING MIDDLE PULLEY	4	2	X	-	RefNo.35 Changed Qty	62641
26	302KV24090 2KV24090	302KV24090 2KV24090	BUSH SPRING FEED	4	2	X	-	RefNo.34 Changed Qty	62641
27	-----	302K024430 2K024430	SHEET REGIST LOW	-	1	-	O		62641
<b>FIG. 16 Paper Conveying Section 3</b>									
28	302K024180 2K024180	302MV24050 2MV24050	SPRING TRANSFER R	1	1	X	O	RefNo.5	63709
<b>FIG. 25 Drive Section 2</b>									
29	302K093121 2K093121	302K093122 2K093122	DR-895A	1	1	X	O	RefNo.A01	62563
<b>FIG. 26 Drive Section 3</b>									
30	302K031461 2K031461	302K031462 2K031462	+GUIDE WIRE MAIN DRIVE	1	1	X	O	RefNo.1 *3	62563
31	302K039360 2K039360	-----	SHEET CONTROLLER	1	-	X	-	RefN.o9	63308
<b>FIG. 27 Drive Section 4</b>									
32	302K093140 2K093140	302K093141 2K093141	DR-895C	1	1	X	O	RefNo.A01	63740
33	302K031500 2K031500	302K031501 2K031501	+HOLDER FEED DRIVE A	1	1	X	O	RefNo.1	63740
<b>FIG. 28 Drive Section 5</b>									
34	-----	2FT18370	POLYSLIDER WASHER	-	1	-	O		63266
<b>FIG. 29 Cooling Section</b>									
35	302K033010 2K033010	302K033011 2K033011	DUCT EXIT	1	1	X	O	RefNo.10	62633
36	302K002C20 2K002C20	302K002C21 2K002C21	DUCT HIGH VOLTAGE	1	1	X	O	RefNo.11	62633
37	302K002260 2K002260	302K002261 2K002261	BRACKET FAN DLP	1	1	X	O	RefNo.20	62658
38	302K002580 2K002580	-----	SEAL BRACKET FAN DLP	1	-	X	-	RefNo.22	62658
39	302MV46540 2MV46540	302MV46680 2MV46680	WIRE IH-DLP FAN	1	1	X	O	RefNo.25	63336
40	302K002190 2K002190	302K002191 2K002191	DUCT IH	1	1	X	O	RefNo.26	62633
41	302K002780 2K002780	302K002781 2K002781	DUCT IH COVER	1	1	X	O	RefNo.27	62633

# Service Bulletin

## [Parts Change Information]

 Ref. No. **2MV-0001 (C075)**

&lt;Date&gt; March 30, 2012

No.	Old Part No.	New Part No.	Description	Q'ty		Compati bility		Remarks	
				Old	New	Old	New		
<b>FIG. 31 Inner Section 1</b>									
42	-----	302MV03030 2MV03030	SEAL RETAINER	-	1	-	O		63632
43	302K002A31 2K002A31	302K002A32 2K002A32	COVER INNER FRONT	1	1	X	O	RefN.o3	62658
<b>FIG. 32 Inner Section 2</b>									
44	302K003330 2K003330	302K003331 2K003331	SEAL CASE WASTE D	1	1	X	O	RefNo.3	62658
45	302K003091 2K003091	302K003092 2K003092	LOCK WASTE A	1	1	X	O	RefNo.16	62658
46	302K003101 2K003101	302K003102 2K003102	LOCK WASTE B	1	1	X	O	RefNo.17	62658
<b>FIG. 34 Electrical Components 2</b>									
47	-----	302MV39370 2MV39370	SHEET CONT BOX	-	1	-	O		62638
48	302H002380 2H002380	-----	SHIELD SCREW	2	-	X	-	RefNo.9	62834
<b>FIG. 42 DP Paper Feed Section 1</b>									
49	-----	302MV04700 2MV04700	SPACER HOLDER FEED	-	1	-	O		63232
<b>FIG. 43 DP Paper Feed Section 2</b>									
50	303M828020 3M828020	303M828021 3M828021	GUIDE EXIT	1	1	X	O	RefNo.27	63159
51	303M824013 3M824013	303M824014 3M824014	GUIDE CONVEYING	1	1	X	O	RefNo.11	63162
52	303M829011 3M829011	303M829012 3M829012	GUIDE SHIFT	1	1	X	O	RefNo.29	63162
53	-----	302MV04690 2MV04690	FILM DU CENTER	-	1	-	O		63162

"+" at the beginning of the part name means it is a component part.

\*1 : 7-language label (German/French/Italian/Spanish/Brazilian Portuguese/Dutch/Russian)

\*2 : Use the new type parts for the model TASKalfa 2550ci. Either the old or new type parts may be used for other models.

\*3 : No30 is a component parts for DR-895A(No.29) while it is shown in other page in the parts list

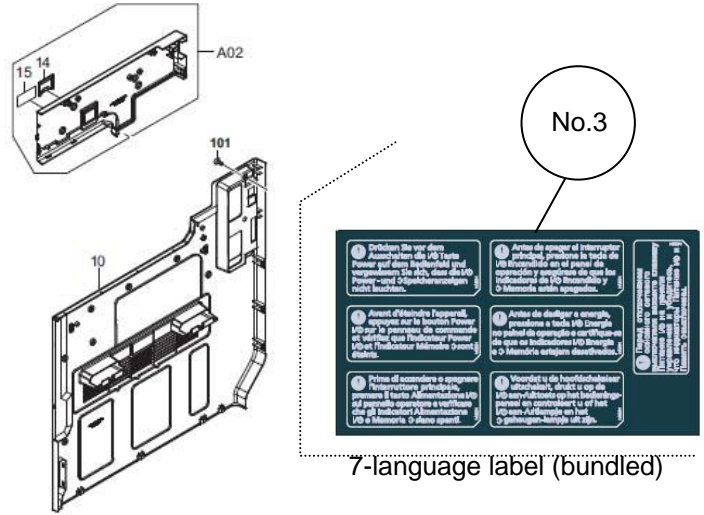
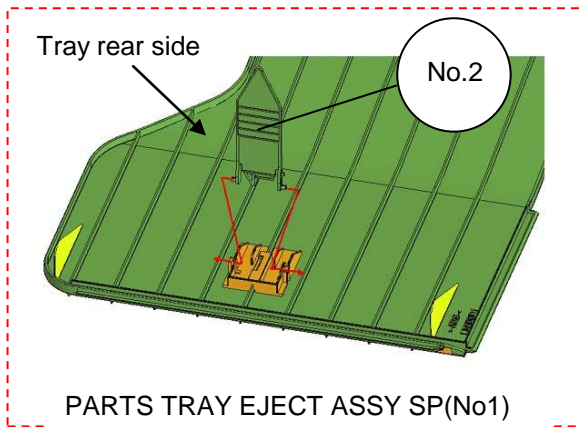
# Service Bulletin

[Parts Change Information]

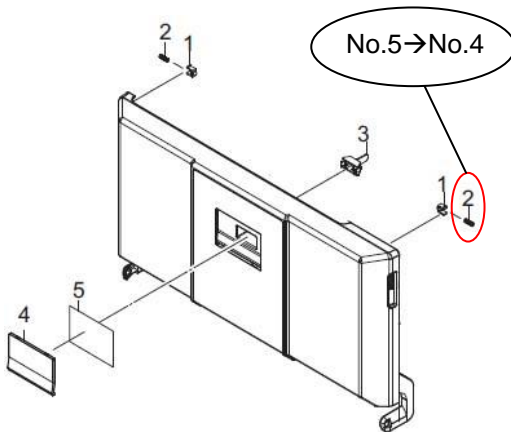
Ref. No. **2MV-0001 (C075)**  
 <Date> March 30, 2012

**TASKalfa 2550ci**

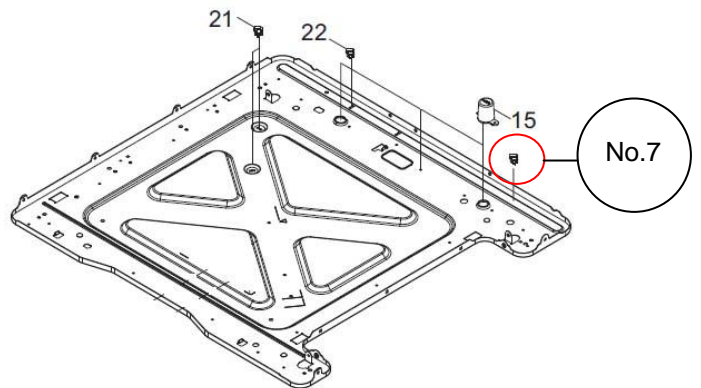
**FIG. 1 Covers 1**



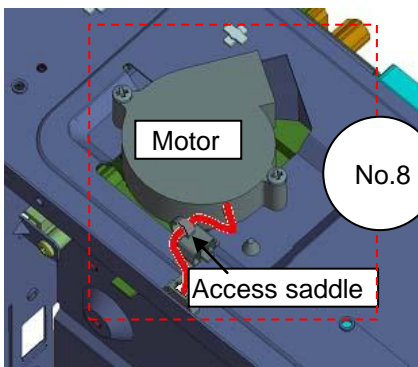
**FIG. 2 Covers 2**



**FIG. 3 Frames 1**

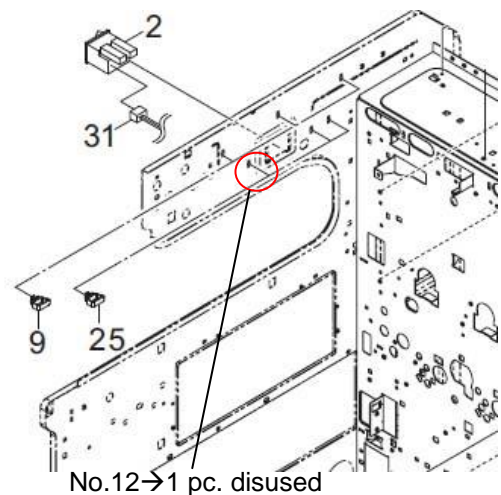


**FIG. 4 Frames 2**



Rear frame (top side)

**FIG. 7 Frames 5**



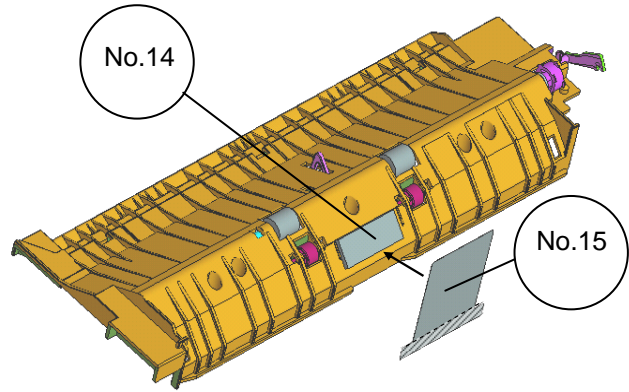
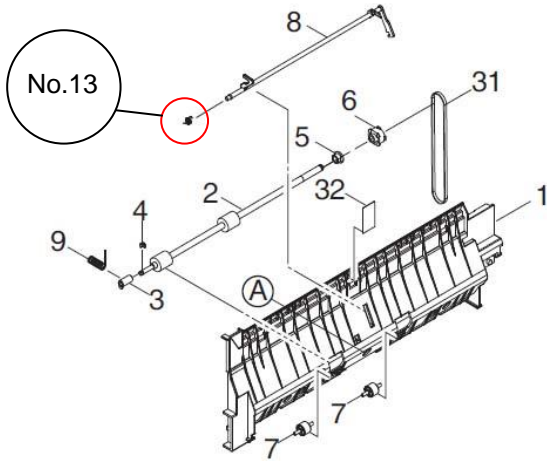


# Service Bulletin

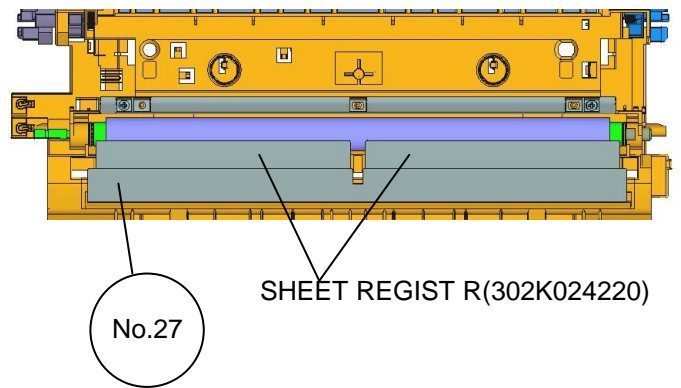
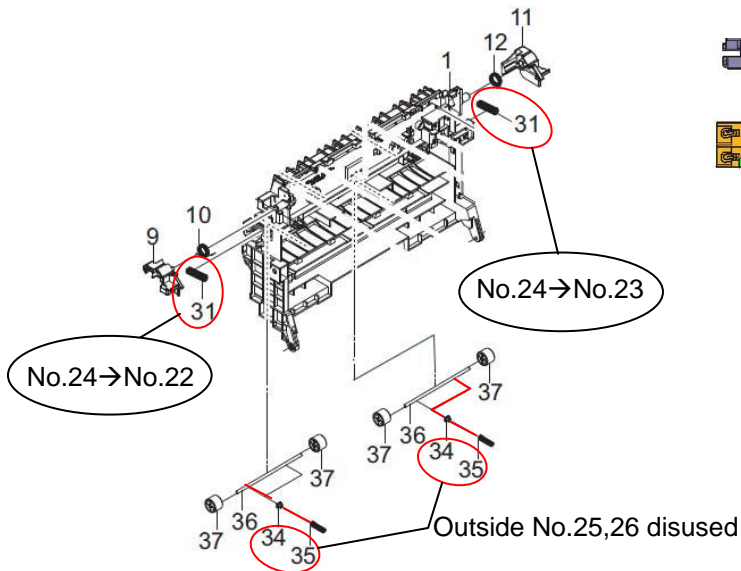
[Parts Change Information]

Ref. No. **2MV-0001 (C075)**  
 <Date> March 30, 2012

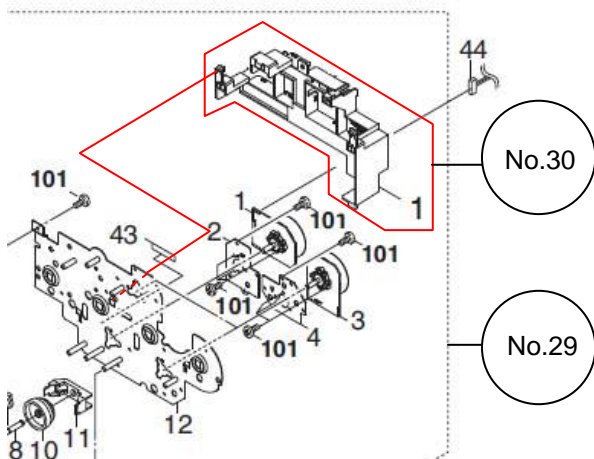
**FIG. 11 Paper Feed Section 3**



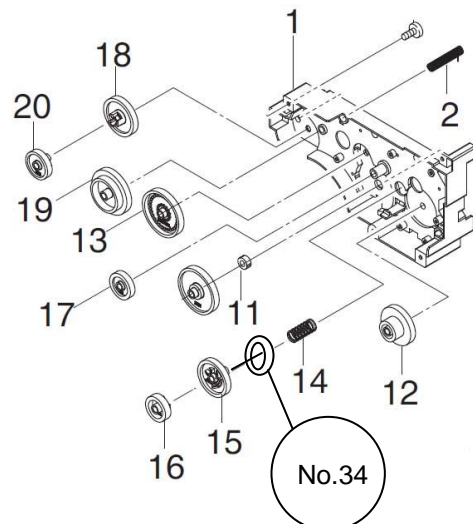
**FIG. 15 Paper Conveying Section 2**



**FIG. 25 Drive Section 2 / FIG. 26 Drive Section 3**



**FIG. 28 Drive Section 5**



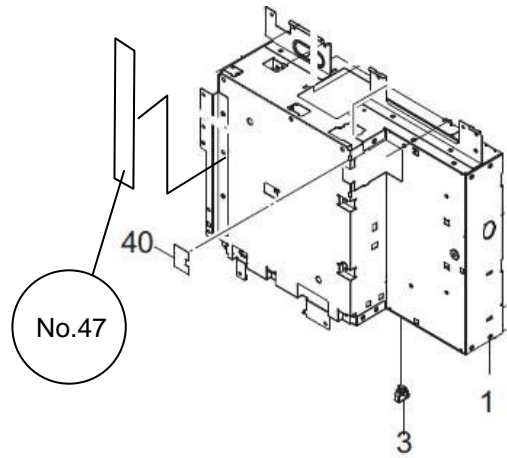
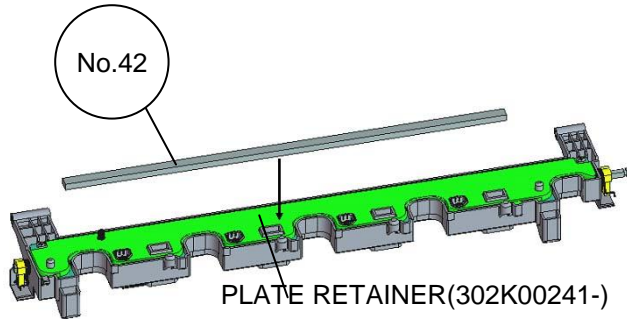
# Service Bulletin

[Parts Change Information]

Ref. No. **2MV-0001 (C075)**  
<Date> March 30, 2012

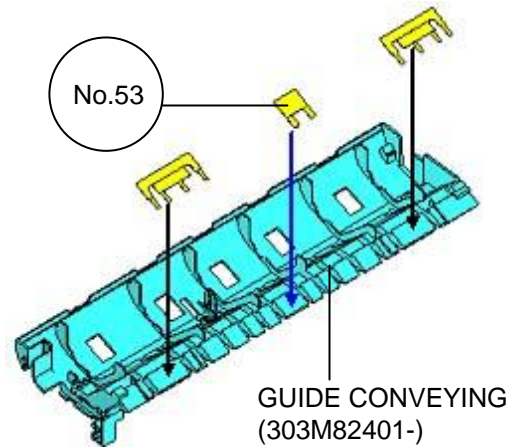
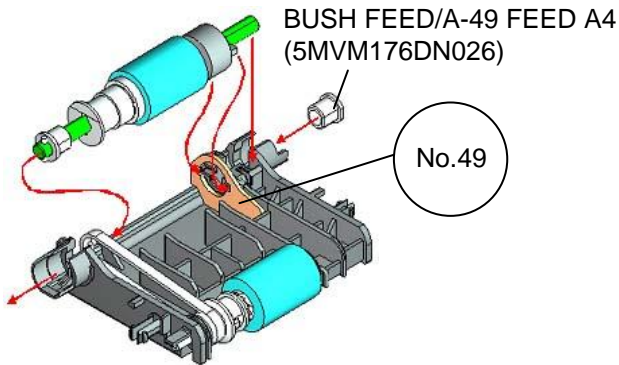
**FIG. 31 Inner Section 1**

**FIG. 34 Electrical Components 2**



**FIG. 42 DP Paper Feed Section 1**

**FIG. 43 DP Paper Feed Section 2**





# Service Bulletin

Ref. No. **5JV-0001 (C088)**

<Date> April 18, 2012

<b>Subject</b>	<b>Firmware upgrade (new model support) (Ver. 1.1.0)</b>
<b>Model</b>	<b>IB-50</b>

Affected model: TASKalfa255c/FS-C8025MFP, TASKalfa205c/FS-C8020MFP, TASKalfa 2550ci  
 TASKalfa305/FS-6030MFP, TASKalfa255/FS-6025MFP/TASKalfa255b/FS-6025MFP/B  
 TASKalfa 5550ci/4550ci/3550ci/3050ci/7550ci/6550ci/8000i/6500i/5500i/4500i/3500i

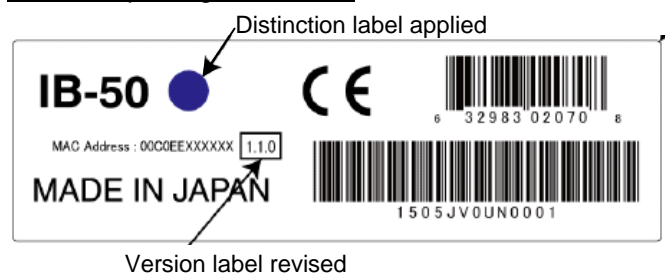
The firmware is upgraded as the corrective measures for the IB-50 detection failure with the new development models.

Firmware version: 1.0.0 → 1.1.0

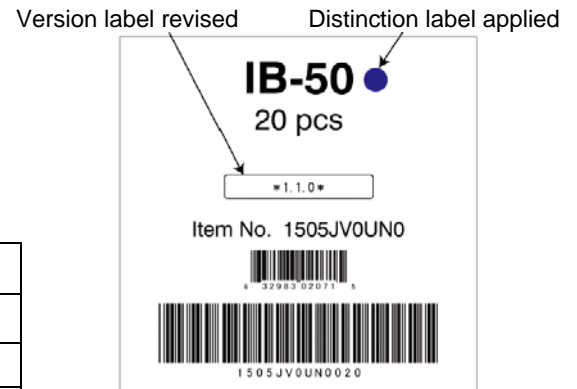
Unit distinction



Individual package distinction



Master package distinction



		Version	Remarks
1	IB-50 firmware	V1.1.0	← New upgrade
2	IB Verup Tool	IBVERUP v302	← New upgrade *1

For KDC sales companies, it is possible to download firmware through KM Knowledge Cabi-NET.

\*1: The IB Firmware Upgrade Tool is released for Windows7.  
 Cabi-NET Category →NIC\_VerUpTool Ver. →3.02E\_J

<b>KMC's Classification</b>	<input type="checkbox"/> Entire Stock Rework	<input type="checkbox"/> In-Field modification at next visit
	<input type="checkbox"/> In-Field modification by case	<input checked="" type="checkbox"/> No modification necessary
<b>Field Measure:</b> No particular problem is expected.		
<b>Serial Nos. of Affected Machine:</b> Distinguish by the label since no serial number is assigned.		

N00064841 Hanabi Hypas/ Matsuri Hypas

# Service Bulletin

 Ref. No. **2KZ-0026 (C092)**

&lt;Date&gt; April 9, 2012

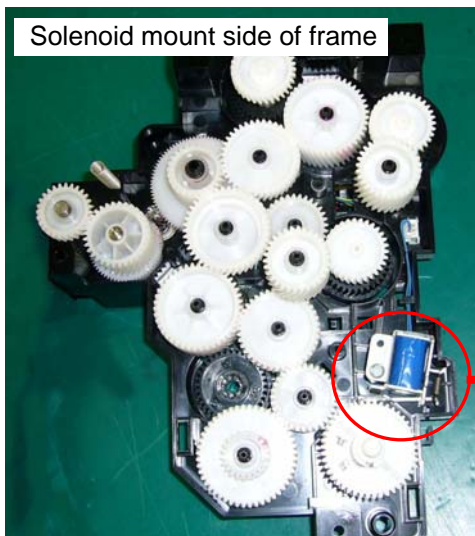
<b>Subject</b>	<b>Corrective measures for the bypass feed failure (DR-895C solenoid lever come-off prevention)</b>
<b>Model</b>	<b>TASKalfa205c/FS-C8020MFP, TASKalfa255c/FS-C8025MFP, TASKalfa 2550ci</b>

If an excess impact is applied to the DR-895C(No.1,2), the solenoid lever may come off in the drive unit. If it is driven in this state, the solenoid lever is not engaged with the gears and the bypass lift plate repeats lift-up and lift-down to cause the paper feed failure. Therefore, the following is changed.

## <Content of change>

A rib is added to the housing side of the frame to prevent the solenoid lever from coming off.

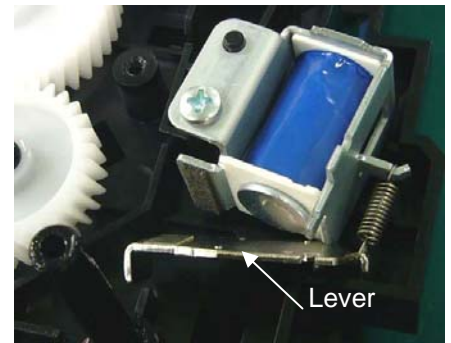
[DR-895C(No.1,2)]



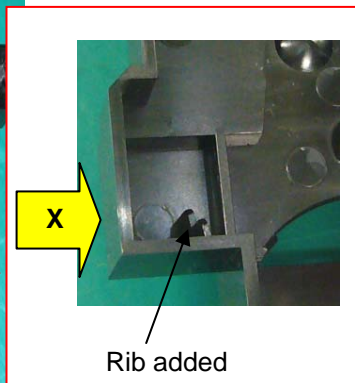
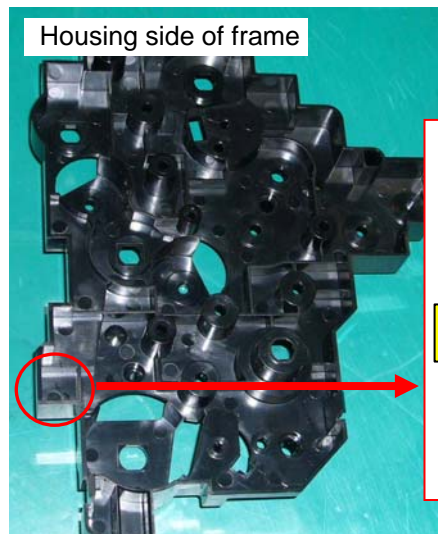
<Normal> (Fig.1)



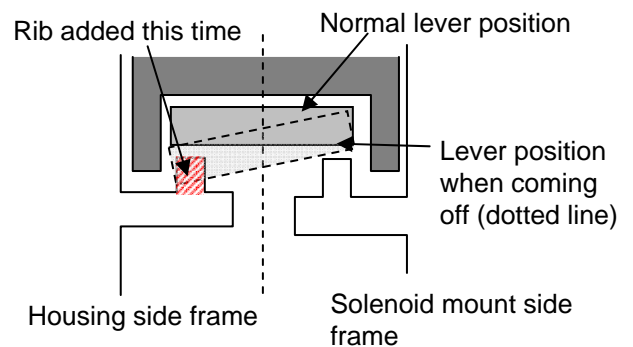
<Lever coming off> (Fig.2)



Only the rib (A) prevents the lever from coming off (Fig.1). The lever may come off at the housing side frame where is not regulated by the rib (A) (Fig.2). Rib (B) is added to the housing side frame to support the lever from both the sides. (Refer to the figure below for the position where the rib (B) is added.)



<Cross-section view from X>(outline view)



# Service Bulletin

 Ref. No. **2KZ-0026 (C092)**

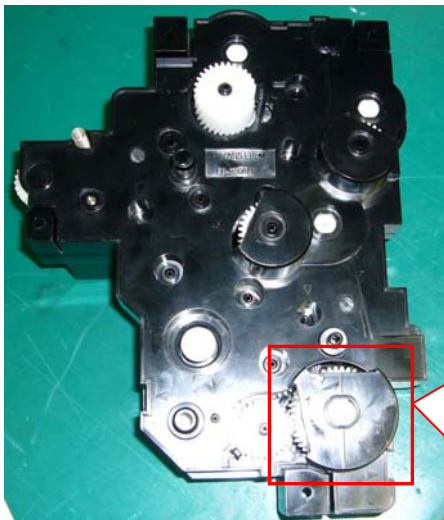
&lt;Date&gt; April 9, 2012

No.	Old Part No.	New Part No.	Description	Q'ty		Compati bi lity		Remarks
				Old	New	Old	New	
1	302K093141 2K093141	302K093142 2K093142	DR-895C	1	1	X	O	Except KDKR
2	302K09K141 2K09K141	302K09K142 2K09K142	DR-895C(KR)	1	1	X	O	For KDKR

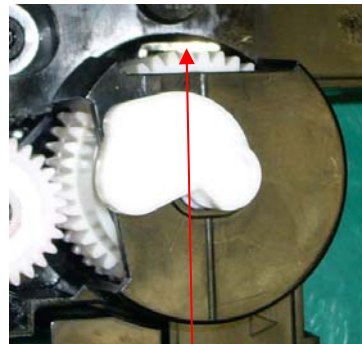
<b>KMC's Classification</b> <input type="checkbox"/> Entire Stock Rework <input checked="" type="checkbox"/> In-Field modification by case <input type="checkbox"/> In-Field modification at next visit <input type="checkbox"/> No modification necessary
<b>Field Measure:</b> Please check if the lever comes off when attaching the old type parts (No.1). (Refer to the next page for detail.) If it comes off, replace with the new type parts (No.1). (Note) Do not open the drive unit to reseal the lever, otherwise, grease may adhere where it must not be applied.
<b>Serial Nos. of Affected Machine:</b> Planned from March 2012 production* *The above is the plan at the present moment. Please note that there is a possibility of change after giving this information.

N00064152

### <Check the solenoid lever come-off>

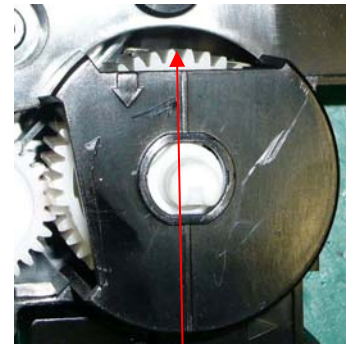


(Normal)



Lever and gear are engaged.

(Lever coming off)



Lever comes off and is not engaged with gear



Replace with the new type DR-895C (No.1,2)

# Service Bulletin

 Ref. No. **PCI-0310 (C098)**

[Parts Change Information]

&lt;Date&gt;

April 9, 2012

<b>Subject</b>	<b>Parts Change Information</b>
<b>Model</b>	<b>TASKalfa 5550ci, TASKalfa 4550ci, TASKalfa 2550ci, TASKalfa 205c/FS-8020MFP, TASKalfa 255c/FS-C8025MFP</b>

The following parts are changed.

**P1 <Parts standardization>**

TASKalfa 5550ci, TASKalfa 4550ci

**P2 <Simplifying SEAL RETAINER affixing process>**

TASKalfa 2550ci

**P2 <Parts procurement improvement >**

TASKalfa 2550ci

**P2 <Parts list corrections>**

TASKalfa 2550ci

**P3 <Drum unit change (Poron added)>**

TASKalfa 205c/FS-C8020MFP, TASKalfa 255c/FS-C8025MFP

**P3 <Parts list corrections>**

TASKalfa 205c/FS-C8020MFP, TASKalfa 255c/FS-C8025MFP

**<Parts standardization>**

TASKalfa 5550ci, TASKalfa 4550ci

The fuser drive unit (No.1) is changed as follows to standardize the parts.

No.	Old Part No.	New Part No.	Description	Q'ty		Compati bility		Remarks
				Old	New	Old	New	
1	302LC94062 2LC94062	302LC94651 2LC94651	PARTS FUSER DRIVE UNIT SP	1	1	○	○	*1

N000

\*1: Background

The fuser drive unit was changed from 302LC94061 to 302LC94650 as the corrective measures for the C6600 error as informed per the service bulletin No.2LC-0043(B430). Since the safety standard approvals were not granted for KDCN/KDKR/KDTW spec, the later change in the fuser drive unit was implemented in the parts with different parts number from other specs as informed per the service bulletin No.2LC-0035(B400)) (Refer to below)

(KDCN/KDKR/KDTW spec : 302LC94061→302LC94062, Other specs: 302LC94650→302LC94651)

The fuser drive unit is standardized with other specs after the safety approvals are granted.

(302LC94651 is used for all the specs.)

# Service Bulletin

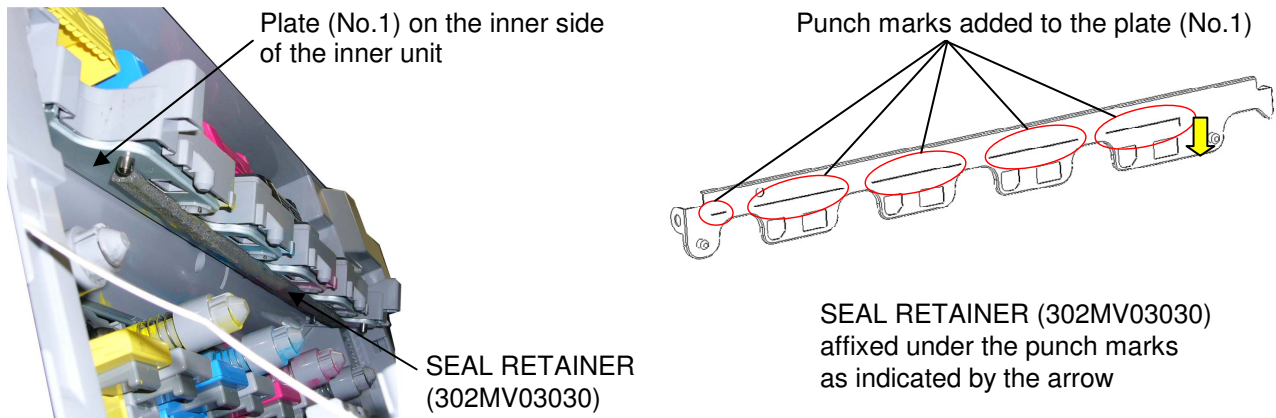
[Parts Change Information]

Ref. No. **PCI-0310 (C098)**  
 <Date> April 9, 2012

**<Simplifying SEAL RETAINER affixing process → From February 2012 production>**

TASKalfa 2550ci

Punch marks for alignment are added to the plate (No.1) in order to simplify the work process to affix SEAL RETAINER(302MV03030) on the inner side of the inner unit.



No.	Old Part No.	New Part No.	Description	Q'ty		Compati bility		Remarks
				Old	New	Old	New	
1	302K002410 2K002410	302K002411 2K002411	PLATE RETAINER	1	1	○	○	TASKalfa 2550ci

N00063741/N00064150

**<Parts procurement improvement → After using up the old stock>**

TASKalfa 2550ci

The following parts is changed for parts procurement improvement. (The shape remains unchanged)

No.	Old Part No.	New Part No.	Description	Q'ty		Compati bility		Remarks
				Old	New	Old	New	
1	302K024013 2K024013	302K024014 2K024014	BASE CONVEYING	1	1	○	○	

N00064630

**<Parts list corrections>**

TASKalfa 2550ci

The parts numbers in the parts list are corrected as follows.

[Wrong]				➔	[Correct]			
Fig.	Ref.	Part No.	Part name		Part No.	Part name		
18	A02	302K093150 2K093150	PARTS MOUNT LED ASSY	302K993040 2K993040	PARTS MOUNT LED ASSY SP			
36	23	302K901180 2K901180	PWB OPERATION ASSY	302K994240 2K994240	PARTS PWB OPERATION ASSY SP			
36	29	302K901191 2K901191	PWB OPERATION LED ASSY	302K994251 2K994251	PARTS PWB OPERATION LED ASSY SP			



# Service Bulletin

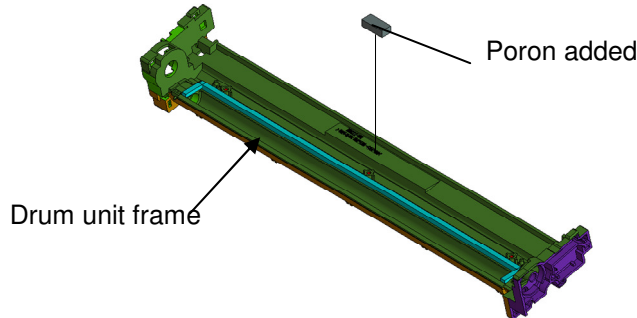
[Parts Change Information]

Ref. No. **PCI-0310 (C098)**  
 <Date> April 9, 2012

**<Drum unit change (Poron added) → Planned from March 2012 production>**

TASKalfa 205c/FS-C8020MFP, TASKalfa 255c/FS-C8025MFP

A Poron piece is added in the drum unit frame as the lateral spread from other models.



No.	Old Part No.	New Part No.	Description	Q'ty		Compati bility		Remarks
				Old	New	Old	New	
1	302K093012 2K093012	302K093013 2K093013	DK-895	1	1	○	○	Execept KDCN/KDKR
2	302K09C012 2K09C012	302K09C013 2K09C013	DK-895	1	1	○	○	For KDCN
3	302K09K012 2K09K012	302K09K013 2K09K013	DK-895(KR)	1	1	○	○	For KDKR

N00064564

**<Parts list correction>**

TASKalfa 205c/FS-C8020MFP, TASKalfa 255c/FS-C8025MFP

The parts number in the parts list is corrected as follows.

[Wrong]				➔	[Correct]	
Fig.	Ref.	Part No.	Part name		Part No.	Part name
18	A02	302K093150 2K093150	PARTS MOUNT LED ASSY	302K994240 2K994240	PARTS PWB OPERATION ASSY SP	

# Service Bulletin

Ref. No. **2MV-0002 (C105)**

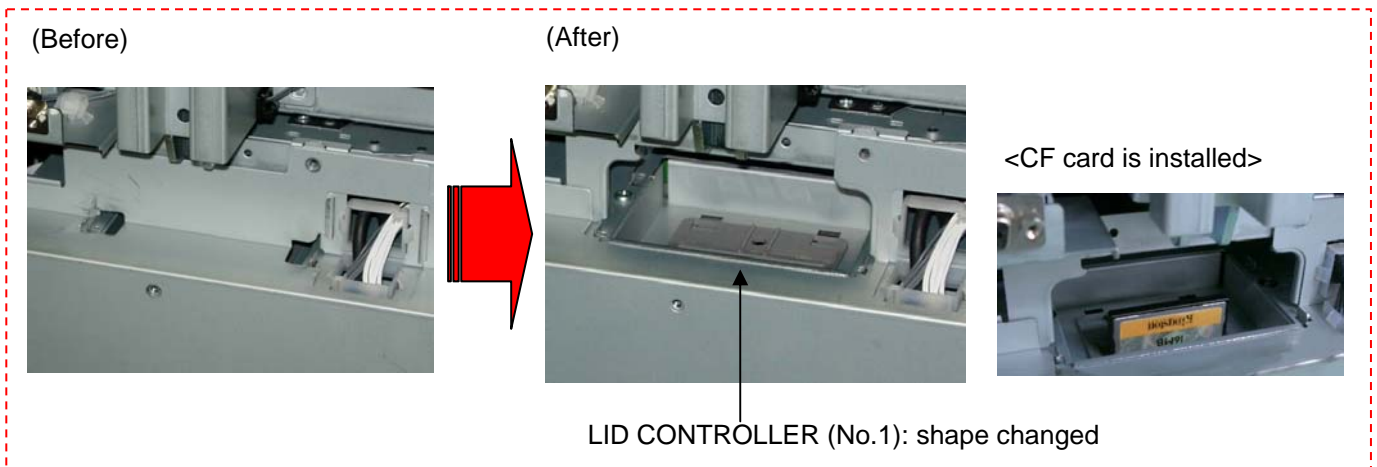
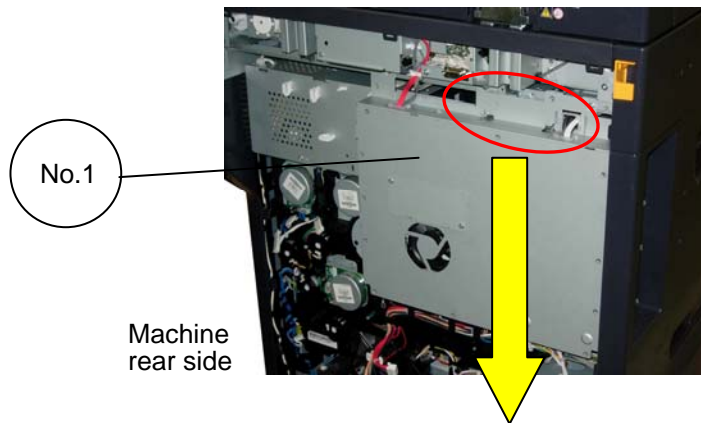
<Date> July 12, 2012

<b>Subject</b>	<b>CF card attaching/detaching operation improvement</b>
<b>Model</b>	<b>TASKalfa 2550ci</b>

This time the description with (-->)is revised from the previous information.

<Number of changes: 1> Added the accurate serial number.

The shape of LID CONTROLLER (No.1) on the controller box is changed as follows to make it easy to attach and detach a CF card. The CF card can be attached and detached without removing LID CONTROLLER (No.1) after this change.



No.	Old Part No.	New Part No.	Description	Q'ty		Compati bi lity		Remarks
				Old	New	Old	New	
1	302MV39030 2MV39030	302MV39031 2MV39031	LID CONTROLLER	1	1	O	O	

**KMC's Classification**

Entire Stock Rework
  In-Field modification at next visit  
 In-Field modification by case
  No modification necessary

**Field Measure:** No particular problem is expected.

**Serial Nos. of Affected Machine: (-->)**

KDA	KDE	UTAX	KDAU	KDSG	KDTH	Others
1102MV2US0	1102MV3NL0	1102MV3UT0	1102MV3AS0	1102MV3SG0	1102MV3TH0	
L292500011	NUZ2501775	NZC2500584	L2A2500111	L2L2500023	Next production	1st production

N00064392



# Service Bulletin

Ref. No. **PCI-0312 (C121)**

[Parts Change Information]

<Date> May 11, 2012

Subject	Parts Change Information
Model	TASKalfa 5550ci, TASKalfa 4550ci, TASKalfa 3550ci, TASKalfa 3050ci, TASKalfa 5500i, TASKalfa 4500i, TASKalfa 3500i, TASKalfa 8000i, TASKalfa 6500i, TASKalfa 7550ci, TASKalfa 6550ci, TASKalfa205c/FS-C8025MFP, TASKalfa 255c/FS-C8025MFP, TASKalfa 2550ci, TASKalfa550c, TASKalfa650c, TASKalfa750c, AK-730

Affected model

AK-730	TASKalfa 5550ci/4550ci/3550ci/3050ci, TASKalfa 5500i/4500i/3500i
--------	--

The following parts are changed.

**P2 <Main charge roller change>**

TASKalfa 5550ci, TASKalfa 4550ci, TASKalfa 3550ci, TASKalfa 3050ci, TASKalfa 5500i, TASKalfa 4500i, TASKalfa 3500i, TASKalfa 8000i, TASKalfa 6500i, TASKalfa 7550ci, TASKalfa 6550ci

**P3 <Switch sensing margin improvment when opening/closing the AK eject unit upper cover >**

TASKalfa 5550ci\*, TASKalfa 4550ci\*, TASKalfa 5500i\*, TASKalfa 4500i\*, TASKalfa 7550ci, TASKalfa 6550ci, TASKalfa 8000i, TASKalfa 6500i, AK-730 \*AK standard machine(120V)

**P3 <Glass table support adhesion strengthened>**

TASKalfa 7550ci, TASKalfa 6550ci, TASKalfa 8000i, TASKalfa 6500i

**P4 <Common use of parts>**

TASKalfa205c/FS-C8020MFP, TASKalfa255c/FS-C8025MFP

**P4 <Ferrite core disuse>**

TASKalfa 2550ci

**P5 <Parts number information (Cassette in the tandem LCF stand-by unit)>**

TASKalfa 550c, TASKalfa 650c, TASKalfa 750c

# Service Bulletin

 Ref. No. **PCI-0312 (C121)**

[Parts Change Information]

&lt;Date&gt; May 11, 2012

**<Main charge roller change → TASKalfa 7550ci/6550ci(all spec) and other models (except KDA/KDE/UTAX/GSA/OLI/ PHILIPINE spec) : Planed from April 2012 production Other modles (KDA/KDE/UTAX/GSA/OLI/PHILIPINE spec) : After using up the old stock**

TASKalfa 5550ci, TASKalfa 4550ci, TASKalfa 3550ci, TASKalfa 3050ci, TASKalfa 5500i, TASKalfa 4500i, TASKalfa 3500i, TASKalfa 8000i, TASKalfa 6500i, TASKalfa 7550ci, TASKalfa 6550ci

The surface finish of the main charge roller shaft is changed.

No.	Old Part No.	New Part No.	Description	Q'ty		Com pat i bility		Remarks
				Old	New	Old	New	
1	302LC93012 2LC93012	302LC93013 2LC93013	DK-8505	4	4	○	○	5550ci/4550ci/3550ci/3050ci except KDCN/KDKR
2	302LC9C012 2LC9C012	302LC9C013 2LC9C013	DK-8505	4	4	○	○	5550ci/4550ci/3550ci/3050ci KDCN spec
3	302K993052 2K993052	302K993053 2K993053	DK-8705	4	4	○	○	7550ci/6550ci except KDCN/KDKR
4	302K99C052 2K99C052	302K99C053 2K99C053	DK-8705	4	4	○	○	7550ci/6550ci KDCN spec
5	302K993060 2K993060	302K993061 2K993061	+MC-8705	4	4	○	○	Component of No.1 to 4
6	302LC9K012 2LC9K012	302LC9K013 2LC9K013	DK-8505(KR)	4	4	○	○	5550ci/4550ci/3550ci/3050ci KDKR spec
7	302K99K052 2K99K052	302K99K053 2K99K053	DK-8705(KR)	4	4	○	○	7550ci/6550ci KDKR spec
8	302K99K060 2K99K060	302K99K061 2K99K061	+MC-8705(KR)	4	4	○	○	Component of No.6,7
9	302LH93011 2LH93011	302LH93012 2LH93012	DK-6305	1	1	○	○	5500i/4500i/3500i except KDCN/KDKR
10	302LH9C011 2LH9C011	302LH9C012 2LH9C012	DK-6305	1	1	○	○	5500i/4500i/3500i KDCN spec
11	302LF93012 2LF93012	302LF93013 2LF93013	DK-6705	1	1	○	○	8000i/6500i except KDCN/KDKR
12	302LF9C012 2LF9C012	302LF9C013 2LF9C013	DK-6705	1	1	○	○	8000i/6500i KDCN spec
13	302LF93020 2LF93020	302LF93021 2LF93021	+MC-6705	1	1	○	○	component of No.9 to 12
14	302LH9K011 2LH9K011	302LH9K012 2LH9K012	DK-6305(KR)	1	1	○	○	5500i/4500i/3500i KDKR spec
15	302LF9K012 2LF9K012	302LF9K013 2LF9K013	DK-6705(KR)	1	1	○	○	8000i/6500i KDKR spec
16	302LF9K020 2LF9K020	302LF9K021 2LF9K021	+MC-6705(KR)	1	1	○	○	Component of No.14,15

N00065174

# Service Bulletin

[Parts Change Information]

Ref. No. **PCI-0312 (C121)**

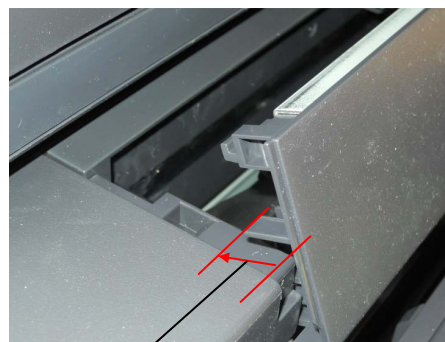
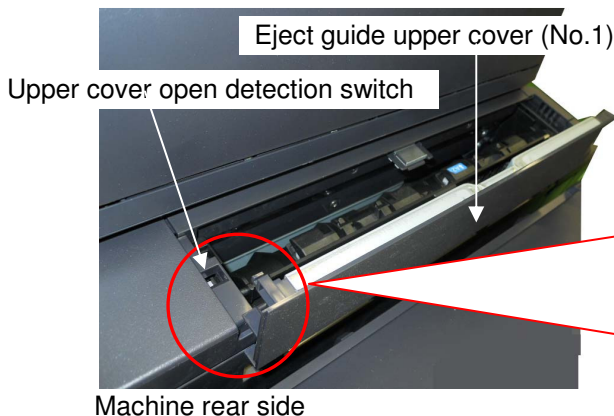
<Date> May 11, 2012

**<Switch sensing margin improvment when openng/closing the AK eject unit upper cover → Planned from April 2012 production>**

TASKalfa 5550ci\*, TASKalfa 4550ci\*, TASKalfa 5500i\*, TASKalfa 4500i\*, TASKalfa 7550ci, TASKalfa 6550ci, TASKalfa 8000i, TASKalfa 6500i, AK-730

\*AK standard machine(120V)

The shape of the upper cover (No.1) is changed as below to improve the switch sensing margine when opening/closing the AK eject unit upper cover.



Rib to push the switch on the eject guide upper cover (No.1) extended by1mm

No.	Old Part No.	New Part No.	Description	Q'ty		Compati bility		Remarks
				Old	New	Old	New	
1	302LF28270 2LF28270	302LF28271 2LF28271	COVER RELAY EXIT	1	1	○	○	

N00065097

**<Glass table support adhesion strengthened → From March/April produciton>**

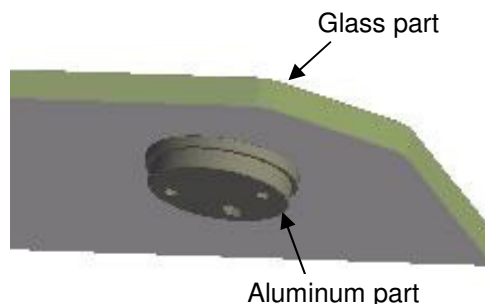
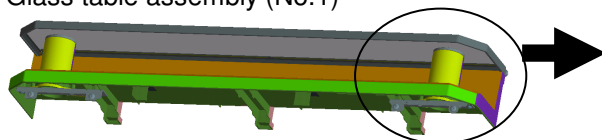
TASKalfa 7550ci, TASKalfa 6550ci, TASKalfa 8000i, TASKalfa 6500i

The following are changed to strengthen the adhesion of the glass table support (aluminum part) with the glass part for the production process improvement

<Content of change>

1. The material of the film affixed on the glass table is changed for better UV adhesion. (from March 2012)
2. It is so changed that the aluminum part is directly adhered to prevent the film scratch and better adhesion (from April 2012)

Glass table assembly (No.1)



No.	Old Part No.	New Part No.	Description	Q'ty		Compati bility		Remarks
				Old	New	Old	New	
1	302K994A70 2K994A70	302K994A71 2K994A71	PARTS GLASS TABLE ASSY SP	1	1	○	○	

N00062651/N00065509

# Service Bulletin

[Parts Change Information]

Ref. No. **PCI-0312 (C121)**  
 <Date> May 11, 2012

**<Common use of parts → Planned from April 2012 production>**

TASKalfa205c/FS-C8020MFP, TASKalfa255c/FS-C8025MFP

The following parts are changed for common use with other models.

No.	Old Part No.	New Part No.	Description	Q'ty		Com pat i b i l i t y		Remarks
				Old	New	Old	New	
1	302K093013 2K093013	302K093014 2K093014	DK-895	4	4	○	○	Except KDCN/KDKR
2	302K09C013 2K09C013	302K09C014 2K09C014	DK-895	4	4	○	○	KDCN only
3	302K093100 2K093100	302K093101 2K093101	+MC-895	4	4	○	○	Common component of No.1,2
4	302K09K013 2K09K013	302K09K014 2K09K014	DK-895(KR)	4	4	○	○	KDKR only
5	302K09K100 2K09K100	302K09K101 2K09K101	+MC-895(KR)	4	4	○	○	Component of No.4

N00064887

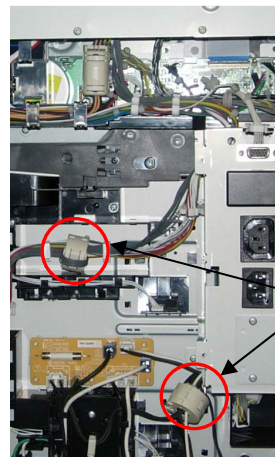
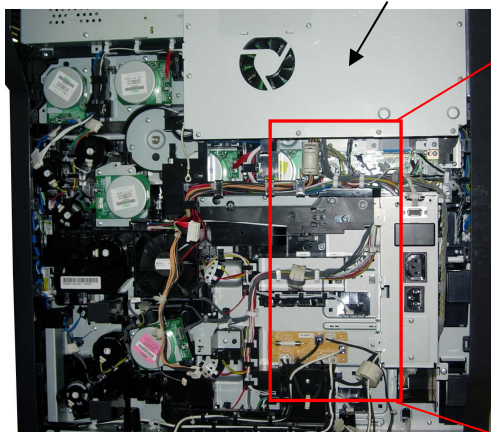
**<Ferrite core disuse → Planned from April 2012 production>**

TASKalfa 2550ci

The ferrite core at the rear side of the power supply board box is disused after it is confirmed no problem in functionality. The parts number remains unchanged after the change.

(Machine rear side)

Controller box



Ferrite core disused (KDE spec)

N00064767

# Service Bulletin

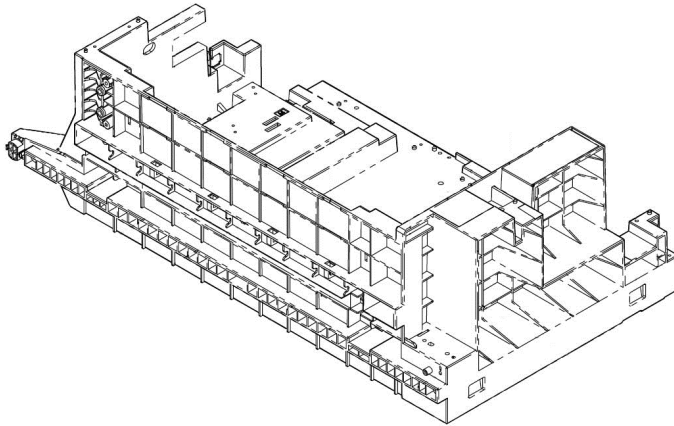
[Parts Change Information]

Ref. No. **PCI-0312 (C121)**  
 <Date> May 11, 2012

**<Parts number information (Cassette in the tandem LCF stand-by unit)>**

TASKalfa 550c, TASKalfa 650c, TASKalfa 750c

The parts number is set up for the cassette in the tandem LCF stand-by unit (No.1).



No.	Old Part No.	New Part No.	Description	Q'ty		Compati bility		Remarks
				Old	New	Old	New	
1	-----	305JN72S60 5JN72S60	CASSETTE:CST-TRAY2-TANDEM-BK2	-	1	-	○	

N00064835/BSI No. G12B584

“+” at the beginning of the part name means it is a component part.

# Service Bulletin

Ref. No. **PCI-0313 (C143)**

[Parts Change Information]

<Date>

June 21, 2012

Subject	Parts Change Information
<b>Model</b>	TASKalfa 7550ci, TASKalfa 6550ci, TASKalfa 5550ci, TASKalfa 4550ci, TASKalfa 3550ci, TASKalfa 3050ci, TASKalfa 8000i, TASKalfa 6500i, TASKalfa 5500i, TASKalfa 4500i, TASKalfa 3500i, TASKalfa 205c/FS-C8020MFP, TASKalfa 255c/FS-C8025MFP, TASKalfa 255/FS-6025MFP, TASKalfa 255b/FS-6025MFP/B, TASKalfa 305/FS-6030MFP, TASKalfa 256i/FS-6525MFP, TASKalfa 306i/FS-6530MFP, TASKalfa 2550ci, TASKalfa 180, TASKalfa 220, TASKalfa 550c, TASKalfa 650c, TASKalfa 750c, TASKalfa 2420w, DP-771, DF-73 (-->) TASKalfa 206ci/FS-C8520MFP, TASKalfa 256ci/FS-C8525MFP

This time the description with (-->) is revised from the previous information.

<Number of changes: 3> Added the applied models (TASKalfa 206ci/FS-C8520MFP, TASKalfa 256ci/FS-C8525MFP) in page 1, 2 and 6.

Affected models

DP-771	TASKalfa 5550ci/4550ci/3550ci/3050ci, TASKalfa 5500i/4500i/3500i
DF-73	KM-3035/4035/5035, FS-9120DN, FS-9520DN

The following parts are changed.

**P3 <Parts Number Information >**

TASKalfa 7550ci, TASKalfa 6550ci, TASKalfa 5550ci, TASKalfa 4550ci, TASKalfa 3550ci,  
 TASKalfa 3050ci, TASKalfa 8000i, TASKalfa 6500i, TASKalfa 5500i, TASKalfa 4500i,  
 TASKalfa 3500i

**P4 <Prevention of the clip holder coming off>**

TASKalfa 5550ci, TASKalfa 4550ci, TASKalfa 3550ci, TASKalfa 5500i, TASKalfa 4500i,  
 TASKalfa 3500i

**P4 <Protection of the wire of the fuser front fan>**

TASKalfa 7550ci, TASKalfa 6550ci, TASKalfa 5550ci, TASKalfa 4550ci, TASKalfa 3550ci,  
 TASKalfa 3050ci, TASKalfa 8000i, TASKalfa 6500i, TASKalfa 5500i, TASKalfa 4500i,  
 TASKalfa 3500i

**P5 <Common use of the parts (Change of the developing unit)>**

TASKalfa205c/FS-C8020MFP, TASKalfa255c/FS-8025MFP

**P5 <For procurement ease (Change of the APC PWB)>**

TASKalfa255/FS-6025MFP, TASKalfa255b/FS-6025MFP/B, TASKalfa305/FS-6030MFP

**P6 <Common use of the parts>**

TASKalfa255/FS-6025MFP, TASKalfa255b/FS-6025MFP/B, TASKalfa305/FS-6030MFP

# Service Bulletin

Ref. No. **PCI-0313 (C143)**

[Parts Change Information]

&lt;Date&gt;

June 21, 2012

**P6-7 <Improving the operability when pulling out the cassette>**

TASKalfa 2550ci, TASKalfa 256i/FS-6525MFP, TASKalfa 306i/FS-6530MFP,  
TASKalfa 255/FS-6025MFP, TASKalfa 255b/FS-6025MFP/B, TASKalfa 305/FS-6030MFP  
(-->) TASKalfa 206ci/FS-C8520MFP, TASKalfa 256ci/FS-C8525MFP

**P7-8 <Change of the engine PWB/video PWB>**

TASKalfa 2550ci

**P8 <Change of the shape/material of the conveying sheet >**

TASKalfa 2550ci

**P9 <Improving the paper ejection ability (Change of the shape of the left guide for the job separator tray)>**

TASKalfa 2550ci

**P9 <(KDCN/KDTW/KDKR only) Change of the operation sheet (Adding the slit)>**

TASKalfa 180, TASKalfa 220

**P10 <(Except the European models conforming to Lot 6) Change of the main engine PWB>**

TASKalfa 180, TASKalfa 220

**P10 <Parts Number Information (Transfer belt section)>**

TASKalfa 550c, TASKalfa 650c, TASKalfa 750c

**P11 <Parts Number Information (SPRING)>**

TASKalfa 2420w

**P11 <Change of the parts number (SHD PWB)>**

DP-771

**P11 <Change of the material (Conforming to REACH regulation)>**

DF-73



# Service Bulletin

[Parts Change Information]

Ref. No. **PCI-0313 (C143)**

<Date>

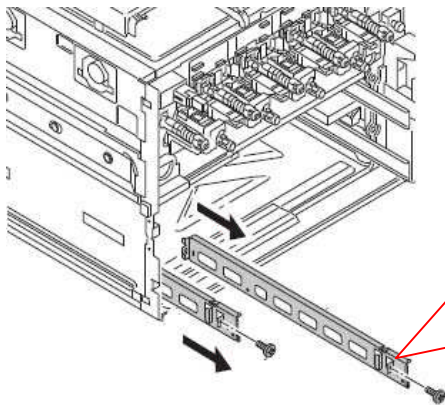
June 21, 2012

## <Parts Number Information>

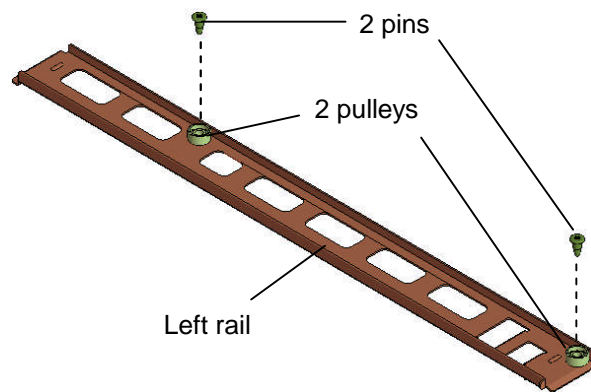
TASKalfa 7550ci, TASKalfa 6550ci, TASKalfa 5550ci, TASKalfa 4550ci, TASKalfa 3550ci,  
 TASKalfa 3050ci, TASKalfa 8000i, TASKalfa 6500i, TASKalfa 5500i, TASKalfa 4500i,  
 TASKalfa 3500i

For easy service work, the following assemblies are set up.

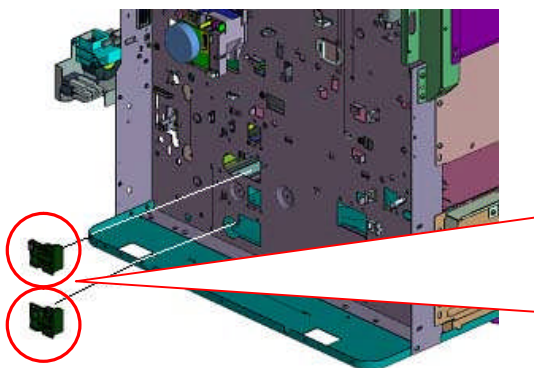
(Machine front side)



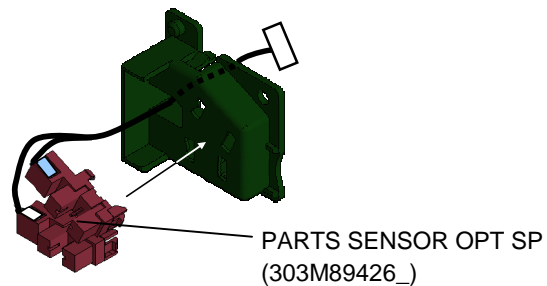
### [PARTS STAY CASSETTE RAIL LEFT ASSY SP (No.1)]



(Machine rear side)



### [PARTS PAPER LEVEL SENSOR ASSY SP (No.2)]



No.	Old Part No.	New Part No.	Description	Q'ty		Com pat i bility		Remarks
				Old	New	Old	New	
1	-----	302K994C90 2K994C90	PARTS STAY CASSETTE RAIL LEFT ASSY SP	-	2	-	○	Assembly of the left rail in the main frame
2	-----	302K994C80 2K994C80	PARTS PAPER LEVEL SENSOR ASSY SP	-	2	-	○	Assembly of the sensor detecting the remaining paper in the cassette

N00065685

# Service Bulletin

Ref. No. **PCI-0313 (C143)**

[Parts Change Information]

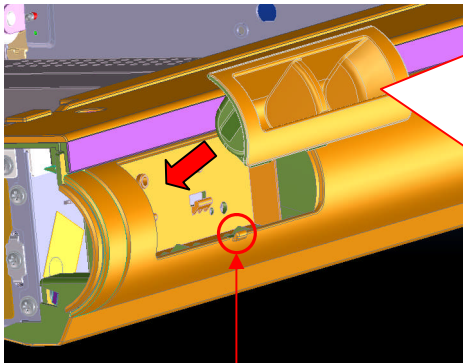
<Date>

June 21, 2012

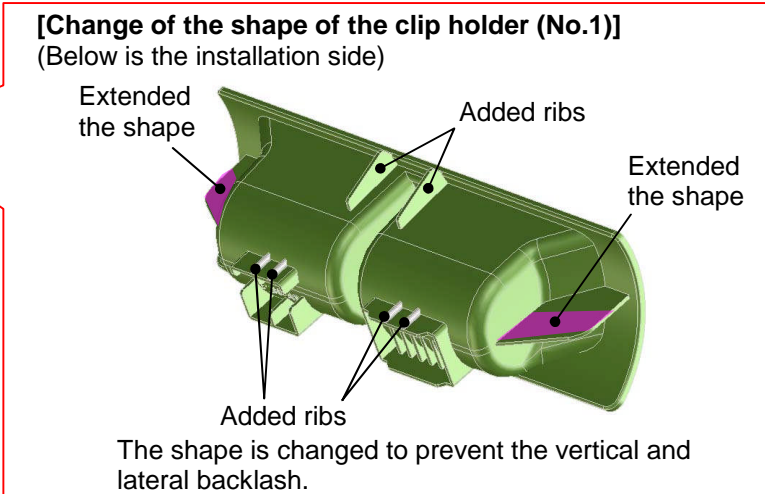
**<Prevention of the clip holder coming off --> Planned in May, 2012 production >**

TASKalfa 5550ci, TASKalfa 4550ci, TASKalfa 3550ci, TASKalfa 5500i, TASKalfa 4500i, TASKalfa 3500i

The shape of the clip holder (No.1) is changed as below for preventing the clip holder from coming off due to the vibration in transit, etc.



This convex part prevents the clip holder (No.1) from coming off before this change.



No.	Old Part No.	New Part No.	Description	Q'ty		Com pat i bility		Remarks
				Old	New	Old	New	
1	302LC04350 2LC04350	302LC04351 2LC04351	CASE CLIP	1	1	○	○	

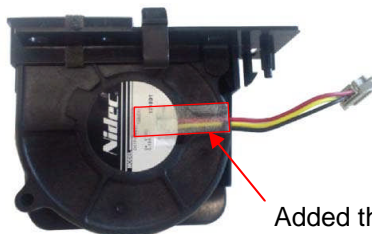
N00065253

**<Protection of the wire of the fuser front fan --> Planned in May, 2012 production >**

TASKalfa 7550ci, TASKalfa 6550ci, TASKalfa 5550ci, TASKalfa 4550ci, TASKalfa 3550ci, TASKalfa 3050ci, TASKalfa 8000i, TASKalfa 6500i, TASKalfa 5500i, TASKalfa 4500i, TASKalfa 3500i

For protecting the wire, the sheet pressing down the wire is added to the fuser front fan (No.1) for preventing the fan wire from coming off from the wire hooking section.

**<New fuser front fan (No.1)>**



Added the sheet for pressing down the wire

No.	Old Part No.	New Part No.	Description	Q'ty		Com pat i bility		Remarks
				Old	New	Old	New	
1	302K994090 2K994090	302K994090 2K994090	PARTS FAN FUSER FRONT UNIT SP	1	1	○	○	

N00066183

\* The part No. remains unchanged according to this change.

# Service Bulletin

[Parts Change Information]

Ref. No. **PCI-0313 (C143)**

<Date>

June 21, 2012

**<Common use of the parts (Change of the developing unit)**

**--> From the available timing in April, 2012 production>**

TASKalfa205c/FS-C8020MFP, TASKalfa255c/FS-8025MFP

The developing units (No.1 thru No.12) are changed as below for common use of the parts.

No.	Old Part No.	New Part No.	Description	Q'ty		Com pat i bility		Remarks
				Old	New	Old	New	
1	302K093024 2K093024	302K093025 2K093025	DV-895Y	1	1	O	O	Except KDCN/KDKR
2	302K093033 2K093033	302K093034 2K093034	DV-895M	1	1	O	O	Except KDCN/KDKR
3	302K093043 2K093043	302K093044 2K093044	DV-895C	1	1	O	O	Except KDCN/KDKR
4	302K093053 2K093053	302K093054 2K093054	DV-895K	1	1	O	O	Except KDCN/KDKR
5	302K09C024 2K09C024	302K09C025 2K09C025	DV-895Y	1	1	O	O	KDCN
6	302K09C033 2K09C033	302K09C034 2K09C034	DV-895M	1	1	O	O	KDCN
7	302K09C043 2K09C043	302K09C044 2K09C044	DV-895C	1	1	O	O	KDCN
8	302K09C053 2K09C053	302K09C054 2K09C054	DV-895K	1	1	O	O	KDCN
9	302K09K024 2K09K024	302K09K025 2K09K025	DV-895Y(KR)	1	1	O	O	KDKR
10	302K09K033 2K09K033	302K09K034 2K09K034	DV-895M(KR)	1	1	O	O	KDKR
11	302K09K043 2K09K043	302K09K044 2K09K044	DV-895C(KR)	1	1	O	O	KDKR
12	302K09K053 2K09K053	302K09K054 2K09K054	DV-895K(KR)	1	1	O	O	KDKR

N00064565

**<For procurement ease (Change of the APC PWB)**

**--> From the available timing in April, 2012 production>**

TASKalfa255/FS-6025MFP, TASKalfa255b/FS-6025MFP/B, TASKalfa305/FS-6030MFP

The APC PWB in the LSU (No.1, 2) is changed for procurement ease.

No.	Old Part No.	New Part No.	Description	Q'ty		Com pat i bility		Remarks
				Old	New	Old	New	
1	302K393071 2K393071	302K393072 2K393072	LK-475	1	1	O	O	Except KDKR
2	302K39K071 2K39K071	302K39K072 2K39K072	LK-475(KR)	1	1	O	O	KDKR

N00065612

# Service Bulletin

[Parts Change Information]

Ref. No. **PCI-0313 (C143)**

<Date>

June 21, 2012

**<Common use of the parts --> After using up the old stock>**

TASKalfa255/FS-6025MFP, TASKalfa255b/FS-6025MFP/B, TASKalfa305/FS-6030MFP

The following parts (No.1, 2) are changed for common use of the parts with the other models.

No.	Old Part No.	New Part No.	Description	Q'ty		Com pat i bility		Remarks
				Old	New	Old	New	
1	302K393070 2K393070	302K393071 2K393071	LK-475	1	1	○	○	Except KDKR
2	302K39K070 2K39K070	302K39K071 2K39K071	LK-475(KR)	1	1	○	○	KDKR

N00063523

**< Improving the operability when pulling out the cassette**

**--> After using up the old stock>**

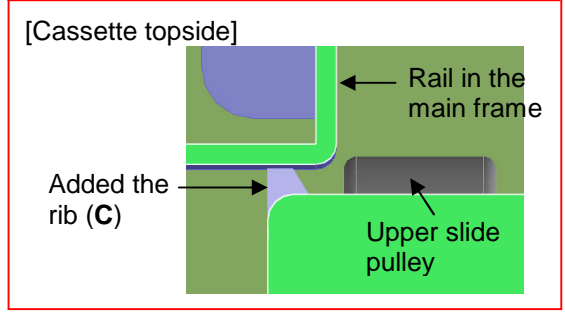
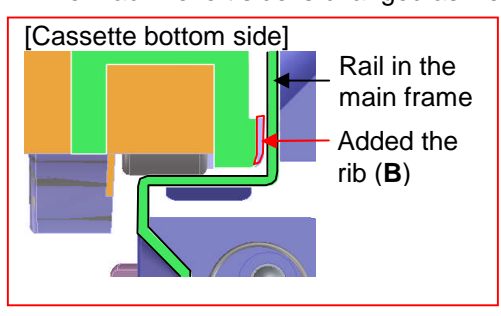
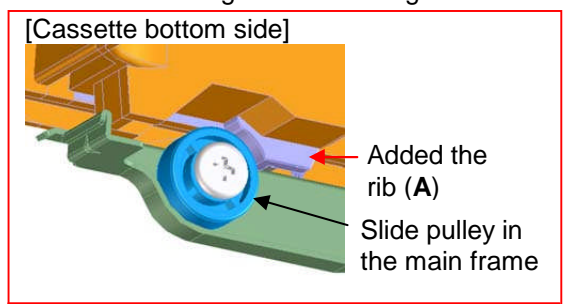
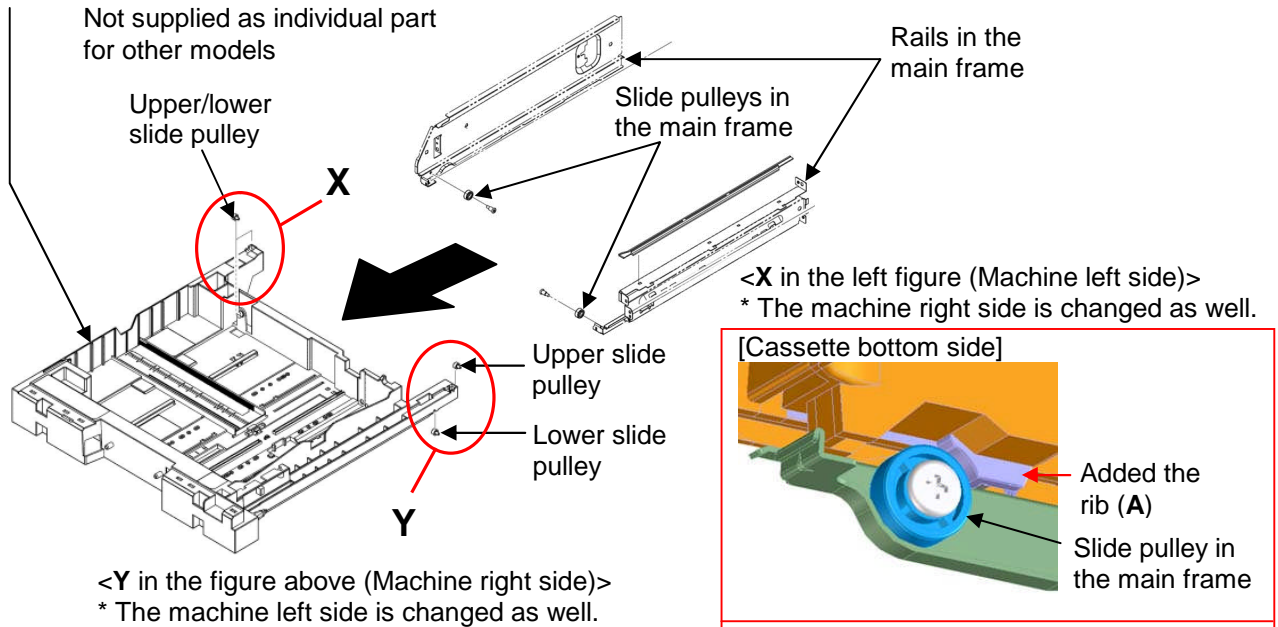
TASKalfa 2550ci, TASKalfa 256i/FS-6525MFP, TASKalfa 306i/FS-6530MFP,  
 TASKalfa 255/FS-6025MFP, TASKalfa 255b/FS-6025MFP/B, TASKalfa 305/FS-6030MFP  
 (-->) TASKalfa 206ci/FS-C8520MFP, TASKalfa 256ci/FS-C8525MFP

The shape of the cassette is changed as below to improve the operability when pulling out the cassette.

- 1) To secure the cassette after pulled out, the rib (A) for contacting the slide pulleys in the main frame is added to the attaching part for the upper slide pulley at the cassette bottom side.
- 2) To prevent the horizontal backlash when pulling out the cassette, the rib (B) is added to the cassette side.
- 3) To secure the gap between the rail in the main frame and the side of the upper slide pulley, the rib (C) for contacting the rail is added to the attaching part for the upper slide pulley.

Cassette: No.2 for TASKalfa 2550ci

Not supplied as individual part for other models





# Service Bulletin

[Parts Change Information]

Ref. No. **PCI-0313 (C143)**

<Date>

June 21, 2012

No.	Old Part No.	New Part No.	Description	Q'ty		Com pat i bility		Remarks
				Old	New	Old	New	
<b>Applied models: TASKalfa 2550ci</b>								
1	302MV93101 2MV93101	302MV93102 2MV93102	CT-8315	2	2	O	O	
2	302MV09010 2MV09010	302MV09011 2MV09011	+CASSETTE	2	2	O	O	
<b>Applied models: The affected models except TASKalfa 2550ci</b>								
3	302K393173 2K393173	302K393174 2K393174	CT-475	1	1	O	O	Except KDKR
4	302K39K173 2K39K173	302K39K174 2K39K174	CT-475 (KR)	1	1	O	O	KDKR

N00066079/66117

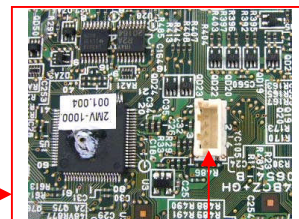
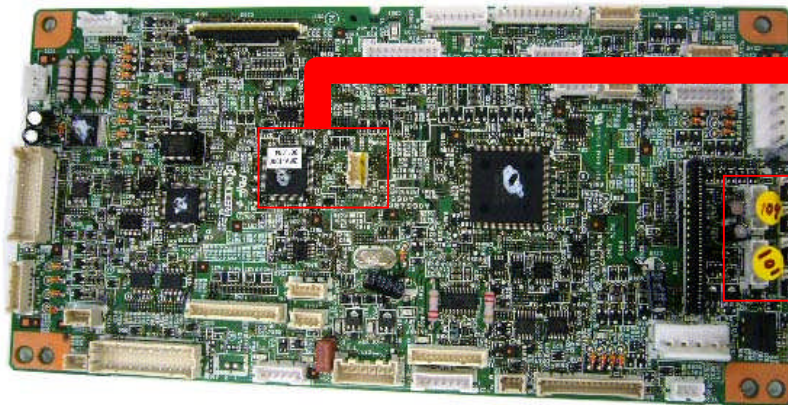
\* The cassette included in CT-475 (No.3, 4) is not supplied as individual part.

## <Change of the engine PWB/video PWB --> After using up the old stock>

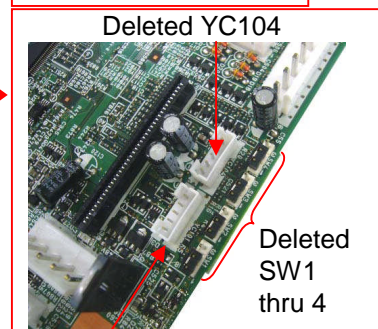
TASKalfa 2550ci

The unused circuits on the engine PWB (No.1) and the video PWB (No.2) are deleted.

<Engine PWB (No.1)> (Below is the old part)



Deleted YC105

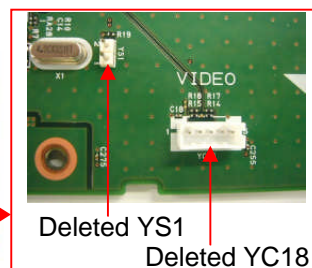
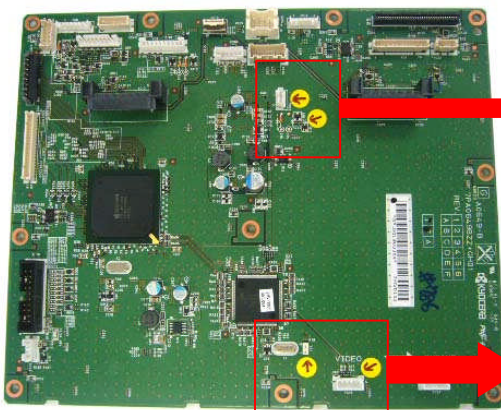


Deleted YC104

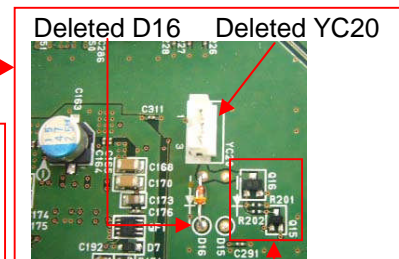
Deleted SW1 thru 4

Deleted YC101

<Video PWB (No.2)> (Below is the old part)



Deleted YS1  
Deleted YC18



Deleted D16 Deleted YC20

Deleted Q16, R201, R202, Q15

# Service Bulletin

[Parts Change Information]

Ref. No. **PCI-0313 (C143)**

<Date>

June 21, 2012

No.	Old Part No.	New Part No.	Description	Q'ty		Com pat i bility		Remarks
				Old	New	Old	New	
1	302MV94190 2MV94190	302MV94190 2MV94190	PARTS PWB ENGINE ASSY SP	1	1	○	○	
2	302MV94200 2MV94200	302MV94200 2MV94200	PARTS PWB VIDEO ASSY SP	1	1	○	○	

N00065614

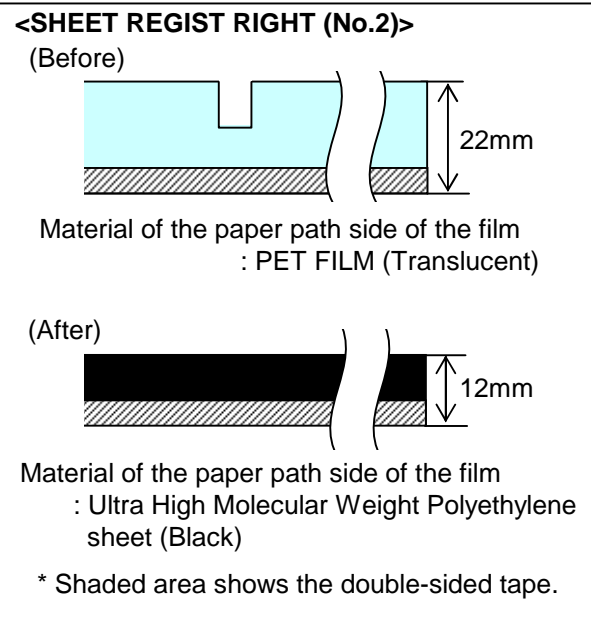
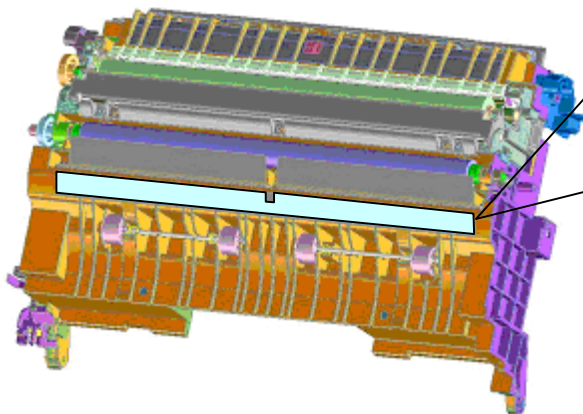
\*The part No. remains unchanged according to this change.

**<Change of the shape/material of the conveying sheet  
--> From the available timing in April, 2012 production>**

TASKalfa 2550ci

To reduce the amount of the paper dust on the paper surface after passing through the paper conveying section, the shape and material of SHEET REGIST RIGHT (No.2) affixed in front of the right register roller is changed as below.

**<Paper conveying unit (No.1)>**



No.	Old Part No.	New Part No.	Description	Q'ty		Com pat i bility		Remarks
				Old	New	Old	New	
1	302MV94430 2MV94430	302MV94431 2MV94431	PARTS CONVEYING UNIT SP	1	1	○	○	
2	302K024430 2K024430	302K024431 2K024431	+SHEET REGIST LOW	1	1	○	○	

N00065597



# Service Bulletin

[Parts Change Information]

Ref. No. **PCI-0313 (C143)**

<Date>

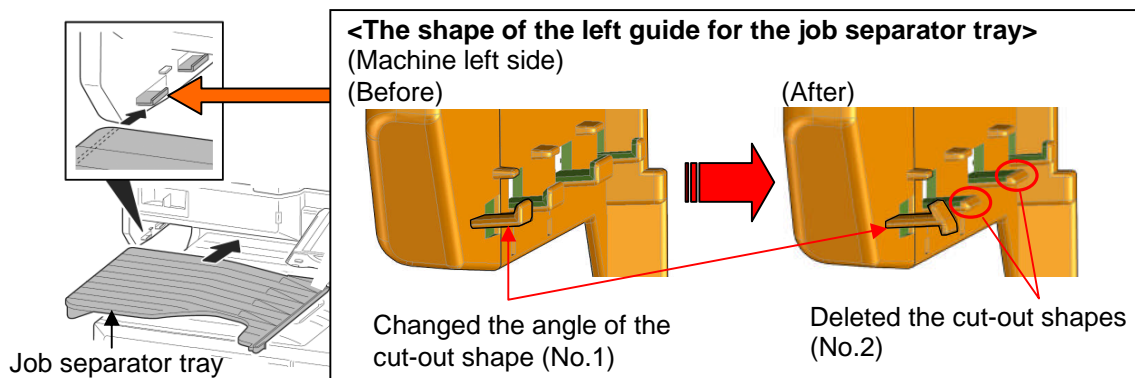
June 21, 2012

**<Improving the paper ejection ability (Change of the shape of the left guide for the job separator tray) --> After using up the old stock>**

TASKalfa2550ci

The shape of the left guide for the job separator tray is changed for improving the paper ejection ability when ejecting 11x17 inch size paper to the job separator tray.

- COVER ISU FRONT (No.1): Changed the angle of the cut-out shape of the left guide.
- COVER TRAY LEFT (No.2): Deleted 2 cut-out shapes of the left guide.



No.	Old Part No.	New Part No.	Description	Q'ty		Com pati bility		Remarks
				Old	New	Old	New	
1	302MV04120 2MV04120	302MV04121 2MV04121	COVER ISU FRONT	1	1	○	○	
2	302MV04180 2MV04180	302MV04181 2MV04181	COVER TRAY LEFT	1	1	○	○	

N00065505

\* As for the inch spec models (KDA/CS/KDBR/South America), the new parts has been used since the 1st mass-production.

**<(KDCN/KDTW/KDKR only) Change of the operation sheet (Adding the slit) --> After using up the old stock>**

TASKalfa 180, TASKalfa 220

The slit is added to the operation sheet (No.1 thru 3) so that it is supplied at the state the unnecessary outline is peeled off for the label separation ease.

<Operation sheet (No.1 thru 3)> (Below is the sheet for KDCN (No.1))



Peeled off the unnecessary outline.

No.	Old Part No.	New Part No.	Description	Q'ty		Com pati bility		Remarks
				Old	New	Old	New	
1	302KK05580 2KK05580	302KK05580 2KK05580	SHEET SET GDI KTST	1	1	○	○	KDCN *1
2	302KK05570 2KK05570	302KK05570 2KK05570	SHEET SET GDI SP TW	1	1	○	○	KDTW *1
3	302KK05660 2KK05660	302KK05660 2KK05660	SHEET SET GDI KR	1	1	○	○	KDKR *1

N00065331

\*The part No. remains unchanged according to this change.

# Service Bulletin

[Parts Change Information]

Ref. No. **PCI-0313 (C143)**

<Date>

June 21, 2012

**<(Except the European models conforming to Lot 6) Change of the main engine PWB --> After using up the old stock >**

TASKalfa 180, TASKalfa 220

The main engine PWBs (No.1, 2) are changed for common use of the parts.

No.	Old Part No.	New Part No.	Description	Q'ty		Com pati bility		Remarks
				Old	New	Old	New	
1	302KK9403C 2KK9403C	302KK94740 2KK94740	PARTS PWB MAIN ENGINE ASSY SP	1	1	○	○	TASKalfa 220
2	302KL9401C 2KL9401C	302KL94030 2KL94030	PARTS PWB MAIN ENGINE ASSY SP	1	1	○	○	TASKalfa 180

N00065828

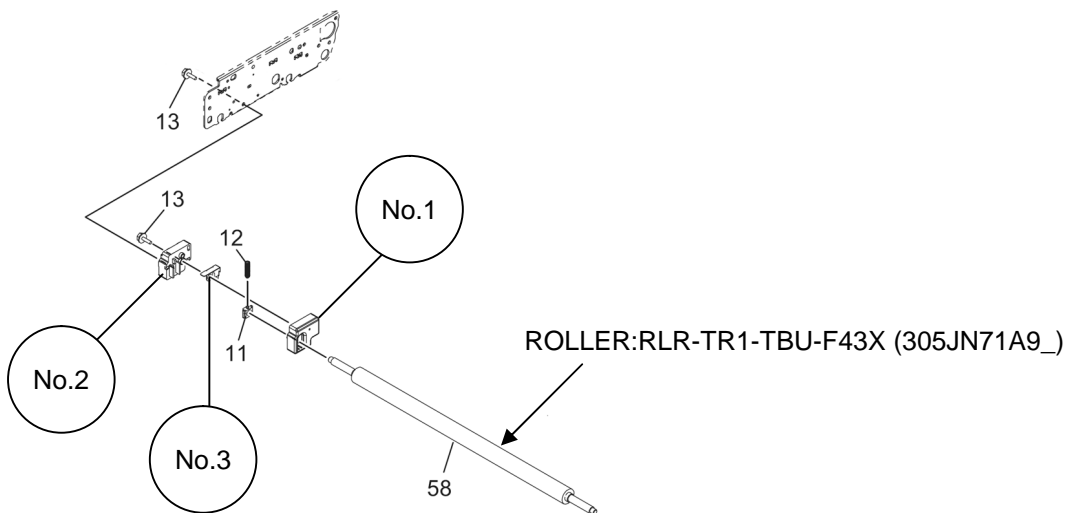
\* Please use the new parts as for the European models conforming to Lot6 (Its first digit of the serial number is "L".)

**<Parts Number Information (Transfer belt section)>**

TASKalfa 550c, TASKalfa 650c, TASKalfa 750c

The parts numbers are set to the following parts (No.1 thru 3).

[FIG.30 TRANSFER-BELT-1]



No.	Old Part No.	New Part No.	Description	Q'ty		Com pati bility		Remarks
				Old	New	Old	New	
1	-----	305JN71BY0 5JN71BY0	COVER-TERM-TR1-R	-	1	-	○	
2	-----	305JN71CF0 5JN71CF0	CASE-TERM-TR1-R	-	1	-	○	
3	-----	305JN71BM0 5JN71BM0	PLATE-TR1	-	1	-	○	

N00065540/G12C640

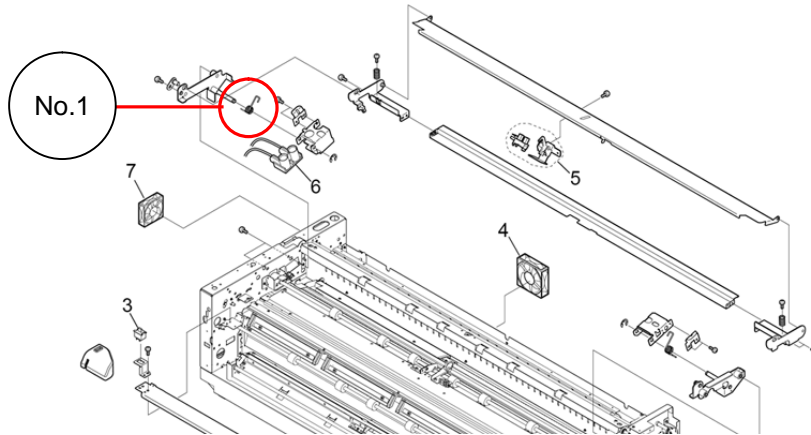
**Service Bulletin**  
[Parts Change Information]

**<Parts Number Information (SPRING)>**

TASKalfa 2420w

The parts numbers is set to the following spring (No.1).

**[FIG. 6 MAIN FRAME PARTS ASSY 3]**



No.	Old Part No.	New Part No.	Description	Q'ty		Com pat i bility		Remarks
				Old	New	Old	New	
1	-----	305J071400 5J071400	SPRING	-	1	-	○	

N00065745

**<Change of the parts number (SHD PWB)**

**--> From the available timing in April, 2012 production>**

DP-771

The parts number of the SHD PWB (No.1) is changed as below for the parts control reason.

No.	Old Part No.	New Part No.	Description	Q'ty		Com pat i bility		Remarks
				Old	New	Old	New	
1	303M494031 3M494031	303M494032 3M494032	PARTS PWB SHD(C) ASSY SP	1	1	○	○	

N00065627

**<Change of the material (Conforming to REACH regulation) --> No production>**

DF-73

The material of SFT-RH-PDL (No.1) is changed for conforming to REACH regulation.

No.	Old Part No.	New Part No.	Description	Q'ty		Com pat i bility		Remarks
				Old	New	Old	New	
1	5HL09100	305HL09101 5HL09101	SFT-TH-PDL	1	1	X	○	

N00065741

"+" Mark at the head of the description means it is a components parts.

# Service Bulletin

Ref. No. **2MV-0004 (C152)**

<Date> July 12, 2012

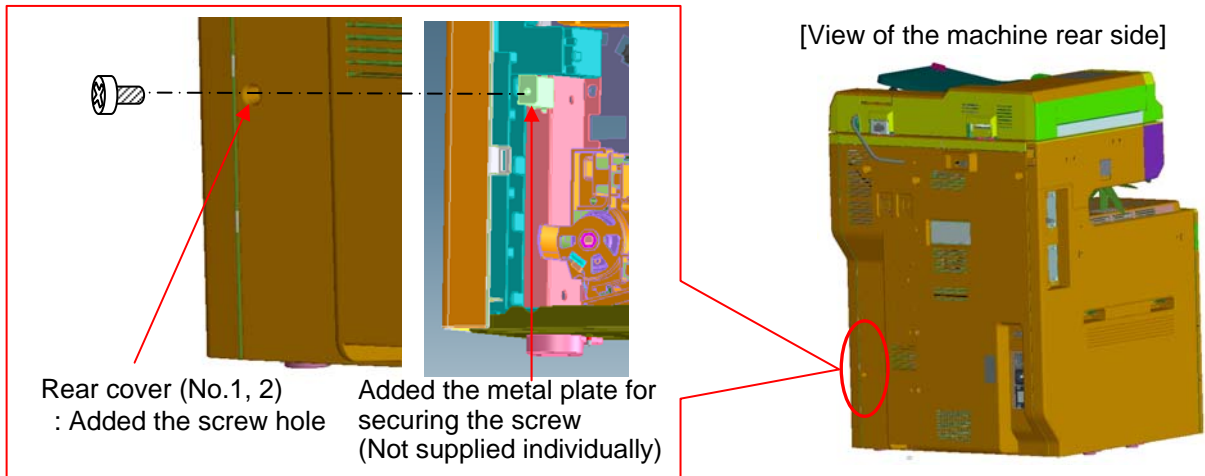
<b>Subject</b>	<b>Notes when replacing the rear cover</b>
<b>Model</b>	<b>TASKalfa 2550ci</b>

This time the description with (-->)is revised from the previous information.

<Number of changes: 1> Added the accurate serial number. (Page 2)

To prevent the rear cover (No.1, 2) bending, the screw is secured at the section where the bend occurs by adding the screw hole to the rear cover (No.1, 2) and adding the metal plate (it isn't supplied individually) for securing the screw to the left rear frame.

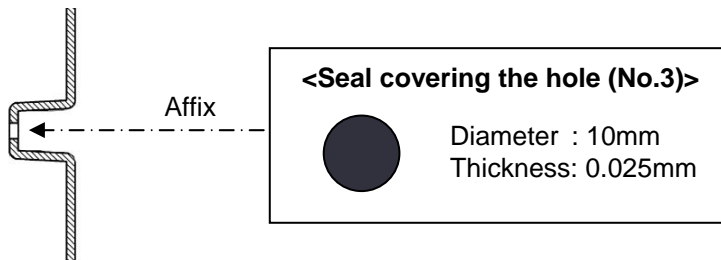
An attention is required when replacing the rear cover according to this change, and refer to [Field Measure].



[Note when replacing the rear cover]

Please affix the seal covering the hole (No.3) after cleaning the bottom of the screw hole added this time with alcohol when fitting the new rear cover (No.1, 2) in the machine before this changes (without the metal plate for securing the screw).

<New rear cover (No.1, 2)> (Sectional vies of the added screw hole)



No.	Old Part No.	New Part No.	Description	Q'ty		Compati bi lity		Remarks
				Old	New	Old	New	
1	302MV94570 2MV94570	302MV94571 2MV94571	PARTS COVER REAR ASSY A SP	1	1	O	X	For KDA120V/CS spec
2	302MV94490 2MV94490	302MV94491 2MV94491	PARTS COVER REAR ASSY E SP	1	1	O	X	For 220 thru 240V spec
3	-----	303LT04120 3LT04120	LABEL COVER TOP	-	1	-	X	Seal covering the hole

\* Please use the seal covering the hole (No.3) when replacing with the new rear cover (No.1, 2) in the machine that are the state before the above changes.



(Revised Issue 1)

(Page.2/2)

# Service Bulletin

Ref. No. **2MV-0004 (C152)**

<Date> July 12, 2012

<b>KMC's Classification</b>	<input type="checkbox"/> Entire Stock Rework	<input type="checkbox"/> In-Field modification at next visit
	<input checked="" type="checkbox"/> In-Field modification by case	<input type="checkbox"/> No modification necessary

**Field Measure:** When fitting the new rear cover (No.1, 2) in the machine before the above changes, please clean the bottom of the hole added this time with alcohol, and affix the seal covering the hole.

**Serial Nos. of Affected Machine: (-->)**

KDA 1102MV2US0	CPY 1102MV2CS0	KDA (GSA) 1102MV2US1	KDA 220VI 1102MV4US0	KDBR 1102MV2BR0	KDE 1102MV3NL0	UTAX 1102MV3UT0
L292600235	L3P2600073	Planned from the 1st production	Next production	L3U2600001	NUZ2601952	NZC2500637
KDAU 1102MV3AS0	KDSG 1102MV3SG0	KDTH 1102MV3TH0	KDID 1102MV3ND0	KDTW 1102MVTTW0	KDCN 1102MV3KS0	KDKR 1102MV3KR0
L2A2500204	L2L2600031	Next production	Planned from the 1st production	Planned from the 1st production	Planned from the 1st production	Planned from the 1st production

KDJ 1102MV9JP0
NV12501050

N00065599/66538

# Service Bulletin

Ref. No. **2MV-0005 (C153)**

[Service information]

<Date>

June 5, 2012

<b>Subject</b>	<b>System error information (F code error: Fxxx)</b>
<b>Model</b>	<b>TASKalfa 2550ci</b>

The document is subscribed to describe the outline of the factors of the Fxxx errors that are not described in the service manual. Please utilize it to refer to checking the factors.

**Please utilize it as the measures when the system is not recovered after power off/on or it frequently occurs.**

(Note) It may be from the hardware factor while the error (Fxxx) is indicated. Please initially check the following.

- Check the DDR2 memory and neighboring parts
  - : Check the contact of YS1 or YS2 on the main PWB with the memory.
  - Replace the memory if the error repeats.

Check the HDD if the error repeats after replacing the memory.

Take care, however, of handling the data when formatting or replacing the HDD.

- Check the HDD: Replace the HDD if the error repeats after formatting the HDD.

[Caution]

- U021 Memory initializing  
 The backup RAM is initialized according to the specification of the destination as specified by the U252 Setting the destination  
 --> After executing the mode, the memory is initialized and input the set values again that was done at setup and after.
- U024 HDD formatting (Full)  
 - The following are initialized after initializing the HDD.  
     System menu (user management, accounting system, address book, one touch key, document box, etc.), shortcut key and panel program  
 - The following firmware that was installed is deleted after fully formatting the HDD.  
     Option language, PDF1.7 resource, FMU, weekly timer, color table, software downloaded in field  
 --> Before executing the mode, export the backup data with the U917. Take note for the software that is deleted when executing the U024.  
     After executing the mode, reinstall the software deleted. Import the backup date with the U917. Input the set values again that was done at setup and after.
- U671 Clear FAX back up data (FAX DIMM Clear)  
 --> Before executing the mode, output the received data since it is cleared.

<b>KMC's Classification</b>	<input type="checkbox"/> Entire Stock Rework	<input type="checkbox"/> In-Field modification at next visit
	<input type="checkbox"/> In-Field modification by case	<input checked="" type="checkbox"/> No modification necessary
<b>Field Measure:</b> No particular problem is expected. Please utilize the information.		
<b>Serial Nos. of Affected Machine:</b> -----		



# Service Bulletin

Ref. No. **PCI-0314 (C175)**

[Parts Change Information]

<Date>

July 2, 2012

Subject	Parts Change Information
Model	TASKalfa 7550ci, TASKalfa 6550ci, TASKalfa 5550ci, TASKalfa 4550ci, TASKalfa 3550ci, TASKalfa 3050ci, TASKalfa 8000i, TASKalfa 6500i, TASKalfa 5500i, TASKalfa 4500i, TASKalfa 3500i, TASKalfa 2550ci, TASKalfa550c, TASKalfa650c, TASKalfa750c, FS-6030MFP, FS-6025MFP, FS-C8025MFP, FS-C8020MFP

The following parts are changed.

**P2 <Change of the contact pressure of the cleaning blade in the drum unit>**

TASKalfa 7550ci, TASKalfa 6550ci, TASKalfa 8000i, TASKalfa 6500i,  
 TASKalfa 5500i, TASKalfa 4500i, TASKalfa 3500i

**P2 <Common use of the parts (Change of the front PWB)>**

TASKalfa 7550ci, TASKalfa 6550ci,  
 TASKalfa 5550ci, TASKalfa 4550ci, TASKalfa 3550ci, TASKalfa 3050ci

**P3 <Common use of the parts (Change of the fuser unit exterior)>**

TASKalfa 5550ci, TASKalfa 4550ci

**P4 <Common use of the parts>**

TASKalfa 5550ci, TASKalfa 4550ci

**P4-5 <Improving the assembly process>**

TASKalfa 2550ci

**P5 <(For Olivetti only) Change of the operation right sheet>**

FS-6030MFP, FS-6025MFP, FS-C8025MFP, FS-C8020MFP

**P4 <Parts procurement ease>**

TASKalfa 750c, TASKalfa 650c, TASKalfa 550c

# Service Bulletin

[Parts Change Information]

Ref. No. **PCI-0314 (C175)**

<Date>

July 2, 2012

## <Change of the contact pressure of the cleaning blade in the drum unit

**--> From the available timing in May, 2012 production-->**

TASKalfa 7550ci, TASKalfa 6550ci, TASKalfa 8000i, TASKalfa 6500i,  
TASKalfa 5500i, TASKalfa 4500i, TASKalfa 3500i

The contact pressure of the cleaning blade to the drum surface is changed for reducing the frictional wear of the edge of the cleaning blade in the drum unit.

No.	Old Part No.	New Part No.	Description	Q'ty		Com pat i bility		Remarks
				Old	New	Old	New	
<b>The applied models: TASKalfa 7550ci/6550ci</b>								
1	302K993053 2K993053	302K993054 2K993054	DK-8705	4	4	○	○	Except KDCN/KDKR
2	302K99C053 2K99C053	302K99C054 2K99C054	DK-8705	4	4	○	○	For KDCN
3	302K99K053 2K99K053	302K99K054 2K99K054	DK-8705 (KR)	4	4	○	○	For KDKR
<b>The applied models: TASKalfa 8000i/6500i</b>								
4	302LF93014 2LF93014	302LF93015 2LF93015	DK-6705	1	1	○	○	Except KDCN/KDKR
5	302LF9C014 2LF9C014	302LF9C015 2LF9C015	DK-6705	1	1	○	○	For KDCN
6	302LF9K014 2LF9K014	302LF9K015 2LF9K015	DK-6705 (KR)	1	1	○	○	For KDKR
<b>The applied models: TASKalfa 5500i/4500i/3500i</b>								
7	302LH93013 2LH93013	302LH93014 2LH93014	DK-6305	1	1	○	○	Except KDCN/KDKR
8	302LH9C013 2LH9C013	302LH9C014 2LH9C014	DK-6305	1	1	○	○	For KDCN
9	302LH9K013 2LH9K013	302LH9K014 2LH9K014	DK-6305 (KR)	1	1	○	○	For KDKR

N00065794/65795

## <Common use of the parts (Change of the front PWB)

**--> After using up the old stock-->**

TASKalfa 7550ci, TASKalfa 6550ci,  
TASKalfa 5550ci, TASKalfa 4550ci, TASKalfa 3550ci, TASKalfa 3050ci

The front PWBs (No.1, 2) are changed as below for common use of the parts.

- 1) Added the sensor line that detects the human body.
- 2) Changed the feed-shift solenoid drive circuit.
- 3) Added the exit fan drive circuit.
- 4) Un-mounted the resistors (R134, R327). (For the front PWB (No.1) only.)

No.	Old Part No.	New Part No.	Description	Q'ty		Com pat i bility		Remarks
				Old	New	Old	New	
1	302LC94240 2LC94240	302LC94241 2LC94241	PARTS PWB FRONT CLR ASSY SP	1	1	○	○	*1
2	302K994820 2K994820	302K994821 2K994821	PARTS PWB FRONT CLR ASSY SP	1	1	○	○	*2

N00064812

\* The new front PWBs has been used for the FS-C8600DN and FS-C8650DN.

\*1: (Applied models) TASKalfa 5550ci, TASKalfa 4550ci, TASKalfa 3550ci, TASKalfa 3050ci

\*2: (Applied models) TASKalfa 7550ci, TASKalfa 6550ci

# Service Bulletin

[Parts Change Information]

Ref. No. **PCI-0314 (C175)**

<Date>

July 2, 2012

**<Common use of the parts (Change of the fuser unit exterior)**

**--> After using up the old stock>**

TASKalfa 5550ci, TASKalfa 4550ci

The following parts at the fuser units (No.1 thru 3) are changed for common use of the parts.

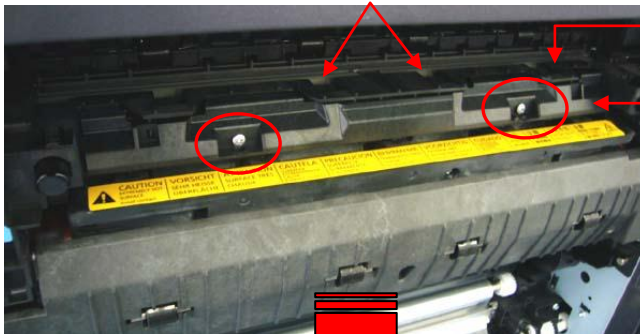
- 1) Changed the shape (circled at the figure below) of the screw fixed parts of the fuser exit guide cover (A).
- 2) Added the guide plate (C) preventing the bend of the fuser exit guide (B).
- 3) Changed the shape of the fuser exit guide (B) according to the above change 2).
- 4) Changed the spring pressing the fuser exit pulley (D: 2 pulleys at the middle positions of the figure below)

[All length] (Before) 20.3mm --> (After) 12mm  
 [Spring constant] (Before) 0.104N/mm --> (After) 0.040N/mm  
 [Color] (Before) Red --> (After) Silver

**<Fuser unit>** (Below is the state of pulling out the conveying unit)

(Before)

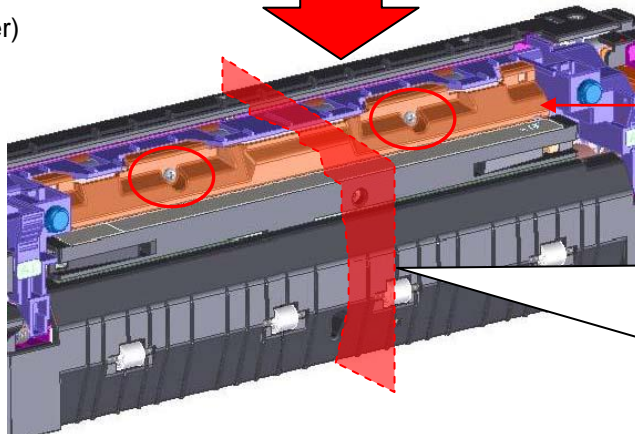
Fuser exit pulleys (D)



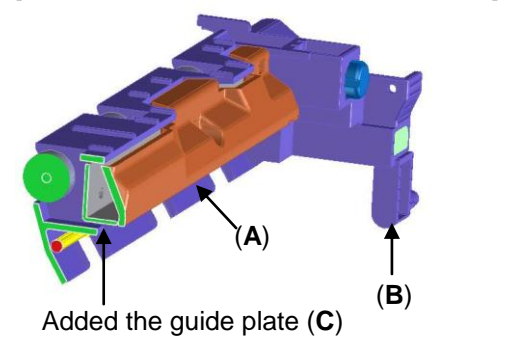
Fuser exit guide (B)

Fuser exit guide cover (A)

(After)



[Cross-section view of the new fuser unit]



Added the guide plate (C)

No.	Old Part No.	New Part No.	Description	Q'ty		Compati bility		Remarks
				Old	New	Old	New	
1	302LC93073 2LC93073	302LC93074 2LC93074	FK-UNIT	1	1	○	○	Except KDCN/KDKR
2	302LC9C073 2LC9C073	302LC9C074 2LC9C074	FK-UNIT	1	1	○	○	For KDCN
3	302LC9K073 2LC9K073	302LC9K074 2LC9K074	FK-UNIT(KR)	1	1	○	○	For KDKR

N00064616/65650

\* The fuser exit guide, fuser exit guide cover, guide plate and the spring aren't supplied as the individual parts.

\*\* The new fuser units has been used for the FS-C8600DN and FS-C8650DN.

# Service Bulletin

[Parts Change Information]

 Ref. No. **PCI-0314 (C175)**

&lt;Date&gt;

July 2, 2012

**<Common use of the parts --> After using up the old stock>**

TASKalfa 5550ci, TASKalfa 4550ci

The developing units (No.1 thru 12) are changed for common use of the parts.

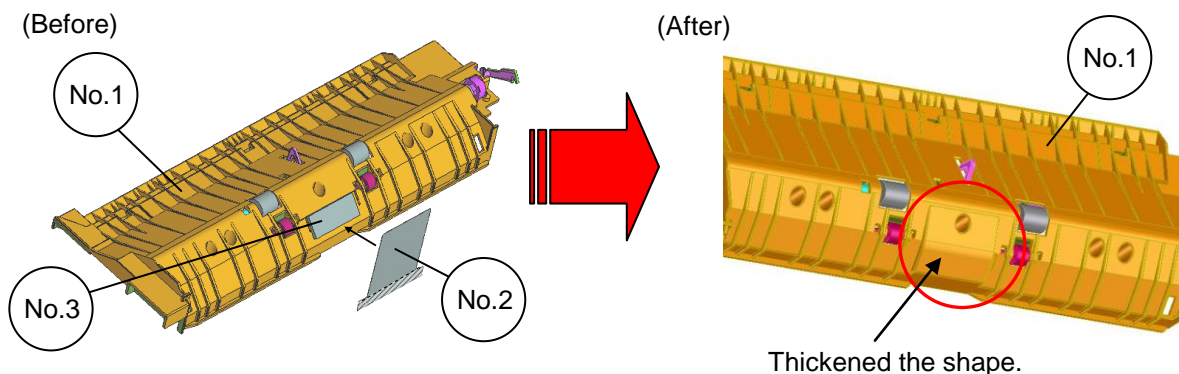
No.	Old Part No.	New Part No.	Description	Q'ty		Com patibility		Remarks
				Old	New	Old	New	
1	302LC93020 2LC93020	302LC93021 2LC93021	DV-8505K	1	1	○	○	Except KDCN/KDKR
2	302LC93030 2LC93030	302LC93031 2LC93031	DV-8505C	1	1	○	○	Except KDCN/KDKR
3	302LC93040 2LC93040	302LC93041 2LC93041	DV-8505Y	1	1	○	○	Except KDCN/KDKR
4	302LC93050 2LC93050	302LC93051 2LC93051	DV-8505M	1	1	○	○	Except KDCN/KDKR
5	302LC9C020 2LC9C020	302LC9C021 2LC9C021	DV-8505K	1	1	○	○	For KDCN
6	302LC9C030 2LC9C030	302LC9C031 2LC9C031	DV-8505C	1	1	○	○	For KDCN
7	302LC9C040 2LC9C040	302LC9C041 2LC9C041	DV-8505Y	1	1	○	○	For KDCN
8	302LC9C050 2LC9C050	302LC9C051 2LC9C051	DV-8505M	1	1	○	○	For KDCN
9	302LC9K020 2LC9K020	302LC9K021 2LC9K021	DV-8505K(KR)	1	1	○	○	For KDKR
10	302LC9K030 2LC9K030	302LC9K031 2LC9K031	DV-8505C(KR)	1	1	○	○	For KDKR
11	302LC9K040 2LC9K040	302LC9K041 2LC9K041	DV-8505Y(KR)	1	1	○	○	For KDKR
12	302LC9K050 2LC9K050	302LC9K051 2LC9K051	DV-8505M(KR)	1	1	○	○	For KDKR

N00065763/65145

**<Improving the assembly process --> Planned from the production in May, 2012 >**

TASKalfa 2550ci

For improving the assembly process, the shape of the guide (No.1) is changed and the spacer (No.2) and the sheet (No.3) are disused.



# Service Bulletin

## [Parts Change Information]

 Ref. No. **PCI-0314 (C175)**

&lt;Date&gt;

July 2, 2012

No.	Old Part No.	New Part No.	Description	Q'ty		Compa bility		Remarks
				Old	New	Old	New	
1	302MV07010 2MV07010	302MV07011 2MV07011	GUIDE FEED OUT	1	1	X	O	
2	302MV07140 2MV07140	-----	SHEET GUIDE	1	-	O	-	
3	302MV07150 2MV07150	-----	SPACER GUIDE	1	-	O	-	

N00065529

### <(For Olivetti only) Change of the operation right sheet

 --> **After using up the old stock>**

FS-6030MFP, FS-6025MFP, FS-C8025MFP, FS-C8020MFP

The following operation right sheets (No.1 thru 8) are changed to unify the part numbers.  
(New and old sheets are equal.)

No.	Old Part No.	New Part No.	Description	Q'ty		Compa bility		Remarks
				Old	New	Old	New	
1	302K361030 2K361030	302MX05010 2MX05010	SHEET OPERATION RIGHT LV	1	1	O	O	
2	302K361050 2K361050	302MX05030 2MX05030	SHEET OPERATION RIGHT G LV	1	1	O	O	Bundled sheet
3	302K361060 2K361060	302MX05040 2MX05040	SHEET OPERATION RIGHT F LV	1	1	O	O	Bundled sheet
4	302K361070 2K361070	302MX05050 2MX05050	SHEET OPERATION RIGHT I LV	1	1	O	O	Bundled sheet
5	302K361080 2K361080	302MX05060 2MX05060	SHEET OPERATION RIGHT S LV	1	1	O	O	Bundled sheet
6	302K361090 2K361090	302MX05070 2MX05070	SHEET OPERATION RIGHT P(B) LV	1	1	O	O	Bundled sheet
7	302K361100 2K361100	302MX05080 2MX05080	SHEET OPERATION RIGHT N LV	1	1	O	O	Bundled sheet
8	302K361110 2K361110	302MX05090 2MX05090	SHEET OPERATION RIGHT R LV	1	1	O	O	Bundled sheet

N00066454

### <Parts procurement ease>

TASKalfa 750c, TASKalfa 650c, TASKalfa 550c

The following part is changed for procurement ease.

No.	Old Part No.	New Part No.	Description	Q'ty		Compa bility		Remarks
				Old	New	Old	New	
1	305JN72HJ0 5JN72HJ0	305JN72HJ0 5JN72HJ0	WIRE HARNESS:FGM-100-M4-U4	2	2	O	O	

N00066835 BSI. G11L376

\* The parts name is changed from [WIRE HARNESS:GST-100-RFM4] while the parts No. remains unchanged at this time.

"+" mark at the beginning of the part name means it is a component parts.

# Service Bulletin

Ref. No. **2MV-0006 (C178)**

<Date> October 17, 2012

<b>Subject</b>	<b>Firmware upgrade (Upgrade Pack Ver. V3.00)</b>
<b>Model</b>	<b>TASKalfa 2550ci</b>

This time the description with (-->) is revised from the previous information.

<Number of changes: 2> Added the accurate serial number.

## <Main content of changes>

1. Support for the new destinations. (For KDA/CPY/KDAU/KDSG/KDHK/KDTH)
  2. Added [MODE3] (Altitude 3) to [High Altitude] in the maintenance mode U100.
  3. Described the paper jam counts and the call for service counts in the maintenance report.
  4. Set the ACK-595 made by Adesso Co. as the usable optional keyboard.
  5. Added the function of the fixed paper size when copying the small original.
  6. Changed the remaining toner amount indication.
  7. Easy distinction of the MP tray setting when setting paper.
- <Following are the contents of Pack Ver.2MV\_V3.00E used since June, 2012>
8. Support for the new destinations (For KDCN/KDKR/KDTW)
  9. Changed the maintenance mode U053 [Setting the adjustment of the motor speed]
  10. Change for the UG-33
  11. Standardization of Java API (Horizontal spread)
  12. Corrective measures for the characters drop-out on the sending image by NW-FAX
  13. Added the indication on the operation panel when the C3100 error appears

<Please refer to the next page and after for the other contents or details.>

Type JUPITER	Program No.	Program No.	VER.	Remarks	
Upgrade Pack Ver.	Version in April/May	June/2MV_V3.00E			
MAIN	2MV_2F00.002.012	2MV_2F00.003.010	003.010		← New Upgrade
MMI	2MV_7000.002.008	2MV_7000.003.010	003.010		← New Upgrade
ENGINE	2MV_1000.002.004	2MV_1000.003.002	003.002		← New Upgrade
LANGUAGE BR	2MV_81BR.001.007	2MV_81BR.001.009	001.009		← New Upgrade
LANGUAGE KR	---	2MV_81KR.001.002	001.002	For KDKR *1	← New Upgrade
LANGUAGE CN	---	2MV_81CN.001.003	001.003	For KDCN *1	← New Upgrade
LANGUAGE TW	---	2MV_81TW.001.002	001.002	For KDTW *1	← New Upgrade
BROWSER	2LC_F000.001.008	2LC_F000.001.008	001.008		
PDF RESORCE	2LC_J000.001.026	2LC_J000.001.026	001.026		← New Upgrade
IO	2MV_1E00.001.002	2MV_1E00.001.002	001.002		
SCANNER	2MV_1200.002.002	2MV_1200.003.001	003.001		← New Upgrade
VIDEO	2MV_1800.001.009	2MV_1800.001.009	001.009		
IH	2LC_1A00.002.001	2LC_1A00.002.001	002.001		
LSU	2MV_1C00.002.001	2MV_1C00.002.001	002.001		← New Upgrade
DP	2MV_9500.001.013	2MV_9500.002.001	002.001		← New Upgrade
ESPECIAL	ES_SKIP.ON	ES_SKIP.ON	-----		
COPY COLOR TABLE	2MV_K0AL.C01.003	2MV_K0AL.C01.003	C01.003	For Copy *1	
MLTCOLORTABLE	2MV_GZ00.001.002	2MV_GZ00.001.002	001.002	For Printer *1	← New Upgrade

For KD sales companies, it is possible to download firmware through Knowledge Cabi-NET.

When upgrading firmware or replacing board etc., please upgrade each firmware to the latest version at the same time.

\*1: The above firmware is not contained in the upgrade pack. Please individually download it from Knowledge Cabi-NET.

<b>KDC's Classification</b>	<input type="checkbox"/> Entire Stock Rework	<input type="checkbox"/> In-Field modification at next visit
	<input type="checkbox"/> In-Field modification by case	<input checked="" type="checkbox"/> No modification necessary
<b>Field Measure:</b> No particular problems are expected.		
<b>Serial Nos. of Affected Machine:</b> (-->) Refer to page 4.		

N00065568KMAMAIN/N00065714KMAENG/N00066443MLT/ N00066681MAINP6/N00066840ENGP6

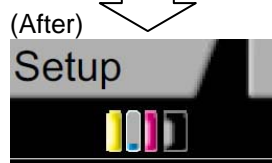
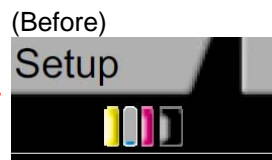
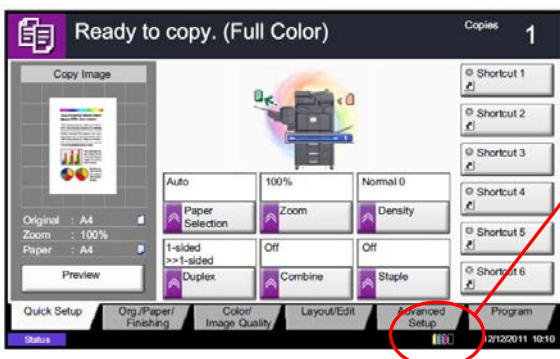


(Revised Issue 1)  
**Service Bulletin**

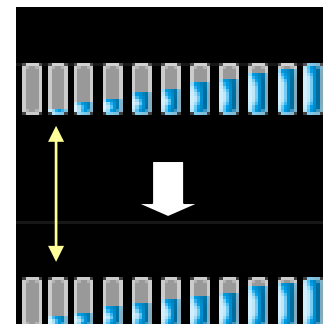
No	Item	Content	CTL
	<b>Version in April/May</b>		
1	Support for the new destinations 1.	Supported the following destinations. - KDA/CPY/KDAU/KDSG/KDHK/KDTH	
2	Addition of [MODE3] (Altitude 3) to [High Altitude] in the maintenance mode U100.	Added [MODE3] (Altitude 3) to [High Altitude] in the maintenance mode U100 [Setting the main high voltage]. (The setting value is same as MODE2.)	No087
3	Addition of the descriptions of the paper jam counts and the call for service counts to the maintenance report. <a href="#">Please refer to the next page and after for details.</a>	The information about the maintenance mode U903 [the paper jam counts] and U904 [the call for service counts] is added to the last page of the maintenance report. [Reset date], [Counts since reset date] and [Accumulation value from the factory shipment] are described by this upgrade if resetting the data.	No419
4	Setting the ACK-595 made by Adesso Co. as the usable optional keyboard.	The keyboard made by Adesso Co. (ACK-595) is set as the usable keyboard for preventing the machine lock-up when turning on the power.	No814
5	Addition of the function of the fixed paper size when copying the small original.  <a href="#">[Addition of the System Menu]</a>	This is so changed that the paper size can be set when copying a small original like driver's license that can not be detected by the automatic paper setting. <Change> Added the setting [Paper size for the small original] that can select the paper size in the System Menu. - Set from System Menu --> Copy --> Paper size for small original. - Following paper size are selectable. A4R/A4Y/A5R/A6R/B5R/ B5Y/B6R/LETTER R/LETTER Y/STATEMENT/Priority cassette	No815
6	Change of the remaining toner amount indication. <a href="#">Please refer to the next page and after for details.</a>	The Toner Low (5% remaining) status looks empty and it is hard to identify. Therefore, it is changed to be visible.	No816
7	Easy distinction of the MP tray setting when setting paper.	[Paper Selection] and [More] must be pressed in order to set [MP tray] as the paper setting for copy. The button indication is changed as below for easy operation. <Change> Changed from [More] to [More/MP Tray].	No819
	<b>Pack Ver.2MV_V3.00E in June</b>		
8	Support for the new destinations 2	Supported the following destinations. - KDCN/KDKR/KDTW	MAIN MMI LAN
9	Change of the maintenance mode U053 [Setting the adjustment of the motor speed].	Deleted the speed adjustment of the polygon motor at the maintenance mode U053 [Setting the adjustment of the motor speed].	
10	Change for the UG-33.	Added the screen to urge to turn the main power off and on when activating ThinPrint (UG-33)	63944
11	Standardization of Java API. (Horizontal spread)	- Support for the screen transition API - Support for the key card and the extensible authentication. - Support for Subject/Body in the E-mail. - Support for ScanToApp - Support for Cloud Connect	
12	Corrective measures for the characters drop-out on the sending image by NW-FAX.	The characters may drop out due to the rough sending image by NW-FAX. So, this is corrected.	584190 TF-11-013
13	Addition of the indication on the operation panel when the C3100 error appears. C3100: ISU home position error	Displayed the following message on the operation panel for urging an attention when the C3100 error appears. --> [Check the scanner lock.]	

No	Item	Content	CTL
14	Corrective measures for the Font install error after turning the power off.	The font install error appears if the main power switch at the side of the machine is turned off without pressing the power key on the operation panel. So, this is corrected.	593962 TO-12-028, (KMTW-SD-11-1226)
15	Corrective measures for the F349 error when using the Equitrac.	The F349 error may appear when logging out the Equitrac during a large volume copy. So, this is corrected.	592295 TO-12-024,
16	Corrective measures for the F349 error when using the USB Card Reader (KCE3).	F349 error may appear at the user who uses the USB Card Reader (KCE3). So, this is corrected.	590249 TO-12-006, #1372608
17	Corrective measures for lock-up with a certain macro data.	When calling a certain macro data, the system may lock up while showing "Processing". Therefore, this is corrected.	TP-090317 NP-Z09066
18	Prevention of the undesired characters print.	This is corrected so that the undesired characters are not printed under a certain user system.	TP-11-224 NP-Z11060
19	Corrective measures for the F248/F615 error when sending the fax data.	The F248/F615 error, etc. may appear if sending the fax data after setting the FAX TX confirmation report to ON. So, this is corrected.	TF-12-005, KMA-D-1202-07,
20	Corrective measures for the F248 error when outputting a certain data.	-----	TP-12-013, KMSG-SR-12-0111
21	Corrective measures for the output delay with the Big5 font.	Print speed is slow when using the Big5 font registered in the CF card. So, this is corrected.	TP-10-044 #047_01
22	Corrective measures for the abnormal print result of the PCL data from the user system.	The print result of the PCL data from the user system may be abnormal. So, this is corrected. - Font differs. - A part of the characters is rotated to 90 degrees.	TP-11-281, #1378617
23	Corrective measures for the output of the font rotated 90 degrees.	If rotating the page direction from the PCL, the font may be rotated to the wrong direction.	TP-12-104, #1454283,
24	Corrective measures for the F26F error.	F26F error may appear if scanning or duplex copying with the large volume under the environment that uses the PaperCut (solution).	TP-11-089, KMAUS11-S30,
25	Corrective measures for the F248 error when using the multi-code.	F248 error may appear if nothing is done for 20 thru 30 seconds after inserting the multi-code to the main machine and turning the main power on.	TO-12-069, DSHa120508,

### ◆ Change of the indication of the remaining amount of the toner in the container



Change of the stage of the remaining amount toner indication (Below is the image view.)



This is changed because the old indication of Toner Low (5%) looks like the empty state. Accordingly, all stage indication is changed.

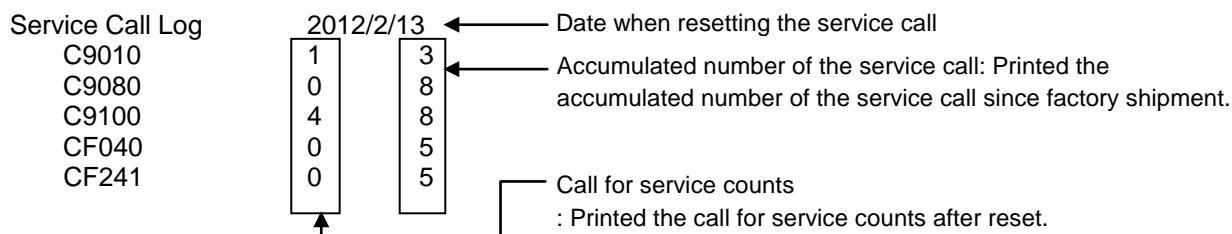
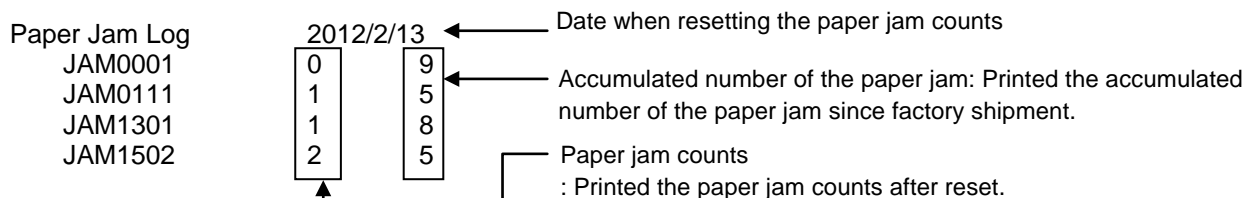
# Service Bulletin

Ref. No. **2MV-0006 (C178)**

<Date> October 17, 2012

◆ **Addition of the descriptions of the paper jam counts and the call for service counts to the maintenance report.**

- Added the paper jam counts and the call for service counts to the last page of the maintenance report.
- Described only the data that has count.
- Indicated [---] as the date if the data is not reset.



(-->) **Serial numbers of Affected Machine**

<Version in April/May.>

KDA 1102MV2US0 L292500011	KDA 1102MV2US1 1st production	KDA 220V 1102MV4US0 L3V2500001	KDBR 1102MV2BR0 1st production	CPY 1102MV2CS0 L3P2500001	KDE 1102MV3NL0 NUZ2501646	OLIVETTI 1102MV3LV0 1st production
UTAX 1102MV3UT0 Nzc2500437	KDSG 1102MV3SG0 L2L2500016	KDTH 1102MV3TH0 L2M2800003	KDID 1102MV3ND0 1st production	KDCN 1102MV3KS0 1st production	KDTW 1102MVTTW0 1st production	KDKR 1102MV3KR0 1st production
KDAU 1102MV3AS0 L2A2500111						

<Pack Ver.2MV\_V3.00E in June>

KDA 1102MV2US0 L292700321	KDA 1102MV2US1 1st production	KDA 220V 1102MV4US0 L3V2700011	KDBR 1102MV2BR0 L3U2600001	CPY 1102MV2CS0 L3P2600073	KDE 1102MV3NL0 NUZ2702366	OLIVETTI 1102MV3LV0 1st production
UTAX 1102MV3UT0 Nzc2600738	KDSG 1102MV3SG0 L2L2600031	KDTH 1102MV3TH0 L2M2800003	KDID 1102MV3ND0 L2K2800001	KDCN 1102MV3KS0 L2J2800001	KDTW 1102MVTTW0 1st production	KDKR 1102MV3KR0 L2H2700001
KDAU 1102MV3AS0 L2A2600237						

# Service Bulletin

Ref. No. **COM-0271 (C185)**

<Date> Aug 6, 2012

<b>Subject</b>	<b>Notes when replacing the parts (Improving the detecting margin of the job eject paper sensor)</b>
<b>Model</b>	<b>TASKalfa 2550ci, TASKalfa255c/FS-C8025MFP, TASKalfa205c/FS-C8020MFP, TASKalfa 206ci/FS-C8520MFP, TASKalfa 256ci/FS-C8525MFP</b>

*This time the description with (-->)is revised from the previous information.*

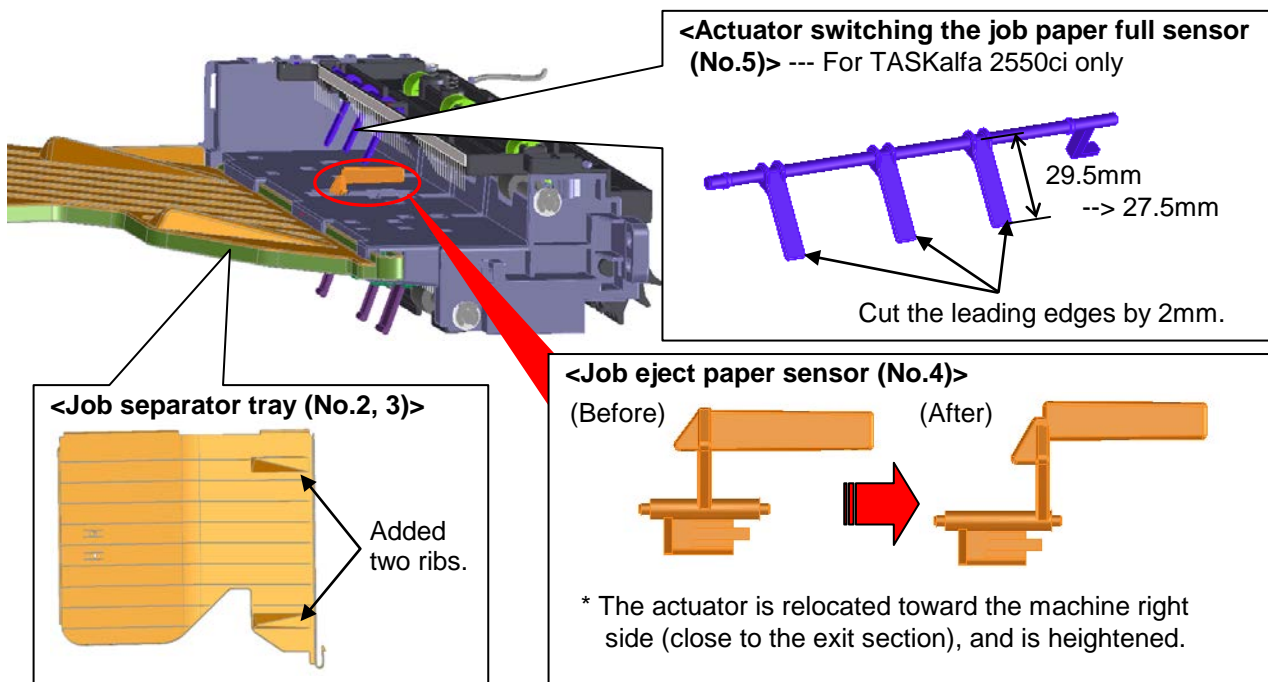
*<Number of changes: 4> Changed the parts number and parts name of new Job eject paper sensor (302MV44030→302MV94650). Added the accurate serial number..*

Following are changed for improving the detecting margin of the job eject paper sensor.  
An attention is required when replacing the parts according to this change. Please refer to [Field Measure].

### <Content of changes>

- Following are changed so that the load of the eject paper is securely applied to the actuator of the job eject paper sensor sufficiently for improving the detecting margin of the job eject paper sensor.
  - Two ribs are added to the topside of the job separator tray (No.2, 3) that prevents the machine front/rear side edge of the eject paper (large size) from hanging down.
  - The shape of the job eject paper sensor (No.4) is changed to bring the actuator of the sensor to the paper eject side.
- Due to decrease of the number of the stackable paper sheet on the job separator tray according to change of the sensor (No.4) in the above 1), the leading edges of the actuator switching the job paper full sensor are cut by 2mm to secure the equal paper stack performance as before. ----- For TASKalfa 2550ci only.
- The shape for fitting the stopper (2K31782\_) for TASKalfa 2550ci is added to the back side of the job separator tray (No.2) for common use of the parts according to this change.  
----- For the models except TASKalfa 2550ci

[Job separator tray and the exit section] (Following is new state figure viewed from the machine front side)



<b>KDC's Classification</b>	<input type="checkbox"/> Entire Stock Rework	<input type="checkbox"/> In-Field modification at next visit
	<input checked="" type="checkbox"/> In-Field modification by case	<input checked="" type="checkbox"/> No modification necessary

(Revised Issue 1)  
**Service Bulletin**

**Field Measure:**  
**<For TASKalfa 2550ci only>** According to this change, there is no functional compatibility regarding new/old No.4, 5. So, please use the job eject paper sensor (No.4) and the actuator switching the job paper full sensor (No.5) as the set of new or old parts when replacing the parts. (Please refer to the remark \*4 under the parts table in the next page for details.)  
**<For the models except TASKalfa 2550ci>** No particular problems are expected.

**Serial Nos. of Affected Machine: (-->)** Please refer to the next pages.

N00065079/65469/66761

No.	Old Part No.	New Part No.	Description	Q'ty		Compati bi lity		Remarks
				Old	New	Old	New	
1	302MV94540 2MV94540	302K094010 2K094010	PARTS EXIT UNIT SP	1	1	X	O	*1
2	302K004320 2K004320	302MV04730 2MV04730	+TRAY EJECT	1	1	X	O	Except TASKalfa 2550ci
3	302MV94550 2MV94550	302MV94550 2MV94550	PARTS TRAY EJECT ASSY SP	1	1	X	O	For TASKalfa 2550ci only (*2)
4	302K394180 2K394180	302MV94650 (-->)2MV94650	+(-->) PARTS SWITCH EXIT PAPER EMPTY SP	1	1	X	*3	*4
5	302MV28010 2MV28010(*5)	302K028090 2K028090	+ACTUATOR EXIT OVERFLOW UP	1	1	X	X	For TASKalfa 2550ci only

"+" mark at the beginning of the part name means it is a component parts.

\*1: Change of the exit unit for TASKalfa 2550ci.

(For common use of the unit with TASKalfa 2550c/FS-C8025MFP, TASKalfa205c/FS-C8020MFP)

--- The unit includes the job separator tray (Old tray for TASKalfa 2550ci that is not supplied individually, or new No.2), job exit paper sensor (No.4) and the actuator switching the job paper full sensor (No.5) as the component parts.

(The stopper that is the bundled item in the job separator tray set (No.3) is not included in new/old exit unit.)

\*2: The set bundles new job separator tray (the same tray as new No.2), stopper and the caution leaflet when using the stopper. (The parts number of No.3 remains unchanged according to this change.)

\*3: As for TASKalfa 2550ci, the new No.4 can not be fitted individually to the machine before change. The individual new No.4 is usable for the models except TASKalfa 2550ci.

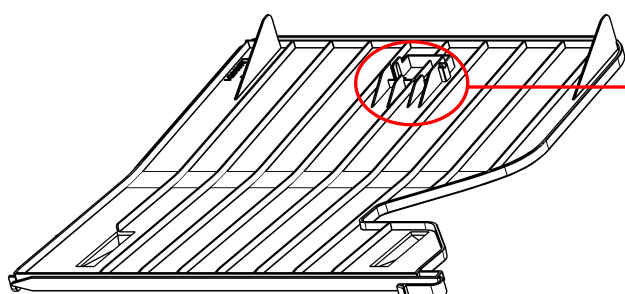
\*4: As for the TASKalfa 2550ci, please use the old parts to the machine before change, or use new parts to the machine after change. (If replacing No.4 only with new parts, the number of the stacked sheet may decrease compared with the current state due to the early paper full detection. If replacing No.5 only with new parts, the paper that is ejected exceeding the normal maximum number of the stacked sheet may bump to the ceiling of the inner tray and then the trailing edge of the paper fills the exit unit. As a result, the paper jam may occur.)

As for the models except TASKalfa 2550ci, the combination with new No.5 and old job exit paper sensor (No.4) is usable because the models has used new No.5 before and the height of the detecting position of the job exit paper sensor differs from TASKalfa 2550ci. (The paper jam at the exit section may not occur.)

\*5: The above old parts (302MV28010) has been used since the 1st mass-production for TASKalfa 2550ci while 302K028090 (new No.5) has been described in the Parts List (1st issue) as ACTUATOR EXIT OVERFLOW UP.

**<Back side of the job separator tray (No.2)>** --- For the models except TASKalfa 2550ci

(The tray for TASKalfa 2550ci (New/old No.3) has the shape for fitting the stopper.)



Added the shape for fitting the stopper  
 \* The stopper is unused for the models except TASKalfa 2550ci.

(Revised Issue 1)  
**Service Bulletin**

**(-->) Serial Number of Affected Machine**

TASKalfa 2550ci

KDA 1102MV2US0 L292800476	KDA (GSA) 1102MV2US1 L59 Next	CPY 1102MV2CS0 L3P2800301	KDA 220VI 1102MV4US0 L3V Next	KDBR 1102MV2BR0 L3U Next	KDE 1102MV3NL0 NUZ2703892	UTAX 1102MV3UT0 NZC Next
KDAU 1102MV3AS0 L2A2800353	KDSG 1102MV3SG0 L2L Next	KDTH 1102MV3TH0 L2M Next	KDID 1102MV3ND0 L2K Next	KDTW 1102MVTTW0 L2N Next	KDCN 1102MV3KS0 L2J2800001	KDKR 1102MV3KR0 L2H2800031
KDJ 1102MV9JP0 NV1 Next						

TASKalfa 256ci/FS-C8525MFP

KDA 1102MY2US0 NX8 Next	CPY 1102MY2CS0 NXR Next	KDA 220VI 1102MY4US0 NXJ Next	KDBR 1102MY2BR0 NXN Next	KDE 1102MY3NL0 NXA Next	UTAX 1102MY3UT0 L1Z Next	OLIVETTI 1102MY3LV0 L4R Next
KDAU 1102MY3AS0 NX9 Next	KDSG 1102MY3SG0 L3E Next	KDTH 1102MY3TH0 L3F Next	KDID 1102MY3ND0 L3D Next	KDTW 1102MYTTW0 L3G Next	KDCN 1102MY3KS0 L3C Next	KDKR 1102MY3KR0 L3B Next
Philcopy 1102MY4PH0 L4D Next	KDJ 1102MY9JP0 NXB Next					

TASKalfa 206ci/FS-C8520MFP

KDA 1102MZ2US0 NXC Next	CPY 1102MZ2CS0 NXQ Next	KDA 220VI 1102MZ4US0 NXK Next	KDBR 1102MZ2BR0 NXP Next	KDE 1102MZ3NL0 NXE Next	UTAX 1102MZ3UT0 L21 Next	OLIVETTI 1102MZ3LV0 L4Q Next
KDAU 1102MZ3AS0 NXD Next	KDSG 1102MZ3SG0 L3L Next	KDTH 1102MZ3TH0 L3M Next	KDID 1102MZ3ND0 L3K Next	KDTW 1102MZTTW0 L3N Next	KDCN 1102MZ3KS0 L3J Next	KDKR 1102MZ3KR0 L3H Next
Philcopy 1102MZ4PH0 L4E Next	KDJ 1102MZ9JP0 NXF Next					

FS-C8025MFP/TASKalfa 255c

KDA 1102K02US0 Q72 Next	KDA (GSA) 1102K02US1 NH5 Next	CPY 1102K02CS0 N8B Next	KDA 220VI 1102K04US0 NBD Next	KDBR 1102K02BR0 N8N Next	KDE 1102K03NL0 Q73 Next	UTAX 1102K03UT0 N6U Next
OLIVETTI 1102K03LV0 NJM Next	KDAU 1102K03AS0 Q74 Next	KDSG 1102K03SG0 NFQ Next	KDTH 1102K03TH0 NFR Next	KDID 1102K03HK0 NAC Next	KDID 1102K03ND0 NFP Next	KDTW 1102K0TTW0 NCW Next
KDCN 1102K03KS0 NG7 Next	KDKR 1102K03KR0 NCV Next	Philcopy 1102K04PH0 NM8 Next	KDJ 1102K09JP0 Q71 Next			





(Revised Issue 1)  
**Service Bulletin**

(Page.4/4)

Ref. No. **COM-0271 (C185)**

<Date> Aug 6, 2012

FS-C8020MFP/TASKalfa 205c

KDA 1102KZ2US0 Q6X Next	KDA (GSA) 1102KZ2US1 NH8 Next	CPY 1102KZ2CS0 N8C Next	KDA 220VI 1102KZ4US0 NFW Next	KDBR 1102KZ2BR0 N8Q Next	KDE 1102KZ3NL0 Q6Y Next	UTAX 1102KZ3UT0 N6V Next
OLIVETTI 1102KZ3LV0 NJN Next	KDAU 1102KZ3AS0 Q6Z Next	KDSG 1102KZ3SG0 NFT Next	KDTH 1102KZ3TH0 NAK Next	KDHK 1102KZ3HK0 NFS Next	KDID 1102KZ3ND0 NAH Next	KDTW 1102KZTTW0 ND1 Next
KDCN 1102KZ3KS0 NG8 Next	KDKR 1102KZ3KR0 NCZ Next	Philcopy 1102KZ4PH0 NMA Next	KDJ 1102KZ9JP0 Q6W Next			

# Service Bulletin

Ref. No. **PCI-0315 (C205)**

[Parts Change Information]

<Date> August 3, 2012

Subject	Parts Change Information	
<b>Model</b>	TASKalfa 7550ci, TASKalfa 6550ci, TASKalfa 5550ci, TASKalfa 4550ci, TASKalfa 3550ci, TASKalfa 3050ci, TASKalfa 8000i, TASKalfa 6500i, TASKalfa 5500i, TASKalfa 4500i, TASKalfa 3500i, FS-C8650DN, FS-C8600DN, TASKalfa 2550ci, TASKalfa305/FS-6030MFP, TASKalfa255/FS-6025MFP, TASKalfa255b/FS-6025MFP/B, TASKalfa 256i/FS-6525MFP, TASKalfa 306i/FS-6530MFP, TASKalfa205c/FS-C8020MFP, TASKalfa255c/FS-C8025MFP, TASKalfa206ci/FS-C8520MFP, TASKalfa256ci/FS-C8525MFP, TASKalfa 550c, TASKalfa 650c, TASKalfa 750c, PF-740, DF-790, BF-730 (--)--- All the models	

*This time the description with (--)is revised from the previous information.*

*<Number of changes: 3> Added the content of [Change of the logo on the test chart] in page 12 and added the applied model and the index in page 1, 2.*

Affected models

PF-740	TASKalfa 7550ci/6550ci, TASKalfa 5550ci/4550ci/3550ci/3050ci, TASKalfa 8000i/6500i, TASKalfa 5500i/4500i/3500i
DF-790	TASKalfa 7550ci/6550ci, TASKalfa 5550ci/4550ci/3550ci/3050ci, TASKalfa 8000i/6500i, TASKalfa 5500i/4500i/3500i
BF-730	DF-790(Affected main machine: TASKalfa 7550ci/6550ci, TASKalfa 5550ci/4550ci/3550ci/3050ci, TASKalfa 8000i/6500i, TASKalfa 5500i/4500i/3500i)

The following parts are changed.

**P3 <Change of the protection sheet for the cassette handle>**

TASKalfa 5550ci, TASKalfa 4550ci, TASKalfa 3550ci, TASKalfa 3050ci,  
 TASKalfa 5500i, TASKalfa 4500i, TASKalfa 3500i

**P3 <Change of the material of DUCT DLP B>**

TASKalfa 7550ci, TASKalfa 6550ci,  
 TASKalfa 5550ci, TASKalfa 4550ci, TASKalfa 3550ci, TASKalfa 3050ci

**P3 <Change of WIRE LIFT A/B>**

PF-740, TASKalfa 7550ci, TASKalfa 6550ci, TASKalfa 8000i, TASKalfa 6500i

**P4 <Change of the parts shape in the developing unit>**

TASKalfa 8000i, TASKalfa 6500i, TASKalfa 5500i, TASKalfa 4500i, TASKalfa 3500i

**P5 <Change of the carrier in the developing unit>**

TASKalfa 7550ci, TASKalfa 6550ci, TASKalfa 8000i, TASKalfa 6500i,  
 TASKalfa 5500i, TASKalfa 4500i, TASKalfa 3500i

**P6 <Change of DISPOSAL UNIT>**

TASKalfa 8000i, TASKalfa 6500i, TASKalfa 5500i, TASKalfa 4500i, TASKalfa 3500i

# **Service Bulletin**

[Parts Change Information]

Ref. No. **PCI-0315 (C205)**

<Date> August 3, 2012

**P6 <Correspondence to universal design**

**(Adding the engraving on the toner container) >**

TASKalfa 7550ci, TASKalfa 5550ci, TASKalfa 3550ci, TASKalfa 3050ci

**P7 <Wire aligning work ease at the exit unit>**

FS-C8650DN, FS-C8600DN

**P8 <Change of the actuator switching the feed sensor>**

TASKalfa 2550ci, TASKalfa305/FS-6030MFP, TASKalfa255/FS-6025MFP,  
TASKalfa255b/FS-6025MFP/B, TASKalfa 256i/FS-6525MFP,  
TASKalfa 306i/FS-6530MFP,  
TASKalfa205c/FS-C8020MFP, TASKalfa255c/FS-C8025MFP,  
TASKalfa206ci/FS-C8520MFP, TASKalfa256ci/FS-C8525MFP

**P8 <Improvement of the replacing work (Changing the shape of the FFC wire)>**

TASKalfa 256ci/FS-C8525MFP, TASKalfa 206ci/FS-C8520MFP,  
TASKalfa255c/FS-C8025DN, TASKalfa205c/FS-C8020MFP,  
TASKalfa 306i/FS-6530MFP, TASKalfa 256i/FS-6525MFP, TASKalfa305/FS-6030MFP  
TASKalfa255/FS-6025MFP, TASKalfa255b/FS-6025MFP/B

**P9 <Prevention of the wire pinching at the MPF table >**

TASKalfa 2550ci

**P9 <(DF-810/800) Change of the parts shape>**

TASKalfa 550c, TASKalfa 650c, TASKalfa 750c

**P10 <Parts number information (LGC-PFC relay wire)>**

TASKalfa 550c, TASKalfa 650c, TASKalfa 750c

**P10 <Improvement of the assembly work**

**(Changing the coupling and disusing the spacer gear)>**

TASKalfa 550c, TASKalfa 650c, TASKalfa 750c

**P11 <Strengthening the conveying guide D2>**

DF-790

**P11 <Improvement of the assembly work>**

BF-730

**(-->) P12 <Change of the logo on the test chart>**

All the models

# Service Bulletin

[Parts Change Information]

Ref. No. **PCI-0315 (C205)**

<Date> August 3, 2012

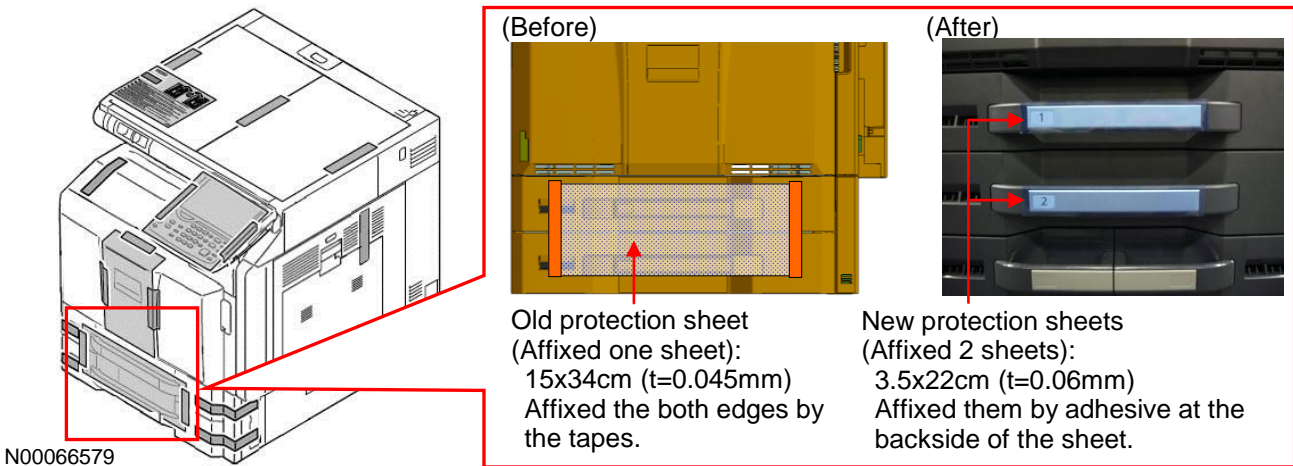
## <Change of the protection sheet for the cassette handle

**--> From the available timing in the production in July, 2012<**

TASKalfa 5550ci, TASKalfa 4550ci, TASKalfa 3550ci, TASKalfa 3050ci,  
TASKalfa 5500i, TASKalfa 4500i, TASKalfa 3500i

The protection sheet affixed on the front of the cassette handle at shipment is changed for common use of the parts.

[Main machine after unpacking (Below is the TASKalfa 5550ci series model before this change.)]



N00066579

## <Change of the material of DUCT DLP B

**--> From the available timing in the production in June, 2012<**

TASKalfa 7550ci, TASKalfa 6550ci,  
TASKalfa 5550ci, TASKalfa 4550ci, TASKalfa 3550ci, TASKalfa 3050ci

The material of DUCT DLP B (No.1) is changed for common use of the parts.

Accordingly, the material indication engraving is changed as below.

Material indication engraving: (Before) >ABS<P2H-AT → (After) >PC+SAN-TD5FR(40)<TN-7900

No.	Old Part No.	New Part No.	Description	Q'ty		Com pat i bility		Remarks
				Old	New	Old	New	
1	302LC33440 2LC33440	302LC33441 2LC33441	DUCT DLP B	1	1	O	O	

N00066154

\* Please use the new parts for FS-C8650DN and FS-C8600DN.

## <Change of WIRE LIFT A/B --> After using up the old stock>

PF-740, TASKalfa 7550ci, TASKalfa 6550ci, TASKalfa 8000i, TASKalfa 6500i

WIRE LIFT A/B (No.1, 2) are changed for the parts procurement reason.

(The change that was informed per another service bulletin (No. PCI-0306 (B473) before is recovered to the former state because the former parts become procurable.)

No.	Old Part No.	New Part No.	Description	Q'ty		Com pat i bility		Remarks
				Old	New	Old	New	
1	303NF10480 3NF10480	303NF10180 3NF10180	WIRE LIFT A	1	1	X*	X*	Machine left side
2	303NF10490 3NF10490	303NF10190 3NF10190	WIRE LIFT B	1	1	X*	X*	Machine right side

N00066623

\* Please use the set of the new or old WIRE LIFT A/B (No.1 and 2) at the machine left and right side for securing the machine performance.

# Service Bulletin

[Parts Change Information]

Ref. No. **PCI-0315 (C205)**

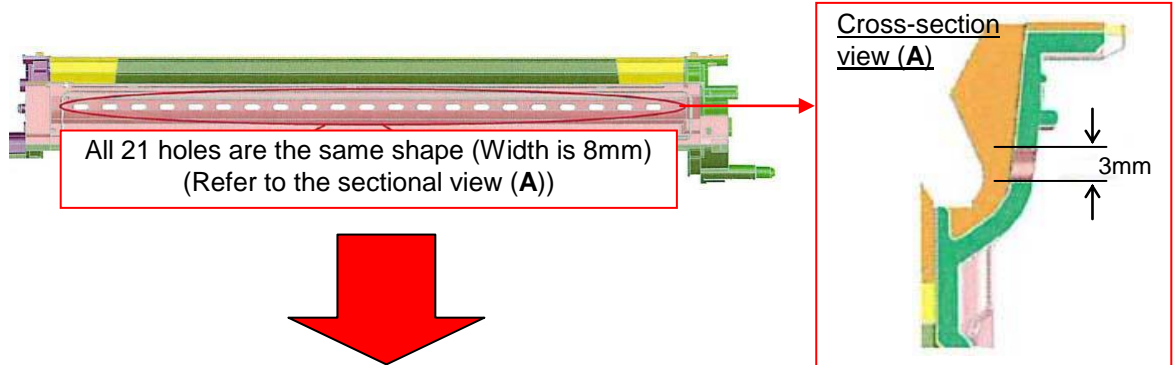
<Date> August 3, 2012

**<Change of the parts shape in the developing unit --> After using up the old stock**

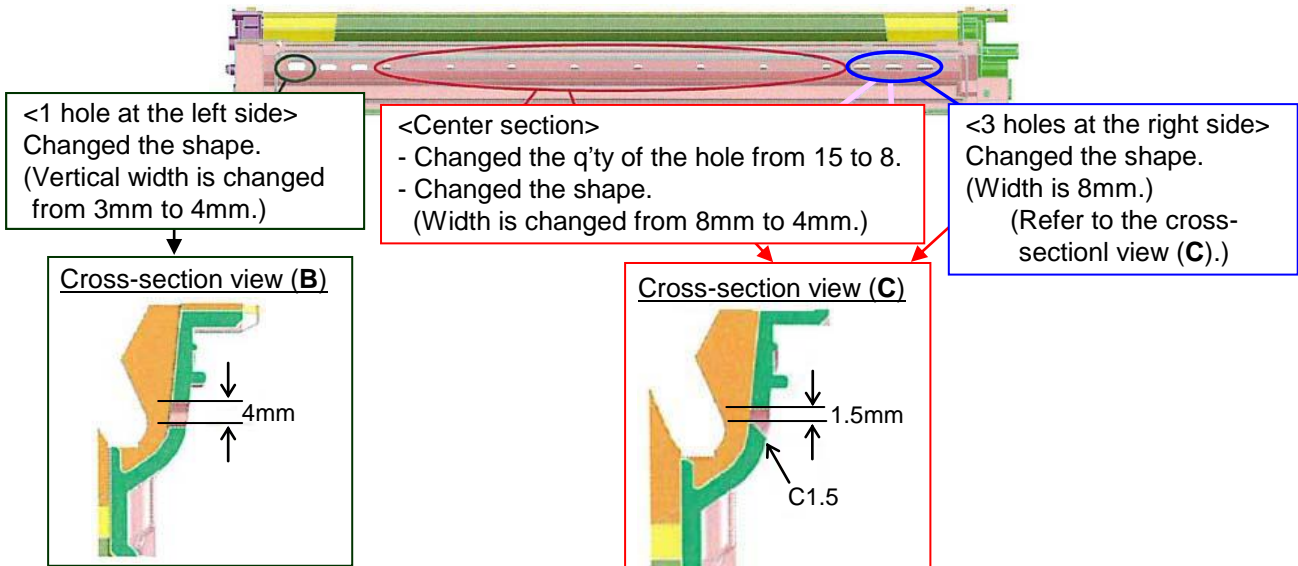
TASKalfa 8000i, TASKalfa 6500i, TASKalfa 5500i, TASKalfa 4500i, TASKalfa 3500i

The shape and quantity of the hole in the duct for sucking the toner is changed for properly sucking the toner and reducing the amount of the toner ejection into the duct for sucking the toner.  
(The q'ty of the hole is changed from 21 to 14.)

(Before)



(After)



No.	Old Part No.	New Part No.	Description	Q'ty		Compati bility		Remarks
				Old	New	Old	New	
<b>8000i/6500i</b>								
1	302LF93030 2LF93030	302LF93031 2LF93031	DV-6705	1	1	○	○	Except KDCN/KDKR
2	302LF9C030 2LF9C030	302LF9C031 2LF9C031	DV-6705	1	1	○	○	For KDCN
3	302LF9K030 2LF9K030	302LF9K031 2LF9K031	DV-6705(KR)	1	1	○	○	For KDKR
<b>5500i/4500i/3500i</b>								
4	302LH93030 2LH93030	302LH93031 2LH93031	DV-6305	1	1	○	○	Except KDCN/KDKR
5	302LH9C030 2LH9C030	302LH9C031 2LH9C031	DV-6305	1	1	○	○	For KDCN
6	302LH9K030 2LH9K030	302LH9K031 2LH9K031	DV-6305(KR)	1	1	○	○	For KDKR

N00063446

# Service Bulletin

[Parts Change Information]

Ref. No. **PCI-0315 (C205)**

<Date> August 3, 2012

**<Change of the carrier in the developing unit --> After using up the old stock>**

TASKalfa 7550ci, TASKalfa 6550ci, TASKalfa 8000i, TASKalfa 6500i,  
TASKalfa 5500i, TASKalfa 4500i, TASKalfa 3500i

The carrier is changed for stabilizing the charge performance of the toner.

No.	Old Part No.	New Part No.	Description	Q'ty		Compati bility		Remarks
				Old	New	Old	New	
<b>7550ci/6550ci</b>								
1	302K993071 2K993071	302K993072 2K993072	DV-8705K	1	1	O	O	Except KDCN/KDKR
2	302K993081 2K993081	302K993082 2K993082	DV-8705C	1	1	O	O	Except KDCN/KDKR
3	302K993091 2K993091	302K993092 2K993092	DV-8705M	1	1	O	O	Except KDCN/KDKR
4	302K993101 2K993101	302K993102 2K993102	DV-8705Y	1	1	O	O	Except KDCN/KDKR
5	302K99C071 2K99C071	302K99C072 2K99C072	DV-8705K	1	1	O	O	For KDCN
6	302K99C081 2K99C081	302K99C082 2K99C082	DV-8705C	1	1	O	O	For KDCN
7	302K99C091 2K99C091	302K99C092 2K99C092	DV-8705M	1	1	O	O	For KDCN
8	302K99C101 2K99C101	302K99C102 2K99C102	DV-8705Y	1	1	O	O	For KDCN
9	302K99K071 2K99K071	302K99K072 2K99K072	DV-8705K(KR)	1	1	O	O	For KDKR
10	302K99K081 2K99K081	302K99K082 2K99K082	DV-8705C(KR)	1	1	O	O	For KDKR
11	302K99K091 2K99K091	302K99K092 2K99K092	DV-8705M(KR)	1	1	O	O	For KDKR
12	302K99K101 2K99K101	302K99K102 2K99K102	DV-8705Y(KR)	1	1	O	O	For KDKR
<b>8000i/6500i</b>								
13	302LF93031 2LF93031	302LF93032 2LF93032	DV-6705	1	1	O	O	Except KDCN/KDKR
14	302LF9C031 2LF9C031	302LF9C032 2LF9C032	DV-6705	1	1	O	O	For KDCN
15	302LF9K031 2LF9K031	302LF9K032 2LF9K032	DV-6705(KR)	1	1	O	O	For KDKR
<b>5500i/4500i/3500i</b>								
16	302LH93031 2LH93031	302LH93032 2LH93032	DV-6305	1	1	O	O	Except KDCN/KDKR
17	302LH9C031 2LH9C031	302LH9C032 2LH9C032	DV-6305	1	1	O	O	For KDCN
18	302LH9K031 2LH9K031	302LH9K032 2LH9K032	DV-6305(KR)	1	1	O	O	For KDKR

N00066143/N00064390/N00064696



# Service Bulletin

[Parts Change Information]

Ref. No. **PCI-0315 (C205)**

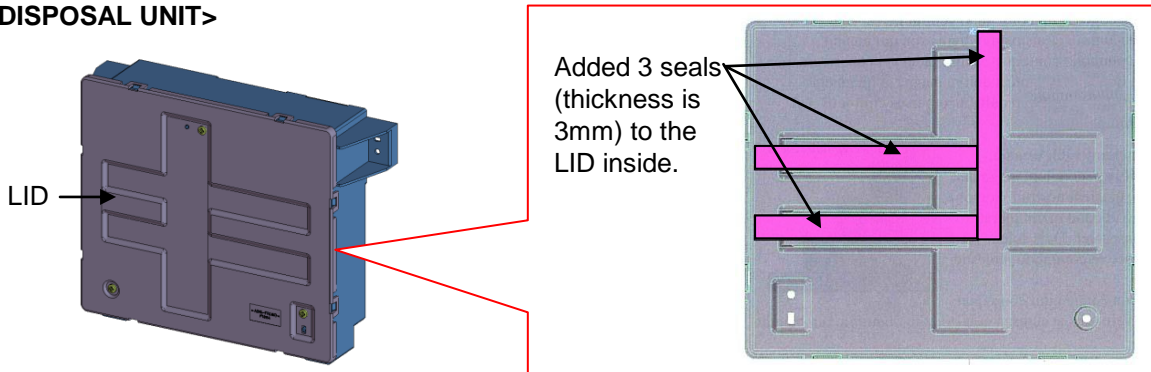
<Date> August 3, 2012

**<Change of DISPOSAL UNIT --> Planned from the production in July, 2012>**

TASKalfa 8000i, TASKalfa 6500i, TASKalfa 5500i, TASKalfa 4500i, TASKalfa 3500i

3 seals are added for preventing the variation of the amount of the toner sucking depending on the dimension or attachment of the filter in DISPOSAL UNIT.

**<DISPOSAL UNIT>**



No.	Old Part No.	New Part No.	Description	Q'ty		Com pati bility		Remarks
				Old	New	Old	New	
1	302LF94400 2LF94400	302LF94400 2LF94400	PARTS DISPOSAL UNIT(ZG) SP	1	1	○	○	*1

N00066912

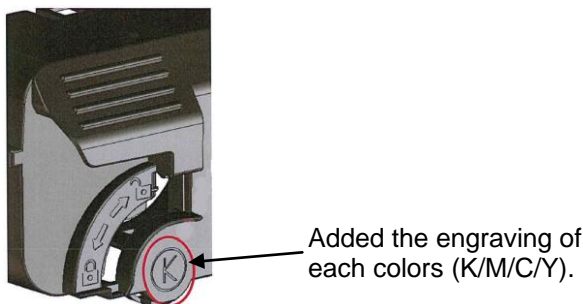
\*1: The parts number remains unchanged.

**<Correspondence to universal design**

**(Adding the engraving on the toner container) --> After using up the old stock>**

TASKalfa 7550ci, TASKalfa 5550ci, TASKalfa 3550ci, TASKalfa 3050ci

The engraving of K/M/C/Y is added on the toner container for corresponding universal design. The parts number remains unchanged according to this change.



N00061741

**Service Bulletin**  
[Parts Change Information]

Ref. No. **PCI-0315 (C205)**

<Date> August 3, 2012

**<Wire aligning work ease at the exit unit**

**--> From the available timing in the production in July, 2012>**

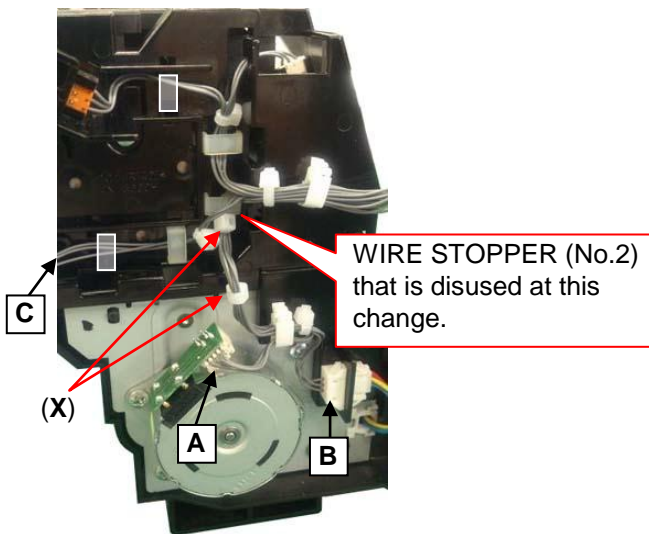
FS-C8650DN, FS-C8600DN

The wire alignment is changed by the following change for the easy wire alignment work of WIRE EXIT (No.1) at the exit unit.

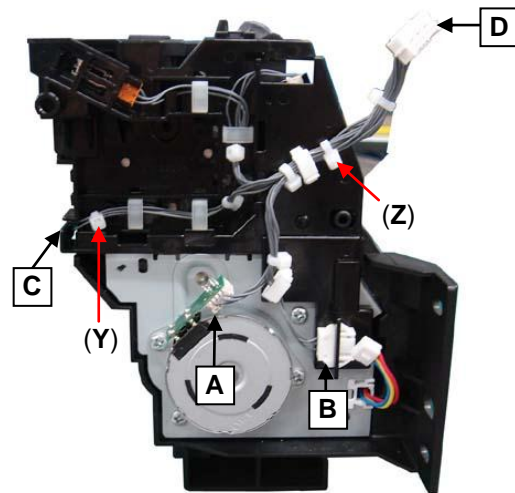
- 1) The length of WIRE EXIT (No.1) is changed and the binding bands at the wire is added and disused.
- 2) 1 pce of WIRE STOPPER (No.2) is disused.

**[Machine front side of the exit unit]**

(Before\*)



(After)



<Content of WIRE EXIT(No.1) changes>

A)	Wire connecting with the exit motor: Wire length is shortened by 60mm.	}	2 pcs of the binding band (X) are disused.
B)	Relay wire for the solenoid switching the paper feed shift guide : Wire length is shortened by 40mm.		
C)	Wire connecting with the sensor detecting the paper load on the exit tray : Wire length is shortened by 5mm and 1 pce of the binding band (Y) is added.		
D)	Wire connecting with the connector on the front PWB: 1 pce of the binding band (Z) is added.		

\* The location where the wire stoppers (No.2: Fig.20-43 in Parts List) are fitted had been relocated from the location indicated on the Fig.20 illustration in Parts List (1st issue) since the 1st production. Please refer to the above left figure as for the location where the wire stoppers are fitted since the 1st production.

No.	Old Part No.	New Part No.	Description	Q'ty		Com pat i bility		Remarks
				Old	New	Old	New	
1	302MN46020 2MN46020	302MN46021 2MN46021	WIRE EXIT	1	1	X	O	
2	302K931080 2K931080	302K931080 2K931080	WIRE STOPPER	5	4	O	-	

N00066565

# Service Bulletin

[Parts Change Information]

Ref. No. **PCI-0315 (C205)**

<Date> August 3, 2012

**<Change of the actuator switching the feed sensor**

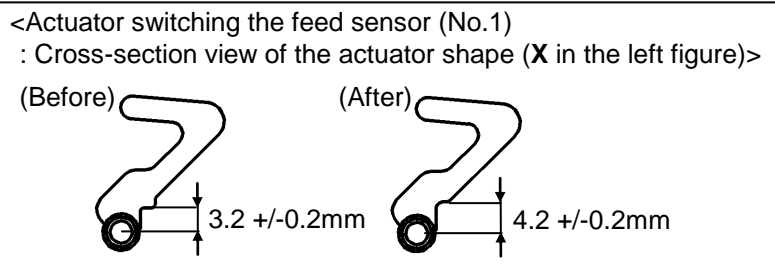
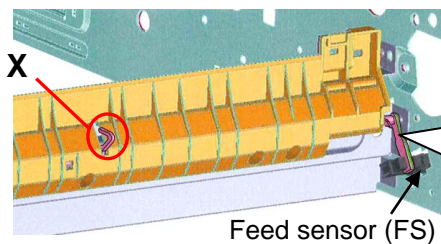
**--> TASKalfa 2550ci: After using up the old stock.**

**Other models: From the available timing in the production in June, 2012>**

TASKalfa 2550ci, TASKalfa305/FS-6030MFP, TASKalfa255/FS-6025MFP,  
 TASKalfa255b/FS-6025MFP/B, TASKalfa 256i/FS-6525MFP, TASKalfa 306i/FS-6530MFP,  
 TASKalfa205c/FS-C8020MFP, TASKalfa255c/FS-C8025MFP,  
 TASKalfa206ci/FS-C8520MFP, TASKalfa256ci/FS-C8525MFP

The actuator shape (X in the below left figure) of the actuator switching the feed sensor (No.1) is changed for improving the margin of the feed sensor detection.

[Vertical paper conveying section]



No.	Old Part No.	New Part No.	Description	Q'ty		Com pat i bility		Remarks
				Old	New	Old	New	
1	302K302830 2K302830	302K302831 2K302831	ACTUATOR DECK FEED	1	1	○	○	

N00066244/2K3-25004

**<Improvement of the replacing work (Changing the shape of the FFC wire)**

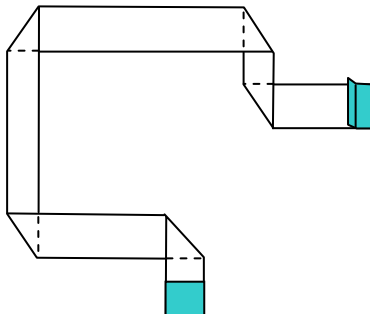
**--> After using up the old stock>**

TASKalfa 256ci/FS-C8525MFP, TASKalfa 206ci/FS-C8520MFP,  
 TASKalfa255c/FS-C8025DN, TASKalfa205c/FS-C8020MFP,  
 TASKalfa 306i/FS-6530MFP, TASKalfa 256i/FS-6525MFP, TASKalfa305/FS-6030MFP  
 TASKalfa255/FS-6025MFP, TASKalfa255b/FS-6025MFP/B

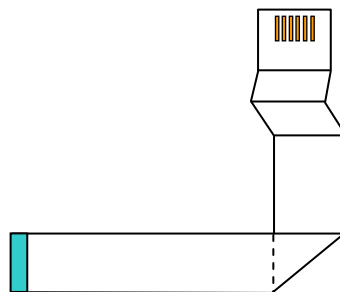
The shape of the FFC wire (No.1, 2) as the service parts is changed at shipment to the folding state that is the same shape when fitting them at the machine for the replacing work ease.

(The wire folding work in field when replacing the FFC wire becomes unnecessary by this change.)

<FFC MAIN-LED LAMP (No.1)>



<FFC MAIN-CCD (No.2)>



No.	Old Part No.	New Part No.	Description	Q'ty		Com pat i bility		Remarks
				Old	New	Old	New	
1	302K346400 2K346400	302K346401 2K346401	FFC MAIN-LED LAMP	1	1	○	○	
2	302K346410 2K346410	302K346411 2K346411	FFC MAIN-CCD	1	1	○	○	

N00066994

# Service Bulletin

[Parts Change Information]

Ref. No. **PCI-0315 (C205)**

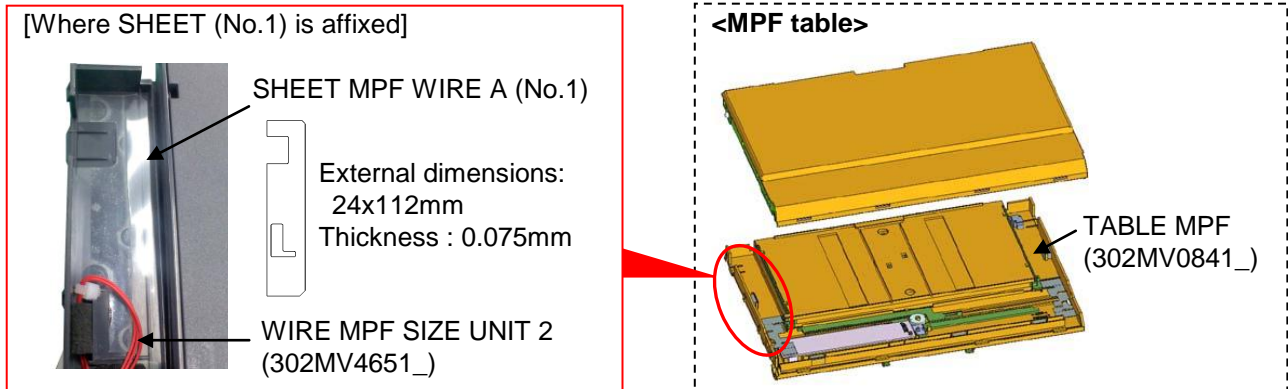
<Date> August 3, 2012

**<Prevention of the wire pinching at the MPF table**

**--> From the available timing in the production in June, 2012<**

TASKalfa 2550ci

SHEET MPF WIRE A (No.1) is added to TABLE MPF for preventing WIRE MPF SIZE UNIT 2 from pinching when aligning the wire.



No.	Old Part No.	New Part No.	Description	Q'ty		Com patibility		Remarks
				Old	New	Old	New	
1	-----	302MV08520 2MV08520	SHEET MPF WIRE A	-	1	-	○	

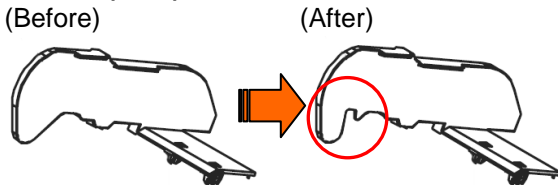
N00066655

**<(DF-810/800) Change of the parts shape --> After using up the old stock<**

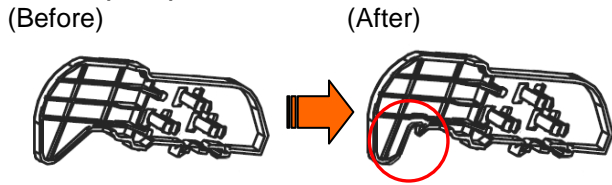
TASKalfa 550c, TASKalfa 650c, TASKalfa 750c

The shape of the following parts (No.1~3) is partly changed for common use of the parts in the vendor.

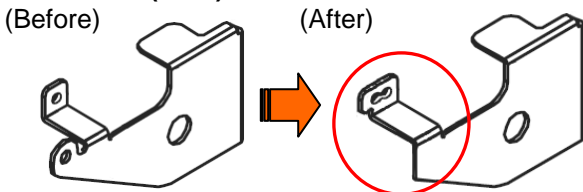
**<PLATE (No.1)>**



**<PLATE (No.2)>**



**<BRACKET (No.3)>**



No.	Old Part No.	New Part No.	Description	Q'ty		Com patibility		Remarks
				Old	New	Old	New	
1	305JN70AM0 5JN70AM0	305JN70AM0 5JN70AM0	PLATE:PLT-JOG-R-PR-TRAY	1	1	○	○	
2	305JN70AN0 5JN70AN0	305JN70AN0 5JN70AN0	PLATE:PLT-JOG-F-PR-TRAY	1	1	○	○	
3	305JN70P60 5JN70P60	305JN70P60 5JN70P60	BRACKET:COVER-FEED-GEAR-PIT3	1	1	○	○	

N00066746/BSI No.G111101

\* The parts numbers remain unchanged according to this change.

# Service Bulletin

[Parts Change Information]

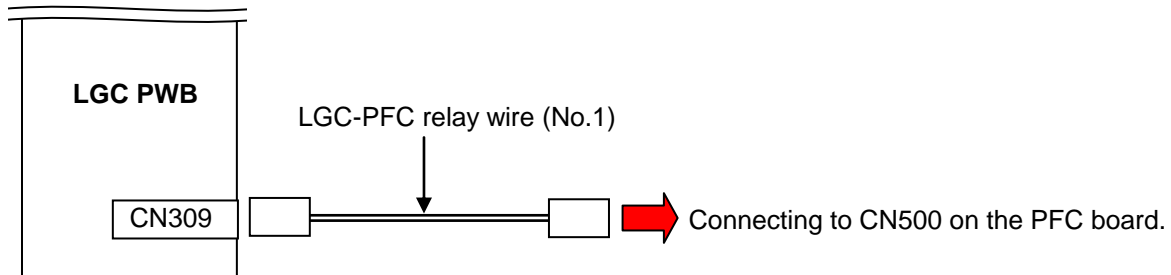
Ref. No. **PCI-0315 (C205)**

<Date> August 3, 2012

**<Parts number information (LGC-PFC relay wire)>**

TASKalfa 550c, TASKalfa 650c, TASKalfa 750c

The parts number of the wire that relays between CN309 on the logic board (LGC) and CN500 on the paper feed control board (PFC) is set up.



No.	Old Part No.	New Part No.	Description	Q'ty		Com pat i bility		Remarks
				Old	New	Old	New	
1	-----	305JN72U40 5JN72U40	HARNESS:PWB-CBL-LGC-PFC-430	-	1	-	○	

N00067129/BSI No.G12F907

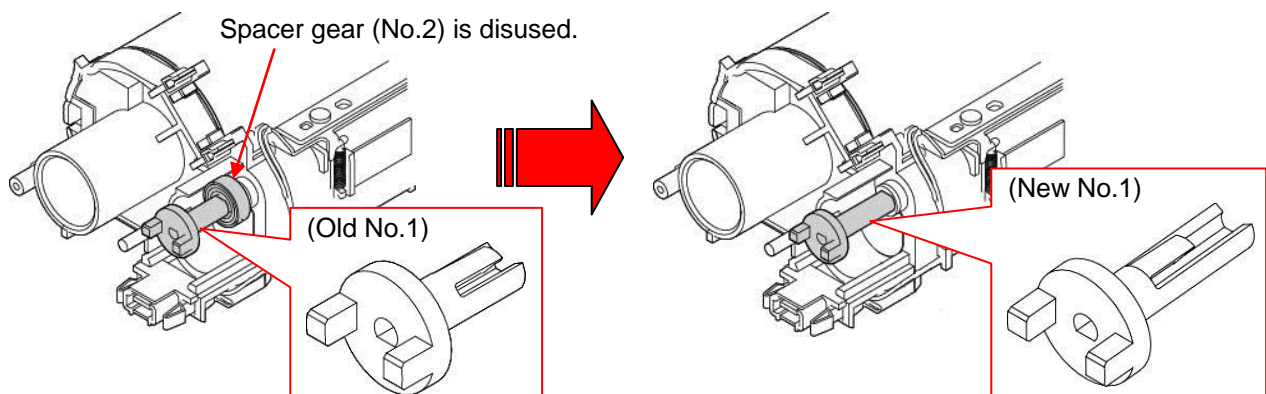
**<Improvement of the assembly work  
(Changing the coupling and disusing the spacer gear) --> No applicable production.>**

TASKalfa 550c, TASKalfa 650c, TASKalfa 750c

For improving the assembly work, the spacer gear (No.2): it has been used as a spacer.) is disused by changing the shape of the coupling (No.1).

[The machine rear side of the drum cleaner unit]  
(Before)

(After)



No.	Old Part No.	New Part No.	Description	Q'ty		Com pat i bility		Remarks
				Old	New	Old	New	
1	305JN714G0 5JN714G0	305JN72U30 5JN72U30	COUPLING:COUPL-AUGER-CLNR-DRUM-L	1	1	X	○	*1
2	305JN715F0 5JN715F0	-----	GEAR-CLNR-DRUM-AUGER	1	-	X	-	

N00067112/BSI No.G12D726

\*1: (Old parts name) COUPLING:COUPL-AUGER-CLNR-DRUM



**Service Bulletin**  
[Parts Change Information]

Ref. No. **PCI-0315 (C205)**

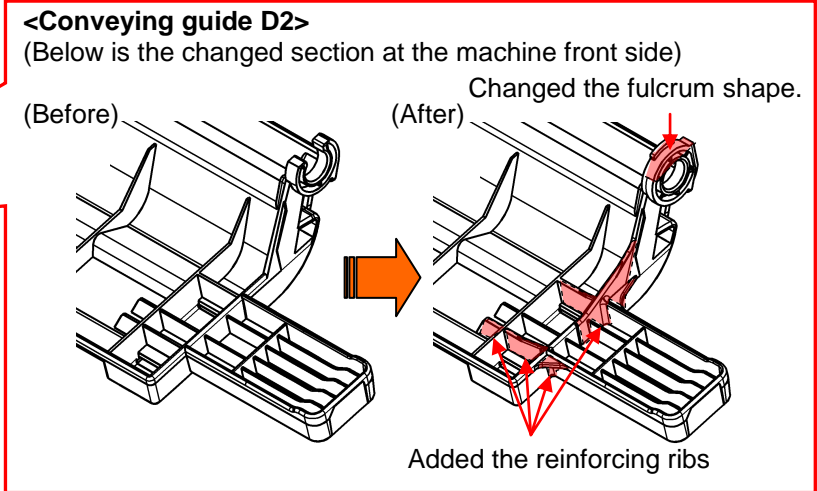
<Date> August 3, 2012

**<Strengthening the conveying guide D2 --> After using up the old stock>**

DF-790

The shape of the conveying guide D2 (No.1) is changed for strengthening.

(State of opening the DF front cover.)



No.	Old Part No.	New Part No.	Description	Q'ty		Com pati bility		Remarks
				Old	New	Old	New	
1	303NB24030 3NB24030	303NB24031 3NB24031	GUIDE SUB LEFT OPEN	1	1	○	○	

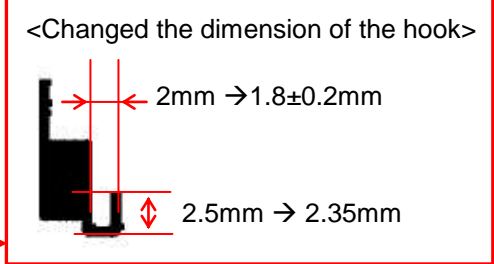
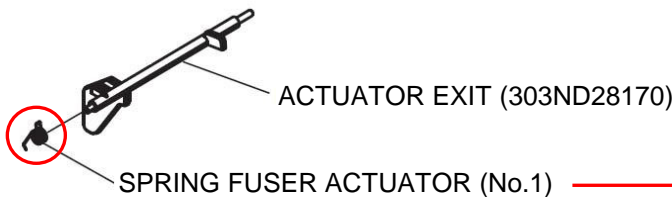
N00066196

**<Improvement of the assembly work --> From the production in June, 2012>**

BF-730

Following is changed for improving the assembly work that may be affected by the dimensional variation of the spring (No.1).

**FIG. 3 Booklet Folder 3**



No.	Old Part No.	New Part No.	Description	Q'ty		Com pati bility		Remarks
				Old	New	Old	New	
1	302H725160 2H725160	302H725A00 2H725A00	SPRING FUSER ACTUATOR	2	2	X	○	

N00066782

\*1 : Parts List for the models at the right is already changed. --> TASKalfa 5550ci/4550ci/3550ci/3050ci (Rev3), FS-C8650DN and FS-C8600DN (Rev0)



# Service Bulletin

[Parts Change Information]

Ref. No. **PCI-0315 (C205)**

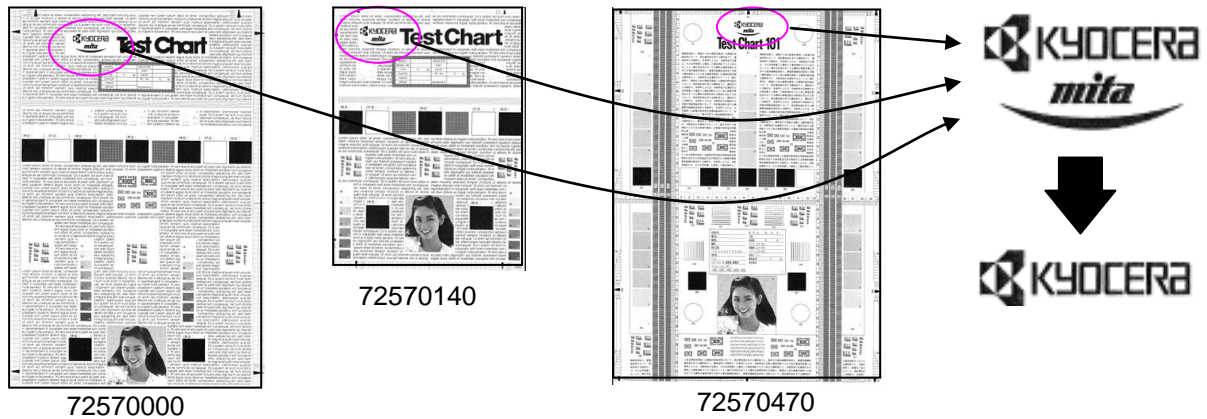
<Date> August 3, 2012

(-->)

**<Change of the logo on the test chart --> After using up the old stock>**

All the models

The logo indicated on the below test charts is changed.



No.	Old Part No.	New Part No.	Description	Q'ty		Com pat i bility		Remarks
				Old	New	Old	New	
1	72570000	72570000	TEST CHART NTC A3(X10 WITH BAG)	-	-	○	○	*1
2	72570140	72570140	TEST CHART NTC A4INCH(X10 WITH BAG)	-	-	○	○	*1
3	72570470	72570470	TEST CHART (A3)	-	-	○	○	*1

\*1: The above parts numbers remain unchanged.

"+" mark at the beginning of the part name means it is a component parts.

# Service Bulletin

Ref. No. **2MV-0007 (C211)**

<Date> August 6, 2012

<b>Subject</b>	<b>DVD-ROM upgrade --- VER. 1.3 for KD version* (Addition of the Operation Guide in Korean, Traditional and Simplified Chinese.)</b>
<b>Model</b>	<b>TASKalfa 2550ci</b>

\* KD version does not include KDE version and UTAX/TA version.

DVD-ROM (Product Library) is upgraded as below.

### <Content of changes>

	Item	Contents	CTL
1	Addition of the Operation Guide	Added the Operation Guide in the following languages. - Korean, Traditional Chinese and Simplified Chinese	DVD1.3

<b>KDC's Classification</b>	<input type="checkbox"/> Entire Stock Rework	<input type="checkbox"/> In-Field modification at next visit
	<input type="checkbox"/> In-Field modification by case	<input checked="" type="checkbox"/> No modification necessary
<b>Field Measure:</b> No particular problems are expected.		
<b>Serial Nos. of Affected Machine:</b> (KDKR/KDTW/KDCN) From the first mass-production. (Others) After using up the old stock.		

N00066841 302MV55010-04

# Service Bulletin

Ref. No. **PCI-0316 (C231)**

[Parts Change Information]

&lt;Date&gt; September 3, 2012

Subject	Parts Change Information
<b>Model</b>	TASKalfa 7550ci, TASKalfa 6550ci, TASKalfa 5550ci, TASKalfa 4550ci, TASKalfa 3550ci, TASKalfa 3050ci, TASKalfa 8000i, TASKalfa 6500i, TASKalfa 5500i, TASKalfa 4500i, TASKalfa 3500i TASKalfa 256ci/FS-C8525MFP, TASKalfa 206ci/FS-C8520MFP, TASKalfa 255c/FS-C8025MFP, TASKalfa205c/FS-C8020MFP, TASKalfa 306i/FS-6530MFP, TASKalfa 256i/FS-6525MFP, TASKalfa 305/FS-6030MFP, TASKalfa 255/FS-6025MFP, TASKalfa 255b/FS-6025MFP/B, TASKalfa 2550ci, TASKalfa 220, TASKalfa 180, TASKalfa 550c, TASKalfa 650c, TASKalfa 750c, FS-2000D*, FS-3900DN*, FS-4000DN, FS-6950DN*, FS-2020D*, FS-3920DN*, FS-4020DN*, FS-6970DN*, FS-2025D, FS-3925DN, FS-4025DN, FS-6975DN, FS-1300D*, FS-1120D, FS-1320D, FS-1370DN, FS-C5030N, FS-C5025N, FS-3040MFP, FS-3140MFP, FS-3540MFP, FS-3640MFP, FS-3040MFP+, FS-3140MFP+, FS-1035MFP, FS-1135MFP, FS-C5150DN, FS-C5250DN, FS-C2026MFP, FS-C2126MFP, FS-C2526MFP, FS-C2626MFP, FS-C2026MFP+, FS-C2126MFP+, FS-1040, FS-1060DN, FS-1016MFP, FS-C5100DN, FS-C5200DN, FS-C5300DN, FS-C5350DN, PF-770, PF-780, PF-790, PF-470, PF-471, BF-730

\* Common with the CHUNGHO brand.

## Affected models

PF-770	TASKalfa 7550ci/6500ci, TASKalfa 5550ci/4550ci/3550ci/3050ci, TASKalfa 8000i/6500i, TASKalfa 5500i/4500i/3500i
PF-780	TASKalfa 7550ci/6500ci, TASKalfa 5550ci/4550ci, TASKalfa 8000i/6500i
PF-790	TASKalfa 2550ci
PF-470, PF-471	TASKalfa255/FS-6025MFP, TASKalfa255b/FS-6025MFP/B, TASKalfa305/FS-6030MFP, TASKalfa205c/FS-C8020MFP, TASKalfa255c/FS-C8025MFP, TASKalfa 256i/FS-6525MFP, TASKalfa 306i/FS-6530MFP
BF-730	DF-790 (Main machine: TASKalfa 7550ci/6500ci, TASKalfa 5550ci/4550ci/3550ci/3050ci, TASKalfa 8000i/6500i, TASKalfa 5500i/4500i/3500i)

The following parts are changed.

### **P3 <Common use of the parts (Change of the shape of the ISU pulley)>**

TASKalfa 7550ci, TASKalfa 6550ci,  
 TASKalfa 5550ci, TASKalfa 4550ci, TASKalfa 3550ci, TASKalfa 3050ci,  
 TASKalfa 8000i, TASKalfa 6500i, TASKalfa 5500i, TASKalfa 4500i, TASKalfa 3500i

### **P3 <Improving the margin against the upper limit detection of the cassette lift motor (Change of the main PWB)>**

PF-790, PF470, PF-471,  
 TASKalfa 256ci/FS-C8525MFP, TASKalfa 206ci/FS-C8520MFP,  
 TASKalfa 255c/FS-C8025MFP, TASKalfa 205c/FS-C8020MFP,  
 TASKalfa 306i/FS-6530MFP, TASKalfa 256i/FS-6525MFP, TASKalfa 305/FS-6030MFP,  
 TASKalfa 255/FS-6025MFP, TASKalfa 255b/FS-6025MFP/B, TASKalfa 2550ci

### **P4 <Improving the assembly work (Change of the developing unit)>**

TASKalfa 2550ci, TASKalfa 256ci/FS-C8525MFP, TASKalfa 206ci/FS-C8520MFP,  
 TASKalfa 255c/FS-C8025MFP, TASKalfa 205c/FS-C8020MFP

# Service Bulletin

Ref. No. **PCI-0316 (C231)**

[Parts Change Information]

&lt;Date&gt; September 3, 2012

**P5 <Common use of the parts>**TASKalfa 2550ci, TASKalfa 255c/FS-C8025MFP, TASKalfa205c/FS-C8020MFP,  
TASKalfa 256ci/FS-C8025MFP, TASKalfa 206ci/FS-C8520MFP**P6 <Improving the assembly work (Change of CASSETTE FEED GUIDE)>**

TASKalfa 2550ci

**P6 <(For 220-240V spec except the models conforming to the ErP Lot6)  
Change of the power source PWB >**

TASKalfa 220, TASKalfa 180

**P7 <(DF-800/810) Common use of the parts>**

TASKalfa 550c, TASKalfa 650c, TASKalfa 750c

**P7 <Correcting Parts List>**

PF-770, PF-780, BF-730

**P8 <(For KDTW) Addition of the Taiwan Green Mark label to the main machine >**

FS-C2026MFP+, FS-C2126MFP+

**P8 <(For KDTW) Change of the Taiwan Green Mark label affixed on the main machine>**FS-C5150DN, FS-C5250DN, FS-1120D, FS-1320D, FS-1370DN,  
FS-2025D, FS-3925DN, FS-6975DN**P8 <(For KDTW) Addition of the Taiwan Green Mark label to the main machine>**

FS-3040MFP+, FS-3140MFP+, FS-1035MFP, FS-1135MFP

**P9 <(For KDTW) Addition of the Taiwan Green Mark label to the toner kit>**

FS-2000D, FS-3900DN, FS-1300D, FS-C5150DN, FS-C5250DN

**P9 <(For KDCN) Change of the warranty >**

FS-1040, FS-1060DN

**P10 <Change of the PI sensor>**FS-2000D, FS-2020D, FS-2025D, FS-3900DN, FS-3920DN, FS-4000DN,  
FS-4020DN, FS-3925DN, FS-4025DN, FS-6950DN, FS-6970DN, FS-6975DN,  
FS-3040MFP, FS-3140MFP, FS-3540MFP, FS-3640MFP, FS-3040MFP+, FS-3140MFP**P11 <Change of the press roller in the fuser unit>**FS-2020D, FS-3920DN, FS-4020DN, FS-2025D, FS-3925DN, FS-4025DN,  
FS-6970DN, FS-6975DN**P11 <Change of the press roller in the fuser unit>**

FS-2000D, FS-3900DN, FS-4000DN, FS-6950DN

**P11 <Change of the zenner PWB in the drum unit>**

FS-C5030N, FS-C5025N

**P12 <Parts number information>**FS-C5150DN, FS-C5250DN, FS-C2026MFP, FS-C2126MFP, FS-C2526MFP,  
FS-C2626MFP, FS-C2026MFP+, FS-C2126MFP+**P12 <Correcting Parts List>**

FS-1016MFP

**P13 <Smoothing the keystroke in the operation unit>**

FS-C5100DN, FS-C5200DN, FS-C5300DN, FS-C5350DN

# Service Bulletin

## [Parts Change Information]

 Ref. No. **PCI-0316 (C231)**

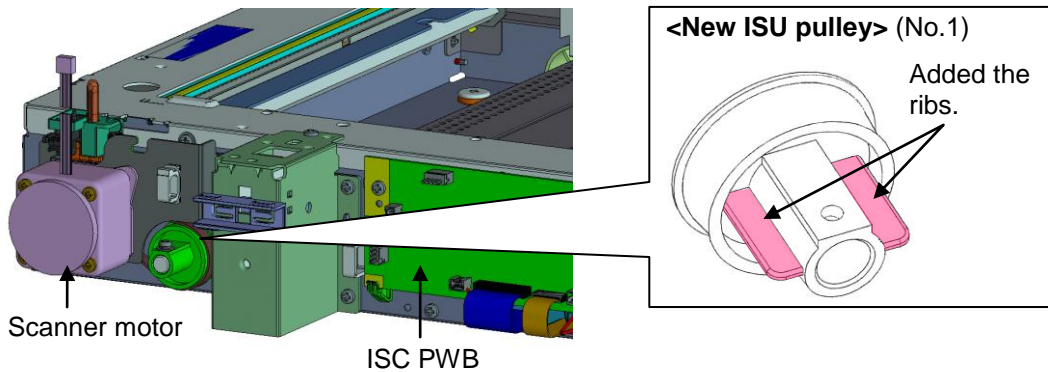
&lt;Date&gt; September 3, 2012

### <Common use of the parts (Change of the shape of the ISU pulley)>

**--> After using up the old stock.>**

TASKalfa 7550ci, TASKalfa 6550ci,  
 TASKalfa 5550ci, TASKalfa 4550ci, TASKalfa 3550ci, TASKalfa 3050ci,  
 TASKalfa 8000i, TASKalfa 6500i, TASKalfa 5500i, TASKalfa 4500i, TASKalfa 3500i

The shape of the ISU pulley (No.1) beside the scanner motor is changed as below for common use of the parts.  
 (Below is the old ISU unit viewed from the machine rear side.)



No.	Old Part No.	New Part No.	Description	Q'ty		Com pat i bility		Remarks
				Old	New	Old	New	
1	302K917020 2K917020	302K917021 2K917021	PULLEY ISU Z59	1	1	○	○	

N00067655

\*1: Please use the new parts in the next development model.

### <Improving the margin against the upper limit detection of the cassette lift motor (Change of the main PWB) --> From the production in July, 2012.>

PF-790, PF470, PF-471,  
 TASKalfa 256ci/FS-C8525MFP, TASKalfa 206ci/FS-C8520MFP,  
 TASKalfa 255c/FS-C8025MFP, TASKalfa 205c/FS-C8020MFP,  
 TASKalfa 306i/FS-6530MFP, TASKalfa 256i/FS-6525MFP, TASKalfa 305/FS-6030MFP,  
 TASKalfa 255/FS-6025MFP, TASKalfa 255b/FS-6025MFP/B, TASKalfa 2550ci

The main PWBs are changed for improving the margin against the upper limit detection of the cassette lift motor.

No.	Old Part No.	New Part No.	Description	Q'ty		Com pat i bility		Remarks
				Old	New	Old	New	
1	302MV94200 2MV94200	302MV94201 2MV94201	PARTS PWB VIDEO ASSY SP	1	1	○	○	TASKalfa 2550ci
2	302K394040 2K394040	302K394041 2K394041	PARTS PWB ENGINE ASSY SP	1	1	○	○	*1
3	302K094210 2K094210	302K094211 2K094211	PARTS PWB ENGINE CONNECT ASSY SP	1	1	○	○	*2
4	303N494020 3N494020	303N494021 3N494021	PARTS PWB PF MAIN ASSY SP	1	1	○	○	PF-790
5	303NN94010 3NN94010	303NN94011 3NN94011	PARTS PWB PF MAIN ASSY SP	1	1	○	○	PF-470, PF-471

N00067477/2K3-27003/3NN-27001

\*1: TASKalfa 306i/FS-6530MFP, TASKalfa 256i/FS-6525MFP, TASKalfa305/FS-6030MFP, TASKalfa255/FS-6025MFP, TASKalfa255b/FS-6025MFP/B,

\*2: TASKalfa256ci/FS-C8525MFP, TASKalfa206ci/FS-C8520MFP, TASKalfa255c/FS-C8025MFP, TASKalfa205c/FS-C8020MFP

# Service Bulletin

[Parts Change Information]

 Ref. No. **PCI-0316 (C231)**

&lt;Date&gt; September 3, 2012

**<Improving the assembly work (Change of the developing unit)**

**--> After using up the old stock.>**

TASKalfa 2550ci, TASKalfa 256ci/FS-C8525MFP, TASKalfa 206ci/FS-C8520MFP,  
TASKalfa 255c/FS-C8025MFP, TASKalfa 205c/FS-C8020MFP

The inner parts in the developing units (No.1 thru 16) are changed for improving the assembly work.

No.	Old Part No.	New Part No.	Description	Q'ty		Com pat i bility		Remarks
				Old	New	Old	New	
<b>Affected models: TASKalfa 2550ci</b>								
1	302MV93020 2MV93020	302MV93021 2MV93021	DV-8315Y	1	1	○	○	Except KDCN/KDKR
2	302MV93030 2MV93030	302MV93031 2MV93031	DV-8315M	1	1	○	○	Except KDCN/KDKR
3	302MV93040 2MV93040	302MV93041 2MV93041	DV-8315C	1	1	○	○	Except KDCN/KDKR
4	302MV93050 2MV93050	302MV93051 2MV93051	DV-8315K	1	1	○	○	Except KDCN/KDKR
<b>Affected models: Other than TASKalfa 2550ci</b>								
5	302MY93020 2MY93020	302MY93021 2MY93021	DV-896Y	1	1	○	○	Except KDCN/KDKR
6	302MY93030 2MY93030	302MY93031 2MY93031	DV-896M	1	1	○	○	Except KDCN/KDKR
7	302MY93040 2MY93040	302MY93041 2MY93041	DV-896C	1	1	○	○	Except KDCN/KDKR
8	302MY93050 2MY93050	302MY93051 2MY93051	DV-896K	1	1	○	○	Except KDCN/KDKR
9	302MY9C020 2MY9C020	302MY9C021 2MY9C021	DV-896Y(CN)	1	1	○	○	For KDCN
10	302MY9C030 2MY9C030	302MY9C031 2MY9C031	DV-896M(CN)	1	1	○	○	For KDCN
11	302MY9C040 2MY9C040	302MY9C041 2MY9C041	DV-896C(CN)	1	1	○	○	For KDCN
12	302MY9C050 2MY9C050	302MY9C051 2MY9C051	DV-896K(CN)	1	1	○	○	For KDCN
13	302MY9K020 2MY9K020	302MY9K021 2MY9K021	DV-896Y(KR)	1	1	○	○	For KDKR
14	302MY9K030 2MY9K030	302MY9K031 2MY9K031	DV-896M(KR)	1	1	○	○	For KDKR
15	302MY9K040 2MY9K040	302MY9K041 2MY9K041	DV-896C(KR)	1	1	○	○	For KDKR
16	302MY9K050 2MY9K050	302MY9K051 2MY9K051	DV-896K(KR)	1	1	○	○	For KDKR

N00065825



# Service Bulletin

[Parts Change Information]

 Ref. No. **PCI-0316 (C231)**

&lt;Date&gt; September 3, 2012

**<Common use of the parts --> From the production in August, 2012.>**

TASKalfa 2550ci, TASKalfa 255c/FS-C8025MFP, TASKalfa205c/FS-C8020MFP,  
 TASKalfa 256ci/FS-C8025MFP, TASKalfa 206ci/FS-C8520MFP

The fuser units (No.1 thru 9) are changed as below for common use of the parts.

No.	Old Part No.	New Part No.	Description	Q'ty		Com pat i bility		Remarks
				Old	New	Old	New	
<b>Affected models: TASKalfa 255c/FS-C8025MFP, TASKalfa 205c/FS-C8020MFP</b>								
1	302K093095 2K093095	302K093096 2K093096	FK-895	1	1	○	○	Except KDCN/KDKR
2	302K09C095 2K09C095	302K09C096 2K09C096	FK-895	1	1	○	○	For KDCN
3	302K09K095 2K09K095	302K09K096 2K09K096	FK-895(KR)	1	1	○	○	For KDKR
<b>Affected models: TASKalfa 2550ci</b>								
4	302MV93090 2MV93090	302MV93091 2MV93091	FK-8315	1	1	○	○	Except KDCN/KDKR
5	302MV9C090 2MV9C090	302MV9C091 2MV9C091	FK-8315(CN)	1	1	○	○	For KDCN
6	302MV9K090 2MV9K090	302MV9K091 2MV9K091	FK-8315(KR)	1	1	○	○	For KDKR
<b>Affected models: TASKalfa 256ci/FS-C8525MFP, TASKalfa 206ci/FS-C8520MFP</b>								
7	302MY93080 2MY93080	302MY93081 2MY93081	FK-896	1	1	○	○	Except KDCN/KDKR
8	302MY9C080 2MY9C080	302MY9C081 2MY9C081	FK-896(CN)	1	1	○	○	For KDCN
9	302MY9K080 2MY9K080	302MY9K081 2MY9K081	FK-896(KR)	1	1	○	○	For KDKR

N00066793

# Service Bulletin

[Parts Change Information]

Ref. No. **PCI-0316 (C231)**

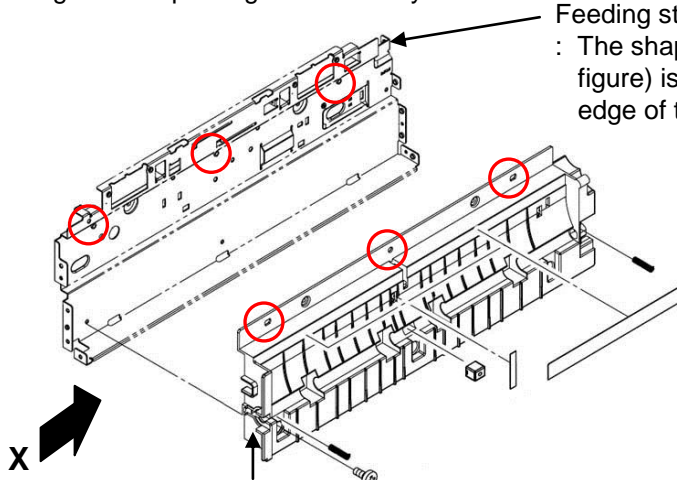
<Date> September 3, 2012

**<Improving the assembly work (Change of CASSETTE FEED GUIDE)**

**--> After using up the old stock.>**

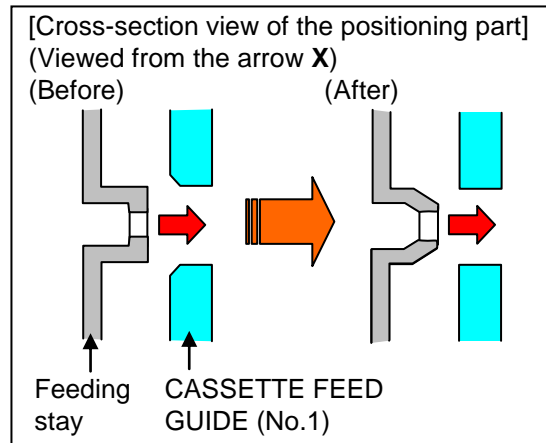
TASKalfa 2550ci

The positioning shape of CASSETTE FEED GUIDE (No.1) and the feeding stay (not supplied individually) is changed for improving the assembly work.



**CASSETTE FEED GUIDE (No.1)**  
: The chamfers at the edge beside the feeding stay of the 3 positioning holes (circled in the figure.) are deleted.

**Feeding stay (not supplied individually)**  
: The shape of the 3 positioning burring (circled in the below figure) is tapered off according to deleting the chamfer at the edge of the positioning hole of CASSETTE FEED GUIDE.



No.	Old Part No.	New Part No.	Description	Q'ty		Com pat i bility		Remarks
				Old	New	Old	New	
1	302K002171 2K002171	302K002172 2K002172	GUIDE FEED CASSETTE	1	1	○	○	

N00066940

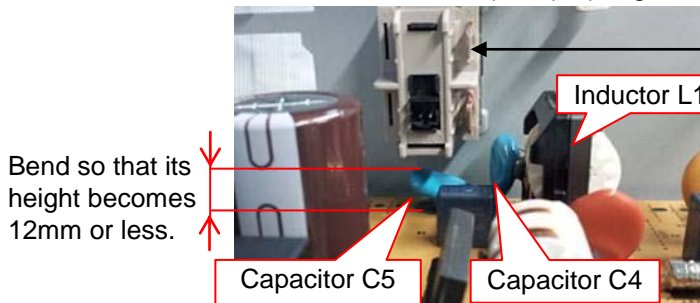
**<(For 220-240V spec except the models conforming to the ErP Lot6)  
Change of the power source PWB --> After using up the old stock>**

TASKalfa 220, TASKalfa 180

The capacitors (C4, C5) mounted on the power source PWB (No.1) are changed for as one of changes for conforming to the ErP Lot6.

- C4: Bent toward the inductor L1 and then fix to the side of the inductor L1 with adhesive.
- C5: Bent toward the reverse side of the capacitor C4 and fix to the mounted side of the PWB with adhesive.

<Power source PWB (No.1)> (Neighborhood of where the main switch is attached.)



The main switch in the left photo is the one for conforming to the ErP Lot6.

These changes are performed this time because the main switch for conforming to the ErP Lot6 that is widened in sidewise compared with the normal main switch may contact the applied capacitors. No particular problems are expected even if the old power source PWB is used in the models that do not conform to the ErP Lot6.

No.	Old Part No.	New Part No.	Description	Q'ty		Com pat i bility		Remarks
				Old	New	Old	New	
1	302KK94390 2KK94390	302KK94391 2KK94391	PARTS LVU200 SP	1	1	○*	○	

N00066755

\* Please use the new power source PWB in the models conforming to the ErP Lot6.

(As for the models conforming to the ErP Lot6, the above change is informed already as per another service bulletin.)

# Service Bulletin

[Parts Change Information]

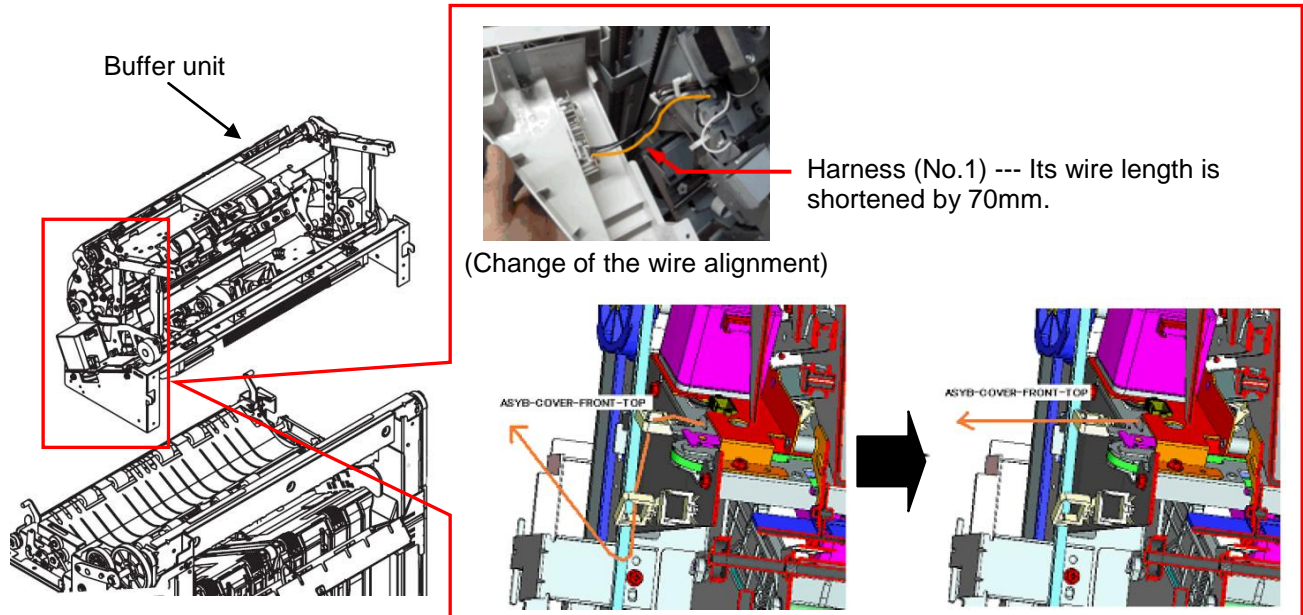
 Ref. No. **PCI-0316 (C231)**

&lt;Date&gt; September 3, 2012

**<(DF-800/810) Common use of the parts --> No applicable production.>**

TASKalfa 550c, TASKalfa 650c, TASKalfa 750c

The wire length of the harness connecting between the FIN board in the buffer unit and the control panel is shortened by 70mm for common use of the parts at the vendor and then its wire alignment is changed.



No.	Old Part No.	New Part No.	Description	Q'ty		Com patibility		Remarks
				Old	New	Old	New	
1	305JN70EH0 5JN70EH0	305JN70EH0 5JN70EH0	WIRE HARNESS:HRNS-CPL	1	1	○	○	*1

N00067584 BSI.G11J210

\*1: The parts number remains unchanged.

**<Correcting Parts List>**

PF-770, PF-780, BF-730

Following part number described on Parts List is corrected.

[Wrong]				[Correct]		
Fig.	Ref.	Part No.	Description	Part No.	Description	Remark
<b>PF-770</b>						
5	2	303NG80010 3NG80010	DEHUMIDIFINR 100 ASSY	303NG94120 3NG94120	PARTS DEHUMIDIFINR 120 ASSY SP	120V
				303NG94130 3NG94130	PARTS DEHUMIDIFINR 240 ASSY SP	220~240V
<b>PF-780</b>						
7	2	303NG80020 3NG80020	DEHUMIDIFIER 120 ASSY	303NG94120 3NG94120	PARTS DEHUMIDIFINR 120 ASSY SP	120V
7	2	303NG80030 3NG80030	DEHUMIDIFIER 240 ASSY	303NG94130 3NG94130	PARTS DEHUMIDIFINR 240 ASSY SP	220~240V
<b>BF-730</b>						
3	108	7BB6BB306H BB105730	+BIND M SCREW 3X6 R	7BB600306H BB105730	+BIND M SCREW 3X6 R	

N00067574

# Service Bulletin

[Parts Change Information]

Ref. No. **PCI-0316 (C231)**

<Date> September 3, 2012

**<(For KDTW) Addition of the Taiwan Green Mark label to the main machine**

**--> From the production in April, 2012.>**

FS-C2026MFP+, FS-C2126MFP+

The Taiwan Green Mark label is affixed on the main machine after the Taiwan Green Mark certification is granted.



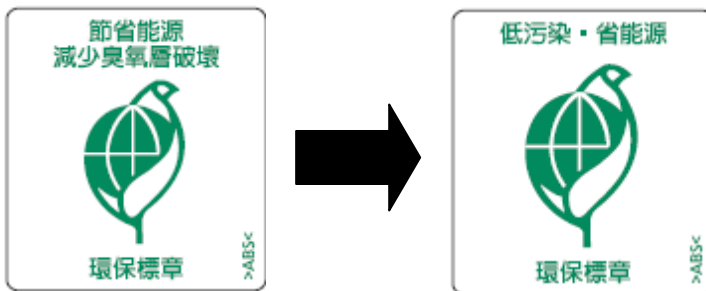
N00064609

**<(For KDTW) Change of the Taiwan Green Mark label affixed on the main machine**

**--> After using up the old stock.>**

FS-C5150DN, FS-C5250DN, FS-1120D, FS-1320D, FS-1370DN,  
FS-2025D, FS-3925DN, FS-6975DN

The design of Taiwan Green Mark label for Printer models is unified to the one for MFP models.



N00064200

**<(For KDTW) Addition of the Taiwan Green Mark label to the main machine**

**--> From the production in August, 2012.>**

The Taiwan Green Mark label is affixed on the main machine after the Taiwan Green Mark certification is granted.



N00067298

# Service Bulletin

[Parts Change Information]

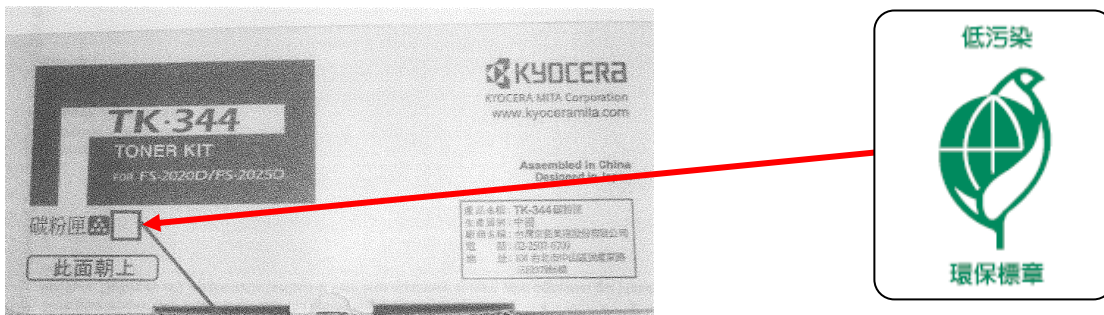
Ref. No. **PCI-0316 (C231)**  
 <Date> September 3, 2012

**<(For KDTW) Addition of the Taiwan Green Mark label to the toner kit --> From the production in June 2012.>**

FS-2000D, FS-3900DN, FS-1300D, FS-C5150DN, FS-C5250DN

The Taiwan Green Mark label is affixed on the individual case for the following toner kits after the Taiwan Green Mark certification is granted.

TK-310(TW)	FS-2000D
TK-320	FS-3900DN
TK-134	FS-1300D
TK-584K, TK-584Y, TK-584M, TK-584C	FS-C5150DN
TK-594K, TK-594Y, TK-594M, TK-594C	FS-C5250DN



N00066074/N00066121/N00066122

**<(For KDCN) Change of the warranty --> After using up the old stock.>**

FS-1040, FS-1060DN

The warranty for KDCN is revised as below.

- 1) The print color is changed from 2 colors to single color.
- 2) Described URL is changed. (Before) <http://www.kyocera.com.cn/>  
 (After) <http://www.kyoceradocumentsolutions.com.cn/>
- 3) The descriptions regarding the product are changed. (Before) “京瓷打印机产品” or “打印机”  
 (After) “京瓷信息产品” or “该产品”

N00067266



# Service Bulletin

[Parts Change Information]

Ref. No. **PCI-0316 (C231)**

<Date> September 3, 2012

**<Change of the PI sensor --> After using up the old stock.>**

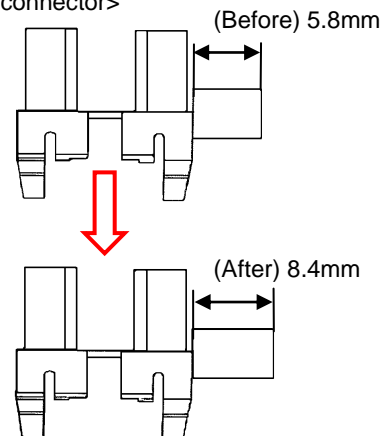
FS-2000D, FS-2020D, FS-2025D, FS-3900DN, FS-3920DN, FS-4000DN,  
 FS-4020DN, FS-3925DN, FS-4025DN, FS-6950DN, FS-6970DN, FS-6975DN,  
 FS-3040MFP, FS-3140MFP, FS-3540MFP, FS-3640MFP, FS-3040MFP+, FS-3140MFP

The PI sensor (SENSOR OPT.) is changed due to discontinuation of production.  
 Its functional and physical compatibility remains though the external dimension of the connector is changed.  
 The applied parts are the eject sensor and the duplex sensor in the fuser unit, and the lift sensor.

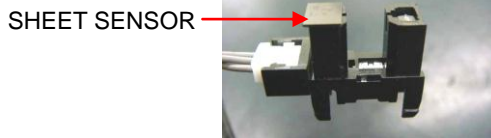
[No.1 Change of the PI sensor.]  
 (The applied fuser unit and q'ty to use differ depending on the model.)



<Change of the dimension of the connector>



[No.2 Disused SHEET SENSOR.]  
 (It was affixed to the eject sensor in the fuser unit (FK-320\*) only for the A4 model.)



<Change of the PI sensor in the fuser unit>

No.	Old Part No.	New Part No.	Description	Q'ty		Com pat i bility		Remarks
				Old	New	Old	New	
1	7NXTLP1255++H01 NX046610	7NXGP1A273LCH01 NX131540	SENSOR OPT.	(*1)	(*1)	O	O	*1
2	302F925950 2F925950	-----	SHEET SENSOR	1	-	O	-	*2

\*1: Refer to the below list \*1 for q'ty to use.

\*1: Q'ty to use of the PI sensor according to the fuser unit. (FK-UNIT)

Model	Fuser unit name	Eject sensor	Duplex sensor
FS-2000D	FK-310	1	0
FS-2020D, FS-2025D	FK-340	1	0
FS-3900DN, FS-4000DN	*FK-320	1	1
FS-3920DN, FS-3925DN, FS-4020DN, FS-4025DN	FK-350	1	1
FS-6950DN	FK-440	1	1
FS-6970DN, FS-6975DN	FK-450	1	1
FS-3040MFP, FS-3140MFP, FS-3540MFP, FS-3640MFP FS-3040MFP+, FS-3140MFP+	FK-350	1	1

\* SHEET SENSOR is disused that has been affixed on the eject sensor in the FK-320 only. (\*2)

<Change of the lift sensor>

No.	Old Part No.	New Part No.	Description	Q'ty		Com pat i bility		Remarks
				Old	New	Old	New	
1	7NXTLP1255++H01 NX046610	7NXGP1A273LCH01 NX131540	SENSOR OPT.	1	1	O	O	*3

\*3: The above change applies to the models only that can store 500 sheets in the standard cassette.

FS-3900DN, FS-4000DN, FS-3920DN, FS-3925DN, FS-4020DN, FS-4025DN,  
 FS-3040MFP, FS-3140MFP, FS-3540MFP, FS-3640MFP, FS-3040MFP+, FS-3140MFP+

N00062656



# Service Bulletin

[Parts Change Information]

 Ref. No. **PCI-0316 (C231)**

&lt;Date&gt; September 3, 2012

**<Change of the press roller in the fuser unit --> After using up the old stock.>**

 FS-2020D, FS-3920DN, FS-4020DN, FS-2025D, FS-3925DN, FS-4025DN,  
 FS-6970DN, FS-6975DN

The press roller in the fuser unit is changed for easy procurement.  
 The function and the exterior remain unchanged according to this change.

No.	Old Part No.	New Part No.	Description	Q'ty		Com pati bility		Remarks
				Old	New	Old	New	
1	302J025120 2J025120	302J025380 2J025380	ROLLER PRESS B*	1	1	O	O	For A4 models.
2	302J525040 2J525040	302J525190 2J525190	ROLLER PRESS B*	1	1	O	O	For A3 models

N00063110/N00063111

\* Old parts names are "ROLLER PRESS".

**<Change of the press roller in the fuser unit --> After using up the old stock.>**

FS-2000D, FS-3900DN, FS-4000DN, FS-6950DN

The press roller in the fuser unit is changed for easy procurement.  
 The function and the exterior remain unchanged according to this change.

No.	Old Part No.	New Part No.	Description	Q'ty		Com pati bility		Remarks
				Old	New	Old	New	
1	302F925270 2F925270	302J025380 2J025380	ROLLER PRESS B*	1	1	O	O	For A4 models.
2	302F725060 2F725060	302J525190 2J525190	ROLLER PRESS B*	1	1	O	O	For A3 models

N00065703

\* Old parts name is "ROLLER PRESS".

**<Change of the zenner PWB in the drum unit --> After using up the old stock.>**

FS-C5030N, FS-C5025N

The constant of the register mounted on the zenner PWB in the drum unit is changed for easy adjustment of the drum surface potential at factory.

No.	Old Part No.	New Part No.	Description	Q'ty		Com pati bility		Remarks
				Old	New	Old	New	
1	302F493063 2F493063	302F493064 2F493064	DK-520	1	1	O	O	FS-C5030N
3	302HK93011 2HK93011	302HK93012 2HK93012	DK-521	1	1	O	O	FS-C5025N

N00064625

# Service Bulletin

[Parts Change Information]

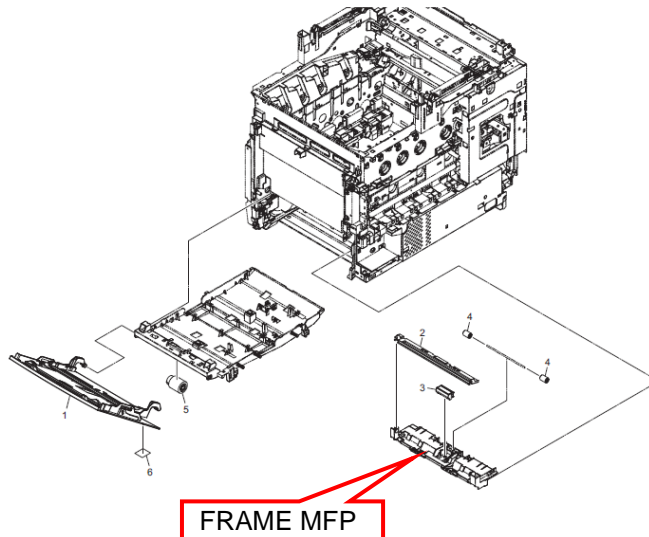
 Ref. No. **PCI-0316 (C231)**

&lt;Date&gt; September 3, 2012

### <Parts number information>

 FS-C5150DN, FS-C5250DN, FS-C2026MFP, FS-C2126MFP, FS-C2526MFP,  
 FS-C2626MFP, FS-C2026MFP+, FS-C2126MFP+

FRAME MFP (No.1) as below is set up as the individual service parts.

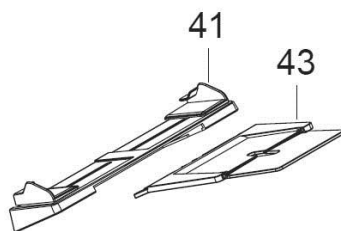


No.	Old Part No.	New Part No.	Description	Q'ty		Com pat i bility		Remarks
				Old	New	Old	New	
1	-----	302KV08041 2KV08041	FRAME MFP	-	1	-	○	

### <Correcting Parts List>

FS-1016MFP

Following part numbers and parts names described on Parts List (Rev.1) are corrected as below.


**[FIG. 9 MFP Unit]**

(Wrong)

Ref No.	Part No.	Description
41	302G470110 2G470110	UNIT PAPER SUPPORT
43	302G470130 2G470130	UNIT PAPER TRAY

(Correct)

Part No.	Description
302G470130 2G470130	UNIT PAPER TRAY
302G470110 2G470110	UNIT PAPER SUPPORT



# Service Bulletin

[Parts Change Information]

 Ref. No. **PCI-0316 (C231)**

&lt;Date&gt; September 3, 2012

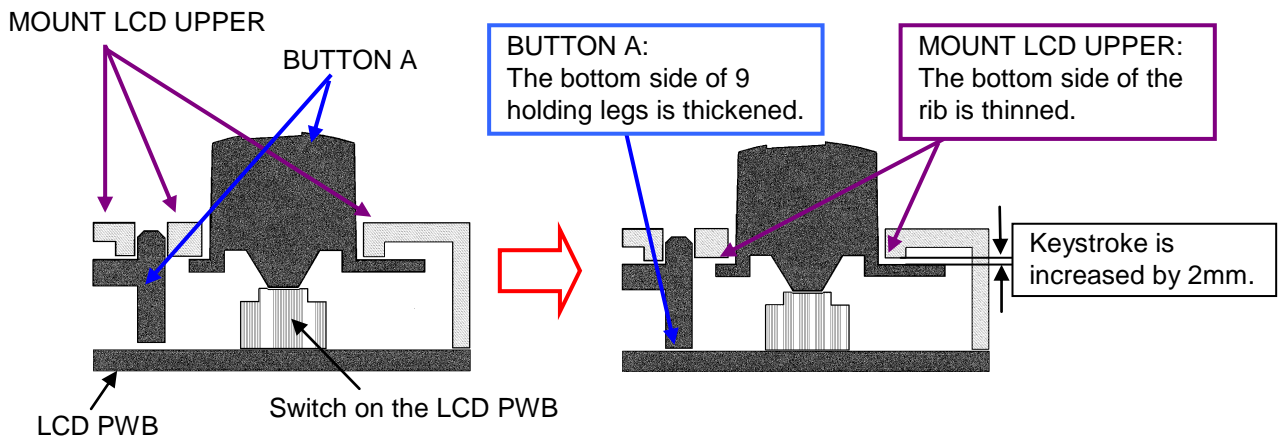
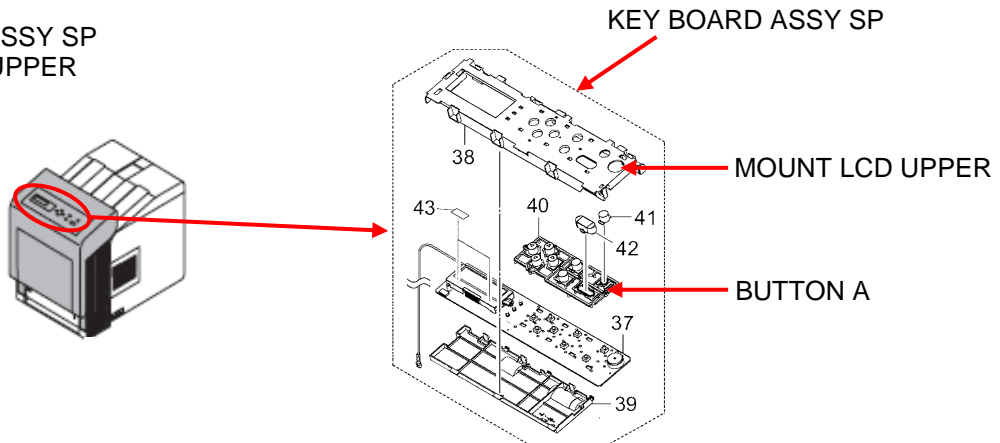
## <Smoothing the keystroke in the operation unit

--> **From the production in March, 2012.>**

FS-C5100DN, FS-C5200DN, FS-C5300DN, FS-C5350DN

The keystroke of the keyboard is increased by 0.2mm by changing the shape of MOUNT LCD UPPER (No.2) and BUTTON A (No.3) in order to smooth the keystroke in the operation unit.

No.1 KEY BOARD ASSY SP  
No.2 MOUNT LCD UPPER  
No.3 BUTTON A



No.	Old Part No.	New Part No.	Description	Q'ty		Com pat i bility		Remarks
				Old	New	Old	New	
1	302HN94240 2HN94240	302HN94241 2HN94241	KEY BORAD ASSY SP	1	1	○	○	
2	302HN05021 2HN05021	302HN05022 2HN05022	+MOUNT LCD UPPER	1	1	○	○	
3	302HN05040 2HN05040	302HN05041 2HN05041	+BUTTON A	1	1	○	○	

N00063153/N00065940

"+" mark at the beginning of the part name means it is a component parts.

# Service Bulletin

Ref. No. **2MV-0008 (C239)**

[Service Information]

<Date>September 4, 2012

<b>Subject</b>	<b>Corrective measures for the cleaning failure of the intermediate transfer unit.</b>
<b>Model</b>	<b>TASKalfa 2550ci</b>

In rare case, the offset image may appear due to the cleaning failure of the intermediate transfer unit when starting up the main power or recovering from the sleep mode.  
 If the same phenomenon occurs in field, please change the voltage setting of the intermediate transfer cleaning to the following value.

[Field Measure]

Please perform the maintenance mode U107 [Setting of voltage for intermediate transfer cleaning] and select [Belt(A)], and then change the value to the following.

**TASKalfa 2550ci**

	Display	Before		After
01	Full	13	→	35
02	Half	9		20
03	3/4	10		30
04	B/W Full	13		35
05	B/W Half	9		20
06	B/W 3/4	10		30

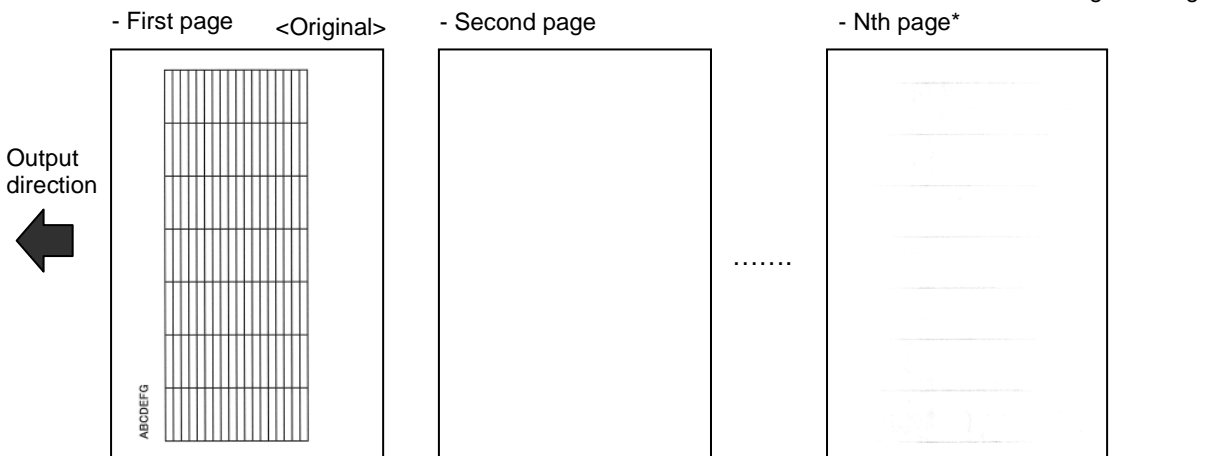
[Permanent measure]

The firmware is upgraded as the corrective measure. (Will be informed as per another service bulletin.)

<Sample>

<Offset image>

- Offset image appears after turning the belt one round from the original image.



\* The number of pages where the offset image dependent on the paper intervals.

<b>KMC's Classification</b>	<input type="checkbox"/> Entire Stock Rework	<input type="checkbox"/> In-Field modification at next visit
	<input checked="" type="checkbox"/> In-Field modification by case	<input type="checkbox"/> No modification necessary
<b>Field Measure:</b>	Please perform the above.	
<b>Serial Nos. of Affected Machine:</b>	.....	

# Service Bulletin

Ref. No. **2MV-0009 (C249)**

<Date> November 7, 2012

<b>Subject</b>	<b>Firmware upgrade (Upgrade Pack Ver. V4.00)</b>
<b>Model</b>	<b>TASKalfa 2550ci</b>

This time the description with (-->) is revised from the previous information.

<Number of changes: 5> Added the engine firmware version 004.001 and its content.  
Added the accurate serial numbers.

## <Content of changes>

<ENGINE Firmware: 2MV\_1000.005.003>

1. Change of the way to reset the fuser service call error (C6xxx).

<Firmware changed this time: Pack Ver.4.00>

2. Support for the new destination.
3. Corrective measure for the recognition failure of the ID card reader made by SCM Co.
4. Improvement of the color registration shift correction in the half speed mode.
5. Addition of the condition for performing the drum refresh. [Added the maintenance mode]
6. Addition of the message during the drum refresh.
7. Change of the drum refresh control in duplex mode.
8. Corrective measure for the cleaning failure of the intermediate transfer unit.
9. Corrective measure for the JAM0100 jam (JAM0100: Secondary paper feed request timeout)
10. Corrective measure for the message "Remove the original from the original tray" not disappearing.
11. Corrective measure for the panel lock-up when feeding the small custom size original.

<Please refer to next page and after for details.>

Type JUPITER	Program No.	VER.	Remarks	
<b>Upgrade Pack Ver.</b>	2MV_V4.00E			
MAIN	2MV_2F00.004.003	004.003		← New upgrade
MMI	2MV_7000.004.003	004.003		← New upgrade
ENGINE	(-->) 2MV_1000.004.001 -> 005.003 -> 006.004	006.004		← New upgrade
LANGUAGE BR	2MV_81BR.001.009	001.009		
LANGUAGE KR	2MV_81KR.001.002	001.002	For KDKR *1	
LANGUAGE CN	2MV_81CN.001.003	001.003	For KDCN *1	
LANGUAGE TW	2MV_81TW.001.002	001.002	For KDTW *1	
BROWSER	2LC_F000.001.008	001.008		
PDF RESORCE	2LC_J000.001.026	001.026		
IO	2MV_1E00.001.002	001.002		
SCANNER	2MV_1200.004.001	004.001		← New upgrade
VIDEO	2MV_1800.001.009	001.009		
IH	2LC_1A00.002.001	002.001		
LSU	2MV_1C00.002.001	002.001		
DP	2MV_9500.003.001	003.001	*2	← New upgrade
ESPECIAL	ES_SKIP.ON	-----		
COPY COLOR TABLE	2MV_K0AL.C01.003	C01.003	For Copy *1	
MLTCOLORTABLE	2MV_GZ00.001.002	001.002	For Printer *1	

For KD sales companies, it is possible to download firmware through Knowledge Cabi-NET.

When upgrading firmware or replacing board etc., please upgrade each firmware to the latest version at the same time.

\*1: The above firmware is not contained in the upgrade pack. Please individually download it from Knowledge Cabi-NET.

\*2: Please upgrade not DP firmware only, but the set of DP firmware and MAIN firmware.

(If upgrading it individually, DP may lock up.)

<b>KDC's Classification</b>	<input type="checkbox"/> Entire Stock Rework	<input type="checkbox"/> In-Field modification at next visit
	<input type="checkbox"/> In-Field modification by case	<input checked="" type="checkbox"/> No modification necessary
<b>Field Measure:</b> Please upgrade the firmware when the above phenomenon occurs.		
<b>Serial Nos. of Affected Machine:</b> (-->) Refer to page 4.		

N000

JAM0100

(Revised Issue 1)  
**Service Bulletin**

No	Item	Content	CTL
(-->)	ENGINE FW: 2MV_1000.004.001		
(-->)	Revised the timing for turning on the developing bias when executing the developing aging.  C7101: Toner sensor K error C7103: Toner sensor M error	When executing the developing aging before calibration at the timing of starting up the main power or of recovering from the sleep mode under the operating environment where temperature outside machine is 26 degree C or more or humidity is 70% or more, the timings of the main charge and the developing bias impressed are reversed depending on color. As a result, magenta or black toner band image may be formed on the drum surface. Thus, the following is corrected. (Under the above condition, magenta or black toner may decrease and the service call error C7101/C7103 may appear if frequently repeating to turning the main power on or recovering from the sleep mode.) [Change] Timing for impressing the developing bias that is currently same in 4 colors is changed to the order of Y, C, M and K with delay like the main charge.	
	ENGINE FW: 2MV_1000.005.003		
1	Changed of the way to reset the fuser service call error (C6xxx).	This is changed so that the service call error at the fuser unit (C6xxx) can be reset only by turning the main power switch off and on while the reset of a part of that required operating the maintenance mode U163. (Changed as well as TASKalfa205c/255c/FS-C8020MFP/C8025MFP.) Accordingly, all the fuser service call errors (C6xxx) become resettable with turning the main power switch off and on by user.	852090
	Firmware changed this time : Pack Ver.4.00		
2	Support for the new destination	Following destination is supported. - OLIVETTI	848082
3	Corrective measure for the recognition failure of the ID card reader made by SCM Co.	Corrected because the machine may not recognize the ID card reader made by SCM Co. (However, it can recover by disconnecting and connecting the USB port.)	
4	Improvement of the color registration shift correction in the half speed mode.	This is changed as below. - Corrected the color registration shift compared with the line speed between the full speed, 3/4 and half speed mode. - Changed the initial setting of the drum motor speed in half speed mode from -3 to -2 at the maintenance mode U053 [Setting the adjustment of the motor speed].	ENG 849608



# Service Bulletin

Ref. No. **2MV-0009 (C249)**

<Date> November 7, 2012

No	Item	Content	CTL
5	<p>Addition of the condition for performing the drum refresh.</p> <p>[Added the maintenance mode]</p>	<p>Added a mode changing the execution time interval depending on the temperature inside the machine to the execution condition of the drum refresh.</p> <p>&lt;Content of changes&gt;</p> <p>1) Added a new mode "Permission" (U464 &gt; Time Interval &gt; Permission) so that the setting of approval to change the T/C calibration temperature can be turned off and on. (Initial setting is "off".)</p> <ul style="list-style-type: none"> <li>- Time condition is changed depending on 2) temperature condition in case of turning on the setting of approval to change the T/C calibration temperature. (If turning it off, the execution condition remains unchanged as well as the current one.)</li> </ul> <p>2) Temperature condition</p> <ul style="list-style-type: none"> <li>- a) <u>In case the temperature inside the machine is 35 degree C or more and the setting of the execution time of T/C calibration (U464&gt;Time Interval&gt;T/C Calib) is 4 minutes or more,</u> the execution time interval is performed as 4 minutes. (Initial setting is 11 minutes.)</li> <li>- b) <u>In other case than a),</u> the execution time interval becomes equal with the setting of the drum refresh execution time interval (U464 &gt; Time Interval &gt; T/C Calib). (It is same condition with the setting of approval to change the T/C calibration temperature.)</li> </ul> <p>-----</p> <p>U464 [Setting the ID correction operation]</p> <p>&gt;Permission</p> <p>&gt;Time Interval &gt;Paper Int Calib</p> <p style="padding-left: 20px;">&gt;Sleep Out</p> <p style="padding-left: 20px;">&gt;T/C Calib ---- [Setting the interval of execution]</p> <p style="padding-left: 20px;">&gt;<u>Permission (off)(on)</u></p> <p style="padding-left: 40px;">----- Added [Setting the approval to change the T/C calibration temperature]</p> <p>&gt;Bias Target</p> <p>&gt;Gamma Target</p> <p>&gt;Calib</p>	<p>849611 ENG</p>
6	<p>Addition of the message during the drum refresh.</p>	<p>This is so changed that the message "Adjusting..." is displayed on the panel (sub message area) during the drum refresh.</p> <p>(No message is currently displayed.)</p>	
7	<p>Change of the drum refresh control in duplex mode.</p>	<p>If starting the drum refresh when the paper is switched back in duplex mode, the paper stays at the switchback section until the drum refresh finishes, so user can pull out the paper from switchback section and it causes the paper jam.</p> <p>For preventing it, this is so changed that the drum refresh is executed in duplex mode after ejecting the paper in case that the drum refresh is required at between pages. (No change when feeding the paper in simplex.)</p>	<p>849613 ENG</p>

# Service Bulletin

Ref. No. **2MV-0009 (C249)**

<Date> November 7, 2012

No	Item	Content	CTL																														
8	<p>Corrective measure for the cleaning failure of the intermediate transfer unit.</p> <p>&lt;Reference&gt; Service bulletin No. 2MV-0008 (C239) "Corrective measure for the cleaning failure of the intermediate transfer unit."</p>	<p>The voltage setting of the intermediate transfer cleaning is changed to the following value because the offset image may appear in rare case due to the cleaning failure of the intermediate transfer when starting up the main power or when recovering from the sleep mode.</p> <p>&lt;Change&gt; U107 [Setting the voltage for the intermediate transfer cleaning] --&gt; Belt(A)</p> <table border="1" style="margin-left: auto; margin-right: auto;"> <thead> <tr> <th></th> <th>Display</th> <th>Before</th> <th></th> <th>After</th> </tr> </thead> <tbody> <tr> <td>01</td> <td>Full</td> <td>13</td> <td rowspan="6" style="text-align: center;">--&gt;</td> <td>35</td> </tr> <tr> <td>02</td> <td>Half</td> <td>9</td> <td>20</td> </tr> <tr> <td>03</td> <td>3/4</td> <td>10</td> <td>30</td> </tr> <tr> <td>04</td> <td>B/W Full</td> <td>13</td> <td>35</td> </tr> <tr> <td>05</td> <td>B/W Half</td> <td>9</td> <td>20</td> </tr> <tr> <td>06</td> <td>B/W 3/4</td> <td>10</td> <td>30</td> </tr> </tbody> </table>		Display	Before		After	01	Full	13	-->	35	02	Half	9	20	03	3/4	10	30	04	B/W Full	13	35	05	B/W Half	9	20	06	B/W 3/4	10	30	654007
	Display	Before		After																													
01	Full	13	-->	35																													
02	Half	9		20																													
03	3/4	10		30																													
04	B/W Full	13		35																													
05	B/W Half	9		20																													
06	B/W 3/4	10		30																													
9	<p>Corrective measure for the JAM0100 jam</p> <p>JAM0100: Secondary paper feed require time out</p>	<p>When placing the test pattern (1st sheet) printed out when executing halftone adjustment from the System Menu or the maintenance mode U410 [Adjusting the halftone automatically] onto the contact glass as the original and pressing down the Print key, there is a timing of turning on VSYNC (image control signal) before setting that image data in ASIC. At that case, the 2nd sheet may not be printed out due to the image failure and then JAM0100 may occur. Thus, this is corrected.</p>	653802																														
10	<p>Corrective measure for the message "Remove the original from the original tray" not disappearing.</p>	<p>If pressing down the main power key to enter into the sleep mode while setting the original is demanded, the main power LED flashes. Then, if removing the original from DP while pressing down the main power key again to cancel entering the sleep mode, the message "Remove the original from the original tray" does not disappear although the original is removed. Thus, this is corrected.</p>	651565 651417 FO-12-118 KDE-Jupiter#032																														
11	<p>Corrective measure for the panel lock-up when feeding the small custom size original.</p>	<p>The panel may lock up if feeding the original that the length of 159.4mm length or less. Thus, this is corrected.</p>	650952																														

(-->) **Serial number of Affected Machine**

ENGINE	2MV_1000.004.001	2MV_1000.005.003	2MV_1000.006.004
MAIN			2MV_2F00.004.003
MMI			2MV_7000.004.003
SCANNER			2MV_1200.004.001
DP			2MV_9500.003.001

	ITEM CODE	S/N	S/N	S/N
KDA	1102MV2US0	L292700406~	L292800564~	L292900944~
CPY	1102MV2CS0	L3P2700256~	L3P2900471~	L3P2900553~
KDA 220V	1102MV4US0	L3V2700011~	N/A	From the next production.
KDBR	1102MV2BR0	L3U2700011~	N/A	L3U2900101~
KDAU	1102MV3AS0	L2A2700330~	L2A2800385~	L2A2900412~
KDE	1102MV3NL0	NUZ2702896~	NUZ2804799~	NUZ2905499~
UTAX/TA	1102MV3UT0	NZC2700909~	NZC2800984~	NZC2901363~
KDKR	1102MV3KR0	L2H2700001~	L2H2800053~	L2H2900131~
KDCN	1102MV3KS0	L2J2800001~	N/A	L2J2900301~
KDID	1102MV3ND0	N/A	L2K2800001~	L2K2900011~
KDSG	1102MV3SG0	L2L2700045~	N/A	L2L2900057~
KDTH	1102MV3TH0	L2M2800003~	N/A	L2M2900008~
KDTW	1102MVTTW0	N/A	N/A	L2N2900001~

# Service Bulletin

Ref. No. **PCI-0317 (C257)**

[Parts Change Information]

<Date> September 28, 2012

Subject	Parts Change Information
<b>Model</b>	TASKalfa 7550ci, TASKalfa 6550ci, TASKalfa 5550ci, TASKalfa 4550ci, TASKalfa 3550ci, TASKalfa 3050ci, TASKalfa 8000i, TASKalfa 6500i, TASKalfa 5500i, TASKalfa 4500i, TASKalfa 3500i, FS-C8650DN, FS-C8600DN, TASKalfa 2550ci, TASKalfa 205c/FS-C8020MFP, TASKalfa 255c/FS-C8025MFP, TASKalfa 306i/FS-6530MFP, TASKalfa 256i/FS-6525MFP, TASKalfa 256ci/FS-C8525MFP, TASKalfa 206ci/FS-C8520MFP, TASKalfa 420i, TASKalfa 520i, KM-2530/2531, KM-3530/3531*, KM-4030/4031, KM-3035*, KM-4035*, KM-5035*, KM-3050, KM-4050*, KM-5050*, FS-9100DN*, FS-9500DN*, FS-9120DN*, FS-9520DN*, FS-9130DN*, FS-9530DN*, EP 510DN, KM-C2520, KM-C3225, KM-C3232, KM-C2525E, KM-C3225E*, KM-C3232E, KM-C4035E, PF-730, PF-780, AK-730

Affected models

\* Common with the CHUNGHO brand.

PF-730	TASKalfa 7550ci/6550ci, TASKalfa 5550ci/4550ci/3550ci/3050ci, TASKalfa 8000i/6500i, TASKalfa 5500i/4500i/3500i
PF-780	TASKalfa 7550ci/6550ci, TASKalfa 5550ci/4550ci, TASKalfa 8000i/6500i,
AK-730	TASKalfa 5550ci/4550ci/3550ci/3050ci, TASKalfa 5500i/4500i/3500i

The following parts are changed.

**P2 <Change of MIRROR B/C at the optical section>**

TASKalfa 7550ci, TASKalfa 6550ci,  
 TASKalfa 5550ci, TASKalfa 4550ci, TASKalfa 3550ci, TASKalfa 3050ci,  
 TASKalfa 8000i, TASKalfa 6500i, TASKalfa 5500i, TASKalfa 4500i, TASKalfa 3500i,  
 KM-C2520, KM-C3225, KM-C3232, KM-C2525E, KM-C3225E, KM-C3232E, KM-C4035E,  
 KM-3050, KM-4050, KM-5050

**P3 <Change of the paper size label for the cassette>**

TASKalfa 7550ci, TASKalfa 6550ci, TASKalfa 5550ci, TASKalfa 4550ci, TASKalfa 3550ci,  
 TASKalfa 3050ci, TASKalfa 8000i, TASKalfa 6500i, TASKalfa 5500i, TASKalfa 4500i,  
 TASKalfa 3500i, LS/FS-C8650DN, LS/FS-C8600DN, PF-730, PF-780

**P3 <Common use of the parts (STAY REAR LEFT)>**

AK-730, TASKalfa 5550ci\*, TASKalfa 4550ci\*, TASKalfa 5500i\*, TASKalfa 4500i\*

\* AK standard model (for 120V)

**P4 <Improving the productivity of aligning the wire at the AK/BR exit unit>**

AK-730, TASKalfa 7550ci, TASKalfa 6550ci, TASKalfa 8000i, TASKalfa 6500i,  
 TASKalfa 5550ci\*, TASKalfa 4550ci\*, TASKalfa 5500i\*, TASKalfa 4500i\*

\* AK standard model (for 120V)

**P4 <Improving the assembling work>**

TASKalfa 306i/FS-6530MFP, TASKalfa 256i/FS-6525MFP  
 TASKalfa 256ci/FS-C8525MFP, TASKalfa 206ci/FS-C8520MFP

# Service Bulletin

[Parts Change Information]

Ref. No. **PCI-0317 (C257)**

<Date> September 28, 2012

**P5 <(Except KDKR/KDTW) Change of the inner/master carton of the toner kit>**

TASKalfa 205c/FS-C8020MFP, TASKalfa 255c/FS-C8025MFP

**P5 <Correcting Parts List>**

TASKalfa 2550ci

**P6-7 <Prevention of the vibration of the cleaning roller>**

KM-2530/2531, KM-3530/3531, KM-4030/4031, KM-3035, KM-4035, KM-5035, KM-3050, KM-4050, KM-5050, TASKalfa420i, TASKalfa520i, FS-9100DN, FS-9500DN, FS-9120DN, FS-9520DN, FS-9130DN, FS-9530DN, EP 510DN

**<Change of MIRROR B/C at the optical section --> After using up the old stock>**

TASKalfa 7550ci, TASKalfa 6550ci, TASKalfa 5550ci, TASKalfa 4550ci, TASKalfa 3550ci, TASKalfa 3050ci, TASKalfa 8000i, TASKalfa 6500i, TASKalfa 5500i, TASKalfa 4500i, TASKalfa 3500i, KM-C2520, KM-C3225, KM-C3232, KM-C2525E, KM-C3225E, KM-C3232E, KM-C4035E, KM-3050, KM-4050, KM-5050

MIRROR B/C (No.1, 2) are changed at the optical section for common use of the parts. (These functions remain unchanged.)

Accordingly, the marking is added to the side of new MIRROR B/C.

**<Mirror B/C (No.1, 2)>** (Below is the backside.)



Added the marking. (New MIRROR B (No.1): Red marking, New MIRROR C (No.2): Black marking)

No.	Old Part No.	New Part No.	Description	Q'ty		Com pat i bility		Remarks
				Old	New	Old	New	
1	302GR17280 2GR17280	302GR17281 2GR17281	MIRROR B	1	1	○	○	
2	302GR17960 2GR17960	302GR17961 2GR17961	MIRROR C	1	1	○	○	

N00068175/N00068176

\* Please use the new parts for the next development model.

# Service Bulletin

[Parts Change Information]

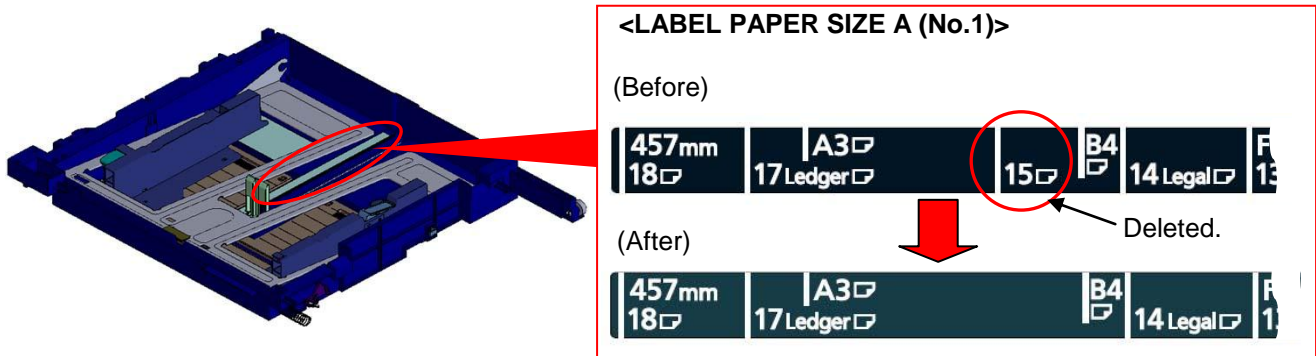
Ref. No. **PCI-0317 (C257)**

<Date> September 28, 2012

**<Change of the paper size label for the cassette --> After using up the old stock.>**

TASKalfa 7550ci, TASKalfa 6550ci, TASKalfa 5550ci, TASKalfa 4550ci, TASKalfa 3550ci,  
 TASKalfa 3050ci, TASKalfa 8000i, TASKalfa 6500i, TASKalfa 5500i, TASKalfa 4500i,  
 TASKalfa 3500i, LS/FS-C8650DN, LS/FS-C8600DN, PF-730, PF-780

An indication of "15inch" not supported in the spec is deleted from the paper size label affixed on the cassette.



No.	Old Part No.	New Part No.	Description	Q'ty		Com pat i bility		Remarks
				Old	New	Old	New	
1	302K934010 2K934010	302K934011 2K934011	LABEL PAPER SIZE A	*	*	○	○	*1

N00068373

\* Q'ty to use: PF-780 → 1 pce, Other models → 2 pcs

\*1 : The parts number of the cassette remains unchanged.

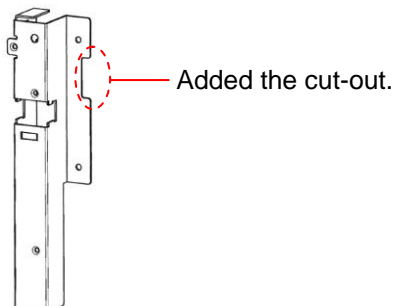
**<Common use of the parts (STAY REAR LEFT) --> After using up the old stock.>**

AK-730, TASKalfa 5550ci\*, TASKalfa 4550ci\*, TASKalfa 5500i\*, TASKalfa 4500i\*

\* AK standard model (for 120V)

The shape of STAY REAR LEFT (No.1) of AK-730 is changed as below for common use of the parts.

**<STAY REAR LEFT (No.1)>**



No.	Old Part No.	New Part No.	Description	Q'ty		Com pat i bility		Remarks
				Old	New	Old	New	
1	302LK28081 2LK28081	302LK28082 2LK28082	STAY REAR LEFT	1	1	○	○	

N00067837

\* Please use the new parts for the next development model.

# Service Bulletin

[Parts Change Information]

Ref. No. **PCI-0317 (C257)**

<Date> September 28, 2012

**<Improving the productivity of aligning the wire at the AK/BR exit unit**

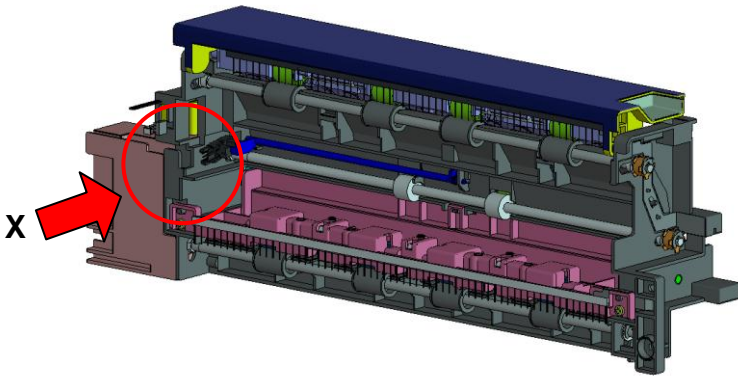
**--> From the available timing of the production in September, 2012>**

AK-730, TASKalfa 7550ci, TASKalfa 6550ci, TASKalfa 8000i, TASKalfa 6500i,  
TASKalfa 5550ci\*, TASKalfa 4550ci\*, TASKalfa 5500i\*, TASKalfa 4500i\*

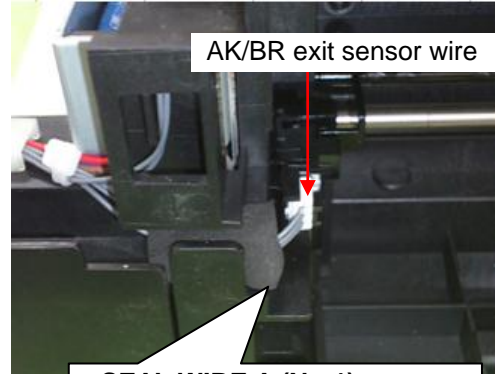
\* AK standard model (for 120V)

SEAL WIRE A (No.1) is added for improving the productivity of aligning the AK/BR exit sensor wire.

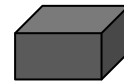
<AK/BR exit unit>



[View from the arrow X]



<SEAL WIRE A (No.1)>



10x20x10mm

\* Fitted to inside of the rib.

No.	Old Part No.	New Part No.	Description	Q'ty		Com pat i bility		Remarks
				Old	New	Old	New	
1	-----	302H012330 2H012330	SEAL WIRE A	-	1	-	○	

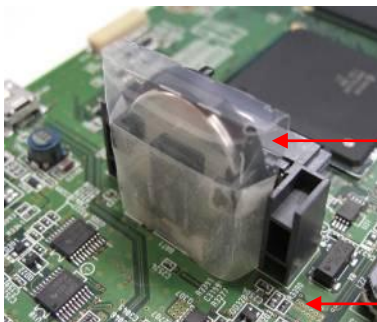
N00067792

**<Improving the assembling work**

**--> From the available timing of the production in September, 2012>**

TASKalfa 306i/FS-6530MFP, TASKalfa 256i/FS-6525MFP  
TASKalfa 256ci/FS-C8525MFP, TASKalfa 206ci/FS-C8520MFP

The protection film is affixed so that the metal parts do not contact the Lithium battery on the main PWB during assembling the machine at factory.



Added the protection film\*.

Main PWB\*

\* The individual protection film is the non-supplied parts for field.

And, the parts number of the main PWB (including the protection film) remains unchanged.

N00067780



# Service Bulletin

[Parts Change Information]

Ref. No. **PCI-0317 (C257)**

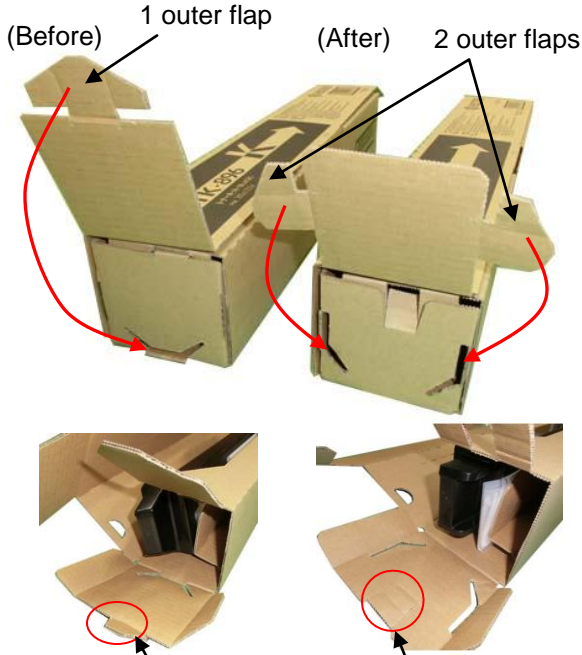
<Date> September 28, 2012

**<(Except KDKR/KDTW) Change of the inner/master carton of the toner kit --> (KDCN) From the production in August, 2012 (Other spec) After using up the old stock.>**

TASKalfa 205c/FS-C8020MFP, TASKalfa 255c/FS-C8025MFP

The inner carton and the master carton of the toner kit are changed for common use of them with other models.

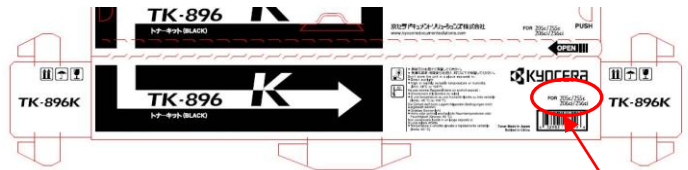
### <Change of the shape of the inner carton>



Insertion of the inner flap. Hooked shape of the inner flap

### <Addition of the product name on the carton>

(Inner carton)



Added the product name (206ci/256ci or FS-C8020MFP/FS-C8025MFP)

(Master carton)



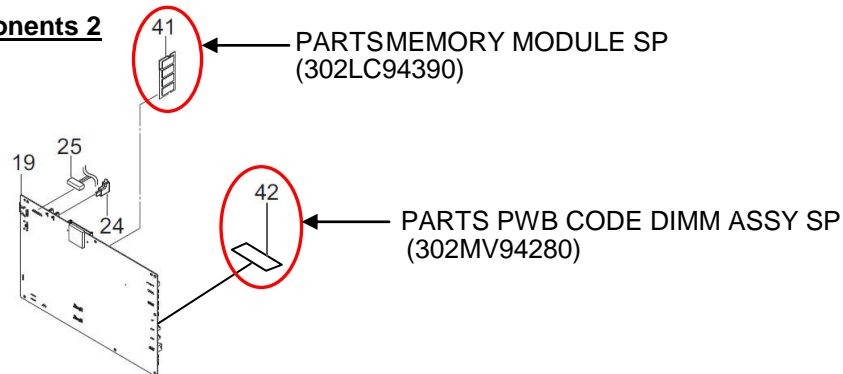
N00067491/N00067036/N00063511/N00068279/(N00067037)

### <Correcting Parts List>

TASKalfa 2550ci

The parts numbers described in Parts List are corrected as below. And, the figure of Ref. No.42 is added.

**FIG. 34 Electrical Components 2**



[Wrong]

Fig.	Ref.	Part No.	Description
34	41	302MV94280 2MV94280	PARTS PWB CODE DIMM ASSY SP
-	-	-----	-----



[Correct]

Fig.	Ref.	Part No.	Description
34	41	302LC94390 2LC94390	PARTS MEMORY MODULE SP
34	42	302MV94280 2MV94280	PARTS PWB CODE DIMM ASSY SP

# Service Bulletin

[Parts Change Information]

Ref. No. **PCI-0317 (C257)**

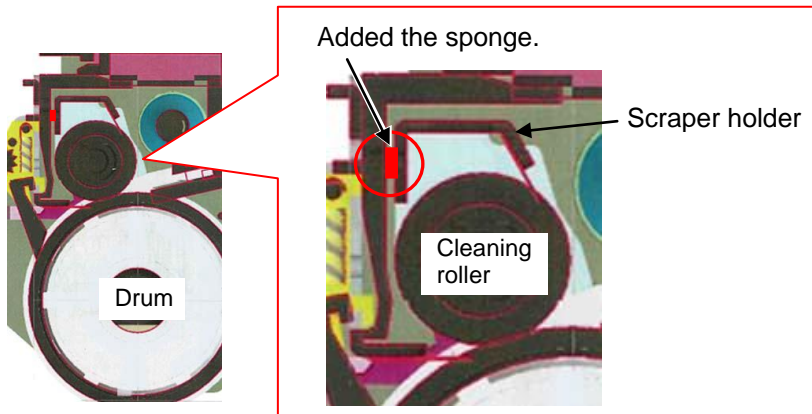
<Date> September 28, 2012

**<Prevention of the vibration of the cleaning roller**

**--> From the production in September, 2012>**

KM-2530/2531, KM-3530/3531, KM-4030/4031, KM-3035, KM-4035, KM-5035, KM-3050, KM-4050, KM-5050, TASKalfa420i, TASKalfa520i, FS-9100DN, FS-9500DN, FS-9120DN, FS-9520DN, FS-9130DN, FS-9530DN, EP 510DN

The sponge is added to the scraper holder for preventing the vibration of the cleaning roller.



No.	Old Part No.	New Part No.	Description	Q'ty		Com pat i bility		Remarks
				Old	New	Old	New	
<b>Affected models: KM-2531/2530, KM-3531/3530, KM-4031/4030, KM-3035</b>								
1	302BJ93025 2BJ93025	302BJ93026 2BJ93026	PARTS,DRUM ASS'Y	1	1	O	O	Except KDCN/KDKR
2	302BJ9C025 2BJ9C025	302BJ9C026 2BJ9C026	PARTS,DRUM ASS'Y	1	1	O	O	For KDCN
3	302BJ9K025 2BJ9K025	302BJ9K026 2BJ9K026	PARTS,DRUM ASS'Y	1	1	O	O	For KDKR
<b>Affected models: KM-4035/5035</b>								
4	302FG93015 2FG93015	302FG93016 2FG93016	PARTS,DRUM ASS'Y	1	1	O	O	Except KDCN/KDKR
5	302FG9C015 2FG9C015	302FG9C016 2FG9C016	PARTS,DRUM ASS'Y	1	1	O	O	For KDCN
6	302FG9K015 2FG9K015	302FG9K016 2FG9K016	PARTS,DRUM ASS'Y	1	1	O	O	For KDKR
<b>Affected models: KM-3050</b>								
7	302GN93013 2GN93013	302GN93014 2GN93014	DK-715	1	1	O	O	
<b>Affected models: KM-4050/5050, TASKalfa420i/520i</b>								
8	302GR93043 2GR93043	302GR93044 2GR93044	DK-716	1	1	O	O	Except KDCN/KDKR
9	302GR9C043 2GR9C043	302GR9C044 2GR9C044	DK-716	1	1	O	O	For KDCN
10	302GR9K043 2GR9K043	302GR9K044 2GR9K044	DK-716	1	1	O	O	For KDKR
<b>Affected models: FS-9100DN, FS-9120DN</b>								
11	302BK93035 2BK93035	302BK93036 2BK93036	PARTS,DRUM UNIT KME36,SP	1	1	O	O	Except KDCN/KDKR
12	302BK9C035 2BK9C035	302BK9C036 2BK9C036	PARTS,DRUM UNIT KME36,SP	1	1	O	O	For KDCN
13	302BK9K035 2BK9K035	302BK9K036 2BK9K036	PARTS,DRUM UNIT KME36,SP	1	1	O	O	For KDKR

# Service Bulletin

## [Parts Change Information]

 Ref. No. **PCI-0317 (C257)**

&lt;Date&gt; September 28, 2012

No.	Old Part No.	New Part No.	Description	Q'ty		Com pat i bility		Remarks
				Old	New	Old	New	
<b>Affected models: FS-9500DN, FS-9520DN</b>								
14	302BL93025 2BL93025	302BL93026 2BL93026	PARTS,DRUM UNIT KME50,SP	1	1	O	O	Except KDCN/KDKR
15	302BL9C025 2BL9C025	302BL9C026 2BL9C026	PARTS,DRUM UNIT KME50,SP	1	1	O	O	For KDCN
16	302BL9K025 2BL9K025	302BL9K026 2BL9K026	PARTS,DRUM UNIT KME50,SP	1	1	O	O	For KDKR
<b>Affected models: FS-9130DN, FS-9530DN, EP 510DN</b>								
17	302G193033 2G193033	302G193034 2G193034	DK-710	1	1	O	O	Except KDCN/KDKR (Including EP-510DN)
18	302G19C033 2G19C033	302G19C034 2G19C034	DK-710	1	1	O	O	For KDCN
19	302G19K033 2G19K033	302G19K034 2G19K034	DK-710	1	1	O	O	For KDKR

N00068190

# Service Bulletin

Ref. No. **PCI-0326 (D057)**

[Parts Change Information]

<Date>

May 15, 2013

Subject	Parts Change Information
<b>Model</b>	TASKalfa 7550ci, TASKalfa 6550ci, TASKalfa 5550ci, TASKalfa 4550ci, TASKalfa 3550ci, TASKalfa 3050ci, TASKalfa 8000i, TASKalfa 6500i, TASKalfa 5500i, TASKalfa 4500i, TASKalfa 3500i, FS-C8650DN, FS-C8600DN, TASKalfa 2550ci, TASKalfa 256ci/FS-C8525MFP, TASKalfa 206ci/FS-C8520MFP, TASKalfa 255c/FS-C8025MFP, TASKalfa 205c/FS-C8020MFP, TASKalfa 306i/FS-6530MFP, TASKalfa 256i/FS-6525MFP, TASKalfa 305/FS-6030MFP, TASKalfa 255/FS-6025MFP, TASKalfa 255b/FS-6025MFP/B, TASKalfa 550c, TASKalfa 650c, TASKalfa 750c, TASKalfa 500ci, TASKalfa 400ci, TASKalfa 300ci, TASKalfa 250ci, TASKalfa 552ci, FS-C8500DN, KM-C2520, KM-C3225, KM-C3232, KM-C2525E, KM-C3225E*, KM-C3232E, KM-C4035E, FS-C8100DN+*, EP C320DN, FS-2100D, FS-2100DN, FS-4100DN, FS-4200DN, FS-4300DN, DF-790/DF-790(B), AK-730, PF-790, DP-770, DP-771, DP-670(B)

*This time the description with (-->) is revised from the previous information.*

*<Number of changes: 12> Corrected the parts names in [page 11-12](#).*

Affected models

\* Common with CHUNGHO brand.

DF-790	TASKalfa 7550ci/6550ci, TASKalfa 5550ci/4550ci/3550ci/3050ci, TASKalfa 8000i/6500i, TASKalfa 5500i/4500i/3500i,
DF-790(B)	TASKalfa 7550ci/6550ci, TASKalfa 5550ci/4550ci/3550ci/3050ci, TASKalfa 8000i/6500i, TASKalfa 5500i/4500i/3500i, FS-C8650DN, FS-C8600DN
AK-730	TASKalfa 5550ci/4550ci/3550ci/3050ci, TASKalfa 5500i/4500i/3500i
PF-790	TASKalfa 2550ci
DP-770	TASKalfa 5550ci/4550ci/3550ci/3050ci, TASKalfa 5500i/4500i/3500i
DP-771	TASKalfa 5550ci/4550ci/3550ci/3050ci, TASKalfa 5500i/4500i/3500i
DP-670(B)	KM-2560/3060/2540/3040, TASKalfa 300i

The following parts are changed.

**P3** **<Changing the plastic bag for the used waste toner bottle/toner container>**

Toner kit for the A3 or A4 model

**P5** **<Parts number unification>**

FS-1020D, FS-1030D, KM-1500  
 TASKalfa 7550ci, TASKalfa 6550ci,  
 TASKalfa 5550ci, TASKalfa 4550ci, TASKalfa 3550ci, TASKalfa 3050ci,  
 TASKalfa 8000i, TASKalfa 6500i, TASKalfa 5500i, TASKalfa 4500i, TASKalfa 3500i,  
 FS-C8650DN, FS-C8600DN, TASKalfa 2550ci, TASKalfa 256ci/FS-C8525MFP,  
 TASKalfa 206ci/FS-C8520MFP, TASKalfa 255c/FS-C8025MFP,  
 TASKalfa 205c/FS-C8020MFP, TASKalfa 306i/FS-6530MFP,  
 TASKalfa 256i/FS-6525MFP, TASKalfa 305/FS-6030MFP, TASKalfa 255/FS-6025MFP,  
 TASKalfa 255b/FS-6025MFP/B, FS-2100D, FS-2100DN, FS-4100DN, FS-4200DN,  
 FS-4300DN, PF-790

# **Service Bulletin**

**[Parts Change Information]**

Ref. No. **PCI-0326 (D057)**

<Date>

May 15, 2013

**P5** **<Changing the cloth for cleaning the DP contact glass>**

DP-770, DP-771, TASKalfa 7550ci, TASKalfa 6550ci, TASKalfa 8000i, TASKalfa 6500i, DP-670(B), TASKalfa 2550ci, TASKalfa 256i/FS-6525MFP, TASKalfa 306i/FS-6530MFP, TASKalfa 256ci/FS-C8525MFP, TASKalfa 206ci/FS-C8520MFP

**P6** **<Common use of the parts>**

TASKalfa 7550ci, TASKalfa 6550ci, TASKalfa 8000i, TASKalfa 6500i, TASKalfa 5550ci\*, TASKalfa 4550ci\*, TASKalfa 5500i\*, TASKalfa 4500i\*, AK-730, FS-C8650DN, FS-C8600DN

**P7** **<Common use of the parts (Adding the engraving)>**

DP-771, TASKalfa 7550ci, TASKalfa 6550ci, TASKalfa 8000i, TASKalfa 6500i

**P8** **<Common use of the parts (Adding the engraving and changing the shape)>**

TASKalfa 7550ci, TASKalfa 6550ci, TASKalfa 8000i, TASKalfa 6500i

**P9** **<Common use of the parts>**

TASKalfa 2550ci, PF-790

**P9** **<Changing the waste toner case (Adding the filter removing the foreign objects)>**

TASKalfa 550c, TASKalfa 650c, TASKalfa 750c

**P10** **<Common use of the parts>**

TASKalfa 550c, TASKalfa 650c, TASKalfa 750c

**P10** **<Improving the durability (Change of the developing unit)>**

TASKalfa 500ci, TASKalfa 400ci, TASKalfa 300ci, TASKalfa 250ci, TASKalfa 552ci, FS-C8500DN, KM-C2520, KM-C3225, KM-C3232, KM-C2525E, KM-C3225E\*, KM-C3232E, KM-C4035E, FS-C8100DN+\*, EP C320DN

**P13** **<Changing the material of PULLEY 20S5M>**

DF-790/DF-790(B)

# Service Bulletin

[Parts Change Information]

Ref. No. **PCI-0326 (D057)**

<Date>

May 15, 2013

**<Changing the plastic bag for the used waste toner bottle/toner container  
--> From the available timing of the production in Feb., 2013>**



Toner kit for the A3 or A4 model (Refer to the following table for the affected toner kit)

The plastic bags for the used waste toner bottle and for the used toner container are changed for the parts management reason that is bundled in the toner kit for the A3 or A4 model.

**[Change of the plastic bag for the used waste toner bottle]**

Plastic bag's dimensions			
No.	Before	After	Affected toner kit (Refer to the following table)
1	210x465mm (Thickness is 0.032mm)	210x305mm (Thickness is 0.032mm)	[For all the spec] Toner kit for the FS-C5300DN series, Toner kit for the FS-C2026MFP series, Toner kit for the TASKalfa255c/FS-C8025MFP series, Toner kit for TASKalfa 2550ci, Toner kit for FS-C5400DN
2	260x670mm (Thickness is 0.032mm)	210x465mm (Thickness is 0.032mm)	[For the area applying BAM] Toner kit for the TASKalfa 500ci series

**[Change of the plastic bag for the used toner container]**

Plastic bag's dimensions		Material/Material indication marking		Affected toner kit (Refer to the following table)	
No.	Before	After	Before		After
3	210x585mm (Thickness is 0.032mm)	160x515mm (Thickness is 0.032mm)	-----	-----	[For the area applying BAM] Toner kit for the FS-1028MFP/KM-2810 series, Toner kit for the FS-1020D series
4	315x515mm (Thickness is 0.050mm)	260x620mm (Thickness is 0.032mm)	Material: LDPE Material indication marking: 	Material: HDPE Material indication marking: 	[For KDCN/KDKR] Toner kit for the FS-1128MFP series, Toner kit for the FS-1030MFP series, Toner kit for the FS-1300D series, Toner kit for the FS-1100 series, Toner kit for the FS-720 series
5	210x720mm (Thickness is 0.050mm)	260x620mm (Thickness is 0.032mm)	Same as the above	Same as the above	[For KDCN] Toner kit for FS-1016MFP

N00069833

**<Affected toner kit (Product)>**

Change No.	Destination	Product code					
1	KDA	1T02HLOUS0	1T02HLCUS0	1T02HLBUS0	1T02HLAUS0	1T02KT0US0	1T02KTCUS0
		1T02HM0US0	1T02HMCUS0	1T02HNBUS0	1T02HMAUS0	1T02KV0US0	1T02KVCUS0
		1T02HNOUS0	1T02HNCUS0	1T02HMBUS0	1T02HNAUS0	1T02KV0USB	1T02KVCUSB
		1T02KTAUS0	1T02KVAUS0	1T02KVAUSB	1T02K0CUS0	1T02K00US0	1T02K0BUS0
		1T02KTBUS0	1T02KVBUSB	1T02MV0US0	1T02MVCUS0	1T02MVBUS0	1T02MVAUS0
		1T02KVBUS0	1T02K0AUS0	1T02HG0US0	1T02HGCUS0	1T02HGBUS0	1T02HGAUS0
	CS	1T02K0BCS0	1T02K00CS0	1T02K0CCS0	1T02K0ACS0		
		1T02MV0CS0	1T02MVCCS0	1T02MVBCS0	1T02MVACS0		
	ADP	1T02K80AD0	1T02K8CAD0	1T02K8BAD0	1T02K8AAD0		
		1T02M90AD0	1T02M9CAD0	1T02M9BAD0	1T02M9AAD0		
	KDE	1T02HL0EU0	1T02HLCU0	1T02HLBEU0	1T02HLAEU0	1T02KT0NL0	1T02KTCNL0
		1T02HM0EU0	1T02HMCEU0	1T02HMBEU0	1T02HNAEU0	1T02KTBNL0	1T02KTANL0
		1T02HNOEU0	1T02HNCEU0	1T02HNBEU0	1T02HMAEU0	1T02K00NL0	1T02K0CNL0
		1T02KV0NL0	1T02KVCNL0	1T02KVBNL0	1T02KVANL0	1T02K0BNL0	1T02K0ANL0
		1T02KV0NLB	1T02KVCNLB	1T02KVBNLB	1T02KVANLB	1T02MV0NL0	1T02MVBNL0
		1T02HG0EU0	1T02HGCEU0	1T02HGBEU0	1T02HGAEU0	1T02MVCNL0	1T02MVANL0
	OLIVETTI	1T02HL0LV0	1T02HLCLV0	1T02HLBLV0	1T02HLALV0	1T02KT0LV0	1T02KTCLV0
		1T02HM0LV0	1T02HMCLV0	1T02HMBLV0	1T02HMALV0	1T02KTBLV0	1T02KTALV0
		1T02HNOLV0	1T02HNCLV0	1T02HNBLV0	1T02HNALV0	1T02KV0LV0	1T02KVCLV0
		1T02MV0LV0	1T02MVCLV0	1T02MVBV0	1T02MVALV0	1T02KVBLV0	1T02KVALV0
	TA/UTAX	1T02K00LV0	1T02K0CLV0	1T02K0BLV0	1T02K0ALV0		
		1T02HL0TA0	1T02HLCTA0	1T02HLBTA0	1T02HLATA0	1T02KT0TA0	1T02KTCTA0



# Service Bulletin

Ref. No. **PCI-0326 (D057)**

[Parts Change Information]

<Date>

May 15, 2013

Change No.	Destination	Product code						
1	TA/UTAX	1T02HL0UT0	1T02HLCUT0	1T02HLBUT0	1T02HLAUT0	1T02KTBT0A0	1T02KTATA0	
		1T02HM0TA0	1T02HMCTA0	1T02HMBTA0	1T02HMATA0	1T02KV0TA0	1T02KVCTA0	
		1T02HM0UT0	1T02HMCUT0	1T02HMBUT0	1T02HMAUT0	1T02KVBT0A0	1T02KVATA0	
		1T02HN0TA0	1T02HNCTA0	1T02HNBTA0	1T02HNATA0	1T02KV0UT0	1T02KVCUT0	
		1T02HN0UT0	1T02HNCUT0	1T02HNBUT0	1T02HNAUT0	1T02KVBT0A0	1T02KVAUT0	
		1T02K00TA0	1T02K0CTA0	1T02K0BTA0	1T02K0ATA0	1T02MV0TA0	1T02MVCCTA0	
		1T02K00UT0	1T02K0CUT0	1T02K0BUT0	1T02K0AUT0	1T02MVBT0A0	1T02MVBATA0	
		1T02HG0TA0	1T02HGCTA0	1T02HGBTA0	1T02HGATA0	1T02MV0UT0	1T02MVCCT0	
		1T02HG0UT0	1T02HGCUT0	1T02HGBUT0	1T02HGAUT0	1T02MVBT0A0	1T02MVBUT0	
		1T02KT0UT0	1T02KTCUT0	1T02KTBT0A0	1T02KTAUT0			
		KDAU	1T02HL0AS0	1T02HLCAS0	1T02HLBAS0	1T02HMAAS0	1T02K00AS0	1T02MV0AS0
			1T02HM0AS0	1T02HMCAS0	1T02HMBAS0	1T02HNAAS0	1T02K0CAS0	1T02MVCAS0
			1T02HN0AS0	1T02HNCAS0	1T02HNBAS0	1T02HLAAS0	1T02K0BAS0	1T02MVBAS0
			1T02KT0AS0	1T02KTCAS0	1T02KTBAS0	1T02KTAAS0	1T02K0AAS0	1T02MVAAS0
	1T02KV0AS0		1T02KVCAS0	1T02KVBAS0	1T02KVAAS0	1T02HG0AS0	1T02HGBAS0	
	1T02KV0ASB		1T02KVCASB	1T02KVBASB	1T02KVAASB	1T02HGCAS0	1T02HGAAS0	
	KDas	1T02HL0SG0	1T02HLCSG0	1T02HLBSG0	1T02HLASG0	1T02K00SG0	1T02MV0SG0	
		1T02HN0SG0	1T02HNCSG0	1T02HNBBSG0	1T02HNASG0	1T02K0CSG0	1T02MVCSG0	
		1T02KT0SG0	1T02KTCSG0	1T02KTBSG0	1T02KTASG0	1T02K0BSG0	1T02MVBBSG0	
		1T02KV0SG0	1T02KVCBSG0	1T02KVBBSG0	1T02KVASG0	1T02K0ASG0	1T02MVASG0	
		1T02HG0SG0	1T02HGCBSG0	1T02HGBBSG0	1T02HGASG0			
		1T02HL0TW0	1T02HLCRW0	1T02HLBTW0	1T02HLATW0	1T02KT0TW0	1T02KV0TW0	
		1T02HM0TW0	1T02HMCTW0	1T02HMBTW0	1T02HMATW0	1T02KTCTW0	1T02KVCTW0	
		1T02HN0TW0	1T02HNCTW0	1T02HNBW0	1T02HNATW0	1T02KTBTW0	1T02KVBTW0	
		1T02MV0TW0	1T02MVCW0	1T02MVBW0	1T02MVAW0	1T02KTATW0	1T02KVATW0	
		1T02K00TW0	1T02K0CTW0	1T02K0BTW0	1T02K0ATW0			
		1T02HL0KS0	1T02HLCKS0	1T02HLBKS0	1T02HLAKS0	1T02K00KS0	1T02MV0KS0	
		1T02HN0KS0	1T02HNCCKS0	1T02HNBKS0	1T02HNAKS0	1T02K0CKS0	1T02MVCCKS0	
		1T02KT0KS0	1T02KTCKS0	1T02KTBKS0	1T02KTAKS0	1T02K0BKS0	1T02MVBKS0	
		1T02KV0KS0	1T02KVCKS0	1T02KVBKS0	1T02KVAKS0	1T02K0AKS0	1T02MVAKS0	
		1T02HL0CC0	1T02HLCCC0	1T02HLBCC0	1T02HLACC0	1T02HG0KR0	1T02HGBKR0	
		1T02HN0CC0	1T02HNCCC0	1T02HNBCC0	1T02HNACC0	1T02HGCKR0	1T02HGAKR0	
		1T02KT0KR0	1T02KTCKR0	1T02KTBKR0	1T02KTAKR0	1T02MV0KR0	1T02MVBKR0	
		1T02KV0KR0	1T02KVCKR0	1T02KVBKR0	1T02KVAKR0	1T02MVCKR0	1T02MVAKR0	
		1T02K00KR0	1T02K0CKR0	1T02K0BKR0	1T02K0AKR0			
		2	KDA	1T02H70US0	1T02H7CUS0	1T02H7BUS0	1T02H7AUS0	1T02JZ0US0
	1T02JZBUS0			1T02JZCUS0	1T02KACUS0	1T02KACUS0	1T02KABUS0	1T02KAAUS0
	CS		1T02H70CS0	1T02H7CCS0	1T02H7BCS0	1T02H7ACS0	1T02JZ0CS0	1T02JZCCS0
			1T02JZBCS0	1T02JZACS0				
	KDE		1T02H70EU0	1T02H7CEU0	1T02H7BEU0	1T02H7AEU0	1T02JZ0EU0	1T02JZCEU0
			1T02JZAEU0	1T02KA0NLO	1T02KACNLO	1T02KABNLO	1T02KAANLO	1T02JZBEU0
	TA/UTAX		1T02H70TA0	1T02H7CTA0	1T02H7BTA0	1T02H7ATA0	1T02KA0TA0	1T02KACTA0
			1T02H70UT0	1T02H7CUT0	1T02H7BUT0	1T02H7AUT0	1T02KA0UT0	1T02KABTA0
			1T02JZ0TA0	1T02JZCTA0	1T02JZBTA0	1T02JZATA0	1T02KAATA0	1T02KACUT0
	KDAU		1T02H70AS0	1T02H7CAS0	1T02H7BAS0	1T02H7AAS0	1T02KA0AS0	1T02KABAS0
			1T02JZ0AS0	1T02JZCAS0	1T02JZBAS0	1T02JZAAS0	1T02KACAS0	1T02KAAAS0
	KDas		1T02H70SG0	1T02H7BSG0	1T02H70TW0	1T02H7BTW0	1T02JZ0KR0	1T02JZCKR0
			1T02JZ0SG0	1T02JZBSG0	1T02JZ0TW0	1T02JZBTW0	1T02JZBKR0	1T02JZAKR0
			1T02H70CSG0	1T02H7ASG0	1T02H7CTW0	1T02H7ATW0	1T02KA0KR0	1T02KACKR0
			1T02JZ0CSG0	1T02JZASG0	1T02JZCTW0	1T02JZATW0	1T02KABKR0	1T02KAAKR0
			1T02H70KR0	1T02H7CKR0	1T02H7BKR0	1T02H7AKR0		
3	KDA		370QB0KM	1T02A80U10	1T02G60US0	370PU010		
	CS		370QB012					
	KDE		370PU5KW	1T02FM0EU0	1T02G60DE0			
	OLIVETTI	1T02GM0LV0						
	TA/UTAX	1T02DD0TA0	1T02DD0UT0	1T02G60TA0	1T02G60UT0	370PT037	370PT031	
	KDAU	1T02FM0AS0	1T02G60AS0	370PT5KA				
	KDas	1T02DC0SG0	1T02FM0SG0	1T02G60SG0	1T02GM0WP0	370PU0AR	1T02FM0TW0	
1T02G60TW0		370QB550	1T02G60CC0					
4	KDas	1T02DC0KS0	1T02MJ0KS0	1T02ML0KS0	1T02LZ0KS0	1T02M10KS0	1T02HS0KS0	
		1T02MJ0KR0	1T02ML0KR0	1T02LY0KR0	1T02LZ0KR0	1T02HS0CC0		
5	KDas	1T02G40K10						

# Service Bulletin

[Parts Change Information]

Ref. No. **PCI-0326 (D057)**

<Date>

May 15, 2013

**<Parts number unification>**

TASKalfa 7550ci, TASKalfa 6550ci,  
 TASKalfa 5550ci, TASKalfa 4550ci, TASKalfa 3550ci, TASKalfa 3050ci,  
 TASKalfa 8000i, TASKalfa 6500i, TASKalfa 5500i, TASKalfa 4500i, TASKalfa 3500i,  
 FS-C8650DN, FS-C8600DN, TASKalfa 2550ci, TASKalfa 256ci/FS-C8525MFP,  
 TASKalfa 206ci/FS-C8520MFP, TASKalfa 255c/FS-C8025MFP, TASKalfa 205c/FS-C8020MFP,  
 TASKalfa 306i/FS-6530MFP, TASKalfa 256i/FS-6525MFP,  
 TASKalfa 305/FS-6030MFP, TASKalfa 255/FS-6025MFP, TASKalfa255b/FS-6025MFP/B,  
 FS-2100D, FS-2100DN, FS-4100DN, FS-4200DN, FS-4300DN, PF-790

The parts number is unified since there are duplicate numbers.

No.	Old Part No.	New Part No.	Description	Q'ty		Com pati bility		Remarks
				Old	New	Old	New	
1	303M894090 3M894090	302KV44041 2KV44041	CLUTCH 50 Z35R	*	*	○	○	

N00072004

\*1: This change affects all the old parts.

**<Changing the cloth for cleaning the DP contact glass --> After using up the old stock>**

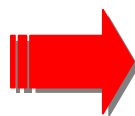
DP-770, DP-771, TASKalfa 7550ci, TASKalfa 6550ci, TASKalfa 8000i, TASKalfa 6500i,  
 DP-670(B), TASKalfa 2550ci, TASKalfa 256i/FS-6525MFP, TASKalfa 306i/FS-6530MFP,  
 TASKalfa 256ci/FS-C8525MFP, TASKalfa 206ci/FS-C8520MFP

The cloth for cleaning the DP contact glass (No.1) is changed for the parts procurement reason.  
 Accordingly, its material, dimensions, exterior color are changed as below.

<Old cloth (No.1)>



<New cloth (No.1)>



Material: (Before) Polyester and nylon  
 Dimensions: (Before) 150x150mm  
 Exterior color: (Before) Blue

(After) Micro fiber  
 (After) 100x100mm  
 (After) Green

No.	Old Part No.	New Part No.	Description	Q'ty		Com pati bility		Remarks
				Old	New	Old	New	
1	303H604090 3H604090	302N904100 2N904100	CLEANER CLOTH	1	1	○	○	*1

N00071137/N00071211/N00071300

(Note) Please use the new parts for the next development model.

\*1: (Old parts name) CLOTH CLEANING

# Service Bulletin

Ref. No. **PCI-0326 (D057)**

[Parts Change Information]

<Date>

May 15, 2013

**<Common use of the parts**

**Exterior cover: Adding the engraving --> After using up the old stock**  
**Label: Changing its material --> From the available timing of the production in Feb., 2013>**

TASKalfa 7550ci, TASKalfa 6550ci, TASKalfa 8000i, TASKalfa 6500i,  
 TASKalfa 5550ci\*, TASKalfa 4550ci\*, TASKalfa 5500i\*, TASKalfa 4500i\*, AK-730,  
 FS-C8650DN, FS-C8600DN

\* AK standard model (120V only)

Following are changed for common use of the parts.

1) The engravings of the material indication and the arrow are added to the exterior cover (No.1~8).

[Added engravings] (Its location is near the current material engraving.)

>PC+PS-HI-FR(40)<  
 TN-9500



(Note) Arrow's direction rotates according to the material in use.

2) The material of the label affixed to the exterior cover (No.9~18) is changed to the compatible one according to the above change. (The base material is changed from ABS to PS.)

No.	Old Part No.	New Part No.	Description	Q'ty		Com pat i bility		Remarks
				Old	New	Old	New	
<b>&lt;Change of the exterior cover&gt;</b>								
<b>Affected model: TASKalfa 7550ci/6550ci, TASKalfa 8000i/6500i</b>								
1	302K904071 2K904071	302K904072 2K904072	COVER LEFT LOWER	1	1	○	○	
2	302K904091 2K904091	302K904092 2K904092	COVER RIGHT LOWER F	1	1	○	○	
3	302K904130 2K904130	302K904131 2K904131	COVER DECK REAR	1	1	○	○	
4	302K904102 2K904102	302K904103 2K904103	COVER RIGHT LOWER R	1	1	○	○	
5	302K904010 2K904010	302K904011 2K904011	COVER FRONT UPPER	1	1	○	○	
<b>Affected model: TASKalfa 7550ci/6550ci, TASKalfa 8000i/6500i, TASKalfa 5550ci/4550ci/5500i/4500i(AK standard model), AK-730</b>								
6	302LF28271 2LF28271	302LF28272 2LF28272	COVER RELAY EXIT	1	1	○	○	
<b>Affected model: TASKalfa 8000i/6500i</b>								
7	302LF04041 2LF04041	302LF04042 2LF04042	COVER LEFT UPPER	1	1	○	○	
8	302LF33600 2LF33600	302LF33601 2LF33601	PARTITION FIXING HEAT	1	1	○	○	
<b>&lt;Change of the label&gt;</b>								
<b>Affected model: TASKalfa 7550ci/6550ci, TASKalfa 8000i/6500i</b>								
9	302K934270 2K934270	302K934620 2K934620	LABEL POWER CABLE CAUTION EN	1	1	○	○	Except KDTW
10	302K934520 2K934520	302K934640 2K934640	LABEL POWER CABLE CAUTION TW	1	1	○	○	For KDTW
11	302K934280 302K934280	302K934630 2K934630	LABEL POWER CABLE CAUTION SET A	1	1	○	○	For KDA120V and KDBR (Bundled item)
<b>Affected model: TASKalfa 7550ci/6550ci</b>								
12	302K934200 2K934200	302K934670 2K934670	LABEL TONER OPERATION	1	1	○	○	

# Service Bulletin

Ref. No. **PCI-0326 (D057)**

[Parts Change Information]

<Date>

May 15, 2013

No.	Old Part No.	New Part No.	Description	Q'ty		Com pat i bility		Remarks
				Old	New	Old	New	
<b>Affected model: TASKalfa 8000i/6500i</b>								
13	302LF34020 2LF34020	302LF34030 2LF34030	LABEL TONER OPERATION	1	1	○	○	
<b>Affected model: FS-C8650DN, FS-C8600DN</b>								
14	302MN34310 2MN34310	302MN34400 2MN34400	LABEL SW CAUTION EN	1	1	○	○	Except South America
15	302MN34360 2MN34360	302MN34450 2MN34450	LABEL SW CAUTION ES	1	1	○	○	For South America
16	302MN34320 2MN34320	302MN34410 2MN34410	LABEL SW CAUTION SET A	1	1	○	○	For *1 (Bundled item)
17	302MN34370 2MN34370	302MN34460 2MN34460	LABEL SW CAUTION SET B	1	1	○	○	For South America (Bundled item)
18	302MN34350 2MN34350	302MN34440 2MN34440	LABEL SW CAUTION KR	1	1	○	○	For KDAS (Bundled item)

N00070502/N00070500/N00070503/N00070504/N00070635/N00070542/N00070413/N00070505/N00070506/N00070513/N00070413

(Note) Please use the new parts for the next development model.

\*1: KDA120V, KDBR, KDE, UTAX/TA

## <Common use of the parts (Adding the engraving)

--> **From the production in Feb., 2013**>

DP-771, TASKalfa 7550ci, TASKalfa 6550ci, TASKalfa 8000i, TASKalfa 6500i

The engravings of the material indication and the arrow are added to the parts (No.1~3) for common use of the parts.

[Added engravings] (Its location is near the current material engraving.)

>PC+PS-HI-FR(40)<  
TN-9500



(Note) Arrow's direction rotates according to the material in use.

No.	Old Part No.	New Part No.	Description	Q'ty		Com pat i bility		Remarks
				Old	New	Old	New	
<b>Affected model: DP-771, TASKalfa 7550ci/6550ci, TASKalfa 8000i/6500i</b>								
1	303M404050 3M404050	303M404051 3M404051	COVER LEFT	1	1	○	○	
<b>Affected model: TASKalfa 7550ci/6550ci, TASKalfa 8000i/6500i</b>								
2	303M404010 3M404010	303M404011 3M404011	COVER FRONT	1	1	○	○	
3	303M404110 3M404110	303M404111 3M404111	COVER WIRE INTERFACE	1	1	○	○	

N00070276/N00070277/N00070279

(Note) Please use the new parts for the next development model and the new type DP.

**Service Bulletin**  
[Parts Change Information]

Ref. No. **PCI-0326 (D057)**

<Date>

May 15, 2013

**<Common use of the parts (Adding the engraving and changing the shape)  
--> After using up the old stock>**

TASKalfa 7550ci, TASKalfa 6550ci, TASKalfa 8000i, TASKalfa 6500i

COVER ISU REAR (No.1) is changed as below for common use of the parts.

1) The engravings of the material indication and the arrow are added.

**[Added engravings]** (Its location is near the current material engraving.)

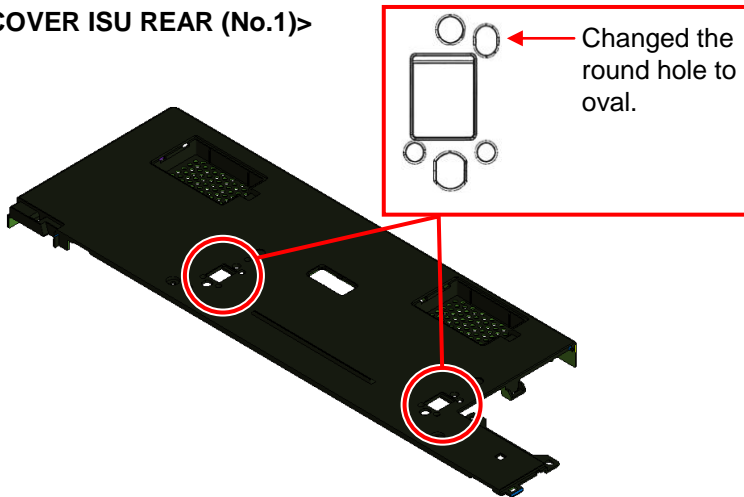
>PC+PS-HI-FR(40)<  
TN-9500



(Note) Arrow's direction rotates according to the material in use.

2) The shape is changed.

**<COVER ISU REAR (No.1)>**



No.	Old Part No.	New Part No.	Description	Q'ty		Com pati bility		Remarks
				Old	New	Old	New	
1	302K904120 2K904120	302K904121 2K904121	COVER ISU REAR	1	1	○	○	

N00070540

(Note) Please use the new parts for the next development model.

# Service Bulletin

[Parts Change Information]

Ref. No. **PCI-0326 (D057)**

<Date>

May 15, 2013

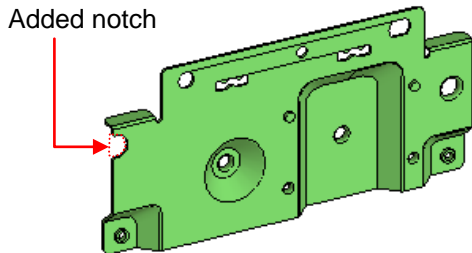
**<Common use of the parts --> After using up the old stock>**

TASKalfa 2550ci, PF-790

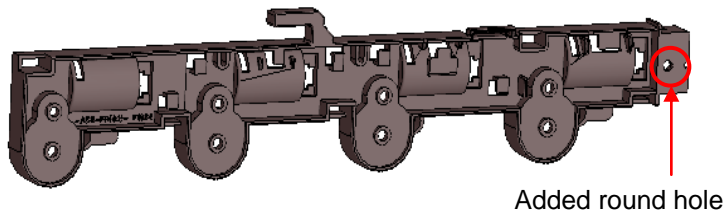
The shape of the following holders (No.1, 2) is changed for common use of the parts.

- 1) HOLDER PWB MIDDLE (No.1): Notch is added.
- 2) HOLDER TONER DRIVE B (No.2): Round hole (4.8mm diameter) is added.

**<New HOLDER PWB MIDDLE (No.1)>**



**<New HOLDER TONER DRIVE B (No.2)>**



No.	Old Part No.	New Part No.	Description	Q'ty		Com pat i bility		Remarks
				Old	New	Old	New	
1	302K002550 2K002550	302K002551 2K002551	HOLDER PWB MIDDLE	1	1	○	○	
2	302K015020 2K015020	302K015021 2K015021	HOLDER TONER DRIVE B	1	1	○	○	

N00071127/N00071130

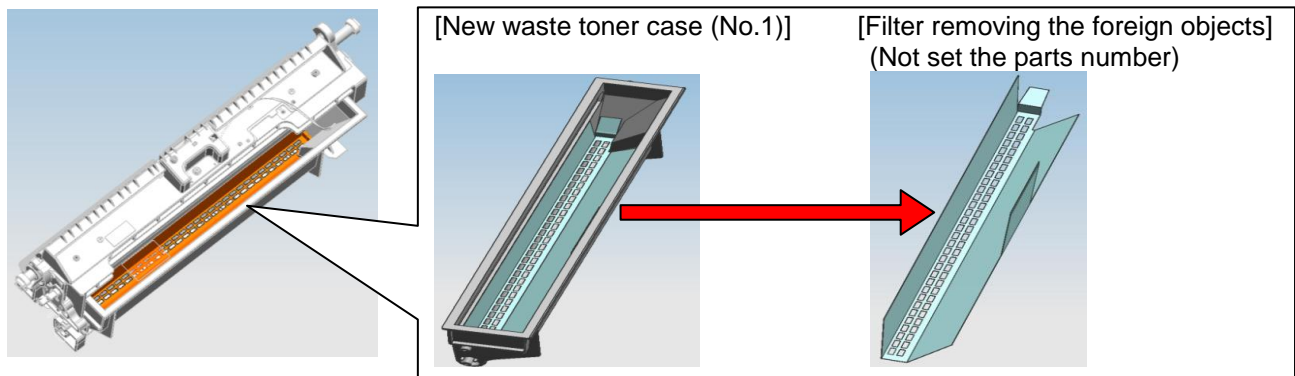
(Note) Please use the new parts for the next development model.

**<Changing the waste toner case (Adding the filter removing the foreign objects)  
--> After using up the old stock>**

TASKalfa 550c, TASKalfa 650c, TASKalfa 750c

A filter removing the foreign objects (not set the parts number as individual parts) is added to the waste toner case (No.1) inside the secondary transfer unit.

**[New secondary transfer unit (305JN72DY\_)]**



No.	Old Part No.	New Part No.	Description	Q'ty		Com pat i bility		Remarks
				Old	New	Old	New	
1	305JN71HC0 5JN71HC0	305JN71HC0 5JN71HC0	CASE ASSY:ASYS-CASE-WASTE-TNR-TR2	1	1	○	○	

N00070023/BSI No.G12J312

(Note) Parts numbers of the waste toner case and the secondary transfer unit remain unchanged according to this change.



# Service Bulletin

[Parts Change Information]

Ref. No. **PCI-0326 (D057)**

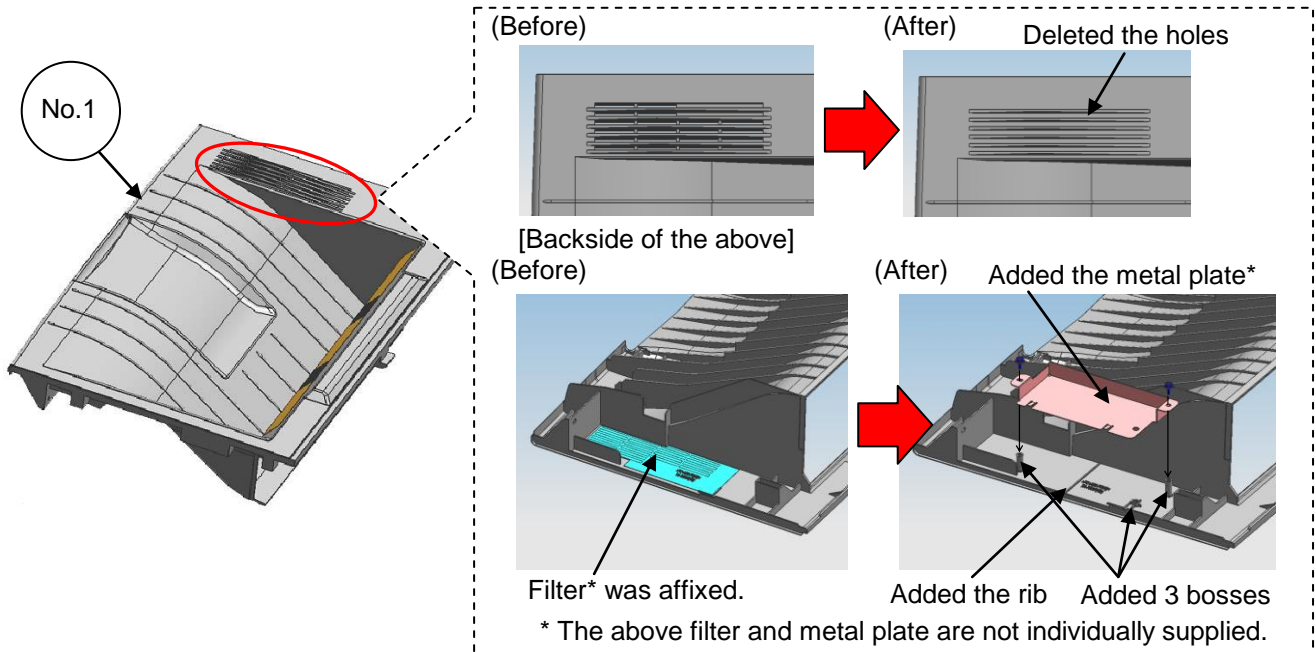
<Date>

May 15, 2013

**<Common use of the parts --> After using up the old stock>**

TASKalfa 550c, TASKalfa 650c, TASKalfa 750c

The shape of the exit tray (No.1) is changed as below for common use of the parts.



No.	Old Part No.	New Part No.	Description	Q'ty		Com pati bility		Remarks
				Old	New	Old	New	
1	305JN71440 5JN71440	305JN71440 5JN71440	TRAY ASSY:ASYS-TRAY-LEFT-434E	1	1	○	○	

N00050540/N00057733 JTA-02787/BSI\_G10H149

(Note) Parts number remains unchanged according to this change.

**<Improving the durability (Change of the developing unit)**

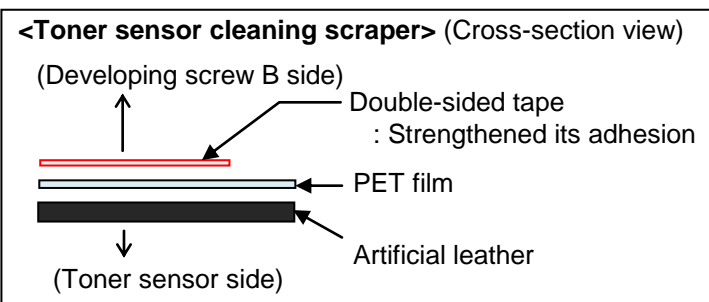
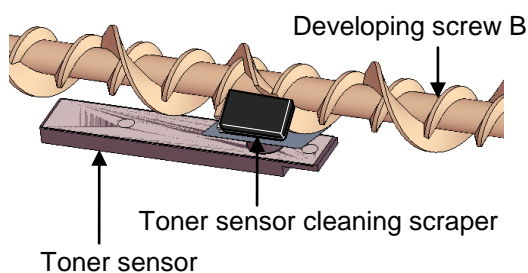
**--> After using up the old stock>**

TASKalfa 500ci, TASKalfa 400ci, TASKalfa 300ci, TASKalfa 250ci, TASKalfa 552ci, FS-C8500DN, KM-C2520, KM-C3225, KM-C3232, KM-C2525E, KM-C3225E\*, KM-C3232E, KM-C4035E, FS-C8100DN+\*, EP C320DN

\* Common with CHUNGHO brand

Adhesion of the double-sided tape of the toner sensor cleaning scraper inside the developing unit is strengthened to improve the durability.

**[Neighboring parts of the toner sensor inside**



# Service Bulletin

Ref. No. **PCI-0326 (D057)**

[Parts Change Information]

<Date>

May 15, 2013

No.	Old Part No.	New Part No.	Description	Q'ty		Com pat i bility		Remarks
				Old	New	Old	New	
<b>Affected model: TASKalfa 500ci/400ci</b>								
1	302H793179 2H793179	302H79317A 2H79317A	PARTS DLP K UNIT	1	1	O	O	*1 Except KDCN/KDKR
2	302H793711 2H793711	302H793712 2H793712	PARTS DLP K UNIT B	1	1	O	O	*2 Except KDCN/KDKR
3	302H793188 2H793188	302H793189 2H793189	(-->) PARTS DLP C UNIT	1	1	O	O	Except KDCN/KDKR
4	302H793198 2H793198	302H793199 2H793199	(-->) PARTS DLP Y UNIT	1	1	O	O	Except KDCN/KDKR
5	302H793208 2H793208	302H793209 2H793209	PARTS DLP M UNIT	1	1	O	O	Except KDCN/KDKR
6	302H79C179 2H79C179	302H79C17A 2H79C17A	PARTS DLP K UNIT	1	1	O	O	For KDCN
7	302H79C188 2H79C188	302H79C189 2H79C189	(-->) PARTS DLP C UNIT	1	1	O	O	For KDCN
8	302H79C198 2H79C198	302H79C199 2H79C199	(-->) PARTS DLP Y UNIT	1	1	O	O	For KDCN
9	302H79C208 2H79C208	302H79C209 2H79C209	PARTS DLP M UNIT	1	1	O	O	For KDCN
10	302H79K179 2H79K179	302H79K17A 2H79K17A	PARTS DLP K UNIT	1	1	O	O	*1 For KDKR
11	302H79K711 2H79K711	302H79K712 2H79K712	PARTS DLP K UNIT B	1	1	O	O	*2 For KDKR
12	302H79K188 2H79K188	302H79K189 2H79K189	(-->) PARTS DLP C UNIT	1	1	O	O	For KDKR
13	302H79K198 2H79K198	302H79K199 2H79K199	(-->) PARTS DLP Y UNIT	1	1	O	O	For KDKR
14	302H79K208 2H79K208	302H79K209 2H79K209	PARTS DLP M UNIT	1	1	O	O	For KDKR
<b>Affected model: TASKalfa 300ci/250ci</b>								
15	302JZ9319A 2JZ9319A	302JZ9319B 2JZ9319B	PARTS DLP K L UNIT	1	1	O	O	*1 Except KDCN/KDKR
16	302JZ93411 2JZ93411	302JZ93412 2JZ93412	PARTS DLP K L UNIT B	1	1	O	O	*2 Except KDCN/KDKR
17	302JZ93208 2JZ93208	302JZ93209 2JZ93209	(-->) PARTS DLP C L UNIT	1	1	O	O	Except KDCN/KDKR
18	302JZ93218 2JZ93218	302JZ93219 2JZ93219	(-->) PARTS DLP Y L UNIT	1	1	O	O	Except KDCN/KDKR
19	302JZ93228 2JZ93228	302JZ93229 2JZ93229	PARTS DLP M L UNIT	1	1	O	O	Except KDCN/KDKR
20	302JZ9C19A 2JZ9C19A	302JZ9C19B 2JZ9C19B	PARTS DLP K L UNIT	1	1	O	O	For KDCN
21	302JZ9C208 2JZ9C208	302JZ9C209 2JZ9C209	(-->) PARTS DLP C L UNIT	1	1	O	O	For KDCN
22	302JZ9C218 2JZ9C218	302JZ9C219 2JZ9C219	(-->) PARTS DLP Y L UNIT	1	1	O	O	For KDCN
23	302JZ9C228 2JZ9C228	302JZ9C229 2JZ9C229	PARTS DLP M L UNIT	1	1	O	O	For KDCN
24	302JZ9K19A 2JZ9K19A	302JZ9K19B 2JZ9K19B	PARTS DLP K L UNIT	1	1	O	O	*1 For KDKR
25	302JZ9K411 2JZ9K411	302JZ9K412 2JZ9K412	PARTS DLP K L UNIT B	1	1	O	O	*2 For KDKR
26	302JZ9K208 2JZ9K208	302JZ9K209 2JZ9K209	(-->) PARTS DLP C L UNIT	1	1	O	O	For KDKR

# Service Bulletin

Ref. No. **PCI-0326 (D057)**

[Parts Change Information]

<Date>

May 15, 2013

No.	Old Part No.	New Part No.	Description	Q'ty		Com pat i bility		Remarks
				Old	New	Old	New	
27	302JZ9K218 2JZ9K218	302JZ9K219 2JZ9K219	(-->) PARTS DLP Y L UNIT	1	1	○	○	For KDKR
28	302JZ9K228 2JZ9K228	302JZ9K229 2JZ9K229	PARTS DLP M L UNIT	1	1	○	○	For KDKR
<b>Affected model: TASKalfa 552ci, FS-C8500DN</b>								
29	302KY93031 2KY93031	302KY93032 2KY93032	PARTS DLP K UNIT	1	1	○	○	*1 Except KDKR
30	302KY93181 2KY93181	302KY93182 2KY93182	PARTS DLP K UNIT B	1	1	○	○	*2 Except KDKR
31	302KY93040 2KY93040	302KY93041 2KY93041	PARTS DLP C UNIT	1	1	○	○	Except KDKR
32	302KY93050 2KY93050	302KY93051 2KY93051	PARTS DLP Y UNIT	1	1	○	○	Except KDKR
33	302KY93060 2KY93060	302KY93061 2KY93061	PARTS DLP M UNIT	1	1	○	○	Except KDKR
34	302KY9K031 2KY9K031	302KY9K032 2KY9K032	PARTS DLP K UNIT	1	1	○	○	*1 For KDKR
35	302KY9K181 2KY9K181	302KY9K182 2KY9K182	PARTS DLP K UNIT B	1	1	○	○	*2 For KDKR
36	302KY9K040 2KY9K040	302KY9K041 2KY9K041	PARTS DLP C UNIT	1	1	○	○	For KDKR
37	302KY9K050 2KY9K050	302KY9K051 2KY9K051	PARTS DLP Y UNIT	1	1	○	○	For KDKR
38	302KY9K060 2KY9K060	302KY9K061 2KY9K061	PARTS DLP M UNIT	1	1	○	○	For KDKR
<b>Affected model: KM-C2520/C3225/C3232, KM-C2525E/C3225E/C3232E/C4035E</b>								
39	302FZ93116 2FZ93116	302FZ93117 2FZ93117	PARTS DLP K ASS'Y	1	1	○	○	Except KDCN/KDKR
40	302FZ93126 2FZ93126	302FZ93127 2FZ93127	PARTS DLP Y ASS'Y	1	1	○	○	Except KDCN/KDKR
41	302FZ93136 2FZ93136	302FZ93137 2FZ93137	PARTS DLP C ASS'Y	1	1	○	○	Except KDCN/KDKR
42	302FZ93146 2FZ93146	302FZ93147 2FZ93147	PARTS DLP M ASS'Y	1	1	○	○	Except KDCN/KDKR
43	302FZ9C116 2FZ9C116	302FZ9C117 2FZ9C117	PARTS DLP K ASS'Y	1	1	○	○	For KDCN
44	302FZ9C126 2FZ9C126	302FZ9C127 2FZ9C127	PARTS DLP Y ASS'Y	1	1	○	○	For KDCN
45	302FZ9C136 2FZ9C136	302FZ9C137 2FZ9C137	PARTS DLP C ASS'Y	1	1	○	○	For KDCN
46	302FZ9C146 2FZ9C146	302FZ9C147 2FZ9C147	PARTS DLP M ASS'Y	1	1	○	○	For KDCN
47	302FZ9K116 2FZ9K116	302FZ9K117 2FZ9K117	PARTS DLP K ASS'Y	1	1	○	○	For KDKR
48	302FZ9K126 2FZ9K126	302FZ9K127 2FZ9K127	PARTS DLP Y ASS'Y	1	1	○	○	For KDKR
49	302FZ9K136 2FZ9K136	302FZ9K137 2FZ9K137	PARTS DLP C ASS'Y	1	1	○	○	For KDKR
50	302FZ9K146 2FZ9K146	302FZ9K147 2FZ9K147	PARTS DLP M ASS'Y	1	1	○	○	For KDKR
<b>Affected model: FS-C8100DN+, EP C320DN</b>								
51	302HP93045 2HP93045	302HP93046 2HP93046	PARTS DV-821K(PR)	1	1	○	○	Except KDKR

# Service Bulletin

Ref. No. **PCI-0326 (D057)**

[Parts Change Information]

<Date>

May 15, 2013

No.	Old Part No.	New Part No.	Description	Q'ty		Com pat i bility		Remarks
				Old	New	Old	New	
52	302HP93055 2HP93055	302HP93056 2HP93056	PARTS DV-821Y(PR)	1	1	○	○	Except KDKR
53	302HP93065 2HP93065	302HP93066 2HP93066	PARTS DV-821C(PR)	1	1	○	○	Except KDKR
54	302HP93075 2HP93075	302HP93076 2HP93076	PARTS DV-821M(PR)	1	1	○	○	Except KDKR
55	302HP9K045 2HP9K045	302HP9K046 2HP9K046	PARTS DV-821K(PR)	1	1	○	○	For KDKR
56	302HP9K055 2HP9K055	302HP9K056 2HP9K056	PARTS DV-821Y(PR)	1	1	○	○	For KDKR
57	302HP9K065 2HP9K065	302HP9K066 2HP9K066	PARTS DV-821C(PR)	1	1	○	○	For KDKR
58	302HP9K075 2HP9K075	302HP9K076 2HP9K076	PARTS DV-821M(PR)	1	1	○	○	For KDKR

N00068746

\*1: Normal Bk developing unit

\*2: Bk developer unit for preventing the toner smudge (for service only)

--- Please refer to Service Bulletin No.2H7-0080(B010), 2KY-0008(B016) for details.

### <Changing the material of PULLEY 20S5M --> After using up the old stock >

DF-790/DF-790(B)

The material of PULLEY 20S5M (No.1) is changed for the parts procurement reason.  
(Its function and exterior remain unchanged.)

No.	Old Part No.	New Part No.	Description	Q'ty		Com pat i bility		Remarks
				Old	New	Old	New	
1	3AK20230	303NB37200 3NB37200	PULLEY 20S5M	4	4	○	○	

N00069957

(Note) please use the new parts for DF-790(C)

"+" mark at the beginning of the part name means it is a component parts.



# Service Bulletin

Ref. No. **2MV-0013 (D069)**

[Service Information]

<Date> April 18, 2013

<b>Subject</b>	<b>Note when refitting the drive unit (Prevention of the abnormal noise from the intermediate transfer belt unit)</b>
<b>Model</b>	<b>TASKalfa 2550ci, TASKalfa 256ci/FS-C8525MFP, TASKalfa 206ci/FS-C8520MFP, TASKalfa 255c/FS-C8025MFP, TASKalfa 205c/FS-C8020MFP</b>

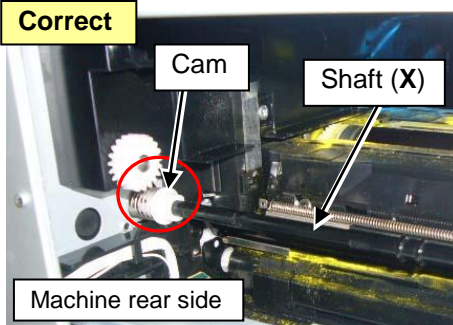
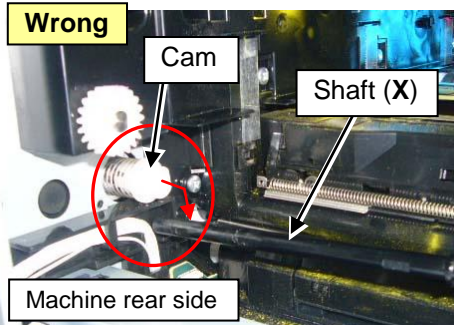
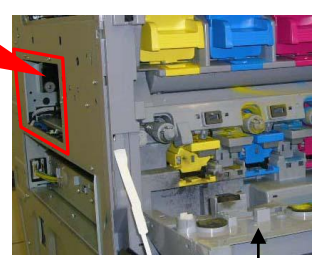
**[Note]**

**When refitting the drive unit, please surely insert the following shaft (X in the figure) into the cam of the drive unit, and then secure the drive unit.**

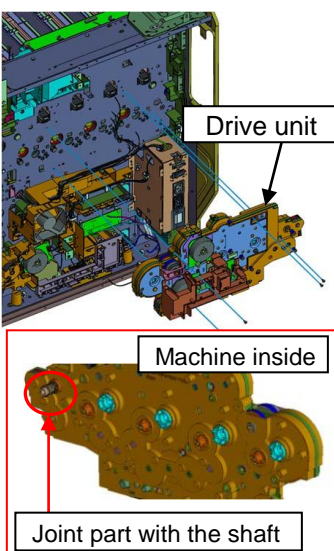
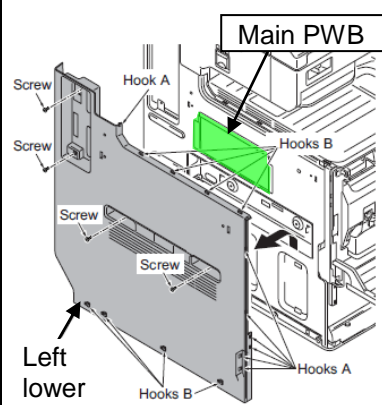
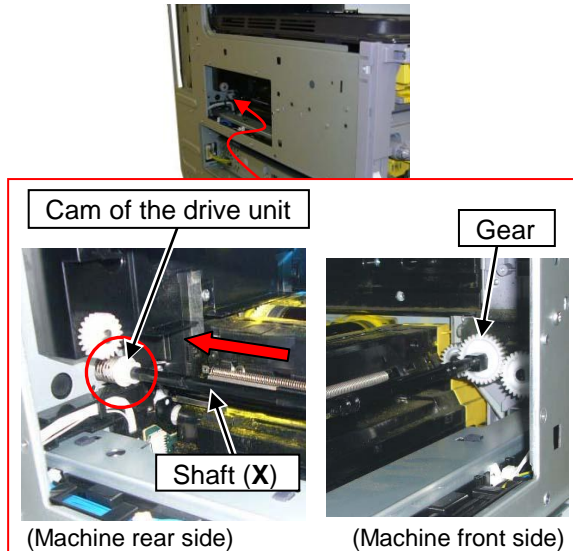
**After that, please surely confirm the shaft (X) is inserted into the gear at the machine front side.**

[Phenomenon when the shaft (X) comes off]

If the shaft (X) comes off, the abnormal noise from the intermediate transfer unit may be heard or the toner may leak from the retainer section. (Please refer to the next page for the detailed occurrence mechanism.)

<b>Correct</b>	<b>Wrong</b>	
 <p>Machine rear side</p> <p>The shaft (X) is inserted into the cam of the drive unit.</p>	 <p>Machine rear side</p> <p>The shaft (X) comes off from the cam of the drive unit.</p>	 <p>Retainer section</p>

**[Procedures for refitting the drive unit]**

1	2	3
 <p>Drive unit</p> <p>Machine inside</p> <p>Joint part with the shaft</p>	 <p>Main PWB</p> <p>Hook A</p> <p>Hook B</p> <p>Screw</p> <p>Left lower cover</p>	 <p>Cam of the drive unit</p> <p>Gear</p> <p>Shaft (X)</p> <p>(Machine rear side)</p> <p>(Machine front side)</p>
<p>Refit the drive unit (*).</p> <p>* DR-895 (302K09312_)</p>	<p>Remove the left lower cover, the main PWB and the intermediate transfer unit. This is to insert the shaft (X) into the cam of the drive unit from the aperture of the metal plate behind the main PWB.</p>	<p>Insert the shaft (X) into the cam of the drive unit.</p> <p>(Note) At this time, confirm the front end of the shaft (X) is inserted into the gear at the machine front side.</p>

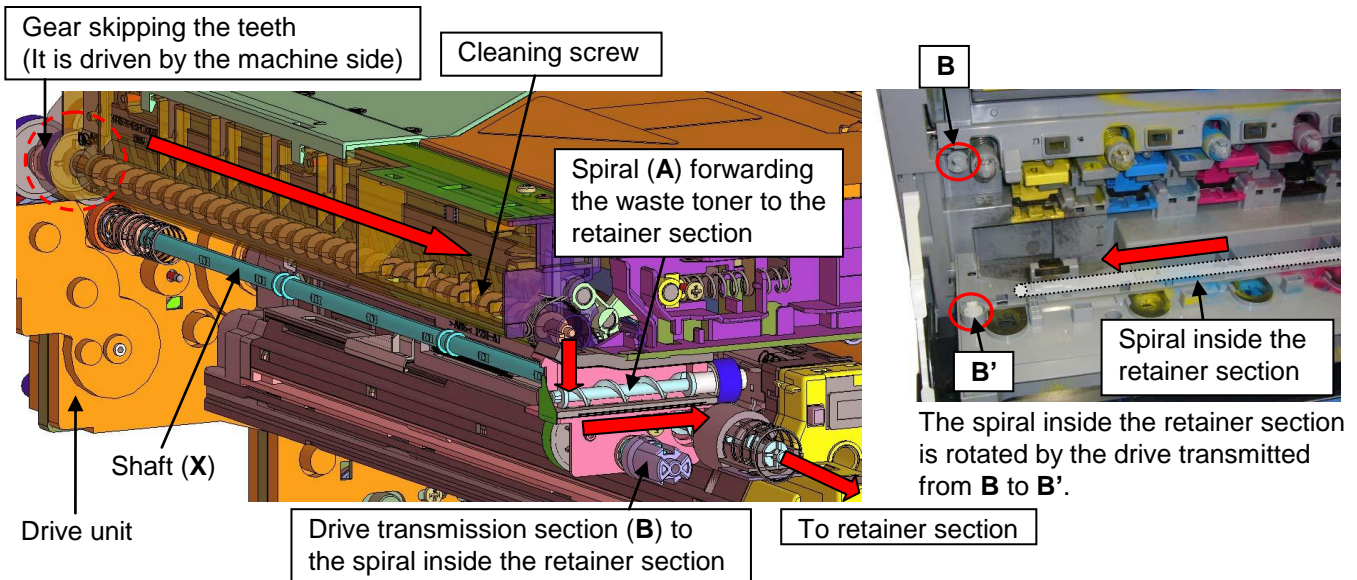
# Service Bulletin

[Service Information]

Ref. No. **2MV-0013 (D069)**  
 <Date> April 18, 2013

<Occurrence mechanism of the phenomenon when the shaft (X) comes off>

- 1) The spiral (A) is not rotated that forwards the waste toner collected from the intermediate transfer unit to the retainer section, and so, the waste toner accumulates in the cleaning screw section inside the intermediate transfer unit. As a result, the abnormal noise may be heard by skipping of the teeth of the machine side's gear driving the cleaning screw.
- 2) The drive transmission part (B) to the spiral inside the retainer section does not drive, and so, the spiral is not rotated that forwards the waste toner collected from the intermediate transfer unit and the drum unit to the waste toner bottle. As a result, the waste toner may leak that excessively accumulates inside the retainer section.



- The shaft (X) transmits the drive to A and B in the above figure.
- Red arrow (➡) in the above figure indicates the direction to transmit the waste toner.



# Service Bulletin

 Ref. No. **PCI-0328 (D074)**

[Parts Change Information]

&lt;Date&gt;

May 8, 2013

<b>Subject</b>	<b>Parts Change Information</b>
<b>Model</b>	<b>TASKalfa 7550ci, TASKalfa 6550ci,            TASKalfa 5550ci, TASKalfa 4550ci, TASKalfa 3550ci,            TASKalfa 3050ci, TASKalfa 8000i, TASKalfa 6500i,            TASKalfa 5500i, TASKalfa 4500i, TASKalfa 3500i,            FS-C8650DN, FS-C8600DN,            TASKalfa 255c/FS-C8025MFP, TASKalfa 205c/FS-C8020MFP,            TASKalfa 256ci/FS-C8525MFP, TASKalfa 206ci/FS-C8520MFP,            TASKalfa 2550ci, TASKalfa 550c, TASKalfa 650c, TASKalfa 750c,            DP-770, DP-771, DF-770/DF-770(B), DF-790/DF-790(B),            BF-730, PH-7A/7B/7C/7D, AK-730</b>

Affected models:

DP-770	TASKalfa 5550ci/4550ci/3550ci/3050ci, TASKalfa 5500i/4500i/3500i
DP-771	TASKalfa 5550ci/4550ci/3550ci/3050ci, TASKalfa 5500i/4500i/3500i
DF-770/DF-770(B)	TASKalfa 5550ci/4550ci/3550ci/3050ci, TASKalfa 5500i/4500i/3500i, [B type only] FS-C8650DN, FS-C8600DN
DF-790/DF-790(B)	TASKalfa 7550ci/6550ci, TASKalfa 5550ci/4550ci/3550ci/3050ci, TASKalfa 8000i/6500i, TASKalfa 5500i/4500i/3500i, [B type only]FS-C8650DN, FS-C8600DN
BF-730	DF-790/DF-790(B) (Main machine: TASKalfa 7550ci/6550ci, TASKalfa 5550ci/4550ci/3550ci/3050ci, TASKalfa 8000i/6500i, TASKalfa 5500i/4500i/3500i, [B type only]FS-C8650DN, FS-C8600DN)
PH-7A/7B/7C/7D	DF-770/DF-770(B) (Main machine: TASKalfa 5550ci/4550ci/3550ci/3050ci, TASKalfa 5500i/4500i/3500i, [B type only]FS-C8650DN, FS-C8600DN) DF-790/DF-790(B) (Main machine: TASKalfa 7550ci/6550ci, TASKalfa 5550ci/4550ci/3550ci/3050ci, TASKalfa 8000i/6500i, TASKalfa 5500i/4500i/3500i, [B type only] FS-C8650DN, FS-C8600DN)
AK-730	TASKalfa 5550ci/4550ci/3550ci/3050ci, TASKalfa 5500i/4500i/3500i

The following parts are changed.

### **P2-3 <Common use of parts(Exterir cover- material change/adding engraving/label materila change>**

TASKalfa 7550ci, TASKalfa 6550ci,  
 TASKalfa 5550ci, TASKalfa 4550ci, TASKalfa 3550ci, TASKalfa 3050ci,  
 TASKalfa 8000i, TASKalfa 6500i,  
 TASKalfa 5500i, TASKalfa 4500i, TASKalfa 3500i, FS-C8650DN, FS-C8600DN,  
 DP-771, DP-770, DF-790/DF-790(B), DF-770/DF-770(B), BF-730, PH-7A/7B/7C/7D

### **P4 <Common use of parts (Bridge/AK eject section Change of GUIDE RELAY EXIT RIGHT>**

TASKalfa 7550ci, TASKalfa 6550ci, TASKalfa 8000i, TASKalfa 6500i,  
 TASKalfa 5550ci\*, TASKalfa 4550ci\*, TASKalfa 5500i\*, TASKalfa 4500i\*, AK-730

\* AK standard machine (120V spec)

### **P4-5 <Common use of parts (DUCT EXIT change)>**

TASKalfa 255c/FS-C8025MFP, TASKalfa 205c/FS-C8020MFP,  
 TASKalfa 256ci/FS-C8525MFP, TASKalfa 206ci/FS-C8520MFP, TASKalfa 2550ci

### **P5 <(DF-800/810) Common use of parts>**

TASKalfa 550c, TASKalfa 650c, TASKalfa 750c

### **P5 <(DF-800/810) Common use of parts>**

TASKalfa 550c, TASKalfa 650c, TASKalfa 750c

# Service Bulletin

[Parts Change Information]

 Ref. No. **PCI-0328 (D074)**  
 <Date> May 8, 2013

### <Common use of parts

#### (Exterior cover- material change/adding engraving/label materila change)

--> **Exterior cover (No.1): After using up the old stock,**

**Others: From the available timing in February 2013 production**

TASKalfa 7550ci, TASKalfa 6550ci,  
 TASKalfa 5550ci, TASKalfa 4550ci, TASKalfa 3550ci, TASKalfa 3050ci,  
 TASKalfa 8000i, TASKalfa 6500i,  
 TASKalfa 5500i, TASKalfa 4500i, TASKalfa 3500i, FS-C8650DN, FS-C8600DN,  
 DP-771, DP-770, DF-790/DF-790(B), DF-770/DF-770(B), BF-730, PH-7A/7B/7C/7D

The following are changed for common use of parts.

- 1) The material of the exterior cover (No.1,2) is changed. (Material: PC+AS →PC+PS)
- 2) Engraving of material indication and arrow mark is added to the exterior cover (No.3-9)

**[Added engraving]** (Added around the conventional material indication)

>PC+PS-HI-FR(40)<  
 TN-9500



\* The direction of arrow rotates by materila used.

- 3) The material of the label (No.10-28) is changed to the compatible one according to the exterior cover change. (The base material is changed from ABS to PS.)

No.	Old Part No.	New Part No.	Description	Q'ty		Compati bility		Remarks
				Old	New	Old	New	
<b>&lt;Exterior cover change&gt;</b>								
<b>Affected model: TASKalfa 7550ci/6550ci, TASKalfa 8000i/6500i (DP section)</b>								
1	303M404020 3M404020	303M404021 3M404021	COVER REAR	1	1	○	○	
<b>Affected model: DP-771</b>								
2	303NW04041 3NW04041	303NW04042 3NW04042	COVER REAR	1	1	○	○	
<b>Affected model: DF-790/DF-790(B)</b>								
3	303NB04140 3NB04140	303NB04141 3NB04141	COVER MAIN EXIT	1	1	○	○	
4	303NB04021 3NB04021	303NB04022 3NB04022	COVER FRONT UPPER	1	1	○	○	
5	303NB04030 3NB04030	303NB04031 3NB04031	COVER FRONT MIDDLE	1	1	○	○	
6	303NB04062 3NB04062	303NB04063 3NB04063	COVER INNER UPPER	1	1	○	○	
7	303NB04150 3NB04150	303NB04151 3NB04151	COVER LEFT LOWER	1	1	○	○	
<b>Affected model: DF-770/DF-770(B)</b>								
8	303NC04042 3NC04042	303NC04043 3NC04043	COVER FRONT OPEN	1	1	○	○	
9	303NC04033 3NC04033	303NC04034 3NC04034	COVER FRONT	1	1	○	○	
<b>&lt;Label change&gt;</b>								
<b>Affected model: TASKalfa 7550ci/6550ci, TASKalfa 5550ci/4550ci/3550ci/3050ci, TASKalfa 8000i/6500i, TASKalfa 5500i/4500i/3500i</b>								
10	302LC34050 2LC34050	302LC34620 2LC34620	LABEL SW CAUTION EN	1	1	○	○	Other the below
11	302LC34510 2LC34510	302LC34650 2LC34650	LABEL SW CAUTION ES	1	1	○	○	Latin America

# Service Bulletin

## [Parts Change Information]

 Ref. No. **PCI-0328 (D074)**

&lt;Date&gt; May 8, 2013

No.	Old Part No.	New Part No.	Description	Q'ty		Compati bility		Remarks
				Old	New	Old	New	
12	302LC34520 2LC34520	302LC34670 2LC34670	LABEL SW CAUTION TW	1	1	○	○	KDTW
13	302LC34530 2LC34530	302LC34680 2LC34680	LABEL SW CAUTION CN	1	1	○	○	KDCN
14	302LC34210 2LC34210	302LC34660 2LC34660	LABEL SW CAUTION KR	1	1	○	○	*1 KDKR
15	302LC34160 2LC34160	302LC34630 2LC34630	LABEL SW CAUTION SET A	1	1	○	○	*2 (bundled)
16	302LC34500 2LC34500	302LC34640 2LC34640	LABEL SW CAUTION SET B	1	1	○	○	Latin America (bundled)
<b>Affected model: DP-770</b>								
17	303LL34050 3LL34050	303LL34250 3LL34250	LABEL CAUTION	2	2	○	○	
<b>Affected model: DP-771, TASKalfa 7550ci/6550ci/8000i/6500i (DP section)</b>								
18	303M434080 3M434080	303M434230 3M434230	LABEL CAUTION B	2	2	○	○	
<b>Affected model: DF790/DF-790(B), DF-770/DF-770(B)</b>								
19	303NB34180 3NB34180	303NB34250 3NB34250	LABEL D1	1	1	○	○	
<b>Affected model: DF790/DF-790(B)</b>								
20	303NB34110 3NB34110	303NB34240 3NB34240	LABEL A STAPLER	1	1	○	○	
21	303NB34030 3NB34030	303NB34210 3NB34210	LABEL D3 D5	1	1	○	○	
22	303NB34090 3NB34090	303NB34220 3NB34220	LABEL CAUTION MAIN TRAY	1	1	○	○	
23	303NB34100 3NB34100	303NB34230 3NB34230	LABEL MANUAL STAPLER	1	1	○	○	
24	303NB34010 3NB34010	303NB34200 3NB34200	LABEL OPERATION	1	1	○	○	
<b>Affected model: DF-770/DF-770(B)</b>								
25	303NC34010 3NC34010	303NC34100 3NC34100	LABEL OPERATION	1	1	○	○	
26	303NC34041 3NC34041	303NC34110 3NC34110	LABEL D3	1	1	○	○	
<b>Affected model: BF-730</b>								
27	303ND34010 3ND34010	303ND34110 3ND34110	LABEL OPERATION	1	1	○	○	
<b>Affected model: PH-7A/7C/7D</b>								
28	303NK34011 3NK34011	303NK34012 3NK34012	LABEL DISPOSAL TANK	1	1	○	○	

 N00070268/N00070273/N00070269/N00070271/N00070272/N00070275/N00070274/N00070280/N00070281  
 N00070412/N00070309/N00070413

\*1: TASKalfa 5550ci/4550ci/3550ci/3050ci, TASKalfa 8000i/6500i, TASKalfa 5500i/4500i/3500i

\*2: KDA120V, KDE, KDBR, UTAX/TA (BW machines include OLIVETTI spec)

# Service Bulletin

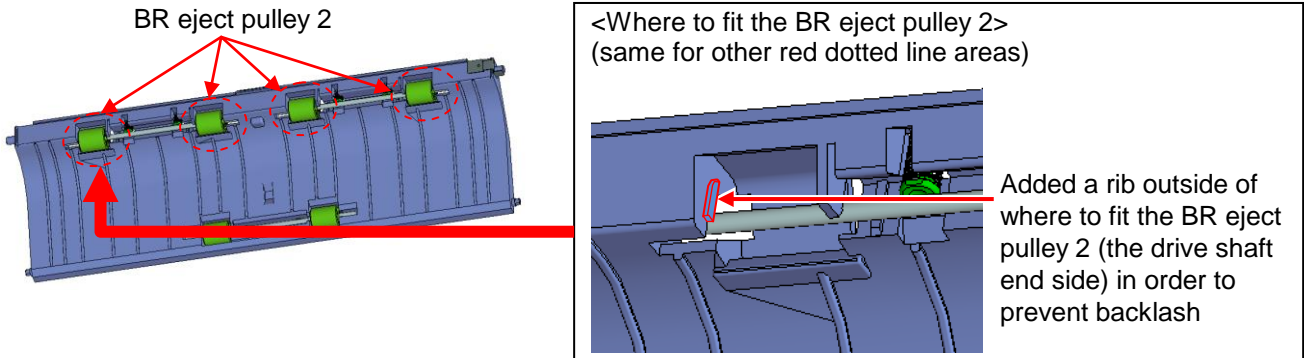
[Parts Change Information]

Ref. No. **PCI-0328 (D074)**  
 <Date> May 8, 2013

**<Common use of parts (Bridge/AK eject section Change of GUIDE RELAY EXIT RIGHT) --> After using up the old stock>**

TASKalfa 7550ci, TASKalfa 6550ci, TASKalfa 8000i, TASKalfa 6500i,  
 TASKalfa 5550ci\*, TASKalfa 4550ci\*, TASKalfa 5500i\*, TASKalfa 4500i\*, AK-730  
 \* AK standard machine (120V spec)

Ribs are added to where the BR eject pulley is fitted on GUIDE RELAY EXIT RIGHT (No.1) for common use of parts.



No.	Old Part No.	New Part No.	Description	Q'ty		Compati-bility		Remarks
				Old	New	Old	New	
1	302LF28240 2LF28240	302LF28241 2LF28241	GUIDE RELAY EXIT RIGHT	1	1	○	○	

N00071308

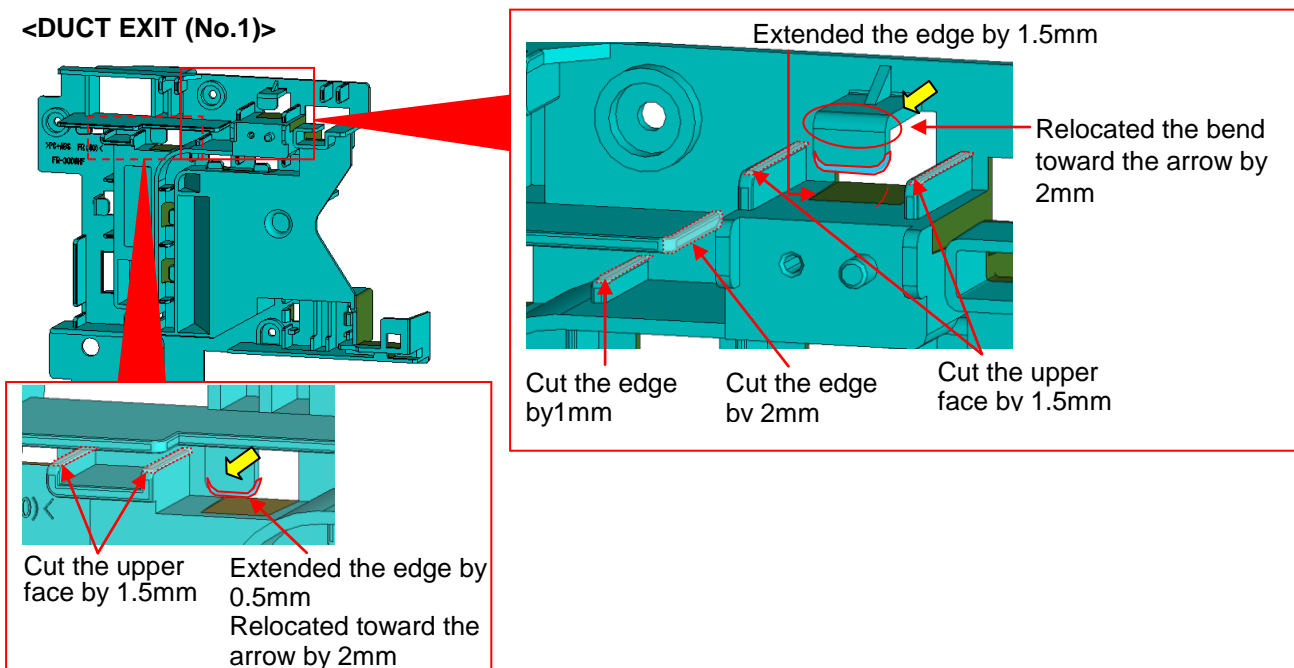
\*Please use the new parts for the new development model.

**<Common use of parts (DUCT EXIT change) --> After using up the old stock>**

TASKalfa 255c/FS-C8025MFP, TASKalfa 205c/FS-C8020MFP,  
 TASKalfa 256ci/FS-C8525MFP, TASKalfa 206ci/FS-C8520MFP, TASKalfa 2550ci

The shape of the wire alignment section of DUCT EXIT (No.1) is changed for common use of parts.

**<DUCT EXIT (No.1)>**



# Service Bulletin

## [Parts Change Information]

 Ref. No. **PCI-0328 (D074)**  
 <Date> May 8, 2013

No.	Old Part No.	New Part No.	Description	Q'ty		Compati bility		Remarks
				Old	New	Old	New	
1	302K033011 2K033011	302K033012 2K033012	DUCT EXIT	1	1	○	○	

N00071413

\*Please use the new parts for the new development model.

### <(DF-800/810) Common use of parts --> After using up the old stock>

TASKalfa 550c, TASKalfa 650c, TASKalfa 750c

The clamp (No.1) is changed for common use of parts.

No.	Old Part No.	New Part No.	Description	Q'ty		Compati bility		Remarks
				Old	New	Old	New	
1	305JN72QJ0 5JN72QJ0	305JN72K10 5JN72K10	BAND:ESC-0912	*	*	○	○	

N00072105

\*Applicable location: FIG.15 JCT-BOX-ASYM (FOR DF-800) --- 2 pcs.

FIG.16 JCT-BOX-ASYM-SDL (FOR DF-810) ---3 pcs,

FIG.18 FRAME-SD-ASM (FOR DF-810) ---1 pce.

\*1: 305JN72K10 was changed to 305JN72QJ0 as informed per the service bulletin PCI-0249(A096), however, it is reverted to the original since the shape is same.

### <(DF-800/810) Common use of parts --> After using up the old stock>

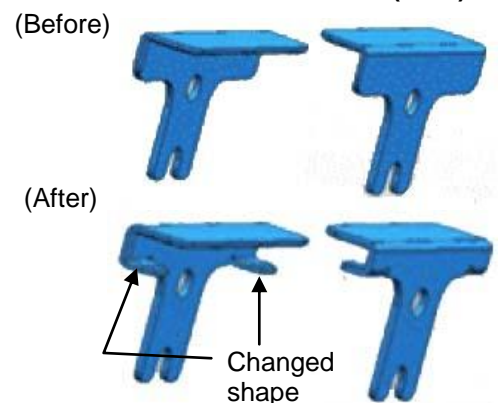
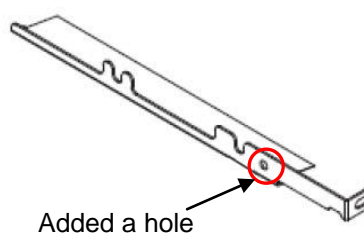
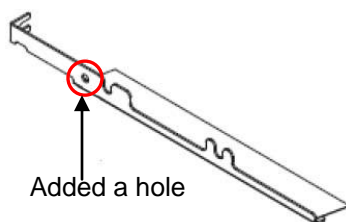
TASKalfa 550c, TASKalfa 650c, TASKalfa 750c

The following parts (No.1-3) are changed for common use of parts.

&lt;BRUSH-TRAY-R-BU-C (No.1)&gt;

&lt; BRUSH-TRAY-F-BU-C (No.2)&gt;

&lt;COVER:CVR-FRM-INSIDE-02 (No.3)&gt;



No.	Old Part No.	New Part No.	Description	Q'ty		Compati bility		Remarks
				Old	New	Old	New	
1	305JN70CA0 5JN70CA0	305JN70CA0 5JN70CA0	BRUSH-TRAY-R-BU-C	1	1	○	○	
2	305JN70C60 5JN70C60	305JN70C60 5JN70C60	BRUSH-TRAY-F-BU-C	1	1	○	○	
3	305JN70QT0 5JN70QT0	305JN70QT0 5JN70QT0	COVER:CVR-FRM-INSIDE-02	1	1	○	○	

N00071841(BSI.G13A566)

\*The part number remains unchanged.

# Service Bulletin

Ref. No. **COM-0286 (D087)**

<Date> June 15, 2013

<b>Subject</b>	<b>Corrective measures for the background image at the table copy and scan &lt;For Color Models&gt;</b>
<b>Model</b>	DP-770/DP-770(B), DP-771, DP-772, DP-750/DP-750(B), DP-760/DP-760(B), DP-420, DP-670/DP-670(B), DP-700, DP-710, TASKalfa 7550ci, TASKalfa 6550ci, TASKalfa 8000i, TASKalfa 6500i, TASKalfa205c/FS-C8020MFP, TASKalfa255c/FS-C8025MFP, TASKalfa 256ci/FS-C8525MFP, TASKalfa 206ci/FS-C8520MFP, TASKalfa305/FS-6030MFP, TASKalfa255/FS-6025MFP, TASKalfa255b/FS-6025MFP/B, TASKalfa 306i/FS-6530MFP, TASKalfa 256i/FS-6525MFP, TASKalfa 2550ci, TASKalfa 5551ci*, TASKalfa 4551ci*, TASKalfa 3551ci*, TASKalfa 3051ci*, TASKalfa 5501i*, TASKalfa 4501i*, TASKalfa 3501i*, TASKalfa 5550ci*, TASKalfa 4550ci*, TASKalfa 3550ci*, TASKalfa 3050ci*, TASKalfa 5500i*, TASKalfa 4500i*, TASKalfa 3500i*, TASKalfa 500ci*, TASKalfa 400ci*, TASKalfa 300ci*, TASKalfa 250ci*, TASKalfa 552ci*, TASKalfa 520i*, TASKalfa 420i*, TASKalfa 300i*, TASKalfa 180*, TASKalfa 220*, TASKalfa 181*, TASKalfa 221*

*This time the description with (-->) is revised from the previous information.*

*<Number of changes: 3> Added the distinction of new optional platen cover (1202H70\*\*\*) in page 5.  
 Added the serial number of TASKalfa 8000i/6500i in page 7.*

\* Only the model installing the optional platen cover (1202H70\*\*\*) is applicable.

(Note) For BW models, this is common parts change information only.

Affected model

DP-770, DP-771	TASKalfa 5550ci/4550ci/3550ci/3050ci, TASKalfa 5500i/4500i/3500i
DP-770(B)	TASKalfa 5550ci/4550ci/3550ci/3050ci, TASKalfa 5500i/4500i/3500i, TASKalfa 5551ci/4551ci/3551ci/3051ci, TASKalfa 5501i/4501i/3501i
DP-772	TASKalfa 5551ci/4551ci/3551ci/3051ci, TASKalfa 5501i/4501i/3501i
DP-750/DP-760	TASKalfa500ci/400ci/300ci/250ci
DP-750(B)/DP-760(B)	TASKalfa500ci/400ci/300ci/250ci, TASKalfa552ci, TASKalfa520i/420i
DP-420	TASKalfa 180/220/181/221
DP-670	KM-2560/3060/2540/3040
DP-670(B)	KM-2560/3060/2540/3040, TASKalfa300i
DP-700	KM-3050/4050/5050
DP-710	KM-C2520/C3225/C3232/C2525E/C3225E/C3232E/C4035E

Depending on the variation of parts, if the center of the original mat is curved as in the <NG> figure below, the background image may appear at the area that contacts the curved mat during color-copy or color-scan(\*1) from the original table (original mat) with the color models. Thus, the following are changed.

\*1: No problem is expected at color-scan with the BW models and BW-copy and BW-scan with the color models.

### <Content of changes>

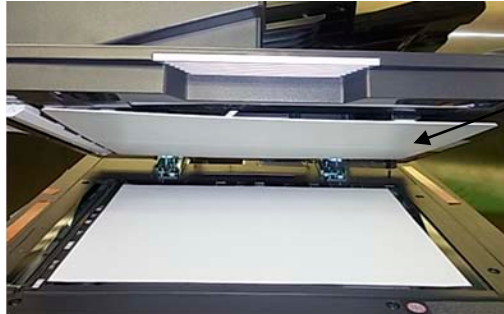
- 1) The regulation standard for the curve of the original mat (No.10) is changed. (For all the models)
- 2) Sponges are added to correct the curve as the measures in case of use of the original mat before the regulation standard for the curve (For color models only \*2)

\*2: This, however, is limited to the field measures only for the applied models.  
 Refer to the next page for the applicable models.

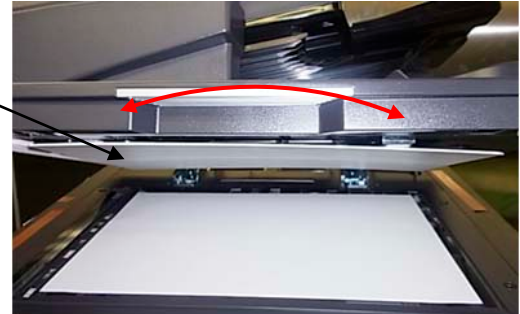


(Revised Issue 1)  
**Service Bulletin**

[Original mat]  
 <OK>



<NG> Center of the original mat is curved



Original mat

<b>KDC's Classification</b>	<input type="checkbox"/> Entire Stock Rework	<input type="checkbox"/> In-Field modification at next visit
	<input checked="" type="checkbox"/> In-Field modification by case	<input type="checkbox"/> No modification necessary
<b>Field Measure:</b>	(Color models) Replace with the original mat with the regulation standard for the curve (new No.10) if the above phenomenon arises or affix the sponges (No.11-13) after cleaning the surface to affix them with alcohol. (Refer to Page 4, 5 for the alignment)	
	(BW models) No particular problems are expected.	
<b>Serial Nos. of Affected Machine:</b>	Refer to page 6-8.	

01047/N00071427/N00071735/N00071950/N00071951

No.	Old Part No.	New Part No.	Description	Q'ty		Compati bi lity		Remarks
				Old	New	Old	New	
1	303JX94091 3JX94091	303JX94092 3JX94092	MAT ASS'Y SP	1	1	O	O	*1
2	303J994070 3J994070	303J994071 3J994071	PARTS ORIGINAL HOLDER ASSY SP	1	1	X	O	*2
3	302L394010 2L394010	302L394011 2L394011	PARTS PLATEN COVER UNIT	1	1	O	O	*3
4	303LL94031 3LL94031	303LL94032 3LL94032	PARTS MAT ASSY	1	1	X	O	*4
5	1202H70UN0 022H70UN	1202H70UN0 022H70UN	PLATEN COVER TYPE(E)	1	1	-	-	*5 (For other than the spec for No.6-9)
6	1202H70KS0 022H70KS	1202H70KS0 022H70KS	PLATEN COVER TYPE(E)	1	1	-	-	*5 (For KDCN)
7	1202H70KR0 022H70KR	1202H70KR0 022H70KR	PLATEN COVER TYPE(E)	1	1	-	-	*5 (For KDKR)
8	1202H70NL0 022H70NL	1202H70NL0 022H70NL	PLATEN COVER TYPE(E)	1	1	-	-	*5 (For Algeria)
9	1202H70RY0 022H70RY	1202H70RY0 022H70RY	PLATEN COVER TYPE(E)(RY)	1	1	-	-	*5 (For RIYAD)
10	303JC04200 3JC04200	303JC04201 3JC04201	+PLATE ORIGINAL	1	1	X (Note)	O	*6
11	-----	302K903F90 2K903F90	SPONGE FRONT COVER B	-	1	-	O	*7
12	-----	303P202010 3P202010	SPONGE MAT	-	1	-	O	*8
13	-----	302H717540 2H717540	SPONGE MAT	-	1	-	O	*9

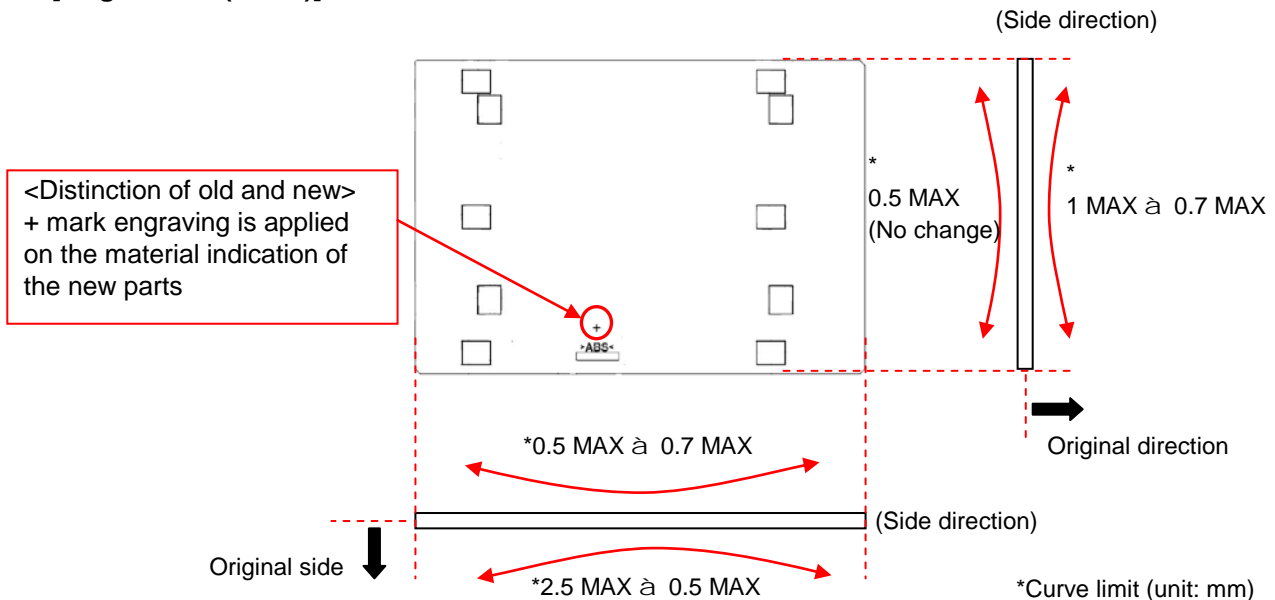
"+" mark at the beginning of the part name means it is a component parts.

(Revised Issue 1)  
**Service Bulletin**

[Supplementary explanation for the above parts table]

	Affected models	Explanation
(Note)	Color model, DP installed in Color model B/W model, DP installed in B/W model	Use the new parts Either the old and new parts may be used.
*1	DP-700	Only the original mat assembly that is the original mat affixing the hook-and-loop fastener is set up as the service parts for DP-700. Its component parts like the individual original mat are not individually supplied.
*2	DP-710	---
*3	TASKalfa305/FS-6030MFP, TASKalfa255/FS-6025MFP/TASKalfa255b/FS-6025MFP/B	---
*4	TASKalfa 7550ci/6550ci, TASKalfa 8000i/6500i, DP-770/DP-770(B), DP-771, DP-772, DP-750/DP-750(B), DP-760/DP-760(B)	---
*5	TASKalfa 5551ci/4551ci/3551ci/3051ci, TASKalfa 5501i/4501i/3501i, TASKalfa 5550ci/4550ci/3550ci/3050ci, TASKalfa 5500i/4500i/3500i, TASKalfa 500ci/400ci/300ci/250ci, TASKalfa 552ci, TASKalfa 520i/420i, TASKalfa 300i, TASKalfa 180/220/181/221	Optional platen cover (Product) These product codes remain unchanged.
*6	Except DP-700	It is a component parts of No.2-9. The individual original mat (No.10) can be supplied for the model except DP-700.
*7	DP-770/DP-770(B) DP-750/DP-750(B), DP-760/DP-760(B), DP-710	The left document processors affix No.11 at factory. The left document processors don't affix No.11 at factory. (However, No.11 can be affixed as field measures.)
*8	DP-771, DP-772, TASKalfa 7550ci/6550ci, TASKalfa 8000i/6500i TASKalfa 2550ci TASKalfa205c/FS-C8020MFP, TASKalfa255c/FS-C8025MFP TASKalfa 256ci/FS-C8525MFP, TASKalfa 206ci/FS-C8520MFP	The left document processors affix No.12 at factory. The left document processors don't affix No.11 at factory. (However, No.11 can be affixed as field measures.)
*9	Same as the affected models of the above *5	No.13 is bundled in the optional platen cover set (No.5-9).


**[Original mat (No.10)]**



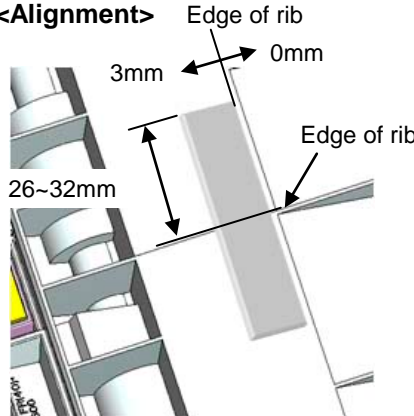
(Revised Issue 1)  
**Service Bulletin**

[Alignment of sponge]--- Color models only

Affected model: DP-770/DP-770(B), DP-750/DP-750(B), DP-760/DP-760(B)

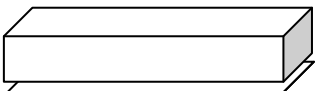


**<Alignment>**



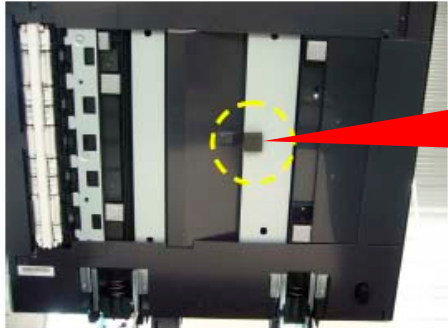
Edge of rib  
 3mm  
 26~32mm  
 0mm  
 Edge of rib

**<Sponge (No.11)>**

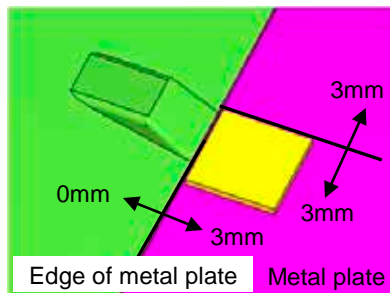


Size: 12 x 58 x 8 (mm)  
 Material: SM-55 (Black or gray)

Affected model: DP-771, DP-772, TASKalfa 7550ci/6550ci, TASKalfa 8000i/6500i

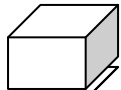


**<Alignment>**



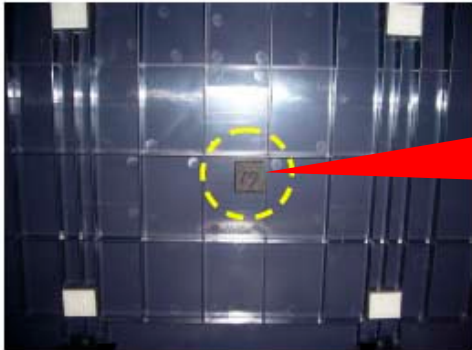
3mm  
 0mm  
 3mm  
 3mm  
 Edge of metal plate  
 Metal plate

**<Sponge (No.12)>**

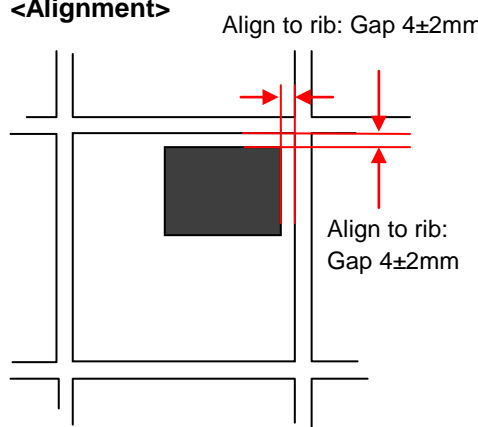


Size: 25 x 25 x 15 (mm)  
 Material: SM-55 (Gray)

Affected model: Models installing the optional platen cover (No.5-9)

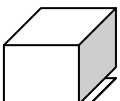


**<Alignment>**



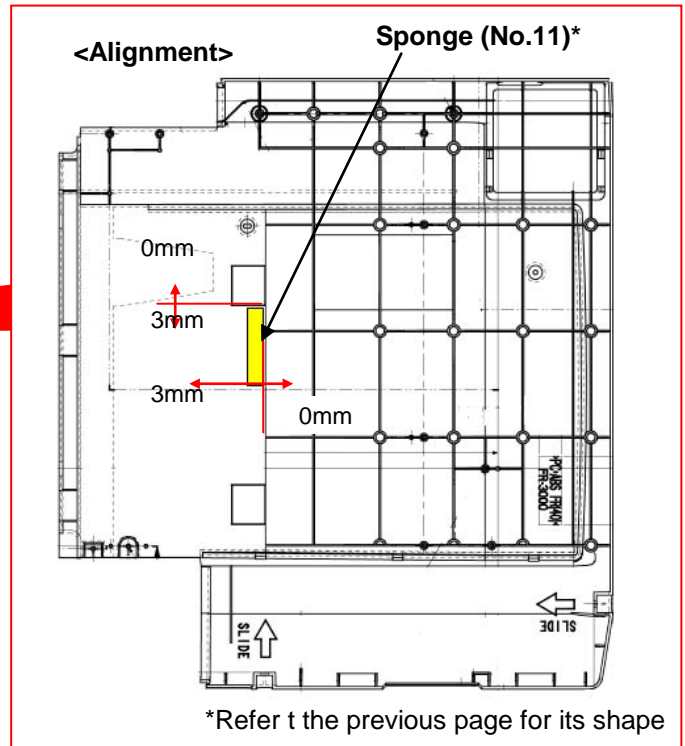
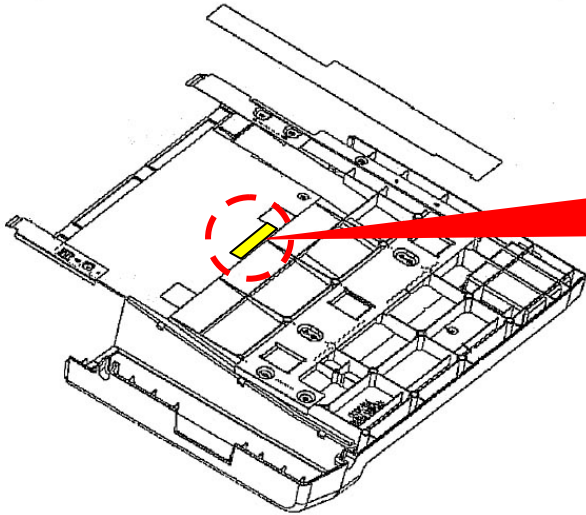
Align to rib: Gap 4±2mm  
 4±2mm  
 4±2mm  
 Align to rib: Gap 4±2mm

**<Sponge (No.13)>**



Size: 25 x 25 x 20 (mm)  
 Material: SM-55 (Black)

Affected model: DP-710

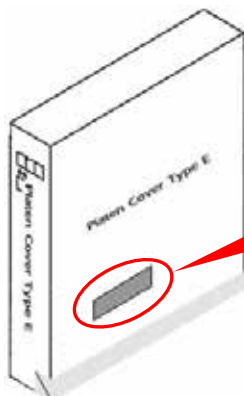


(-->)  
[Distinction of new optional platen cover (1202H70\*\*\*)]

<Outer case>



<Individual case>



(Revised Issue 1)  
**Service Bulletin**

[Serial numbers of the affected models]

**Change 1: Changed the regulation standard for the curve of the original mat**

DP-770(B)

KDA 1203NV6US1 LFD3200001	KDE 1203NV5NL1 LFC3200001	OLIVETTI 1203NV5LV2 LGL3200001	OLIVETTI (Consp20) 1203NV5LV3 LGP3200001	UTAX 1203NV5UT1 LFU3300001	KDAU 1203NV5AS1 LFA3200001	KDCN 1203NV5KS1 LG83200001
KDKR 1203NV5KR1 LG23300055						

DP-771

KDA 1203NW6US0 NES3230576	KDE 1203NW5NL0 NER3210151	OLIVETTI 1203NW5LV0 NKG3200781	UTAX 1203NW5UT0 NFX3201913	KDAU 1203NW5AS0 NEP3103854	KDCN 1203NW5KS0 NL93500382	KDKR 1203NW5KR0 NGR Next
---------------------------------	---------------------------------	--------------------------------------	----------------------------------	----------------------------------	----------------------------------	--------------------------------

DP-772

KDA 1203P26US0 L8R3200001	KDE 1203P25NL0 L8Q3200004	OLIVETTI 1203P25LV0 LK8 Next	UTAX 1203P25UT0 LEN3500001	KDAU 1203P25AS0 L8N3200001	KDCN 1203P25KS0 LJV Next	KDKR 1203P25KR0 LJX Next
---------------------------------	---------------------------------	------------------------------------	----------------------------------	----------------------------------	--------------------------------	--------------------------------

TASKalfa 7550ci

KDA 1102K92US0 N4D3300564	CPY 1102K92CS0 NH63300121	KDA GSA 1102K92US1 NLM Next	KDBR 1102K92BR0 NJG Next	KDA 220V 1102K94US0 NH7 Next	KDE 1102K93NL0 N4E3300514	UTAX 1102K93UT0 N4G3500068
KDAU 1102K93AS0 N4F3300120	KDAS 1102K93AX0 NQ3 Next	KDCN 1102K93KS0 NY3 Next	KDTW 1102K9TTW0 NQ8 Next			

TASKalfa 6550ci

KDA 1102LB2US0 N4J3300889	CPY 1102LB2CS0 NH93300323	KDA GSA 1102LB2US1 NLN Next	KDBR 1102LB2BR0 NJF Next	KDA 220V 1102LB4US0 NHC Next	KDE 1102LB3NL0 N4K3300695	UTAX 1102LB3UT0 N4M3300164
KDAU 1102LB3AS0 N4L Next	KDAS 1102LB3AX0 NQ23500043	KDCN 1102LB3KS0 NY43500015	KDTW 1102LBTTW0 NQ73400005			

TASKalfa 2550ci

KDA 1102MV2US0 L293502012	CPY 1102MV2CS0 L3P Next	KDA GSA 1102MV2US1 L59 Next	KDBR 1102MV2BR0 L3U Next	KDA 220V 1102MV4US0 L3V Next	KDE 1102MV3NL0 NUZ3412767	OLIVETTI 1102MV3LV0 L7D Next
UTAX 1102MV3UT0 NZC3404623	KDAU 1102MV3AS0 L2A3500443	KDCN 1102MV3KS0 L2J3500564	KDKR 1102MV3KR0 L2H Next	KDTW 1102MVTTW0 L2N Next	KDID 1102MV3ND0 L2K Next	KDSG 1102MV3SG0 L2L3500313
KDTH 1102MV3TH0 L2M Next						





(Revised Issue 1)  
**Service Bulletin**

**TASKalfa 256ci/FS-C8525MFP**

KDA 1102MY2US0 NX8 Next	CPY 1102MY2CS0 NXR Next	KDBR 1102MY2BR0 NXN Next	KDA 220V 1102MY4US0 NXJ Next	KDE 1102MY3NL0 NXA3501922	OLIVETTI 1102MY3LV0 L4R Next	UTAX 1102MY3UT0 L1Z Next
KDAU 1102MY3AS0 NX9 Next	KDCN 1102MY3KS0 L3C Next	KDKR 1102MY3KR0 L3B Next	KDTW 1102MYTTW0 L3G Next	KDID 1102MY3ND0 L3D Next	KDSG 1102MY3SG0 L3E Next	KDTH 1102MY3TH0 L3F Next
Philcopy 220V 1102MY4PH0 L4D Next						

**TASKalfa 206ci/FS-C8520MFP**

KDA 1102MZ2US0 NXC Next	CPY 1102MZ2CS0 NXQ Next	KDBR 1102MZ2BR0 NXP Next	KDA 220V 1102MZ4US0 NXK Next	KDE 1102MZ3NL0 NXE3503119	OLIVETTI 1102MZ3LV0 L4Q3500491	UTAX 1102MZ3UT0 L213500694
KDAU 1102MZ3AS0 NXD3500548	KDCN 1102MZ3KS0 L3J3502165	KDKR 1102MZ3KR0 L3H Next	KDTW 1102MZTTW0 L3N Next	KDID 1102MZ3ND0 L3K Next	KDSG 1102MZ3SG0 L3L3500388	KDTH 1102MZ3TH0 L3M3500118
Philcopy 220V 1102MZ4PH0 L4E Next						

**(-->) TASKalfa 8000i**

KDA 1102LF2US0 N4P3302015	CPY 1102LF2CS0 NHE3300605	KDA 1102LF2US1 NLP Next	KDBR 1102LF2BR0 NJE Next	KDA 220V 1102LF4US0 NHF3300016	KDE 1102LF3NL0 N4Q3301364	OLIVETTI 1102LF3LV0 NK13300209
CD 1480/DC 2480 1102LF3UT0 N4S3300253	KDAU 1102LF3AS0 N4R3300106	KDCN 1102LF3KS0 NKP3300128	KDKR 1102LF3KR0 NMQ3300027	KDTW 1102LFTTW0 NJQ3300005	KDSG 1102LF3SG0 NJK3300144	

**(-->) TASKalfa 6500i**

KDA 1102LG2US0 N4U3302944	CPY 1102LG2CS0 NHG3300911	KDA 1102LG2US1 NLQ Next	KDBR 1102LG2BR0 NJD Next	KDA 220V 1102LG4US0 NHH3300019	KDE 1102LG3NL0 N4V3301570	OLIVETTI 1102LG3LV0 NK23300179
CD 1465/DC 2465 1102LG3UT0 N4X3300406	KDAU 1102LG3AS0 N4W3300083	KDCN 1102LG3KS0 NKQ3300180	KDKR 1102LG3KR0 NMR3300050	KDTW 1102LGTW0 NJR3300017	KDSG 1102LG3SG0 NJL3300169	Philcopy 220V 1102LG4PH0 L9E Next

DP-770, DP-750/DP-750(B), DP-760/DP-760(B), DP-700, DP-710: Not currently produced.

Other models: From the next production.



(Revised Issue 1)  
**Service Bulletin**

**Change 2: Added the sponges correcting the curve**

DP-770(B)

KDA 1203NV6US1 LFD3403435	KDE 1203NV5NL1 LFC3507817	OLIVETTI 1203NV5LV2 LGL3500176	OLIVETTI (Consp20) 1203NV5LV3 LGP Next	UTAX 1203NV5UT1 LFU3401957	KDAU 1203NV5AS1 LFA3500647	KDCN 1203NV5KS1 LG83500879
KDKR 1203NV5KR1 LG23400401						

DP-771

KDA 1203NW6US0 NES3434146	KDE 1203NW5NL0 NER3511065	OLIVETTI 1203NW5LV0 NKG Next	UTAX 1203NW5UT0 NFX Next	KDAU 1203NW5AS0 NEP3404279	KDCN 1203NW5KS0 NL93500382	KDKR 1203NW5KR0 NGR Next
---------------------------------	---------------------------------	------------------------------------	--------------------------------	----------------------------------	----------------------------------	--------------------------------

DP-772

KDA 1203P26US0 L8R3500052	KDE 1203P25NL0 L8Q3500030	OLIVETTI 1203P25LV0 LK8 Next	UTAX 1203P25UT0 LEN3500001	KDAU 1203P25AS0 L8N3500002	KDCN 1203P25KS0 LJV Next	KDKR 1203P25KR0 LJX Next
---------------------------------	---------------------------------	------------------------------------	----------------------------------	----------------------------------	--------------------------------	--------------------------------

TASKalfa 7550ci

KDA 1102K92US0 N4D3500604	CPY 1102K92CS0 NH63500139	KDA GSA 1102K92US1 NLM Next	KDBR 1102K92BR0 NJG Next	KDA 220V 1102K94US0 NH7 Next	KDE 1102K93NL0 N4E3500559	UTAX 1102K93UT0 N4G3500069
KDAU 1102K93AS0 N4F3500132	KDAS 1102K93AX0 NQ3 Next	KDCN 1102K93KS0 NY3 Next	KDTW 1102K9TTW0 NQ8 Next			

TASKalfa 6550ci

KDA 1102LB2US0 N4J3500990	CPY 1102LB2CS0 NH93500383	KDA GSA 1102LB2US1 NLN Next	KDBR 1102LB2BR0 NJF Next	KDA 220V 1102LB4US0 NHC Next	KDE 1102LB3NL0 N4K3500746	UTAX 1102LB3UT0 N4M3500194
KDAU 1102LB3AS0 N4L Next	KDAS 1102LB3AX0 NQ23500045	KDCN 1102LB3KS0 NY43500024	KDTW 1102LBTTW0 NQ7 Next			

TASKalfa 8000i/6500i: To be informed later.

DP-770: Not currently produced.

# Service Bulletin

 Ref. No. **2MV-0015 (D099)**

&lt;Date&gt; May 21, 2013

<b>Subject</b>	<b>Corrective measures for the leading edge error, color registration shift and J401x/J4101/J4102/J4103/J4104 jams (correcting the wear of the middle transfer drive shaft)</b>
<b>Model</b>	<b>TASKalfa 2550ci, TASKalfa255c/FS-C8025MFP, TASKalfa205c/FS-C8020MFP, TASKalfa 256ci/FS-C8525MFP, TASKalfa 206ci/FS-C8520MFP</b>

The shaft at the one-way clutch that drive the middle transfer unit may be worn. Then, the drive may not be correctly delivered and the leading edge timing may fail, the color registration may shift, or JAM(\*) may occur. Thus, the following are changed.

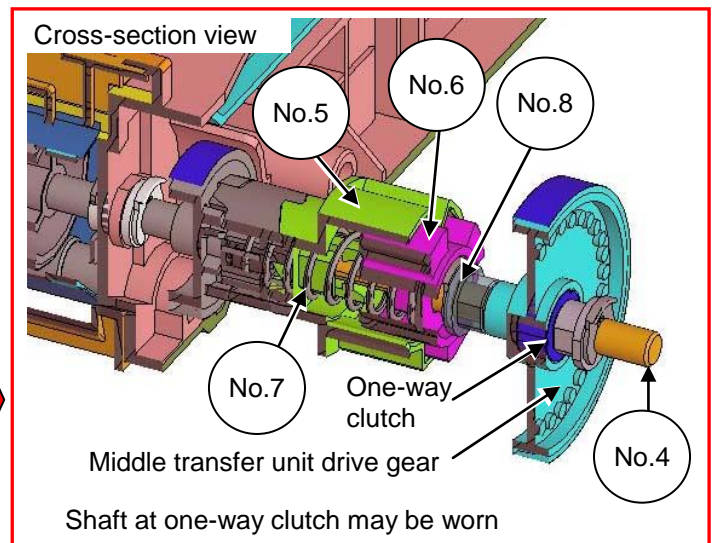
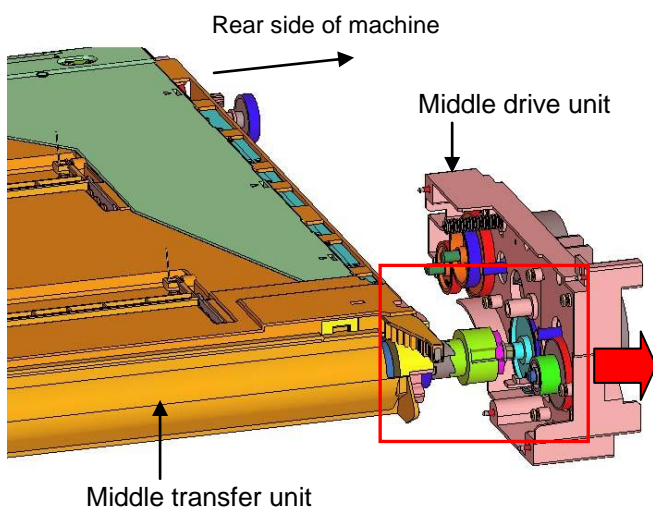
\*J4012/J4013/J4014: Registration sensor stay jam  
J4101/J4102/J4103/J4104 : Pre-fuser sensor non arrival jam

### (Supplement)

TASKalfa 255c/FS-C8025MFP and TASKalfa 205c/FS-C8020MFP **that do not use** the DV-896(302MY9\*\*\*\*) and the latest firmware of Upgrade Pack Ver.6.00 or later (Engine firm: 2K0\_1000.010.002 or later) do not use the function of the one-way clutch and the shaft wear does not occur.

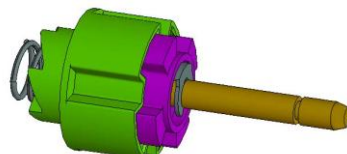
### <Content of changes>

- 1) In order to strengthen the shaft (No.4), the material is changed from SUM24L to SUS303 or SUS304.
- 2) According to this change, the assembly of the shaft (No.4) and its neighboring parts (No.5-8) is supplied and then supply of the individual parts of No.4-7 is discontinued.



### <PARTS DRIVE MIDDLE TRANS SP (No.3)>

Assembly of parts No.4-8 as shown in the cross-section view above



<b>KDC's Classification</b>	<input type="checkbox"/> Entire Stock Rework	<input type="checkbox"/> In-Field modification at next visit
<b>Field Measure:</b>	<input checked="" type="checkbox"/> In-Field modification by case	<input type="checkbox"/> No modification necessary
<b>Serial Nos. of Affected Machine:</b>	From May 2013 production on (Plan)*	
* The above is the plan at the present moment. Please note that there is a possibility of change after giving this information.		
N00072363	JAM4012/JAM4013/JAM4014/JAM4101/JAM4102/JAM4103/JAM4104	

# Service Bulletin

 Ref. No. **2MV-0015 (D099)**

&lt;Date&gt; May 21, 2013

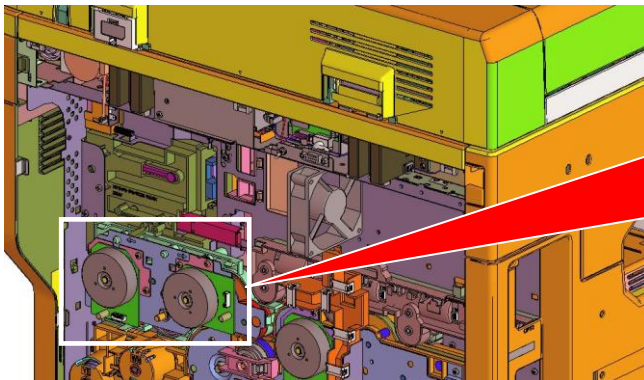
No.	Old Part No.	New Part No.	Description	Q'ty		Compati bi lity		Remarks
				Old	New	Old	New	
1	302K093130 2K093130	302K093131 2K093131	DR-895B	1	1	X	O	For other than KDKR
2	302K09K130 2K09K130	302K09K131 2K09K131	DR-895B(KR)	1	1	X	O	For KDKR
3	-----	302K094640 2K094640	+PARTS DRIVE MIDDLE TRANS SP	-	1	-	O	
4	302K031360 2K031360	-----	++ SHAFT MIDDLE TRANS	1	-	-	-	*1
5	302K031240 2K031240	-----	++ COUPLING MIDDLE TRANS A	1	-	-	-	*1
6	302K031250 2K031250	-----	++ COUPLING MIDDLE TRANS B	1	-	-	-	*1
7	302K031400 2K031400	-----	++ SPRING MIDDLE TRANS	1	-	-	-	*1
8	5MVX111DN003 2A806250	-----	++ RING STOPPER /A-49 FEED A4	1	-	-	-	*2

"+" mark at the beginning of the part name means it is a component parts.

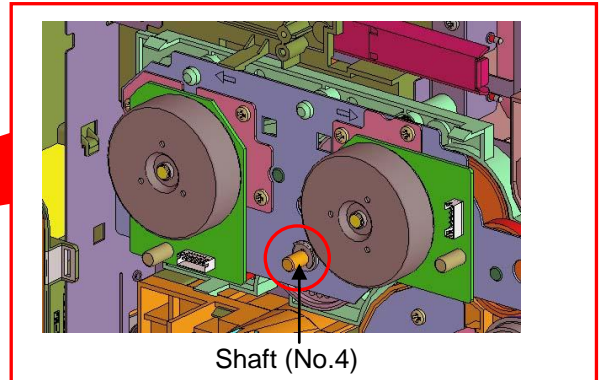
\*1: The individual parts of No.4-8 cannot be replaced. Then, supply of the individual parts is discontinued and the assembly (No.3) is supplied.

\*2: The parts for fixing COUPLING MIDDLE TRANS B (No.6) is supplied in the assembly (No.3).  
(However, supply of No.8 is continued since it is a common parts)

**[Distinction of the old and new shaft (No.4)]**---- Check with the figures below



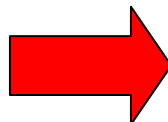
Rear side of machine



Shaft (No.4)

(Before) material: SUM24L

(After) material: SUS303 or SUS304



Change of chamfer (C0.5→C1.5)  
--- Rear side of machine

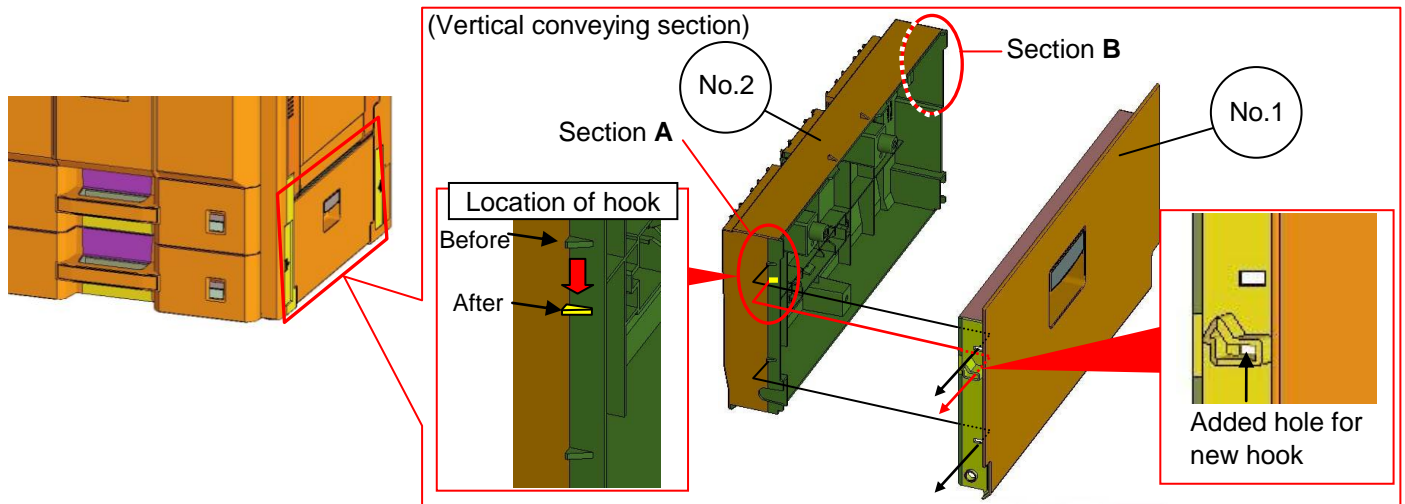
# Service Bulletin

 Ref. No. **2MV-0016 (D101)**

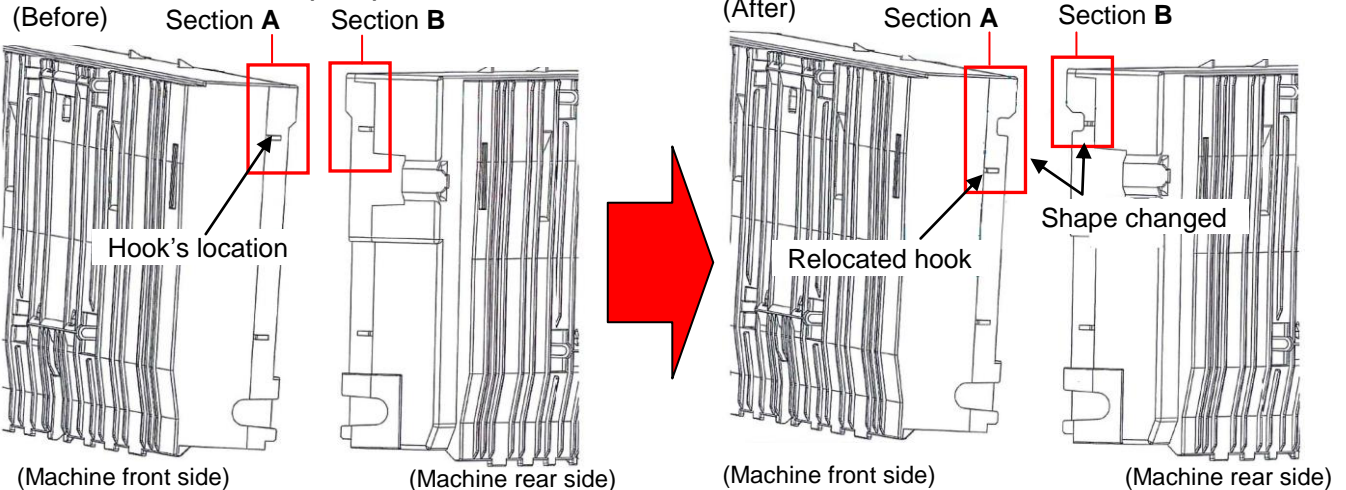
&lt;Date&gt; May 27, 2013

<b>Subject</b>	<b>Common use of parts (Change of the shape of the cover at the vertical conveying section)</b>
<b>Model</b>	<b>TASKalfa 2550ci</b>

The shape of COVER RIGHT LOW (No.1) and GUIDE COVER INNER (No.2) at the vertical conveying section and locations of the hooks are changed for common use with other models. According to this change, an attention is required when replacing the parts and refers to [Field Measure].



### <GUIDE COVER INNER (No.2)>



No.	Old Part No.	New Part No.	Description	Q'ty		Compati bi lity		Remarks
				Old	New	Old	New	
1	302MV04070 2MV04070	302MV04071 2MV04071	COVER RIGHT LOW	1	1	X	O	
2	302MV07050 2MV07050	302MV07051 2MV07051	GUIDE COVER INNER	1	1	X	X	

(Note) Use the new parts for the next development models

<b>KDC's Classification</b>	<input type="checkbox"/> Entire Stock Rework <input checked="" type="checkbox"/> In-Field modification by case	<input type="checkbox"/> In-Field modification at next visit <input type="checkbox"/> No modification necessary
<b>Field Measure:</b>	Use the old No.2 with the old No.1 when replacing the parts. The new No.1 can be used with either the old or new No.2.	
<b>Serial Nos. of Affected Machine:</b>	After using up the old stock.	

N00071861/N00071863



# Service Bulletin

 Ref. No. **COM-0287 (D102)**

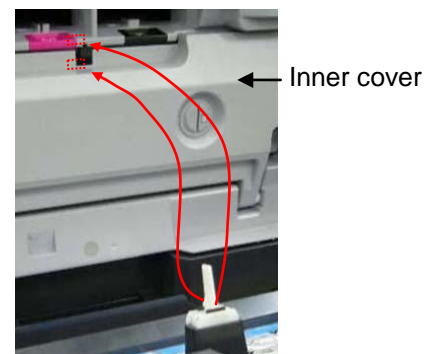
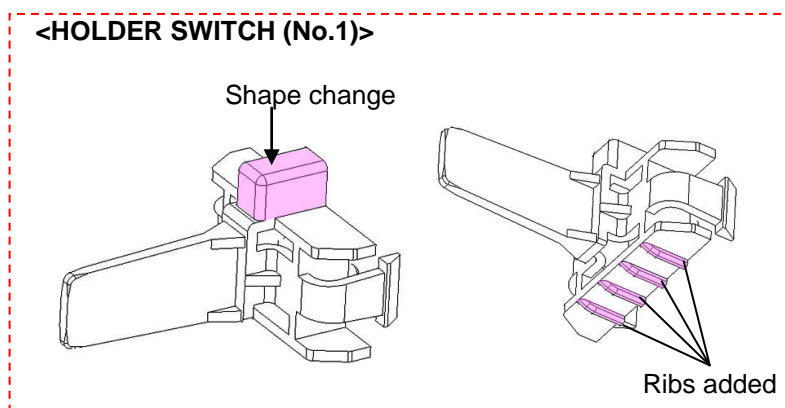
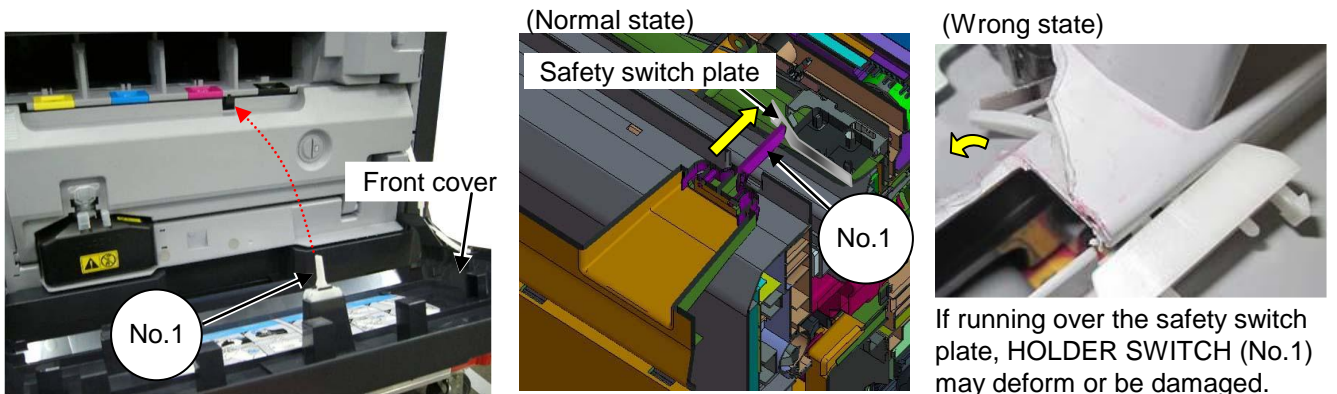
&lt;Date&gt; May 27, 2013

<b>Subject</b>	<b>Corrective measures for the in-transit damage of HOLDER SWITCH on the front cover</b>
<b>Model</b>	<b>TASKalfa 2550ci, TASKalfa 306i/FS-6530MFP, TASKalfa 256i/FS-6525MFP, TASKalfa305/FS-6030MFP, TASKalfa255/FS-6025MFP, TASKalfa255b/FS-6025MFP/B, TASKalfa 300i, KM-2560, KM-3060, KM-2540, KM-3040</b>

\* For others than the TASKalfa 2550ci, this is common parts change information only  
(The phenomenon below does not occur with different configuration)

When the machine is in transit without toner containers installed inside the machine, if the front cover is pushed toward the machine inside in excess, HOLDER SWITCH (No.1) may run over the safety switch plate and be damaged. Thus, the shape of HOLDER SWITCH (No.1) is changed so that it is not pushed in.

(Note) In the normal operation with the toner containers installed, HOLDER SWITCH (No.1) is held by them and pressure of the front cover is reduced and then, the above phenomenon does not occur.



The shape of HOLDER SWITCH (No.1) is changed to contact the inner cover and prevent it from being pushed in.

No.	Old Part No.	New Part No.	Description	Q'ty		Compa bi li ty		Remarks
				Old	New	Old	New	
1	302H004651 2H004651	302H004652 2H004652	HOLDER SWITCH	1	1	X (*1)	O	

\*1: Use the new parts for the TASKalfa 2550ci. For other models, either the old or new parts may be used.

# Service Bulletin

Ref. No. **COM-0287 (D102)**

&lt;Date&gt; May 27, 2013

<b>KDC's Classification</b>	<input type="checkbox"/> Entire Stock Rework	<input type="checkbox"/> In-Field modification at next visit
	<input checked="" type="checkbox"/> In-Field modification by case	<input type="checkbox"/> No modification necessary
<b>Field Measure:</b>	No particular problem is expected at the normal use. In case the above phenomenon arises at delivery, replace with the counter-measure parts (New No.1). The old parts may be used if no re-shipment is planned.	
<b>Serial Nos. of Affected Machine:</b>	TASKalfa 2550ci : Planned from May 2013 production* Others: After using up the old stock	
* The above is the plan at the present moment. Please note that there is a possibility of change after giving this information.		

N00071692



# Service Bulletin

 Ref. No. **2MV-0017 (D112)**

&lt;Date&gt; June 5, 2013

<b>Subject</b>	<b>Firmware upgrade (Upgrade Pack Ver. V6.00) (ENHANCE Pack Ver V1.2)</b>
<b>Model</b>	<b>TASKalfa 2550ci, FAX SYSTEM(W)</b>

## <Main content of changes>

1. Switch of the density setting for the monochrome copy
2. Toner drop prevention
3. Support for FRPO INIT
4. Corrective measures for the F000/F245 error at a certain environment
5. Support for the job ID change
6. Corrective measures for the Processing Lock-up with a certain file
7. Corrective measures for the Big5 font failure
8. Corrective measures for the solid black image with a certain data

&lt;Please refer to the next page and after for other changes and details.&gt;

Type JUPITER	Program No.	VER.	Remarks	
<b>Upgrade Pack Ver.</b>	<b>2MV_V6.00*</b>		<a href="#">Link</a>	<b>β New Upgrade</b>
MAIN	2MV_2F00.006.007	006.007		<b>β New Upgrade</b>
MMI	2MV_7000.006.004	006.004		<b>β New Upgrade</b>
ENGINE	2MV_1000.008.003	008.003		<b>β New Upgrade</b>
LANGUAGE BR	2MV_81BR.001.010	001.010		
LANGUAGE KR	2MV_81KR.001.003	001.003	For KDKR *1	
LANGUAGE CN	2MV_81CN.001.004	001.004	For KDCN *1	
LANGUAGE TW	2MV_81TW.001.003	001.003	For KDTW*1	
BROWSER	2LC_F000.002.001	002.001		<b>β New Upgrade</b>
PDF RESORCE	2LC_J000.001.026	001.026		
IO	2MV_1E00.001.002	001.002		
SCANNER	2MV_1200.004.001	004.001		
VIDEO	2MV_1800.001.009	001.009		
IH	2LC_1A00.002.001	002.001		
LSU	2MV_1C00.002.001	002.001		
DP	2MV_9500.003.001	003.001	*2	
ESPECIAL	ES_SKIP.ON	-----		
COPY COLOR TABLE	2MV_K0AL.C01.003	C01.003	For Copy *1	
MLTCOLORTABLE	2MV_GZ00.001.002	001.002	For Printer *1	

For KD sales companies, it is possible to download firmware through Knowledge Cabi-NET.

When upgrading firmware or replacing board etc., please upgrade each firmware to the latest version at the same time.

\*1: The above firmware is not contained in the upgrade pack. Please individually download it from Knowledge Cabi-NET.

\*2: Please upgrade not DP firmware only, but the set of DP firmware and MAIN firmware.

(If upgrading it individually, DP may lock up.)

<b>KDC's Classification</b>	<input type="checkbox"/> Entire Stock Rework	<input type="checkbox"/> In-Field modification at next visit
	<input checked="" type="checkbox"/> In-Field modification by case	<input type="checkbox"/> No modification necessary
<b>Field Measure:</b> Please upgrade the firmware if the above phenomenon arises.		
<b>Serial Nos. of Affected Machine:</b> From the production in June 2013 on* (Plan)		
* The above is the plan at the present moment. Please note that there is a possibility of change after giving this information.		

 JAM0511,JAM0518,JAM4012,JAM4013,JAM4014,JAM4111,JAM4112,JAM4113,JAM4114,JAM4118,JAM4119,  
 JAM4211,JAM4212,JAM4213,JAM4214,JAM4218,JAM4219,JAM4311,JAM4312,JAM4313,JAM4314,JAM4319

# Service Bulletin

 Ref. No. **2MV-0017 (D112)**

&lt;Date&gt; June 5, 2013

Type ENHANCE	Program No.	VER.	Remarks	
ENHANCE Pack Ver.	<a href="#">2MVEN_V1.2</a>			<b>β New Upgrade</b>
PF-790	3N4_9000.003.001	003.001		
DF-470	5JS_9200.003.002	003.002		
AK-470	3NS_9B00.001.018	001.018		
FAX SYSTEM(W)	3N6_5400.B03.012	B03.012	For others than KDCN	<b>β New Upgrade</b>
FAX SYSTEM(W)	3N6_5600.Z02.001	Z02.001	For KDCN	
ESPECIAL	ES_SKIP.ON	-----		

No	Item	Contents	CTL
<b>Specification change</b>			
1	Switch of the density setting for the monochrome copy	<p>The maintenance mode is changed so that the density setting of the monochrome copy becomes switchable.</p> <p>[Change] Following mode is added to the maintenance mode U140 [Adjust developer bias]. [Image Preference] &gt; [copy] &gt; Select from +1, 0, -1. +1 : Vivid (Initial setting for KDA) 0 : Normal (Initial setting except KDA) -1 : Dull</p> <p>* Current setting is equal to +1. (The above value is displayed in the machine in field by upgrading the firmware.)</p>	679055 674504
2	Toner drop prevention	<p>The T/C control is changed as follows.</p> <ul style="list-style-type: none"> <li>• The T/C target upper limit is set up.</li> <li>• The correction for the difference between the developer temperature and outside temperature is set up for the T/C target value.</li> </ul>	819611
<b>Performance improvement</b>			
3	Corrective measures for the C6030/C6050/C6200 error  C6030: Broken fuser thermistor 1 wire C6050: Abnormally low fuser thermistor 1 temperature C6200: Broken fuser edge heater wire	<p>If the machine is left for a while after print or warm-up, the fuser service call error may appear. Thus, this is corrected.</p> <p>[Cause] The polygon motor is stopped and the fuser pressure is released in a minute after completing print or warm-up if Silent Mode is set to off (factory default setting), however, unnecessary timer cancellation is then issued. Depending on timing, the fuser control related timer is cancelled and the service call error appears since the fuser temperature does not rise.</p> <p>[Change] It is so changed that unnecessary timer cancellation is not issued in a minute after completing print or warm-up.</p>	
4	Support for FRPO INIT	<p>Network environment is initialized with FRPO INIT. Thus, this is corrected.</p>	814977 TO-13-029
5	Corrective measures for the F000/F245 error at a certain environment	<p>The F000 or F245 error may appear by merely connecting to network at a certain environment. Thus, this is corrected.</p>	677771 TO-13-020, KDA-D-1302-04
6	Support for the job ID change	<p>Several pages may not be printed by the change of the printer job ID. Thus, this is corrected.</p>	817750 TO-13-018, #1633347

# Service Bulletin

Ref. No. **2MV-0017 (D112)**

&lt;Date&gt; June 5, 2013

No	Item	Contents	CTL
7	Corrective measures for the Processing Lock-up with a certain file	If printing a user data with the Knet Direct Print or IC-Link via standard NIC Port910, it may lock up after print. Thus, this is corrected.	734768 TP-13-051, KDA-D-1302-10
8	Corrective measures for the Big5 font failure	When printing with the Big5 font, unexpected result may appear such as numbers are not be printed, and lower case characters are printed as the upper. Thus, this is corrected.	818303 655069 KDTW-SD-12-0903
9	Corrective measures for the solid black image with a certain data	The solid black image is printed with a certain PS data. Thus, this is corrected.	732154 TP-12-298, #1604528
10	Corrective measures for the image failure with a certain file	Undesired solid color images are partially added if printing a certain user file Thus, this is corrected.	732155 TP-12-282, NP-Z12086
11	Performance improvement with a certain file	It may take much time when directly printing a certain PDF file. Thus, this is corrected.	732156 TP-12-220, KDAU12-S16
12	Corrective measures for the system error F515	Corrected to prevent the system error F515 when printing out 1000 copies or more.	732160 TP-12-251, #1569630
13	Corrective measures for the abnormal image with a certain file	Logos and layouts are corrupted in the output with a certain file. Thus, this is corrected.	732161 TP-12-232, KDA-D-1209-09
14	Corrective measures for the abnormal font output with certain data	Fonts are partially output abnormally with certain PCL data. Thus, this is corrected.	732162 TP-12-206, # 1531612
15	Corrective measures for the abnormal image with a certain data	A solid black page may be printed when doing it with a certain data in a certain procedure. Thus, this is corrected.	732163 TP-12-188, KDAU12-S11
16	Machine operation at 0:00 a.m. midnight is disabled	The machine may unintentionally operate at midnight. Thus, this is corrected. The main firmware processes such as deleting unnecessary files, etc. and the engine firmware then may be turned on. Therefore, the timing for the engine firmware to watch signals is delayed. (100->200msec)	818212 674360
17	Corrective measures for the Processing error	Lock-up with Processing error may occur. Thus, this is corrected.	818213 TO-12-114, #1522184
18	Corrective measures for the Command Center error	An error may appear when sending e-mail from the Command Center. Thus, this is corrected. (pointed: 0x8009, 0x4201)	818253 TO-12-110, TA-S12-034
19	Support for the Java (DateFormat)	Even if German locale is directed for the Java (DateFormat), English locale is displayed. Thus, this is corrected.	816396 TO-12-180, EAra121220
21	Corrective measures for the print failure with MyQ (MyQ: European application)	Print with MyQ may fail after printing several documents. Thus, this is corrected.	818179 TO-12-181, TA-S12-065
22	Corrective measures for the registration failure when renewing the user list	When renewing the user list after initializing the hard disk and registering a user, the content is renewed but the registration failure message may appear. Thus, this is corrected.	859067
23	Correction of German translation in the FAX Address List	German FAX Address List (report) is corrected. FAX_Adressenliste_(Nr.) à FAX_Adressenliste_(Nr.) FAX_Adressenliste_(Index) à AX_Adressenliste_(Index)	818057 TO-13-047

# Service Bulletin

 Ref. No. **2MV-0017 (D112)**

&lt;Date&gt; June 5, 2013

No	Item	Contents	CTL																																																				
24	Change of the section where the registration sensor signal is ignored	Paper may curve with rotation speed difference between the registration roller and its upstream middle roller and it may turn off the registration sensor to cause the jam mis-sensing. Thus, the following is changed. [Change] The section is implemented before and after the registration sensor is turned on and off where the registration sensor signal is ignored to prevent the jam mis-sensing with curved paper (cassette 1-4)	819836																																																				
	The following jam may occur. <table border="0"> <tr> <td>Code</td> <td>Contents</td> <td></td> <td></td> </tr> <tr> <td>0511</td> <td>Multiple sheets in cassette 1</td> <td>4111</td> <td>Loop sensor stay jam (cassette 1)</td> </tr> <tr> <td>0518</td> <td>Multiple sheets in duplex section</td> <td>4112</td> <td>Loop sensor stay jam (cassette 2)</td> </tr> <tr> <td>4012</td> <td>Registration sensor stay jam (cassette 2)</td> <td>4113</td> <td>Loop sensor stay jam (cassette 3)</td> </tr> <tr> <td>4013</td> <td>Registration sensor stay jam (cassette 3)</td> <td>4114</td> <td>Loop sensor stay jam (cassette 4)</td> </tr> <tr> <td>4014</td> <td>Registration sensor stay jam (cassette 4)</td> <td>4118</td> <td>Loop sensor stay jam (duplex paper)</td> </tr> <tr> <td></td> <td></td> <td>4119</td> <td>Loop sensor stay jam (MP tray)</td> </tr> <tr> <td>4211</td> <td>Fuser eject sensor stay jam cassette 1)</td> <td>4311</td> <td>Duplex sensor stay jam (cassette 1)</td> </tr> <tr> <td>4212</td> <td>Fuser eject sensor stay jam (cassette 2)</td> <td>4312</td> <td>Duplex sensor stay jam (cassette 2)</td> </tr> <tr> <td>4213</td> <td>Fuser eject sensor stay jam (cassette 3)</td> <td>4313</td> <td>Duplex sensor stay jam (cassette 3)</td> </tr> <tr> <td>4214</td> <td>Fuser eject sensor stay jam (cassette 4)</td> <td>4314</td> <td>Duplex sensor stay jam (cassette 4)</td> </tr> <tr> <td>4218</td> <td>Fuser eject sensor stay jam (duplex paper)</td> <td>4319</td> <td>Duplex sensor stay jam (MP tray)</td> </tr> <tr> <td>4219</td> <td>Fuser eject sensor stay jam (MP tray)</td> <td></td> <td></td> </tr> </table>		Code	Contents			0511	Multiple sheets in cassette 1	4111	Loop sensor stay jam (cassette 1)	0518	Multiple sheets in duplex section	4112	Loop sensor stay jam (cassette 2)	4012	Registration sensor stay jam (cassette 2)	4113	Loop sensor stay jam (cassette 3)	4013	Registration sensor stay jam (cassette 3)	4114	Loop sensor stay jam (cassette 4)	4014	Registration sensor stay jam (cassette 4)	4118	Loop sensor stay jam (duplex paper)			4119	Loop sensor stay jam (MP tray)	4211	Fuser eject sensor stay jam cassette 1)	4311	Duplex sensor stay jam (cassette 1)	4212	Fuser eject sensor stay jam (cassette 2)	4312	Duplex sensor stay jam (cassette 2)	4213	Fuser eject sensor stay jam (cassette 3)	4313	Duplex sensor stay jam (cassette 3)	4214	Fuser eject sensor stay jam (cassette 4)	4314	Duplex sensor stay jam (cassette 4)	4218	Fuser eject sensor stay jam (duplex paper)	4319	Duplex sensor stay jam (MP tray)	4219	Fuser eject sensor stay jam (MP tray)			
Code	Contents																																																						
0511	Multiple sheets in cassette 1	4111	Loop sensor stay jam (cassette 1)																																																				
0518	Multiple sheets in duplex section	4112	Loop sensor stay jam (cassette 2)																																																				
4012	Registration sensor stay jam (cassette 2)	4113	Loop sensor stay jam (cassette 3)																																																				
4013	Registration sensor stay jam (cassette 3)	4114	Loop sensor stay jam (cassette 4)																																																				
4014	Registration sensor stay jam (cassette 4)	4118	Loop sensor stay jam (duplex paper)																																																				
		4119	Loop sensor stay jam (MP tray)																																																				
4211	Fuser eject sensor stay jam cassette 1)	4311	Duplex sensor stay jam (cassette 1)																																																				
4212	Fuser eject sensor stay jam (cassette 2)	4312	Duplex sensor stay jam (cassette 2)																																																				
4213	Fuser eject sensor stay jam (cassette 3)	4313	Duplex sensor stay jam (cassette 3)																																																				
4214	Fuser eject sensor stay jam (cassette 4)	4314	Duplex sensor stay jam (cassette 4)																																																				
4218	Fuser eject sensor stay jam (duplex paper)	4319	Duplex sensor stay jam (MP tray)																																																				
4219	Fuser eject sensor stay jam (MP tray)																																																						
<b>FAX SYSTEM(W)</b>		<b>Ver 3N6_5400.B03.010</b>																																																					
25	Corrective measures for the U01195 communication error	The U01195 communication error appears if the state of no receipt of images continues with a large noise impressed to the line at ECM. Thus, the time setting is changed. [Change] 18s à 60s	807086																																																				
		<b>Ver 3N6_5400.B03.012</b>																																																					
26	Support for installation of the new models	Product codes are added to support the following new models. TASKalfa 5551ci/4551ci/3551ci/3051ci/ 5501i/4501i/3501i	647275 815734																																																				

# Service Bulletin

Ref. No. **PCI-0330 (D115)**

[Parts Change Information]

<Date>

June 12, 2013

Subject	Parts Change Information
<b>Model</b>	TASKalfa 5551ci, TASKalfa 4551ci, TASKalfa 3551ci, TASKalfa 3051ci, TASKalfa 5501i, TASKalfa 4501i, TASKalfa 3501i, TASKalfa 7550ci, TASKalfa 6550ci, TASKalfa 5550ci, TASKalfa 4550ci, TASKalfa 3550ci, TASKalfa 3050ci, TASKalfa 5500i, TASKalfa 4500i, TASKalfa 3500i, TASKalfa 8000i, TASKalfa 6500i, FS-C8650DN, FS-C8600DN, TASKalfa 500ci, TASKalfa 400ci, TASKalfa 300ci, TASKalfa 250ci, TASKalfa 552ci, FS-C8500DN, TASKalfa 2550ci, TASKalfa 300i, KM-2560*, KM-3060*, KM-2540*, KM-3040*, KM-C2520, KM-C3225, KM-C3232, KM-C2525E, KM-C3225E*, KM-C3232E, KM-C4035E, TASKalfa 520i, TASKalfa 420i, KM-3050, KM-4050*, KM-5050*, PF-740/PF-740(B),PF-790

Affected models

\* Common with the CHUNGHO brand.

PF-740	TASKalfa 7550ci/6550ci, TASKalfa 5550ci/4550ci/3550ci/3050ci, TASKalfa 8000i/6500i, TASKalfa 5500i/4500i/3500i, FS-C8650DN, FS-C8600DN
PF-740(B)	TASKalfa 7550ci/6550ci, TASKalfa 5550ci/4550ci/3550ci/3050ci, TASKalfa 8000i/6500i, TASKalfa 5500i/4500i/3500i, FS-C8650DN, FS-C8600DN, TASKalfa 5551ci/4551ci/3551ci/3051ci, TASKalfa 5501i/4501i/3501i and the next development high speed model.
PF-790	TASKalfa 2550ci

The following parts are changed.

### P3 <Parts number change (PLATE PULLEY)>

TASKalfa 7550ci, TASKalfa 6550ci,  
 TASKalfa 5550ci, TASKalfa 4550ci, TASKalfa 3550ci, TASKalfa 3050ci,  
 TASKalfa 8000i, TASKalfa 6500i, TASKalfa 5500i, TASKalfa 4500i, TASKalfa 3500i,  
 KM-C2520, KM-C3225, KM-C3232, KM-C2525E, KM-C3225E, KM-C3232E, KM-C4035E,  
 TASKalfa 500ci, TASKalfa 400ci, TASKalfa 300ci, TASKalfa 250ci, TASKalfa 552ci,  
 TASKalfa 520i, TASKalfa 420i, KM-3050, KM-4050, KM-5050

### P3 <(For KDKR only) Parts Number Information>

TASKalfa 3550ci, TASKalfa 3050ci, TASKalfa 5500i, TASKalfa 4500i, TASKalfa 3500i,  
 TASKalfa 2550ci, TASKalfa 400ci, TASKalfa 300ci, TASKalfa 250ci, TASKalfa 552ci,  
 FS-C8500DN, TASKalfa 300i, KM-2560, KM-3060, KM-2540, KM-3040

### P4 <Common use of the parts (SHIELD BOX)>

TASKalfa 5551ci, TASKalfa 4551ci, TASKalfa 3551ci, TASKalfa 3051ci,  
 TASKalfa 5501i, TASKalfa 4501i, TASKalfa 3501i

### P5-6 <Common use of the parts (Conveying, drum, intermediate transfer unit, etc.)>

TASKalfa 7550ci, TASKalfa 6550ci,  
 TASKalfa 5550ci, TASKalfa 4550ci, TASKalfa 3550ci, TASKalfa 3050ci,  
 TASKalfa 8000i, TASKalfa 6500i, TASKalfa 5500i, TASKalfa 4500i, TASKalfa 3500i,  
 FS-C8650DN, FS-C8600DN

# Service Bulletin

[Parts Change Information]

Ref. No. **PCI-0330 (D115)**

&lt;Date&gt;

June 12, 2013

**P7 <Improving the margin of fixation of the controller fan>**

TASKalfa 7550ci, TASKalfa 6550ci,  
TASKalfa 5550ci, TASKalfa 4550ci, TASKalfa 3550ci, TASKalfa 3050ci,  
TASKalfa 8000i, TASKalfa 6500i, TASKalfa 5500i, TASKalfa 4500i, TASKalfa 3500i,

**P8 <Improving the surface level of the exterior covers  
(Change of the shape of COVER REAR UPPER) >**

TASKalfa 7550ci, TASKalfa 6550ci,  
TASKalfa 5550ci, TASKalfa 4550ci, TASKalfa 3550ci, TASKalfa 3050ci,  
TASKalfa 8000i, TASKalfa 6500i, TASKalfa 5500i, TASKalfa 4500i, TASKalfa 3500i,  
FS-C8650DN, FS-C8600DN

**P8 <Common use of the parts (RAIL HF LOWER)  
(Optional paper feeder and Large capacity feeder)>**

PF-740/PF-740(B), TASKalfa 7550ci, TASKalfa 6550ci, TASKalfa 8000i, TASKalfa 6500i

**P9-10 <Common use of the parts>**

TASKalfa 7550ci, TASKalfa 6550ci, TASKalfa 8000i, TASKalfa 6500i

**P10 <Common use of the parts>**

TASKalfa 5550ci, TASKalfa 4550ci, TASKalfa 3550ci, TASKalfa 3050ci,  
TASKalfa 5500i, TASKalfa 4500i, TASKalfa 3500i, TASKalfa 2550ci

**P11 <(Except KDCN and KDKR) Common use of the parts (fuser unit change)>**

TASKalfa 5550ci, TASKalfa 4550ci, TASKalfa 3550ci, TASKalfa 3050ci,  
FS-C8650DN, FS-C8600DN

**P11 <Common use of the parts (MOUNT SCANNER RIGHT and MOUNT OPTION)>**

TASKalfa 2550ci

**P12 <Common use of the parts (GEAR Z40R IDLE)>**

TASKalfa 2550ci, PF-790

**P12 <Common use of the parts (HOLDER CORD RIGHT)>**

TASKalfa 2550ci



# Service Bulletin

## [Parts Change Information]

 Ref. No. **PCI-0330 (D115)**

&lt;Date&gt;

June 12, 2013

### <Parts number change (PLATE PULLEY)>

TASKalfa 7550ci, TASKalfa 6550ci,  
 TASKalfa 5550ci, TASKalfa 4550ci, TASKalfa 3550ci, TASKalfa 3050ci,  
 TASKalfa 8000i, TASKalfa 6500i, TASKalfa 5500i, TASKalfa 4500i, TASKalfa 3500i,  
 KM-C2520, KM-C3225, KM-C3232, KM-C2525E, KM-C3225E\*, KM-C3232E, KM-C4035E,  
 TASKalfa 500ci, TASKalfa 400ci, TASKalfa 300ci, TASKalfa 250ci, TASKalfa 552ci,  
 TASKalfa 520i, TASKalfa 420i, KM-3050, KM-4050\*, KM-5050\*

\* Common with the CHUNGHO brand

The parts number of PLATE PULLEY (No.1) is changed for the parts management reason.  
 (The new and old parts don't differ.)

No.	Old Part No.	New Part No.	Description	Q'ty		Com pat i bility		Remarks
				Old	New	Old	New	
1	302GR17860 2GR17860	302GR17861 2GR17861	PLATE PULLEY	2	2	○	○	

N00071487

### <(For KDKR only) Parts Number Information>

TASKalfa 3550ci, TASKalfa 3050ci, TASKalfa 5500i, TASKalfa4500i, TASKalfa 3500i,  
 TASKalfa 2550ci, TASKalfa 400ci, TASKalfa 300ci, TASKalfa 250ci, TASKalfa 552ci,  
 FS-C8500DN, TASKalfa 300i, KM-2560, KM-3060, KM-2540, KM-3040

Service parts for KDKR without the country-of-origin indication are unified to the ones for other spec.

No.	Old Part No.	New Part No.	Description	Q'ty		Com pat i bility		Remarks
				Old	New	Old	New	
1	302LK9K070 2LK9K070	302LK93070 2LK93070	PARTS STORAGE DEVICE SP(KR)	1	1	○	○	*1
2	302LH9K070 2LH9K070	302LH93070 2LH93070	PARTS STORAGE DEVICE SP(KR)	1	1	○	○	*2
3	302MV9K130 2MV9K130	302MV93130 2MV93130	PARTS STORAGE DEVICE SP(KR)	1	1	○	○	*3
4	302H79K080 2H79K080	302H793080 2H793080	PARTS MOTOR DRUM	1	1	○	○	*4
5	302H79K091 2H79K091	302KY94100 2KY94100	PARTS MOTOR DLP SP	1	1	○	○	*5
6	302H79K101 2H79K101	302KY94110 2KY94110	PARTS MOTOR CLN SP	1	1	○	○	*5
7	302H79K120 2H79K120	302KY94080 2KY94080	PARTS MOTOR MPF SP	1	1	○	○	*5
8	302JZ9K160 2JZ9K160	302JZ93160 2JZ93160	PARTS HDD UNIT LOW	1	1	○	○	*6
9	302JZ9K230 2JZ9K230	302JZ93310 2JZ93310	PARTS MOTOR FEED L	1	1	○	○	*6
10	302K59K040 2K59K040	302K593040 2K593040	PARTS HDD	1	1	○	○	*7
11	302H09K290 2H09K290	302H093290 2H093290	PARTS LVU 200	1	1	○	○	

N00068355

\*1: TASKalfa 3550ci/3050ci

\*3: TASKalfa 2550ci

\*5: TASKalfa 400ci/300ci/250c

\*7: TASKalfa 300i

\*2: TASKalfa 5500i/4500i/3500i

\*4: TASKalfa 400ci/300ci/250ci, TASKalfa 552ci, FS-C8500DN

\*6: TASKalfa 300ci/250c

\*8: TASKalfa 300i, KM-2560/3060/2540/3040

# Service Bulletin

[Parts Change Information]

Ref. No. **PCI-0330 (D115)**

<Date>

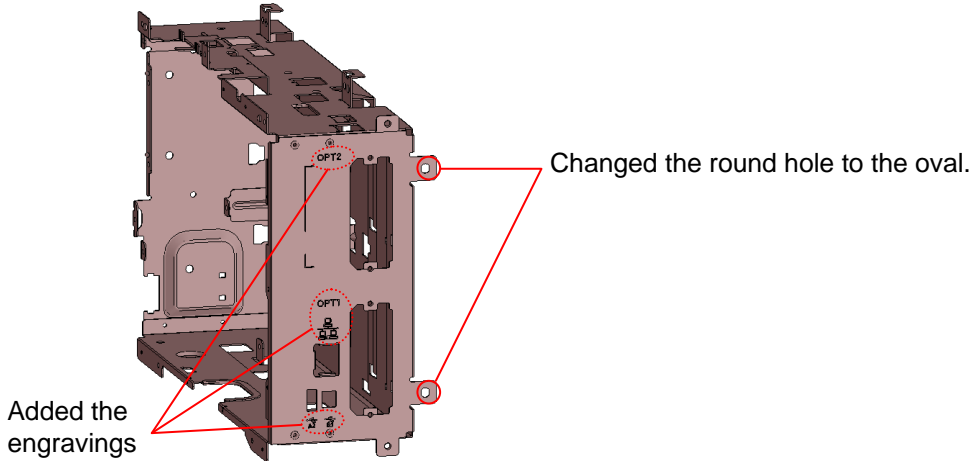
June 12, 2013

**<Common use of the parts (SHIELD BOX) --> After using up the old stock>**

TASKalfa 5551ci, TASKalfa 4551ci, TASKalfa 3551ci, TASKalfa 3051ci,  
TASKalfa 5501i, TASKalfa 4501i, TASKalfa 3501i

The shape of SHIELD BOX (No.1) is changed for common use of the parts.

**<New SHIELD BOX (No.1)>** (Following is the machine left side)



No.	Old Part No.	New Part No.	Description	Q'ty		Com pat i bility		Remarks
				Old	New	Old	New	
1	302N439010 2N439010	302N439011 2N439011	SHIELD BOX	1	1	○	○	

N00071312

(Note) Please use the new parts for the next development high-speed model.

# Service Bulletin

[Parts Change Information]

Ref. No. **PCI-0330 (D115)**

<Date>

June 12, 2013

**<Common use of the parts (Conveying, drum, intermediate transfer unit, etc.)**

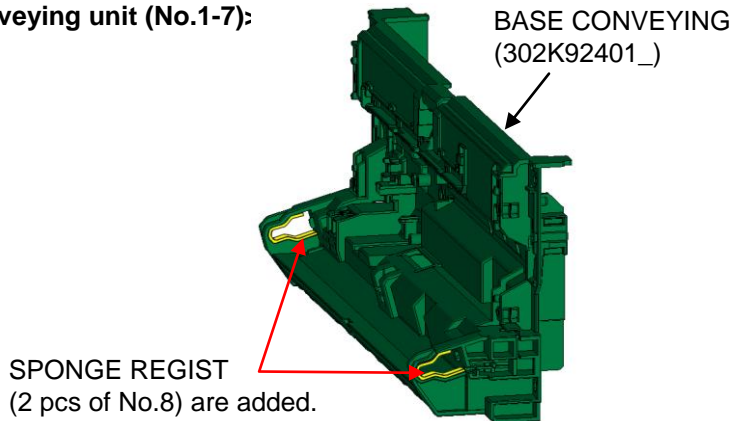
**--> After using up the old stock**

TASKalfa 7550ci, TASKalfa 6550ci,  
 TASKalfa 5550ci, TASKalfa 4550ci, TASKalfa 3550ci, TASKalfa 3050ci,  
 TASKalfa 8000i, TASKalfa 6500i, TASKalfa 5500i, TASKalfa 4500i, TASKalfa 3500i,  
 FS-C8650DN, FS-C8600DN

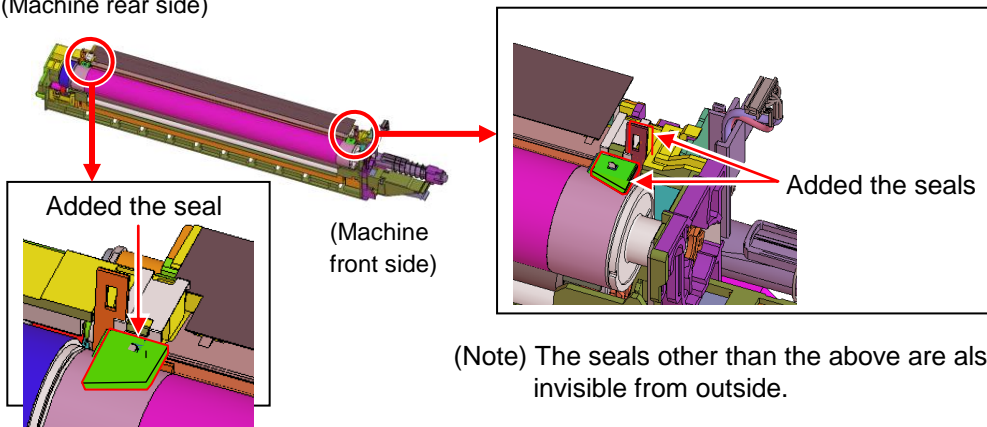
The parts such as the conveying unit, drum unit, intermediate transfer unit are changed as below for common use of the parts.

- 1) Conveying unit (No.1-7): Added SPONGE REGIST (2 pcs of No.8).
- 2) Drum unit (No.9-11): Added the seals. (The seals are not supplied to field as individual parts.)
- 3) Intermediate transfer unit (No.12, 13): Added the seal. (The seal is not supplied to field as individual parts.)
- 4) FILM FRAME UPPER CL (No.14): Changed the shape.
- 5) FILM FRAME UPPER BK (No.15): Changed the shape.

**<Conveying unit (No.1-7):**



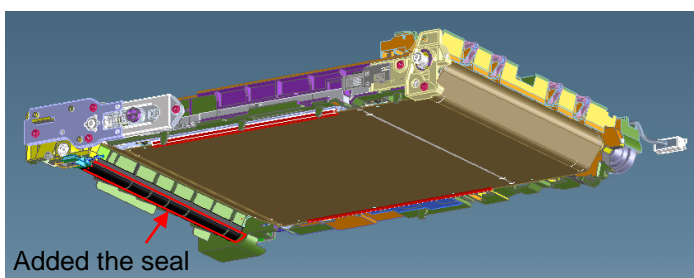
**<Drum unit (No.9-11)>** (TASKalfa 5550ci/4550ci/3550ci/3050ci, FS-C8650DN, FS-C8600DN only)  
 (Machine rear side)



(Note) The seals other than the above are also added while they are invisible from outside.

**<Intermediate transfer belt unit (No.12, 13)>**

(TASKalfa 5550ci/4550ci/3550ci/3050ci, FS-C8650DN, FS-C8600DN only)



# Service Bulletin

## [Parts Change Information]

 Ref. No. **PCI-0330 (D115)**

&lt;Date&gt;

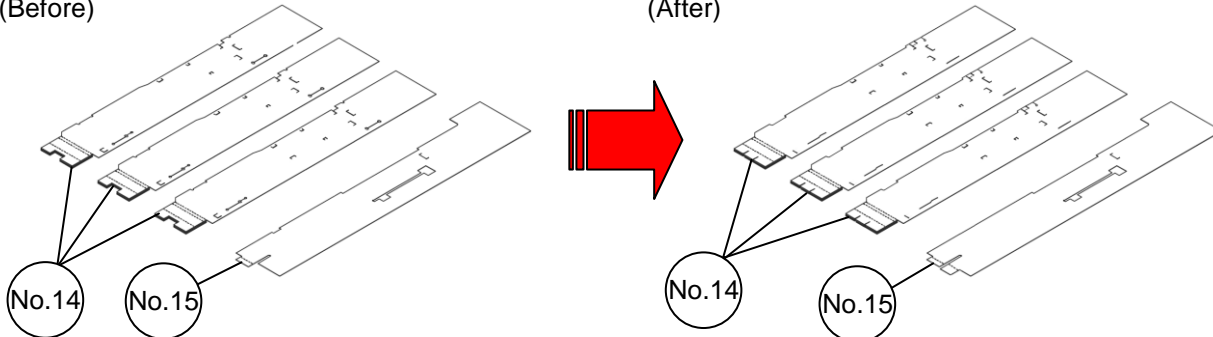
June 12, 2013

### <FILM FRAME UPPER CL/BK (No.14/15)>

(TASKalfa 5550ci/4550ci/3550ci/3050ci, FS-C8650DN, FS-C8600DN only)

(Before)

(After)



No.	Old Part No.	New Part No.	Description	Q'ty		Com pat i bility		Remarks
				Old	New	Old	New	
1	302K994653 2K994653	302K994654 2K994654	PARTS CONVEYING UNIT(M) SP	1	1	○	○	Color MFP 75/65ppm
2	302LC94054 2LC94054	302LC94055 2LC94055	PARTS CONVEYING H UNIT(V) SP	1	1	○	○	Color MFP 55/45ppm
3	302LK94023 2LK94023	302LK94024 2LK94024	PARTS CONVEYING UNIT(V LOW) SP	1	1	○	○	Color MFP 35/30ppm
4	302LF94052 2LF94052	302LF94053 2LF94053	PARTS CONVEYING H UNIT(Z) SP	1	1	○	○	B/W MFP 80/65ppm
5	302LH94042 2LH94042	302LH94044 2LH94044	PARTS CONVEYING H UNIT(G) SP	1	1	○	○	B/W MFP 55/45ppm
6	302LL94012 2LL94012	302LL94014 2LL94014	PARTS CONVEYING L UNIT(G) SP	1	1	○	○	B/W MFP 35ppm
7	302MN94040 2MN94040	302MN94041 2MN94041	PARTS CONVEYING UNIT SP	1	1	○	○	Color Printer
8	-----	302N424010 2N424010	+SPONGE REGIST	-	2	-	○	Added to No.1-7.
9	302LC93013 2LC93013	302LC93014 2LC93014	DK-8505	4	4	○	○	*1 (Except KDCN/KDKR)
10	302LC9C013 2LC9C013	302LC9C014 2LC9C014	DK-8505	4	4	○	○	*1 (KDCN)
11	302LC9K013 2LC9K013	302LC9K014 2LC9K014	DK-8505 (KR)	4	4	○	○	*1 (KDKR)
12	302LC93106 2LC93106	302LC93107 2LC93107	TR-8505	1	1	○	○	*1 (Except KDKR)
13	302LC9K105 2LC9K105	302LC9K106 2LC9K106	TR-8505(KR)	1	1	○	○	*1 (KDKR)
14	302LC02750 2LC02750	302LC02752 2LC02752	FILM FRAME UPPER CL	3	3	○	○	*1
15	302LC02740 2LC02740	302LC02741 2LC02741	FILM FRAME UPPER BK	1	1	○	○	*1

N00071737/N00072200/N00072542/N00071978/N00071706/N00071900

(Note) Please use the new parts for TASKalfa 5551ci/4551ci/3551ci/3051ci, TASKalfa 5501i/4501i/3501i and the next development high speed model.

\*1: TASKalfa 5550ci/4550ci/3550ci/3050ci, FS-C8650DN, FS-C8600DN

# Service Bulletin

[Parts Change Information]

Ref. No. **PCI-0330 (D115)**

<Date>

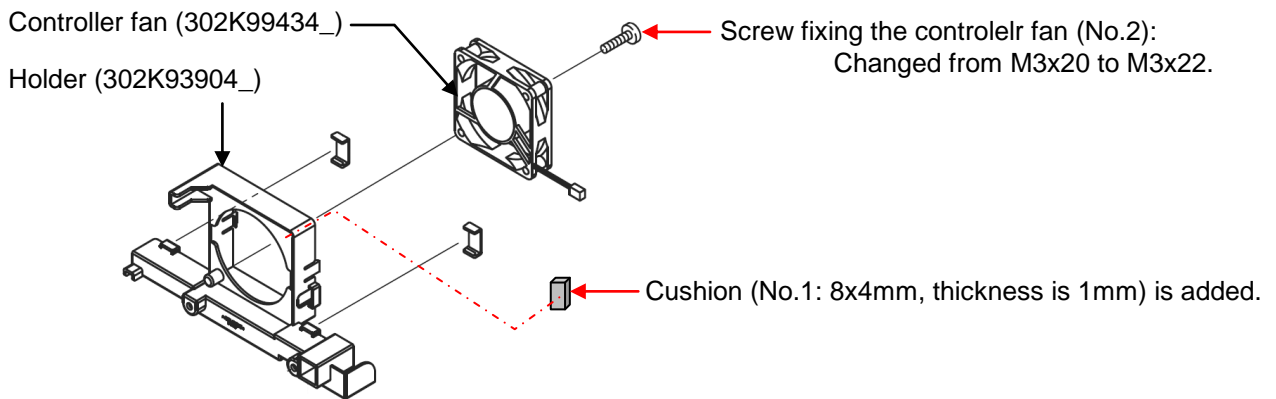
June 12, 2013

**<Improving the margin of fixation of the controller fan --> After using up the old stock>**

TASKalfa 7550ci, TASKalfa 6550ci,  
 TASKalfa 5550ci, TASKalfa 4550ci, TASKalfa 3550ci, TASKalfa 3050ci,  
 TASKalfa 8000i, TASKalfa 6500i, TASKalfa 5500i, TASKalfa 4500i, TASKalfa 3500i,

Followings are changed for improving the margin of fixation of the controller fan (302K99434\_).

- 1) Added the cushion (No.1) to where the controller fan is fitted on the holder (302K93904\_).
- 2) Changed the screw fixing the controller fan (No.2) from M3x20 to M3x22.



No.	Old Part No.	New Part No.	Description	Q'ty		Com pati bility		Remarks
				Old	New	Old	New	
1	-----	303LJ02260 3LJ02260	CUSHION GUIDE	-	1	-	○	
2	7BB200320H BB113430	7BB200322H BB129220	BIND T.T P SCREW 3X22	1	1	○	○	*1

N00072104

(Note) Please use the new parts for TASKalfa 5551ci/4551ci/3551ci/3051ci, TASKalfa 5501i/4501i/3501i and the next development high speed model.

\*1: The above screw is changed from M3x20 to M3x22.

# Service Bulletin

[Parts Change Information]

Ref. No. **PCI-0330 (D115)**

<Date>

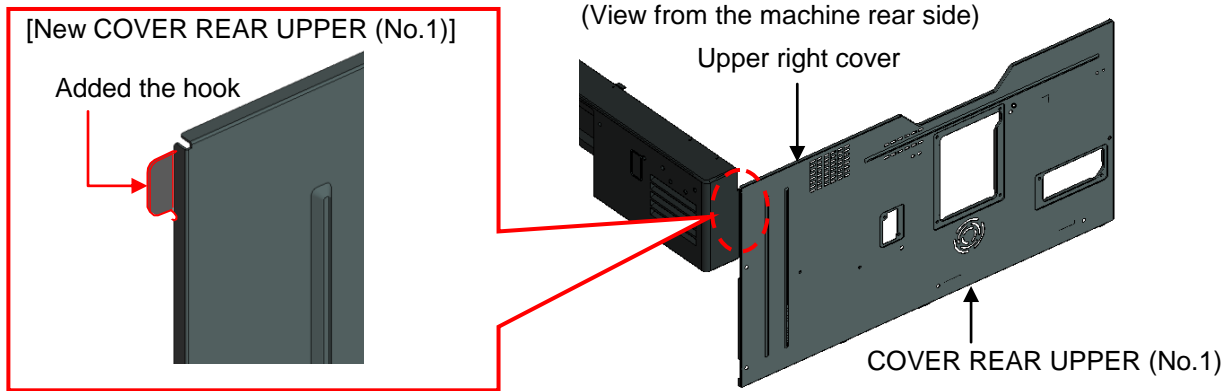
June 12, 2013

**<Improving the surface level of the exterior covers**

**(Change of the shape of COVER REAR UPPER) --> After using up the old stock**

TASKalfa 7550ci, TASKalfa 6550ci,  
 TASKalfa 5550ci, TASKalfa 4550ci, TASKalfa 3550ci, TASKalfa 3050ci,  
 TASKalfa 8000i, TASKalfa 6500i, TASKalfa 5500i, TASKalfa 4500i, TASKalfa 3500i,  
 FS-C8650DN, FS-C8600DN

The hook to the upper right cover is added to COVER REAR UPPER (No.1) for improving the surface level of the exterior covers depending on the parts variation.



No.	Old Part No.	New Part No.	Description	Q'ty		Com pat i bility		Remarks
				Old	New	Old	New	
1	302LF04075 2LF04075	302LF04075 2LF04075	COVER REAR UPPER	1	1	○	○	

N00071424

(Note) The parts number remains unchanged according to this change.

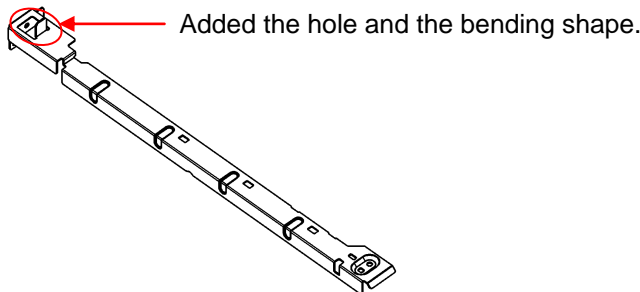
**<Common use of the parts (RAIL HF LOWER)**

**(Optional paper feeder and Large capacity feeder) --> After using up the old stock**

PF-740/PF-740(B), TASKalfa 7550ci, TASKalfa 6550ci, TASKalfa 8000i, TASKalfa 6500i

The shape of RAIL HF LOWER (No.1) for the optional paper feeder and the large capacity feeder is changed as below for common use of the parts.

**<New RAIL HF LOWER(No.1)>**



No.	Old Part No.	New Part No.	Description	Q'ty		Com pat i bility		Remarks
				Old	New	Old	New	
1	303NF06281 3NF06281	303NF06282 3NF06282	RAIL HF LOWER	1	1	○	○	

N00071941

(Note) Please use the new parts for the next development high speed model.



# Service Bulletin

[Parts Change Information]

 Ref. No. **PCI-0330 (D115)**

&lt;Date&gt;

June 12, 2013

**<Common use of the parts --> After using up the old stock>**

TASKalfa 7550ci, TASKalfa 6550ci, TASKalfa 8000i, TASKalfa 6500i

Following parts (No.1-4) is changed for common use of the parts.

- 1) The shape of the parts (No.1-4) is changed.
- 2) The engravings of the material indication and arrow are added to COVER LEFT UPPER (No.3).

**[Added engraving]**

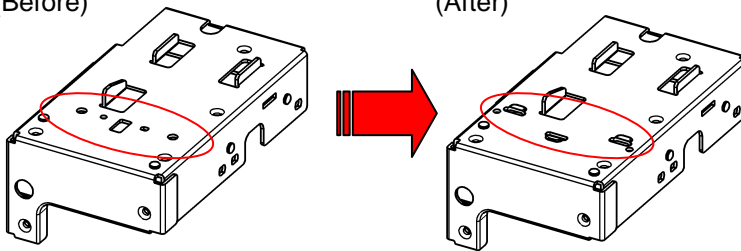
 >PC+PS-HI-FR(40)<  
 TN-9500


\* The direction of arrow rotates by material used.

**<RETAINER OPERATION ARM (No.1)>**

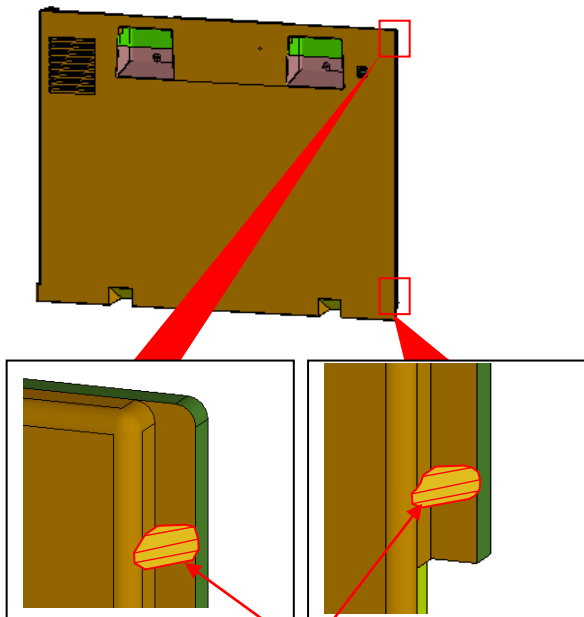
(Before)

(After)

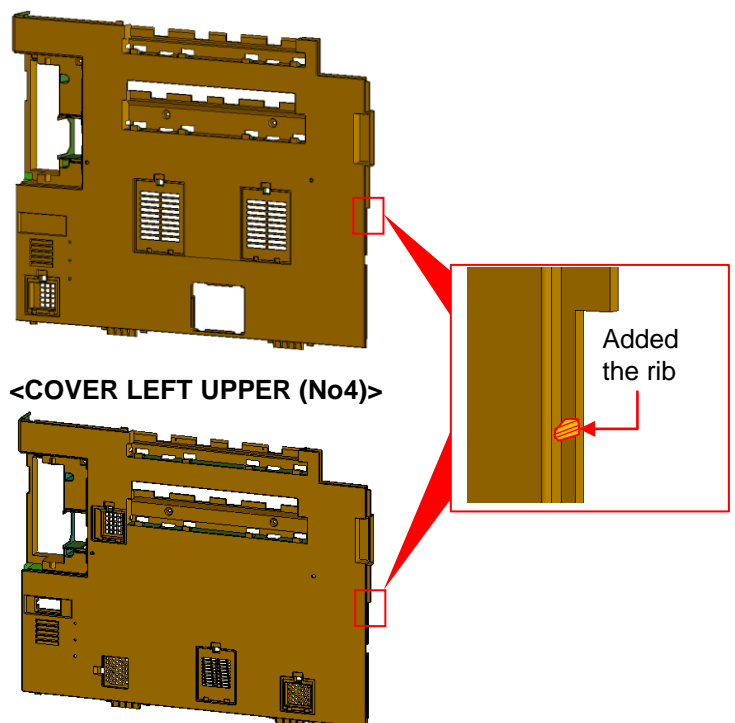


**<COVER LEFT LOWER (No.2)>**

**<COVER LEFT UPPER (No.3)>**



Added the ribs



No.	Old Part No.	New Part No.	Description	Q'ty		Com pat i bility		Remarks
				Old	New	Old	New	
Affected model: TASKalfa 7550ci/6550ci, TASKalfa 8000i/6500i								
1	302K905531 2K905531	302K905532 2K905532	RETAINER OPERATION ARM	1	1	○	○	
2	302K904072 2K904072	302K904073 2K904073	COVER LEFT LOWER	1	1	○	○	

# Service Bulletin

## [Parts Change Information]

 Ref. No. **PCI-0330 (D115)**

&lt;Date&gt;

June 12, 2013

No.	Old Part No.	New Part No.	Description	Q'ty		Com pat i bility		Remarks
				Old	New	Old	New	
<b>Affected model: TASKalfa 7550ci/6550ci</b>								
3	302K904062 2K904062	302K904064 2K904064	COVER LEFT UPPER	1	1	○	○	*1
<b>Affected model: TASKalfa 8000i/6500i</b>								
4	302LF04042 2LF04042	302LF04043 2LF04043	COVER LEFT UPPER	1	1	○	○	

N00071677/N00071614/N00070499/N00071613/N0007615

(Note) Please use the new parts for the next development model.

\*1: (Change of the last digit parts number from 2 to 3) Added the engravings of the material indication and arrow.

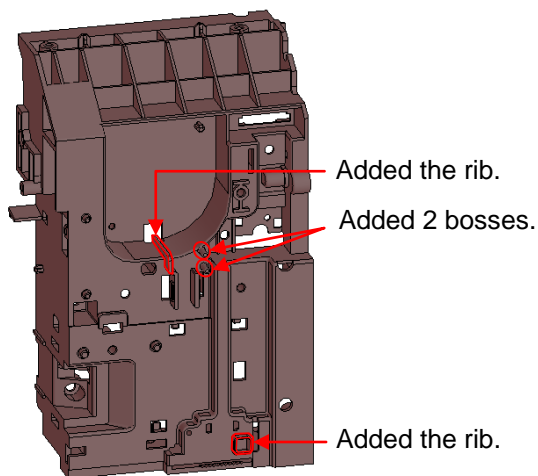
(Change of the last digit parts number from 3 to 4) Added the rib.

### <Common use of the parts --> After using up the old stock>

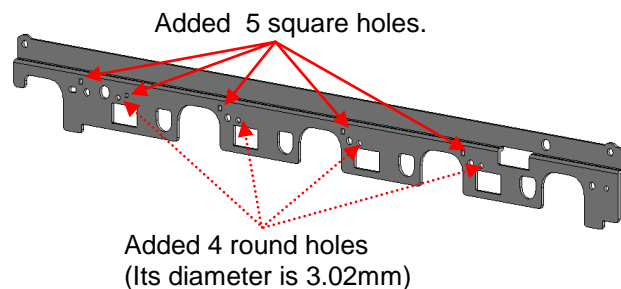
 TASKalfa 5550ci, TASKalfa 4550ci, TASKalfa 3550ci, TASKalfa 3050ci,  
 TASKalfa 5500i, TASKalfa 4500i, TASKalfa 3500i, TASKalfa 2550ci

The shape of the following parts (No.1, 2) is changed for common use of the parts.

#### <New FRAME FRONT FUSER A (No.1)>



#### <New REINFORCEMENT RETAINER (No.2)>



No.	Old Part No.	New Part No.	Description	Q'ty		Com pat i bility		Remarks
				Old	New	Old	New	
1	302LC02152 2LC02152	302LC02153 2LC02153	FRAME FRONT FUSER A	1	1	○	○	*1
2	302K002610 2K002610	302K002611 2K002611	REINFORCEMENT RETAINER	1	1	○	○	*2

N00071679/N00071654

(Note) Please use the new parts for TASKalfa 5551ci/4551ci/3551ci/3051ci, TASKalfa 5501i/4501i/3501i and the next development high speed model.

\*1: TASKalfa 5550ci/4550ci/3550ci/3050ci, TASKalfa 5500i/4500i/3500i

\*2: TASKalfa 2550ci

# Service Bulletin

[Parts Change Information]

Ref. No. **PCI-0330 (D115)**  
 <Date> June 12, 2013

**<(Except KDCN and KDKR) Common use of the parts (fuser unit change) --> After using up the old stock>**

TASKalfa 5550ci, TASKalfa 4550ci, TASKalfa 3550ci, TASKalfa 3050ci,  
 FS-C8650DN, FS-C8600DN

The fuser units are changed for common use of the parts. (The vendor of the fuser press roller is changed.)

Old unit name	New unit name
5550ci/4550ci C8650DN/C8600DN	FK-8500
3550ci/3050ci	FK-8300

No.	Old Part No.	New Part No.	Description	Q'ty		Com pat i bility		Remarks
				Old	New	Old	New	
1	302LC93074 2LC93074	302N493020 2N493020	FK-8500	1	1	○	○	5550ci/4550ci, C8650DN/C8600DN
2	302LK93063 2LK93063	302L693020 2L693020	FK-8300	1	1	○	○	3550ci/3050ci

N00072235

(Note) Please use the new parts for TASKalfa 5551ci/4551ci/3551ci/3051ci.

**<Common use of the parts (MOUNT SCANNER RIGHT and MOUNT OPTION) --> After using up the old stock>**

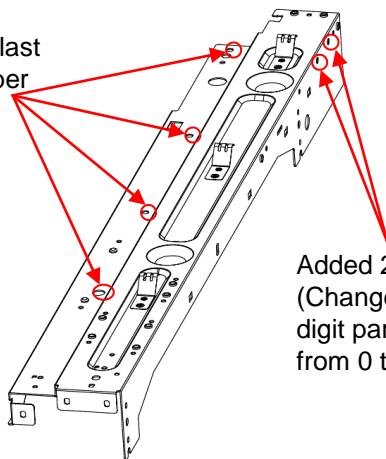
TASKalfa 2550ci

The shape of the following parts is changed for common use of the parts.

- 1) MOUNT SCANNER RIGHT (No.1): Added 6 holes.
- 2) MOUNT OPTION (No.2): Added a notch and 2 round holes (diameter is 4.5mm).

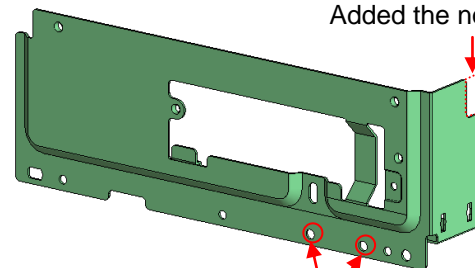
**<New MOUNT SCANNER RIGHT (No.1)>**

Added 4 holes  
 (Change of the last digit parts number from 1 to 2)



**<New MOUNT OPTION(No.2)>**

Added the notch



No.	Old Part No.	New Part No.	Description	Q'ty		Com pat i bility		Remarks
				Old	New	Old	New	
1	302MV02090 2MV02090	302MV02092 2MV02092	MOUNT SCANNER RIGHT	1	1	○	○	
2	302MV02130 2MV02130	302MV02131 2MV02131	MOUNT OPTION	1	1	○	○	

N00072083/N00071104

(Note) Please use the new parts for the next development model.

# Service Bulletin

[Parts Change Information]

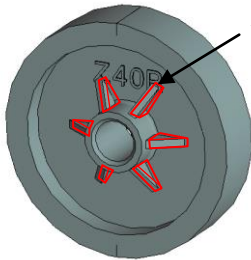
Ref. No. **PCI-0330 (D115)**  
 <Date> June 12, 2013

**<Common use of the parts (GEAR Z40R IDLE) --> After using up the old stock>**

TASKalfa 2550ci, PF-790

The reinforcing ribs are added around the center boss of GEAR Z40R IDLE (No.1) for common use of the parts.

**<New GEAR Z40R IDLE (No.1)>**



Added the reinforcing ribs  
 (6 positions being indicated in red)\*

\* The reinforcing ribs are added to backside of the left figure also.

No.	Old Part No.	New Part No.	Description	Q'ty		Com pat i bility		Remarks
				Old	New	Old	New	
1	302K331080 2K331080	302K331081 2K331081	GEAR Z40R IDLE	2	2	○	○	

N00071031

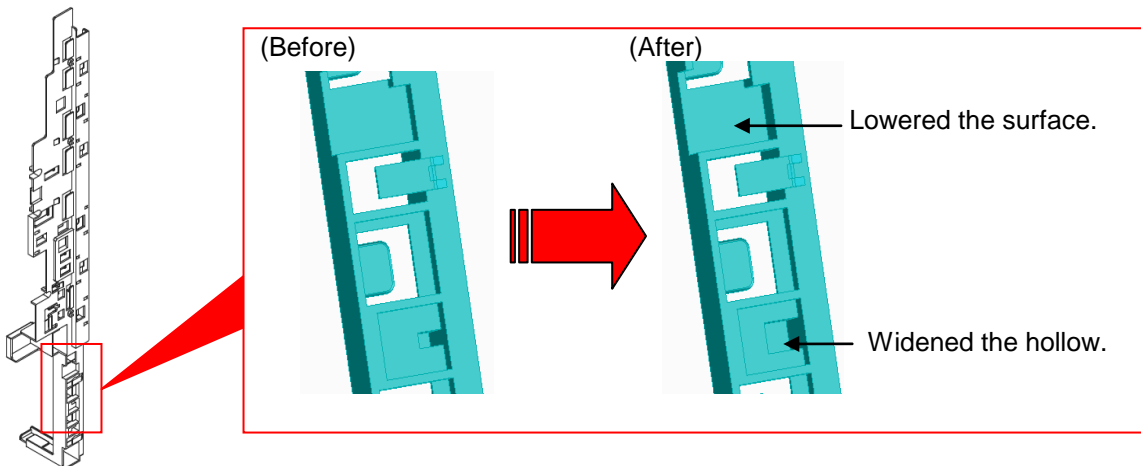
(Note) Please use the new parts for the next development model.

**<Common use of the parts (HOLDER CORD RIGHT) --> After using up the old stock>**

TASKalfa 2550ci

The shape of HOLDER CORD RIGHT (No.1) is changed for common use of the parts.

**<HOLDER CORD RIGHT (No.1)>**



No.	Old Part No.	New Part No.	Description	Q'ty		Com pat i bility		Remarks
				Old	New	Old	New	
1	302MV02340 2MV02340	302MV02341 2MV02341	HOLDER CORD RIGHT	1	1	○	○	

N00071366

(Note) Please use the new parts for the next development model.

"+" mark at the beginning of the part name means it is a component parts.

# Service Bulletin

Ref. No. **COM-0290 (D131)**

<Date> June 17, 2013

<b>Subject</b>	<b>Change of the indication of the China Energy Save Mark and China Green Mark</b>
<b>Model</b>	<b>FS-1040, FS-1060DN, TASKalfa 221, TASKalfa 181, TASKalfa 220, TASKalfa 180, FS-1020MFP, FS-1120MFP, FS-1025MFP, FS-1125MFP, FS-C2126MFP+, FS-C3140MFP+, TASKalfa 2550ci, FS-6530MFP, FS-6525MFP, FS-C8525MFP, FS-C8520MFP</b>

The China Energy Save Mark and China Green Mark are printed on the rating label so that the mark labels are not affixed to the machine in order to simplify the assembly work.

(FS-1040, FS-1060DN, TASKalfa 221/181/220/180 only)

As for the other models without the Mark's indications while their certifications are already granted to KDCN, each of the Mark's indications is printed on the rating label without affixing the Mark labels.

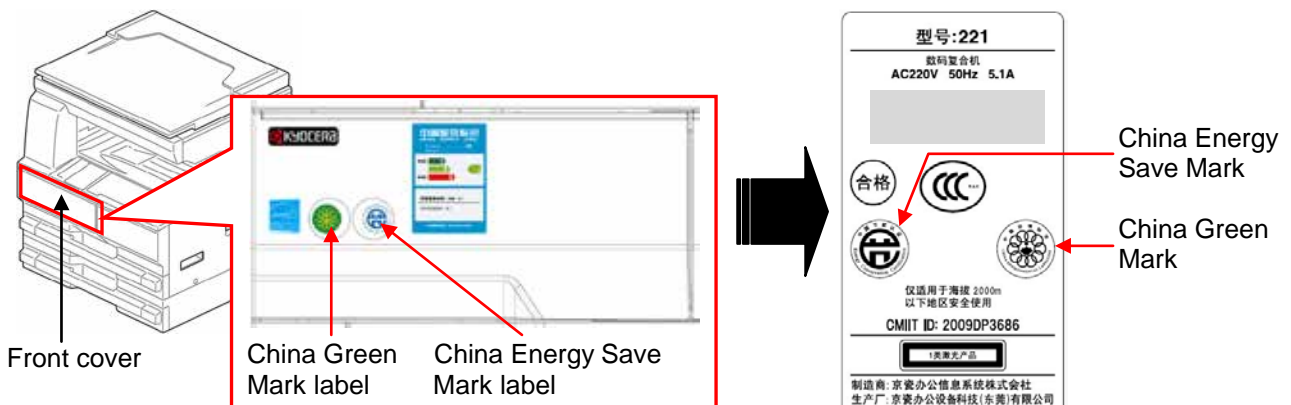
1) **<Change of the indications of China Energy Save Mark and China Green Mark>**

For FS-1040, FS-1060DN, TASKalfa 221/181/220/180 only

(Old indication

affixing the labels to the front cover of the main machine)

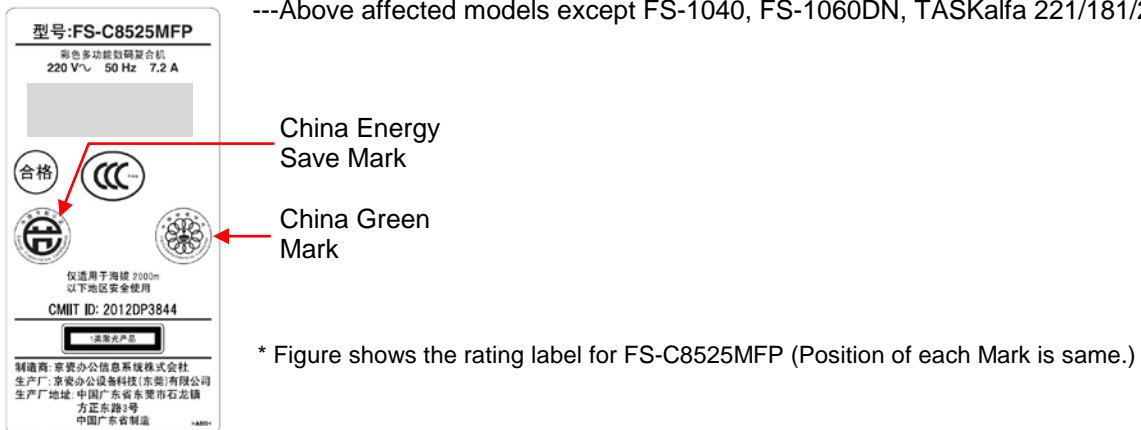
(New indication on the rating label)



(Note) The above are the old and new indication of TASKalfa 221.

2) **<New addition of the indications of China Energy Save Mark and China Green Mark**

---Above affected models except FS-1040, FS-1060DN, TASKalfa 221/181/220/181.



3) As for the latest models of TASKalfa 5551ci/TASKalfa 5501i series and after, their Marks will be printed on the rating label.

4) As for a part of the current models, their Mark labels continue to be affixed on the front cover of the machine without the indications on the rating label.

(Note) The indications of each Mark as in the above 1 thru 4 differ by model.

# Service Bulletin

Ref. No. **COM-0290 (D131)**

&lt;Date&gt; June 17, 2013

<b>KDC's Classification</b>	<input type="checkbox"/> Entire Stock Rework	<input type="checkbox"/> In-Field modification at next visit
	<input type="checkbox"/> In-Field modification by case	<input checked="" type="checkbox"/> No modification necessary
<b>Field Measure:</b>	No particular problems are expected.	
<b>Serial Nos. of Affected Machine:</b>	From the available timing of the production in June, 2013. (Machine serial number information is not planned.)	

N00072815/N00072816/N00072817/N00072818/N00072819/N00072820/N00072085