

Service Bulletin

Ref. No. **COM-0218 (B056)**

[Service Information]

<Date> February 16, 2010

Subject	Note when releasing the paper jam/maintaining the machine (Prohibition of use of the flammable sprays and liquids)
Model	All models

[WARNING]
Please do not use the flammable sprays (the dust spray), and liquids such as gasoline and kerosene near the machine or inside the machine when releasing the paper jam or cleaning at the maintenance.
Please instruct users as well.

<Background>

If using the flammable sprays (dust spray) or liquids near the machine or inside the machine when releasing the paper jam or cleaning at the maintenance, it might cause a fire or an electric shock.

<Attention>

"Air-blow" or "Air-brush" is indicated as the way of cleaning the sensors and optical mirrors/lenses in the periodic maintenance procedures in PM List and Service manual.

However, "Air-blow" or "Air-brush" does not mean the flammable spray, etc.

Please absolutely do not use it.

User manual, Safety Guide and Service Manual will be revised after this.

A caution leaflet is bundled in the machine until revising the manuals.

The following is indicated in the revised manuals and the caution leaflet.

"Keep the machine away from flammable liquids, gases, and aerosols.
 A fire or an electric shock might occur."

KMC's Classification	<input type="checkbox"/> Entire Stock Rework <input type="checkbox"/> In-Field modification by case	<input type="checkbox"/> In-Field modification at next visit <input checked="" type="checkbox"/> No modification necessary
Field Measure:	Please note the above.	
Serial Nos. of Affected Machine:	-----	

No.11-02-01/N000xxxxx

Service Bulletin

Ref. No. **COM-0257 (B469)**

<Date> December 21, 2011

Subject	Mac OS 10.7 Lion: Alternative Scan Function since Scan to SMB is NO LONGER supported in the Latest Mac OS Version
Model	All MFP Models

<Background>

Scan to SMB using Mac OS X 10.7 client is no longer available, although it was supported until Mac Ver. 10.6.

This appears to be a known issue for Apple as it is affecting other competitor MFP products as well as hard disk vendors.

<Cause>

Apple changed the infrastructure of Samba SMB (the SMB system for Unix) and this has caused a compatibility issue with the Scan to SMB feature supported by our device firmware.

<Workaround>

Set up Scan to FTP in the Mac as an alternative to scan to SMB.
Refer to the next page and after for details. (from a KTD document)

KMC's Classification	<input type="checkbox"/> Entire Stock Rework	<input type="checkbox"/> In-Field modification at next visit
	<input checked="" type="checkbox"/> In-Field modification by case	<input type="checkbox"/> No modification necessary
Field Measure: Please refer to the next page and after for details of setting up Scan to FTP		

Service Bulletin

 Ref. No. **COM-0257 (B469)**

<Date> December 21, 2011

***This is from a document from KTD issued on November 17, 2011 that may have been distributed to related persons**

Setting Up Scan to FTP

Overview

Scanning via SMB protocol is not supported in Mac OS X 10.7 (OS X Lion) due to infrastructure changes in the OS by Apple, Inc. This document provides instructions for setting up the FTP server on computers running OS X Lion to enable the Scan to FTP option.

General Process

1. Enable the FTP server on your Mac.
2. Register your Mac in the address book of your MFP.
3. To prepare a new scan, select the FTP address and press Start.

Warning: This solution requires opening the FTP port; therefore, caution must be taken from a security perspective. Port configuration should be reviewed with the network administrator prior to setup.

Enable the FTP server on your Mac

1. Launch *Terminal* from the Applications > Utilities folder.

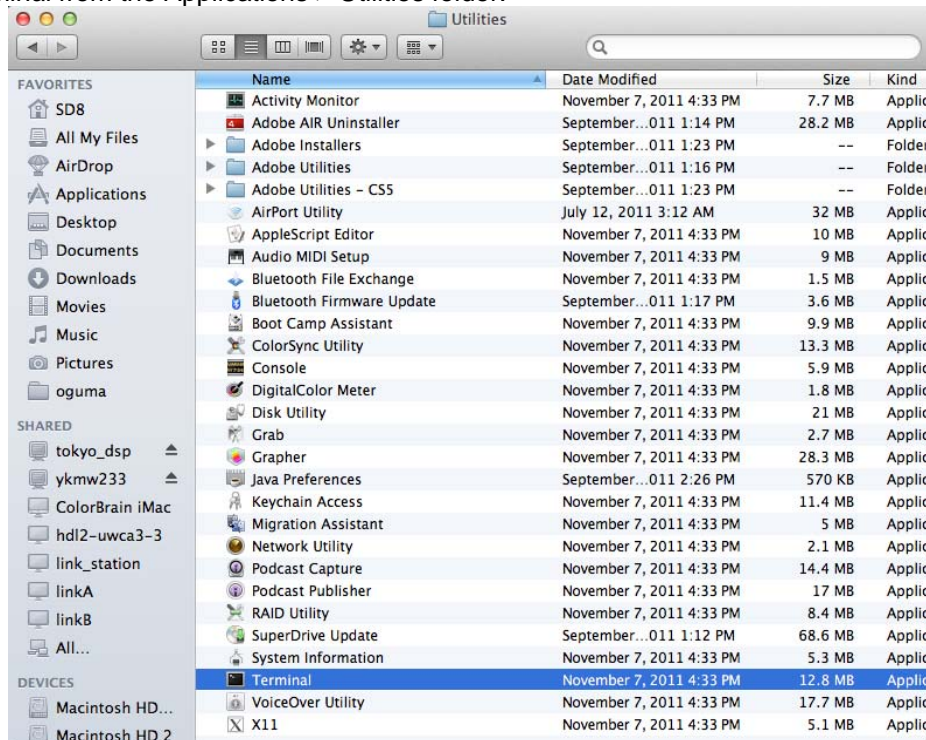


Figure 1: Selecting Terminal utility

2. Type the following command to start the FTP server on your Mac (Administrator password is required):
`sudo launchctl load -w /System/Library/LaunchDaemons/ftp.plist.`
3. If the command executes successfully, there will be no output on the command line. If you see any error message, check your input and privileges and try again.

Service Bulletin

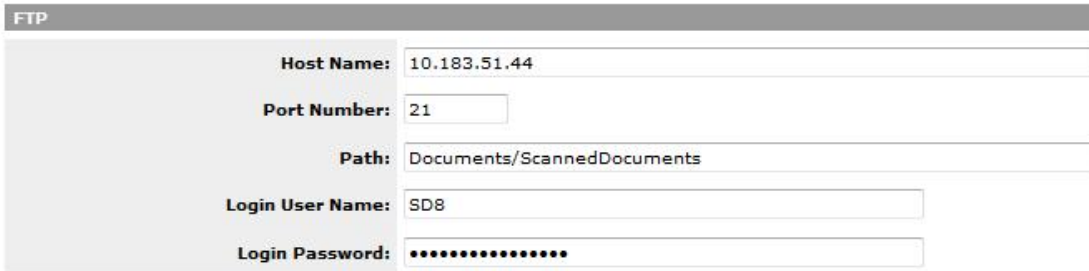
 Ref. No. **COM-0257 (B469)**

<Date> December 21, 2011

Register your Mac in the MFP's address book

1. Open the Command Center of the MFP from your Web browser by entering the IP address of the MFP.
2. Log in as an Administrator.
3. Open the Basic tab, then select Address Book > Contacts.
4. Click Add Contact.
5. Enter a name and configure the FTP settings in the FTP section:

Value	Explanation
Host Name	Enter the IP address of your Mac
Port Number	Enter "21"
Path	Enter the absolute or relative path where scanned documents should be stored. Example of absolute path: "/Users/UserName/Documents/ScannedDocuments" (UserName should be your Mac user account name) Example of relative path: "Documents/ScannedDocuments"
Login User Name	Set the login name of the account you want to use on your Mac
Login Password	Set the login password for the login user name



FTP

Host Name: 10.183.51.44

Port Number: 21

Path: Documents/ScannedDocuments

Login User Name: SD8

Login Password:

Figure 2: FTP section of personal address

Scan from MFP

Select the FTP address created above from the MFP panel and press the Start button. Scanned documents will be stored to the designated folder.

How to stop FTP server on your Mac

1. Launch *Terminal* from the Applications > Utilities folder
2. Type the following command (Note: You may be required to enter the Administrator password):

```
sudo launchctl unload -w /System/Library/LaunchDaemons/ftp.plist
```

Service Bulletin

Ref. No. **COM-0288 (D114)**

[Service Information]

<Date> June 5, 2013

Subject	Note when replacing the parts
Model	All

[Background]

The machine may not be recovered or may have trouble in its function with changes of the internal data if incorrectly handled when replacing the parts. In order to avoid such, make sure not to perform the following 2 works.

[Prohibition]

Do not replace 2 or more of the parts below at the same time (Color models)

The applicable parts are the ones that have an electronic device capable of writing data.

>>Applicable parts : PWBs, EEPROM, Code DIMM, Memory, HDD

Do not replace the drum unit or developer unit with the parts above at the same time.

If 2 or more of the above parts need replacement, replace them one by one after correctly starting up the machine each time.

<<Note>>

If taking 2 or more of the above parts from the backup machine to recover another machine and taking them back, the backup machine may not work. (This is because the parts must be taken back at the same time) Therefore, for the color machines, do not use the parts from the backup machine but the service parts when replacing 2 or more of the above parts. The service parts once used can be used in other machine unless it is replaced together with one of the above parts at the same time.

Do not replace the EEPROM (BW models / Color models)

An EEPROM is a device that contains information unique to each of the machine and do not replace with the one from other machine.

When replacing the PWB with the EEPROM mounted, unmount the EEPROM from the PWB to replace and mount it on the new PWB.

Contact the regional HQ if replacing the EEPROM is needed. The condition is checked and it may be supplied if necessary. (Note only the EEPROM for the MFP models can be supplied and it is not available for the Printer models)

KDC's Classification	<input type="checkbox"/> Entire Stock Rework	<input type="checkbox"/> In-Field modification at next visit
	<input checked="" type="checkbox"/> In-Field modification by case	<input type="checkbox"/> No modification necessary
Field Measure:	Please note the above.	
Serial Nos. of Affected Machine:		

Service Bulletin

 Ref. No. **COM-0292 (D133)**

[Service Information]

<Date> June 15, 2013

Subject	Change of the serial number prefix at the 1st to 3rd digit for the maintenance kit
Model	A part of the maintenance kit*

* Refer to the table in the following pages for the affected kit.

The serial number prefixes at the 1st to 3rd digit for a part of the old maintenance kits are renewed for the kit management reason at factory.

[Background]

The same serial number prefixes had been applied to all the maintenance kits for the same model even if their specs differ because the serial number prefixes of the old maintenance kits had been set per model. Their managements at factory have become difficult, thus, the serial number prefixes are separately set per spec.

Ex.)

The following maintenance kits have the same serial number prefixes while they contain different fuser units. If the wrong fuser unit is bundled, the current system cannot check this error from the serial number prefix of the maintenance kit.

The correlative management by individually setting the serial number prefix for the maintenance kit per spec is necessary to check the error.

ITEM Code	Maintenance kit Ser./No. prefix	Fuser unit Ser./No. prefix	Drum unit Ser./No. prefix	Developing unit Ser./No. prefix
1702GN8NL0	PSA	KRR	KSE	KFV
1702GN7US0	PSA	KRQ	KSE	KFV
1702GN7TW0	PSA	KXH	KSE	KFV

KDC's Classification	<input type="checkbox"/> Entire Stock Rework <input type="checkbox"/> In-Field modification by case	<input type="checkbox"/> In-Field modification at next visit <input checked="" type="checkbox"/> No modification necessary
Field Measure:	Please note the above.	
Serial Nos. of Affected Machine:	To be informed later.	

Service Bulletin

[Service Information]

Ref. No. **COM-0292 (D133)**

<Date> June 15, 2013

* Deletion means discontinuance of production.

ITEM Code	ITEM name	Kit name	Before S/N prefix	After New S/N prefix
1702BJ3KS0	SET,KIT,MK705(CHN)	MK-705	--BA	--BA
1702BJTTW0	SET,KIT,MK705TW	MK-705	--BA	(Deletion)
2BJ82010	SET,KIT,MK705J	MK-705	--BA	(Deletion)
2BJ82020	SET,KIT,MK705U	MK-705	--BA	LLV
2BJ82030	SET,KIT,MK705E	MK-705	--BA	(Deletion)
2BJ82040	SET,KIT,MK705K	MK-705	--BA	(Deletion)
2BJ82080	SET,KIT,MK705E	MK-705	--BA	LLW
1702FD3KS0	SET,KIT,MK706(CHN)	MK-706	--BX	--BX
1702FDTTW0	SET,KIT,MK706TW	MK-706	--BX	LLX
2FD82010	MK-706J	MK-706	--BX	LLY
2FD82020	SET,KIT,MK706U	MK-706	--BX	LLZ
2FD82030	SET,KIT,MK706E	MK-706	--BX	LM1
1702FG3KS0	SET,KIT,MK707(CHN)	MK-707	--BY	--BY
1702FGTTW0	ST,KIT,MK707TW	MK-707	--BY	LM2
2FG82010	MK-707J	MK-707	--BY	LM3
2FG82020	SET,KIT,MK707U	MK-707	--BY	LM4
2FG82030	SET,KIT,MK707E	MK-707	--BY	LM5
1702FT3KS0	MK-420/MAINTENANCE KIT	MK-420	--CK	--CK
1702FT7US0	MK-420 120V60HZ/MAINTENANCE KIT	MK-420	--CK	LM6
1702FT8NL0	MK-420/MAINTENANCE KIT	MK-420	--CK	LM7
1702FT9JP0	MK-420/MAINTENANCE KIT	MK-420	--CK	LM8
1702FTTTW0	MK-420/MAINTENANCE KIT	MK-420	--CK	LM9
1702FB3KS0	MK-650A/MAINTENANCE KIT	MK-650A	--DN	(Deletion)
1702FB7US0	MK-650A 120V60HZ/MAINTENANCE KIT	MK-650A	--DN	--DN
1702FB8NL0	MK-650A/MAINTENANCE KIT	MK-650A	--DN	LMA
1702FB9JP0	MK-650A(H)/MAINTENANCE KIT	MK-650A	--DN	LMB
1702FC9JP0	MK-650A(L)/MAINTENANCE KIT	MK-650A	--DN	LMC
1702F87US0	MK-310 120V60HZ/MAINTENANCE KIT	MK-310	GPU	GPU
1702F88EU0	MK-310/MAINTENANCE KIT	MK-310	GPU	LKD
1702F88LV0	MK-310	MK-310	GPU	LKE
1702F88UT0	MK-310(UT)	MK-310	GPU	LKF
1702F8TTW0	MK-310/MAINTENANCE KIT	MK-310	GPU	LKG
1702HV9JP0	MK-310/MAINTENANCE KIT	MK-310	GPU	LKH
1702HV9RS0	MK-310/MAINTENANCE KIT	MK-310	GPU	LKJ
1702F97AD0	MK-320	MK-320	GPV	GPV
1702F97US0	MK-320 120V60HZ/MAINTENANCE KIT	MK-320	GPV	LKK
1702F98EU0	MK-320/MAINTENANCE KIT	MK-320	GPV	LKL
1702F98LV0	MK-320	MK-320	GPV	LKM
1702F98SM0	MK-320(SM)	MK-320	GPV	LKN
1702F98UT0	MK-320(UT)	MK-320	GPV	LKP
1702F9TTW0	MK-320/MAINTENANCE KIT	MK-320	GPV	LKQ
1702HW9JP0	MK-320/MAINTENANCE KIT	MK-320	GPV	LKR
1702F78C10	MK-440 C(CHU)/MAINTENANCE KIT	MK-440	GPW	GPW
1702F78CC0	MK-440(CHU)/MAINTENANCE KIT	MK-440	GPW	LKS
1702F78EU0	MK-440/MAINTENANCE KIT	MK-440	GPW	LKT

Service Bulletin

[Service Information]

Ref. No. **COM-0292 (D133)**

<Date> June 15, 2013

ITEM Code	ITEM name	Kit name	Before S/N prefix	After New S/N prifix
1702F7TTW0	MK-440/MAINTENANCE KIT	MK-440	GPW	LKU
1702F88C10	MK-310 C(CHU)/MAINTENANCE KIT	MK-310	GPW	LKV
1702G39JP0	MK-440/MAINTENANCE KIT	MK-440	GPW	LKW
1702G39RS0	MK-440/MAINTENANCE KIT	MK-440	GPW	LKX
1702GN7US0	MK-715 120V60HZ/MAINTENANCE KIT	MK-715	PSA	PSA
1702GN8NL0	MK-715/MAINTENANCE KIT	MK-715	PSA	LMD
1702GNTTW0	MK-715/MAINTENANCE KIT	MK-715	PSA	(Deletion)
1702GR3KS0	MK-716/MAINTENANCE KIT	MK-716	PSB	PSB
1702GR7US0	MK-716 120V60HZ/MAINTENANCE KIT	MK-716	PSB	LME
1702GR8KR0	MK-716/MAINTENANCE KIT	MK-716	PSB	LMF
1702GR8NL0	MK-716/MAINTENANCE KIT	MK-716	PSB	LMG
1702GRTTW0	MK-716/MAINTENANCE KIT	MK-716	PSB	LMH
1702G12US0	MK-710 120V60HZ/MAINTENANCE KIT	MK-710	PSD	PSD
1702G13EU0	MK-710/MAINTENANCE KIT	MK-710	PSD	LMJ
1702G18KR0	MK-710/MAINTENANCE KIT	MK-710	PSD	LMK
1702G1TTW0	MK-710/MAINTENANCE KIT	MK-710	PSD	LML
1702H08KS0	MK-670/MAINTENANCE KIT	MK-670	PSJ	(Deletion)
1702H0TTW0	MK-670/MAINTENANCE KIT	MK-670	PSJ	(Deletion)
1702KA7US0	MK-880A/MAINTENANCE KIT	MK-880A	Q1J	(Deletion)
1702KA7US1	MK-880A/MAINTENANCE KIT	MK-880A	Q1J	Q1J
1702KA8KL0	MK-880A/MAINTENANCE KIT	MK-880A	Q1J	(Deletion)
1702KA8KL1	MK-880A/MAINTENANCE KIT	MK-880A	Q1J	LMM
1702KA8KR0	MK-880A/MAINTENANCE KIT	MK-880A	Q1J	(Deletion)
1702KA8KR2	MK-880A/MAINTENANCE KIT	MK-880A	Q1J	LMN
1702KA9JP0	MK-880A/MAINTENANCE KIT	MK-880A	Q1J	LMP
1702K57US0	MK-671/MAINTENANCE KIT	MK-671	Q35	Q35
1702K58KR0	MK-671/MAINTENANCE KIT	MK-671	Q35	LMQ
1702K58NL0	MK-671/MAINTENANCE KIT	MK-671	Q35	LMR
1702K59JP0	MK-671/MAINTENANCE KIT	MK-671	Q35	LMS
1702FZ0KS0	MK-825A/MAINTENANCE KIT	MK-825A	QCV	(Deletion)
1702FZ7US0	MK-825A 120V60HZ/MAINTENANCE KIT	MK-825A	QCV	QCV
1702FZ8AS0	MK-825(AS)/MAINTENANCE KIT	MK-825A	QCV	(Deletion)
1702FZ8KR0	MK-825A/MAINTENANCE KIT	MK-825A	QCV	LMT
1702FZ8NL1	MK-825A/MAINTENANCE KIT	MK-825A	QCV	LMU
1702FZTTW0	MK-825A/MAINTENANCE KIT	MK-825A	QCV	LMV
1702GB9JP0	MK-825A/MAINTENANCE KIT	MK-825A	QCV	LMW
1702JF7US0	MK-826A 120V60HZ/MAINTENANCE KIT	MK-826A	QCW	QCW
1702JF8NL1	MK-826A/MAINTENANCE KIT	MK-826A	QCW	LMX
1702JF9JP0	MK-826A/MAINTENANCE KIT	MK-826A	QCW	LMY
1702HP8KR0	MK-820A/MAINTENANCE KIT	MK-820A	QCY	(Deletion)
1902HP7US0	MK-820A 120V60HZ/MAINTENANCE KIT	MK-820A	QCY	QCY
1902HP8NL1	MK-820A/MAINTENANCE KIT	MK-820A	QCY	LMZ
1902HR9JP0	MK-820A/MAINTENANCE KIT	MK-820A	QCY	LN1
1702JZ7US0	MK-865A/MAINTENANCE KIT	MK-865A	QJP	(Deletion)
1702JZ7US1	MK-865A/MAINTENANCE KIT	MK-865A	QJP	QJP

Service Bulletin

[Service Information]

 Ref. No. **COM-0292 (D133)**

<Date> June 15, 2013

			Before	After
ITEM Code	ITEM name	Kit name	S/N prefix	New S/N prifix
1702JZ8EU0	MK-865A/MAINTENANCE KIT	MK-865A	QJP	(Deletion)
1702JZ8EU1	MK-865A/MAINTENANCE KIT	MK-865A	QJP	LN2
1702JZ8KR0	MK-865A/MAINTENANCE KIT	MK-865A	QJP	(Deletion)
1702JZ8KR3	MK-865A/MAINTENANCE KIT	MK-865A	QJP	LN3
1702JZ9JP0	MK-865A/MAINTENANCE KIT	MK-865A	QJP	LN4
1702H77US0	MK-855A/MAINTENANCE KIT	MK-855A	QJR	(Deletion)
1702H77US1	MK-855A/MAINTENANCE KIT	MK-855A	QJR	QJR
1702H78EU0	MK-855A/MAINTENANCE KIT	MK-855A	QJR	(Deletion)
1702H78EU1	MK-855A/MAINTENANCE KIT	MK-855A	QJR	LN5
1702H78KR0	MK-855A/MAINTENANCE KIT	MK-855A	QJR	(Deletion)
1702H78KR3	MK-855A/MAINTENANCE KIT	MK-855A	QJR	LN6
1702H79JP0	MK-855A/MAINTENANCE KIT	MK-855A	QJR	LN7
1702KP7US0	MK-660A/MAINTENANCE KIT	MK-660A	QKJ	QKJ
1702KP8KS0	MK-660A/MAINTENANCE KIT	MK-660A	QKJ	(Deletion)
1702KP8NL0	MK-660A/MAINTENANCE KIT	MK-660A	QKJ	LN8
1702KP9JP0	MK-660A(H)/MAINTENANCE KIT	MK-660A	QKJ	LN9
1702KPTTW0	MK-660A/MAINTENANCE KIT	MK-660A	QKJ	LNA
1702K87US0	MK-580/MAINTENANCE KIT	MK-580	QVT	QVT
1702K88NL0	MK-580/MAINTENANCE KIT	MK-580	QVT	LKY
1702KR7US0	MK-726/MAINTENANCE KIT	MK-726	QWQ	QWQ
1702KR8KR0	MK-726/MAINTENANCE KIT	MK-726	QWQ	LNB
1702KR8NL0	MK-726/MAINTENANCE KIT	MK-726	QWQ	LNC
1702KR9JP0	MK-726/MAINTENANCE KIT	MK-726	QWQ	LND
1702KRTTW0	MK-726/MAINTENANCE KIT	MK-726	QWQ	LNE
1702KY7US0	MK-856A/MAINTENANCE KIT	MK-856A	QXJ	(Deletion)
1702KY7US1	MK-856A/MAINTENANCE KIT	MK-856A	QXJ	QXJ
1702KY8KL0	MK-856A/MAINTENANCE KIT	MK-856A	QXJ	(Deletion)
1702KY8KL1	MK-856A/MAINTENANCE KIT	MK-856A	QXJ	LNF
1702KY9JP0	MK-856A/MAINTENANCE KIT	MK-856A	QXJ	LNG
1702J03KS0	MK-340/MAINTENANCE KIT	MK-340	WZS	WZS
1702J07US0	MK-340/MAINTENANCE KIT	MK-340	WZS	LKZ
1702J08AS0	MK-340/MAINTENANCE KIT	MK-340	WZS	LL1
1702J08CC0	MK-340(CHU)/MAINTENANCE KIT	MK-340	WZS	LL2
1702J08EU0	MK-340/MAINTENANCE KIT	MK-340	WZS	LL3
1702J08LV0	MK-340(OLIVETTI)	MK-340	WZS	LL4
1702J08US0	MK-340/MAINTENANCE KIT	MK-340	WZS	LL5
1702J08UT0	MK-340(UTAX)	MK-340	WZS	LL6
1702J0TTW0	MK-340/MAINTENANCE KIT	MK-340	WZS	LL7
1702J39JP0	MK-340/MAINTENANCE KIT	MK-340	WZS	LL8
1702J17US0	MK-350/MAINTENANCE KIT	MK-350	WZT	(Deletion)
1702J18AS0	MK-350/MAINTENANCE KIT	MK-350	WZT	(Deletion)
1702J18CC0	MK-350(CHU)/MAINTENANCE KIT	MK-350	WZT	(Deletion)
1702J18EU0	MK-350/MAINTENANCE KIT	MK-350	WZT	(Deletion)
1702J18LV0	MK-350(OLIVETTI)	MK-350	WZT	(Deletion)
1702J18US0	MK-350/MAINTENANCE KIT	MK-350	WZT	(Deletion)

Service Bulletin

[Service Information]

 Ref. No. **COM-0292 (D133)**

<Date> June 15, 2013

			Before	After
ITEM Code	ITEM name	Kit name	S/N prefix	New S/N prifix
1702J18UT0	MK-350(UTAX)	MK-350	WZT	(Deletion)
1702J1TTW0	MK-350/MAINTENANCE KIT	MK-350	WZT	(Deletion)
1702J27US0	MK-360/MAINTENANCE KIT	MK-360	WZU	WZU
1702J28AS0	MK-360/MAINTENANCE KIT	MK-360	WZU	LL9
1702J28CC0	MK-360(CHU)/MAINTENANCE KIT	MK-360	WZU	LLA
1702J28EU0	MK-360/MAINTENANCE KIT	MK-360	WZU	LLB
1702J28LV0	MK-360(OLIVETTI)	MK-360	WZU	LLC
1702J28US0	MK-360/MAINTENANCE KIT	MK-360	WZU	LLD
1702J28UT0	MK-360(UTAX)	MK-360	WZU	LLE
1702J49JP0	MK-360/MAINTENANCE KIT	MK-360	WZU	LLF
1702HM2US0	MK-550/MAINTENANCE KIT	MK-550	WZV	WZV
1702HM3EU0	MK-550/MAINTENANCE KIT	MK-550	WZV	LLG
1702HMTTW0	MK-550/MAINTENANCE KIT	MK-550	WZV	LLH
1702J89JP0	MK-550/MAINTENANCE KIT	MK-550	WZV	LLJ
1702HN2US0	MK-560/MAINTENANCE KIT	MK-560	WZW	WZW
1702HN3EU0	MK-560/MAINTENANCE KIT	MK-560	WZW	LLK
1702HNTTW0	MK-560/MAINTENANCE KIT	MK-560	WZW	LLL
1702J99JP0	MK-560/MAINTENANCE KIT	MK-560	WZW	LLM
1702HG7US0	MK-570/MAINTENANCE KIT	MK-570	WZX	WZX
1702HG8EU0	MK-570/MAINTENANCE KIT	MK-570	WZX	LLN
1702HG8KR0	MK-570/MAINTENANCE KIT	MK-570	WZX	LLP
1702HG9JP0	MK-570/MAINTENANCE KIT	MK-570	WZX	LLQ
1702J53KS0	MK-450/MAINTENANCE KIT	MK-450	WZY	WZY
1702J58AS0	MK-450/MAINTENANCE KIT	MK-450	WZY	LLR
1702J58EU0	MK-450/MAINTENANCE KIT	MK-450	WZY	LLS
1702J58KR0	MK-450/MAINTENANCE KIT	MK-450	WZY	LLT
1702J5TTW0	MK-450/MAINTENANCE KIT	MK-450	WZY	LLU

Service Bulletin

Ref. No. **2H7-0009 (8732)**

[Service Information]

<Date> April 20, 2009

Subject	Note for connecting the cassette heater and set the heater control
Model	TASKalfa500ci, TASKalfa400ci, TASKalfa300ci, TASKalfa250ci

This time the description with (-->) is revised from the previous information.

[Number of changes: 1] P2: 5-2) Correcting the description.

1. The reason for connecting the cassette heater

To satisfy the machine inside temperature under the various user environments, we recommend connecting the cassette heater when installing the machine.

Please explain to the user to connect the cassette heater and get the approval, then please perform the below. Considering the heater temperature, the heater is controlled. Therefore, please make sure to connect the cassette heater and set the heater control correctly when setting up the machine. In case if the cassette heater is not connected, please check the heater control setting.

2. Effectiveness

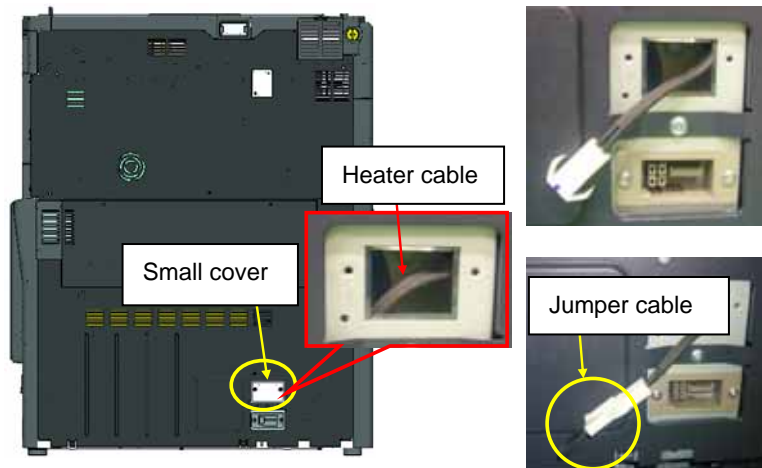
- High temperature/High humidity environment
 - Prevent the drum and charge roller from the condensation and the paper from getting the moisture (Prevent from the image failure or crease by the condensation or moisture absorption)
- Low temperature environment
 - Prevent surrounding temperature of the charge roller from decreasing (Prevent charge roller from getting the image failure (uneven image by half cycle))

3. The procedure to set up

- 1) Connect the cassette heater (Factory default: not connected)

Remove small cover for the coin vender at rear cover and pull out the heater cable by the long nose plier and, connect the cable which is included in the machine box

* Please do not pull out the cable with excess strength. Otherwise, the cable might be getting damaged.



- 2) Set the cassette heater control ⇒

U327 (Cassette heater ON/OFF setting): Please change the mode depending on the user environment if necessary.
→ Please refer to the [5. Heater ON/OFF control] for the detail information on the MODE

- 3) Set the cassette heater control for the optional paper feeding cassette/deck (PF-720/PF-760)

Cassette heater is option. Therefore, when installing the cassette heater, please go into the maintenance mode U327 and select OPTION HEATER → change NONE → EXISTS

Service Bulletin

Ref. No. **2H7-0009 (8732)****[Service Information]**

<Date> April 20, 2009

4. Note when setting the heater control

Considering the affection of the heat on the heater with TASKalfa250ci/300ci/400ci/500ci, the temperature is adjusted compared with the value read by the external temperature sensor (U139).

- 1) Please change the mode on U327 from MODE2 to OFF if the cassette heater is not connected.
- 2) Please do not change the mode on U327 from MODE2 to OFF if the cassette heater is connected.
- 3) Based on the connection with the cassette heater for the optional paper feeding cassette/deck, please select the setting on U327: OPTION HEATER.
 - * Please make sure to set the heater control correctly based on the condition of the heater connection.
 - ⇒ Please see the TABLE 1 below.
 - In case if the setting is not set correctly, there might be the possibility to occur C6200, crease or image failure.

5. Heater ON/OFF control

The setting for the heater control has to be done with U327 (Cassette heater ON/OFF setting)

[Set heater control for the machine]

It is possible to change the ON condition of the cassette heater by Mode setting

- 1) MODE1: ON/OFF control during the sleep mode only
 1. In case to detect the low temperature environment when starting up the machine (Support against the condensation of the charge roller, drum)
 2. In case the machine inside temperature is over 27°C and the machine inside relative humidity is over 70% (Support against the paper moisture absorption at high humidity condition in the machine, condensation of the drum)
 3. $\text{Machine inside temperature} < \text{Machine outside temperature} + \text{machine outside relative humidity} \times 0.32 - 28$ (Support against the condensation of the drum in case if the machine inside temperature is lower than machine outside temperature)
- 2) MODE2: ON/OFF control during the sleep mode (→) and stand-by mode
 1. The machine inside temperature is less than 45°C which is set (Support against the paper moisture absorption, condensation of the drum)
- 3) OFF
 1. This is the setting when the heater is not connected.
 2. Always ON when the heater is connected.

[Setting the heater control for the optional paper feeding cassette/deck]

Depending on the condition of the optional heater connection, select NONE (no heater) or EXISTS (heater is connected) by U327 (OPTION HEATER)

- 1) NONE
 1. In case if the optional paper feeding cassette/deck is not connected
- 2) EXISTS
 1. In case if the optional paper feeding cassette/deck is connected

Service Bulletin

[Service Information]

Ref. No. **2H7-0009 (8732)**

<Date> April 20, 2009

⇒ TABLE 1

The combination between the condition for the connection of the cable which is included in the machine box and J327 setting (OK condition or NG condition)

		U327(Mode setting)		
		OFF	Mode 1	Mode 2
The condition that the cable which is included in the machine box is connected to the cassette heater.	Condition of the heater control	The heat of the heater is not considered	The heat of the heater is considered	The heat of the heater is considered
	Condition of the cassette heater	Heater ON (Apply the current)	Heater ON (Apply the current)	Heater ON (Apply the current)
	Judging the combination	NG	OK	OK
The condition that the cable which is included in the machine box is not connected to the cassette heater.	Condition of the heater control	The heat of the heater is not considered	The heat of the heater is considered	The heat of the heater is considered
	Condition of the cassette heater	Heater OFF (Apply no current)	Heater OFF (Apply no current)	Heater OFF (Apply no current)
	Judging the combination	OK	NG	NG

Please make sure to operate the machine with the above "OK" combination only.

Service Bulletin

 Ref. No. **2H7-0015 (8759)**

<Date> March 13, 2009

Subject	Upgrading the FW (2009.02 Upgrade Version V3.04)
Model	TASKalfa500ci, TASKalfa400ci, TASKalfa300ci, TASKalfa250ci

[Contents of change]

Please find the detail information on the following page and after.

2009/2	Type	Fixed No.	Upgrade				Version	
			V2.01	V2.02	V3.00	V3.02	V3.03	V3.04
MAIN FRAME								
MAIN *1		2H7_2F00	002.003	002.006	003.052	003.061	<---	<---
MMI *1		2H7_7000	002.003	<---	003.041	003.050	<---	<---
LANGUAGE BR(OPTION)		2H7_81BR	001.005	<---	001.006	001.007	<---	<---
BROWSER		2H7_F000	001.010	<---	001.011	<---	<---	
ENGINE (high)		2H7_1000	002.007	<---	003.006	<---	<---	004.001 *2
ENGINE (low)		2JZ_1000	002.007	<---	003.006	<---	003.007	004.001 *2
SCANNER		2H7_1200	001.038	<---	<---		<---	<---
MOTOR MAIN		2H7_1400	002.001	<---	<---	<---	<---	<---
H VLT MAIN		2H7_1600	001.014	<---	<---	<---	<---	<---
SLEEP MAIN		2H7_1800	001.009	<---	<---	<---	<---	<---
FAX BOOT		3MB_5000	-	-	001.016	<---	<---	<---
FAX APL		3MB_5100	-	-	001.016	<---	<---	<---
FAX IPL		3MB_5200	-	-	001.016	<---	<---	<---
ENHANCEMENT								
			V1.01		V1.02			
DP-750/760		3LK_9500	003.001	<---	<---	<---	<---	<---
PF-720(2 cassette)		3LM_9000	002.001	<---	<---	<---	<---	<---
PF-760(3000)		5H8_9000	002.001	<---	<---	<---	<---	<---
DF-780(1000)		5JA_9200	002.004	<---	002.006	<---	<---	<---
DF-760(3000) MAIN		3LT_9200	002.002	<---	<---	<---	<---	<---
DF-760(3000) MIDDLE		3LT_9600	002.001	<---	<---	<---	<---	<---
MT-720(3000)MAIL BOX		3LW_9800	002.001	<---	<---	<---	<---	<---

For KM sales companies, it is possible to download firmware through KM Knowledge Cabi-NET.

When upgrading firmware or replacing board etc., please upgrade each firmware (MAIN,MMI, ENGINE,SCANNER,LANGUAGE) to the latest version at the same time.

*1) Please upgrade MAIN firmware and MMI firmware as a set. If upgrading MAIN firmware and MMI firmware separately, CF000 will be display, and there might be the possibility that recovering can not be possible.

*2) In case to upgrade the FW from old FW to this new FW version, the setting on the U327 (Selecting Cassette Heater ON/OFF) will change to OFF as the default. Please be aware of it. (Please refer to the Service Bulletin No. 2H7-0012 (8746))

KMC's Classification
 Entire Stock Rework
 In-Field modification at next visit
 In-Field modification by case
 No modification necessary

Field Measure: When the phenomenon listed on the detail occurs, please upgrade the FW.
 When upgrading the FW, please upgrade all the FW at same time to newest version.

Serial Nos. of Affected Machine: Please refer to the following pages.

N00038960/N00039180/N00039526/N00039519/N00039853/N00039519/N00039746 K2H7-92008/ K2H7-92014/ K2H7-92017/ K2H7-92018

Service Bulletin

Ref. No. **2H7-0015 (8759)**

<Date> March 13, 2009

*V2.01 includes ENHANCEMENT V1.01, V3.00 includes ENHANCEMENT V1.02.

Ver	Classification	Items to be changed/measured	Remarks	
V2.01	Change the Specification	Support for DF-780	-----	
*	Improve the performance	The measure against C8330	(DF-780: Change FW)	
		The measure against displaying JAM after releasing JAM87	(PF-780: Change FW)	
		The measure against JAM74 when feeding A5 continuously	(DP-750/760: Change FW)	
V2.02	Change the specification	Support for UTAH specification		
V3.00	Change the specification	Support for FAX System (Q)	-----	
*		Support for the Key Counter	-----	
		Mode to prohibit output in the evening	The function to prohibit the print operation in the evening or specify the time	
		Black & White printing when the color toner is empty	When color toner is empty, the mode to make it possible to print Black & White only	
		Add the mode on the "Original Image"	When making the copy, the mode "Printed Document" in the "Original Image" is added. This mode is to process the image properly when making the copy with the original which is printed by the TASKalfa 500ci series.	
		Support for output to the left tray	In case if the JS-720 is installed, even if the finisher is installed, the paper can be output to the left tray of the machine. (U328: Set Side Eject Mode → ON, the default: OFF)	
		Improve the performance	The measure against CF25E	The measure against the issue when receiving unexpected minute packet
			The measure against CF4AF	The measure against the issue when printing specified Word file (In case if the data is attached on the out of area)
			Change the order of the panel display for the USB host data	Change the sorting order of the panel display for the USB host data by Windows standard.
			The measure against the error	Add to support for skipping the PTST, PCTP on the non-supported command.
			The measure against C6200 (Fuser heater 1 edge break)	
			The measure against C8350 (Centerfold side registration motor 1 problem)	(DF-780: Change FW)
			The measure against C0640 (Hard Disk Drive problem)	When the abnormal power off occurs, perform the scan disk automatically and prevent from irregular case of C0640.
			The measure against CF526	
			The measure against CF46F	
	The measure against CF215			
	The measure against CF278			
	The measure against CF245			
	The measure against CF59B			
	The measure against CF515			

Service Bulletin

Ref. No. **2H7-0015 (8759)**

<Date> March 13, 2009

Ver	Classification	Items to be changed/measured	Remarks
V3.02	Change the specification	Improve the image quality when output the print data which is stored in the BOX.	
		Correcting the message on the Status Report (For KME specification)	Correcting the message on the Status Report when using the non-genuine toner for the language of other than English, Japanese and Romanian. (Make the message same as English version)
	Improve the performance	The measure against output failure of the FAX TX report	There might be the possibility that the output might not stop for the FAX TX report (FAX TX history). Therefore, it is corrected. (In case if TX history is less than 50 and operate the output manually)
		The measure against CF215	There might be the possibility to display CF215 when receiving A3 original/600dpi data by FAX
		The measure against the failure to change the screen when performing U201	When changing from Initialize (U201: Initializing Touch Panel) to Check, + mark does not display. Therefore, it is corrected. (Ver3.00 only)
V3.03	Improve the performance	The measure against the operation failure of U412	There might be the possibility that the value can not be written (repeat the retry and does not finish) when executing U412 (Adjust Uneven Density). Therefore, it is corrected.
V3.04	Improve the performance	The measure against background of the toner	Add to judge performing the calibration at 10 th /50 th even if the Black & White printing
		The measure against BK vertical line appears on the trailing edge of the paper for 30mm	There might be the possibility that the vertical line appeared by the light ON forcibly in order to check the LSU transfer on the trailing edge of the paper for 30mm. Therefore, the change is made that the primary transfer will not be done when the light is ON.
		The measure against the overshoot when performing to open the cover intermittently	In case to open and close the front cover frequently, the fuser temperature will increase and there might be the possibility that the high temperature detection error might occur. Therefore, set the upper limit for the warm up adjustment.
		The measure against raising up the temperature of the press roller	In case if the paper interval gets wider, the temperature of the press roller raise up and there might be the possibility to detect C6200 (Fuser Heater 1 edge break). Therefore, add the adjustment.
		The measure against the Fuser offset	Review the control on the heater ON timing when starting the secondary paper feed. (Change the adjustment table): TASKalfa300ci/250ci only
		The measure against the lock with the half speed printing under the high temperature/high humidity environment	In case to have the high temperature/high humidity environment, there might be the possibility to lock if the speed changes from full speed to half speed. Therefore, it is corrected.
		The measure against JAM51 (Misfeed in job separator eject section)	In case if the paper conveyed gets curled by the print coverage ratio or fuser temperature, ON timing of the fuser sensor might vary. Fuser sensor ON is the trigger to eject the paper to the job separator and this might cause JAM51. Therefore, change is made that regist roller ON will be the trigger.

Service Bulletin

 Ref. No. **2H7-0015 (8759)**

<Date> March 13, 2009

Ver	Classification	Items to be changed/measured	Remarks
		Change the default value for U327 (Selecting Cassette Heater ON/OFF)	Change the default value of the mode setting to OFF. The factory default will be OFF Note: In case to upgrade the FW from old version to this new version, the default value will change to OFF (Please refer to the Service Bulletin No. 2H7-0012 (8746) for the details)

		V2.01	V2.02			V3.01/3.02 /3.03		V3.04	
Model	Specification	Serial No. Starting from	Serial No. Starting from	Serial No.	Serial No.	Serial No. Starting from	*1	Serial No. Starting from	
TASKalfa 500ci	KMA120V	QHU8Z00417	-	QHU8Z00226	-	QHU8Z00416	QHU9201001	A	QHU9201010
	KMA220V	-	-	-	-	-	-	*2	
	CPY	QEK9100080	-	QEK8Z00031	-	QEK8Z00079	-	QEK9200137	
	UTAX	QEP9100029	-	-	-	-	-	QEP9200048	
	KME	QHW9100154	-	-	-	-	-	QHW9200226	
	KMAUS	QHV9100090	-	QHV8Z00052	-	QHV8Z00084	-	*2	
	KMTH	-	-	-	-	-	QFM9200001	QFM9200002	
	KMSG/HG/ID	-	-	-	-	-	-	QFH9200001	
KMHG	-	-	-	-	-	-	*2		
TASKalfa 400ci	KMA120V	QHY9100355	QHY9100484	QHY8Z00036	-	QHY8Z00354	-	B	QHY9200810
	CPY	QEJ9100066	-	QEJ8Z00031	-	QEJ8Z00057	-	QEJ9200133	
	UTAX	-	-	-	-	-	-	QES9200075	
	KME	QJA9100178	QJA9100282	-	-	-	QJA9200375	QJA9200379	
	KMAUS	-	QHZ9100063	QHZ8Z00043	-	QHZ8Z00051	-	QHZ9200092	
	KMTH	-	-	QHZ8Z00045	-	-	-	-	
	KMSG/ID	-	-	-	-	-	QFL9200001	QFL9200002	
	KMHG	-	-	-	-	-	QFG9200001	*2	
TASKalfa 300ci	KMA120V	QJC8Z00374	-	QJC8Z00157	-	QJC8Z00373	QJC9200604	QJC9200912	
	KMA220V	-	-	-	-	-	-	*2	
	CPY	-	QEH9100067	-	-	-	-	QEH9200136	
	UTAX	QER9100067	-	QER8Z00023	-	QER8Z00066	QER9200164	D	QER9200235
	KME	-	QJE9100576	QJE8Z00056	-	QJE8Z00455	QJE9200710	C	QJE9200814
	KMAUS	QJD9100069	-	QJD8Z00038	-	QJD8Z00061	-	QJD9200096	
	KMTH	-	-	-	-	-	QFK9200001	QFK9200002	
	KMSG/ID	-	-	-	-	-	-	QFF9200001	
KMHG	-	-	-	-	-	-	QKY9200001		
TASKalfa 250ci	KMA120V	QJH8Z00400	QJH9100657	QJH8Z00391	-	QJH8Z00399	QJH9200768	QJH9201202	
	KMA220V	-	QEL9100008	-	-	-	-	*2	
	CPY	-	QEG9100108	-	-	-	QEG9200170	*2	
	UTAX	QE9100314	QE9100524	QE8Z00209	-	QE8Z00305	-	F	QE9201232
	KME	QJK8Z01360	QJK9101971	QJK8Z00176	-	QJK8Z01359	QJK9202273	E	QJK9303116
	KMAUS	-	QJJ9100091	QJJ8Z00047	-	QJJ8Z00088	-	QJJ9200126	
	KMTH	-	-	-	-	-	QGG9200001	QGG9200002	
	KMSG/HG/ID	-	-	-	-	-	-	QFE9200001	
KMHG	-	-	-	-	-	-	QKX9300001		

*1: See the next page and on for the additional serial numbers

*2: From next production

Service Bulletin

Ref. No. **2H7-0015 (8759)**

<Date> March 13, 2009

V3.01/3.02/3.03 (Additional serial numbers)

A	QHU9200737	-	QHU9200768
	QHU9200770	-	QHU9200793
	QHU9200795	-	QHU9200943
	QHU9200945	-	QHU9200958
	QHU9200960		
	QHY9200784		
B	QHY9200788		
	QHY9200792	-	QHY9200809
C	QJE9200621	-	QJE9200647
	QJE9200649	-	QJE9200653
	QJE9200655	-	QJE9200656
	QJE9200658	-	QJE9200659
	QJE9200661	-	QJE9200705
	QJE9200707	-	QJE9200709
D	QER9200127	-	QER9200163
E	QJK9202258	-	QJK9202269
F	QEQ9200615		
	QEQ9200617	-	QEQ9200619
	QEQ9200621		
	QEQ9200624		
	QEQ9200626		
	QEQ9200629		
	QEQ9200632	-	QEQ9200740
	QEQ9200742	-	QEQ9200908
	QEQ9200910	-	QEQ9200949
	QEQ9200951	-	QEQ9200969
	QEQ9200971	-	QEQ9201128
	QEQ9201130	-	QEQ9201141
	QEQ9201143	-	QEQ9201153
	QEQ9201155	-	QEQ9201190
	QEQ9201192	-	QEQ9201216
QEQ9201218	-	QEQ9201231	

Service Bulletin

Ref. No. **PCI-0222 (9009)**

[Parts Change Information]

<Date>

February 10, 2011

Subject	Parts Change Information.			
Model	TASKalfa500ci, TASKalfa400ci, TASKalfa300ci, TASKalfa250ci, TASKalfa420i, TASKalfa520i, TASKalfa180, TASKalfa220, TASKalfa181, TASKalfa221, KM-2531/2530, KM-3531/3530, KM-4031/4030, FS-9100DN, FS-9500DN, KM-3035, KM-4035, KM-5035, FS-9120DN, FS-9520DN, KM-3050, KM-4050, KM-5050, FS-9130DN, FS-9530DN, EP 510DN, KM-2560, KM-3060, KM-2640, KM-3040			

This time the description with (->)is revised from the previous information.

<Number of changes: 7> Correcting the new parts No. and Description (No.1~7) in page 9.

The following parts are changed.

P3 <Common use of parts>

TASKalfa500ci, TASKalfa400ci, TASKalfa300ci, TASKalfa250ci

P3 <Improving production efficiency (PULLEY SCANNER)>

TASKalfa500ci, TASKalfa400ci, TASKalfa300ci, TASKalfa250ci

P4 <Common use of parts>

TASKalfa500ci, TASKalfa400ci, TASKalfa300ci, TASKalfa250ci

P4 <Common use of parts>

TASKalfa500ci, TASKalfa400ci, TASKalfa300ci, TASKalfa250ci

P4 <Common use of parts>

TASKalfa500ci, TASKalfa400ci, TASKalfa300ci, TASKalfa250ci

P5 <Change of the developer unit Y/C/M>

TASKalfa500ci, TASKalfa400ci, TASKalfa300ci, TASKalfa250ci

P5 <Change of HOLDER SWITCH>

TASKalfa420i, TASKalfa520i

P5 <(KMA120V specification) Change of the caution label>

TASKalfa420i, TASKalfa520i

P6 <Improving assembly process>

TASKalfa180, ATSKalfa220, TASKalfa181, TASKalfa221

P7 <Change of PLATE MAIN DRIVE A/C>

TASKalfa180, TASKalfa220, TASKalfa181, TASKalfa221

P8 <Change of shape of FRAME EXIT UPPER>

TASKalfa180, TASKalfa220, TASKalfa181, TASKalfa221

Service Bulletin

Ref. No. **PCI-0222 (9009)**

[Parts Change Information]

<Date>

February 10, 2011

P9 <Improving production efficiency (change of the roller)>

KM-3050, KM-4050, KM-5050, FS-9130DN, FS-9530DN, EP 510DN,
KM-3035, KM-4035, KM-5035, FS-9120DN, FS-9520DN
KM-2531/2530, KM-3531/3530, KM-4031/4030, FS-9100DN, FS-9500DN

P9 <Change of fixing of the developer release lever>

KM-2531/2530, KM-3531/3530, KM-4031/4030, FS-9100DN, FS-9500DN,
KM-3035, KM-4035, KM-5035, FS-9120DN, FS-9520DN,
KM-3050, KM-4050, KM-5050, FS-9130DN, FS-9530DN, EP 510DN

P10 <Common use of parts>

KM-2530/2531, KM-3530/3531, KM-4030/4031, FS-9100DN, FS-9500DN, KM-3035,
KM-4035, KM-5035, FS-9120DN, FS-9520DN, KM-3050, KM-4050, KM-5050, FS-9130DN,
FS-9530DN, EP 510DN,

P10 <Change of the heat roller>

KM-3035, KM-4035, KM-5035, FS-9120DN, FS-9520DN

P11 <Common use of parts>

KM-2530/3531, KM-3530/3531, KM-4030/4031, FS-9100DN, FS-9500DN, KM-3035,
KM-4035, KM-5035, FS-9120DN, FS-9520DN, KM-3050, KM-4050, KM-5050, FS-9130DN,
FS-9530DN, EP 510DN

P11 <Common use of parts (FRAME EXIT UP)>

KM-3050, KM-4050, KM-5050, FS-9130DN, FS-9530DN, EP 510DN

P12 <Stabilizing the image quality (change of the transfer guide)>

KM-3050, KM-4050, KM-5050, FS-9130DN, FS-9530DN, EP 510DN

P12 <Preventing interference of GUIDE VERTICAL>

KM-2560, KM-3060, KM-2640, KM-3040

Service Bulletin

[Parts Change Information]

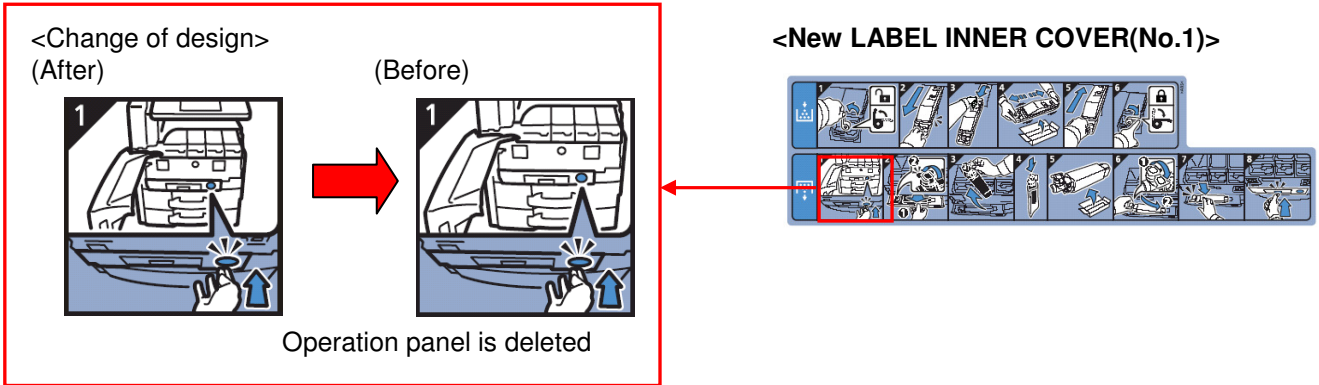
Ref. No. **PCI-0222 (9009)**

<Date> February 10, 2011

<Common use of parts → After using up the old stock>

TASKalfa500ci, TASKalfa400ci, TASKalfa300ci, TASKalfa250ci

Design of LABEL (No.1) is changed for common use with other models as follows.



No.	Old Part No.	New Part No.	Description	Q'ty		Com pat i bility		SP	Remarks
				Old	New	Old	New		
1	302H734160 2H734160	302H734161 2H734161	LABEL INNER COVER	1	1	○	○	-	

N00043344

*Please use the new parts for the next development models.

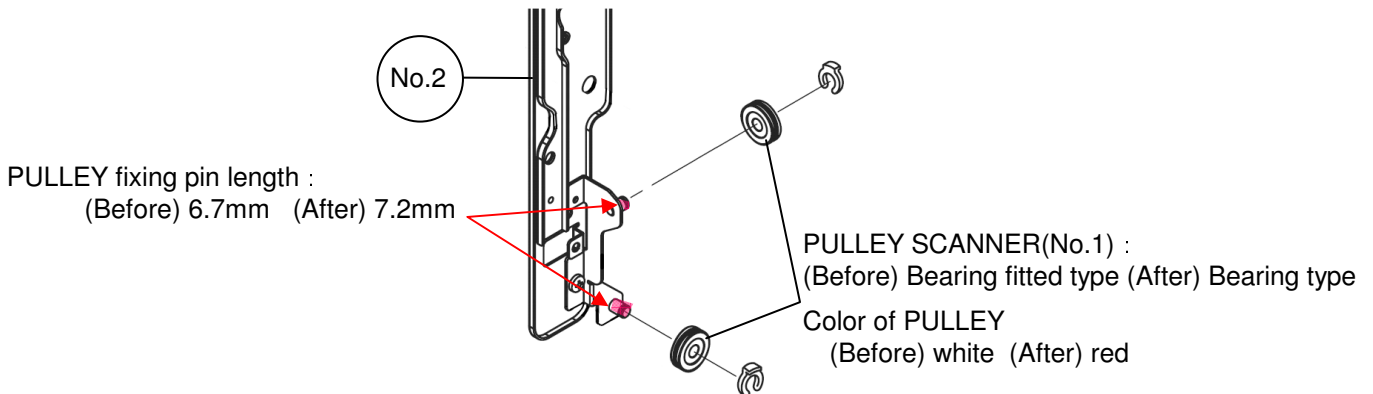
<Improving production efficiency (PULLEY SCANNER) → After using up the old stock>

TASKalfa500ci, TASKalfa400ci, TASKalfa300ci, TASKalfa250ci

PULLEY SCANNER(No1) is changed for improving production efficiency.

According to the change, thickness of PULLEY (No2) changes from max5.6mm to max6.1mm.

PULLEY fixing pin length for PLATE LEFT COVER ASSY(No2) is extended by 0.5mm to secure the fixing margin.



No.	Old Part No.	New Part No.	Description	Q'ty		Com pat i bility		SP	Remarks
				Old	New	Old	New		
1	302GR17820 2GR17820	302H017180 2H017180	PULLEY SCANNER	2	2	○	○	-	
2	302H722970 2H722970	302H722971 2H722971	PLATE LEFT COVER ASSY	1	1	○	○	-	

N00043008

Service Bulletin

[Parts Change Information]

Ref. No. **PCI-0222 (9009)**

<Date> February 10, 2011

<Common use of parts → After using up the old stock>

TASKalfa500ci, TASKalfa400ci, TASKalfa300ci, TASKalfa250ci

PARTS PWB ISM ASSY SP(No.1) is changed for common use of parts.

No.	Old Part No.	New Part No.	Description	Q'ty		Com pat i bility		SP	Remarks
				Old	New	Old	New		
1	302H794060 2H794060	302H794061 2H794061	PARTS PWB ISM ASSY SP	1	1	○	○	○	

N00042436

<Common use of parts → After using up the old stock>

TASKalfa500ci, TASKalfa400ci, TASKalfa300ci, TASKalfa250ci

Following parts (No.1,2) are changed for common use of parts with other models.

No.	Old Part No.	New Part No.	Description	Q'ty		Com pat i bility		SP	Remarks
				Old	New	Old	New		
1	302H705110 2H705110	302H705111 2H705111	MOUNT HANDLE OPE	1	1	○	○	-	Add burring
2	302H705120 2H705120	302H705121 2H705121	BASE OPERATION	1	1	○	○	-	Add burring

N00042882

<Common use of parts → Planned in September 2009 production>

TASKalfa500ci, TASKalfa400ci, TASKalfa300ci, TASKalfa250ci

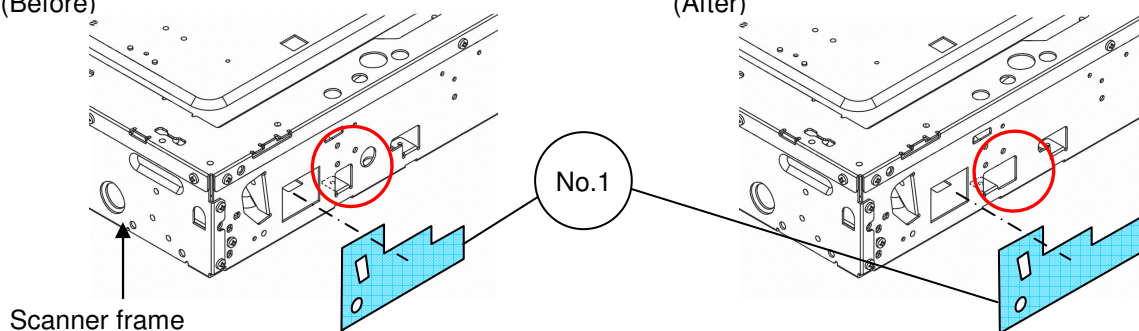
The round hole is eliminated and cut-out is extended by 16mm on the scanner frame (this part is not individually supplied) at the machine right side for common use of parts.

Accordingly, SEAL(No.1) that is affixed on the cut-out is also extended by 16mm.

<ISU section>

(Before)

(After)



No.	Old Part No.	New Part No.	Description	Q'ty		Com pat i bility		SP	Remarks
				Old	New	Old	New		
1	302H717431 2H717431	302H717432 2H717432	SEAL FRAME SIDE A	1	1	X	○	-	

N00043381

*Please use the new parts for the next development models.

Service Bulletin

[Parts Change Information]

Ref. No. **PCI-0222 (9009)**

<Date> February 10, 2011

<Change of the developer unit Y/M/C → Planned in September 2009 production>

TASKalfa500ci, TASKalfa400ci, TASKalfa300ci, TASKalfa250ci

The developer unit Y/C/M (No.1~6) are changed for common use.

No.	Old Part No.	New Part No.	Description	Q'ty		Com pati bility		SP	Remarks
				Old	New	Old	New		
1	302H793187 2H793187	302H793188 2H793188	PARTS DLP Y UNIT	1	1	○	○	○	TASKalfa500ci TASKalfa400ci
2	302H793197 2H793197	302H793198 2H793198	PARTS DLP C UNIT	1	1	○	○	○	TASKalfa500ci TASKalfa400ci
3	302H793207 2H793207	302H793208 2H793208	PARTS DLP M UNIT	1	1	○	○	○	TASKalfa500ci TASKalfa400ci
4	302JZ93207 2JZ93207	302JZ93208 2JZ93208	PARTS DLP Y L UNIT	1	1	○	○	○	TASKalfa300ci TASKalfa250ci
5	302JZ93217 2JZ93217	302JZ93218 2JZ93218	PARTS DLP C L UNIT	1	1	○	○	○	TASKalfa300ci TASKalfa250ci
6	302JZ93227 2JZ93227	302JZ93228 2JZ93228	PARTS DLP M L UNIT	1	1	○	○	○	TASKalfa300ci TASKalfa250ci

N00043609

<Change of HOLDER SWITCH → Planned in September 2009 production>

TASKalfa420i, TASKalfa520i

Color of HOLDER SWITCH (No.1) is changed from ivory to blackish blue for design matching.

No.	Old Part No.	New Part No.	Description	Q'ty		Com pati bility		SP	Remarks
				Old	New	Old	New		
1	2BL04330	302KP04330 2KP04330	HOLDER SWITCH	1	1	○	○	○	

N00043657

<(for KMA120V only) Change of the caution label

→ Planned in September 2009 roduction>

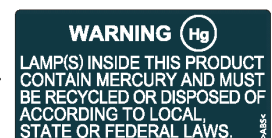
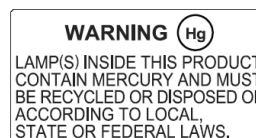
TASKalfa420i, TASKalfa520i

The caution label is (No.1) is changed for design matching.

<Caution label(No.1)>

(After)

(Before)



No.	Old Part No.	New Part No.	Description	Q'ty		Com pati bility		SP	Remarks
				Old	New	Old	New		
1	302DC05120 2DC05120	302H734030 2H734030	LABEL CAUTION HG	1	1	○	○	○	

N00043748

Service Bulletin

[Parts Change Information]

Ref. No. **PCI-0222 (9009)**

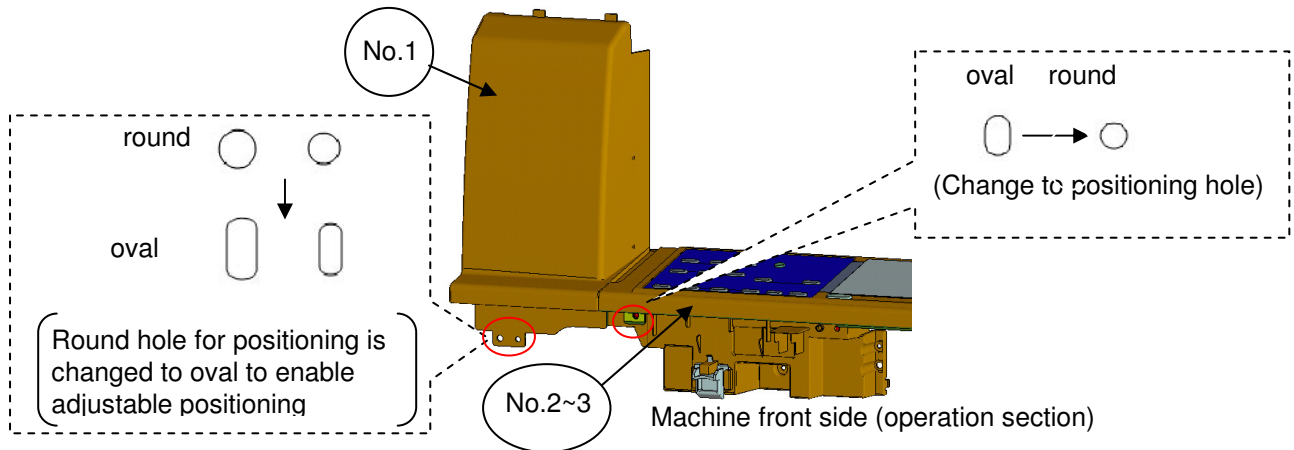
<Date> February 10, 2011

<Improving assembly process

→ Planned from available timing in August 2009 production>

TASKalfa180, ATSKalfa220, TASKalfa181, TASKalfa221

COVER FRONT TOP(No.1) and COVER OPERATION(No.2) at the operation section are changed to improve assembly process as follows



No.	Old Part No.	New Part No.	Description	Q'ty		Com pati bility		SP	Remarks
				Old	New	Old	New		
1	302KK04050 2KK04050	302KK04051 2KK04051	COVER FRONT TOP	1	1	○	○	○	
2	302KH05010 2KH05010	302KH05011 2KH05011	COVER OPERATION MFP	1	1	○	○	○	*1
3	302KK05010 2KK05010	302KK05011 2KK05011	COVER OPERATION GDI	1	1	○	○	○	*2

N00042613

*1 : for TASKalfa181/221

*2 : for TASKalfa180/220

Service Bulletin

[Parts Change Information]

Ref. No. **PCI-0222 (9009)**

<Date> February 10, 2011

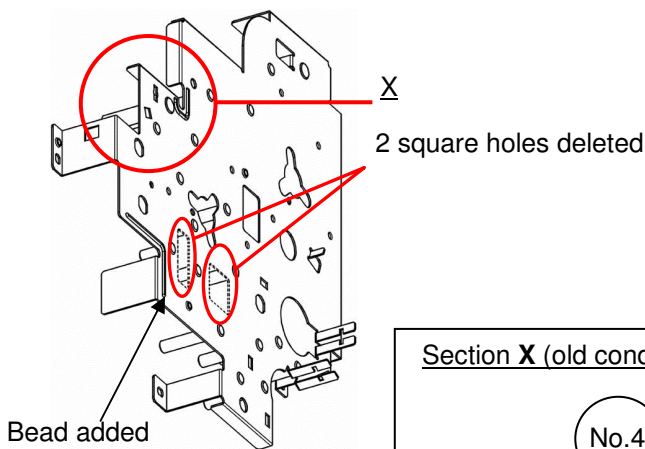
<Change of PLATE MAIN DRIVE A/C → Planned in September 2009 production>

TASKalfa180, TASKalfa220, TASKalfa181, TASKalfa221

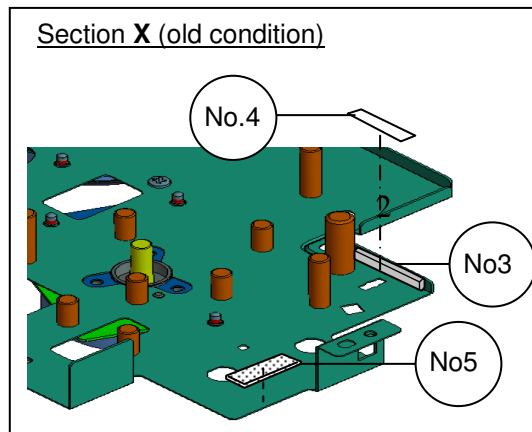
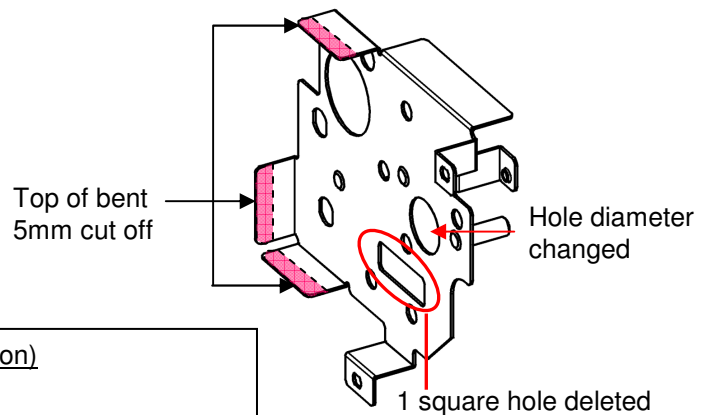
For improving margin for the vibration of the drive unit, PLATE MAIN DRIVE A/C(No.1,2) are changed as follows. According to this change, the sheets (No.3 to 5) affixed to PLATE (No.1) for limiting vibration are deleted since they are now unnecessary.

- PLATE MAIN DRIVE A(No.1) : 2 square holes deleted, bead added
- PLATE MAIN DRIVE C(No.2) : 1 square hole deleted, hole diameter change (from 18mm to 14mm), top of bent 5mm cut-off (3 portions)

<PLATE DRIVE A (No.1)>



<PLATE DRIVE C (No.2)>



No.	Old Part No.	New Part No.	Description	Q'ty		Compati bility		SP	Remarks
				Old	New	Old	New		
1	302KK31010 2KK31010	302KK31011 2KK31011	PLATE MAIN DRIVE A	1	1	X	O	-	
2	302KK31050 2KK31050	302KK31051 2KK31051	PLATE MAIN DRIVE C	1	1	X	O	-	
3	302KK08250 2KK08250	-----	SHEET ABSORBER	1	-	O	-	-	
4	302KK12220 2KK12220	-----	FILM DRUM SPACE	1	-	O	-	-	
5	303MH06010 3MH06010	-----	PAD RAIL	1	-	O	-	-	

N00042784

Service Bulletin

[Parts Change Information]

Ref. No. **PCI-0222 (9009)**

<Date> February 10, 2011

<Change of shape of FRAME EXIT UPPER

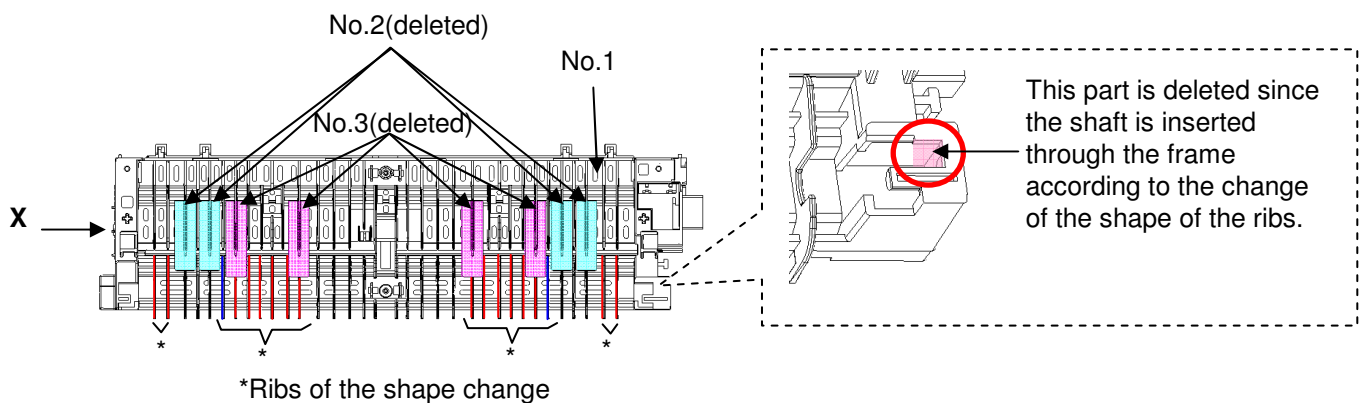
→ Planned from available timing in September 2009 production

TASKalfa180, TASKalfa220, TASKalfa181, TASKalfa221

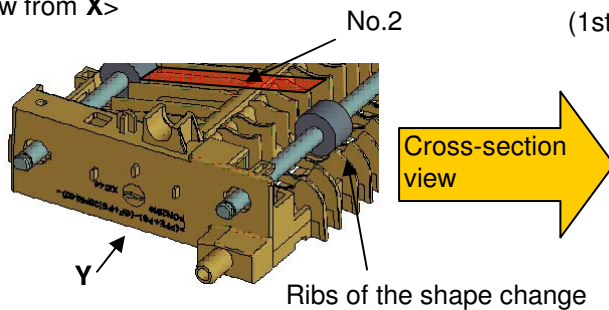
Following are changed to improve assembly process.

<Content of changes

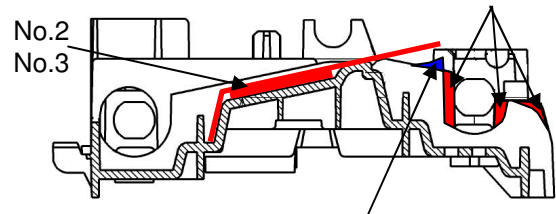
- 1) Shape of the ribs are changed (added or cut) to prevent the dog ear generated at the gap between the roller shaft and the rib.
- 2) SHEET EXIT(No.1) and SHEET EXIT B(No.2) are deleted according to the change.



<View from X>



Ribs extended to reduce gap between the shaft and the ribs (1st,2nd,6th to 12th rib from right/left respectively)



Cut off (1st,2nd,7th to 12th rib from right/left respectively) (6th rib is not cut off)

No.	Old Part No.	New Part No.	Description	Q'ty		Compatibility		SP	Remarks
				Old	New	Old	New		
1	302KK28011 2KK28011	302KK28012 2KK28012	FRAME EXIT UPPER	1	1	○	○	-	
2	302KK28230 2KK28230	-----	SHEET EXIT	4	-	○	-	-	
3	302KK28240 2KK28240	-----	SHEET EXIT B	4	-	○	-	-	

N00042668

Service Bulletin

[Parts Change Information]

Ref. No. **PCI-0222 (9009)**

<Date> February 10, 2011

<Improving production efficiency (change of the roller) → After using up the old stock>

KM-3050, KM-4050, KM-5050, FS-9130DN, FS-9530DN, EP 510DN,
 KM-3035, KM-4035, KM-5035, FS-9120DN, FS-9520DN
 KM-2531/2530, KM-3531/3530, KM-4031/4030, FS-9100DN, FS-9500DN

Vendor of the rubber roller of the roller (No.1~7) is changed to improve production efficiency.

No.	Old Part No.	New Part No.	Description	Q'ty		Com pat i bility		SP	Remarks
				Old	New	Old	New		
(-->) 1	302BL06081 2BL06081	302KS94140 2KS94140	PARTS ROLLER B FEED SP	1	1	O	O	O	
(-->) 2	302BL06091 2BL06091	302KS94150 2KS94150	PARTS ROLLER C FEED SP	1	1	O	O	O	
(-->) 3	302BL06541 2BL06541	302KS94160 2KS94160	PARTS ROLLER2 BYPASSFEED SP	1	1	O	O	O	
(-->) 4	302BL06561 2BL06561	302KS94170 2KS94170	PARTS ROLLER4 BYPASSFEED SP	1	1	O	O	O	
(-->) 5	302BL21032 2BL21032	302KS94200 2KS94200	PARTS ROLLER FEED SHIFT SP	1	1	O	O	O	
(-->) 6	302BL21021 2BL21021	302KS94180 2KS94180	PARTS ROLLER EXIT SP	1	1	O	O	O	All except *1
(-->) 7	302BJ21051 2BJ21051	302KS94190 2KS94190	PARTS ROLLER EXIT J SP	1	1	O	O	O	*1

N00043451/N00043452/N00043453/N00043454/N00043455/N00043456/N00043457

*1: for KMTW

<Change of fixing the developer release lever

→ Planned in September 2009 production>

KM-2531/2530, KM-3531/3530, KM-4031/4030, FS-9100DN, FS-9500DN,
 KM-3035, KM-4035, KM-5035, FS-9120DN, FS-9520DN,
 KM-3050, KM-4050, KM-5050, FS-9130DN, FS-9530DN, EP 510DN

Parts to fix the developer release lever (No.1) is changed from pin to screw (No.2) for parts procurement ease.
 Pin/screw fixing part on the developer release lever (No.1) is changed from round hole to screw holder shape according to this change

No.	Old Part No.	New Part No.	Description	Q'ty		Com pat i bility		SP	Remarks
				Old	New	Old	New		
1	2BL14210	302KS14010 2KS14010	LEVER DLP	1	1	O	X	-	
2	3036006141 36006141	7BB100306H BB046010	(+)BIND T.T S SCREW 3X6	1	1	X	X	-	*1

N00043576

*The fixing pin or screw (No.2) for the developer release lever (No1) is to fix the developer unit in transit.

*1: The pin is changed to the S-tite screw.

Service Bulletin

[Parts Change Information]

Ref. No. **PCI-0222 (9009)**

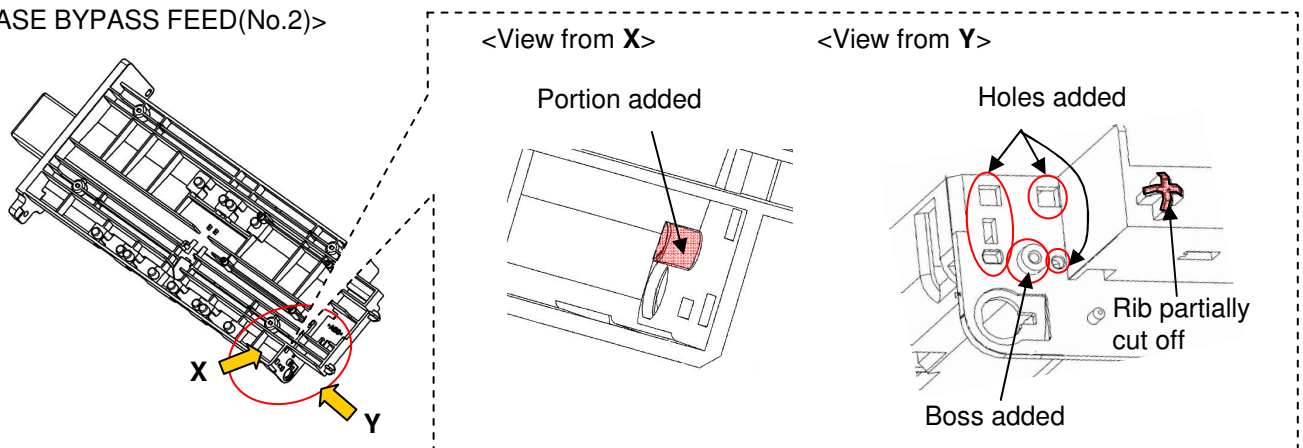
<Date> February 10, 2011

<Common use of parts → after using up the old stock>

KM-2530/2531, KM-3530/3531, KM-4030/4031, FS-9100DN, FS-9500DN, KM-3035, KM-4035, KM-5035, FS-9120DN, FS-9520DN, KM-3050, KM-4050, KM-5050, FS-9130DN, FS-9530DN, EP 510DN

Following parts (No.1,2) are changed for common use with other models.

<BASE BYPASS FEED(No.2)>



No.	Old Part No.	New Part No.	Description	Q'ty		Com pati bility		SP	Remarks
				Old	New	Old	New		
1	302GR93120 2GR93120	302GR93121 2GR93121	PARTS BYPASS FEED UNIT	1	1	○	○	○	
2	302GR08100 2GR08100	302GR08101 2GR08101	+BASE BYPASS FEED	1	1	○	○	-	

N00042902

*Please use the new parts for the next development models.

<Change of the heat roller → After using up the old stock>

KM-3035, KM-4035, KM-5035, FS-9120DN, FS-9520DN

The heat roller (No.1) is changed for common use due to unavailability of the old parts.

No.	Old Part No.	New Part No.	Description	Q'ty		Com pati bility		SP	Remarks
				Old	New	Old	New		
1	2FG20050	302GR25140 2GR25140	ROLLER HEAT	1	1	○	○	○	

N00043745

Service Bulletin

[Parts Change Information]

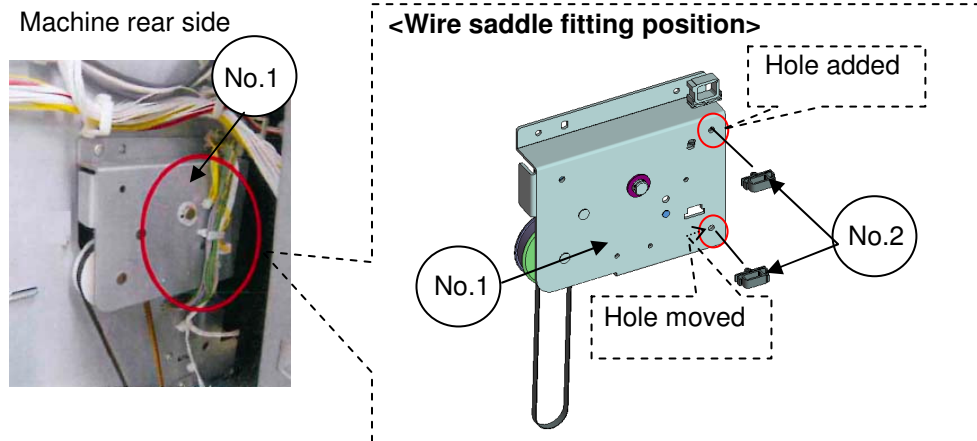
Ref. No. **PCI-0222 (9009)**

<Date> February 10, 2011

<Common use of parts → After using up the old stock>

KM-2530/3531, KM-3530/3531, KM-4030/4031, FS-9100DN, FS-9500DN, KM-3035, KM-4035, KM-5035, FS-9120DN, FS-9520DN, KM-3050, KM-4050, KM-5050, FS-9130DN, FS-9530DN, EP 510DN

Quantity of the wire saddle to fix PLATE DRIVE CONT.A (No.1) is changed for common use with other models as follows.



No.	Old Part No.	New Part No.	Description	Q'ty		Com pat i bility		SP	Remarks
				Old	New	Old	New		
1	302BL22442 2BL22442	302BL22443 2BL22443	PLATE DRIVE CONT.A	1	1	○	○	-	
2	7YZM610008++H01 YZ037940	7YZM610008++H01 YZ037940	ACCESS.SADDLE	1	2	-	-	-	Change qty

N00041785

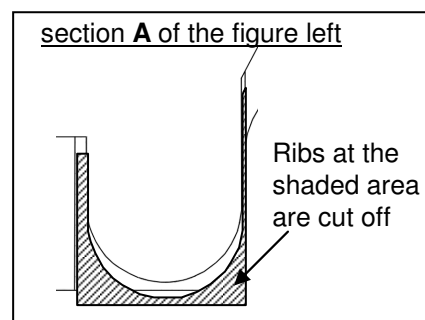
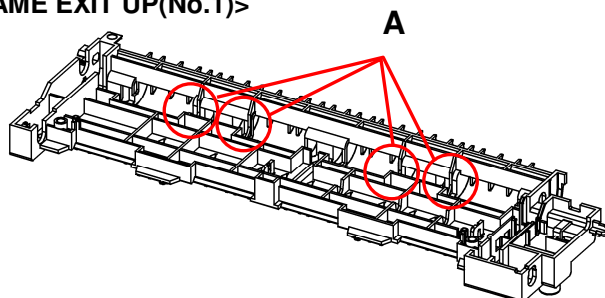
*Please use the new parts for the next development models.

<Common use of parts (FRAME EXIT UP) → After using up the old stock>

KM-3050, KM-4050, KM-5050, FS-9130DN, FS-9530DN, EP 510DN

The ribs on FRAME EXIT UP (No.1) are cut off for common use with other models.

<FRAME EXIT UP(No.1)>



No.	Old Part No.	New Part No.	Description	Q'ty		Com pat i bility		SP	Remarks
				Old	New	Old	New		
1	302GR28013 2GR28013	302GR28014 2GR28014	FRAME EXIT UP	1	1	○	○	-	

N00041785

*Please use the new parts for the next development models.

Service Bulletin

[Parts Change Information]

Ref. No. **PCI-0222 (9009)**

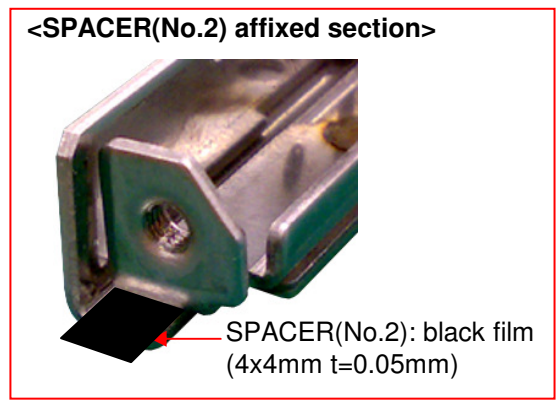
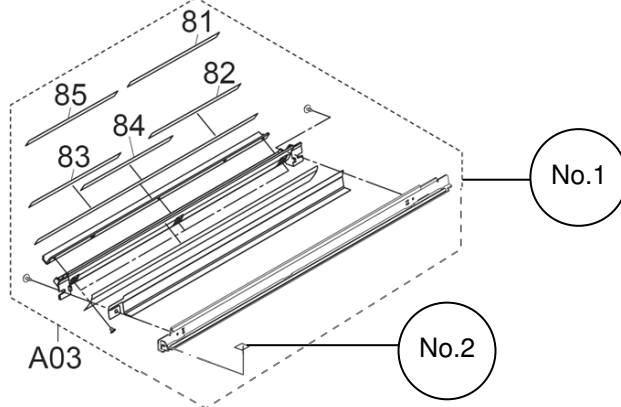
<Date> February 10, 2011

<Stabilizing the image quality (change of the transfer guide)>

→ Planned in September 2009 production<

KM-3050, KM-4050, KM-5050, FS-9130DN, FS-9530DN, EP 510DN

The spacer (No.1) is added to the machine front side of the transfer guide to stabilize the image quality.



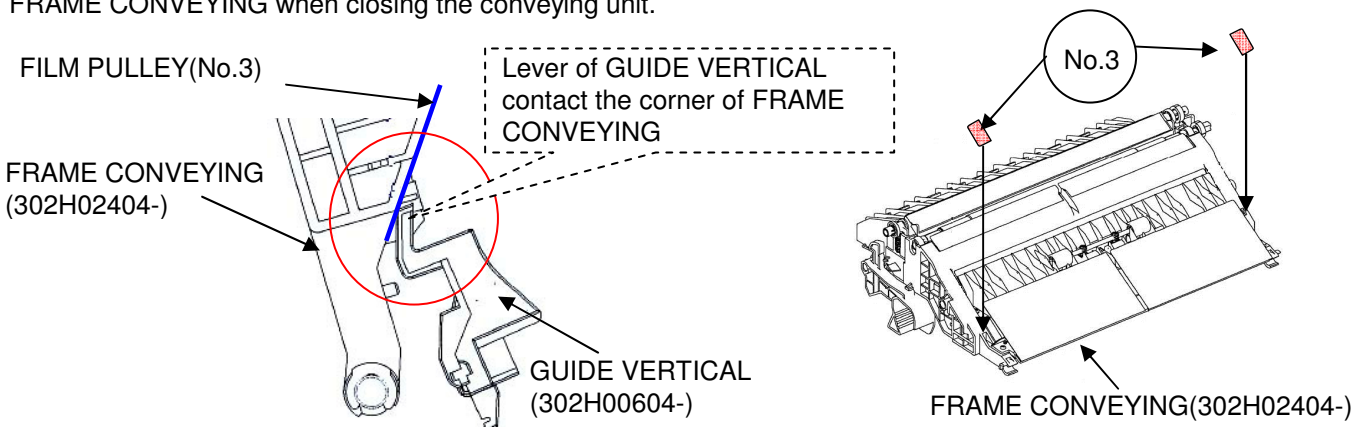
No.	Old Part No.	New Part No.	Description	Q'ty		Com pat i bility		SP	Remarks
				Old	New	Old	New		
1	302GR94480 2GR94480	302GR94481 2GR94481	PARTS,GUIDE TRANSFER	1	1	O	O	O	
2	-----	302KS22010 2KS22010	+SPACER GUIDE TRANSFER	-	1	-	O	-	

N00043751

<Preventing interference of GUIDE VERTICAL → From August 2009 production on>

KM-2560, KM-3060, KM-2640, KM-3040

FILM PULLEY(No.3) is added to the point where the lever of GUIDE VERTICAL may contact the corner of FRAME CONVEYING when closing the conveying unit.



No.	Old Part No.	New Part No.	Description	Q'ty		Com pat i bility		SP	Remarks
				Old	New	Old	New		
1	302H093181 2H093181	302H093182 2H093182	PARTS CONVEYING UNIT	1	1	X	O	O	
2	302H093251 2H093251	302H093252 2H093252	PARTS CONVEYING UNIT(UT)	1	1	X	O	O	for UTAX/TA
3	-----	303K524110 3K524110	+FILM PULLEY	-	2	-	O	-	

N00043750

Parts with [O] indicates regular maintenance parts. "+" Mark at the head of the description means it is a components parts.
CHC-0108

Service Bulletin

Ref. No. **2H7-0047 (9035)**

<Date> January 13, 2011

Subject	Preventing the duplex feed jam (JAM60) (Cutting out the ribs on FRAME DU)
Model	TASKalfa500ci, TASKalfa400ci, TASKalfa300ci, TASKalfa250ci

This time the description with (-->)is revised from the previous information.

<Number of changes: 2>

Adding the attention for wire alignment of the conveying unit when replacing the parts in field.

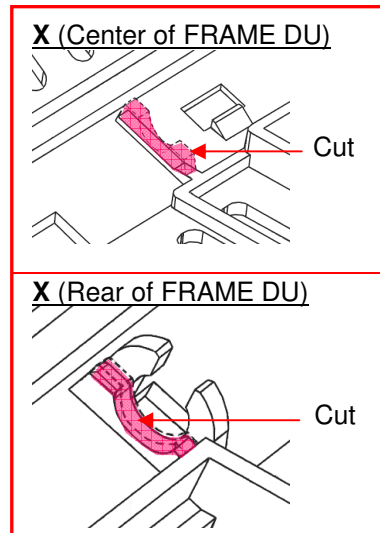
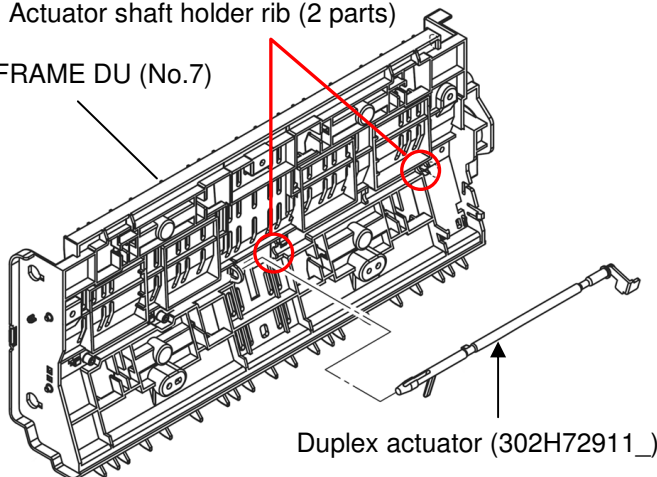
When the paper is transported into the duplex section in case of duplex printing, the shaft of the duplex actuator may be interfered by the actuator shaft holder rib (X below) on FRAME DU (No.7) due to dimensional variation of the part and it may cause JAM60 of the duplex feed 1 jam. Therefore, following is changed.

<Content of changes>

The ribs on FRAME (No.7) are partially cut out to secure the gap between the ribs and the actuator shaft in order to improve motion of the duplex actuator.

X: Actuator shaft holder rib (2 parts)

FRAME DU (No.7)



No.	Old Part No.	New Part No.	Description	Q'ty		Compa bi lity		SP	Remarks
				Old	New	Old	New		
1	302H793265 2H793265	302H793266 2H793266	PARTS CONVEYING H UNIT	1	1	X	○	○	TASKalfa500ci/400ci
2	302JZ93115 2JZ93115	302JZ93116 2JZ93116	PARTS CONVEYING L UNIT	1	1	X	○	○	TASKalfa300ci/250ci
3	302H793581 2H793581	302H793582 2H793582	PARTS CONVEYING H UNIT(TW)	1	1	X	○	○	TASKalfa500ci/400ci (For KMTW)
4	302JZ93261 2JZ93261	302JZ93262 2JZ93262	PARTS CONVEYING L UNIT(TW)	1	1	X	○	○	TASKalfa300ci/250ci (For KMTW)
5	302H793661 2H793661	302H793662 2H793662	PARTS CONVEYING H UNIT(KS)	1	1	X	○	○	TASKalfa500ci/400ci (For KTST)
6	302JZ93291 2JZ93291	302JZ93292 2JZ93292	PARTS CONVEYING L UNIT(KS)	1	1	X	○	○	TASKalfa300ci/250ci (For KTST)
7	302H729010 2H729010	302H729011 2H729011	+FRAME DU	1	1	X	○	-	

Parts with "O" indicates regular maintenance parts. "+" Mark at the head of the description means it is a components parts.

Service Bulletin

Ref. No. **2H7-0047 (9035)**

<Date> January 13, 2011

KMC's Classification		<input type="checkbox"/> Entire Stock Rework	<input type="checkbox"/> In-Field modification at next visit			
		<input checked="" type="checkbox"/> In-Field modification by case	<input type="checkbox"/> No modification necessary			
Field Measure: Please replace with new FRAME DU (No7) if the above phenomenon arises. (-->) Please note alignment of WIRE DU when reassembling the conveying unit to replace FRAME DU. (Refer to [Attention of aligning WIRE DU] in the next page for details.)						
Serial Nos. of Affected Machine:						
TASKalfa500ci	KMA120V	CS	KMA220V	KMTW	KMSG	KMTH
	From the next production on.	QEK9Y00467	QEN9Y00012	From the next production on.	QFH9Y00024	From the next production on.
	KMAUS	KM220-240V*	UTAX/TA	KMHK	KMA(GSA)	
	QHV9Y00176	QHW9Y00963	QEP9Y00177	QLA9Y00010	From the next production on.	
TASKalfa400ci	KMA120V	CS	KTST	KMTW	KMSG	KMTH
	QHY9Y02537	QEJ9Y00597	QMM9Y00056	From the next production on.	QFG9Y00042	QFL9Y00009
	KMAUS	KM220-240V*	UTAX/TA	KMHK		
	QHZ9Y00227	QJA9Y01496	QES9Y00405	QKZ9Y00006		
TASKalfa300ci	KMA120V	CS	KMA220V	KMTW	KMSG	KMTH
	QJC9Y03063	QEH9Y00824	QEM9Y00028	QGF9Y00039	From the next production on.	From the next production on.
	KMAUS	KM220-240V*	UTAX/TA	KMHK	KTST	
	QJD9Y00380	QJE9Y02628	QER9Y00645	QKY9Y00007	QMN9Y00111	
TASKalfa250ci	KMA120V	CS	KMA220V	KMTW	KMSG	KMTH
	QJH9X04361	QEG9X00720	QEL9X00089	QGE9X00014	QFE9Y00100	QGJ9X00060
	KMAUS	KM220-240V*	UTAX/TA	KMHK	PHILIPINE	KTST
	QJJ9X00622	QJK9X09888	QEQ9X03931	QKX9X00059	From the next production on.	QMP9X00243
	KMA(GSA)					
	From the next production on.					

*Except KMAUS

N00043883

(Revised Issue 2)
Service Bulletin

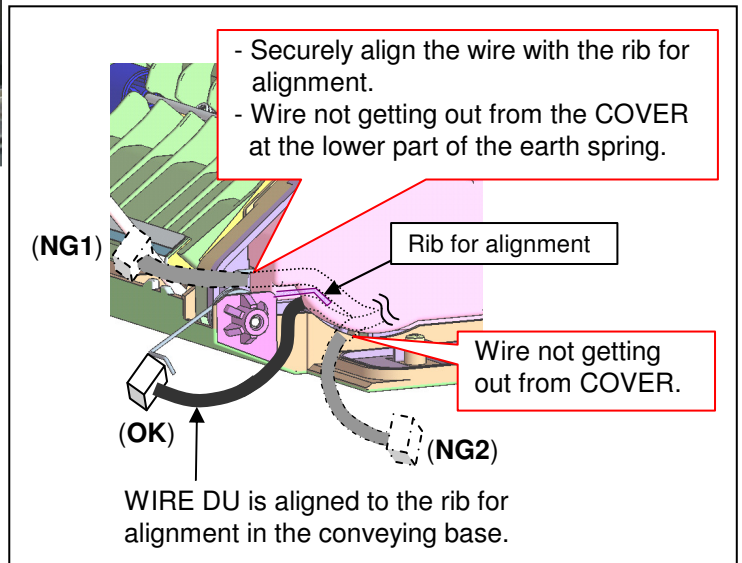
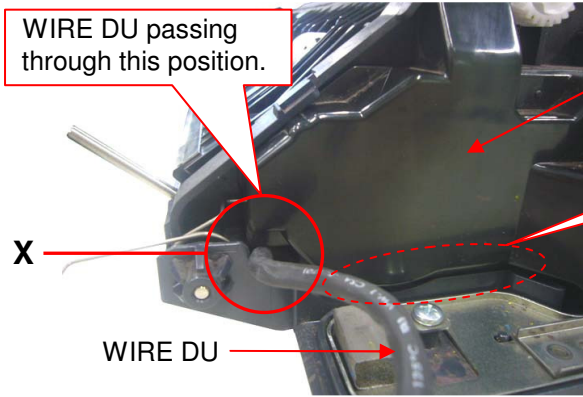
Ref. No. **2H7-0047 (9035)**

<Date> January 13, 2011

(-->)

<Attention of aligning WIRE DU>

When reassembling the conveying unit, check if WIRE DU passes through the position marked **X** in the figure below when refitting COVER PWB FEED to the machine rear side of the conveying unit.



Service Bulletin

Ref. No. **COM-0163 (9061)**

<Date> March 30, 2011

Subject	Preventing the fixing roller bearing leaning (measures against abnormal noise, C2300 error and jam)
Model	KM-C2520, KM-C3225, KM-C3232, KM-C2525E, KM-C3225E, KM-C3232E, KM-C4035E, FS-C8100DN+, EP C320DN, TASKalfa500ci, TASKalfa400ci, TASKalfa300ci, TASKalfa250ci

This time the description with (-->)is revised from the previous information.

<Number of changes: 13> Adding the accurate serial number.

The bearing at the both end of the fixing roller may lean in case the side of the bearings is impressed by the factors below.

If the drive continues with the leaned bearings, the abnormal noise may be heard from the friction between the fixing roller shaft and the inner part of the bearing, or the bearing may be broken to cause the SC2300 error or jam. Therefore, following are changed.

(Factors)

- The side of the bearing is impressed from thermal expansion of the fixing roller.
- The side of the bearing is impressed from the fixing roller rotation load by pulling out the paper in case jam clearance is attempted at he fixing section

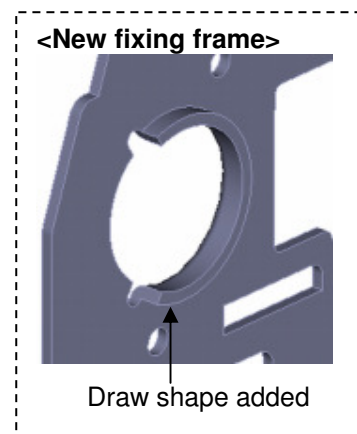
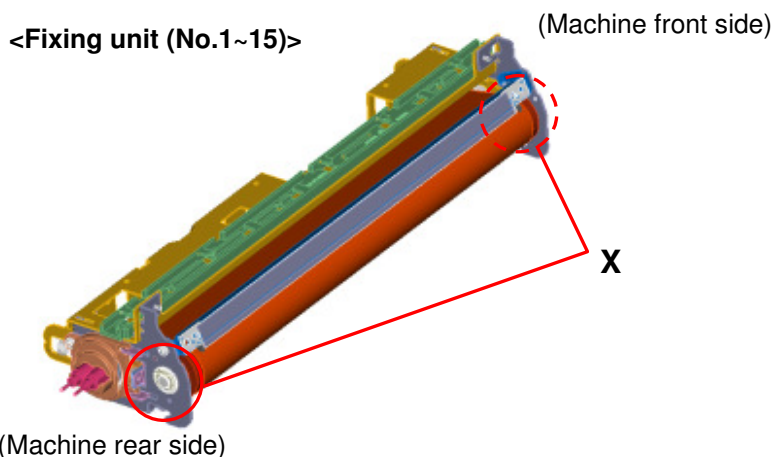
<Content of changes>

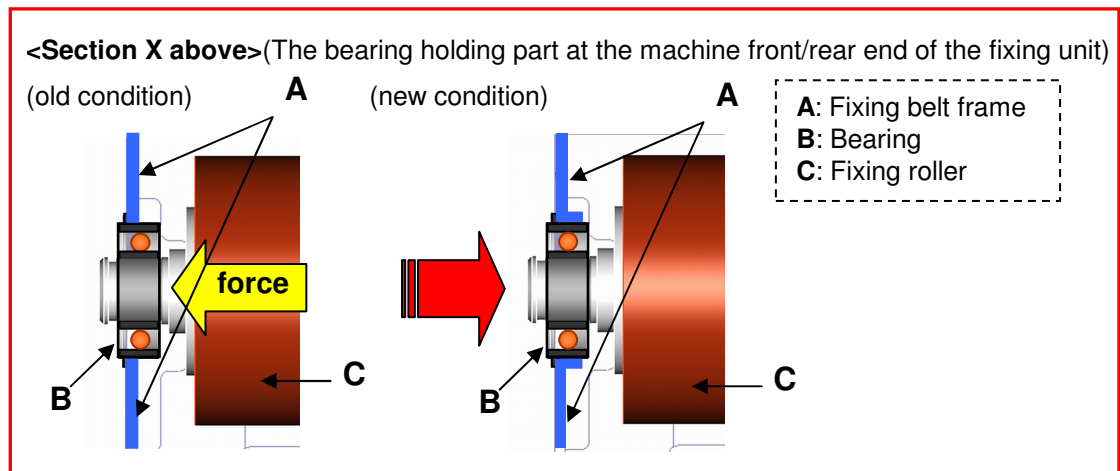
(Temporary measures)

The grease that is applied to the inner part of the bearing to reduce the friction between the fixing roller shaft and the inner part of the bearing is changed to heat resistant type to avoid deterioration by the fixing heat and (applied since August 2009 production)

(Permanent measures)

Draw shape is applied to the part to hold the bearing on the fixing belt frame to improve holding of the bearing. (planned in November 2009 production)





KMC's Classification	<input type="checkbox"/> Entire Stock Rework	<input type="checkbox"/> In-Field modification at next visit
	<input checked="" type="checkbox"/> In-Field modification by case	<input type="checkbox"/> No modification necessary

Field Measure: Please replace with the fixing unit of the permanent measures in case the above phenomenon arises. (the fixing unit with the serial number listed in the <Permanent measures: change of the fixing belt frame> in the next page*)

*The new fixing belt frame is applied to production in midstream of the fixing unit with the old part code list in page 4.

Serial Nos. of Affected Machine:

<Temporary measures: change of bearing>

	KME	EP C320DN	Others			
FS-C8100DN+ EP C320DN	QUL9X00142	From the next production	From the next production			
TASKalfa500ci	KMA120V	CS120V	KMA220V	KMTW	KMSG	KMTH
	QHU9Z02223	QEK9900399	QEN9Y00012	QGH9X00013	QFH9900014	QFM9900005
	KMAUS	KME	UTAX/TA	KMHG	KMA (GSA)	
TASKalfa400ci	QHV9900144	QHW9900732	QEP9X00167	QLA9900007	UYJ9Z00056	
	KMA120V	CS120V	KTST	KMTW	KMSG	KMTH
	QHY9X02401	QEJ9900482	QMM9900029	QGG9X00014	QFG9900024	QFL9Y00009
TASKalfa300ci	KMAUS	KME	UTAX/TA	KMHG	KMKR	
	QHZ9900186	QJA9901273	QES9900280	QKZ9Y00006	From the 1st mass-production	
	KMA120V	CS120V	KMA220V	KMTW	KMSG	KMTH
TASKalfa250ci	QJC9802863	QEH9800584	QEM9Y00028	QGF9800023	QFF9X00028	QFK9900011
	KMAUS	KME	UTAX/TA	KMHG	KTST	KMKR
	QJD9900335	QJE9901949	QER9900495	QKY9Y00007	QMN9900057	From the 1st mass-production
TASKalfa250ci	KMA120V	CS120V	KMA220V	KMTW	KMSG	KMTH
	QJH9803680	QEG9800553	QEL9800077	QGE9800009	QFE9800061	QGJ9800035
	KMAUS	KME	UTAX/TA	KMHG	PHILIPINE	KTST
	QJJ9800456	QJK9808593	QEQ9803395	QKX9800039	From the next production	QMP9900119
	KMA (GSA)	KMKR				
UYH9Z00049	From the 1st mass-production					

Other models than above: no production is planned.

<Serial number of the fixing unit>

No.1: KXN9904176-	No.5: KXT9908960-	No.9: MCB9802691-	No.13: From next production
No.2: KXP9808860-	No.6: From next production	No.10: From next production	No.14: From next production
No.3: KXQ9X00075-	No.7: KXW9X09237-	No.11: From next production	No.15: From next production
No.4: KXR9904147-	No.8: MCA9904836-	No.12: MCD9X07818-	

Service Bulletin

Ref. No. **COM-0163 (9061)**

<Date> March 30, 2011

<Serial number of the MK kit>						
MK-855A for TASKalfa500ci/400ci(except KTST/KMTW): QJR9900488-						
for TASKalfa500ci/400ci(KTST) : QMZ9900005						
for TASKalfa500ci/400ci(KMTW) : Since the 1st shipment						
MK-865A for TASKalfa300ci/250ci(except KTST/KMTW): QJP9900563-						
for TASKalfa300ci/250ci(KTST) : QNB9900005-						
for TASKalfa300ci/250ci(KMTW) : Since the 1st shipment						
MK-826A for KM-C4035E : QCW9900461						
MK-825A for KM-series models (except KM-C4035E) : QCV9903167-						
MK-820A for FS-C8100DN+,EP C320DN : QCY9900366-						
<Permanent measures: change of the fixing belt frame>						
FS-C8100DN+ EP C320DN	(--> no production is planned.					
TASKalfa500ci	KMA120V	CS120V	KMA220V	KMTW	KMSG	KMTH
	QHU9Z02223	QEK0100481	QEN9Z00015	(--> QGH0500014	(--> QFH0800026	From the next production
	KMAUS	KME	UTAX/TA	KMHG	KMA (GSA)	
	QHV9Z00177	QHW9Z01098	QEP9Z00195	QHV9Z00177	UYJ9Z00056	
TASKalfa400ci	KMA120V	CS120V	KTST	KMTW	KMSG	KMTH
	QHY9Z02887	QEJ9Z00662	(--> QMM0900063	(--> QGG0600016	QFG9Z00049	QFL9Z00010
	KMAUS	KME	UTAX/TA	KMHG	KMKR	
	QHZ0100259	QJA9Z01797	QES9Z00440	QKZ9Z00009	Q399Z00008	
TASKalfa300ci	KMA120V	CS120V	KMA220V	KMTW	KMSG	KMTH
	QJC9Z03354	QEH9Z00934	QEM9Z00030	(--> QGF0800041	QFF0200029	From the next production
	KMAUS	KME	UTAX/TA	KMHG	KTST	KMKR
	QJD9Z00400	QJE9Z02977	QER9Z00705	QKY0100009	(--> QMN0900118	Q3A9Z00013
TASKalfa250ci	KMA120V	CS120V	KMA220V	KMTW	KMSG	KMTH
	QJH0105134	QEG9Z00834	QEL9Y00097	QGE9Z00017	QFE9Y00100	QGG9Y00075
	KMAUS	KME	UTAX/TA	KMHG	PHILIPINE	KTST
	QJJ9Y00716	QJK9Y10857	QEQ9Y04329	QKX9Y00084	(--> QLU0300009	QMP9Z00293
	KMA (GSA)	KMKR				
	UYH9Z00079	Q3B9Z00143				
Other models than above: no production is planned.						
<Serial number of the fixing unit>						
No.1: (-->)KXN0100119-		No.5: KXT9Y09886-		No.9: MCB9Y04047-		No.13: MCE9Y19147-
No.2: KXP9Y09748-		No.6: (-->)KXV0300818-		No.10: MCL9Y00029-		No.14: MCM9Y00057-
No.3: KXQ9Y00085-		No.7: KXW9Y09810-		No.11: From the next production		No.15: From the next production
No.4: (-->)KXR9Z06210-		No.8: MCA9Y05748-		No.12: MCD9Y09431-		
<Serial number of the MK kit>						
MK-855A for TASKalfa500ci/400ci(except KTST/KMTW): QJR9Z00578-						
for TASKalfa500ci/400ci(KTST) : (-->)QMZ1300009-						
for TASKalfa500ci/400ci(KMTW) : Since the 1st shipment						
MK-865A for TASKalfa300ci/250ci(except KTST/KMTW): QJP9Z00742-						
for TASKalfa300ci/250ci(KTST) : (-->)QNB0X00009-						
for TASKalfa300ci/250ci(KMTW) : Since the 1st shipment						
MK-826A for KM-C4035E : QCW9Y00595-						
MK-825A for KM-series models (except KM-C4035E) : QCV9Y03682-						
MK-820A for FS-C8100DN+,EP C320DN : QCY9Z00672-						

N00043111/43184/44603/41335/CHC-0120

Service Bulletin

Ref. No. **COM-0163 (9061)**

<Date> March 30, 2011

No.	Old Part No.	New Part No.	Description	Q'ty		Compatibility		SP	Remarks
				Old	New	Old	New		
Affected models for No.1-3 : KM-C2520/C3225/C3232/C2525E/C3225E/C3232E									
1	302FZ9316D 2FZ9316D	302FZ9316E 2FZ9316E	PARTS FUSER 120 ASS'Y	1	1	*1	○	○	for 120V *2
2	302FZ9317D 2FZ9317D	302FZ9317E 2FZ9317E	PARTS FUSER 200 ASS'Y	1	1	*1	○	○	for Metric (except 110V), *2
3	302FZ9353B 2FZ9353B	302FZ9353C 2FZ9353C	PARTS FUSER 110 ASS'Y	1	1	*1	○	○	for 110V *2
Affected models for No.4,5 : KM-C4035E									
4	302JD93056 2JD93056	302JD93057 2JD93057	PARTS FUSER 120 ASSY	1	1	*1	○	○	for 120V *2
5	302JD93066 2JD93066	302JD93067 2JD93067	PARTS FUSER 200 ASSY	1	1	*1	○	○	for Metric (except 110V), *2
Affected models for No.6,7 : FS-C8100DN+, EP C320DN									
6	302HP93169 2HP93169	302HP9316A 2HP9316A	PARTS FUSER 120 ASS'Y(PR)	1	1	*1	○	○	for 120V *2
7	302HP9317A 2HP9317A	302HP9317B 2HP9317B	PARTS FUSER 200 ASS'Y(PR)	1	1	*1	○	○	for Metric (except 110V), *2
Affected models for No.8-11 : TASKalfa500ci/400ci									
8	302H793233 2H793233	302H793234 2H793234	PARTS FUSER 120 H UNIT	1	1	*1	○	○	for 120V *3
9	302H793243 2H793243	302H793244 2H793244	PARTS FUSER 240 H UNIT	1	1	*1	○	○	for Metric (except KMTW/KTST), *3
10	302H793591 2H793591	302H793592 2H793592	PARTS FUSER 110 H UNIT	1	1	*1	○	○	for 110V *3
11	302H793651 2H793651	302H793652 2H793652	PARTS FUSER 240 H(KS) UNIT	1	1	*1	○	○	for KTST *3
Affected models for No.12-15 : TASKalfa300ci/250ci									
12	302JZ93083 2JZ93083	302JZ93084 2JZ93084	PARTS FUSER 120 L UNIT	1	1	*1	○	○	for 120V *3
13	302JZ93093 2JZ93093	302JZ93094 2JZ93094	PARTS FUSER 240 L UNIT	1	1	*1	○	○	for Metric (except KMTW/KTST), *3
14	302JZ93271 2JZ93271	302JZ93272 2JZ93272	PARTS FUSER 110 L UNIT	1	1	*1	○	○	for 110V *3
15	302JZ93281 2JZ93281	302JZ93282 2JZ93282	PARTS FUSER 240 L(KS) UNIT	1	1	*1	○	○	for KTST *3

• Parts with "O" indicates regular maintenance parts. "+" Mark at the head of the description means it is a components parts.

*The fixing bearing and the fixing frame are not parts for field supply.

*1: The fixing unit (No.1-15) with the old part code may have the permanent measures (bearing, fixing belt frame change) implemented. When using the unit with the old part code, please refer to the serial number listed in <Permanent measures: change of the fixing belt frame> in page 3 to check the new part.

*2: Other than TASKalfa500ci/400ci/300ci/250ci: The bearing and the fixing belt frame are changed in the production in midstream of the old part code units.

*3: TASKalfa500ci/400ci/300ci/250ci:

(Temporary) No.8, 9, 12, 13: applied to the 3 of the last digit of the part code, No.10, 11, 14, 15: applied to 1 of the last digit of the part code. (Informed per the service bulletin No.PCI-0216 (8964))

(Permanent) applied to the production in midstream of the old part code

Service Bulletin

Ref. No. **5JA-0002 (A166)**

<Date> August 5, 2011

Subject	(-->) Note when replacing the parts (Improving the paper stack adjustment when stapling the rear side of the A4 wide-wise-fed paper stack)
Model	DF-780/DF-780(B)

(Affected models: TASKalfa500ci/400ci/300ci/250ci, TASKalfa552ci, FS-C8500DN, TASKalfa300i, TASKalfa420i/520i)

This time the description with (-->) is revised from the previous information.

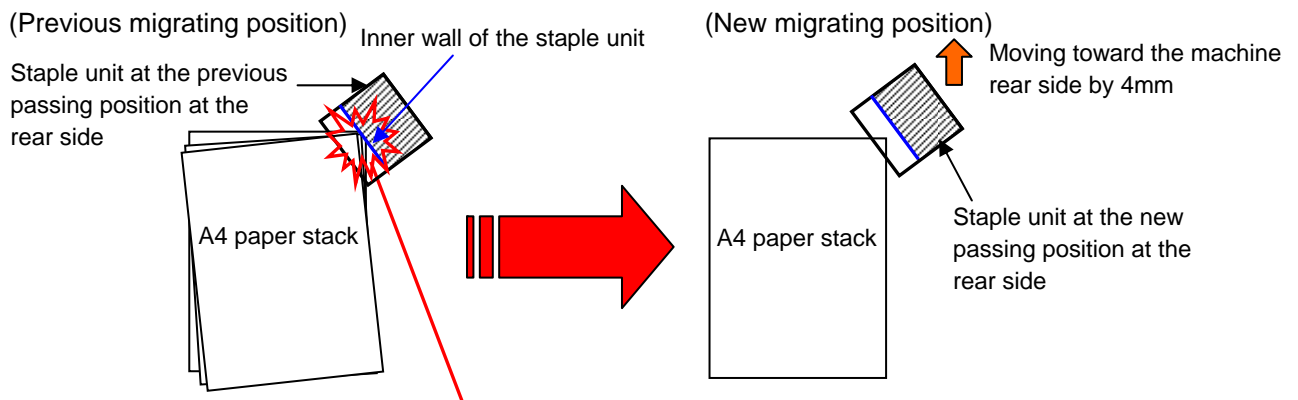
<Number of changes: 6> Revising the subject, main descriptions, and field measure, adding the measures and notes for production and affected serial number.

(-->)

The A4 wide-wise-fed paper stack adjustment may get wrong since the inner wall of the staple unit may interfere the corner of the rear edge of the paper stack when stapling it if the center of the paper stack in the cassette is shifted. Then, the position for the staple unit to migrate at rear stapling is moved by 4mm toward the rear side of the machine. Please note an attention is required when replacing the parts after this change.

1. Please refer to **[Field Measure]** where an attention is required when replacing the parts.
2. Please refer to **<Field Support>** below for the case where the paper stack interfered by the inner wall of the inner unit.
3. Please refer to **<Production Measure>** for the change of the DF-780.

<Simplified figure when stapling the rear side of the A4 paper stack> (Below is view from upper)

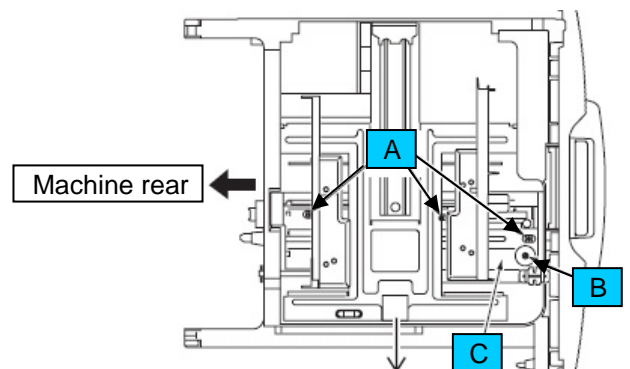


The paper stack adjustment failure may occur in case the right corner of the rear edge of the A4 paper stack is hit by the inner wall of the staple unit, and the rear stapling may be executed in that state.

(-->) <Field Support>

The paper stack adjustment failure does not occur if the center of the paper stack in the cassette is within the reference range. Please correct the center position of the paper stack.

1. Print the test pattern in the U402 and compare it with the center position on the paper .
2. If the center position is shifted toward the rear side of the machine, loosen 3 of the screws A and rotate the adjuster screw B clockwise and move the adjuster plate C toward the rear side of the machine. Then, tighten the 3 of the screws.
3. Adjust the center line for the image forming in the U034.



Service Bulletin

Ref. No. **5JA-0002 (A166)**

<Date> August 5, 2011

(-->)

<Production Measure>

(-->)The changes at production accompanies the change of the rear frame that is not field-supply part and can not be applied to the field machines.

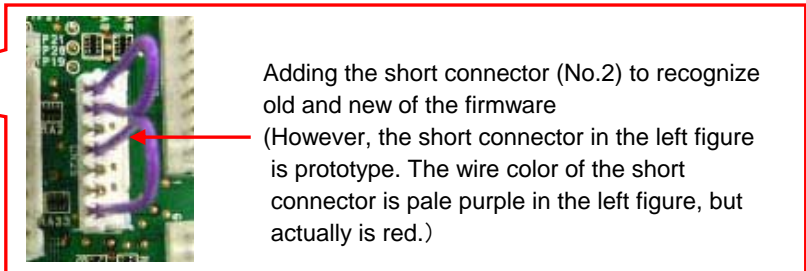
<Outline of change> (Please refer to [Detailed contents of change] in the next page for the details.)

No.	Main change	Contents
1	Change of the migrating ing position of the staple unit when stapling at the rear side	- The firmware is upgraded. (Change of the finisher main PWB (No.1)) - The short connector that recognizes old and new of the firmware to the finisher main PWB (No.1) is added.
2	Avoiding the contact according to the above1 (Change of the neighboring parts)	- Part of the staple unit holder (No.3), the rear frame (It is not supplied in the field), the drive plate (No.4), the stand to hold the staple unit (No.5) is cut.
3	Change of the wires and the wire alignment according to the above 1	- The wire length of the RDHS wire (No.6) and the staple wire (No.7) is extended. - The wire alignment of the RDHS wire (No.6) is changed. And, The parts are changed and added according to it.

[Change1 Change of the migrating position of the staple unit when stapling at the rear side]

(Below is the prototype.)

<New finisher main PWB (No.1)>



Adding the short connector (No.2) to recognize old and new of the firmware
(However, the short connector in the left figure is prototype. The wire color of the short connector is pale purple in the left figure, but actually is red.)

KMC's Classification	<input type="checkbox"/> Entire Stock Rework	<input type="checkbox"/> In-Field modification at next visit
	<input checked="" type="checkbox"/> In-Field modification by case	<input type="checkbox"/> No modification necessary

Field Measure:

Please note the following 1) and 2) when replacing the parts.

1) Please confirm there is the short connector (No.2) at the finisher main PWB that is installed in the main machine and perform the following when replacing to the new finisher main PWB (No.1).

- In case there is the short connector
: Please install the new finisher main PWB as it is. (It has the short connector.)
- In case there is no short connector
: Please install the new finisher main PWB after removing the short connector from CN25 on the new finisher main PWB. (Note1)

(Note1) If the finisher main PWB with the short connector is installed in the machine that does not have the short connector, the staple motor step-out or the staple displacement may occur due to contact with the staple unit at the new migrating position and the old shaped neighboring parts.

2) Please use the old RDHS wire for the machine before changes and the new RDHS wire by the new wire alignment for the machine after changes when replacing the RDHS wire (No.6).

(The new RDHS wire requires the new wire alignment at the new rear frame.)

Serial Nos. of Affected Machine: (-->)

- 100-120V : QMY0513997
- 200V : QWZ0504574
- KTST : Q8T0700006
- KMKR : QWZ0705807
- UTAX/TA : Q270500365



(Revised Issue 1)

Service Bulletin

(Page.3/7)

Ref. No. **5JA-0002 (A166)**

<Date> August 5, 2011

OLIVETTI : Q260500081

N00045762/46409/46664/47295/47688/48711

Service Bulletin

Ref. No. **5JA-0002 (A166)**

<Date> August 5, 2011

No.	Old Part No.	New Part No.	Description	Q'ty		Compa ti bi lity		SP	Remarks
				Old	New	Old	New		
1	305JA71605 5JA71605	305JA71606 5JA71606	PBA-CONTROL-KM	1	1	X	O	O	*1
2	-----	305JA73220 5JA73220	+ASM-SHORT	-	1	-	X	-	
3	305JA70720 5JA70720	305JA70721 5JA70721	HLDR-STP-KM	1	1	X	O	-	
4	305JA70430 5JA70430	305JA73230 5JA73230	K-R-DV-KM	1	1	X	O	-	
5	305JA71550 5JA71550	305JA71551 5JA71551	K-STP-BS-KM	1	1	X	O	-	
6	305JA70510 5JA70510	305JA73210 5JA73210	ASM-RDHS-2-KM	1	1	X	X	-	
7	305JA72450 5JA72450	305JA72451 5JA72451	ASM-STP-KM	1	1	X	O	-	
8	305JA71780 5JA71780	305JA71781 5JA71781	GID-TM-KM	1	1	X	O	-	
9	-----	305H280450 5H280450	RLMC-05T V0	-	1	-	X	-	
10	-----	M2107250	BAND,RSG-100(KITAGAWA)	-	1	-	X	-	

Parts with "O" indicates regular maintenance parts. "+" Mark at the head of the description means it is a components parts.

*1: New No.1 is the set that bundles the new finisher main PWB, the short connector (No.2) and the caution leaflet about treatment of the short connector.

[Firmware upgrade]

Model	Type	Fixed code	VER.	File No.	Check SUM	Remarks
DF-780/DF-780(B)	-----	5JA_9200	007.005	5JA_9200.007.005	-----	<-- New upgrade

For KM sales companies, it is possible to download firmware through KM Knowledge Cabi-NET.

<Detailed contents of change>

No.	Main change	Details
1	Change of the migrating position of the staple unit when stapling at the rear side	<ul style="list-style-type: none"> - The firmware is upgraded. (Change of the finisher main PWB (No.1)) - The short connector (No.2) that recognizes old and new of the firmware is added to the open connector (CN25) on the finisher main PWB to enable to switch the old and new migrating motion of the staple unit when stapling at the rear side. - The caution leaflet about treatment of the short connector is bundled in the new finisher main PWB (No.1) (Please refer to the attached leaflet.)
2	Avoiding the contact according to the above1 (Change of the neighboring parts)	<ul style="list-style-type: none"> - Part of the bump shape of the staple unit holder (No.3) that physically limits the rear side migrating position is cut. - The hole for migrating the staple unit of the rear frame (it is not supplied in the field) is expanded. - Part of the drive plate (No.4) fitted at near the hole for migrating the staple unit of the rear frame is cut. - The bent shape of the metal plate of the stand to hold the staple unit (No.5) is changed.
3	Changing the wires and the wire alignment because the motion range of the staple unit is expanded according to change of	<ul style="list-style-type: none"> - The wire length of the RDHS wire (No.6) that connects the paper surface sensor 1/2 to the finisher main PWB (CN5) is extended. (Extending by 30mm at the paper surface sensor 1 side, by

Service Bulletin

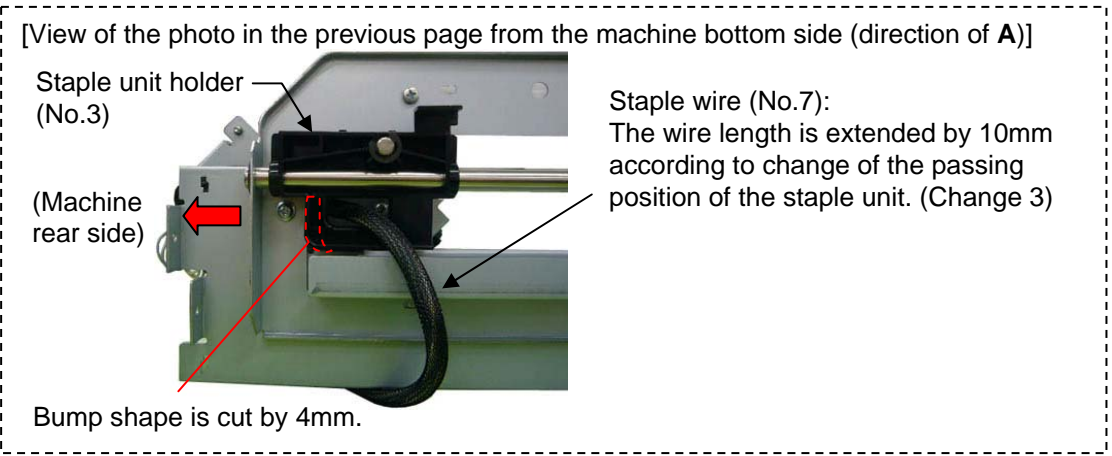
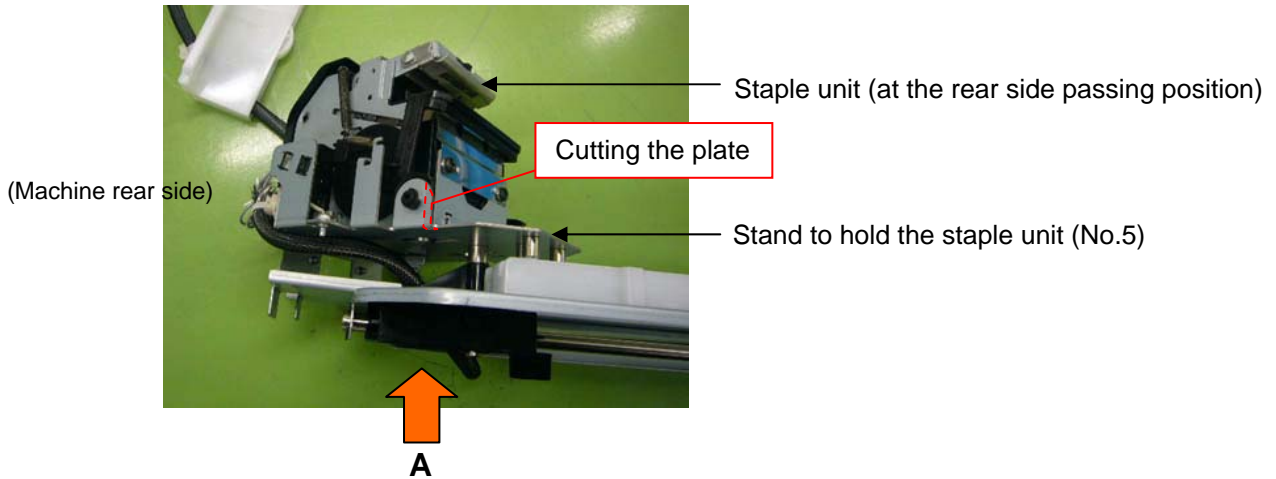
Ref. No. **5JA-0002 (A166)**

<Date> August 5, 2011

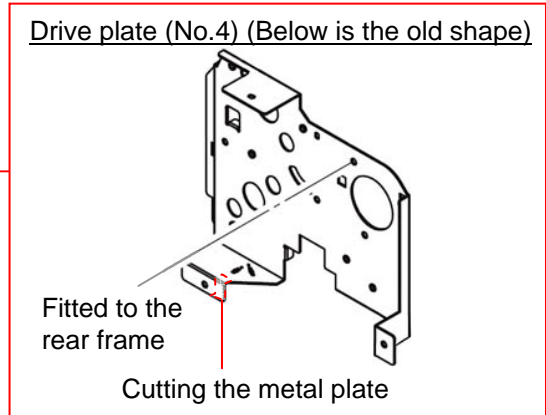
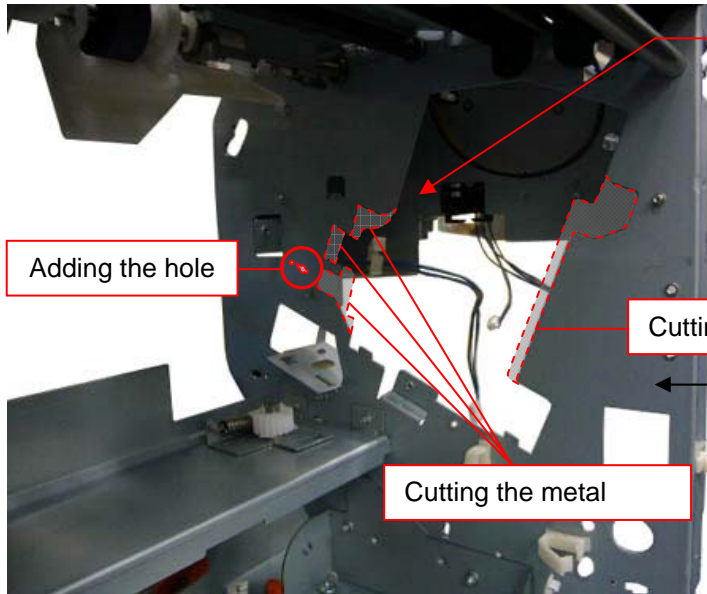
<p>the rear migrating position.</p>	<p>10mm at the paper surface sensor 2 side)</p> <ul style="list-style-type: none"> - The wire length of the staple wire (No.7) is extended by 10mm. - The wire alignment of the RDHS wire (No.6) is changed to avoid the contact with the staple unit when the new migrating motion. - Following are changed according to the change of the wire alignment of the RDHS wire. <ul style="list-style-type: none"> - The hole to attach the wire alignment parts is added to the rear frame and the paper feed left guide (No.8). - The band to secure the fitting position is added to the RDHS wire (No.6). - Each 1 piece of the wire alignment parts (No.9, 10) is added.
-------------------------------------	---

[Change 2 Avoiding the contact with the staple unit that is at the new migrating position]

<Staple unit slide section at the machine rear side> (Below is the old shape)



<Slide section of the staple unit at the machine rear side>
(Below is the new rear frame.)



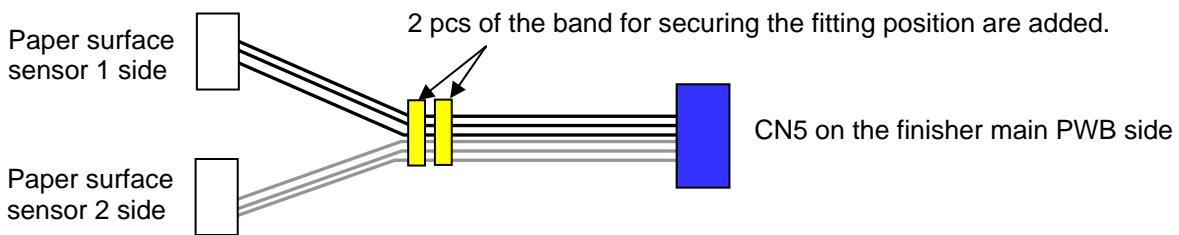
Cutting the metal

New rear frame
(It is not supplied in the field)
: - The hole for migrating the staple unit is expanded. (Change 2)
- The hole for fitting the RDHS wire alignment part (No.9) is added. (Change 3)

[Change 3 The wires and the wire alignment are changed because the motion range of the staple unit is expanded according to the change of the rear migrating position]

* The contents about extending the staple wire (No.7) by 10mm and adding the hole for fitting the wire alignment part at the rear frame are described in the above.

<New RDHS wire (No.6): It is the wire to connect the paper surface sensor 1/2 to the finisher main PWB (CN5)>



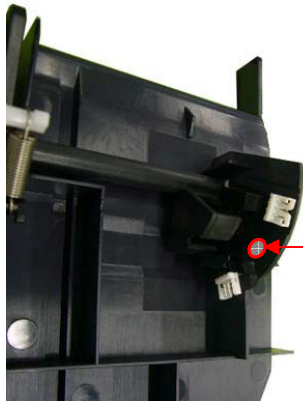
[Change of the wire length of the RDHS wire]
- The wire of the paper surface sensor 1 side (black): (Before) 370mm --> (After) 400m

Service Bulletin

Ref. No. **5JA-0002 (A166)**

<Date> August 5, 2011

<The paper surface sensor 1/2 fitting section on the paper feed left guide (No.8) at the machine rear side>

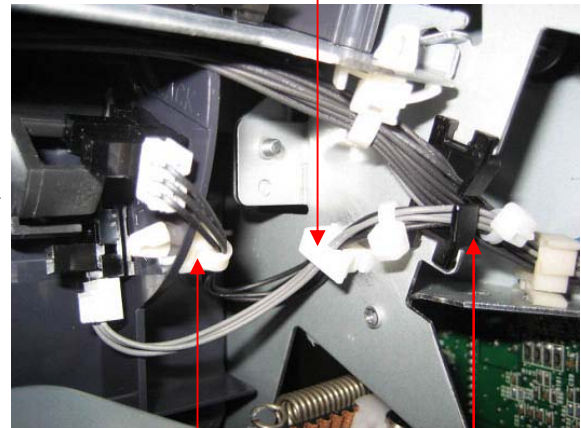
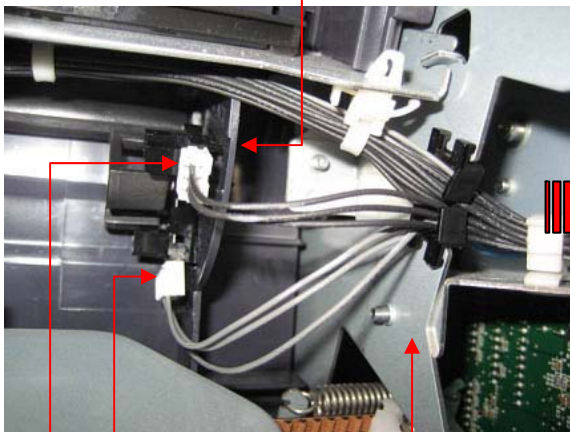


The hole for fitting the RDHS wire alignment part (No.10) is

Wire alignment part (No.9):
Both of the wires (black/gray) of the paper surface sensor1/2 side of the new RDHS wire (No.6) pass through it.

<Change of the wire alignment of the RDHS wire (No.6)>

(Old wire alignment) Old paper feed left guide (No.8) (New wire alignment)



Old rear frame

Old RDHS wire (No.6)
: The wire of the paper surface sensor 2 side (Gray)

Old RDHS wire (No.6)
: The wire of the paper surface sensor 1 side (Black)

Wire alignment part (No.10):
The wire (black) of the paper surface sensor1 side of the new RDHS wire (No.6) passes through it.

The wire between 2 pcs of the band of the new RDHS wire passes through the edge saddle.

Service Bulletin

Ref. No. **PCI-0263(A219)**

[Parts Change Information]

Date>January 13, 2010

Subject	Parts change information
Model	FS-2000D*,FS-3900DN*,FS-4000DN,FS-2020D*,FS-3920DN* FS-4020DN*,FS-1100*,FS-1300*,FS-1350DN,FS-1120D FS-1320D,FS-1370DN,FS-C5100DN*,FS-C5200DN,FS-C5300DN* FS-C5350DN,FS-C5400DN,FS-C8500DN,FS-1016MFP FS-1116MFP,FS-1028MFP/KM-2810,FS-1128MFP/KM-2820 FS-3040MFP,FS-3140MFP, FS-6970DN, KM-2560,KM-3060,TASKalfa 180,TASKalfa 181 TASKalfa 220,TASKalfa 221,TASKalfa 620, TASKalfa 820 TASKalfa 300i,TASKalfa 420i ,TASKalfa 520i ,TASKalfa 250ci TASKalfa 300ci, TASKalfa 400ci, TASKalfa 500ci TASKalfa 552ci

*Common with CHUNGHO brand.

This time the description with (-->)is revised from the previous information.

<Number of changes: 2> Deletion of the content of BUSH REGIST C in page 2

The above change is informed by separate service bulletin COM-0121(B007).

The following parts are changed.

P.2-1 <Strengthening COVER INNER R >

FS-3040MFP,FS-3140MFP

(-->)

P.3-1 <Strengthening BELT FUSER >

FS-C5400DN

P.3-2 <Common use with new models(improving the motional margin of ACTUATOR EMPTY A) >

FS-1100,FS-1300D,FS-1350DN,FS-1120D,FS-1320D,FS-1370DN
 FS-1028MFP/KM-2810,FS-1128MFP/KM-2820

P.4-1 <Revising QUICK INSTALLATION GUIDE >

FS-3040MFP, FS-3140MFP

P.4-2 <Correcting SAFETY GUIDE>

FS-1120D,FS-1320D,FS-1370DN,FS-2020D,FS-3920DN,FS-4020DN,FS-6970DN
 FS-C5100DN,FS-C5200DN,FS-C5300DN,FS-C5350DN,FS-C5400DN,FS-C8500DN
 FS-1016MFP,FS-1116MFP,FS-1028MFP/KM-2810,FS-1128MFP/KM-2820
 FS-3040MFP,FS-3140MFP, KM-2560,KM-3060,TASKalfa 180
 TASKalfa 181, ,TASKalfa 220,TASKalfa 221,TASKalfa 620, TASKalfa 820, TASKalfa 300i
 TASKalfa 420i ,TASKalfa 520i ,TASKalfa 250ci, TASKalfa 300ci
 TASKalfa 400ci,TASKalfa 500ci,TASKalfa 552ci

P.5 <Change of parts code >

FS-2000D,FS-3900DN,FS-4000DN,FS-2020D,FS-3920DN,FS-4020DN

Service Bulletin

Ref. No. **PCI-0263(A219)**

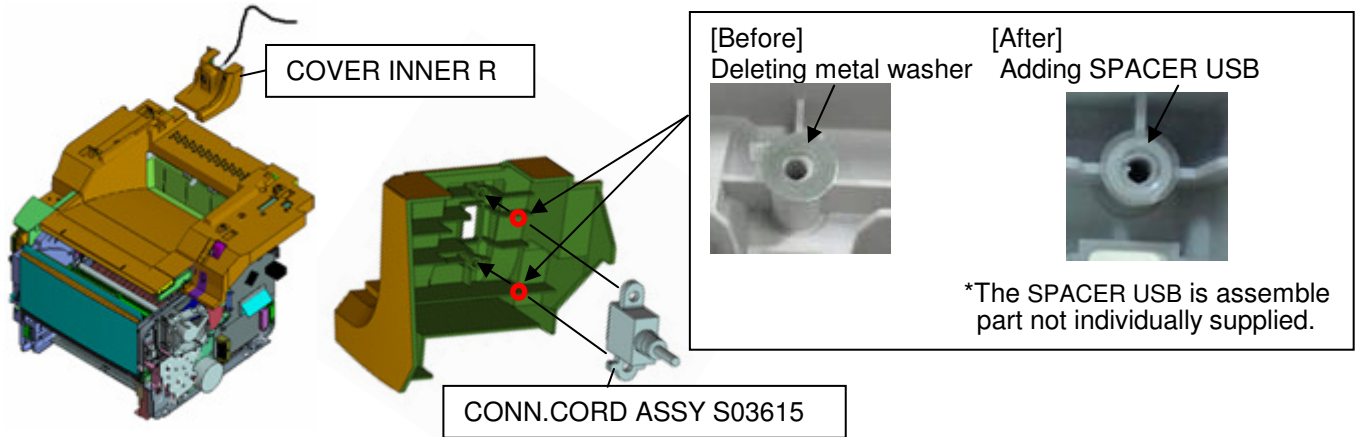
[Parts Change Information]

Date>January 13, 2010

<Strengthening COVER INNER R --> From 2010 June production on. >

FS-3040MFP, FS-3140MFP

The boss on COVER INNER R may be broken where CONN.CORD ASSY S03615 contact.
For strengthening COVER INNER R, 2 pcs of SPASER USB are added.
According to this change, the part code remains unchanged.



N00049168

(-->)

Service Bulletin

Ref. No. **PCI-0263(A219)**

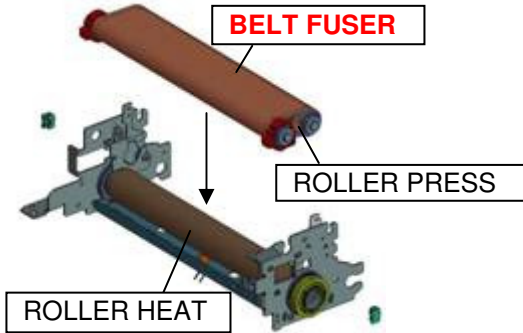
[Parts Change Information]

Date>January 13, 2010

<Strengthening BELT FUSER.--> After the stock of old parts is used up >

FS-C5400DN

For strengthening BAELT FUSER in the fuser unit (FK-570), the belt surface finish is added before fitting the guide preventing meandering of BELT FUSER According to this change, the shape remains unchanged.



No.	Old Part No.	New Part No.	Description	Q'ty		Com pati bility		SP	Remarks
				Old	New	Old	New		
1	302HG94180 2HG94180	302HG94181 2HG94181	PARTS BELT FUSER SP	1	1	○	○	○	-
2	302HG25030 2HG25030	302HG25031 2HG25031	BELT FUSER	1	1	○	○	○	

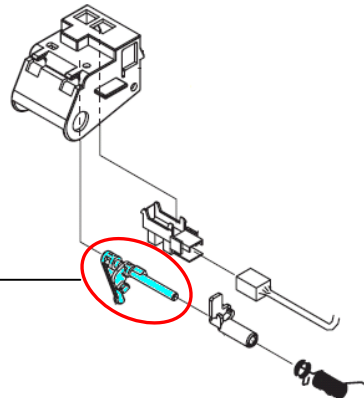
N00047157

<Common use with new models(improving the motional margin of ACTUATOR EMPTY A) --> After the stock of old parts is used up >

FS-1100,FS-1300D,FS-1350DN,FS-1120D,FS-1320D,FS-1370DN
FS-1028MFP/KM-2810,FS-1128MFP/KM-2820

Paper empty may be mis-sensed with motion failure of the actuator that senses paper when paper is installed in the cassette. In order to improve the motional margin of the actuator, the material is changed. According to this, the shape remains unchanged.

Change the material of ACTUATOR EMPTY A
[Before] ABS (P2H-AT)
[After] PC (LV-2225Y)



No.	Old Part No.	New Part No.	Description	Q'ty		Com pati bility		SP	Remarks
				Old	New	Old	New		
1	302HS06060 2HS06060	302HS06061 2HS06061	ACTUATOR EMPTY A	1	1	○	○	○	-

N00049464

Service Bulletin

[Parts Change Information]

Ref. No. **PCI-0263(A219)**

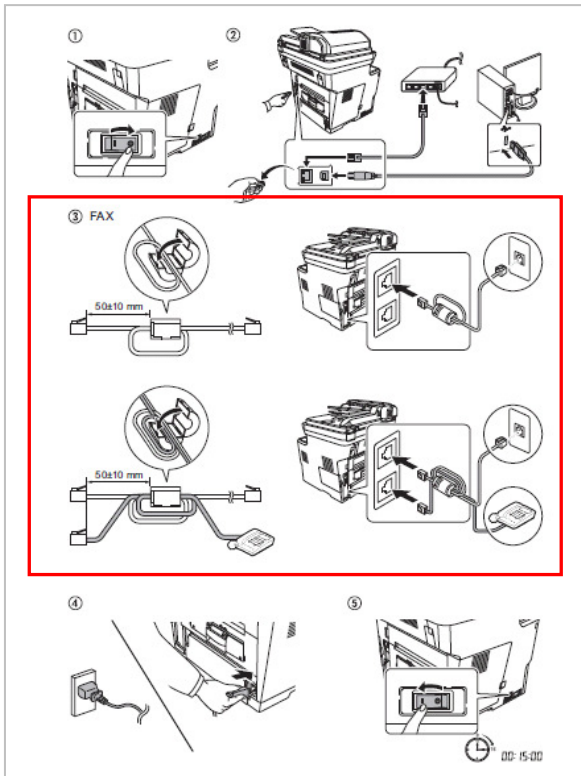
Date>January 13, 2010

<Revising QUICK INSTALLATION GUIDE --> From 2010 July production on >

FS-3040MFP, FS-3140MFP

An errata (LEAFLET SPEC CHANGE) bundled in QUICK INSTALLATION GUIDE is deleted according to revision of QUICK INSTALLATION GUIDE..

[P.7③Adding the illustration of the modular cord connection procedures]



N00049255

<Correcting SAFETY GUIDE --> After the stock of old parts is used up >

FS-1120D,FS-1320D,FS-1370DN,FS-2020D,FS-3920DN,FS-4020DN,FS-6970DN,FS-C5100DN
 FS-C5200DN,FS-C5300DN,FS-C5350DN,FS-C5400DN,FS-C8500DN,FS-1016MFP
 FS-1116MFP,FS-1028MFP/KM-2810,FS-1128MFP/KM-2820
 FS-3040MFP,FS-3140MFP, KM-2560,KM-3060,TASKalfa 180
 TASKalfa 181, ,TASKalfa 220,TASKalfa 221,TASKalfa 620, TASKalfa 820, TASKalfa 300i
 TASKalfa 420i ,TASKalfa 520i ,TASKalfa 250ci, TASKalfa 300ci, TASKalfa 400ci,TASKalfa 500ci
 TASKalfa 552ci

QUALITY CERTIFICATE marking is added for Japanese version in 41 page of the Safety Guide.

N00049722

Service Bulletin

[Parts Change Information]

Ref. No. **PCI-0263(A219)**

Date>January 13, 2010

<Change of parts code --> From 2010 August production on >

FS-2000D,FS-3900DN,FS-4000DN,FS-2020D,FS-3920DN,FS-4020DN

For common use with other models, part code of LAVER FUSER RELEASE is changed.]

No.	Old Part No.	New Part No.	Description	Q'ty		Compati bility		SP	Remarks
				Old	New	Old	New		
1	302F925740 2F925740	302J025200 2J025200	LAVER FUSER RELEASE	1	1	○	○	○	1*

1*: The new part is used for FS-2020D, FS-3920DN and FS-4020DN since the first-mass production.

N00038203

Parts with [O] indicates regular maintenance parts. "+" Mark at the head of the description means it is a ccomponents parts.

Service Bulletin

Ref. No. **2H7-0073 (A297)**

[Service Information]

<Date> November 5, 2010

Subject	(-->) Precautions when aligning the wire of the cooling fan and WIRE DU in the conveying section
Model	TASKalfa500ci, TASKalfa400ci, TASKalfa300ci, TASKalfa250ci (-->) TASKalfa552ci, FS-C8500DN*

This time the description with (-->) is revised from the previous information.

<Number of changes: 7>

*Adding the applied models (TASKalfa552ci, FS-C8500DN) and correcting the contents according to this addition.
Adding the description of NG state when aligning WIRE DU to precaution 3). (NG1)*

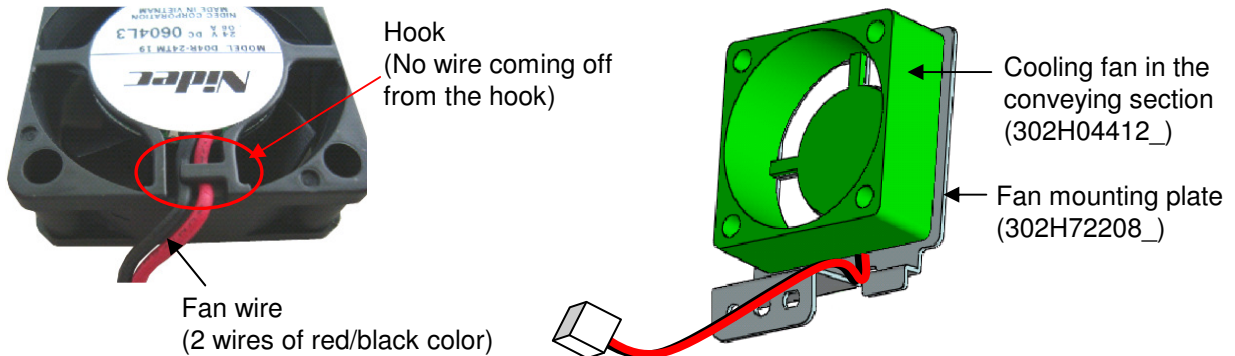
(-->) * As for TASKalfa552ci, FS-C8500DN, only precaution 3) is applied.
(This is because these models do not use the cooling fan)

(-->) Please note the following 1-3 in [Precautions when aligning the wire of the cooling fan and WIRE DU in the conveying section] if aligning the wire of the cooling fan (302H04412_) and WIRE DU in the conveying section when disassembling/reassembling the conveying unit.

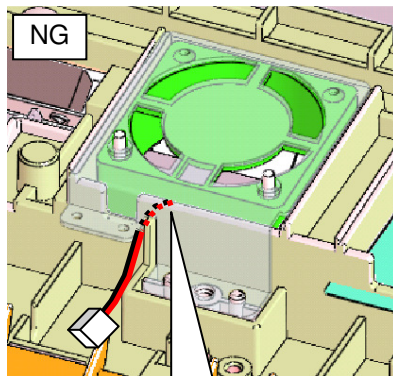
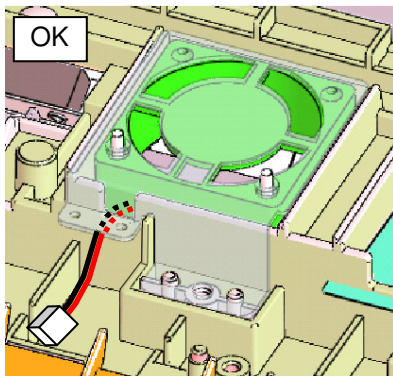
[(-->) Precautions when aligning the wire of the cooling fan and WIRE DU in the conveying section]

- 1) Check if the wire (2 wires of red/black color) of the cooling fan stays at the hook inside and is not pinched up between the cooling fan and the cooling fan mounting plate.

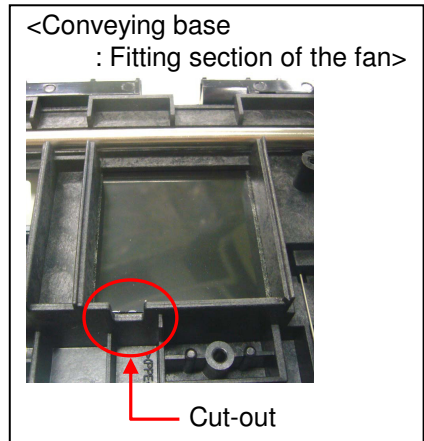
(Photo in below is the fitting side to the fan mounting plate of the cooling fan)



- 2) Check if the fan wire passes through the cut-out of the conveying base when refitting the assembly of the cooling fan to the conveying base.

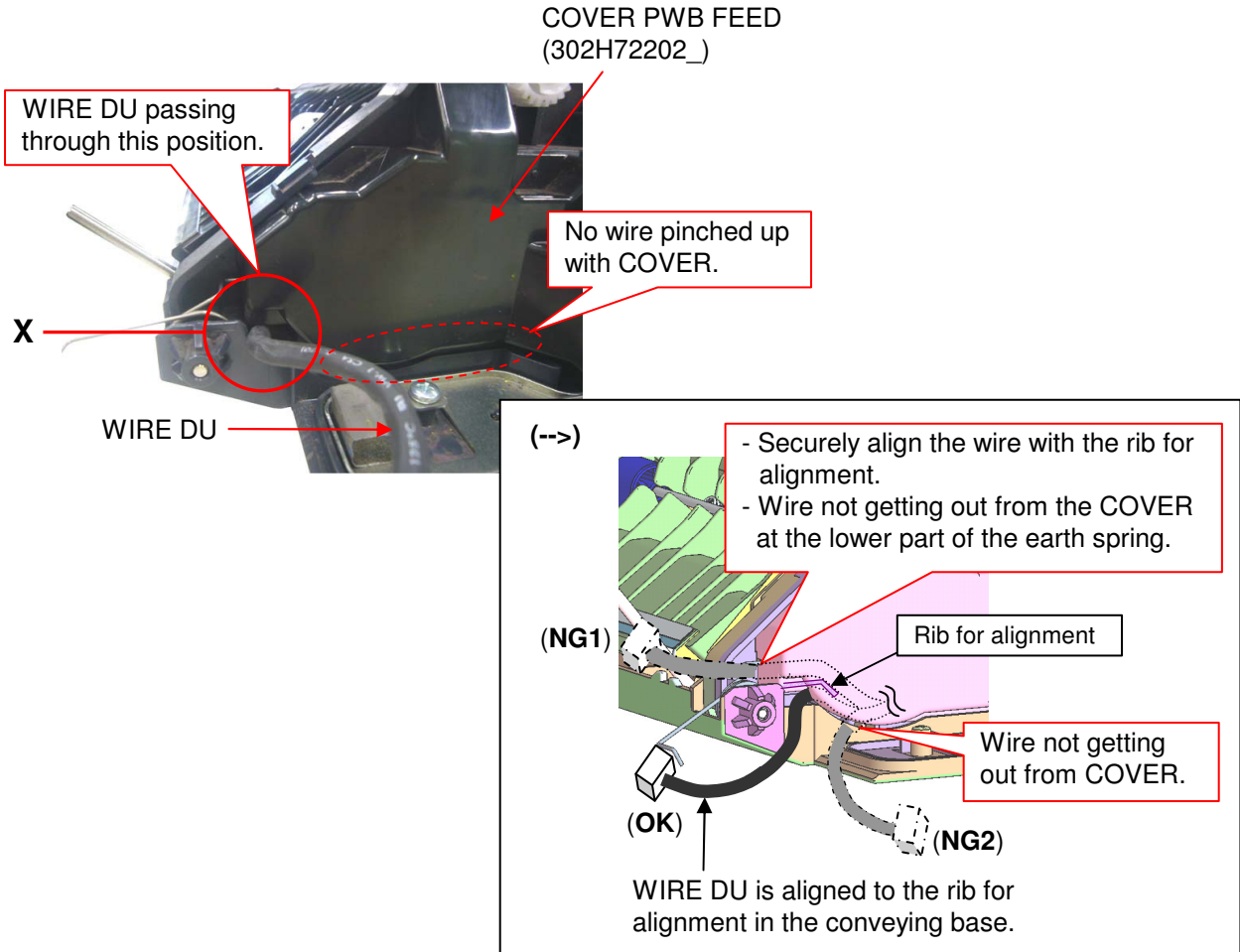


Above is the state that the fan wire is pinched up between the rib of the conveying base and the fan mounting plate.



(Revised Issue 1)
Service Bulletin
 [Service Information]

3) (-->) When reassembling the conveying unit, check if WIRE DU is passed through the position marked **X** in the figure below when refitting COVER PWB FEED to the machine rear side of the conveying unit.



Service Bulletin

Ref. No. **2H7-0074 (A321)**

<Date> November 25, 2010

Subject	Firmware upgrade Pack MAIN V10.00 / ENHANCE V1.12
Model	TASKalfa500ci, TASKalfa400ci, TASKalfa300ci, TASKalfa250ci

This time the description with (-->)is revised from the previous information.

<Number of changes: 1> Correcting the description in the page 4. (SHE -> SEH)

<Contents of change> Please refer to the next page and after for the details.

2010/05 Type			Pack Version			
					New upgrade	
MAIN FRAME	Fixed code	----	V9.00	V9.01	V10.00	Remarks
MAIN *1	2H7_2F00	----	009.020	<---	010.007	
MMI *1	2H7_7000	----	009.018	<---	010.007	
LANGUAGE BR(OPTION)	2H7_81BR	----	001.021	<---	001.025	
BROWSER	2H7_F000	001.015	<---	<---	<---	
ENGINE (high) *2*3	2H7_1000	----	017.002	018.001	020.003	
ENGINE (low) *2*3	2JZ_1000	----	017.002	018.001	020.003	
SCANNER	2H7_1200	005.002	<---	<---	<---	
MOTOR MAIN	2H7_1400	003.003	<---	<---	<---	
H VLT MAIN	2H7_1600	001.014	<---	<---	<---	
SLEEP MAIN	2H7_1800	002.001	<---	<---	<---	
FAX BOOT *4 Fax Sys(Q)	3MB_5000	001.016	<---	<---	<---	
FAX APL *4 Fax Sys(Q)	3MB_5100	----	(005.002)	<---	<---	
FAX IPL *4 Fax Sys(Q)	3MB_5200	001.016	<---	<---	<---	
FAX BOOT *4 Fax Sys(S)C	5JP_5000	001.022	<---	<---	<---	
FAX APL *4 Fax Sys(S)C	5JP_5100	----	(C06.001)	<---	(C08.002)	
FaxSystem(Q)/(S)C *5	SaturnFAX_Pack	----	C06001_005002	<---	C08002_005002	
SOLUTION (DBA)	J00_E000	003.002	<---	<---	005.001	
ENHANCEMENT	Fixed code	----	V1.11	<---	V1.12	
DP-750/750B, 760/760B	3LK_9500	----	009.003	<---	<---	
PF-720/720B (2 cassette)	3LM_9000	----	004.001	<---	<---	
PF-760/760B (3000)	5H8_9000	003.002	<---	<---	<---	
DF-780/780B (1000)	5JA_9200	----	007.005	<---	<---	
DF-760/760B (3000) MAIN	3LT_9200	----	006.003	<---	007.001	
DF-760/760B (3000) MIDDLE	3LT_9600	----	007.002	<---	008.001	
MT-720/720B (3000)MAIL BOX	3LW_9800	----	004.002	<---	<---	

For KM sales companies, it is possible to download firmware through KM Knowledge Cabi-NET.

When upgrading firmware or replacing board etc., please upgrade each firmware (PACK of **MAIN FRAME/ENHANCEMENT**) to the latest version at the same time.

- *1) Please make sure to upgrade the MAIN and MMI firmware at the same time. If the firmware is upgraded individually, the CF000 error message may appear and it will not be possible to recover at the customer site.
- *2) Please note, in case the firmware is upgrade to the version 004.001 or later from the older version, the default value of U327 (Setting Cassette Heater Control) is reset to OFF. Please see the Service Bulletin No. 2H7-0012 (8746) for the details
- *3) Please perform AC Calibration in the maintenance mode U464 (Set ID Adjustment Mode) after upgrading to the firmware version 006.009 or later from the older version.
- *5) Combined firmware of 5 kinds of FAX firmware (*4), When downloading the combined firmware, appropriate firmware is installed by detecting the FAX system (Q) or (S)C.

Service Bulletin

Ref. No. **2H7-0074 (A321)**

<Date> November 25, 2010

KMC's Classification	<input type="checkbox"/> Entire Stock Rework	<input type="checkbox"/> In-Field modification at next visit
	<input checked="" type="checkbox"/> In-Field modification by case	<input type="checkbox"/> No modification necessary
Field Measure: Please upgrade the firmware aggressively when visiting user. And that time, please upgrade all the firmware to the latest version at the same time.		
Serial Nos. of Affected Machine: Planned from October 2010 production.		

N000

	Latest version	New upgrade	
Option Language KR	2H7_81KR.001.019	<--	For KMKR
Option Language TW	2H7_81TW.001.017	<--	For KMTW
Option Language CN	2H7_81CN.001.018	<--	For KTST

<Contents of change>

Pack Ver.	Category	Changes and Implementations	Remarks
10.0	MAIN FRAME	Spec change	
		ID Card Reader support (Elatec type)	-----
		Support for ISO15408 (Adding U010)	U010 [Set Maintenance Mode ID] is added so that ID used when entering into the maintenance mode can be changed. - ID is set with 8 digits. - ID arbitrarily consists of 0 to 9, * and #. (It must include * or #.) Precaution Changed ID is not reset with the initialization. Therefore, please surely record changed ID not to forget.
		Change of the Digital Dot Coverage display on the status page	Display on the service status page is changed from "Digital Dot Coverage" to "Print Coverage". - The coverage is simply converted with the area image ratio based on the current dot number data, and accuracy as the reference value of the toner consumption is improved. - The Digital Dot Coverage data is reset because of change to different way of calculation when upgrading the firmware.
		Adding the setting "ALL CLEAR" when Coin Vender has no coin.	Setting "ALL CLEAR" is added to Coin Vender installation setting of [NO COIN ACTION] at U206. - ALL CLEAR.....(Added this time) - AUTO CLEAR - OFFInitial value (No change) If the user does not realize to the lack of the coin, the coin is not inserted before finishing the print of number of the preset copy. As the result, the previous user's copy may be printed when the next user inserts the coin. Therefore, the above setting is added. It might become difficult to use because the setting (data) is deleted as soon as the coin becomes short during copy according to change to the above setting. Please explain the above reason to the user and get user's approval if changing the setting.
		Support of simultaneous use for Extended Authentication (Ext.) and Coin Vender	Following becomes possible from Extended Authentication screen by customizing at sales company. - The screen can be changed to Copy, Sending screen, etc. And, Color mode setting can be changed. - ID Card Reader and Coin Vender can be used simultaneously.

Service Bulletin

Ref. No. **2H7-0074 (A321)**

<Date> November 25, 2010

Category	Changes and Implementations	Remarks	
	482741	Relocation of the print position of the machine serial number information on the sample pattern (U089)	The machine serial number is not printed when A3 pattern is printed to A4 paper at U089 [Outputting the MIP-PG pattern]. Therefore, the print position is relocated to the leading edge section of the paper.
	482736	Support for charge counter back up method at U004 [Setting the machine number]	This is changed so that charge counter is returned to the EEPROM with the serial number by executing U004 when detecting C0180 error if the EEPROM in the main machine is out of order. 1. Install the EEPROM that MAC address was written to the mainframe. 2. Store the new firmware to the USB memory. 3. Turn the power on. (Firmware update starts.) 4. C0180 occurs if turning the power off and on after finishing update. 5. C0180 is released with executing U004. Precaution) Please surely upgrade the firmware before releasing C0180. If releasing without upgrade, the data is cleared as before.
	482740	Default setting of FaceUP page order with DF-760/DF-760(B) when setting the output tray to Tray B, C (For KMA spec only)	Exit paper side and outputting order is set to "FACE UP" and "page order (ascending order)" when changing the default output tray of Copy to Tray B or Tray C from System Menu while installing DF-760/DF-760(B). (There are the caution points. Please refer to the next page and after for the details.)
Improved performance 1		Measure against wrapping the paper around the fuser at occurring JAM51	The next paper may bump to the previous paper because the jam timer is long when occurring JAM51 [Misfeed in job separator eject section]. In that case, the rear edge of the paper may enter and wrap into the fuser section inside. Therefore, the timer is shortened.
		Measure against toner near end detection failure	Toner empty may be rarely displayed without toner near end display. Therefore, this is corrected. [Change] Toner near end is displayed when detecting toner near end if the toner supply doesn't catch up while the toner is supplied. In that case, afterward the toner empty is displayed at the timing that A4 conversion 50 pages are printed or the print coverage rate becomes 200%. (It is the timing after outputting 20 pages if coverage rate of A4 is 10%.)
		Adding new toner apply mode to U147	Mode 0 that reviews T7 disposal amount from MODE1 is added to U147. (Please refer to the next page and after for the details.)
		Measure against color dot (Doughnut dot) (Changing U464)	- Preventing the mistake of the service execution (The high altitude setting is set at the environment except the high altitude.) - The setting for avoiding color dots becomes easy. U464 is changed as the above. (Please refer to the next page and after for the details.)
		Reducing the developer driving time (Prevention of the toner deterioration)	Following are changed to prevent the deterioration of the carrier/toner. - Reduce the drive at the developer front and rear side. - Bk-developer driving and CMY-developer driving can be executed separately when supplying AP.
		Measure against drum cleaning failure	- Charge Vpp/Vdc is made proper. - Cleaning performance is improved. - Reverse rotation is added when finishing the job. - High-speed rotation is added when cleaning the calibration and the belt with T7 disposal. - High-speed rotation is added after exiting the paper when stopping

Service Bulletin

Ref. No. **2H7-0074 (A321)**

<Date> November 25, 2010

Category	Changes and Implementations	Remarks
		the driving.
	Measure against color background image	- Charge Vpp/Vdc adjustment timing is changed. - Developer bias is made proper.
	Measure against the cleaning failure in the primary transfer belt	To make the cleaning bias at T7 disposal proper, the cleaning bias at the first T7 cleaning is increased and the second cleaning bias is unchanged.
	Set of FAX scanner counter	Fax scanner counter is newly set.
	Prevention of JAM51 "Misfeed in job separator eject section"	JAM51 may occur by the motor step-out because the motor phase is shifted when the rotation is switched to reverse due to backlash of the shaft of the job separator. This is changed to the acceleration and deceleration so that the motor of the job separator does not vibrate easily.
Improved performance 2		
TP-10-073, #915859, 480966	Measure against the problem when using the optional NIC	If using the optional NIC (made by (-->)SEH), "PCL XL error" may appear when printing PDF. Therefore, this is corrected.
TP-10-037 #922548	Measure against system error when direct-printing the certain PDF.	-----
TP-10-110 Staurn_#200, 465311	Measure against the print failure of BIG5 Font	BIG5 Font is not printed when printing the data registered in CF that uses BIG5 Font. Therefore, this is corrected.
TP-10-099 #1029000, 465309	Measure against white spots when outputting the certain forms.	The character and the ruled line are partly skipped from the image when outputting the certain forms. Therefore, this is corrected.
TP-10-096 Sat_#199, 462288	Measure against F46F error when the certain PDF is direct-printed.	-----
TP-10-070, IT-Sat100312, 462284	Measure against dropping out the logo from the image with the certain data	The logo to be printed in the second sheet drops out from the image when printing the certain data. Therefore, this is corrected.
TP-10-074 #1010748, 478384	Measure against the image failure when printing the certain PS forms.	The diagonal line inside the frame line is mistakenly printed when printing the certain PS forms. Therefore, this is corrected.
TP-10-086 #1024437, 462155	Measure against dropping out the frame lines and the ruled lines with the certain file.	The frame lines and the ruled lines drop out from the forms when the certain PCL forms are printed. Therefore, this is corrected.
TP-10-149, #KMIT09_0016, 466256	Measure against the abnormal image with the certain file	The image is partly filled in black when printing the certain PCL Macro data. Therefore, this is corrected.

Service Bulletin

Ref. No. **2H7-0074 (A321)**

<Date> November 25, 2010

Category	Changes and Implementations	Remarks
TP-10-134, #1002874 465313	Measure against use of unspecified paper with the certain file.	With the certain file, while the paper supply should be requested if there is no media type selected, if other cassette has the same size paper, the paper is printed. This is corrected.
TP-10-196, KMIT10_0001 471885	Measure against character drop-out with the certain PCL data.	-----
TP-10-181, #1035012 479835,Cas-#80	Measure against font width failure with the certain macro data	-----
TP-10-118, UT-S10-017-4 465312	Measure against the print failure with the certain PS data	-----
TC-10-021 KMA-D-1005-03 453170	Change of the setting when changing the time setting of Card Authentication Kit	Available trial time becomes "0" even if the time setting is changed from System Menu or Command Center. Therefore, this is changed as below. Before: 1 time under the trial and the remainder are invalid. After : 1 time under the trial is invalid.
TC-10-029 KMA-D-1008-05 481360	Measure against Error message when turning on [Local authentication] in Command Center.	The error message may appear when turning on [Local authentication] in Command Center. Therefore, this is corrected.
TP-10-163 KMA-D-1006-09 459147	Measure against the image failure with the certain file	The image pattern is correctly printed when printing from Illustrator CS-3 with Mac. Therefore, this is corrected.
TP-10-201, KMAUS10-S07, Call#1061179 472661	Measure against Error message in Equitrac environment (without ID Card Reader)	A message "Cannot recognize the ID card reader" is displayed as the sub message even if ID Card Reader is not connected when executing Equitrac application activation. Therefore, this is corrected so that the above message is not displayed.
TF-10-004 NP-Z10039 452399 473261	Measure against CF245 error when receiving i-FAX	CF245 error may appear after outputting the received data when receiving i-FAX. Therefore, this is corrected.
TC-10-018 477353	Deletion of "ALL CLEAR" key at U911	[ALL CLEAR] key at the maintenance mode U911 [Checking/clearing copy counts by paper sizes] is deleted so that the data is mistakenly deleted.
TP-10-136 NP-Z10050 465314	Measure against connection failure to the mail server when turning the power on.	This is so changed that the report mail sending that is executed when turning the power on is retried unless the machine can be connected to the server.
TP-10-066 NP-Z10027 465305	Measure against the print failure with the certain PDF file at USB direct-printing.	-----
TS-10-006 KMA-D-1007-02 474363	Measure against CF46F error with the certain vector works file.	CF46F error may appear when the certain vector works file is printed. This is corrected.
Fax Sys(S)C 476996	Measure against the original sending failure in DBA	The original that exceeds 85 pages can not be sent in DBA. Therefore, this is corrected.
	Measure against U19000/E19000 at	U19000/E19000 may appear because the certain sector of the flash memory for storing the image on the FAX board becomes abnormal

Service Bulletin

Ref. No. **2H7-0074 (A321)**

<Date> November 25, 2010

Category	Changes and Implementations	Remarks
	FAX receiving.	and writing fails by some causes. Therefore, this is corrected. - All area in the flash memory is checked for researching the abnormal sector when turning the power on.

Pack Ver.	ENHANCEMENT		
1.12	DF-760/760B 445098	Prevention of JAM87/88 with mixed size	The paper jamming (JAM87/88) may occur at the finisher when outputting the mixed size data. Therefore, this is corrected. JAM87: Jam in eject selection of inner tray 2 JAM88: Jam in eject selection of main tray

■ Default setting of FaceUP page order with DF-760/DF-760(B) when setting the output tray to Tray B, C (For KMA spec only)

[Support content]

In System Menu -> Common settings -> Paper Output, FaceUp and the ascending page order is set when Tray B or Tray C is selected as Copy/User BOX output tray.

[Restriction]

1. About the output tray setting from Copy/User BOX output screen
 - A. When Tray B or C is not set as the output tray setting in System Menu, FaceDown is selected even if the output tray is switched to Tray B, C.
 - B. As for the page order of FaceUP, the descending order is set if the ascending order is not set by the above trigger or manual selection.
2. FaceUP is not set as default at printer output because the page order of FaceUP is not applied.
 - C. The setting is changed by the printer driver for printer output.

■ Adding new toner apply mode to U147

U147	
MODE0 (Factory default)	New mode that reviews T7 disposal amount from MODE1. (Change according to prevention of the toner deterioration depending on reduction of the developer driving time.)
MODE1	Use this mode when background image or image density deterioration appears at the user that frequently uses the low coverage rate.
MODE2	Use this mode when background image or image density is not improved even if setting MODE1.

(*) Factory default setting is [MODE0]. However, the setting must be changed when upgrading the firmware.
(Please check the setting.)

<Precaution>

Please set MODE1 at U147 when frequently using at low coverage rate or frequently repeating the intermittent printing (such as continuous FaceUP printing from the 3000 sheet finisher or continuous printing with booklet function) because it may cause background image or image density deterioration.

Please set MODE2 if background or image density is not improved yet.

■ **Measure against color dots (Doughnut dot)**

Menu inside U464 screen is changed as below.

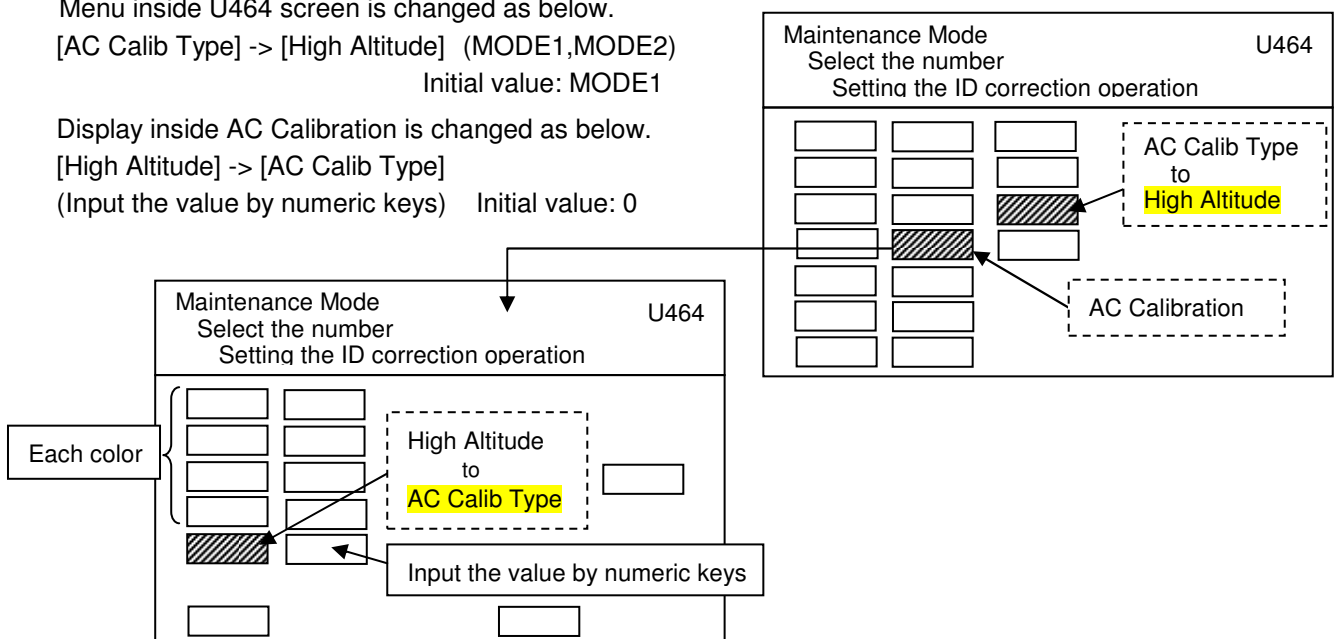
[AC Calib Type] -> [High Altitude] (MODE1,MODE2)

Initial value: MODE1

Display inside AC Calibration is changed as below.

[High Altitude] -> [AC Calib Type]

(Input the value by numeric keys) Initial value: 0



- For **color dots**, the effect becomes higher in order of [Initial value mode] --> [Color dot mode1] --> [Color dot mode2].
 - * Please set 2 (color dot mode1) or 3 (color dot mode2) at [AC Calib Type] and select (ON) the developing unit that must be executed and execute AC Calibration when color dots appears.
 - * If executing with **the new developing unit**, please set 4 (Initial value mode) and select color of the applied unit, and then execute AC Calibration.
- Set the following when setting **High altitude mode**.
 - Please set "1" at [AC Calib Type] inside [AC Calibration] while setting "mode2" at [High Altitude] inside U464 screen.
- 0 (OFF) is internally set to the value when executing [AC Calib Type] at last time. ((C), (D) below.) Even if executing with change of the mode, the display of [AC Calib Type] at next time becomes "0".
- 4 (Initial value mode) is set to the initial value at the machine shipment.
- Please set AC Calibration in the following order.
 1. Input the value of [AC Calib Type] and press Start key to confirm.
 2. Turn on the setting of the applicable color after the above.
 3. Press [Execute] key on the panel to execute.

(Revised Issue 2)
Service Bulletin

Operation for the input value of [AC Calib Type]

It is confirmed by pressing the start key and executed by pressing [EXECUTE]

Input value by numeric keys (A)	Input value by numeric keys (B)		Mode	Setting of each color when inputting by numeric keys	Operation spec. of AC Calibration	(C)	(D)
0	0	-->	OFF	ALL OFF	OFF	Execution value at last time	Execution value at last time
---	1		High altitude mode	ALL ON	Simultaneously executing in the 4 color units surely.	---	---
2	2		Color dots mode1	ALL OFF	Only selected color is turned on and it is executed.	317	-5
3	3		Color dots mode2	ALL OFF	Only selected color is turned on and it is executed.	265	-10
4	4		Initial value mode	ALL OFF	Only selected color is turned on and it is executed.	373	0

(A) In case that High Altitude is set to Mode1

(B) In case that High Altitude is set to Mode2

(C)U140 Dev Roll2 Duty value

(D)U464 AC Calib Magnification value

Service Bulletin

Ref. No. **2K5-0008 (A322)**

<Date>November 25, 2010

Subject	Firmware upgrade (Upgrade Ver. MAINFRAME V6.00)
Model	TASKalfa300i

This time the description with (-->)is revised from the previous information.

<Number of changes: 1> Correcting the description in the page 2. (SHE -> SEH)

<Contents of change> (Please refer to the next page and after for the details.)

1	ID Card Reader support (Elatec type)	11	Measure against the abnormal image with the certain file
2	Change of the Digital Dot Coverage display on the status page	12	Measure against the print failure with the certain PS data
3	Support for ISO15408 (Adding U010)	13	Measure against alphabetical order failure in the address book with traditional Chinese display (KMTW)
4	Support for UG-34/UPGRADE KIT (Additional support kit for emulation)	14	Measure against connection failure to the mail server when turning the power on.
5	Measure against the problem when using the optional NIC	15	Measure against the print failure with the certain PDF file at USB direct-printing.
6	Measure against white spots when outputting the certain forms.	16	Measure against image shift with the certain illustrator data
7	Measure against F46F error when the certain PDF is direct- printed.	17	Measure against CF46F error with the certain vector works file.
8	Measure against dropping out the logo from the image with the certain data	18	Measure against CF48C error when printing the fax receiving data.
9	Measure against the image failure when printing the certain PS forms.	19	Measure against the original sending failure in DBA
10	Measure against dropping out the frame lines and the ruled lines with the certain file.		

[TASKalfa300i]

	Latest version list	New upgrade	Upgrade pack name: 2K5_V6.00E
MAIN FRAME Upgrade Pack Ver.	V6.00	<--	
Software MAIN	2K5_2F00.006.016	<--	
Software MMI	2K5_7000.006.012	<--	
Software Engine	2K5_1000.007.001		
Software Scanner	2K5_1200.001.015		
Software KSF	2KS_H000.006.004	<--	
Software DBA	J00_E000.005.001	<--	
Option Language BR	2K5_81BR.001.026	<--	
BROWSER	2H7_F000.001.015		
FAX BOOT	(5JP_5000.001.022)		
FAX APL	(5JP_5100.C08.002)		
FAX IPL	(5JP_5200.001.022)		
FAX BOOT/APL	5JP_5500.C08.002	<--	The firmware to be supplied for FAX Note1)
ENHANCEMENT Upgrade Pack Ver.	V1.02		Upgrade pack name: 2K5EN_V1.02
DP-670(B)	3K5_9500.007.001		Note2)
PF-680 (2 cassette)	(3K6_9000.001.006)		*1
DF-780(B) MAIN (1000)	5JA_9200.007.005		

For KM sales companies, it is possible to download firmware through KM Knowledge Cabi-NET.

When upgrading firmware or replacing board etc., please upgrade each firmware to the latest version at the same time.

Note 1) Combined firmware of BOOT and APL

Service Bulletin

Ref. No. **2K5-0008 (A322)**

<Date>November 25, 2010

Note 2) Please upgrade the firmware of DP-670(B) when upgrading the firmware in the main machine.

And also, please confirm the version of the DP firmware and upgrade the DP firmware to the latest version when installing DP-670(B) newly.

*1: The firmware cannot be upgraded.

KMC's Classification	<input type="checkbox"/> Entire Stock Rework	<input type="checkbox"/> In-Field modification at next visit
	<input checked="" type="checkbox"/> In-Field modification by case	<input type="checkbox"/> No modification necessary
Field Measure: Please upgrade the firmware if necessary. And please upgrade all the firmware to the latest version at the same time when upgrading.		
Serial Nos. of Affected Machine: Planned from the production in October 2010.		

N00052577

	Latest version	New upgrade	
Option Language KR	2K5_81KR.001.019	<--	For KMKR
Option Language TW	2K5_81TW.001.017	<--	For KMTW

<Contents of change>

MAIN FRAME Upgrade Pack Ver. V6.00

	Contents	Remarks	CTL NO
1	ID Card Reader support (Elatec type)	-----	
2	Change of the Digital Dot Coverage display on the status page	Display on the service status page is changed from "Digital Dot Coverage" to "Print Coverage". - The coverage is simply converted with the area image ratio based on the current dot number data, and accuracy as the reference value of the toner consumption is improved. - The Digital Dot Coverage data is reset because of change to different way of calculation when upgrading the firmware.	
3	Support for ISO15408 (Adding U010)	U010 [Set Maintenance Mode ID] is added so that ID used when entering into the maintenance mode can be changed. - ID is set with 8 digits. - ID arbitrarily consists of 0 to 9, * and #. (It must include * or #.) Precaution) Changed ID is not reset with the initialization. Therefore, please surely record changed ID not to forget.	
4	Support for UG-34/UPGRADE KIT (Additional support kit for emulation)	-----	
5	Measure against the problem when using the optional NIC	If using the optional NIC (made by (-->)SEH), "PCL XL error" may appear when printing PDF. Therefore, this is corrected.	TP-10-073, #915859 480966
6	Measure against white spots when outputting the certain forms.	The character and the ruled line are partly skipped from the image when outputting the certain forms. Therefore, this is corrected.	TP-10-099 #1029000 465309
7	Measure against F46F error when the certain PDF is direct- printed.	-----	TP-10-096 Sat_#199 462288
8	Measure against dropping out the logo from the image with the certain data	The logo to be printed in the second sheet drops out from the image when printing the certain data. Therefore, this is corrected.	TP-10-070, JT- Sat100312 462284
9	Measure against the image failure when printing the certain PS forms.	The diagonal line inside the frame line is mistakenly printed when printing the certain PS forms. Therefore, this is corrected.	TP-10-074 #1010748 478384

Service Bulletin

 Ref. No. **2K5-0008 (A322)**

<Date>November 25, 2010

	Contents	Remarks	CTL NO
10	Measure against dropping out the frame lines and the ruled lines with the certain file.	The frame lines and the ruled lines drop out from the forms when the certain PCL forms are printed. Therefore, this is corrected.	TP-10-086 #1024437 462155
11	Measure against the abnormal image with the certain file	The image is partly filled in black when printing the certain PCL Macro data. Therefore, this is corrected.	TP-10-149, #KMIT09_001 6 466256
12	Measure against the print failure with the certain PS data	-----	TP-10-118, UT-S10- 017-4 465312
13	Measure against alphabetical order failure in the address book with traditional Chinese display (KMTW)	When sorting the address display in the address book, the default setting can be selected to number order or alphabetical order (in furigana) as the contents. However, the number order is displayed even if selecting alphabetical order. Therefore, this is corrected.	TS-10-009
14	Measure against connection failure to the mail server when turning the power on.	This is so changed that the report mail sending that is executed when turning the power on is retried unless the machine can be connected to the server.	TC-10-018 477353
15	Measure against the print failure with the certain PDF file at USB direct-printing.	-----	TP-10-136 NP-Z10050 465314
16	Measure against image shift with the certain illustrator data	-----	NP-Z10073
17	Measure against CF46F error with the certain vector works file.	CF46F error may appear when the certain vector works file is printed. This is corrected.	TP-10-066 NP-Z10027 465305
18	Measure against CF48C error when printing the fax receiving data.	-----	TF-090027 442281
19	Measure against the original sending failure in DBA	The original that exceeds 85 pages can not be sent in DBA. Therefore, this is corrected.	TS-10-006 KMA-D- 1007-02 474363

Service Bulletin

Ref. No. **2H7-0075(A333)**

<Date> December 3, 2010

Subject	Preventing the paper from wrapping around the fuser roller and measures against C6000
Model	TASKalfa500ci, TASKalfa400ci, TAKSalfa300ci, TASKalfa250ci, TASKalfa552ci

This time the description with (-->)is revised from the previous information.

<Number of changes: 9> - Adding the accurate serial number

-Correcting the following contents according to bundling the washer (No.14) to the new fuser guide (No.13).

(P1) Correcting the Field Measure

(P3) Adding the washer (No.14) in the parts table

(P4) Adding the washer (No.14) and the caution leaflet to the components of the new fuser guide (No.13) and adding the caution contents when fitting the new guide

(P5) Correcting the title and adding the caution contents when handling the fuser unit

(P6) New addition

In case the paper jam occurs at the fuser section and the job separator (*), the next coming paper hit the jammed paper or the torn piece of paper remaining after cleaning the paper jam and may be pleated. Then, the rear edge of the paper may wrap around the fuser roller.

In case the above phenomenon arises, it is difficult to clear the paper jam and C6000 (Service call detecting fuser problems) may appear. Therefore, following are changed.

(* : J4x/J5x is detected)

<Content of changes>

1) The above phenomenon may occur because the jam timer is long. Therefore, the firmware is upgraded to shorten the jam timer.

*Please refer to the Service Bulletin : TASKalfa500ci/400ci/300ci/250ci → 2H7-0074(A321)
TASKalfa552ci → 2KY-0006(A329)

2) 2 ribs are added to the guide of the fuser unit to limit the movable range of the fuser separation plate to prevent the paper from wrapping around the fuser roller when the jam occurs.

3) The service parts (No.13) of assembly of the guide and neighboring parts is set according to the above change.

KMC's Classification	<input type="checkbox"/> Entire Stock Rework	<input type="checkbox"/> In-Field modification at next visit
	<input checked="" type="checkbox"/> In-Field modification by case	<input type="checkbox"/> No modification necessary
Field Measure:		
1. Please upgrade the firmware at the next time user visit.		
2. <In case C6000 appears>		
In case the fuser unite does not recover after executing U163 or C6000 immediately appears again, please replace the new fuser unit (No.1~12)		
<In case C6000 does not appear and the jam occurs>		
Please check whether there is not the jammed paper in the fuser unit.		
A) In case the paper wrap around the fuser roller and can not be taken off, please replace the new fuser unit (No.1~12).		
B) In case the paper is visible and may be able to take off, please take off the paper not to remaining the torn piece of paper and replace the new fuser unit (No.13).		
(-->)*Please refer to <Confirmation procedures whether the paper may wrap around the fuser roller> in page 5 when checking the above.		
Please refer to <Fitting procedures of the new fuser guide (No.13)> when fitting the new fuser guide (No.13).		
Serial Nos. of Affected Machine: (-->) Please refer in page 7.		

N00052101/N00052468/N00052614

(Revised Issue 1)
Service Bulletin

<Change of the firmware>

2010/10 Type	TASKalfa500ci/400ci/ 300ci/250ci	New Upgrade	TASKalfa552ci	New Upgrade	Remarks
MAIN FRAME Upgrade Pack Ver.	V10.00	<--	V4.00	<--	
Software MAIN *1	2H7_2F00.010.007	<--	2KY_2F00.004.013	<--	
Software MMI *1	2H7_7000.010.007	<--	2KY_7000.004.008	<--	
Software Engine	x		2KA_1000.006.002	<--	for Ta552ci
Software Engine (high) *2*3	2H7_1000.020.003	<--	x		for Ta500ci/400ci
Software Engine (low) *2*3	2JZ_1000.020.003	<--	x		for Ta300ci/250ci
Software Scanner	2H7_1200.005.002		2KY_1200.001.020		
Software Motor	2H7_1400.003.003		2H7_1400.003.003		
software Bias	2H7_1600.001.014		2H7_1600.001.014		
software Sleep	2H7_1800.002.001		2H7_1800.002.001		
Option Language BR	2H7_81BR.001.025	<--	2KY_81BR.001.026	<--	
BROWSER	2H7_F000.001.015		2H7_F000.001.015		
FAX BOOT *4 Fax Sys(Q)	(3MB_5000.001.016)		x		
FAX APL *4 Fax Sys(Q)	(3MB_5100.005.002)		x		
FAX IPL *4 Fax Sys(Q)	(3MB_5200.001.016)		x		
FAX BOOT *4 Fax Sys(S)C	(5JP_5000.001.022)		(5JP_5000.001.022)		
FAX APL *4 Fax Sys(S)C	(5JP_5100.C08.002)	<--	(5JP_5100.C08.002)	<--	
FAX BOOT/APL Fax Sys(S)C	x		(5JP_5500.C08.002)	<--	The firmware to be supplied for FAX Note 1) *6
FaxSystem(Q)/(S)C MIX soft *5	SaturnFAX_Pack _ C08002_005002	←	x		The firmware to be supplied for FAX Note 1)
Software DBA	J00_E000.005.001	←	J00_E000.005.001	←	

For KM sales companies, it is possible to download firmware through KM Knowledge Cabi-NET.

When upgrading firmware or replacing board etc., please upgrade each firmware (PACK of **MAIN FRAME/ENHANCEMENT**) to the latest version at the same time.

- *1) Please make sure to upgrade the MAIN and MMI firmware at the same time for TASKalfa500ci/400ci/300ci/250ci. If the firmware is upgraded individually, the CF000 error message may appear and it will not be possible to recover at the customer site.
- *2) Please note, in case the firmware is upgrade to the version 004.001 or later from the older version, the default value of U327 (Setting Cassette Heater Control) is reset to OFF. Please see the Service Bulletin No. 2H7-0012 (8746) for the details
- *3) Please perform AC Calibration in the maintenance mode U464 (Set ID Adjustment Mode) after upgrading to the firmware version 006.009 or later from the older version.
- *5) Combined firmware of 5 kinds of FAX firmware (*4), When downloading the combined firmware, appropriate firmware is installed by detecting the FAX system (Q) or (S)C.
- *7) MIX F/W of BOOT and APL

Service Bulletin

Ref. No. **2H7-0075(A333)**

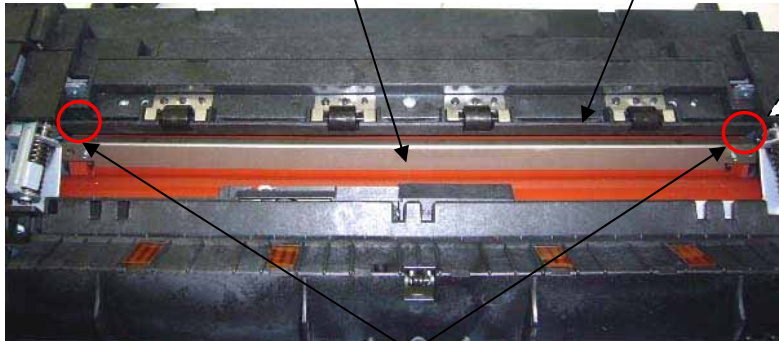
<Date> December 3, 2010

No.	Old Part No.	New Part No.	Description	Q'ty		Compati bi lity		SP	Remarks
				Old	New	Old	New		
TASKalfa500ci/400ci									
1	302H793235 2H793235	302H793236 2H793236	PARTS FUSER 120 H UNIT	1	1	X	O	O	for 120V spec.
2	302H793592 2H793592	302H793593 2H793593	PARTS FUSER 110 H UNIT	1	1	X	O	O	for 110V spec.
3	302H793245 2H793245	302H793246 2H793246	PARTS FUSER 240 H UNIT	1	1	X	O	O	for 220-240V spec.
4	302H79K245 2H79K245	302H79K246 2H79K246	PARTS FUSER 240 H UNIT	1	1	X	O	O	for KMKR
5	302H793652 2H793652	302H793653 2H793653	PARTS FUSER 240 H(KS) UNIT	1	1	X	O	O	for KTST
TASKalfa300ci/250ci									
6	302JZ93085 2JZ93085	302JZ93086 2JZ93086	PARTS FUSER 120 L UNIT	1	1	X	O	O	for 120V spec.
7	302JZ93272 2JZ93272	302JZ93273 2JZ93273	PARTS FUSER 110 L UNIT	1	1	X	O	O	for 110V spec.
8	302JZ93095 2JZ93095	302JZ93096 2JZ93096	PARTS FUSER 240 L UNIT	1	1	X	O	O	for 240V spec.
9	302JZ9K095 2JZ9K095	302JZ9K096 2JZ9K096	PARTS FUSER 240 L UNIT	1	1	X	O	O	for KMKR
10	302JZ93282 2JZ93282	302JZ93283 2JZ93283	PARTS FUSER 240 L(KS) UNIT	1	1	X	O	O	for KTST
TASKalfa552ci									
11	302KY93111 2KY93111	302KY93112 2KY93112	PARTS FUSER 120 H UNIT	1	1	X	O	O	for 120V spec.
12	302KY93121 2KY93121	302KY93122 2KY93122	PARTS FUSER 240 H UNIT	1	1	X	O	O	for 220-230V spec.
Common component parts of the fuser unit (No1~12) (for service parts unit)									
13	-----	302H794820 2H794820	+PARTS GUIDE EXIT ASSY SP	-	1	-	O	O	
(--> 14	-----	7BC000336040H01 BC049240	++WASHER 3.3X6X0.4T	-	3	-	O	-	bundle M3.3X6X0.4Tmm

• Parts with "O" indicates regular maintenance parts. "+" Mark at the head of the description means it is a components parts.

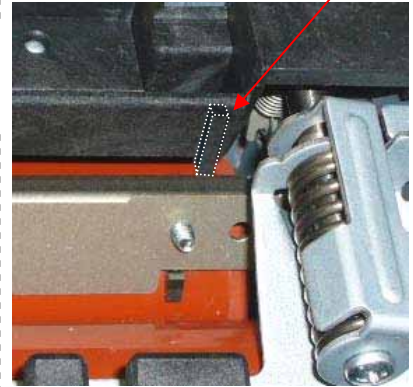
(Revised Issue 1)
Service Bulletin

<Fuser unit> Fuser separation plate Fuser guide (No.13)



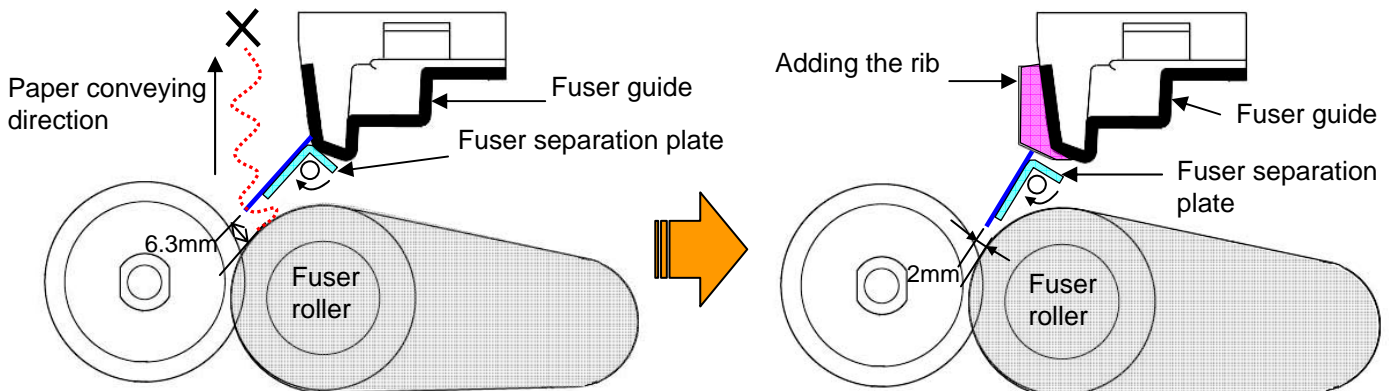
The position adding the ribs

<(New) Fuser guide> Adding the rib



<State with the old fuser guide (Cross-section view)>
(Before)

<State with the fuser guide adding the rib (Cross-section view)>
(After)



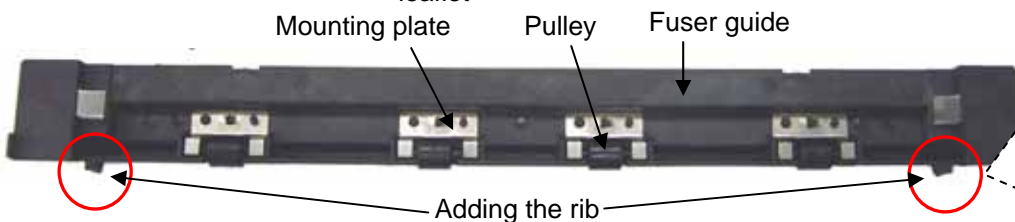
Bumped paper:

Pleated paper like the accordion shape by bumping to the previous paper may push up the fuser separation plate and the rear end of the paper may be wrapped around the fuser roller from the gap because the motion range of the fuser separation plate is wide. If the paper is perfectly wrapped, the service code of fuser problems (C6000 thru C6400) appears.

The motion range of the fuser separation plate is limited by adding the rib to the fuser guide to prevent the paper from wrapping around the fuser roller.

<Change of the fuser guide (Adding the rib)>

(After) Fuser guide } Assembly parts for service (No.13)
Pulley } (-->)+bundling the washer (No.14) and adding the caution
Mounting plate } leaflet



Adding the rib

(Before)



(After)



Adding the rib

* Fuser guide (No.13) is fixed with 2 positioning holes and 3 screws.

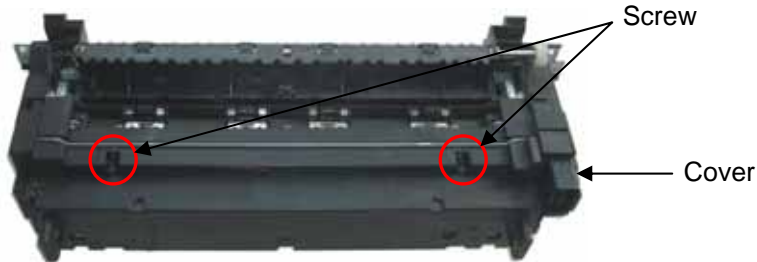
(-->) Please confirm that there are the gap between the fuser separation plate and the fuser guide after fitting the new fuser guide (No.13). And in case there is no gap, please add the washer (No.14). (Please refer to the detail in the page 6.)

(--><Confirmation procedures whether the paper may wrap around the fuser roller>

(-->) *Please work on the fuser unit after cooling the unit because of high temperature.

1. Remove the fuser unit from the main machine. (Refer to Service Manual 1-5-41)
2. Remove the cover from the fuser unit.

A) Remove 2 screws.



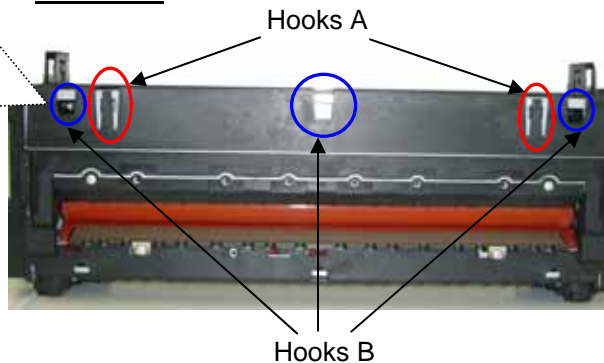
B) Turn over the fuser unit and remove 5 hooks.

At that time, firstly remove either of the hooks A as the following figure and then remove the other hooks. And, firstly put on the hooks B when refitting the cover.

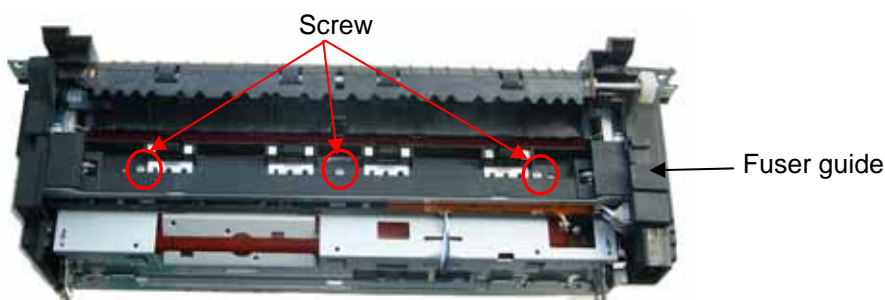
*** Please note not to break the hooks when detaching/refitting the claws.**



Don't pull the hooks strongly when executing the above work.



3. Remove the fuser guide. (3 screws)



4. Check if there is paper.

(It is possible to check if the paper is wrapped around the fuser roller by viewing from X in the figure below.)
If the paper can be removed, securely remove so that the paper piece does not remain.



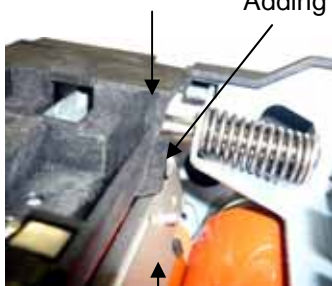
(-->)

<Fitting procedures of the new fuser guide (No.13)>

***Please work on the fuser unit after cooling the unit because of high temperature.**

1. Fit the new fuser guide (No.13) and fix 3 places of former page procedure 3 with 3 screws.
2. Confirm that there are the gap between the fuser separation plate and the 2 ribs added to the fuser guide after fitting the new fuser guide (No.13).
3. In case there is no gap in the above confirmation, please add the washer (No.14).

Fuser guide (No.13)



Fuser separation plate

Please confirm the gap in the method described in the left



<Plate to confirm the gap>

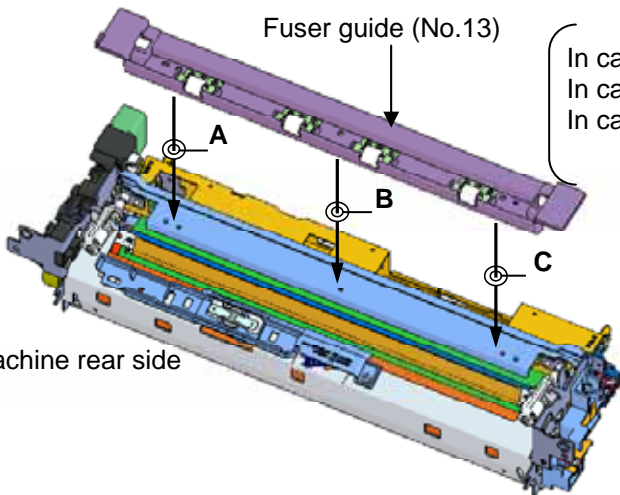


Please use the plate that the size of paper is displayed in cassette.

Please insert the plate between the fuser separation plate and the 2 ribs added to the fuser guide. And in case there is no gap, please add the washer (No.14) to the following position.

* The above is the confirmation of the rib of the machine front side. Please confirm the rib of the machine rear side similarly.

<Position to add the washer (No.14)>



Machine rear side

machine front side

In case of no gap at the front side: Adding the washer of C
 In case of no gap at the rear side: Adding the washer of A
 In case of no gap at the front and rear side:
 Adding the washer of A, B and C

Washer A/B/C → No.14 (Size: M3.3X6X0.4Tmm)

Note) Please note the fuser the plate and the washer do not enter into the fuser unit when inserting the plate and fitting the washer.

Service Bulletin

Ref. No. **2H7-0075(A333)**

<Date> December 3, 2010

(-->)

Serial Nos. of Affected Machine:					
TASKalfa500ci	KMA120V	CS	KMA220V	KMTW	KMSG
	QHU0Y02952-	QEK0Y00711-	Next production.	QGH0Y00017-	QFH0Y00028-
	KMTH	KMAUS	KME	UTAX/TA	KMHG
	Next production.	QHV0Y00298-	QHW0Y02513-	Next production.	Next production.
	KMA(GSA)	KMID			
TASKalfa400ci	Next production.	Next production.			
	KMA120V	CS	KMTW	KMSG	KMTH
	QHY0Y05016-	QEJ0Y01256-	QGG0Y00029-	Next production.	Next production.
	KMAUS	KME	UTAX/TA	KMHG	KTST
	Next production.	QJA0Y04486-	QES0Y01114-	Next production.	Next production.
TASKalfa300ci	KMBR	KMID	KMKR		
	Next production.	Next production.	Next production.		
	KMA120V	CS	KMA220V	KMTW	KMSG
	QJC0Y06380-	QEH0Y01753-	Next production.	QGF0Y00057-	Next production.
	KMTH	KMAUS	KME	UTAX/TA	KMHG
TASKalfa250ci	Next production.	QJD0Y00780-	QJE0Y06328-	QER0Y01758-	Next production.
	KTST	KMBR	KMID	KMKR	KMA(GSA)
	QMN0Y00122-	Next production.	Next production.	Next production.	Next production.
	KMA120V	CS	KMA220V	KMTW	KMSG
	QJH0Y08949-	QEG0Y01660-	Next production.	QGE0Y00053-	QFE0Y00270-
TASKalfa552ci	KMTH	KMAUS	KME	UTAX/TA	KMHG
	QGJ0Y00177-	QJJ0Y01878-	QJK0Y28959-	QEQ0Y11614-	QKX0Y00201-
	KTST	KMBR	KMID	KMKR	PHILIPINE
	QMP0Y00737-	Q9A0Y00346-	Q4B0Y00082-	Q3B0Y00387-	Next production.
	KMA(GSA)				
	Next production.				
TASKalfa552ci	KMA120V	CS	KMAUS	KME	UTAX/TA
	QXF0Y00502-	Q310Y00149-	QXH0Y00102-	QXG0Y00242-	Q4W0Y00082-
	KMBR	Other spec			
	Q9Y0Y00001-	Next production.			

<Serial number of the MK kit>

MK-855A for TASKalfa500ci/400ci (KMA) : QJR0Y01995-
 MK-855A for TASKalfa500ci/400ci (KME) : QJR0Y02021-
 MK-855A for TASKalfa500ci/400ci (KMTW) : From the next production. (QGL)
 MK-855A for TASKalfa500ci/400ci (KTST) : From the next production. (QMZ)
 MK-855A for TASKalfa500ci/400ci (KMKR) : From the next production. (QJR)
 MK-865A for TASKalfa300ci/250ci (KMA) : QJP0Y01902-
 MK-865A for TASKalfa300ci/250ci (KME) : QJP0Y01914-
 MK-865A for TASKalfa300ci/250ci (KMTW) : From the next production. (QGN)
 MK-865A for TASKalfa300ci/250ci (KTST) : From the next production. (QNB)
 MK-865A for TASKalfa300ci/250ci (KMKR) : From the next production. (QJP)
 MK-856A for TASKalfa552ci (Except KMKR) : From the next production. (QXJ)
 MK-856A for TASKalfa552ci (KMKR) : From the next production. (QXM)

<Serial number of the fixing unit>

No.1: MCA0Y05957- No.2: MCL0Y00022- No.3: MCB0Y10089- No.4: MCB0Y10089-
 No.5: MCB0Y10089- No.6: MCD0Y10182- No.7: MCM0Y00066- No.8: MCE0Y31899-
 No.9: MCE0Y31899- No.10: MCU0Y00420- No.11: K370Y00706- No.12: K380Y00501-

Service Bulletin

Ref. No. **2H7-0076 (A345)**

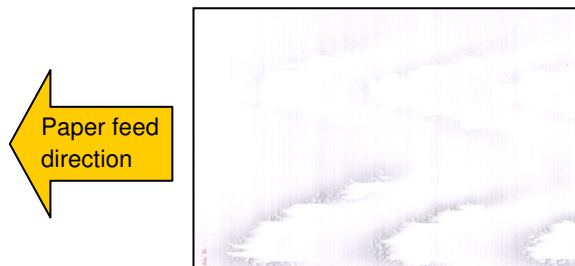
<Date> December 7, 2010

Subject	Improving the margin against the uneven Bk toner layer and Bk background image
Model	TASKalfa300ci, TASKalfa250ci

This time the description with (-->) is revised from the previous information.
<Number of changes: 1> Adding the accurate serial number.

Bk background image like the following image sample from the uneven Bk toner layer may be rarely printed in the high humidity environment. Therefore, the following is changed.

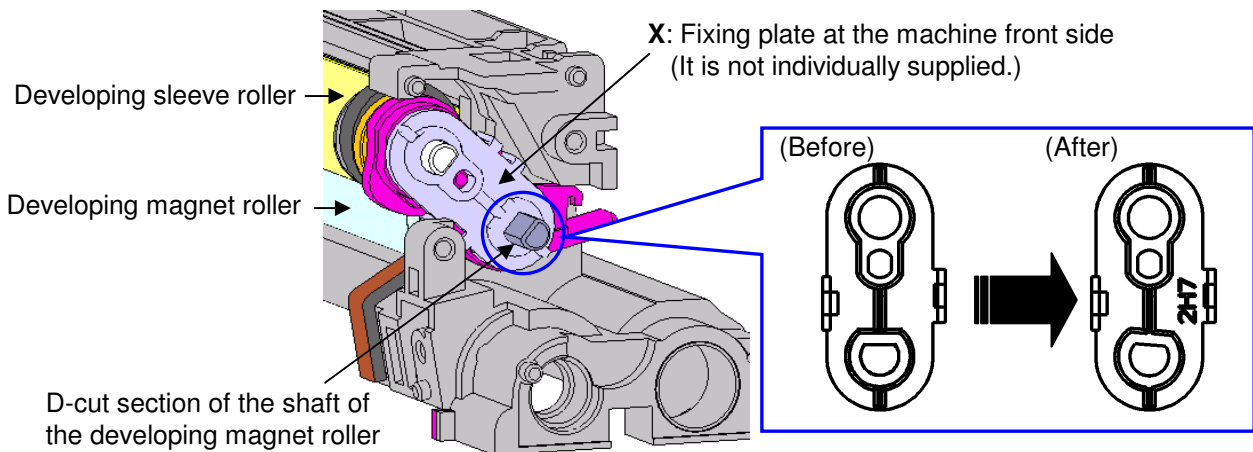
<Image sample> (Below is the eminent example)



<Contents of change>

To suit the position of the developing sleeve roller and the developing magnet roller, angle of the D-cut hole in the fixing plate (X in the figure below) at the machine front side that secures the attachment angle of the developing magnet roller is changed so that the image failure in the high humidity environment is improved.

[Machine front side of the Bk developing unit]



No.	Old Part No.	New Part No.	Description	Q'ty		Compati bi lity		Remarks
				Old	New	Old	New	
1	302JZ93198 2JZ93198	302JZ93199 2JZ93199	PARTS DLP K L UNIT	1	1	X*	○	For all spec except KMKR
2	302JZ9K198 2JZ9K198	302JZ9K199 2JZ9K199	PARTS DLP K L UNIT	1	1	X*	○	For KMKR

* Old developing unit (No.1, 2) that has the barcode label of the side of the unit that has a black dot marking beside the serial number is same part as the new developing unit.

(*) X: The fixing plate is not individually supplied.

KMC's Classification	<input type="checkbox"/> Entire Stock Rework <input checked="" type="checkbox"/> In-Field modification by case	<input type="checkbox"/> In-Field modification at next visit <input type="checkbox"/> No modification necessary
Field Measure:	Please execute [Developer Refresh] from [Adjustment/Maintenance] in [System Menu] when the above phenomenon occurs. If the image is not improved after Developer Refresh, please replace the Bk developing unit (No.1, 2) to the new one.	

(Revised Issue 1)
Service Bulletin

2JZ-0X001/2JZ-0X002/N00052885/2JZ-0X003/2JZ-0X006

(-->)

Serial Nos. of Affected Machine:						
TASKalfa300ci	KMA120V	CS	KME	UTAX/TA	KMAUS	KMTW
	QJC0X06266-	QEH0X01676-	QJE0X06041-	QER0X01621-	QJD0X00740-	QGF0X00054-
	KTST	Other spec				
	QMN0Y00122-	Next production				
TASKalfa250ci	KMA120V	CS	KME	UTAX/TA	KMAUS	KMID
	QJH0Y08601-	QEG0Y01576-	QJK0Y27873-	QEQ0Y11392-	QJJ0Y01836-	Q4B0Y00082-
	KMSG	KMTH	KMHG	KMTW	KTST	KMKR
	QFE0Y00270-	QGJ0Y00177-	QKX0Y00201-	QGE0Y00053-	QMP0Y00726-	Q3B0Y00371
	KMBR	Other spec				
	Q9A0Y00326-	Next production				
<Serial number of the developing unit/MK kit>						
Developing unit (No.1, 2): KUQ0X51760-						
MK-865A for 120V/KM220-240V(Except KTST): QJP0X01713-						
for KMTW			: QGN0X0002-			
for KTST			: QNB0X0009-			

Service Bulletin

Ref. No. **2H7-0077 (A356)**

<Date> January 24, 2011

Subject	Adding the fuse for protecting the circuit from excessive electric current (Change of the feed PWB)
Model	TASKalfa500ci, TASKalfa400ci, TASKalfa300ci, TASKalfa250ci, TASKalfa552ci, FS-C8500DN

This time the description with (-->) is revised from the previous information.

<Number of changes: 1> Adding the accurate serial number. (Page3)

Excessive electrical current may flow (*) depending on the state of wire alignment of WIRE DU after disassembling and reassembling the conveying unit.

2 fuses are added to 5V and 24V line on the feed PWB (No.4, 8, 10) for protecting the circuit from excessive electric current. Accordingly, the pattern on the feed PWB is partly changed.

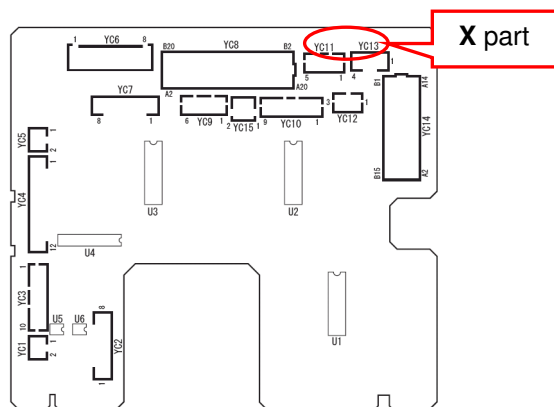
(*) When the short circuit occurs by damaging the wire coating of WIRE DU due to the wire alignment mistake, the excessive current may be impressed from the engine PWB and it may become the cause of the operation failure as the result.

[Distinction of the old and the new feed PWB]

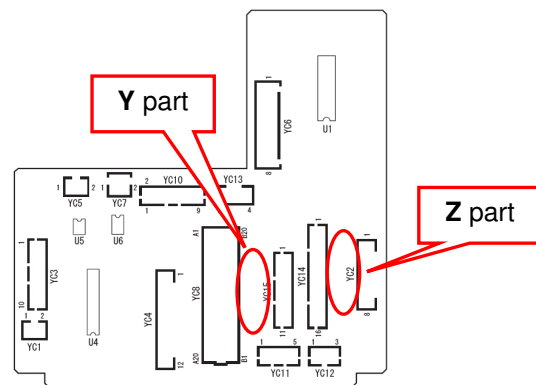
The old and the new feed PWB can be distinguished by difference of the silk print on the mounted side of the feed PWB.

- Feed PWB (No.4) for TASKalfa500ci/400ci, TASKalfa552ci and FS-C8500DN:
(Before) X part: A0280DCZ+GH/A0280-D --> (After) X part: A0280ECZ+GH/A0280-E
- Feed PWB (No.8, 10) for TASKalfa300ci/250ci:
(Before) Y part: A0333-C/Z part: A0333CCZ+GH --> (After) Y part: A0333-D/Z part: A0333DCZ+GH

<Feed PWB (No.4)>



<Feed PWB (No.8, 10)>



KMC's Classification	<input type="checkbox"/> Entire Stock Rework	<input type="checkbox"/> In-Field modification at next visit
	<input checked="" type="checkbox"/> In-Field modification by case	<input type="checkbox"/> No modification necessary
Field Measure:		
Please check the state of the wire alignment/wire coating of WIRE DU at the machine front side for the machine with the record of disassembling and reassembling the conveying unit. If the wire coating is damaged, please wrap the insulation tape to the damaged part or replace WIRE DU to the new parts according to the state of the wire and correct the wire alignment to the normal state. (Please refer to the next page for the parts number of WIRE DU and the wire alignment.)		

N00053242

Service Bulletin

Ref. No. **2H7-0077 (A356)**

<Date> January 24, 2011

No.	Old Part No.	New Part No.	Description	Q'ty		Compati bi lity		Remarks
				Old	New	Old	New	
1	302H793030 2H793030	302H793031 2H793031	PARTS FEED DRIVE H	1	1	X	○	TASKalfa500ci TASKalfa400ci
2	302KY93090 2KY93090	302KY93091 2KY93091	PARTS FEED DRIVE H UNIT	1	1	X	○	*1 (Except KMKR)
3	302KY9K090 2KY9K090	302KY9K091 2KY9K091	PARTS FEED DRIVE H UNIT	1	1	X	○	*1 (For KMKR)
4	302H794100 2H794100	302H794101 2H794101	+PARTS PWB FEED ASSY SP	1	1	X	○	Components parts of No.1 thru 3
5	302JZ93320 2JZ93320	302JZ93321 2JZ93321	PARTS FEED DRIVE L	1	1	X	○	*2 (Except KMKR/ KMTW/KTST)
6	302JZ9K032 2JZ9K032	302JZ9K033 2JZ9K033	PARTS FEED DRIVE L	1	1	X	○	*2 (For KMKR)
7	302JZ93032 2JZ93032	302JZ93033 2JZ93033	PARTS FEED DRIVE L	1	1	X	○	*2 (For KMTW)
8	302JZ94030 2JZ94030	302JZ94031 2JZ94031	+PARTS PWB FEED ASSY SP	1	1	X	○	Components parts of No.5 thru 7
9	302JZ93182 2JZ93182	302JZ93183 2JZ93183	PARTS FEED DRIVE L UNIT J	1	1	X	○	*2 (For KTST)
10	302JZ94060 2JZ94060	302JZ94061 2JZ94061	+PARTS PWB FEED ASSY(J) SP	1	1	X	○	Components parts of No.9

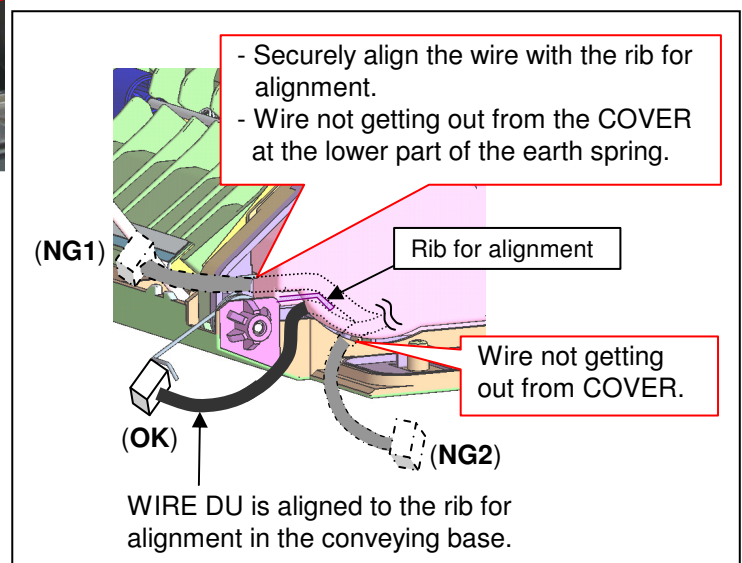
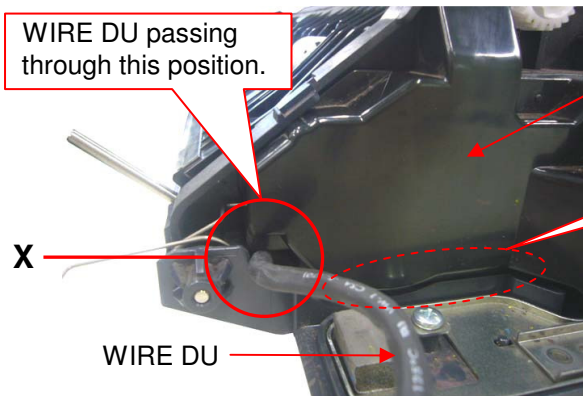
"+" Mark at the head of the description means it is a components parts.

*1: TASKalfa552ci, FS-C8500DN

*2: TASKalfa300ci/250ci

<Wire alignment of WIRE DU>

When reassembling the conveying unit, check if WIRE DU passes through the position marked X in the figure below when refitting COVER PWB FEED to the machine rear side of the conveying unit.



<WIRE DU list>

Affected models	Parts No.
TASKalfa500ci/400ci	302H746580
TASKalfa300ci/250ci	302JZ46090
TASKalfa552ci	302KY46060
/FS-C8500DN	302KA46160

* The same contents as the above is described on the service bulletin No. 2H7-0073 (A293).

Service Bulletin

 Ref. No. **2H7-0077 (A356)**

<Date> January 24, 2011

(-->)

Serial Nos. of Affected Machine:						
TASKalfa500ci	KMA120V	CS	KME	KMAUS	KMSG	KMTW
	QHU0Z03015-	QEK0Z00712-	QHW0Z02632-	QHV0Z00309-	QFH0Z00029-	QGH0Z00020-
	Other spec					
	Next production					
TASKalfa400ci	KMA120V	CS	KME	KMAUS	KMSG	KMHG
	QHY0Z05160-	QEJ0Z01274-	QJA0Z04519-	QHZ0Z00518-	QFG0Z00108-	QKZ0Z00046-
	KTST	KMTW	Other spec			
	QMM0Z00076-	QGG0Z00033-	Next production			
TASKalfa300ci	KMA120V	CS	KME	UTAX/TA	KMAUS	KMSG
	QJC0Z06701-	QEH0Z01799-	QJE0Z06624-	QER0Z01855-	QJD0Z00809-	QFF1100036-
	KMID	KTST	KMTW	Other spec		
	Q4C0Z00001-	QMN0Z00127-	QGF0Z00076-	Next production		
TASKalfa250ci	KMA120V	CS	KMBR	KME	UTAX/TA	KMAUS
	QJH0Z09138-	QEG0Z01756-	Q9A0Z00376-	QJK0Z30625-	QEQ0Z11942-	QJJ0Z01927-
	KMSG	KMHG	KMID	PHILIPINE	KMKR	KTST
	QFE0Z00282-	QKX0Z00219-	Q4B0Z00090	QLU0Z00034-	Q3B0Z00395-	QMP0Z00746-
	KMTW	Other spec				
	QGE0Z00057-	Next production				
TASKalfa552ci	KMA120V	KME	UTAX/TA	KMAUS	Other spec	
	QXF0Z00525-	QXG0Z00251-	Q4W0Z00097-	QXH0Z00112-	Next production	
FS-C8500DN	KMA120V	KMA220V	KME	KMKR	Other spec	
	QXS0Z00515-	Q180Z00023-	QXT0Z01251-	Q3J0Z00047-	Next production	

Service Bulletin

Ref. No. **COM-0207 (A360)**

<Date> December 15, 2010

Subject	Safety improvement (Change of the cassette lift plate)
Model	TASKalfa500ci, TASKalfa400ci, TASKalfa300ci, TASKalfa250ci, TASKalfa552ci, FS-C8500DN, TASKalfa520i, TASKalfa420i, KM-2560*, KM-3060*, KM-2540*, KM-3040*, TASKalfa300i, PF-720/PF-720(B), PF-670, PF-680

This time the description with (->)is revised from the previous information.

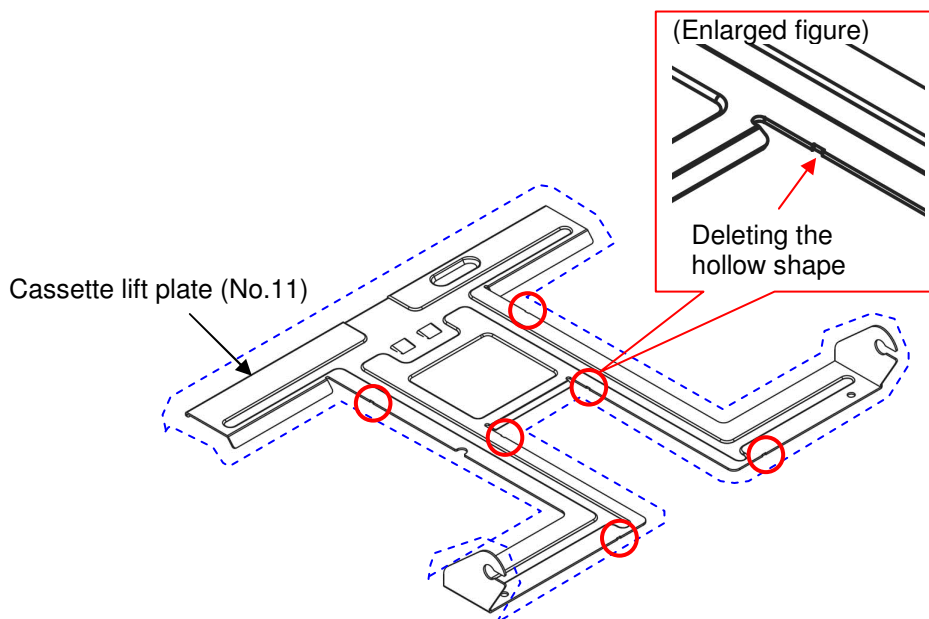
<Number of changes: 1> Adding the accurate serial number. (Page2, 3)

* Common with CHUNGHO brand.

(Affected models PF-720/PF-720(B): TASKalfa500ci/400ci/300ci/250ci, TASKalfa420i/520i, TASKalfa552ci, FS-C8500DN
 PF-670 : KM-2560/3060/2540/3040
 PF-680 : TASKalfa300i)

The cassette lift plate (No.11) is changed as below to improve the safety.

- The outside edge of the cassette lift plate is chamfered.
- Hollow shape at the outside edge is deleted. (Encircled part in red line: Total 6 sections)



KMC's Classification	<input type="checkbox"/> Entire Stock Rework	<input type="checkbox"/> In-Field modification at next visit
	<input checked="" type="checkbox"/> In-Field modification by case	<input type="checkbox"/> No modification necessary
Field Measure:	Please take care of the edge of the cassette lift plate (No.11) when inserting the fixing pin during lifting the cassette lift plate in order to secure the paper width adjustment guide of the cassette to A5 size.	

N00052615

Service Bulletin

Ref. No. **COM-0207 (A360)**

<Date> December 15, 2010

No.	Old Part No.	New Part No.	Description	Q'ty		Compati bi lity		Remarks
				Old	New	Old	New	
1	302H793300 2H793300	302H793301 2H793301	PARTS TOP CASSETTE 1 ASSY	1	1	X	O	*1 (Except KMKR)
2	302H79K300 2H79K300	302H79K301 2H79K301	PARTS TOP CASSETTE 1 ASSY	1	1	X	O	*1 (For KMKR)
3	302H793311 2H793311	302H793312 2H793312	PARTS TOP CASSETTE 2 ASSY	(*2)	(*2)	X	O	*2 (Except KMKR)
4	302H79K311 2H79K311	302H79K312 2H79K312	PARTS TOP CASSETTE 2 ASSY	(*2)	(*2)	X	O	*2 (For KMKR)
5	302H093101 2H093101	302H093102 2H093102	PARTS CT-670	(*3)	(*3)	X	O	*3 (Except UTAX/TA, KMKR)
6	302H093220 2H093220	302H093221 2H093221	PARTS CT-670(UT)	(*3)	(*3)	X	O	*3 (For UTAX/TA)
7	302H09K101 2H09K101	302H09K102 2H09K102	CT-670	(*3)	(*3)	X	O	*3 (For KMKR)
8	302K593030 2K593030	302K593031 2K593031	PARTS CT-680	(*4)	(*4)	X	O	*4 (Except KMKR)
9	302K59K030 2K59K030	302K59K031 2K59K031	CT-680	(*4)	(*4)	X	O	*4 (For KMKR)
10	303NH93010 3NH93010	303NH93011 3NH93011	PARTS CT-681	1	1	X	O	2nd cassette in PF-680
11	302H009101 2H009101	302H009102 2H009102	+BASE CASSETTE	(*5)	(*5)	X	O	

"+" Mark at the head of the description means it is a components parts.

*1: (Affected models) TASKalfa500ci/400ci/300ci/250ci, TASKalfa552ci, FS-C8500DN --- 1st cassette

*2: (Affected models) TASKalfa500ci/400ci/300ci/250ci, TASKalfa552ci, FS-C8500DN --- 2nd cassette
TASKalfa520i/420i, PF-720/PF-720(B) --- 1st/2nd cassette

*3: (Affected models) KM-2560/3060/2540/3040 ---1st/2nd cassette
PF-670 --- 1st cassette (2nd cassette is not set as the assembly)

*4: (Affected models) TASKalfa300i --- 1st/2nd cassette
PF-680 --- 1st cassette

*5: 1 pce of the cassette lift plate (No.11) is used per 1 cassette.

(-->)

Serial Nos. of Affected Machine:						
TASKalfa500ci	KMA120V	CS	KME	Other spec		
	QHU0Y02952-	QEK0Y00710-	QHW0Y02563-	Next production		
TASKalfa400ci	KMA120V	CS	KME	UTAX/TA	Other spec	
	QHY0Y05016-	QEJ0Y01256-	QJA0Y04486-	QES0Y01114-	Next production	
TASKalfa300ci	KMA120V	CS	KME	UTAX/TA	KMAUS	KMTW
	QJC0Y06380-	QEH0Y01753-	QJE0Y06328-	QER0Y01758-	QJD0Y00780-	QGF0Y00057-
	KTST	Other spec				
TASKalfa250ci	KMA120V	CS	KME	UTAX/TA	KMTW	KTST
	QJH0Y08949-	QEG0Y01660-	QJK0Y29973-	QEQ0Y11664-	QGE0Y00053-	QMP0Y00737-
	KMKR	Other spec				
TASKalfa552ci	CS	KME	UTAX/TA	KMBR	KMAUS	Other spec
	Q310Y00149-	QXG0Y00242-	Q4W0Y00082-	Q9Y0Y00001-	QXH0Y00102-	Next production
FS-C8500DN	KMA120V	Other spec				
	QXS0Y00488-	Next production				

Service Bulletin

Ref. No. **COM-0207 (A360)**

<Date> December 15, 2010

TASKalfa420i	KMA120V	KMA220V	CS	KMA(GSA)	KMBR	KMAUS
	QWGOY09407-	QVW0Y00081-	QVV0Z01523-	Next production	Q9E0Z00094-	QWJ0Z00195-
	KME	UTAX/TA	OLI	Consip 16	KMID	PHILIPINE
	QWH0Y08555-	QZC0Z01305-	Q1M0Y00871-	Next production	Q460Z00068-	Q7Y0Y11664-
	KMSG	KMTH	KMHG	KMTW	KTST	KMKR
	QVY0Z00278-	QZB0Y00197-	Next production	Q210Y00101-	Q8Q0Z00477-	Q3Q0Y00054-
TASKalfa520i	KMA120V	KME	UTAX/TA	OLI	KMAUS	KMSG
	QWC0Y05763-	QWD0Y03586-	QZD0Y00602-	Q1N0Y00591-	QWE0Y00185-	QVZ0Y00064-
	KMTH	KMHG	KMTW	KMID	KMKR	Other spec
	QYZ0Y00157-	QYY0Y00032-	Q220Y00158-	Q470Y00014-	Q3R0Y00044-	Next production
KM-2560	KME	UTAX/TA	OLI	KTST	KMA(GSA)	Other spec
	QAW0Y22316-	QCA0Y08750-	QBK0Y08020-	QDS0Y03275-	QWH0Y08555-	Next production
KM-3060	KTST	KMHG	Other spec			
	QDR0Y02363-	QKU0Y00025-	Next production			
KM-2540	KTST	KMTW	KMA(GSA)	Other spec		
	QDU0Y03343-	PJT0Y00070-	QJK0Y29973-	Next production		
KM-3040	KTST	KMHG	Other spec			
	QDT0Y02192-	QKW0Y00356-	Next production			
TASKalfa300i	KMA120V	KMA220V	CS	KME	UTAX/TA	OLI
	QZJ0Y05079-	Q130Y00195-	Q2Z0Z01548-	QZK0Y11412-	Q250Y00979-	Q280Y00998-
	KMAUS	KMSG	KMHG	KMTH	KMID	KMTW
	QZL0Z00201-	Q2W0Z00027-	Q2X0Z00019-	Q2Y0Z00111-	Q3G0Z00091-	Q6H0Y00286-
	PHILIPINE	KME(BA)	Consip 16	KTST	KMA(GSA)	KMKR
	Q7X0Z00011-	Next production	Next production	Next production	Next production	Q3H0Z00453-
PF-720 (B) *6	KMA/CS120V	KM220-240V	Other spec			
	QWV0Y06215-	QWW0Y15780-	Next production			
PF-670	KM220-240V	OLI	Other spec			
	QBH0Y10327-	QBN0Y00842-	Next production			
PF-680	KMA/CS120V	KM220-240V	UTAX/TA	Other spec		
	QZR0Y01219-	QZS0Y04489-	Q2B0Z00511-	Next production		

*6: PF-720 is not produced now.

Service Bulletin

 Ref. No. **PCI-0278 (A364)**

[Parts Change Information]

<Date> November 19, 2010

Subject	Parts Change Information
Model	TASKalfa500ci, TASKalfa400ci, TASKalfa300ci, TASKalfa250ci, TASKalfa552ci, TASKalfa420i, TASKalfa520i, TASKalfa300i, TASKalfa620, TASKalfa820, KM-C2520, KM-C3225, KM-C3232, KM-C2525E, KM-C3225E, KM-C3232E, KM-C4035E, TASKalfa550c, TASKalfa650c, TASKalfa750c, KM-6030, KM-8030, FS-C8100DN, EP C320DN, FS-C8500DN, FS-C2026MFP, FS-C2126MFP, FS-3040MFP, FS-3140MFP, DP-700, DP-750/DP-750(B), DP-760/DP-760(B), AK-470

Affected models

DP-700	KM-3050/4050/5050
DP-750, DP-760	TASKalfa500ci/400ci/300ci/250ci
DP-750(B), DP-760(B)	TASKalfa500ci/400ci/300ci/250ci, TASKalfa420i/520i, TASKalfa552ci
AK-470	DF-470 (Main machine: TASKalfa255/255b/305, FS-6025MFP, FS-6025MFP/B, FS-6030MFP)

The following parts are changed.

P2 <Disuse of the wire alignment parts (deleting HOLDER WIRE A)>

TASKalfa500ci, TASKalfa400ci, TASKalfa300ci, TASKalfa250ci, TASKalfa552ci,
FS-C8500DN

P2 <Common use of the parts>

TASKalfa620, TASKalfa820, KM-6030, KM-8030, DP-700, DP-750/DP-750(B),
DP-760/DP-760(B)

P3 <(KTST/KMTH/KMSG/KMKR/KMID/KMHG/KMTW/PHILCOPY spec) Correcting Conversion List >

TASKalfa420i, TASKalfa520i, TASKalfa300i, TASKalfa552ci, TASKalfa620, TASKalfa820,
FS-C2026MFP, FS-C2126MFP, FS-3040MFP, FS-3140MFP

P4 <Correcting Parts List>

KM-C2520, KM-C3225, KM-C3232, KM-C2525E, KM-C3225E, KM-C3232E, KM-C4035E,
FS-C8100DN, EP C320DN

P5 <Improving the contact margin of the process unit>

TASKalfa550c, TASKalfa650c, TASKalfa750c

P5 <Parts number information (Edge saddle at the fuser section)>

TASKalfa550c, TASKalfa650c, TASKalfa750c

P6 <Correcting Parts List>

TASKalfa550c, TASKalfa650c, TASKalfa750c

P6 <Parts number information (Sheet affixed to the paper feed lower guide at RADF section)>

TASKalfa550c, TASKalfa650c, TASKalfa750c

Service Bulletin

 Ref. No. **PCI-0278 (A364)**

[Parts Change Information]

<Date> November 19, 2010

P7 <Common use of the parts (Secondary transfer guide)>

TASKalfa550c, TASKalfa650c, TASKalfa750c

P7 <Change of the power cord caution label>

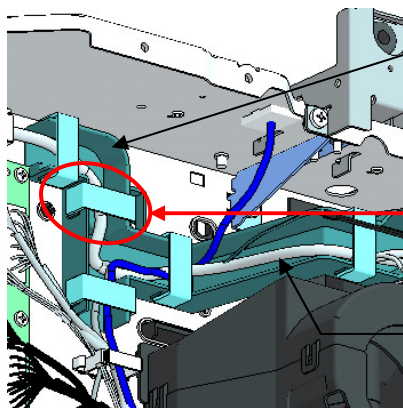
AK-470

<Disuse of the wire alignment parts (deleting HOLDER WIRE A)

--> After using up the old stock

TASKalfa500ci, TASKalfa400ci, TASKalfa300ci, TASKalfa250ci, TASKalfa552ci, FS-C8500DN

For improving the assembly process, 1pce of HOLDER WIRE A (No.1) that aligns WIRE TRANSFER JOINT/WIRE TRANSFER EXIT is deleted.



GUIDE WIRE A (302H73922_)

 Deleting 1 pce of HOLDER WIRE A (No.1)
 (Parts List: Fig.28-28)

- 500ci/400ci/300ci/250ci: WIRE TRANSFER JOINT (302H74613_)
- 552ci : WIRE TRANSFER EXIT (302KY4603_)
- 8500DN : WIRE TRANSFER EXIT (302KA4603_)

No.	Old Part No.	New Part No.	Description	Q'ty		Com pat i bility		Remarks
				Old	New	Old	New	
1	303LL02180 3LL02180	303LL02180 3LL02180	HOLDER WIRE A	10	9	○	-	

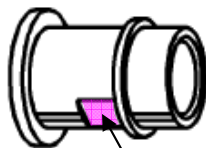
N00052349

<Common use of the parts --> After using up the old stock

 TASKalfa620, TASKalfa820, KM-6030, KM-8030, DP-700, DP-750/DP-750(B),
 DP-760/DP-760(B)

The part (No.1) is changed as below for common use of the parts with other models.

[BUSHING PF HOLDER (No1)]



Adding the oval shape

No.	Old Part No.	New Part No.	Description	Q'ty		Com pat i bility		Remarks
				Old	New	Old	New	
1	3H607130	303H607131 3H607131	BUSHING PF HOLDER	2	2	○	○	

N00053076

* Please use the new parts for the next development models.

Service Bulletin

[Parts Change Information]

 Ref. No. **PCI-0278 (A364)**

<Date> November 19, 2010

<(KTST/KMTH/KMSG/KMKR/KMID/KMHG/KMTW/PHILCOPY spec) Correcting Conversion List>

TASKalfa420i, TASKalfa520i, TASKalfa300i, TASKalfa552ci, TASKalfa620, TASKalfa820, FS-C2026MFP, FS-C2126MFP, FS-3040MFP, FS-3140MFP

Following <Before> main PWB are for Europe spec only.

Conversion List does not describe the alternative parts of the European main PWB while it had to describe that. Therefore, the alternative parts are informed as below.

[Added contents]

<Before> [Europe spec]

<After> [Other specs except Europe]

Fig.	Ref.	Part No.	Description		Part No.	Description	Remarks
TASKalfa420i/520i							
20	25	302KS94020 2KS94020	PARTS MAIN PWB ASSY EU SP	➔	302KS94010 2KS94010	PARTS MAIN PWB ASSY SP	*1
TASKalfa300i							
21	44	302K594020 2K594020	PARTS MAIN PWB ASSY EU SP	➔	302K594010 2K594010	PARTS MAIN PWB ASSY SP	*2
TASKalfa552ci							
29	4	302KY94020 2KY94020	PARTS PWB MAIN ASSY SP EU	➔	302KY94010 2KY94010	PARTS PWB MAIN ASSY SP	*3
TASKalfa620							
31	2	302KN94070 2KN94070	PARTS PWB MAIN ASSY SP EU	➔	302KN94060 2KN94060	PARTS PWB MAIN ASSY SP	*4
TASKalfa820							
31	2	302KP94250 2KP94250	PARTS PWB MAIN ASSY SP EU	➔	302KP94240 2KP94240	PARTS PWB MAIN ASSY SP	*4
FS-C2026MFP							
15	4	302KW94020 2KW94020	PARTS PWB MAIN ASSY SP EU	➔	302KW94010 2KW94010	PARTS PWB MAIN ASSY SP	*5
FS-C2126MFP							
15	4	302KX94020 2KX94020	PARTS PWB MAIN ASSY SP EU	➔	302KX94010 2KX94010	PARTS PWB MAIN ASSY SP	*5
FS-3040MFP							
16	1	302LW94021 2LW94021	PARTS MAIN PWB ASSY E SP	➔	302LW94011 2LW94011	PARTS MAIN PWB ASSY SP	*6
FS-3140MFP							
16	1	302LX94021 2LX94021	PARTS MAIN PWB ASSY E SP	➔	302LX94011 2LX94011	PARTS MAIN PWB ASSY SP	*6

<Issue spec of Conversion List> * Information at this time is issued only for the spec that applies Conversion List.

Remarks	Spec of not applying the above information yet	Spec that does not apply the above information	
*1	KTST/KMTH/KMSG/KMKR/KMID/KMHG/PHILCOPY	UTAX/OLI(*7)	KMBR(*8)/South America(*8)
*2	KMTH/KMSG/KMKR/KMID/KMHG/KMTW/PHILCOPY	UTAX/OLI(*7)	
*3	KMTH/KMSG/KMID/KMHG	UTAX(*7)	KMBR(*8)/CS(*8)/South America(*8)
*4	KTST/KMTW	----	South America(*8)
*5	KMTH/KMKR	UTAX/OLI(*7)	South America(*8)
*6	KMTH/KMSG	UTAX/OLI(*7)	South America(*8)/KMKR(*9)

*7: UTAX/OLI spec is European spec. Therefore, these specs use the above European main PWB.

*8: KMBR/CS/South America use PWB except for European PWB. However, these specs do not apply because those Conversion List is made in reference to 120V spec.

*9: KMKR has KMKR original parts. (Already informed)

Service Bulletin

[Parts Change Information]

Ref. No. **PCI-0278 (A364)**

<Date> November 19, 2010

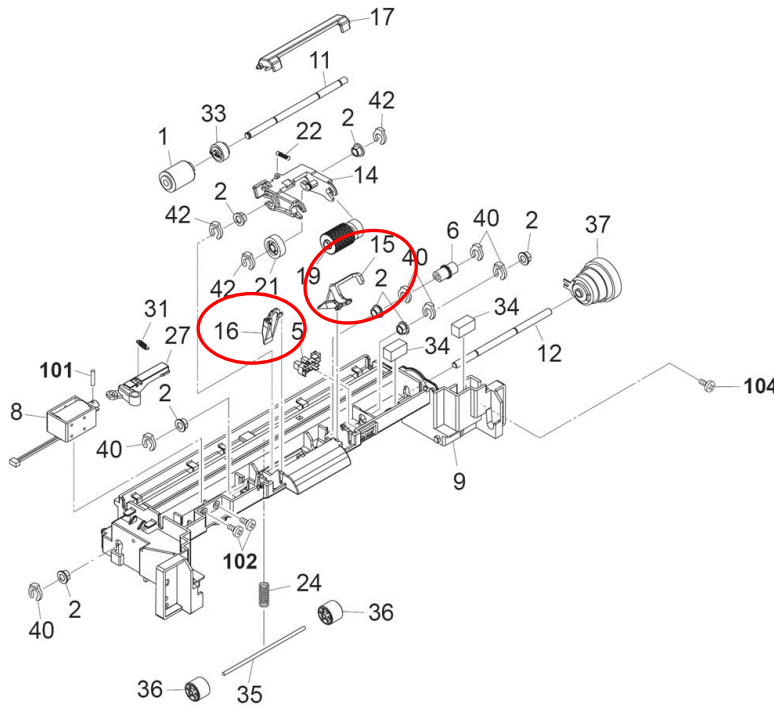
<Correcting Parts List>

KM-C2520, KM-C3225, KM-C3232, KM-C2525E, KM-C3225E, KM-C3232E, KM-C4035E, FS-C8100DN, EP C320DN

Following part number described on Parts List is corrected.

FIG.20 MPT Assy (KM-C2520/C3225/C3232/C2525E/C3225E/C3232E/C4035E)

FIG.18 MPT Assy (FS-C8100DN, EP C320DN)



[Wrong]

Ref.	Part No.	Description
15	302FZ08090 2FZ08090	PAPER STOPPER MPT F
16	302FZ08100 2FZ08100	PAPER STOPPER MPT R



[Correct]

Part No.	Description
302FZ08100 2FZ08100	PAPER STOPPER MPT R
302FZ08090 2FZ08090	PAPER STOPPER MPT F

Service Bulletin

[Parts Change Information]

Ref. No. **PCI-0278 (A364)**

<Date> November 19, 2010

<Improving the contact margin of the process unit

--> From the production in September 2010>

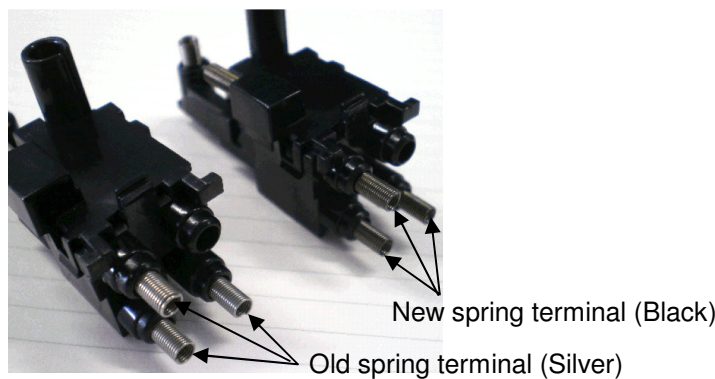
TASKalfa550c, TASKalfa650c, TASKalfa750c

For improving the contact margin when installing the process unit in the machine, length of the spring terminal of the terminal ASSY (No.1, 2) is extended by about 0.8mm.

Accordingly, exterior color of the spring terminal is changed from silver to black.

[Change of exterior color of the spring terminal] (Below is the terminal ASSY (No.1))

(Old No.1) (New No.1)



No.	Old Part No.	New Part No.	Description	Q'ty		Com pat i bility		Remarks
				Old	New	Old	New	
1	305JN716A0 5JN716A0	305JN716A1 5JN716A1	TERMINAL ASSY:ASYB-TERM-HVT-CH	4	4	○	○	
2	305JN716Y0 5JN716Y0	305JN716Y1 5JN716Y1	TERMINAL ASSY:ASYB-TERM-HVT-CH-Y	1	1	○	○	

N00053651/BSI No.G10H167

<Parts number information (Edge saddle at the fuser section)>

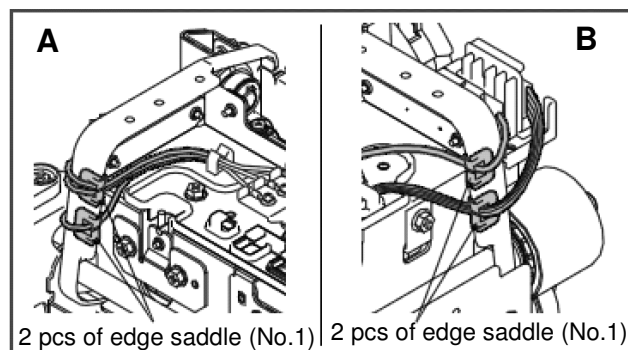
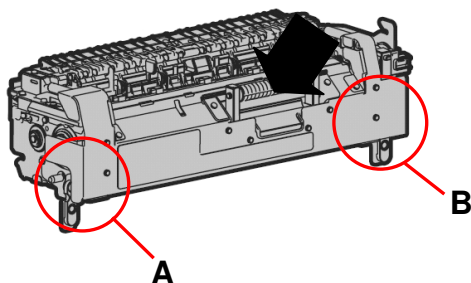
TASKalfa550c, TASKalfa650c, TASKalfa750c

The parts number of the edge saddle (No.1) is set that is used at the fuser unit front/rear side by 2 pcs each.

(View of the left figure viewed from the arrow

--- State of removing the surrounding covers)

[Fuser unit]



No.	Old Part No.	New Part No.	Description	Q'ty		Com pat i bility		Remarks
				Old	New	Old	New	
1	-----	305JN72QY0 5JN72QY0	EDGE SADDLE:ES-0505-2-46	-	4	-	○	

N00052500/BSI No.G10H168

Service Bulletin

[Parts Change Information]

Ref. No. **PCI-0278 (A364)**

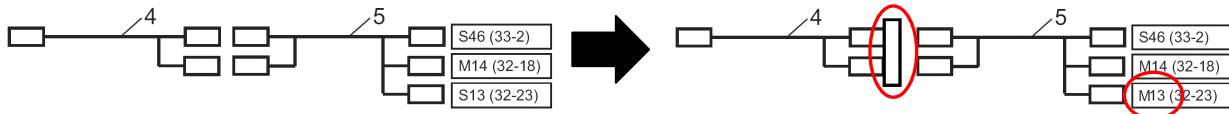
<Date> November 19, 2010

<Correcting Parts List>

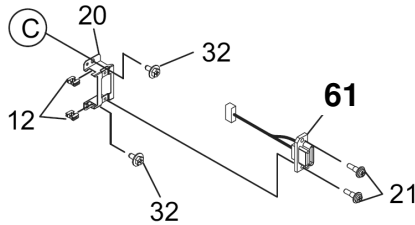
TASKalfa550c, TASKalfa650c, TASKalfa750c

Following illustration of HARNESS alignment (FIG.87) described on Parts List is corrected. And, the illustration and the description of the relay wire (Ref No.4: 305JN727W_) between PWA-LGC and the transfer belt unit is added to FIG.45 that is the actual fitting section while the relay wire is described in FIG.87 (HARNESS alignment).

[FIG.87 HARNESS-LGC-2] (Illustration section: Correcting the figure)
(Wrong) (Correct)



[FIG.45 REAR-FRAME-1-ASM] (Illustration/Description section: Adding the figure and the description)



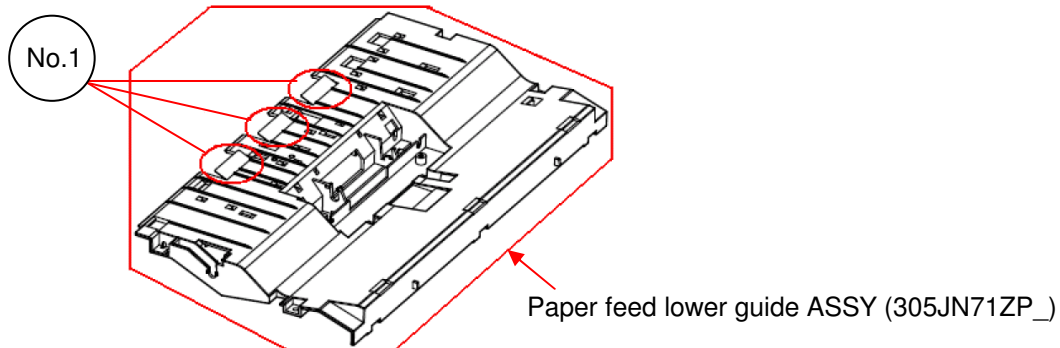
[Wrong]				[Correct]	
Fig.	Ref.	Part No.	Description	Part No.	Description
45	61	-----	-----	305JN727W0 5JN727W0	WIRE HARNESS:HRNS-TBU1-430

<Parts number information

(Sheet affixed to the paper feed lower guide at RADF section)>

TASKalfa550c, TASKalfa650c, TASKalfa750c

The parts number of the sheet (No.1) is set that is affixed to the paper feed lower guide at RADF section by 3 pcs. Paper feed lower guide ASSY (305JN71ZP_) that affixes the sheet (No.1) has been supplied before setting this parts number.



No.	Old Part No.	New Part No.	Description	Q'ty		Com pat i bility		Remarks
				Old	New	Old	New	
1	-----	305JN72QZ0 5JN72QZ0	SHEET:MYLAR-ALNG-LOW	-	3	-	○	

N00053653/BSI No.G101254

Service Bulletin

[Parts Change Information]

Ref. No. **PCI-0278 (A364)**

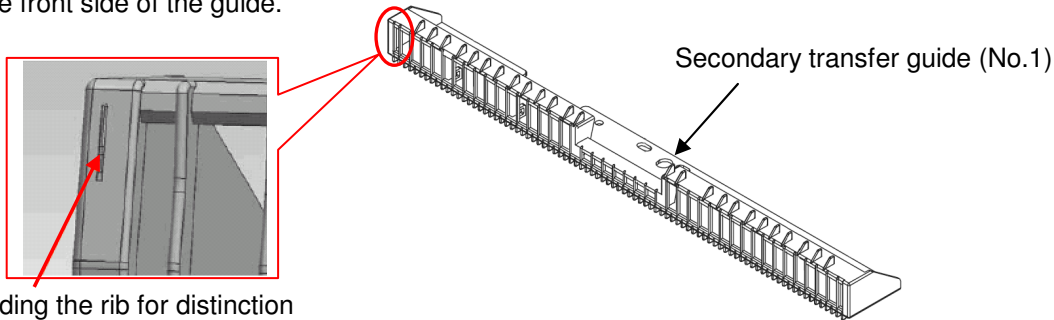
<Date> November 19, 2010

<Common use of the parts (Secondary transfer guide)>

--> After using up the old stock>

TASKalfa550c, TASKalfa650c, TASKalfa750c

The rib on the secondary transfer guide (No.1) is thickened for common use of the parts. The parts number remains unchanged according to this change. However, the rib for distinction is added to the machine front side of the guide.



No.	Old Part No.	New Part No.	Description	Q'ty		Com pat i b i l i t y		Remarks
				Old	New	Old	New	
1	305JN71G90 5JN71G90	305JN71G90 5JN71G90	GUIDE-TRU-430	1	1	○	○	

N00051669/RG10G122

*1: The parts number remains unchanged.

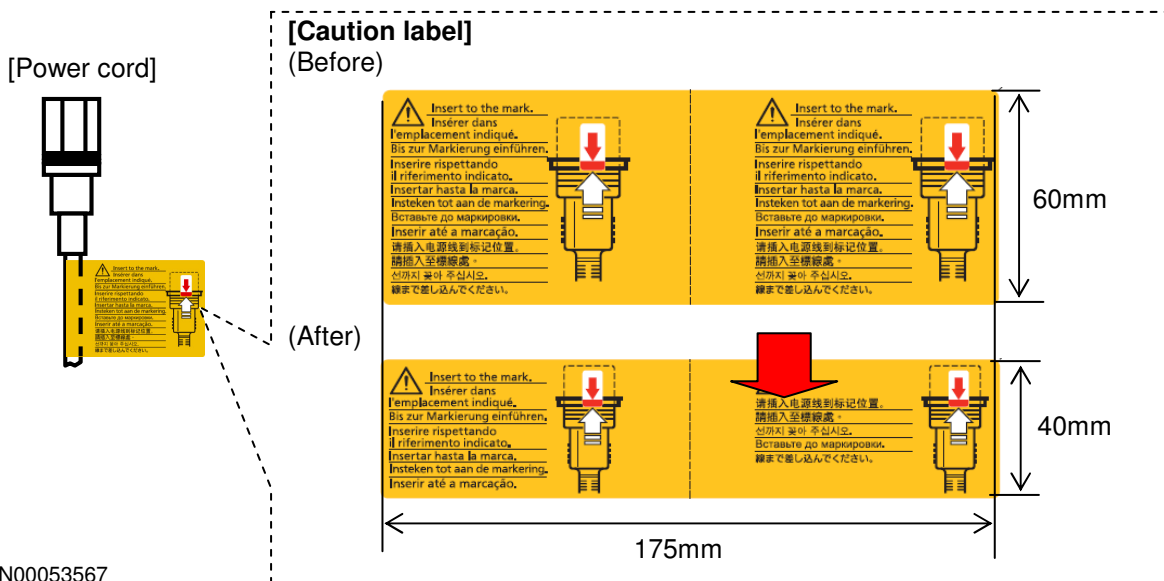
<Change of the power cord caution label --> After using up the old stock>

AK-470

For improving the assembly process, the caution label affixed to the power cord is changed as below. The parts number remains unchanged according to this change.

<Contents of changes>

- 1) Change of the size. (Height: 60mm --> 40mm)
- 2) Relocation of the caution contents according to the above change. (Contents remain unchanged.)



N00053567

"+" Mark at the head of the description means it is a components parts.

Service Bulletin

 Ref. No. **3LT-0006 (A372)**

[Service Information]

<Date> December 3, 2010

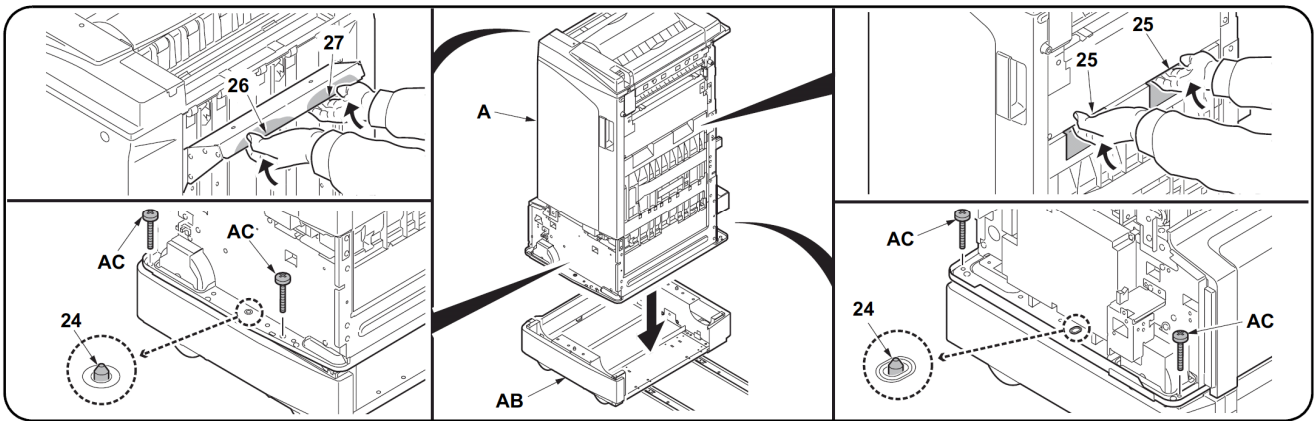
Subject	Revision of Installation Guide (correcting the installation procedures of the assembly base of AK-720 for KTST)
Model	DF-760(B)

(Affected models: TASKalfa500ci/400ci/300ci/250ci, TASKalfa420i/520i, TASKalfa552ci, FS-C8500DN)

The procedures for installing DF-760 (B) to the assembly base of AK-720 (*) in Simplified Chinese is corrected as below.

* AK-720: Attachment kit for TASKalfa500ci series model.

[Installing the assembly base] (Below is the corrected procedure.)



安装组装底座 (务必由两名维修人员执行此操作)

70. 将组装底座 (AB) 上的突出部 (24) 对准装订器 (A) 的孔, 并将装订器 (A) 至于组装底座 (AB) 上。

由两名维修人员同时抬起装订器 (A), 一人抓握 (25) 所示的位置, 另一人抓握 (26) 和 (27) 所示的位置。务必由两名维修人员执行此步骤, 不可单人独自完成。

71. 使用 4 颗 M4×10 攻丝紧固型 S 螺丝 (AC) 将装订器 (A) 固定至组装底座 (AB)。

(Below is the procedure that is not corrected yet.)

安装组装底座 (务必由两名维修人员执行此操作)

70. 将组装底座 (AB) 上的突出部 (13) 对准装订器 (A) 的孔, 并将装订器 (A) 至于组装底座 (AB) 上。

由两名维修人员同时抬起装订器 (A), 一人抓握 (14) 所示的位置, 另一人抓握 (15) 和 (16) 所示的位置。务必由两名维修人员执行此步骤, 不可单人独自完成。

71. 使用 4 颗 M4 × 10 攻丝紧固型 S 螺丝 (AC) 将装订器 (A) 固定至组装底座 (AB)。

KMC's Classification	<input type="checkbox"/> Entire Stock Rework	<input type="checkbox"/> In-Field modification at next visit
	<input type="checkbox"/> In-Field modification by case	<input checked="" type="checkbox"/> No modification necessary
Field Measure:	No particular problems are expected.	
Serial Nos. of Affected Machine:	KTST spec: Planned from the production in December, 2010.* Other spec: After using up the old stock.	

* The above is the plan at the present moment. Please note that there is a possibility of change after giving this information.

N00053885

Service Bulletin

Ref. No. **2H7-0078 (A385)**

<Date> December 8, 2010

Subject	CD-ROM upgrade (VER 4.0 Support for Windows7/Mac 10.6) (KM, UTAX/TA version)
Model	TASKalfa500ci, TASKalfa400ci, TASKalfa300ci, TASKalfa250ci

CD-ROM (Product Library) for KM and UTAX/TA spec is changed for supporting the following.

CD-ROM (Product Library) VER4.0

<Contents of change>

- Support for Windows7
- Support for Mac10.6

KMC's Classification	<input type="checkbox"/> Entire Stock Rework	<input type="checkbox"/> In-Field modification at next visit
	<input checked="" type="checkbox"/> In-Field modification by case	<input type="checkbox"/> No modification necessary
Field Measure: Please use the new version of CD-ROM when using it in the above environment.		
Serial Nos. of Affected Machine: After using up the old stock.		

N00052281/52282 302H755010-07/302H760910-06

Service Bulletin

Ref. No. **3LT-0007 (A387)**

[Service Information]

<Date> December 20, 2010

Subject	Check procedures when the middle tray jam (J87/88) occurs
Model	DF-760/DF-760(B)

(Affected models DF-760 : TASKalfa500ci/400ci/300ci/250ci
 DF-760(B): TASKalfa500ci/400ci/300ci/250ci, TASKalfa420i/520i, TASKalfa552ci, FS-C8500DN)

Middle tray jam (J87/88*) may occur by shifting the position of the hook bundling up.
 Please check and adjust below when the jam occurs.

*J87: Jam in eject section of inner tray 2
 J88: Jam in eject section of main tray

[Check points]

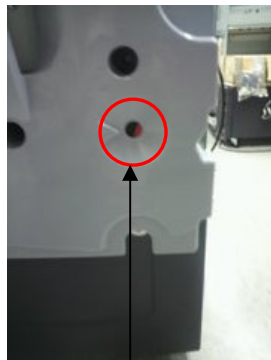
- 1) If the hook bundling up is at the **(A)** or **(B)** position in the figure below, please check if all or a part of the red color indication at the handle upper section of the middle tray is visible.
- 2) Unless the red color indication is visible, please perform the adjustment by referring to [Adjustment procedures] in the next page and after.

(A) <Position of the hook bundling up>

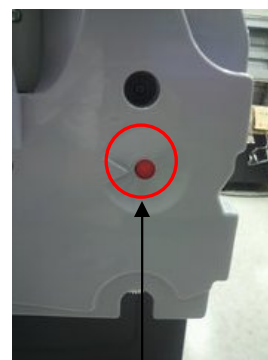
<Indication>



Hook bundling up



Red color is partly visible.



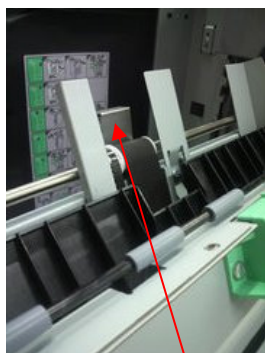
All of red color is visible

Left figure is normal.

Please adjust by referring to the next page in case of NG

(B) < Position of the hook bundling up>

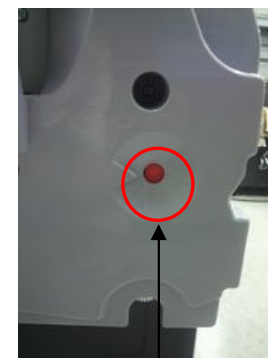
<Indication>



Hook bundling up



Red color is partly visible.



All of red color is visible

Left figure is normal.

Please adjust by referring to the next page in case of NG


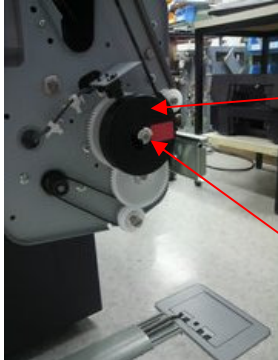
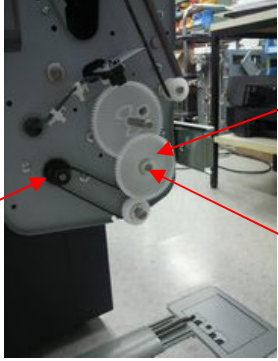
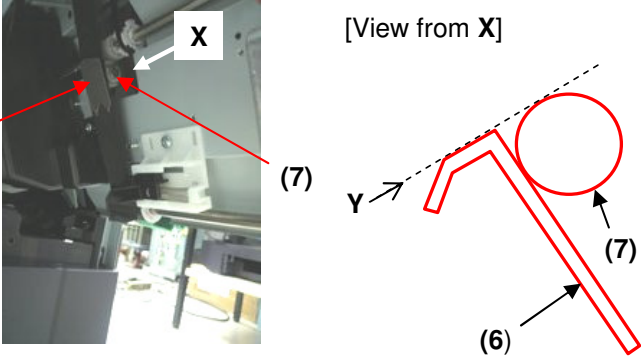
Service Bulletin

[Service Information]

Ref. No. **3LT-0007 (A387)**

<Date> December 20, 2010

[Adjustment procedures]

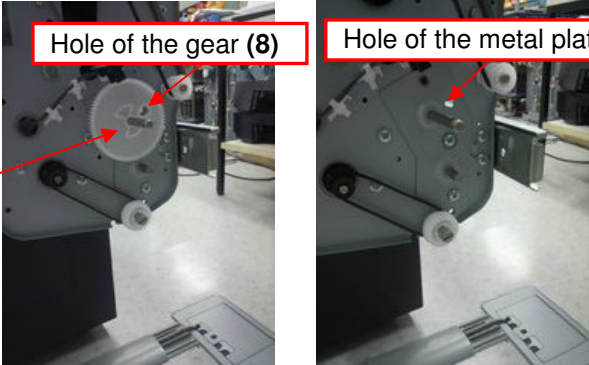
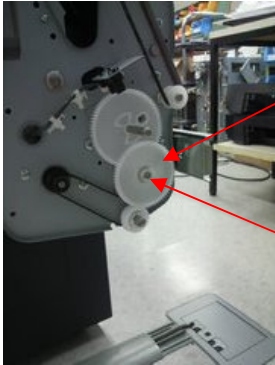
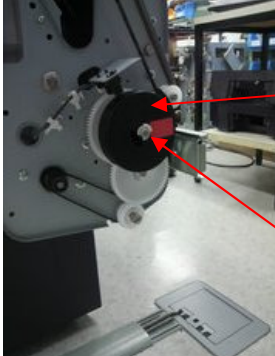

No.	Detailed figure	Procedure
1		<p>Remove 4 pcs of the screw and the middle tray cover.</p>
2		<p>Remove the stopper (1) and the detection plate (2).</p>
3		<p>Remove the stopper (3) and the gear (4). Adjust the position of the hook bundling up (6) in Procedure 4 by rotating the motor shaft (5).</p>
4		<p>Rotating the motor shaft (5) in Procedure 3 and align the hook bundling up (6) to the position of the pulley (7) (Y in the figure left).</p>

Service Bulletin

[Service Information]

Ref. No. **3LT-0007 (A387)**

<Date> December 20, 2010

No.	Detailed figure	Procedure
5		Align the hole of the gear (8) to the hole of the metal plate.
6		Install the gear (4) and the stopper (3) .
7		Install the detection plate (2) and the stopper (1) .
8		Fit the middle tray cover and tighten 4 pcs of the screw.

Service Bulletin

Ref. No. **COM-0209 (A388)**

<Date> May 12, 2011

Subject	Prevention of the DP original plate from coming off
Model	DP-700, DP-710, DP-750/DP-750(B), DP-760/DP-760(B)

This time the description with (-->)is revised from the previous information.

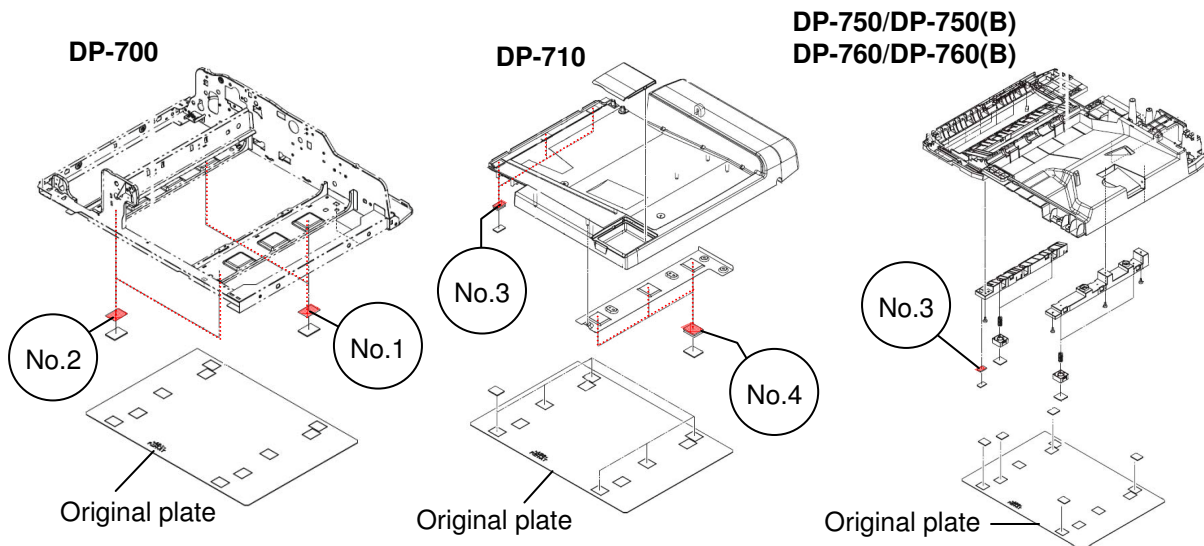
(P2) Adding the Affected Serial Number Chart

(Affected models DP-700 : KM-3050/4050/5050
 DP-710 : KM-C2520/C3225/C3232/C2525E/C3225E/C3232E/C4035E
 DP-750/DP-760 : TASKalfa500ci/400ci/300ci/250ci
 DP-750(B)/DP-760(B): TASKalfa500ci/400ci/300ci/250ci, TASKalfa552ci, TASKalfa420i/520i)

Sponge used to the original plate may deteriorate by hydrolysis. As the result, the sponge may peel off, or the original plate may come off because the sponge cannot keep the original plate. Therefore, the material of the sponge is changed as below.

<Content of changes>

Material: (Before) SM-55 (Esters) --> (After) F-2G (Ethers)



No.	Old Part No.	New Part No.	Description	Q'ty		Compa bi li ty		Remarks
				Old	New	Old	New	
1	303JX02330 3JX02330	303JX02331 3JX02331	SPONGE ORIGINAL MAT	2	2	X	X	*1, 26x36mm (thickness is 7mm)
2	303JX02420 3JX02420	303JX02421 3JX02421	SPONGE ORIGINAL MAT B	2	2	X	X	*1, 26x36mm (thickness is 2mm)
3	303J902090 3J902090	303J902091 3J902091	SPONGE ORIGINAL MAT A	(*2)	(*2)	X	X	*2, 13x22mm (thickness is 3mm)
4	303J902100 3J902100	303K502080 3K502080	SPONGE ORIGINAL MAT	3	3	X	X	*3, *4, 25X30mm Old: thickness is 3mm New: thickness is 5mm

* Please replace all q'ty to use of No.1-4 with the new one when replacing the parts.

*1: DP-700

*2: DP-710: Using 3 pcs, DP-750/DP-750(B): Using 1 pce, DP-760/DP-760(B): Using 1 pce

*3: DP-710

*4: Please do not use the old and new sponge in mix because thickness of the old and new sponge is different.

(Revised Issue 2)
Service Bulletin

KMC's Classification	<input type="checkbox"/> Entire Stock Rework	<input type="checkbox"/> In-Field modification at next visit
	<input checked="" type="checkbox"/> In-Field modification by case	<input type="checkbox"/> No modification necessary
Field Measure: Please replace all the sponge to the new one when the above phenomenon occurs.		
Serial Nos. of Affected Machine: Please refer to the chart on next page for more detail.		

N00053832

(-->) Affected Serial Number Chart

DP-750(B)

KMA 1203LL6KL1	KME/KMAO 1203LL5KL1	KMJ 1203LL5JP1	KTST 1203LL5KS2	KMKR 1203LL5KR0	KMTW 1203LL5TW0	U-TAX 1203LL5UT1	OLIVETTI 1203LL5LV0
QHB1125908	QHA1156099	QGZ1125137	QMQ1101549	QHA Next Prd	Q821100420	QET1116906	Q1P1101281
OTHER							
Next Pdctn.-							

DP-760(B)

KMA 1203LK6KL1	KME/KMAO 1203LK5KL1	KMJ 1203LK5JP1	KTST 1203LK5KS2	KMKR 1203LK5KR0	KMTW 1203LK5TW0	U-TAX 1203LK5UT1	OLIVETTI 1203LK5LV0
QGY1277581	QGX1108633	QGW1102003	QMR1200345	QGX Next Prd	Q831100021	QEU1101281	Q1Q1100582
OTHER							
Next Pdctn.-							

Other models : No production any more

Service Bulletin

 Ref. No. **COM-0210 (A390)**

<Date> December 17, 2010

Subject	Change of the staple unit (Conformity to RoHS) (Issue for KME only)
Model	DF-710, DF-760(B), DF-780(B), DF-800/810

(Affected models DF-710 : KM-C2520/C3225/C3232, KM-C2525E/C3225E/C3232E/C4035E, FS-C8100DN, KM-3050/4050/5050, FS-9130DN, FS-9530DN, TASKalfa500ci/400ci/300ci/250ci/552ci, TASKalfa420i/520i, FS-C8500DN
 DF-760(B) : TASKalfa500ci/400ci/300ci/250ci/552ci, TASKalfa420i/520i, LS/FS-C8500DN
 DF-780(B) : TASKalfa500ci/400ci/300ci/250ci/552ci, TASKalfa420i/520i, FS-C8500DN, TASKalfa300i
 DF-800/810: TASKalfa550c/650c/750c)

It is ascertained that the component parts of the staple unit include the non-RoHS material exceeding the reference quantity.

Please replace the staple unit with the RoHS conforming parts for DF-710, DF-760, DF-780 and DF-800/810 of the affected serial number in the next page.

<Field Measure>

Please replace the staple unit with the RoHS conforming parts for the models of the affected serial number for replacement in the next page.

And, please refer to the attached procedures manual when replacing.

KMC's Classification	<input type="checkbox"/> Entire Stock Rework	<input type="checkbox"/> In-Field modification at next visit	
	<input checked="" type="checkbox"/> In-Field modification by case	<input type="checkbox"/> No modification necessary	
Field Measure:	Please replace the staple unit with the RoHS conforming parts for the finishers of the affected serial number.		
Serial Nos. of Affected Machine:			
	KM	UTAX/TA	OLIVETTI
DF-710	PRA0937004-	N/A	N/A
DF-760(B)	QXB0904911-	Q1T091115-	Q1U0900100-
DF-780(B)	QWZ0X05829-	Q270*00956-	Q260*00135-
DF-800/810	QSC0800438-	(Common with KM spec)	(Common with KM spec)

Service Bulletin

 Ref. No. **COM-0210 (A390)**

<Date> December 17, 2010

Affected serial number for replacement

Model		Number	Affected serial number	Except below from the affected serial number in left
DF-710				
1203JY0UN2	KME	102	PRA0636879- PRA0636987	36971/ 36972/ 36975/ 36978/ 36981/ 36985/ 36986
DF-760(B)				
1203LT0NLO	KME	1390	QXB0603316- QXB0904908	3469/ 3499/ 3522/ 3525/ 3527/ 3530/ 3543/ 3544/ 3548/3551/ 3552/ 3555-3557/ 3559/ 3560/ 3562/ 3566-3590/ 3596/ 3606/ 3610-3612/ 3615/ 3616/ 3630/ 3758/ 3761/ 3780/ 3815/ 3819/ 3852/ 3855/ 3865/ 3873/ 3887/ 3890/ 3893/ 3894/ 3899/ 3900/ 3904/ 3905/ 3913/ 3918-3920/ 3922-3936/ 3940-3943/ 3952-3955/ 3966/ 3975/ 3976/ 3978/ 3981/ 4090/ 4483/ 4501/ 4532/ 4536/ 4540/ 4544 4564/ 4568- 4569/ 4572- 4581/ 4583/ 4586/ 4590/ 4594/ 4598/ 4603-4606/ 4608-4610/ 4612/ 4613/ 4615- 4623/ 4638/ 4654/ 4658/ 4664/ 4665/ 4668/ 4677/ 4765/ 4784/ 4800/ 4807-4811/ 4814/ 4817/ 4824/ 4825/ 4827/ 4828/ 4833-4835/ 4838/ 4840/ 4842/ 4845-4847/ 4850/ 4851/ 4853/ 4854/ 4857/ 4861/ 4865/ 4866/ 4869/ 4872/ 4876/ 4877/4883/ 4884/ 4886/ 4890-4892/ 4894/ 4897/ 4899-4904/ 4907
1203LT3UT0	UTAX/TA	499	Q1T0600613- Q1T0801114	1093/ 1097 / 1113
1203LT3LV0	OLIVETTI	15	Q1U0600083- Q1U0700099	88/89
DF-780(B)				
1205JA0NLO	KME	1190	QWZ0504348- WZ0605779	4351/ 4353- 4402/ 4405- 4408/ 4411-4414/ 4416/ 4417/ 4428/ 4429/ 4439/ 4442/ 4459/ 4468/ 4469/ 4471-4483/ 4488/ 4491/ 4492/ 4510-4536/ 4539-4556/ 4558-4561/ 4563-4573/ 4648/ 4664-4672/ 4730/ 4731/ 4747-4785/ 4787-4803/ 4994- 4995/ 5429/ 5450/ 5451/ 5584/ 5596/ 5599/ 5674-5681/ 5684/ 5690- 5692/ 5701/ 5703/ 5709-5712/ 5715/ 5716/ 5720/ 5721
1205JA3UT0	UTAX/TA	490	Q270500466- Q270800955	N/A
1205JA3LV0	OLIVETTI	54	Q260500081- Q260800134	N/A
DF-800/810				
1205JN0UN1	KME	18	QSC0700391- QSC0800434	392/ 402-424/ 426/ 433
1205JN0UN1	UTAX/TA	5	QSC0700372, 377,387, 389 QSC0700392, 372	N/A N/A

Service Bulletin

 Ref. No. **PCI-0280 (A391)**

[Parts Change Information]

<Date> December 27, 2010

Subject	Parts Change Information
Model	TASKalfa500ci, TASKalfa400ci, TASKalfa300ci, TASKalfa250ci, TASKalfa552ci, FS-C8500DN, TASKalfa255/FS-6025MFP, TASKalfa255b/FS-6025MFP/B, TASKalfa305/FS-6030MFP, TASKalfa420i, TASKalfa520i, TASKalfa300i, TASKalfa550c, TASKalfa650c, TASKalfa750c, KM-3050, KM-4050, KM-5050, FS-9130DN, FS-9530DN, EP 510DN, KM-2560, KM-3060, KM-2540, KM-3040, FS-C5100DN, FS-C5200DN, FS-C5300DN, FS-C5350DN, FS-C5400DN, PF-470, DP-750/DP-750(B), DP-760/DP-760(B), DF-73, DF-730, DP-710

* Common with CHUNGHO brand.

Affected models

DP-750, DP-760	TASKalfa500ci/400ci/300ci/250ci
DP-750(B), DP-760(B)	TASKalfa500ci/400ci/300ci/250ci, TASKalfa552ci, TASKalfa420i/520i
PF-470	TASKalfa255/FS-6025MFP, TASKalfa255b/FS-6025MFP/B, TASKalfa305/FS-6030MFP
DF-73	KM-3035/4035/5035, FS-9120DN, FS-9520DN
DF-730	KM-C2520/C3225/C3232/C2525E/C3225E/C3232E/C4035E, FS-C8100DN+, EP C320DN, KM-3050/4050/5050, FS-9530DN, FS-9130DN, EP 510DN
DP-710	KM-C2520/C3225/C3232/C2525E/C3225E/C3232E/C4035E

The following parts are changed.

P3 <Common use of the parts (PIPE DLP UP)>

 TASKalfa500ci, TASKalfa400ci, TASKalfa300ci, TASKalfa250ci, TASKalfa552ci,
 FS-C8500DN

P3 <Bundling the multi-lingual PUSH label (PARTS RIGHT COVER UNIT)>

TASKalfa255/FS-6025MFP, TASKalfa255b/FS-6025MFP/B, TASKalfa305/FS-6030MFP

P4 <(Except KMTW/KMKR/KMA220V)>
Change of the caution label directing the set direction of originals on the DP>

TASKalfa255/FS-6025MFP, TASKalfa255b/FS-6025MFP/B, TASKalfa305/FS-6030MFP

P4 <Change of SHIELD GASKET>

 TASKalfa420i, TASKalfa520i, KM-3050, KM-4050, KM-5050,
 FS-9130DN, FS-9530DN, EP 510DN

P5 <Improving the assembly process
(Change of the cut washer for fixing the drum driving shaft)>

KM-2560, KM-3060, KM-2540, KM-3040, TASKalfa300i

P5 <Correcting Parts List>

TASKalfa300i

P6 <(For 120V spec only) Bundling the multi-lingual caution label>

TASKalfa300i

Service Bulletin

[Parts Change Information]

Ref. No. **PCI-0280 (A391)**

<Date> December 27, 2010

P7 <(PF-800) Improving paper guide for supplying paper>

TASKalfa550c, TASKalfa650c, TASKalfa750c

P7 <(For KTST) Deleting the multi-lingual label from the bundled item>

KM-2560, KM-3060, KM-2540, KM-3040

P8 <Unification of the parts (Bearing at the fuser section)>

FS-C5100DN, FS-C5200DN, FS-C5300DN, FS-C5350DN, FS-C5400DN

P8 <Common use of the parts >

DP-750/DP-750(B), DP-760/DP-760(B)

P9 <Improving the margin for fitting the box cover >

PF-470

P9 <Correcting Parts List>

DF-73, DF-730

P9 <Common use of the parts (SPRING SEPARATION)>

DP-710

P10 <(Except KTST) Common use of the MK kit>

KM-2560, KM-3060, KM-2540, KM-3040

Service Bulletin

[Parts Change Information]

 Ref. No. **PCI-0280 (A391)**

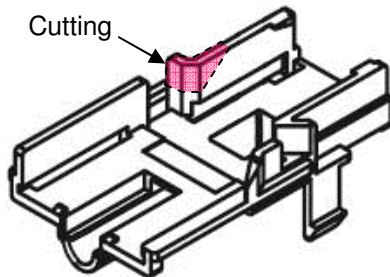
<Date> December 27, 2010

<Common use of the parts (PIPE DLP UP) --> After using up the old stock>

TASKalfa500ci, TASKalfa400ci, TASKalfa300ci, TASKalfa250ci, TASKalfa552ci, FS-C8500DN

Edge of PIPE DLP UP (No.1) is partly cut for common use of the parts.

[PIPE DLP UP (No.1)]



No.	Old Part No.	New Part No.	Description	Q'ty		Com pat i bility		Remarks
				Old	New	Old	New	
1	302H703541 2H703541	302H703542 2H703542	PIPE DLP UP	4	4	○	○	

N00054173

* Please use the new parts for the new development model.

<Bundling the multi-lingual PUSH label (PARTS RIGHT COVER UNIT)>

TASKalfa255/FS-6025MFP, TASKalfa255b/FS-6025MFP/B, TASKalfa305/FS-6030MFP

Multi-lingual PUSH label (No.2) is bundled in PARTS RIGHT COVER UNIT (No.1).

[Multi-lingual PUSH label (No.2)]



(*) Please use the new PARTS RIGHT COVER UNIT (No.1) for the area where indication in German/French/Italian/Dutch/Russian/Spanish/Brazilian Portuguese/Traditional Chinese/Simplified Chinese is necessary.

No.	Old Part No.	New Part No.	Description	Q'ty		Com pat i bility		Remarks
				Old	New	Old	New	
1	302K394530 2K394530	302K394531 2K394531	PARTS RIGHT COVER UNIT	1	1	○*	○	
2	-----	302K334480 2K334480	+LABEL COVER CAUTION 9NATIONS	-	1	-	○	

N00054056

 * Please use the new No.1 for the area/spec where the above 9 languages are necessary.
 (PUSH label in English is affixed on the new and old No.1.)

Service Bulletin

[Parts Change Information]

 Ref. No. **PCI-0280 (A391)**

<Date> December 27, 2010

<(Except KMTW/KMKR/KMA220V)>

Change of the caution label directing the set direction of originals on the DP

--> Since the 1st production>

TASKalfa255/FS-6025MFP, TASKalfa255b/FS-6025MFP/B, TASKalfa305/FS-6030MFP

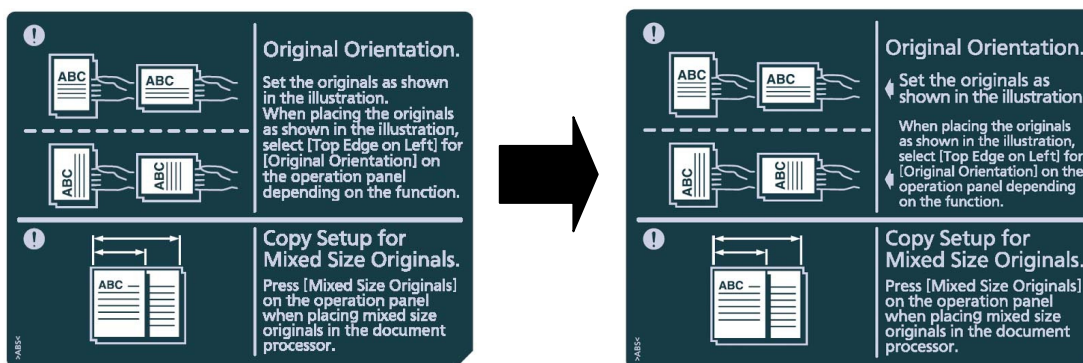
Positions of the illustration and the description on the caution label directing the set direction of originals on the DP (No.1 thru 3) is vertically shifted.

Therefore, the size and position of characters in the description is changed and arrows indicating the corresponding illustration are added.

[Caution label directing the set direction of originals on the DP (No.1 thru 3)] (Below is No.1)

(Before)

(After)



No.	Old Part No.	New Part No.	Description	Q'ty		Com patibility		Remarks
				Old	New	Old	New	
1	303M834110 3M834110	303M834111 3M834111	LABEL PAPER SET CAUTION ENG	1	1	X	O	
2	303M834120 3M834120	303M834121 3M834121	LABEL CAUTION SET 3NATIONS	1	1	X	O	*1
3	303M834130 3M834130	303M834131 3M834131	LABEL CAUTION SET 4NATIONS	1	1	X	O	*2

N00053804/53842/3M8-0X016

*1: Bundling No.2 in KMA/CS120V, KMBR, KME, UTAX/TA and OLI spec.

*2: Bundling No.3 in KME, UTAX/TA and OLI spec.

<Change of SHIELD GASKET --> After using up the old stock>

TASKalfa420i, TASKalfa520i, KM-3050, KM-4050, KM-5050,
FS-9130DN, FS-9530DN, EP 510DN

SHIELD GASKET (No.1) affixed on the upper part of the middle left cover is changed because the old parts cannot be procured. (The new and old parts are equal.)

No.	Old Part No.	New Part No.	Description	Q'ty		Com patibility		Remarks
				Old	New	Old	New	
1	2AC26310	7ZG65TSV+020H01 ZG046810	SHIELD GASKET	2	2	O	O	

N00054338

Service Bulletin

[Parts Change Information]

 Ref. No. **PCI-0280 (A391)**

<Date> December 27, 2010

<Improving the assembly process

(Change of the cut washer for fixing the drum driving shaft)

--> From the available timing of the production in December, 2010>

KM-2560, KM-3060, KM-2540, KM-3040, TASKalfa300i

Thickness of the cut washer (No.1) for fixing the drum driving shaft is changed from 0.3mm to 0.5mm for improving the assembly process.

No.	Old Part No.	New Part No.	Description	Q'ty		Com pat i bility		Remarks
				Old	New	Old	New	
1	2C904550	5MVS665KB001 2BM40060	CUT WASHER	1	1	○	○	

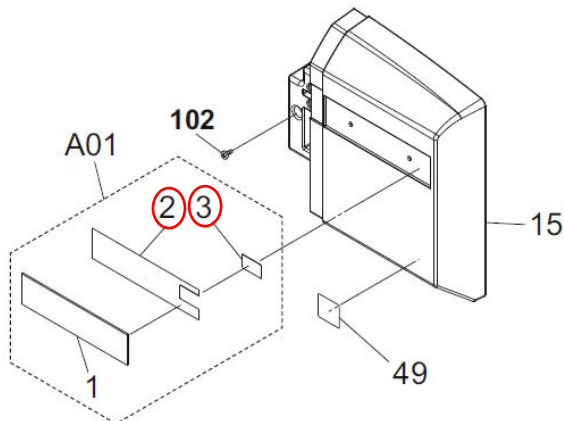
N00054249

<Correcting Parts List>

TASKalfa300i

Following part numbers described on Parts List are corrected as below.

FIG. 1 Covers



[Wrong]				➔	[Correct]	
Fig.	Ref.	Part No.	Description		Part No.	Description
1	2	302K534140	EMBLEM LOGO		302K504210	TAPE EMBLEM
		2K534140			2K504210	
1	3	302K504210	TAPE EMBLEM		302K534140	EMBLEM LOGO
		2K504210			2K534140	

Service Bulletin

[Parts Change Information]

 Ref. No. **PCI-0280 (A391)**

<Date> December 27, 2010

**<(For 120V spec only) Bundling the multi-lingual caution label
--> From the available timing of the production in December, 2010>**

TASKalfa300i

Multi-lingual caution labels (No.1, 2) are bundled in the machine package.

[LABEL SW CAUTION SET E (No.1)]

French: Avant d'éteindre l'appareil, appuyez sur le bouton Power I/O sur le panneau de commande et vérifiez que l'indicateur Power I/O et l'indicateur Mémoire sont éteints.

German: Drücken Sie vor dem Ausschalten die I/O-Taste Power auf dem Bedienfeld und vergewissern Sie sich, dass die I/O Power- und Speicheranzeigen nicht leuchten.

Italian: Prima di accendere o spegnere l'interruttore principale, premere il tasto Alimentazione I/O sul pannello operatore e verificare che gli indicatori Alimentazione I/O e Memoria siano spenti.

Spanish: Antes de apagar el interruptor principal, presione la tecla de I/O Encendido en el panel de operación y asegúrese de que los indicadores de I/O Encendido y Memoria estén apagados.

Portuguese do Brasil: Antes de desligar a energia, pressione a tecla I/O Energia no painel de operação e certifique-se de que os indicadores I/O Energia e Memória estejam desativados.

Dutch: Voordat u de hoofdschakelaar uitschakelt, drukt u op de I/O aan-/uittoets op het bedieningspaneel en controleert u of het I/O aan-/uitlampje en het geheugen-lampje uit zijn.

Russian: Перед отключением основного сетевого выключателя нажмите клавишу Питание I/O на панели управления и убедитесь, что индикаторы Питание I/O и Память выключены.

[LABEL SET PAPER CAUTION E (No.2)]

German: Papier in die Universalzufuhr (Univ Zuf.) Die Druckseite zeigt nach oben. Wird Papier mit Heft- oder Büroklammern zugeführt, werden bestimmte Maschinenteile beschädigt, was zu einer Funktionsstörung der Maschine führt.

French: Chargement du papier dans le bac multiformats (bac MF) Orientez le côté à imprimer vers le haut. Si du papier avec des agrafes ou des trombones est introduit, certaines pièces du système seront endommagées, ce qui causera des anomalies de fonctionnement.

Italian: Caricamento della carta nel Vassoio Bypass (Bypass) Posizionare la stampa capovolta. Se si inseriscono fogli di carta con fermagli o graffette, alcune parti della macchina verranno danneggiate causando un cattivo funzionamento.

Spanish: Carga de papel en el bypass Cara impresa hacia arriba. Si alimenta papel con grapas o clips, algunas partes de la máquina se dañarán y hará que la máquina funcione mal.

Portuguese do Brasil: Carregando papel na Bandeja multipropósitos (Band. MP) Coloque o lado para impressão virado para cima. Evite o uso de papéis com grampos e clips de papel na impressora, pois algumas peças poderão ser danificadas, o que causará falha na operação.

Dutch: Plaats het papier in de Multifunctionele Lade (MF Lade) Met de te bedrukken kant naar boven. Als u papier met nietjes of paperclips invoert, kan er schade aan het apparaat ontstaan Het apparaat zal dan niet meer correct werken.

Russian: Загрузка бумаги в Универсальный лоток (Унив. лоток) Расположите печатной стороной вверх. При загрузке бумаги со скобами или скрепками может возникнуть повреждение деталей, что приведет к нарушению работы устройства.

No.	Old Part No.	New Part No.	Description	Q'ty		Com pat i bility		Remarks
				Old	New	Old	New	
1	-----	302H734190 2H734190	LABEL SW CAUTION SET E	-	1	-	○	
2	-----	302K534080 2K534080	LABEL SET PAPER CAUTION E	-	1	-	○	

N00054316

Service Bulletin

[Parts Change Information]

 Ref. No. **PCI-0280 (A391)**

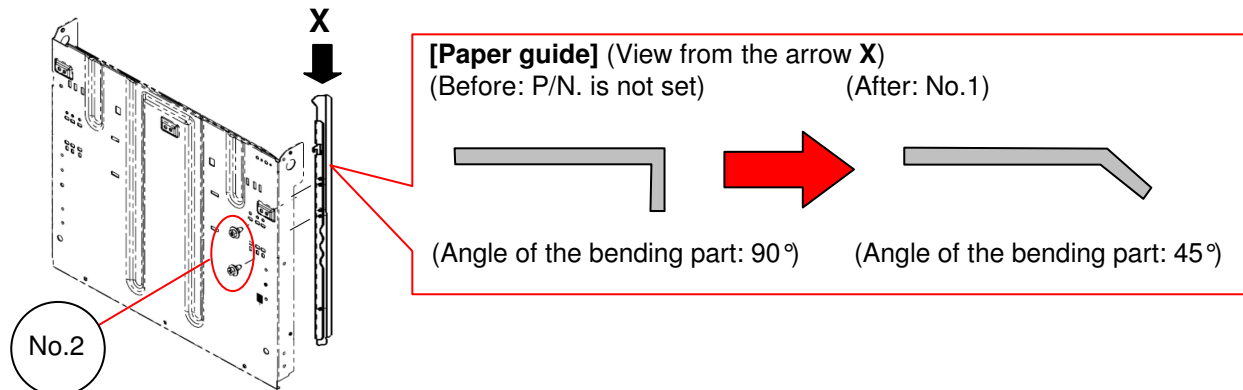
<Date> December 27, 2010

<(PF-800) Improving paper guide for supplying paper

--> After using up the old stock>

TASKalfa550c, TASKalfa650c, TASKalfa750c

Angle of the bending part of the paper guide (No.1) in left front side of the tray is changed from 90° to 45° for improving paper guide for supplying paper to the large capacity paper deck (PF-800). Accordingly, the new paper guide (No.1) and the screw (No.2) for fixing the new paper guide are supplied.



No.	Old Part No.	New Part No.	Description	Q'ty		Com pat i bility		Remarks
				Old	New	Old	New	
1	-----	305JN72R00 5JN72R00	GUIDE-SIDE-SUB-F-F677	-	1	-	○	*1
2	-----	305JN70320 5JN70320	SCR-M4X8ITSR-NI	-	2	-	○	*2

N00049477/JTA-02749/N00054655/G10G105

*1: Paper guide has been used since the 1st production. However, the parts number of the new paper guide is set and it is supplied according to this change.

*2: Adding 2 pcs of the screw for fixing the new paper guide.
 (All q'ty to use in Fig.6 where No.2 are added is changed from 23 pcs to 25 pcs.)

<(For KTST) Deleting the multi-lingual label from the bundled item

--> From the production in December, 2010>

KM-2560, KM-3060, KM-2540, KM-3040

Unnecessary multi-lingual label (No.1) is deleted from the bundled item for KTST.

No.	Old Part No.	New Part No.	Description	Q'ty		Com pat i bility		Remarks
				Old	New	Old	New	
1	302FB05441 2FB05441	-----	LABEL VFEEED CAUTION	1	-	○	-	

N00053596

Service Bulletin

[Parts Change Information]

Ref. No. **PCI-0280 (A391)**

<Date> December 27, 2010

<Unification of the parts (Bearing at the fuser section)

--> After using up the old stock>

FS-C5100DN, FS-C5200DN, FS-C5300DN, FS-C5350DN, FS-C5400DN

Following parts is unified for the parts control reason. (New and old parts are same.)

No.	Old Part No.	New Part No.	Description	Q'ty		Com pat i bility		Remarks
				Old	New	Old	New	
1	302HN25460 2HN25460	7BE008165J42H01 BE122750	BEARING 688ZZNR	(*)	(*)	○	○	

N00054168/54539

* (Q'ty to use) FS-C5400DN: 4 pcs, FS-C5100DN/C5200DN/C5300DN/C5350DN: 2 pcs

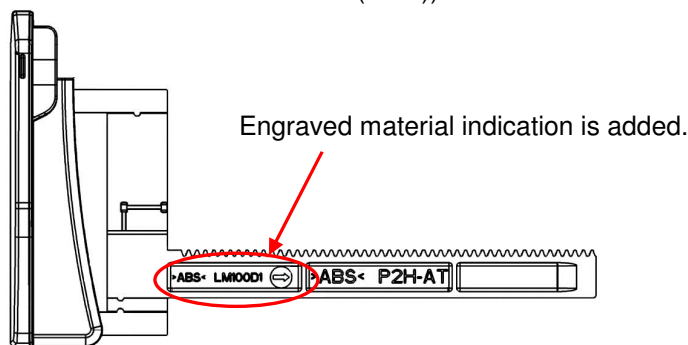
<Common use of the parts --> After using up the old stock>

DP-750/DP-750(B), DP-760/DP-760(B)

Following are changed for common use of the parts.

- 1) COVER TABLE (No.1) : Adding the mirror finish to the tooling.
- 2) FRONT CURSOR (No.2): Adding the engraved material indication.

(Below is new FRONT CURSOR (No.2))



No.	Old Part No.	New Part No.	Description	Q'ty		Com pat i bility		Remarks
				Old	New	Old	New	
1	303LL06020 3LL06020	303LL06021 3LL06021	COVER TABLE	1	1	○	○	
2	303LL06030 3LL06030	303LL06031 3LL06031	FRONT CURSOR	1	1	○	○	

N00053602

* Parts number of PARTS TABLE ASSY containing No.1, 2 in the component parts remains unchanged.

* Please use the new parts for the new development models.

Service Bulletin

[Parts Change Information]

 Ref. No. **PCI-0280 (A391)**

<Date> December 27, 2010

<Improving the margin for fitting the box cover

--> From the production in December, 2010>

PF-470

Pressure of the spring (No.1) for fixing the box cover is increased for improving the margin for fitting the box cover when moving PF-470 by using the bottom caster and getting over the bump.

Spring pressure (load when fitting it): (Before) 3.9N --> (After) 7.4N

No.	Old Part No.	New Part No.	Description	Q'ty		Com pat i bility		Remarks
				Old	New	Old	New	
1	302FB17700 2FB17700	302K004280 2K004280	SPRING FRONT COVER	2	2	X	O	*1

N00053759

*1: (Name of the old parts) SPRING BYPASS TABLE

<Correcting Parts List>

DF-73, DF-730

Following part numbers described on Parts List are corrected as below.

[Wrong]				➔	[Correct]	
Fig.	Ref.	Part No.	Description		Part No.	Description
1	15	5HL09330	SPG-H-R	5HL09320	SPG-H-F	
1	40	5HL09320	SPG-H-F	5HL09330	SPG-H-R	

<Common use of the parts (SPRING SEPARATION) --> After using up the old stock>

DP-710

Inner diameter of SPRING SEPARATION (No.1) is changed from 5.6+/-0.3mm to 5.6+/-0.1mm for common use of the parts.

No.	Old Part No.	New Part No.	Description	Q'ty		Com pat i bility		Remarks
				Old	New	Old	New	
1	303J906030 3J906030	303J906031 3J906031	SPRING SEPARATION	2	2	O	O	

N00054220

Service Bulletin

[Parts Change Information]

 Ref. No. **PCI-0280 (A391)**

<Date> December 27, 2010

<(Except KTST) Common use of the MK kit>

KM-2560, KM-3060, KM-2540, KM-3040

Following MK kits are changed for common use since components of the old and new item are same.

[Before]

No.	Product code	Product name
1	1702H07US0	MK-670 120V60HZ/ MAINTENANCE KIT
2	1702H08NL0	MK-670/MAINTENANCE KIT
3	1702H08NL0	MK-670/MAINTENANCE KIT
4	1702H0TTW0	MK-670/MAINTENANCE KIT
5	1702H08KR0	MK-670/MAINTENANCE KIT

[After]

Product code	Product name	Destination
1702K57US0	MK-671/MAINTENANCE KIT	120V
1702K58NL0	MK-671/MAINTENANCE KIT	220-240V(*1)
1702K58RY0	MK-671(RY)/MAINTENANCE KIT	RIYAD (*2)
1702K5TTW0	MK-671/MAINTENANCE KIT	110V
1702K58KR0	MK-671/MAINTENANCE KIT	KMKR

*1: Except KTST spec (Please use 1702H08KS0 for KTST spec.)

*2: For KM-2540 only (Saudi Arabia spec of KM-2560/3060 is executed the same change as No.3.)

"+" Mark at the head of the description means it is a components parts.

Service Bulletin

Ref. No. **2H7-0079 (A399)**

<Date> May 7, 2011

Subject	Firmware upgrade Pack MAIN V11.00
Model	TASKalfa500ci, TASKalfa400ci, TASKalfa300ci, TASKalfa250ci

This time the description with (-->) is revised from the previous information.

<Number of changes: 2> Adding the accurate serial number. (Page2,4)

<Contents of change> Please refer to the next page and after.

2010/12 Type	Fixed code	-----	Pack Version			Remarks
			V9.01	V10.00	New upgrade V11.00	
MAIN FRAME	Fixed code	-----	V9.01	V10.00	V11.00	Remarks
MAIN *1	2H7_2F00	009.020	<---	010.007	011.006	
MMI *1	2H7_7000	009.018	<---	010.007	011.002	
LANGUAGE BR(OPTION)	2H7_81BR	001.021	<---	001.025	<---	
BROWSER	2H7_F000	001.015	<---	<---	<---	
ENGINE (high) *2*3	2H7_1000	-----	018.001	020.003	021.001	
ENGINE (low) *2*3	2JZ_1000	-----	018.001	020.003	021.001	
SCANNER	2H7_1200	005.002	<---	<---	<---	
MOTOR MAIN	2H7_1400	003.003	<---	<---	<---	
H VLT MAIN	2H7_1600	001.014	<---	<---	<---	
SLEEP MAIN	2H7_1800	002.001	<---	<---	<---	
FAX BOOT *4 Fax Sys(Q)	3MB_5000	001.016	<---	<---	<---	
FAX APL *4 Fax Sys(Q)	3MB_5100	(005.002)	<---	<---	<---	
FAX IPL *4 Fax Sys(Q)	3MB_5200	001.016	<---	<---	<---	
FAX BOOT *4 Fax Sys(S)C	5JP_5000	001.022	<---	<---	<---	
FAX APL *4 Fax Sys(S)C	5JP_5100	(C06.001)	<---	(C08.002)	<---	
FaxSystem(Q)/(S)C *5	SaturnFAX_Pack	C06001_00	<---	C08002_005002	<---	
SOLUTION (DBA)	J00_E000	003.002	<---	005.001	<---	
ENHANCEMENT	Fixed code	-----	<---	V1.12	<---	
DP-750/750B, 760/760B	3LK_9500	009.003	<---	<---	<---	
PF-720/720B (2 cassette)	3LM_9000	004.001	<---	<---	<---	
PF-760/760B (3000)	5H8_9000	003.002	<---	<---	<---	
DF-780/780B (1000)	5JA_9200	007.005	<---	<---	<---	
DF-760/760B (3000) MAIN	3LT_9200	006.003	<---	007.001	<---	
DF-760/760B (3000) MIDDLE	3LT_9600	007.002	<---	008.001	<---	
MT-720/720B (3000)MAIL BOX	3LW_9800	004.002	<---	<---	<---	

For KM sales companies, it is possible to download firmware through KM Knowledge Cabi-NET.

When upgrading firmware or replacing board etc., please upgrade each firmware (PACK of MAIN FRAME/ENHANCEMENT) to the latest version at the same time.

- *1) Please make sure to upgrade the MAIN and MMI firmware at the same time. If the firmware is upgraded individually, the CF000 error message may appear and it will not be possible to recover at the customer site.
- *2) Please note, in case the firmware is upgrade to the version 004.001 or later from the older version, the default value of U327 (Setting Cassette Heater Control) is reset to OFF. Please see the Service Bulletin No. 2H7-0012 (8746) for the details
- *3) Please perform AC Calibration in the maintenance mode U464 (Set ID Adjustment Mode) after upgrading to the firmware version 006.009 or later from the older version.
- *5) Combined firmware of 5 kinds of FAX firmware (*4), When downloading the combined firmware, appropriate firmware is installed by detecting the FAX system (Q) or (S)C.

Service Bulletin

Ref. No. **2H7-0079 (A399)**

<Date> May 7, 2011

KMC's Classification	<input type="checkbox"/> Entire Stock Rework	<input type="checkbox"/> In-Field modification at next visit
	<input checked="" type="checkbox"/> In-Field modification by case	<input type="checkbox"/> No modification necessary
Field Measure: Please upgrade the firmware aggressively when visiting user. And that time, please upgrade all the firmware to the latest version at the same time.		
Serial Nos. of Affected Machine: (--)Please refer to page 4.		

N00055028

	Latest version		
Option Language KR	2H7_81KR.001.019	<--	For KMKR
Option Language TW	2H7_81TW.001.018	New upgrade	For KMTW
Option Language CN	2H7_81CN.001.018	<--	For KTST

<Contents of change>

	Category	Changes and Implementations	Remarks
Pack Ver.	MAIN FRAME		
11.0	Spec change 513494	Support for initialization of "Set Maintenance Mode ID" at U010	U010 that can change PIN code of the maintenance mode was added at the previous version. However, it could not be initialized from the normal maintenance mode. Therefore, following is changed to enable it. [Change] Adding "Initialize" button in the operation panel to enable initialization.
	Improved performance 1	Adding the control of the Bk developer unit for preventing the toner from dropping out	1. Adding the control of reverse rotation of the developer unit. (New firmware distinguishes the corresponding Bk developer unit and operates.) 2. Changing the operational interval of reverse rotation of the developer unit. (Initial: 2 min.) Adding "Interval Time" to U147 and enabling selection from the following. "Interval Time" 0: No reverse rotating 1: 1 min. 2: 2 min. 3: 5 min. Attention) Please do not set "0" if installing the Bk developer unit for preventing the toner from dropping out. As for the prevention of toner from dropping out, another service bulletin will be issued later.
		Reducing the toner scatter (For TASKalfa500ci/400ci only)	1. Way of calculation of target value of Bk calibration is improved. (Improved state is set as "1: Standard" at Bk Density.) 2. "BK Density" is added to U147 to enable change of the target value of Bk density setting. (Please change the setting from "1" to "0" when density becomes low.) "BK Density" 1: Standard (Initial) -> 0: Current target value
		Improvement of Bk calibration	For reducing Bk background, way of calculation of target value of the toner layer thickness calibration is improved.
		Improvement of control of AP supply 1	Following are changed to prevent frequent AP supply when approaching the toner near end. 1. Changing threshold of the recovery level of AP supply control. 2. Shortening the timeout time of AP supply after the toner near end.
		Improvement of control of AP supply 2	Setting of Mode2 and Mode3 at U325 "Setting the paper interval" are improved to prevent frequent AP supply when intermittently printing with 10%-15% originals. Reference)

Service Bulletin

Ref. No. **2H7-0079 (A399)**

<Date> May 7, 2011

Category	Changes and Implementations	Remarks
		Please use Mode2, 3 if density of the original is thick and the print coverage is fixed. Please use Mode4, 5 for user who uses the original that the print coverage is irregular.
	Measure against JAM45 "Misfeed in fuser section (3000sheet paper feeder)"	When ejecting the paper to DF-760/760B with the condition such as the following, misalignment occurs between the conveying process and the imaging process due to the combination and timing, the machine becomes waiting state to eject the paper and JAM45 may occur. Therefore, this is corrected. <Condition> When JOBS that output the different width paper and mix Bk and color pages are continuously processed. (Ex.) JOB1: A4/BK JOB2: 11x8.5/BK JOB3:11.5x8.5/Color If JOB1, 2 and 3 are continuously processed with the above condition, JAM45 may occur when ejecting JOB2.
Improved performance 2 488225 TP-10-235 509898 TC-10-049	Changing the message of toner supply (Add toner) in French	Toner supply message (Add toner) in French may be misleading. Therefore, this is changed as below. "Ajout du toner" --> (Change request) "Rechargement toner en cours"
500617 TP-10-256 507129 TP-10-281	Correcting the message (in Traditional Chinese)	Correcting the message (in Traditional Chinese) on the operation panel when using the ID card. "關鍵字登入" --> "鍵盤登入"
501053 TC-10-037 #1126184	Measure against F000 with a certain data	F000 may occur when continuously printing a certain data. Therefore, this is corrected.
473785 TP-10-205 #1092454	Support for the accounting system in PRESCRIBE command	The accounting system can not be set in PRESCRIBE command. Therefore, this is corrected.
480929 TP-10-218 #859984	Measure against Kerberos authentication failure	Kerberos authentication from MFP may fail when the expiry date for use of the user account approaches. Therefore, this is corrected.
494141 TP-10-145	Measure against print position shift with a certain data	Print position may shift to right side since 2nd page when printing a certain data. Therefore, this is corrected.
494142 TP-10-171 #1069570	Measure against garbled characters with umlaut such as "a", "u"	Characters with umlaut such as "a" and "u" may be garbled when outputting from the host system. Therefore, this is corrected.
494142 TP-10-171 #1069570	Measure against black band with a certain file	Abnormal image such as black band may be printed with a certain file. Therefore, this is corrected.
489191 TP-10-242, KMA-D-1009-02	Support for normal output from a certain software	A certain logo may not be normally printed when printing from DATEV (Accounting software made in German) with KPDL Mini printer driver. Therefore, this is corrected.
496837 TP-10-229 #1105719	Measure against output failure of illustration when printing a certain PDF file	Illustration that is at the file may not be printed or may become abnormal image when outputting a certain PDF file. Therefore, this is corrected.
497103 TP-10-228 NP-Z10074	Measure against output failure when printing a data including SCPI command	Many characters may not be printed if the data including the SCPI command is sent to the printer. Therefore, this is corrected.
488525 TP-10-237 KMAUS10-S16	Support for a certain macro data	Actual result may differ from the expected one when outputting a certain macro data. Therefore, this is corrected.
	Measure against CF46F with a certain data	-----

Service Bulletin

Ref. No. **2H7-0079 (A399)**

<Date> May 7, 2011

Category	Changes and Implementations	Remarks
488902 TP-10-240 KMA-D-1009-05	Measure against CF248 with a certain data	-----
507483 TP-10-285 KMA-D-1011-02	Measure against CF248 when direct printing a certain PDF data	-----

(-->)

Serial Nos. of Affected Machine:

TASKalfa500ci	KMA120V	CS	KME	UTAX/TA	KMAUS	
	QHU1103192	QEK1100715	QHW1102887	QEP1100481	QHV1200328	
	KMSG	KMTW	KMHG	Other spec		
	QFH1100032	QGH1100022	QLA1200032	Next production		
TASKalfa400ci	KMA120V	CS	KMBR	KME	UTAX/TA	KMAUS
	QHY1105525	QEJ1101295	Q9A1100466	QJA1104724	QES1101129	QHZ1100522
	KMSG	KMHG	KTST	KMTW	Other spec	
	QFG1100112	QKZ1100049	QMM1100096	QGG1100035	Next production	
TASKalfa300ci	KMA120V	CS	KME	UTAX/TA	KMAUS	KMSG
	QJC1107195	QEH1101821	QJE1107042	QER1101996	QJD1200821	QFF1100036
	KMID	KTST	KMTW	KMHG	Other spec	
	Q4C1100009	QMN1100147	QGF1100080	QKY1200038	Next production	
TASKalfa250ci	KMA120V	CS	KMBR	KME	UTAX/TA	KMAUS
	QJH1109660	QEG1101825	Q9A1100466	QJK1133061	QEQ1112628	QJJ1202024
	KMSG	KMHG	KMID	PHILIPINE	KTST	KMTW
	QFE1400307	QKX1100237	Q4B1100104	QLU1200044	QMP1100789	QGE1100066
	Other spec					
	Next production					

Service Bulletin

Ref. No. **2H7-0080 (B010)**

<Date> May 7, 2011

Subject	Prevention of the Bk toner smudge (Setting the Bk developer unit for preventing the toner smudge/Firmware upgrade)
Model	TASKalfa500ci, TASKalfa400ci, TASKalfa300ci, TASKalfa250ci

This time the description with (->)is revised from the previous information.

<Number of changes: 12> Adding the accurate serial number. (Page2, 9)

Depending on the operating environment (*), the cohesive materials of the deteriorated toner and the additives peeled off from the toner may accumulate on the topside of the Bk developer magnet cover and it may interrupt air flow of the developer cooling fan. If the deteriorated toner accumulates on the cohesive materials and adheres to the magnet/sleeve roller, Bk toner smudge may appear. Therefore, following are changed.

(*) Bk toner smudge easily appear if the temperature inside the machine rises due to driving for a long time, or the originals/data of low print coverage are continuously printed out in monochrome mode.

(The above causes the increase of the deteriorated toner)

<Content of changes>

- 1) Bk developer units for preventing the toner smudge (No.1-4) are set and supplied for the field.
Bk developer units for preventing the toner smudge are not brought to the machine produced in the factory because use of these units is accompanied with the restriction.
 Following are the changed points from the normal Bk developer unit.
 (Refer to the next page for restriction.)

<Changed point> (Refer to the page 4 and after for details.)

	Item	Content
1	Prevention of the deteriorated toner from accumulating on the magnet cover	Changing the magnet cover to the saucer shape to collect the additives and the deteriorated toner.
2	Restraint of the toner scatter in the developer unit	1) Restraining the toner scatter from the front/rear side edge of the magnet cover. (Adding the magnet.) 2) Preventing the toner scatter to the magnet roller of deteriorated toner that accumulates on the measured magnet cover. (Adding the metal plate.) 3) Reducing the internal pressure at the front/rear side edge of the developer unit to restrain the toner scatter to the magnet cover.
3	Support for reverse rotation of the developing drive. (* Firmware upgrade is necessary at the same time.)	Adding the vibration to the Bk developer unit by reversely rotating Bk developer drive in order to remove the toner that adheres on the metal plate that is added according to the above 2-2). (Changing the developer drive gear.)
4	Restraint of the toner scatter out of the developer unit (Toner scatter to the topside of the developer unit and the main charger roller)	Following are changed to prevent the toner scatter to the topside of the Bk developer unit and the drum unit. - Adding the sponge to the side facing the drum unit of the developer unit. - Bundling the sponge (L), sponge (S), seal and affixing procedure leaflet in the Bk developer unit for preventing the toner smudge (No.1-4) to affix to the side facing the developer unit of the drum unit.
5	Distinction from the normal Bk developer unit	Changing color of the upper/lower edges of the barcode label to green.

Service Bulletin

Ref. No. **2H7-0080 (B010)**

<Date> May 7, 2011

2) Firmware is upgraded as below. (Refer to the page 8 for details of the subject Upgrade Pack.)

	Item	Content	Upgrade Pack
1	Adding the control and setting of the reverse rotation of the developing drive.	<ul style="list-style-type: none"> - Changing the control to distinguish between the normal/measured Bk developer units and reversely rotate the drive for 0.5 seconds once per passing the fixed Bk developer drive time only when installing the measured developer unit. (Initial: Reverse rotation is executed per 2 min. of Bk developer drive time.) - Adding "Interval Time" to Maintenance mode U147. (Setting value: 0~3, Initial value: 2) "Interval Time" 0: No reverse rotating 1: 1 min. 2: 2 min. 3: 5 min. * Don't set "0" in the machine that installs the measured Bk developer unit. (If setting "0", the phenomenon may frequently occur according to the usage.) 	Ver.11.00

3) According to setting the parts No. of the Bk developer unit for preventing the toner smudge in the above 1), indication and check box of [DV-855B], [DV-865B] and [DV-856B] are added to the packing case that is commonly used with the normal developer unit (DV-855/865/856 for four colors).

KMC's Classification	<input type="checkbox"/> Entire Stock Rework <input checked="" type="checkbox"/> In-Field modification by case	<input type="checkbox"/> In-Field modification at next visit <input type="checkbox"/> No modification necessary
Field Measure:		
Please execute the following 1-3 when the above phenomenon occurs. 1. Upgrade the firmware to Upgrade Pack Ver. 11.00 or later. (When using the Bk developer unit for preventing the toner smudge that will be replaced in the following 2 before upgrading, self-diagnosis code C7401 (Developing unit K type mismatch problem) will appear.) 2. Replace with the Bk developer unit for preventing the toner smudge (No.1-4). 3. Affix two sponges and seal that are bundled in No.1-4 to the drum unit installed in the machine. Use of the Bk developer unit for preventing the toner smudge is accompanied with the restriction. Please install it to the machine after understanding [Restriction] as below.		
The sponges and seal mentioned in the above 1)-4 must be affixed to the new drum unit when replacing the drum unit in the machine that installs the Bk developer unit for preventing the toner smudge. Please separately order the seal kit (No.5) and surely affix the sponge and seal to the new drum unit when replacing the drum unit. (Refer to the affixing procedure leaflet bundled in the seal kit for alignment.) Whenever visiting the user who uses the machine installing the Bk developer unit for preventing the toner smudge, please check the inside of the countermeasure magnet cover and the machine, and clean that if necessary.		
Serial Nos. of Affected Machine:		
- Setting the Bk developer unit for preventing the toner smudge/Changing the packing case for the developer unit (Change1, 3): This is for the service part only and no affected machine serial number exists. - Firmware upgrade (Change 2): (-->)Refer to the page 9.		

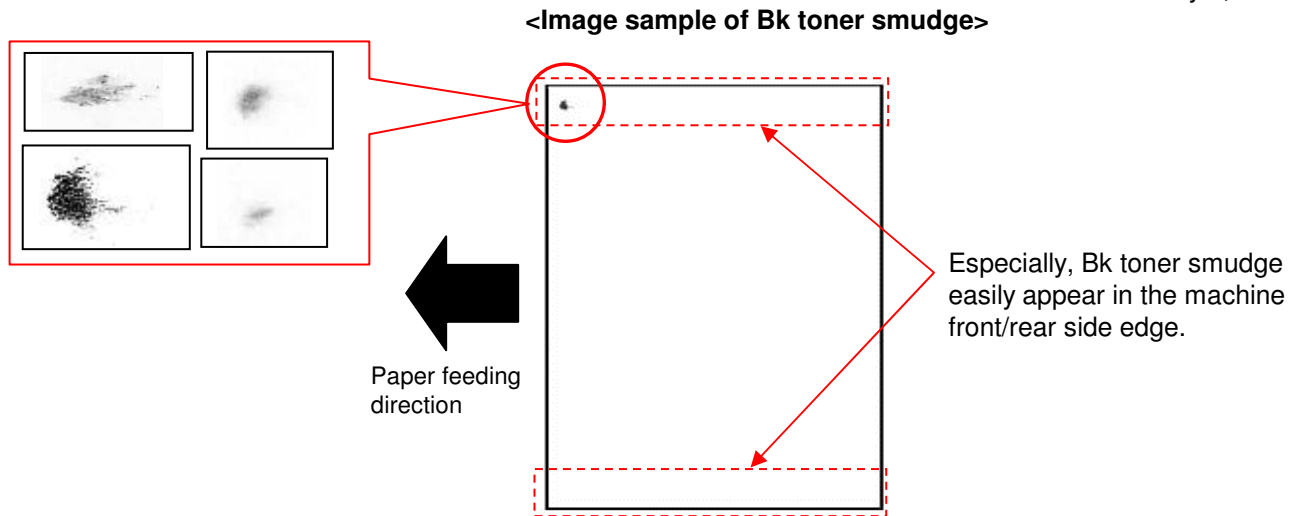
(-->)

N00053922/53958/54511/54928/55028

Service Bulletin

Ref. No. **2H7-0080 (B010)**

<Date> May 7, 2011



[Restriction]

Please recognize the following because use of the Bk developer unit for preventing the toner smudge (No.1-4) is accompanied with the restriction.

	Content for restriction	Related change (Refer to the previous page)
1	Please explain the sound that is heard when the coupling of the main machine side and the developer side mesh with each other for reversely rotating the developer drive to the user for acquiring the user's approval. (*1)	<Changed point 3> Firmware upgrade

(*1) If the user does not approve the content of restriction 1, please use the normal Bk developer unit.

<Bk developer unit for preventing the toner smudge and seal kit>

(These units are only for supply to the field.)

No.	Old Part No.	New Part No.	Description	Q'ty		Compati bi lity		Remarks
				Old	New	Old	New	
1	-----	302H793710 2H793710	PARTS DLP K UNIT B	-	1	-	○	*1, DV-855B (Except KMKR)
2	-----	302H79K710 2H79K710	PARTS DLP K UNIT B	-	1	-	○	*1, DV-855B (For KMKR)
3	-----	302JZ93410 2JZ93410	PARTS DLP K L UNIT B	-	1	-	○	*2, DV-865B (Except KMKR)
4	-----	302JZ9K410 2JZ9K410	PARTS DLP K L UNIT B	-	1	-	○	*2, DV-865B (For KMKR)
5	-----	302H794830 2H794830	PARTS SEAL FRONT DRUM SET SP	-	1	-	○	Seal kit for replacing the drum unit, *3

*1: TASKalfa500ci/400ci (Normal Bk developer unit --- For all spec except KMKR: 302H79317_/For KMKR: 302H79K17_)

*2: TASKalfa300ci/250ci (Normal Bk developer unit --- For all spec except KMKR: 302JZ9319_/For KMKR: 302JZ9K19_)

*3: Bundled items of No.5 (That are same as the parts that are bundled in No.1-4 in <Changed point 4> mentioned in the previous page) --- Sponge (L), sponge (S), seal and affixing procedure leaflet

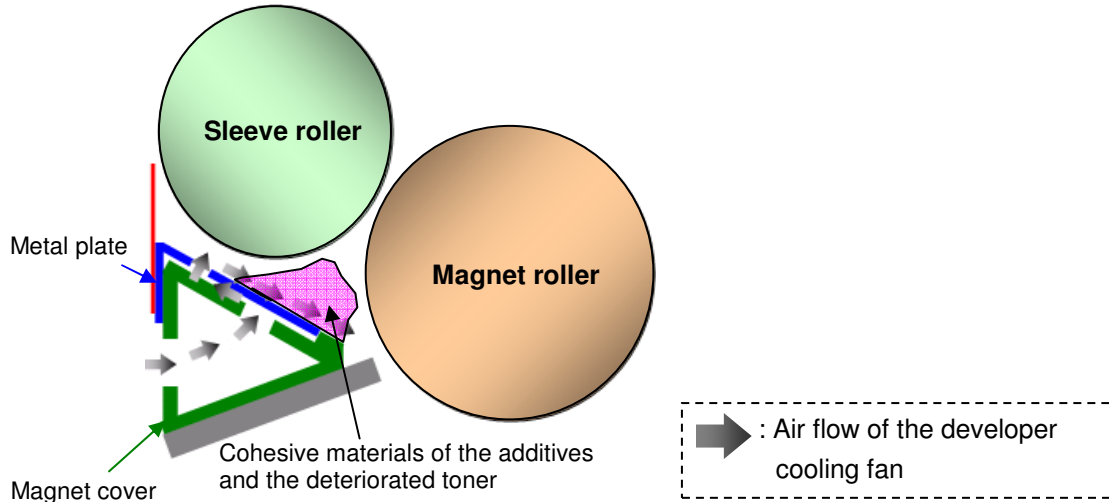
* Developer drive gear of the normal developer unit is individually supplied. However, the developer drive gear (The shape is changed from the gear of the normal developer unit in <Changed points> 3) of the Bk developer unit for preventing the toner smudge (No.1-4) is not set as the individual supply parts.

Service Bulletin

Ref. No. **2H7-0080 (B010)**

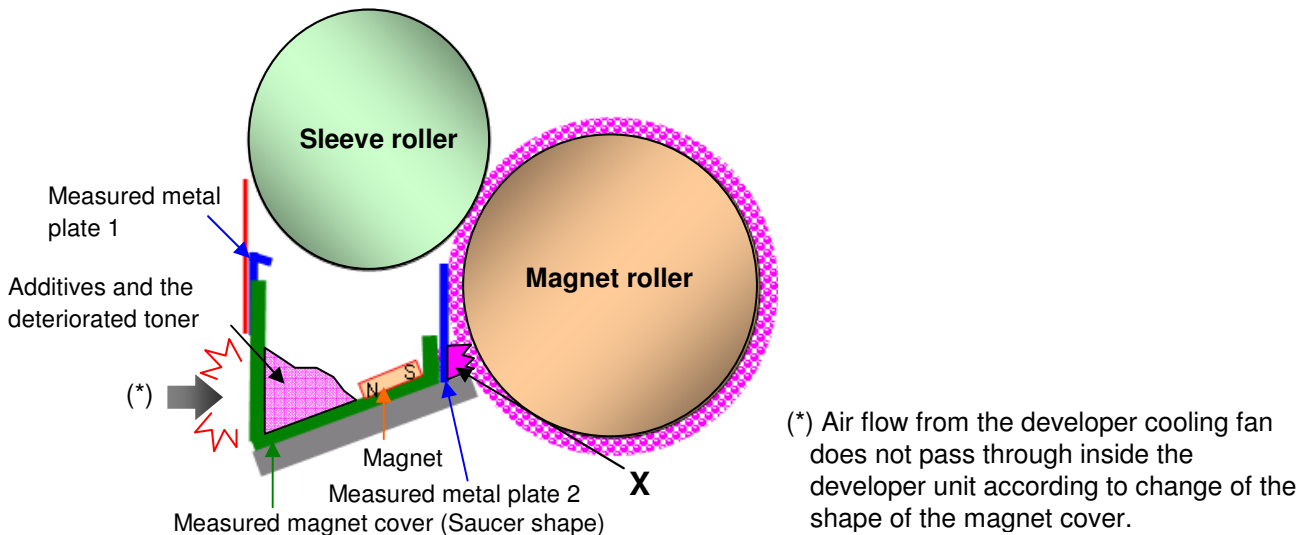
<Date> May 7, 2011

<Normal Bk developer unit> (Below is the cross section figure of the magnet roller/sleeve roller section that is viewed from the machine front side)



Normally, air flow from the developer cooling fan removes the additives and the deteriorated toner that are accumulated on the magnet cover by passing through the cut-out of the magnet cover. However, the remaining materials may be condensed depending on the operating condition that increases the deteriorated toner and it may interrupt the air flow of the developer cooling fan above the magnet cover. In that case, the deteriorated toner accumulating on the cohesive materials may adhere to the magnet roller or the sleeve roller and the Bk toner smudge may appear.

<Bk developer unit for preventing the toner smudge>



<Changed point 1>

Measured magnet cover/measured metal plate 1:

Changing to the saucer shape to collect the deteriorated toner and the additives in the position where is not close to the magnet roller so that the service person periodically cleans it.

<Changed point 2-1), 2-2)>

- Magnet: Adding the magnets to the both ends of the magnet cover to collect the deteriorated toner as the grain ear shape (X in the figure below) over the measured metal plate 2 so that that deteriorated toner shuts the gap between the magnet cover and the magnet roller to prevent the toner scatter from the gap.
- Measured metal plate 2: Planting the measured metal plate 2 in the front of the magnet roller to prevent the deteriorated toner scatter that is collected in the measured magnet cover for the magnet roller.

Service Bulletin

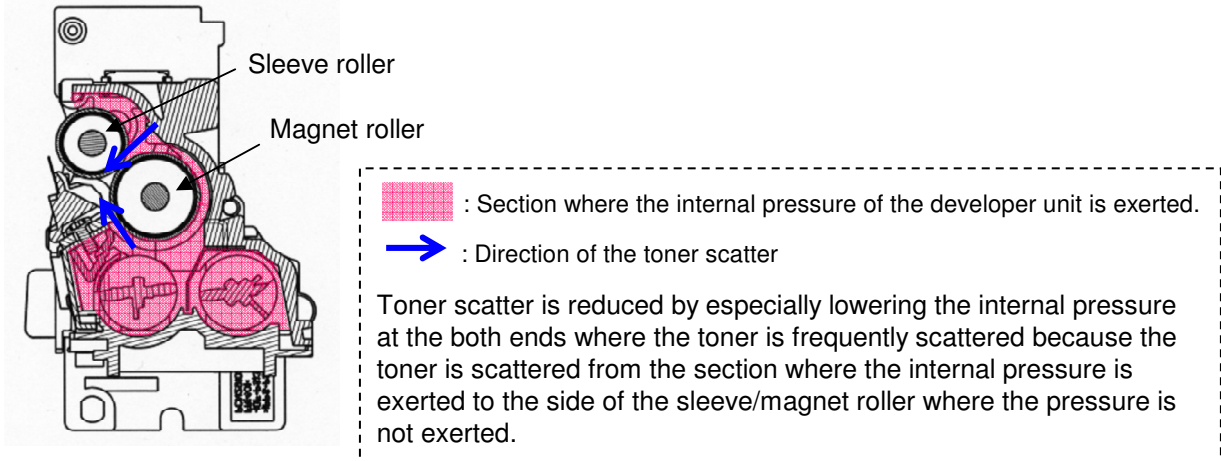
Ref. No. **2H7-0080 (B010)**

<Date> May 7, 2011

<Changed point 2-3>

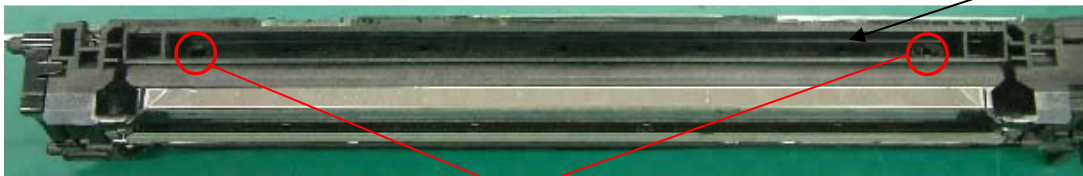
Developer housing: Diameter of the hole at the both sides of the developer housing is widened from 3mm to 6mm to reduce the toner scatter from the inside of the developer unit to the magnet cover by lowering the internal pressure of the edge section of the developer unit. (According to this change, the amount of the toner scatter from diameter 6mm hole of the developer housing increases. However, there is the developer filter in the upper part of the 6mm hole and the filter partly removes the scattered toner.)

(Cross section figure of the normal Bk developer unit viewed from the machine front side)



(Bk developer unit for preventing the toner smudge viewed from the upper)

Developer housing



Machine rear side

Machine front side

Diameter of the hole: Widening from 3mm to 6mm to lower the internal pressure at the both ends of the developer unit.

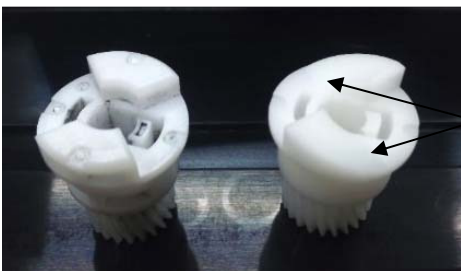
<Changed point 3> and firmware upgrade

Developer drive gear: Changing to the gear that has the slope shape at the one side of the coupling part.
Firmware upgrade: Firmware is upgraded to enable to reversely rotate the developer drive only when installing the Bk developer unit for preventing the toner smudge.

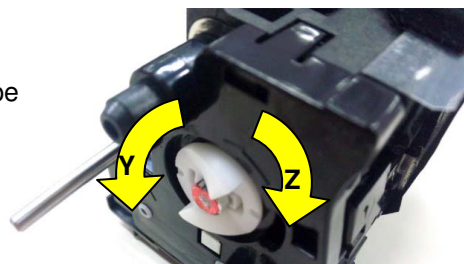
--> Operation that the gear is came off from the coupling at the main machine drive side and mesh again can be repeated when reversely rotating according to the above change. The deteriorated toner adhering to the upper side of the measured metal plate 2 that is added in <Changed point 2-2> can be shaken off and removed by giving the vibration to the developer unit when meshing with the coupling.

(Normal gear) (Gear for preventing the toner smudge)

(Machine rear side of the Bk developer unit for preventing the toner smudge)



Slope shape



Y: Normal rotation of the developer drive
Z: Reverse rotation of the developer drive

* Gears in the photo above are for TA500ci series.
(Right gear is prototype)

Service Bulletin

Ref. No. **2H7-0080 (B010)**

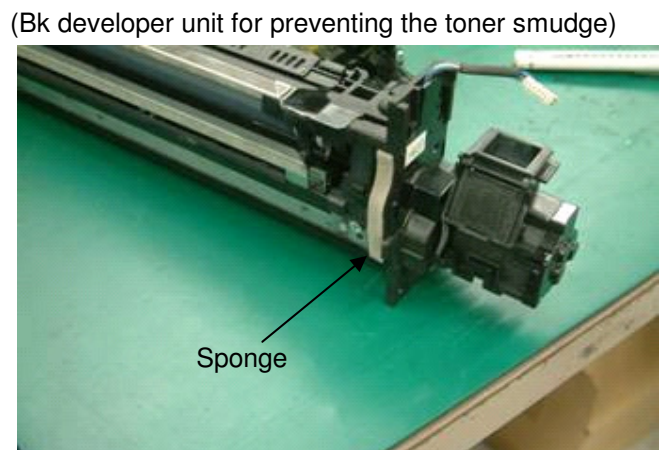
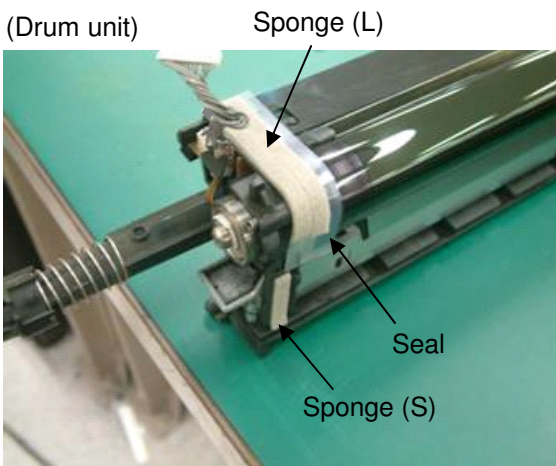
<Date> May 7, 2011

<Changed point 4>

Affixing the sponges/seal to interrupt the air flow between the developer unit and drum unit:

Air flow from the developer cooling fan normally enters into inside the developer unit from the cut-out of the developer magnet cover. However, air flow, due to deleting the cut-out of the developer magnet cover, is led to pass between the developer/drum unit and it blows to rise to the topside of the unit with the toner scattered from the developer unit. To interrupt this air flow, affixing the sponges and seal to the side facing the drum unit/developer unit. (Below in the photo below is prototype. Color of the actual sponge is dark gray.)

- Developer unit: Affixing the sponge to the side facing the developer unit for preventing the toner smudge.
- Drum unit: Bundling the sponge (L), (S), seal and affixing procedure leaflet (refer to the attached leaflet) in the Bk developer unit for preventing the toner smudge to affix to the drum unit when installing the developer unit.

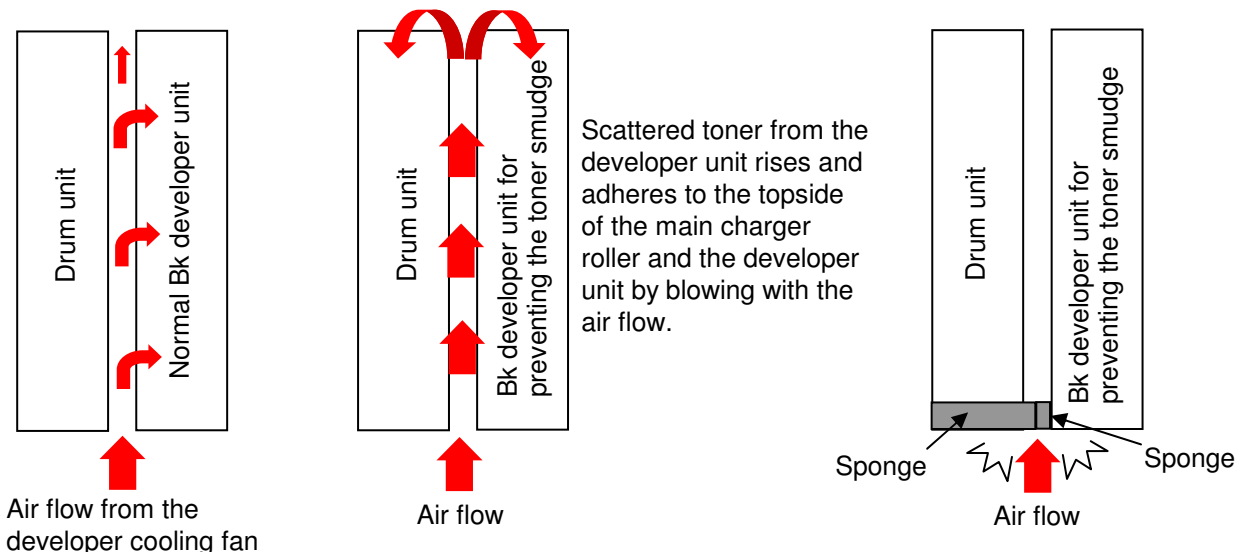


(*) The above sponge and seal are not affixed or bundled in the drum unit. Please separately order the seal kit (No.5) and affix the sponge and seal to the new drum unit when replacing the drum unit in the machine that installs the Bk developer unit for preventing the toner smudge.

[Normal air flow of the developer cooling fan]

[Air flow when using the measured magnet cover (without sponge)]

[Air flow when using the measured magnet cover and affixing the sponge]



* The above is the simplified figure of the developer/drum unit viewed from the upper.

<Changed point 5>

Barcode label with green lines at the upper/lower edges is used to the Bk developer unit for preventing the toner smudge in order to distinguish it from the normal Bk developer unit.

<Barcode label affixed on the unit>



<Barcode label affixed on the side of the master packing case>



[Change 3: Change of the packing case for the developer unit
(Common use with all color of the normal/measured unit)]

<New individual packing case: Side indicating the unit name >

DEVELOPER UNIT

<input type="checkbox"/> DV-855	<input type="checkbox"/> DV-855B	<input type="checkbox"/> Y	
<input type="checkbox"/> DV-865	<input type="checkbox"/> DV-865B	<input type="checkbox"/> M	
<input type="checkbox"/> DV-856	<input type="checkbox"/> DV-856B	<input type="checkbox"/> C	
		<input type="checkbox"/> K	

Adding the name and check box for the measured unit

<New master packing case: Side indicating the unit name>

DEVELOPER UNIT

<input type="checkbox"/> DV-855	<input type="checkbox"/> DV-855B	<input type="checkbox"/> Y	
<input type="checkbox"/> DV-865	<input type="checkbox"/> DV-865B	<input type="checkbox"/> M	
<input type="checkbox"/> DV-856	<input type="checkbox"/> DV-856B	<input type="checkbox"/> C	
		<input type="checkbox"/> K	

4 EACH

* Parts number of the normal developer units remains unchanged according to change of the packing case.
* Separate service bulletin will be issued for DV-856 developer unit for TASKalfa552ci and FS-C8500DN.

Service Bulletin

Ref. No. **2H7-0080 (B010)**

<Date> May 7, 2011

<Firmware upgrade for TASKalfa500ci/400ci/300ci/250ci>

* Please refer to the separate service bulletin No. 2H7-0079 (A407) for details of the firmware upgrade.

2010/12 Type	Fixed code	-----	Pack Version			Remarks
			V9.01	V10.00	New upgrade V11.00	
MAIN FRAME	Fixed code	-----	V9.01	V10.00	V11.00	Remarks
MAIN *1	2H7_2F00	009.020	<---	010.007	011.006	
MMI *1	2H7_7000	009.018	<---	010.007	011.002	
LANGUAGE BR(OPTION)	2H7_81BR	001.021	<---	001.025	<---	
BROWSER	2H7_F000	001.015	<---	<---	<---	
ENGINE (high) *2*3	2H7_1000	-----	018.001	020.003	021.001	
ENGINE (low) *2*3	2JZ_1000	-----	018.001	020.003	021.001	
SCANNER	2H7_1200	005.002	<---	<---	<---	
MOTOR MAIN	2H7_1400	003.003	<---	<---	<---	
H VLT MAIN	2H7_1600	001.014	<---	<---	<---	
SLEEP MAIN	2H7_1800	002.001	<---	<---	<---	
FAX BOOT *4 Fax Sys(Q)	3MB_5000	001.016	<---	<---	<---	
FAX APL *4 Fax Sys(Q)	3MB_5100	(005.002)	<---	<---	<---	
FAX IPL *4 Fax Sys(Q)	3MB_5200	001.016	<---	<---	<---	
FAX BOOT *4 Fax Sys(S)C	5JP_5000	001.022	<---	<---	<---	
FAX APL *4 Fax Sys(S)C	5JP_5100	(C06.001	<---	(C08.002)	<---	
FaxSystem(Q)/(S)C *5	SaturnFAX_Pack	C06001_00	<---	C08002_005002	<---	
SOLUTION (DBA)	J00_E000	003.002	<---	005.001	<---	
ENHANCEMENT	Fixed code	-----	<---	V1.12	<---	
DP-750/750B, 760/760B	3LK_9500	009.003	<---	<---	<---	
PF-720/720B (2 cassette)	3LM_9000	004.001	<---	<---	<---	
PF-760/760B (3000)	5H8_9000	003.002	<---	<---	<---	
DF-780/780B (1000)	5JA_9200	007.005	<---	<---	<---	
DF-760/760B (3000) MAIN	3LT_9200	006.003	<---	007.001	<---	
DF-760/760B (3000) MIDDLE	3LT_9600	007.002	<---	008.001	<---	
MT-720/720B (3000)MAIL BOX	3LW_9800	004.002	<---	<---	<---	

For KM sales companies, it is possible to download firmware through KM Knowledge Cabi-NET.

When upgrading firmware or replacing board etc., please upgrade each firmware (PACK of MAIN FRAME/ENHANCEMENT) to the latest version at the same time.

- *1) Please make sure to upgrade the MAIN and MMI firmware at the same time. If the firmware is upgraded individually, the CF000 error message may appear and it will not be possible to recover at the customer site.
- *2) Please note, in case the firmware is upgrade to the version 004.001 or later from the older version, the default value of U327 (Setting Cassette Heater Control) is reset to OFF. Please see the Service Bulletin No. 2H7-0012 (8746) for the details
- *3) Please perform AC Calibration in the maintenance mode U464 (Set ID Adjustment Mode) after upgrading to the firmware version 006.009 or later from the older version.
- *5) Combined firmware of 5 kinds of FAX firmware (*4), When downloading the combined firmware, appropriate firmware is installed by detecting the FAX system (Q) or (S)C.

Service Bulletin

 Ref. No. **2H7-0080 (B010)**

<Date> May 7, 2011

Serial Nos. of Affected Machine:

TASKalfa500ci (-->)	KMA120V	CS	KME	UTAX/TA	KMAUS	
	QHU1103192	QEK1100715	QHW1102887	QEP1100481	QHV1200328	
	KMSG	KMTW	KMHG	Other spec		
	QFH1100032	QGH1100022	QLA1200032	Next production		
TASKalfa400ci (-->)	KMA120V	CS	KMBR	KME	UTAX/TA	KMAUS
	QHY1105525	QEJ1101295	Q9A1100466	QJA1104724	QES1101129	QHZ1100522
	KMSG	KMHG	KTST	KMTW	Other spec	
	QFG1100112	QKZ1100049	QMM1100096	QGG1100035	Next production	
TASKalfa300ci	KMA120V	CS	KME	UTAX/TA	(-->)KMAUS	KMSG
	QJC1107195	QEH1101821	QJE1107042	QER1101996	QJD1200821	QFF1100036
	KMID	KTST	KMTW	(-->)KMHG	Other spec	
	Q4C1100009	QMN1100147	QGF1100080	QKY1200038	Next production	
TASKalfa250ci	KMA120V	CS	KMBR	(-->)KME	UTAX/TA	(-->)KMAUS
	QJH1109660	QEG1101825	Q9A1100466	QJK1133061	QEQ1112628	QJJ1202024
	(-->)KMSG	(-->)KMHG	(-->)KMID	(-->)PHILIPINE	KTST	KMTW
	QFE1400307	QKX1100237	Q4B1100104	QLU1200044	QMP1100789	QGE1100066
	Other spec					
	Next production					

Service Bulletin

 Ref. No. **PCI-0282 (B017)**

[Parts Change Information]

<Date>

January 21, 2011

Subject	Parts Change Information			
Model	TASKalfa420i, TASKalfa520i, TASKalfa500ci, TASKalfa400ci, TASKalfa300ci, TASKalfa250ci, TASKalfa552ci, FS-C8500DN, TASKalfa820, TASKalfa620, KM-2531/2530, KM-3531/3530*, KM-4031/4030, KM-3035*, KM-4035*, KM-5035*, KM-3050, KM-4050*, KM-5050*, FS-9100DN*, FS-9500DN*, FS-9120DN*, FS-9520DN*, FS-9130DN*, FS-9530DN*, EP 510DN, KM-C2520, KM-C3225, KM-C3232, KM-C2525E, KM-C3225E, KM-C3232E*, KM-C4035E, FS-C8100DN+, EP C320DN, FS-1030D*, KM-1500, FS-1018MFP/KM-1815, FS-1020D*, FS-1118MFP/KM-1820, FS-1000, FS-1000+, FS-1010*, FS-1050, FS-720, FS-820, FS-920*, FS-1016MFP, FS-1116MFP, FS-1370DN, FS-1320D, FS-1120D, FS-1300D, FS-1028MFP/KM-2810, FS-1128MFP/KM-2820, FS-1350DN*, KM-4830w, KM-4850w, KM-P4845w, KM-P4850w, KM-6230, KM-6330, KM-7530, KM-1510, KM-1810, KM-1505, KM-4530, KM-5530, KM-2560, KM-3060, KM-2540, KM-3040, DF-71U/DF-71E, DF-710, DF-78, DF-610, DF-600, DF-35, DF-470, DF-720/DF-720(B), DP-710, DP-750/DP-750(B), DP-760/DP-760(B), F-4730, F-2205, AD-61, BF-1, BF-1(B), SRDF-2			

* Common with CHUNGHO brand.

Affected models

DF-71U/E	KM-2531/2530/3531/3530/4031/4030, KM-3035/4035/5035, FS-9100DN, FS-9500DN, FS-9120DN, FS-9520DN
DF-710	KM-3050/4050/5050, FS-9130DN, FS-9530DN, EP 510DN
DF-78	KM-2531/2530/3531/3530/4031/4030, KM-3035/4035/5035
DF-610	KM-4530/5530, KM-6330/7530, FS-C8026N, KM-C2630/C2630D
DF-600	KM-4530, KM-5530(Europe spec), KM-6330(Europe spec), FS-C8026N, KM-C2630/C2630D
DF-35	KM-C830/C830D, KM-C850/C850E, KM-C870/C4008
DF-720	KM-3050/4050/5050
DF-720(B)	TASKalfa420/520i
DP-710	KM-C2520/C3225/C3232/C2525E/C3225E/C3232E/C4035E
DP-750/DP-760	TASKalfa500ci/400ci/300ci/250ci
DP-750(B)/DP-760(B)	TASKalfa500ci/400ci/300ci/250ci, TASKalfa552ci, TASKalfa420i/520i
F-4730	KM-6230
F-2205	KM-2030/2070
AD-61	KM-2030/2070
BF-1	DF-610/600 (for KM-4530/5530, KM-6330/7530, LS/FS-C8026N, KM-C2630/C2630D), DF-650 (for KM-6030/8030)
BF-1(B)	DF-650(B) (for TASKalfa620/820)
SRDF-2	KM-4530/5530, KM-6330/7530, FS-C8026N, KM-C2630/C2630D

Service Bulletin

[Parts Change Information]

Ref. No. **PCI-0282 (B017)**

<Date> January 21, 2011

The following parts are changed.

P2-3 <Change of the exterior tape of the solenoid>

FS-1020D, FS-1030D, KM-1500
TASKalfa420i, TASKalfa520i, KM-2531/2530, KM-3531/3530, KM-4031/4030, KM-3035,
KM-4035, KM-5035, KM-3050, KM-4050, KM-5050, FS-9100DN, FS-9500DN,
FS-9120DN, FS-9520DN, FS-9130DN, FS-9530DN, EP 510DN, KM-C2520, KM-C3225,
KM-C3232, KM-C2525E, KM-C3225E, KM-C3232E, KM-C4035E, FS-C8100DN+,
EP C320DN, FS-1030D, KM-1500, FS-1018MFP/KM-1815, FS-1020D,
FS-1118MFP/KM-1820, FS-1000, FS-1000+, FS-1010, FS-1050, FS-720, FS-820,
FS-920, FS-1016MFP, FS-1116MFP, TASKalfa500ci, TASKalfa400ci, TASKalfa300ci,
TASKalfa250ci, TASKalfa552ci, FS-C8500DN, FS-1370DN, FS-1320D, FS-1120D,
FS-1300D, FS-1028MFP/KM-2810, FS-1128MFP/KM-2820, FS-1350DN

P4 <Change of the stopper>

FS-1020D, FS-1030D, KM-1500
KM-4830w, KM-4850w, KM-P4845w, KM-P4850w, KM-6230, KM-6330, KM-7530,
KM-1510, KM-1810, KM-1505, KM-4530, KM-5530, SRDF-2, DP-710, DF-71U/DF-71E,
DF-710, DF-78, DF-610, DF-600, DF-35, F-4730, F-2205, AD-61, BF-1, BF-1(B)

P4 <Change of the torque limiter>

DP-750/DP-750(B), DP-760/DP-760(B), TASKalfa820, TASKalfa620

P4 <Common use of the parts>

DP-750/DP-750(B), DP-760/DP-760(B)

P5 <Parts code information (SOLENOID FEED SHIFT) >

DF-720/DF-720(B)

P5 <(For KTST) Common use of the MK kit>

KM-2560, KM-3060, KM-2540, KM-3040

<Change of the exterior tape of the solenoid --> After using up the old stock>

TASKalfa420i, TASKalfa520i, KM-2531/2530, KM-3531/3530, KM-4031/4030, KM-3035,
KM-4035, KM-5035, KM-3050, KM-4050, KM-5050, FS-9100DN, FS-9500DN, FS-9120DN,
FS-9520DN, FS-9130DN, FS-9530DN, EP 510DN, KM-C2520, KM-C3225, KM-C3232,
KM-C2525E, KM-C3225E, KM-C3232E, KM-C4035E, FS-C8100DN+, EP C320DN, FS-1030D,
KM-1500, FS-1018MFP/KM-1815, FS-1020D, FS-1118MFP/KM-1820, FS-1000, FS-1000+,
FS-1010, FS-1050, FS-720, FS-820, FS-920, FS-1016MFP, FS-1116MFP, TASKalfa500ci,
TASKalfa400ci, TASKalfa300ci, TASKalfa250ci, TASKalfa552ci, FS-C8500DN, FS-1370DN,
FS-1320D, FS-1120D, FS-1300D, FS-1028MFP/KM-2810, FS-1128MFP/KM-2820, FS-1350DN

Color of the exterior tape of the following solenoids (No.1-11) is changed from blue to white for improving production efficiency. (Parts numbers of the solenoids (No.1-11) remain unchanged according to this change.)

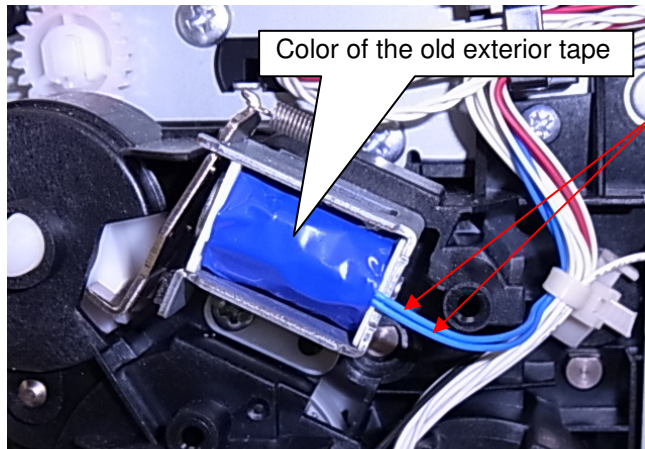
Service Bulletin

[Parts Change Information]

 Ref. No. **PCI-0282 (B017)**

<Date> January 21, 2011

(Below is old No.11)



In order to enable to visually check the presence of the gap between two wires of the solenoid (Coating color of the wire is blue) that are aligned under the exterior tape, color of the exterior tape of the solenoid is changed from blue to white. (Visual check becomes possible because the blue coating of the wire of the solenoid can be seen through the new exterior tape that is white.)

No.	Old Part No.	New Part No.	Description	Q'ty		Compati bility		Remarks
				Old	New	Old	New	
1	302BL27511 2BL27511	302BL27511 2BL27511	SOLENOID TONER	*	*	○	○	*1
2	302GR44150 2GR44150	302GR44150 2GR44150	SOLENOID TONER	*	*	○	○	*2
3	302FZ44050 2FZ44050	302FZ44050 2FZ44050	SOLENOID LSU CLN	*	*	○	○	*3
4	302G644010 2G644010	302G644010 2G644010	SOLENOID FEED	*	*	○	○	FS-1030D
5	302G644020 2G644020	302G644020 2G644020	SOLENOID REGIST	*	*	○	○	FS-1030D
6	302G644030 2G644030	302G644030 2G644030	SOLENOID MPF	*	*	○	○	FS-1030D
7	302GM44010 2GM44010	302GM44010 2GM44010	SOLENOID FEED	*	*	○	○	*4
8	302GM44020 2GM44020	302GM44020 2GM44020	SOLENOID REGIST	*	*	○	○	*4
9	302GM44030 2GM44030	302GM44030 2GM44030	SOLENOID MPF	*	*	○	○	*5
10	302H744060 2H744060	302H744060 2H744060	SOLENOID LSU CLN	*	*	○	○	*6
11	302HS44020 2HS44020	302HS44020 2HS44020	SOLENOID MPF	*	*	○	○	*7

N00054369/53890

* Qty to use varies by models and all of the parts used in the model are changed

*1: KM-2531/2530/3531/3530/4031/4030, KM-3035/4035/5035, FS-9100DN, FS-9500DN, FS-9120DN, FS-9520DN

*2: TASKalfa420i/520i, KM-3050/4050/5050, FS-9130DN, FS-9530DN, EP 510DN

*3: KM-C2520/C3225/C3232/C2525E/C3225E/C3232E/C4035E, FS-C8100DN+, EP C320DN

*4: KM-1500, FS-1018MFP/KM-1815, FS-1020D, FS-1118MFP/KM-1820, FS-1000, FS-1000+, FS-1010, FS-1050, FS-720/820/920, FS-1016MFP, FS-1116MFP

*5: KM-1500, FS-1018MFP/KM-1815, FS-1020D, FS-1118MFP/KM-1820, FS-1000, FS-1000+, FS-1010, FS-1050

*6: TASKalfa500ci/400ci/300ci/250ci, TASKalfa552ci, FS-C8500DN

*7: FS-1370DN, FS-1320D, FS-1120D, FS-1300D, FS-1028MFP/KM-2810, FS-1128MFP/KM-2820, FS-1350DN

Service Bulletin

[Parts Change Information]

Ref. No. **PCI-0282 (B017)**

<Date> January 21, 2011

<Change of the stopper --> After using up the old stock>

KM-4830w, KM-4850w, KM-P4845w, KM-P4850w, KM-6230, KM-6330, KM-7530, KM-1510, KM-1810, KM-1505, KM-4530, KM-5530, SRDF-2, DP-710, DF-71U/DF-71E, DF-710, DF-78, DF-610, DF-600, DF-35, F-4730, F-2205, AD-61, BF-1, BF-1(B)

The stopper (No.1) is changed as below for procurement ease. (New and old parts are equal.)

No.	Old Part No.	New Part No.	Description	Q'ty		Com pat i bility		Remarks
				Old	New	Old	New	
1	65016080	5MVX111DN007 2BT11070	STOPPER 3/2BT1107 A4	*	*	○	○	

N00054384

* Qty to use varies by models and all of the parts used in the model are changed.

<Change of the torque limiter --> After using up the old stock>

DP-750/DP-750(B), DP-760/DP-760(B), TASKalfa820, TASKalfa620

For common use of the parts, the torque limiter (No.1) is changed to the parts that improved the strength of the shaft.

No.	Old Part No.	New Part No.	Description	Q'ty		Com pat i bility		Remarks
				Old	New	Old	New	
1	303LL07520 3LL07520	303LL07521 3LL07521	TORQUE-LIMITER 400	1	1	○	○	

N00054704

* Please use the new parts for the new development models.

<Common use of the parts --> After using up the old stock>

DP-750/DP-750(B), DP-760/DP-760(B)

For common use of the parts, the material of the following parts (No.1, 2) is changed.

- 1) MOUNT LEFT DRIVE (No.1): (Before) PC+ABS UL94 **HB** --> (After) PC+ABS UL94 **V-0**
- 2) COVER LEFT DRIVE (No.2): (Before) ABS UL94 **HB** --> (After) ABS UL94 **V-2**

No.	Old Part No.	New Part No.	Description	Q'ty		Com pat i bility		Remarks
				Old	New	Old	New	
1	303LL31210 3LL31210	303LL31211 3LL31211	MOUNT LIFT DRIVE	1	1	○	○	
2	303LL31220 3LL31220	303LL31221 3LL31221	COVER LIFT DRIVE	1	1	○	○	

N00054432/54431

* Please use the new parts for the new development models.

Service Bulletin

[Parts Change Information]

Ref. No. **PCI-0282 (B017)**

<Date> January 21, 2011

<Parts code information (SOLENOID FEED SHIFT) --> After using up the old stock>

DF-720/DF-720(B)

For new and old parts are same, they are unified to the new parts code.

No.	Old Part No.	New Part No.	Description	Q'ty		Com pati bility		Remarks
				Old	New	Old	New	
1	303J394040 3J394040	303J344020 3J344020	SOLENOID FEED SHIFT	1	1	○	○	

N00055174

<(For KTST) Common use of the MK kit>

KM-2560, KM-3060, KM-2540, KM-3040

Following MK kits are changed for common use since components of the old and new item are same.

[Before]

No.	Product code	Product name
1	1702H08KS0	MK-670/MAINTENANCE KIT

[After]

Product code	Product name
1702K58KS0	MK-671/MAINTENANCE KIT

-->

"+" Mark at the head of the description means it is a components parts.

Service Bulletin

Ref. No. **2H7-0081 (B022)**

<Date> April 22, 2011

Subject	Change of the waste toner motor (Measure against self-diagnosis code C2810)
Model	TASKalfa500ci, TASKalfa400ci, TASKalfa300ci, TASKalfa250ci, TASKalfa552ci, FS-C8500DN

This time the description with (-->)is revised from the previous information.

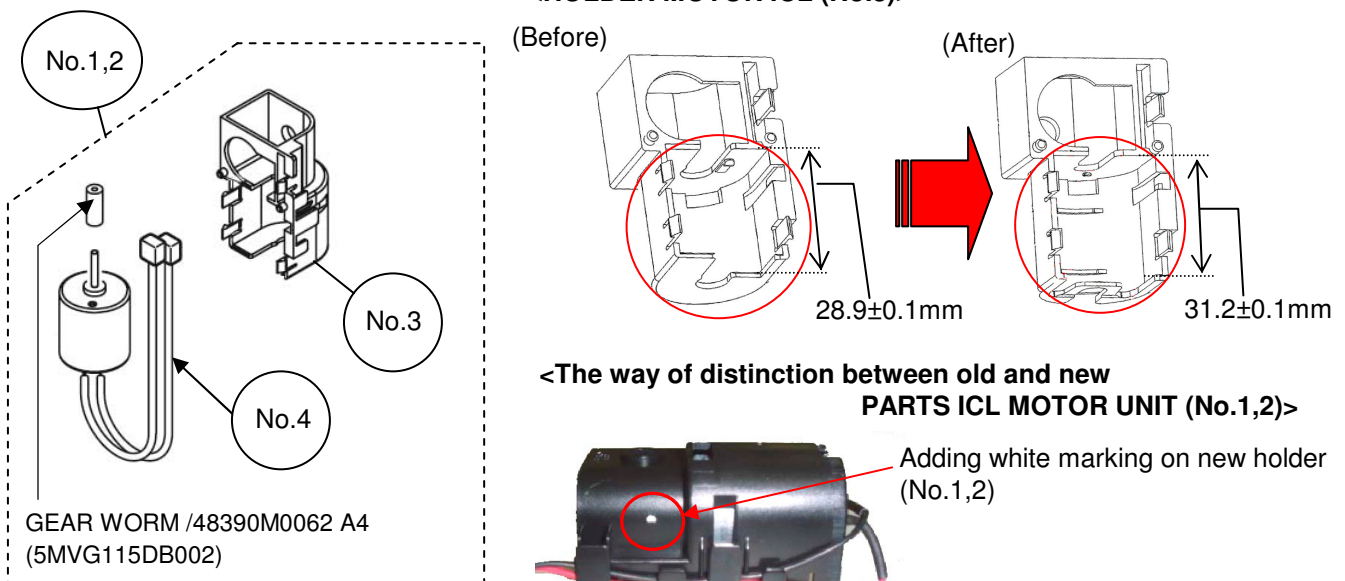
<Number of changes: 2> -Adding the accurate serial number for KTST models in page 2

When excessive electrical current is impressed by the short circuit in the waste toner motor, the engine PWB may be damaged or C2810 (waste toner motor error) may appear. Therefore, following are changed. Accordingly, an attention is required when replacing the parts. Please refer to <Field Measure> as below.

<Content of changes>

- 1) Margin for frictional wear of the brush is improved by changing the motor from different vender.
- 2) According to the above change, the shape of the holder of the motor is changed.
- 3) According to the above change, the wire alignment of the motor is changed. (Please refer to the next page)

<HOLDER MOTOR ICL (No.3)>



No.	Old Part No.	New Part No.	Description	Q'ty		Compati bi lity		Remarks
				Old	New	Old	New	
1	302H793340 2H793340	302H793341 2H793341	PARTS ICL MOTOR UNIT	1	1	X	O	*1 (Except KMKR)
2	302H79K340 2H79K340	302H79K341 2H79K341	PARTS ICL MOTOR UNIT	1	1	X	O	*1 (For KMKR)
3	302H703620 2H703620	302H703621 2H703621	+HOLDER MOTOR ICL	1	1	X	X	
4	302H794440 2H794440	-----	+PARTS DC MOTOR ASSY	1	-	X	-	*1

• "+" Mark at the head of the description means it is a components parts.

*1: The old No.4 is continued to use as the toner replenishing motor (using 4 pcs). Please use the new No.1,2 when changing the waste toner motor because the new individual waste toner motor is not supplied to prevent the wrong use to the toner

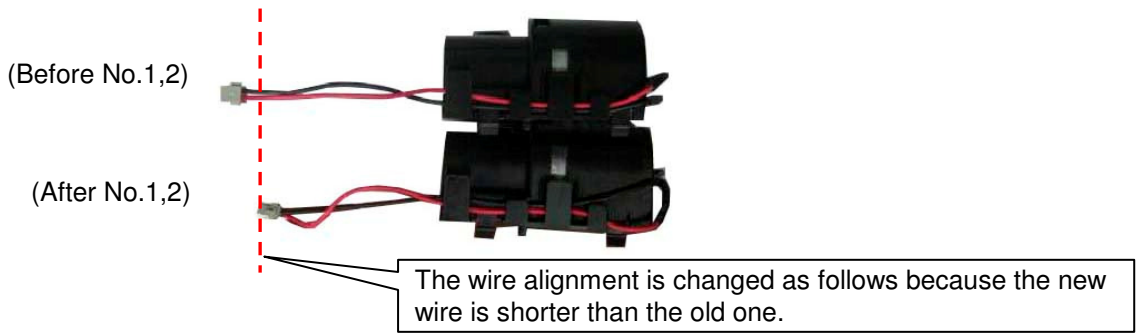
(Revised Issue 2)
Service Bulletin

replenishing motor.

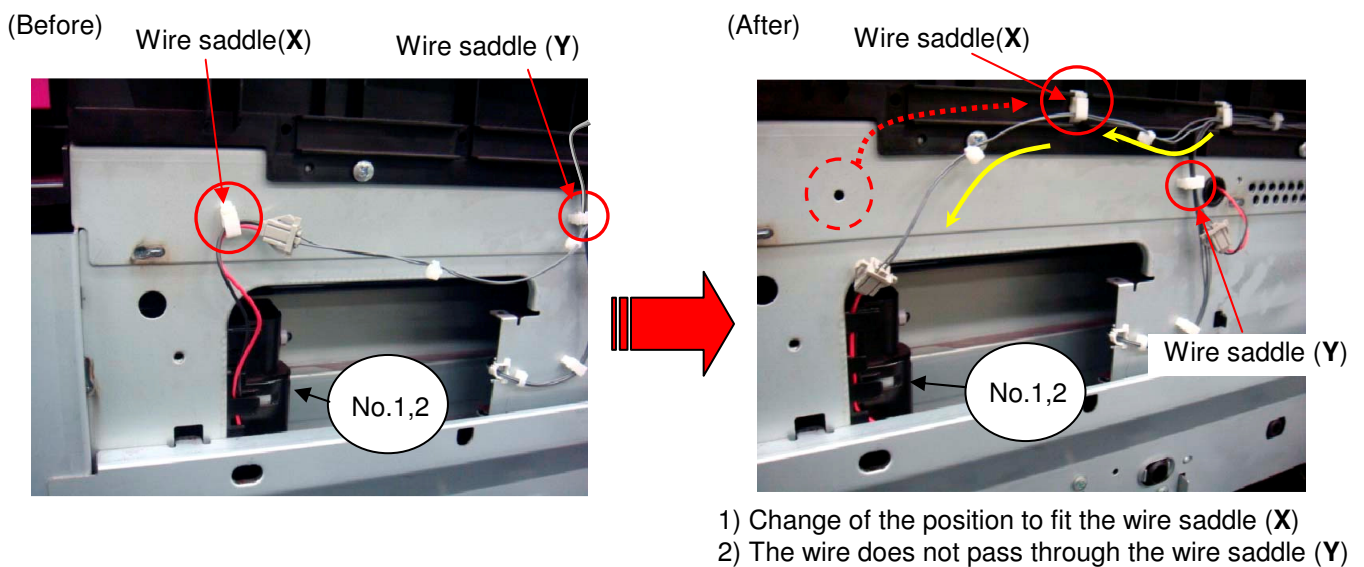
KMC's Classification		<input type="checkbox"/> Entire Stock Rework		<input type="checkbox"/> In-Field modification at next visit		
		<input checked="" type="checkbox"/> In-Field modification by case		<input type="checkbox"/> No modification necessary		
Field Measure:		Please replace the assembly (new No.1,2) of the new motor and the new holder when the above phenomenon occurs. And please refer to the next page because it is necessary to change the wire alignment when fitting the new parts.				
Serial Nos. of Affected Machine:						
TASKalfa500ci	KMA120V	CS	KME	UTAX/TA	KMAUS	KMSG
	QHU1103192-	QEK1100715-	QHW1102925-	QEP1100481-	QHV1200328-	QFH1100032-
	KMHG	KMTW	Other spec			
	QLA1200032-	QGH1100022-	Next production			
TASKalfa400ci	KMA120V	CS	KME	UTAX/TA	KMAUS	KMSG
	QHY1105525-	QEJ1101295-	QJA1104724-	QES1101129-	QHZ1100522-	QFG1100112-
	KMHG	KMTW	KTST (-->)	Other spec		
	QKZ1100049-	QGG1100035-	QMM1300136-	Next production		
TASKalfa300ci	KMA120V	CS	KME	UTAX/TA	KMAUS	KMHG
	QJC1207277-	QEH1201843-	QJE1207840-	QER1202025-	QJD1200821-	QKY1200038-
	KMTW	KTST (-->)	Other spec			
	QGF1200100-	QMN1300162-	Next production			
TASKalfa250ci	CS	KME	UTAX/TA	KMAUS	KMSG	KMID
	QEG1201845-	QJK1133900-	QEQ1212772-	QJJ1202024-	QFE1300294-	Q4B1200108-
	PHILIPINE	KMTW	Other spec			
	QLU1200044-	QGE1200086-	Next production			
TASKalfa552ci	KMA120V	CS	KME	UTAX/TA	KMAUS	KMID
	QXF1100547-	Q311100161-	QXG1100256-	Q4W1100103-	QXH1100117-	Q371100002-
	Other spec					
	Next production					
FS-C8500DN	KMA120V	KMA220V	KME	KMAUS	Other spec	
	QXS1100590-	Q181100025-	QXT1101364-	QXU1200069-	Next production	

N00055101/N00055636/N00055657 2H7-11007

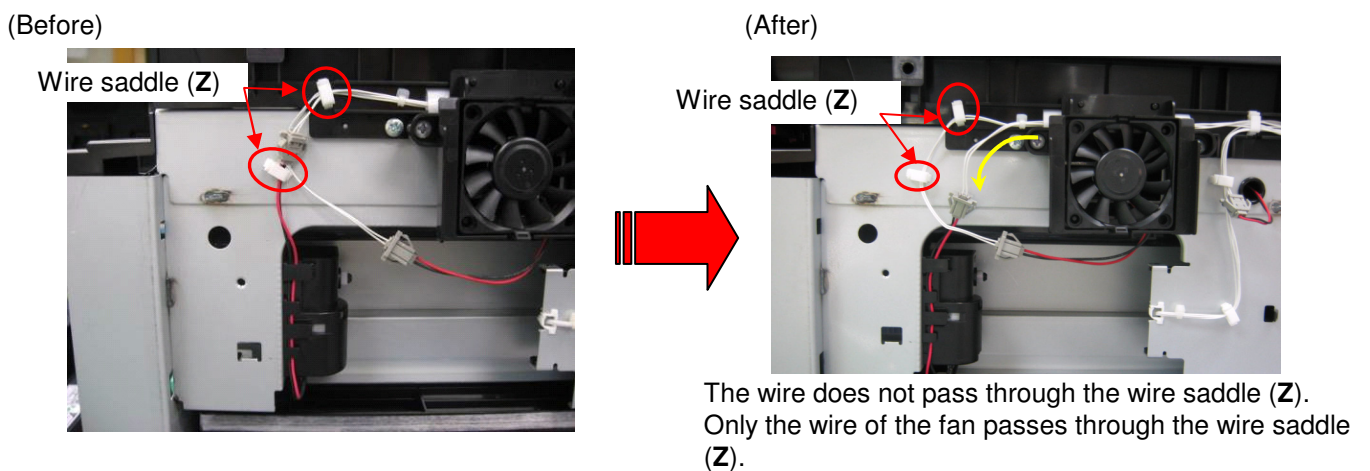
<Changes of the wire alignment>



A) Affected models : TASKalfa500ci/400ci/300ci/250ci



B) Affected models: TASKalfa552ci, LS/FS-C8500DN



<Position using the motor (Excerpt from Parts List)>

FIG. 27 Electrical Components 1 ---(Change this time) Use as the waste motor

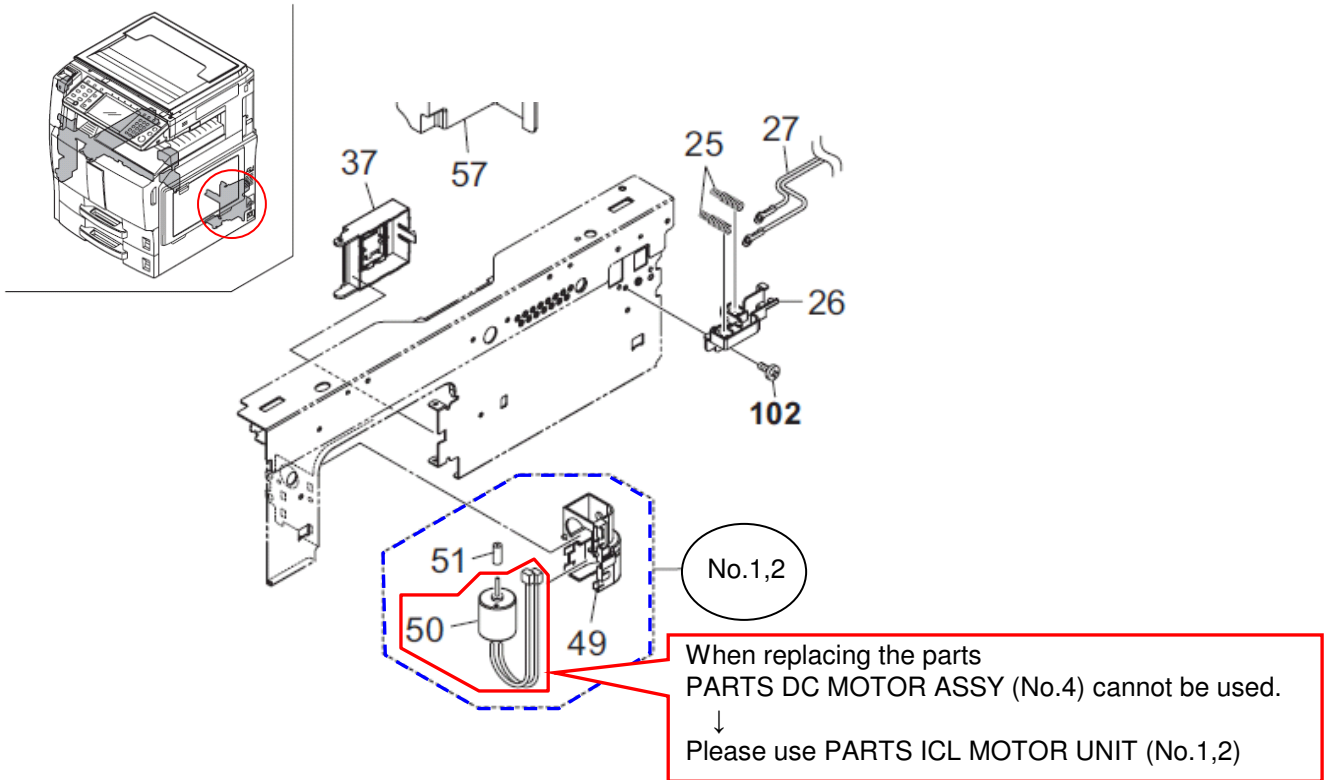
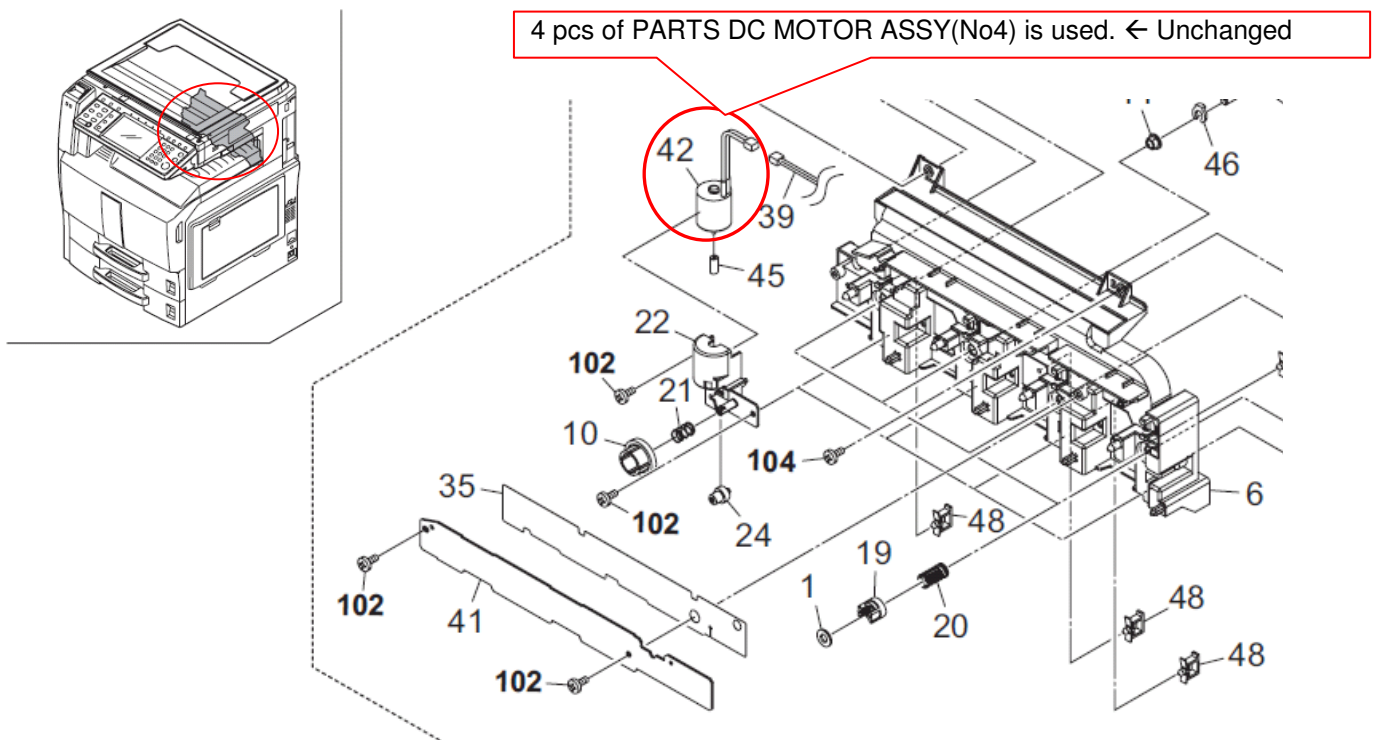


FIG. 23 Drive Section 4 ---Use as the toner replenishing motor



Service Bulletin

 Ref. No. **PCI-0285 (B054)**

[Parts Change Information]

<Date> February 22, 2011

Subject	Parts Change Information
Model	TASKalfa500ci, TASKalfa400ci, TASKalfa300ci, TASKalfa250ci, TASKalfa552ci, TASKalfa420i, TASKalfa520i, TASKalfa255/FS-6025MFP, TASKalfa255b/FS-6025MFP/B, TASKalfa305/FS-6030MFP, TASKalfa205c/FS-C8020MFP, TASKalfa255c/FS-C8025MFP, TASKalfa620, TASKalfa820, TASKalfa550c, TASKalfa650c, TASKalfa750c, KM-6030, KM-8030, FS-1024MFP, FS-1124MFP, DP-750/DP-750(B), DP-760/DP-760(B), DP-700, DF-720/DF-720(B)

Affected models

DP-750/760	TASKalfa500ci/400ci/300ci/250ci
DP-750(B)/DP-760(B)	TASKalfa500ci/400ci/300ci/250ci, TASKalfa420i/520i, TASKalfa552ci
DP-700	KM-3050/4050/5050
DF-720	KM-3050/4050/5050
DF-720(B)	TASKalfa420/520i

The following parts are changed.

P2 <Securing the clearance margin (Adding SPACER USB)>

TASKalfa500ci, TASKalfa400ci, TASKalfa300ci, TASKalfa250ci, TASKalfa552ci,
 TASKalfa420i, TASKalfa520i

P2 <Change of PARTS PWB ENGINE ASSY SP>

TASKalfa500ci, TASKalfa400ci, TASKalfa300ci, TASKalfa250ci

P3 <Change of the operation unit for service (Adding the protection film)>

TASKalfa255/FS-6025MFP, TASKalfa255b/FS-6025MFP/B, TASKalfa305/FS-6030MFP
 TASKalfa205c/FS-C8020MFP, TASKalfa255c/FS-C8025MFP

P3 <(Except KTST, KMTW and Europe spec) Change of the main PWB>

TASKalfa620, TASKalfa820

P4-5 <Stabilizing the motion of the DP original feed belt>

TASKalfa620, TASKalfa820, KM-6030, KM-8030,
 DP-750/DP-750(B), DP-760/DP-760(B), DP-700

P5 <(For KMA/KME) Change of the bundled operation sheets>

FS-1024MFP, FS-1124MFP

P5 <Improving the assembly process (Change of the fuser drive clutch)>

TASKalfa550c, TASKalfa650c, TASKalfa750c

P6 <(DF-800/810) Parts number information>

TASKalfa550c, TASKalfa650c, TASKalfa750c

P6 <Change of the parts number (SOLENOID FEED SHIFT)>

DF-720/DF-720(B)

Service Bulletin

[Parts Change Information]

 Ref. No. **PCI-0285 (B054)**

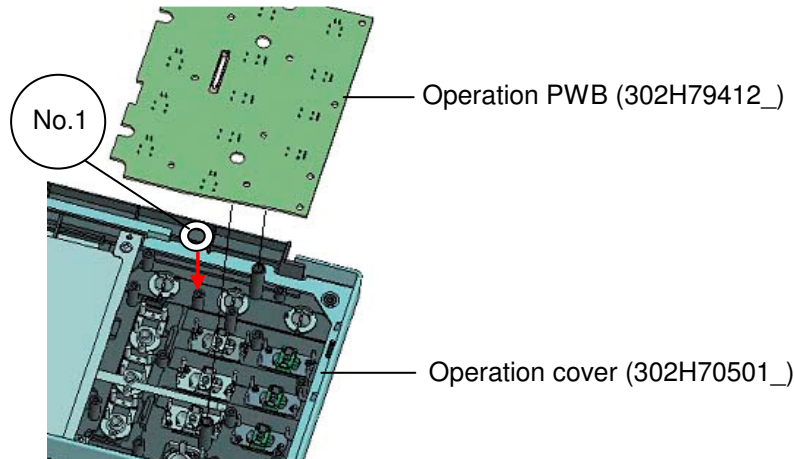
<Date> February 22, 2011

<Securing the clearance margin (Adding SPACER USB)>

--> From the production in January, 2011<

TASKalfa500ci, TASKalfa400ci, TASKalfa300ci, TASKalfa250ci, TASKalfa552ci,
TASKalfa420i, TASKalfa520i

SPACER USB (No.1) is added to secure the clearance margin for the operation cover with the operation PWB.



No.	Old Part No.	New Part No.	Description	Q'ty		Com pat i bility		Remarks
				Old	New	Old	New	
1	-----	302LW04260 2LW04260	SPACER USB	-	1	-	○	Thickness is 0.188mm

N00055856

* Parts numbers of the operation unit remain unchanged.

<Change of PARTS PWB ENGINE ASSY SP --> After using up the old stock>

TASKalfa500ci, TASKalfa400ci, TASKalfa300ci, TASKalfa250ci

Value of a resistor on PARTS PWB ENGINE ASSY SP (No.1, 2) is changed from 4.7kΩ to 2.2kΩ for common use of the parts.

No.	Old Part No.	New Part No.	Description	Q'ty		Com pat i bility		Remarks
				Old	New	Old	New	
1	302H794070 2H794070	302H794071 2H794071	PARTS PWB ENGINE ASSY SP	1	1	○	○	TASKalfa500ci/400ci
2	302JZ94020 2JZ94020	302JZ94021 2JZ94021	PARTS PWB ENGINE ASSY SP	1	1	○	○	TASKalfa300ci/250ci

N00045407

Service Bulletin

[Parts Change Information]

 Ref. No. **PCI-0285 (B054)**

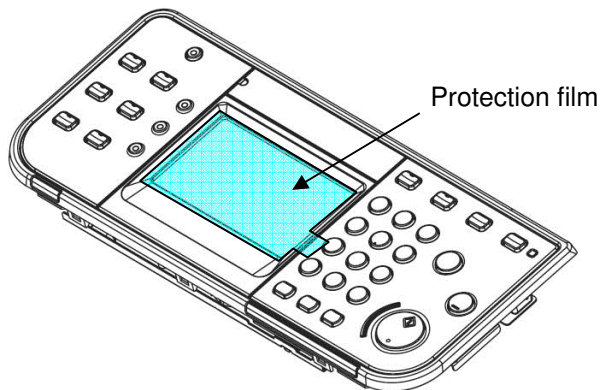
<Date> February 22, 2011

<Change of the operation unit for service (Adding the protection film)>

 TASKalfa255/FS-6025MFP, TASKalfa255b/FS-6025MFP/B, TASKalfa305/FS-6030MFP
 TASKalfa205c/FS-C8020MFP, TASKalfa255c/FS-C8025MFP

Operation unit for service (No.1) is shipped with the protection film at the surface of the operation panel.

[Operation unit for service (No.1)]



No.	Old Part No.	New Part No.	Description	Q'ty		Com pat i bility		Remarks
				Old	New	Old	New	
1	302K394420 2K394420	302K394421 2K394421	PARTS OPERATION UNIT SP	1	1	○	○	*1

N00055253/52854

<(Except KTST, KMTW and Europe spec) Change of the main PWB --> Planned from the production in February, 2011>

TASKalfa620, TASKalfa820

Main PWBs (No.1, 2) are changed as below for the parts procurement reason. (This is because procurement of the old quartz-crystal oscillator for RTC is difficult.)

No.	Old Part No.	New Part No.	Description	Q'ty		Com pat i bility		Remarks
				Old	New	Old	New	
1	302KP94240 2KP94240	302KP94360 2KP94360	PARTS PWB MAIN ASSY SP	1	1	○	○*	TASKalfa820
2	302KN94060 2KN94060	302KN94130 2KN94130	PARTS PWB MAIN ASSY SP	1	1	○	○*	TASKalfa620

N00055090/55152

*1: Please continually use old No.1, 2 for KTST/KMTW spec in term of the standard.

Therefore, please order with the new parts number for all spec except KTST/KMTW after this.

Quartz-crystal oscillator for RTC on the main PWB for Europe spec (302KP9425_/302KN9407_: For KME, UTAX/TA and OLI) is also changed, however, these parts numbers remain unchanged.

Service Bulletin

[Parts Change Information]

Ref. No. **PCI-0285 (B054)**

<Date> February 22, 2011

<Stabilizing the motion of the DP original feed belt

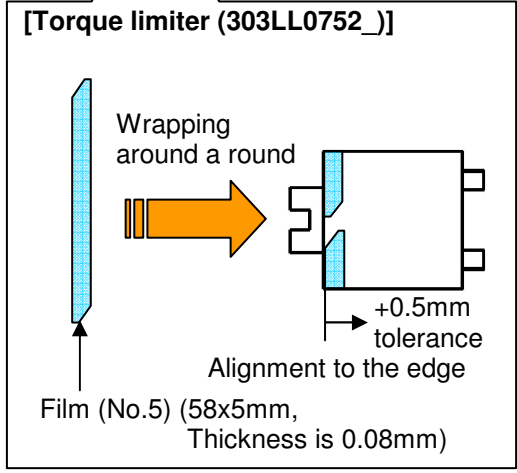
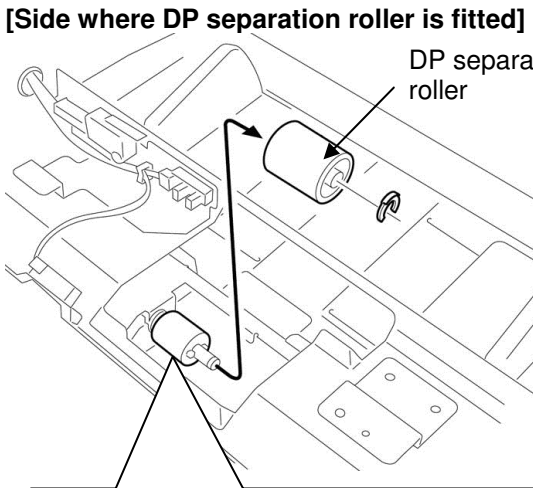
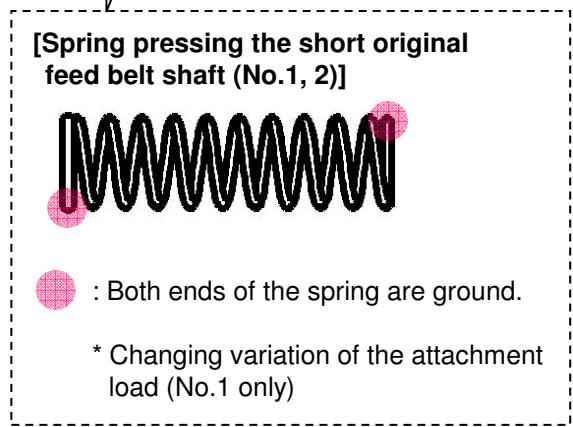
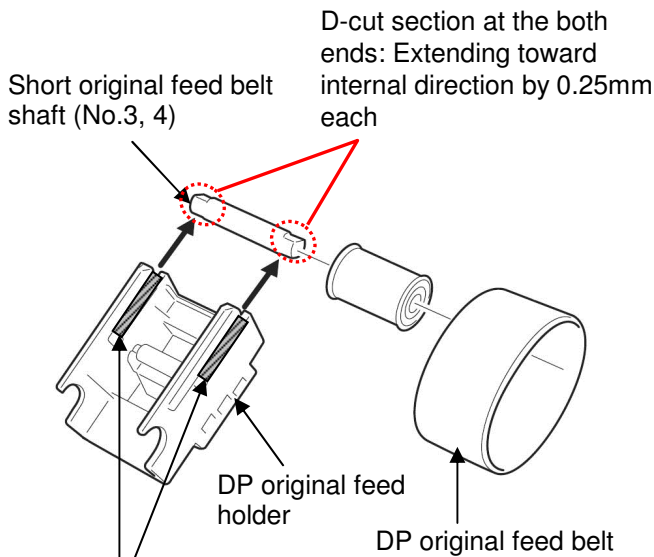
--> (TASKalfa620/820) From the production in January, 2011

(Other models) Available timing of the production in January, 2011>

TASKalfa620, TASKalfa820, KM-6030, KM-8030,
DP-750/DP-750(B), DP-760/DP-760(B), DP-700

Following are changed to stabilize the motion of the DP original feed belt.

- 1) Both ends of the spring pressing the short original feed belt shaft (No.1, 2) are ground to stabilize fitting to the DP original feed holder.
- 2) Tolerance of the tension of the spring (No.1) when fitted for the standard DP in the high speed monochrome models is changed from $7N \pm 0.7N$ to $7N \pm 0.35N$ to stabilize the spring tension.
(Tension of the spring (No.2) when fitted for the optional DP remains unchanged this time because it is conventionally $7N \pm 0.35N$.)
- 3) Length of the D-cut section at the front/rear side of the short original feed belt shaft (No.3, 4) is extended by 0.25mm for securing the clearance margin for the shaft with the holding sections of the DP original feed holder.
- 4) Film is affixed on the surface of the machine rear edge side of the torque limiter (3LL0752_) that is fitted to the DP separation roller to reduce backlash of the DP separation roller when rotating it that faces the DP original feed belt.



Service Bulletin

[Parts Change Information]

 Ref. No. **PCI-0285 (B054)**

<Date> February 22, 2011

No.	Old Part No.	New Part No.	Description	Q'ty		Com pat i bility		Remarks
				Old	New	Old	New	
1	3H607150	303H607151 3H607151	SPRING PF	2	2	X	O	For the standard DP in the high speed monochrome model (*1)
2	303LL07470 3LL07470	303LL07471 3LL07471	SPRING PF	2	2	X	O	For the optional DP (*2)
3	3H607090	303H607091 3H607091	SHAFT BELT	1	1	X	O	For the standard DP in the high speed monochrome model (*1)
4	303JX07320 3JX07320	303JX07321 3JX07321	SHAFT BELT	1	1	X	O	For the optional DP (*2)
5	-----	303MW07060 3MW07060	FILM TORQUE LIMITER	-	1	-	O	Except DP-700

N00055629/55630/55632/55633/55126/55776

*1: (Affected models) TASKalfa620/820, KM-6030/8030

*2: (Affected models) DP-750/DP-750(B), DP-760/DP-760(B), DP-700

<(For KMA/KME) Change of the bundled operation sheets

--> Planned from the production in February, 2011>

FS-1024MFP, FS-1124MFP

The operation sheets bundled in the machine for KMA/KME spec is changed as below.

KMA: Bundled operation sheets in 3 languages (Spanish, Portuguese and French) are changed to the one in Portuguese only.

KME: Bundled operation sheets in 5 languages (Spanish, Arabian, Portuguese, French and Russian) are changed to the one in Russian only.

N00056004

<Improving the assembly process (Change of the fuser drive clutch)

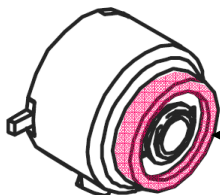
--> After using up the old stock>

TASKalfa550c, TASKalfa650c, TASKalfa750c

Thickness of the tooth at the gear section of the fuser drive clutch (No.1) is changed from 5mm to 11mm for improving the assembly process.

Accordingly, color of the gear section is changed from black to white.

<Fuser drive clutch (No.1)>



Gear section: [Thickness of the tooth] (Before) 5mm --> (After) 11mm
 [Color] (Before) Black --> (After) White

No.	Old Part No.	New Part No.	Description	Q'ty		Com pat i bility		Remarks
				Old	New	Old	New	
1	305JN72360 5JN72360	305JN72360 5JN72360	CLUTCH:CLUCH-33C-8-CCW-FUS	1	1	O	O	*1

N00055782/G10H158

*1: Parts number remains unchanged according to this change.

Service Bulletin

[Parts Change Information]

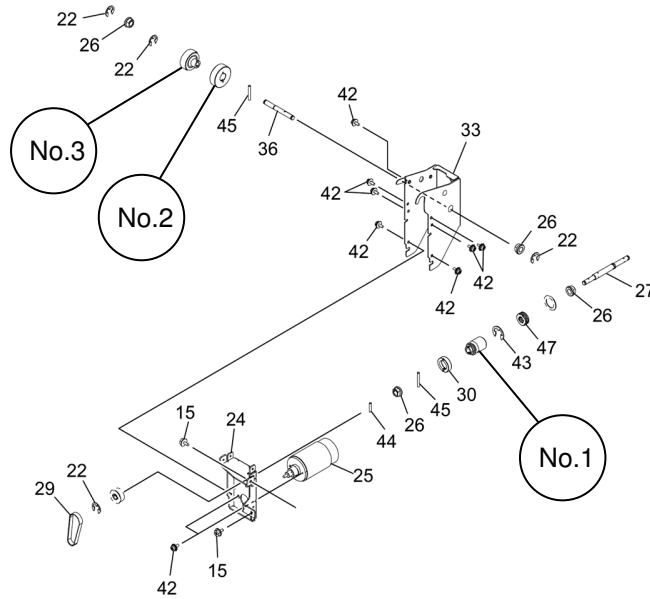
 Ref. No. **PCI-0285 (B054)**

<Date> February 22, 2011

<(DF-800/810) Parts number information>

TASKalfa550c, TASKalfa650c, TASKalfa750c

Parts numbers are set to the following parts (No.1-3).

[Fig. 12 SORT-TRAY-ASM]


No.	Old Part No.	New Part No.	Description	Q'ty		Com pat i bility		Remarks
				Old	New	Old	New	
1	-----	305JN72R10 5JN72R10	WORM-GEAR-TRAY	-	1	-	○	
2	-----	305JN72R20 5JN72R20	WORM-WHEEL-10-6-TRAY	-	1	-	○	
3	-----	305JN72R30 5JN72R30	GEAR-12R5S21-6-TRAY	-	1	-	○	

N00055784/G10H194

<Change of the parts number (SOLENOID FEED SHIFT)>

--> After using up the old stock<

DF-720/DF-720(B)

The parts number is unified to the new parts number because the new and old parts are equal.

No.	Old Part No.	New Part No.	Description	Q'ty		Com pat i bility		Remarks
				Old	New	Old	New	
1	303J394040 3J394040	303J344020 3J344020	SOLENOID FEED SHIFT	1	1	○	○	

N00055174

"+" Mark at the head of the description means it is a components parts.

Service Bulletin

Ref. No. **2KP-0017 (B061)**

<Date> August 4, 2011

Subject	Improving the margin for rotation of DP original feed belt
Model	TASKalfa620, TASKalfa820, KM-6030, KM-8030, DP-750/DP-750(B), DP-760/DP-760(B), DP-700

This time the description with (-->)is revised from the previous information.

<Number of changes: 1> Adding information about Affected Machine Serial Number Chart

(Affected models DP-750/760 : TASKalfa500ci/400ci/300ci/250ci
 DP-750(B)/760(B): TASKalfa500ci/400ci/300ci/250ci, TASKalfa420i/520i, TASKalfa552ci
 DP-700 : KM-3050/4050/5050)

The margin for rotation of the DP original feed belt that is fitted in TASKalfa620/820 (*1) is decreased according to the last change while the DP original feed belt was once changed for parts procurement reason (it was informed as per the service bulletin No.PCI-0264 (A233) (*2)).

As the result, the DP original feed belt may rarely drift when feeding the original at DP depending on the variation of the parts, and it may cause the paper jam (JAM70/71/72). Therefore, following are changed.

(*1) As for the models except TASKalfa620/820, the same change is also executed this time for securing the margin.

(*2) Previous change of the DP original feed belt:

(TASKalfa620/820, KM-6030/8030) Changed from 3H607010 to the old No.2.
 (Models except the above) Changed from 303JX0733_ to the old No.2

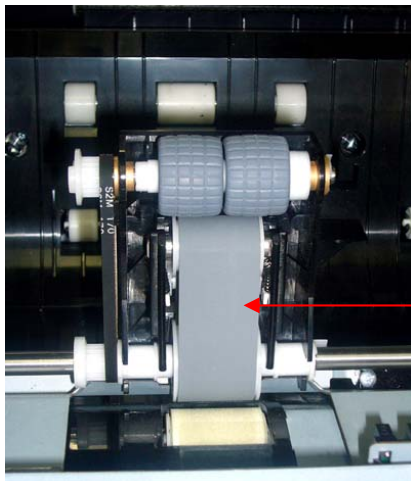
<Content of changes>

The DP original feed belt (No.2) is changed as below so that the variation of the parts is regulated for improving the margin for rotation of the belt.

- Changing the thickness: (Before) 1mm (±0.1mm) --> (After) 1mm (+0.1/-0.05mm)
- Setting the spec of coefficient of friction at the backside of the belt: 0.60 thru 0.74
- Setting the spec of strength in width direction : 72gf or more

(*) The DP original feed belt (3H607010) that was normally used before is used for the period from the production in January, 2011 to this change (New No.2) as the temporary measure for TASKalfa620/820, the MK kit for TASKalfa620/820 and KM-6030//8030 only.

(Below is the state of removing the upper original feed cover after opening the DP top cover.)



DP original feed belt (No.2)

No.	Old Part No.	New Part No.	Description	Q'ty		Com pat i bi lity		Remarks
				Old	New	Old	New	
1	303JX94080 3JX94080	303JX94081 3JX94081	PF ASS'Y SP	1	1	X	O	DP-700
2	303LL07530 3LL07530	303LL07531 3LL07531	+BELT PF	1	1	X	O	

"+" Mark at the head of the description means it is a components parts.

(Revised Issue 1)
Service Bulletin

KMC's Classification		<input type="checkbox"/> Entire Stock Rework	<input type="checkbox"/> In-Field modification at next visit			
		<input checked="" type="checkbox"/> In-Field modification by case	<input type="checkbox"/> No modification necessary			
Field Measure: Please replace with the new DP original feed belt (No.2) when the above phenomenon occurs.						
Serial Nos. of Affected Machine:						
Temporary change of the DP original feed belt (for TASKalfa620/820 and the MK kit for TASKalfa620/820, KM-6030/8030)						
TASKalfa620	KMA	KME	OLI	KMAUS	KMID	KTST
	QFU1103157-	QFV1101406-	QKL1100231-	QFW1100076-	Q481100001-	QTZ1100117-
	Other spec No production at the subject period.					
TASKalfa820	KMA	KMBR	KME	OLI	KMSG	KMID
	QFQ1201970-	N161200011-	QFR1201306-	QKN1200150-	QKE1200070-	Q491200001-
	Other spec No production at the subject period.					
MK-660B for TASKalfa620/820: (All spec except KTST) QKF1102410- (KTST spec) No production at the subject period. PM-660A for TASKalfa620/820: No production in the subject period. MK-650B for KM-6030/8030: (All spec except KTST) DM037117- (KTST spec) No production at the subject period. PM-650A for KM-6030/8030: DR031984-						
Change of the DP original feed belt (New No.2)						
TASKalfa620	KMA	KMAUS	KTST	KMA(GSA)	Other spec	
	QFU1203215-	QFW1200080-	QTZ1200126-	Planned on after March, 2011.	From the next production.	
TASKalfa820	KMA(GSA)	Other spec				
	Planned on after March, 2011.	From the next production.				
DP-750(B)	KMA	KME/KMAO	UTAX/TA	OLI	KTST	KMTW
	QHB1228015-	QHA1262112-	QET1217130-	Q1P1201306-	QMQ1201624-	Q821200438-
DP-760(B)	KMA	KME/KMAO	UTAX/TA	OLI	KTST	KMTW
	QGY1227581-	QGX1208956-	From the next production.	Q1Q1200590-	QMR1200345-	Q831200031-
DP-700 DP-750/760	No production.					
MK-660B for TASKalfa620/820: (All spec except KTST) QKF1202570- (KTST spec) From the next production. (QFK) PM-660A for TASKalfa620/820: QJL1200567- MK-650B for KM-6030/8030: (All spec except KTST) DM037417- (KTST spec) From the next production. (PSE) PM-650A for KM-6030/8030: DR032187-						

N00055492/56144

(Revised Issue 1)
Service Bulletin

(-->) Affected Machine Serial Number Chart

DP-750

UTAX UNIVC 1203LL5UT0 QET-Discon	KMJ UNIVC 1203LL5JP0 QGZ-Discon	OScom UNIVC 1203LL5KL0 QHA-Discon	OScom UNIVI 1203LL6KL0 QHB-Discon	KTST UNIVC 1203LL5KS0 QMQ-Discon	KMJ UNIVC 1203LL5JP1 QGZ1225838	OScom UNIVI 1203LL6KL1 QHB1228015	OScom UNIVC 1203LL5KL1 QHA1262112
OLIVETTI UNIVC 1203LL5LV0 Q1P1201306	KTST UNIVC 1203LL5KS2 QMQ1201624	UTAX UNIVC 1203LL5UT1 QET1217130	KMJ UNIVC 1203LL5JP2 No Prdctn	OScom UNIVC 1203LL5KL3 No Prdctn	UTAX UNIVC 1203LL5UT2 No Prdctn	OScom UNIVI 1203LL6KL2 No Prdctn	KMTW UNIVC 1203LL5TW0 Q821200438
KMKR UNIVC 1203LL5KR0 QHA1570023							

DP-760

UTAX UNIVC 1203LK5UT0 QEU-Discon	KMJ UNIVC 1203LK5JP0 QGW-Discon	OScom UNIVC 1203LK5KL0 QGX-Discon	OScom UNIVI 1203LK6KL0 QGY-Discon	KTST UNIVC 1203LK5KS0 QMR-Discon	KMJ UNIVC 1203LK5JP1 QGW1202014	OScom UNIVI 1203LK6KL1 QGY1227581	OScom UNIVC 1203LK5KL1 QGX1208956
OLIVETTI UNIVC 1203LK5LV0 Q1Q1200590	KTST UNIVC 1203LK5KS2 QMR1200345	UTAX UNIVC 1203LK5UT1 QEU1401310	KMJ UNIVC 1203LK5JP2 No Prdctn	OScom UNIVC 1203LK5KL3 No Prdctn	UTAX UNIVC 1203LK5UT2 No Prdctn	OScom UNIVI 1203LK6KL2 No Prdctn	KMTW UNIVC 1203LK5TW0 Q831200311
KMKR UNIVC 1203LK5KR0 No Prdctn							

Service Bulletin

Ref. No. **2H7-0082 (B062)**

<Date> April 18, 2011

Subject	Reducing the wear of the primary transfer belt edge
Model	TASKalfa500ci, TASKalfa400ci, TASKalfa300ci, TASKalfa250ci, TASKalfa552ci, FS-C8500DN

This time the description with (-->)is revised from the previous information.

<Number of changes: 1> Adding the accurate serial number in page 2.

The affixing position of the seal (X in the figure below: No. 20) on the topside of the Bk developer unit was changed before (Note 1) as the countermeasure against the primary transfer belt side scratches. (*1)
Following is changed to reduce the wear at the positions (Section Y) of about 5 mm from the both edges of the primary transfer belt.

(*1) When the section Y at the primary transfer belt is worn down due to increase of the friction resistance between the primary transfer belt and the seal under the influence of the operation environment (high temperature/high humidity), the following phenomena may occur.

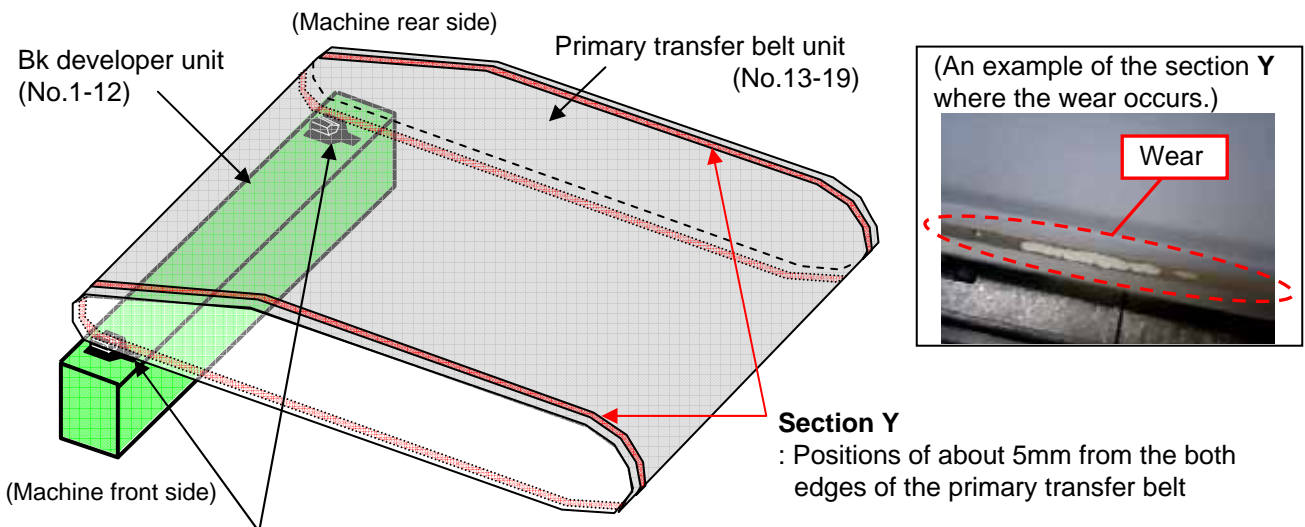
- White steaks or black streaks from the cleaning failure because of the scratched dust getting into the developer unit and the drum unit.
- Image failure from tear of the primary transfer belt because of the scratches going further to tear.

(Note 1) The above change was informed as per the service bulletin No. 2H7-0045 (8984).

<Content of changes>

Material of the seal (X: No.20) on the topside of the Bk developer unit is changed to the one with lower friction resistance than before to reduce the wear of the section Y of the primary transfer belt.

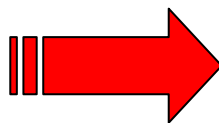
Material of the seal: (Before) Seal planted nylon fiber (Black) --> (After) Fujiron (Teflon felt) (Dark brown)



<Seal (X: 20) on the topside of the Bk developer unit>

(Before: Below is the Bk developer unit at the machine front side)

(After)



Material/Color: Seal planted nylon fiber/Black

Material/Color: Fujiron (Teflon felt) (Dark)

Service Bulletin

Ref. No. **2H7-0082 (B062)**

<Date> April 18, 2011

KMC's Classification	<input type="checkbox"/> Entire Stock Rework	<input type="checkbox"/> In-Field modification at next visit
	<input checked="" type="checkbox"/> In-Field modification by case	<input type="checkbox"/> No modification necessary

Field Measure:

Please execute the following 1, 2 when the above phenomenon occurs.

1. Peel off the seal (**X**) on the topside of the Bk developer unit (Old No.1-12), and affix the new seals (**X**: New No.20) to the machine front/rear side of the Bk developer unit after cleaning the affixing part with alcohol. (Please refer to the attached leaflet for the alignment.)
2. Replace with the new primary transfer belt (No.13-19).
(New seals (**X**) in the above 1 should not be separately procured because the new primary transfer belt unit bundles 2 pcs of the new seal (**X**.)

And, please draw out the primary transfer belt before detaching/reinstalling the Bk developer unit.

Serial Nos. of Affected Machine: (-->)

TASKalfa500ci	KME	Consip 17	KMHG	Other spec	
	QHW1303116	QHW1303291	QLA1300033	Next production	
TASKalfa400ci	KME	KMTW	KMSG	KMHG	KTST
	QJA1305350	QGG1300041	QFG1300116	QKZ1300054	QMM1300136
	Other spec				
	Next production				
TASKalfa300ci	KME	UTAX/TA	KMTW	KTST	Other spec
	QJE1307986	QER1302081	QGF1300112	QMN1300162	Next production
TASKalfa250ci	KME	UTAX/TA	KMTW	KMSG	PHILIPINE
	QJK1335583	QEQ1313032	QGE1300097	QFE1300294	QLU1300059
	Other spec				
	Next production				
TASKalfa552ci	Next production				

<Serial number of the developing unit>

No.1/2: KBT1322119- No.3/4: KKZ1301557- No.5/6: KUQ1275407- No.7/8: KL11300713-
 No.9/10: K321305539- No.11/12: KL21300401-

<Serial number of MK kit>

MK-855A for TASKalfa500ci/400ci (KMA)	: QJR1302675
MK-855A for TASKalfa500ci/400ci (KME)	: QJR1302778
MK-855A for TASKalfa500ci/400ci (KMTW)	: QGL1300010
MK-855A for TASKalfa500ci/400ci (KTST)	: QMZ1300009
MK-855A for TASKalfa500ci/400ci (KMKR)	: Next production(QJR)
MK-865A for TASKalfa300ci/250ci (KMA)	: QJP1302474
MK-865A for TASKalfa300ci/250ci (KME)	: QJP1302505
MK-865A for TASKalfa300ci/250ci (KMTW)	: QGN1300008
MK-865A for TASKalfa300ci/250ci (KTST)	: Next production (QNB)
MK-865A for TASKalfa300ci/250ci (KMKR)	: Next production (QJP)
MK-856A for TASKalfa552ci (120V spec)	: QXJ1300244
MK-856A for TASKalfa552ci (220-240V spec)	: QXJ1300251
MK-856A for TASKalfa552ci (KMKR)	: Next production (QXM)
MK-880A for FS-C8500DN	: Next production (Q1J)

N00053163

Service Bulletin

Ref. No. **2H7-0082 (B062)**

<Date> April 18, 2011

No.	Old Part No.	New Part No.	Description	Q'ty		Compati bi lity		Remarks
				Old	New	Old	New	
1	302H793178 2H793178	302H793179 2H793179	PARTS DLP K UNIT	1	1	X	O	*1, *4 (Except KMKR)
2	302H79K178 2H79K178	302H79K179 2H79K179	PARTS DLP K UNIT	1	1	X	O	*1, *4 (For KMKR)
3	302H793710 2H793710	302H793711 2H793711	PARTS DLP K UNIT B	1	1	X	O	*1, *5 (Except KMKR)
4	302H79K710 2H79K710	302H79K711 2H79K711	PARTS DLP K UNIT B	1	1	X	O	*1, *5 (For KMKR)
5	302JZ93199 2JZ93199	302JZ9319A 2JZ9319A	PARTS DLP K L UNIT	1	1	X	O	*2, *4 (Except KMKR)
6	302JZ9K199 2JZ9K199	302JZ9K19A 2JZ9K19A	PARTS DLP K L UNIT	1	1	X	O	*2, *4 (For KMKR)
7	302JZ93410 2JZ93410	302JZ93411 2JZ93411	PARTS DLP K L UNIT B	1	1	X	O	*2, *5 (Except KMKR)
8	302JZ9K410 2JZ9K410	302JZ9K411 2JZ9K411	PARTS DLP K L UNIT B	1	1	X	O	*2, *5 (For KMKR)
9	302KY93030 2KY93030	302KY93031 2KY93031	PARTS DLP K UNIT	1	1	X	O	*3, *4 (Except KMKR)
10	302KY9K030 2KY9K030	302KY9K031 2KY9K031	PARTS DLP K UNIT	1	1	X	O	*3, *4 (For KMKR)
11	302KY93180 2KY93180	302KY93181 2KY93181	PARTS DLP K UNIT B	1	1	X	O	*3, *5 (Except KMKR)
12	302KY9K180 2KY9K180	302KY9K181 2KY9K181	PARTS DLP K UNIT B	1	1	X	O	*3, *5 (For KMKR)
13	302H793227 2H793227	302H793228 2H793228	PARTS TRANSFER BELT H UNIT	1	1	X	O	*1 (Except KMKR)
14	302H79K227 2H79K227	302H79K228 2H79K228	PARTS TRANSFER BELT H UNIT	1	1	X	O	*1 (For KMKR)
15	302JZ93077 2JZ93077	302JZ93078 2JZ93078	PARTS TRANSFER BELT L UNIT	1	1	X	O	*2 (Except KMKR/KTST)
16	302JZ9K077 2JZ9K077	302JZ9K078 2JZ9K078	PARTS TRANSFER BELT L UNIT	1	1	X	O	*2 (For KMKR)
17	302JZ93247 2JZ93247	302JZ93248 2JZ93248	PARTS TRANSFER BELT L J UNIT	1	1	X	O	*2 (For KTST)
18	302KY93152 2KY93152	302KY93153 2KY93153	PARTS TRANSFER BELT UNIT	1	1	X	O	*3 (Except KMKR)
19	302KY9K152 2KY9K152	302KY9K153 2KY9K153	PARTS TRANSFER BELT UNIT	1	1	X	O	*3 (For KMKR)
20	302H715350 2H715350	302H715351 2H715351	+SEAL TAKEOFF	2	2	X	O	*6

"+" Mark at the head of the description means it is a components parts.

(*) Please note that the last digit part number of the primary transfer belt unit (No.13-19) will be additionally changed as the countermeasure against peeling off of the rubber that secures position of the belt.

*1: TASKalfa500ci/400ci

*2: TASKalfa300ci/250ci

*3: TASKalfa552ci, FS-C8500DN

*4: Normal Bk developer unit

*5: Bk developer unit for preventing the toner smudge (for service only)

--- These parts were informed as per the separate service bulletin No.2H7-0080 (B010), 2KY-0008 (B016).

*6: The seals are affixed on the topside of the both ends of the Bk developer unit (No.1-12) at the machine front/rear side , and are bundled in the primary transfer belt unit (No.13-19) with the affixing procedure leaflet (attached leaflet).

Service Bulletin

Ref. No. **2H7-0082 (B062)**

<Date> April 18, 2011

Subject	Reducing the wear of the primary transfer belt edge
Model	TASKalfa500ci, TASKalfa400ci, TASKalfa300ci, TASKalfa250ci, TASKalfa552ci, FS-C8500DN

This time the description with (-->)is revised from the previous information.

<Number of changes: 1> Adding the accurate serial number in page 2.

The affixing position of the seal (X in the figure below: No. 20) on the topside of the Bk developer unit was changed before (Note 1) as the countermeasure against the primary transfer belt side scratches. (*1)
Following is changed to reduce the wear at the positions (Section Y) of about 5 mm from the both edges of the primary transfer belt.

(*1) When the section Y at the primary transfer belt is worn down due to increase of the friction resistance between the primary transfer belt and the seal under the influence of the operation environment (high temperature/high humidity), the following phenomena may occur.

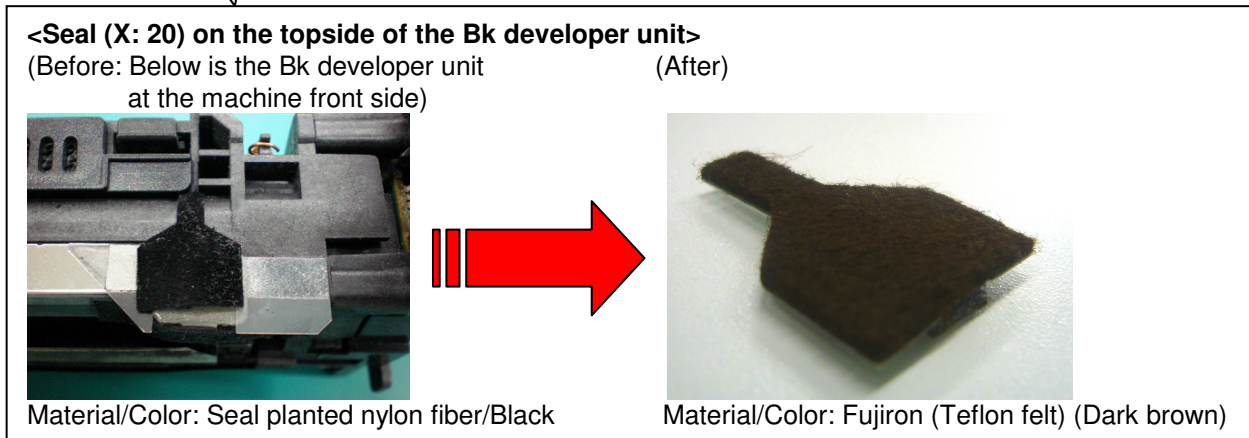
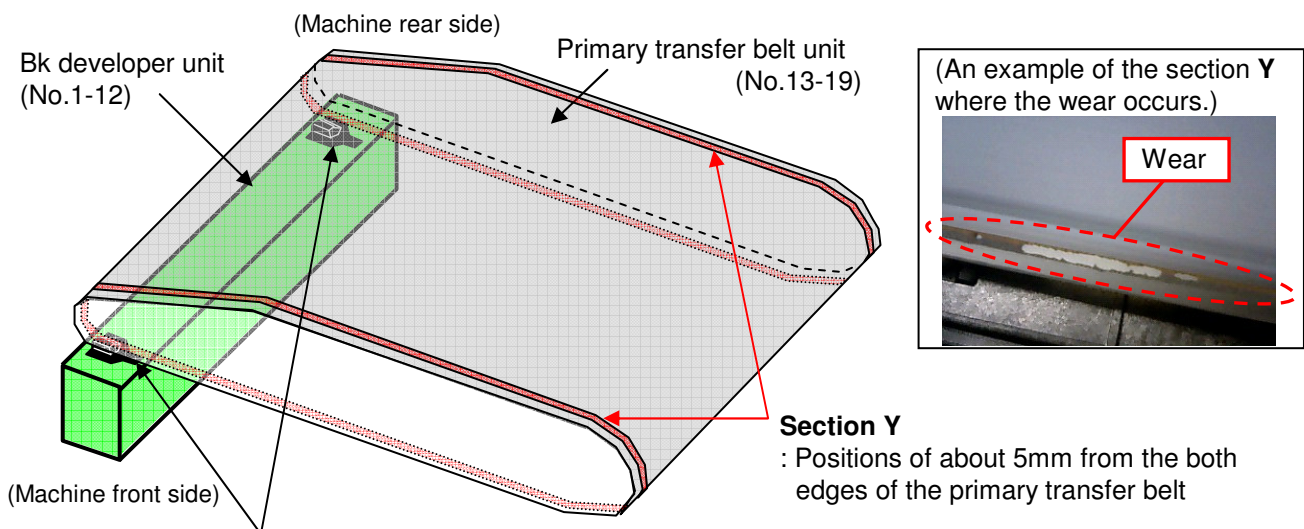
- White steaks or black streaks from the cleaning failure because of the scratched dust getting into the developer unit and the drum unit.
- Image failure from tear of the primary transfer belt because of the scratches going further to tear.

(Note 1) The above change was informed as per the service bulletin No. 2H7-0045 (8984).

<Content of changes>

Material of the seal (X: No.20) on the topside of the Bk developer unit is changed to the one with lower friction resistance than before to reduce the wear of the section Y of the primary transfer belt.

Material of the seal: (Before) Seal planted nylon fiber (Black) --> (After) Fujiron (Teflon felt) (Dark brown)



Service Bulletin

Ref. No. **2H7-0082 (B062)**

<Date> April 18, 2011

KMC's Classification	<input type="checkbox"/> Entire Stock Rework	<input type="checkbox"/> In-Field modification at next visit			
	<input checked="" type="checkbox"/> In-Field modification by case	<input type="checkbox"/> No modification necessary			
Field Measure:					
Please execute the following 1, 2 when the above phenomenon occurs.					
1. Peel off the seal (X) on the topside of the Bk developer unit (Old No.1-12), and affix the new seals (X : New No.20) to the machine front/rear side of the Bk developer unit after cleaning the affixing part with alcohol. (Please refer to the attached leaflet for the alignment.)					
2. Replace with the new primary transfer belt (No.13-19). (New seals (X) in the above 1 should not be separately procured because the new primary transfer belt unit bundles 2 pcs of the new seal (X .)					
And, please draw out the primary transfer belt before detaching/reinstalling the Bk developer unit.					
Serial Nos. of Affected Machine: (-->)					
TASKalfa500ci	KME	Consip 17	KMHG	Other spec	
	QHW1303116	QHW1303291	QLA1300033	Next production	
TASKalfa400ci	KME	KMTW	KMSG	KMHG	KTST
	QJA1305350	QGG1300041	QFG1300116	QKZ1300054	QMM1300136
	Other spec				
	Next production				
TASKalfa300ci	KME	UTAX/TA	KMTW	KTST	Other spec
	QJE1307986	QER1302081	QGF1300112	QMN1300162	Next production
TASKalfa250ci	KME	UTAX/TA	KMTW	KMSG	PHILIPINE
	QJK1335583	QEQ1313032	QGE1300097	QFE1300294	QLU1300059
	Other spec				
	Next production				
TASKalfa552ci	Next production				
<Serial number of the developing unit>					
No.1/2: KBT1322119-		No.3/4: KKZ1301557-		No.5/6: KUQ1275407-	
No.9/10: K321305539-		No.11/12: KL21300401-		No.7/8: KL11300713-	
<Serial number of MK kit>					
MK-855A for TASKalfa500ci/400ci (KMA)		: QJR1302675			
MK-855A for TASKalfa500ci/400ci (KME)		: QJR1302778			
MK-855A for TASKalfa500ci/400ci (KMTW)		: QGL1300010			
MK-855A for TASKalfa500ci/400ci (KTST)		: QMZ1300009			
MK-855A for TASKalfa500ci/400ci (KMKR)		: Next production(QJR)			
MK-865A for TASKalfa300ci/250ci (KMA)		: QJP1302474			
MK-865A for TASKalfa300ci/250ci (KME)		: QJP1302505			
MK-865A for TASKalfa300ci/250ci (KMTW)		: QGN1300008			
MK-865A for TASKalfa300ci/250ci (KTST)		: Next production (QNB)			
MK-865A for TASKalfa300ci/250ci (KMKR)		: Next production (QJP)			
MK-856A for TASKalfa552ci (120V spec)		: QXJ1300244			
MK-856A for TASKalfa552ci (220-240V spec)		: QXJ1300251			
MK-856A for TASKalfa552ci (KMKR)		: Next production (QXM)			
MK-880A for FS-C8500DN		: Next production (Q1J)			

N00053163

Service Bulletin

Ref. No. **2H7-0082 (B062)**

<Date> April 18, 2011

No.	Old Part No.	New Part No.	Description	Q'ty		Compati bi lity		Remarks
				Old	New	Old	New	
1	302H793178 2H793178	302H793179 2H793179	PARTS DLP K UNIT	1	1	X	O	*1, *4 (Except KMKR)
2	302H79K178 2H79K178	302H79K179 2H79K179	PARTS DLP K UNIT	1	1	X	O	*1, *4 (For KMKR)
3	302H793710 2H793710	302H793711 2H793711	PARTS DLP K UNIT B	1	1	X	O	*1, *5 (Except KMKR)
4	302H79K710 2H79K710	302H79K711 2H79K711	PARTS DLP K UNIT B	1	1	X	O	*1, *5 (For KMKR)
5	302JZ93199 2JZ93199	302JZ9319A 2JZ9319A	PARTS DLP K L UNIT	1	1	X	O	*2, *4 (Except KMKR)
6	302JZ9K199 2JZ9K199	302JZ9K19A 2JZ9K19A	PARTS DLP K L UNIT	1	1	X	O	*2, *4 (For KMKR)
7	302JZ93410 2JZ93410	302JZ93411 2JZ93411	PARTS DLP K L UNIT B	1	1	X	O	*2, *5 (Except KMKR)
8	302JZ9K410 2JZ9K410	302JZ9K411 2JZ9K411	PARTS DLP K L UNIT B	1	1	X	O	*2, *5 (For KMKR)
9	302KY93030 2KY93030	302KY93031 2KY93031	PARTS DLP K UNIT	1	1	X	O	*3, *4 (Except KMKR)
10	302KY9K030 2KY9K030	302KY9K031 2KY9K031	PARTS DLP K UNIT	1	1	X	O	*3, *4 (For KMKR)
11	302KY93180 2KY93180	302KY93181 2KY93181	PARTS DLP K UNIT B	1	1	X	O	*3, *5 (Except KMKR)
12	302KY9K180 2KY9K180	302KY9K181 2KY9K181	PARTS DLP K UNIT B	1	1	X	O	*3, *5 (For KMKR)
13	302H793227 2H793227	302H793228 2H793228	PARTS TRANSFER BELT H UNIT	1	1	X	O	*1 (Except KMKR)
14	302H79K227 2H79K227	302H79K228 2H79K228	PARTS TRANSFER BELT H UNIT	1	1	X	O	*1 (For KMKR)
15	302JZ93077 2JZ93077	302JZ93078 2JZ93078	PARTS TRANSFER BELT L UNIT	1	1	X	O	*2 (Except KMKR/KTST)
16	302JZ9K077 2JZ9K077	302JZ9K078 2JZ9K078	PARTS TRANSFER BELT L UNIT	1	1	X	O	*2 (For KMKR)
17	302JZ93247 2JZ93247	302JZ93248 2JZ93248	PARTS TRANSFER BELT L J UNIT	1	1	X	O	*2 (For KTST)
18	302KY93152 2KY93152	302KY93153 2KY93153	PARTS TRANSFER BELT UNIT	1	1	X	O	*3 (Except KMKR)
19	302KY9K152 2KY9K152	302KY9K153 2KY9K153	PARTS TRANSFER BELT UNIT	1	1	X	O	*3 (For KMKR)
20	302H715350 2H715350	302H715351 2H715351	+SEAL TAKEOFF	2	2	X	O	*6

"+" Mark at the head of the description means it is a components parts.

(*) Please note that the last digit part number of the primary transfer belt unit (No.13-19) will be additionally changed as the countermeasure against peeling off of the rubber that secures position of the belt.

*1: TASKalfa500ci/400ci

*2: TASKalfa300ci/250ci

*3: TASKalfa552ci, FS-C8500DN

*4: Normal Bk developer unit

*5: Bk developer unit for preventing the toner smudge (for service only)

--- These parts were informed as per the separate service bulletin No.2H7-0080 (B010), 2KY-0008 (B016).

*6: The seals are affixed on the topside of the both ends of the Bk developer unit (No.1-12) at the machine front/rear side , and are bundled in the primary transfer belt unit (No.13-19) with the affixing procedure leaflet (attached leaflet).

Service Bulletin

Ref. No. **COM-0221 (B073)**

<Date> March 11, 2011

Subject	Eliminating encrypt function --- KTST spec only
Model	FAX System(R), FAX System(Q)

(Affected models : FAX System(R) TASKalfa180/220, TASKalfa181/221
 FAX System(Q) TASKalfa500ci/400ci/300ci/250ci

The encrypt function is eliminated from the KTST spec.
 According to this, following are changed.

1. FAX firmware change Encrypt function is eliminated.
2. Operation guide change Descriptions of the encrypt function are eliminated.

Remarks)

- A. Encrypted communication menu in the operation panel remains.
 Dialing is not processed after on-hook and it is treated as the communication error U04300 [Encrypted transmission failed because the destination unit had no encrypted communication capability] in case transmission is directed with the encryption related setting.
- B. When receiving the encrypted message, the sender receives U04300/E04300 [Encrypted transmission failed because the destination unit had no encrypted communication capability] since the receiver can not process the encrypted message.

Type	Program No.	VER.	Remarks	
FAX SYSTEM(R)				
FAX CONTROL CHN	3MZ_5100.Z03.003	3MZ_5100.Z03.003	for KTST	← New Upgrade

FAX SYSTEM(Q)				
FAX BOOT	-----	3MB_5000.004.001		
FAX APL CHN	-----	3MB_5100.Z05.002	for KTST	← New Upgrade
FAX IPL	-----	3MB_5200.004.001		
FAX ALL CHN	3MB_5900.Z05.002*	3MB_5400.Z05.002	F/W to supply for KTST	← New Upgrade

*File name to supply is 3MB_5900.***.*** but folder name after decompression is 3MB_5400.***.*** .

For KM sales companies, it is possible to download firmware through KM Knowledge Cabi-NET.

KMC's Classification	<input type="checkbox"/> Entire Stock Rework	<input type="checkbox"/> In-Field modification at next visit
	<input type="checkbox"/> In-Field modification by case	<input checked="" type="checkbox"/> No modification necessary
Field Measure:	Please note the above descriptions.	
Serial Nos. of Affected Machine:	FAX System(R): planned in February 2011 production FAX System(Q): planned in March 2011 production	

N00055670/N00055662/ N00055668/N00055661/ N00055666/N00055669

Service Bulletin

Ref. No. **COM-0222 (B074)**

[Service Information]

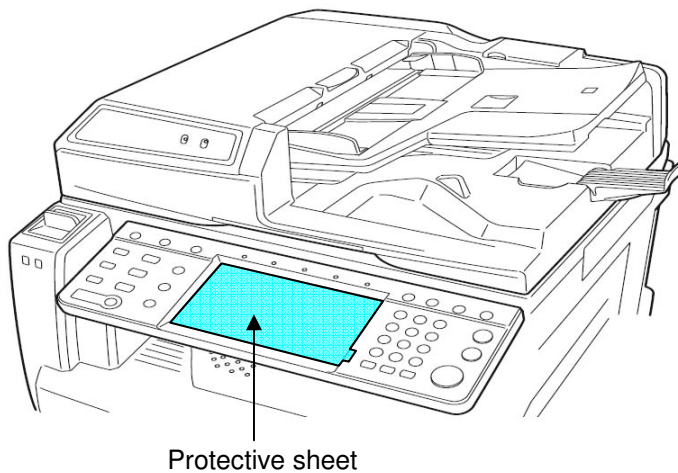
<Date> March 7, 2010

Subject	Notes when setting up the machine or replacing the operation panel (Adding the protective sheet on the operation panel)
Model	TASKalfa500ci, TASKalfa400ci, TASKalfa300ci, TASKalfa250ci, TASKalfa552ci, TASKalfa420i, TASKalfa520i, TASKalfa300i, KM-2560, KM-3060, KM-2540, KM-3040

A protective sheet is applied to avoid scratch on the operation panel.

Please use the operation panel after peeling off the protective sheet applied on the operation panel when setting up the machine or replacing the operation panel.

(Below is TASKalfa500ci series)



KMC's Classification	<input type="checkbox"/> Entire Stock Rework	<input type="checkbox"/> In-Field modification at next visit
	<input type="checkbox"/> In-Field modification by case	<input checked="" type="checkbox"/> No modification necessary
Field Measure:	No particular problems are expected.	
Serial Nos. of Affected Machine:		
(Except KM-2540/3040) From the production in February, 2011 on*		
(KM-2540/3040) From the production in March, 2011 on*		
* The above is the plan at the present moment.		
Please note that there is a possibility of change after giving this information.		

N00056375/N00056812/N00056461

Service Bulletin

Ref. No. **COM-0222 (B074)**

[Service Information]

<Date> May 12, 2011

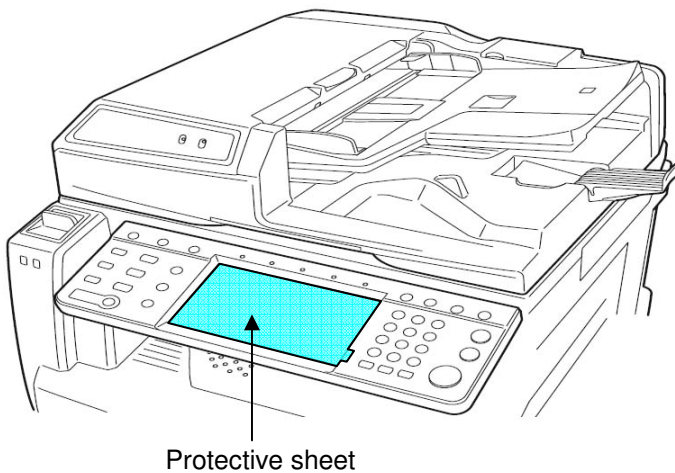
Subject	Notes when setting up the machine or replacing the operation panel (Adding the protective sheet on the operation panel)
Model	TASKalfa500ci, TASKalfa400ci, TASKalfa300ci, TASKalfa250ci, TASKalfa552ci, TASKalfa420i, TASKalfa520i, TASKalfa300i, KM-2560, KM-3060, KM-2540, KM-3040

*This time the description with (-->)is revised from the previous information.
(P2&3) Adding the Affected Serial Number Chart*

A protective sheet is applied to avoid scratch on the operation panel.

Please use the operation panel after peeling off the protective sheet applied on the operation panel when setting up the machine or replacing the operation panel.

(Below is TASKalfa500ci series)



KMC's Classification	<input type="checkbox"/> Entire Stock Rework	<input type="checkbox"/> In-Field modification at next visit
	<input type="checkbox"/> In-Field modification by case	<input checked="" type="checkbox"/> No modification necessary
Field Measure:	No particular problems are expected.	
Serial Nos. of Affected Machine: Please refer to the chart on next page for more detail.		

N00056375/N00056812/N00056461

Service Bulletin

[Service Information]

Ref. No. **COM-0222 (B074)**

<Date> May 12, 2011

(-->) Affected Serial Number Chart

TASKalfa 250ci

KMA 1102JZ2US0	CS 1102JZ2CS0	KMA(S.A.) 1102JZ4US0	KMBR 1102JZ2BR0	GSA 1102JZ2US1	KME 1102JZ3NL0	U-TAX 1102JZ3UT0	KMAUS 1102JZ3AS0
QJH Next Prd	QEG Next Prd	QEL Next Prd	Q9A Next Prd	UYH Next Prd	QJK1335583	QEQ1313032	QJJ Next Prd
KTST 1102JZ3KS0	KMKR 1102JZ3KR0	KMSG 1102JZ3SG0	KMTW 1102JZTTW0	KMTH 1102JZ3TH0	KMHG 1102JZ3HK0	KMID 1102JZ3ND0	PHILCOPY 1102JZ4PH0
QMP Next Prd	Q3B Next Prd	QFE1300294	QGE1300097	QGJ Next Prd	QKX Next Prd	Q4B Next Prd	QLU1300059
KMJ 1102JZ9JP0							OTHER
QJB1220377							Next Pdctn.-

TASKalfa 300ci

KMA 1102JX2US0	CS 1102JX2CS0	KMA(S.A.) 1102JX4US0	KMBR 1102JX2BR0	GSA 1102JX2US1	KME 1102JX3NL0	U-TAX 1102JX3UT0	KMAUS 1102JX3AS0
QJC Next Prd	QEH Next Prd	QEM Next Prd	Q9B Next Prd	Q3F Next Prd	QJE1307986	QER1302081	QJD Next Prd
KTST 1102JX3KS0	KMKR 1102JX3KR0	KMSG 1102JX3SG0	KMTH 1102JX3TH0	KMTW 1102JXTTW0	KMHG 1102JX3HK0	KMID 1102JX3ND0	KMJ 1102JX9JP0
QMN1300162	Q3A Next Prd	QFF Next Prd	QFK Next Prd	QGF1300112	QKY Next Prd	Q4C Next Prd	QJG Next Prd
							OTHER
							Next Pdctn.-

TASKalfa 400ci

KMA 1102JV2US0	CS 1102JV2CS0	KMBR 1102JV2BR0	KME 1102JV3NL0	U-TAX 1102JV3UT0	KMAUS 1102JV3AS0	KTST 1102JV3KS0	KMKR 1102JV3KR0
QHY Next Prd	QEJ Next Prd	Q9C Next Prd	QJA1305350	QES Next Prd	QHZ Next Prd	QMM1300136	Q39 Next Prd
KMSG 1102JV3SG0	KMTH 1102JV3TH0	KMTW 1102JVTTW0	KMHG 1102JV3HK0	KMID 1102JV3ND0	KMJ 1102JV9JP0		OTHER
QFG1300116	QFL Next Prd	QGG1300041	QKZ1300054	Q4D Next Prd	QJF Next Prd		Next Pdctn.-

TASKalfa 500ci

KMA 1102H72US0	CS 1102H72CS0	KMA(S.A.) 1102H74US0	GSA 1102H72US1	KME 1102H73NL0	U-TAX 1102H73UT0	KME CONSIP 1102H73NL1	KMAUS 1102H73AS0
QHU Next Prd	QEK Next Prd	QEN Next Prd	UYJ Next Prd	QHW1303116	QEP Next Prd	QHW1303291	QHV Next Prd
KMSG 1102H73SG0	KMTH 1102H73TH0	KMTW 1102H7TTW0	KMHG 1102H73HK0	KMID 1102H73ND0	KMJ 1102H79JP0		OTHER
QFH Next Prd	QFM Next Prd	QGH Next Prd	QLA1300033	Q4E Next Prd	QHX Next Prd		Next Pdctn.-

TASKalfa 552ci

KMA 1102KY2US0	CS 1102KY2CS0	KMA(S.A.) 1102KY4US0	KMBR 1102KY2BR0	GSA 1102KY2US1	KME 1102KY3NL0	U-TAX 1102KY3UT0	KMAUS 1102KY3AS0
QXF Next Prd	Q31 Next Prd	Q17 Next Prd	Q9Y Next Prd	Q4T Next Prd	QXG1400299	Q4W Next Prd	QXH Next Prd
KMSG 1102KY3SG0	KMTH 1102KY3TH0	KMHG 1102KY3HK0	KMID 1102KY3ND0	KMJ 1102KY9JP0			OTHER
Q321400003	Q34 Next Prd	Q33 Next Prd	Q37 Next Prd	QXE Next Prd			Next Pdctn.-

(Revised Issue 1)
Service Bulletin
 [Service Information]

TASKalfa 300i

KMA 1102K52US0 QZJ Next Prd	CS 1102K52CS0 Q2Z Next Prd	KMA(S.A.) 1102K54US0 Q13 Next Prd	GSA 1102K52US1 Q4U Next Prd	KME 1102K53NL0 QZK1213585	KME (B) 1102K53NL1 QZK Next Prd	U-TAX 1102K53UT0 Q251301144	OLIVETTI 1102K53LV0 Q281201192
KME CONSIP 1102K53NL2 QZK1213597	KMAUS 1102K53AS0 QZL1200273	KTST 1102K53KS0 NAL1300001	KMKR 1102K53KR0 Q3H Next Prd	KMSG 1102K53SG0 Q2W1200034	KMTH 1102K53TH0 Q2Y1200141	KMHG 1102K53HK0 Q2X1300026	KMTW 1102K5TTW0 Q6H Next Prd
KMID 1102K53ND0 Q3G Next Prd	PHILCOPY 1102K54PH0 Q7X1300073	KMJ 1102K59JP0 QZH1300950					OTHER Next Pdctn.-

TASKalfa 420i

KMA 1102KR2US0 QWG Next Prd	CS 1102KR2CS0 QVV Next Prd	KMA(S.A.) 1102KR4US0 QVW Next Prd	KMBR 1102KR2BR0 Q9E1300134	GSA 1102KR2US1 Q4J Discont	KME 1102KR3NL0 QWH1310299	U-TAX 1102KR3UT0 QZC1301595	OLIVETTI 1102KR3LV0 Q1M1301271
KME CONSIP 1102KR3NL1 QWH1310299	KMAUS 1102KR3AS0 QWJ Next Prd	KTST 1102KR3KS0 Q8Q1300796	KMKR 1102KR3KR0 Q3Q1300104	KMSG 1102KR3SG0 QVY1300391	KMTH 1102KR3TH0 QZB1300351	KMHG 1102KR3HK0 QZA1300175	KMTW 1102KR3TTW0 Q211300162
KMID 1102KR3ND0 Q461300088	PHILCOPY 1102KR4PH0 Q7Y1300036	KMJ 1102KR9JP0 QWF1301882					OTHER Next Pdctn.-

TASKalfa 520i

KMA 1102KS2US0 QWC Next Prd	CS 1102KS2CS0 QVU Next Prd	KMA(S.A.) 1102KS4US0 QVX Next Prd	KMBR 1102KS2BR0 Q9F Next Prd	GSA 1102KS2US1 Q4K Discont	KME 1102KS3NL0 QWD1304851	U-TAX 1102KS3UT0 QZD Next Prd	OLIVETTI 1102KS3LV0 Q1N Next Prd
KMAUS 1102KS3AS0 QWE Next Prd	KTST 1102KS3KS0 Q8P Next Prd	KMKR 1102KS3KR0 Q3R Next Prd	KMSG 1102KS3SG0 QVZ Next Prd	KMTH 1102KS3TH0 QYZ1300192	KMHG 1102KS3HK0 QYY Next Prd	KMTW 1102KSTTW0 Q22130041	KMID 1102KS3ND0 Q47 Next Prd
PHILCOPY 1102KS4PH0 Q7Z Next Prd	KMJ 1102KS9JP0 QWB Next Prd						OTHER Next Pdctn.-

Other models : No production any more

Service Bulletin

 Ref. No. **COM-0223 (B076)**

<Date> March 14, 2011

Subject	DVD-ROM upgrade (For KME)
Model	FS-C8020MFP, FS-C8025MFP, FS-6030MFP, FS-6025MFP, FS-6025MFP/B, TASKalfa500ci, TASKalfa400ci, TASKalfa300ci, TASKalfa250ci

DVD-ROM for KME is upgraded with the change of the KMC standard CD-ROM.

	Model	New version*
1	FS-C8020MFP, FS-C8025MFP	Ver.1.1
2	FS-6030MFP, FS-6025MFP, FS-6025MFP/B	Ver.1.2
3	TASKalfa500ci, TASKalfa400ci, TASKalfa300ci, TASKalfa250ci	Ver.4.0

* The new version is same as the one for KMC.

KMC's Classification <input type="checkbox"/> Entire Stock Rework <input type="checkbox"/> In-Field modification at next visit <input type="checkbox"/> In-Field modification by case <input checked="" type="checkbox"/> No modification necessary
Field Measure: No particular problems are expected.
Serial Nos. of Affected Machine: FS-C8020MFP, FS-C8025MFP: From the available timing of the production in March, 2011. Other model : After using up the old stock.

N00056909/N00056910/N00056912

Service Bulletin

Ref. No. **2H7-0083 (B093)**

<Date> April 18, 2012

Subject	Preventing peel-off of the stopper rubber for the primary transfer belt side slipping (bundling the waste toner lump breaking spring in the primary transfer unit)
Model	TASKalfa500ci, TASKalfa400ci, TASKalfa300ci, TASKalfa250ci, TASKalfa552ci, FS-C8500DN

This time the description with (-->)is revised from the previous information.

<Number of changes: 2> Added the serial numbers of the affected models (P5)

Following phenomena may occur with peel-off of the stopper rubber for the primary transfer belt side slipping during the machine drive from the seam in case adhesive force of the double-side tape comes to weak that affixes the stopper rubber (marked **X** in the figure below) at the inner side edge of the primary transfer belt depending on the operating environment of high temperature and high humidity.

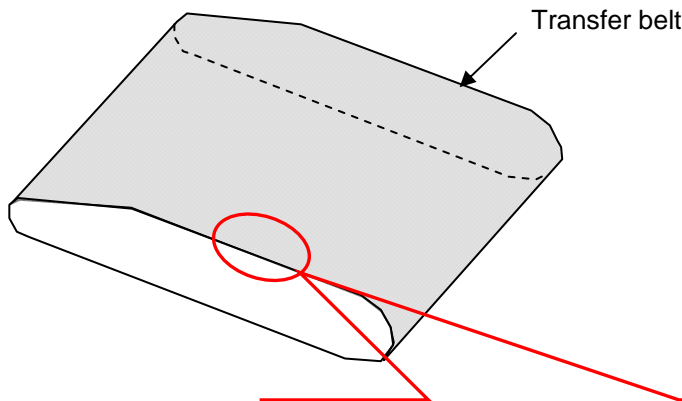
- Image failure with tear of the transfer belt after the rubber runs over the edge of the drive roller
- Abnormal noise and jam (JAM31) with lock-up of the transfer belt drive after the rubber rolls up along the driver roller and gear

<Content of changes>

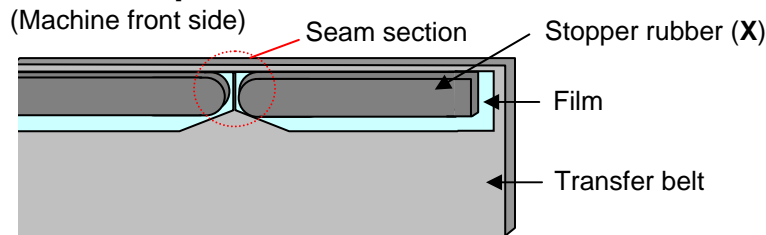
- 1) Seam section of the stopper rubber (**X**) is fixed with glue to prevent the rubber from peeling off.
- 2) At the same time of change 1), the waster toner lump breaking spring (No.8) (*) that is added to the upper stream of the waste tonner nozzle since July 2010 production is bundled in the primary transfer unit (No.1-7) together with the installation procedures leaflet. This is to enhance the field measures against the ICL screw bushing cap coming off or the service call error C2810 (waste toner motor error).

(*)Informed per the service bulletin No.2H7-0068 (A210)

<Where to affix the stopper rubber (X)>



[View from inside the transfer belt edge at the machine front side as marking the red circle above]



*The stopper rubber is first affixed on the film with the double-side tape and then they are affixed on the inner edge of the primary transfer belt. In case adhesive force of the double-side tape in between the film and rubber comes to weak, the stopper rubber may peel off at the seam section. Then, seam section of the stopper rubber is fixed with glue to the film to prevent it from peeling off. (The transfer belt edge at the machine rear side has also the stopper rubber and film as in the above figure)

(Revised issue 1)
Service Bulletin

KMC's Classification	<input type="checkbox"/> Entire Stock Rework	<input type="checkbox"/> In-Field modification at next visit
	<input checked="" type="checkbox"/> In-Field modification by case	<input type="checkbox"/> No modification necessary
Field Measure:		
Please replace with the new primary transfer unit (No.1-7) when the above phenomena occur. Please install the waste toner lump breaking spring (No.8) at the same time in the upper stream of the waste toner nozzle (Only to be applied to March production without the waste toner lump breaking spring). Please take care of direction of the spring (No.8) when installing it. Refer to the procedures in the next page and after or the bundled leaflet for installation procedures.		
Serial Nos. of Affected Machine: (-->) Refer to the page 4.		

N00057087

No.	Old Part No.	New Part No.	Description	Q'ty		Compati bi lity		Remarks
				Old	New	Old	New	
1	302H793228 2H793228	302H793229 2H793229	PARTS TRANSFER BELT H UNIT	1	1	X	O	*1 (Except KMKR)
2	302H79K228 2H79K228	302H79K229 2H79K229	PARTS TRANSFER BELT H UNIT	1	1	X	O	*1 (For KMKR)
3	302JZ93078 2JZ93078	302JZ93079 2JZ93079	PARTS TRANSFER BELT L UNIT	1	1	X	O	*2 (Except KMKR/KTST)
4	302JZ9K078 2JZ9K078	302JZ9K079 2JZ9K079	PARTS TRANSFER BELT L UNIT	1	1	X	O	*2 (For KMKR)
5	302JZ93248 2JZ93248	302JZ93249 2JZ93249	PARTS TRANSFER BELT L J UNIT	1	1	X	O	*2 (For /KTST)
6	302KY93153 2KY93153	302KY93154 2KY93154	PARTS TRANSFER BELT UNIT	1	1	X	O	*3 (Except KMKR)
7	302KY9K153 2KY9K153	302KY9K154 2KY9K154	PARTS TRANSFER BELT UNIT	1	1	X	O	*3 (For KMKR)
8	-----	302H723280 2H723280	+SPRING SCREW WT	-	1	-	O	Bundled with the installation procedures leaflet

*1: TASKalfa500ci/400ci

*2: TASKalfa300ci/250ci

*3: TASKalfa552ci, FS-C8500DN

(Revised issue 1)
Service Bulletin

<Installing the waste toner lump breaking spring (No.8)>

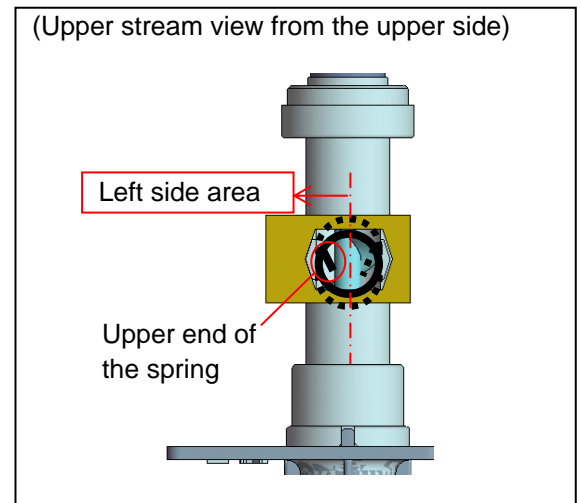
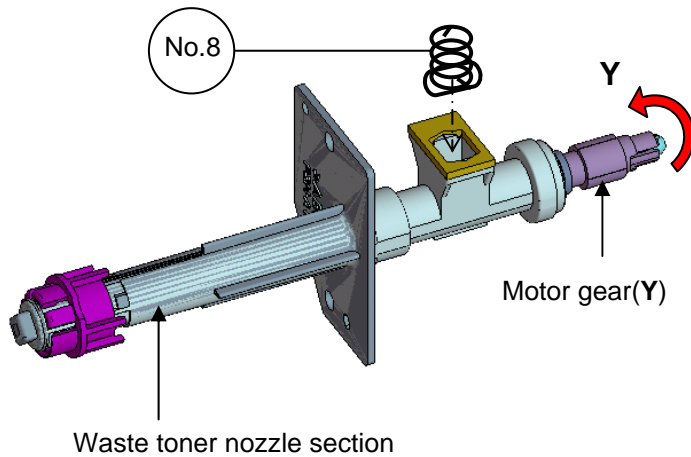
Install the waste toner lump breaking spring (No.8) so that the upper end of the spring comes in the left side area of the waste toner nozzle as below.

Check the following 1, 2 after installing.

<Check1> The waste toner lump breaking spring can move up and down without caught up.

<Check2> The motor gear (D) that is at rear of the waste toner nozzle section can rotate toward the arrow Y without caught up.

* The lower end of the spring may be caught up in the mixer screw inside the waste toner nozzle if the upper end of the spring is in the right side area.



<Machines without the waste toner lump breaking spring (No.8)* installed>

*Not applicable to the machines before the serial number below if the spring was installed

Please install the waste toner lump breaking spring (No.8) in the upper stream of the waste toner nozzle when replacing with the new primary transfer unit for the machines listed below.

TASKalfa500ci	KDA120V	CS	KDA220V	KDA(GSA)	KDAU	KDTW
	~QHU0602550	~QEK0600609	~QEN0400018	~UYJ0400171	~QHV0600265	~QGH0500014
	KDE	UTAX/TA	KDHK	KDSG	KDTH	
	~QHW0602053	~QEP0600364	~QLA0600024	~QFH9Y00025	~QFM9900005	
TASKalfa400ci	KDA120V	CS	KDBR	KDAU	KDTW	KDCN
	~QHY0603873	~QEJ0601007	~Q9C0400005	~QHZ0600375	~QGG0600018	~QMM9Y00062
	KDE	UTAX/TA	KDHK	KDSG	KDTH	KDKR
	~QJA0603384	~QES0600864	~QKZ0600029	~QFG0600092	~QFL0600015	~Q390300015
	KDID					
Q4D0100001						
TASKalfa300ci	KDA120V	CS	KDA220V	KDA(GSA)	KDBR	KDAU
	~QJC0705641	~QEH0601453	~QEM0600039	~Q3F0600103	~Q9B0600014	~QJD0600621
	KDE	UTAX/TA	KDHG	KDSG	KDTH	KDTW
	~QJE0605020	~QER0601278	~QKY0400029	~QFF0400033	~QFK9X00014	~QGF9Y00040
	KDCN	KDKR	KDID			
~QMN9Y00117	~Q3A0300028	Excluding				
TASKalfa250ci	KDA120V	CS	KDA220V	KDA(GSA)	KDBR	KDAU
	~QJH0607673	~QEG0601273	~QEL0500188	~UYH0400136	~Q9A0600222	~QJJ0601458
	KDE	UTAX/TA	KDHK	KDSG	KDTH	KDTW
	~QJK0722582	~QEQ0709246	~QKX0600152	~QFE0600196	~QGJ0600138	~QGE0600042
	KDCN	KDKR	KDID	PHILIPINE		
~QMP0700575	~Q3B0500268	~Q4B0300042	~QLU0300018			
TASKalfa552ci	KDA120V	CS	KDA220V	KDA(GSA)	KDBR	KDAU
	~QXF0600431	~Q310200065	~Q170600006	~Q4T0800017	Excluding	~QXH0600079
	KDE	UTAX/TA	KDHK	KDSG	KDID	
~QXG0500230	~Q4W0600050	~Q330300002	~Q320300002	Q370300001		
FS-C8500DN	KDA120V	KDA220V	KDAU	KDE	UTAX/TA	KDKR
	~QXS0600244	~Q180400015	~QXU0600045	~QXT0600851	~Q2R0600126	~Q3J0600032

(Revised issue 1)
Service Bulletin

(-->) <(Change 1) Seam section of the stopper rubber is fixed with glue> --- Main machine

TASKalfa500ci	KDE	CONSIP	KDHK	KDTW	Others	
	QHW1303116	QHW1303291	QLA1300033	QGH1600026	No production	
TASKalfa400ci	KDE	KDHK	KDSG	KDTW	KDCN	Others
	QJA1305350	QKZ1300054	QFG1300116	QGG1300041	QMM1300136	No production
TASKalfa300ci	KDE	UTAX/TA	KDTW	KDCN	Others	
	QJE1307986	QER1302081	QGF1300112	QMN1300162	No production	
TASKalfa250ci	KDE	UTAX/TA	KDSG	KDTW	KDCN	PHILIPPINES
	QJK1335583	QEQ1313032	QFE1300294	QGE1300097	QMP1700852	QLU1300059
	KDJ	Others				
	QJB1320782	No production				
LS/FS-C8500DN	KDJ	KDA(120V)	KDE	KDAU	KDA(220V)	UTAX/TA
	QXR1400664	QXS1400668	QXT1401638	QXU1400070	Q181400036	Q2R1400186
	KDKR					
	Q3J1400052					
TASKalfa552ci	No production					

**<(Change 2) Bundle of the waste toner lump breaking spring (No.8)/ the installation procedures leaflet>
 --- Maintenance kit**

MK-855A (500ci/400ci)

120V	KDTW	Other than left
1702H77US0	1702H77TW0	1702H78EU0
QJR1402928	QGL1500011	QJR1403008

MK-865A (300ci/250ci)

120V	KDTW	KDCN	KDKR	Other than left
1702JZ7US0	1702JZTTW0	1702JZ8KS0	1702JZ8KR0	1702JZ8EU0
QJP1302667	QGN1600009	QNB1400049	QJP1904631	QJP1302689

MK-880A (FS-C8500DN)

120V	KDKR	Other than left
1702KA7US0	1702KA8KR0	1702KA8KL0
Q1J1X00237	Q1J1600198	Q1J1400196

MK-856A (552ci)

120V	Other than left
1702KY7US0	1702KY8KL0
QXJ1300252	QXJ1400256

Service Bulletin

 Ref. No. **2H7-0084 (B106)**

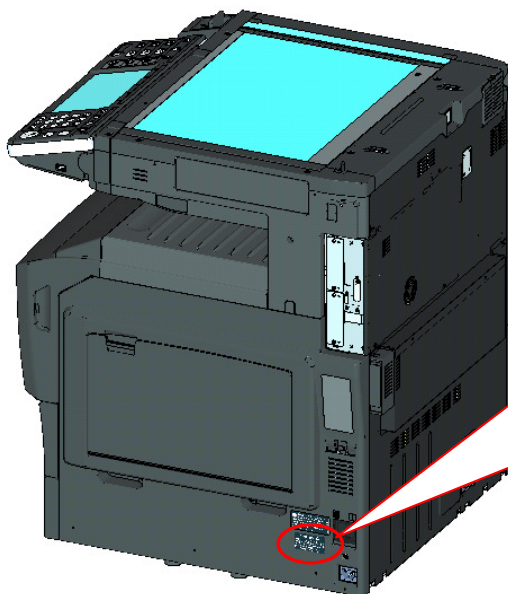
<Date> April 14, 2011

Subject	Disuse of the mercury caution label
Model	TASKalfa500ci, TASKalfa400ci, TASKalfa300ci, TASKalfa250ci, TASKalfa552ci, FS-C8500DN

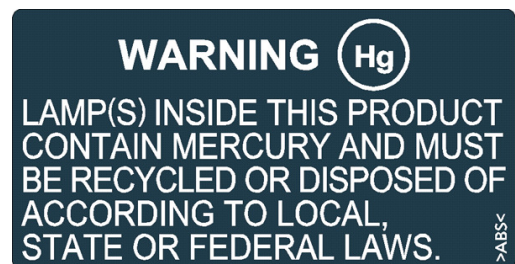
The mercury caution label (No.1) is conventionally affixed on the right cover of the machine, however, this is disused since no mercury-containing material is used in the machine.

- Mercury-containing material was used in the LCD backlight for TASKalfa500ci/400ci/300ci/250ci, however, it was changed to the one without mercury as informed as per the service bulletin No. COM-0168 (9123)
- No mercury-containing material is used in TASKalfa552ci and FS-C8500DN since the 1st production.

<Where the mercury caution label affixed>



<Mercury caution label --- disused>



No.	Old Part No.	New Part No.	Description	Q'ty		Compati bi lity		Remarks
				Old	New	Old	New	
1	302H734030 2H734030	-----	LABEL CAUTION HG	1	-	X	-	

KMC's Classification	<input type="checkbox"/> Entire Stock Rework <input type="checkbox"/> In-Field modification by case	<input type="checkbox"/> In-Field modification at next visit <input checked="" type="checkbox"/> No modification necessary
-----------------------------	--	---

Field Measure: No particular problems are expected.

Serial Nos. of Affected Machine: Planned in April 2011 production.*

* The above is the plan at the present moment. Please note that there is a possibility of change after giving this information.
N00057645

Service Bulletin

 Ref. No. **PCI-0290 (B116)**

[Parts Change Information]

<Date> May 11, 2011

Subject	Parts Change Information
Model	TASKalfa255/FS-6025MFP, TASKalfa255b/FS-6025MFP/B, TASKalfa305/FS-6030MFP, TASKalfa255c/FS-C8025MFP, TASKalfa205c/FS-C8020MFP, TASKalfa305/FS-6030MFP, TASKalfa 5550ci, TASKalfa 4550ci, TASKalfa 3550ci, TASKalfa 3050ci, TASKalfa500ci, TASKalfa400ci, TASKalfa300ci, TASKalfa250ci, TASKalfa552ci, TASKalfa520i, TASKalfa420i, TASKalfa300i, TASKalfa550c, TASKalfa650c, TASKalfa750c, TASKalfa4814w, TASKalfa4815w, TASKalfa4816w, TASKalfa180, TASKalfa220, TASKalfa181, TASKalfa221, KM-3050, KM-4050*, KM-5050*, FS-9530DN*, FS-9130DN*, EP 510DN, KM-3035*, KM-4035*, KM-5035*, FS-9120DN*, FS-9120DN*, KM-2560*, KM-3060*, KM-2540*, KM-3040*, KM-4850w, KM-4830w*, KM-P4845w, KM-P4850w, KM-S4850w, FS-C8100DN+*, EP C320DN, FS-C8500DN, FS-3900DN*, FS-6950DN*, FS-4020DN*, FS-6970DN*, FS-4000DN, FS-3920DN*, FS-3925DN, FS-4025DN, FS-6975DN, FS-3140MFP, FS-3040MFP, FS-1800, FS-1800+, FS-3800*, FS-6700*, FS-6900, FS-1900*, FS-1920, FS-6950DN*, FS-3820N, FS-3830N*, FS-1200*, FS-C5030N*, FS-C5015N, FS-C5020N, FS-C5025N*, FS-C5016N*, DF-710, DF-720, DF-720(B), DF-760, DF-760(B), DF-470, JS-700, JS-700(B), JS-710, JS-720, JS-720(B), DP-710, PF-470, PF-471, PH-4A/PH-4B/PH-4C, PH-5A/5B/5C, Kyocera Mita Administration System, CARD READER HOLDER(B)

*Common with Chungho brand

Affected models

DF-710	KM-C2520/C3225/C3232/C2525E/C3225E/C3232E/C4035E, FS-C8100DN+, EP C320DN, KM-3050/4050/5050, FS-9130DN, FS-9530DN, EP C510DN
DF-720	KM-3050/4050/5050
DF-720(B)	TASKalfa420/520i
DF-760	TASKalfa500ci/400ci/300ci/250ci
DF-760(B)	TASKalfa500ci/400ci/300ci/250ci, TASKalfa552ci, TASKalfa420i/520i
DF-470	TASKalfa255/FS-6025MFP, TASKalfa255b/FS-6025MFP/B, TASKalfa305/FS-6030MFP, TASKalfa205c/FS-C8020MFP, TASKalfa255c/FS-C8025MFP
JS-700	KM-3050/4050/5050
JS-700(B)	TASKalfa420/520i
JS-710	KM-C2520/C3225/C3232/C2525E/C3225E/C3232E/C4035E, FS-C8100DN+, EP C320DN,
JS-720	TASKalfa500ci/400ci/300ci/250ci
JS-720(B)	TASKalfa500ci/400ci/300ci/250ci, TASKalfa552ci, TASKalfa420i/520i
DP-710	KM-C2520/C3225/C3232/C2525E/C3225E/C3232E/C4035E

Service Bulletin

 Ref. No. **PCI-0290 (B116)**

[Parts Change Information

<Date> May 11, 2011

PF-470	TASKalfa255/FS-6025MFP, TASKalfa255b/FS-6025MFP/B, TASKalfa305/FS-6030MFP, TASKalfa205c/FSC8020MFP, TASKalfa255c/FS-C8025MFP
PF-471	TASKalfa255/FS-6025MFP, TASKalfa255b/FS-6025MFP/B, TASKalfa305/FS-6030MFP, TASKalfa205c/FSC8020MFP, TASKalfa255c/FS-C8025MFP
PH-4A/4B/4C	DF-650 (main machine: KM-6030/8030)
PH-5A/5B/5C	DF-710 (main machine: KM-C2520/C3225/C3232/C2525E/C3225E/C3232E/C4035E, FS-C8100DN+, EP C320DN, KM-3050/4050/5050, FS-9130DN, FS-9530DN, EP C510DN) DF-760 (main machine: TASKala500ci/400ci/300ci/250ci) DF-760(B) (main machine: TASKala500ci/400ci/300ci/250ci, TASKalfa552ci, TASKalfa420i/520i)
CARD READER HOLDER(B)	TASKalfa255/FS-6025MFP, TASKalfa255b/FS-6026MFP/B, TASKalfa305/FS-6030MFP, TASKalfa205c/FS-C8020MFP, TASKalfa205c/FS-C8020MFP, TASKalfa255c/FS-C8025MFP

Following parts are changed.

P3-4 <Common use of parts>

TASKalfa255/FS-6025MFP, TASKalfa255b/FS-6025MFP/B, TASKalfa305/FS-6030MFP, KM-3050, KM-4050, KM-5050, LS/FS-9530DN, FS-9130DN, EP 510DN, TASKalfa520i, TASKalfa420i, KM-2560, KM-3060, KM-2540, KM-3040, TASKalfa300i, LS/FS-C8100DN+, EP C320DN, LS/FS-C8500DN, LS/FS-3900DN, LS/FS-6950DN, LS/FS-4020DN, FS-6970DN, FS-4000DN, FS-3920DN, FS-3925DN, FS-4025DN, FS-6975DN, FS-3140MFP, FS-3040MFP, FS-1800, FS-1800+, FS-3800, FS-6700, FS-6900, FS-1900, FS-1920, FS-6950DN, FS-3820N, FS-3830N, FS-1200, FS-C5030N, FS-C5015N, FS-C5020N, FS-C5025N, FS-C5016N, DF-710, DF-720, DF-720(B), DF-760, DF-760(B), DP-710, JS-700, JS-700(B), JS-710, JS-720, JS-720(B), PH-4A/PH-4B/PH-4C, PH-5A/5B/5C

P4 <Parts number information>

TASKalfa255/FS-6025MFP, TASKalfa255b/FS-6025MFP/B, TASKalfa305/FS-6030MFP, PF-470, PF-471

P5 <Improving the margin to detect FAX connection>

TASKalfa255c/FS-C8025MFP, TASKalfa205c/FS-C8020MFP, TASKalfa305/FS-6030MFP, TASKalfa255/FS-6025MFP/TASKalfa255b/FS-6025MFP/B, TASKalfa 5550ci, TASKalfa 4550ci, TASKalfa 3550ci, TASKalfa 3050ci

P6 <Securing the margin for the exit sensor actuator motion>

TASKalfa500ci, TASKalfa400ci, TASKalfa300ci, TASKalfa250ci, TASKalfa552ci

P6 <Parts number information (PARTS PWB RFID ASSY SP)>

TASKalfa180, TASKalfa220, TASKalfa181, TASKalfa221

P7 <Parts number information (FRAME FUSER RIGHT)>

TASKalfa180, TASKalfa220, TASKalfa181, TASKalfa221

P7 <Correcting Parts List>

KM-3035, KM-4035, KM-5035, LS/FS-9520DN, FS-9120DN

P8 <(PF-800) Improving the margin for the sensor to detect tray lift-up>

TASKalfa550c, TASKalfa650c, TASKalfa750c

P9 <(DF-800/810, PH-6)Improving assembly process >

TASKalfa550c, TASKalfa650c, TASKalfa750c

Service Bulletin

[Parts Change Information]

 Ref. No. **PCI-0290 (B116)**
 <Date> May 11, 2011

P9 <Improving parts procurement ease>

 KM-4850w, KM-4830w, KM-P4845w, KM-P4850w, KM-S4850w,
 Kyocera Mita Administration System

P10 <(AK-470) Improving assembly process (change of the lower guide/disuse of the conveying film)>

DF-470

P10 <Adding punch mark to the ID card reader holder>

CARD READER HOLDER(B)

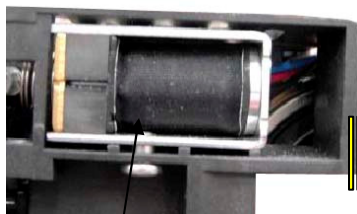
<Common use of parts → After using up the old stock>

 TASKalfa255/FS-6025MFP, TASKalfa255b/FS-6025MFP/B, TASKalfa305/FS-6030MFP,
 KM-3050, KM-4050, KM-5050, LS/FS-9530DN, FS-9130DN, EP 510DN, TASKalfa520i,
 TASKalfa420i, KM-2560, KM-3060, KM-2540, KM-3040, TASKalfa300i, LS/FS-C8100DN+,
 EP C320DN, FS-C8500DN, FS-3900DN, FS-6950DN, FS-4020DN, FS-6970DN, FS-4000DN,
 FS-3920DN, FS-3925DN, FS-4025DN, FS-6975DN, FS-3140MFP, FS-3040MFP, FS-1800,
 FS-1800+, FS-3800, FS-6700, FS-6900, FS-1900, FS-1920, FS-6950DN, FS-3820N, FS-3830N,
 FS-1200, FS-C5030N, FS-C5015N, FS-C5020N, FS-C5025N, FS-C5016N, DF-710, DF-720,
 DF-720(B), DF-760, DF-760(B), DP-710, JS-700, JS-700(B), JS-710, JS-720,
 JS-720(B), PH-4A/PH-4B/PH-4C, PH-5A/5B/5C

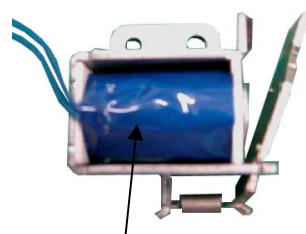
The tape is changed that wraps exterior of the solenoid for common use of parts with other models.
 No part number is changed according to this change.

<Solenoid>

(Before)


 Material: cloth tape
 Color: Black or white

(After)


 Material: polyester film
 Color: blue

*Photo left shows different solenoids and only refer to the tape.

No.	Old Part No.	New Part No.	Description	Q'ty		Compati bility		Remarks
				Old	New	Old	New	
1	302F944090 2F944090	302F944090 2F944090	SOLENOID ASSY	1	1	○	○	*1
2	302FP44040 2FP44040	302FP44040 2FP44040	SOLENOID	1	1	○	○	*2
3	302GR44160 2GR44160	302GR44160 2GR44160	SOLENOID FEED SHIFT	1	1	○	○	*3
4	302HJ44010 2HJ44010	302HJ44010 2HJ44010	SOLENOID /TDS-KN07A-55F	1	1	○	○	*4
5	302HP44020 2HP44020	302HP44020 2HP44020	SOLENOID EXIT	1	1	○	○	*5
6	303J344020 3J344020	303J344020 3J344020	SOLENOID FEED SHIFT	1	1	○	○	*6

Service Bulletin

[Parts Change Information

 Ref. No. **PCI-0290 (B116)**

<Date> May 11, 2011

No.	Old Part No.	New Part No.	Description	Q'ty		Compati bility		Remarks
				Old	New	Old	New	
7	303JC44020 3JC44020	303JC44020 3JC44020	SOLENOID LOOP PULLEY	1	1	○	○	*7
8	303KB94020 3KB94020	303KB94020 3KB94020	PARTS,SOLENOID FEED SHIFT SP	1	1	○	○	*8
9	303KN94030 3KN94030	303KN94030 3KN94030	PARTS,SOLENOID SHIFT JS,SP	1	1	○	○	*9
10	303KN94040 3KN94040	303KN94040 3KN94040	PARTS,SOLENOID,SP	1	1	○	○	*10
11	3H427060	3H427060	SOLENOID PUNCH	1	1	○	○	*11

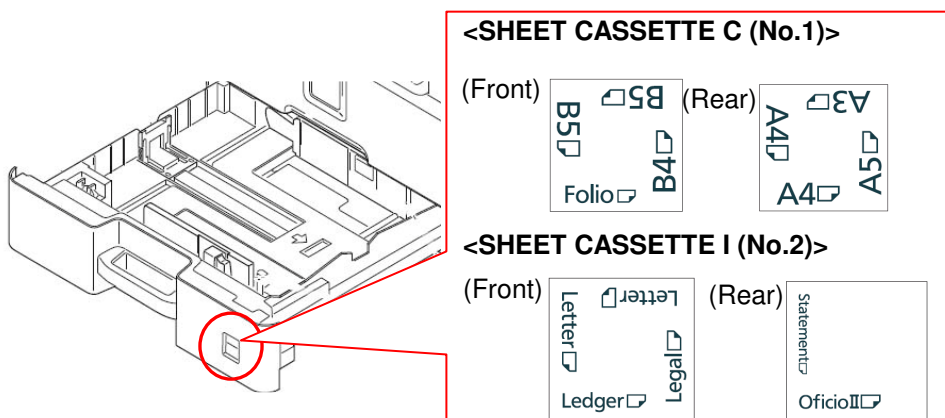
N00051114

- *1: FS-3900DN, FS-6950DN, FS-4020DN, FS-6970DN, FS-4000DN, FS-3920DN, FS-3925DN, FS-4025DN, FS-6975DN, FS-3140MFP, FS-3040MFP, TASKalfa305, FS-6030MFP, TASKalfa255, FS-6025MFP, TASKalfa255b, FS-6025MFP/B
- *2: FS-1800, FS-1800+, FS-3800, FS-6700, FS-6900, FS-1900, FS-1920, FS-6950DN, FS-3820N, FS-3830N, FS-1200
- *3: KM-3050, KM-4050, KM-5050, LS/FS-9530DN, FS-9130DN, EP 510DN, TASKalfa520i, TASKalfa420i, KM-2560, KM-3060, KM-2540, KM-3040, TASKalfa300i, DF-710, DF-760, DF-760(B)
- *4: FS-C5030N, FS-C5015N, FS-C5020N, FS-C5025N, FS-C5016N
- *5: FS-C8100DN+, EP C320DN, FS-C8500DN
- *6: DF-720, DF-720(B)
- *7: DP-710
- *8: JS-700, JS-700(B)
- *9: JS-710
- *10: FS-C8100DN+, EP C320DN, FS-C8500DN, JS-710, JS-720, JS-720(B)
- *11: PH-4A/PH-4B/PH-4C, PH-5A/5B/5C

<Part number infrimation>

TASKalfa255/FS-6025MFP, TASKalfa255b/FS-6025MFP/B, TASKalfa305/FS-6030MFP, PF-470, PF-471

Part number is informed as follows to supply the paper size plate (No.1,2) as service parts.



No.	Old Part No.	New Part No.	Description	Q'ty		Compati bility		Remarks
				Old	New	Old	New	
1	-----	302K334090 2K334090	SHEET CASSETTE C	-	1	-	○	Metric spec
2	-----	302K334100 2K334100	SHEET CASSETTE I	-	1	-	○	Inch spec

Service Bulletin

 Ref. No. **PCI-0290 (B116)**
[Parts Change Information

<Date> May 11, 2011

<Improving the margin for detecting FAX connection → Ffrom March 2011 production on>

 TASKalfa255c/FS-C8025MFP, TASKalfa205c/FS-C8020MFP, TASKalfa305/FS-6030MFP,
 TASKalfa255/FS-6025MFP/TASKalfa255b/FS-6025MFP/B, TASKalfa 5550ci, TASKalfa 4550ci,
 TASKalfa 3550ci, TASKalfa 3050ci

Enough tolerance is secured for threshold with no connection to improve the margin for detecting connection between the controller and FAX.

No.	Old Part No.	New Part No.	Description	Q'ty		Compati bility		Remarks
				Old	New	Old	New	
1	302K094130 2K094130	302K094131 2K094131	PARTS PWB MAIN ASSY SP	1	1	○	○	All except No2-5 *1
2	302K094140 2K094140	302K094141 2K094141	PARTS PWB MAIN ASSY SP EU	1	1	○	○	for Europe *1
3	302K094480 2K094480	302K094481 2K094481	PARTS PWB MAIN ASSY SP KS	1	1	○	○	for KTST *1
4	302K094490 2K094490	302K094491 2K094491	PARTS PWB MAIN ASSY SP TW	1	1	○	○	for KMTW *1
5	302K094500 2K094500	302K094501 2K094501	PARTS PWB MAIN ASSY SP KR	1	1	○	○	for KMKR *1
6	302K394010 2K394010	302K394011 2K394011	PARTS PWB MAIN ASSY SP	1	1	○	○	All except No7-10 *2
7	302K394020 2K394020	302K394021 2K394021	PARTS PWB MAIN ASSY SP EU	1	1	○	○	for Europe *2
8	302K394720 2K394720	302K394721 2K394721	PARTS PWB MAIN ASSY SP KR	1	1	○	○	for KMKR *2
9	302K394760 2K394760	302K394761 2K394761	PARTS PWB MAIN ASSY SP TW	1	1	○	○	for KMTW *2
10	302K394770 2K394770	302K394771 2K394771	PARTS PWB MAIN ASSY SP KS	1	1	○	○	for KTST *2
11	302LC94210 2LC94210	302LC94211 2LC94211	PARTS PWB MAIN ASSY SP	1	1	○	○	All except No12 *3*5
12	302LC94220 2LC94220	302LC94221 2LC94221	PARTS PWB MAIN ASSY SP EU	1	1	○	○	for Europe *3
13	302LN94010 2LN94010	302LN94011 2LN94011	PARTS PWB MAIN ASSY SP	1	1	○	○	All except No14 *4*5
14	302LN94020 2LN94020	302LN94021 2LN94021	PARTS PWB MAIN ASSY SP EU	1	1	○	○	for Europe *4

N00057247

*1: TASKalfa255c/FS-C8025MFP, TASKalfa205c/FS-C8020MFP

*2: TASKalfa305/FS-6030MFP, TASKalfa255/FS-6025MFP/TASKalfa255b/FS-6025MFP/B

*3: TASKalfa 5550ci/4550ci *4: TASKalfa 3550ci/3050ci

*5 : Regarding No11 and 13, in case new specification is added, the destination of the parts may change.

Service Bulletin

[Parts Change Information

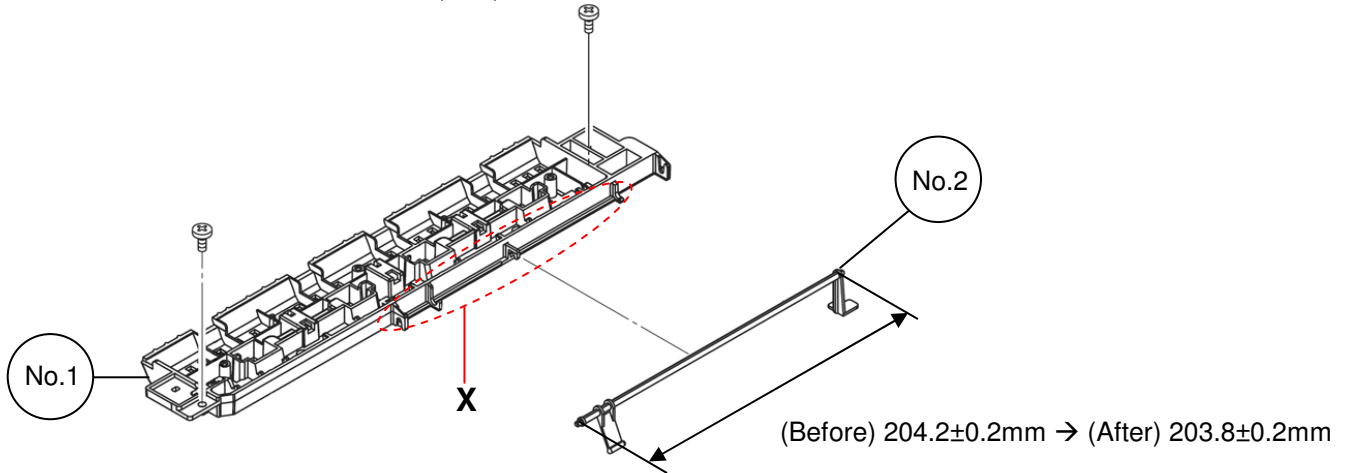
Ref. No. **PCI-0290 (B116)**

<Date> May 11, 2011

<Securing the margin for the exit sensor actuator motion → After using up the old stock>

TASKalfa500ci, TASKalfa400ci, TASKalfa300ci, TASKalfa250ci, TASKalfa552ci

+/-0.3mm tolerance is added to the size of the exit sensor actuator fitting section (marked X below) on the upper exit frame (No1) and total length of the exit sensor actuator (No2) is shortened by 0.4mm to secure the margin for motion of the exit sensor actuator (No2).



No.	Old Part No.	New Part No.	Description	Q'ty		Compati bility		Remarks
				Old	New	Old	New	
1	302H728152 2H728152	302H728153 2H728153	FRAME EXIT UPPER	1	1	○	○	
2	302H728230 2H728230	302H728231 2H728231	ACTUATOR EXIT SENSOR	1	1	○	○	

N00056691

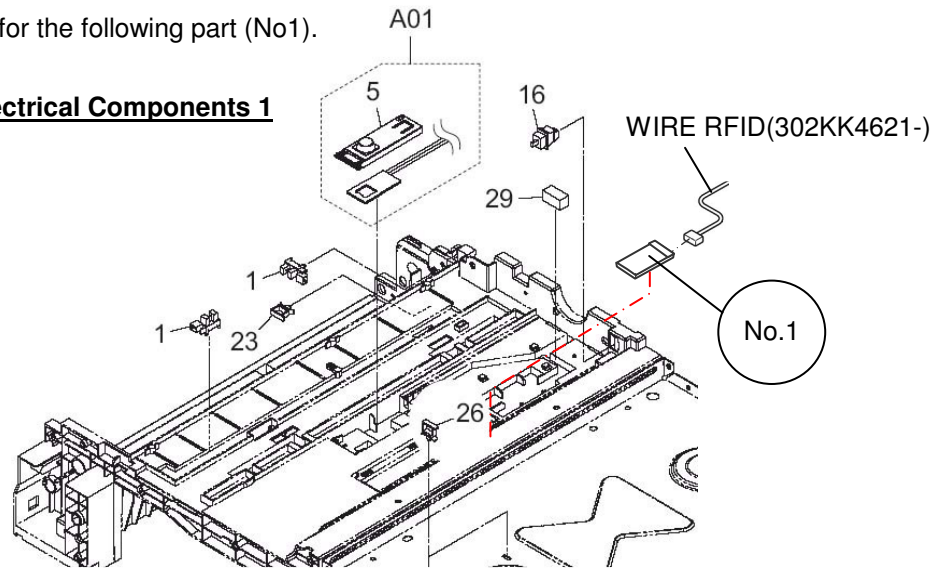
<Parts number information (PARTS PWB RFID ASSY SP)>

TASKalfa180, TASKalfa220, TASKalfa181, TASKalfa221

Part number is registered for the following part (No1).

FIG. 16(180/220)
FIG. 19(181/221)

Electrical Components 1



No.	Old Part No.	New Part No.	Description	Q'ty		Compati bility		Remarks
				Old	New	Old	New	
1	-----	302KP94200 2KP94200	PARTS PWB RFID ASSY SP	-	1	-	○	

N000

Service Bulletin

[Parts Change Information

<Parts number information (FRAME FUSER RIGHT)>

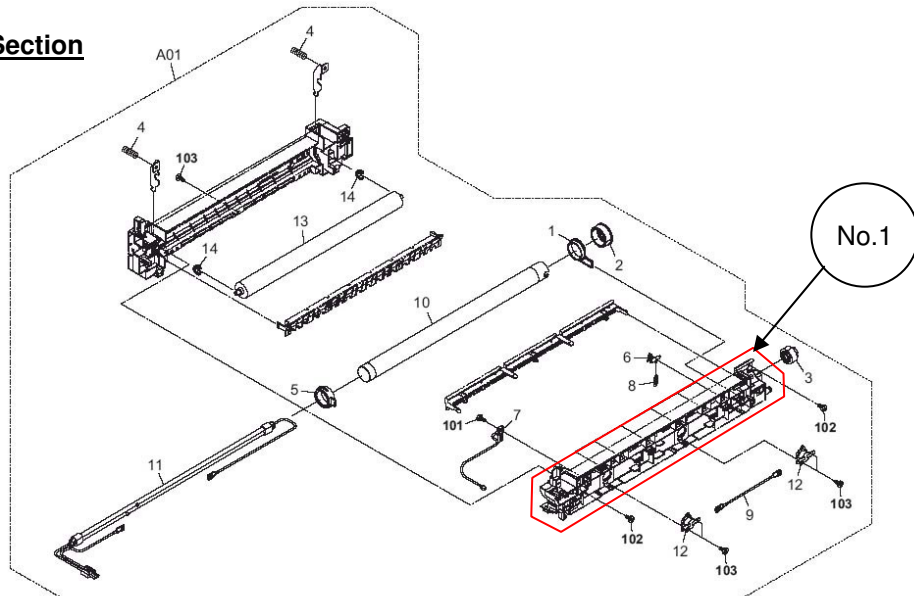
TASKalfa180, TASKalfa220, TASKalfa181, TASKalfa221

Ref. No. **PCI-0290 (B116)**

<Date> May 11, 2011

Part number is registered for the following part (No.1).

FIG. 12(180/220) } **Fuser Section**
FIG. 15(181/221) }



No.	Old Part No.	New Part No.	Description	Q'ty		Compati bility		Remarks
				Old	New	Old	New	
1	-----	302KK25010 2KK25010	FRAME FUSER RIGHT	-	1	-	○	

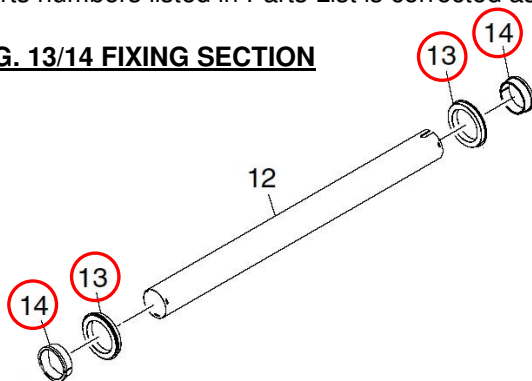
N000

<Correcting Parts List>

KM-3035, KM-4035, KM-5035, FS-9520DN, FS-9120DN

Parts numbers listed in Parts List is corrected as follows.

FIG. 13/14 FIXING SECTION



[Wrong]

Fig.	Ref.	Part No.	Description
*1	13	2FG20190	BUSHING HEAT ROLLER
*1	14	2FG20230	BEARING HEAT ROLLER



[Correct]

Part No.	Description
2FG20230	BEARING HEAT ROLLER
2FG20190	BUSHING HEAT ROLLER

*1 : Fig.13 → FS-9120DN, FS-9520DN

Fig.14 → KM-3035/4035/5035

Service Bulletin

Ref. No. **PCI-0290 (B116)**

[Parts Change Information

<Date> May 11, 2011

<(PF-800) Improving the margin for the sensor to detect tray lift-up

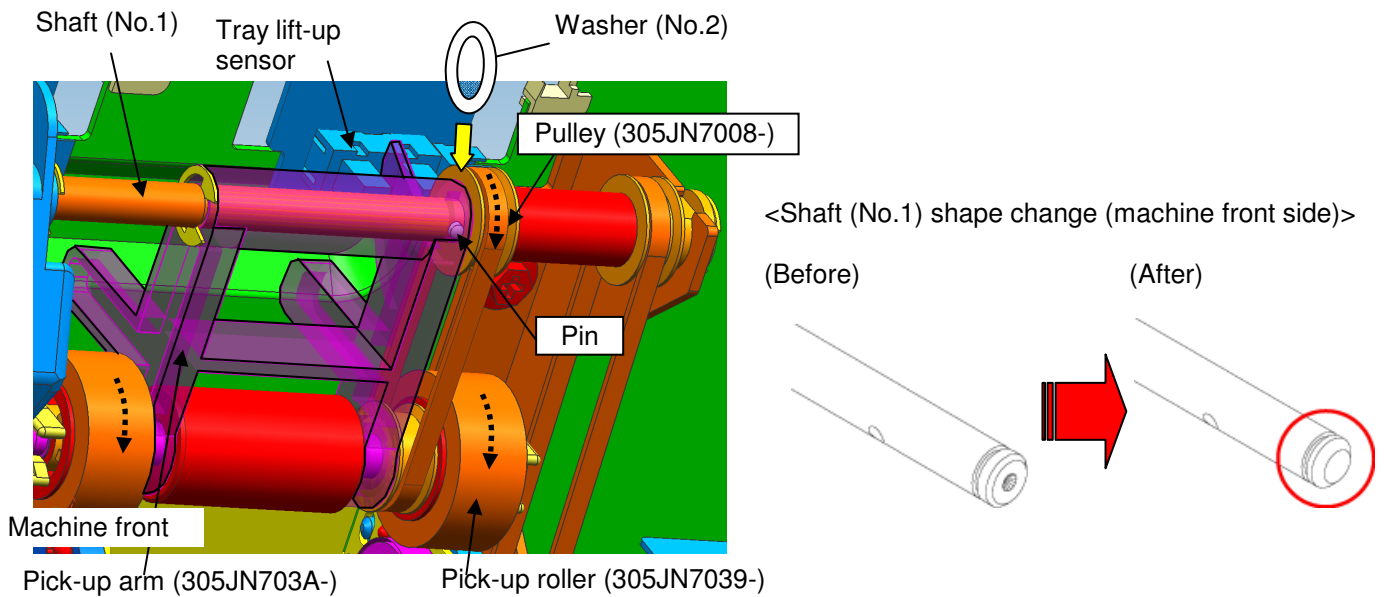
→ After using up the old stock

TASKalfa550c, TASKalfa650c, TASKalfa750c

Following are changed to improve the margin for the sensor to detect tray lift-up.

<Content of change>

- 1) Pin hole angle on the shaft (No.1) is changed to prevent backlash of the shaft (No.1) and pick-up arm when the pick-up roller rotates
- 2) Shape of the shaft (No.1) is changed for distinction of the old and new shaft according to the above change.
- 3) Washer (No.2) is added in between the pick-up arm and pulley to reduce load to the pick-up arm and shaft (No.1) when the pulley rotates



No.	Old Part No.	New Part No.	Description	Q'ty		Compati bility		Remarks
				Old	New	Old	New	
1	305JN72QK0 5JN72QK0	305JN72QK1 5JN72QK1	SHAFT-PICK-LCF-S-F677	1	1	○	○	
2	-----	305JN707Q0 5JN707Q0	WASHER-6R2X9R5XR25-PL	-	1	○	○	

N00057743

Service Bulletin

 Ref. No. **PCI-0290 (B116)**

[Parts Change Information]

<Date> May 11, 2011

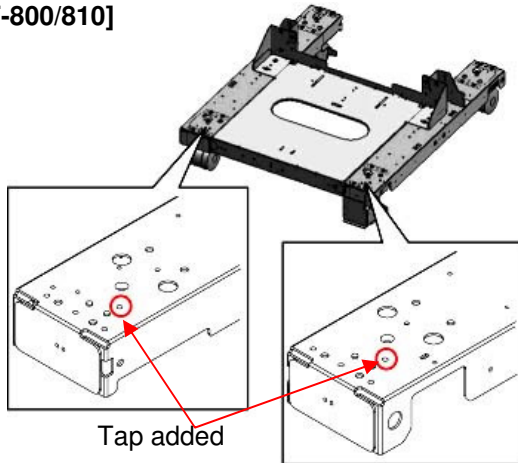
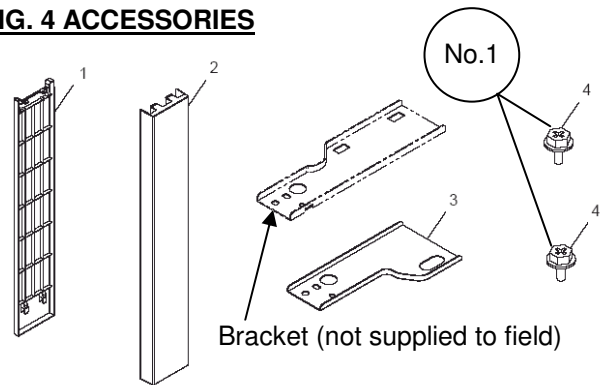
<(DF-800/810, PH-6) Improving assembly process → After using up the old stock>

TASKalfa550c, TASKalfa650c, TASKalfa750c

Following are changed to improve assembly process.

(DF-800/810) Screw hole on the metal plate is changed to tap hole that is to fit the PH-6's bracket

(PH-6) Screw (No.1) to fit the bracket is changed from tapping screw to no tap screw according to this change

[DF-800/810]

[PH-6]
FIG. 4 ACCESSORIES


No.	Old Part No.	New Part No.	Description	Q'ty		Compati bility		Remarks
				Old	New	Old	New	
1	305JN72NT0 5JN72NT0	305JN72N80 5JN72N80	SCREW:S/PAN/SWWP-M4X8-ZU3	2	2	○	×	

N00057931 BSI:G10K411

*1 : Please use the old screw (No.1) for the machine using the old metal plate.

<Improving parts procurement ease → After using up the old stock>

KM-4850w, KM-4830w, KM-P4845w, KM-P4850w, KM-S4850w, Kyocera Mita Administration System

Following ferrite core (No.1) is changed for parts procurement reason of manufacturer's discontinuation.

No.	Old Part No.	New Part No.	Description	Q'ty		Compati bility		Remarks
				Old	New	Old	New	
1	2A027770	2AV27440	CORE 15-26X13	*	*	○	○	

N00055733

*Qty to use is dependent on the affected models.

Service Bulletin

Ref. No. **PCI-0290 (B116)**

[Parts Change Information

<Date> May 11, 2011

<(AK-470) Improving assembly process (change of the lower guide/disuse of the conveying film) → after using up the old stock>

DF-470

6 points of conveying ribs are added to the lower guide (*) of the bridge unit (AK-470) and the conveying film (*) is disused that is affixed before the center conveying roller in order to improve assembly process.

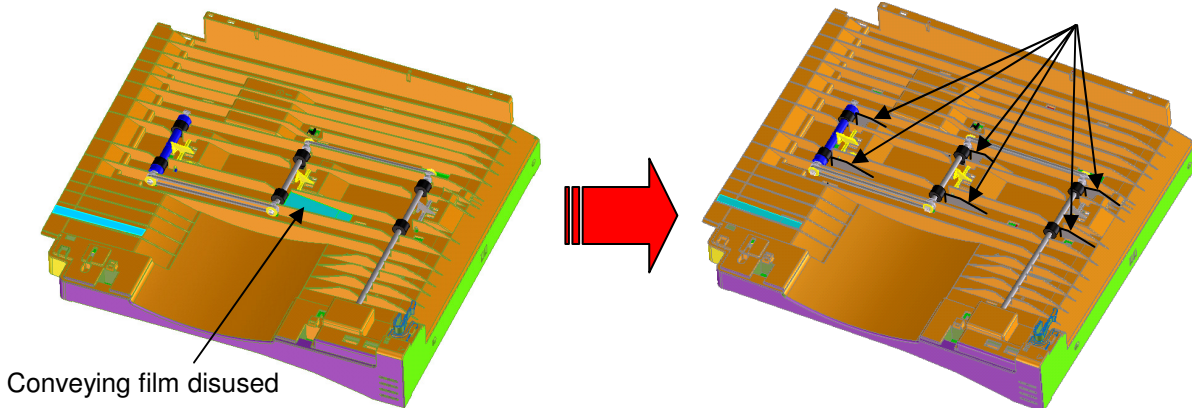
(*) Lower guide and conveying film is not parts for field supply.

<Lower guide section> (Conveying rollers, actuator and conveying film are fitted)

(Before)

(After)

Conveying rib added (6 parts)



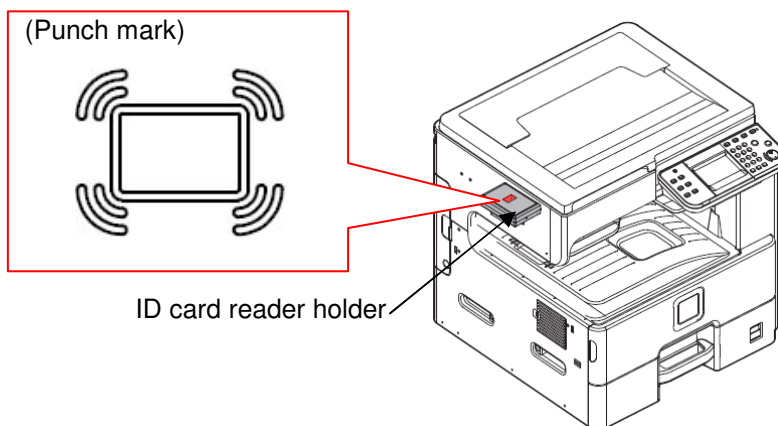
N00055287

<Adding punch mark to the ID card reader holder

→ Planned from May 2011 production on>

CARD READER HOLDER(B)

Punch mark is applied to the ID card reader holder to show where to swipe card for common use of parts with other models.



N00055612

Service Bulletin

 Ref. No. **2H7-0085 (B135)**

[Service information]

<Date> May 9, 2011

Subject	Revision information of the maintenance mode and the initial value
Model	TASKalfa500ci, TASKalfa400ci, TASKalfa300ci, TASKalfa250ci, TASKalfa552ci, FS-C8500DN

Following is the latest information as of May 2011 regarding the new maintenance mode items and the revised initial value that are not described in the service manual.

1. Descriptions in the service manual is based on the firmware version that was upgrade in July 2010.
2. The latest firmware version as of May 2011 is as follows.
 TASKalfa 250ci/300ci/400ci/500ci ··· Pack Ver11.00, TASKalfa 552ci, FS-C8500DN ··· Pack Ver5.00

[Maintenance mode table]

xxxx means the mode is applicable to the model.

No.	Contents	250ci 300ci	400ci 500ci	552ci	C8500 DN		
010	Set Maintenance Mode ID	1 New ID					
		2 New ID (Reconfirm)					
		3 Initialize	--	--	--	xxxx	
108	Set Separation Shift Bias	1 Set Output Value					
		2 Set Timing	1 On Timing Lead				
			2 On Timing Center				
3 OFF Timing	110	70 *1	40	<-			
147	Set Toner Apply Mode	1 :					
		2 Set Operation Mode	1 MODE0 /MODE1 /MODE2	MODE0	<-	<-	<-
		3 Upper Limit	1 Upper limit	3.5	<-	<-	<-
	BK Density						
		xxxx	1	<-	<-		
206	Set Coin Vender Mode	No Coin Action					
		1 ALL CLEAR					
		2 AUTO CLEAR	OFF	<-	<-	xxxx	
3 OFF							
340	Setting the applied mode	1 ImageMemory Adj	1	<-	<-	xxxx	
		2 ImageMemory Adj Detail	190	<-	<-	xxxx	
464	Set ID Adjustment Mode	AC Calibration <-A	--	--	--	--	
		High Altitude <-B	1 MODE1/MODE2	MODE1	<-	<-	<-

*1: Only the maintenance mode table is revised
 (The initial value is 70 in the individual maintenance mode detail section)

Additional items on the U464 Set ID Adjustment Mode

 TASKalfa
 250ci/300ci/
 400ci/500ci
 552ci

Permission	Set Interval CalibDriveTime	SetInt.Calib PrintRate(H)
Set Time Interval	SetInt.Calib PrintRate	SetCalibTiming duringPrint(H)
Set Sleep PeriodforCalib	Set Custom	High Altitude ← B
Permission Act.(50sheets)	AC Calibration ← A	Warmup Calib Type *2
Permission (ON/Sleep out)	Target Value	
Permission (AP/NE)	PrintRate(B/W)	
SetCalibTiming duringPrint	AC Calib Magnification	

FS-C8500DN

Set ID Adj Mode	U 464
01	Permit
02	Time Interval
03	Slp Period Calib
04	Permit Act(50pp)
05	Permit(On/SlpOut)
06	Permit(AP/NE)
07	Calib Tmg Prt
08	Calib Drv Time
09	Calib Prt Rate
10	Custom
11	AC Calib ← A
12	Target Value
13	AC Calib Mag
14	Calib Prt Rate(H)
15	Calib Tmg Prt(H)
16	High Altitude ← B
17	Prt Rate B/W

*2
 Warmup Calib Type appears
 on 250ci/300ci only

Service Bulletin

Ref. No. **PCI-0292 (B152)**

[Parts Change Information

<Date> June 9, 2011

Subject	Parts Change information
Model	TASKalfa5550ci, TASKalfa4550ci, TASKalfa3550ci, TASKalfa3050ci, TASKalfa3500i, TASKalfa4500i, TASKalfa5500i, TASKalfa6500i, TASKalfa8000i, TASKalfa7550ci, TASKalfa6550ci, TASKalfa500ci, TASKalfa400ci, TASKalfa300ci, TASKalfa250ci, TASKalfa552ci, LS/FS-C8500DN, TASKalfa255/FS-6025MFP, TASKalfa255b/FS-6025MFP/B, TASKalfa305/FS-6030MFP, TASKalfa255c/FS-C8025MFP, TASKalfa205c/FS-C8020MFP, TASKalfa180, TASKalfa220, TASKalfa181, TASKalfa221, TASKalfa550c, TASKalfa650, TASKalfa750c, KM-1620, KM-2020*, KM-1650, KM-2050*, KM-2550*, KM-1635, KM-2035, KM-1648, KM-2560*, KM-3060*, KM-2540*, KM-3040*, KM-C850/C850D, KM-C870/KM-C4008, KM-C2630/C2630D, DP-770, DP-771, DF-790, AK-730, PF-470, DU-300

Affected models

DP-770	TASKalfa5550ci/4550ci/6550ci/3050ci, TASKalfa5500i/4500i/3500i, TASKalfa8000i/6500i, TASKalfa7550ci/6550ci
DP-771	TASKalfa5550ci/4550ci/6550ci/3050ci, TASKalfa5500i/4500i/3500i, TASKalfa8000i/6500i, TASKalfa7550ci/6550ci
DF-790	TASKalfa5550ci/4550ci/3550ci/3050ci, TASKalfa5500i/4500i/3500i, TASKalfa8000i/6500i, TASKalfa7550ci/6550ci
AK-730	TASKalfa5550ci/4550ci/3550ci/3050ci, TASKalfa5500i/4500i/3500i, TASKalfa8000i/6500i, TASKalfa7550ci/6550ci
PF-470	TASKalfa305/FS-6030MFP, TASKalfa255/FS-6025MFP, TASKalfa255b/FS-6025MFP, TASKalfa205c/FS-C8020MFP, TASKalfa255c/FS-C8025MFP
DU-300	FS-C5016N

The following parts are changed.

P3 <Parts List Corrections>

TASKalfa5550ci, TASKalfa4550ci, TASKalfa3550ci, TASKalfa3050ci, TASKalfa5500i, TASKalfa4500i, TASKalfa3500i, TASKalfa8000i, TASKalfa6500i

P3 <Part Procurement Improvement>

TASKalfa5550ci, TASKalfa4550ci, TASKalfa3550ci, TASKalfa3050ci, TASKalfa5500i, TASKalfa4500i, TASKalfa3500i

P3 <Disposal Plastic Bag Addition>

TASKalfa5550ci, TASKalfa4550ci, TASKalfa3550ci, TASKalfa3050ci

P4 <Assembly Process Improvement>

TASKalfa5550ci, TASKalfa4550ci, TASKalfa3550ci, TASKalfa3050ci

P4 <High Voltage Board Change>

TASKalfa5550ci, TASKalfa4550ci, TASKalfa3550ci, TASKalfa3050ci, TASKalfa7550ci, TASKalfa6550ci

Service Bulletin

[Parts Change Information

Ref. No. **PCI-0292 (B152)**

<Date> June 9, 2011

P4 <Common use of parts>

TASKalfa5550ci, TASKalfa4550ci

P5 <Parts List Corrections>

TASKalfa5500i, TASKalfa4500i, TASKalfa3500i

P5 <Common use of parts>

TASKalfa8000i, TASKalfa6500i

P6 <Part number information>

TASKalfa8000i, TASKalfa6500i

P6 <LSU Cleaning Blade Motion Improvement>

TASKalfa500ci, TASKalfa400ci, TASKalfa300ci, TASKalfa250ci, TASKalfa552ci,
FS-C8500DN

P7 <Assembly Process Improvement>

TASKalfa255/FS-6025MFP, TASKalfa255b/FS-6025MFP/B, TASKalfa305/FS-6030MFP,
TASKalfa255c/FS-C8025MFP, TASKalfa205c/FS-C8020MFP

P7 <Part Procurement Improvement>

TASKalfa205c/FS-C8020MFP, TASKalfa255c/FS-C8025MFP

P8 <(For KTST specification) Operation label Change>

FS-C8025MFP

P8 <(PF-800) Transportation Tolerance Improvement of the Separation Roller>

TASKalfa550c, TASKalfa650c, TASKalfa750c

P9 <Fuser Drive Gear Abrasion Resistance Improvement>

TASKalfa550c, TASKalfa650c, TASKalfa750c

P9 <Cleaner Unit Change>

TASKalfa550c, TASKalfa650, TASKalfa750c

P10 <Parts List Corrections>

TASKalfa550c, TASKalfa650c, TASKalfa750c

P10 <Common use of parts>

TASKalfa550c, TASKalfa650c, TASKalfa750c

P11 <Parts Procurement Improvement>

KM-1620, KM-2020, KM-1650, KM-2050, KM-2550, KM-1635, KM-2035, KM-1648, KM-2560,
KM-3060, KM-2540, KM-3040, TASKalfa180, TASKalfa220, TASKalfa181, TASKalfa221,
KM-C850/C850D, KM-C870/KM-C4008, KM-C2630/C2630D

P11 <Abrasion Resistance Improvement>

DP-770, DP-771

Service Bulletin

[Parts Change Information

P12 <Parts List Corrections>

DF-790, AK-730

Ref. No. **PCI-0292 (B152)**

<Date> June 9, 2011

P12 <Front Cover Opening/Closing Capability Improvement>

PF-470

P12 <Part Procurement Improvement>

DU-300

<Parts List Correction>

TASKalfa5550ci, TASKalfa4550ci, TASKalfa3550ci, TASKalfa3050ci, TASKalfa5500i,
TASKalfa4500i, TASKalfa3500i, TASKalfa8000i, TASKalfa6500i

The following part names listed in the parts list are changed.

[Wrong]

Fig.	Ref.	Part No.	Part name
7	A01	302LC94051 2LC94051	PARTS CONVEYING L UNIT(VENUS)SP
7	A01	302LK94021 2LK94021	PARTS CONVEYING UNIT(VENUS-L)SP
7	A01	302LH94040 2LH94040	PARTS CONVEYING H UNIT(GAIA) SP
7	A01	302LL94010 2LL94010	PARTS CONVEYING H UNIT(GAIA) SP
12	A01	302LF94050 2LF94050	PARTS CONVEYING H UNIT(ZEUS) SP

[Correct]

Part No.	Part name	備考
302LC94051 2LC94051	PARTS CONVEYING H UNIT(V) SP	*1
302LK94021 2LK94021	PARTS CONVEYING L UNIT(V) SP	*2
302LH94040 2LH94040	PARTS CONVEYING H UNIT(G) SP	*3
302LL94010 2LL94010	PARTS CONVEYING L UNIT(G) SP	*4
302LF94050 2LF94050	PARTS CONVEYING H UNIT(Z) SP	*5

*1: TASKalfa5550ci/4550ci (55/45 ppm)

*2: TASKalfa3550ci/3050ci (35/30 ppm)

*3: TASKalfa5500i/4500i (55/45 ppm)

*4: TASKalfa3500i (35 ppm)

*5: TASKalfa8000i/6500i

<Part Procurement Improvement → Available from April 2011 Production>

TASKalfa5550ci, TASKalfa4550ci, TASKalfa3550ci, TASKalfa3050ci, TASKalfa5500i,
TASKalfa4500i, TASKalfa3500i

The bush (No.1) is changed as follows for part procurement improvement.

No.	Old Part No.	New Part No.	Description	Q'ty		Compati bility		Remarks
				Old	New	Old	New	
1	2BC06510	28107310	BUSH 8	6	6	○	○	

N00058665

<Disposal plastic bag added → After using up the old stock>

TASKalfa5550ci, TASKalfa4550ci, TASKalfa3550ci, TASKalfa3050ci

A disposal plastic bag of 250x700 mm size is bundled in the waste toner tank package.

The part number remains unchanged after this change.

N00058156

<Assembly Process Improvement → Available from April 2011 production>

Service Bulletin

[Parts Change Information

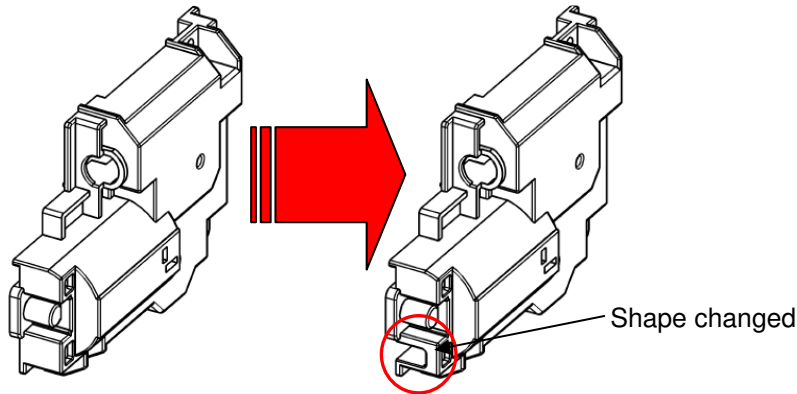
 Ref. No. **PCI-0292 (B152)**

<Date> June 9, 2011

TASKalfa5550ci, TASKalfa4550ci, TASKalfa3550ci, TASKalfa3050ci

The shape of the DC motor holder in the conveying unit(No.1,2) is changed as follows to improve the assembly process.

<DC motor> not to be individually supplied



No.	Old Part No.	New Part No.	Description	Q'ty		Compati bility		Remarks
				Old	New	Old	New	
1	302LC94050 2LC94050	302LC94051 2LC94051	PARTS CONVEYING L UNIT(VENUS)SP	1	1	○	○	5550ci 4550ci
2	302LK94020 2LK94020	302LK94021 2LK94021	PARTS CONVEYING UNIT(VENUS-L)SP	1	1	○	○	3550ci 3050ci

N00058197

<High Voltage Board Change → Available from April 2011 production>

 TASKalfa5550ci, TASKalfa4550ci, TASKalfa3550ci, TASKalfa3050ci
 TASKalfa7550ci, TASKalfa6550ci

Circuit pattern of the high voltage board is changed and a diode is added to the 24V line in order to improve protection of the Q703 transistor on the high voltage board (No.1)

No.	Old Part No.	New Part No.	Description	Q'ty		Compati bility		Remarks
				Old	New	Old	New	
1	302K994400 2K994400	302K994401 2K994401	PARTS UNIT HIGH VOLTAGE TRANSFER SP	1	1	○	○	

N00057203

<Common use of parts → Available from April 2011 production>

TASKalfa5550ci, TASKalfa4550ci

E-shaped groove on the registration roller (No.1) is eliminated for common use of the part with toner models.

No.	Old Part No.	New Part No.	Description	Q'ty		Compati bility		Remarks
				Old	New	Old	New	
1	302K994450 2K994450	302K994A00 2K994A00	PARTS ROLLER REGIST H SP	1	1	○	○	

N00058034/N00058213

*1: The old type parts are used for the TASKalfa3550ci/3050ci, TASKalfa3500i.

*Please use the new type part for the TASKalfa4500i/5500i as informed per the SB:2LH-0001(B109) and for the new models.

<Parts List Correction>

TASKalfa5500i, TASKalfa4500i, TASKalfa3500i

Service Bulletin

[Parts Change Information]

Ref. No. **PCI-0292 (B152)**
 <Date> June 9, 2011

The following part names listed in the parts list are corrected.

[Wrong]

Fig.	Ref.	Part No	Part name
12	9	1902LH0UN0 02LH0UN0	WT-862/WASTE TONER BOTTLE



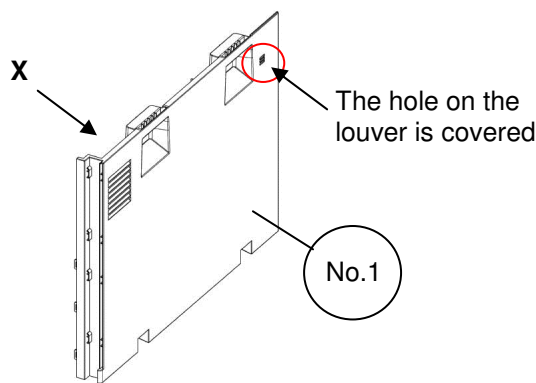
[Correct]

Part No	Part name
1902LC0UN0 02LC0UN0	WT-860/WASTE TONER BOTTLE

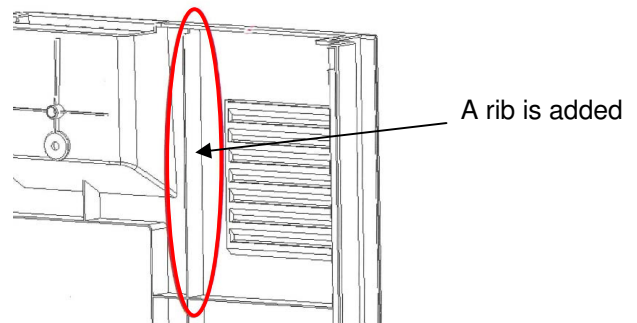
<Common use of the parts → After using up the old stock>

TASKalfa8000i, TASKalfa6500i

The shape of COVER LEFT LOWER (No.1) is changed as follows for common use with other models.



<Viewed from X>



No.	Old Part No.	New Part No.	Description	Q'ty		Compati bility		Remarks
				Old	New	Old	New	
1	302K904070 2K904070	302K904071 2K904071	COVER LEFT LOWER	1	1	○	○	

N00058093

*Please use the new type part for the new development model.

<Part number information>

TASKalfa8000i, TASKalfa6500i

The following part numbers are changed.

Service Bulletin

[Parts Change Information]

Ref. No. **PCI-0292 (B152)**
 <Date> June 9, 2011

- No1) The part is supplied with the Energy Star label affixed and the brush is removed for replacement ease.
 No2) The packaging is changed to improve resistance to drop shock and shaking.

No.	Old Part No.	New Part No.	Description	Q'ty		Compati bility		Remarks
				Old	New	Old	New	
1	302K929390 2K929390	302K994970 2K994970	PARTS COVER RIGHT FRONT SP	1	1	○	○	
2	302K931460 2K931460	302K994560 2K994560	PARTS GEAR Z48R SP	1	1	○	○	

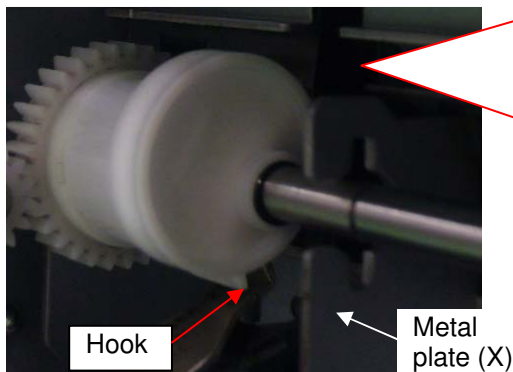
N00057105/N00053405

<LSU cleaning blade motion improvement → Available from April 2011 production>

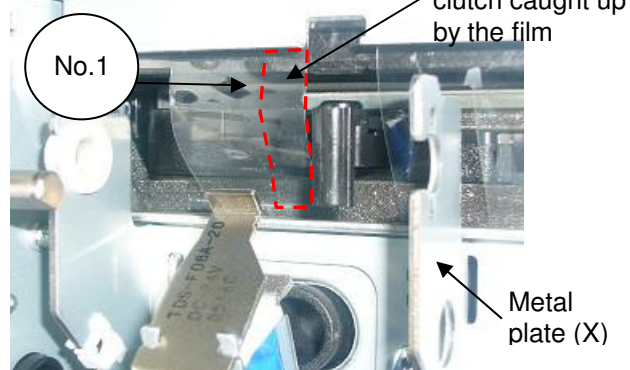
TASKalfa500ci, TASKalfa400ci, TASKalfa300ci, TASKalfa250ci, TASKalfa552ci, FS-C8500DN

The shape of the film (No.2) is changed as follows in order to prevent the LSU cleaning blade motion failure from the hook of the drive clutch caught up by the film (No.2).

<Drive clutch>



<View with the drive clutch removed >



<LOWER FILM ID SENSOR(No.2)>



Cut the part contacting the drive clutch

No.	Old Part No.	New Part No.	Description	Q'ty		Compati bility		Remarks
				Old	New	Old	New	
1	302H794392 2H794392	302H794393 2H794393	PARTS ID SENSOR UNIT	1	1	X	○	
2	302H733260 2H733260	302H733261 2H733261	+LOWER FILM ID SENSOR	1	1	X	○	

N00058131

<Assembly process improvement → Available from April 2011 production>

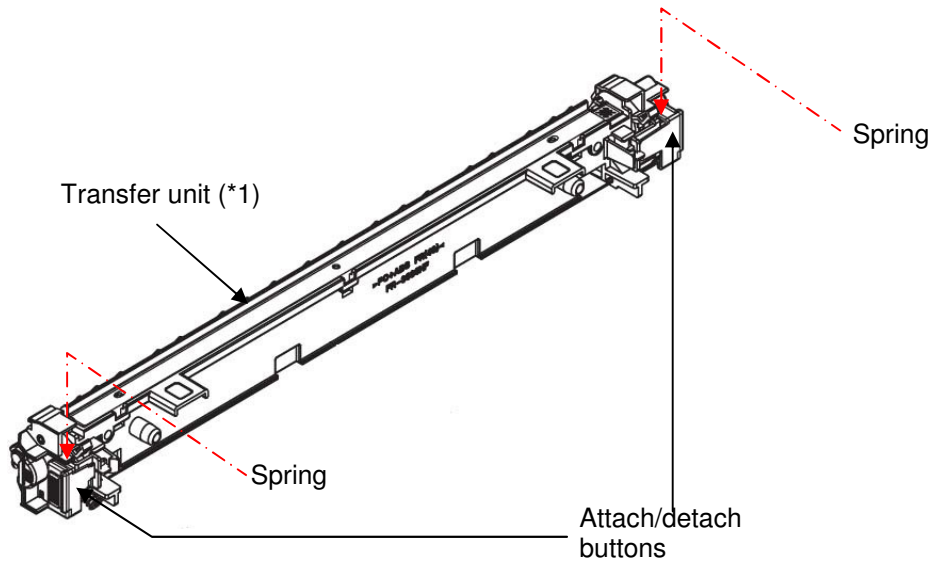
TASKalfa255/FS-6025MFP, TASKalfa255b/FS-6025MFP/B, TASKalfa305/FS-6030MFP,
 TASKalfa255c/FS-C8025MFP, TASKalfa205c/FS-C8020MFP

The springs in the attach/detach buttons of the transfer unit are disused since it is confirmed no problem in functionality. The part number remains unchanged after this change.

Service Bulletin

[Parts Change Information]

Ref. No. **PCI-0292 (B152)**
 <Date> June 9, 2011



*1: TR-475(302K39309-)→TASKalfa255/FS-6025MFP, TASKalfa255b/FS-6025MFP/B,
 TASKalfa305/FS-6030MFP,
 TR-895B(302K09308-)→TASKalfa255c/FS-C8025MFP, TASKalfa205c/FS-C8020MFP

N00058030/58044

<Part procurement improvement → After using up the old stock>

TASKalfa205c/FS-C8020MFP, TASKalfa255c/FS-C8025MFP

The conductive part in the FFC ENGINE1-2 SIG (No.1) is changed from tinned one to gold plated for the part procurement ease.

No.	Old Part No.	New Part No.	Description	Q'ty		Compati bility		Remarks
				Old	New	Old	New	
1	302K046330 2K046330	302K046330 2K046330	FFC ENGINE1-2 SIG	1	1	○	○	

N00058359

*The part number remains unchanged.

<(For KTST specification) Operation Label Change → From April 2011 production on>

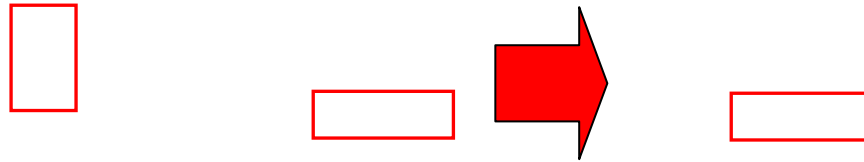
FS-C8025MFP

The language for the operation label (No.1) is changed as follows.



Service Bulletin

[Parts Change Information]

 Ref. No. **PCI-0292 (B152)**
 <Date> June 9, 2011


No.	Old Part No.	New Part No.	Description	Q'ty		Compati bility		Remarks
				Old	New	Old	New	
1	302K005130 2K005130	302K005131 2K005131	SHEET OPERATION LEFT KTST	1	1	X	○	

N00058539

<(PF-800) Separation Roller Conveying Tolerance Improvement

→ After using up the old parts

TASKalfa550c, TASKalfa650c, TASKalfa750c

The lower limit of the torque limiter of the separator roller (No.1) is changed from 45+2/-2 mNm → 46+1/-1 mNm to improve the conveying tolerance for the double feed with burred paper edge.

No.	Old Part No.	New Part No.	Description	Q'ty		Compati bility		Remarks
				Old	New	Old	New	
1	305JN71MK0 5JN71MK0	305JN72R60 5JN72R60	TORQUE LIMITER:TL-SEP-ROL-Y-46	1	1	○	○	

N00058422 BSI.G11A561

Service Bulletin

Ref. No. **PCI-0292 (B152)**

[Parts Change Information

<Date> June 9, 2011

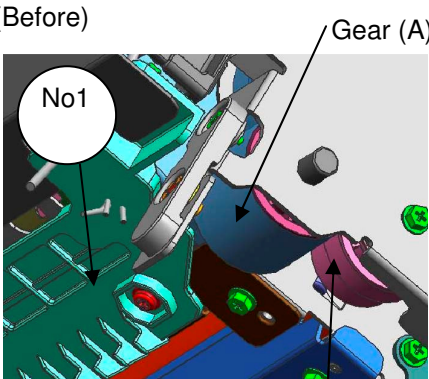
<Fuser drive gear abrasion resistance improvement → After using up the old stock>

TASKalfa550c, TASKalfa650c, TASKalfa750c

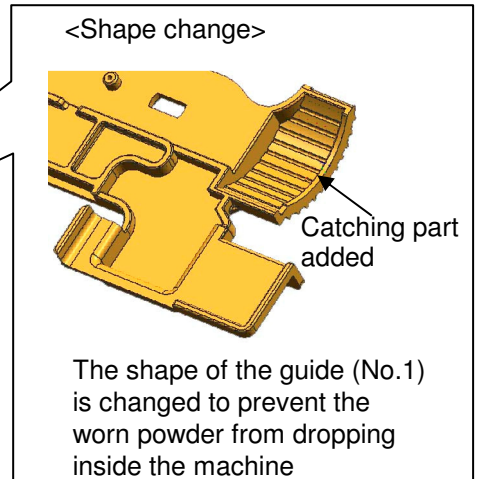
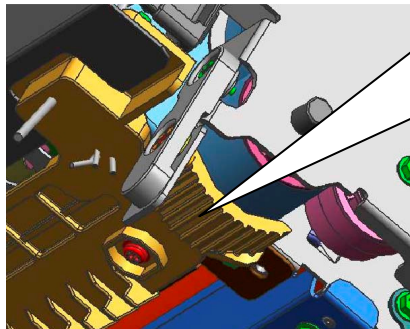
Change of the gear was informed per the service bulletin No.5JN-0030(A208) to improve the abrasion resistance of the fuser drive gear and the shape of the guide (No.1) is changed for further improvement to prevent the worn powder from dropping inside the machine. Adhesion of the worn powder to other units does not affect the image failure and abnormal sound, etc.

<Change of the Guide Shape>

(Before)



(After)



GEAR-8H30-8(305JN7218-)

When GEAR-8H30-8(305JN7218-) is worn, the worn powder is brought to the gear (A) to prevent it from dropping inside the machine

No.	Old Part No.	New Part No.	Description	Q'ty		Compati bility		Remarks
				Old	New	Old	New	
1	305JN724P0 5JN724P0	305JN724P0 5JN724P0	GUIDE-ENT-PR	1	1	○	○	

N00049826/N00058873 JTA-02755_BSI:G10H152

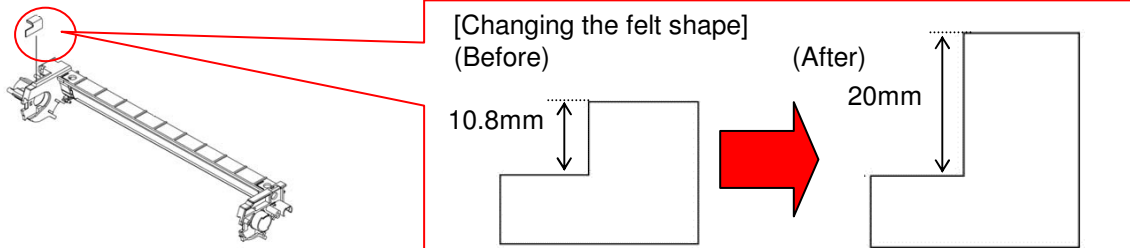
*The part number remains unchanged.

<Cleaner unit Change → After using up the old stock>

TASKalfa550c, TASKalfa650, TASKalfa750c

The felt (not the part for the field supply) affixed to the cleaner unit (No.1) is changed as follows to improve its ability to stick to the part.

<CASE ASSY:ASYS-CASE-CLNR-DRUM-430 (No.1)>



No.	Old Part No.	New Part No.	Description	Q'ty		Compati bility		Remarks
				Old	New	Old	New	
1	305JN717S0 5JN717S0	305JN717S0 5JN717S0	CASE ASSY:ASYS-CASE-CLNR-DRUM-430	1	1	○	○	

N00058872 BSI: G10H155

*The part number remains unchanged.

<Parts List Corrections>

Service Bulletin

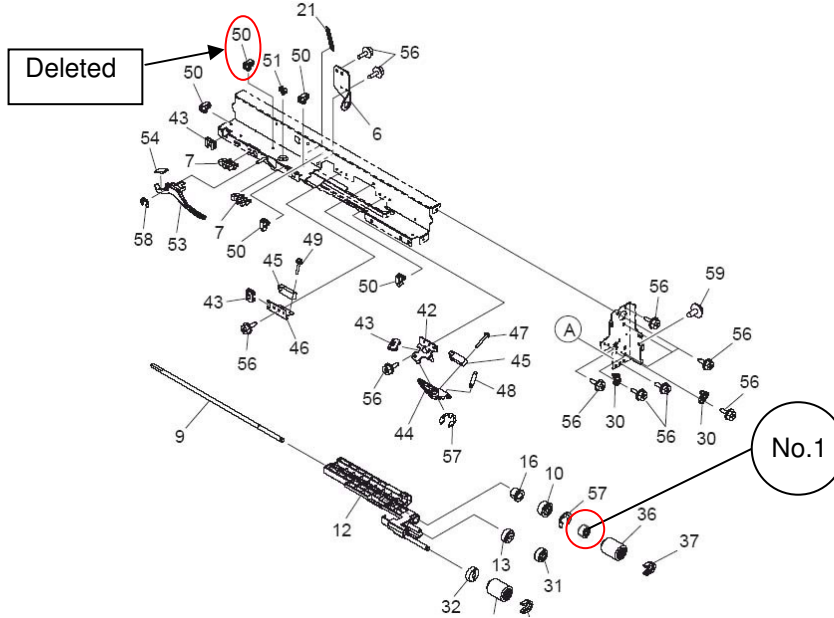
[Parts Change Information]
TASKalfa550c, TASKalfa650c, TASKalfa750c

Ref. No. **PCI-0292 (B152)**

<Date> June 9, 2011

The illustration part and qty to use in the parts list are corrected as follows.
The following part (No.1) is also set to the one for the field supply.

FIG. 11 FEED-ASM



[Wrong]					[Correct]		
Fig.	Ref.	Part No	Part name	Qty	Part No	Part name	Qty
11	50	305JN72KG0 5JN72KG0	CLAMP:LBWS-0206S-V0	5	305JN72KG0 5JN72KG0	CLAMP:LBWS-0206S-V0	4

No.	Old Part No.	New Part No.	Description	Q'ty		Compati bility		Remarks
				Old	New	Old	New	
1	-----	305JN70V90 5JN70V90	CLUTCH-6-LB-390	-	1	-	○	

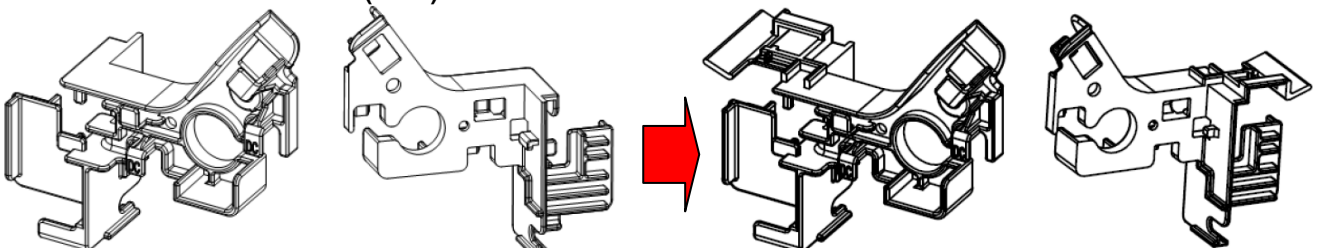
N00058499 BSI.G11D728

<Common use of the parts → After using up the old stock>

TASKalfa550c, TASKalfa650c, TASKalfa750c

The shape of the harness guide (No.1) is changed as follows for common use with other models.

<HOLDER:HLDR-HRNS-LAMP(No.1)>



No.	Old Part No.	New Part No.	Description	Q'ty		Compati bility		Remarks
				Old	New	Old	New	
1	305JN724S0 5JN724S0	305JN724S0 5JN724S0	HOLDER:HLDR-HRNS-LAMP	1	1	○	○	

N00058875

*The part number remains unchanged.

<Part procurement improvement → After using up the old stock>

KM-1620, KM-2020, KM-1650, KM-2050, KM-2550, KM-1635, KM-2035, KM-1648, KM-2560,

Service Bulletin

 Ref. No. **PCI-0292 (B152)**

[Parts Change Information

<Date> June 9, 2011

 KM-3060, KM-2540, KM-3040, TASKalfa180, TASKalfa220, TASKalfa181, TASKalfa221,
 KM-C850/C850D, KM-C870/KM-C4008, KM-C2630/C2630D

The material of the following parts (No.1,2) is changed from POLON U32(light yellow) to ML-32(black) for the part procurement improvement.

No.	Old Part No.	New Part No.	Description	Q'ty		Compati bility		Remarks
				Old	New	Old	New	
1	2C912700	302C912701 2C912701	SPONGE ORIGINAL SIZE	1	1	○	○	other than *1
2	35912531	3035912532 35912532	SPONGE,ORIGINAL SIZE INDICATOR	1	1	○	○	*1

N00046050/N00058504

*1: KM-C850/C850D, KM-C870/KM-C4008

<Abrasion Resistance Improvement → Available from April 2011 production>

DP-770, DP-771

The bush (No.1) is changed as follows to improve the abrasion resistance.

No.	Old Part No.	New Part No.	Description	Q'ty		Compati bility		Remarks
				Old	New	Old	New	
1	3CY07080	302K324450 2K324450	BUSH 6	*	*	○	○	

N00058679

*The change is applied to all the qty for each model.

Service Bulletin

[Parts Change Information

<Parts List Correction>

DF-790, AK-730

Ref. No. **PCI-0292 (B152)**

<Date> June 9, 2011

The part numbers listed in the parts list are corrected as follows.

[Wrong]				[Correct]		
Fig.	Ref.	Part No	Part name		Part No	Part name
DF-790						
2	29	7NXKB1281AA2H01 NX124860	SENSOR OPT.	➔	303NB94140 3NB94140	PARTS SENSOR OPT. SP
AK-730						
4	8	302K944120 2K944120	SOLENOID FEED SHIFT	➔	302K994370 2K994370	PARTS SOLENOID FEED SHIFT SP
3	10	302K944060 2K944060	MOTOR PM FEED	➔	302K994300 2K994300	PARTS MOTOR PM FEED SP

<Front Cover open/close operation Improvement → After using up the old stock>

PF-470

The spring (No.1) is changed as follows to improve the open/close operation.

- Free length : (Before)16mm → (After)17.4mm
- Tension : (Before)7.4N → (After) 9.8N

No.	Old Part No.	New Part No.	Description	Q'ty		Compati bility		Remarks
				Old	New	Old	New	
1	302K004280 2K004280	302K004281 2K004281	SPRING FRONT COVER	2	2	○	○	

N00058399

<Part procurement improvement → After using up the old stock>

DU-300

The following part (No.1) is changed for procurement improvement.

No.	Old Part No.	New Part No.	Description	Q'ty		Compati bility		Remarks
				Old	New	Old	New	
1	WNAA1070 5FZNF2403202+03	5HZNF2403202+03 WNAAB070	FAN MOTOR /3610KL-05W-B50-F15	1	1	○	○	

N000

“+” at the head of part name means it is a component part.

Service Bulletin

 Ref. No. **2H7-0086 (B154)**

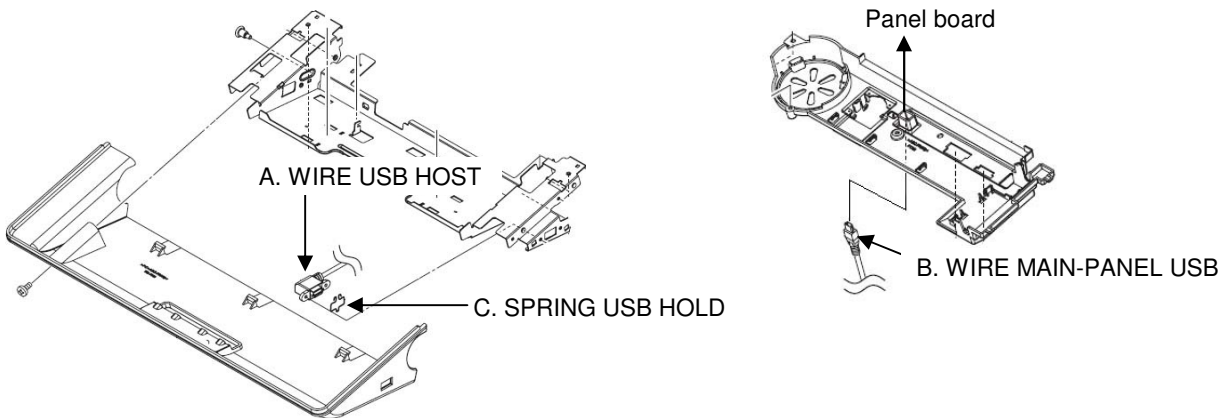
<Date> June 16, 2011

Subject	Note when replacing the parts (Change of the USB cable)
Model	TASKalfa500ci, TASKalfa400ci, TASKalfa300ci, TASKalfa250ci, TASKalfa552ci, FS-C8500DN, TASKalfa420i, TASKalfa520i

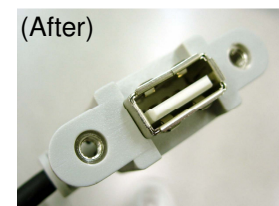
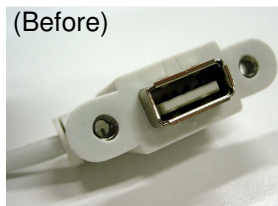
The USB cable is changed for the part procurement ease.
Accordingly, an attention is required when replacing the part.

<Content of changes>

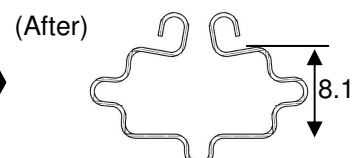
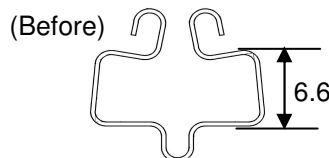
		Changes	Remarks	Applied to:
A	WIRE USB HOST	Change of connector to connect a USB memory Cable color white -> black	A cable to connect a USB memory	No.2/ No.6
B	WIRE MAIN-PANEL USB	Cable color white -> black	A cable to connect between the panel board and the main board	No.4
C	SPRING USB HOLD	Change of shape after change A		No.3/ No.7
D	SET	A set of A and C,		No.1/ No.5



A . WIRE USB HOST
USB memory side
(No.2/No.6)



C. SPRING USB HOLD
(No.3/ No.7)



Service Bulletin

 Ref. No. **2H7-0086 (B154)**

<Date> June 16, 2011

KMC's Classification	<input type="checkbox"/> Entire Stock Rework	<input type="checkbox"/> In-Field modification at next visit
	<input checked="" type="checkbox"/> In-Field modification by case	<input type="checkbox"/> No modification necessary
Field Measure: Please use the new type SPRING USB HOLD when attaching the new type WIRE USB HOST. (If the old type SPRING USB HOLD is used with the new type WIRE USB HOST, the spring may deform)		
Serial Nos. of Affected Machine: From the available timing in May 2011 production*		
*The above is the plan at the present moment. Please note that there is a possibility of change after giving this information.		

N00058517/N00058790

No.	Old Part No.	New Part No.	Description	Q'ty		Compati bility		Remarks
				Old	New	Old	New	
1	----	302H794860 2H794860	PARTS WIRE USB SET SP	-	1	-	O	Except C8500DN
2	302H746851 2H746851	302H746852 2H746852	+WIRE USB HOST	1	1	X	X	Except C8500DN *1
3	302H005661 2H005661	302K905900 2K905900	+SPRING USB HOLD	1	1	X	X	
4	302H746791 2H746791	302H746792 2H746792	WIRE MAIN-PANEL USB	1	1	O	O	Except C8500DN
5	----	302KA94230 2KA94230	PARTS WIRE USB SET SP	-	1	-	O	C8500DN only
6	302KA46100 2KA46100	302KA46101 2KA46101	+WIRE USB HOST	1	1	X	X	C8500DN only *1
7	302H005661 2H005661	302K905900 2K905900	+SPRING USB HOLD	1	1	X	X	

*1: The old type No.2 may be converted to the new type No.1 and the old type No.6 to the new type No.5.

Service Bulletin

Ref. No. **COM-0234 (B159)**

<Date> August 4, 2011

Subject	Adding the Taiwan Green Mark Label --- For KMTW spec only
Model	TASKalfa500ci, TASKalfa400ci, TASKalfa300ci, TAKSalfa250ci, TASKalfa420i, TASKalfa520i, TASKalfa300i

This time the description with (---)is revised from the previous information.

<Number of changes: 1> Adding information about Affected Machine Serial Number Chart

The Green Mark Label is added to the front cover of the machine according to the Taiwan Green Mark standard that has been granted.

<TASKalfa500ciserries/TASKalfa520iserries>(The figure below is the TASKalfa520i)

(Green Mark Label added)
Affixed above the Energy Star Label



<TASKalfa300i>

(Green Mark Label added)
Affixed at the left of the Energy Star Label



KMC's Classification

Entire Stock Rework

In-Field modification at next visit

In-Field modification by case

No modification necessary

Field Measure: No particular problem is expected.

Serial Nos. of Affected Machine: Please refer to the chart which is on next page.

N00058464/N00058467

(Revised Issue 1)
Service Bulletin

(--> **Affected Machine Serial Number Chart**

TASKalfa 250ci 1102JZTTW0 QGE1600107	TASKalfa 300ci 1102JXTTW0 QGF1600153	TASKalfa 400ci 1102JVTTW0 QGG1600047	TASKalfa 500ci 1102H7TTW0 QGH1600026	TASKalfa 420i 1102KRTTW0 Q211600227
--	--	--	--	---

Service Bulletin

 Ref. No. **COM-0235 (B169)**

<Date> June 21, 2011

Subject	Change of the cassette size detection board and wire (5-pin connector to 7-pin)
Model	(see below)

<Affected models>

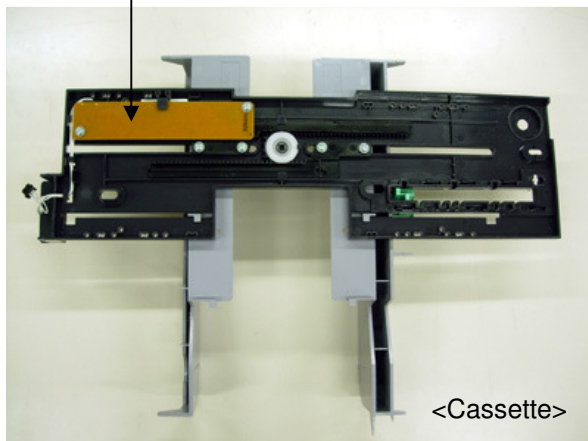
KM-2531/2530, KM-3531/3530, KM-4031/4030, FS-9100DN, FS-9500DN,
 KM-3035, KM-4035, KM-5035, FS-9120DN, FS-9520DN,
 KM-3050, KM-4050, KM-5050, FS-9130DN, FS-9530DN, TASKalfa 420i, TASKalfa 520i,
 KM-C3225, KM-C2520, KM-C3232, FS-C8100DN,
 KM-C4035E, KM-C3232E, KM-C3225E, KM-C2525E,
 KM-2560, KM-3060, KM-2540, KM-3040, TASKalfa300i,
 TASKalfa 500ci, TASKalfa 400ci, TASKalfa 300ci, TASKalfa 250ci, FS-C8500DN, TASKalfa552ci,
 KM-6030, KM-8030, TASKalfa 620, TASKalfa 820, PF-700/PF-710, PF-670, PF-720(B), PF-680

The size detection board (No.1) and wire for cassette and bypass are changed as the measures for the parts temporarily hard to procure. Please note an attention is required after this change.

<Content of changes>

- 1) The connector on the size detection board is changed from 5-pin type to 7-pin.
→ A set of the size detection board before and after the change is supplied.
- 2) The connector at the size detection board (No.1) side on the wire for the cassette and bypass is changed from 5-pin type to 7-pin after the change
→ A set of the wire before and after the change is supplied.

<Size detection board (SIZE DETECTION ASS'Y(No.1))>


 <Size detect (SIZE DETECTION ASS'Y(No.1))>
(Before)


5-pin connector



(After)



7-pin connector

KMC's Classification	<input type="checkbox"/> Entire Stock Rework	<input type="checkbox"/> In-Field modification at next visit
	<input checked="" type="checkbox"/> In-Field modification by case	<input type="checkbox"/> No modification necessary
Field Measure: A set of parts is supplied for the parts before the change. Please check the connector attached to the machine and use the corresponding board or wire.		
Serial Nos. of Affected Machine: After using up the old stock		

N00058208/N00058286/N00058429/N00058309

Service Bulletin

Ref. No. **COM-0235 (B169)**

<Date> June 21, 2011

A. Size detection board (Common among the models)

No.	Old Part No.	New Part No.	Description	Q'ty		Compati bi lity		Remarks
				Old	New	Old	New	
1	-----	302H794840 2H794840	PARTS SIZE DETECTION SET SP	-	1	-	O	Board set
2	-----	302H701330 2H701330	+SIZE DETECTION ASS'Y	-	1	-	O	7-pin board
3	-----	2FG01020	+SIZE DETECTION ASS'Y	-	1	-	O	5-pin board
4	2FG01020	-----	SIZE DETECTION ASS'Y	1	-	X	-	Switch to No.1

B. Wire for cassette

KM-2531/2530, KM-3531/3530, KM-4031/4030, FS-9100DN, FS-9500DN,
 KM-3035, KM-4035, KM-5035, FS-9520DN, FS-9120DN,
 KM-3050, KM-4050, KM-5050, FS-9130DN, FS-9530DN, TASKalfa 420i, TASKalfa 520i,
 KM-C3225, KM-C2520, KM-C3232, FS-C8100DN, KM-C4035E, KM-C3232E, KM-C3225E, KM-C2525E, KM-2560,
 KM-3060, KM-2540, KM-3040, TASKalfa300i,
 TASKalfa 500ci, TASKalfa 400ci, TASKalfa 300ci, TASKalfa 250ci, FS-C8500DN, TASKalfa552ci,
 PF-700/PF-710, PF-670, PF-720(B), PF-680

No.	Old Part No.	New Part No.	Description	Q'ty		Compati bi lity		Remarks
				Old	New	Old	New	
5	-----	302GR94630 2GR94630	PARTS WIRE CASSETTE SET SP	-	1	-	O	Board set
6	-----	302GR46810 2GR46810	+WIRE CASSETTE UNIT B	-	1	-	O	7-pin board
7	-----	302GR46450 2GR46450	+WIRE CASSETTE UNIT	-	1	-	O	5-pin board
8	302GR46450 2GR46450	-----	WIRE CASSETTE UNIT	1	-	X	-	Switch to No.5

C. Cassette wire

KM-6030, KM-8030, TASKalfa 620, TASKalfa 820

No.	Old Part No.	New Part No.	Description	Q'ty		Compati bi lity		Remarks
				Old	New	Old	New	
9	-----	302FB94250 2FB94250	PARTS WIRE CASSETTE SET SP	-	1	-	O	Board set
10	-----	302FB27A00 2FB27A00	+WIRE CASSETTE UNIT B	-	1	-	O	7-pin board
11	-----	302FB27662 2FB27662	+WIRE CASSETTE UNIT	-	1	-	O	5-pin board
12	302FB27662 2FB27662	-----	WIRE CASSETTE UNIT	1	-	X	-	Switch to No.9

Service Bulletin

Ref. No. **COM-0235 (B169)**

<Date> June 21, 2011

D. Bypass wire

KM-2531/2530, KM-3531/3530, FS-9100DN, FS-9500DN, KM-4031/4030,
 KM-3035, KM-4035, KM-5035, FS-9520DN, FS-9120DN,
 KM-3050, KM-4050, KM-5050, FS-9130DN, FS-9530DN,
 KM-2560, KM-3060, KM-2540, KM-3040, TASKalfa300i

No.	Old Part No.	New Part No.	Description	Q'ty		Compati bi lity		Remarks
				Old	New	Old	New	
13	-----	302GR94640 2GR94640	PARTS WIRE BYPASS SET SP	-	1	-	○	Board set
14	-----	302GR46800 2GR46800	+WIRE BYPASS UNIT B	-	1	-	○	7-pin board
15	-----	302GR46230 2GR46230	+WIRE BYPASS UNIT	-	1	-	○	5-pin board
16	302GR46230 2GR46230	-----	WIRE BYPASS UNIT	1	-	X	-	Switch to No.13

E. Bypass wire

KM-2531/2530, KM-3531/3530, FS-9100DN, FS-9500DN, KM-4031/4030
 KM-3035, KM-4035, KM-5035, FS-9520DN, FS-9120DN
 (For the bypass before it was made common with 3050/4050/5050)

No.	Old Part No.	New Part No.	Description	Q'ty		Compati bi lity		Remarks
				Old	New	Old	New	
17	-----	302BL94070 2BL94070	PARTS WIRE BYPASS SET SP	-	1	-	○	Board set
18	-----	302BL27780 2BL27780	+WIRE BYPASS UNIT B	-	1	-	○	7-pin board
19	-----	2BL27150	+WIRE BYPASS UNIT	-	1	-	○	5-pin board
20	2BL27150	-----	WIRE BYPASS UNIT	1	-	X	-	Switch to No.17

F. Bypass wire

TASKalfa 420i, TASKalfa 520i

No.	Old Part No.	New Part No.	Description	Q'ty		Compati bi lity		Remarks
				Old	New	Old	New	
21	-----	302KS94630 2KS94630	PARTS WIRE BYPASS SET SP	-	1	-	○	Board set
22	-----	302KS46380 2KS46380	+WIRE BYPASS UNIT B	-	1	-	○	7-pin board
23	-----	302KS46280 2KS46280	+WIRE BYPASS UNIT	-	1	-	○	5-pin board
24	302KS46280 2KS46280	-----	WIRE BYPASS UNIT	1	-	X	-	Switch to No.21

Do not use the 7-pin connector for the bypass for the following models. (The part is partially interfered)

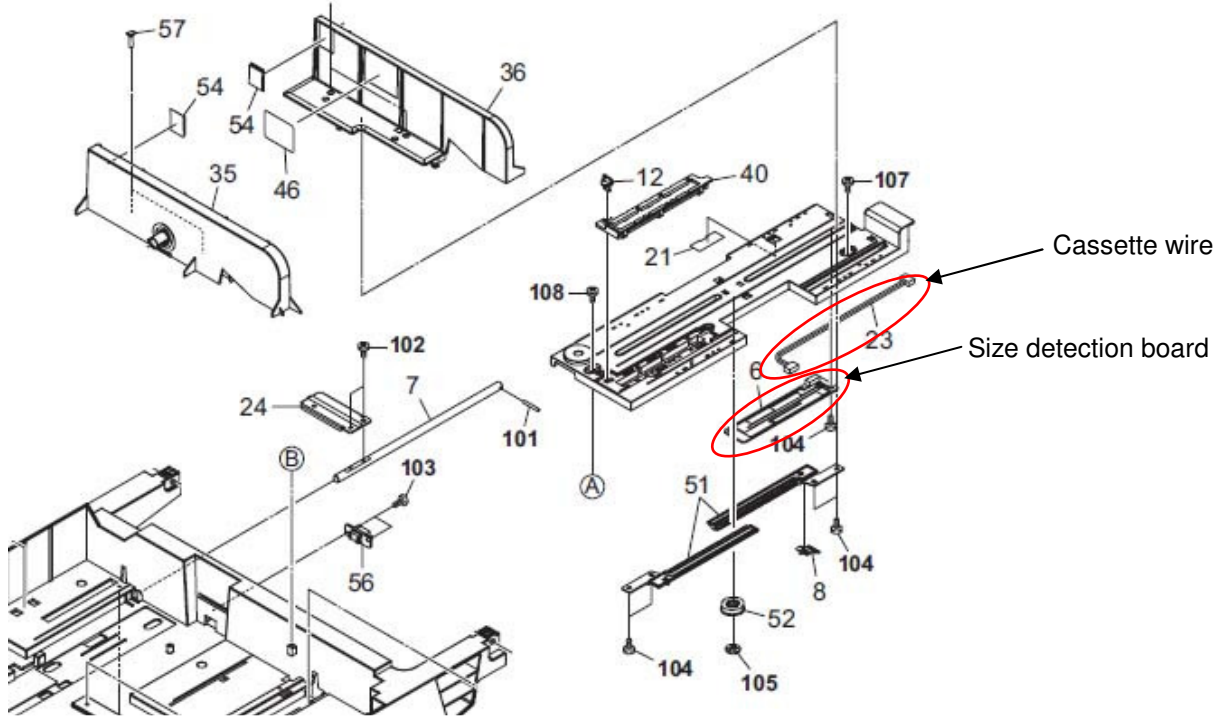
KM-C3225, KM-C2520, KM-C3232, FS-C8100DN, KM-C4035E, KM-C3232E, KM-C3225E, KM-C2525E, TASKalfa 500ci, TASKalfa 400ci, TASKalfa 300ci, TASKalfa 250ci, FS-C8500DN, TASKalfa552ci
 KM-6030, KM-8030, TASKalfa 620, TASKalfa 820

Service Bulletin

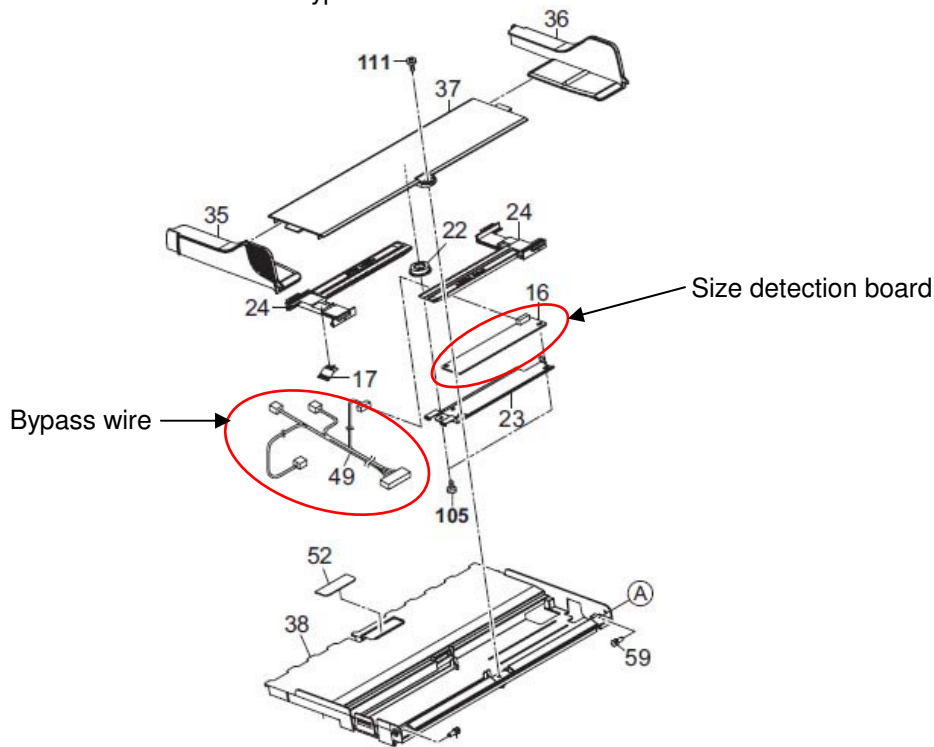
Ref. No. **COM-0235 (B169)**

<Date> June 21, 2011

Reference <TASKalfa520i cassette>



Reference <TASKalfa520i bypass>



Service Bulletin

 Ref. No. **2H7-0087 (B180)**

<Date> June 8, 2011

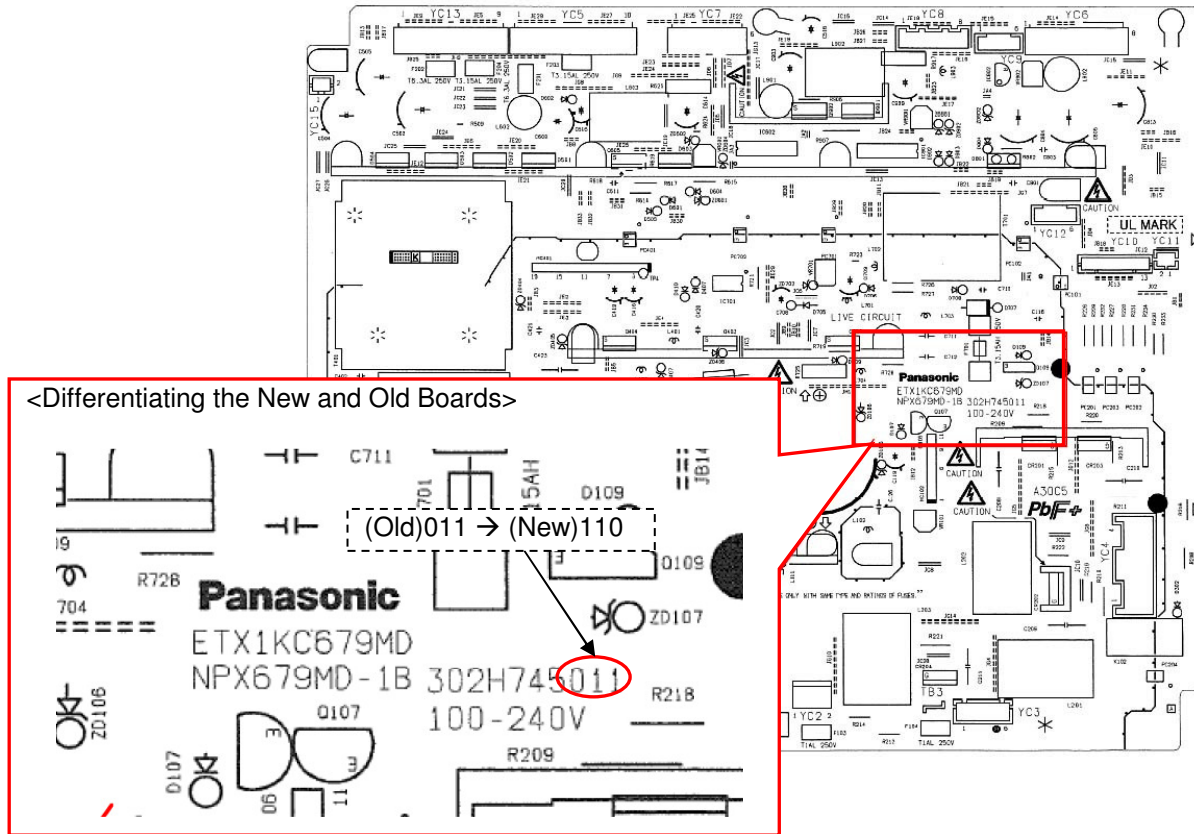
Subject	Measure against C6400 (Zero-Cross signal Error) --- For 200V spec.
Model	TASKalfa500ci, TASKalfa400ci, TASKalfa300ci, TASKalfa250ci, TASKalfa552ci, FS-C8500DN

Depending on the electrical environment of the MFP Users, a power supply waveform distortion and Error Code C6400 (Zero Cross signal Error) may occur, so the changes described below are made.

<Content of changes>

1) In order to increase the margin for the Zero Cross Pulse, the resistance of Board(No.1) has been changed from 100kΩ to 12kΩ.

<PARTS UNIT LOW VOLTAGE 200 SP(No.1)>



No.	Old Part No.	New Part No.	Description	Q'ty		Compati bi lity		Remarks
				Old	New	Old	New	
1	302H794351 2H794351	302H794850 2H794850	PARTS UNIT LOW VOLTAGE 200 SP	1	1	X	O	

KMC's Classification	<input type="checkbox"/> Entire Stock Rework <input checked="" type="checkbox"/> In-Field modification by case	<input type="checkbox"/> In-Field modification at next visit <input type="checkbox"/> No modification necessary
Field Measure:	If the phenomenon mentioned above occurs, please replace the No.1 board with the new one.	
Serial Nos. of Affected Machine:	From the production in June, 2011 on*	
	* The above is the plan at the present moment.	
	Please note that there is a possibility of change after giving this information.	

N00058029/N00058445

Service Bulletin

 Ref. No. **2H7-0088 (B263)**

<Date> August 8, 2011

Subject	Firmware upgrade (Pack MAIN: V12.00, ENHANCE: V1.13)
Model	TASKalfa500ci, TASKalfa400ci, TASKalfa300ci, TASKalfa250ci

<Content of changes> Please refer to the next page and after.

2011/7 Type	Fixed code	Type	Pack Version			Remark
			V10.00	V11.00	New upgrade V12.00	
MAIN FRAME	Fixed code	----	V10.00	V11.00	V12.00	Remark
MAIN *1	2H7_2F00	009.020	010.007	011.006	012.012	
MMI *1	2H7_7000	009.018	010.007	011.002	012.012	
LANGUAGE BR(OPTION)	2H7_81BR	001.021	001.025	<---	001.029	
BROWSER	2H7_F000	001.015	<---	<---	001.016	
ENGINE (high) *2*3	2H7_1000	----	020.003	021.001	023.001	
ENGINE (low) *2*3	2JZ_1000	----	020.003	021.001	023.001	
SCANNER	2H7_1200	005.002	<---	<---	<---	
MOTOR MAIN	2H7_1400	003.003	<---	<---	<---	
H VLT MAIN	2H7_1600	001.014	<---	<---	<---	
SLEEP MAIN	2H7_1800	002.001	<---	<---	<---	
FAX BOOT *4 Fax Sys(Q)	3MB_5000	001.016	<---	<---	<---	
FAX APL *4 Fax Sys(Q)	3MB_5100	(005.002)	<---	<---	<---	
FAX IPL *4 Fax Sys(Q)	3MB_5200	001.016	<---	<---	<---	
FAX BOOT *4 Fax Sys(S)C	5JP_5000	001.022	<---	<---	<---	
FAX APL *4 Fax Sys(S)C	5JP_5100	(C06.001)	(C08.002)	<---	<---	
FaxSystem(Q)/(S)C MIX *5	SaturnFAX_Pack	C06001_005002	C08002_005002	<---	<---	
SOLUTION (DBA)	J00_E000	003.002	005.001	<---	<---	
ENHANCEMENT	Fixed code	----	V1.12	<---	V1.13	
DP-750/750B, 760/760B	3LK_9500	009.003	<---	<---	<---	
PF-720/720B (2 cassette)	3LM_9000	004.001	<---	<---	<---	
PF-760/760B (3000)	5H8_9000	003.002	<---	<---	<---	
DF-780/780B (1000)	5JA_9200	007.005	<---	<---	<---	
DF-760/760B (3000) MAIN	3LT_9200	006.003	007.001	<---	<---	
DF-760/760B (3000) MIDDLE	3LT_9600	007.002	008.001	<---	<---	
MT-720/720B (3000)MAIL BOX	3LW_9800	004.002	<---	<---	005.001	

For KM sales companies, it is possible to download firmware through KM Knowledge Cabi-NET.

When upgrading firmware or replacing board etc., please upgrade each firmware (PACK of MAIN FRAME/ENHANCEMENT) to the latest version at the same time.

- *1) Please make sure to upgrade the MAIN and MMI firmware at the same time. If the firmware is upgraded individually, the CF000 error message may appear and it will not be possible to recover at the customer site.
- *2) Please note, in case the firmware is upgrade to the version 004.001 or later from the older version, the default value of U327 (Setting Cassette Heater Control) is reset to OFF. Please see the Service Bulletin No. 2H7-0012 (8746) for the details
- *3) Please perform AC Calibration in the maintenance mode U464 (Set ID Adjustment Mode) after upgrading to the firmware version 006.009 or later from the older version.
- *5) Combined firmware of 5 kinds of FAX firmware (*4), When downloading the combined firmware, appropriate firmware is installed by detecting the FAX system (Q) or (S)C.

Service Bulletin

 Ref. No. **2H7-0088 (B263)**

<Date> August 8, 2011

KMC's Classification	<input type="checkbox"/> Entire Stock Rework	<input type="checkbox"/> In-Field modification at next visit
	<input checked="" type="checkbox"/> In-Field modification by case	<input type="checkbox"/> No modification necessary
Field Measure: Please upgrade the firmware positively when visiting the user. And that time, please upgrade all the firmware to the latest version at the same time.		
Serial Nos. of Affected Machine: Planned from July 2011 production		

N00060004/N00060100/N00059583/N00060100

	Latest version		
Option Language KR	2H7_81KR.001.019	<--	For KMKR
Option Language TW	2H7_81TW.001.018	<--	For KMTW
Option Language CN	2H7_81CN.001.018	<--	For KTST

<Content of changes>

No.	Changes and Implementations	Remarks	CTL No
	Spec change		
1	KMPM is supported .	Device license and Simple Follow Me Print are supported.	514053 552470
2	Changes on PanelPlus and FMU are implemented at the man machine side	-----	558227
3	KMA management system is supported	1. [SAMPLE SET] is added in the U089(Output MIG-PG) [SAMPLE SET] prints 5 pages of sample pattern, COLOR BELT,GRAY(C),GRAY(M),GRAY(Y),GRAY(K) 2. [RP Code] is indicated in the Service Status Page. *Only the initial value "FFFFFFFFFFFF" appears after upgrading the firmware with the upgrade pack and it is valid after next firmware upgrade including overwrite.	
	Improved performance 1		
4	Corrective measures for the CF245 error	-----	TC-10-057 517998
5	Corrective measures for the operation panel lock-up (lock-up at restart)	The operation panel may be locked up (without response of the hardware key and touch panel). Therefore, this is corrected.	TP-10-302 521995
6	Corrective measures for the Maintenance Report not being attached after the C0630 error	The Maintenance Report may not be attached after the C0630 error (DMA error). Therefore, this is corrected.	TP-11-021 557130
7	Corrective measures for the failure when the optional NIC from SEH is installed.	The memory LED continues flashing after printing a certain file via the optional NIC from SEH. Therefore, this is corrected.	TP-11-008, BA-001, PS-19 523636
8	The "admin00" password support	-----	TO-11-003, #1160788, #1160792, 523985
9	Prevention of the Command Center contents overwriting	-----	TO-11-007, #1160788, 535956
10	KWOM (OM-macro4 spool system) printing data send is supported	PJL STATUS is not completely returned in the KWOM (OM-macro4 spool system) printing data sending. Therefore, this is corrected.	ESDC-VE-085 547335

Service Bulletin

Ref. No. **2H7-0088 (B263)**

<Date> August 8, 2011

No.	Changes and Implementations	Remarks	CTL No
11	Characters with umlaut are supported for the SMB function path name from the Command Center	Characters with umlaut are not usable to register the path for the SMB function from the Command Center.(failure in the previous upgrade pack11). Therefore, this is corrected.	TO-11-019, #1196927 551994
12	Corrective measures for the discrepancy between the total values and total sum of the individual accounting values in the Accounting System.	The total sum of the Account ID Total and the total that appears at the "All Accounts" as the last column of the ACCOUNT.REPORT may be different when printing the ACCOUNT.REPORT. Therefore, this is corrected.	TO-11-023, KMTW-SQ-11- 0408 558591
13	Corrective measures for the failure of the PDF direct print from the USB memory	The main machine may lock up when attempting a certain operation for the PDF direct printing from the USB memory. Therefore, this is corrected.	TO-11-015, #1194727-1 547119
14	Corrective measures for the CF2A4 error when receiving the i-Fax	The data may not be converted and the CF2A4 error may appear if it contains the unconvertible data when receiving the i-Fax. Therefore, this is corrected.	TF-11-003 551815
15	Correction of spell of the German [Quality] tab in the operation panel.	The spell of [Quality] tab in German is incorrect that appears when opening [Copy] page in the operation panel. Therefore, this is corrected. Before) qualitat -> After) Qualität	TO-11-013, #1199937 541195
16	Corrective measures for the FAX memory send failure when installing the optional FAX memory	The FAX memory may fail to be initialized with the internal control version file error at start-up and the FAX memory send may fail. The version file is rebuilt if it contains errors to correctly initialize.	548025
17	Corrective measures for the communication errors SNMP OID 1.3.6.1.2.1.43.7.1.1.2.1.7	-----	TP-10-270 505313
18	Correcting the German Command Center	-----	TO-11-032 565186
19	Corrective measures for the output tray selection disabled when Collate is selected	The printer output tray may not be selected as specified with the system menu setting below. Therefore, this is corrected. System Menu > Common settings>Function Default > Collate/Offset Collate: On, Offset: Offset Each Set (Offset Each Page)	KMA-D-1009- 07 542487
20	The page order in the booklet copy is corrected in a certain setting	The page order is incorrect in the booklet copy in a certain setting. Therefore, this is corrected.	TC-11-007, KMA-D-1103- 10 553346
21	Corrective measures for the failure that other box is opened with a certain operation for Document Box	-----	TO-11-033 UTAX20110530 565197
22	Corrective measures for the failure to direct-print a certain file	-----	TP-11-007, #1164494 523606
23	Corrective measures for the CF248 error when printing a certain file from the USB memory	-----	TO-11-002, KMAUS11-S02 523838
24	Corrective measures for the F248 error when printing a certain file from the users system	-----	TP-11-014, UT-S11-004 534239
25	Corrective measures for the garbled characters with a certain file	-----	TP-11-003, #1162401 522737

Service Bulletin

Ref. No. **2H7-0088 (B263)**

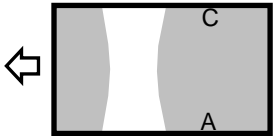
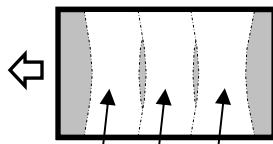
<Date> August 8, 2011

No.	Changes and Implementations	Remarks	CTL No
26	Corrective measures for the F248error with a certain PCL data	-----	ESDC-MA-003 553937
27	Corrective measures for the CF46Ferror with a certain PDF file and KPDL mini driver	-----	TP-11-041, UT-S11-006 537461
28	Corrective measures for the Offending Command error when direct-printing a certain PDF file	-----	TP-11-078, #1222631 555434
29	Corrective measures for the duplicate print of fonts with a certain file	-----	TP-11-020, HTJO-14518 534689
30	Corrective measures for the slow print when printing continuously	A pause may be inserted between pages and print may be slow when printing continuously. Therefore, this is corrected.	TP-10-122, UTS-10-018 559149
31	Corrective measures for the slow print with a certain file	Extra process time may be required for rebuilding the data with a pause between jobs. Therefore, this is corrected.	TP-10-128, TP-10-105 559151
32	Corrective measures for the F248 error when printing certain fonts via CF card	The F248 error appears when attempting to print certain fonts by registering in a CF card. Therefore, this is corrected. (This is printed correctly if the fonts are registered in the RAM)	TP-10-272, ASTA-14239 559152
33	Improving the print time when continuously printing a certain PCL5 system	It may take much time with a pause when printing a single page continuously. Therefore, this is corrected.	TP-10-219 NP-Z10071 559154
34	Corrective measures for the logo mark area filled in black	Logo mark area is filled in black when printing with an application named Formtastic. Therefore, this is corrected.	TP-10-296, KMA-D-1011- 12 559155
35	Corrective measures for the CF248 error with a certain file	-----	TP-10-321, KMAUS10-S23 559156
36	Correcting the PCL5Ee performance	Since the PCL5e selects a large number of unnecessary fonts, the logic is changed to optimize the font selection	TP-11-036 PCL5e: 559157
37	Corrective measures for the magnification with a certain file	The magnification slightly differs depending on model. Therefore, this is corrected.	TP-11-012, BM-110119 559158
38	Escaping the Prescribe command with a certain file	The character specifying code may come in the order of [33], [82] and [33] (= !R!) in the PCL5 data and the Prescribe command is unintentionally entered. Then, data afterwards are not printed. Therefore, this is corrected.	TP-11-046 NP- Z11006 559159
39	Improved performance	The process is changed where it requires much time for a large data relocation and the differential compression	TP-10-283 559160
40	Corrective measures for the lock-up during printing a certain Excel data.	-----	TP-10-263 NP- Z10084 559162

Service Bulletin

 Ref. No. **2H7-0088 (B263)**

<Date> August 8, 2011

No.	Changes and Implementations	Remarks	CTL No
	Improved performance 2		
41	<p>Corrective measures for the image dropout (improving the LSU cleaning mechanism)</p> <p>Phenomenon</p> <p>1) The color drops out toward the main scanning direction, however, it is somewhat curved down from A to C instead of straight.</p>  <p>2) A single color drops out to appear white. In the case of color image, it appears with other colors than that drops out.</p>  <p style="text-align: center;">Single color dropout</p>	<p>The dropout image may appear if the one-way clutch is partly caught up by the Mylar film and it stops where the laser beam path is interrupted by the cleaning blade. Therefore, the following are changed so that the one-way clutch is not stopped.</p> <ul style="list-style-type: none"> - The feed motor is rotated in reverse at half speed and then rotated at full speed after finishing the LSU cleaning so that the cleaning blade goes back to the home position. - The following are added to the maintenance mode to set up the above mode. <ul style="list-style-type: none"> U474 [Reverse Rotation] is added. 0: off (default) 1: on - Execute the above after the users understanding since the warm-up time is delayed by 4 to 6 sec. after the above is set up. - The value is reset to 0(off) when upgrading the firmware. Set it again if it is set to on for the individual solution. 	552360 562335 562336
42	Corrective measures for the backside smudge(from secondary transfer roller dirt)	The backside smudge may appear around 47mm of the leading edge at the 1st page print of low coverage after continuous monochrome print in the low humidity environment. Therefore, the residual toner on the secondary transfer section is collected back to the primary transfer section before starting paper feed.	562352
43	Improve the productivity of the print job	The threshold for shifting the paper interval control mode is changed in the U325 Mode5 motion (shifted to the Mode5 depending on the drive time in the Mode1) in order to improve the productivity.	562341
44	Corrective measures for the faint solid black image (Variable target value for the toner thick layer calibration (black) in the U464)	<p>The target value for the toner thick layer calibration (black) in the U464 is made variable as the corrective measures for the faint solid black image.</p> <p>Check the following for the corrective measures for the faint solid black image.</p> <ul style="list-style-type: none"> - Execute the developer refresh. - Execute the manual calibration - Increase the black target value in the U464 if the above do not improve. (Thick Calib Add Bias (K)) (Note the toner drop or background image may appear if increasing the value) - Execute the manual calibration (This fixes the changed value) - Check the image level. (Change the value again depending on the level) <p>*The default value is changed from +10 to 0 after this change.</p>	562342
45	Corrective measures for the drum pin hole	The cleaning roller reverse rotation control after finishing the job is disused (The drum pinhole may occur at the user whose print page per job is a few).	
46	Corrective measures for C8510 error (MB conveying motor error 1) MT-720/720B	The motion control before the slow-up is changed to prevent step-out of the stepping motor.	566423

Service Bulletin

 Ref. No. **3MA-0002 (B319)**

<Date> October 3, 2011

Subject	Corrective measures for the J51 jam (Misfeed in job separator eject section (Rubber roller material change))
Model	JS-720, JS-720(B)

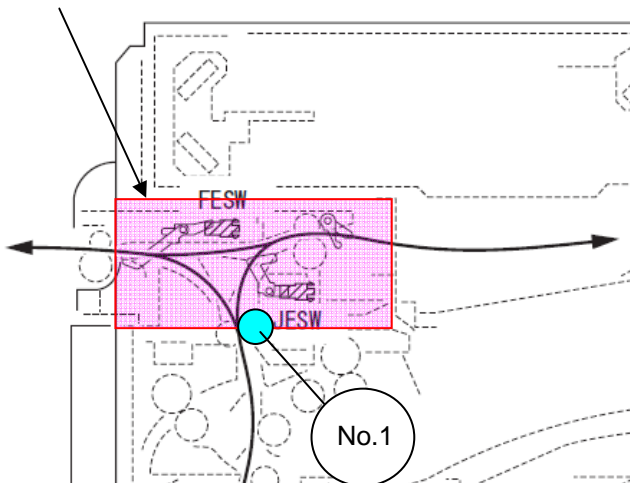
(Affected model JS-720: TASKalfa500ci/400ci/300ci/250ci
 JS-720(B): TASKalfa500ci/400ci/300ci/250ci, TASKalfa552ci, TASKalfa420i/520i)

If the roller (No.1) of PARTS ROLLER JS LOWER in the job separator reaches high temperature, the rubber roller is swelled due to the wax content of the toner and the inner diameter of the roller is expanded. Then, the rubber roller spins around against the shaft to cause the J51 jam (Misfeed in job separator eject section). Therefore, the following is changed.

<Content of changes>

The material of the rubber roller of PARTS ROLLER JS LOWER(No.1) is changed.
 [EPDM(Gray) → Silicon rubber (Black)]

JS-720/JS-720(B)



<PARTS ROLLER JS LOWER (No.1) change>

[Before (rubber roller material : EPDM)]--- Gray



[After (rubber roller material: Silicon rubber)]--- Black



No.	Old Part No.	New Part No.	Description	Q'ty		Compati bi lity		Remarks
				Old	New	Old	New	
1	303MA94020 3MA94020	303MA94021 3MA94021	PARTS ROLLER JS LOWER	1	1	X	O	

KMC's Classification	<input type="checkbox"/> Entire Stock Rework	<input type="checkbox"/> In-Field modification at next visit
	<input checked="" type="checkbox"/> In-Field modification by case	<input type="checkbox"/> No modification necessary

Field Measure: Please replace with the new parts when the above phenomenon arises.

Serial Nos. of Affected Machine: Planned from September 2011 production on*

*The above is the plan at the present moment. Please note that there is a possibility of change after giving this information.

N00060453

Service Bulletin

 Ref. No. **2H7-0089 (B412)**

<Date> November 22, 2011

Subject	Setting up the maintenance kit bundling the developer unit B for prevention of the BK toner smudge
Model	TASKalfa500ci, TASKalfa400ci, TASKalfa300ci, TASKalfa250ci, TASKalfa552ci, FS-C8500DN

The developer unit B was set up for prevention of the BK toner smudge as informed per the service bulletin 2H7-0080(B010) and 2KY-0008(B016). This time, the maintenance kit bundling the developer unit B instead of the conventional developer unit is set up. (Along with it, the seal set for the drum unit is bundled.)

[Maintenance kit]

	Before Part number	Before alternative	After Part number	After alternative	Name	BK Developer (Ref. No in P2)	
1	1702H77US0	072H77US	1702H77US1	072H77U1	MK-855A	No1	For 500ci/400ci 120V
2	1702JZ7US0	072JZ7US	1702JZ7US1	072JZ7U1	MK-865A	No3	For 300ci/250ci 120V
3	1702H78EU0	072H78EU	1702H78EU1	072H78E1	MK-855A	No1	For 500ci/400ci 200V
4	1702JZ8EU0	072JZ8EU	1702JZ8EU1	072JZ8E1	MK-865A	No3	For 300ci/250ci 200V
5	1702H78KR2	072H78K2	1702H78KR3	072H78K3	MK-855A	No2	For 500ci/400ci KMKR
6	1702JZ8KR2	072JZ8K2	1702JZ8KR3	072JZ8K3	MK-865A	No4	For 300ci/250ci KMKR
7	1702H7TTW1	072H7TT1	1702H7TTW2	072H7TT2	MK-855A	No1	For 500ci/400ci 110V
8	1702JZTTW1	072JZTT1	1702JZTTW2	072JZTT2	MK-865A	No3	For 300ci/250ci 110V
9	1702H78KS1	072H78K1	1702H78KS4	072H78K4	MK-855A	No1	For 500ci/400ci KTST
10	1702JZ8KS1	072JZ8K1	1702JZ8KS4	072JZ8K4	MK-865A	No3	For 300ci/250ci KTST
11	1702KY7US0	072KY7U0	1702KY7US1	072KY7U1	MK-856A	No5	For 552ci 120V
12	1702KY8KL0	072KY8K0	1702KY8KL1	072KY8K1	MK-856A	No5	For 552ci 200V
13	1702KA7US0	072KA7U0	1702KA7US1	072KA7U1	MK-880A	No5	For C8500DN 120V
14	1702KA8KL0	072KA8K0	1702KA8KL1	072KA8K1	MK-880A	No5	For C8500DN 200V
15	1702KA8KR0	072KA8K0	1702KA8KR2	072KA8K2	MK-880A	No6	For C8500DN KMKR

[Restriction]

- Cleaning the developer unit is required at the customer visit within the maintenance cycle.
- The drive sound that was not heard before is generated at the engagement of the main machine and developer side coupling at the reverse rotation of the developer drive

KMC's Classification	<input type="checkbox"/> Entire Stock Rework	<input type="checkbox"/> In-Field modification at next visit
	<input checked="" type="checkbox"/> In-Field modification by case	<input type="checkbox"/> No modification necessary
Field Measure: Please note the following when using the new type maintenance kit. <ol style="list-style-type: none"> Upgrade the firmware to the Upgrade Pack of the applicable firmware version below. *The service call error C7401 (Developer unit K type mismatch error) appears if using the developer unit B before upgrading the firmware. Replace with the BK developer unit B. Affix the sponges and seal(No7) to the drum unit. *Applicable firmware version: 500/400/300/250ci · Pack Ver11.00 552ci/C8500DN · Pack Ver5.00 <u>Use of the BK developer unit B for prevention of the BK toner smudge accompanies the restriction and so, please note the above content.</u>		
Refer to the service bulletin No. 2H7-0080(B010) and 2KY-0008(B016) for details including the ones for the above.		

Service Bulletin

 Ref. No. **2H7-0089 (B412)**

<Date> November 22, 2011

Serial Nos. of Affected Machine: From November 2011 production on
 From the MK kit S/No: ***1Y**** and after (3-digit prefix of the MK kit S/No remains unchanged)

N00061227/ N00061228/ N00062067/ N00062087

[Change of the component for the maintenance kits mentioned in the previous page]

No.	Old Part No.	New Part No.	Description	Q'ty		Compati bi lity		Remarks
				Old	New	Old	New	
1	302H793179 2H793179	302H793711 2H793711	PARTS DLP K UNIT B	1	1	○	○	For DV-855B (except KMKR)
2	302H79K179 2H79K179	302H79K711 2H79K711	PARTS DLP K UNIT B	1	1	○	○	For DV-855B (KMKR)
3	302JZ9319A 2JZ9319A	302JZ93411 2JZ93411	PARTS DLP K L UNIT B	1	1	○	○	For DV-865B (except KMKR)
4	302JZ9K19A 2JZ9K19A	302JZ9K411 2JZ9K411	PARTS DLP K L UNIT B	1	1	○	○	For DV-865B (KMKR)
5	302KY93031 2KY93031	302KY93181 2KY93181	PARTS DLP K UNIT B	1	1	○	○	For DV-856B (except KMKR)
6	302KY9K031 2KY9K031	302KY9K181 2KY9K181	PARTS DLP K UNIT B	1	1	○	○	For DV-856B (KMKR)
7	-----	302H794830 2H794830	PARTS SEAL FRONT DRUM SET SP	-	1	-	○	Seal set for drum unit *1

*1: Sponge(L), sponge(S), seal and leaflet for affixing procedures (The leaflet also describes note on firmware upgrade)

Service Bulletin

Ref. No. **COM-0252 (B422)**

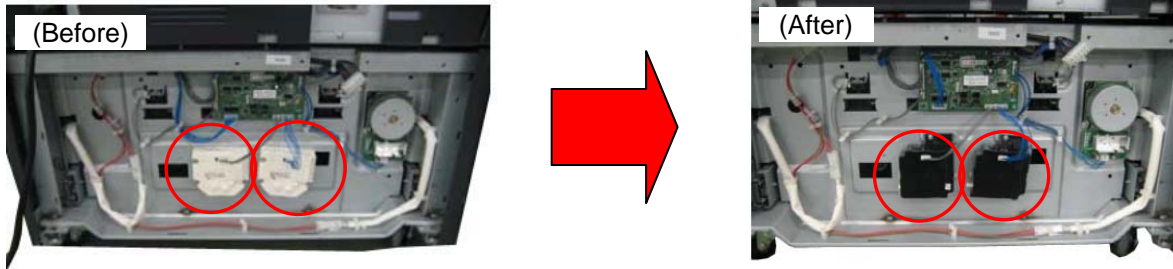
<Date> December 2, 2011

Subject	Note when replacing the parts (The lift-up motor change)
Model	PF-760/PF-760(B), PF-750, PF-75

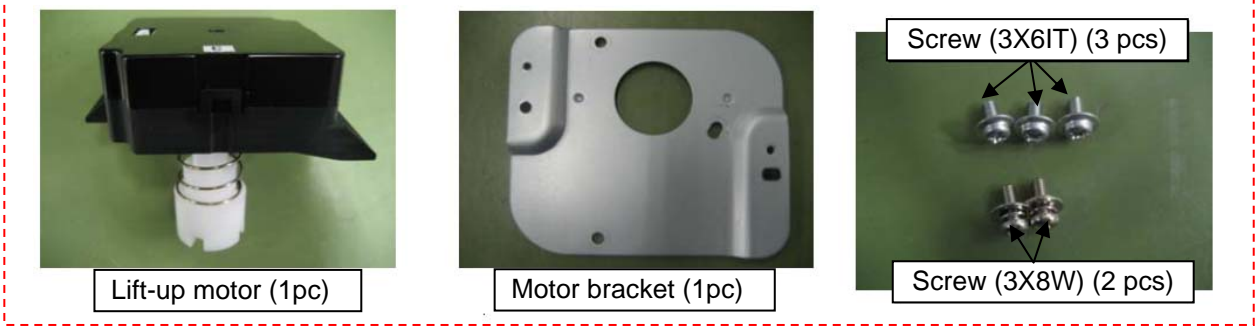
(Affected model PF-760 : TASKalfa500ci/400ci/300ci/250ci
 PF-760(B) : TASKalfa500ci/400ci/300ci/250ci, ATSKalfa420i/520i
 PF-750 : KM-C2525/C3225/C3232/C2525E/C3225E/C3232E/C4035E, FS-C8100DN, EP C320DN, KM-3050/4050/5050, FS-9130DN, FS-9530DN, EP 510DN,
 PF-75 : KM-2531/2530/3531//3530/4031/4030, FS-9100DN, FS-9500DN, KM-3035/4035/5035, FS-9120DN, FS-9520DN)

The lift-up motor is changed due to discontinuation of production at the parts manufacturer.
 The service parts kit (No.1) is set up for the parts compatibility.
 Refer to [Field Measure] since an attention is required after this change.

[The lift-up motor change (machine rear side)]



[Items bundled in the service parts kit (No.1)]



Service Bulletin

 Ref. No. **COM-0252 (B422)**

<Date> December 2, 2011

No.	Old Part No.	New Part No.	Description	Q'ty		Compati bi lity		Remarks
				Old	New	Old	New	
1	-----	305H894010 5H894010	ASSY,LIFT-UP-MOTOR	-	2	-	O	Service parts kit *1
2	-----	305H880090 5H880090	+MA-D00-002	-	1	-	X	
3	-----	305H880110 5H880110	+SCR-030-060WIT	-	3	-	X	
4	-----	305H880120 5H880120	+SCR030080FWWS	-	2	-	X	
5	305FH27011 5FH27011	-----	MOTOR,LIFT	2	-	X	-	Changed to No.1
6	305H080600 5H080600	-----	SCR-030-250WWS	4	-	X	-	Changed to No.1

"+" at the head of part name means it is a component part.

*1 : Bundled in the service parts kit →Lift-up Motor (No.2), Motor Bracket (1pc), Screw (3X6IT)(No3), Screw (3X8W)(No4), Leaflet

KMC's Classification	<input type="checkbox"/> Entire Stock Rework	<input type="checkbox"/> In-Field modification at next visit
	<input checked="" type="checkbox"/> In-Field modification by case	<input type="checkbox"/> No modification necessary
Field Measure: Please use the service parts kit (No.1) when replacing the parts. Attach the lift-up motor with 2 pcs of the 3X8W screw (No4) after attaching the motor bracket with 3 pcs of the 3x6IT screw (No.3) (*Do not use 2 pcs of the 3X25mmscrew (No.6) for the old type motor) 2 of the motors may be used in combination of the old type motor with the old type screws and the new type motor with the new type screws. (Refer to the leaflet bundled in the service parts kit (No.1) for the motor replacement procedures)		
Serial Nos. of Affected Machine: After using up the old stock		

N00060281/N00061005

Service Bulletin

Ref. No. **PCI-0305 (B444)**

[Parts Change Information]

<Date> July 19, 2012

Subject	Parts Change information
Model	TASKalfa 5550ci, TASKalfa 4550ci, TASKalfa 3550ci, TASKalfa 3050ci, TASKalfa 5500i, TASKalfa 4500i, TASKalfa 3500i, TASKalfa 8000i, TASKalfa 6500i, TASKalfa 7550ci, TASKalfa 6550ci, TASKalfa205c/FS-C8020MFP, TASKalfa255c/FS-C8025MFP, TASKalfa255/FS-6025MFP, TASKalfa255b/FS-6025MFP, TASKalfa305/FS-6030MFP, TASKalfa420i, TASKalfa520i, TASKalfa500ci, TASKalfa400ci, TASKalfa300ci, TASKalfa250ci, TASKalfa552ci, TASKalfa550c, TASKalfa650c, TASKalfa750c, KM-3035*, KM-4035*, KM-5035*, FS-9520DN*, FS-9120DN*, KM-3050, KM-4050*, KM5050*, FS-9530DN*, FS-9130DN*, KM-1650, KM-2050, KM-2550, KM-2540, KM-3040, TASKalfa2420w, TASKalfa4820w, PF-730, PF-780, BF-730, DP-410, DP-670

This time the description with (-->)is revised from the previous information.

<Number of changes: 2> Corrected the parts number in page 9. (Old parts number is corrected from 302BL04681 to 2BL04680 and the 8-digits number (2BL04681) is added to the table of the new parts number.

*Common with CHUNGHO brand

Affected models

PF-730	TASKalfa5550ci/4550ci/3550ci/3050ci, TASKalfa5500i/4500i/3500i, TASKalfa8000i/6500i, TASKalfa 7550ci/6550ci
PF-780	TASKalfa5550ci/4550ci, TASKalfa8000i/6500i, TASKalfa 7550ci/6550ci
BF-730	DF-790 (main machine: TASKalfa5550ci/4550ci, TASKalfa5500i/4500i/3500i, TASKalfa8000i/6500i, TASKalfa 7550ci/6550ci)
DP-410	KM-1620/2020/1650/2050/2550/1635/2035/1635CHN/2035CHN
DP-670	KM-2560/3060/2540/3040

The following parts are changed.

P3 **<Parts number information (MPT middel pulley holder)>**

TASKalfa 5550ci, TASKalfa 4550ci, TASKalfa 3550ci, TASKalfa 3050ci, TASKalfa 7550ci,
 TASKalfa 6550ci, TASKalfa 5500i, TASKalfa 4500i, TASKalfa 3500i, TASKalfa 8000i,
 TASKalfa 6500i

P4 **<Parts number information (Slider for the cassette)>**

TASKalfa 7550ci, TASKalfa 6550ci, TASKalfa 8000i, TASKalfa 6500i, PF-740, PF-770

P4 **<Strengthening the handle>**

TASKalfa5550ci, TASKalfa4550ci, TASKalfa3550ci, TASKalfa3050ci, TASKalfa 7550ci,
 TASKalfa 6550ci, TASKalfa 5500i, TASKalfa 4500i, TASKalfa 3500i, TASKalfa 8000i,
 TASKalfa 6500i

P5 **<Parts number information(GUIDE PRIMARY FEED)>**

PF-730, PF-780, TASKalfa 5550ci, TASKalfa 4550ci, TASKalfa 7550ci, TASKalfa 6550ci,
 TASKalfa 8000i, TASKalfa 6500i, TASKalfa 5500i, TASKalfa 4500i

Service Bulletin

Ref. No. **PCI-0305 (B444)**

[Parts Change Information]

<Date> July 19, 2012

P5 <Motor change>TASKalfa 3550ci, TASKalfa 3050ci, TASKalfa205c/FS-C8020MFP,
TASKalfa255c/FS-8025MFP, TASKalfa255/FS-6025MFP, TASKalfa255b/FS-6025MFP,
TASKalfa305/FS-6030MFP**P6 <Secondary transfer roller change>**

TASKalfa 205c/FS-C8020MFP, TASKalfa 255c/FS-C8025MFP

P7 <Fuser idle gear abrasion resistance improvement>

TASKalfa255/FS-6025MFP, TASKalfa255b/FS-6025MFP/B, TASKalfa305/FS-6030MFP

P7 <Operation section protective film change>

TASKalfa205c/FS-C8020MFP, TASKalfa255c/FS-C8025MFP

P8 <Developer unit lever push-in load reduction>

TASKalfa205c/FS-C8020MFP, TASKalfa255c/FS-8025MFP

P8 <110/120V)* Common use of FILTER DUCT>

TASKalfa500ci, TASKalfa400ci, TASKalfa300ci, TASKalfa250ci, TASKalfa552ci

P9 <FFC change>

TASKalfa500ci, TASKalfa400ci, TASKalfa300ci, TASKalfa250ci

P9 <Strap change>KM-3035, KM-4035, KM-5035, KM-3050, KM-4050, KM-5050, LS/FS-9520DN, FS-9120DN
LS/FS-9530DN, FS-9130DN, TASKalfa 520i, TASKalfa 420i**P10 <Parts number change>**

DP-410, DP-670

P10 <Common use of parts>

TASKalfa550c, TASKalfa650c, TASKalfa750c

P11 <Parts number information>

TASKalfa2420w, TASKalfa4820w

P11 <Paper holder arm film disuse>

BF-730

P12 <Work process improvement (bending added to STAY)>

BF-730

Service Bulletin

[Parts Change Information]

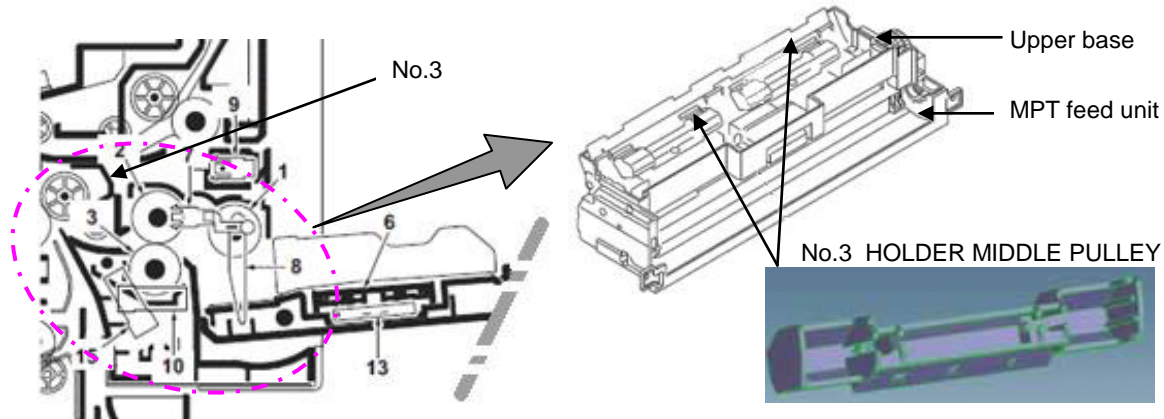
Ref. No. **PCI-0305 (B444)**

<Date> July 19, 2012

<Parts number information (MPT middel pulley holder)>

TASKalfa 5550ci, TASKalfa 4550ci, TASKalfa 3550ci, TASKalfa 3050ci, TASKalfa 7550ci,
 TASKalfa 6550ci, TASKalfa 5500i, TASKalfa 4500i, TASKalfa 3500i, TASKalfa 8000i,
 TASKalfa 6500i

The middle pulley holder in the MPT feed unit is set up for the service parts.



No.	Old Part No.	New Part No.	Description	Q'ty		Compati bility		Remarks
				Old	New	Old	New	
1	302K994011 2K994011	302K994011 2K994011	PARTS MPT ASSY SP	1	1	-	-	*1
2	302LC94021 2LC94021	302LC94021 2LC94021	PARTS MPT ASSY SP	1	1	-	-	*2
3	-----	302K908250 2K908250	+HOLDER MIDDLE PULLEY	-	2	-	O	Service parts information

*1: TASKalfa 5550ci/4550ci/7550ci/6550ci/5500i/4500i/8000i/6500i

*2: TASKalfa 3550ci/3050ci/3500i

*1*2: The parts number remains unchanged.

Service Bulletin
[Parts Change Information]

Ref. No. **PCI-0305 (B444)**

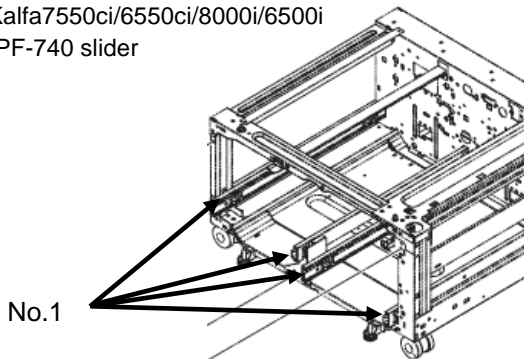
<Date> July 19, 2012

<Parts number information (Slider for the cassette)>

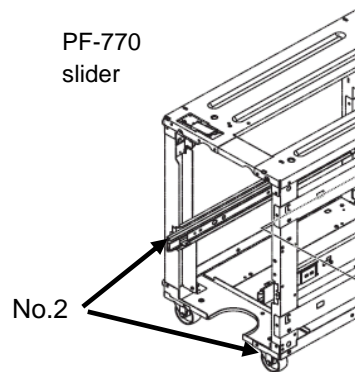
TASKalfa 7550ci, TASKalfa 6550ci, TASKalfa 8000i, TASKalfa 6500i, PF-740, PF-770

The parts number is set up for the slider for the cassette and paper deck.

TASKalfa7550ci/6550ci/8000i/6500i
and PF-740 slider



PF-770
slider



The slider for the standard cassette/PF-730/PF-780 will be changed and it will be informed per the service bulletin to be issued later to check the parts number.

No.	Old Part No.	New Part No.	Description	Q'ty		Compati bility		Remarks
				Old	New	Old	New	
1	-----	303NF10030 3NF10030	SLIDER DECK	-	4	-	○	*1
2	-----	302K909530 2K909530	SLIDER CASSETTE	-	2	-	○	*2

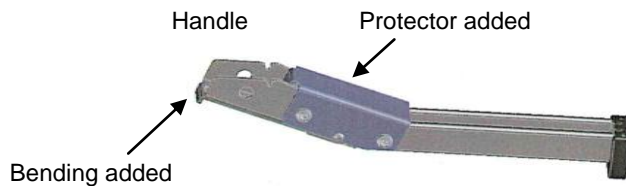
*1: TASKalfa7550ci/6550ci/8000i/6500i, PF-740

*2: PF-770

<Strengthening the handle → From November 2011 productio>

TASKalfa5550ci, TASKalfa4550ci, TASKalfa3550ci, TASKalfa3050ci, TASKalfa 7550ci,
TASKalfa 6550ci, TASKalfa 5500i, TASKalfa 4500i, TASKalfa 3500i, TASKalfa 8000i,
TASKalfa 6500i

The protector is added and bending process is applied to the edge of the handle to strengthen it.



The handle is not a service parts.

N00061808

Service Bulletin

[Parts Change Information]

Ref. No. **PCI-0305 (B444)**

<Date> July 19, 2012

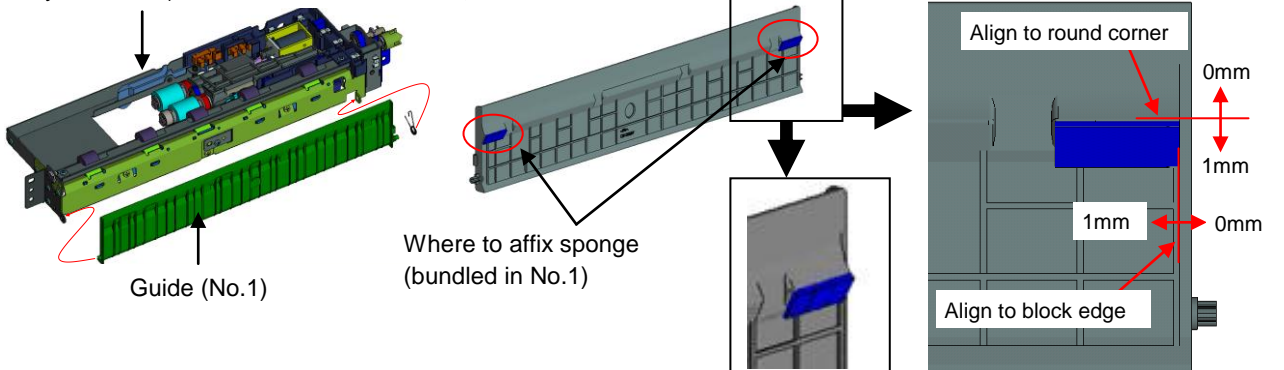
<Parts number information(GUIDE PRIMARY FEED)

→ From November 2011 production

PF-730, PF-780, TASKalfa 5550ci, TASKalfa 4550ci, TASKalfa 7550ci, TASKalfa 6550ci, TASKalfa 8000i, TASKalfa 6500i, TASKalfa 5500i, TASKalfa 4500i

Parts number are set up for the giude at the primary feed unit.

Primary feed unit (302K99402_ / 303NJ9403_)



No.	Old Part No.	New Part No.	Description	Q'ty		Compati bility		Remarks
				Old	New	Old	New	
1	-----	302K994B90 2K994B90	PARTS GUIDE PRIMARY FEED SET SP	-	1	-	O	Set of a guide and 2 sponges

N00062380

<Motor change → From available timing in November 2011 production

TASKalfa 3550ci, TASKalfa 3050ci, TASKalfa205c/FS-C8020MFP, TASKalfa255c/FS-8025MFP, TASKalfa255/FS-6025MFP, TASKalfa255b/FS-6025MFP, TASKalfa305/FS-6030MFP

IC for the motor is changed to secure the margin for overcurrent.

No.	Old Part No.	New Part No.	Description	Q'ty		Compati bility		Remarks
				Old	New	Old	New	
1	302LK94100 2LK94100	302LK94101 2LK94101	PARTS DRUM MOTOR SET SP	1	1	X	O	*1
2	302LC94300 2LC94300	302LC94301 2LC94301	PARTS MOTOR-BL W20 DRUM SP	2	2	X	O	*2
3	302K394200 2K394200	302K394201 2K394201	PARTS MOTOR-BL W30 SP	1	1	X	O	*3

N00061794

*1 : TASKalfa3550ci/3050ci

*2: TASKalfa205c/FS-C8020MFP, TASKalfa255c/FS-C8025MFP

*3: TASKalfa255/FS-6025MFP, TASKalfa255b/FS-6025MFP, TASKalfa305/FS-6030MFP

Service Bulletin

[Parts Change Information]

Ref. No. **PCI-0305 (B444)**

<Date> July 19, 2012

<Secondary transfer roller change

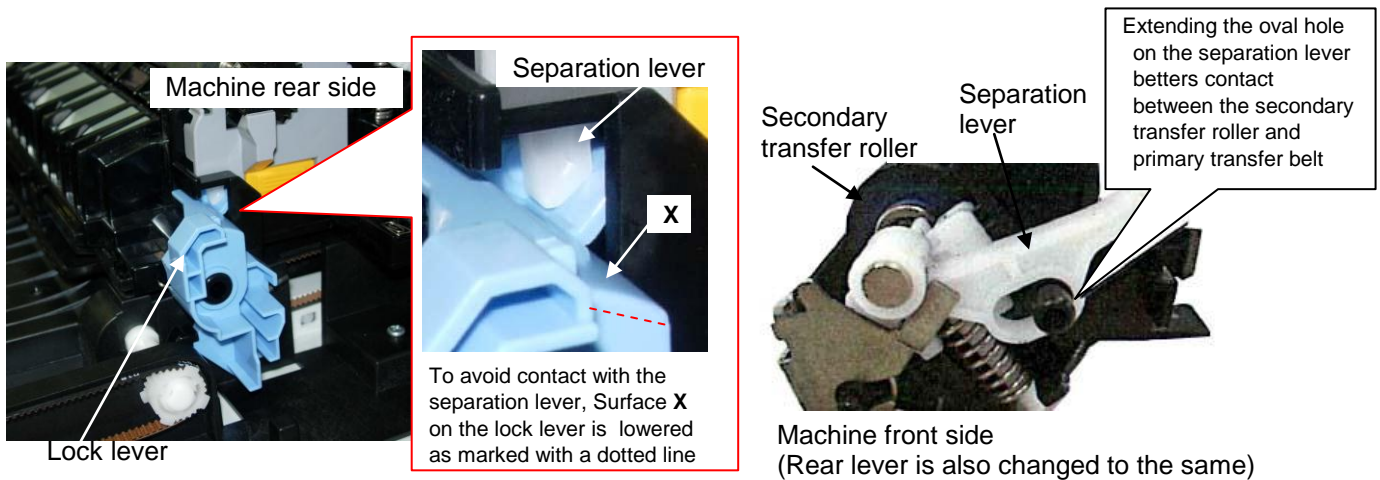
→ From available timing in November 2011 production

TASKalfa 205c/FS-C8020MFP, TASKalfa 255c/FS-C8025MFP

The following are changed.

<Content of changes>

- 1) The shape of the lock lever is changed to avoid the contact between the lock lever at the conveying unit and the separation lever when opening/closing the right cover.
- 2) The shape of the oval hole on the separation lever is changed to secure the margin for contact between the secondary transfer roller and the primary transfer belt.



No.	Old Part No.	New Part No.	Description	Q'ty		Compati bility		Remarks
				Old	New	Old	New	
1	302K094022 2K094022	302K094023 2K094023	PARTS CONVEYING UNIT SP	1	1	○	○	Lock lever change
2	302K093081 2K093081	302K093082 2K093082	TR-895B	1	1	○	○	Separator change Except KMKR
3	302K09K081 2K09K081	302K09K082 2K09K082	TR-895B(KR)	1	1	○	○	Separator change For KMKR

N00061760/N00061762/N00062339

Service Bulletin

[Parts Change Information]

Ref. No. **PCI-0305 (B444)**

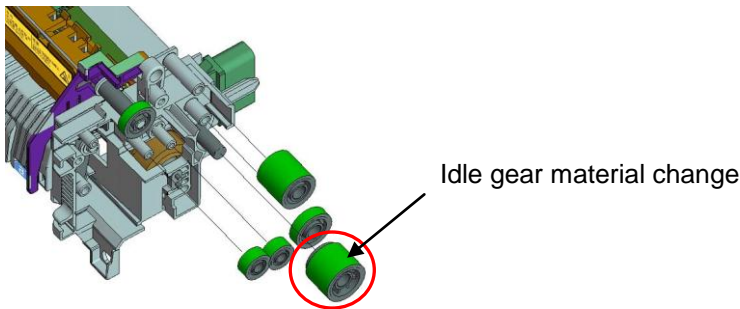
<Date> July 19, 2012

<Fuser idle gear abrasion resistance improvement → From October 2011 production>

TASKalfa255/FS-6025MFP, TASKalfa255b/FS-6025MFP/B, TASKalfa305/FS-6030MFP

The material of the fuser idle gear is changed to improve the abrasion resistance.

[Fuser unit (No.1~5)]



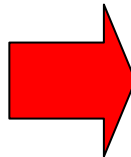
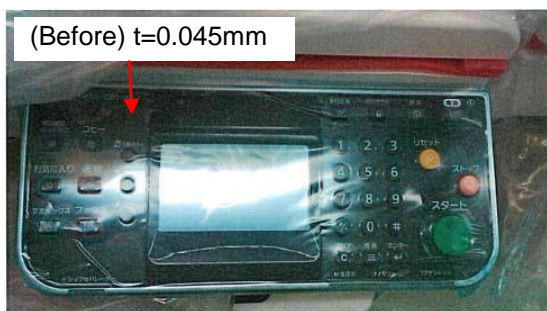
No.	Old Part No.	New Part No.	Description	Q'ty		Compati bility		Remarks
				Old	New	Old	New	
1	302K393110 2K393110	302K393111 2K393111	FK-475(U)	1	1	○	○	120V spec
2	302K393120 2K393120	302K393121 2K393121	FK-475(E)	1	1	○	○	200V spec
3	302K393190 2K393190	302K393191 2K393191	FK-475(TW)	1	1	○	○	KMTW spec
4	302K39K120 2K39K120	302K39K121 2K39K121	FK-475(KR)	1	1	○	○	KMKR spec

N00060987

<Operation section protective film change → After using up the old stock>

TASKalfa205c/FS-C8020MFP, TASKalfa255c/FS-C8025MFP

The shape and thickness of the protective film for the operation section is changed for work process improvement. The parts number remains unchanged after the change.



Punched for buttons and touch panel

N00061133

Service Bulletin

[Parts Change Information]

Ref. No. **PCI-0305 (B444)**

<Date> July 19, 2012

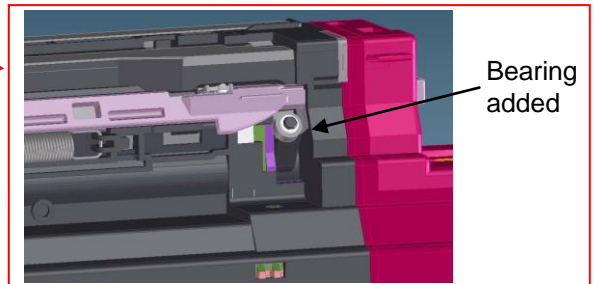
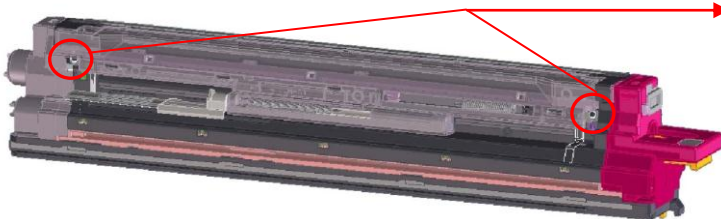
<Developer unit lever push-in load reduction

→ From available timing in November 2011 production→

TASKalfa205c/FS-C8020MFP, TASKalfa255c/FS-8025MFP

A bearing is added to the lever of the developer unit to reduce the load impressed to it.

(This content is to improve the margin from the one as informed per the service bulletin No.2KZ-0002(B163) and 2KZ-0017(B323))



No.	Old Part No.	New Part No.	Description	Q'ty		Compati bility		Remarks
				Old	New	Old	New	
1	302K093021 2K093021	302K093022 2K093022	DV-895Y	1	1	○	○	Except KMKR
2	302K093031 2K093031	302K093032 2K093032	DV-895M	1	1	○	○	Except KMKR
3	302K093041 2K093041	302K093042 2K093042	DV-895C	1	1	○	○	Except KMKR
4	302K093051 2K093051	302K093052 2K093052	DV-895K	1	1	○	○	Except KMKR
5	302K09K021 2K09K021	302K09K022 2K09K022	DV-895Y(KR)	1	1	○	○	For KMKR
6	302K09K031 2K09K031	302K09K032 2K09K032	DV-895M(KR)	1	1	○	○	For KMKR
7	302K09K041 2K09K041	302K09K042 2K09K042	DV-895C(KR)	1	1	○	○	For KMKR
8	302K09K051 2K09K051	302K09K052 2K09K052	DV-895K(KR)	1	1	○	○	For KMKR

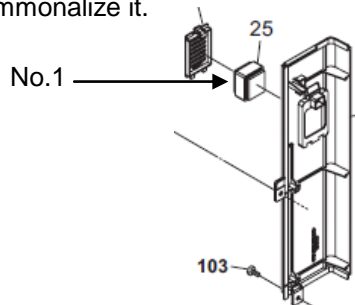
N00060312

<110/120V)* Common use of FILTER DUCT → After using up the old stock>

TASKalfa500ci, TASKalfa400ci, TASKalfa300ci, TASKalfa250ci, TASKalfa552ci

*This is already implemeted in the parts list for other sepc.

FILTER DUCT is changed to commonalize it.



No.	Old Part No.	New Part No.	Description	Q'ty		Compati bility		Remarks
				Old	New	Old	New	
1	302H733540 2H733540	302H733630 2H733630	FILTER DUCT PU KME	1	1	○	○	

No.1 old part name: FILTER DUCT PU2
N00045951

Service Bulletin

[Parts Change Information]

Ref. No. **PCI-0305 (B444)**

<Date> July 19, 2012

<FFC change → After using up the old stock>

TASKalfa500ci, TASKalfa400ci, TASKalfa300ci, TASKalfa250ci

The manufacturer of the following parts is changed for work process improvement.
The letters marked on the surface of the cable are changed accordingly. (SUMITOMO → BANDO)

No.	Old Part No.	New Part No.	Description	Q'ty		Compati bility		Remarks
				Old	New	Old	New	
1	302K946010 2K946010	302K946B10 2K946B10	WIRE FFC LSU1	1	1	○	○	*1
2	302K946020 2K946020	302K946B20 2K946B20	WIRE FFC LSU2	1	1	○	○	*2
3	302K946050 2K946050	302K946B40 2K946B40	WIRE FFC FEED1	1	1	○	○	*3
4	302K946060 2K946060	302K946B50 2K946B50	WIRE FFC FEED2	1	1	○	○	*3
5	302K946070 2K946070	302K946B60 2K946B60	WIRE FFC FEED3	1	1	○	○	*3
6	302K946080 2K946080	302K946B70 2K946B70	WIRE FFC FRONT1	1	1	○	○	*4
7	302K946090 2K946090	302K946B80 2K946B80	WIRE FFC FRONT2	1	1	○	○	*4
8	302K946850 2K946850	302K946B90 2K946B90	WIRE FFC LCD	1	1	○	○	*5
9	302LF46010 2LF46010	302LF46C10 2LF46C10	WIRE FFC LSU	1	1	○	○	*6

N00060729

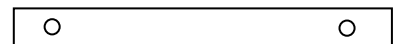
- *1: TASKalfa5550ci/4550ci/3550ci, TASKalfa7550ci/6550ci
- *2: TASKalfa5550ci/4550ci/3550ci/3050ci, TASKalfa7550ci/6550ci
- *3: TASKalfa5550ci/4550ci/3550ci/3050ci, TASKalfa5500i/4500i/3500i, TASKalfa8000i/6500i, TASKalfa7550ci/6550ci
- *4: TASKalfa5550ci/4550ci/3550ci/3050ci, TASKalfa7550ci/6550ci
- *5: TASKalfa8000i/6500i, TASKalfa7550ci/6550ci
- *6: TASKalfa5500i/4500i/3500i, TASKalfa8000i/6500i

<Strap change → From November 2011 production>

KM-3035, KM-4035, KM-5035, KM-3050, KM-4050, KM-5050, LS/FS-9520DN, FS-9120DN
LS/FS-9530DN, FS-9130DN, TASKalfa 520i, TASKalfa 420i

The strap is changed to the one degreased for common use with other models.

Strap (degreased)



White marking for the
degreased one

No.	Old Part No.	New Part No.	Description	Q'ty		Compati bility		Remarks
				Old	New	Old	New	
1	(-->) 2BL04680	302BL04681 (-->) 2BL04681	STRAP COVER	1	1	○	○	

N00062088

Service Bulletin

[Parts Change Information]

<Parts number change → After using up the old stock>

DP-410, DP-670

The following parts number is changed for work process improvement.

No.	Old Part No.	New Part No.	Description	Q'ty		Compati bility		Remarks
				Old	New	Old	New	
1	303HL06012 3HL06012	303HL06013 3HL06013	TABLE ORIGINAL	1	1	○	○	

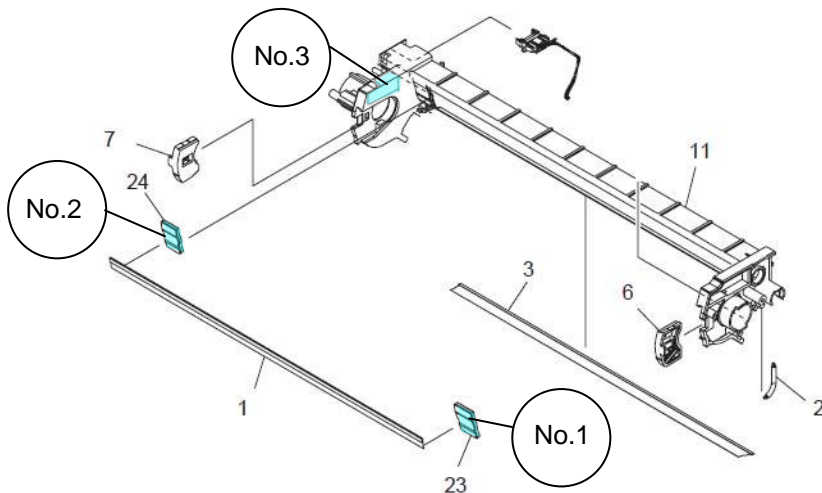
N00061393

<Common use of parts → After using up the old stock>

TASKalfa550c, TASKalfa650c, TASKalfa750c

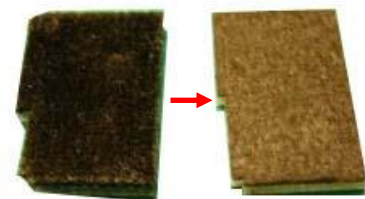
The following parts (No.1 to 3) for the drum cleaning unit are changed for common use. The film (No.3) that is not for field supply is set up for the service parts this time.

FIG. 63 CLEANER-ASM



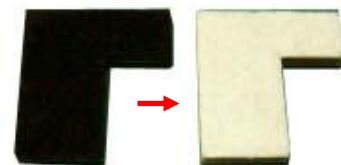
[No.1,2 change]

(Before) (After)



[No.3 change]

(Before) (After)



No.	Old Part No.	New Part No.	Description	Q'ty		Compati bility		Remarks
				Old	New	Old	New	
1	305JN716P0 5JN716P0	305JN716P0 5JN716P0	SEAL-BLADE-SIDE-FRT	1	1	○	○	*1
2	305JN716Q0 5JN716Q0	305JN716Q0 5JN716Q0	SEAL-BLADE-SIDE-RER	1	1	○	○	*1
3	-----	305JN72S10 5JN72S10	SEAL:FELT-CLNR-DRUM-RER-H13X	-	1	-	○	Set up for the service parts

N00061619 JTA-02850 BSI.G111104

*1 : The parts number remains unchanged after the change.

Service Bulletin

[Parts Change Information]

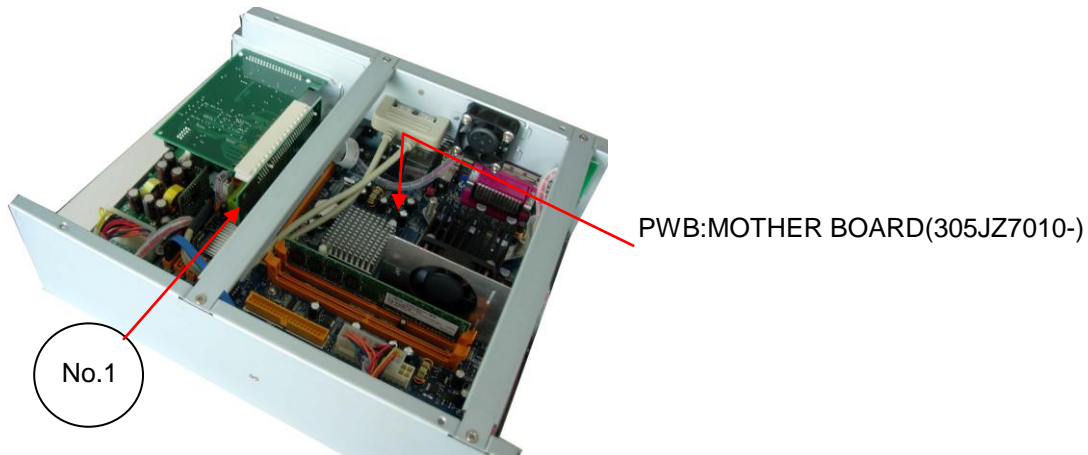
Ref. No. **PCI-0305 (B444)**

<Date> July 19, 2012

<Parts number information>

TASKalfa2420w, TASKalfa4820w

The parts number is set up for the parts (No.1).



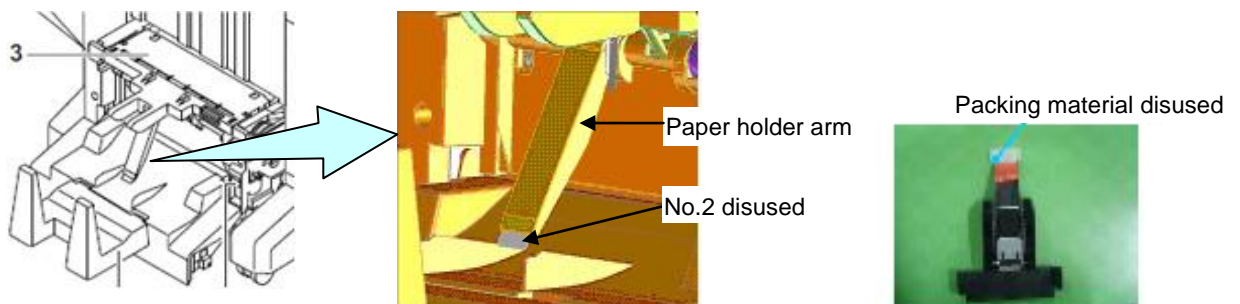
No.	Old Part No.	New Part No.	Description	Q'ty		Compati bility		Remarks
				Old	New	Old	New	
1	-----	305JZ71600 5JZ71600	PWB:PCI RISER CARD	-	1	-	○	

N00061391/N00061615

<Paper holder arm film disuse → From November 2011 production>

BF-730

The film at the paper holder arm section turns to be unnecessary after the performance check and it is disused. Accordingly, the packing material for protection of the film in transit is also disused.



No.	Old Part No.	New Part No.	Description	Q'ty		Compati bility		Remarks
				Old	New	Old	New	
1	303ND94100 3ND94100	303ND94100 3ND94100	PARTS ARM PAPER EJECT HOLDER ASSY SP	1	1	○	○	*1
2	303J128300 3J128300	-----	FILM EJECT PAPER HOLDER	1	-	○	-	

*1: The parts number remains unchanged.

N00061635

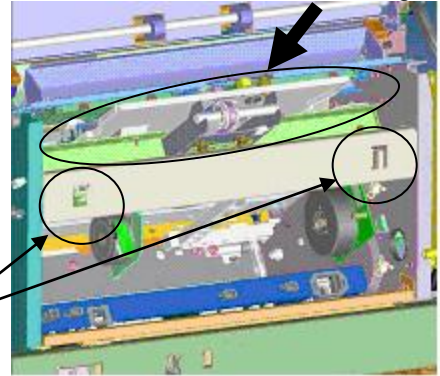
<Work process improvement (bending added to STAY)

→ From November 2011 production

BF-730

If setting the BF-730 right side surface facing down, the finishing tray contacts the floor. Therefore, bending is applied to the stay so that it contacts the floor first.

BF-730 right side surface Finishing tray



Bending is applied to the stay*

*Stay is not set up for the service parts

N00061845

“+” at the head of part name means it is a component part.

Service Bulletin

Ref. No. **3NV-0001 (B463)**

<Date> March 19, 2012

Subject	Corrective measures for the DP feed belt shave (the drive pulley shape change)
Model	DP-770, DP-750/DP-750(B), DP-760/DP-760(B), DP-700

(Affected model DP-770: TASKalfa 5550ci/4550ci/3550ci/3050ci, TASKalfa 5500i/4500i/3500i
 DP-750/DP-760: TASKalfa500ci/400ci/300ci/250ci
 DP-750(B)/DP-760(B): TASKalfa500ci/400ci/300ci/250ci, TASKalfa552ci, TASKalfa420i/520i
 DP-700: KM-3050/4050/5050)

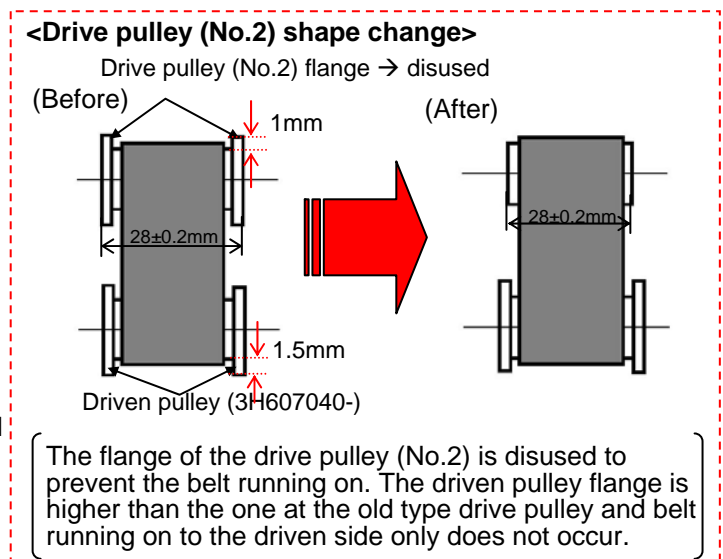
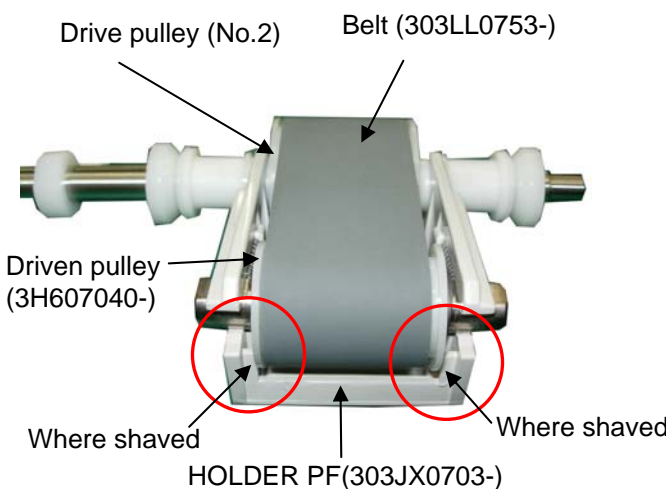
This time the description with (-->)is revised from the previous information.
<Number of changes: 1> Revised [Field Measure]

If the DP feed belt runs on to the flange at the edge of the drive pulley depending on the variation of the spring tension and parts dimension, it may further run on to the flange of the driven pulley later. Then, the belt edge may touch HOLDER PF(303JX0703-) and may be shaved to cause the J96xx jam. Therefore, the following is changed.

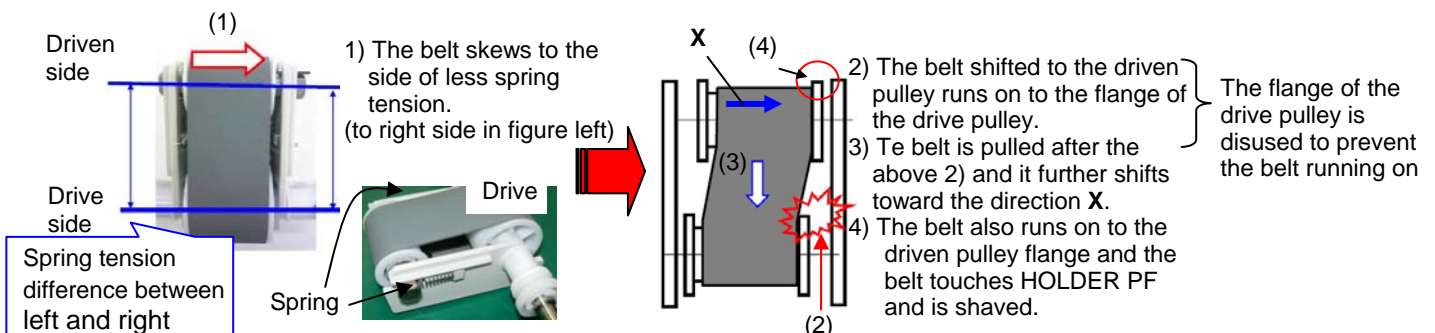
*There is more gap between the drive pulley and HOLDER PF, the belt is not shaved.
 This phenomenon does not occur with the DP-771 due to different mechanical construction.

<Content of change>

The shape of the drive pulley (No.2) is changed so that the belt does not run on to the flange at the edge of the drive pulley.



[Mechanism of occurrence]



(Revised issue 1)
Service Bulletin

No.	Old Part No.	New Part No.	Description	Q'ty		Compa bi lity		Remarks
				Old	New	Old	New	
1	303JX94081 3JX94081	303JX94082 3JX94082	PF ASS'Y SP	1	1	X	O	DP-700
2	3H607030	303NV07020 3NV07020	+ COLLAR PF C	1	1	X	O	

"+" at the beginning of the part name means it is a component part.

KMC's Classification	<input type="checkbox"/> Entire Stock Rework	<input type="checkbox"/> In-Field modification at next visit
	<input checked="" type="checkbox"/> In-Field modification by case	<input type="checkbox"/> No modification necessary
Field Measure: (-->) 1) When the DP feed belt shave is observed, replace the new type drive pulley (No.2) after replacing the belt (303LL0753-). 2) Also, when replacing the pulley of the DP-750/DP-750(B), DP-760/DP-760(B) and DP-700, perform the content as in the service bulletin No.2KP-0018(B330). (Use PARTS BELT PF SET SP (303LL94210)) The above is already applied for the DP-770 since the 1st production.		
Serial Nos. of Affected Machine: Refer to below.		

N00061939 JAM96xx

[Serial numbers of the affected machines]

DP-770

KMA	KME	UTAX	OLIVETTI	KMAS*	KMCHN	KMKR
1203NV6US0	1203NV5NL0	1203NV5UT0	1203NV5LV0	1203NV5AS0	1203NV5KS0	1203NV5KR0
N2U1Z14124	N2V2118933	N2X From next production	NKF2100957	N2W2103099	NL82100684	NEB2101509

*Except KMKR/KMCHN spec

DP-750(B)

200V spec	KMCHN	Others
1203LL5KL1	1203LL5KS2	
QHA2178821	QMQ2103093	From next production

DP-760(B): From the next production.

DP-700: No production is currently planned.

Service Bulletin

Ref. No. **2H7-0090 (C054)**

<Date> March 19, 2012

Subject	Firmware upgrade (Upgrade Pack MAIN V13.00)
Model	TASKalfa500ci, TASKalfa400ci, TASKalfa300ci, TASKalfa250ci

<Content of changes> Please refer to the next page and after.

2012/2 Type	Fixed code		Pack Version			Remark
			V11.00	V12.00	New upgrade V13.00	
MAIN FRAME	Fixed code	----	V11.00	V12.00	V13.00	Remark
MAIN *1	2H7_2F00	----	011.006	012.012	013.006	
MMI *1	2H7_7000	----	011.002	012.012	013.006	
LANGUAGE BR(OPTION)	2H7_81BR	001.021	<---	001.029	001.030	
BROWSER	2H7_F000	001.015	<---	001.016	<---	
ENGINE (high) *2*3	2H7_1000	----	021.001	023.001	<---	
ENGINE (low) *2*3	2JZ_1000	----	021.001	023.001	<---	
SCANNER	2H7_1200	005.002	<---	<---	<---	
MOTOR MAIN	2H7_1400	003.003	<---	<---	<---	
H VLT MAIN	2H7_1600	001.014	<---	<---	<---	
SLEEP MAIN	2H7_1800	002.001	<---	<---	<---	
FAX BOOT *4 Fax Sys(Q)	3MB_5000	001.016	<---	<---	<---	
FAX APL *4 Fax Sys(Q)	3MB_5100	(005.002)	<---	<---	<---	
FAX IPL *4 Fax Sys(Q)	3MB_5200	001.016	<---	<---	<---	
FAX BOOT *4 Fax Sys(S)C	5JP_5000	001.022	<---	<---	<---	
FAX APL *4 Fax Sys(S)C	5JP_5100	(C08.002)	<---	<---	<---	
FaxSystem(Q)/(S)C MIX *5	SaturnFAX_Pack	C06001_005002	<---	<---	<---	
SOLUTION (DBA)	J00_E000	005.001	<---	<---	<---	
ENHANCEMENT	Fixed code	V1.12	<---	V1.13	<---	
DP-750/750B, 760/760B	3LK_9500	009.003	<---	<---	<---	
PF-720/720B (2 cassette)	3LM_9000	004.001	<---	<---	<---	
PF-760/760B (3000)	5H8_9000	003.002	<---	<---	<---	
DF-780/780B (1000)	5JA_9200	007.005	<---	<---	<---	
DF-760/760B (3000) MAIN	3LT_9200	007.001	<---	<---	<---	
DF-760/760B (3000) MIDDLE	3LT_9600	008.001	<---	<---	<---	
MT-720/720B (3000)MAIL BOX	3LW_9800	004.002	<---	005.001	<---	

For KM sales companies, it is possible to download firmware through KM Knowledge Cabi-NET.

When upgrading firmware or replacing board etc., please upgrade each firmware (PACK of MAIN FRAME/ENHANCEMENT) to the latest version at the same time.

- *1) Please make sure to upgrade the MAIN and MMI firmware at the same time. If the firmware is upgraded individually, the CF000 error message may appear and it will not be possible to recover at the customer site.
- *2) Please note, in case the firmware is upgrade to the version 004.001 or later from the older version, the default value of U327 (Setting Cassette Heater Control) is reset to OFF. Please see the Service Bulletin No. 2H7-0012 (8746) for the details
- *3) Please perform AC Calibration in the maintenance mode U464 (Set ID Adjustment Mode) after upgrading to the firmware version 006.009 or later from the older version.
- *5) Combined firmware of 5 kinds of FAX firmware (*4), When downloading the combined firmware, appropriate firmware is installed by detecting the FAX system (Q) or (S)C.

Service Bulletin

 Ref. No. **2H7-0090 (C054)**

<Date> March 19, 2012

KMC's Classification	<input type="checkbox"/> Entire Stock Rework	<input type="checkbox"/> In-Field modification at next visit
	<input checked="" type="checkbox"/> In-Field modification by case	<input type="checkbox"/> No modification necessary
Field Measure: Please upgrade the firmware positively when visiting users. Then, upgrade all the firmware at the same time.		
Serial Nos. of Affected Machine: Planned from February 2012 production* *The above is the plan at the present moment. Please note that there is a possibility of change after giving this information.		

N00063628

	Latest version		
Option Language KR	2H7_81KR.001.023	For KMKR	← New upgrade
Option Language TW	2H7_81TW.001.022	For KMTW	← New upgrade
Option Language CN	2H7_81CN.001.022	For KMCHN	← New upgrade

<Content of changes>

No.	Changes and Implementations	Remarks	CTL No
1	Support of the file attachment to the maintenance mail during sleep mode.	The file is not attached to the maintenance mail during sleep mode. Therefore, this is corrected.	
2	Implementing the auto image rotation at the manual copy in the System Menu <Refer to the next page>	[Auto image rotation] may result in unintended output and so, the setting is implemented for switchable rotation mode at the manual copy [Change] The rotation option is implemented in [Copy] in the System Menu	
3	Support for the FAX send at the extensible authentication	The sender information is not printed on the recipient's output data when sending FAX if the Job Account setting is ON but Job Account name is not defined at the extensible authentication. Therefore, this is corrected.	TO-11-045, KME110728- 2578147
4	Corrective measures for the login failure with the HyPAS extensible authentication application	"Please wait" may appear after logging in the HyPAS extensible authentication application. Therefore, this is corrected.	TO-11-044, KME110728- 1572255
5	Corrective measures for the barcode print failure	The content of printing is partially drop out beyond the printable area when printing a certain file with the KYOmulticode (Barcode Flash). Therefore, this is corrected.	TP-11-118, KMAUS11- S07 610664
6	Corrective measures for the failure with a certain file where fonts are not partially printed	-----	TP-11-120, #1271661 616686
7	Corrective measures for the KPDL error	The PS error appears when direct-printing a certain PDF file. Therefore, this is corrected.	TP-11-127, NP-Z11035 620059
8	Corrective measures for the error when printing a certain PS data	The "offending error" appears and the print is not complete when printing a certain PS data. Therefore, this is corrected.	TP-11-115, #1266578 564755
9	Corrective measures for the form overlay failure	If the form overlay is inserted in the prolog/epilog of the KX driver, characters are partially rotated in the 2nd page and after. Therefore, this is corrected.	TP-11-142 NP-Z11039 612624
10	Corrective measures for the failure that the B/W data is printed in color	The data intended to print in B/W may be printed in color when using a macro. Therefore, this is corrected.	TP-11-123, UT-S11- 020 614055
11	Corrective measures for the error when printing a certain XPS file	"XPS PRINTE ERROR" appears when printing a certain file via the XPS driver. Therefore, this is corrected.	TP-11-139, KMAUS11- S09 604530
12	Corrective measures for the	Ruled lines (or frame lines) are not printed with a certain PCL macro.	TP-11-153,

Service Bulletin

 Ref. No. **2H7-0090 (C054)**

<Date> March 19, 2012

No.	Changes and Implementations	Remarks	CTL No
	failure with a certain PCL macro	Therefore, this is corrected.	KMIT11_0004 607892
13	Corrective measures for the PDF direct printing failure	The KPDL error appears when direct-printing a certain PDF file. (Error Name: /Typecheck) Therefore, this is corrected.	TP-11-063, KMAUS11- S04 607140
14	Corrective measures for the blank page output with Prescribe	Blank pages are printed with a certain Prescribe data. Therefore, this is corrected.	TP-11-135, #1280638 604180
15	Corrective measures for the system error (CF248)	The CF248 error may appear when printing the Mac illustrator file. Therefore, this is corrected.	TP-11-096 NP-Z11028 604064
16	Corrective measures for the barcode print failure	The space width is narrow when printing the OCR-A font using the PCL Barcode Flash. Therefore, this is corrected.	TP-11-177, UT-S11-032 611397
17	Corrective measures for the failure with a certain data printing via the KPDL mini driver	The print position may shift when printing a certain data via the KPDL mini driver. Therefore, this is corrected.	TP-11-169, UT-S11-026 614021
18	Corrective measures for the print failure from the CAD software	White lines may appear on characters or print may drop out when printed from the BLUE TREND V (Ver7.20) CADsoftware. Therefore, this is corrected.	TP-11-199 576566
19	Corrective measures for the abnormal image when printing a certain file	Undesired black streaks and dotted lines are printed with a certain CAD file. Therefore, this is corrected.	TP-11-198 608522
20	Corrective measures for the failure with a certain file and the gutter setting in the KX driver	A white band in 6 mm width may appear when printing a certain file with the gutter applied in the KX driver. Therefore, this is corrected.	TP-11-168 DJ-11016 612003
21	Corrective measures for the CF248 error when printing barcode	The CF248 error may appear after sending a certain data using the PCL Barcode Flash. Therefore, this is corrected.	TP-11-200, KMA-D-1110- 05 577174
22	Corrective measures for the image failure with the certain data	Undesired characters and lines are printed with the PCL macro printing. Therefore, this is corrected.	TP-11-161, UT-S11-025-2 607887
23	Corrective measures for the text position shift with a certain data	Texts are printed with shift to the right as the user-defined space character size is illegal. Therefore, this is corrected.	TP-10-121 Cass_#78 609814 461981

Implementing auto rotation setting for the manual copy

SYSTEM MENU -> Copy -> Auto Image Rotation Action

- Unrotated Manual Copy
- Apply All default (current setting)
- Follow Image Size

Auto image rotation	Auto image rotation action	Rotation
OFF	-	No auto rotation at any time
ON	Not rotated at manual copy	No auto rotation at manual copy (added)
ON	Always rotated	Auto rotation at any time
ON	Rotated depending on image size	Auto rotated if rotated image fits the paper size at manual copy except the case of irregular size originals (added)

Service Bulletin

 Ref. No. **PCI-0309 (C068)**

[Parts Change Information]

<Date> March 26, 2012

Subject	Parts Change Information
Model	TASKalfa 5550ci, TASKalfa 4550ci, TASKalfa 3550ci, TASKalfa 3050ci, TASKalfa 5500i, TASKalfa 4500i, TASKalfa 3500i, TASKalfa 8000i, TASKalfa 6500i, TASKalfa 7550ci, TASKalfa 6550ci, TASKalfa205c/FS-C8020MFP, TASKalfa255c/FS-C8025MFP, TASKalfa255/FS-6025MFP, TASKalfa255b/FS-6025MFP/B, TASKalfa305/FS-6030MFP, TASKalfa300ci, TASKalfa250ci, TASKalfa300i, FS-C8500DN, KM-C2520, KM-C3225, KM-C3232, KM-C2525E, KM-C3225E*, KM-C3232E, KM-C4035E, FS-C8100DN+*, FS-C8100DN, EP C320DN, KM-2531/2530, KM-3530/3531*, KM-4030/4031, FS-9100DN,* FS-9500DN*, TASKalfa550c, TASKalfa650c, TASKalfa750c, DP-670(B)

 Affected model *Common with CHUNGHO brand

DP-670(B)	KM-2560/3060/2540/3040, TASKalfa300i
AK-730	TASKalfa 5550ci/4550ci/3550ci/3050ci, TASKalfa 5500i/4500i/3500i

The following parts are changed.

P2 <The eject pulley change (AK section)>

 TASKalfa 5550ci, TASKalfa 4550ci, TASKalfa 5500i, TASKalfa 4500i, TASKalfa 8000i,
 TASKalfa 6500i, TASKalfa 7550ci, TASKalfa 6550ci, AK-730

P3 <The sponge added in the drum unit>

TASKalfa 5500i, TASKalfa 4500i, TASKalfa 3500i, TASKalfa 8000i, TASKalfa 6500i

P4 <The waste toner box cap change>

 TASKalfa 5550ci, TASKalfa 4550ci, TASKalfa 3550ci, TASKalfa 3050ci,
 TASKalfa 5500i, TASKalfa 4500i, TASKalfa 3500i

P4 <The pick-up holder torque limiter attached (DP section)>

 TASKalfa255/FS-6025MFP, TASKalfa255b/FS-6025MFP/B, TASKalfa305/FS-6030MFP,
 TASKalfa205c/FS-C8020MFP, TASKalfa255c/FS-C8025MFP

P5 <Common use of parts>

TASKalfa205c/FS-C8020MFP, TASKalfa255c/FS-C8025MFP

P5 <Common use of parts>

TASKalfa205c/FS-C8020MFP, TASKalfa255c/FS-C8025MFP

P6 <Common use of parts>

TASKalfa205c/FS-C8020MFP, TASKalfa 255c/FS-C8025MFP

P6 <Common use of parts>

TASKalfa205c/FS-C8020MFP, TASKalfa255c/FS-C8025MFP

P7 <Common use of parts>

TASKalfa205c/FS-C8020MFP, TASKalfa255c/FS-C8025MFP

Service Bulletin

[Parts Change Information]

Ref. No. **PCI-0309 (C068)**

<Date> March 26, 2012

P7 <Common use of parts>

TASKalfa255/FS-6025MFP, TASKalfa255b/FS-6025MFP/B, TASKalfa305/FS-6030MFP

P8 <The HDD change>

TASKalfa300ci, TASKalfa250ci, TASKalfa300i, FS-C8500DN

P8 <Common use of parts>

KM-C2520, KM-C3225, KM-C3232, KM-C2525E, KM-C3225E, KM-C3232E, KM-C4035E, FS-C8100DN+, EP C320DN, KM-2531/2530, KM-3530/3531, KM-4030/4031, FS-9100DN, FS-9500DN

P9 <Parts list correction>

TASKalfa550c, TASKalfa650c, TASKalfa750c

P9 <Parts number information>

TASKalfa550c, TASKalfa650c, TASKalfa750c

P10 <Common use of parts (DF-800/810)>

TASKalfa550c, TASKalfa650c, TASKalfa750c

P10 <Common use of parts (PH-6)>

TASKalfa550c, TASKalfa650c, TASKalfa750c

P11 <(For UTAX/TA, OLI spec only) Common use of parts(multi language label)>

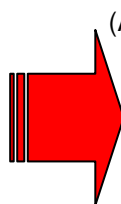
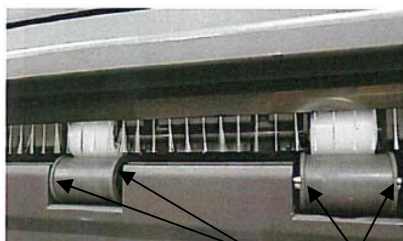
DP-670(B)

<The eject pulley change (AK section) → From February 2012 production>

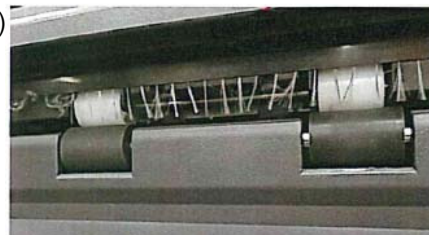
TASKalfa 5550ci, TASKalfa 4550ci, TASKalfa 5500i, TASKalfa 4500i, TASKalfa 8000i, TASKalfa 6500i, TASKalfa 7550ci, TASKalfa 6550ci, AK-730

The shape of the eject pulley is changed to the one without flange to reduce the marks of the AK (bridge) pulleys. The material of the pulley is changed from EPDM to Silicon rubber as the lateral spread from other rollers to prevent the swelling by toner.

(Before)



(After)



Flange disused

No.	Old Part No.	New Part No.	Description	Q'ty		Compati bi lity		Remarks
				Old	New	Old	New	
1	302LF94380 2LF94380	302LF94381 2LF94381	PARTS RELAY EXIT UNIT SP	1	1	○	○	*1
2	303NB94170 3NB94170	303NB94171 3NB94171	PARTS RELAY EXIT SP	1	1	○	○	*2
3	302LF94020 2LF94020	302LF94021 2LF94021	+ PARTS ROLLER RELAY EXIT LOWER SP	2	2	○	○	Common component of No1,2

N00062860

*1: TASKalfa 7550ci/6550ci, TASKalfa 8000i/6500i

*2: AK-730, TASKalfa 5550ci/4550ci/5500i/4500i(AK standard machine)

Service Bulletin

[Parts Change Information]

Ref. No. **PCI-0309 (C068)**

<Date> March 26, 2012

<The sponge added in the drum unit → From January 2012 production>

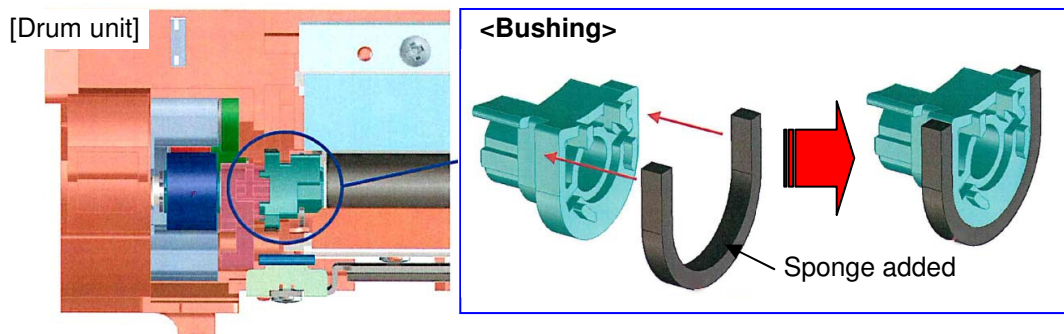
TASKalfa 5500i, TASKalfa 4500i, TASKalfa 3500i, TASKalfa 8000i, TASKalfa 6500i

The following is changed as the lateral spread from other models to improve against the toner spillage due to the drop shock to the service parts drum unit.

(Refer to: 2K9-0012(B437))

<Content of change>

A sponge is added to the external circle of the bushing before and after the cleaning roller in the drum unit



No.	Old Part No.	New Part No.	Description	Q'ty		Compati bility		Remarks
				Old	New	Old	New	
1	302LF93011 2LF93011	302LF93012 2LF93012	DK-6705	1	1	○	○	Except KMCHN/ KMKR
2	302LF9C011 2LF9C011	302LF9C012 2LF9C012	DK-6705	1	1	○	○	For KMCHN
3	302LF9K011 2LF9K011	302LF9K012 2LF9K012	DK-6705(KR)	1	1	○	○	For KMKR
4	302LH93010 2LH93010	302LH93011 2LH93011	DK-6305	1	1	○	○	Except KMCHN/ KMKR
5	302LH9C010 2LH9C010	302LH9C011 2LH9C011	DK-6305	1	1	○	○	For KMCHN
6	302LH9K010 2LH9K010	302LH9K011 2LH9K011	DK-6305(KR)	1	1	○	○	For KMKR

N00062909 (N00062592_2K9-0012)

Service Bulletin

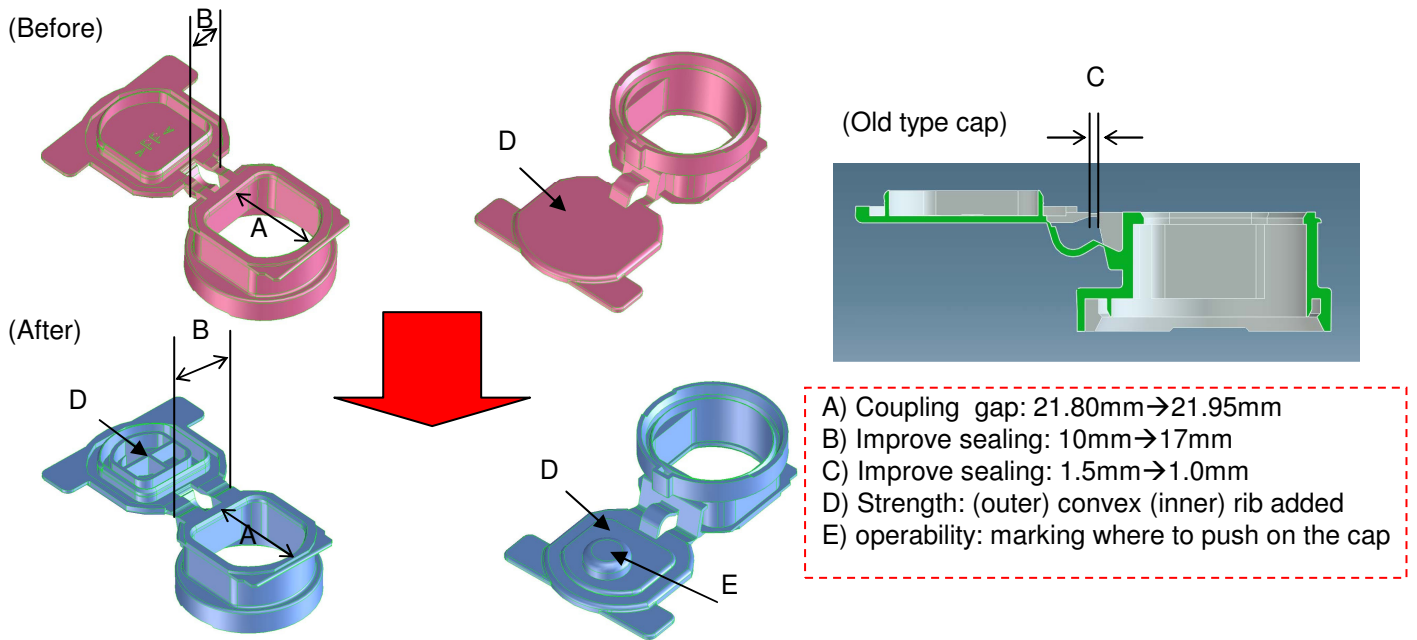
[Parts Change Information]

Ref. No. **PCI-0309 (C068)**
 <Date> March 26, 2012

<The waste toner box cap change → After using up the old stock>

TASKalfa 5550ci, TASKalfa 4550ci, TASKalfa 3550ci, TASKalfa 3050ci,
 TASKalfa 5500i, TASKalfa 4500i, TASKalfa 3500i

The following are changed to improve the waste toner box cap sealing and the hinge strength.



The cap is not set up for the service parts since it can not be replaced in field.

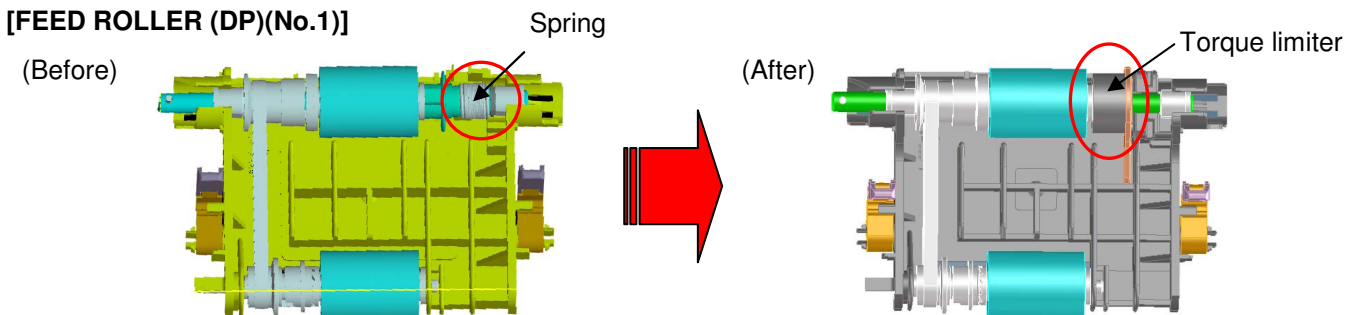
N00060988

<The pick-up holder torque limiter attached (DP section) → After using up the old stock>

TASKalfa255/FS-6025MFP, TASKalfa255b/FS-6025MFP/B, TASKalfa305/FS-6030MFP,
 TASKalfa205c/FS-C8020MFP, TASKalfa255c/FS-C8025MFP

The spring is changed to the torque limiter to improve the margin for the DP pick-up holder elevation motion.

[FEED ROLLER (DP)(No.1)]



No.	Old Part No.	New Part No.	Description	Q'ty		Compati bility		Remarks
				Old	New	Old	New	
1	303M894020 3M894020	303M894021 3M894021	FEED ROLLER (DP)	1	1	○	○	

N00062284

Service Bulletin

[Parts Change Information]

Ref. No. **PCI-0309 (C068)**

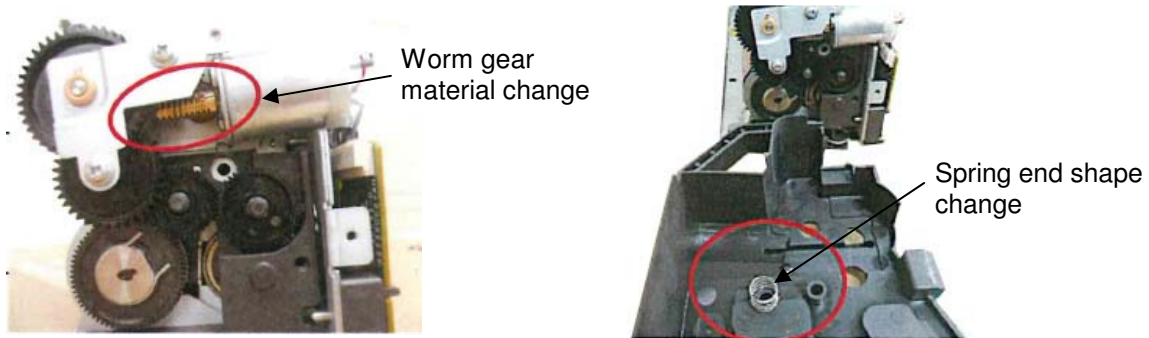
<Date> March 26, 2012

<Common use of parts → Planned from February 2012 production>

TASKalfa205c/FS-C8020MFP, TASKalfa255c/FS-C8025MFP

The fuser unit (No.1,2) is changed as follows for common use of parts with other models.

- 1) The material of the worm gear is changed from the PA66 resin to brass and the grease applied to the gear is changed from HP-500 to EM-50LP.
- 2) The shape of the spring end is changed to improve the margin to fix the spring



No.	Old Part No.	New Part No.	Description	Q'ty		Compati bility		Remarks
				Old	New	Old	New	
1	302K093094 2K093094	302K093095 2K093095	FK-895	1	1	○	○	Except KMCHN/ KMKR
2	302K09C094 2K09C094	302K09C095 2K09C095	FK-895	1	1	○	○	For KMCHN
3	302K09K094 2K09K094	302K09K095 2K09K095	FK-895(KR)	1	1	○	○	For KMKR

N00063618/N00063642

*1 :Use the new type parts for the new development model.

<Common use of parts → Planned from February 2012 production>

TASKalfa205c/FS-C8020MFP, TASKalfa255c/FS-C8025MFP

The tension to the fuser rollers are slightly strengthened for common use of parts with other models to increase the rollers gap when the fuser pressure is released.

No.	Old Part No.	New Part No.	Description	Q'ty		Compati bility		Remarks
				Old	New	Old	New	
1	302K093093 2K093093	302K093094 2K093094	FK-895	1	1	○	○	Except KMCHN/ KMKR
2	302K09C093 2K09C093	302K09C094 2K09C094	FK-895	1	1	○	○	For KMCHN
3	302K09K093 2K09K093	302K09K094 2K09K094	FK-895(KR)	1	1	○	○	For KMKR

N00062978

*1 :Use the new type parts for the new development models.

Service Bulletin

[Parts Change Information]

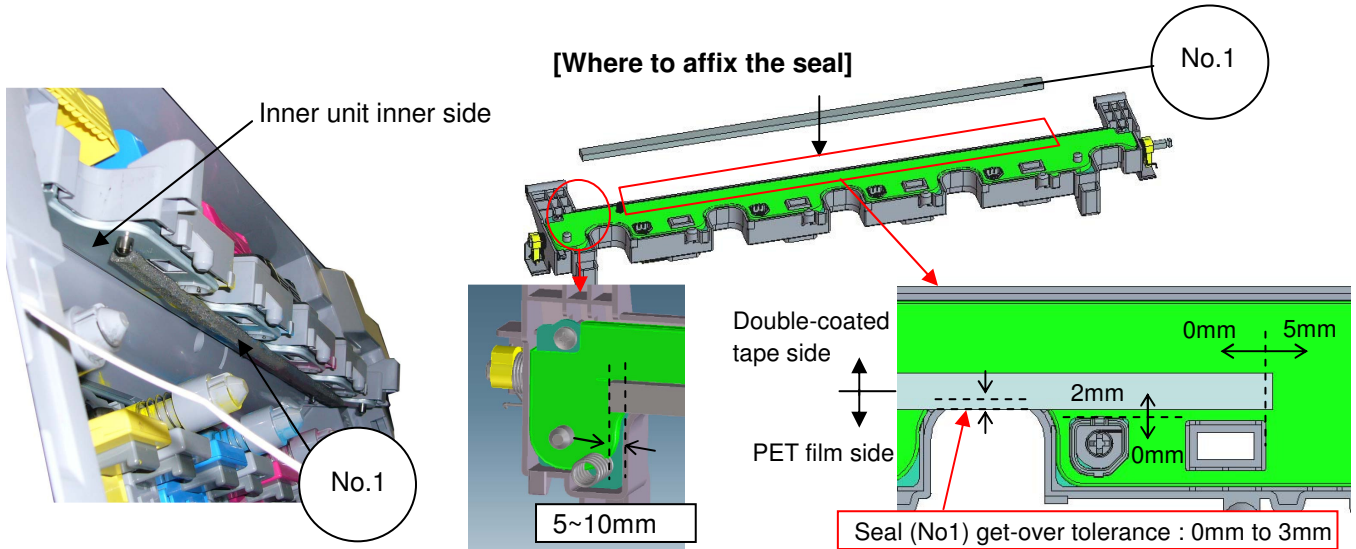
Ref. No. **PCI-0309 (C068)**

<Date> March 26, 2012

<Common use of parts → Planned from February 2012 production>

TASKalfa205c/FS-C8020MFP, TASKalfa 255c/FS-C8025MFP

The seal (No.1) is added to the inner side of the inner unit for common use of parts with other models.



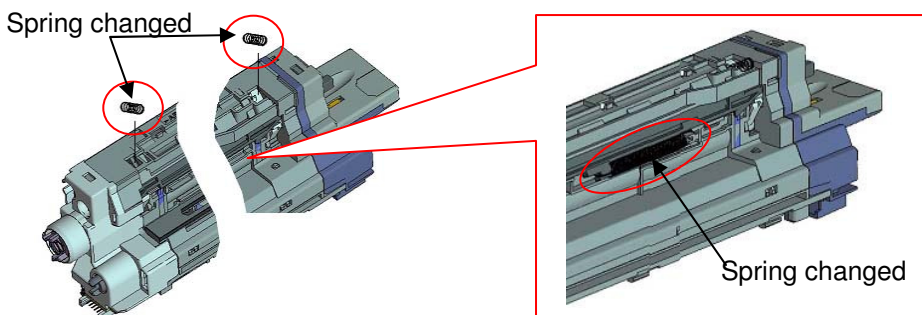
No.	Old Part No.	New Part No.	Description	Q'ty		Compati bility		Remarks
				Old	New	Old	New	
1	-----	302MV03030 2MV03030	SEAL RETAINER		1	-	○	

N00064128

<Common use of parts → Planned from February 2012 production>

TASKalfa205c/FS-C8020MFP, TASKalfa255c/FS-C8025MFP

3 pcs. of the spring for the Yellow developer unit are changed for common use of parts with other models.



No.	Old Part No.	New Part No.	Description	Q'ty		Compati bility		Remarks
				Old	New	Old	New	
1	302K093023 2K093023	302K093024 2K093024	DV-895Y	1	1	○	○	Except KMKR/ KMCHN
2	302K09C023 2K09C023	302K09C024 2K09C024	DV-895Y	1	1	○	○	For KMCHN
3	302K09K023 2K09K023	302K09K024 2K09K024	DV-895Y(KR)	1	1	○	○	For KMKR

N00063902

<Common use of parts → Planned from February 2012 production>

Service Bulletin

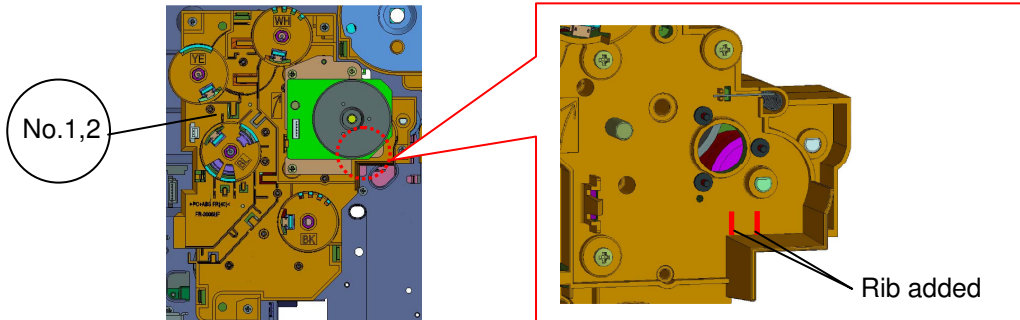
[Parts Change Information]

 Ref. No. **PCI-0309 (C068)**

<Date> March 26, 2012

TASKalfa205c/FS-C8020MFP, TASKalfa255c/FS-C8025MFP

The DR-895C (No.1,2) is changed as follows for common use of parts with other models.



No.	Old Part No.	New Part No.	Description	Q'ty		Compati bility		Remarks
				Old	New	Old	New	
1	302K093140 2K093140	302K093141 2K093141	DR-895C	1	1	○	○	Except KMKR
2	302K09K140 2K09K140	302K09K141 2K09K141	DR-895C(KR)	1	1	○	○	For KMKR

N00063740

*Use the new type pars for the new development models.

<Common use of parts → After using up the old stock>

TASKalfa255/FS-6025MFP, TASKalfa255b/FS-6025MFP/B, TASKalfa305/FS-6030MFP

The parts (No.1,2) below are changed for common use of parts with other models.

No.	Old Part No.	New Part No.	Description	Q'ty		Compati bility		Remarks
				Old	New	Old	New	
1	302K393070 2K393070	302K393071 2K393071	LK-475	1	1	○	○	
2	302K39K070 2K39K070	302K39K071 2K39K071	LK-475(KR)	1	1	○	○	

N00063523

*Use the new type pars for the new development models.

Service Bulletin

[Parts Change Information]

Ref. No. **PCI-0309 (C068)**

<Date> March 26, 2012

<The HDD change → Planned from February 2012 production>

TASKalfa300ci, TASKalfa250ci, TASKalfa300i, FS-C8500DN

The alternative item is set up for the HDD (No.1 to 4) for the parts procurement reason.
Either of the current item or alternative one is shipped. The parts number remains unchanged.

- HDD size: (Before)160G → (After) 250G (Storage spec remains unchanged)

No.	Old Part No.	New Part No.	Description	Q'ty		Compati bility		Remarks
				Old	New	Old	New	
1	302JZ93160 2JZ93160	302JZ93160 2JZ93160	PARTS HDD UNIT LOW	1	1	○	○	*1 Except KMKR
2	302JZ9K160 2JZ9K160	302JZ9K160 2JZ9K160	PARTS HDD UNIT LOW	1	1	○	○	*1 For KMKR
3	302K593040 2K593040	302K593040 2K593040	PARTS HDD	1	1	○	○	*2 Except KMKR
4	302K59K040 2K59K040	302K59K040 2K59K040	PARTS HDD	1	1	○	○	*2 For KMKR

N00064269

*1: TASKalfa300ci/250ci,

*2: TASKalfa300i, FS-C8500DN

*The parts numbers remain unchanged.

<Common use of parts → After using up the old stock>

KM-C2520, KM-C3225, KM-C3232, KM-C2525E, KM-C3225E, KM-C3232E, KM-C4035E,
FS-C8100DN+, EP C320DN, KM-2531/2530, KM-3530/3531, KM-4030/4031,
FS-9100DN, FS-9500DN

The bearing (No.1) is changed for common use of parts with other models.

No.	Old Part No.	New Part No.	Description	Q'ty		Compati bility		Remarks
				Old	New	Old	New	
1	2FG20310	7BE008196442H01 BE133180	BEARING 698ZZ	*	*	○	○	

N00064026

*KM-25312530, KM-3530/3531, KM-4030/4031, FS-9100DN, FS-9500DN: Qty to use is 2 pcs.

Other models: Qty to use is 4 pcs.

Service Bulletin

[Parts Change Information]

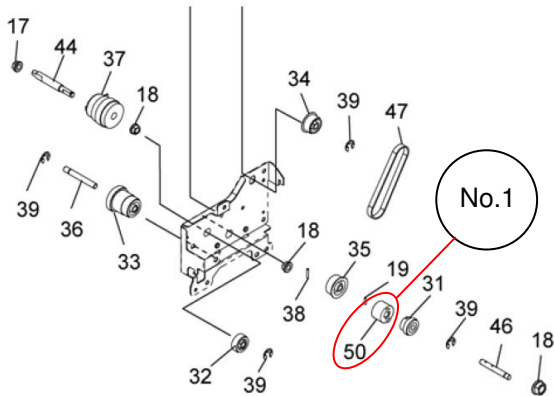
Ref. No. **PCI-0309 (C068)**
 <Date> March 26, 2012

<Parts list correction>

TASKalfa550c, TASKalfa650c, TASKalfa750c

The parts below is omitted in the parts list and it is added.

FIG. 28 TRANSFER-ROLLER-DRIVE-ASM



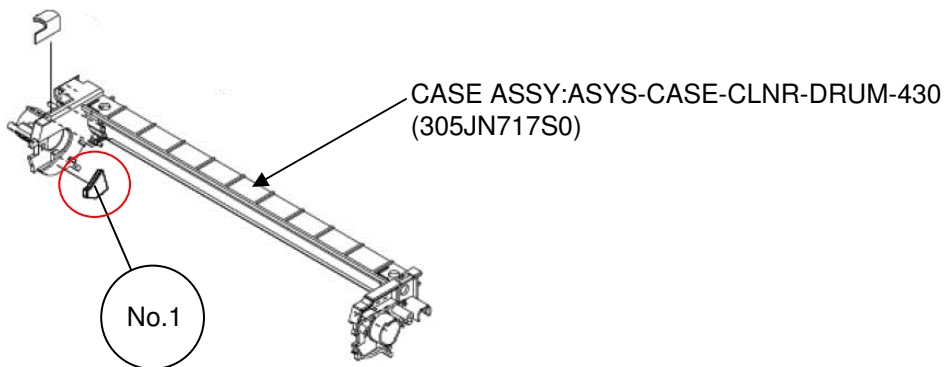
No.	Old Part No.	New Part No.	Description	Q'ty		Compati bility		Remarks
				Old	New	Old	New	
1	-----	305JN72S40 5JN72S40	TORQUE LIMITER:OTLV6-200B	-	1	-	○	

N00064096 BSI.G11L430

<Parts number information>

TASKalfa550c, TASKalfa650c, TASKalfa750c

The parts number is set up for the parts below (No.1) at the cleaning section.



No.	Old Part No.	New Part No.	Description	Q'ty		Compati bility		Remarks
				Old	New	Old	New	
1	-----	305JN72S30 5JN72S30	FELT-CLNR-DRUM-RER-2	-	1	-		

N00062015 BSI. G11I122

Service Bulletin

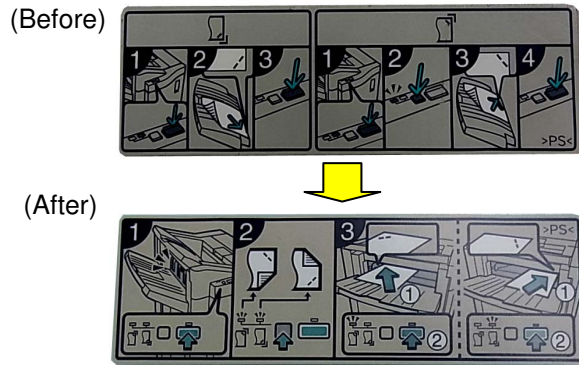
[Parts Change Information]

Ref. No. **PCI-0309 (C068)**
 <Date> March 26, 2012

<Common use of parts (DF-800/810) → After using up the old stock>

TASKalfa550c, TASKalfa650c, TASKalfa750c

The label (No.1) is changed for common use of parts.



No.	Old Part No.	New Part No.	Description	Q'ty		Compati bility		Remarks
				Old	New	Old	New	
1	305JN70SK0 5JN70SK0	305JN70SK0 5JN70SK0	LABEL:LBL-MNL-STPL-PIT	1	1	○	○	

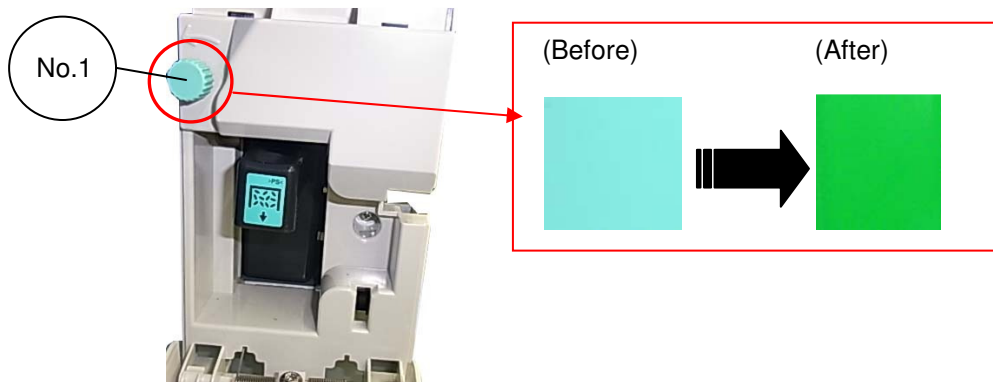
N00060284 BSI. G10K390

*The parts number remains unchanged.

<Common use of parts (PH-6) → After using up the old stock>

TASKalfa550c, TASKalfa650c, TASKalfa750c

The color of the punch unit lever is changed for common use of parts.



No.	Old Part No.	New Part No.	Description	Q'ty		Compati bility		Remarks
				Old	New	Old	New	
1	305JN70E50 5JN70E50	305JN70E50 5JN70E50	KNOB-RLR-FEED-P	1	1	○	○	

N00059490(JTA02852)/N00061694(BSI.G11J203)

Service Bulletin

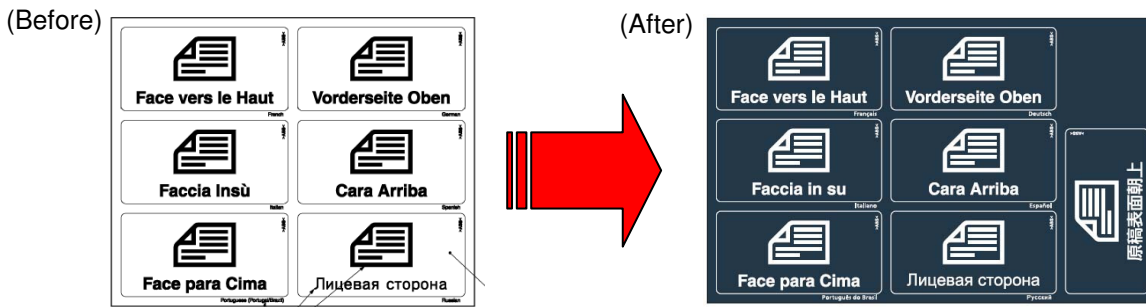
[Parts Change Information]

Ref. No. **PCI-0309 (C068)**
 <Date> March 26, 2012

**<(For UTAX/TA, OLI spec only) Common use of parts(multi language label)
 → Planned from February 2012 production>**

DP-670(B)

The multi language label (No.1) is changed for common use of parts.



No.	Old Part No.	New Part No.	Description	Q'ty		Compati bility		Remarks
				Old	New	Old	New	
1	303JX60110 3JX60110	303LL34190 3LL34190	LABEL FACE UP 7NATIONS	1	1	X	O	

N00063646

“+” at the beginning of the part name means it is a component part.

Service Bulletin

Ref. No. **2H7-0091 (C139)**

<Date> October 17, 2012

Subject	Corrective measure for the cleaning failure in the drum unit
Model	TASKalfa500ci, TASKalfa400ci, TASKalfa300ci, TASKalfa250ci, TASKalfa552ci, FS-C8500DN

This time the description with (-->) is revised from the previous information.

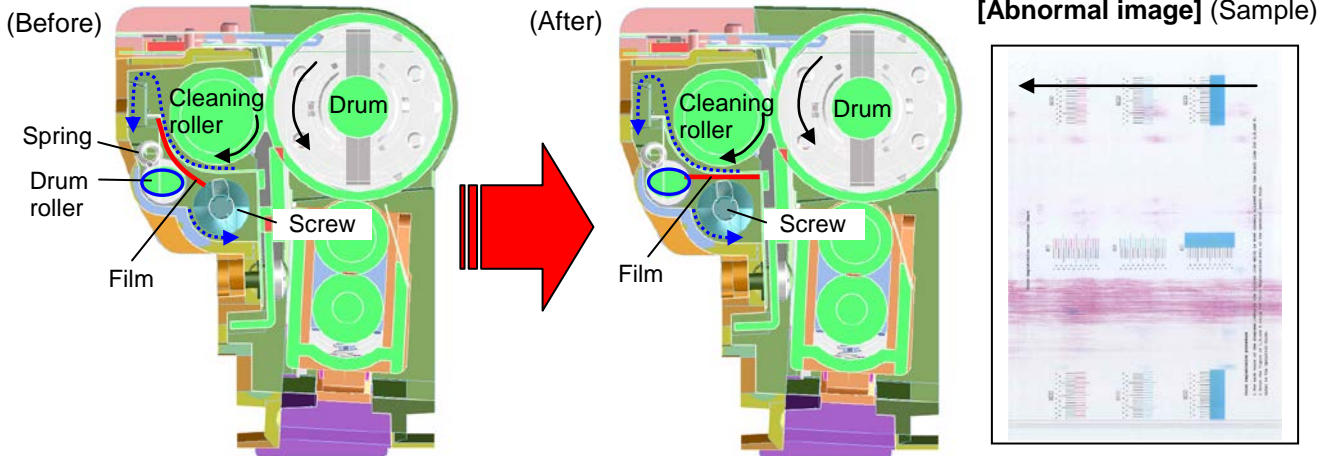
<Number of changes: 2> Added the accurate serial number and changed the layout.

If the toner is accumulated on the surface of the drum roller due to insufficiency of cleaning the toner adhering on the drum roller, the toner conveying ability may reduce and the cleaning failure may occur to cause abnormal image. Therefore, the following is changed.

<Content of changes>

For improving the toner cleaning ability that adhered on the drum roller, the shape of the cleaning film is changed and it is relocated.

[Change of the film for preventing the toner adhesion]



Due to contacting the middle part of the film to the drum roller, the cleaning of the toner adhered on the drum roller is difficult and so the toner accumulates. As the result, the toner conveying ability reduces and the cleaning failure occurs.

This is changed so that the edge of the film contacts the drum roller for improving the cleaning ability of the toner adhering on the drum roller.

No.	Old Part No.	New Part No.	Description	Q'ty		Compatibility		Remarks
				Old	New	Old	New	
1	302H793012 2H793012	302H793013 2H793013	PARTS DRUM 50 UNIT	4	4	X	O	500ci/400ci Except KDCN/KDKR
2	302H79C012 2H79C012	302H79C013 2H79C013	PARTS DRUM 50 UNIT	4	4	X	O	500ci/400ci KDCN
3	302H79K012 2H79K012	302H79K013 2H79K013	PARTS DRUM 50 UNIT	4	4	X	O	500ci/400ci KDKR

(Continued to the next page)

KMC's Classification	<input type="checkbox"/> Entire Stock Rework <input checked="" type="checkbox"/> In-Field modification by case	<input type="checkbox"/> In-Field modification at next visit <input type="checkbox"/> No modification necessary
Field Measure:	Please replace the drum unit of the affected color with the new parts when the above phenomenon occurs.	
Serial Nos. of Affected Machine:	(-->) Refer to the next page.	

N00065106

Service Bulletin

Ref. No. **2H7-0091 (C139)**

<Date> October 17, 2012

No.	Old Part No.	New Part No.	Description	Q'ty		Compati bi lity		Remarks
				Old	New	Old	New	
4	302JZ93012 2JZ93012	302JZ93013 2JZ93013	PARTS DRUM 25 UNIT	4	4	X	O	300ci/250ci Except KDCN/KDKR
5	302JZ9C012 2JZ9C012	302JZ9C013 2JZ9C013	PARTS DRUM 25 UNIT	4	4	X	O	300ci/250ci KDCN
6	302JZ9K012 2JZ9K012	302JZ9K013 2JZ9K013	PARTS DRUM 25 UNIT	4	4	X	O	300ci/250ci KDKR
7	302KY93070 2KY93070	302KY93071 2KY93071	PARTS DRUM 50 M UNIT	4	4	X	O	552ci, FS-C8500DN Except KDKR
8	302KY9K070 2KY9K070	302KY9K071 2KY9K071	PARTS DRUM 50 M UNIT	4	4	X	O	552ci, FS-C8500DN KDKR

(-->) Serial numbers of Affected Machine

<Main machine> * Models except FS-C8500DN have not been produced now.

FS-C8500DN

KDA	KDA 220V	KDE	UTAX	KDKR	KDAU	KDJ
1102KA2US0	1102KA4US0	1102KA3NLO	1102KA3UT0	1102KA3KR0	1102KA3AS0	1102KA9JP0
QXS Next	Q18 Next	QXT2502940	Q2R Next	Q3J2500184	QXU2500141	QXR2501285

<Drum unit>

TASKalfa500ci TASKalfa400ci No.1~3	TASKalfa300ci TASKalfa250ci No.4~6	TASKalfa552ci, LS/FS-C8500DN No.7, 8
MAE2523630	MAJ2568918	K3B2508309

<MK kit>

MK-855A				
120V 1702H77US1 QJR2507584	220~240V 1702H78EU1 QJR2507634	KDKR 1702H78KR3	KDCN 1702H78KS4 QMZ2800015	KDTW 1702H7TTW2 QGL2700019
MK-855B				
Universal 1702H70UN0 QJQ2503609	KDKR 1702H78KR2 QJQ Next	KDCN 1702H78KS1 QNA Next		
MK-865A				
120V 1702JZ7US1 QJP2507413	220~240V 1702JZ8EU1 QJP2507472	KDKR 1702JZ8KR3 QJP2507910	KDCN 1702JZ8KS4 QNB Next	KDTW 1702JZTTW2 QGN2500020
MK-865B				
Universal 1702JZ0UN0 QJN2504667	KDKR 1702JZ8KR2 QJN2504971	KDCN 1702JZ8KS1 QNC Next		
MK-856A			MK-856B	
120V 1702KY7US1 QXJ2500708	220~240V 1702KY8KL1 QXJ2500730		Universal 1702KY0UN0 QXM2500648	KDKR 1702KY8KR0 QXM Next
MK-880A				
120V 1702KA7US1 Q1J2500424	220~240V 1702KA8KL1 Q1J2500410	KDKR 1702KA8KR2 Q1J Next		

Service Bulletin

[Service Information]

Ref. No. **3ND-0007 (C221)**

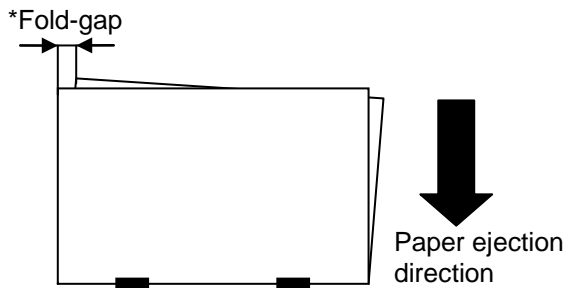
<Date> September 20, 2012

Subject	Procedure for adjusting the center position of the lower side registration guide in the center-folding unit. (Field measures for the gap of the half-folded paper.)
Model	BF-730, BF-720, BF-710

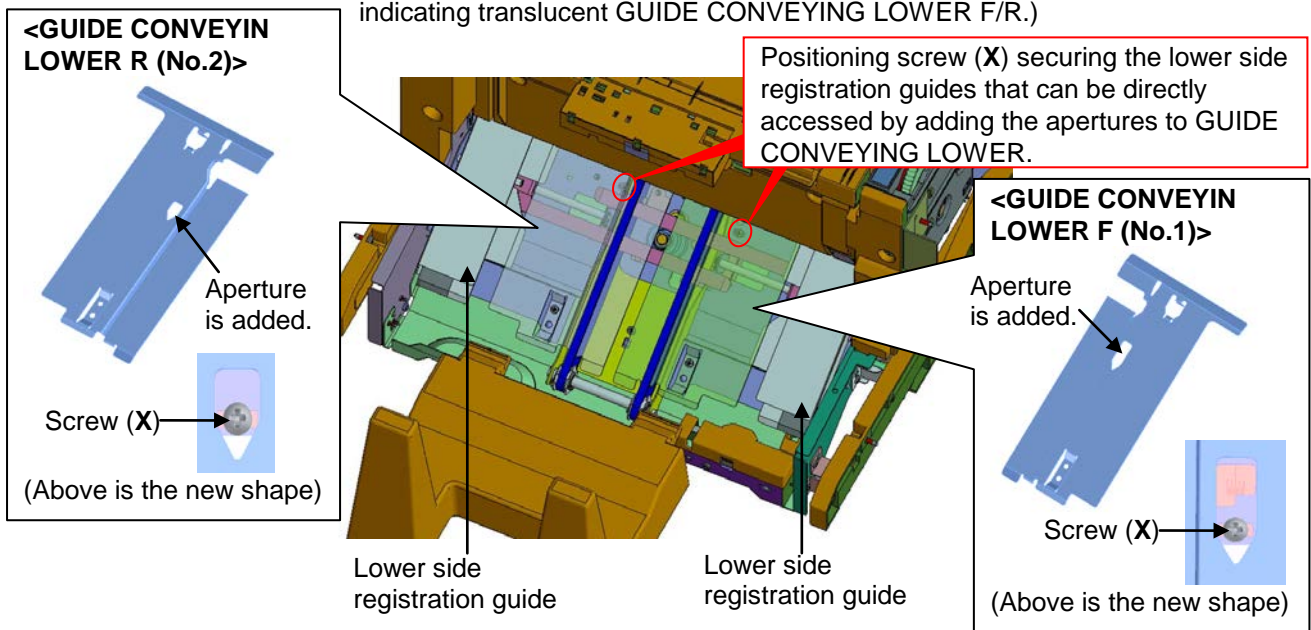
(Affected models) BF-730: DF-790/DF-790(B) (Main machine: TASKalfa 7550ci/6550ci, TASKalfa 5550ci/4550ci/3550ci/3050ci, TASKalfa 8000i/6500i, TASKalfa 5500i/4500i/3500i, FS-C8650DN, FS-C8600DN)
 BF-720: DF-760/DF-760(B) (Main machine: TASKalfa 500ci/400ci/300ci/250ci, TASKalfa 552ci, FS-C8500DN, TASKalfa 420i/520i,
 BF-710: DF-710 (Main machine: KM-3050/4050/5050, FS-9130DN, FS-9530DN, EP 510DN, KM-C2520/C3225/C3232, KM-C2525E/C3225E/C3232E/C4035E, FS-C8100DN+, EP C320DN)

If the gap (*) of the half-folded paper is large at the center-folding unit, the adjustment of the center position of the lower side registration guide in the horizontal direction will reduce the gap.
 Please refer to page 3 and after for the adjusting procedure.

Currently, GUIDE CONVEYING LOWER (No.1, 2) needs to be removed for loosening the positioning screw (X) securing the lower side registration guide when adjusting. At this time, its work becomes unnecessary by adding the apertures to GUIDE CONVEYING LOWER (No.1, 2) in order to directly access the screw.



(Below is the state of removing the unrelated parts like the output tray and of indicating translucent GUIDE CONVEYING LOWER F/R.)



KDC's Classification	<input type="checkbox"/> Entire Stock Rework	<input type="checkbox"/> In-Field modification at next visit
	<input checked="" type="checkbox"/> In-Field modification by case	<input type="checkbox"/> No modification necessary
Field Measure: If the gap of the half-folded paper is large, please adjust the center position of the lower side registration guide according to the adjusting procedure in page 3 and after.		

Service Bulletin

[Service Information]

Ref. No. **3ND-0007 (C221)**

<Date> September 20, 2012

Serial Nos. of Affected Machine:					
BF-730:					
Universal 1203ND0UN0 N38 Next	KDE 1203ND3NL0 N392905965	UTAX 1203ND3UT0 NAV Next	KDKR 1203ND3KR0 NE5 Next	OLIVETTI 1203ND3LV0 NK9 Next	KDCN 1203ND3KS0 NL1 Next
BF-710/720: Next					
N00067075/N00067076					

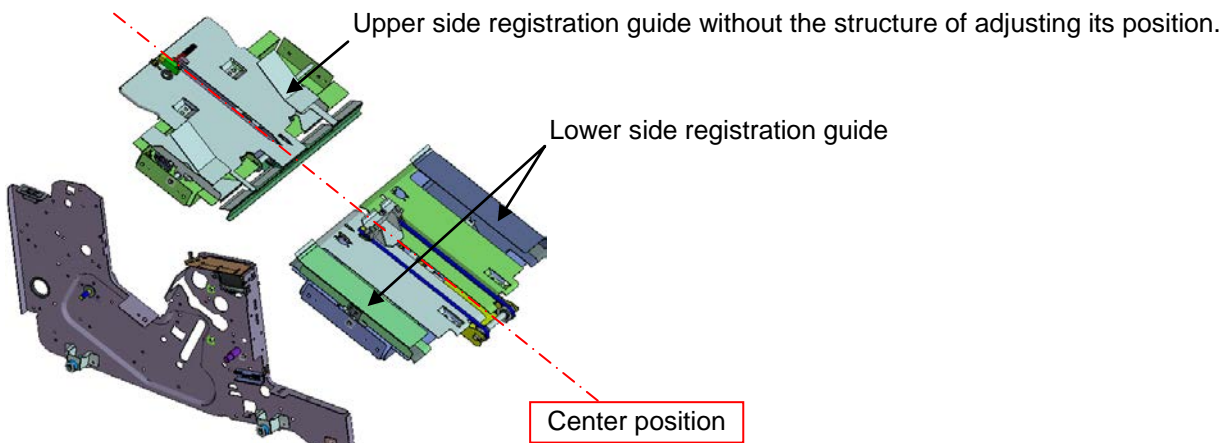
No.	Old Part No.	New Part No.	Description	Q'ty		Compati bi lity		Remarks
				Old	New	Old	New	
1	303J124230 3J124230	303J124231 3J124231	GUIDE CONVEYING LOWER F	1	1	○	○	*1
2	303J124240 3J124240	303J124241 3J124241	GUIDE CONVEYING LOWER R	1	1	○	○	*1

*1: The apertures are added to the above guides for directly accessing the screws (X).

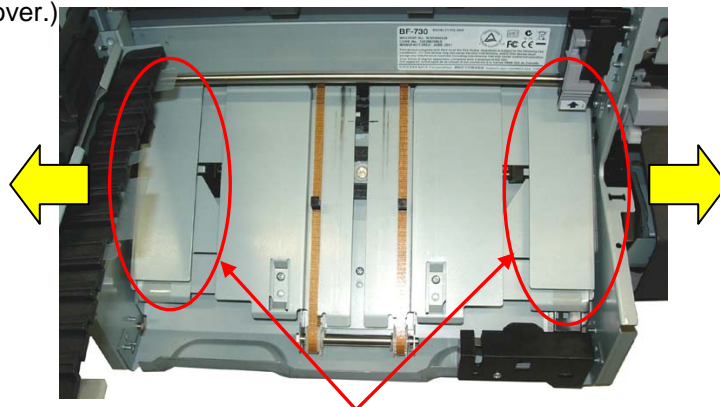
[Adjustment of the position of the lower side registration guide]

If the center position between the upper side registration guide and the lower guide shifts, the gap of the half-folded paper may be larger. In that case, please adjust the center position of the lower side registration guide in the horizontal direction according to the procedure in the next page and after for aligning it to the center position of the upper side registration guide.

(Figure of indicating the positional relation between the upper side registration guide and lower guide)



(Below is the old center-folding unit at the state of removing the unrelated parts like the output tray and of opening the BF left cover.)



Lower side registration guide

(The whole structure* of the lower side registration guide is shifted by this adjustment.)

* Structure: Included the lower side registration guide F/R, the cursor rack and the adjusting plate.

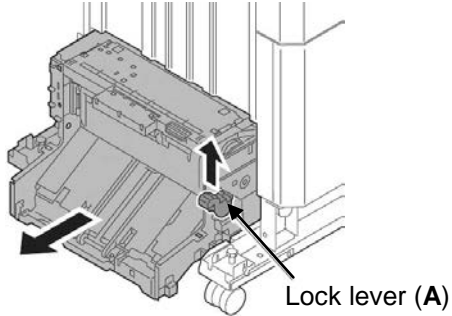
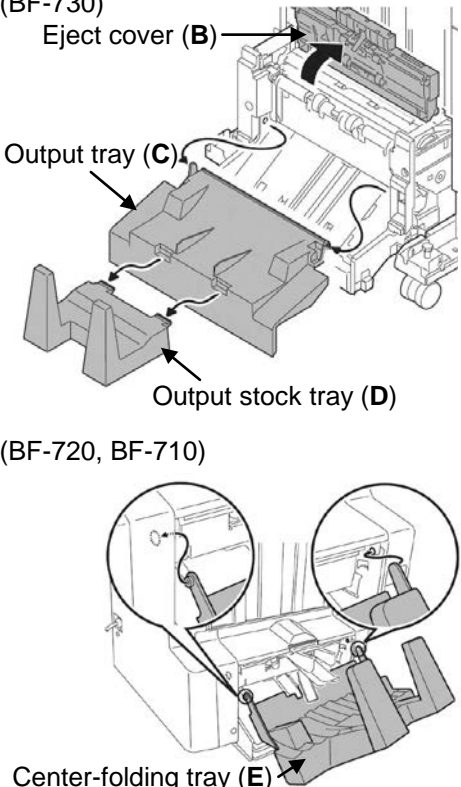
Service Bulletin

[Service Information]

Ref. No. **3ND-0007 (C221)**

<Date> September 20, 2012

[Procedure for adjusting the lower side registration guide when the gap of the half-folded is large.]

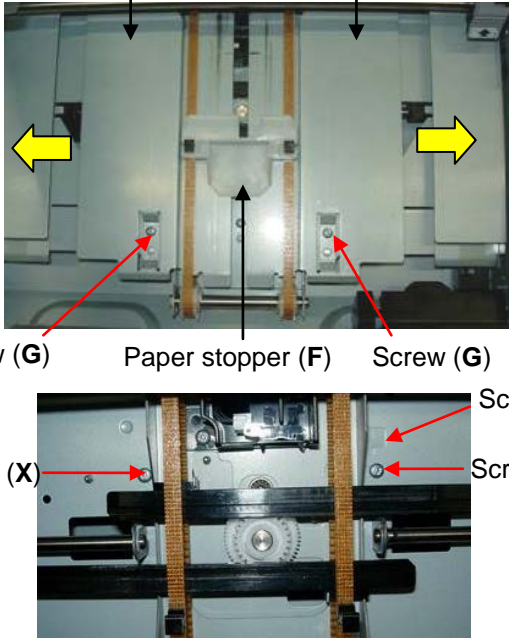
No.	Procedure	Detailed figure
Before	<p>Before adjusting the position of the lower side registration guide, execute the following 1 and 2 to check if the paper (A3 width or LD (11x17inch) width) aligns to the space between the left side registration guide and the right one.</p> <p>(Procedure)</p> <ol style="list-style-type: none"> 1. Enter the maintenance mode U240 > [Booklet] > Execute [Width Test (A3)] or [Width Test (LD)]. (Note1) 2. If the paper is not aligned, enter the maintenance mode U246 > [Booklet] > Change the value of [Width Down HP]. And then, turn off the main power for the machine with BF-710/720. (Note2) <p>* Please refer to the last page for (Note1) and (Note2).</p> <p>When the fold-gap is not reduced even if executing the above 1, 2, please go to the following procedures.</p>	
1	<p>Release the lock lever (A) and pull out the center-folding unit to the left side of the document finisher.</p>	 <p>Lock lever (A)</p>
2	<p>(BF-730) Open the eject cover (B) and remove the output tray (C) and output stock tray (D).</p> <p>(BF-720, BF-710) Remove the center-folding tray (E).</p>	<p>(BF-730) Eject cover (B)</p> <p>Output tray (C)</p> <p>Output stock tray (D)</p> <p>(BF-720, BF-710)</p> <p>Center-folding tray (E)</p> 

Service Bulletin

[Service Information]

Ref. No. **3ND-0007 (C221)**

<Date> September 20, 2012

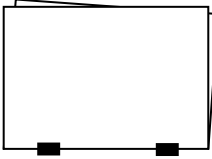
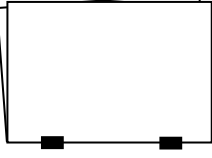
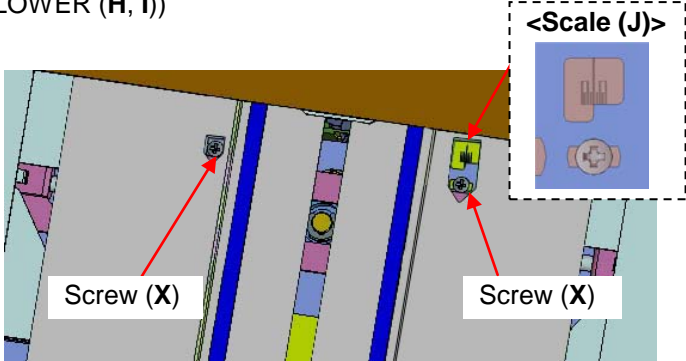
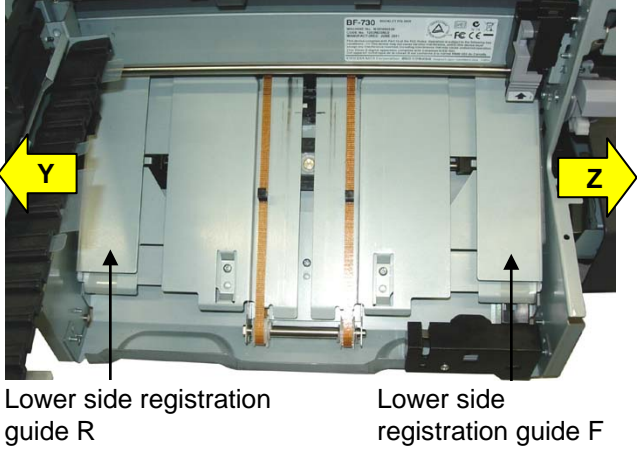
No.	Procedure	Detailed figure
3	<p>(The machine using the new GUIDE CONVEYING LOWER does not need to execute this procedure.)</p> <p>Remove the paper stopper (F). Remove 2 screws (G) and detach GUIDE CONVEYING LOWER F/R (H, I) in the arrow direction in the right figure.</p> <p>(*) Open the BF left cove if necessary.</p>	<p>GUIDE CONVEYING LOWER R (I) GUIDE CONVEYING LOWER F (H)</p>  <p>Screw (G) Paper stopper (F) Screw (G)</p> <p>Screw (X) Scale (J) Screw (X)</p>

Service Bulletin

[Service Information]

Ref. No. **3ND-0007 (C221)**

<Date> September 20, 2012

No.	Procedure	Detailed figure
4	<p>Loosen 2 screws(X)(*) and shift the left and right lower side registration guide for the fold-gap. (The shifting range is within the scale (J) at the upper side of the screw (X) at the machine front side.)</p> <ul style="list-style-type: none"> - Y direction in the right figure <ul style="list-style-type: none"> : Shift the whole structure of the lower side registration guide to the left side (machine rear side) if the center position of the lower side registration guide is at the right side of the center position of the upper side registration guide. - Z direction in the right figure <ul style="list-style-type: none"> : Shift the whole structure of the lower side registration guide to the right side (machine front side) if the center position of the lower side registration guide is at the left side of the center position of the upper side registration guide. <p>(*) For the machine using new GUIDE CONVEYING LOWER, loosen the screw (X) through the aperture of new GUIDE CONVEYING LOWER.</p> <p>[Fold-gap]</p> <p>Y: Shift the lower side registration guide to the left side.</p>  <p>Paper ejection direction</p> <p>Z: Shift the lower side registration guide to the right side.</p>  <p>Paper ejection direction</p>	<p>(Below is the new machine with new GUIDE CONVEYING LOWER (H, I))</p>  

Service Bulletin

 Ref. No. **2H7-0092 (C274)**

<Date> October 12, 2012

Subject	Corrective measures for the intermediate transfer belt cleaning failure. (The fur brush material change)
Model	TASKalfa 500ci, TASKalfa 400ci, TASKalfa 300ci, TASKalfa 250ci, TASKalfa 552ci, FS-C8500DN

After the prolonged period of use of the machine, the abnormal image (offset image) may be printed out caused by the cleaning failure on the transfer belt due to the cleaning ability deterioration of the fur brush in the intermediate transfer belt unit. Thus, the following are changed.

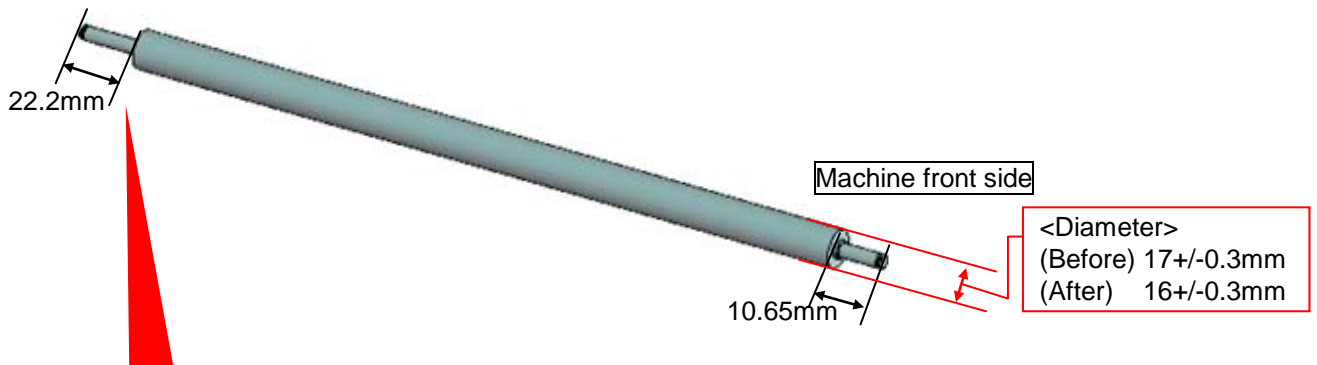
<Content of changes>

The material of the fur brush is changed to harder one for improving the toner cleaning ability.

And, the new fur brush is supplied as individual parts to field according to this change.

- 1) Material change : (Before) UUN 6D → (After) SA-7
- 2) Diameter change: (Before) 17+/-0.3mm → (After) 16+/-0.3mm

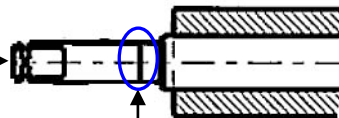
Machine rear side (with D-cut shape)



[Distinction of the new and old fur brush]

Either the following (A) or (B) is added to the machine rear side of the shaft of the new fur brush.

(A) Added the marking to the end of the shaft.



(B) Added the marking-off line.

No.	Old Part No.	New Part No.	Description	Q'ty		Compati bility		Remarks
				Old	New	Old	New	
1	-----	302KY94370 2KY94370	PARTS BRUSH FUR B SP	-	1	-	○	Service parts

(*) Only individual service parts is informed this time. (Change of the intermediate transfer belt unit will be informed later.)

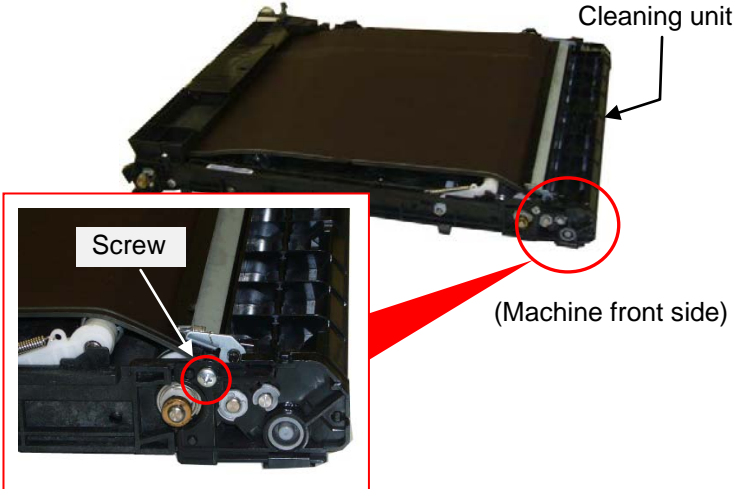
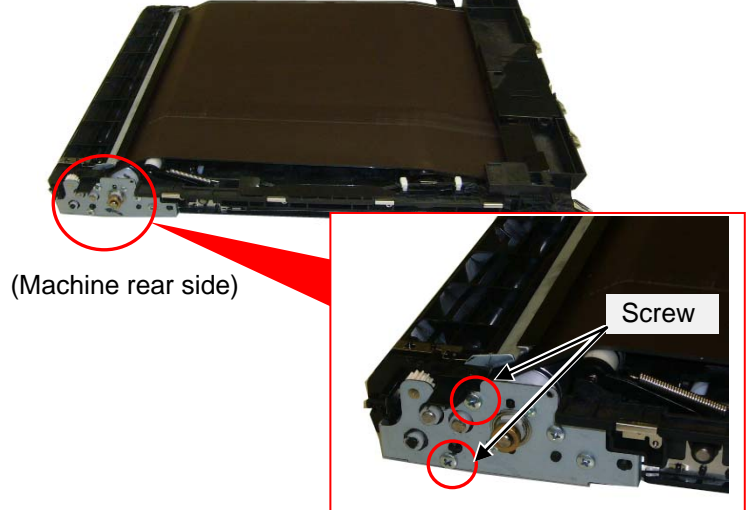
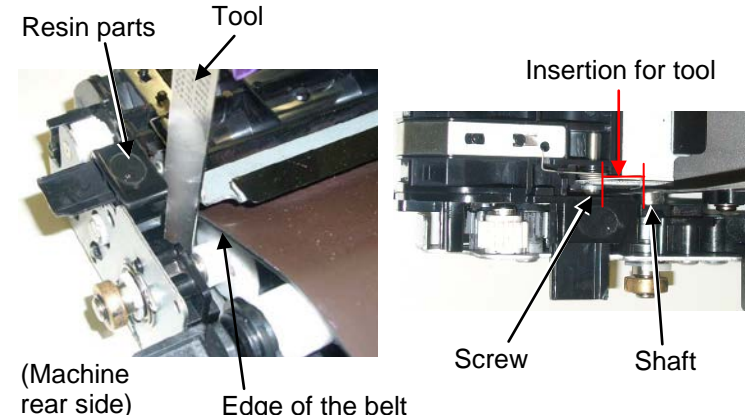
KMC's Classification	<input type="checkbox"/> Entire Stock Rework <input checked="" type="checkbox"/> In-Field modification by case	<input type="checkbox"/> In-Field modification at next visit <input type="checkbox"/> No modification necessary
Field Measure:	When the above phenomenon occurs, please replace with the new fur brush (No.1). (Please refer to the next page and after for the replacement procedures.)	
Serial Nos. of Affected Machine:	Not production.	

N00068248

Service Bulletin

Ref. No. **2H7-0092 (C274)**
 <Date> October 12, 2012

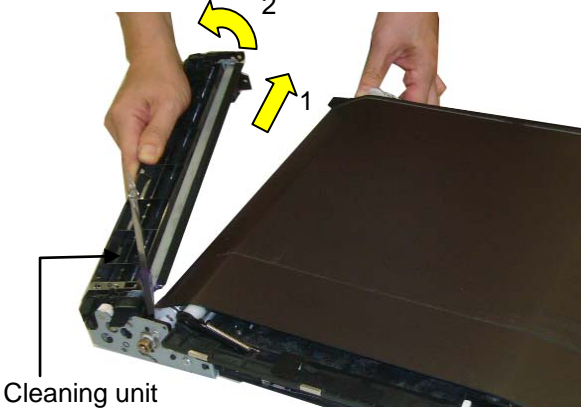
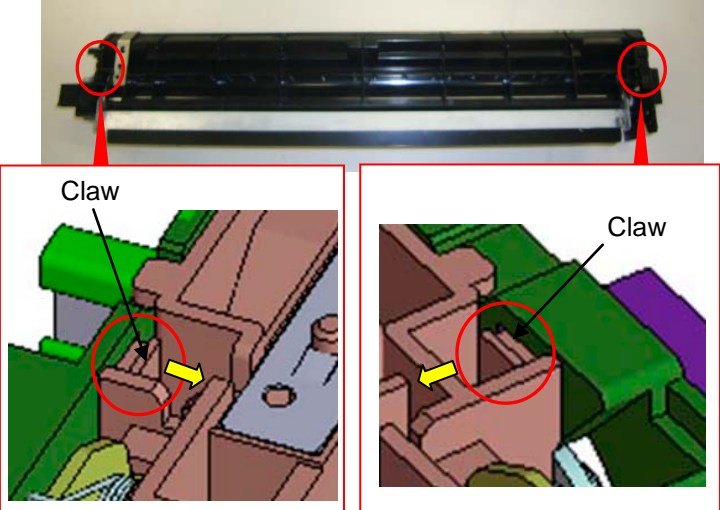
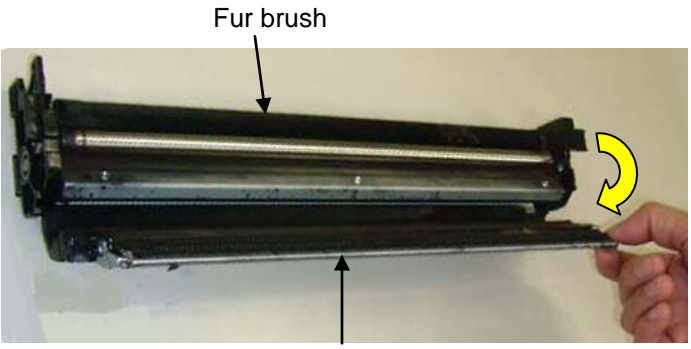
[Replacement procedures]

No	Procedure	Remark (details and figures)
1	Detach the intermediate transfer belt unit. (Refer to Service Manual for the details.)	<Applied chapter in Service Manual> TASKalfa 500ci/400ci/300ci/250ci/552ci: 1-5-37~1-5-38 FS-C8500DN: 1-5-28
2	Remove the screw fixing the cleaning unit at the machine front side.	 <p>Cleaning unit</p> <p>(Machine front side)</p>
3	Remove 2 screws fixing the cleaning unit at the machine rear side.	 <p>(Machine rear side)</p>
4	Insert the tool such as a metal ruler into the gap (Insertion for tool in the right figure) between the screw and the shaft at the machine rear side. (This is because the edge of the belt is protected from the damage due to contacting the resin parts when detaching the cleaning unit.)	 <p>Resin parts</p> <p>Tool</p> <p>(Machine rear side)</p> <p>Edge of the belt</p> <p>Insertion for tool</p> <p>Screw</p> <p>Shaft</p>

Service Bulletin

Ref. No. **2H7-0092 (C274)**

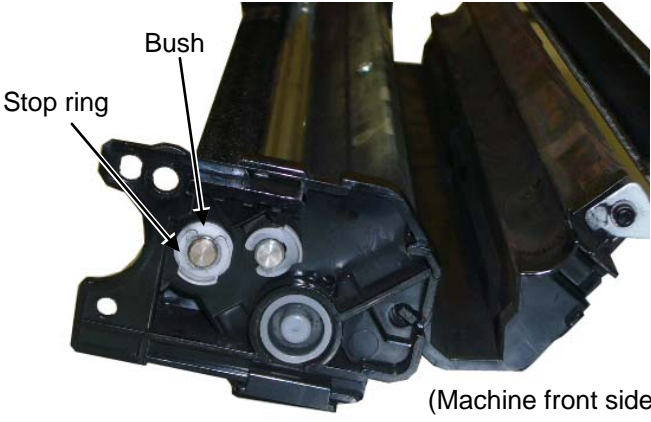
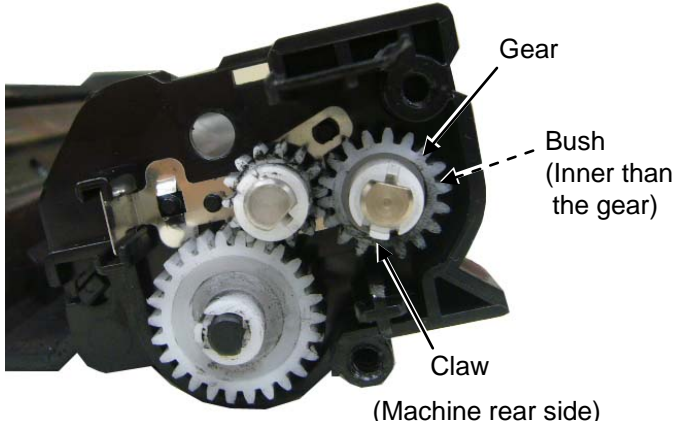
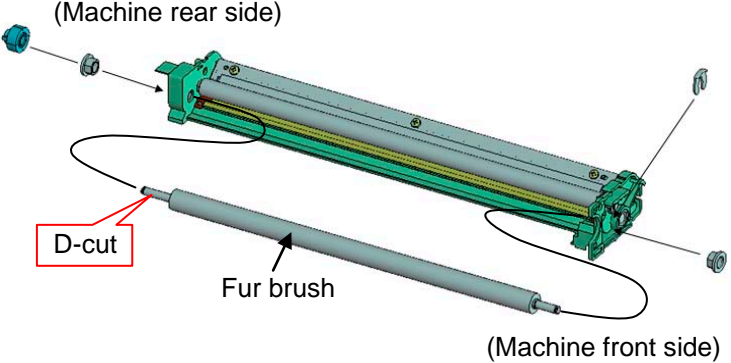
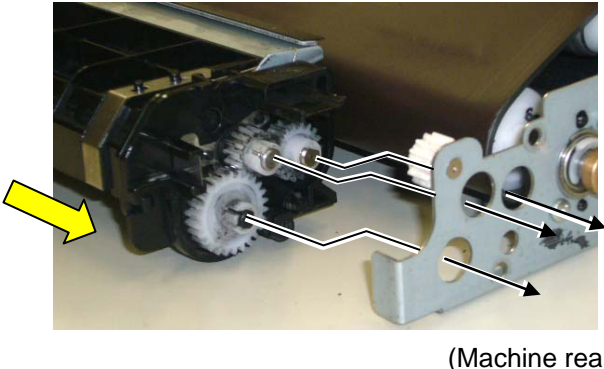
<Date> October 12, 2012

No	Procedure	Remark (details and figures)
5	Pull the cleaning unit frontwards (Arrow 1 in the right figure) from the machine front side, and detach the cleaning unit while rotating it (Arrow 2).	
6	Release 2 claws of the detached cleaning unit.	
7	Open the top cover of the cleaning unit.	

Service Bulletin

Ref. No. **2H7-0092 (C274)**

<Date> October 12, 2012

No	Procedure	Remark (details and figures)
8	Remove the stop ring and the bush at the machine front side.	
9	Release the claw of the gear at the machine rear side, and remove the gear and the inner bush behind the gear.	
10	<p>Replace with the new fur brush (No.1). (Note) When fitting the new fur brush, please don't touch the brush parts and hold the shaft.</p> <p>Reattach the removed parts and unit in the reverse procedures.</p>	
11	<p>[Notes when reattaching the cleaning unit]</p> <p>When reattaching the cleaning unit, the tool such as the metal ruler used when detaching (Procedure 4) is unnecessary. Thus, please reattach the cleaning unit without tool.</p>	

Service Bulletin

Ref. No. **PCI-0326 (D057)**

[Parts Change Information]

<Date>

May 15, 2013

Subject	Parts Change Information
Model	TASKalfa 7550ci, TASKalfa 6550ci, TASKalfa 5550ci, TASKalfa 4550ci, TASKalfa 3550ci, TASKalfa 3050ci, TASKalfa 8000i, TASKalfa 6500i, TASKalfa 5500i, TASKalfa 4500i, TASKalfa 3500i, FS-C8650DN, FS-C8600DN, TASKalfa 2550ci, TASKalfa 256ci/FS-C8525MFP, TASKalfa 206ci/FS-C8520MFP, TASKalfa 255c/FS-C8025MFP, TASKalfa 205c/FS-C8020MFP, TASKalfa 306i/FS-6530MFP, TASKalfa 256i/FS-6525MFP, TASKalfa 305/FS-6030MFP, TASKalfa 255/FS-6025MFP, TASKalfa 255b/FS-6025MFP/B, TASKalfa 550c, TASKalfa 650c, TASKalfa 750c, TASKalfa 500ci, TASKalfa 400ci, TASKalfa 300ci, TASKalfa 250ci, TASKalfa 552ci, FS-C8500DN, KM-C2520, KM-C3225, KM-C3232, KM-C2525E, KM-C3225E*, KM-C3232E, KM-C4035E, FS-C8100DN+*, EP C320DN, FS-2100D, FS-2100DN, FS-4100DN, FS-4200DN, FS-4300DN, DF-790/DF-790(B), AK-730, PF-790, DP-770, DP-771, DP-670(B)

This time the description with (-->) is revised from the previous information.

<Number of changes: 12> Corrected the parts names in [page 11-12](#).

Affected models

* Common with CHUNGHO brand.

DF-790	TASKalfa 7550ci/6550ci, TASKalfa 5550ci/4550ci/3550ci/3050ci, TASKalfa 8000i/6500i, TASKalfa 5500i/4500i/3500i,
DF-790(B)	TASKalfa 7550ci/6550ci, TASKalfa 5550ci/4550ci/3550ci/3050ci, TASKalfa 8000i/6500i, TASKalfa 5500i/4500i/3500i, FS-C8650DN, FS-C8600DN
AK-730	TASKalfa 5550ci/4550ci/3550ci/3050ci, TASKalfa 5500i/4500i/3500i
PF-790	TASKalfa 2550ci
DP-770	TASKalfa 5550ci/4550ci/3550ci/3050ci, TASKalfa 5500i/4500i/3500i
DP-771	TASKalfa 5550ci/4550ci/3550ci/3050ci, TASKalfa 5500i/4500i/3500i
DP-670(B)	KM-2560/3060/2540/3040, TASKalfa 300i

The following parts are changed.

P3 **<Changing the plastic bag for the used waste toner bottle/toner container>**

Toner kit for the A3 or A4 model

P5 **<Parts number unification>**

FS-1020D, FS-1030D, KM-1500
 TASKalfa 7550ci, TASKalfa 6550ci,
 TASKalfa 5550ci, TASKalfa 4550ci, TASKalfa 3550ci, TASKalfa 3050ci,
 TASKalfa 8000i, TASKalfa 6500i, TASKalfa 5500i, TASKalfa 4500i, TASKalfa 3500i,
 FS-C8650DN, FS-C8600DN, TASKalfa 2550ci, TASKalfa 256ci/FS-C8525MFP,
 TASKalfa 206ci/FS-C8520MFP, TASKalfa 255c/FS-C8025MFP,
 TASKalfa 205c/FS-C8020MFP, TASKalfa 306i/FS-6530MFP,
 TASKalfa 256i/FS-6525MFP, TASKalfa 305/FS-6030MFP, TASKalfa 255/FS-6025MFP,
 TASKalfa 255b/FS-6025MFP/B, FS-2100D, FS-2100DN, FS-4100DN, FS-4200DN,
 FS-4300DN, PF-790

Service Bulletin

[Parts Change Information]

Ref. No. **PCI-0326 (D057)**

<Date>

May 15, 2013

P5 **<Changing the cloth for cleaning the DP contact glass>**

DP-770, DP-771, TASKalfa 7550ci, TASKalfa 6550ci, TASKalfa 8000i, TASKalfa 6500i, DP-670(B), TASKalfa 2550ci, TASKalfa 256i/FS-6525MFP, TASKalfa 306i/FS-6530MFP, TASKalfa 256ci/FS-C8525MFP, TASKalfa 206ci/FS-C8520MFP

P6 **<Common use of the parts>**

TASKalfa 7550ci, TASKalfa 6550ci, TASKalfa 8000i, TASKalfa 6500i, TASKalfa 5550ci*, TASKalfa 4550ci*, TASKalfa 5500i*, TASKalfa 4500i*, AK-730, FS-C8650DN, FS-C8600DN

P7 **<Common use of the parts (Adding the engraving)>**

DP-771, TASKalfa 7550ci, TASKalfa 6550ci, TASKalfa 8000i, TASKalfa 6500i

P8 **<Common use of the parts (Adding the engraving and changing the shape)>**

TASKalfa 7550ci, TASKalfa 6550ci, TASKalfa 8000i, TASKalfa 6500i

P9 **<Common use of the parts>**

TASKalfa 2550ci, PF-790

P9 **<Changing the waste toner case (Adding the filter removing the foreign objects)>**

TASKalfa 550c, TASKalfa 650c, TASKalfa 750c

P10 **<Common use of the parts>**

TASKalfa 550c, TASKalfa 650c, TASKalfa 750c

P10 **<Improving the durability (Change of the developing unit)>**

TASKalfa 500ci, TASKalfa 400ci, TASKalfa 300ci, TASKalfa 250ci, TASKalfa 552ci, FS-C8500DN, KM-C2520, KM-C3225, KM-C3232, KM-C2525E, KM-C3225E*, KM-C3232E, KM-C4035E, FS-C8100DN+*, EP C320DN

P13 **<Changing the material of PULLEY 20S5M>**

DF-790/DF-790(B)

Service Bulletin

[Parts Change Information]

Ref. No. **PCI-0326 (D057)**

<Date>

May 15, 2013

**<Changing the plastic bag for the used waste toner bottle/toner container
--> From the available timing of the production in Feb., 2013>**



Toner kit for the A3 or A4 model (Refer to the following table for the affected toner kit)

The plastic bags for the used waste toner bottle and for the used toner container are changed for the parts management reason that is bundled in the toner kit for the A3 or A4 model.

[Change of the plastic bag for the used waste toner bottle]

Plastic bag's dimensions			
No.	Before	After	Affected toner kit (Refer to the following table)
1	210x465mm (Thickness is 0.032mm)	210x305mm (Thickness is 0.032mm)	[For all the spec] Toner kit for the FS-C5300DN series, Toner kit for the FS-C2026MFP series, Toner kit for the TASKalfa255c/FS-C8025MFP series, Toner kit for TASKalfa 2550ci, Toner kit for FS-C5400DN
2	260x670mm (Thickness is 0.032mm)	210x465mm (Thickness is 0.032mm)	[For the area applying BAM] Toner kit for the TASKalfa 500ci series

[Change of the plastic bag for the used toner container]

Plastic bag's dimensions		Material/Material indication marking		Affected toner kit (Refer to the following table)	
No.	Before	After	Before		After
3	210x585mm (Thickness is 0.032mm)	160x515mm (Thickness is 0.032mm)	-----	-----	[For the area applying BAM] Toner kit for the FS-1028MFP/KM-2810 series, Toner kit for the FS-1020D series
4	315x515mm (Thickness is 0.050mm)	260x620mm (Thickness is 0.032mm)	Material: LDPE Material indication marking: 	Material: HDPE Material indication marking: 	[For KDCN/KDKR] Toner kit for the FS-1128MFP series, Toner kit for the FS-1030MFP series, Toner kit for the FS-1300D series, Toner kit for the FS-1100 series, Toner kit for the FS-720 series
5	210x720mm (Thickness is 0.050mm)	260x620mm (Thickness is 0.032mm)	Same as the above	Same as the above	[For KDCN] Toner kit for FS-1016MFP

N00069833

<Affected toner kit (Product)>

Change No.	Destination	Product code					
1	KDA	1T02HLOUS0	1T02HLCUS0	1T02HLBUS0	1T02HLAUS0	1T02KT0US0	1T02KTCUS0
		1T02HM0US0	1T02HMCUS0	1T02HNBUS0	1T02HMAUS0	1T02KV0US0	1T02KVCUS0
		1T02HNOUS0	1T02HNCUS0	1T02HMBUS0	1T02HNAUS0	1T02KV0USB	1T02KVCUSB
		1T02KTAUS0	1T02KVAUS0	1T02KVAUSB	1T02K0CUS0	1T02K00US0	1T02K0BUS0
		1T02KTBUS0	1T02KVBUSB	1T02MV0US0	1T02MVCUS0	1T02MVBUS0	1T02MVAUS0
		1T02KVBUS0	1T02K0AUS0	1T02HG0US0	1T02HGCUS0	1T02HGBUS0	1T02HGAUS0
	CS	1T02K0BCS0	1T02K00CS0	1T02K0CCS0	1T02K0ACS0		
		1T02MV0CS0	1T02MVCCS0	1T02MVBCS0	1T02MVACS0		
	ADP	1T02K80AD0	1T02K8CAD0	1T02K8BAD0	1T02K8AAD0		
		1T02M90AD0	1T02M9CAD0	1T02M9BAD0	1T02M9AAD0		
	KDE	1T02HL0EU0	1T02HLCU0	1T02HLBEU0	1T02HLAEU0	1T02KT0NL0	1T02KTCNL0
		1T02HM0EU0	1T02HMCEU0	1T02HMBEU0	1T02HNAEU0	1T02KTBNL0	1T02KTANL0
		1T02HNOEU0	1T02HNCEU0	1T02HNBEU0	1T02HMAEU0	1T02K00NL0	1T02K0CNL0
		1T02KV0NL0	1T02KVCNL0	1T02KVBNL0	1T02KVANL0	1T02K0BNL0	1T02K0ANL0
		1T02KV0NLB	1T02KVCNLB	1T02KVBNLB	1T02KVANLB	1T02MV0NL0	1T02MVBNL0
		1T02HG0EU0	1T02HGCEU0	1T02HGBEU0	1T02HGAEU0	1T02MVCNL0	1T02MVANL0
	OLIVETTI	1T02HL0LV0	1T02HLCLV0	1T02HLBLV0	1T02HLALV0	1T02KT0LV0	1T02KTCLV0
		1T02HM0LV0	1T02HMCLV0	1T02HMBLV0	1T02HMALV0	1T02KTBLV0	1T02KTALV0
		1T02HNOLV0	1T02HNCLV0	1T02HNBLV0	1T02HNALV0	1T02KV0LV0	1T02KVCLV0
		1T02MV0LV0	1T02MVCLV0	1T02MVBV0	1T02MVALV0	1T02KVBLV0	1T02KVALV0
	TA/UTAX	1T02K00LV0	1T02K0CLV0	1T02K0BLV0	1T02K0ALV0		
		1T02HL0TA0	1T02HLCTA0	1T02HLBTA0	1T02HLATA0	1T02KT0TA0	1T02KTCTA0

Service Bulletin

Ref. No. **PCI-0326 (D057)**

[Parts Change Information]

<Date>

May 15, 2013

Change No.	Destination	Product code						
1	TA/UTAX	1T02HL0UT0	1T02HLCUT0	1T02HLBUT0	1T02HLAUT0	1T02KTBT0A0	1T02KTATA0	
		1T02HM0TA0	1T02HMCTA0	1T02HMBTA0	1T02HMATA0	1T02KV0TA0	1T02KVCTA0	
		1T02HM0UT0	1T02HMCUT0	1T02HMBUT0	1T02HMAUT0	1T02KVBT0A0	1T02KVATA0	
		1T02HN0TA0	1T02HNCTA0	1T02HNBTA0	1T02HNATA0	1T02KV0UT0	1T02KVCUT0	
		1T02HN0UT0	1T02HNCUT0	1T02HNBUT0	1T02HNAUT0	1T02KVBT0A0	1T02KVAUT0	
		1T02K00TA0	1T02K0CTA0	1T02K0BTA0	1T02K0ATA0	1T02MV0TA0	1T02MVCCTA0	
		1T02K00UT0	1T02K0CUT0	1T02K0BUT0	1T02K0AUT0	1T02MVBT0A0	1T02MVBATA0	
		1T02HG0TA0	1T02HGCTA0	1T02HGBTA0	1T02HGATA0	1T02MV0UT0	1T02MVCUT0	
		1T02HG0UT0	1T02HGCUT0	1T02HGBUT0	1T02HGAUT0	1T02MVBT0A0	1T02MVAUT0	
		1T02KT0UT0	1T02KTCUT0	1T02KTBT0A0	1T02KTAUT0			
		KDAU	1T02HL0AS0	1T02HLCAS0	1T02HLBAS0	1T02HMAAS0	1T02K00AS0	1T02MV0AS0
			1T02HM0AS0	1T02HMCAS0	1T02HMBAS0	1T02HNAAS0	1T02K0CAS0	1T02MVCAS0
			1T02HN0AS0	1T02HNCAS0	1T02HNBAS0	1T02HLAAS0	1T02K0BAS0	1T02MVBAS0
			1T02KT0AS0	1T02KTCAS0	1T02KTBAS0	1T02KTAAS0	1T02K0AAS0	1T02MVAAS0
	1T02KV0AS0		1T02KVCAS0	1T02KVBAS0	1T02KVAAS0	1T02HG0AS0	1T02HGBAS0	
	1T02KV0ASB		1T02KVCASB	1T02KVBASB	1T02KVAASB	1T02HGCAS0	1T02HGAAS0	
	KDas	1T02HL0SG0	1T02HLCSG0	1T02HLBSG0	1T02HLASG0	1T02K00SG0	1T02MV0SG0	
		1T02HN0SG0	1T02HNCSG0	1T02HNBBSG0	1T02HNASG0	1T02K0CSG0	1T02MVCSG0	
		1T02KT0SG0	1T02KTCSG0	1T02KTBSG0	1T02KTASG0	1T02K0BSG0	1T02MVBBSG0	
		1T02KV0SG0	1T02KVCBSG0	1T02KVBBSG0	1T02KVASG0	1T02K0ASG0	1T02MVASG0	
		1T02HG0SG0	1T02HGCBSG0	1T02HGBBSG0	1T02HGASG0			
		1T02HL0TW0	1T02HLCRW0	1T02HLBTW0	1T02HLATW0	1T02KT0TW0	1T02KV0TW0	
		1T02HM0TW0	1T02HMCTW0	1T02HMBTW0	1T02HMATW0	1T02KTCTW0	1T02KVCTW0	
		1T02HN0TW0	1T02HNCTW0	1T02HNBW0	1T02HNATW0	1T02KTBTW0	1T02KVBTW0	
		1T02MV0TW0	1T02MVCW0	1T02MVBW0	1T02MVAW0	1T02KTATW0	1T02KVATW0	
		1T02K00TW0	1T02K0CTW0	1T02K0BTW0	1T02K0ATW0			
		1T02HL0KS0	1T02HLCKS0	1T02HLBKS0	1T02HLAKS0	1T02K00KS0	1T02MV0KS0	
		1T02HN0KS0	1T02HNCCKS0	1T02HNBKS0	1T02HNAKS0	1T02K0CKS0	1T02MVCCKS0	
		1T02KT0KS0	1T02KTCKS0	1T02KTBKS0	1T02KTAKS0	1T02K0BKS0	1T02MVBKS0	
		1T02KV0KS0	1T02KVCKS0	1T02KVBKS0	1T02KVAKS0	1T02K0AKS0	1T02MVAKS0	
		1T02HL0CC0	1T02HLCC0	1T02HLBCC0	1T02HLACC0	1T02HG0KR0	1T02HGBKR0	
		1T02HN0CC0	1T02HNCCC0	1T02HNBCC0	1T02HNACC0	1T02HGCKR0	1T02HGAKR0	
		1T02KT0KR0	1T02KTCKR0	1T02KTBKR0	1T02KTAKR0	1T02MV0KR0	1T02MVBKR0	
		1T02KV0KR0	1T02KVCKR0	1T02KVBKR0	1T02KVAKR0	1T02MVCKR0	1T02MVAKR0	
		1T02K00KR0	1T02K0CKR0	1T02K0BKR0	1T02K0AKR0			
		2	KDA	1T02H70US0	1T02H7CUS0	1T02H7BUS0	1T02H7AUS0	1T02JZ0US0
	1T02JZBUS0			1T02JZAS0	1T02KA0US0	1T02KACUS0	1T02KABUS0	1T02KAAUS0
	CS		1T02H70CS0	1T02H7CCS0	1T02H7BCS0	1T02H7ACS0	1T02JZ0CS0	1T02JZCCS0
			1T02JZBCS0	1T02JZACS0				
	KDE		1T02H70EU0	1T02H7CEU0	1T02H7BEU0	1T02H7AEU0	1T02JZ0EU0	1T02JZCEU0
			1T02JZAEU0	1T02KA0NLO	1T02KACNLO	1T02KABNLO	1T02KAANLO	1T02JZBEU0
	TA/UTAX		1T02H70TA0	1T02H7CTA0	1T02H7BTA0	1T02H7ATA0	1T02KA0TA0	1T02KACTA0
			1T02H70UT0	1T02H7CUT0	1T02H7BUT0	1T02H7AUT0	1T02KA0UT0	1T02KABTA0
			1T02JZ0TA0	1T02JZCTA0	1T02JZBTA0	1T02JZATA0	1T02KAATA0	1T02KACUT0
	KDAU		1T02H70AS0	1T02H7CAS0	1T02H7BAS0	1T02H7AAS0	1T02KA0AS0	1T02KABAS0
			1T02JZ0AS0	1T02JZCAS0	1T02JZBAS0	1T02JZAAS0	1T02KACAS0	1T02KAAAS0
	KDas		1T02H70SG0	1T02H7BSG0	1T02H70TW0	1T02H7BTW0	1T02JZ0KR0	1T02JZCKR0
			1T02JZ0SG0	1T02JZBSG0	1T02JZ0TW0	1T02JZBTW0	1T02JZBKR0	1T02JZAKR0
			1T02H70CSG0	1T02H7ASG0	1T02H7CTW0	1T02H7ATW0	1T02KA0KR0	1T02KACKR0
			1T02JZ0CSG0	1T02JZASG0	1T02JZCTW0	1T02JZATW0	1T02KABKR0	1T02KAAKR0
			1T02H70KR0	1T02H7CKR0	1T02H7BKR0	1T02H7AKR0		
			1T02K00KR0	1T02K0CKR0	1T02K0BKR0	1T02K0AKR0		
	3		KDA	370QB0KM	1T02A80U10	1T02G60US0	370PU010	
			CS	370QB012				
KDE			370PU5KW	1T02FM0EU0	1T02G60DE0			
OLIVETTI			1T02GM0LV0					
TA/UTAX			1T02DD0TA0	1T02DD0UT0	1T02G60TA0	1T02G60UT0	370PT037	370PT031
KDAU			1T02FM0AS0	1T02G60AS0	370PT5KA			
KDas			1T02DC0SG0	1T02FM0SG0	1T02G60SG0	1T02GM0WP0	370PU0AR	1T02FM0TW0
	1T02G60TW0	370QB550	1T02G60CC0					
4	KDas	1T02DC0KS0	1T02MJ0KS0	1T02ML0KS0	1T02LZ0KS0	1T02M10KS0	1T02HS0KS0	
		1T02MJ0KR0	1T02ML0KR0	1T02LY0KR0	1T02LZ0KR0	1T02HS0CC0		
5	KDas	1T02G40K10						

Service Bulletin

[Parts Change Information]

Ref. No. **PCI-0326 (D057)**

<Date>

May 15, 2013

<Parts number unification>

TASKalfa 7550ci, TASKalfa 6550ci,
 TASKalfa 5550ci, TASKalfa 4550ci, TASKalfa 3550ci, TASKalfa 3050ci,
 TASKalfa 8000i, TASKalfa 6500i, TASKalfa 5500i, TASKalfa 4500i, TASKalfa 3500i,
 FS-C8650DN, FS-C8600DN, TASKalfa 2550ci, TASKalfa 256ci/FS-C8525MFP,
 TASKalfa 206ci/FS-C8520MFP, TASKalfa 255c/FS-C8025MFP, TASKalfa 205c/FS-C8020MFP,
 TASKalfa 306i/FS-6530MFP, TASKalfa 256i/FS-6525MFP,
 TASKalfa 305/FS-6030MFP, TASKalfa 255/FS-6025MFP, TASKalfa255b/FS-6025MFP/B,
 FS-2100D, FS-2100DN, FS-4100DN, FS-4200DN, FS-4300DN, PF-790

The parts number is unified since there are duplicate numbers.

No.	Old Part No.	New Part No.	Description	Q'ty		Com pati bility		Remarks
				Old	New	Old	New	
1	303M894090 3M894090	302KV44041 2KV44041	CLUTCH 50 Z35R	*	*	○	○	

N00072004

*1: This change affects all the old parts.

<Changing the cloth for cleaning the DP contact glass --> After using up the old stock>

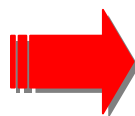
DP-770, DP-771, TASKalfa 7550ci, TASKalfa 6550ci, TASKalfa 8000i, TASKalfa 6500i,
 DP-670(B), TASKalfa 2550ci, TASKalfa 256i/FS-6525MFP, TASKalfa 306i/FS-6530MFP,
 TASKalfa 256ci/FS-C8525MFP, TASKalfa 206ci/FS-C8520MFP

The cloth for cleaning the DP contact glass (No.1) is changed for the parts procurement reason.
 Accordingly, its material, dimensions, exterior color are changed as below.

<Old cloth (No.1)>



<New cloth (No.1)>



Material: (Before) Polyester and nylon
 Dimensions: (Before) 150x150mm
 Exterior color: (Before) Blue

(After) Micro fiber
 (After) 100x100mm
 (After) Green

No.	Old Part No.	New Part No.	Description	Q'ty		Com pati bility		Remarks
				Old	New	Old	New	
1	303H604090 3H604090	302N904100 2N904100	CLEANER CLOTH	1	1	○	○	*1

N00071137/N00071211/N00071300

(Note) Please use the new parts for the next development model.

*1: (Old parts name) CLOTH CLEANING

Service Bulletin

Ref. No. **PCI-0326 (D057)**

[Parts Change Information]

<Date>

May 15, 2013

<Common use of the parts

Exterior cover: Adding the engraving --> After using up the old stock
Label: Changing its material --> From the available timing of the production in Feb., 2013>

TASKalfa 7550ci, TASKalfa 6550ci, TASKalfa 8000i, TASKalfa 6500i,
 TASKalfa 5550ci*, TASKalfa 4550ci*, TASKalfa 5500i*, TASKalfa 4500i*, AK-730,
 FS-C8650DN, FS-C8600DN

* AK standard model (120V only)

Following are changed for common use of the parts.

1) The engravings of the material indication and the arrow are added to the exterior cover (No.1~8).

[Added engravings] (Its location is near the current material engraving.)

>PC+PS-HI-FR(40)<
 TN-9500



(Note) Arrow's direction rotates according to the material in use.

2) The material of the label affixed to the exterior cover (No.9~18) is changed to the compatible one according to the above change. (The base material is changed from ABS to PS.)

No.	Old Part No.	New Part No.	Description	Q'ty		Com pat i bility		Remarks
				Old	New	Old	New	
<Change of the exterior cover>								
Affected model: TASKalfa 7550ci/6550ci, TASKalfa 8000i/6500i								
1	302K904071 2K904071	302K904072 2K904072	COVER LEFT LOWER	1	1	○	○	
2	302K904091 2K904091	302K904092 2K904092	COVER RIGHT LOWER F	1	1	○	○	
3	302K904130 2K904130	302K904131 2K904131	COVER DECK REAR	1	1	○	○	
4	302K904102 2K904102	302K904103 2K904103	COVER RIGHT LOWER R	1	1	○	○	
5	302K904010 2K904010	302K904011 2K904011	COVER FRONT UPPER	1	1	○	○	
Affected model: TASKalfa 7550ci/6550ci, TASKalfa 8000i/6500i, TASKalfa 5550ci/4550ci/5500i/4500i(AK standard model), AK-730								
6	302LF28271 2LF28271	302LF28272 2LF28272	COVER RELAY EXIT	1	1	○	○	
Affected model: TASKalfa 8000i/6500i								
7	302LF04041 2LF04041	302LF04042 2LF04042	COVER LEFT UPPER	1	1	○	○	
8	302LF33600 2LF33600	302LF33601 2LF33601	PARTITION FIXING HEAT	1	1	○	○	
<Change of the label>								
Affected model: TASKalfa 7550ci/6550ci, TASKalfa 8000i/6500i								
9	302K934270 2K934270	302K934620 2K934620	LABEL POWER CABLE CAUTION EN	1	1	○	○	Except KDTW
10	302K934520 2K934520	302K934640 2K934640	LABEL POWER CABLE CAUTION TW	1	1	○	○	For KDTW
11	302K934280 302K934280	302K934630 2K934630	LABEL POWER CABLE CAUTION SET A	1	1	○	○	For KDA120V and KDBR (Bundled item)
Affected model: TASKalfa 7550ci/6550ci								
12	302K934200 2K934200	302K934670 2K934670	LABEL TONER OPERATION	1	1	○	○	

Service Bulletin

Ref. No. **PCI-0326 (D057)**

[Parts Change Information]

<Date>

May 15, 2013

No.	Old Part No.	New Part No.	Description	Q'ty		Com pat i bility		Remarks
				Old	New	Old	New	
Affected model: TASKalfa 8000i/6500i								
13	302LF34020 2LF34020	302LF34030 2LF34030	LABEL TONER OPERATION	1	1	○	○	
Affected model: FS-C8650DN, FS-C8600DN								
14	302MN34310 2MN34310	302MN34400 2MN34400	LABEL SW CAUTION EN	1	1	○	○	Except South America
15	302MN34360 2MN34360	302MN34450 2MN34450	LABEL SW CAUTION ES	1	1	○	○	For South America
16	302MN34320 2MN34320	302MN34410 2MN34410	LABEL SW CAUTION SET A	1	1	○	○	For *1 (Bundled item)
17	302MN34370 2MN34370	302MN34460 2MN34460	LABEL SW CAUTION SET B	1	1	○	○	For South America (Bundled item)
18	302MN34350 2MN34350	302MN34440 2MN34440	LABEL SW CAUTION KR	1	1	○	○	For KDAS (Bundled item)

N00070502/N00070500/N00070503/N00070504/N00070635/N00070542/N00070413/N00070505/N00070506/N00070513/N00070413

(Note) Please use the new parts for the next development model.

*1: KDA120V, KDBR, KDE, UTAX/TA

<Common use of the parts (Adding the engraving)

--> **From the production in Feb., 2013**>

DP-771, TASKalfa 7550ci, TASKalfa 6550ci, TASKalfa 8000i, TASKalfa 6500i

The engravings of the material indication and the arrow are added to the parts (No.1~3) for common use of the parts.

[Added engravings] (Its location is near the current material engraving.)

>PC+PS-HI-FR(40)<
TN-9500



(Note) Arrow's direction rotates according to the material in use.

No.	Old Part No.	New Part No.	Description	Q'ty		Com pat i bility		Remarks
				Old	New	Old	New	
Affected model: DP-771, TASKalfa 7550ci/6550ci, TASKalfa 8000i/6500i								
1	303M404050 3M404050	303M404051 3M404051	COVER LEFT	1	1	○	○	
Affected model: TASKalfa 7550ci/6550ci, TASKalfa 8000i/6500i								
2	303M404010 3M404010	303M404011 3M404011	COVER FRONT	1	1	○	○	
3	303M404110 3M404110	303M404111 3M404111	COVER WIRE INTERFACE	1	1	○	○	

N00070276/N00070277/N00070279

(Note) Please use the new parts for the next development model and the new type DP.

Service Bulletin

[Parts Change Information]

Ref. No. **PCI-0326 (D057)**

<Date>

May 15, 2013

**<Common use of the parts (Adding the engraving and changing the shape)
--> After using up the old stock>**

TASKalfa 7550ci, TASKalfa 6550ci, TASKalfa 8000i, TASKalfa 6500i

COVER ISU REAR (No.1) is changed as below for common use of the parts.

1) The engravings of the material indication and the arrow are added.

[Added engravings] (Its location is near the current material engraving.)

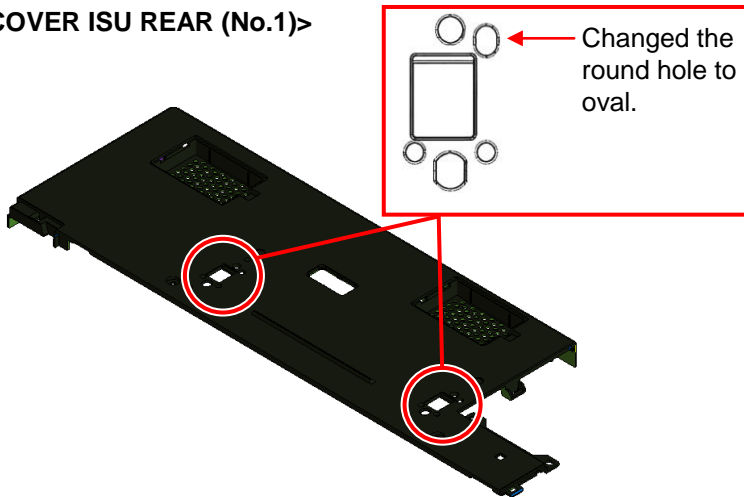
>PC+PS-HI-FR(40)<
TN-9500



(Note) Arrow's direction rotates according to the material in use.

2) The shape is changed.

<COVER ISU REAR (No.1)>



No.	Old Part No.	New Part No.	Description	Q'ty		Com pat i bility		Remarks
				Old	New	Old	New	
1	302K904120 2K904120	302K904121 2K904121	COVER ISU REAR	1	1	○	○	

N00070540

(Note) Please use the new parts for the next development model.

Service Bulletin

[Parts Change Information]

Ref. No. **PCI-0326 (D057)**

<Date>

May 15, 2013

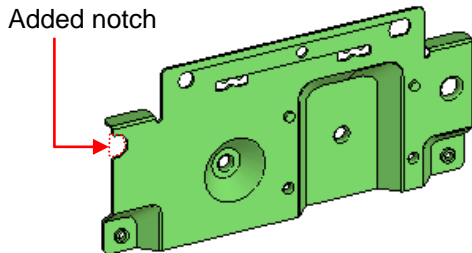
<Common use of the parts --> After using up the old stock>

TASKalfa 2550ci, PF-790

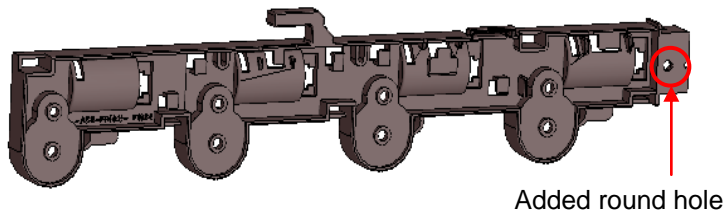
The shape of the following holders (No.1, 2) is changed for common use of the parts.

- 1) HOLDER PWB MIDDLE (No.1): Notch is added.
- 2) HOLDER TONER DRIVE B (No.2): Round hole (4.8mm diameter) is added.

<New HOLDER PWB MIDDLE (No.1)>



<New HOLDER TONER DRIVE B (No.2)>



No.	Old Part No.	New Part No.	Description	Q'ty		Com pat i bility		Remarks
				Old	New	Old	New	
1	302K002550 2K002550	302K002551 2K002551	HOLDER PWB MIDDLE	1	1	○	○	
2	302K015020 2K015020	302K015021 2K015021	HOLDER TONER DRIVE B	1	1	○	○	

N00071127/N00071130

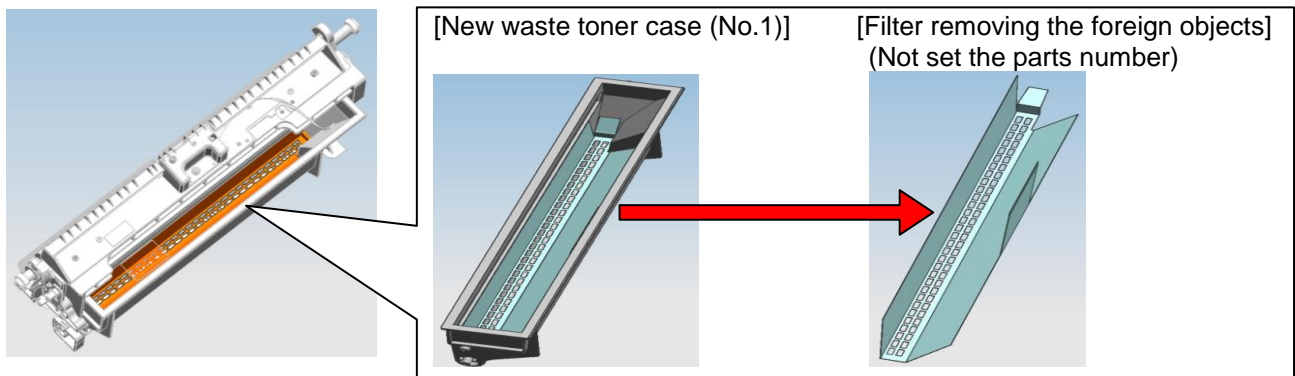
(Note) Please use the new parts for the next development model.

**<Changing the waste toner case (Adding the filter removing the foreign objects)
--> After using up the old stock>**

TASKalfa 550c, TASKalfa 650c, TASKalfa 750c

A filter removing the foreign objects (not set the parts number as individual parts) is added to the waste toner case (No.1) inside the secondary transfer unit.

[New secondary transfer unit (305JN72DY_)]



No.	Old Part No.	New Part No.	Description	Q'ty		Com pat i bility		Remarks
				Old	New	Old	New	
1	305JN71HC0 5JN71HC0	305JN71HC0 5JN71HC0	CASE ASSY:ASYS-CASE-WASTE-TNR-TR2	1	1	○	○	

N00070023/BSI No.G12J312

(Note) Parts numbers of the waste toner case and the secondary transfer unit remain unchanged according to this change.

Service Bulletin

[Parts Change Information]

Ref. No. **PCI-0326 (D057)**

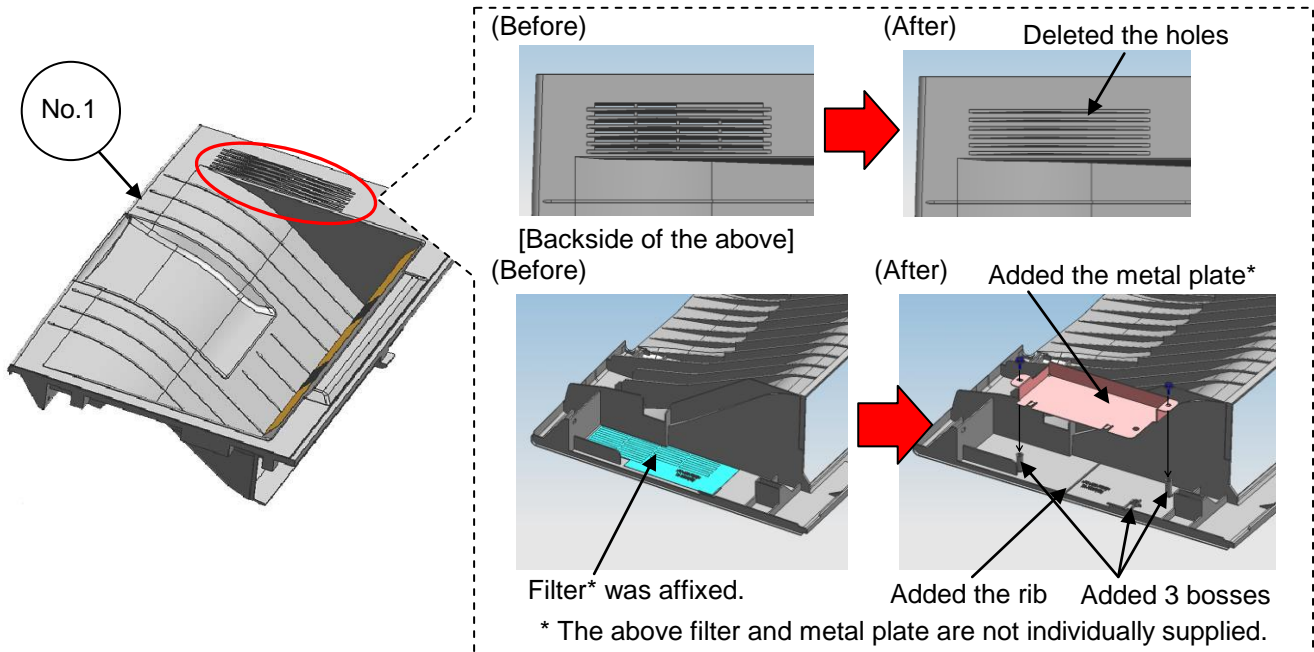
<Date>

May 15, 2013

<Common use of the parts --> After using up the old stock>

TASKalfa 550c, TASKalfa 650c, TASKalfa 750c

The shape of the exit tray (No.1) is changed as below for common use of the parts.



No.	Old Part No.	New Part No.	Description	Q'ty		Com pati bility		Remarks
				Old	New	Old	New	
1	305JN71440 5JN71440	305JN71440 5JN71440	TRAY ASSY:ASYS-TRAY-LEFT-434E	1	1	○	○	

N00050540/N00057733 JTA-02787/BSI_G10H149

(Note) Parts number remains unchanged according to this change.

<Improving the durability (Change of the developing unit)

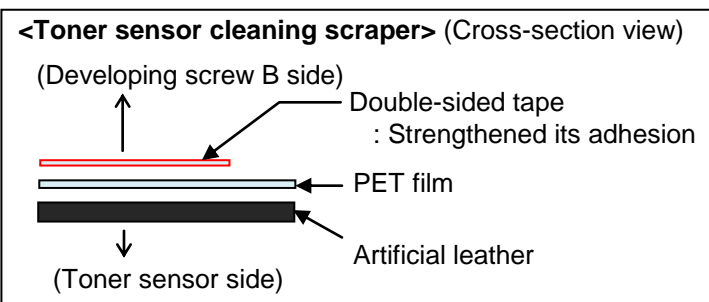
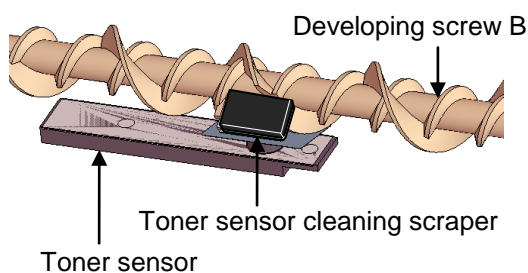
--> After using up the old stock>

TASKalfa 500ci, TASKalfa 400ci, TASKalfa 300ci, TASKalfa 250ci, TASKalfa 552ci, FS-C8500DN, KM-C2520, KM-C3225, KM-C3232, KM-C2525E, KM-C3225E*, KM-C3232E, KM-C4035E, FS-C8100DN+*, EP C320DN

* Common with CHUNGHO brand

Adhesion of the double-sided tape of the toner sensor cleaning scraper inside the developing unit is strengthened to improve the durability.

[Neighboring parts of the toner sensor inside



Service Bulletin

Ref. No. **PCI-0326 (D057)**

[Parts Change Information]

<Date>

May 15, 2013

No.	Old Part No.	New Part No.	Description	Q'ty		Com pat i bility		Remarks
				Old	New	Old	New	
Affected model: TASKalfa 500ci/400ci								
1	302H793179 2H793179	302H79317A 2H79317A	PARTS DLP K UNIT	1	1	O	O	*1 Except KDCN/KDKR
2	302H793711 2H793711	302H793712 2H793712	PARTS DLP K UNIT B	1	1	O	O	*2 Except KDCN/KDKR
3	302H793188 2H793188	302H793189 2H793189	(-->) PARTS DLP C UNIT	1	1	O	O	Except KDCN/KDKR
4	302H793198 2H793198	302H793199 2H793199	(-->) PARTS DLP Y UNIT	1	1	O	O	Except KDCN/KDKR
5	302H793208 2H793208	302H793209 2H793209	PARTS DLP M UNIT	1	1	O	O	Except KDCN/KDKR
6	302H79C179 2H79C179	302H79C17A 2H79C17A	PARTS DLP K UNIT	1	1	O	O	For KDCN
7	302H79C188 2H79C188	302H79C189 2H79C189	(-->) PARTS DLP C UNIT	1	1	O	O	For KDCN
8	302H79C198 2H79C198	302H79C199 2H79C199	(-->) PARTS DLP Y UNIT	1	1	O	O	For KDCN
9	302H79C208 2H79C208	302H79C209 2H79C209	PARTS DLP M UNIT	1	1	O	O	For KDCN
10	302H79K179 2H79K179	302H79K17A 2H79K17A	PARTS DLP K UNIT	1	1	O	O	*1 For KDKR
11	302H79K711 2H79K711	302H79K712 2H79K712	PARTS DLP K UNIT B	1	1	O	O	*2 For KDKR
12	302H79K188 2H79K188	302H79K189 2H79K189	(-->) PARTS DLP C UNIT	1	1	O	O	For KDKR
13	302H79K198 2H79K198	302H79K199 2H79K199	(-->) PARTS DLP Y UNIT	1	1	O	O	For KDKR
14	302H79K208 2H79K208	302H79K209 2H79K209	PARTS DLP M UNIT	1	1	O	O	For KDKR
Affected model: TASKalfa 300ci/250ci								
15	302JZ9319A 2JZ9319A	302JZ9319B 2JZ9319B	PARTS DLP K L UNIT	1	1	O	O	*1 Except KDCN/KDKR
16	302JZ93411 2JZ93411	302JZ93412 2JZ93412	PARTS DLP K L UNIT B	1	1	O	O	*2 Except KDCN/KDKR
17	302JZ93208 2JZ93208	302JZ93209 2JZ93209	(-->) PARTS DLP C L UNIT	1	1	O	O	Except KDCN/KDKR
18	302JZ93218 2JZ93218	302JZ93219 2JZ93219	(-->) PARTS DLP Y L UNIT	1	1	O	O	Except KDCN/KDKR
19	302JZ93228 2JZ93228	302JZ93229 2JZ93229	PARTS DLP M L UNIT	1	1	O	O	Except KDCN/KDKR
20	302JZ9C19A 2JZ9C19A	302JZ9C19B 2JZ9C19B	PARTS DLP K L UNIT	1	1	O	O	For KDCN
21	302JZ9C208 2JZ9C208	302JZ9C209 2JZ9C209	(-->) PARTS DLP C L UNIT	1	1	O	O	For KDCN
22	302JZ9C218 2JZ9C218	302JZ9C219 2JZ9C219	(-->) PARTS DLP Y L UNIT	1	1	O	O	For KDCN
23	302JZ9C228 2JZ9C228	302JZ9C229 2JZ9C229	PARTS DLP M L UNIT	1	1	O	O	For KDCN
24	302JZ9K19A 2JZ9K19A	302JZ9K19B 2JZ9K19B	PARTS DLP K L UNIT	1	1	O	O	*1 For KDKR
25	302JZ9K411 2JZ9K411	302JZ9K412 2JZ9K412	PARTS DLP K L UNIT B	1	1	O	O	*2 For KDKR
26	302JZ9K208 2JZ9K208	302JZ9K209 2JZ9K209	(-->) PARTS DLP C L UNIT	1	1	O	O	For KDKR

Service Bulletin

Ref. No. **PCI-0326 (D057)**

[Parts Change Information]

<Date>

May 15, 2013

No.	Old Part No.	New Part No.	Description	Q'ty		Com pat i bility		Remarks
				Old	New	Old	New	
27	302JZ9K218 2JZ9K218	302JZ9K219 2JZ9K219	(-->) PARTS DLP Y L UNIT	1	1	O	O	For KDKR
28	302JZ9K228 2JZ9K228	302JZ9K229 2JZ9K229	PARTS DLP M L UNIT	1	1	O	O	For KDKR
Affected model: TASKalfa 552ci, FS-C8500DN								
29	302KY93031 2KY93031	302KY93032 2KY93032	PARTS DLP K UNIT	1	1	O	O	*1 Except KDKR
30	302KY93181 2KY93181	302KY93182 2KY93182	PARTS DLP K UNIT B	1	1	O	O	*2 Except KDKR
31	302KY93040 2KY93040	302KY93041 2KY93041	PARTS DLP C UNIT	1	1	O	O	Except KDKR
32	302KY93050 2KY93050	302KY93051 2KY93051	PARTS DLP Y UNIT	1	1	O	O	Except KDKR
33	302KY93060 2KY93060	302KY93061 2KY93061	PARTS DLP M UNIT	1	1	O	O	Except KDKR
34	302KY9K031 2KY9K031	302KY9K032 2KY9K032	PARTS DLP K UNIT	1	1	O	O	*1 For KDKR
35	302KY9K181 2KY9K181	302KY9K182 2KY9K182	PARTS DLP K UNIT B	1	1	O	O	*2 For KDKR
36	302KY9K040 2KY9K040	302KY9K041 2KY9K041	PARTS DLP C UNIT	1	1	O	O	For KDKR
37	302KY9K050 2KY9K050	302KY9K051 2KY9K051	PARTS DLP Y UNIT	1	1	O	O	For KDKR
38	302KY9K060 2KY9K060	302KY9K061 2KY9K061	PARTS DLP M UNIT	1	1	O	O	For KDKR
Affected model: KM-C2520/C3225/C3232, KM-C2525E/C3225E/C3232E/C4035E								
39	302FZ93116 2FZ93116	302FZ93117 2FZ93117	PARTS DLP K ASS'Y	1	1	O	O	Except KDCN/KDKR
40	302FZ93126 2FZ93126	302FZ93127 2FZ93127	PARTS DLP Y ASS'Y	1	1	O	O	Except KDCN/KDKR
41	302FZ93136 2FZ93136	302FZ93137 2FZ93137	PARTS DLP C ASS'Y	1	1	O	O	Except KDCN/KDKR
42	302FZ93146 2FZ93146	302FZ93147 2FZ93147	PARTS DLP M ASS'Y	1	1	O	O	Except KDCN/KDKR
43	302FZ9C116 2FZ9C116	302FZ9C117 2FZ9C117	PARTS DLP K ASS'Y	1	1	O	O	For KDCN
44	302FZ9C126 2FZ9C126	302FZ9C127 2FZ9C127	PARTS DLP Y ASS'Y	1	1	O	O	For KDCN
45	302FZ9C136 2FZ9C136	302FZ9C137 2FZ9C137	PARTS DLP C ASS'Y	1	1	O	O	For KDCN
46	302FZ9C146 2FZ9C146	302FZ9C147 2FZ9C147	PARTS DLP M ASS'Y	1	1	O	O	For KDCN
47	302FZ9K116 2FZ9K116	302FZ9K117 2FZ9K117	PARTS DLP K ASS'Y	1	1	O	O	For KDKR
48	302FZ9K126 2FZ9K126	302FZ9K127 2FZ9K127	PARTS DLP Y ASS'Y	1	1	O	O	For KDKR
49	302FZ9K136 2FZ9K136	302FZ9K137 2FZ9K137	PARTS DLP C ASS'Y	1	1	O	O	For KDKR
50	302FZ9K146 2FZ9K146	302FZ9K147 2FZ9K147	PARTS DLP M ASS'Y	1	1	O	O	For KDKR
Affected model: FS-C8100DN+, EP C320DN								
51	302HP93045 2HP93045	302HP93046 2HP93046	PARTS DV-821K(PR)	1	1	O	O	Except KDKR

Service Bulletin

Ref. No. **PCI-0326 (D057)**

[Parts Change Information]

<Date>

May 15, 2013

No.	Old Part No.	New Part No.	Description	Q'ty		Com pat i bility		Remarks
				Old	New	Old	New	
52	302HP93055 2HP93055	302HP93056 2HP93056	PARTS DV-821Y(PR)	1	1	○	○	Except KDKR
53	302HP93065 2HP93065	302HP93066 2HP93066	PARTS DV-821C(PR)	1	1	○	○	Except KDKR
54	302HP93075 2HP93075	302HP93076 2HP93076	PARTS DV-821M(PR)	1	1	○	○	Except KDKR
55	302HP9K045 2HP9K045	302HP9K046 2HP9K046	PARTS DV-821K(PR)	1	1	○	○	For KDKR
56	302HP9K055 2HP9K055	302HP9K056 2HP9K056	PARTS DV-821Y(PR)	1	1	○	○	For KDKR
57	302HP9K065 2HP9K065	302HP9K066 2HP9K066	PARTS DV-821C(PR)	1	1	○	○	For KDKR
58	302HP9K075 2HP9K075	302HP9K076 2HP9K076	PARTS DV-821M(PR)	1	1	○	○	For KDKR

N00068746

*1: Normal Bk developing unit

*2: Bk developer unit for preventing the toner smudge (for service only)

--- Please refer to Service Bulletin No.2H7-0080(B010), 2KY-0008(B016) for details.

<Changing the material of PULLEY 20S5M --> After using up the old stock >

DF-790/DF-790(B)

The material of PULLEY 20S5M (No.1) is changed for the parts procurement reason.
(Its function and exterior remain unchanged.)

No.	Old Part No.	New Part No.	Description	Q'ty		Com pat i bility		Remarks
				Old	New	Old	New	
1	3AK20230	303NB37200 3NB37200	PULLEY 20S5M	4	4	○	○	

N00069957

(Note) please use the new parts for DF-790(C)

"+" mark at the beginning of the part name means it is a component parts.

Service Bulletin

Ref. No. **COM-0286 (D087)**

<Date> June 15, 2013

Subject	Corrective measures for the background image at the table copy and scan <For Color Models>
Model	DP-770/DP-770(B), DP-771, DP-772, DP-750/DP-750(B), DP-760/DP-760(B), DP-420, DP-670/DP-670(B), DP-700, DP-710, TASKalfa 7550ci, TASKalfa 6550ci, TASKalfa 8000i, TASKalfa 6500i, TASKalfa205c/FS-C8020MFP, TASKalfa255c/FS-C8025MFP, TASKalfa 256ci/FS-C8525MFP, TASKalfa 206ci/FS-C8520MFP, TASKalfa305/FS-6030MFP, TASKalfa255/FS-6025MFP, TASKalfa255b/FS-6025MFP/B, TASKalfa 306i/FS-6530MFP, TASKalfa 256i/FS-6525MFP, TASKalfa 2550ci, TASKalfa 5551ci*, TASKalfa 4551ci*, TASKalfa 3551ci*, TASKalfa 3051ci*, TASKalfa 5501i*, TASKalfa 4501i*, TASKalfa 3501i*, TASKalfa 5550ci*, TASKalfa 4550ci*, TASKalfa 3550ci*, TASKalfa 3050ci*, TASKalfa 5500i*, TASKalfa 4500i*, TASKalfa 3500i*, TASKalfa 500ci*, TASKalfa 400ci*, TASKalfa 300ci*, TASKalfa 250ci*, TASKalfa 552ci*, TASKalfa 520i*, TASKalfa 420i*, TASKalfa 300i*, TASKalfa 180*, TASKalfa 220*, TASKalfa 181*, TASKalfa 221*

This time the description with (→) is revised from the previous information.

*<Number of changes: 3> Added the distinction of new optional platen cover (1202H70***) in page 5.
 Added the serial number of TASKalfa 8000i/6500i in page 7.*

* Only the model installing the optional platen cover (1202H70***) is applicable.

(Note) For BW models, this is common parts change information only.

Affected model

DP-770, DP-771	TASKalfa 5550ci/4550ci/3550ci/3050ci, TASKalfa 5500i/4500i/3500i
DP-770(B)	TASKalfa 5550ci/4550ci/3550ci/3050ci, TASKalfa 5500i/4500i/3500i, TASKalfa 5551ci/4551ci/3551ci/3051ci, TASKalfa 5501i/4501i/3501i
DP-772	TASKalfa 5551ci/4551ci/3551ci/3051ci, TASKalfa 5501i/4501i/3501i
DP-750/DP-760	TASKalfa500ci/400ci/300ci/250ci
DP-750(B)/DP-760(B)	TASKalfa500ci/400ci/300ci/250ci, TASKalfa552ci, TASKalfa520i/420i
DP-420	TASKalfa 180/220/181/221
DP-670	KM-2560/3060/2540/3040
DP-670(B)	KM-2560/3060/2540/3040, TASKalfa300i
DP-700	KM-3050/4050/5050
DP-710	KM-C2520/C3225/C3232/C2525E/C3225E/C3232E/C4035E

Depending on the variation of parts, if the center of the original mat is curved as in the <NG> figure below, the background image may appear at the area that contacts the curved mat during color-copy or color-scan(*1) from the original table (original mat) with the color models. Thus, the following are changed.

*1: No problem is expected at color-scan with the BW models and BW-copy and BW-scan with the color models.

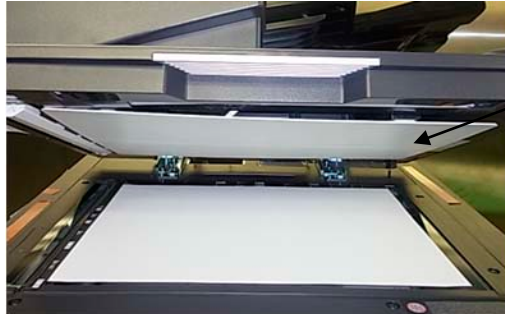
<Content of changes>

- 1) The regulation standard for the curve of the original mat (No.10) is changed. (For all the models)
- 2) Sponges are added to correct the curve as the measures in case of use of the original mat before the regulation standard for the curve (For color models only *2)

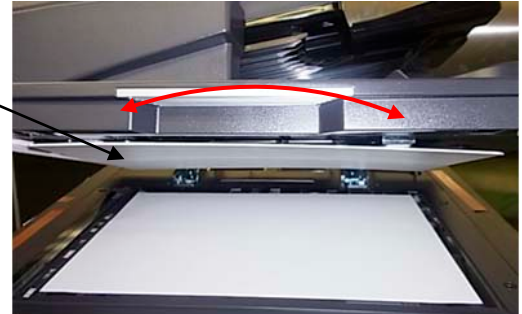
*2: This, however, is limited to the field measures only for the applied models.
 Refer to the next page for the applicable models.

(Revised Issue 1)
Service Bulletin

[Original mat]
 <OK>



<NG> Center of the original mat is curved



Original mat

KDC's Classification	<input type="checkbox"/> Entire Stock Rework	<input type="checkbox"/> In-Field modification at next visit
	<input checked="" type="checkbox"/> In-Field modification by case	<input type="checkbox"/> No modification necessary
Field Measure:	(Color models) Replace with the original mat with the regulation standard for the curve (new No.10) if the above phenomenon arises or affix the sponges (No.11-13) after cleaning the surface to affix them with alcohol. (Refer to Page 4, 5 for the alignment)	
	(BW models) No particular problems are expected.	
Serial Nos. of Affected Machine:	Refer to page 6-8.	

01047/N00071427/N00071735/N00071950/N00071951

No.	Old Part No.	New Part No.	Description	Q'ty		Compati bi lity		Remarks
				Old	New	Old	New	
1	303JX94091 3JX94091	303JX94092 3JX94092	MAT ASS'Y SP	1	1	O	O	*1
2	303J994070 3J994070	303J994071 3J994071	PARTS ORIGINAL HOLDER ASSY SP	1	1	X	O	*2
3	302L394010 2L394010	302L394011 2L394011	PARTS PLATEN COVER UNIT	1	1	O	O	*3
4	303LL94031 3LL94031	303LL94032 3LL94032	PARTS MAT ASSY	1	1	X	O	*4
5	1202H70UN0 022H70UN	1202H70UN0 022H70UN	PLATEN COVER TYPE(E)	1	1	-	-	*5 (For other than the spec for No.6-9)
6	1202H70KS0 022H70KS	1202H70KS0 022H70KS	PLATEN COVER TYPE(E)	1	1	-	-	*5 (For KDCN)
7	1202H70KR0 022H70KR	1202H70KR0 022H70KR	PLATEN COVER TYPE(E)	1	1	-	-	*5 (For KDKR)
8	1202H70NL0 022H70NL	1202H70NL0 022H70NL	PLATEN COVER TYPE(E)	1	1	-	-	*5 (For Algeria)
9	1202H70RY0 022H70RY	1202H70RY0 022H70RY	PLATEN COVER TYPE(E)(RY)	1	1	-	-	*5 (For RIYAD)
10	303JC04200 3JC04200	303JC04201 3JC04201	+PLATE ORIGINAL	1	1	X (Note)	O	*6
11	-----	302K903F90 2K903F90	SPONGE FRONT COVER B	-	1	-	O	*7
12	-----	303P202010 3P202010	SPONGE MAT	-	1	-	O	*8
13	-----	302H717540 2H717540	SPONGE MAT	-	1	-	O	*9

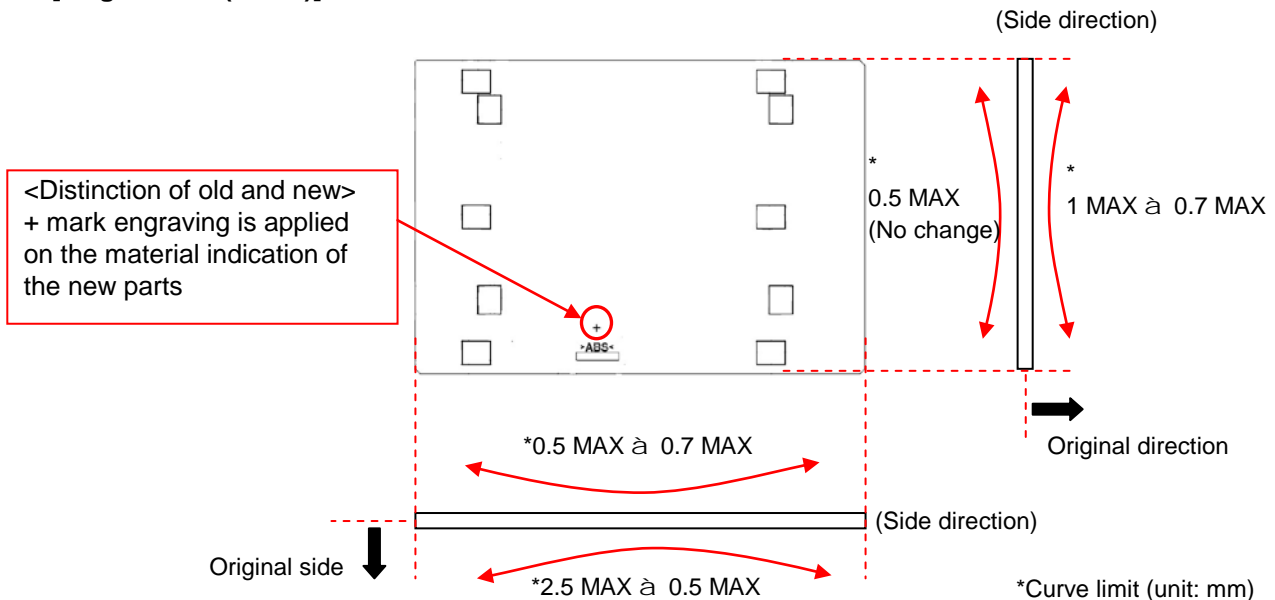
"+" mark at the beginning of the part name means it is a component parts.

(Revised Issue 1)
Service Bulletin

[Supplementary explanation for the above parts table]

	Affected models	Explanation
(Note)	Color model, DP installed in Color model B/W model, DP installed in B/W model	Use the new parts Either the old and new parts may be used.
*1	DP-700	Only the original mat assembly that is the original mat affixing the hook-and-loop fastener is set up as the service parts for DP-700. Its component parts like the individual original mat are not individually supplied.
*2	DP-710	---
*3	TASKalfa305/FS-6030MFP, TASKalfa255/FS-6025MFP/TASKalfa255b/FS-6025MFP/B	---
*4	TASKalfa 7550ci/6550ci, TASKalfa 8000i/6500i, DP-770/DP-770(B), DP-771, DP-772, DP-750/DP-750(B), DP-760/DP-760(B)	---
*5	TASKalfa 5551ci/4551ci/3551ci/3051ci, TASKalfa 5501i/4501i/3501i, TASKalfa 5550ci/4550ci/3550ci/3050ci, TASKalfa 5500i/4500i/3500i, TASKalfa 500ci/400ci/300ci/250ci, TASKalfa 552ci, TASKalfa 520i/420i, TASKalfa 300i, TASKalfa 180/220/181/221	Optional platen cover (Product) These product codes remain unchanged.
*6	Except DP-700	It is a component parts of No.2-9. The individual original mat (No.10) can be supplied for the model except DP-700.
*7	DP-770/DP-770(B) DP-750/DP-750(B), DP-760/DP-760(B), DP-710	The left document processors affix No.11 at factory. The left document processors don't affix No.11 at factory. (However, No.11 can be affixed as field measures.)
*8	DP-771, DP-772, TASKalfa 7550ci/6550ci, TASKalfa 8000i/6500i TASKalfa 2550ci TASKalfa205c/FS-C8020MFP, TASKalfa255c/FS-C8025MFP TASKalfa 256ci/FS-C8525MFP, TASKalfa 206ci/FS-C8520MFP	The left document processors affix No.12 at factory. The left document processors don't affix No.11 at factory. (However, No.11 can be affixed as field measures.)
*9	Same as the affected models of the above *5	No.13 is bundled in the optional platen cover set (No.5-9).

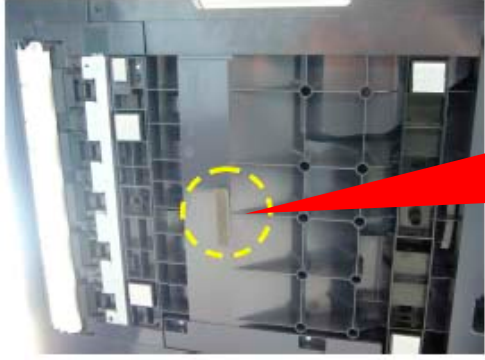
[Original mat (No.10)]



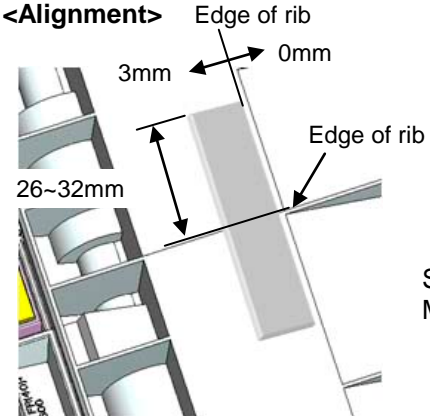
(Revised Issue 1)
Service Bulletin

[Alignment of sponge]--- Color models only

Affected model: DP-770/DP-770(B), DP-750/DP-750(B), DP-760/DP-760(B)

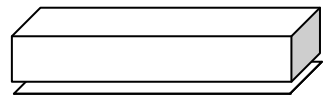


<Alignment>



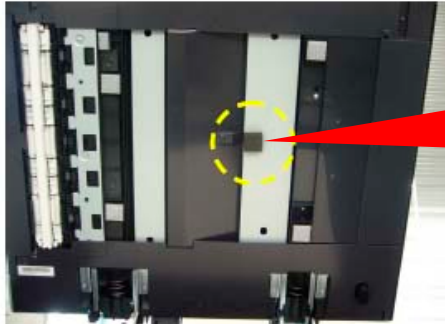
Edge of rib
 3mm
 26~32mm
 Edge of rib

<Sponge (No.11)>

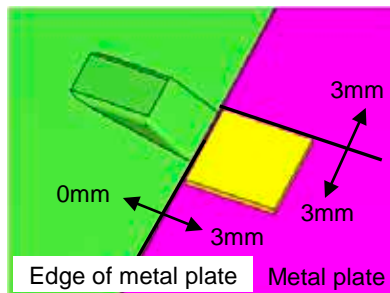


Size: 12 x 58 x 8 (mm)
 Material: SM-55 (Black or gray)

Affected model: DP-771, DP-772, TASKalfa 7550ci/6550ci, TASKalfa 8000i/6500i

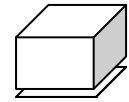


<Alignment>



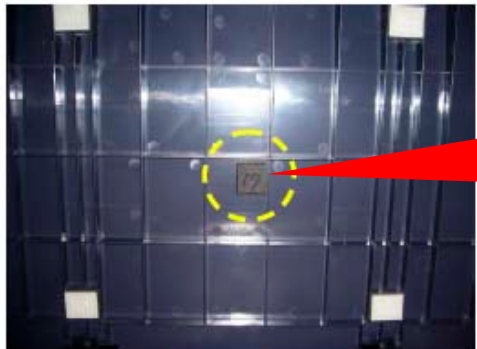
3mm
 0mm
 3mm
 3mm
 Edge of metal plate
 Metal plate

<Sponge (No.12)>

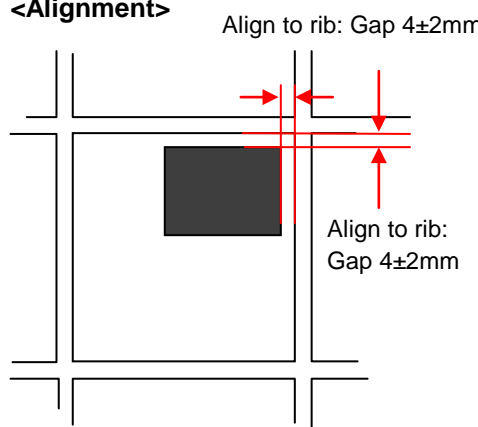


Size: 25 x 25 x 15 (mm)
 Material: SM-55 (Gray)

Affected model: Models installing the optional platen cover (No.5-9)

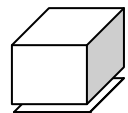


<Alignment>



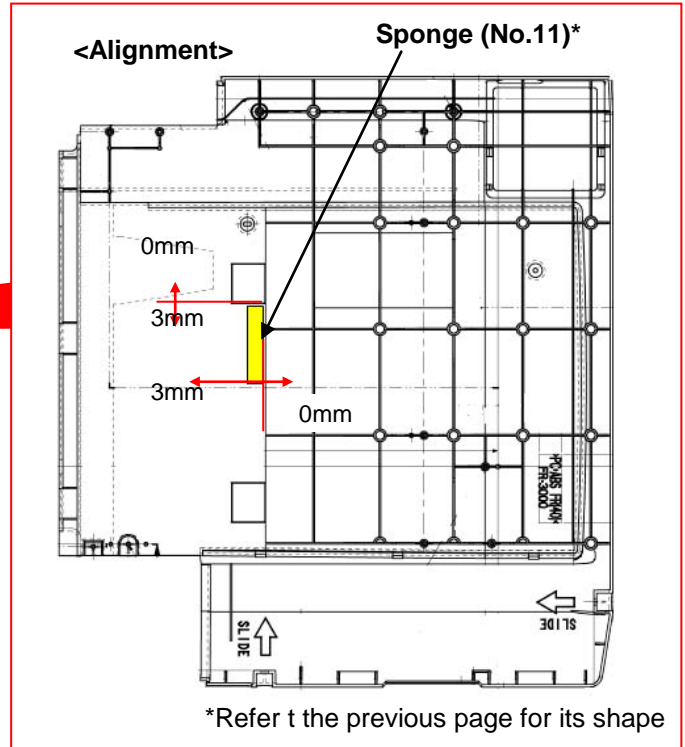
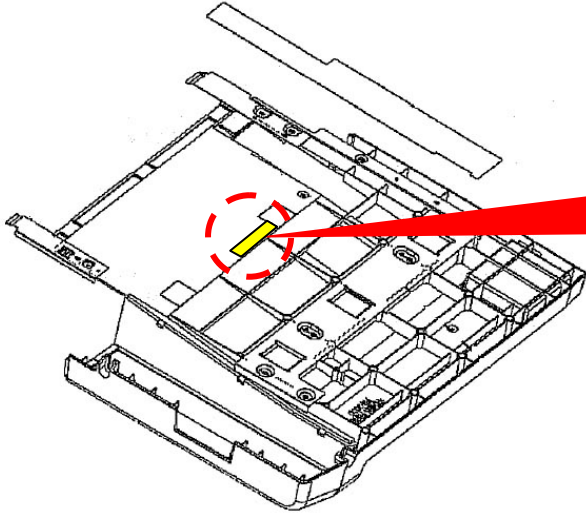
Align to rib: Gap 4±2mm
 Align to rib:
 Gap 4±2mm

<Sponge (No.13)>



Size: 25 x 25 x 20 (mm)
 Material: SM-55 (Black)

Affected model: DP-710

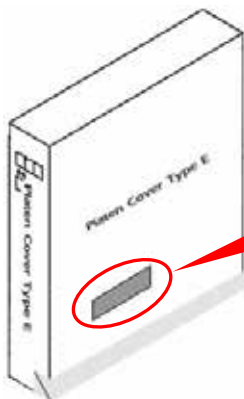


(-->)
[Distinction of new optional platen cover (1202H70***)]

<Outer case>



<Individual case>



(Revised Issue 1)
Service Bulletin

[Serial numbers of the affected models]

Change 1: Changed the regulation standard for the curve of the original mat

DP-770(B)

KDA 1203NV6US1 LFD3200001	KDE 1203NV5NL1 LFC3200001	OLIVETTI 1203NV5LV2 LGL3200001	OLIVETTI (Consp20) 1203NV5LV3 LGP3200001	UTAX 1203NV5UT1 LFU3300001	KDAU 1203NV5AS1 LFA3200001	KDCN 1203NV5KS1 LG83200001
KDKR 1203NV5KR1 LG23300055						

DP-771

KDA 1203NW6US0 NES3230576	KDE 1203NW5NL0 NER3210151	OLIVETTI 1203NW5LV0 NKG3200781	UTAX 1203NW5UT0 NFX3201913	KDAU 1203NW5AS0 NEP3103854	KDCN 1203NW5KS0 NL93500382	KDKR 1203NW5KR0 NGR Next
---------------------------------	---------------------------------	--------------------------------------	----------------------------------	----------------------------------	----------------------------------	--------------------------------

DP-772

KDA 1203P26US0 L8R3200001	KDE 1203P25NL0 L8Q3200004	OLIVETTI 1203P25LV0 LK8 Next	UTAX 1203P25UT0 LEN3500001	KDAU 1203P25AS0 L8N3200001	KDCN 1203P25KS0 LJV Next	KDKR 1203P25KR0 LJX Next
---------------------------------	---------------------------------	------------------------------------	----------------------------------	----------------------------------	--------------------------------	--------------------------------

TASKalfa 7550ci

KDA 1102K92US0 N4D3300564	CPY 1102K92CS0 NH63300121	KDA GSA 1102K92US1 NLM Next	KDBR 1102K92BR0 NJG Next	KDA 220V 1102K94US0 NH7 Next	KDE 1102K93NL0 N4E3300514	UTAX 1102K93UT0 N4G3500068
KDAU 1102K93AS0 N4F3300120	KDAS 1102K93AX0 NQ3 Next	KDCN 1102K93KS0 NY3 Next	KDTW 1102K9TTW0 NQ8 Next			

TASKalfa 6550ci

KDA 1102LB2US0 N4J3300889	CPY 1102LB2CS0 NH93300323	KDA GSA 1102LB2US1 NLN Next	KDBR 1102LB2BR0 NJF Next	KDA 220V 1102LB4US0 NHC Next	KDE 1102LB3NL0 N4K3300695	UTAX 1102LB3UT0 N4M3300164
KDAU 1102LB3AS0 N4L Next	KDAS 1102LB3AX0 NQ23500043	KDCN 1102LB3KS0 NY43500015	KDTW 1102LBTTW0 NQ73400005			

TASKalfa 2550ci

KDA 1102MV2US0 L293502012	CPY 1102MV2CS0 L3P Next	KDA GSA 1102MV2US1 L59 Next	KDBR 1102MV2BR0 L3U Next	KDA 220V 1102MV4US0 L3V Next	KDE 1102MV3NL0 NUZ3412767	OLIVETTI 1102MV3LV0 L7D Next
UTAX 1102MV3UT0 NZC3404623	KDAU 1102MV3AS0 L2A3500443	KDCN 1102MV3KS0 L2J3500564	KDKR 1102MV3KR0 L2H Next	KDTW 1102MVTTW0 L2N Next	KDID 1102MV3ND0 L2K Next	KDSG 1102MV3SG0 L2L3500313
KDTH 1102MV3TH0 L2M Next						

(Revised Issue 1)
Service Bulletin

TASKalfa 256ci/FS-C8525MFP

KDA 1102MY2US0 NX8 Next	CPY 1102MY2CS0 NXR Next	KDBR 1102MY2BR0 NXN Next	KDA 220V 1102MY4US0 NXJ Next	KDE 1102MY3NL0 NXA3501922	OLIVETTI 1102MY3LV0 L4R Next	UTAX 1102MY3UT0 L1Z Next
KDAU 1102MY3AS0 NX9 Next	KDCN 1102MY3KS0 L3C Next	KDKR 1102MY3KR0 L3B Next	KDTW 1102MYTTW0 L3G Next	KDID 1102MY3ND0 L3D Next	KDSG 1102MY3SG0 L3E Next	KDTH 1102MY3TH0 L3F Next
Philcopy 220V 1102MY4PH0 L4D Next						

TASKalfa 206ci/FS-C8520MFP

KDA 1102MZ2US0 NXC Next	CPY 1102MZ2CS0 NXQ Next	KDBR 1102MZ2BR0 NXP Next	KDA 220V 1102MZ4US0 NXK Next	KDE 1102MZ3NL0 NXE3503119	OLIVETTI 1102MZ3LV0 L4Q3500491	UTAX 1102MZ3UT0 L213500694
KDAU 1102MZ3AS0 NXD3500548	KDCN 1102MZ3KS0 L3J3502165	KDKR 1102MZ3KR0 L3H Next	KDTW 1102MZTTW0 L3N Next	KDID 1102MZ3ND0 L3K Next	KDSG 1102MZ3SG0 L3L3500388	KDTH 1102MZ3TH0 L3M3500118
Philcopy 220V 1102MZ4PH0 L4E Next						

(-->) TASKalfa 8000i

KDA 1102LF2US0 N4P3302015	CPY 1102LF2CS0 NHE3300605	KDA 1102LF2US1 NLP Next	KDBR 1102LF2BR0 NJE Next	KDA 220V 1102LF4US0 NHF3300016	KDE 1102LF3NL0 N4Q3301364	OLIVETTI 1102LF3LV0 NK13300209
CD 1480/DC 2480 1102LF3UT0 N4S3300253	KDAU 1102LF3AS0 N4R3300106	KDCN 1102LF3KS0 NKP3300128	KDKR 1102LF3KR0 NMQ3300027	KDTW 1102LFTTW0 NJQ3300005	KDSG 1102LF3SG0 NJK3300144	

(-->) TASKalfa 6500i

KDA 1102LG2US0 N4U3302944	CPY 1102LG2CS0 NHG3300911	KDA 1102LG2US1 NLQ Next	KDBR 1102LG2BR0 NJD Next	KDA 220V 1102LG4US0 NHH3300019	KDE 1102LG3NL0 N4V3301570	OLIVETTI 1102LG3LV0 NK23300179
CD 1465/DC 2465 1102LG3UT0 N4X3300406	KDAU 1102LG3AS0 N4W3300083	KDCN 1102LG3KS0 NKQ3300180	KDKR 1102LG3KR0 NMR3300050	KDTW 1102LGTW0 NJR3300017	KDSG 1102LG3SG0 NJL3300169	Philcopy 220V 1102LG4PH0 L9E Next

DP-770, DP-750/DP-750(B), DP-760/DP-760(B), DP-700, DP-710: Not currently produced.

Other models: From the next production.

(Revised Issue 1)
Service Bulletin

Change 2: Added the sponges correcting the curve

DP-770(B)

KDA 1203NV6US1 LFD3403435	KDE 1203NV5NL1 LFC3507817	OLIVETTI 1203NV5LV2 LGL3500176	OLIVETTI (Consp20) 1203NV5LV3 LGP Next	UTAX 1203NV5UT1 LFU3401957	KDAU 1203NV5AS1 LFA3500647	KDCN 1203NV5KS1 LG83500879
KDKR 1203NV5KR1 LG23400401						

DP-771

KDA 1203NW6US0 NES3434146	KDE 1203NW5NL0 NER3511065	OLIVETTI 1203NW5LV0 NKG Next	UTAX 1203NW5UT0 NFX Next	KDAU 1203NW5AS0 NEP3404279	KDCN 1203NW5KS0 NL93500382	KDKR 1203NW5KR0 NGR Next
---------------------------------	---------------------------------	------------------------------------	--------------------------------	----------------------------------	----------------------------------	--------------------------------

DP-772

KDA 1203P26US0 L8R3500052	KDE 1203P25NL0 L8Q3500030	OLIVETTI 1203P25LV0 LK8 Next	UTAX 1203P25UT0 LEN3500001	KDAU 1203P25AS0 L8N3500002	KDCN 1203P25KS0 LJV Next	KDKR 1203P25KR0 LJX Next
---------------------------------	---------------------------------	------------------------------------	----------------------------------	----------------------------------	--------------------------------	--------------------------------

TASKalfa 7550ci

KDA 1102K92US0 N4D3500604	CPY 1102K92CS0 NH63500139	KDA GSA 1102K92US1 NLM Next	KDBR 1102K92BR0 NJG Next	KDA 220V 1102K94US0 NH7 Next	KDE 1102K93NL0 N4E3500559	UTAX 1102K93UT0 N4G3500069
KDAU 1102K93AS0 N4F3500132	KDAS 1102K93AX0 NQ3 Next	KDCN 1102K93KS0 NY3 Next	KDTW 1102K9TTW0 NQ8 Next			

TASKalfa 6550ci

KDA 1102LB2US0 N4J3500990	CPY 1102LB2CS0 NH93500383	KDA GSA 1102LB2US1 NLN Next	KDBR 1102LB2BR0 NJF Next	KDA 220V 1102LB4US0 NHC Next	KDE 1102LB3NL0 N4K3500746	UTAX 1102LB3UT0 N4M3500194
KDAU 1102LB3AS0 N4L Next	KDAS 1102LB3AX0 NQ23500045	KDCN 1102LB3KS0 NY43500024	KDTW 1102LBTTW0 NQ7 Next			

TASKalfa 8000i/6500i: To be informed later.

DP-770: Not currently produced.

Service Bulletin

 Ref. No. **PCI-0330 (D115)**

[Parts Change Information]

<Date>

June 12, 2013

Subject	Parts Change Information
Model	TASKalfa 5551ci, TASKalfa 4551ci, TASKalfa 3551ci, TASKalfa 3051ci, TASKalfa 5501i, TASKalfa 4501i, TASKalfa 3501i, TASKalfa 7550ci, TASKalfa 6550ci, TASKalfa 5550ci, TASKalfa 4550ci, TASKalfa 3550ci, TASKalfa 3050ci, TASKalfa 5500i, TASKalfa 4500i, TASKalfa 3500i, TASKalfa 8000i, TASKalfa 6500i, FS-C8650DN, FS-C8600DN, TASKalfa 500ci, TASKalfa 400ci, TASKalfa 300ci, TASKalfa 250ci, TASKalfa 552ci, FS-C8500DN, TASKalfa 2550ci, TASKalfa 300i, KM-2560*, KM-3060*, KM-2540*, KM-3040*, KM-C2520, KM-C3225, KM-C3232, KM-C2525E, KM-C3225E*, KM-C3232E, KM-C4035E, TASKalfa 520i, TASKalfa 420i, KM-3050, KM-4050*, KM-5050*, PF-740/PF-740(B),PF-790

Affected models

* Common with the CHUNGHO brand.

PF-740	TASKalfa 7550ci/6550ci, TASKalfa 5550ci/4550ci/3550ci/3050ci, TASKalfa 8000i/6500i, TASKalfa 5500i/4500i/3500i, FS-C8650DN, FS-C8600DN
PF-740(B)	TASKalfa 7550ci/6550ci, TASKalfa 5550ci/4550ci/3550ci/3050ci, TASKalfa 8000i/6500i, TASKalfa 5500i/4500i/3500i, FS-C8650DN, FS-C8600DN, TASKalfa 5551ci/4551ci/3551ci/3051ci, TASKalfa 5501i/4501i/3501i and the next development high speed model.
PF-790	TASKalfa 2550ci

The following parts are changed.

P3 <Parts number change (PLATE PULLEY)>

TASKalfa 7550ci, TASKalfa 6550ci,
 TASKalfa 5550ci, TASKalfa 4550ci, TASKalfa 3550ci, TASKalfa 3050ci,
 TASKalfa 8000i, TASKalfa 6500i, TASKalfa 5500i, TASKalfa 4500i, TASKalfa 3500i,
 KM-C2520, KM-C3225, KM-C3232, KM-C2525E, KM-C3225E, KM-C3232E, KM-C4035E,
 TASKalfa 500ci, TASKalfa 400ci, TASKalfa 300ci, TASKalfa 250ci, TASKalfa 552ci,
 TASKalfa 520i, TASKalfa 420i, KM-3050, KM-4050, KM-5050

P3 <(For KDKR only) Parts Number Information>

TASKalfa 3550ci, TASKalfa 3050ci, TASKalfa 5500i, TASKalfa 4500i, TASKalfa 3500i,
 TASKalfa 2550ci, TASKalfa 400ci, TASKalfa 300ci, TASKalfa 250ci, TASKalfa 552ci,
 FS-C8500DN, TASKalfa 300i, KM-2560, KM-3060, KM-2540, KM-3040

P4 <Common use of the parts (SHIELD BOX)>

TASKalfa 5551ci, TASKalfa 4551ci, TASKalfa 3551ci, TASKalfa 3051ci,
 TASKalfa 5501i, TASKalfa 4501i, TASKalfa 3501i

P5-6 <Common use of the parts (Conveying, drum, intermediate transfer unit, etc.)>

TASKalfa 7550ci, TASKalfa 6550ci,
 TASKalfa 5550ci, TASKalfa 4550ci, TASKalfa 3550ci, TASKalfa 3050ci,
 TASKalfa 8000i, TASKalfa 6500i, TASKalfa 5500i, TASKalfa 4500i, TASKalfa 3500i,
 FS-C8650DN, FS-C8600DN

Service Bulletin

[Parts Change Information]

Ref. No. **PCI-0330 (D115)**

<Date>

June 12, 2013

P7 <Improving the margin of fixation of the controller fan>

TASKalfa 7550ci, TASKalfa 6550ci,
TASKalfa 5550ci, TASKalfa 4550ci, TASKalfa 3550ci, TASKalfa 3050ci,
TASKalfa 8000i, TASKalfa 6500i, TASKalfa 5500i, TASKalfa 4500i, TASKalfa 3500i,

**P8 <Improving the surface level of the exterior covers
(Change of the shape of COVER REAR UPPER) >**

TASKalfa 7550ci, TASKalfa 6550ci,
TASKalfa 5550ci, TASKalfa 4550ci, TASKalfa 3550ci, TASKalfa 3050ci,
TASKalfa 8000i, TASKalfa 6500i, TASKalfa 5500i, TASKalfa 4500i, TASKalfa 3500i,
FS-C8650DN, FS-C8600DN

**P8 <Common use of the parts (RAIL HF LOWER)
(Optional paper feeder and Large capacity feeder)>**

PF-740/PF-740(B), TASKalfa 7550ci, TASKalfa 6550ci, TASKalfa 8000i, TASKalfa 6500i

P9-10 <Common use of the parts>

TASKalfa 7550ci, TASKalfa 6550ci, TASKalfa 8000i, TASKalfa 6500i

P10 <Common use of the parts>

TASKalfa 5550ci, TASKalfa 4550ci, TASKalfa 3550ci, TASKalfa 3050ci,
TASKalfa 5500i, TASKalfa 4500i, TASKalfa 3500i, TASKalfa 2550ci

P11 <(Except KDCN and KDKR) Common use of the parts (fuser unit change)>

TASKalfa 5550ci, TASKalfa 4550ci, TASKalfa 3550ci, TASKalfa 3050ci,
FS-C8650DN, FS-C8600DN

P11 <Common use of the parts (MOUNT SCANNER RIGHT and MOUNT OPTION)>

TASKalfa 2550ci

P12 <Common use of the parts (GEAR Z40R IDLE)>

TASKalfa 2550ci, PF-790

P12 <Common use of the parts (HOLDER CORD RIGHT)>

TASKalfa 2550ci

Service Bulletin

[Parts Change Information]

 Ref. No. **PCI-0330 (D115)**

<Date>

June 12, 2013

<Parts number change (PLATE PULLEY)>

TASKalfa 7550ci, TASKalfa 6550ci,
 TASKalfa 5550ci, TASKalfa 4550ci, TASKalfa 3550ci, TASKalfa 3050ci,
 TASKalfa 8000i, TASKalfa 6500i, TASKalfa 5500i, TASKalfa 4500i, TASKalfa 3500i,
 KM-C2520, KM-C3225, KM-C3232, KM-C2525E, KM-C3225E*, KM-C3232E, KM-C4035E,
 TASKalfa 500ci, TASKalfa 400ci, TASKalfa 300ci, TASKalfa 250ci, TASKalfa 552ci,
 TASKalfa 520i, TASKalfa 420i, KM-3050, KM-4050*, KM-5050*

* Common with the CHUNGHO brand

The parts number of PLATE PULLEY (No.1) is changed for the parts management reason.
 (The new and old parts don't differ.)

No.	Old Part No.	New Part No.	Description	Q'ty		Com pati bility		Remarks
				Old	New	Old	New	
1	302GR17860 2GR17860	302GR17861 2GR17861	PLATE PULLEY	2	2	○	○	

N00071487

<(For KDKR only) Parts Number Information>

TASKalfa 3550ci, TASKalfa 3050ci, TASKalfa 5500i, TASKalfa4500i, TASKalfa 3500i,
 TASKalfa 2550ci, TASKalfa 400ci, TASKalfa 300ci, TASKalfa 250ci, TASKalfa 552ci,
 FS-C8500DN, TASKalfa 300i, KM-2560, KM-3060, KM-2540, KM-3040

Service parts for KDKR without the country-of-origin indication are unified to the ones for other spec.

No.	Old Part No.	New Part No.	Description	Q'ty		Com pati bility		Remarks
				Old	New	Old	New	
1	302LK9K070 2LK9K070	302LK93070 2LK93070	PARTS STORAGE DEVICE SP(KR)	1	1	○	○	*1
2	302LH9K070 2LH9K070	302LH93070 2LH93070	PARTS STORAGE DEVICE SP(KR)	1	1	○	○	*2
3	302MV9K130 2MV9K130	302MV93130 2MV93130	PARTS STORAGE DEVICE SP(KR)	1	1	○	○	*3
4	302H79K080 2H79K080	302H793080 2H793080	PARTS MOTOR DRUM	1	1	○	○	*4
5	302H79K091 2H79K091	302KY94100 2KY94100	PARTS MOTOR DLP SP	1	1	○	○	*5
6	302H79K101 2H79K101	302KY94110 2KY94110	PARTS MOTOR CLN SP	1	1	○	○	*5
7	302H79K120 2H79K120	302KY94080 2KY94080	PARTS MOTOR MPF SP	1	1	○	○	*5
8	302JZ9K160 2JZ9K160	302JZ93160 2JZ93160	PARTS HDD UNIT LOW	1	1	○	○	*6
9	302JZ9K230 2JZ9K230	302JZ93310 2JZ93310	PARTS MOTOR FEED L	1	1	○	○	*6
10	302K59K040 2K59K040	302K593040 2K593040	PARTS HDD	1	1	○	○	*7
11	302H09K290 2H09K290	302H093290 2H093290	PARTS LVU 200	1	1	○	○	

N00068355

*1: TASKalfa 3550ci/3050ci

*3: TASKalfa 2550ci

*5: TASKalfa 400ci/300ci/250c

*7: TASKalfa 300i

*2: TASKalfa 5500i/4500i/3500i

*4: TASKalfa 400ci/300ci/250ci, TASKalfa 552ci, FS-C8500DN

*6: TASKalfa 300ci/250c

*8: TASKalfa 300i, KM-2560/3060/2540/3040

Service Bulletin

[Parts Change Information]

Ref. No. **PCI-0330 (D115)**

<Date>

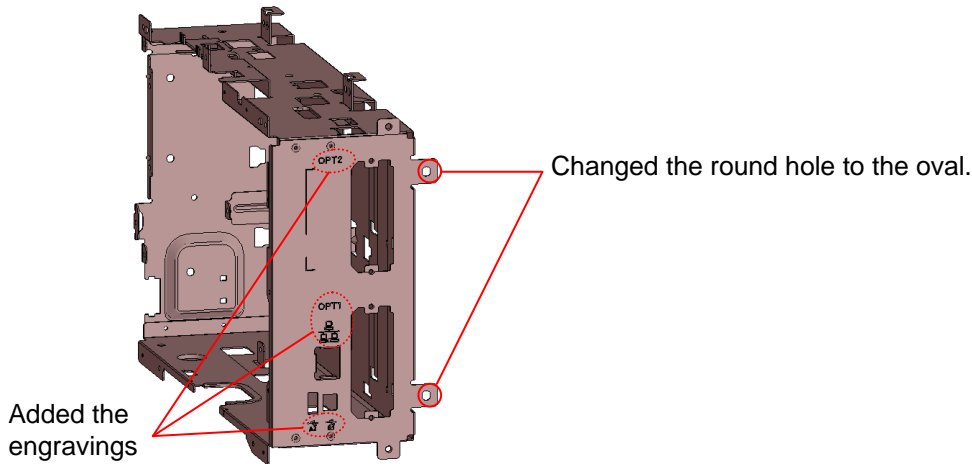
June 12, 2013

<Common use of the parts (SHIELD BOX) --> After using up the old stock>

TASKalfa 5551ci, TASKalfa 4551ci, TASKalfa 3551ci, TASKalfa 3051ci,
TASKalfa 5501i, TASKalfa 4501i, TASKalfa 3501i

The shape of SHIELD BOX (No.1) is changed for common use of the parts.

<New SHIELD BOX (No.1)> (Following is the machine left side)



No.	Old Part No.	New Part No.	Description	Q'ty		Com pat i bility		Remarks
				Old	New	Old	New	
1	302N439010 2N439010	302N439011 2N439011	SHIELD BOX	1	1	○	○	

N00071312

(Note) Please use the new parts for the next development high-speed model.

Service Bulletin

[Parts Change Information]

Ref. No. **PCI-0330 (D115)**

<Date>

June 12, 2013

<Common use of the parts (Conveying, drum, intermediate transfer unit, etc.)

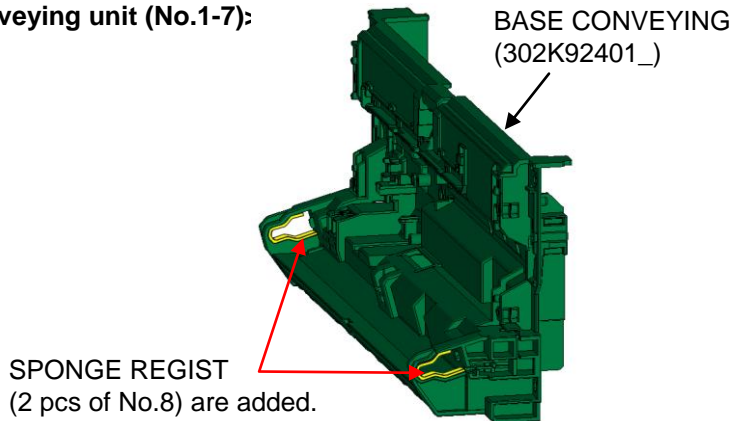
--> After using up the old stock

TASKalfa 7550ci, TASKalfa 6550ci,
 TASKalfa 5550ci, TASKalfa 4550ci, TASKalfa 3550ci, TASKalfa 3050ci,
 TASKalfa 8000i, TASKalfa 6500i, TASKalfa 5500i, TASKalfa 4500i, TASKalfa 3500i,
 FS-C8650DN, FS-C8600DN

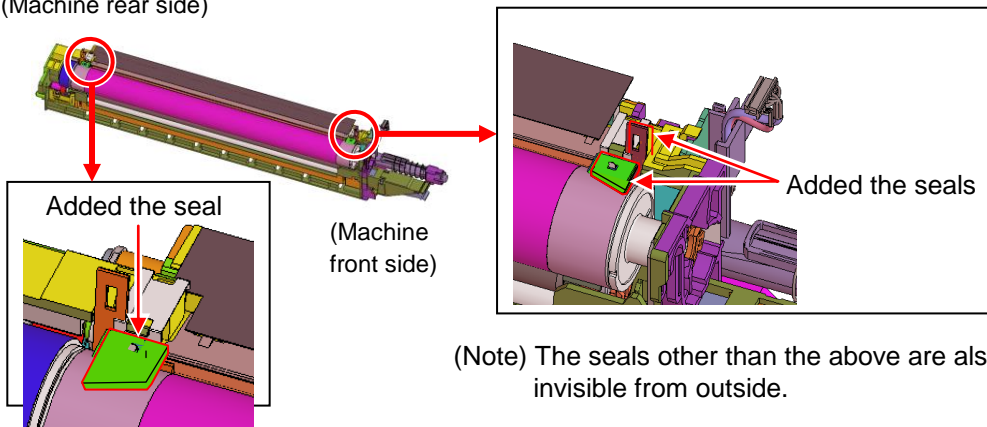
The parts such as the conveying unit, drum unit, intermediate transfer unit are changed as below for common use of the parts.

- 1) Conveying unit (No.1-7): Added SPONGE REGIST (2 pcs of No.8).
- 2) Drum unit (No.9-11): Added the seals. (The seals are not supplied to field as individual parts.)
- 3) Intermediate transfer unit (No.12, 13): Added the seal. (The seal is not supplied to field as individual parts.)
- 4) FILM FRAME UPPER CL (No.14): Changed the shape.
- 5) FILM FRAME UPPER BK (No.15): Changed the shape.

<Conveying unit (No.1-7):



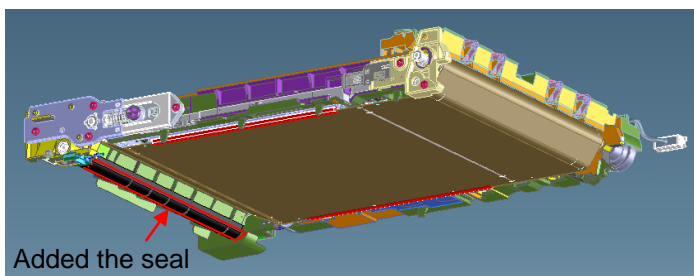
<Drum unit (No.9-11)> (TASKalfa 5550ci/4550ci/3550ci/3050ci, FS-C8650DN, FS-C8600DN only)
 (Machine rear side)



(Note) The seals other than the above are also added while they are invisible from outside.

<Intermediate transfer belt unit (No.12, 13)>

(TASKalfa 5550ci/4550ci/3550ci/3050ci, FS-C8650DN, FS-C8600DN only)



Service Bulletin

[Parts Change Information]

 Ref. No. **PCI-0330 (D115)**

<Date>

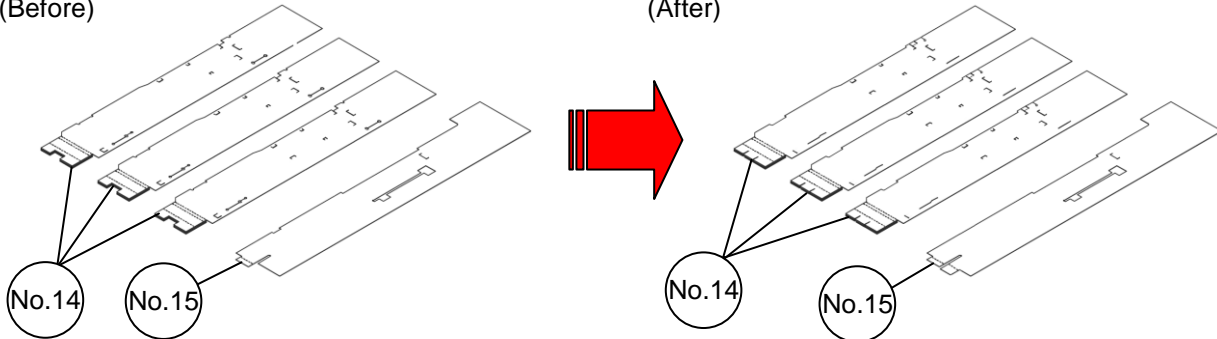
June 12, 2013

<FILM FRAME UPPER CL/BK (No.14/15)>

(TASKalfa 5550ci/4550ci/3550ci/3050ci, FS-C8650DN, FS-C8600DN only)

(Before)

(After)



No.	Old Part No.	New Part No.	Description	Q'ty		Com pat i bility		Remarks
				Old	New	Old	New	
1	302K994653 2K994653	302K994654 2K994654	PARTS CONVEYING UNIT(M) SP	1	1	○	○	Color MFP 75/65ppm
2	302LC94054 2LC94054	302LC94055 2LC94055	PARTS CONVEYING H UNIT(V) SP	1	1	○	○	Color MFP 55/45ppm
3	302LK94023 2LK94023	302LK94024 2LK94024	PARTS CONVEYING UNIT(V LOW) SP	1	1	○	○	Color MFP 35/30ppm
4	302LF94052 2LF94052	302LF94053 2LF94053	PARTS CONVEYING H UNIT(Z) SP	1	1	○	○	B/W MFP 80/65ppm
5	302LH94042 2LH94042	302LH94044 2LH94044	PARTS CONVEYING H UNIT(G) SP	1	1	○	○	B/W MFP 55/45ppm
6	302LL94012 2LL94012	302LL94014 2LL94014	PARTS CONVEYING L UNIT(G) SP	1	1	○	○	B/W MFP 35ppm
7	302MN94040 2MN94040	302MN94041 2MN94041	PARTS CONVEYING UNIT SP	1	1	○	○	Color Printer
8	-----	302N424010 2N424010	+SPONGE REGIST	-	2	-	○	Added to No.1-7.
9	302LC93013 2LC93013	302LC93014 2LC93014	DK-8505	4	4	○	○	*1 (Except KDCN/KDKR)
10	302LC9C013 2LC9C013	302LC9C014 2LC9C014	DK-8505	4	4	○	○	*1 (KDCN)
11	302LC9K013 2LC9K013	302LC9K014 2LC9K014	DK-8505 (KR)	4	4	○	○	*1 (KDKR)
12	302LC93106 2LC93106	302LC93107 2LC93107	TR-8505	1	1	○	○	*1 (Except KDKR)
13	302LC9K105 2LC9K105	302LC9K106 2LC9K106	TR-8505(KR)	1	1	○	○	*1 (KDKR)
14	302LC02750 2LC02750	302LC02752 2LC02752	FILM FRAME UPPER CL	3	3	○	○	*1
15	302LC02740 2LC02740	302LC02741 2LC02741	FILM FRAME UPPER BK	1	1	○	○	*1

N00071737/N00072200/N00072542/N00071978/N00071706/N00071900

(Note) Please use the new parts for TASKalfa 5551ci/4551ci/3551ci/3051ci, TASKalfa 5501i/4501i/3501i and the next development high speed model.

*1: TASKalfa 5550ci/4550ci/3550ci/3050ci, FS-C8650DN, FS-C8600DN

Service Bulletin

[Parts Change Information]

 Ref. No. **PCI-0330 (D115)**

<Date>

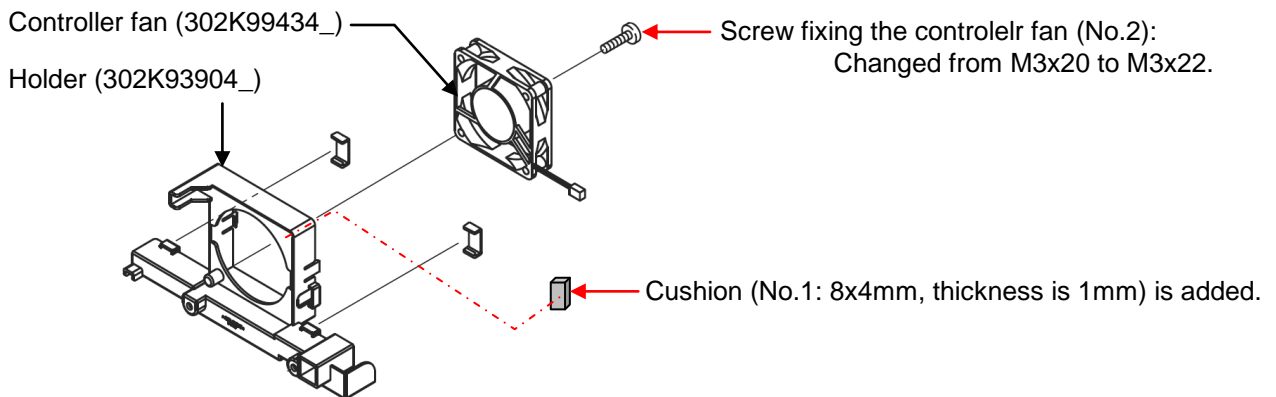
June 12, 2013

<Improving the margin of fixation of the controller fan --> After using up the old stock>

TASKalfa 7550ci, TASKalfa 6550ci,
 TASKalfa 5550ci, TASKalfa 4550ci, TASKalfa 3550ci, TASKalfa 3050ci,
 TASKalfa 8000i, TASKalfa 6500i, TASKalfa 5500i, TASKalfa 4500i, TASKalfa 3500i,

Followings are changed for improving the margin of fixation of the controller fan (302K99434_).

- 1) Added the cushion (No.1) to where the controller fan is fitted on the holder (302K93904_).
- 2) Changed the screw fixing the controller fan (No.2) from M3x20 to M3x22.



No.	Old Part No.	New Part No.	Description	Q'ty		Com pat i bility		Remarks
				Old	New	Old	New	
1	-----	303LJ02260 3LJ02260	CUSHION GUIDE	-	1	-	○	
2	7BB200320H BB113430	7BB200322H BB129220	BIND T.T P SCREW 3X22	1	1	○	○	*1

N00072104

(Note) Please use the new parts for TASKalfa 5551ci/4551ci/3551ci/3051ci, TASKalfa 5501i/4501i/3501i and the next development high speed model.

*1: The above screw is changed from M3x20 to M3x22.

Service Bulletin

[Parts Change Information]

Ref. No. **PCI-0330 (D115)**

<Date>

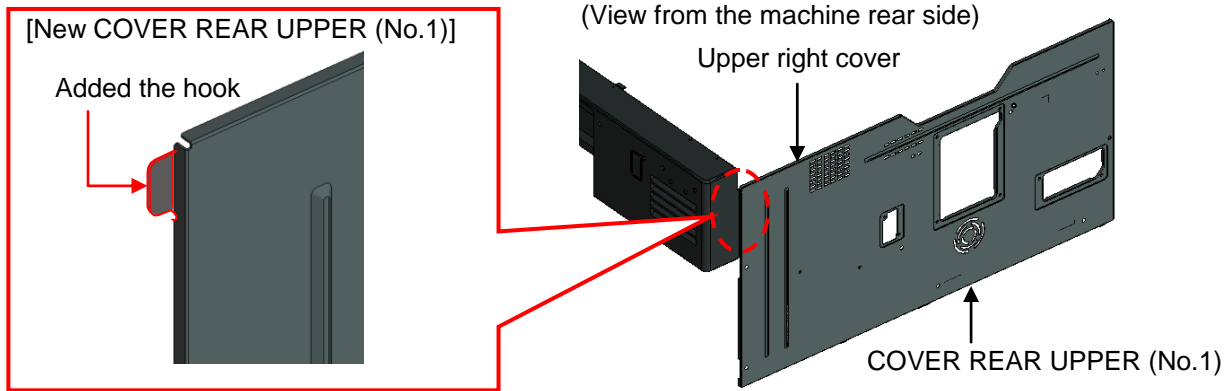
June 12, 2013

<Improving the surface level of the exterior covers

(Change of the shape of COVER REAR UPPER) --> After using up the old stock

TASKalfa 7550ci, TASKalfa 6550ci,
 TASKalfa 5550ci, TASKalfa 4550ci, TASKalfa 3550ci, TASKalfa 3050ci,
 TASKalfa 8000i, TASKalfa 6500i, TASKalfa 5500i, TASKalfa 4500i, TASKalfa 3500i,
 FS-C8650DN, FS-C8600DN

The hook to the upper right cover is added to COVER REAR UPPER (No.1) for improving the surface level of the exterior covers depending on the parts variation.



No.	Old Part No.	New Part No.	Description	Q'ty		Com pat i bility		Remarks
				Old	New	Old	New	
1	302LF04075 2LF04075	302LF04075 2LF04075	COVER REAR UPPER	1	1	○	○	

N00071424

(Note) The parts number remains unchanged according to this change.

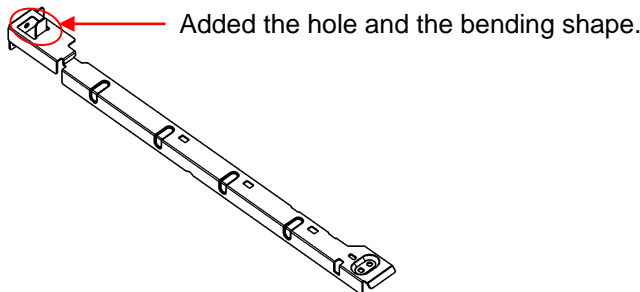
<Common use of the parts (RAIL HF LOWER)

(Optional paper feeder and Large capacity feeder) --> After using up the old stock

PF-740/PF-740(B), TASKalfa 7550ci, TASKalfa 6550ci, TASKalfa 8000i, TASKalfa 6500i

The shape of RAIL HF LOWER (No.1) for the optional paper feeder and the large capacity feeder is changed as below for common use of the parts.

<New RAIL HF LOWER(No.1)>



No.	Old Part No.	New Part No.	Description	Q'ty		Com pat i bility		Remarks
				Old	New	Old	New	
1	303NF06281 3NF06281	303NF06282 3NF06282	RAIL HF LOWER	1	1	○	○	

N00071941

(Note) Please use the new parts for the next development high speed model.

Service Bulletin

[Parts Change Information]

 Ref. No. **PCI-0330 (D115)**

<Date>

June 12, 2013

<Common use of the parts --> After using up the old stock>

TASKalfa 7550ci, TASKalfa 6550ci, TASKalfa 8000i, TASKalfa 6500i

Following parts (No.1-4) is changed for common use of the parts.

- 1) The shape of the parts (No.1-4) is changed.
- 2) The engravings of the material indication and arrow are added to COVER LEFT UPPER (No.3).

[Added engraving]

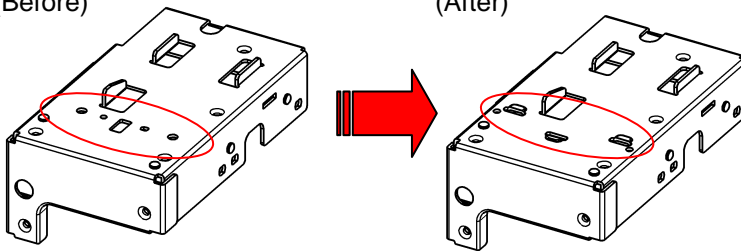
 >PC+PS-HI-FR(40)<
 TN-9500


* The direction of arrow rotates by material used.

<RETAINER OPERATION ARM (No.1)>

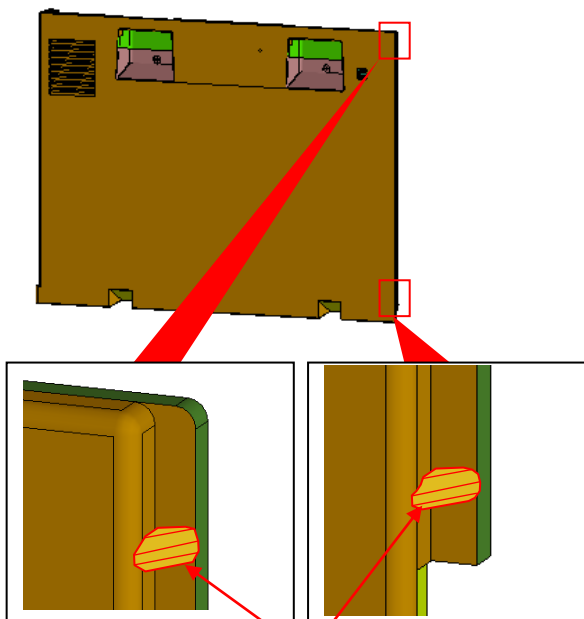
(Before)

(After)

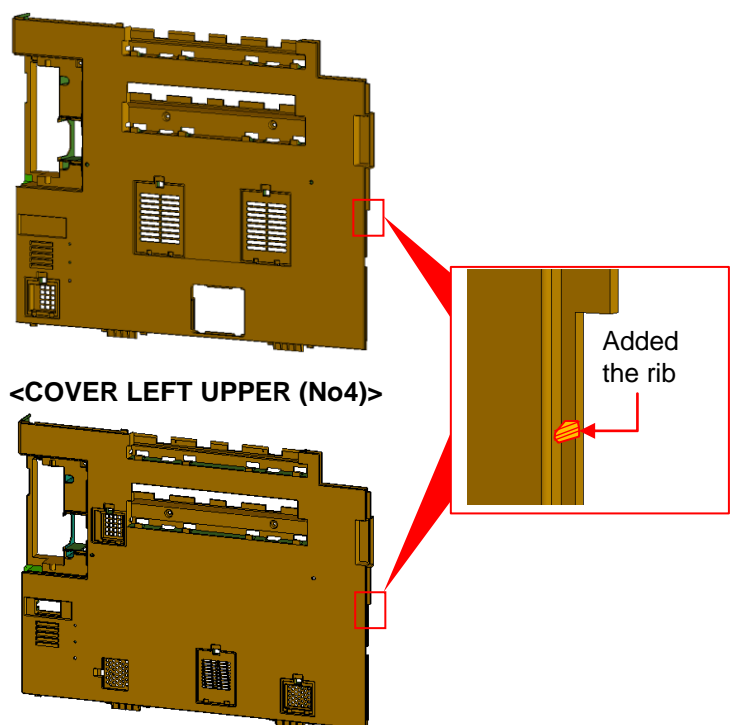


<COVER LEFT LOWER (No.2)>

<COVER LEFT UPPER (No.3)>



Added the ribs



No.	Old Part No.	New Part No.	Description	Q'ty		Com pat i bility		Remarks
				Old	New	Old	New	
Affected model: TASKalfa 7550ci/6550ci, TASKalfa 8000i/6500i								
1	302K905531 2K905531	302K905532 2K905532	RETAINER OPERATION ARM	1	1	○	○	
2	302K904072 2K904072	302K904073 2K904073	COVER LEFT LOWER	1	1	○	○	

Service Bulletin

[Parts Change Information]

 Ref. No. **PCI-0330 (D115)**

<Date>

June 12, 2013

No.	Old Part No.	New Part No.	Description	Q'ty		Com pati bility		Remarks
				Old	New	Old	New	
Affected model: TASKalfa 7550ci/6550ci								
3	302K904062 2K904062	302K904064 2K904064	COVER LEFT UPPER	1	1	○	○	*1
Affected model: TASKalfa 8000i/6500i								
4	302LF04042 2LF04042	302LF04043 2LF04043	COVER LEFT UPPER	1	1	○	○	

N00071677/N00071614/N00070499/N00071613/N0007615

(Note) Please use the new parts for the next development model.

*1: (Change of the last digit parts number from 2 to 3) Added the engravings of the material indication and arrow.

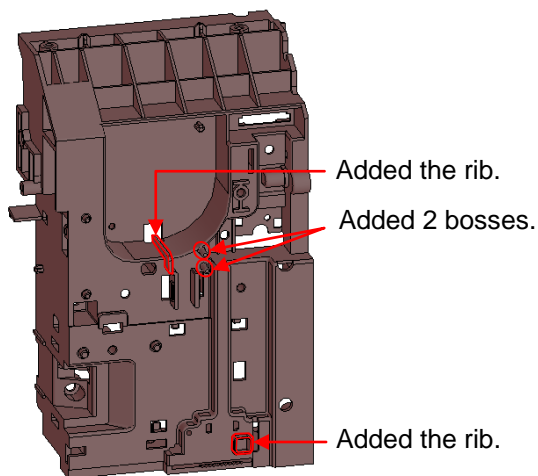
(Change of the last digit parts number from 3 to 4) Added the rib.

<Common use of the parts --> After using up the old stock>

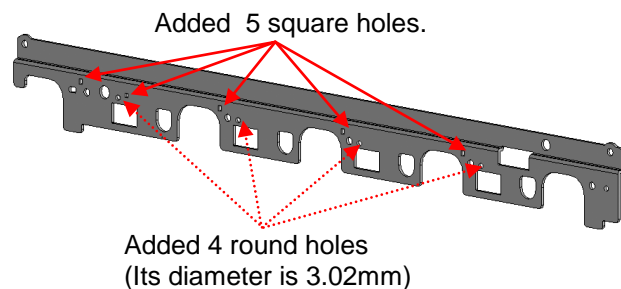
 TASKalfa 5550ci, TASKalfa 4550ci, TASKalfa 3550ci, TASKalfa 3050ci,
 TASKalfa 5500i, TASKalfa 4500i, TASKalfa 3500i, TASKalfa 2550ci

The shape of the following parts (No.1, 2) is changed for common use of the parts.

<New FRAME FRONT FUSER A (No.1)>



<New REINFORCEMENT RETAINER (No.2)>



No.	Old Part No.	New Part No.	Description	Q'ty		Com pati bility		Remarks
				Old	New	Old	New	
1	302LC02152 2LC02152	302LC02153 2LC02153	FRAME FRONT FUSER A	1	1	○	○	*1
2	302K002610 2K002610	302K002611 2K002611	REINFORCEMENT RETAINER	1	1	○	○	*2

N00071679/N00071654

(Note) Please use the new parts for TASKalfa 5551ci/4551ci/3551ci/3051ci, TASKalfa 5501i/4501i/3501i and the next development high speed model.

*1: TASKalfa 5550ci/4550ci/3550ci/3050ci, TASKalfa 5500i/4500i/3500i

*2: TASKalfa 2550ci

Service Bulletin

[Parts Change Information]

 Ref. No. **PCI-0330 (D115)**

<Date>

June 12, 2013

<(Except KDCN and KDKR) Common use of the parts (fuser unit change) --> After using up the old stock>

TASKalfa 5550ci, TASKalfa 4550ci, TASKalfa 3550ci, TASKalfa 3050ci,
FS-C8650DN, FS-C8600DN

The fuser units are changed for common use of the parts. (The vendor of the fuser press roller is changed.)

Old unit name	New unit name
5550ci/4550ci C8650DN/C8600DN	FK-UNIT FK-8500
3550ci/3050ci	FK-UNIT FK-8300

No.	Old Part No.	New Part No.	Description	Q'ty		Com pat i bility		Remarks
				Old	New	Old	New	
1	302LC93074 2LC93074	302N493020 2N493020	FK-8500	1	1	○	○	5550ci/4550ci, C8650DN/C8600DN
2	302LK93063 2LK93063	302L693020 2L693020	FK-8300	1	1	○	○	3550ci/3050ci

N00072235

(Note) Please use the new parts for TASKalfa 5551ci/4551ci/3551ci/3051ci.

<Common use of the parts (MOUNT SCANNER RIGHT and MOUNT OPTION) --> After using up the old stock>

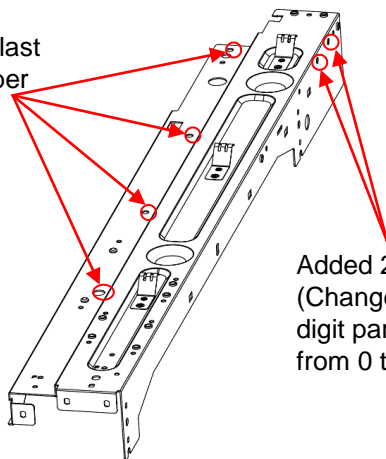
TASKalfa 2550ci

The shape of the following parts is changed for common use of the parts.

- 1) MOUNT SCANNER RIGHT (No.1): Added 6 holes.
- 2) MOUNT OPTION (No.2): Added a notch and 2 round holes (diameter is 4.5mm).

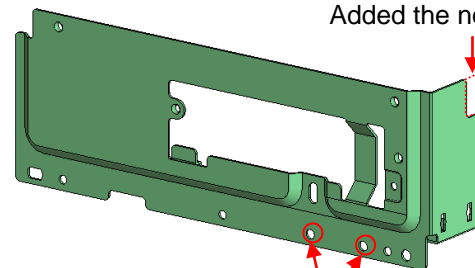
<New MOUNT SCANNER RIGHT (No.1)>

Added 4 holes
(Change of the last digit parts number from 1 to 2)



<New MOUNT OPTION(No.2)>

Added the notch



No.	Old Part No.	New Part No.	Description	Q'ty		Com pat i bility		Remarks
				Old	New	Old	New	
1	302MV02090 2MV02090	302MV02092 2MV02092	MOUNT SCANNER RIGHT	1	1	○	○	
2	302MV02130 2MV02130	302MV02131 2MV02131	MOUNT OPTION	1	1	○	○	

N00072083/N00071104

(Note) Please use the new parts for the next development model.

Service Bulletin

[Parts Change Information]

 Ref. No. **PCI-0330 (D115)**

<Date>

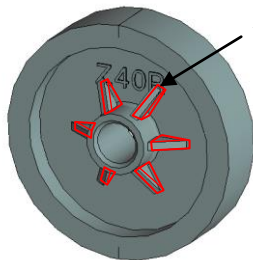
June 12, 2013

<Common use of the parts (GEAR Z40R IDLE) --> After using up the old stock>

TASKalfa 2550ci, PF-790

The reinforcing ribs are added around the center boss of GEAR Z40R IDLE (No.1) for common use of the parts.

<New GEAR Z40R IDLE (No.1)>



Added the reinforcing ribs
(6 positions being indicated in red)*

* The reinforcing ribs are added to backside of the left figure also.

No.	Old Part No.	New Part No.	Description	Q'ty		Com pat i bility		Remarks
				Old	New	Old	New	
1	302K331080 2K331080	302K331081 2K331081	GEAR Z40R IDLE	2	2	○	○	

N00071031

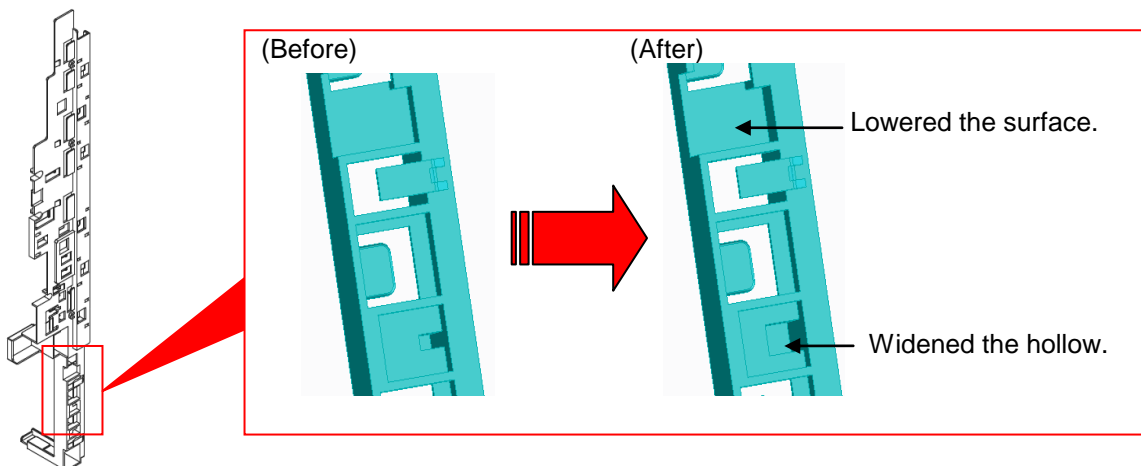
(Note) Please use the new parts for the next development model.

<Common use of the parts (HOLDER CORD RIGHT) --> After using up the old stock>

TASKalfa 2550ci

The shape of HOLDER CORD RIGHT (No.1) is changed for common use of the parts.

<HOLDER CORD RIGHT (No.1)>

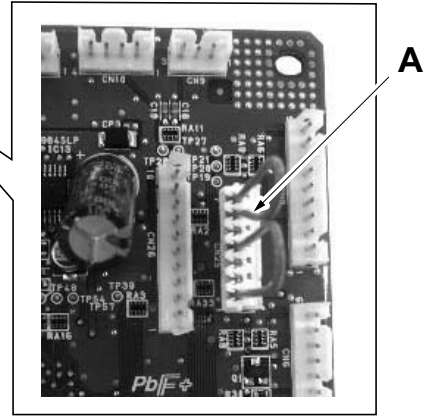
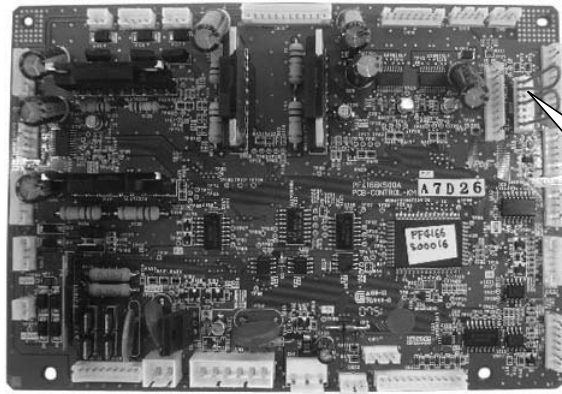


No.	Old Part No.	New Part No.	Description	Q'ty		Com pat i bility		Remarks
				Old	New	Old	New	
1	302MV02340 2MV02340	302MV02341 2MV02341	HOLDER CORD RIGHT	1	1	○	○	

N00071366

(Note) Please use the new parts for the next development model.

"+" mark at the beginning of the part name means it is a component parts.



English

Notes for replacing parts

A short-circuiting connector (A) is not required on the new PWB if there was no short-circuiting connector (A) on the PWB being replaced.

In that instance, remove the short-circuiting connector (A) from the new PWB before replacing the PWB.

Leaving the short-circuiting connector (A) attached will cause step-out of the staple motor and mispositioned stapling.

Français

Notes pour le changement des pièces

Un connecteur de court-circuit (A) n'est pas requis sur la nouvelle plaquette (PWB) si la plaquette remplacée ne comporte pas de connecteur de court-circuit (A). Dans ce cas, enlever le connecteur de court-circuit (A) de la nouvelle plaquette avant de procéder au remplacement.

Si le connecteur de court-circuit (A) est laissé en place, le moteur d'agrafage va déphaser et l'agrafage sera hors position.

Español

Notas para el reemplazo de piezas

En el nuevo PWB, no es necesario utilizar un conector de cortocircuito (A) si no existe conector de cortocircuito (A) en el PWB que se está reemplazando.

En tal caso, quite el conector de cortocircuito (A) del nuevo PWB antes de reemplazarlo.

Si deja el conector de cortocircuito (A) conectado, provocará que el motor de la grapadora se desvíe y el grapado se realice fuera de posición.

Deutsch

Hinweise zum Auswechseln der Teile

Ein Kurzschlussstecker (A) wird für eine neue Platine (PWB) nicht benötigt, falls auf der ersetzten Platine kein Kurzschlussstecker (A) vorhanden war. Entfernen Sie in solchem Fall den Kurzschlussstecker (A) von der neuen Platine, bevor Sie die Platine austauschen.

Wenn Sie den Kurzschlussstecker (A) angeschlossen lassen, wird es zu einem Schrittverlust des Heftmotors und dadurch falsch positioniertem Heften kommen.

Italiano

Note per la sostituzione delle parti

Sul nuovo PWB non si richiede un connettore di cortocircuito (A) se sul PWB da sostituire non è presente nessun connettore di cortocircuito (A).

In tal caso, rimuovere il connettore di cortocircuito (A) dal nuovo PWB prima di sostituire il PWB esistente.

Lasciando il connettore di cortocircuito (A) collegato, si causerà la non sincronizzazione del motore del pinzatore e il posizionamento errato della pinzatura.

简体中文

配件更换时的注意事项

更换前如果控制板上没有跳线连接器(A),新控制板上的跳线连接器(A)就不需要。

这时请先拆除新控制板上的跳线连接器(A)后,再更换控制板。

如果不拆除跳线连接器(A),就会导致装订器马达转动异常及装订位置发生偏移。

한국어

부품교환시의 주의사항

교환전의 기판상에 단락 커넥터 (A) 가 없는 경우에는 새 기판상의 단락 커넥터 (A) 는 불필요합니다 .

그 경우에는 새 기판상의 단락 커넥터 (A) 를 제거하고 기판을 교환해 주십시오 .

단락 커넥터 (A) 를 붙인 채로 교환한 경우에는 스테이플 모터의 탈조 및 스테이플의 위치가 벗어날 가능성이 있습니다 .

日本語

部品交換時の注意事項

交換前の基板上に短絡コネクタ(A)が無い場合は、新基板の短絡コネクタ(A)は不要です。

その場合は新基板の短絡コネクタ(A)を取外してから基板を交換してください。

短絡コネクタ(A)を付けたまま使用した場合、ステープルモーターの脱調及びステープルの位置ズレが発生します。