



TASKalfa 2420w

PARTS LIST

Published in May 2011

5J0PL070

845J0120

First Edition

WWW.SERVICE-MANUAL.NET

— CONTENTS —

FIG. 1	ASSEMBLY LOCATION 1	2	FIG. 13	LOWER FUSER ASSY	26
FIG. 2	ASSEMBLY LOCATION 2	4	FIG. 14	PAPER EXIT ASSY	28
FIG. 3	PROCCES FRAME ASSY	6	FIG. 15	PANEL ASSY	30
FIG. 4	MAIN FRAME PARTS ASSY 1	8	FIG. 16	PCB LOCATION 1	32
FIG. 5	MAIN FRAME PARTS ASSY 2	10	FIG. 17	PCB LOCATION 2 (SCANNER PART)	34
FIG. 6	MAIN FRAME PARTS ASSY 3	12	FIG. 18	HARNESS LIST 1	36
FIG. 7	MAIN FRAME PARTS ASSY 4	14	FIG. 19	HARNESS LIST 2(SCANNER PART 1)	38
FIG. 8	SCANNER ASSY 1	16	FIG. 20	HARNESS LIST 3(SCANNER PART 2)	40
FIG. 9	SCANNER ASSY 2	18	FIG. 21	ACCESSORY	42
FIG. 10	SCANNER ASSY 3	20	FIG. 22	KIT LIST 1	44
FIG. 11	HOPPER ASSY	22	FIG. 23	KIT LIST 2	46
FIG. 12	UPPER FUSER ASSY	24	FIG. 24	SET HOLDER	48
				• INDEX	50

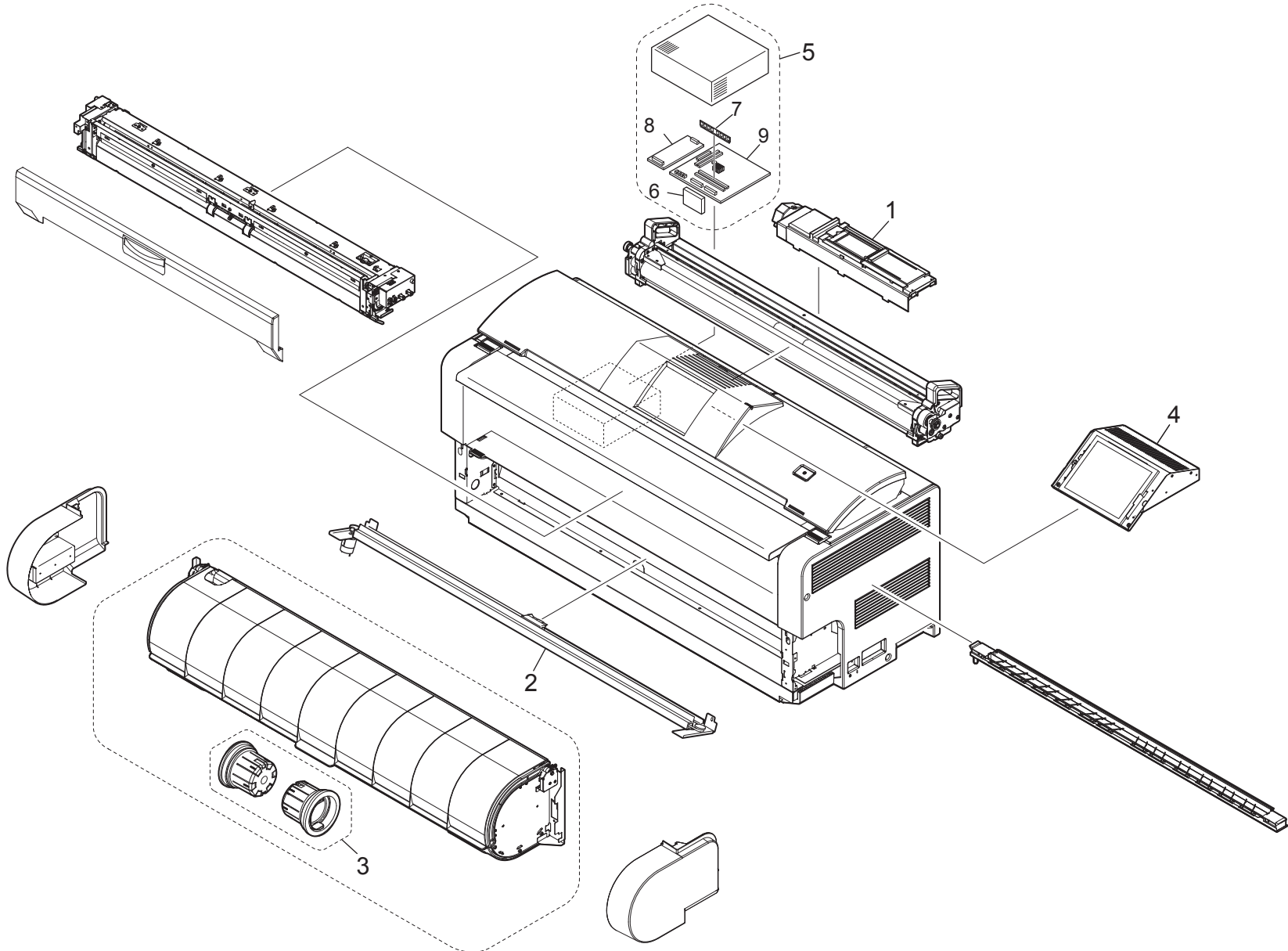


FIG. 1 ASSEMBLY LOCATION 1

5J0

	Ref. No.	Part.No.	Alternative Part.No.	Description	Quantity	
					120	230
⊙	1	305J070710	5J070710	HOPPER ASSY	1	1
⊙	2	305J070010	5J070010	CUTTER	1	1
⊙	3	305JG70130	5JG70130	CAP SET	1	1
⊙	4	305J071000	5J071000	TOUCH PANEL LCD UNIT	1	1
	5	305JZ70040	5JZ70040	CONTROLLER ASSY:IPS DC1 CONTROLLER	1	1
⊙	6	305JZ70070	5JZ70070	HDD:SATA HDD 2.5" 250G (BLANK)	1	1
⊙	7	305JZ70080	5JZ70080	MEMORY DDR2 DIMM 800 1G	1	1
⊙	8	305JZ70090	5JZ70090	DC-DC POWER SUPPLY	1	1
⊙	9	305JZ70100	5JZ70100	PWB:MOTHER BOARD	1	1

Parts with "⊙" indicate regular maintenance parts.

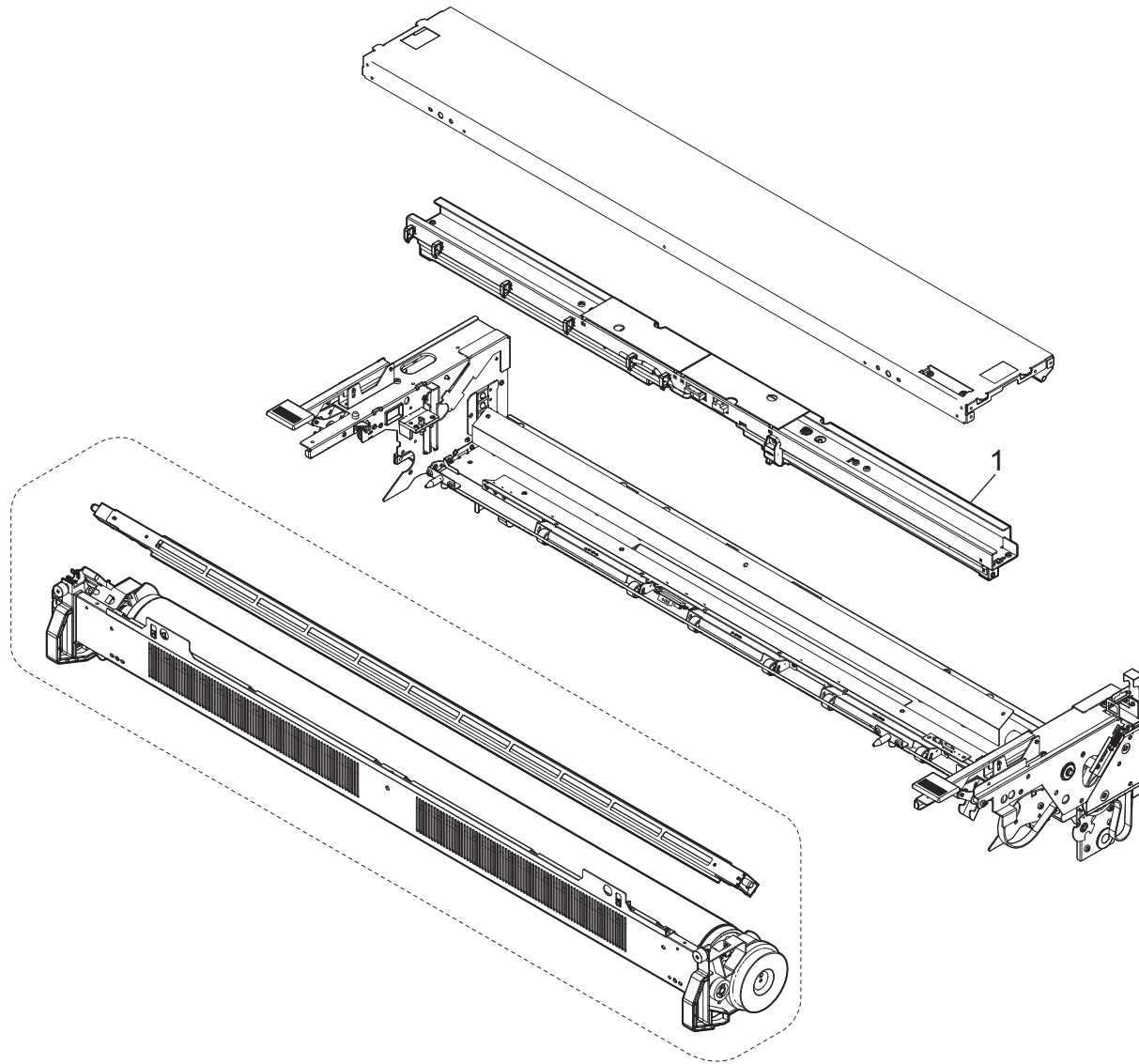


FIG. 2 ASSEMBLY LOCATION 2

5J0

	Ref. No.	Part.No.	Alternative Part.No.	Description	Quantity	
					120	230
⊙	1	305J070070	5J070070	LED HEAD ASSY	1	1

Parts with "⊙" indicate regular maintenance parts.

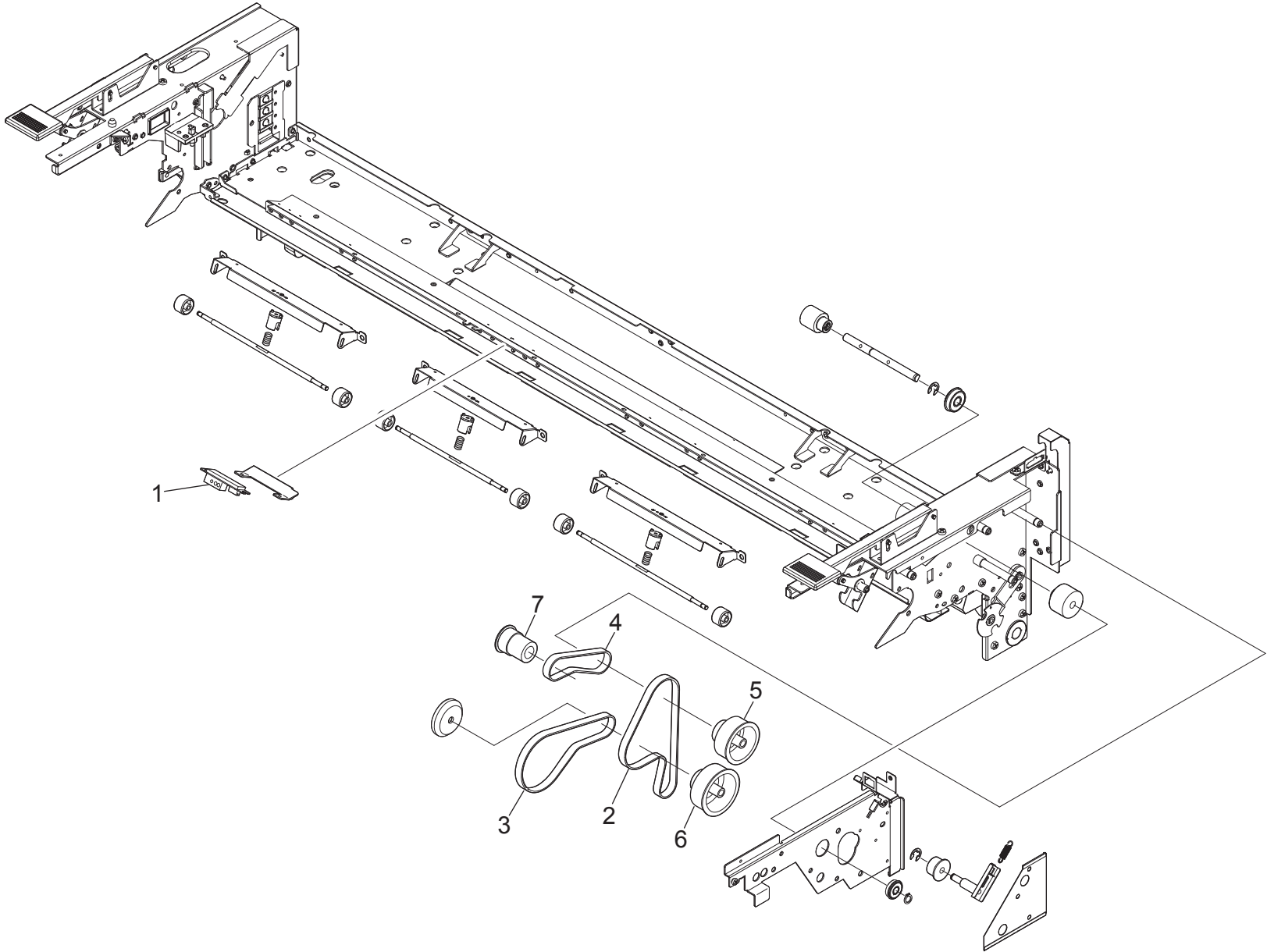


FIG. 3 PROCESS FRAME ASSY

5J0

	Ref. No.	Part.No.	Alternative Part.No.	Description	Quantity	
					120	230
⊙	1	305JG71080	5JG71080	TONER DENSITY SENSOR	1	1
	2	305J070510	5J070510	BELT:100S3M453G	1	1
	3	305J070520	5J070520	BELT:100S3M387G	1	1
	4	305J070530	5J070530	BELT:100S3M255G	1	1
	5	305J070460	5J070460	30T-54T PULLEY	1	1
	6	305J070470	5J070470	30T-60T PULLEY	1	1
	7	305J070480	5J070480	24T HELICAL 32 PULLEY	1	1

Parts with "⊙" indicate regular maintenance parts.

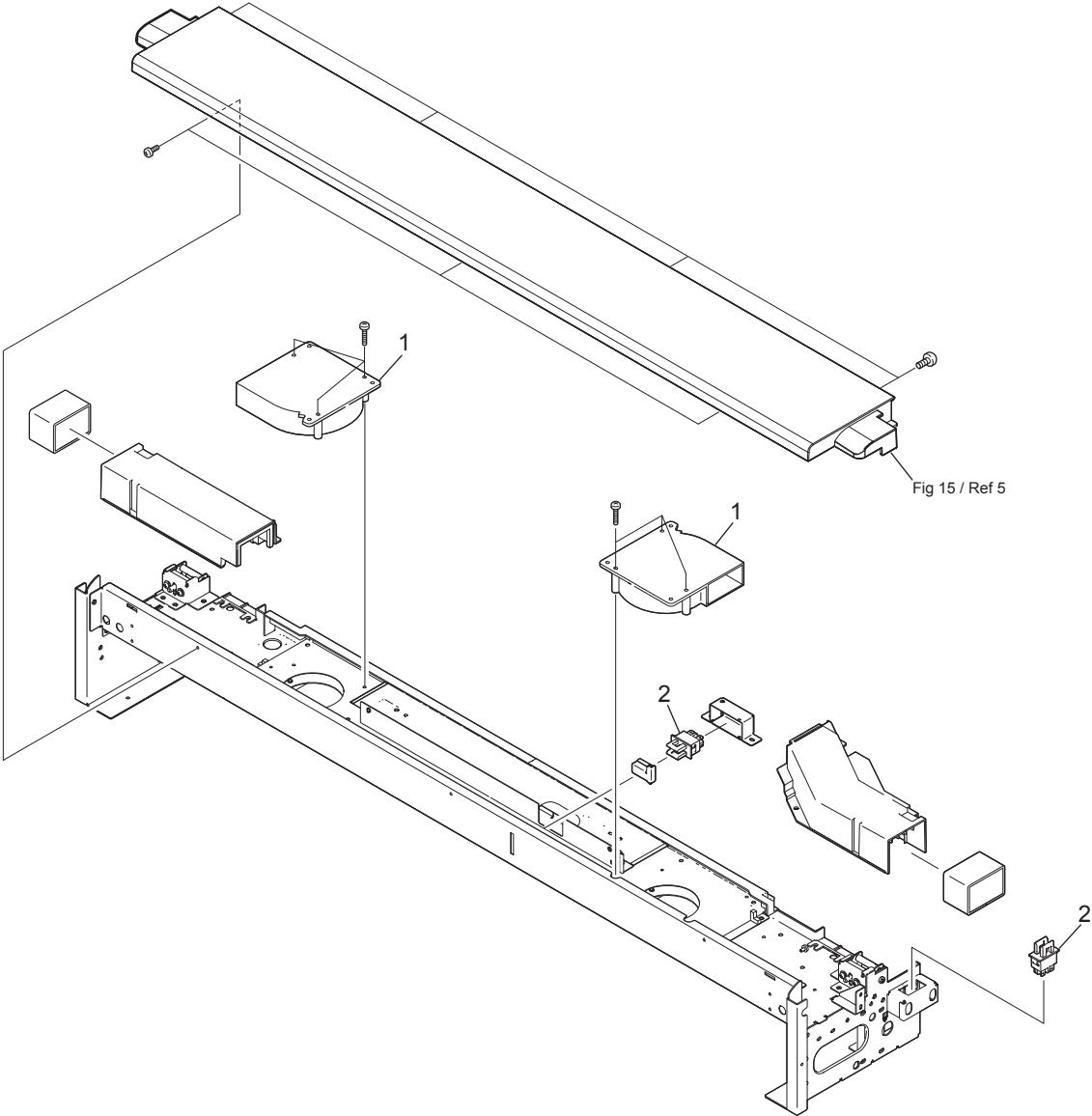


FIG. 4 MAIN FRAME PARTS ASSY 1

5J0

	Ref. No.	Part.No.	Alternative Part.No.	Description	Quantity	
					120	230
⊙	1	305H681430	5H681430	DC BLOWER(D12F-24BL 05)	2	2
⊙	2	305J070150	5J070150	SWITCH	2	2

Parts with "⊙" indicate regular maintenance parts.

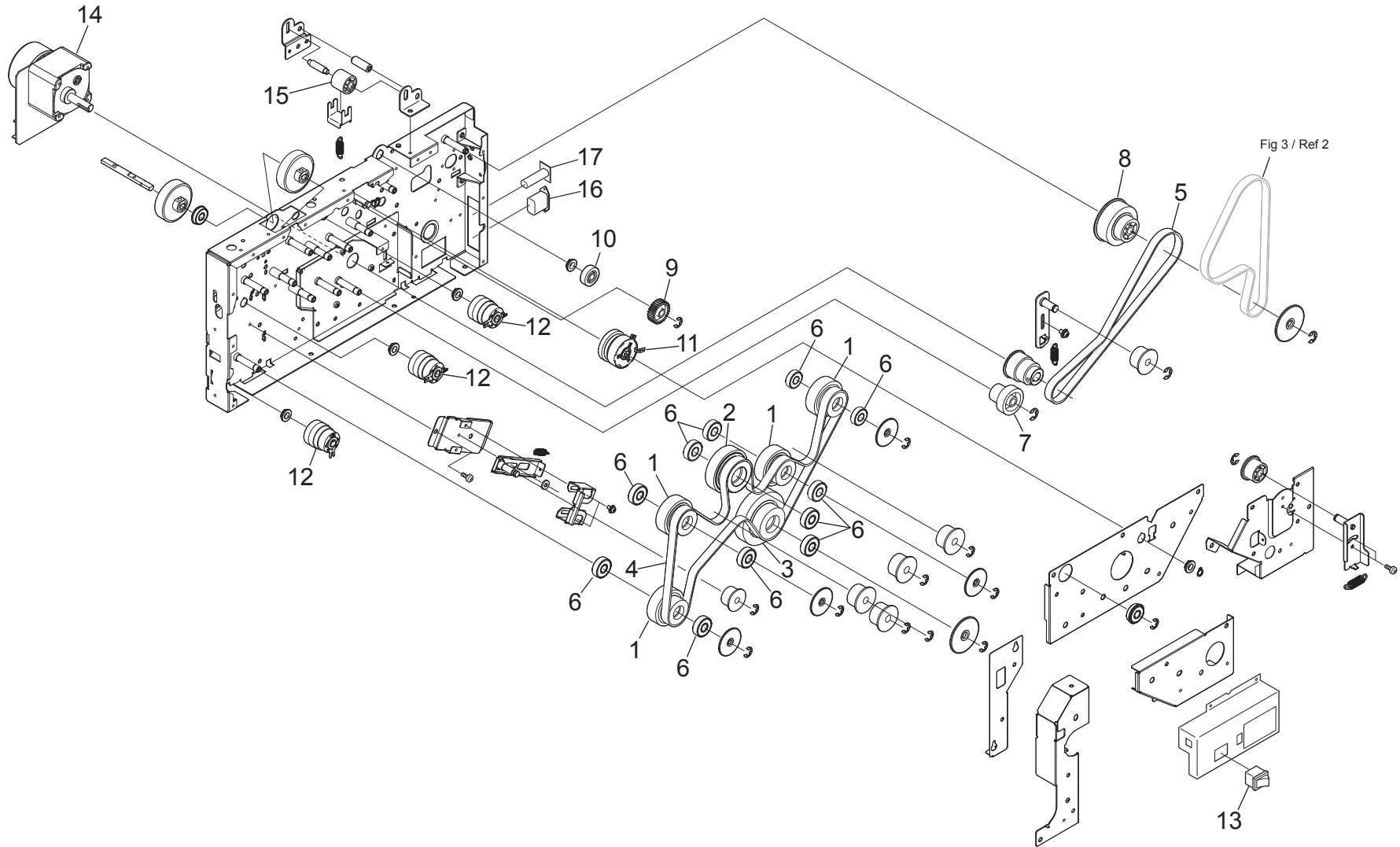


FIG. 5 MAIN FRAME PARTS ASSY 2

5J0

	Ref. No.	Part.No.	Alternative Part.No.	Description	Quantity	
					120	230
⊙	1	305J070450	5J070450	40T GEAR 32T PULLEY	4	4
⊙	2	305J070560	5J070560	48T GEAR 40T PULLEY	1	1
⊙	3	305J070550	5J070550	60T GEAR 40T PULLEY	1	1
	4	305J070600	5J070600	BELT:115S3M963G	1	1
	5	305J070500	5J070500	BELT:100S2M520G	1	1
	6	305JG71140	5JG71140	BEARING (608ZZ/L353)	11	11
⊙	7	305J070540	5J070540	18T-30T GEAR	1	1
	8	305J070490	5J070490	30T-75T PULLEY	1	1
⊙	9	305H674850	5H674850	GEAR 28T	1	1
⊙	10	305J070570	5J070570	23T GEAR	1	1
⊙	11	305J070170	5J070170	STEPPING CLUTCH	1	1
⊙	12	305J070160	5J070160	MICRO CLUTCH	3	3
⊙	13	305JZ70150	5JZ70150	SWITCH	1	1
⊙	14	305JG73960	5JG73960	DC MOTOR	1	1
	15	305J070590	5J070590	24 PULLEY	1	1
⊙	16	305H675950	5H675950	NOISE FILTER ASSY	1	
⊙	16	305H675960	5H675960	INLET ASSY		1
⊙	17	305H678970	5H678970	BREAKER	1	
⊙	17	305H678130	5H678130	BREAKER		1

Parts with "⊙" indicate regular maintenance parts.

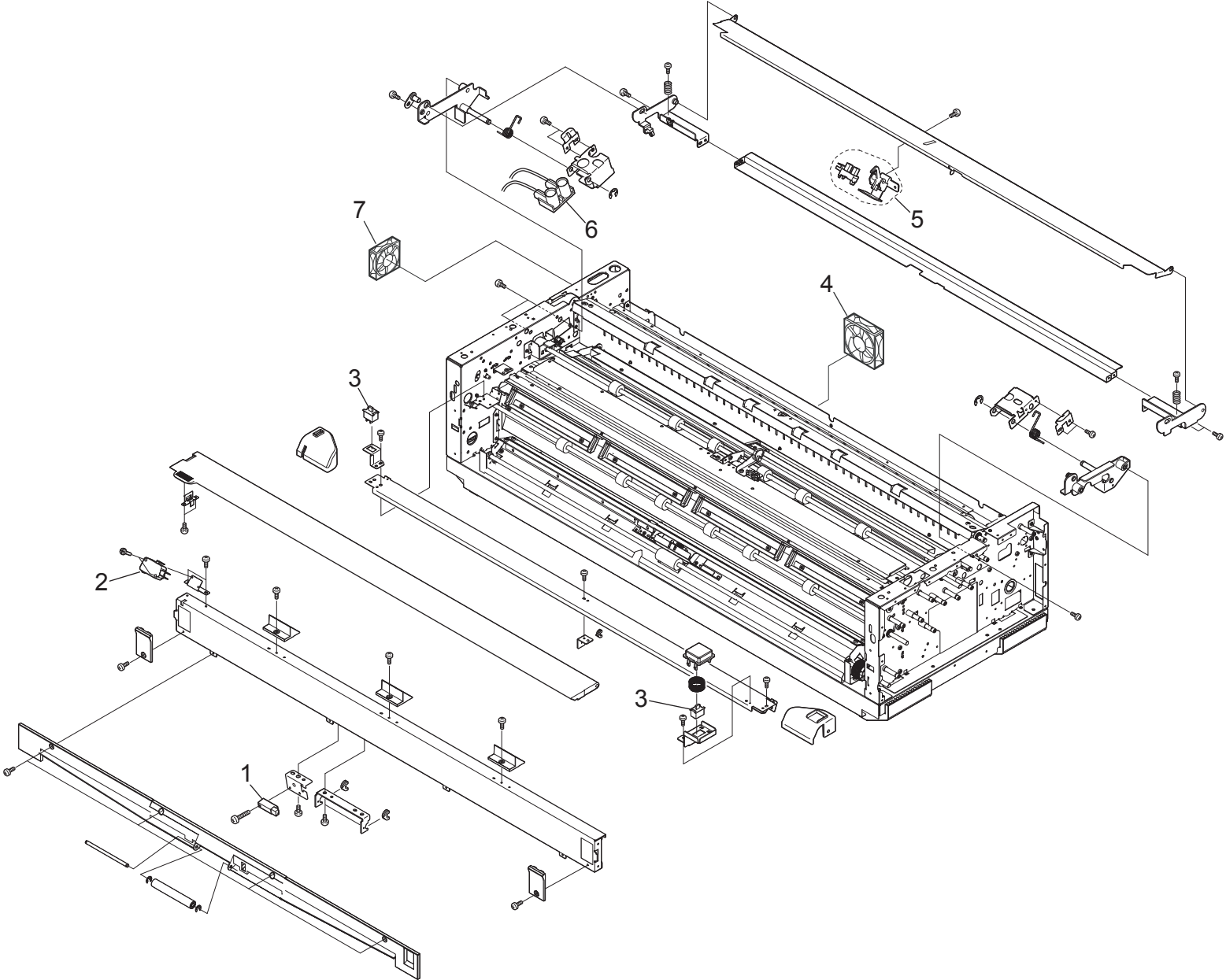


FIG. 6 MAIN FRAME PARTS ASSY 3

5J0

	Ref. No.	Part.No.	Alternative Part.No.	Description	Quantity	
					120	230
⊙	1	305J070120	5J070120	SENSOR	1	1
⊙	2	305J070140	5J070140	SWITCH	1	1
⊙	3	305H678900	5H678900	SWITCH	2	2
⊙	4	305JZ70140	5JZ70140	FAN ASSY	1	1
⊙	5	305J071020	5J071020	BRACKET 221 ASSY (SENSOR)	1	1
⊙	6	305J070780	5J070780	HV SOCKET ASSY	1	1
⊙	7	305H679980	5H679980	DC FAN ASSY	1	1

Parts with "⊙" indicate regular maintenance parts.

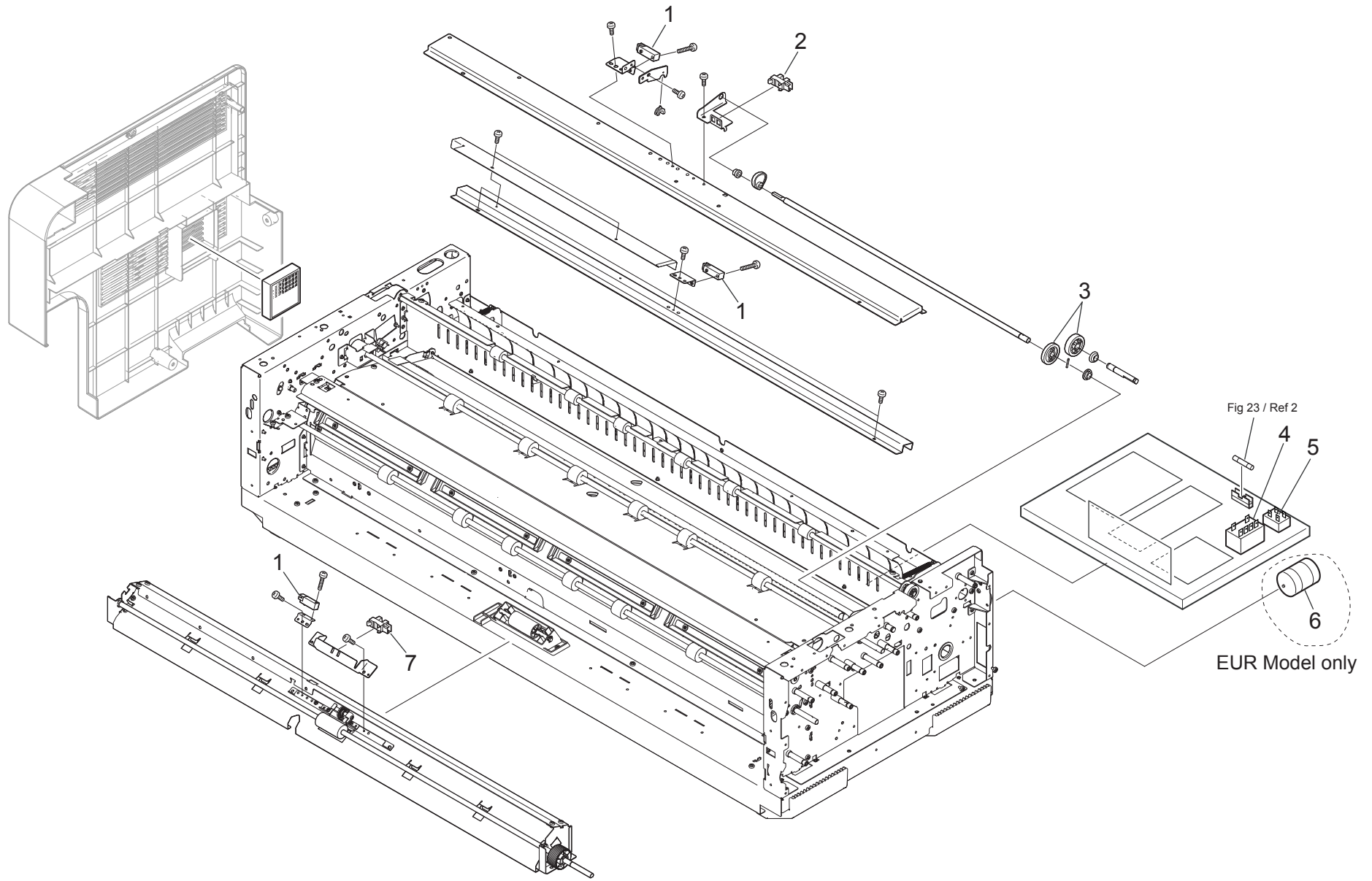


FIG. 7 MAIN FRAME PARTS ASSY 4

5J0

	Ref. No.	Part.No.	Alternative Part.No.	Description	Quantity	
					120	230
⊙	1	305H678790	5H678790	SENSOR	3	3
⊙	2	305J070110	5J070110	SENSOR	1	1
⊙	3	305J070580	5J070580	30T GEAR	2	2
⊙	4	305H678980	5H678980	RELAY	1	1
⊙	5	305JG71110	5JG71110	SOLID STATE RELAY	1	
⊙	5	305JG74950	5JG74950	SOLID STATE RELAY		1
⊙	6	305H678200	5H678200	NOIZE FILTER		1
⊙	7	305J070130	5J070130	SENSOR	1	1

Parts with "⊙" indicate regular maintenance parts.

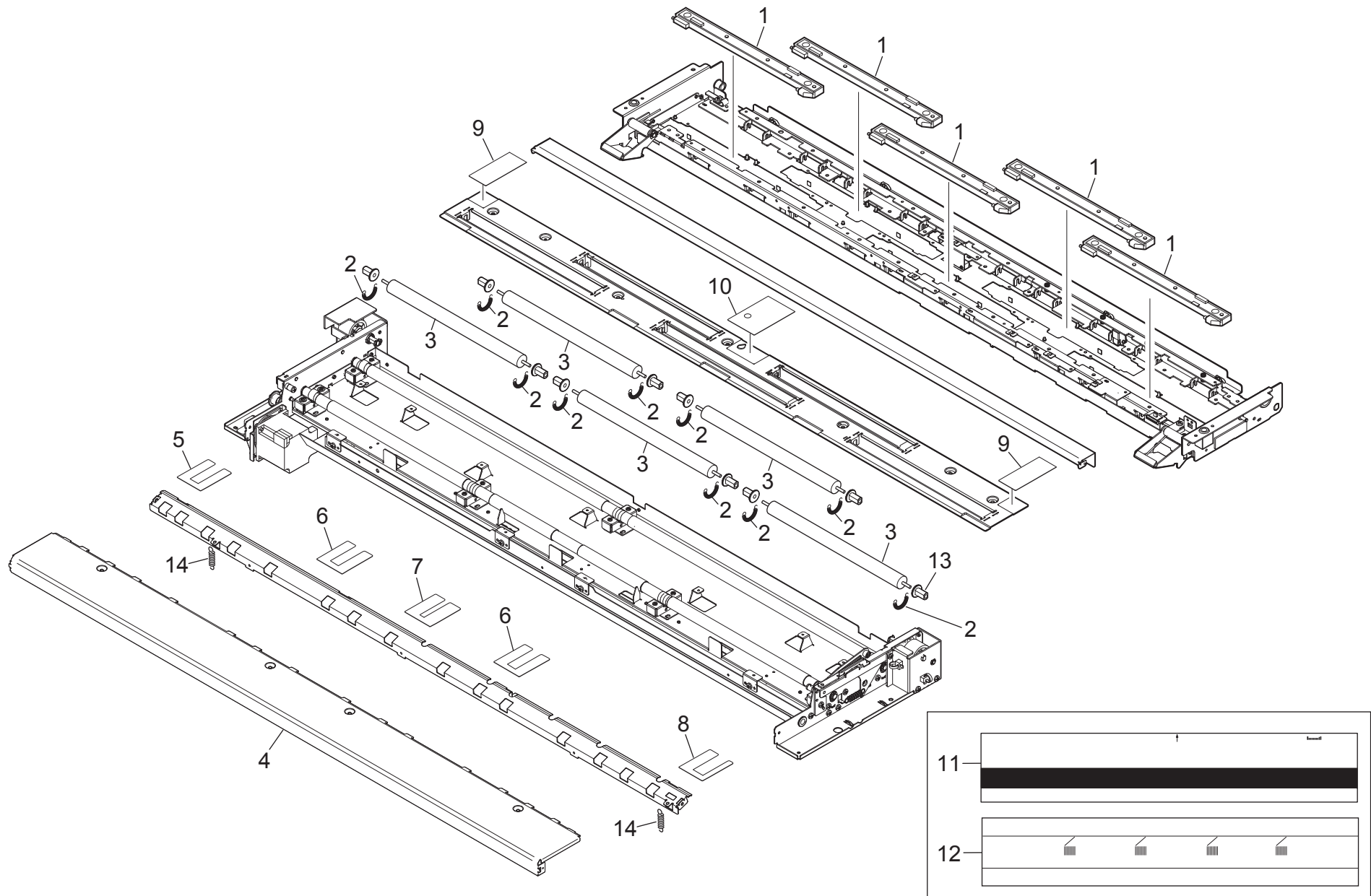


FIG. 8 SCANNER ASSY 1

5J0

	Ref. No.	Part.No.	Alternative Part.No.	Description	Quantity	
					120	230
⊙	1	305JZ70180	5JZ70180	CIS SENSOR C	5	5
	2	305JG77040	5JG77040	SPRING 2(10PCS)	1	1
⊙	3	305JG74600	5JG74600	X3 DOC ROLL ASSY	5	5
	4	305J071240	5J071240	SHEET GUIDE 117	1	1
	5	305JG74630	5JG74630	P4 GUARD DOC L	1	1
	6	305J071280	5J071280	GUIDE:P GUARD DOC MC	2	2
	7	305J071270	5J071270	GUIDE:P GUARD DOC C	1	1
	8	305JG74650	5JG74650	P4 GUARD DOC 55	1	1
	9	305JG74610	5JG74610	P4 GUARD DOC S	2	2
	10	305JG74620	5JG74620	P4 GUARD DOC M	1	1
	11	305JZ70210	5JZ70210	SHADING SEAT	1	1
	12	305JG74560	5JG74560	STITCH ADJUSTMENT CHART	1	1
	13	305JZ70220	5JZ70220	SLEEVE	1	1
	14	305J071260	5J071260	SPRING 2	2	2

Parts with "⊙" indicate regular maintenance parts.

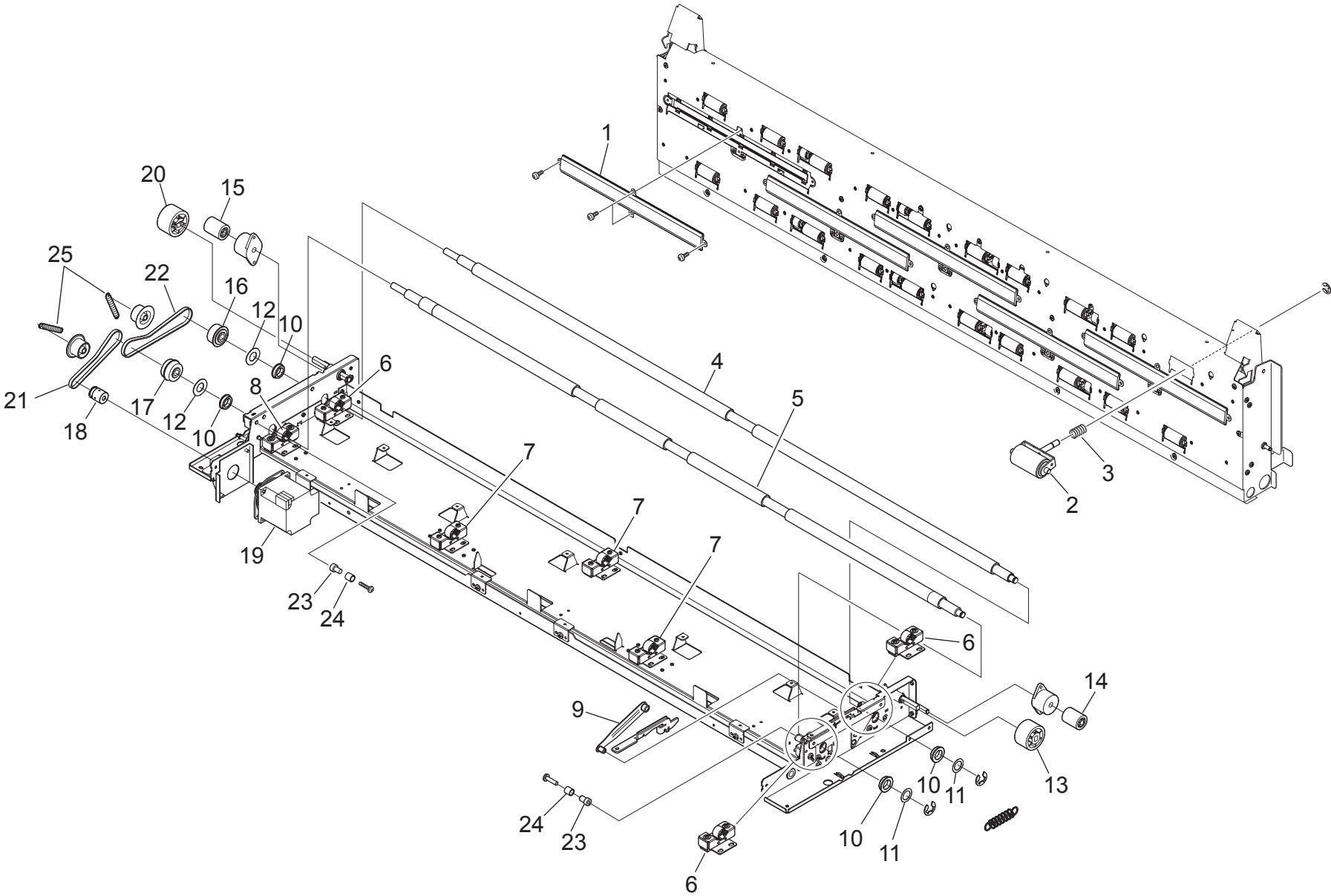


FIG. 9 SCANNER ASSY 2

5J0

	Ref. No.	Part.No.	Alternative Part.No.	Description	Quantity	
					120	230
⊙	1	305JG74360	5JG74360	SCAN GLASS ASSY	5	5
⊙	2	305JG74370	5JG74370	PINCH ROLLER ASSY	20	20
	3	305JZ70230	5JZ70230	SPRING 3	20	20
⊙	4	305JG74300	5JG74300	FEED ROLLER R	1	1
⊙	5	305JG74290	5JG74290	FEED ROLLER F	1	1
	6	305JG70650	5JG70650	PRESS ASSY 2	3	3
	7	305JG70640	5JG70640	PRESS ASSY 1	3	3
	8	305JG70660	5JG70660	PRESS ASSY 3	1	1
	9	305JG74380	5JG74380	STAY ASSY	1	1
	10	305H676710	5H676710	BEARING	4	4
	11	305H677180	5H677180	POLYSLIDER WASHER	2	2
	12	305H677120	5H677120	POM WASHER	2	2
	13	305J071160	5J071160	DAMPER R	1	1
	14	305J071170	5J071170	GEAR (LATCH)	1	1
	15	305J071180	5J071180	GEAR (DAMP)	1	1
⊙	16	305J071220	5J071220	PULLEY 36Z R	1	1
⊙	17	305J071210	5J071210	PULLEY 36Z F	1	1
⊙	18	305J071230	5J071230	MOTOR PULLEY 24Z	1	1
⊙	19	305J071140	5J071140	MOTOR ASSY	1	1
	20	305J071150	5J071150	DAMPER L	1	1
	21	305J071190	5J071190	BELT 40S2M220	1	1
	22	305J071200	5J071200	BELT 40S2M266	1	1
	23	305H677210	5H677210	STUD	2	2
	24	305H677220	5H677220	BUSH	2	2
	25	305J071250	5J071250	SPRING	2	2

Parts with "⊙" indicate regular maintenance parts.

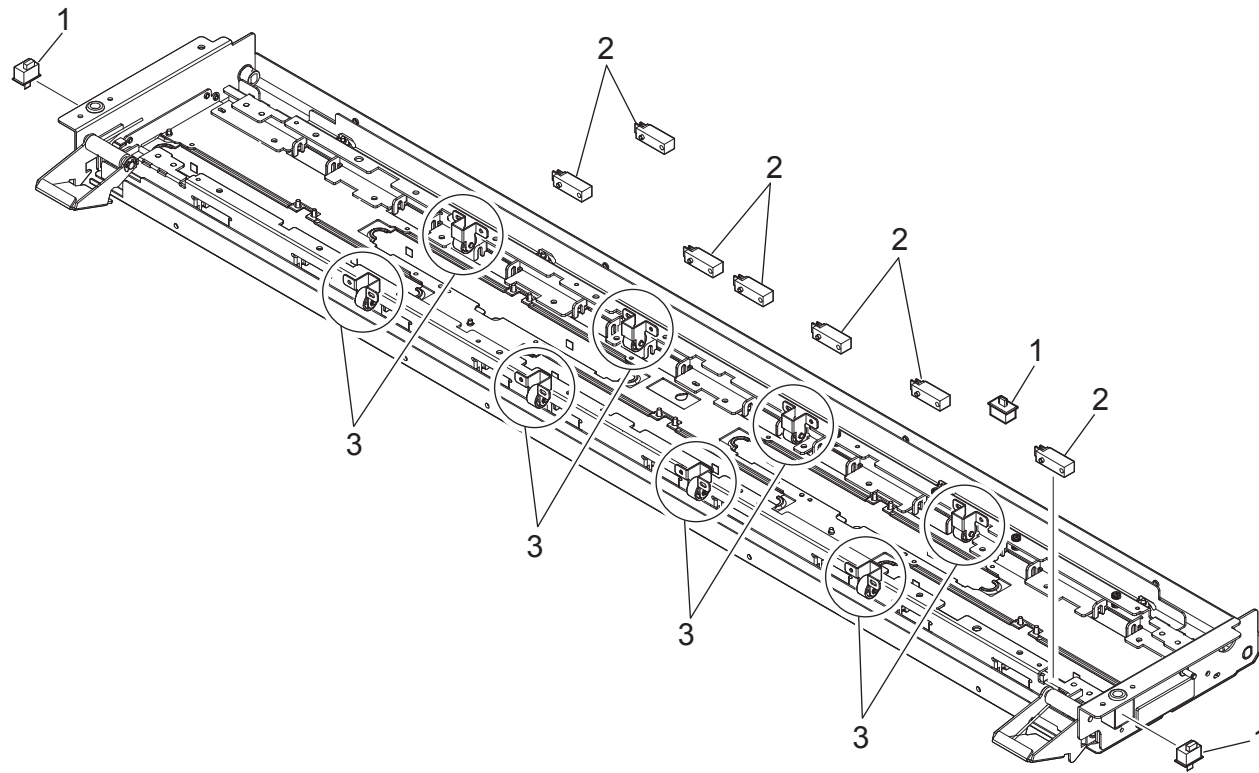


FIG. 10 SCANNER ASSY 3

5J0

	Ref. No.	Part.No.	Alternative Part.No.	Description	Quantity	
					120	230
⊙	1	305H678900	5H678900	SWITCH	3	3
⊙	2	305H676760	5H676760	SENSOR	7	7
	3	305JZ70240	5JZ70240	FIX ROLLER ASSY	8	8

Parts with "⊙" indicate regular maintenance parts.

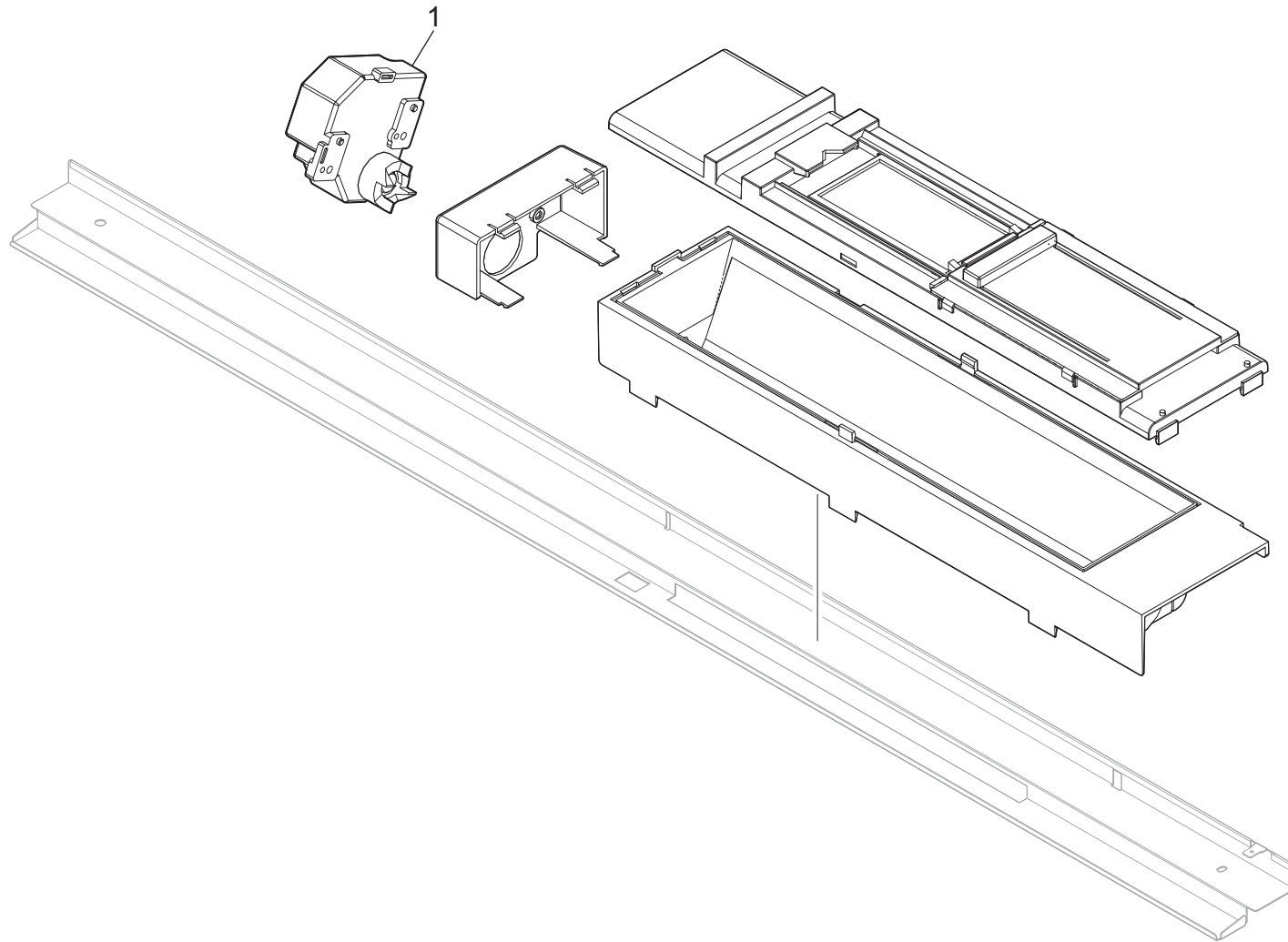


FIG. 11 HOPPER ASSY

5J0

	Ref. No.	Part.No.	Alternative Part.No.	Description	Quantity	
					120	230
⊙	1	305J070180	5J070180	MOTOR LIFT	1	1

Parts with "⊙" indicate regular maintenance parts.

FIG. 12 UPPER FUSER ASSY

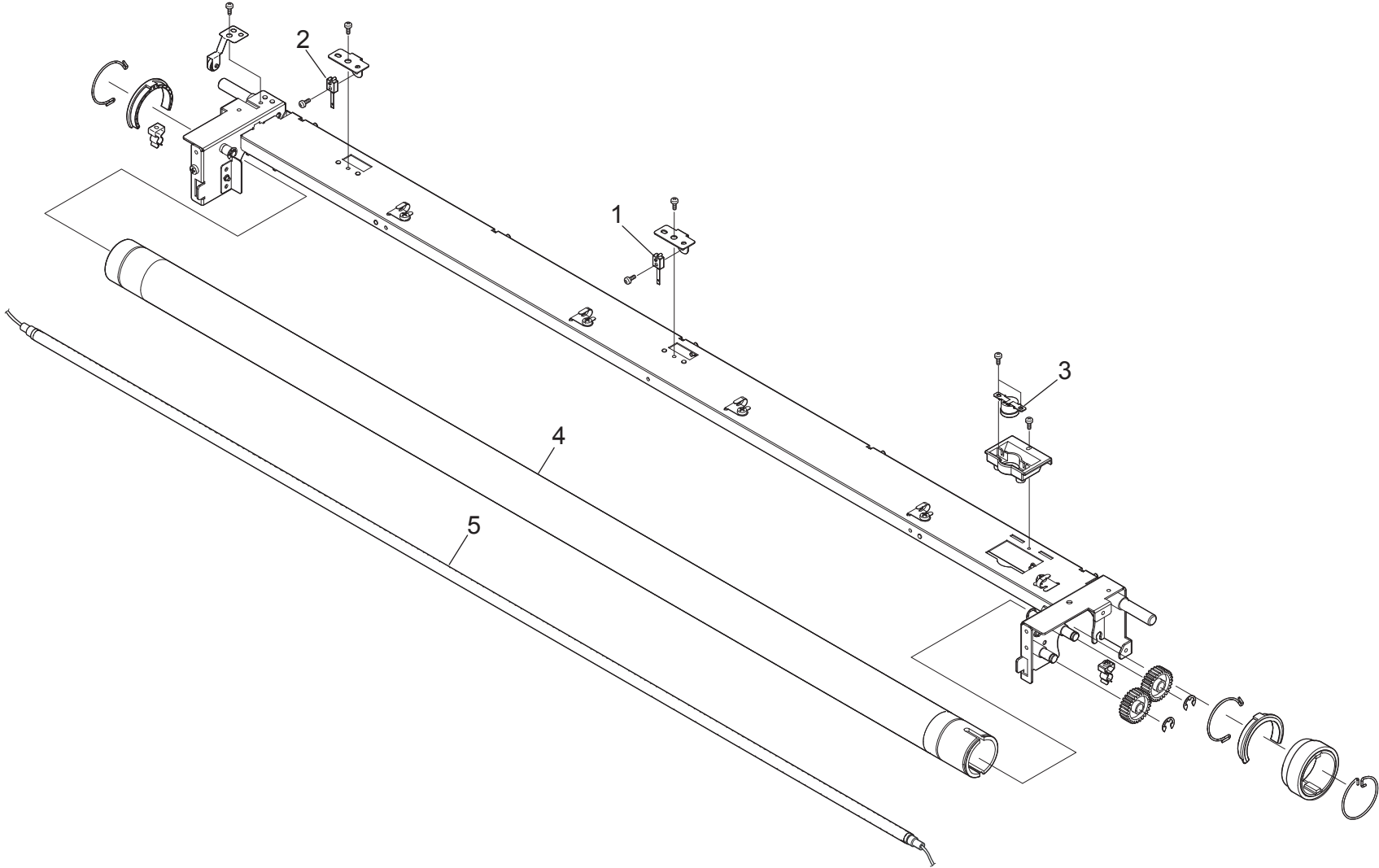


FIG. 12 UPPER FUSER ASSY

5J0

	Ref. No.	Part.No.	Alternative Part.No.	Description	Quantity	
					120	230
⊙	1	305J070020	5J070020	THERMISTOR1	1	1
⊙	2	305J070030	5J070030	THERMISTOR2	1	1
⊙	3	305JG71100	5JG71100	THERMOSTAT	1	1
⊙	4	305J070090	5J070090	ROLLER FUSING 5	1	1
⊙	5	305J070060	5J070060	LAMP 120V	1	
⊙	5	305J070050	5J070050	LAMP 230V		1

Parts with "⊙" indicate regular maintenance parts.

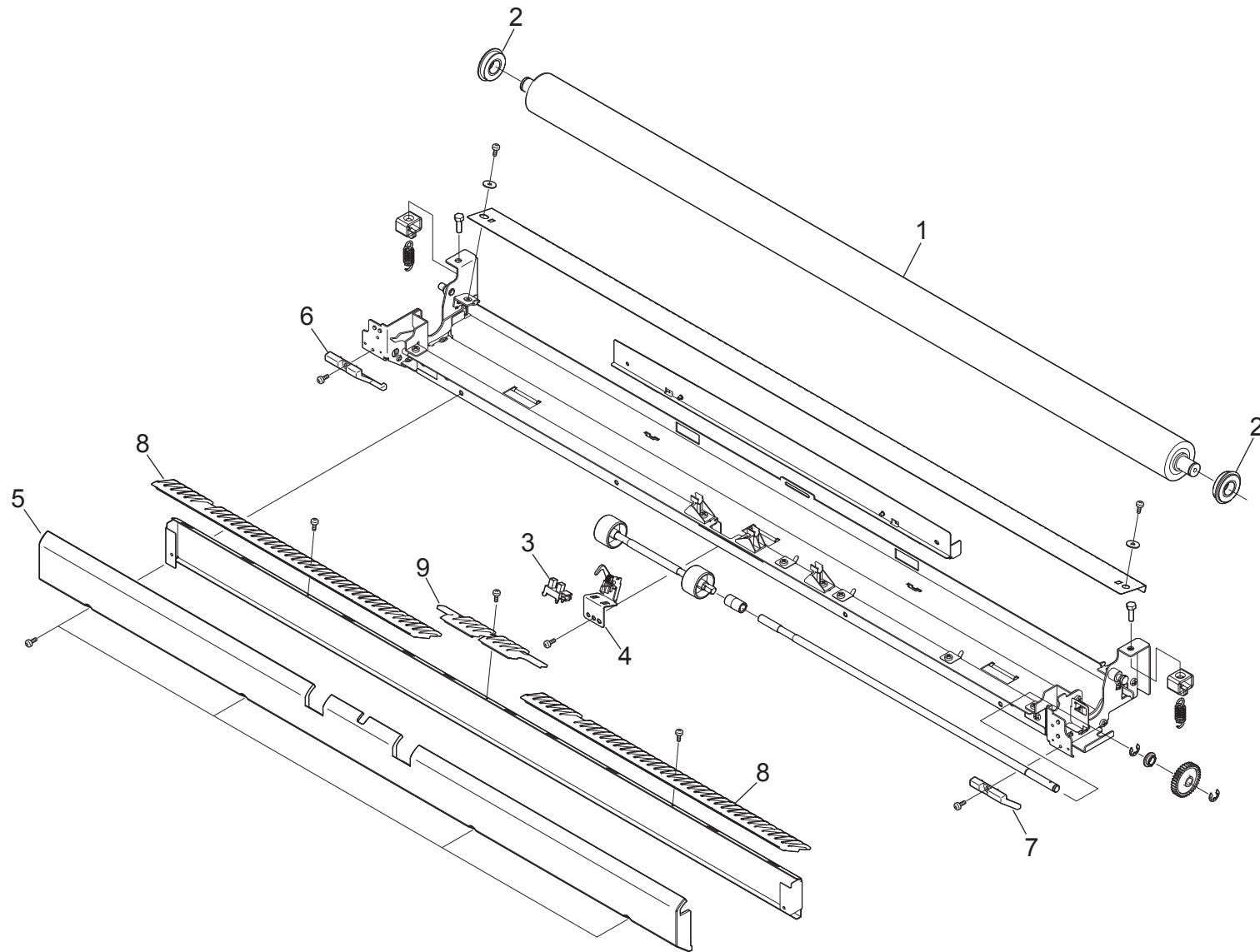


FIG. 13 LOWER FUSER ASSY

5J0

	Ref. No.	Part.No.	Alternative Part.No.	Description	Quantity	
					120	230
⊙	1	305J070080	5J070080	ROLLER PRESSURE 2	1	1
	2	305J070190	5J070190	BEARING(6002ZZNR)	2	2
⊙	3	305J070110	5J070110	SENSOR	1	1
	4	305J070700	5J070700	BRACKET 3 ASSY	1	1
	5	305J070650	5J070650	COVER 7	1	1
	6	305J070670	5J070670	COVER 9	1	1
	7	305J070660	5J070660	COVER 8	1	1
	8	305J070680	5J070680	GUIDE 3	2	2
	9	305J070690	5J070690	GUIDE 4	1	1

Parts with "⊙" indicate regular maintenance parts.

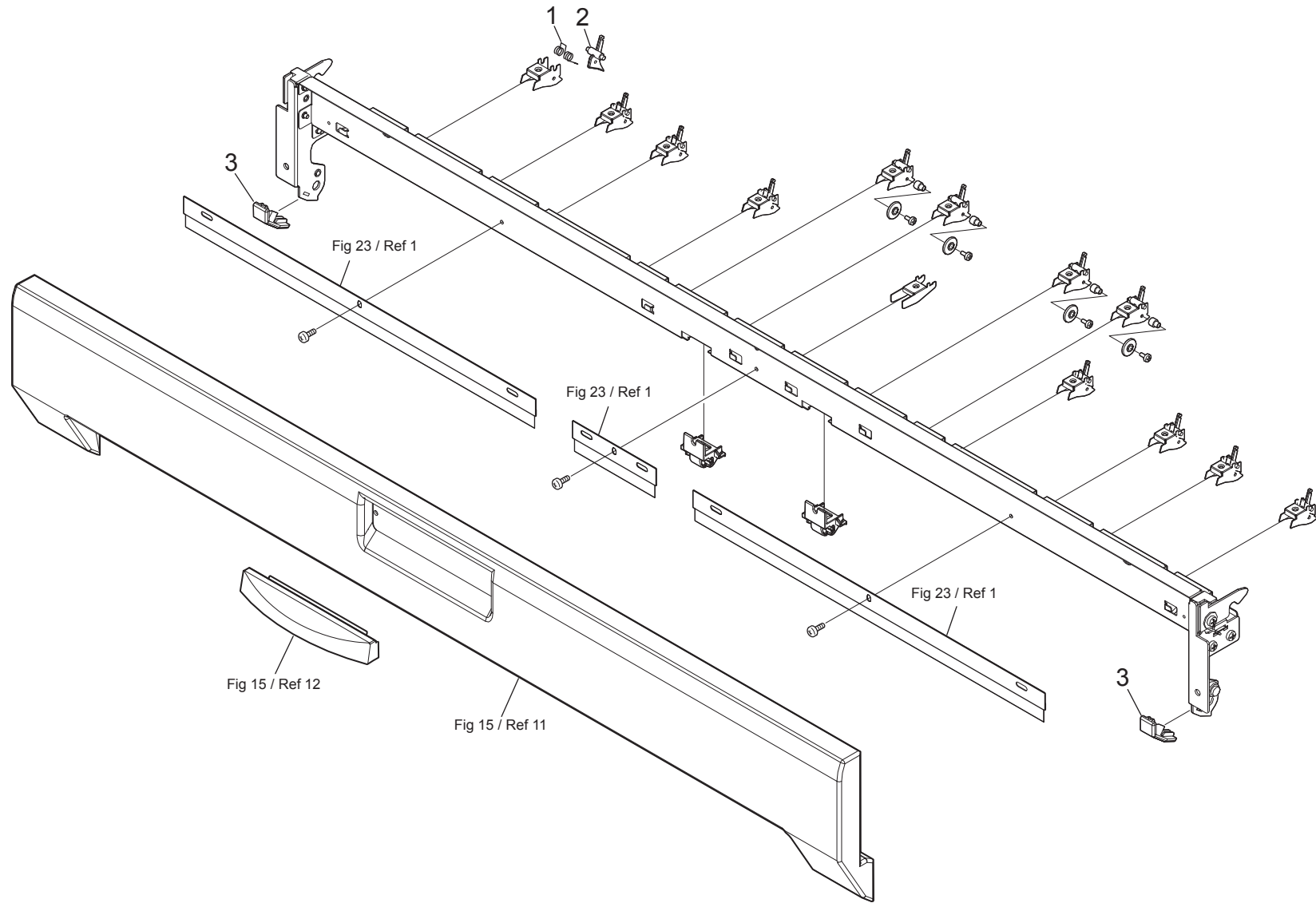


FIG. 14 PAPER EXIT ASSY

5J0

	Ref. No.	Part.No.	Alternative Part.No.	Description	Quantity	
					120	230
⊙	1	305J070720	5J070720	SPRING 4	12	12
	2	305H679940	5H679940	NAIL STRIPPING	12	12
	3	305J070640	5J070640	COVER 4	2	2

Parts with "⊙" indicate regular maintenance parts.

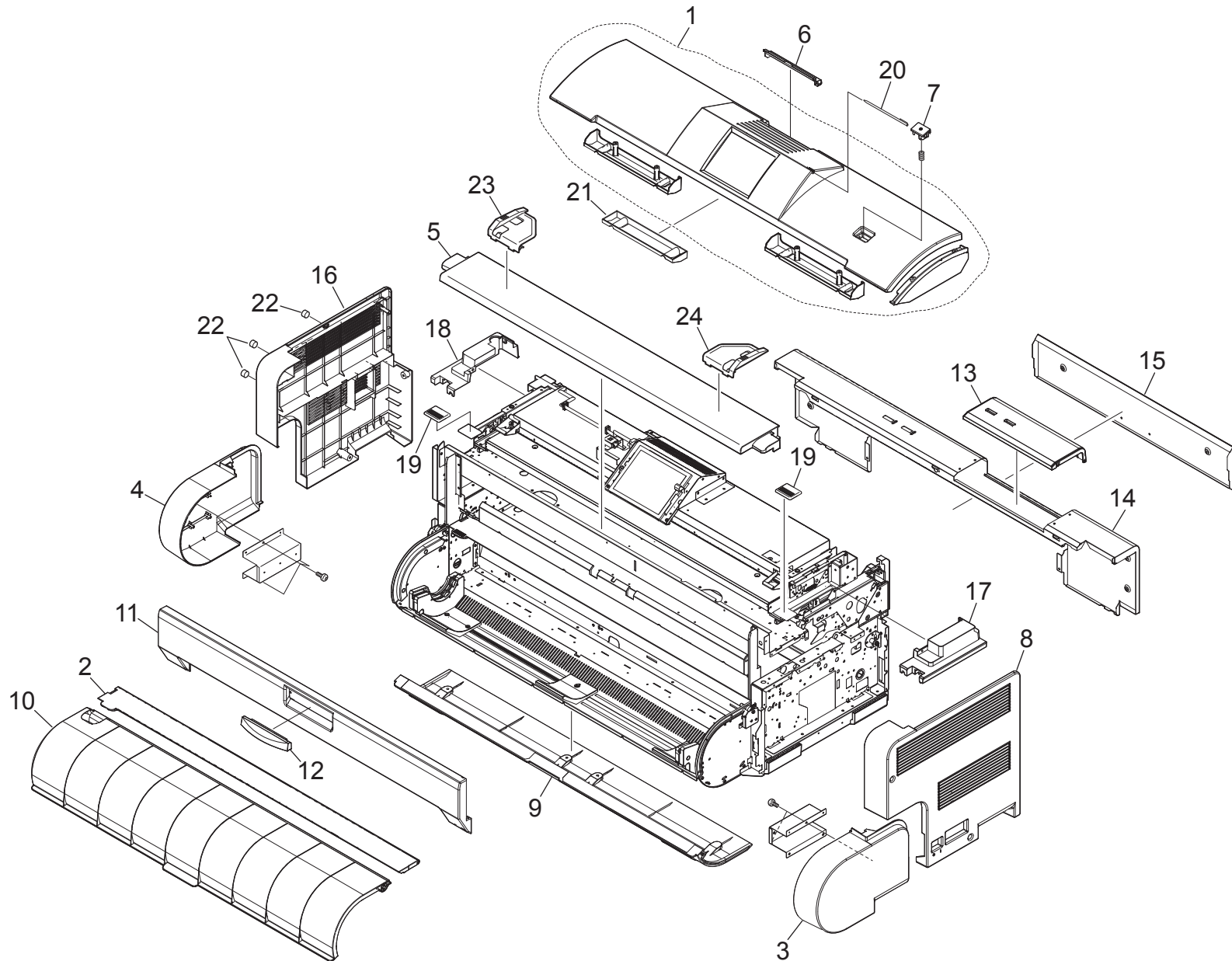


FIG. 15 PANEL ASSY

5J0

	Ref. No.	Part.No.	Alternative Part.No.	Description	Quantity	
					120	230
⊙	1	305J070390	5J070390	SCANNER COVER ASSY	1	1
	2	305J070440	5J070440	GUIDE 2	1	1
⊙	3	305J070280	5J070280	COVER 19	1	1
⊙	4	305J070290	5J070290	COVER 20	1	1
⊙	5	305J070230	5J070230	COVER 14	1	1
⊙	6	305J070260	5J070260	COVER 18	1	1
⊙	7	305J070270	5J070270	BUTTON	1	1
⊙	8	305J070210	5J070210	COVER 6	1	1
⊙	9	305J070300	5J070300	COVER 21	1	1
⊙	10	305J070310	5J070310	COVER 22	1	1
⊙	11	305J070630	5J070630	COVER	1	1
⊙	12	305J071290	5J071290	LEVER:MANUAL TRAY KNOB	1	1
⊙	13	305J070370	5J070370	COVER 36	1	1
⊙	14	305J070350	5J070350	COVER 32	1	1
⊙	15	305J070330	5J070330	COVER 31	1	1
⊙	16	305J070220	5J070220	COVER 7	1	1
⊙	17	305J070240	5J070240	COVER 16	1	1
⊙	18	305J070250	5J070250	COVER 17	1	1
	19	305J070610	5J070610	LEVER	2	2
	20	305J070320	5J070320	TOUCH PEN	1	1
	21	305J070340	5J070340	GUIDE COVER 2	1	1
	22	305J070380	5J070380	PAD	3	3
⊙	23	305JZ71200	5JZ71200	GUIDE ASSY	1	1
⊙	24	305JZ71210	5JZ71210	GUIDE 2 ASSY	1	1

Parts with "⊙" indicate regular maintenance parts.

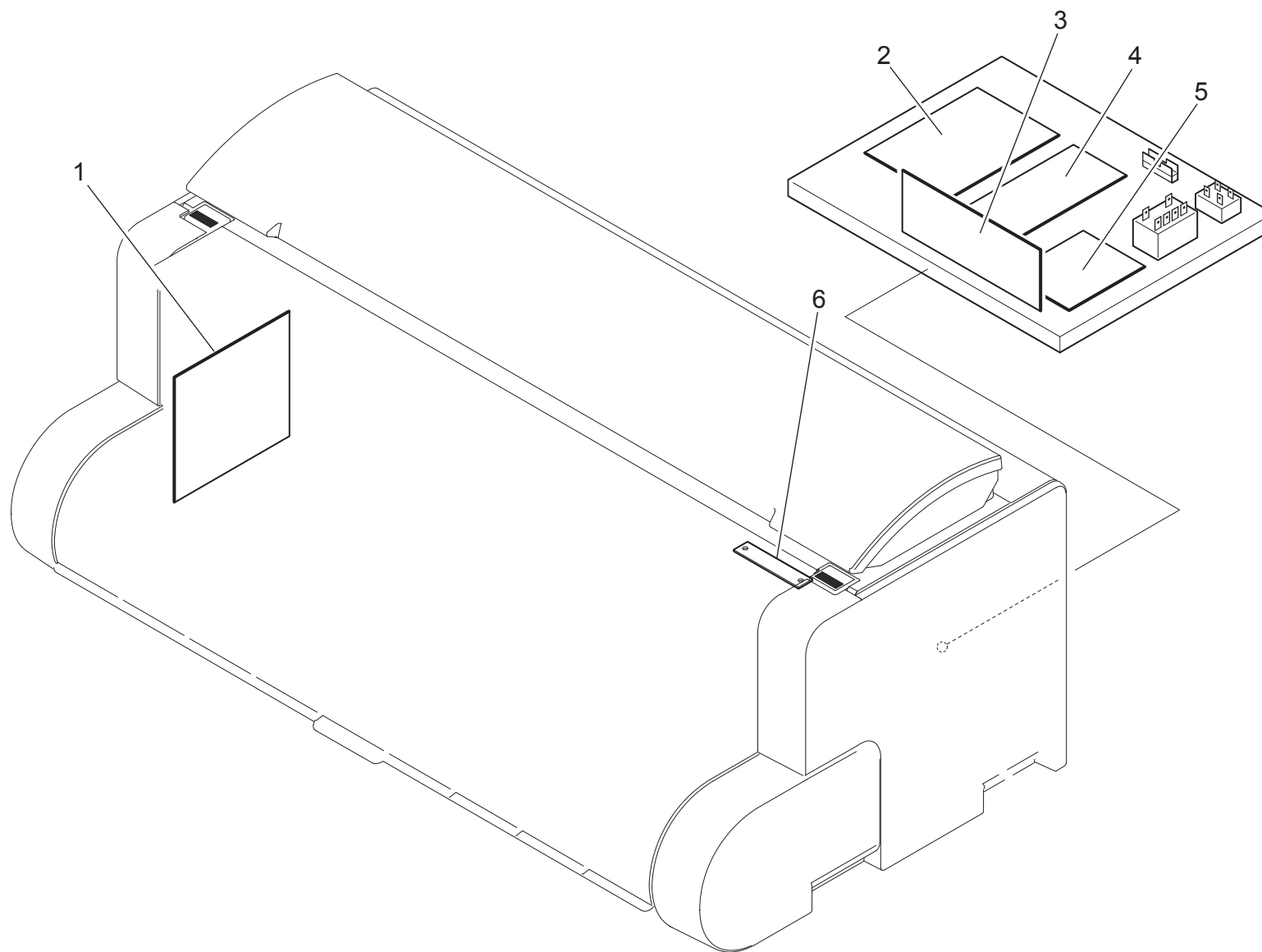


FIG. 16 PCB LOCATION 1

5J0

	Ref. No.	Part.No.	Alternative Part.No.	Description	Quantity	
					120	230
⊙	1	305JG73950	5JG73950	HV POWER SUPPLY	1	1
⊙	2	305J070040	5J070040	PWB:PW11720 PCB ASSY	1	1
⊙	3	305JZ70900	5JZ70900	DC POWER SUPPLY	1	1
⊙	4	305J070100	5J070100	DC POWER SUPPLY	1	1
⊙	5	305JZ70910	5JZ70910	PWB:PW11724 PCB ASSY	1	1
⊙	6	305H675990	5H675990	HV-ZD ASSY	1	1

Parts with "⊙" indicate regular maintenance parts.

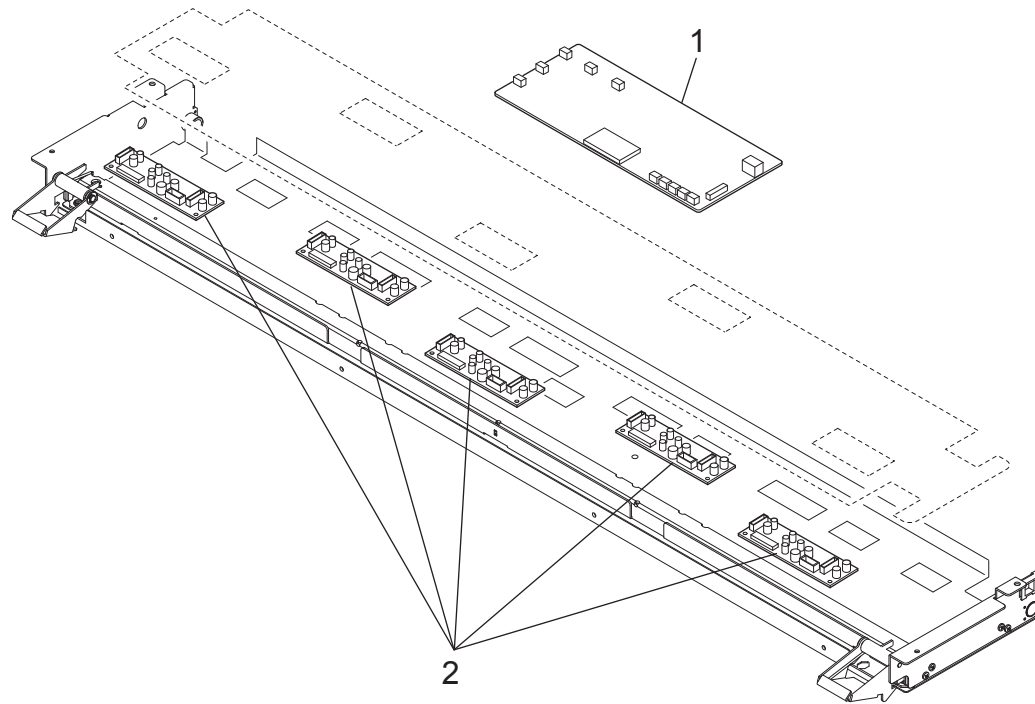


FIG. 17 PCB LOCATION 2 (SCANNER PART)

5J0

	Ref. No.	Part.No.	Alternative Part.No.	Description	Quantity	
					120	230
⊙	1	305J071110	5J071110	PWB:MAIN BOARD(117)	1	1
⊙	2	305JZ70930	5JZ70930	CIS BOARD (117)	5	5

Parts with "⊙" indicate regular maintenance parts.

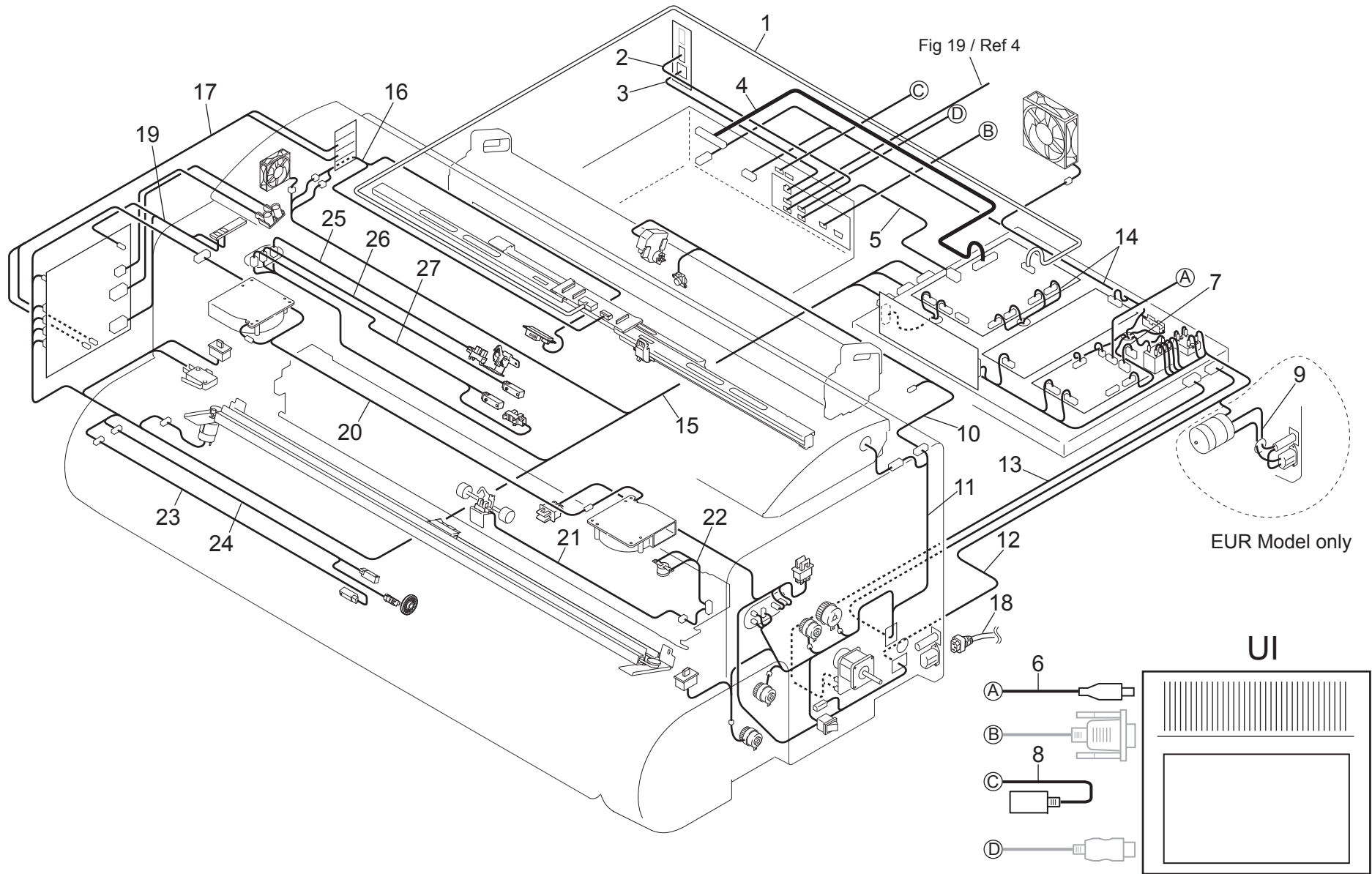


FIG. 18 HARNESS LIST 1

5J0

Ref. No.	Part.No.	Alternative Part.No.	Description	Quantity	
				120	230
1	305J070970	5J070970	HEAD CABLE 4	1	1
2	305J070960	5J070960	USB TERMINAL CABLE AA	1	1
3	305J070950	5J070950	LAN TERMINAL CABLE	1	1
4	305J070920	5J070920	IF CABLE	1	1
5	305J070910	5J070910	USB CABLE AB	1	1
6	305J070200	5J070200	UI DC SUPPLY HARNESS	1	1
7	305H676100	5H676100	SSR LEAD	1	
7	305J070930	5J070930	HARNESS:FLICKER LEAD(230V)		1
8	305J070990	5J070990	USB TERMINAL CABLE 2 AA	1	1
9	305J070760	5J070760	AC MAIN HARNESS 3(230V)		1
10	305J070850	5J070850	DEVELOPER HARNESS	1	1
11	305J070870	5J070870	DRIVING SIDE HARNESS	1	1
12	305J070740	5J070740	AC MAIN HARNESS(120V)	1	
12	305J070750	5J070750	AC MAIN HARNESS 2(230V)		1
13	305J070820	5J070820	HARNESS:MOTOR LEAD	1	1
14	305J070730	5J070730	DC MAIN HARNESS	1	1
15	305J070860	5J070860	ANTI-DRIVING SIDE HARNESS	1	1
16	305J070940	5J070940	PROCESS UNIT HARNESS	1	1
17	305J070830	5J070830	HARNESS:BIAS LEAD 2	1	1
18	305JG71120	5JG71120	POWER CABLE	1	
18	305JZ71000	5JZ71000	POWER CABLE (EU)		1
19	305J070840	5J070840	HARNESS:1ST LEAD	1	1
20	305J070770	5J070770	HARNESS:HEATER BOWER LEAD	1	1
21	305J070980	5J070980	HARNESS:EXIT SENSOR TRANSIT LEAD	1	1
22	305J070880	5J070880	EXIT SENSOR HARNESS	1	1
23	305J070890	5J070890	HARNESS:PAPER SENSOR LEAD	1	1
24	305J070900	5J070900	HARNESS:PAPER SENSOR LEAD 2	1	1
25	305J070810	5J070810	HARNESS:STRIP SENSOR LEAD	1	1
26	305J070790	5J070790	HARNESS:RESIST SENSOR LEAD	1	1
27	305J070800	5J070800	HARNESS:HAND SENSOR LEAD	1	1

Parts with "⊙" indicate regular maintenance parts.

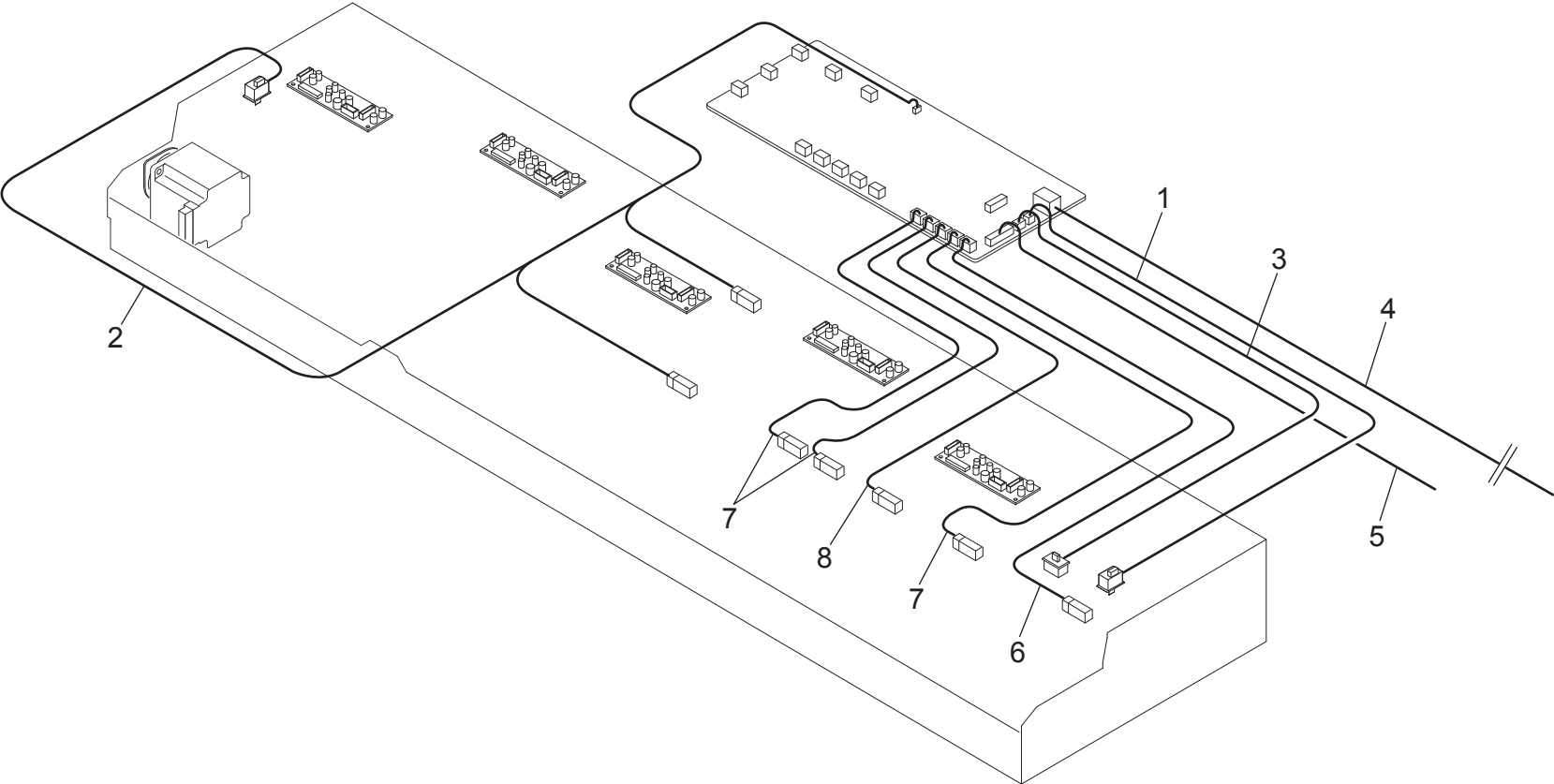


FIG. 19 HARNESS LIST 2(SCANNER PART 1)

5J0

	Ref. No.	Part.No.	Alternative Part.No.	Description	Quantity	
					120	230
	1	305JZ71110	5JZ71110	HARNESS 4	1	1
	2	305JZ71120	5JZ71120	HARNESS 3	1	1
	3	305JZ71130	5JZ71130	HARNESS 5	1	1
	4	305JG74250	5JG74250	USB CABLE 2.9	1	1
	5	305J071120	5J071120	HARNESS	1	1
	6	305JG74180	5JG74180	HARNESS 15	1	1
	7	305JG74160	5JG74160	HARNESS 13	3	3
	8	305JG74170	5JG74170	HARNESS 14	1	1

Parts with "⊙" indicate regular maintenance parts.

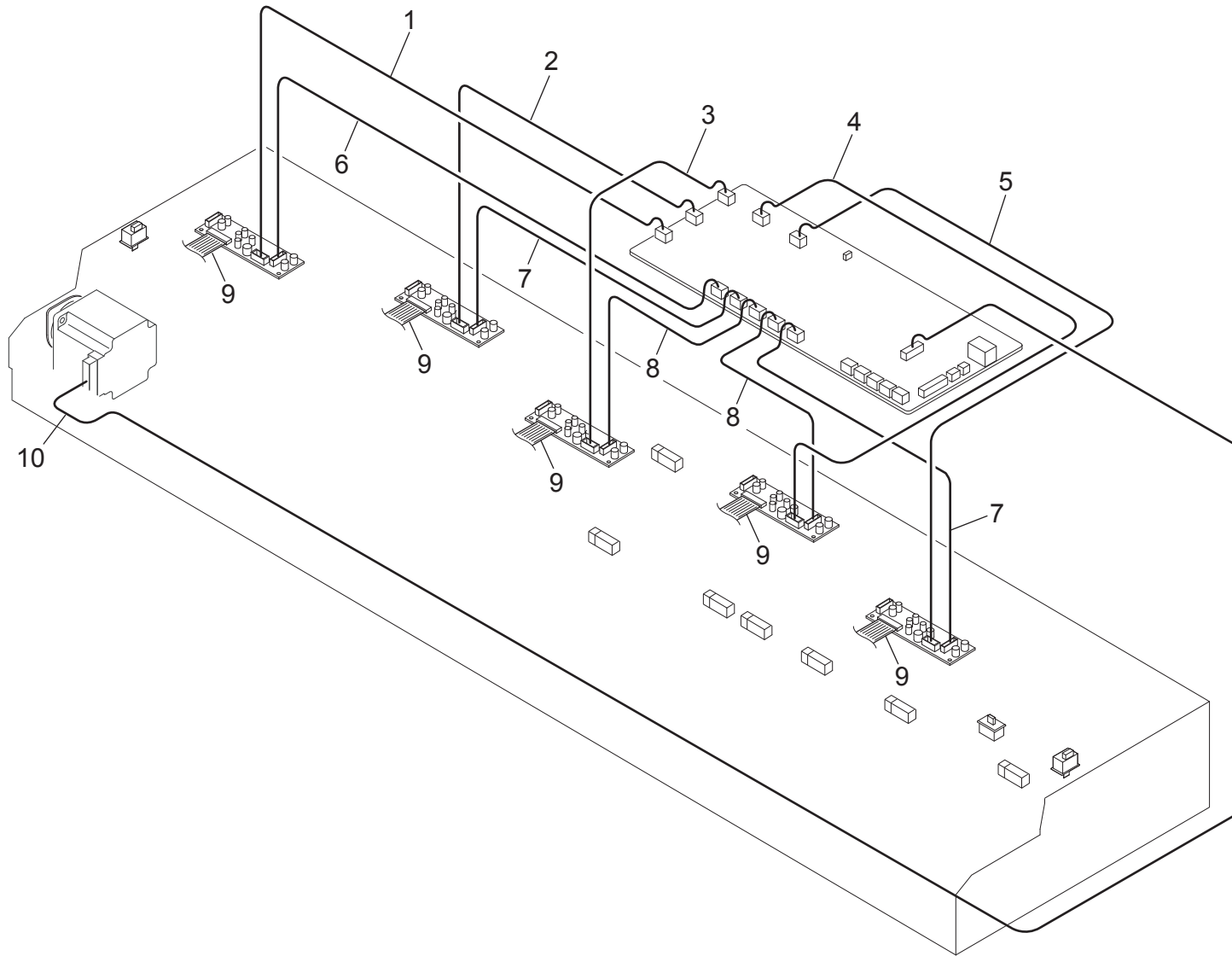


FIG. 20 HARNESS LIST 3(SCANNER PART 2)

5J0

	Ref. No.	Part.No.	Alternative Part.No.	Description	Quantity	
					120	230
	1	305JG74100	5JG74100	HARNESS 6	1	1
	2	305JG74110	5JG74110	HARNESS 7	1	1
	3	305JG74120	5JG74120	HARNESS 8	1	1
	4	305JG74130	5JG74130	HARNESS 9	1	1
	5	305JG74140	5JG74140	HARNESS 10	1	1
	6	305JZ71160	5JZ71160	HARNESS 6	1	1
	7	305JZ71170	5JZ71170	HARNESS 7	2	2
	8	305JZ71150	5JZ71150	HARNESS 8	2	2
⊙	9	305JZ71140	5JZ71140	HARNESS 29	5	5
	10	305J071130	5J071130	HARNESS 2	1	1

Parts with "⊙" indicate regular maintenance parts.

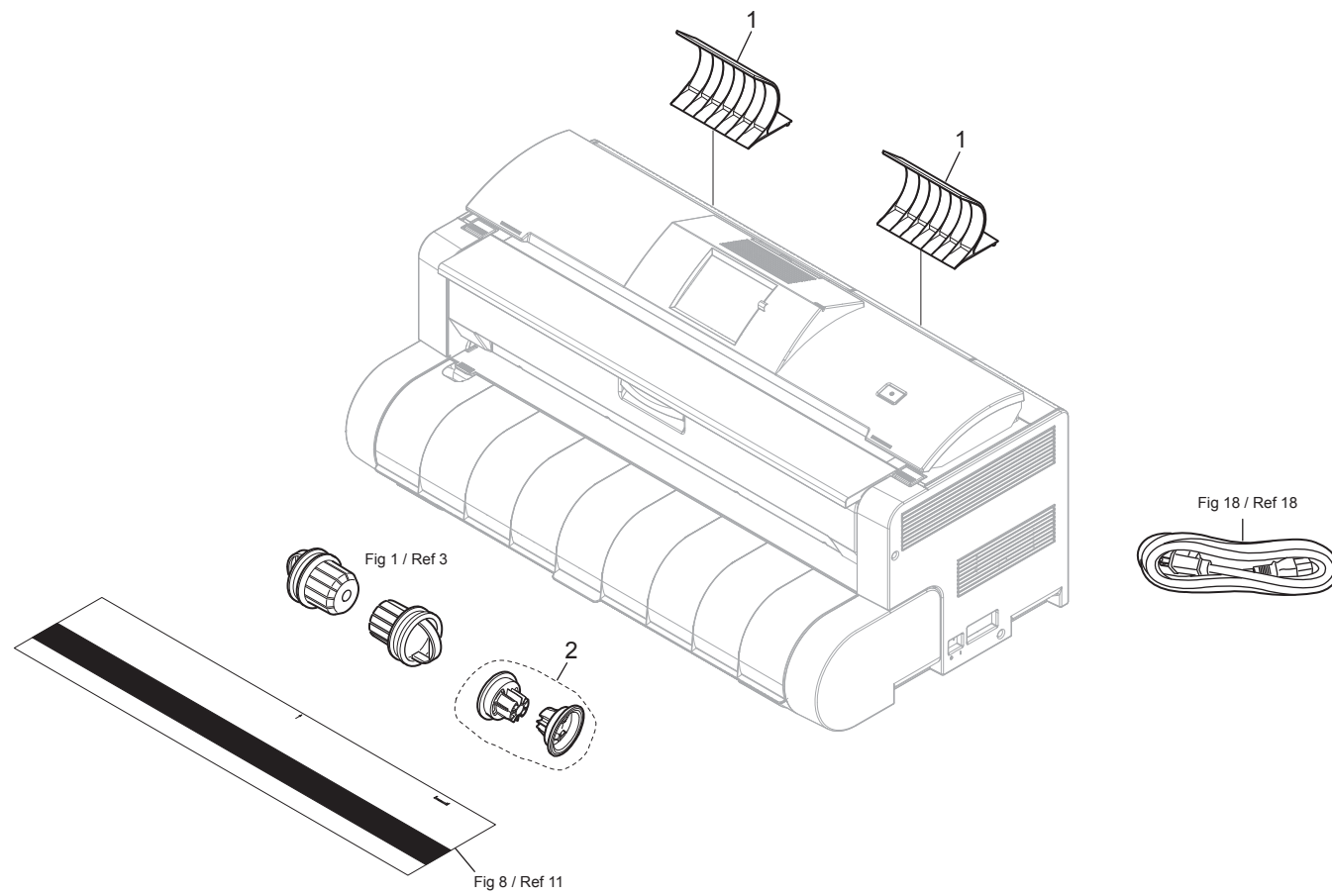


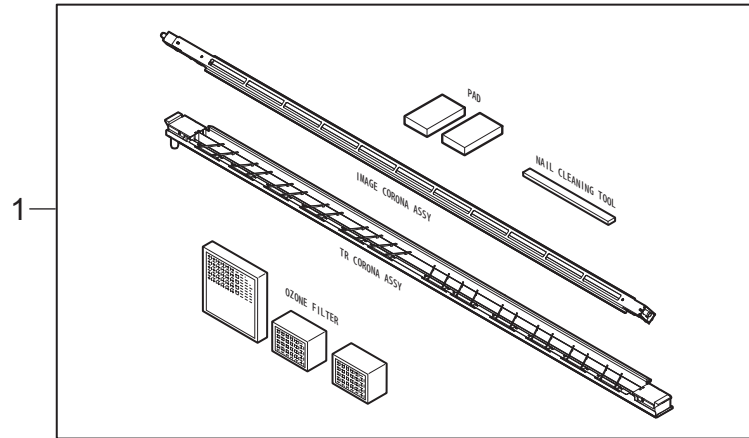
FIG. 21 ACCESSORY

5J0

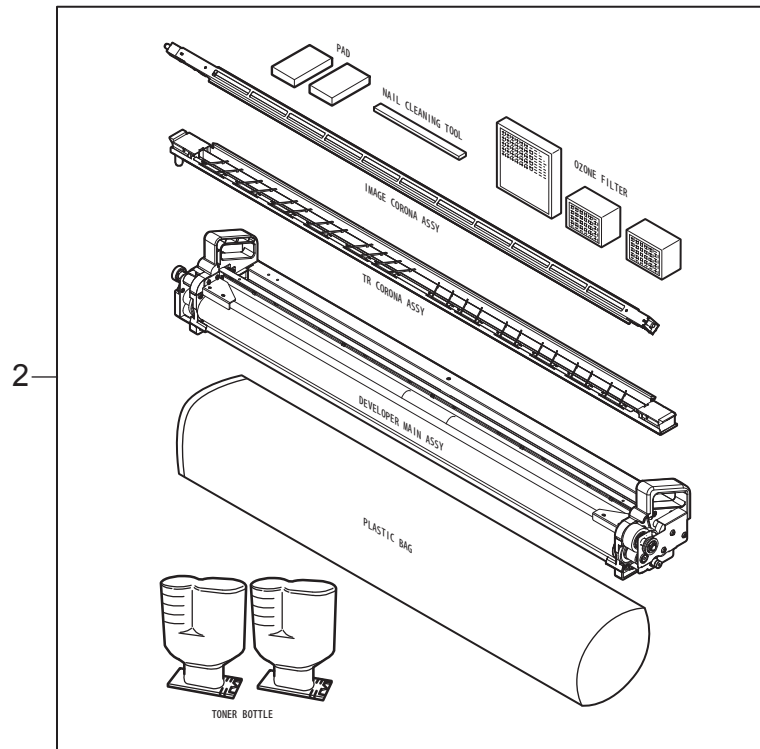
	Ref. No.	Part.No.	Alternative Part.No.	Description	Quantity	
					120	230
⊙	1	305J070360	5J070360	GUIDE	2	2
	2	305J071050	5J071050	FLANGE SET(2 INCH)	1	1

Parts with "⊙" indicate regular maintenance parts.

SERVICE KIT A



SERVICE KIT B



SERVICE KIT C

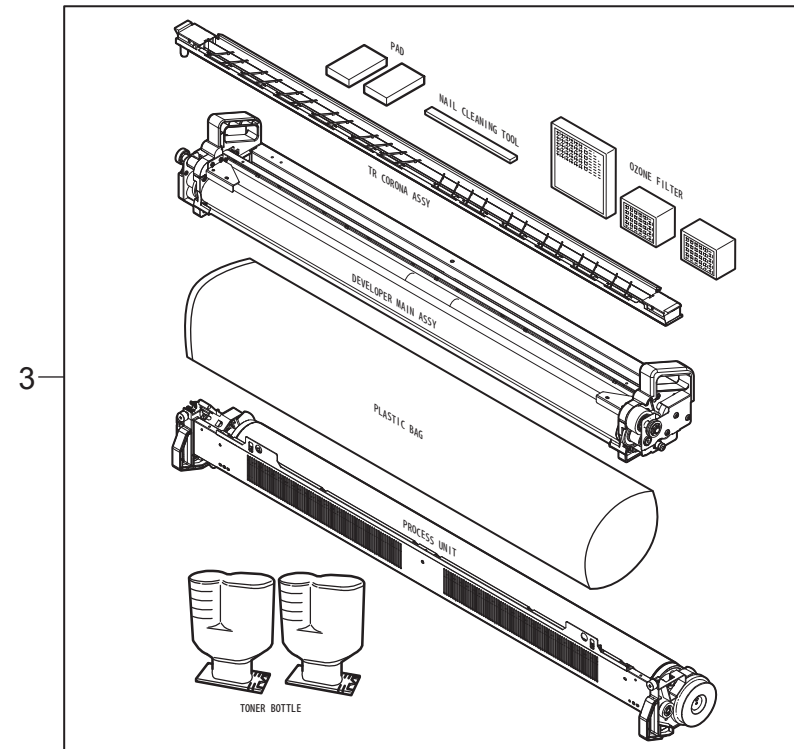


FIG. 22 KIT LIST 1

5J0

	Ref. No.	Part.No.	Alternative Part.No.	Description	Quantity	
					120	230
	1	1705J00UN0	075J00UN	SERVICE KIT A(OPTION)	1	1
	2	1705J00UN1	075J00U1	SERVICE KIT B(OPTION)	1	1
	3	1705J00UN2	075J00U2	SERVICE KIT C(OPTION)	1	1

Parts with "⊙" indicate regular maintenance parts.

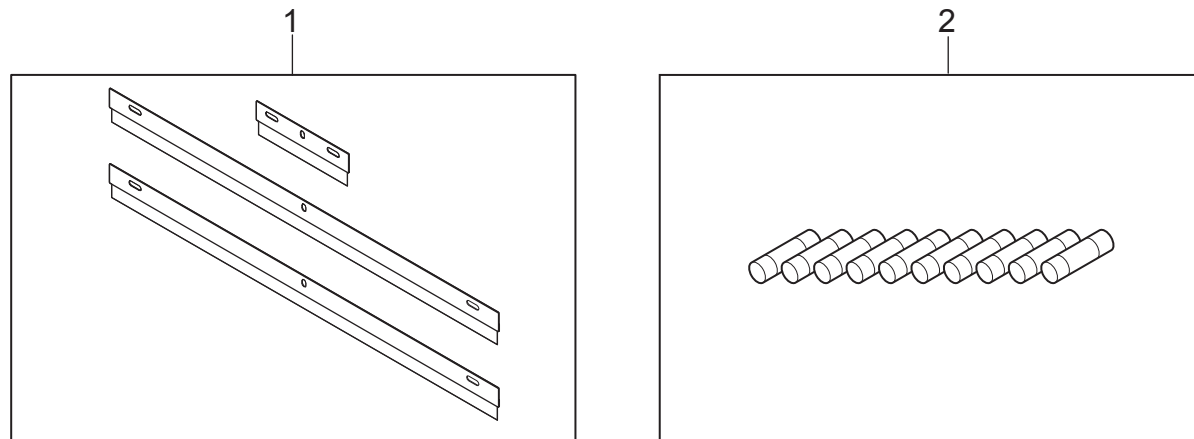


FIG. 23 KIT LIST 2

5J0

	Ref. No.	Part.No.	Alternative Part.No.	Description	Quantity	
					120	230
	1	305J071030	5J071030	BRUSH DISCHARGE SET	1	1
	2	305J071040	5J071040	FUSE SET	1	1

Parts with "⊙" indicate regular maintenance parts.

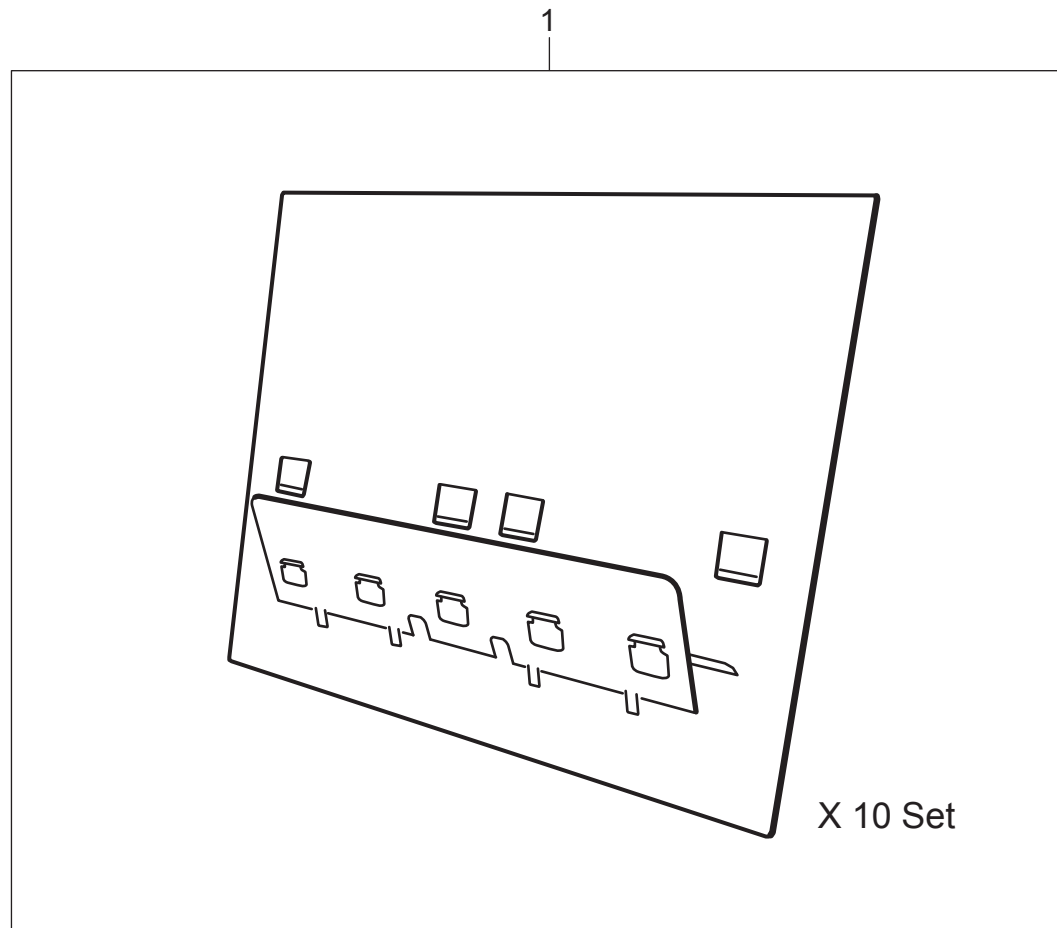


FIG. 24 SET HOLDER

5J0

	Ref. No.	Part.No.	Alternative Part.No.	Description	Quantity	
					120	230
	1	305J071060	5J071060	SET HOLDER SET	1	1

Parts with "⊙" indicate regular maintenance parts.

INDEX

5J0

	Part.No.	Alternative	Description	Fig.No.
	1705J00UN0	075J00UN	SERVICE KIT A	22
	1705J00UN1	075J00U1	SERVICE KIT B	22
	1705J00UN2	075J00U2	SERVICE KIT C	22
⊙	305H674850	5H674850	GEAR 28T	5
⊙	305H675950	5H675950	NOISE FILTER ASSY	5
⊙	305H675960	5H675960	INLET ASSY	5
⊙	305H675990	5H675990	HV-ZD ASSY	16
	305H676100	5H676100	SSR LEAD	18
	305H676710	5H676710	BEARING	9
⊙	305H676760	5H676760	SENSOR	10
	305H677120	5H677120	POM WASHER	9
	305H677180	5H677180	POLYSLIDER WASHER	9
	305H677210	5H677210	STUD	9
	305H677220	5H677220	BUSH	9
⊙	305H678130	5H678130	BREAKER	5
⊙	305H678200	5H678200	NOIZE FILTER	7
⊙	305H678790	5H678790	SENSOR	7
⊙	305H678900	5H678900	SWITCH	6,10
⊙	305H678970	5H678970	BREAKER	5
⊙	305H678980	5H678980	RELAY	7
⊙	305H679940	5H679940	NAIL STRIPPING	14
⊙	305H679980	5H679980	DC FAN ASSY	6
⊙	305H681430	5H681430	DC BLOWER(D12F-24BL 05)	4
⊙	305J070010	5J070010	CUTTER	1
⊙	305J070020	5J070020	THERMISTOR1	12
⊙	305J070030	5J070030	THERMISTOR2	12
⊙	305J070040	5J070040	PWB:PW11720 PCB ASSY	16
⊙	305J070050	5J070050	LAMP 230V	12
⊙	305J070060	5J070060	LAMP 120V	12
⊙	305J070070	5J070070	LED HEAD ASSY	2
⊙	305J070080	5J070080	ROLLER PRESSURE 2	13
⊙	305J070090	5J070090	ROLLER FUSING 5	12
⊙	305J070100	5J070100	DC POWER SUPPLY	16
⊙	305J070110	5J070110	SENSOR	7,13
⊙	305J070120	5J070120	SENSOR	6
⊙	305J070130	5J070130	SENSOR	7
⊙	305J070140	5J070140	SWITCH	6
⊙	305J070150	5J070150	SWITCH	4
⊙	305J070160	5J070160	MICRO CLUTCH	5
⊙	305J070170	5J070170	STEPPING CLUTCH	5

	Part.No.	Alternative	Description	Fig.No.
⊙	305J070180	5J070180	MOTOR LIFT	11
	305J070190	5J070190	BEARING(6002ZZNR)	13
	305J070200	5J070200	UI DC SUPPLY HARNESS	18
⊙	305J070210	5J070210	COVER 6	15
⊙	305J070220	5J070220	COVER 7	15
⊙	305J070230	5J070230	COVER 14	15
⊙	305J070240	5J070240	COVER 16	15
⊙	305J070250	5J070250	COVER 17	15
⊙	305J070260	5J070260	COVER 18	15
⊙	305J070270	5J070270	BUTTON	15
⊙	305J070280	5J070280	COVER 19	15
⊙	305J070290	5J070290	COVER 20	15
⊙	305J070300	5J070300	COVER 21	15
⊙	305J070310	5J070310	COVER 22	15
	305J070320	5J070320	TOUCH PEN	15
⊙	305J070330	5J070330	COVER 31	15
	305J070340	5J070340	GUIDE COVER 2	15
⊙	305J070350	5J070350	COVER 32	15
⊙	305J070360	5J070360	GUIDE	21
⊙	305J070370	5J070370	COVER 36	15
	305J070380	5J070380	PAD	15
⊙	305J070390	5J070390	SCANNER COVER ASSY	15
	305J070440	5J070440	GUIDE 2	15
⊙	305J070450	5J070450	40T GEAR 32T PULLEY	5
	305J070460	5J070460	30T-54T PULLEY	3
	305J070470	5J070470	30T-60T PULLEY	3
	305J070480	5J070480	24T HELICAL 32 PULLEY	3
	305J070490	5J070490	30T-75T PULLEY	5
	305J070500	5J070500	BELT:100S2M520G	5
	305J070510	5J070510	BELT:100S3M453G	3
	305J070520	5J070520	BELT:100S3M387G	3
	305J070530	5J070530	BELT:100S3M255G	3
⊙	305J070540	5J070540	18T-30T GEAR	5
⊙	305J070550	5J070550	60T GEAR 40T PULLEY	5
⊙	305J070560	5J070560	48T GEAR 40T PULLEY	5
⊙	305J070570	5J070570	23T GEAR	5
⊙	305J070580	5J070580	30T GEAR	7
	305J070590	5J070590	24 PULLEY	5
	305J070600	5J070600	BELT:115S3M963G	5
	305J070610	5J070610	LEVER	15

	Part.No.	Alternative	Description	Fig.No.
⊙	305J070630	5J070630	COVER	15
	305J070640	5J070640	COVER 4	14
	305J070650	5J070650	COVER 7	13
	305J070660	5J070660	COVER 8	13
	305J070670	5J070670	COVER 9	13
	305J070680	5J070680	GUIDE 3	13
	305J070690	5J070690	GUIDE 4	13
	305J070700	5J070700	BRACKET 3 ASSY	13
⊙	305J070710	5J070710	HOPPER ASSY	1
	305J070720	5J070720	SPRING 4	14
	305J070730	5J070730	DC MAIN HARNESS	18
	305J070740	5J070740	AC MAIN HARNESS(120V)	18
	305J070750	5J070750	AC MAIN HARNESS 2(230V)	18
	305J070760	5J070760	AC MAIN HARNESS 3(230V)	18
	305J070770	5J070770	HARNESS:HEATER BOWER LEAD	18
⊙	305J070780	5J070780	HV SOCKET ASSY	6
	305J070790	5J070790	HARNESS:RESIST SENSOR LEAD	18
	305J070800	5J070800	HARNESS:HAND SENSOR LEAD	18
	305J070810	5J070810	HARNESS:STRIP SENSOR LEAD	18
	305J070820	5J070820	HARNESS:MOTOR LEAD	18
	305J070830	5J070830	HARNESS:BIAS LEAD 2	18
	305J070840	5J070840	HARNESS:1ST LEAD	18
	305J070850	5J070850	DEVELOPER HARNESS	18
	305J070860	5J070860	ANTI-DRIVING SIDE HARNESS	18
	305J070870	5J070870	DRIVING SIDE HARNESS	18
	305J070880	5J070880	EXIT SENSOR HARNESS	18
	305J070890	5J070890	HARNESS:PAPER SENSOR LEAD	18
	305J070900	5J070900	HARNESS:PAPER SENSOR LEAD 2	18
	305J070910	5J070910	USB CABLE AB	18
	305J070920	5J070920	IF CABLE	18
	305J070930	5J070930	HARNESS:FLICKER LEAD(230V)	18
	305J070940	5J070940	PROCESS UNIT HARNESS	18
	305J070950	5J070950	LAN TERMINAL CABLE	18
	305J070960	5J070960	USB TERMINAL CABLE AA	18
	305J070970	5J070970	HEAD CABLE 4	18
	305J070980	5J070980	HARNESS:EXIT SENSOR TRANSIT LEAD	18
	305J070990	5J070990	USB TERMINAL CABLE 2 AA	18
⊙	305J071000	5J071000	TOUCH PANEL LCD UNIT	1
⊙	305J071020	5J071020	BRACKET 221 ASSY (SENSOR)	6
	305J071030	5J071030	BRUSH DISCHARGE SET	23

	Part.No.	Alternative	Description	Fig.No.
	305J071040	5J071040	FUSE SET	23
	305J071050	5J071050	FLANGE SET(2 INCH)	21
	305J071060	5J071060	SET HOLDER SET	24
⊙	305J071110	5J071110	PWB:MAIN BOARD(117)	17
	305J071120	5J071120	HARNESS	19
	305J071130	5J071130	HARNESS 2	20
⊙	305J071140	5J071140	MOTOR ASSY	9
	305J071150	5J071150	DAMPER L	9
	305J071160	5J071160	DAMPER R	9
	305J071170	5J071170	GEAR (LATCH)	9
	305J071180	5J071180	GEAR (DAMP)	9
	305J071190	5J071190	BELT 40S2M220	9
	305J071200	5J071200	BELT 40S2M266	9
⊙	305J071210	5J071210	PULLEY 36Z F	9
⊙	305J071220	5J071220	PULLEY 36Z R	9
⊙	305J071230	5J071230	MOTOR PULLEY 24Z	9
	305J071240	5J071240	SHEET GUIDE 117	8
	305J071250	5J071250	SPRING	9
	305J071260	5J071260	SPRING 2	8
	305J071270	5J071270	GUIDE:P GUARD DOC C	8
	305J071280	5J071280	GUIDE:P GUARD DOC MC	8
⊙	305J071290	5J071290	LEVER:MANUAL TRAY KNOB	15
⊙	305JG70130	5JG70130	CAP SET	1
	305JG70640	5JG70640	PRESS ASSY 1	9
	305JG70650	5JG70650	PRESS ASSY 2	9
	305JG70660	5JG70660	PRESS ASSY 3	9
⊙	305JG71080	5JG71080	TONER DENSITY SENSOR	3
⊙	305JG71100	5JG71100	THERMOSTAT	12
⊙	305JG71110	5JG71110	SOLID STATE RELAY	7
	305JG71120	5JG71120	POWER CABLE	18
	305JG71140	5JG71140	BEARING (608ZZ/L353)	5
⊙	305JG73950	5JG73950	HV POWER SUPPLY	16
⊙	305JG73960	5JG73960	DC MOTOR	5
	305JG74100	5JG74100	HARNESS 6	20
	305JG74110	5JG74110	HARNESS 7	20
	305JG74120	5JG74120	HARNESS 8	20
	305JG74130	5JG74130	HARNESS 9	20
	305JG74140	5JG74140	HARNESS 10	20
	305JG74160	5JG74160	HARNESS 13	19
	305JG74170	5JG74170	HARNESS 14	19

	Part.No.	Alternative	Description	Fig.No.
	305JG74180	5JG74180	HARNESS 15	19
	305JG74250	5JG74250	USB CABLE 2.9	19
⊙	305JG74290	5JG74290	FEED ROLLER F	9
⊙	305JG74300	5JG74300	FEED ROLLER R	9
⊙	305JG74360	5JG74360	SCAN GLASS ASSY	9
⊙	305JG74370	5JG74370	PINCH ROLLER ASSY	9
	305JG74380	5JG74380	STAY ASSY	9
	305JG74560	5JG74560	STITCH ADJUSTMENT CHART	8
⊙	305JG74600	5JG74600	X3 DOC ROLL ASSY	8
	305JG74610	5JG74610	P4 GUARD DOC S	8
	305JG74620	5JG74620	P4 GUARD DOC M	8
	305JG74630	5JG74630	P4 GUARD DOC L	8
	305JG74650	5JG74650	P4 GUARD DOC 55	8
⊙	305JG74950	5JG74950	SOLID STATE RELAY	7
	305JG77040	5JG77040	SPRING 2(10PCS)	8
	305JZ70040	5JZ70040	CONTROLLER ASSY:IPS DC1 CONTROLLER	1
⊙	305JZ70070	5JZ70070	HDD:SATA HDD 2.5" 250G (BLANK)	1
⊙	305JZ70080	5JZ70080	MEMORY DDR2 DIMM 800 1G	1
⊙	305JZ70090	5JZ70090	DC-DC POWER SUPPLY	1
⊙	305JZ70100	5JZ70100	PWB:MOTHER BOARD	1
⊙	305JZ70140	5JZ70140	FAN ASSY	6
⊙	305JZ70150	5JZ70150	SWITCH	5
⊙	305JZ70180	5JZ70180	CIS SENSOR C	8
	305JZ70210	5JZ70210	SHADING SEAT	8
	305JZ70220	5JZ70220	SLEEVE	8
	305JZ70230	5JZ70230	SPRING 3	9
	305JZ70240	5JZ70240	FIX ROLLER ASSY	10
⊙	305JZ70900	5JZ70900	DC POWER SUPPLY	16
⊙	305JZ70910	5JZ70910	PWB:PW11724 PCB ASSY	16
⊙	305JZ70930	5JZ70930	CIS BOARD (117)	17
	305JZ71000	5JZ71000	POWER CABLE (EU)	18
	305JZ71110	5JZ71110	HARNESS 4	19
	305JZ71120	5JZ71120	HARNESS 3	19
	305JZ71130	5JZ71130	HARNESS 5	19
⊙	305JZ71140	5JZ71140	HARNESS 29	20
	305JZ71150	5JZ71150	HARNESS 8	20
	305JZ71160	5JZ71160	HARNESS 6	20
	305JZ71170	5JZ71170	HARNESS 7	20
⊙	305JZ71200	5JZ71200	GUIDE ASSY	15
⊙	305JZ71210	5JZ71210	GUIDE 2 ASSY	15

KYOCERA MITA EUROPE B.V.

Bloemlaan 4, 2132 NP Hoofddorp,
The Netherlands
Phone: +31.20.654.0000
Home page: <http://www.kyoceramita-europe.com>
Email: info@kyoceramita-europe.com

KYOCERA MITA NEDERLAND B.V.
Beechavenue 25, 1119RA Schiphol-Rijk
The Netherlands
Phone: +31.20.58.77.200

KYOCERA MITA (UK) LTD
8 Beacontree Plaza
Gillette Way Reading Berks RG2 0BS,
U.K.
Phone: +44.1189.311.500

KYOCERA MITA ITALIA S.p.A.
Via G. Verdi, 89 / 91, 20063 Cernusco s/N
Milano, Italy
Phone: +39.02.92179.1

S.A. KYOCERA MITA BELGIUM N.V.
Sint-Martinusweg 199-201, 1930 Zaventem,
Belgium
Phone: +32.2.720.9270

KYOCERA MITA FRANCE S.A.
Espace Technologique de St Aubin
Route de l' Orme
91195 Gif-sur-Yvette CEDEX, France
Phone: +33.1.6985.2600

KYOCERA MITA ESPAÑA S.A.
Edificio Kyocera, Avda de Manacor No. 2,
28290 Las Matas (Madrid),
Spain
Phone: +34.91.631.8392

KYOCERA MITA FINLAND OY
Atomitie 5C, 00370 Helsinki,
Finland
Phone: +358.9.4780.5200

KYOCERA MITA (SCHWEIZ)
Hohlstrasse 614, 8048 Zürich
Switzerland
Phone: +41.44.908.4949

KYOCERA MITA DEUTSCHLAND GMBH
Otto-Hahn-Str. 12 D-40670 Meerbusch,
Germany
Phone: +49.2159.918.0

KYOCERA MITA GMBH AUSTRIA
Eduard-Kittenberger-Gasse 95,
1230 Wien,
Austria
Phone: +43.1.86338

KYOCERA MITA SVENSKA AB
Esbogatan 16B 164 75 Kista,
Sweden
Phone: +46.8.546.55000

KYOCERA MITA NORGE
Postboks 150 Oppsal, NO 0619 Oslo
Olaf Helsetsvei 6, NO 0694 Oslo,
Norway
Phone: +47.22.62.73.00

KYOCERA MITA DANMARK A/S
Ejby Industrivej 60, DK-2600 Glostrup,
Denmark
Phone: +45.7022.3880

KYOCERA MITA PORTUGAL LDA.
Rua do Centro Cultural, 41 (Alvalade) 1700-106 Lisboa,
Portugal
Phone: +351.21.843.6780

KYOCERA MITA SOUTH AFRICA (PTY) LTD.
49 Kyalami Boulevard,
Kyalami Business Park Midrand,
South Africa
Phone: +27.(0)11.540.2600

KYOCERA MITA AMERICA, INC.

Headquarters:
225 Sand Road,
Fairfield, New Jersey 07004-0008,
U.S.A.
Phone: (973) 808-8444

KYOCERA MITA AUSTRALIA PTY. LTD.
Level 3, 6-10 Talavera Road, North Ryde,
N.S.W. 2113 Australia
Phone: (02) 9888-9999

KYOCERA MITA NEW ZEALAND LTD.
1-3 Parkhead Place, Albany
P.O. Box 302 125 NHPC, Auckland,
New Zealand
Phone: (09) 415-4517

KYOCERA MITA Asia Limited

16/F., Mita Centre,
552-566, Castle Peak Road,
Tsuen Wan, New Territories, Hong Kong
Phone: (852)-2610-2181

KYOCERA MITA Corporation

2-28, 1-chome, Tamatsukuri, Chuo-ku
Osaka 540-8585, Japan
Phone: (06) 6764-3555
<http://www.kyoceramita.com>

©2011 KYOCERA MITA Corporation

 is a trademark of Kyocera Corporation

WWW.SERVICE-MANUAL.NET

KYOCERA MITA AMERICA, INC.

Headquarters:

225 Sand Road,
Fairfield, New Jersey 07004-0008
TEL : (973) 808-8444
FAX : (973) 882-6000

New York Branch:

30-30 47th Avenue
Long Island City, NY 11101
TEL : (718) 289-2500
FAX : (718) 289-2501

Northeastern Region:

225 Sand Road,
Fairfield, New Jersey 07004-0008
TEL : (973) 808-8444
FAX : (973) 882-4401

Midwestern Region:

201 Hansen Court Suite 119
Wood Dale, Illinois 60191
TEL : (630) 238-9982
FAX : (630) 238-9487

Western Region:

14101 Alton Parkway,
Irvine, California 92618-7006
TEL : (949) 457-9000
FAX : (949) 457-9119

Southeastern Region:

3100 Breckinridge Blvd. NW Building 100,
Suite 105 Duluth, Georgia 30096
TEL : (770) 729-9786
FAX : (770) 729-9873

Southwestern Region:

2825 West Story Road,
Irving, Texas 75038-5299
TEL : (972) 550-8987
FAX : (972) 570-4704

National Operation Center & National Training Center:

2825 West Story Road,
Irving, Texas 75038-5299
TEL : (972) 659-0055
FAX : (972) 570-5816

Latin America Division:

8240 N.W. 52nd. Terrace Dawson Building,
Suite 108 Miami, Florida 33166
TEL : (305) 421-6640
FAX : (305) 421-6666

KYOCERA MITA CANADA, LTD.

6120 Kestrel Road, Mississauga,
Ontario L5T 1S8, Canada
TEL : (905) 670-4425
FAX : (905) 670-8116

KYOCERA MITA MEXICO, S.A. DE C.V.

Av. 16 de Septiembre #407
Col. Santa Inés,
Azcapotzalco México,
D.F. 02130, México
TEL : (55) 5383-2741
FAX : (55) 5383-7804

KYOCERA MITA Brazil Ltda.

Av. Tambore, 1180 Mob.B-09 CEP 06460-000
Tambore-Barveri-SP,
Brazil
TEL : (55) 11-4195-8496
FAX : (55) 11-4195-6167

KYOCERA MITA Asia Limited

16/F., Mita Centre,
552-566, Castle Peak Road,
Tsuen Wan, New Territories, Hong Kong
Phone: (852)-2610-2181

KYOCERA MITA (Thailand) Corp., Ltd.

335 Ratchadapisek Road, Bangsue,
Bangkok, 10800, Thailand
Phone: (66)-2-586-0333

KYOCERA MITA Singapore Pte Ltd.

121 Genting Lane, 3rd Level,
Singapore 349572
Phone: (65)-6741-8733

KYOCERA MITA Hong Kong Limited

16/F., Mita Centre,
552-566, Castle Peak Road,
Tsuen Wan, New Territories,
Hong Kong
Phone: (852)-2429-7422

KYOCERA MITA Taiwan Corporation

6F., No.37, Sec. 3, Minquan E. Rd.,
Zhongshan Dist., Taipei 104, Taiwan R.O.C.
Phone: (886)-2-2507-6709

KYOCERA MITA Korea Co., Ltd.

18F, Kangnam bldg, 1321-1,
Seocho-Dong, Seocho-Gu, Seoul, Korea
Phone: (822)-6933-4050

KYOCERA MITA India Private Limited

First Floor, ORCHID CENTRE
Sector-53, Golf Course Road, Gurgaon 122
002, India
Phone: (91)-0124-4671000

©2011 KYOCERA MITA Corporation

 is a trademark of Kyocera Corporation