



**TASKalfa 1800**

**TASKalfa 1801**

**TASKalfa 2200**

**TASKalfa 2201**

**PARTS LIST**

Published in January 2014

2NNPL072

842NN122

Rev.2



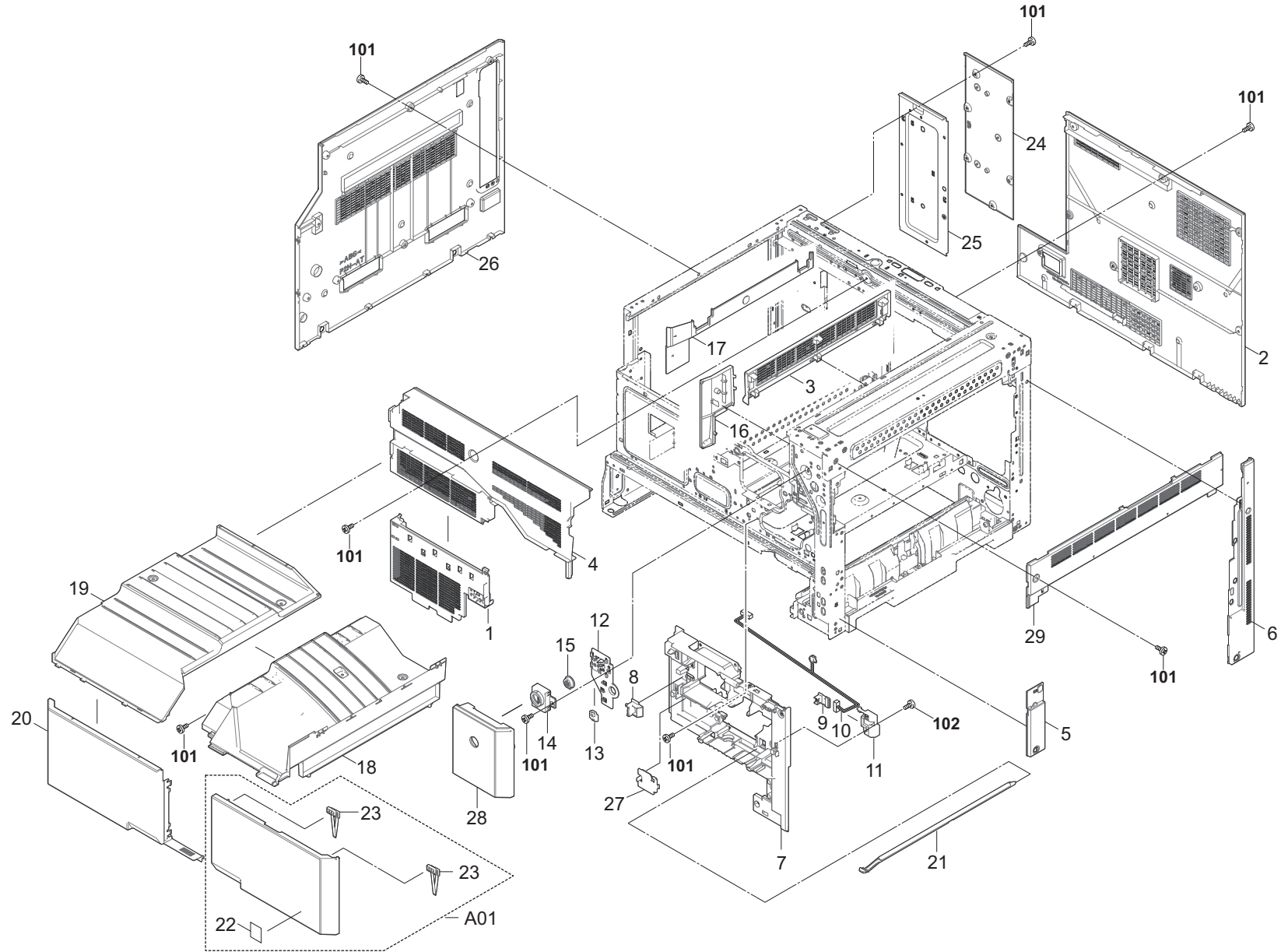


FIG. 1 Covers

2NC/2NF/2NG/2NN-1

Ref. No.	Part.No.	Alternative.	Description	Notes	Quantity		
					120	230	240
1	302NG04130	2NG04130	COVER MIDDLE REAR		1	1	1
2	302NG04140	2NG04140	COVER REAR		1	1	1
3	302NG04230	2NG04230	COVER EXIT UPPER		1	1	1
4	302NG04090	2NG04090	COVER EXIT REAR		1	1	1
5	302NG04040	2NG04040	COVER RIGHT FRONT		1	1	1
6	302NG04050	2NG04050	COVER RIGHT REAR		1	1	1
7	302NG04170	2NG04170	COVER INNER		1	1	1
8	2BL04200	2BL04200	LEVER CONT RELEASE		1	1	1
9	302NG12320	2NG12320	COVER CONNECTOR		1	1	1
10	302NG46250	2NG46250	WIRE DRUM CONNECT		1	1	1
11	302NG94290	2NG94290	PARTS PWB DRUM CONNECT ASSY SP		1	1	1
12	302NG04200	2NG04200	MOUNT MAIN SW		1	1	1
13	302NG94300	2NG94300	PARTS PWB SWITCH ASSY SP		1	1	1
14	302NG04210	2NG04210	HOLDER MAIN KEY		1	1	1
15	302NG04220	2NG04220	KEY POWER		1	1	1
16	302NG04100	2NG04100	COVER EXIT FRONT		1	1	1
17	302NG04080	2NG04080	COVER LEFT INNER		1	1	1
18	302NG04110	2NG04110	TRAY RIGHT		1	1	1
19	302NG04120	2NG04120	TRAY LEFT		1	1	1
20	302NG04020	2NG04020	COVER FRONT LEFT		1	1	1
21	302NG94370	2NG94370	PARTS CLEANER REGIST ASSY SP		1	1	1
A01	302NG94010	2NG94010	PARTS COVER FRONT ASSY SP		1	1	1
22	*302N434050	2N434050	LABEL ENERGY STAR		1	1	1
23	*302NG04610	2NG04610	STRAP FRONT COVER		2	2	2
24	302NG04150	2NG04150	COVER REAR PWB		1	1	1
25	302NG04160	2NG04160	SHIELD REAR PWB		1	1	1
26	302NG04070	2NG04070	COVER LEFT		1	1	1
27	302NG04190	2NG04190	LID DEVE WIRE		1	1	1
28	302NG04030	2NG04030	COVER FRONT RIGHT		1	1	1
29	302NG04060	2NG04060	COVER RIGHT UPPER		1	1	1
101	7BB782308H	BB111300	+TP-FLAT T.T S SCREW 3X8 SR(BLACK)				
102	7BB200308H	BB105660	+BIND T.T P SCREW 3X8				

•Parts with "⊙" indicate regular maintenance parts.  
 •Parts with Ref.No. indicate maintenance parts and the ones without it indicate out of the above.

•Parts with "." are component parts or sub-assemblies of the assembly appearing immediately above them.  
 •Parts with ".•" are component parts or sub-assembly with ".•" appearing immediately above them.

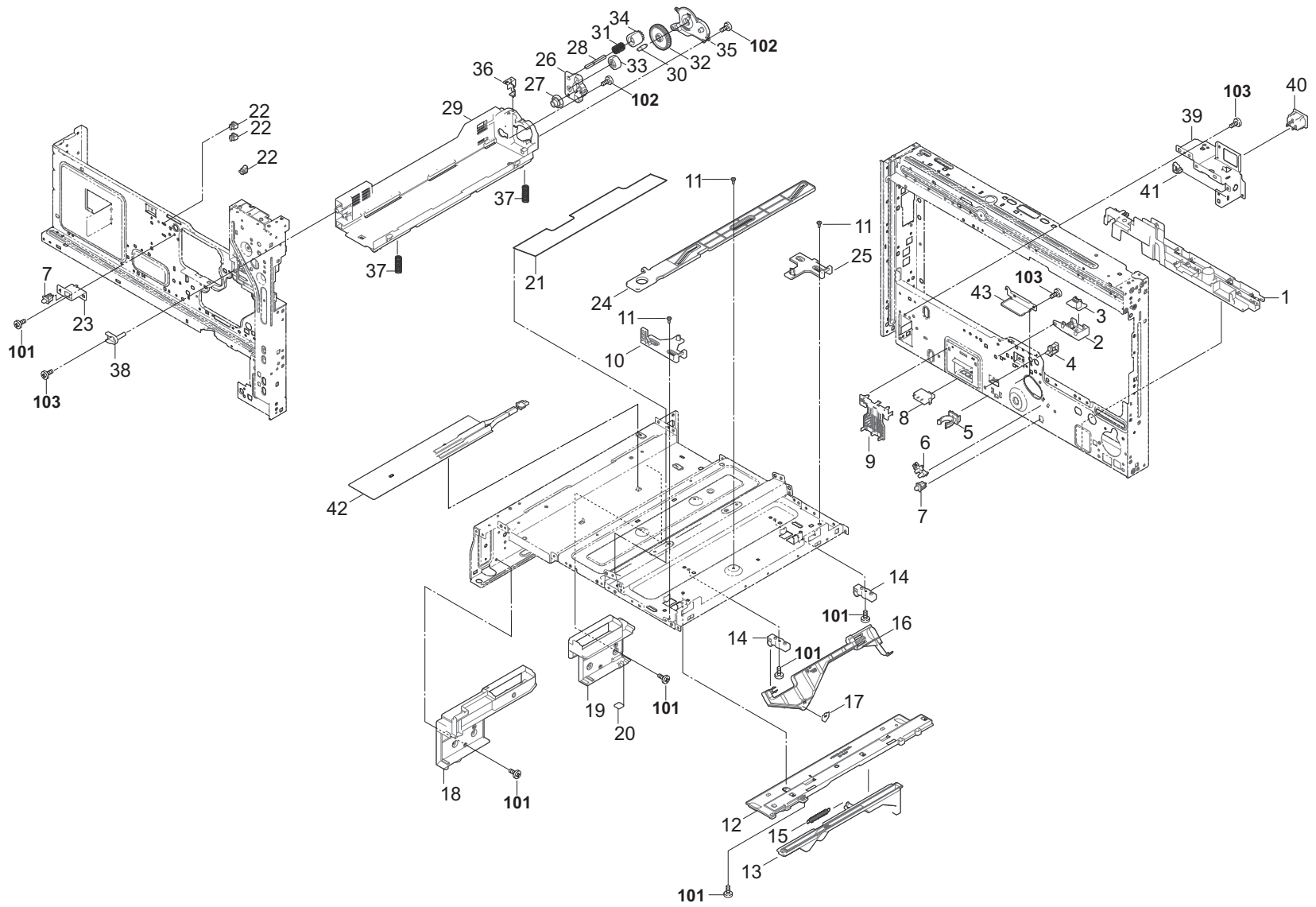


FIG. 2 Frames 1

2NC/2NF/2NG/2NN

Ref. No.	Part.No.	Alternative.	Description	Notes	Quantity		
					120	230	240
1	302H002130	2H002130	PLATE POSITION A		1	1	1
2	302NG02560	2NG02560	MOUNT HUMIDITY PWB		1	1	1
3	302NG94280	2NG94280	PARTS PWB HUMIDITY SENSOR ASSY SP		1	1	1
4	7YZM610003++H01	YZ010250	ACCESS SADDLE		1	1	1
5	2C907100	2C907100	STOPPER CASSETTE		1	1	1
6	303M894260	3M894260	PARTS SENSOR OPT SP		1	1	1
7	7SP01000004+H01	SP136500	SW.PUSH		2	2	2
8	5ESP03090001+H01	SP000360	PUSH SWITCH 03 SN /SW-192 N		1	1	1
9	302NG09140	2NG09140	PLATE SIZE DETECTION		1	1	1
10	302NG14610	2NG14610	SLIDER RAIL FRONT		1	1	1
11	302GR25161	2GR25161	PIN LOWER FRAME		3	3	3
12	302NG02330	2NG02330	GUIDE PICKUP LEVER		1	1	1
13	302NG06070	2NG06070	LEVER PICKUP		1	1	1
14	302NG02340	2NG02340	HOLDER PE LEVER		2	2	2
15	302NG06080	2NG06080	SPRING LEVER		1	1	1
16	302NG09130	2NG09130	ACTUATOR PAPER EMPTY		1	1	1
17	302KK02370	2KK02370	FILM PE		1	1	1
18	302NG02210	2NG02210	GUIDE LEFT FRONT		1	1	1
19	302NG02220	2NG02220	GUIDE LEFT REAR		1	1	1
20	302HN02611	2HN02611	FOOT		1	1	1
21	302NG02590	2NG02590	SHEET LSU		1	1	1
22	7YZM610009++H01	YZ042980	ACCESS.SADDLE		3	3	3
23	302NG02360	2NG02360	MOUNT PUSH SW		1	1	1
24	302NG14600	2NG14600	LEVER RAIL REMOVMEMENT		1	1	1
25	302NG14620	2NG14620	SLIDER RAIL REAR		1	1	1
26	302NG14420	2NG14420	HOLDER JOINT		1	1	1
27	302NG14460	2NG14460	GEAR JOINT Z24L		1	1	1
28	302NG14480	2NG14480	SHAFT RAIL PIVOT		1	1	1
29	302NG14400	2NG14400	RAIL DLP		1	1	1
30	302NG14470	2NG14470	PIN RAIL		1	1	1
31	302NG14500	2NG14500	SPRING JOINT GEAR		1	1	1
32	302NG14440	2NG14440	GEAR Z52R RAIL		1	1	1
33	302NG14450	2NG14450	GEAR Z25R RAIL		1	1	1
34	302NG14430	2NG14430	GEAR Z24L RAIL		1	1	1
35	302NG14410	2NG14410	COVER RAIL DLP		1	1	1
36	302NG14490	2NG14490	PLATE BIAS RAIL		1	1	1
37	302NG14650	2NG14650	SPRING BOTTOM		2	2	2
38	302NG02500	2NG02500	GUIDE WIRE LOW		1	1	1
39	302NG02230	2NG02230	MOUNT INLET		1	1	1
40	302NG46140	2NG46140	WIRE INLET		1	1	1
41	7YZM610010++H01	YZ042990	ACCESS.SADDLE		1	1	1
42	302KK45070	2KK45070	HEATER DEHUMIDIFIER 240				1
43	302NG02440	2NG02440	SHIELD DECK CONNECTOR		1	1	1
101	7BB702308H	BB107060	+TP-FLAT T.T S SCREW 3X8 SR				
102	7BB200308H	BB105660	+BIND T.T P SCREW 3X8				
103	7BB700308H	BB105600	+BIND T.T S SCREW 3X8 SR				

•Parts with "⊙" indicate regular maintenance parts.

•Parts with Ref.No. indicate maintenance parts and the ones without it indicate out of the above.

•Parts with "." are component parts or sub-assemblies of the assembly appearing immediately above them.

•Parts with ".•" are component parts or sub-assembly with ".•" appearing immediately above them.

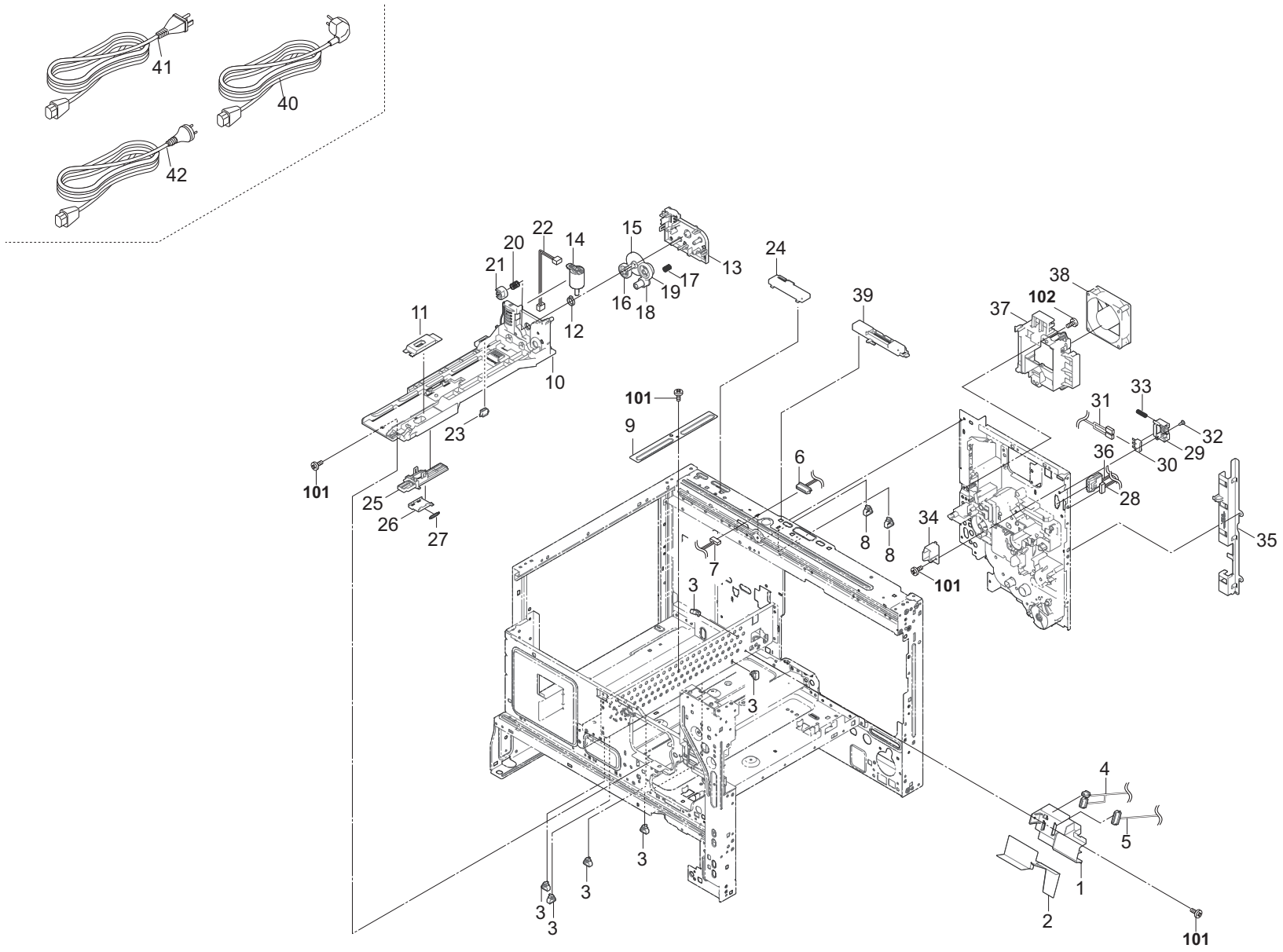


FIG. 3 Frames 2

2NC/2NF/2NG/2NN-1

Ref. No.	Part.No.	Alternative.	Description	Notes	Quantity		
					120	230	240
1	302NG02510	2NG02510	MOUNT LSU CONNECTOR		1	1	1
2	302NG02580	2NG02580	SHEET CONNECTOR		1	1	1
3	7YZM390002+++H01	YZ012140	ACCESS.CLAMP		6	6	6
4	302NG46110	2NG46110	WIRE POLYGON MOTOR		1	1	1
5	302NG46220	2NG46220	WIRE APC		1	1	1
6	302NG46020	2NG46020	WIRE HVU CONNECT		1	1	1
7	302NG46030	2NG46030	WIRE HVU		1	1	1
8	7YZM610010+++H01	YZ042990	ACCESS.SADDLE		2	2	2
9	302NG02530	2NG02530	LID PARTITION		1	1	1
10	302NG02310	2NG02310	RAIL CONTAINER		1	1	1
11	302NG15040	2NG15040	SEAL HOPPER		1	1	1
12	302F914130	2F914130	BUSH GEAR		1	1	1
13	302NG15050	2NG15050	COVER CONT DRIVE		1	1	1
⊙ 14	302NG94050	2NG94050	PARTS DC MOTOR ASSY SP		1	1	1
⊙ 15	302NG15070	2NG15070	JOINT CONTAINER PADDLE Z49S		1	1	1
⊙ 16	302NG15060	2NG15060	GEAR Z48L Z19S		1	1	1
17	302NG15100	2NG15100	SPRING JOINT SCREW		1	1	1
⊙ 18	302NG15090	2NG15090	JOINT CONTAINER SCREW Z19S		1	1	1
⊙ 19	302NG15080	2NG15080	GEAR Z25S Z36S		1	1	1
20	302NG15120	2NG15120	SPRING JOINT PADDLE		1	1	1
21	302NG15110	2NG15110	JOINT CONTAINER PADDLE		1	1	1
22	302NG46120	2NG46120	WIRE CONTAINER DRIVE		1	1	1
23	7YCC04B1106+H01	YC122790	CONNECTOR		1	1	1
24	302NG02520	2NG02520	GUIDE ISU WIRE		1	1	1
25	302NG15010	2NG15010	BASE HOPPER		1	1	1
26	302NG15020	2NG15020	SHUTTER HOPPER LOW		1	1	1
27	302NG15030	2NG15030	SPRING SHUTTER HOPPER		1	1	1
28	302NG46060	2NG46060	WIRE FUSER		1	1	1
29	302NG04250	2NG04250	MOUNT RIGHT INTERLOCK		1	1	1
⊙ 30	7SM010202+++H01	SM044270	SW.MICRO		1	1	1
31	302NG46190	2NG46190	WIRE INTERLOCK		1	1	1
32	2FB20860	2FB20860	PIN FUSER COVER		1	1	1
33	302H008140	2H008140	SPRING BYPASSFFED		1	1	1
34	302NG02350	2NG02350	RETAINER HOOK REAR		1	1	1
35	302NG02480	2NG02480	GUIDE FUSER WIRE		1	1	1
36	302NG46180	2NG46180	WIRE FUSER HEATER		1	1	1
⊙ 37	302NG33010	2NG33010	BRACKET FAN		1	1	1
38	302NG94220	2NG94220	PARTS FAN MOTOR SP		1	1	1
39	302NG02490	2NG02490	MOUNT DP CONNECTOR		1	1	1
40	302AR94050	2AR94050	PARTS AC CORD EU SP			1	
41	3019527401	19527401	POWER CORD(120)		1		
42	7AAACCAS+10H001	AA063380	AC CORD ASSY AS				1
101	7BB702308H	BB107060	+TP-FLAT T.T S SCREW 3X8 SR				
102	7BB700308H	BB105600	+BIND T.T S SCREW 3X8 SR				

•Parts with "⊙" indicate regular maintenance parts.  
 •Parts with Ref.No. indicate maintenance parts and the ones without it indicate out of the above.

•Parts with "." are component parts or sub-assemblies of the assembly appearing immediately above them.  
 •Parts with ".•" are component parts or sub-assembly with ".•" appearing immediately above them.



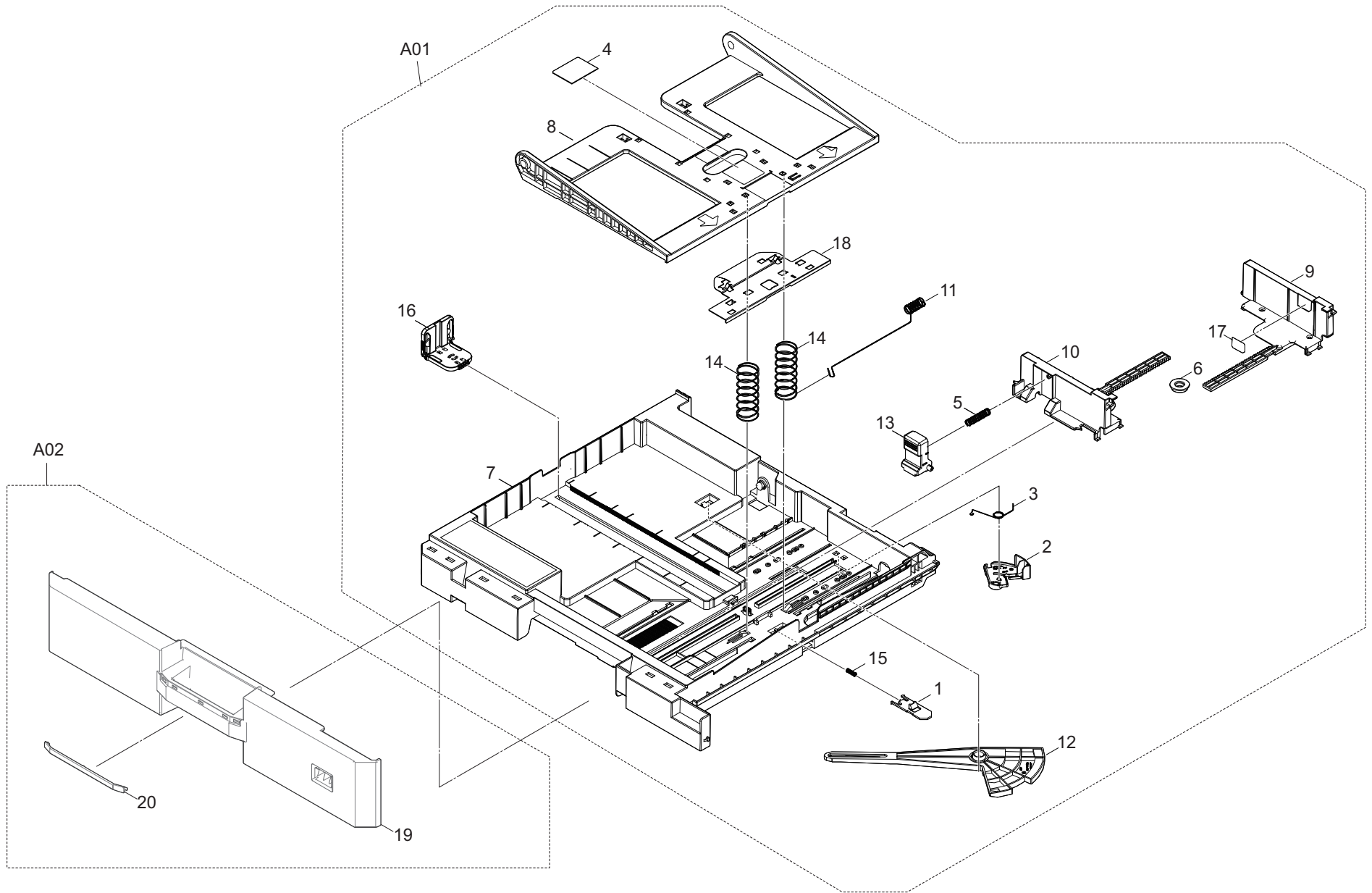


FIG. 4 Paper Cassette

2NC/2NF/2NG/2NN

Ref. No.	Part.No.	Alternative.	Description	Notes	Quantity		
					120	230	240
⊙ A01	302NG93060	2NG93060	CT-4105		1	1	1
1	•302NG09160	2NG09160	LEVER RELEASE BASE		1	1	1
2	•302NG09190	2NG09190	PLATE SIDE SWITCH		1	1	1
3	•302K309220	2K309220	SPRING SIDE SWITCH		1	1	1
4	•2C907140	2C907140	PAD CASSETTE		1	1	1
5	•302NG09180	2NG09180	SPRING RELEASE CURSOR		1	1	1
⊙ 6	•302BM07410	2BM07410	GEAR GUIDE SIDE		1	1	1
7	•302NG09010	2NG09010	CASSETTE		1	1	1
8	•302NG09030	2NG09030	BASE CASSETTE		1	1	1
9	•302NG09050	2NG09050	CURSOR CASSETTE REAR		1	1	1
10	•302NG09040	2NG09040	CURSOR CASSETTE FRONT		1	1	1
11	•302NG09080	2NG09080	SPRING BOTTOM R		1	1	1
12	•302NG09100	2NG09100	ARM SIZE DETECTION		1	1	1
13	•302NG09170	2NG09170	LEVER RELEASE CURSOR		1	1	1
14	•302NG09070	2NG09070	SPRING BOTTOM F		2	2	2
15	•302NG09210	2NG09210	SPRING RELEASE BASE		1	1	1
16	•302NG09060	2NG09060	CURSOR END		1	1	1
17	•302LC34080	2LC34080	LABEL MPF PAPER LIMIT		1	1	1
18	•302NG09090	2NG09090	PLATE BOTTOM		1	1	1
⊙ A02	302NG94100	2NG94100	PARTS COVER CASSETTE ASSY SP		1	1	1
⊙ 19	•302NG09020	2NG09020	COVER CASSETTE		1	1	1
20	•302NG09120	2NG09120	CASSETTE HANDLE SIL		1	1	1

•Parts with "⊙" indicate regular maintenance parts.

•Parts with Ref.No. indicate maintenance parts and the ones without it indicate out of the above.

•Parts with "•" are component parts or sub-assemblies of the assembly appearing immediately above them.

•Parts with "••" are component parts or sub-assembly with "•" appearing immediately above them.

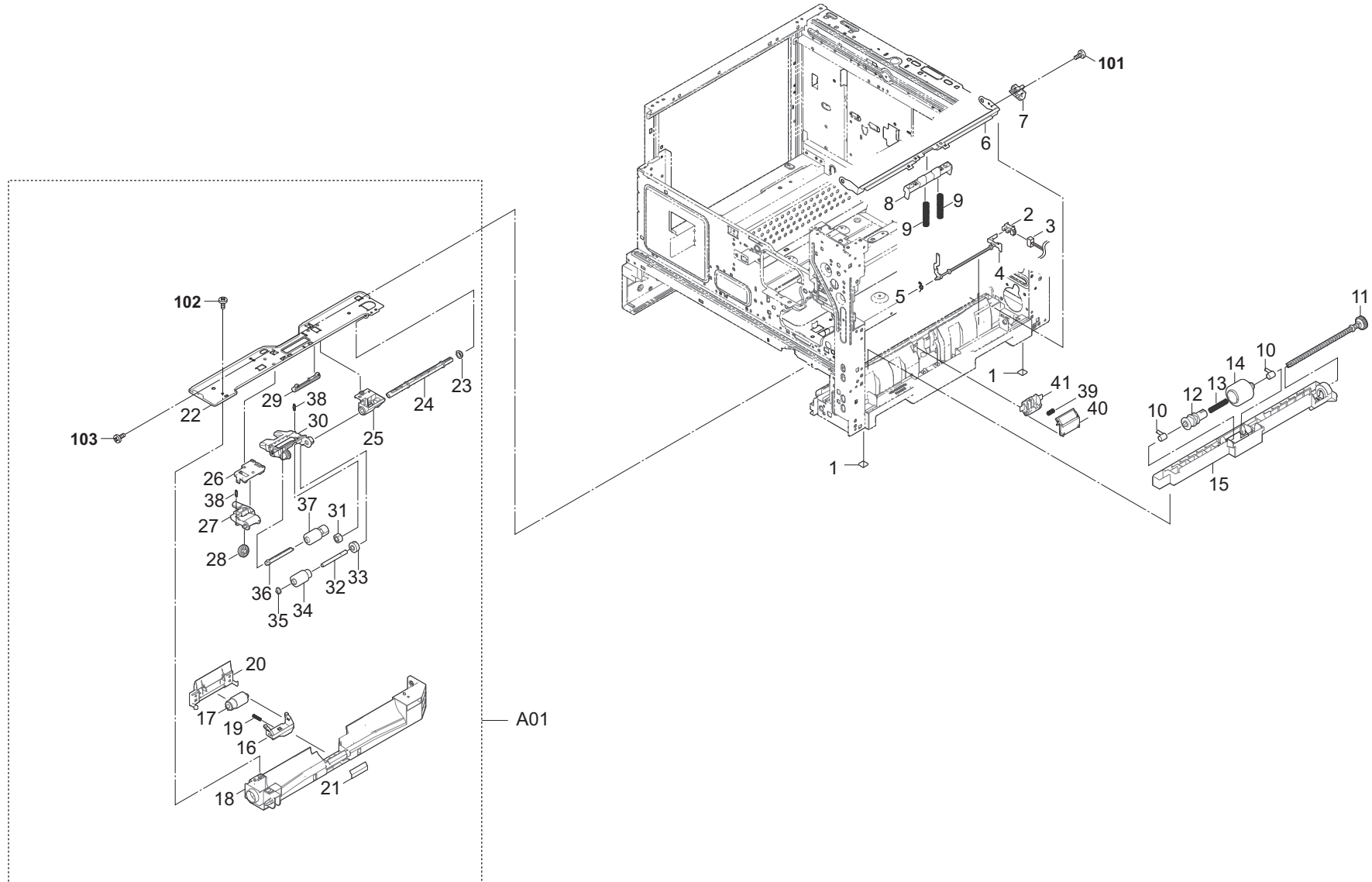


FIG. 5 Paper Feed Section 1

2NC/2NF/2NG/2NN

Ref. No.	Part.No.	Alternative.	Description	Notes	Quantity		
					120	230	240
1	302HN02611	2HN02611	FOOT		2	2	2
2	303M894260	3M894260	PARTS SENSOR OPT SP		1	1	1
3	302NG46260	2NG46260	WIRE MPF		1	1	1
4	302NG08170	2NG08170	ACTUATOR MPF		1	1	1
5	302NG08330	2NG08330	SPRING ACTUATOR MPF		1	1	1
6	302NG08140	2NG08140	PLATE LIFT MPF		1	1	1
7	302NG08130	2NG08130	ARM LIFT MPF		1	1	1
8	302NG08190	2NG08190	JOINT LIFT MPF		1	1	1
9	302NG08150	2NG08150	SPRING LIFT MPF		2	2	2
10	302NG08250	2NG08250	BUSH 8		2	2	2
11	302NG08240	2NG08240	SHAFT MPF		1	1	1
12	302NG08280	2NG08280	PIN FEED ROLLER		1	1	1
13	302NG08320	2NG08320	SPRING MPF ROLLER		1	1	1
14	302NG94130	2NG94130	PARTS ROLLER MPF SP		1	1	1
15	302NG08210	2NG08210	GUIDE UPPER MPF		1	1	1
A01	302NG94020	2NG94020	PARTS PRIMARY FEED ASSY SP		1	1	1
16	*302NG06200	2NG06200	HOLDER RETARD		1	1	1
17	*302NG94110	2NG94110	PARTS ROLLER RETARD ASSY SP		1	1	1
18	*302NG06020	2NG06020	FRAME FEED LOW A		1	1	1
19	*302K306070	2K306070	SPRING SEPARATION		1	1	1
20	*302NG06030	2NG06030	FRAME FEED LOW B		1	1	1
21	*302NG06210	2NG06210	SHEET FEED A		1	1	1
22	*302NG06010	2NG06010	FRAME FEED UP		1	1	1
23	*302K331230	2K331230	BUSH DRIVE 8		1	1	1
24	*302NG06040	2NG06040	SHAFT DRIVE FEED		1	1	1
25	*302NG06090	2NG06090	GUIDE FEED SIDE R		1	1	1
26	*302NG06060	2NG06060	GUIDE FEED SIDE F		1	1	1
27	*302NG06170	2NG06170	HOLDER PULLEY		1	1	1
28	*2C907410	2C907410	PULLEY GUIDE A		1	1	1
29	*302NG06100	2NG06100	GUIDE FEED UP		1	1	1
30	*302NG06050	2NG06050	HOLDER FEED		1	1	1
31	*302NG06180	2NG06180	GEAR FEED Z27		1	1	1
32	*302NG06110	2NG06110	SHAFT FEED L		1	1	1
33	*302NG06190	2NG06190	GEAR FEED Z32		1	1	1
34	*302F906230	2F906230	PULLEY FEED ASSY		1	1	1
35	*302K306460	2K306460	BUSH 4		1	1	1
36	*302NG06140	2NG06140	SHAFT PICKUP		1	1	1
37	*302NG94120	2NG94120	PARTS PULLEY PICKUP ASSY SP		1	1	1
38	*302NG06130	2NG06130	SPRING PICKUP		2	2	2
39	302NG08230	2NG08230	SPRING SEPARATION		1	1	1
40	302NG94380	2NG94380	PARTS PAD SEPARATION ASSY SP		1	1	1
41	302NG08310	2NG08310	MOUNT SEPARATION		1	1	1
101	7BB700308H	BB105600	+BIND T.T S SCREW 3X8 SR				
102	7BB200308H	BB105660	+BIND T.T P SCREW 3X8				
103	7BB702308H	BB107060	+TP-FLAT T.T S SCREW 3X8 SR				

•Parts with "⊙" indicate regular maintenance parts.

•Parts with Ref.No. indicate maintenance parts and the ones without it indicate out of the above.

•Parts with "." are component parts or sub-assemblies of the assembly appearing immediately above them.

•Parts with ".•" are component parts or sub-assembly with ".•" appearing immediately above them.

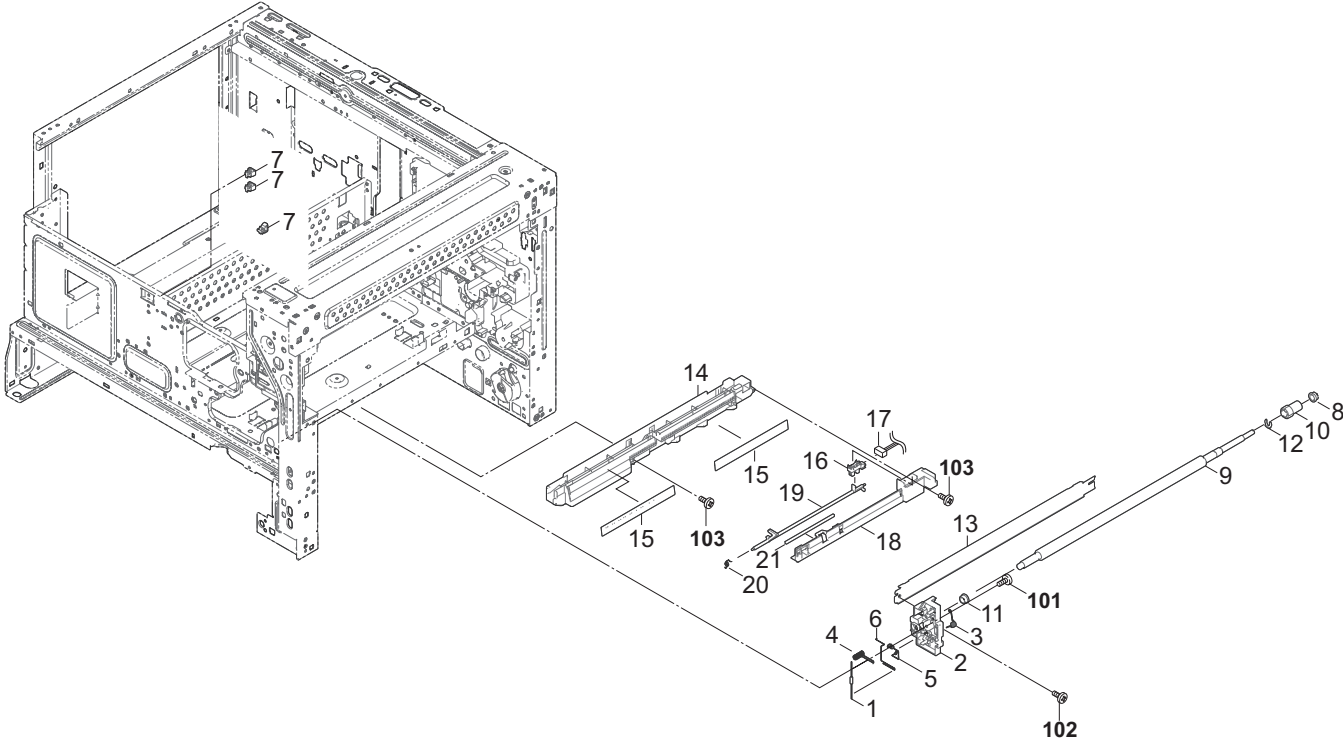


FIG. 6 Paper Feed Section 2

2NC/2NF/2NG/2NN

Ref. No.	Part.No.	Alternative.	Description	Notes	Quantity		
					120	230	240
1	7RHA2H10701+H01	RH043740	M.GLAZE R. 100MJ 1/2W		1	1	1
2	302NG24740	2NG24740	HOLDER CONVEYING F		1	1	1
3	302NG24780	2NG24780	SPRING EARTH REGIST B		1	1	1
4	302NG24790	2NG24790	SPRING EARTH REGIST C		1	1	1
5	302NG24830	2NG24830	SPRING EARTH REGIST D		1	1	1
6	302NG24770	2NG24770	SPRING EARTH REGIST A		1	1	1
7	7YZM610009+++H01	YZ042980	ACCESS.SADDLE		3	3	3
8	302H024830	2H024830	BUSH 8		1	1	1
9	302NG94170	2NG94170	PARTS ROLLER REGIST LEFT SP		1	1	1
10	302NG24710	2NG24710	GEAR REGIST L Z17L		1	1	1
11	302H024360	2H024360	BUSH 8 EW		1	1	1
12	2BC06910	2BC06910	STOPPER 6		1	1	1
13	302NG24730	2NG24730	GUIDE TRANSFER LEFT		1	1	1
14	302NG24800	2NG24800	RAIL CLEANER REGIST		1	1	1
15	302NG24610	2NG24610	SHEET REGIST L		2	2	2
16	303M894260	3M894260	PARTS SENSOR OPT SP		1	1	1
17	302NG46260	2NG46260	WIRE MPF		1	1	1
18	302NG24600	2NG24600	GUIDE FEED REGIST		1	1	1
19	302NG24620	2NG24620	ACTUATOR REGIST		1	1	1
20	302NG24630	2NG24630	SPRING ACTUATOR REGIST		1	1	1
21	302NG24640	2NG24640	CUSHION GUIDE FEED		1	1	1
101	7BB702308H	BB107060	+TP-FLAT T.T S SCREW 3X8 SR				
102	7BB607308H	BB112190	+TP-CUP M SCREW 3X8 R				
103	7BB202308H	BB105690	+TP-FLAT T.T P SCREW 3X8				

•Parts with "⊙" indicate regular maintenance parts.  
 •Parts with Ref.No. indicate maintenance parts and the ones without it indicate out of the above.

•Parts with "•" are component parts or sub-assemblies of the assembly appearing immediately above them.  
 •Parts with "••" are component parts or sub-assembly with "•" appearing immediately above them.

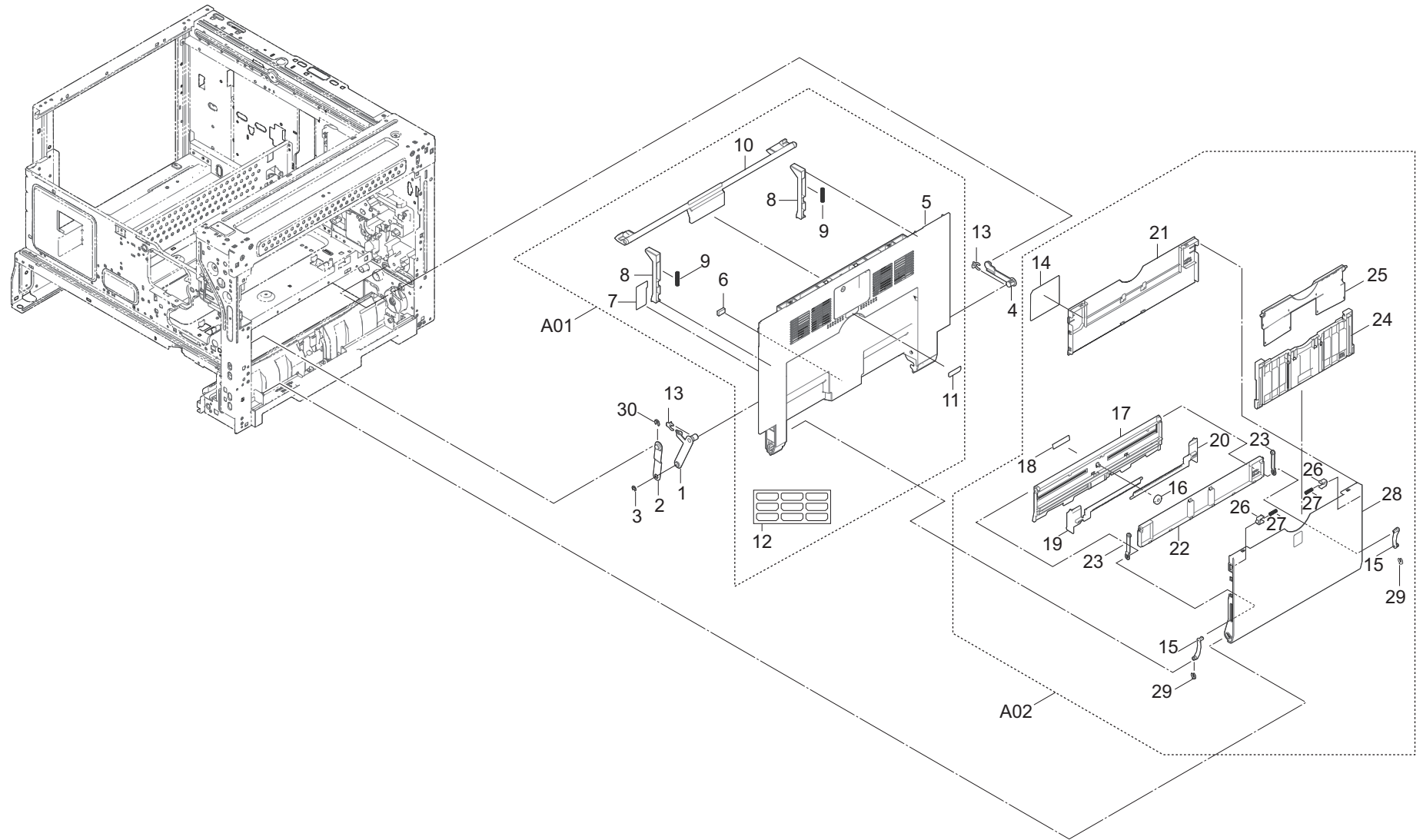


FIG. 7 Paper Conveying Section 1

2NC/2NF/2NG/2NN-1

Ref. No.	Part.No.	Alternative.	Description	Notes	Quantity		
					120	230	240
1	302NG04550	2NG04550	STRAP RIGHT COVER A		1	1	1
2	302NG04560	2NG04560	STRAP RIGHT COVER B		1	1	1
3	302KK04570	2KK04570	CUT WASHER 5		1	1	1
4	302NG04570	2NG04570	STRAP RIGHT COVER C		1	1	1
⊙ A01	302NG94030	2NG94030	PARTS RIGHT COVER ASSY SP		1	1	1
5	*302NG04510	2NG04510	COVER RIGHT MIDDLE		1	1	1
6	*302NG04620	2NG04620	SPONGE COVER RIGHT MIDDLE		1	1	1
7	*302NG34170	2NG34170	LABEL HIGH TEMP		1	1	1
8	*302NG04530	2NG04530	JOINT JUNCTION HOOK		2	2	2
9	*302NG04580	2NG04580	SPRING JOINT HOOK		2	2	2
10	*302NG04520	2NG04520	HOOK RIGHT COVER		1	1	1
11	*302MV34250	2MV34250	LABEL COVER CAUTION		1	1	1
12	*302MV34410	2MV34410	LABEL COVER CAUTION 9NATIONS		1	1	1
13	2DC12280	2DC12280	STOPPER 8		2	2	2
⊙ A02	302NG94040	2NG94040	PARTS MPF TABLE ASSY SP		1	1	1
14	*302NG34110	2NG34110	LABEL OPERATION MPF		1	1	1
15	*302NG08100	2NG08100	STRAP LINK MPF F		2	2	2
⊙ 16	*2C906080	2C906080	GEAR 18 BYPASS		1	1	1
17	*302NG08030	2NG08030	BASE TABLE MPF		1	1	1
18	*302NG08160	2NG08160	PAD LIFT		1	1	1
19	*302NG08040	2NG08040	CURSOR MPF FRONT		1	1	1
20	*302NG08050	2NG08050	CURSOR MPF REAR		1	1	1
21	*302NG08020	2NG08020	TABLE MPF		1	1	1
22	*302NG08060	2NG08060	SUB TABLE MPF A		1	1	1
23	*302NG08090	2NG08090	PLATE JOINT TABLE		2	2	2
24	*302NG08070	2NG08070	SUB TABLE MPF B		1	1	1
25	*302NG08080	2NG08080	SUB TABLE MPF C		1	1	1
26	*2FB07330	2FB07330	STOPPER BYPASS TABLE		2	2	2
27	*302FB17700	2FB17700	SPRING BYPASS TABLE		2	2	2
28	*302NG08010	2NG08010	COVER MPF		1	1	1
29	5MVX111DN003	2A806250	RING STOPPER /A-49 FEED A4		2	2	2
30	2BC06980	2BC06980	STOPPER 5		1	1	1

•Parts with "⊙" indicate regular maintenance parts.

•Parts with Ref.No. indicate maintenance parts and the ones without it indicate out of the above.

•Parts with "." are component parts or sub-assemblies of the assembly appearing immediately above them.

•Parts with ".•" are component parts or sub-assembly with ".•" appearing immediately above them.



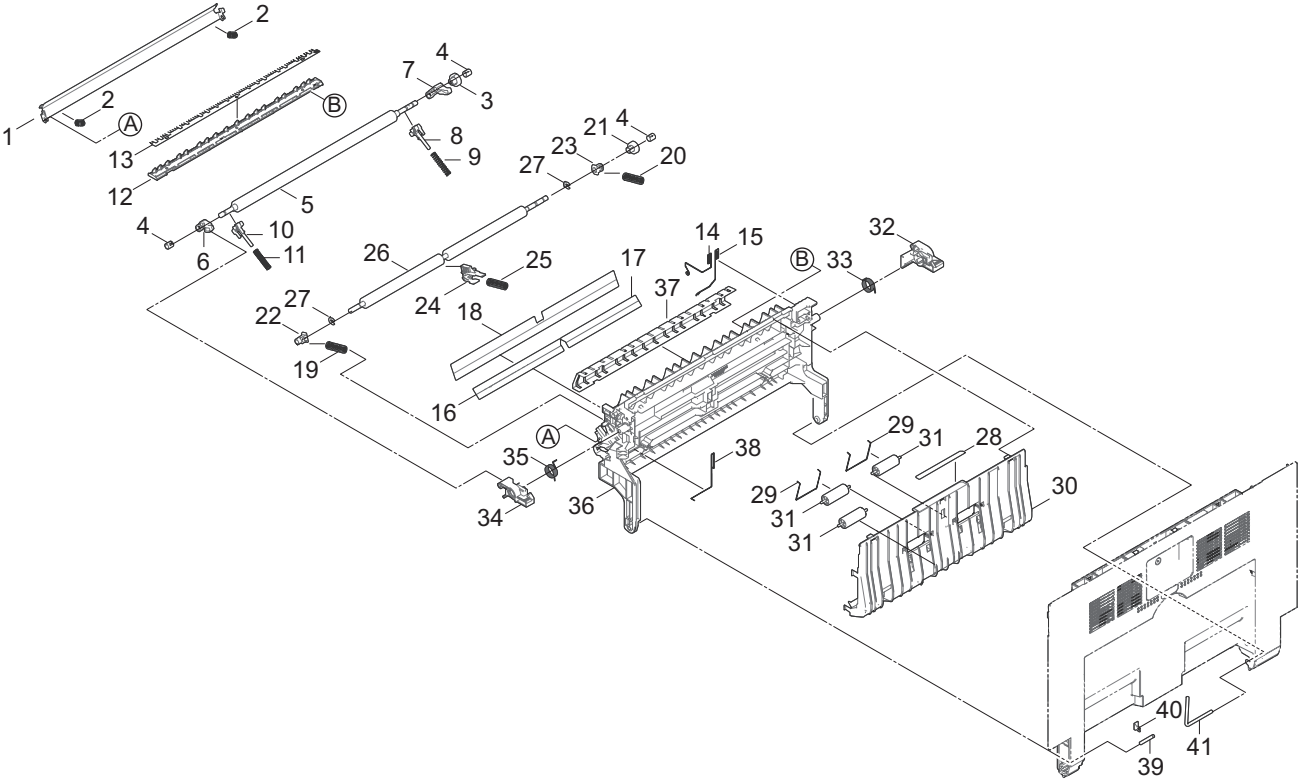


FIG. 8 Paper Conveying Section 2

2NC/2NF/2NG/2NN

Ref. No.	Part.No.	Alternative.	Description	Notes	Quantity		
					120	230	240
1	302NG24320	2NG24320	GUIDE TRANSFER RIGHT		1	1	1
2	302K324230	2K324230	SPRING GUIDE TRANSFER		2	2	2
3	302K324170	2K324170	GEAR TRANSFER Z18L		1	1	1
4	302NG24350	2NG24350	COLLAR ROLLER		3	3	3
5	302NG94150	2NG94150	PARTS ROLLER TRANSFER SP			1	1
5	302NG94160	2NG94160	PARTS ROLLER TRANSFER U SP		1		
6	302NG24390	2NG24390	ARM TRANSFER F		1	1	1
7	302NG24400	2NG24400	ARM TRANSFER R		1	1	1
8	302K324430	2K324430	BUSH TRANSFER ROLL R		1	1	1
9	302NG24370	2NG24370	SPRING TRANSFER R		1	1	1
10	302K324240	2K324240	BUSH TRANSFER ROLL F		1	1	1
11	302NG24380	2NG24380	SPRING TRANSFER F		1	1	1
12	302NG24330	2NG24330	HOLDER SEPARATION		1	1	1
13	302NG24340	2NG24340	PLATE SEPARATION		1	1	1
14	302NG24130	2NG24130	TERMINAL SEPARATION		1	1	1
15	302NG24150	2NG24150	TERMINAL TRANSFER		1	1	1
16	302NG24120	2NG24120	SHEET REGIST RIGHT F		1	1	1
17	302NG24140	2NG24140	SHEET REGIST RIGHT R		1	1	1
18	302NG24160	2NG24160	SHEET DU		1	1	1
19	302K324200	2K324200	SPRING REGIST F		1	1	1
20	302K324440	2K324440	SPRING REGIST R		1	1	1
21	302NG24110	2NG24110	GEAR REGIST R Z17R		1	1	1
22	302K324180	2K324180	BUSH REGIST F		1	1	1
23	302K324270	2K324270	BUSH REGIST R		1	1	1
24	302NG24100	2NG24100	BUSH REGIST C		1	1	1
25	302NG24080	2NG24080	SPRING REGIST C		1	1	1
26	302NG94140	2NG94140	PARTS ROLLER REGIST RIGHT SP		1	1	1
27	5MVX111DN003	2A806250	RING STOPPER /A-49 FEED A4		2	2	2
28	302NG34090	2NG34090	LABEL A2		1	1	1
29	302K329030	2K329030	SPRING DU FEED		2	2	2
30	302NG29010	2NG29010	GUIDE DU		1	1	1
31	302K329020	2K329020	PULLEY DU		3	3	3
32	302NG24040	2NG24040	LEVER CONVEYING R		1	1	1
33	302K324360	2K324360	SPRING CONVEYING R		1	1	1
34	302NG24030	2NG24030	LEVER CONVEYING F		1	1	1
35	302K324110	2K324110	SPRING CONVEYING F		1	1	1
36	302NG24010	2NG24010	BASE CONVEYING		1	1	1
37	302NG24050	2NG24050	GUIDE CONVEYING		1	1	1
38	302NG24090	2NG24090	SPRING EARTH CONVEYING		1	1	1
39	302K304550	2K304550	SHAFT RIGHT COVER F		1	1	1
40	302K304630	2K304630	FILM CONVEYING SHAFT		1	1	1
41	302NG04590	2NG04590	SHAFT RIGHT COVER R		1	1	1

•Parts with "⊙" indicate regular maintenance parts.

•Parts with Ref.No. indicate maintenance parts and the ones without it indicate out of the above.

•Parts with "." are component parts or sub-assemblies of the assembly appearing immediately above them.

•Parts with "•" are component parts or sub-assembly with "•" appearing immediately above them.

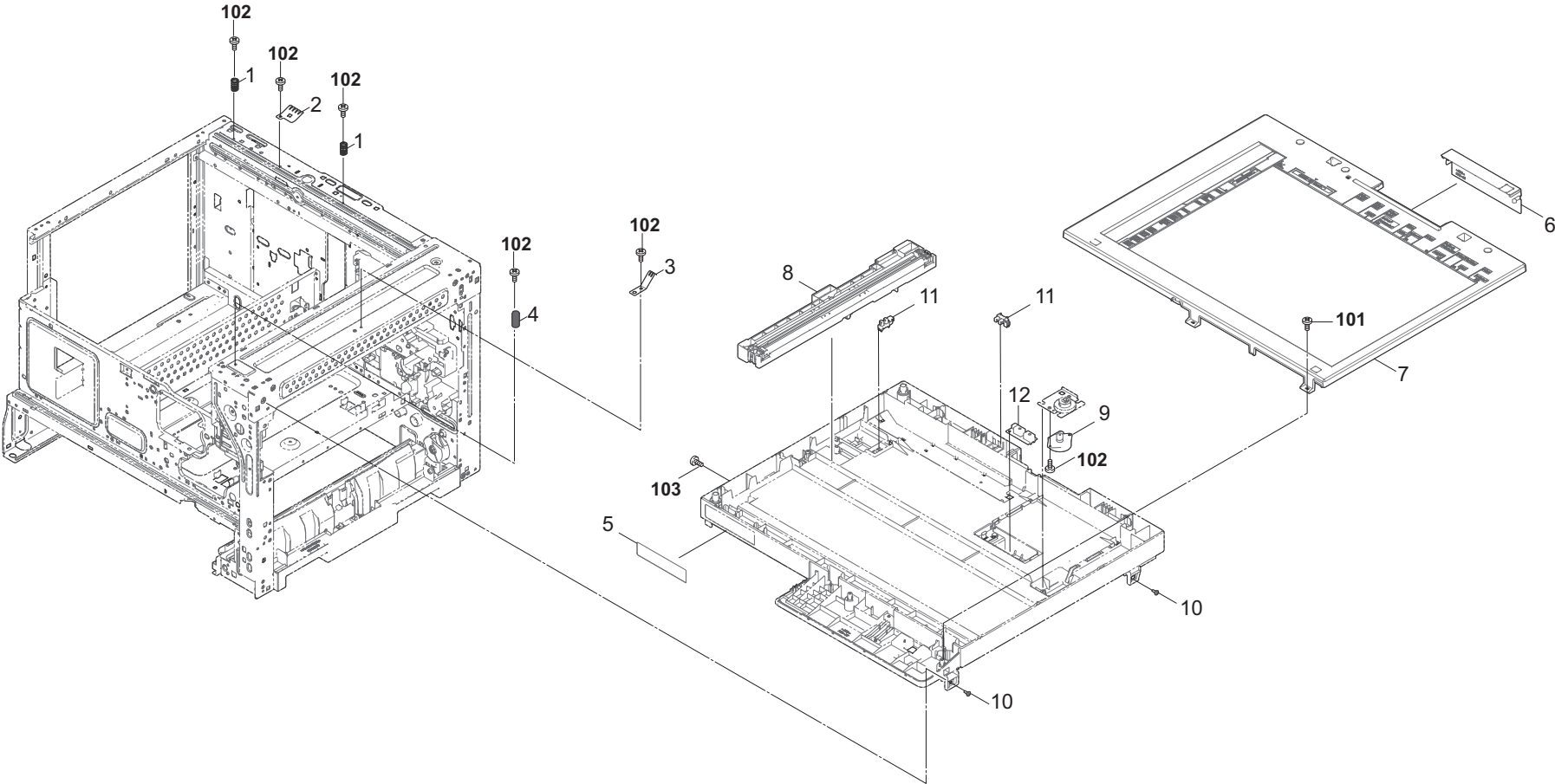


FIG. 9 Scanner Section

2NC/2NF/2NG/2NN-2

Ref. No.	Part.No.	Alternative.	Description	Notes	Quantity		
					120	230	240
1	302NG02570	2NG02570	SPRING EARTH ISU		2	2	2
2	302K302A50	2K302A50	PLATE EARTH ISU		1	1	1
3	302KK39650	2KK39650	PLATE SHIELD ISU R		1	1	1
4	302NG02600	2NG02600	SPRING EARTH OPERATION		1	1	1
5	302NN34010	2NN34010	SHEET EMBLEM	22ppm	1	1	
5	302NC34010	2NC34010	SHEET EMBLEM	18ppm		1	1
5	302NG34100	2NG34100	SHEET EMBLEM	22ppm(F)		1	
5	302NF34010	2NF34010	SHEET EMBLEM	18ppm(F)		1	
6	302NG17230	2NG17230	COVER DP CONNECTOR		1	1	1
7	302NG94350	2NG94350	PARTS CONTACT GLASS ASSY E SP		1	1	1
8	302NG93070	2NG93070	PARTS CIS ASSY SP		1	1	1
9	302NG94210	2NG94210	PARTS MOTOR ISU SP		1	1	1
10	2FB20860	2FB20860	PIN FUSER COVER		2	2	2
11	303M894260	3M894260	PARTS SENSOR OPT SP		2	2	2
12	302NG44040	2NG44040	SENSOR ORIGINAL		1	1	1
101	7BB282308H	BB111240	+TP-FLAT T.T P SCREW 3X8(BLACK)				
102	7BB700308H	BB105600	+BIND T.T S SCREW 3X8 SR				
103	7BB202308H	BB105690	+TP-FLAT T.T P SCREW 3X8				

•Parts with "⊙" indicate regular maintenance parts.  
 •Parts with Ref.No. indicate maintenance parts and the ones without it indicate out of the above.

•Parts with "•" are component parts or sub-assemblies of the assembly appearing immediately above them.  
 •Parts with "••" are component parts or sub-assembly with "•" appearing immediately above them.

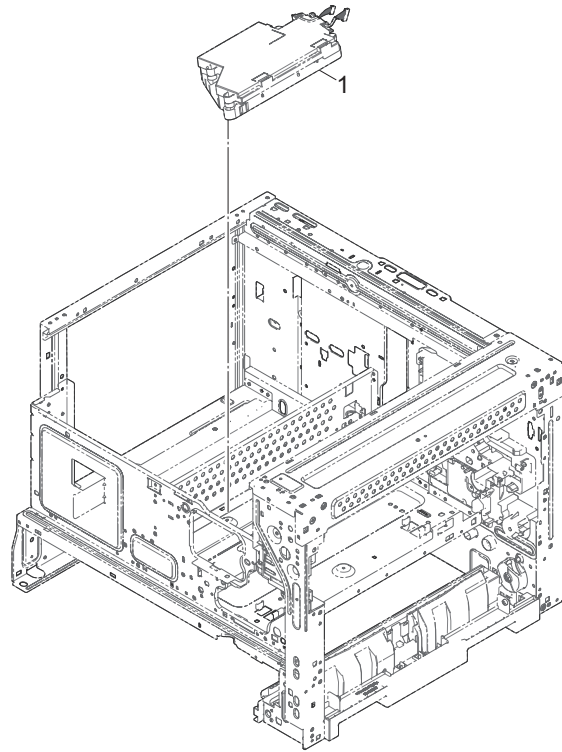


FIG. 10 Laser Scanner Section

2NC/2NF/2NG/2NN

	Ref. No.	Part.No.	Alternative.	Description	Notes	Quantity		
						120	230	240
⊙	1	302NG93040	2NG93040	LK-4105		1	1	1

•Parts with "⊙" indicate regular maintenance parts.  
 •Parts with Ref.No. indicate maintenance parts and the ones without it indicate out of the above.

•Parts with "." are component parts or sub-assemblies of the assembly appearing immediately above them.  
 •Parts with ".•" are component parts or sub-assembly with "." appearing immediately above them.

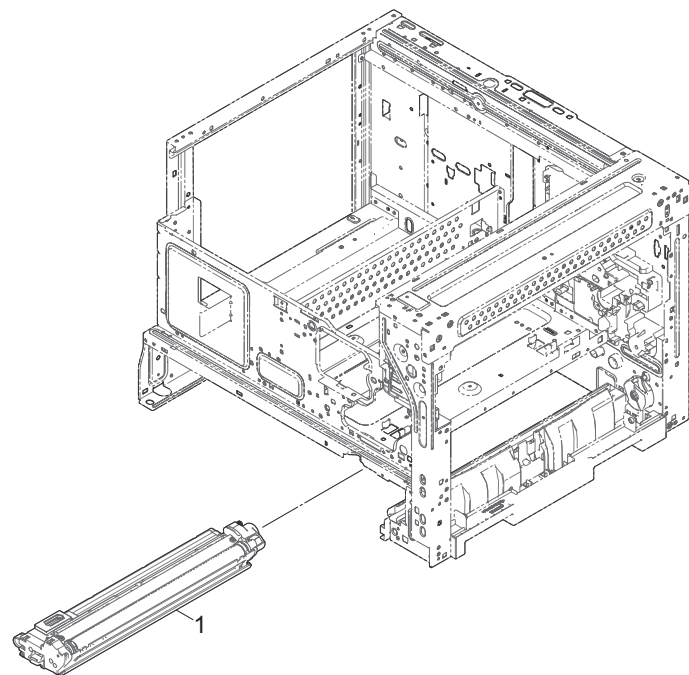


FIG. 11 Developer Section

2NC/2NF/2NG/2NN

	Ref. No.	Part.No.	Alternative.	Description	Notes	Quantity		
						120	230	240
⊙	1	302NG93010	2NG93010	DV-4105		1	1	1

•Parts with "⊙" indicate regular maintenance parts.  
 •Parts with Ref.No. indicate maintenance parts and the ones without it indicate out of the above.

•Parts with "•" are component parts or sub-assemblies of the assembly appearing immediately above them.  
 •Parts with "••" are component parts or sub-assembly with "•" appearing immediately above them.



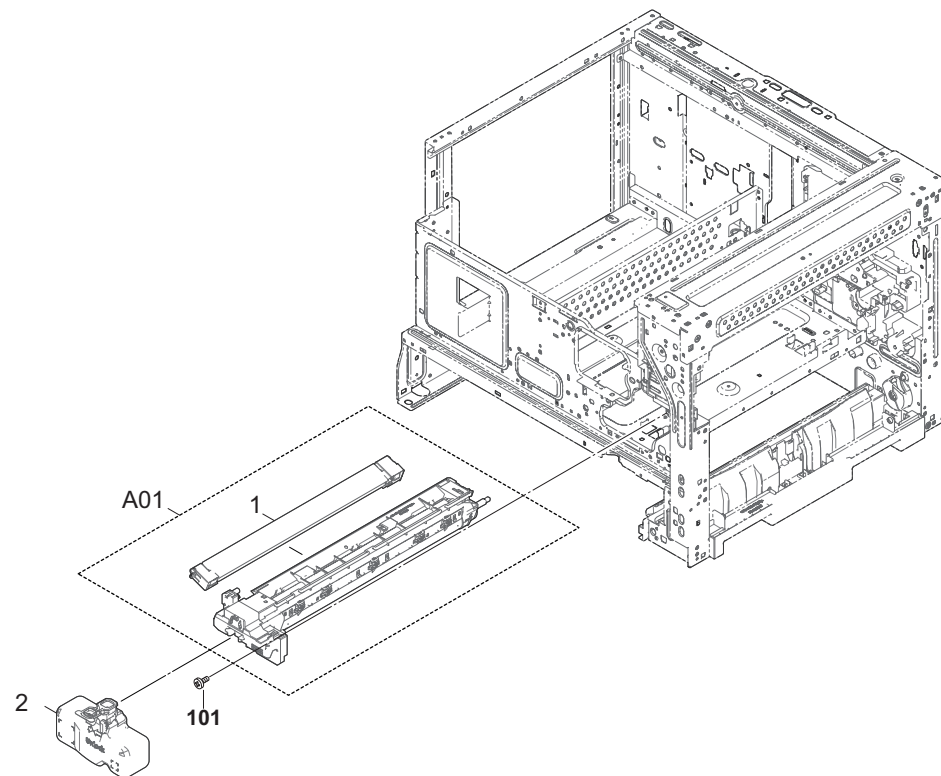


FIG. 12 Image Formation Section

2NC/2NF/2NG/2NN-1

	Ref. No.	Part.No.	Alternative.	Description	Notes	Quantity		
						120	230	240
⊙	A01	1702NG0UN0	072NG0UN	MK-4105/MAINTENANCE KIT	OPTION	1	1	1
⊙	1	•302NG93050	2NG93050	MC-4105		1	1	1
	2	302NGJ0311	2NGJ0311	DISPOSAL TANK ASSY		1	1	1
	101	7BB607312H	BB107140	+TP-CUP M SCREW 3X12 R				

•Parts with "⊙" indicate regular maintenance parts.  
 •Parts with Ref.No. indicate maintenance parts and the ones without it indicate out of the above.

•Parts with "•" are component parts or sub-assemblies of the assembly appearing immediately above them.  
 •Parts with "• •" are component parts or sub-assembly with "•" appearing immediately above them.

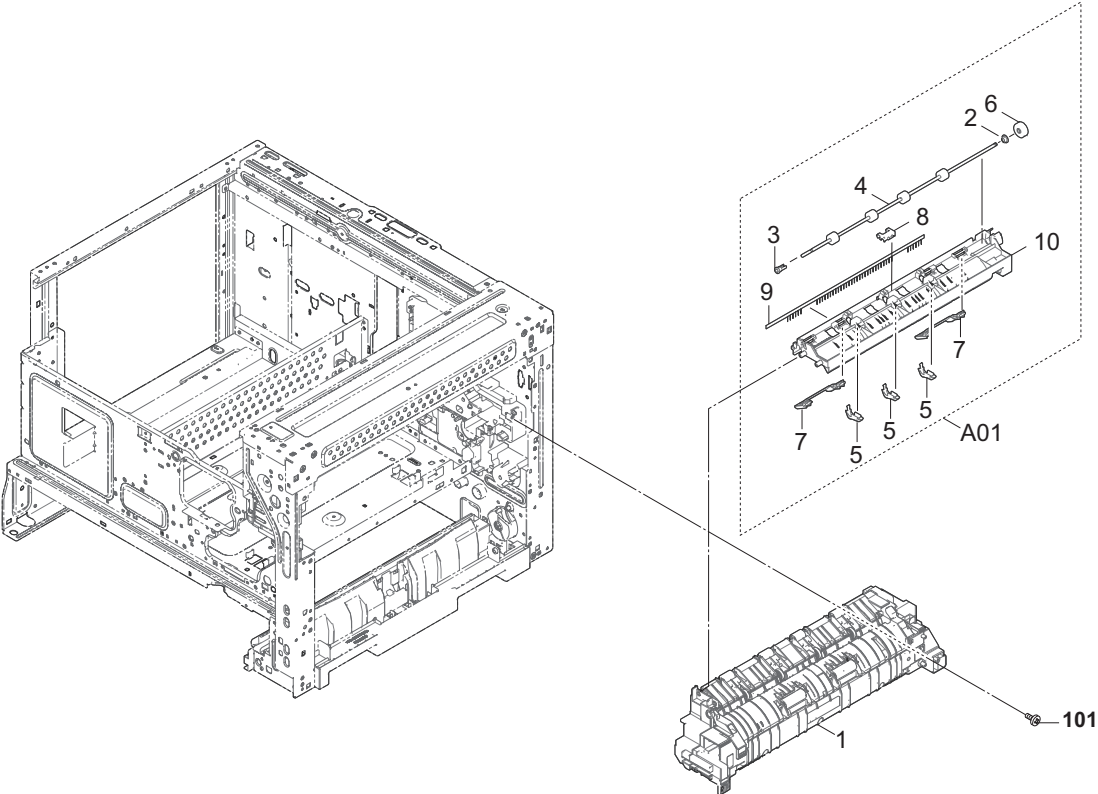


FIG. 13 Fuser Section

2NC/2NF/2NG/2NN

Ref. No.	Part.No.	Alternative.	Description	Notes	Quantity		
					120	230	240
⊙ 1	302NG93020	2NG93020	FK-4105			1	1
⊙ 1	302NG93030	2NG93030	FK-4107		1		
⊙ A01	302NG94060	2NG94060	PARTS EXIT UNIT SP		1	1	1
2	*302F929140	2F929140	BUSH DU		1	1	1
3	*302HN25450	2HN25450	BUSH EXIT		1	1	1
⊙ 4	*302NG94180	2NG94180	PARTS ROLLER EXIT SP		1	1	1
5	*302NG28040	2NG28040	GUIDE EXIT PUSH		3	3	3
⊙ 6	*302NG28050	2NG28050	GEAR Z23S EXIT		1	1	1
7	*302NG28070	2NG28070	PLATE EXIT GUIDE		2	2	2
8	*302NG28080	2NG28080	BUSH EXIT SHAFT		1	1	1
9	*302NG28090	2NG28090	STATIC ELIMINATOR EXIT		1	1	1
10	*302NG28010	2NG28010	FRAME EXIT UPPER		1	1	1
101	7BB702308H	BB107060	+TP-FLAT T.T S SCREW 3X8 SR				

•Parts with "⊙" indicate regular maintenance parts.  
 •Parts with Ref.No. indicate maintenance parts and the ones without it indicate out of the above.

•Parts with "\*" are component parts or sub-assemblies of the assembly appearing immediately above them.  
 •Parts with "\*•" are component parts or sub-assembly with "\*" appearing immediately above them.

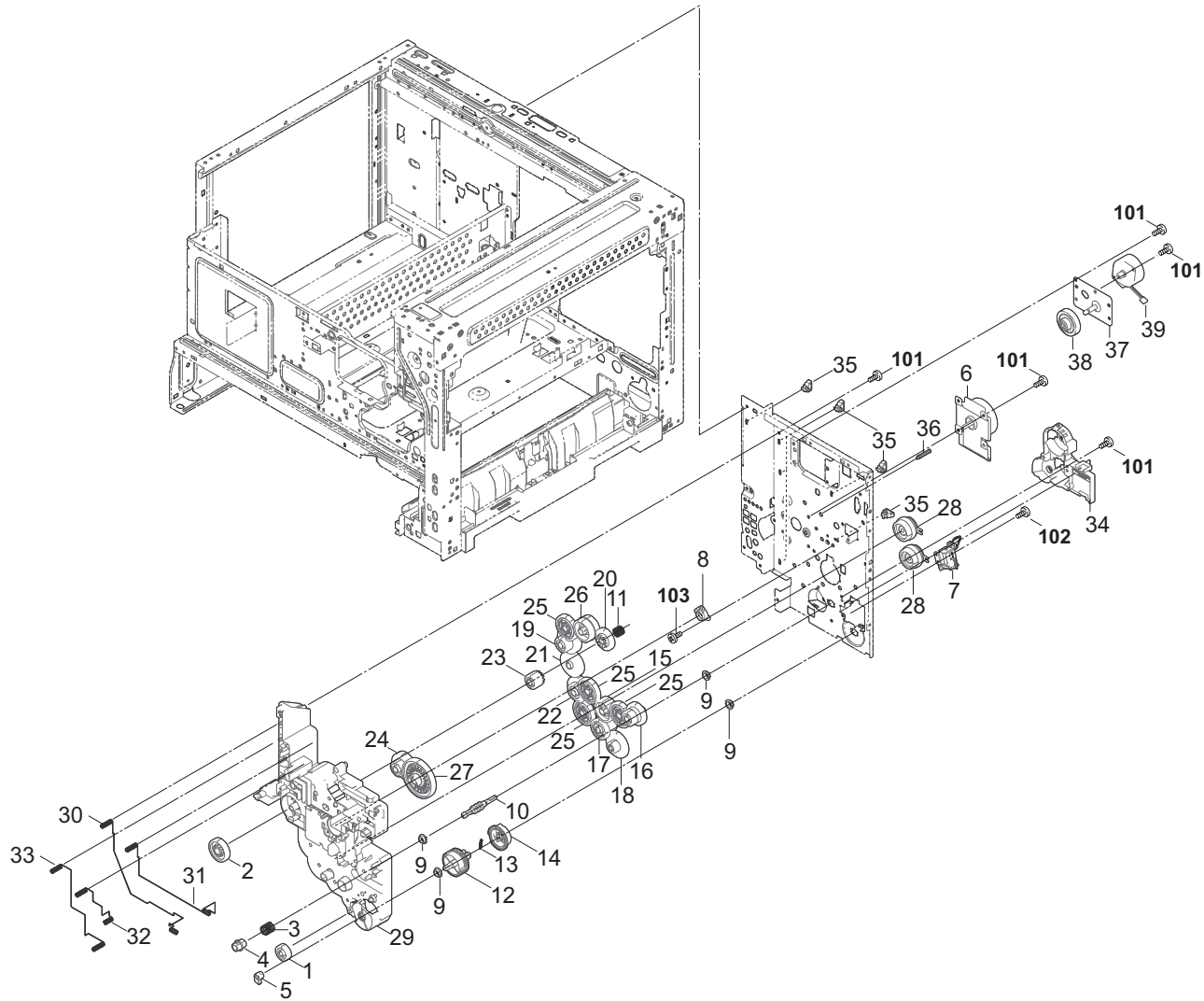


FIG. 14 Drive Section

2NC/2NF/2NG/2NN

Ref. No.	Part.No.	Alternative.	Description	Notes	Quantity		
					120	230	240
⊙ 1	302K331170	2K331170	GEAR Z28S		1	1	1
⊙ 2	302NG31060	2NG31060	GEAR INPUT DLP Z40R		1	1	1
3	302NG31230	2NG31230	SPRING FEED		1	1	1
4	302NG31210	2NG31210	JOINT SHAFT CASSETTE		1	1	1
5	302NG31190	2NG31190	CAM MPF		1	1	1
⊙ 6	302NG94190	2NG94190	PARTS MOTOR-BL W20 SP		1	1	1
⊙ 7	302HN44160	2HN44160	SOLENOID MPF		1	1	1
8	302NG31220	2NG31220	HOLDER GEAR		1	1	1
9	302K331230	2K331230	BUSH DRIVE 8		4	4	4
10	302NG31200	2NG31200	SHAFT CL FEED		1	1	1
11	302NG31240	2NG31240	SPRING FUSER		1	1	1
⊙ 12	302NG31160	2NG31160	GEAR Z45S INPUT MPF A		1	1	1
13	302HN31650	2HN31650	SPRING INPUT MPF		1	1	1
⊙ 14	302NG31170	2NG31170	GEAR Z45S INPUT MPF B		1	1	1
⊙ 15	302NG31130	2NG31130	GEAR Z40L		1	1	1
⊙ 16	302NG31180	2NG31180	GEAR Z40L Z26L		1	1	1
⊙ 17	302NG31140	2NG31140	GEAR Z37L Z28L		1	1	1
⊙ 18	302NG31150	2NG31150	GEAR Z48R Z20S		1	1	1
⊙ 19	302NG31050	2NG31050	GEAR Z91L Z27L		1	1	1
⊙ 20	302NG31090	2NG31090	GEAR Z39L		1	1	1
⊙ 21	302NG31110	2NG31110	GEAR Z92R		1	1	1
⊙ 22	302NG31120	2NG31120	GEAR Z100L Z30L		1	1	1
⊙ 23	302NG31100	2NG31100	GEAR INPUT FUSER Z26S		1	1	1
⊙ 24	302NG31030	2NG31030	GEAR Z91L Z54L		1	1	1
⊙ 25	302NG31070	2NG31070	GEAR Z46R IDLE		4	4	4
⊙ 26	302NG31080	2NG31080	GEAR Z40L Z40R		1	1	1
⊙ 27	302NG31040	2NG31040	GEAR INPUT DRUM Z141R		1	1	1
⊙ 28	302NG94200	2NG94200	PARTS CLUTCH 50 Z35R SP		2	2	2
29	302NG31010	2NG31010	HOLDER DRIVE		1	1	1
30	302NG39090	2NG39090	TERMINAL SEPARATION		1	1	1
31	302NG39070	2NG39070	TERMINAL TRANSFER		1	1	1
32	302NG39060	2NG39060	TERMINAL DLP		1	1	1
33	302NG39080	2NG39080	TERMINAL DRUM		1	1	1
34	302NG31020	2NG31020	HOLDER CL		1	1	1
35	7YZM390002++H01	YZ012140	ACCESS.CLAMP		5	5	5
36	7YZM510017++H01	YZ121640	ACCESS.SPACER		1	1	1
37	302NG28060	2NG28060	MOUNT EXIT MOTOR		1	1	1
⊙ 38	302NG28030	2NG28030	GEAR Z74R-Z21S EXIT		1	1	1
⊙ 39	302F944131	2F944131	MOTOR EJECT		1	1	1
101	7BB700308H	BB105600	+BIND T.T S SCREW 3X8 SR				
102	7BB200308H	BB105660	+BIND T.T P SCREW 3X8				
103	7BB702308H	BB107060	+TP-FLAT T.T S SCREW 3X8 SR				

•Parts with "⊙" indicate regular maintenance parts.

•Parts with Ref.No. indicate maintenance parts and the ones without it indicate out of the above.

•Parts with "." are component parts or sub-assemblies of the assembly appearing immediately above them.

•Parts with ".•" are component parts or sub-assembly with ".•" appearing immediately above them.

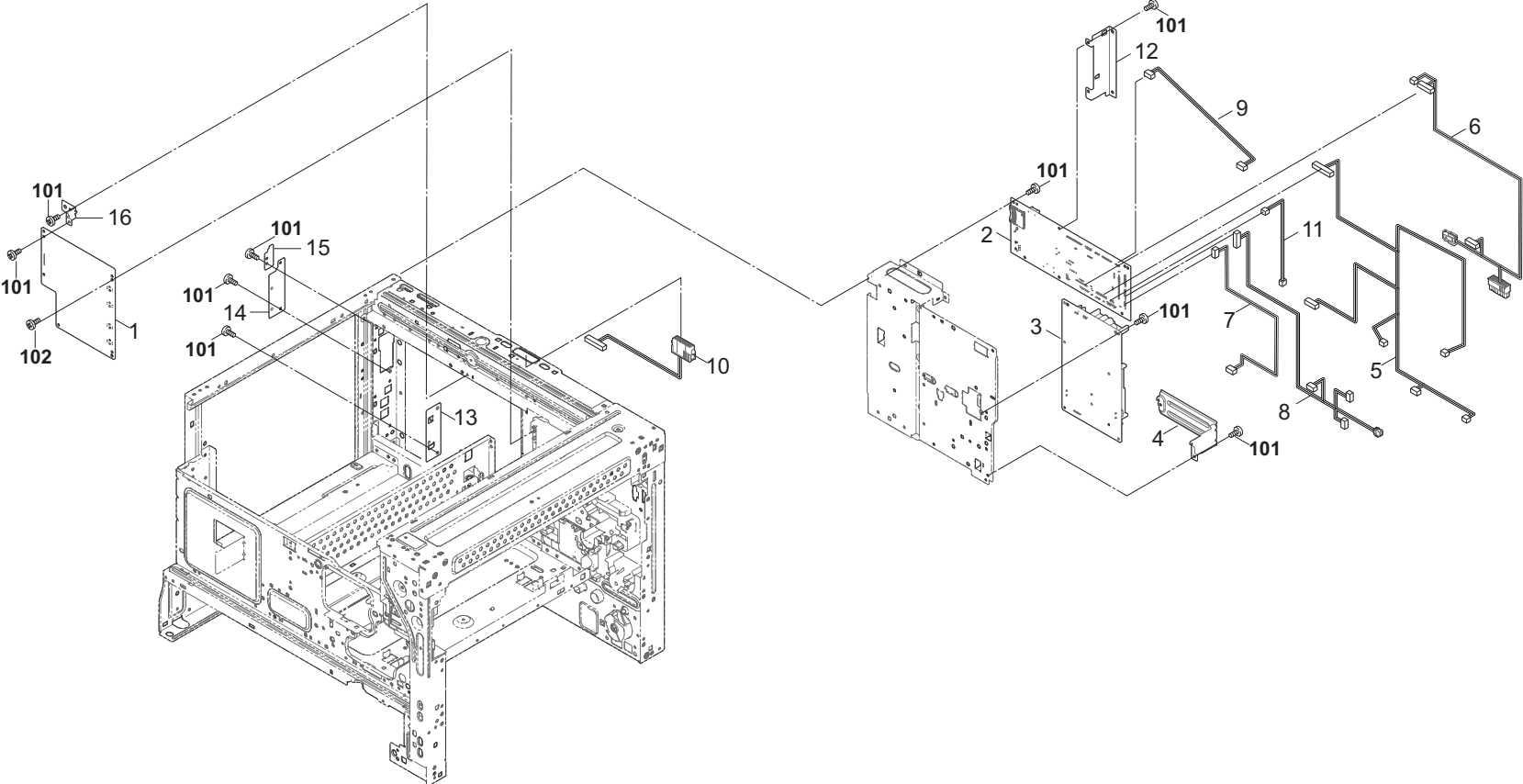


FIG. 15 Electrical Components

2NC/2NF/2NG/2NN-2

Ref. No.	Part.No.	Alternative.	Description	Notes	Quantity		
					120	230	240
⊙ 1	302NG94250	2NG94250	PARTS HIGH VOLTAGE UNIT SP		1	1	1
⊙ 2	302NN94040	2NN94040	PARTS PWB MAIN ENGINE ASSY SP	18ppm/22ppm	1	1	1
⊙ 2	302NG94320	2NG94320	PARTS PWB MAIN ENGINE ASSY EU SP	18ppm(F)/22ppm(F)		1	
⊙ 3	302NG94240	2NG94240	PARTS UNIT POWER SOURCE 230 SP			1	1
⊙ 3	302NG94230	2NG94230	PARTS UNIT POWER SOURCE 120 SP		1		
⊙ 4	302NG02550	2NG02550	PROTECTOR LVU		1	1	1
5	302NG46050	2NG46050	WIRE PAPER		1	1	1
6	302NG46160	2NG46160	WIRE PF		1	1	1
7	302NG46130	2NG46130	WIRE HUMIDITY SENSOR		1	1	1
8	302NG46040	2NG46040	WIRE MAIN MOTOR		1	1	1
9	302NG46170	2NG46170	WIRE HEATER CONT		1	1	1
10	302NG46200	2NG46200	WIRE DP		1	1	1
11	302NG46150	2NG46150	WIRE FAN		1	1	1
12	302NG02290	2NG02290	SHIELD MAIN PWB		1	1	1
13	302NG39020	2NG39020	LID FAX BOARD		1	1	1
14	302NG39030	2NG39030	LID NETWORK BOARD		1	1	1
15	302NG39040	2NG39040	LID WIFI		1	1	1
16	302NG39010	2NG39010	MOUNT HVU UPPER		1	1	1
101	7BB700308H	BB105600	+BIND T.T S SCREW 3X8 SR				
102	7BB200308H	BB105660	+BIND T.T P SCREW 3X8				

•Parts with "⊙" indicate regular maintenance parts.  
 •Parts with Ref.No. indicate maintenance parts and the ones without it indicate out of the above.

•Parts with "-" are component parts or sub-assemblies of the assembly appearing immediately above them.  
 •Parts with "• •" are component parts or sub-assembly with "-" appearing immediately above them.



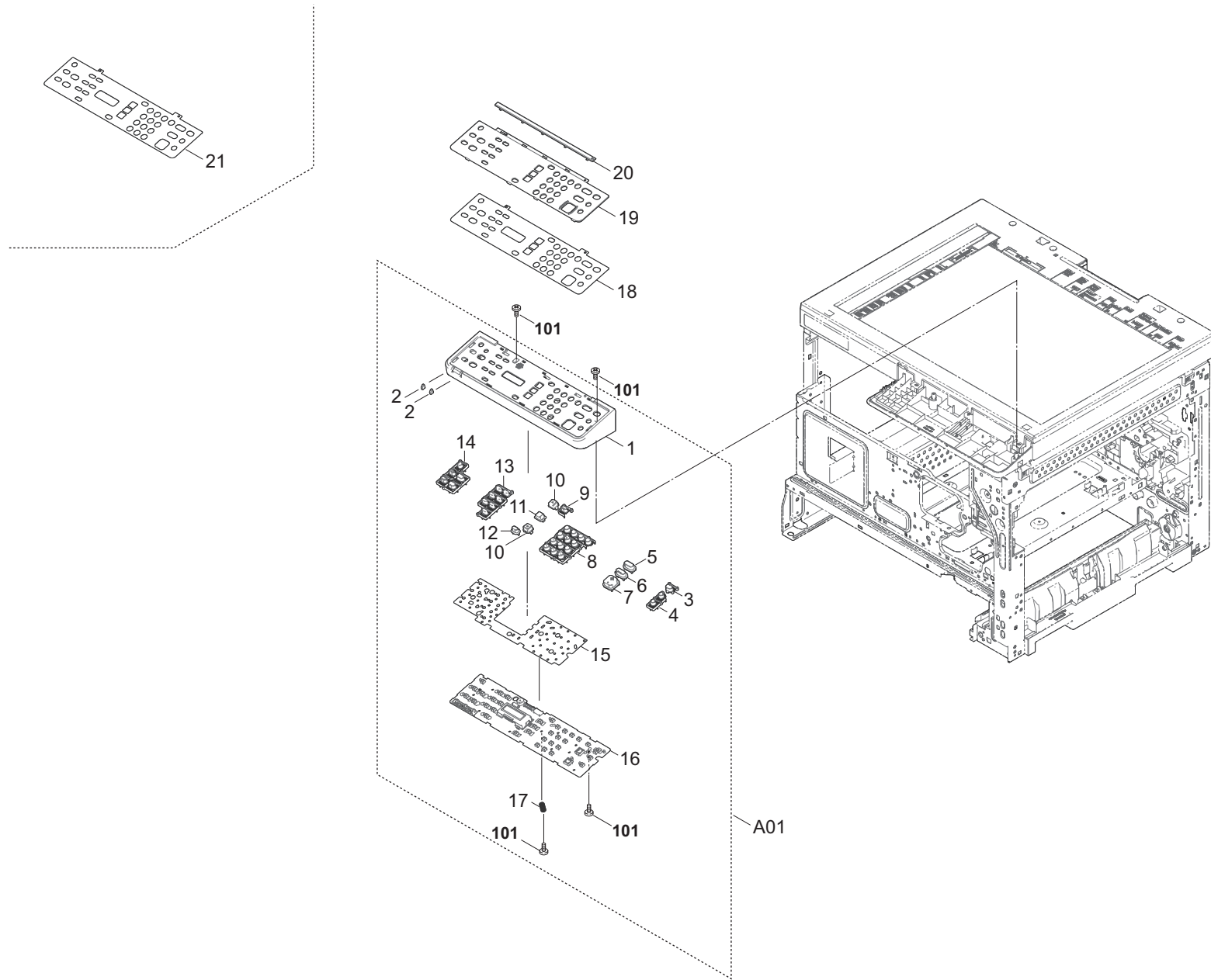


FIG. 16 Operation Section(18ppm/22ppm)

2NC/2NF/2NG/2NN-2

Ref. No.	Part.No.	Alternative.	Description	Notes	Quantity		
					120	230	240
⊙ A01	302NN94010	2NN94010	PARTS OPERATION UNIT SP		1	1	1
1	+302NN05010	2NN05010	COVER OPERATION		1	1	1
2	+302NG05180	2NG05180	LENS LED OPERATION		2	2	2
3	+302NG05060	2NG05060	KEY POWER SUPPLY		1	1	1
4	+302NG05070	2NG05070	KEY LOGOUT INTERRUPT		1	1	1
5	+302NG05050	2NG05050	KEY RESET		1	1	1
6	+302NG05040	2NG05040	KEY STOP		1	1	1
7	+302NG05030	2NG05030	KEY START		1	1	1
8	+302NG05020	2NG05020	KEY 10		1	1	1
9	+302NG05080	2NG05080	KEY MENU		1	1	1
10	+302NN05050	2NN05050	KEY CONTROL		2	2	2
11	+302NN05040	2NN05040	KEY OK		1	1	1
12	+302NG05110	2NG05110	KEY RETURN		1	1	1
13	+302NN05060	2NN05060	KEY FUNCTION		1	1	1
14	+302NN05070	2NN05070	KEY FUNCTION L		1	1	1
15	+302NN05100	2NN05100	SHEET SHIELD		1	1	1
⊙ 16	+302NN94030	2NN94030	PARTS PWB PANEL MAIN ASSY SP		1	1	1
17	+302NG05310	2NG05310	SPRING OPERATION		1	1	1
18	302NN05080	2NN05080	SHEET OPERATION			1	1
⊙ 19	302NN05020	2NN05020	COVER PANEL		1	1	1
20	302NG05160	2NG05160	LID OPERATION		1	1	1
21	302NN05160	2NN05160	SHEET OPERATION DE			1	
21	302NN05170	2NN05170	SHEET OPERATION FR			1	
21	302NN05180	2NN05180	SHEET OPERATION IT			1	
21	302NN05190	2NN05190	SHEET OPERATION ES			1	
21	302NN05200	2NN05200	SHEET OPERATION PT		1	1	
21	302NN05210	2NN05210	SHEET OPERATION NL			1	
21	302NN05220	2NN05220	SHEET OPERATION RU			1	
101	7BB200308H	BB105660	+BIND T.T P SCREW 3X8				

•Parts with "⊙" indicate regular maintenance parts.  
 •Parts with Ref.No. indicate maintenance parts and the ones without it indicate out of the above.

•Parts with "+" are component parts or sub-assemblies of the assembly appearing immediately above them.  
 •Parts with "+•" are component parts or sub-assembly with "+" appearing immediately above them.

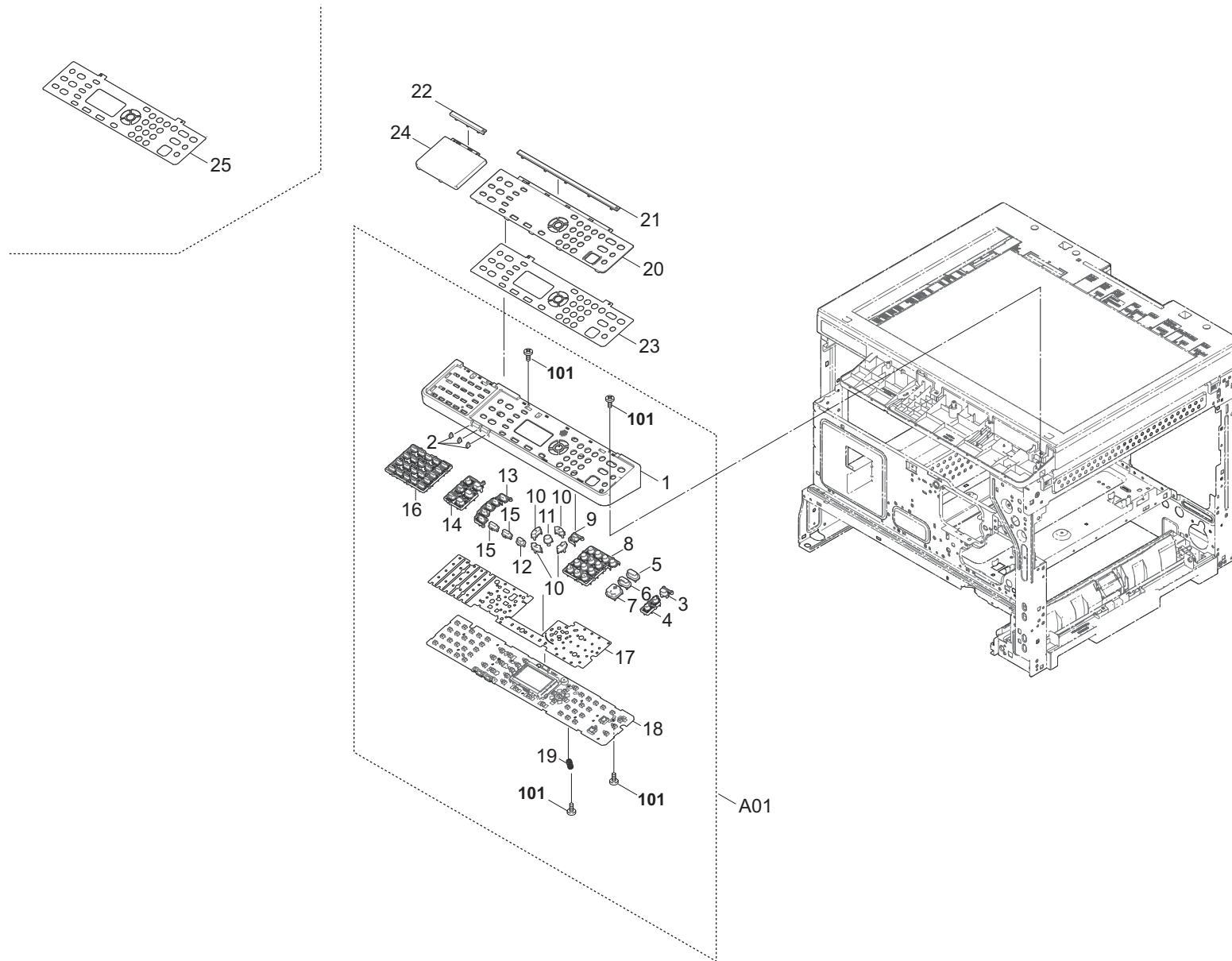


FIG. 16 Operation Section(18ppm(F)/22ppm(F))

2NC/2NF/2NG/2NN-2

Ref. No.	Part.No.	Alternative.	Description	Notes	Quantity		
					120	230	240
⊙ A01	302NG94070	2NG94070	PARTS OPERATION UNIT SP			1	
1	+302NG05010	2NG05010	COVER OPERATION			1	
2	+302NG05180	2NG05180	LENS LED OPERATION			3	
3	+302NG05060	2NG05060	KEY POWER SUPPLY			1	
4	+302NG05070	2NG05070	KEY LOGOUT INTERRUPT			1	
5	+302NG05050	2NG05050	KEY RESET			1	
6	+302NG05040	2NG05040	KEY STOP			1	
7	+302NG05030	2NG05030	KEY START			1	
8	+302NG05020	2NG05020	KEY 10			1	
9	+302NG05080	2NG05080	KEY MENU			1	
10	+302NG05090	2NG05090	KEY CONTROL			4	
11	+302NG05100	2NG05100	KEY OK			1	
12	+302NG05110	2NG05110	KEY RETURN			1	
13	+302NG05130	2NG05130	KEY FUNCTION			1	
14	+302NG05140	2NG05140	KEY FUNCTION L			1	
15	+302NG05120	2NG05120	KEY SELECT			2	
16	+302NG05200	2NG05200	KEY FAX			1	
17	+302NG05260	2NG05260	SHEET SHIELD			1	
⊙ 18	+302NG94270	2NG94270	PARTS PWB PANEL MAIN ASSY SP			1	
19	+302NG05310	2NG05310	SPRING OPERATION			1	
⊙ 20	302NG05170	2NG05170	COVER PANEL			1	
21	302NG05160	2NG05160	LID OPERATION			1	
22	302NG05220	2NG05220	LID OPERATION FAX			1	
23	302NG05190	2NG05190	SHEET OPERATION			1	
24	302NG05210	2NG05210	COVER FAX OPERATION			1	
25	302NG05320	2NG05320	SHEET OPERATION DE			1	
25	302NG05330	2NG05330	SHEET OPERATION FR			1	
25	302NG05340	2NG05340	SHEET OPERATION IT			1	
25	302NG05350	2NG05350	SHEET OPERATION ES			1	
25	302NG05360	2NG05360	SHEET OPERATION PT			1	
25	302NG05370	2NG05370	SHEET OPERATION NL			1	
25	302NG05380	2NG05380	SHEET OPERATION RU			1	
101	7BB200308H	BB105660	+BIND T.T P SCREW 3X8				

•Parts with "⊙" indicate regular maintenance parts.  
 •Parts with Ref.No. indicate maintenance parts and the ones without it indicate out of the above.

•Parts with "-" are component parts or sub-assemblies of the assembly appearing immediately above them.  
 •Parts with "• •" are component parts or sub-assembly with "-" appearing immediately above them.

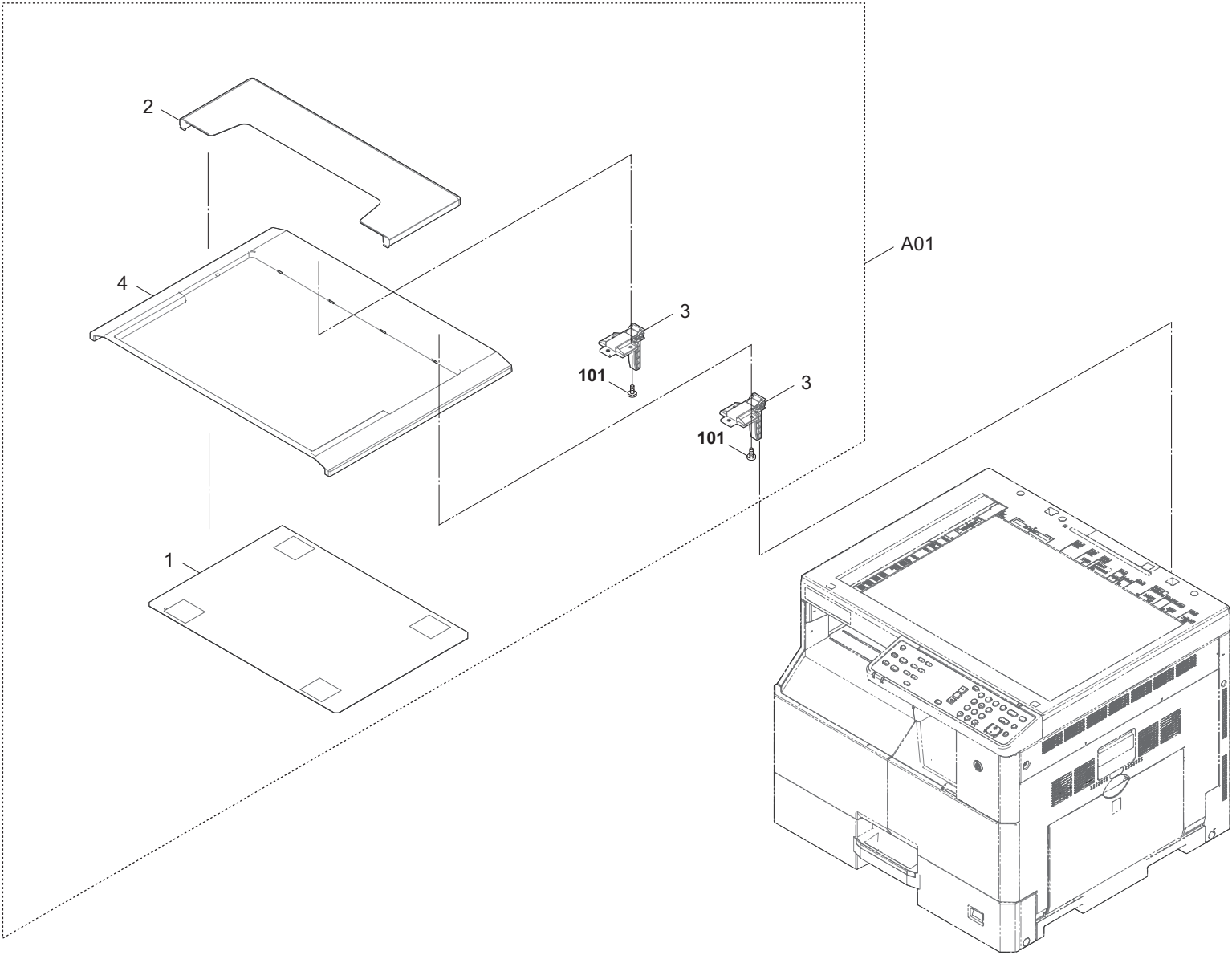


FIG. 17 Options 1

2NC/2NF/2NG/2NN

Ref. No.	Part.No.	Alternative.	Description	Notes	Quantity		
					120	230	240
A01	1202NG0UN0	022NG0UN	PLATEN COVER TYPE H		1	1	1
1	302NG17520	2NG17520	SHEET ORIGINAL HOLDER		1	1	1
2	302K317670	2K317670	COVER POCKET		1	1	1
3	302NG17510	2NG17510	HINGE PLATEN		2	2	2
4	302NG17540	2NG17540	COVER PLATEN B		1	1	1
101	7BB280410H	BB111250	+BIND T.T P SCREW 4X10(BLACK)				

•Parts with "⊙" indicate regular maintenance parts.  
 •Parts with Ref.No. indicate maintenance parts and the ones without it indicate out of the above.

•Parts with "•" are component parts or sub-assemblies of the assembly appearing immediately above them.  
 •Parts with "••" are component parts or sub-assembly with "•" appearing immediately above them.

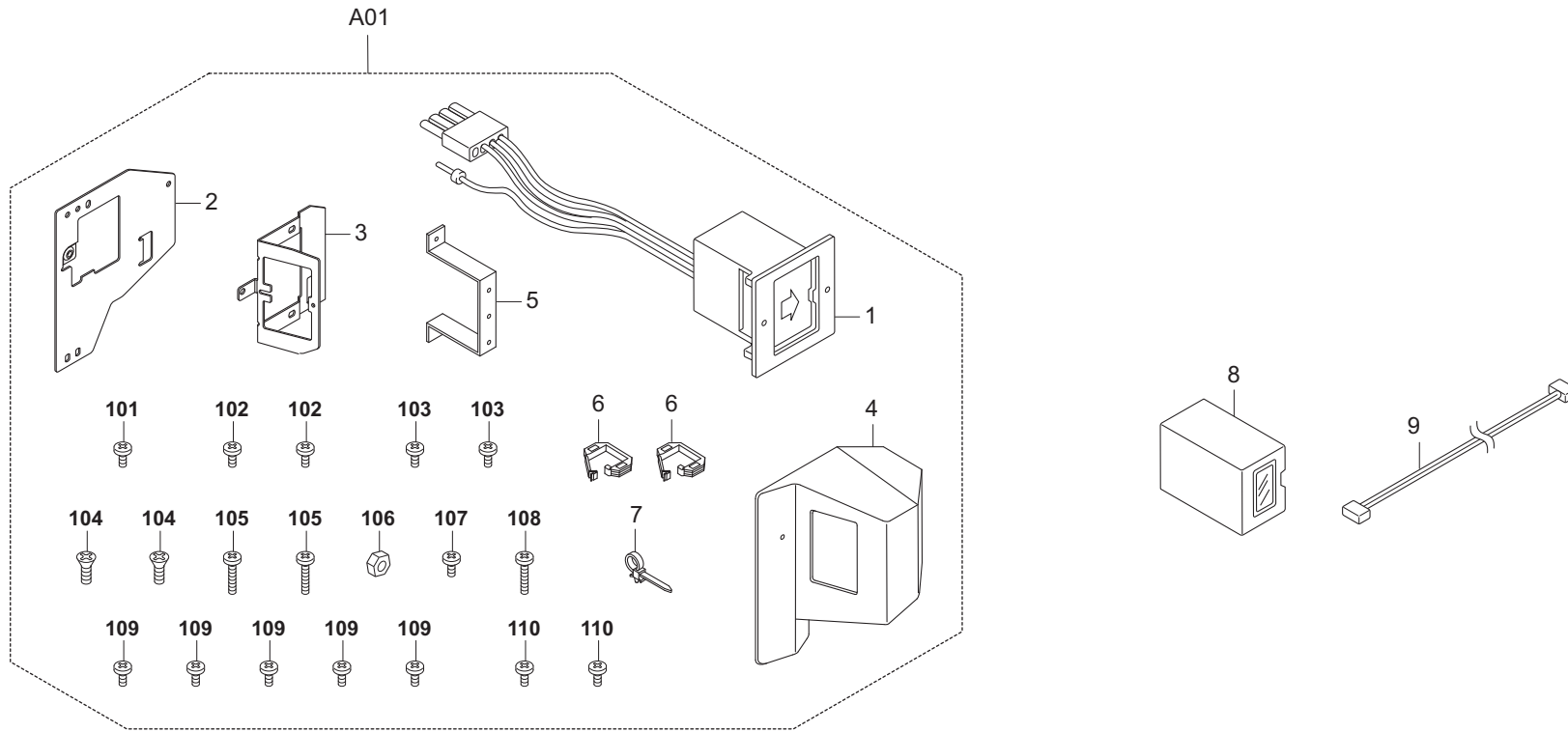


FIG. 18 Options 2

2NC/2NF/2NG/2NN

Ref. No.	Part.No.	Alternative.	Description	Notes	Quantity		
					120	230	240
A01	302A369709	2A369709	SET PARTS KEYCOUNTER NEW COLOR		1	1	1
1	*3029236241	29236241	SOCKET ASS'Y,KEY COUNTER		1	1	1
2	*302GR03010	2GR03010	RETAINER KEY COUNTER COVER		1	1	1
3	*302GR03020	2GR03020	RETAINER KEY COUNTER		1	1	1
4	*3066060011	66060011	COVER,KEY COUNTER		1	1	1
5	*3066060041	66060041	MOUNT,KEY COUNTER		1	1	1
6	*7YZM210006++H01	YZ038000	ACCESS.EDGING		2	2	2
7	*M21AH010	M21AH010	BAND,RSG-130-V0(KITAGAWA)		1	1	1
8	3025418011	25418011	KEY COUNTER		1	1	1
9	302NG46340	2NG46340	WIRE KEY COUNTER		1	1	1
101	5MBTPB3008PW++R	B1A63080	BIND T.T SCREW(+) / M3 X 8 CRFREE P-T				
102	5MBTPB4010PW++R	B1A64100	BIND T.T SCREW(+) / M4 X 10 CRFREE P-T				
103	5MBTPB4010TW++R	B1A54100	BIND T.T SCREW(+) / M4 X 10 CRFREE S-T				
104	7BB003306H	BB040750	+COUNTER-SUNK HEAD SCREW M3X6 CRFREE				
105	7BB100420H	BB040740	+BIND TAP-TITE S SCREW M4X20 CRFREE				
106	7BC1003055++H01	BC018230	HEXA NUT M3				
107	B1B03080	B1B03080	+BIND SCREW M3X08				
108	B1B54300	B1B54300	+BIND TAP-TITE S SCREW M4X30(TRIVALENT C				
109	B4A04060	B4A04060	+TP-A SCREW M4X06(TRIVALENT CHROMATING)				
110	B4A04100	B4A04100	+TP-A SCREW M4X10(TRIVALENT CHROMATING)				

•Parts with "⊙" indicate regular maintenance parts.

•Parts with Ref.No. indicate maintenance parts and the ones without it indicate out of the above.

•Parts with "•" are component parts or sub-assemblies of the assembly appearing immediately above them.

•Parts with "••" are component parts or sub-assembly with "•" appearing immediately above them.



0-1  
0-1  
0-1  
0-1



101  
101  
101  
101

FIG. 19 Accessories

2NC/2NF/2NG/2NN

Ref. No.	Part.No.	Alternative.	Description	Notes	Quantity		
					120	230	240
1	302NG34080	2NG34080	LABEL COVER		4	4	4
2	302MV34300	2MV34300	SHEET CASSETTE C			1	1
2	302MV34430	2MV34430	SHEET CASSETTE I		1		
101	7BB702308H	BB107060	+TP-FLAT T.T S SCREW 3X8 SR				

•Parts with "⊙" indicate regular maintenance parts.  
 •Parts with Ref.No. indicate maintenance parts and the ones without it indicate out of the above.

•Parts with "•" are component parts or sub-assemblies of the assembly appearing immediately above them.  
 •Parts with "••" are component parts or sub-assembly with "•" appearing immediately above them.

INDEX

2NC/2NF/2NG/2NN-1

	Part.No.	Alternative.	Description	Fig.No.		Part.No.	Alternative.	Description	Fig.No.
⊙	1202NG0UN0	022NG0UN	PLATEN COVER TYPE H	17	⊙	302K324360	2K324360	SPRING CONVEYING R	8
	1702NG0UN0	072NG0UN	MK-4105/MAINTENANCE KIT	12		302K324430	2K324430	BUSH TRANSFER ROLL R	8
	2BC06910	2BC06910	STOPPER 6	6		302K324440	2K324440	SPRING REGIST R	8
	2BC06980	2BC06980	STOPPER 5	7		302K329020	2K329020	PULLEY DU	8
	2BL04200	2BL04200	LEVER CONT RELEASE	1		302K329030	2K329030	SPRING DU FEED	8
⊙	2C906080	2C906080	GEAR 18 BYPASS	7	⊙	302K331170	2K331170	GEAR Z28S	14
	2C907100	2C907100	STOPPER CASSETTE	2		302K331230	2K331230	BUSH DRIVE 8	5,14
	2C907140	2C907140	PAD CASSETTE	4		302KK02370	2KK02370	FILM PE	2
	2C907410	2C907410	PULLEY GUIDE A	5		302KK04570	2KK04570	CUT WASHER 5	7
	2DC12280	2DC12280	STOPPER 8	7		302KK39650	2KK39650	PLATE SHIELD ISU R	9
	2FB07330	2FB07330	STOPPER BYPASS TABLE	7	⊙	302KK45070	2KK45070	HEATER DEHUMIDIFIER 240	2
	2FB20860	2FB20860	PIN FUSER COVER	3,9		302LC34080	2LC34080	LABEL MPF PAPER LIMIT	4
	3019527401	19527401	POWER CORD(120)	3		302MV34250	2MV34250	LABEL COVER CAUTION	7
	3025418011	25418011	KEY COUNTER	18		302MV34300	2MV34300	SHEET CASSETTE C	19
	3029236241	29236241	SOCKET ASS'Y,KEY COUNTER	18		302MV34410	2MV34410	LABEL COVER CAUTION 9NATIONS	7
	3066060011	66060011	COVER,KEY COUNTER	18		302MV34430	2MV34430	SHEET CASSETTE I	19
	3066060041	66060041	MOUNT,KEY COUNTER	18	⊙	302N434050	2N434050	LABEL ENERGY STAR	1
	302A369709	2A369709	SET PARTS KEYCOUNTER NEW COLOR	18		302NC34010	2NC34010	SHEET EMBLEM	9
	302AR94050	2AR94050	PARTS AC CORD EU SP	3		302NF34010	2NF34010	SHEET EMBLEM	9
⊙	302BM07410	2BM07410	GEAR GUIDE SIDE	4		302NG02210	2NG02210	GUIDE LEFT FRONT	2
⊙	302F906230	2F906230	PULLEY FEED ASSY	5		302NG02220	2NG02220	GUIDE LEFT REAR	2
	302F914130	2F914130	BUSH GEAR	3		302NG02230	2NG02230	MOUNT INLET	2
	302F929140	2F929140	BUSH DU	13		302NG02290	2NG02290	SHIELD MAIN PWB	15
⊙	302F944131	2F944131	MOTOR EJECT	14		302NG02310	2NG02310	RAIL CONTAINER	3
	302FB17700	2FB17700	SPRING BYPASS TEBLE	7		302NG02330	2NG02330	GUIDE PICKUP LEVER	2
	302GR03010	2GR03010	RETAINER KEY COUNTER COVER	18		302NG02340	2NG02340	HOLDER PE LEVER	2
	302GR03020	2GR03020	RETAINER KEY COUNTER	18		302NG02350	2NG02350	RETAINER HOOK REAR	3
	302GR25161	2GR25161	PIN LOWER FRAME	2		302NG02360	2NG02360	MOUNT PUSH SW	2
	302H002130	2H002130	PLATE POSITION A	2		302NG02440	2NG02440	SHIELD DECK CONNECTOR	2
	302H008140	2H008140	SPRING BYPASSFFED	3		302NG02480	2NG02480	GUIDE FUSER WIRE	3
	302H024360	2H024360	BUSH 8 EW	6		302NG02490	2NG02490	MOUNT DP CONNECTOR	3
	302H024830	2H024830	BUSH 8	6		302NG02500	2NG02500	GUIDE WIRE LOW	2
	302HN02611	2HN02611	FOOT	2,5		302NG02510	2NG02510	MOUNT LSU CONNECTOR	3
	302HN25450	2HN25450	BUSH EXIT	13		302NG02520	2NG02520	GUIDE ISU WIRE	3
	302HN31650	2HN31650	SPRING INPUT MPF	14		302NG02530	2NG02530	LID PARTITION	3
⊙	302HN44160	2HN44160	SOLENOID MPF	14		302NG02550	2NG02550	PROTECTOR LVU	15
	302K302A50	2K302A50	PLATE EARTH ISU	9		302NG02560	2NG02560	MOUNT HUMIDITY PWB	2
	302K304550	2K304550	SHAFT RIGHT COVER F	8		302NG02570	2NG02570	SPRING EARTH ISU	9
	302K304630	2K304630	FILM CONVEYING SHAFT	8		302NG02580	2NG02580	SHEET CONNECTOR	3
	302K306070	2K306070	SPRING SEPARATION	5		302NG02590	2NG02590	SHEET LSU	2
	302K306460	2K306460	BUSH 4	5		302NG02600	2NG02600	SPRING EARTH OPERATION	9
	302K309220	2K309220	SPRING SIDE SWITCH	4	⊙	302NG04020	2NG04020	COVER FRONT LEFT	1
	302K317670	2K317670	COVER POCKET	17	⊙	302NG04030	2NG04030	COVER FRONT RIGHT	1
	302K324110	2K324110	SPRING CONVEYING F	8	⊙	302NG04040	2NG04040	COVER RIGHT FRONT	1
	302K324170	2K324170	GEAR TRANSFER Z18L	8	⊙	302NG04050	2NG04050	COVER RIGHT REAR	1
⊙	302K324180	2K324180	BUSH REGIST F	8	⊙	302NG04060	2NG04060	COVER RIGHT UPPER	1
	302K324200	2K324200	SPRING REGIST F	8	⊙	302NG04070	2NG04070	COVER LEFT	1
	302K324230	2K324230	SPRING GUIDE TRANSFER	8		302NG04080	2NG04080	COVER LEFT INNER	1
	302K324240	2K324240	BUSH TRANSFER ROLL F	8	⊙	302NG04090	2NG04090	COVER EXIT REAR	1
	302K324270	2K324270	BUSH REGIST R	8	⊙	302NG04100	2NG04100	COVER EXIT FRONT	1

• Parts with "⊙" indicate regular maintenance parts.

	Part.No.	Alternative.	Description	Fig.No.		Part.No.	Alternative.	Description	Fig.No.
⊙	302NG04110	2NG04110	TRAY RIGHT	1		302NG05360	2NG05360	SHEET OPERATION PT	16
⊙	302NG04120	2NG04120	TRAY LEFT	1		302NG05370	2NG05370	SHEET OPERATION NL	16
	302NG04130	2NG04130	COVER MIDDLE REAR	1		302NG05380	2NG05380	SHEET OPERATION RU	16
⊙	302NG04140	2NG04140	COVER REAR	1		302NG06010	2NG06010	FRAME FEED UP	5
⊙	302NG04150	2NG04150	COVER REAR PWB	1		302NG06020	2NG06020	FRAME FEED LOW A	5
	302NG04160	2NG04160	SHIELD REAR PWB	1		302NG06030	2NG06030	FRAME FEED LOW B	5
	302NG04170	2NG04170	COVER INNER	1		302NG06040	2NG06040	SHAFT DRIVE FEED	5
	302NG04190	2NG04190	LID DEVE WIRE	1		302NG06050	2NG06050	HOLDER FEED	5
	302NG04200	2NG04200	MOUNT MAIN SW	1		302NG06060	2NG06060	GUIDE FEED SIDE F	5
	302NG04210	2NG04210	HOLDER MAIN KEY	1		302NG06070	2NG06070	LEVER PICKUP	2
	302NG04220	2NG04220	KEY POWER	1		302NG06080	2NG06080	SPRING LEVER	2
	302NG04230	2NG04230	COVER EXIT UPPER	1		302NG06090	2NG06090	GUIDE FEED SIDE R	5
	302NG04250	2NG04250	MOUNT RIGHT INTERLOCK	3		302NG06100	2NG06100	GUIDE FEED UP	5
	302NG04510	2NG04510	COVER RIGHT MIDDLE	7		302NG06110	2NG06110	SHAFT FEED L	5
	302NG04520	2NG04520	HOOK RIGHT COVER	7		302NG06130	2NG06130	SPRING PICKUP	5
	302NG04530	2NG04530	JOINT JUNCTION HOOK	7		302NG06140	2NG06140	SHAFT PICKUP	5
	302NG04550	2NG04550	STRAP RIGHT COVER A	7		302NG06170	2NG06170	HOLDER PULLEY	5
	302NG04560	2NG04560	STRAP RIGHT COVER B	7		302NG06180	2NG06180	GEAR FEED Z27	5
	302NG04570	2NG04570	STRAP RIGHT COVER C	7	⊙	302NG06190	2NG06190	GEAR FEED Z32	5
	302NG04580	2NG04580	SPRING JOINT HOOK	7		302NG06200	2NG06200	HOLDER RETARD	5
	302NG04590	2NG04590	SHAFT RIGHT COVER R	8		302NG06210	2NG06210	SHEET FEED A	5
	302NG04610	2NG04610	STRAP FRONT COVER	1		302NG08010	2NG08010	COVER MPF	7
	302NG04620	2NG04620	SPONGE COVER RIGHT MIDDLE	7		302NG08020	2NG08020	TABLE MPF	7
	302NG05010	2NG05010	COVER OPERATION	16		302NG08030	2NG08030	BASE TABLE MPF	7
	302NG05020	2NG05020	KEY 10	16		302NG08040	2NG08040	CURSOR MPF FRONT	7
	302NG05030	2NG05030	KEY START	16		302NG08050	2NG08050	CURSOR MPF REAR	7
	302NG05040	2NG05040	KEY STOP	16		302NG08060	2NG08060	SUB TABLE MPF A	7
	302NG05050	2NG05050	KEY RESET	16		302NG08070	2NG08070	SUB TABLE MPF B	7
	302NG05060	2NG05060	KEY POWER SUPPLY	16		302NG08080	2NG08080	SUB TABLE MPF C	7
	302NG05070	2NG05070	KEY LOGOUT INTERRUPT	16		302NG08090	2NG08090	PLATE JOINT TABLE	7
	302NG05080	2NG05080	KEY MENU	16		302NG08100	2NG08100	STRAP LINK MPF F	7
	302NG05090	2NG05090	KEY CONTROL	16		302NG08130	2NG08130	ARM LIFT MPF	5
	302NG05100	2NG05100	KEY OK	16		302NG08140	2NG08140	PLATE LIFT MPF	5
	302NG05110	2NG05110	KEY RETURN	16		302NG08150	2NG08150	SPRING LIFT MPF	5
	302NG05120	2NG05120	KEY SELECT	16		302NG08160	2NG08160	PAD LIFT	7
	302NG05130	2NG05130	KEY FUNCTION	16		302NG08170	2NG08170	ACTUATOR MPF	5
	302NG05140	2NG05140	KEY FUNCTION L	16		302NG08190	2NG08190	JOINT LIFT MPF	5
	302NG05160	2NG05160	LID OPERATION	16		302NG08210	2NG08210	GUIDE UPPER MPF	5
⊙	302NG05170	2NG05170	COVER PANEL	16		302NG08230	2NG08230	SPRING SEPARATION	5
	302NG05180	2NG05180	LENS LED OPERATION	16		302NG08240	2NG08240	SHAFT MPF	5
	302NG05190	2NG05190	SHEET OPERATION	16		302NG08250	2NG08250	BUSH 8	5
	302NG05200	2NG05200	KEY FAX	16		302NG08280	2NG08280	PIN FEED ROLLER	5
	302NG05210	2NG05210	COVER FAX OPERATION	16		302NG08310	2NG08310	MOUNT SEPARATION	5
	302NG05220	2NG05220	LID OPERATION FAX	16		302NG08320	2NG08320	SPRING MPF ROLLER	5
	302NG05260	2NG05260	SHEET SHIELD	16		302NG08330	2NG08330	SPRING ACTUATOR MPF	5
	302NG05310	2NG05310	SPRING OPERATION	16		302NG09010	2NG09010	CASSETTE	4
	302NG05320	2NG05320	SHEET OPERATION DE	16	⊙	302NG09020	2NG09020	COVER CASSETTE	4
	302NG05330	2NG05330	SHEET OPERATION FR	16		302NG09030	2NG09030	BASE CASSETTE	4
	302NG05340	2NG05340	SHEET OPERATION IT	16		302NG09040	2NG09040	CURSOR CASSETTE FRONT	4
	302NG05350	2NG05350	SHEET OPERATION ES	16		302NG09050	2NG09050	CURSOR CASSETTE REAR	4

• Parts with "⊙" indicate regular maintenance parts.

	Part.No.	Alternative.	Description	Fig.No.		Part.No.	Alternative.	Description	Fig.No.
	302NG09060	2NG09060	CURSOR END	4		302NG24090	2NG24090	SPRING EARTH CONVEYING	8
	302NG09070	2NG09070	SPRING BOTTOM F	4		302NG24100	2NG24100	BUSH REGIST C	8
	302NG09080	2NG09080	SPRING BOTTOM R	4	⊙	302NG24110	2NG24110	GEAR REGIST R Z17R	8
	302NG09090	2NG09090	PLATE BOTTOM	4		302NG24120	2NG24120	SHEET REGIST RIGHT F	8
	302NG09100	2NG09100	ARM SIZE DETECTION	4		302NG24130	2NG24130	TERMINAL SEPARATION	8
	302NG09120	2NG09120	CASSETTE HANDLE SIL	4		302NG24140	2NG24140	SHEET REGIST RIGHT R	8
	302NG09130	2NG09130	ACTUATOR PAPER EMPTY	2		302NG24150	2NG24150	TERMINAL TRANSFER	8
	302NG09140	2NG09140	PLATE SIZE DETECTION	2		302NG24160	2NG24160	SHEET DU	8
	302NG09160	2NG09160	LEVER RELEASE BASE	4		302NG24320	2NG24320	GUIDE TRANSFER RIGHT	8
	302NG09170	2NG09170	LEVER RELEASE CURSOR	4		302NG24330	2NG24330	HOLDER SEPARATION	8
	302NG09180	2NG09180	SPRING RELEASE CURSOR	4		302NG24340	2NG24340	PLATE SEPARATION	8
	302NG09190	2NG09190	PLATE SIDE SWITCH	4		302NG24350	2NG24350	COLLAR ROLLER	8
	302NG09210	2NG09210	SPRING RELEASE BASE	4		302NG24370	2NG24370	SPRING TRANSFER R	8
	302NG12320	2NG12320	COVER CONNECTOR	1		302NG24380	2NG24380	SPRING TRANSFER F	8
	302NG14400	2NG14400	RAIL DLP	2		302NG24390	2NG24390	ARM TRANSFER F	8
	302NG14410	2NG14410	COVER RAIL DLP	2		302NG24400	2NG24400	ARM TRANSFER R	8
	302NG14420	2NG14420	HOLDER JOINT	2		302NG24600	2NG24600	GUIDE FEED REGIST	6
⊙	302NG14430	2NG14430	GEAR Z24L RAIL	2		302NG24610	2NG24610	SHEET REGIST L	6
⊙	302NG14440	2NG14440	GEAR Z52R RAIL	2		302NG24620	2NG24620	ACTUATOR REGIST	6
⊙	302NG14450	2NG14450	GEAR Z25R RAIL	2		302NG24630	2NG24630	SPRING ACTUATOR REGIST	6
⊙	302NG14460	2NG14460	GEAR JOINT Z24L	2		302NG24640	2NG24640	CUSHION GUIDE FEED	6
	302NG14470	2NG14470	PIN RAIL	2	⊙	302NG24710	2NG24710	GEAR REGIST L Z17L	6
	302NG14480	2NG14480	SHAFT RAIL PIVOT	2		302NG24730	2NG24730	GUIDE TRANSFER LEFT	6
	302NG14490	2NG14490	PLATE BIAS RAIL	2		302NG24740	2NG24740	HOLDER CONVEYING F	6
	302NG14500	2NG14500	SPRING JOINT GEAR	2		302NG24770	2NG24770	SPRING EARTH REGIST A	6
	302NG14600	2NG14600	LEVER RAIL REMOVAL	2		302NG24780	2NG24780	SPRING EARTH REGIST B	6
	302NG14610	2NG14610	SLIDER RAIL FRONT	2		302NG24790	2NG24790	SPRING EARTH REGIST C	6
	302NG14620	2NG14620	SLIDER RAIL REAR	2		302NG24800	2NG24800	RAIL CLEANER REGIST	6
	302NG14650	2NG14650	SPRING BOTTOM	2		302NG24830	2NG24830	SPRING EARTH REGIST D	6
	302NG15010	2NG15010	BASE HOPPER	3		302NG28010	2NG28010	FRAME EXIT UPPER	13
	302NG15020	2NG15020	SHUTTER HOPPER LOW	3	⊙	302NG28030	2NG28030	GEAR Z74R-Z21S EXIT	14
	302NG15030	2NG15030	SPRING SHUTTER HOPPER	3		302NG28040	2NG28040	GUIDE EXIT PUSH	13
	302NG15040	2NG15040	SEAL HOPPER	3	⊙	302NG28050	2NG28050	GEAR Z23S EXIT	13
	302NG15050	2NG15050	COVER CONT DRIVE	3		302NG28060	2NG28060	MOUNT EXIT MOTOR	14
⊙	302NG15060	2NG15060	GEAR Z48L Z19S	3		302NG28070	2NG28070	PLATE EXIT GUIDE	13
⊙	302NG15070	2NG15070	JOINT CONTAINER PADDLE Z49S	3		302NG28080	2NG28080	BUSH EXIT SHAFT	13
⊙	302NG15080	2NG15080	GEAR Z25S Z36S	3		302NG28090	2NG28090	STATIC ELIMINATOR EXIT	13
⊙	302NG15090	2NG15090	JOINT CONTAINER SCREW Z19S	3		302NG29010	2NG29010	GUIDE DU	8
	302NG15100	2NG15100	SPRING JOINT SCREW	3		302NG31010	2NG31010	HOLDER DRIVE	14
	302NG15110	2NG15110	JOINT CONTAINER PADDLE	3		302NG31020	2NG31020	HOLDER CL	14
	302NG15120	2NG15120	SPRING JOINT PADDLE	3	⊙	302NG31030	2NG31030	GEAR Z91L Z54L	14
⊙	302NG17230	2NG17230	COVER DP CONNECTOR	9		302NG31040	2NG31040	GEAR INPUT DRUM Z141R	14
	302NG17510	2NG17510	HINGE PLATEN	17	⊙	302NG31050	2NG31050	GEAR Z91L Z27L	14
	302NG17520	2NG17520	SHEET ORIGINAL HOLDER	17	⊙	302NG31060	2NG31060	GEAR INPUT DLP Z40R	14
	302NG17540	2NG17540	COVER PLATEN B	17	⊙	302NG31070	2NG31070	GEAR Z46R IDLE	14
	302NG24010	2NG24010	BASE CONVEYING	8	⊙	302NG31080	2NG31080	GEAR Z40L Z40R	14
	302NG24030	2NG24030	LEVER CONVEYING F	8	⊙	302NG31090	2NG31090	GEAR Z39L	14
	302NG24040	2NG24040	LEVER CONVEYING R	8	⊙	302NG31100	2NG31100	GEAR INPUT FUSER Z26S	14
	302NG24050	2NG24050	GUIDE CONVEYING	8	⊙	302NG31110	2NG31110	GEAR Z92R	14
	302NG24080	2NG24080	SPRING REGIST C	8	⊙	302NG31120	2NG31120	GEAR Z100L Z30L	14

• Parts with "⊙" indicate regular maintenance parts.

	Part.No.	Alternative.	Description	Fig.No.		Part.No.	Alternative.	Description	Fig.No.
⊙	302NG31130	2NG31130	GEAR Z40L	14	⊙	302NG93050	2NG93050	MC-4105	12
⊙	302NG31140	2NG31140	GEAR Z37L Z28L	14	⊙	302NG93060	2NG93060	CT-4105	4
⊙	302NG31150	2NG31150	GEAR Z48R Z20S	14	⊙	302NG93070	2NG93070	PARTS CIS ASSY SP	9
⊙	302NG31160	2NG31160	GEAR Z45S INPUT MPF A	14	⊙	302NG94010	2NG94010	PARTS COVER FRONT ASSY SP	1
⊙	302NG31170	2NG31170	GEAR Z45S INPUT MPF B	14	⊙	302NG94020	2NG94020	PARTS PRIMARY FEED ASSY SP	5
⊙	302NG31180	2NG31180	GEAR Z40L Z26L	14	⊙	302NG94030	2NG94030	PARTS RIGHT COVER ASSY SP	7
	302NG31190	2NG31190	CAM MPF	14	⊙	302NG94040	2NG94040	PARTS MPF TABLE ASSY SP	7
	302NG31200	2NG31200	SHAFT CL FEED	14	⊙	302NG94050	2NG94050	PARTS DC MOTOR ASSY SP	3
	302NG31210	2NG31210	JOINT SHAFT CASSETTE	14	⊙	302NG94060	2NG94060	PARTS EXIT UNIT SP	13
	302NG31220	2NG31220	HOLDER GEAR	14	⊙	302NG94070	2NG94070	PARTS OPERATION UNIT SP	16
	302NG31230	2NG31230	SPRING FEED	14	⊙	302NG94100	2NG94100	PARTS COVER CASSETTE ASSY SP	4
	302NG31240	2NG31240	SPRING FUSER	14	⊙	302NG94110	2NG94110	PARTS ROLLER RETARD ASSY SP	5
	302NG33010	2NG33010	BRACKET FAN	3	⊙	302NG94120	2NG94120	PARTS PULLEY PICKUP ASSY SP	5
	302NG34080	2NG34080	LABEL COVER	19	⊙	302NG94130	2NG94130	PARTS ROLLER MPF SP	5
	302NG34090	2NG34090	LABEL A2	8	⊙	302NG94140	2NG94140	PARTS ROLLER REGIST RIGHT SP	8
	302NG34100	2NG34100	SHEET EMBLEM	9	⊙	302NG94150	2NG94150	PARTS ROLLER TRANSFER SP	8
	302NG34110	2NG34110	LABEL OPERATION MPF	7	⊙	302NG94160	2NG94160	PARTS ROLLER TRANSFER U SP	8
	302NG34170	2NG34170	LABEL HIGH TEMP	7	⊙	302NG94170	2NG94170	PARTS ROLLER REGIST LEFT SP	6
	302NG39010	2NG39010	MOUNT HVU UPPER	15	⊙	302NG94180	2NG94180	PARTS ROLLER EXIT SP	13
	302NG39020	2NG39020	LID FAX BOARD	15	⊙	302NG94190	2NG94190	PARTS MOTOR-BL W20 SP	14
	302NG39030	2NG39030	LID NETWORK BOARD	15	⊙	302NG94200	2NG94200	PARTS CLUTCH 50 Z35R SP	14
	302NG39040	2NG39040	LID WIFI	15	⊙	302NG94210	2NG94210	PARTS MOTOR ISU SP	9
	302NG39060	2NG39060	TERMINAL DLP	14	⊙	302NG94220	2NG94220	PARTS FAN MOTOR SP	3
	302NG39070	2NG39070	TERMINAL TRANSFER	14	⊙	302NG94230	2NG94230	PARTS UNIT POWER SOURCE 120 SP	15
	302NG39080	2NG39080	TERMINAL DRUM	14	⊙	302NG94240	2NG94240	PARTS UNIT POWER SOURCE 230 SP	15
	302NG39090	2NG39090	TERMINAL SEPARATION	14	⊙	302NG94250	2NG94250	PARTS HIGH VOLTAGE UNIT SP	15
	302NG44040	2NG44040	SENSOR ORIGINAL	9	⊙	302NG94270	2NG94270	PARTS PWB PANEL MAIN ASSY SP	16
	302NG46020	2NG46020	WIRE HVU CONNECT	3	⊙	302NG94280	2NG94280	PARTS PWB HUMIDITY SENSOR ASSY SP	2
	302NG46030	2NG46030	WIRE HVU	3	⊙	302NG94290	2NG94290	PARTS PWB DRUM CONNECT ASSY SP	1
	302NG46040	2NG46040	WIRE MAIN MOTOR	15	⊙	302NG94300	2NG94300	PARTS PWB SWITCH ASSY SP	1
	302NG46050	2NG46050	WIRE PAPER	15	⊙	302NG94320	2NG94320	PARTS PWB MAIN ENGINE ASSY EU SP	15
	302NG46060	2NG46060	WIRE FUSER	3	⊙	302NG94350	2NG94350	PARTS CONTACT GLASS ASSY E SP	9
	302NG46110	2NG46110	WIRE POLYGON MOTOR	3	⊙	302NG94370	2NG94370	PARTS CLEANER REGIST ASSY SP	1
	302NG46120	2NG46120	WIRE CONTAINER DRIVE	3	⊙	302NG94380	2NG94380	PARTS PAD SEPARATION ASSY SP	5
	302NG46130	2NG46130	WIRE HUMIDITY SENSOR	15	⊙	302NGJ0311	2NGJ0310	DISPOSAL TANK ASSY	12
	302NG46140	2NG46140	WIRE INLET	2		302NN05010	2NN05010	COVER OPERATION	16
	302NG46150	2NG46150	WIRE FAN	15	⊙	302NN05020	2NN05020	COVER PANEL	16
	302NG46160	2NG46160	WIRE PF	15		302NN05040	2NN05040	KEY OK	16
	302NG46170	2NG46170	WIRE HEATER CONT	15		302NN05050	2NN05050	KEY CONTROL	16
	302NG46180	2NG46180	WIRE FUSER HEATER	3		302NN05060	2NN05060	KEY FUNCTION	16
	302NG46190	2NG46190	WIRE INTERLOCK	3		302NN05070	2NN05070	KEY FUNCTION L	16
	302NG46200	2NG46200	WIRE DP	15		302NN05080	2NN05080	SHEET OPERATION	16
	302NG46220	2NG46220	WIRE APC	3		302NN05100	2NN05100	SHEET SHIELD	16
	302NG46250	2NG46250	WIRE DRUM CONNECT	1		302NN05160	2NN05160	SHEET OPERATION DE	16
	302NG46260	2NG46260	WIRE MPF	5,6		302NN05170	2NN05170	SHEET OPERATION FR	16
	302NG46340	2NG46340	WIRE KEY COUNTER	18		302NN05180	2NN05180	SHEET OPERATION IT	16
⊙	302NG93010	2NG93010	DV-4105	11		302NN05190	2NN05190	SHEET OPERATION ES	16
⊙	302NG93020	2NG93020	FK-4105	13		302NN05200	2NN05200	SHEET OPERATION PT	16
⊙	302NG93030	2NG93030	FK-4107	13		302NN05210	2NN05210	SHEET OPERATION NL	16
⊙	302NG93040	2NG93040	LK-4105	10		302NN05220	2NN05220	SHEET OPERATION RU	16

• Parts with "⊙" indicate regular maintenance parts.

	Part.No.	Alternative.	Description	Fig.No.
	302NN34010	2NN34010	SHEET EMBLEM	9
⊙	302NN94010	2NN94010	PARTS OPERATION UNIT SP	16
⊙	302NN94030	2NN94030	PARTS PWB PANEL MAIN ASSY SP	16
⊙	302NN94040	2NN94040	PARTS PWB MAIN ENGINE ASSY SP	15
⊙	303M894260	3M894260	PARTS SENSOR OPT SP	2,5,6,9,
⊙	5ESP03090001+01	SP000360	PUSH SWITCH 03 SN /SW-192 N	2
	5MVX111DN003	2A806250	RING STOPPER /A-49 FEED A4	7,8
	7AAACCAS+10H001	AA063380	AC CORD ASSY AS	3
	7RHA2H10701+H01	RH043740	M.GLAZE R. 100MJ 1/2W	6
⊙	7SM010202+++H01	SM044270	SW.MICRO	3
⊙	7SP01000004+H01	SP136500	SW.PUSH	2
	7YCC04B1106+H01	YC122790	CONNECTOR	3
	7YZM210006++H01	YZ038000	ACCESS.EDGING	18
	7YZM390002++H01	YZ012140	ACCESS.CLAMP	3,14
	7YZM510017++H01	YZ121640	ACCESS.SPACER	14
	7YZM610003++H01	YZ010250	ACCESS.SADDLE	2
	7YZM610009++H01	YZ042980	ACCESS.SADDLE	2,6
	7YZM610010++H01	YZ042990	ACCESS.SADDLE	2,3
	M21AH010	M21AH010	BAND,RSG-130-V0(KITAGAWA)	18

• Parts with "⊙" indicate regular maintenance parts.

**KYOCERA Document Solutions America, Inc.****Headquarters**

225 Sand Road,  
Fairfield, New Jersey 07004-0008, USA  
Phone: +1-973-808-8444  
Fax: +1-973-882-6000

**Latin America**

8240 NW 52nd Terrace Dawson Building, Suite 100  
Miami, Florida 33166, USA  
Phone: +1-305-421-6640  
Fax: +1-305-421-6666

**KYOCERA Document Solutions Canada, Ltd.**

6120 Kestrel Rd., Mississauga, ON L5T 1S8,  
Canada  
Phone: +1-905-670-4425  
Fax: +1-905-670-8116

**KYOCERA Document Solutions****Mexico, S.A. de C.V.**

Calle Arquimedes No. 130, 4 Piso, Colonia Polanco  
Chapultepec, Delegacion Miguel Hidalgo,  
Distrito Federal, C.P. 11560, México  
Phone: +52-555-383-2741  
Fax: +52-555-383-7804

**KYOCERA Document Solutions Brazil, Ltda.**

Alameda África, 545, Pólo Empresarial Consbrás,  
Tamboré, Santana de Parnaíba-SP, CEP 06543-306,  
Brazil  
Phone: +55-11-4195-8496  
Fax: +55-11-4195-6167

**KYOCERA Document Solutions****Australia Pty. Ltd.**

Level 3, 6-10 Talavera Road North Ryde N.S.W, 2113,  
Australia  
Phone: +61-2-9888-9999  
Fax: +61-2-9888-9588

**KYOCERA Document Solutions****New Zealand Ltd.**

Ground Floor, 19 Byron Avenue, Takapuna, Auckland,  
New Zealand  
Phone: +64-9-415-4517  
Fax: +64-9-415-4597

**KYOCERA Document Solutions Asia Limited**

16/F., Mita Centre, 552-566, Castle Peak Road  
Tsuenwan, NT, Hong Kong  
Phone: +852-2610-2181  
Fax: +852-2610-2063

**KYOCERA Document Solutions****(China) Corporation**

8F, No. 288 Nanjing Road West, Huangpu District,  
Shanghai, 200003, China  
Phone: +86-21-5301-1777  
Fax: +86-21-5302-8300

**KYOCERA Document Solutions****(Thailand) Corp., Ltd.**

335 Ratchadapisek Road, Bangsue, Bangkok 10800,  
Thailand  
Phone: +66-2-586-0333  
Fax: +66-2-586-0278

**KYOCERA Document Solutions****Singapore Pte. Ltd.**

12 Tai Seng Street #04-01A,  
Luxasia Building, Singapore 534118  
Phone: +65-6741-8733  
Fax: +65-6748-3788

**KYOCERA Document Solutions****Hong Kong Limited**

16/F., Mita Centre, 552-566, Castle Peak Road  
Tsuenwan, NT, Hong Kong  
Phone: +852-3582-4000  
Fax: +852-3185-1399

**KYOCERA Document Solutions****Taiwan Corporation**

6F., No.37, Sec. 3, Minquan E. Rd.,  
Zhongshan Dist., Taipei 104, Taiwan R.O.C.  
Phone: +886-2-2507-6709  
Fax: +886-2-2507-8432

**KYOCERA Document Solutions Korea Co., Ltd.**

18F, Kangnam bldg, 1321-1,  
Seocho-Dong, Seocho-Gu, Seoul, Korea  
Phone: +822-6933-4050  
Fax: +822-747-0084

**KYOCERA Document Solutions****India Private Limited**

First Floor, ORCHID CENTRE  
Sector-53, Golf Course Road, Gurgaon 122 002,  
India  
Phone: +91-0124-4671000  
Fax: +91-0124-4671001



**KYOCERA Document Solutions Europe B.V.**

Bloemlaan 4, 2132 NP Hoofddorp,  
The Netherlands  
Phone: +31-20-654-0000  
Fax: +31-20-653-1256

**KYOCERA Document Solutions Nederland B.V.**

Beechavenue 25, 1119 RA Schiphol-Rijk,  
The Netherlands  
Phone: +31-20-5877200  
Fax: +31-20-5877260

**KYOCERA Document Solutions (U.K.) Limited**

Eldon Court, 75-77 London Road,  
Reading, Berkshire RG1 5BS,  
United Kingdom  
Phone: +44-118-931-1500  
Fax: +44-118-931-1108

**KYOCERA Document Solutions Italia S.p.A.**

Via Verdi, 89/91 20063 Cernusco s/N.(MI),  
Italy  
Phone: +39-02-921791  
Fax: +39-02-92179-600

**KYOCERA Document Solutions Belgium N.V.**

Sint-Martinusweg 199-201 1930 Zaventem,  
Belgium  
Phone: +32-2-7209270  
Fax: +32-2-7208748

**KYOCERA Document Solutions France S.A.S.**

Espace Technologique de St Aubin  
Route de l'Orme 91195 Gif-sur-Yvette CEDEX,  
France  
Phone: +33-1-69852600  
Fax: +33-1-69853409

**KYOCERA Document Solutions Espana, S.A.**

Edificio Kyocera, Avda. de Manacor No.2,  
28290 Las Matas (Madrid), Spain  
Phone: +34-91-6318392  
Fax: +34-91-6318219

**KYOCERA Document Solutions Finland Oy**

Atomitie 5C, 00370 Helsinki,  
Finland  
Phone: +358-9-47805200  
Fax: +358-9-47805390

**KYOCERA Document Solutions  
Europe B.V., Amsterdam (NL) Zürich Branch**

Hohlstrasse 614, 8048 Zürich,  
Switzerland  
Phone: +41-44-9084949  
Fax: +41-44-9084950

**KYOCERA Document Solutions  
Deutschland GmbH**

Otto-Hahn-Strasse 12, 40670 Meerbusch,  
Germany  
Phone: +49-2159-9180  
Fax: +49-2159-918100

**KYOCERA Document Solutions Austria GmbH**

Eduard-Kittenberger-Gasse 95, 1230 Vienna,  
Austria  
Phone: +43-1-863380  
Fax: +43-1-86338-400

**KYOCERA Document Solutions Nordic AB**

Esbogatan 16B 164 75 Kista, Sweden  
Phone: +46-8-546-550-00  
Fax: +46-8-546-550-10

**KYOCERA Document Solutions Norge Nuf**

Postboks 150 Oppsal, 0619 Oslo,  
Norway  
Phone: +47-22-62-73-00  
Fax: +47-22-62-72-00

**KYOCERA Document Solutions Danmark A/S**

Ejby Industrivej 60, DK-2600 Glostrup,  
Denmark  
Phone: +45-70223880  
Fax: +45-45765850

**KYOCERA Document Solutions Portugal Lda.**

Rua do Centro Cultural, 41 (Alvalade) 1700-106 Lisboa,  
Portugal  
Phone: +351-21-843-6780  
Fax: +351-21-849-3312

**KYOCERA Document Solutions  
South Africa (Pty) Ltd.**

KYOCERA House, Hertford Office Park,  
90 Bekker Road (Cnr. Allandale), Midrand, South Africa.  
Phone: +27-11-540-2600  
Fax: +27-11-466-3050

**KYOCERA Document Solutions Russia LLC**

Botanichesky pereulok 5, Moscow, 129090,  
Russia  
Phone: +7(495)741-0004  
Fax: +7(495)741-0018

**KYOCERA Document Solutions Middle East**

Dubai Internet City, Bldg. 17,  
Office 157 P.O. Box 500817, Dubai,  
United Arab Emirates  
Phone: +971-04-433-0412

**KYOCERA Document Solutions Inc.**

2-28, 1-chome, Tamatsukuri, Chuo-ku  
Osaka 540-8585, Japan  
Phone: +81-6-6764-3555  
<http://www.kyoceradocumentsolutions.com>

© 2014 KYOCERA Document Solutions Inc.

 is a trademark of KYOCERA Corporation