



FS-C2526MFP
FS-C2626MFP
ECOSYS M6026cidn
ECOSYS M6526cidn
ECOSYS M6026cidn Type B
ECOSYS M6526cidn Type B

PARTS LIST

Published in April 2014
2M8PL076
Rev.6

— CONTENTS —

FIG. 1	Covers	2
FIG. 2	Paper Cassette	4
FIG. 3	Paper Feed Section 1	6
FIG. 4	Paper Feed Section 2	8
FIG. 5	Paper Conveying Section	10
FIG. 6	Laser Scanner Section	12
FIG. 7	Developer Section	14
FIG. 8	Image Formation Section	16
FIG. 9	Transfer Section	18
FIG. 10	Fuser Section	20
FIG. 11	Drive Section	22
FIG. 12	Electrical Components 1	24
FIG. 13	Electrical Components 2	26
FIG. 14	Operation Section	28
FIG. 15	Scanner Section	30
FIG. 16	Document Processor	32
FIG. 17	FAX Section ((AF),(BF),(CF))	34
FIG. 18	Accessories ((A),(B),(C))	36
FIG. 18	Accessories ((AF),(BF),(CF))	38
FIG. 19	Maintenance Kits	40
	• INDEX	41

<Notation of products>

For the purpose of this parts list, products are identified as following.

FS-C2526MFP : (A)

FS-C2626MFP : (AF)

ECOSYS M6026cidn : (B)

ECOSYS M6526cidn : (BF)

ECOSYS M6026cidn Type B : (C)

ECOSYS M6526cidn Type B : (CF)

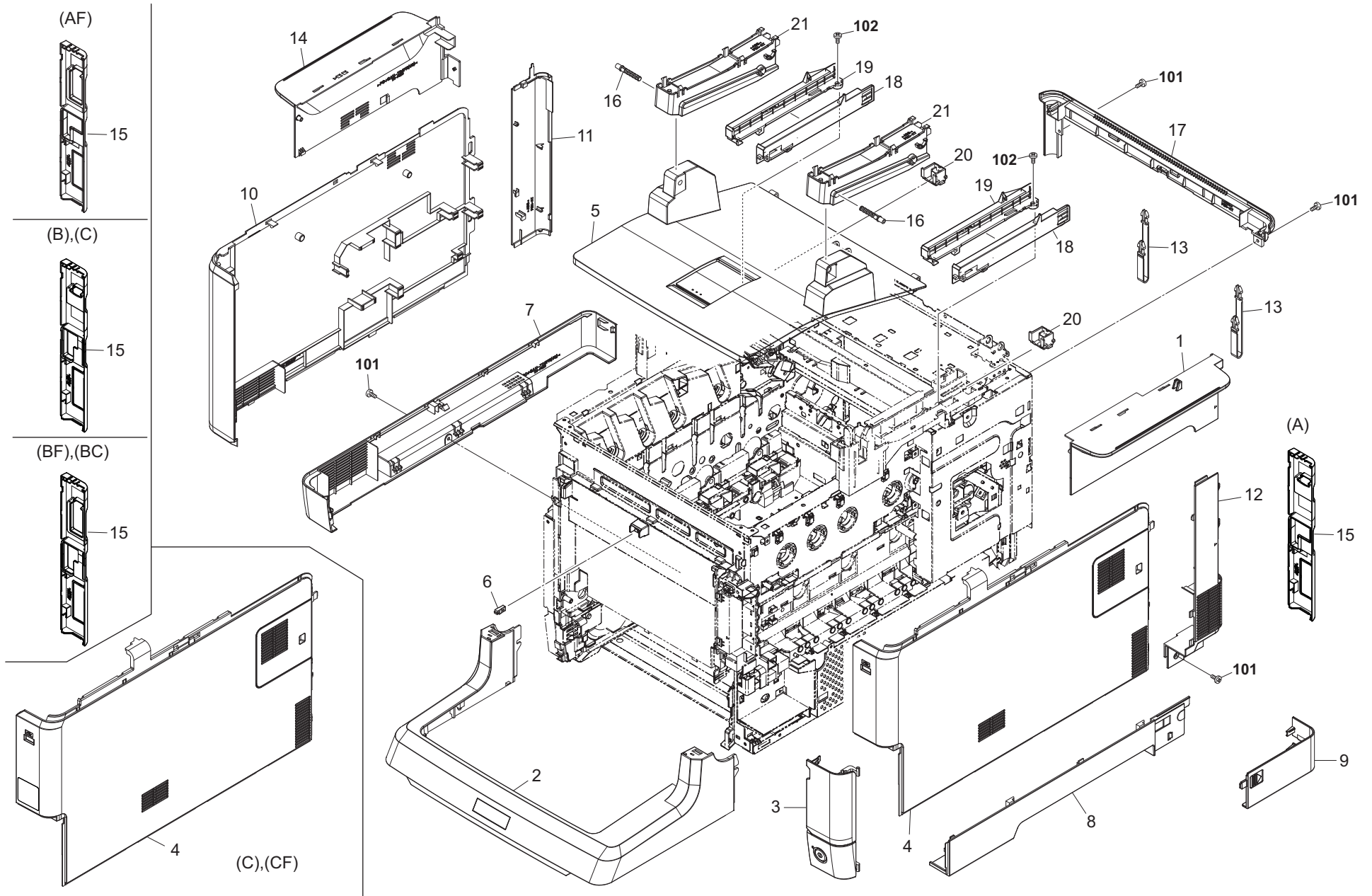


FIG. 1 Covers

2M8/2M9/2PX/2PY-5

Ref. No.	Part.No.	Alternative.	Description	Notes	Quantity		
					120	230	240
1	302KW94100	2KW94100	PARTS COVER RIGHT UPPER ASSY SP		1		
1	302KW04040	2KW04040	COVER RIGHT UPPER			1	1
2	302KW94090	2KW94090	PARTS COVER FRONT ASSY SP		1	1	1
3	302KT94060	2KT94060	PARTS COVER WASTE ASSY SP		1	1	1
4	302KV94110	2KV94110	PARTS COVER RIGHT ASSY SP	(A),(AF),(B),(BF)	1	1	1
4	302PT94080	2PT94080	PARTS COVER RIGHT ASSY(B) SP	(C),(CF)	1	1	1
5	302KW94080	2KW94080	PARTS LID TOP M ASSY SP		1	1	1
6	302HN08140	2HN08140	LUTCH		1	1	1
7	302KT04010	2KT04010	COVER LEFT BOTTOM		1	1	1
8	302KT04020	2KT04020	COVER RIGHT BOTTOM		1	1	1
9	302KT04030	2KT04030	COVER CABLE		1	1	1
10	302KV04030	2KV04030	COVER LEFT		1	1	1
11	302KV04060	2KV04060	COVER LEFT REAR		1	1	1
12	302KV04070	2KV04070	COVER RIGHT REAR		1	1	1
13	302KV04130	2KV04130	STRAP COVER REAR		2	2	2
14	302KW04030	2KW04030	COVER LEFT UPPER		1	1	1
15	302M804010	2M804010	COVER CONNECTOR	(A)	1	1	1
15	302PS04010	2PS04010	COVER CONNECTOR	(B),(C)	1	1	1
15	302M904010	2M904010	COVER CONNECTOR	(AF)	1	1	1
15	302PY04010	2PY04010	COVER CONNECTOR	(BF),(CF)	1	1	1
16	302KW04090	2KW04090	PIN LID TOP		2	2	2
17	302KW04050	2KW04050	COVER REAR UPPER		1	1	1
18	302KW02050	2KW02050	RAIL ISU		2	2	2
19	302KW02170	2KW02170	RAIL ISU B		2	2	2
20	302KW02160	2KW02160	HOLDER SPRING ISU		2	2	2
21	302KW17251	2KW17251	RAIL LID TOP		2	2	2
101	7BB780308H	BB111200	+BIND T.T S SCREW 3X8 SR(BLACK)				
102	7BB200312H	BB105680	+BIND T.T P SCREW 3X12				

• Parts with Ref.No. indicate maintenance parts and the ones without it indicate out of the above.

• Parts with "•" are component parts or sub-assemblies of the assembly appearing immediately above them.
 • Parts with "••" are component parts or sub-assembly with "•" appearing immediately above them.

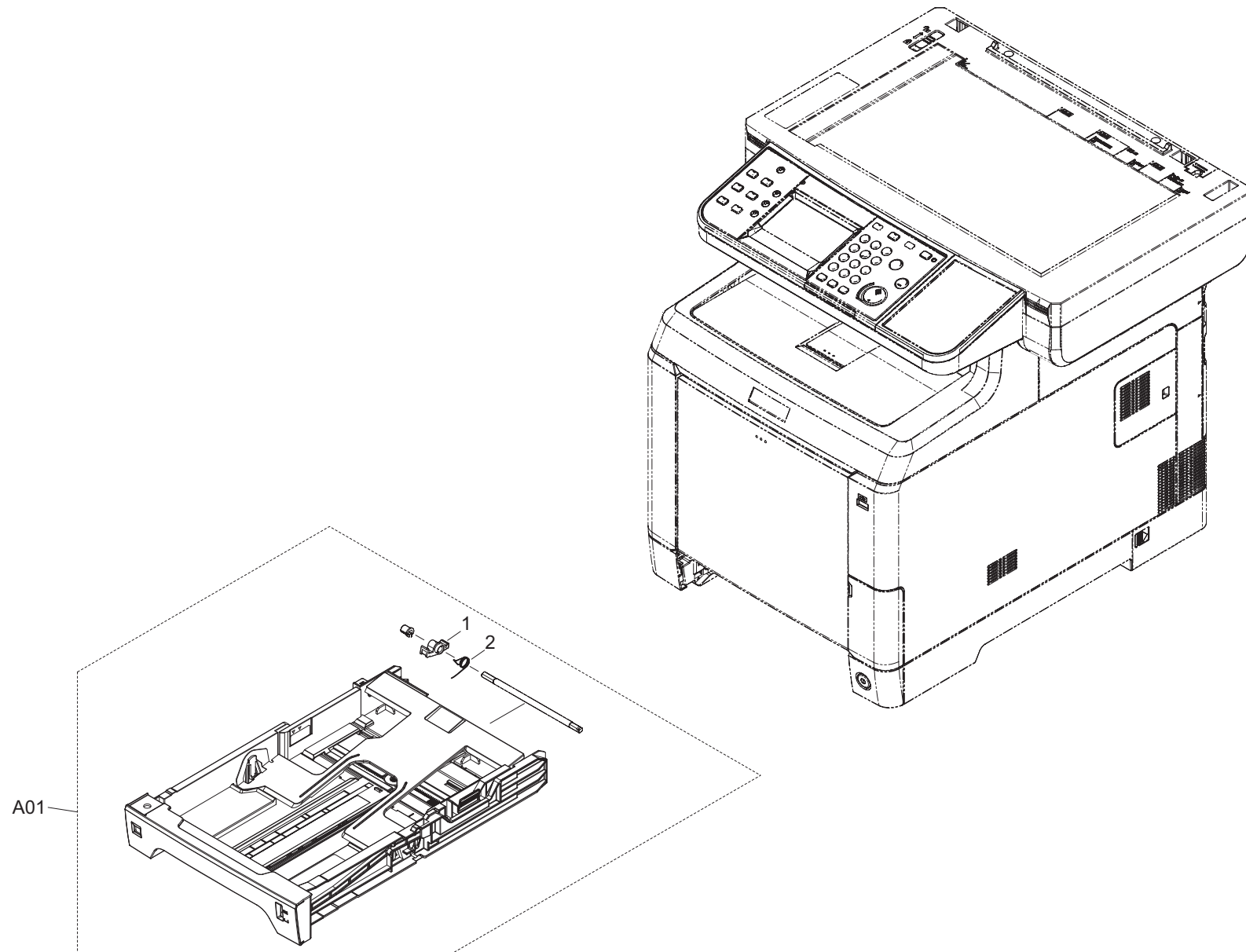


FIG. 2 Paper Cassette

2M8/2M9/2PX/2PY-2

Ref. No.	Part.No.	Alternative.	Description	Notes	Quantity		
					120	230	240
A01	302KT93041	2KT93041	CT-591		1	1	1
1	*302KT09111	2KT09111	STOPPER HOOK		1	1	1
2	*302KT09170	2KT09170	SPRING STOPPER HOOK		1	1	1

• Parts with Ref.No. indicate maintenance parts and the ones without it indicate out of the above.

• Parts with "•" are component parts or sub-assemblies of the assembly appearing immediately above them.
• Parts with "••" are component parts or sub-assembly with "•" appearing immediately above them.

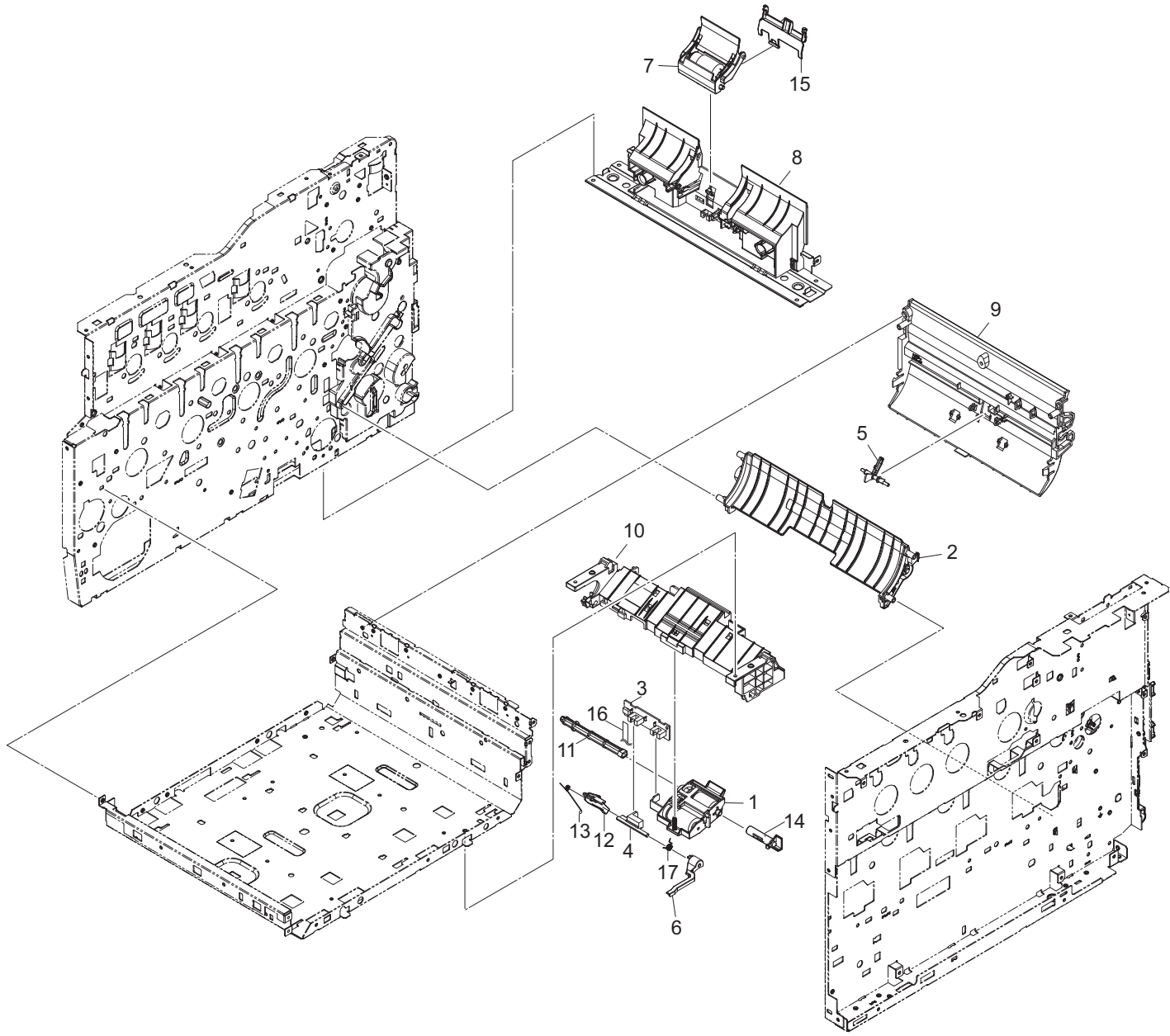


FIG. 3 Paper Feed Section 1

2M8/2M9/2PX/2PY-6

Ref. No.	Part.No.	Alternative.	Description	Notes	Quantity		
					120	230	240
1	302KV94191	2KV94191	PARTS HOLDER FEED ASSY SP		1	1	1
2	302KV94200	2KV94200	PARTS HOLDER MIDDLE ROLLER ASSY SP		1	1	1
3	302KT94070	2KT94070	PARTS PWB ASSY CASSETTE SP		1	1	1
4	302KT06050	2KT06050	ACTUATOR PE		1	1	1
5	302KV06090	2KV06090	ACTUATOR REGIST		1	1	1
6	302KV06341	2KV06341	ACTUATOR B		1	1	1
7	302KT94051	2KT94051	PARTS HOLDER RETARD ASSY SP		1	1	1
8	302KT06011	2KT06011	GUIDE CASSETTE		1	1	1
9	302KV06012	2KV06012	FRAME FEED		1	1	1
10	302KV06031	2KV06031	GUIDE PICK HOLDER		1	1	1
11	302KV06151	2KV06151	SHAFT FEED		1	1	1
12	302KV06180	2KV06180	RELEASE ACTUATOR PE		1	1	1
13	302KV06350	2KV06350	SPRING ACTUATOR A		1	1	1
14	302KV06370	2KV06370	PIN FEED		1	1	1
15	302KV06610	2KV06610	COVER RETARD		1	1	1
16	302KV46450	2KV46450	CONN.CORD ASSY S03586		1	1	1
17	302KV06201	2KV06201	SPRING ACT		1	1	1

• Parts with Ref.No. indicate maintenance parts and the ones without it indicate out of the above.

• Parts with "•" are component parts or sub-assemblies of the assembly appearing immediately above them.
 • Parts with "••" are component parts or sub-assembly with "•" appearing immediately above them.

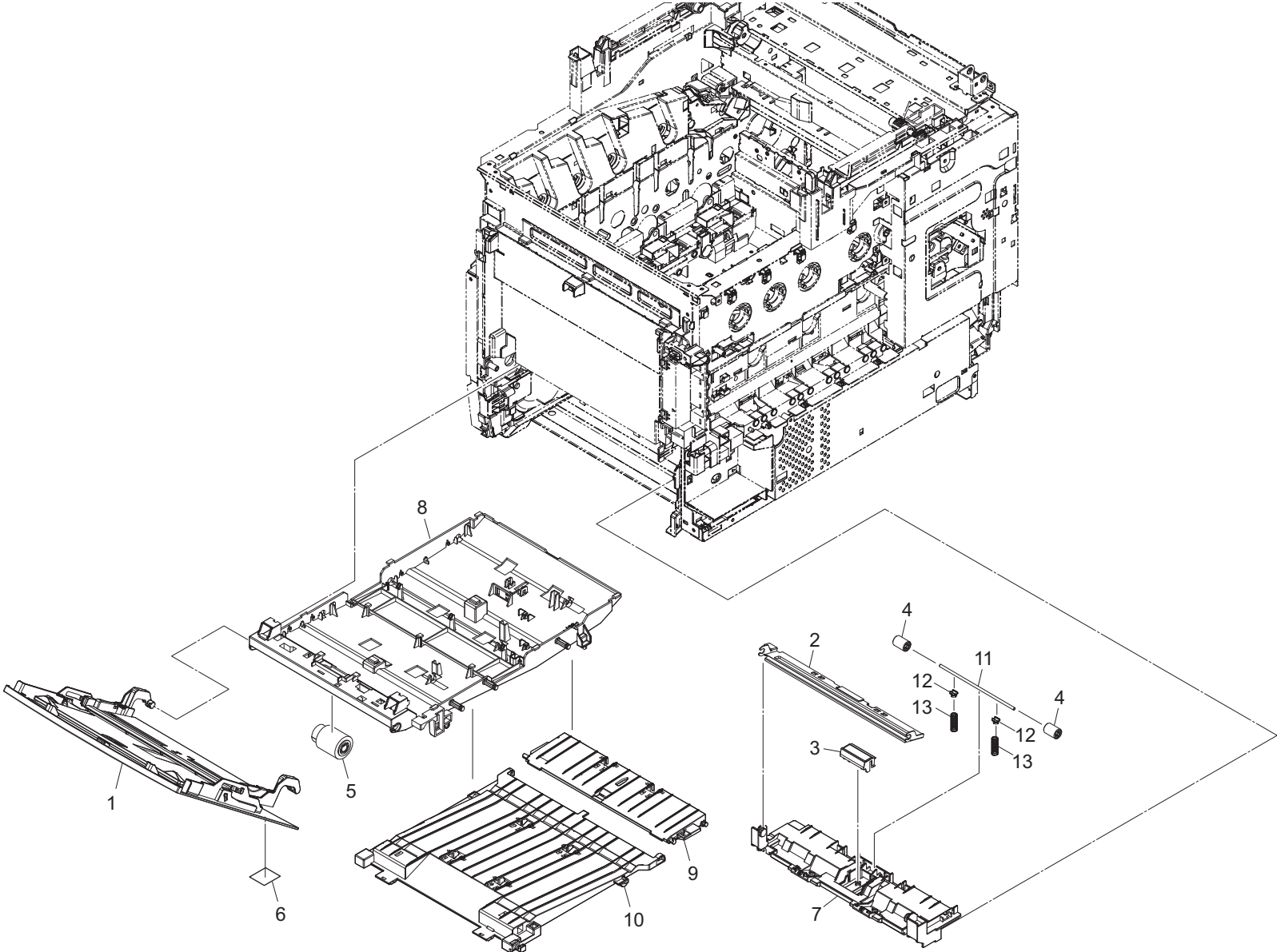


FIG. 4 Paper Feed Section 2

2M8/2M9/2PX/2PY-6

Ref. No.	Part.No.	Alternative.	Description	Notes	Quantity		
					120	230	240
1	302KV94130	2KV94130	PARTS COVER MPF ASSY SP		1	1	1
2	302KV94150	2KV94150	PARTS PLATE BOTTOM MPF ASSY SP		1	1	1
3	302KV94140	2KV94140	PARTS SEPARATOR MPF ASSY SP		1	1	1
4	302F929050	2F929050	PULLEY FEED DU		2	2	2
5	5AAVR0LL+051	2CL16130	ROLLER M/P ASSY /43487B0027 A4		1	1	1
6	302G634070	2G634070	LABEL ENERGY STAR	(B)(BF)(C)(CF)	1	1	1
7	302KV08041	2KV08041	FRAME MPF		1	1	1
8	302KV08150	2KV08150	GUIDE MPF FEED UP		1	1	1
9	302KV08160	2KV08160	GUIDE MPF FEED LOW A		1	1	1
10	302KV08281	2KV08281	GUIDE MPF FEED LOW B		1	1	1
11	302KV06230	2KV06230	SHAFT MIDDLE PULLEY		1	1	1
12	302KV24090	2KV24090	BUSH SPRING FEED		2	2	2
13	302KV08120	2KV08120	SPRING PULLEY MPF		2	2	2

• Parts with Ref.No. indicate maintenance parts and the ones without it indicate out of the above.

• Parts with "•" are component parts or sub-assemblies of the assembly appearing immediately above them.
 • Parts with "••" are component parts or sub-assembly with "•" appearing immediately above them.

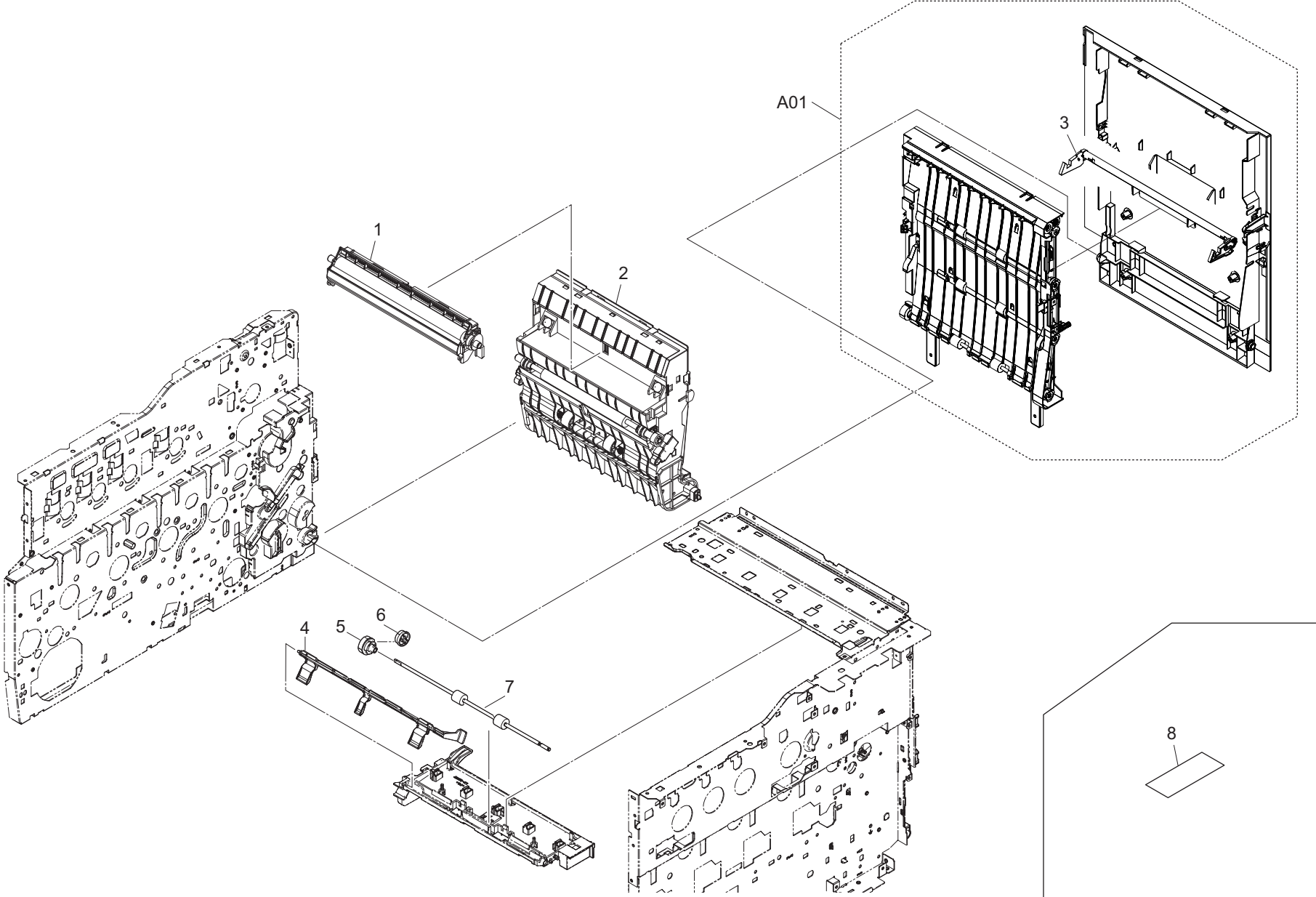


FIG. 5 Paper Conveying Section

2M8/2M9/2PX/2PY-2

Ref. No.	Part.No.	Alternative.	Description	Notes	Quantity		
					120	230	240
1	302KV94160	2KV94160	PARTS TRANSFER ASSY SP		1	1	1
2	302KV94171	2KV94171	PARTS CONVEYING ASSY SP		1	1	1
A01	302KV94254	2KV94254	PARTS DU REAR COVER ASSY SP		1	1	1
3	*302KV29102	2KV29102	HOOK DU RELEASE		1	1	1
4	302KV28050	2KV28050	ACTUATOR FD		1	1	1
5	302KV28101	2KV28101	GEAR Z25S-Z19S		1	1	1
6	302KV28140	2KV28140	GEAR Z19S		1	1	1
7	302KV28070	2KV28070	ROLLER EXIT		1	1	1
8	302KV34090	2KV34090	LABEL MULTI LANGUAGE			1	

• Parts with Ref.No. indicate maintenance parts and the ones without it indicate out of the above.

• Parts with "•" are component parts or sub-assemblies of the assembly appearing immediately above them.
 • Parts with "••" are component parts or sub-assembly with "•" appearing immediately above them.

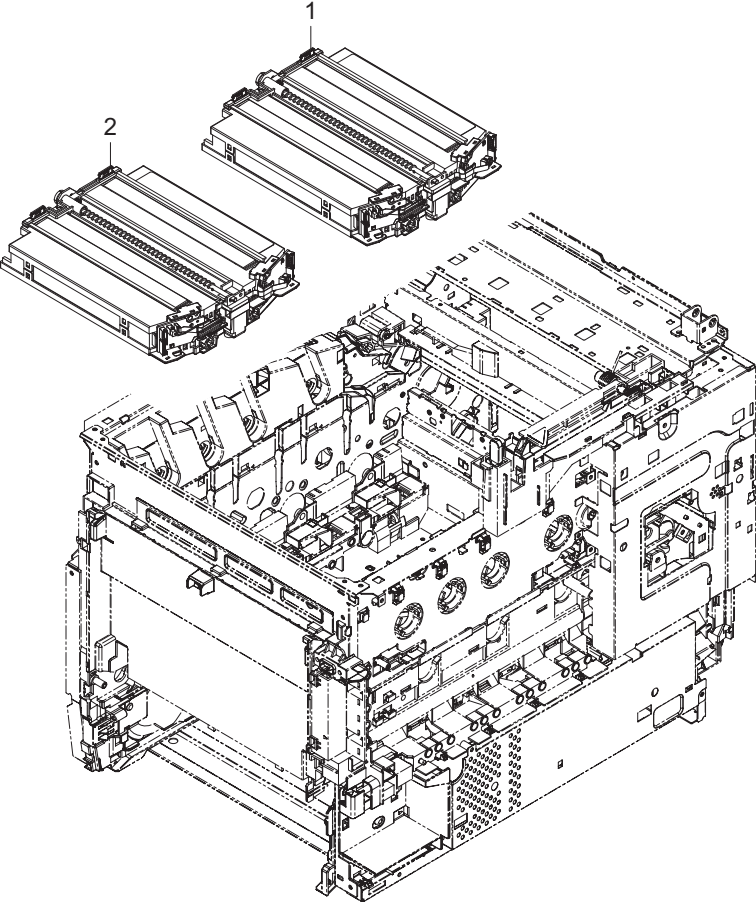


FIG. 6 Laser Scanner Section

2M8/2M9/2PX/2PY-6

Ref. No.	Part.No.	Alternative.	Description	Notes	Quantity		
					120	230	240
1	302PA93011	2PA93011	LK-5135	(A),(AF)	1	1	1
1	302PT93011	2PT93011	LK-595A	(B),(BF),(C),(CF)	1	1	1
2	302PA93021	2PA93021	LK-5136	(A),(AF)	1	1	1
2	302PT93021	2PT93021	LK-595B	(B),(BF),(C),(CF)	1	1	1

- Parts with Ref.No. indicate maintenance parts and the ones without it indicate out of the above.
- Parts with "*" are component parts or sub-assemblies of the assembly appearing immediately above them.
- Parts with "•" are component parts or sub-assembly with "*" appearing immediately above them.

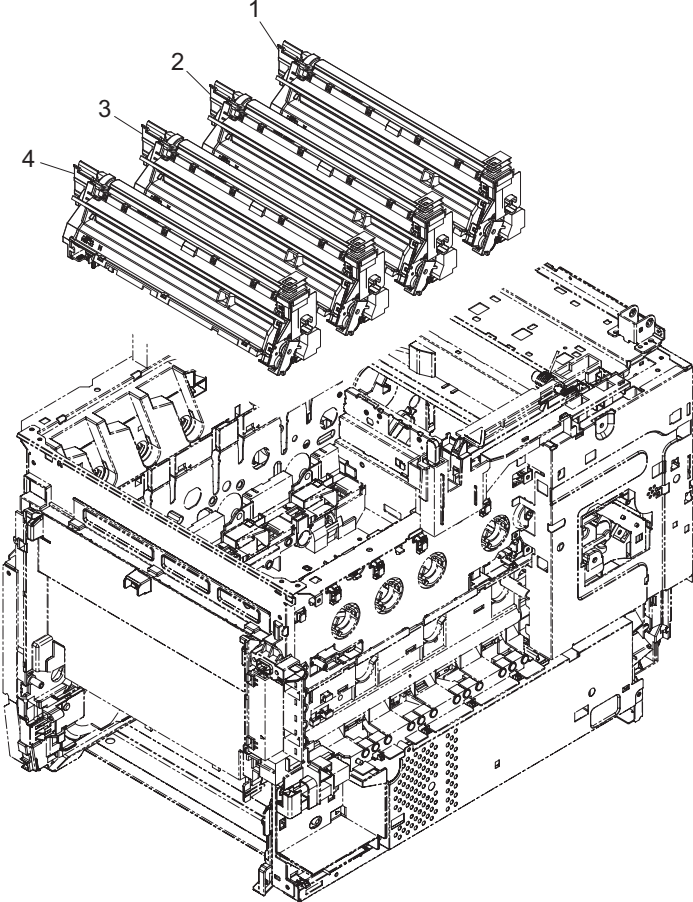


FIG. 7 Developer Section

2M8/2M9/2PX/2PY-2

Ref. No.	Part.No.	Alternative.	Description	Notes	Quantity		
					120	230	240
1	302HN93253	2HN93253	DV-560 US (K)		1		
1	302HN93013	2HN93013	DV-560(K)			1	1
2	302HN93283	2HN93283	DV-560 US (M)		1		
2	302HN93043	2HN93043	DV-560(M)			1	1
3	302HN93273	2HN93273	DV-560 US (C)		1		
3	302HN93033	2HN93033	DV-560(C)			1	1
4	302HN93263	2HN93263	DV-560 US (Y)		1		
4	302HN93023	2HN93023	DV-560(Y)			1	1

- Parts with Ref.No. indicate maintenance parts and the ones without it indicate out of the above.

- Parts with "•" are component parts or sub-assemblies of the assembly appearing immediately above them.
- Parts with "••" are component parts or sub-assembly with "•" appearing immediately above them.

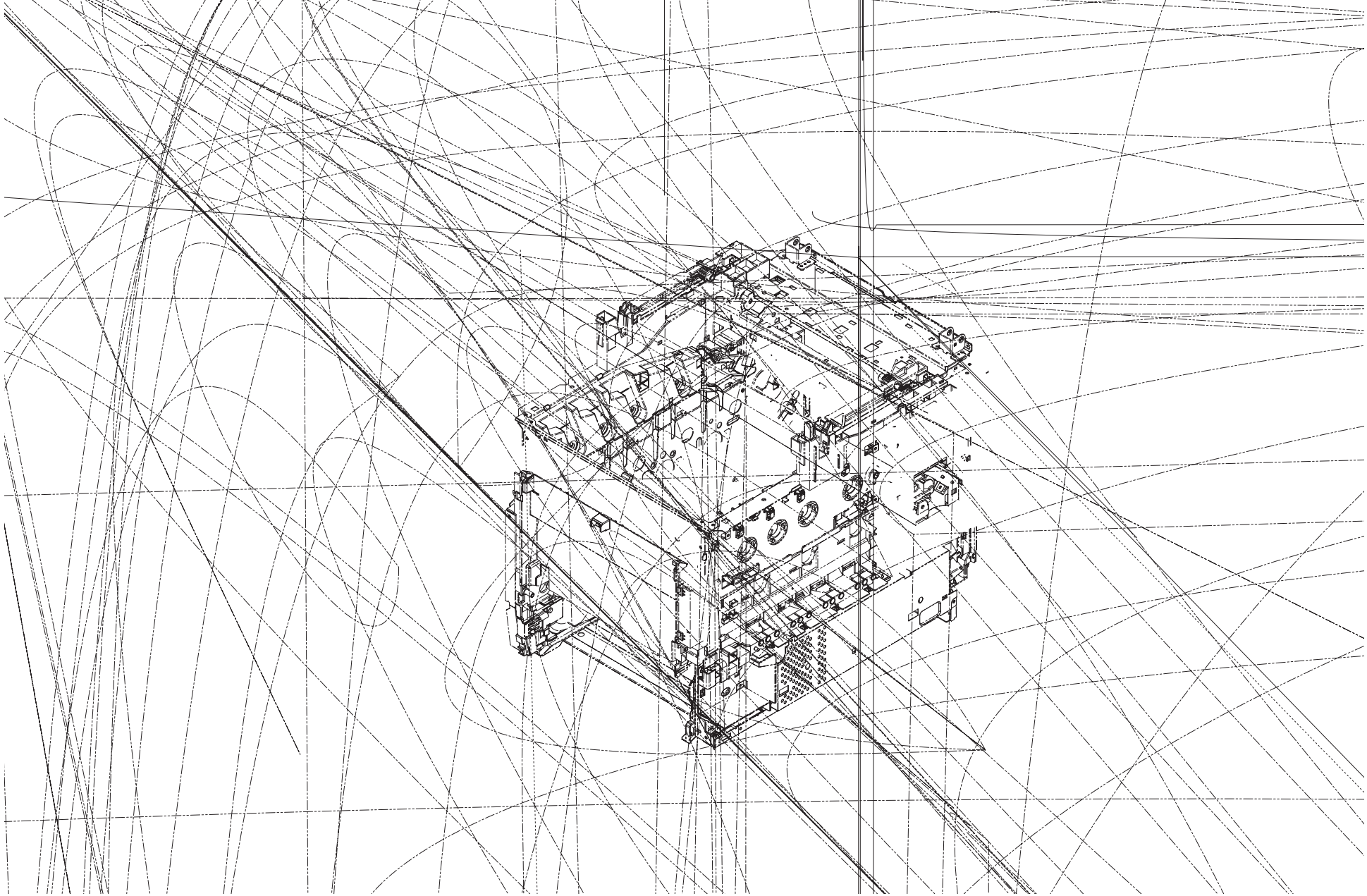


FIG. 8 Image Formation Section

2M8/2M9/2PX/2PY-2

Ref. No.	Part.No.	Alternative.	Description	Notes	Quantity		
					120	230	240
A01	302KV93017	2KV93017	DK-590		4	4	4
1	*302KV93121	2KV93121	MC-590		4	4	4

• Parts with Ref.No. indicate maintenance parts and the ones without it indicate out of the above.

• Parts with "•" are component parts or sub-assemblies of the assembly appearing immediately above them.
• Parts with "••" are component parts or sub-assembly with "•" appearing immediately above them.

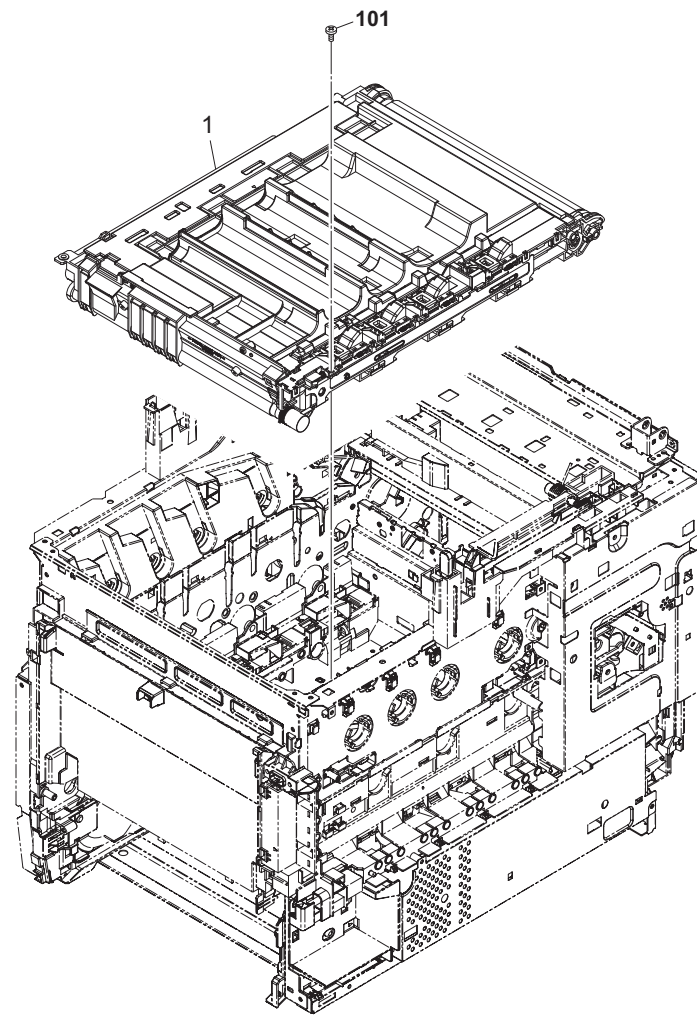


FIG. 9 Transfer Section

2M8/2M9/2PX/2PY

Ref. No.	Part.No.	Alternative.	Description	Notes	Quantity		
					120	230	240
1	302KV93070	2KV93070	TR-590		1	1	1
101	7BB700412H	BB106830	+BIND T.T S SCREW 4X12 SR				

- Parts with Ref.No. indicate maintenance parts and the ones without it indicate out of the above.

- Parts with "." are component parts or sub-assemblies of the assembly appearing immediately above them.
- Parts with ".•" are component parts or sub-assembly with "." appearing immediately above them.

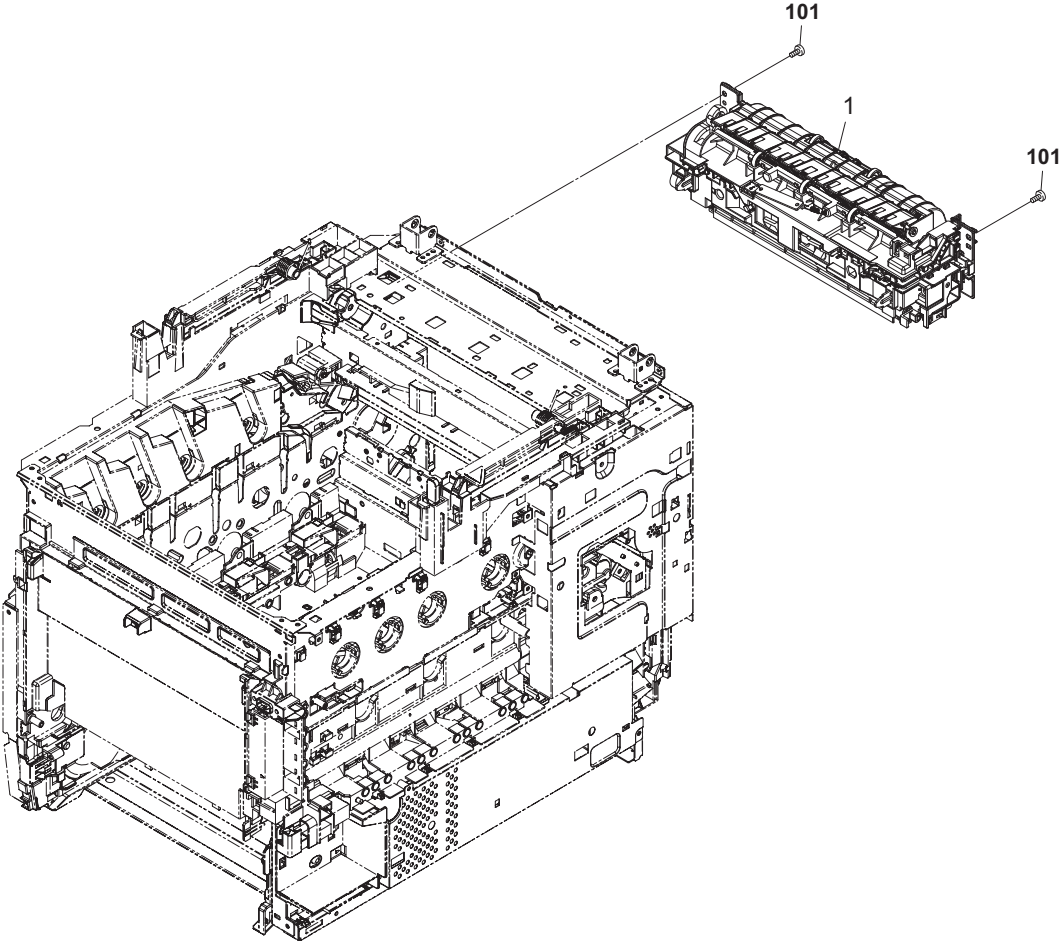


FIG. 10 Fuser Section

2M8/2M9/2PX/2PY

Ref. No.	Part.No.	Alternative.	Description	Notes	Quantity		
					120	230	240
1	302KV93050	2KV93050	FK-590(U)		1		
1	302KV93040	2KV93040	FK-590(E)			1	1
101	7BB700408H	BB105640	+BIND T.T S SCREW 4X8 SR				

- Parts with Ref.No. indicate maintenance parts and the ones without it indicate out of the above.

- Parts with "•" are component parts or sub-assemblies of the assembly appearing immediately above them.
- Parts with "••" are component parts or sub-assembly with "•" appearing immediately above them.

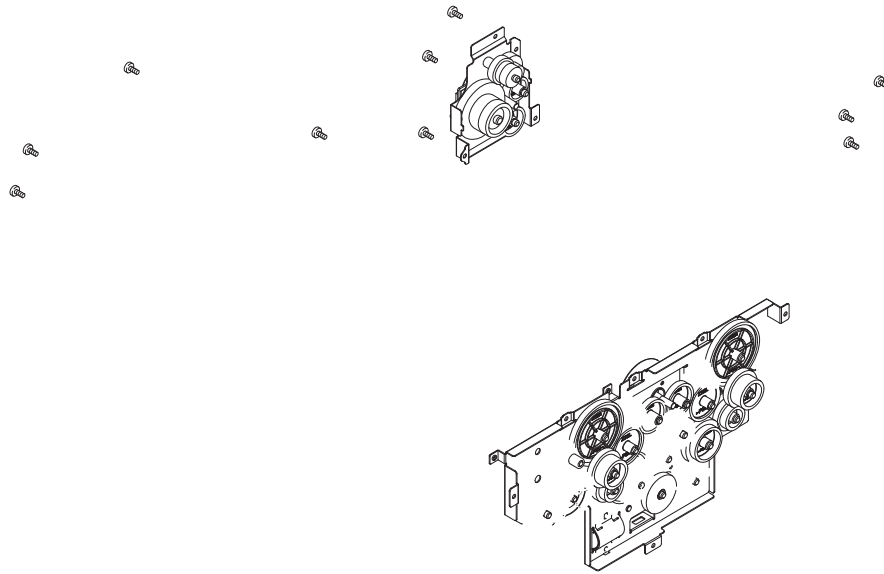


FIG. 11 Drive Section

2M8/2M9/2PX/2PY-6

Ref. No.	Part.No.	Alternative.	Description	Notes	Quantity		
					120	230	240
1	302KV93090	2KV93090	DR-590A		1	1	1
A01	302KV93101	2KV93101	DR-590B		1	1	1
2	*302KV31130	2KV31130	GEAR Z36L		1	1	1
3	*302KV31170	2KV31170	ARM CLUTCH C		1	1	1
4	*302KV31190	2KV31190	SPRING CLUTCH B		1	1	1
5	*302KV31091	2KV31091	GEAR Z50R		1	1	1
6	*302KV00070	2KV00070	MOTOR-DC ASSY DLP		1	1	1
7	302KV94230	2KV94230	PARTS DRIVE MPF ASSY SP		1	1	1
8	302KV94220	2KV94220	PARTS DRIVE PRESS ASSY SP		1	1	1
A02	302KV94211	2KV94211	PARTS DRIVE FEED ASSY SP		1	1	1
9	*302KV44041	2KV44041	CLUTCH 50 Z35R		3	3	3
101	7BB700306H	BB105590	+BIND T.T S SCREW 3X6 SR				
102	7BB700312H	BB106820	+BIND T.T S SCREW 3X12 SR				
103	7BB700308H	BB105600	+BIND T.T S SCREW 3X8 SR				

• Parts with Ref.No. indicate maintenance parts and the ones without it indicate out of the above.

• Parts with "*" are component parts or sub-assemblies of the assembly appearing immediately above them.
 • Parts with "*•" are component parts or sub-assembly with "*" appearing immediately above them.

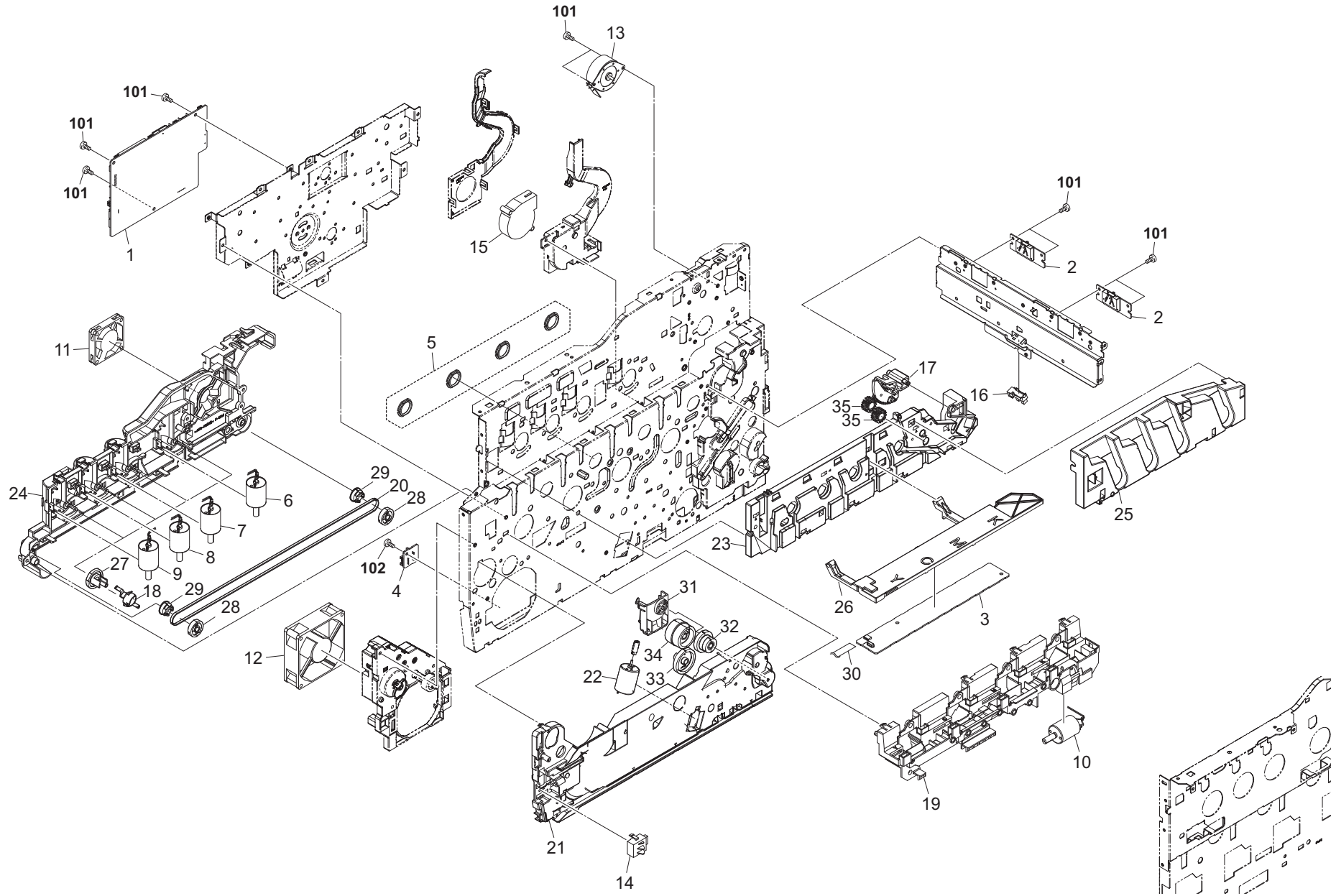


FIG. 12 Electrical Components 1

2M8/2M9/2PX/2PY-5

Ref. No.	Part.No.	Alternative.	Description	Notes	Quantity		
					120	230	240
1	302M894061	2M894061	PARTS PWB ENGINE ASSY SP	(A),(AF)	1	1	1
1	302PV94030	2PV94030	PARTS PWB ENGINE ASSY SP	(B),(BF),(C),(CF)	1	1	1
2	302KV94320	2KV94320	PARTS ID SENSOR ASSY SP		2	2	2
3	302KV94350	2KV94350	PARTS PWB ASSY RFID SP		1	1	1
4	302KV94360	2KV94360	PARTS PWB ASSY THERMISTOR SP		1	1	1
5	302KV94080	2KV94080	PARTS BUSH GEAR SP		1	1	1
6	302KV94300	2KV94300	PARTS MOTOR-DC ASSY K SP		1	1	1
7	302KV94290	2KV94290	PARTS MOTOR-DC ASSY M SP		1	1	1
8	302KV94280	2KV94280	PARTS MOTOR-DC ASSY C SP		1	1	1
9	302KV94270	2KV94270	PARTS MOTOR-DC ASSY Y SP		1	1	1
10	302KV94310	2KV94310	PARTS MOTOR-DC ASSY LSU SP		1	1	1
11	302F944160	2F944160	FAN POWER PWB 50		1	1	1
12	302HN44010	2HN44010	FAN MOTOR		1	1	1
13	302HN44090	2HN44090	MOTOR FUSER		1	1	1
14	302HN44180	2HN44180	SWITCH SIZE		1	1	1
15	302HN44210	2HN44210	FAN MOTOR		1	1	1
16	7NXGP1S173LCH01	NX116910	SENSOR OPT.		1	1	1
17	302KV02532	2KV02532	HINGE LID L		1	1	1
18	302KV02461	2KV02461	CAM TONER SUPPLY		4	4	4
19	302KV02250	2KV02250	DUCT LEFT INNER		1	1	1
20	302KV02A90	2KV02A90	BELT S2M Z371		1	1	1
21	302KT02180	2KT02180	GUIDE CASSETTE L		1	1	1
22	302KV00160	2KV00160	MOTOR-DC ASSY LIFT		1	1	1
23	302KV02170	2KV02170	GUIDE TOP L		1	1	1
24	302KV02240	2KV02240	HOLDER TONER MOTOR		1	1	1
25	302KV02281	2KV02281	GUIDE CONTAINER		1	1	1
26	302KV02290	2KV02290	HOLDER RFID		1	1	1
27	302KV02680	2KV02680	GEAR Z50S		4	4	4
28	302KV02A60	2KV02A60	GEAR Z40R		2	2	2
29	302KV02A70	2KV02A70	PULLEY P27		2	2	2
30	302KV46030	2KV46030	CONN.CORD ASSY S03535		1	1	1
31	302KT02170	2KT02170	HOLDER GEAR		1	1	1
32	302KT02150	2KT02150	GEAR Z33S-Z13S		1	1	1
33	302KV02B70	2KV02B70	GEAR Z41S		1	1	1
34	302KV02B00	2KV02B00	GEAR Z36R-Z35R		1	1	1
35	302KV02670	2KV02670	GEAR Z16S		2	2	2
101	7BB700308H	BB105600	+BIND T.T S SCREW 3X8 SR				
102	7BB200308H	BB105660	+BIND T.T P SCREW 3X8				

• Parts with Ref.No. indicate maintenance parts and the ones without it indicate out of the above.

• Parts with "*" are component parts or sub-assemblies of the assembly appearing immediately above them.
 • Parts with "*•" are component parts or sub-assembly with "*" appearing immediately above them.

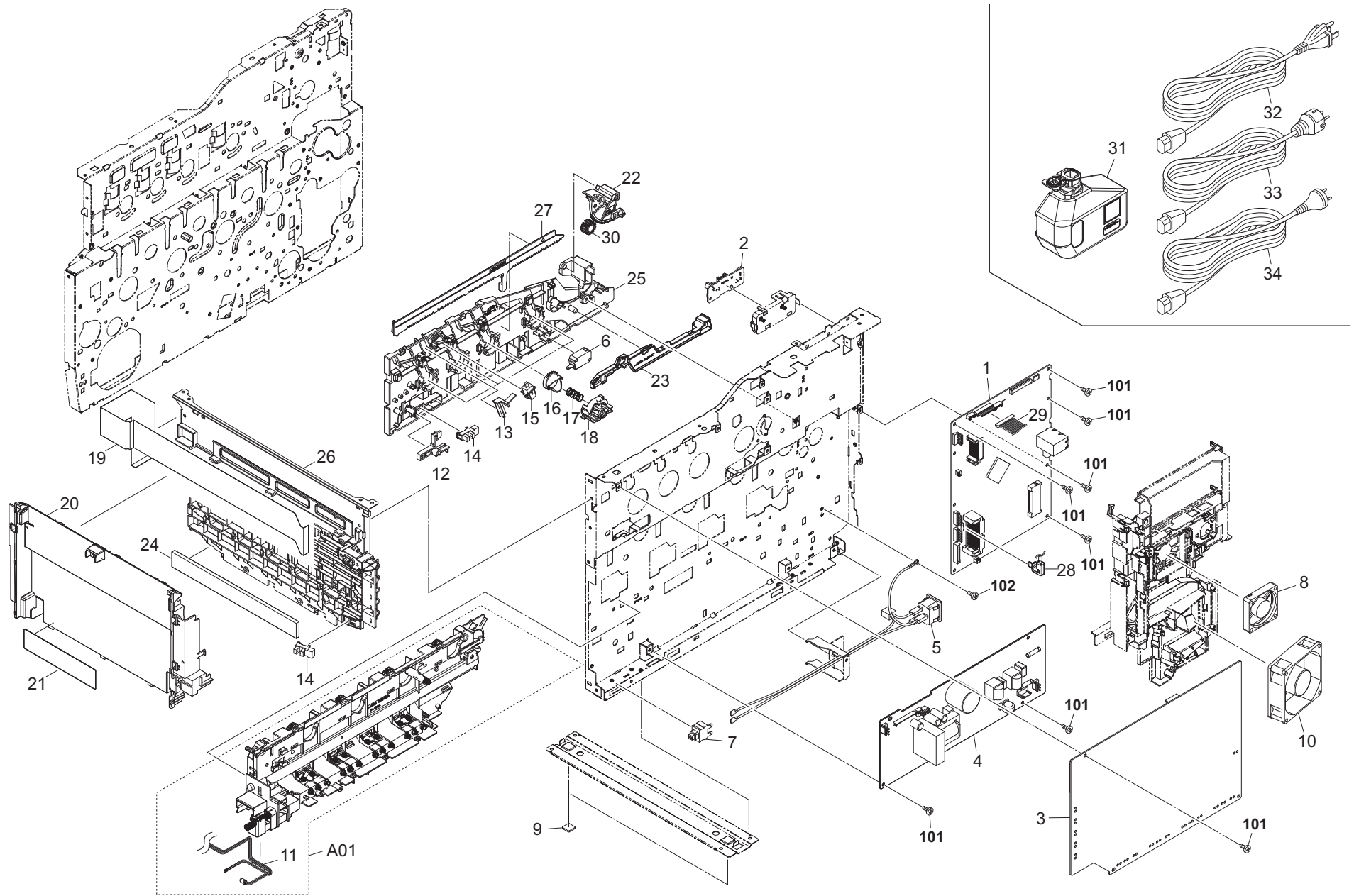


FIG. 13 Electrical Components 2

2M8/2M9/2PX/2PY-6

Ref. No.	Part.No.	Alternative.	Description	Notes	Quantity		
					120	230	240
1	302M894033	2M894033	PARTS PWB MAIN ASSY SP	(A)	1		1
1	302M894044	2M894044	PARTS PWB MAIN ASSY SP EU	(A)		1	
1	302M994023	2M994023	PARTS PWB MAIN ASSY SP	(AF)	1		1
1	302M994034	2M994034	PARTS PWB MAIN ASSY SP EU	(AF)		1	
1	302PX94020	2PX94020	PARTS PWB MAIN ASSY SP	(B),(C)	1		1
1	302PX94030	2PX94030	PARTS PWB MAIN ASSY SP EU	(B),(C)		1	
1	302PY94020	2PY94020	PARTS PWB MAIN ASSY SP	(BF),(CF)	1		1
1	302PY94030	2PY94030	PARTS PWB MAIN ASSY SP EU	(BF),(CF)		1	
2	302KT94080	2KT94080	PARTS PWB ASSY EXIT SP		1	1	1
3	302KV94060	2KV94060	PARTS HIGH VOLTAGE UNIT SP		1	1	1
4	302KW94040	2KW94040	PARTS SWITCHING REGULATOR 100V SP		1		
4	302KW94050	2KW94050	PARTS SWITCHING REGULATOR 230V SP	(A),(AF)		1	1
4	302PV94020	2PV94020	PARTS SWITCHING REGULATOR 230V SP	(B),(BF),(C),(CF)		1	1
5	302KV00100	2KV00100	INLET ASSY			1	1
5	302KV00100	2KV00100	INLET ASSY	(A),(AF)	1		
5	302KV00190	2KV00190	INLET ASSY	(B),(BF),(C),(CF)	1		
6	7SM010104+++H01	SM055200	SW.MICRO		1	1	1
7	7SP01000005+H01	SP119750	SW.PUSH		1	1	1
8	302F944160	2F944160	FAN POWER PWB 50		1	1	1
9	302HN02611	2HN02611	FOOT		2	2	2
10	302HN44010	2HN44010	FAN MOTOR		1	1	1
A01	302KV94470	2KV94470	PARTS WASTE TONER ASSY SP		1	1	1
11	*302KV94370	2KV94370	PARTS TONER FULL DETECT SP		1	1	1
12	302KV02480	2KV02480	ACTUATOR DETECTION CONTAINER		1	1	1
13	302KV02C70	2KV02C70	ACTUATOR PUSH SWITCH		1	1	1
14	7NXGP1S173LCH01	NX116910	SENSOR OPT.		2	2	2
15	7SP01000001+H01	SP044290	SW.PUSH		1	1	1
16	302KV02501	2KV02501	RATCHET SHUTTER		4	4	4
17	302KV02A21	2KV02A21	SPRING JOINT SHUTTER		4	4	4
18	302KV02510	2KV02510	HOLDER JOINT		4	4	4
19	302KV46390	2KV46390	CONN.CORD ASSY S03577		1	1	1
20	302KV04080	2KV04080	COVER INNER		1	1	1
21	302KV34080	2KV34080	LABEL MPF		1	1	1
22	302KV02542	2KV02542	HINGE LID R		1	1	1
23	302KV02521	2KV02521	LEVER INTERLOCK		1	1	1
24	302KV02E30	2KV02E30	SEAL BRACKET FRONT		1	1	1
25	302KV02180	2KV02180	GUIDE TOP R		1	1	1
26	302KV02232	2KV02232	BRACKET FRONT HV		1	1	1
27	302KV02451	2KV02451	RACK JOINT SHUTTER		1	1	1
28	302M846021	2M846021	CONN.CORD ASSY S03704	(A),(AF)	1	1	1
28	302PX46020	2PX46020	CONN.CORD ASSY S03871	(B),(BF),(C),(CF)	1	1	1
29	302M846060	2M846060	CONN.CORD ASSY S03708		1	1	1
30	302KV02670	2KV02670	GEAR Z16S		1	1	1
31	302KV93110	2KV93110	WT-590		1	1	1
32	3019527401	19527401	POWER CORD(120)		1		
33	302FV94010	2FV94010	PARTS AC CORD EU SP			1	
34	302FV45040	2FV45040	AC CORD ASSY				1
101	7BB700308H	BB105600	+BIND T.T S SCREW 3X8 SR				
102	7BB700408H	BB105640	+BIND T.T S SCREW 4X8 SR				

• Parts with Ref.No. indicate maintenance parts and the ones without it indicate out of the above.

• Parts with "." are component parts or sub-assemblies of the assembly appearing immediately above them.
 • Parts with ".•" are component parts or sub-assembly with ".•" appearing immediately above them.

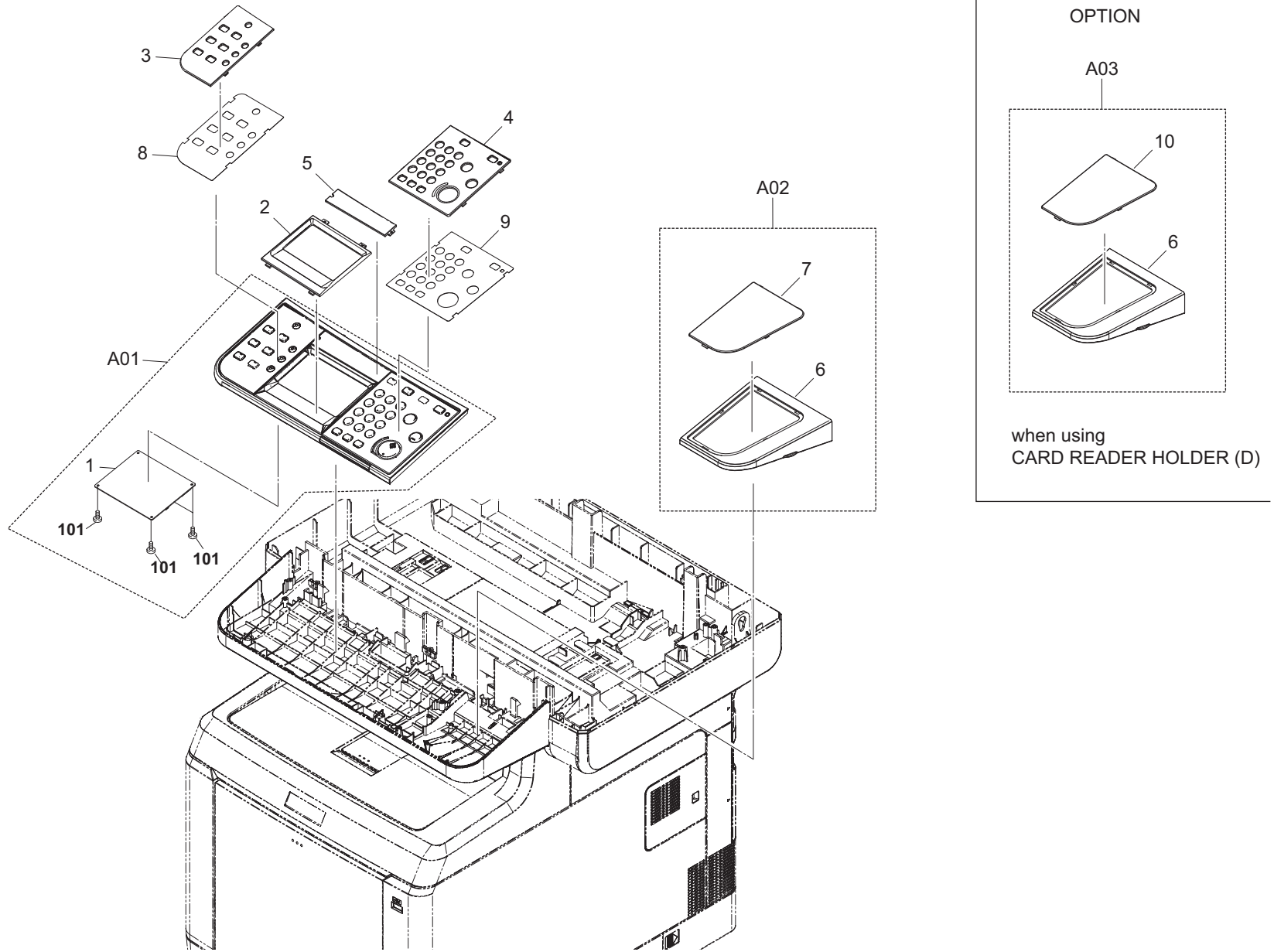


FIG. 14 Operation Section

2M8/2M9/2PX/2PY-6

Ref. No.	Part.No.	Alternative.	Description	Notes	Quantity		
					120	230	240
A01	302M894010	2M894010	PARTS OPERATION UNIT SP	(A)	1	1	1
A01	302M994011	2M994011	PARTS OPERATION UNIT SP	(AF)	1	1	1
A01	302PX94010	2PX94010	PARTS OPERATION ASSY SP	(B),(C)	1	1	1
A01	302PY94010	2PY94010	PARTS OPERATION ASSY SP	(BF),(CF)	1	1	1
1	*302M894051	2M894051	PARTS PWB PANEL MAIN ASSY	(A),(AF)	1	1	1
1	*302PX94040	2PX94040	PARTS PWB PANEL MAIN ASSY SP	(B),(BF),(C),(CF)	1	1	1
2	302K305030	2K305030	COVER PANEL A		1	1	1
3	302M805020	2M805020	PANEL OPERATION L	(A),(B),(C)	1	1	1
3	302M905020	2M905020	PANEL OPERATION L	(AF),(BF),(CF)	1	1	1
4	302M805030	2M805030	PANEL OPERATION R		1	1	1
5	302M805040	2M805040	PANEL OPERATION M		1	1	1
A02	302M894070	2M894070	PARTS COVER IC-CARD SET SP		1	1	1
6	*302M805050	2M805050	COVER IC-CARD		1	1	1
7	*302M805090	2M805090	COVER IC-CARD SUB A		1	1	1
8	302M834110	2M834110	SHEET OPERATION L E	(A)	1	1	1
8	302M934110	2M934110	SHEET OPERATION L E	(AF)	1	1	1
8	302PX34020	2PX34020	SHEET OPERATION L E	(B)	1	1	1
8	302PY34020	2PY34020	SHEET OPERATION L E	(BF)	1	1	1
8	302PX34260	2PX34260	SHEET OPERATION L E	(C)	1	1	
8	302PY34320	2PY34320	SHEET OPERATION L E	(CF)	1	1	1
9	302M834310	2M834310	SHEET OPERATION R E	(A)	1	1	1
9	302M934310	2M934310	SHEET OPERATION R E	(AF)	1	1	1
9	302PX34180	2PX34180	SHEET OPERATION R E	(B),(C)	1	1	1
9	302PY34210	2PY34210	SHEET OPERATION R E	(BF),(CF)	1	1	1
A03	302M894020	2M894020	PARTS COVER IC-CARD SET SP	OPTION	1	1	1
6	*302M805050	2M805050	COVER IC-CARD		1	1	1
10	*302M805060	2M805060	COVER IC-CARD SUB		1	1	1
101	7BB700308H	BB105600	+BIND T.T S SCREW 3X8 SR				

• Parts with Ref.No. indicate maintenance parts and the ones without it indicate out of the above.

• Parts with "*" are component parts or sub-assemblies of the assembly appearing immediately above them.
 • Parts with "*•" are component parts or sub-assembly with "*" appearing immediately above them.

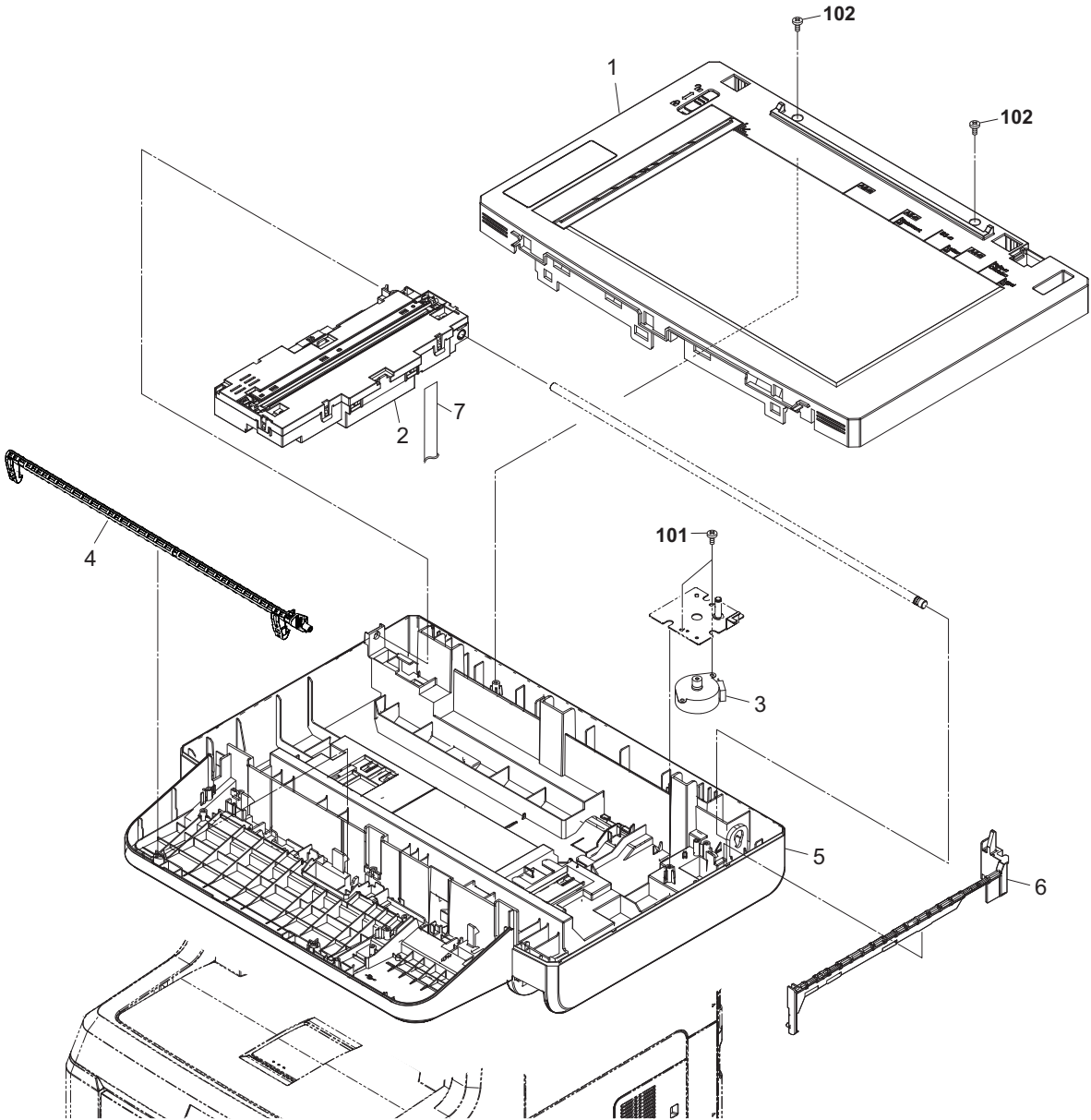


FIG. 15 Scanner Section

2M8/2M9/2PX/2PY-3

Ref. No.	Part.No.	Alternative.	Description	Notes	Quantity		
					120	230	240
1	302KW94070	2KW94070	PARTS FRAME ISU TOP ASSY SP		1	1	1
2	302M893012	2M893012	PARTS CARRIAGE ASSY		1	1	1
3	302LW94060	2LW94060	PARTS MOTOR ISU SP		1	1	1
4	302KW17291	2KW17291	HOOK ISU		1	1	1
5	302M817012	2M817012	FRAME ISU BOTTOM		1	1	1
6	302M817070	2M817070	LEVER LINK		1	1	1
7	302M846070	2M846070	CONN.CORD ASSY S03709		1	1	1
101	7BB600306H	BB105730	+BIND M SCREW 3X6 R				
102	7BB200308H	BB105660	+BIND T.T P SCREW 3X8				

• Parts with Ref.No. indicate maintenance parts and the ones without it indicate out of the above.

- Parts with "." are component parts or sub-assemblies of the assembly appearing immediately above them.
- Parts with ".•" are component parts or sub-assembly with "." appearing immediately above them.

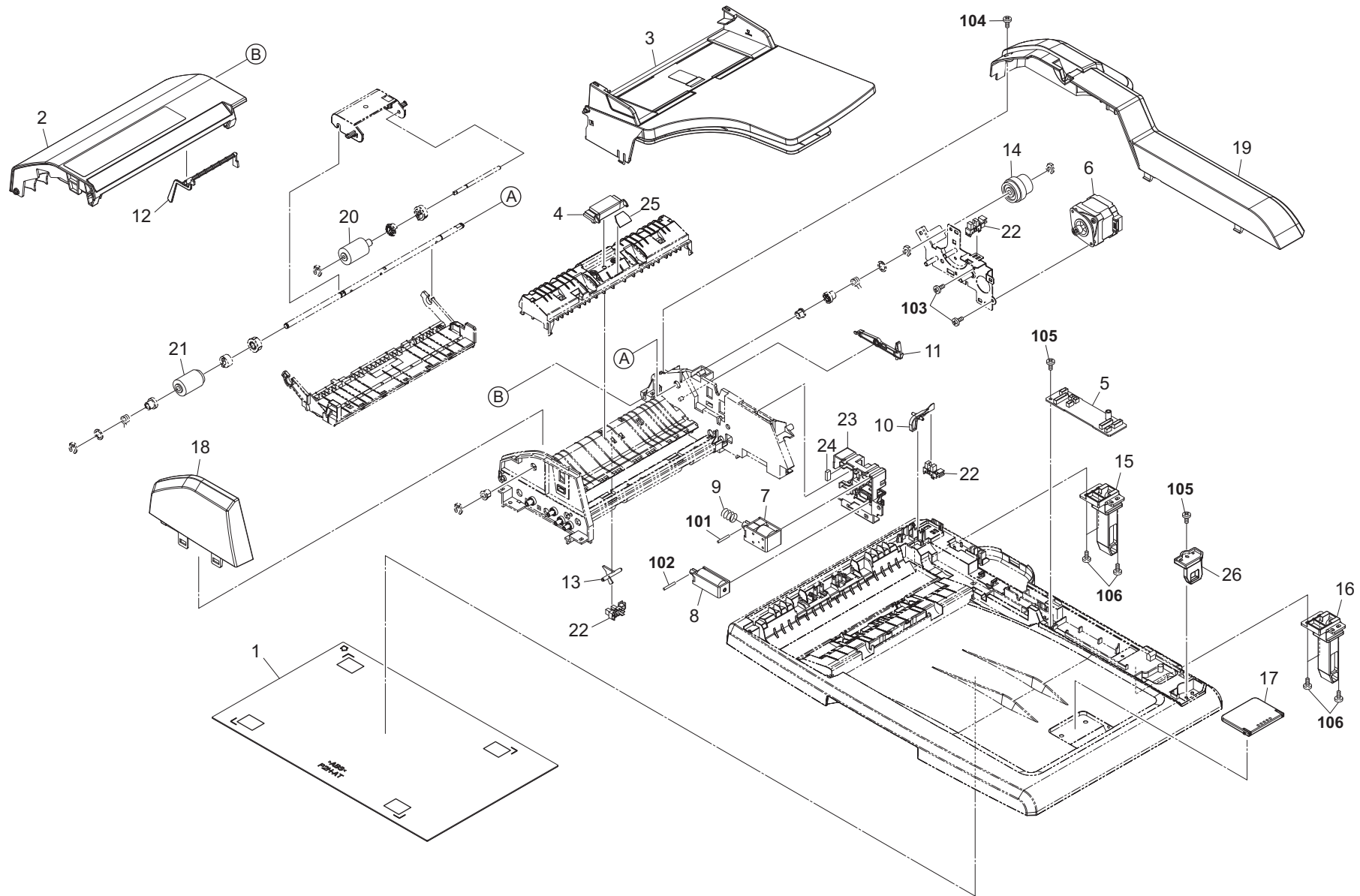


FIG. 16 Document Processor

2M8/2M9/2PX/2PY-2

Ref. No.	Part.No.	Alternative.	Description	Notes	Quantity		
					120	230	240
1	303LJ94070	3LJ94070	PARTS PLATE ORIGINAL SP		1	1	1
2	303M694010	3M694010	PARTS COVER PF ASSY		1	1	1
3	303LJ94120	3LJ94120	PARTS TABLE ASSY SP		1	1	1
4	303M694030	3M694030	PARTS SEPARATION PAD ASSY SP		1	1	1
5	303LJ94010	3LJ94010	PARTS DRIVER PWB ASSY SP		1	1	1
6	303LJ94061	3LJ94061	PARTS MOTOR DP SP		1	1	1
7	303LJ94140	3LJ94140	PARTS SOLENOID PRESSURE PULLEY SP		1	1	1
8	303LJ94150	3LJ94150	PARTS SOLENOID FEED SHIFT SP		1	1	1
9	303HL10200	3HL10200	SPRING LOOP		1	1	1
10	303K502200	3K502200	ACTUATOR BASE		1	1	1
11	303LJ02080	3LJ02080	ACTUATOR PUSH		1	1	1
12	303LJ07050	3LJ07050	ACTUATOR ORIGINAL		1	1	1
13	303LJ24080	3LJ24080	ACTUATOR TIMING		1	1	1
14	303LJ44040	3LJ44040	CLUTCH PAPER FEED		1	1	1
15	303M602020	3M602020	HINGE LEFT		1	1	1
16	303M602030	3M602030	HINGE RIGHT		1	1	1
17	303M602070	3M602070	STOPPER ORIGINAL		1	1	1
18	303M604011	3M604011	COVER FRONT		1	1	1
19	303M604021	3M604021	COVER REAR		1	1	1
20	36211110	36211110	PULLEY,LEADING FEED ADF		1	1	1
21	3BR07040	3BR07040	PULLEY,PAPER FEED		1	1	1
22	7NXSG2481+++H01	NX052600	SENSOR OPT.		3	3	3
23	303LJ02051	3LJ02051	MOUNT SOLENOID		1	1	1
24	302H724180	2H724180	SHEET CONV MID		1	1	1
25	303K507102	3K507102	PAD FRONT SEP		1	1	1
26	303M602050	3M602050	LEVER DP LOCK		1	1	1
101	E0130280	E0130280	SPRING PIN 3X28(SUS)				
102	E0120200	E0120200	SPRING PIN 2X20(SUS)				
103	7BB600306H	BB105730	+BIND M SCREW 3X6 R				
104	7BB200308H	BB105660	+BIND T.T P SCREW 3X8				
105	7BB202308H	BB105690	+TP-FLAT T.T P SCREW 3X8				
106	7BB202310H	BB063420	+TP-FLAT T.T P SCREW 3X10				

• Parts with Ref.No. indicate maintenance parts and the ones without it indicate out of the above.

• Parts with "•" are component parts or sub-assemblies of the assembly appearing immediately above them.
 • Parts with "••" are component parts or sub-assembly with "•" appearing immediately above them.

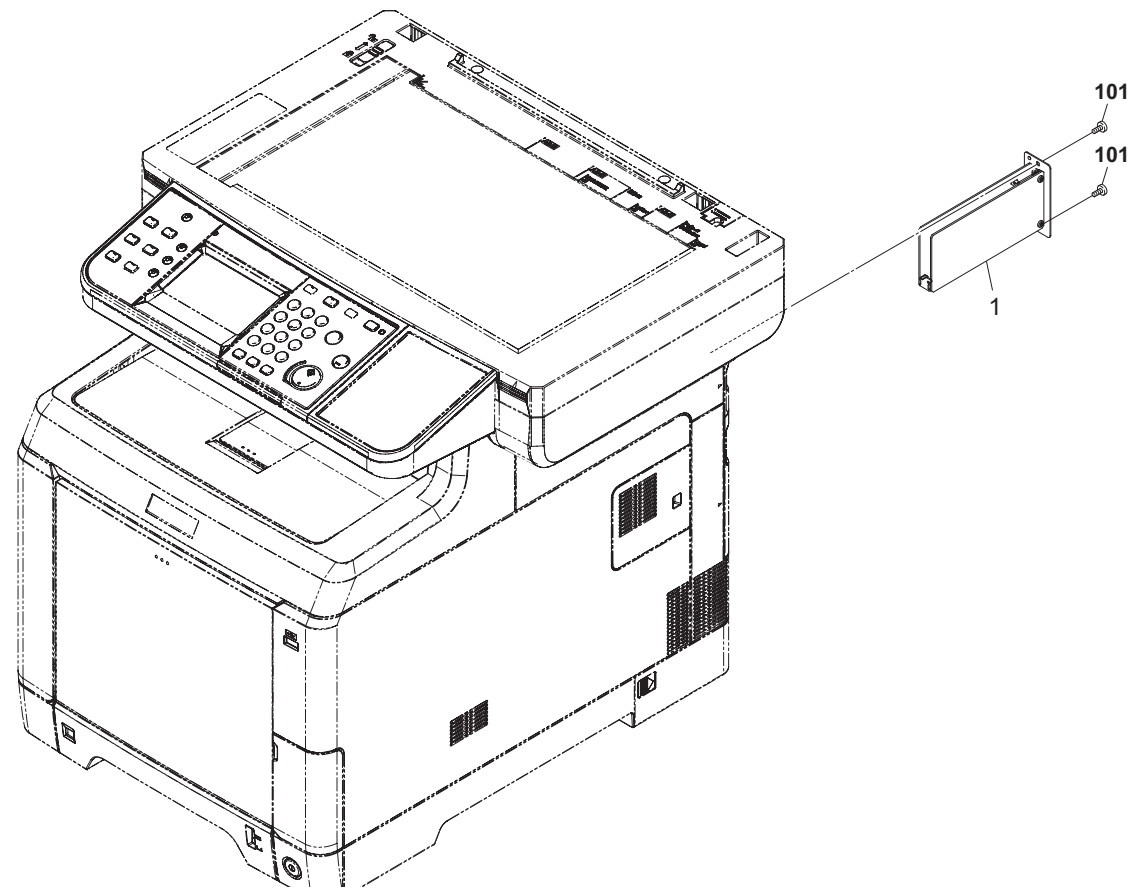


FIG. 17 FAX Section ((AF),(BF),(CF))

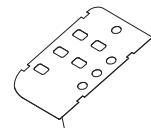
2M8/2M9/2PX/2PY-5

Ref. No.	Part.No.	Alternative.	Description	Notes	Quantity		
					120	230	240
1	302KX94051	2KX94051	PARTS FAX UNIT U SP	(AF)	1		
1	302KX94041	2KX94041	PARTS FAX UNIT E SP	(AF)		1	1
1	302PL94040	2PL94040	PARTS FAX UNIT U SP	(BF),(CF)	1		
1	302PL94020	2PL94020	PARTS FAX UNIT E SP	(BF),(CF)		1	
1	302PL94050	2PL94050	PARTS FAX UNIT AS SP	(BF),(CF)			1
101	7BB700308H	BB105600	+BIND T.T S SCREW 3X8 SR				

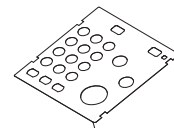
• Parts with Ref.No. indicate maintenance parts and the ones without it indicate out of the above.

• Parts with "." are component parts or sub-assemblies of the assembly appearing immediately above them.
 • Parts with ".•" are component parts or sub-assembly with "." appearing immediately above them.

(A),(B),(C)



1,2,3,4,5,6,7



8,9,10,11,12,13,14

FIG. 18 Accessories ((A),(B),(C))

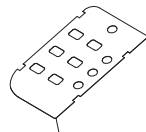
2M8/2M9/2PX/2PY-5

Ref. No.	Part.No.	Alternative.	Description	Notes	Quantity		
					120	230	240
1	302M834130	2M834130	SHEET OPERATION L GER	(A)		1	
1	302PX34060	2PX34060	SHEET OPERATION L GER	(B)		1	
1	302PX34300	2PX34300	SHEET OPERATION L GER	(C)		1	
2	302M834140	2M834140	SHEET OPERATION L FRA	(A)	1	1	
2	302PX34040	2PX34040	SHEET OPERATION L FRA	(B)	1	1	
2	302PX34280	2PX34280	SHEET OPERATION L FRA	(C)	1	1	
3	302M834150	2M834150	SHEET OPERATION L ITA	(A)		1	
3	302PX34070	2PX34070	SHEET OPERATION L ITA	(B)		1	
3	302PX34310	2PX34310	SHEET OPERATION L ITA	(C)		1	
4	302M834160	2M834160	SHEET OPERATION L SPA	(A)	1	1	
4	302PX34030	2PX34030	SHEET OPERATION L SPA	(B)	1	1	
4	302PX34270	2PX34270	SHEET OPERATION L SPA	(C)	1	1	
5	302M834170	2M834170	SHEET OPERATION L POR	(A)	1	1	
5	302PX34050	2PX34050	SHEET OPERATION L POR	(B)	1	1	
5	302PX34290	2PX34290	SHEET OPERATION L POR	(C)	1	1	
6	302M834180	2M834180	SHEET OPERATION L DUT	(A)		1	
6	302PX34080	2PX34080	SHEET OPERATION L DUT	(B)		1	
6	302PX34320	2PX34320	SHEET OPERATION L DUT	(C)		1	
7	302M834190	2M834190	SHEET OPERATION L RUS	(A)		1	
7	302PX34090	2PX34090	SHEET OPERATION L RUS	(B)		1	
7	302PX34330	2PX34330	SHEET OPERATION L RUS	(C)		1	
8	302M834330	2M834330	SHEET OPERATION R GER	(A)		1	
8	302PX34220	2PX34220	SHEET OPERATION R GER	(B),(C)		1	
9	302M834340	2M834340	SHEET OPERATION R FRA	(A)	1	1	
9	302PX34200	2PX34200	SHEET OPERATION R FRA	(B),(C)	1	1	
10	302M834350	2M834350	SHEET OPERATION R ITA	(A)		1	
10	302PX34230	2PX34230	SHEET OPERATION R ITA	(B),(C)		1	
11	302M834360	2M834360	SHEET OPERATION R SPA	(A)	1	1	
11	302PX34190	2PX34190	SHEET OPERATION R SPA	(B),(C)	1	1	
12	302M834370	2M834370	SHEET OPERATION R POR	(A)	1	1	
12	302PX34210	2PX34210	SHEET OPERATION R POR	(B),(C)	1	1	
13	302M834380	2M834380	SHEET OPERATION R DUT	(A)		1	
13	302PX34240	2PX34240	SHEET OPERATION R DUT	(B),(C)		1	
14	302M834390	2M834390	SHEET OPERATION R RUS	(A)		1	
14	302PX34250	2PX34250	SHEET OPERATION R RUS	(B),(C)		1	

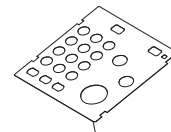
• Parts with "•" indicate maintenance parts and the ones without it indicate out of the above.

• Parts with "•" are component parts or sub-assemblies of the assembly appearing immediately above them.
 • Parts with "••" are component parts or sub-assembly with "•" appearing immediately above them.

(AF),(BF),(CF)



1,2,3,4,5,6,7



8,9,10,11,12,13,14

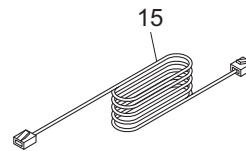


FIG. 18 Accessories ((AF),(BF),(CF))

2M8/2M9/2PX/2PY-5

Ref. No.	Part.No.	Alternative.	Description	Notes	Quantity		
					120	230	240
1	302M934130	2M934130	SHEET OPERATION L GER	(AF)		1	
1	302PY34060	2PY34060	SHEET OPERATION L GER	(BF)		1	
1	302PY34360	2PY34360	SHEET OPERATION L GER	(CF)		1	
2	302M934140	2M934140	SHEET OPERATION L FRA	(AF)	1	1	
2	302PY34040	2PY34040	SHEET OPERATION L FRA	(BF)	1	1	
2	302PY34340	2PY34340	SHEET OPERATION L FRA	(CF)	1	1	
3	302M934150	2M934150	SHEET OPERATION L ITA	(AF)		1	
3	302PY34070	2PY34070	SHEET OPERATION L ITA	(BF)		1	
3	302PY34370	2PY34370	SHEET OPERATION L ITA	(CF)		1	
4	302M934160	2M934160	SHEET OPERATION L SPA	(AF)	1	1	
4	302PY34030	2PY34030	SHEET OPERATION L SPA	(BF)	1	1	
4	302PY34330	2PY34330	SHEET OPERATION L SPA	(CF)	1	1	
5	302M934170	2M934170	SHEET OPERATION L POR	(AF)	1	1	
5	302PY34050	2PY34050	SHEET OPERATION L POR	(BF)	1	1	
5	302PY34350	2PY34350	SHEET OPERATION L POR	(CF)	1	1	
6	302M934180	2M934180	SHEET OPERATION L DUT	(AF)		1	
6	302PY34080	2PY34080	SHEET OPERATION L DUT	(BF)		1	
6	302PY34380	2PY34380	SHEET OPERATION L DUT	(CF)		1	
7	302M934190	2M934190	SHEET OPERATION L RUS	(AF)		1	
7	302PY34090	2PY34090	SHEET OPERATION L RUS	(BF)		1	
7	302PY34390	2PY34390	SHEET OPERATION L RUS	(CF)		1	
8	302M934350	2M934350	SHEET OPERATION R GER	(AF)		1	
8	302PY34250	2PY34250	SHEET OPERATION R GER	(BF),(CF)		1	
9	302M934320	2M934320	SHEET OPERATION R FRA	(AF)	1	1	
9	302PY34230	2PY34230	SHEET OPERATION R FRA	(BF),(CF)	1	1	
10	302M934360	2M934360	SHEET OPERATION R ITA	(AF)		1	
10	302PY34260	2PY34260	SHEET OPERATION R ITA	(BF),(CF)		1	
11	302M934330	2M934330	SHEET OPERATION R SPA	(AF)	1	1	
11	302PY34220	2PY34220	SHEET OPERATION R SPA	(BF),(CF)	1	1	
12	302M934340	2M934340	SHEET OPERATION R POR	(AF)	1	1	
12	302PY34240	2PY34240	SHEET OPERATION R POR	(BF),(CF)	1	1	
13	302M934370	2M934370	SHEET OPERATION R DUT	(AF)		1	
13	302PY34270	2PY34270	SHEET OPERATION R DUT	(BF),(CF)		1	
14	302M934380	2M934380	SHEET OPERATION R RUS	(AF)		1	
14	302PY34300	2PY34300	SHEET OPERATION R RUS	(BF),(CF)		1	
15	303HZ45010	3HZ45010	MODULAR CORD		1		
15	3063527482	63527482	MODULAR CORD AUSTRALIA				1

• Parts with Ref.No. indicate maintenance parts and the ones without it indicate out of the above.

• Parts with "•" are component parts or sub-assemblies of the assembly appearing immediately above them.
 • Parts with "••" are component parts or sub-assembly with "•" appearing immediately above them.

FIG. 19 Maintenance Kits

2M8/2M9/2PX/2PY

Ref. No.	Part.No.	Alternative.	Description	Notes	Quantity		
					120	230	240
	1702KV7US0	072KV7US	MK-592/MAINTENANCE KIT (OPTION)		1		
			DV-560 US (Y)		1		
			DV-560 US (K)		1		
			DV-560 US (C)		1		
			DV-560 US (M)		1		
			PARTS HOLDER RETARD ASSY SP		1		
			DK-590		4		
			FK-590(U)		1		
			PARTS HOLDER RETARD ASSY SP		1		
			PARTS HOLDER FEED ASSY SP		1		
			TR-590		1		
			ROLLER M/P ASSY /43487B0027 A4		1		
	1702KV8NL0	072KV8NL	MK-590/MAINTENANCE KIT (OPTION)			1	1
			DV-560(Y)			1	1
			DV-560(K)			1	1
			DV-560(C)			1	1
			DV-560(M)			1	1
			PARTS HOLDER RETARD ASSY SP			1	1
			DK-590			4	4
			FK-590(E)			1	1
			PARTS HOLDER RETARD ASSY SP			1	1
			PARTS HOLDER FEED ASSY SP			1	1
			TR-590			1	1
			ROLLER M/P ASSY /43487B0027 A4			1	1

• Parts with Ref.No. indicate maintenance parts and the ones without it indicate out of the above.

• Parts with "*" are component parts or sub-assemblies of the assembly appearing immediately above them.
 • Parts with "••" are component parts or sub-assembly with "*" appearing immediately above them.

INDEX

2M8/2M9/2PX/2PY-6

Part.No.	Alternative	Description	Fig.No.
1702KV7US0	072KV7US	MK-592/MAINTENANCE KIT (OPTION)	19
1702KV8NL0	072KV8NL	MK-590/MAINTENANCE KIT (OPTION)	19
3019527401	19527401	POWER CORD(120)	13
302F929050	2F929050	PULLEY FEED DU	4
302F944160	2F944160	FAN POWER PWB 50	12,13
302FV45040	2FV45040	AC CORD ASSY	13
302FV94010	2FV94010	PARTS AC CORD EU SP	13
302G634070	2G634070	LABEL ENERGY STAR	4
302H724180	2H724180	SHEET CONV MID	16
302HN02611	2HN02611	FOOT	13
302HN08140	2HN08140	LUTCH	1
302HN44010	2HN44010	FAN MOTOR	12,13
302HN44090	2HN44090	MOTOR FUSER	12
302HN44180	2HN44180	SWITCH SIZE	12
302HN44210	2HN44210	FAN MOTOR	12
302HN93013	2HN93013	DV-560(K)	7
302HN93023	2HN93023	DV-560(Y)	7
302HN93033	2HN93033	DV-560(C)	7
302HN93043	2HN93043	DV-560(M)	7
302HN93253	2HN93253	DV-560 US (K)	7
302HN93263	2HN93263	DV-560 US (Y)	7
302HN93273	2HN93273	DV-560 US (C)	7
302HN93283	2HN93283	DV-560 US (M)	7
302K305030	2K305030	COVER PANEL A	14
302KT02150	2KT02150	GEAR Z33S-Z13S	12
302KT02170	2KT02170	HOLDER GEAR	12
302KT02180	2KT02180	GUIDE CASSETTE L	12
302KT04010	2KT04010	COVER LEFT BOTTOM	1
302KT04020	2KT04020	COVER RIGHT BOTTOM	1
302KT04030	2KT04030	COVER CABLE	1
302KT06011	2KT06011	GUIDE CASSETTE	3
302KT06050	2KT06050	ACTUATOR PE	3
302KT09111	2KT09111	STOPPER HOOK	2
302KT09170	2KT09170	SPRING STOPPER HOOK	2
302KT93041	2KT93041	CT-591	2
302KT94051	2KT94051	PARTS HOLDER RETARD ASSY SP	3
302KT94060	2KT94060	PARTS COVER WASTE ASSY SP	1
302KT94070	2KT94070	PARTS PWB ASSY CASSETTE SP	3
302KT94080	2KT94080	PARTS PWB ASSY EXIT SP	13
302KV00070	2KV00070	MOTOR-DC ASSY DLP	11

Part.No.	Alternative	Description	Fig.No.
302KV00100	2KV00100	INLET ASSY	13
302KV00160	2KV00160	MOTOR-DC ASSY LIFT	12
302KV00190	2KV00190	INLET ASSY	13
302KV02170	2KV02170	GUIDE TOP L	12
302KV02180	2KV02180	GUIDE TOP R	13
302KV02232	2KV02232	BRACKET FRONT HV	13
302KV02240	2KV02240	HOLDER TONER MOTOR	12
302KV02250	2KV02250	DUCT LEFT INNER	12
302KV02281	2KV02281	GUIDE CONTAINER	12
302KV02290	2KV02290	HOLDER RFID	12
302KV02451	2KV02451	RACK JOINT SHUTTER	13
302KV02461	2KV02461	CAM TONER SUPPLY	12
302KV02480	2KV02480	ACTUATOR DETECTION CONTAINER	13
302KV02501	2KV02501	RATCHET SHUTTER	13
302KV02510	2KV02510	HOLDER JOINT	13
302KV02521	2KV02521	LEVER INTERLOCK	13
302KV02532	2KV02532	HINGE LID L	12
302KV02542	2KV02542	HINGE LID R	13
302KV02670	2KV02670	GEAR Z16S	12,13
302KV02680	2KV02680	GEAR Z50S	12
302KV02A21	2KV02A21	SPRING JOINT SHUTTER	13
302KV02A60	2KV02A60	GEAR Z40R	12
302KV02A70	2KV02A70	PULLEY P27	12
302KV02A90	2KV02A90	BELT S2M Z371	12
302KV02B00	2KV02B00	GEAR Z36R-Z35R	12
302KV02B70	2KV02B70	GEAR Z41S	12
302KV02C70	2KV02C70	ACTUATOR PUSH SWITCH	13
302KV02E30	2KV02E30	SEAL BRACKET FRONT	13
302KV04030	2KV04030	COVER LEFT	1
302KV04060	2KV04060	COVER LEFT REAR	1
302KV04070	2KV04070	COVER RIGHT REAR	1
302KV04080	2KV04080	COVER INNER	13
302KV04130	2KV04130	STRAP COVER REAR	1
302KV06012	2KV06012	FRAME FEED	3
302KV06031	2KV06031	GUIDE PICK HOLDER	3
302KV06090	2KV06090	ACTUATOR REGIST	3
302KV06151	2KV06151	SHAFT FEED	3
302KV06180	2KV06180	RELEASE ACTUATOR PE	3
302KV06201	2KV06201	SPRING ACT	3
302KV06230	2KV06230	SHAFT MIDDLE PULLEY	4

Part.No.	Alternative	Description	Fig.No.
302KV06341	2KV06341	ACTUATOR B	3
302KV06350	2KV06350	SPRING ACTUATOR A	3
302KV06370	2KV06370	PIN FEED	3
302KV06610	2KV06610	COVER RETARD	3
302KV08041	2KV08041	FRAME MPF	4
302KV08120	2KV08120	SPRING PULLEY MPF	4
302KV08150	2KV08150	GUIDE MPF FEED UP	4
302KV08160	2KV08160	GUIDE MPF FEED LOW A	4
302KV08281	2KV08281	GUIDE MPF FEED LOW B	4
302KV24090	2KV24090	BUSH SPRING FEED	4
302KV28050	2KV28050	ACTUATOR FD	5
302KV28070	2KV28070	ROLLER EXIT	5
302KV28101	2KV28101	GEAR Z25S-Z19S	5
302KV28140	2KV28140	GEAR Z19S	5
302KV29102	2KV29102	HOOK DU RELEASE	5
302KV31091	2KV31091	GEAR Z50R	11
302KV31130	2KV31130	GEAR Z36L	11
302KV31170	2KV31170	ARM CLUTCH C	11
302KV31190	2KV31190	SPRING CLUTCH B	11
302KV34080	2KV34080	LABEL MPF	13
302KV34090	2KV34090	LABEL MULTI LANGUAGE	5
302KV44041	2KV44041	CLUTCH 50 Z35R	11
302KV46030	2KV46030	CONN.CORD ASSY S03535	12
302KV46390	2KV46390	CONN.CORD ASSY S03577	13
302KV46450	2KV46450	CONN.CORD ASSY S03586	3
302KV93017	2KV93017	DK-590	8
302KV93040	2KV93040	FK-590(E)	10
302KV93050	2KV93050	FK-590(U)	10
302KV93070	2KV93070	TR-590	9
302KV93090	2KV93090	DR-590A	11
302KV93101	2KV93101	DR-590B	11
302KV93110	2KV93110	WT-590	13
302KV93121	2KV93121	MC-590	8
302KV94060	2KV94060	PARTS HIGH VOLTAGE UNIT SP	13
302KV94080	2KV94080	PARTS BUSH GEAR SP	12
302KV94110	2KV94110	PARTS COVER RIGHT ASSY SP	1
302KV94130	2KV94130	PARTS COVER MPF ASSY SP	4
302KV94140	2KV94140	PARTS SEPARATOR MPF ASSY SP	4
302KV94150	2KV94150	PARTS PLATE BOTTOM MPF ASSY SP	4
302KV94160	2KV94160	PARTS TRANSFER ASSY SP	5

Part.No.	Alternative	Description	Fig.No.
302KV94171	2KV94171	PARTS CONVEYING ASSY SP	5
302KV94191	2KV94191	PARTS HOLDER FEED ASSY SP	3
302KV94200	2KV94200	PARTS HOLDER MIDDLE ROLLER ASSY SP	3
302KV94211	2KV94211	PARTS DRIVE FEED ASSY SP	11
302KV94220	2KV94220	PARTS DRIVE PRESS ASSY SP	11
302KV94230	2KV94230	PARTS DRIVE MPF ASSY SP	11
302KV94254	2KV94254	PARTS DU REAR COVER ASSY SP	5
302KV94270	2KV94270	PARTS MOTOR-DC ASSY Y SP	12
302KV94280	2KV94280	PARTS MOTOR-DC ASSY C SP	12
302KV94290	2KV94290	PARTS MOTOR-DC ASSY M SP	12
302KV94300	2KV94300	PARTS MOTOR-DC ASSY K SP	12
302KV94310	2KV94310	PARTS MOTOR-DC ASSY LSU SP	12
302KV94320	2KV94320	PARTS ID SENSOR ASSY SP	12
302KV94350	2KV94350	PARTS PWB ASSY RFID SP	12
302KV94360	2KV94360	PARTS PWB ASSY THERMISTOR SP	12
302KV94370	2KV94370	PARTS TONER FULL DETECT SP	13
302KV94470	2KV94470	PARTS WASTE TONER ASSY SP	13
302KW02050	2KW02050	RAIL ISU	1
302KW02160	2KW02160	HOLDER SPRING ISU	1
302KW02170	2KW02170	RAIL ISU B	1
302KW04030	2KW04030	COVER LEFT UPPER	1
302KW04040	2KW04040	COVER RIGHT UPPER	1
302KW04050	2KW04050	COVER REAR UPPER	1
302KW04090	2KW04090	PIN LID TOP	1
302KW17251	2KW17251	RAIL LID TOP	1
302KW17291	2KW17291	HOOK ISU	15
302KW94040	2KW94040	PARTS SWITCHING REGULATOR 100V SP	13
302KW94050	2KW94050	PARTS SWITCHING REGULATOR 230V SP	13
302KW94070	2KW94070	PARTS FRAME ISU TOP ASSY SP	15
302KW94080	2KW94080	PARTS LID TOP M ASSY SP	1
302KW94090	2KW94090	PARTS COVER FRONT ASSY SP	1
302KW94100	2KW94100	PARTS COVER RIGHT UPPER ASSY SP	1
302KX94041	2KX94041	PARTS FAX UNIT E SP	17
302KX94051	2KX94051	PARTS FAX UNIT U SP	17
302LW94060	2LW94060	PARTS MOTOR ISU SP	15
302M804010	2M804010	COVER CONNECTOR	1
302M805020	2M805020	PANEL OPERATION L	14
302M805030	2M805030	PANEL OPERATION R	14
302M805040	2M805040	PANEL OPERATION M	14
302M805050	2M805050	COVER IC-CARD	14

Part.No.	Alternative	Description	Fig.No.
302M805060	2M805060	COVER IC-CARD SUB	14
302M805090	2M805090	COVER IC-CARD SUB A	14
302M817012	2M817012	FRAME ISU BOTTOM	15
302M817070	2M817070	LEVER LINK	15
302M834110	2M834110	SHEET OPERATION L E	14
302M834130	2M834130	SHEET OPERATION L GER	18
302M834140	2M834140	SHEET OPERATION L FRA	18
302M834150	2M834150	SHEET OPERATION L ITA	18
302M834160	2M834160	SHEET OPERATION L SPA	18
302M834170	2M834170	SHEET OPERATION L POR	18
302M834180	2M834180	SHEET OPERATION L DUT	18
302M834190	2M834190	SHEET OPERATION L RUS	18
302M834310	2M834310	SHEET OPERATION R E	14
302M834330	2M834330	SHEET OPERATION R GER	18
302M834340	2M834340	SHEET OPERATION R FRA	18
302M834350	2M834350	SHEET OPERATION R ITA	18
302M834360	2M834360	SHEET OPERATION R SPA	18
302M834370	2M834370	SHEET OPERATION R POR	18
302M834380	2M834380	SHEET OPERATION R DUT	18
302M834390	2M834390	SHEET OPERATION R RUS	18
302M846021	2M846021	CONN.CORD ASSY S03704	13
302M846060	2M846060	CONN.CORD ASSY S03708	13
302M846070	2M846070	CONN.CORD ASSY S03709	15
302M893012	2M893012	PARTS CARRIAGE ASSY	15
302M894010	2M894010	PARTS OPERATION UNIT SP	14
302M894020	2M894020	PARTS COVER IC-CARD SET SP	14
302M894033	2M894033	PARTS PWB MAIN ASSY SP	13
302M894044	2M894044	PARTS PWB MAIN ASSY SP EU	13
302M894051	2M894051	PARTS PWB PANEL MAIN ASSY	14
302M894061	2M894061	PARTS PWB ENGINE ASSY SP	12
302M894070	2M894070	PARTS COVER IC-CARD SET SP	14
302M904010	2M904010	COVER CONNECTOR	1
302M905020	2M905020	PANEL OPERATION L	14
302M934110	2M934110	SHEET OPERATION L E	14
302M934130	2M934130	SHEET OPERATION L GER	18
302M934140	2M934140	SHEET OPERATION L FRA	18
302M934150	2M934150	SHEET OPERATION L ITA	18
302M934160	2M934160	SHEET OPERATION L SPA	18
302M934170	2M934170	SHEET OPERATION L POR	18
302M934180	2M934180	SHEET OPERATION L DUT	18

Part.No.	Alternative	Description	Fig.No.
302M934190	2M934190	SHEET OPERATION L RUS	18
302M934310	2M934310	SHEET OPERATION R E	14
302M934320	2M934320	SHEET OPERATION R FRA	18
302M934330	2M934330	SHEET OPERATION R SPA	18
302M934340	2M934340	SHEET OPERATION R POR	18
302M934350	2M934350	SHEET OPERATION R GER	18
302M934360	2M934360	SHEET OPERATION R ITA	18
302M934370	2M934370	SHEET OPERATION R DUT	18
302M934380	2M934380	SHEET OPERATION R RUS	18
302M994011	2M994011	PARTS OPERATION UNIT SP	14
302M994023	2M994023	PARTS PWB MAIN ASSY SP	13
302M994034	2M994034	PARTS PWB MAIN ASSY SP EU	13
302PA93011	2PA93011	LK-5135	6
302PA93021	2PA93021	LK-5136	6
302PL94020	2PL94020	PARTS FAX UNIT E SP	17
302PL94040	2PL94040	PARTS FAX UNIT U SP	17
302PL94050	2PL94050	PARTS FAX UNIT AS SP	17
302PS04010	2PS04010	COVER CONNECTOR	1
302PT93011	2PT93011	LK-595A	6
302PT93021	2PT93021	LK-595B	6
302PT94080	2PT94080	PARTS COVER RIGHT ASSY(B) SP	1
302PV94020	2PV94020	PARTS SWITCHING REGULATOR 230V SP	13
302PV94030	2PV94030	PARTS PWB ENGINE ASSY SP	12
302PX34020	2PX34020	SHEET OPERATION L E	14
302PX34030	2PX34030	SHEET OPERATION L SPA	18
302PX34040	2PX34040	SHEET OPERATION L FRA	18
302PX34050	2PX34050	SHEET OPERATION L POR	18
302PX34060	2PX34060	SHEET OPERATION L GER	18
302PX34070	2PX34070	SHEET OPERATION L ITA	18
302PX34080	2PX34080	SHEET OPERATION L DUT	18
302PX34090	2PX34090	SHEET OPERATION L RUS	18
302PX34180	2PX34180	SHEET OPERATION R E	14
302PX34190	2PX34190	SHEET OPERATION R SPA	18
302PX34200	2PX34200	SHEET OPERATION R FRA	18
302PX34210	2PX34210	SHEET OPERATION R POR	18
302PX34220	2PX34220	SHEET OPERATION R GER	18
302PX34230	2PX34230	SHEET OPERATION R ITA	18
302PX34240	2PX34240	SHEET OPERATION R DUT	18
302PX34250	2PX34250	SHEET OPERATION R RUS	18
302PX34260	2PX34260	SHEET OPERATION L E	14

Part.No.	Alternative	Description	Fig.No.
302PX34270	2PX34270	SHEET OPERATION L SPA	18
302PX34280	2PX34280	SHEET OPERATION L FRA	18
302PX34290	2PX34290	SHEET OPERATION L POR	18
302PX34300	2PX34300	SHEET OPERATION L GER	18
302PX34310	2PX34310	SHEET OPERATION L ITA	18
302PX34320	2PX34320	SHEET OPERATION L DUT	18
302PX34330	2PX34330	SHEET OPERATION L RUS	18
302PX46020	2PX46020	CONN.CORD ASSY S03871	13
302PX94010	2PX94010	PARTS OPERATION ASSY SP	14
302PX94020	2PX94020	PARTS PWB MAIN ASSY SP	13
302PX94030	2PX94030	PARTS PWB MAIN ASSY SP EU	13
302PX94040	2PX94040	PARTS PWB PANEL MAIN ASSY SP	14
302PY04010	2PY04010	COVER CONNECTOR	1
302PY34020	2PY34020	SHEET OPERATION L E	14
302PY34030	2PY34030	SHEET OPERATION L SPA	18
302PY34040	2PY34040	SHEET OPERATION L FRA	18
302PY34050	2PY34050	SHEET OPERATION L POR	18
302PY34060	2PY34060	SHEET OPERATION L GER	18
302PY34070	2PY34070	SHEET OPERATION L ITA	18
302PY34080	2PY34080	SHEET OPERATION L DUT	18
302PY34090	2PY34090	SHEET OPERATION L RUS	18
302PY34210	2PY34210	SHEET OPERATION R E	14
302PY34220	2PY34220	SHEET OPERATION R SPA	18
302PY34230	2PY34230	SHEET OPERATION R FRA	18
302PY34240	2PY34240	SHEET OPERATION R POR	18
302PY34250	2PY34250	SHEET OPERATION R GER	18
302PY34260	2PY34260	SHEET OPERATION R ITA	18
302PY34270	2PY34270	SHEET OPERATION R DUT	18
302PY34300	2PY34300	SHEET OPERATION R RUS	18
302PY34320	2PY34320	SHEET OPERATION L E	14
302PY34330	2PY34330	SHEET OPERATION L SPA	18
302PY34340	2PY34340	SHEET OPERATION L FRA	18
302PY34350	2PY34350	SHEET OPERATION L POR	18
302PY34360	2PY34360	SHEET OPERATION L GER	18
302PY34370	2PY34370	SHEET OPERATION L ITA	18
302PY34380	2PY34380	SHEET OPERATION L DUT	18
302PY34390	2PY34390	SHEET OPERATION L RUS	18
302PY94010	2PY94010	PARTS OPERATION ASSY SP	14
302PY94020	2PY94020	PARTS PWB MAIN ASSY SP	13
302PY94030	2PY94030	PARTS PWB MAIN ASSY SP EU	13

Part.No.	Alternative	Description	Fig.No.
303HL10200	3HL10200	SPRING LOOP	16
303HZ45010	3HZ45010	MODULAR CORD	18
303K502200	3K502200	ACTUATOR BASE	16
303K507102	3K507102	PAD FRONT SEP	16
303LJ02051	3LJ02051	MOUNT SOLENOID	16
303LJ02080	3LJ02080	ACTUATOR PUSH	16
303LJ07050	3LJ07050	ACTUATOR ORIGINAL	16
303LJ24080	3LJ24080	ACTUATOR TIMING	16
303LJ44040	3LJ44040	CLUTCH PAPER FEED	16
303LJ94010	3LJ94010	PARTS DRIVER PWB ASSY SP	16
303LJ94061	3LJ94061	PARTS MOTOR DP SP	16
303LJ94070	3LJ94070	PARTS PLATE ORIGINAL SP	16
303LJ94120	3LJ94120	PARTS TABLE ASSY SP	16
303LJ94140	3LJ94140	PARTS SOLENOID PRESSURE PULLEY SP	16
303LJ94150	3LJ94150	PARTS SOLENOID FEED SHIFT SP	16
303M602020	3M602020	HINGE LEFT	16
303M602030	3M602030	HINGE RIGHT	16
303M602050	3M602050	LEVER DP LOCK	16
303M602070	3M602070	STOPPER ORIGINAL	16
303M604011	3M604011	COVER FRONT	16
303M604021	3M604021	COVER REAR	16
303M694010	3M694010	PARTS COVER PF ASSY	16
303M694030	3M694030	PARTS SEPARATION PAD ASSY SP	16
3063527482	63527482	MODULAR CORD AUSTRALIA	18
36211110	36211110	PULLEY,LEADING FEED ADF	16
3BR07040	3BR07040	PULLEY,PAPER FEED	16
5AAVR0LL+051	2CL16130	ROLLER M/P ASSY /43487B0027 A4	4
7NXGP1S173LCH01	NX116910	SENSOR OPT.	12,13
7NXSG2481+++H01	NX052600	SENSOR OPT.	16
7SM010104+++H01	SM055200	SW.MICRO	13
7SP01000001+H01	SP044290	SW.PUSH	13
7SP01000005+H01	SP119750	SW.PUSH	13

KYOCERA Document Solutions America, Inc.**Headquarters**

225 Sand Road,
Fairfield, New Jersey 07004-0008, USA
Phone: +1-973-808-8444
Fax: +1-973-882-6000

Latin America

8240 NW 52nd Terrace Dawson Building, Suite 100
Miami, Florida 33166, USA
Phone: +1-305-421-6640
Fax: +1-305-421-6666

KYOCERA Document Solutions Canada, Ltd.

6120 Kestrel Rd., Mississauga, ON L5T 1S8,
Canada
Phone: +1-905-670-4425
Fax: +1-905-670-8116

KYOCERA Document Solutions**Mexico, S.A. de C.V.**

Calle Arquimedes No. 130, 4 Piso, Colonia Polanco
Chapultepec, Delegacion Miguel Hidalgo,
Distrito Federal, C.P. 11560, México
Phone: +52-555-383-2741
Fax: +52-555-383-7804

KYOCERA Document Solutions Brazil, Ltda.

Alameda África, 545, Pólo Empresarial Consbrás,
Tamboré, Santana de Parnaíba-SP, CEP 06543-306,
Brazil
Phone: +55-11-4195-8496
Fax: +55-11-4195-6167

KYOCERA Document Solutions**Australia Pty. Ltd.**

Level 3, 6-10 Talavera Road North Ryde N.S.W, 2113,
Australia
Phone: +61-2-9888-9999
Fax: +61-2-9888-9588

KYOCERA Document Solutions**New Zealand Ltd.**

Ground Floor, 19 Byron Avenue, Takapuna, Auckland,
New Zealand
Phone: +64-9-415-4517
Fax: +64-9-415-4597

KYOCERA Document Solutions Asia Limited

16/F., Mita Centre, 552-566, Castle Peak Road
Tsuenwan, NT, Hong Kong
Phone: +852-2610-2181
Fax: +852-2610-2063

KYOCERA Document Solutions**(China) Corporation**

8F, No. 288 Nanjing Road West, Huangpu District,
Shanghai, 200003, China
Phone: +86-21-5301-1777
Fax: +86-21-5302-8300

KYOCERA Document Solutions**(Thailand) Corp., Ltd.**

335 Ratchadapisek Road, Bangsue, Bangkok 10800,
Thailand
Phone: +66-2-586-0333
Fax: +66-2-586-0278

KYOCERA Document Solutions**Singapore Pte. Ltd.**

12 Tai Seng Street #04-01A,
Luxasia Building, Singapore 534118
Phone: +65-6741-8733
Fax: +65-6748-3788

KYOCERA Document Solutions**Hong Kong Limited**

16/F., Mita Centre, 552-566, Castle Peak Road
Tsuenwan, NT, Hong Kong
Phone: +852-3582-4000
Fax: +852-3185-1399

KYOCERA Document Solutions**Taiwan Corporation**

6F., No.37, Sec. 3, Minquan E. Rd.,
Zhongshan Dist., Taipei 104, Taiwan R.O.C.
Phone: +886-2-2507-6709
Fax: +886-2-2507-8432

KYOCERA Document Solutions Korea Co., Ltd.

18F, Kangnam bldg, 1321-1,
Seocho-Dong, Seocho-Gu, Seoul, Korea
Phone: +822-6933-4050
Fax: +822-747-0084

KYOCERA Document Solutions**India Private Limited**

First Floor, ORCHID CENTRE
Sector-53, Golf Course Road, Gurgaon 122 002,
India
Phone: +91-0124-4671000
Fax: +91-0124-4671001

KYOCERA Document Solutions Europe B.V.

Bloemlaan 4, 2132 NP Hoofddorp,
The Netherlands
Phone: +31-20-654-0000
Fax: +31-20-653-1256

KYOCERA Document Solutions Nederland B.V.

Beechavenue 25, 1119 RA Schiphol-Rijk,
The Netherlands
Phone: +31-20-5877200
Fax: +31-20-5877260

KYOCERA Document Solutions (U.K.) Limited

Eldon Court, 75-77 London Road,
Reading, Berkshire RG1 5BS,
United Kingdom
Phone: +44-118-931-1500
Fax: +44-118-931-1108

KYOCERA Document Solutions Italia S.p.A.

Via Verdi, 89/91 20063 Cernusco s/N.(MI),
Italy
Phone: +39-02-921791
Fax: +39-02-92179-600

KYOCERA Document Solutions Belgium N.V.

Sint-Martinusweg 199-201 1930 Zaventem,
Belgium
Phone: +32-2-7209270
Fax: +32-2-7208748

KYOCERA Document Solutions France S.A.S.

Espace Technologique de St Aubin
Route de l'Orme 91195 Gif-sur-Yvette CEDEX,
France
Phone: +33-1-69852600
Fax: +33-1-69853409

KYOCERA Document Solutions Espana, S.A.

Edificio Kyocera, Avda. de Manacor No.2,
28290 Las Matas (Madrid), Spain
Phone: +34-91-6318392
Fax: +34-91-6318219

KYOCERA Document Solutions Finland Oy

Atomitie 5C, 00370 Helsinki,
Finland
Phone: +358-9-47805200
Fax: +358-9-47805390

**KYOCERA Document Solutions
Europe B.V., Amsterdam (NL) Zürich Branch**

Hohlstrasse 614, 8048 Zürich,
Switzerland
Phone: +41-44-9084949
Fax: +41-44-9084950

**KYOCERA Document Solutions
Deutschland GmbH**

Otto-Hahn-Strasse 12, 40670 Meerbusch,
Germany
Phone: +49-2159-9180
Fax: +49-2159-918100

KYOCERA Document Solutions Austria GmbH

Eduard-Kittenberger-Gasse 95, 1230 Vienna,
Austria
Phone: +43-1-863380
Fax: +43-1-86338-400

KYOCERA Document Solutions Nordic AB

Esbogatan 16B 164 75 Kista, Sweden
Phone: +46-8-546-550-00
Fax: +46-8-546-550-10

KYOCERA Document Solutions Norge Nuf

Postboks 150 Oppsal, 0619 Oslo,
Norway
Phone: +47-22-62-73-00
Fax: +47-22-62-72-00

KYOCERA Document Solutions Danmark A/S

Ejby Industrivej 60, DK-2600 Glostrup,
Denmark
Phone: +45-70223880
Fax: +45-45765850

KYOCERA Document Solutions Portugal Lda.

Rua do Centro Cultural, 41 (Alvalade) 1700-106 Lisboa,
Portugal
Phone: +351-21-843-6780
Fax: +351-21-849-3312

**KYOCERA Document Solutions
South Africa (Pty) Ltd.**

KYOCERA House, Hertford Office Park,
90 Bekker Road (Cnr. Allandale), Midrand, South Africa.
Phone: +27-11-540-2600
Fax: +27-11-466-3050

KYOCERA Document Solutions Russia LLC

Botanichesky pereulok 5, Moscow, 129090,
Russia
Phone: +7(495)741-0004
Fax: +7(495)741-0018

KYOCERA Document Solutions Middle East

Dubai Internet City, Bldg. 17,
Office 157 P.O. Box 500817, Dubai,
United Arab Emirates
Phone: +971-04-433-0412

KYOCERA Document Solutions Inc.

2-28, 1-chome, Tamatsukuri, Chuo-ku
Osaka 540-8585, Japan
Phone: +81-6-6764-3555
<http://www.kyoceradocumentsolutions.com>

© 2014 KYOCERA Document Solutions Inc.

 is a trademark of KYOCERA Corporation