



FS-C2026MFP

FS-C2126MFP

PARTS LIST

Published in April 2013
2KXPL074
Rev.4

———— CONTENTS ————

FIG. 1	Covers	2
FIG. 2	Paper Cassette	4
FIG. 3	Paper Feed Section 1	6
FIG. 4	Paper Feed Section 2	8
FIG. 5	Paper Conveying Section	10
FIG. 6	Laser Scanner Section	12
FIG. 7	Developer Section	14
FIG. 8	Image Formation Section	16
FIG. 9	Transfer Section	18
FIG. 10	Fuser Section	20
FIG. 11	Drive Section	22
FIG. 12	Electrical Components 1	24
FIG. 13	Electrical Components 2	26
FIG. 14	Operation Section	28
FIG. 15	Scanner Section	30
FIG. 16	Document Processor	32
FIG. 17	FAX Section (4in1 model)	34
FIG. 18	Maintenance Kits	36
	• INDEX	37

FIG. 1 Covers

2KW/2KX-4

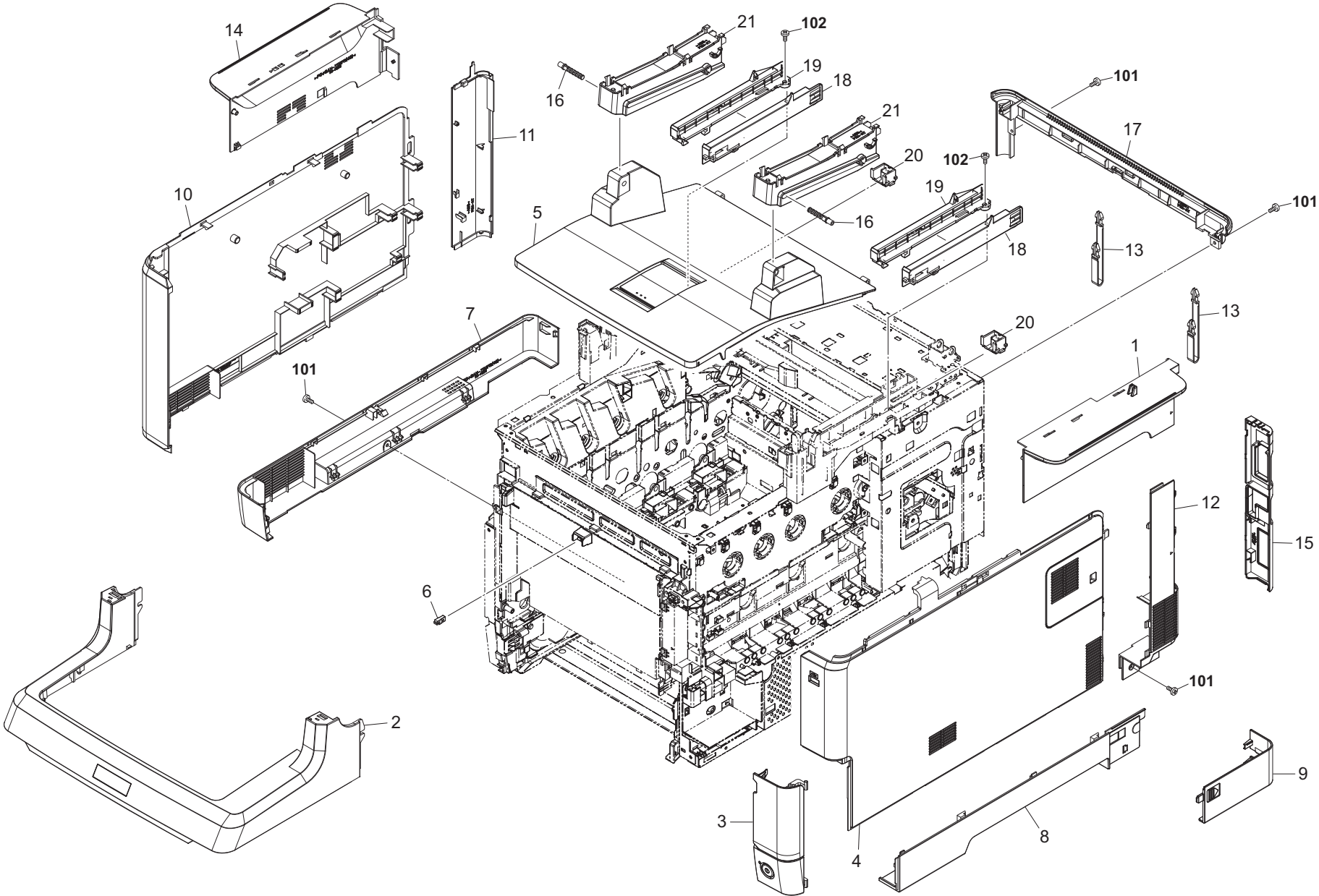


FIG. 1 Covers

2KW/2KX-4

Ref. No.	Part.No.	Alternative Part.No.	Description	Quantity		
				120	230	240
1	302KW94100	2KW94100	PARTS COVER RIGHT UPPER ASSY SP	1		
1	302KW04040	2KW04040	COVER RIGHT UPPER		1	1
2	302KW94090	2KW94090	PARTS COVER FRONT ASSY SP	1	1	1
3	302KT94060	2KT94060	PARTS COVER WASTE ASSY SP	1	1	1
4	302KV94110	2KV94110	PARTS COVER RIGHT ASSY SP	1	1	1
5	302KW94080	2KW94080	PARTS LID TOP M ASSY SP	1	1	1
6	302HN08140	2HN08140	LUTCH	1	1	1
7	302KT04010	2KT04010	COVER LEFT BOTTOM	1	1	1
8	302KT04020	2KT04020	COVER RIGHT BOTTOM	1	1	1
9	302KT04030	2KT04030	COVER CABLE	1	1	1
10	302KV04030	2KV04030	COVER LEFT	1	1	1
11	302KV04060	2KV04060	COVER LEFT REAR	1	1	1
12	302KV04070	2KV04070	COVER RIGHT REAR	1	1	1
13	302KV04130	2KV04130	STRAP COVER REAR	2	2	2
14	302KW04030	2KW04030	COVER LEFT UPPER	1	1	1
15	302KV04110	2KV04110	COVER CONNECTOR (3in1 model)	1	1	1
15	302KX04010	2KX04010	COVER CONNECTOR (4in1 model)	1	1	1
16	302KW04090	2KW04090	PIN LID TOP	2	2	2
17	302KW04050	2KW04050	COVER REAR UPPER	1	1	1
18	302KW02050	2KW02050	RAIL ISU	2	2	2
19	302KW02170	2KW02170	RAIL ISU B	2	2	2
20	302KW02160	2KW02160	HOLDER SPRING ISU	2	2	2
21	302KW17251	2KW17251	RAIL LID TOP	2	2	2
101	7BB780308H	BB111200	+BIND T.T S SCREW 3X8 SR(BLACK)			
102	7BB200312H	BB105680	+BIND T.T P SCREW 3X12			

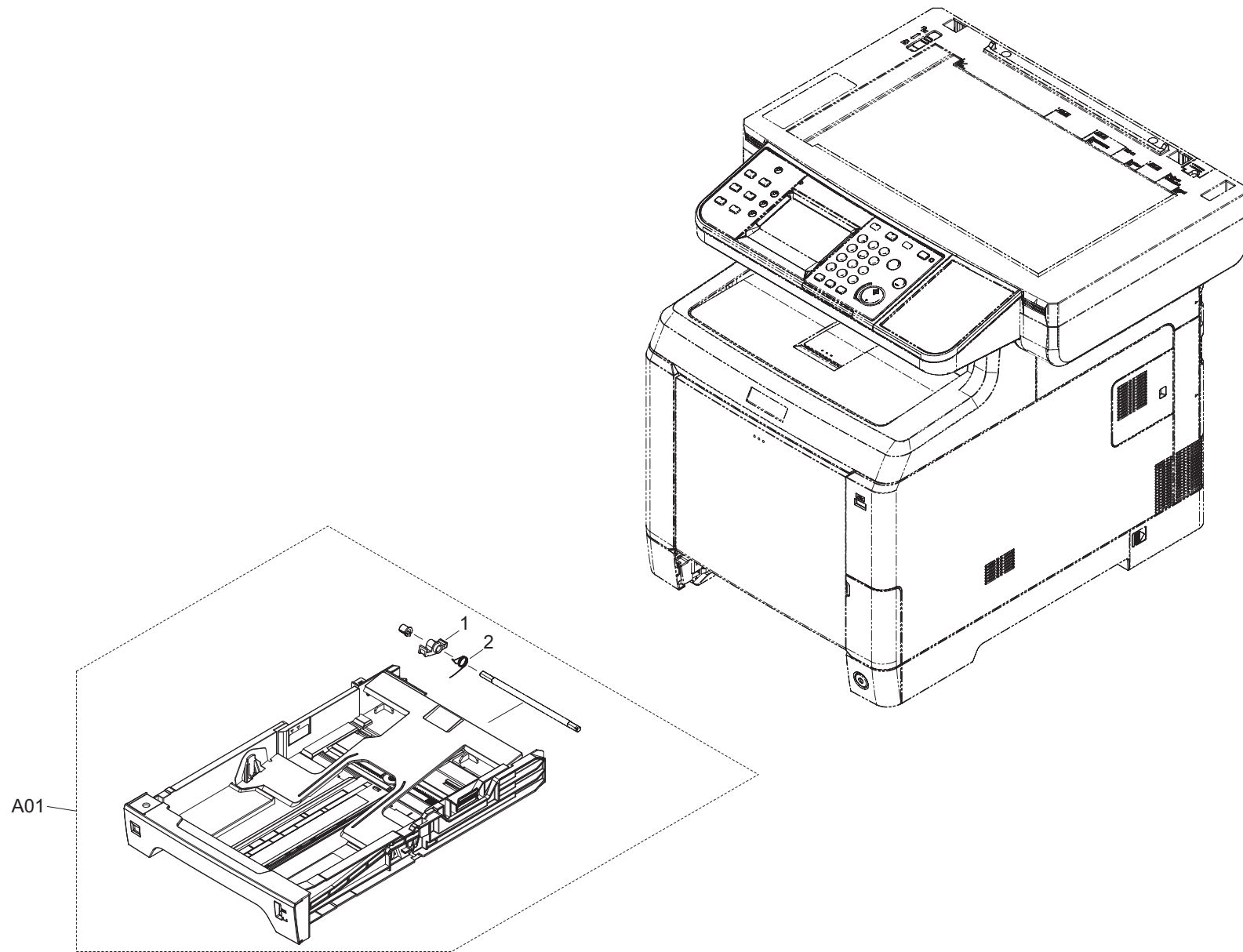


FIG. 2 Paper Cassette

2KW/2KX-4

Ref. No.	Part.No.	Alternative Part.No.	Description	Quantity		
				120	230	240
A01	302KT93041	2KT93041	CT-591	1	1	1
1	•302KT09111	2KT09111	STOPPER HOOK	1	1	1
2	•302KT09170	2KT09170	SPRING STOPPER HOOK	1	1	1

FIG. 3 Paper Feed Section 1

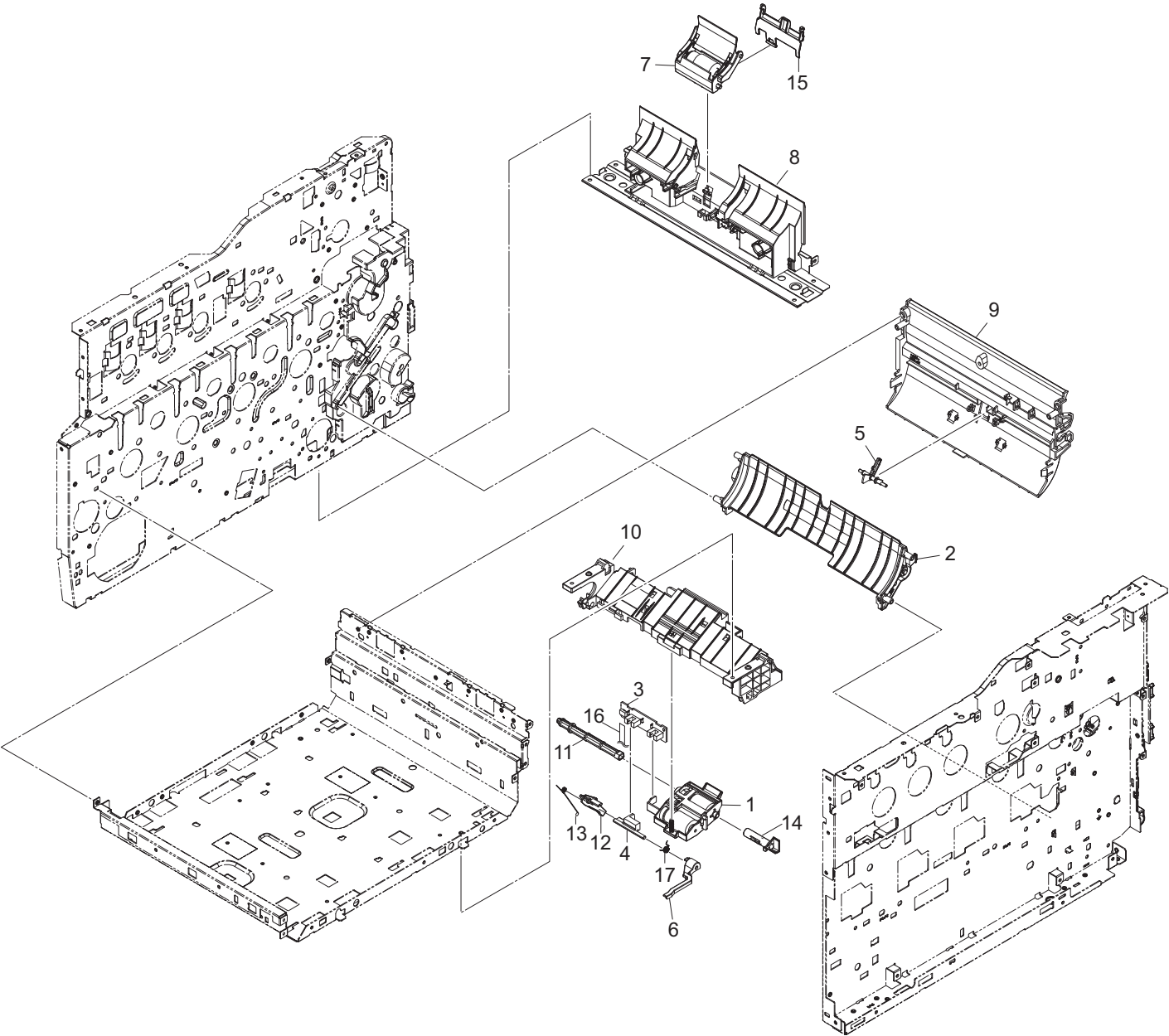


FIG. 3 Paper Feed Section 1

2KW/2KX-4

Ref. No.	Part.No.	Alternative Part.No.	Description	Quantity		
				120	230	240
1	302KV94191	2KV94191	PARTS HOLDER FEED ASSY SP	1	1	1
2	302KV94200	2KV94200	PARTS HOLDER MIDDLE ROLLER ASSY SP	1	1	1
3	302KT94070	2KT94070	PARTS PWB ASSY CASSETTE SP	1	1	1
4	302KT06050	2KT06050	ACTUATOR PE	1	1	1
5	302KV06090	2KV06090	ACTUATOR REGIST	1	1	1
6	302KV06341	2KV06341	ACTUATOR B	1	1	1
7	302KT94051	2KT94051	PARTS HOLDER RETARD ASSY SP	1	1	1
8	302KT06011	2KT06011	GUIDE CASSETTE	1	1	1
9	302KV06012	2KV06012	FRAME FEED	1	1	1
10	302KV06031	2KV06031	GUIDE PICK HOLDER	1	1	1
11	302KV06150	2KV06150	SHAFT FEED	1	1	1
12	302KV06180	2KV06180	RELEASE ACTUATOR PE	1	1	1
13	302KV06350	2KV06350	SPRING ACTUATOR A	1	1	1
14	302KV06370	2KV06370	PIN FEED	1	1	1
15	302KV06610	2KV06610	COVER RETARD	1	1	1
16	302KV46450	2KV46450	CONN.CORD ASSY S03586	1	1	1
17	302KV06201	2KV06201	SPRING ACT	1	1	1

FIG. 4 Paper Feed Section 2

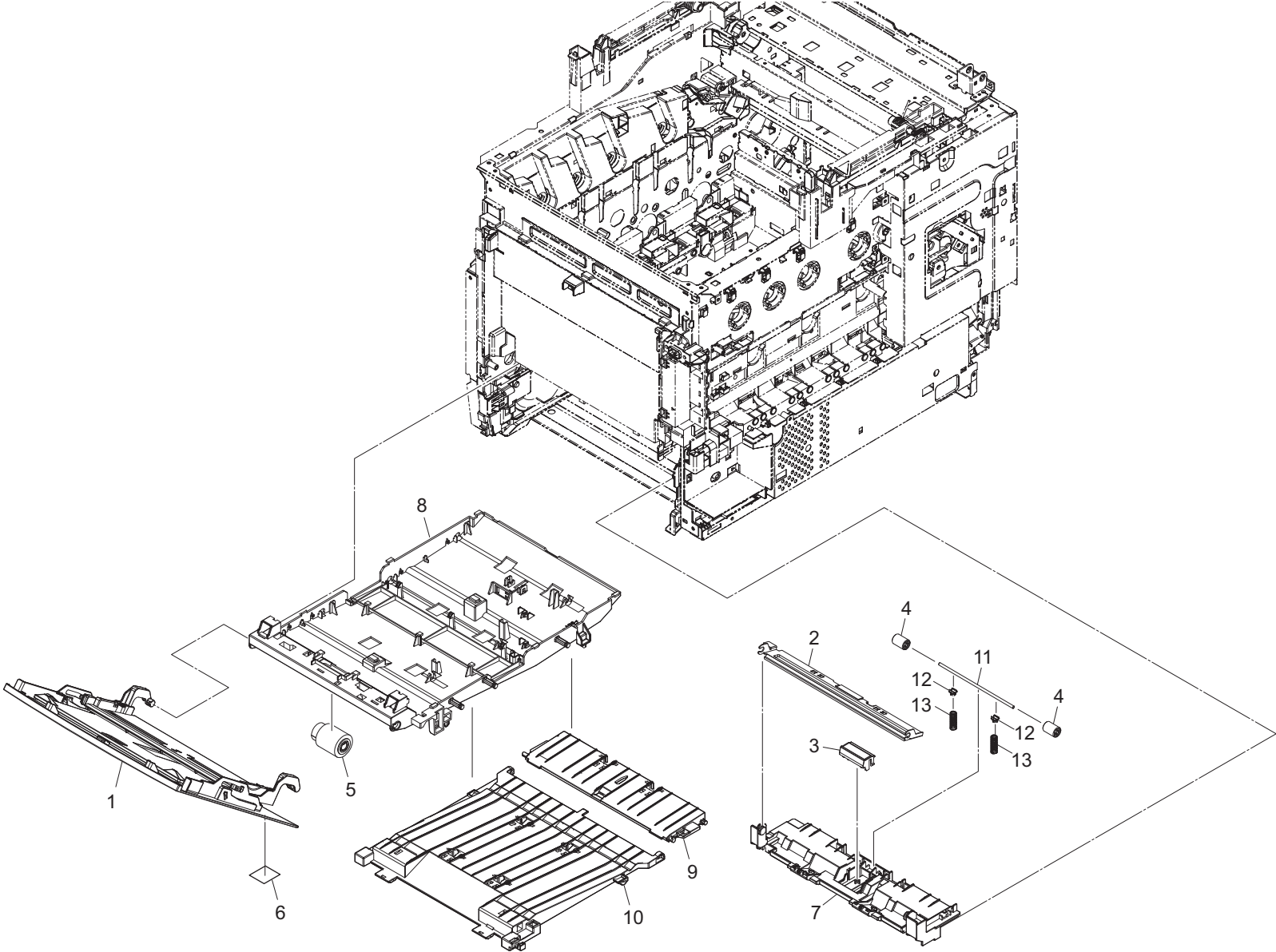


FIG. 4 Paper Feed Section 2

2KW/2KX-4

Ref. No.	Part.No.	Alternative Part.No.	Description	Quantity		
				120	230	240
1	302KV94130	2KV94130	PARTS COVER MPF ASSY SP	1	1	1
2	302KV94150	2KV94150	PARTS PLATE BOTTOM MPF ASSY SP	1	1	1
3	302KV94140	2KV94140	PARTS SEPARATOR MPF ASSY SP	1	1	1
4	302F929050	2F929050	PULLEY FEED DU	2	2	2
5	5AAVR0LL+051	2CL16130	ROLLER M/P ASSY /43487B0027 A4	1	1	1
6	302G634070	2G634070	LABEL ENERGY STAR	1	1	1
7	302KV08041	2KV08041	FRAME MPF	1	1	1
8	302KV08150	2KV08150	GUIDE MPF FEED UP	1	1	1
9	302KV08160	2KV08160	GUIDE MPF FEED LOW A	1	1	1
10	302KV08281	2KV08281	GUIDE MPF FEED LOW B	1	1	1
11	302KV06230	2KV06230	SHAFT MIDDLE PULLEY	1	1	1
12	302KV24090	2KV24090	BUSH SPRING FEED	2	2	2
13	302KV08120	2KV08120	SPRING PULLEY MPF	2	2	2

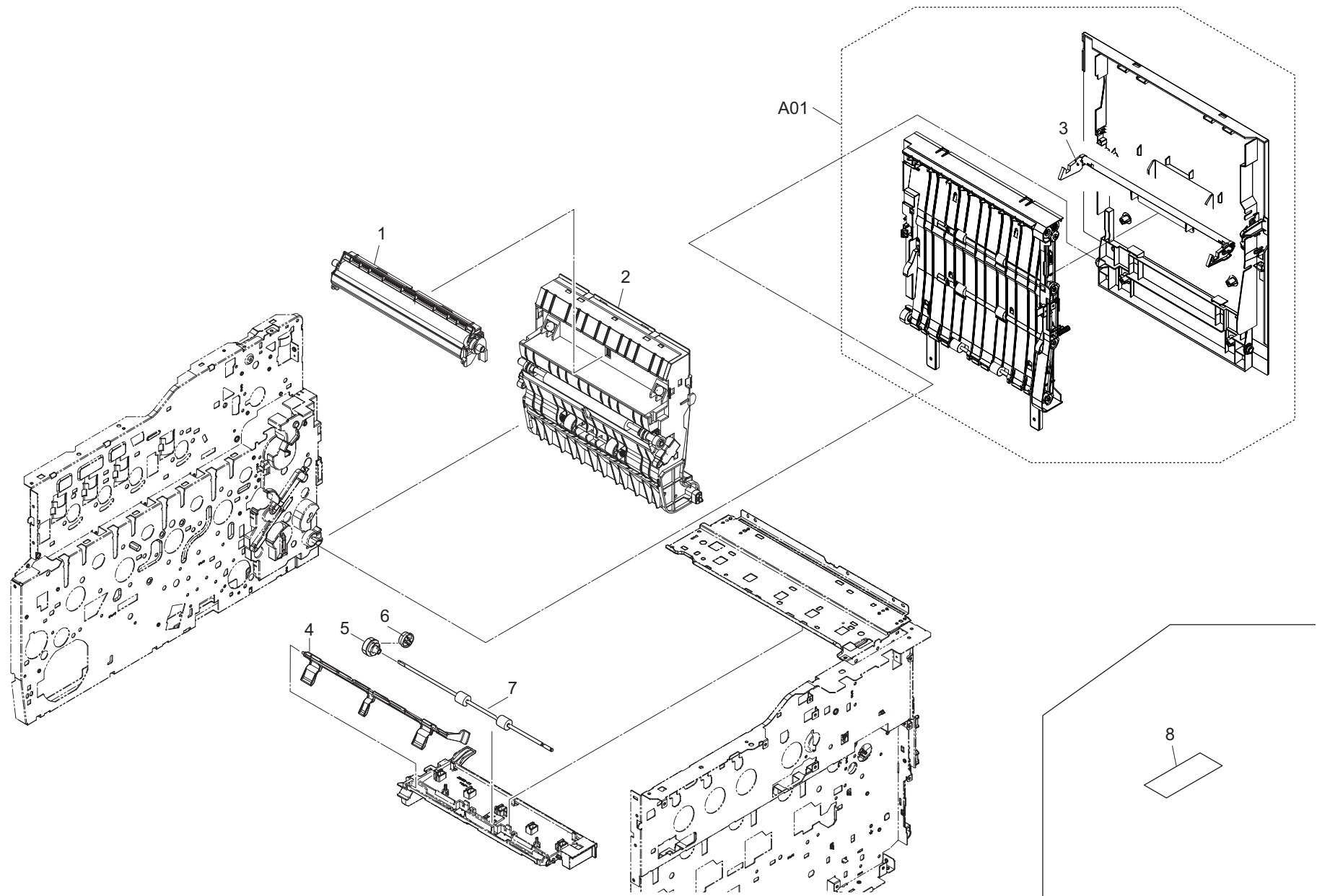


FIG. 5 Paper Conveying Section

2KW/2KX-4

Ref. No.	Part.No.	Alternative Part.No.	Description	Quantity		
				120	230	240
1	302KV94160	2KV94160	PARTS TRANSFER ASSY SP	1	1	1
2	302KV94171	2KV94171	PARTS CONVEYING ASSY SP	1	1	1
A01	302KV94254	2KV94254	PARTS DU REAR COVER ASSY SP	1	1	1
3	•302KV29102	2KV29102	HOOK DU RELEASE	1	1	1
4	302KV28050	2KV28050	ACTUATOR FD	1	1	1
5	302KV28101	2KV28101	GEAR Z25S-Z19S	1	1	1
6	302KV28140	2KV28140	GEAR Z19S	1	1	1
7	302KV28070	2KV28070	ROLLER EXIT	1	1	1
8	302KV34090	2KV34090	LABEL MULTI LANGUAGE		1	

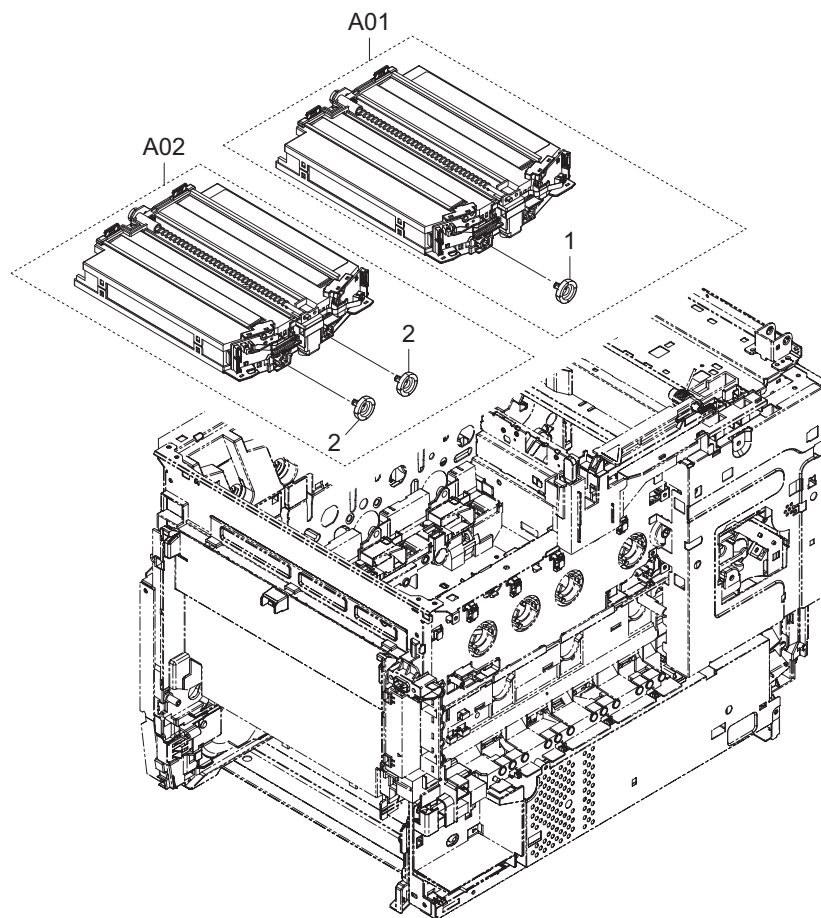


FIG. 6 Laser Scanner Section

2KW/2KX-4

Ref. No.	Part.No.	Alternative Part.No.	Description	Quantity		
				120	230	240
A01	302PA93010	2PA93010	LK-5135	1	1	1
1	•302KV19340	2KV19340	GEAR SKEW ADJUST Z25S	1	1	1
A02	302PA93020	2PA93020	LK-5136	1	1	1
2	•302KV19340	2KV19340	GEAR SKEW ADJUST Z25S	2	2	2

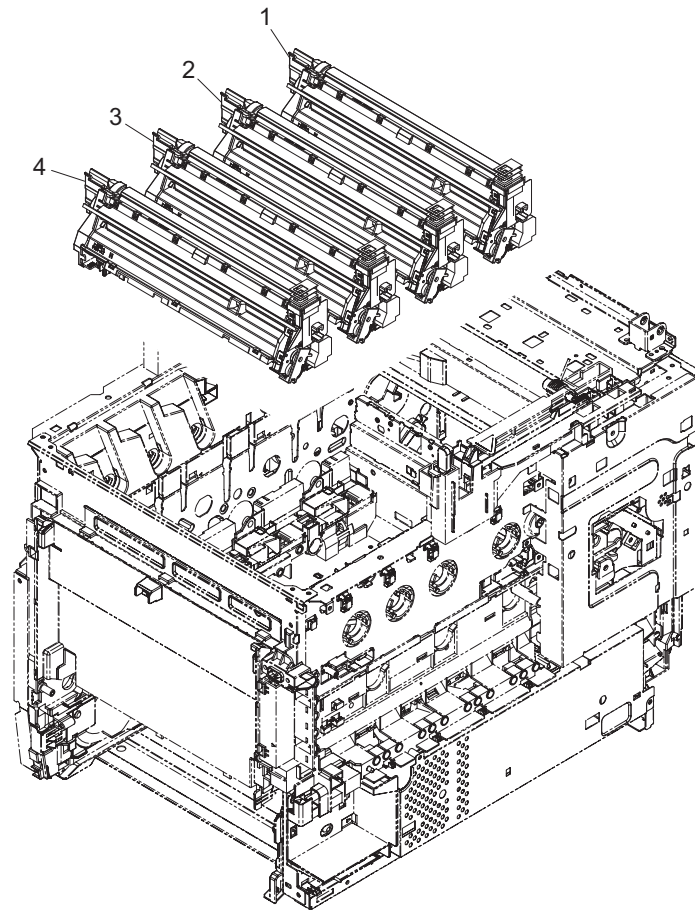


FIG. 7 Developer Section

2KW/2KX-4

Ref. No.	Part.No.	Alternative Part.No.	Description	Quantity		
				120	230	240
1	302HN93253	2HN93253	DV-560 US (K)	1		
1	302HN93013	2HN93013	DV-560(K)		1	1
2	302HN93283	2HN93283	DV-560 US (M)	1		
2	302HN93043	2HN93043	DV-560(M)		1	1
3	302HN93273	2HN93273	DV-560 US (C)	1		
3	302HN93033	2HN93033	DV-560(C)		1	1
4	302HN93263	2HN93263	DV-560 US (Y)	1		
4	302HN93023	2HN93023	DV-560(Y)		1	1

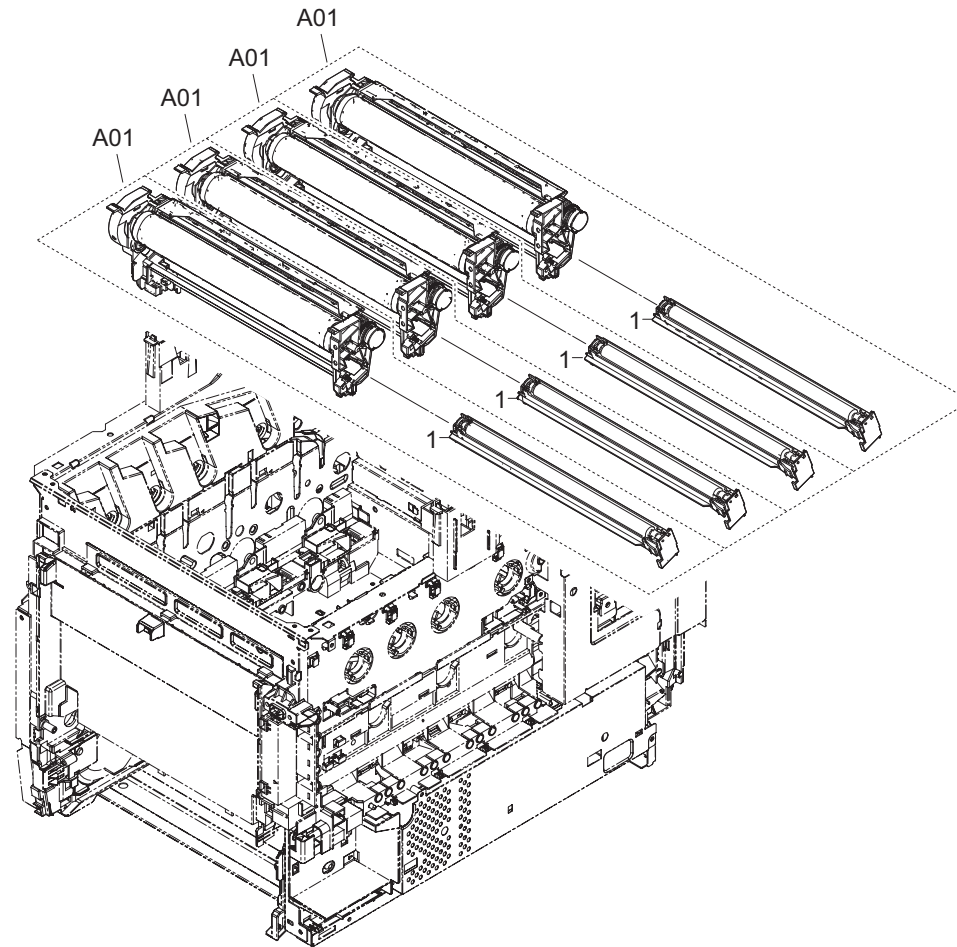


FIG. 8 Image Formation Section

2KW/2KX-4

Ref. No.	Part.No.	Alternative Part.No.	Description	Quantity		
				120	230	240
A01 1	302KV93017 •302KV93121	2KV93017 2KV93121	DK-590 MC-590	4 4	4 4	4 4

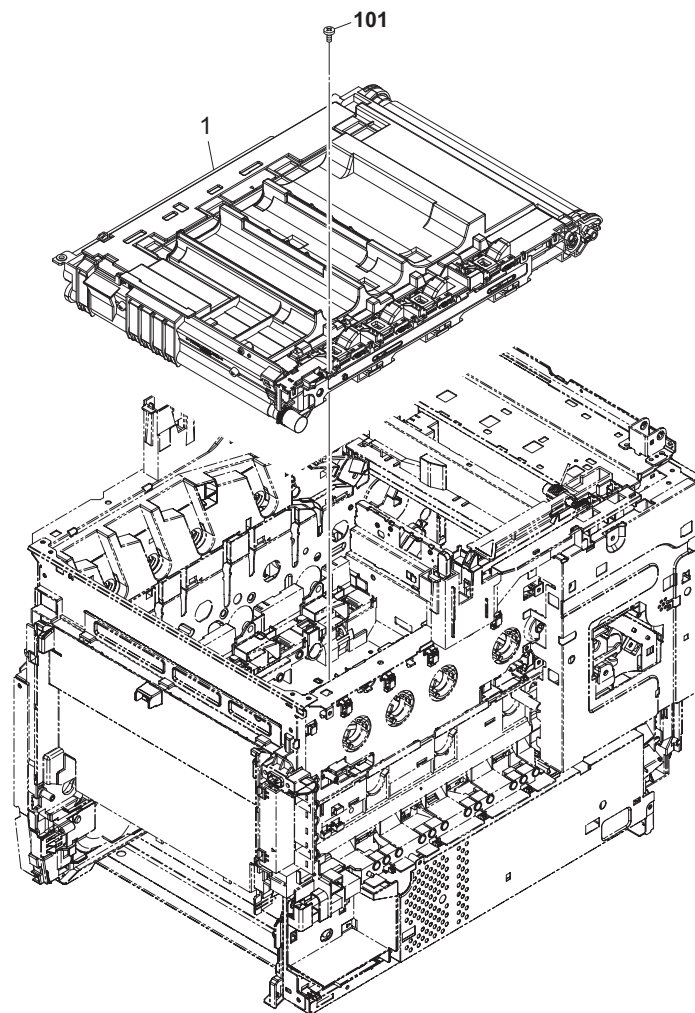


FIG. 9 Transfer Section

2KW/2KX

Ref. No.	Part.No.	Alternative Part.No.	Description	Quantity		
				120	230	240
1	302KV93070	2KV93070	TR-590	1	1	1
101	7BB700412H	BB106830	+BIND T.T S SCREW 4X12 SR			

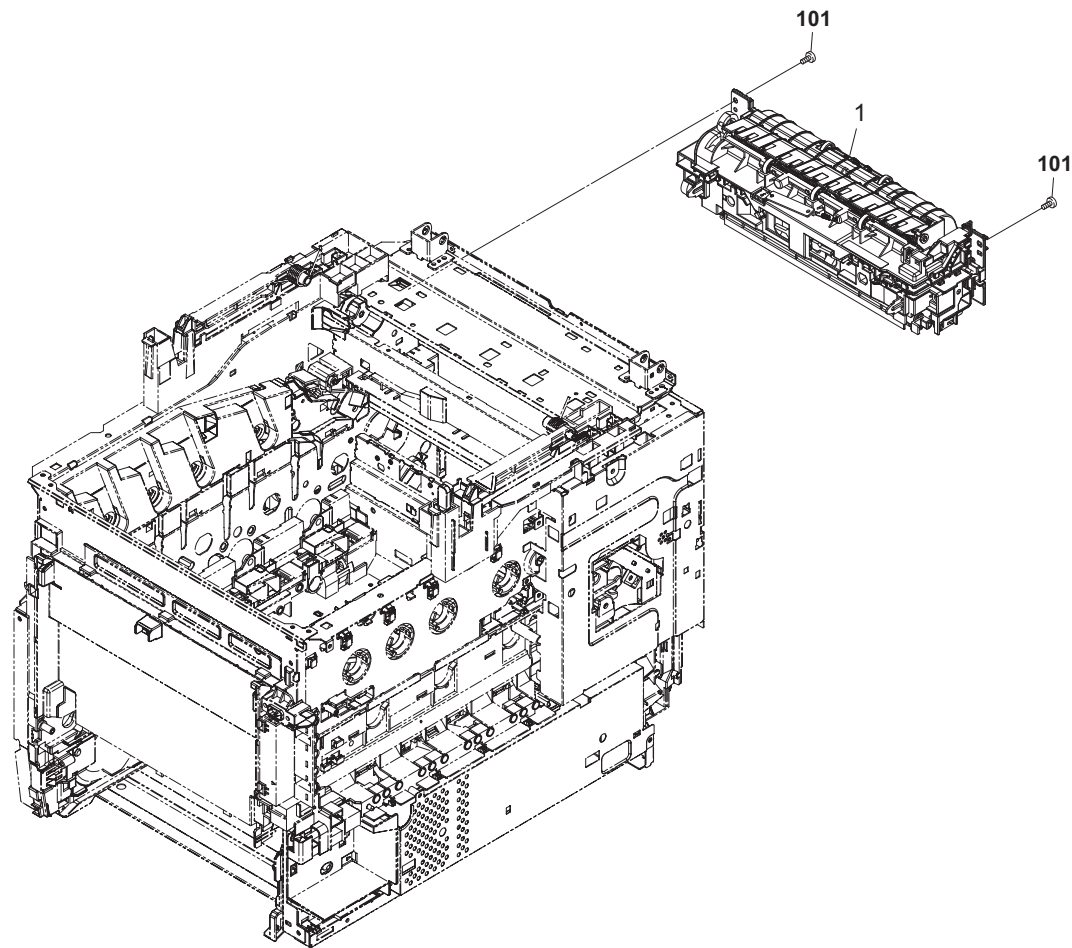


FIG. 10 Fuser Section

2KW/2KX

Ref. No.	Part.No.	Alternative Part.No.	Description	Quantity		
				120	230	240
1 1	302KV93050 302KV93040	2KV93050 2KV93040	FK-590(U) FK-590(E)	1	1	1
101	7BB700408H	BB105640	+BIND T.T S SCREW 4X8 SR			

FIG. 11 Drive Section

2KW/2KX-4

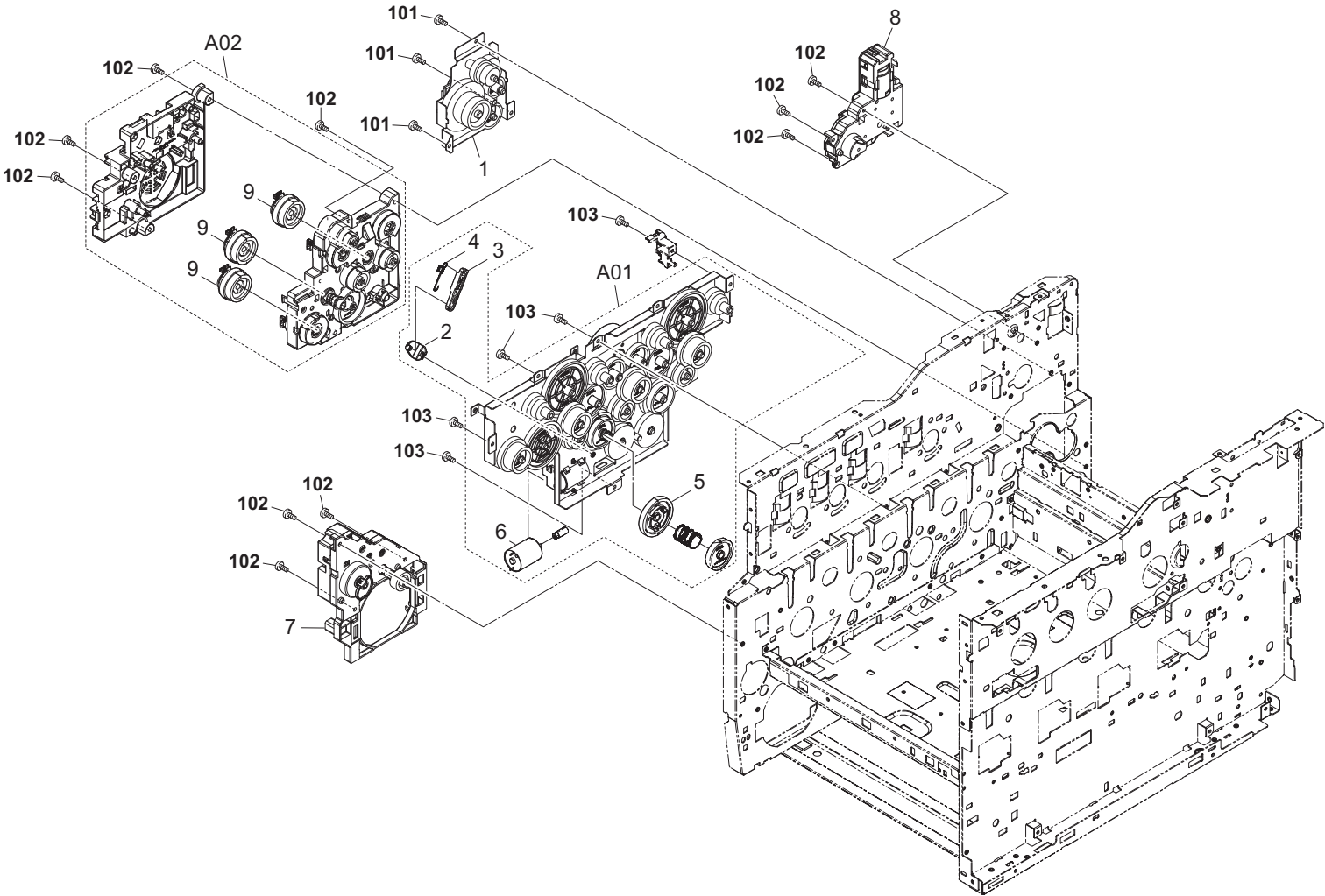


FIG. 11 Drive Section

2KW/2KX-4

Ref. No.	Part.No.	Alternative Part.No.	Description	Quantity		
				120	230	240
1	302KV93090	2KV93090	DR-590A	1	1	1
A01	302KV93101	2KV931011	DR-590B	1	1	1
2	•302KV31130	2KV31130	GEAR Z36L	1	1	1
3	•302KV31170	2KV31170	ARM CLUTCH C	1	1	1
4	•302KV31190	2KV31190	SPRING CLUTCH B	1	1	1
5	•302KV31091	2KV31091	GEAR Z50R	1	1	1
6	•302KV00070	2KV00070	MOTOR-DC ASSY DLP	1	1	1
7	302KV94230	2KV94230	PARTS DRIVE MPF ASSY SP	1	1	1
8	302KV94220	2KV94220	PARTS DRIVE PRESS ASSY SP	1	1	1
A02	302KV94210	2KV94210	PARTS DRIVE FEED ASSY SP	1	1	1
9	•303M894090	3M894090	PARTS CLUTCH 50 Z35R SP	3	3	3
101	7BB700306H	BB105590	+BIND T.T S SCREW 3X6 SR			
102	7BB700312H	BB106820	+BIND T.T S SCREW 3X12 SR			
103	7BB700308H	BB105600	+BIND T.T S SCREW 3X8 SR			

FIG. 12 Electrical Components 1

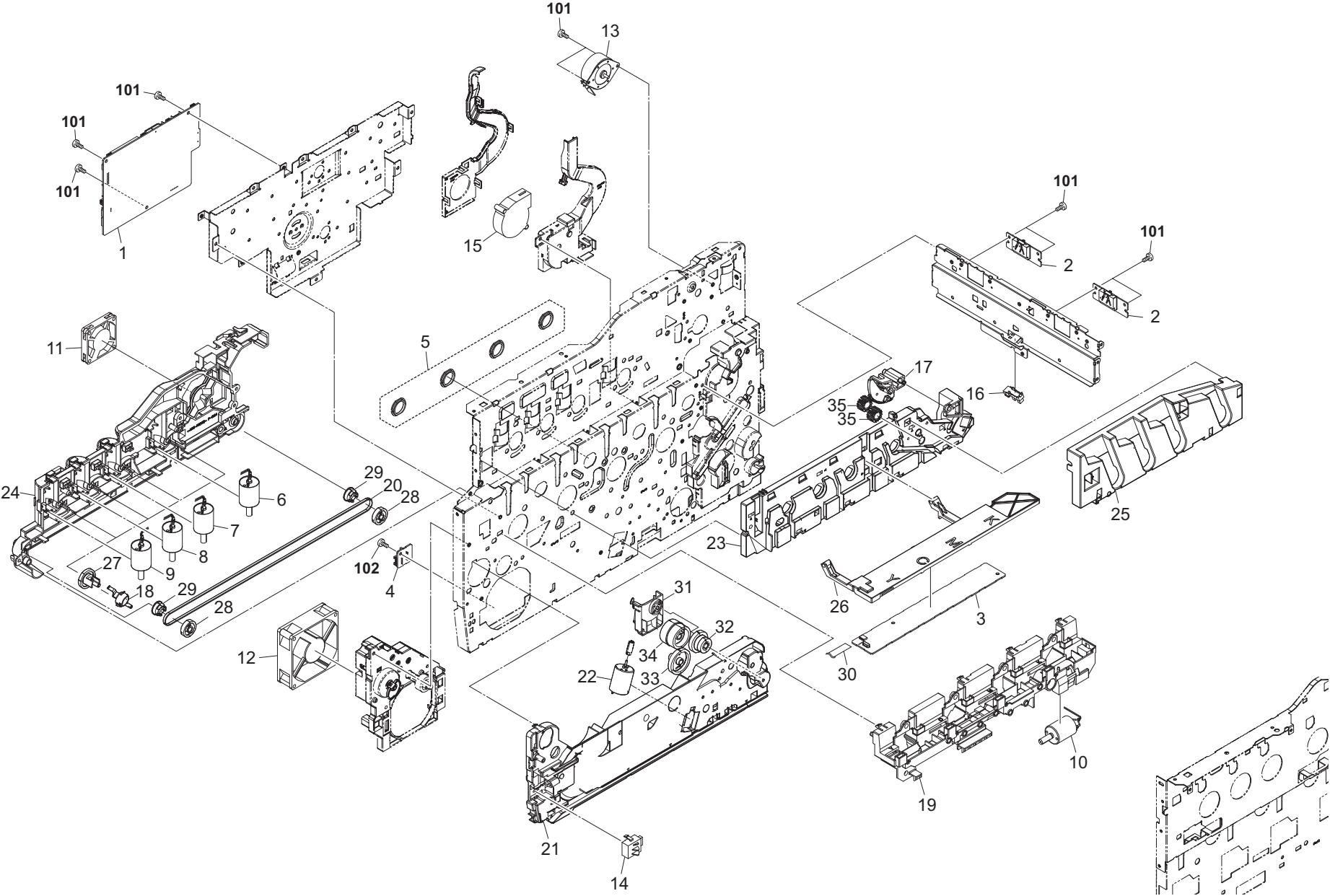


FIG. 12 Electrical Components 1

2KW/2KX-4

Ref. No.	Part.No.	Alternative Part.No.	Description	Quantity		
				120	230	240
1	302KW94030	2KW94030	PARTS PWB ENGINE ASSY SP	1	1	1
2	302KV94320	2KV94320	PARTS ID SENSOR ASSY SP	2	2	2
3	302KV94350	2KV94350	PARTS PWB ASSY RFID SP	1	1	1
4	302KV94360	2KV94360	PARTS PWB ASSY THERMISTOR SP	1	1	1
5	302KV94080	2KV94080	PARTS BUSH GEAR SP	1	1	1
6	302KV94300	2KV94300	PARTS MOTOR-DC ASSY K SP	1	1	1
7	302KV94290	2KV94290	PARTS MOTOR-DC ASSY M SP	1	1	1
8	302KV94280	2KV94280	PARTS MOTOR-DC ASSY C SP	1	1	1
9	302KV94270	2KV94270	PARTS MOTOR-DC ASSY Y SP	1	1	1
10	302KV94310	2KV94310	PARTS MOTOR-DC ASSY LSU SP	1	1	1
11	302F944160	2F944160	FAN POWER PWB 50	1	1	1
12	302HN44010	2HN44010	FAN MOTOR	1	1	1
13	302HN44090	2HN44090	MOTOR FUSER	1	1	1
14	302HN44180	2HN44180	SWITCH SIZE	1	1	1
15	302HN44210	2HN44210	FAN MOTOR	1	1	1
16	7NXGP1S173LCH01	NX116910	SENSOR OPT.	1	1	1
17	302KV02532	2KV02532	HINGE LID L	1	1	1
18	302KV02461	2KV02461	CAM TONER SUPPLY	4	4	4
19	302KV02250	2KV02250	DUCT LEFT INNER	1	1	1
20	302KV02A90	2KV02A90	BELT S2M Z371	1	1	1
21	302KT02180	2KT02180	GUIDE CASSETTE L	1	1	1
22	302KV00160	2KV00160	MOTOR-DC ASSY LIFT	1	1	1
23	302KV02170	2KV02170	GUIDE TOP L	1	1	1
24	302KV02240	2KV02240	HOLDER TONER MOTOR	1	1	1
25	302KV02281	2KV02281	GUIDE CONTAINER	1	1	1
26	302KV02290	2KV02290	HOLDER RFID	1	1	1
27	302KV02680	2KV02680	GEAR Z50S	4	4	4
28	302KV02A60	2KV02A60	GEAR Z40R	2	2	2
29	302KV02A70	2KV02A70	PULLEY P27	2	2	2
30	302KV46030	2KV46030	CONN.CORD ASSY S03535	1	1	1
31	302KT02170	2KT02170	HOLDER GEAR	1	1	1
32	302KT02150	2KT02150	GEAR Z33S-Z13S	1	1	1
33	302KV02B70	2KV02B70	GEAR Z41S	1	1	1
34	302KV02B00	2KV02B00	GEAR Z36R-Z35R	1	1	1
35	302KV02670	2KV02670	GEAR Z16S	2	2	2
101	7BB700308H	BB105600	+BIND T.T S SCREW 3X8 SR			
102	7BB200308H	BB105660	+BIND T.T P SCREW 3X8			

FIG. 13 Electrical Components 2

2KW/2KX-4

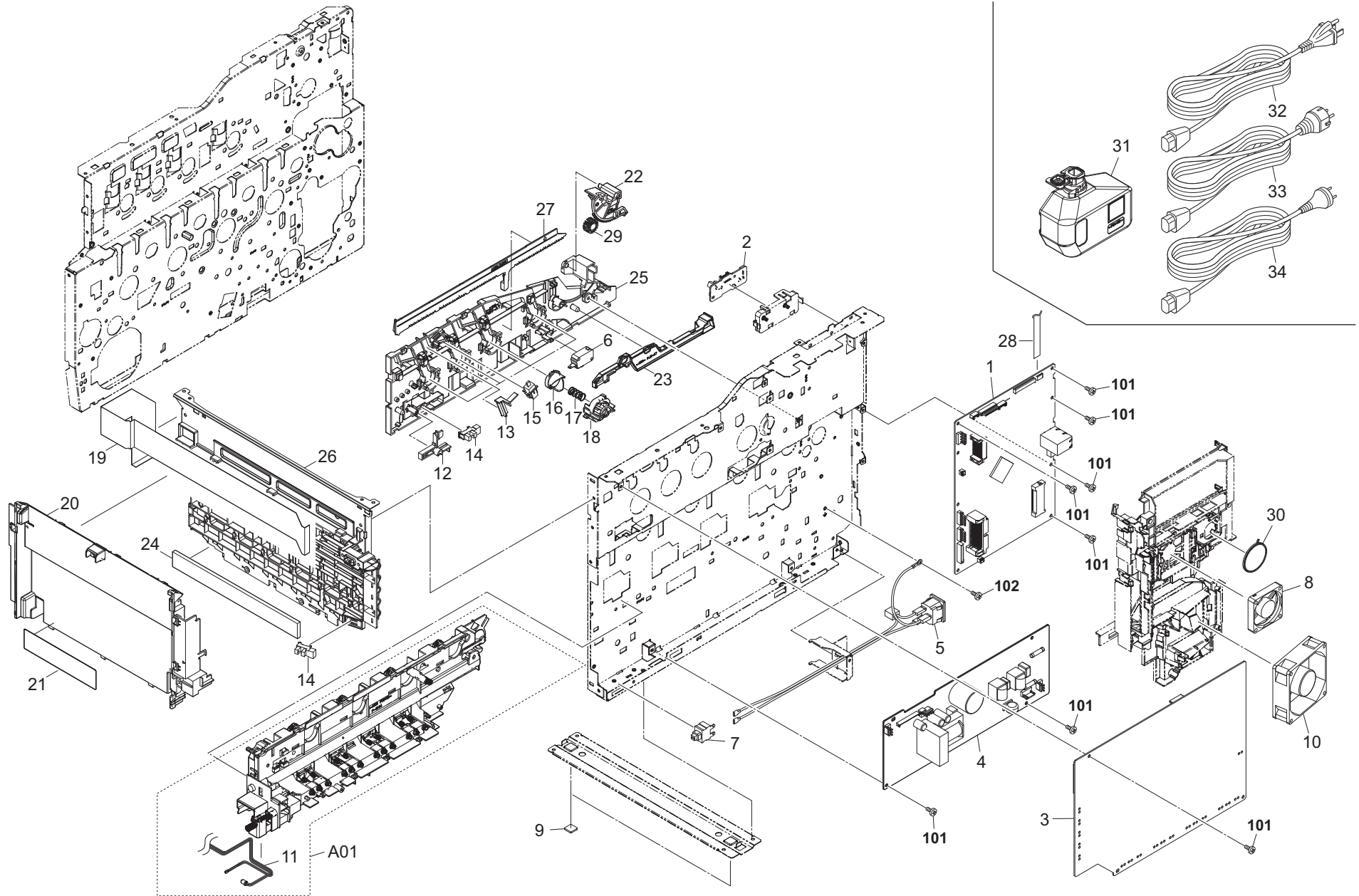


FIG. 13 Electrical Components 2

2KW/2KX-4

Ref. No.	Part.No.	Alternative Part.No.	Description	Quantity		
				120	230	240
1	302KW94011	2KW94011	PARTS PWB MAIN ASSY SP (3in1 model)	1		1
1	302KX94011	2KX94011	PARTS PWB MAIN ASSY SP (4in1 model)	1		1
1	302KW94021	2KW94021	PARTS PWB MAIN ASSY SP EU (3in1 model)		1	
1	302KX94021	2KX94021	PARTS PWB MAIN ASSY SP EU (4in1 model)		1	
2	302KV94330	2KV94330	PARTS PWB ASSY EXIT SP (26 ppm)	1	1	1
3	302KV94060	2KV94060	PARTS HIGH VOLTAGE UNIT SP	1	1	1
4	302KW94040	2KW94040	PARTS SWITCHING REGULATOR 100V SP	1		
4	302KW94050	2KW94050	PARTS SWITCHING REGULATOR 230V SP		1	1
5	302KV00100	2KV00100	INLET ASSY	1	1	1
6	7SM010104+++H01	SM055200	SW.MICRO	1	1	1
7	7SP01000005+H01	SP119750	SW.PUSH	1	1	1
8	302HG44110	2HG44110	FAN MOTOR 50	1	1	1
9	302HN02611	2HN02611	FOOT	2	2	2
10	302HN44010	2HN44010	FAN MOTOR	1	1	1
A01	302KV94470	2KV94470	PARTS WASTE TONER ASSY SP	1	1	1
11	•302KV94370	2KV94370	PARTS TONER FULL DETECT SP	1	1	1
12	302KV02480	2KV02480	ACTUATOR DETECTION CONTAINER	1	1	1
13	302KV02C70	2KV02C70	ACTUATOR PUSH SWITCH	1	1	1
14	7NXGP1S173LCH01	NX116910	SENSOR OPT.	2	2	2
15	7SP01000001+H01	SP044290	SW.PUSH	1	1	1
16	302KV02501	2KV02501	RATCHET SHUTTER	4	4	4
17	302KV02A21	2KV02A21	SPRING JOINT SHUTTER	4	4	4
18	302KV02510	2KV02510	HOLDER JOINT	4	4	4
19	302KV46390	2KV46390	CONN.CORD ASSY S03577	1	1	1
20	302KV04080	2KV04080	COVER INNER	1	1	1
21	302KV34080	2KV34080	LABEL MPF	1	1	1
22	302KV02542	2KV02542	HINGE LID R	1	1	1
23	302KV02521	2KV02521	LEVER INTERLOCK	1	1	1
24	302KV02E30	2KV02E30	SEAL BRACKET FRONT	1	1	1
25	302KV02180	2KV02180	GUIDE TOP R	1	1	1
26	302KV02232	2KV02232	BRACKET FRONT HV	1	1	1
27	302KV02451	2KV02451	RACK JOINT SHUTTER	1	1	1
28	302KW46010	2KW46010	CONN.CORD ASSY S03597	1	1	1
29	302KV02670	2KV02670	GEAR Z16S	1	1	1
30	302KX45010	2KX45010	SPEAKER (4in1 model)	1	1	1
31	302KV93110	2KV93110	WT-590	1	1	1
32	3019527401	19527401	POWER CORD(120)	1		
33	302FV94010	2FV94010	PARTS AC CORD EU SP		1	
34	302FV45040	2FV45040	AC CORD ASSY			1
101	7BB700308H	BB105600	+BIND T.T S SCREW 3X8 SR			
102	7BB700408H	BB105640	+BIND T.T S SCREW 4X8 SR			

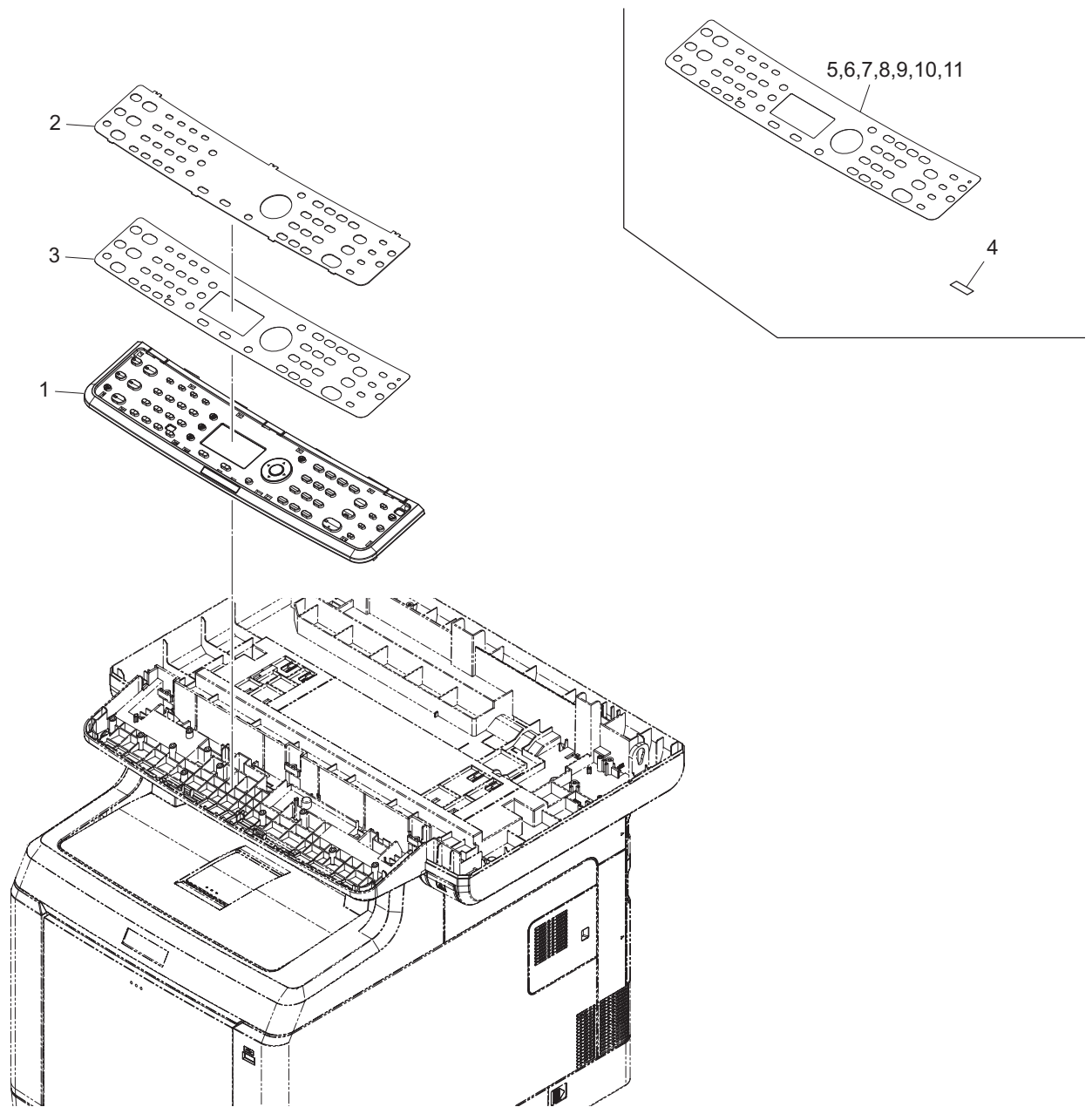


FIG. 14 Operation Section

2KW/2KX-1

Ref. No.	Part.No.	Alternative Part.No.	Description	Quantity		
				120	230	240
1	302KW94060	2KW94060	PARTS OPERATION ASSY SP (3in1 model)	1	1	1
1	302KX94030	2KX94030	PARTS OPERATION ASSY SP (4in1 model)	1	1	1
2	302KW05020	2KW05020	PANEL OPERATION (3in1 model)	1	1	1
2	302KX05020	2KX05020	PANEL OPERATION (4in1 model)	1	1	1
3	302KW34010	2KW34010	LABEL OPERATION E (3in1 model)	1	1	1
3	302KX34010	2KX34010	LABEL OPERATION E (4in1 model)	1	1	1
4	302KW34120	2KW34120	LABEL PROGRAM	1	1	1
5	302KW34050	2KW34050	LABEL OPERATION GER (3in1 model)		1	
5	302KX34050	2KX34050	LABEL OPERATION GER (4in1 model)		1	
6	302KW34060	2KW34060	LABEL OPERATION FRA (3in1 model)	1	1	
6	302KX34060	2KX34060	LABEL OPERATION FRA (4in1 model)	1	1	
7	302KW34070	2KW34070	LABEL OPERATION ITA (3in1 model)		1	
7	302KX34070	2KX34070	LABEL OPERATION ITA (4in1 model)		1	
8	302KW34080	2KW34080	LABEL OPERATION SPA (3in1 model)	1	1	
8	302KX34080	2KX34080	LABEL OPERATION SPA (4in1 model)	1	1	
9	302KW34090	2KW34090	LABEL OPERATION POR (3in1 model)	1	1	
9	302KX34090	2KX34090	LABEL OPERATION POR (4in1 model)	1	1	
10	302KW34100	2KW34100	LABEL OPERATION DUT (3in1 model)		1	
10	302KX34100	2KX34100	LABEL OPERATION DUT (4in1 model)		1	
11	302KW34110	2KW34110	LABEL OPERATION RUS (3in1 model)		1	
11	302KX34110	2KX34110	LABEL OPERATION RUS (4in1 model)		1	

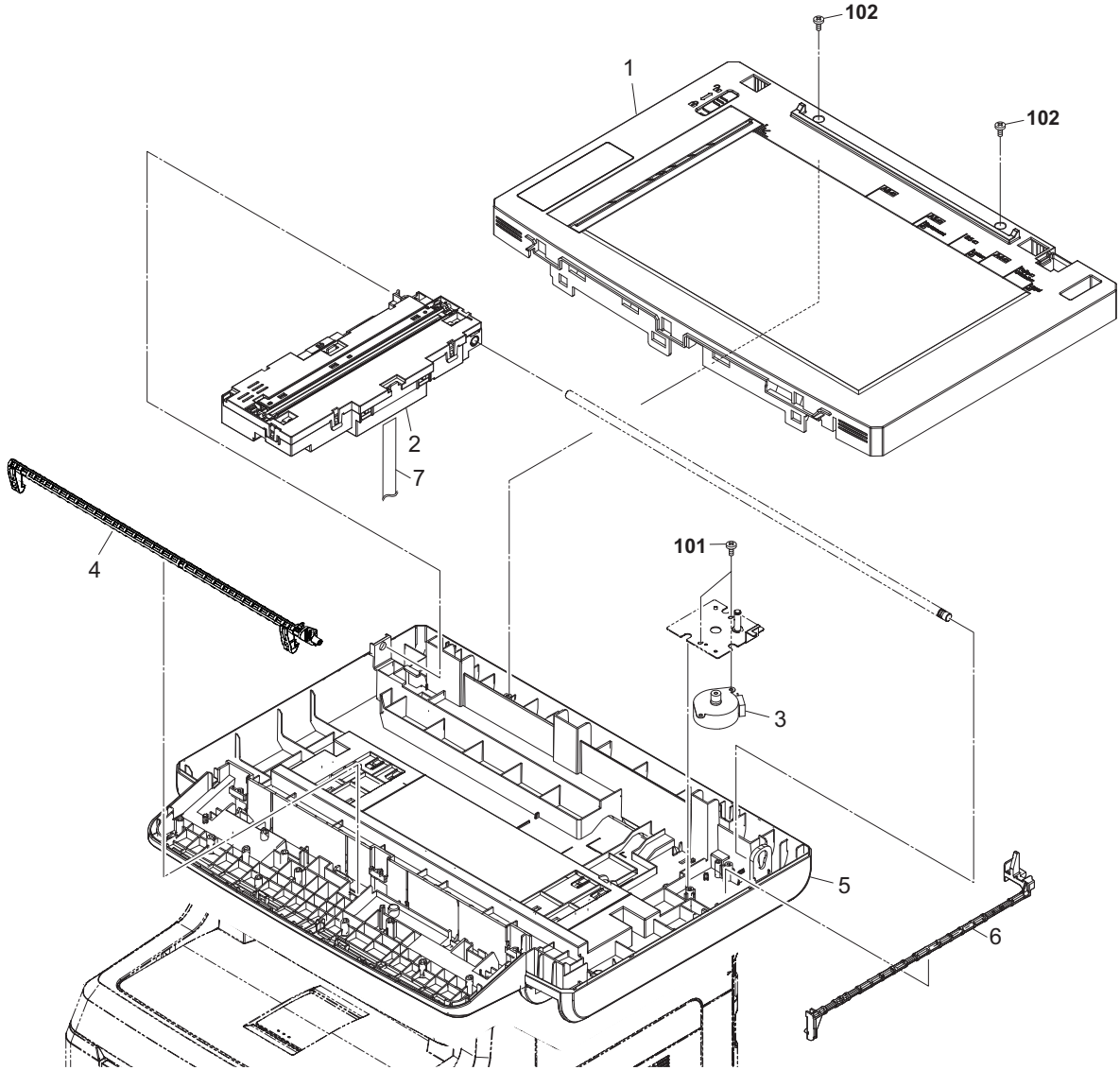


FIG. 15 Scanner Section

2KW/2KX-4

Ref. No.	Part.No.	Alternative Part.No.	Description	Quantity		
				120	230	240
1	302KW94070	2KW94070	PARTS FRAME ISU TOP ASSY SP	1	1	1
2	302KW93010	2KW93010	PARTS CARRIAGE ASSY	1	1	1
3	302LW94060	2LW94060	PARTS MOTOR ISU SP	1	1	1
4	302KW17291	2KW17291	HOOK ISU	1	1	1
5	302KW17171	2KW17171	FRAME ISU BOTTOM	1	1	1
6	302KW17310	2KW17310	LEVER LINK	1	1	1
7	302KW46040	2KW46040	CONN.CORD ASSY S03600	1	1	1
101	7BB600306H	BB105730	+BIND M SCREW 3X6 R			
102	7BB200308H	BB105660	+BIND T.T P SCREW 3X8			

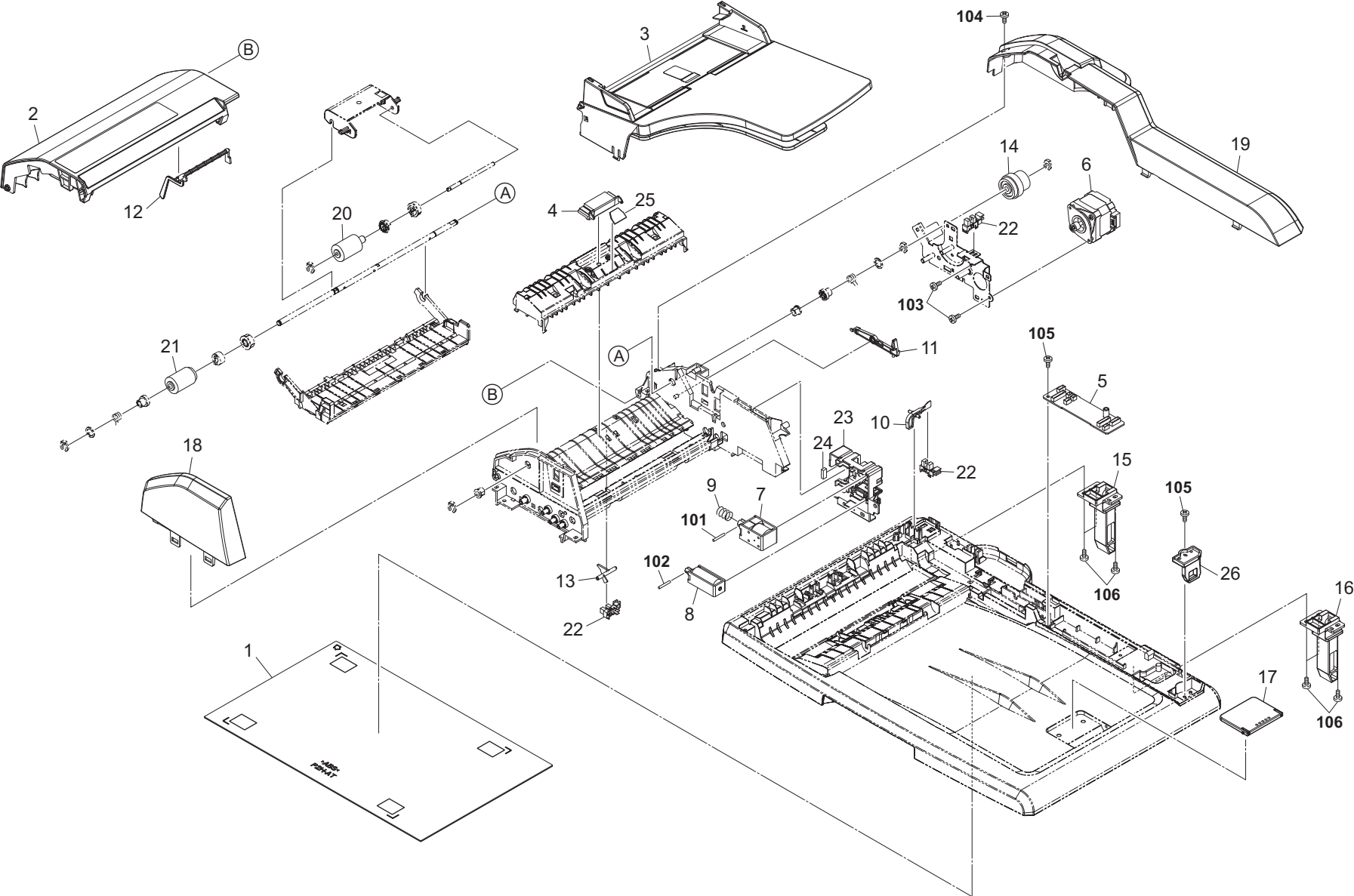


FIG. 16 Document Processor

2KW/2KX-4

Ref. No.	Part.No.	Alternative Part.No.	Description	Quantity		
				120	230	240
1	303LJ94070	3LJ94070	PARTS PLATE ORIGINAL SP	1	1	1
2	303M694010	3M694010	PARTS COVER PF ASSY	1	1	1
3	303LJ94120	3LJ94120	PARTS TABLE ASSY SP	1	1	1
4	303M694030	3M694030	PARTS SEPARATION PAD ASSY SP	1	1	1
5	303LJ94010	3LJ94010	PARTS DRIVER PWB ASSY SP	1	1	1
6	303LJ94061	3LJ94061	PARTS MOTOR DP SP	1	1	1
7	303LJ94140	3LJ94140	PARTS SOLENOID PRESSURE PULLEY SP	1	1	1
8	303LJ94150	3LJ94150	PARTS SOLENOID FEED SHIFT SP	1	1	1
9	303HL10200	3HL10200	SPRING LOOP	1	1	1
10	303K502200	3K502200	ACTUATOR BASE	1	1	1
11	303LJ02080	3LJ02080	ACTUATOR PUSH	1	1	1
12	303LJ07050	3LJ07050	ACTUATOR ORIGINAL	1	1	1
13	303LJ24080	3LJ24080	ACTUATOR TIMING	1	1	1
14	303LJ44040	3LJ44040	CLUTCH PAPER FEED	1	1	1
15	303M602020	3M602020	HINGE LEFT	1	1	1
16	303M602030	3M602030	HINGE RIGHT	1	1	1
17	303M602070	3M602070	STOPPER ORIGINAL	1	1	1
18	303M604011	3M604011	COVER FRONT	1	1	1
19	303M604021	3M604021	COVER REAR	1	1	1
20	36211110	36211110	PULLEY,LEADING FEED ADF	1	1	1
21	3BR07040	3BR07040	PULLEY,PAPER FEED	1	1	1
22	7NXSG2481+++H01	NX052600	SENSOR OPT.	3	3	3
23	303LJ02051	3LJ02051	MOUNT SOLENOID	1	1	1
24	302H724180	2H724180	SHEET CONV MID	1	1	1
25	303K507102	3K507102	PAD FRONT SEP	1	1	1
26	303M602050	3M602050	LEVER DP LOCK	1	1	1
101	E0130280	E0130280	SPRING PIN 3X28(SUS)			
102	E0120200	E0120200	SPRING PIN 2X20(SUS)			
103	7BB600306H	BB105730	+BIND M SCREW 3X6 R			
104	7BB200308H	BB105660	+BIND T.T P SCREW 3X8			
105	7BB202308H	BB105690	+TP-FLAT T.T P SCREW 3X8			
106	7BB202310H	BB063420	+TP-FLAT T.T P SCREW 3X10			

FIG. 17 FAX Section (4in1 model)

2KW/2KX

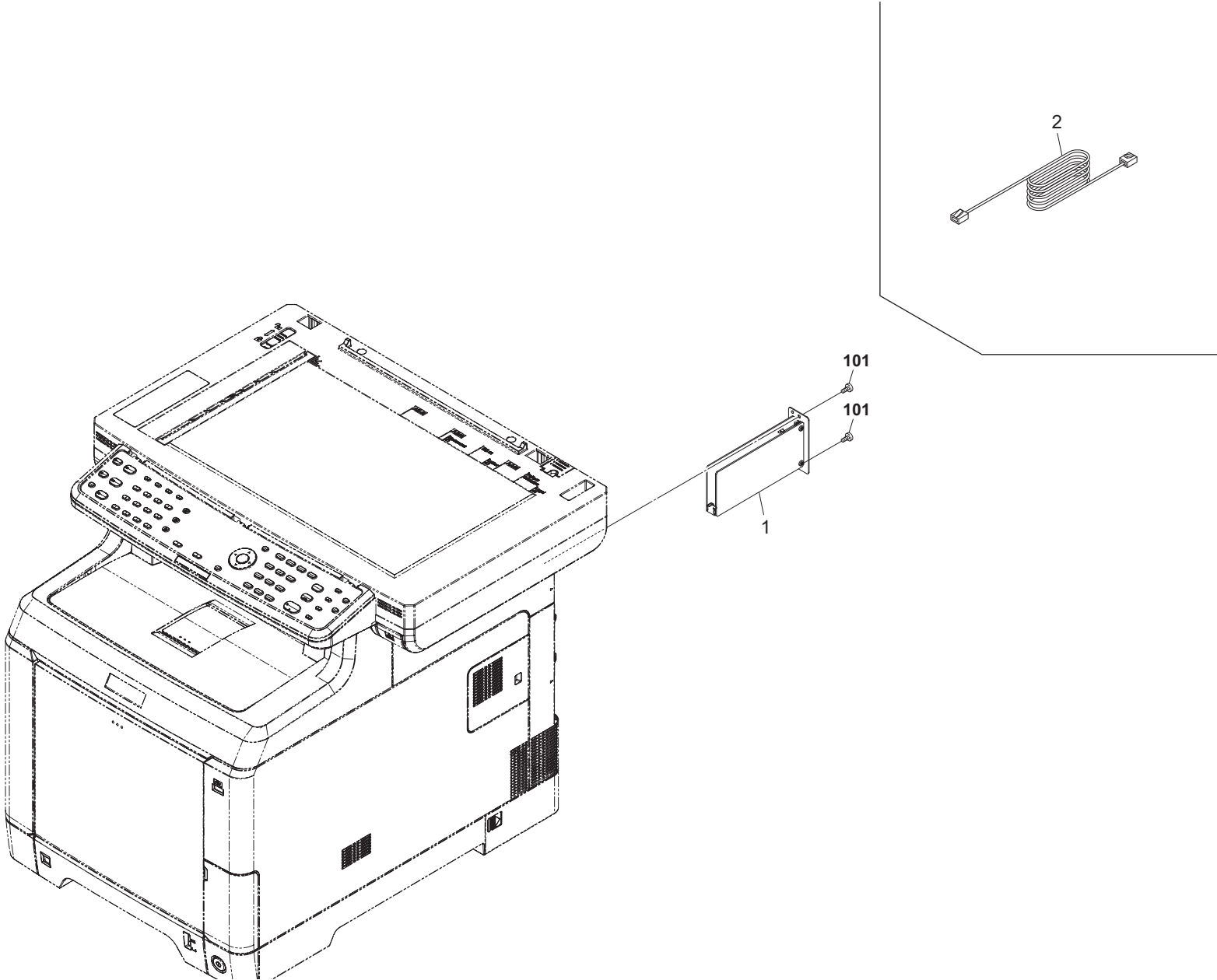


FIG. 17 FAX Section (4in1 model)

2KW/2KX-4

Ref. No.	Part.No.	Alternative Part.No.	Description	Quantity		
				120	230	240
1	302KX94051	2KX94051	PARTS FAX UNIT U SP	1		
1	302KX94041	2KX94041	PARTS FAX UNIT E SP		1	1
2	303HZ45010	3HZ45010	MODULAR CORD	1		
2	3063527482	63527482	MODULAR CORD AUSTRALIA			1
101	7BB700308H	BB105600	+BIND T.T S SCREW 3X8 SR			

FIG. 18 Maintenance Kits

2KW/2KX-1

Ref. No.	Part.No.	Alternative Part.No.	Description	Quantity		
				120	230	240
	1702KV7US0	072KV7US	MK-592/MAINTENANCE KIT (OPTION) DV-560 US (Y) DV-560 US (K) DV-560 US (C) DV-560 US (M) PARTS HOLDER RETARD ASSY SP DK-590 FK-590(U) PARTS HOLDER RETARD ASSY SP PARTS HOLDER FEED ASSY SP TR-590 ROLLER M/P ASSY /43487B0027 A4	1 1 1 1 1 1 4 1 1 1 1 1		
	1702KV8NLO	072KV8NL	MK-590/MAINTENANCE KIT (OPTION) DV-560(Y) DV-560(K) DV-560(C) DV-560(M) PARTS HOLDER RETARD ASSY SP DK-590 FK-590(E) PARTS HOLDER RETARD ASSY SP PARTS HOLDER FEED ASSY SP TR-590 ROLLER M/P ASSY /43487B0027 A4		1 1 1 1 1 1 4 1 1 1 1 1	1 1 1 1 1 1 4 1 1 1 1 1

INDEX

2KW/2KX-4

Part.No.	Alternative	Description	Fig.No.
1702KV7US0	072KV7US	MK-592/MAINTENANCE KIT	19
1702KV8NLO	072KV8NL	MK-590/MAINTENANCE KIT	19
3019527401	19527401	POWER CORD(120)	13
302F929050	2F929050	PULLEY FEED DU	4
302F944160	2F944160	FAN POWER PWB 50	12
302FV45040	2FV45040	AC CORD ASSY	13
302FV94010	2FV94010	PARTS AC CORD EU SP	13
302G634070	2G634070	LABEL ENERGY STAR	4
302H724180	2H724180	SHEET CONV MID	16
302HG44110	2HG44110	FAN MOTOR 50	13
302HN02611	2HN02611	FOOT	13
302HN08140	2HN08140	LUTCH	1
302HN44010	2HN44010	FAN MOTOR	12,13
302HN44090	2HN44090	MOTOR FUSER	12
302HN44180	2HN44180	SWITCH SIZE	12
302HN44210	2HN44210	FAN MOTOR	12
302HN93013	2HN93013	DV-560(K)	7
302HN93023	2HN93023	DV-560(Y)	7
302HN93033	2HN93033	DV-560(C)	7
302HN93043	2HN93043	DV-560(M)	7
302HN93253	2HN93253	DV-560 US (K)	7
302HN93263	2HN93263	DV-560 US (Y)	7
302HN93273	2HN93273	DV-560 US (C)	7
302HN93283	2HN93283	DV-560 US (M)	7
302KT02150	2KT02150	GEAR Z33S-Z13S	12
302KT02170	2KT02170	HOLDER GEAR	12
302KT02180	2KT02180	GUIDE CASSETTE L	12
302KT04010	2KT04010	COVER LEFT BOTTOM	1
302KT04020	2KT04020	COVER RIGHT BOTTOM	1
302KT04030	2KT04030	COVER CABLE	1
302KT06011	2KT06011	GUIDE CASSETTE	3
302KT06050	2KT06050	ACTUATOR PE	3
302KT09111	2KT09111	STOPPER HOOK	2
302KT09170	2KT09170	SPRING STOPPER HOOK	2
302KT93041	2KT93041	CT-591	2
302KT94051	2KT94051	PARTS HOLDER RETARD ASSY SP	3
302KT94060	2KT94060	PARTS COVER WASTE ASSY SP	1
302KT94070	2KT94070	PARTS PWB ASSY CASSETTE SP	3
302KV00070	2KV00070	MOTOR-DC ASSY DLP	11
302KV00100	2KV00100	INLET ASSY	13

Part.No.	Alternative	Description	Fig.No.
302KV00160	2KV00160	MOTOR-DC ASSY LIFT	12
302KV02170	2KV02170	GUIDE TOP L	12
302KV02180	2KV02180	GUIDE TOP R	13
302KV02232	2KV02232	BRACKET FRONT HV	13
302KV02240	2KV02240	HOLDER TONER MOTOR	12
302KV02250	2KV02250	DUCT LEFT INNER	12
302KV02281	2KV02281	GUIDE CONTAINER	12
302KV02290	2KV02290	HOLDER RFID	12
302KV02451	2KV02451	RACK JOINT SHUTTER	13
302KV02461	2KV02461	CAM TONER SUPPLY	12
302KV02480	2KV02480	ACTUATOR DETECTION CONTAINER	13
302KV02501	2KV02501	RATCHET SHUTTER	13
302KV02510	2KV02510	HOLDER JOINT	13
302KV02521	2KV02521	LEVER INTERLOCK	13
302KV02532	2KV02532	HINGE LID L	12
302KV02542	2KV02542	HINGE LID R	13
302KV02670	2KV02670	GEAR Z16S	12,13
302KV02680	2KV02680	GEAR Z50S	12
302KV02A21	2KV02A21	SPRING JOINT SHUTTER	13
302KV02A60	2KV02A60	GEAR Z40R	12
302KV02A70	2KV02A70	PULLEY P27	12
302KV02A90	2KV02A90	BELT S2M Z371	12
302KV02B00	2KV02B00	GEAR Z36R-Z35R	12
302KV02B70	2KV02B70	GEAR Z41S	12
302KV02C70	2KV02C70	ACTUATOR PUSH SWITCH	13
302KV02E30	2KV02E30	SEAL BRACKET FRONT	13
302KV04030	2KV04030	COVER LEFT	1
302KV04060	2KV04060	COVER LEFT REAR	1
302KV04070	2KV04070	COVER RIGHT REAR	1
302KV04080	2KV04080	COVER INNER	13
302KV04110	2KV04110	COVER CONNECTOR	1
302KV04130	2KV04130	STRAP COVER REAR	1
302KV06012	2KV06012	FRAME FEED	3
302KV06031	2KV06031	GUIDE PICK HOLDER	3
302KV06090	2KV06090	ACTUATOR REGIST	3
302KV06150	2KV06150	SHAFT FEED	3
302KV06180	2KV06180	RELEASE ACTUATOR PE	3
302KV06201	2KV06201	SPRING ACT	3
302KV06230	2KV06230	SHAFT MIDDLE PULLEY	4
302KV06341	2KV06341	ACTUATOR B	3

Part.No.	Alternative	Description	Fig.No.
302KV06350	2KV06350	SPRING ACTUATOR A	3
302KV06370	2KV06370	PIN FEED	3
302KV06610	2KV06610	COVER RETARD	3
302KV08041	2KV08041	FRAME MPF	4
302KV08120	2KV08120	SPRING PULLEY MPF	4
302KV08150	2KV08150	GUIDE MPF FEED UP	4
302KV08160	2KV08160	GUIDE MPF FEED LOW A	4
302KV08281	2KV08281	GUIDE MPF FEED LOW B	4
302KV19340	2KV19340	GEAR SKEW ADJUST Z25S	6
302KV24090	2KV24090	BUSH SPRING FEED	4
302KV28050	2KV28050	ACTUATOR FD	5
302KV28070	2KV28070	ROLLER EXIT	5
302KV28101	2KV28101	GEAR Z25S-Z19S	5
302KV28140	2KV28140	GEAR Z19S	5
302KV29102	2KV29102	HOOK DU RELEASE	5
302KV31091	2KV31091	GEAR Z50R	11
302KV31130	2KV31130	GEAR Z36L	11
302KV31170	2KV31170	ARM CLUTCH C	11
302KV31190	2KV31190	SPRING CLUTCH B	11
302KV34080	2KV34080	LABEL MPF	13
302KV34090	2KV34090	LABEL MULTI LANGUAGE	5
302KV46030	2KV46030	CONN.CORD ASSY S03535	12
302KV46390	2KV46390	CONN.CORD ASSY S03577	13
302KV46450	2KV46450	CONN.CORD ASSY S03586	3
302KV93017	2KV93017	DK-590	8
302KV93040	2KV93040	FK-590(E)	10
302KV93050	2KV93050	FK-590(U)	10
302KV93070	2KV93070	TR-590	9
302KV93090	2KV93090	DR-590A	11
302KV93101	2KV931011	DR-590B	11
302KV93110	2KV93110	WT-590	13
302KV93121	2KV93121	MC-590	8
302KV94060	2KV94060	PARTS HIGH VOLTAGE UNIT SP	13
302KV94080	2KV94080	PARTS BUSH GEAR SP	12
302KV94110	2KV94110	PARTS COVER RIGHT ASSY SP	1
302KV94130	2KV94130	PARTS COVER MPF ASSY SP	4
302KV94140	2KV94140	PARTS SEPARATOR MPF ASSY SP	4
302KV94150	2KV94150	PARTS PLATE BOTTOM MPF ASSY SP	4
302KV94160	2KV94160	PARTS TRANSFER ASSY SP	5
302KV94171	2KV94171	PARTS CONVEYING ASSY SP	5

Part.No.	Alternative	Description	Fig.No.
302KV94191	2KV94191	PARTS HOLDER FEED ASSY SP	3
302KV94200	2KV94200	PARTS HOLDER MIDDLE ROLLER ASSY SP	3
302KV94210	2KV94210	PARTS DRIVE FEED ASSY SP	11
302KV94220	2KV94220	PARTS DRIVE PRESS ASSY SP	11
302KV94230	2KV94230	PARTS DRIVE MPF ASSY SP	11
302KV94254	2KV94254	PARTS DU REAR COVER ASSY SP	5
302KV94270	2KV94270	PARTS MOTOR-DC ASSY Y SP	12
302KV94280	2KV94280	PARTS MOTOR-DC ASSY C SP	12
302KV94290	2KV94290	PARTS MOTOR-DC ASSY M SP	12
302KV94300	2KV94300	PARTS MOTOR-DC ASSY K SP	12
302KV94310	2KV94310	PARTS MOTOR-DC ASSY LSU SP	12
302KV94320	2KV94320	PARTS ID SENSOR ASSY SP	12
302KV94330	2KV94330	PARTS PWB ASSY EXIT SP	13
302KV94350	2KV94350	PARTS PWB ASSY RFID SP	12
302KV94360	2KV94360	PARTS PWB ASSY THERMISTOR SP	12
302KV94370	2KV94370	PARTS TONER FULL DETECT SP	13
302KV94470	2KV94470	PARTS WASTE TONER ASSY SP	13
302KW02050	2KW02050	RAIL ISU	1
302KW02160	2KW02160	HOLDER SPRING ISU	1
302KW02170	2KW02170	RAIL ISU B	1
302KW04030	2KW04030	COVER LEFT UPPER	1
302KW04040	2KW04040	COVER RIGHT UPPER	1
302KW04050	2KW04050	COVER REAR UPPER	1
302KW04090	2KW04090	PIN LID TOP	1
302KW05020	2KW05020	PANEL OPERATION	14
302KW17171	2KW17171	FRAME ISU BOTTOM	15
302KW17251	2KW17251	RAIL LID TOP	1
302KW17291	2KW17291	HOOK ISU	15
302KW17310	2KW17310	LEVER LINK	15
302KW34010	2KW34010	LABEL OPERATION E	14
302KW34050	2KW34050	LABEL OPERATION GER	14
302KW34060	2KW34060	LABEL OPERATION FRA	14
302KW34070	2KW34070	LABEL OPERATION ITA	14
302KW34080	2KW34080	LABEL OPERATION SPA	14
302KW34090	2KW34090	LABEL OPERATION POR	14
302KW34100	2KW34100	LABEL OPERATION DUT	14
302KW34110	2KW34110	LABEL OPERATION RUS	14
302KW34120	2KW34120	LABEL PROGRAM	14
302KW46010	2KW46010	CONN.CORD ASSY S03597	13
302KW46040	2KW46040	CONN.CORD ASSY S03600	15

Part.No.	Alternative	Description	Fig.No.
302KW93010	2KW93010	PARTS CARRIAGE ASSY	15
302KW94011	2KW94011	PARTS PWB MAIN ASSY SP	13
302KW94021	2KW94021	PARTS PWB MAIN ASSY SP EU	13
302KW94030	2KW94030	PARTS PWB ENGINE ASSY SP	12
302KW94040	2KW94040	PARTS SWITCHING REGULATOR 100V SP	13
302KW94050	2KW94050	PARTS SWITCHING REGULATOR 230V SP	13
302KW94060	2KW94060	PARTS OPERATION ASSY SP	14
302KW94070	2KW94070	PARTS FRAME ISU TOP ASSY SP	15
302KW94080	2KW94080	PARTS LID TOP M ASSY SP	1
302KW94090	2KW94090	PARTS COVER FRONT ASSY SP	1
302KW94100	2KW94100	PARTS COVER RIGHT UPPER ASSY SP	1
302KX04010	2KX04010	COVER CONNECTOR	1
302KX05020	2KX05020	PANEL OPERATION	14
302KX34010	2KX34010	LABEL OPERATION E	14
302KX34050	2KX34050	LABEL OPERATION GER	14
302KX34060	2KX34060	LABEL OPERATION FRA	14
302KX34070	2KX34070	LABEL OPERATION ITA	14
302KX34080	2KX34080	LABEL OPERATION SPA	14
302KX34090	2KX34090	LABEL OPERATION POR	14
302KX34100	2KX34100	LABEL OPERATION DUT	14
302KX34110	2KX34110	LABEL OPERATION RUS	14
302KX45010	2KX45010	SPEAKER	13
302KX94012	2KX94012	PARTS PWB MAIN ASSY SP	13
302KX94022	2KX94022	PARTS PWB MAIN ASSY SP EU	13
302KX94030	2KX94030	PARTS OPERATION ASSY SP	14
302KX94041	2KX94041	PARTS FAX UNIT E SP	17
302KX94051	2KX94051	PARTS FAX UNIT U SP	17
302LW94060	2LW94060	PARTS MOTOR ISU SP	15
302PA93010	2PA93010	LK-5135	6
302PA93020	2PA93020	LK-5136	6
3063527482	63527482	MODULAR CORD AUSTRALIA	17
303HL10200	3HL10200	SPRING LOOP	16
303HZ45010	3HZ45010	MODULAR CORD	17
303K502200	3K502200	ACTUATOR BASE	16
303K507102	3K507102	PAD FRONT SEP	16
303LJ02051	3LJ02051	MOUNT SOLENOID	16
303LJ02080	3LJ02080	ACTUATOR PUSH	16
303LJ07050	3LJ07050	ACTUATOR ORIGINAL	16
303LJ24080	3LJ24080	ACTUATOR TIMING	16
303LJ44040	3LJ44040	CLUTCH PAPER FEED	16

Part.No.	Alternative	Description	Fig.No.
303LJ94010	3LJ94010	PARTS DRIVER PWB ASSY SP	16
303LJ94061	3LJ94061	PARTS MOTOR DP SP	16
303LJ94070	3LJ94070	PARTS PLATE ORIGINAL SP	16
303LJ94120	3LJ94120	PARTS TABLE ASSY SP	16
303LJ94140	3LJ94140	PARTS SOLENOID PRESSURE PULLEY SP	16
303LJ94150	3LJ94150	PARTS SOLENOID FEED SHIFT SP	16
303M602020	3M602020	HINGE LEFT	16
303M602030	3M602030	HINGE RIGHT	16
303M602050	3M602050	LEVER DP LOCK	16
303M602070	3M602070	STOPPER ORIGINAL	16
303M604011	3M604011	COVER FRONT	16
303M604021	3M604021	COVER REAR	16
303M694010	3M694010	PARTS COVER PF ASSY	16
303M694030	3M694030	PARTS SEPARATION PAD ASSY SP	16
303M894090	3M894090	PARTS CLUTCH 50 Z35R SP	11
36211110	36211110	PULLEY,LEADING FEED ADF	16
3BR07040	3BR07040	PULLEY,PAPER FEED	16
5AAVR0LL+051	2CL16130	ROLLER M/P ASSY /43487B0027 A4	4
7NXGP1S173LCH01	NX116910	SENSOR OPT.	12,13
7NXSG2481+++H01	NX052600	SENSOR OPT.	16
7SM010104+++H01	SM055200	SW.MICRO	13
7SP01000001+H01	SP044290	SW.PUSH	13
7SP01000005+H01	SP119750	SW.PUSH	13

KYOCERA Document Solutions America, Inc.

Headquarters

225 Sand Road,
Fairfield, New Jersey 07004-0008, USA
Phone: +1-973-808-8444
Fax: +1-973-882-6000

Latin America

8240 NW 52nd Terrace Dawson Building, Suite 100
Miami, Florida 33166, USA
Phone: +1-305-421-6640
Fax: +1-305-421-6666

KYOCERA Document Solutions Canada, Ltd.

6120 Kestrel Rd., Mississauga, ON L5T 1S8,
Canada
Phone: +1-905-670-4425
Fax: +1-905-670-8116

**KYOCERA Document Solutions
Mexico, S.A. de C.V.**

Calle Arquimedes No. 130, 4 Piso, Colonia Polanco
Chapultepec, Delegacion Miguel Hidalgo,
Distrito Federal, C.P. 11560, México
Phone: +52-555-383-2741
Fax: +52-555-383-7804

KYOCERA Document Solutions Brazil, Ltda.

Av. Tambore, 1180 Mod. B-09 CEP 06460-000
Tambore-Barueri-SP, Brazil
Phone: +55-11-4195-8496
Fax: +55-11-4195-6167

**KYOCERA Document Solutions
Australia Pty. Ltd.**

Level 3, 6-10 Talavera Road North Ryde N.S.W, 2113,
Australia
Phone: +61-2-9888-9999
Fax: +61-2-9888-9588

**KYOCERA Document Solutions
New Zealand Ltd.**

1-3 Parkhead Place, Albany, Auckland 1330,
New Zealand
Phone: +64-9-415-4517
Fax: +64-9-415-4597

KYOCERA Document Solutions Asia Limited

16/F., Mita Centre, 552-566, Castle Peak Road
Tsuenwan, NT, Hong Kong
Phone: +852-2610-2181
Fax: +852-2610-2063

**KYOCERA Document Solutions
(China) Corporation**

8F, No. 288 Nanjing Road West, Huangpu District,
Shanghai, 200003, China
Phone: +86-21-5301-1777
Fax: +86-21-5302-8300

**KYOCERA Document Solutions
(Thailand) Corp., Ltd.**

335 Ratchadapisek Road, Bangsue, Bangkok 10800,
Thailand
Phone: +66-2-586-0333
Fax: +66-2-586-0278

**KYOCERA Document Solutions
Singapore Pte. Ltd.**

12 Tai Seng Street #04-01A,
Luxasia Building, Singapore 534118
Phone: +65-6741-8733
Fax: +65-6748-3788

**KYOCERA Document Solutions
Hong Kong Limited**

16/F., Mita Centre, 552-566, Castle Peak Road
Tsuenwan, NT, Hong Kong
Phone: +852-3582-4000
Fax: +852-3185-1399

**KYOCERA Document Solutions
Taiwan Corporation**

6F., No. 37, Sec. 3, Minquan E. Rd.,
Zhongshan Dist., Taipei 104, Taiwan R.O.C.
Phone: +886-2-2507-6709
Fax: +886-2-2507-8432

KYOCERA Document Solutions Korea Co., Ltd.

18F, Kangnam bldg, 1321-1,
Seocho-Dong, Seocho-Gu, Seoul, Korea
Phone: +822-6933-4050
Fax: +822-747-0084

**KYOCERA Document Solutions
India Private Limited**

First Floor, ORCHID CENTRE
Sector-53, Golf Course Road, Gurgaon 122 002,
India
Phone: +91-0124-4671000
Fax: +91-0124-4671001

KYOCERA Document Solutions Europe B.V.

Bloemlaan 4, 2132 NP Hoofddorp,
The Netherlands
Phone: +31-20-654-0000
Fax: +31-20-653-1256

KYOCERA Document Solutions Nederland B.V.

Beechavenue 25, 1119 RA Schiphol-Rijk,
The Netherlands
Phone: +31-20-5877200
Fax: +31-20-5877260

KYOCERA Document Solutions (U.K.) Limited

8 Beacontree Plaza,
Gillette Way Reading, Berkshire RG2 0BS,
United Kingdom
Phone: +44-118-931-1500
Fax: +44-118-931-1108

KYOCERA Document Solutions Italia S.p.A.

Via Verdi, 89/91 20063 Cernusco s/N.(MI),
Italy
Phone: +39-02-921791
Fax: +39-02-92179-600

KYOCERA Document Solutions Belgium N.V.

Sint-Martinusweg 199-201 1930 Zaventem,
Belgium
Phone: +32-2-7209270
Fax: +32-2-7208748

KYOCERA Document Solutions France S.A.S.

Espace Technologique de St Aubin
Route de l'Orme 91195 Gif-sur-Yvette CEDEX,
France
Phone: +33-1-69852600
Fax: +33-1-69853409

KYOCERA Document Solutions Espana, S.A.

Edificio Kyocera, Avda. de Manacor No.2,
28290 Las Matas (Madrid), Spain
Phone: +34-91-6318392
Fax: +34-91-6318219

KYOCERA Document Solutions Finland Oy

Atomitie 5C, 00370 Helsinki,
Finland
Phone: +358-9-47805200
Fax: +358-9-47805390

**KYOCERA Document Solutions
Europe B.V., Amsterdam (NL) Zürich Branch**

Hohlstrasse 614, 8048 Zürich,
Switzerland
Phone: +41-44-9084949
Fax: +41-44-9084950

**KYOCERA Document Solutions
Deutschland GmbH**

Otto-Hahn-Strasse 12, 40670 Meerbusch,
Germany
Phone: +49-2159-9180
Fax: +49-2159-918100

KYOCERA Document Solutions Austria GmbH

Eduard-Kittenberger-Gasse 95, 1230 Vienna,
Austria
Phone: +43-1-863380
Fax: +43-1-86338-400

KYOCERA Document Solutions Nordic AB

Esbogatan 16B 164 75 Kista, Sweden
Phone: +46-8-546-550-00
Fax: +46-8-546-550-10

KYOCERA Document Solutions Norge Nuf

Postboks 150 Oppsal, 0619 Oslo,
Norway
Phone: +47-22-62-73-00
Fax: +47-22-62-72-00

KYOCERA Document Solutions Danmark A/S

Ejby Industrivej 60, DK-2600 Glostrup,
Denmark
Phone: +45-70223880
Fax: +45-45765850

KYOCERA Document Solutions Portugal Lda.

Rua do Centro Cultural, 41 (Alvalade) 1700-106 Lisboa,
Portugal
Phone: +351-21-843-6780
Fax: +351-21-849-3312

**KYOCERA Document Solutions
South Africa (Pty) Ltd.**

KYOCERA House, Hertford Office Park,
90 Bekker Road (Cnr. Allandale), Midrand, South Africa.
Phone: +27-11-540-2600
Fax: +27-11-466-3050

KYOCERA Document Solutions Russia LLC

Botanichesky pereulok 5, Moscow, 129090,
Russia
Phone: +7(495)741-0004
Fax: +7(495)741-0018

KYOCERA Document Solutions Middle East

Dubai Internet City, Bldg. 17,
Office 157 P.O. Box 500817, Dubai,
United Arab Emirates
Phone: +971-04-433-0412

KYOCERA Document Solutions Inc.

2-28, 1-chome, Tamatsukuri, Chuo-ku
Osaka 540-8585, Japan
Phone: +81-6-6764-3555
<http://www.kyoceradocumentsolutions.com>