



ECOSYS P6230cdn
ECOSYS P6235cdn
ECOSYS P7240cdn
PF-5100

PARTS LIST

Published in June 2018
Rev.3

ECOSYS P6230cdn
ECOSYS P7240cdn
PF-5100

パーツリスト

2018年6月 改訂版
Rev. 3

Items listed in the revision columns are defined as follows.

Item	Description
Add	Add a new part
Del	Delete a part
Design-chg.	A design changed part (Parts number version up)
Part No-chg.	A part number is changed to other one.
Quantity-chg.	Change Quantity of parts to use
Others	Other changes

Revision history

Rev.	Date	Remarks
1	January 2018	Design change & Correction
2	April 2018	Correction
3	June 2018	Design change

Symbols in the parts list

- Parts without a Ref.No. in the illustration indicate they are not supplied.
- Parts with a Ref.No. of 500 and above in the illustration indicate they are not selected for service parts.
- Parts with "*" are component parts or sub-assemblies of the assembly appearing immediately above them.
- Parts with "**" are component parts or sub-assembly with "*" appearing immediately above them.

<Notation of products>

For the purpose of this parts list, products are identified as following.
 ECOSYS P6230cdn : 30ppm(A4),32ppm(Letter)
 ECOSYS P6235cdn : 35ppm(A4),37ppm(Letter)
 ECOSYS P7240cdn : 40ppm(A4),42ppm(Letter)

改訂欄記載項目の内容は以下の通りです。

記載項目	内容
Add	新規部品の追加
Del	部品の削除
Design-chg.	部品の設変（版数アップ）
Part No-chg.	部品番号の変更
Quantity-chg.	部品の個数変更
Others	その他の変更

改訂履歴

Rev.	改訂日	備考
1	2018年1月	設変対応 & 誤記訂正
2	2018年4月	誤記訂正
3	2018年6月	設変対応

記号の見方

イラスト中で Ref 番号がない部品は供給できません。
 イラスト中で 500 番台の Ref 番号が付いている部品はサービスパーツに選定されていません。
 部品番号欄の・印は、組立部品の単品部品及び準組立部品を表わします。
 部品番号欄の**印は、準組立部品の単品部品を表わします。

<本体機種区別表記>

パーツリスト中の本体機種区別は、以下の様に記載します。
 ECOSYS P6230cdn : 30ppm(A4), 32ppm(Letter)
 ECOSYS P7240cdn : 40ppm(A4), 42ppm(Letter)

ECOSYS P6230cdn
ECOSYS P6235cdn
ECOSYS P7240cdn

Rev.3
June 2018

CONTENTS / 目次

FIG. 1 Covers	2
FIG. 2 Paper Cassette	4
FIG. 3 Paper Feed Section 1	6
FIG. 4 Paper Feed Section 2	8
FIG. 5 Conveying Section 1	10
FIG. 6 Conveying Section 2	12
FIG. 7 Laser Scanner Section	14
FIG. 8 Developer Section	16
FIG. 9 Image Formation Section	18
FIG. 10 Transfer Section	20
FIG. 11 Fuser Section	22
FIG. 12 Drive Section	24
FIG. 13 Electrical Components 1	26
FIG. 14 Electrical Components 2	28
FIG. 15 Operation Section	30
FIG. 16 Wire Section 1 (30ppm(A4),32ppm(Letter))	32
FIG. 17 Wire Section 2 (35ppm(A4),37ppm(Letter)/40ppm(A4),42ppm(Letter))	34
FIG. 18 Wire Section 3 (30ppm(A4),32ppm(Letter)/35ppm(A4),37ppm(Letter))	36
FIG. 19 Wire Section 4 (40ppm(A4),42ppm(Letter))	38
FIG. 20 Wire Section 5 (30ppm(A4),32ppm(Letter)/35ppm(A4),37ppm(Letter))	40
FIG. 21 Wire Section 6 (40ppm(A4),42ppm(Letter))	42
FIG. 22 Wire Section 7 (30ppm(A4),32ppm(Letter))	44
FIG. 23 Wire Section 8 (35ppm(A4),37ppm(Letter)/40ppm(A4),42ppm(Letter))	46
FIG. 24 Accessories	48
FIG. 25 Maintenance Kits (30ppm(A4),32ppm(Letter)).....	50
FIG. 26 Maintenance Kits (35ppm(A4),37ppm(Letter)).....	51
FIG. 27 Maintenance Kits (40ppm(A4),42ppm(Letter)).....	52
• INDEX / 索引	
	53

FIG. 1 Covers

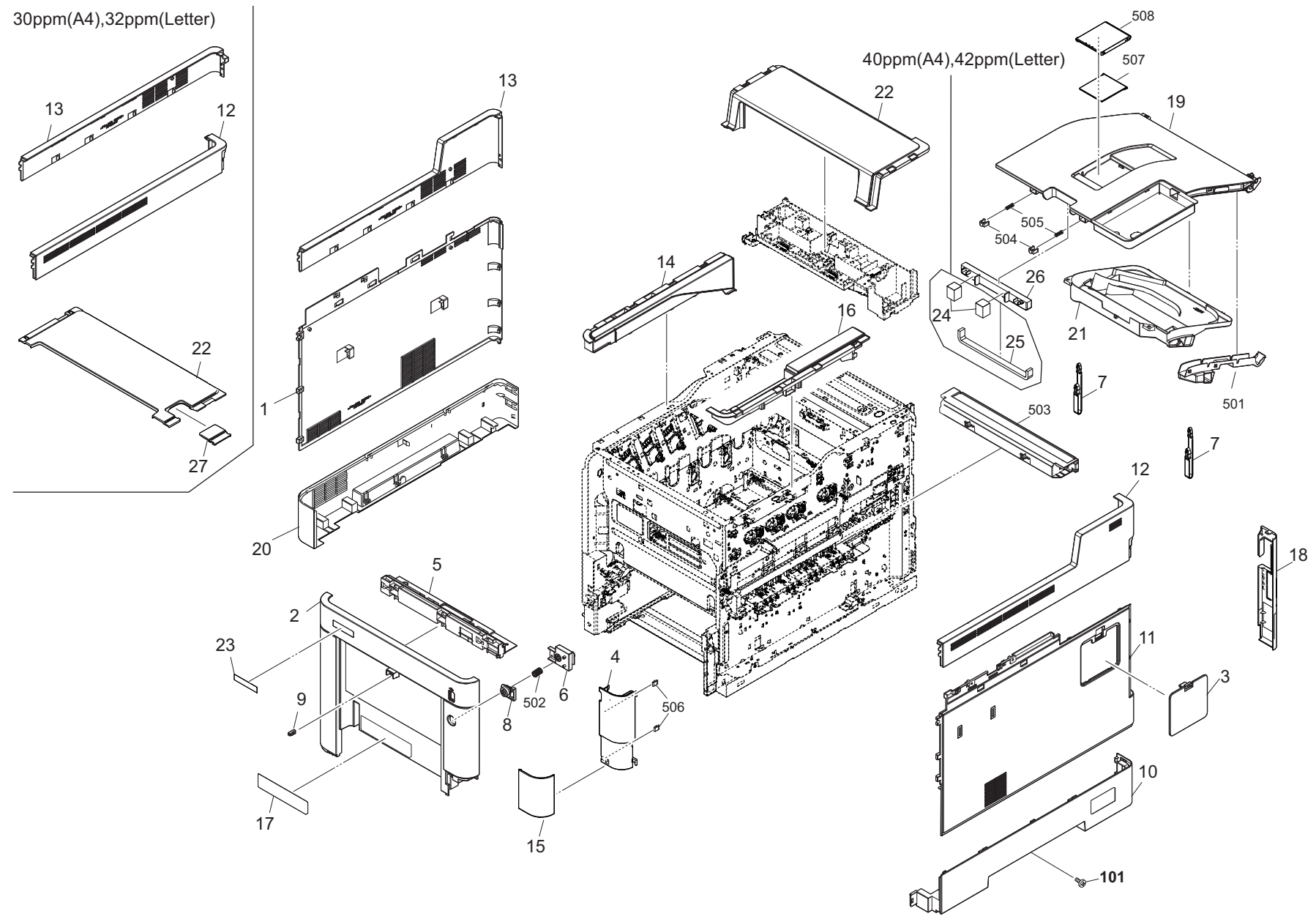


FIG. 1 Covers

2TV/2TW/2TX

Ref. No. 番号	Part.No. 部品番号	Description 部品名称	Notes 備考	Revision 改訂	Quantity 個数			
					100(日本)	120	230	240
1	302NR04030	COVER LEFT			1	1	1	1
2	302NR04051	COVER FRONT			1	1	1	1
3	302NR04190	COVER MEMORY			1	1	1	1
4	302NR04090	COVER WASTE			1	1	1	1
5	302NR04080	COVER FRONT UPPER			1	1	1	1
6	302NR04250	HOLDER MAIN SWITCH			1	1	1	1
7	302KV04130	STRAP COVER REAR			2	2	2	2
8	3V2LV04180	KEY SW			1	1	1	1
9	302HN08140	LUTCH			1	1	1	1
10	302NS04180	COVER RIGHT BOTTOM			1	1	1	1
11	302NR04040	COVER RIGHT			1	1	1	1
12	302NR04070	COVER RIGHT UPPER	30ppm(A4),32ppm(Letter)		1	1	1	1
12	302NS04070	COVER RIGHT UPPER	35ppm(A4),37ppm(Letter)/40ppm(A4),42ppm(Letter)		1	1	1	1
13	302NR04060	COVER LEFT UPPER	30ppm(A4),32ppm(Letter)		1	1	1	1
13	302NS04060	COVER LEFT UPPER	35ppm(A4),37ppm(Letter)/40ppm(A4),42ppm(Letter)		1	1	1	1
14	302NR04140	COVER INNER LEFT			1	1	1	1
15	302NS04100	COVER WASTE LOW			1	1	1	1
16	302NR04150	COVER INNER RIGHT			1	1	1	1
17	302NR34020	LABEL JAM			1	1	1	1
18	302TV04100	COVER CONNECTOR			1	1	1	1
19	302NR04020	LID TOP PRINTER			1	1	1	1
20	302TV04040	COVER LEFT BOTTOM			1	1	1	1
21	302NR04210	DUCT LID TOP			1	1	1	1
22	302TV04010	COVER TOP	30ppm(A4),32ppm(Letter)		1	1	1	1
22	302NS04011	COVER TOP	35ppm(A4),37ppm(Letter)/40ppm(A4),42ppm(Letter)		1	1	1	1
23	302NR34010	SHEET EMBLEM			1	1	1	1
24	302NT04010	SEAL LID TOP A	40ppm(A4),42ppm(Letter)		2	2	2	2
25	302NT04020	SEAL LID TOP B	40ppm(A4),42ppm(Letter)		1	1	1	1
26	302NR04220	STAY LID TOP			1	1	1	1
27	302TV04020	COVER TOP B	30ppm(A4),32ppm(Letter)		1	1	1	1
101	7BB780308H	+BIND T.T S SCREW 3X8 SR(BLACK)						

• Parts with a Ref.No. of 500 and above in the illustration indicate they are not selected for service parts.

• イラスト中で 500 番台の Ref 番号が付いている部品はサービスパーツに選定されていません。

FIG. 2 Paper Cassette

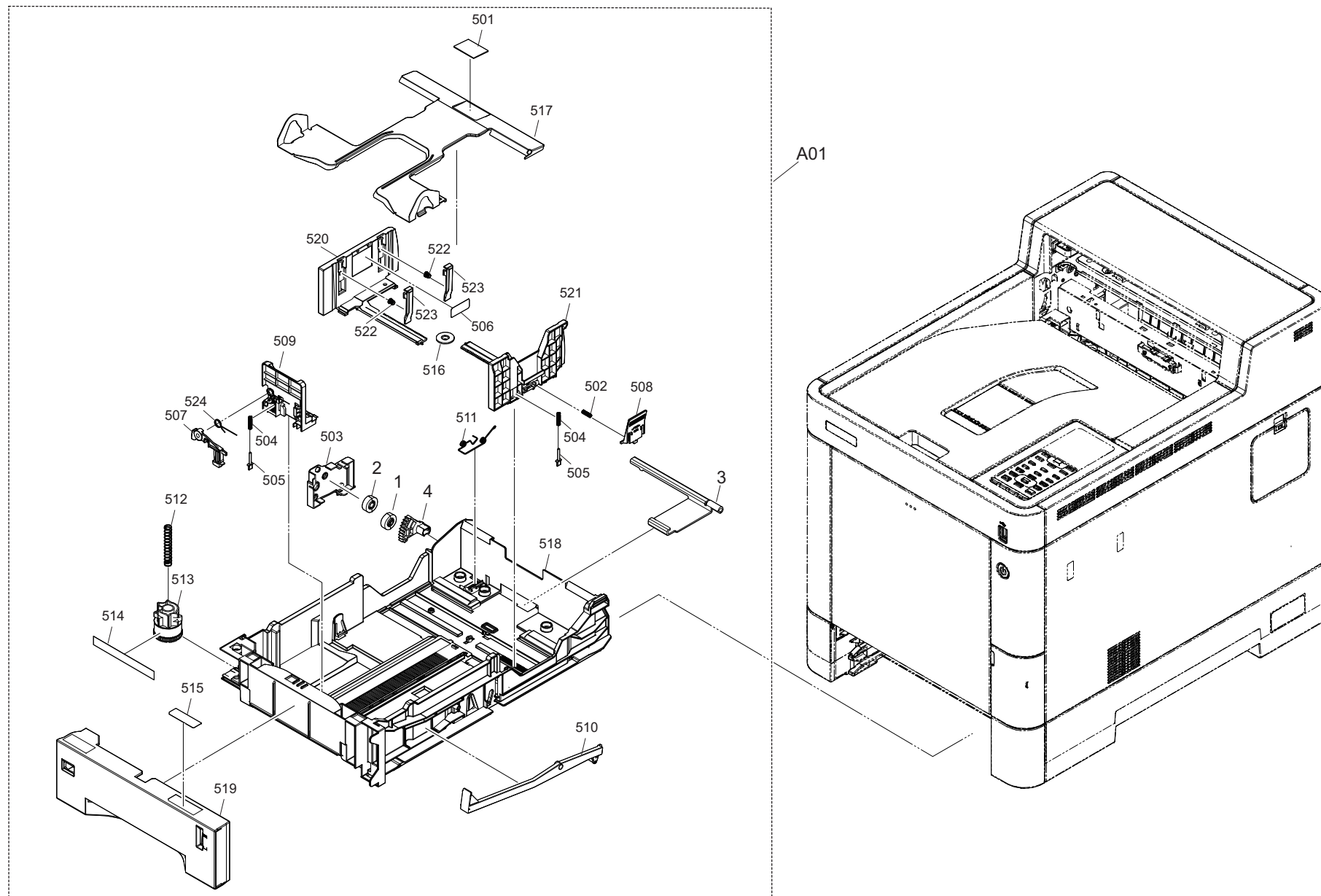


FIG. 2 Paper Cassette

2TV/2TW/2TX-3

Ref. No. 番号	Part.No. 部品番号	Description 部品名称	Notes 備考	Revision 改訂	Quantity 個数			
					100 (日本)	120	230	240
A01	302NR93121	CT-5140		3:Design-chg.	1	1	1	1
1	•302HN09170	GEAR Z13S JOINT			1	1	1	1
2	•302KV09250	GEAR Z13			1	1	1	1
3	•302NR09070	WORKPLATE LIFT			1	1	1	1
4	•302NT09100	GEAR Z48S LIFT			1	1	1	1

• Parts with a Ref.No. of 500 and above in the illustration indicate they are not selected for service parts.

• イラスト中で 500 番台の Ref 番号が付いている部品はサービスパーツに選定されていません。

FIG. 3 Paper Feed Section 1

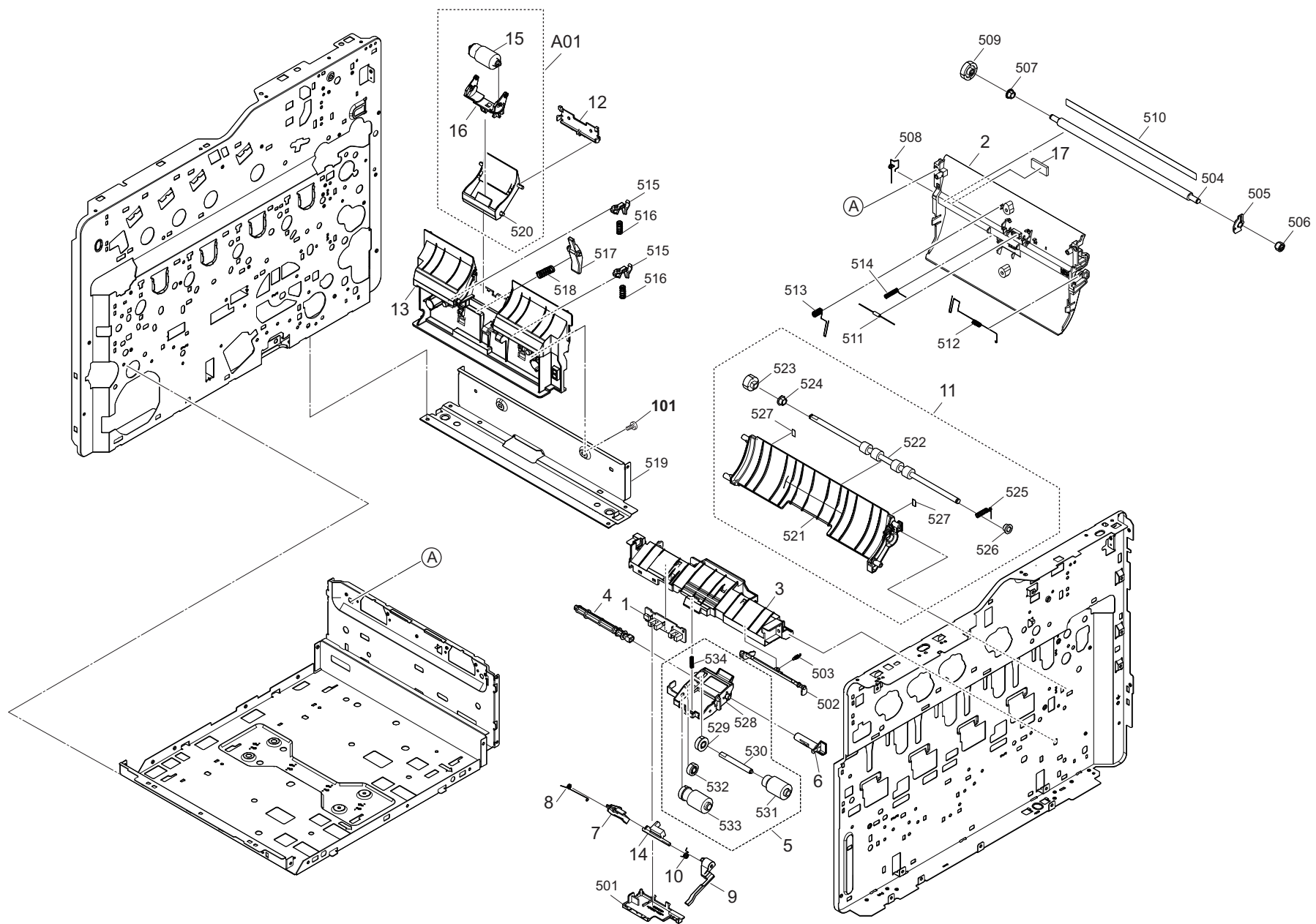


FIG. 3 Paper Feed Section 1

2TV/2TW/2TX-3

Ref. No. 番号	Part.No. 部品番号	Description 部 品 名 称	Notes 備 考	Revision 改 訂	Quantity 個数			
					100(日本)	120	230	240
1	302KV94340	PARTS PWB ASSY CASSETTE SP			1	1	1	1
2	302NR06511	FRAME FEED			1	1	1	1
3	302NR06210	GUIDE PICK HOLDER			1	1	1	1
4	302KV06151	SHAFT FEED			1	1	1	1
5	302KV94191	PARTS HOLDER FEED ASSY SP			1	1	1	1
6	302KV06370	PIN FEED			1	1	1	1
7	302KV06180	RELEASE ACTUATOR PE			1	1	1	1
8	302NR06620	SPRING ACTUATOR			1	1	1	1
9	302KV06341	ACTUATOR B			1	1	1	1
10	302KV06201	SPRING ACT			1	1	1	1
11	302NR94251	PARTS MIDDLE ROLLER ASSY SP		3:Design-chg.	1	1	1	1
12	302NR06040	COVER RETARD			1	1	1	1
13	302NT06010	GUIDE CASSETTE			1	1	1	1
14	302KV06171	ACTUATOR PE		3:Design-chg.	1	1	1	1
A01	302NT94062	PARTS RETARD ASSY SP		3:Design-chg.	1	1	1	1
15	+302F909171	RETARD ROLLER ASSY			1	1	1	1
16	+302NT06040	HOLDER RETARD A			1	1	1	1
17	302NR06590	PAD REGIST FEED			1	1	1	1
101	7BB200308H	+BIND T.T P SCREW 3X8						

• Parts with a Ref.No. of 500 and above in the illustration indicate they are not selected for service parts.

• イラスト中で 500 番台の Ref 番号が付いている部品はサービスパーツに選定されていません。

FIG. 4 Paper Feed Section 2

2TV/2TW/2TX

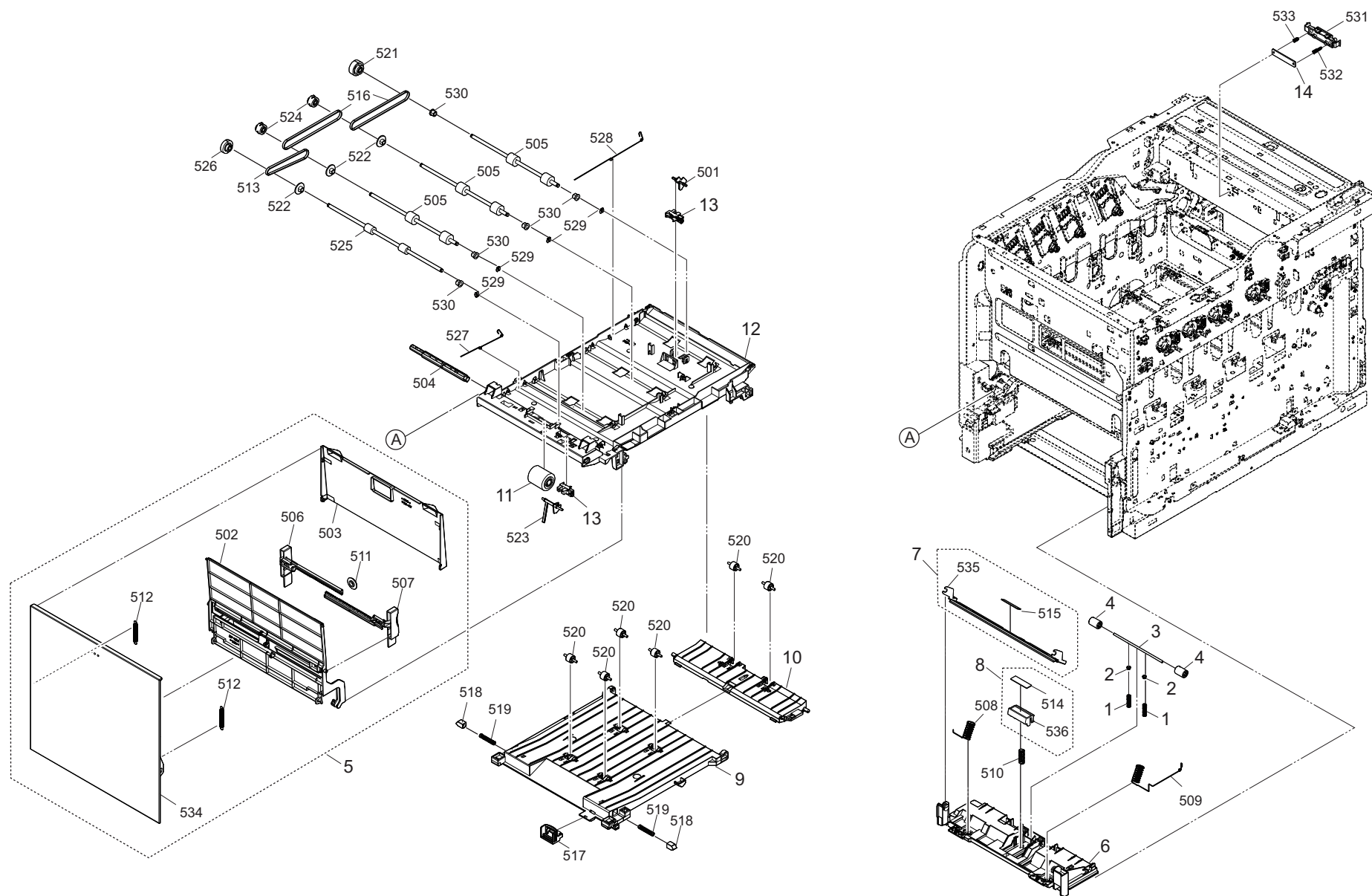


FIG. 4 Paper Feed Section 2

2TV/2TW/2TX-3

Ref. No. 番号	Part.No. 部品番号	Description 部品名称	Notes 備考	Revision 改訂	Quantity 個数			
					100 (日本)	120	230	240
1	302NR08220	SPRING PULLEY MPF			2	2	2	2
2	2FM04150	CAP SPRING/B-11 ENCLOSURE A4			2	2	2	2
3	302NR28090	SHAFT EXIT			1	1	1	1
4	302F929050	PULLEY FEED DU			2	2	2	2
5	302NR94211	PARTS COVER MPF ASSY SP		3:Design-chg.	1	1	1	1
6	302NR08040	FRAME MPF			1	1	1	1
7	302NR94221	PARTS PLATE BOTTOM MPF ASSY SP		3:Design-chg.	1	1	1	1
8	302TV94011	PARTS SEPARATOR MPF ASSY SP		3:Design-chg.	1	1	1	1
9	302NR08130	GUIDE MPF FEED LOW B			1	1	1	1
10	302NR08111	GUIDE MPF FEED LOW A			1	1	1	1
11	302HS08260	ROLLER M/P ASSY			1	1	1	1
12	302NR08101	GUIDE MPF FEED UP			1	1	1	1
13	302P794010	PARTS SENSOR OPT. SP			2	2	2	2
14	302HNO1240	P.W.BOARD ASSY FUSER ZENER	30ppm(A4),32ppm(Letter):120V/230V/240V / 35ppm(A4),37ppm(Letter):120V/230V/240V			1	1	1
14	302J901030	P.W.BOARD ASSY FUSER ZENER	30ppm(A4),32ppm(Letter):100V / 40ppm(A4),42ppm(Letter):100V/120V/230V/240V		1	1	1	1

• Parts with a Ref.No. of 500 and above in the illustration indicate they are not selected for service parts.

• イラスト中で 500 番台の Ref 番号が付いている部品はサービスパーツに選定されていません。

FIG. 5 Conveying Section 1

2TV/2TW/2TX

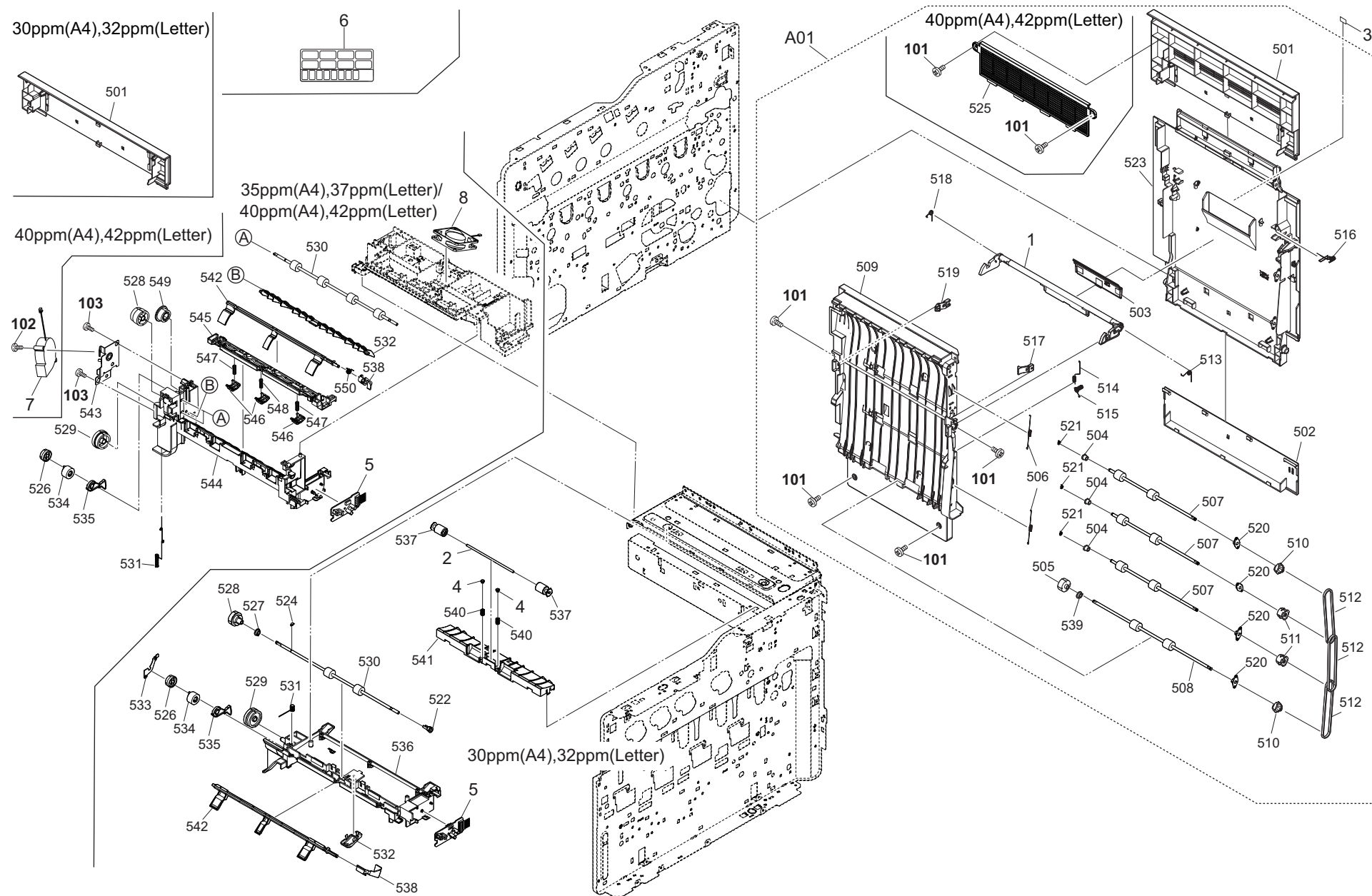


FIG. 5 Conveying Section 1

2TV/2TW/2TX-3

Ref. No. 番号	Part.No. 部品番号	Description 部品名称	Notes 備考	Revision 改訂	Quantity 個数			
					100 (日本)	120	230	240
A01	302NR94231	PARTS REAR COVER 250 PRT ASSY SP	30ppm(A4),32ppm(Letter)	3:Design-chg.	1	1	1	1
A01	302NS94081	PARTS REAR COVER 500 PRT ASSY SP	35ppm(A4),37ppm(Letter)/40ppm(A4),42ppm(Letter)	3:Design-chg.	1	1	1	1
A01	302NT94071	PARTS REAR COVER 500 PRT ASSY EU SP	40ppm(A4),42ppm(Letter) (with FILTER)	3:Design-chg.			1	1
1	*302NR29020	HOOK DU RELEASE			1	1	1	1
2	302NR28090	SHAFT EXIT			1	1	1	1
3	302MC34040	LABEL PUSH			1	1	1	1
4	2FM04150	CAP SPRING/B-11 ENCLOSURE A4			2	2	2	2
5	302NR94131	PARTS PWB ASSY EXIT SP	30ppm(A4),32ppm(Letter)	3:Design-chg.	1	1	1	1
5	302NS94051	PARTS PWB ASSY EXIT SP	35ppm(A4),37ppm(Letter)	3:Design-chg.		1	1	1
5	302TX94041	PARTS PWB ASSY EXIT SP	40ppm(A4),42ppm(Letter)	3:Design-chg.	1	1	1	1
6	302NR34090	LABEL PUSH SET				1	1	
7	302HN44210	FAN MOTOR	40ppm(A4),42ppm(Letter)		1	1	1	1
8	302FZ94420	PARTS,FAN COOLING CONVEYING SP			1	1	1	1
101	7BB200308H	+BIND T.T P SCREW 3X8						
102	7BB700320H	+BIND T.T S SCREW 3X20 SR						
103	7BB202308H	+TP-FLAT T.T P SCREW 3X8						

• Parts with a Ref.No. of 500 and above in the illustration indicate they are not selected for service parts.

• イラスト中で 500 番台の Ref 番号が付いている部品はサービスパーツに選定されていません。

FIG. 6 Conveying Section 2

2TV/2TW/2TX

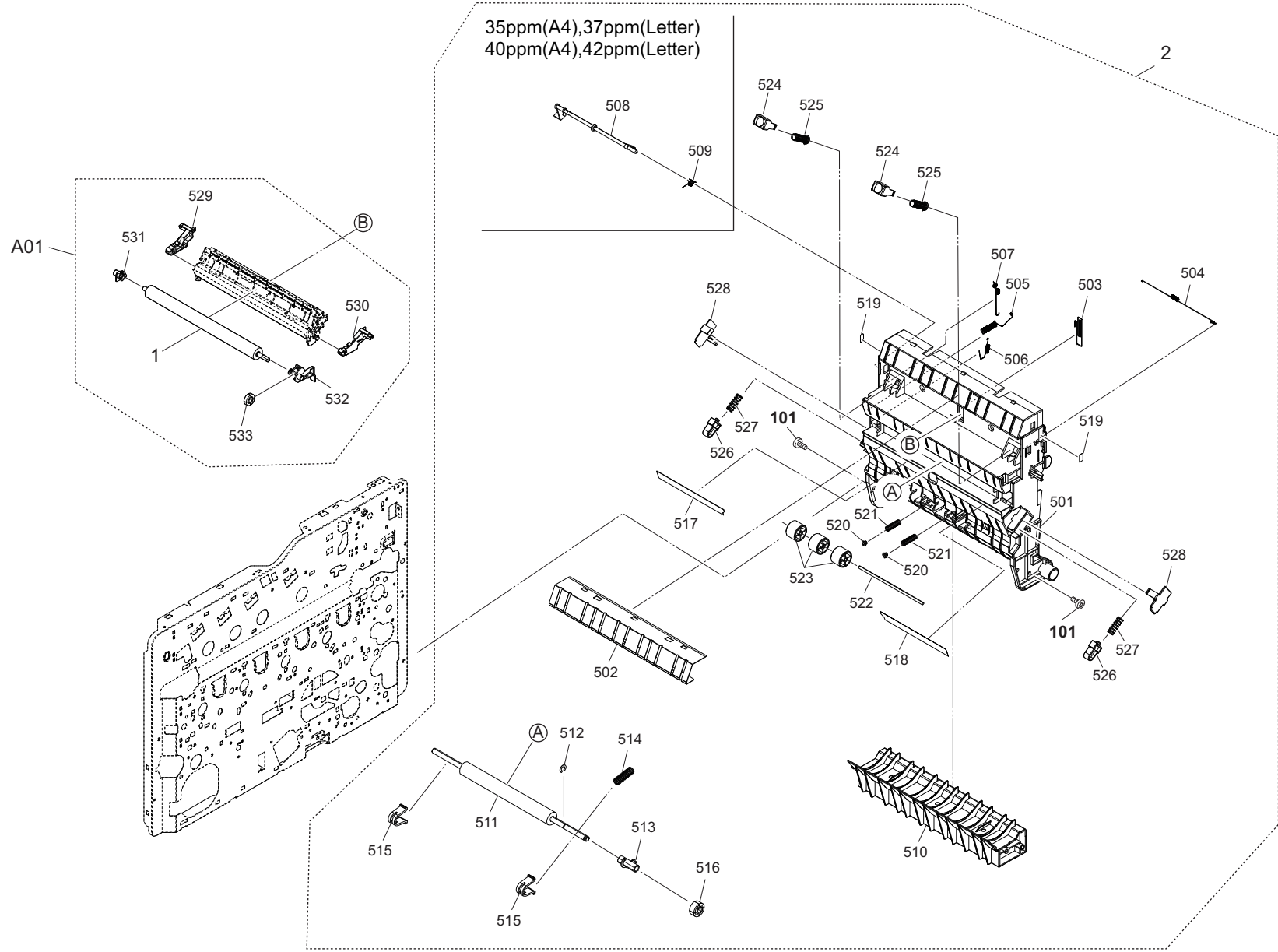


FIG. 6 Conveying Section 2

2TV/2TW/2TX-3

Ref. No. 番号	Part.No. 部品番号	Description 部品名称	Notes 備考	Revision 改訂	Quantity 個数			
					100 (日本)	120	230	240
A01	302NR94331	PARTS ROLLER TRANSFER ASSY SP	30ppm(A4),32ppm(Letter)/35ppm(A4),37ppm(Letter)	3:Design-chg.	1	1	1	1
A01	302NT94161	PARTS ROLLER TRANSFER ASSY SP	40ppm(A4),42ppm(Letter)	3:Design-chg.	1	1	1	1
1	*302NR94061	PARTS ROLLER TRANSFER SP			1	1	1	1
2	302NR94191	PARTS CONVEYING 250 ASSY SP	30ppm(A4),32ppm(Letter)	3:Design-chg.	1	1	1	1
2	302NS94102	PARTS CONVEYING 500 ASSY SP	35ppm(A4),37ppm(Letter)	3:Design-chg.		1	1	1
2	302NT94132	PARTS CONVEYING 500 SI ASSY SP	40ppm(A4),42ppm(Letter)	3:Design-chg.	1	1	1	1
101	7BB200308H	+BIND T.T P SCREW 3X8						

• Parts with a Ref.No. of 500 and above in the illustration indicate they are not selected for service parts.

• イラスト中で 500 番台の Ref 番号が付いている部品はサービスパーツに選定されていません。

FIG. 7 Laser Scanner Section

2TV/2TW/2TX

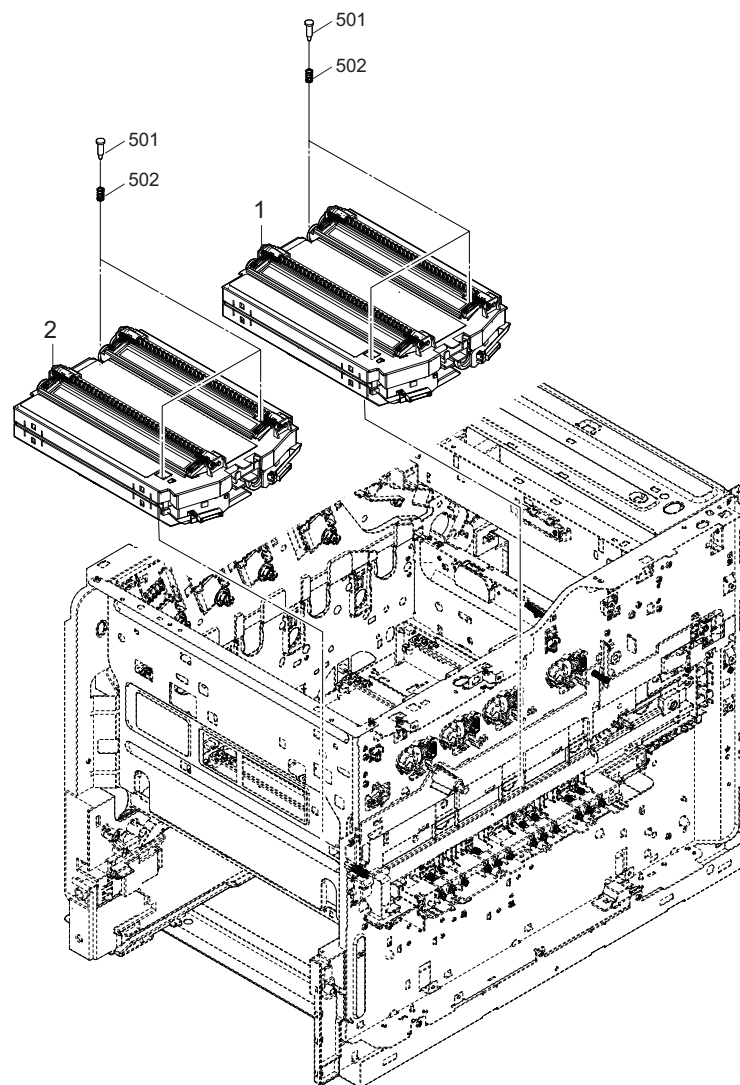


FIG. 7 Laser Scanner Section

2TV/2TW/2TX-3

Ref. No. 番号	Part.No. 部品番号	Description 部品名称	Notes 備考	Revision 改訂	Quantity 個数			
					100(日本)	120	230	240
1	302TV93011	LK-5270A	30ppm(A4),32ppm(Letter)/35ppm(A4),37ppm(Letter)	3:Design-chg.	1	1	1	1
1	302TX93011	LK-5290A	40ppm(A4),42ppm(Letter)	3:Design-chg.	1	1	1	1
2	302TV93021	LK-5270B	30ppm(A4),32ppm(Letter)/35ppm(A4),37ppm(Letter)	3:Design-chg.	1	1	1	1
2	302TX93021	LK-5290B	40ppm(A4),42ppm(Letter)	3:Design-chg.	1	1	1	1

• Parts with a Ref.No. of 500 and above in the illustration indicate they are not selected for service parts.

• イラスト中で 500 番台の Ref 番号が付いている部品はサービスパーツに選定されていません。

FIG. 8 Developer Section

2TV/2TW/2TX

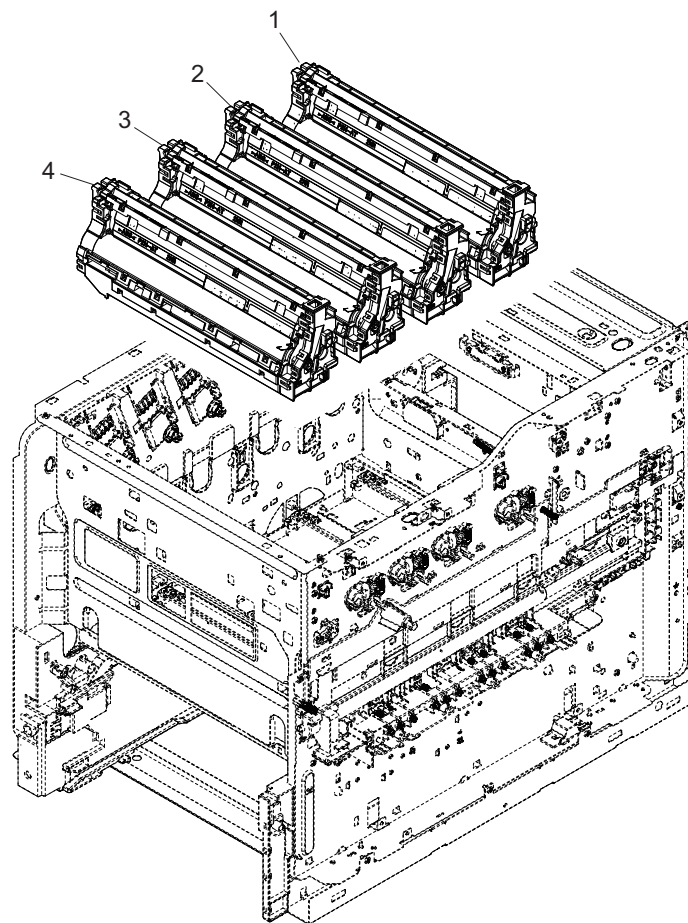


FIG. 8 Developer Section

2TV/2TW/2TX-3

Ref. No. 番号	Part.No. 部品番号	Description 部品名称	Notes 備考	Revision 改訂	Quantity 個数			
					100 (日本)	120	230	240
1	302NR9J022	DV-5140(K)(J)	30ppm(A4),32ppm(Letter)	3:Design-chg.	1			
1	302NR93022	DV-5140(K)	30ppm(A4),32ppm(Letter)	3:Design-chg.		1	1	1
1	302NS93013	DV-5150(K)	35ppm(A4),37ppm(Letter)	3:Design-chg.		1	1	1
1	302TX9J061	DV-5290(K)(J)	40ppm(A4),42ppm(Letter)	3:Design-chg.	1			
1	302TX93061	DV-5290(K)	40ppm(A4),42ppm(Letter)	3:Design-chg.		1	1	1
2	302NR9J042	DV-5140(M)(J)	30ppm(A4),32ppm(Letter)	3:Design-chg.	1			
2	302NR93042	DV-5140(M)	30ppm(A4),32ppm(Letter)	3:Design-chg.		1	1	1
2	302NS93033	DV-5150(M)	35ppm(A4),37ppm(Letter)	3:Design-chg.		1	1	1
2	302TX9J081	DV-5290(M)(J)	40ppm(A4),42ppm(Letter)	3:Design-chg.	1			
2	302TX93081	DV-5290(M)	40ppm(A4),42ppm(Letter)	3:Design-chg.		1	1	1
3	302NR9J052	DV-5140(C)(J)	30ppm(A4),32ppm(Letter)	3:Design-chg.	1			
3	302NR93052	DV-5140(C)	30ppm(A4),32ppm(Letter)	3:Design-chg.		1	1	1
3	302NS93043	DV-5150(C)	35ppm(A4),37ppm(Letter)	3:Design-chg.		1	1	1
3	302TX9J091	DV-5290(C)(J)	40ppm(A4),42ppm(Letter)	3:Design-chg.	1			
3	302TX93091	DV-5290(C)	40ppm(A4),42ppm(Letter)	3:Design-chg.		1	1	1
4	302NR9J032	DV-5140(Y)(J)	30ppm(A4),32ppm(Letter)	3:Design-chg.	1			
4	302NR93032	DV-5140(Y)	30ppm(A4),32ppm(Letter)	3:Design-chg.		1	1	1
4	302NS93023	DV-5150(Y)	35ppm(A4),37ppm(Letter)	3:Design-chg.		1	1	1
4	302TX9J071	DV-5290(Y)(J)	40ppm(A4),42ppm(Letter)	3:Design-chg.	1			
4	302TX93071	DV-5290(Y)	40ppm(A4),42ppm(Letter)	3:Design-chg.		1	1	1

• Parts with a Ref.No. of 500 and above in the illustration indicate they are not selected for service parts.

• イラスト中で 500 番台の Ref 番号が付いている部品はサービスパーツに選定されていません。

FIG. 9 Image Formation Section

2TV/2TW/2TX

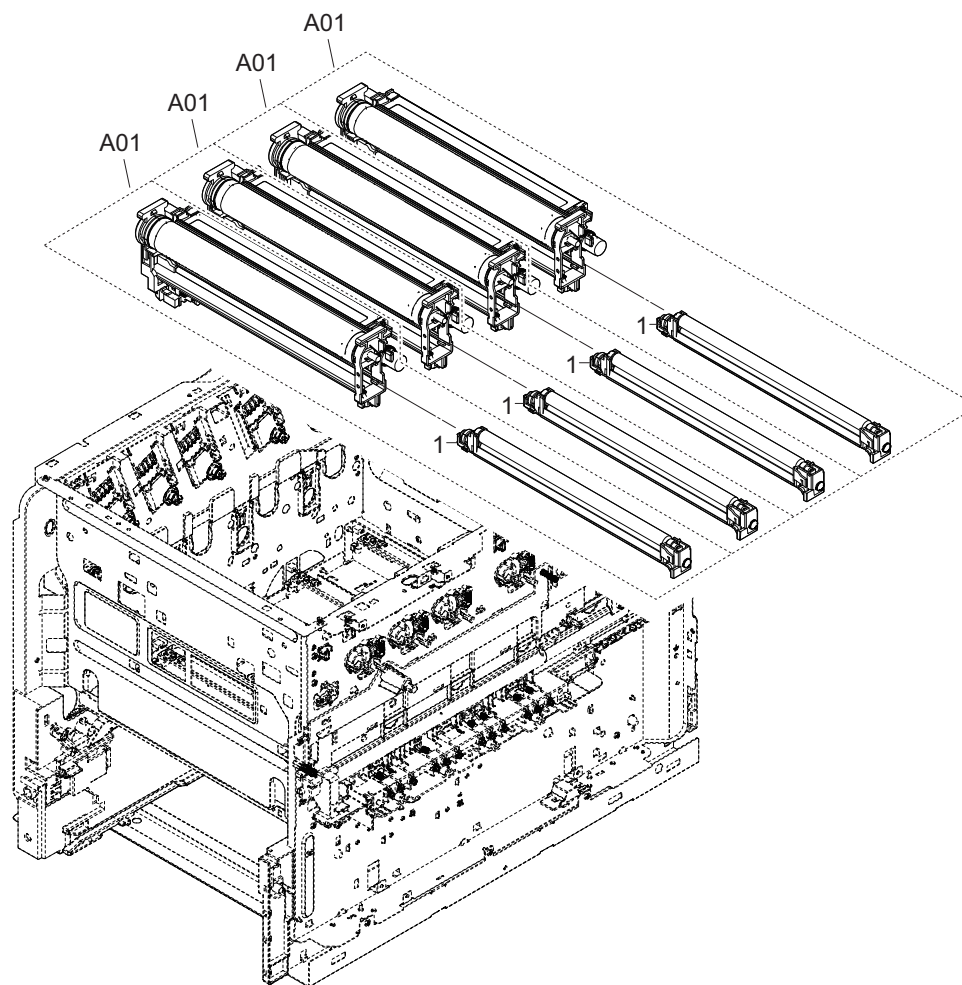


FIG. 9 Image Formation Section

2TV/2TW/2TX-3

Ref. No. 番号	Part.No. 部品番号	Description 部品名称	Notes 備考	Revision 改訂	Quantity 個数			
					100(日本)	120	230	240
A01	302NR93014	DK-5140	30ppm(A4),32ppm(Letter)/35ppm(A4),37ppm(Letter)	3:Design-chg.	4	4	4	4
A01	302NT93011	DK-5160	40ppm(A4),42ppm(Letter)		4	4	4	4
1	*302NR93141	MC-5140	30ppm(A4),32ppm(Letter)/35ppm(A4),37ppm(Letter)	3:Design-chg.	4	4	4	4
1	*302NT93131	MC-5160	40ppm(A4),42ppm(Letter)		4	4	4	4

• Parts with a Ref.No. of 500 and above in the illustration indicate they are not selected for service parts.

• イラスト中で 500 番台の Ref 番号が付いている部品はサービスパーツに選定されていません。

FIG. 10 Transfer Section

2TV/2TW/2TX

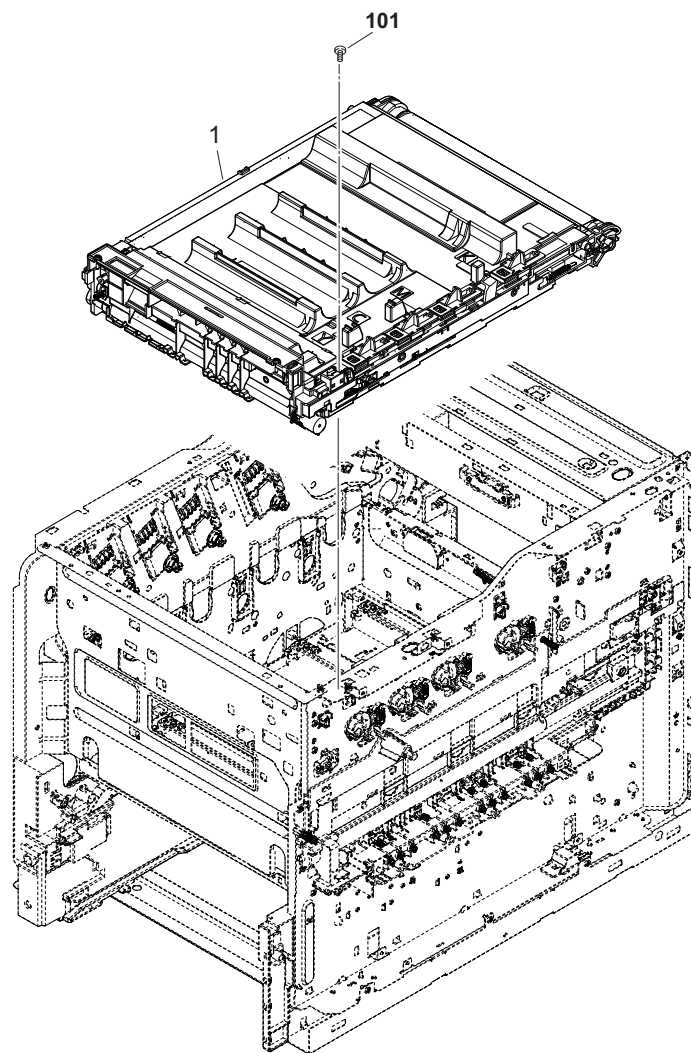


FIG. 10 Transfer Section

2TV/2TW/2TX-3

Ref. No. 番号	Part.No. 部品番号	Description 部 品 名 称	Notes 備 考	Revision 改 訂	Quantity 個 数			
					100 (日本)	120	230	240
1	302NR93062	TR-5140	30ppm(A4),32ppm(Letter)/35ppm(A4),37ppm(Letter)	3:Design-chg.	1	1	1	1
1	302NT93062	TR-5160	40ppm(A4),42ppm(Letter)	3:Design-chg.	1	1	1	1
101	7BB607312H	+TP-CUP M SCREW 3X12 R						

• Parts with a Ref.No. of 500 and above in the illustration indicate they are not selected for service parts.

• イラスト中で 500 番台の Ref 番号が付いている部品はサービスパーツに選定されていません。

FIG. 11 Fuser Section

2TV/2TW/2TX

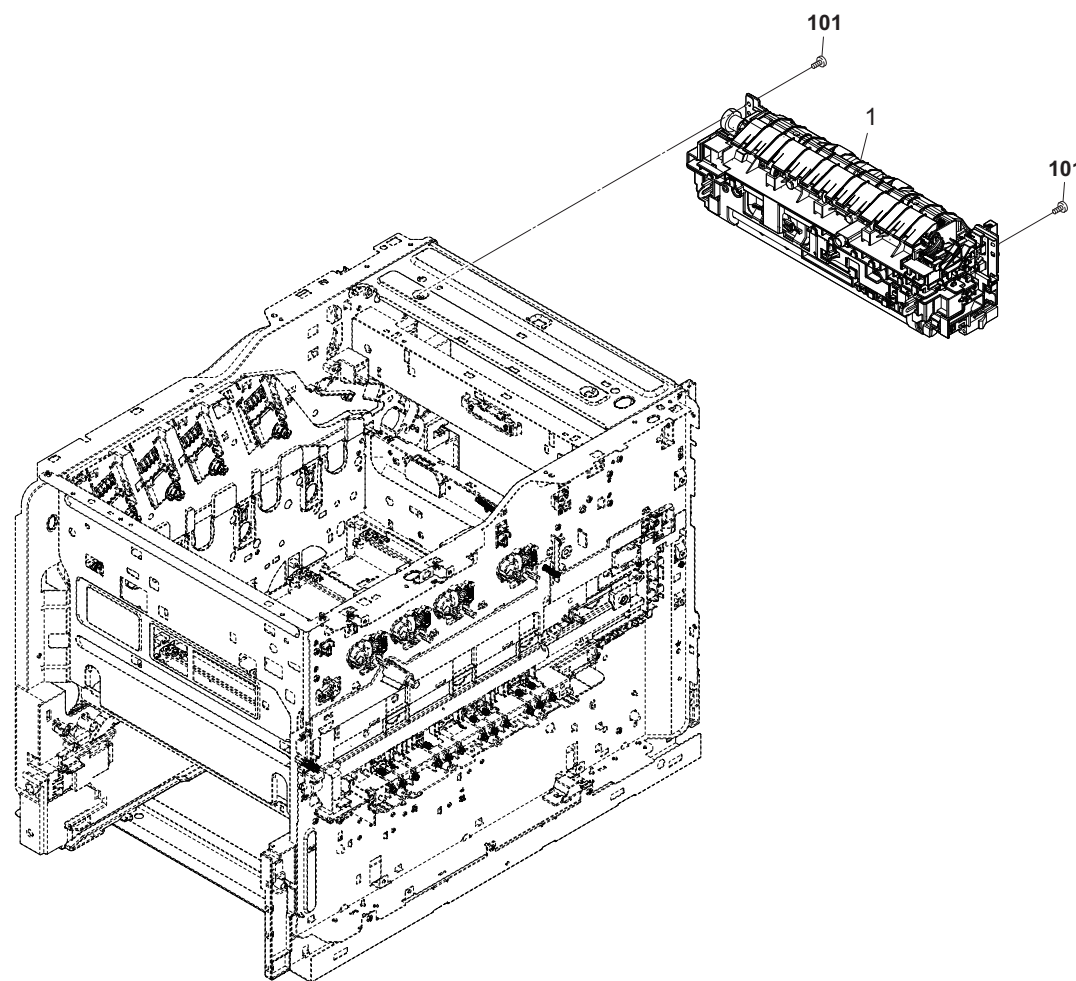


FIG. 11 Fuser Section

2TV/2TW/2TX-3

Ref. No. 番号	Part.No. 部品番号	Description 部品名称	Notes 備考	Revision 改訂	Quantity 個数			
					100 (日本)	120	230	240
1	302NR93091	FK-5140	30ppm(A4),32ppm(Letter)				1	1
1	302NR93111	FK-5142	30ppm(A4),32ppm(Letter)			1		
1	302NR93101	FK-5141	30ppm(A4),32ppm(Letter)		1			
1	302NT93092	FK-5160	35ppm(A4),37ppm(Letter)				1	1
1	302NT93112	FK-5162	35ppm(A4),37ppm(Letter)			1		
1	302TX93031	FK-5290	40ppm(A4),42ppm(Letter)	3:Design-chg.			1	1
1	302TX93041	FK-5292	40ppm(A4),42ppm(Letter)	3:Design-chg.		1		
1	302TX93051	FK-5291	40ppm(A4),42ppm(Letter)	3:Design-chg.	1			
101	7BB700308H	+BIND T.T S SCREW 3X8 SR						

• Parts with a Ref.No. of 500 and above in the illustration indicate they are not selected for service parts.

• イラスト中で 500 番台の Ref 番号が付いている部品はサービスパーツに選定されていません。

FIG. 12 Drive Section

2TV/2TW/2TX

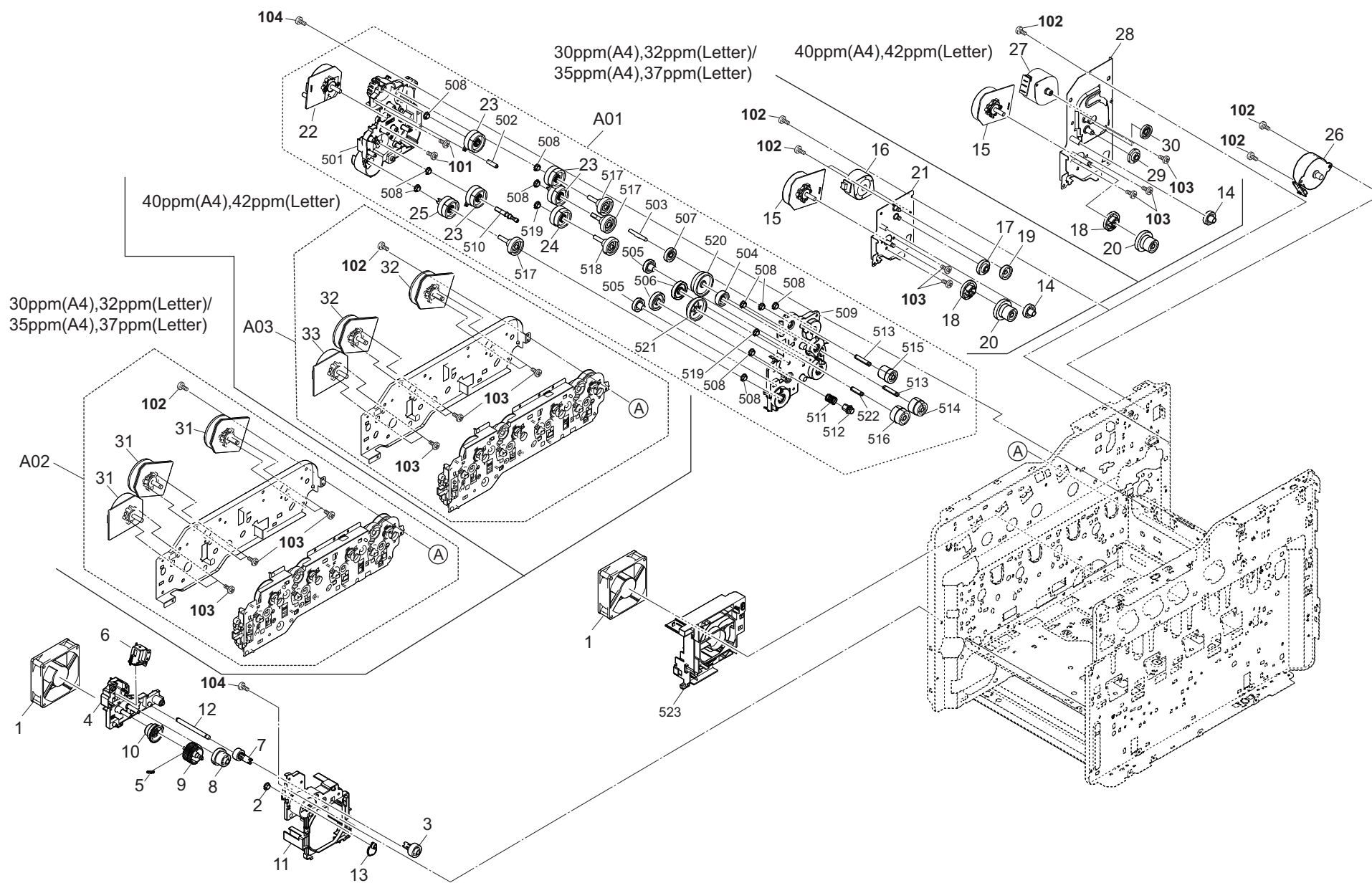


FIG. 12 Drive Section

2TV/2TW/2TX-3

Ref. No. 番号	Part.No. 部品番号	Description 部品名称	Notes 備考	Revision 改訂	Quantity 個数			
					100(日本)	120	230	240
1	302NG94220	PARTS FAN MOTOR SP			2	2	2	2
2	302KV31410	BUSH DRIVE			1	1	1	1
3	302KV31440	GEAR Z23L			1	1	1	1
4	302NR31150	HOUSING MPF DRIVE A			1	1	1	1
5	302HN31650	SPRING INPUT MPF			1	1	1	1
6	302GR44150	SOLENOID TONER			1	1	1	1
7	302NR31810	GEAR Z14L MPF			1	1	1	1
8	302NR31180	GEAR Z31R-Z24S			1	1	1	1
9	302NR31190	GEAR INPUT A Z36S			1	1	1	1
10	302NR31200	GEAR INPUT B Z36S			1	1	1	1
11	302NR31161	HOUSING MPF DRIVE B			1	1	1	1
12	302NR31210	PIN DRIVE MPF A			1	1	1	1
13	302NR31630	CAM MPF			1	1	1	1
14	302NR31060	GEAR Z24L			1	1	1	1
15	302K994323	PARTS MOTOR-BL W20 SP			1	1	1	1
16	303NB94040	PARTS MOTOR-PM MOVING SP	30ppm(A4),32ppm(Letter)/35ppm(A4),37ppm(Letter)		1	1	1	1
17	302NR31250	GEAR Z44R-Z16S	35ppm(A4),37ppm(Letter)			1	1	1
17	302TV31010	GEAR Z42R-Z16S	30ppm(A4),32ppm(Letter)		1	1	1	1
18	302NR31230	GEAR Z35R			1	1	1	1
19	302NR31260	GEAR Z26S	30ppm(A4),32ppm(Letter)/35ppm(A4),37ppm(Letter)		1	1	1	1
20	302NR31240	GEAR Z63R-Z24R			1	1	1	1
21	302NR31220	PLATE MIDDLE DRIVE	30ppm(A4),32ppm(Letter)/35ppm(A4),37ppm(Letter)		1	1	1	1
A01	302NR94261	PARTS FEED DRIVE ASSY SP	30ppm(A4),32ppm(Letter)	3:Design-chg.	1	1	1	1
A01	302NT94082	PARTS FEED DRIVE ASSY SP	35ppm(A4),37ppm(Letter)/40ppm(A4),42ppm(Letter)	3:Design-chg.	1	1	1	1
22	*302LC94292	PARTS MOTOR-BL W10 SP			1	1	1	1
23	*302NR94010	PARTS CLUTCH 35 Z35R SP			4	4	4	4
24	*302NR94010	PARTS CLUTCH 35 Z35R SP	35ppm(A4),37ppm(Letter)/40ppm(A4),42ppm(Letter)		1	1	1	1
25	*302KV44041	CLUTCH 50 Z35R			1	1	1	1
26	302P794060	PARTS MOTOR EJECT SP			1	1	1	1
27	302NT94140	PARTS MOTOR-PM FUSER SP	40ppm(A4),42ppm(Letter)		1	1	1	1
28	302NT31090	PLATE MIDDLE DRIVE A	40ppm(A4),42ppm(Letter)		1	1	1	1
29	302NT31100	GEAR Z43R-Z16S	40ppm(A4),42ppm(Letter)		1	1	1	1
30	302NT31110	GEAR Z26S	40ppm(A4),42ppm(Letter)		1	1	1	1
A02	302NR93131	DR-5140	30ppm(A4),32ppm(Letter)	3:Design-chg.	1	1	1	1
A02	302NT93121	DR-5150	35ppm(A4),37ppm(Letter)	3:Design-chg.		1	1	1
31	*302K994323	PARTS MOTOR-BL W20 SP	30ppm(A4),32ppm(Letter)/35ppm(A4),37ppm(Letter)		3	3	3	3
A03	302NT93211	DR-5160	40ppm(A4),42ppm(Letter)	3:Design-chg.	1	1	1	1
32	*302NT94151	PARTS DC MOTOR ASSY SP	40ppm(A4),42ppm(Letter)	3:Design-chg.	2	2	2	2
33	*302K994323	PARTS MOTOR-BL W20 SP	40ppm(A4),42ppm(Letter)		1	1	1	1
101	7BB060305H1	+BIND M SCREW 3X5(BLUE)						
102	7BB700308H	+BIND T.T S SCREW 3X8 SR						
103	7BB000304H	+BIND M SCREW 3X4						
104	7BB100312H	+BIND T.T S SCREW 3X12						

• Parts with a Ref.No. of 500 and above in the illustration indicate they are not selected for service parts.

• イラスト中で 500 番台の Ref 番号が付いている部品はサービスパーツに選定されていません。

FIG. 13 Electrical Components 1

2TV/2TW/2TX

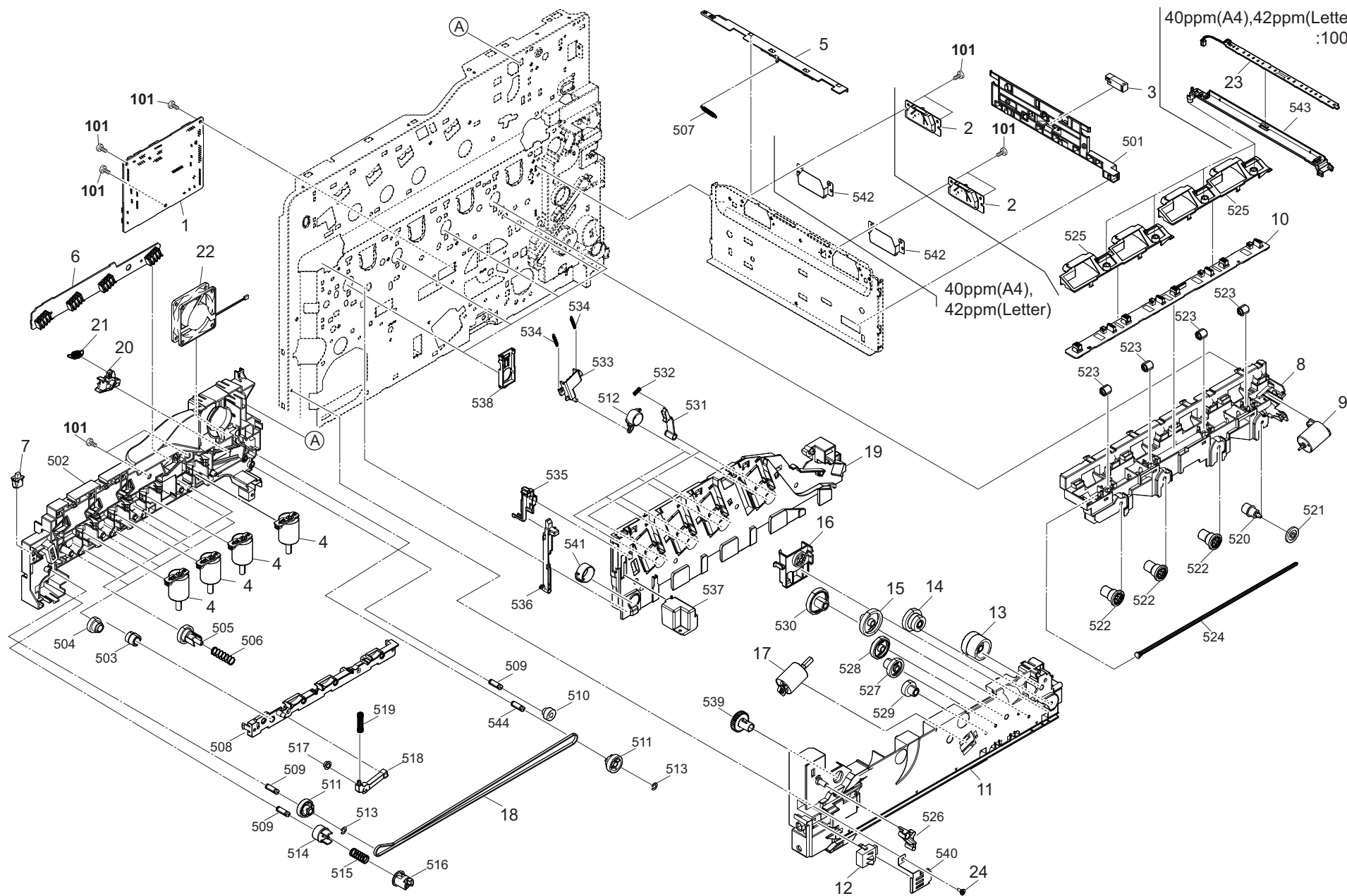


FIG. 13 Electrical Components 1

2TV/2TW/2TX-3

Ref. No. 番号	Part.No. 部品番号	Description 部品名称	Notes 備考	Revision 改訂	Quantity 個数			
					100(日本)	120	230	240
1	302TV94051	PARTS PWB ASSY ENGINE CONNECT SP	30ppm(A4),32ppm(Letter)	3:Design-chg.	1	1	1	1
1	302TW94041	PARTS PWB ASSY ENGINE CONNECT SP	35ppm(A4),37ppm(Letter)	3:Design-chg.		1	1	1
1	302TX94031	PARTS PWB ASSY ENGINE CONNECT SP	40ppm(A4),42ppm(Letter)	3:Design-chg.	1	1	1	1
2	302NR94020	PARTS ID SENSOR SP			2	2	2	2
3	303NW94040	PARTS SENSOR OPT. SP			1	1	1	1
4	302NR94081	PARTS DC MOTOR ASSY SP		3:Design-chg.	4	4	4	4
5	302NR94201	PARTS CLEANER ID ASSY SP		3:Design-chg.	1	1	1	1
6	302TV94060	PARTS PWB ASSY CONTAINER CONN SP			1	1	1	1
7	7SP01000004+H01	SW.PUSH			1	1	1	1
8	302NR33020	DUCT LEFT INNER			1	1	1	1
9	302NG94430	PARTS DC MOTOR ASSY SP		3:Part No-chg.	1	1	1	1
10	302NR94121	PARTS PWB ASSY DRUM CONNECT SP	30ppm(A4),32ppm(Letter)/35ppm(A4),37ppm(Letter)	3:Design-chg.	1	1	1	1
10	302NT94021	PARTS PWB ASSY DRUM CONNECT SP	40ppm(A4),42ppm(Letter)	3:Design-chg.	1	1	1	1
11	302NS02192	GUIDE CASSETTE LEFT			1	1	1	1
12	302HN44180	SWITCH SIZE			1	1	1	1
13	302NR31080	GEAR Z33R-Z32R			1	1	1	1
14	302KV02B80	GEAR Z28S-Z13S			1	1	1	1
15	302NR02930	GEAR Z41S			1	1	1	1
16	302NS02230	HOLDER GEAR			1	1	1	1
17	302NR94091	PARTS DC MOTOR ASSY SP		3:Design-chg.	1	1	1	1
18	302NR31570	BELT S2M Z350			1	1	1	1
19	302NR02170	GUIDE TOP LEFT			1	1	1	1
20	302NR02330	SLIDER CLEANER ID			1	1	1	1
21	302NR02340	SPRING SLIDER CLEANER			1	1	1	1
22	302FZ94420	PARTS,FAN COOLING CONVEYING SP			1	1	1	1
23	302NT94090	PARTS PWB ASSY DRUM HEATER SP	40ppm(A4),42ppm(Letter)		4			
24	303MH04040	PIN COVER			1	1	1	1
101	7BB700308H	+BIND T.T S SCREW 3X8 SR						

• Parts with a Ref.No. of 500 and above in the illustration indicate they are not selected for service parts.

• イラスト中で 500 番台の Ref 番号が付いている部品はサービスパーツに選定されていません。

FIG. 14 Electrical Components 2

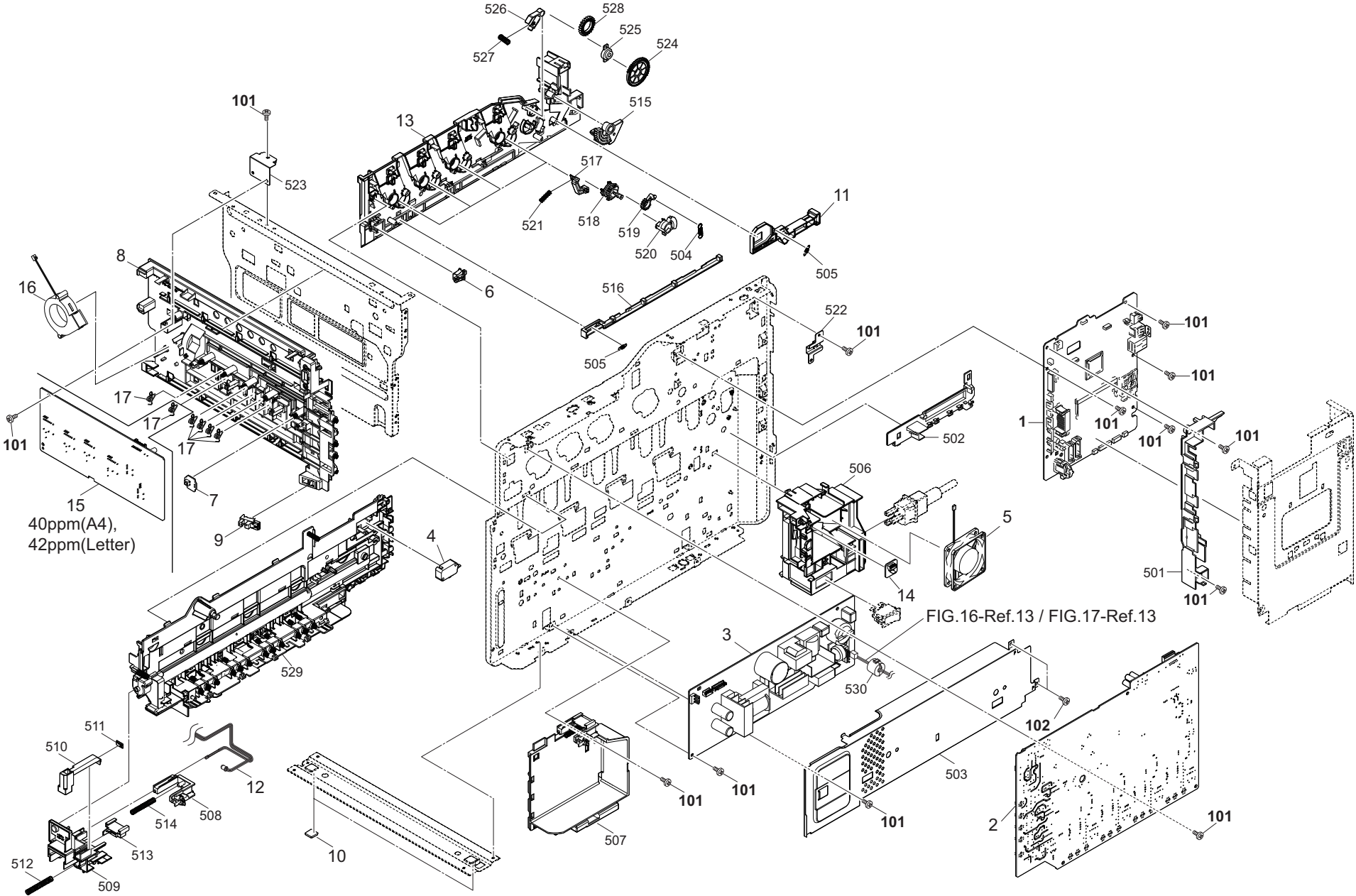


FIG. 14 Electrical Components 2

2TV/2TW/2TX-3

Ref. No. 番号	Part.No. 部品番号	Description 部品名称	Notes 備考	Revision 改訂	Quantity 個数			
					100(日本)	120	230	240
1	302TV94030	PARTS PWB ASSY MAIN SP	30ppm(A4),32ppm(Letter)		1	1		1
1	302TV94040	PARTS PWB ASSY MAIN EU SP	30ppm(A4),32ppm(Letter)				1	
1	302TW94020	PARTS PWB ASSY MAIN SP	35ppm(A4),37ppm(Letter)			1		1
1	302TW94030	PARTS PWB ASSY MAIN EU SP	35ppm(A4),37ppm(Letter)				1	
1	302TX94010	PARTS PWB ASSY MAIN SP	40ppm(A4),42ppm(Letter)		1	1		1
1	302TX94020	PARTS PWB ASSY MAIN EU SP	40ppm(A4),42ppm(Letter)				1	
2	302NR94030	PARTS HIGH VOLTAGE UNIT SP	30ppm(A4),32ppm(Letter)/35ppm(A4),37ppm(Letter)		1	1	1	1
2	302NT94010	PARTS HIGH VOLTAGE UNIT SP	40ppm(A4),42ppm(Letter)		1	1	1	1
3	302NR94050	PARTS SWITCHING REGULATOR 230V SP	30ppm(A4),32ppm(Letter)				1	1
3	302NS94020	PARTS SWITCHING REGULATOR 230V SP	35ppm(A4),37ppm(Letter)/40ppm(A4),42ppm(Letter)				1	1
3	302NR94040	PARTS SWITCHING REGULATOR 100V SP	30ppm(A4),32ppm(Letter)		1	1		
3	302NS94010	PARTS SWITCHING REGULATOR 100V SP	35ppm(A4),37ppm(Letter)/40ppm(A4),42ppm(Letter)		1	1		
4	7SM010104+++H01	SW.MICRO			1	1	1	1
5	302FZ94420	PARTS,FAN COOLING CONVEYING SP			1	1	1	1
6	7SP01000004+H01	SW.PUSH			1	1	1	1
7	302NR94161	PARTS PWB ASSY SWITCH SP		3:Design-chg.	1	1	1	1
8	302NR39011	BRACKET FRONT HV			1	1	1	1
9	302P794010	PARTS SENSOR OPT. SP			1	1	1	1
10	302HN02611	FOOT			2	2	2	2
11	302NR02140	LEVER INTERLOCK			1	1	1	1
12	302NR94070	PARTS TONER FULL DETECT ASSY SP			1	1	1	1
13	302NR02180	GUIDE TOP RIGHT			1	1	1	1
14	302M294130	PARTS PWB ASSY THERMISTOR SP			1	1	1	1
15	302K094271	PARTS HVU2 SP	40ppm(A4),42ppm(Letter)		1	1	1	1
16	302HN44210	FAN MOTOR			1	1	1	1
17	302NR39020	SPRING CONTACT HV PT	30ppm(A4),32ppm(Letter)/35ppm(A4),37ppm(Letter)	3:Add	5	5	5	5
17	302NR39020	SPRING CONTACT HV PT	40ppm(A4),42ppm(Letter)	3:Add	6	6	6	6
101	7BB700308H	+BIND T.T S SCREW 3X8 SR						
102	7BB200308H	+BIND T.T P SCREW 3X8						

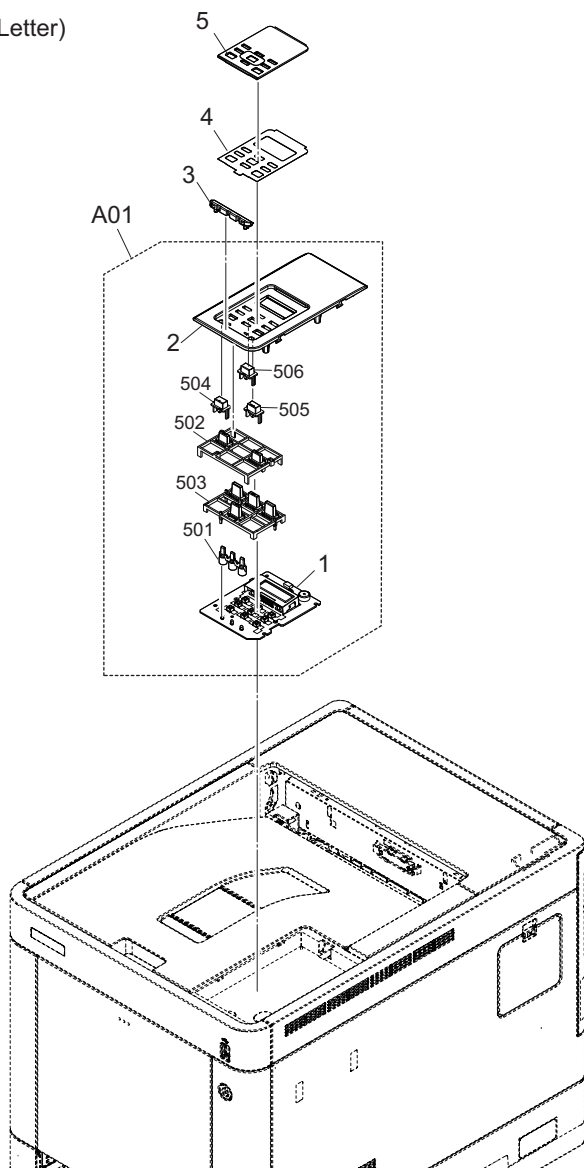
• Parts with a Ref.No. of 500 and above in the illustration indicate they are not selected for service parts.

• イラスト中で 500 番台の Ref 番号が付いている部品はサービスパーツに選定されていません。

FIG. 15 Operation Section

2TV/2TW/2TX

30ppm(A4),32ppm(Letter)



35ppm(A4),37ppm(Letter)/
40ppm(A4),42ppm(Letter)

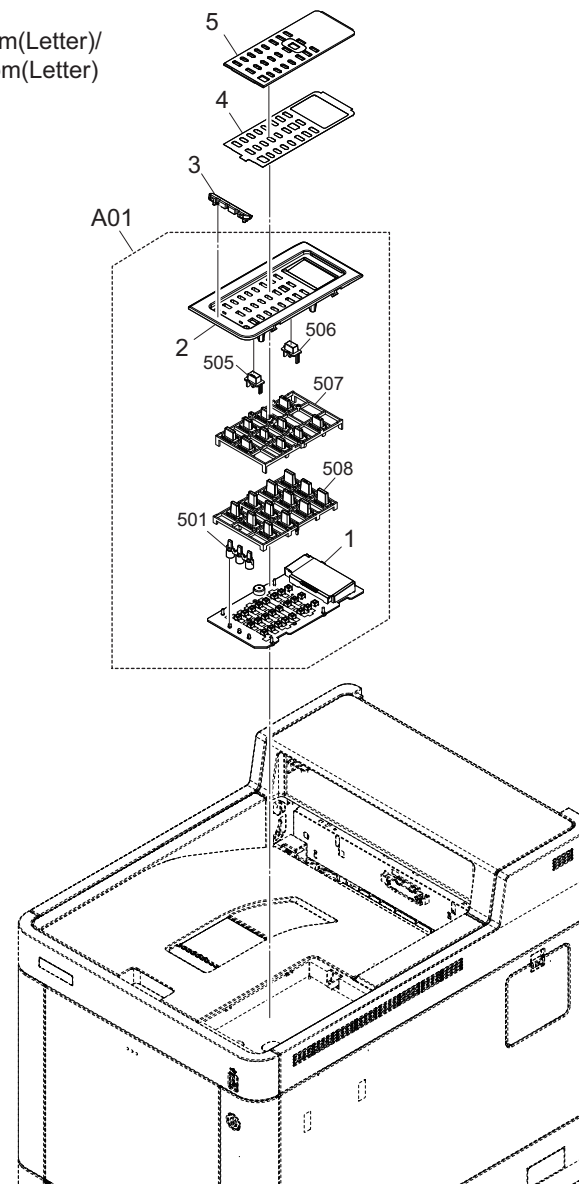


FIG. 15 Operation Section

2TV/2TW/2TX-3

Ref. No. 番号	Part.No. 部品番号	Description 部品名称	Notes 備考	Revision 改訂	Quantity 個数			
					100 (日本)	120	230	240
A01	302TV94021	PARTS OPERATION ASSY SP	30ppm(A4),32ppm(Letter)	3:Design-chg.	1	1	1	1
A01	302TW94011	PARTS OPERATION ASSY SP	35ppm(A4),37ppm(Letter)/40ppm(A4),42ppm(Letter)	3:Design-chg.	1	1	1	1
1	*302TV94070	PARTS PWB ASSY LCDCONT SP	30ppm(A4),32ppm(Letter)		1	1	1	1
1	*302TW94050	PARTS PWB ASSY LCDCONT SP	35ppm(A4),37ppm(Letter)/40ppm(A4),42ppm(Letter)		1	1	1	1
2	*302NR05010	COVER OPERATION	30ppm(A4),32ppm(Letter)		1	1	1	1
2	*302NS05010	COVER OPERATION	35ppm(A4),37ppm(Letter)/40ppm(A4),42ppm(Letter)		1	1	1	1
3	302NR05080	STOPPER PANEL			1	1	1	1
4	302TV05020	SHEET OPE JP	30ppm(A4),32ppm(Letter)		1			
4	302TV05030	SHEET OPE ENG	30ppm(A4),32ppm(Letter)			1	1	1
4	302TW05020	SHEET OPE JP	40ppm(A4),42ppm(Letter)		1			
4	302TW05030	SHEET OPE ENG	35ppm(A4),37ppm(Letter)/40ppm(A4),42ppm(Letter)			1	1	1
5	302TV05010	COVER PANEL	30ppm(A4),32ppm(Letter)		1	1	1	1
5	302TW05010	COVER PANEL	35ppm(A4),37ppm(Letter)			1	1	1
5	302TX05010	COVER PANEL	40ppm(A4),42ppm(Letter)		1	1	1	1

• Parts with a Ref.No. of 500 and above in the illustration indicate they are not selected for service parts.

• イラスト中で 500 番台の Ref 番号が付いている部品はサービスパーツに選定されていません。

FIG. 16 Wire Section 1 (30ppm(A4),32ppm(Letter))

2TV/2TW/2TX-1

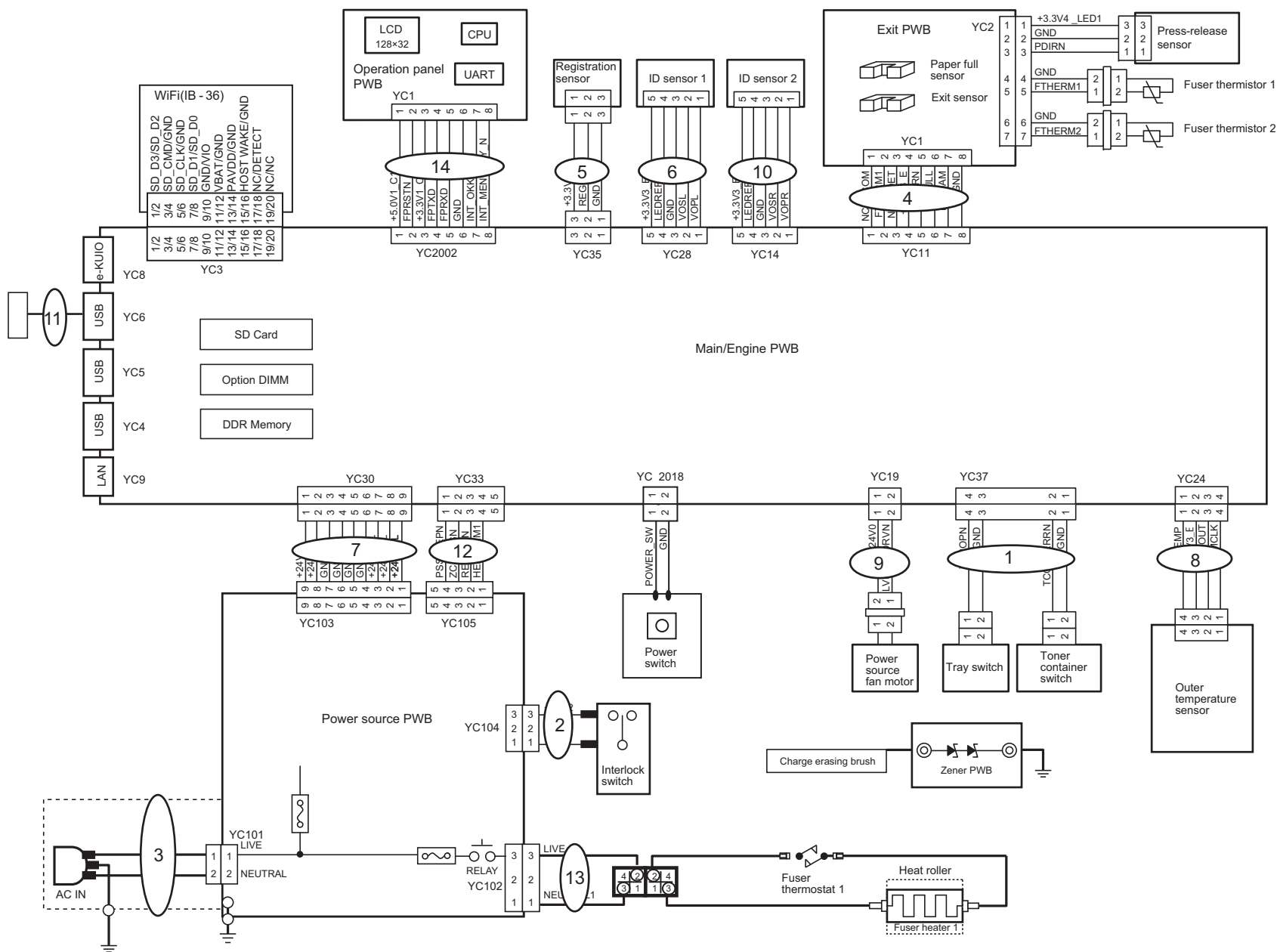


FIG. 16 Wire Section 1 (30ppm(A4),32ppm(Letter))

2TV/2TW/2TX-1

Ref. No. 番号	Part.No. 部品番号	Description 部品名称	Notes 備考	Revision 改訂	Quantity 個数			
					100 (日本)	120	230	240
1	302NR46090	CONN.CORD ASSY S03929 MAIN-CONTAINER SW			1	1	1	1
2	302NR46360	CONN.CORD ASSY S03966 LVU-INTERLOCK			1	1	1	1
3	302NR46410	CONN.CORD ASSY S03975 INLET			1	1	1	1
4	302NV46060	CONN.CORD ASSY S04078 MAIN-EXIT			1	1	1	1
5	302TV46040	CONN.CORD ASSY S04148 MAIN-REGIST			1	1	1	1
6	302TV46050	CONN.CORD ASSY S04149 MAIN-ID SENSOR(L)			1	1	1	1
7	302TV46060	CONN.CORD ASSY S04150 MAIN-LVU			1	1	1	1
8	302TV46100	CONN.CORD ASSY S04154 MAIN-THERMISTOR			1	1	1	1
9	302TV46110	CONN.CORD ASSY S04155 MAIN-LVU FAN			1	1	1	1
10	302TV46120	CONN.CORD ASSY S04161 MAIN-ID SENSOR(R)			1	1	1	1
11	302TV46150	CONN.CORD ASSY S04173 USB HOST			1	1	1	1
12	302TV46070	CONN.CORD ASSY S04151 MAIN-LVU			1	1	1	1
13	302NR46370	CONN.CORD ASSY S03967 LVU-HEATER CONNECT			1	1	1	1
14	302TV46030	CONN.CORD ASSY S04147 MAIN-LCD		1:Add	1	1	1	1

• Parts with a Ref.No. of 500 and above in the illustration indicate they are not selected for service parts.

• イラスト中で 500 番台の Ref 番号が付いている部品はサービスパーツに選定されていません。

FIG. 17 Wire Section 2 (35ppm(A4),37ppm(Letter)/40ppm(A4),42ppm(Letter))

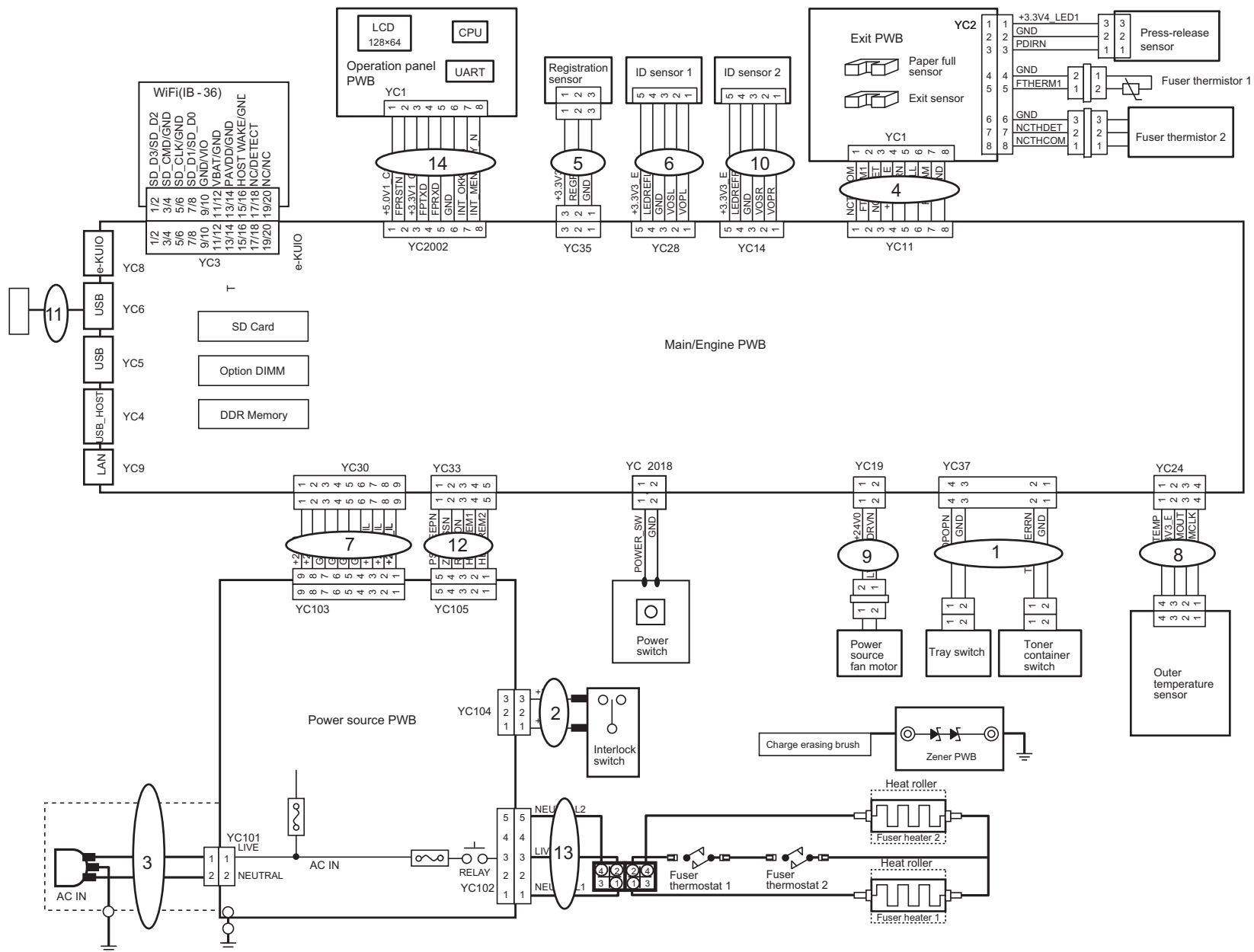


FIG. 17 Wire Section 2 (35ppm(A4),37ppm(Letter)/40ppm(A4),42ppm(Letter))

2TV/2TW/2TX-1

Ref. No. 番号	Part.No. 部品番号	Description 部品名称	Notes 備考	Revision 改訂	Quantity 個数			
					100(日本)	120	230	240
1	302NR46090	CONN.CORD ASSY S03929 MAIN-CONTAINER SW			1	1	1	1
2	302NR46360	CONN.CORD ASSY S03966 LVU-INTERLOCK			1	1	1	1
3	302NR46410	CONN.CORD ASSY S03975 INLET			1	1	1	1
4	302NV46060	CONN.CORD ASSY S04078 MAIN-EXIT			1	1	1	1
5	302TV46040	CONN.CORD ASSY S04148 MAIN-REGIST			1	1	1	1
6	302TV46050	CONN.CORD ASSY S04149 MAIN-ID SENSOR(L)			1	1	1	1
7	302TV46060	CONN.CORD ASSY S04150 MAIN-LVU			1	1	1	1
8	302TV46100	CONN.CORD ASSY S04154 MAIN-THERMISTOR			1	1	1	1
9	302TV46110	CONN.CORD ASSY S04155 MAIN-LVU FAN			1	1	1	1
10	302TV46120	CONN.CORD ASSY S04161 MAIN-ID SENSOR(R)			1	1	1	1
11	302TV46150	CONN.CORD ASSY S04173 USB HOST			1	1	1	1
12	302TW46020	CONN.CORD ASSY S04157 MAIN-LVU			1	1	1	1
13	302NT46070	CONN.CORD ASSY S03968 LVU-HEATER CONNECT			1	1	1	1
14	302TW46010	CONN.CORD ASSY S04156 MAIN-LCD		1:Add	1	1	1	1

• Parts with a Ref.No. of 500 and above in the illustration indicate they are not selected for service parts.

• イラスト中で 500 番台の Ref 番号が付いている部品はサービスパーツに選定されていません。

FIG. 18 Wire Section 3 (30ppm(A4),32ppm(Letter)/35ppm(A4),37ppm(Letter))

2TV/2TW/2TX

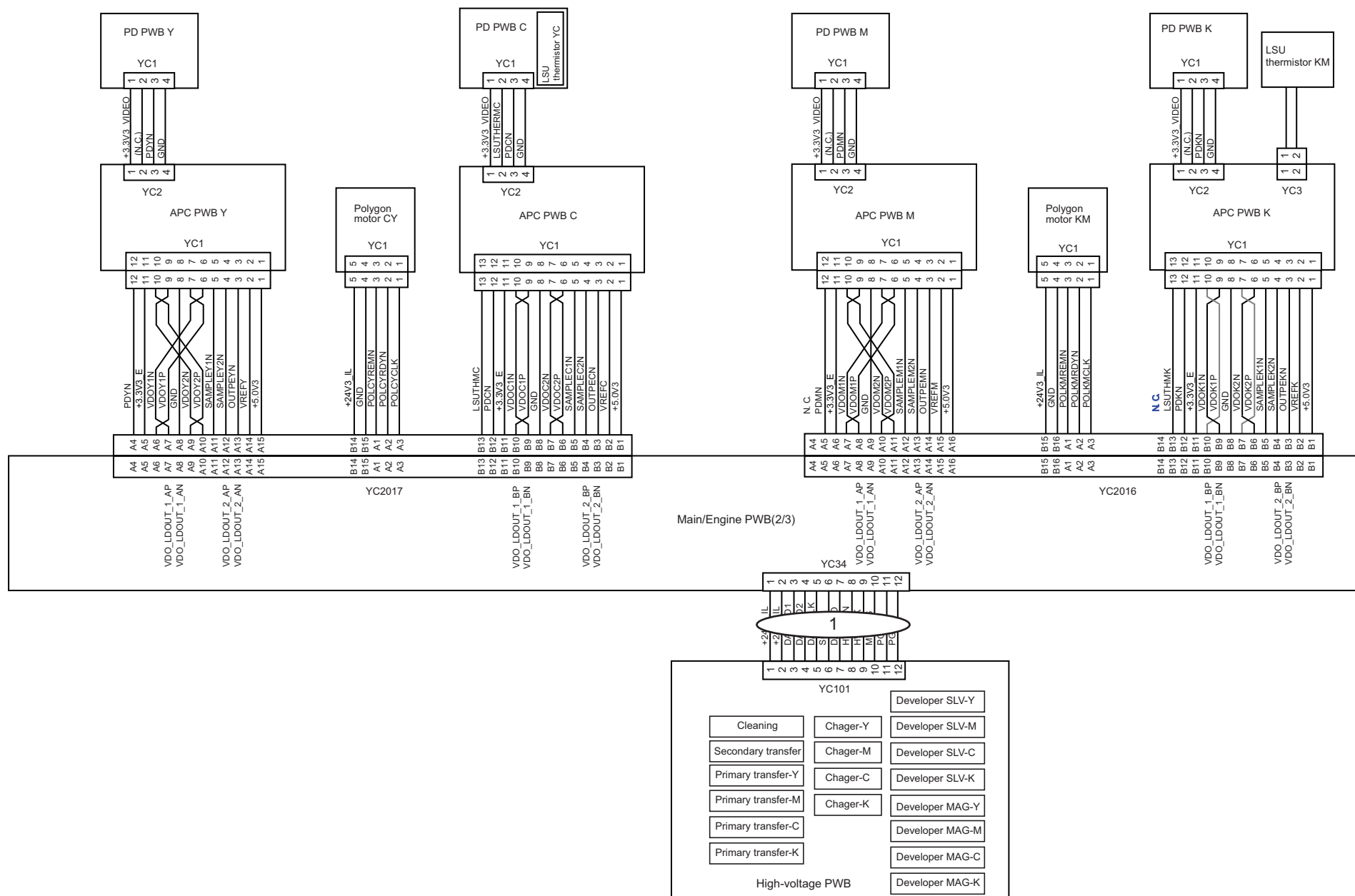


FIG. 18 Wire Section 3 (30ppm(A4),32ppm(Letter)/35ppm(A4),37ppm(Letter))

2TV/2TW/2TX

Ref. No. 番号	Part.No. 部品番号	Description 部品名称	Notes 備考	Revision 改訂	Quantity 個数			
					100(日本)	120	230	240
1	302NR46160	CONN.CORD ASSY S03940 MIAN-HVU OPC			1	1	1	1

• Parts with a Ref.No. of 500 and above in the illustration indicate they are not selected for service parts.

• イラスト中で 500 番台の Ref 番号が付いている部品はサービスパーツに選定されていません。

FIG. 19 Wire Section 4 (40ppm(A4),42ppm(Letter))

2TV/2TW/2TX

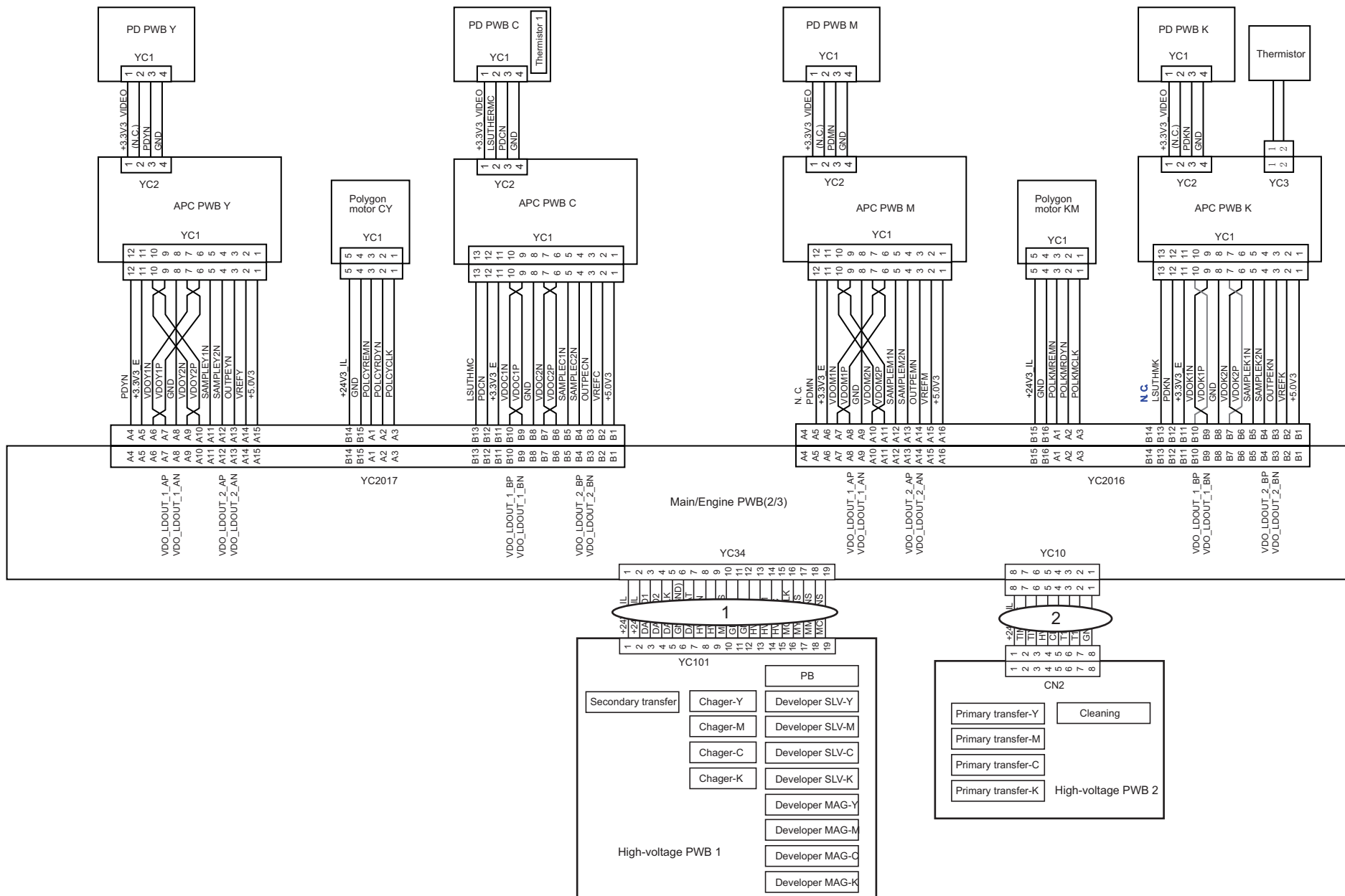


FIG. 20 Wire Section 5 (30ppm(A4),32ppm(Letter)/35ppm(A4),37ppm(Letter))

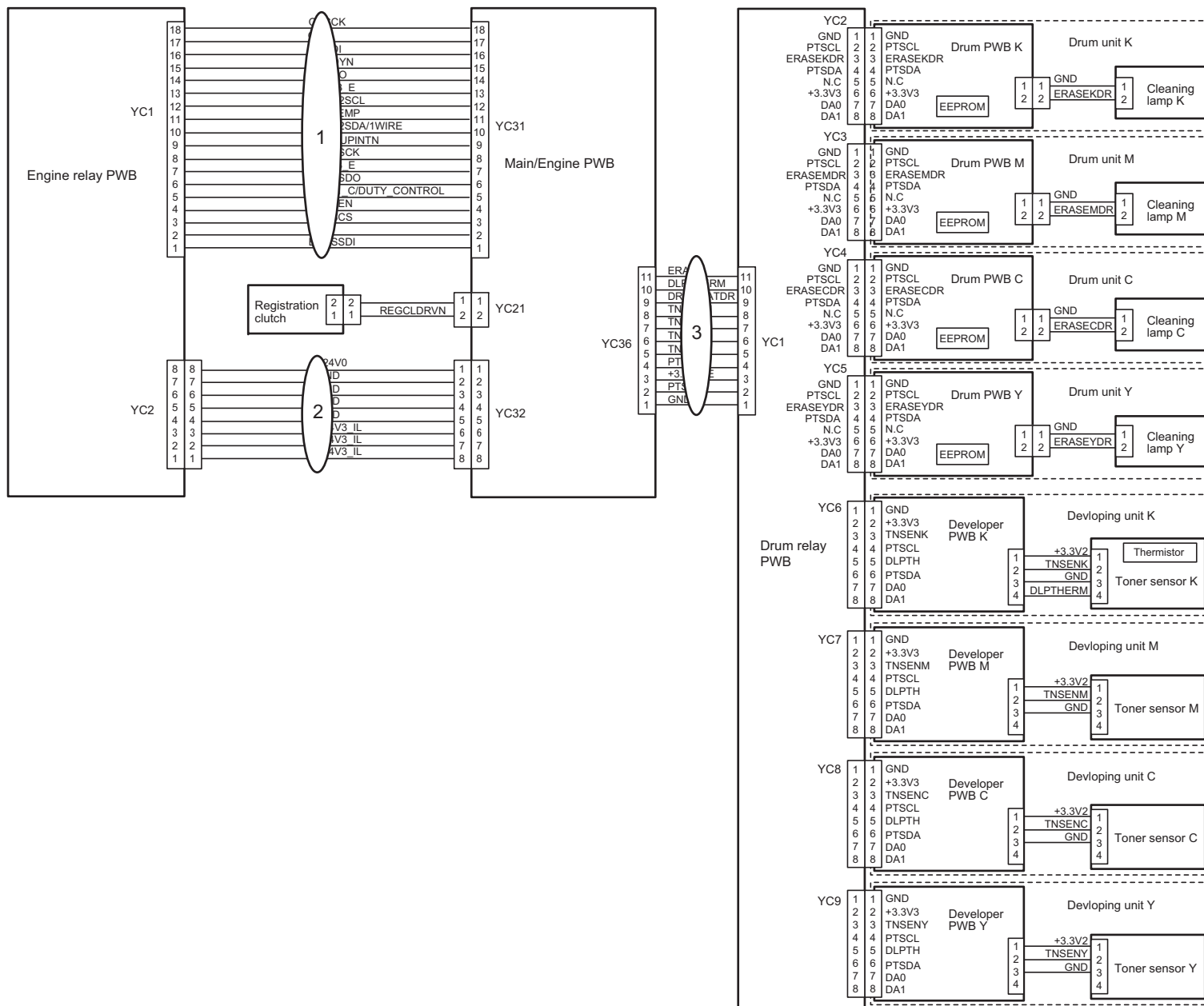


FIG. 21 Wire Section 6 (40ppm(A4),42ppm(Letter))

2TV/2TW/2TX

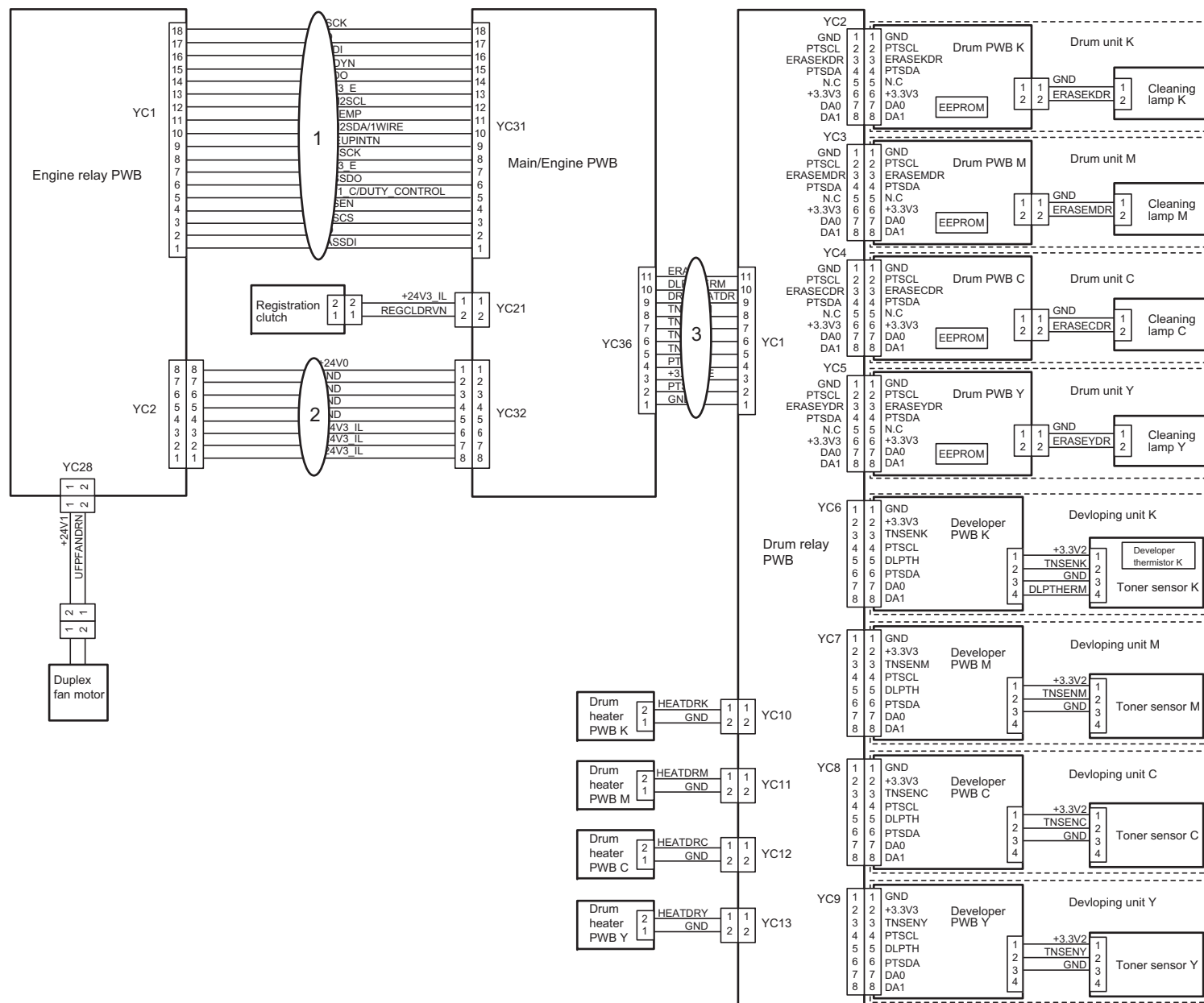


FIG. 22 Wire Section 7 (30ppm(A4),32ppm(Letter))

2TV/2TW/2TX-3

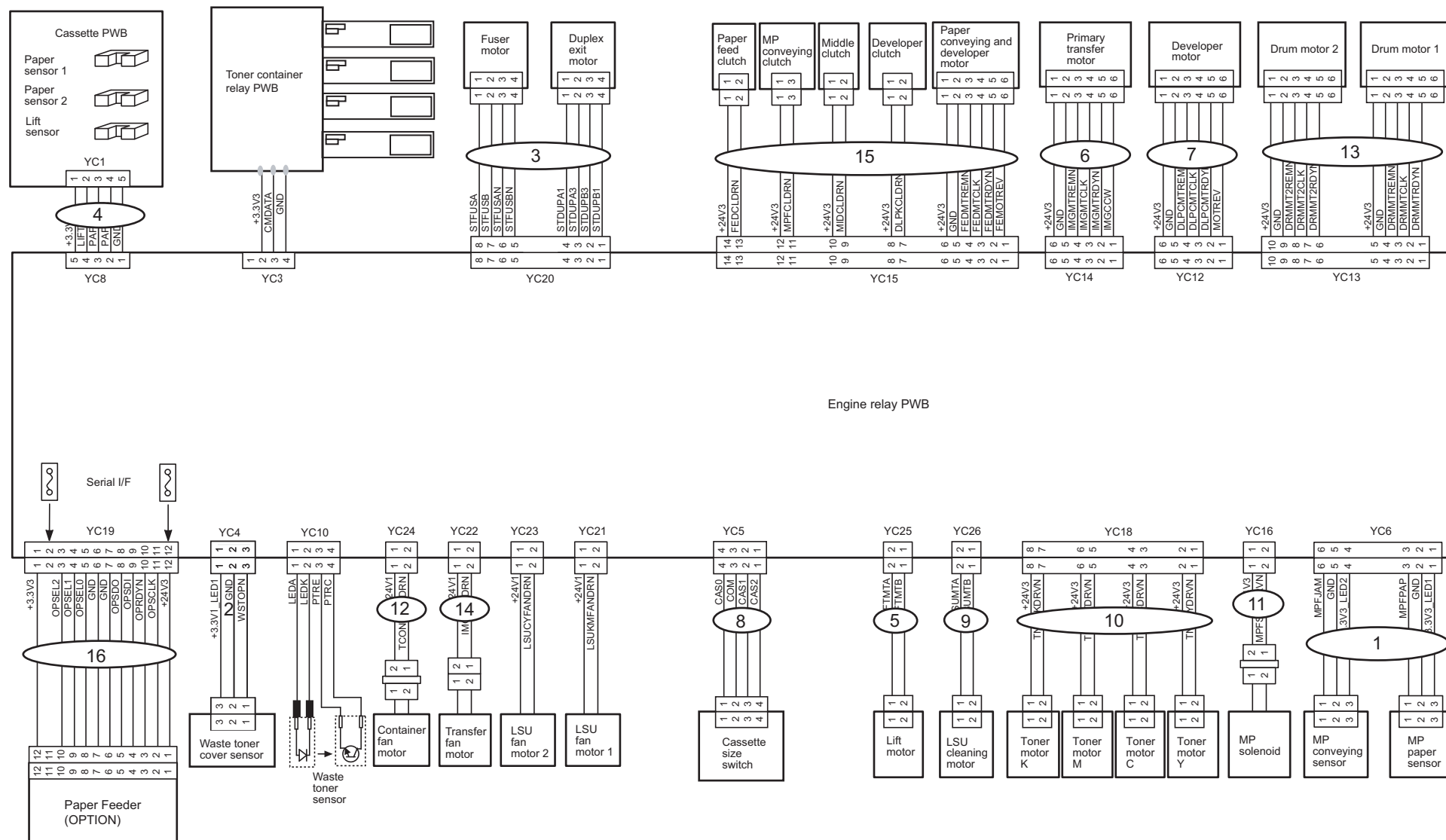


FIG. 22 Wire Section 7 (30ppm(A4),32ppm(Letter))

2TV/2TW/2TX-3

Ref. No. 番号	Part.No. 部品番号	Description 部品名称	Notes 備考	Revision 改訂	Quantity 個数			
					100(日本)	120	230	240
1	302NR46080	CONN.CORD ASSY S03928 ENGINE-MPF			1	1	1	1
2	302NR46110	CONN.CORD ASSY S03931 ENGINE-WASTE COVER			1	1	1	1
3	302NR46150	CONN.CORD ASSY S03939 ENGINE-FUSER MOT			1	1	1	1
4	302NR46200	CONN.CORD ASSY S03946 ENGINE-CASSETTE			1	1	1	1
5	302NR46210	CONN.CORD ASSY S03947 ENGINE-LIFT			1	1	1	1
6	302NR46230	CONN.CORD ASSY S03951 ENGINE-IMAGE MOT			1	1	1	1
7	302NR46240	CONN.CORD ASSY S03952 ENGINE-DLP MOT			1	1	1	1
8	302NR46270	CONN.CORD ASSY S03957 ENGINE-CASSETTE SW			1	1	1	1
9	302NR46290	CONN.CORD ASSY S03959 ENGINE-LSU CL			1	1	1	1
10	302NR46300	CONN.CORD ASSY S03960 ENGINE-TONER MOT			1	1	1	1
11	302NR46310	CONN.CORD ASSY S03961 ENGINE-SOLENOID			1	1	1	1
12	302NR46330	CONN.CORD ASSY S03963 ENGINE-CONTAIN FAN			1	1	1	1
13	302NR46490	CONN.CORD ASSY S04090 ENGINE-DRUM MOT			1	1	1	1
14	302NR46320	CONN.CORD ASSY S03962 ENGINE-IMAGE FAN			1	1	1	1
15	302NR46390	CONN.CORD ASSY S03971 ENGINE-FEED MOT			1	1	1	1
16	302NR46250	CONN.CORD ASSY S03955 ENGINE-PF		3:Add	1	1	1	1

• Parts with a Ref.No. of 500 and above in the illustration indicate they are not selected for service parts.

• イラスト中で 500 番台の Ref 番号が付いている部品はサービスパーツに選定されていません。

FIG. 23 Wire Section 8 (35ppm(A4),37ppm(Letter)/40ppm(A4),42ppm(Letter))

2TV/2TW/2TX-3

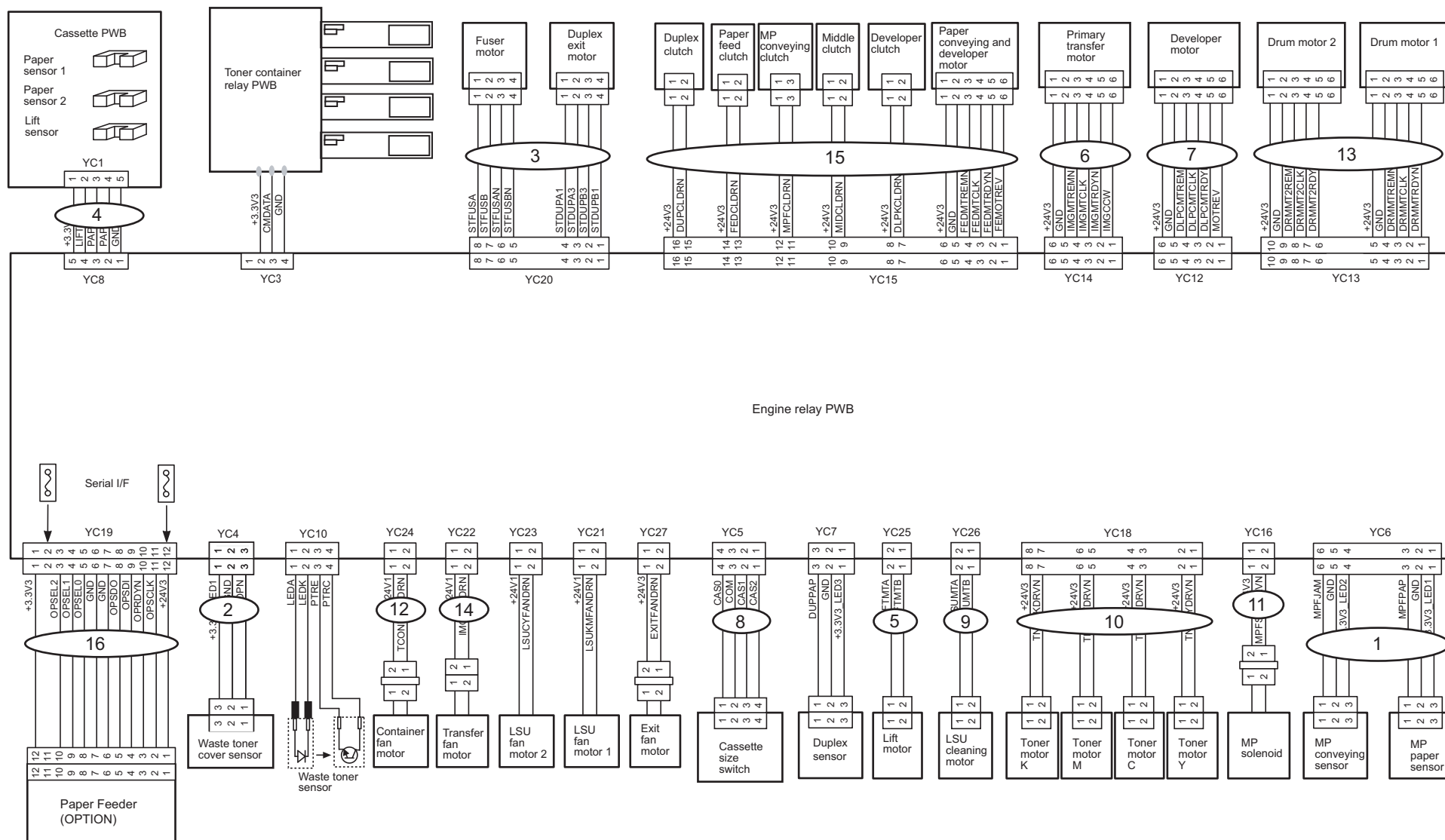


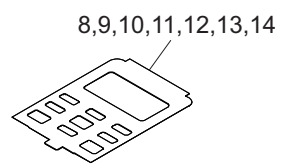
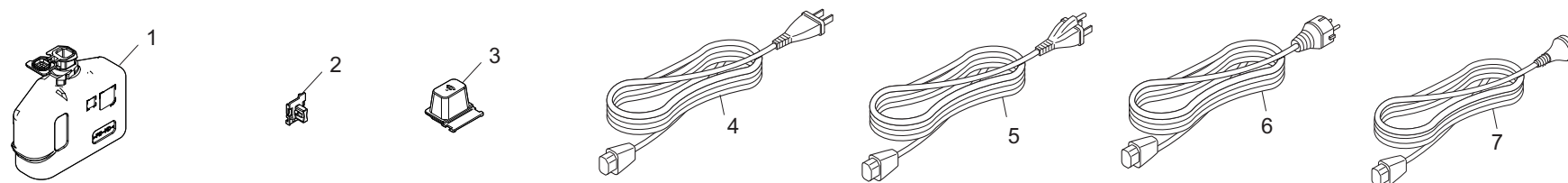
FIG. 23 Wire Section 8 (35ppm(A4),37ppm(Letter)/40ppm(A4),42ppm(Letter))

2TV/2TW/2TX-3

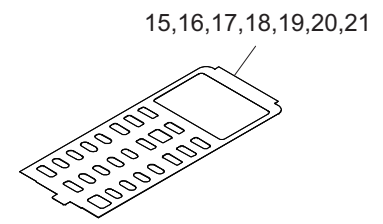
Ref. No. 番号	Part.No. 部品番号	Description 部品名称	Notes 備考	Revision 改訂	Quantity 個数			
					100(日本)	120	230	240
1	302NR46080	CONN.CORD ASSY S03928 ENGINE-MPF			1	1	1	1
2	302NR46110	CONN.CORD ASSY S03931 ENGINE-WASTE COVER			1	1	1	1
3	302NR46150	CONN.CORD ASSY S03939 ENGINE-FUSER MOT	35ppm(A4),37ppm(Letter)		1	1	1	1
3	302NT46120	CONN.CORD ASSY S04130 ENGINE-FUSER MOT	40ppm(A4),42ppm(Letter)		1	1	1	1
4	302NR46200	CONN.CORD ASSY S03946 ENGINE-CASSETTE			1	1	1	1
5	302NR46210	CONN.CORD ASSY S03947 ENGINE-LIFT			1	1	1	1
6	302NR46230	CONN.CORD ASSY S03951 ENGINE-IMAGE MOT			1	1	1	1
7	302NR46240	CONN.CORD ASSY S03952 ENGINE-DLP MOT			1	1	1	1
8	302NR46270	CONN.CORD ASSY S03957 ENGINE-CASSETTE SW			1	1	1	1
9	302NR46290	CONN.CORD ASSY S03959 ENGINE-LSU CL			1	1	1	1
10	302NR46300	CONN.CORD ASSY S03960 ENGINE-TONER MOT			1	1	1	1
11	302NR46310	CONN.CORD ASSY S03961 ENGINE-SOLENOID			1	1	1	1
12	302NR46330	CONN.CORD ASSY S03963 ENGINE-CONTAIN FAN			1	1	1	1
13	302NR46490	CONN.CORD ASSY S04090 ENGINE-DRUM MOT			1	1	1	1
14	302NR46320	CONN.CORD ASSY S03962 ENGINE-IMAGE FAN			1	1	1	1
15				1:Del				
15	302NT46050	CONN.CORD ASSY S03950 ENGINE-FEED MOT	35ppm(A4),37ppm(Letter)/40ppm(A4),42ppm(Letter)	1:Others	1	1	1	1
16	302NR46250	CONN.CORD ASSY S03955 ENGINE-PF		3:Add	1	1	1	1

• Parts with a Ref.No. of 500 and above in the illustration indicate they are not selected for service parts.

• イラスト中で 500 番台の Ref 番号が付いている部品はサービスパーツに選定されていません。



30ppm(A4),32ppm(Letter)



35ppm(A4),37ppm(Letter)/
40ppm(A4),42ppm(Letter)

FIG. 24 Accessories

2TV/2TW/2TX-3

Ref. No. 番号	Part.No. 部品番号	Description 部品名称	Notes 備考	Revision 改訂	Quantity 個数			
					100 (日本)	120	230	240
1	302NR93151	WT-5140		3:Design-chg.	1	1	1	1
2	302RH39200	HOLDER WIFI	30ppm(A4),32ppm(Letter)		1	1	1	1
3	302TV04030	COVER WIFI	30ppm(A4),32ppm(Letter)		1	1	1	1
4	7AAACCJP+15H007	AC CORD ASSY JP	30ppm(A4),32ppm(Letter)/40ppm(A4),42ppm(Letter)		1			
5	3019527401	POWER CORD(120)				1		
6	302FV94010	PARTS AC CORD EU SP					1	
7	302FV45040	AC CORD ASSY						1
8	302TV05040	SHEET OPE GER	30ppm(A4),32ppm(Letter)				1	
9	302TV05050	SHEET OPE FRA	30ppm(A4),32ppm(Letter)			1	1	
10	302TV05060	SHEET OPE ITA	30ppm(A4),32ppm(Letter)				1	
11	302TV05070	SHEET OPE SPA	30ppm(A4),32ppm(Letter)			1	1	
12	302TV05100	SHEET OPE PTB	30ppm(A4),32ppm(Letter)			1	1	
13	302TV05080	SHEET OPE DUT	30ppm(A4),32ppm(Letter)				1	
14	302TV05090	SHEET OPE RUS	30ppm(A4),32ppm(Letter)				1	
15	302TW05040	SHEET OPE GER	35ppm(A4),37ppm(Letter)/40ppm(A4),42ppm(Letter)				1	
16	302TW05050	SHEET OPE FRA	35ppm(A4),37ppm(Letter)/40ppm(A4),42ppm(Letter)			1	1	
17	302TW05060	SHEET OPE ITA	35ppm(A4),37ppm(Letter)/40ppm(A4),42ppm(Letter)				1	
18	302TW05070	SHEET OPE SPA	35ppm(A4),37ppm(Letter)/40ppm(A4),42ppm(Letter)			1	1	
19	302TW05100	SHEET OPE PTB	35ppm(A4),37ppm(Letter)/40ppm(A4),42ppm(Letter)			1	1	
20	302TW05080	SHEET OPE DUT	35ppm(A4),37ppm(Letter)/40ppm(A4),42ppm(Letter)				1	
21	302TW05090	SHEET OPE RUS	35ppm(A4),37ppm(Letter)/40ppm(A4),42ppm(Letter)				1	

• Parts with a Ref.No. of 500 and above in the illustration indicate they are not selected for service parts.

• イラスト中で 500 番台の Ref 番号が付いている部品はサービスパーツに選定されていません。

FIG. 25 Maintenance Kits (30ppm(A4),32ppm(Letter))

2TV/2TW/2TX-3

Ref. No. 番号	Part.No. 部品番号	Description 部品名称	Notes 備考	Revision 改訂	Quantity 個数			
					100 (日本)	120	230	240
	1702NR9JP1	MK-5141/MAINTENANCE KIT	OPTION	3:Part No-chg.	1			
	*302NR9J022	DV-5140(K)(J)		3:Design-chg.	1			
	*302NR9J032	DV-5140(Y)(J)		3:Design-chg.	1			
	*302NR9J042	DV-5140(M)(J)		3:Design-chg.	1			
	*302NR9J052	DV-5140(C)(J)		3:Design-chg.	1			
	*302NR93014	DK-5140		3:Design-chg.	4			
	*302NR93062	TR-5140		3:Design-chg.	1			
	*302NR93101	FK-5141			1			
	*302KV94191	PARTS HOLDER FEED ASSY SP			1			
	*302NR94331	PARTS ROLLER TRANSFER SP		3:Design-chg.	1			
	*302NT94062	PARTS RETARD ASSY SP		3:Design-chg.	1			
	1702NR7US1	MK-5142/MAINTENANCE KIT	OPTION	3:Part No-chg.				
	*302NR93022	DV-5140(K)		3:Design-chg.		1		
	*302NR93032	DV-5140(Y)		3:Design-chg.		1		
	*302NR93042	DV-5140(M)		3:Design-chg.		1		
	*302NR93052	DV-5140(C)		3:Design-chg.		1		
	*302NR93014	DK-5140		3:Design-chg.		4		
	*302NR93062	TR-5140		3:Design-chg.		1		
	*302NR93111	FK-5142				1		
	*302KV94191	PARTS HOLDER FEED ASSY SP				1		
	*302NR94331	PARTS ROLLER TRANSFER SP		3:Design-chg.		1		
	*302NT94062	PARTS RETARD ASSY SP		3:Design-chg.		1		
	1702NR8NL1	MK-5140/MAINTENANCE KIT	OPTION	3:Part No-chg.			1	
	1702NR8AS1	MK-5144/MAINTENANCE KIT	OPTION	3:Part No-chg.				1
	*302NR93022	DV-5140(K)		3:Design-chg.			1	1
	*302NR93032	DV-5140(Y)		3:Design-chg.			1	1
	*302NR93042	DV-5140(M)		3:Design-chg.			1	1
	*302NR93052	DV-5140(C)		3:Design-chg.			1	1
	*302NR93014	DK-5140		3:Design-chg.			1	1
	*302NR93062	TR-5140		3:Design-chg.			1	1
	*302NR93091	FK-5140					1	1
	*302KV94191	PARTS HOLDER FEED ASSY SP					4	4
	*302NR94331	PARTS ROLLER TRANSFER SP		3:Design-chg.			1	1
	*302NT94062	PARTS RETARD ASSY SP		3:Design-chg.			1	1

• Parts with a Ref.No. of 500 and above in the illustration indicate they are not selected for service parts.

• イラスト中で 500 番台の Ref 番号が付いている部品はサービスパーツに選定されていません。

FIG. 26 Maintenance Kits (35ppm(A4),37ppm(Letter))

2TV/2TW/2TX-3

Ref. No. 番号	Part.No. 部品番号	Description 部品名称	Notes 備考	Revision 改訂	Quantity 個数			
					100(日本)	120	230	240
	1702NS7US2	MK-5152/MAINTENANCE KIT	OPTION	2:Others/3:Part No-chg.				
	*302NS93013	DV-5150(K)		3:Design-chg.		1		
	*302NS93023	DV-5150(Y)		3:Design-chg.		1		
	*302NS93033	DV-5150(M)		3:Design-chg.		1		
	*302NS93043	DV-5150(C)		3:Design-chg.		1		
	*302NR93014	DK-5140		3:Design-chg.		4		
	*302NR93062	TR-5140		3:Design-chg.		1		
	*302NT93112	FK-5162				1		
	*302KV94191	PARTS HOLDER FEED ASSY SP				1		
	*302NR94331	PARTS ROLLER TRANSFER SP		3:Design-chg.		1		
	*302NT94062	PARTS RETARD ASSY SP		3:Design-chg.		1		
	1702NS8NL2	MK-5150/MAINTENANCE KIT	OPTION	2:Others/3:Part No-chg.			1	
	1702NS8AS2	MK-5154/MAINTENANCE KIT	OPTION	2:Others/3:Part No-chg.				1
	*302NS93013	DV-5150(K)		3:Design-chg.			1	1
	*302NS93023	DV-5150(Y)		3:Design-chg.			1	1
	*302NS93033	DV-5150(M)		3:Design-chg.			1	1
	*302NS93043	DV-5150(C)		3:Design-chg.			1	1
	*302NR93014	DK-5140		3:Design-chg.			4	4
	*302NR93062	TR-5140		3:Design-chg.			1	1
	*302NT93092	FK-5160					1	1
	*302KV94191	PARTS HOLDER FEED ASSY SP					1	1
	*302NR94331	PARTS ROLLER TRANSFER SP		3:Design-chg.			1	1
	*302NT94062	PARTS RETARD ASSY SP		3:Design-chg.			1	1

• Parts with a Ref.No. of 500 and above in the illustration indicate they are not selected for service parts.

• イラスト中で 500 番台の Ref 番号が付いている部品はサービスパーツに選定されていません。

FIG. 27 Maintenance Kits (40ppm(A4),42ppm(Letter))

2TV/2TW/2TX-3

Ref. No. 番号	Part.No. 部品番号	Description 部品名称	Notes 備考	Revision 改訂	Quantity 個数			
					100 (日本)	120	230	240
	1702TX9JP1	MK-5291/MAINTENANCE KIT	OPTION	3:Part No-chg.	1			
	*302TX9J061	DV-5290(K) (J)		3:Design-chg.	1			
	*302TX9J071	DV-5290(Y) (J)		3:Design-chg.	1			
	*302TX9J081	DV-5290(M) (J)		3:Design-chg.	1			
	*302TX9J091	DV-5290(C) (J)		3:Design-chg.	1			
	*302NT93011	DK-5160			4			
	*302NT93062	TR-5160		3:Design-chg.	1			
	*302TX93051	FK-5291		3:Design-chg.	1			
	*302KV94191	PARTS HOLDER FEED ASSY SP			1			
	*302NT94161	PARTS ROLLER TRANSFER ASSY SP		3:Design-chg.	1			
	*302NT94062	PARTS RETARD ASSY SP		3:Design-chg.	1			
	1702TX7US1	MK-5292/MAINTENANCE KIT	OPTION	3:Part No-chg.		1		
	*302TX93061	DV-5290(K)		3:Design-chg.		1		
	*302TX93071	DV-5290(Y)		3:Design-chg.		1		
	*302TX93081	DV-5290(M)		3:Design-chg.		1		
	*302TX93091	DV-5290(C)		3:Design-chg.		1		
	*302NT93011	DK-5160				4		
	*302NT93062	TR-5160		3:Design-chg.		1		
	*302TX93041	FK-5292		3:Design-chg.		1		
	*302KV94191	PARTS HOLDER FEED ASSY SP				1		
	*302NT94161	PARTS ROLLER TRANSFER ASSY SP		3:Design-chg.		1		
	*302NT94062	PARTS RETARD ASSY SP		3:Design-chg.		1		
	1702TX8NL1	MK-5290/MAINTENANCE KIT	OPTION	3:Part No-chg.			1	
	1702TX8AS1	MK-5294/MAINTENANCE KIT	OPTION	3:Part No-chg.				1
	*302TX93061	DV-5290(K)		3:Design-chg.			1	1
	*302TX93071	DV-5290(Y)		3:Design-chg.			1	1
	*302TX93081	DV-5290(M)		3:Design-chg.			1	1
	*302TX93091	DV-5290(C)		3:Design-chg.			1	1
	*302NT93011	DK-5160					4	4
	*302NT93062	TR-5160		3:Design-chg.			1	1
	*302TX93031	FK-5290		3:Design-chg.			1	1
	*302KV94191	PARTS HOLDER FEED ASSY SP					1	1
	*302NT94161	PARTS ROLLER TRANSFER ASSY SP		3:Design-chg.			1	1
	*302NT94062	PARTS RETARD ASSY SP		3:Design-chg.			1	1

• Parts with a Ref.No. of 500 and above in the illustration indicate they are not selected for service parts.

• イラスト中で 500 番台の Ref 番号が付いている部品はサービスパーツに選定されていません。

INDEX / 索引

Part.No. 部品番号	Description 部品名称	Fig.No.
1702NR7US1	MK-5142/MAINTENANCE KIT	25
1702NR8AS1	MK-5144/MAINTENANCE KIT	25
1702NR8NL1	MK-5140/MAINTENANCE KIT	25
1702NR9JP1	MK-5141/MAINTENANCE KIT	25
1702NS7US2	MK-5152/MAINTENANCE KIT	26
1702NS8AS2	MK-5154/MAINTENANCE KIT	26
1702NS8NL2	MK-5150/MAINTENANCE KIT	26
1702TX7US1	MK-5292/MAINTENANCE KIT	27
1702TX8AS1	MK-5294/MAINTENANCE KIT	27
1702TX8NL1	MK-5290/MAINTENANCE KIT	27
1702TX9JP1	MK-5291/MAINTENANCE KIT	27
2FM04150	CAP SPRING/B-11 ENCLOSURE A4	4, 5
3019527401	POWER CORD(120)	24
302F909171	RETARD ROLLER ASSY	3
302F929050	PULLEY FEED DU	4
302FV45040	AC CORD ASSY	24
302FV94010	PARTS AC CORD EU SP	24
302FZ94420	PARTS,FAN COOLING CONVEYING SP	5, 13, 14
302GR44150	SOLENOID TONER	12
302HNO1240	P.W.BOARD ASSY FUSER ZENER	4
302HNO2611	FOOT	14
302HNO8140	LUTCH	1
302HNO9170	GEAR Z13S JOINT	2
302HNN31650	SPRING INPUT MPF	12
302HNN44180	SWITCH SIZE	13
302HNN44210	FAN MOTOR	5, 14
302HS08260	ROLLER M/P ASSY	4
302J901030	P.W.BOARD ASSY FUSER ZENER	4
302K094271	PARTS HVU2 SP	14
302K994323	PARTS MOTOR-BL W20 SP	12
302KV02B80	GEAR Z28S-Z13S	13
302KV04130	STRAP COVER REAR	1
302KV06151	SHAFT FEED	3
302KV06171	ACTUATOR PE	3
302KV06180	RELEASE ACTUATOR PE	3
302KV06201	SPRING ACT	3
302KV06341	ACTUATOR B	3
302KV06370	PIN FEED	3
302KV09250	GEAR Z13	2
302KV31410	BUSH DRIVE	12
302KV31440	GEAR Z23L	12
302KV44041	CLUTCH 50 Z35R	12
302KV94191	PARTS HOLDER FEED ASSY SP	3, 25, 26, 27
302KV94340	PARTS PWB ASSY CASSETTE SP	3
302LC94292	PARTS MOTOR-BL W10 SP	12
302M294130	PARTS PWB ASSY THERMISTOR SP	14
302MC34040	LABEL PUSH	5
302NG94220	PARTS FAN MOTOR SP	12
302NG94430	PARTS DC MOTOR ASSY SP	13
302NR02140	LEVER INTERLOCK	14

Part.No. 部品番号	Description 部品名称	Fig.No.
302NR02170	GUIDE TOP LEFT	13
302NR02180	GUIDE TOP RIGHT	14
302NR02330	SLIDER CLEANER ID	13
302NR02340	SPRING SLIDER CLEANER	13
302NR02930	GEAR Z41S	13
302NR04020	LID TOP PRINTER	1
302NR04030	COVER LEFT	1
302NR04040	COVER RIGHT	1
302NR04051	COVER FRONT	1
302NR04060	COVER LEFT UPPER	1
302NR04070	COVER RIGHT UPPER	1
302NR04080	COVER FRONT UPPER	1
302NR04090	COVER WASTE	1
302NR04140	COVER INNER LEFT	1
302NR04150	COVER INNER RIGHT	1
302NR04190	COVER MEMORY	1
302NR04210	DUCT LID TOP	1
302NR04220	STAY LID TOP	1
302NR04250	HOLDER MAIN SWITCH	1
302NR05010	COVER OPERATION	15
302NR05080	STOPPER PANEL	15
302NR06040	COVER RETARD	3
302NR06210	GUIDE PICK HOLDER	3
302NR06511	FRAME FEED	3
302NR06590	PAD REGIST FEED	3
302NR06620	SPRING ACTUATOR	3
302NR08040	FRAME MPF	4
302NR08101	GUIDE MPF FEED UP	4
302NR08111	GUIDE MPF FEED LOW A	4
302NR08130	GUIDE MPF FEED LOW B	4
302NR08220	SPRING PULLEY MPF	4
302NR09070	WORKPLATE LIFT	2
302NR28090	SHAFT EXIT	4, 5
302NR29020	HOOK DU RELEASE	5
302NR31060	GEAR Z24L	12
302NR31080	GEAR Z33R-Z32R	13
302NR31150	HOUSING MPF DRIVE A	12
302NR31161	HOUSING MPF DRIVE B	12
302NR31180	GEAR Z31R-Z24S	12
302NR31190	GEAR INPUT A Z36S	12
302NR31200	GEAR INPUT B Z36S	12
302NR31210	PIN DRIVE MPF A	12
302NR31220	PLATE MIDDLE DRIVE	12
302NR31230	GEAR Z35R	12
302NR31240	GEAR Z63R-Z24R	12
302NR31250	GEAR Z44R-Z16S	12
302NR31260	GEAR Z26S	12
302NR31570	BELT S2M Z350	13
302NR31630	CAM MPF	12
302NR31810	GEAR Z14L MPF	12

Part.No. 部品番号	Description 部品名称	Fig.No.
302NR33020	DUCT LEFT INNER	13
302NR34010	SHEET EMBLEM	1
302NR34020	LABEL JAM	1
302NR34090	LABEL PUSH SET	5
302NR39011	BRACKET FRONT HV	14
302NR39020	SPRING CONTACT HV PT	14
302NR46080	CONN.CORD ASSY S03928 ENGINE-MPF	22, 23
302NR46090	CONN.CORD ASSY S03929 MAIN-CONTAINER SW	16, 17
302NR46110	CONN.CORD ASSY S03931 ENGINE-WASTE COVER	22, 23
302NR46150	CONN.CORD ASSY S03939 ENGINE-FUSER MOT	22, 23
302NR46160	CONN.CORD ASSY S03940 MIAN-HVU OPC	18
302NR46200	CONN.CORD ASSY S03946 ENGINE-CASSETTE	22, 23
302NR46210	CONN.CORD ASSY S03947 ENGINE-LIFT	22, 23
302NR46230	CONN.CORD ASSY S03951 ENGINE-IMAGE MOT	22, 23
302NR46240	CONN.CORD ASSY S03952 ENGINE-DLP MOT	22, 23
302NR46250	CONN.CORD ASSY S03955 ENGINE-PF	22, 23
302NR46270	CONN.CORD ASSY S03957 ENGINE-CASSETTE SW	22, 23
302NR46290	CONN.CORD ASSY S03959 ENGINE-LSU CL	22, 23
302NR46300	CONN.CORD ASSY S03960 ENGINE-TONER MOT	22, 23
302NR46310	CONN.CORD ASSY S03961 ENGINE-SOLENOID	22, 23
302NR46320	CONN.CORD ASSY S03962 ENGINE-IMAGE FAN	22, 23
302NR46330	CONN.CORD ASSY S03963 ENGINE-CONTAIN FAN	22, 23
302NR46360	CONN.CORD ASSY S03966 LVU-INTERLOCK	16, 17
302NR46370	CONN.CORD ASSY S03967 LVU-HEATER CONNECT	16
302NR46390	CONN.CORD ASSY S03971 ENGINE-FEED MOT	22
302NR46410	CONN.CORD ASSY S03975 INLET	16, 17
302NR46490	CONN.CORD ASSY S04090 ENGINE-DRUM MOT	22, 23
302NR93014	DK-5140	9, 25, 26
302NR93022	DV-5140(K)	8, 25
302NR93032	DV-5140(Y)	8, 25
302NR93042	DV-5140(M)	8, 25
302NR93052	DV-5140(C)	8, 25
302NR93062	TR-5140	10, 25, 26
302NR93091	FK-5140	11, 25
302NR93101	FK-5141	11, 25
302NR93111	FK-5142	11, 25
302NR93121	CT-5140	2
302NR93131	DR-5140	12
302NR93141	MC-5140	9
302NR93151	WT-5140	24
302NR94010	PARTS CLUTCH 35 Z35R SP	12
302NR94020	PARTS ID SENSOR SP	13
302NR94030	PARTS HIGH VOLTAGE UNIT SP	14
302NR94040	PARTS SWITCHING REGULATOR 100V SP	14
302NR94050	PARTS SWITCHING REGULATOR 230V SP	14
302NR94061	PARTS ROLLER TRANSFER SP	6
302NR94070	PARTS TONER FULL DETECT ASSY SP	14
302NR94081	PARTS DC MOTOR ASSY SP	13
302NR94091	PARTS DC MOTOR ASSY SP	13
302NR94121	PARTS PWB ASSY DRUM CONNECT SP	13

Part.No. 部品番号	Description 部品名称	Fig.No.
302NR94131	PARTS PWB ASSY EXIT SP	5
302NR94161	PARTS PWB ASSY SWITCH SP	14
302NR94191	PARTS CONVEYING 250 ASSY SP	6
302NR94201	PARTS CLEANER ID ASSY SP	13
302NR94211	PARTS COVER MPF ASSY SP	4
302NR94221	PARTS PLATE BOTTOM MPF ASSY SP	4
302NR94231	PARTS REAR COVER 250 PRT ASSY SP	5
302NR94251	PARTS MIDDLE ROLLER ASSY SP	3
302NR94261	PARTS FEED DRIVE ASSY SP	12
302NR94331	PARTS ROLLER TRANSFER ASSY SP	6, 25, 26
302NR9J022	DV-5140(K)(J)	8, 25
302NR9J032	DV-5140(Y)(J)	8, 25
302NR9J042	DV-5140(M)(J)	8, 25
302NR9J052	DV-5140(C)(J)	8, 25
302NS02192	GUIDE CASSETTE LEFT	13
302NS02230	HOLDER GEAR	13
302NS04011	COVER TOP	1
302NS04060	COVER LEFT UPPER	1
302NS04070	COVER RIGHT UPPER	1
302NS04100	COVER WASTE LOW	1
302NS04180	COVER RIGHT BOTTOM	1
302NS05010	COVER OPERATION	15
302NS93013	DV-5150(K)	8, 26
302NS93023	DV-5150(Y)	8, 26
302NS93033	DV-5150(M)	8, 26
302NS93043	DV-5150(C)	8, 26
302NS94010	PARTS SWITCHING REGULATOR 100V SP	14
302NS94020	PARTS SWITCHING REGULATOR 230V SP	14
302NS94051	PARTS PWB ASSY EXIT SP	5
302NS94081	PARTS REAR COVER 500 PRT ASSY SP	5
302NS94102	PARTS CONVEYING 500 ASSY SP	6
302NT04010	SEAL LID TOP A	1
302NT04020	SEAL LID TOP B	1
302NT06010	GUIDE CASSETTE	3
302NT06040	HOLDER RETARD A	3
302NT09100	GEAR Z48S LIFT	2
302NT31090	PLATE MIDDLE DRIVE A	12
302NT31100	GEAR Z43R-Z16S	12
302NT31110	GEAR Z26S	12
302NT46020	CONN.CORD ASSY S03941 MAIN-HVU1	19
302NT46030	CONN.CORD ASSY S03942 MAIN-HVU2	19
302NT46050	CONN.CORD ASSY S03950 ENGINE-FEED MOT	23
302NT46070	CONN.CORD ASSY S03968 LVU-HEATER CONNECT	17
302NT46120	CONN.CORD ASSY S04130 ENGINE-FUSER MOT	23
302NT93011	DK-5160	9, 27
302NT93062	TR-5160	10, 27
302NT93092	FK-5160	11, 26
302NT93112	FK-5162	11, 26
302NT93121	DR-5150	12
302NT93131	MC-5160	9

2TV/2TW/2TX-3

Part.No. 部品番号	Description 部品名称	Fig.No.
302NT93211	DR-5160	12
302NT94010	PARTS HIGH VOLTAGE UNIT SP	14
302NT94021	PARTS PWB ASSY DRUM CONNECT SP	13
302NT94062	PARTS RETARD ASSY SP	3, 25, 26, 27
302NT94071	PARTS REAR COVER 500 PRT ASSY EU SP	5
302NT94082	PARTS FEED DRIVE ASSY SP	12
302NT94090	PARTS PWB ASSY DRUM HEATER SP	13
302NT94132	PARTS CONVEYING 500 SI ASSY SP	6
302NT94140	PARTS MOTOR-PM FUSER SP	12
302NT94151	PARTS DC MOTOR ASSY SP	12
302NT94161	PARTS ROLLER TRANSFER ASSY SP	6, 27
302NV46060	CONN.CORD ASSY S04078 MAIN-EXIT	16, 17
302P794010	PARTS SENSOR OPT. SP	4, 14
302P794060	PARTS MOTOR EJECT SP	12
302RH39200	HOLDER WIFI	24
302TV04010	COVER TOP	1
302TV04020	COVER TOP B	1
302TV04030	COVER WIFI	24
302TV04040	COVER LEFT BOTTOM	1
302TV04100	COVER CONNECTOR	1
302TV05010	COVER PANEL	15
302TV05020	SHEET OPE JP	15
302TV05030	SHEET OPE ENG	15
302TV05040	SHEET OPE GER	24
302TV05050	SHEET OPE FRA	24
302TV05060	SHEET OPE ITA	24
302TV05070	SHEET OPE SPA	24
302TV05080	SHEET OPE DUT	24
302TV05090	SHEET OPE RUS	24
302TV05100	SHEET OPE PTB	24
302TV31010	GEAR Z42R-Z16S	12
302TV46030	CONN.CORD ASSY S04147 MAIN-LCD	16
302TV46040	CONN.CORD ASSY S04148 MAIN-REGIST	16, 17
302TV46050	CONN.CORD ASSY S04149 MAIN-ID SENSOR(L)	16, 17
302TV46060	CONN.CORD ASSY S04150 MAIN-LVU	16, 17
302TV46070	CONN.CORD ASSY S04151 MAIN-LVU	16
302TV46080	CONN.CORD ASSY S04152 MAIN-ENGINE	20, 21
302TV46090	CONN.CORD ASSY S04153 MAIN-ENGINE	20, 21
302TV46100	CONN.CORD ASSY S04154 MAIN-THERMISTOR	16, 17
302TV46110	CONN.CORD ASSY S04155 MAIN-LVU FAN	16, 17
302TV46120	CONN.CORD ASSY S04161 MAIN-ID SENSOR(R)	16, 17
302TV46130	CONN.CORD ASSY S04162 MAIN-DRUM CONNECT	20, 21
302TV46150	CONN.CORD ASSY S04173 USB HOST	16, 17
302TV93011	LK-5270A	7
302TV93021	LK-5270B	7
302TV94011	PARTS SEPARATOR MPF ASSY SP	4
302TV94021	PARTS OPERATION ASSY SP	15
302TV94030	PARTS PWB ASSY MAIN SP	14
302TV94040	PARTS PWB ASSY MAIN EU SP	14
302TV94051	PARTS PWB ASSY ENGINE CONNECT SP	13

Part.No. 部品番号	Description 部品名称	Fig.No.
302TV94060	PARTS PWB ASSY CONTAINER CONN SP	13
302TV94070	PARTS PWB ASSY LCDCONT SP	15
302TW05010	COVER PANEL	15
302TW05020	SHEET OPE JP	15
302TW05030	SHEET OPE ENG	15
302TW05040	SHEET OPE GER	24
302TW05050	SHEET OPE FRA	24
302TW05060	SHEET OPE ITA	24
302TW05070	SHEET OPE SPA	24
302TW05080	SHEET OPE DUT	24
302TW05090	SHEET OPE RUS	24
302TW05100	SHEET OPE PTB	24
302TW46010	CONN.CORD ASSY S04156 MAIN-LCD	17
302TW46020	CONN.CORD ASSY S04157 MAIN-LVU	17
302TW94011	PARTS OPERATION ASSY SP	15
302TW94020	PARTS PWB ASSY MAIN SP	14
302TW94030	PARTS PWB ASSY MAIN EU SP	14
302TW94041	PARTS PWB ASSY ENGINE CONNECT SP	13
302TW94050	PARTS PWB ASSY LCDCONT SP	15
302TX05010	COVER PANEL	15
302TX93011	LK-5290A	7
302TX93021	LK-5290B	7
302TX93031	FK-5290	11, 27
302TX93041	FK-5292	11, 27
302TX93051	FK-5291	11, 27
302TX93061	DV-5290(K)	8, 27
302TX93071	DV-5290(Y)	8, 27
302TX93081	DV-5290(M)	8, 27
302TX93091	DV-5290(C)	8, 27
302TX94010	PARTS PWB ASSY MAIN SP	14
302TX94020	PARTS PWB ASSY MAIN EU SP	14
302TX94031	PARTS PWB ASSY ENGINE CONNECT SP	13
302TX94041	PARTS PWB ASSY EXIT SP	5
302TX9J061	DV-5290(K) (J)	8, 27
302TX9J071	DV-5290(Y) (J)	8, 27
302TX9J081	DV-5290(M) (J)	8, 27
302TX9J091	DV-5290(C) (J)	8, 27
303MH04040	PIN COVER	13
303NB94040	PARTS MOTOR-PM MOVING SP	12
303NW94040	PARTS SENSOR OPT. SP	13
3V2LV04180	KEY SW	1
7AAACC.JP+15H007	AC CORD ASSY JP	24
7SM010104+++H01	SW.MICRO	14
7SP01000004+H01	SW.PUSH	13, 14

PF-5100

Rev.1
June 2018

—— CONTENTS / 目次 ——

FIG. 1	Paper Feed Section	2
FIG. 2	Paper Cassette	4
FIG. 3	Wire Section.....	6
	• INDEX / 索引.....	8

FIG. 1 Paper Feed Section

3PK-1

Ref. No. 番号	Part.No. 部品番号	Description 部 品 名 称	Notes 備 考	Revision 改 訂	Quantity 個数			
					100(日本)	120	230	240
1	302NR06230	LEVER PAPER			1	1	1	1
2	303K806080	ROLLER MIDDLE ASSY			1	1	1	1
3	303K894020	HOLDER FEED ASSY SP			1	1	1	1
4	303M906060	PULLEY FEED SIDE			2	2	2	2
5	303NA02050	COVER TOP			1	1	1	1
6	303NA06040	ACTUATOR PE			1	1	1	1
7	303PK94011	PARTS PWB ASSY PF MAIN SP		1:Design-chg.	1	1	1	1
8	303PK06030	ACTUATOR PE RELEASE			1	1	1	1
9	303NW94060	PARTS SENSOR OPT. SP			1	1	1	1
10	7SP01000004+H01	SW.PUSH			1	1	1	1
11	303PK94021	PARTS DRIVE UNIT SP		1:Design-chg.	1	1	1	1
12	302HN02611	FOOT			2	2	2	2
13	302HN44180	SWITCH SIZE			1	1	1	1
14	302NG94110	PARTS ROLLER RETARD ASSY SP			1	1	1	1
15	302NR06030	HOLDER RETARD			1	1	1	1
16	303K809130	PULLEY MID IDLE			3	3	3	3
17	303NA04010	COVER REAR			1	1	1	1
18	3A504020	COUPLER,RELEASE			2	2	2	2
101	7BB202308H	+TP-FLAT T.T P SCREW 3X8						
102	7BB200410H	+BIND T.T P SCREW 4X10						

• Parts with a Ref.No. of 500 and above in the illustration indicate they are not selected for service parts.

• イラスト中で 500 番台の Ref 番号が付いている部品はサービスパーツに選定されていません。

FIG. 2 Paper Cassette

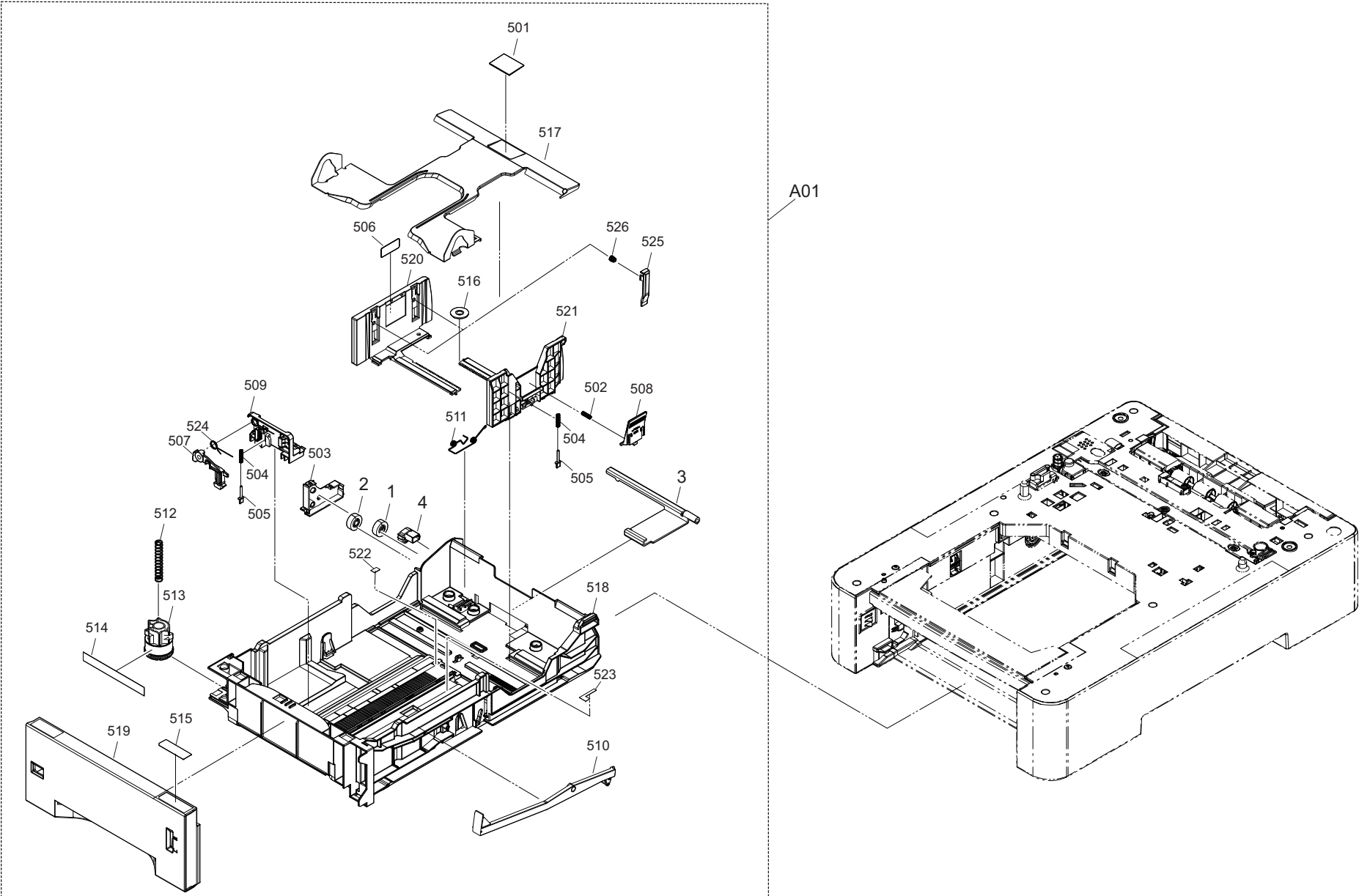


FIG. 2 Paper Cassette

3PK-1

Ref. No. 番号	Part.No. 部品番号	Description 部品名称	Notes 備考	Revision 改訂	Quantity 個数			
					100(日本)	120	230	240
A01	303PK93011	CT-5142		1:Design-chg.	1	1	1	1
1	•302HN09170	GEAR Z13S JOINT			1	1	1	1
2	•302KV09250	GEAR Z13			1	1	1	1
3	•302NR09070	WORKPLATE LIFT			1	1	1	1
4	•302NT09100	GEAR Z48S LIFT			1	1	1	1

• Parts with a Ref.No. of 500 and above in the illustration indicate they are not selected for service parts.

• イラスト中で 500 番台の Ref 番号が付いている部品はサービスパーツに選定されていません。

FIG. 3 Wire Section

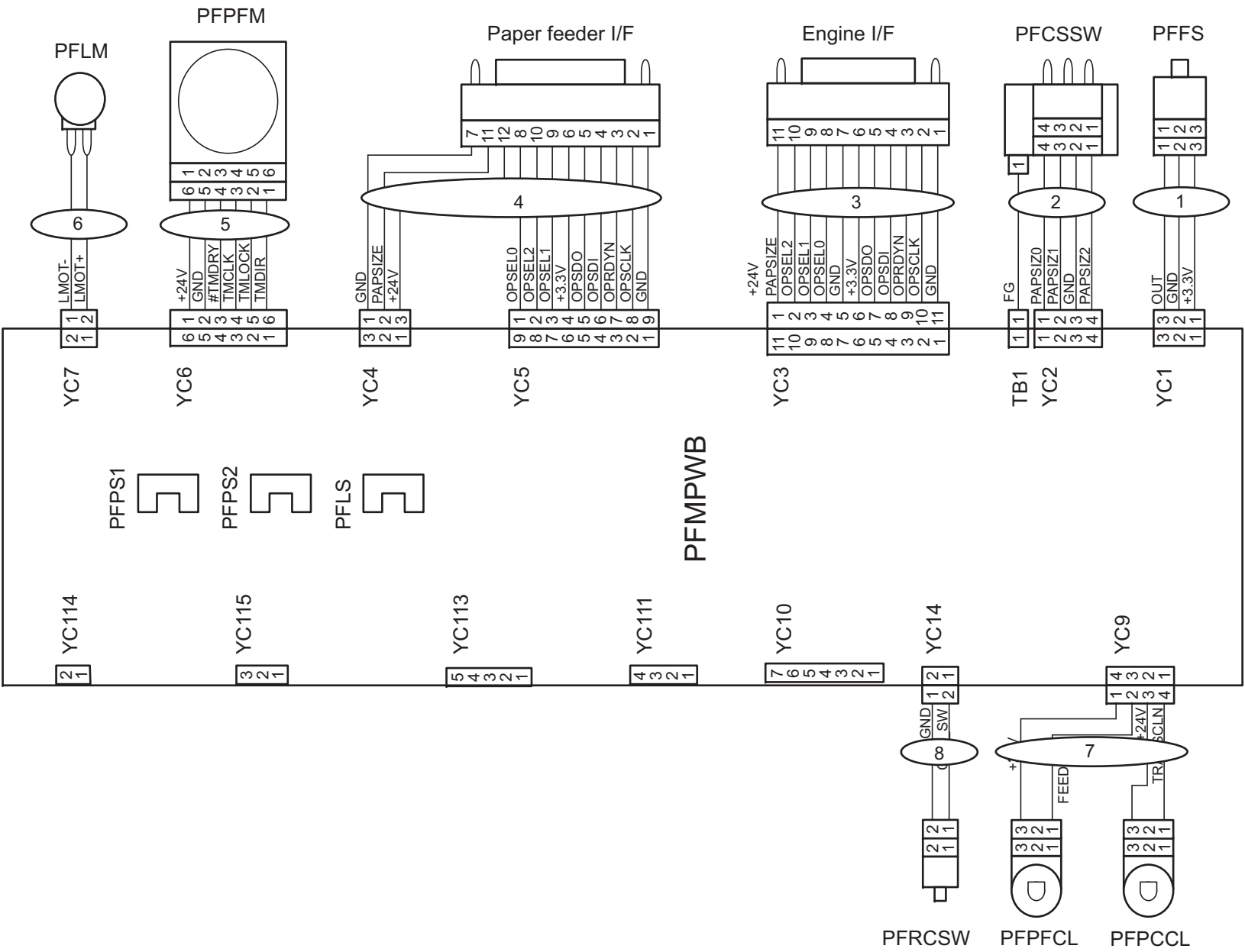


FIG. 3 Wire Section

3PK

Ref. No. 番号	Part.No. 部品番号	Description 部品名称	Notes 備考	Revision 改訂	Quantity 個数			
					100(日本)	120	230	240
1	303PK46010	CONN.CORD ASSY S04070 SENSOR			1	1	1	1
2	303PK46020	CONN.CORD ASSY S04071 CASSETTE SIZE			1	1	1	1
3	303PK46030	CONN.CORD ASSY S04072 PF DRAWER1			1	1	1	1
4	303PK46040	CONN.CORD ASSY S04073 PF DRAWER2			1	1	1	1
5	303PK46050	CONN.CORD ASSY S04074 TRANS MOT			1	1	1	1
6	303PK46060	CONN.CORD ASSY S04075 LIFT MOT			1	1	1	1
7	303PK46070	CONN.CORD ASSY S04076 CLUTCH			1	1	1	1
8	303PK46080	CONN.CORD ASSY S04077 COVER SW			1	1	1	1

• Parts with a Ref.No. of 500 and above in the illustration indicate they are not selected for service parts.

• イラスト中で 500 番台の Ref 番号が付いている部品はサービスパーツに選定されていません。

KYOCERA Document Solutions America, Inc.**Headquarters**

225 Sand Road,
Fairfield, New Jersey 07004-0008, USA
Phone: +1-973-808-8444
Fax: +1-973-882-6000

Latin America

8240 NW 52nd Terrace, Suite 301
Miami, Florida 33166, USA
Phone: +1-305-421-6640
Fax: +1-305-421-6666

KYOCERA Document Solutions Canada, Ltd.

6120 Kestrel Rd., Mississauga, ON L5T 1S8,
Canada
Phone: +1-905-670-4425
Fax: +1-905-670-8116

KYOCERA Document Solutions**Mexico, S.A. de C.V.**

Calle Arquimedes No. 130, 4 Piso, Colonia Polanco
Chapultepec, Delegacion Miguel Hidalgo,
Distrito Federal, C.P. 11560, México
Phone: +52-555-383-2741
Fax: +52-555-383-7804

KYOCERA Document Solutions Brazil, Ltda.

Alameda África, 545, Pólo Empresarial Consbrás,
Tamboré, Santana de Parnaíba, State of São Paulo,
CEP 06543-306, Brazil
Phone: +55-11-2424-5353
Fax: +55-11-2424-5304

KYOCERA Document Solutions Chile SpA

Jose Ananias 505, Macul. Santiago, Chile
Phone: +56-2-2670-1900
Fax: +56-2-2350-7150

KYOCERA Document Solutions**Australia Pty. Ltd.**

Level 3, 6-10 Talavera Road North Ryde N.S.W, 2113,
Australia
Phone: +61-2-9888-9999
Fax: +61-2-9888-9588

KYOCERA Document Solutions**New Zealand Ltd.**

Ground Floor, 19 Byron Avenue, Takapuna, Auckland,
New Zealand
Phone: +64-9-415-4517
Fax: +64-9-415-4597

KYOCERA Document Solutions Asia Limited

13/F.,Mita Centre, 552-566, Castle Peak Road Tsuen
Wan, New Territories, Hong Kong
Phone: +852-2496-5678
Fax: +852-2610-2063

KYOCERA Document Solutions**(China) Corporation**

8F, No. 288 Nanjing Road West, Huangpu District,
Shanghai,200003, China
Phone: +86-21-5301-1777
Fax: +86-21-5302-8300

KYOCERA Document Solutions**(Thailand) Corp., Ltd.**

335 Ratchadapisek Road, Wongsawang, Bangsue,
Bangkok 10800,
Thailand
Phone: +66-2-586-0333
Fax: +66-2-586-0278

KYOCERA Document Solutions**Singapore Pte. Ltd.**

12 Tai Seng Street #04-01A,
Luxasia Building, Singapore 534118
Phone: +65-6741-8733
Fax: +65-6748-3788

KYOCERA Document Solutions**Hong Kong Limited**

16/F.,Mita Centre, 552-566, Castle Peak Road Tsuen
Wan, New Territories, Hong Kong
Phone: +852-3582-4000
Fax: +852-3185-1399

KYOCERA Document Solutions**Taiwan Corporation**

6F., No.37, Sec. 3, Minquan E. Rd.,
Zhongshan Dist., Taipei 104, Taiwan R.O.C.
Phone: +886-2-2507-6709
Fax: +886-2-2507-8432

KYOCERA Document Solutions Korea Co., Ltd.

#10F Daewoo Foundation Bldg 18, Toegye-ro, Jung-gu,
Seoul, Korea
Phone: +822-6933-4050
Fax: +822-747-0084

KYOCERA Document Solutions**India Private Limited**

Second Floor, Centrum Plaza, Golf Course Road,
Sector-53, Gurgaon, Haryana 122002, India
Phone: +91-0124-4671000
Fax: +91-0124-4671001

KYOCERA Document Solutions Europe B.V.

Bloemlaan 4, 2132 NP Hoofddorp,
The Netherlands
Phone: +31-20-654-0000
Fax: +31-20-653-1256

KYOCERA Document Solutions Nederland B.V.

Beechavenue 25, 1119 RA Schiphol-Rijk,
The Netherlands
Phone: +31-20-5877200
Fax: +31-20-5877260

KYOCERA Document Solutions (U.K.) Limited

Eldon Court, 75-77 London Road,
Reading, Berkshire RG1 5BS,
United Kingdom
Phone: +44-118-931-1500
Fax: +44-118-931-1108

KYOCERA Document Solutions Italia S.p.A.

Via Monfalcone 15, 20132, Milano, Italy,
Phone: +39-02-921791
Fax: +39-02-92179-600

KYOCERA Document Solutions Belgium N.V.

Sint-Martinusweg 199-201 1930 Zaventem,
Belgium
Phone: +32-2-7209270
Fax: +32-2-7208748

KYOCERA Document Solutions France S.A.S.

Espace Technologique de St Aubin
Route de l'Orme 91195 Gif-sur-Yvette CEDEX,
France
Phone: +33-1-69852600
Fax: +33-1-69853409

KYOCERA Document Solutions Espana, S.A.

Edificio Kyocera, Avda. de Manacor No.2,
28290 Las Matas (Madrid), Spain
Phone: +34-91-6318392
Fax: +34-91-6318219

KYOCERA Document Solutions Finland Oy

Atomitie 5C, 00370 Helsinki,
Finland
Phone: +358-9-47805200
Fax: +358-9-47805212

KYOCERA Document Solutions Europe B.V., Amsterdam (NL) Zürich Branch

Hohlstrasse 614, 8048 Zürich,
Switzerland
Phone: +41-44-9084949
Fax: +41-44-9084950

KYOCERA Bilgitas Document Solutions Turkey A.S.

Altunizade Mah. Prof. Fahrettin Kerim Gökay Cad.
No:45
34662 ÜSKÜDAR İSTANBUL, TURKEY
Phone: +90-216-339-0020
Fax: +90-216-339-0070

KYOCERA Document Solutions Deutschland GmbH

Otto-Hahn-Strasse 12, 40670 Meerbusch,
Germany
Phone: +49-2159-9180
Fax: +49-2159-918100

KYOCERA Document Solutions Austria GmbH

Wienerbergstraße 11, Turm A, 18. OG, 1100 Wien,
Austria
Phone: +43-1-863380
Fax: +43-1-86338-400

KYOCERA Document Solutions Nordic AB

Esbogatan 16B 164 75 Kista, Sweden
Phone: +46-8-546-550-00
Fax: +46-8-546-550-10

京セラドキュメントソリューションズ株式会社
京セラドキュメントソリューションズジャパン株式会社

 **KYOCERA** は京セラ株式会社の登録商標です。

KYOCERA Document Solutions Norge Nuf

Olaf Helsetsv. 6, 0619 Oslo, Norway
Phone: +47-22-62-73-00
Fax: +47-22-62-72-00

KYOCERA Document Solutions Danmark A/S

Ejby Industrivej 60, DK-2600 Glostrup,
Denmark
Phone: +45-70223880
Fax: +45-45765850

KYOCERA Document Solutions Portugal Lda.

Rua do Centro Cultural, 41 (Alvalade) 1700-106 Lisboa,
Portugal
Phone: +351-21-843-6780
Fax: +351-21-849-3312

KYOCERA Document Solutions South Africa (Pty) Ltd.

KYOCERA House, Hertford Office Park,
90 Bekker Road (Cnr. Allandale), Midrand, South Africa
Phone: +27-11-540-2600
Fax: +27-11-466-3050

KYOCERA Document Solutions Russia LLC.

Building 2, 51/4, Schepkina St., 129110, Moscow,
Russia
Phone: +7(495)741-0004
Fax: +7(495)741-0018

KYOCERA Document Solutions Middle East

Dubai Internet City, Bldg. 17,
Office 157 P.O. Box 500817, Dubai,
United Arab Emirates
Phone: +971-04-433-0412

KYOCERA Document Solutions Inc.

2-28, 1-chome, Tamatsukuri, Chuo-ku
Osaka 540-8585, Japan
Phone: +81-6-6764-3555
<http://www.kyoceradocumentsolutions.com>