



ECOSYS P6130cdn
ECOSYS P6035cdn
ECOSYS P7040cdn

PARTS LIST

Published in March 2017
2NRPL072
842NR122
Rev.2

ECOSYS P6130cdn
ECOSYS P7040cdn

パーツリスト

2017年3月 改訂版
2NRPL012
Rev.2

CONTENTS / 目次

FIG. 1 Covers 2	FIG. 16 Wire Section 1 (35ppm(A4),37ppm(Letter)/ 40ppm(A4),42ppm(Letter)) 34
FIG. 2 Paper Cassette 4	FIG. 17 Wire Section 2 (30ppm(A4),32ppm(Letter)/ 35ppm(A4),37ppm(Letter)) 36
FIG. 3 Paper Feed Section 1 6	FIG. 17 Wire Section 2 (40ppm(A4),42ppm(Letter)) 38
FIG. 4 Paper Feed Section 2 8	FIG. 18 Wire Section 3 40
FIG. 5 Conveying Section 1 10	FIG. 19 Wire Section 4 (30ppm(A4),32ppm(Letter)) 42
FIG. 6 Conveying Section 2 12	FIG. 19 Wire Section 4 (35ppm(A4),37ppm(Letter)/ 40ppm(A4),42ppm(Letter)) 44
FIG. 7 Laser Scanner Section 14	FIG. 20 Accessories 46
FIG. 8 Developer Section 16	FIG. 21 Maintenance Kits (30ppm(A4),32ppm(Letter)) 48
FIG. 9 Image Formation Section 18	FIG. 21 Maintenance Kits (35ppm(A4),37ppm(Letter)) 49
FIG. 10 Transfer Section 20	FIG. 21 Maintenance Kits (40ppm(A4),42ppm(Letter)) 50
FIG. 11 Fuser Section 22	
FIG. 12 Drive Section 24	
FIG. 13 Electrical Components 1 26	
FIG. 14 Electrical Components 2 28	
FIG. 15 Operation Section 30	
FIG. 16 Wire Section 1 (30ppm(A4),32ppm(Letter)) 32	・ INDEX / 索引 51

Symbols in the parts list

- Parts without a Ref.No. in the illustration indicate they are not supplied.
- Parts with a Ref.No. of 500 and above in the illustration indicate they are not selected for service parts.
- Parts with "*" are component parts or sub-assemblies of the assembly appearing immediately above them.
- Parts with "**" are component parts or sub-assembly with "?" appearing immediately above them.

<Notation of products>

For the purpose of this parts list, products are identified as following.
 ECOSYS P6130cdn : 30ppm(A4),32ppm(Letter)
 ECOSYS P6035cdn : 35ppm(A4),37ppm(Letter)
 ECOSYS P7040cdn : 40ppm(A4),42ppm(Letter)

記号の見方

イラスト中で Ref 番号がない部品は供給できません。
 イラスト中で 500 番台の Ref 番号が付いている部品はサービスパーツに
 選定されていません。
 部品番号欄の・印は、組立部品の単品部品及び準組立部品を表わします。
 部品番号欄の**印は、準組立部品の単品部品を表わします。

<本体機種区別表記>

パーツリスト中の本体機種区別は、以下の様に記載します。
 ECOSYS P6130cdn : 30ppm(A4), 32ppm(Letter)
 ECOSYS P7040cdn : 40ppm(A4), 42ppm(Letter)

30ppm(A4),32ppm(Letter)

40ppm(A4),42ppm(Letter)

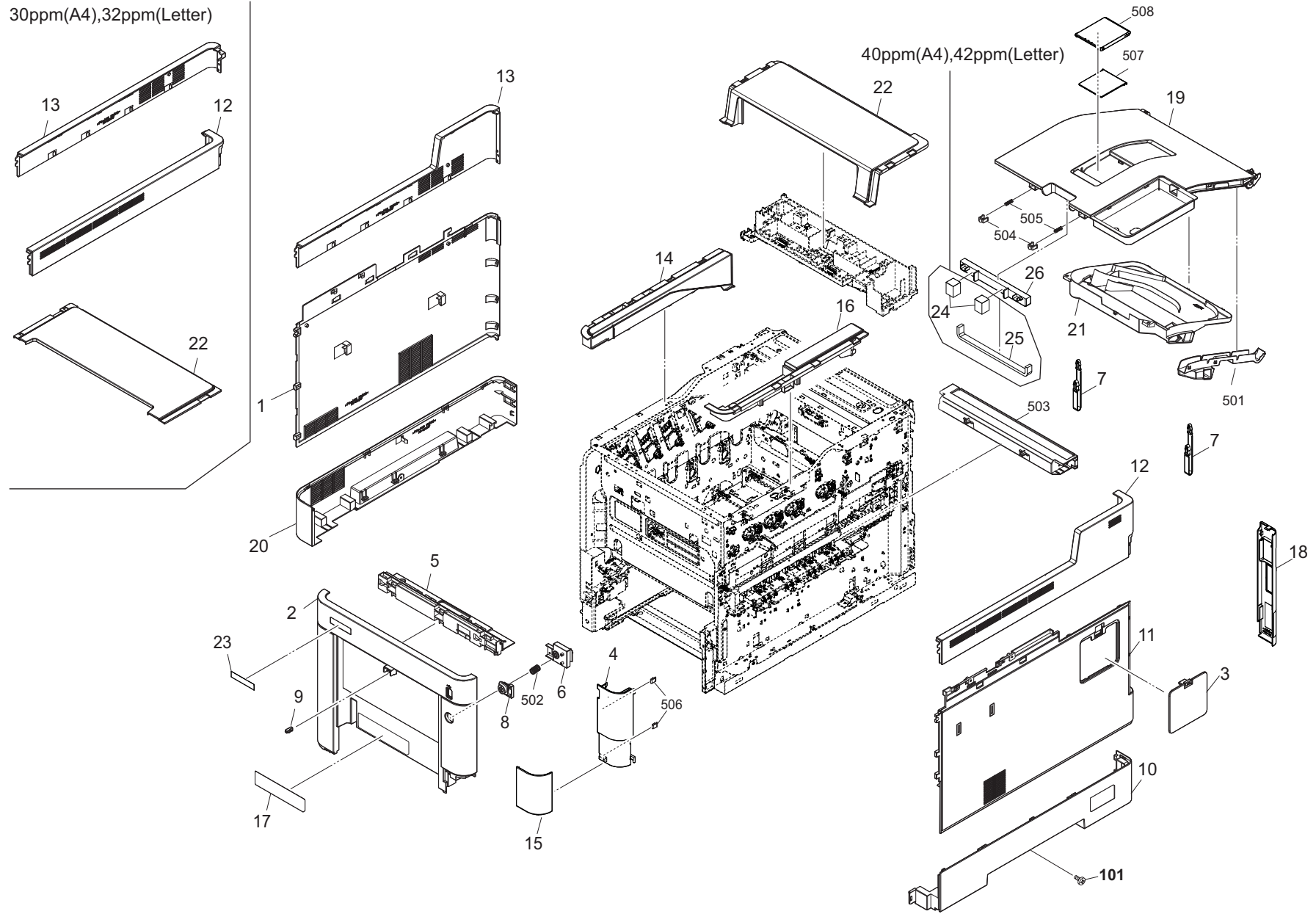


FIG. 1 Covers

2NR/2NS/2NT-1

Ref. No. 番号	Part.No. 部品番号	Alternative. 代替部品番号	Description 部品名称	Notes 備考	Revision 改訂	Quantity 個数			
						100(日本)	120	230	240
1	302NR04030	2NR04030	COVER LEFT			1	1	1	1
2	302NR04050	2NR04050	COVER FRONT			1	1	1	1
3	302NR04190	2NR04190	COVER MEMORY			1	1	1	1
4	302NR04090	2NR04090	COVER WASTE			1	1	1	1
5	302NR04080	2NR04080	COVER FRONT UPPER			1	1	1	1
6	302NR04250	2NR04250	HOLDER MAIN SWITCH			1	1	1	1
7	302KV04130	2KV04130	STRAP COVER REAR			2	2	2	2
8	3V2LV04180	2LV04180	KEY SW			1	1	1	1
9	302HNO8140	2HNO8140	LUTCH			1	1	1	1
10	302NS04180	2NS04180	COVER RIGHT BOTTOM			1	1	1	1
11	302NR04040	2NR04040	COVER RIGHT			1	1	1	1
12	302NR04070	2NR04070	COVER RIGHT UPPER	30ppm(A4),32ppm(Letter)		1	1	1	1
12	302NS04070	2NS04070	COVER RIGHT UPPER	35ppm(A4),37ppm(Letter)/40ppm(A4),42ppm(Letter)		1	1	1	1
13	302NR04060	2NR04060	COVER LEFT UPPER	30ppm(A4),32ppm(Letter)		1	1	1	1
13	302NS04060	2NS04060	COVER LEFT UPPER	35ppm(A4),37ppm(Letter)/40ppm(A4),42ppm(Letter)		1	1	1	1
14	302NR04140	2NR04140	COVER INNER LEFT			1	1	1	1
15	302NS04100	2NS04100	COVER WASTE LOW			1	1	1	1
16	302NR04150	2NR04150	COVER INNER RIGHT			1	1	1	1
17	302NR34020	2NR34020	LABEL JAM			1	1	1	1
18	302NR04110	2NR04110	COVER CONNECTOR			1	1	1	1
19	302NR04020	2NR04020	LID TOP PRINTER			1	1	1	1
20	302NS04170	2NS04170	COVER LEFT BOTTOM			1	1	1	1
21	302NR04210	2NR04210	DUCT LID TOP			1	1	1	1
22	302NR04010	2NR04010	COVER TOP	30ppm(A4),32ppm(Letter)		1	1	1	1
22	302NS04011	2NS04011	COVER TOP	35ppm(A4),37ppm(Letter)/40ppm(A4),42ppm(Letter)	1:Design-chg.	1	1	1	1
23	302NR34010	2NR34010	SHEET EMBLEM			1	1	1	1
24	302NT04010	2NT04010	SEAL LID TOP A	40ppm(A4),42ppm(Letter)	1:Add	2	2	2	2
25	302NT04020	2NT04020	SEAL LID TOP B	40ppm(A4),42ppm(Letter)	1:Add	1	1	1	1
26	302NR04220	2NR04220	STAY LID TOP		1:Add	1	1	1	1
101	7BB780308H	BB111200	+BIND T.T S SCREW 3X8 SR(BLACK)						

• Parts with a Ref.No. of 500 and above in the illustration indicate they are not selected for service parts.

• イラスト中で 500 番の Ref 番号が付いている部品はサービスパーツに選定されていません。

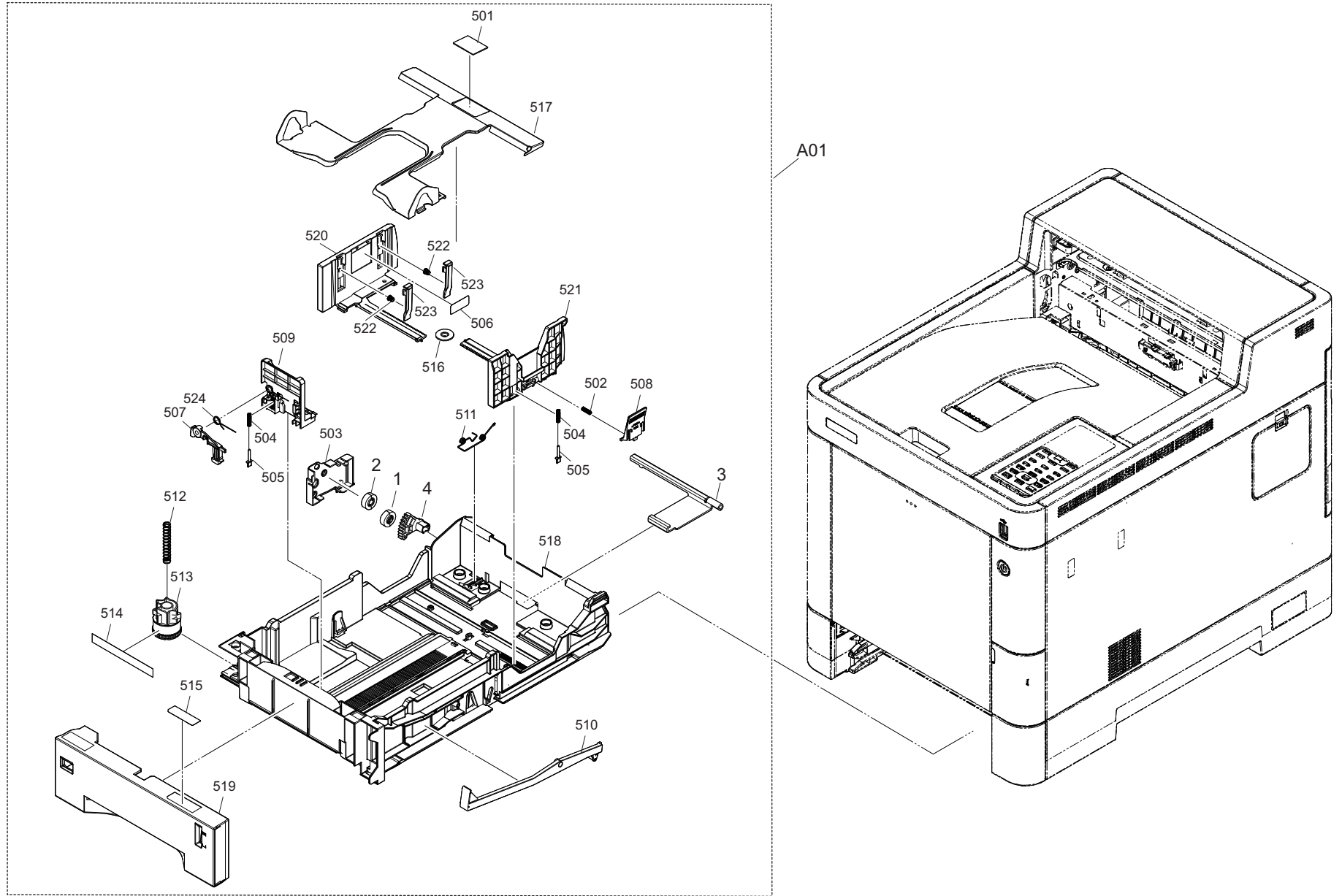


FIG. 2 Paper Cassette

2NR/2NS/2NT

Ref. No. 番号	Part.No. 部品番号	Alternative. 代替部品番号	Description 部品名称	Notes 備考	Revision 改訂	Quantity 個数			
						100(日本)	120	230	240
A01	302NR93120	2NR93120	CT-5140			1	1	1	1
1	*302HN09170	2HN09170	GEAR Z13S JOINT			1	1	1	1
2	*302KV09250	2KV09250	GEAR Z13			1	1	1	1
3	*302NR09070	2NR09070	WORKPLATE LIFT			1	1	1	1
4	*302NT09100	2NT09100	GEAR Z48S LIFT			1	1	1	1

• Parts with a Ref.No. of 500 and above in the illustration indicate they are not selected for service parts.

• イラスト中で 500 番台の Ref 番号が付いている部品はサービスパーツに選定されていません。

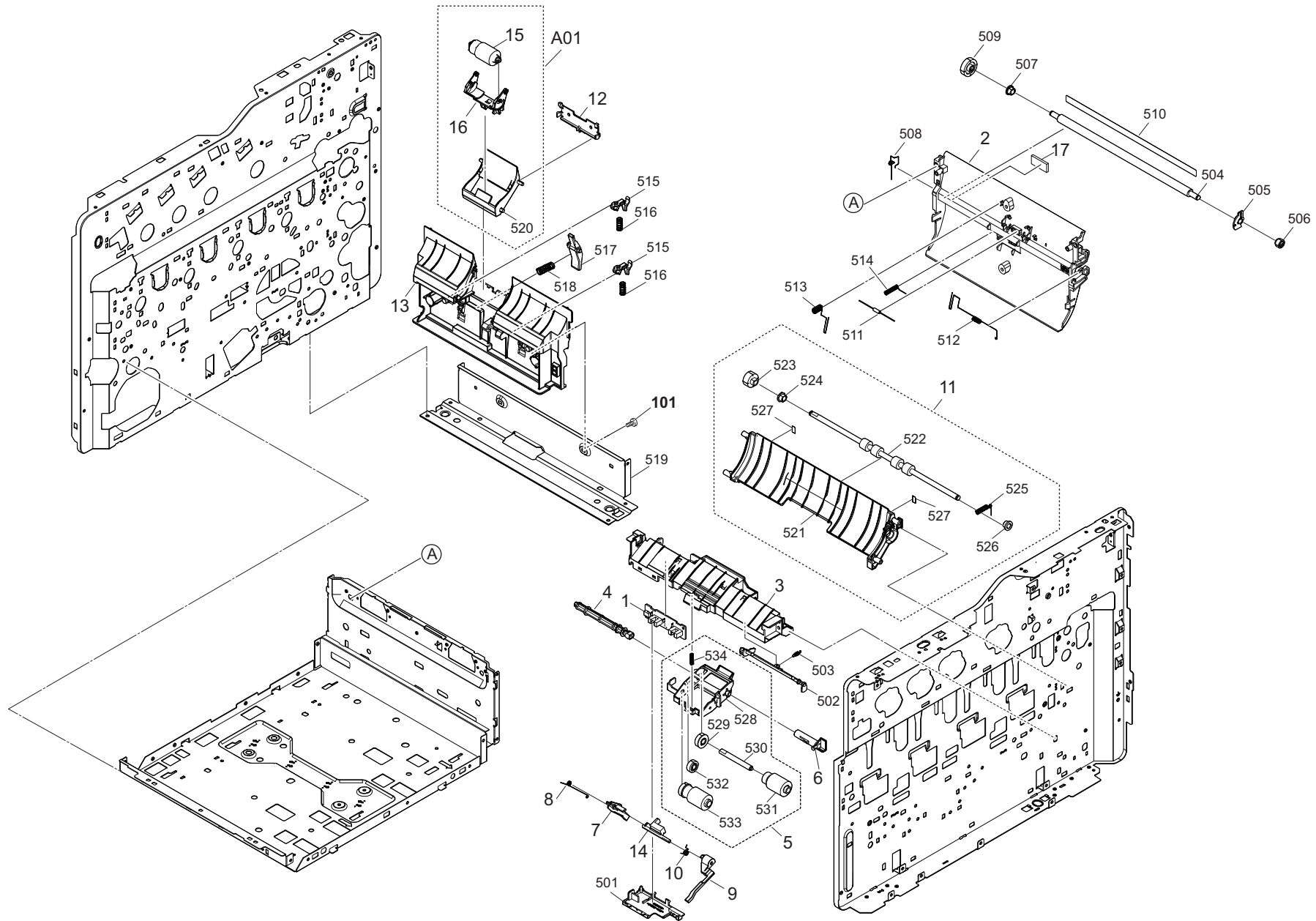


FIG. 3 Paper Feed Section 1

2NR/2NS/2NT-2

Ref. No. 番号	Part.No. 部品番号	Alternative. 代替部品番号	Description 部品名称	Notes 備考	Revision 改訂	Quantity 個数			
						100(日本)	120	230	240
1	302KV94340	2KV94340	PARTS PWB ASSY CASSETTE SP			1	1	1	1
2	302NR06511	2NR06511	FRAME FEED		1:Design-chg.	1	1	1	1
3	302NR06210	2NR06210	GUIDE PICK HOLDER			1	1	1	1
4	302KV06151	2KV06151	SHAFT FEED			1	1	1	1
5	302KV94191	2KV94191	PARTS HOLDER FEED ASSY SP			1	1	1	1
6	302KV06370	2KV06370	PIN FEED			1	1	1	1
7	302KV06180	2KV06180	RELEASE ACTUATOR PE			1	1	1	1
8	302NR06620	2NR06620	SPRING ACTUATOR		2:Part No-chg	1	1	1	1
9	302KV06341	2KV06341	ACTUATOR B			1	1	1	1
10	302KV06201	2KV06201	SPRING ACT			1	1	1	1
11	302NR94250	2NR94250	PARTS MIDDLE ROLLER ASSY SP			1	1	1	1
12	302NR06040	2NR06040	COVER RETARD			1	1	1	1
13	302NT06010	2NT06010	GUIDE CASSETTE			1	1	1	1
14	302KV06170	2KV06170	ACTUATOR PE			1	1	1	1
A01	302NT94061	2NT94061	PARTS RETARD ASSY SP		2:Design-chg.	1	1	1	1
15	*302F909171	2F909171	RETARD ROLLER ASSY		2:Part No-chg	1	1	1	1
16	*302NT06040	2NT06040	HOLDER RETARD A			1	1	1	1
17	302NR06590	2NR06590	PAD REGIST FEED		2:Add	1	1	1	1
101	7BB200308H	BB105660	+BIND T.T P SCREW 3X8						

• Parts with a Ref.No. of 500 and above in the illustration indicate they are not selected for service parts.

• イラスト中で 500 番台の Ref 番号が付いている部品はサービスパーツに選定されていません。

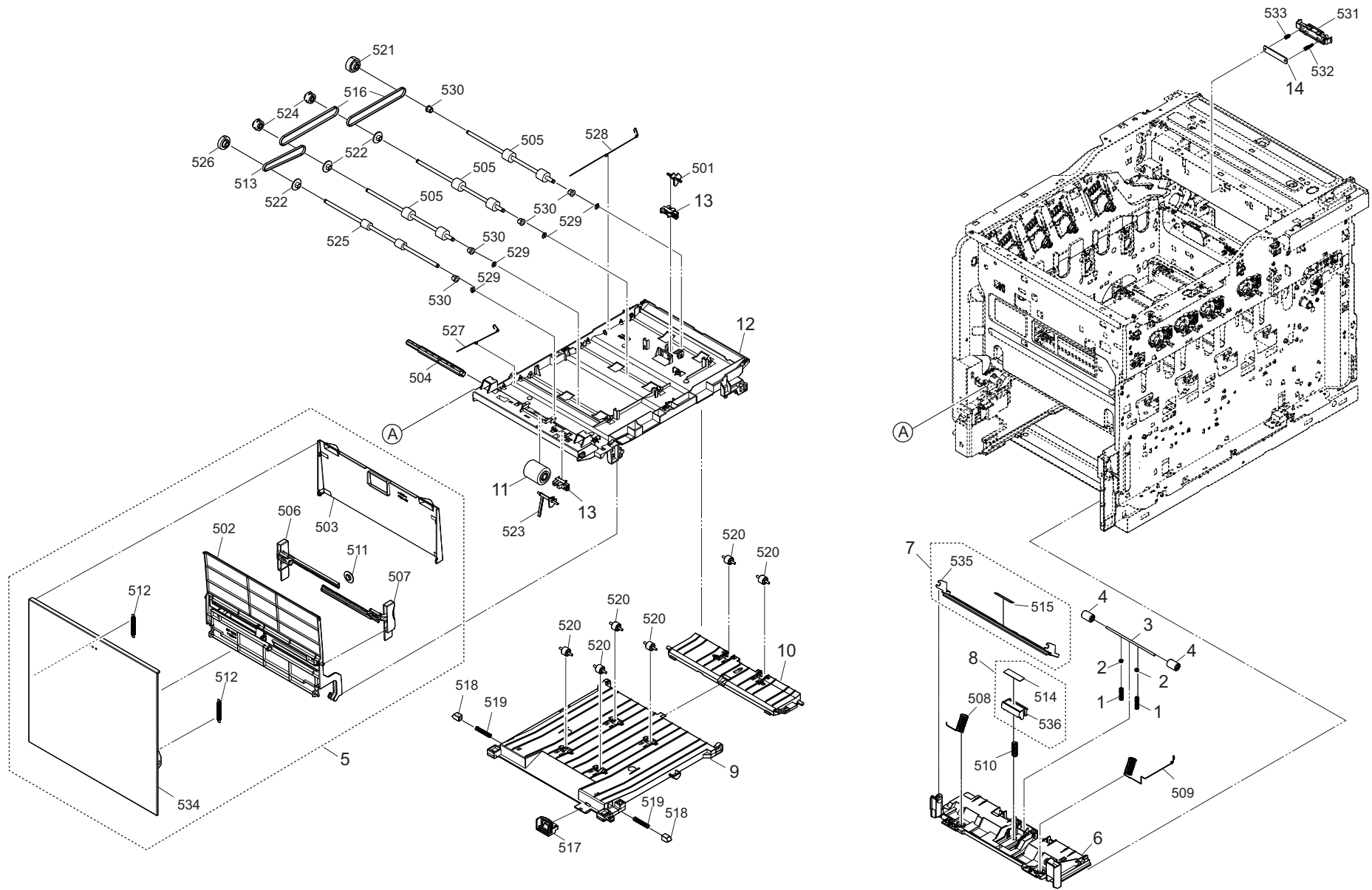


FIG. 4 Paper Feed Section 2

2NR/2NS/2NT-2

Ref. No. 番号	Part.No. 部品番号	Alternative. 代替部品番号	Description 部品名称	Notes 備考	Revision 改訂	Quantity 個数			
						100(日本)	120	230	240
1	302NR08220	2NR08220	SPRING PULLEY MPF			2	2	2	2
2	2FM04150	2FM04150	CAP SPRING/B-11 ENCLOSURE A4			2	2	2	2
3	302NR28090	2NR28090	SHAFT EXIT			1	1	1	1
4	302F929050	2F929050	PULLEY FEED DU			2	2	2	2
5	302NR94210	2NR94210	PARTS COVER MPF ASSY SP			1	1	1	1
6	302NR08040	2NR08040	FRAME MPF			1	1	1	1
7	302NR94220	2NR94220	PARTS PLATE BOTTOM MPF ASSY SP			1	1	1	1
8	302NR94270	2NR94270	PARTS SEPARATOR MPF ASSY SP			1	1	1	1
9	302NR08130	2NR08130	GUIDE MPF FEED LOW B			1	1	1	1
10	302NR08111	2NR08111	GUIDE MPF FEED LOW A			1	1	1	1
11	302HS08260	2HS08260	ROLLER M/P ASSY		2:Design-chg.	1	1	1	1
12	302NR08101	2NR08101	GUIDE MPF FEED UP		1:Design-chg.	1	1	1	1
13	302P794010	2P794010	PARTS SENSOR OPT. SP			2	2	2	2
14	302HNO1240	2HNO1240	P.W.BOARD ASSY FUSER ZENER	30ppm(A4),32ppm(Letter):120V/230V/240V/ 35ppm(A4),37ppm(Letter):120V/230V/240V	1:Part No-chg		1	1	1
14	302J901030	2J901030	P.W.BOARD ASSY FUSER ZENER	30ppm(A4),32ppm(Letter):100V/ 40ppm(A4),42ppm(Letter):100V/120V/230V/240V	1:Part No-chg	1	1	1	1

• Parts with a Ref.No. of 500 and above in the illustration indicate they are not selected for service parts.

• イラスト中で 500 番台の Ref 番号が付いている部品はサービスパーツに選定されていません。

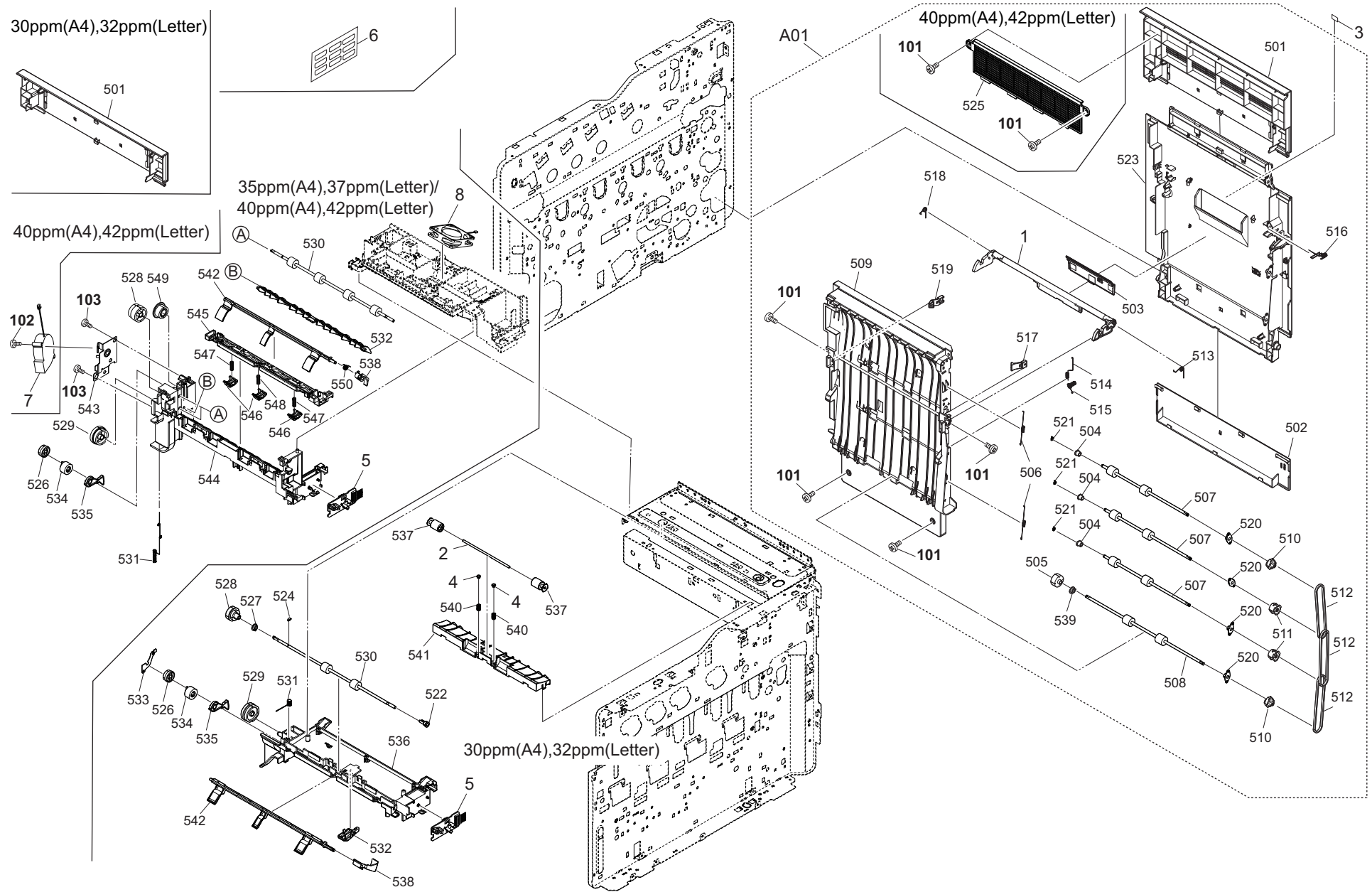


FIG. 5 Conveying Section 1

2NR/2NS/2NT-1

Ref. No. 番号	Part.No. 部品番号	Alternative. 代替部品番号	Description 部品名称	Notes 備考	Revision 改訂	Quantity 個数			
						100 (日本)	120	230	240
A01	302NR94230	2NR94230	PARTS REAR COVER 250 PRT ASSY SP	30ppm(A4),32ppm(Letter)		1	1	1	1
A01	302NS94080	2NS94080	PARTS REAR COVER 500 PRT ASSY SP	35ppm(A4),37ppm(Letter)			1	1	1
A01	302NS94080	2NS94080	PARTS REAR COVER 500 PRT ASSY SP	40ppm(A4),42ppm(Letter)		1	1		
A01	302NT94070	2NT94070	PARTS REAR COVER 500 PRT ASSY EU SP	40ppm(A4),42ppm(Letter) (with FILTER)				1	1
1	*302NR29020	2NR29020	HOOK DU RELEASE			1	1	1	1
2	302NR28090	2NR28090	SHAFT EXIT			1	1	1	1
3	302MC34040	2MC34040	LABEL PUSH			1	1	1	1
4	2FM04150	2FM04150	CAP SPRING/B-11 ENCLOSURE A4			2	2	2	2
5	302NR94130	2NR94130	PARTS PWB ASSY EXIT SP	30ppm(A4),32ppm(Letter)		1	1	1	1
5	302NS94050	2NS94050	PARTS PWB ASSY EXIT SP	35ppm(A4),37ppm(Letter)/40ppm(A4),42ppm(Letter)		1	1	1	1
6	302NR34090	2NR34090	LABEL PUSH SET				1	1	
7	302HN44210	2HN44210	FAN MOTOR	40ppm(A4),42ppm(Letter)	1:Add	1	1	1	1
8	302FZ94420	2FZ94420	PARTS,FAN COOLING CONVEYING SP	35ppm(A4),37ppm(Letter)/40ppm(A4),42ppm(Letter)	1:Add	1	1	1	1
101	7BB200308H	BB105660	+BIND T.T P SCREW 3X8						
102	7BB700320H	BB105620	+BIND T.T S SCREW 3X20 SR		1:Add				
103	7BB202308H	BB105690	+TP-FLAT T.T P SCREW 3X8		1:Add				

• Parts with a Ref.No. of 500 and above in the illustration indicate they are not selected for service parts.

• イラスト中で 500 番台の Ref 番号が付いている部品はサービスパーツに選定されていません。

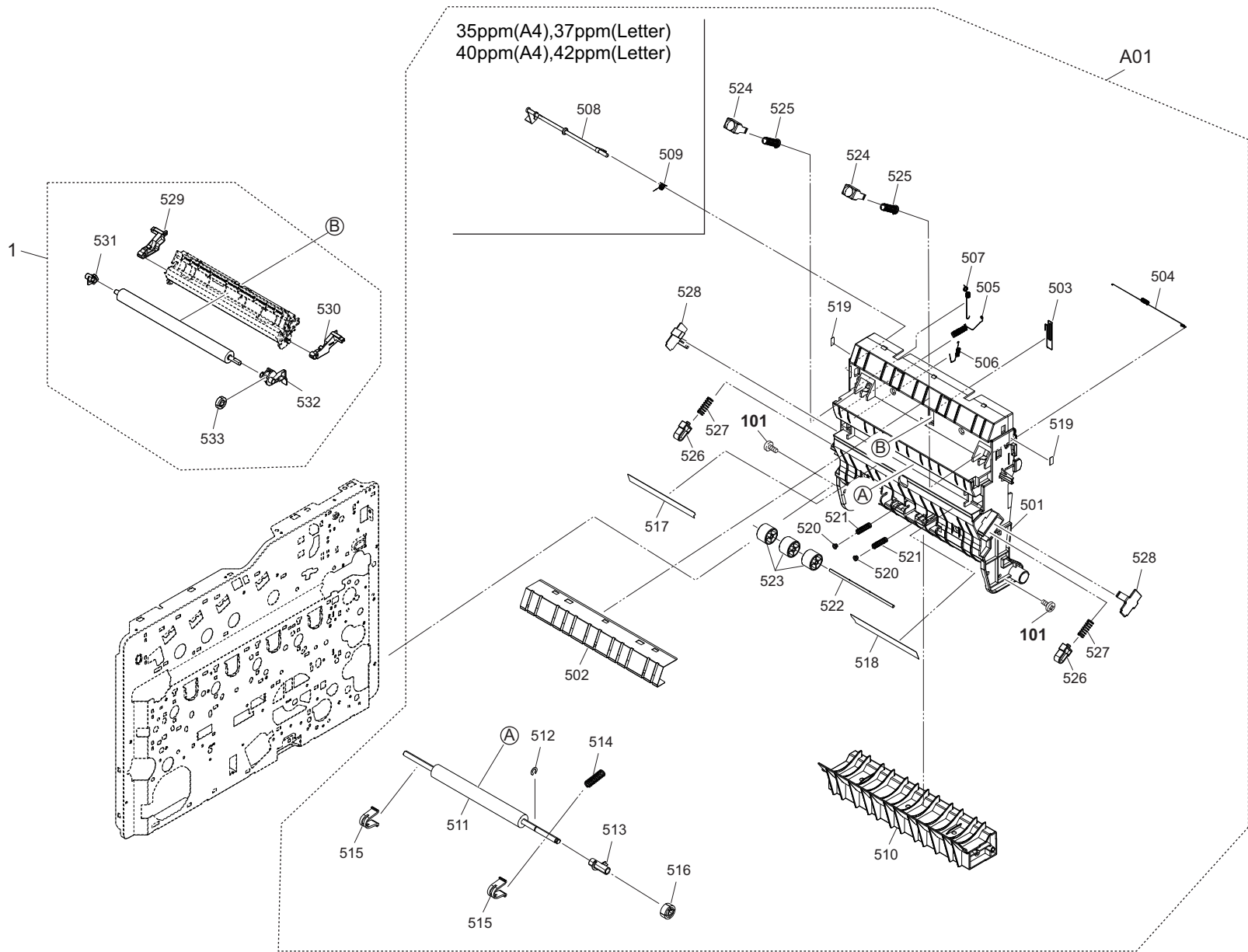


FIG. 6 Conveying Section 2

2NR/2NS/2NT-2

Ref. No. 番号	Part.No. 部品番号	Alternative. 代替部品番号	Description 部 品 名 称	Notes 備 考	Revision 改 訂	Quantity 個数			
						100 (日本)	120	230	240
A01	302NR94190	2NR94190	PARTS CONVEYING 250 ASSY SP	30ppm(A4),32ppm(Letter)		1	1	1	1
A01	302NS94101	2NS94101	PARTS CONVEYING 500 ASSY SP	35ppm(A4),37ppm(Letter)	1:PartNo-chg./ 2:Design-chg.	1	1	1	1
A01	302NT94131	2NT94131	PARTS CONVEYING 500 SI ASSY SP	40ppm(A4),42ppm(Letter)	1:PartNo-chg./ 2:Design-chg.	1	1	1	1
1	302NR94330	2NR94330	PARTS ROLLER TRANSFER ASSY SP	30ppm(A4),32ppm(Letter)/35ppm(A4),37ppm(Letter)	2:Part No-chg	1	1	1	1
1	302NT94160	2NT94160	PARTS ROLLER TRANSFER ASSY SP	40ppm(A4),42ppm(Letter)	2:Part No-chg	1	1	1	1
101	7BB200308H	BB105660	+BIND T.T P SCREW 3X8						

• Parts with a Ref.No. of 500 and above in the illustration indicate they are not selected for service parts.

• イラスト中で 500 番台の Ref 番号が付いている部品はサービスパーツに選定されていません。

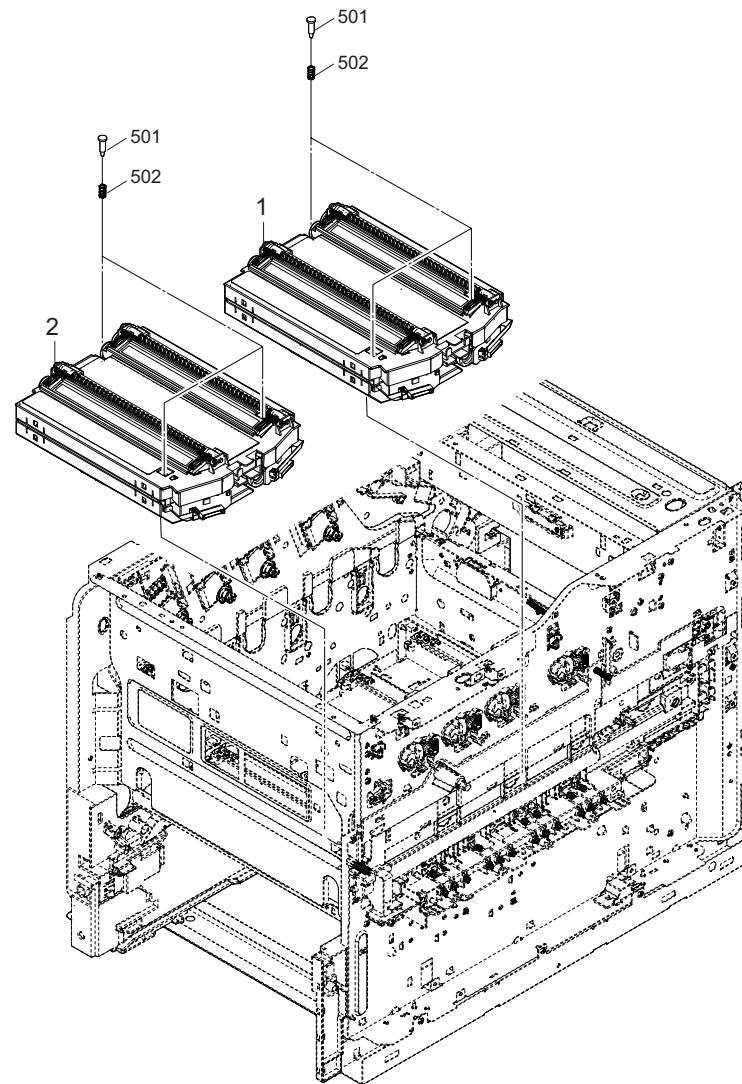


FIG. 7 Laser Scanner Section

2NR/2NS/2NT

Ref. No. 番号	Part.No. 部品番号	Alternative. 代替部品番号	Description 部品名称	Notes 備考	Revision 改訂	Quantity 個数			
						100 (日本)	120	230	240
1	302NR93070	2NR93070	LK-5140A	30ppm(A4),32ppm(Letter)/35ppm(A4),37ppm(Letter)		1	1	1	1
1	302NT93070	2NT93070	LK-5160A	40ppm(A4),42ppm(Letter)		1	1	1	1
2	302NR93080	2NR93080	LK-5140B	30ppm(A4),32ppm(Letter)/35ppm(A4),37ppm(Letter)		1	1	1	1
2	302NT93080	2NT93080	LK-5160B	40ppm(A4),42ppm(Letter)		1	1	1	1

• Parts with a Ref.No. of 500 and above in the illustration indicate they are not selected for service parts.

• イラスト中で 500 番台の Ref 番号が付いている部品はサービスパーツに選定されていません。

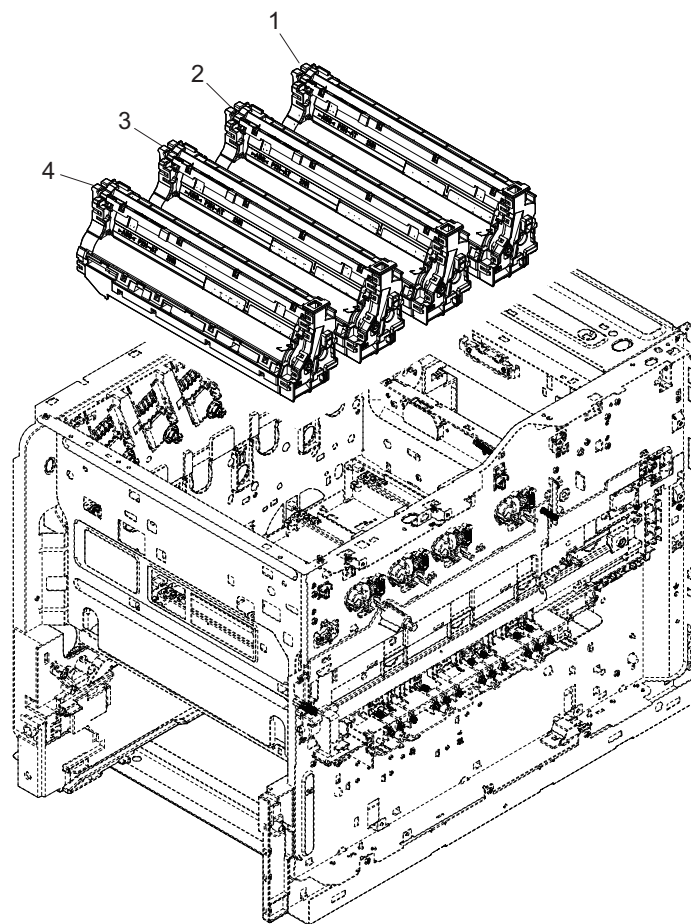


FIG. 8 Developer Section

2NR/2NS/2NT-2

Ref. No. 番号	Part.No. 部品番号	Alternative. 代替部品番号	Description 部品名称	Notes 備考	Revision 改訂	Quantity 個数			
						100 (日本)	120	230	240
1	302NR9J021	2NR9J021	DV-5140(K)(J)	30ppm(A4),32ppm(Letter)	2:Add	1			
1	302NR93021	2NR93021	DV-5140(K)	30ppm(A4),32ppm(Letter)	2:Design-chg., Others		1	1	1
1	302NS93012	2NS93012	DV-5150(K)	35ppm(A4),37ppm(Letter)	2:Design-chg.		1	1	1
1	302NT9J022	2NT9J022	DV-5160(K)(J)	40ppm(A4),42ppm(Letter)	2:Add	1			
1	302NT93022	2NT93022	DV-5160(K)	40ppm(A4),42ppm(Letter)	2:Design-chg., Others		1	1	1
2	302NR9J041	2NR9J041	DV-5140(M)(J)	30ppm(A4),32ppm(Letter)	2:Add	1			
2	302NR93041	2NR93041	DV-5140(M)	30ppm(A4),32ppm(Letter)	2:Design-chg., Others		1	1	1
2	302NS93032	2NS93032	DV-5150(M)	35ppm(A4),37ppm(Letter)	2:Design-chg.		1	1	1
2	302NT9J042	2NT9J042	DV-5160(M)(J)	40ppm(A4),42ppm(Letter)	2:Add	1			
2	302NT93042	2NT93042	DV-5160(M)	40ppm(A4),42ppm(Letter)	2:Design-chg., Others		1	1	1
3	302NR9J051	2NR9J051	DV-5140(C)(J)	30ppm(A4),32ppm(Letter)	2:Add	1			
3	302NR93051	2NR93051	DV-5140(C)	30ppm(A4),32ppm(Letter)	2:Design-chg., Others		1	1	1
3	302NS93042	2NS93042	DV-5150(C)	35ppm(A4),37ppm(Letter)	2:Design-chg.		1	1	1
3	302NT9J052	2NT9J052	DV-5160(C)(J)	40ppm(A4),42ppm(Letter)	2:Add	1			
3	302NT93052	2NT93052	DV-5160(C)	40ppm(A4),42ppm(Letter)	2:Design-chg., Others		1	1	1
4	302NR9J031	2NR9J031	DV-5140(Y)(J)	30ppm(A4),32ppm(Letter)	2:Add	1			
4	302NR93031	2NR93031	DV-5140(Y)	30ppm(A4),32ppm(Letter)	2:Design-chg., Others		1	1	1
4	302NS93022	2NS93022	DV-5150(Y)	35ppm(A4),37ppm(Letter)	2:Design-chg.		1	1	1
4	302NT9J032	2NT9J032	DV-5160(Y)(J)	40ppm(A4),42ppm(Letter)	2:Add	1			
4	302NT93032	2NT93032	DV-5160(Y)	40ppm(A4),42ppm(Letter)	2:Design-chg., Others		1	1	1

• Parts with a Ref.No. of 500 and above in the illustration indicate they are not selected for service parts.

• イラスト中で 500 番台の Ref 番号が付いている部品はサービスパーツに選定されていません。

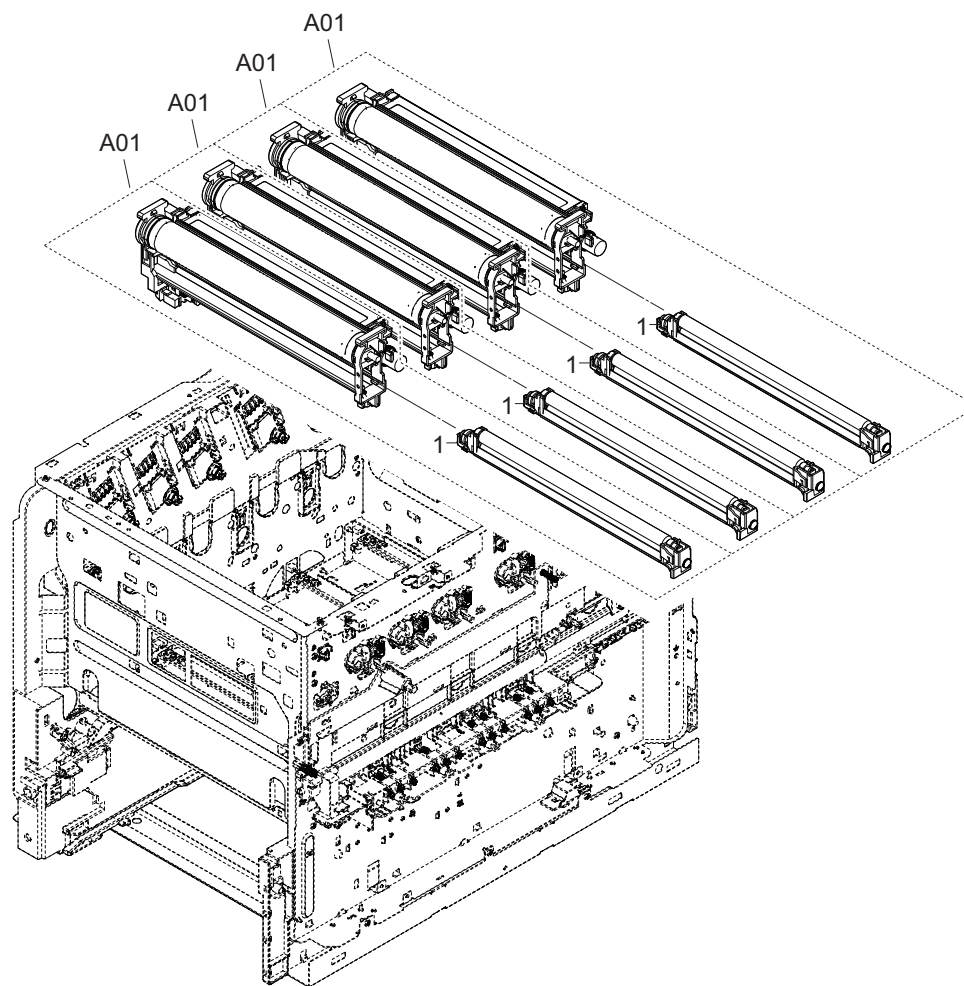


FIG. 9 Image Formation Section

2NR/2NS/2NT-2

Ref. No. 番号	Part.No. 部品番号	Alternative. 代替部品番号	Description 部品名称	Notes 備考	Revision 改訂	Quantity 個数			
						100(日本)	120	230	240
A01	302NR93012	2NR93012	DK-5140	30ppm(A4),32ppm(Letter)/35ppm(A4),37ppm(Letter)	2:Design-chg.	4	4	4	4
A01	302NT93010	2NT93010	DK-5160	40ppm(A4),42ppm(Letter)		4	4	4	4
1	*302NR93140	2NR93140	MC-5140	30ppm(A4),32ppm(Letter)/35ppm(A4),37ppm(Letter)		4	4	4	4
1	*302NT93130	2NT93130	MC-5160	40ppm(A4),42ppm(Letter)		4	4	4	4

• Parts with a Ref.No. of 500 and above in the illustration indicate they are not selected for service parts.

• イラスト中で 500 番台の Ref 番号が付いている部品はサービスパーツに選定されていません。

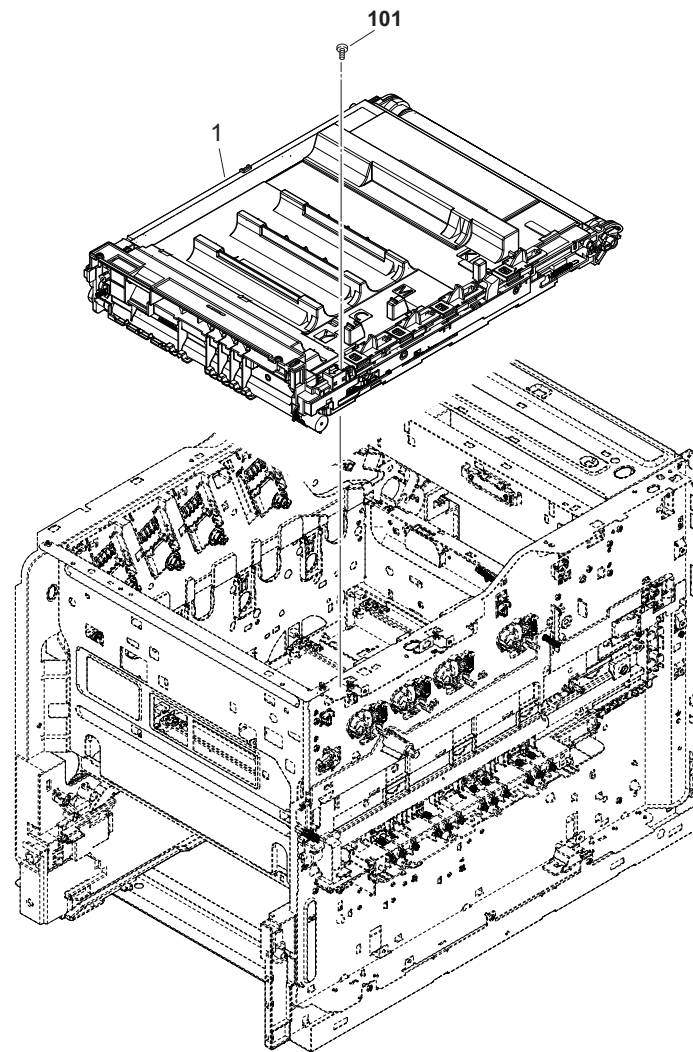


FIG. 10 Transfer Section

2NR/2NS/2NT-2

Ref. No. 番号	Part.No. 部品番号	Alternative. 代替部品番号	Description 部品名称	Notes 備考	Revision 改訂	Quantity 個数			
						100(日本)	120	230	240
1	302NR93061	2NR93061	TR-5140	30ppm(A4),32ppm(Letter)/35ppm(A4),37ppm(Letter)	2:Design-chg.	1	1	1	1
1	302NT93061	2NT93061	TR-5160	40ppm(A4),42ppm(Letter)	2:Design-chg.	1	1	1	1
101	7BB607312H	BB107140	+TP-CUP M SCREW 3X12 R						

• Parts with a Ref.No. of 500 and above in the illustration indicate they are not selected for service parts.

・イラスト中で 500 番台の Ref 番号が付いている部品はサービスパーツに選定されていません。

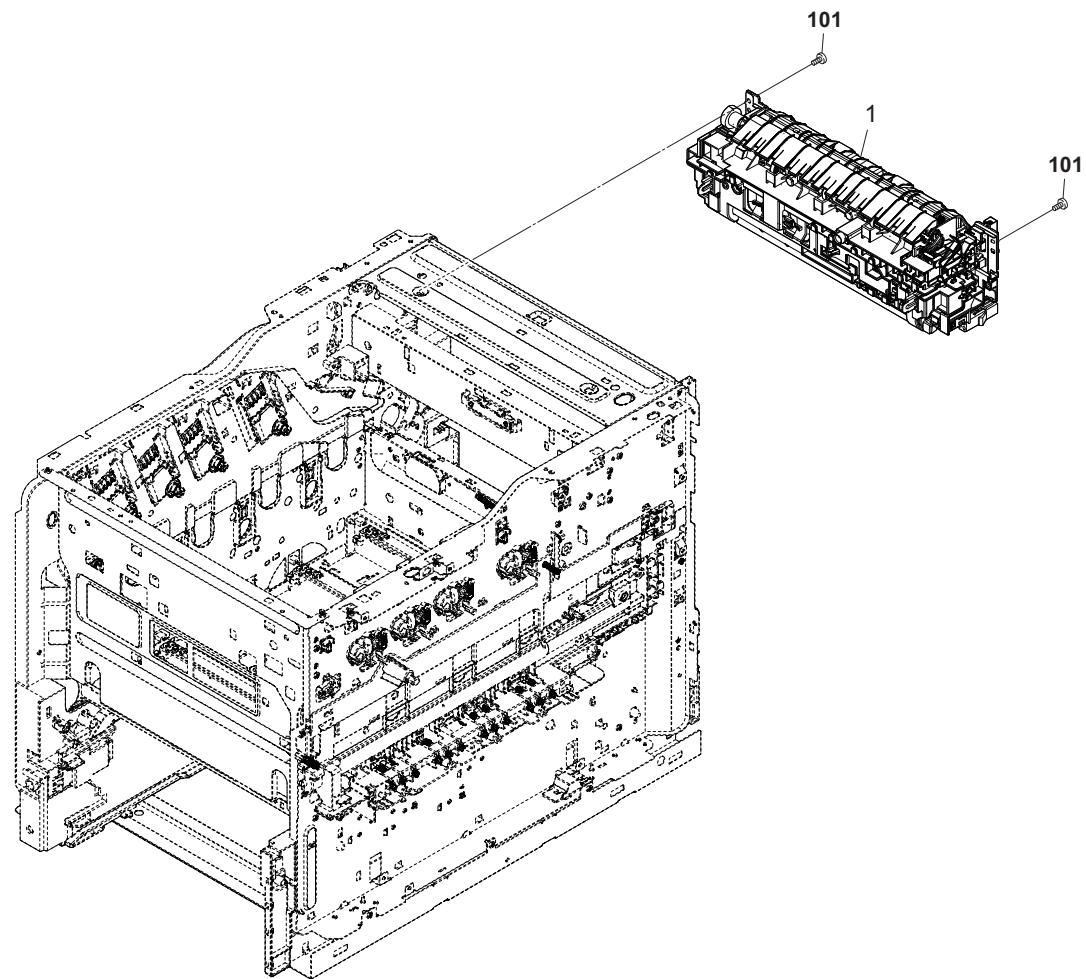


FIG. 11 Fuser Section

2NR/2NS/2NT-2

Ref. No. 番号	Part.No. 部品番号	Alternative. 代替部品番号	Description 部品名称	Notes 備考	Revision 改訂	Quantity 個数			
						100(日本)	120	230	240
1	302NR93091	2NR93091	FK-5140	30ppm(A4),32ppm(Letter)	2:Design-chg.			1	1
1	302NR93111	2NR93111	FK-5142	30ppm(A4),32ppm(Letter)	2:Design-chg.		1		
1	302NR93101	2NR93101	FK-5141	30ppm(A4),32ppm(Letter)	2:Design-chg.	1			
1	302NT93092	2NT93092	FK-5160	35ppm(A4),37ppm(Letter)	1:PartNo-chg./ 2:Design-chg.			1	1
1	302NT93112	2NT93112	FK-5162	35ppm(A4),37ppm(Letter)	1:PartNo-chg./ 2:Design-chg.		1		
1	302NT93162	2NT93162	FK-5170	40ppm(A4),42ppm(Letter)	1:PartNo-chg./ 2:Design-chg.			1	1
1	302NT93182	2NT93182	FK-5172	40ppm(A4),42ppm(Letter)	1:PartNo-chg./ 2:Design-chg.		1		
1	302NT93172	2NT93172	FK-5171	40ppm(A4),42ppm(Letter)	1:PartNo-chg./ 2:Design-chg.	1			
101	7BB700308H	BB105600	+BIND T.T S SCREW 3X8 SR						

• Parts with a Ref.No. of 500 and above in the illustration indicate they are not selected for service parts.

• イラスト中で 500 番台の Ref 番号が付いている部品はサービスパーツに選定されていません。

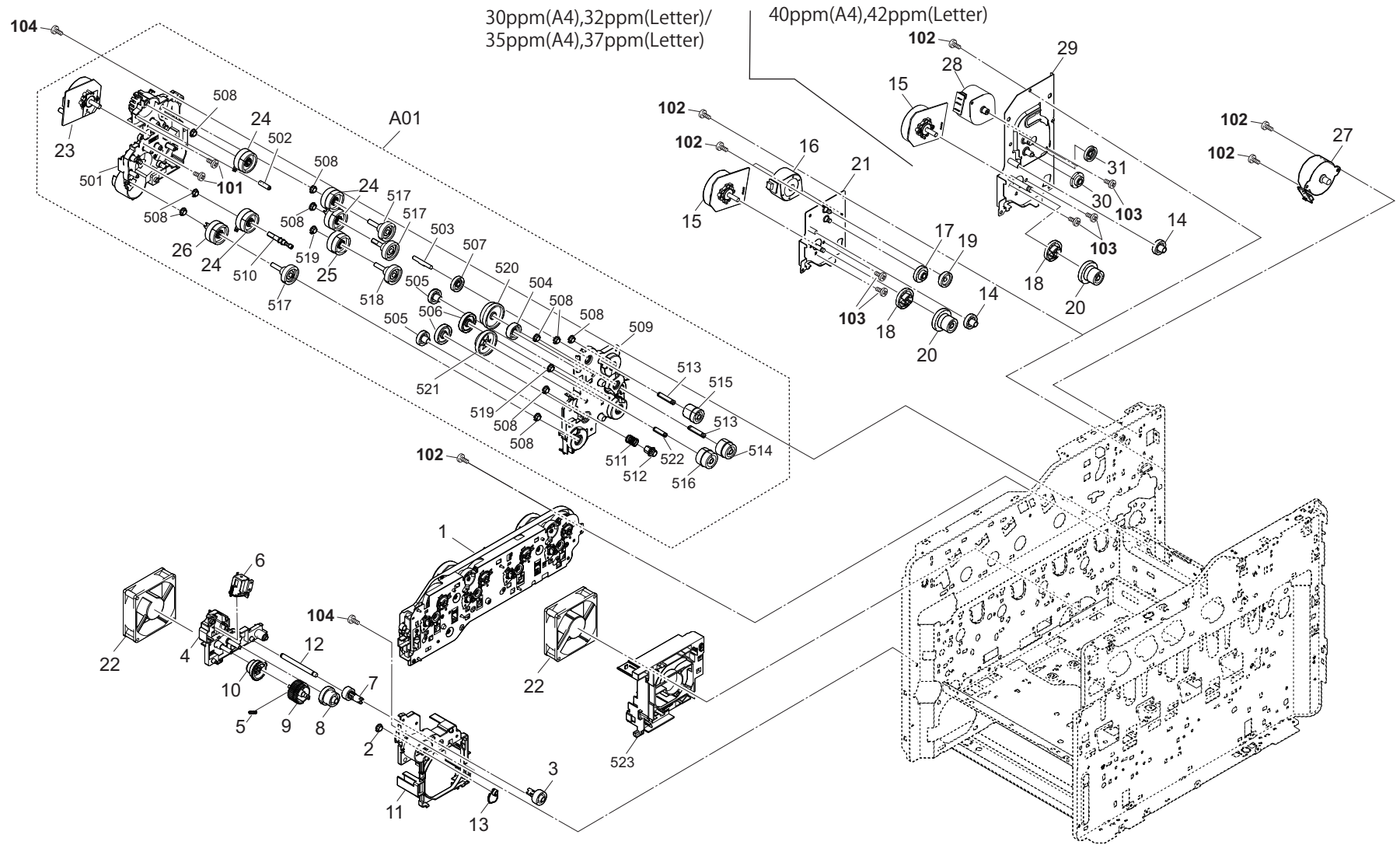


FIG. 12 Drive Section

2NR/2NS/2NT-2

Ref. No. 番号	Part.No. 部品番号	Alternative. 代替部品番号	Description 部品名称	Notes 備考	Revision 改訂	Quantity 個数			
						100(日本)	120	230	240
1	302NR93130	2NR93130	DR-5140	30ppm(A4),32ppm(Letter)		1	1	1	1
1	302NT93120	2NT93120	DR-5150	35ppm(A4),37ppm(Letter)	1:Part No-chg	1	1	1	1
1	302NT93210	2NT93210	DR-5160	40ppm(A4),42ppm(Letter)	1:Part No-chg	1	1	1	1
2	302KV31410	2KV31410	BUSH DRIVE			1	1	1	1
3	302KV31440	2KV31440	GEAR Z23L			1	1	1	1
4	302NR31150	2NR31150	HOUSING MPF DRIVE A			1	1	1	1
5	302HN31650	2HN31650	SPRING INPUT MPF			1	1	1	1
6	302GR44150	2GR44150	SOLENOID TONER			1	1	1	1
7	302NR31810	2NR31810	GEAR Z14L MPF			1	1	1	1
8	302NR31180	2NR31180	GEAR Z31R-Z24S			1	1	1	1
9	302NR31190	2NR31190	GEAR INPUT A Z36S			1	1	1	1
10	302NR31200	2NR31200	GEAR INPUT B Z36S			1	1	1	1
11	302NR31161	2NR31161	HOUSING MPF DRIVE B		2:Design-chg.	1	1	1	1
12	302NR31210	2NR31210	PIN DRIVE MPF A			1	1	1	1
13	302NR31630	2NR31630	CAM MPF			1	1	1	1
14	302NR31060	2NR31060	GEAR Z24L			1	1	1	1
15	302K994323	2K994323	PARTS MOTOR-BL W20 SP		1:Design-chg.	1	1	1	1
16	303NB94040	3NB94040	PARTS MOTOR-PM MOVING SP	30ppm(A4),32ppm(Letter)/35ppm(A4),37ppm(Letter)	1:Part No-chg.	1	1	1	1
17	302NR31250	2NR31250	GEAR Z44R-Z16S	30ppm(A4),32ppm(Letter)/35ppm(A4),37ppm(Letter)	1:Part No-chg.	1	1	1	1
18	302NR31230	2NR31230	GEAR Z35R			1	1	1	1
19	302NR31260	2NR31260	GEAR Z26S	30ppm(A4),32ppm(Letter)/35ppm(A4),37ppm(Letter)	1:Part No-chg.	1	1	1	1
20	302NR31240	2NR31240	GEAR Z63R-Z24R			1	1	1	1
21	302NR31220	2NR31220	PLATE MIDDLE DRIVE	30ppm(A4),32ppm(Letter)/35ppm(A4),37ppm(Letter)	1:Part No-chg.	1	1	1	1
22	302NG94220	2NG94220	PARTS FAN MOTOR SP			2	2	2	2
A01	302NR94260	2NR94260	PARTS FEED DRIVE ASSY SP	30ppm(A4),32ppm(Letter)		1	1	1	1
A01	302NT94081	2NT94081	PARTS FEED DRIVE ASSY SP	35ppm(A4),37ppm(Letter)/40ppm(A4),42ppm(Letter)		1	1	1	1
23	*302LC94292	2LC94292	PARTS MOTOR-BL W10 SP		2:Design-chg.	1	1	1	1
24	*302NR94010	2NR94010	PARTS CLUTCH 35 Z35R SP			4	4	4	4
25	*302NR94010	2NR94010	PARTS CLUTCH 35 Z35R SP	35ppm(A4),37ppm(Letter)/40ppm(A4),42ppm(Letter)		1	1	1	1
26	*302KV44041	2KV44041	CLUTCH 50 Z35R			1	1	1	1
27	302P794060	2P794060	PARTS MOTOR EJECT SP			1	1	1	1
28	302NT94140	2NT94140	PARTS MOTOR-PM FUSER SP	40ppm(A4),42ppm(Letter)	1:Part No-chg.	1	1	1	1
29	302NT31090	2NT31090	PLATE MIDDLE DRIVE A	40ppm(A4),42ppm(Letter)	1:Part No-chg.	1	1	1	1
30	302NT31100	2NT31100	GEAR Z43R-Z16S	40ppm(A4),42ppm(Letter)	1:Part No-chg.	1	1	1	1
31	302NT31110	2NT31110	GEAR Z26S	40ppm(A4),42ppm(Letter)	1:Part No-chg.	1	1	1	1
101	7BB060305H1	BB107010	+BIND M SCREW 3X5(BLUE)						
102	7BB700308H	BB105600	+BIND T.T S SCREW 3X8 SR						
103	7BB000304H	BB105720	+BIND M SCREW 3X4						
104	7BB100312H	BB046020	+BIND T.T S SCREW 3X12						

• Parts with a Ref.No. of 500 and above in the illustration indicate they are not selected for service parts.

• イラスト中で 500 番台の Ref 番号が付いている部品はサービスパーツに選定されていません。

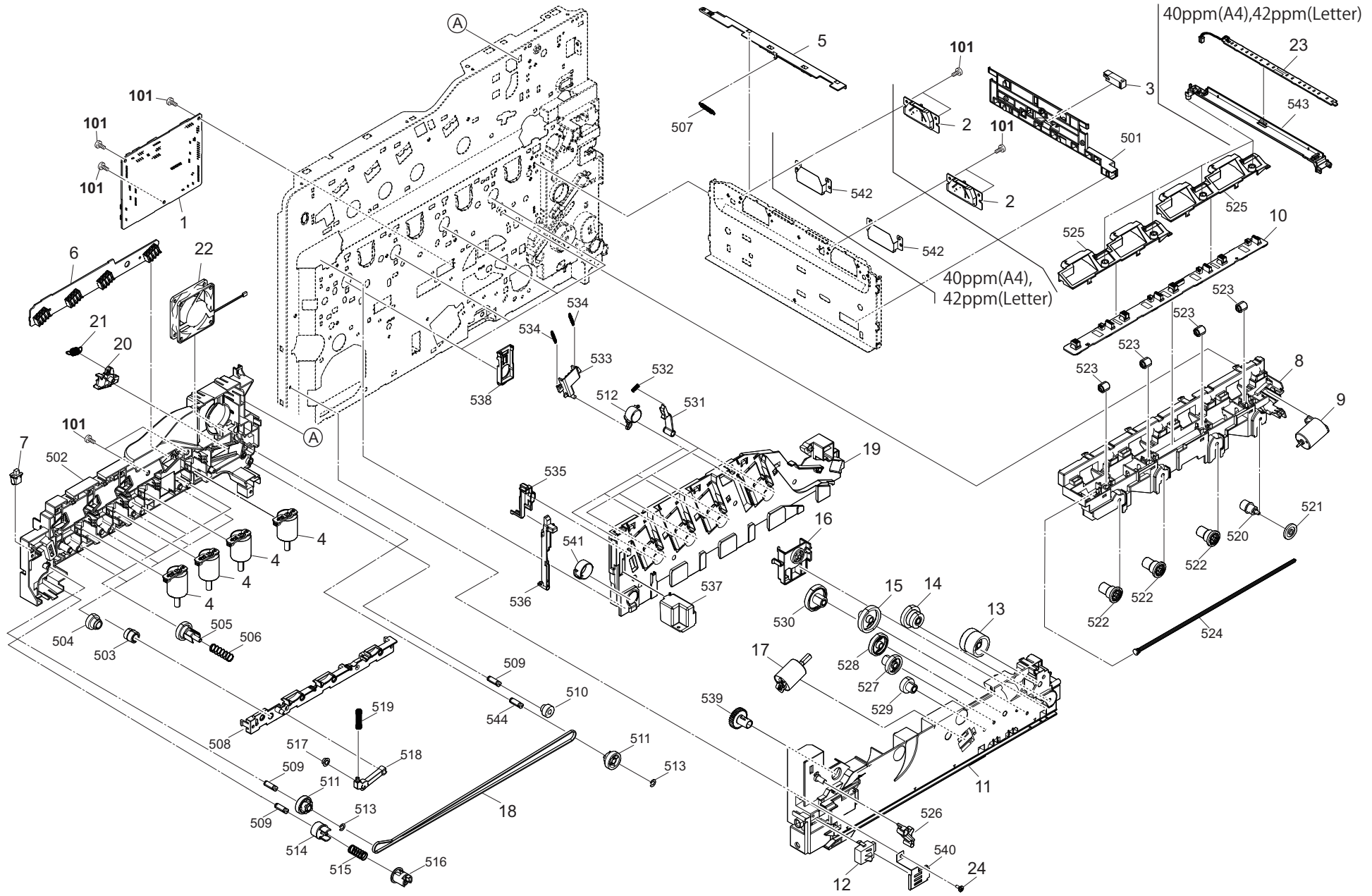


FIG. 13 Electrical Components 1

2NR/2NS/2NT-1

Ref. No. 番号	Part.No. 部品番号	Alternative. 代替部品番号	Description 部品名称	Notes 備考	Revision 改訂	Quantity 個数			
						100(日本)	120	230	240
1	302NR94110	2NR94110	PARTS PWB ASSY ENGINE CONNECT SP	30ppm(A4),32ppm(Letter)		1	1	1	1
1	302NS94040	2NS94040	PARTS PWB ASSY ENGINE CONNECT SP	35ppm(A4),37ppm(Letter)			1	1	1
1	302NT94030	2NT94030	PARTS PWB ASSY ENGINE CONNECT SP	40ppm(A4),42ppm(Letter)		1	1	1	1
2	302NR94020	2NR94020	PARTS ID SENSOR SP			2	2	2	2
3	303NW94040	3NW94040	PARTS SENSOR OPT. SP			1	1	1	1
4	302NR94080	2NR94080	PARTS DC MOTOR ASSY SP			4	4	4	4
5	302NR94200	2NR94200	PARTS CLEANER ID ASSY SP			1	1	1	1
6	302NR94100	2NR94100	PARTS PWB ASSY CONTAINER CONN SP			1	1	1	1
7	7SP01000004+H01	SP136500	SW,PUSH			1	1	1	1
8	302NR33020	2NR33020	DUCT LEFT INNER			1	1	1	1
9	302NG94050	2NG94050	PARTS DC MOTOR ASSY SP			1	1	1	1
10	302NR94120	2NR94120	PARTS PWB ASSY DRUM CONNECT SP	30ppm(A4),32ppm(Letter)/35ppm(A4),37ppm(Letter)		1	1	1	1
10	302NT94020	2NT94020	PARTS PWB ASSY DRUM CONNECT SP	40ppm(A4),42ppm(Letter)		1	1	1	1
11	302NS02192	2NS02192	GUIDE CASSETTE LEFT		1:Design-chg.	1	1	1	1
12	302HN44180	2HN44180	SWITCH SIZE			1	1	1	1
13	302NR31080	2NR31080	GEAR Z33R-Z32R			1	1	1	1
14	302KV02B80	2KV02B80	GEAR Z28S-Z13S			1	1	1	1
15	302NR02930	2NR02930	GEAR Z41S			1	1	1	1
16	302NS02230	2NS02230	HOLDER GEAR			1	1	1	1
17	302NR94090	2NR94090	PARTS DC MOTOR ASSY SP			1	1	1	1
18	302NR31570	2NR31570	BELT S2M Z350			1	1	1	1
19	302NR02170	2NR02170	GUIDE TOP LEFT			1	1	1	1
20	302NR02330	2NR02330	SLIDER CLEANER ID			1	1	1	1
21	302NR02340	2NR02340	SPRING SLIDER CLEANER			1	1	1	1
22	302FZ94420	2FZ94420	PARTS,FAN COOLING CONVEYING SP			1	1	1	1
23	302NT94090	2NT94090	PARTS PWB ASSY DRUM HEATER SP	40ppm(A4),42ppm(Letter)	1:Others	4			
24	303MH04040	3MH04040	PIN COVER		1:Add	1	1	1	1
101	7BB700308H	BB105600	+BIND T.T S SCREW 3X8 SR						

• Parts with a Ref.No. of 500 and above in the illustration indicate they are not selected for service parts.

• イラスト中で 500 番台の Ref 番号が付いている部品はサービスパーツに選定されていません。

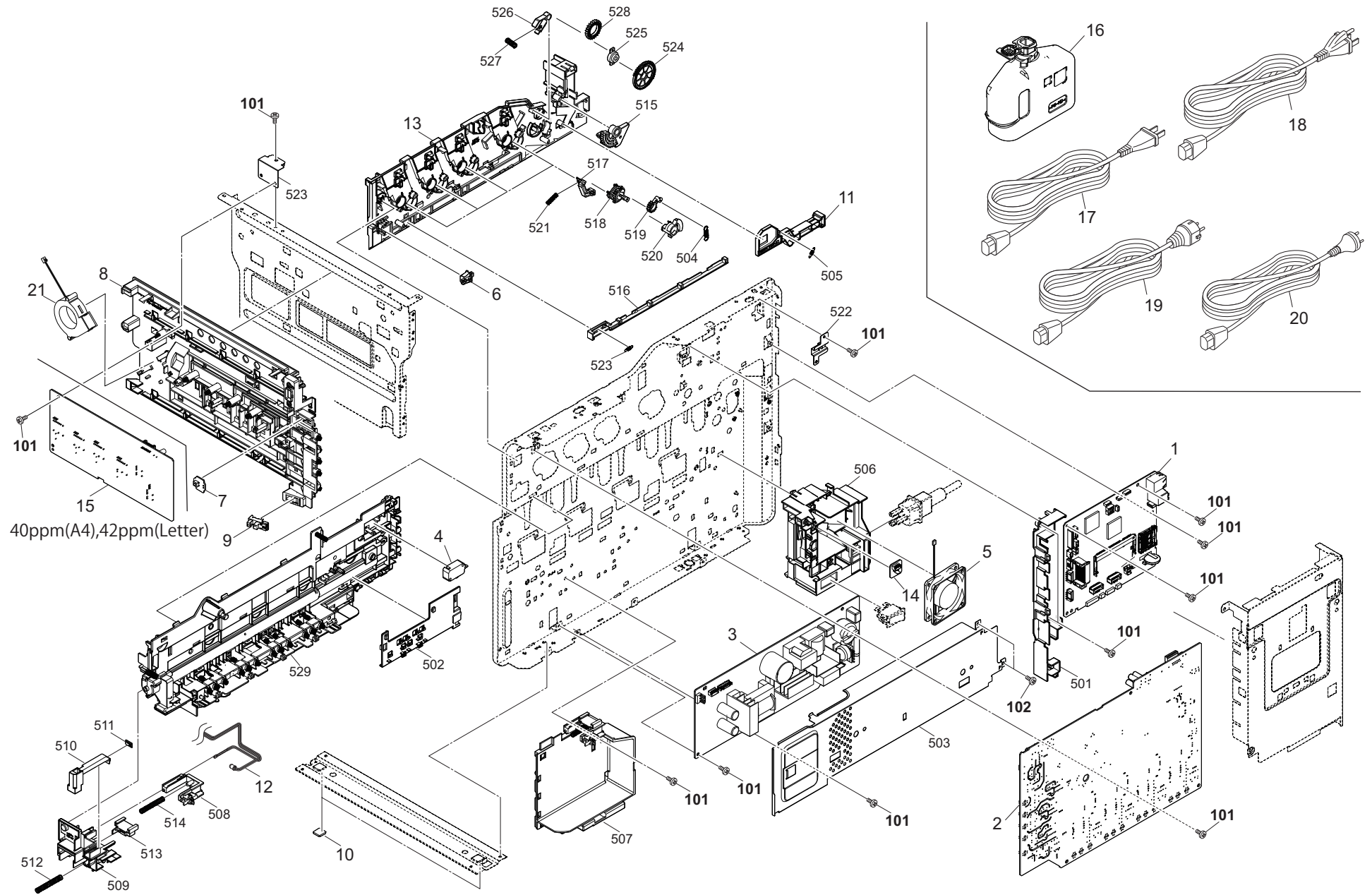


FIG. 14 Electrical Components 2

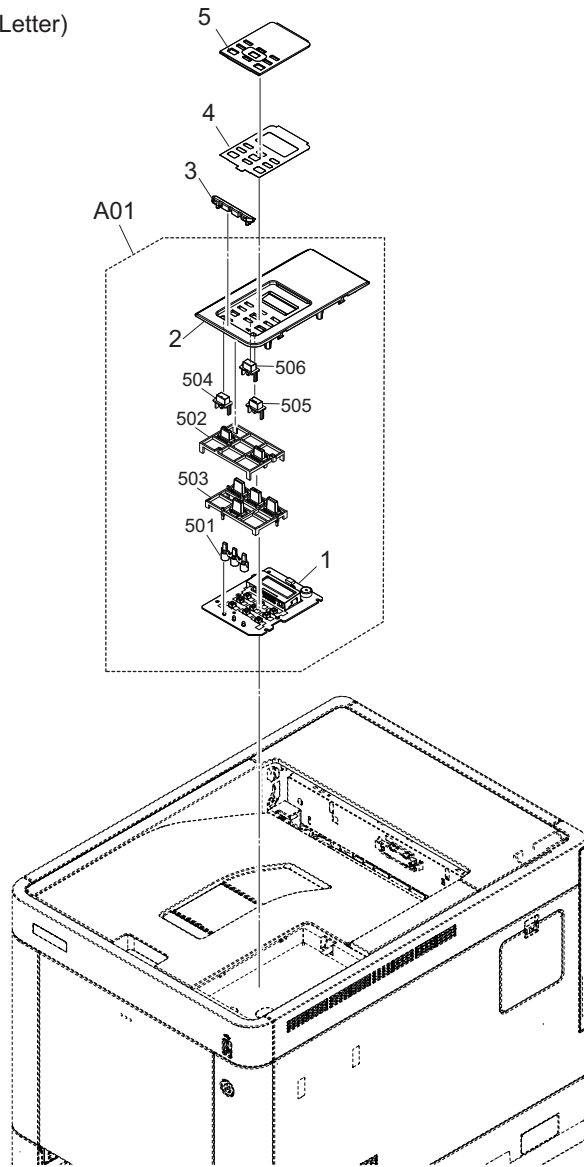
2NR/2NS/2NT-2

Ref. No. 番号	Part.No. 部品番号	Alternative. 代替部品番号	Description 部品名称	Notes 備考	Revision 改訂	Quantity 個数			
						100(日本)	120	230	240
1	302NR94171	2NR94171	PARTS PWB ASSY MAIN SP	30ppm(A4),32ppm(Letter)	2:Design-chg.		1		1
1	302NR94180	2NR94180	PARTS PWB ASSY MAIN EU SP	30ppm(A4),32ppm(Letter)				1	
1	302NR94281	2NR94281	PARTS PWB ASSY MAIN JP SP	30ppm(A4),32ppm(Letter)	2:Design-chg.	1			
1	302NS94061	2NS94061	PARTS PWB ASSY MAIN SP	35ppm(A4),37ppm(Letter)	2:Design-chg.		1		1
1	302NS94070	2NS94070	PARTS PWB ASSY MAIN EU SP	35ppm(A4),37ppm(Letter)				1	
1	302NT94040	2NT94040	PARTS PWB ASSY MAIN SP	40ppm(A4),42ppm(Letter)			1		1
1	302NT94050	2NT94050	PARTS PWB ASSY MAIN EU SP	40ppm(A4),42ppm(Letter)				1	
1	302NT94100	2NT94100	PARTS PWB ASSY MAIN JP SP	40ppm(A4),42ppm(Letter)		1			
2	302NR94030	2NR94030	PARTS HIGH VOLTAGE UNIT SP	30ppm(A4),32ppm(Letter)/35ppm(A4),37ppm(Letter)		1	1	1	1
2	302NT94010	2NT94010	PARTS HIGH VOLTAGE UNIT SP	40ppm(A4),42ppm(Letter)		1	1	1	1
3	302NR94050	2NR94050	PARTS SWITCHING REGULATOR 230V SP	30ppm(A4),32ppm(Letter)				1	1
3	302NS94020	2NS94020	PARTS SWITCHING REGULATOR 230V SP	35ppm(A4),37ppm(Letter)/40ppm(A4),42ppm(Letter)				1	1
3	302NR94040	2NR94040	PARTS SWITCHING REGULATOR 100V SP	30ppm(A4),32ppm(Letter)		1	1		
3	302NS94010	2NS94010	PARTS SWITCHING REGULATOR 100V SP	35ppm(A4),37ppm(Letter)/40ppm(A4),42ppm(Letter)		1	1		
4	7SM010104+++H01	SM055200	SW.MICRO			1	1	1	1
5	302FZ94420	2FZ94420	PARTS,FAN COOLING CONVEYING SP			1	1	1	1
6	7SP01000004+H01	SP136500	SW.PUSH			1	1	1	1
7	302NR94160	2NR94160	PARTS PWB ASSY SWITCH SP			1	1	1	1
8	302NR39011	2NR39011	BRACKET FRONT HV		1:Design-chg.	1	1	1	1
9	302P794010	2P794010	PARTS SENSOR OPT. SP			1	1	1	1
10	302HN02611	2HN02611	FOOT			2	2	2	2
11	302NR02140	2NR02140	LEVER INTERLOCK			1	1	1	1
12	302NR94070	2NR94070	PARTS TONER FULL DETECT ASSY SP			1	1	1	1
13	302NR02180	2NR02180	GUIDE TOP RIGHT			1	1	1	1
14	302M294130	2M294130	PARTS PWB ASSY THERMISTOR SP			1	1	1	1
15	302K094271	2K094271	PARTS HVU2 SP	40ppm(A4),42ppm(Letter)	1:Design-chg.	1	1	1	1
16	302NR93150	2NR93150	WT-5140			1	1	1	1
17	7AAACCJP+15H007	AA150200	AC CORD ASSY JP	30ppm(A4),32ppm(Letter)/40ppm(A4),42ppm(Letter)	1:Part No-chg.	1			
18	3019527401	19527401	POWER CORD(120)				1		
19	302FV94010	2FV94010	PARTS AC CORD EU SP					1	
20	302FV45040	2FV45040	AC CORD ASSY						1
21	302HN44210	2HN44210	FAN MOTOR		1:Add	1	1	1	1
101	7BB700308H	BB105600	+BIND T.T S SCREW 3X8 SR						
102	7BB200308H	BB105660	+BIND T.T P SCREW 3X8						

• Parts with a Ref.No. of 500 and above in the illustration indicate they are not selected for service parts.

• イラスト中で 500 番台の Ref 番号が付いている部品はサービスパーツに選定されていません。

30ppm(A4),32ppm(Letter)



35ppm(A4),37ppm(Letter)/
40ppm(A4),42ppm(Letter)

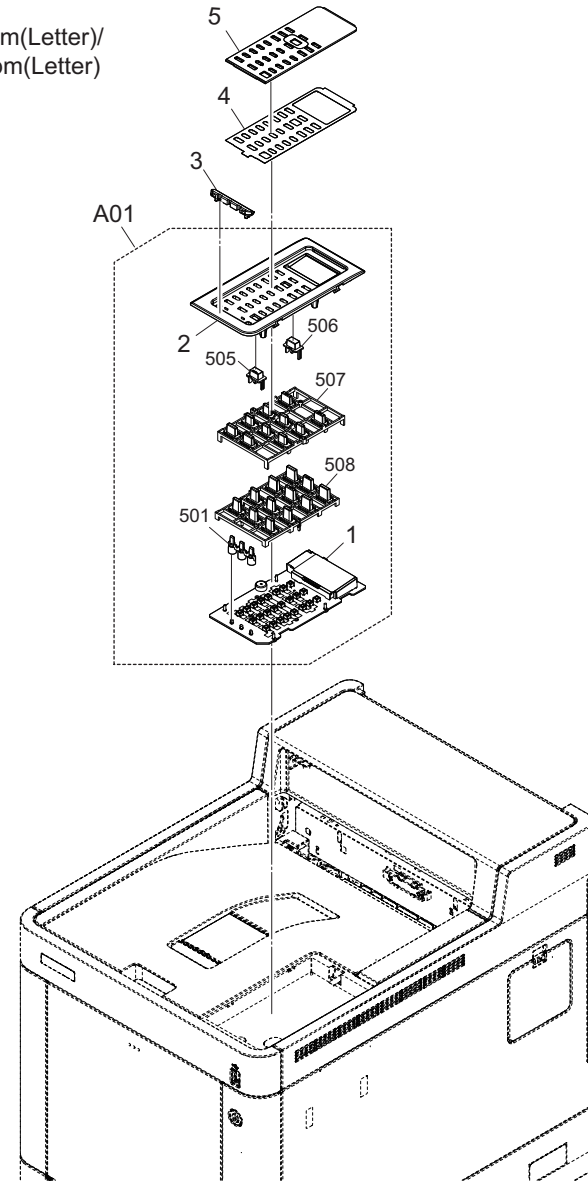


FIG. 15 Operation Section

2NR/2NS/2NT

Ref. No. 番号	Part.No. 部品番号	Alternative. 代替部品番号	Description 部品名称	Notes 備考	Revision 改訂	Quantity 個数			
						100(日本)	120	230	240
A01	302NR94240	2NR94240	PARTS OPERATION ASSY SP	30ppm(A4),32ppm(Letter)		1	1	1	1
A01	302NS94090	2NS94090	PARTS OPERATION ASSY SP	35ppm(A4),37ppm(Letter)/40ppm(A4),42ppm(Letter)		1	1	1	1
1	*302NR94140	2NR94140	PARTS PWB ASSY LCDCONT SP	30ppm(A4),32ppm(Letter)		1	1	1	1
1	*302NS94030	2NS94030	PARTS PWB ASSY LCDCONT SP	35ppm(A4),37ppm(Letter)/40ppm(A4),42ppm(Letter)		1	1	1	1
2	*302NR05010	2NR05010	COVER OPERATION	30ppm(A4),32ppm(Letter)		1	1	1	1
2	*302NS05010	2NS05010	COVER OPERATION	35ppm(A4),37ppm(Letter)/40ppm(A4),42ppm(Letter)		1	1	1	1
3	302NR05080	2NR05080	STOPPER PANEL			1	1	1	1
4	302NR05200	2NR05200	SHEET OPE	30ppm(A4),32ppm(Letter)		1			
4	302NR05210	2NR05210	SHEET OPE ENG	30ppm(A4),32ppm(Letter)			1	1	1
4	302NS05200	2NS05200	SHEET OPE	40ppm(A4),42ppm(Letter)		1			
4	302NS05210	2NS05210	SHEET OPE ENG	35ppm(A4),37ppm(Letter)/40ppm(A4),42ppm(Letter)			1	1	1
5	302NR05070	2NR05070	COVER PANEL	30ppm(A4),32ppm(Letter)		1	1	1	1
5	302NS05040	2NS05040	COVER PANEL	35ppm(A4),37ppm(Letter)			1	1	1
5	302NT05010	2NT05010	COVER PANEL	40ppm(A4),42ppm(Letter)		1	1	1	1

• Parts with a Ref.No. of 500 and above in the illustration indicate they are not selected for service parts.

• イラスト中で 500 番台の Ref 番号が付いている部品はサービスパーツに選定されていません。

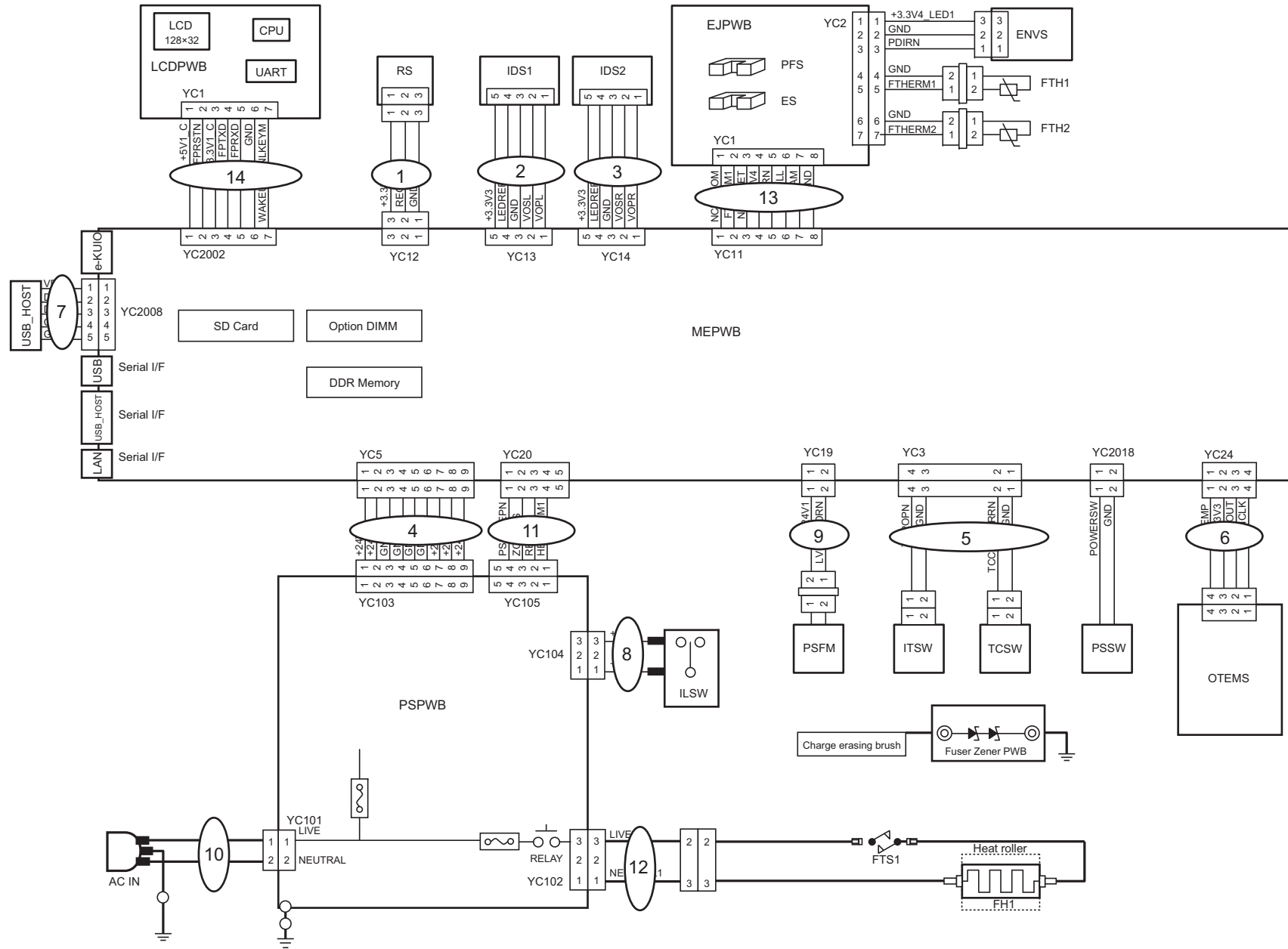


FIG. 16 Wire Section 1 (30ppm(A4),32ppm(Letter))

2NR/2NS/2NT

Ref. No. 番号	Part.No. 部品番号	Alternative. 代替部品番号	Description 部 品 名 称	Notes 備 考	Revision 改 訂	Quantity 個数			
						100(日本)	120	230	240
1	302NR46020	2NR46020	CONN.CORD ASSY S03920 MAIN-REGIST			1	1	1	1
2	302NR46030	2NR46030	CONN.CORD ASSY S03921 MAIN-ID SENSOR(L)			1	1	1	1
3	302NR46040	2NR46040	CONN.CORD ASSY S03922 MAIN-ID SENSOR(R)			1	1	1	1
4	302NR46060	2NR46060	CONN.CORD ASSY S03925 MAIN-LVU			1	1	1	1
5	302NR46090	2NR46090	CONN.CORD ASSY S03929 MAIN-CONTAINER SW			1	1	1	1
6	302NR46260	2NR46260	CONN.CORD ASSY S03956 MAIN-THERMISTOR			1	1	1	1
7	302NR46350	2NR46350	CONN.CORD ASSY S03965 USB HOST			1	1	1	1
8	302NR46360	2NR46360	CONN.CORD ASSY S03966 LVU-INTERLOCK			1	1	1	1
9	302NR46380	2NR46380	CONN.CORD ASSY S03969 MIAN-LVU FAN			1	1	1	1
10	302NR46410	2NR46410	CONN.CORD ASSY S03975 INLET			1	1	1	1
11	302NR46070	2NR46070	CONN.CORD ASSY S03926 MAIN-LVU			1	1	1	1
12	302NR46370	2NR46370	CONN.CORD ASSY S03967 LVU-HEATER CONNECT			1	1	1	1
13	302NV46060	2NV46060	CONN.CORD ASSY S04078 MAIN-EXIT			1	1	1	1
14	302NR46010	2NR46010	CONN.CORD ASSY S03919 MAIN-LCD			1	1	1	1

• Parts with a Ref.No. of 500 and above in the illustration indicate they are not selected for service parts.

• イラスト中で 500 番台の Ref 番号が付いている部品はサービスパーツに選定されていません。

FIG. 16 Wire Section 1 (35ppm(A4),37ppm(Letter)/40ppm(A4),42ppm(Letter))

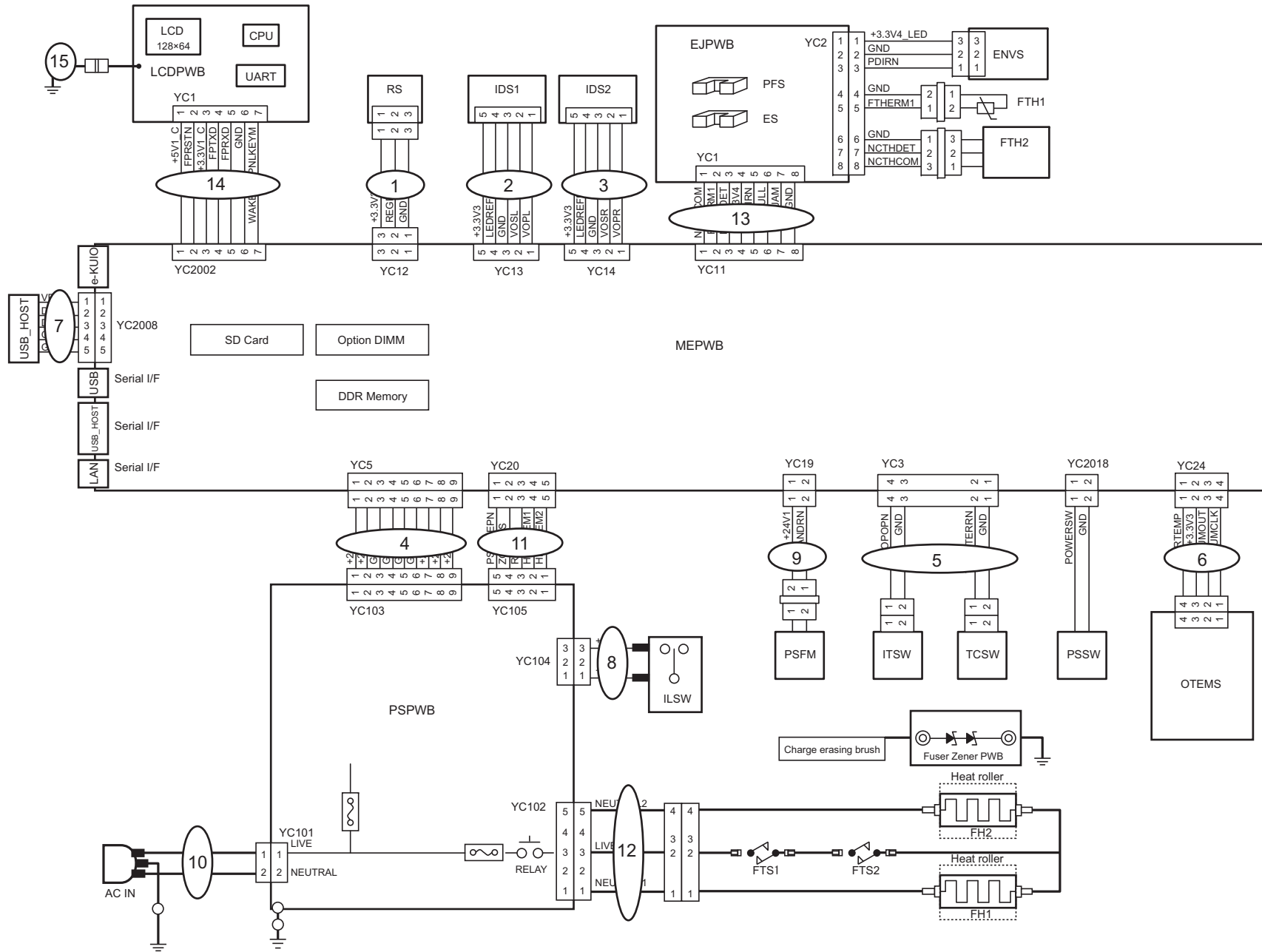


FIG. 16 Wire Section 1 (35ppm(A4),37ppm(Letter)/40ppm(A4),42ppm(Letter))

2NR/2NS/2NT

Ref. No. 番号	Part.No. 部品番号	Alternative. 代替部品番号	Description 部品名称	Notes 備考	Revision 改訂	Quantity 個数			
						100(日本)	120	230	240
1	302NR46020	2NR46020	CONN.CORD ASSY S03920 MAIN-REGIST			1	1	1	1
2	302NR46030	2NR46030	CONN.CORD ASSY S03921 MAIN-ID SENSOR(L)			1	1	1	1
3	302NR46040	2NR46040	CONN.CORD ASSY S03922 MAIN-ID SENSOR(R)			1	1	1	1
4	302NR46060	2NR46060	CONN.CORD ASSY S03925 MAIN-LVU			1	1	1	1
5	302NR46090	2NR46090	CONN.CORD ASSY S03929 MAIN-CONTAINER SW			1	1	1	1
6	302NR46260	2NR46260	CONN.CORD ASSY S03956 MAIN-THERMISTOR			1	1	1	1
7	302NR46350	2NR46350	CONN.CORD ASSY S03965 USB HOST			1	1	1	1
8	302NR46360	2NR46360	CONN.CORD ASSY S03966 LVU-INTERLOCK			1	1	1	1
9	302NR46380	2NR46380	CONN.CORD ASSY S03969 MIAN-LVU FAN			1	1	1	1
10	302NR46410	2NR46410	CONN.CORD ASSY S03975 INLET			1	1	1	1
11	302NT46010	2NT46010	CONN.CORD ASSY S03927 MAIN-LVU			1	1	1	1
12	302NT46070	2NT46070	CONN.CORD ASSY S03968 LVU-HEATER CONNECT			1	1	1	1
13	302NV46060	2NV46060	CONN.CORD ASSY S04078 MAIN-EXIT			1	1	1	1
14	302NS46030	2NS46030	CONN.CORD ASSY S04084 MAIN-LCD			1	1	1	1
15	302NS46020	2NS46020	CONN.CORD ASSY S04083 LCDCONNECT-GND			1	1	1	1

• Parts with a Ref.No. of 500 and above in the illustration indicate they are not selected for service parts.

・イラスト中で 500 番台の Ref 番号が付いている部品はサービスパーツに選定されていません。

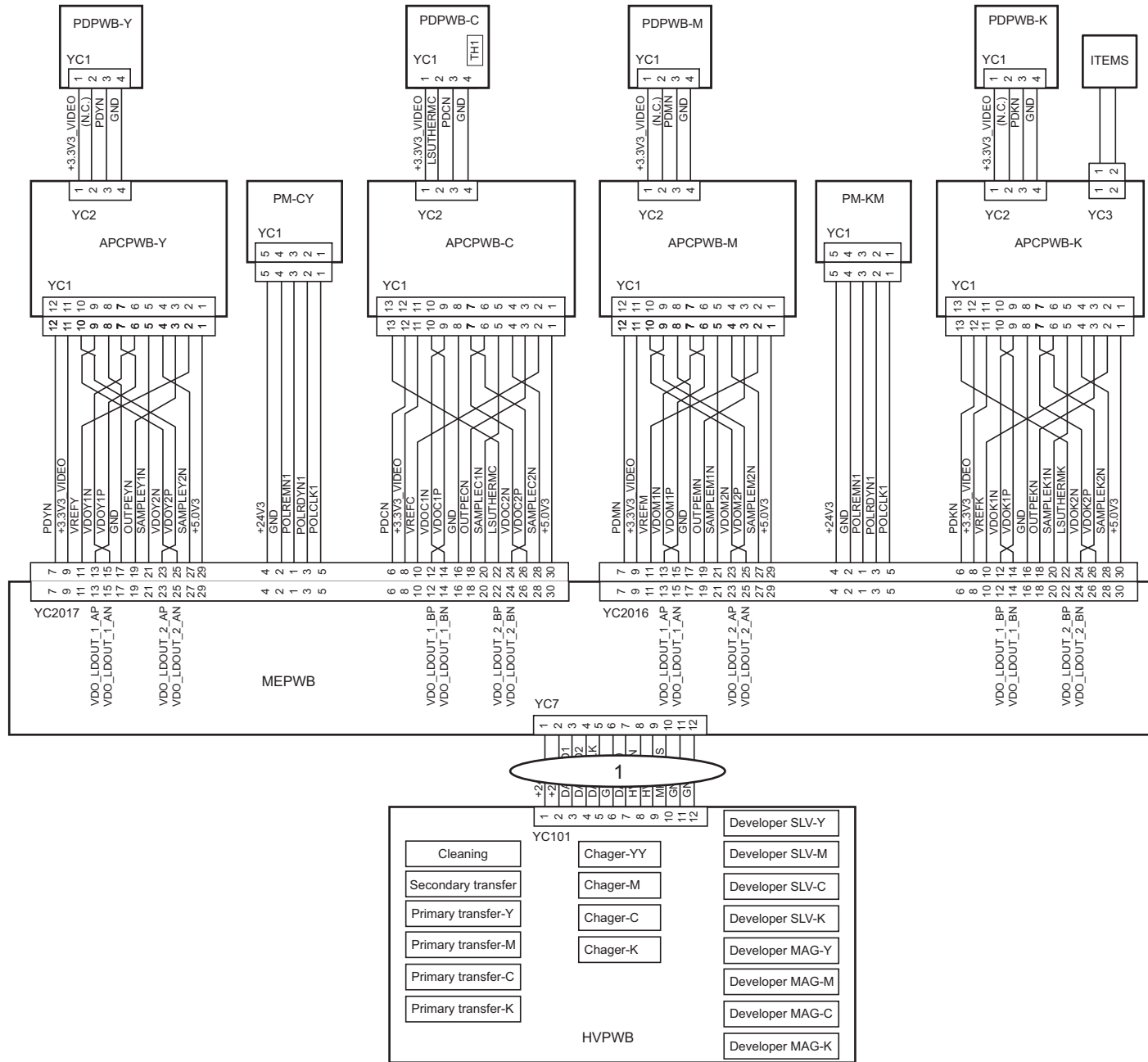


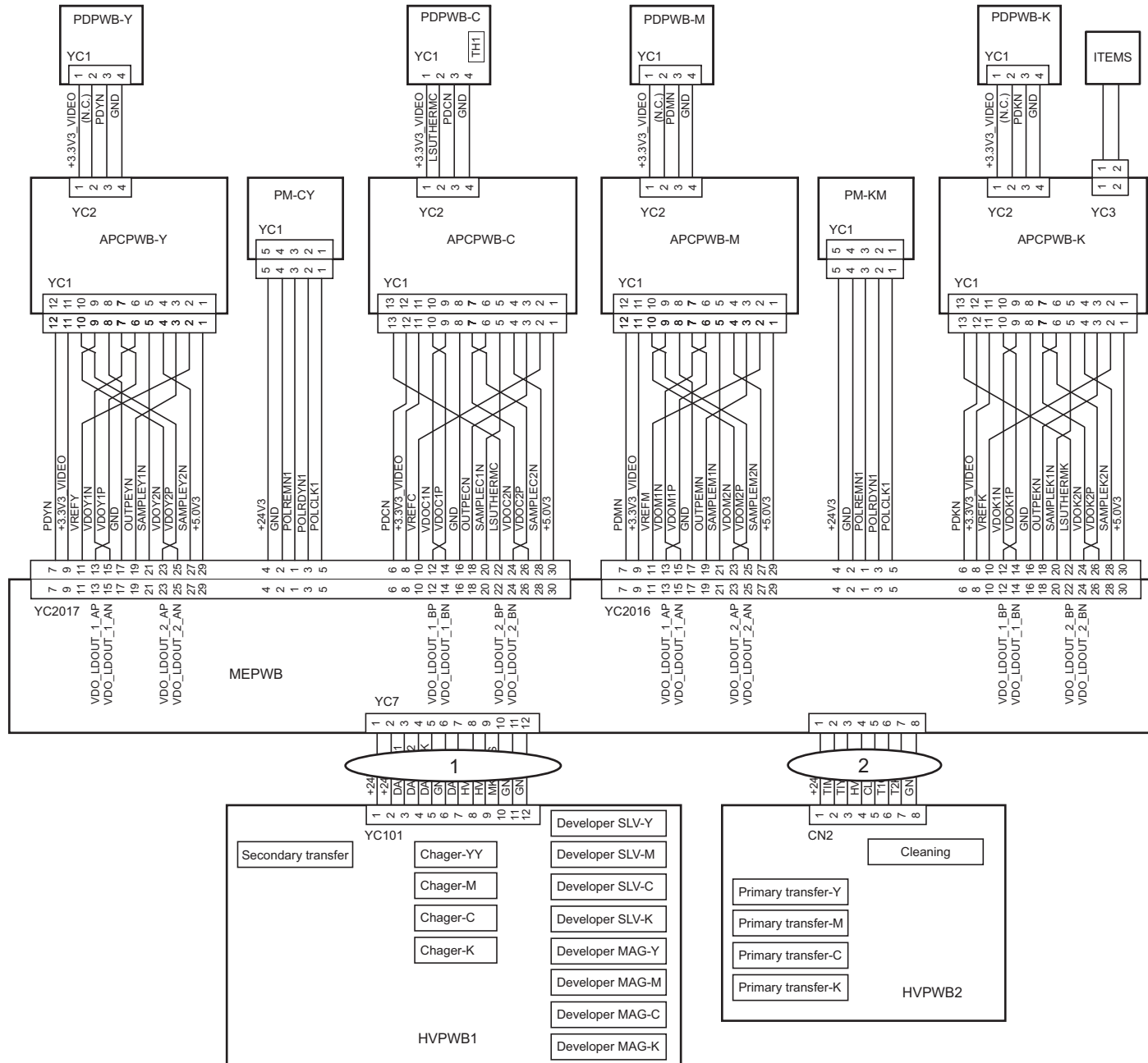
FIG. 17 Wire Section 2 (30ppm(A4),32ppm(Letter)/35ppm(A4),37ppm(Letter))

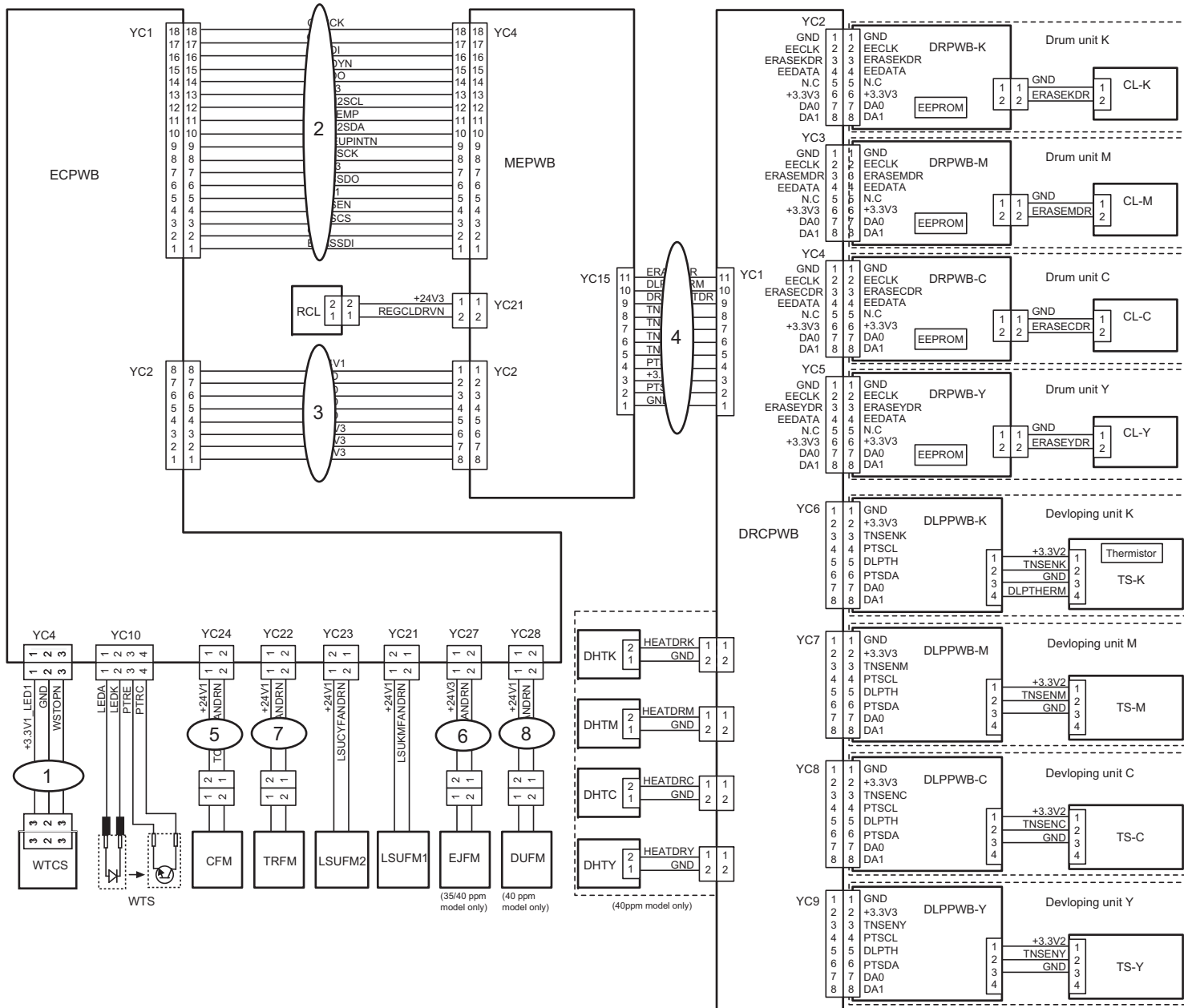
2NR/2NS/2NT

Ref. No. 番号	Part.No. 部品番号	Alternative. 代替部品番号	Description 部品名称	Notes 備考	Revision 改訂	Quantity 個数			
						100(日本)	120	230	240
1	302NR46160	2NR46160	CONN.CORD ASSY S03940 MIAN-HVU OPC			1	1	1	1

• Parts with a Ref.No. of 500 and above in the illustration indicate they are not selected for service parts.

• イラスト中で 500 番台の Ref 番号が付いている部品はサービスパーツに選定されていません。





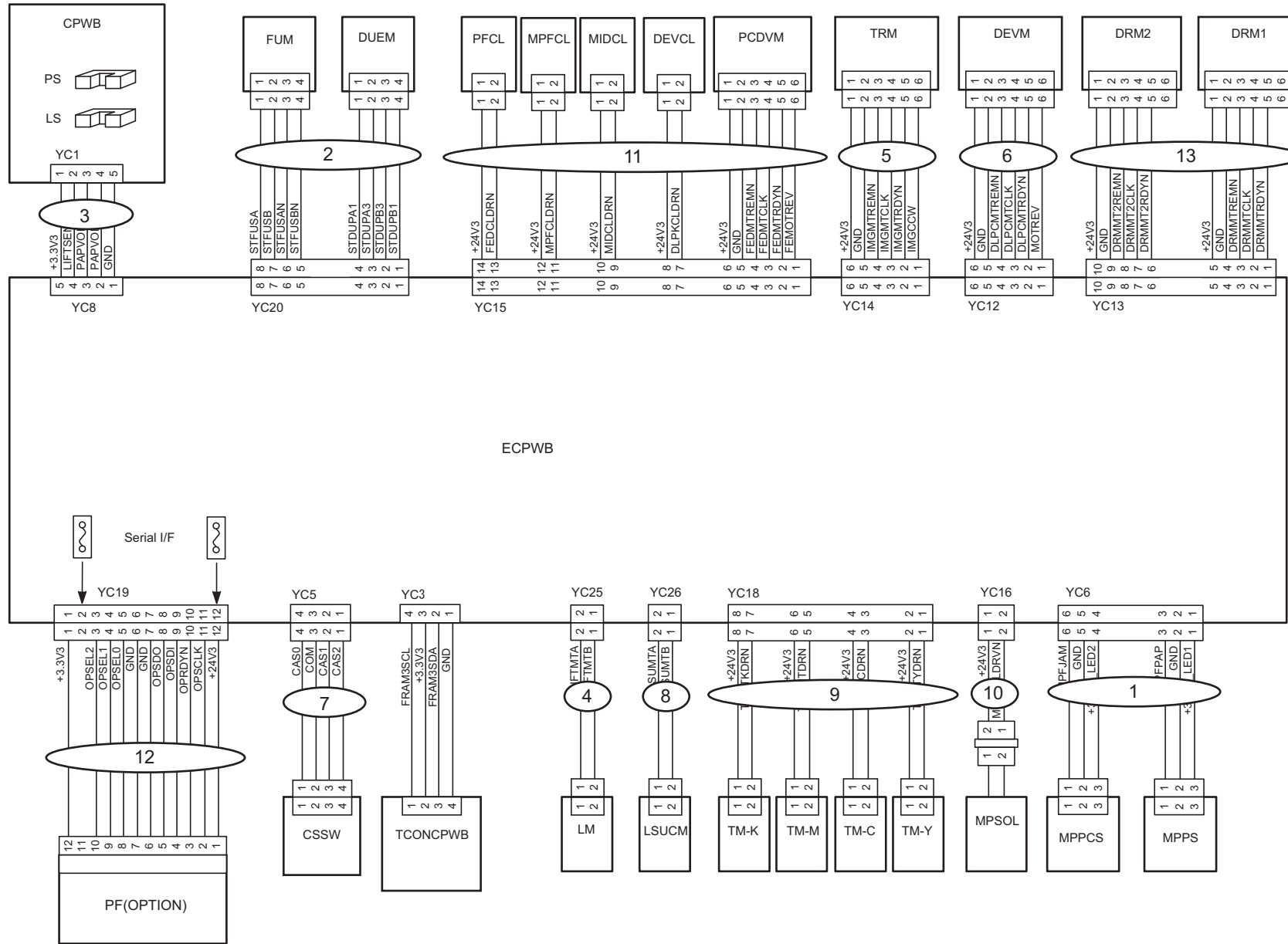


FIG. 19 Wire Section 4 (35ppm(A4),37ppm(Letter)/40ppm(A4),42ppm(Letter))

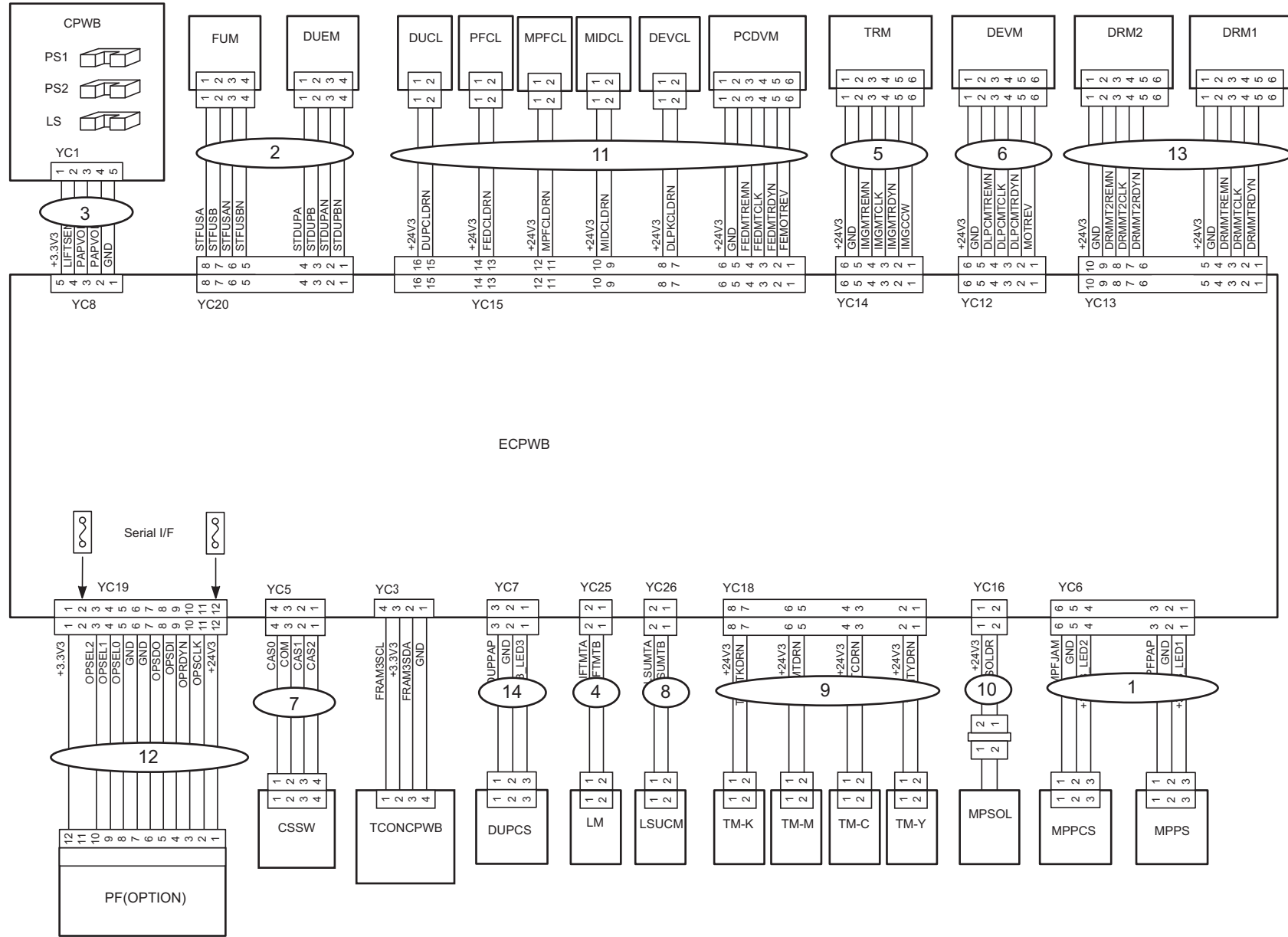


FIG. 19 Wire Section 4 (35ppm(A4),37ppm(Letter)/40ppm(A4),42ppm(Letter))

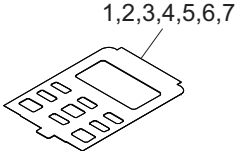
2NR/2NS/2NT-1

Ref. No. 番号	Part.No. 部品番号	Alternative. 代替部品番号	Description 部品名称	Notes 備考	Revision 改訂	Quantity 個数			
						100(日本)	120	230	240
1	302NR46080	2NR46080	CONN.CORD ASSY S03928 ENGINE-MPF			1	1	1	1
2	302NR46150	2NR46150	CONN.CORD ASSY S03939 ENGINE-FUSER MOT	35ppm(A4),37ppm(Letter)	1:Part No-chg.	1	1	1	1
2	302NT46120	2NT46120	CONN.CORD ASSY S04130 ENGINE-FUSER MOT	40ppm(A4),42ppm(Letter)	1:Part No-chg.	1	1	1	1
3	302NR46200	2NR46200	CONN.CORD ASSY S03946 ENGINE-CASSETTE			1	1	1	1
4	302NR46210	2NR46210	CONN.CORD ASSY S03947 ENGINE-LIFT			1	1	1	1
5	302NR46230	2NR46230	CONN.CORD ASSY S03951 ENGINE-IMAGE MOT			1	1	1	1
6	302NR46240	2NR46240	CONN.CORD ASSY S03952 ENGINE-DLP MOT			1	1	1	1
7	302NR46270	2NR46270	CONN.CORD ASSY S03957 ENGINE-CASSETTE SW			1	1	1	1
8	302NR46290	2NR46290	CONN.CORD ASSY S03959 ENGINE-LSU CL			1	1	1	1
9	302NR46300	2NR46300	CONN.CORD ASSY S03960 ENGINE-TONER MOT			1	1	1	1
10	302NR46310	2NR46310	CONN.CORD ASSY S03961 ENGINE-SOLENOID			1	1	1	1
11	302NT46050	2NT46050	CONN.CORD ASSY S03950 ENGINE-FEED MOT			1	1	1	1
12	302NR46250	2NR46250	CONN.CORD ASSY S03955 ENGINE-PF			1	1	1	1
13	302NR46490	2NR46490	CONN.CORD ASSY S04090 ENGINE-DRUM MOT			1	1	1	1
14	302NT46040	2NT46040	CONN.CORD ASSY S03948 MAIN-DU SENSOR			1	1	1	1

• Parts with a Ref.No. of 500 and above in the illustration indicate they are not selected for service parts.

• イラスト中で 500 番台の Ref 番号が付いている部品はサービスパーツに選定されていません。

30ppm(A4),32ppm(Letter)



35ppm(A4),37ppm(Letter)/
40ppm(A4),42ppm(Letter)

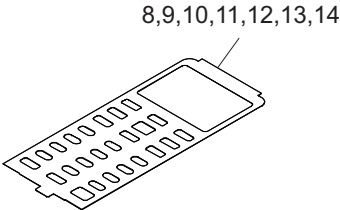


FIG. 20 Accessories

2NR/2NS/2NT

Ref. No. 番号	Part.No. 部品番号	Alternative. 代替部品番号	Description 部品名称	Notes 備考	Revision 改訂	Quantity 個数			
						100(日本)	120	230	240
1	302NR05220	2NR05220	SHEET OPE GER	30ppm(A4),32ppm(Letter)				1	
2	302NR05230	2NR05230	SHEET OPE FRA	30ppm(A4),32ppm(Letter)			1	1	
3	302NR05240	2NR05240	SHEET OPE ITA	30ppm(A4),32ppm(Letter)				1	
4	302NR05250	2NR05250	SHEET OPE SPA	30ppm(A4),32ppm(Letter)			1	1	
5	302NR05260	2NR05260	SHEET OPE POR	30ppm(A4),32ppm(Letter)			1	1	
6	302NR05270	2NR05270	SHEET OPE DUT	30ppm(A4),32ppm(Letter)				1	
7	302NR05280	2NR05280	SHEET OPE RUS	30ppm(A4),32ppm(Letter)				1	
8	302NS05220	2NS05220	SHEET OPE GER	35ppm(A4),37ppm(Letter)/40ppm(A4),42ppm(Letter)				1	
9	302NS05230	2NS05230	SHEET OPE FRA	35ppm(A4),37ppm(Letter)/40ppm(A4),42ppm(Letter)			1	1	
10	302NS05240	2NS05240	SHEET OPE ITA	35ppm(A4),37ppm(Letter)/40ppm(A4),42ppm(Letter)				1	
11	302NS05250	2NS05250	SHEET OPE SPA	35ppm(A4),37ppm(Letter)/40ppm(A4),42ppm(Letter)			1	1	
12	302NS05260	2NS05260	SHEET OPE POR	35ppm(A4),37ppm(Letter)/40ppm(A4),42ppm(Letter)			1	1	
13	302NS05270	2NS05270	SHEET OPE DUT	35ppm(A4),37ppm(Letter)/40ppm(A4),42ppm(Letter)				1	
14	302NS05280	2NS05280	SHEET OPE RUS	35ppm(A4),37ppm(Letter)/40ppm(A4),42ppm(Letter)				1	

• Parts with a Ref.No. of 500 and above in the illustration indicate they are not selected for service parts.

• イラスト中で 500 番台の Ref 番号が付いている部品はサービスパーツに選定されていません。

FIG. 21 Maintenance Kits (30ppm(A4),32ppm(Letter))

2NR/2NS/2NT-2

Ref. No. 番号	Part.No. 部品番号	Alternative. 代替部品番号	Description 部品名称	Notes 備考	Revision 改訂	Quantity 個数			
						100(日本)	120	230	240
	1702NR9JP0	072NR9JP	MK-5141/MAINTENANCE KIT	OPTION		1			
	*302NR9J021	2NR9J021	DV-5140(K)(J)		2:Others	1			
	*302NR9J031	2NR9J031	DV-5140(Y)(J)		2:Others	1			
	*302NR9J041	2NR9J041	DV-5140(M)(J)		2:Others	1			
	*302NR9J051	2NR9J051	DV-5140(C)(J)		2:Others	1			
	*302KV94191	2KV94191	PARTS HOLDER FEED ASSY SP		2:Others	1			
	*302NR93012	2NR93012	DK-5140		2:Others	4			
	*302NR93061	2NR93061	TR-5140		2:Others	1			
	*302NR94330	2NR94330	PARTS ROLLER TRANSFER SP		2:Others	1			
	*302NT94061	2NT94061	PARTS RETARD ASSY SP		2:Others	1			
	*302NR93101	2NR93101	FK-5141		2:Others	1			
	1702NR7US0	072NR7US	MK-5142/MAINTENANCE KIT	OPTION			1		
	*302NR93021	2NR93021	DV-5140(K)		2:Others		1		
	*302NR93031	2NR93031	DV-5140(Y)		2:Others		1		
	*302NR93041	2NR93041	DV-5140(M)		2:Others		1		
	*302NR93051	2NR93051	DV-5140(C)		2:Others		1		
	*302KV94191	2KV94191	PARTS HOLDER FEED ASSY SP		2:Others		1		
	*302NR93012	2NR93012	DK-5140		2:Others		4		
	*302NR93061	2NR93061	TR-5140		2:Others		1		
	*302NR94330	2NR94330	PARTS ROLLER TRANSFER SP		2:Others		1		
	*302NT94061	2NT94061	PARTS RETARD ASSY SP		2:Others		1		
	*302NR93111	2NR93111	FK-5142		2:Others		1		
	1702NR8NL0	072NR8NL	MK-5140/MAINTENANCE KIT	OPTION				1	1
	1702NR8AS0	072NR8AS	MK-5144/MAINTENANCE KIT	OPTION				1	1
	*302NR93021	2NR93021	DV-5140(K)		2:Others			1	1
	*302NR93031	2NR93031	DV-5140(Y)		2:Others			1	1
	*302NR93041	2NR93041	DV-5140(M)		2:Others			1	1
	*302NR93051	2NR93051	DV-5140(C)		2:Others			1	1
	*302KV94191	2KV94191	PARTS HOLDER FEED ASSY SP		2:Others			1	1
	*302NR93012	2NR93012	DK-5140		2:Others			4	4
	*302NR93061	2NR93061	TR-5140		2:Others			1	1
	*302NR94330	2NR94330	PARTS ROLLER TRANSFER SP		2:Others			1	1
	*302NT94061	2NT94061	PARTS RETARD ASSY SP		2:Others			1	1
	*302NR93091	2NR93091	FK-5140		2:Others			1	1

• Parts with a Ref.No. of 500 and above in the illustration indicate they are not selected for service parts.

• イラスト中で 500 番台の Ref 番号が付いている部品はサービスパーツに選定されていません。

FIG. 21 Maintenance Kits (35ppm(A4),37ppm(Letter))

2NR/2NS/2NT-2

Ref. No. 番号	Part.No. 部品番号	Alternative. 代替部品番号	Description 部 品 名 称	Notes 備 考	Revision 改 訂	Quantity 個数			
						100(日本)	120	230	240
	1702NS7US0	072NS7US	MK-5152/MAINTENANCE KIT	OPTION			1		
	*302NS93012	2NS93012	DV-5150(K)		2:Others		1		
	*302NS93022	2NS93022	DV-5150(Y)		2:Others		1		
	*302NS93032	2NS93032	DV-5150(M)		2:Others		1		
	*302NS93042	2NS93042	DV-5150(C)		2:Others		1		
	*302KV94191	2KV94191	PARTS HOLDER FEED ASSY SP		2:Others		1		
	*302NR93012	2NR93012	DK-5140		2:Others		4		
	*302NR93061	2NR93061	TR-5140		2:Others		1		
	*302NR94330	2NR94330	PARTS ROLLER TRANSFER SP		2:Others		1		
	*302NT94061	2NT94061	PARTS RETARD ASSY SP		2:Others		1		
	*302NT93112	2NT93112	FK-5162		2:Others		1		
	1702NS8NL0	072NS8NL	MK-5150/MAINTENANCE KIT	OPTION				1	1
	1702NS8AS0	072NS8AS	MK-5154/MAINTENANCE KIT	OPTION				1	1
	*302NS93012	2NS93012	DV-5150(K)		2:Others			1	1
	*302NS93022	2NS93022	DV-5150(Y)		2:Others			1	1
	*302NS93032	2NS93032	DV-5150(M)		2:Others			1	1
	*302NS93042	2NS93042	DV-5150(C)		2:Others			1	1
	*302KV94191	2KV94191	PARTS HOLDER FEED ASSY SP		2:Others			1	1
	*302NR93012	2NR93012	DK-5140		2:Others			4	4
	*302NR93061	2NR93061	TR-5140		2:Others			1	1
	*302NR94330	2NR94330	PARTS ROLLER TRANSFER SP		2:Others			1	1
	*302NT94061	2NT94061	PARTS RETARD ASSY SP		2:Others			1	1
	*302NT93092	2NT93092	FK-5160		2:Others			1	1

• Parts with a Ref.No. of 500 and above in the illustration indicate they are not selected for service parts.

・イラスト中で 500 番台の Ref 番号が付いている部品はサービスパーツに選定されていません。

FIG. 21 Maintenance Kits (40ppm(A4),42ppm(Letter))

2NR/2NS/2NT-2

Ref. No. 番号	Part.No. 部品番号	Alternative. 代替部品番号	Description 部品名称	Notes 備考	Revision 改訂	Quantity 個数			
						100(日本)	120	230	240
	1702NT9JP0	072NT9JP	MK-5161/MAINTENANCE KIT	OPTION		1			
	*302NT9J022	2NT9J022	DV-5160(K)(J)		2:Others	1			
	*302NT9J032	2NT9J032	DV-5160(Y)(J)		2:Others	1			
	*302NT9J042	2NT9J042	DV-5160(M)(J)		2:Others	1			
	*302NT9J052	2NT9J052	DV-5160(C)(J)		2:Others	1			
	*302KV94191	2KV94191	PARTS HOLDER FEED ASSY SP		2:Others	1			
	*302NT93010	2NT93010	DK-5160		2:Others	4			
	*302NT93061	2NT93061	TR-5160		2:Others	1			
	*302NT94160	2NT94160	PARTS ROLLER TRANSFER SP		2:Others	1			
	*302NT94061	2NT94061	PARTS RETARD ASSY SP		2:Others	1			
	*302NT93172	2NT93172	FK-5171		2:Others	1			
	1702NT7US0	072NT7US	MK-5162/MAINTENANCE KIT	OPTION			1		
	*302NT93022	2NT93022	DV-5160(K)		2:Others		1		
	*302NT93032	2NT93032	DV-5160(Y)		2:Others		1		
	*302NT93042	2NT93042	DV-5160(M)		2:Others		1		
	*302NT93052	2NT93052	DV-5160(C)		2:Others		1		
	*302KV94191	2KV94191	PARTS HOLDER FEED ASSY SP		2:Others		1		
	*302NT93010	2NT93010	DK-5160		2:Others		4		
	*302NT93061	2NT93061	TR-5160		2:Others		1		
	*302NT94160	2NT94160	PARTS ROLLER TRANSFER SP		2:Others		1		
	*302NT94061	2NT94061	PARTS RETARD ASSY SP		2:Others		1		
	*302NT93182	2NT93182	FK-5172		2:Others		1		
	1702NT8NL0	072NT8NL	MK-5160/MAINTENANCE KIT	OPTION				1	1
	1702NT8AS0	072NT8AS	MK-5164/MAINTENANCE KIT	OPTION				1	1
	*302NT93022	2NT93022	DV-5160(K)		2:Others			1	1
	*302NT93032	2NT93032	DV-5160(Y)		2:Others			1	1
	*302NT93042	2NT93042	DV-5160(M)		2:Others			1	1
	*302NT93052	2NT93052	DV-5160(C)		2:Others			1	1
	*302KV94191	2KV94191	PARTS HOLDER FEED ASSY SP		2:Others			1	1
	*302NT93010	2NT93010	DK-5160		2:Others			4	4
	*302NT93061	2NT93061	TR-5160		2:Others			1	1
	*302NT94160	2NT94160	PARTS ROLLER TRANSFER SP		2:Others			1	1
	*302NT94061	2NT94061	PARTS RETARD ASSY SP		2:Others			1	1
	*302NT93162	2NT93162	FK-5170		2:Others			1	1

• Parts with a Ref.No. of 500 and above in the illustration indicate they are not selected for service parts.

• イラスト中で 500 番台の Ref 番号が付いている部品はサービスパーツに選定されていません。

INDEX / 索引

2NR/2NS/2NT-2

Part.No. 部品番号	Alternative. 代替部品番号	Description 部 品 名 称	Fig.No.
1702NR7US0	072NR7US	MK-5142/MAINTENANCE KIT	21
1702NR8AS0	072NR8AS	MK-5144/MAINTENANCE KIT	21
1702NR8NL0	072NR8NL	MK-5140/MAINTENANCE KIT	21
1702NR9JP0	072NR9JP	MK-5141/MAINTENANCE KIT	21
1702NS7US0	072NS7US	MK-5152/MAINTENANCE KIT	21
1702NS8AS0	072NS8AS	MK-5154/MAINTENANCE KIT	21
1702NS8NL0	072NS8NL	MK-5150/MAINTENANCE KIT	21
1702NT7US0	072NT7US	MK-5162/MAINTENANCE KIT	21
1702NT8AS0	072NT8AS	MK-5164/MAINTENANCE KIT	21
1702NT8NL0	072NT8NL	MK-5160/MAINTENANCE KIT	21
1702NT9JP0	072NT9JP	MK-5161/MAINTENANCE KIT	21
2FM04150	2FM04150	CAP SPRING/B-11 ENCLOSURE A4	4,5
302F909171	2F909171	RETARD ROLLER ASSY	3
302F929050	2F929050	PULLEY FEED DU	4
302FV45040	2FV45040	AC CORD ASSY	14
302FV94010	2FV94010	PARTS AC CORD EU SP	14
302FZ94420	2FZ94420	PARTS,FAN COOLING CONVEYING SP	5,13,14
302GR44150	2GR44150	SOLENOID TONER	12
302HN01240	2HN01240	P.W.BOARD ASSY FUSER ZENER	4
302HN02611	2HN02611	FOOT	14
302HN08140	2HN08140	LUTCH	1
302HN09170	2HN09170	GEAR Z13S JOINT	2
302HNN31650	2HN31650	SPRING INPUT MPF	12
302HN44180	2HN44180	SWITCH SIZE	13
302HN44210	2HN44210	FAN MOTOR	5,14
302HS08260	2HS08260	ROLLER M/P ASSY	4
302J901030	2J901030	P.W.BOARD ASSY FUSER ZENER	4
302K094271	2K094271	PARTS HVU2 SP	14
302K994323	2K994323	PARTS MOTOR-BL W20 SP	12
302KV02B80	2KV02B80	GEAR Z28S-Z13S	13
302KV04130	2KV04130	STRAP COVER REAR	1
302KV06151	2KV06151	SHAFT FEED	3
302KV06170	2KV06170	ACTUATOR PE	3
302KV06180	2KV06180	RELEASE ACTUATOR PE	3
302KV06201	2KV06201	SPRING ACT	3
302KV06341	2KV06341	ACTUATOR B	3
302KV06370	2KV06370	PIN FEED	3
302KV09250	2KV09250	GEAR Z13	2
302KV31410	2KV31410	BUSH DRIVE	12
302KV31440	2KV31440	GEAR Z23L	12
302KV44041	2KV44041	CLUTCH 50 Z35R	12
302KV94191	2KV94191	PARTS HOLDER FEED ASSY SP	3,21,
302KV94340	2KV94340	PARTS PWB ASSY CASSETTE SP	3
302LC94292	2LC94292	PARTS MOTOR-BL W10 SP	12
302M294130	2M294130	PARTS PWB ASSY THERMISTOR SP	14
302MC34040	2MC34040	LABEL PUSH	5
302NG94050	2NG94050	PARTS DC MOTOR ASSY SP	13
302NG94220	2NG94220	PARTS FAN MOTOR SP	12
302NR02140	2NR02140	LEVER INTERLOCK	14
302NR02170	2NR02170	GUIDE TOP LEFT	13
302NR02180	2NR02180	GUIDE TOP RIGHT	14

Part.No. 部品番号	Alternative. 代替部品番号	Description 部 品 名 称	Fig.No.
302NR02330	2NR02330	SLIDER CLEANER ID	13
302NR02340	2NR02340	SPRING SLIDER CLEANER	13
302NR02930	2NR02930	GEAR Z41S	13
302NR04010	2NR04010	COVER TOP	1
302NR04020	2NR04020	LID TOP PRINTER	1
302NR04030	2NR04030	COVER LEFT	1
302NR04040	2NR04040	COVER RIGHT	1
302NR04050	2NR04050	COVER FRONT	1
302NR04060	2NR04060	COVER LEFT UPPER	1
302NR04070	2NR04070	COVER RIGHT UPPER	1
302NR04080	2NR04080	COVER FRONT UPPER	1
302NR04090	2NR04090	COVER WASTE	1
302NR04110	2NR04110	COVER CONNECTOR	1
302NR04140	2NR04140	COVER INNER LEFT	1
302NR04150	2NR04150	COVER INNER RIGHT	1
302NR04190	2NR04190	COVER MEMORY	1
302NR04210	2NR04210	DUCT LID TOP	1
302NR04220	2NR04220	STAY LID TOP	1
302NR04250	2NR04250	HOLDER MAIN SWITCH	1
302NR05010	2NR05010	COVER OPERATION	15
302NR05070	2NR05070	COVER PANEL	15
302NR05080	2NR05080	STOPPER PANEL	15
302NR05200	2NR05200	SHEET OPE	15
302NR05210	2NR05210	SHEET OPE ENG	15
302NR05220	2NR05220	SHEET OPE GER	20
302NR05230	2NR05230	SHEET OPE FRA	20
302NR05240	2NR05240	SHEET OPE ITA	20
302NR05250	2NR05250	SHEET OPE SPA	20
302NR05260	2NR05260	SHEET OPE POR	20
302NR05270	2NR05270	SHEET OPE DUT	20
302NR05280	2NR05280	SHEET OPE RUS	20
302NR06040	2NR06040	COVER RETARD	3
302NR06210	2NR06210	GUIDE PICK HOLDER	3
302NR06511	2NR06511	FRAME FEED	3
302NR06590	2NR06590	PAD REGIST FEED	3
302NR06620	2NR06620	SPRING ACTUATOR	3
302NR08040	2NR08040	FRAME MPF	4
302NR08101	2NR08101	GUIDE MPF FEED UP	4
302NR08111	2NR08111	GUIDE MPF FEED LOW A	4
302NR08130	2NR08130	GUIDE MPF FEED LOW B	4
302NR08220	2NR08220	SPRING PULLEY MPF	4
302NR09070	2NR09070	WORKPLATE LIFT	2
302NR28090	2NR28090	SHAFT EXIT	4,5
302NR29020	2NR29020	HOOK DU RELEASE	5
302NR31060	2NR31060	GEAR Z24L	12
302NR31080	2NR31080	GEAR Z33R-Z32R	13
302NR31150	2NR31150	HOUSING MPF DRIVE A	12
302NR31161	2NR31161	HOUSING MPF DRIVE B	12
302NR31180	2NR31180	GEAR Z31R-Z24S	12
302NR31190	2NR31190	GEAR INPUT A Z36S	12
302NR31200	2NR31200	GEAR INPUT B Z36S	12

Part.No. 部品番号	Alternative. 代替部品番号	Description 部品名称	Fig.No.
302NR31210	2NR31210	PIN DRIVE MPF A	12
302NR31220	2NR31220	PLATE MIDDLE DRIVE	12
302NR31230	2NR31230	GEAR Z35R	12
302NR31240	2NR31240	GEAR Z63R-Z24R	12
302NR31250	2NR31250	GEAR Z44R-Z16S	12
302NR31260	2NR31260	GEAR Z26S	12
302NR31570	2NR31570	BELT S2M Z350	13
302NR31630	2NR31630	CAM MPF	12
302NR31810	2NR31810	GEAR Z14L MPF	12
302NR33020	2NR33020	DUCT LEFT INNER	13
302NR34010	2NR34010	SHEET EMBLEM	1
302NR34020	2NR34020	LABEL JAM	1
302NR34090	2NR34090	LABEL PUSH SET	5
302NR39011	2NR39011	BRACKET FRONT HV	14
302NR46010	2NR46010	CONN.CORD ASSY S03919 MAIN-LCD	16
302NR46020	2NR46020	CONN.CORD ASSY S03920 MAIN-REGIST	16
302NR46030	2NR46030	CONN.CORD ASSY S03921 MAIN-ID SENSOR(L)	16
302NR46040	2NR46040	CONN.CORD ASSY S03922 MAIN-ID SENSOR(R)	16
302NR46060	2NR46060	CONN.CORD ASSY S03925 MAIN-LVU	16
302NR46070	2NR46070	CONN.CORD ASSY S03926 MAIN-LVU	16
302NR46080	2NR46080	CONN.CORD ASSY S03928 ENGINE-MPF	19
302NR46090	2NR46090	CONN.CORD ASSY S03929 MAIN-CONTAINER SW	16
302NR46110	2NR46110	CONN.CORD ASSY S03931 ENGINE-WASTE COVER	18
302NR46150	2NR46150	CONN.CORD ASSY S03939 ENGINE-FUSER MOT	19
302NR46160	2NR46160	CONN.CORD ASSY S03940 MIAN-HVU OPC	17
302NR46170	2NR46170	CONN.CORD ASSY S03943 MAIN-ENGINE	18
302NR46180	2NR46180	CONN.CORD ASSY S03944 MAIN-ENGINE	18
302NR46190	2NR46190	CONN.CORD ASSY S03945 MAIN-DRUM CONNECT	18
302NR46200	2NR46200	CONN.CORD ASSY S03946 ENGINE-CASSETTE	19
302NR46210	2NR46210	CONN.CORD ASSY S03947 ENGINE-LIFT	19
302NR46230	2NR46230	CONN.CORD ASSY S03963 ENGINE-IMAGE MOT	19
302NR46240	2NR46240	CONN.CORD ASSY S03952 ENGINE-DLP MOT	19
302NR46250	2NR46250	CONN.CORD ASSY S03955 ENGINE-PF	19
302NR46260	2NR46260	CONN.CORD ASSY S03956 MAIN-THERMISTOR	16
302NR46270	2NR46270	CONN.CORD ASSY S03957 ENGINE-CASSETTE SW	19
302NR46290	2NR46290	CONN.CORD ASSY S03959 ENGINE-LSU CL	19
302NR46300	2NR46300	CONN.CORD ASSY S03960 ENGINE-TONER MOT	19
302NR46310	2NR46310	CONN.CORD ASSY S03961 ENGINE-SOLENOID	19
302NR46320	2NR46320	CONN.CORD ASSY S03962 ENGINE-IMAGE FAN	18
302NR46330	2NR46330	CONN.CORD ASSY S03963 ENGINE-CONTAIN FAN	18
302NR46350	2NR46350	CONN.CORD ASSY S03965 USB HOST	16
302NR46360	2NR46360	CONN.CORD ASSY S03966 LVU-INTERLOCK	16
302NR46370	2NR46370	CONN.CORD ASSY S03967 LVU-HEATER CONNECT	16
302NR46380	2NR46380	CONN.CORD ASSY S03969 MIAN-LVU FAN	16
302NR46390	2NR46390	CONN.CORD ASSY S03971 ENGINE-FEED MOT	19
302NR46410	2NR46410	CONN.CORD ASSY S03975 INLET	16
302NR46490	2NR46490	CONN.CORD ASSY S04090 ENGINE-DRUM MOT	19
302NR93012	2NR93012	DK-5140	9,21
302NR93021	2NR93021	DV-5140(K)	8,21
302NR93031	2NR93031	DV-5140(Y)	8,21
302NR93041	2NR93041	DV-5140(M)	8,21

Part.No. 部品番号	Alternative. 代替部品番号	Description 部品名称	Fig.No.
302NR93051	2NR93051	DV-5140(C)	8,21
302NR93061	2NR93061	TR-5140	10,21
302NR93070	2NR93070	LK-5140A	7
302NR93080	2NR93080	LK-5140B	7
302NR93091	2NR93091	FK-5140	11,21
302NR93101	2NR93101	FK-5141	11,21
302NR93111	2NR93111	FK-5142	11,21
302NR93120	2NR93120	CT-5140	2
302NR93130	2NR93130	DR-5140	12
302NR93140	2NR93140	MC-5140	9
302NR93150	2NR93150	WT-5140	14
302NR94010	2NR94010	PARTS CLUTCH 35 Z35R SP	12
302NR94020	2NR94020	PARTS ID SENSOR SP	13
302NR94030	2NR94030	PARTS HIGH VOLTAGE UNIT SP	14
302NR94040	2NR94040	PARTS SWITCHING REGULATOR 100V SP	14
302NR94050	2NR94050	PARTS SWITCHING REGULATOR 230V SP	14
302NR94070	2NR94070	PARTS TONER FULL DETECT ASSY SP	14
302NR94080	2NR94080	PARTS DC MOTOR ASSY SP	13
302NR94090	2NR94090	PARTS DC MOTOR ASSY SP	13
302NR94100	2NR94100	PARTS PWB ASSY CONTAINER CONN SP	13
302NR94110	2NR94110	PARTS PWB ASSY ENGINE CONNECT SP	13
302NR94120	2NR94120	PARTS PWB ASSY DRUM CONNECT SP	13
302NR94130	2NR94130	PARTS PWB ASSY EXIT SP	5
302NR94140	2NR94140	PARTS PWB ASSY LCDCONT SP	15
302NR94160	2NR94160	PARTS PWB ASSY SWITCH SP	14
302NR94171	2NR94171	PARTS PWB ASSY MAIN SP	14
302NR94180	2NR94180	PARTS PWB ASSY MAIN EU SP	14
302NR94190	2NR94190	PARTS CONVEYING 250 ASSY SP	6
302NR94200	2NR94200	PARTS CLEANER ID ASSY SP	13
302NR94210	2NR94210	PARTS COVER MPF ASSY SP	4
302NR94220	2NR94220	PARTS PLATE BOTTOM MPF ASSY SP	4
302NR94230	2NR94230	PARTS REAR COVER 250 PRT ASSY SP	5
302NR94240	2NR94240	PARTS OPERATION ASSY SP	15
302NR94250	2NR94250	PARTS MIDDLE ROLLER ASSY SP	3
302NR94260	2NR94260	PARTS FEED DRIVE ASSY SP	12
302NR94270	2NR94270	PARTS SEPARATOR MPF ASSY SP	4
302NR94281	2NR94281	PARTS PWB ASSY MAIN JP SP	14
302NR94330	2NR94330	PARTS ROLLER TRANSFER ASSY SP	6,21
302NR9J021	2NR9J021	DV-5140(K)(J)	8,21
302NR9J031	2NR9J031	DV-5140(Y)(J)	8,21
302NR9J041	2NR9J041	DV-5140(M)(J)	8,21
302NR9J051	2NR9J051	DV-5140(C)(J)	8,21
302NS02192	2NS02192	GUIDE CASSETTE LEFT	13
302NS02230	2NS02230	HOLDER GEAR	13
302NS04011	2NS04011	COVER TOP	1
302NS04060	2NS04060	COVER LEFT UPPER	1
302NS04070	2NS04070	COVER RIGHT UPPER	1
302NS04100	2NS04100	COVER WASTE LOW	1
302NS04170	2NS04170	COVER LEFT BOTTOM	1
302NS04180	2NS04180	COVER RIGHT BOTTOM	1
302NS05010	2NS05010	COVER OPERATION	15

Part.No. 部品番号	Alternative. 代替部品番号	Description 部品名称	Fig.No.
302NS05040	2NS05040	COVER PANEL	15
302NS05200	2NS05200	SHEET OPE	15
302NS05210	2NS05210	SHEET OPE ENG	15
302NS05220	2NS05220	SHEET OPE GER	20
302NS05230	2NS05230	SHEET OPE FRA	20
302NS05240	2NS05240	SHEET OPE ITA	20
302NS05250	2NS05250	SHEET OPE SPA	20
302NS05260	2NS05260	SHEET OPE POR	20
302NS05270	2NS05270	SHEET OPE DUT	20
302NS05280	2NS05280	SHEET OPE RUS	20
302NS46020	2NS46020	CONN.CORD ASSY S04083 LCDCONNECT-GND	16
302NS46030	2NS46030	CONN.CORD ASSY S04084 MAIN-LCD	16
302NS93012	2NS93012	DV-5150(K)	8,21
302NS93022	2NS93022	DV-5150(Y)	8,21
302NS93032	2NS93032	DV-5150(M)	8,21
302NS93042	2NS93042	DV-5150(C)	8,21
302NS94010	2NS94010	PARTS SWITCHING REGULATOR 100V SP	14
302NS94020	2NS94020	PARTS SWITCHING REGULATOR 230V SP	14
302NS94030	2NS94030	PARTS PWB ASSY LCDCONT SP	15
302NS94040	2NS94040	PARTS PWB ASSY ENGINE CONNECT SP	13
302NS94050	2NS94050	PARTS PWB ASSY EXIT SP	5
302NS94061	2NS94061	PARTS PWB ASSY MAIN SP	14
302NS94070	2NS94070	PARTS PWB ASSY MAIN EU SP	14
302NS94080	2NS94080	PARTS REAR COVER 500 PRT ASSY SP	5
302NS94090	2NS94090	PARTS OPERATION ASSY SP	15
302NS94101	2NS94101	PARTS CONVEYING 500 ASSY SP	6
302NT04010	2NT04010	SEAL LID TOP A	1
302NT04020	2NT04020	SEAL LID TOP B	1
302NT05010	2NT05010	COVER PANEL	15
302NT06010	2NT06010	GUIDE CASSETTE	3
302NT06040	2NT06040	HOLDER RETARD A	3
302NT09100	2NT09100	GEAR Z48S LIFT	2
302NT31090	2NT31090	PLATE MIDDLE DRIVE A	12
302NT31100	2NT31100	GEAR Z43R-Z16S	12
302NT31110	2NT31110	GEAR Z26S	12
302NT46010	2NT46010	CONN.CORD ASSY S03927 MAIN-LVU	16
302NT46020	2NT46020	CONN.CORD ASSY S03941 MAIN-HVU1	17
302NT46030	2NT46030	CONN.CORD ASSY S03942 MAIN-HVU2	17
302NT46040	2NT46040	CONN.CORD ASSY S03948 MAIN-DU SENSOR	19
302NT46050	2NT46050	CONN.CORD ASSY S03950 ENGINE-FEED MOT	19
302NT46070	2NT46070	CONN.CORD ASSY S03968 LVU-HEATER CONNECT	16
302NT46090	2NT46090	CONN.CORD ASSY S03964 ENGINE-EXIT FAN	18
302NT46110	2NT46110	CONN.CORD ASSY S04124 ENGINE-U	19
302NT46120	2NT46120	CONN.CORD ASSY S04130 ENGINE-FUSER MOT	18
302NT93010	2NT93010	DK-5160	9,21
302NT93022	2NT93022	DV-5160(K)	8,21
302NT93032	2NT93032	DV-5160(Y)	8,21
302NT93042	2NT93042	DV-5160(M)	8,21
302NT93052	2NT93052	DV-5160(C)	8,21
302NT93061	2NT93061	TR-5160	10,21
302NT93070	2NT93070	LK-5160A	7

Part.No. 部品番号	Alternative. 代替部品番号	Description 部品名称	Fig.No.
302NT93080	2NT93080	LK-5160B	7
302NT93092	2NT93092	FK-5160	11,21
302NT93112	2NT93112	FK-5162	11,21
302NT93120	2NT93120	DR-5150	12
302NT93130	2NT93130	MC-5160	9
302NT93162	2NT93162	FK-5170	11,21
302NT93172	2NT93172	FK-5171	11,21
302NT93182	2NT93182	FK-5172	11,21
302NT93210	2NT93210	DR-5160	12
302NT94010	2NT94010	PARTS HIGH VOLTAGE UNIT SP	14
302NT94020	2NT94020	PARTS PWB ASSY DRUM CONNECT SP	13
302NT94030	2NT94030	PARTS PWB ASSY ENGINE CONNECT SP	13
302NT94040	2NT94040	PARTS PWB ASSY MAIN SP	14
302NT94050	2NT94050	PARTS PWB ASSY MAIN EU SP	14
302NT94061	2NT94061	PARTS RETARD ASSY SP	3,21
302NT94070	2NT94070	PARTS REAR COVER 500 PRT ASSY EU SP	5
302NT94081	2NT94081	PARTS FEED DRIVE ASSY SP	12
302NT94090	2NT94090	PARTS PWB ASSY DRUM HEATER SP	13
302NT94100	2NT94100	PARTS PWB ASSY MAIN JP SP	14
302NT94131	2NT94131	PARTS CONVEYING 500 SI ASSY SP	6
302NT94140	2NT94140	PARTS MOTOR-PM FUSER SP	12
302NT94160	2NT94160	PARTS ROLLER TRANSFER ASSY SP	6,21
302NT9J022	2NT9J022	DV-5160(K)(J)	8,21
302NT9J032	2NT9J032	DV-5160(Y)(J)	8,21
302NT9J042	2NT9J042	DV-5160(M)(J)	8,21
302NT9J052	2NT9J052	DV-5160(C)(J)	8,21
302NV46060	2NV46060	CONN.CORD ASSY S04078 MAIN-EXIT	16
302P794010	2P794010	PARTS SENSOR OPT. SP	4,14
302P794060	2P794060	PARTS MOTOR EJECT SP	12
303MH04040	3MH04040	PIN COVER	13
303NB94040	3NB94040	PARTS MOTOR-PM MOVING SP	12
303NW94040	3NW94040	PARTS SENSOR OPT. SP	13
3019527401	19527401	POWER CORD(120)	14
3V2LV04180	2LV04180	KEY SW	1
7AAACCJP+15H007	AA150200	AC CORD ASSY JP	14
7BB200308H	BB105660	+BIND T.T P SCREW 3X8	5
7BB202308H	BB105690	+TP-FLAT T.T P SCREW 3X8	5
7BB700320H	BB105620	+BIND T.T S SCREW 3X20 SR	5
7SM010104+++H01	SM055200	SW.MICRO	14
7SP01000004+H01	SP136500	SW.PUSH	13,14

KYOCERA Document Solutions America, Inc.**Headquarters**

225 Sand Road,
Fairfield, New Jersey 07004-0008, USA
Phone: +1-973-808-8444
Fax: +1-973-882-6000

Latin America

8240 NW 52nd Terrace Dawson Building, Suite 100
Miami, Florida 33166, USA
Phone: +1-305-421-6640
Fax: +1-305-421-6666

KYOCERA Document Solutions Canada, Ltd.

6120 Kestrel Rd., Mississauga, ON L5T 1S8,
Canada
Phone: +1-905-670-4425
Fax: +1-905-670-8116

KYOCERA Document Solutions**Mexico, S.A. de C.V.**

Calle Arquimedes No. 130, 4 Piso, Colonia Polanco
Chapultepec, Delegacion Miguel Hidalgo,
Distrito Federal, C.P. 11560, México
Phone: +52-555-383-2741
Fax: +52-555-383-7804

KYOCERA Document Solutions Brazil, Ltda.

Alameda África, 545, Pólo Empresarial Consbrás,
Tamboré, Santana de Parnaíba, State of São Paulo,
CEP 06543-306, Brazil
Phone: +55-11-2424-5353
Fax: +55-11-2424-5304

KYOCERA Document Solutions Chile SpA

Jose Ananias 505, Macul. Santiago, Chile
Phone: +562-2350-7000
Fax: +562-2350-7150

KYOCERA Document Solutions**Australia Pty. Ltd.**

Level 3, 6-10 Talavera Road North Ryde N.S.W, 2113,
Australia
Phone: +61-2-9888-9999
Fax: +61-2-9888-9588

KYOCERA Document Solutions**New Zealand Ltd.**

Ground Floor, 19 Byron Avenue, Takapuna, Auckland,
New Zealand
Phone: +64-9-415-4517
Fax: +64-9-415-4597

KYOCERA Document Solutions Asia Limited

13/F.,Mita Centre, 552-566, Castle Peak Road Tsuen
Wan, New Territories, Hong Kong
Phone: +852-2496-5678
Fax: +852-2610-2063

KYOCERA Document Solutions**(China) Corporation**

8F, No. 288 Nanjing Road West, Huangpu District,
Shanghai,200003, China
Phone: +86-21-5301-1777
Fax: +86-21-5302-8300

KYOCERA Document Solutions**(Thailand) Corp., Ltd.**

335 Ratchadapisek Road, Wongsawang, Bangsue,
Bangkok 10800,
Thailand
Phone: +66-2-586-0333
Fax: +66-2-586-0278

KYOCERA Document Solutions**Singapore Pte. Ltd.**

12 Tai Seng Street #04-01A,
Luxasia Building, Singapore 534118
Phone: +65-6741-8733
Fax: +65-6748-3788

KYOCERA Document Solutions**Hong Kong Limited**

16/F.,Mita Centre, 552-566, Castle Peak Road Tsuen
Wan, New Territories, Hong Kong
Phone: +852-3582-4000
Fax: +852-3185-1399

KYOCERA Document Solutions**Taiwan Corporation**

6F., No.37, Sec. 3, Minquan E. Rd.,
Zhongshan Dist., Taipei 104, Taiwan R.O.C.
Phone: +886-2-2507-6709
Fax: +886-2-2507-8432

KYOCERA Document Solutions Korea Co., Ltd.

#10F Daewoo Foundation Bldg 18, Toegye-ro, Jung-gu,
Seoul, Korea
Phone: +822-6933-4050
Fax: +822-747-0084

KYOCERA Document Solutions**India Private Limited**

Second Floor, Centrum Plaza, Golf Course Road,
Sector-53, Gurgaon, Haryana 122002, India
Phone: +91-0124-4671000
Fax: +91-0124-4671001

KYOCERA Document Solutions Europe B.V.

Bloemlaan 4, 2132 NP Hoofddorp,
The Netherlands
Phone: +31-20-654-0000
Fax: +31-20-653-1256

KYOCERA Document Solutions Nederland B.V.

Beechavenue 25, 1119 RA Schiphol-Rijk,
The Netherlands
Phone: +31-20-5877200
Fax: +31-20-5877260

KYOCERA Document Solutions (U.K.) Limited

Eldon Court, 75-77 London Road,
Reading, Berkshire RG1 5BS,
United Kingdom
Phone: +44-118-931-1500
Fax: +44-118-931-1108

KYOCERA Document Solutions Italia S.p.A.

Via Monfalcone 15, 20132, Milano, Italy,
Phone: +39-02-921791
Fax: +39-02-92179-600

KYOCERA Document Solutions Belgium N.V.

Sint-Martinusweg 199-201 1930 Zaventem,
Belgium
Phone: +32-2-7209270
Fax: +32-2-7208748

KYOCERA Document Solutions France S.A.S.

Espace Technologique de St Aubin
Route de l'Orme 91195 Gif-sur-Yvette CEDEX,
France
Phone: +33-1-69852600
Fax: +33-1-69853409

KYOCERA Document Solutions Espana, S.A.

Edificio Kyocera, Avda. de Manacor No.2,
28290 Las Matas (Madrid), Spain
Phone: +34-91-6318392
Fax: +34-91-6318219

© 2017 KYOCERA Document Solutions Inc.

 is a trademark of KYOCERA Corporation

KYOCERA Document Solutions Finland Oy

Atomitie 5C, 00370 Helsinki,
Finland
Phone: +358-9-47805200
Fax: +358-9-47805212

**KYOCERA Document Solutions
Europe B.V., Amsterdam (NL) Zürich Branch**

Hohlstrasse 614, 8048 Zürich,
Switzerland
Phone: +41-44-9084949
Fax: +41-44-9084950

**KYOCERA Bilgitas Document Solutions
Turkey A.S.**

Gülbahar Mahallesi Otello Kamil Sk. No:6 Mecidiyeköy
34394 Şişli İstanbul, Turkey
Phone: +90-212-356-7000
Fax: +90-212-356-6725

**KYOCERA Document Solutions
Deutschland GmbH**

Otto-Hahn-Strasse 12, 40670 Meerbusch,
Germany
Phone: +49-2159-9180
Fax: +49-2159-918100

KYOCERA Document Solutions Austria GmbH

Wienerbergstraße 11, Turm A, 18. OG, 1100 Wien,
Austria
Phone: +43-1-863380
Fax: +43-1-86338-400

KYOCERA Document Solutions Nordic AB

Esbogatan 16B 164 75 Kista, Sweden
Phone: +46-8-546-550-00
Fax: +46-8-546-550-10

京セラドキュメントソリューションズ株式会社
京セラドキュメントソリューションズジャパン株式会社

 は京セラ株式会社の登録商標です。

KYOCERA Document Solutions Norge Nuf

Olaf Helsetsv. 6, 0619 Oslo, Norway
Phone: +47-22-62-73-00
Fax: +47-22-62-72-00

KYOCERA Document Solutions Danmark A/S

Ejby Industrivej 60, DK-2600 Glostrup,
Denmark
Phone: +45-70223880
Fax: +45-45765850

KYOCERA Document Solutions Portugal Lda.

Rua do Centro Cultural, 41 (Alvalade) 1700-106 Lisboa,
Portugal
Phone: +351-21-843-6780
Fax: +351-21-849-3312

**KYOCERA Document Solutions
South Africa (Pty) Ltd.**

KYOCERA House, Hertford Office Park,
90 Bekker Road (Cnr. Allandale), Midrand, South Africa
Phone: +27-11-540-2600
Fax: +27-11-466-3050

KYOCERA Document Solutions Russia LLC.

Building 2, 51/4, Schepkina St., 129110, Moscow,
Russia
Phone: +7(495)741-0004
Fax: +7(495)741-0018

KYOCERA Document Solutions Middle East

Dubai Internet City, Bldg. 17,
Office 157 P.O. Box 500817, Dubai,
United Arab Emirates
Phone: +971-04-433-0412

KYOCERA Document Solutions Inc.

2-28, 1-chome, Tamatsukuri, Chuo-ku
Osaka 540-8585, Japan
Phone: +81-6-6764-3555
<http://www.kyoceradocumentsolutions.com>