



FS-C5150DN
FS-C5250DN
ECOSYS P6021cdn
ECOSYS P6026cdn
ECOSYS P6026cdn Type B

PARTS LIST

Published in December 2013
2KVPL075
Rev.5

— CONTENTS —

FIG. 1	Covers	2
FIG. 2	Paper Cassette	4
FIG. 3	Paper Feed Section 1	6
FIG. 4	Paper Feed Section 2	8
FIG. 5	Paper Conveying Section	10
FIG. 6	Laser Scanner Section	12
FIG. 7	Developer Section	14
FIG. 8	Image Formation Section	16
FIG. 9	Transfer Section	18
FIG. 10	Fuser Section	20
FIG. 11	Drive Section	22
FIG. 12	Electrical Components 1	24
FIG. 13	Electrical Components 2	26
FIG. 14	Operation Section	28
FIG. 15	Maintenance Kits (26ppm(A),26ppm(B),26ppm(C))	30
	• INDEX	31

<Notation of products>

For the purpose of this parts list, products are identified as following.

FS-C5150DN : 21ppm(A)

FS-C5250DN : 26ppm(A)

ECOSYS P6021cdn : 21ppm(B)

ECOSYS P6026cdn : 26ppm(B)

ECOSYS P6026cdn Type B : 26ppm(C)

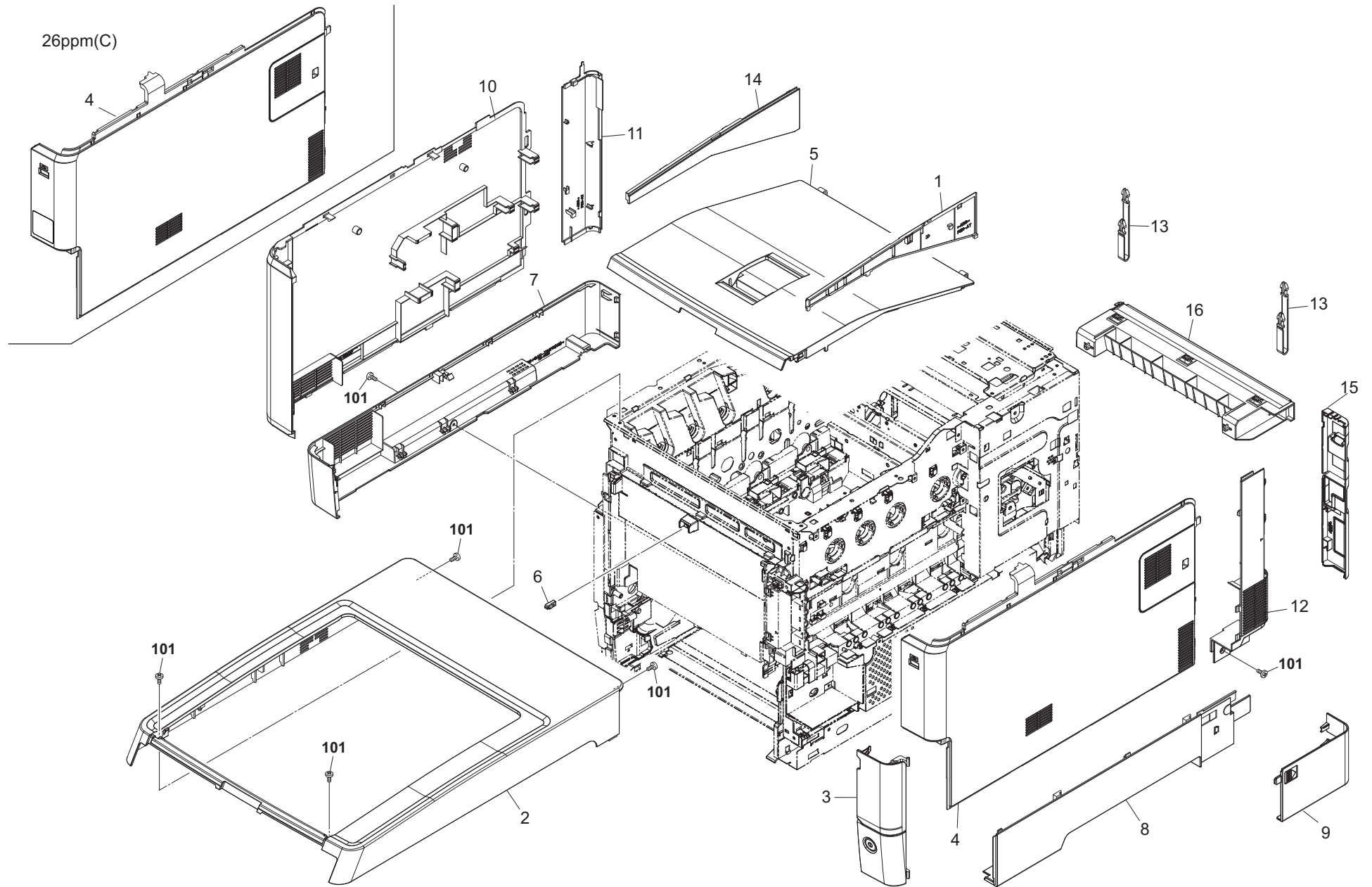


FIG. 1 Covers

2KT/2KV/2PS/2PT-5

Ref. No.	Part.No.	Alternative.	Description	Notes	Quantity		
					120	230	240
1	302KV04150	2KV04150	COVER TOP RIGHT P		1	1	1
2	302KV04011	2KV04011	COVER TOP P		1	1	1
3	302KT94060	2KT94060	PARTS COVER WASTE ASSY SP	21ppm(A),21ppm(B)	1	1	1
3	302KV94120	2KV94120	PARTS COVER WASTE ASSY SP	26ppm(A),26ppm(B),26ppm(C)	1	1	1
4	302KV94110	2KV94110	PARTS COVER RIGHT ASSY SP	21ppm(A),26ppm(A),21ppm(B), 26ppm(B)	1	1	1
4	302PT94080	2PT94080	PARTS COVER RIGHT ASSY(B) SP	26ppm(C)	1	1	1
5	302KV94260	2KV94260	PARTS LID TOP P ASSY SP		1	1	1
6	302HN08140	2HN08140	LUTCH		1	1	1
7	302KT04010	2KT04010	COVER LEFT BOTTOM	21ppm(A),21ppm(B)	1	1	1
7	302KV04170	2KV04170	COVER LEFT BOTTOM	26ppm(A),26ppm(B),26ppm(C)	1	1	1
8	302KT04020	2KT04020	COVER RIGHT BOTTOM	21ppm(A),21ppm(B)	1	1	1
8	302KV04180	2KV04180	COVER RIGHT BOTTOM	26ppm(A),26ppm(B),26ppm(C)	1	1	1
9	302KT04030	2KT04030	COVER CABLE	21ppm(A),21ppm(B)	1	1	1
9	302KV04120	2KV04120	COVER CABLE	26ppm(A),26ppm(B),26ppm(C)	1	1	1
10	302KV04030	2KV04030	COVER LEFT		1	1	1
11	302KV04060	2KV04060	COVER LEFT REAR		1	1	1
12	302KV04070	2KV04070	COVER RIGHT REAR		1	1	1
13	302KV04130	2KV04130	STRAP COVER REAR		2	2	2
14	302KV04140	2KV04140	COVER TOP LEFT P		1	1	1
15	302KT04080	2KT04080	COVER CONNECTOR	21ppm(A)	1	1	1
15	302KV04110	2KV04110	COVER CONNECTOR	26ppm(A)	1	1	1
15	302PS04010	2PS04010	COVER CONNECTOR	21ppm(B)	1	1	1
15	302PT04010	2PT04010	COVER CONNECTOR	26ppm(B),26ppm(C)	1	1	1
16	302KV04160	2KV04160	COVER REAR BOTTOM	26ppm(A),26ppm(B),26ppm(C)	1	1	1
101	7BB780308H	BB111200	+BIND T.T S SCREW 3X8 SR(BLACK)				

• Parts with Ref.No. indicate maintenance parts and the ones without it indicate out of the above.

• Parts with "*" are component parts or sub-assemblies of the assembly appearing immediately above them.
 • Parts with "* •" are component parts or sub-assembly with "*" appearing immediately above them.

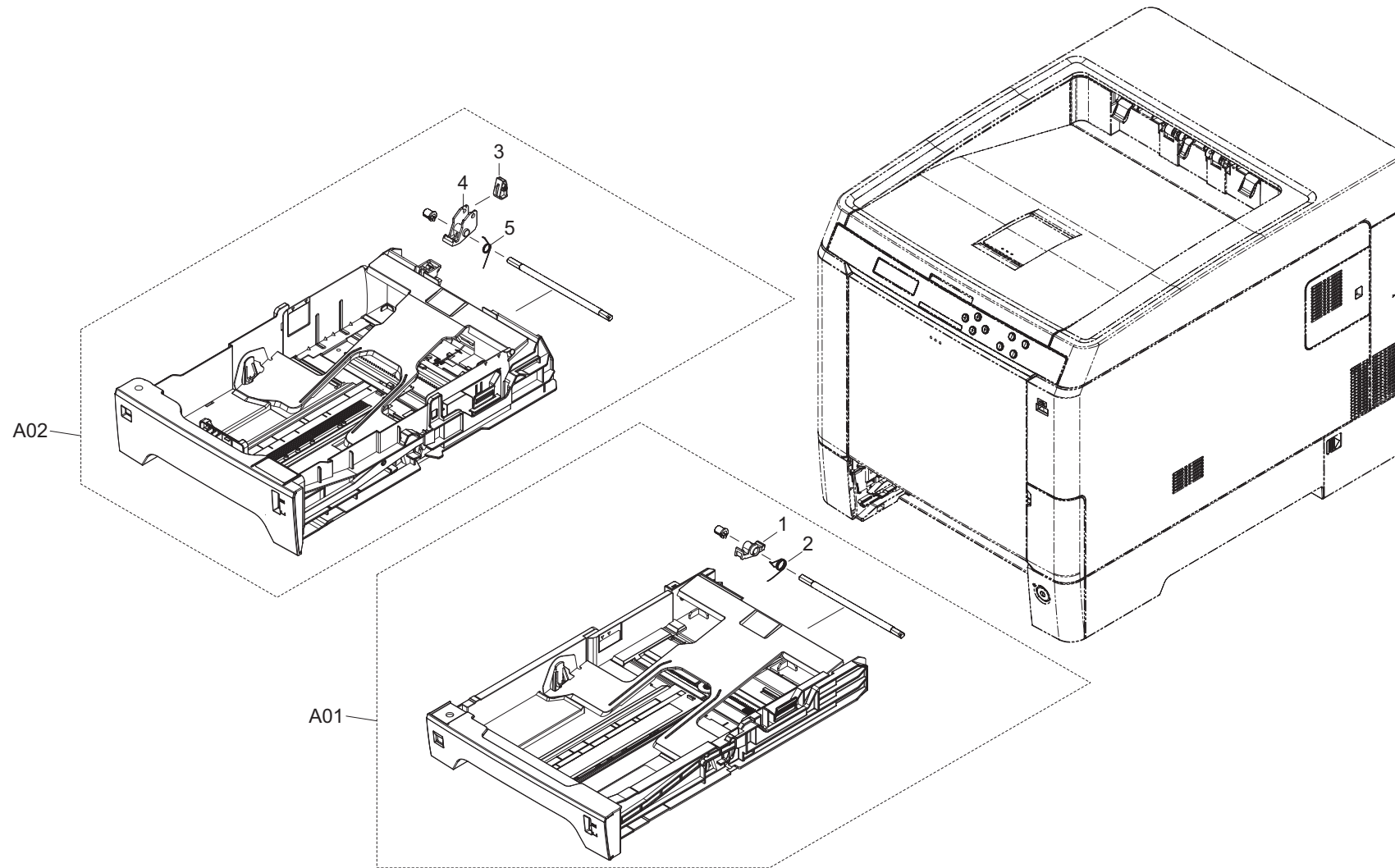


FIG. 2 Paper Cassette

2KT/2KV/2PS/2PT-5

Ref. No.	Part.No.	Alternative.	Description	Notes	Quantity		
					120	230	240
A01	302KT93041	2KT93041	CT-591	21ppm(A),21ppm(B)	1	1	1
1	*302KT09111	2KT09111	STOPPER HOOK	21ppm(A),21ppm(B)	1	1	1
2	*302KT09170	2KT09170	SPRING STOPPER HOOK	21ppm(A),21ppm(B)	1	1	1
A02	302KV93081	2KV93081	CT-590	26ppm(A),26ppm(B),26ppm(C)	1	1	1
3	*302KV09100	2KV09100	STOPPER HOOK	26ppm(A),26ppm(B),26ppm(C)	1	1	1
4	*302KV09090	2KV09090	HOLDER STOPPER HOOK	26ppm(A),26ppm(B),26ppm(C)	1	1	1
5	*302KV09260	2KV09260	SPRING HOLDER	26ppm(A),26ppm(B),26ppm(C)	1	1	1

• Parts with Ref.No. indicate maintenance parts and the ones without it indicate out of the above.

• Parts with "." are component parts or sub-assemblies of the assembly appearing immediately above them.
 • Parts with ". ." are component parts or sub-assembly with "." appearing immediately above them.

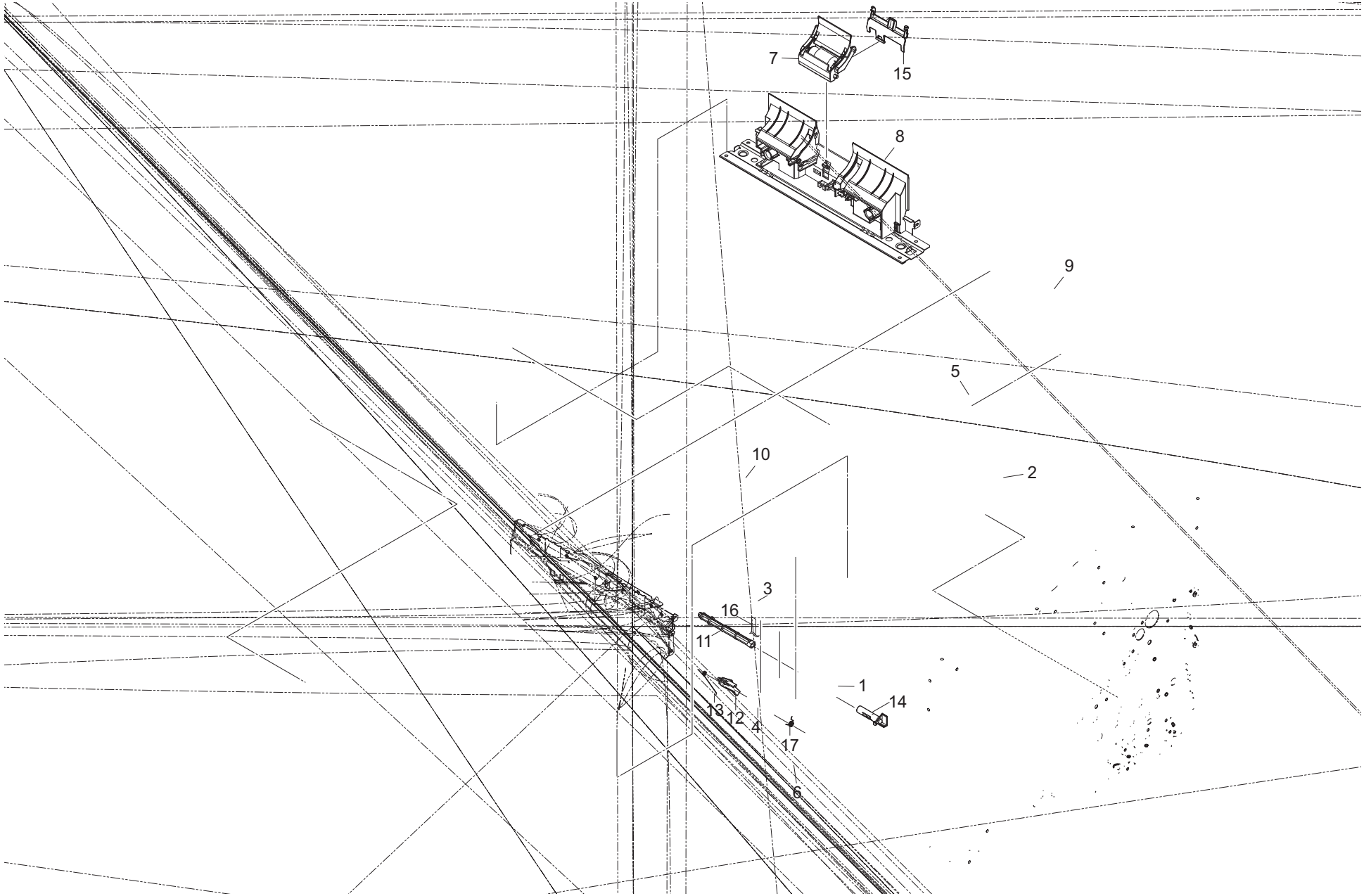


FIG. 3 Paper Feed Section 1

2KT/2KV/2PS/2PT-5

Ref. No.	Part.No.	Alternative.	Description	Notes	Quantity		
					120	230	240
1	302KV94191	2KV94191	PARTS HOLDER FEED ASSY SP		1	1	1
2	302KV94200	2KV94200	PARTS HOLDER MIDDLE ROLLER ASSY SP		1	1	1
3	302KT94070	2KT94070	PARTS PWB ASSY CASSETTE SP	21ppm(A),21ppm(B)	1	1	1
3	302KV94340	2KV94340	PARTS PWB ASSY CASSETTE SP	26ppm(A),26ppm(B),26ppm(C)	1	1	1
4	302KT06050	2KT06050	ACTUATOR PE	21ppm(A),21ppm(B)	1	1	1
4	302KV06170	2KV06170	ACTUATOR PE	26ppm(A),26ppm(B),26ppm(C)	1	1	1
5	302KV06090	2KV06090	ACTUATOR REGIST		1	1	1
6	302KV06341	2KV06341	ACTUATOR B		1	1	1
7	302KT94051	2KT94051	PARTS HOLDER RETARD ASSY SP	21ppm(A),21ppm(B)	1	1	1
7	302KV94181	2KV94181	PARTS HOLDER RETARD ASSY SP	26ppm(A),26ppm(B),26ppm(C)	1	1	1
8	302KT06011	2KT06011	GUIDE CASSETTE	21ppm(A),21ppm(B)	1	1	1
8	302KV06220	2KV06220	GUIDE CASSETTE	26ppm(A),26ppm(B),26ppm(C)	1	1	1
9	302KV06012	2KV06012	FRAME FEED		1	1	1
10	302KV06031	2KV06031	GUIDE PICK HOLDER		1	1	1
11	302KV06150	2KV06150	SHAFT FEED		1	1	1
12	302KV06180	2KV06180	RELEASE ACTUATOR PE		1	1	1
13	302KV06350	2KV06350	SPRING ACTUATOR A		1	1	1
14	302KV06370	2KV06370	PIN FEED		1	1	1
15	302KV06610	2KV06610	COVER RETARD		1	1	1
16	302KV46450	2KV46450	CONN.CORD ASSY S03586		1	1	1
17	302KV06201	2KV06201	SPRING ACT		1	1	1

• Parts with Ref.No. indicate maintenance parts and the ones without it indicate out of the above.

• Parts with "." are component parts or sub-assemblies of the assembly appearing immediately above them.
 • Parts with ". ." are component parts or sub-assembly with "." appearing immediately above them.

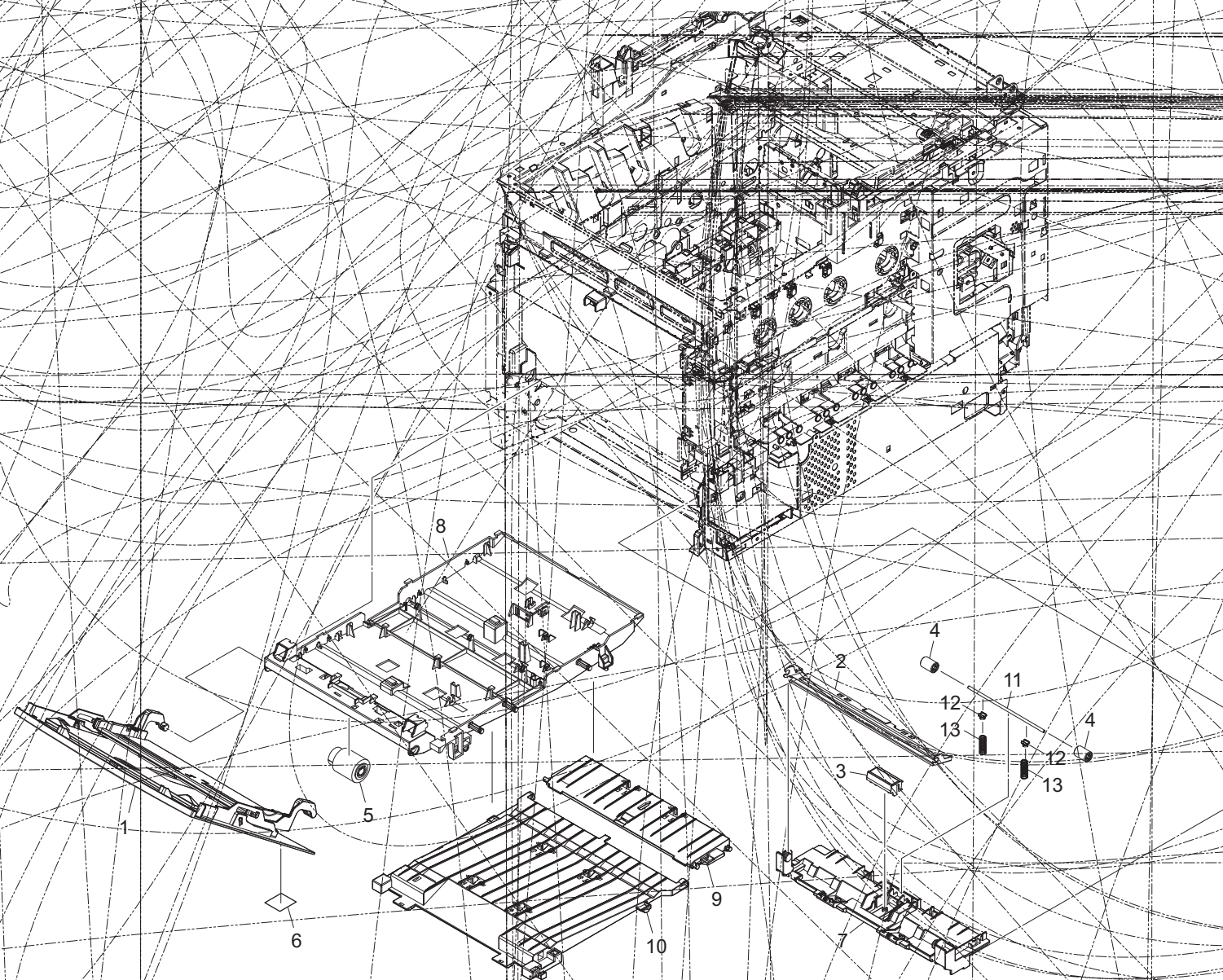


FIG. 4 Paper Feed Section 2

2KT/2KV/2PS/2PT-3

Ref. No.	Part.No.	Alternative.	Description	Notes	Quantity		
					120	230	240
1	302KV94130	2KV94130	PARTS COVER MPF ASSY SP		1	1	1
2	302KV94150	2KV94150	PARTS PLATE BOTTOM MPF ASSY SP		1	1	1
3	302KV94140	2KV94140	PARTS SEPARATOR MPF ASSY SP		1	1	1
4	302F929050	2F929050	PULLEY FEED DU		2	2	2
5	5AAVR0LL+051	2CL16130	ROLLER M/P ASSY /43487B0027 A4		1	1	1
6	302G634070	2G634070	LABEL ENERGY STAR		1	1	1
7	302KV08041	2KV08041	FRAME MPF		1	1	1
8	302KV08150	2KV08150	GUIDE MPF FEED UP		1	1	1
9	302KV08160	2KV08160	GUIDE MPF FEED LOW A		1	1	1
10	302KV08281	2KV08281	GUIDE MPF FEED LOW B		1	1	1
11	302KV06230	2KV06230	SHAFT MIDDLE PULLEY		1	1	1
12	302KV24090	2KV24090	BUSH SPRING FEED		2	2	2
13	302KV08120	2KV08120	SPRING PULLEY MPF		2	2	2

• Parts with Ref.No. indicate maintenance parts and the ones without it indicate out of the above.

• Parts with "." are component parts or sub-assemblies of the assembly appearing immediately above them.
 • Parts with ".•" are component parts or sub-assembly with ".•" appearing immediately above them.

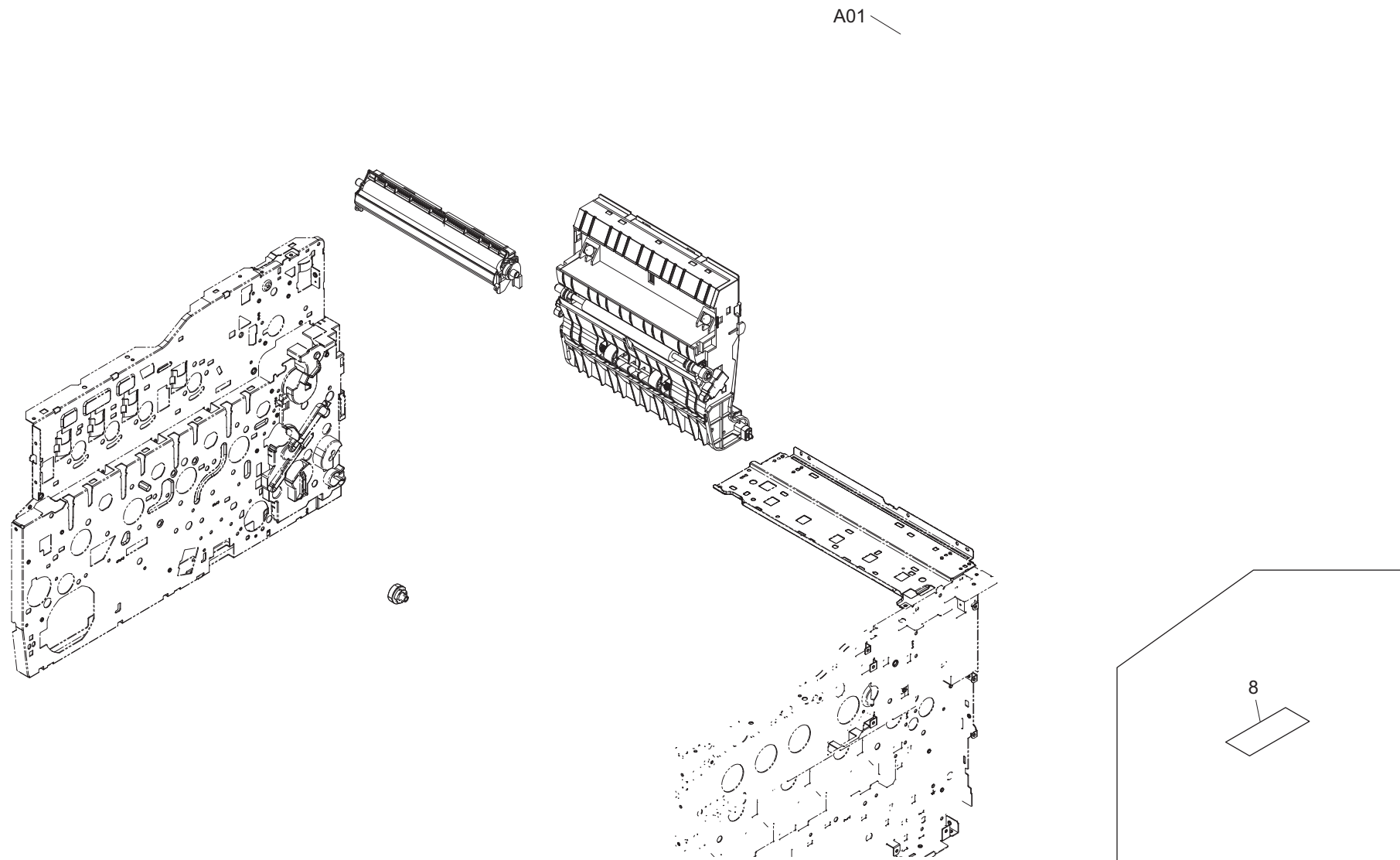


FIG. 5 Paper Conveying Section

2KT/2KV/2PS/2PT-3

Ref. No.	Part.No.	Alternative.	Description	Notes	Quantity		
					120	230	240
1	302KV94160	2KV94160	PARTS TRANSFER ASSY SP		1	1	1
2	302KV94171	2KV94171	PARTS CONVEYING ASSY SP		1	1	1
A01	302KV94254	2KV94254	PARTS DU REAR COVER ASSY SP		1	1	1
3	*302KV29102	2KV29102	HOOK DU RELEASE		1	1	1
4	302KV28050	2KV28050	ACTUATOR FD		1	1	1
5	302KV28101	2KV28101	GEAR Z25S-Z19S		1	1	1
6	302KV28140	2KV28140	GEAR Z19S		1	1	1
7	302KV28070	2KV28070	ROLLER EXIT		1	1	1
8	302KV34090	2KV34090	LABEL MULTI LANGUAGE			1	

• Parts with Ref.No. indicate maintenance parts and the ones without it indicate out of the above.

• Parts with "." are component parts or sub-assemblies of the assembly appearing immediately above them.
 • Parts with ".•" are component parts or sub-assembly with ".•" appearing immediately above them.

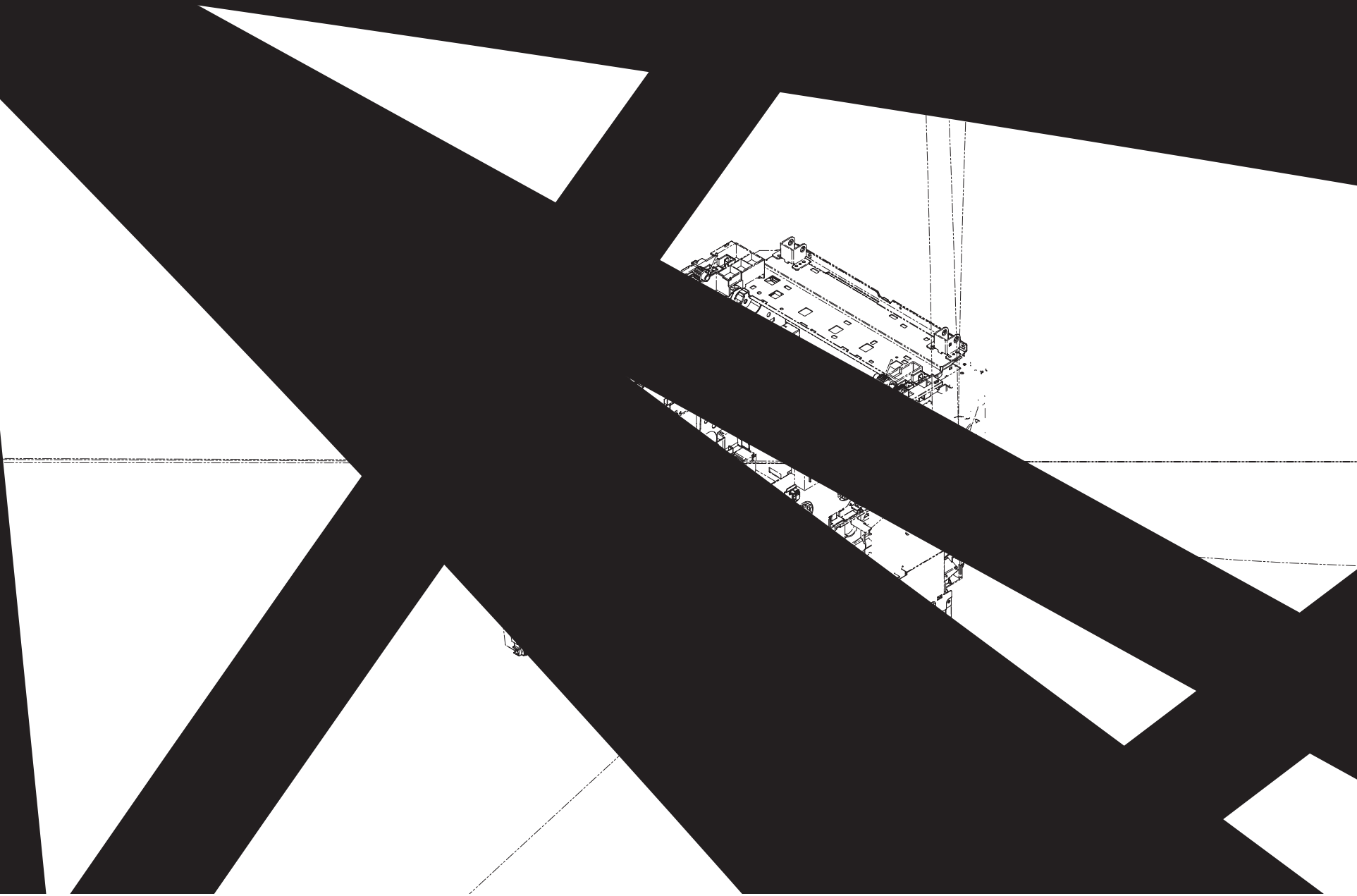


FIG. 6 Laser Scanner Section

2KT/2KV/2PS/2PT-5

Ref. No.	Part.No.	Alternative.	Description	Notes	Quantity		
					120	230	240
1	302KT93025	2KT93025	LK-591A	21ppm(A)	1	1	1
1	302PA93010	2PA93010	LK-5135	26ppm(A)	1	1	1
1	302PS93010	2PS93010	LK-596A	21ppm(B)	1	1	1
1	302PT93010	2PT93010	LK-595A	26ppm(B),26ppm(C)	1	1	1
2	302KT93035	2KT93035	LK-591B	21ppm(A)	1	1	1
2	302PA93020	2PA93020	LK-5136	26ppm(A)	1	1	1
2	302PS93020	2PS93020	LK-596B	21ppm(B)	1	1	1
2	302PT93020	2PT93020	LK-595B	26ppm(B),26ppm(C)	1	1	1

• Parts with Ref.No. indicate maintenance parts and the ones without it indicate out of the above.

• Parts with "." are component parts or sub-assemblies of the assembly appearing immediately above them.
 • Parts with ". ." are component parts or sub-assembly with "." appearing immediately above them.

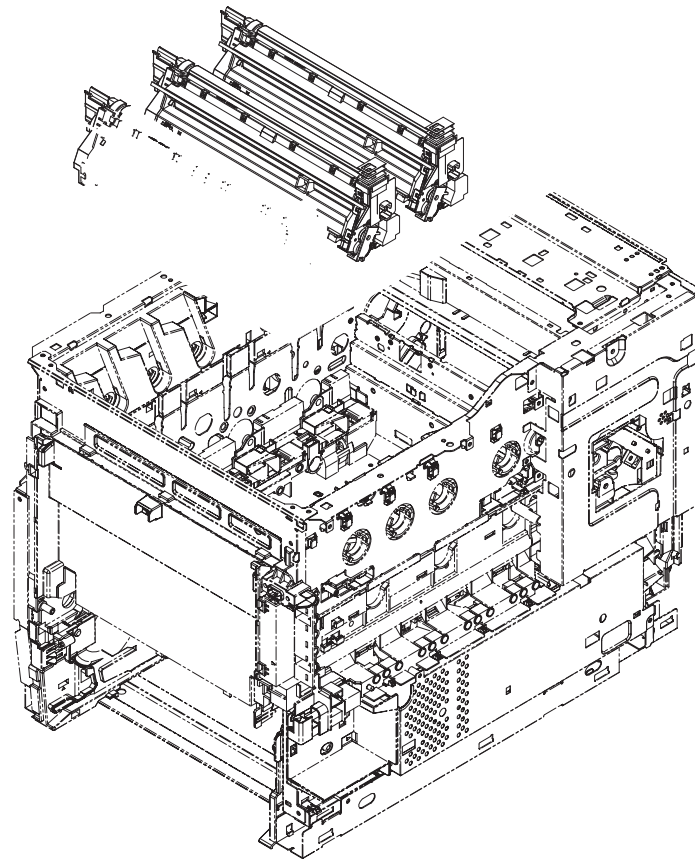


FIG. 7 Developer Section

2KT/2KV/2PS/2PT-5

Ref. No.	Part.No.	Alternative.	Description	Notes	Quantity		
					120	230	240
1	302HL93011	2HL93011	DV-540 (K)	21ppm(A),21ppm(B)		1	1
1	302HL93241	2HL93241	DV-540 US (K)	21ppm(A),21ppm(B)	1		
1	302HN93013	2HN93013	DV-560 (K)	26ppm(A),26ppm(B),26ppm(C)		1	1
1	302HN93253	2HN93253	DV-560 US (K)	26ppm(A),26ppm(B),26ppm(C)	1		
2	302HL93041	2HL93041	DV-540 (M)	21ppm(A),21ppm(B)		1	1
2	302HL93271	2HL93271	DV-540 US (M)	21ppm(A),21ppm(B)	1		
2	302HN93043	2HN93043	DV-560 (M)	26ppm(A),26ppm(B),26ppm(C)		1	1
2	302HN93283	2HN93283	DV-560 US (M)	26ppm(A),26ppm(B),26ppm(C)	1		
3	302HL93031	2HL93031	DV-540 (C)	21ppm(A),21ppm(B)		1	1
3	302HL93261	2HL93261	DV-540 US (C)	21ppm(A),21ppm(B)	1		
3	302HN93033	2HN93033	DV-560 (C)	26ppm(A),26ppm(B),26ppm(C)		1	1
3	302HN93273	2HN93273	DV-560 US (C)	26ppm(A),26ppm(B),26ppm(C)	1		
4	302HL93021	2HL93021	DV-540 (Y)	21ppm(A),21ppm(B)		1	1
4	302HL93251	2HL93251	DV-540 US (Y)	21ppm(A),21ppm(B)	1		
4	302HN93023	2HN93023	DV-560 (Y)	26ppm(A),26ppm(B),26ppm(C)		1	1
4	302HN93263	2HN93263	DV-560 US (Y)	26ppm(A),26ppm(B),26ppm(C)	1		

• Parts with Ref.No. indicate maintenance parts and the ones without it indicate out of the above.

• Parts with "." are component parts or sub-assemblies of the assembly appearing immediately above them.
 • Parts with ". ." are component parts or sub-assembly with "." appearing immediately above them.

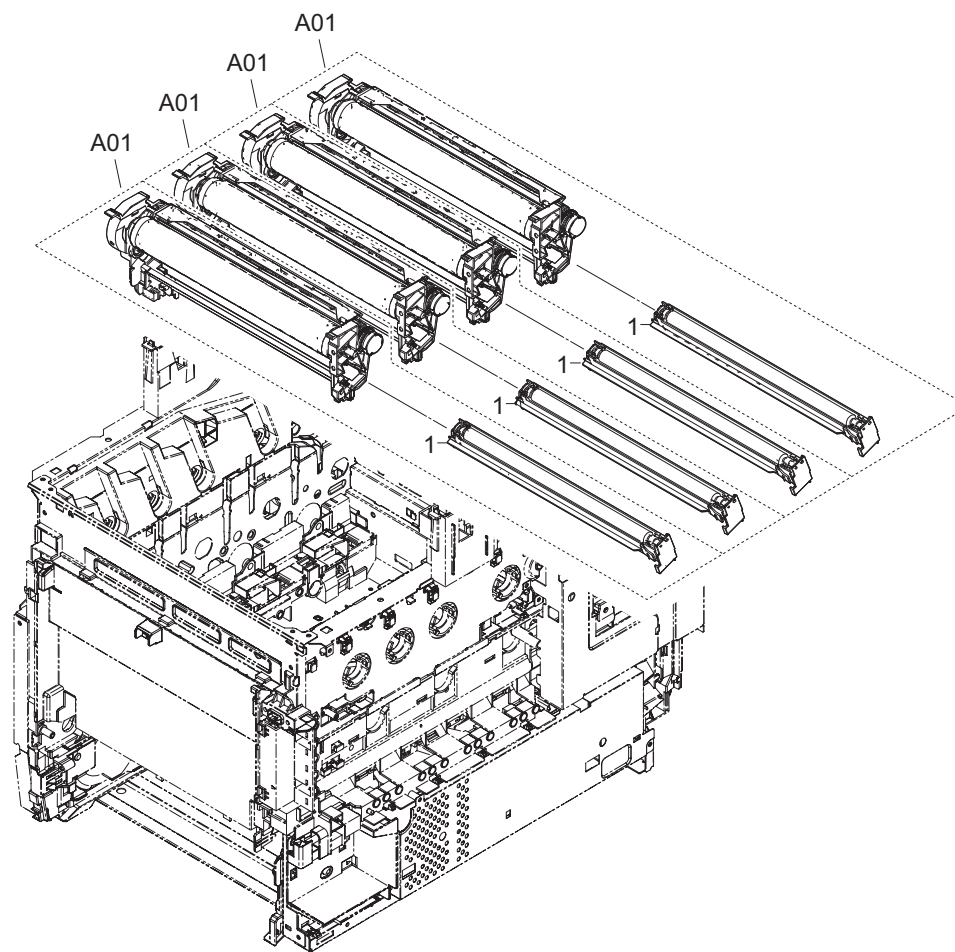


FIG. 8 Image Formation Section

2KT/2KV/2PS/2PT-5

Ref. No.	Part.No.	Alternative.	Description	Notes	Quantity		
					120	230	240
A01	302KT93017	2KT93017	DK-591	21ppm(A),21ppm(B)	4	4	4
1	*302KT93051	2KT93051	MC-591	21ppm(A),21ppm(B)	4	4	4
A01	302KV93017	2KV93017	DK-590	26ppm(A),26ppm(B),26ppm(C)	4	4	4
1	*302KV93121	2KV93121	MC-590	26ppm(A),26ppm(B),26ppm(C)	4	4	4

• Parts with Ref.No. indicate maintenance parts and the ones without it indicate out of the above.

• Parts with "." are component parts or sub-assemblies of the assembly appearing immediately above them.
 • Parts with ". ." are component parts or sub-assembly with "." appearing immediately above them.

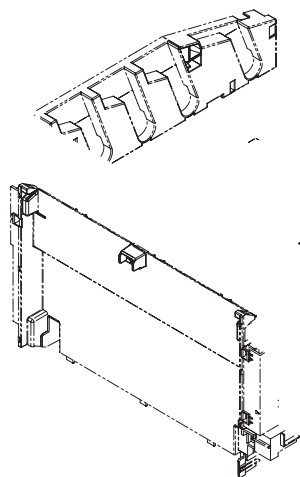


FIG. 9 Transfer Section

2KT/2KV/2PS/2PT-5

Ref. No.	Part.No.	Alternative.	Description	Notes	Quantity		
					120	230	240
1	302KT93060	2KT93060	TR-591	21ppm(A),21ppm(B)	1	1	1
1	302KV93070	2KV93070	TR-590	26ppm(A),26ppm(B),26ppm(C)	1	1	1
101	7BB700412H	BB106830	+BIND T.T S SCREW 4X12 SR				

• Parts with Ref.No. indicate maintenance parts and the ones without it indicate out of the above.

• Parts with "." are component parts or sub-assemblies of the assembly appearing immediately above them.
 • Parts with ". ." are component parts or sub-assembly with "." appearing immediately above them.

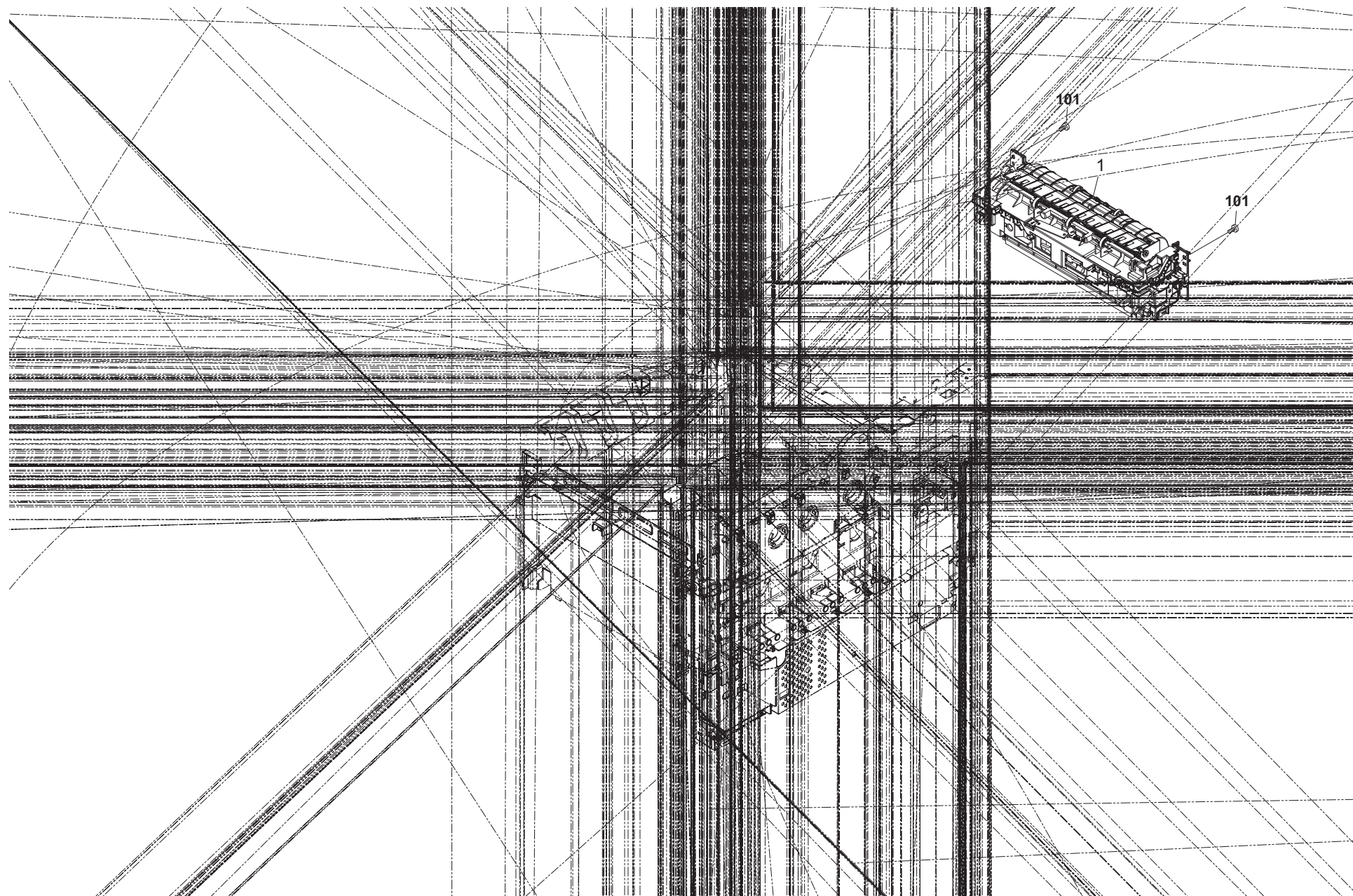


FIG. 10 Fuser Section

2KT/2KV/2PS/2PT

Ref. No.	Part.No.	Alternative.	Description	Notes	Quantity		
					120	230	240
1	302KV93050	2KV93050	FK-590 (U)		1		
1	302KV93040	2KV93040	FK-590 (E)			1	1
101	7BB700408H	BB105640	+BIND T.T S SCREW 4X8 SR				

• Parts with Ref.No. indicate maintenance parts and the ones without it indicate out of the above.

• Parts with "." are component parts or sub-assemblies of the assembly appearing immediately above them.
 • Parts with ". ." are component parts or sub-assembly with "." appearing immediately above them.

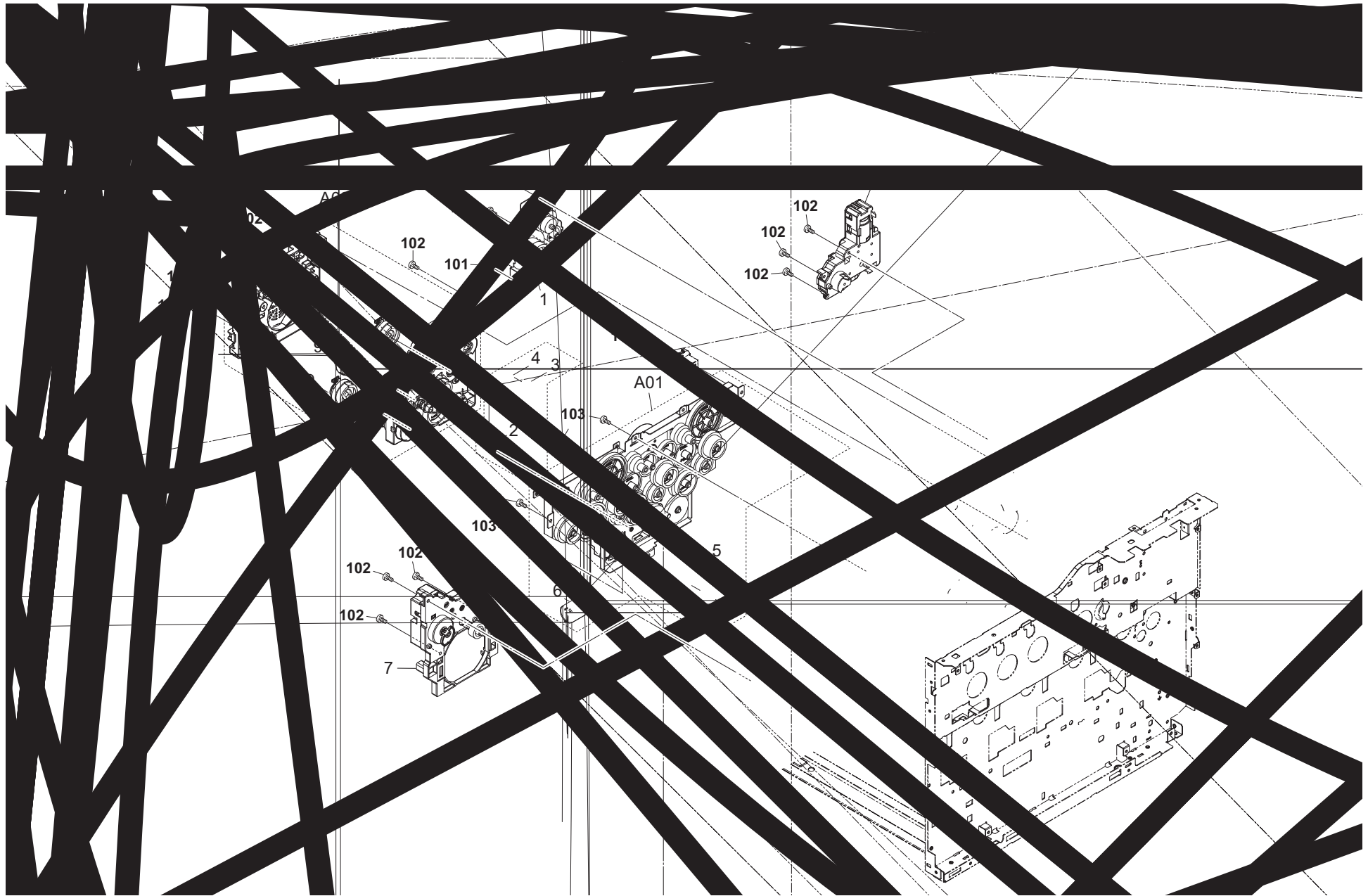


FIG. 11 Drive Section

2KT/2KV/2PS/2PT-3

Ref. No.	Part.No.	Alternative.	Description	Notes	Quantity		
					120	230	240
1	302KV93090	2KV93090	DR-590A		1	1	1
A01	302KV93101	2KV93101	DR-590B		1	1	1
2	*302KV31130	2KV31130	GEAR Z36L		1	1	1
3	*302KV31170	2KV31170	ARM CLUTCH C		1	1	1
4	*302KV31190	2KV31190	SPRING CLUTCH B		1	1	1
5	*302KV31091	2KV31091	GEAR Z50R		1	1	1
6	*302KV00070	2KV00070	MOTOR-DC ASSY DLP		1	1	1
7	302KV94230	2KV94230	PARTS DRIVE MPF ASSY SP		1	1	1
8	302KV94220	2KV94220	PARTS DRIVE PRESS ASSY SP		1	1	1
A02	302KV94210	2KV94210	PARTS DRIVE FEED ASSY SP		1	1	1
9	*302KV44041	2KV44041	CLUTCH 50 Z35R		3	3	3
101	7BB700306H	BB105590	+BIND T.T S SCREW 3X6 SR				
102	7BB700312H	BB106820	+BIND T.T S SCREW 3X12 SR				
103	7BB700308H	BB105600	+BIND T.T S SCREW 3X8 SR				

• Parts with Ref.No. indicate maintenance parts and the ones without it indicate out of the above.

• Parts with "." are component parts or sub-assemblies of the assembly appearing immediately above them.
 • Parts with ". ." are component parts or sub-assembly with "." appearing immediately above them.

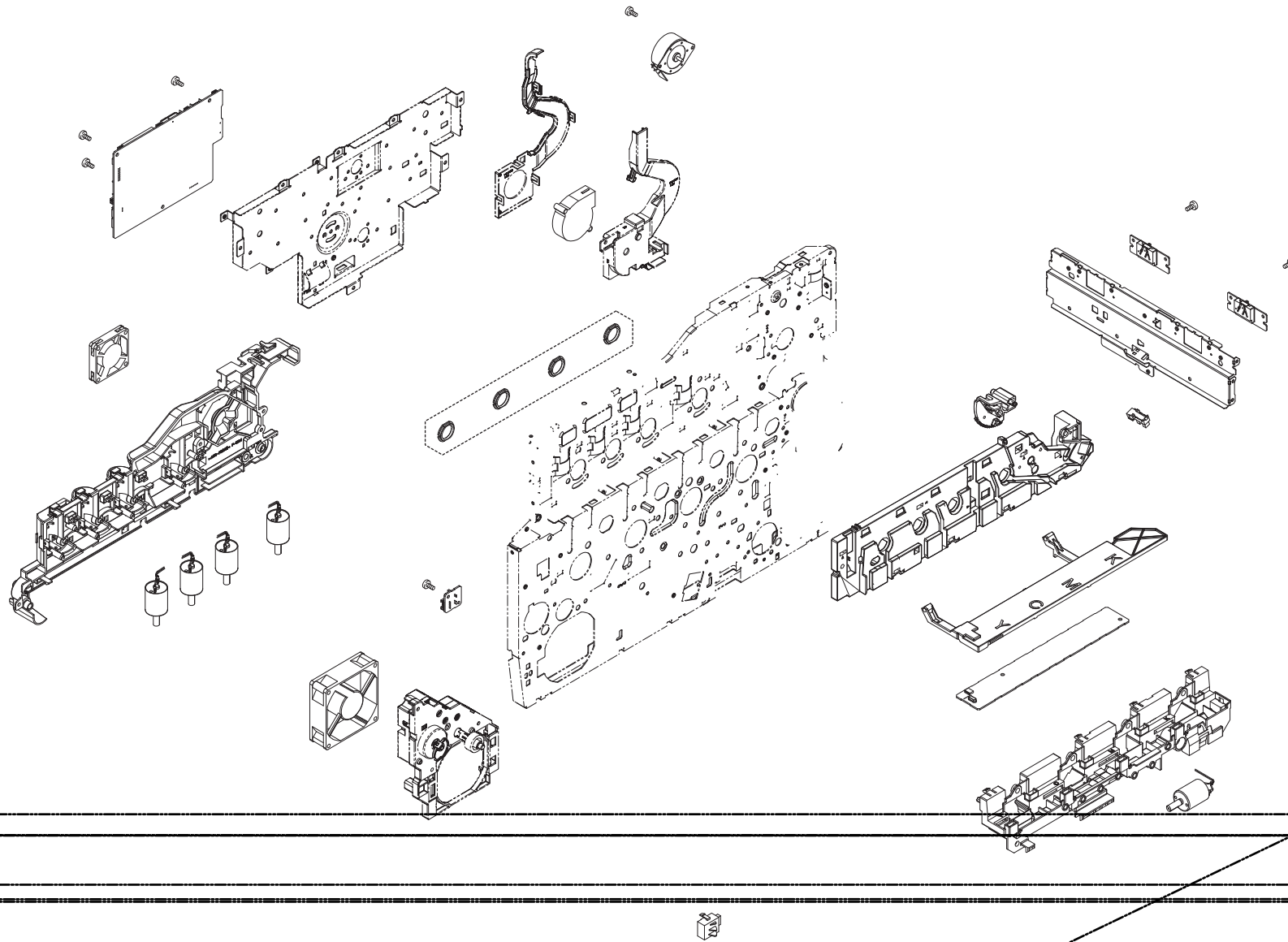


FIG. 12 Electrical Components 1

2KT/2KV/2PS/2PT-5

Ref. No.	Part.No.	Alternative.	Description	Notes	Quantity		
					120	230	240
1	302KT94030	2KT94030	PARTS PWB ENGINE ASSY SP	21ppm(A)	1	1	1
1	302KV94030	2KV94030	PARTS PWB ENGINE ASSY SP	26ppm(A)	1	1	1
1	302PS94030	2PS94030	PARTS PWB ENGINE ASSY SP	21ppm(B)	1	1	1
1	302PT94040	2PT94040	PARTS PWB ENGINE ASSY SP	26ppm(B),26ppm(C)	1	1	1
2	302KV94320	2KV94320	PARTS ID SENSOR ASSY SP		2	2	2
3	302KV94350	2KV94350	PARTS PWB ASSY RFID SP		1	1	1
4	302KV94360	2KV94360	PARTS PWB ASSY THERMISTOR SP		1	1	1
5	302KV94080	2KV94080	PARTS BUSH GEAR SP		1	1	1
6	302KV94300	2KV94300	PARTS MOTOR-DC ASSY K SP		1	1	1
7	302KV94290	2KV94290	PARTS MOTOR-DC ASSY M SP		1	1	1
8	302KV94280	2KV94280	PARTS MOTOR-DC ASSY C SP		1	1	1
9	302KV94270	2KV94270	PARTS MOTOR-DC ASSY Y SP		1	1	1
10	302KV94310	2KV94310	PARTS MOTOR-DC ASSY LSU SP		1	1	1
11	302F944160	2F944160	FAN POWER PWB 50		1	1	1
12	302HN44010	2HN44010	FAN MOTOR		1	1	1
13	302HN44090	2HN44090	MOTOR FUSER		1	1	1
14	302HN44180	2HN44180	SWITCH SIZE		1	1	1
15	302HN44210	2HN44210	FAN MOTOR		1	1	1
16	7NXGP1S173LCH01	NX116910	SENSOR OPT.		1	1	1
17	302KV02532	2KV02532	HINGE LID L		1	1	1
18	302KV02461	2KV02461	CAM TONER SUPPLY		4	4	4
19	302KV02250	2KV02250	DUCT LEFT INNER		1	1	1
20	302KV02A90	2KV02A90	BELT S2M Z371		1	1	1
21	302KT02180	2KT02180	GUIDE CASSETTE L	21ppm(A),21ppm(B)	1	1	1
21	302KV02190	2KV02190	GUIDE CASSETTE L	26ppm(A),26ppm(B),26ppm(C)	1	1	1
22	302KV00160	2KV00160	MOTOR-DC ASSY LIFT		1	1	1
23	302KV02170	2KV02170	GUIDE TOP L		1	1	1
24	302KV02240	2KV02240	HOLDER TONER MOTOR		1	1	1
25	302KV02281	2KV02281	GUIDE CONTAINER		1	1	1
26	302KV02290	2KV02290	HOLDER RFID		1	1	1
27	302KV02680	2KV02680	GEAR Z50S		4	4	4
28	302KV02A60	2KV02A60	GEAR Z40R		2	2	2
29	302KV02A70	2KV02A70	PULLEY P27		2	2	2
30	302KV46030	2KV46030	CONN.CORD ASSY S03535		1	1	1
31	302KT02170	2KT02170	HOLDER GEAR	21ppm(A),21ppm(B)	1	1	1
31	302HN14120	2HN14120	HOLDER GEAR	26ppm(A),26ppm(B),26ppm(C)	1	1	1
32	302KT02150	2KT02150	GEAR Z33S-Z13S	21ppm(A),21ppm(B)	1	1	1
32	302KV02B80	2KV02B80	GEAR Z28S-Z13S	26ppm(A),26ppm(B),26ppm(C)	1	1	1
33	302KV02B70	2KV02B70	GEAR Z41S		1	1	1
34	302KV02B00	2KV02B00	GEAR Z36R-Z35R		1	1	1
35	302KV02670	2KV02670	GEAR Z16S		2	2	2
101	7BB700308H	BB105600	+BIND T.T S SCREW 3X8 SR				
102	7BB200308H	BB105660	+BIND T.T P SCREW 3X8				

• Parts with Ref.No. indicate maintenance parts and the ones without it indicate out of the above.

• Parts with "." are component parts or sub-assemblies of the assembly appearing immediately above them.
 • Parts with ". ." are component parts or sub-assembly with ". ." appearing immediately above them.

FIG. 13 Electrical Components 2

2KT/2KV/2PS/2PT-3

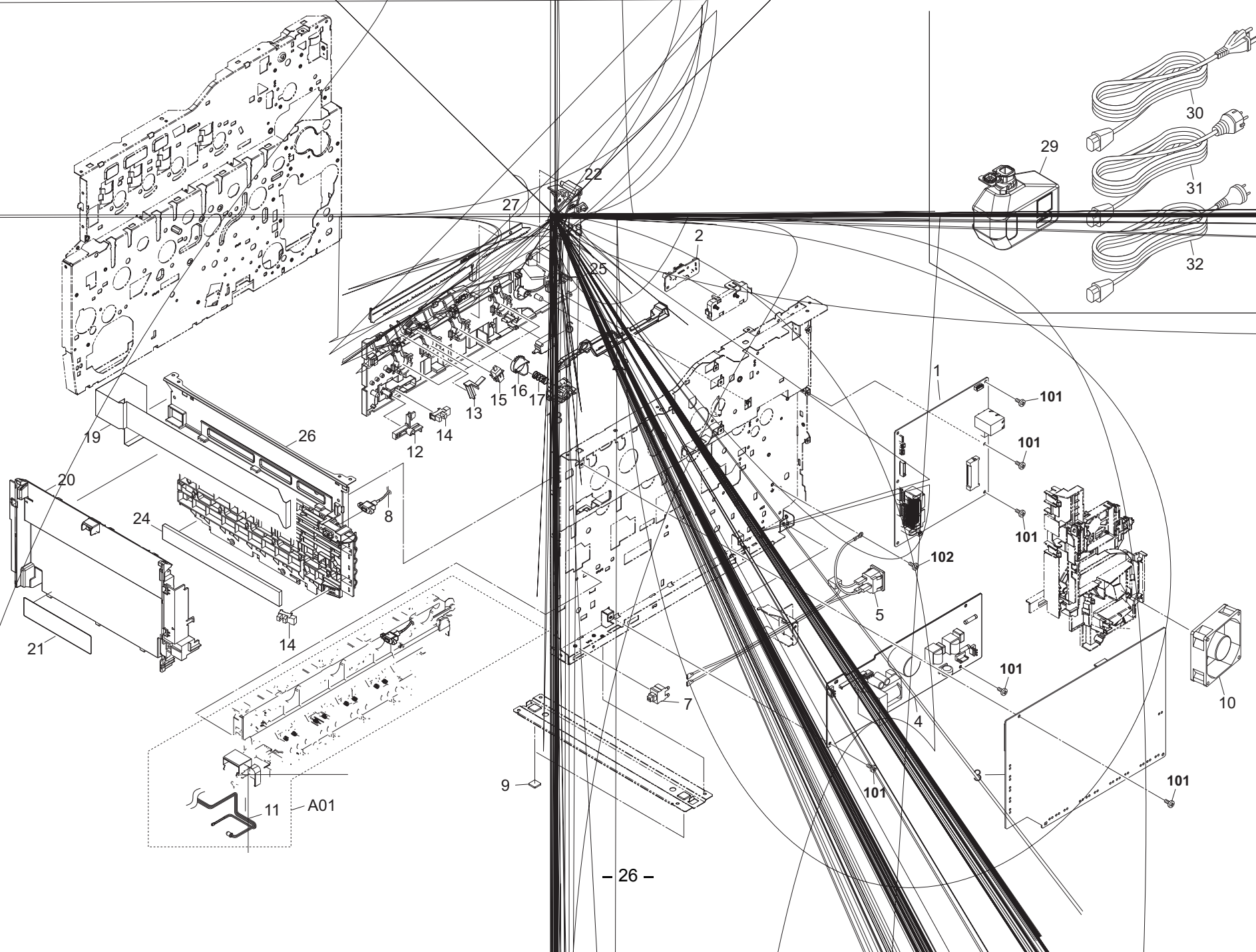


FIG. 13 Electrical Components 2

2KT/2KV/2PS/2PT-5

Ref. No.	Part.No.	Alternative.	Description	Notes	Quantity		
					120	230	240
1	302KT94010	2KT94010	PARTS PWB MAIN ASSY SP	21ppm(A)	1		1
1	302KT94020	2KT94020	PARTS PWB MAIN ASSY SP EU	21ppm(A)		1	
1	302KV94010	2KV94010	PARTS PWB MAIN ASSY SP	26ppm(A)	1		1
1	302KV94020	2KV94020	PARTS PWB MAIN ASSY SP EU	26ppm(A)		1	
1	302PS94040	2PS94040	PARTS PWB MAIN ASSY SP	21ppm(B)	1		1
1	302PS94050	2PS94050	PARTS PWB MAIN ASSY SP EU	21ppm(B)		1	
1	302PT94050	2PT94050	PARTS PWB MAIN ASSY SP	26ppm(B),26ppm(C)	1		1
1	302PT94060	2PT94060	PARTS PWB MAIN ASSY SP EU	26ppm(B),26ppm(C)		1	
2	302KT94080	2KT94080	PARTS PWB ASSY EXIT SP	21ppm(A),21ppm(B)	1	1	1
2	302KV94330	2KV94330	PARTS PWB ASSY EXIT SP	26ppm(A),26ppm(B),26ppm(C)	1	1	1
3	302KV94060	2KV94060	PARTS HIGH VOLTAGE UNIT SP		1	1	1
4	302KV94040	2KV94040	PARTS SWITCHING REGULATOR 100V SP		1		
4	302KV94050	2KV94050	PARTS SWITCHING REGULATOR 230V SP			1	1
5	302KV00190	2KV00190	INLET ASSY		1	1	1
6	7SM010104+++H01	SM055200	SW.MICRO		1	1	1
7	7SP01000005+H01	SP119750	SW.PUSH		1	1	1
8	302KV46421	2KV46421	CONN.CORD ASSY S03596	21ppm(A),26ppm(A)	1	1	1
8	302PS46050	2PS46050	CONN.CORD ASSY S03910	21ppm(B),26ppm(B),26ppm(C)	1	1	1
9	302HN02611	2HN02611	FOOT		2	2	2
10	302HN44010	2HN44010	FAN MOTOR		1	1	1
A01	302KV94470	2KV94470	PARTS WASTE TONER ASSY SP		1	1	1
11	*302KV94370	2KV94370	PARTS TONER FULL DETECT SP		1	1	1
12	302KV02480	2KV02480	ACTUATOR DETECTION CONTAINER		1	1	1
13	302KV02C70	2KV02C70	ACTUATOR PUSH SWITCH		1	1	1
14	7NXGP1S173LCH01	NX116910	SENSOR OPT.		2	2	2
15	7SP01000001+H01	SP044290	SW.PUSH		1	1	1
16	302KV02501	2KV02501	RATCHET SHUTTER		4	4	4
17	302KV02A21	2KV02A21	SPRING JOINT SHUTTER		4	4	4
18	302KV02510	2KV02510	HOLDER JOINT		4	4	4
19	302KV46390	2KV46390	CONN.CORD ASSY S03577		1	1	1
20	302KV04080	2KV04080	COVER INNER		1	1	1
21	302KV34080	2KV34080	LABEL MPF		1	1	1
22	302KV02542	2KV02542	HINGE LID R		1	1	1
23	302KV02521	2KV02521	LEVER INTERLOCK		1	1	1
24	302KV02E30	2KV02E30	SEAL BRACKET FRONT		1	1	1
25	302KV02180	2KV02180	GUIDE TOP R		1	1	1
26	302KV02232	2KV02232	BRACKET FRONT HV		1	1	1
27	302KV02451	2KV02451	RACK JOINT SHUTTER		1	1	1
28	302KV02670	2KV02670	GEAR Z16S		1	1	1
29	302KV93110	2KV93110	WT-590		1	1	1
30	3019527401	19527401	POWER CORD(120)		1		
31	302FV94010	2FV94010	PARTS AC CORD EU SP			1	
32	302FV45040	2FV45040	AC CORD ASSY				1
101	7BB700308H	BB105600	+BIND T.T S SCREW 3X8 SR				
102	7BB700408H	BB105640	+BIND T.T S SCREW 4X8 SR				

• Parts with Ref.No. indicate maintenance parts and the ones without it indicate out of the above.

• Parts with "*" are component parts or sub-assemblies of the assembly appearing immediately above them.
 • Parts with "* •" are component parts or sub-assembly with "*" appearing immediately above them.

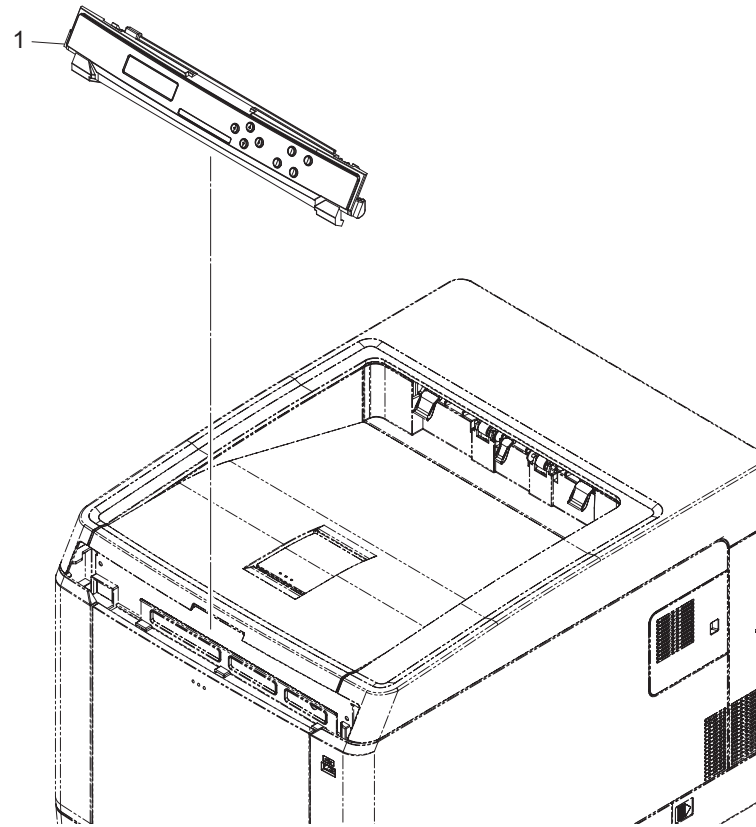


FIG. 14 Operation Section

2KT/2KV/2PS/2PT-5

Ref. No.	Part.No.	Alternative.	Description	Notes	Quantity		
					120	230	240
1	302KT94040	2KT94040	PARTS OPERATION UNIT SP	21ppm(A)	1	1	1
1	302KV94090	2KV94090	PARTS OPERATION UNIT SP	26ppm(A)	1	1	1
1	302PS94010	2PS94010	PARTS OPERATION UNIT SP	21ppm(B)	1	1	1
1	302PT94010	2PT94010	PARTS OPERATION UNIT SP	26ppm(B)	1	1	1
1	302PT94090	2PT94090	PARTS OPERATION UNIT(B) SP	26ppm(C)	1	1	1

• Parts with Ref.No. indicate maintenance parts and the ones without it indicate out of the above.

• Parts with "." are component parts or sub-assemblies of the assembly appearing immediately above them.
 • Parts with ". ." are component parts or sub-assembly with "." appearing immediately above them.

FIG. 15 Maintenance Kits (26ppm(A),26ppm(B),26ppm(C))

2KT/2KV/2PS/2PT-5

Ref. No.	Part.No.	Alternative.	Description	Notes	Quantity		
					120	230	240
	1702KV7US0	072KV7US	MK-592/MAINTENANCE KIT (OPTION) DV-560 US (Y) DV-560 US (K) DV-560 US (C) DV-560 US (M) PARTS HOLDER RETARD ASSY SP DK-590 FK-590(U) PARTS HOLDER RETARD ASSY SP PARTS HOLDER FEED ASSY SP TR-590 ROLLER M/P ASSY /43487B0027 A4		1 1 1 1 1 1 1 4 1 1 1 1 1		
	1702KV8NL0	072KV8NL	MK-590/MAINTENANCE KIT (OPTION) DV-560(Y) DV-560(K) DV-560(C) DV-560(M) PARTS HOLDER RETARD ASSY SP DK-590 FK-590(E) PARTS HOLDER RETARD ASSY SP PARTS HOLDER FEED ASSY SP TR-590 ROLLER M/P ASSY /43487B0027 A4			1 1 1 1 1 1 4 1 1 1 1 1	1 1 1 1 1 1 4 1 1 1 1 1

• Parts with Ref.No. indicate maintenance parts and the ones without it indicate out of the above.

• Parts with "." are component parts or sub-assemblies of the assembly appearing immediately above them.
• Parts with ". ." are component parts or sub-assembly with "." appearing immediately above them.

INDEX

2KT/2KV/2PS/2PT-5

Part.No.	Alternative	Description	Fig.No.
1702KV7US0	072KV7US	MK-592/MAINTENANCE KIT (OPTION)	15
1702KV8NLO	072KV8NL	MK-590/MAINTENANCE KIT (OPTION)	15
3019527401	19527401	POWER CORD(120)	13
302F929050	2F929050	PULLEY FEED DU	4
302F944160	2F944160	FAN POWER PWB 50	12
302FV45040	2FV45040	AC CORD ASSY	13
302FV94010	2FV94010	PARTS AC CORD EU SP	13
302G634070	2G634070	LABEL ENERGY STAR	4
302HL93011	2HL93011	DV-540 (K)	7
302HL93021	2HL93021	DV-540 (Y)	7
302HL93031	2HL93031	DV-540 (C)	7
302HL93041	2HL93041	DV-540 (M)	7
302HL93241	2HL93241	DV-540 US (K)	7
302HL93251	2HL93251	DV-540 US (Y)	7
302HL93261	2HL93261	DV-540 US (C)	7
302HL93271	2HL93271	DV-540 US (M)	7
302HN02611	2HN02611	FOOT	13
302HN08140	2HN08140	LUTCH	1
302HN14120	2HN14120	HOLDER GEAR	12
302HN44010	2HN44010	FAN MOTOR	12,13
302HN44090	2HN44090	MOTOR FUSER	12
302HN44180	2HN44180	SWITCH SIZE	12
302HN44210	2HN44210	FAN MOTOR	12
302HN93013	2HN93013	DV-560 (K)	7
302HN93023	2HN93023	DV-560 (Y)	7
302HN93033	2HN93033	DV-560 (C)	7
302HN93043	2HN93043	DV-560 (M)	7
302HN93253	2HN93253	DV-560 US (K)	7
302HN93263	2HN93263	DV-560 US (Y)	7
302HN93273	2HN93273	DV-560 US (C)	7
302HN93283	2HN93283	DV-560 US (M)	7
302KT02150	2KT02150	GEAR Z33S-Z13S	12
302KT02170	2KT02170	HOLDER GEAR	12
302KT02180	2KT02180	GUIDE CASSETTE L	12
302KT04010	2KT04010	COVER LEFT BOTTOM	1
302KT04020	2KT04020	COVER RIGHT BOTTOM	1
302KT04030	2KT04030	COVER CABLE	1
302KT04080	2KT04080	COVER CONNECTOR	1
302KT06011	2KT06011	GUIDE CASSETTE	3
302KT06050	2KT06050	ACTUATOR PE	3

Part.No.	Alternative	Description	Fig.No.
302KT09111	2KT09111	STOPPER HOOK	2
302KT09170	2KT09170	SPRING STOPPER HOOK	2
302KT93017	2KT93017	DK-591	8
302KT93025	2KT93025	LK-591A	6
302KT93035	2KT93035	LK-591B	6
302KT93041	2KT93041	CT-591	2
302KT93051	2KT93051	MC-591	8
302KT93060	2KT93060	TR-591	9
302KT94010	2KT94010	PARTS PWB MAIN ASSY SP	13
302KT94020	2KT94020	PARTS PWB MAIN ASSY SP EU	13
302KT94030	2KT94030	PARTS PWB ENGINE ASSY SP	12
302KT94040	2KT94040	PARTS OPERATION UNIT SP	14
302KT94051	2KT94051	PARTS HOLDER RETARD ASSY SP	3
302KT94060	2KT94060	PARTS COVER WASTE ASSY SP	1
302KT94070	2KT94070	PARTS PWB ASSY CASSETTE SP	3
302KT94080	2KT94080	PARTS PWB ASSY EXIT SP	13
302KV00070	2KV00070	MOTOR-DC ASSY DLP	11
302KV00160	2KV00160	MOTOR-DC ASSY LIFT	12
302KV00190	2KV00190	INLET ASSY	13
302KV02170	2KV02170	GUIDE TOP L	12
302KV02180	2KV02180	GUIDE TOP R	13
302KV02190	2KV02190	GUIDE CASSETTE L	12
302KV02232	2KV02232	BRACKET FRONT HV	13
302KV02240	2KV02240	HOLDER TONER MOTOR	12
302KV02250	2KV02250	DUCT LEFT INNER	12
302KV02281	2KV02281	GUIDE CONTAINER	12
302KV02290	2KV02290	HOLDER RFID	12
302KV02451	2KV02451	RACK JOINT SHUTTER	13
302KV02461	2KV02461	CAM TONER SUPPLY	12
302KV02480	2KV02480	ACTUATOR DETECTION CONTAINER	13
302KV02501	2KV02501	RATCHET SHUTTER	13
302KV02510	2KV02510	HOLDER JOINT	13
302KV02521	2KV02521	LEVER INTERLOCK	13
302KV02532	2KV02532	HINGE LID L	12
302KV02542	2KV02542	HINGE LID R	13
302KV02670	2KV02670	GEAR Z16S	12,13
302KV02680	2KV02680	GEAR Z50S	12
302KV02A21	2KV02A21	SPRING JOINT SHUTTER	13
302KV02A60	2KV02A60	GEAR Z40R	12
302KV02A70	2KV02A70	PULLEY P27	12

Part.No.	Alternative	Description	Fig.No.
302KV02A90	2KV02A90	BELT S2M Z371	12
302KV02B00	2KV02B00	GEAR Z36R-Z35R	12
302KV02B70	2KV02B70	GEAR Z41S	12
302KV02B80	2KV02B80	GEAR Z28S-Z13S	12
302KV02C70	2KV02C70	ACTUATOR PUSH SWITCH	13
302KV02E30	2KV02E30	SEAL BRACKET FRONT	13
302KV04011	2KV04011	COVER TOP P	1
302KV04030	2KV04030	COVER LEFT	1
302KV04060	2KV04060	COVER LEFT REAR	1
302KV04070	2KV04070	COVER RIGHT REAR	1
302KV04080	2KV04080	COVER INNER	13
302KV04110	2KV04110	COVER CONNECTOR	1
302KV04120	2KV04120	COVER CABLE	1
302KV04130	2KV04130	STRAP COVER REAR	1
302KV04140	2KV04140	COVER TOP LEFT P	1
302KV04150	2KV04150	COVER TOP RIGHT P	1
302KV04160	2KV04160	COVER REAR BOTTOM	1
302KV04170	2KV04170	COVER LEFT BOTTOM	1
302KV04180	2KV04180	COVER RIGHT BOTTOM	1
302KV06012	2KV06012	FRAME FEED	3
302KV06031	2KV06031	GUIDE PICK HOLDER	3
302KV06090	2KV06090	ACTUATOR REGIST	3
302KV06150	2KV06150	SHAFT FEED	3
302KV06170	2KV06170	ACTUATOR PE	3
302KV06180	2KV06180	RELEASE ACTUATOR PE	3
302KV06201	2KV06201	SPRING ACT	3
302KV06220	2KV06220	GUIDE CASSETTE	3
302KV06230	2KV06230	SHAFT MIDDLE PULLEY	4
302KV06341	2KV06341	ACTUATOR B	3
302KV06350	2KV06350	SPRING ACTUATOR A	3
302KV06370	2KV06370	PIN FEED	3
302KV06610	2KV06610	COVER RETARD	3
302KV08041	2KV08041	FRAME MPF	4
302KV08120	2KV08120	SPRING PULLEY MPF	4
302KV08150	2KV08150	GUIDE MPF FEED UP	4
302KV08160	2KV08160	GUIDE MPF FEED LOW A	4
302KV08281	2KV08281	GUIDE MPF FEED LOW B	4
302KV09090	2KV09090	HOLDER STOPPER HOOK	2
302KV09100	2KV09100	STOPPER HOOK	2
302KV09260	2KV09260	SPRING HOLDER	2

Part.No.	Alternative	Description	Fig.No.
302KV24090	2KV24090	BUSH SPRING FEED	4
302KV28050	2KV28050	ACTUATOR FD	5
302KV28070	2KV28070	ROLLER EXIT	5
302KV28101	2KV28101	GEAR Z25S-Z19S	5
302KV28140	2KV28140	GEAR Z19S	5
302KV29102	2KV29102	HOOK DU RELEASE	5
302KV31091	2KV31091	GEAR Z50R	11
302KV31130	2KV31130	GEAR Z36L	11
302KV31170	2KV31170	ARM CLUTCH C	11
302KV31190	2KV31190	SPRING CLUTCH B	11
302KV34080	2KV34080	LABEL MPF	13
302KV34090	2KV34090	LABEL MULTI LANGUAGE	5
302KV44041	2KV44041	CLUTCH 50 Z35R	11
302KV46030	2KV46030	CONN.CORD ASSY S03535	12
302KV46390	2KV46390	CONN.CORD ASSY S03577	13
302KV46421	2KV46421	CONN.CORD ASSY S03596	13
302KV46450	2KV46450	CONN.CORD ASSY S03586	3
302KV93017	2KV93017	DK-590	8
302KV93040	2KV93040	FK-590 (E)	10
302KV93050	2KV93050	FK-590 (U)	10
302KV93070	2KV93070	TR-590	9
302KV93081	2KV93081	CT-590	2
302KV93090	2KV93090	DR-590A	11
302KV93101	2KV93101	DR-590B	11
302KV93110	2KV93110	WT-590	13
302KV93121	2KV93121	MC-590	8
302KV94010	2KV94010	PARTS PWB MAIN ASSY SP	13
302KV94020	2KV94020	PARTS PWB MAIN ASSY SP EU	13
302KV94030	2KV94030	PARTS PWB ENGINE ASSY SP	12
302KV94040	2KV94040	PARTS SWITCHING REGULATOR 100V SP	13
302KV94050	2KV94050	PARTS SWITCHING REGULATOR 230V SP	13
302KV94060	2KV94060	PARTS HIGH VOLTAGE UNIT SP	13
302KV94080	2KV94080	PARTS BUSH GEAR SP	12
302KV94090	2KV94090	PARTS OPERATION UNIT SP	14
302KV94110	2KV94110	PARTS COVER RIGHT ASSY SP	1
302KV94120	2KV94120	PARTS COVER WASTE ASSY SP	1
302KV94130	2KV94130	PARTS COVER MPF ASSY SP	4
302KV94140	2KV94140	PARTS SEPARATOR MPF ASSY SP	4
302KV94150	2KV94150	PARTS PLATE BOTTOM MPF ASSY SP	4
302KV94160	2KV94160	PARTS TRANSFER ASSY SP	5

Part.No.	Alternative	Description	Fig.No.
302KV94171	2KV94171	PARTS CONVEYING ASSY SP	5
302KV94181	2KV94181	PARTS HOLDER RETARD ASSY SP	3
302KV94191	2KV94191	PARTS HOLDER FEED ASSY SP	3
302KV94200	2KV94200	PARTS HOLDER MIDDLE ROLLER ASSY SP	3
302KV94210	2KV94210	PARTS DRIVE FEED ASSY SP	11
302KV94220	2KV94220	PARTS DRIVE PRESS ASSY SP	11
302KV94230	2KV94230	PARTS DRIVE MPF ASSY SP	11
302KV94254	2KV94254	PARTS DU REAR COVER ASSY SP	5
302KV94260	2KV94260	PARTS LID TOP P ASSY SP	1
302KV94270	2KV94270	PARTS MOTOR-DC ASSY Y SP	12
302KV94280	2KV94280	PARTS MOTOR-DC ASSY C SP	12
302KV94290	2KV94290	PARTS MOTOR-DC ASSY M SP	12
302KV94300	2KV94300	PARTS MOTOR-DC ASSY K SP	12
302KV94310	2KV94310	PARTS MOTOR-DC ASSY LSU SP	12
302KV94320	2KV94320	PARTS ID SENSOR ASSY SP	12
302KV94330	2KV94330	PARTS PWB ASSY EXIT SP	13
302KV94340	2KV94340	PARTS PWB ASSY CASSETTE SP	3
302KV94350	2KV94350	PARTS PWB ASSY RFID SP	12
302KV94360	2KV94360	PARTS PWB ASSY THERMISTOR SP	12
302KV94370	2KV94370	PARTS TONER FULL DETECT SP	13
302KV94470	2KV94470	PARTS WASTE TONER ASSY SP	13
302PA93010	2PA93010	LK-5135	6
302PA93020	2PA93020	LK-5136	6
302PS04010	2PS04010	COVER CONNECTOR	1
302PS46050	2PS46050	CONN.CORD ASSY S03910	13
302PS93010	2PS93010	LK-596A	6
302PS93020	2PS93020	LK-596B	6
302PS94010	2PS94010	PARTS OPERATION UNIT SP	14
302PS94030	2PS94030	PARTS PWB ENGINE ASSY SP	12
302PS94040	2PS94040	PARTS PWB MAIN ASSY SP	13
302PS94050	2PS94050	PARTS PWB MAIN ASSY SP EU	13
302PT04010	2PT04010	COVER CONNECTOR	1
302PT93010	2PT93010	LK-595A	6
302PT93020	2PT93020	LK-595B	6
302PT94010	2PT94010	PARTS OPERATION UNIT SP	14
302PT94040	2PT94040	PARTS PWB ENGINE ASSY SP	12
302PT94050	2PT94050	PARTS PWB MAIN ASSY SP	13
302PT94060	2PT94060	PARTS PWB MAIN ASSY SP EU	13
302PT94080	2PT94080	PARTS COVER RIGHT ASSY(B) SP	1
302PT94090	2PT94090	PARTS OPERATION UNIT(B) SP	14

Part.No.	Alternative	Description	Fig.No.
5AAVR0LL+051 7NXGP1S173LCH01 7SM010104+++H01 7SP01000001+H01 7SP01000005+H01	2CL16130 NX116910 SM055200 SP044290 SP119750	ROLLER M/P ASSY /43487B0027 A4 SENSOR OPT. SW.MICRO SW.PUSH SW.PUSH	4 12,13 13 13 13

KYOCERA Document Solutions America, Inc.

Headquarters

225 Sand Road,
Fairfield, New Jersey 07004-0008, USA
Phone: +1-973-808-8444
Fax: +1-973-882-6000

Latin America

8240 NW 52nd Terrace Dawson Building, Suite 100
Miami, Florida 33166, USA
Phone: +1-305-421-6640
Fax: +1-305-421-6666

KYOCERA Document Solutions Canada, Ltd.

6120 Kestrel Rd., Mississauga, ON L5T 1S8,
Canada
Phone: +1-905-670-4425
Fax: +1-905-670-8116

**KYOCERA Document Solutions
Mexico, S.A. de C.V.**

Calle Arquimedes No. 130, 4 Piso, Colonia Polanco
Chapultepec, Delegacion Miguel Hidalgo,
Distrito Federal, C.P. 11560, México
Phone: +52-555-383-2741
Fax: +52-555-383-7804

KYOCERA Document Solutions Brazil, Ltda.

Av.Tambore,1180 Mod.B-09 CEP 06460-000
Tambore-Barueri-SP, Brazil
Phone: +55-11-4195-8496
Fax: +55-11-4195-6167

**KYOCERA Document Solutions
Australia Pty. Ltd.**

Level 3, 6-10 Talavera Road North Ryde N.S.W, 2113,
Australia
Phone: +61-2-9888-9999
Fax: +61-2-9888-9588

**KYOCERA Document Solutions
New Zealand Ltd.**

Ground Floor, 19 Byron Avenue, Takapuna, Auckland,
New Zealand
Phone: +64-9-415-4517
Fax: +64-9-415-4597

KYOCERA Document Solutions Asia Limited

16/F.,Mita Centre, 552-566, Castle Peak Road
Tsuenwan, NT, Hong Kong
Phone: +852-2610-2181
Fax: +852-2610-2063

**KYOCERA Document Solutions
(China) Corporation**

8F, No. 288 Nanjing Road West, Huangpu District,
Shanghai,200003, China
Phone: +86-21-5301-1777
Fax: +86-21-5302-8300

**KYOCERA Document Solutions
(Thailand) Corp., Ltd.**

335 Ratchadapisek Road, Bangsue, Bangkok 10800,
Thailand
Phone: +66-2-586-0333
Fax: +66-2-586-0278

**KYOCERA Document Solutions
Singapore Pte. Ltd.**

12 Tai Seng Street #04-01A,
Luxasia Building, Singapore 534118
Phone: +65-6741-8733
Fax: +65-6748-3788

**KYOCERA Document Solutions
Hong Kong Limited**

16/F.,Mita Centre, 552-566, Castle Peak Road
Tsuenwan, NT, Hong Kong
Phone: +852-3582-4000
Fax: +852-3185-1399

**KYOCERA Document Solutions
Taiwan Corporation**

6F., No.37, Sec. 3, Minquan E. Rd.,
Zhongshan Dist., Taipei 104, Taiwan R.O.C.
Phone: +886-2-2507-6709
Fax: +886-2-2507-8432

KYOCERA Document Solutions Korea Co., Ltd.

18F, Kangnam bldg, 1321-1,
Seocho-Dong, Seocho-Gu, Seoul, Korea
Phone: +822-6933-4050
Fax: +822-747-0084

**KYOCERA Document Solutions
India Private Limited**

First Floor, ORCHID CENTRE
Sector-53, Golf Course Road, Gurgaon 122 002,
India
Phone: +91-0124-4671000
Fax: +91-0124-4671001

KYOCERA Document Solutions Europe B.V.

Bloemlaan 4, 2132 NP Hoofddorp,
The Netherlands
Phone: +31-20-654-0000
Fax: +31-20-653-1256

KYOCERA Document Solutions Nederland B.V.

Beechavenue 25, 1119 RA Schiphol-Rijk,
The Netherlands
Phone: +31-20-5877200
Fax: +31-20-5877260

KYOCERA Document Solutions (U.K.) Limited

Eldon Court, 75-77 London Road,
Reading, Berkshire RG1 5BS,
United Kingdom
Phone: +44-118-931-1500
Fax: +44-118-931-1108

KYOCERA Document Solutions Italia S.p.A.

Via Verdi, 89/91 20063 Cernusco s/N.(MI),
Italy
Phone: +39-02-921791
Fax: +39-02-92179-600

KYOCERA Document Solutions Belgium N.V.

Sint-Martinusweg 199-201 1930 Zaventem,
Belgium
Phone: +32-2-7209270
Fax: +32-2-7208748

KYOCERA Document Solutions France S.A.S.

Espace Technologique de St Aubin
Route de l'Orme 91195 Gif-sur-Yvette CEDEX,
France
Phone: +33-1-69852600
Fax: +33-1-69853409

KYOCERA Document Solutions Espana, S.A.

Edificio Kyocera, Avda. de Manacor No.2,
28290 Las Matas (Madrid), Spain
Phone: +34-91-6318392
Fax: +34-91-6318219

KYOCERA Document Solutions Finland Oy

Atomitie 5C, 00370 Helsinki,
Finland
Phone: +358-9-47805200
Fax: +358-9-47805390

KYOCERA Document Solutions Europe B.V., Amsterdam (NL) Zürich Branch

Hohlstrasse 614, 8048 Zürich,
Switzerland
Phone: +41-44-9084949
Fax: +41-44-9084950

KYOCERA Document Solutions Deutschland GmbH

Otto-Hahn-Strasse 12, 40670 Meerbusch,
Germany
Phone: +49-2159-9180
Fax: +49-2159-918100

KYOCERA Document Solutions Austria GmbH

Eduard-Kittenberger-Gasse 95, 1230 Vienna,
Austria
Phone: +43-1-863380
Fax: +43-1-86338-400

KYOCERA Document Solutions Nordic AB

Esbogatan 16B 164 75 Kista, Sweden
Phone: +46-8-546-550-00
Fax: +46-8-546-550-10

KYOCERA Document Solutions Norge Nuf

Postboks 150 Oppsal, 0619 Oslo,
Norway
Phone: +47-22-62-73-00
Fax: +47-22-62-72-00

KYOCERA Document Solutions Danmark A/S

Ejby Industrivej 60, DK-2600 Glostrup,
Denmark
Phone: +45-70223880
Fax: +45-45765850

KYOCERA Document Solutions Portugal Lda.

Rua do Centro Cultural, 41 (Alvalade) 1700-106 Lisboa,
Portugal
Phone: +351-21-843-6780
Fax: +351-21-849-3312

KYOCERA Document Solutions South Africa (Pty) Ltd.

KYOCERA House, Hertford Office Park,
90 Bekker Road (Cnr. Allandale), Midrand, South Africa.
Phone: +27-11-540-2600
Fax: +27-11-466-3050

KYOCERA Document Solutions Russia LLC

Botanichesky pereulok 5, Moscow, 129090,
Russia
Phone: +7(495)741-0004
Fax: +7(495)741-0018

KYOCERA Document Solutions Middle East

Dubai Internet City, Bldg. 17,
Office 157 P.O. Box 500817, Dubai,
United Arab Emirates
Phone: +971-04-433-0412

KYOCERA Document Solutions Inc.

2-28, 1-chome, Tamatsukuri, Chuo-ku
Osaka 540-8585, Japan
Phone: +81-6-6764-3555
<http://www.kyoceradocumentsolutions.com>

© 2013 KYOCERA Document Solutions Inc.

 is a trademark of KYOCERA Corporation