



ECOSYS P3045dn
ECOSYS P3050dn
ECOSYS P3055dn
ECOSYS P3060dn
**PF-320/PF-3100/PB-325/
PT-320**

PARTS LIST

Published in July 2017
2T9PL073
Rev.3

ECOSYS P3045dn
ECOSYS P3060dn
**PF-320/PF-3100/PB-325/
PT-320**

パーツリスト

2017年7月 改訂版
2T9PL013
Rev.3

Items listed in the revision columns are defined as follows.

Item	Description
Add	Add a new part
Del	Delete a part
Design-chg.	A design changed part (Parts number version up)
Part No-chg.	A part number is changed to other one.
Quantity-chg.	Change Quantity of parts to use
Others	Other changes

Revision history

Rev.	Date	Remarks
1	December 2016	Design change
2	May 2017	Design change
3	July 2017	Design change

Symbols in the parts list

- Parts without a Ref.No. in the illustration indicate they are not supplied.
- Parts with a Ref.No. of 500 and above in the illustration indicate they are not selected for service parts.
- Parts with "*" are component parts or sub-assemblies of the assembly appearing immediately above them.
- Parts with "**" are component parts or sub-assembly with "*" appearing immediately above them.

<Notation of products>

For the purpose of this parts list, products are identified as following.

ECOSYS P3045dn : 45ppm(A4),47ppm(Letter)

ECOSYS P3050dn : 50ppm(A4),52ppm(Letter)

ECOSYS P3055dn : 55ppm(A4),57ppm(Letter)

ECOSYS P3060dn : 60ppm(A4),62ppm(Letter)

改訂欄記載項目の内容は以下の通りです。

記載項目	内容
Add	新規部品の追加
Del	部品の削除
Design-chg.	部品の設変（版数アップ）
Part No-chg.	部品番号の変更
Quantity-chg.	部品の個数変更
Others	その他の変更

改訂履歴

Rev.	改訂日	備考
1	2016年12月	設変対応
2	2017年5月	設変対応
3	2017年7月	設変対応

記号の見方

イラスト中で Ref 番号がない部品は供給できません。

イラスト中で 500 番台の Ref 番号が付いている部品はサービスパーツに選定されていません。

部品番号欄の・印は、組立部品の単品部品及び準組立部品を表わします。

部品番号欄の**印は、準組立部品の単品部品を表わします。

<本体機種区別表記>

パーツリスト中の本体機種区別は、以下の様に記載します。

ECOSYS P3045dn : 45ppm(A4),47ppm(Letter)

ECOSYS P3060dn : 60ppm(A4),62ppm(Letter)

**ECOSYS P3045dn/
ECOSYS P3050dn/
ECOSYS P3055dn/
ECOSYS P3060dn/**

Rev.3
July 2017

—— CONTENTS / 目次 ——

FIG. 1	Covers	2
FIG. 2	Frames	4
FIG. 3	Paper Cassette	6
FIG. 4	Paper Feed Section	8
FIG. 5	Image Formation Section	11
FIG. 6	Developer Section	13
FIG. 7	Fuser Section	15
FIG. 8	Exit Section	17
FIG. 9	Drive Section	19
FIG. 10	Accessories	21
FIG. 11	Maintenance Kits (45ppm(A4),47ppm(Letter))	23
FIG. 12	Maintenance Kits (50ppm(A4),52ppm(Letter)/ 55ppm(A4),57ppm(Letter)/60ppm(A4),62ppm(Letter))	24
	• INDEX / 索引.....	25

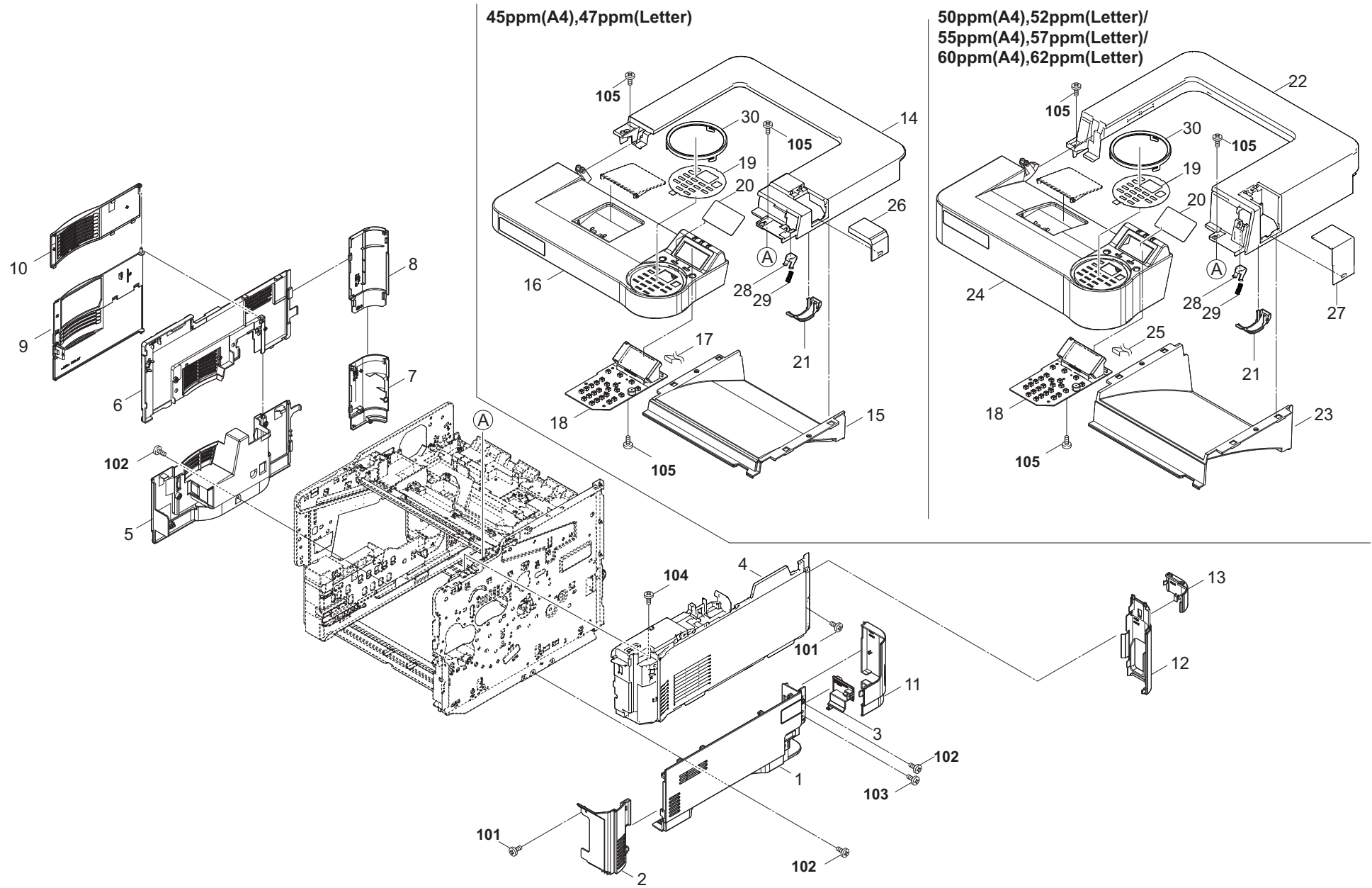


FIG. 1 Covers

2T9/2T8/2T7/2T6-3

Ref. No. 番号	Part.No. 部品番号	Alternative. 代替部品番号	Description 部品名称	Notes 備考	Revision 改訂	Quantity 個数			
						100(日本)	120	230	240
1	302LV94500	2LV94500	PARTS COVER RIGHT LOW ASSY SP			1	1	1	1
2	302LV04080	2LV04080	COVER RIGHT FRONT			1	1	1	1
3	302LV04270	2LV04270	COVER RIGHT REAR			1	1	1	1
4	302T694030	2T694030	PARTS COVER RIGHT UP ASSY SP			1	1	1	1
5	302LV04050	2LV04050	COVER LEFT LOW			1	1	1	1
6	302LV04040	2LV04040	COVER LEFT UP			1	1	1	1
7	302LV04260	2LV04260	COVER LEFT LOW REAR			1	1	1	1
8	302LV04250	2LV04250	COVER LEFT UP REAR			1	1	1	1
9	302LV04190	2LV04190	COVER SIDE LOW			1	1	1	1
10	302LV04170	2LV04170	COVER SIDE UP			1	1	1	1
11	302T604050	2T604050	COVER CONT LOW			1	1	1	1
12	302T604040	2T604040	COVER CONT MIDDLE			1	1	1	1
13	302LV04130	2LV04130	COVER CONT UP			1	1	1	1
14	302T994010	2T994010	PARTS COVER TOP ASSY SP	45ppm(A4),47ppm(Letter)		1	1	1	1
15	302L294110	2L294110	PARTS TRAY TOP ASSY SP	45ppm(A4),47ppm(Letter)		1	1	1	1
16	302T994020	2T994020	PARTS LID TOP ASSY SP	45ppm(A4),47ppm(Letter)		1	1	1	1
17	302T946010	2T946010	CONN.CORD ASSY FFC PRN PANEL L	45ppm(A4),47ppm(Letter)		1	1	1	1
18	302T694090	2T694090	PARTS PWB ASSY PANEL SP			1	1	1	1
19	302LV05240	2LV05240	SHEET OPE J			1			
19	302LV05140	2LV05140	SHEET OPE E				1	1	1
20	302T604110	2T604110	PANEL LCD J			1			
20	302T604090	2T604090	PANEL LCD				1	1	1
21	302T604061	2T604061	COVER CABLE		3:Design-chg.	1	1	1	1
22	302T694010	2T694010	PARTS COVER TOP ASSY SP	50ppm(A4),52ppm(Letter)/55ppm(A4),57ppm(Letter)/60ppm(A4),62ppm(Letter)		1	1	1	1
23	302LV94280	2LV94280	PARTS TRAY TOP ASSY SP	50ppm(A4),52ppm(Letter)/55ppm(A4),57ppm(Letter)/60ppm(A4),62ppm(Letter)		1	1	1	1
24	302T894010	2T894010	PARTS LID TOP ASSY SP	50ppm(A4),52ppm(Letter)			1	1	1
24	302T794010	2T794010	PARTS LID TOP ASSY SP	55ppm(A4),57ppm(Letter)			1	1	1
24	302T694020	2T694020	PARTS LID TOP ASSY SP	60ppm(A4),62ppm(Letter)		1	1	1	1
25	302T646040	2T646040	CONN.CORD ASSY FFC PRN PANEL H	50ppm(A4),52ppm(Letter)/55ppm(A4),57ppm(Letter)/60ppm(A4),62ppm(Letter)		1	1	1	1
26	302T904020	2T904020	COVER TOP B	45ppm(A4),47ppm(Letter)		1	1	1	1
27	302T604020	2T604020	COVER TOP B	50ppm(A4),52ppm(Letter)/55ppm(A4),57ppm(Letter)/60ppm(A4),62ppm(Letter)		1	1	1	1
28	302T604070	2T604070	STOPPER LID TOP			1	1	1	1
29	302T604080	2T604080	SPRING STOPPER LID TOP			1	1	1	1
30	3V2LV05080	2LV05080	RING KEY		3:Add	1	1	1	1
101	7BB700308H	BB105600	+BIND T.T S SCREW 3X8 SR						
102	7BB780308H	BB111200	+BIND T.T S SCREW 3X8 SR(BLACK)						
103	7BB282308H	BB111240	+TP-FLAT T.T P SCREW 3X8(BLACK)						
104	7BB700312H	BB106820	+BIND T.T S SCREW 3X12 SR						
105	7BB200308H	BB105660	+BIND T.T P SCREW 3X8						

• Parts with a Ref.No. of 500 and above in the illustration indicate they are not selected for service parts.

• イラスト中で 500 番台の Ref 番号が付いている部品はサービスパーツに選定されていません。

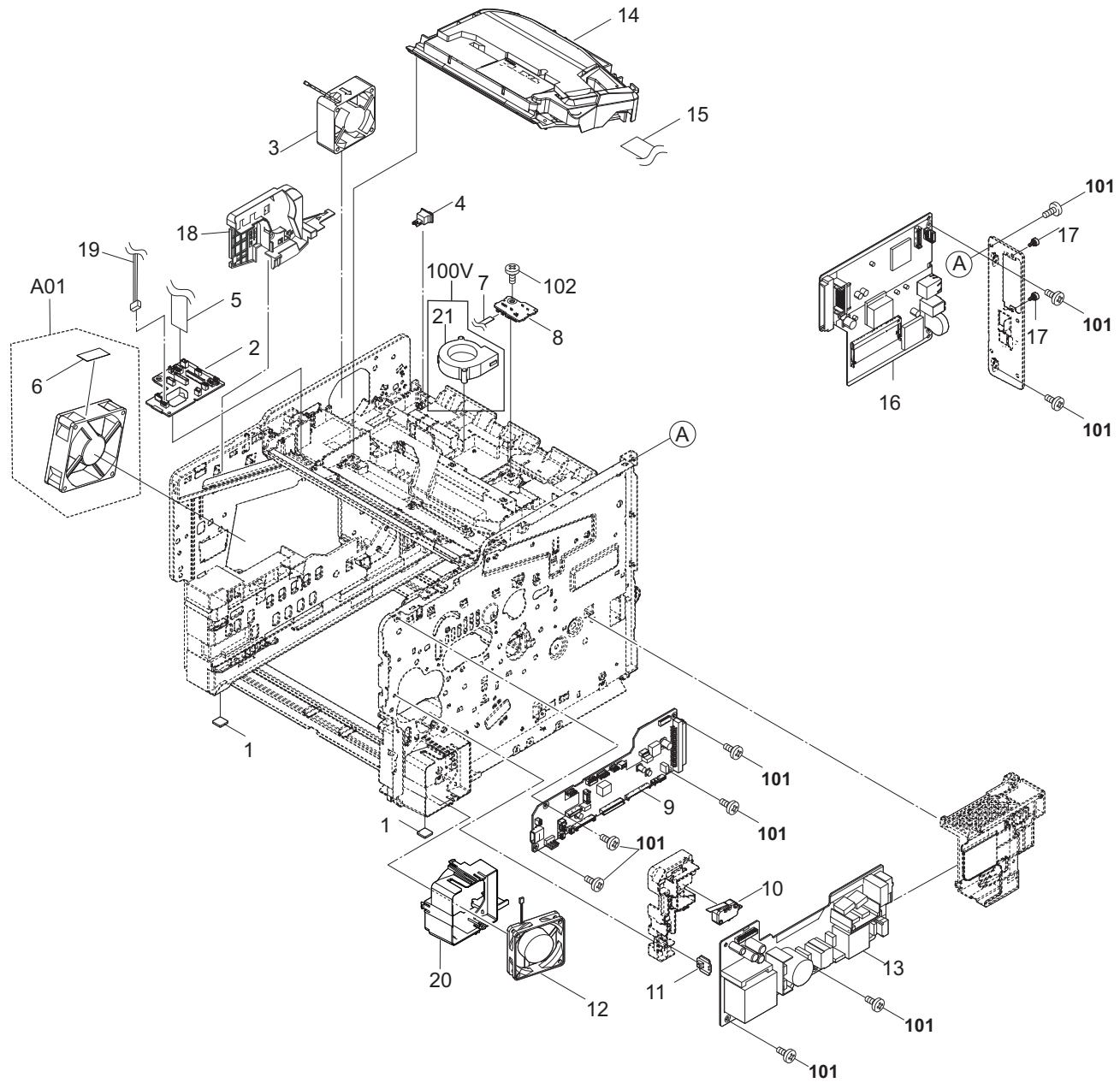


FIG. 2 Frames

2T9/2T8/2T7/2T6-3

Ref. No. 番号	Part.No. 部品番号	Alternative. 代替部品番号	Description 部品名称	Notes 備考	Revision 改訂	Quantity 個数			
						100(日本)	120	230	240
1	302HN02611	2HN02611	FOOT			2	2	2	2
2	302T994040	2T994040	PARTS PWB ASSY CONNECT-L SP	45ppm(A4),47ppm(Letter)		1	1	1	1
2	302T694070	2T694070	PARTS PWB ASSY CONNECT-L SP	50ppm(A4),52ppm(Letter)/55ppm(A4),57ppm(Letter)/60ppm(A4),62ppm(Letter)		1	1	1	1
3	302GR44080	2GR44080	FAN LSU 60-25			1	1	1	1
4	7SP01000006+H01	SP121020	SW.PUSH			1	1	1	1
5	302T646070	2T646070	CONNCORD ASSY FFC ENGINE CONNECT-L			1	1	1	1
A01	302LV94430	2LV94430	PARTS FAN MOTOR ASSY SP			1	1	1	1
6	*302LV02610	2LV02610	SHEET FAN L			1	1	1	1
7	302T646140	2T646140	CONN.CORD ASSY FFC THCONNECT		3:Part No-chg.	1	1	1	1
8	302LV94220	2LV94220	PARTS PWB ASSY TH CONNECT SP			1	1	1	1
9	302T994030	2T994030	PARTS PWB ASSY ENGINE SP	45ppm(A4),47ppm(Letter)		1	1	1	1
9	302T894020	2T894020	PARTS PWB ASSY ENGINE SP	50ppm(A4),52ppm(Letter)	2:Part No-chg.		1	1	1
9	302T794020	2T794020	PARTS PWB ASSY ENGINE SP	55ppm(A4),57ppm(Letter)	2:Part No-chg.		1	1	1
9	302T694060	2T694060	PARTS PWB ASSY ENGINE SP	60ppm(A4),62ppm(Letter)	2:Others	1	1	1	1
10	2FB27160	2FB27160	INTER LOCK SWITCH			1	1	1	1
11	302LV94210	2LV94210	PARTS PWB ASSY SWITCH SP			1	1	1	1
12	302FZ94420	2FZ94420	PARTS,FAN COOLING CONVEYING SP			1	1	1	1
13	302T694100	2T694100	PARTS UNIT POWER SUPPLY 120 SP			1	1		
13	302T694110	2T694110	PARTS UNIT POWER SUPPLY 230 SP					1	1
14	302T993040	2T993040	LK-3170	45ppm(A4),47ppm(Letter)/50ppm(A4),52ppm(Letter)		1	1	1	1
14	302T693010	2T693010	LK-3190	55ppm(A4),57ppm(Letter)/60ppm(A4),62ppm(Letter)		1	1	1	1
15	302T646120	2T646120	CONN.CORD ASSY FFC APC		3:Part No-chg.	1	1	1	1
16	302T694040	2T694040	PARTS PWB ASSY MAIN SP			1	1		
16	302T694051	2T694051	PARTS PWB ASSY MAIN SP EU		3:Design-chg.			1	
17	302F939082	2F939082	SCREW BOX			2	2	2	2
18	302LV11240	2LV11240	GUIDE CONTAINER		1:Add	1	1	1	1
19	3V2LV46230	2LV46230	CONN.CORD ASSY S03675		3:Add	1	1	1	1
20	3V2LV02131	2LV02131	DUCT FAN LV		3:Add	1	1	1	1
21	302LV94350	2LV94350	PARTS FAN MOTOR SP	60ppm(A4),62ppm(Letter)	3:Add	1			
101	7BB700308H	BB105600	+BIND T.T S SCREW 3X8 SR						
102	7BB200410H	BB105700	+BIND T.T P SCREW 4X10						

• Parts with a Ref.No. of 500 and above in the illustration indicate they are not selected for service parts.

• イラスト中で 500 番台の Ref 番号が付いている部品はサービスパーツに選定されていません。

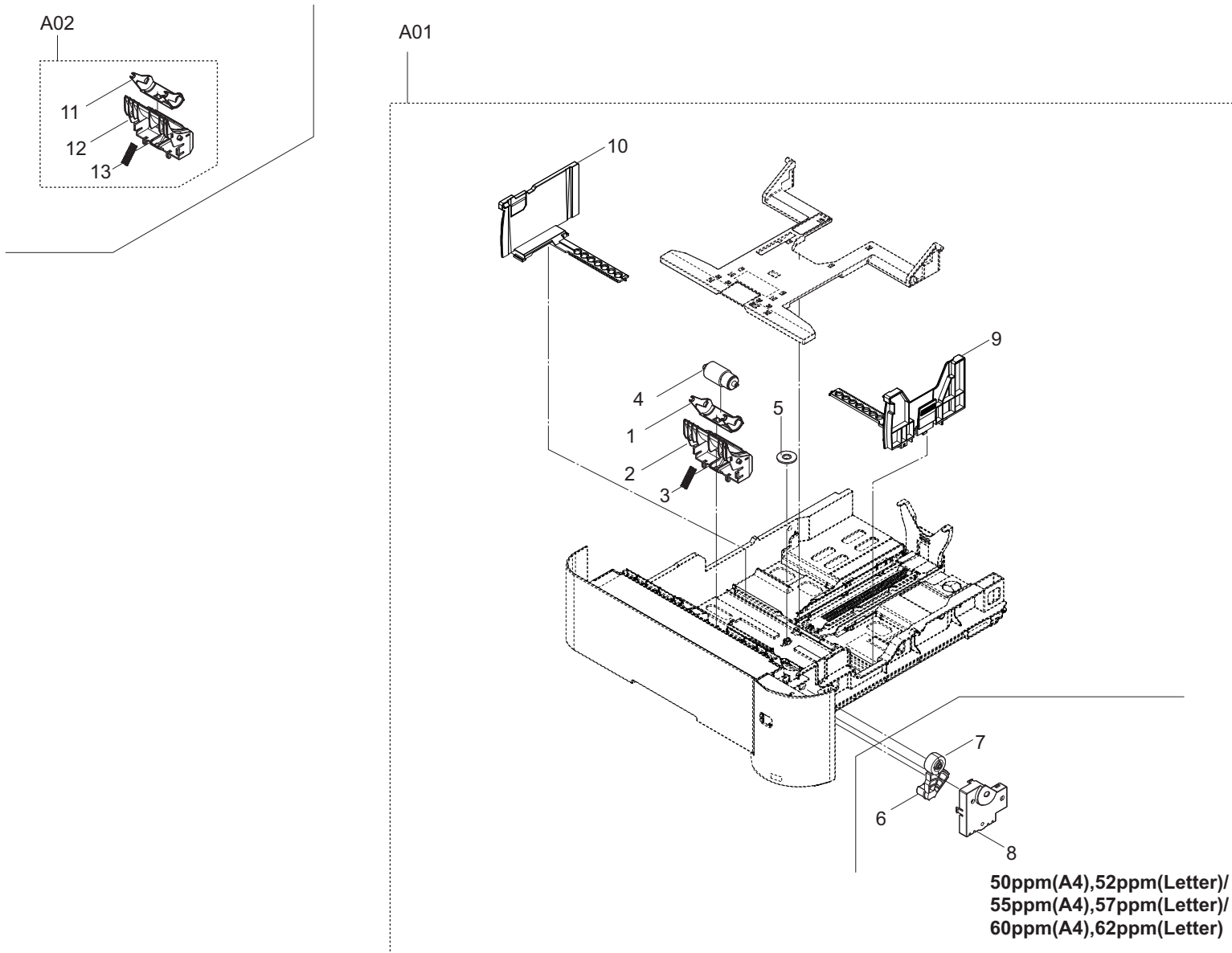


FIG. 3 Paper Cassette

2T9/2T8/2T7/2T6-3

Ref. No. 番号	Part.No. 部品番号	Alternative. 代替部品番号	Description 部品名称	Notes 備考	Revision 改訂	Quantity 個数			
						100(日本)	120	230	240
A01	302MS93016	2MS93016	CT-3100	45ppm(A4),47ppm(Letter)	1:Part No-chg. / 3: Design-chg.	1	1	1	1
A01	302LV93036	2LV93036	CT-3130	50ppm(A4),52ppm(Letter)/55ppm(A4),57ppm(Letter)/ 60ppm(A4),62ppm(Letter)	1:Part No-chg. / 3: Design-chg.	1	1	1	1
1	*3V2LV09311	2LV09311	HOLDER RETARD B			1	1	1	1
2	*302LV09340	2LV09340	GUIDE RETARD C			1	1	1	1
3	*302LV09330	2LV09330	SPRING RETARD B			1	1	1	1
4	*302F909171	2F909171	RETARD ROLLER ASSY			1	1	1	1
5	*5MVG127DN071	2A807050	GEAR CASSETTE /A-49 CASSETTE A4			1	1	1	1
6	*302LV09241	2LV09241	GEAR Z48S LIFT	50ppm(A4),52ppm(Letter)/55ppm(A4),57ppm(Letter)/ 60ppm(A4),62ppm(Letter)		1	1	1	1
7	*302LV09220	2LV09220	GEAR Z15S JOINT	50ppm(A4),52ppm(Letter)/55ppm(A4),57ppm(Letter)/ 60ppm(A4),62ppm(Letter)		1	1	1	1
8	*302LV09201	2LV09201	COVER LIFT GEAR	50ppm(A4),52ppm(Letter)/55ppm(A4),57ppm(Letter)/ 60ppm(A4),62ppm(Letter)		1	1	1	1
9	*302LV09350	2LV09350	CURSOR RIGHT B		1:Part No-chg.	1	1	1	1
10	*302LV09070	2LV09070	CURSOR LEFT			1	1	1	1
A02	302LV94480	2LV94480	PARTS HOLDER RETARD B SET SP		3:Add	1	1	1	1
11	*3V2LV09311	2LV09311	HOLDER RETARD B		3:Others	1	1	1	1
12	*302LV09340	2LV09340	GUIDE RETARD C		3:Others	1	1	1	1
13	*302LV09330	2LV09330	SPRING RETARD B		3:Others	1	1	1	1

• Parts with a Ref.No. of 500 and above in the illustration indicate they are not selected for service parts.

• イラスト中で 500 番台の Ref 番号が付いている部品はサービスパーツに選定されていません。

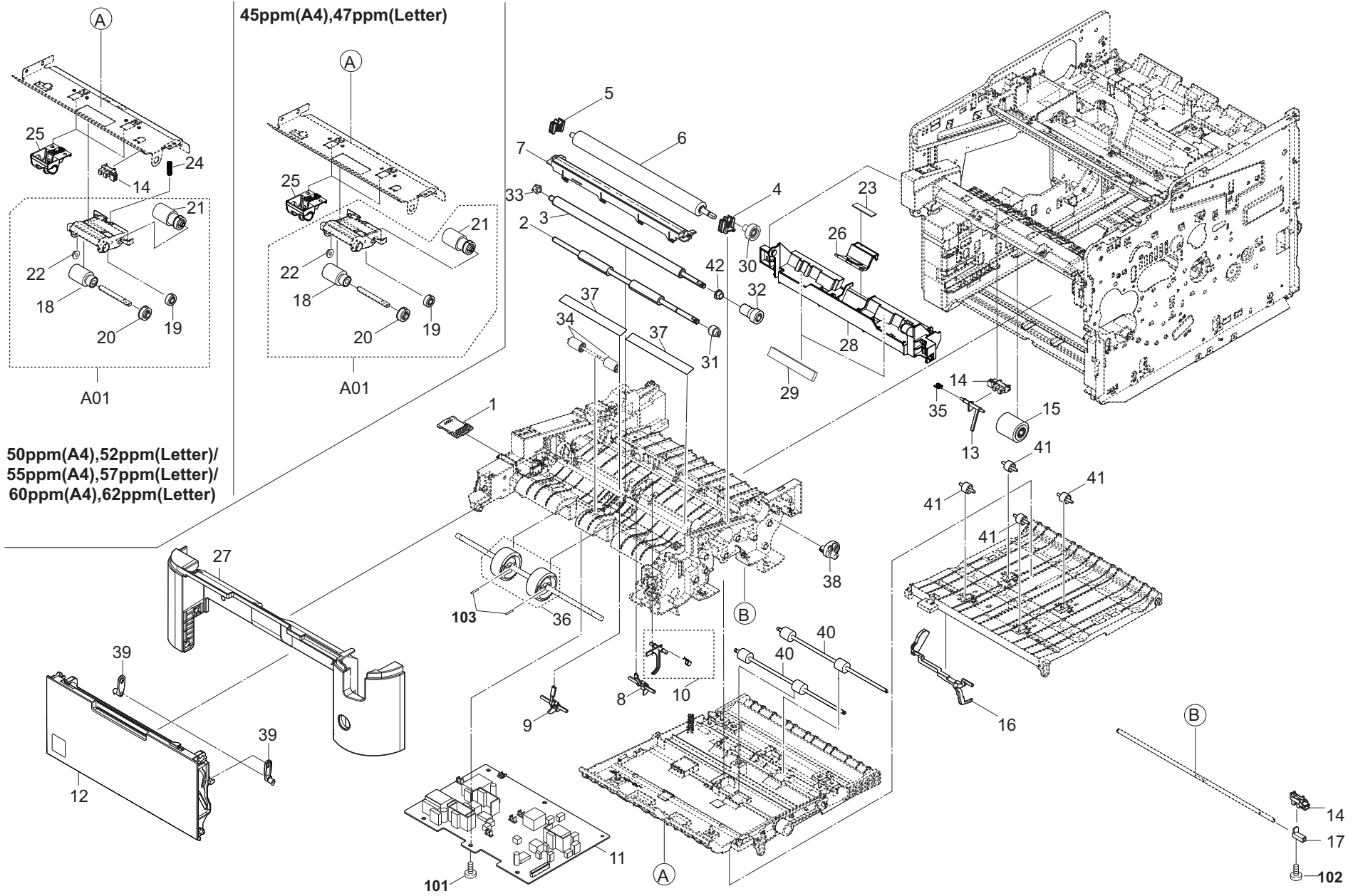


FIG. 4 Paper Feed Section

2T9/2T8/2T7/2T6-3

Ref. No. 番号	Part.No. 部品番号	Alternative. 代替部品番号	Description 部品名称	Notes 備考	Revision 改訂	Quantity 個数			
						100 (日本)	120	230	240
1	302T694080	2T694080	PARTS PWB ASSY DRUM CONNECT SP			1	1	1	1
2	302LV94170	2LV94170	PARTS ROLLER REGIST LOW SP			1	1	1	1
3	302LV94180	2LV94180	PARTS ROLLER REGIST UP SP			1	1	1	1
4	302F924190	2F924190	BUSH TRANSFER R			1	1	1	1
5	302LV24360	2LV24360	BUSH TRANSFER L			1	1	1	1
6	302LV94130	2LV94130	PARTS ROLLER TRANSFER SP			1	1	1	1
7	302LV94261	2LV94261	PARTS GUIDE PAPER CHUTE SP			1	1	1	1
8	302LV24100	2LV24100	ACTUATOR IMAGE	50ppm(A4),52ppm(Letter)/55ppm(A4),57ppm(Letter)/60ppm(A4),62ppm(Letter)		1	1	1	1
9	302L224030	2L224030	ACTUATOR REGIST	45ppm(A4),47ppm(Letter)		1	1	1	1
10	302LV94540	2LV94540	PARTS ACTUATOR DU SET SP			1	1	1	1
11	302L294030	2L294030	PARTS HIGH VOLTAGE UNIT SP	45ppm(A4),47ppm(Letter)		1	1	1	1
11	302LV94060	2LV94060	PARTS HIGH VOLTAGE UNIT SP	50ppm(A4),52ppm(Letter)/55ppm(A4),57ppm(Letter)/60ppm(A4),62ppm(Letter)		1	1	1	1
12	302LV94041	2LV94041	PARTS COVER MPF ASSY SP			1	1	1	1
13	302LV08180	2LV08180	ACTUATOR MPF			1	1	1	1
14	303M894260	3M894260	PARTS SENSOR OPT SP	45ppm(A4),47ppm(Letter)		2	2	2	2
14	303M894260	3M894260	PARTS SENSOR OPT SP	50ppm(A4),52ppm(Letter)/55ppm(A4),57ppm(Letter)/60ppm(A4),62ppm(Letter)		3	3	3	3
15	302HS08260	2HS08260	ROLLER M/P ASSY			1	1	1	1
16	302LV29090	2LV29090	ACTUATOR PE			1	1	1	1
17	302LV24450	2LV24450	ACTUATOR ENVELOPE			1	1	1	1
A01	302LV94270	2LV94270	PARTS HOLDER FEED ASSY SP			1	1	1	1
18	*302F906230	2F906230	PULLEY FEED ASSY			1	1	1	1
19	*302F906030	2F906030	GEAR FEED Z26H			1	1	1	1
20	*302F906280	2F906280	GEAR FEED Z30H			1	1	1	1
21	*302HN06080	2HN06080	PULLEY PICKUP ASSY			1	1	1	1
22	*302K306460	2K306460	BUSH 4		1:Add/Others	1	1	1	1
23	302F908250	2F908250	PAD SEPARATOR MPF			1	1	1	1
24	3V2LV06090	2LV06090	SPRING PICKUP B	50ppm(A4),52ppm(Letter)/55ppm(A4),57ppm(Letter)/60ppm(A4),62ppm(Letter)		1	1	1	1
25	3V2LV06030	2LV06030	GUIDE FEED SIDE			2	2	2	2
26	3V2LV08070	2LV08070	HOLDER SEPARATION MPF			1	1	1	1
27	302LV04160	2LV04160	COVER FRONT			1	1	1	1
28	302LV08150	2LV08150	GUIDE TURN MPF A		1:Add	1	1	1	1
29	302LV08220	2LV08220	SHEET GUIDE TURN A		1:Add	2	2	2	2
30	302LV24140	2LV24140	GEAR Z22R TC		1:Add	1	1	1	1
31	302LV24150	2LV24150	GEAR Z22L REGIST LOW		1:Add	1	1	1	1
32	302LV24160	2LV24160	GEAR Z19R-Z22R REGIST UP		1:Add	1	1	1	1
33	302LV24520	2LV24520	BUSH 6 EW		1:Add	1	1	1	1
34	3V2LV08210	2LV08210	PULLEY FEED		1:Add	2	2	2	2
35	302LV08201	2LV08201	SPRING ACTUATOR MPF		1:Others	1	1	1	1
36	302P794090	2P794090	PARTS ROLLER MIDDLE SET SP		3:Add	1	1	1	1
37	302LV24220	2LV24220	SHEET REGIST		3:Add	2	2	2	2
38	3V2LV24510	2LV24510	LOCK ENVELOPE R		3:Add	1	1	1	1
39	3V2LV08100	2LV08100	LEVER LINK		3:Add	2	2	2	2
40	302LV94530	2LV94530	PARTS ROLLER DU ASSY SP		3:Add	2	2	2	2
41	302LV24760	2LV24760	PULLEY PA		3:Add	4	4	4	4
42	302H702590	2H702590	BUSH SCREW		3:Add	1	1	1	1

• Parts with a Ref.No. of 500 and above in the illustration indicate they are not selected for service parts.

• イラスト中で 500 番台の Ref 番号が付いている部品はサービスパーツに選定されていません。

FIG. 4 Paper Feed Section

2T9/2T8/2T7/2T6-3

Ref. No. 番号	Part.No. 部品番号	Alternative. 代替部品番号	Description 部品名称	Notes 備考	Revision 改訂	Quantity 個数			
						100 (日本)	120	230	240
101	7BB200412H	BB105710	+BIND T.T P SCREW 4X12						
102	7BB000304H	BB105720	+BIND M SCREW 3X4						
103	5MBP2012WPLD	E5120120	PARALLEL PIN/M2 X 12 SUS-DP		3:Add				

• Parts with a Ref.No. of 500 and above in the illustration indicate they are not selected for service parts.

・イラスト中で 500 番台の Ref 番号が付いている部品はサービスパーツに選定されていません。

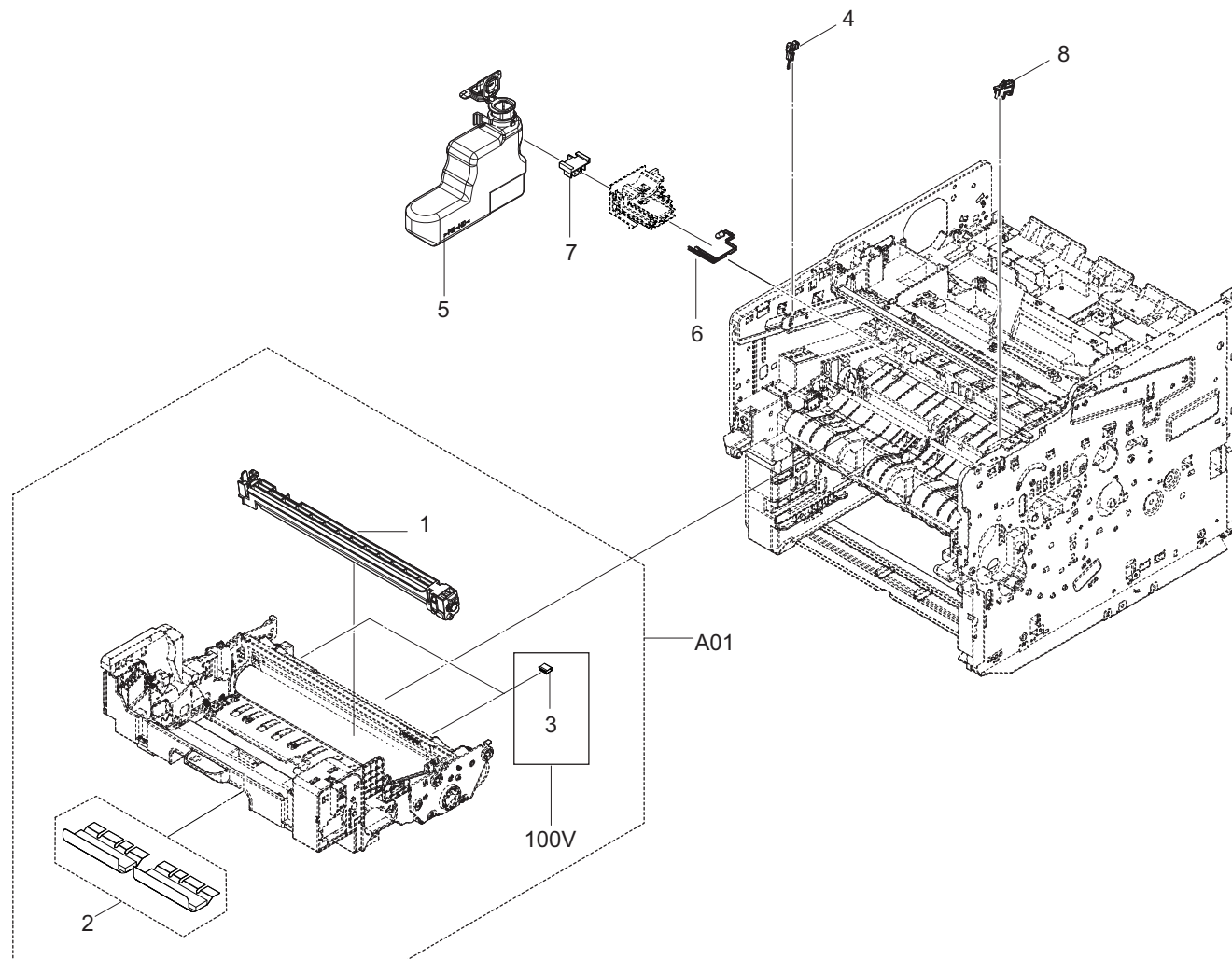


FIG. 5 Image Formation Section

2T9/2T8/2T7/2T6-3

Ref. No. 番号	Part.No. 部品番号	Alternative. 代替部品番号	Description 部品名称	Notes 備考	Revision 改訂	Quantity 個数			
						100(日本)	120	230	240
A01	302T993080	2T993080	DK-3171(J)	45ppm(A4),47ppm(Letter)		1			
A01	302T993070	2T993070	DK-3172(U)	45ppm(A4),47ppm(Letter)			1		
A01	302T993060	2T993060	DK-3170(E)	45ppm(A4),47ppm(Letter)				1	
A01	302T993090	2T993090	DK-3174(AO)	45ppm(A4),47ppm(Letter)					1
A01	302T693050	2T693050	DK-3191(J)	60ppm(A4),62ppm(Letter)	3:Others	1			
A01	302T693040	2T693040	DK-3192(U)	50ppm(A4),52ppm(Letter)/55ppm(A4),57ppm(Letter)/60ppm(A4),62ppm(Letter)			1		
A01	302T693030	2T693030	DK-3190(E)	50ppm(A4),52ppm(Letter)/55ppm(A4),57ppm(Letter)/60ppm(A4),62ppm(Letter)				1	
A01	302T693060	2T693060	DK-3194(AO)	50ppm(A4),52ppm(Letter)/55ppm(A4),57ppm(Letter)/60ppm(A4),62ppm(Letter)					1
1	*302LV93010	2LV93010	MC-3100			1	1	1	1
2	*302LV94460	2LV94460	PARTS SHEET DRUM CUSHION SET SP			1	1	1	1
3	*3V2LV12440	2LV12440	PLATE CLAW HOLDER		3:Add	2			
4	302LV02200	2LV02200	STOPPER PROCESS L			1	1	1	1
5	302LV93020	2LV93020	WT-3100			1	1	1	1
6	302LV94121	2LV94121	PARTS TONER FULL DETECT ASSY SP			1	1	1	1
7	3V2LV02830	2LV02830	SHUTTER WASTE		3:Add	1	1	1	1
8	302LV02110	2LV02110	STOPPER PROCESS		3:Others	1	1	1	1

• Parts with a Ref.No. of 500 and above in the illustration indicate they are not selected for service parts.

• イラスト中で 500 番台の Ref 番号が付いている部品はサービスパーツに選定されていません。

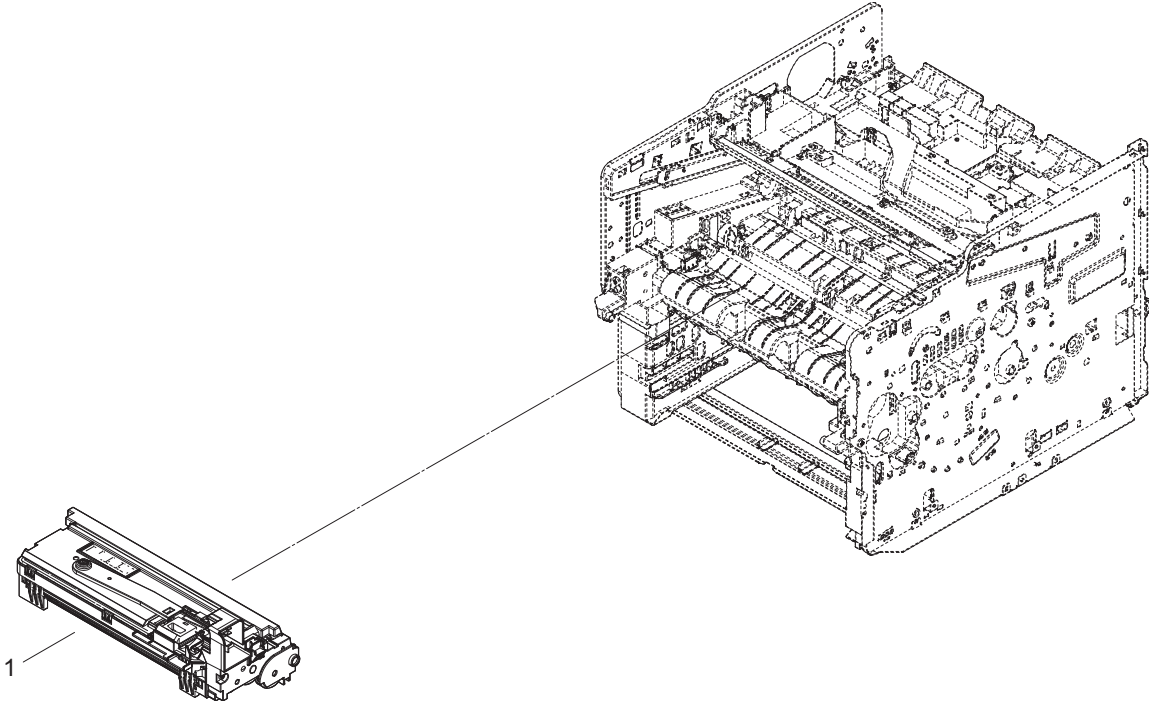


FIG. 6 Developer Section

2T9/2T8/2T7/2T6

Ref. No. 番号	Part.No. 部品番号	Alternative. 代替部品番号	Description 部 品 名 称	Notes 備 考	Revision 改 訂	Quantity 個 数			
						100 (日本)	120	230	240
1	302LV93081	2LV93081	DV-3100			1	1	1	1

• Parts with a Ref.No. of 500 and above in the illustration indicate they are not selected for service parts.

・イラスト中で 500 番台の Ref 番号が付いている部品はサービスパーツに選定されていません。

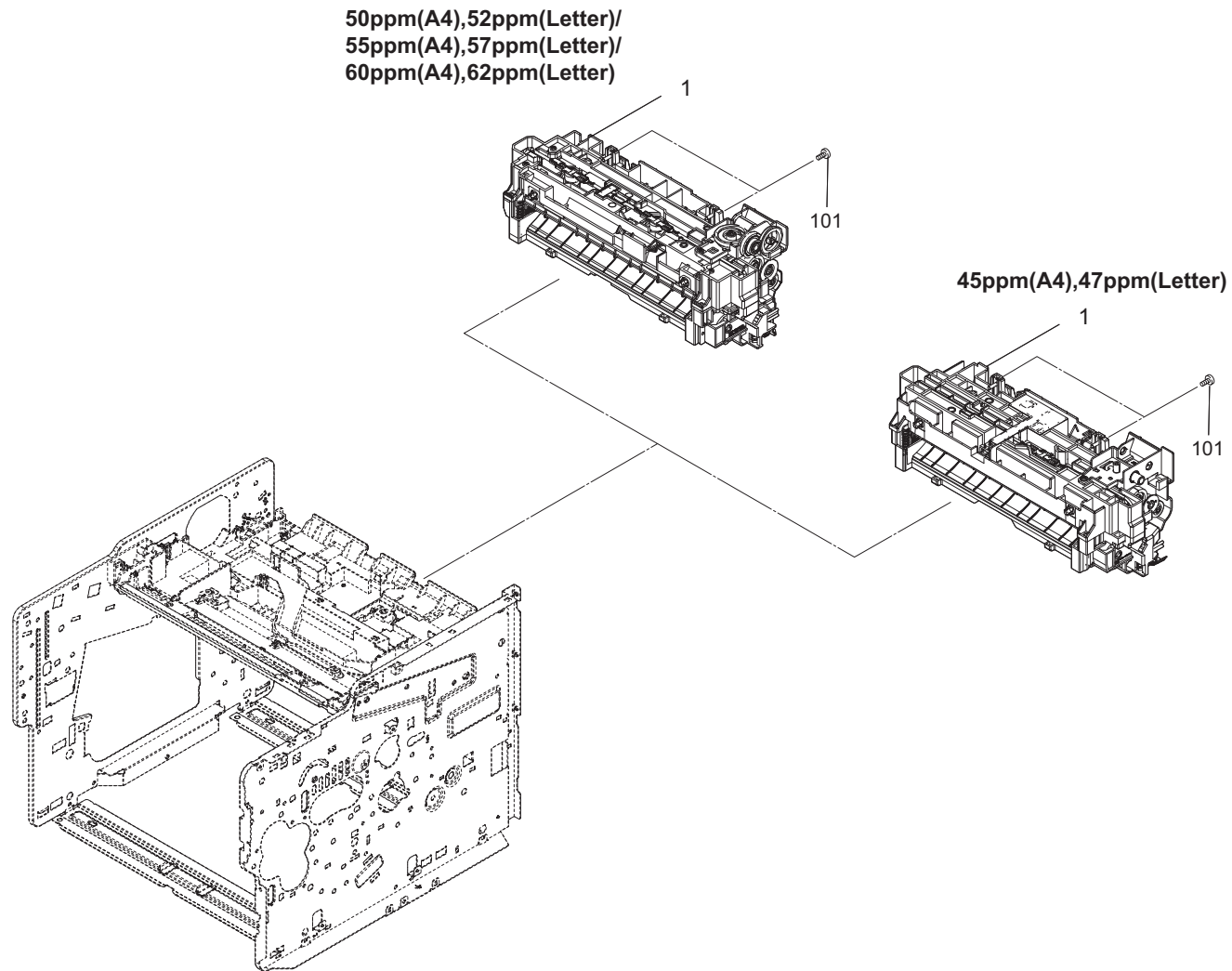


FIG. 7 Fuser Section

2T9/2T8/2T7/2T6-1

Ref. No. 番号	Part.No. 部品番号	Alternative. 代替部品番号	Description 部品名称	Notes 備考	Revision 改訂	Quantity 個数			
						100(日本)	120	230	240
1	302T993030	2T993030	FK-3171(J)	45ppm(A4),47ppm(Letter)		1			
1	302T993020	2T993020	FK-3172(U)	45ppm(A4),47ppm(Letter)			1		
1	302T993010	2T993010	FK-3170(E)	45ppm(A4),47ppm(Letter)				1	1
1	302LV93126	2LV93126	FK-3130(J)	50ppm(A4),52ppm(Letter)/55ppm(A4),57ppm(Letter)/60ppm(A4),62ppm(Letter)		1			
1	302LV93136	2LV93136	FK-3130(U)	50ppm(A4),52ppm(Letter)/55ppm(A4),57ppm(Letter)/60ppm(A4),62ppm(Letter)			1		
1	302LV93116	2LV93116	FK-3130(E)	50ppm(A4),52ppm(Letter)/55ppm(A4),57ppm(Letter)/60ppm(A4),62ppm(Letter)				1	1
2					1:Del				
101	7BB200412H	BB105710	+BIND T.T P SCREW 4X12						

• Parts with a Ref.No. of 500 and above in the illustration indicate they are not selected for service parts.

• イラスト中で 500 番台の Ref 番号が付いている部品はサービスパーツに選定されていません。

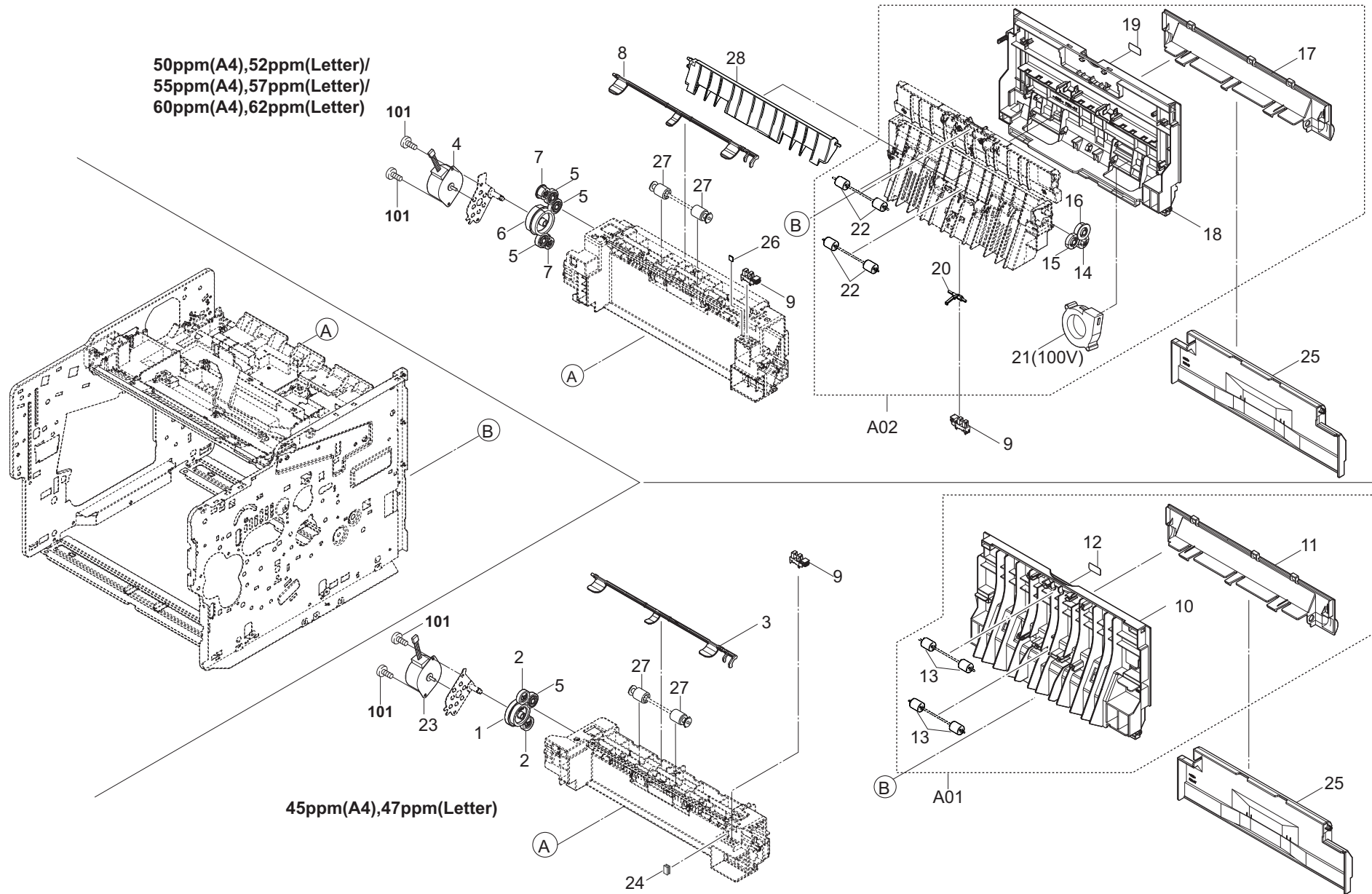


FIG. 8 Exit Section

2T9/2T8/2T7/2T6-3

Ref. No. 番号	Part.No. 部品番号	Alternative. 代替部品番号	Description 部品名称	Notes 備考	Revision 改訂	Quantity 個数			
						100(日本)	120	230	240
1	302L228041	2L228041	GEAR Z66R Z34S	45ppm(A4),47ppm(Letter)		1	1	1	1
2	302L228030	2L228030	GEAR Z21S EXIT	45ppm(A4),47ppm(Letter)		2	2	2	2
3	302L228090	2L228090	ACTUATOR OVERFLOW	45ppm(A4),47ppm(Letter)		1	1	1	1
4	302F944131	2F944131	MOTOR EJECT	50ppm(A4),52ppm(Letter)/55ppm(A4),57ppm(Letter)/60ppm(A4),62ppm(Letter)		1	1	1	1
5	302LV28050	2LV28050	GEAR Z22S	45ppm(A4),47ppm(Letter)		1	1	1	1
5	302LV28050	2LV28050	GEAR Z22S	50ppm(A4),52ppm(Letter)/55ppm(A4),57ppm(Letter)/60ppm(A4),62ppm(Letter)		3	3	3	3
6	302LV28031	2LV28031	GEAR Z66R-Z40S	50ppm(A4),52ppm(Letter)/55ppm(A4),57ppm(Letter)/60ppm(A4),62ppm(Letter)		1	1	1	1
7	302LV28040	2LV28040	GEAR Z17S	50ppm(A4),52ppm(Letter)/55ppm(A4),57ppm(Letter)/60ppm(A4),62ppm(Letter)		2	2	2	2
8	302LV28141	2LV28141	ACTUATOR OVERFLOW	50ppm(A4),52ppm(Letter)/55ppm(A4),57ppm(Letter)/60ppm(A4),62ppm(Letter)		1	1	1	1
9	303M894260	3M894260	PARTS SENSOR OPT SP	45ppm(A4),47ppm(Letter)		1	1	1	1
9	303M894260	3M894260	PARTS SENSOR OPT SP	50ppm(A4),52ppm(Letter)/55ppm(A4),57ppm(Letter)/60ppm(A4),62ppm(Letter)		2	2	2	2
A01	302MS94041	2MS94040	PARTS COVER REAR ASSY SP	45ppm(A4),47ppm(Letter)		1	1	1	1
10	+302L204040	2L204040	COVER REAR UP	45ppm(A4),47ppm(Letter)		1	1	1	1
11	+302LV04110	2LV04110	COVER REAR LOW	45ppm(A4),47ppm(Letter)		1	1	1	1
12	+302MC34040	2MC34040	LABEL PUSH	45ppm(A4),47ppm(Letter)		1	1	1	1
13	+302K325320	2K325320	PULLEY EXIT FUSER	45ppm(A4),47ppm(Letter)	3:Add	4	4	4	4
A02	302LV94153	2LV94153	PARTS COVER REAR ASSY J SP	60ppm(A4),62ppm(Letter)		1			
A02	302LV94143	2LV94143	PARTS COVER REAR ASSY SP	50ppm(A4),52ppm(Letter)/55ppm(A4),57ppm(Letter)/60ppm(A4),62ppm(Letter)			1	1	1
14	+302LV28090	2LV28090	GEAR Z20S	50ppm(A4),52ppm(Letter)/55ppm(A4),57ppm(Letter)/60ppm(A4),62ppm(Letter)		1	1	1	1
15	+302LV28191	2LV28191	GEAR Z22S B	50ppm(A4),52ppm(Letter)/55ppm(A4),57ppm(Letter)/60ppm(A4),62ppm(Letter)		1	1	1	1
16	+302LV28100	2LV28100	GEAR Z22S A	50ppm(A4),52ppm(Letter)/55ppm(A4),57ppm(Letter)/60ppm(A4),62ppm(Letter)		1	1	1	1
17	+302LV04110	2LV04110	COVER REAR LOW	50ppm(A4),52ppm(Letter)/55ppm(A4),57ppm(Letter)/60ppm(A4),62ppm(Letter)		1	1	1	1
18	+302LV04100	2LV04100	COVER REAR UP	50ppm(A4),52ppm(Letter)/55ppm(A4),57ppm(Letter)/60ppm(A4),62ppm(Letter)		1	1	1	1
19	+302MC34040	2MC34040	LABEL PUSH	50ppm(A4),52ppm(Letter)/55ppm(A4),57ppm(Letter)/60ppm(A4),62ppm(Letter)		1	1	1	1
20	+3V2LV28070	2LV28070	ACTUATOR DU	50ppm(A4),52ppm(Letter)/55ppm(A4),57ppm(Letter)/60ppm(A4),62ppm(Letter)		1	1	1	1
21	+302FZ94660	2FZ94660	PARTS.FAN IMAGE SP	60ppm(A4),62ppm(Letter)		1			
22	+302K325320	2K325320	PULLEY EXIT FUSER	50ppm(A4),52ppm(Letter)/55ppm(A4),57ppm(Letter)/60ppm(A4),62ppm(Letter)	3:Add	4	4	4	4
23	302T994050	2T994050	PARTS MOTOR EJECT SP	45ppm(A4),47ppm(Letter)		1	1	1	1
24	302L228110	2L228110	SEAL EXIT	45ppm(A4),47ppm(Letter)	1:Add	1	1	1	1
25	302LV04120	2LV04120	COVER CASSETTE		3:Others	1	1	1	1
26	302LV28461	2LV28461	SEAL EXIT C	50ppm(A4),52ppm(Letter)/55ppm(A4),57ppm(Letter)/60ppm(A4),62ppm(Letter)	3:Others	1	1	1	1
27	3V2LV28150	2LV28150	PULLEY EXIT		3:Add	2	2	2	2
28	3V2LV28081	2LV28081	GUIDE CHANGE	50ppm(A4),52ppm(Letter)/55ppm(A4),57ppm(Letter)/60ppm(A4),62ppm(Letter)	3:Add	1	1	1	1
101	7BB200308H	BB105660	+BIND T.T P SCREW 3X8						

• Parts with a Ref.No. of 500 and above in the illustration indicate they are not selected for service parts.

• イラスト中で 500 番台の Ref 番号が付いている部品はサービスパーツに選定されていません。

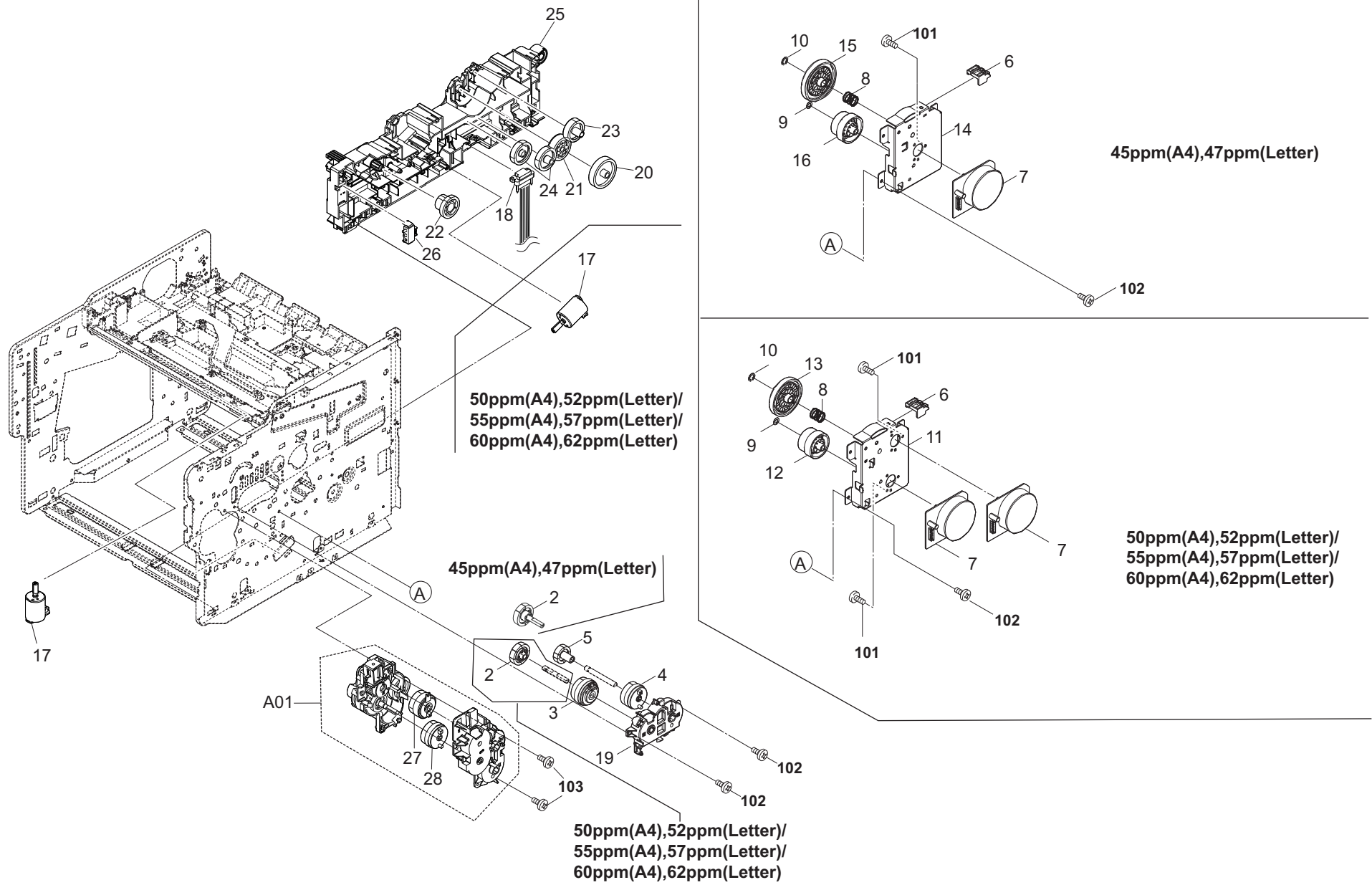


FIG. 9 Drive Section

2T9/2T8/2T7/2T6-3

Ref. No. 番号	Part.No. 部品番号	Alternative. 代替部品番号	Description 部品名称	Notes 備考	Revision 改訂	Quantity 個数			
						100 (日本)	120	230	240
1					3:Others				
2	3V2LV31190	2LV31190	GEAR Z32L REG CLUTCH	45ppm(A4),47ppm(Letter)		1	1	1	1
2	302LV31440	2LV31440	GEAR Z32L REG CL	50ppm(A4),52ppm(Letter)/55ppm(A4),57ppm(Letter)/60ppm(A4),62ppm(Letter)		1	1	1	1
3	302KV44041	2KV44041	CLUTCH 50 Z35R			1	1	1	1
4	302LV94161	2LV94161	PARTS CLUTCH 20-2W Z35R			1	1	1	1
5	302LV31180	2LV31180	GEAR Z26L DLP CLUTCH			1	1	1	1
6	302LV39040	2LV39040	RAIL PWB MAIN B			1	1	1	1
7	302K394201	2K394201	PARTS MOTOR-BL W30 SP	45ppm(A4),47ppm(Letter)		1	1	1	1
7	302K394201	2K394201	PARTS MOTOR-BL W30 SP	50ppm(A4),52ppm(Letter)/55ppm(A4),57ppm(Letter)/60ppm(A4),62ppm(Letter)		2	2	2	2
8	302LV31290	2LV31290	SPRING COUPLING DRUM			1	1	1	1
9	2C904550	2C904550	CUT WASHER 5			1	1	1	1
10	302K914570	2K914570	CUT WASHER 7			1	1	1	1
11	302LV31010	2LV31010	PLATE DRIVE	50ppm(A4),52ppm(Letter)/55ppm(A4),57ppm(Letter)/60ppm(A4),62ppm(Letter)		1	1	1	1
12	302LV31060	2LV31060	GEAR Z80R-Z36L	50ppm(A4),52ppm(Letter)/55ppm(A4),57ppm(Letter)/60ppm(A4),62ppm(Letter)		1	1	1	1
13	302LV31050	2LV31050	GEAR Z119R	50ppm(A4),52ppm(Letter)/55ppm(A4),57ppm(Letter)/60ppm(A4),62ppm(Letter)		1	1	1	1
14	302L231030	2L231030	PLATE DRIVE	45ppm(A4),47ppm(Letter)		1	1	1	1
15	302L231040	2L231040	GEAR Z128R	45ppm(A4),47ppm(Letter)		1	1	1	1
16	302L231050	2L231050	GEAR Z86R-Z36L	45ppm(A4),47ppm(Letter)		1	1	1	1
17	302LV94230	2LV94230	PARTS DC MOTOR ASSY SP	50ppm(A4),52ppm(Letter)/55ppm(A4),57ppm(Letter)/60ppm(A4),62ppm(Letter)		2	2	2	2
17	302LV94230	2LV94230	PARTS DC MOTOR ASSY SP	45ppm(A4),47ppm(Letter)		1	1	1	1
18	302LV46040	2LV46040	CONN.CORD ASSY S03656			1	1	1	1
19	302LV31040	2LV31040	HOLDER CLUTCH		1:Add	1	1	1	1
20	3V2LV31120	2LV31120	GEAR Z46L FREE		1:Add	1	1	1	1
21	3V2LV31130	2LV31130	GEAR Z37S FREE		1:Add	1	1	1	1
22	3V2LV31490	2LV31490	GEAR Z35S-Z13S B	50ppm(A4),52ppm(Letter)/55ppm(A4),57ppm(Letter)/60ppm(A4),62ppm(Letter)	3:Add	1	1	1	1
23	302HN25180	2HN25180	GEAR Z34S INPUT		3:Add	1	1	1	1
24	302HS31140	2HS31140	GEAR Z35R IDLE		3:Add	2	2	2	2
25	302LV02040	2LV02040	GUIDE CASSETTE R		3:Add	1	1	1	1
26	7SP03072001+H01	SP121030	SW.PUSH		3:Add	1	1	1	1
A01	302LV94253	2LV94253	PARTS DRIVE FEED ASSY SP		3:Others	1	1	1	1
27	*302NR94010	2NR94010	PARTS CLUTCH 35 Z35R SP		3:Add	1	1	1	1
28	*302LV94161	2LV94161	PARTS CLUTCH 20-2W Z35R		3:Add	1	1	1	1
101	7BB000304H	BB105720	+BIND M SCREW 3X4						
102	7BB700308H	BB105600	+BIND T.T S SCREW 3X8 SR						
103	7BB700312H	BB106820	+BIND T.T S SCREW 3X12 SR						

• Parts with a Ref.No. of 500 and above in the illustration indicate they are not selected for service parts.

• イラスト中で 500 番の Ref 番号が付いている部品はサービスパーツに選定されていません。

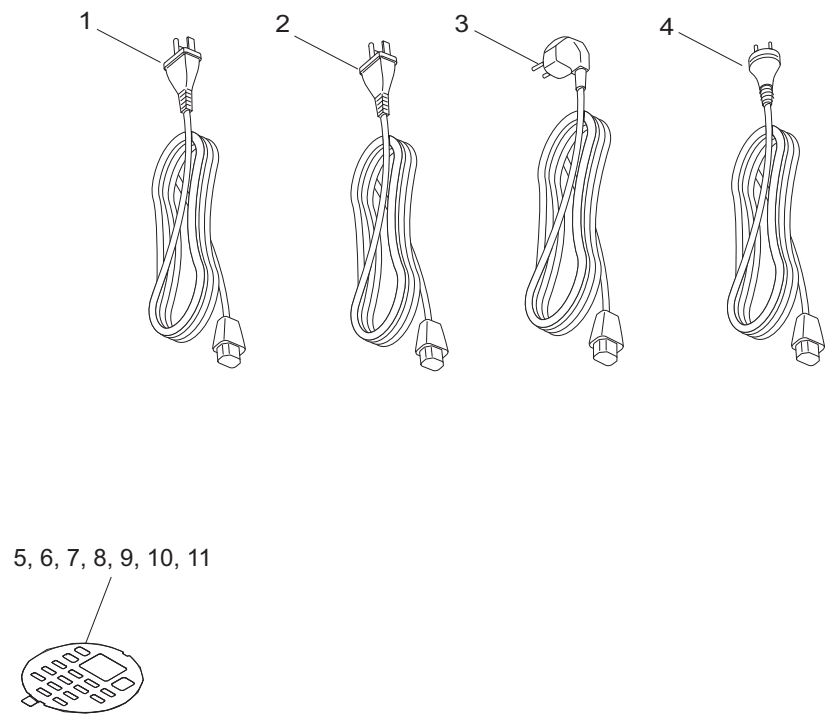


FIG. 10 Accessories

2T9/2T8/2T7/2T6

Ref. No. 番号	Part.No. 部品番号	Alternative. 代替部品番号	Description 部品名称	Notes 備考	Revision 改訂	Quantity 個数			
						100(日本)	120	230	240
1	7AAACCJP+12H009	AA150190	AC CORD ASSY JP			1			
2	3019527401	19527401	POWER CORD(120)				1		
3	302FV94010	2FV94010	PARTS AC CORD EU SP					1	
4	302FV45040	2FV45040	AC CORD ASSY						1
5	302LV05150	2LV05150	SHEET OPE GER					1	
6	302LV05160	2LV05160	SHEET OPE FRA					1	
7	302LV05170	2LV05170	SHEET OPE ITA					1	
8	302LV05180	2LV05180	SHEET OPE SPA					1	
9	302LV05190	2LV05190	SHEET OPE POR					1	
10	302LV05200	2LV05200	SHEET OPE DUT					1	
11	302LV05210	2LV05210	SHEET OPE RUS					1	

• Parts with a Ref.No. of 500 and above in the illustration indicate they are not selected for service parts.

・イラスト中で 500 番台の Ref 番号が付いている部品はサービスパーツに選定されていません。

FIG. 11 Maintenance Kit (45ppm(A4),47ppm(Letter))

2T9/2T8/2T7/2T6-1

Ref. No. 番号	Part.No. 部品番号	Alternative. 代替部品番号	Description 部 品 名 称	Notes 備 考	Revision 改 訂	Quantity 個数			
						100(日本)	120	230	240
	1702T99JP0	072T99JP	MK-3161/MAINTENANCE KIT	OPTION	1:Add	1			
	*302F909171	2F909171	RETARD ROLLER ASSY		1:Others	1			
	*302LV94270	2LV94270	PARTS HOLDER FEED ASSY SP		1:Others	1			
	*302LV94130	2LV94130	PARTS ROLLER TRANSFER SP		1:Others	1			
	*302LV24140	2LV24140	GEAR Z22R TC		1:Others	1			
	*302T993080	2T993080	DK-3171(J)		1:Others	1			
	*302LV93081	2LV93081	DV-3100		1:Others	1			
	*302T993030	2T993030	FK-3171(J)		1:Others	1			
	1702T97US0	072T97US	MK-3162/MAINTENANCE KIT	OPTION	1:Others		1		
	*302F909171	2F909171	RETARD ROLLER ASSY		1:Others		1		
	*302LV94270	2LV94270	PARTS HOLDER FEED ASSY SP		1:Others		1		
	*302LV94130	2LV94130	PARTS ROLLER TRANSFER SP		1:Others		1		
	*302LV24140	2LV24140	GEAR Z22R TC		1:Others		1		
	*302T993070	2T993070	DK-3172(U)		1:Others		1		
	*302LV93081	2LV93081	DV-3100		1:Others		1		
	*302T993020	2T993020	FK-3172(U)		1:Others		1		
	1702T98NL0	072T98NL	MK-3160/MAINTENANCE KIT	OPTION	1:Others			1	
	*302F909171	2F909171	RETARD ROLLER ASSY		1:Others			1	
	*302LV94270	2LV94270	PARTS HOLDER FEED ASSY SP		1:Others			1	
	*302LV94130	2LV94130	PARTS ROLLER TRANSFER SP		1:Others			1	
	*302LV24140	2LV24140	GEAR Z22R TC		1:Others			1	
	*302T993060	2T993060	DK-3170(E)		1:Others			1	
	*302LV93081	2LV93081	DV-3100		1:Others			1	
	*302T993010	2T993010	FK-3170(E)		1:Others			1	
	1702T98AS0	072T98AS	MK-3164/MAINTENANCE KIT	OPTION	1:Others				1
	*302F909171	2F909171	RETARD ROLLER ASSY		1:Others				1
	*302LV94270	2LV94270	PARTS HOLDER FEED ASSY SP		1:Others				1
	*302LV94130	2LV94130	PARTS ROLLER TRANSFER SP		1:Others				1
	*302LV24140	2LV24140	GEAR Z22R TC		1:Others				1
	*302T993090	2T993090	DK-3174(AO)		1:Others				1
	*302LV93081	2LV93081	DV-3100		1:Others				1
	*302T993010	2T993010	FK-3170(E)		1:Others				1

• Parts with a Ref.No. of 500 and above in the illustration indicate they are not selected for service parts.

• イラスト中で 500 番台の Ref 番号が付いている部品はサービスパーツに選定されていません。

FIG. 12 Maintenance Kit (50ppm(A4),52ppm(Letter)/55ppm(A4),57ppm(Letter)/60ppm(A4),62ppm(Letter)

2T9/2T8/2T7/2T6-1

Ref. No. 番号	Part.No. 部品番号	Alternative. 代替部品番号	Description 部品名称	Notes 備考	Revision 改訂	Quantity 個数			
						100(日本)	120	230	240
	1702T69JP0	072T69JP	MK-3191/MAINTENANCE KIT	OPTION:60ppm(A4),62ppm(Letter)	1:Add	1			
	*302F909171	2F909171	RETARD ROLLER ASSY		1:Others	1			
	*302LV94270	2LV94270	PARTS HOLDER FEED ASSY SP		1:Others	1			
	*302LV94130	2LV94130	PARTS ROLLER TRANSFER SP		1:Others	1			
	*302LV24140	2LV24140	GEAR Z22R TC		1:Others	1			
	*302T693050	2T693050	DK-3191(J)		1:Others	1			
	*302LV93081	2LV93081	DV-3100		1:Others	1			
	*302LV93126	2LV93126	FK-3130(J)		1:Others	1			
	1702T67US0	072T67US	MK-3172/MAINTENANCE KIT	OPTION:50ppm(A4),52ppm(Letter)/ 55ppm(A4),57ppm(Letter)/60ppm(A4),62ppm(Letter)	1:Others		1		
	*302F909171	2F909171	RETARD ROLLER ASSY		1:Others		1		
	*302LV94270	2LV94270	PARTS HOLDER FEED ASSY SP		1:Others		1		
	*302LV94130	2LV94130	PARTS ROLLER TRANSFER SP		1:Others		1		
	*302LV24140	2LV24140	GEAR Z22R TC		1:Others		1		
	*302T693040	2T693040	DK-3192(U)		1:Others		1		
	*302LV93081	2LV93081	DV-3100		1:Others		1		
	*302LV93136	2LV93136	FK-3130(U)		1:Others		1		
	1702T68NLO	072T68NL	MK-3170/MAINTENANCE KIT	OPTION:50ppm(A4),52ppm(Letter)/ 55ppm(A4),57ppm(Letter)/60ppm(A4),62ppm(Letter)	1:Others			1	
	*302F909171	2F909171	RETARD ROLLER ASSY		1:Others			1	
	*302LV94270	2LV94270	PARTS HOLDER FEED ASSY SP		1:Others			1	
	*302LV94130	2LV94130	PARTS ROLLER TRANSFER SP		1:Others			1	
	*302LV24140	2LV24140	GEAR Z22R TC		1:Others			1	
	*302T693030	2T693030	DK-3190(E)		1:Others			1	
	*302LV93081	2LV93081	DV-3100		1:Others			1	
	*302LV93116	2LV93116	FK-3130(E)		1:Others			1	
	1702T68AS0	072T68AS	MK-3174/MAINTENANCE KIT	OPTION:50ppm(A4),52ppm(Letter)/ 55ppm(A4),57ppm(Letter)/60ppm(A4),62ppm(Letter)	1:Others				1
	*302F909171	2F909171	RETARD ROLLER ASSY		1:Others				1
	*302LV94270	2LV94270	PARTS HOLDER FEED ASSY SP		1:Others				1
	*302LV94130	2LV94130	PARTS ROLLER TRANSFER SP		1:Others				1
	*302LV24140	2LV24140	GEAR Z22R TC		1:Others				1
	*302T693060	2T693060	DK-3194(AO)		1:Others				1
	*302LV93081	2LV93081	DV-3100		1:Others				1
	*302LV93116	2LV93116	FK-3130(E)		1:Others				1

• Parts with a Ref.No. of 500 and above in the illustration indicate they are not selected for service parts.

• イラスト中で 500 番台の Ref 番号が付いている部品はサービスパーツに選定されていません。

INDEX / 索引

2T9/2T8/2T7/2T6-3

Part.No. 部品番号	Alternative. 代替部品番号	Description 部品名称	Fig.No.
1702T67US0	072T67US	MK-3172/MAINTENANCE KIT	12
1702T68AS0	072T68AS	MK-3174/MAINTENANCE KIT	12
1702T68NL0	072T68NL	MK-3170/MAINTENANCE KIT	12
1702T69JP0	072T69JP	MK-3191/MAINTENANCE KIT	12
1702T97US0	072T97US	MK-3162/MAINTENANCE KIT	11
1702T98AS0	072T98AS	MK-3164/MAINTENANCE KIT	11
1702T98NL0	072T98NL	MK-3160/MAINTENANCE KIT	11
1702T99JP0	072T99JP	MK-3161/MAINTENANCE KIT	11
2C904550	2C904550	CUT WASHER 5	9
2FB27160	2FB27160	INTER LOCK SWITCH	2
3019527401	19527401	POWER CORD(120)	10
302F906030	2F906030	GEAR FEED Z26H	4
302F906230	2F906230	PULLEY FEED ASSY	4
302F906280	2F906280	GEAR FEED Z30H	4
302F908250	2F908250	PAD SEPARATOR MPF	4
302F909171	2F909171	RETARD ROLLER ASSY	3,11,12
302F924190	2F924190	BUSH TRANSFER R	4
302F939082	2F939082	SCREW BOX	2
302F944131	2F944131	MOTOR EJECT	8
302FV45040	2FV45040	AC CORD ASSY	10
302FV94010	2FV94010	PARTS AC CORD EU SP	10
302FZ94420	2FZ94420	PARTS,FAN COOLING CONVEYING SP	2
302FZ94660	2FZ94660	PARTS,FAN IMAGE SP	8
302GR44080	2GR44080	FAN LSU 60-25	2
302H702590	2H702590	BUSH SCREW	4
302HN02611	2HN02611	FOOT	2
302HN06080	2HN06080	PULLEY PICKUP ASSY	4
302HN25180	2HN25180	GEAR Z34S INPUT	9
302HS08260	2HS08260	ROLLER M/P ASSY	4
302HS31140	2HS31140	GEAR Z35R IDLE	9
302K306460	2K306460	BUSH 4	4
302K325320	2K325320	PULLEY EXIT FUSER	8
302K394201	2K394201	PARTS MOTOR-BL W30 SP	9
302K914570	2K914570	CUT WASHER 7	9
302KV44041	2KV44041	CLUTCH 50 Z35R	9
302L204040	2L204040	COVER REAR UP	8
302L224030	2L224030	ACTUATOR REGIST	4
302L228030	2L228030	GEAR Z21S EXIT	8
302L228041	2L228041	GEAR Z66R Z34S	8
302L228090	2L228090	ACTUATOR OVERFLOW	8
302L228110	2L228110	SEAL EXIT	8
302L231030	2L231030	PLATE DRIVE	9
302L231040	2L231040	GEAR Z128R	9
302L231050	2L231050	GEAR Z86R-Z36L	9
302L294030	2L294030	PARTS HIGH VOLTAGE UNIT SP	4
302L294110	2L294110	PARTS TRAY TOP ASSY SP	1
302LV02040	2LV02040	GUIDE CASSETTE R	9
302LV02110	2LV02110	STOPPER PROCESS	5
302LV02200	2LV02200	STOPPER PROCESS L	5
302LV02610	2LV02610	SHEET FAN L	2
302LV04040	2LV04040	COVER LEFT UP	1

Part.No. 部品番号	Alternative. 代替部品番号	Description 部品名称	Fig.No.
302LV04050	2LV04050	COVER LEFT LOW	1
302LV04080	2LV04080	COVER RIGHT FRONT	1
302LV04100	2LV04100	COVER REAR UP	8
302LV04110	2LV04110	COVER REAR LOW	8
302LV04120	2LV04120	COVER CASSETTE	8
302LV04130	2LV04130	COVER CONT UP	1
302LV04160	2LV04160	COVER FRONT	4
302LV04170	2LV04170	COVER SIDE UP	1
302LV04190	2LV04190	COVER SIDE LOW	1
302LV04250	2LV04250	COVER LEFT UP REAR	1
302LV04260	2LV04260	COVER LEFT LOW REAR	1
302LV04270	2LV04270	COVER RIGHT REAR	1
302LV05140	2LV05140	SHEET OPE E	1
302LV05150	2LV05150	SHEET OPE GER	10
302LV05160	2LV05160	SHEET OPE FRA	10
302LV05170	2LV05170	SHEET OPE ITA	10
302LV05180	2LV05180	SHEET OPE SPA	10
302LV05190	2LV05190	SHEET OPE POR	10
302LV05200	2LV05200	SHEET OPE DUT	10
302LV05210	2LV05210	SHEET OPE RUS	10
302LV05240	2LV05240	SHEET OPE J	1
302LV08150	2LV08150	GUIDE TURN MPF A	4
302LV08180	2LV08180	ACTUATOR MPF	4
302LV08201	2LV08201	SPRING ACTUATOR MPF	4
302LV08220	2LV08220	SHEET GUIDE TURN A	4
302LV09070	2LV09070	CURSOR LEFT	3
302LV09201	2LV09201	COVER LIFT GEAR	3
302LV09220	2LV09220	GEAR Z15S JOINT	3
302LV09241	2LV09241	GEAR Z48S LIFT	3
302LV09330	2LV09330	SPRING RETARD B	3
302LV09340	2LV09340	GUIDE RETARD C	3
302LV09350	2LV09350	CURSOR RIGHT B	3
302LV11240	2LV11240	GUIDE CONTAINER	2
302LV24100	2LV24100	ACTUATOR IMAGE	4
302LV24140	2LV24140	GEAR Z22R TC	4,11,12
302LV24150	2LV24150	GEAR Z22L REGIST LOW	4
302LV24160	2LV24160	GEAR Z19R-Z22R REGIST UP	4
302LV24220	2LV24220	SHEET REGIST	4
302LV24360	2LV24360	BUSH TRANSFER L	4
302LV24450	2LV24450	ACTUATOR ENVELOPE	4
302LV24520	2LV24520	BUSH 6 EW	4
302LV24760	2LV24760	PULLEY PA	4
302LV28031	2LV28031	GEAR Z66R-Z40S	8
302LV28040	2LV28040	GEAR Z17S	8
302LV28050	2LV28050	GEAR Z22S	8
302LV28090	2LV28090	GEAR Z20S	8
302LV28100	2LV28100	GEAR Z22S A	8
302LV28141	2LV28141	ACTUATOR OVERFLOW	8
302LV28191	2LV28191	GEAR Z22S B	8
302LV28461	2LV28461	SEAL EXIT C	8
302LV29090	2LV29090	ACTUATOR PE	4

Part.No. 部品番号	Alternative. 代替部品番号	Description 部品名称	Fig.No.
302LV31010	2LV31010	PLATE DRIVE	9
302LV31040	2LV31040	HOLDER CLUTCH	9
302LV31050	2LV31050	GEAR Z119R	9
302LV31060	2LV31060	GEAR Z80R-Z36L	9
302LV31180	2LV31180	GEAR Z26L DLP CLUTCH	9
302LV31290	2LV31290	SPRING COUPLING DRUM	9
302LV31440	2LV31440	GEAR Z32L REG CL	9
302LV39040	2LV39040	RAIL PWB MAIN B	9
302LV46040	2LV46040	CONN.CORD ASSY S03656	9
302LV93010	2LV93010	MC-3100	5
302LV93020	2LV93020	WT-3100	5
302LV93036	2LV93036	CT-3130	3
302LV93081	2LV93081	DV-3100	6,11,12
302LV93116	2LV93116	FK-3130(E)	7,12
302LV93126	2LV93126	FK-3130(J)	7,12
302LV93136	2LV93136	FK-3130(U)	7,12
302LV94041	2LV94041	PARTS COVER MPF ASSY SP	4
302LV94060	2LV94060	PARTS HIGH VOLTAGE UNIT SP	4
302LV94121	2LV94121	PARTS TONER FULL DETECT ASSY SP	5
302LV94130	2LV94130	PARTS ROLLER TRANSFER SP	4,11,12
302LV94143	2LV94143	PARTS COVER REAR ASSY SP	8
302LV94153	2LV94153	PARTS COVER REAR ASSY J SP	8
302LV94161	2LV94161	PARTS CLUTCH 20-2W Z35R	9
302LV94170	2LV94170	PARTS ROLLER REGIST LOW SP	4
302LV94180	2LV94180	PARTS ROLLER REGIST UP SP	4
302LV94210	2LV94210	PARTS PWB ASSY SWITCH SP	2
302LV94220	2LV94220	PARTS PWB ASSY TH CONNECT SP	2
302LV94230	2LV94230	PARTS DC MOTOR ASSY SP	9
302LV94253	2LV94253	PARTS DRIVE FEED ASSY SP	9
302LV94261	2LV94261	PARTS GUIDE PAPER CHUTE SP	4
302LV94270	2LV94270	PARTS HOLDER FEED ASSY SP	4,11,12
302LV94280	2LV94280	PARTS TRAY TOP ASSY SP	1
302LV94350	2LV94350	PARTS FAN MOTOR SP	2
302LV94430	2LV94430	PARTS FAN MOTOR ASSY SP	2
302LV94460	2LV94460	PARTS SHEET DRUM CUSHION SET SP	5
302LV94480	2LV94480	PARTS HOLDER RETARD B SET SP	3
302LV94500	2LV94500	PARTS COVER RIGHT LOW ASSY SP	1
302LV94530	2LV94530	PARTS ROLLER DU ASSY SP	4
302LV94540	2LV94540	PARTS ACTUATOR DU SET SP	4
302MC34040	2MC34040	LABEL PUSH	8
302MS93016	2MS93016	CT-3100	3
302MS94041	2MS94041	PARTS COVER REAR ASSY SP	8
302NR94010	2NR94010	PARTS CLUTCH 35 Z35R SP	9
302P794090	2P794090	PARTS ROLLER MIDDLE SET SP	4
302T604020	2T604020	COVER TOP B	1
302T604040	2T604040	COVER CONT MIDDLE	1
302T604050	2T604050	COVER CONT LOW	1
302T604061	2T604061	COVER CABLE	1
302T604070	2T604070	STOPPER LID TOP	1
302T604080	2T604080	SPRING STOPPER LID TOP	1
302T604090	2T604090	PANEL LCD	1

Part.No. 部品番号	Alternative. 代替部品番号	Description 部品名称	Fig.No.
302T604110	2T604110	PANEL LCD J	1
302T646040	2T646040	CONN.CORD ASSY FFC PRN PANEL H	1
302T646070	2T646070	CONNCORD ASSY FFC ENGINE CONNECT-L	2
302T646120	2T646120	CONN.CORD ASSY FFC APC	2
302T646140	2T646140	CONN.CORD ASSY FFC THCONNECT	2
302T693010	2T693010	LK-3190	2
302T693030	2T693030	DK-3190?E)	5,12
302T693040	2T693040	DK-3192(U)	5,12
302T693050	2T693050	DK-3191(J)	5,12
302T693060	2T693060	DK-3194(AO)	5,12
302T694010	2T694010	PARTS COVER TOP ASSY SP	1
302T694020	2T694020	PARTS LID TOP ASSY SP	1
302T694030	2T694030	PARTS COVER RIGHT UP ASSY SP	1
302T694040	2T694040	PARTS PWB ASSY MAIN SP	2
302T694051	2T694051	PARTS PWB ASSY MAIN SP EU	2
302T694060	2T694060	PARTS PWB ASSY ENGINE SP	2
302T694070	2T694070	PARTS PWB ASSY CONNECT-L SP	2
302T694080	2T694080	PARTS PWB ASSY DRUM CONNECT SP	4
302T694090	2T694090	PARTS PWB ASSY PANEL SP	1
302T694100	2T694100	PARTS UNIT POWER SUPPLY 120 SP	2
302T694110	2T694110	PARTS UNIT POWER SUPPLY 230 SP	2
302T794010	2T794010	PARTS LID TOP ASSY SP	1
302T794020	2T794020	PARTS PWB ASSY ENGINE SP	2
302T894010	2T894010	PARTS LID TOP ASSY SP	1
302T894020	2T894020	PARTS PWB ASSY ENGINE SP	2
302T904020	2T904020	COVER TOP B	1
302T946010	2T946010	CONN.CORD ASSY FFC PRN PANEL L	1
302T993010	2T993010	FK-3170(E)	7,11
302T993020	2T993020	FK-3172(U)	7,11
302T993030	2T993030	FK-3171(J)	7,11
302T993040	2T993040	LK-3170	2
302T993060	2T993060	DK-3170?E)	5,11
302T993070	2T993070	DK-3172(U)	5,11
302T993080	2T993080	DK-3171(J)	5,11
302T993090	2T993090	DK-3174(AO)	5,11
302T994010	2T994010	PARTS COVER TOP ASSY SP	1
302T994020	2T994020	PARTS LID TOP ASSY SP	1
302T994030	2T994030	PARTS PWB ASSY ENGINE SP	2
302T994040	2T994040	PARTS PWB ASSY CONNECT-L SP	2
302T994050	2T994050	PARTS MOTOR EJECT SP	8
303M894260	3M894260	PARTS SENSOR OPT SP	4,8
3V2LV02131	2LV02131	DUCT FAN LV	2
3V2LV02830	2LV02830	SHUTTER WASTE	5
3V2LV05080	2LV05080	RING KEY	1
3V2LV06030	2LV06030	GUIDE FEED SIDE	4
3V2LV06090	2LV06090	SPRING PICKUP B	4
3V2LV08070	2LV08070	HOLDER SEPARATION MPF	4
3V2LV08100	2LV08100	LEVER LINK	4
3V2LV08210	2LV08210	PULLEY FEED	4
3V2LV09311	2LV09311	HOLDER RETARD B	3
3V2LV12440	2LV12440	PLATE CLAW HOLDER	5

Part.No. 部品番号	Alternative. 代替部品番号	Description 部品名称	Fig.No.
3V2LV24510	2LV24510	LOCK ENVELOPE R	4
3V2LV28070	2LV28070	ACTUATOR DU	8
3V2LV28081	2LV28081	GUIDE CHANGE	8
3V2LV28150	2LV28150	PULLEY EXIT	8
3V2LV31120	2LV31120	GEAR Z46L FREE	9
3V2LV31130	2LV31130	GEAR Z37S FREE	9
3V2LV31190	2LV31190	GEAR Z32L REG CLUTCH	9
3V2LV31490	2LV31490	GEAR Z35S-Z13S B	9
3V2LV46230	2LV46230	CONN.CORD ASSY S03675	2
5MVG127DN071	2A807050	GEAR CASSETTE /A-49 CASSETTE A4	3
7AAACC.JP+12H009	AA150190	AC CORD ASSY JP	10
7SP01000006+H01	SP121020	SW.PUSH	2
7SP03072001+H01	SP121030	SW.PUSH	9

PF-320

Rev.3
July 2017

———— CONTENTS / 目次 ————

FIG. 1	Paper Feed Section 1	2
FIG. 2	Paper Feed Section 2	4
• INDEX / 索引		6

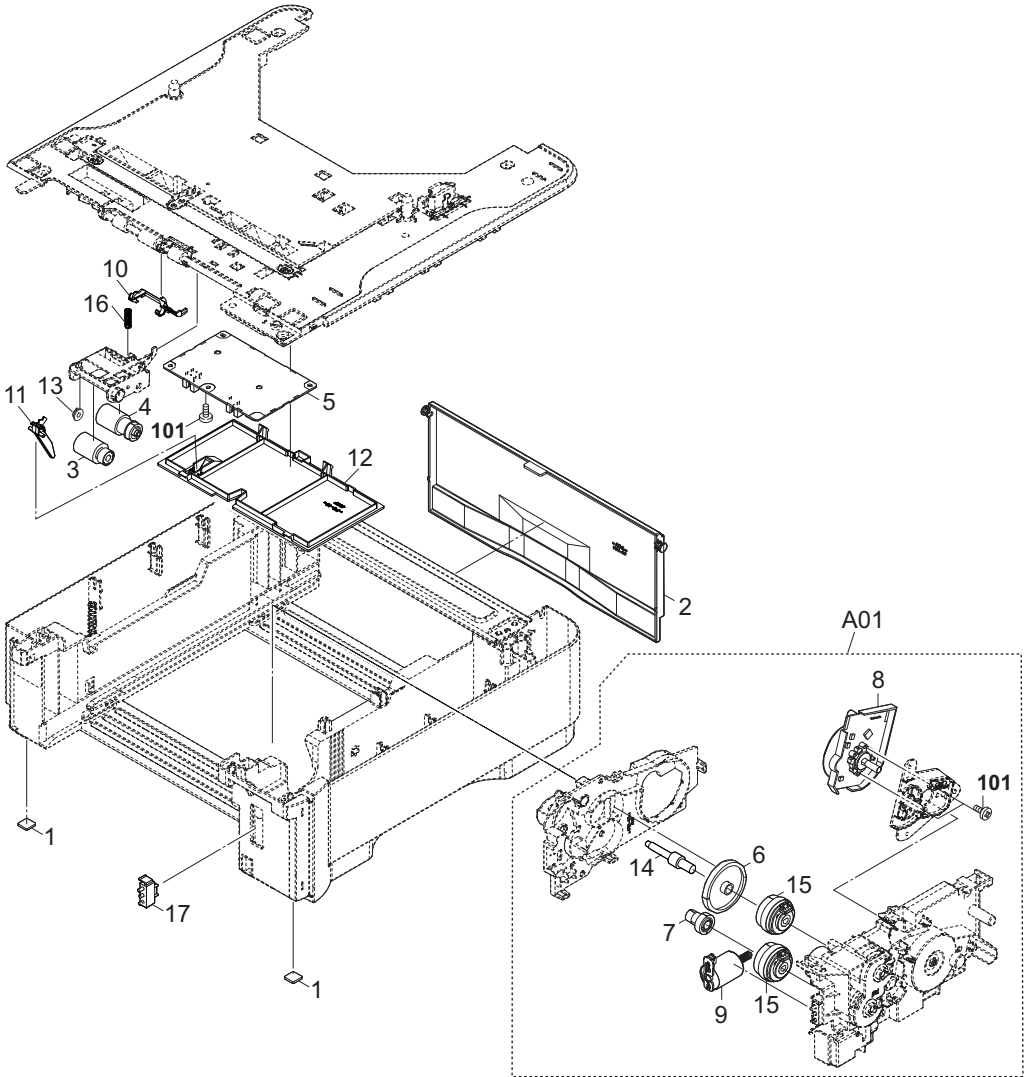


FIG. 1 Paper Feed Section 1

3NY-3

Ref. No. 番号	Part.No. 部品番号	Alternative. 代替部品番号	Description 部品名称	Notes 備考	Revision 改訂	Quantity 個数			
						100(日本)	120	230	240
1	302HN02611	2HN02611	FOOT			2	2	2	
2	303NY04020	3NY04020	COVER REAR			1	1	1	
3	302F906230	2F906230	PULLEY FEED ASSY			1	1	1	
4	302HN06080	2HN06080	PULLEY PICKUP ASSY			1	1	1	
5	303NY94011	3NY94011	PARTS PWB ASSY PF MAIN SP		3: Design-chg.	1	1	1	
A01	303NY94040	3NY94040	PARTS DRIVE ASSY SP		3: Add	1	1	1	
6	*303K831040	3K831040	GEAR Z58L		3: Others	1	1	1	
7	*303K831261	3K831261	GEAR Z36R Z20S		3: Others	1	1	1	
8	*302K994323	2K994323	PARTS MOTOR-BL W20 SP		3: Design-chg./Others	1	1	1	
9	*303NY01020	3NY01020	DC MOTOR ASSY		3: Others	1	1	1	
14	*303NY31120	3NY31120	PIN DRIVE		3: Add	1	1	1	
15	*302KV44041	2KV44041	CLUTCH 50 Z35R		3: Add	2	2	2	
10	303K806030	3K806030	ACTUATOR FEED			1	1	1	
11	303NY06030	3NY06030	ACTUATOR PE			1	1	1	
12	303K802081	3K802081	COVER TOP			1	1	1	
13	302K306460	2K306460	BUSH 4		2:Add	1	1	1	
16	303NY06060	3NY06060	SPRING PICKUP B		3:Add	1	1	1	
17	7SP03072001+H01	SP121030	SW.PUSH		3:Add	1	1	1	
101	7BB202308H	BB105690	+TP-FLAT T.T P SCREW 3X8						

• Parts with a Ref.No. of 500 and above in the illustration indicate they are not selected for service parts.

・イラスト中で 500 番台の Ref 番号が付いている部品はサービスパーツに選定されていません。

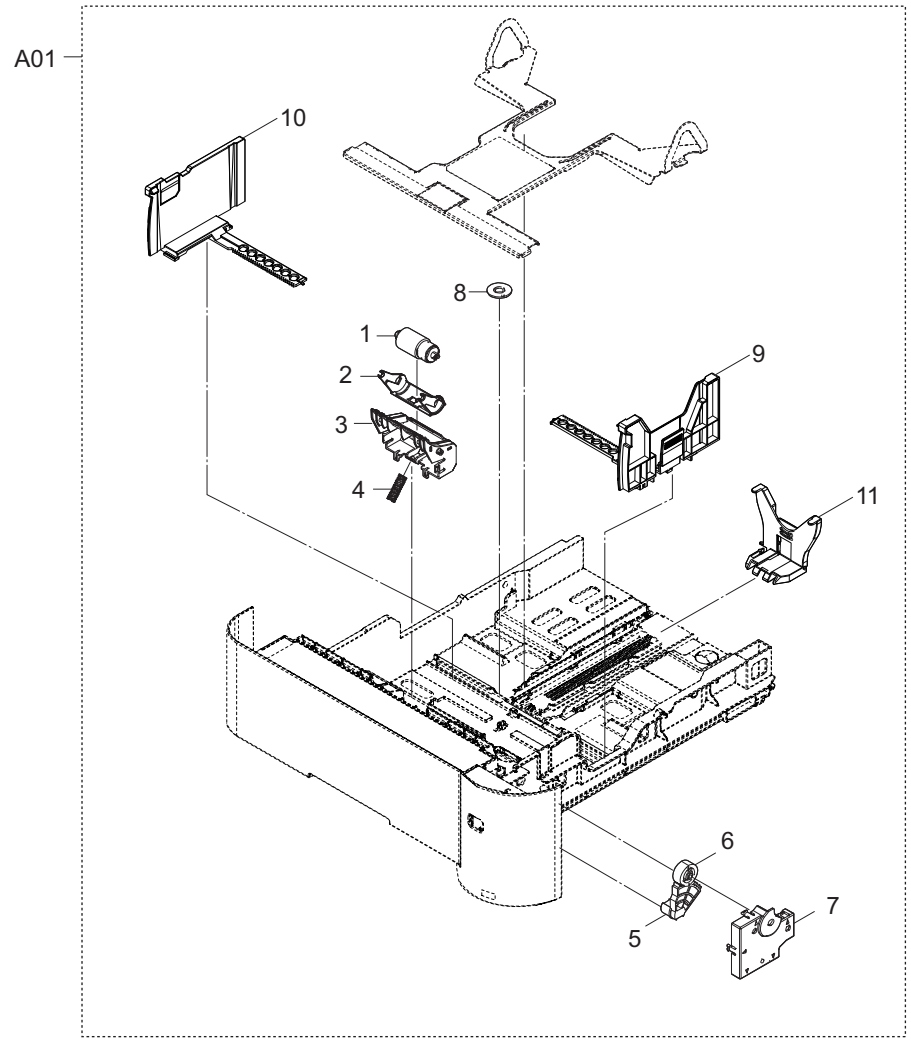
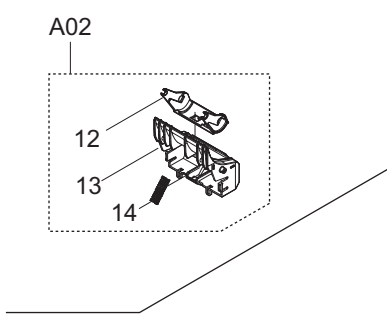


FIG. 2 Paper Feed Section 2

3NY-3

Ref. No. 番号	Part.No. 部品番号	Alternative. 代替部品番号	Description 部品名称	Notes 備考	Revision 改訂	Quantity 個数			
						100(日本)	120	230	240
A01	303NY93015	3NY93015	CT-3101		3: Design-chg.	1	1	1	
1	*302F909171	2F909171	RETARD ROLLER ASSY			1	1	1	
2	*3V2LV09311	2LV09311	HOLDER RETARD B		3:Part No-chg.	1	1	1	
3	*303NY09190	3NY09190	GUIDE RETARD B		3:Part No-chg.	1	1	1	
4	*302LV09330	2LV09330	SPRING RETARD B		3:Part No-chg.	1	1	1	
5	*302LV09241	2LV09241	GEAR Z48S LIFT		3:Design-chg.	1	1	1	
6	*303NY09091	3NY09091	GEAR Z15S JOINT		3:Design-chg.	1	1	1	
7	*303NY09040	3NY09040	COVER LIFT GEAR			1	1	1	
8	*5MVG127DN071	2A807050	GEAR CASSETTE /A-49 CASSETTE A4			1	1	1	
9	*302LV09060	2LV09060	CURSOR RIGHT			1	1	1	
10	*302LV09070	2LV09070	CURSOR LEFT			1	1	1	
11	*3V2P709150	2P709150	CURSOR END		3:Add	1	1	1	
A02	303NY94030	3NY94030	PARTS HOLDER RETARD B SET SP		3:Add	1	1	1	
12	*3V2LV09311	2LV09311	HOLDER RETARD B		3:Others	1	1	1	
13	*303NY09190	3NY09190	GUIDE RETARD B		3:Others	1	1	1	
14	*302LV09330	2LV09330	SPRING RETARD B		3:Others	1	1	1	

• Parts with a Ref.No. of 500 and above in the illustration indicate they are not selected for service parts.

• イラスト中で 500 番台の Ref 番号が付いている部品はサービスパーツに選定されていません。

INDEX/ 索引

3NY-3

Part.No.	Alternative.	Description	Fig.No.
302F906230	2F906230	PULLEY FEED ASSY	1
302F909171	2F909171	RETARD ROLLER ASSY	2
302HN02611	2HN02611	FOOT	1
302HN06080	2HN06080	PULLEY PICKUP ASSY	1
302K306460	2K306460	BUSH 4	1
302K994323	2K994323	PARTS MOTOR-BL W20 SP	1
302KV44041	2KV44041	CLUTCH 50 Z35R	1
302LV09060	2LV09060	CURSOR RIGHT	2
302LV09070	2LV09070	CURSOR LEFT	2
302LV09241	2LV09241	GEAR Z48S LIFT	2
302LV09330	2LV09330	SPRING RETARD B	2
303K802081	3K802081	COVER TOP	1
303K806030	3K806030	ACTUATOR FEED	1
303K831040	3K831040	GEAR Z58L	1
303K831261	3K831261	GEAR Z36R Z20S	1
303NY01020	3NY01020	DC MOTOR ASSY	1
303NY04020	3NY04020	COVER REAR	1
303NY06030	3NY06030	ACTUATOR PE	1
303NY06060	3NY06060	SPRING PICKUP B	1
303NY09040	3NY09040	COVER LIFT GEAR	2
303NY09091	3NY09091	GEAR Z15S JOINT	2
303NY09190	3NY09190	GUIDE RETARD B	2
303NY31120	3NY31120	PIN DRIVE	1
303NY93015	3NY93015	CT-3101	2
303NY94011	3NY94011	PARTS PWB ASSY PF MAIN SP	1
303NY94030	3NY94030	PARTS HOLDER RETARD B SET SP	2
303NY94040	3NY94040	PARTS DRIVE ASSY SP	1
3V2LV09311	2LV09311	HOLDER RETARD B	2
3V2P709150	2P709150	CURSOR END	2
5MVG127DN071	2A807050	GEAR CASSETTE /A-49 CASSETTE A4	2
7SP03072001+H01	SP121030	SW.PUSH	1

PF-3100

Rev.1
July 2017

—— CONTENTS / 目次 ——

FIG. 1 PF-3100 2

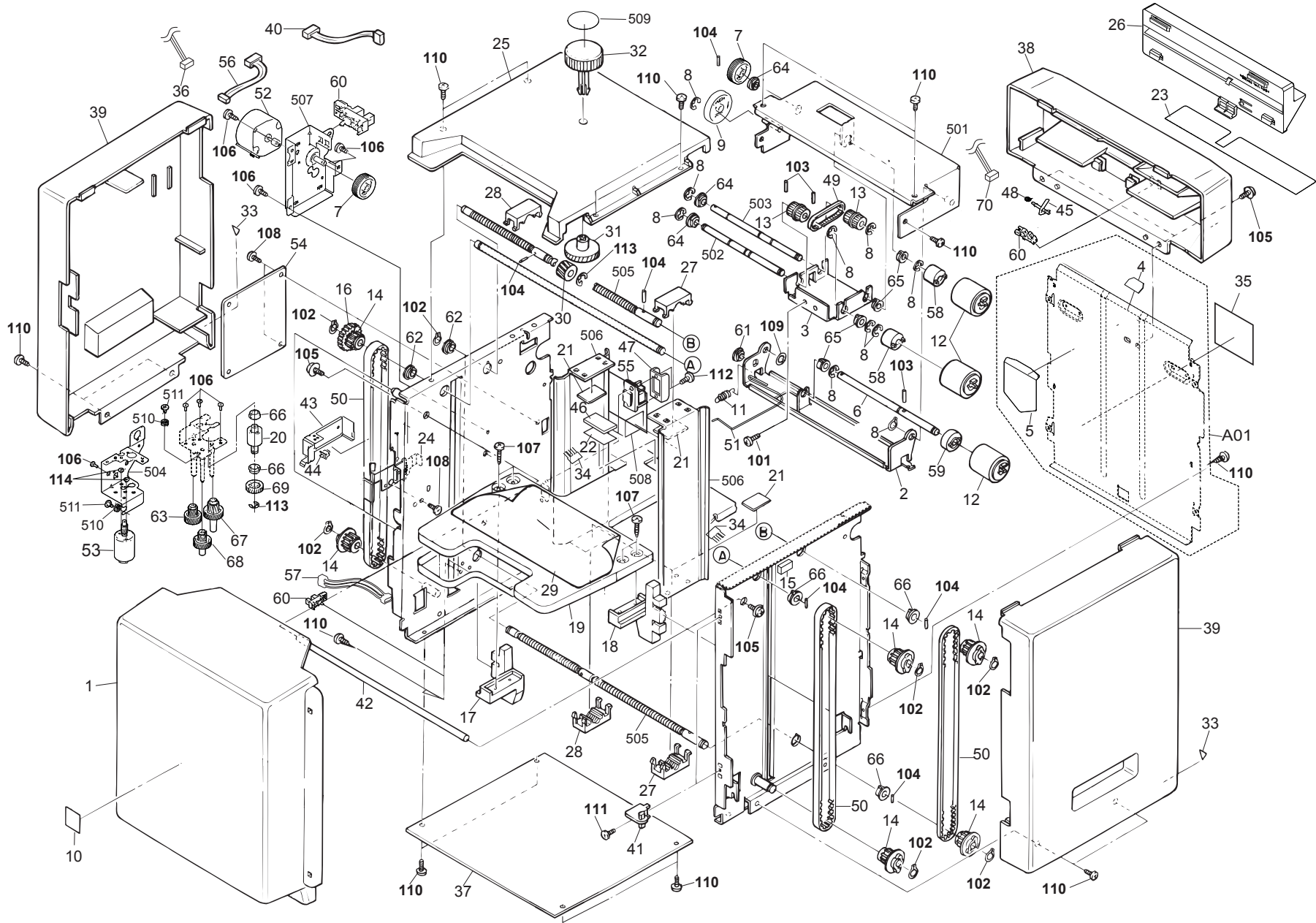


FIG. 1 PF-3100

3S3-1

Ref. No. 番号	Part.No. 部品番号	Alternative. 代替部品番号	Description 部 品 名 称	Notes 備 考	Revision 改 訂	Quantity 個数			
						100(日本)	120	230	240
1	303S304030	3S304030	COVER TRAY			1	1	1	1
2	303KF10050	3KF10050	FRAME FEED LOW			1	1	1	1
3	303KF10040	3KF10040	BKT PICK			1	1	1	1
A01	303S394010	3S394010	PARTS STAY FRONT ASSY SP			1	1	1	1
4	*303KF10170	3KF10170	PAD FRONT SEP			1	1	1	1
5	*303KF10180	3KF10180	SHEET FRONT SEP			1	1	1	1
6	303S306050	3S306050	SHAFT FEED LOW			1	1	1	1
7	303S331050	3S331050	GEAR Z56R			2	2	2	2
8	5MVX111DN003	2A806250	RING STOPPER/A-49 FEED A4			10	10	10	10
9	303S331020	3S331020	GEAR Z77L			1	1	1	1
10	303KF04090	3KF04090	SEAL TRAY			1	1	1	1
11	303KF10160	3KF10160	SPRING FEED/AE116 A4			1	1	1	1
12	5AAMPF7A++03	3F168140	ROLLER ASSY			3	3	3	3
13	5MVG337DN002	3F116200	PULLY P20-P21			2	2	2	2
14	5MVG318DN001	3D322080	PULLEY XL14			6	6	6	6
15	303KF10140	3KF10140	SPACER			1	1	1	1
16	5MVG138DN018	3D322130	GEAR WHEEL H30			1	1	1	1
17	5MVX665DN001	3D322100	GUIDE ELEVATOR R			1	1	1	1
18	5MVX665DN002	3D322110	GUIDE ELEVATOR L			1	1	1	1
19	303KF10060	3KF10060	TABLE PAPER			1	1	1	1
20	5MVG117DN001	3D322200	GEAR WORM			1	1	1	1
21	303S310030	3S310030	ADAPTER NUT		1: Part No.-chg.	4	4	4	4
22	303S310050	3S310050	SPACER PAD			1	1	1	1
23	303KF06010	3KF06010	SHEET EXIT			1	1	1	1
24	303S331130	3S331130	ACTUATOR TRAY DOWN			1	1	1	1
25	303S304020	3S304020	COVER TOP			1	1	1	1
26	303S304040	3S304040	COVER FEED 2			1	1	1	1
27	5MVX422DN002	2DH02470	NUT GUIDE R			2	2	2	2
28	5MVX422DN003	2DH02480	NUT GUIDE L			2	2	2	2
29	303S334020	3S334020	LABEL ADJUST			1	1	1	1
30	5MVG127DN030	3F116100	GEAR H15-R			1	1	1	1
31	5MVG134DN001	3F116110	GEAR H30-R			1	1	1	1
32	303S304050	3S304050	KNOB SIZE			1	1	1	1
33	5MVVL111WN02	3F104080	LEVER LABEL			2	2	2	2
34	303KF04120	3KF04120	DISCHARGER TP			2	2	2	2
35	5MVVL665WN01	3F173010	LABEL HAND CAUTION			1	1	1	1
36	303S346030	3S346030	CONN.CORD ASSY MOTOR FEED			1	1	1	1
37	303KF10110	3KF10110	PLATE BOTTOM			1	1	1	1
38	303S304060	3S304060	COVER FEED			1	1	1	1
39	303KF04051	3KF04051	COVER SIDE			2	2	2	2
40	303S346050	3S346050	CONN.CORD ASSY UPLIMIT			1	1	1	1
41	5MVX332DN002	3F104100	PIVOT TRAY			2	2	2	2
42	5MMT866SN016	3F116160	SHAFT STAY F			1	1	1	1
43	303S302050	3S302050	BRACKET SWITCH			1	1	1	1
44	7SP01000006+H01	SP121020	SW.PUSH			1	1	1	1
45	303S306020	3S306020	ACTUATOR FEED			1	1	1	1

• Parts with a Ref.No. of 500 and above in the illustration indicate they are not selected for service parts.

• イラスト中で 500 番の Ref 番号が付いている部品はサービスパーツに選定されていません。

PB-325

Rev.1
July 2017

—— CONTENTS / 目次 ——

FIG. 1 PB-325 2

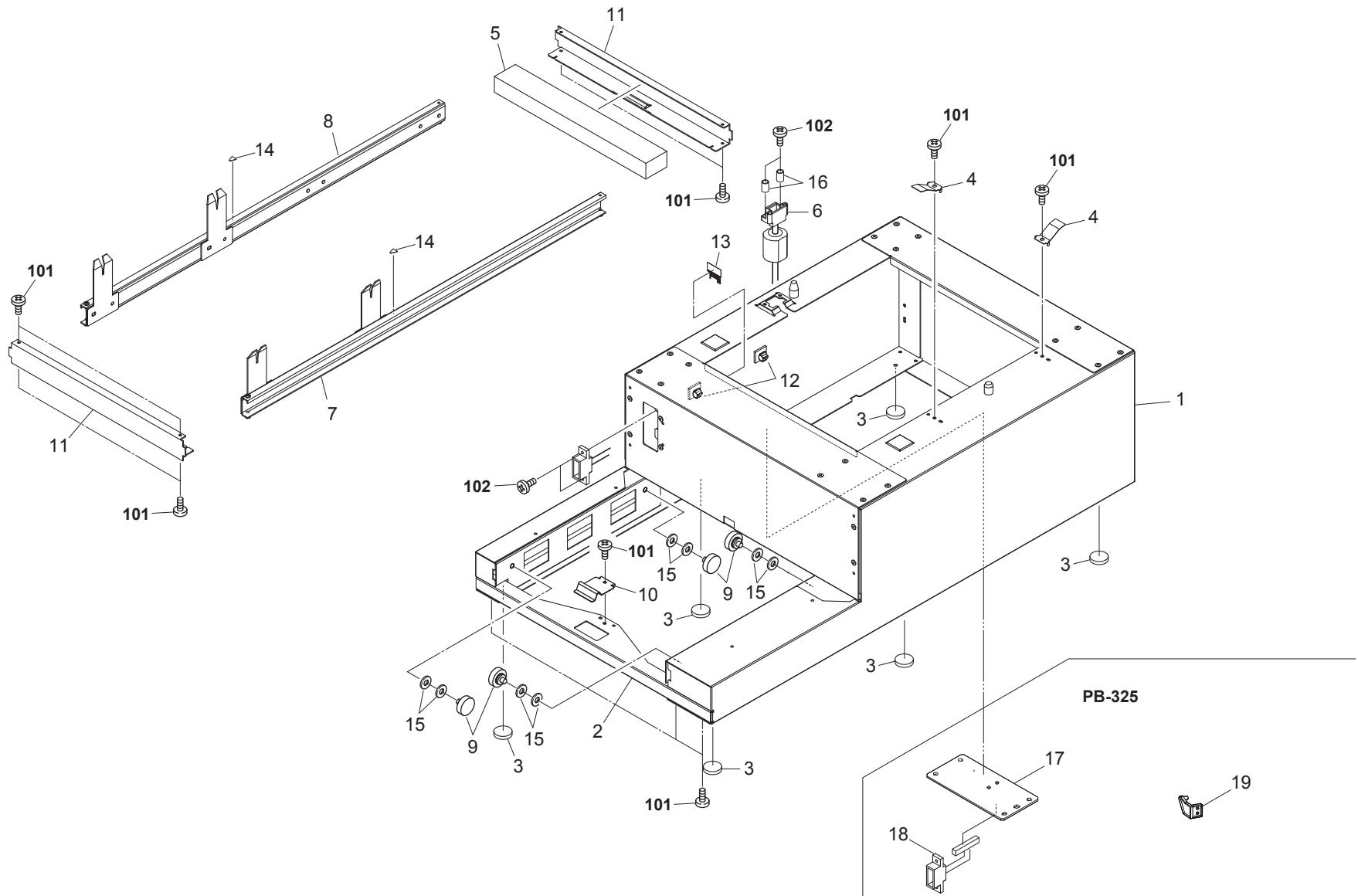


FIG. 1 PB-325

3N1-1

Ref. No. 番号	Part.No. 部品番号	Alternative. 代替部品番号	Description 部品名称	Notes 備考	Revision 改訂	Quantity 個数			
						100(日本)	120	230	240
1	303N100030	3N100030	BASE ASSY			1	1	1	1
2	303N110100	3N110100	STAY MAIN			1	1	1	1
3	303KT10100	3KT10100	FOOT			6	6	6	6
4	303N110170	3N110170	PLATE EARTH STAY			2	2	2	2
5	303KT10120	3KT10120	PAD RAIL			1	1	1	1
6	303N146010	3N146010	CONN.CORD ASSY S03798			1	1	1	1
7	303KT00060	3KT00060	RAIL R ASSY			1	1	1	1
8	303KT00050	3KT00050	RAIL L ASSY			1	1	1	1
9	5AAZPF7A++01	3F127030	ROLLER DL			4	4	4	4
10	5MMP153LD001	3FM04020	STOPPER PF			1	1	1	1
11	303N110110	3N110110	STAY RAIL			2	2	2	2
12	7YZM390007++H01	YZ151750	ACCESS.CLAMP			5	5	5	5
13	303N110120	3N110120	DISCHARGER PB			1	1	1	1
14	303N110150	3N110150	LABEL LEVER			2	2	2	2
15	7BC00060D0A+H01	BC038230	WASHER M6X13X1T			8	8	8	8
16	7BC300304060H01	BC021930	COLLAR SPACER A /3X4X6			2	2	2	2
17	303N194010	3N194010	PARTS PWB ASSY PB SP			1	1	1	1
18	303N146020	3N146020	CONN.CORD ASSY S03799			1	1	1	1
19	303N110160	3N110160	STOPPER CAM		1: Add	1	1	1	1
101	5MBTPB3006TW++R	B1A53060	BIND T.T SCREW(+)/ M3 X 6 CRFREE S-T						
102	5MBTPB3012TW++R	B1B53120	BIND T.T SCREW(+)/ M3 X 12 CRFREE S-T						

• Parts with a Ref.No. of 500 and above in the illustration indicate they are not selected for service parts.

• イラスト中で 500 番台の Ref 番号が付いている部品はサービスパーツに選定されていません。

PT-320

First Edition
August 2016

—— CONTENTS / 目次 ——

FIG. 1 PT-320 2

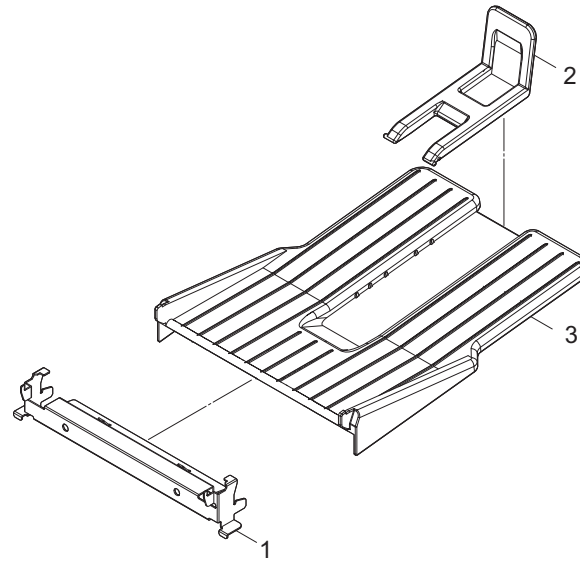


FIG. 1 PT-320

3N7

Ref. No. 番号	Part.No. 部品番号	Alternative. 代替部品番号	Description 部 品 名 称	Notes 備 考	Revision 改 訂	Quantity 個 数			
						100(日本)	120	230	240
1	303N728010	3N728010	PLATE HOOK			1	1	1	1
2	303N728030	3N728030	STOPPER PAPER REAR			1	1	1	1
3	303N728020	3N728020	TRAY REAR			1	1	1	1

• Parts with a Ref.No. of 500 and above in the illustration indicate they are not selected for service parts.

• イラスト中で 500 番台の Ref 番号が付いている部品はサービスパーツに 選定されていません。

KYOCERA Document Solutions America, Inc.**Headquarters**

225 Sand Road,
Fairfield, New Jersey 07004-0008, USA
Phone: +1-973-808-8444
Fax: +1-973-882-6000

Latin America

8240 NW 52nd Terrace Dawson Building, Suite 100
Miami, Florida 33166, USA
Phone: +1-305-421-6640
Fax: +1-305-421-6666

KYOCERA Document Solutions Canada, Ltd.

6120 Kestrel Rd., Mississauga, ON L5T 1S8,
Canada
Phone: +1-905-670-4425
Fax: +1-905-670-8116

KYOCERA Document Solutions**Mexico, S.A. de C.V.**

Calle Arquimedes No. 130, 4 Piso, Colonia Polanco
Chapultepec, Delegacion Miguel Hidalgo,
Distrito Federal, C.P. 11560, México
Phone: +52-555-383-2741
Fax: +52-555-383-7804

KYOCERA Document Solutions Brazil, Ltda.

Alameda África, 545, Pólo Empresarial Consbrás,
Tamboré, Santana de Parnaíba, State of São Paulo,
CEP 06543-306, Brazil
Phone: +55-11-2424-5353
Fax: +55-11-2424-5304

KYOCERA Document Solutions Chile SpA

Jose Ananias 505, Macul. Santiago, Chile
Phone: +562-2350-7000
Fax: +562-2350-7150

KYOCERA Document Solutions**Australia Pty. Ltd.**

Level 3, 6-10 Talavera Road North Ryde N.S.W, 2113,
Australia
Phone: +61-2-9888-9999
Fax: +61-2-9888-9588

KYOCERA Document Solutions**New Zealand Ltd.**

Ground Floor, 19 Byron Avenue, Takapuna, Auckland,
New Zealand
Phone: +64-9-415-4517
Fax: +64-9-415-4597

KYOCERA Document Solutions Asia Limited

13/F.,Mita Centre, 552-566, Castle Peak Road Tsuen
Wan, New Territories, Hong Kong
Phone: +852-2496-5678
Fax: +852-2610-2063

KYOCERA Document Solutions**(China) Corporation**

8F, No. 288 Nanjing Road West, Huangpu District,
Shanghai,200003, China
Phone: +86-21-5301-1777
Fax: +86-21-5302-8300

KYOCERA Document Solutions**(Thailand) Corp., Ltd.**

335 Ratchadapisek Road, Wongsawang, Bangsue,
Bangkok 10800,
Thailand
Phone: +66-2-586-0333
Fax: +66-2-586-0278

KYOCERA Document Solutions**Singapore Pte. Ltd.**

12 Tai Seng Street #04-01A,
Luxasia Building, Singapore 534118
Phone: +65-6741-8733
Fax: +65-6748-3788

KYOCERA Document Solutions**Hong Kong Limited**

16/F.,Mita Centre, 552-566, Castle Peak Road Tsuen
Wan, New Territories, Hong Kong
Phone: +852-3582-4000
Fax: +852-3185-1399

KYOCERA Document Solutions**Taiwan Corporation**

6F., No.37, Sec. 3, Minquan E. Rd.,
Zhongshan Dist., Taipei 104, Taiwan R.O.C.
Phone: +886-2-2507-6709
Fax: +886-2-2507-8432

KYOCERA Document Solutions Korea Co., Ltd.

#10F Daewoo Foundation Bldg 18, Toegye-ro, Jung-gu,
Seoul, Korea
Phone: +822-6933-4050
Fax: +822-747-0084

KYOCERA Document Solutions**India Private Limited**

Second Floor, Centrum Plaza, Golf Course Road,
Sector-53, Gurgaon, Haryana 122002, India
Phone: +91-0124-4671000
Fax: +91-0124-4671001

KYOCERA Document Solutions Europe B.V.

Bloemlaan 4, 2132 NP Hoofddorp,
The Netherlands
Phone: +31-20-654-0000
Fax: +31-20-653-1256

KYOCERA Document Solutions Nederland B.V.

Beechavenue 25, 1119 RA Schiphol-Rijk,
The Netherlands
Phone: +31-20-5877200
Fax: +31-20-5877260

KYOCERA Document Solutions (U.K.) Limited

Eldon Court, 75-77 London Road,
Reading, Berkshire RG1 5BS,
United Kingdom
Phone: +44-118-931-1500
Fax: +44-118-931-1108

KYOCERA Document Solutions Italia S.p.A.

Via Monfalcone 15, 20132, Milano, Italy,
Phone: +39-02-921791
Fax: +39-02-92179-600

KYOCERA Document Solutions Belgium N.V.

Sint-Martinusweg 199-201 1930 Zaventem,
Belgium
Phone: +32-2-7209270
Fax: +32-2-7208748

KYOCERA Document Solutions France S.A.S.

Espace Technologique de St Aubin
Route de l'Orme 91195 Gif-sur-Yvette CEDEX,
France
Phone: +33-1-69852600
Fax: +33-1-69853409

KYOCERA Document Solutions Espana, S.A.

Edificio Kyocera, Avda. de Manacor No.2,
28290 Las Matas (Madrid), Spain
Phone: +34-91-6318392
Fax: +34-91-6318219

© 2017 KYOCERA Document Solutions Inc.

 is a trademark of KYOCERA Corporation

KYOCERA Document Solutions Finland Oy

Atomitie 5C, 00370 Helsinki,
Finland
Phone: +358-9-47805200
Fax: +358-9-47805212

**KYOCERA Document Solutions
Europe B.V., Amsterdam (NL) Zürich Branch**

Hohlstrasse 614, 8048 Zürich,
Switzerland
Phone: +41-44-9084949
Fax: +41-44-9084950

**KYOCERA Bilgitas Document Solutions
Turkey A.S.**

Gülbahar Mahallesi Otello Kamil Sk. No:6 Mecidiyeköy
34394 Şişli İstanbul, Turkey
Phone: +90-212-356-7000
Fax: +90-212-356-6725

**KYOCERA Document Solutions
Deutschland GmbH**

Otto-Hahn-Strasse 12, 40670 Meerbusch,
Germany
Phone: +49-2159-9180
Fax: +49-2159-918100

KYOCERA Document Solutions Austria GmbH

Wienerbergstraße 11, Turm A, 18. OG, 1100 Wien,
Austria
Phone: +43-1-863380
Fax: +43-1-86338-400

KYOCERA Document Solutions Nordic AB

Esbogatan 16B 164 75 Kista, Sweden
Phone: +46-8-546-550-00
Fax: +46-8-546-550-10

京セラドキュメントソリューションズ株式会社
京セラドキュメントソリューションズジャパン株式会社

 は京セラ株式会社の登録商標です。

KYOCERA Document Solutions Norge Nuf

Olaf Helsetsv. 6, 0619 Oslo, Norway
Phone: +47-22-62-73-00
Fax: +47-22-62-72-00

KYOCERA Document Solutions Danmark A/S

Ejby Industrivej 60, DK-2600 Glostrup,
Denmark
Phone: +45-70223880
Fax: +45-45765850

KYOCERA Document Solutions Portugal Lda.

Rua do Centro Cultural, 41 (Alvalade) 1700-106 Lisboa,
Portugal
Phone: +351-21-843-6780
Fax: +351-21-849-3312

**KYOCERA Document Solutions
South Africa (Pty) Ltd.**

KYOCERA House, Hertford Office Park,
90 Bekker Road (Cnr. Allandale), Midrand, South Africa
Phone: +27-11-540-2600
Fax: +27-11-466-3050

KYOCERA Document Solutions Russia LLC.

Building 2, 51/4, Schepkina St., 129110, Moscow,
Russia
Phone: +7(495)741-0004
Fax: +7(495)741-0018

KYOCERA Document Solutions Middle East

Dubai Internet City, Bldg. 17,
Office 157 P.O. Box 500817, Dubai,
United Arab Emirates
Phone: +971-04-433-0412

KYOCERA Document Solutions Inc.

2-28, 1-chome, Tamatsukuri, Chuo-ku
Osaka 540-8585, Japan
Phone: +81-6-6764-3555
<http://www.kyoceradocumentsolutions.com>