



ECOSYS M8124cidn
ECOSYS M8130cidn
PF-470
PF-471
DF-470
AK-470
FAX System 13

TASKalfa 2460ci
TASKalfa 2470ci
PF-470
PF-471
DF-470
AK-470
FAX System 13

PARTS LIST

Published in May 2018
Rev.2

パーツリスト

2018年5月 改訂版
Rev. 2

Items listed in the revision columns are defined as follows.

Item	Description
Add	Add a new part
Del	Delete a part
Design-chg.	A design changed part (Parts number version up)
Part No.-chg.	A part number is changed to other one.
Quantity-chg.	Change Quantity of parts to use
Others	Other changes

Revision history

Rev.	Date	Remarks
1	September 2017	Design change & Add New Model
2	May 2018	Design change

Symbols in the parts list

- Parts without a Ref.No. in the illustration indicate they are not supplied.
- Parts with a Ref.No. of 500 and above in the illustration indicate they are not selected for service parts.
- Parts with "*" are component parts or sub-assemblies of the assembly appearing immediately above them.
- Parts with "**" are component parts or sub-assembly with "*" appearing immediately above them.

<Notation of products>

For the purpose of this parts list, products are identified as following.
 ECOSYS M8124cidn : 24ppm(A)
 ECOSYS M8130cidn : 30ppm

改訂欄記載項目の内容は以下の通りです。

記載項目	内容
Add	新規部品の追加
Del	部品の削除
Design-chg.	部品の設変（版数アップ）
Part No.-chg.	部品番号の変更
Quantity-chg.	部品の個数変更
Others	その他の変更

改訂履歴

Rev.	改訂日	備考
1	2017年9月	設変対応 & 新機種追加
2	2018年5月	設変対応

記号の見方

イラスト中で Ref 番号がない部品は供給できません。
 イラスト中で 500 番台の Ref 番号が付いている部品はサービスパーツに選定されていません。
 部品番号欄の・印は、組立部品の単品部品及び準組立部品を表わします。
 部品番号欄の**印は、準組立部品の単品部品を表わします。

<本体機種区別表記>

パーツリスト中の本体機種区別は、以下の様に記載します。
 TASKalfa 2460ci: 24ppm(A)
 TASKalfa 2470ci: 24ppm(B)

TASKalfa 2460ci
TASKalfa 2470ci
ECOSYS M8124cidn
ECOSYS M8130cidn

FIG. 1 Covers

2P3/2P4/2WC

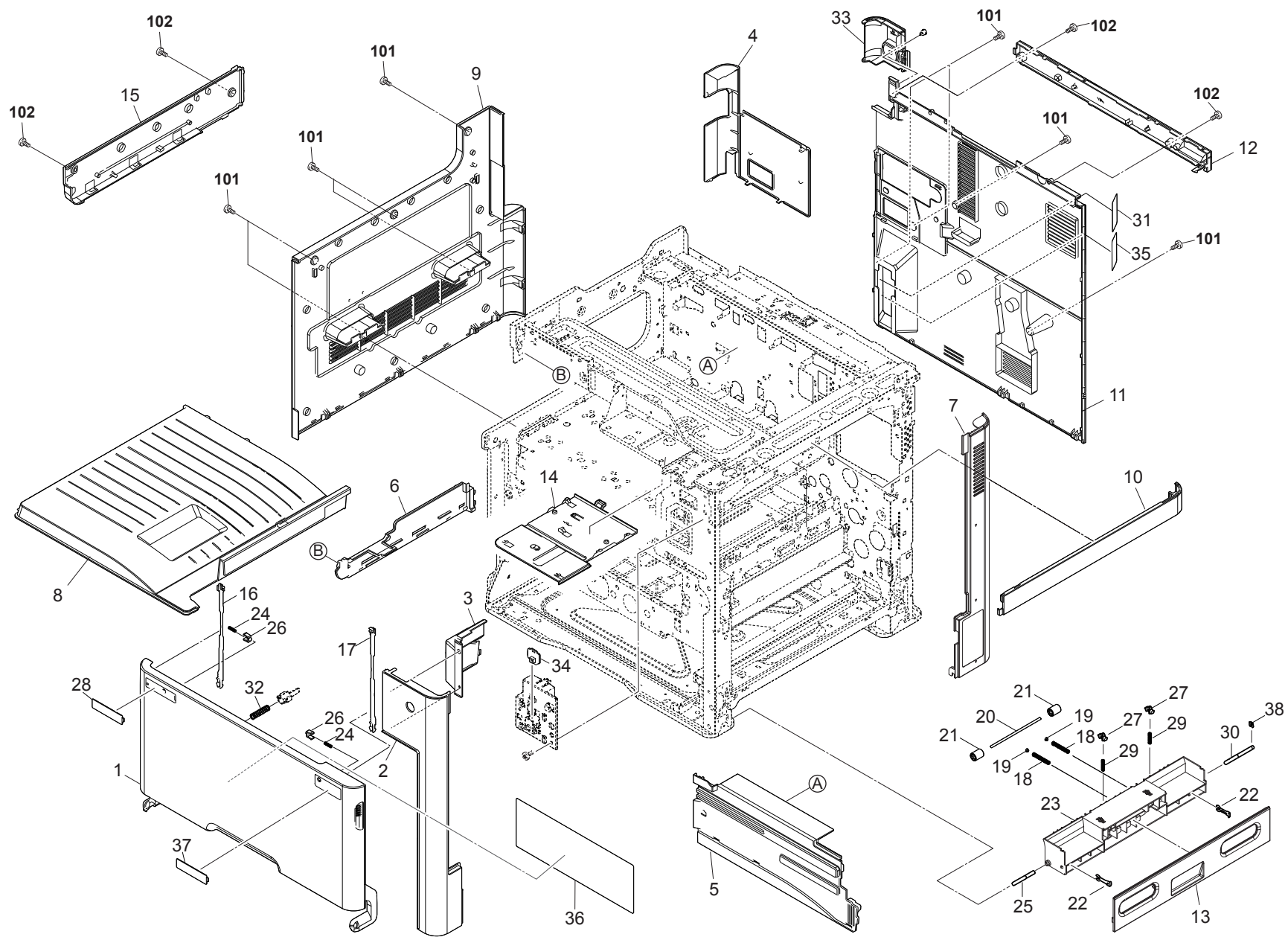


FIG. 1 Covers

2P3/2P4/2WC-1

Ref. No. 番号	Part.No. 部品番号	Description 部品名称	Notes 備考	Revision 改訂	Quantity 個数			
					100(日本)	120	230	240
1	302P304010	COVER FRONT			1	1	1	1
2	302P304020	COVER FRONT TOP			1	1	1	1
3	302P304210	COVER EXIT FRONT			1	1	1	1
4	302P304080	LID CONTROLLER BOX			1	1	1	1
5	302P304050	COVER EXIT REAR			1	1	1	1
6	302P304060	COVER TRAY LEFT			1	1	1	1
7	302K004060	COVER RIGHT REAR			1	1	1	1
8	302P304100	COVER TRAY			1	1	1	1
9	302P304030	COVER LEFT LOW			1	1	1	1
10	302P104100	COVER RIGHT MIDDLE			1	1	1	1
11	302P304070	COVER REAR			1	1	1	1
12	302P104130	COVER REAR TOP			1	1	1	1
13	302K304070	COVER RIGHT LOW			1	1	1	1
14	302P204020	COVER EXIT FRONT UPPER	24ppm(A)	1:Others	1	1	1	1
14	302P104210	COVER EXIT FRONT UPPER	24ppm(B)/30ppm	1:Others	1	1	1	1
15	302P304040	COVER LEFT MIDDLE			1	1	1	1
16	302K304320	STRAP COVER FRONT L			1	1	1	1
17	302K304230	STRAP COVER FRONT R			1	1	1	1
18	303NN24180	SPRING FEED LOW			2	2	2	2
19	2FM04150	CAP SPRING /B-11 ENCLOSURE A4			2	2	2	2
20	302BG06152	SHAFT FEED B			1	1	1	1
21	3HY07120	PULLEY 15 DUPLEX			2	2	2	2
22	302H024510	STOPPER SHUTTER			2	2	2	2
23	302K306320	GUIDE COVER INNER			1	1	1	1
24	302K004281	SPRING FRONT COVER			2	2	2	2
25	302K306330	SHAFT INNER ROLLER F			1	1	1	1
26	2FB07330	STOPPER BYPASS TABLE			2	2	2	2
27	302K306340	STOPPER INNER GUIDE			2	2	2	2
28	302DY04091	EMBLEM KC 1SG 70 W			1	1	1	1
29	302K306350	SPRING INNER GUIDE			2	2	2	2
30	302K306380	SHAFT INNER ROLLER R			1	1	1	1
31	302P434030	LABEL DEHUMIDIFIER SWITCH	24ppm(A)/24ppm(B)	1:Others	1	1	1	1
32	302P304150	SPRING HOLDER SWITCH			1	1	1	1
33	302P304140	COVER WIFI			1	1	1	1
34	302NG94300	PARTS PWB SWITCH ASSY SP			1	1	1	1
35	302K034280	LABEL DEHUMIDIFIER SWITCH A	30ppm			1		
35	302K034270	LABEL DEHUMIDIFIER SWITCH E	30ppm				1	1
36	302K034180	SHEET COVER FRONT			1	1	1	1
37	302P334020	LABEL EMBLEM M8130	30ppm			1	1	1
37	302P434020	LABEL EMBLEM M8124	24ppm(A)	1:Others		1		1
37	302P434010	LABEL EMBLEM 2460	24ppm(A)	1:Others	1			
37	302WC34010	LABEL EMBLEM 2470	24ppm(B)	1:Add	1			
38	5MVX111DN003	RING STOPPER /A-49 FEED A4			1	1	1	1
101	7BB702308H	+TP-FLAT T.T S SCREW 3X8 SR						
102	7BB782308H	+TP-FLAT T.T S SCREW 3X8 SR(BLACK)						

• Parts with a Ref.No. of 500 and above in the illustration indicate they are not selected for service parts.

• イラスト中で 500 番台の Ref 番号が付いている部品はサービスパーツに選定されていません。

FIG. 2 Frames 1

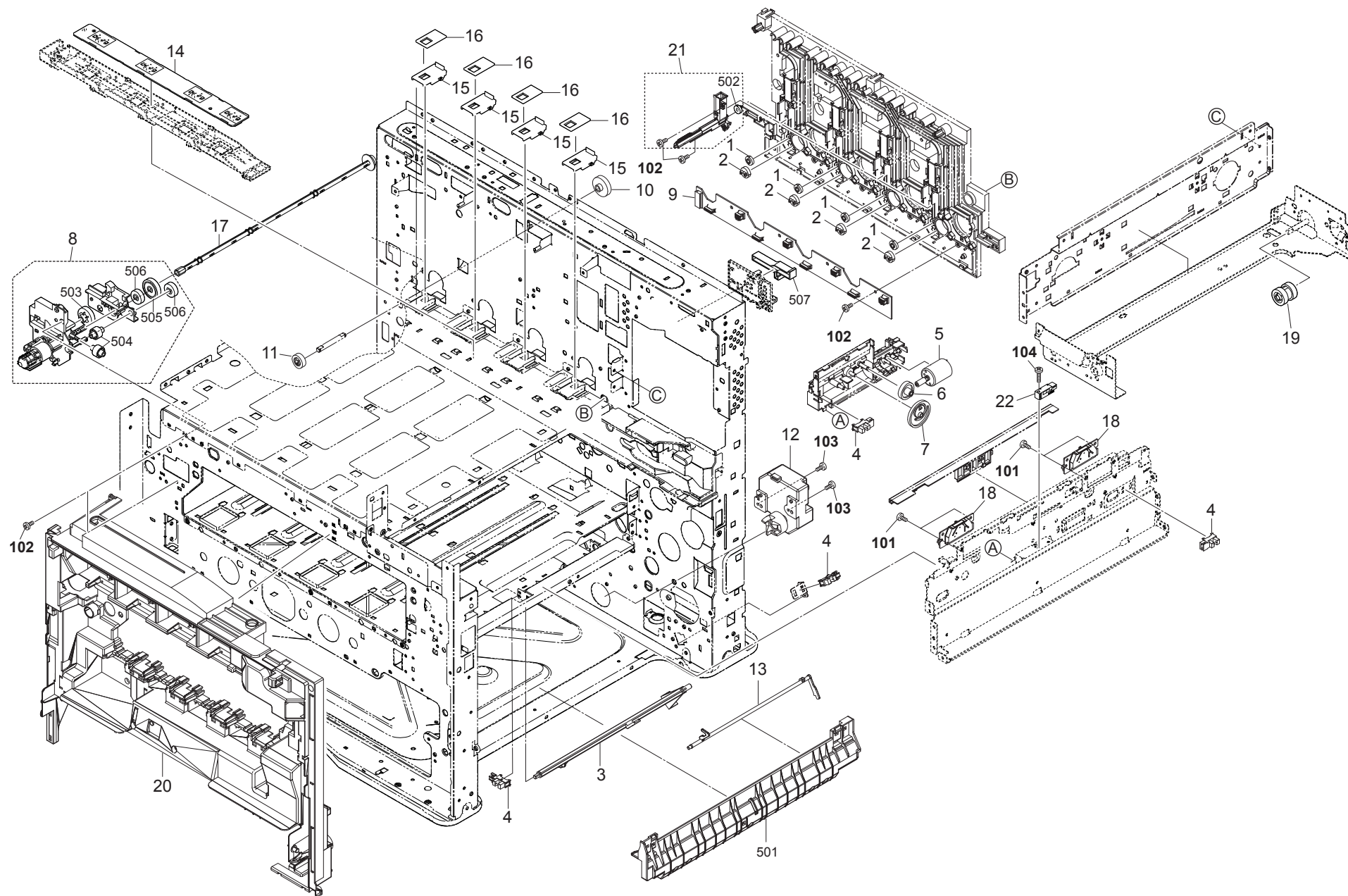


FIG. 4 Paper Cassette

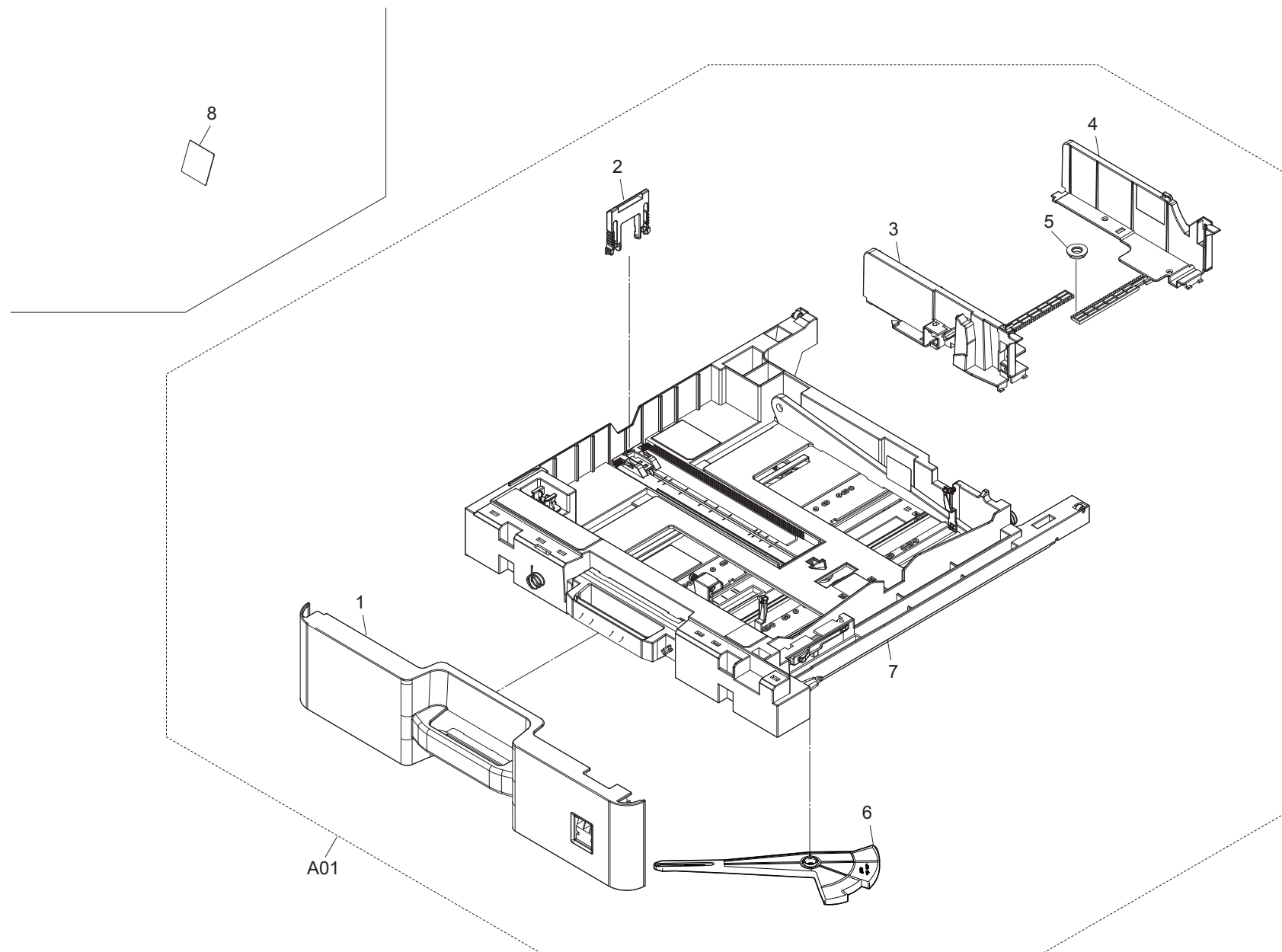


FIG. 5 Paper Feed Section

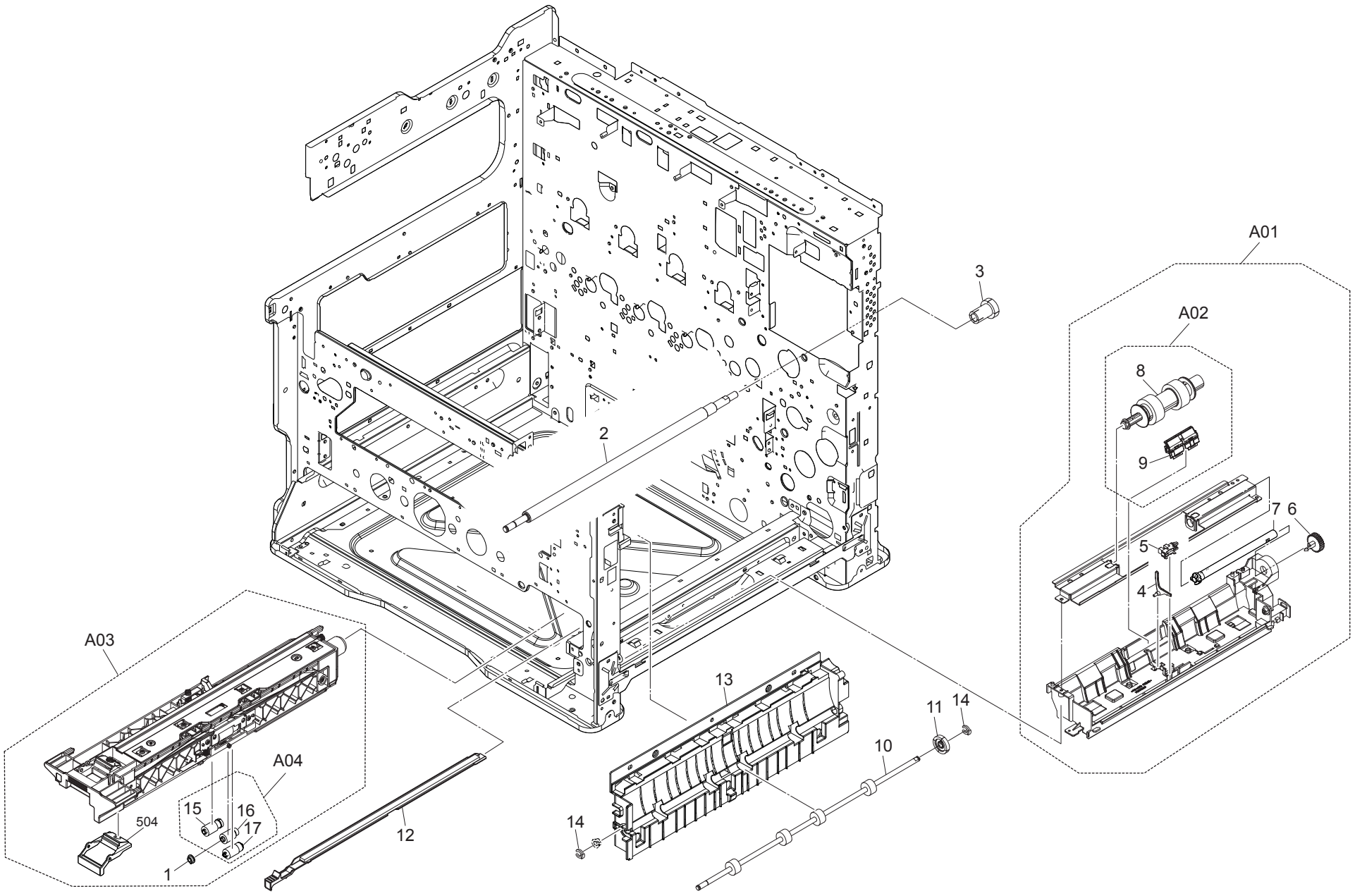


FIG. 5 Paper Feed Section

2P3/2P4/2WC-2

Ref. No. 番号	Part.No. 部品番号	Description 部品名称	Notes 備考	Revision 改訂	Quantity 個数			
					100 (日本)	120	230	240
A03	302K394480	PRIMARY FEED UNIT		2:Others	1	1	1	1
1	*302K306460	BUSH 4		2:Add	1	1	1	1
A04	*302LK94140	PARTS PULLEY SET SP		2:Add	1	1	1	1
15	**302HN06080	PULLEY PICKUP ASSY		2:Add	1	1	1	1
16	**302F906230	PULLEY FEED ASSY		2:Add	1	1	1	1
17	**302F909171	RETARD ROLLER ASSY		2:Add	1	1	1	1
2	302K394230	PARTS ROLLER REGIST LEFT SP			1	1	1	1
3	302K394310	PARTS GEAR REGIST Z28L-Z18L SP			1	1	1	1
A01	302P194040	PARTS MPF ASSY SP			1	1	1	1
4	*302K308020	ACTUATOR MPF			1	1	1	1
5	*7NXGP1S173LCH01	SENSOR OPT.			1	1	1	1
6	*302K394320	PARTS GEAR MPF Z28 SP			1	1	1	1
7	*302K308080	SHAFT MPF			1	1	1	1
A02	*302P194310	MPF ROLLER-PAD SET	for customer		1	1	1	1
8	*302K394460	MPF ROLLER	service only		1	1	1	1
9	**302P194090	SEPARATION PAD	service only		1	1	1	1
10	302K094330	PARTS ROLLER MIDDLE SP			1	1	1	1
11	302HS31120	GEAR Z27L CLUTCH			1	1	1	1
12	302K094400	REGIST CLEANER			1	1	1	1
13	302P324050	GUIDE FEED CASSETTE			1	1	1	1
14	5MVX111DN003	RING STOPPER /A-49 FEED A4			2	2	2	2

• Parts with a Ref.No. of 500 and above in the illustration indicate they are not selected for service parts.

• イラスト中で 500 番台の Ref 番号が付いている部品はサービスパーツに選定されていません。

FIG. 6 Exit Section

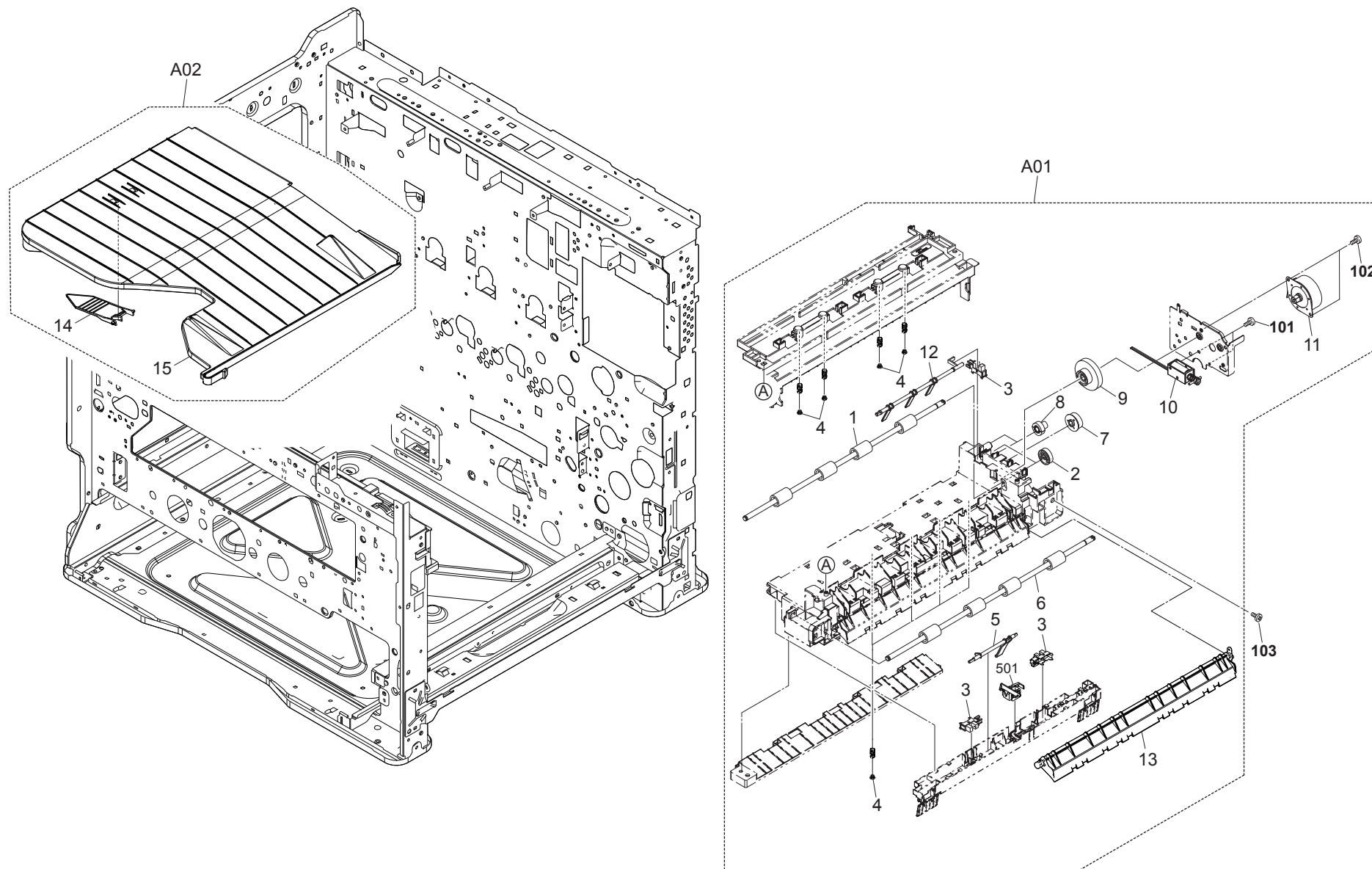


FIG. 7 Paper Conveying Section

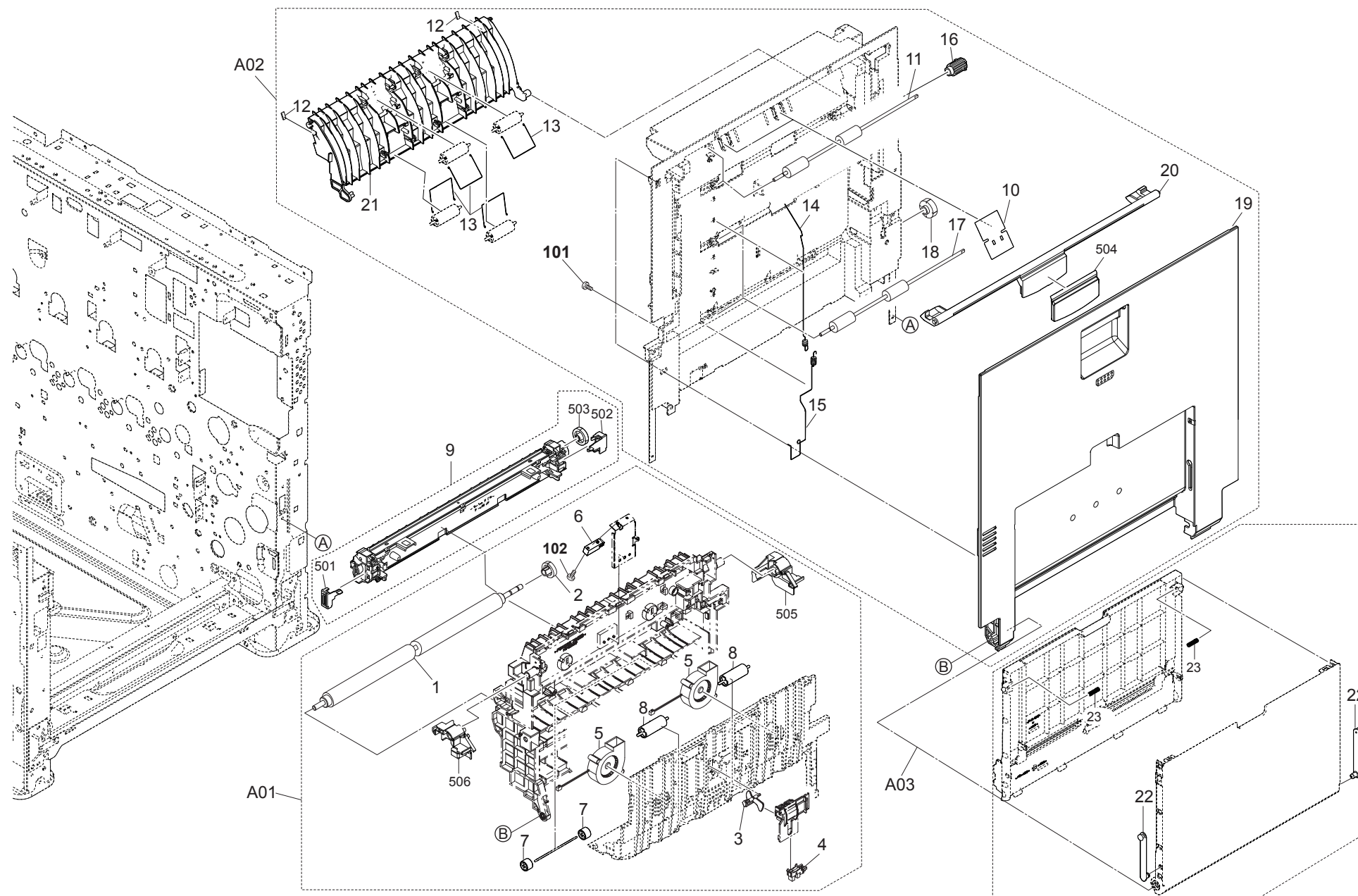


FIG. 7 Paper Conveying Section

2P3/2P4/2WC-1

Ref. No. 番号	Part.No. 部品番号	Description 部品名称	Notes 備考	Revision 改訂	Quantity 個数			
					100 (日本)	120	230	240
A01	302P394010	PARTS CONVEYING UNIT SP			1	1	1	1
1	+302K094420	PARTS ROLLER REGIST RIGHT SP			1	1	1	1
2	+302K394330	PARTS GEAR REGIST Z24R SP			1	1	1	1
3	+302K329040	ACTUATOR DU			1	1	1	1
4	+7NXGP1S173LCH01	SENSOR OPT.			1	1	1	1
5	+302HN44210	FAN MOTOR			2	2	2	2
6	+3H327410	SENSOR,CONVEYING			1	1	1	1
7	+302MV24030	PULLEY MIDDLE			4	4	4	4
8	+302K329020	PULLEY DU			4	4	4	4
9	302P393010	TR-8115B			1	1	1	1
A02	302P394020	PARTS COVER RIGHT ASSY SP			1	1	1	1
10	+302K029100	SPONGE RIGHT COVER			2	2	2	2
11	+302K094390	PARTS ROLLER DU B SP			2	2	2	2
12	+302P329020	SHEET GUIDE CHANGE		1: Part No.-chg.	2	2	2	2
13	+302K029080	SPRING DU FEED			4	4	4	4
14	+302K029070	WIRE EARTH DU B			1	1	1	1
15	+302K029060	WIRE EARTH DU A			1	1	1	1
16	+302K029030	PULLEY DU 26 B			1	1	1	1
17	+302K394250	PARTS ROLLER DU SP			2	2	2	2
18	+302K394400	PARTS GEAR DU Z27L SP			1	1	1	1
19	+302K004271	COVER RIGHT MIDDLE			1	1	1	1
20	+302K304520	HOOK RIGHT COVER			1	1	1	1
21	+302P329010	GUIDE EXIT RIGHT B			1	1	1	1
A03	302K394471	PARTS MPF TABLE ASSY SP			1	1	1	1
22	+302K308460	STRAP LINK MPF			2	2	2	2
23	+302FB17700	SPRING BYPASS TEBLE			2	2	2	2
101	7BB200308H	+BIND T.T P SCREW 3X8						
102	7BB607312H	+TP-CUP M SCREW 3X12 R						

• Parts with a Ref.No. of 500 and above in the illustration indicate they are not selected for service parts.

• イラスト中で 500 番台の Ref 番号が付いている部品はサービスパーツに選定されていません。

FIG. 8 Scanner Section(24ppm(A))

2P3/2P4/2WC-1

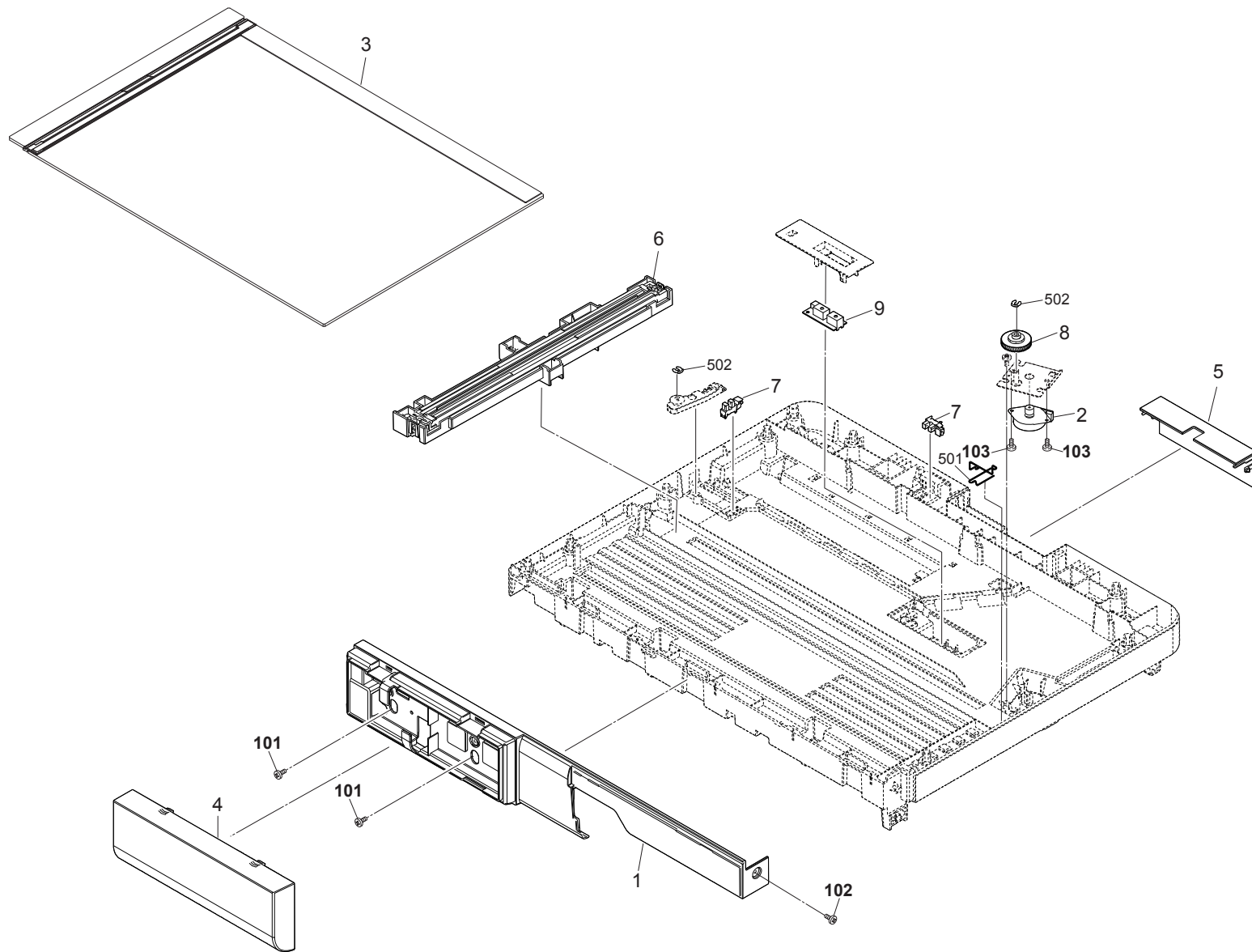


FIG. 9 Scanner Section(24ppm(B)/30ppm)

2P3/2P4/2WC-1

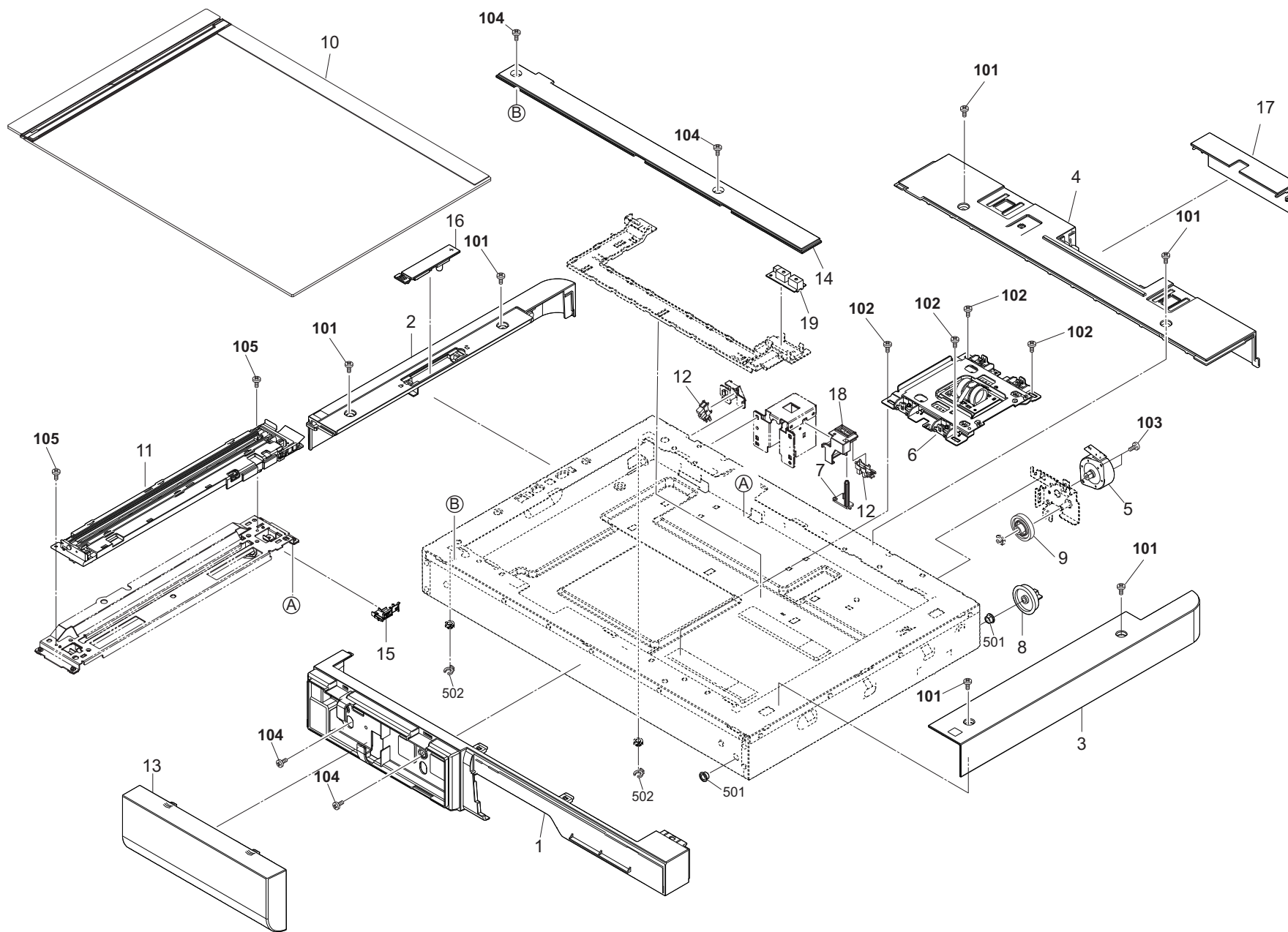


FIG. 10 Laser Scanner Section

2P3/2P4/2WC

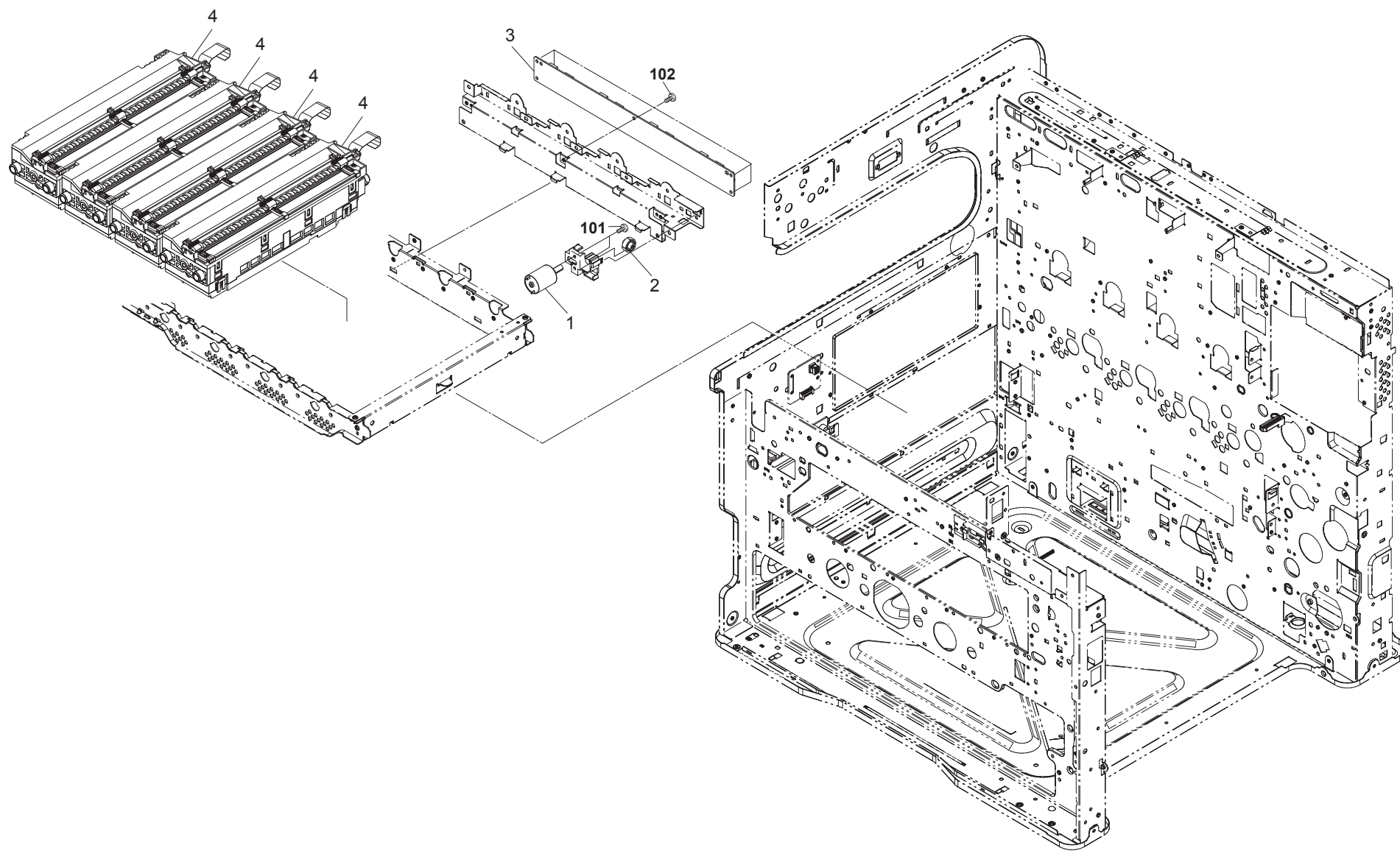


FIG. 10 Laser Scanner Section

2P3/2P4/2WC-1

Ref. No. 番号	Part.No. 部品番号	Description 部品名称	Notes 備考	Revision 改訂	Quantity 個数			
					100 (日本)	120	230	240
1	302K094090	PARTS MOTOR-DC ASSY C SP			1	1	1	1
2	302K994520	PARTS GEAR Z32L SP			1	1	1	1
3	302P394070	PARTS PWB LSU CONNECT ASSY SP	30ppm		1	1	1	1
3	302P494010	PARTS PWB LSU CONNECT ASSY SP	24ppm(A)/24ppm(B)	1:Others	1	1	1	1
4	302P393110	LK-8115	30ppm			4	4	4
4	302P493010	LK-8116	24ppm(A)/24ppm(B)	1:Others	4	4	4	4
101	7BB000303H	+BIND M SCREW 3X3						
102	7BB700308H	+BIND T.T S SCREW 3X8 SR						

• Parts with a Ref.No. of 500 and above in the illustration indicate they are not selected for service parts.

• イラスト中で 500 番台の Ref 番号が付いている部品はサービスパーツに選定されていません。

FIG. 11 Developer Section

2P3/2P4/2WC

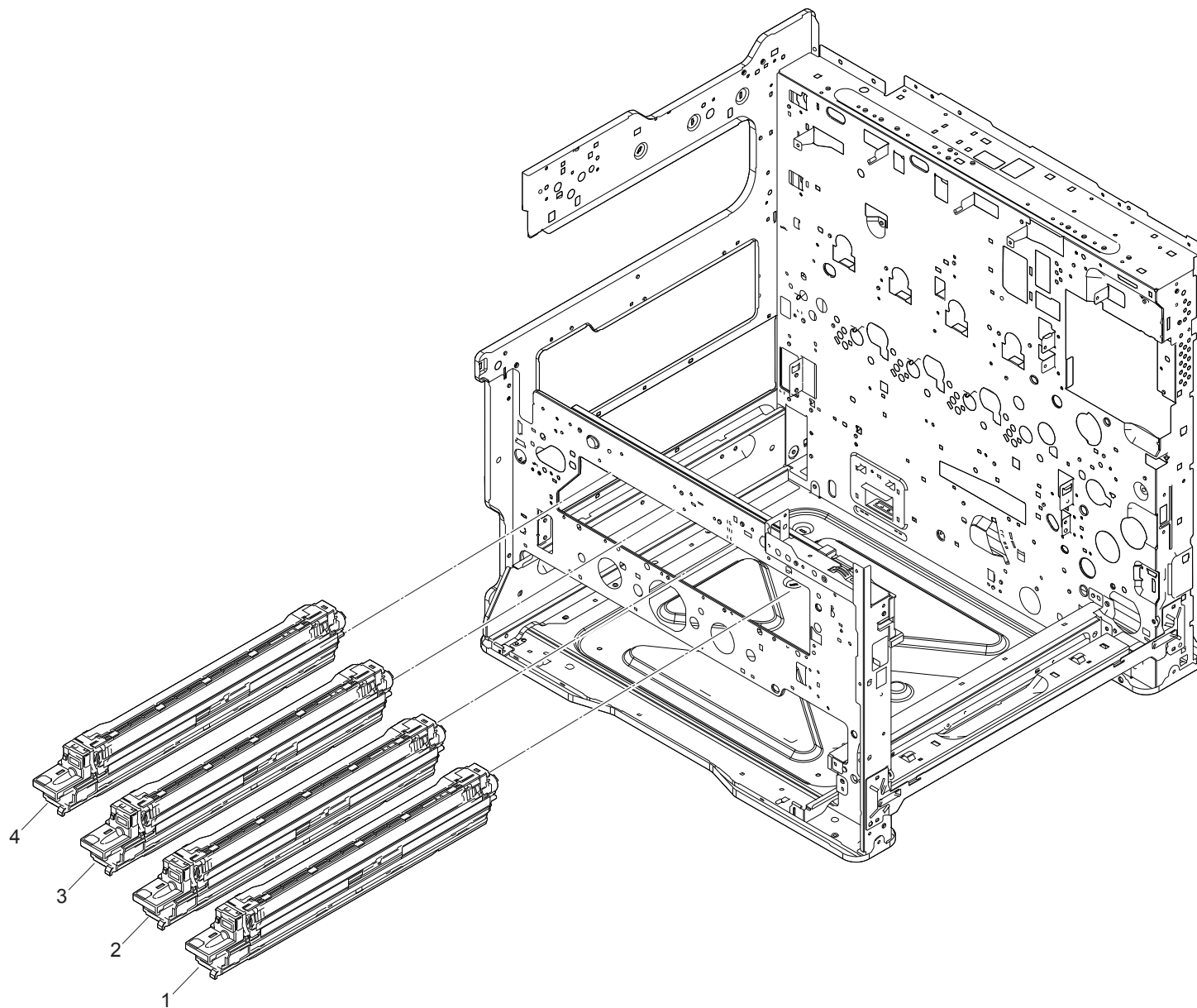


FIG. 12 Image Formation Section

2P3/2P4/2WC

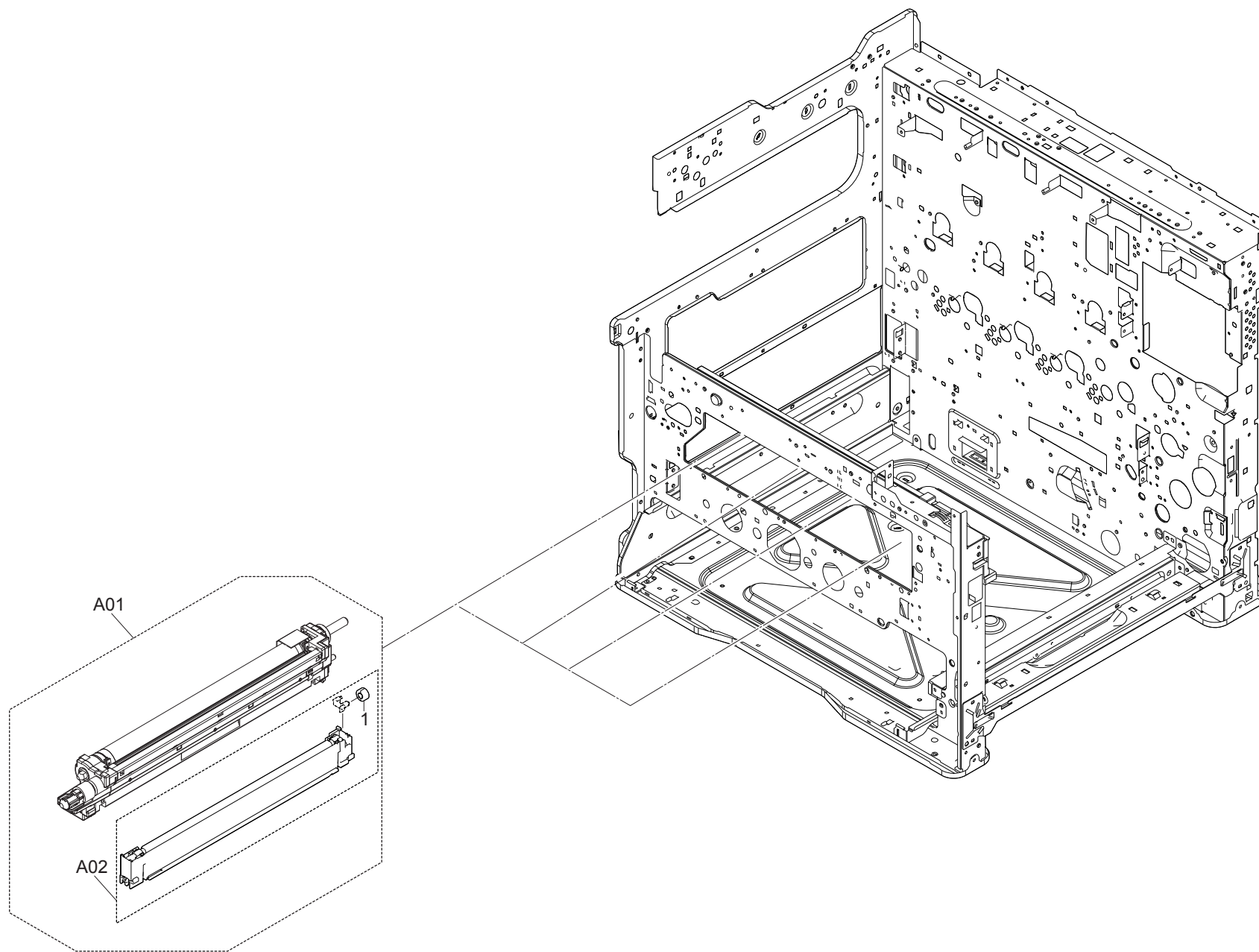


FIG. 13 Transfer Section

2P3/2P4/2WC

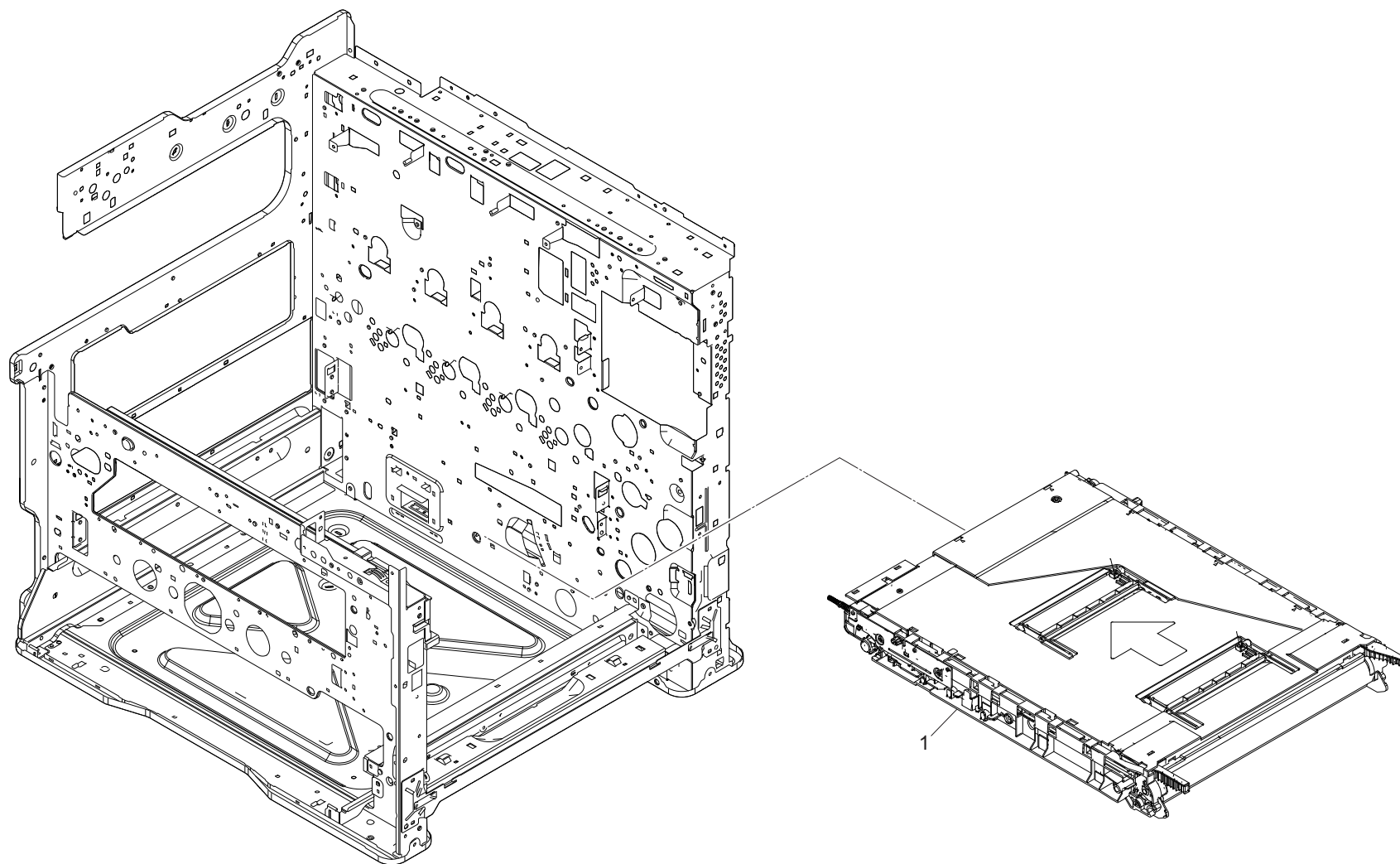


FIG. 14 Fuser Section

2P3/2P4/2WC

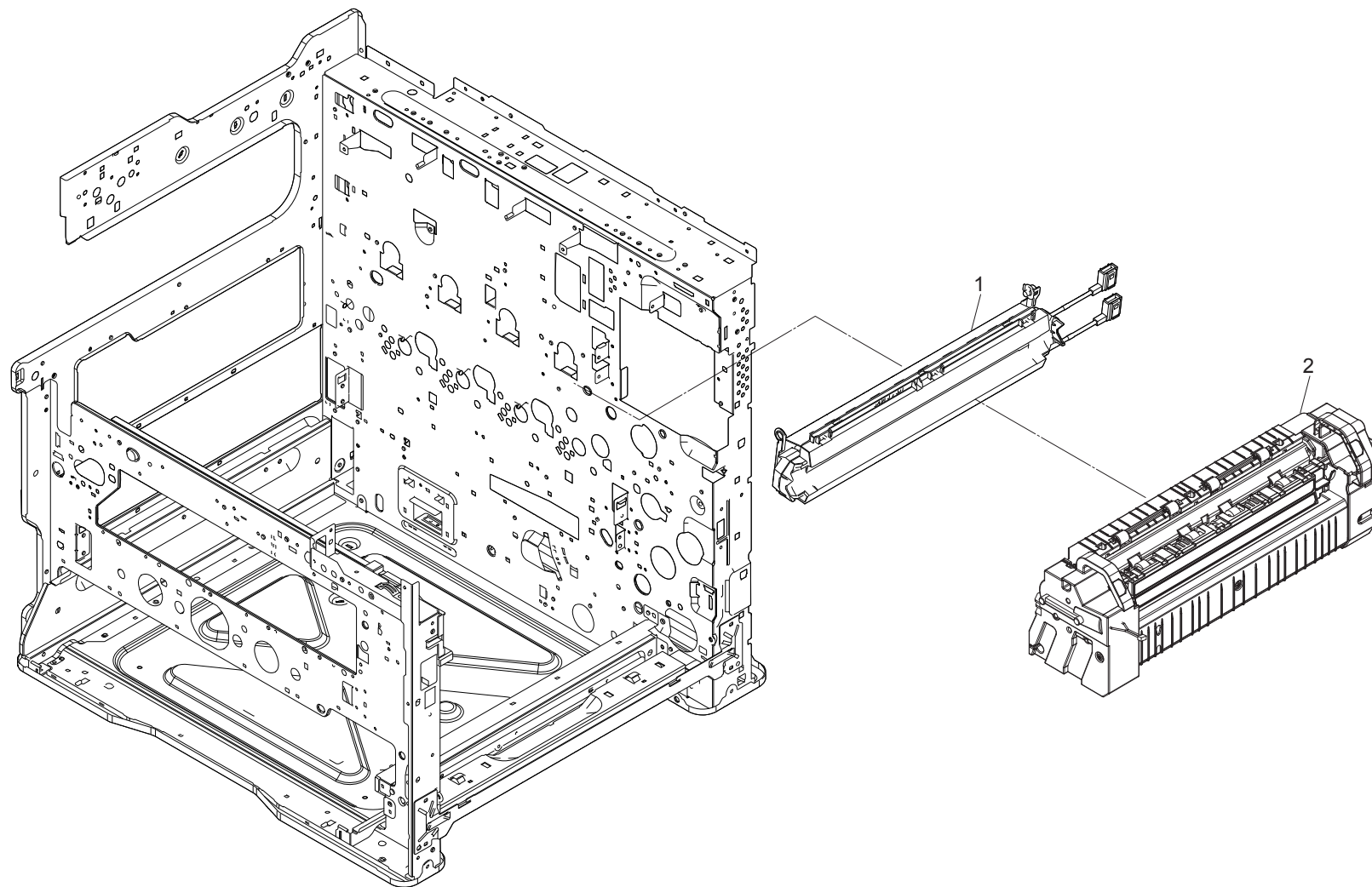


FIG. 15 Drive Section

2P3/2P4/2WC

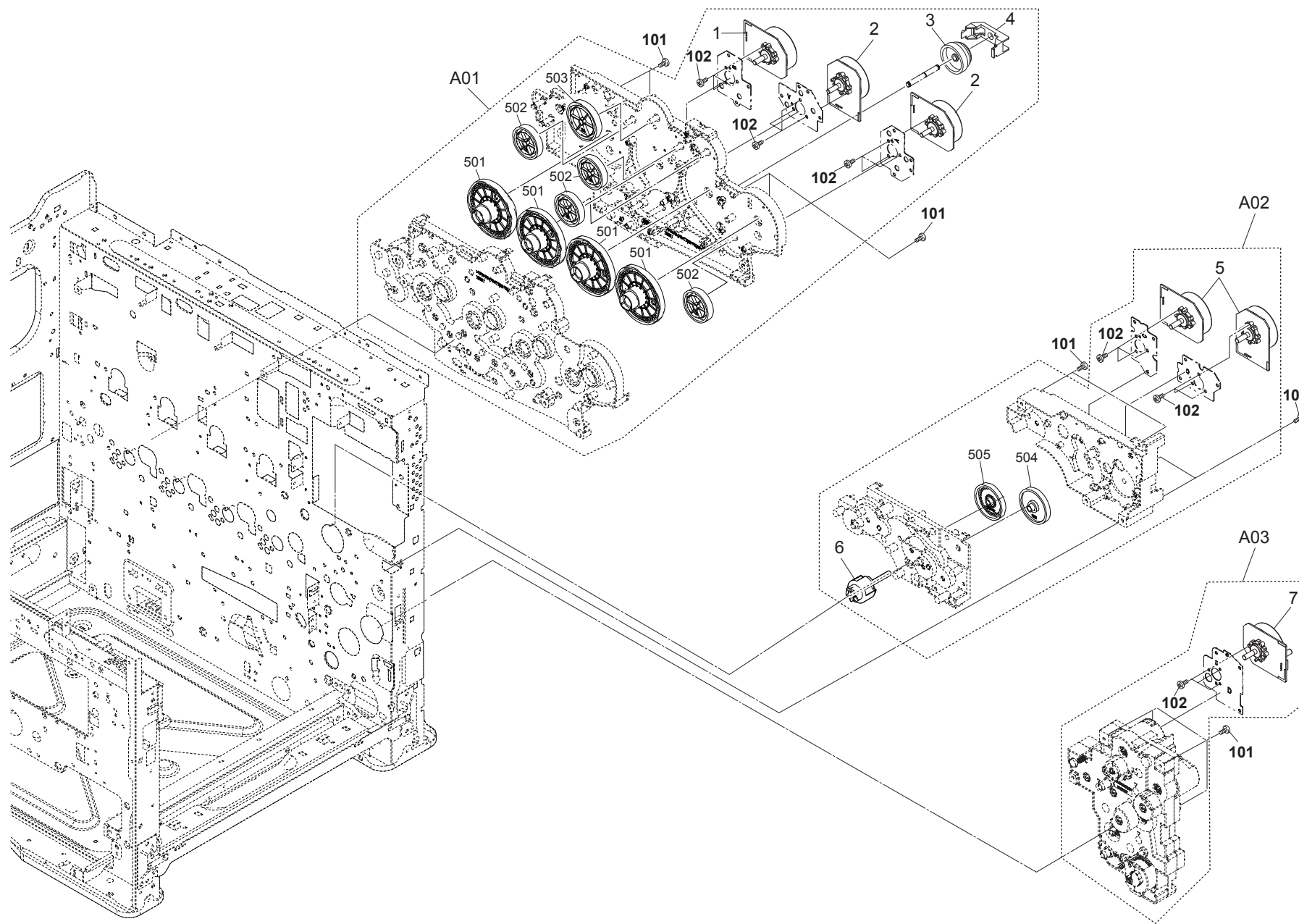


FIG. 15 Drive Section

2P3/2P4/2WC-1

Ref. No. 番号	Part.No. 部品番号	Description 部品名称	Notes 備考	Revision 改訂	Quantity 個数			
					100 (日本)	120	230	240
A01	302K093125	DR-895A		1: Design-chg.	1	1	1	1
1	*302K994333	PARTS MOTOR-BL W30 SP			1	1	1	1
2	*302LC94302	PARTS MOTOR-BL W20 DRUM SP			2	2	2	2
3	*302K094320	PARTS CLUTCH 50 Z45L SP			1	1	1	1
4	*302K031450	HOLDER CLUTCH			1	1	1	1
A02	302K093134	DR-895B			1	1	1	1
5	*302K994323	PARTS MOTOR-BL W20 SP			2	2	2	2
6	*302K094640	PARTS DRIVE MIDDLE TRANS SP			1	1	1	1
A03	302K093143	DR-895C			1	1	1	1
7	*302K994323	PARTS MOTOR-BL W20 SP			1	1	1	1
101	7BB700308H	+BIND T.T S SCREW 3X8 SR						
102	7BB000304H	+BIND M SCREW 3X4						

• Parts with a Ref.No. of 500 and above in the illustration indicate they are not selected for service parts.

• イラスト中で 500 番台の Ref 番号が付いている部品はサービスパーツに選定されていません。

FIG. 16 Cooling Section

2P3/2P4/2WC

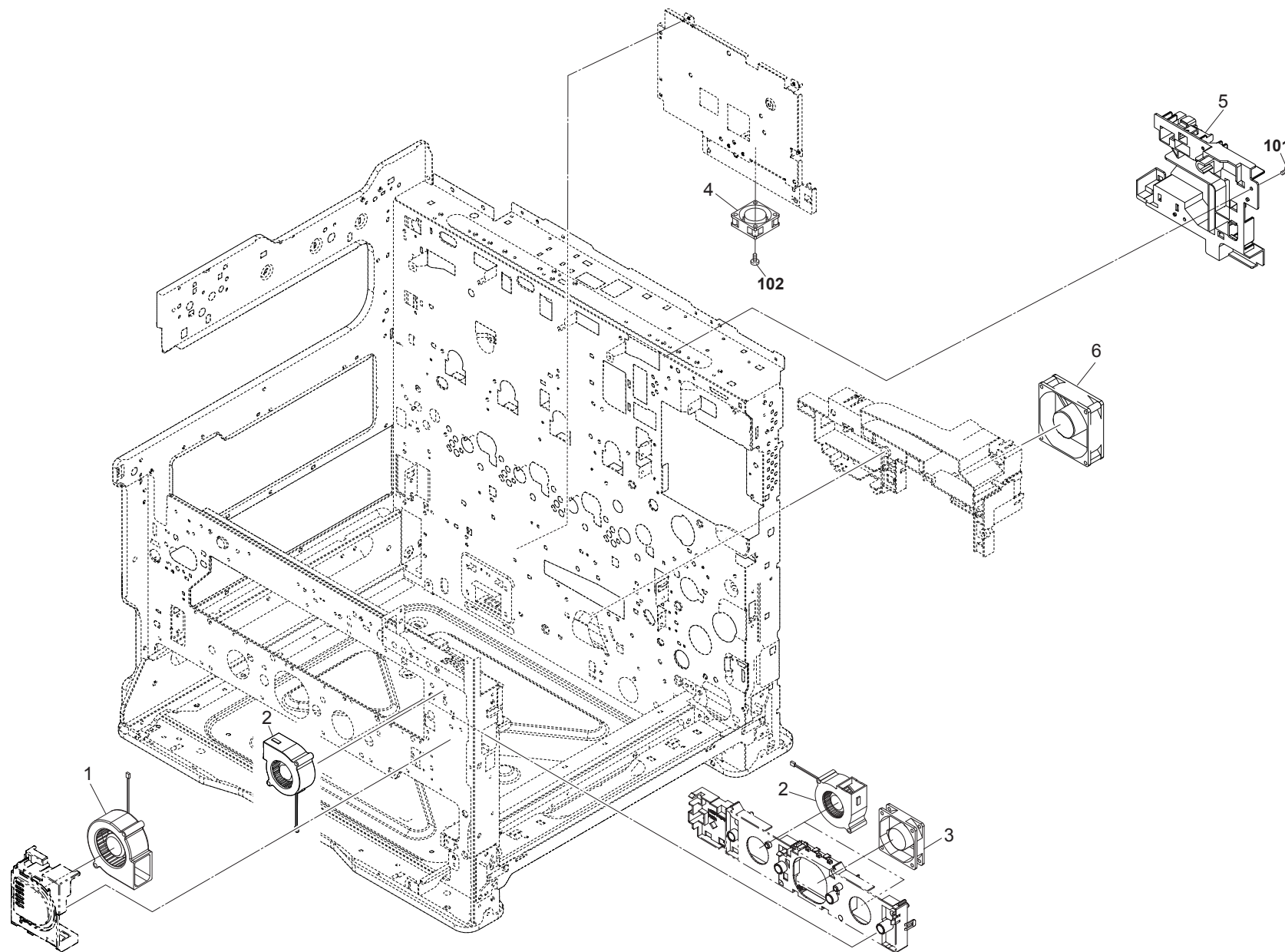


FIG. 17 Electrical Components

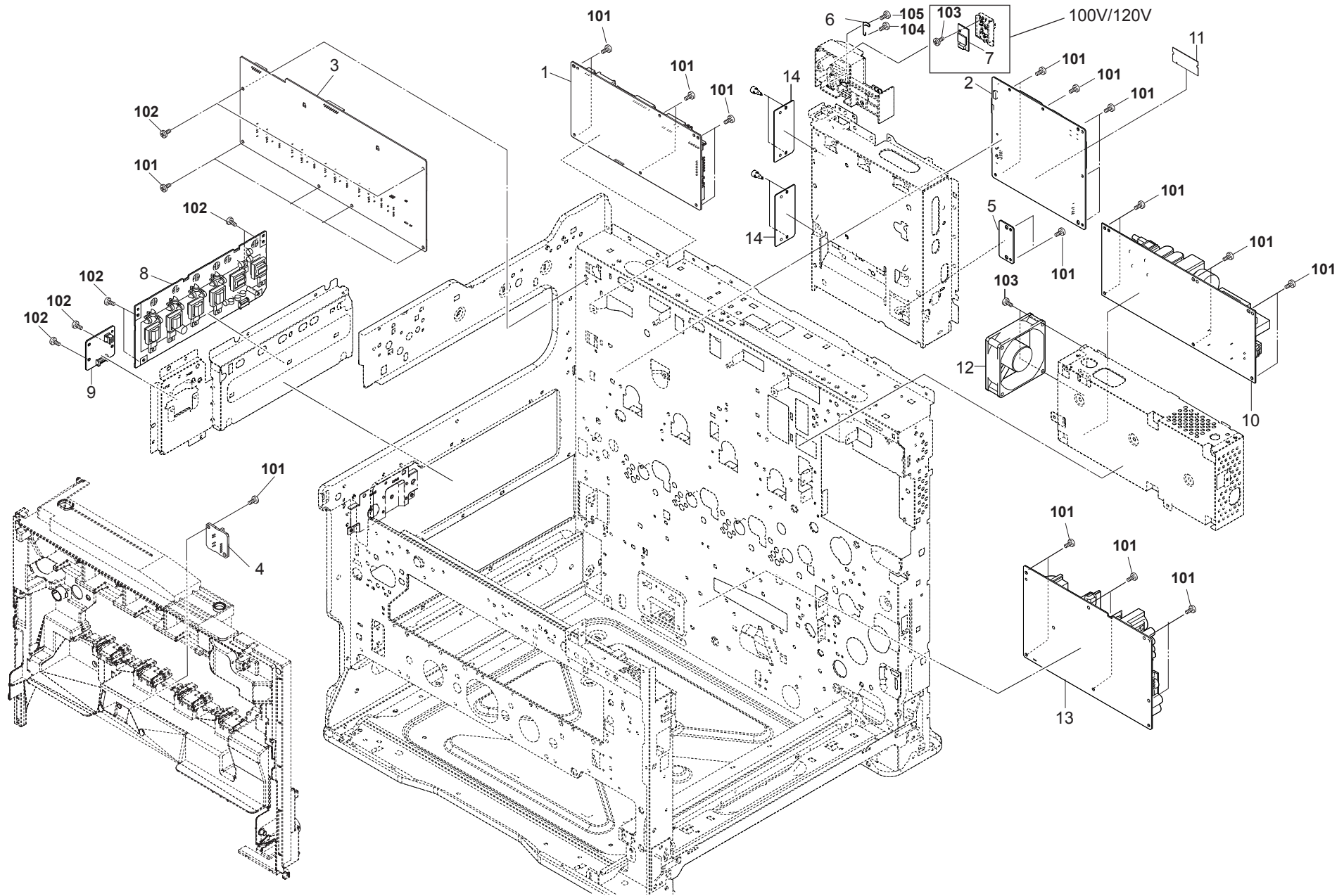


FIG. 18 Operation Section

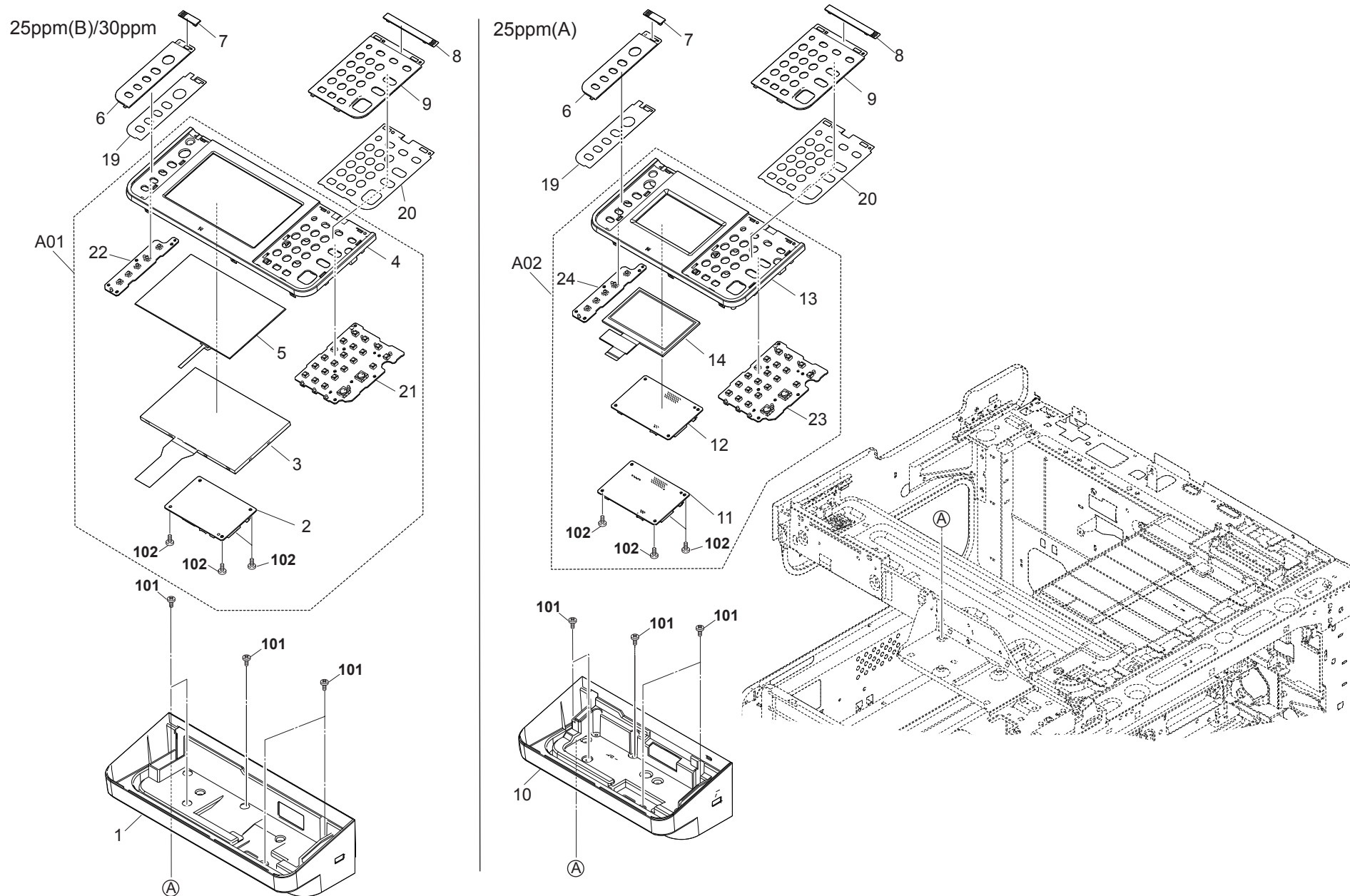


FIG. 18 Operation Section

2P3/2P4/2WC-2

Ref. No. 番号	Part.No. 部品番号	Description 部品名称	Notes 備考	Revision 改訂	Quantity 個数			
					100 (日本)	120	230	240
1	302P105020	COVER OPERATION LOW	24ppm(B)/30ppm	1:Others	1	1	1	1
A01	302P194070	PARTS OPERATION UNIT SP	30ppm			1	1	1
A01	302P194080	PARTS OPERATION UNIT J SP	24ppm(B)	1:Add	1			
2	*302P194160	PARTS PWB PANEL MAIN ASSY SP	24ppm(B)/30ppm	1:Others	1	1	1	1
3	*302NM94121	PARTS TABLET OPERATION SP	24ppm(B)/30ppm	1:Others	1	1	1	1
4	*302P105010	COVER OPERATION	30ppm			1	1	1
4	*302P105170	COVER OPERATION J	24ppm(B)	1:Add	1			
5	*302P194230	PARTS LCD OPERATION SP	24ppm(B)/30ppm	1:Others	1	1	1	1
21	*302P194330	PARTS PWB KEY RIGHT ASSY SP	24ppm(B)/30ppm	2:Add	1	1	1	1
22	*302P194340	PARTS PWB KEY LEFT ASSY SP	24ppm(B)/30ppm	2:Add	1	1	1	1
6	302P105040	COVER PANEL LEFT			1	1	1	1
7	302P105050	LID OPERATION LEFT			1	1	1	1
8	302P105120	LID OPERATION RIGHT			1	1	1	1
9	302P105030	COVER PANEL RIGHT			1	1	1	1
10	302P205020	COVER OPERATION LOW	24ppm(A)	1:Others	1	1	1	1
A02	302P294020	PARTS OPERATION UNIT J SP	24ppm(A)	1:Others	1			
A02	302P294010	PARTS OPERATION UNIT SP	24ppm(A)	1:Others		1	1	1
11	*302P294050	PARTS PWB PANEL MAIN ASSY SP	24ppm(A)	1:Others	1	1	1	1
12	*302R494310	PARTS TABLET OPERATION SP	24ppm(A)	1:Others	1	1	1	1
13	*302P205080	COVER OPERATION J	24ppm(A)	1:Others	1			
13	*302P205010	COVER OPERATION	24ppm(A)	1:Others		1	1	1
14	*302P294060	PARTS LCD OPERATION SP	24ppm(A)	1:Others	1	1	1	1
23	*302P194330	PARTS PWB KEY RIGHT ASSY SP	24ppm(A)	2:Add	1	1	1	1
24	*302P194340	PARTS PWB KEY LEFT ASSY SP	24ppm(A)	2:Add	1	1	1	1
15				2:Del				
16				2:Del				
17				2:Del				
18				2:Del				
19	302P105530	SHEET OPERATION LEFT EN				1	1	1
19	302P105510	SHEET OPERATION LEFT JP		1:Others	1			
20	302P105520	SHEET OPERATION RIGHT EN				1	1	1
20	302P105500	SHEET OPERATION RIGHT JP		1:Others	1			

• Parts with a Ref.No. of 500 and above in the illustration indicate they are not selected for service parts.

• イラスト中で 500 番台の Ref 番号が付いている部品はサービスパーツに選定されていません。

FIG. 19 Wire Sections 1

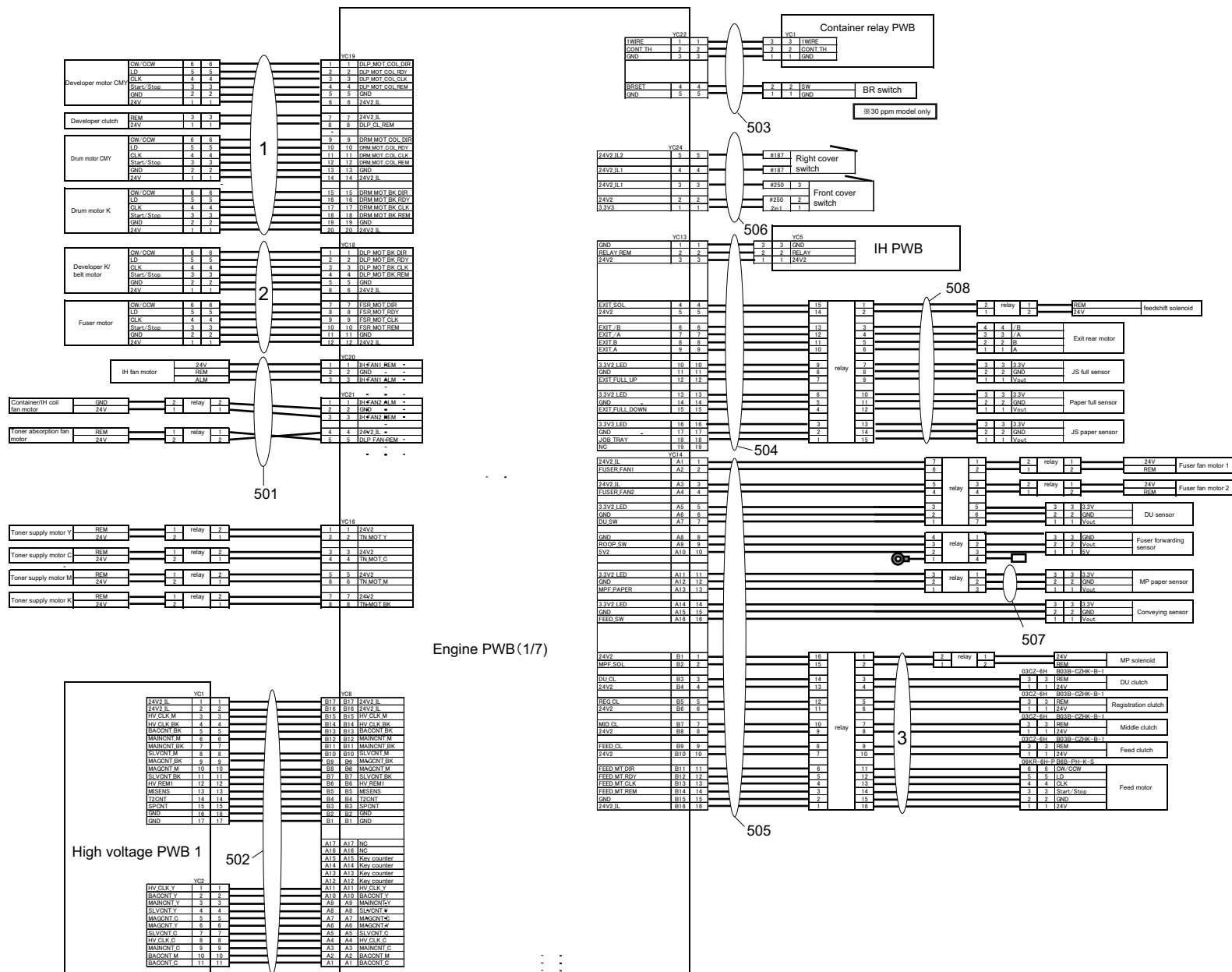


FIG. 20 Wire Sections 2 (24ppm(A)/24ppm(B))

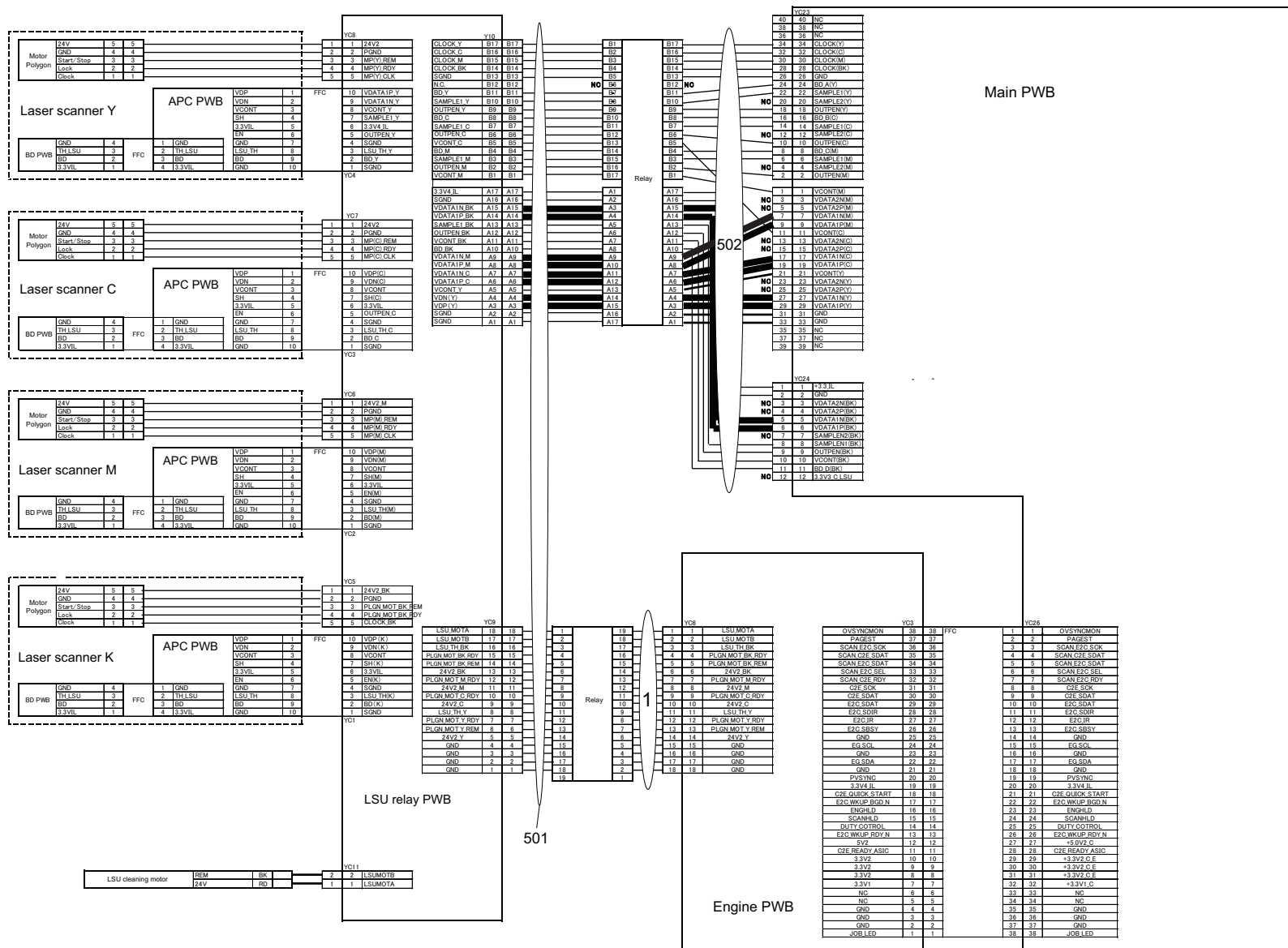


FIG. 22 Wire Sections 4

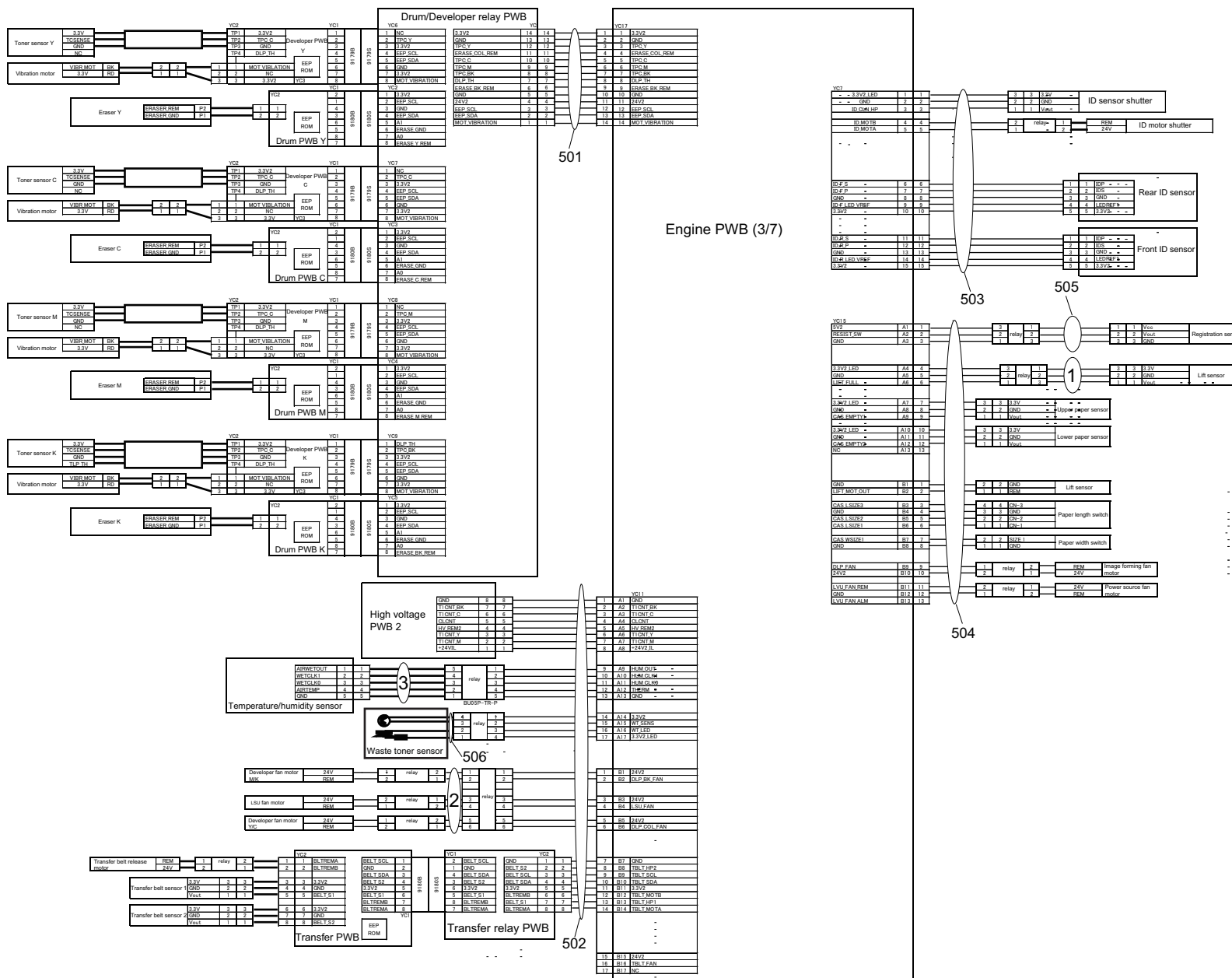


FIG. 23 Wire Sections 5

2P3/2P4/2WC

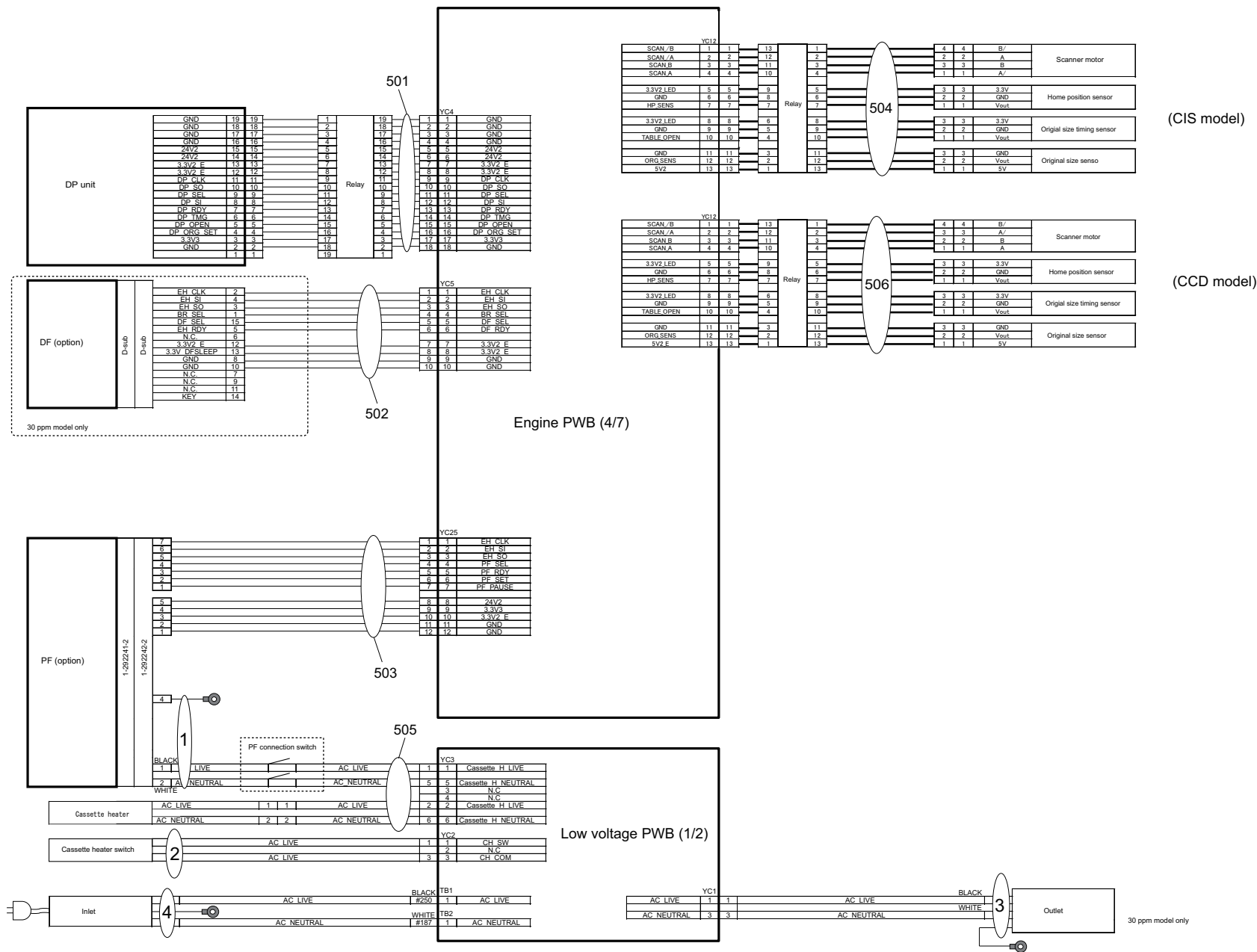


FIG. 24 Wire Sections 6

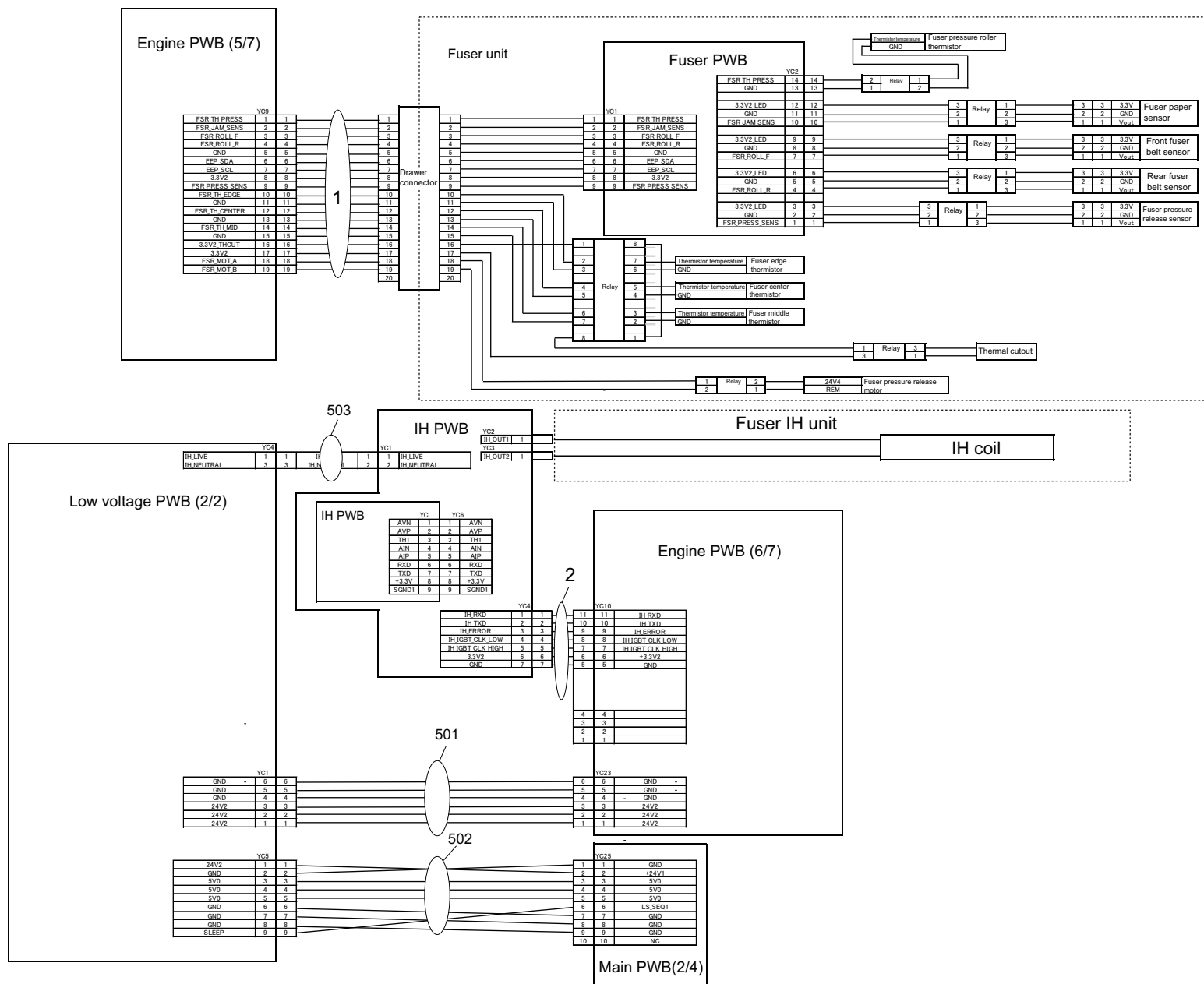


FIG. 25 Wire Sections 7

2P3/2P4/2WC

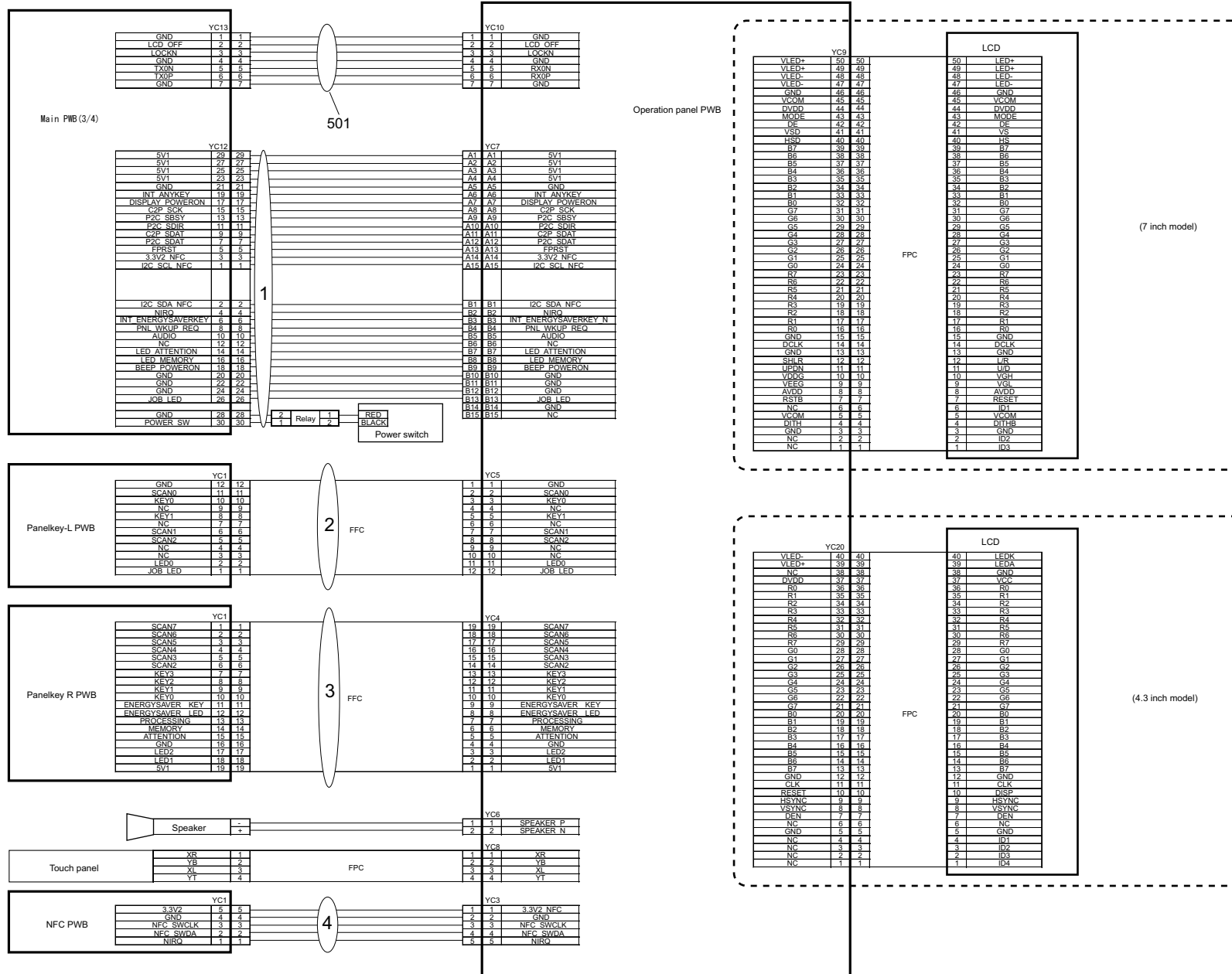


FIG. 27 Wire Sections 9

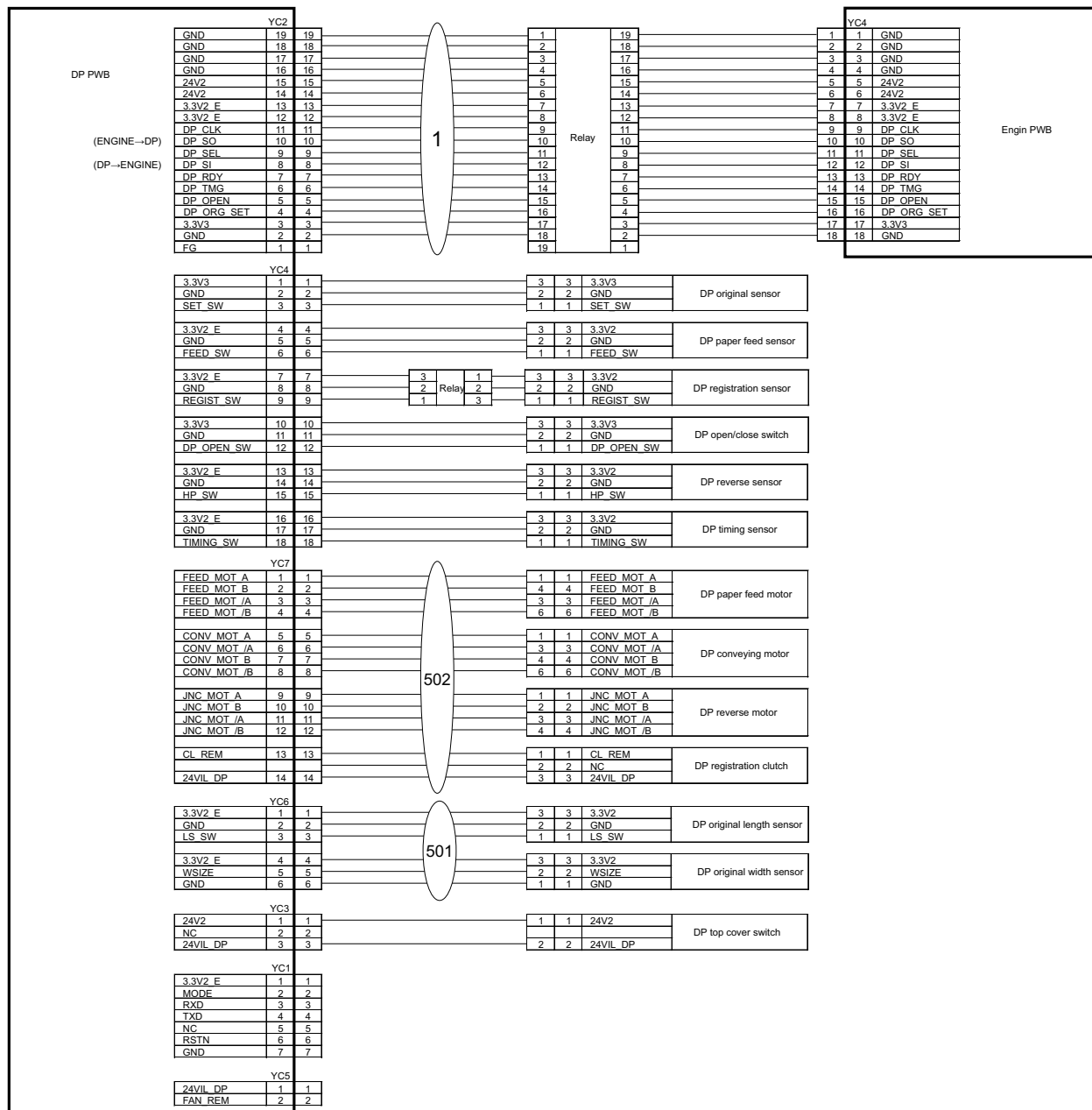


FIG. 28 DP ASSY SP

2P3/2P4/2WC

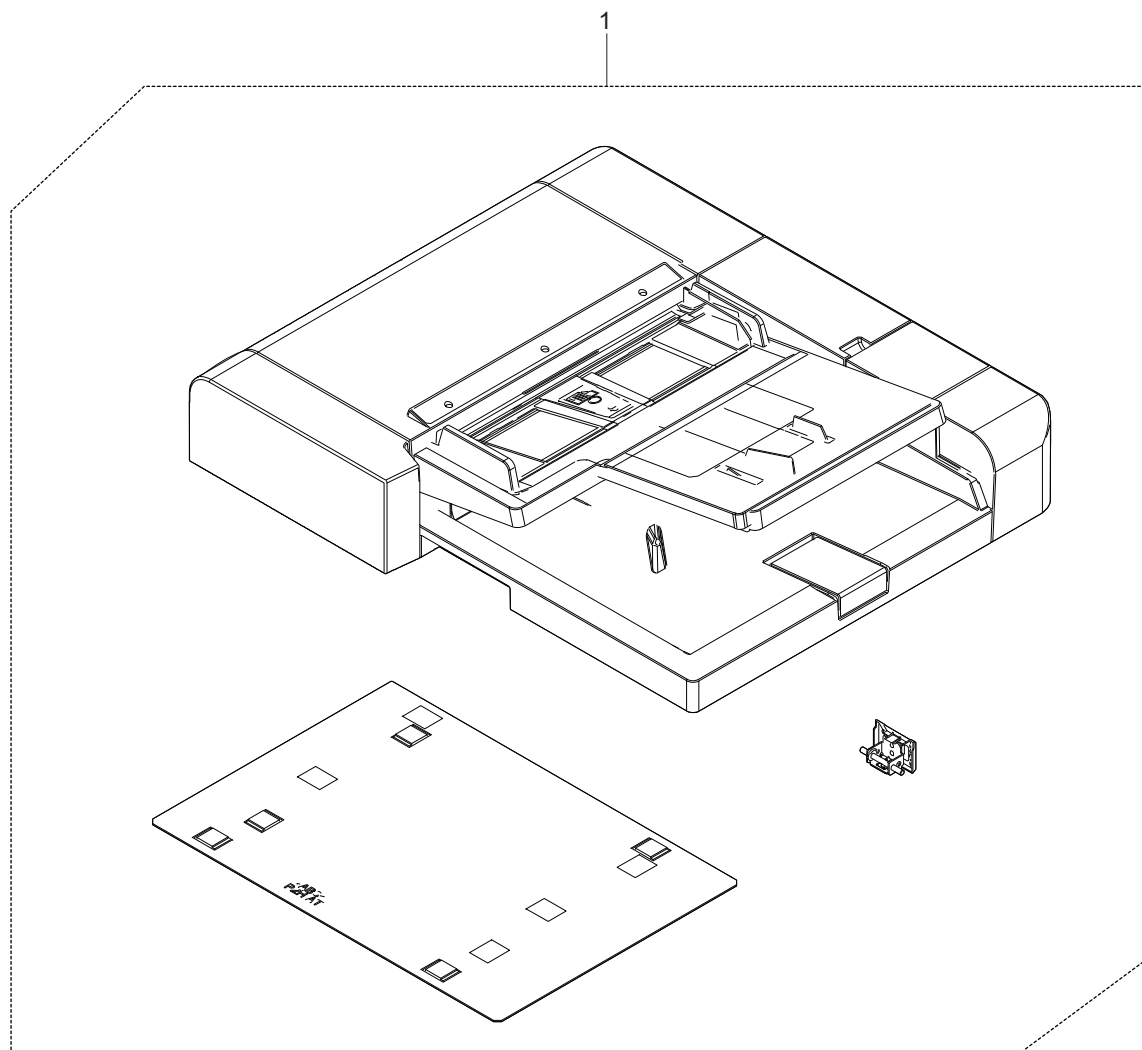


FIG. 29 DP Covers

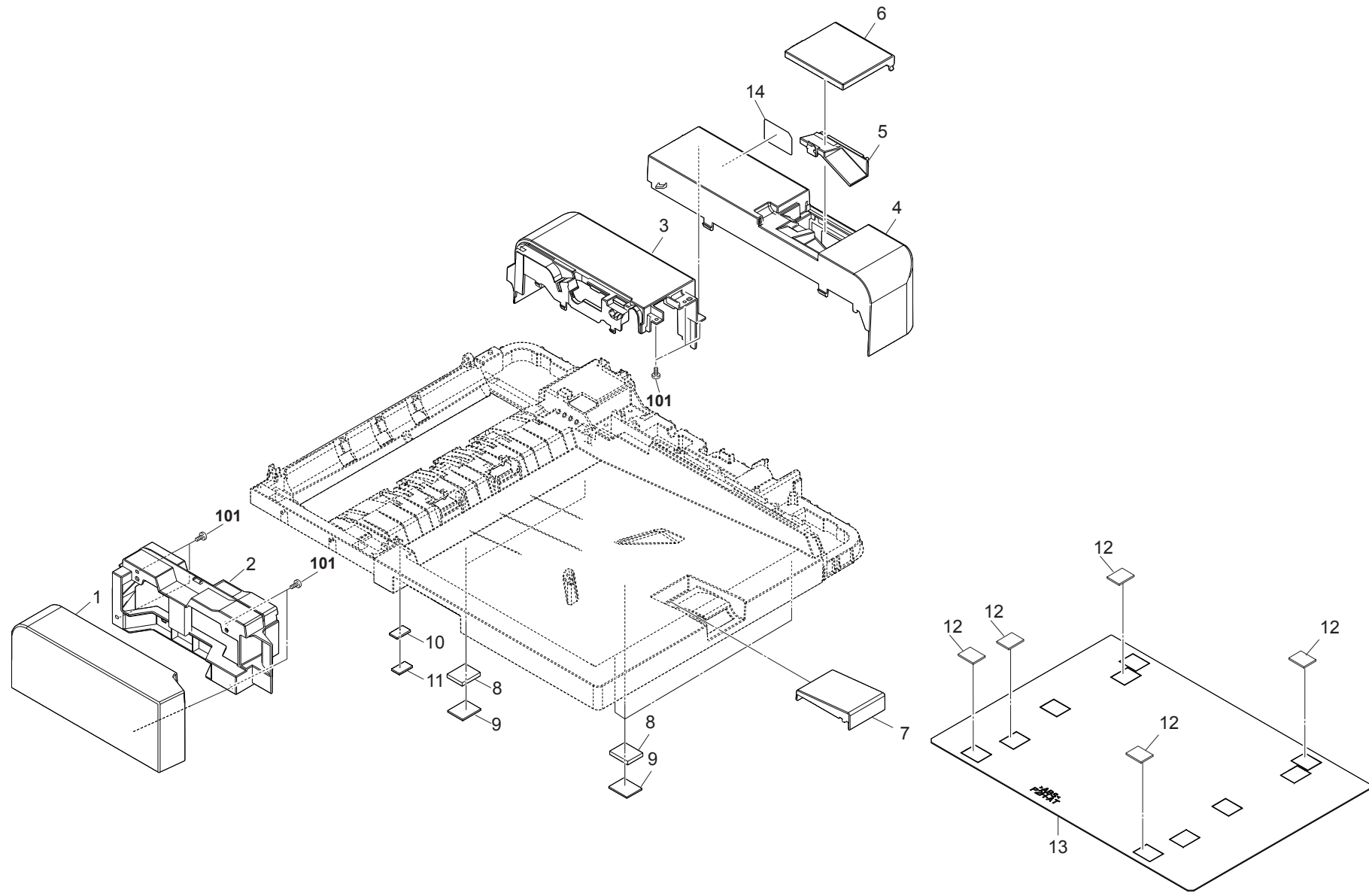


FIG. 29 DP Covers

2P3/2P4/2WC-2

Ref. No. 番号	Part.No. 部品番号	Description 部品名称	Notes 備考	Revision 改訂	Quantity 個数			
					100(日本)	120	230	240
1	302P118130	COVER FRONT			1	1	1	1
2	302P118250	COVER INNER			1	1	1	1
3	302P118140	COVER REAR A			1	1	1	1
4	302P118240	COVER REAR B			1	1	1	1
5	303RJ04140	LID INNER COVER			1	1	1	1
6	302P118340	COVER LID			1	1	1	1
7	302P118220	STOPPER EJECT			1	1	1	1
8	303PH02030	SPONGE ORIGINAL MAT FILM			5	5	5	5
9	303MX02031	CUSHION ORIGINAL MAT B			5	5	5	5
10	303M802320	SPONGE ORIGINAL MAT A			1	1	1	1
11	303J902370	CUSHION ORIGINAL MAT			1	1	1	1
12	303MX02021	CUSHION ORIGINAL MAT A			5	5	5	5
13	303JC04201	PLATE ORIGINAL			1	1	1	1
14	303R834011	LABEL CAUTION HINGE		2:Add	1	1	1	1
101	7BB200308H	+BIND T.T P SCREW 3X8						

• Parts with a Ref.No. of 500 and above in the illustration indicate they are not selected for service parts.

• イラスト中で 500 番台の Ref 番号が付いている部品はサービスパーツに選定されていません。

FIG. 30 DP Frames

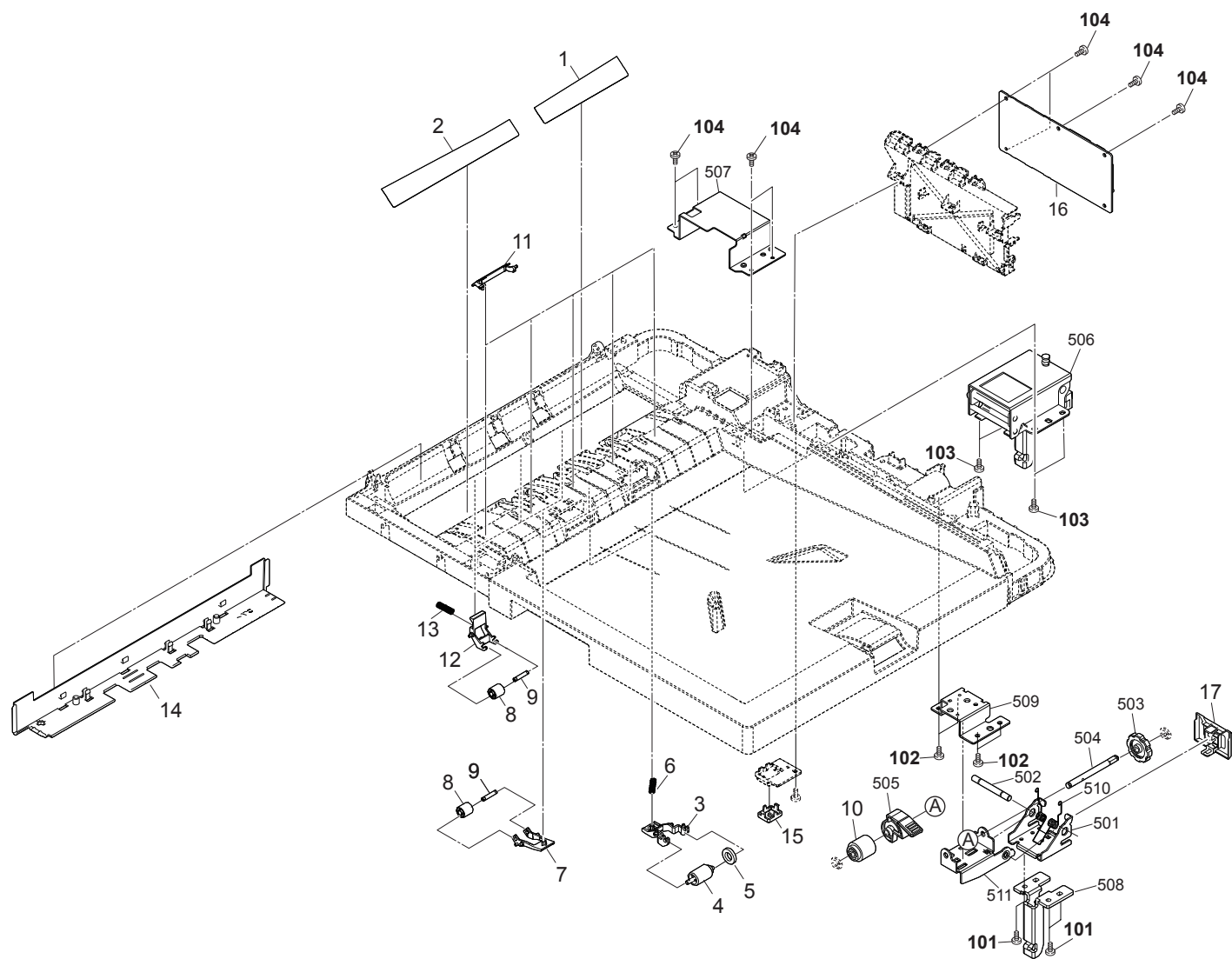


FIG. 31 DP Table Assy

2P3/2P4/2WC-2

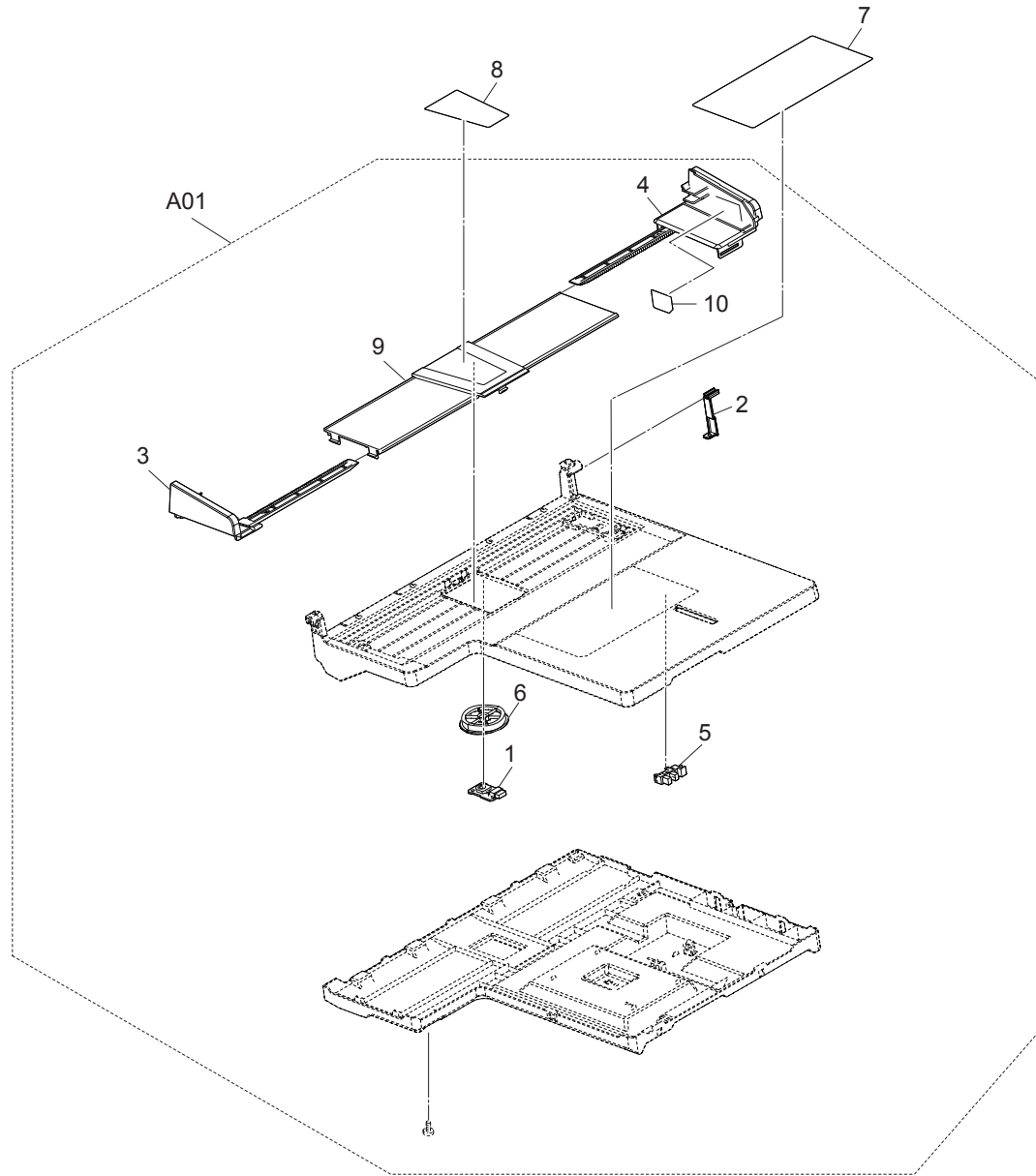


FIG. 31 DP Table Assy

2P3/2P4/2WC-2

Ref. No. 番号	Part.No. 部品番号	Description 部品名称	Notes 備考	Revision 改訂	Quantity 個数			
					100 (日本)	120	230	240
A01	302P194020	PARTS TABLE ASSY SP			1	1	1	1
1	*303R394050	PARTS PWB PAPER SIZE SENSOR ASSY SP			1	1	1	1
2	*303P706060	COVER TABLE WIRE			1	1	1	1
3	*302P118200	CURSOR FRONT			1	1	1	1
4	*302P118210	CURSOR REAR			1	1	1	1
5	*303M894260	PARTS SENSOR OPT SP			1	1	1	1
6	*303R706060	GEAR DETECTION			1	1	1	1
9	*303R706050	COVER CURSOR		2:Add	1	1	1	1
10	*303R734030	LABEL ORIGINAL MAX		2:Add	1	1	1	1
7	303RJ34040	LABEL CAUTION JP		1:Part No.-chg.	1			
7	303R734060	LABEL CAUTION IN				1	1	1
7				1:Del				
8	303R834040	LABEL FACE UP JP			1			
8	303R834050	LABEL FACE UP EN				1	1	1

• Parts with a Ref.No. of 500 and above in the illustration indicate they are not selected for service parts.

• イラスト中で 500 番台の Ref 番号が付いている部品はサービスパーツに選定されていません。

FIG. 32 DP Paper Feed Section

2P3/2P4/2WC

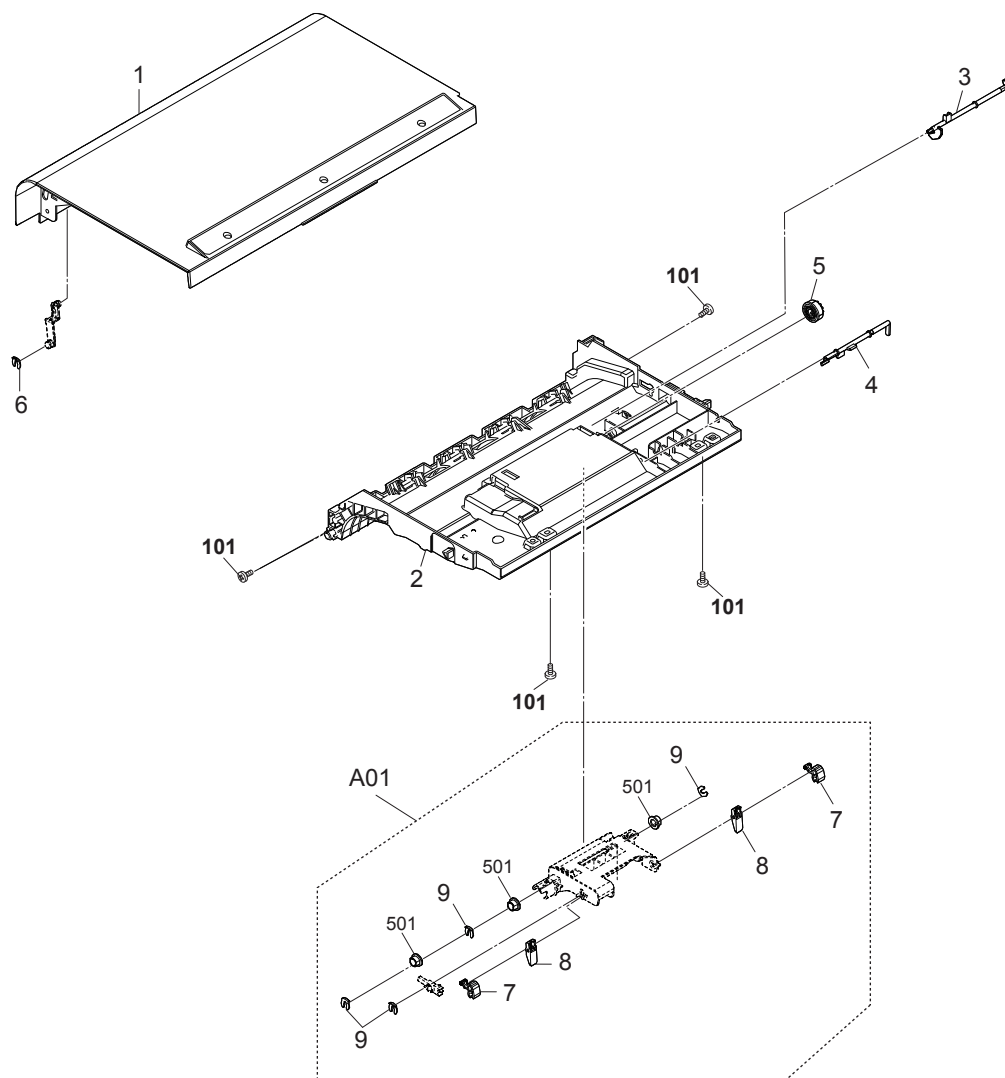


FIG. 32 DP Paper Feed Section

2P3/2P4/2WC

Ref. No. 番号	Part.No. 部品番号	Description 部品名称	Notes 備考	Revision 改訂	Quantity 個数			
					100 (日本)	120	230	240
1	302P118150	COVER PF			1	1	1	1
2	302P118230	GUIDE CONVEYING UPPER			1	1	1	1
3	303P724090	ACTUATOR FEED			1	1	1	1
4	303P724160	ACTUATOR ORIGINAL SET			1	1	1	1
5	303P731120	GEAR Z21 CONT			1	1	1	1
6	5MVX111DN003	RING STOPPER /A-49 FEED A4			1	1	1	1
A01	302P194100	FEED ROLLER (DP)	service only		1	1	1	1
7	*303P707060	STOPPER PAPER			2	2	2	2
8	*303P707120	STOPPER PAPER B			2	2	2	2
9	*5MVX111DN003	RING STOPPER /A-49 FEED A4			4	4	4	4
101	7BB200308H	+BIND T.T P SCREW 3X8						

• Parts with a Ref.No. of 500 and above in the illustration indicate they are not selected for service parts.

• イラスト中で 500 番台の Ref 番号が付いている部品はサービスパーツに選定されていません。

FIG. 33 DP Paper Conveying Section

2P3/2P4/2WC-2

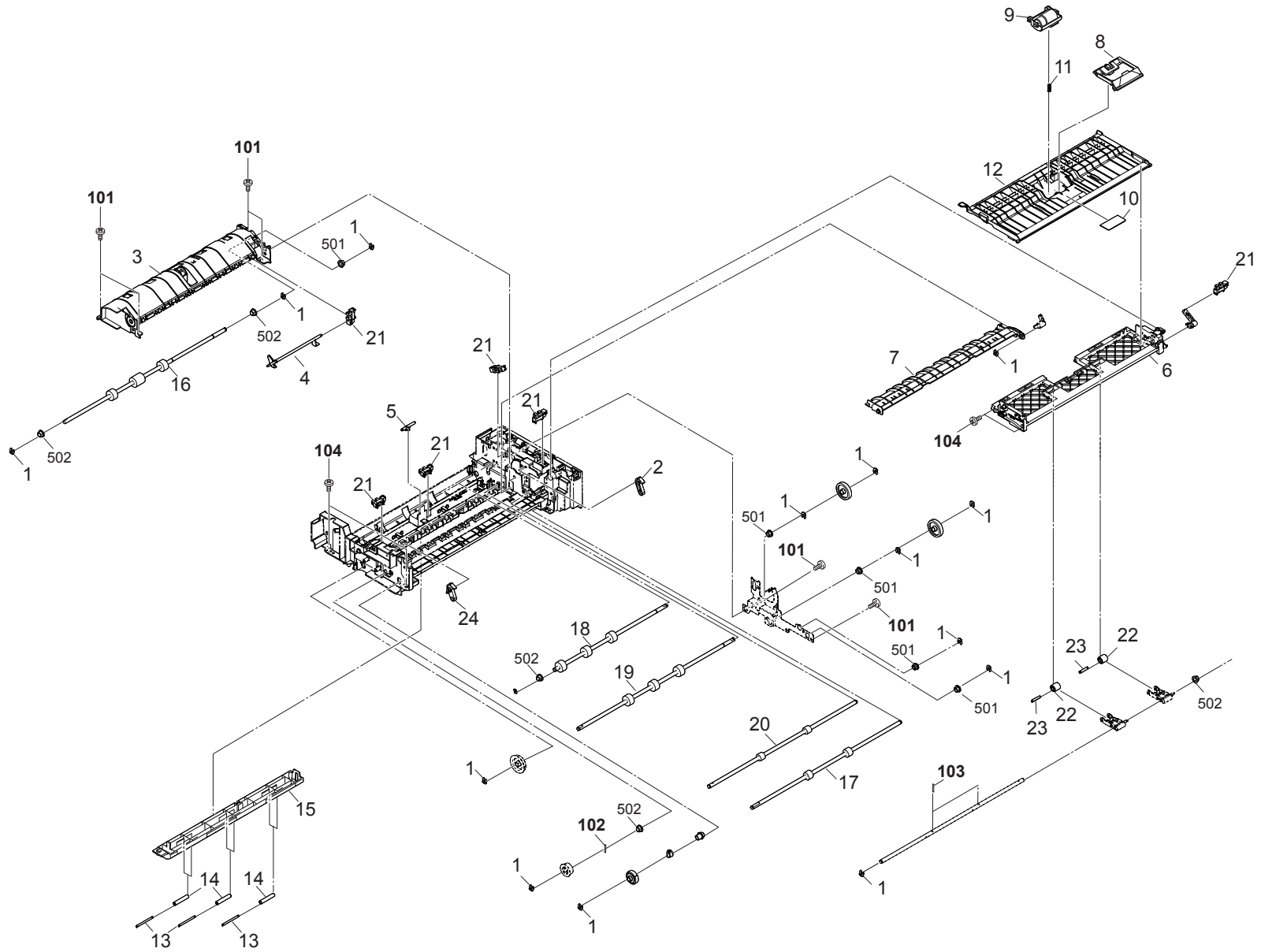


FIG. 33 DP Paper Conveying Section

2P3/2P4/2WC-2

Ref. No. 番号	Part.No. 部品番号	Description 部品名称	Notes 備考	Revision 改訂	Quantity 個数			
					100(日本)	120	230	240
1	5MVX111DN003	RING STOPPER /A-49 FEEDA4			14	14	14	14
2	302P118550	HOOK REAR B			1	1	1	1
3	303P724030	GUIDE CONVEYING			1	1	1	1
4	303P724080	ACTUATOR REGISTRATION			1	1	1	1
5	303P724140	ACTUATOR TIMING			1	1	1	1
6	303P729010	GUIDE DUPLEX			1	1	1	1
7	303P729020	GUIDE SHIFT			1	1	1	1
8	302P194110	RETARD GUIDE (DP)	service only		1	1	1	1
9	302P194120	RETARD ROLLER (DP)	service only		1	1	1	1
10	3HK07240	FRICTION PLATE LF			1	1	1	1
11	303P707160	SPRING SEPARATION			1	1	1	1
12	302P118420	GUIDE PAPER FEED			1	1	1	1
13	303LL24190	PULLEY GUIDE READING			6	6	6	6
14	303M824130	SHAFT GUIDE READING			6	6	6	6
15	302P118260	GUIDE READING			1	1	1	1
16	302P194270	PARTS ROLLER REGIST SP			1	1	1	1
17	303P794050	PARTS ROLLER EXIT SP			1	1	1	1
18	303P794030	PARTS ROLLER CONVEYING A SP			1	1	1	1
19	302P194280	PARTS ROLLER CONVEYING B SP			1	1	1	1
20	303P794060	PARTS ROLLER LOOP SP			1	1	1	1
21	303M894260	PARTS SENSOR OPT SP			6	6	6	6
22	303M824210	PULLEY CONVEYING BK			2	2	2	2
23	303M824200	SHAFT PULLEY			2	2	2	2
24	303HL07161	FRONT HOOK PF COVER		2:Add	1	1	1	1
101	7BB200308H	+BIND T.T P SCREW 3X8						
102	7BP512012B0CH01	PARALLEL PIN 2.0X12						
103	7BP512016B0CH01	PARALLEL PIN 2.0X16						
104	7BB202310H	+TP-FLAT T.T P SCREW 3X10						

• Parts with a Ref.No. of 500 and above in the illustration indicate they are not selected for service parts.

• イラスト中で 500 番台の Ref 番号が付いている部品はサービスパーツに選定されていません。

FIG. 34 DP Drive Section

2P3/2P4/2WC

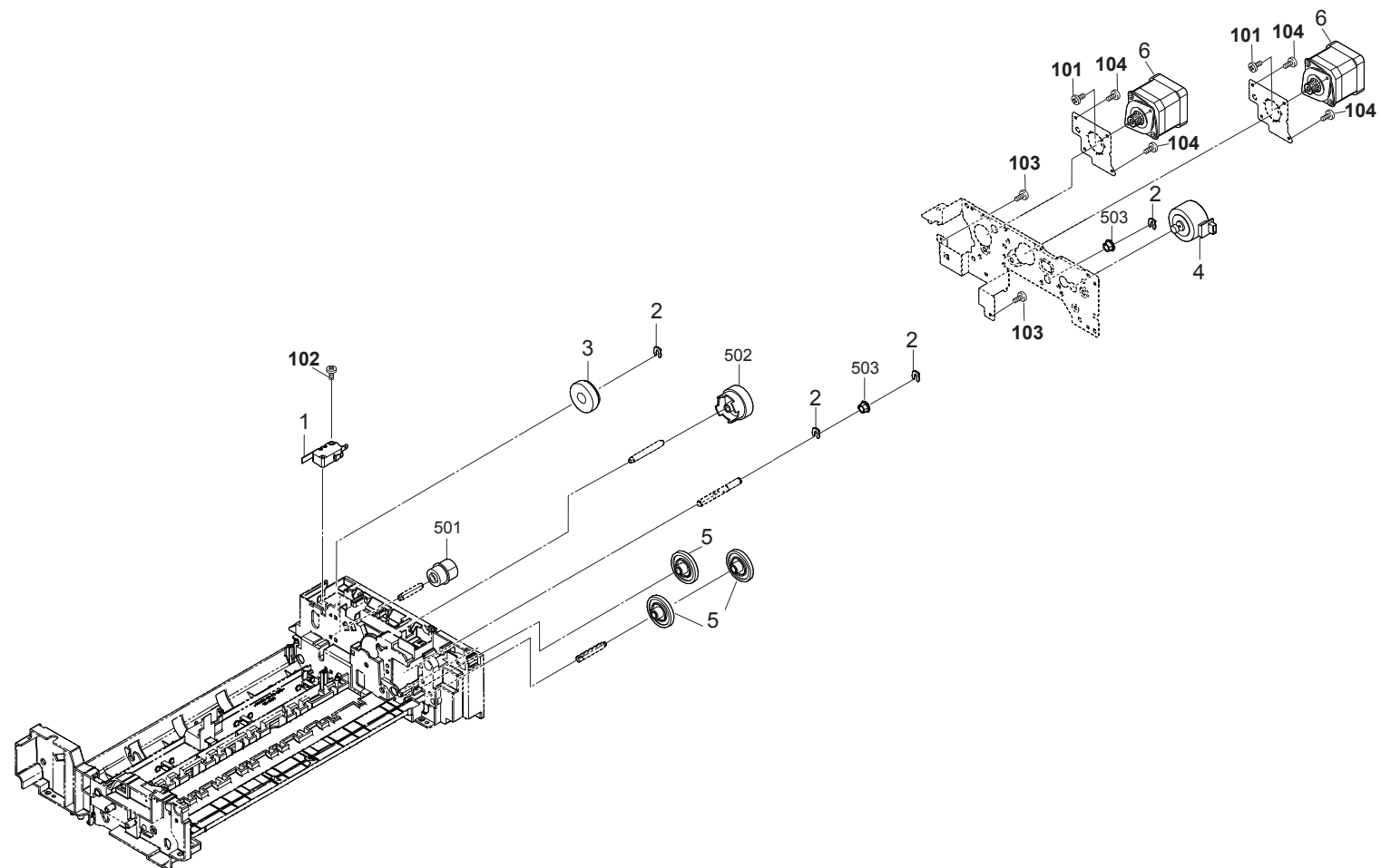
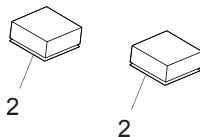


FIG. 35 Accessories

2P3/2P4/2WC-1

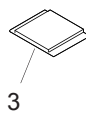


1

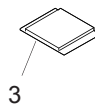


2

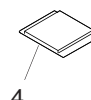
2



3



3



4



4

<p>Utiliser la vitre à l'attention pour les types de papier suivants:</p> <p>• Papier ordinaire • Papier à carbone • Papier à encre • Papier à encre • Papier à encre • Papier à encre</p> <p>Nettoyage du scanner Après avoir terminé le processus de copie, nettoyez la surface de verre et la bande de papier de documents avec le d'Hypon Tourti.</p> <p>Nettoyage pour les originaux mouillés Après avoir terminé le processus de copie, nettoyez la surface de verre et la bande de papier de documents avec le d'Hypon Tourti.</p> <p>Orientation des originaux Après avoir terminé le processus de copie, nettoyez la surface de verre et la bande de papier de documents avec le d'Hypon Tourti.</p>	<p>Nunca utilice el alimentador automático para originales con:</p> <p>• Papel ordinario • Papel a carbón • Papel a tinta • Papel a tinta • Papel a tinta • Papel a tinta</p> <p>Limpieza del escáner Después de haber terminado el proceso de copia, limpie la superficie de vidrio y la banda de papel de documentos con el papel Hypon Tourti.</p> <p>Limpieza de scanner Después de haber terminado el proceso de copia, limpie la superficie de vidrio y la banda de papel de documentos con el papel Hypon Tourti.</p> <p>Preparación de copia para Originals de tipo Tourti Después de haber terminado el proceso de copia, limpie la superficie de vidrio y la banda de papel de documentos con el papel Hypon Tourti.</p> <p>Preparação de cópia para Originals de tipo Tourti Después de haber terminado el proceso de copia, limpie la superficie de vidrio y la banda de papel de documentos con el papel Hypon Tourti.</p> <p>Preparação de cópia para Originals de tipo Tourti Después de haber terminado el proceso de copia, limpie la superficie de vidrio y la banda de papel de documentos con el papel Hypon Tourti.</p>	<p>Não use o alimentador automático para originais com:</p> <p>• Papel ordinário • Papel a carbona • Papel a tinta • Papel a tinta • Papel a tinta • Papel a tinta</p> <p>Limpeza do scanner Após o término do processo de cópia, limpe a superfície de vidro e a faixa de papel de documentos com o papel Hypon Tourti.</p> <p>Preparação de cópia para Originals de tipo Tourti Após o término do processo de cópia, limpe a superfície de vidro e a faixa de papel de documentos com o papel Hypon Tourti.</p> <p>Preparação de cópia para Originals de tipo Tourti Após o término do processo de cópia, limpe a superfície de vidro e a faixa de papel de documentos com o papel Hypon Tourti.</p> <p>Preparação de cópia para Originals de tipo Tourti Após o término do processo de cópia, limpe a superfície de vidro e a faixa de papel de documentos com o papel Hypon Tourti.</p>
---	--	--

5

<p>Verwenden Sie die-Taste um folgende Arten von Originals auszuwählen:</p> <p>• Kopierpapier • Kopierpapier • Kopierpapier • Kopierpapier • Kopierpapier • Kopierpapier</p> <p>Reinigen von dem Scanner Nachdem Sie den Kopierprozess abgeschlossen haben, reinigen Sie die Glaskappe und die Dokumentenbande mit dem Hypon Tourti.</p> <p>Reinigen von dem Scanner Nachdem Sie den Kopierprozess abgeschlossen haben, reinigen Sie die Glaskappe und die Dokumentenbande mit dem Hypon Tourti.</p> <p>Reinigen von dem Scanner Nachdem Sie den Kopierprozess abgeschlossen haben, reinigen Sie die Glaskappe und die Dokumentenbande mit dem Hypon Tourti.</p>	<p>Non utilizzare il alimentatore automatico di originali con:</p> <p>• Carta normale • Carta a carboni • Carta a inchiostro • Carta a inchiostro • Carta a inchiostro • Carta a inchiostro</p> <p>Pulizia della lente di copiatore Dopo aver terminato il processo di copiatura, pulisci la superficie del vetro e la banda di documenti con il foglio Hypon Tourti.</p> <p>Reinigen van de scanner Nadat u het kopiëren afgevoerd heeft, reinigt u het glazen deksel en de documentenband met het Hypon Tourti.</p> <p>Reinigen van de scanner Nadat u het kopiëren afgevoerd heeft, reinigt u het glazen deksel en de documentenband met het Hypon Tourti.</p>	<p>Do not use automatic paper feeder with original types:</p> <p>• Normal paper • Carbon paper • Ink paper • Ink paper • Ink paper • Ink paper</p> <p>Cleaning of the scanner After the copying process is completed, clean the glass cover and the document tray with the Hypon Tourti paper.</p> <p>Reinigen van de scanner Nadat u het kopiëren afgevoerd heeft, reinigt u het glazen deksel en de documentenband met het Hypon Tourti.</p> <p>Reinigen van de scanner Nadat u het kopiëren afgevoerd heeft, reinigt u het glazen deksel en de documentenband met het Hypon Tourti.</p>	<p>Permetto di scegliere automaticamente un tipo di originale:</p> <p>• Carta normale • Carta a carboni • Carta a inchiostro • Carta a inchiostro • Carta a inchiostro • Carta a inchiostro</p> <p>Reinigen van de scanner Nadat u het kopiëren afgevoerd heeft, reinigt u het glazen deksel en de documentenband met het Hypon Tourti.</p> <p>Reinigen van de scanner Nadat u het kopiëren afgevoerd heeft, reinigt u het glazen deksel en de documentenband met het Hypon Tourti.</p>
--	---	--	--

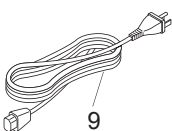
6



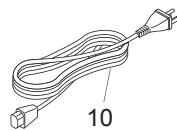
7



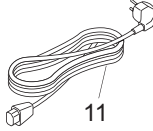
8



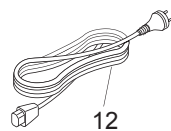
9



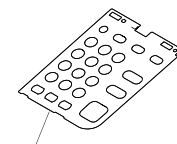
10



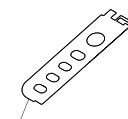
11



12



13,15,17,19,21,23,25



14,16,18,20,22,24,26



27

FIG. 35 Accessories

2P3/2P4/2WC-1

Ref. No. 番号	Part.No. 部品番号	Description 部品名称	Notes 備考	Revision 改訂	Quantity 個数			
					100(日本)	120	230	240
1	302K093110	WT-895			1	1	1	1
2	302N404460	SPONGE IC CARD		1:Others	2			
3	303LL02531	CUSHION ORIGINAL MAT			2	2	2	2
4	303MX02022	CUSHION ORIGINAL MAT A			2	2	2	2
5	303R734050	LABEL CAUTION US				1	1	1
6	303RJ34080	LABEL CAUTION NL					1	1
7	303R834060	LABEL FACE UP US				1		
8	303R834130	LABEL FACE UP NL					1	1
9	7AAACCUS+13H002	AC CORD ASSY US		1:Part No.-chg.		1		
10	302RH94240	PARTS AC CORD EU SP		1:Part No.-chg.			1	
11	7AAACCAS+10H001	AC CORD ASSY AS						1
12	7AAACCJP+15H011	AC CORD ASSY JP		1:Others	1			
13	302P105540	SHEET OPERATION RIGHT GER	German	1:Add			1	
14	302P105550	SHEET OPERATION LEFT GER	German	1:Add			1	
15	302P105560	SHEET OPERATION RIGHT FRA	French	1:Add		1	1	
16	302P105570	SHEET OPERATION LEFT FRA	French	1:Add		1	1	
17	302P105580	SHEET OPERATION RIGHT ITA	Italian	1:Add			1	
18	302P105590	SHEET OPERATION LEFT ITA	Italian	1:Add			1	
19	302P105600	SHEET OPERATION RIGHT SPA	Spanish	1:Add		1	1	
20	302P105610	SHEET OPERATION LEFT SPA	Spanish	1:Add		1	1	
21	302P105620	SHEET OPERATION RIGHT DUT	Dutch	1:Add			1	
22	302P105630	SHEET OPERATION LEFT DUT	Dutch	1:Add			1	
23	302P105640	SHEET OPERATION RIGHT RUS	Russian	1:Add			1	
24	302P105650	SHEET OPERATION LEFT RUS	Russian	1:Add			1	
25	302P105660	SHEET OPERATION RIGHT PTB	Brazilian Portuguese	1:Add		1	1	
26	302P105670	SHEET OPERATION LEFT PTB	Brazilian Portuguese	1:Add		1	1	
27	302P105680	LABEL OPERATION FUNCTION		1:Add	1	1	1	1

• Parts with a Ref.No. of 500 and above in the illustration indicate they are not selected for service parts.

• イラスト中で 500 番台の Ref 番号が付いている部品はサービスパーツに選定されていません。

FIG. 36 Maintenance Kits

2P3/2P4/2WC-2

Ref. No. 番号	Part.No. 部品番号	Description 部品名称	Notes 備考	Revision 改訂	Quantity 個数			
					100 (日本)	120	230	240
	1702P30JP0	MK-8115A/MAINTENANCE KIT	OPTION	1:Others	1			
	*302K394480	PRIMARY FEED UNIT			1			
	*302P393060	DK-8115			1			
	*302P39J030	DV-8115K(J)			1			
	*302P393100	TR-8115A			1			
	*302P393071	FK-8115		2:Design-chg.	1			
	*302K094400	REGIST CLEANER			1			
	*302K394460	MPF ROLLER	service only		1			
	*302P194090	SEPARATION PAD	service only		1			
	*302P393010	TR-8115B			1			
	1702P30UN0	MK-8115A/MAINTENANCE KIT	OPTION			1	1	1
	*302K394480	PRIMARY FEED UNIT				1	1	1
	*302P393060	DK-8115				1	1	1
	*302P393030	DV-8115K				1	1	1
	*302P393100	TR-8115A				1	1	1
	*302P393071	FK-8115		2:Design-chg.		1	1	1
	*302K094400	REGIST CLEANER				1	1	1
	*302K394460	MPF ROLLER	service only			1	1	1
	*302P194090	SEPARATION PAD	service only			1	1	1
	*302P393010	TR-8115B				1	1	1
	1702P30JP1	MK-8115B/MAINTENANCE KIT	OPTION	1:Others	1			
	*302P393060	DK-8115			3			
	*302P39J020	DV-8115C(J)			1			
	*302P39J040	DV-8115M(J)			1			
	*302P39J050	DV-8115Y(J)			1			
	1702P30UN1	MK-8115B/MAINTENANCE KIT	OPTION			1	1	1
	*302P393060	DK-8115				3	3	3
	*302P393020	DV-8115C				1	1	1
	*302P393040	DV-8115M				1	1	1
	*302P393050	DV-8115Y				1	1	1
	1702P10UN0	MK-6110/MAINTENANCE KIT	OPTION,for customer		1	1	1	1
	*302P194100	FEED ROLLER (DP)	service only		1	1	1	1
	*302P194110	RETARD GUIDE (DP)	service only		1	1	1	1
	*302P194120	RETARD ROLLER (DP)	service only		1	1	1	1

• Parts with a Ref.No. of 500 and above in the illustration indicate they are not selected for service parts.

• イラスト中で 500 番台の Ref 番号が付いている部品はサービスパーツに選定されていません。

INDEX / 索引

Part.No. 部品番号	Description 部品名称	Fig.No.
1702P10UN0	MK-6110/MAINTENANCE KIT	36
1702P30JP0	MK-8115A/MAINTENANCE KIT	36
1702P30JP1	MK-8115B/MAINTENANCE KIT	36
1702P30UN0	MK-8115A/MAINTENANCE KIT	36
1702P30UN1	MK-8115B/MAINTENANCE KIT	36
2FB07330	STOPPER BYPASS TABLE	1
2FB27160	INTER LOCK SWITCH	3,34
2FM04150	CAP SPRING /B-11 ENCLOSURE A4	1,6
302BG06152	SHAFT FEED B	1
302DY04091	EMBLEM KC 1SG 70 W	1
302F906230	PULLEY FEED ASSY	5
302F909171	RETARD ROLLER ASSY	5
302FB17700	SPRING BYPASS TEBLE	7
302FZ94380	PARTS,FAN COOLING DLP 70 SP	16
302FZ94420	PARTS,FAN COOLING CONVEYING SP	16
302H008140	SPRING BYPASSFFED	30
302H024510	STOPPER SHUTTER	1
302H728100	SPRING EXIT PULLEY	30
302HG44120	FAN MOTOR PS40	16
302HN06080	PULLEY PICKUP ASSY	5
302HN44100	MOTOR REVERSE	6,9
302HN44210	FAN MOTOR	7
302HS31120	GEAR Z27L CLUTCH	5
302K002230	ACTUATOR PAPER EMPTY	2
302K002880	WORM-WHEEL ID SENSOR CLEANING	2
302K002890	GEAR ID SENSOR CLEANING Z71R	2
302K002A32	COVER INNER FRONT	2
302K003012	HOUSING WASTE	3
302K003022	CASE WASTE A	3
302K003050	SCREW WASTE	3
302K003060	GEAR SCREW WASTE Z13L	3
302K003110	GEAR WASTE Z13L	3
302K003140	JOINT WASTE C	3
302K003280	SEAL CASE WASTE C	3
302K003331	SEAL CASE WASTE D	3
302K003621	PLATE HOUSING WASTE	3
302K004060	COVER RIGHT REAR	1
302K004271	COVER RIGHT MIDDLE	7
302K004281	SPRING FRONT COVER	1
302K011041	GEAR MC Z17S	12
302K015030	GEAR Z20S-Z26L	3
302K015040	GEAR Z50S	3
302K015200	SHUTTER TONER SUPPLY A	2
302K015230	GEAR IDLE Z22S	2
302K015240	GEAR JOINT Z26S	2
302K015340	SEAL SHUTTER SUPPLY	2
302K028060	GUIDE CHANGE	6
302K028080	ACTUATOR EXIT OVERFLOW LOW	6
302K028090	ACTUATOR EXIT OVERFLOW UP	6
302K028260	GEAR Z23S EXIT	6
302K029030	PULLEY DU 26 B	7

Part.No. 部品番号	Description 部品名称	Fig.No.
302K029060	WIRE EARTH DU A	7
302K029070	WIRE EARTH DU B	7
302K029080	SPRING DU FEED	7
302K029100	SPONGE RIGHT COVER	7
302K031450	HOLDER CLUTCH	15
302K031720	GEAR BELT CLEANING DRIVE Z30L	2
302K031740	GEAR BELT CLEANING DRIVE Z20L	2
302K033012	DUCT EXIT	16
302K034180	SHEET COVER FRONT	1
302K034270	LABEL DEHUMIDIFIER SWITCH E	1
302K034280	LABEL DEHUMIDIFIER SWITCH A	1
302K046020	WIRE FEED UNIT 2	19
302K046300	WIRE LIFT FULL	22
302K046370	WIRE FAN MOT DLP/LSU	22
302K046670	WIRE OUTLET	23
302K046690	WIRE AC CASSETTE SW	23
302K046760	WIRE AC INLET	23
302K046830	WIRE HUMIT 2	22
302K093110	WT-895	35
302K093125	DR-895A	15
302K093134	DR-895B	15
302K093143	DR-895C	15
302K094050	PARTS TONER SUPPLY ASSY SP	2
302K094090	PARTS MOTOR-DC ASSY C SP	10
302K094100	PARTS DC MOTOR SP	2,3
302K094190	PARTS PWB TRANSFER CONNECT ASSY SP	17
302K094280	PARTS TONER FULL DETECT ASSY SP	3
302K094300	PARTS FAN MOTOR SP	17
302K094320	PARTS CLUTCH 50 Z45L SP	15
302K094330	PARTS ROLLER MIDDLE SP	5
302K094340	PARTS ROLLER EXIT FD SP	6
302K094350	PARTS ROLLER EXIT REVERSE SP	6
302K094390	PARTS ROLLER DU B SP	7
302K094400	REGIST CLEANER	5,36
302K094420	PARTS ROLLER REGIST RIGHT SP	7
302K094640	PARTS DRIVE MIDDLE TRANS SP	15
302K302420	HEATER DEHUMIDIFIER 100	3
302K302430	HEATER DEHUMIDIFIER 120	3
302K302440	HEATER DEHUMIDIFIER 240	3
302K302831	ACTUATOR DECK FEED	2
302K304070	COVER RIGHT LOW	1
302K304230	STRAP COVER FRONT R	1
302K304320	STRAP COVER FRONT L	1
302K304520	HOOK RIGHT COVER	7
302K306320	GUIDE COVER INNER	1
302K306330	SHAFT INNER ROLLER F	1
302K306340	STOPPER INNER GUIDE	1
302K306350	SPRING INNER GUIDE	1
302K306380	SHAFT INNER ROLLER R	1
302K306460	BUSH 4	5
302K308020	ACTUATOR MPF	5

2P3/2P4/2WC-2

Part.No. 部品番号	Description 部品名称	Fig.No.
302K308080	SHAFT MPF	5
302K308460	STRAP LINK MPF	7
302K309021	BASE CASSETTE	4
302K309041	ARM SIZE DETECTION	4
302K309080	COVER CASSETTE	4
302K309120	CURSOR CASSETTE REAR	4
302K309130	CURSOR CASSETTE FRONT	4
302K309270	CURSOR END	4
302K309410	PLATE SIZE DETECTION	3
302K317250	SWITCH RELEASE	9
302K317260	MOUNT RELEASE SWITCH	9
302K317820	STOPPER PAPER C	6
302K329020	PULLEY DU	7
302K329040	ACTUATOR DU	7
302K334090	SHEET CASSETTE C	4
302K334100	SHEET CASSETTE I	4
302K339050	PLATE OPTION	17
302K346470	WIRE PF DRAWER	23
302K346660	WIRE PF DRAWER 200	23
302K393174	CT-475	4
302K394190	PARTS MOTOR LIFT ASSY SP	2
302K394230	PARTS ROLLER REGIST LEFT SP	5
302K394250	PARTS ROLLER DU SP	7
302K394310	PARTS GEAR REGIST Z28L-Z18L SP	5
302K394320	PARTS GEAR MPF Z28 SP	5
302K394330	PARTS GEAR REGIST Z24R SP	7
302K394340	PARTS GEAR Z74R-Z22S EXIT SP	6
302K394370	PARTS GEAR Z18-Z63R SP	9
302K394380	PARTS GEAR Z18 SP	4
302K394400	PARTS GEAR DU Z27L SP	7
302K394460	MPF ROLLER	5,36
302K394471	PARTS MPF TABLE ASSY SP	7
302K394480	PRIMARY FEED UNIT	5,36
302K994323	PARTS MOTOR-BL W20 SP	15
302K994333	PARTS MOTOR-BL W30 SP	15
302K994520	PARTS GEAR Z32L SP	10
302KP29090	GEAR IDLE Z18S	6
302KV44041	CLUTCH 50 Z35R	34
302KV94360	PARTS PWB ASSY THERMISTOR SP	17
302KY94140	PARTS MOTOR ROTARY SP	34
302LC94302	PARTS MOTOR-BL W20 DRUM SP	15
302LC94380	PARTS FAN COOLING LSU 60 SP	16
302LK94140	PARTS PULLEY SET SP	5
302MV02190	FOOT	3
302MV04730	TRAY EJECT	6
302MV21110	SHAFT TRANSFER CLEANING DRIVE	2
302MV24030	PULLEY MIDDLE	7
302MV94550	PARTS TRAY EJECT ASSY SP	6
302N404460	SPONGE IC CARD	35
302ND94300	PARTS PWB IH 100 ASSY SP	17
302ND94310	PARTS PWB IH 200 ASSY SP	17

Part.No. 部品番号	Description 部品名称	Fig.No.
302ND94800	PARTS SENSOR OPT SP	8,9
302NG17070	GEAR P21-Z62R	8
302NG94211	PARTS MOTOR ISU SP	8
302NG94220	PARTS FAN MOTOR SP	16
302NG94300	PARTS PWB SWITCH ASSY SP	1
302NM94121	PARTS TABLET OPERATION SP	18
302NP93020	MC-8325	12
302P104030	COVER ISU RIGHT	9
302P104040	COVER ISU LEFT	9
302P104050	COVER ISU REAR	9
302P104100	COVER RIGHT MIDDLE	1
302P104110	COVER ISU FRONT	9
302P104130	COVER REAR TOP	1
302P104160	COVER ISU FRONT A	9
302P104170	COVER CARD-READER	8,9
302P104210	COVER EXIT FRONT UPPER	1
302P104220	COVER ISU LEFT SUB	9
302P105010	COVER OPERATION	18
302P105020	COVER OPERATION LOW	18
302P105030	COVER PANEL RIGHT	18
302P105040	COVER PANEL LEFT	18
302P105050	LID OPERATION LEFT	18
302P105120	LID OPERATION RIGHT	18
302P105170	COVER OPERATION J	18
302P105500	SHEET OPERATION RIGHT JP	18
302P105510	SHEET OPERATION LEFT JP	18
302P105520	SHEET OPERATION RIGHT EN	18
302P105530	SHEET OPERATION LEFT EN	18
302P105540	SHEET OPERATION RIGHT GER	35
302P105550	SHEET OPERATION LEFT GER	35
302P105560	SHEET OPERATION RIGHT FRA	35
302P105570	SHEET OPERATION LEFT FRA	35
302P105580	SHEET OPERATION RIGHT ITA	35
302P105590	SHEET OPERATION LEFT ITA	35
302P105600	SHEET OPERATION RIGHT SPA	35
302P105610	SHEET OPERATION LEFT SPA	35
302P105620	SHEET OPERATION RIGHT DUT	35
302P105630	SHEET OPERATION LEFT DUT	35
302P105640	SHEET OPERATION RIGHT RUS	35
302P105650	SHEET OPERATION LEFT RUS	35
302P105660	SHEET OPERATION RIGHT PTB	35
302P105670	SHEET OPERATION LEFT PTB	35
302P105680	LABEL OPERATION FUNCTION	35
302P117120	COVER DP CONNECTOR	8,9
302P118130	COVER FRONT	29
302P118140	COVER REAR A	29
302P118150	COVER PF	32
302P118160	COVER LEFT	30
302P118200	CURSOR FRONT	31
302P118210	CURSOR REAR	31
302P118220	STOPPER EJECT	29

Part.No. 部品番号	Description 部品名称	Fig.No.
302P118230	GUIDE CONVEYING UPPER	32
302P118240	COVER REAR B	29
302P118250	COVER INNER	29
302P118260	GUIDE READING	33
302P118340	COVER LID	29
302P118420	GUIDE PAPER FEED	33
302P118490	GUIDE RIGHT READING B	30
302P118550	HOOK REAR B	33
302P146210	CONN.CORD ASSY FFC CCD	26
302P146220	CONN.CORD ASSY FFC LED LAMP	26
302P146250	CONN.CORD ASSY FFC PANEL LEFT	25
302P146260	CONN.CORD ASSY FFC PANEL RIGHT	25
302P146280	CONN.CORD ASSY NFC	25
302P146610	CONN.CORD ASSY DP ENGINE	27
302P193100	PARTS DP UNIT SP	28
302P193110	PARTS MOUNT LED ASSY	9
302P193120	PARTS ISU SP	9
302P194020	PARTS TABLE ASSY SP	31
302P194040	PARTS MPF ASSY SP	5
302P194050	PARTS CONTACT-GLASS ASSY(C) SP	9
302P194060	PARTS CONTACT-GLASS ASSY(I) SP	9
302P194070	PARTS OPERATION UNIT SP	18
302P194080	PARTS OPERATION UNIT J SP	18
302P194090	SEPARATION PAD	5,36
302P194100	FEED ROLLER (DP)	32,36
302P194110	RETARD GUIDE (DP)	33,36
302P194120	RETARD ROLLER (DP)	33,36
302P194130	PARTS WIFI UNIT SP	17
302P194160	PARTS PWB PANEL MAIN ASSY SP	18
302P194180	PARTS PWB DP MAIN ASSY SP	30
302P194230	PARTS LCD OPERATION SP	18
302P194270	PARTS ROLLER REGIST SP	33
302P194280	PARTS ROLLER CONVEYING B SP	33
302P194310	MPF ROLLER-PAD SET	5
302P194330	PARTS PWB KEY RIGHT ASSY SP	18
302P194340	PARTS PWB KEY LEFT ASSY SP	18
302P204010	COVER ISU FRONT	8
302P204020	COVER EXIT FRONT UPPER	1
302P205010	COVER OPERATION	18
302P205020	COVER OPERATION LOW	18
302P205080	COVER OPERATION J	18
302P246030	CONN.CORD ASSY FFC PANEL LEFT	25
302P246040	CONN.CORD ASSY FFC PANEL RIGHT	25
302P293010	PARTS CIS ASSY SP	8
302P294010	PARTS OPERATION UNIT SP	18
302P294020	PARTS OPERATION UNIT J SP	18
302P294050	PARTS PWB PANEL MAIN ASSY SP	18
302P294060	PARTS LCD OPERATION SP	18
302P294070	PARTS CONTACT-GLASS ASSY SP	8
302P302350	SHEET SCANNER FRONT	3
302P304010	COVER FRONT	1

Part.No. 部品番号	Description 部品名称	Fig.No.
302P304020	COVER FRONT TOP	1
302P304030	COVER LEFT LOW	1
302P304040	COVER LEFT MIDDLE	1
302P304050	COVER EXIT REAR	1
302P304060	COVER TRAY LEFT	1
302P304070	COVER REAR	1
302P304080	LID CONTROLLER BOX	1
302P304100	COVER TRAY	1
302P304140	COVER WIFI	1
302P304150	SPRING HOLDER SWITCH	1
302P304210	COVER EXIT FRONT	1
302P324050	GUIDE FEED CASSETTE	5
302P326540	GEAR IDLE Z20S	2
302P328050	GEAR Z21S EXIT	6
302P329010	GUIDE EXIT RIGHT B	7
302P329020	SHEET GUIDE CHANGE	7
302P334020	LABEL EMBLEM M8130	1
302P339140	WIRE EARTH WIFI	17
302P346010	CONN.CORD ASSY DLP DRUM MOT DLP CL	19
302P346020	CONN.CORD ASSY BELT FUSER MOTOR	19
302P346250	CONN.CORD ASSY FUSER	24
302P346290	CONN.CORD ASSY IH ENGINE	24
302P346360	CONN.CORD ASSY FFC ENGINE MAIN	21
302P346420	CONN.CORD ASSY MAIN-PANEL	25
302P393010	TR-8115B	7,36
302P393020	DV-8115C	11,36
302P393030	DV-8115K	11,36
302P393040	DV-8115M	11,36
302P393050	DV-8115Y	11,36
302P393060	DK-8115	12,36
302P393071	FK-8115	14,36
302P393080	FK-8116IH	14
302P393090	FK-8117IH	14
302P393100	TR-8115A	13,36
302P393110	LK-8115	10
302P394010	PARTS CONVEYING UNIT SP	7
302P394020	PARTS COVER RIGHT ASSY SP	7
302P394030	PARTS PIPE TRANSFER CLEANING ASSY SP	2
302P394040	PARTS EXIT UNIT SP	6
302P394050	PARTS ID SENSOR ASSY SP	2
302P394070	PARTS PWB LSU CONNECT ASSY SP	10
302P394080	PARTS UNIT LOW VOLTAGE 100V SP	17
302P394090	PARTS UNIT LOW VOLTAGE 200V SP	17
302P394100	PARTS UNIT HIGH VOLTAGE 1 SP	17
302P394110	PARTS UNIT HIGH VOLTAGE 2 SP	17
302P394120	PARTS PWB MAIN ASSY SP	17
302P394130	PARTS PWB MAIN ASSY SP EU	17
302P394140	PARTS MEMORY MODULE SP	17
302P394150	PARTS PWB ENGINE ASSY SP	17
302P394160	PARTS PWB CONTAINER CONNECT ASSY SP	2
302P394170	PARTS PWB DRUM DLP CONNECT ASSY SP	2

Part.No. 部品番号	Description 部品名称	Fig.No.
302P394180	PARTS PWB KUIO ASSY SP	17
302P39J020	DV-8115C(J)	11,36
302P39J030	DV-8115K(J)	11,36
302P39J040	DV-8115M(J)	11,36
302P39J050	DV-8115Y(J)	11,36
302P434010	LABEL EMBLEM 2460	1
302P434020	LABEL EMBLEM M8124	1
302P434030	LABEL DEHUMIDIFIER SWITCH	1
302P446060	CONN.CORD ASSY LSU CONNECT 5	20
302P493010	LK-8116	10
302P494010	PARTS PWB LSU CONNECT ASSY SP	10
302P494020	PARTS PWB MAIN ASSY SP	17
302P494030	PARTS PWB MAIN ASSY SP EU	17
302P494040	PARTS PWB ENGINE ASSY SP	17
302R494310	PARTS TABLET OPERATION SP	18
302RH17060	GEAR P54	9
302RH94240	PARTS AC CORD EU SP	35
302V617080	GUIDE FFC LED	9
302WC34010	LABEL EMBLEM 2470	1
302WC94010	PARTS PWB MAIN ASSY SP	17
303H622331	GEAR 20/65 IDLE	34
303HL07161	FRONT HOOK PF COVER	33
303J902370	CUSHION ORIGINAL MAT	29
303JC04201	PLATE ORIGINAL	29
303LJ94150	PARTS SOLENOID FEED SHIFT SP	6
303LL02531	CUSHION ORIGINAL MAT	35
303LL24190	PULLEY GUIDE READING	33
303M802320	SPONGE ORIGINAL MAT A	29
303M824100	HOLDER LEFT PULLEY	30
303M824121	HOLDER RIGHT PULLEY	30
303M824130	SHAFT GUIDE READING	33
303M824200	SHAFT PULLEY	30,33
303M824210	PULLEY CONVEYING BK	30,33
303M828040	PULLEY EJECT	30
303M828050	SPONGE EJECT	30
303M894260	PARTS SENSOR OPT SP	8,31,33
303MX02021	CUSHION ORIGINAL MAT A	29
303MX02022	CUSHION ORIGINAL MAT A	35
303MX02031	CUSHION ORIGINAL MAT B	29
303NN24180	SPRING FEED LOW	1
303P706060	COVER TABLE WIRE	31
303P707060	STOPPER PAPER	32
303P707120	STOPPER PAPER B	32
303P707160	SPRING SEPARATION	33
303P724030	GUIDE CONVEYING	33
303P724080	ACTUATOR REGISTRATION	33
303P724090	ACTUATOR FEED	32
303P724120	SHEET LEFT GUIDE R	30
303P724130	SHEET LEFT GUIDE F	30
303P724140	ACTUATOR TIMING	33
303P724160	ACTUATOR ORIGINAL SET	32

Part.No. 部品番号	Description 部品名称	Fig.No.
303P728050	HOLDER PULLEY EJECT	30
303P729010	GUIDE DUPLEX	33
303P729020	GUIDE SHIFT	33
303P731120	GEAR Z21 CONT	32
303P794030	PARTS ROLLER CONVEYING A SP	33
303P794050	PARTS ROLLER EXIT SP	33
303P794060	PARTS ROLLER LOOP SP	33
303PH02030	SPONGE ORIGINAL MAT FILM	29
303R394050	PARTS PWB PAPER SIZE SENSOR ASSY SP	31
303R494040	PARTS MOTOR PAPER FEED SP	34
303R706050	COVER CURSOR	31
303R706060	GEAR DETECTION	31
303R734030	LABEL ORIGINAL MAX	31
303R734050	LABEL CAUTION US	35
303R734060	LABEL CAUTION IN	31
303R834011	LABEL CAUTION HINGE	29
303R834040	LABEL FACE UP JP	31
303R834050	LABEL FACE UP EN	31
303R834060	LABEL FACE UP US	35
303R834130	LABEL FACE UP NL	35
303RJ04140	LID INNER COVER	29
303RJ04150	COVER HINGE	30
303RJ34040	LABEL CAUTION JP	31
303RJ34080	LABEL CAUTION NL	35
3AK20130	GEAR,WORM MAIN TRAY	30
3H327410	SENSOR,CONVEYING	2,7
3HK07240	FRICTION PLATE LF	33
3HL02240	PUSH SW DP	30
3HY07120	PULLEY 15 DUPLEX	1
5MVX111DN003	RING STOPPER /A-49 FEED A4	1,5,32,33,34
7AAACCAS+10H001	AC CORD ASSY AS	35
7AAACCJP+15H011	AC CORD ASSY JP	35
7AAACCCUS+13H002	AC CORD ASSY US	35
7NXGP1S173LCH01	SENSOR OPT.	2,3,5,6,7,9
7SC010104+++H01	SW.SEESAW	3
7SM010104+++H01	SW.MICRO	3
7SM010303+++H01	SW.MICRO	3
7SP01000001+H01	SW.PUSH	3
7SP03090001+H01	SW.PUSH	3

PF-470

Rev.3
May 2018

———— CONTENTS / 目次 ————

FIG. 1	Covers	2
FIG. 2	Paper Feed Section 1	4
FIG. 3	Paper Feed Section 2	6
FIG. 4	Paper Cassette	8
	• INDEX / 索引.....	10

FIG. 1 Covers

3NP

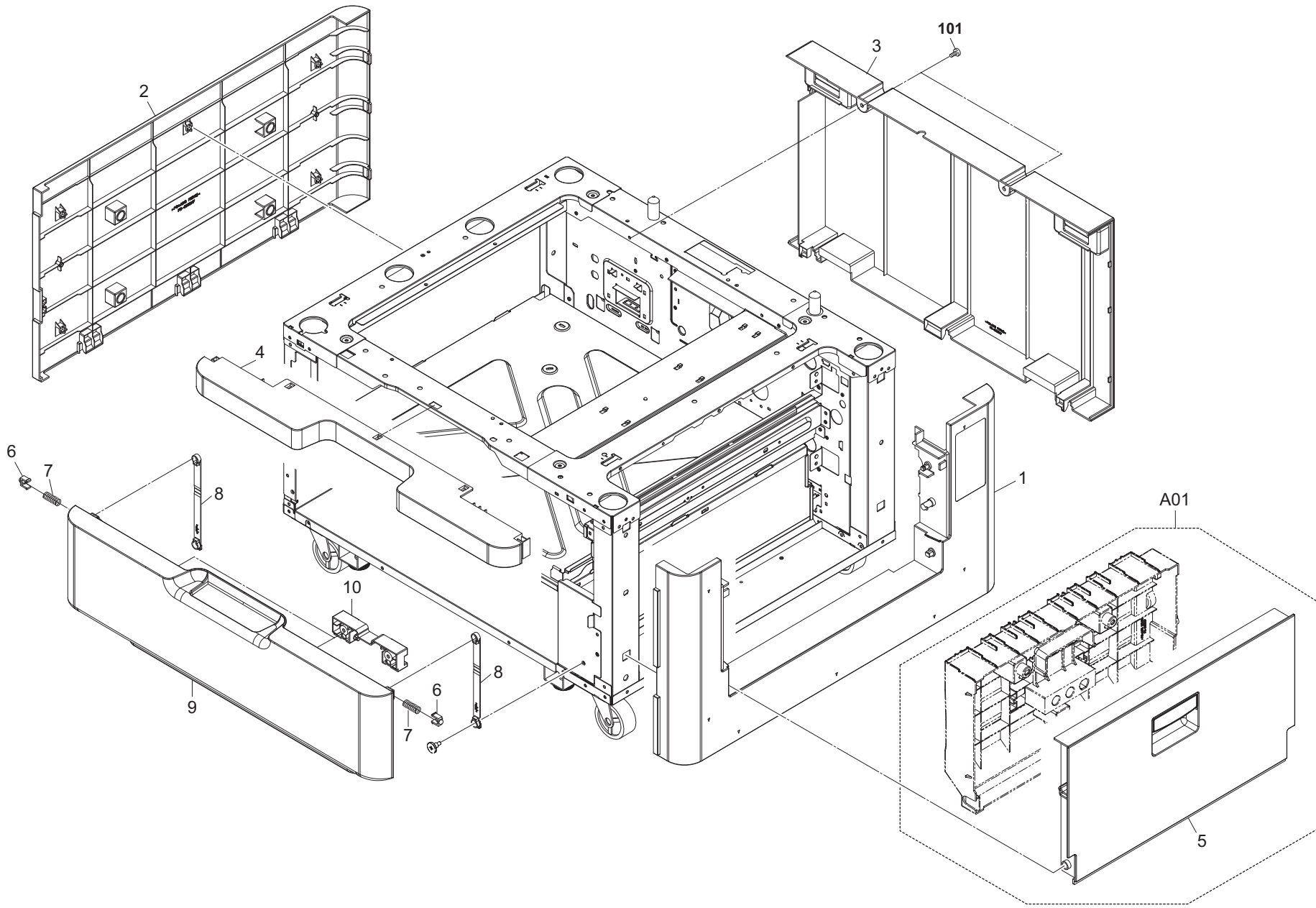


FIG. 2 Paper Feed Section 1

3NP

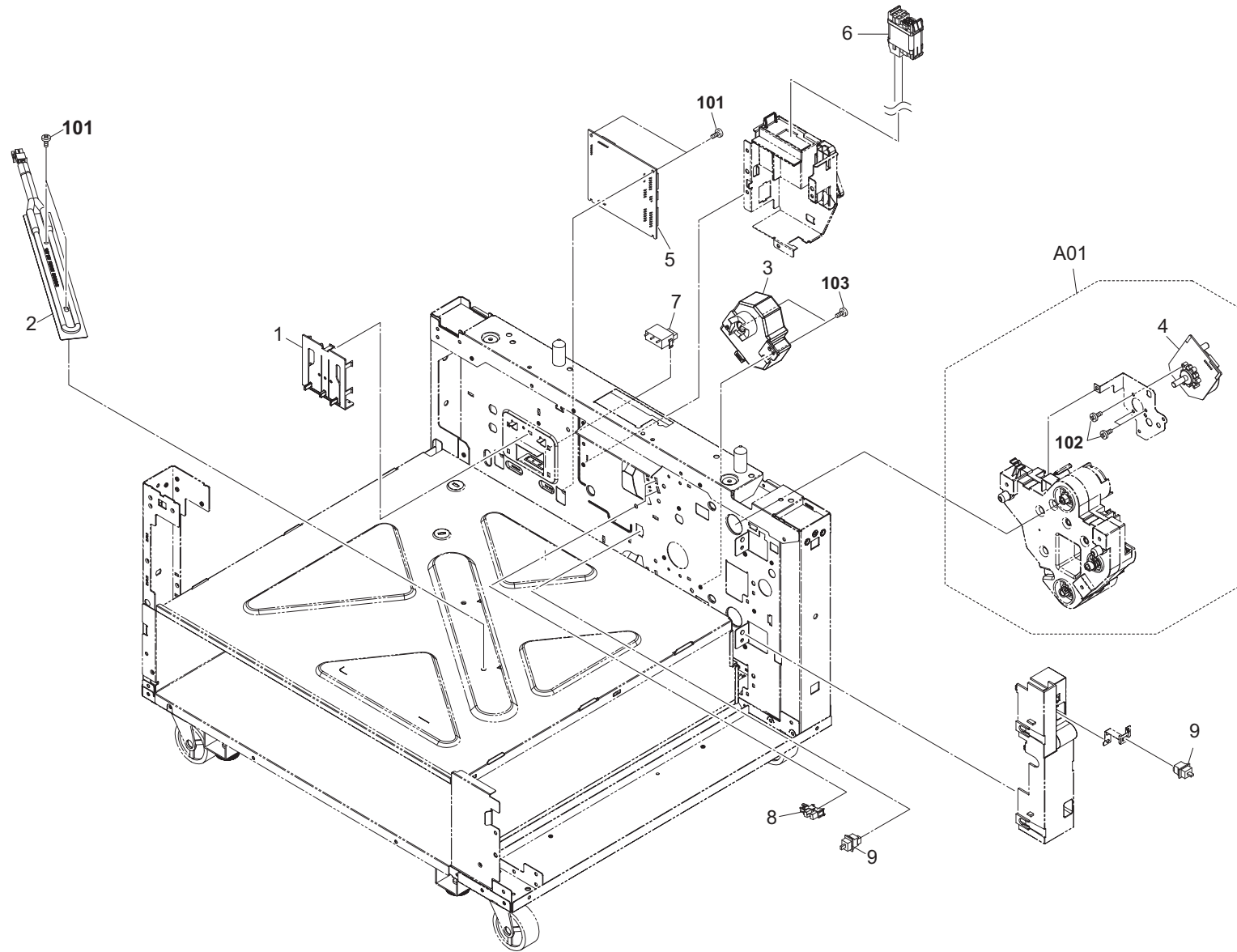


FIG. 3 Paper Feed Section 2

3NP

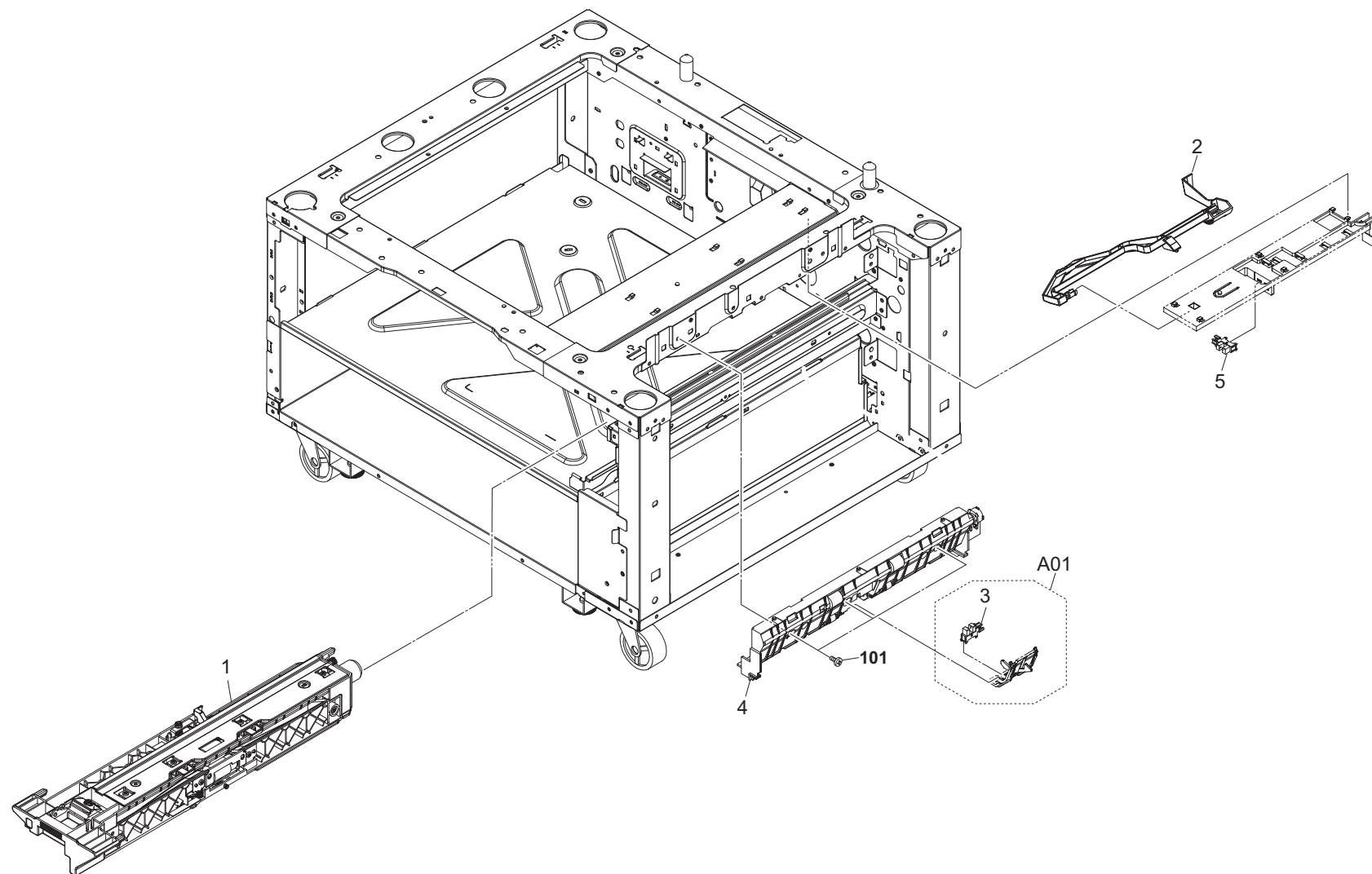


FIG. 3 Paper Feed Section 2

3NP-2

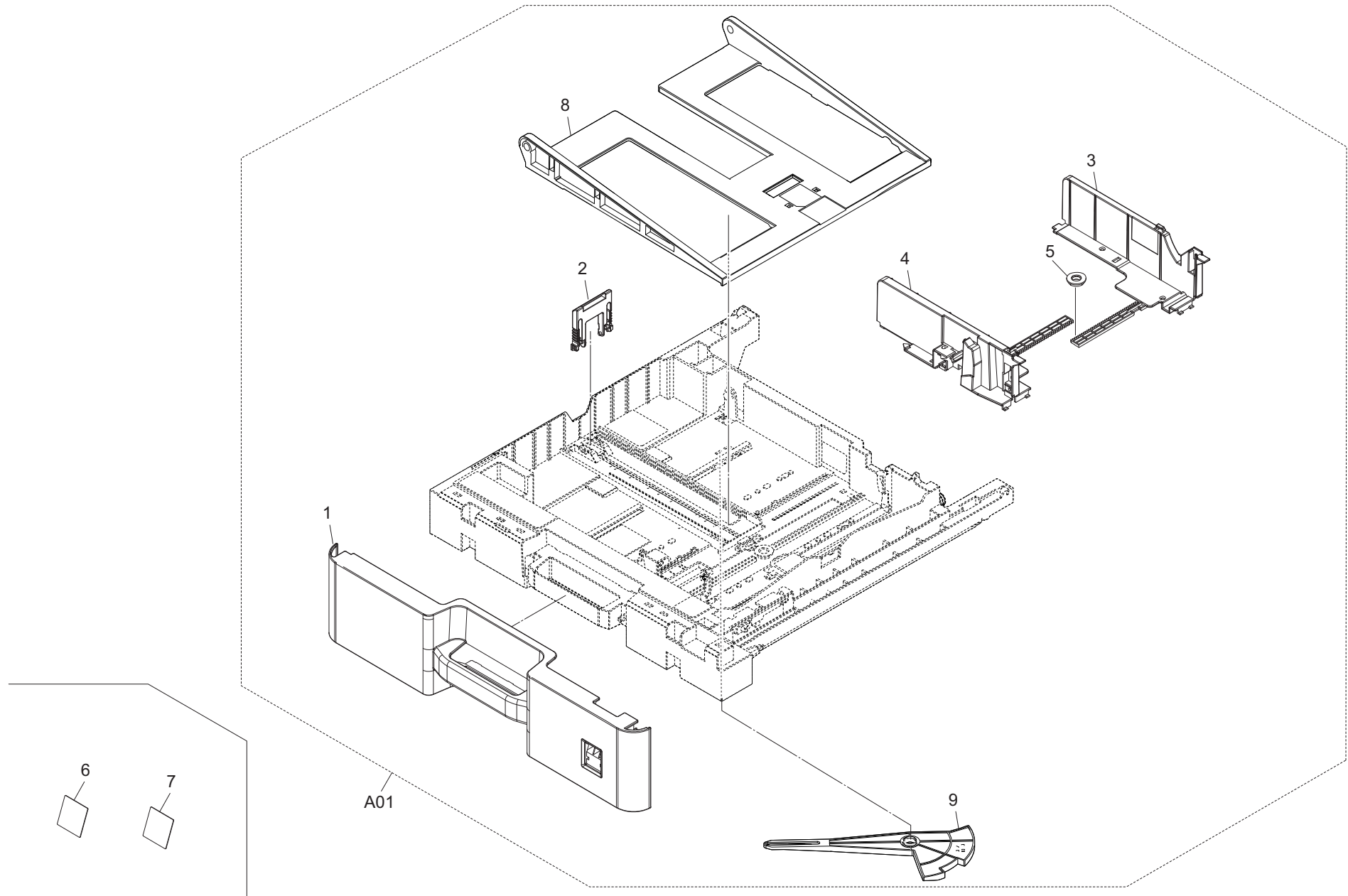
Ref. No. 番号	Part.No. 部品番号	Description 部品名称	Notes 備考	Revision 改訂	Quantity 個数			
					100(日本)	120	230	240
1	302K394480	PRIMARY FEED UNIT			1	1	1	1
2	302K302811	ACTUATOR PAPER EMPTY		2: Design-chg.	1	1	1	1
A01	303NN94040	PARTS ACTUATOR FEED ASSY SP			1	1	1	1
3	*7NXGP1S173LCH01	SENSOR OPT.			1	1	1	1
4	303NN94050	PARTS ROLLER GUIDE UPPER ASSY SP			1	1	1	1
5	7NXGP1S173LCH01	SENSOR OPT.			1	1	1	1
101	7BB702308H	+TP-FLAT T.T S SCREW 3X8 SR						

• Parts with a Ref.No. of 500 and above in the illustration indicate they are not selected for service parts.

• イラスト中で 500 番台の Ref 番号が付いている部品はサービスパーツに選定されていません。

FIG. 4 Paper Cassette

3NP-2



PF-471

Rev.3
May 2018

———— CONTENTS / 目次 ————

FIG. 1	Covers	2
FIG. 2	Paper Feed Section 1	4
FIG. 3	Paper Feed Section 2	6
FIG. 4	Paper Cassette	8
	• INDEX / 索引	10

FIG. 1 Covers

3NN

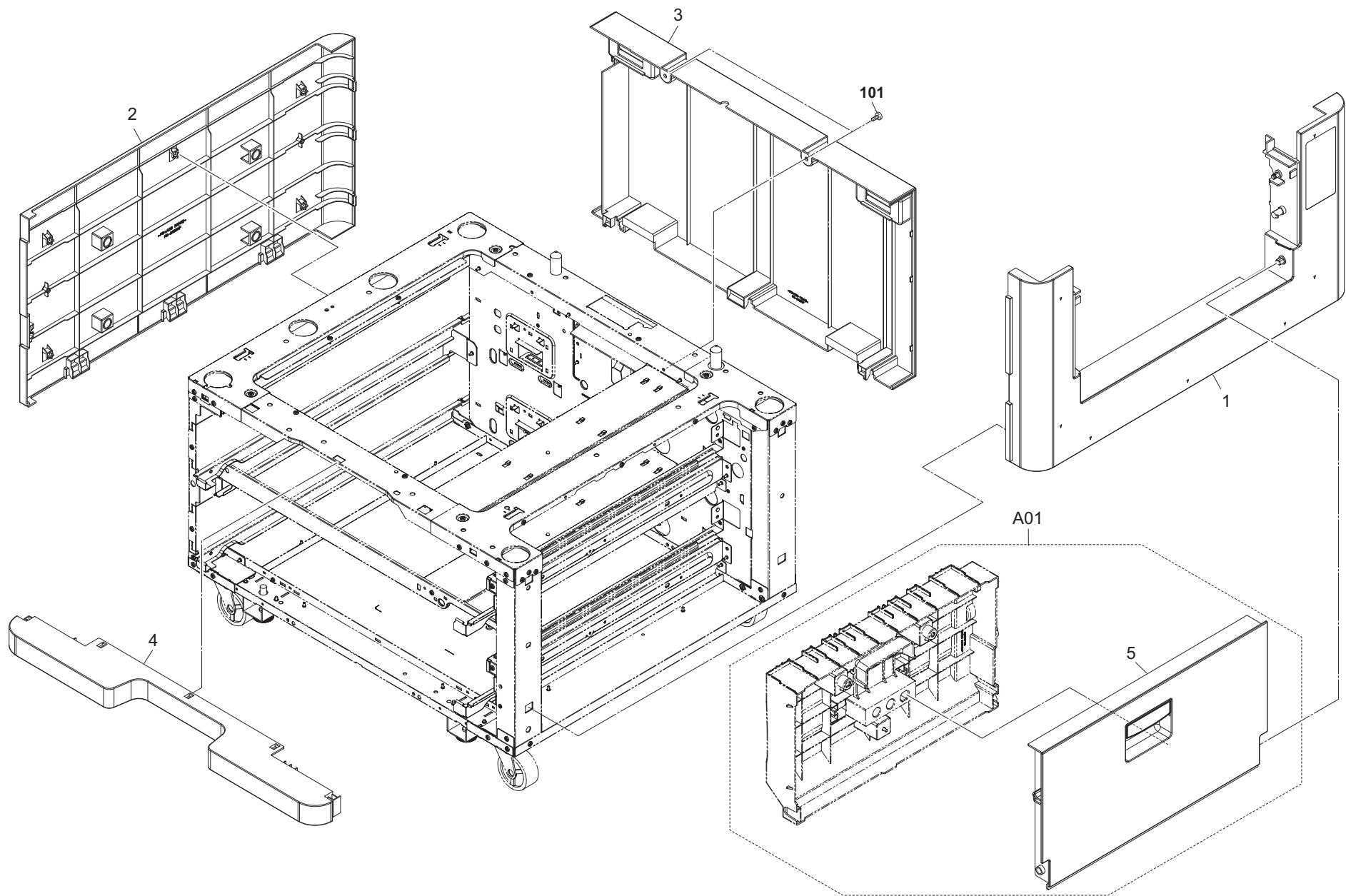


FIG. 2 Paper Feed Section 1

3NN

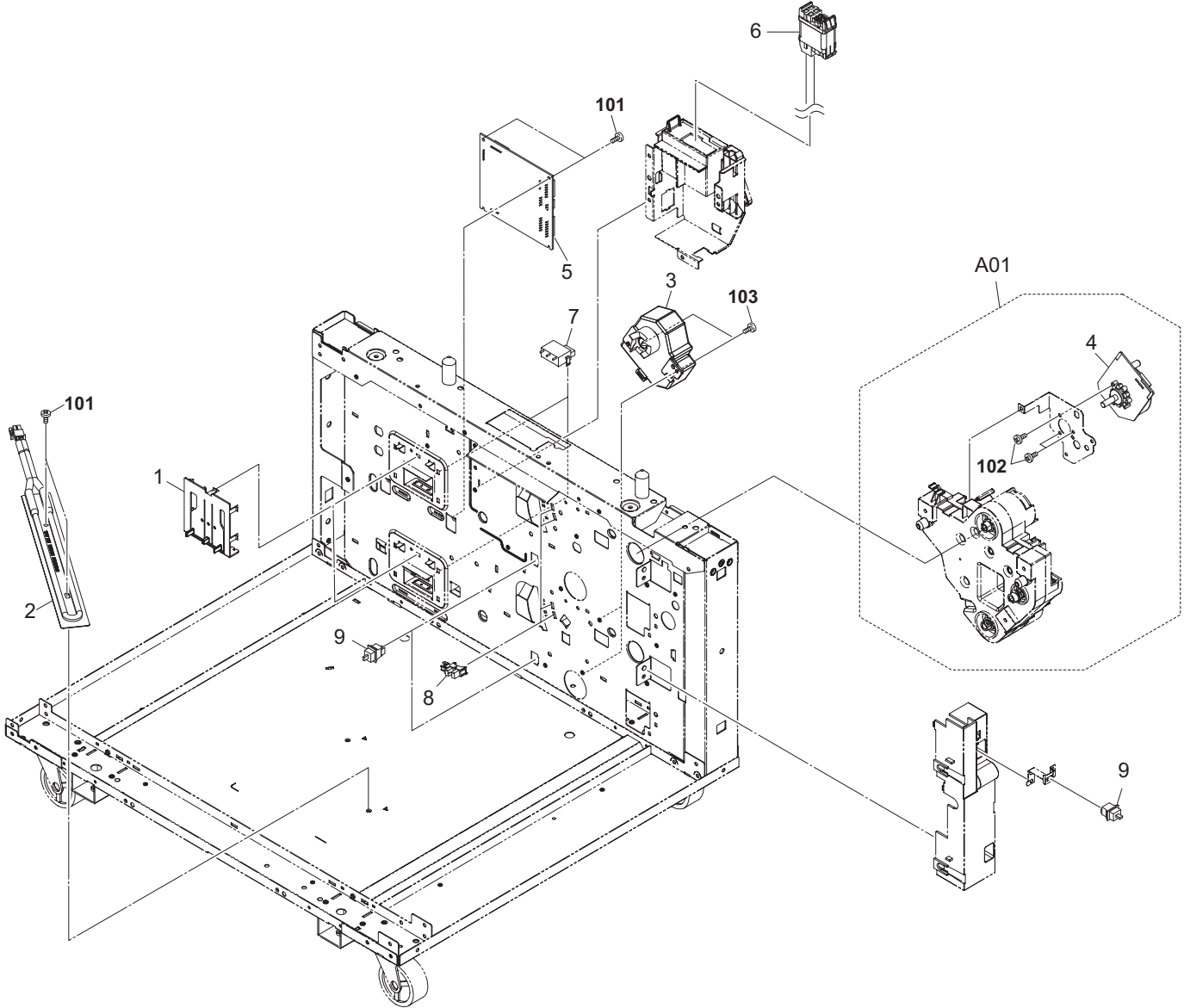


FIG. 3 Paper Feed Section 2

3NN

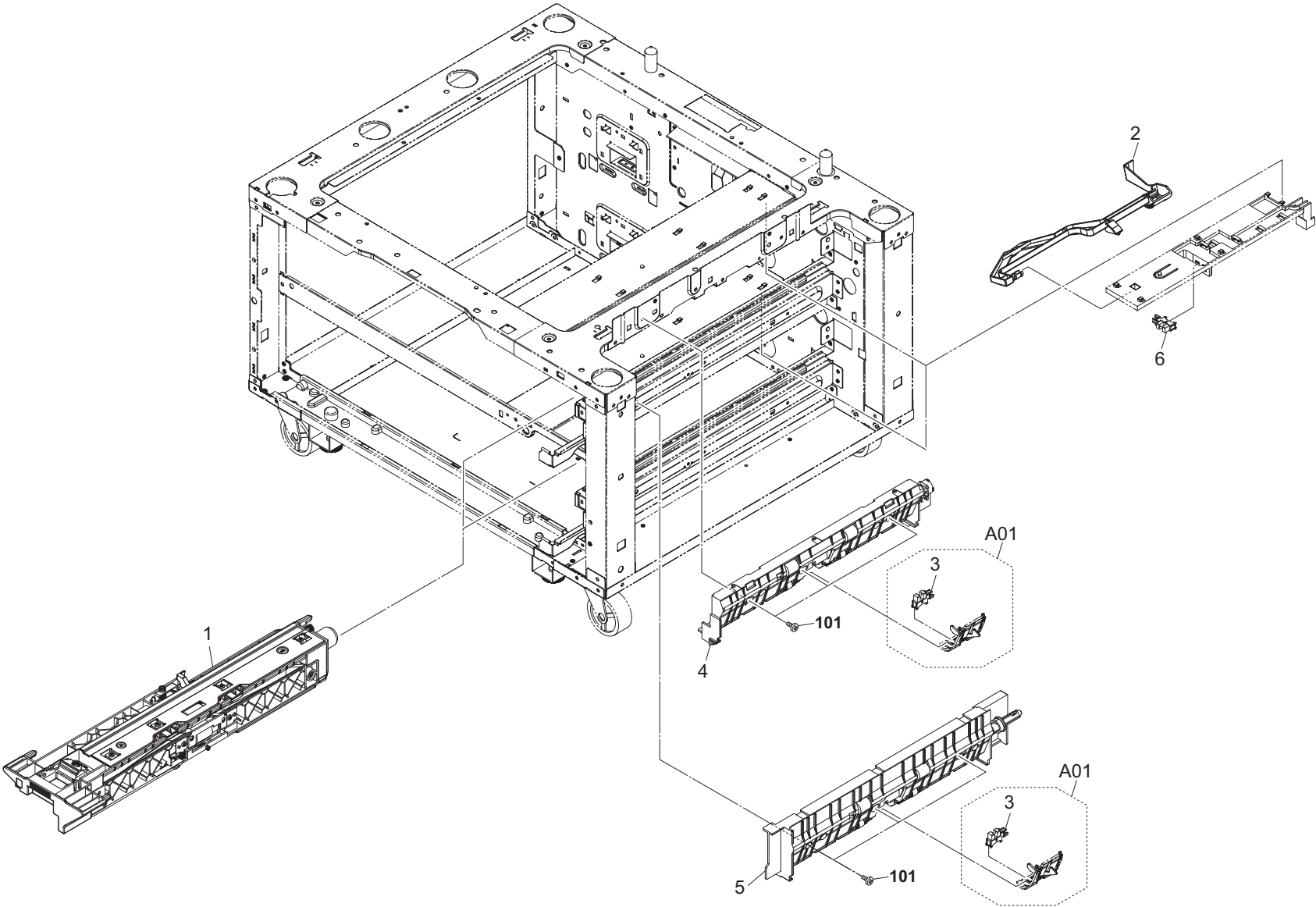
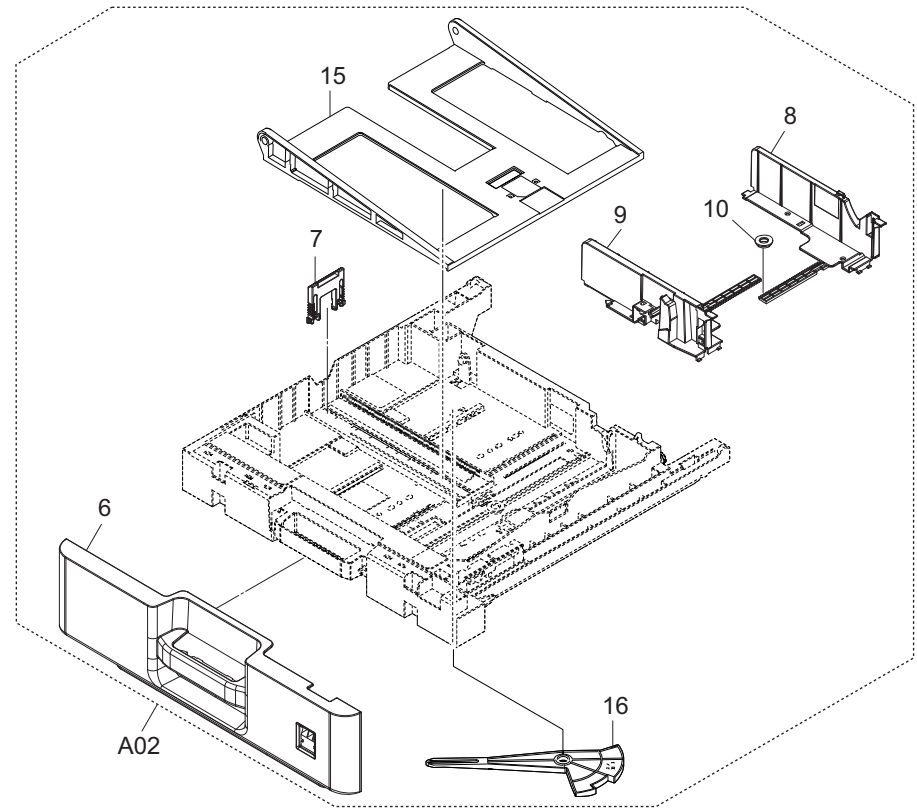
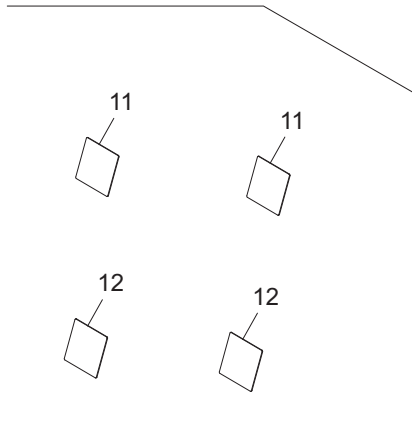
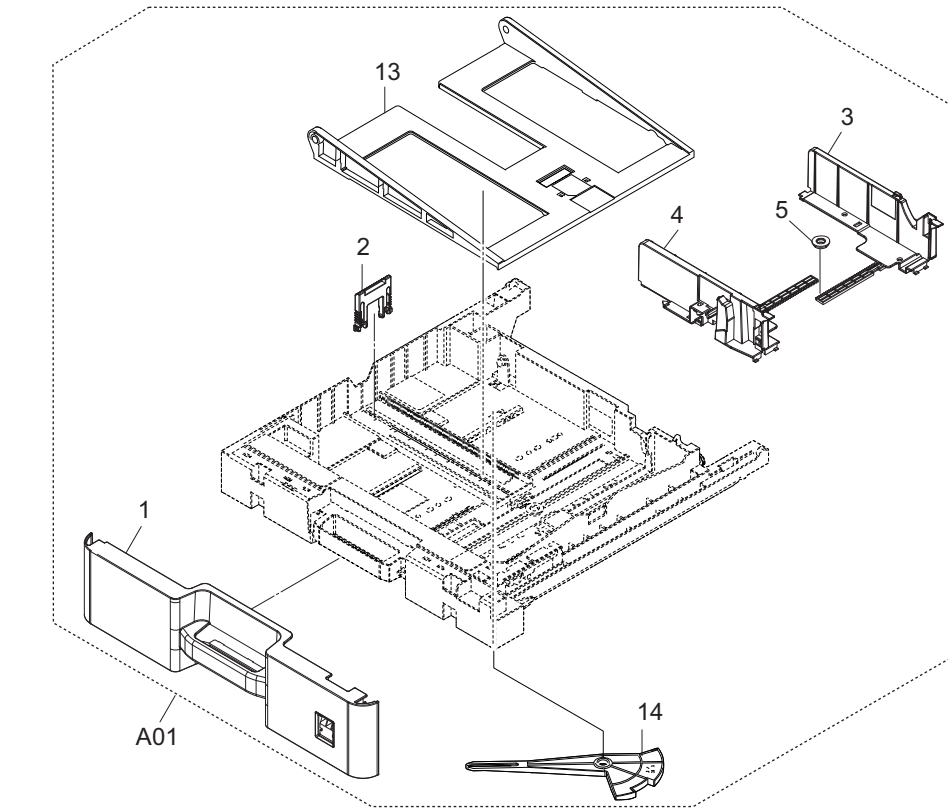


FIG. 4 Paper Cassette

3NN-2



DF-470

Rev.2
August 2017

———— **CONTENTS / 目次** ————

FIG. 1	Covers	2
FIG. 2	Paper Feed Section 1	4
FIG. 3	Paper Feed Section 2	6
FIG. 4	Drive Section & Electrical Components	8
	• INDEX / 索引	10

FIG. 1 Covers

5JS

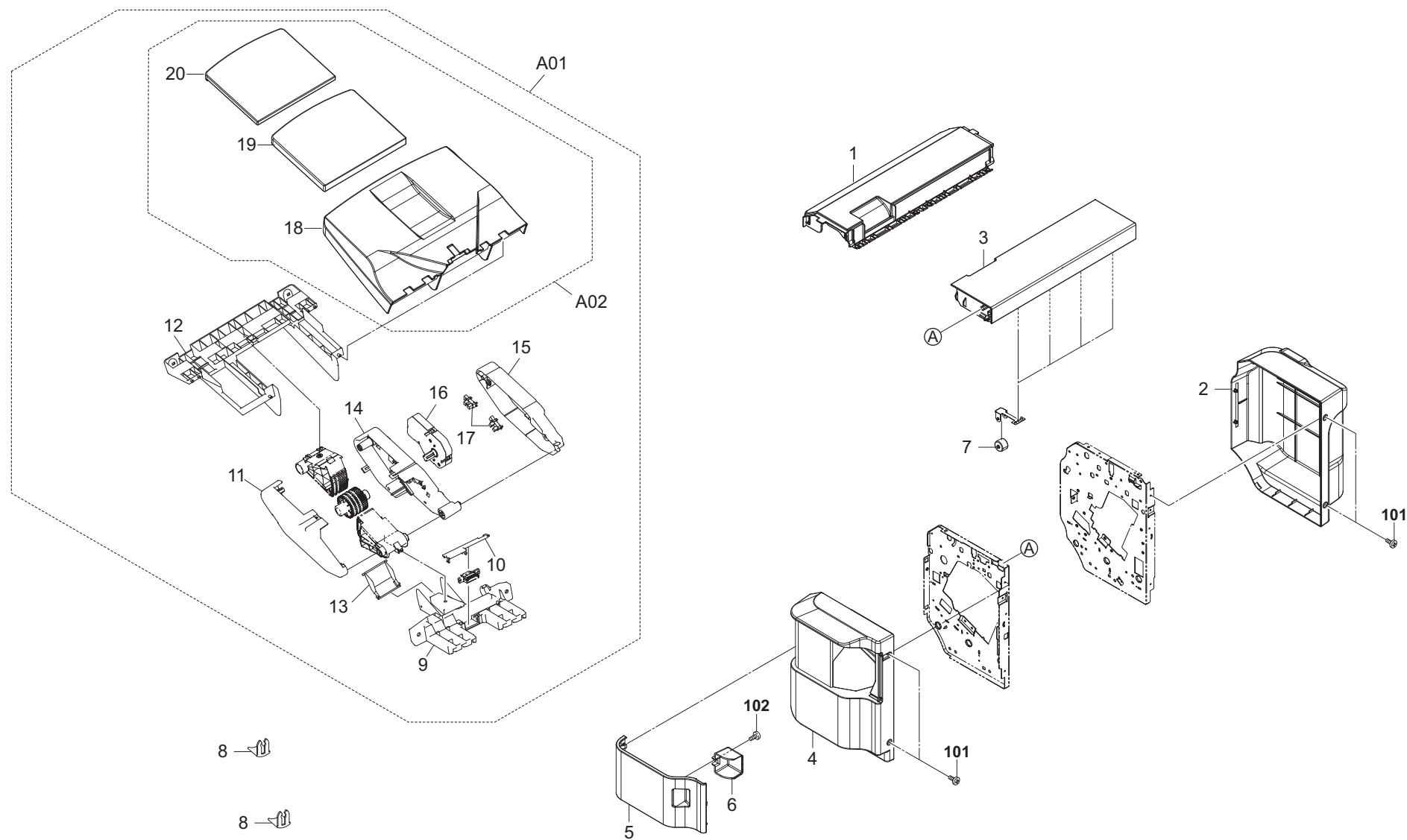


FIG. 1 Covers

5JS-1

Ref. No. 番号	Part.No. 部品番号	Description 部品名称	Notes 備考	Revision 改訂	Quantity 個数			
					100(日本)	120	230	240
1	305JS70040	COVER:CVR-TOP			1	1	1	1
2	305JS70020	COVER:CVR-REAR			1	1	1	1
3	305JS70050	COVER:CVR-JAM			1	1	1	1
4	305JS70300	COVER:ASY-S/P-CVR-F-M			1	1	1	1
5	305JS70030	COVER:CVR-FRONT-S-1			1	1	1	1
6	305JS70110	COVER:CVR-FRONT-S-2			1	1	1	1
7	305JA70850	KORO-FE-ENT			4	4	4	4
8	305JS70250	STOPPER:CLIP050140W			2	2	2	2
A01	305JS70290	TRAY:ASY-S/P-TRY-S			1	1	1	1
9	*305JS70160	COVER:HLDR-S-BASE			1	1	1	1
10	*305JS70170	COVER:CVR-S-BASE			1	1	1	1
11	*305JS70100	COVER:HLDR-S-LINK-F			1	1	1	1
12	*305JS70150	COVER:HLDR-S-TRY			1	1	1	1
13	*305JS70180	COVER:LEV-S-SHUT			1	1	1	1
14	*305JS70200	COVER:HLDR-S-LINK-R-A			1	1	1	1
15	*305JS70210	COVER:CVR-S-LINK-R-A			1	1	1	1
16	*305JS70240	MOTOR:MOTOR,DC GEARED			1	1	1	1
17	*305JA70070	GP1S73P2J00F			2	2	2	2
A02	**305JS70280	TRAY:ASY-S/P-TRY-SUB			1	1	1	1
18	**305JS70120	COVER:TRY-S-MAIN			1	1	1	1
19	**305JS70130	COVER:TRY-S-SUB			1	1	1	1
20	**305JS70140	COVER:TRY-S-MID			1	1	1	1
101	5HL08470	SCR-M3X6BISR-3C						
102	305JA70030	SCR-030-080-WBB						

• Parts with a Ref.No. of 500 and above in the illustration indicate they are not selected for service parts.

• イラスト中で 500 番台の Ref 番号が付いている部品はサービスパーツに選定されていません。

FIG. 2 Paper Feed Section 1

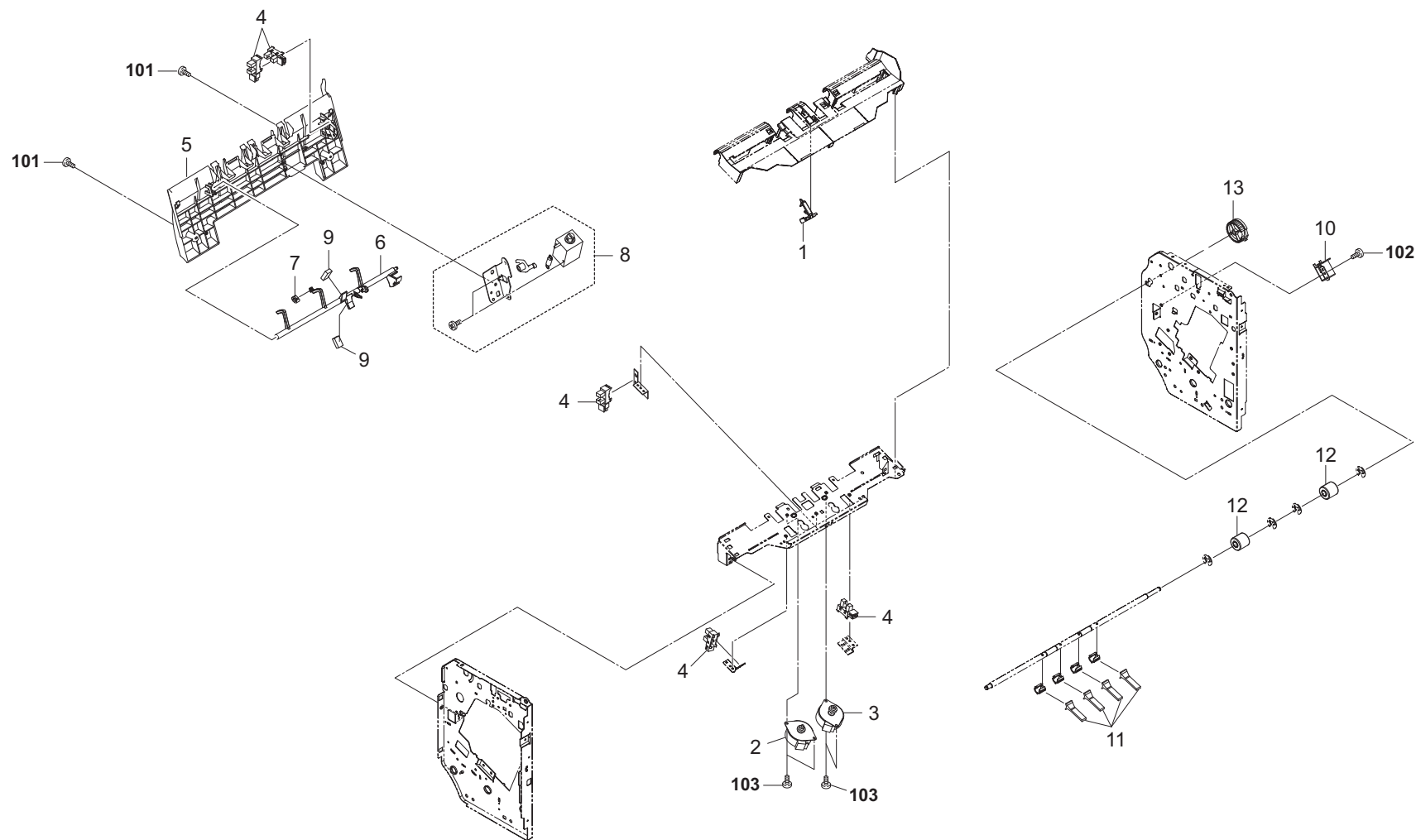


FIG. 3 Paper Feed Section 2

5JS

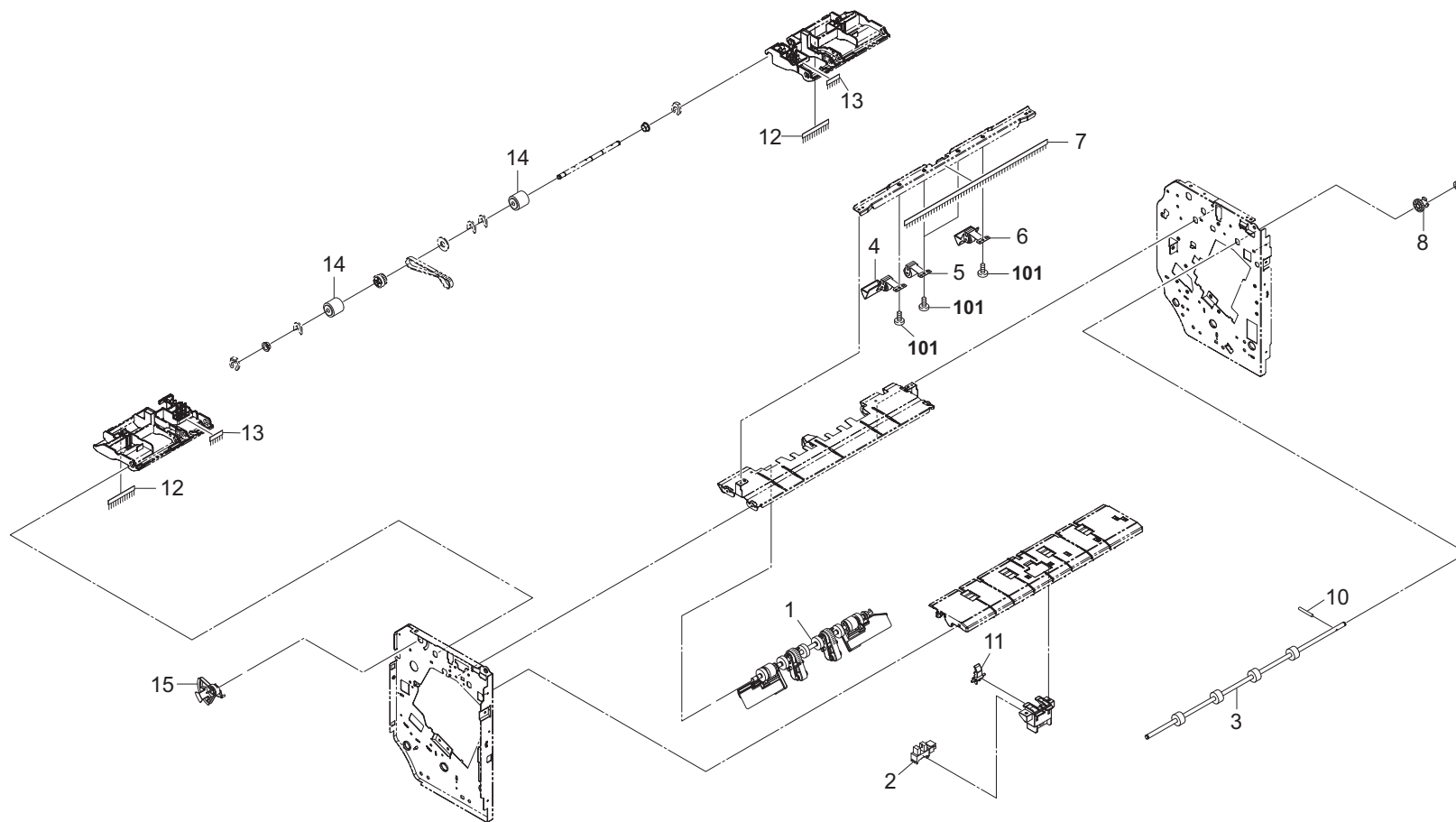
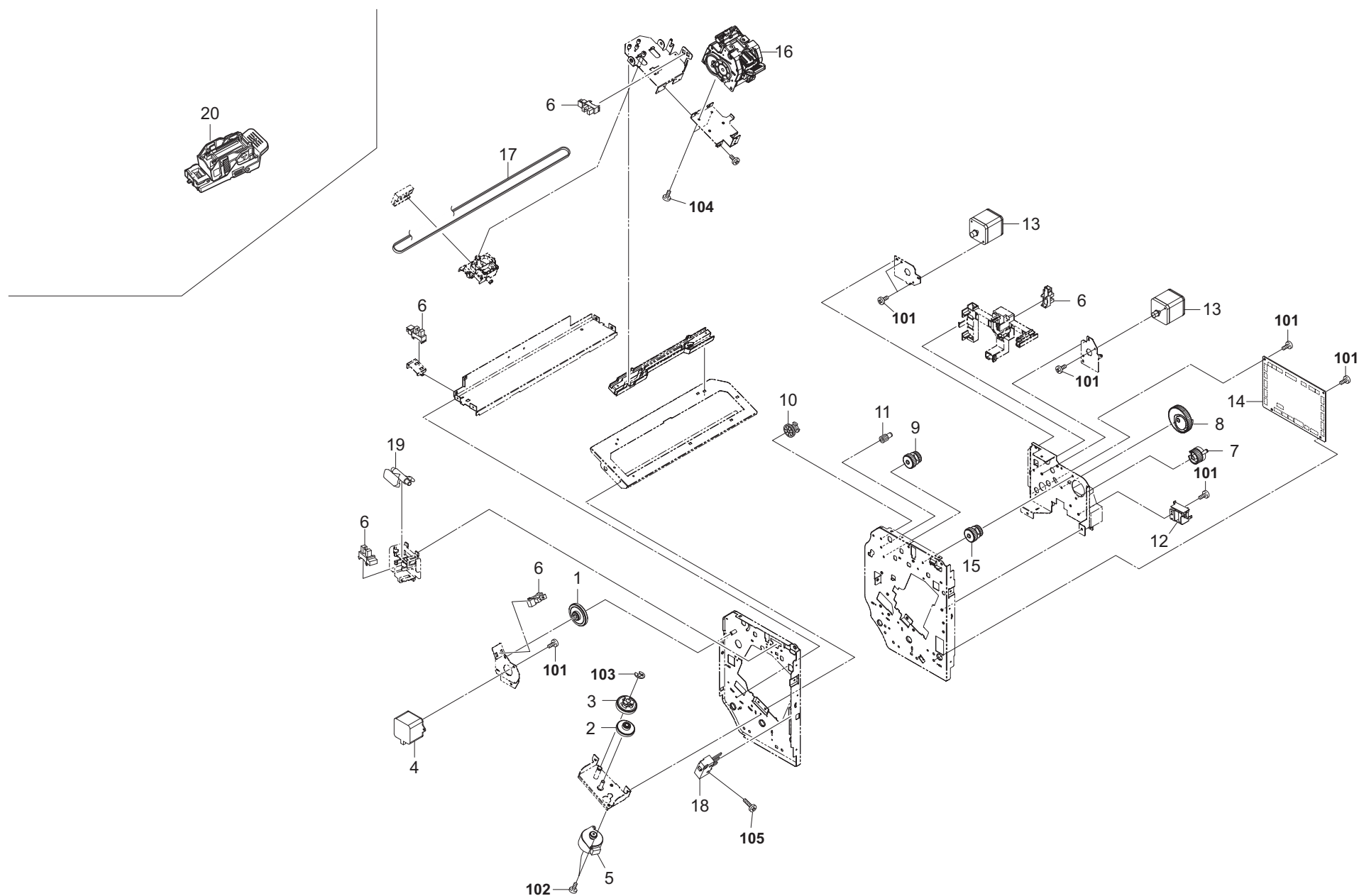


FIG. 4 Drive Section & Electrical Components

5JS



INDEX / 索引

Part.No. 部品番号	Description 部品名称	Fig.No.
303JY38750	CARTRIDGE EH590	4
303JY44011	STAPLER EH590	4
305JA70060	DE2L-FJ15	4
305JA70070	GP1S73P2J00F	1,2,3,4
305JA70150	BELTS3M284040	4
305JA70280	CUSH-YO	2
305JA70310	ROL-FE-PICK	3
305JA70330	PDL-PR-EXIT	2
305JA70380	DMP-PR-YO	2
305JA70390	GER-080-17-42	4
305JA70490	MOT-17PM-J343-P3VS	4
305JA70500	MOT-17PM-J052-G1VS	4
305JA70660	GER-080-47-PLY-S3M-18	4
305JA70740	GER-080-43-KH	2
305JA70750	GER-080-16	4
305JA70760	GER-080-32	3
305JA70770	GER-080-32-PLY-S2M-35	4
305JA70780	GER-080-32-PLY-S2M-18	3,4
305JA70790	GER-080-64-CAM	4
305JA70810	GER-080-32-KH	4
305JA70830	GER-100-56	3
305JA70850	KORO-FE-ENT	1
305JA70880	LVR-FE-SEN-ENT	3
305JA70940	LVR-YO	2
305JA71360	ROL-FE-FEED-ENT	3
305JA71410	BRSH-PICK-1	3
305JA71420	BRSH-PICK-2	3
305JA71430	BRSH-PICK-3	3
305JA71490	SOL-TDS-F12G-68	4
305JA71500	MOT-PM42L-048-NSE4	4
305JA71510	MOT-PM42M-048-NSE3	2
305JA71520	MOT-PM42M-048-NSF0	2
305JA71820	GER-080-32-PLY-S2M28	4
305JA71850	LVR-PR-SEIGO-SEN-KM	2
305JA72800	GER-100-16-050-88	4
305JA72810	ROL-PR-EXIT-W	2
305JA73180	ASY-BLT-KM	3
305JS70020	COVER:CVR-REAR	1
305JS70030	COVER:CVR-FRONT-S-1	1
305JS70040	COVER:CVR-TOP	1
305JS70050	COVER:CVR-JAM	1
305JS70100	COVER:HLDR-S-LINK-F	1
305JS70110	COVER:CVR-FRONT-S-2	1
305JS70120	COVER:TRY-S-MAIN	1
305JS70130	COVER:TRY-S-SUB	1
305JS70140	COVER:TRY-S-MID	1
305JS70150	COVER:HLDR-S-TRY	1
305JS70160	COVER:HLDR-S-BASE	1
305JS70170	COVER:CVR-S-BASE	1
305JS70180	COVER:LEV-S-SHUT	1
305JS70190	COVER:CVR-PR-WALL	2

Part.No. 部品番号	Description 部品名称	Fig.No.
305JS70200	COVER:HLDR-S-LINK-R-A	1
305JS70210	COVER:CVR-S-LINK-R-A	1
305JS70240	MOTOR:MOTOR,DC GEARED	1
305JS70250	STOPPER:CLIP050140W	1
305JS70260	PWB:PBA-CONTROL	4
305JS70270	SOLENOID:SOL-TDS-F12G-67A	2
305JS70280	TRAY:ASY-S/P-TRY-SUB	1
305JS70290	TRAY:ASY-S/P-TRY-S	1
305JS70300	COVER:ASY-S/P-CVR-F-M	1
305JS70310	SOLENOID:ASY-YO-SOL	2
305JS70320	BRACKET:K-SP-BLT-F-N	3
305JS70330	BRACKET:K-SP-BLT-C-N	3
305JS70340	BRACKET:K-SP-BLT-R-N	3
305JS70350	LEVER:LVR-SEN-CVR-JAM	4
5AA09060	PIN DOWEL 2*10	3

AK-470

Rev.1
August 2017

—— CONTENTS / 目次 ——

FIG. 1 AK-470 2

FIG. 1 AK-470

3NS-1

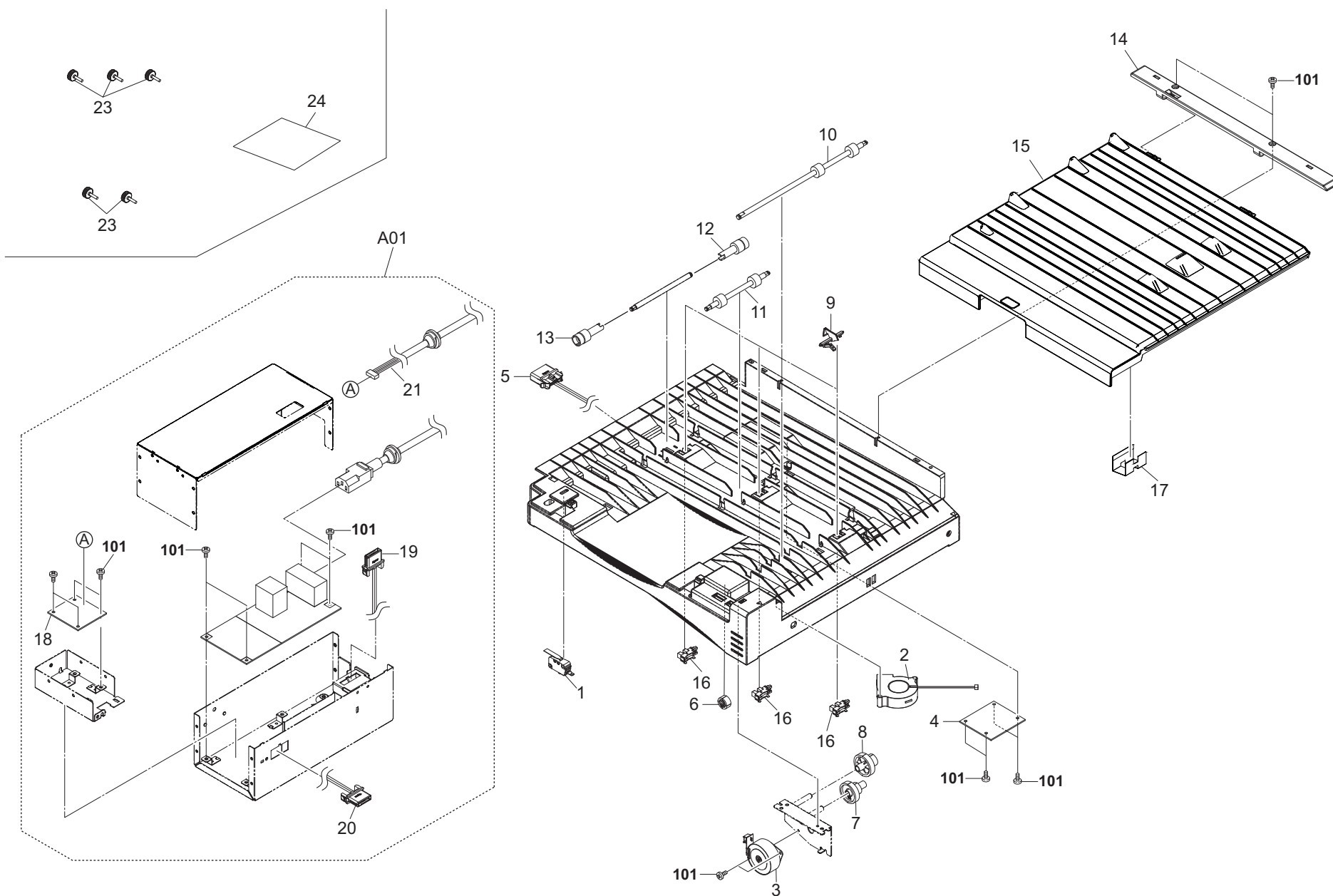


FIG. 1 AK-470

3NS-1

Ref. No. 番号	Part.No. 部品番号	Description 部品名称	Notes 備考	Revision 改訂	Quantity 個数			
					100(日本)	120	230	240
1	2FB27160	INTER LOCK SWITCH			1	1	1	1
2	302FZ94660	PARTS,FAN IMAGE SP			1	1	1	1
3	302HN44100	MOTOR REVERSE			1	1	1	1
4	303NS94010	PARTS PWB BRIDGE MAIN ASSY SP			1	1	1	1
5	303NS46040	WIRE BRIDGE			1	1	1	1
6	303NS94030	PARTS GEAR Z28 SP			1	1	1	1
7	303NS94040	PARTS GEAR Z28-Z52 SP			1	1	1	1
8	303NS94050	PARTS GEAR Z28-Z56 SP			1	1	1	1
9	303NS24070	ACTUATOR FEED			3	3	3	3
10	303NS94060	PARTS ROLLER FEED A SP			1	1	1	1
11	303NS94070	PARTS ROLLER FEED B SP			1	1	1	1
12	303NS94080	PARTS ROLLER FEED C SP			1	1	1	1
13	303NS94090	PARTS ROLLER FEED D SP			1	1	1	1
14	303NS24220	GUIDE UPPER REAR			1	1	1	1
15	303NS94111	PARTS GUIDE UPPER ASSY SP			1	1	1	1
16	7NXGP1S173LCH01	SENSOR OPT.			3	3	3	3
17	303NS24510	SHEET SW			1	1	1	1
A01	303NS94130	PARTS LVU BOX ASSY SP			1	1	1	1
18	303NS94020	PARTS PWB BRIDGE CONNECT ASSY SP			1	1	1	1
19	303NS46050	WIRE DF IF			1	1	1	1
20	303NS46060	WIRE BRIDGE IF			1	1	1	1
21	303NS46090	WIRE POWER			1	1	1	1
23	303NS24410	SCREW PLATE DF			5	5	5	5
24	303NS34050	LABEL PUSH SET			1	1	1	1
101	7BB700308H	+BIND T.T S SCREW 3X8 SR						

• Parts with a Ref.No. of 500 and above in the illustration indicate they are not selected for service parts.

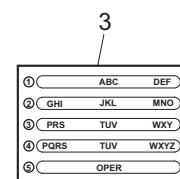
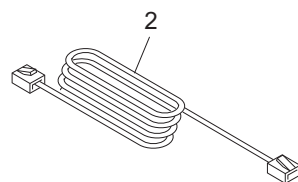
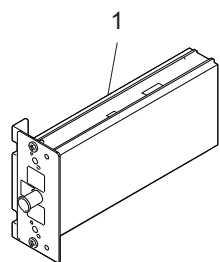
• イラスト中で 500 番台の Ref 番号が付いている部品はサービスパーツに選定されていません。

FAX System 13

First Edition
August 2017

—— CONTENTS / 目次 ——

FIG. 1 FAX System 13 2



KYOCERA Document Solutions America, Inc.**Headquarters**

225 Sand Road,
Fairfield, New Jersey 07004-0008, USA
Phone: +1-973-808-8444
Fax: +1-973-882-6000

Latin America

8240 NW 52nd Terrace, Suite 301
Miami, Florida 33166, USA
Phone: +1-305-421-6640
Fax: +1-305-421-6666

KYOCERA Document Solutions Canada, Ltd.

6120 Kestrel Rd., Mississauga, ON L5T 1S8,
Canada
Phone: +1-905-670-4425
Fax: +1-905-670-8116

KYOCERA Document Solutions**Mexico, S.A. de C.V.**

Calle Arquimedes No. 130, 4 Piso, Colonia Polanco
Chapultepec, Delegacion Miguel Hidalgo,
Distrito Federal, C.P. 11560, México
Phone: +52-555-383-2741
Fax: +52-555-383-7804

KYOCERA Document Solutions Brazil, Ltda.

Alameda África, 545, Pólo Empresarial Consbrás,
Tamboré, Santana de Parnaíba, State of São Paulo,
CEP 06543-306, Brazil
Phone: +55-11-2424-5353
Fax: +55-11-2424-5304

KYOCERA Document Solutions Chile SpA

Jose Ananias 505, Macul. Santiago, Chile
Phone: +56-2-2670-1900
Fax: +562-2350-7150

KYOCERA Document Solutions**Australia Pty. Ltd.**

Level 3, 6-10 Talavera Road North Ryde N.S.W, 2113,
Australia
Phone: +61-2-9888-9999
Fax: +61-2-9888-9588

KYOCERA Document Solutions**New Zealand Ltd.**

Ground Floor, 19 Byron Avenue, Takapuna, Auckland,
New Zealand
Phone: +64-9-415-4517
Fax: +64-9-415-4597

KYOCERA Document Solutions Asia Limited

13/F.,Mita Centre, 552-566, Castle Peak Road Tsuen
Wan, New Territories, Hong Kong
Phone: +852-2496-5678
Fax: +852-2610-2063

KYOCERA Document Solutions**(China) Corporation**

8F, No. 288 Nanjing Road West, Huangpu District,
Shanghai,200003, China
Phone: +86-21-5301-1777
Fax: +86-21-5302-8300

KYOCERA Document Solutions**(Thailand) Corp., Ltd.**

335 Ratchadapisek Road, Wongsawang, Bangsue,
Bangkok 10800,
Thailand
Phone: +66-2-586-0333
Fax: +66-2-586-0278

KYOCERA Document Solutions**Singapore Pte. Ltd.**

12 Tai Seng Street #04-01A,
Luxasia Building, Singapore 534118
Phone: +65-6741-8733
Fax: +65-6748-3788

KYOCERA Document Solutions**Hong Kong Limited**

16/F.,Mita Centre, 552-566, Castle Peak Road Tsuen
Wan, New Territories, Hong Kong
Phone: +852-3582-4000
Fax: +852-3185-1399

KYOCERA Document Solutions**Taiwan Corporation**

6F., No.37, Sec. 3, Minquan E. Rd.,
Zhongshan Dist., Taipei 104, Taiwan R.O.C.
Phone: +886-2-2507-6709
Fax: +886-2-2507-8432

KYOCERA Document Solutions Korea Co., Ltd.

#10F Daewoo Foundation Bldg 18, Toegye-ro, Jung-gu,
Seoul, Korea
Phone: +822-6933-4050
Fax: +822-747-0084

KYOCERA Document Solutions**India Private Limited**

Second Floor, Centrum Plaza, Golf Course Road,
Sector-53, Gurgaon, Haryana 122002, India
Phone: +91-0124-4671000
Fax: +91-0124-4671001

KYOCERA Document Solutions Europe B.V.

Bloemlaan 4, 2132 NP Hoofddorp,
The Netherlands
Phone: +31-20-654-0000
Fax: +31-20-653-1256

KYOCERA Document Solutions Nederland B.V.

Beechavenue 25, 1119 RA Schiphol-Rijk,
The Netherlands
Phone: +31-20-5877200
Fax: +31-20-5877260

KYOCERA Document Solutions (U.K.) Limited

Eldon Court, 75-77 London Road,
Reading, Berkshire RG1 5BS,
United Kingdom
Phone: +44-118-931-1500
Fax: +44-118-931-1108

KYOCERA Document Solutions Italia S.p.A.

Via Monfalcone 15, 20132, Milano, Italy,
Phone: +39-02-921791
Fax: +39-02-92179-600

KYOCERA Document Solutions Belgium N.V.

Sint-Martinusweg 199-201 1930 Zaventem,
Belgium
Phone: +32-2-7209270
Fax: +32-2-7208748

KYOCERA Document Solutions France S.A.S.

Espace Technologique de St Aubin
Route de l'Orme 91195 Gif-sur-Yvette CEDEX,
France
Phone: +33-1-69852600
Fax: +33-1-69853409

KYOCERA Document Solutions Espana, S.A.

Edificio Kyocera, Avda. de Manacor No.2,
28290 Las Matas (Madrid), Spain
Phone: +34-91-6318392
Fax: +34-91-6318219

© 2018 KYOCERA Document Solutions Inc.

 is a trademark of KYOCERA Corporation

KYOCERA Document Solutions Finland Oy

Atomitie 5C, 00370 Helsinki,
Finland
Phone: +358-9-47805200
Fax: +358-9-47805212

KYOCERA Document Solutions Europe B.V., Amsterdam (NL) Zürich Branch

Hohlstrasse 614, 8048 Zürich,
Switzerland
Phone: +41-44-9084949
Fax: +41-44-9084950

KYOCERA Bilgitas Document Solutions Turkey A.S.

Altunizade Mah. Prof. Fahrettin Kerim Gökay Cad.
No:45
34662 ÜSKÜDAR İSTANBUL, TURKEY
Phone: +90-216-339-0020
Fax: +90-216-339-0070

KYOCERA Document Solutions Deutschland GmbH

Otto-Hahn-Strasse 12, 40670 Meerbusch,
Germany
Phone: +49-2159-9180
Fax: +49-2159-918100

KYOCERA Document Solutions Austria GmbH

Wienerbergstraße 11, Turm A, 18. OG, 1100 Wien,
Austria
Phone: +43-1-863380
Fax: +43-1-86338-400

KYOCERA Document Solutions Nordic AB

Esbogatan 16B 164 75 Kista, Sweden
Phone: +46-8-546-550-00
Fax: +46-8-546-550-10

京セラドキュメントソリューションズ株式会社
京セラドキュメントソリューションズジャパン株式会社

 は京セラ株式会社の登録商標です。

KYOCERA Document Solutions Norge Nuf

Olaf Helsetsv. 6, 0619 Oslo, Norway
Phone: +47-22-62-73-00
Fax: +47-22-62-72-00

KYOCERA Document Solutions Danmark A/S

Ejby Industrivej 60, DK-2600 Glostrup,
Denmark
Phone: +45-70223880
Fax: +45-45765850

KYOCERA Document Solutions Portugal Lda.

Rua do Centro Cultural, 41 (Alvalade) 1700-106 Lisboa,
Portugal
Phone: +351-21-843-6780
Fax: +351-21-849-3312

KYOCERA Document Solutions South Africa (Pty) Ltd.

KYOCERA House, Hertford Office Park,
90 Bekker Road (Cnr. Allandale), Midrand, South Africa
Phone: +27-11-540-2600
Fax: +27-11-466-3050

KYOCERA Document Solutions Russia LLC.

Building 2, 51/4, Schepkina St., 129110, Moscow,
Russia
Phone: +7(495)741-0004
Fax: +7(495)741-0018

KYOCERA Document Solutions Middle East

Dubai Internet City, Bldg. 17,
Office 157 P.O. Box 500817, Dubai,
United Arab Emirates
Phone: +971-04-433-0412

KYOCERA Document Solutions Inc.

2-28, 1-chome, Tamatsukuri, Chuo-ku
Osaka 540-8585, Japan
Phone: +81-6-6764-3555
<http://www.kyoceradocumentsolutions.com>