



ECOSYS M6230cidn
ECOSYS M6630cidn
ECOSYS M6235cidn
ECOSYS M6635cidn
PF-5100

PARTS LIST

Published in January 2018
Rev.1

ECOSYS M6635cidn
PF-5100

パーツリスト

2018年1月
Rev.1

Items listed in the revision columns are defined as follows.

Item	Description
Add	Add a new part
Del	Delete a part
Design-chg.	A design changed part (Parts number version up)
Part No-chg.	A part number is changed to other one.
Quantity-chg.	Change Quantity of parts to use
Others	Other changes

Revision history

Rev.	Date	Remarks
1	January 2018	Design change

Symbols in the parts list

- Parts without a Ref.No. in the illustration indicate they are not supplied.
- Parts with a Ref.No. of 500 and above in the illustration indicate they are not selected for service parts.
- Parts with "*" are component parts or sub-assemblies of the assembly appearing immediately above them.
- Parts with "**" are component parts or sub-assembly with "*" appearing immediately above them.

<Notation of products>

For the purpose of this parts list, products are identified as following.

ECOSYS M6230cidn : 30ppm(A4),32ppm(Letter)

ECOSYS M6630cidn : 30ppm(A4),32ppm(Letter)(F)

ECOSYS M6235cidn : 35ppm(A4),37ppm(Letter)

ECOSYS M6635cidn : 35ppm(A4),37ppm(Letter)(F)

改訂欄記載項目の内容は以下の通りです。

記載項目	内容
Add	新規部品の追加
Del	部品の削除
Design-chg.	部品の設変（版数アップ）
Part No-chg.	部品番号の変更
Quantity-chg.	部品の個数変更
Others	その他の変更

改訂履歴

Rev.	改訂日	備考
1	2018年1月	設変対応

記号の見方

イラスト中で Ref 番号がない部品は供給できません。

イラスト中で 500 番台の Ref 番号が付いている部品はサービスパーツに選定されていません。

部品番号欄の・印は、組立部品の単品部品及び準組立部品を表わします。

部品番号欄の**印は、準組立部品の単品部品を表わします。

<本体機種区別表記>

パーツリスト中の本体機種区別は、以下の様に記載します。

ECOSYS M6635cidn : 35ppm(A4), 37ppm(Letter)(F)

ECOSYS M6230cidn
ECOSYS M6630cidn
ECOSYS M6235cidn
ECOSYS M6635cidn

Rev.1
January 2018

CONTENTS / 目次

FIG. 1 Covers 2	FIG. 24 DP Paper Conveying Section 2 (35ppm(A4),37ppm(Letter)/35ppm(A4),37ppm(Letter)(F)) 48
FIG. 2 Paper Cassette 4	FIG. 25 DP Drive Section (35ppm(A4),37ppm(Letter)/35ppm(A4),37ppm(Letter)(F)) 50
FIG. 3 Paper Feed Section 1 6	FIG. 26 Wire Section 1 (30ppm(A4),32ppm(Letter)/30ppm(A4),32ppm(Letter)(F)) 52
FIG. 4 Paper Feed Section 2 8	FIG. 27 Wire Section 2 (35ppm(A4),37ppm(Letter)/35ppm(A4),37ppm(Letter)(F)) 54
FIG. 5 Conveying Section 1 10	FIG. 28 Wire Section 3 56
FIG. 6 Conveying Section 2 12	FIG. 29 Wire Section 4 58
FIG. 7 Laser Scanner Section 14	FIG. 30 Wire Section 5 60
FIG. 8 Developer Section 16	FIG. 31 Wire Section 6 (30ppm(A4),32ppm(Letter)/30ppm(A4),32ppm(Letter)(F)) 62
FIG. 9 Image Formation Section 18	FIG. 32 Wire Section 7 (35ppm(A4),37ppm(Letter)/35ppm(A4),37ppm(Letter)(F)) 64
FIG. 10 Transfer Section 20	FIG. 33 Wire Section 8 (35ppm(A4),37ppm(Letter)/35ppm(A4),37ppm(Letter)(F)) 66
FIG. 11 Fuser Section 22	FIG. 34 Accessories 68
FIG. 12 Drive Section 24	FIG. 35 Maintenance Kits (30ppm(A4),32ppm(Letter)/30ppm(A4),32ppm(Letter)(F)) 70
FIG. 13 Electrical Components 1 26	FIG. 36 Maintenance Kits (35ppm(A4),37ppm(Letter)/35ppm(A4),37ppm(Letter)(F)) 71
FIG. 14 Electrical Components 2 28	
FIG. 15 Operation Section 30	
FIG. 16 Scanner Section 32	
FIG. 17 DP Section (30ppm(A4),32ppm(Letter)/30ppm(A4),32ppm(Letter)(F)) 34	
FIG. 18 DP ASSY SP (35ppm(A4),37ppm(Letter)/35ppm(A4),37ppm(Letter)(F)) 36	
FIG. 19 DP Covers (35ppm(A4),37ppm(Letter)/35ppm(A4),37ppm(Letter)(F)) 38	
FIG. 20 DP Frames (35ppm(A4),37ppm(Letter)/35ppm(A4),37ppm(Letter)(F)) 40	
FIG. 21 DP Table Assy (35ppm(A4),37ppm(Letter)/35ppm(A4),37ppm(Letter)(F)) 42	
FIG. 22 DP Paper Feed Section (35ppm(A4),37ppm(Letter)/35ppm(A4),37ppm(Letter)(F)) 44	
FIG. 23 DP Paper Conveying Section 1 (35ppm(A4),37ppm(Letter)/35ppm(A4),37ppm(Letter)(F)) 46	
	• INDEX / 索引 72

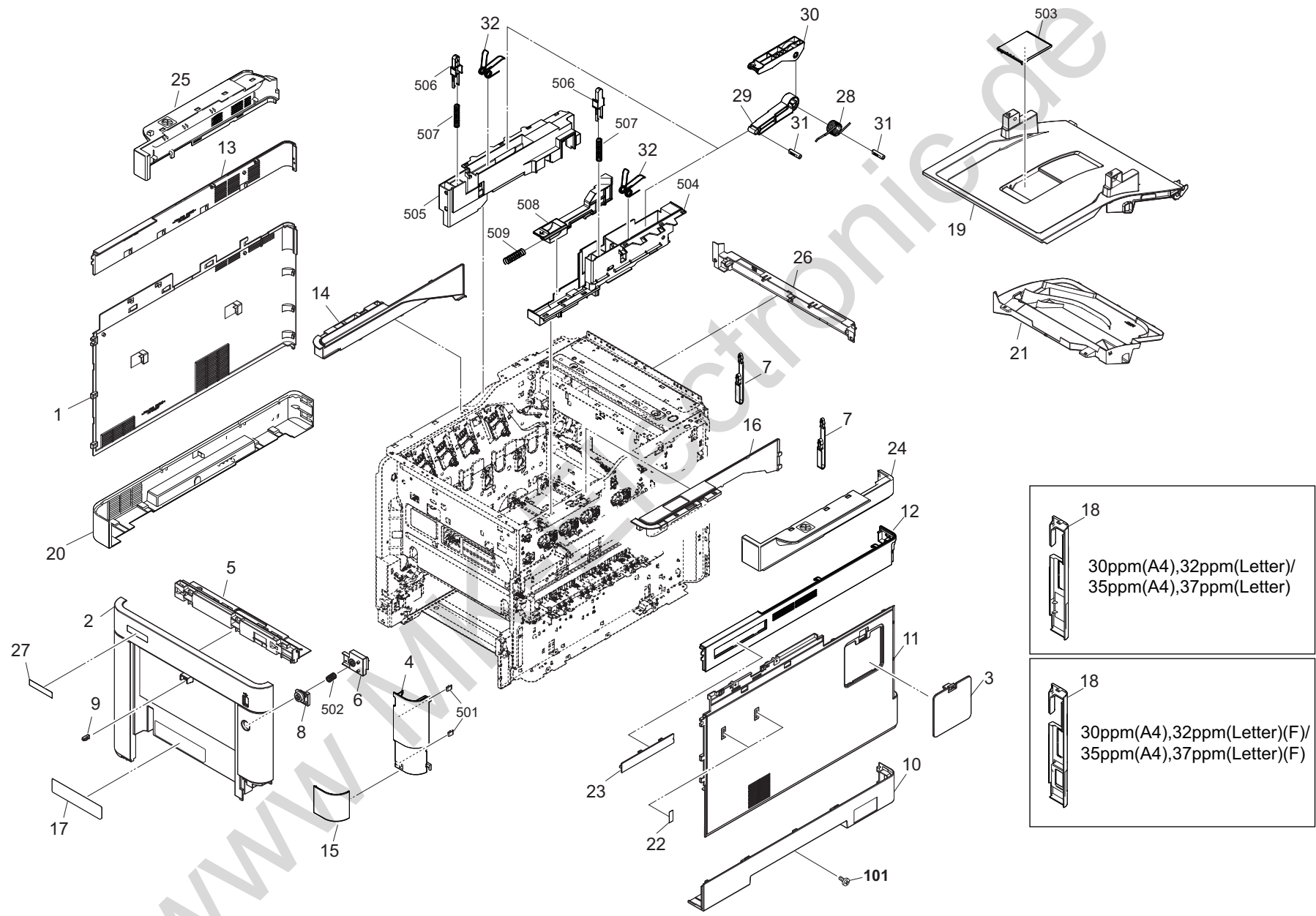


FIG. 1 Covers

2TY/2TZ/2V0/2V1

Ref. No. 番号	Part.No. 部品番号	Description 部品名称	Notes 備考	Revision 改訂	Quantity 個数			
					100(日本)	120	230	240
1	302NR04030	COVER LEFT			1	1	1	1
2	302NR04051	COVER FRONT			1	1	1	1
3	302NR04190	COVER MEMORY			1	1	1	1
4	302NR04090	COVER WASTE			1	1	1	1
5	302NR04080	COVER FRONT UPPER			1	1	1	1
6	302NR04250	HOLDER MAIN SWITCH			1	1	1	1
7	302KV04130	STRAP COVER REAR			2	2	2	2
8	3V2LV04180	KEY SW			1	1	1	1
9	302HN08140	LUTCH			1	1	1	1
10	302NR04180	COVER RIGHT BOTTOM			1	1	1	1
11	302NV04040	COVER RIGHT			1	1	1	1
12	302NV04070	COVER RIGHT UPPER			1	1	1	1
13	302NV04060	COVER LEFT UPPER			1	1	1	1
14	302NV04140	COVER INNER LEFT			1	1	1	1
15	302NR04100	COVER WASTE LOW			1	1	1	1
16	302NV04150	COVER INNER RIGHT			1	1	1	1
17	302NR34020	LABEL JAM			1	1	1	1
18	302TV04100	COVER CONNECTOR	30ppm(A4),32ppm(Letter)/35ppm(A4),37ppm(Letter)			1	1	1
18	302TY04100	COVER CONNECTOR	30ppm(A4),32ppm(Letter)(F)/35ppm(A4),37ppm(Letter)(F)		1	1	1	1
19	302NV04020	LID TOP MFP			1	1	1	1
20	302TY04010	COVER LEFT BOTTOM			1	1	1	1
21	302NV04210	DUCT LID TOP MFP			1	1	1	1
22	302NV04120	SHEET RIGHT COVER			2	2	2	2
23	302NV04080	COVER RIGHT UPPER B			1	1	1	1
24	302NV04321	COVER ISU RIGHT			1	1	1	1
25	302NV04311	COVER ISU LEFT			1	1	1	1
26	302NV04160	COVER REAR UPPER			1	1	1	1
27	302TY34010	LABEL PRODUCT NAME	30ppm(A4),32ppm(Letter)				1	1
27	302TZ34010	LABEL PRODUCT NAME	30ppm(A4),32ppm(Letter)(F)			1	1	1
27	302V034010	LABEL PRODUCT NAME	35ppm(A4),37ppm(Letter)			1	1	1
27	302V134010	LABEL PRODUCT NAME	35ppm(A4),37ppm(Letter)(F)		1	1	1	1
28	302PB02020	SPRING-TORSION ISU A			2	2	2	2
29	302NV02030	ARM ISU LOWER			2	2	2	2
30	302NV02040	ARM ISU UPPER			2	2	2	2
31	302NV02050	PIN ARM ISU			4	4	4	4
32	302NV02130	SPRING-TORSION ISU B			2	2	2	2
101	7BB780308H	+BIND T.T S SCREW 3X8 SR(BLACK)						

• Parts with a Ref.No. of 500 and above in the illustration indicate they are not selected for service parts.

• イラスト中で 500 番台の Ref 番号が付いている部品はサービスパーツに選定されていません。

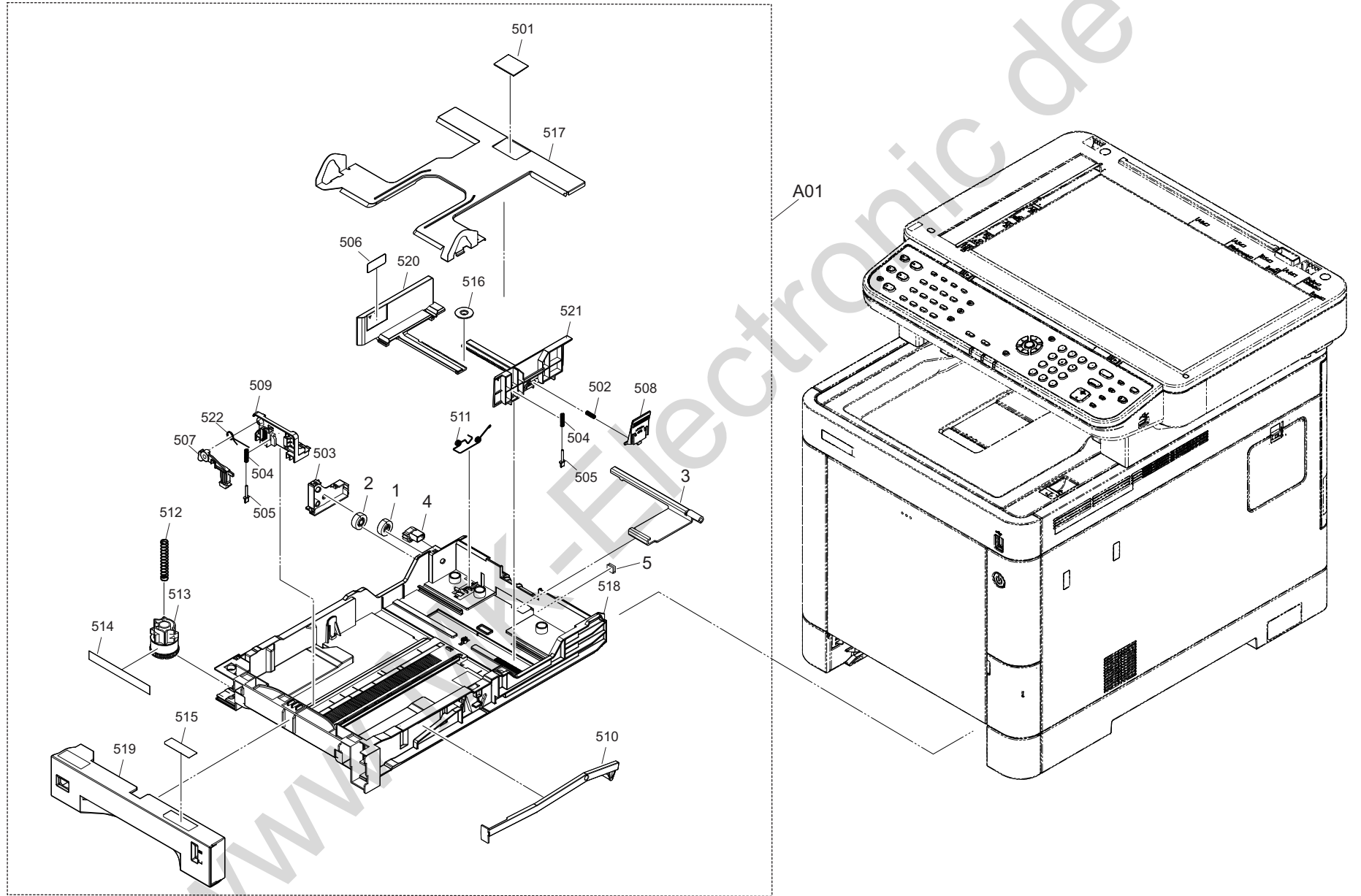


FIG. 2 Paper Cassette

2TY/2TZ/2V0/2V1

Ref. No. 番号	Part.No. 部品番号	Description 部品名称	Notes 備考	Revision 改訂	Quantity 個数			
					100 (日本)	120	230	240
A01	302NV93011	CT-5141			1	1	1	1
1	*302HN09170	GEAR Z13S JOINT			1	1	1	1
2	*302KV09250	GEAR Z13			1	1	1	1
3	*302NR09070	WORKPLATE LIFT			1	1	1	1
4	*302NR09040	GEAR Z20S WORKPLATE			1	1	1	1
5	*302NR09110	SHEET CASSETTE RETARD			1	1	1	1

• Parts with a Ref.No. of 500 and above in the illustration indicate they are not selected for service parts.

• イラスト中で 500 番台の Ref 番号が付いている部品はサービスパーツに選定されていません。

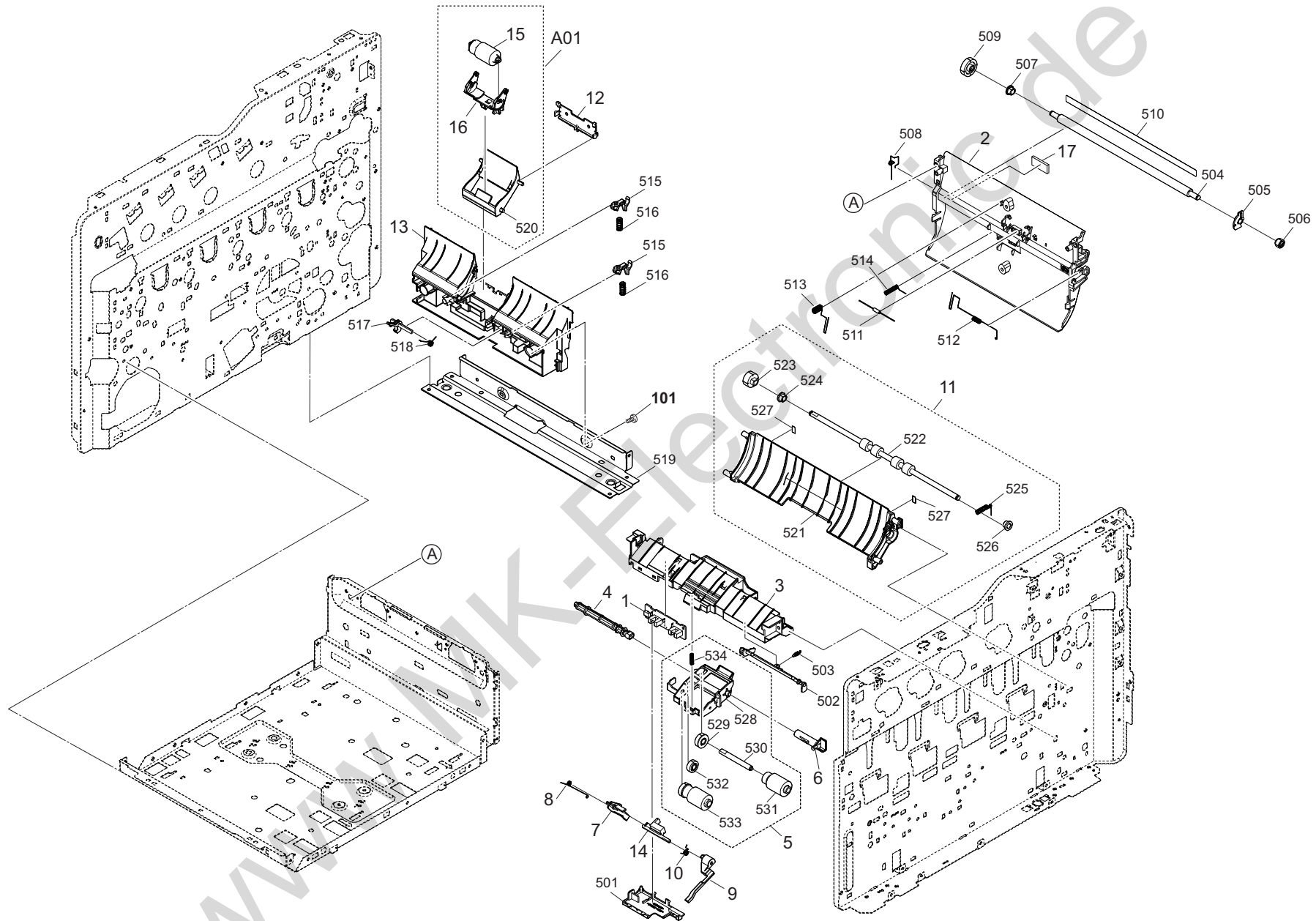


FIG. 3 Paper Feed Section 1

2TY/2TZ/2V0/2V1

Ref. No. 番号	Part.No. 部品番号	Description 部品名称	Notes 備考	Revision 改訂	Quantity 個数			
					100(日本)	120	230	240
1	302KT94070	PARTS PWB ASSY CASSETTE SP			1	1	1	1
2	302NR06511	FRAME FEED			1	1	1	1
3	302NR06210	GUIDE PICK HOLDER			1	1	1	1
4	302KV06151	SHAFT FEED			1	1	1	1
5	302KV94191	PARTS HOLDER FEED ASSY SP			1	1	1	1
6	302KV06370	PIN FEED			1	1	1	1
7	302KV06180	RELEASE ACTUATOR PE			1	1	1	1
8	302NR06620	SPRING ACTUATOR			1	1	1	1
9	302KV06341	ACTUATOR B			1	1	1	1
10	302KV06201	SPRING ACT			1	1	1	1
11	302NR94250	PARTS MIDDLE ROLLER ASSY SP			1	1	1	1
12	302NR06040	COVER RETARD			1	1	1	1
13	302NR06010	GUIDE CASSETTE			1	1	1	1
14	302KT06050	ACTUATOR PE			1	1	1	1
A01	302NT94061	PARTS RETARD ASSY SP			1	1	1	1
15	*302F909171	RETARD ROLLER ASSY			1	1	1	1
16	*302NT06040	HOLDER RETARD A			1	1	1	1
17	302NR06590	PAD REGIST FEED			1	1	1	1
101	7BB200308H	+BIND T.T P SCREW 3X8						

• Parts with a Ref.No. of 500 and above in the illustration indicate they are not selected for service parts.

• イラスト中で 500 番台の Ref 番号が付いている部品はサービスパーツに選定されていません。

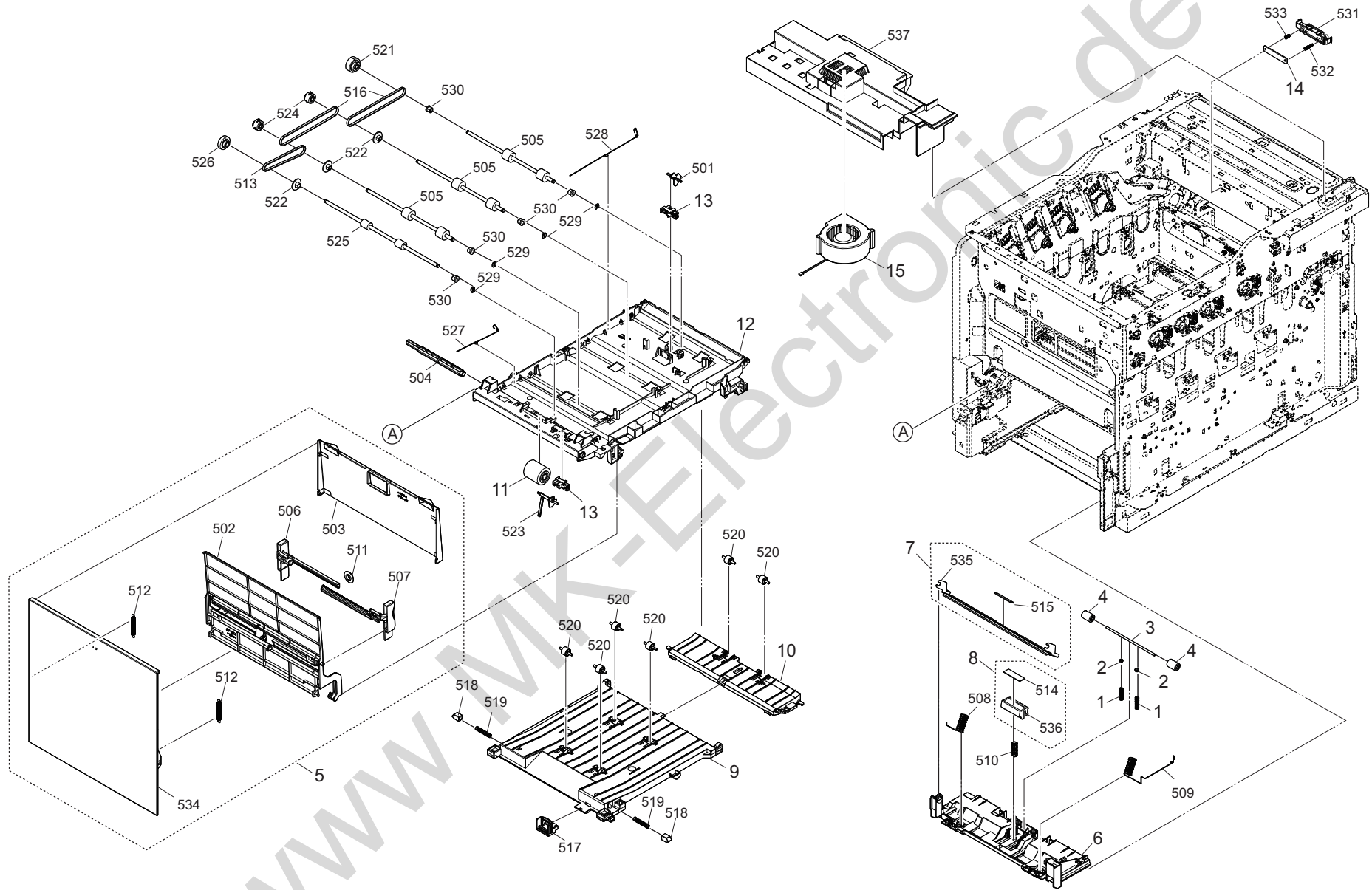


FIG. 4 Paper Feed Section 2

2TY/2TZ/2V0/2V1

Ref. No. 番号	Part.No. 部品番号	Description 部品名称	Notes 備考	Revision 改訂	Quantity 個数			
					100(日本)	120	230	240
1	302NR08220	SPRING PULLEY MPF			2	2	2	2
2	2FM04150	CAP SPRING/B-11 ENCLOSURE A4			2	2	2	2
3	302NR28090	SHAFT EXIT			1	1	1	1
4	302F929050	PULLEY FEED DU			2	2	2	2
5	302NR94210	PARTS COVER MPF ASSY SP			1	1	1	1
6	302NR08040	FRAME MPF			1	1	1	1
7	302NR94220	PARTS PLATE BOTTOM MPF ASSY SP			1	1	1	1
8	302TV94010	PARTS SEPARATOR MPF ASSY SP			1	1	1	1
9	302NR08130	GUIDE MPF FEED LOW B			1	1	1	1
10	302NR08111	GUIDE MPF FEED LOW A			1	1	1	1
11	302HS08260	ROLLER M/P ASSY			1	1	1	1
12	302NR08101	GUIDE MPF FEED UP			1	1	1	1
13	302P794010	PARTS SENSOR OPT. SP			2	2	2	2
14	302HNO1240	P.W.BOARD ASSY FUSER ZENER	120V/230V/240V			1	1	1
14	302J901030	P.W.BOARD ASSY FUSER ZENER	35ppm(A4),37ppm(Letter)(F):100V		1			
15	302FZ94380	PARTS,FAN COOLING DLP 70 SP			1	1	1	1

• Parts with a Ref.No. of 500 and above in the illustration indicate they are not selected for service parts.

• イラスト中で 500 番台の Ref 番号が付いている部品はサービスパーツに選定されていません。

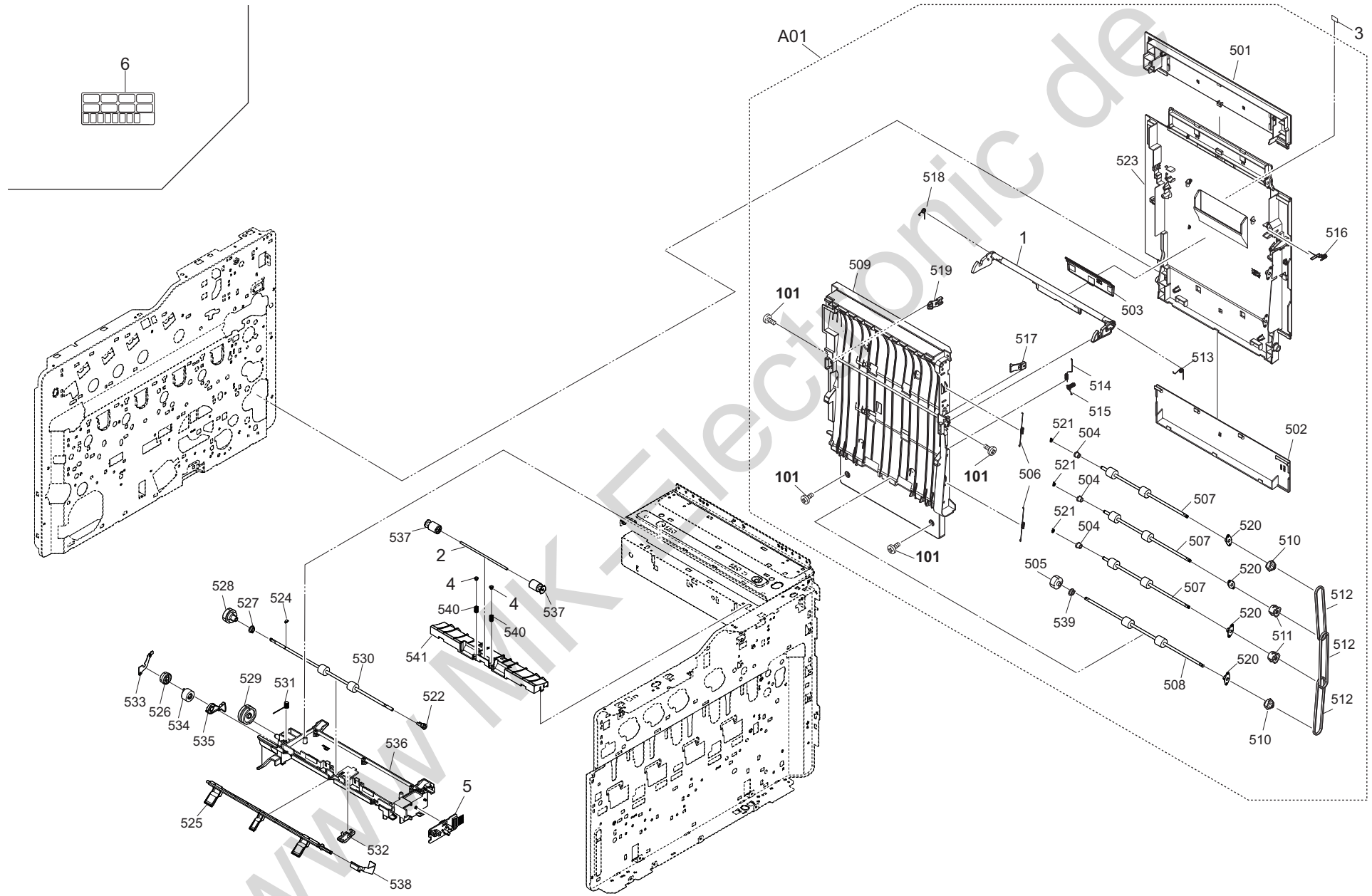


FIG. 5 Conveying Section 1

2TY/2TZ/2V0/2V1

Ref. No. 番号	Part.No. 部品番号	Description 部品名称	Notes 備考	Revision 改訂	Quantity 個数			
					100 (日本)	120	230	240
A01	302NV94070	PARTS REAR COVER 250 MFP ASSY SP			1	1	1	1
1	•302NR29020	HOOK DU RELEASE			1	1	1	1
2	302NR28090	SHAFT EXIT			1	1	1	1
3	302MC34040	LABEL PUSH			1	1	1	1
4	2FM04150	CAP SPRING/B-11 ENCLOSURE A4			2	2	2	2
5	302NR94130	PARTS PWB ASSY EXIT SP	30ppm(A4),32ppm(Letter)/30ppm(A4),32ppm(Letter)(F)			1	1	1
5	302NS94050	PARTS PWB ASSY EXIT SP	35ppm(A4),37ppm(Letter)/35ppm(A4),37ppm(Letter)(F)		1	1	1	1
6	302NR34090	LABEL PUSH SET				1	1	
101	7BB200308H	+BIND T.T P SCREW 3X8						

• Parts with a Ref.No. of 500 and above in the illustration indicate they are not selected for service parts.

• イラスト中で 500 番台の Ref 番号が付いている部品はサービスパーツに選定されていません。

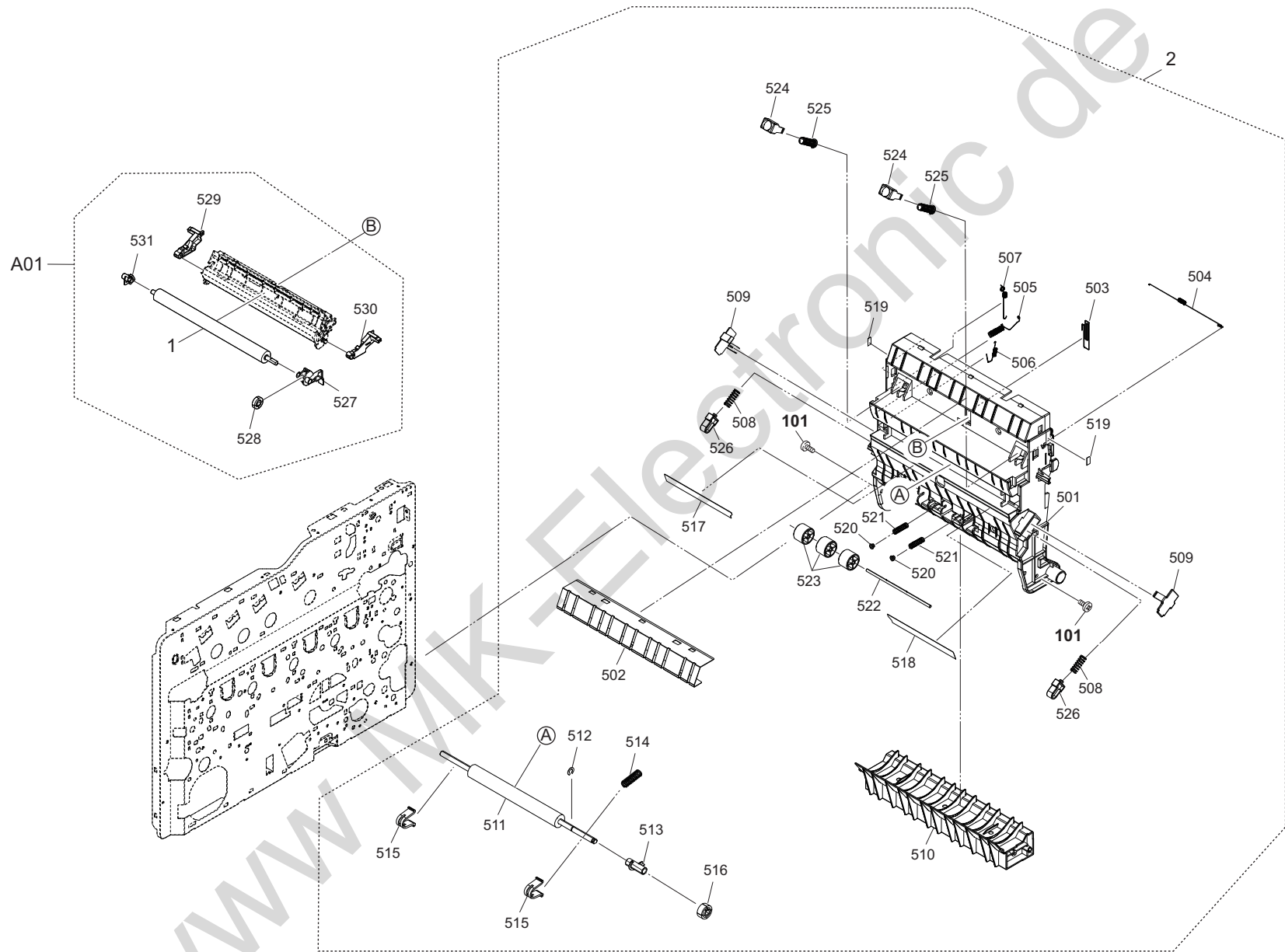


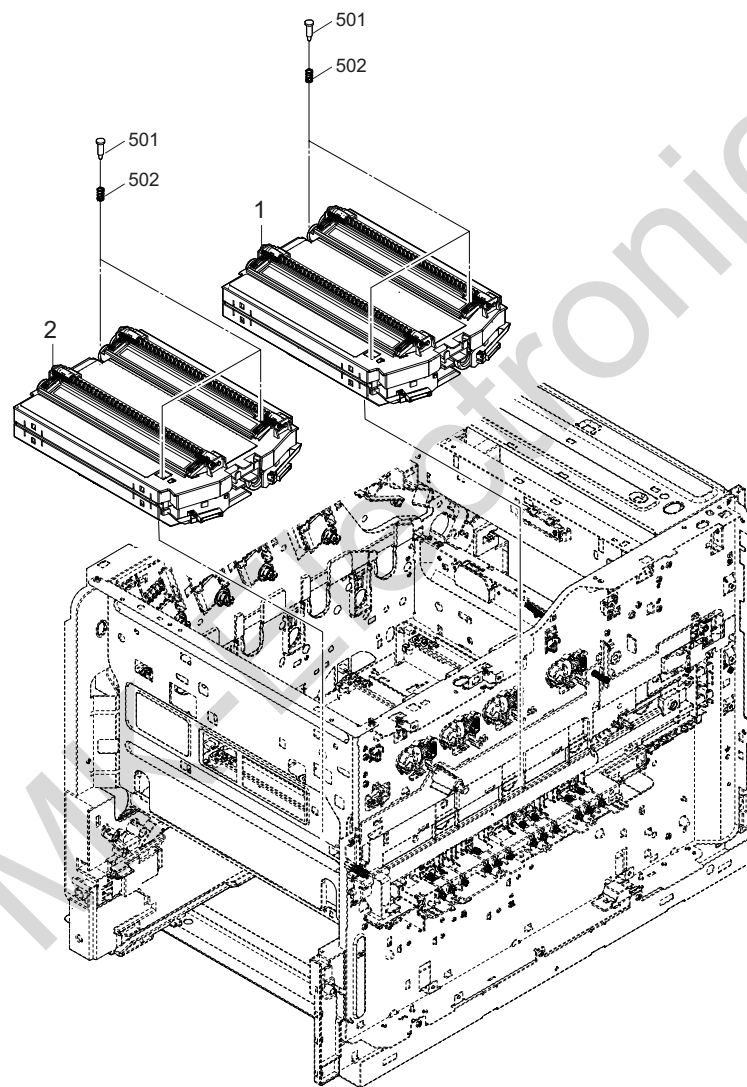
FIG. 6 Conveying Section 2

2TY/2TZ/2V0/2V1

Ref. No. 番号	Part.No. 部品番号	Description 部品名称	Notes 備考	Revision 改訂	Quantity 個数			
					100(日本)	120	230	240
A01	302NR94330	PARTS ROLLER TRANSFER ASSY SP			1	1	1	1
1	•302NR94061	PARTS ROLLER TRANSFER SP			1	1	1	1
2	302NR94190	PARTS CONVEYING 250 ASSY SP			1	1	1	1
101	7BB200308H	+BIND T.T P SCREW 3X8						

• Parts with a Ref.No. of 500 and above in the illustration indicate they are not selected for service parts.

• イラスト中で 500 番台の Ref 番号が付いている部品はサービスパーツに選定されていません。



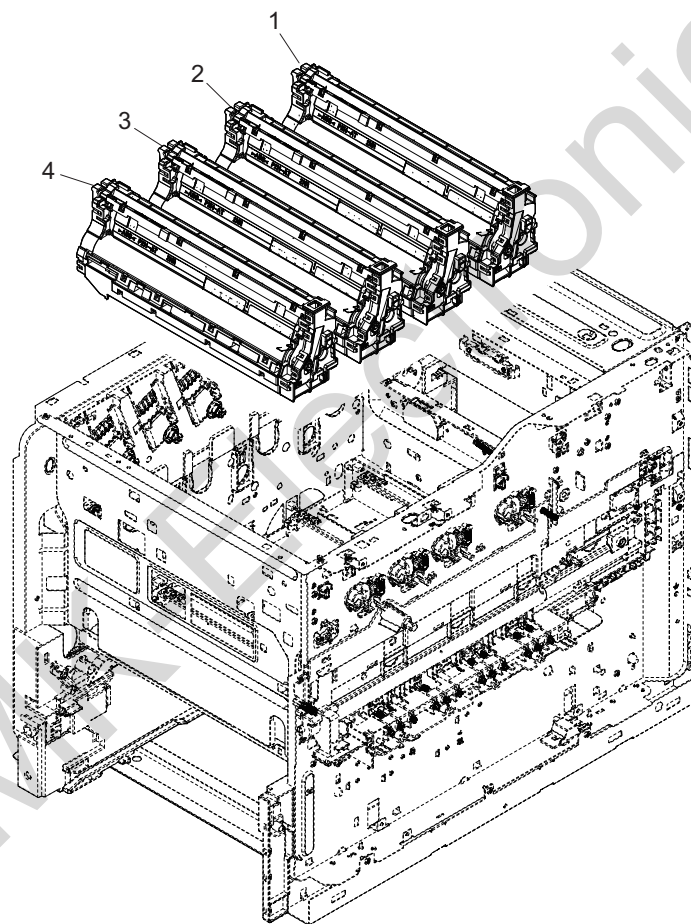


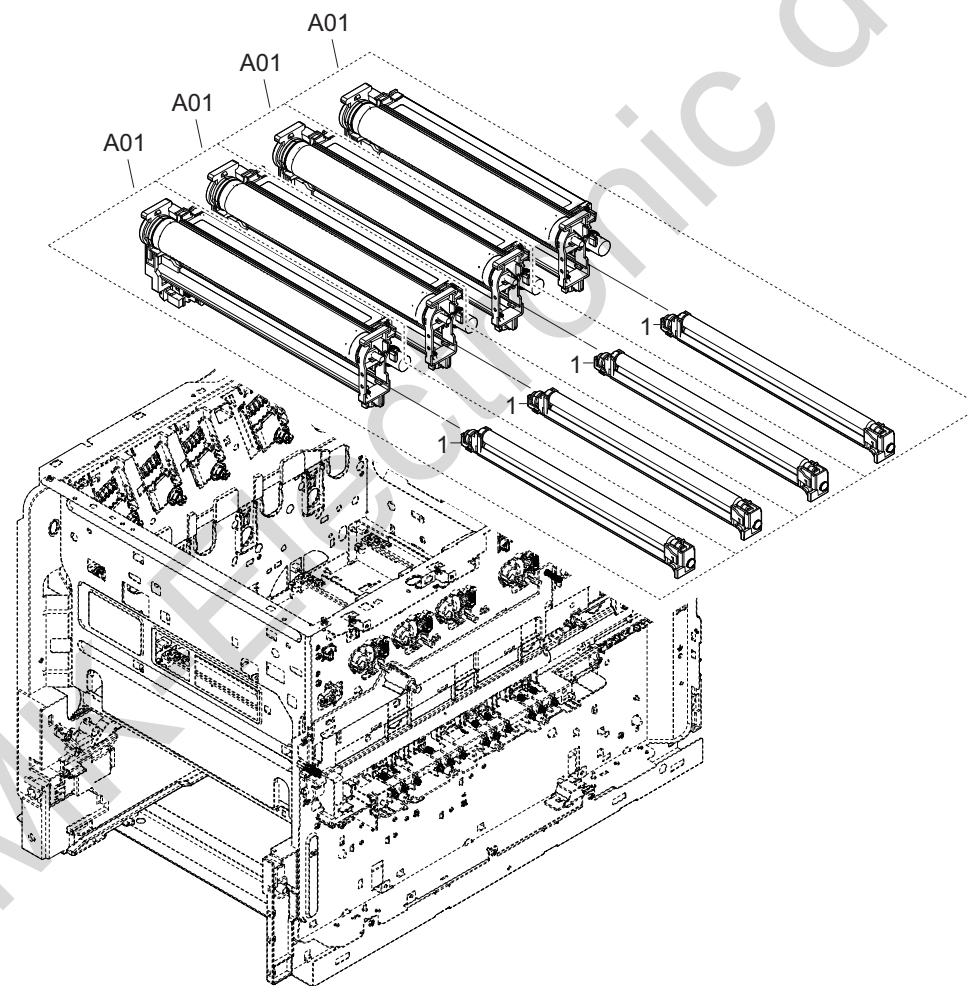
FIG. 8 Developer Section

2TY/2TZ/2V0/2V1

Ref. No. 番号	Part.No. 部品番号	Description 部品名称	Notes 備考	Revision 改訂	Quantity 個数			
					100 (日本)	120	230	240
1	302NR93021	DV-5140(K)	30ppm(A4),32ppm(Letter)/30ppm(A4),32ppm(Letter)(F)			1	1	1
1	302NS9J012	DV-5150(K)(J)	35ppm(A4),37ppm(Letter)(F)		1			
1	302NS93012	DV-5150(K)	35ppm(A4),37ppm(Letter)/35ppm(A4),37ppm(Letter)(F)			1	1	1
2	302NR93041	DV-5140(M)	30ppm(A4),32ppm(Letter)/30ppm(A4),32ppm(Letter)(F)			1	1	1
2	302NS9J032	DV-5150(M)(J)	35ppm(A4),37ppm(Letter)(F)		1			
2	302NS93032	DV-5150(M)	35ppm(A4),37ppm(Letter)/35ppm(A4),37ppm(Letter)(F)			1	1	1
3	302NR93051	DV-5140(C)	30ppm(A4),32ppm(Letter)/30ppm(A4),32ppm(Letter)(F)			1	1	1
3	302NS9J042	DV-5150(C)(J)	35ppm(A4),37ppm(Letter)(F)		1			
3	302NS93042	DV-5150(C)	35ppm(A4),37ppm(Letter)/35ppm(A4),37ppm(Letter)(F)			1	1	1
4	302NR93031	DV-5140(Y)	30ppm(A4),32ppm(Letter)/30ppm(A4),32ppm(Letter)(F)			1	1	1
4	302NS9J022	DV-5150(Y)(J)	35ppm(A4),37ppm(Letter)(F)		1			
4	302NS93022	DV-5150(Y)	35ppm(A4),37ppm(Letter)/35ppm(A4),37ppm(Letter)(F)			1	1	1

• Parts with a Ref.No. of 500 and above in the illustration indicate they are not selected for service parts.

• イラスト中で 500 番台の Ref 番号が付いている部品はサービスパーツに選定されていません。



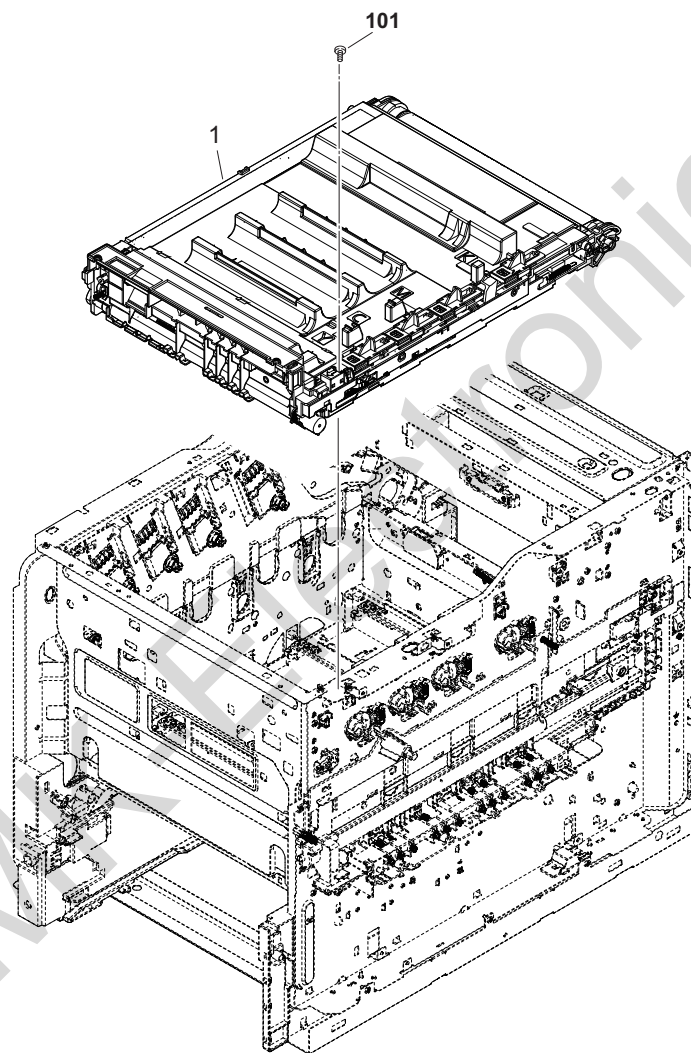


FIG. 10 Transfer Section

2TY/2TZ/2V0/2V1

Ref. No. 番号	Part.No. 部品番号	Description 部品名称	Notes 備考	Revision 改訂	Quantity 個数			
					100(日本)	120	230	240
1	302NR93061	TR-5140			1	1	1	1
101	7BB607312H	+TP-CUP M SCREW 3X12 R						

• Parts with a Ref.No. of 500 and above in the illustration indicate they are not selected for service parts.

• イラスト中で 500 番台の Ref 番号が付いている部品はサービスパーツに選定されていません。

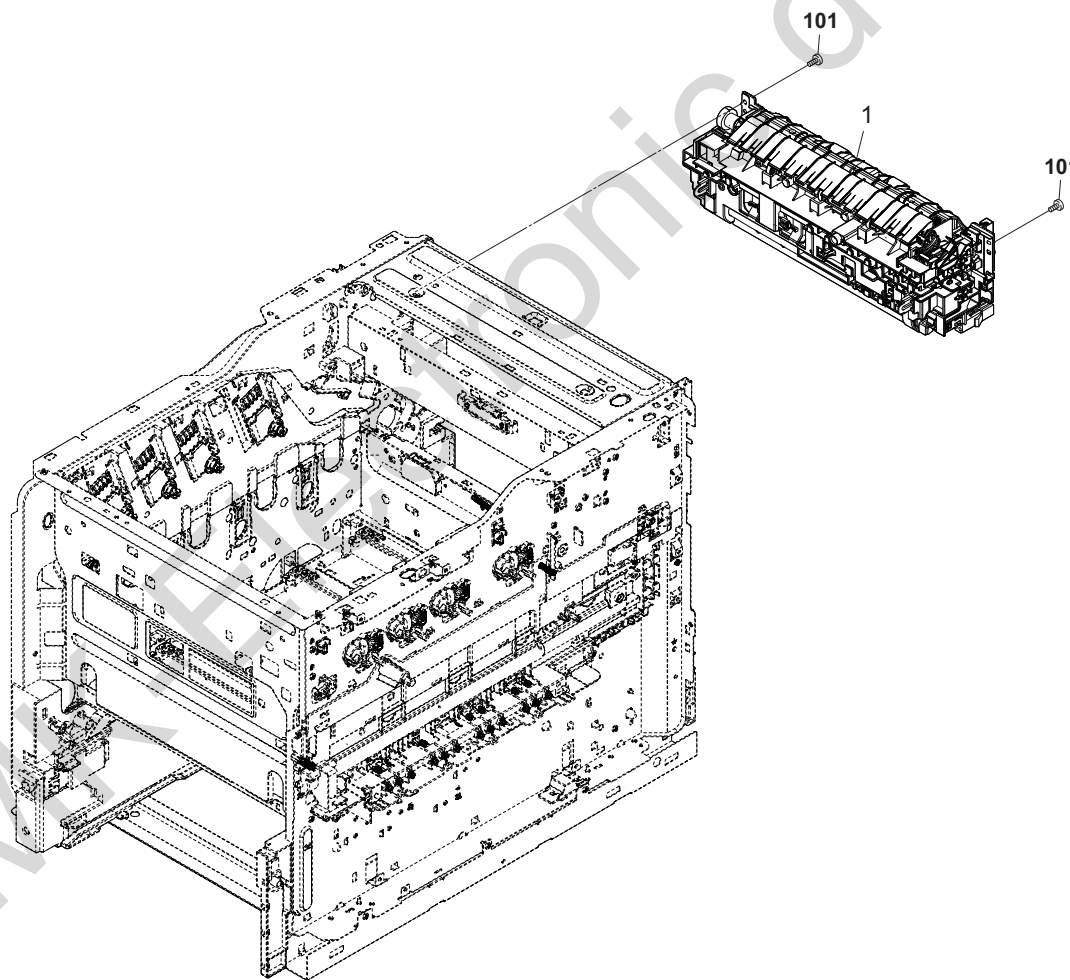


FIG. 11 Fuser Section

2TY/2TZ/2V0/2V1

Ref. No. 番号	Part.No. 部品番号	Description 部品名称	Notes 備考	Revision 改訂	Quantity 個数			
					100 (日本)	120	230	240
1	302NR93091	FK-5140	30ppm(A4),32ppm(Letter)/30ppm(A4),32ppm(Letter)(F)				1	1
1	302NR93111	FK-5142	30ppm(A4),32ppm(Letter)/30ppm(A4),32ppm(Letter)(F)			1		
1	302PB93012	FK-5150	35ppm(A4),37ppm(Letter)/35ppm(A4),37ppm(Letter)(F)				1	1
1	302PB93032	FK-5152	35ppm(A4),37ppm(Letter)/35ppm(A4),37ppm(Letter)(F)			1		
1	302PB93023	FK-5151	35ppm(A4),37ppm(Letter)(F)		1			
101	7BB700308H	+BIND T.T S SCREW 3X8 SR						

• Parts with a Ref.No. of 500 and above in the illustration indicate they are not selected for service parts.

• イラスト中で 500 番台の Ref 番号が付いている部品はサービスパーツに選定されていません。

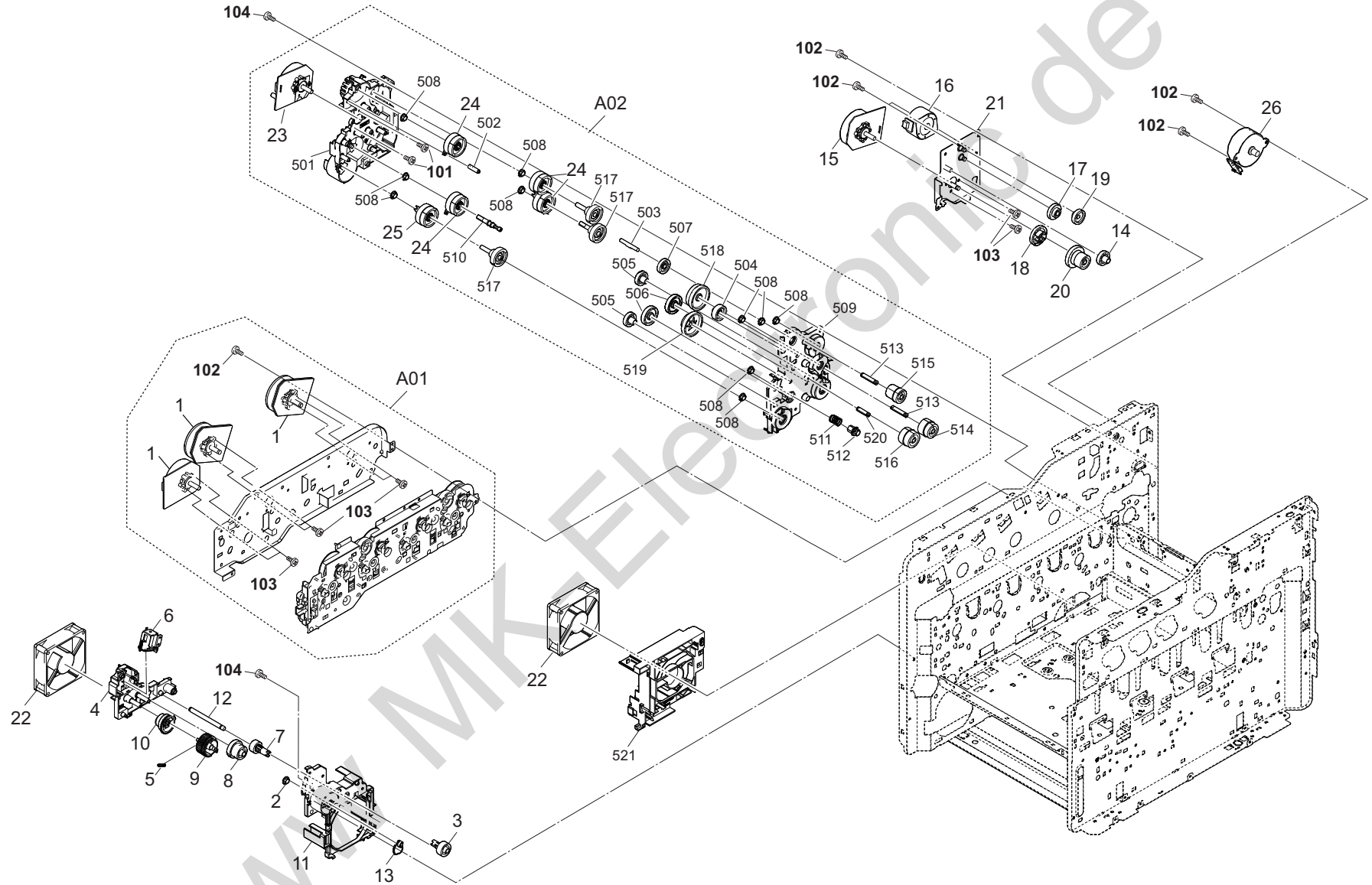


FIG. 12 Drive Section

2TY/2TZ/2V0/2V1

Ref. No. 番号	Part.No. 部品番号	Description 部品名称	Notes 備考	Revision 改訂	Quantity 個数			
					100 (日本)	120	230	240
A01	302NR93130	DR-5140	30ppm(A4),32ppm(Letter)/30ppm(A4),32ppm(Letter)(F)			1	1	1
A01	302NT93120	DR-5150	35ppm(A4),37ppm(Letter)/35ppm(A4),37ppm(Letter)(F)		1	1	1	1
1	*302K994323	PARTS MOTOR-BL W20 SP			3	3	3	3
2	302KV31410	BUSH DRIVE			7	7	7	7
3	302KV31440	GEAR Z23L			1	1	1	1
4	302NR31150	HOUSING MPF DRIVE A			1	1	1	1
5	302HN31650	SPRING INPUT MPF			1	1	1	1
6	302GR44150	SOLENOID TONER			1	1	1	1
7	302NR31810	GEAR Z14L MPF			1	1	1	1
8	302NR31180	GEAR Z31R-Z24S			1	1	1	1
9	302NR31190	GEAR INPUT A Z36S			1	1	1	1
10	302NR31200	GEAR INPUT B Z36S			1	1	1	1
11	302NR31161	HOUSING MPF DRIVE B			1	1	1	1
12	302NR31210	PIN DRIVE MPF A			1	1	1	1
13	302NR31630	CAM MPF			1	1	1	1
14	302NR31060	GEAR Z24L			1	1	1	1
15	302K994323	PARTS MOTOR-BL W20 SP			1	1	1	1
16	303NB94040	PARTS MOTOR-PM MOVING SP			1	1	1	1
17	302TV31010	GEAR Z42R-Z16S	30ppm(A4),32ppm(Letter)/30ppm(A4),32ppm(Letter)(F)			1	1	1
17	302NR31250	GEAR Z44R-Z16S	35ppm(A4),37ppm(Letter)/35ppm(A4),37ppm(Letter)(F)		1	1	1	1
18	302NR31230	GEAR Z35R			1	1	1	1
19	302NR31260	GEAR Z26S			1	1	1	1
20	302NR31240	GEAR Z63R-Z24R			1	1	1	1
21	302NR31220	PLATE MIDDLE DRIVE			1	1	1	1
22	302NG94220	PARTS FAN MOTOR SP			2	2	2	2
A02	302NR94260	PARTS FEED DRIVE ASSY SP			1	1	1	1
23	*302LC94292	PARTS MOTOR-BL W10 SP			1	1	1	1
24	*302NR94010	PARTS CLUTCH 35 Z35R SP			4	4	4	4
25	*302KV44041	CLUTCH 50 Z35R			1	1	1	1
26	302P794060	PARTS MOTOR EJECT SP			1	1	1	1
101	7BB060305H1	+BIND M SCREW 3X5(BLUE)						
102	7BB700308H	+BIND T.T S SCREW 3X8 SR						
103	7BB000304H	+BIND M SCREW 3X4						
104	7BB100312H	+BIND T.T S SCREW 3X12						

• Parts with a Ref.No. of 500 and above in the illustration indicate they are not selected for service parts.

• イラスト中で 500 番台の Ref 番号が付いている部品はサービスパーツに選定されていません。

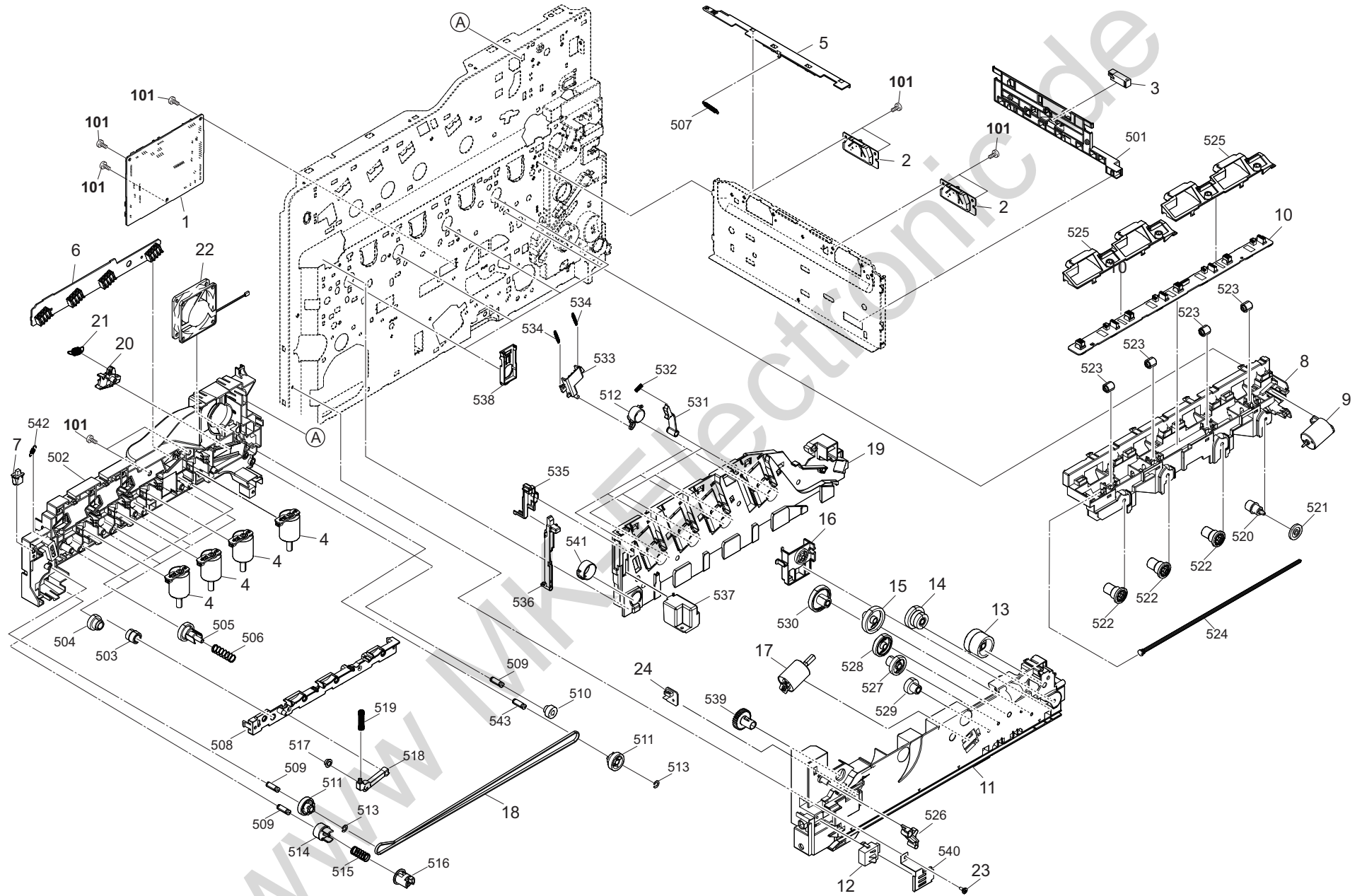


FIG. 13 Electrical Components 1

2TY/2TZ/2V0/2V1

Ref. No. 番号	Part.No. 部品番号	Description 部品名称	Notes 備考	Revision 改訂	Quantity 個数			
					100(日本)	120	230	240
1	302TV94050	PARTS PWB ASSY ENGINE CONNECT SP			1	1	1	1
2	302NR94020	PARTS ID SENSOR SP			2	2	2	2
3	303NW94040	PARTS SENSOR OPT. SP			1	1	1	1
4	302NR94080	PARTS DC MOTOR ASSY SP			4	4	4	4
5	302NR94200	PARTS CLEANER ID ASSY SP			1	1	1	1
6	302TV94060	PARTS PWB ASSY CONTAINER CONN SP			1	1	1	1
7	7SP01000004+H01	SW.PUSH			1	1	1	1
8	302NR33020	DUCT LEFT INNER			1	1	1	1
9	302NG94050	PARTS DC MOTOR ASSY SP			1	1	1	1
10	302NR94120	PARTS PWB ASSY DRUM CONNECT SP			1	1	1	1
11	302NR02191	GUIDE CASSETTE LEFT			1	1	1	1
12	302HN44180	SWITCH SIZE			1	1	1	1
13	302NR31080	GEAR Z33R-Z32R			1	1	1	1
14	302KT02150	GEAR Z33S-Z13S			1	1	1	1
15	302NR02930	GEAR Z41S			1	1	1	1
16	302NR02230	HOLDER GEAR			1	1	1	1
17	302NV94010	PARTS DC MOTOR ASSY SP			1	1	1	1
18	302NR31570	BELT S2M Z350			1	1	1	1
19	302NR02170	GUIDE TOP LEFT			1	1	1	1
20	302NR02330	SLIDER CLEANER ID			1	1	1	1
21	302NR02340	SPRING SLIDER CLEANER			1	1	1	1
22	302FZ94420	PARTS,FAN COOLING CONVEYING SP			1	1	1	1
23	303MH04040	PIN COVER			1	1	1	1
24	302M294130	PARTS PWB ASSY THERMISTOR SP			1	1	1	1
101	7BB700308H	+BIND T.T S SCREW 3X8 SR						

• Parts with a Ref.No. of 500 and above in the illustration indicate they are not selected for service parts.

• イラスト中で 500 番台の Ref 番号が付いている部品はサービスパーツに選定されていません。

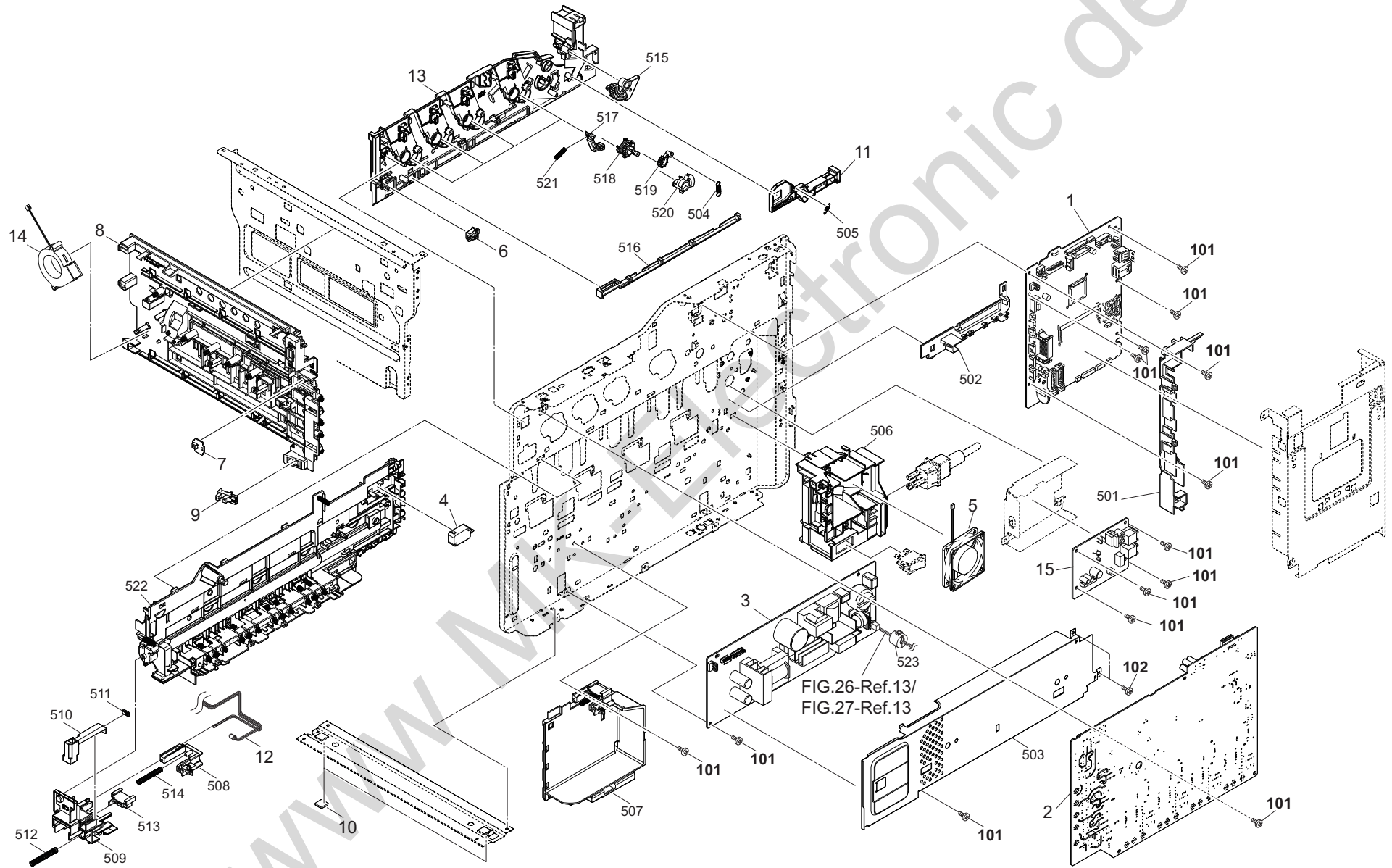


FIG. 14 Electrical Components 2

2TY/2TZ/2V0/2V1

Ref. No. 番号	Part.No. 部品番号	Description 部品名称	Notes 備考	Revision 改訂	Quantity 個数			
					100 (日本)	120	230	240
1	302TY94020	PARTS PWB ASSY MAIN EU SP	30ppm(A4),32ppm(Letter)				1	
1	302TY94010	PARTS PWB ASSY MAIN SP	30ppm(A4),32ppm(Letter)					1
1	302TZ94020	PARTS PWB ASSY MAIN EU SP	30ppm(A4),32ppm(Letter)(F)				1	
1	302TZ94010	PARTS PWB ASSY MAIN SP	30ppm(A4),32ppm(Letter)(F)			1		1
1	302V094030	PARTS PWB ASSY MAIN EU SP	35ppm(A4),37ppm(Letter)				1	
1	302V094020	PARTS PWB ASSY MAIN SP	35ppm(A4),37ppm(Letter)			1		
1	302V194060	PARTS PWB ASSY MAIN EU SP	35ppm(A4),37ppm(Letter)(F)				1	
1	302V194050	PARTS PWB ASSY MAIN SP	35ppm(A4),37ppm(Letter)(F)		1	1		1
2	302NR94030	PARTS HIGH VOLTAGE UNIT SP			1	1		1
3	302TY94050	PARTS SWITCHING REGULATOR 230V SP	30ppm(A4),32ppm(Letter)/30ppm(A4),32ppm(Letter)(F)				1	1
3	302NS94020	PARTS SWITCHING REGULATOR 230V SP	35ppm(A4),37ppm(Letter)/35ppm(A4),37ppm(Letter)(F)				1	1
3	302NR94040	PARTS SWITCHING REGULATOR 100V SP	30ppm(A4),32ppm(Letter)/30ppm(A4),32ppm(Letter)(F)			1		
3	302NS94010	PARTS SWITCHING REGULATOR 100V SP	35ppm(A4),37ppm(Letter)/35ppm(A4),37ppm(Letter)(F)		1	1		
4	7SM010104+++H01	SW.MICRO			1	1	1	1
5	302FZ94420	PARTS,FAN COOLING CONVEYING SP			1	1	1	1
6	7SP01000004+H01	SW.PUSH			1	1	1	1
7	302NR94160	PARTS PWB ASSY SWITCH SP			1	1	1	1
8	302NR39011	BRACKET FRONT HV			1	1	1	1
9	302P794010	PARTS SENSOR OPT. SP			1	1	1	1
10	302HN02611	FOOT			2	2	2	2
11	302NR02140	LEVER INTERLOCK			1	1	1	1
12	302NR94070	PARTS TONER FULL DETECT ASSY SP			1	1	1	1
13	302NR02180	GUIDE TOP RIGHT			1	1	1	1
14	302HN44210	FAN MOTOR			1	1	1	1
15	302R794330	PARTS FAX UNIT J SP	35ppm(A4),37ppm(Letter)(F)		1			
15	302R794340	PARTS FAX UNIT U SP	30ppm(A4),32ppm(Letter)(F)/35ppm(A4),37ppm(Letter)(F)			1		
15	303PA94011	PARTS FAX UNIT E SP	30ppm(A4),32ppm(Letter)(F)/35ppm(A4),37ppm(Letter)(F)				1	1
101	7BB700308H	+BIND T.T S SCREW 3X8 SR						
102	7BB200308H	+BIND T.T P SCREW 3X8						

• Parts with a Ref.No. of 500 and above in the illustration indicate they are not selected for service parts.

• イラスト中で 500 番台の Ref 番号が付いている部品はサービスパーツに選定されていません。

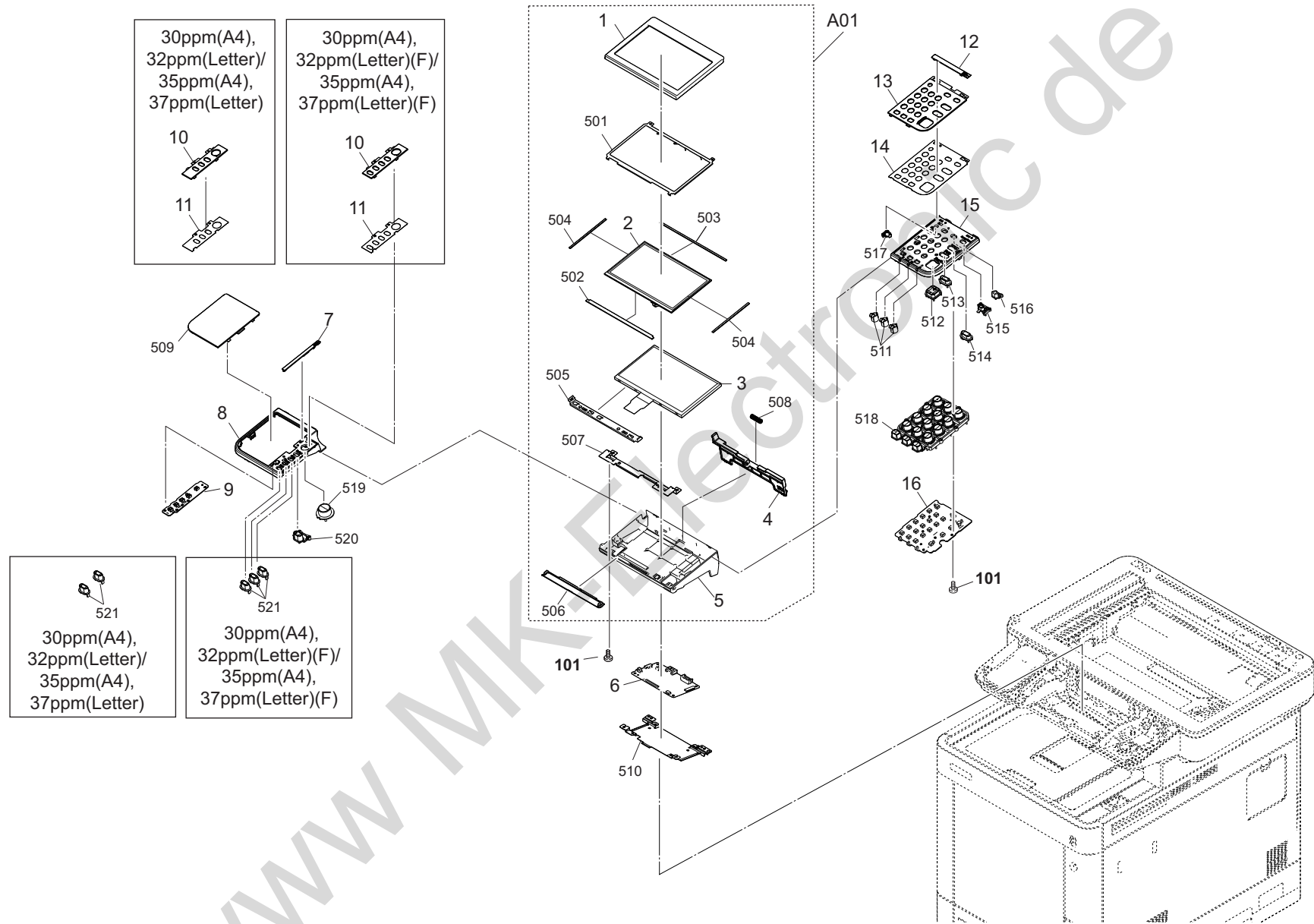


FIG. 15 Operation Section

2TY/2TZ/2V0/2V1

Ref. No. 番号	Part.No. 部品番号	Description 部品名称	Notes 備考	Revision 改訂	Quantity 個数			
					100 (日本)	120	230	240
A01	302V194040	PARTS LCD UNIT SP			1	1	1	1
1	+302TY05010	COVER LCD UPPER			1	1	1	1
2	+302NM94121	PARTS TABLET OPERATION SP			1	1	1	1
3	+302V194080	PARTS LCD OPERATION SP			1	1	1	1
4	+3V2NM05220	LEVER LCD			1	1	1	1
5	+302TY05020	COVER LCD LOWER			1	1	1	1
6	302TY94030	PARTS PWB ASSY PANEL MAIN SP			1	1	1	1
7	3V2NM05160	LID OPERATION LEFT			1	1	1	1
8	3V2NM05020	COVER OPERATION LEFT			1	1	1	1
9	302NM94100	PARTS PWB ASSY H PANEL KEY-L SP			1	1	1	1
10	3V2NY05030	COVER PANEL LEFT 3IN1	30ppm(A4),32ppm(Letter)/35ppm(A4),37ppm(Letter)			1	1	1
10	3V2NM05060	COVER PANEL LEFT	30ppm(A4),32ppm(Letter)(F)/35ppm(A4),37ppm(Letter)(F)		1	1	1	1
11	302NY05020	LABEL OPERATION LEFT 3IN1 E	30ppm(A4),32ppm(Letter)/35ppm(A4),37ppm(Letter)			1	1	1
11	3V2NM05280	LABEL OPERATION LEFT	35ppm(A4),37ppm(Letter)(F)		1			
11	3V2NM05590	LABEL OPERATION LEFT E	30ppm(A4),32ppm(Letter)(F)/35ppm(A4),37ppm(Letter)(F)			1	1	1
12	3V2NM05170	LID OPERATION RIGHT			1	1	1	1
13	3V2NM05050	COVER PANEL RIGHT			1	1	1	1
14	3V2NY05140	LABEL OPERATION RIGHT 3IN1 E	30ppm(A4),32ppm(Letter)/35ppm(A4),37ppm(Letter)			1	1	1
14	3V2NM05270	LABEL OPERATION RIGHT	35ppm(A4),37ppm(Letter)(F)		1			
14	3V2NM05520	LABEL OPERATION RIGHT E	30ppm(A4),32ppm(Letter)(F)/35ppm(A4),37ppm(Letter)(F)			1	1	1
15	3V2NM05010	COVER OPERATION RIGHT			1	1	1	1
16	302TY94040	PARTS PWB ASSY H PANEL KEY-R SP			1	1	1	1
101	7BB200308H	+BIND T.T P SCREW 3X8						

• Parts with a Ref.No. of 500 and above in the illustration indicate they are not selected for service parts.

• イラスト中で 500 番台の Ref 番号が付いている部品はサービスパーツに選定されていません。

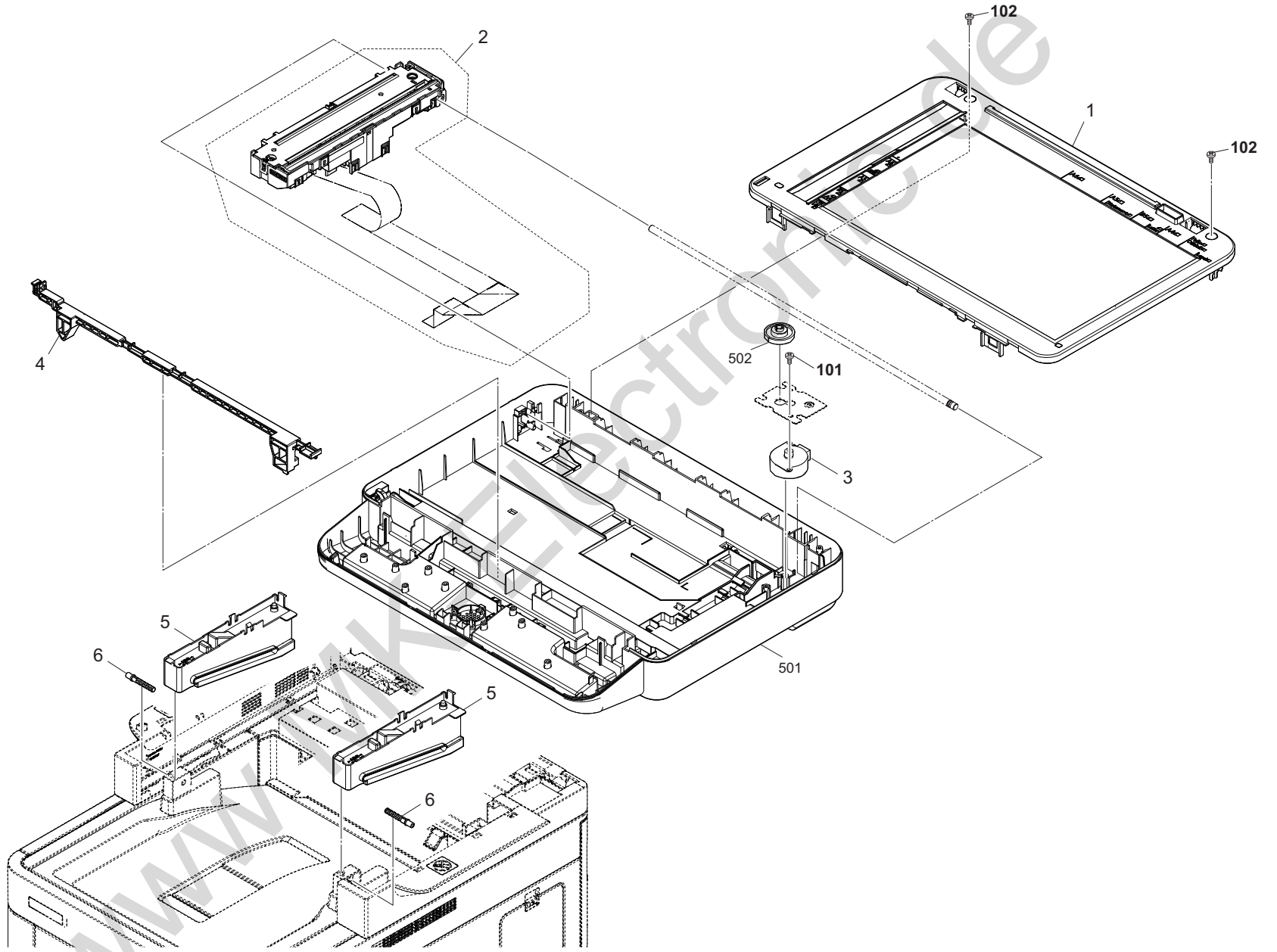


FIG. 16 Scanner Section

2TY/2TZ/2V0/2V1

Ref. No. 番号	Part.No. 部品番号	Description 部品名称	Notes 備考	Revision 改訂	Quantity 個数			
					100 (日本)	120	230	240
1	302NV94061	PARTS FRAME ISU TOP ASSY SP			1	1	1	1
2	302V093020	PARTS ISU ASSY SP			1	1	1	1
3	302LW94060	PARTS MOTOR ISU SP			1	1	1	1
4	302NV17030	HOOK ISU			1	1	1	1
5	302NV17090	RAIL LID TOP			2	2	2	2
6	302KW04090	PIN LID TOP			2	2	2	2
101	7BB600306H	+BIND M SCREW 3X6 R						
102	7BB200308H	+BIND T.T P SCREW 3X8						

• Parts with a Ref.No. of 500 and above in the illustration indicate they are not selected for service parts.

• イラスト中で 500 番台の Ref 番号が付いている部品はサービスパーツに選定されていません。

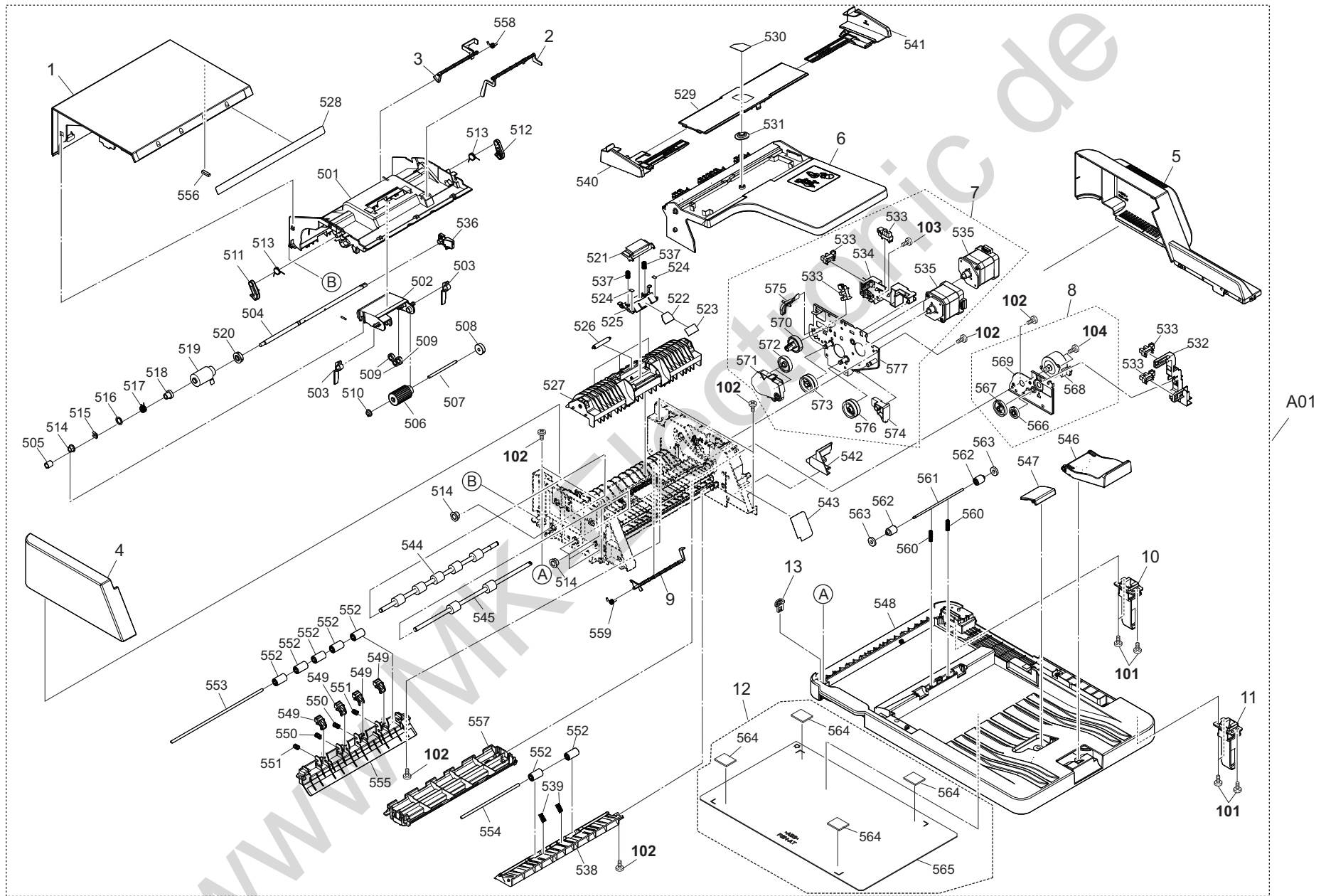


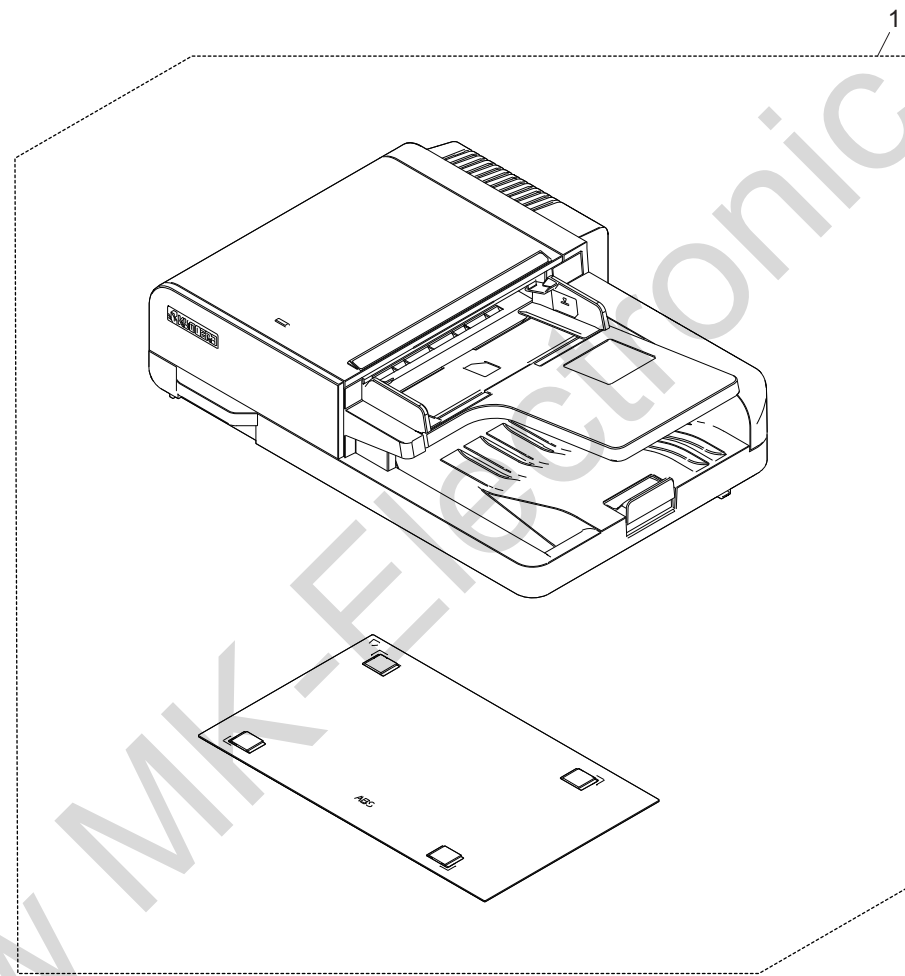
FIG. 17 DP Section (30ppm(A4),32ppm(Letter)/30ppm(A4),32ppm(Letter)(F))

2TY/2TZ/2V0/2V1

Ref. No. 番号	Part.No. 部品番号	Description 部品名称	Notes 備考	Revision 改訂	Quantity 個数			
					100(日本)	120	230	240
A01	302NV93032	PARTS DP ASSY SP				1	1	1
1	*3V2NM18430	COVER PF				1	1	1
2	*3V2NM18750	ACTUATOR ORIGINAL				1	1	1
3	*3V2NM18790	ACTUATOR PF				1	1	1
4	*3V2NV18030	COVER FRONT				1	1	1
5	*3V2NM18420	COVER REAR				1	1	1
6	*302NM94150	PARTS TABLE MAIN ASSY SP				1	1	1
7	*302NM94231	PARTS DRIVE ASSY A SP				1	1	1
8	*302NM94240	PARTS DRIVE ASSY B SP				1	1	1
9	*3V2NM18260	ACTUATOR TIMING				1	1	1
10	*302NM18021	HINGE LEFT				1	1	1
11	*302NM18031	HINGE RIGHT				1	1	1
12	*303LJ94070	PARTS PLATE ORIGINAL SP				1	1	1
13	*302NV18010	LOCK ISU C				1	1	1
101	7BB202310H	+TP-FLAT T.T P SCREW 3X10						
102	7BB200308H	+BIND T.T P SCREW 3X8						
103	7BB700308H	+BIND T.T S SCREW 3X8 SR						
104	7BB700306H	+BIND T.T S SCREW 3X6 SR						

• Parts with a Ref.No. of 500 and above in the illustration indicate they are not selected for service parts.

• イラスト中で 500 番台の Ref 番号が付いている部品はサービスパーツに選定されていません。



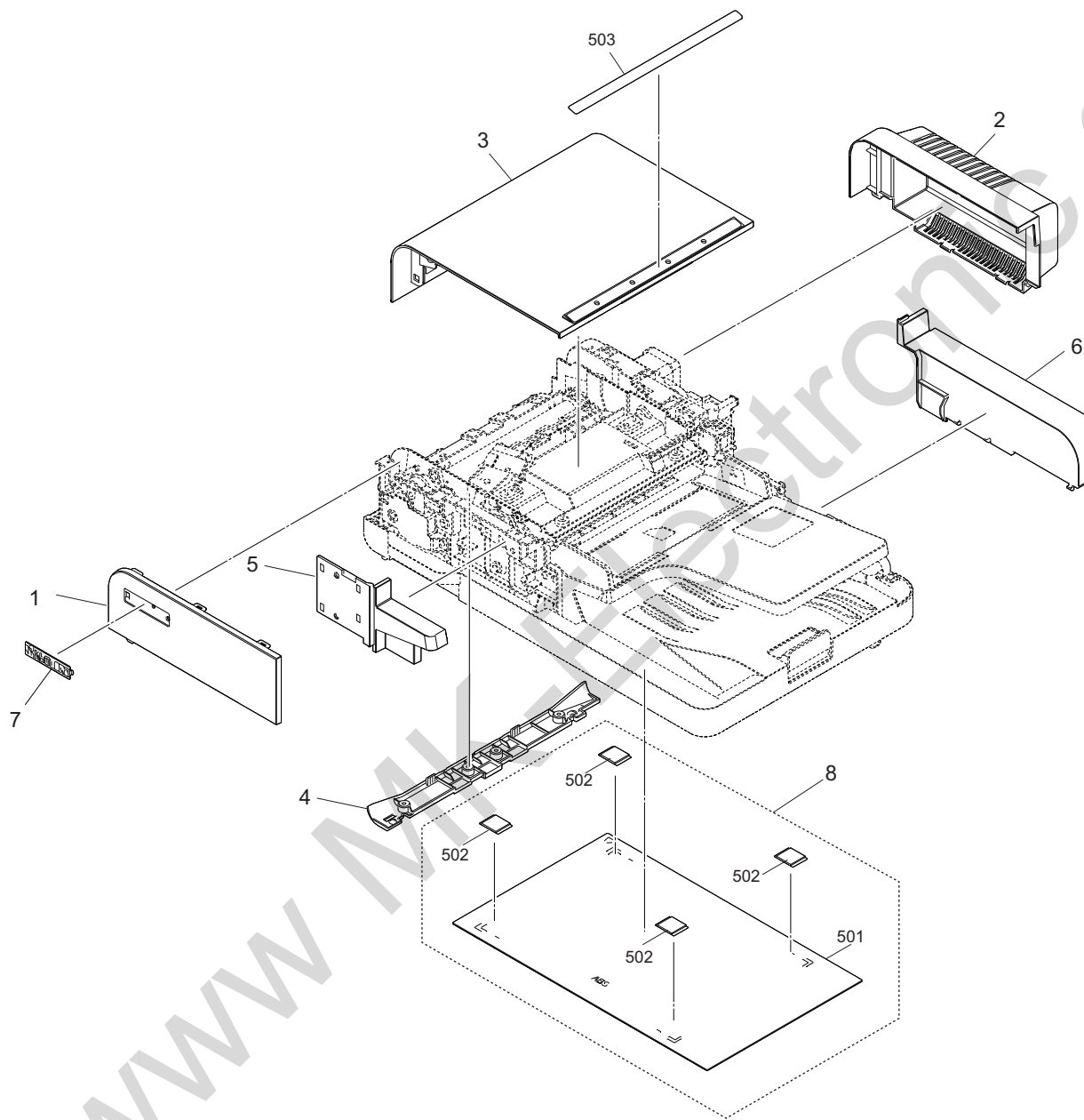


FIG. 19 DP Covers (35ppm(A4),37ppm(Letter)/35ppm(A4),37ppm(Letter)(F))

2TY/2TZ/2V0/2V1

Ref. No. 番号	Part.No. 部品番号	Description 部品名称	Notes 備考	Revision 改訂	Quantity 個数			
					100(日本)	120	230	240
1	302V018410	COVER FRONT A			1	1	1	1
2	302V018430	COVER REAR A			1	1	1	1
3	302V018710	COVER PF			1	1	1	1
4	302V018020	COVER BASE DP			1	1	1	1
5	302V018420	COVER FRONT B			1	1	1	1
6	302V018440	COVER REAR B			1	1	1	1
7	302S018491	EMBLEM			1	1	1	1
8	303LJ94070	PARTS PLATE ORIGINAL SP			1	1	1	1

• Parts with a Ref.No. of 500 and above in the illustration indicate they are not selected for service parts.

• イラスト中で 500 番台の Ref 番号が付いている部品はサービスパーツに選定されていません。

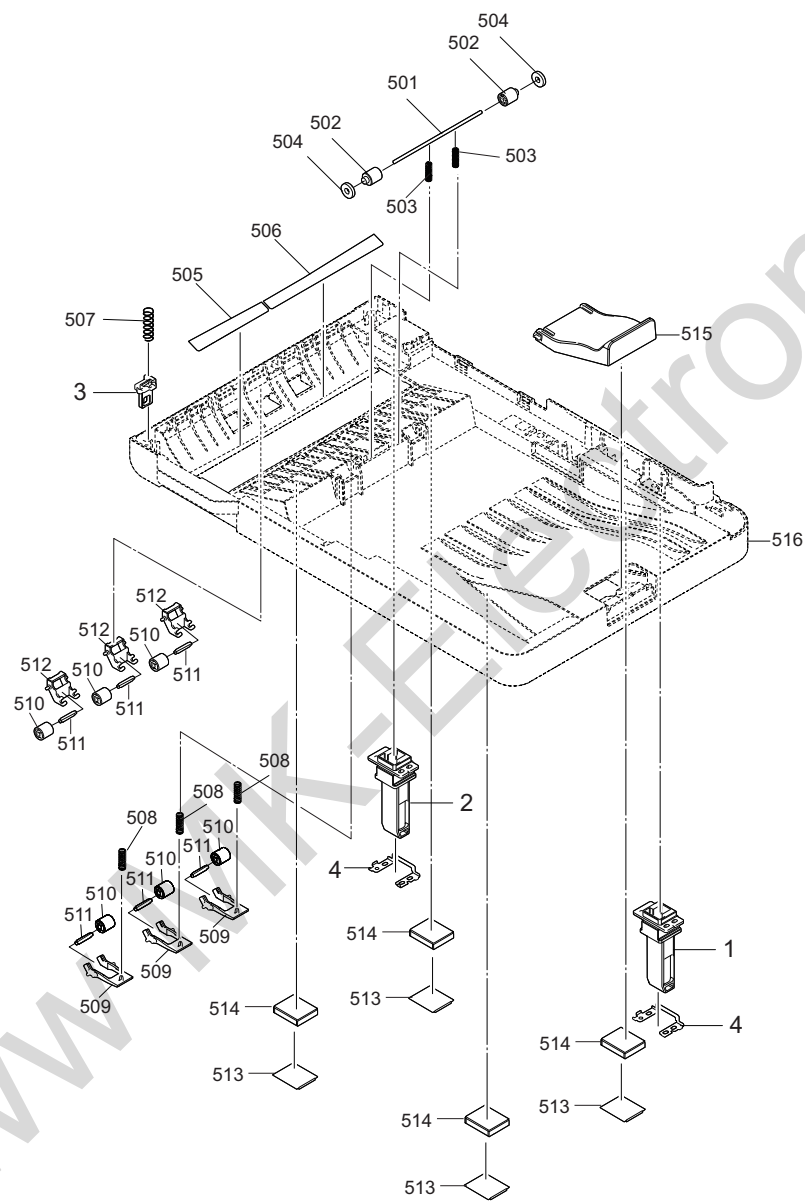


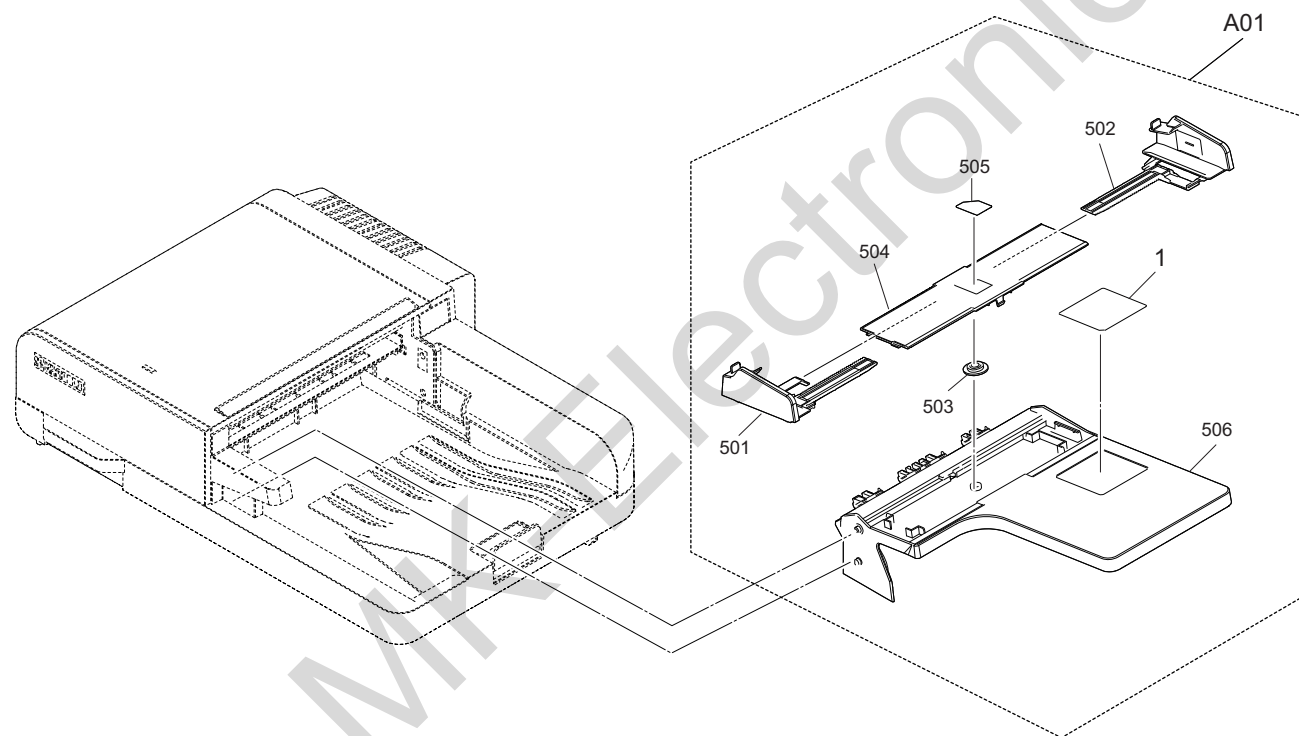
FIG. 20 DP Frames (35ppm(A4),37ppm(Letter)/35ppm(A4),37ppm(Letter)(F))

2TY/2TZ/2V0/2V1

Ref. No. 番号	Part.No. 部品番号	Description 部品名称	Notes 備考	Revision 改訂	Quantity 個数			
					100(日本)	120	230	240
1	303R302031	HINGE RIGHT			1	1	1	1
2	303R402032	HINGE LEFT			1	1	1	1
3	302V018040	LOCK ISU C			1	1	1	1
4	303R302050	PLATE HINGE			2	2	2	2

• Parts with a Ref.No. of 500 and above in the illustration indicate they are not selected for service parts.

• イラスト中で 500 番台の Ref 番号が付いている部品はサービスパーツに選定されていません。



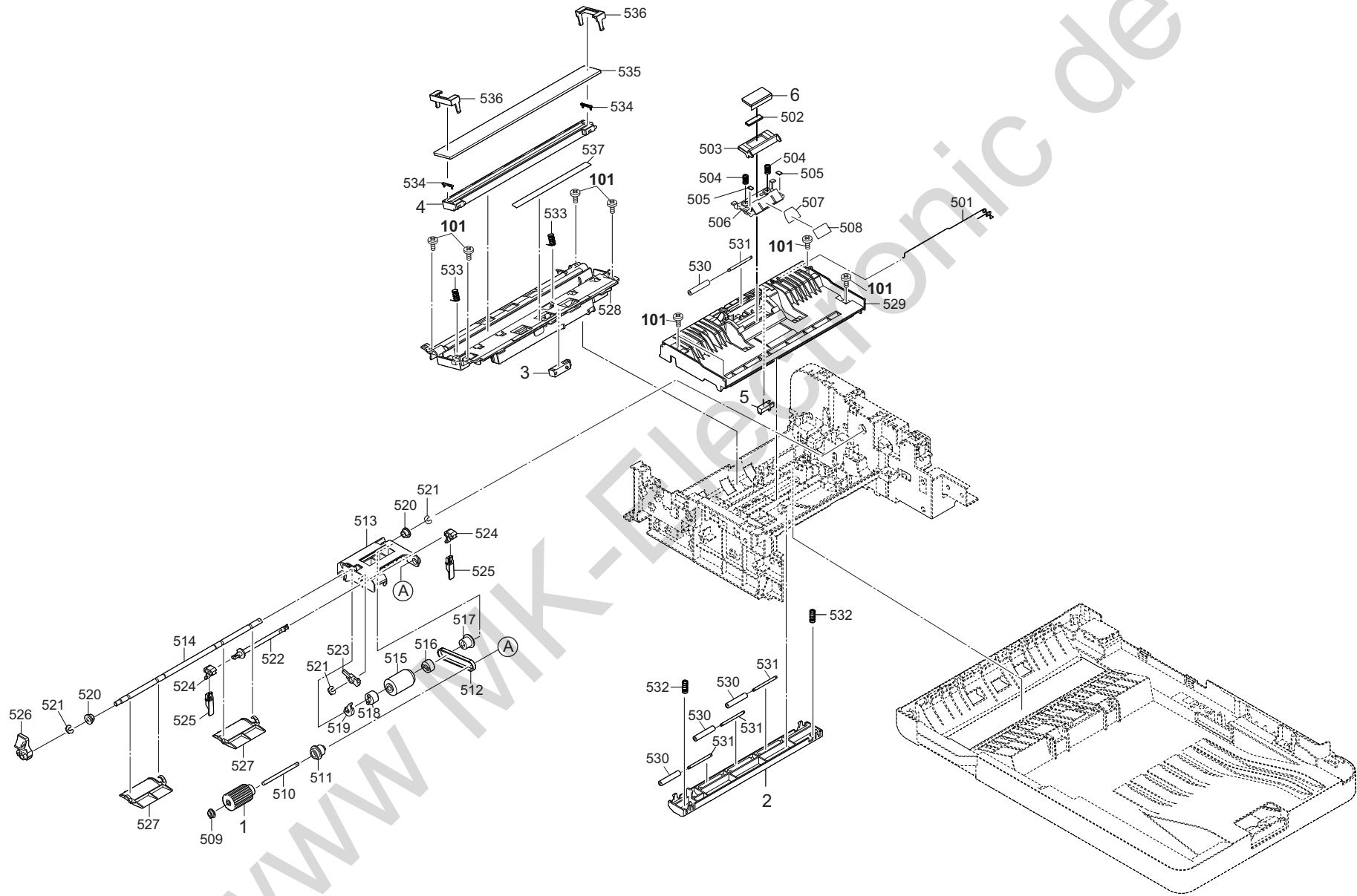


FIG. 22 DP Paper Feed Section (35ppm(A4),37ppm(Letter)/35ppm(A4),37ppm(Letter)(F))

2TY/2TZ/2V0/2V1

Ref. No. 番号	Part.No. 部品番号	Description 部品名称	Notes 備考	Revision 改訂	Quantity 個数			
					100(日本)	120	230	240
1	302R494420	PARTS PULLEY PICKUP ASSY SP			1	1	1	1
2	303R424220	GUIDE READING			1	1	1	1
3	303NW94040	PARTS SENSOR OPT. SP			1	1	1	1
4	303R494050	PARTS CIS SP			1	1	1	1
5	302K994580	PARTS SENSOR OPT. SP			1	1	1	1
6	302LW07100	PAD SEPARATION			1	1	1	1
101	7BB200308H	+BIND T.T P SCREW 3X8						

• Parts with a Ref.No. of 500 and above in the illustration indicate they are not selected for service parts.

• イラスト中で 500 番台の Ref 番号が付いている部品はサービスパーツに選定されていません。

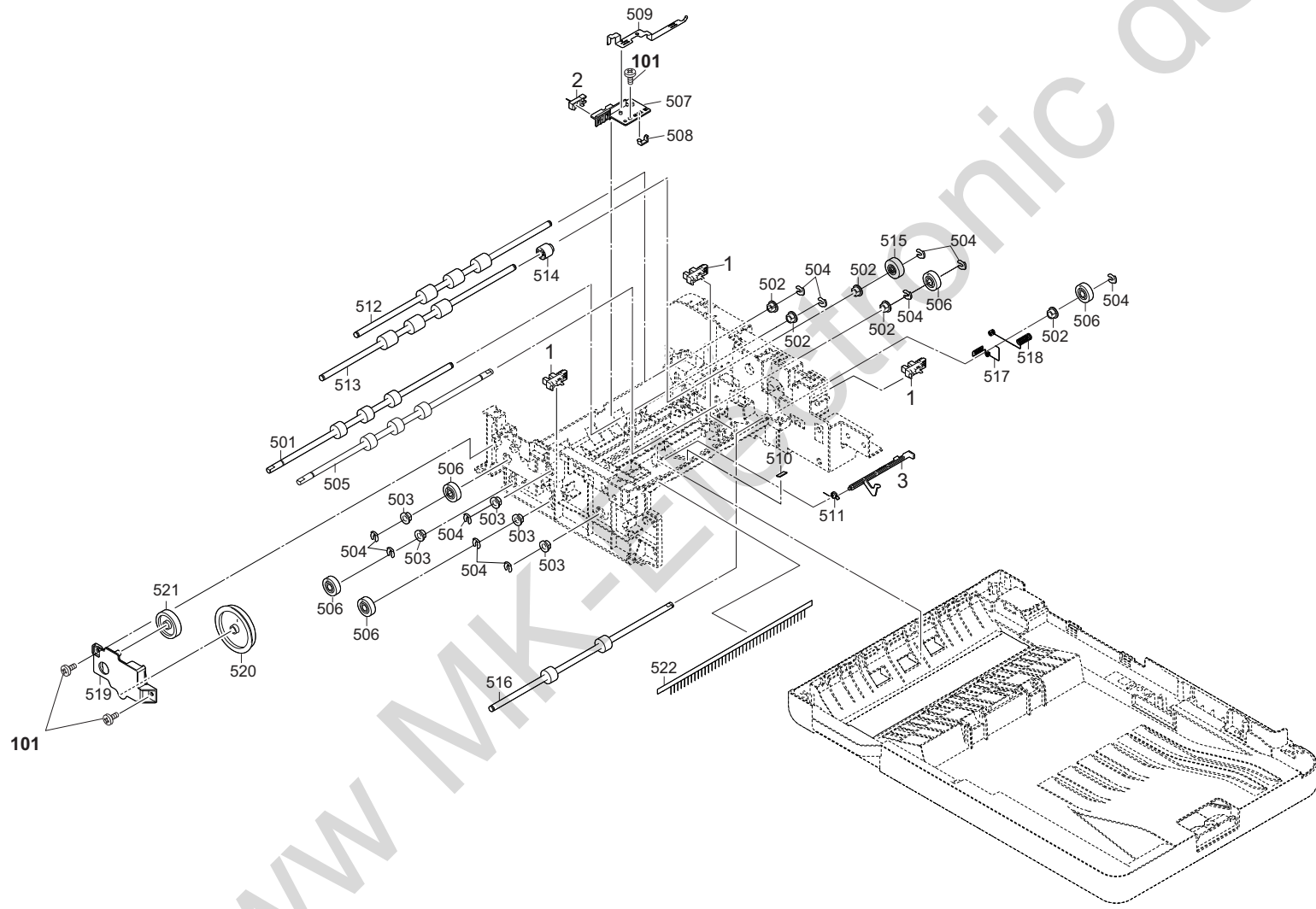


FIG. 23 DP Paper Conveying Section 1 (35ppm(A4),37ppm(Letter)/35ppm(A4),37ppm(Letter)(F))

2TY/2TZ/2V0/2V1

Ref. No. 番号	Part.No. 部品番号	Description 部品名称	Notes 備考	Revision 改訂	Quantity 個数			
					100(日本)	120	230	240
1	302P794010	PARTS SENSOR OPT. SP			3	3	3	3
2	302K994580	PARTS SENSOR OPT. SP			1	1	1	1
3	303R424150	ACTUATOR EXIT			1	1	1	1
101	7BB200308H	+BIND T.T P SCREW 3X8						

• Parts with a Ref.No. of 500 and above in the illustration indicate they are not selected for service parts.

• イラスト中で 500 番台の Ref 番号が付いている部品はサービスパーツに選定されていません。

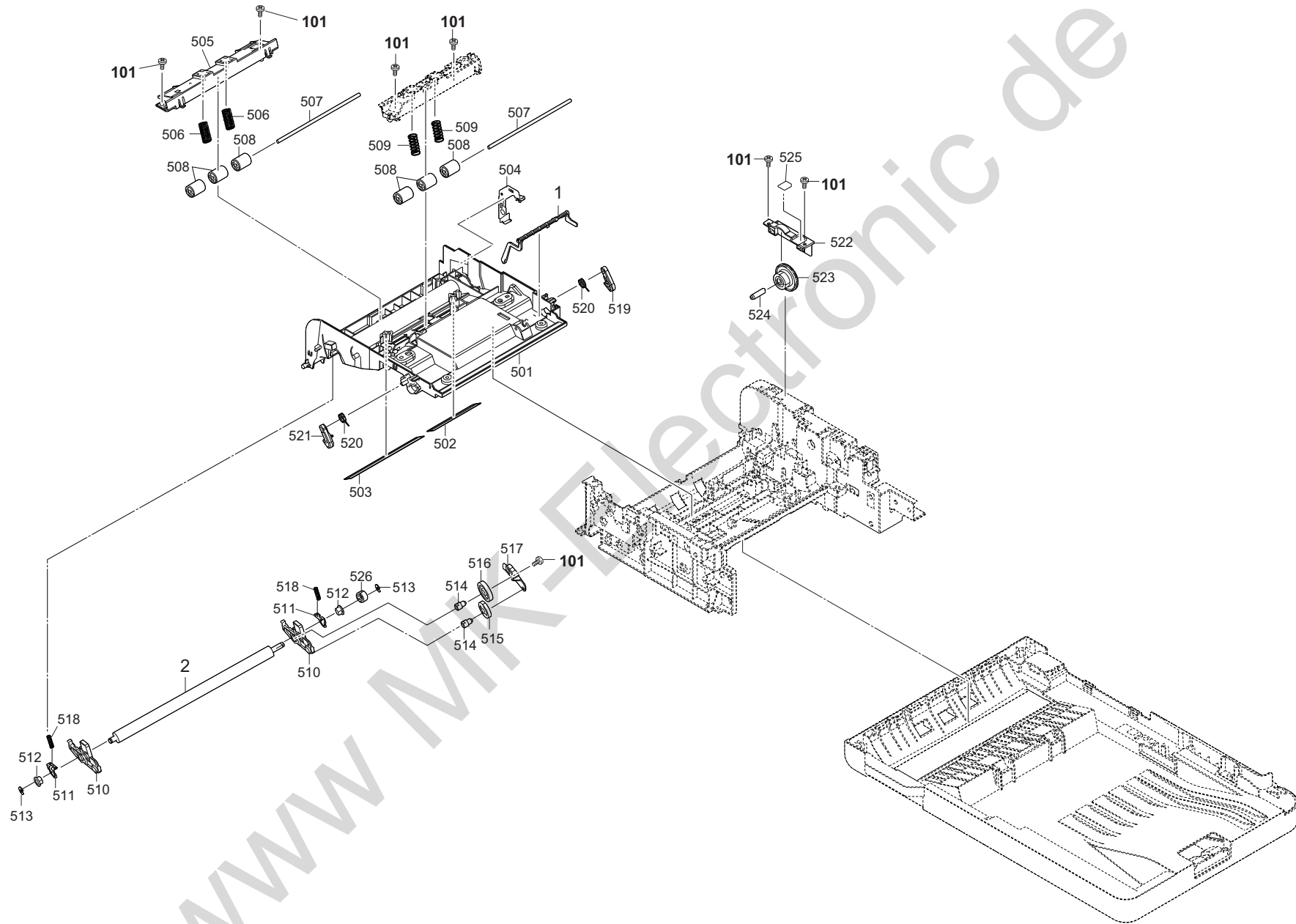


FIG. 24 DP Paper Conveying Section 2 (35ppm(A4),37ppm(Letter)/35ppm(A4),37ppm(Letter)(F))

2TY/2TZ/2V0/2V1

Ref. No. 番号	Part.No. 部品番号	Description 部品名称	Notes 備考	Revision 改訂	Quantity 個数			
					100(日本)	120	230	240
1	303R407100	ACTUATOR ORIGINAL			1	1	1	1
2	303R494060	PARTS ROLLER CIS SP			1	1	1	1
101	7BB200308H	+BIND T.T P SCREW 3X8						

• Parts with a Ref.No. of 500 and above in the illustration indicate they are not selected for service parts.

• イラスト中で 500 番台の Ref 番号が付いている部品はサービスパーツに選定されていません。

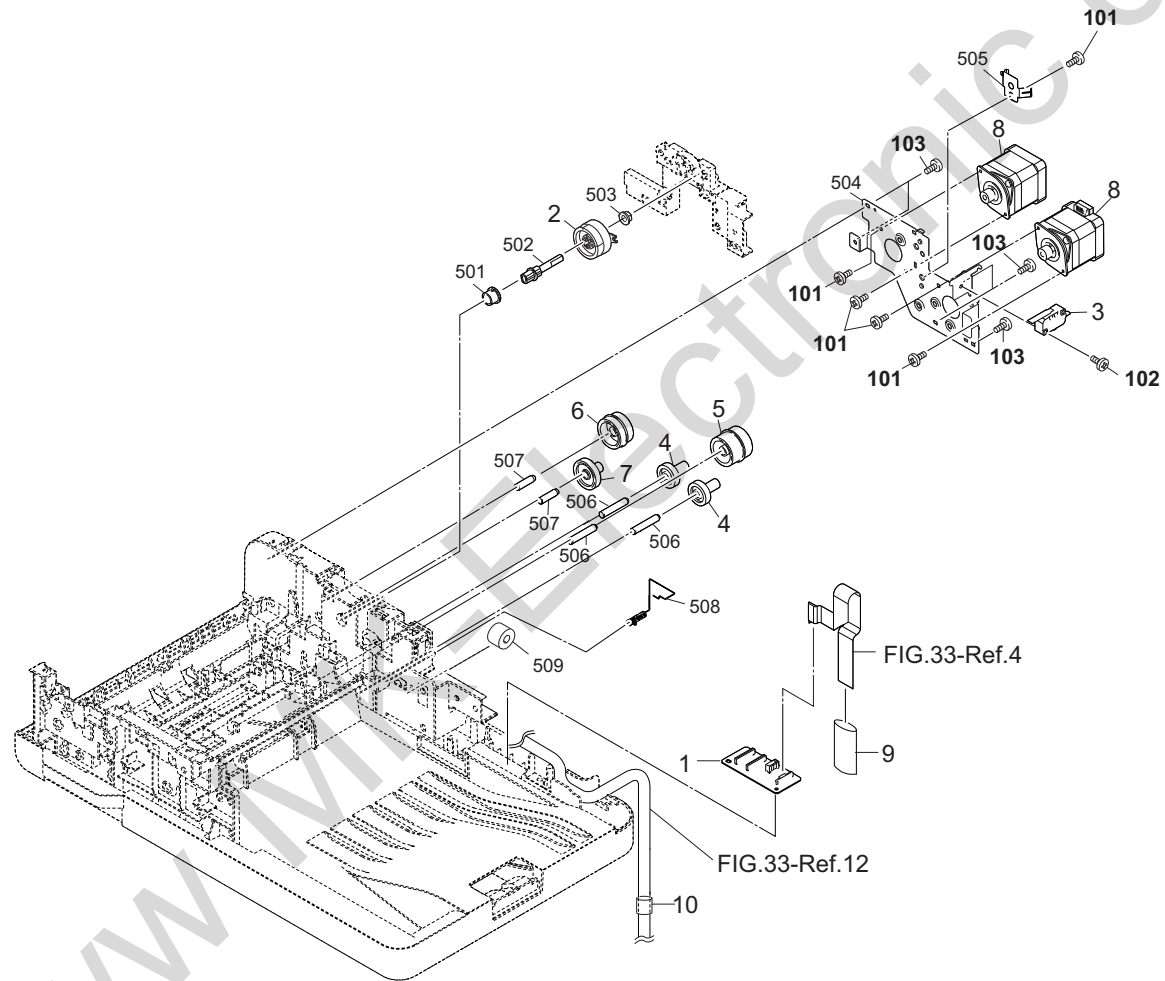


FIG. 25 DP Drive Section (35ppm(A4),37ppm(Letter)/35ppm(A4),37ppm(Letter)(F))

2TY/2TZ/2V0/2V1

Ref. No. 番号	Part.No. 部品番号	Description 部品名称	Notes 備考	Revision 改訂	Quantity 個数			
					100(日本)	120	230	240
1	302V194070	PARTS PWB ASSY CIS CONNECT SP			1	1	1	1
2	302NR94010	PARTS CLUTCH 35 Z35R SP			1	1	1	1
3	2FB27160	INTER LOCK SWITCH			1	1	1	1
4	303LM31040	GEAR 25R			2	2	2	2
5	303R431200	GEAR CONVEYING Z54R Z32L			1	1	1	1
6	303R431050	GEAR FEED Z53R Z33R			1	1	1	1
7	303R431250	GEAR Z32L			1	1	1	1
8	303R494040	PARTS MOTOR PAPER FEED SP			2	2	2	2
9	302V046030	CONN.CORD ASSY S04145 SHRINKAGE TUBE			1	1	1	1
10	302V018070	TAPE DP CABLE			1	1	1	1
101	7BB700308H	+BIND T.T S SCREW 3X8 SR						
102	7BB700316H	+BIND T.T S SCREW 3X16 SR						
103	7BB200308H	+BIND T.T P SCREW 3X8						

• Parts with a Ref.No. of 500 and above in the illustration indicate they are not selected for service parts.

• イラスト中で 500 番台の Ref 番号が付いている部品はサービスパーツに選定されていません。

FIG. 26 Wire Section 1 (30ppm(A4),32ppm(Letter)/30ppm(A4),32ppm(Letter)(F))

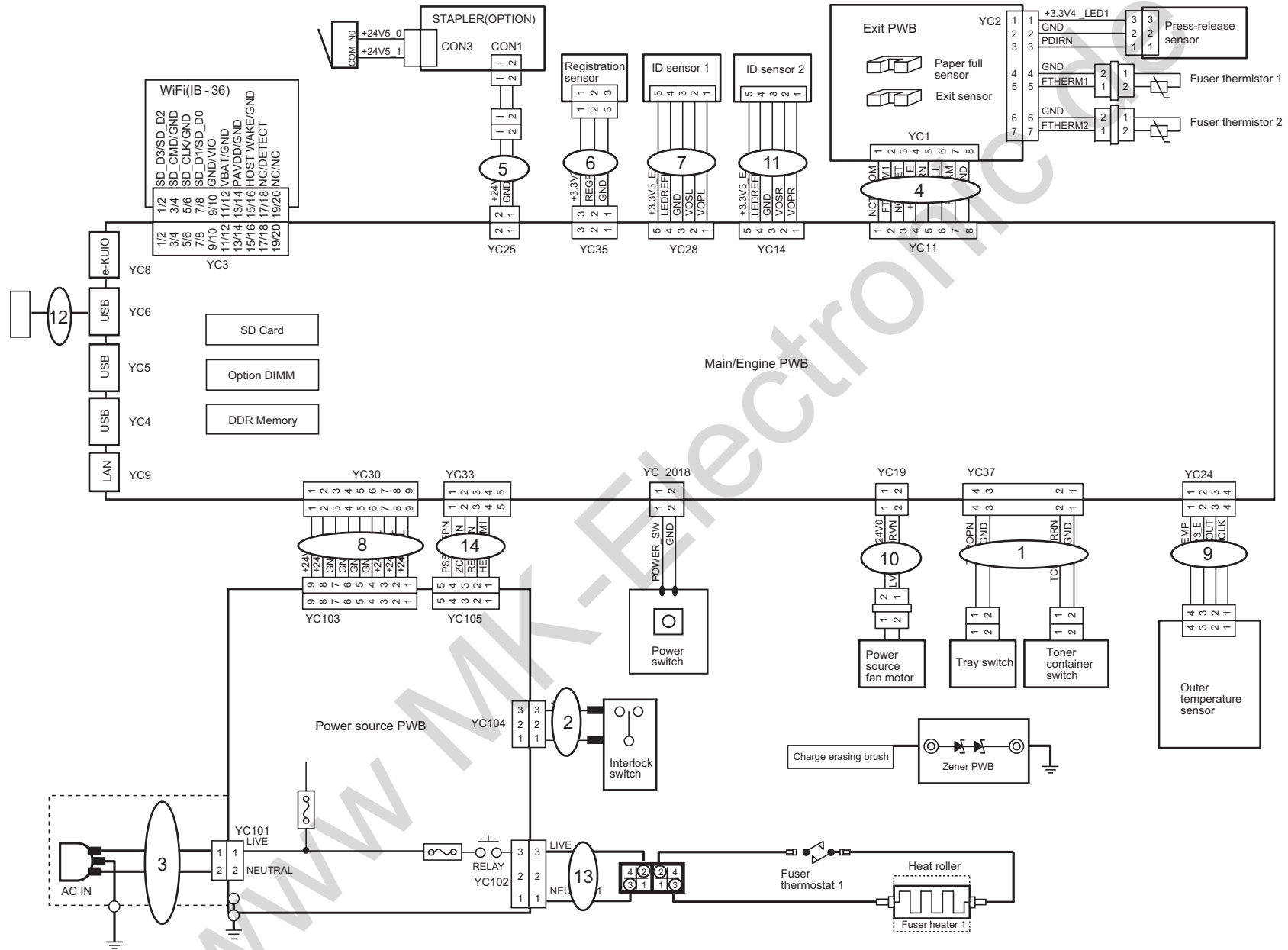


FIG. 26 Wire Section 1 (30ppm(A4),32ppm(Letter)/30ppm(A4),32ppm(Letter)(F))

2TY/2TZ/2V0/2V1

Ref. No. 番号	Part.No. 部品番号	Description 部品名称	Notes 備考	Revision 改訂	Quantity 個数			
					100(日本)	120	230	240
1	302NR46090	CONN.CORD ASSY S03929 MAIN-CONTAINER SW				1	1	1
2	302NR46360	CONN.CORD ASSY S03966 LVU-INTERLOCK				1	1	1
3	302NR46410	CONN.CORD ASSY S03975 INLET				1	1	1
4	302NV46060	CONN.CORD ASSY S04078 MAIN-EXIT				1	1	1
5	302PB46050	CONN.CORD ASSY S04085 MAIN-STAP CONNECT				1	1	1
6	302TV46040	CONN.CORD ASSY S04148 MAIN-REGIST				1	1	1
7	302TV46050	CONN.CORD ASSY S04149 MAIN-ID SENSOR(L)				1	1	1
8	302TV46060	CONN.CORD ASSY S04150 MAIN-LVU				1	1	1
9	302TV46100	CONN.CORD ASSY S04154 MAIN-THERMISTOR				1	1	1
10	302TV46110	CONN.CORD ASSY S04155 MAIN-LVU FAN				1	1	1
11	302TV46120	CONN.CORD ASSY S04161 MAIN-ID SENSOR(R)				1	1	1
12	302TV46150	CONN.CORD ASSY S04173 USB HOST				1	1	1
13	302NR46370	CONN.CORD ASSY S03967 LVU-HEATER CONNECT				1	1	1
14	302TV46070	CONN.CORD ASSY S04151 MAIN-LVU				1	1	1

• Parts with a Ref.No. of 500 and above in the illustration indicate they are not selected for service parts.

• イラスト中で 500 番台の Ref 番号が付いている部品はサービスパーツに選定されていません。

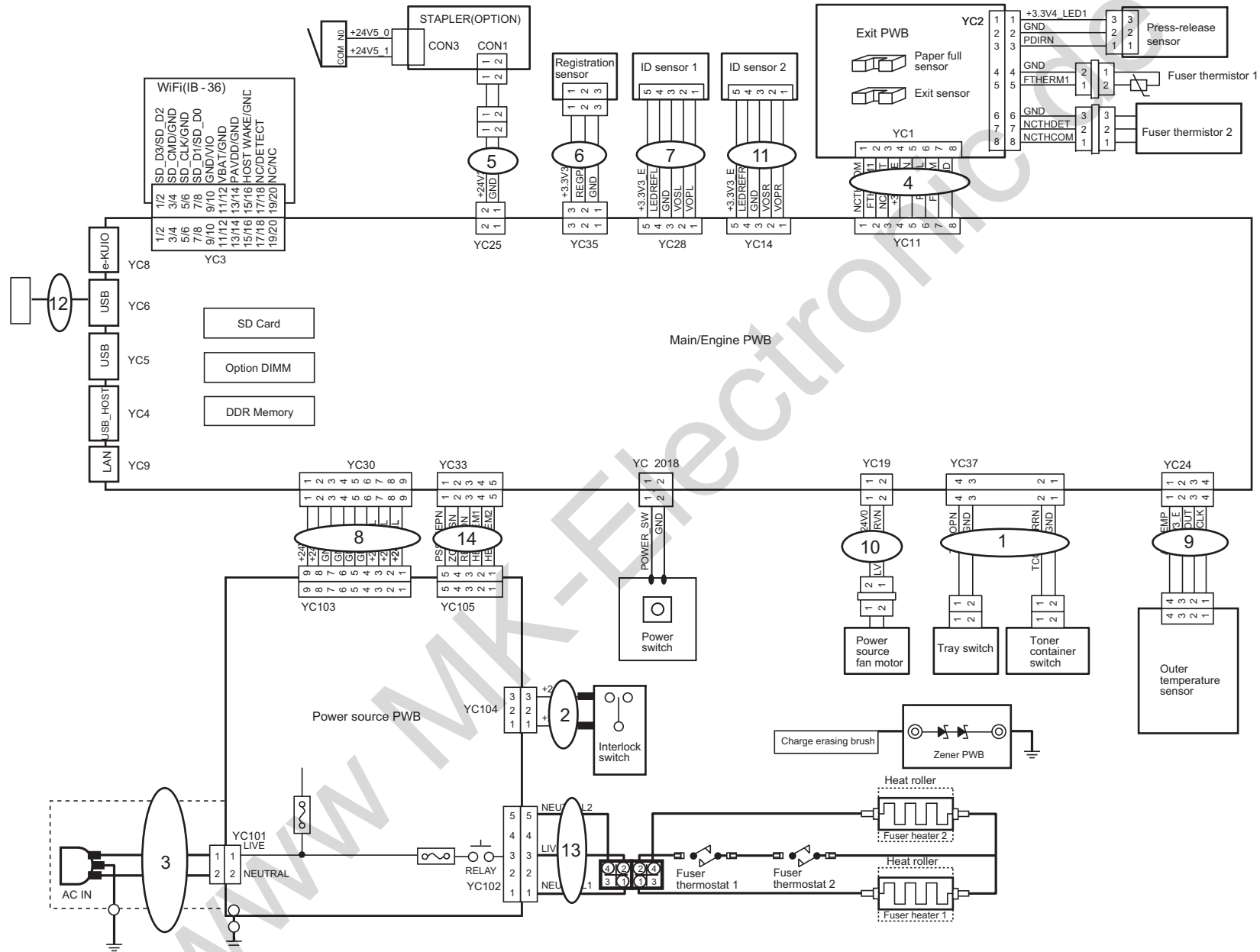


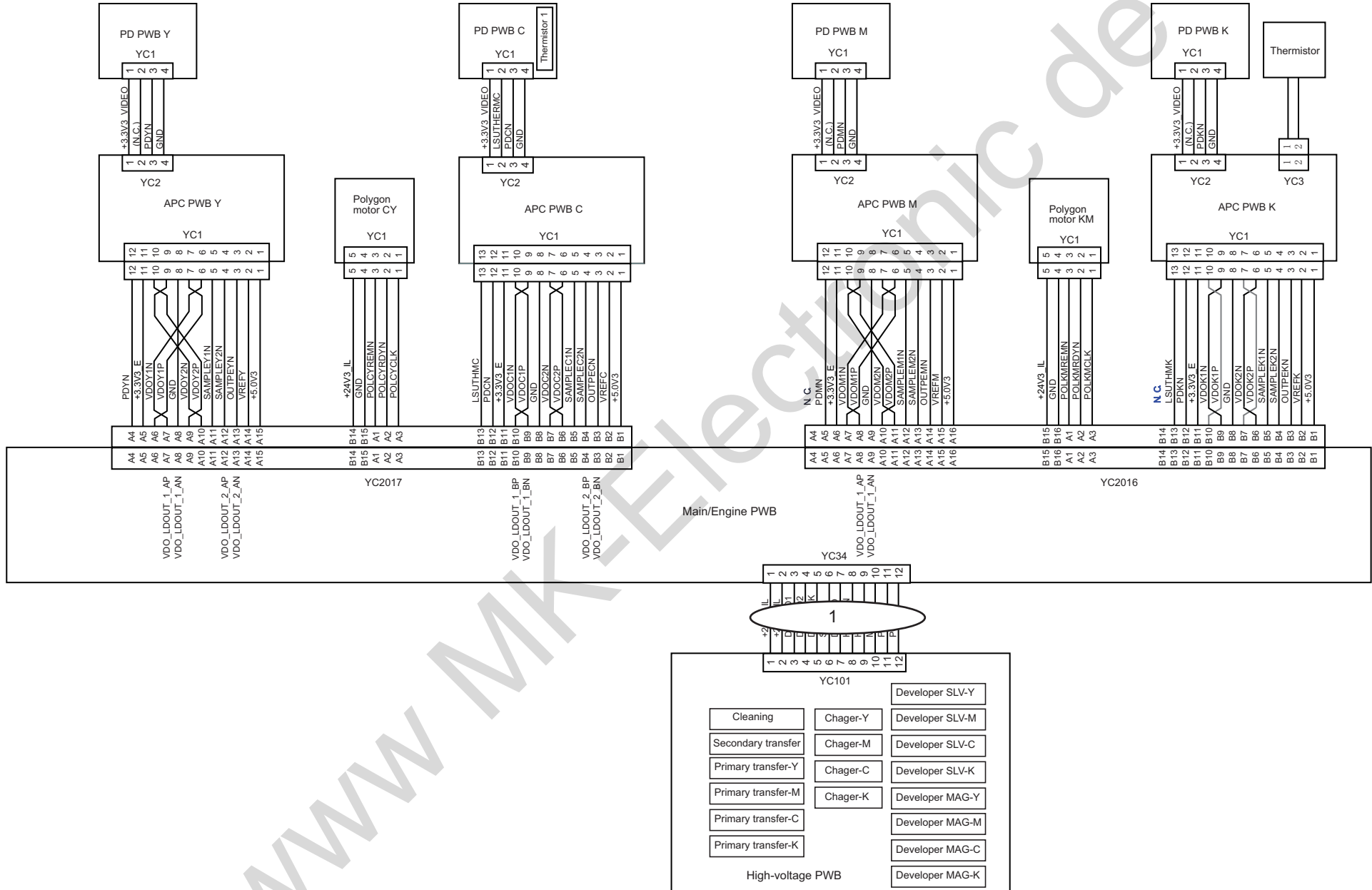
FIG. 27 Wire Section 2 (35ppm(A4),37ppm(Letter)/35ppm(A4),37ppm(Letter)(F))

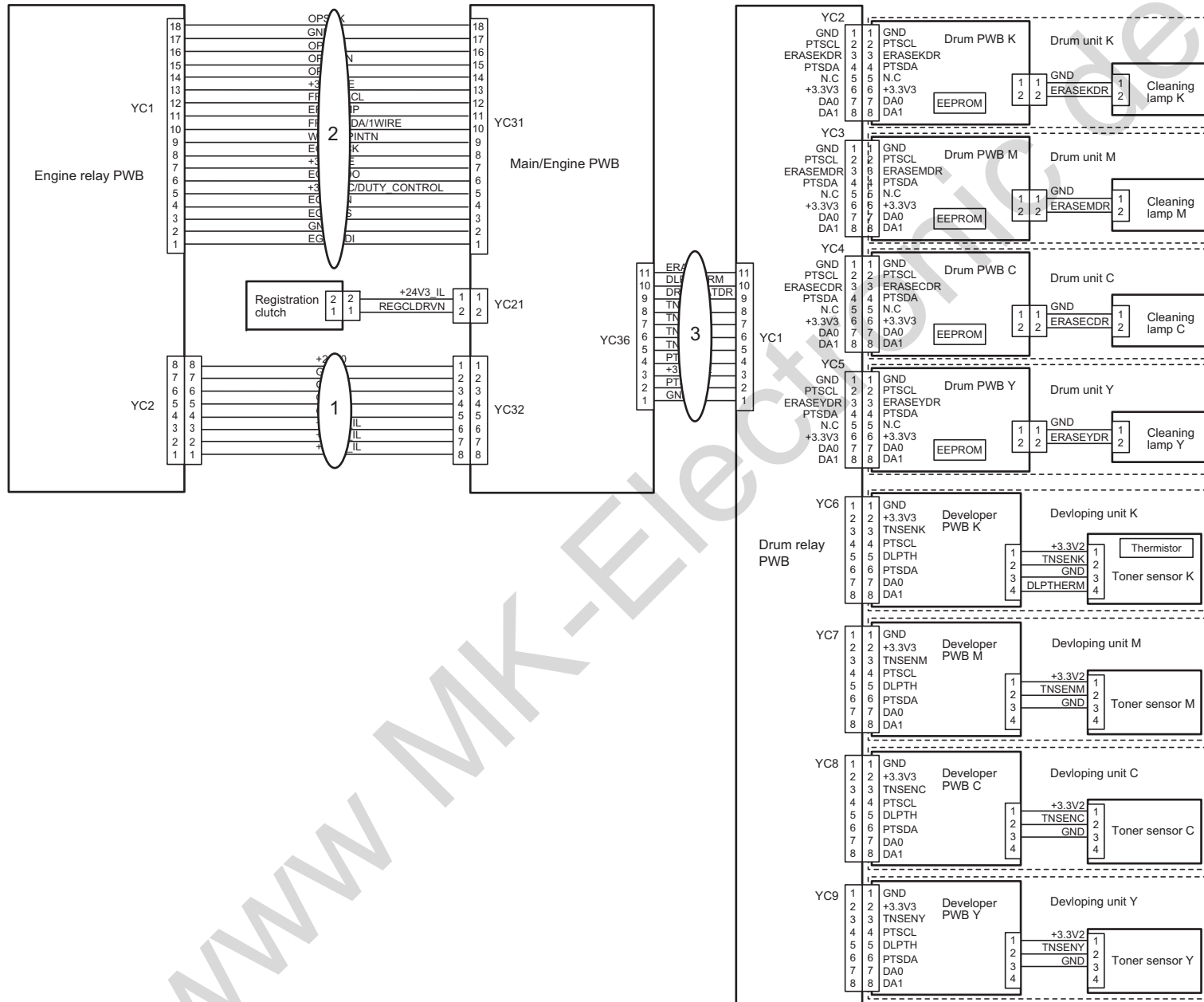
2TY/2TZ/2V0/2V1

Ref. No. 番号	Part.No. 部品番号	Description 部品名称	Notes 備考	Revision 改訂	Quantity 個数			
					100(日本)	120	230	240
1	302NR46090	CONN.CORD ASSY S03929 MAIN-CONTAINER SW			1	1	1	1
2	302NR46360	CONN.CORD ASSY S03966 LVU-INTERLOCK			1	1	1	1
3	302NR46410	CONN.CORD ASSY S03975 INLET			1	1	1	1
4	302NV46060	CONN.CORD ASSY S04078 MAIN-EXIT			1	1	1	1
5	302PB46050	CONN.CORD ASSY S04085 MAIN-STAP CONNECT			1	1	1	1
6	302TV46040	CONN.CORD ASSY S04148 MAIN-REGIST			1	1	1	1
7	302TV46050	CONN.CORD ASSY S04149 MAIN-ID SENSOR(L)			1	1	1	1
8	302TV46060	CONN.CORD ASSY S04150 MAIN-LVU			1	1	1	1
9	302TV46100	CONN.CORD ASSY S04154 MAIN-THERMISTOR			1	1	1	1
10	302TV46110	CONN.CORD ASSY S04155 MAIN-LVU FAN			1	1	1	1
11	302TV46120	CONN.CORD ASSY S04161 MAIN-ID SENSOR(R)			1	1	1	1
12	302TV46150	CONN.CORD ASSY S04173 USB HOST			1	1	1	1
13	302NT46070	CONN.CORD ASSY S03968 LVU-HEATER CONNECT			1	1	1	1
14	302TW46020	CONN.CORD ASSY S04157 MAIN-LVU			1	1	1	1

• Parts with a Ref.No. of 500 and above in the illustration indicate they are not selected for service parts.

• イラスト中で 500 番台の Ref 番号が付いている部品はサービスパーツに選定されていません。





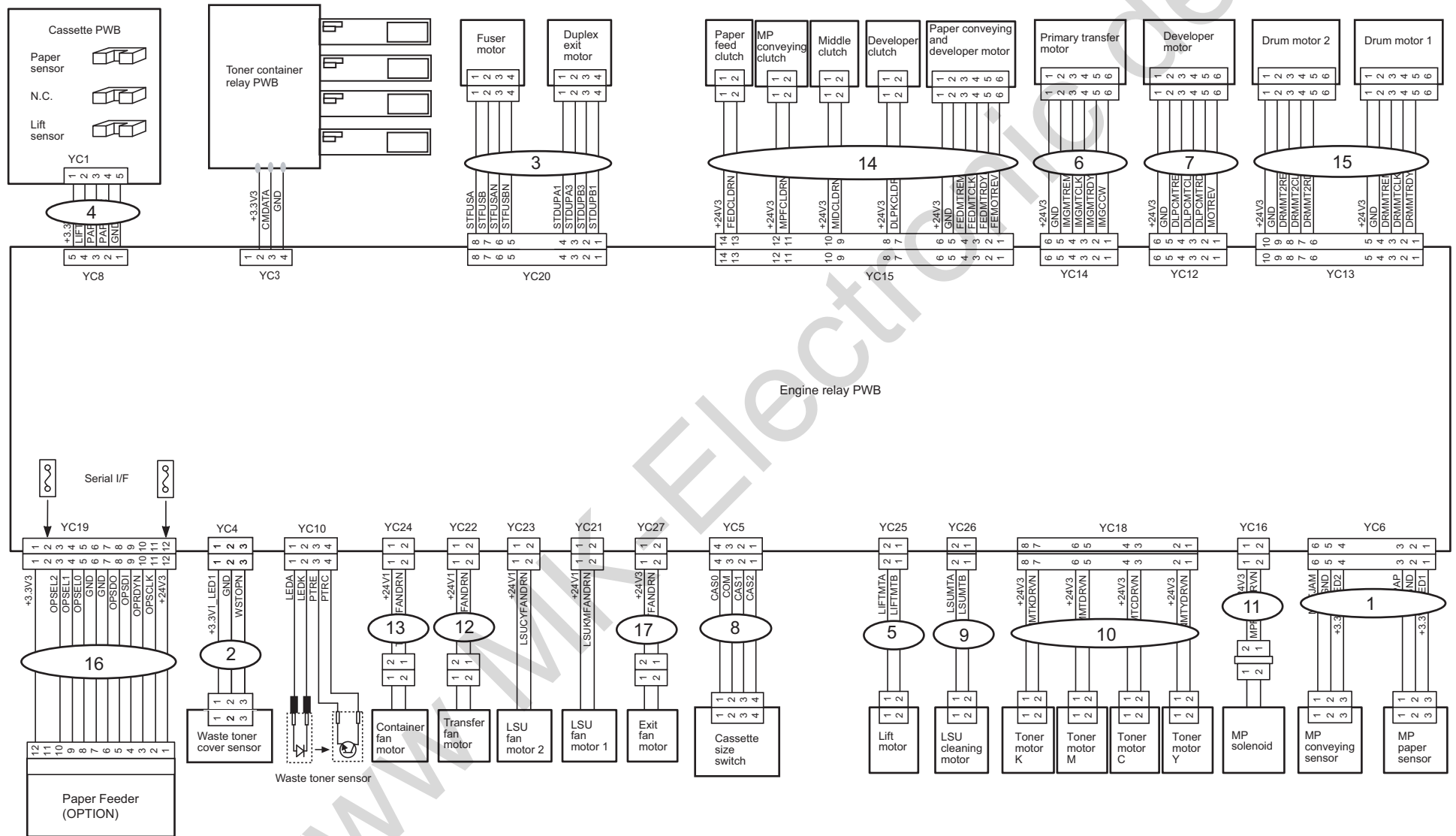


FIG. 30 Wire Section 5

2TY/2TZ/2V0/2V1

Ref. No. 番号	Part.No. 部品番号	Description 部品名称	Notes 備考	Revision 改訂	Quantity 個数			
					100 (日本)	120	230	240
1	302NR46080	CONN.CORD ASSY S03928 ENGINE-MPF			1	1	1	1
2	302NR46110	CONN.CORD ASSY S03931 ENGINE-WASTE COVER			1	1	1	1
3	302NR46150	CONN.CORD ASSY S03939 ENGINE-FUSER MOT			1	1	1	1
4	302NR46200	CONN.CORD ASSY S03946 ENGINE-CASSETTE			1	1	1	1
5	302NR46210	CONN.CORD ASSY S03947 ENGINE-LIFT			1	1	1	1
6	302NR46230	CONN.CORD ASSY S03951 ENGINE-IMAGE MOT			1	1	1	1
7	302NR46240	CONN.CORD ASSY S03952 ENGINE-DLP MOT			1	1	1	1
8	302NR46270	CONN.CORD ASSY S03957 ENGINE-CASSETTE SW			1	1	1	1
9	302NR46290	CONN.CORD ASSY S03959 ENGINE-LSU CL			1	1	1	1
10	302NR46300	CONN.CORD ASSY S03960 ENGINE-TONER MOT			1	1	1	1
11	302NR46310	CONN.CORD ASSY S03961 ENGINE-SOLENOID			1	1	1	1
12	302NR46320	CONN.CORD ASSY S03962 ENGINE-IMAGE FAN			1	1	1	1
13	302NR46330	CONN.CORD ASSY S03963 ENGINE-CONTAIN FAN			1	1	1	1
14	302NR46390	CONN.CORD ASSY S03971 ENGINE-FEED MOT			1	1	1	1
15	302NR46490	CONN.CORD ASSY S04090 ENGINE-DRUM MOT			1	1	1	1
16	302NV46020	CONN.CORD ASSY S04064 ENGINE-PF			1	1	1	1
17	302NV46070	CONN.CORD ASSY S04079 ENGINE-EXIT FAN			1	1	1	1

• Parts with a Ref.No. of 500 and above in the illustration indicate they are not selected for service parts.

• イラスト中で 500 番台の Ref 番号が付いている部品はサービスパーツに選定されていません。

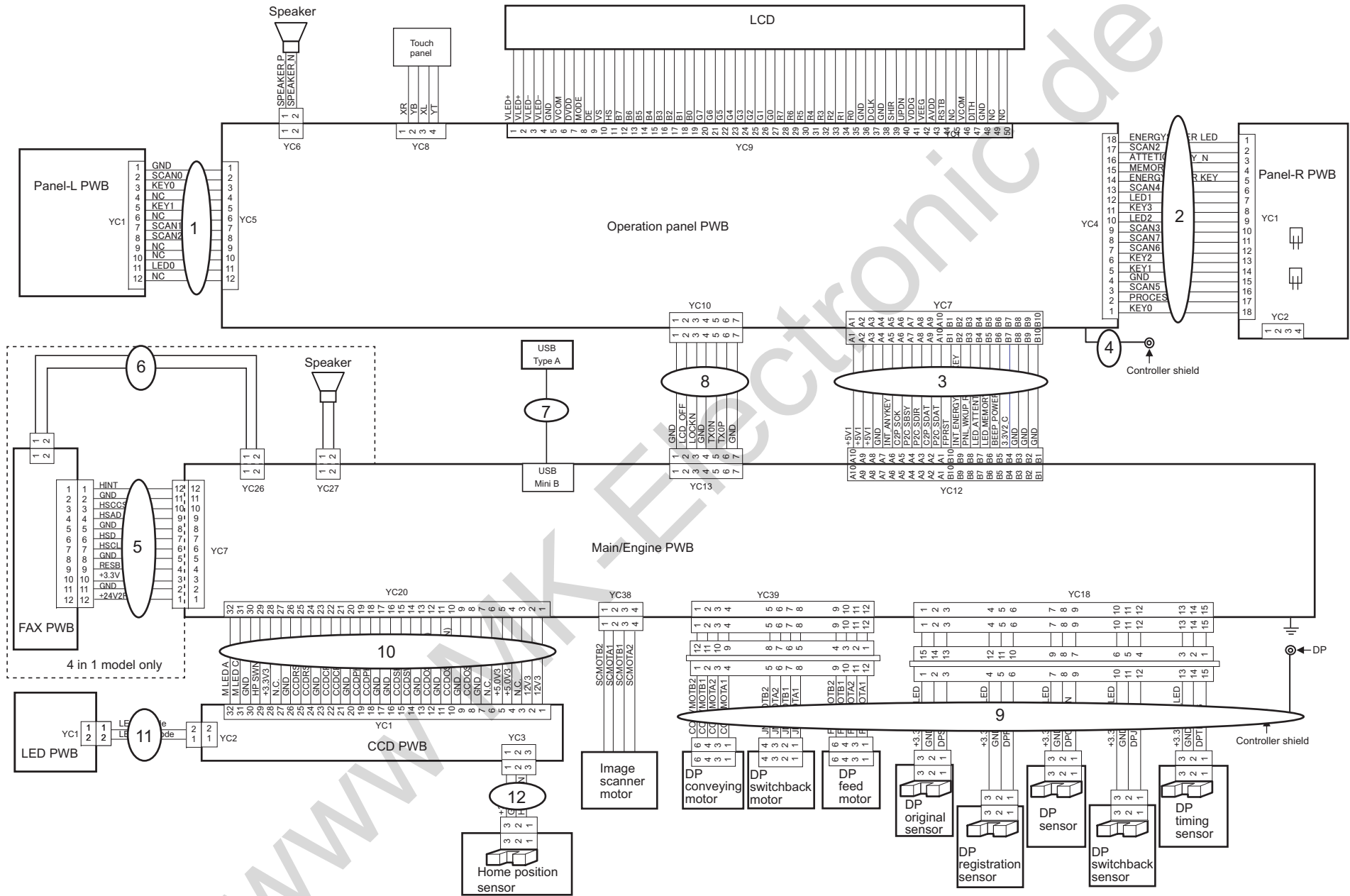


FIG. 31 Wire Section 6 (30ppm(A4),32ppm(Letter)/30ppm(A4),32ppm(Letter)(F))

2TY/2TZ/2V0/2V1

Ref. No. 番号	Part.No. 部品番号	Description 部品名称	Notes 備考	Revision 改訂	Quantity 個数			
					100(日本)	120	230	240
1	302NM46240	CONN.CORD ASSY S03835 KEY L FFC				1	1	1
2	302NM46250	CONN.CORD ASSY S03836 KEY R FFC				1	1	1
3	302TY46010	CONN.CORD ASSY S04141 MAIN-H PANEL1				1	1	1
4	302PB46060	CONN.CORD ASSY S04088 H PANEL FG				1	1	1
5	302TZ46010	CONN.CORD ASSY S04146 MAIN-FAX	30ppm(A4),32ppm(Letter)(F)			1	1	1
6	302TZ46020	CONN.CORD ASSY S04159 FAX SPEAKER	30ppm(A4),32ppm(Letter)(F)			1	1	1
7	302TY46040	CONN.CORD ASSY S04174 MAIN-CARD READER				1	1	1
8	302TY46050	CONN.CORD ASSY S04175 MAIN-H PANEL2				1	1	1
9	3V2NV46100	CONN.CORD ASSY S04068 MAIN-DP UNIT				1	1	1
10	302NV46031	CONN.CORD ASSY S04065 MAIN-CCD				1	1	1
11	3V2NM46130	CONN.CORD ASSY S03840 CCD-LED				1	1	1
12	3V2NM46140	CONN.CORD ASSY S03841 CCD-HP				1	1	1

• Parts with a Ref.No. of 500 and above in the illustration indicate they are not selected for service parts.

• イラスト中で 500 番台の Ref 番号が付いている部品はサービスパーツに選定されていません。

FIG. 32 Wire Section 7 (35ppm(A4),37ppm(Letter)/35ppm(A4),37ppm(Letter)(F))

2TY/2TZ/2V0/2V1

Ref. No. 番号	Part.No. 部品番号	Description 部品名称	Notes 備考	Revision 改訂	Quantity 個数			
					100(日本)	120	230	240
1	302NM46240	CONN.CORD ASSY S03835 KEY L FFC			1	1	1	1
2	302NM46250	CONN.CORD ASSY S03836 KEY R FFC			1	1	1	1
3	302TY46010	CONN.CORD ASSY S04141 MAIN-H PANEL1			1	1	1	1
4	302PB46060	CONN.CORD ASSY S04088 H PANEL FG			1	1	1	1
5	302TZ46010	CONN.CORD ASSY S04146 MAIN-FAX	35ppm(A4),37ppm(Letter)(F)		1	1	1	1
6	302TZ46020	CONN.CORD ASSY S04159 FAX SPEAKER	35ppm(A4),37ppm(Letter)(F)		1	1	1	1
7	302V046050	CONN.CORD ASSY S04176 MAIN-CARD READER			1	1	1	1
8	302V046060	CONN.CORD ASSY S04181 MAIN-H PANEL2			1	1	1	1

• Parts with a Ref.No. of 500 and above in the illustration indicate they are not selected for service parts.

• イラスト中で 500 番台の Ref 番号が付いている部品はサービスパーツに選定されていません。

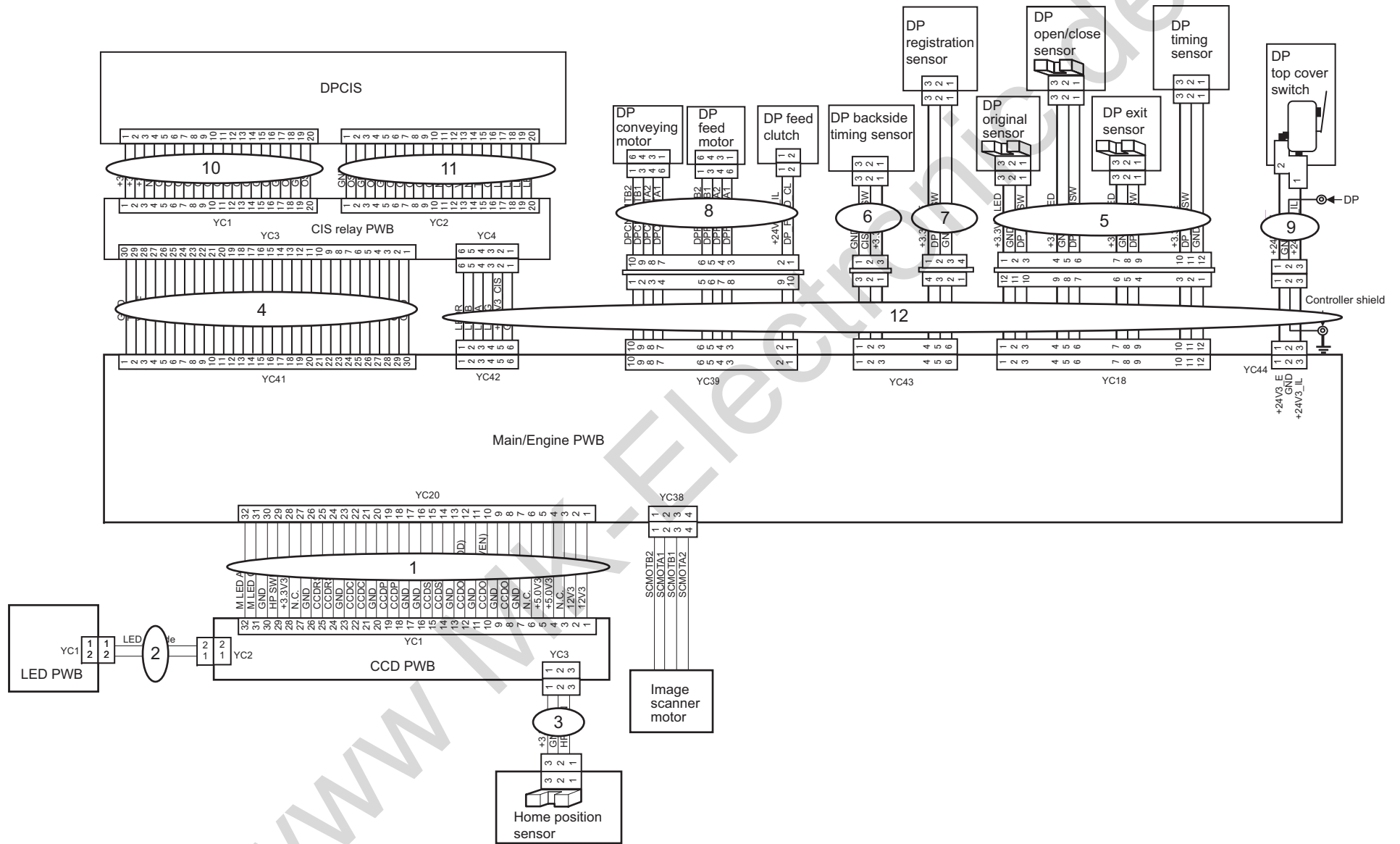


FIG. 33 Wire Section 8 (35ppm(A4),37ppm(Letter)/35ppm(A4),37ppm(Letter)(F))

2TY/2TZ/2V0/2V1

Ref. No. 番号	Part.No. 部品番号	Description 部品名称	Notes 備考	Revision 改訂	Quantity 個数			
					100(日本)	120	230	240
1	302NV46031	CONN.CORD ASSY S04065 MAIN-CCD			1	1	1	1
2	3V2NM46130	CONN.CORD ASSY S03840 CCD-LED			1	1	1	1
3	3V2NM46140	CONN.CORD ASSY S03841 CCD-HP			1	1	1	1
4	302V046010	CONN.CORD ASSY S04143 CIS CONNECT-MAIN			1	1	1	1
5	302V146010	CONN.CORD ASSY S04163 DP SENSOR			1	1	1	1
6	302V146020	CONN.CORD ASSY S04164 CIS SENSOR			1	1	1	1
7	302V146030	CONN.CORD ASSY S04165 FEED SENSOR			1	1	1	1
8	302V146040	CONN.CORD ASSY S04166 MOTOR			1	1	1	1
9	302V146050	CONN.CORD ASSY S04167 INTERLOCK			1	1	1	1
10	302V146060	CONN.CORD ASSY S04168 CIS DATA1			1	1	1	1
11	302V146070	CONN.CORD ASSY S04169 CIS DATA2			1	1	1	1
12	3V2V046020	CONN.CORD ASSY S04144 MAIN-DP UNIT			1	1	1	1

• Parts with a Ref.No. of 500 and above in the illustration indicate they are not selected for service parts.

• イラスト中で 500 番台の Ref 番号が付いている部品はサービスパーツに選定されていません。

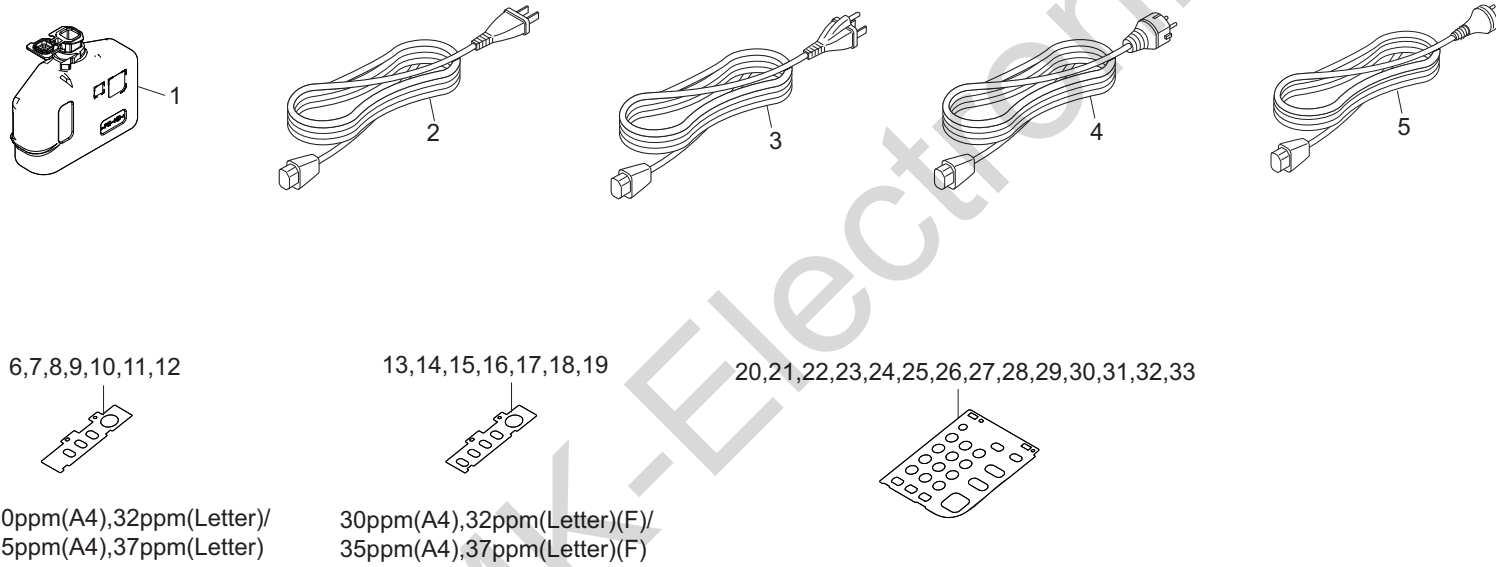


FIG. 34 Accessories

2TY/2TZ/2V0/2V1

Ref. No. 番号	Part.No. 部品番号	Description 部品名称	Notes 備考	Revision 改訂	Quantity 個数			
					100 (日本)	120	230	240
1	302NR93150	WT-5140			1	1	1	1
2	7AAACCJP+15H007	AC CORD ASSY JP	35ppm(A4),37ppm(Letter)(F)		1			
3	3019527401	POWER CORD(120)	30ppm(A4),32ppm(Letter)(F)/35ppm(A4),37ppm(Letter)/35ppm(A4),37ppm(Letter)(F)			1		
4	302FV94010	PARTS AC CORD EU SP	30ppm(A4),32ppm(Letter)/30ppm(A4),32ppm(Letter)(F)/35ppm(A4),37ppm(Letter)				1	
5	302FV45040	AC CORD ASSY	30ppm(A4),32ppm(Letter)/30ppm(A4),32ppm(Letter)(F)/35ppm(A4),37ppm(Letter)(F)					1
6	3V2NY05040	LABEL OPERATION LEFT 3IN1 GER	30ppm(A4),32ppm(Letter)/35ppm(A4),37ppm(Letter)					1
7	3V2NY05050	LABEL OPERATION LEFT 3IN1 FRA	30ppm(A4),32ppm(Letter)/35ppm(A4),37ppm(Letter)			1		1
8	3V2NY05060	LABEL OPERATION LEFT 3IN1 ITA	30ppm(A4),32ppm(Letter)/35ppm(A4),37ppm(Letter)					1
9	302V005010	LABEL OPERATION LEFT 3IN1 SPA	30ppm(A4),32ppm(Letter)/35ppm(A4),37ppm(Letter)			1		1
10	3V2NY05080	LABEL OPERATION LEFT 3IN1 POR	30ppm(A4),32ppm(Letter)/35ppm(A4),37ppm(Letter)			1		1
11	3V2NY05090	LABEL OPERATION LEFT 3IN1 DUT	30ppm(A4),32ppm(Letter)/35ppm(A4),37ppm(Letter)					1
12	3V2NY05100	LABEL OPERATION LEFT 3IN1 RUS	30ppm(A4),32ppm(Letter)/35ppm(A4),37ppm(Letter)					1
13	3V2NM05380	LABEL OPERATION LEFT GER	30ppm(A4),32ppm(Letter)(F)/35ppm(A4),37ppm(Letter)(F)					1
14	3V2NM05390	LABEL OPERATION LEFT FRA	30ppm(A4),32ppm(Letter)(F)/35ppm(A4),37ppm(Letter)(F)			1		1
15	3V2NM05400	LABEL OPERATION LEFT ITA	30ppm(A4),32ppm(Letter)(F)/35ppm(A4),37ppm(Letter)(F)					1
16	302V105010	LABEL OPERATION LEFT SPA	30ppm(A4),32ppm(Letter)(F)/35ppm(A4),37ppm(Letter)(F)			1		1
17	3V2NM05420	LABEL OPERATION LEFT POR	30ppm(A4),32ppm(Letter)(F)/35ppm(A4),37ppm(Letter)(F)			1		1
18	3V2NM05430	LABEL OPERATION LEFT DUT	30ppm(A4),32ppm(Letter)(F)/35ppm(A4),37ppm(Letter)(F)					1
19	3V2NM05440	LABEL OPERATION LEFT RUS	30ppm(A4),32ppm(Letter)(F)/35ppm(A4),37ppm(Letter)(F)					1
20	3V2NY05150	LABEL OPERATION RIGHT 3IN1 GER	30ppm(A4),32ppm(Letter)/35ppm(A4),37ppm(Letter)					1
21	3V2NY05160	LABEL OPERATION RIGHT 3IN1 FRA	30ppm(A4),32ppm(Letter)/35ppm(A4),37ppm(Letter)			1		1
22	3V2NY05170	LABEL OPERATION RIGHT 3IN1 ITA	30ppm(A4),32ppm(Letter)/35ppm(A4),37ppm(Letter)					1
23	3V2NY05180	LABEL OPERATION RIGHT 3IN1 SPA	30ppm(A4),32ppm(Letter)/35ppm(A4),37ppm(Letter)			1		1
24	3V2NY05190	LABEL OPERATION RIGHT 3IN1 POR	30ppm(A4),32ppm(Letter)/35ppm(A4),37ppm(Letter)			1		1
25	3V2NY05200	LABEL OPERATION RIGHT 3IN1 DUT	30ppm(A4),32ppm(Letter)/35ppm(A4),37ppm(Letter)					1
26	3V2NY05210	LABEL OPERATION RIGHT 3IN1 RUS	30ppm(A4),32ppm(Letter)/35ppm(A4),37ppm(Letter)					1
27	3V2NM05450	LABEL OPERATION RIGHT GER	30ppm(A4),32ppm(Letter)(F)/35ppm(A4),37ppm(Letter)(F)					1
28	3V2NM05460	LABEL OPERATION RIGHT FRA	30ppm(A4),32ppm(Letter)(F)/35ppm(A4),37ppm(Letter)(F)			1		1
29	3V2NM05470	LABEL OPERATION RIGHT ITA	30ppm(A4),32ppm(Letter)(F)/35ppm(A4),37ppm(Letter)(F)					1
30	3V2NM05480	LABEL OPERATION RIGHT SPA	30ppm(A4),32ppm(Letter)(F)/35ppm(A4),37ppm(Letter)(F)			1		1
31	3V2NM05490	LABEL OPERATION RIGHT POR	30ppm(A4),32ppm(Letter)(F)/35ppm(A4),37ppm(Letter)(F)			1		1
32	3V2NM05500	LABEL OPERATION RIGHT DUT	30ppm(A4),32ppm(Letter)(F)/35ppm(A4),37ppm(Letter)(F)					1
33	3V2NM05510	LABEL OPERATION RIGHT RUS	30ppm(A4),32ppm(Letter)(F)/35ppm(A4),37ppm(Letter)(F)					1

• Parts with a Ref.No. of 500 and above in the illustration indicate they are not selected for service parts.

• イラスト中で 500 番台の Ref 番号が付いている部品はサービスパーツに選定されていません。

FIG. 35 Maintenance Kits (30ppm(A4),32ppm(Letter)/30ppm(A4),32ppm(Letter)(F))

2TY/2TZ/2V0/2V1

Ref. No. 番号	Part.No. 部品番号	Description 部品名称	Notes 備考	Revision 改訂	Quantity 個数			
					100(日本)	120	230	240
	1702NR7US0	MK-5142/MAINTENANCE KIT	OPTION			1		
	*302NR93021	DV-5140(K)				1		
	*302NR93031	DV-5140(Y)				1		
	*302NR93041	DV-5140(M)				1		
	*302NR93051	DV-5140(C)				1		
	*302NR93013	DK-5140				4		
	*302NR93061	TR-5140				1		
	*302NR93111	FK-5142				1		
	*302KV94191	PARTS HOLDER FEED ASSY SP				1		
	*302NR94330	PARTS ROLLER TRANSFER SP				1		
	*302NT94061	PARTS RETARD ASSY SP				1		
	1702NR8NL0	MK-5140/MAINTENANCE KIT	OPTION				1	
	1702NR8AS0	MK-5144/MAINTENANCE KIT	OPTION					1
	*302NR93021	DV-5140(K)					1	1
	*302NR93031	DV-5140(Y)					1	1
	*302NR93041	DV-5140(M)					1	1
	*302NR93051	DV-5140(C)					1	1
	*302NR93013	DK-5140					4	1
	*302NR93061	TR-5140					1	4
	*302NR93091	FK-5140					1	1
	*302KV94191	PARTS HOLDER FEED ASSY SP					1	1
	*302NR94330	PARTS ROLLER TRANSFER SP					1	1
	*302NT94061	PARTS RETARD ASSY SP					1	1
	1702P60UN0	MK-3140/MAINTENANCE KIT	OPTION: DP			1	1	1
	*	PARTS DP PAD ASSY SP				1	1	1
	*302R494430	PARTS PULLEY PAPER FEED ASSY SP				1	1	1
	*302R494420	PARTS PULLEY PICKUP ASSY SP				1	1	1

• Parts with a Ref.No. of 500 and above in the illustration indicate they are not selected for service parts.

• イラスト中で 500 番台の Ref 番号が付いている部品はサービスパーツに選定されていません。

FIG. 36 Maintenance Kits (35ppm(A4),37ppm(Letter)/35ppm(A4),37ppm(Letter)(F))

2TY/2TZ/2V0/2V1

Ref. No. 番号	Part.No. 部品番号	Description 部品名称	Notes 備考	Revision 改訂	Quantity 個数			
					100(日本)	120	230	240
	1702NS9JP1	MK-5156/MAINTENANCE KIT	OPTION		1			
	*302NS9J012	DV-5150(K)(J)			1			
	*302NS9J022	DV-5150(Y)(J)			1			
	*302NS9J032	DV-5150(M)(J)			1			
	*302NS9J042	DV-5150(C)(J)			1			
	*302NR93013	DK-5140			4			
	*302NR93061	TR-5140			1			
	*302PB93023	FK-5151			1			
	*302KV94191	PARTS HOLDER FEED ASSY SP			1			
	*302NR94330	PARTS ROLLER TRANSFER ASSY SP			1			
	*302NT94061	PARTS RETARD ASSY SP			1			
	1702NS7US1	MK-5157/MAINTENANCE KIT	OPTION			1		
	*302NS93012	DV-5150(K)				1		
	*302NS93022	DV-5150(Y)				1		
	*302NS93032	DV-5150(M)				1		
	*302NS93042	DV-5150(C)				1		
	*302NR93013	DK-5140				4		
	*302NR93061	TR-5140				1		
	*302PB93032	FK-5152				1		
	*302KV94191	PARTS HOLDER FEED ASSY SP				1		
	*302NR94330	PARTS ROLLER TRANSFER ASSY SP				1		
	*302NT94061	PARTS RETARD ASSY SP				1		
	1702NS8NL1	MK-5155/MAINTENANCE KIT	OPTION				1	
	1702NS8AS1	MK-5159/MAINTENANCE KIT	OPTION					1
	*302NS93012	DV-5150(K)					1	1
	*302NS93022	DV-5150(Y)					1	1
	*302NS93032	DV-5150(M)					1	1
	*302NS93042	DV-5150(C)					1	1
	*302NR93013	DK-5140					4	4
	*302NR93061	TR-5140					1	1
	*302PB93012	FK-5150					1	1
	*302KV94191	PARTS HOLDER FEED ASSY SP					1	1
	*302NR94330	PARTS ROLLER TRANSFER ASSY SP					1	1
	*302NT94061	PARTS RETARD ASSY SP					1	1
	1703R40UN0	MK-5200/MAINTENANCE KIT	OPTION: DP		1	1	1	1
	*303R494010	PARTS HOLDER PICUP ASSY SP			1	1	1	1
	*303R394030	PARTS HOLDER PAD ASSY SP			1	1	1	1

• Parts with a Ref.No. of 500 and above in the illustration indicate they are not selected for service parts.

• イラスト中で 500 番台の Ref 番号が付いている部品はサービスパーツに選定されていません。

INDEX / 索引

2TY/2TZ/2V0/2V1

Part.No. 部品番号	Description 部品名称	Fig.No.
1702NR7US0	MK-5142/MAINTENANCE KIT	35
1702NR8AS0	MK-5144/MAINTENANCE KIT	35
1702NR8NL0	MK-5140/MAINTENANCE KIT	35
1702NS7US1	MK-5157/MAINTENANCE KIT	36
1702NS8AS1	MK-5159/MAINTENANCE KIT	36
1702NS8NL1	MK-5155/MAINTENANCE KIT	36
1702NS9JP1	MK-5156/MAINTENANCE KIT	36
1702P60UN0	MK-3140/MAINTENANCE KIT	35
1703R40UN0	MK-5200/MAINTENANCE KIT	36
2FB27160	INTER LOCK SWITCH	25
2FM04150	CAP SPRING/B-11 ENCLOSURE A4	4,5
3019527401	POWER CORD(120)	34
302F909171	RETARD ROLLER ASSY	3
302F929050	PULLEY FEED DU	4
302FV45040	AC CORD ASSY	34
302FV94010	PARTS AC CORD EU SP	34
302FZ94380	PARTS,FAN COOLING DLP 70 SP	4
302FZ94420	PARTS,FAN COOLING CONVEYING SP	13,14
302GR44150	SOLENOID TONER	12
302HN01240	P.W.BOARD ASSY FUSER ZENER	4
302HN02611	FOOT	14
302HN08140	LUTCH	1
302HN09170	GEAR Z13S JOINT	2
302HN31650	SPRING INPUT MPF	12
302HN44180	SWITCH SIZE	13
302HN44210	FAN MOTOR	14
302HS08260	ROLLER M/P ASSY	4
302J901030	P.W.BOARD ASSY FUSER ZENER	4
302K994323	PARTS MOTOR-BL W20 SP	12
302K994580	PARTS SENSOR OPT. SP	22,23
302KT02150	GEAR Z33S-Z13S	13
302KT06050	ACTUATOR PE	3
302KT94070	PARTS PWB ASSY CASSETTE SP	3
302KV04130	STRAP COVER REAR	1
302KV06151	SHAFT FEED	3
302KV06180	RELEASE ACTUATOR PE	3
302KV06201	SPRING ACT	3
302KV06341	ACTUATOR B	3
302KV06370	PIN FEED	3
302KV09250	GEAR Z13	2
302KV31410	BUSH DRIVE	12
302KV31440	GEAR Z23L	12
302KV44041	CLUTCH 50 Z35R	12
302KV94191	PARTS HOLDER FEED ASSY SP	3,35,36
302KW04090	PIN LID TOP	16
302LC94292	PARTS MOTOR-BL W10 SP	12
302LW07100	PAD SEPARATION	22
302LW94060	PARTS MOTOR ISU SP	16
302M294130	PARTS PWB ASSY THERMISTOR SP	13
302MC34040	LABEL PUSH	5

Part.No. 部品番号	Description 部品名称	Fig.No.
302NG94050	PARTS DC MOTOR ASSY SP	13
302NG94220	PARTS FAN MOTOR SP	12
302NM18021	HINGE LEFT	17
302NM18031	HINGE RIGHT	17
302NM46240	CONN.CORD ASSY S03835 KEY L FFC	31,32
302NM46250	CONN.CORD ASSY S03836 KEY R FFC	31,32
302NM94100	PARTS PWB ASSY H PANEL KEY-L SP	15
302NM94121	PARTS TABLE OPERATION SP	15
302NM94150	PARTS TABLE MAIN ASSY SP	17
302NM94231	PARTS DRIVE ASSY A SP	17
302NM94240	PARTS DRIVE ASSY B SP	17
302NR02140	LEVER INTERLOCK	14
302NR02170	GUIDE TOP LEFT	13
302NR02180	GUIDE TOP RIGHT	14
302NR02191	GUIDE CASSETTE LEFT	13
302NR02230	HOLDER GEAR	13
302NR02330	SLIDER CLEANER ID	13
302NR02340	SPRING SLIDER CLEANER	13
302NR02930	GEAR Z41S	13
302NR04030	COVER LEFT	1
302NR04051	COVER FRONT	1
302NR04080	COVER FRONT UPPER	1
302NR04090	COVER WASTE	1
302NR04100	COVER WASTE LOW	1
302NR04180	COVER RIGHT BOTTOM	1
302NR04190	COVER MEMORY	1
302NR04250	HOLDER MAIN SWITCH	1
302NR06010	GUIDE CASSETTE	3
302NR06040	COVER RETARD	3
302NR06210	GUIDE PICK HOLDER	3
302NR06511	FRAME FEED	3
302NR06590	PAD REGIST FEED	3
302NR06620	SPRING ACTUATOR	3
302NR08040	FRAME MPF	4
302NR08101	GUIDE MPF FEED UP	4
302NR08111	GUIDE MPF FEED LOW A	4
302NR08130	GUIDE MPF FEED LOW B	4
302NR08220	SPRING PULLEY MPF	4
302NR09040	GEAR Z20S WORKPLATE	2
302NR09070	WORKPLATE LIFT	2
302NR09110	SHEET CASSETTE RETARD	2
302NR28090	SHAFT EXIT	4,5
302NR29020	HOOK DU RELEASE	5
302NR31060	GEAR Z24L	12
302NR31080	GEAR Z33R-Z32R	13
302NR31150	HOUSING MPF DRIVE A	12
302NR31161	HOUSING MPF DRIVE B	12
302NR31180	GEAR Z31R-Z24S	12
302NR31190	GEAR INPUT A Z36S	12
302NR31200	GEAR INPUT B Z36S	12

Part.No. 部品番号	Description 部品名称	Fig.No.
302NR31210	PIN DRIVE MPF A	12
302NR31220	PLATE MIDDLE DRIVE	12
302NR31230	GEAR Z35R	12
302NR31240	GEAR Z63R-Z24R	12
302NR31250	GEAR Z44R-Z16S	12
302NR31260	GEAR Z26S	12
302NR31570	BELT S2M Z350	13
302NR31630	CAM MPF	12
302NR31810	GEAR Z14L MPF	12
302NR33020	DUCT LEFT INNER	13
302NR34020	LABEL JAM	1
302NR34090	LABEL PUSH SET	5
302NR39011	BRACKET FRONT HV	14
302NR46080	CONN.CORD ASSY S03928 ENGINE-MPF	30
302NR46090	CONN.CORD ASSY S03929 MAIN-CONTAINER SW	26,27
302NR46110	CONN.CORD ASSY S03931 ENGINE-WASTE COVER	30
302NR46150	CONN.CORD ASSY S03939 ENGINE-FUSER MOT	30
302NR46160	CONN.CORD ASSY S03940 MIAN-HVU OPC	28
302NR46200	CONN.CORD ASSY S03946 ENGINE-CASSETTE	30
302NR46210	CONN.CORD ASSY S03947 ENGINE-LIFT	30
302NR46230	CONN.CORD ASSY S03951 ENGINE-IMAGE MOT	30
302NR46240	CONN.CORD ASSY S03952 ENGINE-DLP MOT	30
302NR46270	CONN.CORD ASSY S03957 ENGINE-CASSETTE SW	30
302NR46290	CONN.CORD ASSY S03959 ENGINE-LSU CL	30
302NR46300	CONN.CORD ASSY S03960 ENGINE-TONER MOT	30
302NR46310	CONN.CORD ASSY S03961 ENGINE-SOLENOID	30
302NR46320	CONN.CORD ASSY S03962 ENGINE-IMAGE FAN	30
302NR46330	CONN.CORD ASSY S03963 ENGINE-CONTAIN FAN	30
302NR46360	CONN.CORD ASSY S03966 LVU-INTERLOCK	26,27
302NR46370	CONN.CORD ASSY S03967 LVU-HEATER CONNECT	26
302NR46390	CONN.CORD ASSY S03971 ENGINE-FEED MOT	30
302NR46410	CONN.CORD ASSY S03975 INLET	26,27
302NR46490	CONN.CORD ASSY S04090 ENGINE-DRUM MOT	30
302NR93013	DK-5140	9,35,36
302NR93021	DV-5140(K)	8,35
302NR93031	DV-5140(Y)	8,35
302NR93041	DV-5140(M)	8,35
302NR93051	DV-5140(C)	8,35
302NR93061	TR-5140	10,35,36
302NR93091	FK-5140	11,35
302NR93111	FK-5142	11,35
302NR93130	DR-5140	12
302NR93140	MC-5140	9
302NR93150	WT-5140	34
302NR94010	PARTS CLUTCH 35 Z35R SP	12,25
302NR94020	PARTS ID SENSOR SP	13
302NR94030	PARTS HIGH VOLTAGE UNIT SP	14
302NR94040	PARTS SWITCHING REGULATOR 100V SP	14
302NR94061	PARTS ROLLER TRANSFER SP	6
302NR94070	PARTS TONER FULL DETECT ASSY SP	14

Part.No. 部品番号	Description 部品名称	Fig.No.
302NR94080	PARTS DC MOTOR ASSY SP	13
302NR94120	PARTS PWB ASSY DRUM CONNECT SP	13
302NR94130	PARTS PWB ASSY EXIT SP	5
302NR94160	PARTS PWB ASSY SWITCH SP	14
302NR94190	PARTS CONVEYING 250 ASSY SP	6
302NR94200	PARTS CLEANER ID ASSY SP	13
302NR94210	PARTS COVER MPF ASSY SP	4
302NR94220	PARTS PLATE BOTTOM MPF ASSY SP	4
302NR94250	PARTS MIDDLE ROLLER ASSY SP	3
302NR94260	PARTS FEED DRIVE ASSY SP	12
302NR94330	PARTS ROLLER TRANSFER ASSY SP	6,35,36
302NS93012	DV-5150(K)	8,36
302NS93022	DV-5150(Y)	8,36
302NS93032	DV-5150(M)	8,36
302NS93042	DV-5150(C)	8,36
302NS94010	PARTS SWITCHING REGULATOR 100V SP	14
302NS94020	PARTS SWITCHING REGULATOR 230V SP	14
302NS94050	PARTS PWB ASSY EXIT SP	5
302NS9J012	DV-5150(K)(J)	8,36
302NS9J022	DV-5150(Y)(J)	8,36
302NS9J032	DV-5150(M)(J)	8,36
302NS9J042	DV-5150(C)(J)	8,36
302NT06040	HOLDER RETARD A	3
302NT46070	CONN.CORD ASSY S03968 LVU-HEATER CONNECT	27
302NT93120	DR-5150	12
302NT94061	PARTS RETARD ASSY SP	3,35,36
302NV02030	ARM ISU LOWER	1
302NV02040	ARM ISU UPPER	1
302NV02050	PIN ARM ISU	1
302NV02130	SPRING-TORSION ISU B	1
302NV04020	LID TOP MFP	1
302NV04040	COVER RIGHT	1
302NV04060	COVER LEFT UPPER	1
302NV04070	COVER RIGHT UPPER	1
302NV04080	COVER RIGHT UPPER B	1
302NV04120	SHEET RIGHT COVER	1
302NV04140	COVER INNER LEFT	1
302NV04150	COVER INNER RIGHT	1
302NV04160	COVER REAR UPPER	1
302NV04210	DUCT LID TOP MFP	1
302NV04311	COVER ISU LEFT	1
302NV04321	COVER ISU RIGHT	1
302NV17030	HOOK ISU	16
302NV17090	RAIL LID TOP	16
302NV18010	LOCK ISU C	17
302NV46020	CONN.CORD ASSY S04064 ENGINE-PF	30
302NV46031	CONN.CORD ASSY S04065 MAIN-CCD	31,33
302NV46060	CONN.CORD ASSY S04078 MAIN-EXIT	26,27
302NV46070	CONN.CORD ASSY S04079 ENGINE-EXIT FAN	30
302NV93011	CT-5141	2

Part.No. 部品番号	Description 部品名称	Fig.No.
302NV93032	PARTS DP ASSY SP	17
302NV94010	PARTS DC MOTOR ASSY SP	13
302NV94061	PARTS FRAME ISU TOP ASSY SP	16
302NV94070	PARTS REAR COVER 250 MFP ASSY SP	5
302NY05020	LABEL OPERATION LEFT 3IN1 E	15
302P794010	PARTS SENSOR OPT. SP	4,14,23
302P794060	PARTS MOTOR EJECT SP	12
302PB02020	SPRING-TORSION ISU A	1
302PB46050	CONN.CORD ASSY S04085 MAIN-STAP CONNECT	26,27
302PB46060	CONN.CORD ASSY S04088 H PANEL FG	31,32
302PB93012	FK-5150	11,36
302PB93023	FK-5151	11,36
302PB93032	FK-5152	11,36
302R494420	PARTS PULLEY PICKUP ASSY SP	22,35
302R494430	PARTS PULLEY PAPER FEED ASSY SP	35
302R794330	PARTS FAX UNIT J SP	14
302R794340	PARTS FAX UNIT U SP	14
302S018491	EMBLEM	19
302TV04100	COVER CONNECTOR	1
302TV31010	GEAR Z42R-Z16S	12
302TV46040	CONN.CORD ASSY S04148 MAIN-REGIST	26,27
302TV46050	CONN.CORD ASSY S04149 MAIN-ID SENSOR(L)	26,27
302TV46060	CONN.CORD ASSY S04150 MAIN-LVU	26,27
302TV46070	CONN.CORD ASSY S04151 MAIN-LVU	26
302TV46080	CONN.CORD ASSY S04152 MAIN-ENGINE	29
302TV46090	CONN.CORD ASSY S04153 MAIN-ENGINE	29
302TV46100	CONN.CORD ASSY S04154 MAIN-THERMISTOR	26,27
302TV46110	CONN.CORD ASSY S04155 MAIN-LVU FAN	26,27
302TV46120	CONN.CORD ASSY S04161 MAIN-ID SENSOR(R)	26,27
302TV46130	CONN.CORD ASSY S04162 MAIN-DRUM CONNECT	29
302TV46150	CONN.CORD ASSY S04173 USB HOST	26,27
302TV93010	LK-5270A	7
302TV93020	LK-5270B	7
302TV94010	PARTS SEPARATOR MPF ASSY SP	4
302TV94050	PARTS PWB ASSY ENGINE CONNECT SP	13
302TV94060	PARTS PWB ASSY CONTAINER CONN SP	13
302TW46020	CONN.CORD ASSY S04157 MAIN-LVU	27
302TY04010	COVER LEFT BOTTOM	1
302TY04100	COVER CONNECTOR	1
302TY05010	COVER LCD UPPER	15
302TY05020	COVER LCD LOWER	15
302TY34010	LABEL PRODUCT NAME	1
302TY46010	CONN.CORD ASSY S04141 MAIN-H PANEL1	31,32
302TY46040	CONN.CORD ASSY S04174 MAIN-CARD READER	31
302TY46050	CONN.CORD ASSY S04175 MAIN-H PANEL2	31
302TY94010	PARTS PWB ASSY MAIN SP	14
302TY94020	PARTS PWB ASSY MAIN EU SP	14
302TY94030	PARTS PWB ASSY PANEL MAIN SP	15
302TY94040	PARTS PWB ASSY H PANEL KEY-R SP	15
302TY94050	PARTS SWITCHING REGULATOR 230V SP	14

Part.No. 部品番号	Description 部品名称	Fig.No.
302TZ34010	LABEL PRODUCT NAME	1
302TZ46010	CONN.CORD ASSY S04146 MAIN-FAX	31,32
302TZ46020	CONN.CORD ASSY S04159 FAX SPEAKER	31,32
302TZ94010	PARTS PWB ASSY MAIN SP	14
302TZ94020	PARTS PWB ASSY MAIN EU SP	14
302V005010	LABEL OPERATION LEFT 3IN1 SPA	34
302V018020	COVER BASE DP	19
302V018040	LOCK ISU C	20
302V018070	TAPE DP CABLE	25
302V018410	COVER FRONT A	19
302V018420	COVER FRONT B	19
302V018430	COVER REAR A	19
302V018440	COVER REAR B	19
302V018710	COVER PF	19
302V034010	LABEL PRODUCT NAME	1
302V034040	LABEL CAUTION CIS	21
302V046010	CONN.CORD ASSY S04143 CIS CONNECT-MAIN	33
302V046030	CONN.CORD ASSY S04145 SHRINKAGE TUBE	25
302V046050	CONN.CORD ASSY S04176 MAIN-CARD READER	32
302V046060	CONN.CORD ASSY S04181 MAIN-H PANEL2	32
302V093010	PARTS DSDP ASSY SP	18
302V093020	PARTS ISU ASSY SP	16
302V094010	PARTS TABLE MAIN ASSY SP	21
302V094020	PARTS PWB ASSY MAIN SP	14
302V094030	PARTS PWB ASSY MAIN EU SP	14
302V105010	LABEL OPERATION LEFT SPA	34
302V134010	LABEL PRODUCT NAME	1
302V146010	CONN.CORD ASSY S04163 DP SENSOR	33
302V146020	CONN.CORD ASSY S04164 CIS SENSOR	33
302V146030	CONN.CORD ASSY S04165 FEED SENSOR	33
302V146040	CONN.CORD ASSY S04166 MOTOR	33
302V146050	CONN.CORD ASSY S04167 INTERLOCK	33
302V146060	CONN.CORD ASSY S04168 CIS DATA1	33
302V146070	CONN.CORD ASSY S04169 CIS DATA2	33
302V194040	PARTS LCD UNIT SP	15
302V194050	PARTS PWB ASSY MAIN SP	14
302V194060	PARTS PWB ASSY MAIN EU SP	14
302V194070	PARTS PWB ASSY CIS CONNECT SP	25
302V194080	PARTS LCD OPERATION SP	15
303LJ94070	PARTS PLATE ORIGINAL SP	17,19
303LM31040	GEAR 25R	25
303MH04040	PIN COVER	13
303NB94040	PARTS MOTOR-PM MOVING SP	12
303NW94040	PARTS SENSOR OPT. SP	13,22
303PA94011	PARTS FAX UNIT E SP	14
303R302031	HINGE RIGHT	20
303R302050	PLATE HINGE	20
303R394030	PARTS HOLDER PAD ASSY SP	36
303R402032	HINGE LEFT	20
303R407100	ACTUATOR ORIGINAL	24

Part.No. 部品番号	Description 部品名称	Fig.No.
303R424150	ACTUATOR EXIT	23
303R424220	GUIDE READING	22
303R431050	GEAR FEED Z53R Z33R	25
303R431200	GEAR CONVEYING Z54R Z32L	25
303R431250	GEAR Z32L	25
303R494010	PARTS HOLDER PICUP ASSY SP	36
303R494040	PARTS MOTOR PAPER FEED SP	25
303R494050	PARTS CIS SP	22
303R494060	PARTS ROLLER CIS SP	24
3V2LV04180	KEY SW	1
3V2NM05010	COVER OPERATION RIGHT	15
3V2NM05020	COVER OPERATION LEFT	15
3V2NM05050	COVER PANEL RIGHT	15
3V2NM05060	COVER PANEL LEFT	15
3V2NM05160	LID OPERATION LEFT	15
3V2NM05170	LID OPERATION RIGHT	15
3V2NM05220	LEVER LCD	15
3V2NM05270	LABEL OPERATION RIGHT	15
3V2NM05280	LABEL OPERATION LEFT	15
3V2NM05380	LABEL OPERATION LEFT GER	34
3V2NM05390	LABEL OPERATION LEFT FRA	34
3V2NM05400	LABEL OPERATION LEFT ITA	34
3V2NM05420	LABEL OPERATION LEFT POR	34
3V2NM05430	LABEL OPERATION LEFT DUT	34
3V2NM05440	LABEL OPERATION LEFT RUS	34
3V2NM05450	LABEL OPERATION RIGHT GER	34
3V2NM05460	LABEL OPERATION RIGHT FRA	34
3V2NM05470	LABEL OPERATION RIGHT ITA	34
3V2NM05480	LABEL OPERATION RIGHT SPA	34
3V2NM05490	LABEL OPERATION RIGHT POR	34
3V2NM05500	LABEL OPERATION RIGHT DUT	34
3V2NM05510	LABEL OPERATION RIGHT RUS	34
3V2NM05520	LABEL OPERATION RIGHT E	15
3V2NM05590	LABEL OPERATION LEFT E	15
3V2NM18260	ACTUATOR TIMING	17
3V2NM18420	COVER REAR	17
3V2NM18430	COVER PF	17
3V2NM18750	ACTUATOR ORIGINAL	17
3V2NM18790	ACTUATOR PF	17
3V2NM46130	CONN.CORD ASSY S03840 CCD-LED	31,33
3V2NM46140	CONN.CORD ASSY S03841 CCD-HP	31,33
3V2NV18030	COVER FRONT	17
3V2NV46100	CONN.CORD ASSY S04068 MAIN-DP UNIT	31
3V2NY05030	COVER PANEL LEFT 3IN1	15
3V2NY05040	LABEL OPERATION LEFT 3IN1 GER	34
3V2NY05050	LABEL OPERATION LEFT 3IN1 FRA	34
3V2NY05060	LABEL OPERATION LEFT 3IN1 ITA	34
3V2NY05080	LABEL OPERATION LEFT 3IN1 POR	34
3V2NY05090	LABEL OPERATION LEFT 3IN1 DUT	34
3V2NY05100	LABEL OPERATION LEFT 3IN1 RUS	34

Part.No. 部品番号	Description 部品名称	Fig.No.
3V2NY05140	LABEL OPERATION RIGHT 3IN1 E	15
3V2NY05150	LABEL OPERATION RIGHT 3IN1 GER	34
3V2NY05160	LABEL OPERATION RIGHT 3IN1 FRA	34
3V2NY05170	LABEL OPERATION RIGHT 3IN1 ITA	34
3V2NY05180	LABEL OPERATION RIGHT 3IN1 SPA	34
3V2NY05190	LABEL OPERATION RIGHT 3IN1 POR	34
3V2NY05200	LABEL OPERATION RIGHT 3IN1 DUT	34
3V2NY05210	LABEL OPERATION RIGHT 3IN1 RUS	34
3V2V046020	CONN.CORD ASSY S04144 MAIN-DP UNIT	33
7AAACCJP+15H007	AC CORD ASSY JP	34
7SM010104+++H01	SW.MICRO	14
7SP01000004+H01	SW.PUSH	13,14

www.MK-Electronic.de

PF-5100

First Edition
January 2015

—— CONTENTS / 目次 ——

FIG. 1	Paper Feed Section	2
FIG. 2	Paper Cassette	4
FIG. 3	Wire Section.....	6
	• INDEX / 索引.....	8

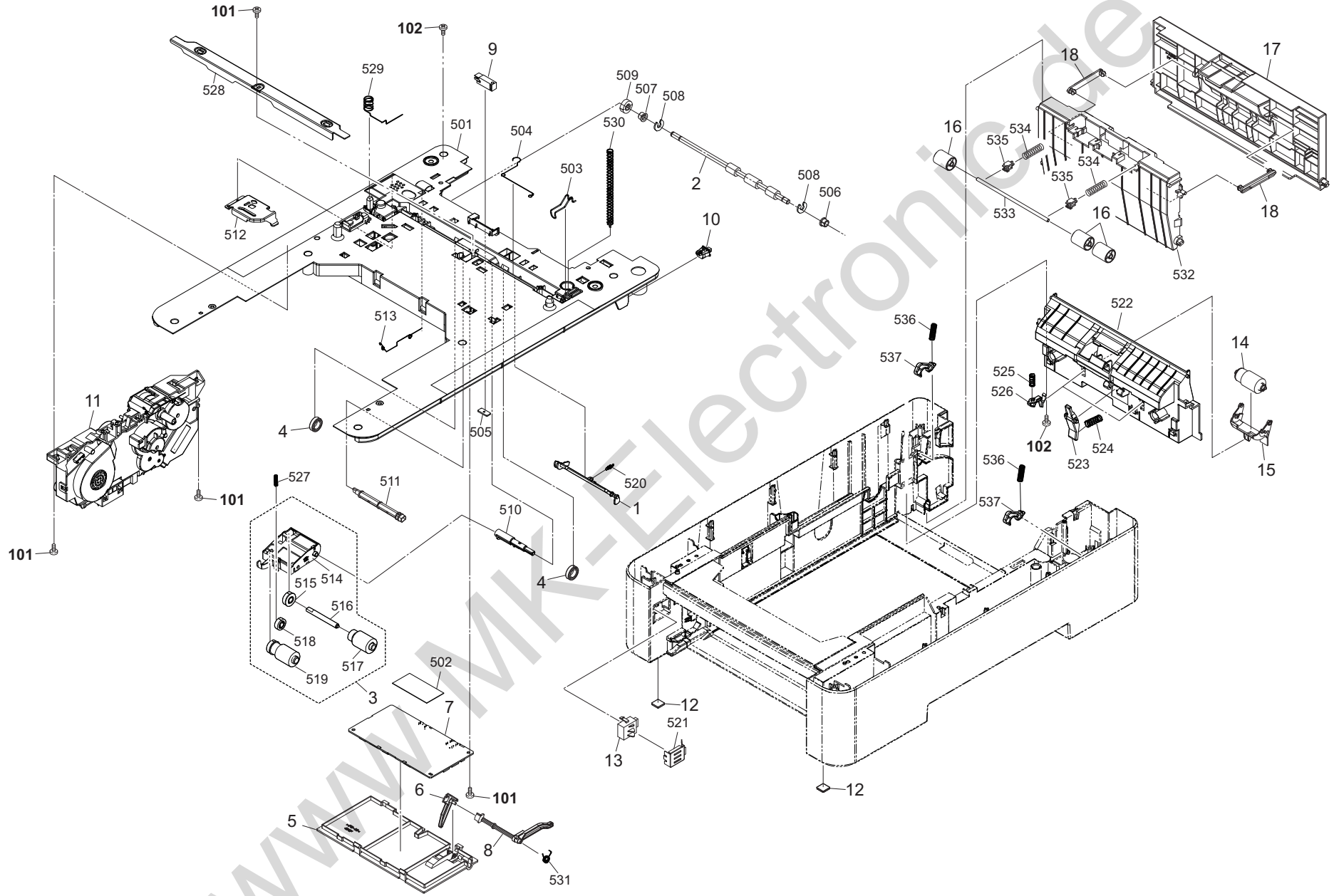


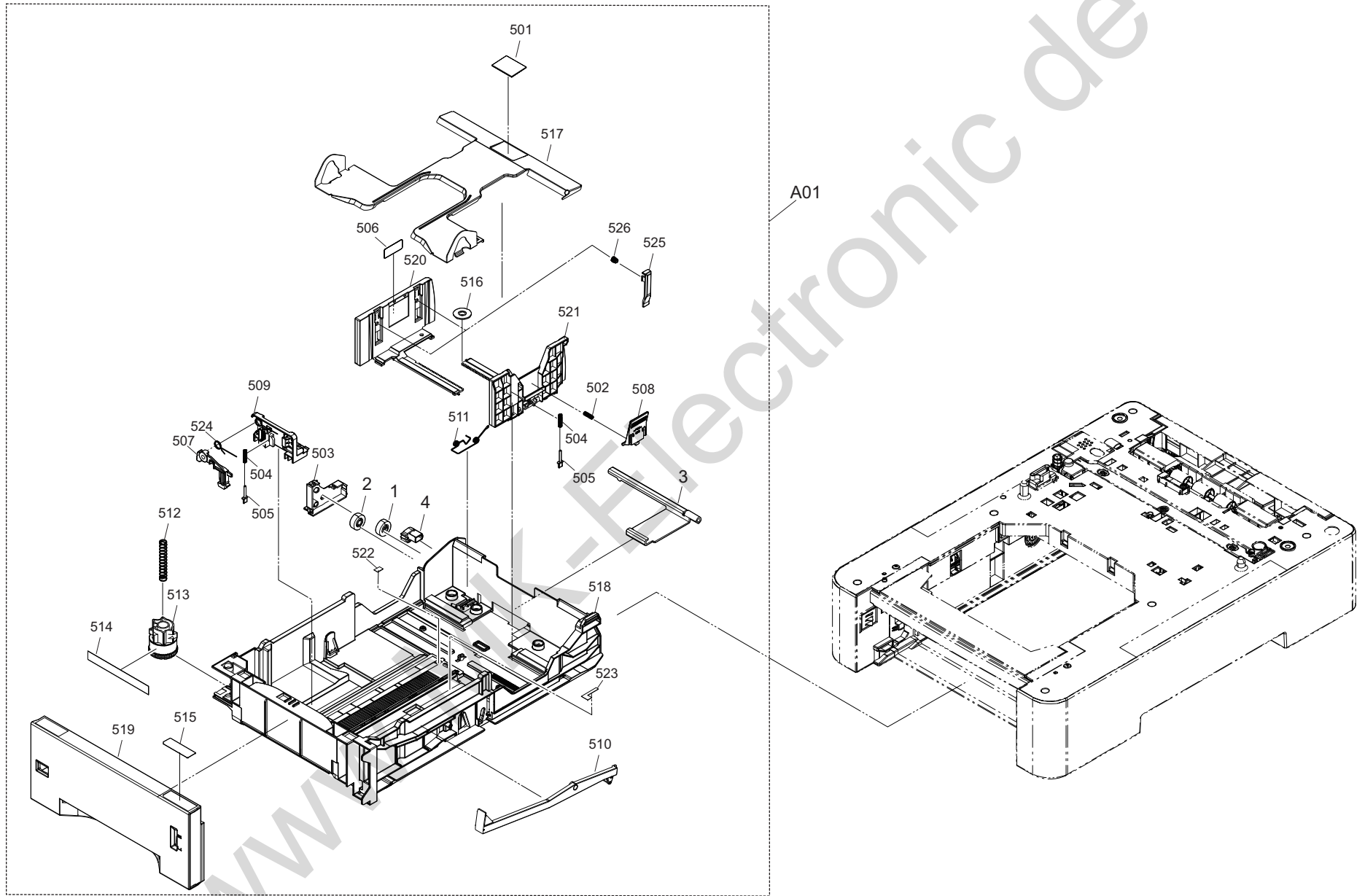
FIG. 1 Paper Feed Section

3PK

Ref. No. 番号	Part.No. 部品番号	Description 部品名称	Notes 備考	Revision 改訂	Quantity 個数			
					100(日本)	120	230	240
1	302NR06230	LEVER PAPER			1	1	1	1
2	303K806080	ROLLER MIDDLE ASSY			1	1	1	1
3	303K894020	HOLDER FEED ASSY SP			1	1	1	1
4	303M906060	PULLEY FEED SIDE			2	2	2	2
5	303NA02050	COVER TOP			1	1	1	1
6	303NA06040	ACTUATOR PE			1	1	1	1
7	303PK94010	PARTS PWB ASSY PF MAIN SP			1	1	1	1
8	303PK06030	ACTUATOR PE RELEASE			1	1	1	1
9	303NW94060	PARTS SENSOR OPT. SP			1	1	1	1
10	7SP01000004+H01	SW.PUSH			1	1	1	1
11	303PK94020	PARTS DRIVE UNIT SP			1	1	1	1
12	302HN02611	FOOT			2	2	2	2
13	302HN44180	SWITCH SIZE			1	1	1	1
14	302NG94110	PARTS ROLLER RETARD ASSY SP			1	1	1	1
15	302NR06030	HOLDER RETARD			1	1	1	1
16	303K809130	PULLEY MID IDLE			3	3	3	3
17	303NA04010	COVER REAR			1	1	1	1
18	3A504020	COUPLER,RELEASE			2	2	2	2
101	7BB202308H	+TP-FLAT T.T P SCREW 3X8						
102	7BB200410H	+BIND T.T P SCREW 4X10						

• Parts with a Ref.No. of 500 and above in the illustration indicate they are not selected for service parts.

• イラスト中で 500 番台の Ref 番号が付いている部品はサービスパーツに選定されていません。



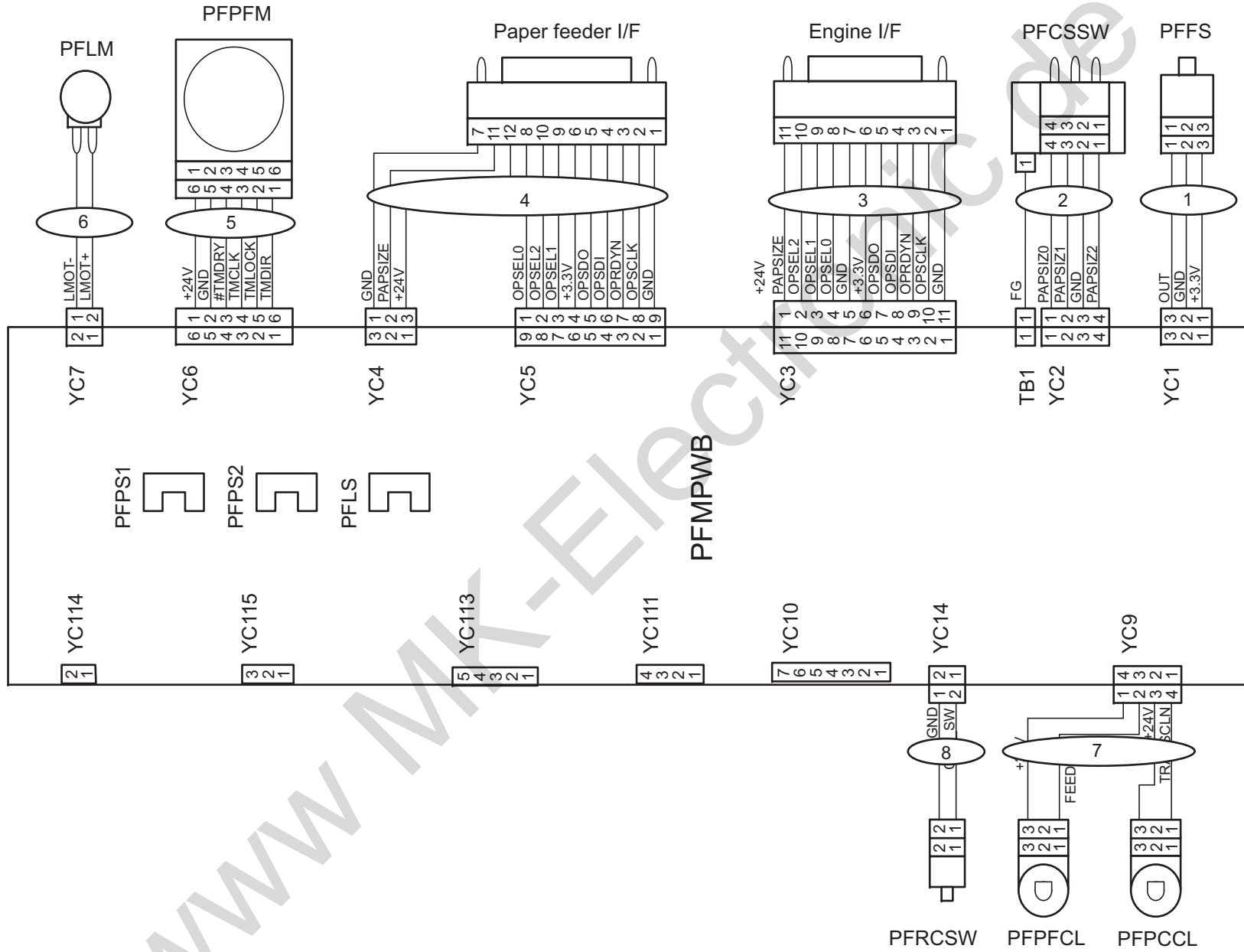


FIG. 3 Wire Section

3PK

Ref. No. 番号	Part.No. 部品番号	Description 部品名称	Notes 備考	Revision 改訂	Quantity 個数			
					100 (日本)	120	230	240
1	303PK46010	CONN.CORD ASSY S04070 SENSOR			1	1	1	1
2	303PK46020	CONN.CORD ASSY S04071 CASSETTE SIZE			1	1	1	1
3	303PK46030	CONN.CORD ASSY S04072 PF DRAWER1			1	1	1	1
4	303PK46040	CONN.CORD ASSY S04073 PF DRAWER2			1	1	1	1
5	303PK46050	CONN.CORD ASSY S04074 TRANS MOT			1	1	1	1
6	303PK46060	CONN.CORD ASSY S04075 LIFT MOT			1	1	1	1
7	303PK46070	CONN.CORD ASSY S04076 CLUTCH			1	1	1	1
8	303PK46080	CONN.CORD ASSY S04077 COVER SW			1	1	1	1

• Parts with a Ref.No. of 500 and above in the illustration indicate they are not selected for service parts.

• イラスト中で 500 番台の Ref 番号が付いている部品はサービスパーツに選定されていません。

KYOCERA Document Solutions America, Inc.**Headquarters**

225 Sand Road,
Fairfield, New Jersey 07004-0008, USA
Phone: +1-973-808-8444
Fax: +1-973-882-6000

Latin America

8240 NW 52nd Terrace Dawson Building, Suite 100
Miami, Florida 33166, USA
Phone: +1-305-421-6640
Fax: +1-305-421-6666

KYOCERA Document Solutions Canada, Ltd.

6120 Kestrel Rd., Mississauga, ON L5T 1S8,
Canada
Phone: +1-905-670-4425
Fax: +1-905-670-8116

KYOCERA Document Solutions**Mexico, S.A. de C.V.**

Calle Arquimedes No. 130, 4 Piso, Colonia Polanco
Chapultepec, Delegacion Miguel Hidalgo,
Distrito Federal, C.P. 11560, México
Phone: +52-555-383-2741
Fax: +52-555-383-7804

KYOCERA Document Solutions Brazil, Ltda.

Alameda África, 545, Pólo Empresarial Consbrás,
Tamboré, Santana de Parnaíba, State of São Paulo,
CEP 06543-306, Brazil
Phone: +55-11-2424-5353
Fax: +55-11-2424-5304

KYOCERA Document Solutions Chile SpA

Jose Ananias 505, Macul. Santiago, Chile
Phone: +562-2350-7000
Fax: +562-2350-7150

KYOCERA Document Solutions**Australia Pty. Ltd.**

Level 3, 6-10 Talavera Road North Ryde N.S.W, 2113,
Australia
Phone: +61-2-9888-9999
Fax: +61-2-9888-9588

KYOCERA Document Solutions**New Zealand Ltd.**

Ground Floor, 19 Byron Avenue, Takapuna, Auckland,
New Zealand
Phone: +64-9-415-4517
Fax: +64-9-415-4597

KYOCERA Document Solutions Asia Limited

13/F., Mita Centre, 552-566, Castle Peak Road Tsuen
Wan, New Territories, Hong Kong
Phone: +852-2496-5678
Fax: +852-2610-2063

KYOCERA Document Solutions**(China) Corporation**

8F, No. 288 Nanjing Road West, Huangpu District,
Shanghai, 200003, China
Phone: +86-21-5301-1777
Fax: +86-21-5302-8300

KYOCERA Document Solutions**(Thailand) Corp., Ltd.**

335 Ratchadapisek Road, Wongsawang, Bangsue,
Bangkok 10800,
Thailand
Phone: +66-2-586-0333
Fax: +66-2-586-0278

KYOCERA Document Solutions**Singapore Pte. Ltd.**

12 Tai Seng Street #04-01A,
Luxasia Building, Singapore 534118
Phone: +65-6741-8733
Fax: +65-6748-3788

KYOCERA Document Solutions**Hong Kong Limited**

16/F., Mita Centre, 552-566, Castle Peak Road Tsuen
Wan, New Territories, Hong Kong
Phone: +852-3582-4000
Fax: +852-3185-1399

KYOCERA Document Solutions**Taiwan Corporation**

6F., No.37, Sec. 3, Minquan E. Rd.,
Zhongshan Dist., Taipei 104, Taiwan R.O.C.
Phone: +886-2-2507-6709
Fax: +886-2-2507-8432

KYOCERA Document Solutions Korea Co., Ltd.

#10F Daewoo Foundation Bldg 18, Toegye-ro, Jung-gu,
Seoul, Korea
Phone: +822-6933-4050
Fax: +822-747-0084

KYOCERA Document Solutions**India Private Limited**

Second Floor, Centrum Plaza, Golf Course Road,
Sector-53, Gurgaon, Haryana 122002, India
Phone: +91-0124-4671000
Fax: +91-0124-4671001

KYOCERA Document Solutions Europe B.V.

Bloemlaan 4, 2132 NP Hoofddorp,
The Netherlands
Phone: +31-20-654-0000
Fax: +31-20-653-1256

KYOCERA Document Solutions Nederland B.V.

Beechavenue 25, 1119 RA Schiphol-Rijk,
The Netherlands
Phone: +31-20-5877200
Fax: +31-20-5877260

KYOCERA Document Solutions (U.K.) Limited

Eldon Court, 75-77 London Road,
Reading, Berkshire RG1 5BS,
United Kingdom
Phone: +44-118-931-1500
Fax: +44-118-931-1108

KYOCERA Document Solutions Italia S.p.A.

Via Monfalcone 15, 20132, Milano, Italy,
Phone: +39-02-921791
Fax: +39-02-92179-600

KYOCERA Document Solutions Belgium N.V.

Sint-Martinusweg 199-201 1930 Zaventem,
Belgium
Phone: +32-2-7209270
Fax: +32-2-7208748

KYOCERA Document Solutions France S.A.S.

Espace Technologique de St Aubin
Route de l'Orme 91195 Gif-sur-Yvette CEDEX,
France
Phone: +33-1-69852600
Fax: +33-1-69853409

KYOCERA Document Solutions Espana, S.A.

Edificio Kyocera, Avda. de Manacor No.2,
28290 Las Matas (Madrid), Spain
Phone: +34-91-6318392
Fax: +34-91-6318219

© 2018 KYOCERA Document Solutions Inc.

 is a trademark of KYOCERA Corporation

KYOCERA Document Solutions Finland Oy

Atomitie 5C, 00370 Helsinki,
Finland
Phone: +358-9-47805200
Fax: +358-9-47805212

KYOCERA Document Solutions Europe B.V., Amsterdam (NL) Zürich Branch

Hohlstrasse 614, 8048 Zürich,
Switzerland
Phone: +41-44-9084949
Fax: +41-44-9084950

KYOCERA Bilgitas Document Solutions Turkey A.S.

Altunizade Mah. Prof. Fahrettin Kerim Gökay Cad.
No:45
34662 ÜSKÜDAR İSTANBUL, TURKEY
Phone: +90-216-339-0020
Fax: +90-216-339-0070

KYOCERA Document Solutions Deutschland GmbH

Otto-Hahn-Strasse 12, 40670 Meerbusch,
Germany
Phone: +49-2159-9180
Fax: +49-2159-918100

KYOCERA Document Solutions Austria GmbH

Wienerbergstraße 11, Turm A, 18. OG, 1100 Wien,
Austria
Phone: +43-1-863380
Fax: +43-1-86338-400

KYOCERA Document Solutions Nordic AB

Esbogatan 16B 164 75 Kista, Sweden
Phone: +46-8-546-550-00
Fax: +46-8-546-550-10

京セラドキュメントソリューションズ株式会社
京セラドキュメントソリューションズジャパン株式会社

 は京セラ株式会社の登録商標です。

KYOCERA Document Solutions Norge Nuf

Olaf Helsetsv. 6, 0619 Oslo, Norway
Phone: +47-22-62-73-00
Fax: +47-22-62-72-00

KYOCERA Document Solutions Danmark A/S

Ejby Industrivej 60, DK-2600 Glostrup,
Denmark
Phone: +45-70223880
Fax: +45-45765850

KYOCERA Document Solutions Portugal Lda.

Rua do Centro Cultural, 41 (Alvalade) 1700-106 Lisboa,
Portugal
Phone: +351-21-843-6780
Fax: +351-21-849-3312

KYOCERA Document Solutions South Africa (Pty) Ltd.

KYOCERA House, Hertford Office Park,
90 Bekker Road (Cnr. Allandale), Midrand, South Africa
Phone: +27-11-540-2600
Fax: +27-11-466-3050

KYOCERA Document Solutions Russia LLC.

Building 2, 51/4, Schepkina St., 129110, Moscow,
Russia
Phone: +7(495)741-0004
Fax: +7(495)741-0018

KYOCERA Document Solutions Middle East

Dubai Internet City, Bldg. 17,
Office 157 P.O. Box 500817, Dubai,
United Arab Emirates
Phone: +971-04-433-0412

KYOCERA Document Solutions Inc.

2-28, 1-chome, Tamatsukuri, Chuo-ku
Osaka 540-8585, Japan
Phone: +81-6-6764-3555
<http://www.kyoceradocumentsolutions.com>