



ECOSYS M6030cdn
ECOSYS M6530cdn
ECOSYS M6035cidn
ECOSYS M6535cidn

PARTS LIST

Published in September 2015
2NVPL071
Rev.1

ECOSYS M6530cdn
ECOSYS M6535cidn

パーツリスト

2015年9月 改訂版
2NVPL011
Rev. 1

CONTENTS / 目次

| | |
|--|--|
| FIG. 1 Covers 2 | FIG. 19 Wire Section 1 (30ppm(A4),32ppm(Letter)/ 30ppm(A4),32ppm(Letter)(F)) 38 |
| FIG. 2 Paper Cassette 4 | FIG. 19 Wire Section 1 (35ppm(A4),37ppm(Letter)/ 35ppm(A4),37ppm(Letter)(F)) 40 |
| FIG. 3 Paper Feed Section 1 6 | FIG. 20 Wire Section 2 42 |
| FIG. 4 Paper Feed Section 2 8 | FIG. 21 Wire Section 3 44 |
| FIG. 5 Conveying Section 1 10 | FIG. 22 Wire Section 4 46 |
| FIG. 6 Conveying Section 2 12 | FIG. 23 Wire Section 5 (30ppm(A4),32ppm(Letter)/ 30ppm(A4),32ppm(Letter)(F)) 48 |
| FIG. 7 Laser Scanner Section 14 | FIG. 23 Wire Section 5 (35ppm(A4),37ppm(Letter)/ 35ppm(A4),37ppm(Letter)(F)) 50 |
| FIG. 8 Developer Section 16 | FIG. 24 Accessories 52 |
| FIG. 9 Image Formation Section 18 | FIG. 25 Maintenance Kits (30ppm(A4),32ppm(Letter)/ 30ppm(A4),32ppm(Letter)(F)) 54 |
| FIG. 10 Transfer Section 20 | FIG. 25 Maintenance Kits (35ppm(A4),37ppm(Letter)/ 35ppm(A4),37ppm(Letter)(F)) 55 |
| FIG. 11 Fuser Section 22 | |
| FIG. 12 Drive Section 24 | |
| FIG. 13 Electrical Components 1 26 | |
| FIG. 14 Electrical Components 2 28 | |
| FIG. 15 Operation Section 30 | |
| FIG. 16 Scanner Section 32 | |
| FIG. 17 Document Processor 34 | |
| FIG. 18 FAX Section 36 | |
| | • INDEX / 索引 56 |

Symbols in the parts list

- Parts without a Ref.No. in the illustration indicate they are not supplied.
- Parts with a Ref.No. of 500 and above in the illustration indicate they are not selected for service parts.
- Parts with "*" are component parts or sub-assemblies of the assembly appearing immediately above them.
- Parts with "**" are component parts or sub-assembly with "?" appearing immediately above them.

<Notation of products>

For the purpose of this parts list, products are identified as following.
 ECOSYS M6030cdn : 30ppm(A4),32ppm(Letter)
 ECOSYS M6530cdn : 30ppm(A4),32ppm(Letter)(F)
 ECOSYS M6035cidn : 35ppm(A4),37ppm(Letter)
 ECOSYS M6535cidn : 35ppm(A4),37ppm(Letter)(F)

記号の見方

イラスト中で Ref 番号がない部品は供給できません。
 イラスト中で 500 番台の Ref 番号が付いている部品はサービスパーツに
 選定されていません。
 部品番号欄の・印は、組立部品の単品部品及び準組立部品を表わします。
 部品番号欄の**印は、準組立部品の単品部品を表わします。

<本体機種区別表記>

パーツリスト中の本体機種区別は、以下の様に記載します。
 ECOSYS M6530cdn : 30ppm(A4), 32ppm(Letter)(F)
 ECOSYS M6535cidn : 35ppm(A4), 37ppm(Letter)(F)

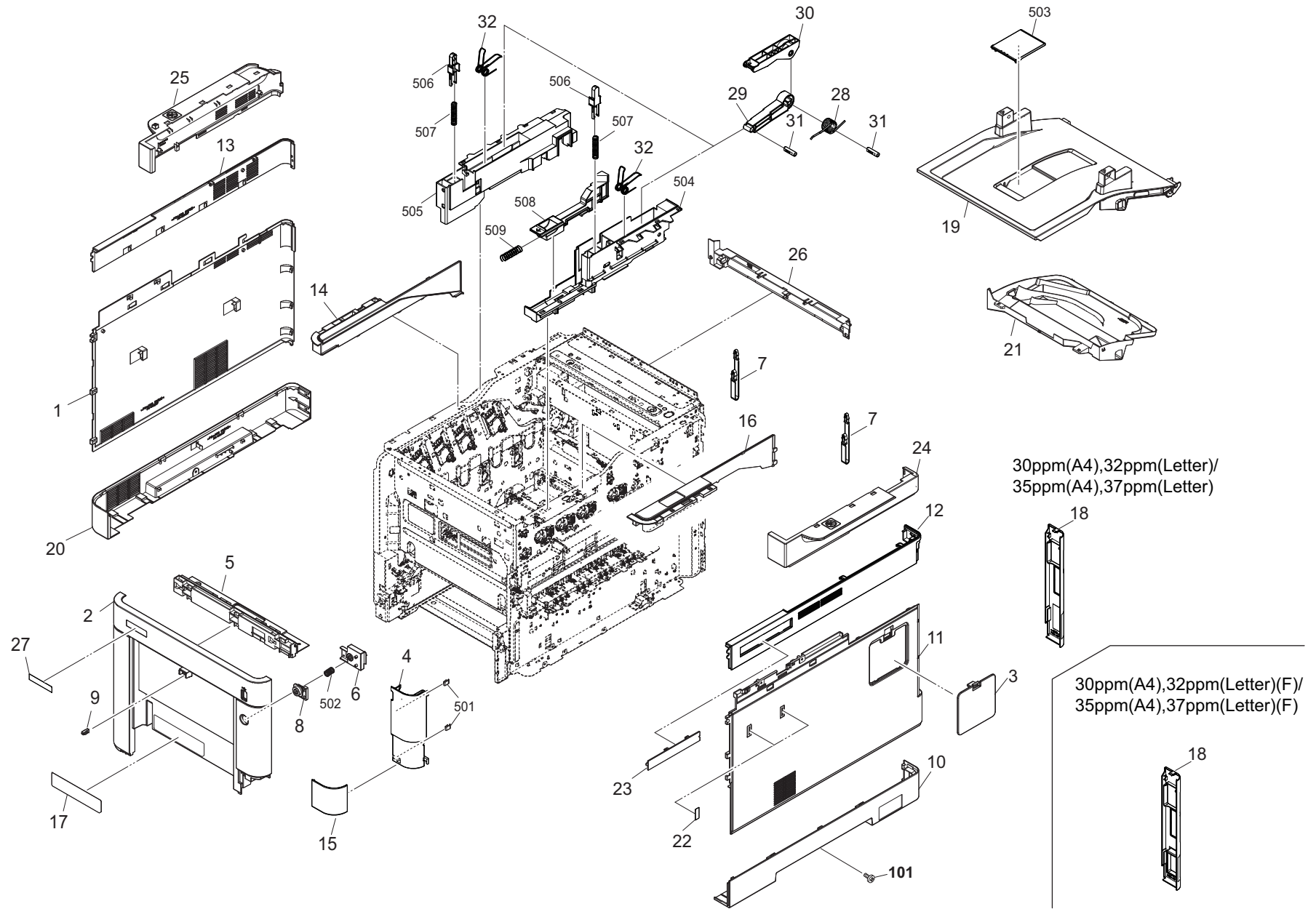


FIG. 1 Covers

2NV/2NW/2PB/2PC

| Ref. No. 番号 | Part.No. 部品番号 | Alternative. 代替部品番号 | Description 部 品 名 称 | Notes 備 考 | Revision 改 訂 | Quantity 個数 | | | |
|----------------|------------------|------------------------|---------------------------------|---|-----------------|----------------|-----|-----|-----|
| | | | | | | 100 (日本) | 120 | 230 | 240 |
| 1 | 302NR04030 | 2NR04030 | COVER LEFT | | | 1 | 1 | 1 | 1 |
| 2 | 302NR04050 | 2NR04050 | COVER FRONT | | | 1 | 1 | 1 | 1 |
| 3 | 302NR04190 | 2NR04190 | COVER MEMORY | | | 1 | 1 | 1 | 1 |
| 4 | 302NR04090 | 2NR04090 | COVER WASTE | | | 1 | 1 | 1 | 1 |
| 5 | 302NR04080 | 2NR04080 | COVER FRONT UPPER | | | 1 | 1 | 1 | 1 |
| 6 | 302NR04250 | 2NR04250 | HOLDER MAIN SWITCH | | | 1 | 1 | 1 | 1 |
| 7 | 302KV04130 | 2KV04130 | STRAP COVER REAR | | | 2 | 2 | 2 | 2 |
| 8 | 3V2LV04180 | 2LV04180 | KEY SW | | | 1 | 1 | 1 | 1 |
| 9 | 302HN08140 | 2HN08140 | LUTCH | | | 1 | 1 | 1 | 1 |
| 10 | 302NR04180 | 2NR04180 | COVER RIGHT BOTTOM | | | 1 | 1 | 1 | 1 |
| 11 | 302NV04040 | 2NV04040 | COVER RIGHT | | | 1 | 1 | 1 | 1 |
| 12 | 302NV04070 | 2NV04070 | COVER RIGHT UPPER | | | 1 | 1 | 1 | 1 |
| 13 | 302NV04060 | 2NV04060 | COVER LEFT UPPER | | | 1 | 1 | 1 | 1 |
| 14 | 302NV04140 | 2NV04140 | COVER INNER LEFT | | | 1 | 1 | 1 | 1 |
| 15 | 302NR04100 | 2NR04100 | COVER WASTE LOW | | | 1 | 1 | 1 | 1 |
| 16 | 302NV04150 | 2NV04150 | COVER INNER RIGHT | | | 1 | 1 | 1 | 1 |
| 17 | 302NR34020 | 2NR34020 | LABEL JAM | | | 1 | 1 | 1 | 1 |
| 18 | 302NV04110 | 2NV04110 | COVER CONNECTOR | 30ppm(A4),32ppm(Letter)(F)/35ppm(A4),37ppm(Letter)(F) | | 1 | 1 | 1 | 1 |
| 18 | 302NR04110 | 2NR04110 | COVER CONNECTOR | 30ppm(A4),32ppm(Letter)/35ppm(A4),37ppm(Letter) | | | 1 | 1 | 1 |
| 19 | 302NV04020 | 2NV04020 | LID TOP MFP | | | 1 | 1 | 1 | 1 |
| 20 | 302NR04170 | 2NR04170 | COVER LEFT BOTTOM | | | 1 | 1 | 1 | 1 |
| 21 | 302NV04210 | 2NV04210 | DUCT LID TOP MFP | | | 1 | 1 | 1 | 1 |
| 22 | 302NV04120 | 2NV04120 | SHEET RIGHT COVER | | | 2 | 2 | 2 | 2 |
| 23 | 302NV04080 | 2NV04080 | COVER RIGHT UPPER B | | | 1 | 1 | 1 | 1 |
| 24 | 302NV04320 | 2NV04320 | COVER ISU RIGHT | | | 1 | 1 | 1 | 1 |
| 25 | 302NV04310 | 2NV04310 | COVER ISU LEFT | | | 1 | 1 | 1 | 1 |
| 26 | 302NV04160 | 2NV04160 | COVER REAR UPPER | | | 1 | 1 | 1 | 1 |
| 27 | 302PC34010 | 2PC34010 | LABEL PRODUCT NAME | 35ppm(A4),37ppm(Letter)(F) | | 1 | 1 | 1 | 1 |
| 27 | 302PB34010 | 2PB34010 | LABEL PRODUCT NAME | 35ppm(A4),37ppm(Letter) | | | 1 | 1 | |
| 27 | 302NW34010 | 2NW34010 | LABEL PRODUCT NAME | 30ppm(A4),32ppm(Letter)(F) | | 1 | 1 | 1 | 1 |
| 27 | 302NV34010 | 2NV34010 | LABEL PRODUCT NAME | 30ppm(A4),32ppm(Letter) | | | 1 | 1 | 1 |
| 28 | 302PB02020 | 2PB02020 | SPRING-TORSION ISU A | 35ppm(A4),37ppm(Letter)/35ppm(A4),37ppm(Letter)(F) | | 2 | 2 | 2 | 2 |
| 28 | 302NV02120 | 2NV02120 | SPRING-TORSION ISU A | 30ppm(A4),32ppm(Letter)/30ppm(A4),32ppm(Letter)(F) | | 2 | 2 | 2 | 2 |
| 29 | 302NV02030 | 2NV02030 | ARM ISU LOWER | | | 2 | 2 | 2 | 2 |
| 30 | 302NV02040 | 2NV02040 | ARM ISU UPPER | | | 2 | 2 | 2 | 2 |
| 31 | 302NV02050 | 2NV02050 | PIN ARM ISU | | | 4 | 4 | 4 | 4 |
| 32 | 302NV02130 | 2NV02130 | SPRING-TORSION ISU B | | | 2 | 2 | 2 | 2 |
| 101 | 7BB780308H | BB111200 | +BIND T.T S SCREW 3X8 SR(BLACK) | | | | | | |

• Parts with a Ref.No. of 500 and above in the illustration indicate they are not selected for service parts.

• イラスト中で 500 番の Ref 番号が付いている部品はサービスパーツに選定されていません。

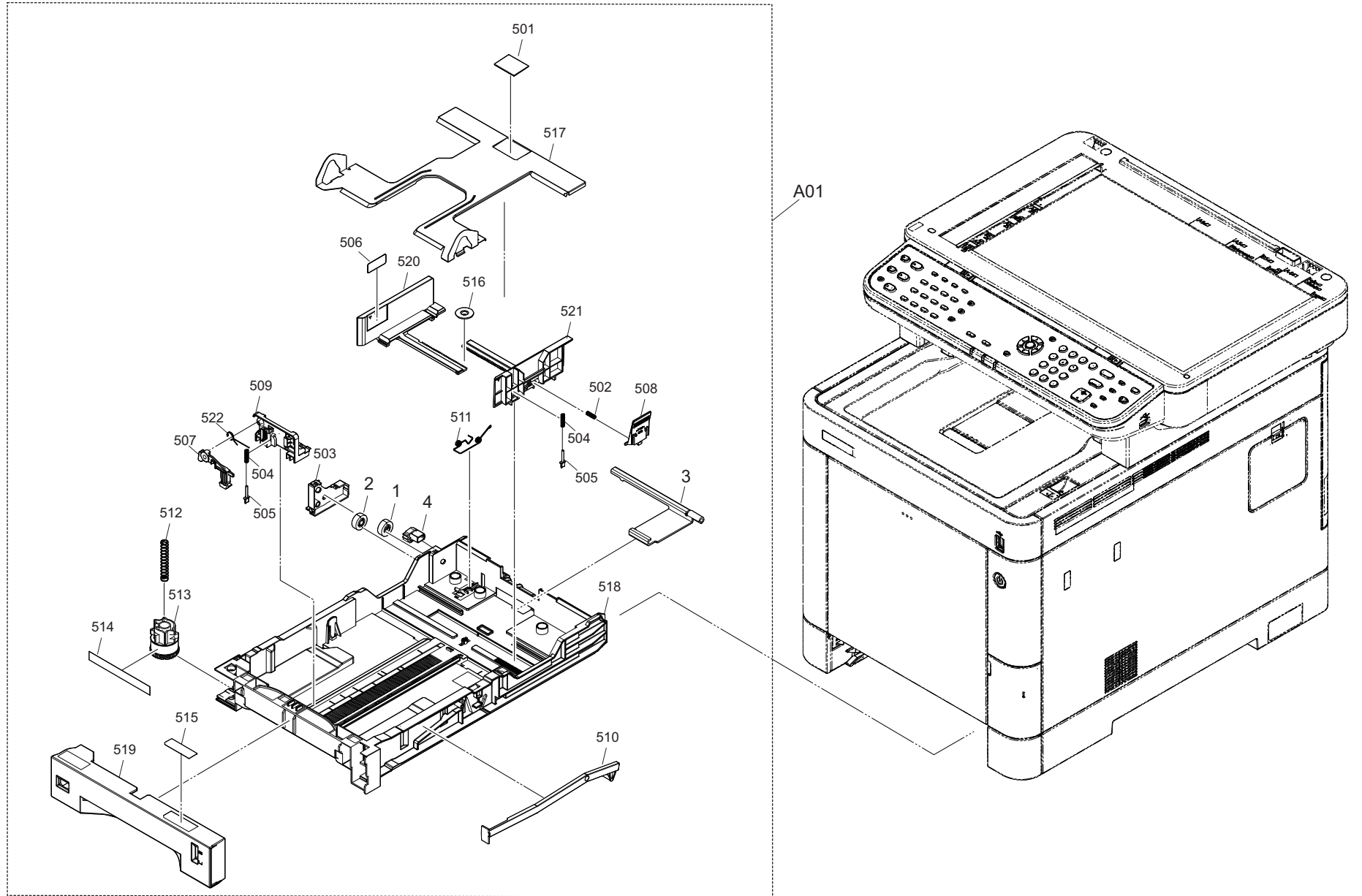


FIG. 2 Paper Cassette

2NV/2NW/2PB/2PC

| Ref. No. 番号 | Part.No. 部品番号 | Alternative. 代替部品番号 | Description 部品名称 | Notes 備考 | Revision 改訂 | Quantity 個数 | | | |
|----------------|------------------|------------------------|---------------------|-------------|----------------|----------------|-----|-----|-----|
| | | | | | | 100 (日本) | 120 | 230 | 240 |
| A01 | 302NV93010 | 2NV93010 | CT-5141 | | | 1 | 1 | 1 | 1 |
| 1 | *302HN09170 | 2HN09170 | GEAR Z13S JOINT | | | 1 | 1 | 1 | 1 |
| 2 | *302KV09250 | 2KV09250 | GEAR Z13 | | | 1 | 1 | 1 | 1 |
| 3 | *302NR09070 | 2NR09070 | WORKPLATE LIFT | | | 1 | 1 | 1 | 1 |
| 4 | *302NR09040 | 2NR09040 | GEAR Z20S WORKPLATE | | | 1 | 1 | 1 | 1 |
| | | | | | | | | | |
| | | | | | | | | | |
| | | | | | | | | | |
| | | | | | | | | | |
| | | | | | | | | | |
| | | | | | | | | | |
| | | | | | | | | | |
| | | | | | | | | | |
| | | | | | | | | | |
| | | | | | | | | | |
| | | | | | | | | | |
| | | | | | | | | | |
| | | | | | | | | | |
| | | | | | | | | | |
| | | | | | | | | | |
| | | | | | | | | | |
| | | | | | | | | | |
| | | | | | | | | | |
| | | | | | | | | | |
| | | | | | | | | | |
| | | | | | | | | | |
| | | | | | | | | | |
| | | | | | | | | | |
| | | | | | | | | | |
| | | | | | | | | | |
| | | | | | | | | | |
| | | | | | | | | | |
| | | | | | | | | | |
| | | | | | | | | | |
| | | | | | | | | | |
| | | | | | | | | | |
| | | | | | | | | | |
| | | | | | | | | | |
| | | | | | | | | | |
| | | | | | | | | | |
| | | | | | | | | | |
| | | | | | | | | | |
| | | | | | | | | | |

• Parts with a Ref.No. of 500 and above in the illustration indicate they are not selected for service parts.

・イラスト中で 500 番台の Ref 番号が付いている部品はサービスパーツに 選定されていません。

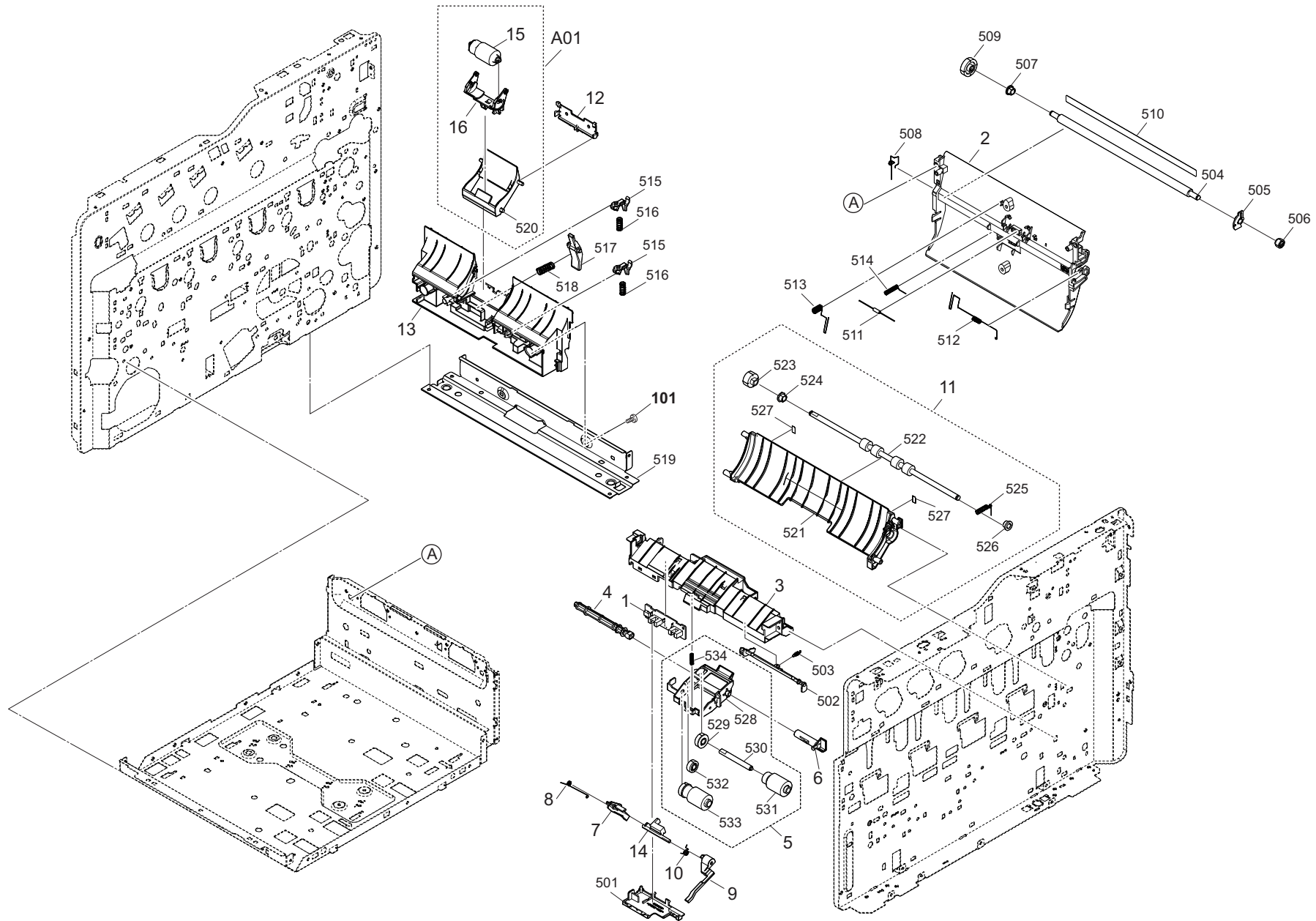


FIG. 3 Paper Feed Section 1

2NV/2NW/2PB/2PC-1

| Ref. No. 番号 | Part.No. 部品番号 | Alternative. 代替部品番号 | Description 部品名称 | Notes 備考 | Revision 改訂 | Quantity 個数 | | | |
|----------------|------------------|------------------------|-----------------------------|-------------|----------------|----------------|-----|-----|-----|
| | | | | | | 100(日本) | 120 | 230 | 240 |
| 1 | 302KT94070 | 2KT94070 | PARTS PWB ASSY CASSETTE SP | | | 1 | 1 | 1 | 1 |
| 2 | 302NR06511 | 2NR06511 | FRAME FEED | | 1:Design-chg. | 1 | 1 | 1 | 1 |
| 3 | 302NR06210 | 2NR06210 | GUIDE PICK HOLDER | | | 1 | 1 | 1 | 1 |
| 4 | 302KV06151 | 2KV06151 | SHAFT FEED | | | 1 | 1 | 1 | 1 |
| 5 | 302KV94191 | 2KV94191 | PARTS HOLDER FEED ASSY SP | | | 1 | 1 | 1 | 1 |
| 6 | 302KV06370 | 2KV06370 | PIN FEED | | | 1 | 1 | 1 | 1 |
| 7 | 302KV06180 | 2KV06180 | RELEASE ACTUATOR PE | | | 1 | 1 | 1 | 1 |
| 8 | 302KV06350 | 2KV06350 | SPRING ACTUATOR A | | | 1 | 1 | 1 | 1 |
| 9 | 302KV06341 | 2KV06341 | ACTUATOR B | | | 1 | 1 | 1 | 1 |
| 10 | 302KV06201 | 2KV06201 | SPRING ACT | | | 1 | 1 | 1 | 1 |
| 11 | 302NR94250 | 2NR94250 | PARTS MIDDLE ROLLER ASSY SP | | | 1 | 1 | 1 | 1 |
| 12 | 302NR06040 | 2NR06040 | COVER RETARD | | | 1 | 1 | 1 | 1 |
| 13 | 302NR06010 | 2NR06010 | GUIDE CASSETTE | | | 1 | 1 | 1 | 1 |
| 14 | 302KT06050 | 2KT06050 | ACTUATOR PE | | | 1 | 1 | 1 | 1 |
| A01 | 302NT94060 | 2NT94060 | PARTS RETARD ASSY SP | | | 1 | 1 | 1 | 1 |
| 15 | *302NG94110 | 2NG94110 | PARTS ROLLER RETARD ASSY SP | | | 1 | 1 | 1 | 1 |
| 16 | *302NT06040 | 2NT06040 | HOLDER RETARD A | | | 1 | 1 | 1 | 1 |
| 101 | 7BB200308H | BB105660 | +BIND T.T P SCREW 3X8 | | | | | | |

• Parts with a Ref.No. of 500 and above in the illustration indicate they are not selected for service parts.

・イラスト中で 500 番台の Ref 番号が付いている部品はサービスパーツに選定されていません。

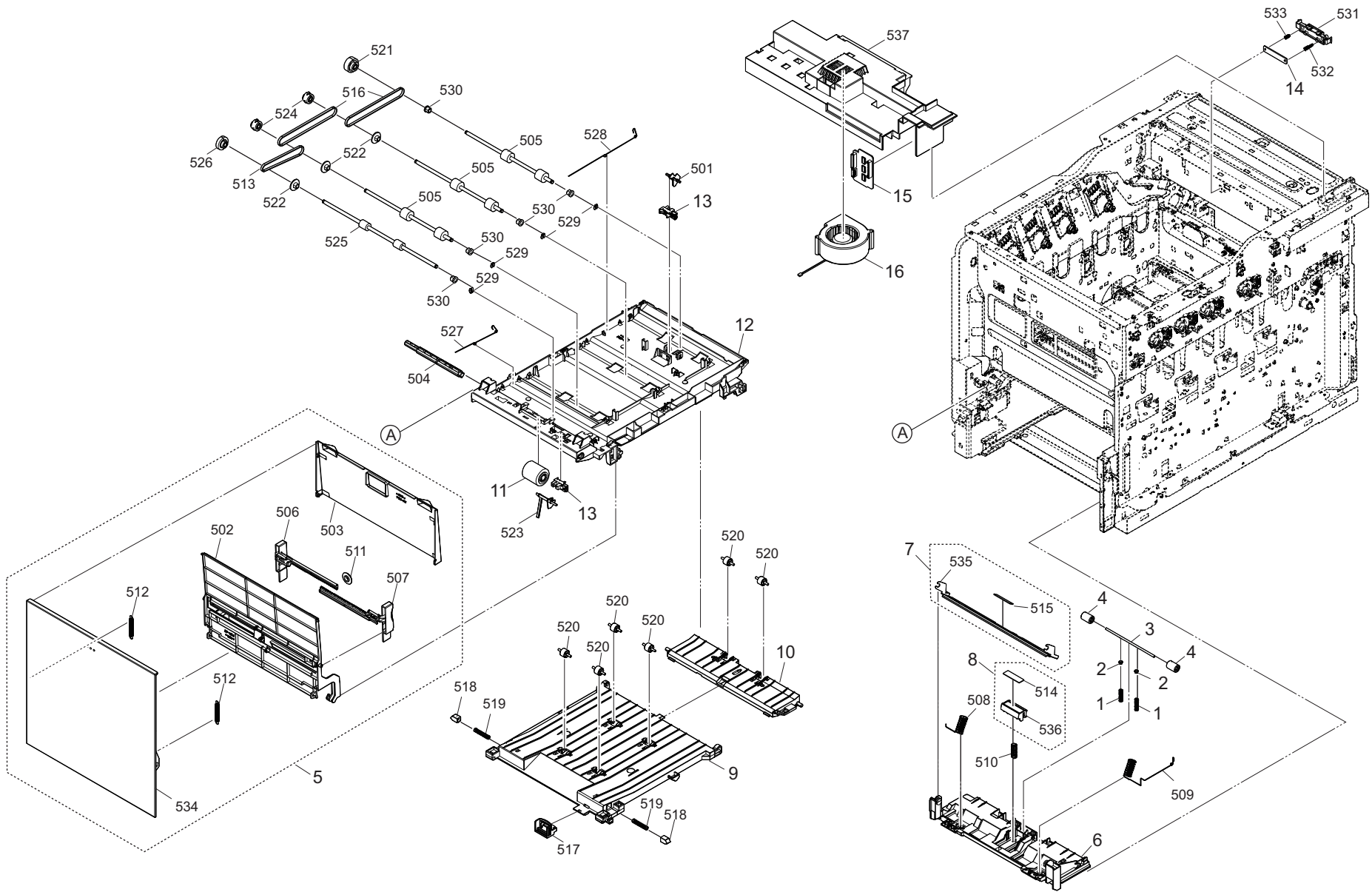


FIG. 4 Paper Feed Section 2

2NV/2NW/2PB/2PC-1

| Ref. No. 番号 | Part.No. 部品番号 | Alternative. 代替部品番号 | Description 部品名称 | Notes 備考 | Revision 改訂 | Quantity 個数 | | | |
|----------------|------------------|------------------------|--------------------------------|--|----------------|----------------|-----|-----|-----|
| | | | | | | 100(日本) | 120 | 230 | 240 |
| 1 | 302NR08220 | 2NR08220 | SPRING PULLEY MPF | | | 2 | 2 | 2 | 2 |
| 2 | 2FM04150 | 2FM04150 | CAP SPRING/B-11 ENCLOSURE A4 | | | 2 | 2 | 2 | 2 |
| 3 | 302NR28090 | 2NR28090 | SHAFT EXIT | | | 1 | 1 | 1 | 1 |
| 4 | 302F929050 | 2F929050 | PULLEY FEED DU | | | 2 | 2 | 2 | 2 |
| 5 | 302NR94210 | 2NR94210 | PARTS COVER MPF ASSY SP | | | 1 | 1 | 1 | 1 |
| 6 | 302NR08040 | 2NR08040 | FRAME MPF | | | 1 | 1 | 1 | 1 |
| 7 | 302NR94220 | 2NR94220 | PARTS PLATE BOTTOM MPF ASSY SP | | | 1 | 1 | 1 | 1 |
| 8 | 302NR94270 | 2NR94270 | PARTS SEPARATOR MPF ASSY SP | | | 1 | 1 | 1 | 1 |
| 9 | 302NR08130 | 2NR08130 | GUIDE MPF FEED LOW B | | | 1 | 1 | 1 | 1 |
| 10 | 302NR08111 | 2NR08111 | GUIDE MPF FEED LOW A | | | 1 | 1 | 1 | 1 |
| 11 | 302HS08260 | 2HS08260 | ROLLER M/P ASSY | | 1:Design-chg. | 1 | 1 | 1 | 1 |
| 12 | 302NR08101 | 2NR08101 | GUIDE MPF FEED UP | | 1:Design-chg. | 1 | 1 | 1 | 1 |
| 13 | 302P794010 | 2P794010 | PARTS SENSOR OPT. SP | | | 2 | 2 | 2 | 2 |
| 14 | 302HN01240 | 2HN01240 | P.W.BOARD ASSY FUSER ZENER | 120V/230V/240V | 1:Part No-chg. | | 1 | 1 | 1 |
| 14 | 302J901030 | 2J901030 | P.W.BOARD ASSY FUSER ZENER | 30ppm(A4),32ppm(Letter)(F)/35ppm(A4),37ppm(Letter)(F):100V | 1:Part No-chg. | 1 | | | |
| 15 | 302NV94020 | 2NV94020 | PARTS PWB ASSY DP-DRIVE SP | | | 1 | 1 | 1 | 1 |
| 16 | 302FZ94380 | 2FZ94380 | PARTS,FAN COOLING DLP 70 SP | | | 1 | 1 | 1 | 1 |

• Parts with a Ref.No. of 500 and above in the illustration indicate they are not selected for service parts.

• イラスト中で 500 番台の Ref 番号が付いている部品はサービスパーツに選定されていません。

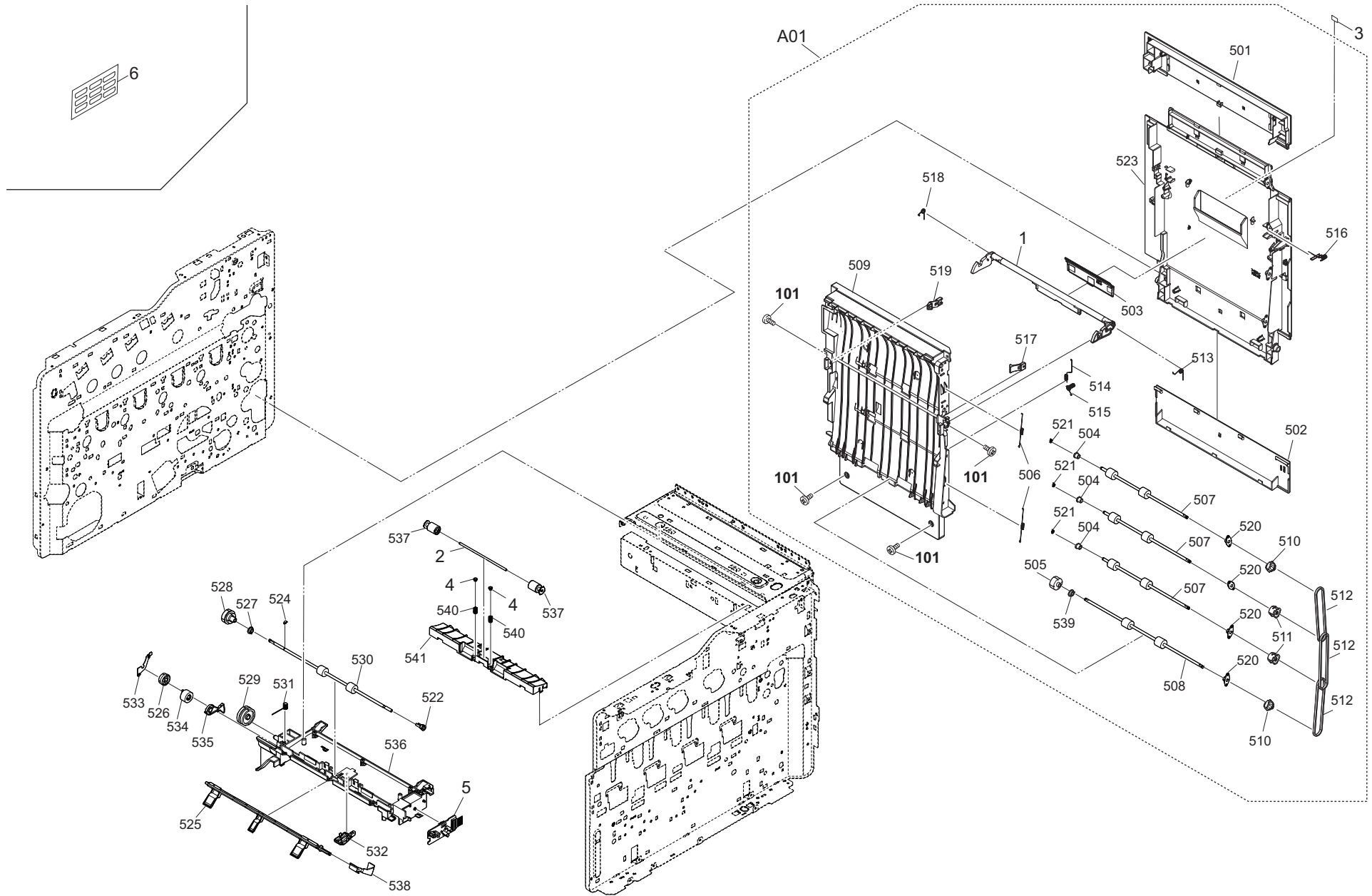


FIG. 5 Conveying Section 1

2NV/2NW/2PB/2PC

| Ref. No. 番号 | Part.No. 部品番号 | Alternative. 代替部品番号 | Description 部品名称 | Notes 備考 | Revision 改訂 | Quantity 個数 | | | |
|----------------|------------------|------------------------|----------------------------------|--|----------------|----------------|-----|-----|-----|
| | | | | | | 100(日本) | 120 | 230 | 240 |
| A01 | 302NV94070 | 2NV94070 | PARTS REAR COVER 250 MFP ASSY SP | | | 1 | 1 | 1 | 1 |
| 1 | •302NR29020 | 2NR29020 | HOOK DU RELEASE | | | 1 | 1 | 1 | 1 |
| 2 | 302NR28090 | 2NR28090 | SHAFT EXIT | | | 1 | 1 | 1 | 1 |
| 3 | 302MC34040 | 2MC34040 | LABEL PUSH | | | 1 | 1 | 1 | 1 |
| 4 | 2FM04150 | 2FM04150 | CAP SPRING/B-11 ENCLOSURE A4 | | | 2 | 2 | 2 | 2 |
| 5 | 302NR94130 | 2NR94130 | PARTS PWB ASSY EXIT SP | 30ppm(A4),32ppm(Letter)/30ppm(A4),32ppm(Letter)(F) | | 1 | 1 | 1 | 1 |
| 5 | 302NS94050 | 2NS94050 | PARTS PWB ASSY EXIT SP | 35ppm(A4),37ppm(Letter)/35ppm(A4),37ppm(Letter)(F) | | 1 | 1 | 1 | 1 |
| 6 | 302NR34090 | 2NR34090 | LABEL PUSH SET | | | | 1 | 1 | |
| 101 | 7BB200308H | BB105660 | +BIND T.T P SCREW 3X8 | | | | | | |

• Parts with a Ref.No. of 500 and above in the illustration indicate they are not selected for service parts.

• イラスト中で 500 番台の Ref 番号が付いている部品はサービスパーツに選定されていません。

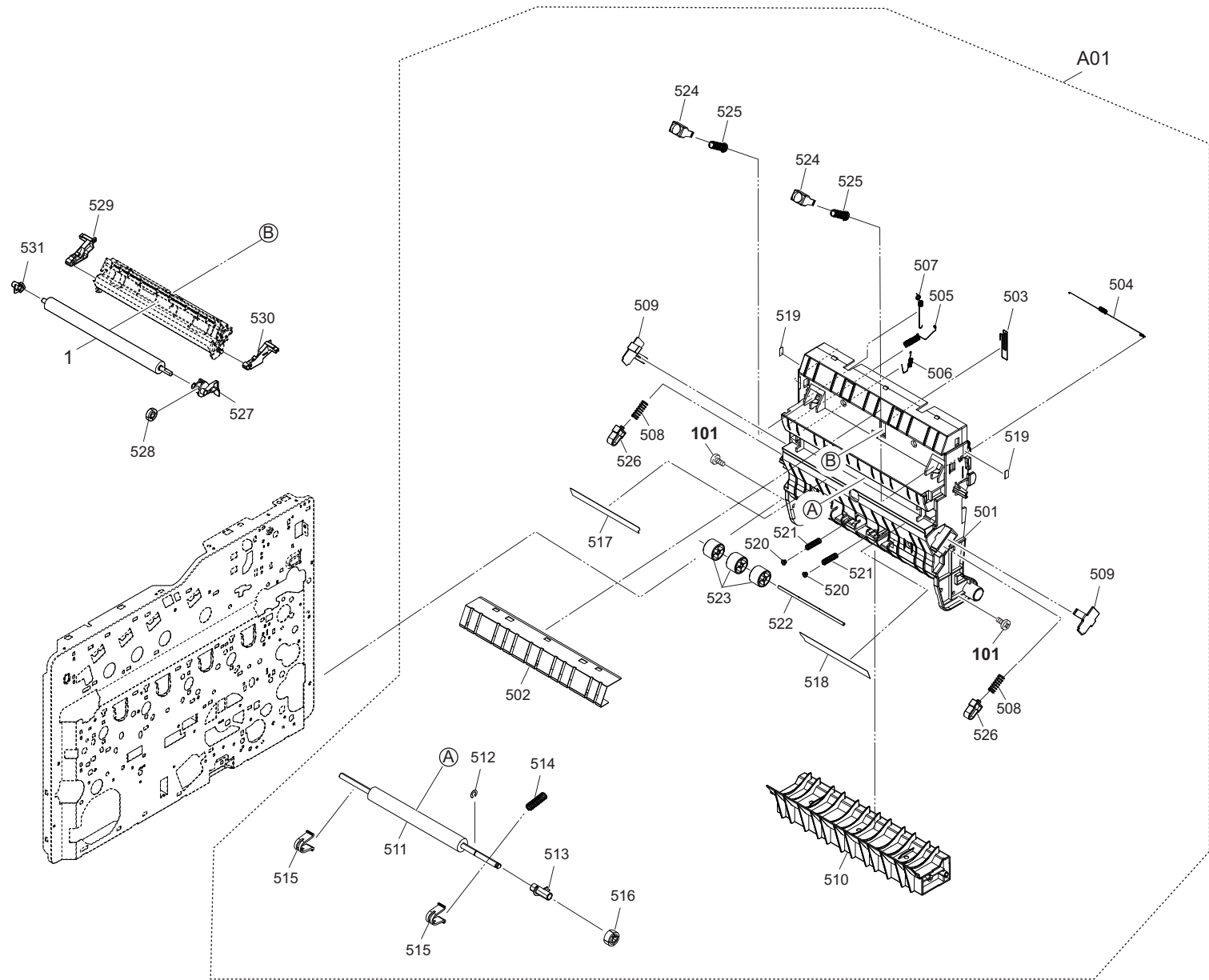


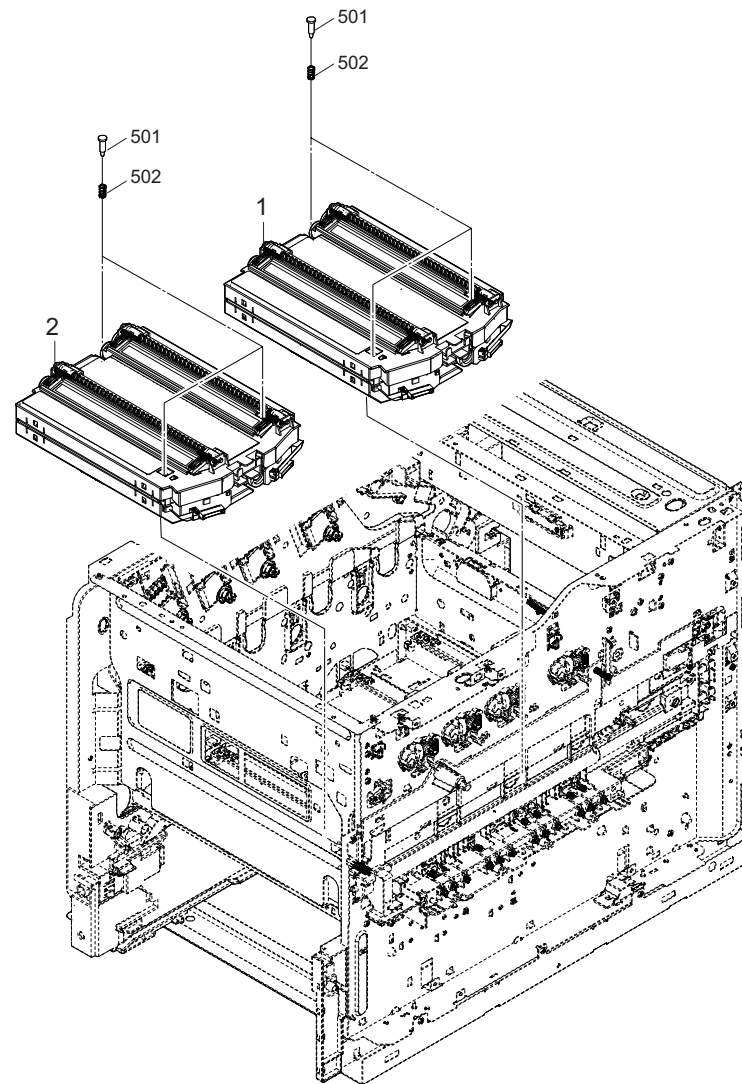
FIG. 6 Conveying Section 2

2NV/2NW/2PB/2PC

| Ref. No. 番号 | Part.No. 部品番号 | Alternative. 代替部品番号 | Description 部品名称 | Notes 備考 | Revision 改訂 | Quantity 個数 | | | |
|----------------|------------------|------------------------|-----------------------------|-------------|----------------|----------------|-----|-----|-----|
| | | | | | | 100(日本) | 120 | 230 | 240 |
| A01 1 | 302NR94190 | 2NR94190 | PARTS CONVEYING 250 ASSY SP | | | 1 | 1 | 1 | 1 |
| | 302NR94060 | 2NR94060 | PARTS ROLLER TRANSFER SP | | | 1 | 1 | 1 | 1 |
| 101 | 7BB200308H | BB105660 | +BIND T.T P SCREW 3X8 | | | | | | |
| | | | | | | | | | |
| | | | | | | | | | |
| | | | | | | | | | |
| | | | | | | | | | |
| | | | | | | | | | |
| | | | | | | | | | |
| | | | | | | | | | |
| | | | | | | | | | |
| | | | | | | | | | |
| | | | | | | | | | |
| | | | | | | | | | |
| | | | | | | | | | |
| | | | | | | | | | |
| | | | | | | | | | |
| | | | | | | | | | |
| | | | | | | | | | |
| | | | | | | | | | |
| | | | | | | | | | |
| | | | | | | | | | |
| | | | | | | | | | |
| | | | | | | | | | |
| | | | | | | | | | |
| | | | | | | | | | |
| | | | | | | | | | |
| | | | | | | | | | |
| | | | | | | | | | |
| | | | | | | | | | |
| | | | | | | | | | |

• Parts with a Ref.No. of 500 and above in the illustration indicate they are not selected for service parts.

• イラスト中で 500 番台の Ref 番号が付いている部品はサービスパーツに選定されていません。



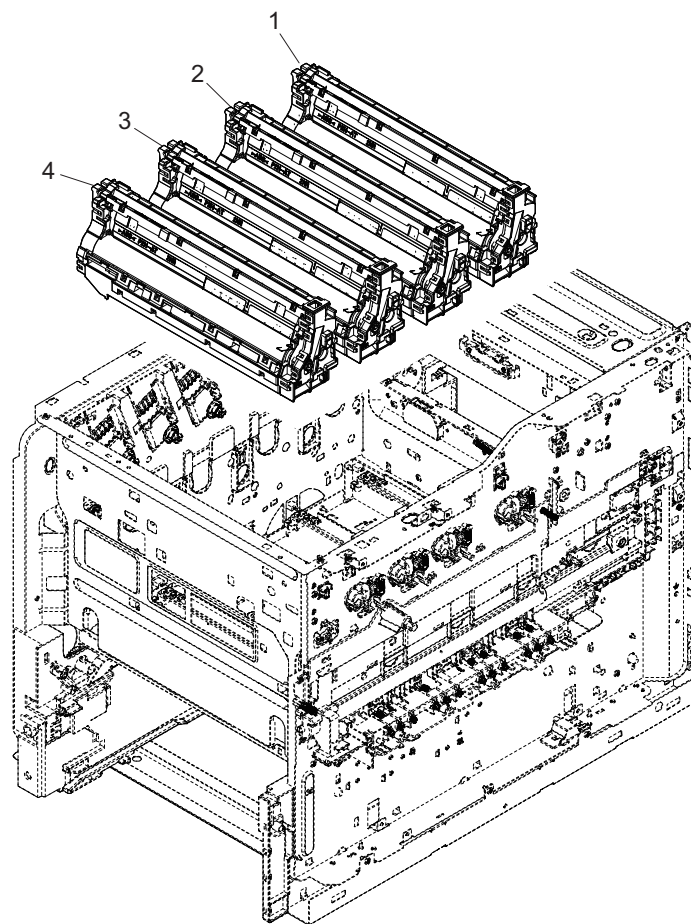


FIG. 8 Developer Section

2NV/2NW/2PB/2PC

| Ref. No. 番号 | Part.No. 部品番号 | Alternative. 代替部品番号 | Description 部品名称 | Notes 備考 | Revision 改訂 | Quantity 個数 | | | |
|----------------|------------------|------------------------|---------------------|--|----------------|----------------|-----|-----|-----|
| | | | | | | 100 (日本) | 120 | 230 | 240 |
| 1 | 302NR93020 | 2NR93020 | DV-5140(K) | 30ppm(A4),32ppm(Letter)/30ppm(A4),32ppm(Letter)(F) | | 1 | 1 | 1 | 1 |
| 1 | 302NS93010 | 2NS93010 | DV-5150(K) | 35ppm(A4),37ppm(Letter)/35ppm(A4),37ppm(Letter)(F) | | 1 | 1 | 1 | 1 |
| 2 | 302NR93040 | 2NR93040 | DV-5140(M) | 30ppm(A4),32ppm(Letter)/30ppm(A4),32ppm(Letter)(F) | | 1 | 1 | 1 | 1 |
| 2 | 302NS93030 | 2NS93030 | DV-5150(M) | 35ppm(A4),37ppm(Letter)/35ppm(A4),37ppm(Letter)(F) | | 1 | 1 | 1 | 1 |
| 3 | 302NR93050 | 2NR93050 | DV-5140(C) | 30ppm(A4),32ppm(Letter)/30ppm(A4),32ppm(Letter)(F) | | 1 | 1 | 1 | 1 |
| 3 | 302NS93040 | 2NS93040 | DV-5150(C) | 35ppm(A4),37ppm(Letter)/35ppm(A4),37ppm(Letter)(F) | | 1 | 1 | 1 | 1 |
| 4 | 302NR93030 | 2NR93030 | DV-5140(Y) | 30ppm(A4),32ppm(Letter)/30ppm(A4),32ppm(Letter)(F) | | 1 | 1 | 1 | 1 |
| 4 | 302NS93020 | 2NS93020 | DV-5150(Y) | 35ppm(A4),37ppm(Letter)/35ppm(A4),37ppm(Letter)(F) | | 1 | 1 | 1 | 1 |

• Parts with a Ref.No. of 500 and above in the illustration indicate they are not selected for service parts.

• イラスト中で 500 番台の Ref 番号が付いている部品はサービスパーツに選定されていません。

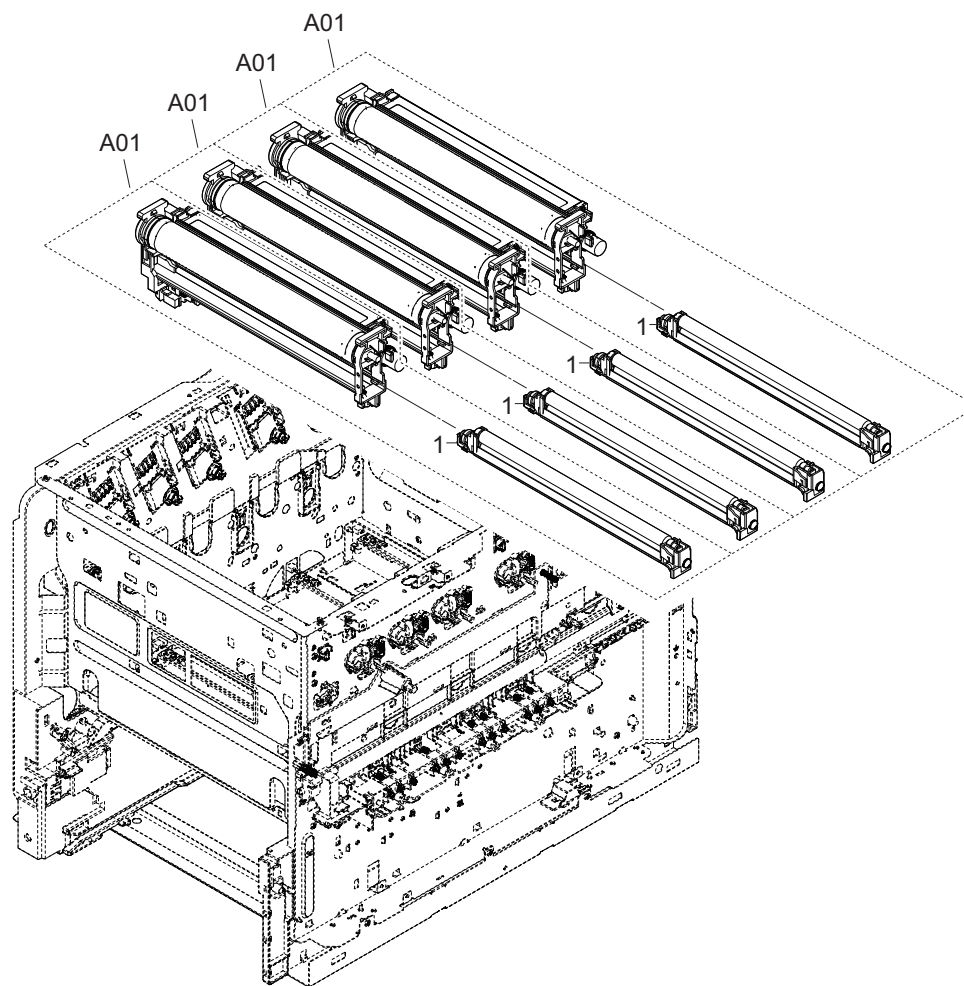


FIG. 9 Image Formation Section

2NV/2NW/2PB/2PC

| Ref. No. 番号 | Part.No. 部品番号 | Alternative. 代替部品番号 | Description 部 品 名 称 | Notes 備 考 | Revision 改 訂 | Quantity 個数 | | | |
|----------------|------------------|------------------------|------------------------|--------------|-----------------|----------------|-----|-----|-----|
| | | | | | | 100(日本) | 120 | 230 | 240 |
| A01 1 | 302NR93010 | 2NR93010 | DK-5140 | | | 4 | 4 | 4 | 4 |
| | •302NR93140 | 2NR93140 | MC-5140 | | | 4 | 4 | 4 | 4 |
| | | | | | | | | | |
| | | | | | | | | | |
| | | | | | | | | | |
| | | | | | | | | | |
| | | | | | | | | | |
| | | | | | | | | | |
| | | | | | | | | | |
| | | | | | | | | | |
| | | | | | | | | | |
| | | | | | | | | | |
| | | | | | | | | | |
| | | | | | | | | | |
| | | | | | | | | | |
| | | | | | | | | | |
| | | | | | | | | | |
| | | | | | | | | | |
| | | | | | | | | | |
| | | | | | | | | | |
| | | | | | | | | | |
| | | | | | | | | | |
| | | | | | | | | | |
| | | | | | | | | | |
| | | | | | | | | | |
| | | | | | | | | | |
| | | | | | | | | | |
| | | | | | | | | | |
| | | | | | | | | | |
| | | | | | | | | | |
| | | | | | | | | | |
| | | | | | | | | | |
| | | | | | | | | | |
| | | | | | | | | | |
| | | | | | | | | | |
| | | | | | | | | | |
| | | | | | | | | | |
| | | | | | | | | | |
| | | | | | | | | | |
| | | | | | | | | | |
| | | | | | | | | | |
| | | | | | | | | | |
| | | | | | | | | | |
| | | | | | | | | | |
| | | | | | | | | | |
| | | | | | | | | | |
| | | | | | | | | | |
| | | | | | | | | | |
| | | | | | | | | | |
| | | | | | | | | | |
| | | | | | | | | | |
| | | | | | | | | | |

• Parts with a Ref.No. of 500 and above in the illustration indicate they are not selected for service parts.

・イラスト中で 500 番台の Ref 番号が付いている部品はサービスパーツに選定されていません。

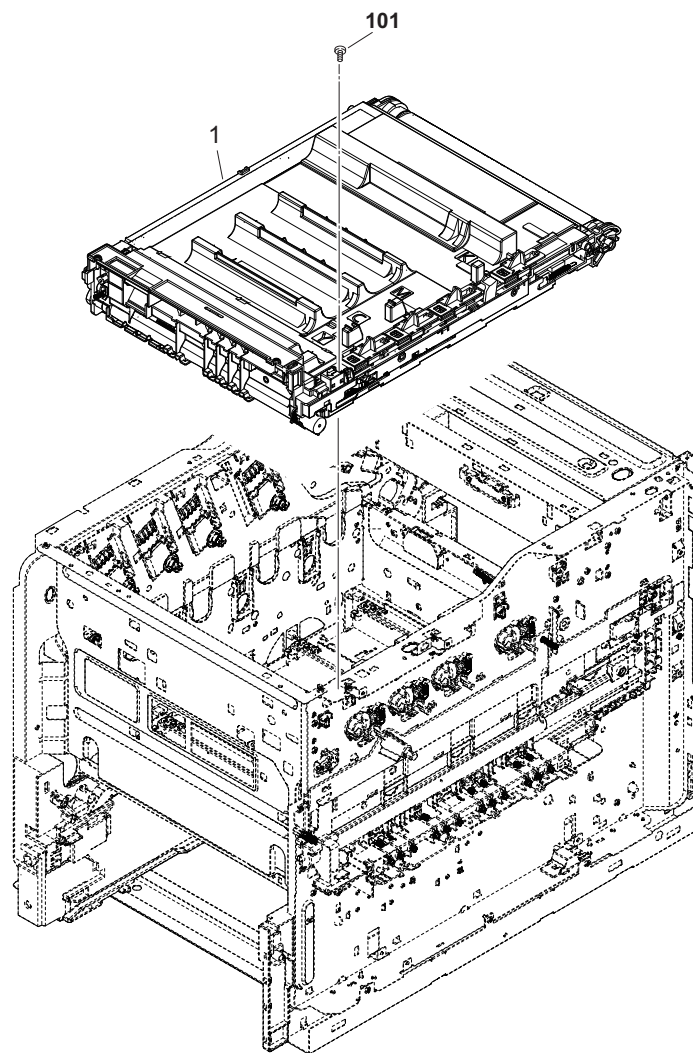


FIG. 10 Transfer Section

2NV/2NW/2PB/2PC

| Ref. No. 番号 | Part.No. 部品番号 | Alternative. 代替部品番号 | Description 部 品 名 称 | Notes 備 考 | Revision 改 訂 | Quantity 個数 | | | |
|----------------|------------------|------------------------|------------------------|--------------|-----------------|----------------|-----|-----|-----|
| | | | | | | 100(日本) | 120 | 230 | 240 |
| 1 | 302NR93060 | 2NR93060 | TR-5140 | | | 1 | 1 | 1 | 1 |
| 101 | 7BB607312H | BB107140 | +TP-CUP M SCREW 3X12 R | | | | | | |
| | | | | | | | | | |
| | | | | | | | | | |
| | | | | | | | | | |
| | | | | | | | | | |
| | | | | | | | | | |
| | | | | | | | | | |
| | | | | | | | | | |
| | | | | | | | | | |
| | | | | | | | | | |
| | | | | | | | | | |
| | | | | | | | | | |
| | | | | | | | | | |
| | | | | | | | | | |
| | | | | | | | | | |
| | | | | | | | | | |
| | | | | | | | | | |
| | | | | | | | | | |
| | | | | | | | | | |
| | | | | | | | | | |
| | | | | | | | | | |
| | | | | | | | | | |
| | | | | | | | | | |
| | | | | | | | | | |
| | | | | | | | | | |
| | | | | | | | | | |
| | | | | | | | | | |
| | | | | | | | | | |
| | | | | | | | | | |
| | | | | | | | | | |
| | | | | | | | | | |
| | | | | | | | | | |
| | | | | | | | | | |
| | | | | | | | | | |
| | | | | | | | | | |
| | | | | | | | | | |
| | | | | | | | | | |
| | | | | | | | | | |
| | | | | | | | | | |
| | | | | | | | | | |
| | | | | | | | | | |
| | | | | | | | | | |
| | | | | | | | | | |
| | | | | | | | | | |
| | | | | | | | | | |

• Parts with a Ref.No. of 500 and above in the illustration indicate they are not selected for service parts.

• イラスト中で 500 番台の Ref 番号が付いている部品はサービスパーツに 選定されていません。

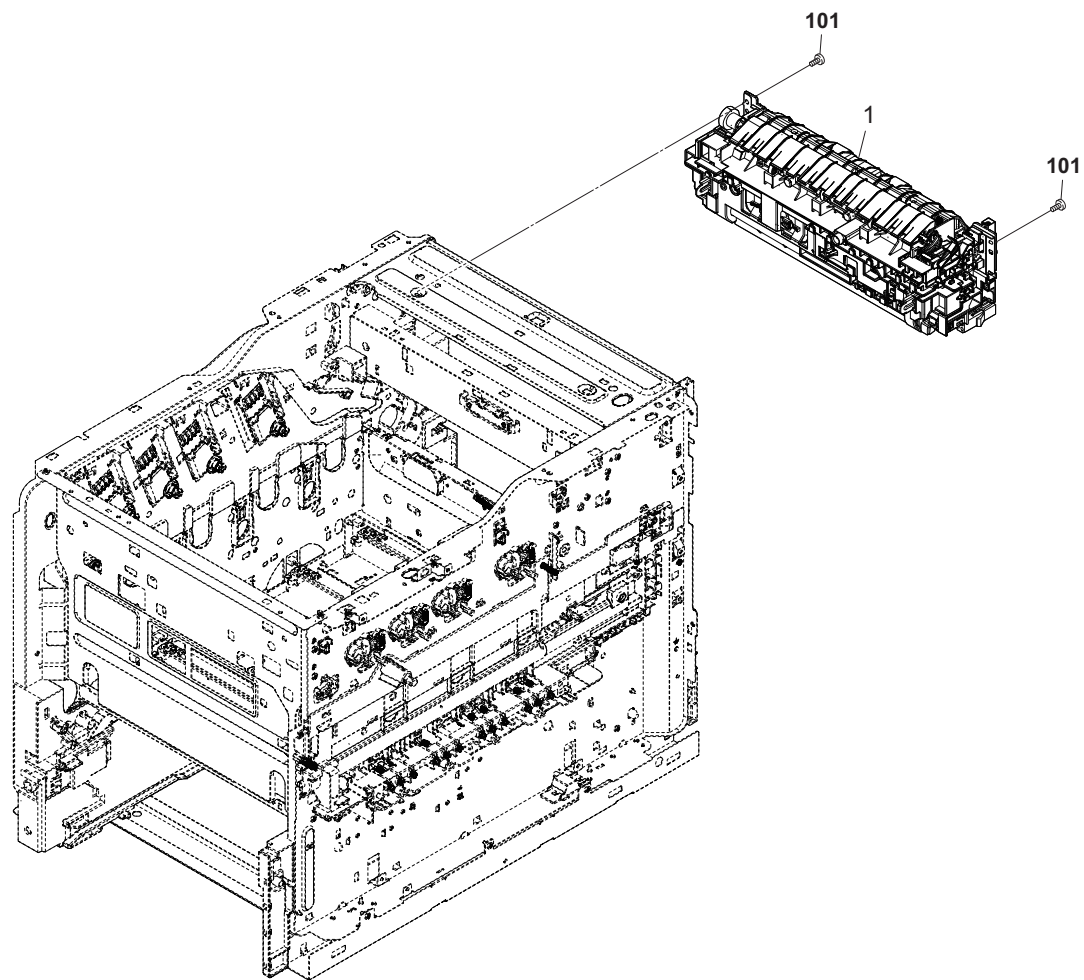


FIG. 11 Fuser Section

2NV/2NW/2PB/2PC

| Ref. No. 番号 | Part.No. 部品番号 | Alternative. 代替部品番号 | Description 部品名称 | Notes 備考 | Revision 改訂 | Quantity 個数 | | | |
|----------------|------------------|------------------------|--------------------------|--|----------------|----------------|-----|-----|-----|
| | | | | | | 100(日本) | 120 | 230 | 240 |
| 1 | 302NR93090 | 2NR93090 | FK-5140 | 30ppm(A4),32ppm(Letter)/30ppm(A4),32ppm(Letter)(F) | | | | 1 | 1 |
| 1 | 302NR93110 | 2NR93110 | FK-5142 | 30ppm(A4),32ppm(Letter)/30ppm(A4),32ppm(Letter)(F) | | | 1 | | |
| 1 | 302NR93100 | 2NR93100 | FK-5141 | 30ppm(A4),32ppm(Letter)(F) | | 1 | | | |
| 1 | 302PB93010 | 2PB93010 | FK-5150 | 35ppm(A4),37ppm(Letter)/35ppm(A4),37ppm(Letter)(F) | | | | 1 | 1 |
| 1 | 302PB93030 | 2PB93030 | FK-5152 | 35ppm(A4),37ppm(Letter)/35ppm(A4),37ppm(Letter)(F) | | | 1 | | |
| 1 | 302PB93020 | 2PB93020 | FK-5151 | 35ppm(A4),37ppm(Letter)(F) | | 1 | | | |
| 101 | 7BB700308H | BB105600 | +BIND T.T S SCREW 3X8 SR | | | | | | |

• Parts with a Ref.No. of 500 and above in the illustration indicate they are not selected for service parts.

• イラスト中で 500 番台の Ref 番号が付いている部品はサービスパーツに選定されていません。

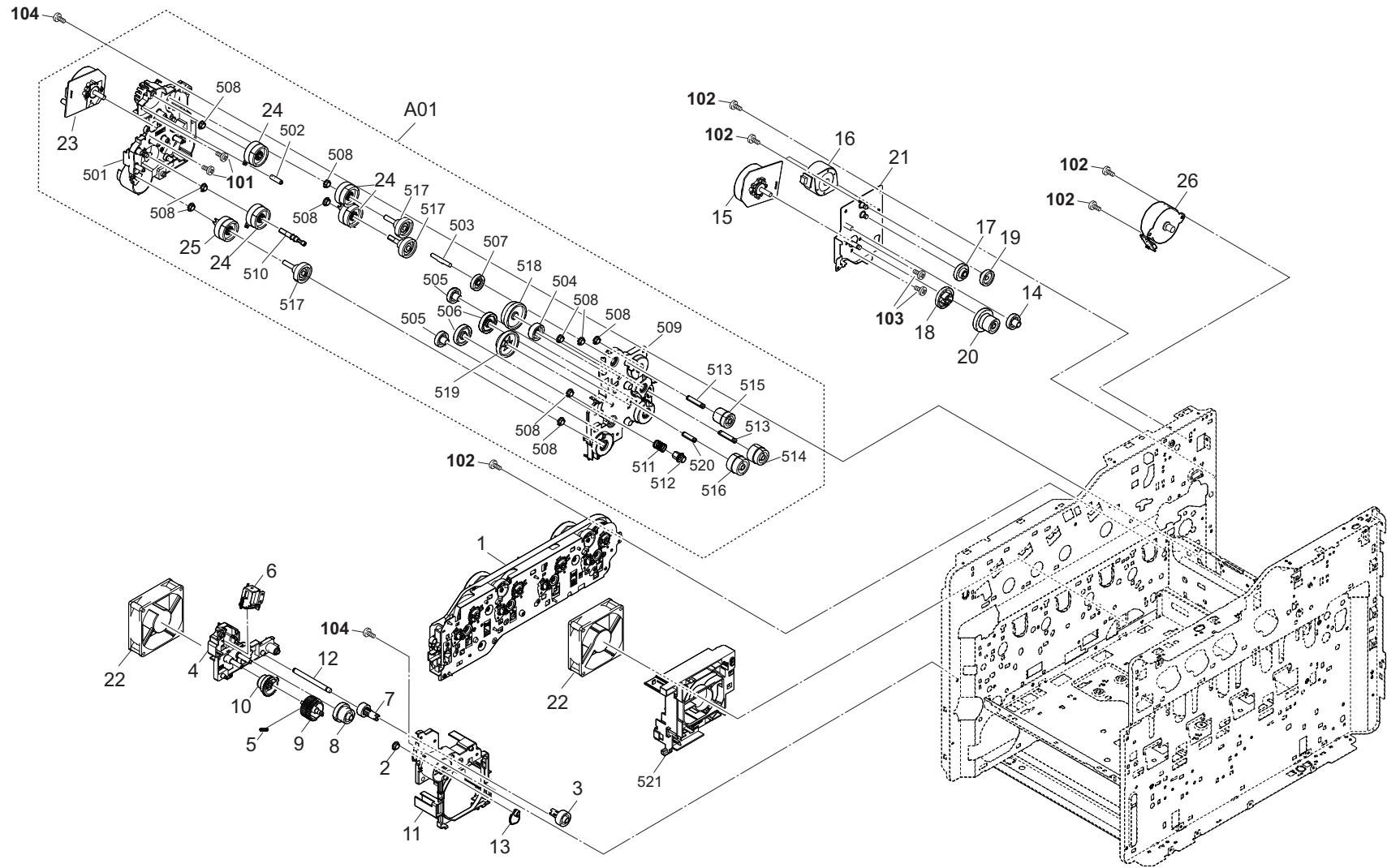


FIG. 12 Drive Section

2NV/2NW/2PB/2PC-1

| Ref. No. 番号 | Part.No. 部品番号 | Alternative. 代替部品番号 | Description 部品名称 | Notes 備考 | Revision 改訂 | Quantity 個数 | | | |
|----------------|------------------|------------------------|--------------------------|--|----------------|----------------|-----|-----|-----|
| | | | | | | 100(日本) | 120 | 230 | 240 |
| 1 | 302NR93130 | 2NR93130 | DR-5140 | 30ppm(A4),32ppm(Letter)/30ppm(A4),32ppm(Letter)(F) | | 1 | 1 | 1 | 1 |
| 1 | 302NT93120 | 2NT93120 | DR-5150 | 35ppm(A4),37ppm(Letter)/35ppm(A4),37ppm(Letter)(F) | | 1 | 1 | 1 | 1 |
| 2 | 302KV31410 | 2KV31410 | BUSH DRIVE | | | 1 | 1 | 1 | 1 |
| 3 | 302KV31440 | 2KV31440 | GEAR Z23L | | | 1 | 1 | 1 | 1 |
| 4 | 302NR31150 | 2NR31150 | HOUSING MPF DRIVE A | | | 1 | 1 | 1 | 1 |
| 5 | 302HN31650 | 2HN31650 | SPRING INPUT MPF | | | 1 | 1 | 1 | 1 |
| 6 | 302GR44150 | 2GR44150 | SOLENOID TONER | | | 1 | 1 | 1 | 1 |
| 7 | 302NR31810 | 2NR31810 | GEAR Z14L MPF | | | 1 | 1 | 1 | 1 |
| 8 | 302NR31180 | 2NR31180 | GEAR Z31R-Z24S | | | 1 | 1 | 1 | 1 |
| 9 | 302NR31190 | 2NR31190 | GEAR INPUT A Z36S | | | 1 | 1 | 1 | 1 |
| 10 | 302NR31200 | 2NR31200 | GEAR INPUT B Z36S | | | 1 | 1 | 1 | 1 |
| 11 | 302NR31160 | 2NR31160 | HOUSING MPF DRIVE B | | | 1 | 1 | 1 | 1 |
| 12 | 302NR31210 | 2NR31210 | PIN DRIVE MPF A | | | 1 | 1 | 1 | 1 |
| 13 | 302NR31630 | 2NR31630 | CAM MPF | | | 1 | 1 | 1 | 1 |
| 14 | 302NR31060 | 2NR31060 | GEAR Z24L | | | 1 | 1 | 1 | 1 |
| 15 | 302K994323 | 2K994323 | PARTS MOTOR-BL W20 SP | | 1:Design-chg. | 1 | 1 | 1 | 1 |
| 16 | 303NB94040 | 3NB94040 | PARTS MOTOR-PM MOVING SP | | | 1 | 1 | 1 | 1 |
| 17 | 302NR31250 | 2NR31250 | GEAR Z44R-Z16S | | | 1 | 1 | 1 | 1 |
| 18 | 302NR31230 | 2NR31230 | GEAR Z35R | | | 1 | 1 | 1 | 1 |
| 19 | 302NR31260 | 2NR31260 | GEAR Z26S | | | 1 | 1 | 1 | 1 |
| 20 | 302NR31240 | 2NR31240 | GEAR Z63R-Z24R | | | 1 | 1 | 1 | 1 |
| 21 | 302NR31220 | 2NR31220 | PLATE MIDDLE DRIVE | | | 1 | 1 | 1 | 1 |
| 22 | 302NG94220 | 2NG94220 | PARTS FAN MOTOR SP | | | 2 | 2 | 2 | 2 |
| A01 | 302NR94260 | 2NR94260 | PARTS FEED DRIVE ASSY SP | | | 1 | 1 | 1 | 1 |
| 23 | *302LC94291 | 2LC94291 | PARTS MOTOR-BL W10 SP | | | 1 | 1 | 1 | 1 |
| 24 | *302NR94010 | 2NR94010 | PARTS CLUTCH 35 Z35R SP | | | 4 | 4 | 4 | 4 |
| 25 | *302KV44041 | 2KV44041 | CLUTCH 50 Z35R | | | 1 | 1 | 1 | 1 |
| 26 | 302P794060 | 2P794060 | PARTS MOTOR EJECT SP | | | 1 | 1 | 1 | 1 |
| 101 | 7BB060305H1 | BB107010 | +BIND M SCREW 3X5(BLUE) | | | | | | |
| 102 | 7BB700308H | BB105600 | +BIND T.T S SCREW 3X8 SR | | | | | | |
| 103 | 7BB000304H | BB105720 | +BIND M SCREW 3X4 | | | | | | |
| 104 | 7BB100312H | BB046020 | +BIND T.T S SCREW 3X12 | | | | | | |

• Parts with a Ref.No. of 500 and above in the illustration indicate they are not selected for service parts.

• イラスト中で 500 番の Ref 番号が付いている部品はサービスパーツに選定されていません。

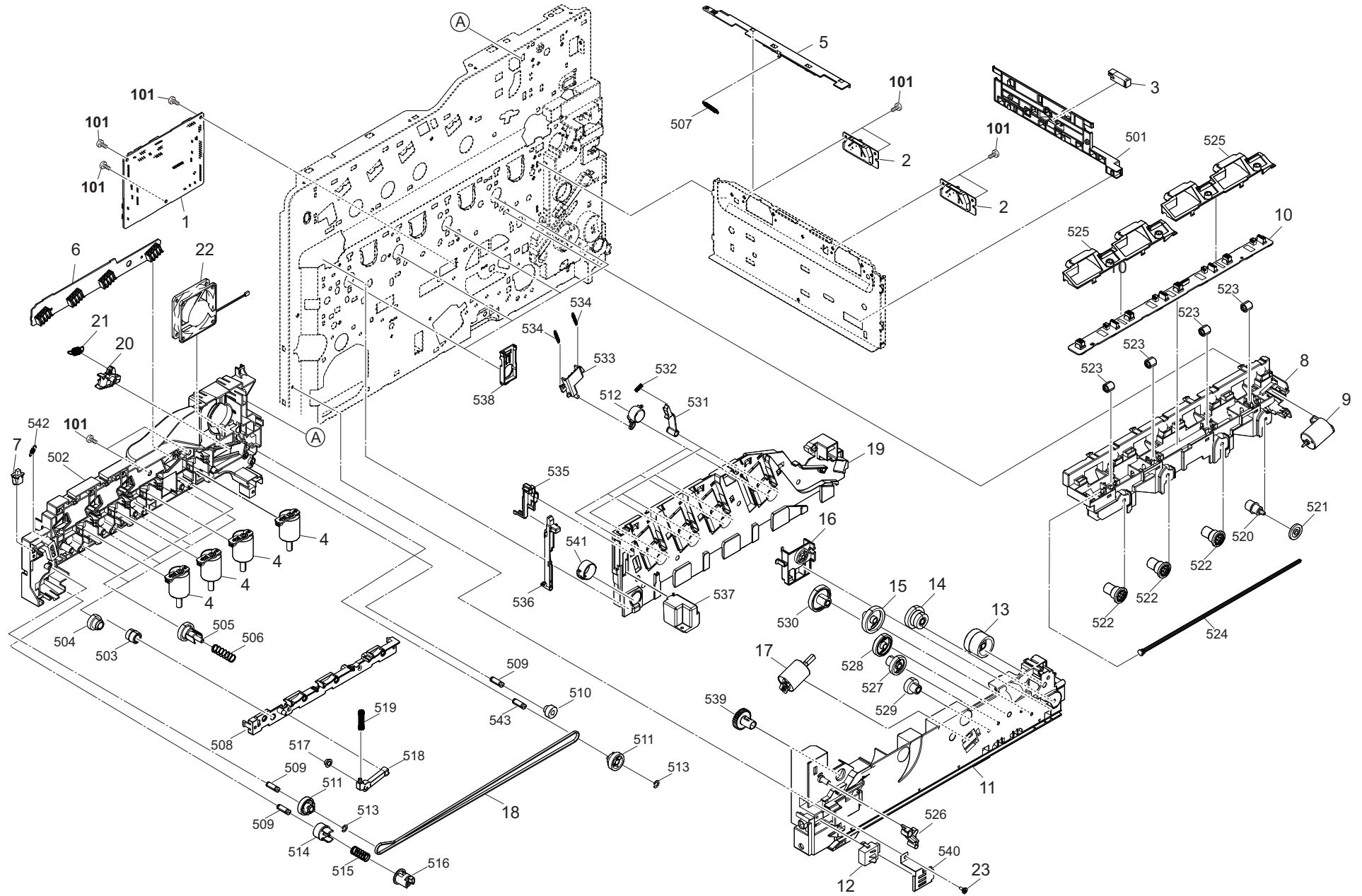


FIG. 13 Electrical Components 1

2NV/2NW/2PB/2PC-1

| Ref. No. 番号 | Part.No. 部品番号 | Alternative. 代替部品番号 | Description 部品名称 | Notes 備考 | Revision 改訂 | Quantity 個数 | | | |
|----------------|------------------|------------------------|----------------------------------|-------------|----------------|----------------|-----|-----|-----|
| | | | | | | 100(日本) | 120 | 230 | 240 |
| 1 | 302NR94110 | 2NR94110 | PARTS PWB ASSY ENGINE CONNECT SP | | | 1 | 1 | 1 | 1 |
| 2 | 302NR94020 | 2NR94020 | PARTS ID SENSOR SP | | | 2 | 2 | 2 | 2 |
| 3 | 303NW94040 | 3NW94040 | PARTS SENSOR OPT. SP | | | 1 | 1 | 1 | 1 |
| 4 | 302NR94080 | 2NR94080 | PARTS DC MOTOR ASSY SP | | | 4 | 4 | 4 | 4 |
| 5 | 302NR94200 | 2NR94200 | PARTS CLEANER ID ASSY SP | | | 1 | 1 | 1 | 1 |
| 6 | 302NR94100 | 2NR94100 | PARTS PWB ASSY CONTAINER CONN SP | | | 1 | 1 | 1 | 1 |
| 7 | 7SP01000004+H01 | SP136500 | SW.PUSH | | | 1 | 1 | 1 | 1 |
| 8 | 302NR33020 | 2NR33020 | DUCT LEFT INNER | | | 1 | 1 | 1 | 1 |
| 9 | 302NG94050 | 2NG94050 | PARTS DC MOTOR ASSY SP | | | 1 | 1 | 1 | 1 |
| 10 | 302NR94120 | 2NR94120 | PARTS PWB ASSY DRUM CONNECT SP | | | 1 | 1 | 1 | 1 |
| 11 | 302NR02191 | 2NR02191 | GUIDE CASSETTE LEFT | | 1:Design-chg. | 1 | 1 | 1 | 1 |
| 12 | 302HN44180 | 2HN44180 | SWITCH SIZE | | | 1 | 1 | 1 | 1 |
| 13 | 302NR31080 | 2NR31080 | GEAR Z33R-Z32R | | | 1 | 1 | 1 | 1 |
| 14 | 302KT02150 | 2KT02150 | GEAR Z33S-Z13S | | | 1 | 1 | 1 | 1 |
| 15 | 302NR02930 | 2NR02930 | GEAR Z41S | | | 1 | 1 | 1 | 1 |
| 16 | 302NR02230 | 2NR02230 | HOLDER GEAR | | | 1 | 1 | 1 | 1 |
| 17 | 302NV94010 | 2NV94010 | PARTS DC MOTOR ASSY SP | | | 1 | 1 | 1 | 1 |
| 18 | 302NR31570 | 2NR31570 | BELT S2M Z350 | | | 1 | 1 | 1 | 1 |
| 19 | 302NR02170 | 2NR02170 | GUIDE TOP LEFT | | | 1 | 1 | 1 | 1 |
| 20 | 302NR02330 | 2NR02330 | SLIDER CLEANER ID | | | 1 | 1 | 1 | 1 |
| 21 | 302NR02340 | 2NR02340 | SPRING SLIDER CLEANER | | | 1 | 1 | 1 | 1 |
| 22 | 302FZ94420 | 2FZ94420 | PARTS.FAN COOLING CONVEYING SP | | | 1 | 1 | 1 | 1 |
| 23 | 303MH04040 | 3MH04040 | PIN COVER | | 1:Add | 1 | 1 | 1 | 1 |
| 101 | 7BB700308H | BB105600 | +BIND T.T S SCREW 3X8 SR | | | | | | |

• Parts with a Ref.No. of 500 and above in the illustration indicate they are not selected for service parts.

• イラスト中で 500 番台の Ref 番号が付いている部品はサービスパーツに選定されていません。

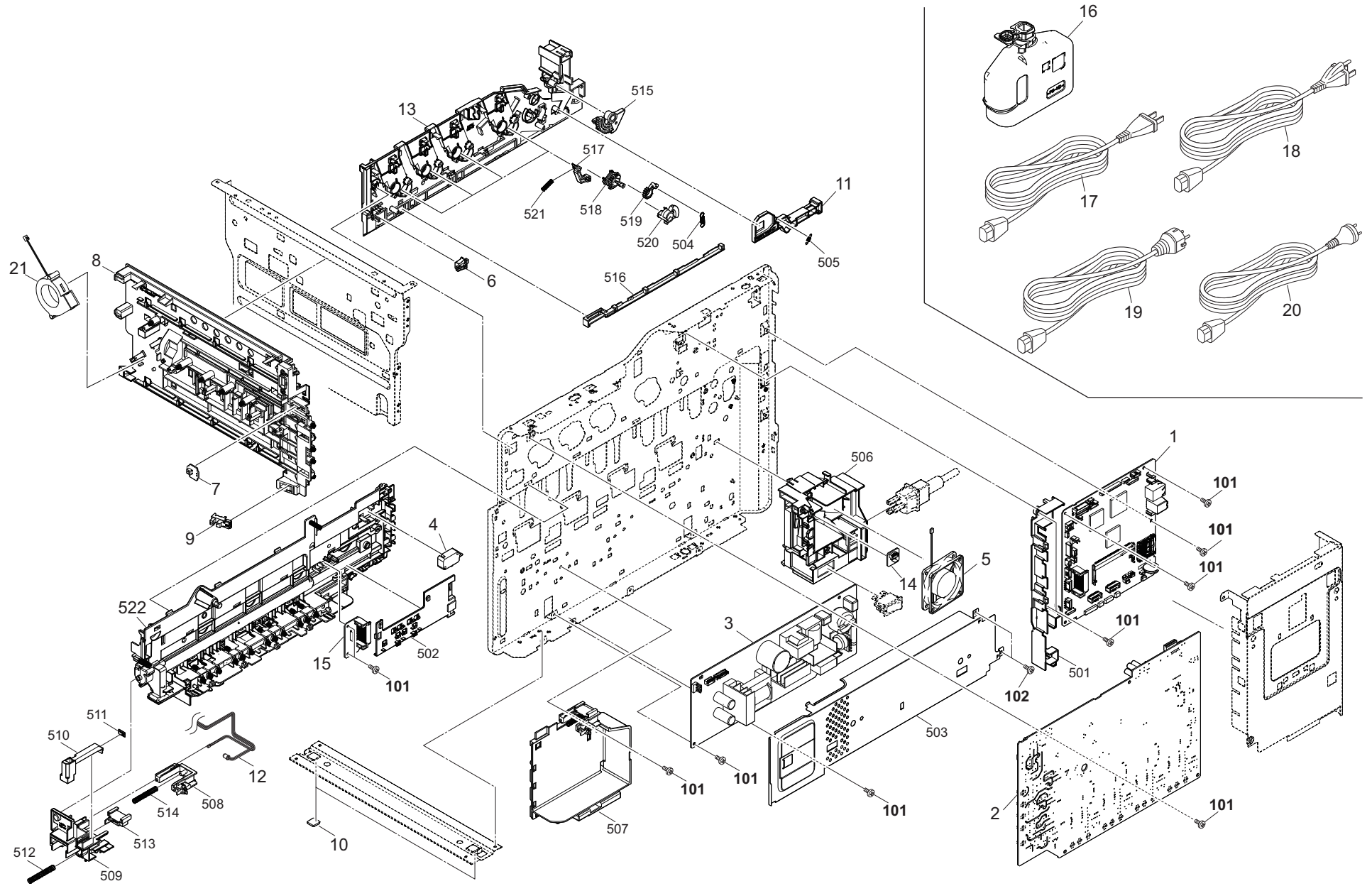


FIG. 14 Electrical Components 2

2NV/2NW/2PB/2PC-1

| Ref. No. 番号 | Part.No. 部品番号 | Alternative. 代替部品番号 | Description 部品名称 | Notes 備考 | Revision 改訂 | Quantity 個数 | | | |
|----------------|------------------|------------------------|-----------------------------------|---|----------------|----------------|-----|-----|-----|
| | | | | | | 100(日本) | 120 | 230 | 240 |
| 1 | 302NV94040 | 2NV94040 | PARTS PWB ASSY MAIN SP | 30ppm(A4),32ppm(Letter) | | | 1 | | 1 |
| 1 | 302NV94050 | 2NV94050 | PARTS PWB ASSY MAIN EU SP | 30ppm(A4),32ppm(Letter) | | | | 1 | |
| 1 | 302NW94030 | 2NW94030 | PARTS PWB ASSY MAIN SP | 30ppm(A4),32ppm(Letter)(F) | | | 1 | | 1 |
| 1 | 302NW94040 | 2NW94040 | PARTS PWB ASSY MAIN EU SP | 30ppm(A4),32ppm(Letter)(F) | | | | 1 | |
| 1 | 302NW94060 | 2NW94060 | PARTS PWB ASSY MAIN JP SP | 30ppm(A4),32ppm(Letter)(F) | | 1 | | | |
| 1 | 302PB94010 | 2PB94010 | PARTS PWB ASSY MAIN SP | 35ppm(A4),37ppm(Letter) | | | 1 | | |
| 1 | 302PB94020 | 2PB94020 | PSRTA PWB ASSY MAIN EU SP | 35ppm(A4),37ppm(Letter) | | | | 1 | |
| 1 | 302PC94030 | 2PC94030 | PARTS PWB ASSY MAIN SP | 35ppm(A4),37ppm(Letter)(F) | | | 1 | | 1 |
| 1 | 302PC94040 | 2PC94040 | PARTS PWB ASSY MAIN EU SP | 35ppm(A4),37ppm(Letter)(F) | | | | 1 | |
| 1 | 302PC94050 | 2PC94050 | PARTS PWB ASSY MAIN JP SP | 35ppm(A4),37ppm(Letter)(F) | | 1 | | | |
| 2 | 302NR94030 | 2NR94030 | PARTS HIGH VOLTAGE UNIT SP | | | 1 | 1 | 1 | 1 |
| 3 | 302NR94050 | 2NR94050 | PARTS SWITCHING REGULATOR 230V SP | 30ppm(A4),32ppm(Letter)/30ppm(A4),32ppm(Letter)(F) | | | | 1 | 1 |
| 3 | 302NS94020 | 2NS94020 | PARTS SWITCHING REGULATOR 230V SP | 35ppm(A4),37ppm(Letter)/35ppm(A4),37ppm(Letter)(F) | | | | 1 | 1 |
| 3 | 302NR94040 | 2NR94040 | PARTS SWITCHING REGULATOR 100V SP | 30ppm(A4),32ppm(Letter)/30ppm(A4),32ppm(Letter)(F) | | 1 | 1 | | |
| 3 | 302NS94010 | 2NS94010 | PARTS SWITCHING REGULATOR 100V SP | 35ppm(A4),37ppm(Letter)/35ppm(A4),37ppm(Letter)(F) | | 1 | 1 | | |
| 4 | 7SM010104+++H01 | SM055200 | SW.MICRO | | | 1 | 1 | 1 | 1 |
| 5 | 302FZ94420 | 2FZ94420 | PARTS,FAN COOLING CONVEYING SP | | | 1 | 1 | 1 | 1 |
| 6 | 7SP01000004+H01 | SP136500 | SW.PUSH | | | 1 | 1 | 1 | 1 |
| 7 | 302NR94160 | 2NR94160 | PARTS PWB ASSY SWITCH SP | | | 1 | 1 | 1 | 1 |
| 8 | 302NR39011 | 2NR39011 | BRACKET FRONT HV | | 1:Design-chg. | 1 | 1 | 1 | 1 |
| 9 | 302P794010 | 2P794010 | PARTS SENSOR OPT. SP | | | 1 | 1 | 1 | 1 |
| 10 | 302HNO2611 | 2HNO2611 | FOOT | | | 2 | 2 | 2 | 2 |
| 11 | 302NR02140 | 2NR02140 | LEVER INTERLOCK | | | 1 | 1 | 1 | 1 |
| 12 | 302NR94070 | 2NR94070 | PARTS TONER FULL DETECT ASSY SP | | | 1 | 1 | 1 | 1 |
| 13 | 302NR02180 | 2NR02180 | GUIDE TOP RIGHT | | | 1 | 1 | 1 | 1 |
| 14 | 302M294130 | 2M294130 | PARTS PWB ASSY THERMISTOR SP | | | 1 | 1 | 1 | 1 |
| 15 | 302NW94020 | 2NW94020 | PARTS PWB ASSY EKIUIO CONNECT SP | 30ppm(A4),32ppm(Letter)(F)/35ppm(A4),37ppm(Letter)(F) | | 1 | 1 | 1 | 1 |
| 16 | 302NR93150 | 2NR93150 | WT-5140 | | | 1 | 1 | 1 | 1 |
| 17 | 7AAACCJP+15H007 | AA150200 | AC CORD ASSY JP | 30ppm(A4),32ppm(Letter)(F)/35ppm(A4),37ppm(Letter)(F) | 1:Part No-chg. | 1 | | | |
| 18 | 3019527401 | 19527401 | POWER CORD(120) | | | | 1 | | |
| 19 | 302FV94010 | 2FV94010 | PARTS AC CORD EU SP | | | | | 1 | |
| 20 | 302FV45040 | 2FV45040 | AC CORD ASSY | | | | | | 1 |
| 21 | 302HN44210 | 2HN44210 | FAN MOTOR | | 1:Add | 1 | 1 | 1 | 1 |
| 101 | 7BB700308H | BB105600 | +BIND T.T S SCREW 3X8 SR | | | | | | |
| 102 | 7BB200308H | BB105660 | +BIND T.T P SCREW 3X8 | | | | | | |

• Parts with a Ref.No. of 500 and above in the illustration indicate they are not selected for service parts.

• イラスト中で 500 番台の Ref 番号が付いている部品はサービスパーツに選定されていません。

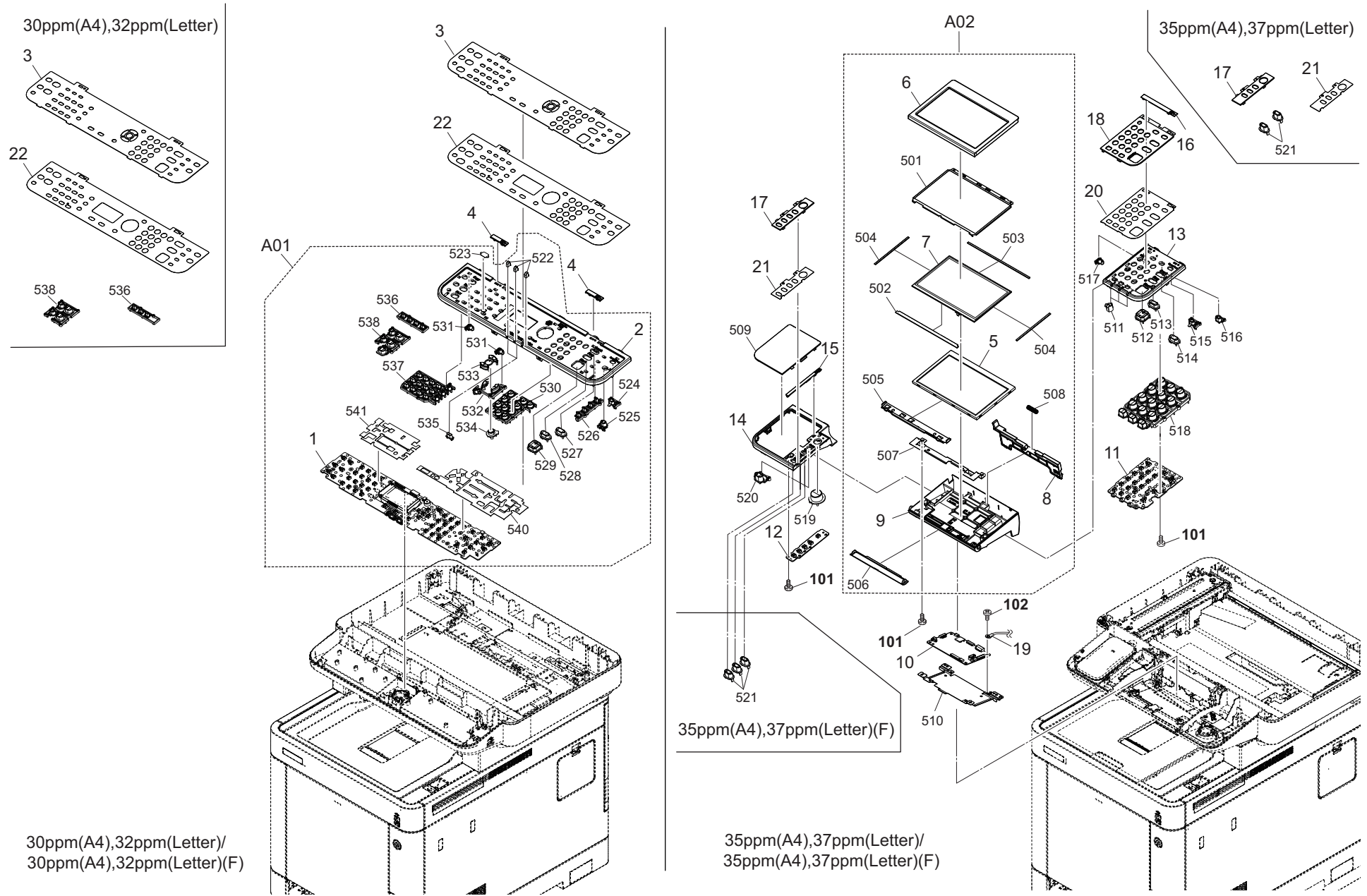


FIG. 15 Operation Section

2NV/2NW/2PB/2PC

| Ref. No. 番号 | Part.No. 部品番号 | Alternative. 代替部品番号 | Description 部 品 名 称 | Notes 備 考 | Revision 改 訂 | Quantity 個数 | | | |
|----------------|------------------|------------------------|-----------------------------------|--|-----------------|----------------|-----|-----|-----|
| | | | | | | 100 (日本) | 120 | 230 | 240 |
| A01 | 302NV94080 | 2NV94080 | PARTS PANEL UNIT B SP | 30ppm(A4),32ppm(Letter) | | | 1 | 1 | 1 |
| A01 | 302NW94050 | 2NW94050 | PARTS PANEL UNIT B SP | 30ppm(A4),32ppm(Letter)(F) | | 1 | 1 | 1 | 1 |
| 1 | *302NV94030 | 2NV94030 | PARTS PWB ASSY B PANEL MAIN SP | 30ppm(A4),32ppm(Letter) | | | 1 | 1 | 1 |
| 1 | *302NW94010 | 2NW94010 | PARTS PWB ASSY B PANEL MAIN SP | 30ppm(A4),32ppm(Letter)(F) | | 1 | 1 | 1 | 1 |
| 2 | *3V2NZ05010 | 2NZ05010 | COVER OPERATION | 30ppm(A4),32ppm(Letter)/30ppm(A4),32ppm(Letter)(F) | | 1 | 1 | 1 | 1 |
| 3 | 302NV05010 | 2NV05010 | PANEL OPERATION | 30ppm(A4),32ppm(Letter) | | | 1 | 1 | 1 |
| 3 | 302NW05010 | 2NW05010 | PANEL OPERATION | 30ppm(A4),32ppm(Letter)(F) | | 1 | 1 | 1 | 1 |
| 4 | 3V2NZ05180 | 2NZ05180 | LID OPERATION SHEET | 30ppm(A4),32ppm(Letter)/30ppm(A4),32ppm(Letter)(F) | | 2 | 2 | 2 | 2 |
| A02 | 302PB94030 | 2PB94030 | PARTS LCD UNIT H SP | 35ppm(A4),37ppm(Letter)/35ppm(A4),37ppm(Letter)(F) | | 1 | 1 | 1 | 1 |
| 5 | *302NM94110 | 2NM94110 | PARTS LCD OPERATION SP | 35ppm(A4),37ppm(Letter)/35ppm(A4),37ppm(Letter)(F) | | 1 | 1 | 1 | 1 |
| 6 | *3V2PB05010 | 2PB05010 | COVER LCD UPPER | 35ppm(A4),37ppm(Letter)/35ppm(A4),37ppm(Letter)(F) | | 1 | 1 | 1 | 1 |
| 7 | *302NM94121 | 2NM94121 | PARTS TABLET OPERATION SP | 35ppm(A4),37ppm(Letter)/35ppm(A4),37ppm(Letter)(F) | | 1 | 1 | 1 | 1 |
| 8 | *3V2NM05220 | 2NM05220 | LEVER LCD | 35ppm(A4),37ppm(Letter)/35ppm(A4),37ppm(Letter)(F) | | 1 | 1 | 1 | 1 |
| 9 | *3V2NM05040 | 2NM05040 | COVER LCD LOWER | 35ppm(A4),37ppm(Letter)/35ppm(A4),37ppm(Letter)(F) | | 1 | 1 | 1 | 1 |
| 10 | 302PC94010 | 2PC94010 | PARTS PWB ASSY H PANEL MAIN SP | 35ppm(A4),37ppm(Letter)/35ppm(A4),37ppm(Letter)(F) | | | 1 | 1 | 1 |
| 10 | 302PC94080 | 2PC94080 | PARTS PWB ASSY H PANEL MAIN JP SP | 35ppm(A4),37ppm(Letter)(F) | | 1 | | | |
| 11 | 302PC94020 | 2PC94020 | PARTS PWB ASSY H PANEL KEY-R SP | 35ppm(A4),37ppm(Letter)/35ppm(A4),37ppm(Letter)(F) | | 1 | 1 | 1 | 1 |
| 12 | 302NM94100 | 2NM94100 | PARTS PWB ASSY H PANEL KEY-L SP | 35ppm(A4),37ppm(Letter)/35ppm(A4),37ppm(Letter)(F) | | 1 | 1 | 1 | 1 |
| 13 | 3V2NM05010 | 2NM05010 | COVER OPERATION RIGHT | 35ppm(A4),37ppm(Letter)/35ppm(A4),37ppm(Letter)(F) | | 1 | 1 | 1 | 1 |
| 14 | 3V2NM05020 | 2NM05020 | COVER OPERATION LEFT | 35ppm(A4),37ppm(Letter)/35ppm(A4),37ppm(Letter)(F) | | 1 | 1 | 1 | 1 |
| 15 | 3V2NM05160 | 2NM05160 | LID OPERATION LEFT | 35ppm(A4),37ppm(Letter)/35ppm(A4),37ppm(Letter)(F) | | 1 | 1 | 1 | 1 |
| 16 | 3V2NM05170 | 2NM05170 | LID OPERATION RIGHT | 35ppm(A4),37ppm(Letter)/35ppm(A4),37ppm(Letter)(F) | | 1 | 1 | 1 | 1 |
| 17 | 3V2NY05030 | 2NY05030 | COVER PANEL LEFT 3IN1 | 35ppm(A4),37ppm(Letter) | | | 1 | 1 | |
| 17 | 3V2NM05060 | 2NM05060 | COVER PANEL LEFT | 35ppm(A4),37ppm(Letter)(F) | | 1 | 1 | 1 | 1 |
| 18 | 3V2NM05050 | 2NM05050 | COVER PANEL RIGHT | 35ppm(A4),37ppm(Letter)/35ppm(A4),37ppm(Letter)(F) | | 1 | 1 | 1 | 1 |
| 19 | 302PB46060 | 2PB46060 | CONN.CORD ASSY S04088 H PANEL FG | 35ppm(A4),37ppm(Letter)/35ppm(A4),37ppm(Letter)(F) | | 1 | 1 | 1 | 1 |
| 20 | 3V2NY05140 | 2NY05140 | LABEL OPERATION RIGHT 3IN1 E | 35ppm(A4),37ppm(Letter) | | | 1 | 1 | |
| 20 | 3V2NM05270 | 2NM05270 | LABEL OPERATION RIGHT | 35ppm(A4),37ppm(Letter)(F) | | 1 | | | |
| 20 | 3V2NM05520 | 2NM05520 | LABEL OPERATION RIGHT E | 35ppm(A4),37ppm(Letter)(F) | | | 1 | 1 | 1 |
| 21 | 3V2NY05020 | 2NY05020 | LABEL OPERATION LEFT 3IN1 E | 35ppm(A4),37ppm(Letter) | | | 1 | 1 | |
| 21 | 3V2NM05280 | 2NM05280 | LABEL OPERATION LEFT | 35ppm(A4),37ppm(Letter)(F) | | 1 | | | |
| 21 | 3V2NM05590 | 2NM05590 | LABEL OPERATION LEFT E | 35ppm(A4),37ppm(Letter)(F) | | | 1 | 1 | 1 |
| 22 | 302NV05030 | 2NV05030 | SHEET OPE ENG | 30ppm(A4),32ppm(Letter) | | | 1 | 1 | 1 |
| 22 | 302NW05020 | 2NW05020 | SHEET OPE | 30ppm(A4),32ppm(Letter)(F) | | 1 | | | |
| 22 | 302NW05030 | 2NW05030 | SHEET OPE ENG | 30ppm(A4),32ppm(Letter)(F) | | | 1 | 1 | 1 |
| 101 | 7BB200308H | BB105660 | +BIND T.T P SCREW 3X8 | | | | | | |
| 102 | 7BB700306H | BB105590 | +BIND T.T S SCREW 3X6 SR | | | | | | |

• Parts with a Ref.No. of 500 and above in the illustration indicate they are not selected for service parts.

• イラスト中で 500 番台の Ref 番号が付いている部品はサービスパーツに選定されていません。

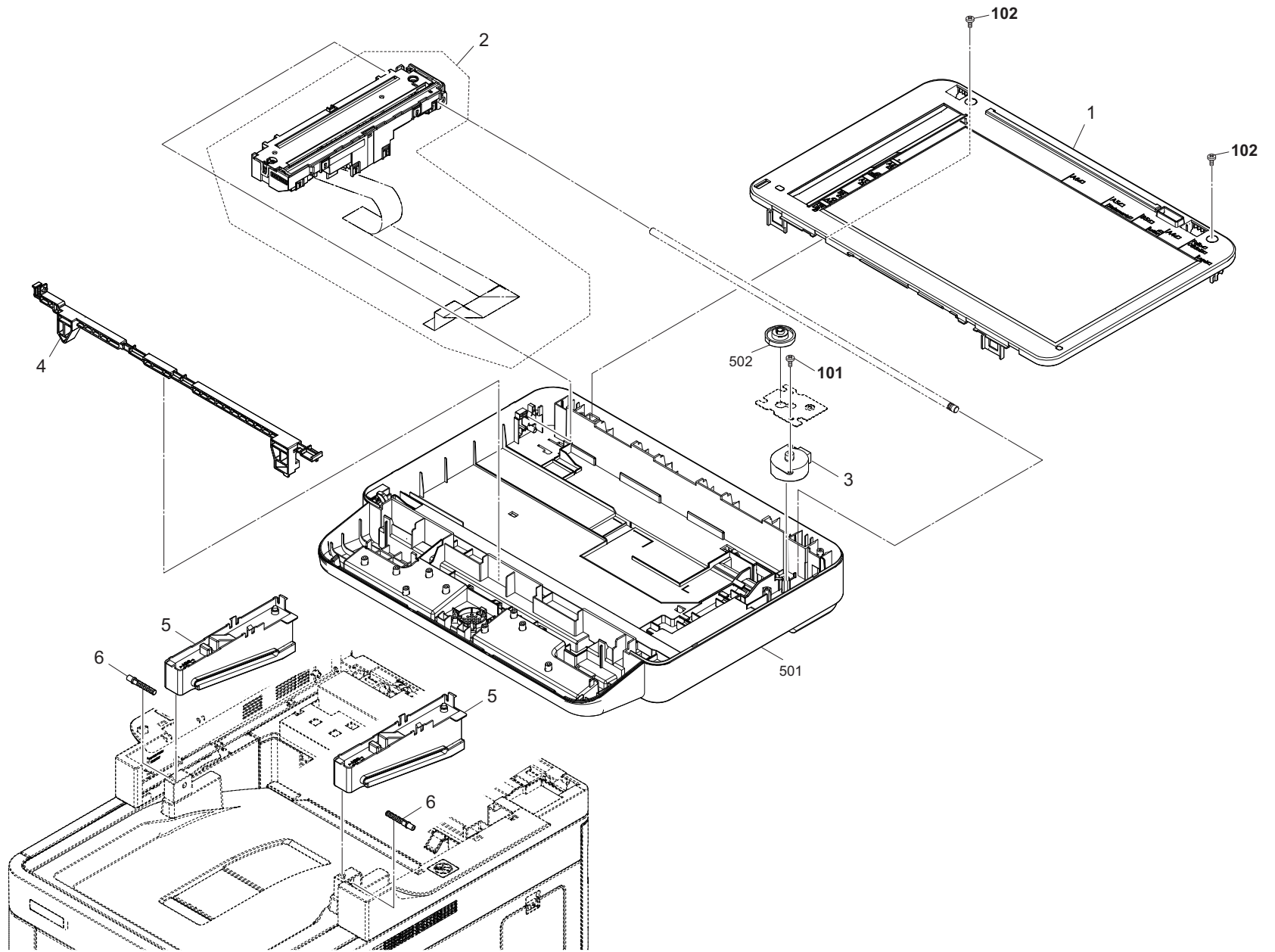


FIG. 16 Scanner Section

2NV/2NW/2PB/2PC

| Ref. No. 番号 | Part.No. 部品番号 | Alternative. 代替部品番号 | Description 部品名称 | Notes 備考 | Revision 改訂 | Quantity 個数 | | | |
|----------------|------------------|------------------------|-----------------------------|-------------|----------------|----------------|-----|-----|-----|
| | | | | | | 100(日本) | 120 | 230 | 240 |
| 1 | 302NV94060 | 2NV94060 | PARTS FRAME ISU TOP ASSY SP | | | 1 | 1 | 1 | 1 |
| 2 | 302NV93020 | 2NV93020 | PARTS ISU ASSY SP | | | 1 | 1 | 1 | 1 |
| 3 | 302LW94060 | 2LW94060 | PARTS MOTOR ISU SP | | | 1 | 1 | 1 | 1 |
| 4 | 302NV17030 | 2NV17030 | HOOK ISU | | | 1 | 1 | 1 | 1 |
| 5 | 302NV17090 | 2NV17090 | RAIL LID TOP | | | 2 | 2 | 2 | 2 |
| 6 | 302KW04090 | 2KW04090 | PIN LID TOP | | | 2 | 2 | 2 | 2 |
| 101 | 7BB600306H | BB105730 | +BIND M SCREW 3X6 R | | | | | | |
| 102 | 7BB200308H | BB105660 | +BIND T.T.P SCREW 3X8 | | | | | | |

• Parts with a Ref.No. of 500 and above in the illustration indicate they are not selected for service parts.

・イラスト中で 500 番台の Ref 番号が付いている部品はサービスパーツに選定されていません。

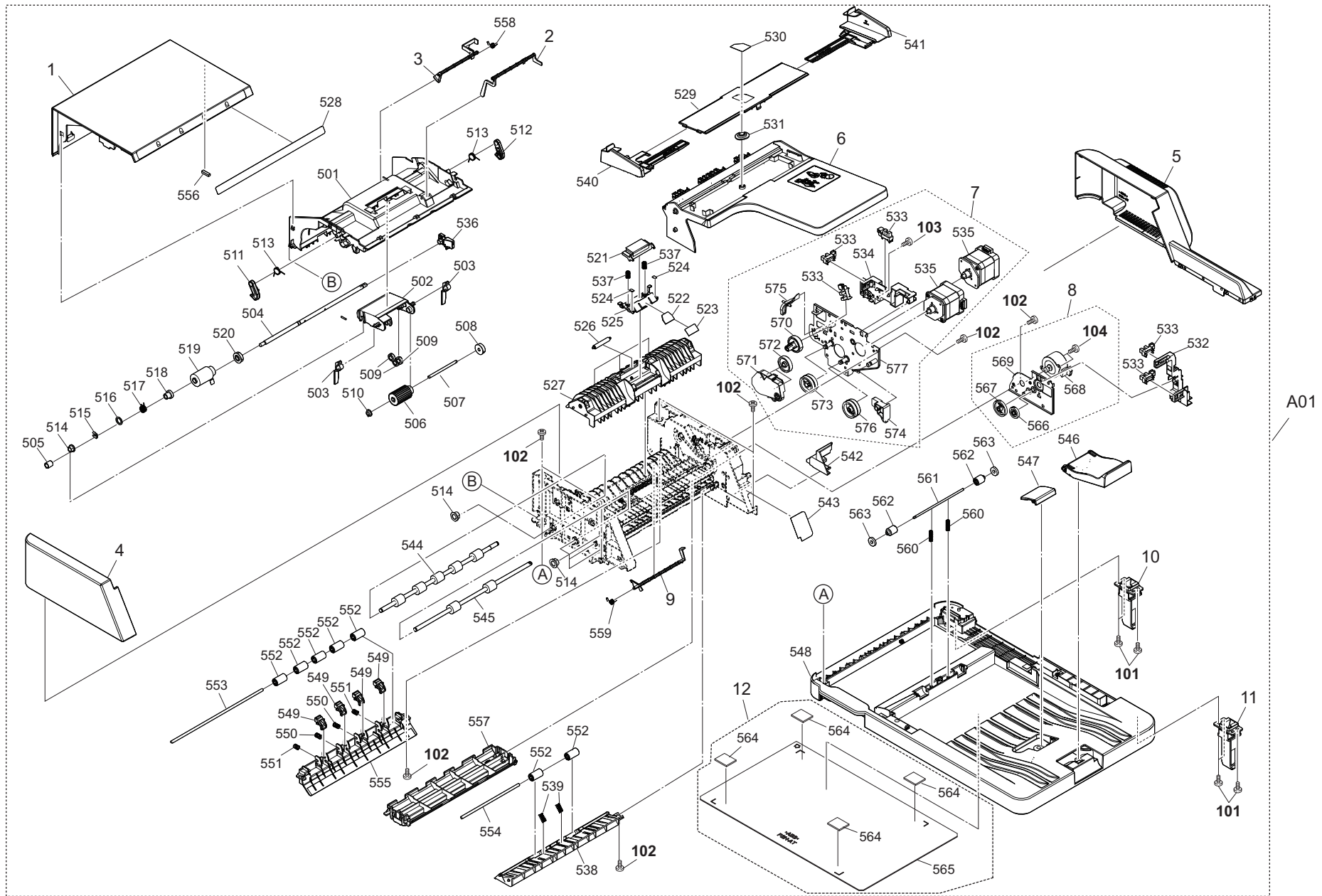


FIG. 17 Document Processor

2NV/2NW/2PB/2PC

| Ref. No. 番号 | Part.No. 部品番号 | Alternative. 代替部品番号 | Description 部 品 名 称 | Notes 備 考 | Revision 改 訂 | Quantity 個数 | | | |
|----------------|------------------|------------------------|---------------------------|--------------|-----------------|----------------|-----|-----|-----|
| | | | | | | 100(日本) | 120 | 230 | 240 |
| A01 | 302NV93030 | 2NV93030 | PARTS DP ASSY SP | | | 1 | 1 | 1 | 1 |
| 1 | *3V2NM18430 | 2NM18430 | COVER PF | | | 1 | 1 | 1 | 1 |
| 2 | *3V2NM18750 | 2NM18750 | ACTUATOR ORIGINAL | | | 1 | 1 | 1 | 1 |
| 3 | *3V2NM18790 | 2NM18790 | ACTUATOR PF | | | 1 | 1 | 1 | 1 |
| 4 | *3V2NV18030 | 2NV18030 | COVER FRONT | | | 1 | 1 | 1 | 1 |
| 5 | *3V2NM18420 | 2NM18420 | COVER REAR | | | 1 | 1 | 1 | 1 |
| 6 | *302NM94150 | 2NM94150 | PARTS TABLE MAIN ASSY SP | | | 1 | 1 | 1 | 1 |
| 7 | *302NM94230 | 2NM94230 | PARTS DRIVE ASSY A SP | | | 1 | 1 | 1 | 1 |
| 8 | *302NM94240 | 2NM94240 | PARTS DRIVE ASSY B SP | | | 1 | 1 | 1 | 1 |
| 9 | *3V2NM18260 | 2NM18260 | ACTUATOR TIMING | | | 1 | 1 | 1 | 1 |
| 10 | *302NM18020 | 2NM18020 | HINGE LEFT | | | 1 | 1 | 1 | 1 |
| 11 | *302NM18030 | 2NM18030 | HINGE RIGHT | | | 1 | 1 | 1 | 1 |
| 12 | *303LJ94070 | 3LJ94070 | PARTS PLATE ORIGINAL SP | | | 1 | 1 | 1 | 1 |
| 101 | 7BB202310H | BB063420 | +TP-FLAT T.T P SCREW 3X10 | | | | | | |
| 102 | 7BB200308H | BB105660 | +BIND T.T P SCREW 3X8 | | | | | | |
| 103 | 7BB700308H | BB105600 | +BIND T.T S SCREW 3X8 SR | | | | | | |
| 104 | 7BB700306H | BB105590 | +BIND T.T S SCREW 3X6 SR | | | | | | |

• Parts with a Ref.No. of 500 and above in the illustration indicate they are not selected for service parts.

• イラスト中で 500 番台の Ref 番号が付いている部品はサービスパーツに選定されていません。

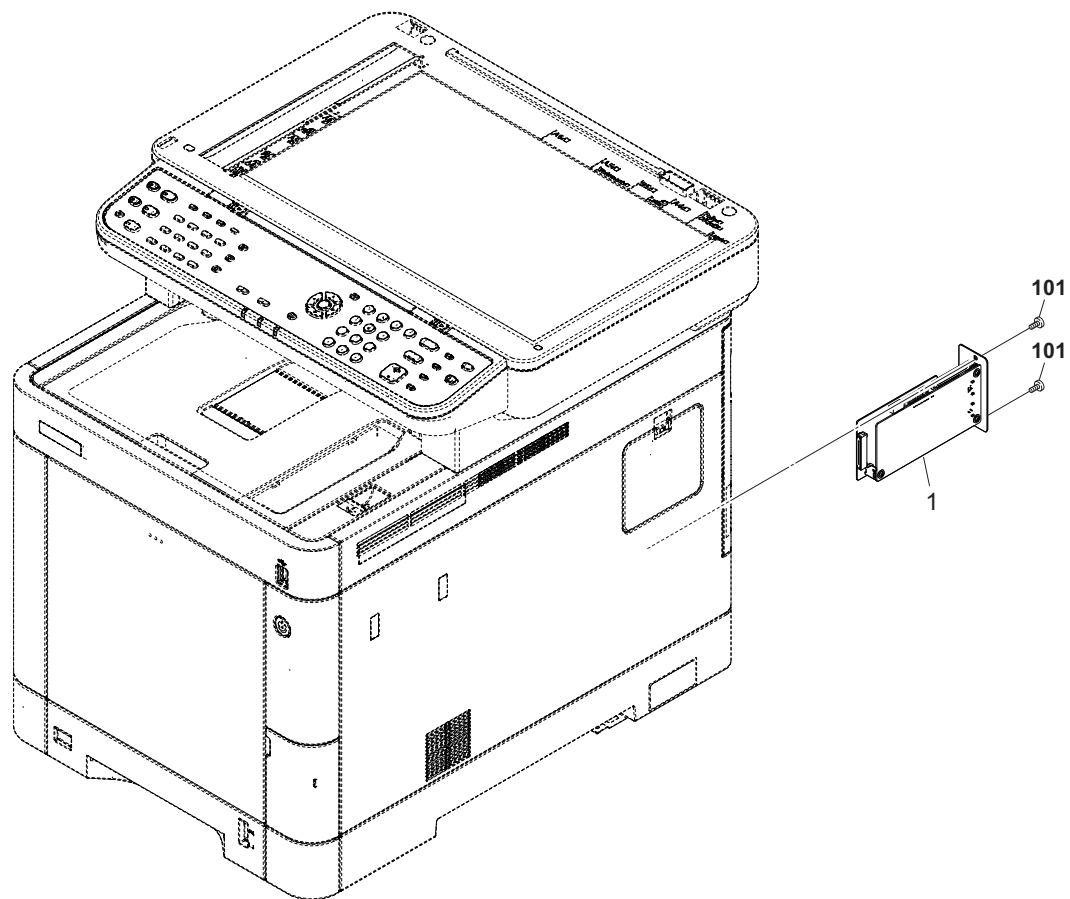


FIG. 18 FAX Section

2NV/2NW/2PB/2PC

| Ref. No. 番号 | Part.No. 部品番号 | Alternative. 代替部品番号 | Description 部品名称 | Notes 備考 | Revision 改訂 | Quantity 個数 | | | |
|----------------|------------------|------------------------|--------------------------|---|----------------|----------------|-----|-----|-----|
| | | | | | | 100(日本) | 120 | 230 | 240 |
| 1 | 302PL94020 | 2PL94020 | PARTS FAX UNIT E SP | 30ppm(A4),32ppm(Letter)(F)/35ppm(A4),37ppm(Letter)(F) | | | | 1 | |
| 1 | 302PL94050 | 2PL94050 | PARTS FAX UNIT AS SP | 30ppm(A4),32ppm(Letter)(F)/35ppm(A4),37ppm(Letter)(F) | | | | | 1 |
| 1 | 302PL94040 | 2PL94040 | PARTS FAX UNIT U SP | 30ppm(A4),32ppm(Letter)(F)/35ppm(A4),37ppm(Letter)(F) | | | 1 | | |
| 1 | 302PL94030 | 2PL94030 | PARTS FAX UNIT J SP | 30ppm(A4),32ppm(Letter)(F)/35ppm(A4),37ppm(Letter)(F) | | 1 | | | |
| 101 | 7BB700308H | BB105600 | +BIND T.T S SCREW 3X8 SR | | | | | | |

• Parts with a Ref.No. of 500 and above in the illustration indicate they are not selected for service parts.

• イラスト中で 500 番台の Ref 番号が付いている部品はサービスパーツに選定されていません。

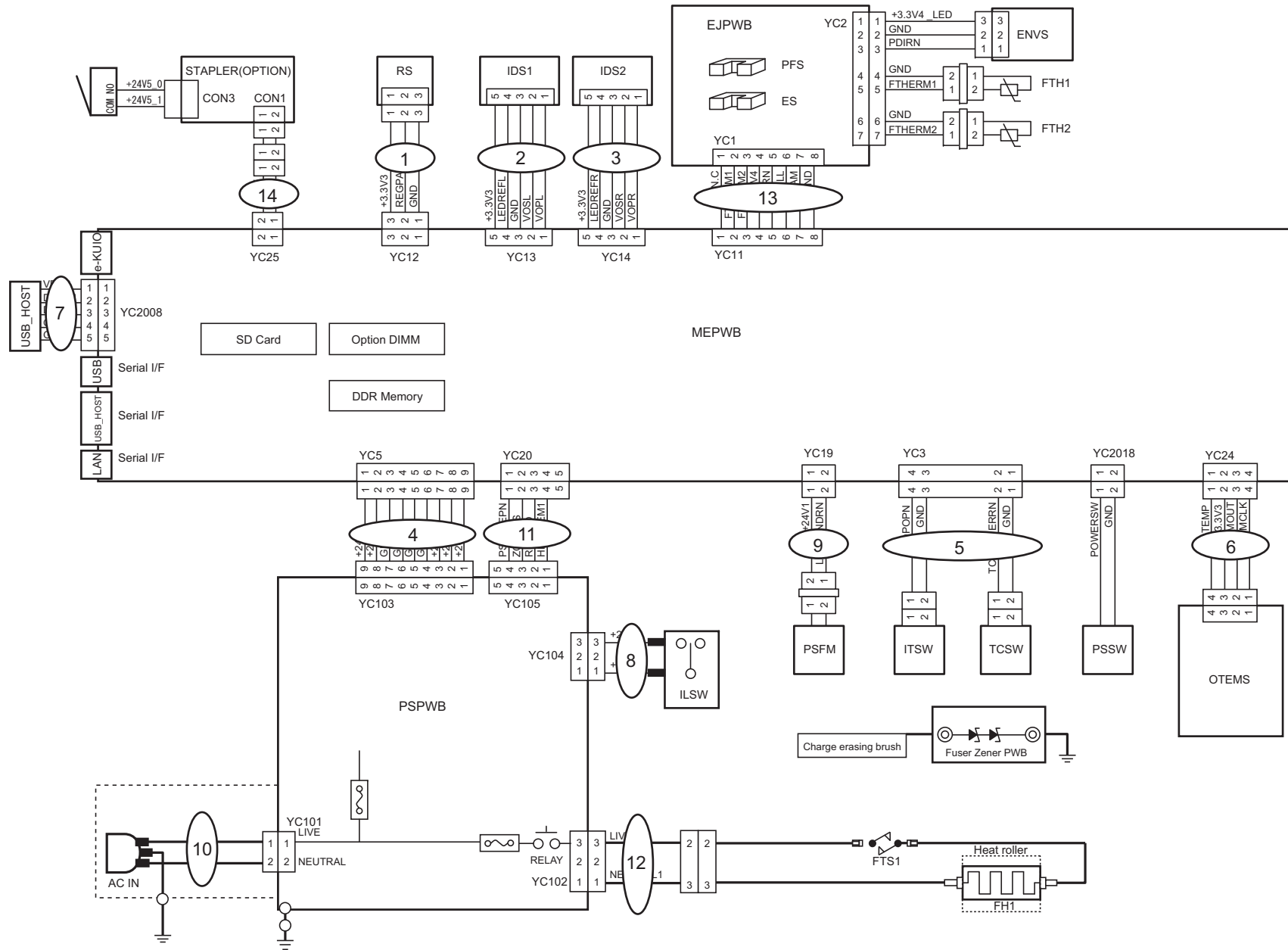


FIG. 19 Wire Section 1 (30ppm(A4),32ppm(Letter)/30ppm(A4),32ppm(Letter)(F))

2NV/2NW/2PB/2PC

| Ref. No. 番号 | Part.No. 部品番号 | Alternative. 代替部品番号 | Description 部品名称 | Notes 備考 | Revision 改訂 | Quantity 個数 | | | |
|----------------|------------------|------------------------|--|-------------|----------------|----------------|-----|-----|-----|
| | | | | | | 100(日本) | 120 | 230 | 240 |
| 1 | 302NR46020 | 2NR46020 | CONN.CORD ASSY S03920 MAIN-REGIST | | | 1 | 1 | 1 | 1 |
| 2 | 302NR46030 | 2NR46030 | CONN.CORD ASSY S03921 MAIN-ID SENSOR(L) | | | 1 | 1 | 1 | 1 |
| 3 | 302NR46040 | 2NR46040 | CONN.CORD ASSY S03922 MAIN-ID SENSOR(R) | | | 1 | 1 | 1 | 1 |
| 4 | 302NR46060 | 2NR46060 | CONN.CORD ASSY S03925 MAIN-LVU | | | 1 | 1 | 1 | 1 |
| 5 | 302NR46090 | 2NR46090 | CONN.CORD ASSY S03929 MAIN-CONTAINER SW | | | 1 | 1 | 1 | 1 |
| 6 | 302NR46260 | 2NR46260 | CONN.CORD ASSY S03956 MAIN-THERMISTOR | | | 1 | 1 | 1 | 1 |
| 7 | 302NR46350 | 2NR46350 | CONN.CORD ASSY S03965 USB HOST | | | 1 | 1 | 1 | 1 |
| 8 | 302NR46360 | 2NR46360 | CONN.CORD ASSY S03966 LVU-INTERLOCK | | | 1 | 1 | 1 | 1 |
| 9 | 302NR46380 | 2NR46380 | CONN.CORD ASSY S03969 MIAN-LVU FAN | | | 1 | 1 | 1 | 1 |
| 10 | 302NR46410 | 2NR46410 | CONN.CORD ASSY S03975 INLET | | | 1 | 1 | 1 | 1 |
| 11 | 302NR46070 | 2NR46070 | CONN.CORD ASSY S03926 MAIN-LVU | | | 1 | 1 | 1 | 1 |
| 12 | 302NR46370 | 2NR46370 | CONN.CORD ASSY S03967 LVU-HEATER CONNECT | | | 1 | 1 | 1 | 1 |
| 13 | 302NV46060 | 2NV46060 | CONN.CORD ASSY S04078 MAIN-EXIT | | | 1 | 1 | 1 | 1 |
| 14 | 302PB46050 | 2PB46050 | CONN.CORD ASSY S04085 MAIN-STAP CONNECT | | | 1 | 1 | 1 | 1 |

• Parts with a Ref.No. of 500 and above in the illustration indicate they are not selected for service parts.

・イラスト中で 500 番台の Ref 番号が付いている部品はサービスパーツに選定されていません。

FIG. 19 Wire Section 1 (35ppm(A4),37ppm(Letter)/35ppm(A4),37ppm(Letter)(F))

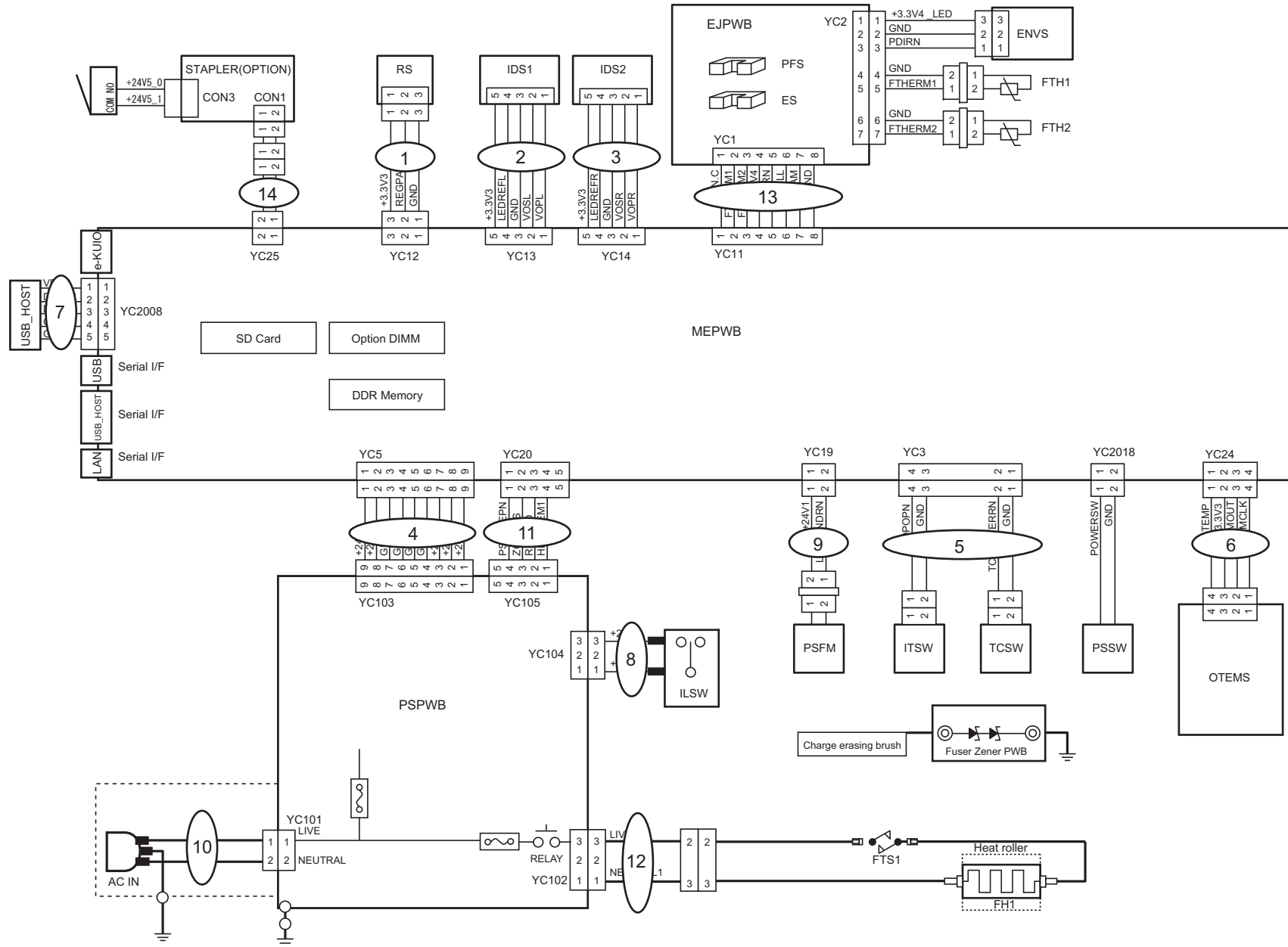


FIG. 19 Wire Section 1 (35ppm(A4),37ppm(Letter)/35ppm(A4),37ppm(Letter)(F))

2NV/2NW/2PB/2PC

| Ref. No. 番号 | Part.No. 部品番号 | Alternative. 代替部品番号 | Description 部品名称 | Notes 備考 | Revision 改訂 | Quantity 個数 | | | |
|----------------|------------------|------------------------|--|-------------|----------------|----------------|-----|-----|-----|
| | | | | | | 100(日本) | 120 | 230 | 240 |
| 1 | 302NR46020 | 2NR46020 | CONN.CORD ASSY S03920 MAIN-REGIST | | | 1 | 1 | 1 | 1 |
| 2 | 302NR46030 | 2NR46030 | CONN.CORD ASSY S03921 MAIN-ID SENSOR(L) | | | 1 | 1 | 1 | 1 |
| 3 | 302NR46040 | 2NR46040 | CONN.CORD ASSY S03922 MAIN-ID SENSOR(R) | | | 1 | 1 | 1 | 1 |
| 4 | 302NR46060 | 2NR46060 | CONN.CORD ASSY S03925 MAIN-LVU | | | 1 | 1 | 1 | 1 |
| 5 | 302NR46090 | 2NR46090 | CONN.CORD ASSY S03929 MAIN-CONTAINER SW | | | 1 | 1 | 1 | 1 |
| 6 | 302NR46260 | 2NR46260 | CONN.CORD ASSY S03956 MAIN-THERMISTOR | | | 1 | 1 | 1 | 1 |
| 7 | 302NR46350 | 2NR46350 | CONN.CORD ASSY S03965 USB HOST | | | 1 | 1 | 1 | 1 |
| 8 | 302NR46360 | 2NR46360 | CONN.CORD ASSY S03966 LVU-INTERLOCK | | | 1 | 1 | 1 | 1 |
| 9 | 302NR46380 | 2NR46380 | CONN.CORD ASSY S03969 MIAN-LVU FAN | | | 1 | 1 | 1 | 1 |
| 10 | 302NR46410 | 2NR46410 | CONN.CORD ASSY S03975 INLET | | | 1 | 1 | 1 | 1 |
| 11 | 302NT46010 | 2NT46010 | CONN.CORD ASSY S03927 MAIN-LVU | | | 1 | 1 | 1 | 1 |
| 12 | 302NT46070 | 2NT46070 | CONN.CORD ASSY S03968 LVU-HEATER CONNECT | | | 1 | 1 | 1 | 1 |
| 13 | 302NV46060 | 2NV46060 | CONN.CORD ASSY S04078 MAIN-EXIT | | | 1 | 1 | 1 | 1 |
| 14 | 302PB46050 | 2PB46050 | CONN.CORD ASSY S04085 MAIN-STAP CONNECT | | | 1 | 1 | 1 | 1 |

• Parts with a Ref.No. of 500 and above in the illustration indicate they are not selected for service parts.

• イラスト中で 500 番台の Ref 番号が付いている部品はサービスパーツに選定されていません。

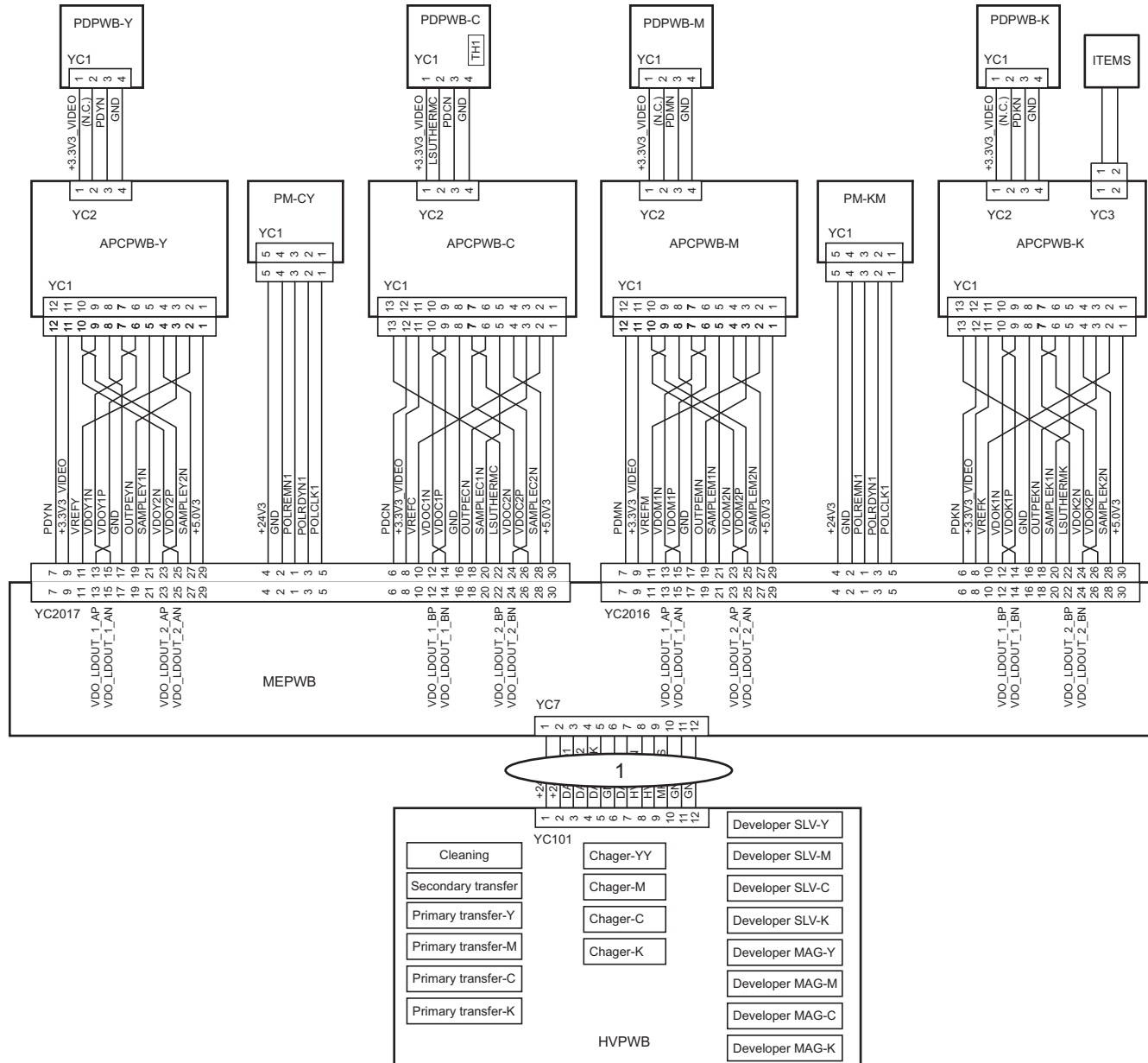


FIG. 20 Wire Section 2

2NV/2NW/2PB/2PC

| Ref. No. 番号 | Part.No. 部品番号 | Alternative. 代替部品番号 | Description 部品名称 | Notes 備考 | Revision 改訂 | Quantity 個数 | | | |
|----------------|------------------|------------------------|------------------------------------|-------------|----------------|----------------|-----|-----|-----|
| | | | | | | 100(日本) | 120 | 230 | 240 |
| 1 | 302NR46160 | 2NR46160 | CONN.CORD ASSY S03940 MIAN-HVU OPC | | | 1 | 1 | 1 | 1 |
| | | | | | | | | | |
| | | | | | | | | | |
| | | | | | | | | | |
| | | | | | | | | | |
| | | | | | | | | | |
| | | | | | | | | | |
| | | | | | | | | | |
| | | | | | | | | | |
| | | | | | | | | | |
| | | | | | | | | | |
| | | | | | | | | | |
| | | | | | | | | | |
| | | | | | | | | | |
| | | | | | | | | | |
| | | | | | | | | | |
| | | | | | | | | | |
| | | | | | | | | | |
| | | | | | | | | | |
| | | | | | | | | | |
| | | | | | | | | | |
| | | | | | | | | | |
| | | | | | | | | | |
| | | | | | | | | | |
| | | | | | | | | | |
| | | | | | | | | | |
| | | | | | | | | | |
| | | | | | | | | | |
| | | | | | | | | | |
| | | | | | | | | | |
| | | | | | | | | | |
| | | | | | | | | | |
| | | | | | | | | | |
| | | | | | | | | | |
| | | | | | | | | | |
| | | | | | | | | | |
| | | | | | | | | | |
| | | | | | | | | | |
| | | | | | | | | | |
| | | | | | | | | | |
| | | | | | | | | | |
| | | | | | | | | | |
| | | | | | | | | | |
| | | | | | | | | | |
| | | | | | | | | | |
| | | | | | | | | | |
| | | | | | | | | | |
| | | | | | | | | | |
| | | | | | | | | | |
| | | | | | | | | | |
| | | | | | | | | | |
| | | | | | | | | | |
| | | | | | | | | | |
| | | | | | | | | | |
| | | | | | | | | | |
| | | | | | | | | | |

• Parts with a Ref.No. of 500 and above in the illustration indicate they are not selected for service parts.

• イラスト中で 500 番台の Ref 番号が付いている部品はサービスパーツに選定されていません。

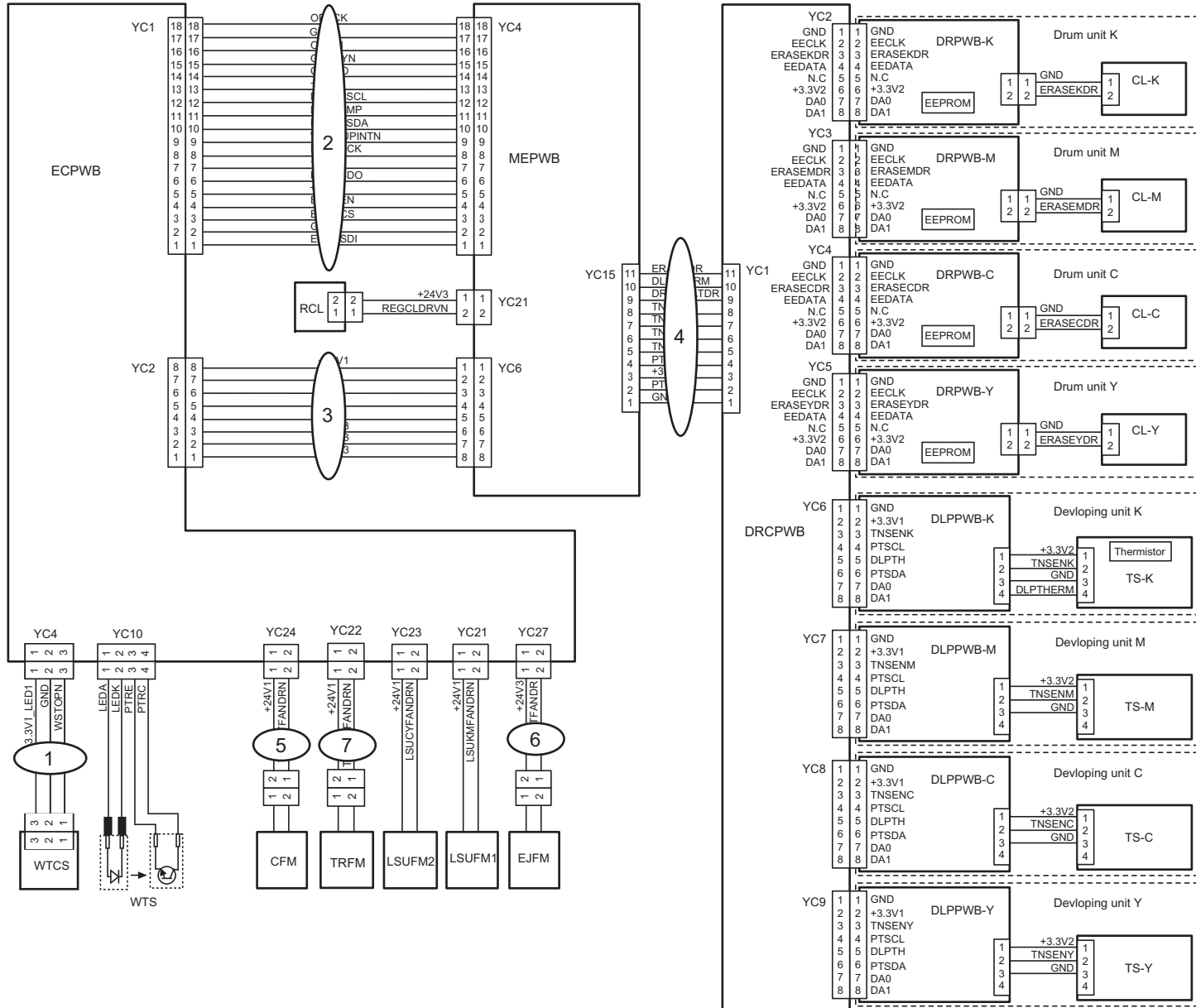


FIG. 21 Wire Section 3

2NV/2NW/2PB/2PC

| Ref. No. 番号 | Part.No. 部品番号 | Alternative. 代替部品番号 | Description 部品名称 | Notes 備考 | Revision 改訂 | Quantity 個数 | | | |
|----------------|------------------|------------------------|--|-------------|----------------|----------------|-----|-----|-----|
| | | | | | | 100 (日本) | 120 | 230 | 240 |
| 1 | 302NR46110 | 2NR46110 | CONN.CORD ASSY S03931 ENGINE-WASTE COVER | | | 1 | 1 | 1 | 1 |
| 2 | 302NR46170 | 2NR46170 | CONN.CORD ASSY S03943 MAIN-ENGINE | | | 1 | 1 | 1 | 1 |
| 3 | 302NR46180 | 2NR46180 | CONN.CORD ASSY S03944 MAIN-ENGINE | | | 1 | 1 | 1 | 1 |
| 4 | 302NR46190 | 2NR46190 | CONN.CORD ASSY S03945 MAIN-DRUM CONNECT | | | 1 | 1 | 1 | 1 |
| 5 | 302NR46330 | 2NR46330 | CONN.CORD ASSY S03963 ENGINE-CONTAIN FAN | | | 1 | 1 | 1 | 1 |
| 6 | 302NV46070 | 2NV46070 | CONN.CORD ASSY S04079 ENGINE-EXIT FAN | | | 1 | 1 | 1 | 1 |
| 7 | 302NR46320 | 2NR46320 | CONN.CORD ASSY S03962 ENGINE-IMAGE FAN | | | 1 | 1 | 1 | 1 |
| | | | | | | | | | |
| | | | | | | | | | |
| | | | | | | | | | |
| | | | | | | | | | |
| | | | | | | | | | |
| | | | | | | | | | |
| | | | | | | | | | |
| | | | | | | | | | |
| | | | | | | | | | |
| | | | | | | | | | |
| | | | | | | | | | |
| | | | | | | | | | |
| | | | | | | | | | |
| | | | | | | | | | |
| | | | | | | | | | |
| | | | | | | | | | |
| | | | | | | | | | |
| | | | | | | | | | |
| | | | | | | | | | |
| | | | | | | | | | |
| | | | | | | | | | |
| | | | | | | | | | |
| | | | | | | | | | |

• Parts with a Ref.No. of 500 and above in the illustration indicate they are not selected for service parts.

・イラスト中で 500 番台の Ref 番号が付いている部品はサービスパーツに選定されていません。

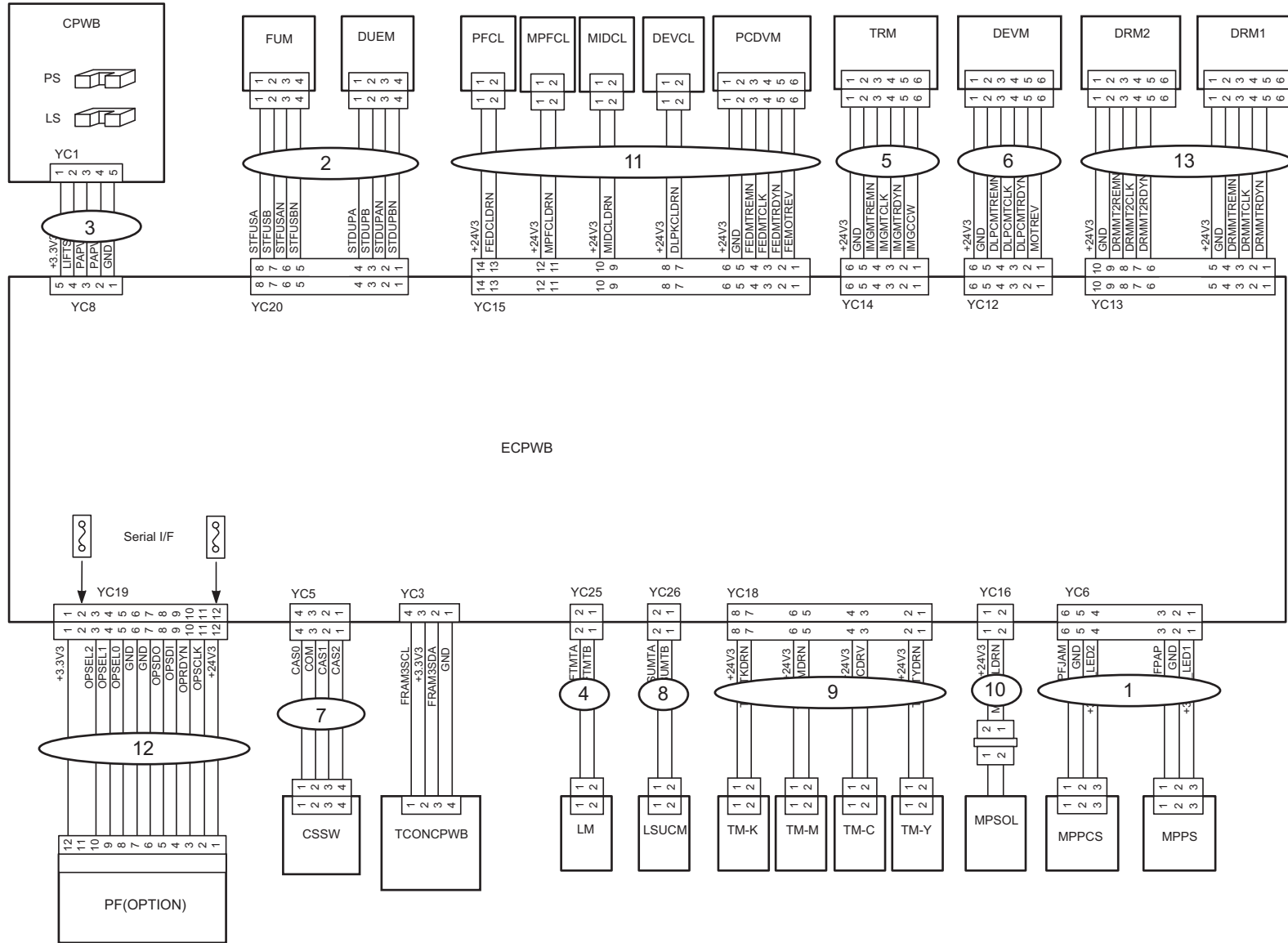


FIG. 22 Wire Section 4

2NV/2NW/2PB/2PC

| Ref. No. 番号 | Part.No. 部品番号 | Alternative. 代替部品番号 | Description 部品名称 | Notes 備考 | Revision 改訂 | Quantity 個数 | | | |
|----------------|------------------|------------------------|--|-------------|----------------|----------------|-----|-----|-----|
| | | | | | | 100 (日本) | 120 | 230 | 240 |
| 1 | 302NR46080 | 2NR46080 | CONN.CORD ASSY S03928 ENGINE-MPF | | | 1 | 1 | 1 | 1 |
| 2 | 302NR46150 | 2NR46150 | CONN.CORD ASSY S03939 ENGINE-FUSER MOT | | | 1 | 1 | 1 | 1 |
| 3 | 302NR46200 | 2NR46200 | CONN.CORD ASSY S03946 ENGINE-CASSETTE | | | 1 | 1 | 1 | 1 |
| 4 | 302NR46210 | 2NR46210 | CONN.CORD ASSY S03947 ENGINE-LIFT | | | 1 | 1 | 1 | 1 |
| 5 | 302NR46230 | 2NR46230 | CONN.CORD ASSY S03951 ENGINE-IMAGE MOT | | | 1 | 1 | 1 | 1 |
| 6 | 302NR46240 | 2NR46240 | CONN.CORD ASSY S03952 ENGINE-DLP MOT | | | 1 | 1 | 1 | 1 |
| 7 | 302NR46270 | 2NR46270 | CONN.CORD ASSY S03957 ENGINE-CASSETTE SW | | | 1 | 1 | 1 | 1 |
| 8 | 302NR46290 | 2NR46290 | CONN.CORD ASSY S03959 ENGINE-LSU CL | | | 1 | 1 | 1 | 1 |
| 9 | 302NR46300 | 2NR46300 | CONN.CORD ASSY S03960 ENGINE-TONER MOT | | | 1 | 1 | 1 | 1 |
| 10 | 302NR46310 | 2NR46310 | CONN.CORD ASSY S03961 ENGINE-SOLENOID | | | 1 | 1 | 1 | 1 |
| 11 | 302NR46390 | 2NR46390 | CONN.CORD ASSY S03971 ENGINE-FEED MOT | | | 1 | 1 | 1 | 1 |
| 12 | 302NV46020 | 2NV46020 | CONN.CORD ASSY S04064 ENGINE-PF | | | 1 | 1 | 1 | 1 |
| 13 | 302NR46490 | 2NR46490 | CONN.CORD ASSY S04090 ENGINE-DRUM MOT | | | 1 | 1 | 1 | 1 |

• Parts with a Ref.No. of 500 and above in the illustration indicate they are not selected for service parts.

• イラスト中で 500 番台の Ref 番号が付いている部品はサービスパーツに選定されていません。

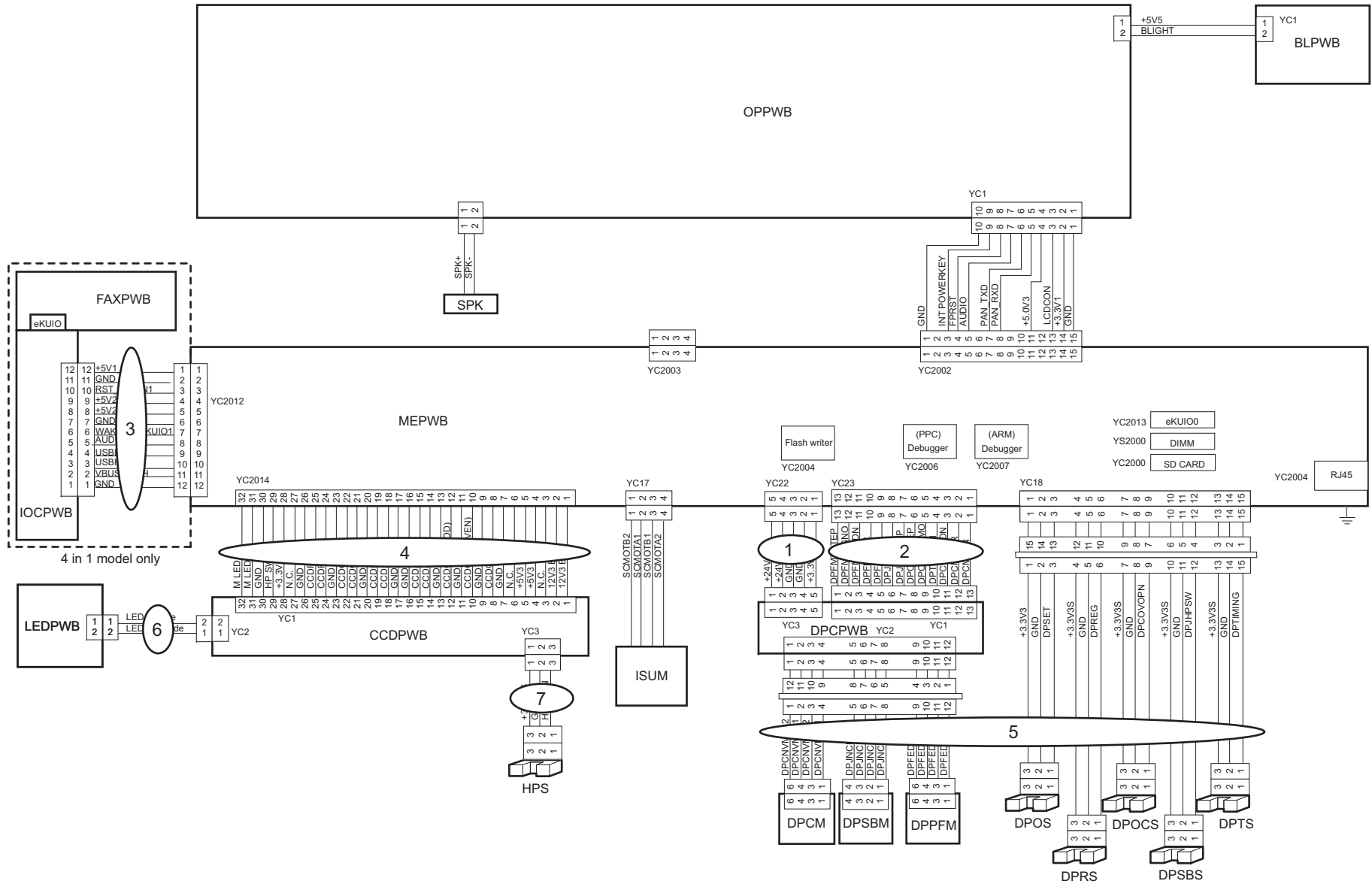


FIG. 23 Wire Section 5 (30ppm(A4),32ppm(Letter)/30ppm(A4),32ppm(Letter)(F))

2NV/2NW/2PB/2PC

| Ref. No. 番号 | Part.No. 部品番号 | Alternative. 代替部品番号 | Description 部品名称 | Notes 備考 | Revision 改訂 | Quantity 個数 | | | |
|----------------|------------------|------------------------|-------------------------------------|----------------------------|----------------|----------------|-----|-----|-----|
| | | | | | | 100 (日本) | 120 | 230 | 240 |
| 1 | 302NV46040 | 2NV46040 | CONN.CORD ASSY S04066 MAIN-DP POWER | | | 1 | 1 | 1 | 1 |
| 2 | 302NV46050 | 2NV46050 | CONN.CORD ASSY S04067 MAIN-DP SIG | | | 1 | 1 | 1 | 1 |
| 3 | 302NW46010 | 2NW46010 | CONN.CORD ASSY S04049 MAIN-EKUIO | 30ppm(A4),32ppm(Letter)(F) | | 1 | 1 | 1 | 1 |
| 4 | 302NV46030 | 2NV46030 | CONN.CORD ASSY S04065 MAIN-CCD | | | 1 | 1 | 1 | 1 |
| 5 | 3V2NV46100 | 2NV46100 | CONN.CORD ASSY S04068 MAIN-DP UNIT | | | 1 | 1 | 1 | 1 |
| 6 | 3V2NM46130 | 2NM46130 | CONN.CORD ASSY S03840 CCD-LED | | | 1 | 1 | 1 | 1 |
| 7 | 3V2NM46140 | 2NM46140 | CONN.CORD ASSY S03841 CCD-HP | | | 1 | 1 | 1 | 1 |
| | | | | | | | | | |
| | | | | | | | | | |
| | | | | | | | | | |
| | | | | | | | | | |
| | | | | | | | | | |
| | | | | | | | | | |
| | | | | | | | | | |
| | | | | | | | | | |
| | | | | | | | | | |
| | | | | | | | | | |
| | | | | | | | | | |
| | | | | | | | | | |
| | | | | | | | | | |
| | | | | | | | | | |
| | | | | | | | | | |
| | | | | | | | | | |
| | | | | | | | | | |
| | | | | | | | | | |
| | | | | | | | | | |
| | | | | | | | | | |
| | | | | | | | | | |
| | | | | | | | | | |

• Parts with a Ref.No. of 500 and above in the illustration indicate they are not selected for service parts.

・イラスト中で 500 番台の Ref 番号が付いている部品はサービスパーツに選定されていません。

FIG. 23 Wire Section 5 (35ppm(A4),37ppm(Letter)/35ppm(A4),37ppm(Letter)(F))

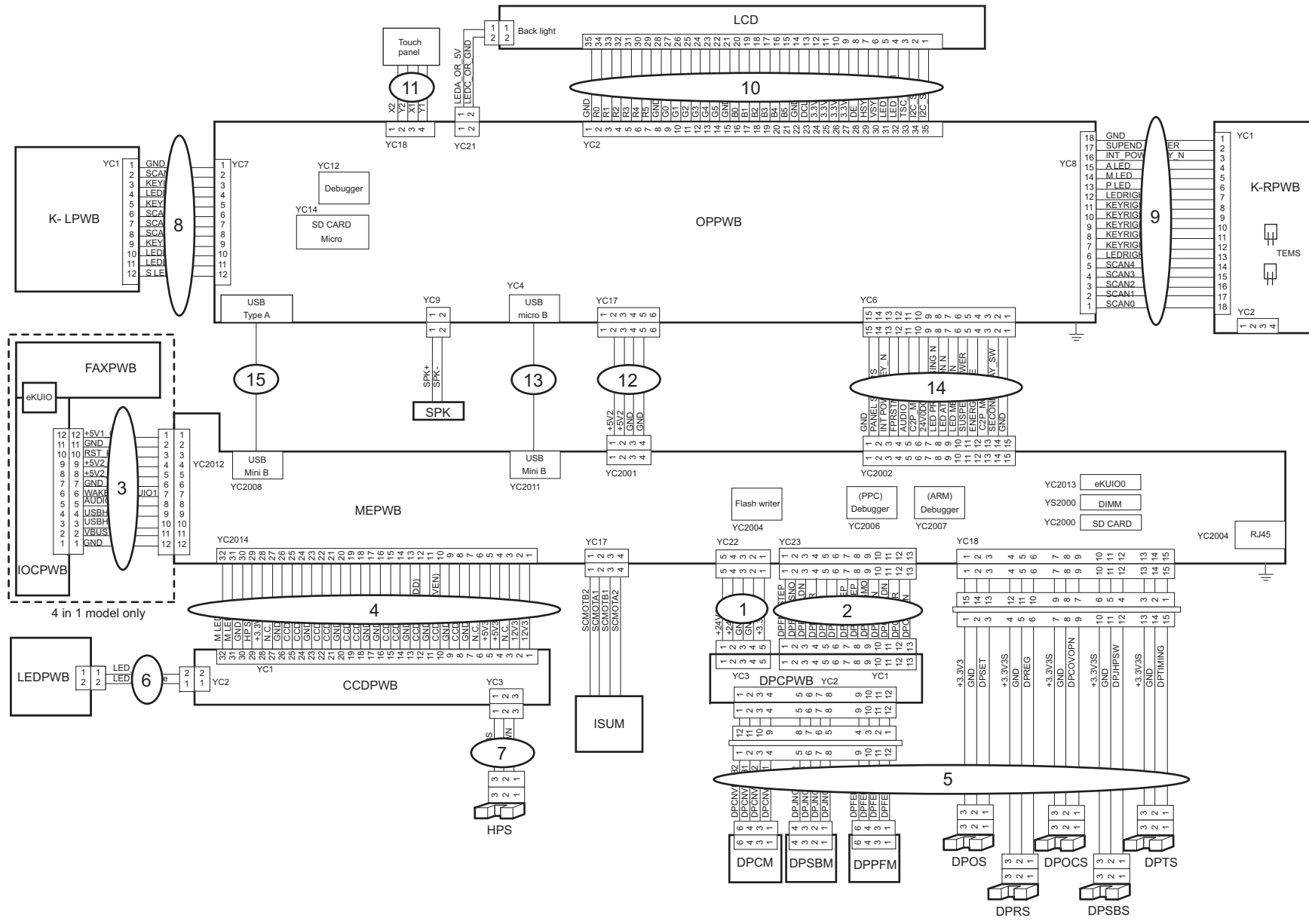


FIG. 23 Wire Section 5 (35ppm(A4),37ppm(Letter)/35ppm(A4),37ppm(Letter)(F))

2NV/2NW/2PB/2PC

| Ref. No. 番号 | Part.No. 部品番号 | Alternative. 代替部品番号 | Description 部 品 名 称 | Notes 備 考 | Revision 改 訂 | Quantity 個数 | | | |
|----------------|------------------|------------------------|---|----------------------------|-----------------|----------------|-----|-----|-----|
| | | | | | | 100(日本) | 120 | 230 | 240 |
| 1 | 302NV46040 | 2NV46040 | CONN.CORD ASSY S04066 MAIN-DP POWER | | | 1 | 1 | 1 | 1 |
| 2 | 302NV46050 | 2NV46050 | CONN.CORD ASSY S04067 MAIN-DP SIG | | | 1 | 1 | 1 | 1 |
| 3 | 302NW46010 | 2NW46010 | CONN.CORD ASSY S04049 MAIN-EKUIO | 35ppm(A4),37ppm(Letter)(F) | | 1 | 1 | 1 | 1 |
| 4 | 302NV46030 | 2NV46030 | CONN.CORD ASSY S04065 MAIN-CCD | | | 1 | 1 | 1 | 1 |
| 5 | 3V2NV46100 | 2NV46100 | CONN.CORD ASSY S04068 MAIN-DP UNIT | | | 1 | 1 | 1 | 1 |
| 6 | 3V2NM46130 | 2NM46130 | CONN.CORD ASSY S03840 CCD-LED | | | 1 | 1 | 1 | 1 |
| 7 | 3V2NM46140 | 2NM46140 | CONN.CORD ASSY S03841 CCD-HP | | | 1 | 1 | 1 | 1 |
| 8 | 302NM46240 | 2NM46240 | CONN.CORD ASSY S03835 KEY L FFC | | | 1 | 1 | 1 | 1 |
| 9 | 302NM46250 | 2NM46250 | CONN.CORD ASSY S03836 KEY R FFC | | | 1 | 1 | 1 | 1 |
| 10 | 302NM46270 | 2NM46270 | CONN.CORD ASSY S03846 LCD FFC | | | 1 | 1 | 1 | 1 |
| 11 | 3V2NM46290 | 2NM46290 | CONN.CORD ASSY S03869 BACKLIGHT | | | 1 | 1 | 1 | 1 |
| 12 | 302PB46020 | 2PB46020 | CONN.CORD ASSY S04051 PANEL HYPAS POWER | | | 1 | 1 | 1 | 1 |
| 13 | 302PB46030 | 2PB46030 | CONN.CORD ASSY S04052 MAIN-PANEL USB | | | 1 | 1 | 1 | 1 |
| 14 | 302PB46010 | 2PB46010 | CONN.CORD ASSY S04050 PANEL HYPAS SIG | | | 1 | 1 | 1 | 1 |
| 15 | 302PB46040 | 2PB46040 | CONN.CORD ASSY S04053 MAIN-CARD READER | | | 1 | 1 | 1 | 1 |

• Parts with a Ref.No. of 500 and above in the illustration indicate they are not selected for service parts.

• イラスト中で 500 番台の Ref 番号が付いている部品はサービスパーツに選定されていません。

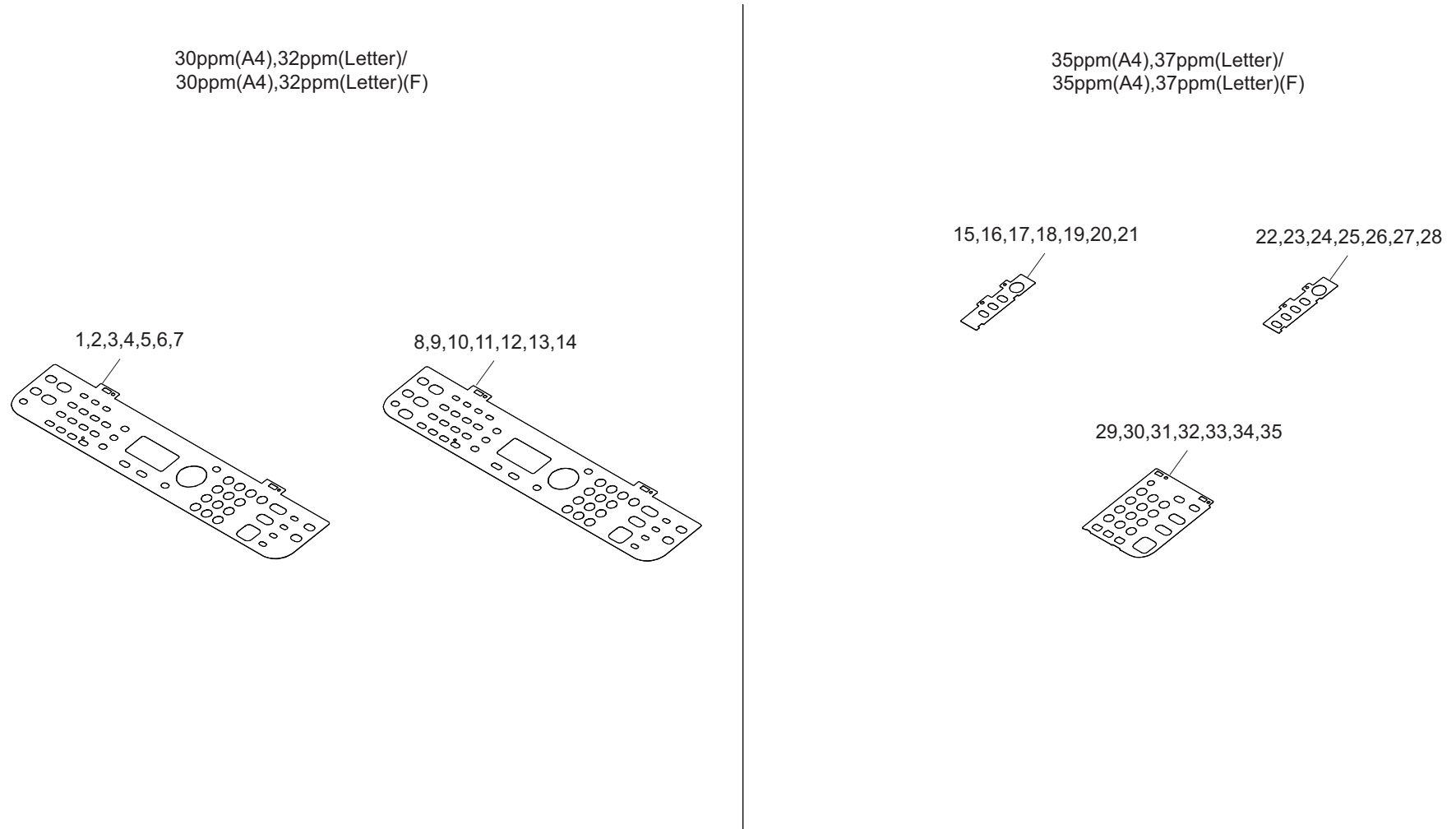


FIG. 24 Accessories

2NV/2NW/2PB/2PC

| Ref. No. 番号 | Part.No. 部品番号 | Alternative. 代替部品番号 | Description 部 品 名 称 | Notes 備 考 | Revision 改 訂 | Quantity 個数 | | | |
|----------------|------------------|------------------------|--------------------------------|----------------------------|-----------------|----------------|-----|-----|-----|
| | | | | | | 100 (日本) | 120 | 230 | 240 |
| 1 | 302NV05040 | 2NV05040 | SHEET OPE GER | 30ppm(A4),32ppm(Letter) | | | | 1 | |
| 2 | 302NV05050 | 2NV05050 | SHEET OPE FRA | 30ppm(A4),32ppm(Letter) | | | 1 | 1 | |
| 3 | 302NV05060 | 2NV05060 | SHEET OPE ITA | 30ppm(A4),32ppm(Letter) | | | | 1 | |
| 4 | 302NV05070 | 2NV05070 | SHEET OPE SPA | 30ppm(A4),32ppm(Letter) | | | 1 | 1 | |
| 5 | 302NV05080 | 2NV05080 | SHEET OPE POR | 30ppm(A4),32ppm(Letter) | | | 1 | 1 | |
| 6 | 302NV05090 | 2NV05090 | SHEET OPE DUT | 30ppm(A4),32ppm(Letter) | | | | 1 | |
| 7 | 302NV05100 | 2NV05100 | SHEET OPE RUS | 30ppm(A4),32ppm(Letter) | | | | 1 | |
| 8 | 302NW05040 | 2NW05040 | SHEET OPE GER | 30ppm(A4),32ppm(Letter)(F) | | | | 1 | |
| 9 | 302NW05050 | 2NW05050 | SHEET OPE FRA | 30ppm(A4),32ppm(Letter)(F) | | | 1 | 1 | |
| 10 | 302NW05060 | 2NW05060 | SHEET OPE ITA | 30ppm(A4),32ppm(Letter)(F) | | | | 1 | |
| 11 | 302NW05070 | 2NW05070 | SHEET OPE SPA | 30ppm(A4),32ppm(Letter)(F) | | | 1 | 1 | |
| 12 | 302NW05080 | 2NW05080 | SHEET OPE POR | 30ppm(A4),32ppm(Letter)(F) | | | 1 | 1 | |
| 13 | 302NW05090 | 2NW05090 | SHEET OPE DUT | 30ppm(A4),32ppm(Letter)(F) | | | | 1 | |
| 14 | 302NW05100 | 2NW05100 | SHEET OPE RUS | 30ppm(A4),32ppm(Letter)(F) | | | | 1 | |
| 15 | 3V2NY05040 | 2NY05040 | LABEL OPERATION LEFT 3IN1 GER | 35ppm(A4),37ppm(Letter) | | | | 1 | |
| 16 | 3V2NY05050 | 2NY05050 | LABEL OPERATION LEFT 3IN1 FRA | 35ppm(A4),37ppm(Letter) | | | 1 | 1 | |
| 17 | 3V2NY05060 | 2NY05060 | LABEL OPERATION LEFT 3IN1 ITA | 35ppm(A4),37ppm(Letter) | | | | 1 | |
| 18 | 3V2NY05070 | 2NY05070 | LABEL OPERATION LEFT 3IN1 SPA | 35ppm(A4),37ppm(Letter) | | | 1 | 1 | |
| 19 | 3V2NY05080 | 2NY05080 | LABEL OPERATION LEFT 3IN1 POR | 35ppm(A4),37ppm(Letter) | | | 1 | 1 | |
| 20 | 3V2NY05090 | 2NY05090 | LABEL OPERATION LEFT 3IN1 DUT | 35ppm(A4),37ppm(Letter) | | | | 1 | |
| 21 | 3V2NY05100 | 2NY05100 | LABEL OPERATION LEFT 3IN1 RUS | 35ppm(A4),37ppm(Letter) | | | | 1 | |
| 22 | 3V2NM05380 | 2NM05380 | LABEL OPERATION LEFT GER | 35ppm(A4),37ppm(Letter)(F) | | | | 1 | |
| 23 | 3V2NM05390 | 2NM05390 | LABEL OPERATION LEFT FRA | 35ppm(A4),37ppm(Letter)(F) | | | 1 | 1 | |
| 24 | 3V2NM05400 | 2NM05400 | LABEL OPERATION LEFT ITA | 35ppm(A4),37ppm(Letter)(F) | | | | 1 | |
| 25 | 3V2NM05410 | 2NM05410 | LABEL OPERATION LEFT SPA | 35ppm(A4),37ppm(Letter)(F) | | | 1 | 1 | |
| 26 | 3V2NM05420 | 2NM05420 | LABEL OPERATION LEFT POR | 35ppm(A4),37ppm(Letter)(F) | | | 1 | 1 | |
| 27 | 3V2NM05430 | 2NM05430 | LABEL OPERATION LEFT DUT | 35ppm(A4),37ppm(Letter)(F) | | | | 1 | |
| 28 | 3V2NM05440 | 2NM05440 | LABEL OPERATION LEFT RUS | 35ppm(A4),37ppm(Letter)(F) | | | | 1 | |
| 29 | 3V2NY05150 | 2NY05150 | LABEL OPERATION RIGHT 3IN1 GER | 35ppm(A4),37ppm(Letter) | | | | 1 | |
| 29 | 3V2NM05450 | 2NM05450 | LABEL OPERATION RIGHT GER | 35ppm(A4),37ppm(Letter)(F) | | | | 1 | |
| 30 | 3V2NY05160 | 2NY05160 | LABEL OPERATION RIGHT 3IN1 FRA | 35ppm(A4),37ppm(Letter) | | | 1 | 1 | |
| 30 | 3V2NM05460 | 2NM05460 | LABEL OPERATION RIGHT FRA | 35ppm(A4),37ppm(Letter)(F) | | | 1 | 1 | |
| 31 | 3V2NY05170 | 2NY05170 | LABEL OPERATION RIGHT 3IN1 ITA | 35ppm(A4),37ppm(Letter) | | | | 1 | |
| 31 | 3V2NM05470 | 2NM05470 | LABEL OPERATION RIGHT ITA | 35ppm(A4),37ppm(Letter)(F) | | | | 1 | |
| 32 | 3V2NY05180 | 2NY05180 | LABEL OPERATION RIGHT 3IN1 SPA | 35ppm(A4),37ppm(Letter) | | | 1 | 1 | |
| 32 | 3V2NM05480 | 2NM05480 | LABEL OPERATION RIGHT SPA | 35ppm(A4),37ppm(Letter)(F) | | | 1 | 1 | |
| 33 | 3V2NY05190 | 2NY05190 | LABEL OPERATION RIGHT 3IN1 POR | 35ppm(A4),37ppm(Letter) | | | 1 | 1 | |
| 33 | 3V2NM05490 | 2NM05490 | LABEL OPERATION RIGHT POR | 35ppm(A4),37ppm(Letter)(F) | | | 1 | 1 | |
| 34 | 3V2NY05200 | 2NY05200 | LABEL OPERATION RIGHT 3IN1 DUT | 35ppm(A4),37ppm(Letter) | | | | 1 | |
| 34 | 3V2NM05500 | 2NM05500 | LABEL OPERATION RIGHT DUT | 35ppm(A4),37ppm(Letter)(F) | | | | 1 | |
| 35 | 3V2NY05210 | 2NY05210 | LABEL OPERATION RIGHT 3IN1 RUS | 35ppm(A4),37ppm(Letter) | | | | 1 | |
| 35 | 3V2NM05510 | 2NM05510 | LABEL OPERATION RIGHT RUS | 35ppm(A4),37ppm(Letter)(F) | | | | 1 | |

• Parts with a Ref.No. of 500 and above in the illustration indicate they are not selected for service parts.

• イラスト中で 500 番台の Ref 番号が付いている部品はサービスパーツに選定されていません。

FIG. 25 Maintenance Kits (30ppm(A4),32ppm(Letter)/30ppm(A4),32ppm(Letter)(F))

2NV/2NW/2PB/2PC

| Ref. No. 番号 | Part.No. 部品番号 | Alternative. 代替部品番号 | Description 部品名称 | Notes 備考 | Revision 改訂 | Quantity 個数 | | | |
|----------------|------------------|------------------------|---|-------------|----------------|---|--|---|--|
| | | | | | | 100(日本) | 120 | 230 | 240 |
| | 1702NR9JP0 | 072NR9JP | MK-5141/MAINTENANCE KIT DV-5140(K) DV-5140(Y) DV-5140(M) DV-5140(C) PARTS HOLDER FEED ASSY SP DK-5140 TR-5140 PARTS ROLLER TRANSFER SP PARTS RETARD ASSY SP FK-5141 | OPTION | | 1 1 1 1 1 1 4 1 1 1 1 | | | |
| | 1702NR7US0 | 072NR7US | MK-5142/MAINTENANCE KIT DV-5140(K) DV-5140(Y) DV-5140(M) DV-5140(C) PARTS HOLDER FEED ASSY SP DK-5140 TR-5140 PARTS ROLLER TRANSFER SP PARTS RETARD ASSY SP FK-5142 | OPTION | | | 1 1 1 1 1 4 1 1 1 1 | | |
| | 1702NR8NL0 | 072NR8NL | MK-5140/MAINTENANCE KIT | OPTION | | | | 1 | 1 |
| | 1702NR8AS0 | 072NR8AS | MK-5144/MAINTENANCE KIT DV-5140(K) DV-5140(Y) DV-5140(M) DV-5140(C) PARTS HOLDER FEED ASSY SP DK-5140 TR-5140 PARTS ROLLER TRANSFER SP PARTS RETARD ASSY SP FK-5140 | OPTION | | | | 1 1 1 1 1 4 1 1 1 1 1 | 1 1 1 1 1 4 1 1 1 1 |
| | 1702P60UN0 | 072P60UN | MK-3140/MAINTENANCE KIT PAD SEPARATION PULLEY PAPER FEED ASSY PULLEY PICKUP ASSY | OPTION:DP | | 1 1 1 1 | 1 1 1 1 | 1 1 1 1 | 1 1 1 1 |

• Parts with a Ref.No. of 500 and above in the illustration indicate they are not selected for service parts.

• イラスト中で 500 番台の Ref 番号が付いている部品はサービスパーツに選定されていません。

FIG. 25 Maintenance Kits (35ppm(A4),37ppm(Letter)/35ppm(A4),37ppm(Letter)(F))

2NV/2NW/2PB/2PC

| Ref. No. 番号 | Part.No. 部品番号 | Alternative. 代替部品番号 | Description 部品名称 | Notes 備考 | Revision 改訂 | Quantity 個数 | | | |
|----------------|--------------------------|------------------------|--|------------------|----------------|---|--|---|--|
| | | | | | | 100(日本) | 120 | 230 | 240 |
| | 1702NS9JP1 | 072NS9J1 | MK-5156/MAINTENANCE KIT DV-5150(K) DV-5150(Y) DV-5150(M) DV-5150(C) PARTS HOLDER FEED ASSY SP DK-5140 TR-5140 PARTS ROLLER TRANSFER SP PARTS RETARD ASSY SP FK-5151 | OPTION | | 1 1 1 1 1 1 4 1 1 1 1 | | | |
| | 1702NS7US1 | 072NS7U1 | MK-5157/MAINTENANCE KIT DV-5150(K) DV-5150(Y) DV-5150(M) DV-5150(C) PARTS HOLDER FEED ASSY SP DK-5140 TR-5140 PARTS ROLLER TRANSFER SP PARTS RETARD ASSY SP FK-5152 | OPTION | | | 1 1 1 1 1 4 1 1 1 1 | | |
| | 1702NS8NL1 1702NS8AS1 | 072NS8N1 072NS8A1 | MK-5155/MAINTENANCE KIT MK-5159/MAINTENANCE KIT DV-5150(K) DV-5150(Y) DV-5150(M) DV-5150(C) PARTS HOLDER FEED ASSY SP DK-5140 TR-5140 PARTS ROLLER TRANSFER SP PARTS RETARD ASSY SP FK-5150 | OPTION OPTION | | | | 1 1 1 1 1 1 4 1 1 1 1 | 1 1 1 1 1 1 4 1 1 1 |
| | 1702P60UN0 | 072P60UN | MK-3140/MAINTENANCE KIT PAD SEPARATION PULLEY PAPER FEED ASSY PULLEY PICKUP ASSY | OPTION:DP | | 1 1 1 1 | 1 1 1 1 | 1 1 1 1 | 1 1 1 1 |

• Parts with a Ref.No. of 500 and above in the illustration indicate they are not selected for service parts.

• イラスト中で 500 番台の Ref 番号が付いている部品はサービスパーツに選定されていません。

INDEX / 索引

2NV/2NW/2PB/2PC-1

| Part.No. 部品番号 | Alternative. 代替部品番号 | Description 部品名称 | Fig.No. |
|------------------|------------------------|---------------------------------|---------|
| 1702NR7US0 | 072NR7US | MK-5142/MAINTENANCE KIT | 25 |
| 1702NR8AS0 | 072NR8AS | MK-5144/MAINTENANCE KIT | 25 |
| 1702NR8NLO | 072NR8NL | MK-5140/MAINTENANCE KIT | 25 |
| 1702NR9JP0 | 072NR9JP | MK-5141/MAINTENANCE KIT | 25 |
| 1702NS7US1 | 072NS7U1 | MK-5157/MAINTENANCE KIT | 25 |
| 1702NS8AS1 | 072NS8A1 | MK-5159/MAINTENANCE KIT | 25 |
| 1702NS8NL1 | 072NS8N1 | MK-5155/MAINTENANCE KIT | 25 |
| 1702NS9JP1 | 072NS9J1 | MK-5156/MAINTENANCE KIT | 25 |
| 1702P60UN0 | 072P60UN | MK-3140/MAINTENANCE KIT | 25 |
| 2FM04150 | 2FM04150 | CAP SPRING/B-11 ENCLOSURE A4 | 4,5 |
| 3019527401 | 19527401 | POWER CORD(120) | 14 |
| 302F929050 | 2F929050 | PULLEY FEED DU | 4 |
| 302FV45040 | 2FV45040 | AC CORD ASSY | 14 |
| 302FV94010 | 2FV94010 | PARTS AC CORD EU SP | 14 |
| 302FZ94380 | 2FZ94380 | PARTS, FAN COOLING DLP 70 SP | 4 |
| 302FZ94420 | 2FZ94420 | PARTS, FAN COOLING CONVEYING SP | 13, 14 |
| 302GR44150 | 2GR44150 | SOLENOID TONER | 12 |
| 302HNO1240 | 2HN01240 | P.W.BOARD ASSY FUSER ZENER | 4 |
| 302HNO2611 | 2HN02611 | FOOT | 14 |
| 302HNO8140 | 2HN08140 | LUTCH | 1 |
| 302HNO9170 | 2HN09170 | GEAR Z13S JOINT | 2 |
| 302HN31650 | 2HN31650 | SPRING INPUT MPF | 12 |
| 302HN44180 | 2HN44180 | SWITCH SIZE | 13 |
| 302HN44210 | 2HN44210 | FAN MOTOR | 14 |
| 302HS08260 | 2HS08260 | ROLLER M/P ASSY | 4 |
| 302J901030 | 2J901030 | P.W.BOARD ASSY FUSER ZENER | 4 |
| 302K994323 | 2K994323 | PARTS MOTOR-BL W20 SP | 12 |
| 302KT02150 | 2KT02150 | GEAR Z33S-Z13S | 13 |
| 302KT06050 | 2KT06050 | ACTUATOR PE | 3 |
| 302KT94070 | 2KT94070 | PARTS PWB ASSY CASSETTE SP | 3 |
| 302KV04130 | 2KV04130 | STRAP COVER REAR | 1 |
| 302KV06151 | 2KV06151 | SHAFT FEED | 3 |
| 302KV06180 | 2KV06180 | RELEASE ACTUATOR PE | 3 |
| 302KV06201 | 2KV06201 | SPRING ACT | 3 |
| 302KV06341 | 2KV06341 | ACTUATOR B | 3 |
| 302KV06350 | 2KV06350 | SPRING ACTUATOR A | 3 |
| 302KV06370 | 2KV06370 | PIN FEED | 3 |
| 302KV09250 | 2KV09250 | GEAR Z13 | 2 |
| 302KV31410 | 2KV31410 | BUSH DRIVE | 12 |
| 302KV31440 | 2KV31440 | GEAR Z23L | 12 |
| 302KV44041 | 2KV44041 | CLUTCH 50 Z35R | 12 |
| 302KV94191 | 2KV94191 | PARTS HOLDER FEED ASSY SP | 3 |
| 302KW04090 | 2KW04090 | PIN LID TOP | 16 |
| 302LC94291 | 2LC94291 | PARTS MOTOR-BL W10 SP | 12 |
| 302LW94060 | 2LW94060 | PARTS MOTOR ISU SP | 16 |
| 302M294130 | 2M294130 | PARTS PWB ASSY THERMISTOR SP | 14 |
| 302MC34040 | 2MC34040 | LABEL PUSH | 5 |
| 302NG94050 | 2NG94050 | PARTS DC MOTOR ASSY SP | 13 |
| 302NG94110 | 2NG94110 | PARTS ROLLER RETARD ASSY SP | 3 |
| 302NG94220 | 2NG94220 | PARTS FAN MOTOR SP | 12 |
| 302NM18020 | 2NM18020 | HINGE LEFT | 17 |

| Part.No. 部品番号 | Alternative. 代替部品番号 | Description 部品名称 | Fig.No. |
|------------------|------------------------|---------------------------------|---------|
| 302NM18030 | 2NM18030 | HINGE RIGHT | 17 |
| 302NM46240 | 2NM46240 | CONN.CORD ASSY S03835 KEY L FFC | 23 |
| 302NM46250 | 2NM46250 | CONN.CORD ASSY S03836 KEY R FFC | 23 |
| 302NM46270 | 2NM46270 | CONN.CORD ASSY S03846 LCD FFC | 23 |
| 302NM94100 | 2NM94100 | PARTS PWB ASSY H PANEL KEY-L SP | 15 |
| 302NM94110 | 2NM94110 | PARTS LCD OPERATION SP | 15 |
| 302NM94121 | 2NM94121 | PARTS TABLET OPERATION SP | 15 |
| 302NM94150 | 2NM94150 | PARTS TABLE MAIN ASSY SP | 17 |
| 302NM94230 | 2NM94230 | PARTS DRIVE ASSY A SP | 17 |
| 302NM94240 | 2NM94240 | PARTS DRIVE ASSY B SP | 17 |
| 302NR02140 | 2NR02140 | LEVER INTERLOCK | 14 |
| 302NR02170 | 2NR02170 | GUIDE TOP LEFT | 13 |
| 302NR02180 | 2NR02180 | GUIDE TOP RIGHT | 14 |
| 302NR02191 | 2NR02191 | GUIDE CASSETTE LEFT | 13 |
| 302NR02230 | 2NR02230 | HOLDER GEAR | 13 |
| 302NR02330 | 2NR02330 | SLIDER CLEANER ID | 13 |
| 302NR02340 | 2NR02340 | SPRING SLIDER CLEANER | 13 |
| 302NR02930 | 2NR02930 | GEAR Z41S | 13 |
| 302NR04030 | 2NR04030 | COVER LEFT | 1 |
| 302NR04050 | 2NR04050 | COVER FRONT | 1 |
| 302NR04080 | 2NR04080 | COVER FRONT UPPER | 1 |
| 302NR04090 | 2NR04090 | COVER WASTE | 1 |
| 302NR04100 | 2NR04100 | COVER WASTE LOW | 1 |
| 302NR04110 | 2NR04110 | COVER CONNECTOR | 1 |
| 302NR04170 | 2NR04170 | COVER LEFT BOTTOM | 1 |
| 302NR04180 | 2NR04180 | COVER RIGHT BOTTOM | 1 |
| 302NR04190 | 2NR04190 | COVER MEMORY | 1 |
| 302NR04250 | 2NR04250 | HOLDER MAIN SWITCH | 1 |
| 302NR06010 | 2NR06010 | GUIDE CASSETTE | 3 |
| 302NR06040 | 2NR06040 | COVER RETARD | 3 |
| 302NR06210 | 2NR06210 | GUIDE PICK HOLDER | 3 |
| 302NR06511 | 2NR06511 | FRAME FEED | 3 |
| 302NR08040 | 2NR08040 | FRAME MPF | 4 |
| 302NR08101 | 2NR08101 | GUIDE MPF FEED UP | 4 |
| 302NR08111 | 2NR08111 | GUIDE MPF FEED LOW A | 4 |
| 302NR08130 | 2NR08130 | GUIDE MPF FEED LOW B | 4 |
| 302NR08220 | 2NR08220 | SPRING PULLEY MPF | 4 |
| 302NR09040 | 2NR09040 | GEAR Z20S WORKPLATE | 2 |
| 302NR09070 | 2NR09070 | WORKPLATE LIFT | 2 |
| 302NR28090 | 2NR28090 | SHAFT EXIT | 4,5 |
| 302NR29020 | 2NR29020 | HOOK DU RELEASE | 5 |
| 302NR31060 | 2NR31060 | GEAR Z24L | 12 |
| 302NR31080 | 2NR31080 | GEAR Z33R-Z32R | 13 |
| 302NR31150 | 2NR31150 | HOUSING MPF DRIVE A | 12 |
| 302NR31160 | 2NR31160 | HOUSING MPF DRIVE B | 12 |
| 302NR31180 | 2NR31180 | GEAR Z31R-Z24S | 12 |
| 302NR31190 | 2NR31190 | GEAR INPUT A Z36S | 12 |
| 302NR31200 | 2NR31200 | GEAR INPUT B Z36S | 12 |
| 302NR31210 | 2NR31210 | PIN DRIVE MPF A | 12 |
| 302NR31220 | 2NR31220 | PLATE MIDDLE DRIVE | 12 |
| 302NR31230 | 2NR31230 | GEAR Z35R | 12 |

| Part.No. 部品番号 | Alternative. 代替部品番号 | Description 部品名称 | Fig.No. |
|------------------|------------------------|--|---------|
| 302NR31240 | 2NR31240 | GEAR Z63R-Z24R | 12 |
| 302NR31250 | 2NR31250 | GEAR Z44R-Z16S | 12 |
| 302NR31260 | 2NR31260 | GEAR Z26S | 12 |
| 302NR31570 | 2NR31570 | BELT S2M Z350 | 13 |
| 302NR31630 | 2NR31630 | CAM MPF | 12 |
| 302NR31810 | 2NR31810 | GEAR Z14L MPF | 12 |
| 302NR33020 | 2NR33020 | DUCT LEFT INNER | 13 |
| 302NR34020 | 2NR34020 | LABEL JAM | 1 |
| 302NR34090 | 2NR34090 | LABEL PUSH SET | 5 |
| 302NR39011 | 2NR39011 | BRACKET FRONT HV | 14 |
| 302NR46020 | 2NR46020 | CONN.CORD ASSY S03920 MAIN-REGIST | 19 |
| 302NR46030 | 2NR46030 | CONN.CORD ASSY S03921 MAIN-ID SENSOR(L) | 19 |
| 302NR46040 | 2NR46040 | CONN.CORD ASSY S03922 MAIN-ID SENSOR(R) | 19 |
| 302NR46060 | 2NR46060 | CONN.CORD ASSY S03925 MAIN-LVU | 19 |
| 302NR46070 | 2NR46070 | CONN.CORD ASSY S03926 MAIN-LVU | 19 |
| 302NR46080 | 2NR46080 | CONN.CORD ASSY S03928 ENGINE-MPF | 22 |
| 302NR46090 | 2NR46090 | CONN.CORD ASSY S03929 MAIN-CONTAINER SW | 19 |
| 302NR46110 | 2NR46110 | CONN.CORD ASSY S03931 ENGINE-WASTE COVER | 21 |
| 302NR46150 | 2NR46150 | CONN.CORD ASSY S03939 ENGINE-FUSER MOT | 22 |
| 302NR46160 | 2NR46160 | CONN.CORD ASSY S03940 MIAN-HVU OPC | 20 |
| 302NR46170 | 2NR46170 | CONN.CORD ASSY S03943 MAIN-ENGINE | 21 |
| 302NR46180 | 2NR46180 | CONN.CORD ASSY S03944 MAIN-ENGINE | 21 |
| 302NR46190 | 2NR46190 | CONN.CORD ASSY S03945 MAIN-DRUM CONNECT | 21 |
| 302NR46200 | 2NR46200 | CONN.CORD ASSY S03946 ENGINE-CASSETTE | 22 |
| 302NR46210 | 2NR46210 | CONN.CORD ASSY S03947 ENGINE-LIFT | 22 |
| 302NR46230 | 2NR46230 | CONN.CORD ASSY S03951 ENGINE-IMAGE MOT | 22 |
| 302NR46240 | 2NR46240 | CONN.CORD ASSY S03952 ENGINE-DLP MOT | 22 |
| 302NR46260 | 2NR46260 | CONN.CORD ASSY S03956 MAIN-THERMISTOR | 19 |
| 302NR46270 | 2NR46270 | CONN.CORD ASSY S03957 ENGINE-CASSETTE SW | 22 |
| 302NR46290 | 2NR46290 | CONN.CORD ASSY S03959 ENGINE-LSU CL | 22 |
| 302NR46300 | 2NR46300 | CONN.CORD ASSY S03960 ENGINE-TONER MOT | 22 |
| 302NR46310 | 2NR46310 | CONN.CORD ASSY S03961 ENGINE-SOLENOID | 22 |
| 302NR46320 | 2NR46320 | CONN.CORD ASSY S03962 ENGINE-IMAGE FAN | 21 |
| 302NR46330 | 2NR46330 | CONN.CORD ASSY S03963 ENGINE-CONTAIN FAN | 21 |
| 302NR46350 | 2NR46350 | CONN.CORD ASSY S03965 USB HOST | 19 |
| 302NR46360 | 2NR46360 | CONN.CORD ASSY S03966 LVU-INTERLOCK | 19 |
| 302NR46370 | 2NR46370 | CONN.CORD ASSY S03967 LVU-HEATER CONNECT | 19 |
| 302NR46380 | 2NR46380 | CONN.CORD ASSY S03969 MIAN-LVU FAN | 19 |
| 302NR46390 | 2NR46390 | CONN.CORD ASSY S03971 ENGINE-FEED MOT | 22 |
| 302NR46410 | 2NR46410 | CONN.CORD ASSY S03975 INLET | 19 |
| 302NR46490 | 2NR46490 | CONN.CORD ASSY S04090 ENGINE-DRUM MOT | 22 |
| 302NR93010 | 2NR93010 | DK-5140 | 9 |
| 302NR93020 | 2NR93020 | DV-5140(K) | 8 |
| 302NR93030 | 2NR93030 | DV-5140(Y) | 8 |
| 302NR93040 | 2NR93040 | DV-5140(M) | 8 |
| 302NR93050 | 2NR93050 | DV-5140(C) | 8 |
| 302NR93060 | 2NR93060 | TR-5140 | 10 |
| 302NR93070 | 2NR93070 | LK-5140A | 7 |
| 302NR93080 | 2NR93080 | LK-5140B | 7 |
| 302NR93090 | 2NR93090 | FK-5140 | 11 |
| 302NR93100 | 2NR93100 | FK-5141 | 11 |

| Part.No. 部品番号 | Alternative. 代替部品番号 | Description 部品名称 | Fig.No. |
|------------------|------------------------|--|---------|
| 302NR93110 | 2NR93110 | FK-5142 | 11 |
| 302NR93130 | 2NR93130 | DR-5140 | 12 |
| 302NR93140 | 2NR93140 | MC-5140 | 9 |
| 302NR93150 | 2NR93150 | WT-5140 | 14 |
| 302NR94010 | 2NR94010 | PARTS CLUTCH 35 Z35R SP | 12 |
| 302NR94020 | 2NR94020 | PARTS ID SENSOR SP | 13 |
| 302NR94030 | 2NR94030 | PARTS HIGH VOLTAGE UNIT SP | 14 |
| 302NR94040 | 2NR94040 | PARTS SWITCHING REGULATOR 100V SP | 14 |
| 302NR94050 | 2NR94050 | PARTS SWITCHING REGULATOR 230V SP | 14 |
| 302NR94060 | 2NR94060 | PARTS ROLLER TRANSFER SP | 6 |
| 302NR94070 | 2NR94070 | PARTS TONER FULL DETECT ASSY SP | 14 |
| 302NR94080 | 2NR94080 | PARTS DC MOTOR ASSY SP | 13 |
| 302NR94100 | 2NR94100 | PARTS PWB ASSY CONTAINER CONN SP | 13 |
| 302NR94110 | 2NR94110 | PARTS PWB ASSY ENGINE CONNECT SP | 13 |
| 302NR94120 | 2NR94120 | PARTS PWB ASSY DRUM CONNECT SP | 13 |
| 302NR94130 | 2NR94130 | PARTS PWB ASSY EXIT SP | 5 |
| 302NR94160 | 2NR94160 | PARTS PWB ASSY SWITCH SP | 14 |
| 302NR94190 | 2NR94190 | PARTS CONVEYING 250 ASSY SP | 6 |
| 302NR94200 | 2NR94200 | PARTS CLEANER ID ASSY SP | 13 |
| 302NR94210 | 2NR94210 | PARTS COVER MPF ASSY SP | 4 |
| 302NR94220 | 2NR94220 | PARTS PLATE BOTTOM MPF ASSY SP | 4 |
| 302NR94250 | 2NR94250 | PARTS MIDDLE ROLLER ASSY SP | 3 |
| 302NR94260 | 2NR94260 | PARTS FEED DRIVE ASSY SP | 12 |
| 302NR94270 | 2NR94270 | PARTS SEPARATOR MPF ASSY SP | 4 |
| 302NS93010 | 2NS93010 | DV-5150(K) | 8 |
| 302NS93020 | 2NS93020 | DV-5150(Y) | 8 |
| 302NS93030 | 2NS93030 | DV-5150(M) | 8 |
| 302NS93040 | 2NS93040 | DV-5150(C) | 8 |
| 302NS94010 | 2NS94010 | PARTS SWITCHING REGULATOR 100V SP | 14 |
| 302NS94020 | 2NS94020 | PARTS SWITCHING REGULATOR 230V SP | 14 |
| 302NS94050 | 2NS94050 | PARTS PWB ASSY EXIT SP | 5 |
| 302NT06040 | 2NT06040 | HOLDER RETARD A | 3 |
| 302NT46010 | 2NT46010 | CONN.CORD ASSY S03927 MAIN-LVU | 19 |
| 302NT46070 | 2NT46070 | CONN.CORD ASSY S03968 LVU-HEATER CONNECT | 19 |
| 302NT93120 | 2NT93120 | DR-5150 | 12 |
| 302NT94060 | 2NT94060 | PARTS RETARD ASSY SP | 3 |
| 302NV02030 | 2NV02030 | ARM ISU LOWER | 1 |
| 302NV02040 | 2NV02040 | ARM ISU UPPER | 1 |
| 302NV02050 | 2NV02050 | PIN ARM ISU | 1 |
| 302NV02120 | 2NV02120 | SPRING-TORSION ISU A | 1 |
| 302NV02130 | 2NV02130 | SPRING-TORSION ISU B | 1 |
| 302NV04020 | 2NV04020 | LID TOP MPF | 1 |
| 302NV04040 | 2NV04040 | COVER RIGHT | 1 |
| 302NV04060 | 2NV04060 | COVER LEFT UPPER | 1 |
| 302NV04070 | 2NV04070 | COVER RIGHT UPPER | 1 |
| 302NV04080 | 2NV04080 | COVER RIGHT UPPER B | 1 |
| 302NV04110 | 2NV04110 | COVER CONNECTOR | 1 |
| 302NV04120 | 2NV04120 | SHEET RIGHT COVER | 1 |
| 302NV04140 | 2NV04140 | COVER INNER LEFT | 1 |
| 302NV04150 | 2NV04150 | COVER INNER RIGHT | 1 |
| 302NV04160 | 2NV04160 | COVER REAR UPPER | 1 |

| Part.No. 部品番号 | Alternative. 代替部品番号 | Description 部品名称 | Fig.No. |
|------------------|------------------------|---------------------------------------|---------|
| 302NV04210 | 2NV04210 | DUCT LID TOP MFP | 1 |
| 302NV04310 | 2NV04310 | COVER ISU LEFT | 1 |
| 302NV04320 | 2NV04320 | COVER ISU RIGHT | 1 |
| 302NV05010 | 2NV05010 | PANEL OPERATION | 15 |
| 302NV05030 | 2NV05030 | SHEET OPE ENG | 15 |
| 302NV05040 | 2NV05040 | SHEET OPE GER | 24 |
| 302NV05050 | 2NV05050 | SHEET OPE FRA | 24 |
| 302NV05060 | 2NV05060 | SHEET OPE ITA | 24 |
| 302NV05070 | 2NV05070 | SHEET OPE SPA | 24 |
| 302NV05080 | 2NV05080 | SHEET OPE POR | 24 |
| 302NV05090 | 2NV05090 | SHEET OPE DUT | 24 |
| 302NV05100 | 2NV05100 | SHEET OPE RUS | 24 |
| 302NV17030 | 2NV17030 | HOOK ISU | 16 |
| 302NV17090 | 2NV17090 | RAIL LID TOP | 16 |
| 302NV34010 | 2NV34010 | LABEL PRODUCT NAME | 1 |
| 302NV46020 | 2NV46020 | CONN.CORD ASSY S04064 ENGINE-PF | 22 |
| 302NV46030 | 2NV46030 | CONN.CORD ASSY S04065 MAIN-CCD | 23 |
| 302NV46040 | 2NV46040 | CONN.CORD ASSY S04066 MAIN-DP POWER | 23 |
| 302NV46050 | 2NV46050 | CONN.CORD ASSY S04067 MAIN-DP SIG | 23 |
| 302NV46060 | 2NV46060 | CONN.CORD ASSY S04078 MAIN-EXIT | 19 |
| 302NV46070 | 2NV46070 | CONN.CORD ASSY S04079 ENGINE-EXIT FAN | 21 |
| 302NV93010 | 2NV93010 | CT-5141 | 2 |
| 302NV93020 | 2NV93020 | PARTS ISU ASSY SP | 16 |
| 302NV93030 | 2NV93030 | PARTS DP ASSY SP | 17 |
| 302NV94010 | 2NV94010 | PARTS DC MOTOR ASSY SP | 13 |
| 302NV94020 | 2NV94020 | PARTS PWB ASSY DP-DRIVE SP | 4 |
| 302NV94030 | 2NV94030 | PARTS PWB ASSY B PANEL MAIN SP | 15 |
| 302NV94040 | 2NV94040 | PARTS PWB ASSY MAIN SP | 14 |
| 302NV94050 | 2NV94050 | PARTS PWB ASSY MAIN EU SP | 14 |
| 302NV94060 | 2NV94060 | PARTS FRAME ISU TOP ASSY SP | 16 |
| 302NV94070 | 2NV94070 | PARTS REAR COVER 250 MFP ASSY SP | 5 |
| 302NV94080 | 2NV94080 | PARTS PANEL UNIT B SP | 15 |
| 302NW05010 | 2NW05010 | PANEL OPERATION | 15 |
| 302NW05020 | 2NW05020 | SHEET OPE | 15 |
| 302NW05030 | 2NW05030 | SHEET OPE ENG | 15 |
| 302NW05040 | 2NW05040 | SHEET OPE GER | 24 |
| 302NW05050 | 2NW05050 | SHEET OPE FRA | 24 |
| 302NW05060 | 2NW05060 | SHEET OPE ITA | 24 |
| 302NW05070 | 2NW05070 | SHEET OPE SPA | 24 |
| 302NW05080 | 2NW05080 | SHEET OPE POR | 24 |
| 302NW05090 | 2NW05090 | SHEET OPE DUT | 24 |
| 302NW05100 | 2NW05100 | SHEET OPE RUS | 24 |
| 302NW34010 | 2NW34010 | LABEL PRODUCT NAME | 1 |
| 302NW46010 | 2NW46010 | CONN.CORD ASSY S04049 MAIN-EKUIO | 23 |
| 302NW94010 | 2NW94010 | PARTS PWB ASSY B PANEL MAIN SP | 15 |
| 302NW94020 | 2NW94020 | PARTS PWB ASSY EKUIO CONNECT SP | 14 |
| 302NW94030 | 2NW94030 | PARTS PWB ASSY MAIN SP | 14 |
| 302NW94040 | 2NW94040 | PARTS PWB ASSY MAIN EU SP | 14 |
| 302NW94050 | 2NW94050 | PARTS PANEL UNIT B SP | 15 |
| 302NW94060 | 2NW94060 | PARTS PWB ASSY MAIN JP SP | 14 |
| 302P794010 | 2P794010 | PARTS SENSOR OPT. SP | 4,14 |

| Part.No. 部品番号 | Alternative. 代替部品番号 | Description 部品名称 | Fig.No. |
|------------------|------------------------|---|---------|
| 302P794060 | 2P794060 | PARTS MOTOR EJECT SP | 12 |
| 302PB02020 | 2PB02020 | SPRING-TORSION ISU A | 1 |
| 302PB34010 | 2PB34010 | LABEL PRODUCT NAME | 1 |
| 302PB46010 | 2PB46010 | CONN.CORD ASSY S04050 PANEL HYPAS SIG | 23 |
| 302PB46020 | 2PB46020 | CONN.CORD ASSY S04051 PANEL HYPAS POWER | 23 |
| 302PB46030 | 2PB46030 | CONN.CORD ASSY S04052 MAIN-PANEL USB | 23 |
| 302PB46040 | 2PB46040 | CONN.CORD ASSY S04053 MAIN-CARD READER | 23 |
| 302PB46050 | 2PB46050 | CONN.CORD ASSY S04085 MAIN-STAP CONNECT | 19 |
| 302PB46060 | 2PB46060 | CONN.CORD ASSY S04088 H PANEL FG | 15 |
| 302PB93010 | 2PB93010 | FK-5150 | 11 |
| 302PB93020 | 2PB93020 | FK-5151 | 11 |
| 302PB93030 | 2PB93030 | FK-5152 | 11 |
| 302PB94010 | 2PB94010 | PARTS PWB ASSY MAIN SP | 14 |
| 302PB94020 | 2PB94020 | PSRTA PWB ASSY MAIN EU SP | 14 |
| 302PB94030 | 2PB94030 | PARTS LCD UNIT H SP | 15 |
| 302PC34010 | 2PC34010 | LABEL PRODUCT NAME | 1 |
| 302PC94010 | 2PC94010 | PARTS PWB ASSY H PANEL MAIN SP | 15 |
| 302PC94020 | 2PC94020 | PARTS PWB ASSY H PANEL KEY-R SP | 15 |
| 302PC94030 | 2PC94030 | PARTS PWB ASSY MAIN SP | 14 |
| 302PC94040 | 2PC94040 | PARTS PWB ASSY MAIN EU SP | 14 |
| 302PC94050 | 2PC94050 | PARTS PWB ASSY MAIN JP SP | 14 |
| 302PC94080 | 2PC94080 | PARTS PWB ASSY H PANEL MAIN JP SP | 15 |
| 302PL94020 | 2PL94020 | PARTS FAX UNIT E SP | 18 |
| 302PL94030 | 2PL94030 | PARTS FAX UNIT J SP | 18 |
| 302PL94040 | 2PL94040 | PARTS FAX UNIT U SP | 18 |
| 302PL94050 | 2PL94050 | PARTS FAX UNIT AS SP | 18 |
| 303LJ94070 | 3LJ94070 | PARTS PLATE ORIGINAL SP | 17 |
| 303MH04040 | 3MH04040 | PIN COVER | 13 |
| 303NB94040 | 3NB94040 | PARTS MOTOR-PM MOVING SP | 12 |
| 303NW94040 | 3NW94040 | PARTS SENSOR OPT. SP | 13 |
| 3V2LV04180 | 2LV04180 | KEY SW | 1 |
| 3V2NM05010 | 2NM05010 | COVER OPERATION RIGHT | 15 |
| 3V2NM05020 | 2NM05020 | COVER OPERATION LEFT | 15 |
| 3V2NM05040 | 2NM05040 | COVER LCD LOWER | 15 |
| 3V2NM05050 | 2NM05050 | COVER PANEL RIGHT | 15 |
| 3V2NM05060 | 2NM05060 | COVER PANEL LEFT | 15 |
| 3V2NM05160 | 2NM05160 | LID OPERATION LEFT | 15 |
| 3V2NM05170 | 2NM05170 | LID OPERATION RIGHT | 15 |
| 3V2NM05220 | 2NM05220 | LEVER LCD | 15 |
| 3V2NM05270 | 2NM05270 | LABEL OPERATION RIGHT | 15 |
| 3V2NM05280 | 2NM05280 | LABEL OPERATION LEFT | 15 |
| 3V2NM05380 | 2NM05380 | LABEL OPERATION LEFT GER | 24 |
| 3V2NM05390 | 2NM05390 | LABEL OPERATION LEFT FRA | 24 |
| 3V2NM05400 | 2NM05400 | LABEL OPERATION LEFT ITA | 24 |
| 3V2NM05410 | 2NM05410 | LABEL OPERATION LEFT SPA | 24 |
| 3V2NM05420 | 2NM05420 | LABEL OPERATION LEFT POR | 24 |
| 3V2NM05430 | 2NM05430 | LABEL OPERATION LEFT DUT | 24 |
| 3V2NM05440 | 2NM05440 | LABEL OPERATION LEFT RUS | 24 |
| 3V2NM05450 | 2NM05450 | LABEL OPERATION RIGHT GER | 24 |
| 3V2NM05460 | 2NM05460 | LABEL OPERATION RIGHT FRA | 24 |
| 3V2NM05470 | 2NM05470 | LABEL OPERATION RIGHT ITA | 24 |

| Part.No. 部品番号 | Alternative. 代替部品番号 | Description 部品名称 | Fig.No. |
|------------------|------------------------|------------------------------------|---------|
| 3V2NM05480 | 2NM05480 | LABEL OPERATION RIGHT SPA | 24 |
| 3V2NM05490 | 2NM05490 | LABEL OPERATION RIGHT POR | 24 |
| 3V2NM05500 | 2NM05500 | LABEL OPERATION RIGHT DUT | 24 |
| 3V2NM05510 | 2NM05510 | LABEL OPERATION RIGHT RUS | 24 |
| 3V2NM05520 | 2NM05520 | LABEL OPERATION RIGHT E | 15 |
| 3V2NM05590 | 2NM05590 | LABEL OPERATION LEFT E | 15 |
| 3V2NM18260 | 2NM18260 | ACTUATOR TIMING | 17 |
| 3V2NM18420 | 2NM18420 | COVER REAR | 17 |
| 3V2NM18430 | 2NM18430 | COVER PF | 17 |
| 3V2NM18750 | 2NM18750 | ACTUATOR ORIGINAL | 17 |
| 3V2NM18790 | 2NM18790 | ACTUATOR PF | 17 |
| 3V2NM46130 | 2NM46130 | CONN.CORD ASSY S03840 CCD-LED | 23 |
| 3V2NM46140 | 2NM46140 | CONN.CORD ASSY S03841 CCD-HP | 23 |
| 3V2NM46290 | 2NM46290 | CONN.CORD ASSY S03869 BACKLIGHT | 23 |
| 3V2NV18030 | 2NV18030 | COVER FRONT | 17 |
| 3V2NV46100 | 2NV46100 | CONN.CORD ASSY S04068 MAIN-DP UNIT | 23 |
| 3V2NY05020 | 2NY05020 | LABEL OPERATION LEFT 3IN1 E | 15 |
| 3V2NY05030 | 2NY05030 | COVER PANEL LEFT 3IN1 | 15 |
| 3V2NY05040 | 2NY05040 | LABEL OPERATION LEFT 3IN1 GER | 24 |
| 3V2NY05050 | 2NY05050 | LABEL OPERATION LEFT 3IN1 FRA | 24 |
| 3V2NY05060 | 2NY05060 | LABEL OPERATION LEFT 3IN1 ITA | 24 |
| 3V2NY05070 | 2NY05070 | LABEL OPERATION LEFT 3IN1 SPA | 24 |
| 3V2NY05080 | 2NY05080 | LABEL OPERATION LEFT 3IN1 POR | 24 |
| 3V2NY05090 | 2NY05090 | LABEL OPERATION LEFT 3IN1 DUT | 24 |
| 3V2NY05100 | 2NY05100 | LABEL OPERATION LEFT 3IN1 RUS | 24 |
| 3V2NY05140 | 2NY05140 | LABEL OPERATION RIGHT 3IN1 E | 15 |
| 3V2NY05150 | 2NY05150 | LABEL OPERATION RIGHT 3IN1 GER | 24 |
| 3V2NY05160 | 2NY05160 | LABEL OPERATION RIGHT 3IN1 FRA | 24 |
| 3V2NY05170 | 2NY05170 | LABEL OPERATION RIGHT 3IN1 ITA | 24 |
| 3V2NY05180 | 2NY05180 | LABEL OPERATION RIGHT 3IN1 SPA | 24 |
| 3V2NY05190 | 2NY05190 | LABEL OPERATION RIGHT 3IN1 POR | 24 |
| 3V2NY05200 | 2NY05200 | LABEL OPERATION RIGHT 3IN1 DUT | 24 |
| 3V2NY05210 | 2NY05210 | LABEL OPERATION RIGHT 3IN1 RUS | 24 |
| 3V2NZ05010 | 2NZ05010 | COVER OPERATION | 15 |
| 3V2NZ05180 | 2NZ05180 | LID OPERATION SHEET | 15 |
| 3V2PB05010 | 2PB05010 | COVER LCD UPPER | 15 |
| 7AAACCJP+15H007 | AA150200 | AC CORD ASSY JP | 14 |
| 7SM010104+++H01 | SM055200 | SW.MICRO | 14 |
| 7SP01000004+H01 | SP136500 | SW.PUSH | 13,14 |
| | | | |
| | | | |
| | | | |
| | | | |
| | | | |
| | | | |
| | | | |
| | | | |
| | | | |
| | | | |
| | | | |
| | | | |
| | | | |
| | | | |
| | | | |
| | | | |
| | | | |

KYOCERA Document Solutions America, Inc.**Headquarters**

225 Sand Road,
Fairfield, New Jersey 07004-0008, USA
Phone: +1-973-808-8444
Fax: +1-973-882-6000

Latin America

8240 NW 52nd Terrace Dawson Building, Suite 100
Miami, Florida 33166, USA
Phone: +1-305-421-6640
Fax: +1-305-421-6666

KYOCERA Document Solutions Canada, Ltd.

6120 Kestrel Rd., Mississauga, ON L5T 1S8,
Canada
Phone: +1-905-670-4425
Fax: +1-905-670-8116

**KYOCERA Document Solutions
Mexico, S.A. de C.V.**

Calle Arquimedes No. 130, 4 Piso, Colonia Polanco
Chapultepec, Delegacion Miguel Hidalgo,
Distrito Federal, C.P. 11560, México
Phone: +52-555-383-2741
Fax: +52-555-383-7804

KYOCERA Document Solutions Brazil, Ltda.

Alameda África, 545, Pólo Empresarial Consbrás,
Tamboré, Santana de Parnaíba-SP, CEP 06543-306,
Brazil
Phone: +55-11-4195-8496
Fax: +55-11-4195-6167

KYOCERA Document Solutions Chile SpA

Jose Ananias 505, Macul. Santiago, Chile
Phone: +562-2350-7000
Fax: +562-2350-7150

**KYOCERA Document Solutions
Australia Pty. Ltd.**

Level 3, 6-10 Talavera Road North Ryde N.S.W, 2113,
Australia
Phone: +61-2-9888-9999
Fax: +61-2-9888-9588

**KYOCERA Document Solutions
New Zealand Ltd.**

Ground Floor, 19 Byron Avenue, Takapuna, Auckland,
New Zealand
Phone: +64-9-415-4517
Fax: +64-9-415-4597

KYOCERA Document Solutions Asia Limited

16/F., Mita Centre, 552-566, Castle Peak Road
Tsuenwan, NT, Hong Kong
Phone: +852-2610-2181
Fax: +852-2610-2063

**KYOCERA Document Solutions
(China) Corporation**

8F, No. 288 Nanjing Road West, Huangpu District,
Shanghai, 200003, China
Phone: +86-21-5301-1777
Fax: +86-21-5302-8300

**KYOCERA Document Solutions
(Thailand) Corp., Ltd.**

335 Ratchadapisek Road, Bangsue, Bangkok 10800,
Thailand
Phone: +66-2-586-0333
Fax: +66-2-586-0278

**KYOCERA Document Solutions
Singapore Pte. Ltd.**

12 Tai Seng Street #04-01A,
Luxasia Building, Singapore 534118
Phone: +65-6741-8733
Fax: +65-6748-3788

**KYOCERA Document Solutions
Hong Kong Limited**

16/F., Mita Centre, 552-566, Castle Peak Road
Tsuenwan, NT, Hong Kong
Phone: +852-3582-4000
Fax: +852-3185-1399

**KYOCERA Document Solutions
Taiwan Corporation**

6F., No.37, Sec. 3, Minguan E. Rd.,
Zhongshan Dist., Taipei 104, Taiwan R.O.C.
Phone: +886-2-2507-6709
Fax: +886-2-2507-8432

KYOCERA Document Solutions Korea Co., Ltd.

18F, Kangnam bldg, 1321-1,
Seocho-Dong, Seocho-Gu, Seoul, Korea
Phone: +822-6933-4050
Fax: +822-747-0084

**KYOCERA Document Solutions
India Private Limited**

Second floor, Centrum Plaza, Golf Course Road,
Sector-53, Gurgaon, Haryana 122002, India
Phone: +91-0124-4671000
Fax: +91-0124-4671001

KYOCERA Document Solutions Europe B.V.

Bloemlaan 4, 2132 NP Hoofddorp,
The Netherlands
Phone: +31-20-654-0000
Fax: +31-20-653-1256

KYOCERA Document Solutions Nederland B.V.

Beechavenue 25, 1119 RA Schiphol-Rijk,
The Netherlands
Phone: +31-20-5877200
Fax: +31-20-5877260

KYOCERA Document Solutions (U.K.) Limited

Eldon Court, 75-77 London Road,
Reading, Berkshire RG1 5BS,
United Kingdom
Phone: +44-118-931-1500
Fax: +44-118-931-1108

KYOCERA Document Solutions Italia S.p.A.

Via Monfalcone 15, 20132, Milano, Italy,
Phone: +39-02-921791
Fax: +39-02-92179-600

KYOCERA Document Solutions Belgium N.V.

Sint-Martinusweg 199-201 1930 Zaventem,
Belgium
Phone: +32-2-7209270
Fax: +32-2-7208748

KYOCERA Document Solutions France S.A.S.

Espace Technologique de St Aubin
Route de l'Orme 91195 Gif-sur-Yvette CEDEX,
France
Phone: +33-1-69852600
Fax: +33-1-69853409

KYOCERA Document Solutions Espana, S.A.

Edificio Kyocera, Avda. de Manacor No.2,
28290 Las Matas (Madrid), Spain
Phone: +34-91-6318392
Fax: +34-91-6318219

KYOCERA Document Solutions Finland Oy

Atomitie 5C, 00370 Helsinki,
Finland
Phone: +358-9-47805200
Fax: +358-9-47805390

**KYOCERA Document Solutions
Europe B.V., Amsterdam (NL) Zürich Branch**

Hohlstrasse 614, 8048 Zürich,
Switzerland
Phone: +41-44-9084949
Fax: +41-44-9084950

**KYOCERA Document Solutions
Deutschland GmbH**

Otto-Hahn-Strasse 12, 40670 Meerbusch,
Germany
Phone: +49-2159-9180
Fax: +49-2159-918100

KYOCERA Document Solutions Austria GmbH

Altmannsdorferstraße 91, Stiege 1, 2. OG, Top 1, 1120,
Wien, Austria
Phone: +43-1-863380
Fax: +43-1-86338-400

KYOCERA Document Solutions Nordic AB

Esbogatan 16B 164 75 Kista, Sweden
Phone: +46-8-546-550-00
Fax: +46-8-546-550-10

**京セラドキュメントソリューションズ株式会社
京セラドキュメントソリューションズジャパン株式会社**

 **KYOCERA** は京セラ株式会社の登録商標です。

KYOCERA Document Solutions Norge Nuf

Olaf Helsetsv. 6, 0619 Oslo, Norway
Phone: +47-22-62-73-00
Fax: +47-22-62-72-00

KYOCERA Document Solutions Danmark A/S

Ejby Industrivej 60, DK-2600 Glostrup,
Denmark
Phone: +45-70223880
Fax: +45-45765850

KYOCERA Document Solutions Portugal Lda.

Rua do Centro Cultural, 41 (Alvalade) 1700-106 Lisboa,
Portugal
Phone: +351-21-843-6780
Fax: +351-21-849-3312

**KYOCERA Document Solutions
South Africa (Pty) Ltd.**

KYOCERA House, Hertford Office Park,
90 Bekker Road (Cnr. Allandale), Midrand, South Africa
Phone: +27-11-540-2600
Fax: +27-11-466-3050

KYOCERA Document Solutions Russia LLC.

Building 2, 51/4, Schepkina St., 129110, Moscow,
Russia
Phone: +7(495)741-0004
Fax: +7(495)741-0018

KYOCERA Document Solutions Middle East

Dubai Internet City, Bldg. 17,
Office 157 P.O. Box 500817, Dubai,
United Arab Emirates
Phone: +971-04-433-0412

KYOCERA Document Solutions Inc.

2-28, 1-chome, Tamatsukuri, Chuo-ku
Osaka 540-8585, Japan
Phone: +81-6-6764-3555
<http://www.kyoceradocumentsolutions.com>