



---

**FS-C2526MFP**  
**FS-C2626MFP**  
**ECOSYS M6026cidn**  
**ECOSYS M6526cidn**  
**ECOSYS M6026cidn Type B**  
**ECOSYS M6526cidn Type B**

## **PARTS LIST**

Published in April 2014  
2M8PL076  
842M8126  
Rev.6

## — CONTENTS —

|         |                                    |    |
|---------|------------------------------------|----|
| FIG. 1  | Covers .....                       | 2  |
| FIG. 2  | Paper Cassette .....               | 4  |
| FIG. 3  | Paper Feed Section 1 .....         | 6  |
| FIG. 4  | Paper Feed Section 2 .....         | 8  |
| FIG. 5  | Paper Conveying Section .....      | 10 |
| FIG. 6  | Laser Scanner Section .....        | 12 |
| FIG. 7  | Developer Section .....            | 14 |
| FIG. 8  | Image Formation Section .....      | 16 |
| FIG. 9  | Transfer Section .....             | 18 |
| FIG. 10 | Fuser Section .....                | 20 |
| FIG. 11 | Drive Section .....                | 22 |
| FIG. 12 | Electrical Components 1 .....      | 24 |
| FIG. 13 | Electrical Components 2 .....      | 26 |
| FIG. 14 | Operation Section .....            | 28 |
| FIG. 15 | Scanner Section .....              | 30 |
| FIG. 16 | Document Processor .....           | 32 |
| FIG. 17 | FAX Section ((AF),(BF),(CF)) ..... | 34 |
| FIG. 18 | Accessories ((A),(B),(C)) .....    | 36 |
| FIG. 18 | Accessories ((AF),(BF),(CF)) ..... | 38 |
| FIG. 19 | Maintenance Kits .....             | 40 |
|         | • INDEX .....                      | 41 |

### <Notation of products>

For the purpose of this parts list, products are identified as following.

FS-C2526MFP : (A)

FS-C2626MFP : (AF)

ECOSYS M6026cidn : (B)

ECOSYS M6526cidn : (BF)

ECOSYS M6026cidn Type B : (C)

ECOSYS M6526cidn Type B : (CF)

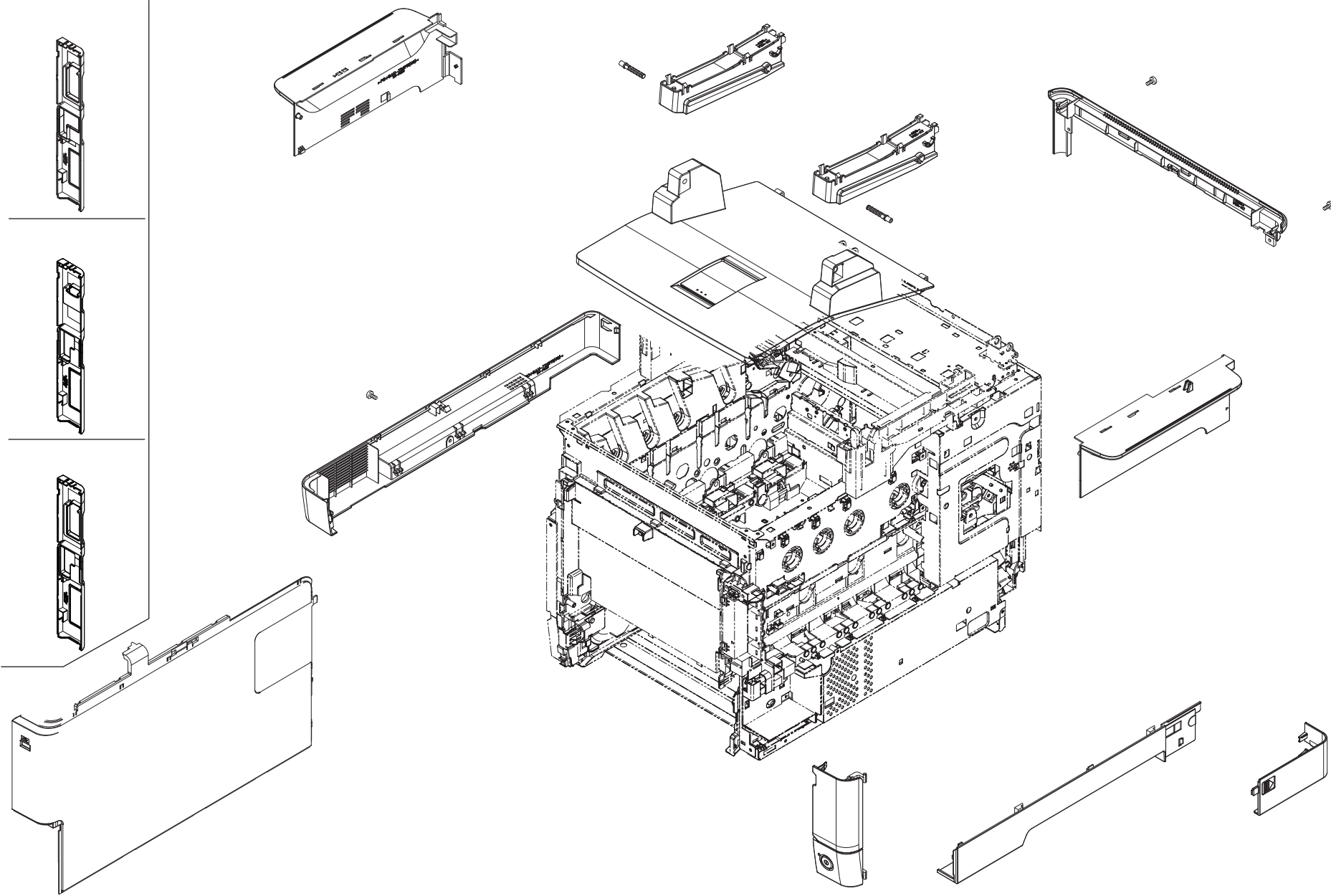


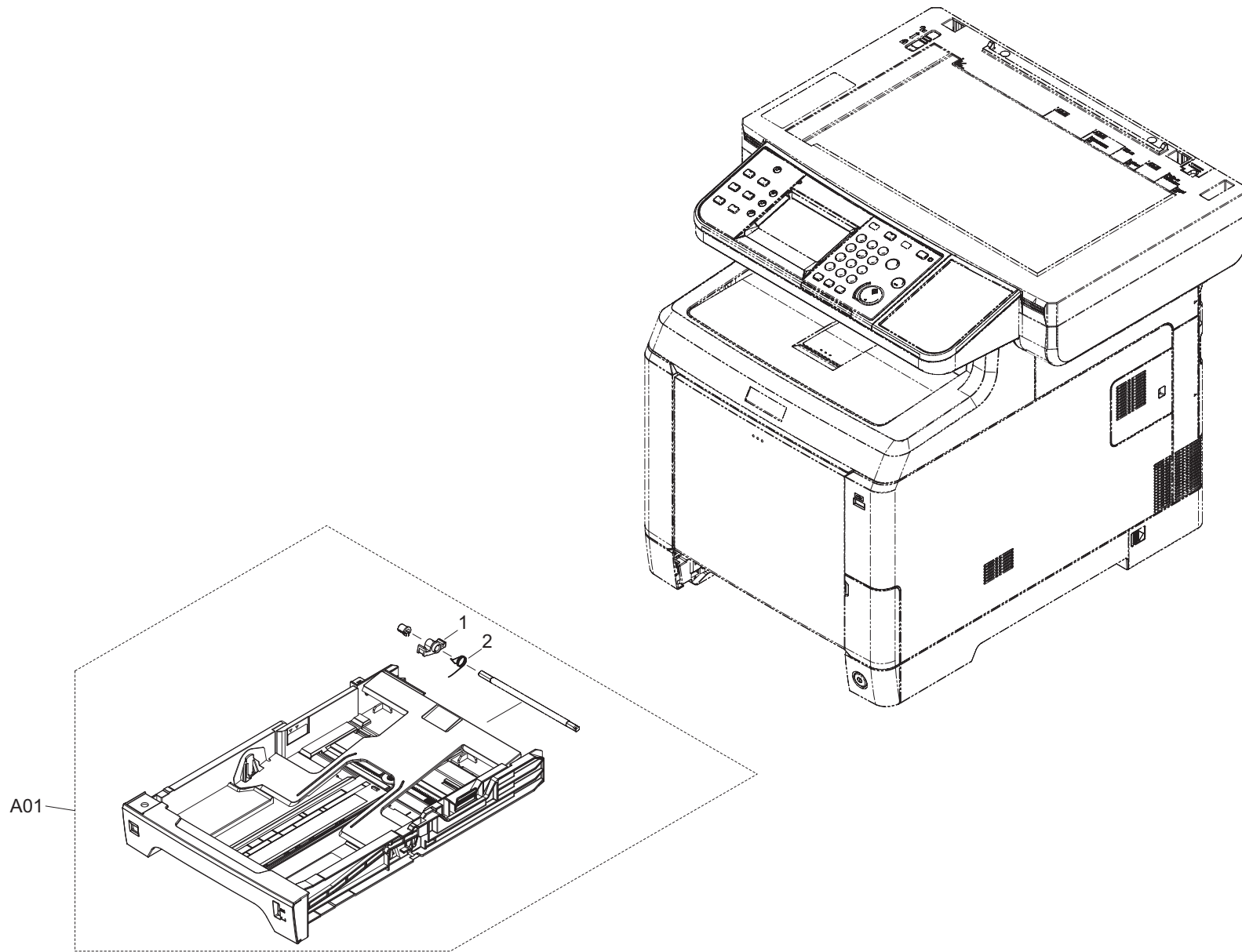
FIG. 1 Covers

2M8/2M9/2PX/2PY-5

| Ref. No. | Part.No.   | Alternative. | Description                     | Notes             | Quantity |     |     |
|----------|------------|--------------|---------------------------------|-------------------|----------|-----|-----|
|          |            |              |                                 |                   | 120      | 230 | 240 |
| 1        | 302KW94100 | 2KW94100     | PARTS COVER RIGHT UPPER ASSY SP |                   | 1        |     |     |
| 1        | 302KW04040 | 2KW04040     | COVER RIGHT UPPER               |                   |          | 1   | 1   |
| 2        | 302KW94090 | 2KW94090     | PARTS COVER FRONT ASSY SP       |                   | 1        | 1   | 1   |
| 3        | 302KT94060 | 2KT94060     | PARTS COVER WASTE ASSY SP       |                   | 1        | 1   | 1   |
| 4        | 302KV94110 | 2KV94110     | PARTS COVER RIGHT ASSY SP       | (A),(AF),(B),(BF) | 1        | 1   | 1   |
| 4        | 302PT94080 | 2PT94080     | PARTS COVER RIGHT ASSY(B) SP    | (C),(CF)          | 1        | 1   | 1   |
| 5        | 302KW94080 | 2KW94080     | PARTS LID TOP M ASSY SP         |                   | 1        | 1   | 1   |
| 6        | 302HN08140 | 2HN08140     | LUTCH                           |                   | 1        | 1   | 1   |
| 7        | 302KT04010 | 2KT04010     | COVER LEFT BOTTOM               |                   | 1        | 1   | 1   |
| 8        | 302KT04020 | 2KT04020     | COVER RIGHT BOTTOM              |                   | 1        | 1   | 1   |
| 9        | 302KT04030 | 2KT04030     | COVER CABLE                     |                   | 1        | 1   | 1   |
| 10       | 302KV04030 | 2KV04030     | COVER LEFT                      |                   | 1        | 1   | 1   |
| 11       | 302KV04060 | 2KV04060     | COVER LEFT REAR                 |                   | 1        | 1   | 1   |
| 12       | 302KV04070 | 2KV04070     | COVER RIGHT REAR                |                   | 1        | 1   | 1   |
| 13       | 302KV04130 | 2KV04130     | STRAP COVER REAR                |                   | 2        | 2   | 2   |
| 14       | 302KW04030 | 2KW04030     | COVER LEFT UPPER                |                   | 1        | 1   | 1   |
| 15       | 302M804010 | 2M804010     | COVER CONNECTOR                 | (A)               | 1        | 1   | 1   |
| 15       | 302PS04010 | 2PS04010     | COVER CONNECTOR                 | (B),(C)           | 1        | 1   | 1   |
| 15       | 302M904010 | 2M904010     | COVER CONNECTOR                 | (AF)              | 1        | 1   | 1   |
| 15       | 302PY04010 | 2PY04010     | COVER CONNECTOR                 | (BF),(CF)         | 1        | 1   | 1   |
| 16       | 302KW04090 | 2KW04090     | PIN LID TOP                     |                   | 2        | 2   | 2   |
| 17       | 302KW04050 | 2KW04050     | COVER REAR UPPER                |                   | 1        | 1   | 1   |
| 18       | 302KW02050 | 2KW02050     | RAIL ISU                        |                   | 2        | 2   | 2   |
| 19       | 302KW02170 | 2KW02170     | RAIL ISU B                      |                   | 2        | 2   | 2   |
| 20       | 302KW02160 | 2KW02160     | HOLDER SPRING ISU               |                   | 2        | 2   | 2   |
| 21       | 302KW17251 | 2KW17251     | RAIL LID TOP                    |                   | 2        | 2   | 2   |
| 101      | 7BB780308H | BB111200     | +BIND T.T S SCREW 3X8 SR(BLACK) |                   |          |     |     |
| 102      | 7BB200312H | BB105680     | +BIND T.T P SCREW 3X12          |                   |          |     |     |

• Parts with Ref.No. indicate maintenance parts and the ones without it indicate out of the above.

• Parts with "." are component parts or sub-assemblies of the assembly appearing immediately above them.  
 • Parts with ". ." are component parts or sub-assembly with "." appearing immediately above them.





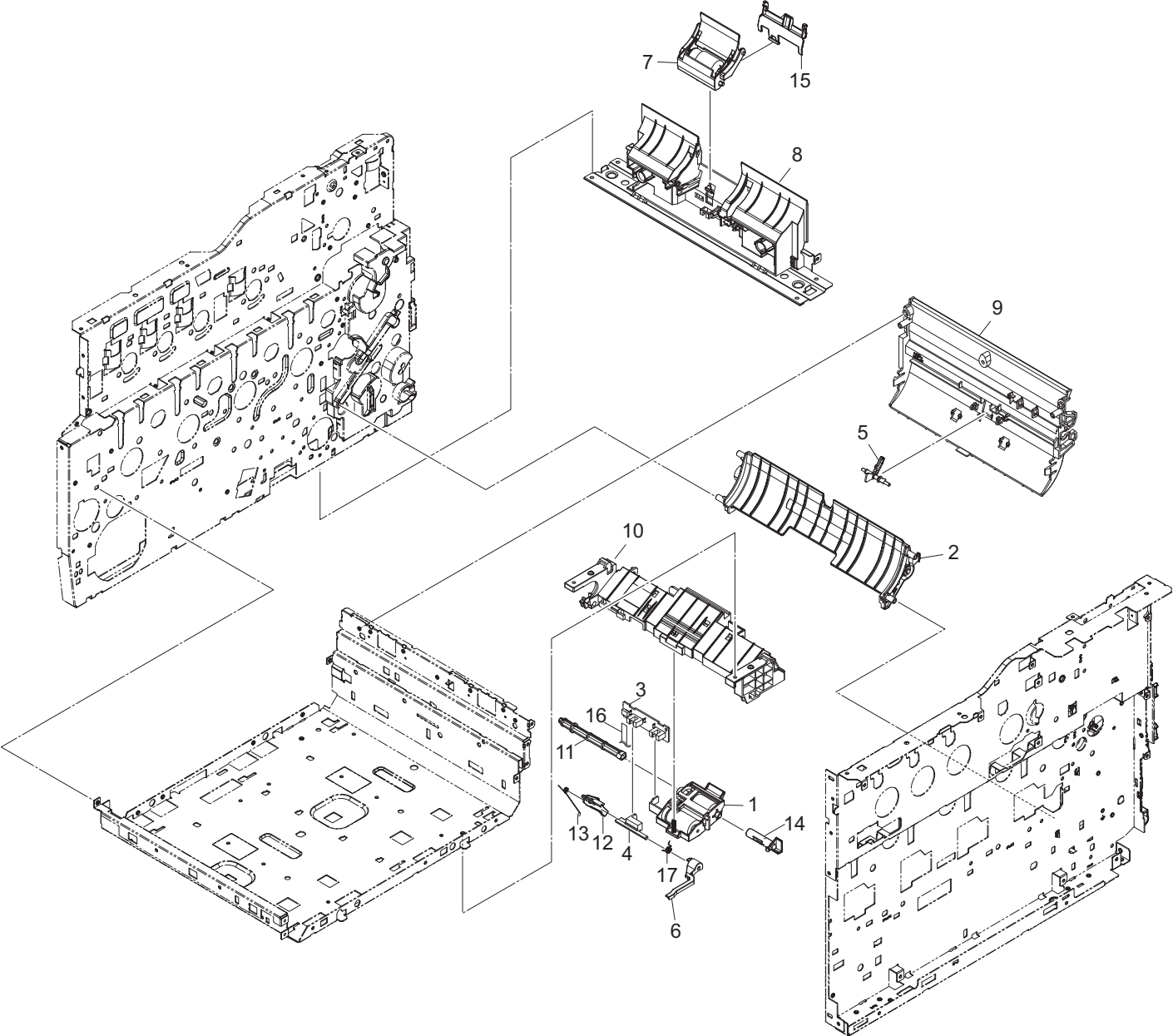


FIG. 3 Paper Feed Section 1

2M8/2M9/2PX/2PY-6

| Ref. No. | Part.No.   | Alternative. | Description                        | Notes | Quantity |     |     |
|----------|------------|--------------|------------------------------------|-------|----------|-----|-----|
|          |            |              |                                    |       | 120      | 230 | 240 |
| 1        | 302KV94191 | 2KV94191     | PARTS HOLDER FEED ASSY SP          |       | 1        | 1   | 1   |
| 2        | 302KV94200 | 2KV94200     | PARTS HOLDER MIDDLE ROLLER ASSY SP |       | 1        | 1   | 1   |
| 3        | 302KT94070 | 2KT94070     | PARTS PWB ASSY CASSETTE SP         |       | 1        | 1   | 1   |
| 4        | 302KT06050 | 2KT06050     | ACTUATOR PE                        |       | 1        | 1   | 1   |
| 5        | 302KV06090 | 2KV06090     | ACTUATOR REGIST                    |       | 1        | 1   | 1   |
| 6        | 302KV06341 | 2KV06341     | ACTUATOR B                         |       | 1        | 1   | 1   |
| 7        | 302KT94051 | 2KT94051     | PARTS HOLDER RETARD ASSY SP        |       | 1        | 1   | 1   |
| 8        | 302KT06011 | 2KT06011     | GUIDE CASSETTE                     |       | 1        | 1   | 1   |
| 9        | 302KV06012 | 2KV06012     | FRAME FEED                         |       | 1        | 1   | 1   |
| 10       | 302KV06031 | 2KV06031     | GUIDE PICK HOLDER                  |       | 1        | 1   | 1   |
| 11       | 302KV06151 | 2KV06151     | SHAFT FEED                         |       | 1        | 1   | 1   |
| 12       | 302KV06180 | 2KV06180     | RELEASE ACTUATOR PE                |       | 1        | 1   | 1   |
| 13       | 302KV06350 | 2KV06350     | SPRING ACTUATOR A                  |       | 1        | 1   | 1   |
| 14       | 302KV06370 | 2KV06370     | PIN FEED                           |       | 1        | 1   | 1   |
| 15       | 302KV06610 | 2KV06610     | COVER RETARD                       |       | 1        | 1   | 1   |
| 16       | 302KV46450 | 2KV46450     | CONN.CORD ASSY S03586              |       | 1        | 1   | 1   |
| 17       | 302KV06201 | 2KV06201     | SPRING ACT                         |       | 1        | 1   | 1   |

• Parts with Ref.No. indicate maintenance parts and the ones without it indicate out of the above.

• Parts with "•" are component parts or sub-assemblies of the assembly appearing immediately above them.  
 • Parts with "• •" are component parts or sub-assembly with "•" appearing immediately above them.



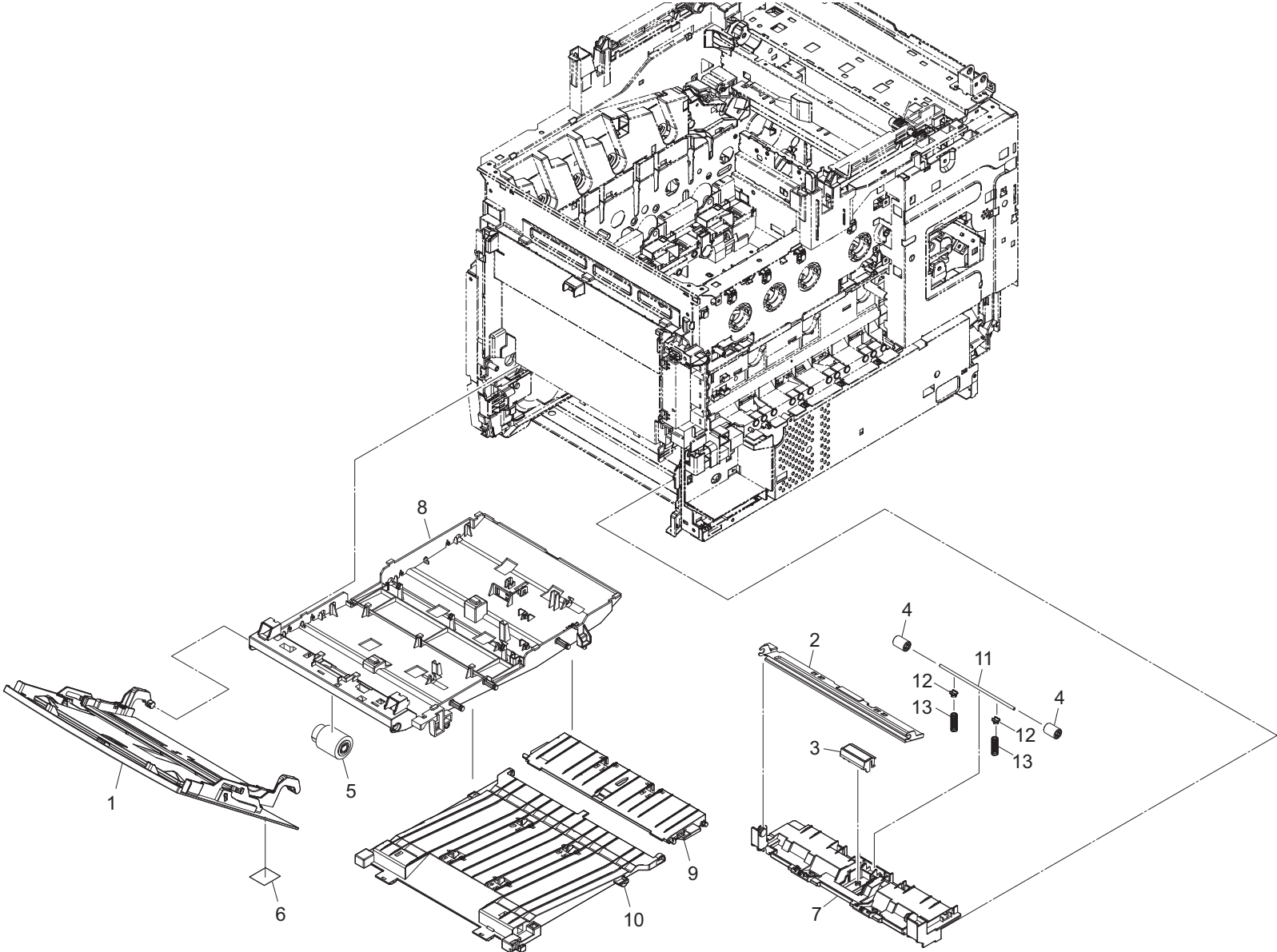


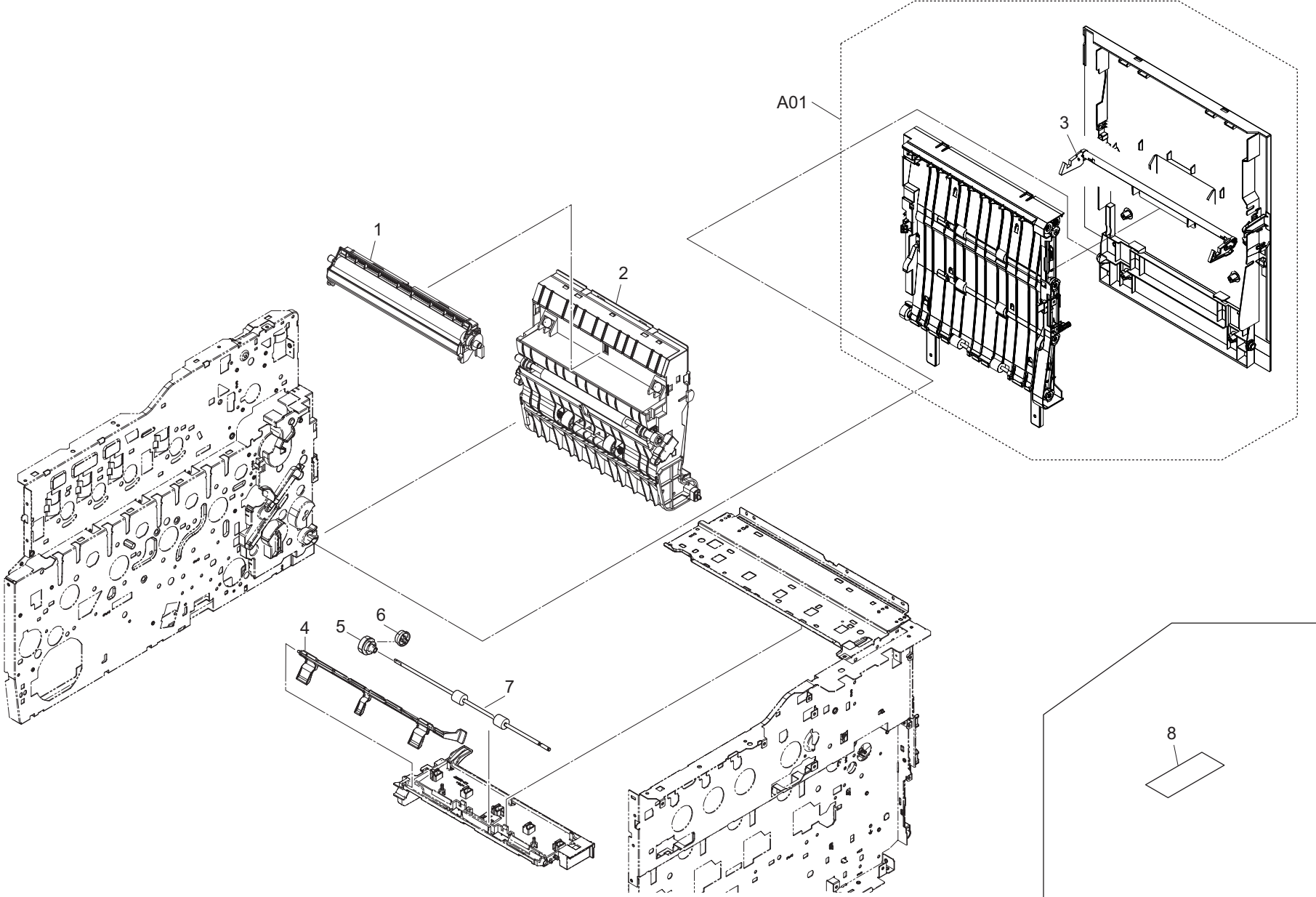
FIG. 4 Paper Feed Section 2

2M8/2M9/2PX/2PY-6

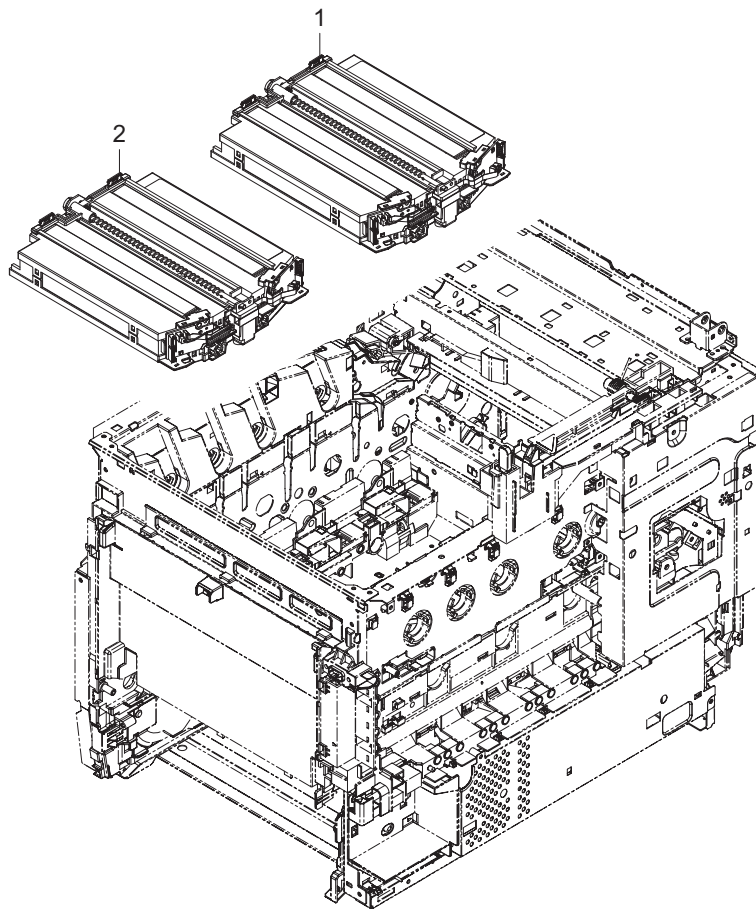
| Ref. No. | Part.No.     | Alternative. | Description                    | Notes          | Quantity |     |     |
|----------|--------------|--------------|--------------------------------|----------------|----------|-----|-----|
|          |              |              |                                |                | 120      | 230 | 240 |
| 1        | 302KV94130   | 2KV94130     | PARTS COVER MPF ASSY SP        |                | 1        | 1   | 1   |
| 2        | 302KV94150   | 2KV94150     | PARTS PLATE BOTTOM MPF ASSY SP |                | 1        | 1   | 1   |
| 3        | 302KV94140   | 2KV94140     | PARTS SEPARATOR MPF ASSY SP    |                | 1        | 1   | 1   |
| 4        | 302F929050   | 2F929050     | PULLEY FEED DU                 |                | 2        | 2   | 2   |
| 5        | 5AAVR0LL+051 | 2CL16130     | ROLLER M/P ASSY /43487B0027 A4 |                | 1        | 1   | 1   |
| 6        | 302G634070   | 2G634070     | LABEL ENERGY STAR              | (B)(BF)(C)(CF) | 1        | 1   | 1   |
| 7        | 302KV08041   | 2KV08041     | FRAME MPF                      |                | 1        | 1   | 1   |
| 8        | 302KV08150   | 2KV08150     | GUIDE MPF FEED UP              |                | 1        | 1   | 1   |
| 9        | 302KV08160   | 2KV08160     | GUIDE MPF FEED LOW A           |                | 1        | 1   | 1   |
| 10       | 302KV08281   | 2KV08281     | GUIDE MPF FEED LOW B           |                | 1        | 1   | 1   |
| 11       | 302KV06230   | 2KV06230     | SHAFT MIDDLE PULLEY            |                | 1        | 1   | 1   |
| 12       | 302KV24090   | 2KV24090     | BUSH SPRING FEED               |                | 2        | 2   | 2   |
| 13       | 302KV08120   | 2KV08120     | SPRING PULLEY MPF              |                | 2        | 2   | 2   |

• Parts with Ref.No. indicate maintenance parts and the ones without it indicate out of the above.

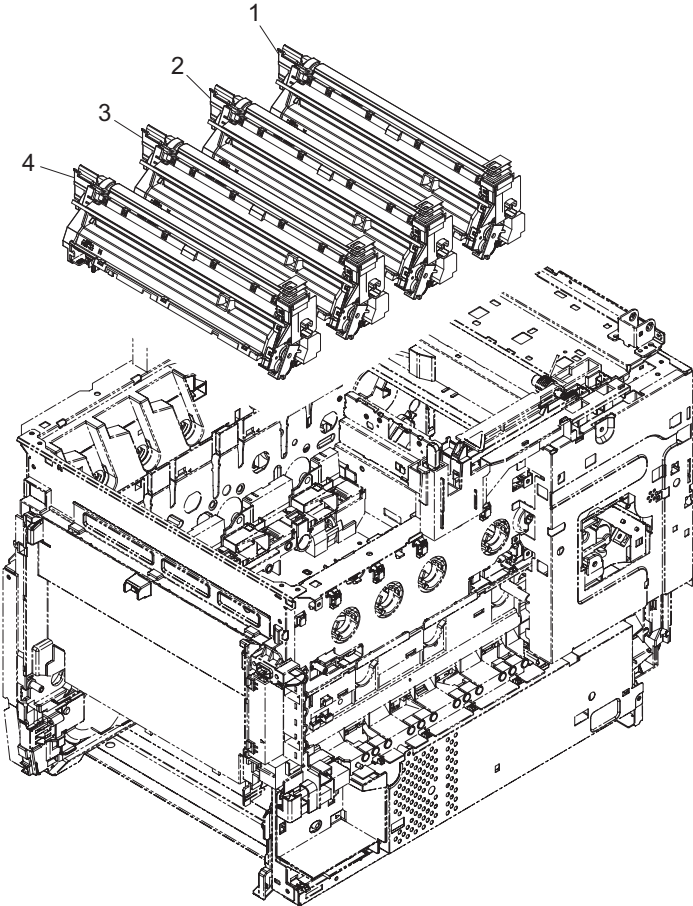
• Parts with "." are component parts or sub-assemblies of the assembly appearing immediately above them.  
 • Parts with ". ." are component parts or sub-assembly with "." appearing immediately above them.





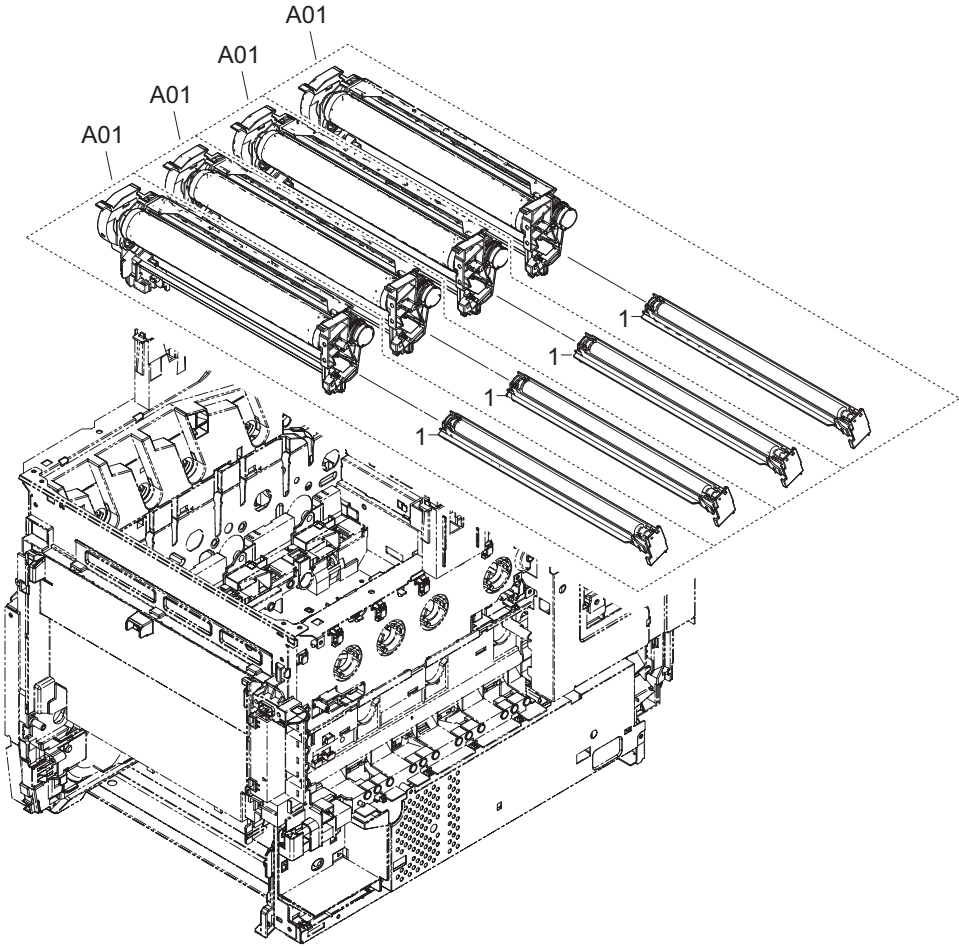




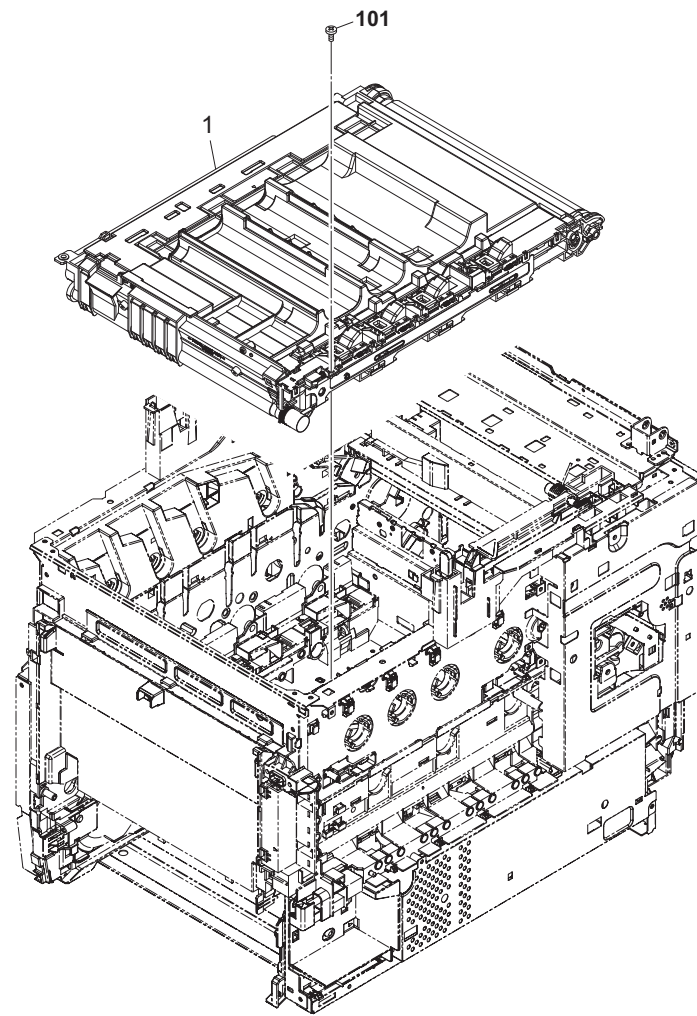














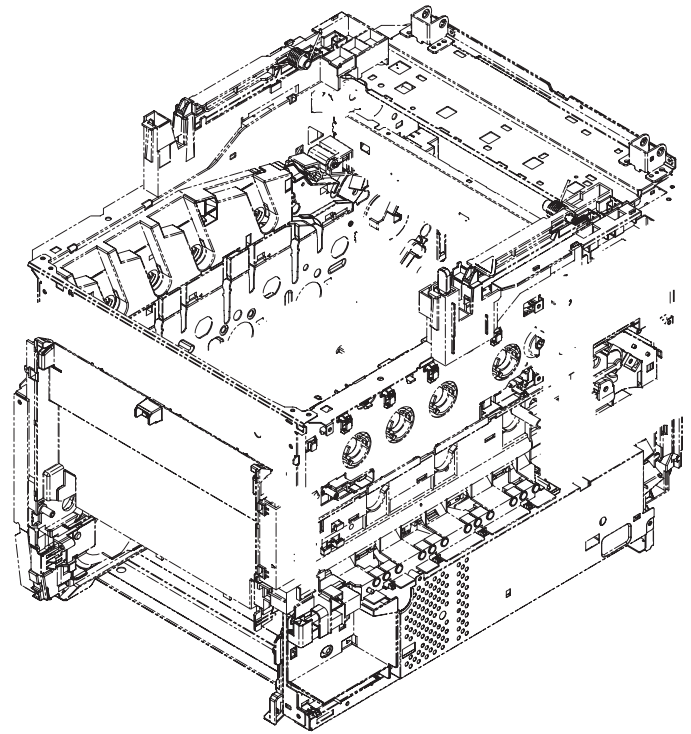


FIG. 10 Fuser Section

2M8/2M9/2PX/2PY

| Ref. No. | Part.No.   | Alternative. | Description              | Notes | Quantity |     |     |
|----------|------------|--------------|--------------------------|-------|----------|-----|-----|
|          |            |              |                          |       | 120      | 230 | 240 |
| 1        | 302KV93050 | 2KV93050     | FK-590(U)                |       | 1        |     |     |
| 1        | 302KV93040 | 2KV93040     | FK-590(E)                |       |          | 1   | 1   |
| 101      | 7BB700408H | BB105640     | +BIND T.T S SCREW 4X8 SR |       |          |     |     |

• Parts with Ref.No. indicate maintenance parts and the ones without it indicate out of the above.

• Parts with "." are component parts or sub-assemblies of the assembly appearing immediately above them.  
 • Parts with ". ." are component parts or sub-assembly with "." appearing immediately above them.

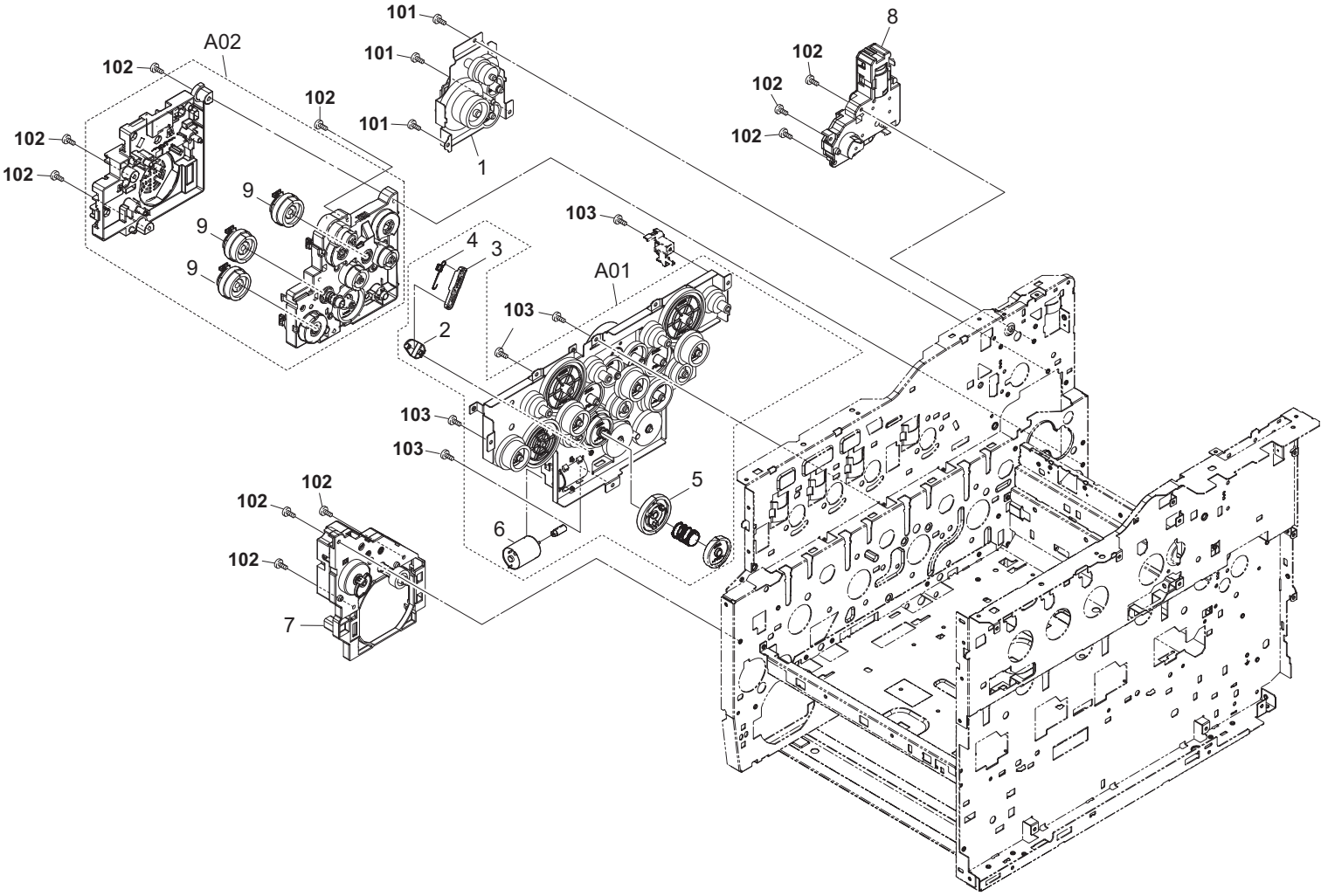


FIG. 11 Drive Section

2M8/2M9/2PX/2PY-6

| Ref. No. | Part.No.    | Alternative. | Description               | Notes | Quantity |     |     |
|----------|-------------|--------------|---------------------------|-------|----------|-----|-----|
|          |             |              |                           |       | 120      | 230 | 240 |
| 1        | 302KV93090  | 2KV93090     | DR-590A                   |       | 1        | 1   | 1   |
| A01      | 302KV93101  | 2KV93101     | DR-590B                   |       | 1        | 1   | 1   |
| 2        | *302KV31130 | 2KV31130     | GEAR Z36L                 |       | 1        | 1   | 1   |
| 3        | *302KV31170 | 2KV31170     | ARM CLUTCH C              |       | 1        | 1   | 1   |
| 4        | *302KV31190 | 2KV31190     | SPRING CLUTCH B           |       | 1        | 1   | 1   |
| 5        | *302KV31091 | 2KV31091     | GEAR Z50R                 |       | 1        | 1   | 1   |
| 6        | *302KV00070 | 2KV00070     | MOTOR-DC ASSY DLP         |       | 1        | 1   | 1   |
| 7        | 302KV94230  | 2KV94230     | PARTS DRIVE MPF ASSY SP   |       | 1        | 1   | 1   |
| 8        | 302KV94220  | 2KV94220     | PARTS DRIVE PRESS ASSY SP |       | 1        | 1   | 1   |
| A02      | 302KV94211  | 2KV94211     | PARTS DRIVE FEED ASSY SP  |       | 1        | 1   | 1   |
| 9        | *302KV44041 | 2KV44041     | CLUTCH 50 Z35R            |       | 3        | 3   | 3   |
| 101      | 7BB700306H  | BB105590     | +BIND T.T S SCREW 3X6 SR  |       |          |     |     |
| 102      | 7BB700312H  | BB106820     | +BIND T.T S SCREW 3X12 SR |       |          |     |     |
| 103      | 7BB700308H  | BB105600     | +BIND T.T S SCREW 3X8 SR  |       |          |     |     |

• Parts with Ref.No. indicate maintenance parts and the ones without it indicate out of the above.

• Parts with "." are component parts or sub-assemblies of the assembly appearing immediately above them.  
 • Parts with ". ." are component parts or sub-assembly with "." appearing immediately above them.



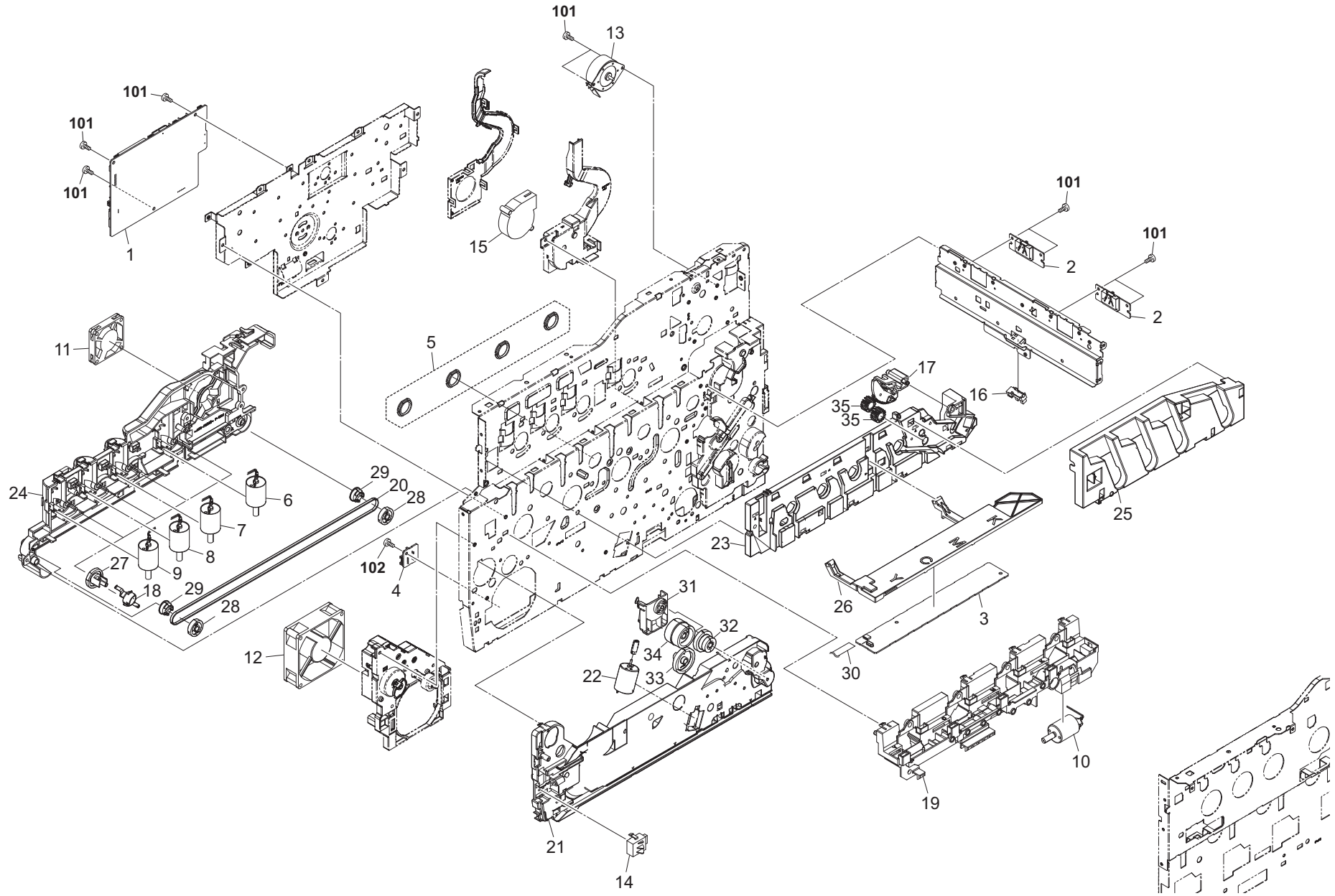


FIG. 12 Electrical Components 1

2M8/2M9/2PX/2PY-5

| Ref. No. | Part.No.        | Alternative. | Description                  | Notes             | Quantity |     |     |
|----------|-----------------|--------------|------------------------------|-------------------|----------|-----|-----|
|          |                 |              |                              |                   | 120      | 230 | 240 |
| 1        | 302M894061      | 2M894061     | PARTS PWB ENGINE ASSY SP     | (A),(AF)          | 1        | 1   | 1   |
| 1        | 302PV94030      | 2PV94030     | PARTS PWB ENGINE ASSY SP     | (B),(BF),(C),(CF) | 1        | 1   | 1   |
| 2        | 302KV94320      | 2KV94320     | PARTS ID SENSOR ASSY SP      |                   | 2        | 2   | 2   |
| 3        | 302KV94350      | 2KV94350     | PARTS PWB ASSY RFID SP       |                   | 1        | 1   | 1   |
| 4        | 302KV94360      | 2KV94360     | PARTS PWB ASSY THERMISTOR SP |                   | 1        | 1   | 1   |
| 5        | 302KV94080      | 2KV94080     | PARTS BUSH GEAR SP           |                   | 1        | 1   | 1   |
| 6        | 302KV94300      | 2KV94300     | PARTS MOTOR-DC ASSY K SP     |                   | 1        | 1   | 1   |
| 7        | 302KV94290      | 2KV94290     | PARTS MOTOR-DC ASSY M SP     |                   | 1        | 1   | 1   |
| 8        | 302KV94280      | 2KV94280     | PARTS MOTOR-DC ASSY C SP     |                   | 1        | 1   | 1   |
| 9        | 302KV94270      | 2KV94270     | PARTS MOTOR-DC ASSY Y SP     |                   | 1        | 1   | 1   |
| 10       | 302KV94310      | 2KV94310     | PARTS MOTOR-DC ASSY LSU SP   |                   | 1        | 1   | 1   |
| 11       | 302F944160      | 2F944160     | FAN POWER PWB 50             |                   | 1        | 1   | 1   |
| 12       | 302HN44010      | 2HN44010     | FAN MOTOR                    |                   | 1        | 1   | 1   |
| 13       | 302HN44090      | 2HN44090     | MOTOR FUSER                  |                   | 1        | 1   | 1   |
| 14       | 302HN44180      | 2HN44180     | SWITCH SIZE                  |                   | 1        | 1   | 1   |
| 15       | 302HN44210      | 2HN44210     | FAN MOTOR                    |                   | 1        | 1   | 1   |
| 16       | 7NXGP1S173LCH01 | NX116910     | SENSOR OPT.                  |                   | 1        | 1   | 1   |
| 17       | 302KV02532      | 2KV02532     | HINGE LID L                  |                   | 1        | 1   | 1   |
| 18       | 302KV02461      | 2KV02461     | CAM TONER SUPPLY             |                   | 4        | 4   | 4   |
| 19       | 302KV02250      | 2KV02250     | DUCT LEFT INNER              |                   | 1        | 1   | 1   |
| 20       | 302KV02A90      | 2KV02A90     | BELT S2M Z371                |                   | 1        | 1   | 1   |
| 21       | 302KT02180      | 2KT02180     | GUIDE CASSETTE L             |                   | 1        | 1   | 1   |
| 22       | 302KV00160      | 2KV00160     | MOTOR-DC ASSY LIFT           |                   | 1        | 1   | 1   |
| 23       | 302KV02170      | 2KV02170     | GUIDE TOP L                  |                   | 1        | 1   | 1   |
| 24       | 302KV02240      | 2KV02240     | HOLDER TONER MOTOR           |                   | 1        | 1   | 1   |
| 25       | 302KV02281      | 2KV02281     | GUIDE CONTAINER              |                   | 1        | 1   | 1   |
| 26       | 302KV02290      | 2KV02290     | HOLDER RFID                  |                   | 1        | 1   | 1   |
| 27       | 302KV02680      | 2KV02680     | GEAR Z50S                    |                   | 4        | 4   | 4   |
| 28       | 302KV02A60      | 2KV02A60     | GEAR Z40R                    |                   | 2        | 2   | 2   |
| 29       | 302KV02A70      | 2KV02A70     | PULLEY P27                   |                   | 2        | 2   | 2   |
| 30       | 302KV46030      | 2KV46030     | CONN.CORD ASSY S03535        |                   | 1        | 1   | 1   |
| 31       | 302KT02170      | 2KT02170     | HOLDER GEAR                  |                   | 1        | 1   | 1   |
| 32       | 302KT02150      | 2KT02150     | GEAR Z33S-Z13S               |                   | 1        | 1   | 1   |
| 33       | 302KV02B70      | 2KV02B70     | GEAR Z41S                    |                   | 1        | 1   | 1   |
| 34       | 302KV02B00      | 2KV02B00     | GEAR Z36R-Z35R               |                   | 1        | 1   | 1   |
| 35       | 302KV02670      | 2KV02670     | GEAR Z16S                    |                   | 2        | 2   | 2   |
| 101      | 7BB700308H      | BB105600     | +BIND T.T S SCREW 3X8 SR     |                   |          |     |     |
| 102      | 7BB200308H      | BB105660     | +BIND T.T P SCREW 3X8        |                   |          |     |     |

• Parts with Ref.No. indicate maintenance parts and the ones without it indicate out of the above.

• Parts with "." are component parts or sub-assemblies of the assembly appearing immediately above them.  
 • Parts with ". ." are component parts or sub-assembly with "." appearing immediately above them.

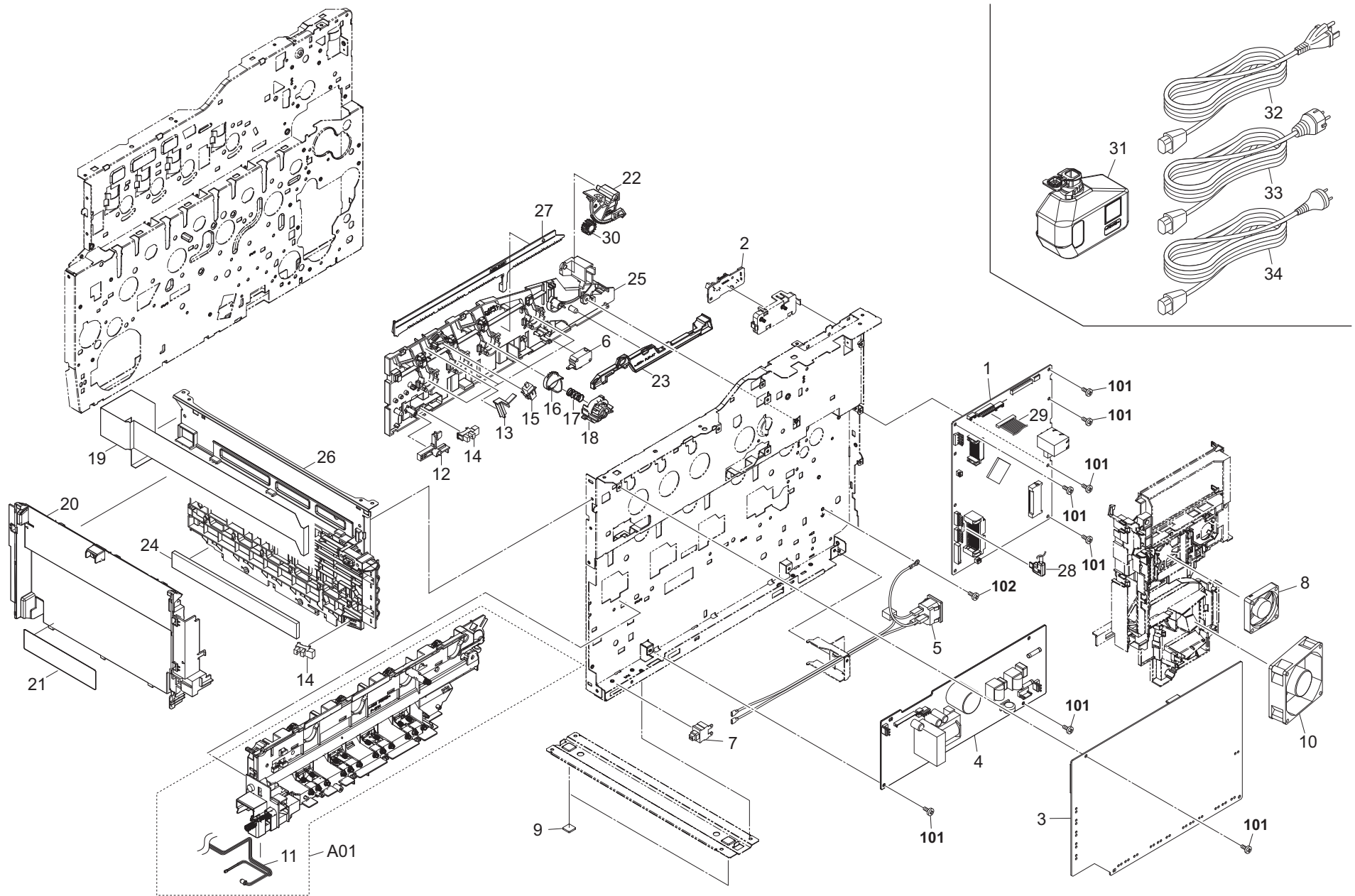


FIG. 13 Electrical Components 2

2M8/2M9/2PX/2PY-6

| Ref. No. | Part.No.        | Alternative. | Description                       | Notes             | Quantity |     |     |
|----------|-----------------|--------------|-----------------------------------|-------------------|----------|-----|-----|
|          |                 |              |                                   |                   | 120      | 230 | 240 |
| 1        | 302M894033      | 2M894033     | PARTS PWB MAIN ASSY SP            | (A)               | 1        |     | 1   |
| 1        | 302M894044      | 2M894044     | PARTS PWB MAIN ASSY SP EU         | (A)               |          | 1   |     |
| 1        | 302M994023      | 2M994023     | PARTS PWB MAIN ASSY SP            | (AF)              | 1        |     | 1   |
| 1        | 302M994034      | 2M994034     | PARTS PWB MAIN ASSY SP EU         | (AF)              |          | 1   |     |
| 1        | 302PX94020      | 2PX94020     | PARTS PWB MAIN ASSY SP            | (B),(C)           | 1        |     | 1   |
| 1        | 302PX94030      | 2PX94030     | PARTS PWB MAIN ASSY SP EU         | (B),(C)           |          | 1   |     |
| 1        | 302PY94020      | 2PY94020     | PARTS PWB MAIN ASSY SP            | (BF),(CF)         | 1        |     | 1   |
| 1        | 302PY94030      | 2PY94030     | PARTS PWB MAIN ASSY SP EU         | (BF),(CF)         |          | 1   |     |
| 2        | 302KT94080      | 2KT94080     | PARTS PWB ASSY EXIT SP            |                   | 1        | 1   | 1   |
| 3        | 302KV94060      | 2KV94060     | PARTS HIGH VOLTAGE UNIT SP        |                   | 1        | 1   | 1   |
| 4        | 302KW94040      | 2KW94040     | PARTS SWITCHING REGULATOR 100V SP |                   | 1        |     |     |
| 4        | 302KW94050      | 2KW94050     | PARTS SWITCHING REGULATOR 230V SP | (A),(AF)          |          | 1   | 1   |
| 4        | 302PV94020      | 2PV94020     | PARTS SWITCHING REGULATOR 230V SP | (B),(BF),(C),(CF) |          | 1   | 1   |
| 5        | 302KV00100      | 2KV00100     | INLET ASSY                        |                   |          | 1   | 1   |
| 5        | 302KV00100      | 2KV00100     | INLET ASSY                        | (A),(AF)          | 1        |     |     |
| 5        | 302KV00190      | 2KV00190     | INLET ASSY                        | (B),(BF),(C),(CF) | 1        |     |     |
| 6        | 7SM010104+++H01 | SM055200     | SW.MICRO                          |                   | 1        | 1   | 1   |
| 7        | 7SP01000005+H01 | SP119750     | SW.PUSH                           |                   | 1        | 1   | 1   |
| 8        | 302F944160      | 2F944160     | FAN POWER PWB 50                  |                   | 1        | 1   | 1   |
| 9        | 302HN02611      | 2HN02611     | FOOT                              |                   | 2        | 2   | 2   |
| 10       | 302HN44010      | 2HN44010     | FAN MOTOR                         |                   | 1        | 1   | 1   |
| A01      | 302KV94470      | 2KV94470     | PARTS WASTE TONER ASSY SP         |                   | 1        | 1   | 1   |
| 11       | *302KV94370     | 2KV94370     | PARTS TONER FULL DETECT SP        |                   | 1        | 1   | 1   |
| 12       | 302KV02480      | 2KV02480     | ACTUATOR DETECTION CONTAINER      |                   | 1        | 1   | 1   |
| 13       | 302KV02C70      | 2KV02C70     | ACTUATOR PUSH SWITCH              |                   | 1        | 1   | 1   |
| 14       | 7NXGP1S173LCH01 | NX116910     | SENSOR OPT.                       |                   | 2        | 2   | 2   |
| 15       | 7SP01000001+H01 | SP044290     | SW.PUSH                           |                   | 1        | 1   | 1   |
| 16       | 302KV02501      | 2KV02501     | RATCHET SHUTTER                   |                   | 4        | 4   | 4   |
| 17       | 302KV02A21      | 2KV02A21     | SPRING JOINT SHUTTER              |                   | 4        | 4   | 4   |
| 18       | 302KV02510      | 2KV02510     | HOLDER JOINT                      |                   | 4        | 4   | 4   |
| 19       | 302KV46390      | 2KV46390     | CONN.CORD ASSY S03577             |                   | 1        | 1   | 1   |
| 20       | 302KV04080      | 2KV04080     | COVER INNER                       |                   | 1        | 1   | 1   |
| 21       | 302KV34080      | 2KV34080     | LABEL MPF                         |                   | 1        | 1   | 1   |
| 22       | 302KV02542      | 2KV02542     | HINGE LID R                       |                   | 1        | 1   | 1   |
| 23       | 302KV02521      | 2KV02521     | LEVER INTERLOCK                   |                   | 1        | 1   | 1   |
| 24       | 302KV02E30      | 2KV02E30     | SEAL BRACKET FRONT                |                   | 1        | 1   | 1   |
| 25       | 302KV02180      | 2KV02180     | GUIDE TOP R                       |                   | 1        | 1   | 1   |
| 26       | 302KV02232      | 2KV02232     | BRACKET FRONT HV                  |                   | 1        | 1   | 1   |
| 27       | 302KV02451      | 2KV02451     | RACK JOINT SHUTTER                |                   | 1        | 1   | 1   |
| 28       | 302M846021      | 2M846021     | CONN.CORD ASSY S03704             | (A),(AF)          | 1        | 1   | 1   |
| 28       | 302PX46020      | 2PX46020     | CONN.CORD ASSY S03871             | (B),(BF),(C),(CF) | 1        | 1   | 1   |
| 29       | 302M846060      | 2M846060     | CONN.CORD ASSY S03708             |                   | 1        | 1   | 1   |
| 30       | 302KV02670      | 2KV02670     | GEAR Z16S                         |                   | 1        | 1   | 1   |
| 31       | 302KV93110      | 2KV93110     | WT-590                            |                   | 1        | 1   | 1   |
| 32       | 3019527401      | 19527401     | POWER CORD(120)                   |                   | 1        |     |     |
| 33       | 302FV94010      | 2FV94010     | PARTS AC CORD EU SP               |                   |          | 1   |     |
| 34       | 302FV45040      | 2FV45040     | AC CORD ASSY                      |                   |          |     | 1   |
| 101      | 7BB700308H      | BB105600     | +BIND T.T S SCREW 3X8 SR          |                   |          |     |     |
| 102      | 7BB700408H      | BB105640     | +BIND T.T S SCREW 4X8 SR          |                   |          |     |     |

• Parts with Ref.No. indicate maintenance parts and the ones without it indicate out of the above.

• Parts with "." are component parts or sub-assemblies of the assembly appearing immediately above them.  
 • Parts with ". ." are component parts or sub-assembly with "." appearing immediately above them.

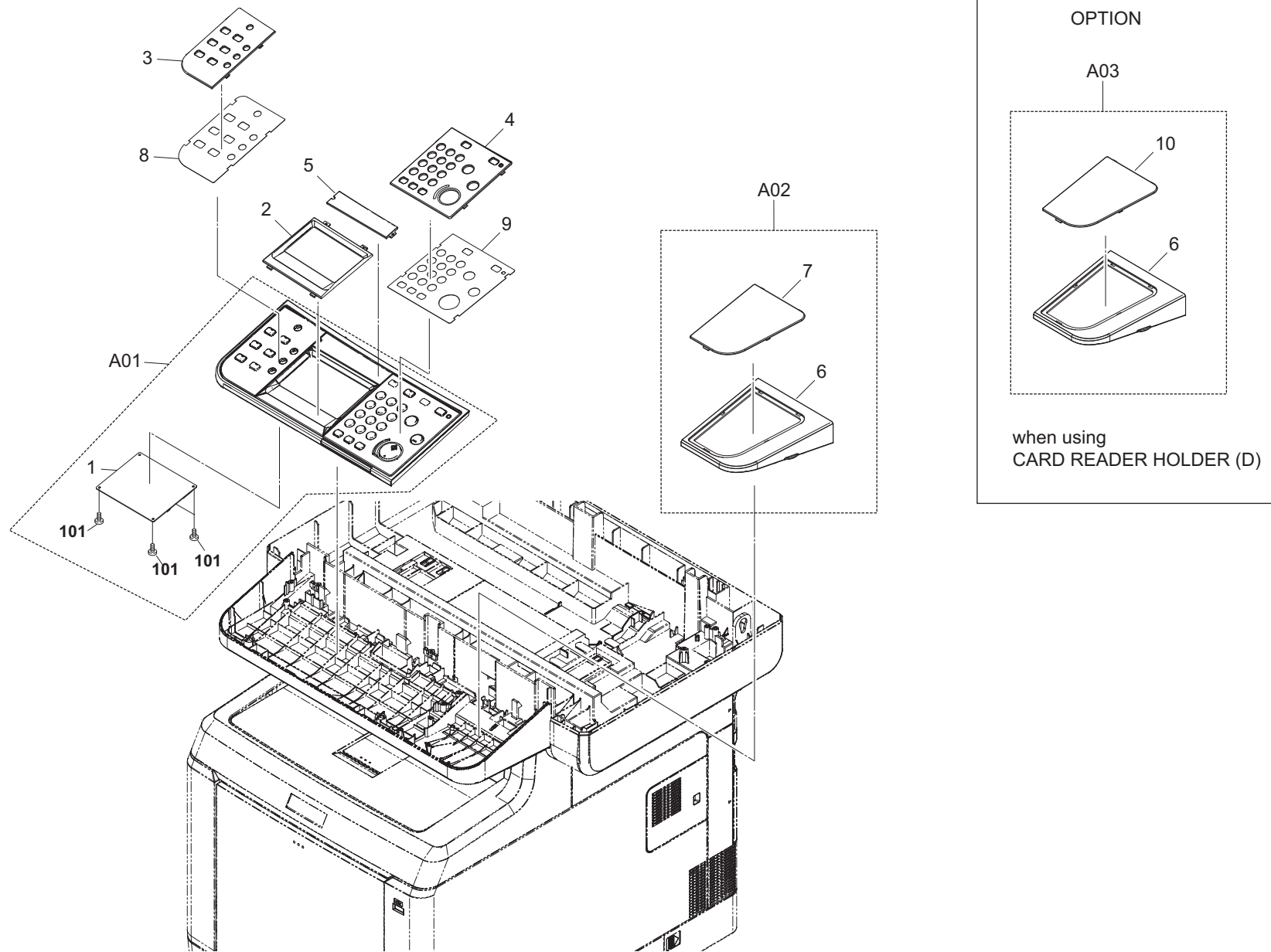


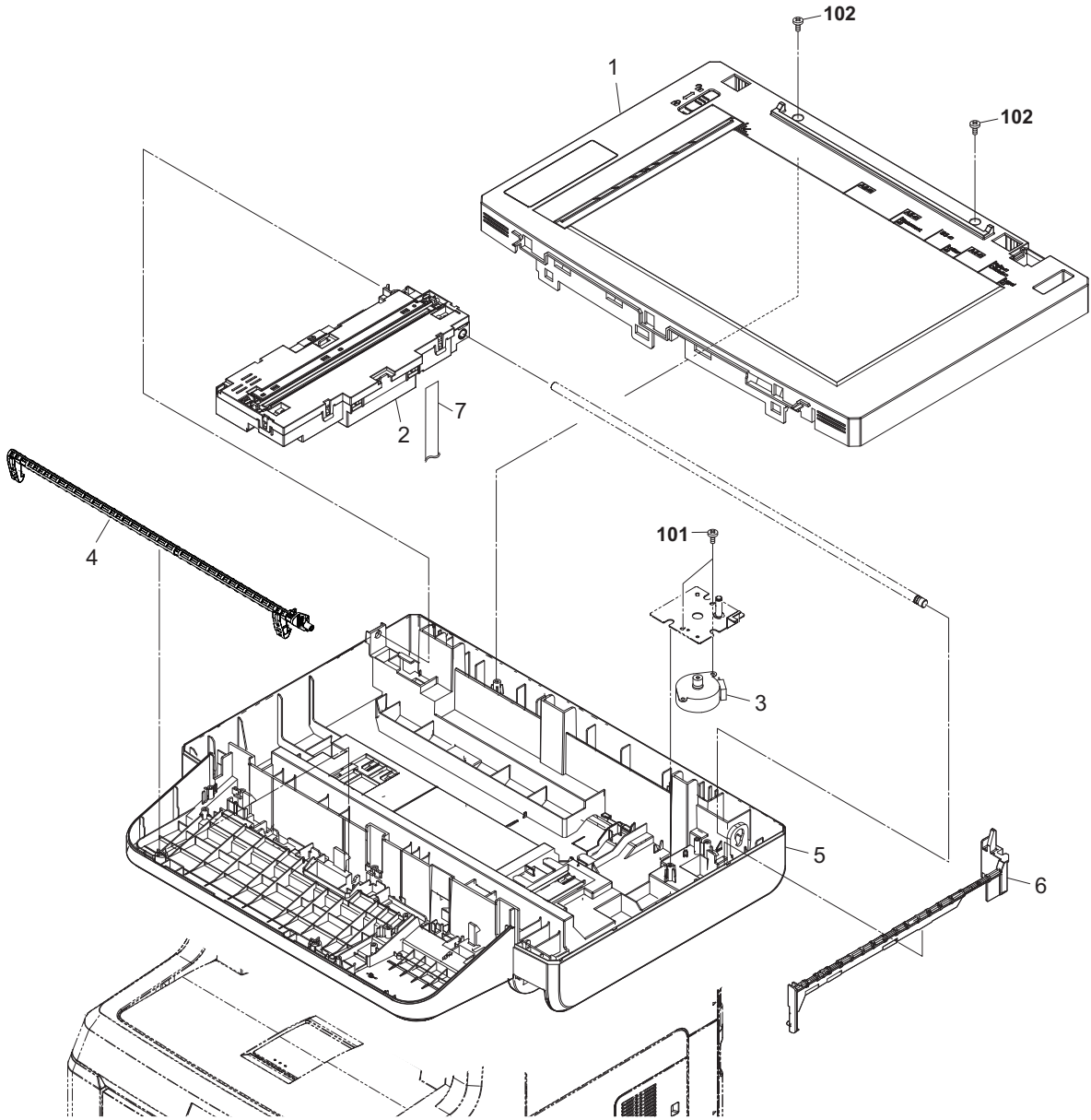
FIG. 14 Operation Section

2M8/2M9/2PX/2PY-6

| Ref. No. | Part.No.    | Alternative. | Description                  | Notes             | Quantity |     |     |
|----------|-------------|--------------|------------------------------|-------------------|----------|-----|-----|
|          |             |              |                              |                   | 120      | 230 | 240 |
| A01      | 302M894010  | 2M894010     | PARTS OPERATION UNIT SP      | (A)               | 1        | 1   | 1   |
| A01      | 302M994011  | 2M994011     | PARTS OPERATION UNIT SP      | (AF)              | 1        | 1   | 1   |
| A01      | 302PX94010  | 2PX94010     | PARTS OPERATION ASSY SP      | (B),(C)           | 1        | 1   | 1   |
| A01      | 302PY94010  | 2PY94010     | PARTS OPERATION ASSY SP      | (BF),(CF)         | 1        | 1   | 1   |
| 1        | *302M894051 | 2M894051     | PARTS PWB PANEL MAIN ASSY    | (A),(AF)          | 1        | 1   | 1   |
| 1        | *302PX94040 | 2PX94040     | PARTS PWB PANEL MAIN ASSY SP | (B),(BF),(C),(CF) | 1        | 1   | 1   |
| 2        | 302K305030  | 2K305030     | COVER PANEL A                |                   | 1        | 1   | 1   |
| 3        | 302M805020  | 2M805020     | PANEL OPERATION L            | (A),(B),(C)       | 1        | 1   | 1   |
| 3        | 302M905020  | 2M905020     | PANEL OPERATION L            | (AF),(BF),(CF)    | 1        | 1   | 1   |
| 4        | 302M805030  | 2M805030     | PANEL OPERATION R            |                   | 1        | 1   | 1   |
| 5        | 302M805040  | 2M805040     | PANEL OPERATION M            |                   | 1        | 1   | 1   |
| A02      | 302M894070  | 2M894070     | PARTS COVER IC-CARD SET SP   |                   | 1        | 1   | 1   |
| 6        | *302M805050 | 2M805050     | COVER IC-CARD                |                   | 1        | 1   | 1   |
| 7        | *302M805090 | 2M805090     | COVER IC-CARD SUB A          |                   | 1        | 1   | 1   |
| 8        | 302M834110  | 2M834110     | SHEET OPERATION L E          | (A)               | 1        | 1   | 1   |
| 8        | 302M934110  | 2M934110     | SHEET OPERATION L E          | (AF)              | 1        | 1   | 1   |
| 8        | 302PX34020  | 2PX34020     | SHEET OPERATION L E          | (B)               | 1        | 1   | 1   |
| 8        | 302PY34020  | 2PY34020     | SHEET OPERATION L E          | (BF)              | 1        | 1   | 1   |
| 8        | 302PX34260  | 2PX34260     | SHEET OPERATION L E          | (C)               | 1        | 1   |     |
| 8        | 302PY34320  | 2PY34320     | SHEET OPERATION L E          | (CF)              | 1        | 1   | 1   |
| 9        | 302M834310  | 2M834310     | SHEET OPERATION R E          | (A)               | 1        | 1   | 1   |
| 9        | 302M934310  | 2M934310     | SHEET OPERATION R E          | (AF)              | 1        | 1   | 1   |
| 9        | 302PX34180  | 2PX34180     | SHEET OPERATION R E          | (B),(C)           | 1        | 1   | 1   |
| 9        | 302PY34210  | 2PY34210     | SHEET OPERATION R E          | (BF),(CF)         | 1        | 1   | 1   |
| A03      | 302M894020  | 2M894020     | PARTS COVER IC-CARD SET SP   | OPTION            | 1        | 1   | 1   |
| 6        | *302M805050 | 2M805050     | COVER IC-CARD                |                   | 1        | 1   | 1   |
| 10       | *302M805060 | 2M805060     | COVER IC-CARD SUB            |                   | 1        | 1   | 1   |
| 101      | 7BB700308H  | BB105600     | +BIND T.T S SCREW 3X8 SR     |                   |          |     |     |

• Parts with Ref.No. indicate maintenance parts and the ones without it indicate out of the above.

• Parts with "\*" are component parts or sub-assemblies of the assembly appearing immediately above them.  
 • Parts with "\* •" are component parts or sub-assembly with "\*" appearing immediately above them.







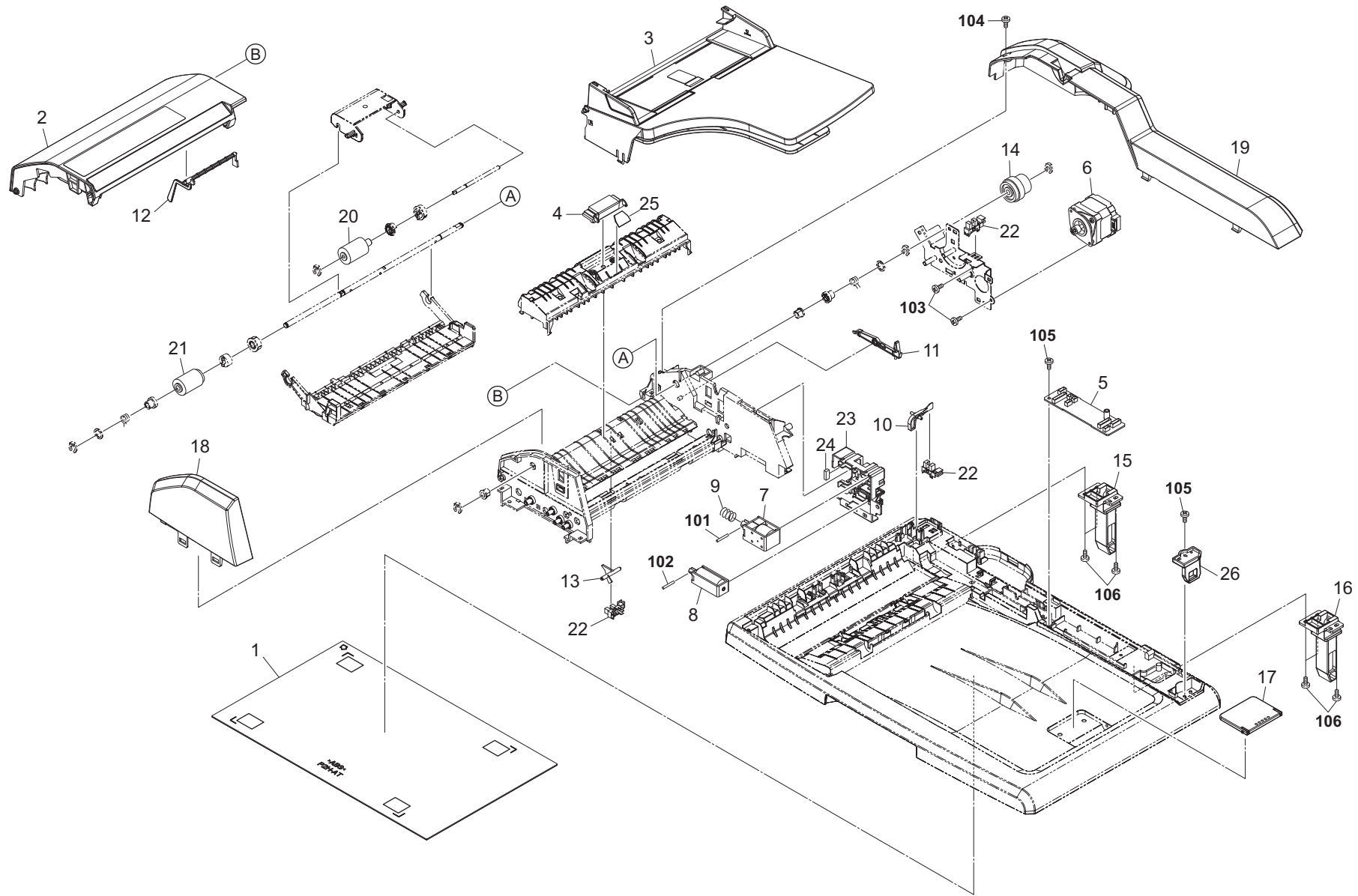


FIG. 16 Document Processor

2M8/2M9/2PX/2PY-2

| Ref. No. | Part.No.        | Alternative. | Description                       | Notes | Quantity |     |     |
|----------|-----------------|--------------|-----------------------------------|-------|----------|-----|-----|
|          |                 |              |                                   |       | 120      | 230 | 240 |
| 1        | 303LJ94070      | 3LJ94070     | PARTS PLATE ORIGINAL SP           |       | 1        | 1   | 1   |
| 2        | 303M694010      | 3M694010     | PARTS COVER PF ASSY               |       | 1        | 1   | 1   |
| 3        | 303LJ94120      | 3LJ94120     | PARTS TABLE ASSY SP               |       | 1        | 1   | 1   |
| 4        | 303M694030      | 3M694030     | PARTS SEPARATION PAD ASSY SP      |       | 1        | 1   | 1   |
| 5        | 303LJ94010      | 3LJ94010     | PARTS DRIVER PWB ASSY SP          |       | 1        | 1   | 1   |
| 6        | 303LJ94061      | 3LJ94061     | PARTS MOTOR DP SP                 |       | 1        | 1   | 1   |
| 7        | 303LJ94140      | 3LJ94140     | PARTS SOLENOID PRESSURE PULLEY SP |       | 1        | 1   | 1   |
| 8        | 303LJ94150      | 3LJ94150     | PARTS SOLENOID FEED SHIFT SP      |       | 1        | 1   | 1   |
| 9        | 303HL10200      | 3HL10200     | SPRING LOOP                       |       | 1        | 1   | 1   |
| 10       | 303K502200      | 3K502200     | ACTUATOR BASE                     |       | 1        | 1   | 1   |
| 11       | 303LJ02080      | 3LJ02080     | ACTUATOR PUSH                     |       | 1        | 1   | 1   |
| 12       | 303LJ07050      | 3LJ07050     | ACTUATOR ORIGINAL                 |       | 1        | 1   | 1   |
| 13       | 303LJ24080      | 3LJ24080     | ACTUATOR TIMING                   |       | 1        | 1   | 1   |
| 14       | 303LJ44040      | 3LJ44040     | CLUTCH PAPER FEED                 |       | 1        | 1   | 1   |
| 15       | 303M602020      | 3M602020     | HINGE LEFT                        |       | 1        | 1   | 1   |
| 16       | 303M602030      | 3M602030     | HINGE RIGHT                       |       | 1        | 1   | 1   |
| 17       | 303M602070      | 3M602070     | STOPPER ORIGINAL                  |       | 1        | 1   | 1   |
| 18       | 303M604011      | 3M604011     | COVER FRONT                       |       | 1        | 1   | 1   |
| 19       | 303M604021      | 3M604021     | COVER REAR                        |       | 1        | 1   | 1   |
| 20       | 36211110        | 36211110     | PULLEY,LEADING FEED ADF           |       | 1        | 1   | 1   |
| 21       | 3BR07040        | 3BR07040     | PULLEY,PAPER FEED                 |       | 1        | 1   | 1   |
| 22       | 7NXSG2481+++H01 | NX052600     | SENSOR OPT.                       |       | 3        | 3   | 3   |
| 23       | 303LJ02051      | 3LJ02051     | MOUNT SOLENOID                    |       | 1        | 1   | 1   |
| 24       | 302H724180      | 2H724180     | SHEET CONV MID                    |       | 1        | 1   | 1   |
| 25       | 303K507102      | 3K507102     | PAD FRONT SEP                     |       | 1        | 1   | 1   |
| 26       | 303M602050      | 3M602050     | LEVER DP LOCK                     |       | 1        | 1   | 1   |
| 101      | E0130280        | E0130280     | SPRING PIN 3X28(SUS)              |       |          |     |     |
| 102      | E0120200        | E0120200     | SPRING PIN 2X20(SUS)              |       |          |     |     |
| 103      | 7BB600306H      | BB105730     | +BIND M SCREW 3X6 R               |       |          |     |     |
| 104      | 7BB200308H      | BB105660     | +BIND T.T P SCREW 3X8             |       |          |     |     |
| 105      | 7BB202308H      | BB105690     | +TP-FLAT T.T P SCREW 3X8          |       |          |     |     |
| 106      | 7BB202310H      | BB063420     | +TP-FLAT T.T P SCREW 3X10         |       |          |     |     |

• Parts with Ref.No. indicate maintenance parts and the ones without it indicate out of the above.

• Parts with "." are component parts or sub-assemblies of the assembly appearing immediately above them.  
 • Parts with ". ." are component parts or sub-assembly with "." appearing immediately above them.

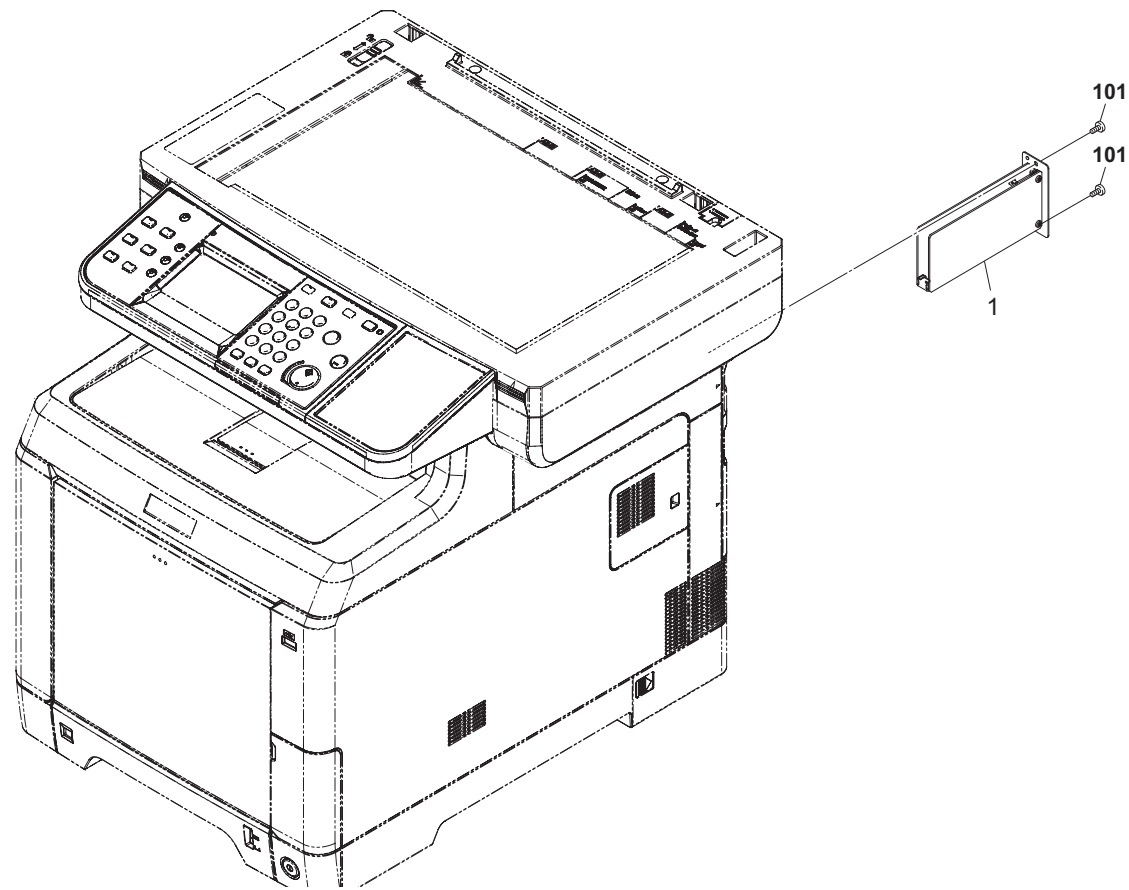


FIG. 17 FAX Section ((AF),(BF),(CF))

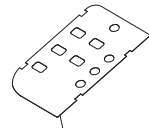
2M8/2M9/2PX/2PY-5

| Ref. No. | Part.No.   | Alternative. | Description              | Notes     | Quantity |     |     |
|----------|------------|--------------|--------------------------|-----------|----------|-----|-----|
|          |            |              |                          |           | 120      | 230 | 240 |
| 1        | 302KX94051 | 2KX94051     | PARTS FAX UNIT U SP      | (AF)      | 1        |     |     |
| 1        | 302KX94041 | 2KX94041     | PARTS FAX UNIT E SP      | (AF)      |          | 1   | 1   |
| 1        | 302PL94040 | 2PL94040     | PARTS FAX UNIT U SP      | (BF),(CF) | 1        |     |     |
| 1        | 302PL94020 | 2PL94020     | PARTS FAX UNIT E SP      | (BF),(CF) |          | 1   |     |
| 1        | 302PL94050 | 2PL94050     | PARTS FAX UNIT AS SP     | (BF),(CF) |          |     | 1   |
| 101      | 7BB700308H | BB105600     | +BIND T.T S SCREW 3X8 SR |           |          |     |     |

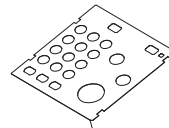
• Parts with Ref.No. indicate maintenance parts and the ones without it indicate out of the above.

• Parts with "." are component parts or sub-assemblies of the assembly appearing immediately above them.  
 • Parts with ". ." are component parts or sub-assembly with "." appearing immediately above them.

**(A),(B),(C)**



1,2,3,4,5,6,7



8,9,10,11,12,13,14

FIG. 18 Accessories ((A),(B),(C))

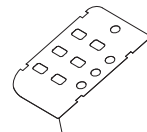
2M8/2M9/2PX/2PY-5

| Ref. No. | Part.No.   | Alternative. | Description           | Notes   | Quantity |     |     |
|----------|------------|--------------|-----------------------|---------|----------|-----|-----|
|          |            |              |                       |         | 120      | 230 | 240 |
| 1        | 302M834130 | 2M834130     | SHEET OPERATION L GER | (A)     |          | 1   |     |
| 1        | 302PX34060 | 2PX34060     | SHEET OPERATION L GER | (B)     |          | 1   |     |
| 1        | 302PX34300 | 2PX34300     | SHEET OPERATION L GER | (C)     |          | 1   |     |
| 2        | 302M834140 | 2M834140     | SHEET OPERATION L FRA | (A)     | 1        | 1   |     |
| 2        | 302PX34040 | 2PX34040     | SHEET OPERATION L FRA | (B)     | 1        | 1   |     |
| 2        | 302PX34280 | 2PX34280     | SHEET OPERATION L FRA | (C)     | 1        | 1   |     |
| 3        | 302M834150 | 2M834150     | SHEET OPERATION L ITA | (A)     |          | 1   |     |
| 3        | 302PX34070 | 2PX34070     | SHEET OPERATION L ITA | (B)     |          | 1   |     |
| 3        | 302PX34310 | 2PX34310     | SHEET OPERATION L ITA | (C)     |          | 1   |     |
| 4        | 302M834160 | 2M834160     | SHEET OPERATION L SPA | (A)     | 1        | 1   |     |
| 4        | 302PX34030 | 2PX34030     | SHEET OPERATION L SPA | (B)     | 1        | 1   |     |
| 4        | 302PX34270 | 2PX34270     | SHEET OPERATION L SPA | (C)     | 1        | 1   |     |
| 5        | 302M834170 | 2M834170     | SHEET OPERATION L POR | (A)     | 1        | 1   |     |
| 5        | 302PX34050 | 2PX34050     | SHEET OPERATION L POR | (B)     | 1        | 1   |     |
| 5        | 302PX34290 | 2PX34290     | SHEET OPERATION L POR | (C)     | 1        | 1   |     |
| 6        | 302M834180 | 2M834180     | SHEET OPERATION L DUT | (A)     |          | 1   |     |
| 6        | 302PX34080 | 2PX34080     | SHEET OPERATION L DUT | (B)     |          | 1   |     |
| 6        | 302PX34320 | 2PX34320     | SHEET OPERATION L DUT | (C)     |          | 1   |     |
| 7        | 302M834190 | 2M834190     | SHEET OPERATION L RUS | (A)     |          | 1   |     |
| 7        | 302PX34090 | 2PX34090     | SHEET OPERATION L RUS | (B)     |          | 1   |     |
| 7        | 302PX34330 | 2PX34330     | SHEET OPERATION L RUS | (C)     |          | 1   |     |
| 8        | 302M834330 | 2M834330     | SHEET OPERATION R GER | (A)     |          | 1   |     |
| 8        | 302PX34220 | 2PX34220     | SHEET OPERATION R GER | (B),(C) |          | 1   |     |
| 9        | 302M834340 | 2M834340     | SHEET OPERATION R FRA | (A)     | 1        | 1   |     |
| 9        | 302PX34200 | 2PX34200     | SHEET OPERATION R FRA | (B),(C) | 1        | 1   |     |
| 10       | 302M834350 | 2M834350     | SHEET OPERATION R ITA | (A)     |          | 1   |     |
| 10       | 302PX34230 | 2PX34230     | SHEET OPERATION R ITA | (B),(C) |          | 1   |     |
| 11       | 302M834360 | 2M834360     | SHEET OPERATION R SPA | (A)     | 1        | 1   |     |
| 11       | 302PX34190 | 2PX34190     | SHEET OPERATION R SPA | (B),(C) | 1        | 1   |     |
| 12       | 302M834370 | 2M834370     | SHEET OPERATION R POR | (A)     | 1        | 1   |     |
| 12       | 302PX34210 | 2PX34210     | SHEET OPERATION R POR | (B),(C) | 1        | 1   |     |
| 13       | 302M834380 | 2M834380     | SHEET OPERATION R DUT | (A)     |          | 1   |     |
| 13       | 302PX34240 | 2PX34240     | SHEET OPERATION R DUT | (B),(C) |          | 1   |     |
| 14       | 302M834390 | 2M834390     | SHEET OPERATION R RUS | (A)     |          | 1   |     |
| 14       | 302PX34250 | 2PX34250     | SHEET OPERATION R RUS | (B),(C) |          | 1   |     |

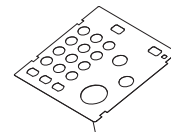
• Parts with Ref.No. indicate maintenance parts and the ones without it indicate out of the above.

• Parts with "." are component parts or sub-assemblies of the assembly appearing immediately above them.  
 • Parts with ". ." are component parts or sub-assembly with "." appearing immediately above them.

**(AF),(BF),(CF)**



1,2,3,4,5,6,7



8,9,10,11,12,13,14

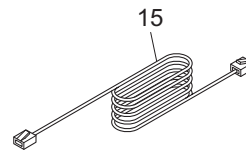


FIG. 18 Accessories ((AF),(BF),(CF))

2M8/2M9/2PX/2PY-5

| Ref. No. | Part.No.   | Alternative. | Description            | Notes     | Quantity |     |     |
|----------|------------|--------------|------------------------|-----------|----------|-----|-----|
|          |            |              |                        |           | 120      | 230 | 240 |
| 1        | 302M934130 | 2M934130     | SHEET OPERATION L GER  | (AF)      |          | 1   |     |
| 1        | 302PY34060 | 2PY34060     | SHEET OPERATION L GER  | (BF)      |          | 1   |     |
| 1        | 302PY34360 | 2PY34360     | SHEET OPERATION L GER  | (CF)      |          | 1   |     |
| 2        | 302M934140 | 2M934140     | SHEET OPERATION L FRA  | (AF)      | 1        | 1   |     |
| 2        | 302PY34040 | 2PY34040     | SHEET OPERATION L FRA  | (BF)      | 1        | 1   |     |
| 2        | 302PY34340 | 2PY34340     | SHEET OPERATION L FRA  | (CF)      | 1        | 1   |     |
| 3        | 302M934150 | 2M934150     | SHEET OPERATION L ITA  | (AF)      |          | 1   |     |
| 3        | 302PY34070 | 2PY34070     | SHEET OPERATION L ITA  | (BF)      |          | 1   |     |
| 3        | 302PY34370 | 2PY34370     | SHEET OPERATION L ITA  | (CF)      |          | 1   |     |
| 4        | 302M934160 | 2M934160     | SHEET OPERATION L SPA  | (AF)      | 1        | 1   |     |
| 4        | 302PY34030 | 2PY34030     | SHEET OPERATION L SPA  | (BF)      | 1        | 1   |     |
| 4        | 302PY34330 | 2PY34330     | SHEET OPERATION L SPA  | (CF)      | 1        | 1   |     |
| 5        | 302M934170 | 2M934170     | SHEET OPERATION L POR  | (AF)      | 1        | 1   |     |
| 5        | 302PY34050 | 2PY34050     | SHEET OPERATION L POR  | (BF)      | 1        | 1   |     |
| 5        | 302PY34350 | 2PY34350     | SHEET OPERATION L POR  | (CF)      | 1        | 1   |     |
| 6        | 302M934180 | 2M934180     | SHEET OPERATION L DUT  | (AF)      |          | 1   |     |
| 6        | 302PY34080 | 2PY34080     | SHEET OPERATION L DUT  | (BF)      |          | 1   |     |
| 6        | 302PY34380 | 2PY34380     | SHEET OPERATION L DUT  | (CF)      |          | 1   |     |
| 7        | 302M934190 | 2M934190     | SHEET OPERATION L RUS  | (AF)      |          | 1   |     |
| 7        | 302PY34090 | 2PY34090     | SHEET OPERATION L RUS  | (BF)      |          | 1   |     |
| 7        | 302PY34390 | 2PY34390     | SHEET OPERATION L RUS  | (CF)      |          | 1   |     |
| 8        | 302M934350 | 2M934350     | SHEET OPERATION R GER  | (AF)      |          | 1   |     |
| 8        | 302PY34250 | 2PY34250     | SHEET OPERATION R GER  | (BF),(CF) |          | 1   |     |
| 9        | 302M934320 | 2M934320     | SHEET OPERATION R FRA  | (AF)      | 1        | 1   |     |
| 9        | 302PY34230 | 2PY34230     | SHEET OPERATION R FRA  | (BF),(CF) | 1        | 1   |     |
| 10       | 302M934360 | 2M934360     | SHEET OPERATION R ITA  | (AF)      |          | 1   |     |
| 10       | 302PY34260 | 2PY34260     | SHEET OPERATION R ITA  | (BF),(CF) |          | 1   |     |
| 11       | 302M934330 | 2M934330     | SHEET OPERATION R SPA  | (AF)      | 1        | 1   |     |
| 11       | 302PY34220 | 2PY34220     | SHEET OPERATION R SPA  | (BF),(CF) | 1        | 1   |     |
| 12       | 302M934340 | 2M934340     | SHEET OPERATION R POR  | (AF)      | 1        | 1   |     |
| 12       | 302PY34240 | 2PY34240     | SHEET OPERATION R POR  | (BF),(CF) | 1        | 1   |     |
| 13       | 302M934370 | 2M934370     | SHEET OPERATION R DUT  | (AF)      |          | 1   |     |
| 13       | 302PY34270 | 2PY34270     | SHEET OPERATION R DUT  | (BF),(CF) |          | 1   |     |
| 14       | 302M934380 | 2M934380     | SHEET OPERATION R RUS  | (AF)      |          | 1   |     |
| 14       | 302PY34300 | 2PY34300     | SHEET OPERATION R RUS  | (BF),(CF) |          | 1   |     |
| 15       | 303HZ45010 | 3HZ45010     | MODULAR CORD           |           | 1        |     |     |
| 15       | 3063527482 | 63527482     | MODULAR CORD AUSTRALIA |           |          |     | 1   |

• Parts with Ref.No. indicate maintenance parts and the ones without it indicate out of the above.

• Parts with "." are component parts or sub-assemblies of the assembly appearing immediately above them.  
 • Parts with ". ." are component parts or sub-assembly with "." appearing immediately above them.



FIG. 19 Maintenance Kits

2M8/2M9/2PX/2PY

| Ref. No. | Part.No.   | Alternative. | Description                     | Notes | Quantity |     |     |
|----------|------------|--------------|---------------------------------|-------|----------|-----|-----|
|          |            |              |                                 |       | 120      | 230 | 240 |
|          | 1702KV7US0 | 072KV7US     | MK-592/MAINTENANCE KIT (OPTION) |       | 1        |     |     |
|          |            |              | DV-560 US (Y)                   |       | 1        |     |     |
|          |            |              | DV-560 US (K)                   |       | 1        |     |     |
|          |            |              | DV-560 US (C)                   |       | 1        |     |     |
|          |            |              | DV-560 US (M)                   |       | 1        |     |     |
|          |            |              | PARTS HOLDER RETARD ASSY SP     |       | 1        |     |     |
|          |            |              | DK-590                          |       | 4        |     |     |
|          |            |              | FK-590(U)                       |       | 1        |     |     |
|          |            |              | PARTS HOLDER RETARD ASSY SP     |       | 1        |     |     |
|          |            |              | PARTS HOLDER FEED ASSY SP       |       | 1        |     |     |
|          |            |              | TR-590                          |       | 1        |     |     |
|          |            |              | ROLLER M/P ASSY /43487B0027 A4  |       | 1        |     |     |
|          | 1702KV8NL0 | 072KV8NL     | MK-590/MAINTENANCE KIT (OPTION) |       |          | 1   | 1   |
|          |            |              | DV-560(Y)                       |       |          | 1   | 1   |
|          |            |              | DV-560(K)                       |       |          | 1   | 1   |
|          |            |              | DV-560(C)                       |       |          | 1   | 1   |
|          |            |              | DV-560(M)                       |       |          | 1   | 1   |
|          |            |              | PARTS HOLDER RETARD ASSY SP     |       |          | 1   | 1   |
|          |            |              | DK-590                          |       |          | 4   | 4   |
|          |            |              | FK-590(E)                       |       |          | 1   | 1   |
|          |            |              | PARTS HOLDER RETARD ASSY SP     |       |          | 1   | 1   |
|          |            |              | PARTS HOLDER FEED ASSY SP       |       |          | 1   | 1   |
|          |            |              | TR-590                          |       |          | 1   | 1   |
|          |            |              | ROLLER M/P ASSY /43487B0027 A4  |       |          | 1   | 1   |

• Parts with Ref.No. indicate maintenance parts and the ones without it indicate out of the above.

• Parts with "." are component parts or sub-assemblies of the assembly appearing immediately above them.  
 • Parts with ". ." are component parts or sub-assembly with "." appearing immediately above them.

INDEX

2M8/2M9/2PX/2PY-6

| Part.No.   | Alternative | Description                     | Fig.No. |
|------------|-------------|---------------------------------|---------|
| 1702KV7US0 | 072KV7US    | MK-592/MAINTENANCE KIT (OPTION) | 19      |
| 1702KV8NL0 | 072KV8NL    | MK-590/MAINTENANCE KIT (OPTION) | 19      |
| 3019527401 | 19527401    | POWER CORD(120)                 | 13      |
| 302F929050 | 2F929050    | PULLEY FEED DU                  | 4       |
| 302F944160 | 2F944160    | FAN POWER PWB 50                | 12,13   |
| 302FV45040 | 2FV45040    | AC CORD ASSY                    | 13      |
| 302FV94010 | 2FV94010    | PARTS AC CORD EU SP             | 13      |
| 302G634070 | 2G634070    | LABEL ENERGY STAR               | 4       |
| 302H724180 | 2H724180    | SHEET CONV MID                  | 16      |
| 302HN02611 | 2HN02611    | FOOT                            | 13      |
| 302HN08140 | 2HN08140    | LUTCH                           | 1       |
| 302HN44010 | 2HN44010    | FAN MOTOR                       | 12,13   |
| 302HN44090 | 2HN44090    | MOTOR FUSER                     | 12      |
| 302HN44180 | 2HN44180    | SWITCH SIZE                     | 12      |
| 302HN44210 | 2HN44210    | FAN MOTOR                       | 12      |
| 302HN93013 | 2HN93013    | DV-560(K)                       | 7       |
| 302HN93023 | 2HN93023    | DV-560(Y)                       | 7       |
| 302HN93033 | 2HN93033    | DV-560(C)                       | 7       |
| 302HN93043 | 2HN93043    | DV-560(M)                       | 7       |
| 302HN93253 | 2HN93253    | DV-560 US (K)                   | 7       |
| 302HN93263 | 2HN93263    | DV-560 US (Y)                   | 7       |
| 302HN93273 | 2HN93273    | DV-560 US (C)                   | 7       |
| 302HN93283 | 2HN93283    | DV-560 US (M)                   | 7       |
| 302K305030 | 2K305030    | COVER PANEL A                   | 14      |
| 302KT02150 | 2KT02150    | GEAR Z33S-Z13S                  | 12      |
| 302KT02170 | 2KT02170    | HOLDER GEAR                     | 12      |
| 302KT02180 | 2KT02180    | GUIDE CASSETTE L                | 12      |
| 302KT04010 | 2KT04010    | COVER LEFT BOTTOM               | 1       |
| 302KT04020 | 2KT04020    | COVER RIGHT BOTTOM              | 1       |
| 302KT04030 | 2KT04030    | COVER CABLE                     | 1       |
| 302KT06011 | 2KT06011    | GUIDE CASSETTE                  | 3       |
| 302KT06050 | 2KT06050    | ACTUATOR PE                     | 3       |
| 302KT09111 | 2KT09111    | STOPPER HOOK                    | 2       |
| 302KT09170 | 2KT09170    | SPRING STOPPER HOOK             | 2       |
| 302KT93041 | 2KT93041    | CT-591                          | 2       |
| 302KT94051 | 2KT94051    | PARTS HOLDER RETARD ASSY SP     | 3       |
| 302KT94060 | 2KT94060    | PARTS COVER WASTE ASSY SP       | 1       |
| 302KT94070 | 2KT94070    | PARTS PWB ASSY CASSETTE SP      | 3       |
| 302KT94080 | 2KT94080    | PARTS PWB ASSY EXIT SP          | 13      |
| 302KV00070 | 2KV00070    | MOTOR-DC ASSY DLP               | 11      |

| Part.No.   | Alternative | Description                  | Fig.No. |
|------------|-------------|------------------------------|---------|
| 302KV00100 | 2KV00100    | INLET ASSY                   | 13      |
| 302KV00160 | 2KV00160    | MOTOR-DC ASSY LIFT           | 12      |
| 302KV00190 | 2KV00190    | INLET ASSY                   | 13      |
| 302KV02170 | 2KV02170    | GUIDE TOP L                  | 12      |
| 302KV02180 | 2KV02180    | GUIDE TOP R                  | 13      |
| 302KV02232 | 2KV02232    | BRACKET FRONT HV             | 13      |
| 302KV02240 | 2KV02240    | HOLDER TONER MOTOR           | 12      |
| 302KV02250 | 2KV02250    | DUCT LEFT INNER              | 12      |
| 302KV02281 | 2KV02281    | GUIDE CONTAINER              | 12      |
| 302KV02290 | 2KV02290    | HOLDER RFID                  | 12      |
| 302KV02451 | 2KV02451    | RACK JOINT SHUTTER           | 13      |
| 302KV02461 | 2KV02461    | CAM TONER SUPPLY             | 12      |
| 302KV02480 | 2KV02480    | ACTUATOR DETECTION CONTAINER | 13      |
| 302KV02501 | 2KV02501    | RATCHET SHUTTER              | 13      |
| 302KV02510 | 2KV02510    | HOLDER JOINT                 | 13      |
| 302KV02521 | 2KV02521    | LEVER INTERLOCK              | 13      |
| 302KV02532 | 2KV02532    | HINGE LID L                  | 12      |
| 302KV02542 | 2KV02542    | HINGE LID R                  | 13      |
| 302KV02670 | 2KV02670    | GEAR Z16S                    | 12,13   |
| 302KV02680 | 2KV02680    | GEAR Z50S                    | 12      |
| 302KV02A21 | 2KV02A21    | SPRING JOINT SHUTTER         | 13      |
| 302KV02A60 | 2KV02A60    | GEAR Z40R                    | 12      |
| 302KV02A70 | 2KV02A70    | PULLEY P27                   | 12      |
| 302KV02A90 | 2KV02A90    | BELT S2M Z371                | 12      |
| 302KV02B00 | 2KV02B00    | GEAR Z36R-Z35R               | 12      |
| 302KV02B70 | 2KV02B70    | GEAR Z41S                    | 12      |
| 302KV02C70 | 2KV02C70    | ACTUATOR PUSH SWITCH         | 13      |
| 302KV02E30 | 2KV02E30    | SEAL BRACKET FRONT           | 13      |
| 302KV04030 | 2KV04030    | COVER LEFT                   | 1       |
| 302KV04060 | 2KV04060    | COVER LEFT REAR              | 1       |
| 302KV04070 | 2KV04070    | COVER RIGHT REAR             | 1       |
| 302KV04080 | 2KV04080    | COVER INNER                  | 13      |
| 302KV04130 | 2KV04130    | STRAP COVER REAR             | 1       |
| 302KV06012 | 2KV06012    | FRAME FEED                   | 3       |
| 302KV06031 | 2KV06031    | GUIDE PICK HOLDER            | 3       |
| 302KV06090 | 2KV06090    | ACTUATOR REGIST              | 3       |
| 302KV06151 | 2KV06151    | SHAFT FEED                   | 3       |
| 302KV06180 | 2KV06180    | RELEASE ACTUATOR PE          | 3       |
| 302KV06201 | 2KV06201    | SPRING ACT                   | 3       |
| 302KV06230 | 2KV06230    | SHAFT MIDDLE PULLEY          | 4       |

| Part.No.   | Alternative | Description                    | Fig.No. |
|------------|-------------|--------------------------------|---------|
| 302KV06341 | 2KV06341    | ACTUATOR B                     | 3       |
| 302KV06350 | 2KV06350    | SPRING ACTUATOR A              | 3       |
| 302KV06370 | 2KV06370    | PIN FEED                       | 3       |
| 302KV06610 | 2KV06610    | COVER RETARD                   | 3       |
| 302KV08041 | 2KV08041    | FRAME MPF                      | 4       |
| 302KV08120 | 2KV08120    | SPRING PULLEY MPF              | 4       |
| 302KV08150 | 2KV08150    | GUIDE MPF FEED UP              | 4       |
| 302KV08160 | 2KV08160    | GUIDE MPF FEED LOW A           | 4       |
| 302KV08281 | 2KV08281    | GUIDE MPF FEED LOW B           | 4       |
| 302KV24090 | 2KV24090    | BUSH SPRING FEED               | 4       |
| 302KV28050 | 2KV28050    | ACTUATOR FD                    | 5       |
| 302KV28070 | 2KV28070    | ROLLER EXIT                    | 5       |
| 302KV28101 | 2KV28101    | GEAR Z25S-Z19S                 | 5       |
| 302KV28140 | 2KV28140    | GEAR Z19S                      | 5       |
| 302KV29102 | 2KV29102    | HOOK DU RELEASE                | 5       |
| 302KV31091 | 2KV31091    | GEAR Z50R                      | 11      |
| 302KV31130 | 2KV31130    | GEAR Z36L                      | 11      |
| 302KV31170 | 2KV31170    | ARM CLUTCH C                   | 11      |
| 302KV31190 | 2KV31190    | SPRING CLUTCH B                | 11      |
| 302KV34080 | 2KV34080    | LABEL MPF                      | 13      |
| 302KV34090 | 2KV34090    | LABEL MULTI LANGUAGE           | 5       |
| 302KV44041 | 2KV44041    | CLUTCH 50 Z35R                 | 11      |
| 302KV46030 | 2KV46030    | CONN.CORD ASSY S03535          | 12      |
| 302KV46390 | 2KV46390    | CONN.CORD ASSY S03577          | 13      |
| 302KV46450 | 2KV46450    | CONN.CORD ASSY S03586          | 3       |
| 302KV93017 | 2KV93017    | DK-590                         | 8       |
| 302KV93040 | 2KV93040    | FK-590(E)                      | 10      |
| 302KV93050 | 2KV93050    | FK-590(U)                      | 10      |
| 302KV93070 | 2KV93070    | TR-590                         | 9       |
| 302KV93090 | 2KV93090    | DR-590A                        | 11      |
| 302KV93101 | 2KV93101    | DR-590B                        | 11      |
| 302KV93110 | 2KV93110    | WT-590                         | 13      |
| 302KV93121 | 2KV93121    | MC-590                         | 8       |
| 302KV94060 | 2KV94060    | PARTS HIGH VOLTAGE UNIT SP     | 13      |
| 302KV94080 | 2KV94080    | PARTS BUSH GEAR SP             | 12      |
| 302KV94110 | 2KV94110    | PARTS COVER RIGHT ASSY SP      | 1       |
| 302KV94130 | 2KV94130    | PARTS COVER MPF ASSY SP        | 4       |
| 302KV94140 | 2KV94140    | PARTS SEPARATOR MPF ASSY SP    | 4       |
| 302KV94150 | 2KV94150    | PARTS PLATE BOTTOM MPF ASSY SP | 4       |
| 302KV94160 | 2KV94160    | PARTS TRANSFER ASSY SP         | 5       |

| Part.No.   | Alternative | Description                        | Fig.No. |
|------------|-------------|------------------------------------|---------|
| 302KV94171 | 2KV94171    | PARTS CONVEYING ASSY SP            | 5       |
| 302KV94191 | 2KV94191    | PARTS HOLDER FEED ASSY SP          | 3       |
| 302KV94200 | 2KV94200    | PARTS HOLDER MIDDLE ROLLER ASSY SP | 3       |
| 302KV94211 | 2KV94211    | PARTS DRIVE FEED ASSY SP           | 11      |
| 302KV94220 | 2KV94220    | PARTS DRIVE PRESS ASSY SP          | 11      |
| 302KV94230 | 2KV94230    | PARTS DRIVE MPF ASSY SP            | 11      |
| 302KV94254 | 2KV94254    | PARTS DU REAR COVER ASSY SP        | 5       |
| 302KV94270 | 2KV94270    | PARTS MOTOR-DC ASSY Y SP           | 12      |
| 302KV94280 | 2KV94280    | PARTS MOTOR-DC ASSY C SP           | 12      |
| 302KV94290 | 2KV94290    | PARTS MOTOR-DC ASSY M SP           | 12      |
| 302KV94300 | 2KV94300    | PARTS MOTOR-DC ASSY K SP           | 12      |
| 302KV94310 | 2KV94310    | PARTS MOTOR-DC ASSY LSU SP         | 12      |
| 302KV94320 | 2KV94320    | PARTS ID SENSOR ASSY SP            | 12      |
| 302KV94350 | 2KV94350    | PARTS PWB ASSY RFID SP             | 12      |
| 302KV94360 | 2KV94360    | PARTS PWB ASSY THERMISTOR SP       | 12      |
| 302KV94370 | 2KV94370    | PARTS TONER FULL DETECT SP         | 13      |
| 302KV94470 | 2KV94470    | PARTS WASTE TONER ASSY SP          | 13      |
| 302KW02050 | 2KW02050    | RAIL ISU                           | 1       |
| 302KW02160 | 2KW02160    | HOLDER SPRING ISU                  | 1       |
| 302KW02170 | 2KW02170    | RAIL ISU B                         | 1       |
| 302KW04030 | 2KW04030    | COVER LEFT UPPER                   | 1       |
| 302KW04040 | 2KW04040    | COVER RIGHT UPPER                  | 1       |
| 302KW04050 | 2KW04050    | COVER REAR UPPER                   | 1       |
| 302KW04090 | 2KW04090    | PIN LID TOP                        | 1       |
| 302KW17251 | 2KW17251    | RAIL LID TOP                       | 1       |
| 302KW17291 | 2KW17291    | HOOK ISU                           | 15      |
| 302KW94040 | 2KW94040    | PARTS SWITCHING REGULATOR 100V SP  | 13      |
| 302KW94050 | 2KW94050    | PARTS SWITCHING REGULATOR 230V SP  | 13      |
| 302KW94070 | 2KW94070    | PARTS FRAME ISU TOP ASSY SP        | 15      |
| 302KW94080 | 2KW94080    | PARTS LID TOP M ASSY SP            | 1       |
| 302KW94090 | 2KW94090    | PARTS COVER FRONT ASSY SP          | 1       |
| 302KW94100 | 2KW94100    | PARTS COVER RIGHT UPPER ASSY SP    | 1       |
| 302KX94041 | 2KX94041    | PARTS FAX UNIT E SP                | 17      |
| 302KX94051 | 2KX94051    | PARTS FAX UNIT U SP                | 17      |
| 302LW94060 | 2LW94060    | PARTS MOTOR ISU SP                 | 15      |
| 302M804010 | 2M804010    | COVER CONNECTOR                    | 1       |
| 302M805020 | 2M805020    | PANEL OPERATION L                  | 14      |
| 302M805030 | 2M805030    | PANEL OPERATION R                  | 14      |
| 302M805040 | 2M805040    | PANEL OPERATION M                  | 14      |
| 302M805050 | 2M805050    | COVER IC-CARD                      | 14      |

| Part.No.   | Alternative | Description                | Fig.No. |
|------------|-------------|----------------------------|---------|
| 302M805060 | 2M805060    | COVER IC-CARD SUB          | 14      |
| 302M805090 | 2M805090    | COVER IC-CARD SUB A        | 14      |
| 302M817012 | 2M817012    | FRAME ISU BOTTOM           | 15      |
| 302M817070 | 2M817070    | LEVER LINK                 | 15      |
| 302M834110 | 2M834110    | SHEET OPERATION L E        | 14      |
| 302M834130 | 2M834130    | SHEET OPERATION L GER      | 18      |
| 302M834140 | 2M834140    | SHEET OPERATION L FRA      | 18      |
| 302M834150 | 2M834150    | SHEET OPERATION L ITA      | 18      |
| 302M834160 | 2M834160    | SHEET OPERATION L SPA      | 18      |
| 302M834170 | 2M834170    | SHEET OPERATION L POR      | 18      |
| 302M834180 | 2M834180    | SHEET OPERATION L DUT      | 18      |
| 302M834190 | 2M834190    | SHEET OPERATION L RUS      | 18      |
| 302M834310 | 2M834310    | SHEET OPERATION R E        | 14      |
| 302M834330 | 2M834330    | SHEET OPERATION R GER      | 18      |
| 302M834340 | 2M834340    | SHEET OPERATION R FRA      | 18      |
| 302M834350 | 2M834350    | SHEET OPERATION R ITA      | 18      |
| 302M834360 | 2M834360    | SHEET OPERATION R SPA      | 18      |
| 302M834370 | 2M834370    | SHEET OPERATION R POR      | 18      |
| 302M834380 | 2M834380    | SHEET OPERATION R DUT      | 18      |
| 302M834390 | 2M834390    | SHEET OPERATION R RUS      | 18      |
| 302M846021 | 2M846021    | CONN.CORD ASSY S03704      | 13      |
| 302M846060 | 2M846060    | CONN.CORD ASSY S03708      | 13      |
| 302M846070 | 2M846070    | CONN.CORD ASSY S03709      | 15      |
| 302M893012 | 2M893012    | PARTS CARRIAGE ASSY        | 15      |
| 302M894010 | 2M894010    | PARTS OPERATION UNIT SP    | 14      |
| 302M894020 | 2M894020    | PARTS COVER IC-CARD SET SP | 14      |
| 302M894033 | 2M894033    | PARTS PWB MAIN ASSY SP     | 13      |
| 302M894044 | 2M894044    | PARTS PWB MAIN ASSY SP EU  | 13      |
| 302M894051 | 2M894051    | PARTS PWB PANEL MAIN ASSY  | 14      |
| 302M894061 | 2M894061    | PARTS PWB ENGINE ASSY SP   | 12      |
| 302M894070 | 2M894070    | PARTS COVER IC-CARD SET SP | 14      |
| 302M904010 | 2M904010    | COVER CONNECTOR            | 1       |
| 302M905020 | 2M905020    | PANEL OPERATION L          | 14      |
| 302M934110 | 2M934110    | SHEET OPERATION L E        | 14      |
| 302M934130 | 2M934130    | SHEET OPERATION L GER      | 18      |
| 302M934140 | 2M934140    | SHEET OPERATION L FRA      | 18      |
| 302M934150 | 2M934150    | SHEET OPERATION L ITA      | 18      |
| 302M934160 | 2M934160    | SHEET OPERATION L SPA      | 18      |
| 302M934170 | 2M934170    | SHEET OPERATION L POR      | 18      |
| 302M934180 | 2M934180    | SHEET OPERATION L DUT      | 18      |

| Part.No.   | Alternative | Description                       | Fig.No. |
|------------|-------------|-----------------------------------|---------|
| 302M934190 | 2M934190    | SHEET OPERATION L RUS             | 18      |
| 302M934310 | 2M934310    | SHEET OPERATION R E               | 14      |
| 302M934320 | 2M934320    | SHEET OPERATION R FRA             | 18      |
| 302M934330 | 2M934330    | SHEET OPERATION R SPA             | 18      |
| 302M934340 | 2M934340    | SHEET OPERATION R POR             | 18      |
| 302M934350 | 2M934350    | SHEET OPERATION R GER             | 18      |
| 302M934360 | 2M934360    | SHEET OPERATION R ITA             | 18      |
| 302M934370 | 2M934370    | SHEET OPERATION R DUT             | 18      |
| 302M934380 | 2M934380    | SHEET OPERATION R RUS             | 18      |
| 302M994011 | 2M994011    | PARTS OPERATION UNIT SP           | 14      |
| 302M994023 | 2M994023    | PARTS PWB MAIN ASSY SP            | 13      |
| 302M994034 | 2M994034    | PARTS PWB MAIN ASSY SP EU         | 13      |
| 302PA93011 | 2PA93011    | LK-5135                           | 6       |
| 302PA93021 | 2PA93021    | LK-5136                           | 6       |
| 302PL94020 | 2PL94020    | PARTS FAX UNIT E SP               | 17      |
| 302PL94040 | 2PL94040    | PARTS FAX UNIT U SP               | 17      |
| 302PL94050 | 2PL94050    | PARTS FAX UNIT AS SP              | 17      |
| 302PS04010 | 2PS04010    | COVER CONNECTOR                   | 1       |
| 302PT93011 | 2PT93011    | LK-595A                           | 6       |
| 302PT93021 | 2PT93021    | LK-595B                           | 6       |
| 302PT94080 | 2PT94080    | PARTS COVER RIGHT ASSY(B) SP      | 1       |
| 302PV94020 | 2PV94020    | PARTS SWITCHING REGULATOR 230V SP | 13      |
| 302PV94030 | 2PV94030    | PARTS PWB ENGINE ASSY SP          | 12      |
| 302PX34020 | 2PX34020    | SHEET OPERATION L E               | 14      |
| 302PX34030 | 2PX34030    | SHEET OPERATION L SPA             | 18      |
| 302PX34040 | 2PX34040    | SHEET OPERATION L FRA             | 18      |
| 302PX34050 | 2PX34050    | SHEET OPERATION L POR             | 18      |
| 302PX34060 | 2PX34060    | SHEET OPERATION L GER             | 18      |
| 302PX34070 | 2PX34070    | SHEET OPERATION L ITA             | 18      |
| 302PX34080 | 2PX34080    | SHEET OPERATION L DUT             | 18      |
| 302PX34090 | 2PX34090    | SHEET OPERATION L RUS             | 18      |
| 302PX34180 | 2PX34180    | SHEET OPERATION R E               | 14      |
| 302PX34190 | 2PX34190    | SHEET OPERATION R SPA             | 18      |
| 302PX34200 | 2PX34200    | SHEET OPERATION R FRA             | 18      |
| 302PX34210 | 2PX34210    | SHEET OPERATION R POR             | 18      |
| 302PX34220 | 2PX34220    | SHEET OPERATION R GER             | 18      |
| 302PX34230 | 2PX34230    | SHEET OPERATION R ITA             | 18      |
| 302PX34240 | 2PX34240    | SHEET OPERATION R DUT             | 18      |
| 302PX34250 | 2PX34250    | SHEET OPERATION R RUS             | 18      |
| 302PX34260 | 2PX34260    | SHEET OPERATION L E               | 14      |

| Part.No.   | Alternative | Description                  | Fig.No. |
|------------|-------------|------------------------------|---------|
| 302PX34270 | 2PX34270    | SHEET OPERATION L SPA        | 18      |
| 302PX34280 | 2PX34280    | SHEET OPERATION L FRA        | 18      |
| 302PX34290 | 2PX34290    | SHEET OPERATION L POR        | 18      |
| 302PX34300 | 2PX34300    | SHEET OPERATION L GER        | 18      |
| 302PX34310 | 2PX34310    | SHEET OPERATION L ITA        | 18      |
| 302PX34320 | 2PX34320    | SHEET OPERATION L DUT        | 18      |
| 302PX34330 | 2PX34330    | SHEET OPERATION L RUS        | 18      |
| 302PX46020 | 2PX46020    | CONN.CORD ASSY S03871        | 13      |
| 302PX94010 | 2PX94010    | PARTS OPERATION ASSY SP      | 14      |
| 302PX94020 | 2PX94020    | PARTS PWB MAIN ASSY SP       | 13      |
| 302PX94030 | 2PX94030    | PARTS PWB MAIN ASSY SP EU    | 13      |
| 302PX94040 | 2PX94040    | PARTS PWB PANEL MAIN ASSY SP | 14      |
| 302PY04010 | 2PY04010    | COVER CONNECTOR              | 1       |
| 302PY34020 | 2PY34020    | SHEET OPERATION L E          | 14      |
| 302PY34030 | 2PY34030    | SHEET OPERATION L SPA        | 18      |
| 302PY34040 | 2PY34040    | SHEET OPERATION L FRA        | 18      |
| 302PY34050 | 2PY34050    | SHEET OPERATION L POR        | 18      |
| 302PY34060 | 2PY34060    | SHEET OPERATION L GER        | 18      |
| 302PY34070 | 2PY34070    | SHEET OPERATION L ITA        | 18      |
| 302PY34080 | 2PY34080    | SHEET OPERATION L DUT        | 18      |
| 302PY34090 | 2PY34090    | SHEET OPERATION L RUS        | 18      |
| 302PY34210 | 2PY34210    | SHEET OPERATION R E          | 14      |
| 302PY34220 | 2PY34220    | SHEET OPERATION R SPA        | 18      |
| 302PY34230 | 2PY34230    | SHEET OPERATION R FRA        | 18      |
| 302PY34240 | 2PY34240    | SHEET OPERATION R POR        | 18      |
| 302PY34250 | 2PY34250    | SHEET OPERATION R GER        | 18      |
| 302PY34260 | 2PY34260    | SHEET OPERATION R ITA        | 18      |
| 302PY34270 | 2PY34270    | SHEET OPERATION R DUT        | 18      |
| 302PY34300 | 2PY34300    | SHEET OPERATION R RUS        | 18      |
| 302PY34320 | 2PY34320    | SHEET OPERATION L E          | 14      |
| 302PY34330 | 2PY34330    | SHEET OPERATION L SPA        | 18      |
| 302PY34340 | 2PY34340    | SHEET OPERATION L FRA        | 18      |
| 302PY34350 | 2PY34350    | SHEET OPERATION L POR        | 18      |
| 302PY34360 | 2PY34360    | SHEET OPERATION L GER        | 18      |
| 302PY34370 | 2PY34370    | SHEET OPERATION L ITA        | 18      |
| 302PY34380 | 2PY34380    | SHEET OPERATION L DUT        | 18      |
| 302PY34390 | 2PY34390    | SHEET OPERATION L RUS        | 18      |
| 302PY94010 | 2PY94010    | PARTS OPERATION ASSY SP      | 14      |
| 302PY94020 | 2PY94020    | PARTS PWB MAIN ASSY SP       | 13      |
| 302PY94030 | 2PY94030    | PARTS PWB MAIN ASSY SP EU    | 13      |





**KYOCERA Document Solutions America, Inc.****Headquarters**

225 Sand Road,  
Fairfield, New Jersey 07004-0008, USA  
Phone: +1-973-808-8444  
Fax: +1-973-882-6000

**Latin America**

8240 NW 52nd Terrace Dawson Building, Suite 100  
Miami, Florida 33166, USA  
Phone: +1-305-421-6640  
Fax: +1-305-421-6666

**KYOCERA Document Solutions Canada, Ltd.**

6120 Kestrel Rd., Mississauga, ON L5T 1S8,  
Canada  
Phone: +1-905-670-4425  
Fax: +1-905-670-8116

**KYOCERA Document Solutions****Mexico, S.A. de C.V.**

Calle Arquimedes No. 130, 4 Piso, Colonia Polanco  
Chapultepec, Delegacion Miguel Hidalgo,  
Distrito Federal, C.P. 11560, México  
Phone: +52-555-383-2741  
Fax: +52-555-383-7804

**KYOCERA Document Solutions Brazil, Ltda.**

Alameda África, 545, Pólo Empresarial Consbrás,  
Tamboré, Santana de Parnaíba-SP, CEP 06543-306,  
Brazil  
Phone: +55-11-4195-8496  
Fax: +55-11-4195-6167

**KYOCERA Document Solutions****Australia Pty. Ltd.**

Level 3, 6-10 Talavera Road North Ryde N.S.W, 2113,  
Australia  
Phone: +61-2-9888-9999  
Fax: +61-2-9888-9588

**KYOCERA Document Solutions****New Zealand Ltd.**

Ground Floor, 19 Byron Avenue, Takapuna, Auckland,  
New Zealand  
Phone: +64-9-415-4517  
Fax: +64-9-415-4597

**KYOCERA Document Solutions Asia Limited**

16/F., Mita Centre, 552-566, Castle Peak Road  
Tsuenwan, NT, Hong Kong  
Phone: +852-2610-2181  
Fax: +852-2610-2063

**KYOCERA Document Solutions****(China) Corporation**

8F, No. 288 Nanjing Road West, Huangpu District,  
Shanghai, 200003, China  
Phone: +86-21-5301-1777  
Fax: +86-21-5302-8300

**KYOCERA Document Solutions****(Thailand) Corp., Ltd.**

335 Ratchadapisek Road, Bangsue, Bangkok 10800,  
Thailand  
Phone: +66-2-586-0333  
Fax: +66-2-586-0278

**KYOCERA Document Solutions****Singapore Pte. Ltd.**

12 Tai Seng Street #04-01A,  
Luxasia Building, Singapore 534118  
Phone: +65-6741-8733  
Fax: +65-6748-3788

**KYOCERA Document Solutions****Hong Kong Limited**

16/F., Mita Centre, 552-566, Castle Peak Road  
Tsuenwan, NT, Hong Kong  
Phone: +852-3582-4000  
Fax: +852-3185-1399

**KYOCERA Document Solutions****Taiwan Corporation**

6F., No.37, Sec. 3, Minquan E. Rd.,  
Zhongshan Dist., Taipei 104, Taiwan R.O.C.  
Phone: +886-2-2507-6709  
Fax: +886-2-2507-8432

**KYOCERA Document Solutions Korea Co., Ltd.**

18F, Kangnam bldg, 1321-1,  
Seocho-Dong, Seocho-Gu, Seoul, Korea  
Phone: +822-6933-4050  
Fax: +822-747-0084

**KYOCERA Document Solutions****India Private Limited**

First Floor, ORCHID CENTRE  
Sector-53, Golf Course Road, Gurgaon 122 002,  
India  
Phone: +91-0124-4671000  
Fax: +91-0124-4671001

**KYOCERA Document Solutions Europe B.V.**

Bloemlaan 4, 2132 NP Hoofddorp,  
The Netherlands  
Phone: +31-20-654-0000  
Fax: +31-20-653-1256

**KYOCERA Document Solutions Nederland B.V.**

Beechavenue 25, 1119 RA Schiphol-Rijk,  
The Netherlands  
Phone: +31-20-5877200  
Fax: +31-20-5877260

**KYOCERA Document Solutions (U.K.) Limited**

Eldon Court, 75-77 London Road,  
Reading, Berkshire RG1 5BS,  
United Kingdom  
Phone: +44-118-931-1500  
Fax: +44-118-931-1108

**KYOCERA Document Solutions Italia S.p.A.**

Via Verdi, 89/91 20063 Cernusco s/N.(MI),  
Italy  
Phone: +39-02-921791  
Fax: +39-02-92179-600

**KYOCERA Document Solutions Belgium N.V.**

Sint-Martinusweg 199-201 1930 Zaventem,  
Belgium  
Phone: +32-2-7209270  
Fax: +32-2-7208748

**KYOCERA Document Solutions France S.A.S.**

Espace Technologique de St Aubin  
Route de l'Orme 91195 Gif-sur-Yvette CEDEX,  
France  
Phone: +33-1-69852600  
Fax: +33-1-69853409

**KYOCERA Document Solutions Espana, S.A.**

Edificio Kyocera, Avda. de Manacor No.2,  
28290 Las Matas (Madrid), Spain  
Phone: +34-91-6318392  
Fax: +34-91-6318219

**KYOCERA Document Solutions Finland Oy**

Atomitie 5C, 00370 Helsinki,  
Finland  
Phone: +358-9-47805200  
Fax: +358-9-47805390

**KYOCERA Document Solutions  
Europe B.V., Amsterdam (NL) Zürich Branch**

Hohlstrasse 614, 8048 Zürich,  
Switzerland  
Phone: +41-44-9084949  
Fax: +41-44-9084950

**KYOCERA Document Solutions  
Deutschland GmbH**

Otto-Hahn-Strasse 12, 40670 Meerbusch,  
Germany  
Phone: +49-2159-9180  
Fax: +49-2159-918100

**KYOCERA Document Solutions Austria GmbH**

Eduard-Kittenberger-Gasse 95, 1230 Vienna,  
Austria  
Phone: +43-1-863380  
Fax: +43-1-86338-400

**KYOCERA Document Solutions Nordic AB**

Esbogatan 16B 164 75 Kista, Sweden  
Phone: +46-8-546-550-00  
Fax: +46-8-546-550-10

**KYOCERA Document Solutions Norge Nuf**

Postboks 150 Oppsal, 0619 Oslo,  
Norway  
Phone: +47-22-62-73-00  
Fax: +47-22-62-72-00

**KYOCERA Document Solutions Danmark A/S**

Ejby Industrivej 60, DK-2600 Glostrup,  
Denmark  
Phone: +45-70223880  
Fax: +45-45765850

**KYOCERA Document Solutions Portugal Lda.**

Rua do Centro Cultural, 41 (Alvalade) 1700-106 Lisboa,  
Portugal  
Phone: +351-21-843-6780  
Fax: +351-21-849-3312

**KYOCERA Document Solutions  
South Africa (Pty) Ltd.**

KYOCERA House, Hertford Office Park,  
90 Bekker Road (Cnr. Allandale), Midrand, South Africa.  
Phone: +27-11-540-2600  
Fax: +27-11-466-3050

**KYOCERA Document Solutions Russia LLC**

Botanichesky pereulok 5, Moscow, 129090,  
Russia  
Phone: +7(495)741-0004  
Fax: +7(495)741-0018

**KYOCERA Document Solutions Middle East**

Dubai Internet City, Bldg. 17,  
Office 157 P.O. Box 500817, Dubai,  
United Arab Emirates  
Phone: +971-04-433-0412

**KYOCERA Document Solutions Inc.**

2-28, 1-chome, Tamatsukuri, Chuo-ku  
Osaka 540-8585, Japan  
Phone: +81-6-6764-3555  
<http://www.kyoceradocumentsolutions.com>

© 2014 KYOCERA Document Solutions Inc.

 is a trademark of KYOCERA Corporation