



ECOSYS P5021cdn
ECOSYS P5021cdw
ECOSYS P5026cdn
ECOSYS P5026cdw
ECOSYS M5521cdn
ECOSYS M5521cdw
ECOSYS M5526cdn
ECOSYS M5526cdw
PF-5110

PARTS LIST

Published in November 2017
2R7PL073
Rev. 3

ECOSYS P5026cdw
ECOSYS M5526cdw
PF-5110

パーツリスト

2017年11月 改訂
2R7PL013
Rev. 3

Items listed in the revision columns are defined as follows.

Item	Description
Add	Add a new part
Del	Delete a part
Design-chg.	A design changed part (Parts number version up)
Part No-chg.	A part number is changed to other one.
Quantity-chg.	Change Quantity of parts to use
Others	Other changes

Revision history

Rev.	Date	Remarks
1	October 2016	Design change
2	April 2017	Design change & Correction
3	November 2017	Design change

Symbols in the parts list

- Parts without a Ref.No. in the illustration indicate they are not supplied.
- Parts with a Ref.No. of 500 and above in the illustration indicate they are not selected for service parts.
- Parts with "*" are component parts or sub-assemblies of the assembly appearing immediately above them.
- Parts with "**" are component parts or sub-assembly with "*" appearing immediately above them.

<Notation of products>

For the purpose of this parts list, products are identified as following.

ECOSYS P5021cdn : 21ppm(A4),22ppm(Letter)(A)
 ECOSYS P5021cdw : 21ppm(A4),22ppm(Letter)(B)
 ECOSYS P5026cdn : 26ppm(A4),27ppm(Letter)(A)
 ECOSYS P5026cdw : 26ppm(A4),27ppm(Letter)(B)
 ECOSYS M5521cdn : 21ppm(A4),22ppm(Letter)(AF)
 ECOSYS M5521cdw : 21ppm(A4),22ppm(Letter)(BF)
 ECOSYS M5526cdn : 26ppm(A4),27ppm(Letter)(AF)
 ECOSYS M5526cdw : 26ppm(A4),27ppm(Letter)(BF)

改訂欄記載項目の内容は以下の通りです。

記載項目	内容
Add	新規部品の追加
Del	部品の削除
Design-chg.	部品の設変（版数アップ）
Part No-chg.	部品番号の変更
Quantity-chg.	部品の個数変更
Others	その他の変更

改訂履歴

Rev.	改訂日	備考
1	2016年10月	設変対応
2	2017年4月	設変対応 & 誤記訂正
3	2017年11月	設変対応

記号の見方

イラスト中で Ref 番号がない部品は供給できません。
 イラスト中で 500 番台の Ref 番号が付いている部品はサービスパーツに選定されていません。
 部品番号欄の・印は、組立部品の単品部品及び準組立部品を表わします。
 部品番号欄の**印は、準組立部品の単品部品を表わします。

<本体機種区別表記>

パーツリスト中の本体機種区別は、以下の様に記載します。
 ECOSYS P5026cdw : 26ppm(A4),27ppm(Letter)(B)
 ECOSYS M5526cdw : 26ppm(A4),27ppm(Letter)(BF)

ECOSYS P5021cdn/ECOSYS P5021cdw
ECOSYS P5026cdn/ECOSYS P5026cdw
ECOSYS M5521cdn/ECOSYS M5521cdw
ECOSYS M5526cdn/ECOSYS M5526cdw

Rev.3
November 2017

CONTENTS / 目次

<p>FIG. 1 Covers (21ppm(A4),22ppm(Letter)(A)/ 21ppm(A4),22ppm(Letter)(B)/26ppm(A4),27ppm(Let- ter)(A)/26ppm(A4),27ppm(Letter)(B)) 2</p> <p>FIG. 2 Covers (21ppm(A4),22ppm(Letter)(AF)/ 21ppm(A4),22ppm(Letter)(BF)/26ppm(A4),27ppm(Let- ter)(AF)/26ppm(A4),27ppm(Letter)(BF)) 4</p> <p>FIG. 3 Covers Label 6</p> <p>FIG. 4 Frame 8</p> <p>FIG. 5 Paper Cassette 10</p> <p>FIG. 6 Paper Feed Section 1 12</p> <p>FIG. 7 Paper Feed Section 2 14</p> <p>FIG. 8 Paper Feed Section 3 16</p> <p>FIG. 9 Paper Conveying Section 18</p> <p>FIG. 10 Laser Scanner Section 20</p> <p>FIG. 11 Scanner Section 22</p> <p>FIG. 12 Image Formation Section 24</p> <p>FIG. 13 Fuser Section 26</p> <p>FIG. 14 Drive Section 1 28</p> <p>FIG. 15 Drive Section 2 30</p> <p>FIG. 16 Exit Section 32</p> <p>FIG. 17 Electrical Components 34</p> <p>FIG. 18 Operation Section (26ppm(A4),27ppm(Letter)(AF)/ 26ppm(A4),27ppm(Letter)(BF)) 36</p> <p>FIG. 19 Operation Section (21ppm(A4),22ppm(Letter)(AF)/ 21ppm(A4),22ppm(Letter)(BF)) 38</p> <p>FIG. 20 DP ASSY SP 40</p> <p>FIG. 21 DP covers 42</p> <p>FIG. 22 DP frame 44</p> <p>FIG. 23 DP Paper Feed Section 46</p> <p>FIG. 24 DP Conveying Section (26ppm(A4),27ppm(Letter)(AF)/ 26ppm(A4),27ppm(Letter)(BF)) 48</p>	<p>FIG. 25 DP Conveying Section (21ppm(A4),22ppm(Letter)(AF)/ 21ppm(A4),22ppm(Letter)(BF)) 50</p> <p>FIG. 26 DP Drive Section 52</p> <p>FIG. 27 Wire Sections 1 (21ppm(A4),22ppm(Letter)(A)/ 21ppm(A4),22ppm(Letter)(B)/26ppm(A4),27ppm(Let- ter)(A)/26ppm(A4),27ppm(Letter)(B)) 54</p> <p>FIG. 28 Wire Sections 2 (21ppm(A4),22ppm(Letter)(A)/ 21ppm(A4),22ppm(Letter)(B)/26ppm(A4),27ppm(Let- ter)(A)/26ppm(A4),27ppm(Letter)(B)/PF-5110) 56</p> <p>FIG. 29 Wire Sections 1 (21ppm(A4),22ppm(Letter)(AF)/ 21ppm(A4),22ppm(Letter)(BF)/26ppm(A4),27ppm(Let- ter)(AF)/26ppm(A4),27ppm(Letter)(BF)) 58</p> <p>FIG. 30 Wire Sections 2 (21ppm(A4),22ppm(Letter)(AF)/ 21ppm(A4),22ppm(Letter)(BF)/26ppm(A4),27ppm(Let- ter)(AF)/26ppm(A4),27ppm(Letter)(BF)/PF-5110) 60</p> <p>FIG. 31 Accessory 62</p> <p style="text-align: right;">• INDEX / 索引 64</p>
--	--

FIG. 1 Covers (21ppm(A4),22ppm(Letter)(A)/21ppm(A4),22ppm(Letter)(B)/
26ppm(A4),27ppm(Letter)(A)/26ppm(A4),27ppm(Letter)(B))

2RB/2RC/2RD/2RF/2R7/2R8/2R9/2RA

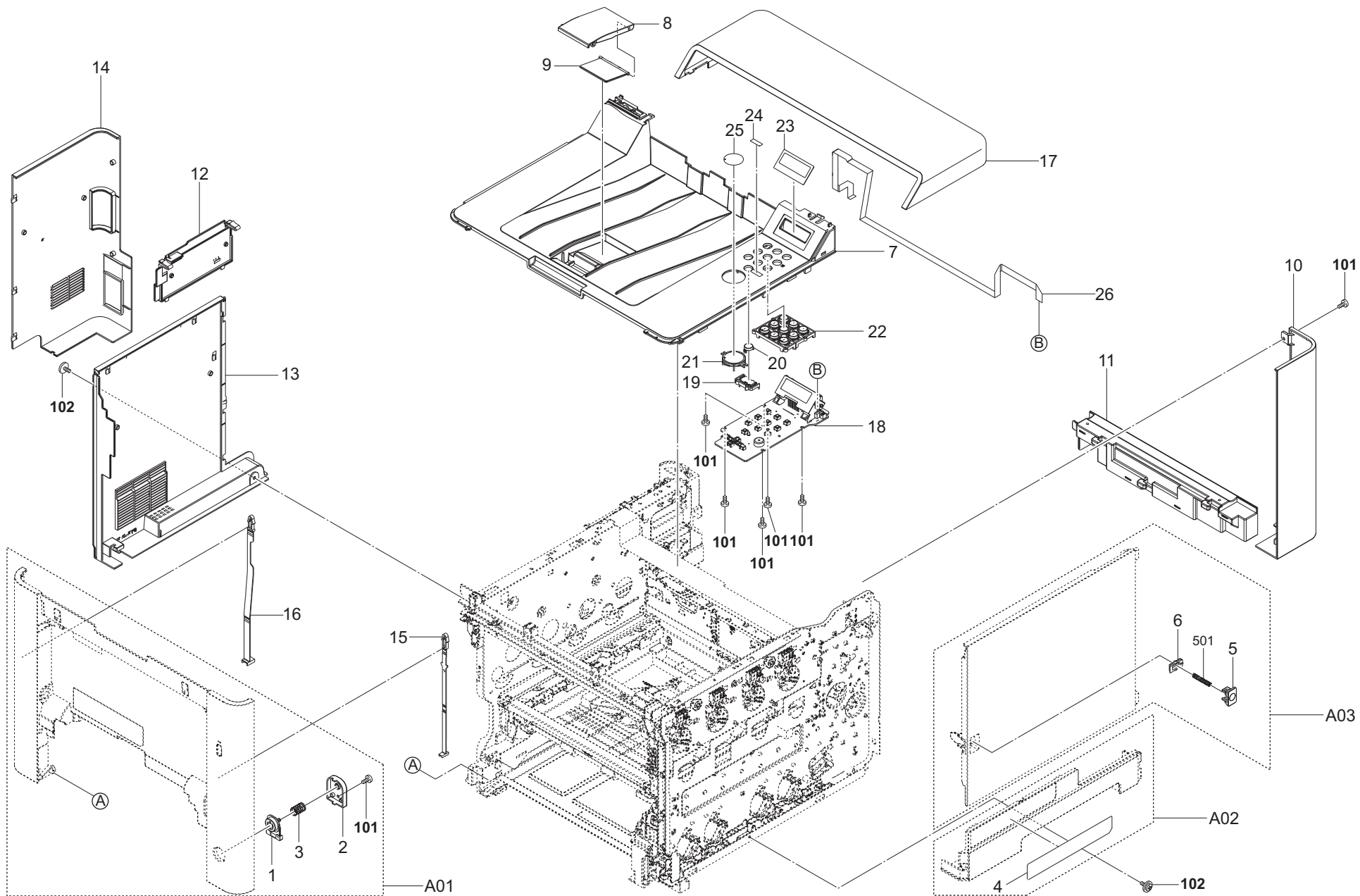
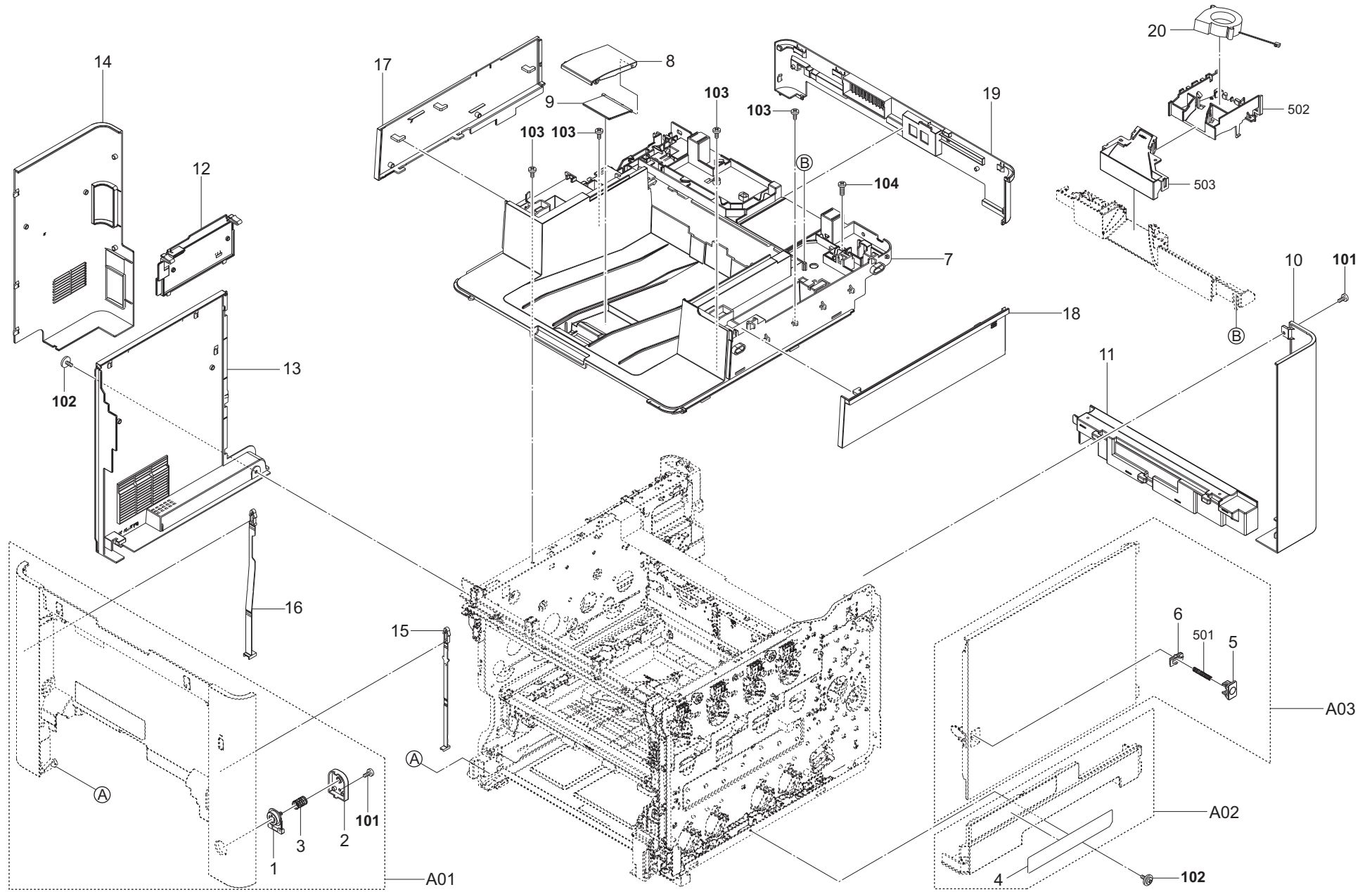


FIG. 2 Covers (21ppm(A4),22ppm(Letter)(AF)/21ppm(A4),22ppm(Letter)(BF)/
26ppm(A4),27ppm(Letter)(AF)/26ppm(A4),27ppm(Letter)(BF))

2RB/2RC/2RD/2RF/2R7/2R8/2R9/2RA



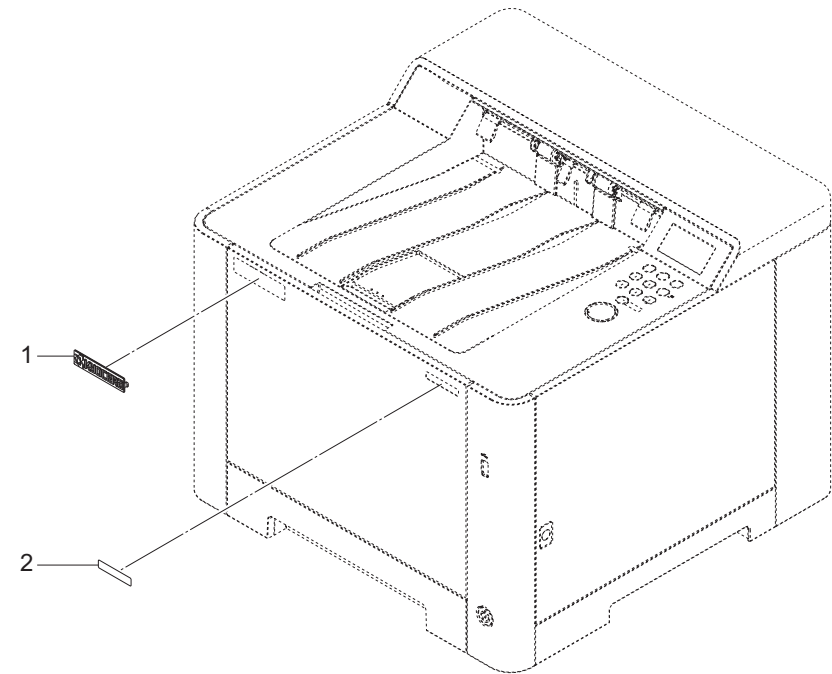
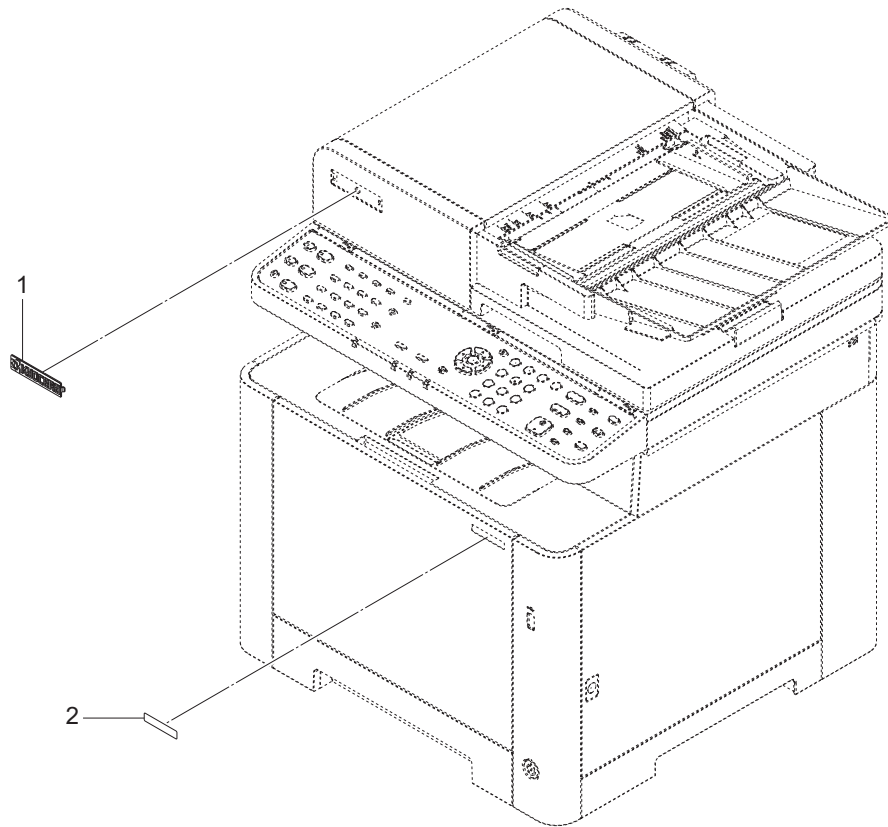


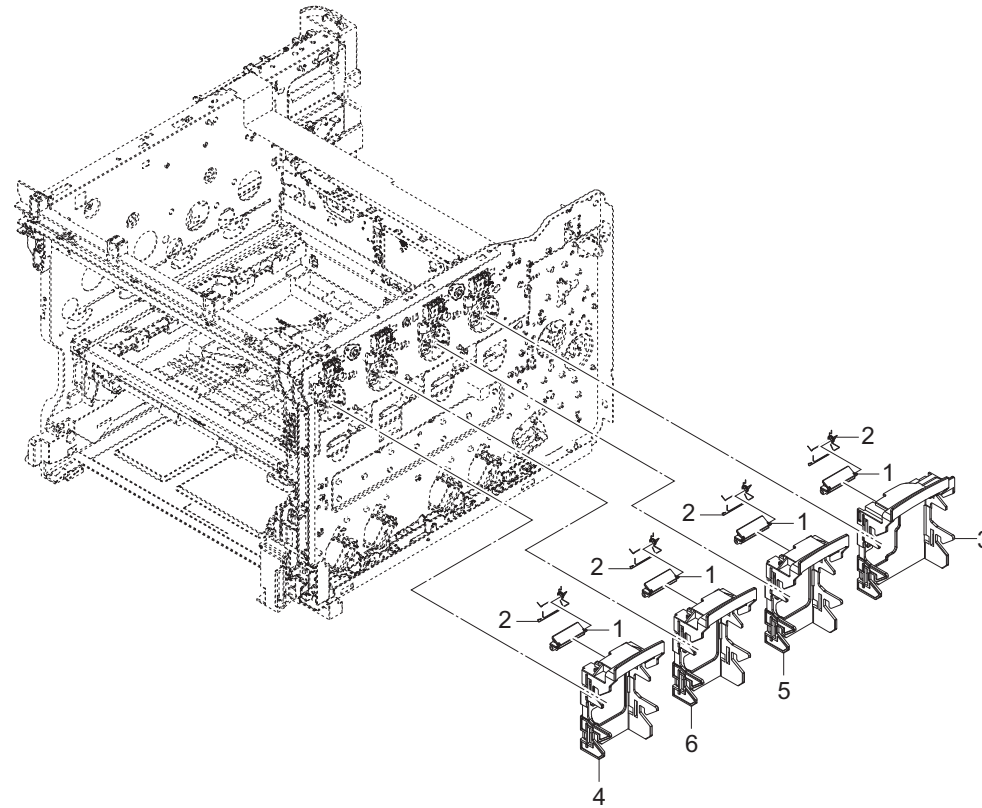
FIG. 3 Covers Label

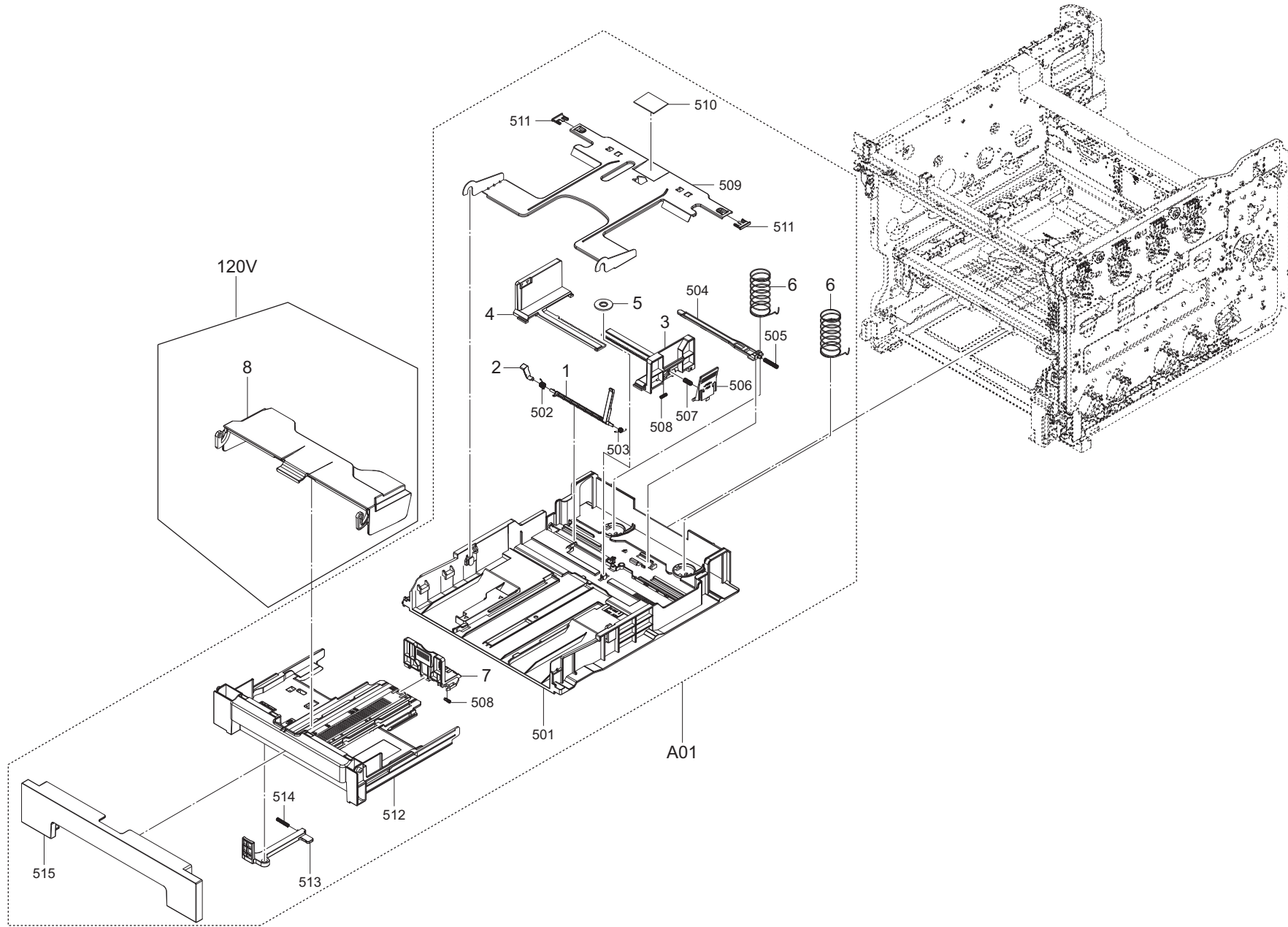
2RB/2RC/2RD/2RF/2R7/2R8/2R9/2RA-3

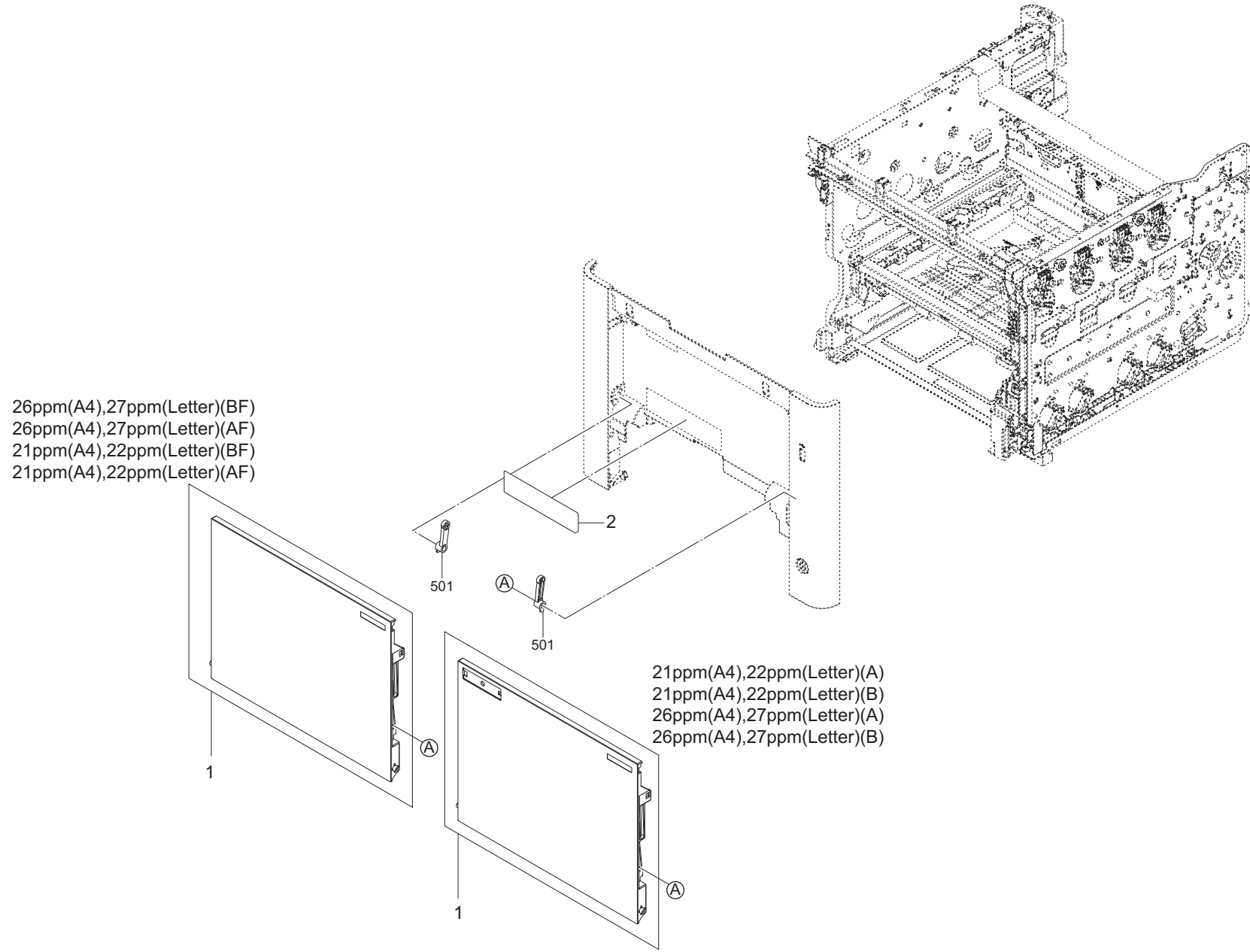
Ref. No. 番号	Part.No. 部品番号	Description 部品名称	Notes 備考	Revision 改訂	Quantity 個数			
					100 (日本)	120	230	240
1	302S018491	EMBLEM		3:Design-chg.	1	1	1	1
2	302R734100	EMBLEM MACHINE NUMBER	26ppm(A4),27ppm(Letter)(BF)		1	1	1	1
2	302R834100	EMBLEM MACHINE NUMBER	26ppm(A4),27ppm(Letter)(AF)	1:Others			1	1
2	302R934100	EMBLEM MACHINE NUMBER	21ppm(A4),22ppm(Letter)(BF)	1:Others		1	1	1
2	302RA34100	EMBLEM MACHINE NUMBER	21ppm(A4),22ppm(Letter)(AF)	1:Others		1	1	1
2	302RB34100	EMBLEM MACHINE NUMBER	26ppm(A4),27ppm(Letter)(B)		1	1	1	1
2	302RC34100	EMBLEM MACHINE NUMBER	26ppm(A4),27ppm(Letter)(A)	1:Others		1	1	1
2	302RD34100	EMBLEM MACHINE NUMBER	21ppm(A4),22ppm(Letter)(B)	1:Others		1	1	1
2	302RF34100	EMBLEM MACHINE NUMBER	21ppm(A4),22ppm(Letter)(A)	1:Others		1	1	1

• Parts with a Ref.No. of 500 and above in the illustration indicate they are not selected for service parts.

• イラスト中で 500 番台の Ref 番号が付いている部品はサービスパーツに選定されていません。







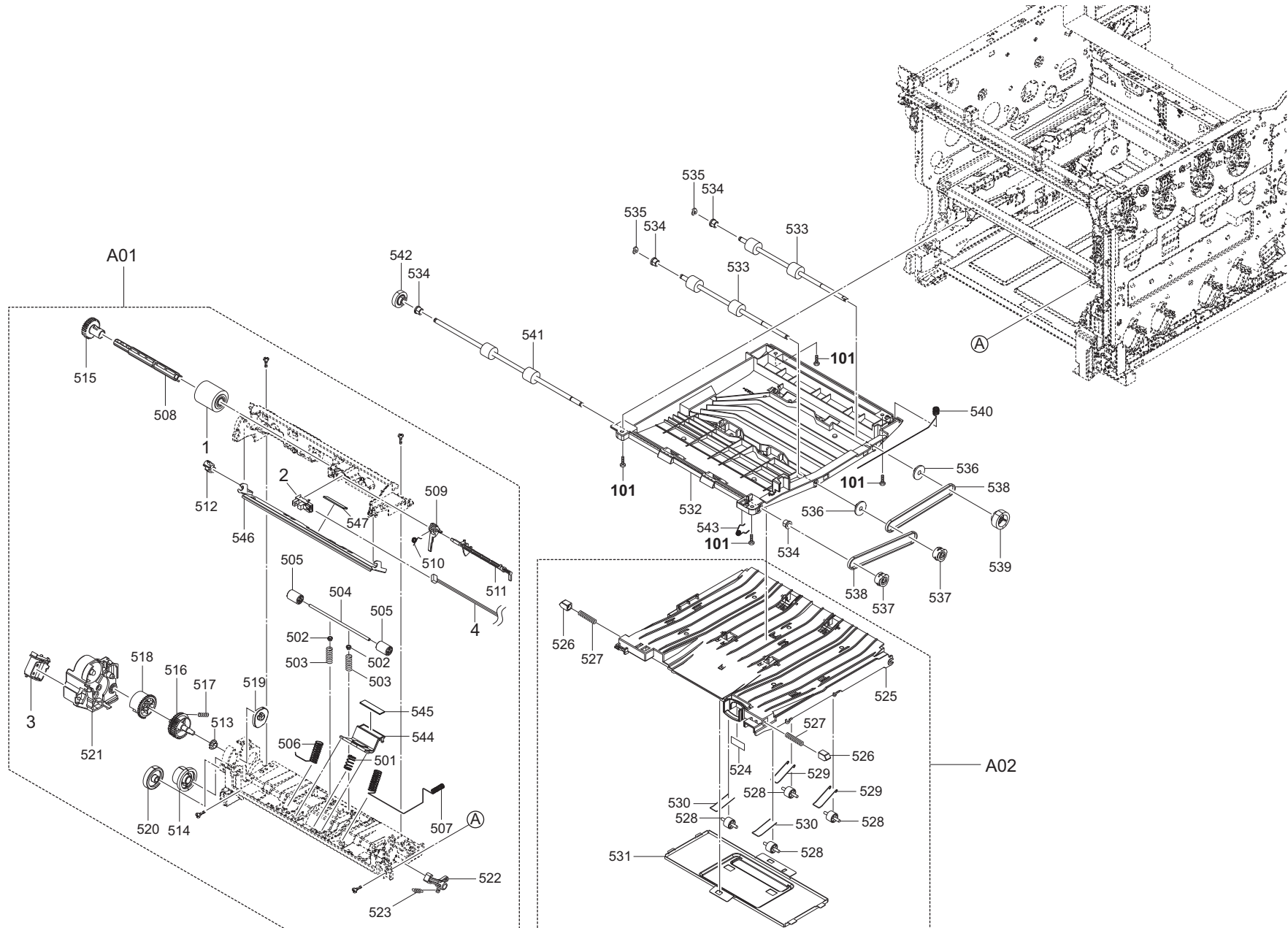


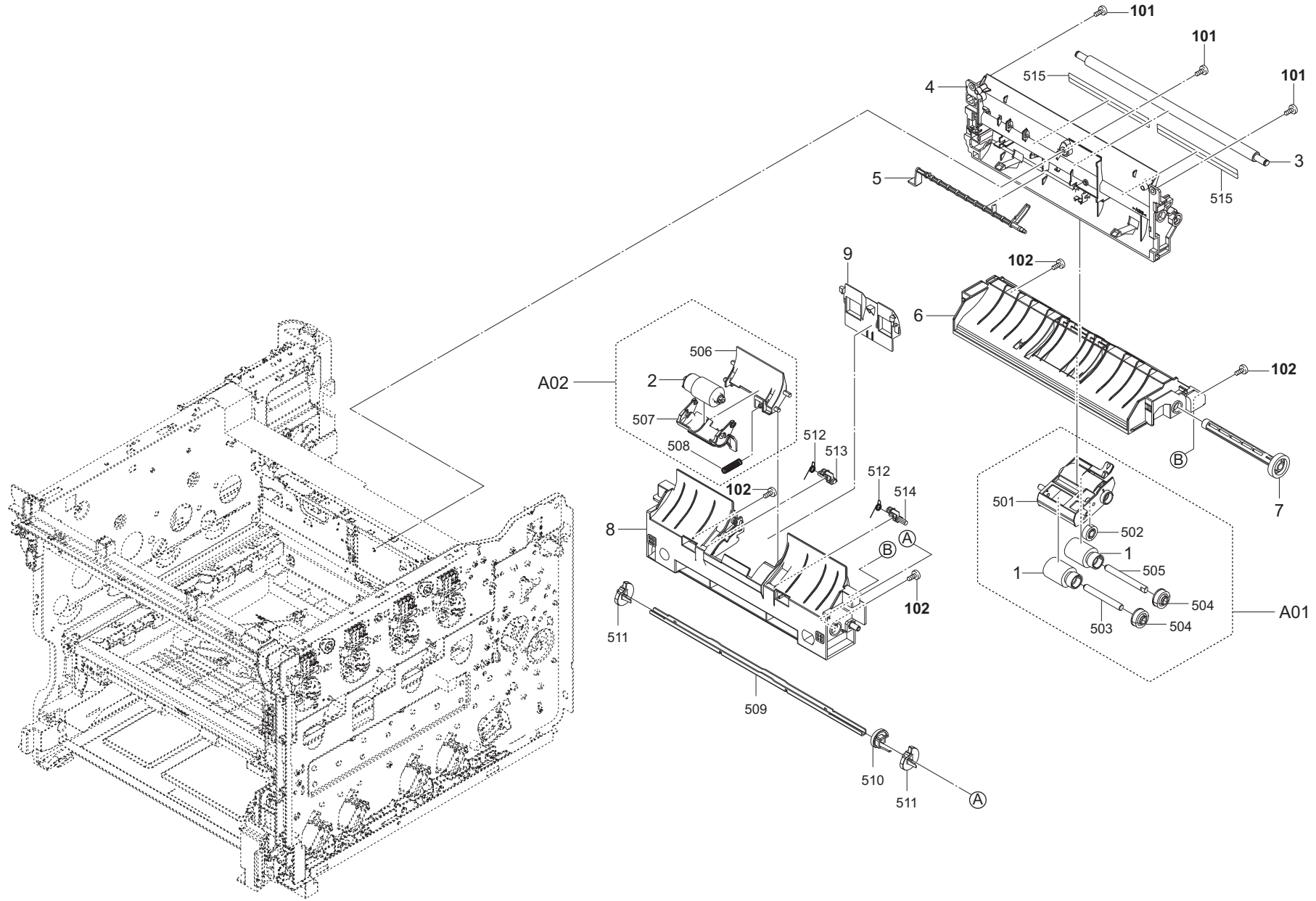
FIG. 7 Paper Feed Section 2

2RB/2RC/2RD/2RF/2R7/2R8/2R9/2RA

Ref. No. 番号	Part.No. 部品番号	Description 部品名称	Notes 備考	Revision 改訂	Quantity 個数			
					100(日本)	120	230	240
A01	302R794080	PARTS FRAME MPF ASSY SP			1	1	1	1
1	*302HS08260	ROLLER M/P ASSY			1	1	1	1
2	*302P794010	PARTS SENSOR OPT. SP			1	1	1	1
3	*302GR44150	SOLENOID TONER			1	1	1	1
4	*302R746100	CONN.CORD ASSY MPF PE			1	1	1	1
A02	302R794090	PARTS GUIDE MPF FEED LOW ASSY SP			1	1	1	1
101	7BB700308H	+BIND T.T S SCREW 3X8 SR						

• Parts with a Ref.No. of 500 and above in the illustration indicate they are not selected for service parts.

• イラスト中で 500 番台の Ref 番号が付いている部品はサービスパーツに選定されていません。



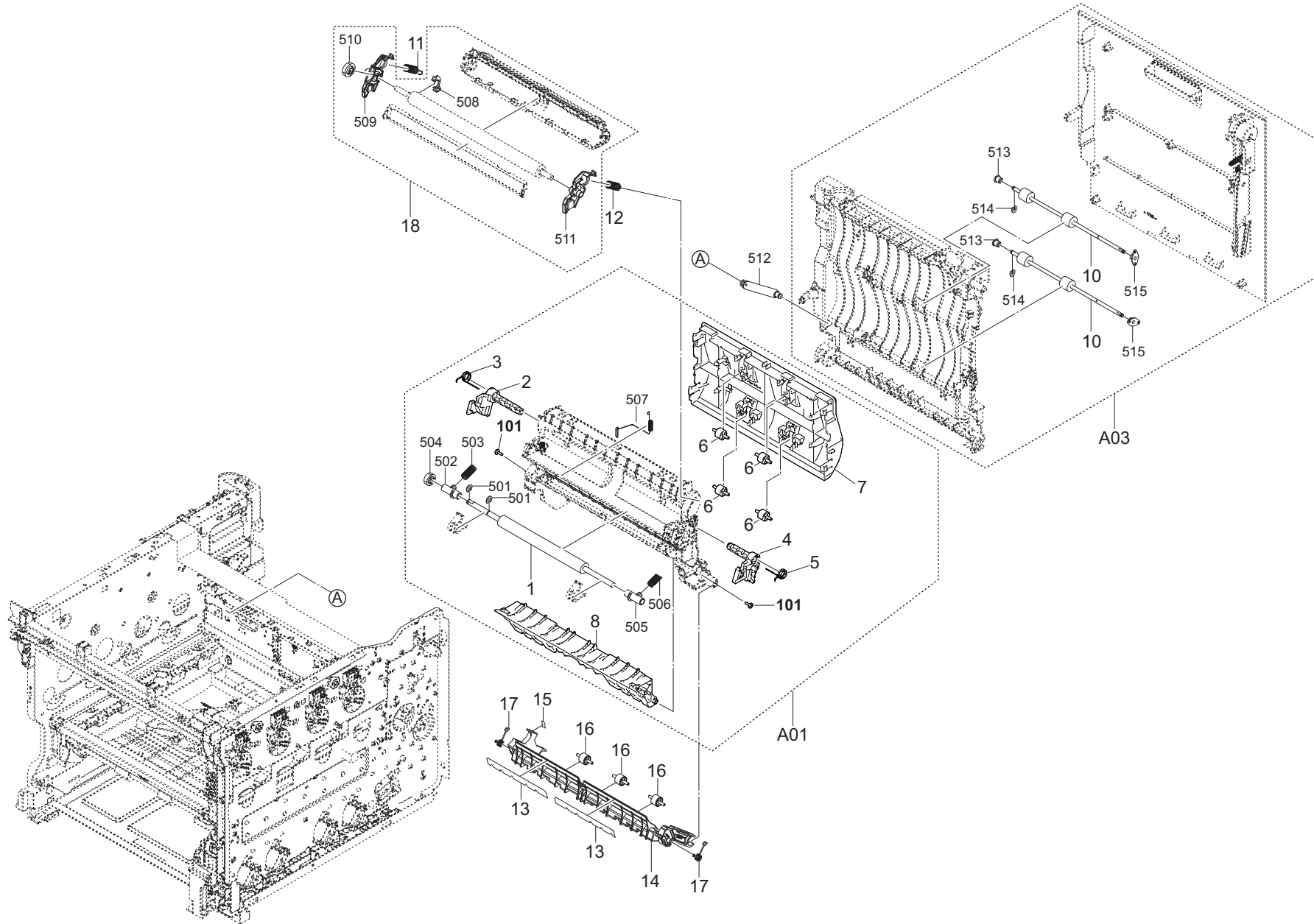


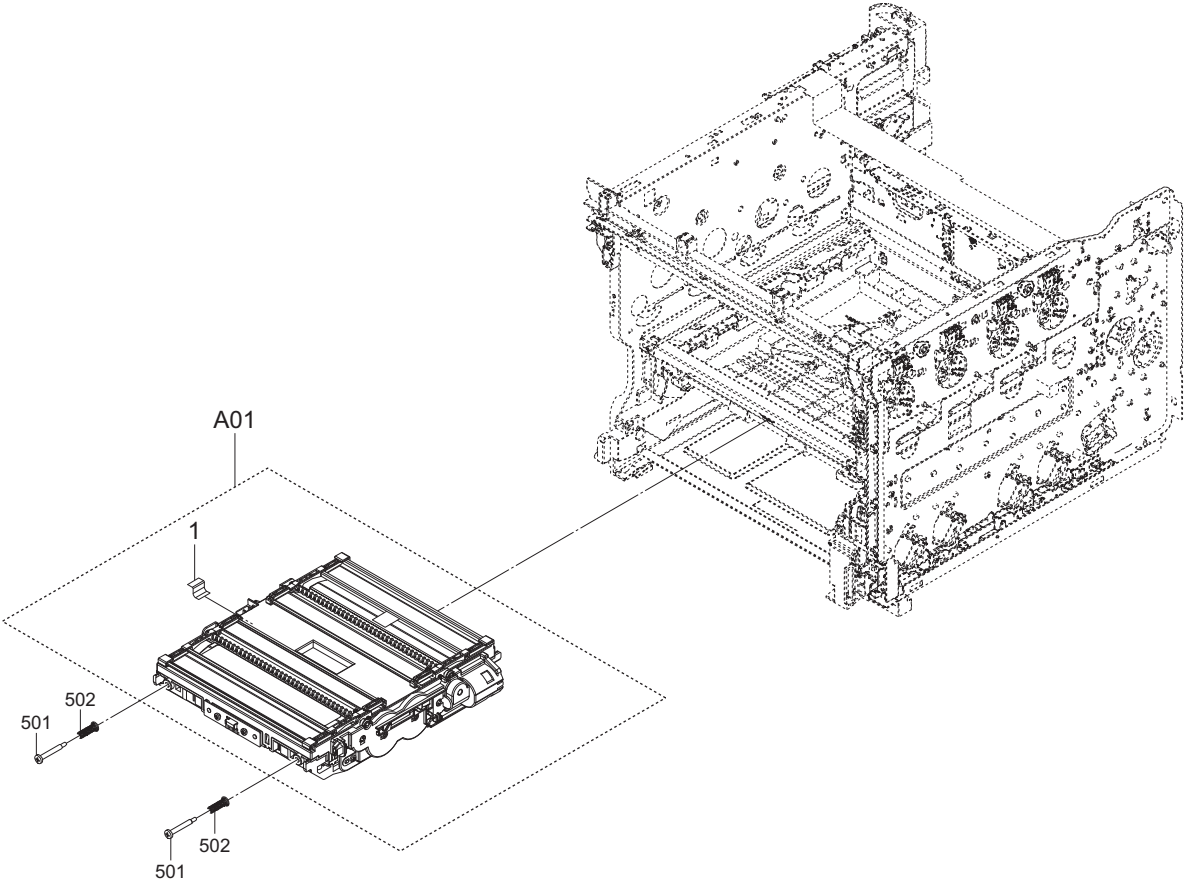
FIG. 9 Paper Conveying Section

2RB/2RC/2RD/2RF/2R7/2R8/2R9/2RA-2

Ref. No. 番号	Part.No. 部品番号	Description 部品名称	Notes 備考	Revision 改訂	Quantity 個数			
					100 (日本)	120	230	240
A01	302R794150	PARTS FRAME CONVEYING A ASSY SP		1:Design-chg./2:Others	1	1	1	1
1	*302R794360	PARTS ROLLER REGIST RUBBER SP			1	1	1	1
2	*302R724071	HOOK CONVEYING L		2:Design-chg.	1	1	1	1
3	*302R724090	SPRING HOOK CONVEYING L			1	1	1	1
4	*302R724080	HOOK CONVEYING R			1	1	1	1
5	*302R724100	SPRING HOOK CONVEYING R			1	1	1	1
6	*302HN24400	PULLEY PA			4	4	4	4
7	*302R724030	FRAME CONVEYING B			1	1	1	1
8	*302R724040	FRAME CONVEYING C			1	1	1	1
18	302R794140	PARTS ROLLER TRANSFER ASSY SP		2:Others	1	1	1	1
9				2:Dell				
A03	302R794170	PARTS COVER REAR ASSY SP		1:Design-chg./2:Others	1	1	1	1
10	*302R494410	PARTS ROLLER DU SP			2	2	2	2
11	302R722080	SPRING PRESS TC L		1:Others	1	1	1	1
12	302R722090	SPRING PRESS TC R		1:Others	1	1	1	1
13	302R724200	SHEET GUIDE MIDDLE L		1:Others	2	2	2	2
14	302R724170	GUIDE MIDDLE		1:Others	1	1	1	1
15	302R734030	LABEL B		1:Others	1	1	1	1
16	302HN24400	PULLEY PA		1:Others	3	3	3	3
17	302R724180	SPRING PRESS GUIDE MIDDLE		1:Others	2	2	2	2
101	7BB200308H	+BIND T.T P SCREW 3X8						

• Parts with a Ref.No. of 500 and above in the illustration indicate they are not selected for service parts.

• イラスト中で 500 番台の Ref 番号が付いている部品はサービスパーツに選定されていません。



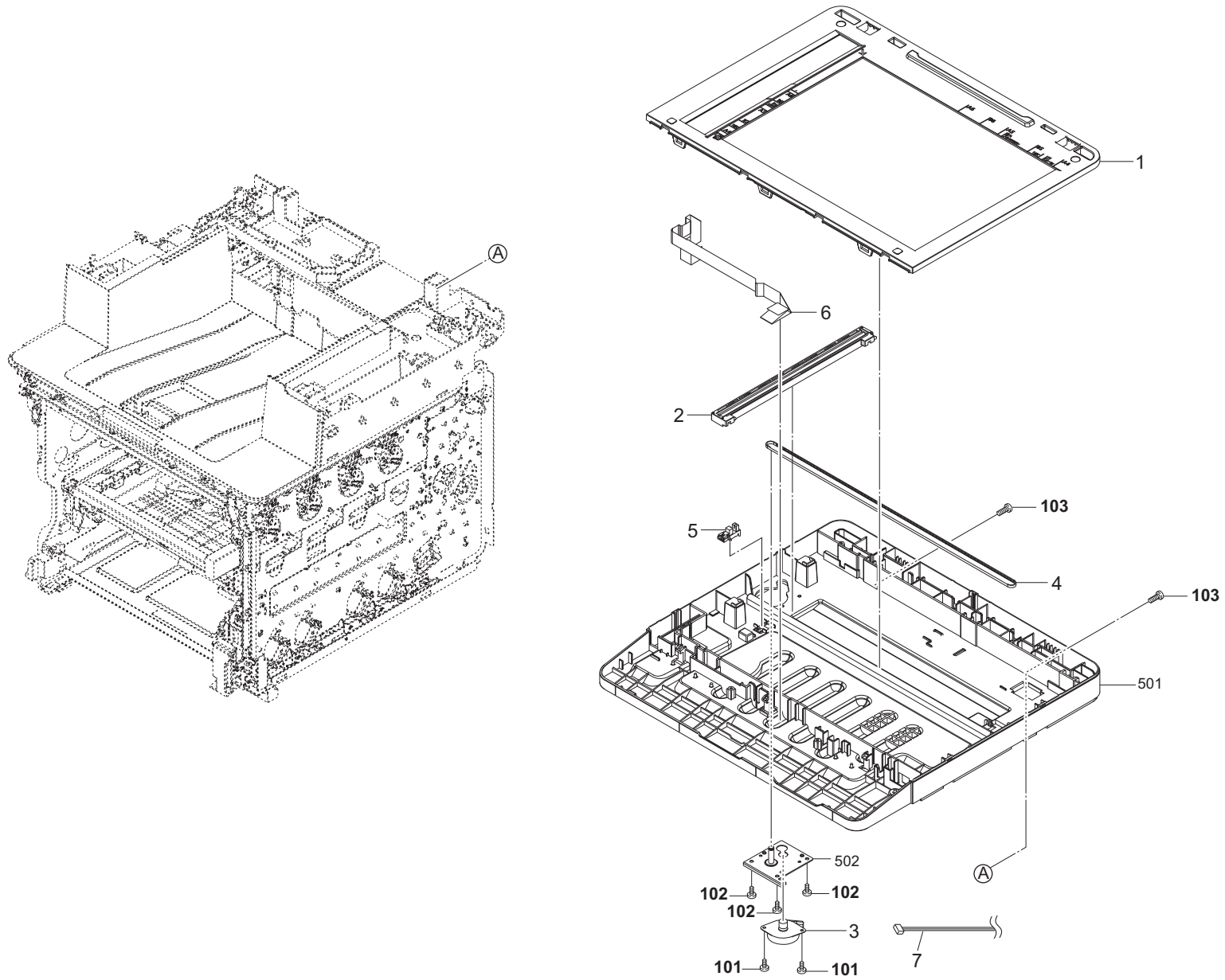


FIG. 11 Scanner Section (21ppm(A4),22ppm(Letter)(AF)/21ppm(A4),22ppm(Letter)(BF)/
26ppm(A4),27ppm(Letter)(AF)/26ppm(A4),27ppm(Letter)(BF)

2RB/2RC/2RD/2RF/2R7/2R8/2R9/2RA

Ref. No. 番号	Part.No. 部品番号	Description 部品名称	Notes 備考	Revision 改訂	Quantity 個数			
					100(日本)	120	230	240
1	302R794110	PARTS FRAME ISU TOP A ASSY SP			1	1	1	1
2	302R794320	PARTS SENSOR A4 CIS SP			1	1	1	1
3	302R794380	PARTS MOTOR ISU SP			1	1	1	1
4	302S017340	BELT ISU A			1	1	1	1
5	302P794010	PARTS SENSOR OPT. SP			1	1	1	1
6	302R746170	CONN.CORD ASSY FFC PANEL	26ppm(A4),27ppm(Letter)(AF)/26ppm(A4),27ppm(Letter)(BF)		1	1	1	1
6	302R946010	CONN.CORD ASSY FFC PANEL	21ppm(A4),22ppm(Letter)(AF)/21ppm(A4),22ppm(Letter)(BF)			1	1	1
7	302R746310	CONN.CORD ASSY TABLE MOT			1	1	1	1
101	7BB700308H	+BIND T.T S SCREW 3X8 SR						
102	7BB200308H	+BIND T.T P SCREW 3X8						
103	7BB200412H	+BIND T.T P SCREW 4X12						

• Parts with a Ref.No. of 500 and above in the illustration indicate they are not selected for service parts.

• イラスト中で 500 番台の Ref 番号が付いている部品はサービスパーツに選定されていません。

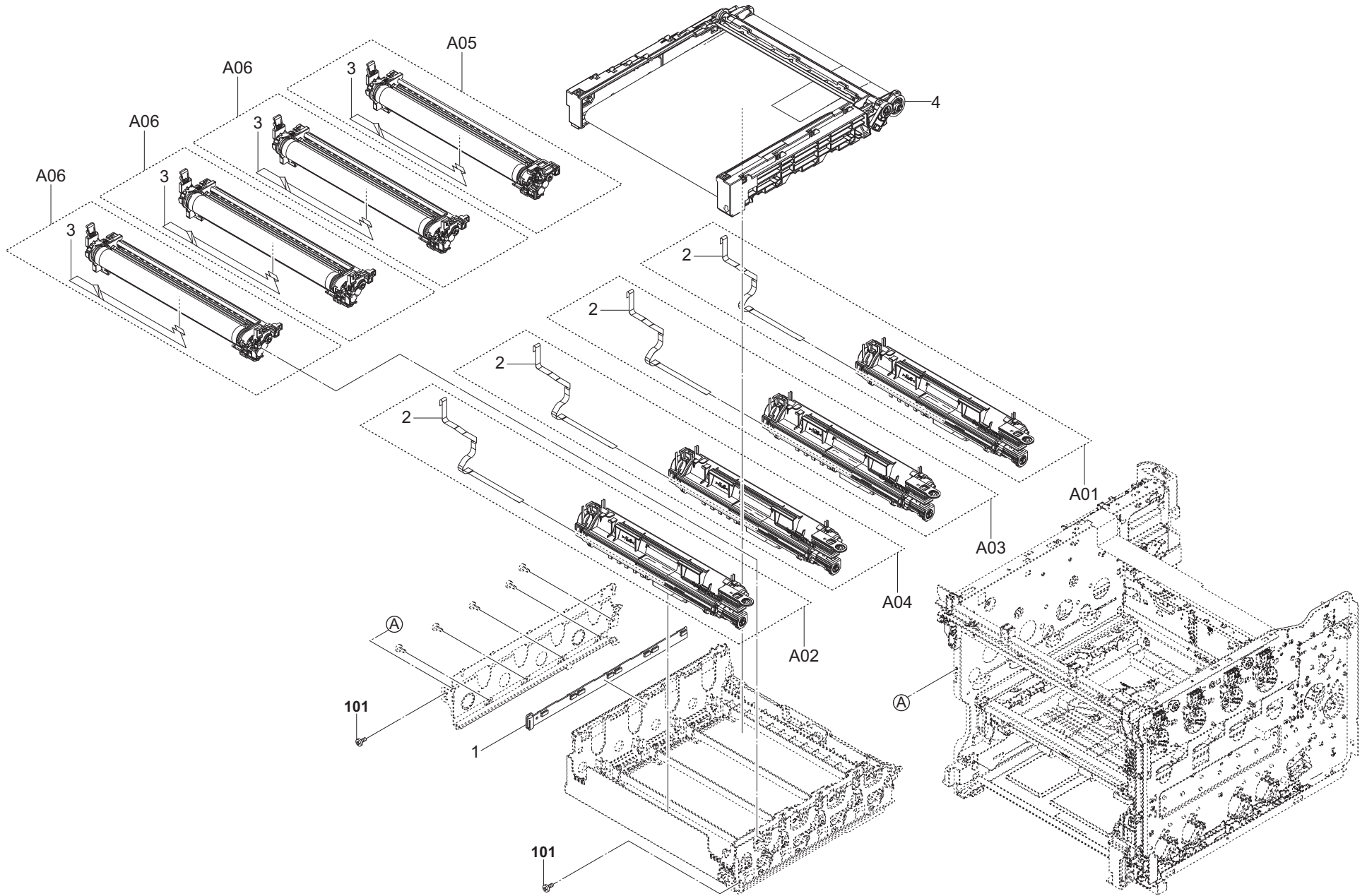


FIG. 12 Image Formation Section

2RB/2RC/2RD/2RF/2R7/2R8/2R9/2RA-3

Ref. No. 番号	Part.No. 部品番号	Description 部品名称	Notes 備考	Revision 改訂	Quantity 個数			
					100 (日本)	120	230	240
1	302R794240	PARTS PWB UNIT CONNECT ASSY SP			1	1	1	1
A01	302R79J031	DV-5230(K)(J)		1;Add/3:Design-chg.	1			
A01	302R793031	DV-5230(K)		1;Others/2:Design-chg.		1	1	1
2	*302R746070	CONN.CORD ASSY FFC SENSOR TONER		1;Add/2:Others	1	1	1	1
A02	302R79J041	DV-5230(Y)(J)		1;Others/2:Others/3:Design-chg.	1			
A02	302R793041	DV-5230(Y)		1;Add/2:Design-chg.,Others		1	1	1
2	*302R746070	CONN.CORD ASSY FFC SENSOR TONER		1;Others/2:Others	1	1	1	1
A03	302R79J051	DV-5230(M)(J)		1;Add/3:Design-chg.	1			
A03	302R793051	DV-5230(M)		1;Others/2:Design-chg.			1	1
2	*302R746070	CONN.CORD ASSY FFC SENSOR TONER			1	1	1	1
A04	302R79J061	DV-5230(C)(J)		2:Others/3:Design-chg.	1			
A04	302R793061	DV-5230(C)		2:Design-chg.,Others		1	1	1
2	*302R746070	CONN.CORD ASSY FFC SENSOR TONER			1	1	1	1
A05	302R793010	DK-5230			1	1	1	1
3	*302R746200	CONN.CORD ASSY FFC DRUM			1	1	1	1
A06	302R793020	DK-5231			3	3	3	3
3	*302R746200	CONN.CORD ASSY FFC DRUM			3	3	3	3
4	302R793070	TR-5230			1	1	1	1
101	7BB700308H	+BIND T.T S SCREW 3X8 SR		1:Others				

• Parts with a Ref.No. of 500 and above in the illustration indicate they are not selected for service parts.

• イラスト中で 500 番台の Ref 番号が付いている部品はサービスパーツに選定されていません。

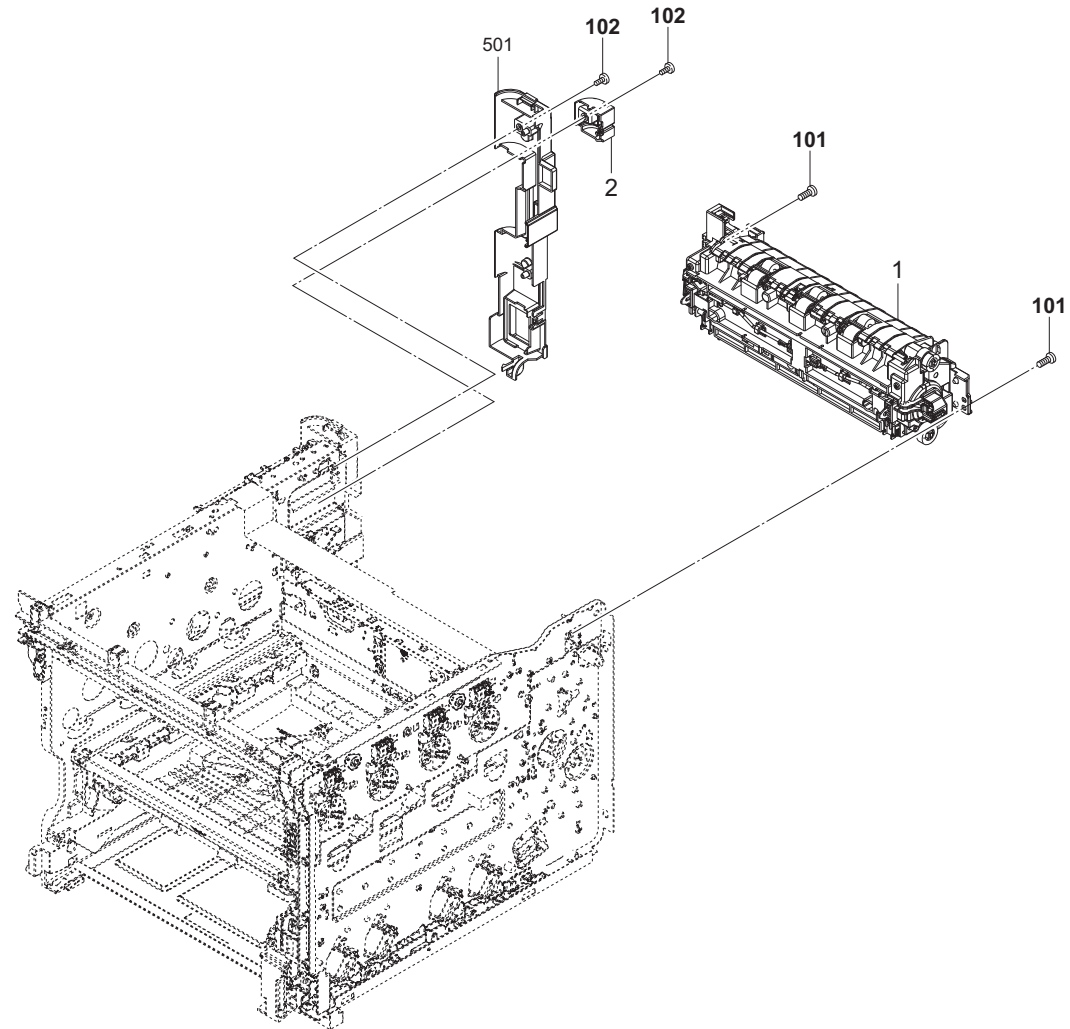
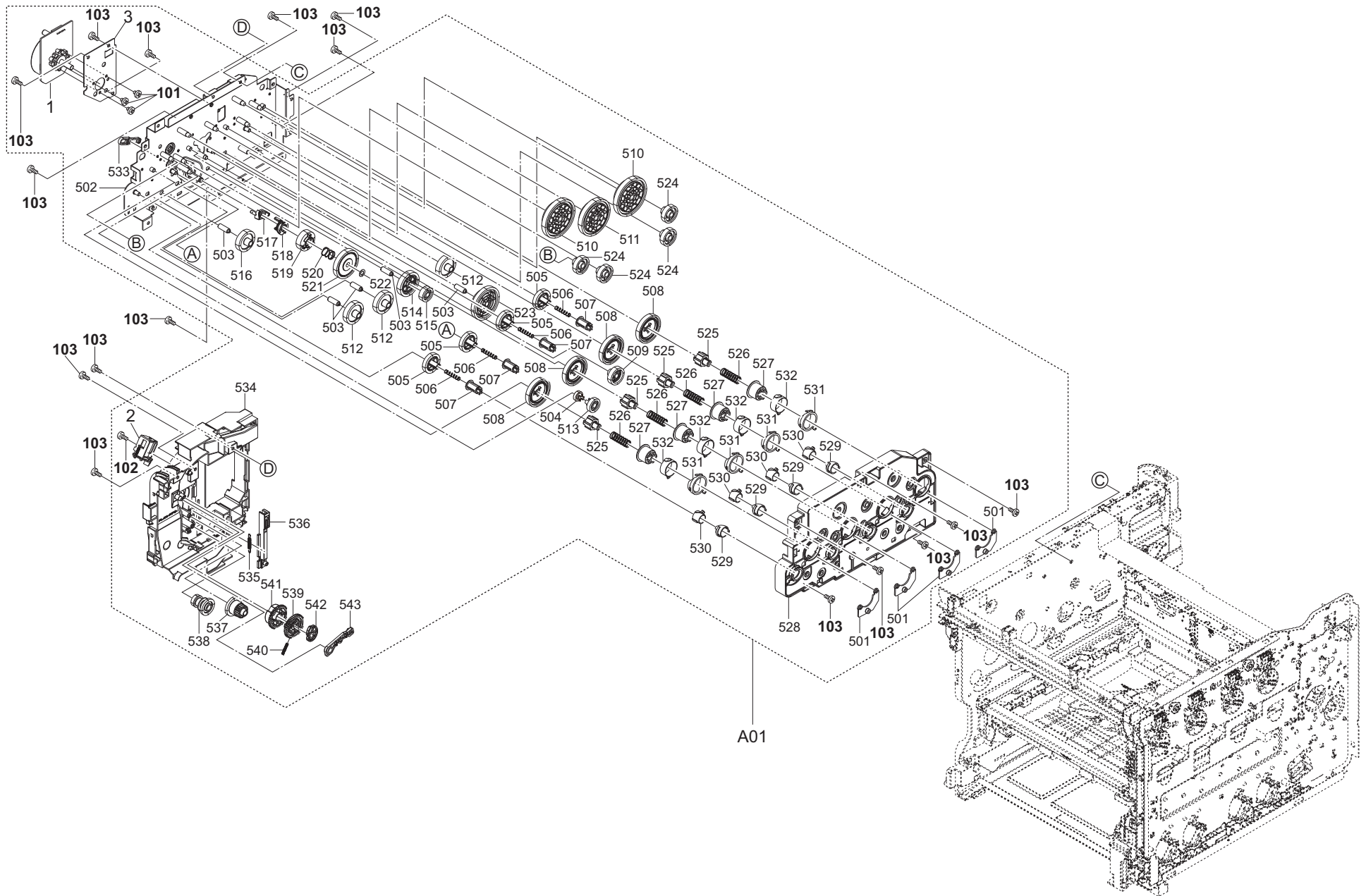


FIG. 14 Drive Section 1

2RB/2RC/2RD/2RF/2R7/2R8/2R9/2RA



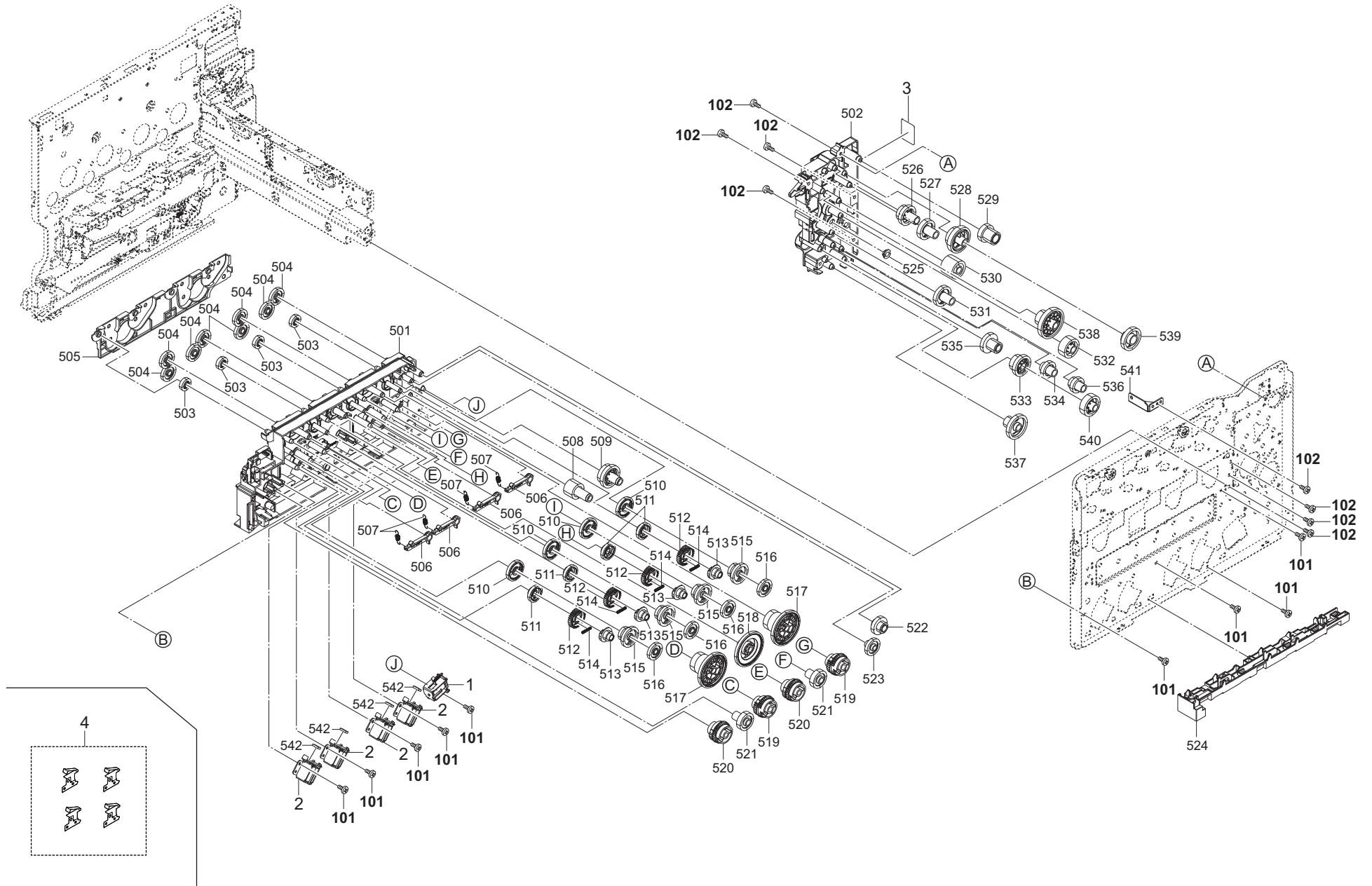
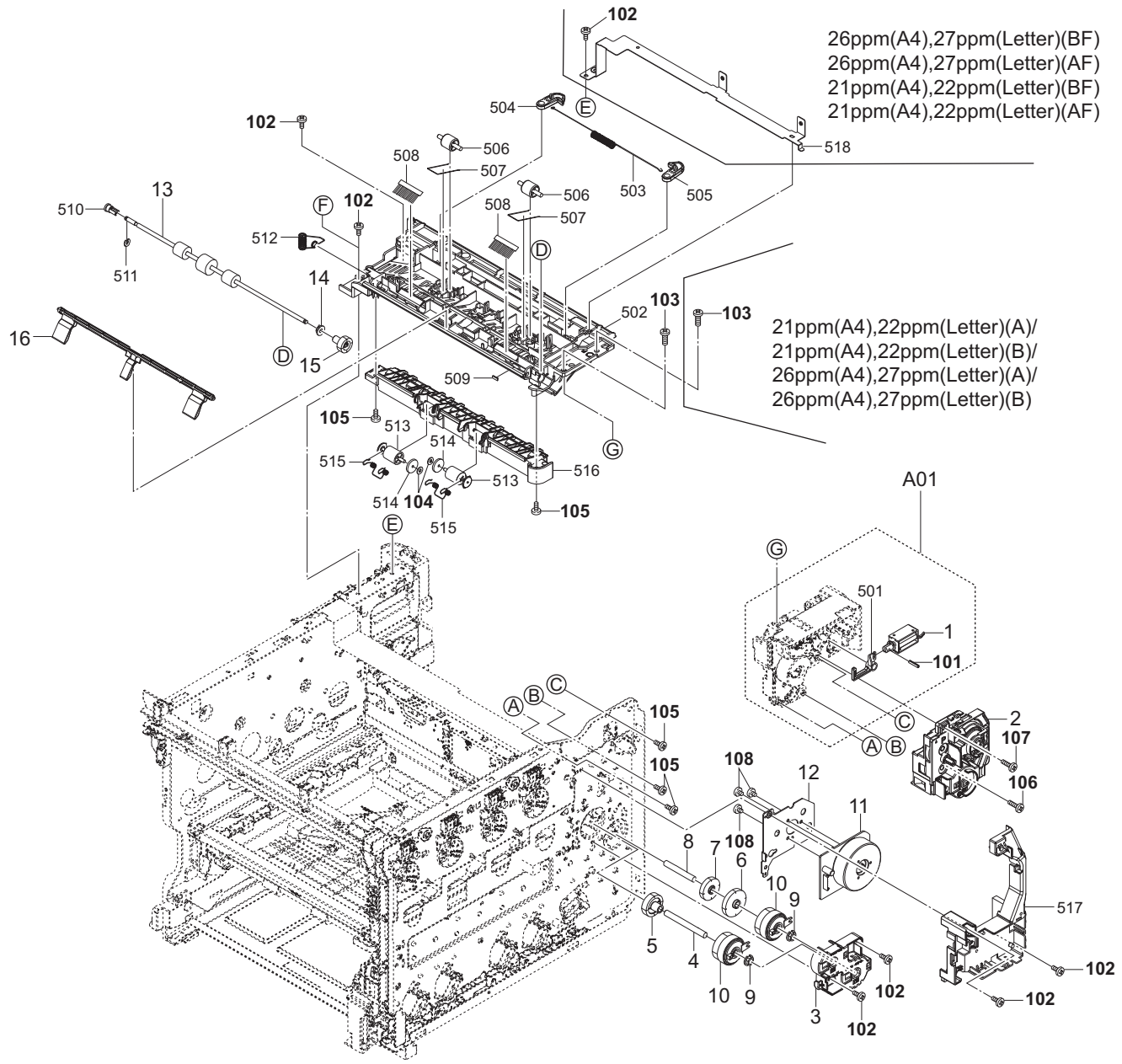
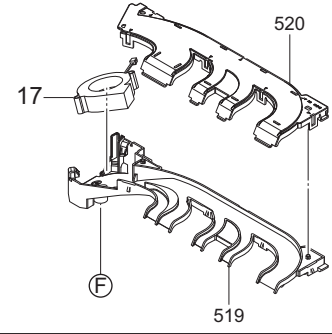


FIG. 16 Exit Section

21ppm(A4),22ppm(Letter)(A)/
 21ppm(A4),22ppm(Letter)(B)/
 26ppm(A4),27ppm(Letter)(A)/
 26ppm(A4),27ppm(Letter)(B)



26ppm(A4),27ppm(Letter)(BF)
 26ppm(A4),27ppm(Letter)(AF)
 21ppm(A4),22ppm(Letter)(BF)
 21ppm(A4),22ppm(Letter)(AF)

21ppm(A4),22ppm(Letter)(A)/
 21ppm(A4),22ppm(Letter)(B)/
 26ppm(A4),27ppm(Letter)(A)/
 26ppm(A4),27ppm(Letter)(B)

A01

FIG. 16 Exit Section

2RB/2RC/2RD/2RF/2R7/2R8/2R9/2RA

Ref. No. 番号	Part.No. 部品番号	Description 部品名称	Notes 備考	Revision 改訂	Quantity 個数			
					100 (日本)	120	230	240
A01	302R794160	PARTS GUIDE EXIT R ASSY SP			1	1	1	1
1	*302HN94140	SOLENOID FD ASSY SP			1	1	1	1
2	302R794180	PARTS DRIVE EXIT PRESS ASSY SP			1	1	1	1
3	302R731630	COVER CLUTCH			1	1	1	1
4	302R731520	SHAFT CLUTCH REGIST			1	1	1	1
5	302R731510	GEAR Z28L			1	1	1	1
6	302R731570	GEAR Z35R			1	1	1	1
7	302R731530	GEAR Z28R			1	1	1	1
8	302R731540	SHAFT CLUTCH FEED			1	1	1	1
9	302LV31480	BUSH DRIVE POM			2	2	2	2
10	302NR94010	PARTS CLUTCH 35 Z35R SP			2	2	2	2
11	302LC94283	PARTS MOTOR-BL W40 SP			1	1	1	1
12	302R731660	PLATE MOTOR FEED			1	1	1	1
13	302R794370	PARTS ROLLER EXIT SP			1	1	1	1
14	302HS25220	BUSH FUSER			1	1	1	1
15	302R728110	GEAR Z19S			1	1	1	1
16	302R728180	ACTUATOR FD			1	1	1	1
17	302HN44210	FAN MOTOR	21ppm(A4),22ppm(Letter)(A)/21ppm(A4),22ppm(Letter)(B)/ 26ppm(A4),27ppm(Letter)(A)/26ppm(A4),27ppm(Letter)(B)		1	1	1	1
101	E0025140	SPRING PIN 2.5X14						
102	7BB700308H	+BIND T.T S SCREW 3X8 SR						
103	7BB200412H	+BIND T.T P SCREW 4X12						
104	5MBWK32808NN	POLY SLIDER /M3.2X 8 X0.8T XX						
105	7BB200308H	+BIND T.T P SCREW 3X8						
106	7BB700312H	+BIND T.T S SCREW 3X12 SR						
107	7BB200312H	+BIND T.T P SCREW 3X12						
108	7BB000304H	+BIND M SCREW 3X4						

• Parts with a Ref.No. of 500 and above in the illustration indicate they are not selected for service parts.

• イラスト中で 500 番台の Ref 番号が付いている部品はサービスパーツに選定されていません。

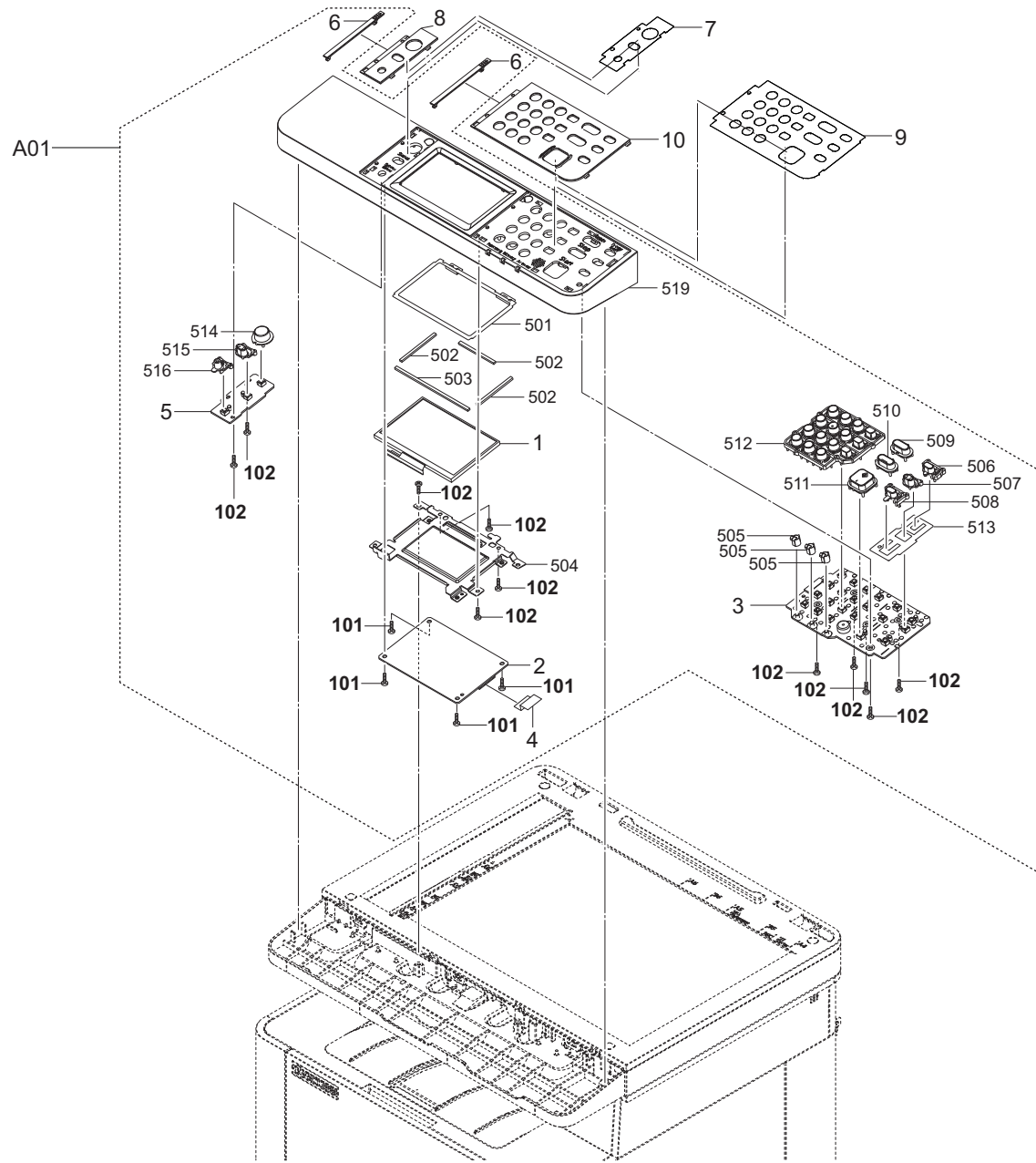
FIG. 17 Electrical Components

2RB/2RC/2RD/2RF/2R7/2R8/2R9/2RA-2

Ref. No. 番号	Part.No. 部品番号	Description 部品名称	Notes 備考	Revision 改訂	Quantity 個数			
					100 (日本)	120	230	240
1	302R794200	PARTS PWB ID SENSOR ASSY SP			2	2	2	2
2	302P794010	PARTS SENSOR OPT. SP			2	2	2	2
3	302M294130	PARTS PWB ASSY THERMISTOR SP			1	1	1	1
4	2FB27160	INTER LOCK SWITCH		1:Others	1	1	1	1
5	302R794230	PARTS PWB ERASER ASSY SP			1	1	1	1
6	302R794210	PARTS PWB CONTAINER CONNECT ASSY SP			1	1	1	1
7	7SP01000004+H01	SW.PUSH			1	1	1	1
8	302R794260	PARTS PWB SWITCH ASSY SP			1	1	1	1
9	302NG94220	PARTS FAN MOTOR SP			1	1	1	1
10	302R794290	PARTS UNIT LOW VOLTAGE 120V SP			1	1		
10	302R794300	PARTS UNIT LOW VOLTAGE 230V SP					1	1
11	302R794270	PARTS PWB MAIN ASSY SP	26ppm(A4),27ppm(Letter)(BF)	1:Others	1	1		1
11	302R794281	PARTS PWB MAIN ASSY EU SP	26ppm(A4),27ppm(Letter)(BF)	1:Others/2:Design-chg.			1	
11	302R894010	PARTS PWB MAIN ASSY SP	26ppm(A4),27ppm(Letter)(AF)	1:Others				1
11	302R894021	PARTS PWB MAIN ASSY EU SP	26ppm(A4),27ppm(Letter)(AF)	1:Others/2:Design-chg.			1	
11	302R994030	PARTS PWB MAIN ASSY SP	21ppm(A4),22ppm(Letter)(BF)	1:Others		1		1
11	302R994040	PARTS PWB MAIN ASSY EU SP	21ppm(A4),22ppm(Letter)(BF)	1:Others			1	
11	302RA94020	PARTS PWB MAIN ASSY SP	21ppm(A4),22ppm(Letter)(AF)	1:Others		1		1
11	302RA94030	PARTS PWB MAIN ASSY EU SP	21ppm(A4),22ppm(Letter)(AF)	1:Others			1	
12	302RB94030	PARTS PWB MAIN ASSY SP	26ppm(A4),27ppm(Letter)(B)	1:Others	1	1		1
12	302RB94041	PARTS PWB MAIN ASSY EU SP	26ppm(A4),27ppm(Letter)(B)	1:Others/2:Design-chg.			1	
12	302RC94010	PARTS PWB MAIN ASSY SP	26ppm(A4),27ppm(Letter)(A)	1:Others		1		1
12	302RC94021	PARTS PWB MAIN ASSY EU SP	26ppm(A4),27ppm(Letter)(A)	1:Others/2:Design-chg.			1	
12	302RD94010	PARTS PWB MAIN ASSY SP	21ppm(A4),22ppm(Letter)(B)	1:Others		1		1
12	302RD94021	PARTS PWB MAIN ASSY EU SP	21ppm(A4),22ppm(Letter)(B)	1:Others/2:Design-chg.			1	
12	302RF94010	PARTS PWB MAIN ASSY SP	21ppm(A4),22ppm(Letter)(A)	1:Others		1		1
12	302RF94021	PARTS PWB MAIN ASSY EU SP	21ppm(A4),22ppm(Letter)(A)	1:Others/2:Design-chg.			1	
13	302R794310	PARTS UNIT HIGH VOLTAGE SP			1	1	1	1
14	302R794330	PARTS FAX UNIT J SP	21ppm(A4),22ppm(Letter)(AF)/21ppm(A4),22ppm(Letter)(BF)/26ppm(A4),27ppm(Letter)(AF)/26ppm(A4),27ppm(Letter)(BF)		1			
14	302R794340	PARTS FAX UNIT U SP	21ppm(A4),22ppm(Letter)(AF)/21ppm(A4),22ppm(Letter)(BF)/26ppm(A4),27ppm(Letter)(AF)/26ppm(A4),27ppm(Letter)(BF)			1		
14	303PA94011	PARTS FAX UNIT E SP	21ppm(A4),22ppm(Letter)(AF)/21ppm(A4),22ppm(Letter)(BF)/26ppm(A4),27ppm(Letter)(AF)/26ppm(A4),27ppm(Letter)(BF)				1	1
15	302R794390	PARTS SPEAKER SP	21ppm(A4),22ppm(Letter)(AF)/21ppm(A4),22ppm(Letter)(BF)/26ppm(A4),27ppm(Letter)(AF)/26ppm(A4),27ppm(Letter)(BF)		1	1	1	1
16	302R794010	PARTS WIFI UNIT SP	21ppm(A4),22ppm(Letter)(B)/26ppm(A4),27ppm(Letter)(B)/21ppm(A4),22ppm(Letter)(BF)/26ppm(A4),27ppm(Letter)(BF)	1:Others	1	1	1	1
101	7BB700308H	+BIND T.T S SCREW 3X8 SR		1:Others				
102	7BB200308H	+BIND T.T P SCREW 3X8		1:Others				

• Parts with a Ref.No. of 500 and above in the illustration indicate they are not selected for service parts.

• イラスト中で 500 番台の Ref 番号が付いている部品はサービスパーツに選定されていません。



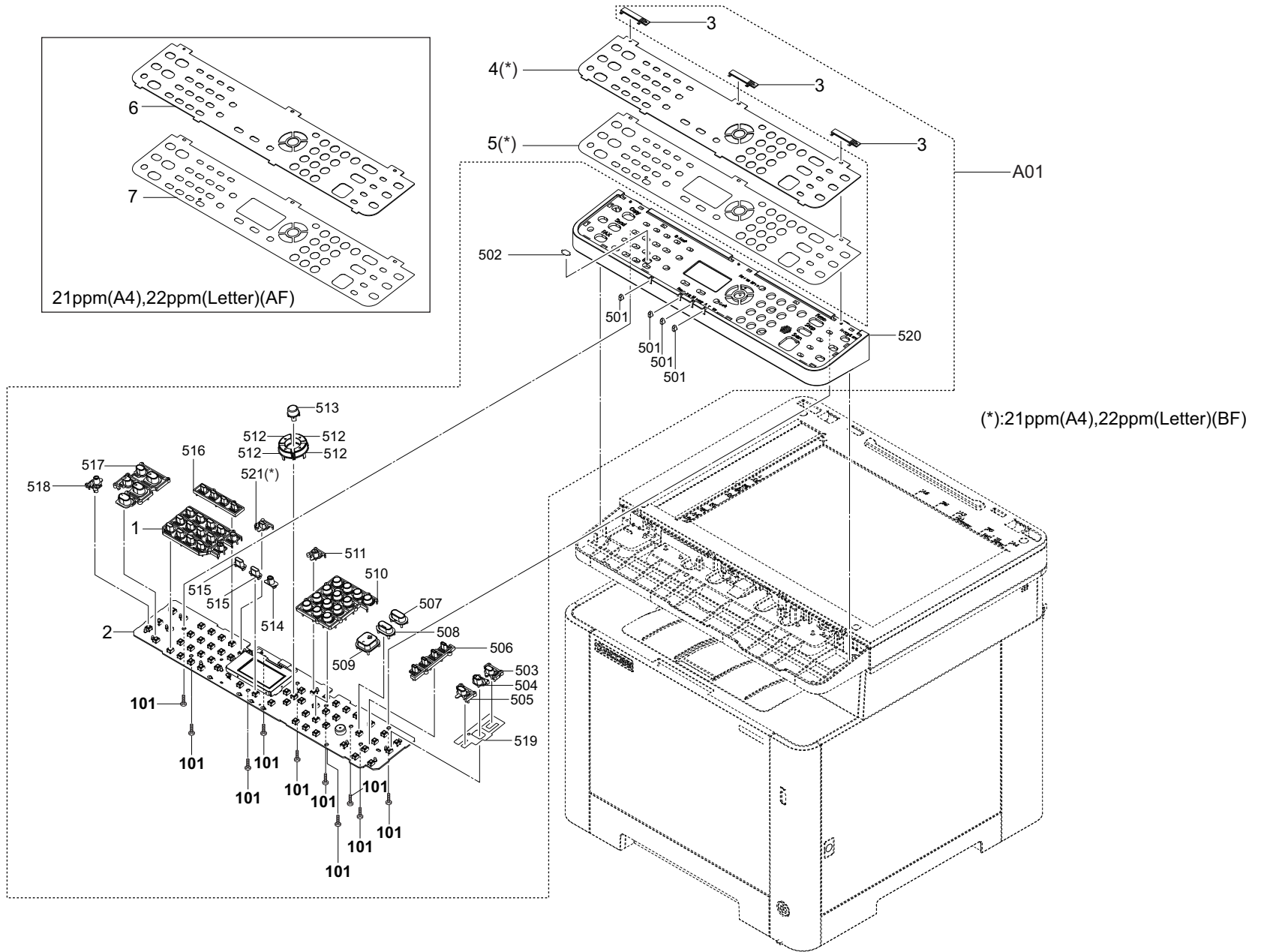


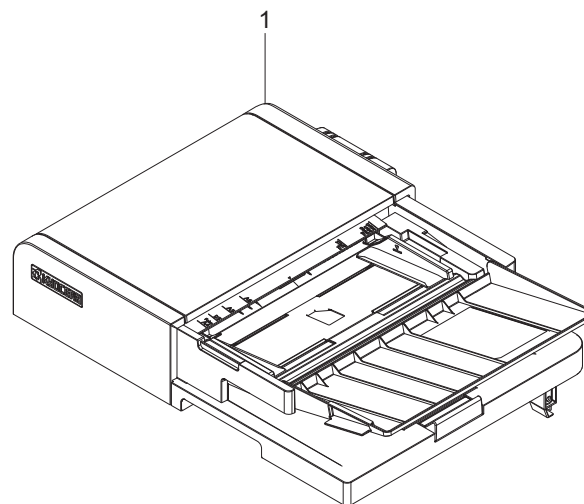
FIG. 19 Operation Section (21ppm(A4),22ppm(Letter)(AF)/21ppm(A4),22ppm(Letter)(BF))

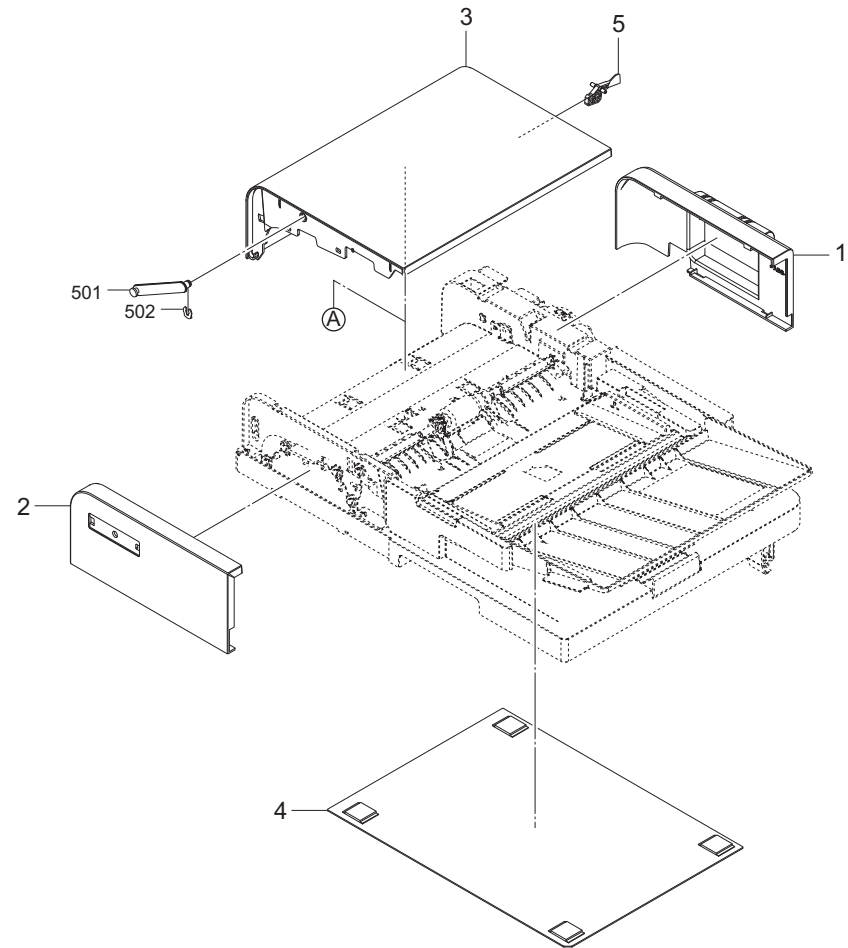
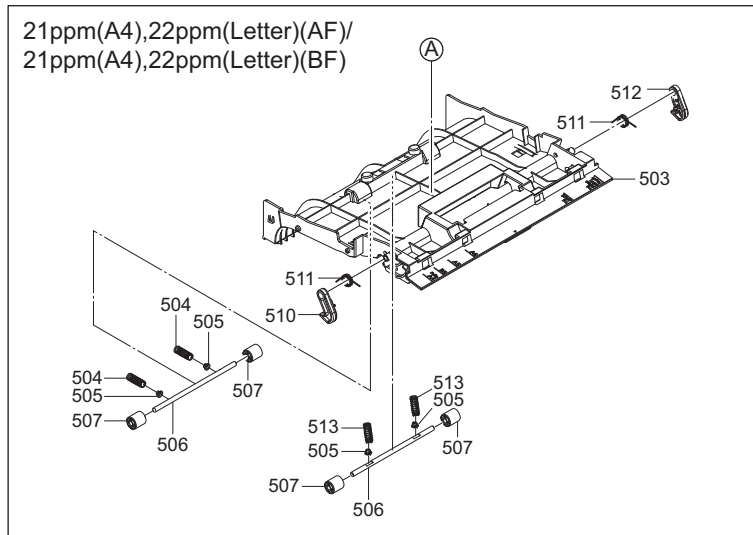
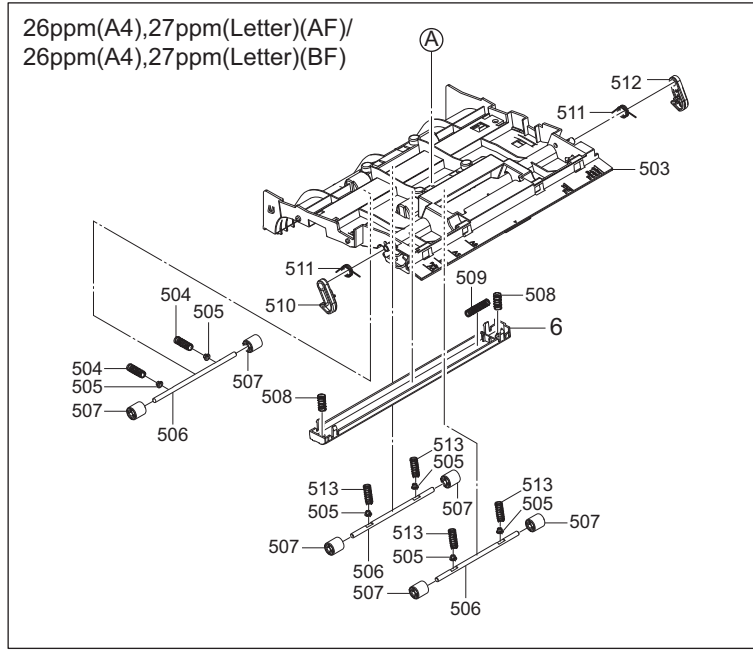
2RB/2RC/2RD/2RF/2R7/2R8/2R9/2RA

Ref. No. 番号	Part.No. 部品番号	Description 部品名称	Notes 備考	Revision 改訂	Quantity 個数			
					100(日本)	120	230	240
A01	302R994010	PARTS OPERATION ASSY SP	21ppm(A4),22ppm(Letter)(BF)			1	1	1
A01	302RA94010	PARTS OPERATION ASSY SP	21ppm(A4),22ppm(Letter)(AF)			1	1	1
1	*302R705110	KEY ONE-TOUCH COLOR				1	1	1
2	*302R994020	PARTS PWB M PANEL ASSY SP				1	1	1
3	*302S005030	LID SHEET COVER LCD				3	3	3
4	302R905020	SHEET COVER LCD W	21ppm(A4),22ppm(Letter)(BF)			1	1	1
5	302R905510	LABEL OPERATION LCD W EN	21ppm(A4),22ppm(Letter)(BF)			1	1	1
6	302RA05020	SHEET COVER LCD	21ppm(A4),22ppm(Letter)(AF)			1	1	1
7	302RA05510	LABEL OPERATION LCD EN	21ppm(A4),22ppm(Letter)(AF)			1	1	1
101	7BB200308H	+BIND T.T P SCREW 3X8						

• Parts with a Ref.No. of 500 and above in the illustration indicate they are not selected for service parts.

• イラスト中で 500 番台の Ref 番号が付いている部品はサービスパーツに選定されていません。





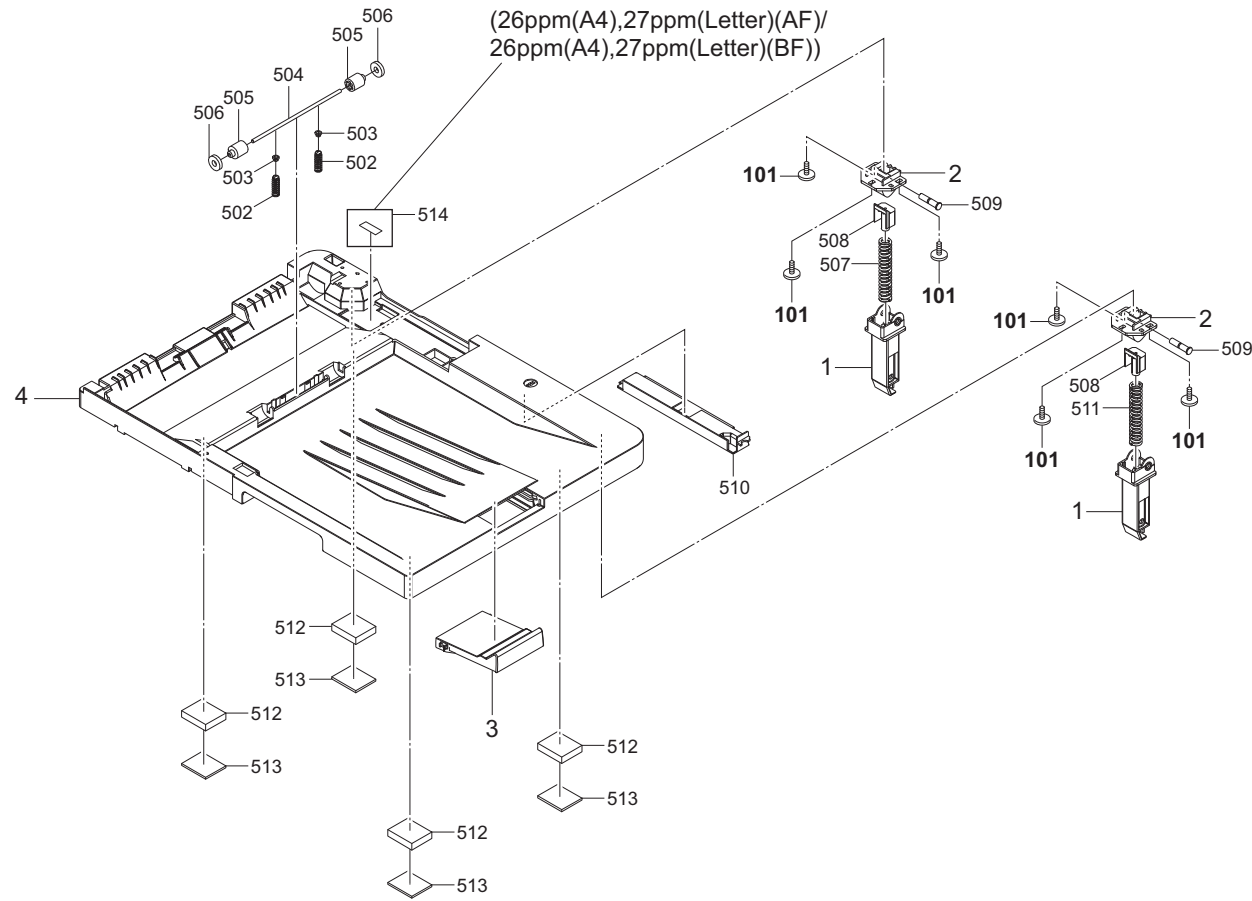


FIG. 22 DP frame

2RB/2RC/2RD/2RF/2R7/2R8/2R9/2RA-3

Ref. No. 番号	Part.No. 部品番号	Description 部品名称	Notes 備考	Revision 改訂	Quantity 個数			
					100(日本)	120	230	240
1	302S018610	HINGE LOW			2	2	2	2
2	302S018620	HINGE UP			2	2	2	2
3	302S018250	STOPPER ORIGINAL			1	1	1	1
4	302R718010	BASE DP A4		3:Add	1	1	1	1
101	7BB202310H	+TP-FLAT T.T P SCREW 3X10						

• Parts with a Ref.No. of 500 and above in the illustration indicate they are not selected for service parts.

• イラスト中で 500 番台の Ref 番号が付いている部品はサービスパーツに選定されていません。

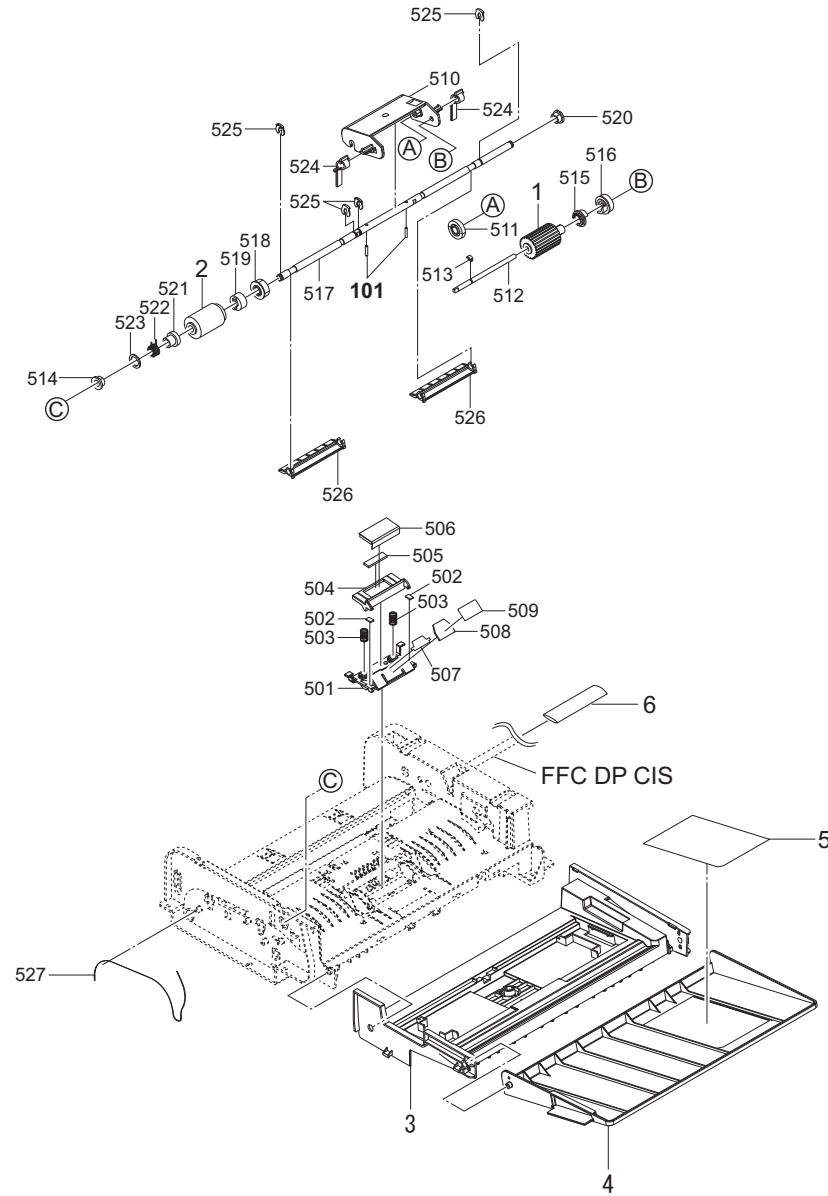


FIG. 23 DP Paper Feed Section

2RB/2RC/2RD/2RF/2R7/2R8/2R9/2RA-3

Ref. No. 番号	Part.No. 部品番号	Description 部品名称	Notes 備考	Revision 改訂	Quantity 個数			
					100 (日本)	120	230	240
1	36211110	PULLEY,LEADING FEED ADF			1	1	1	1
2	3BR07040	PULLEY,PAPER FEED			1	1	1	1
3	302R794120	PARTS TABLE MAIN ASSY SP			1	1	1	1
4	302S018440	COVER TABLE			1	1	1	1
5	302R734090	LABEL DP TABLE	26ppm(A4),27ppm(Letter)(AF)/26ppm(A4),27ppm(Letter)(BF)		1	1	1	1
5	302R934090	LABEL DP TABLE	21ppm(A4),22ppm(Letter)(AF)/21ppm(A4),22ppm(Letter)(BF)	1:Others		1	1	1
6	302S346050	CONN.CORD ASSY SHRINKAGE TUBE		3:Add	1	1	1	1
101	7BP512010B0CH01	PARALLEL PIN 2.0X10						

• Parts with a Ref.No. of 500 and above in the illustration indicate they are not selected for service parts.

• イラスト中で 500 番台の Ref 番号が付いている部品はサービスパーツに選定されていません。

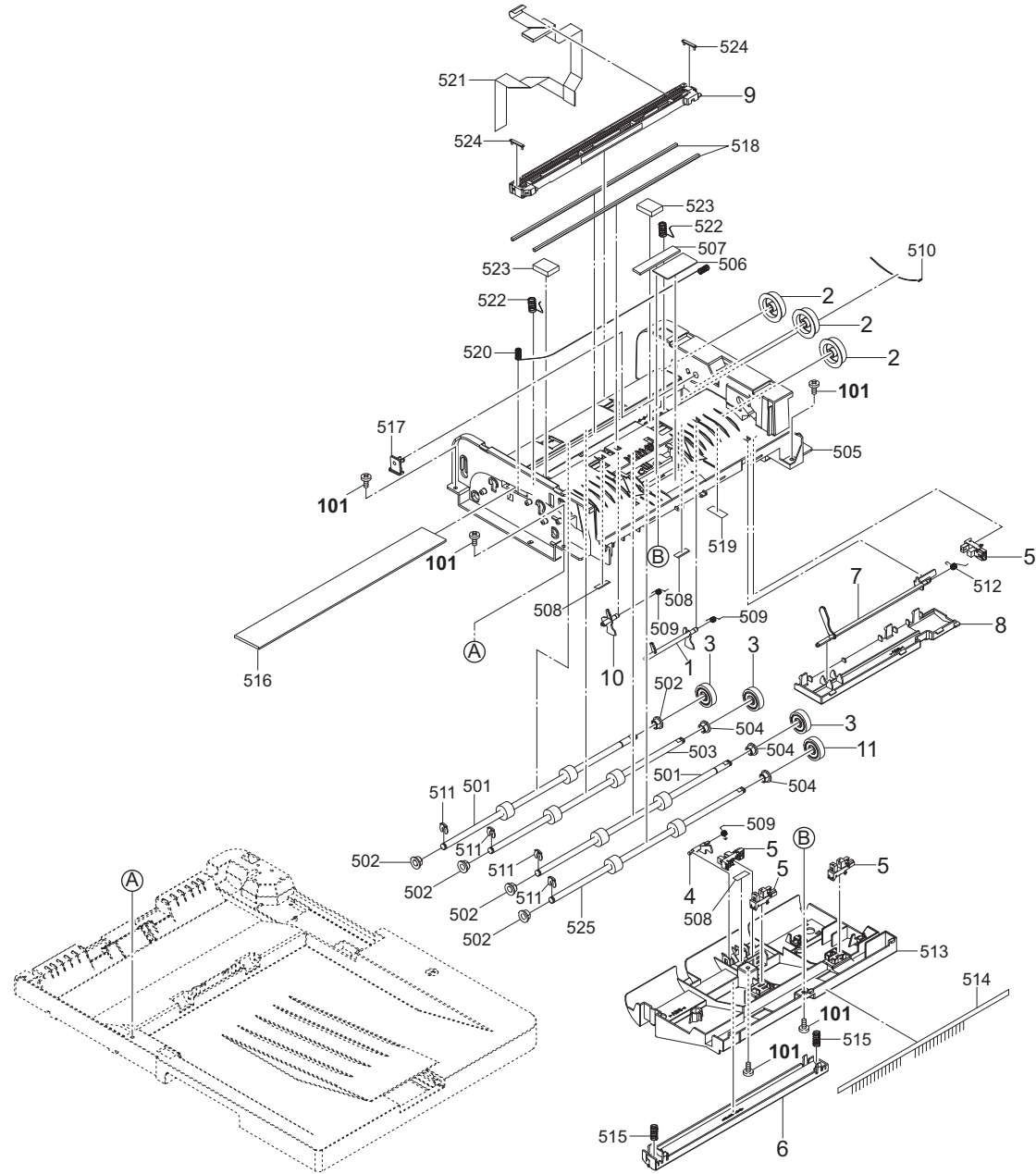


FIG. 24 DP Conveying Section (26ppm(A4),27ppm(Letter)(AF)/26ppm(A4),27ppm(Letter)(BF))

2RB/2RC/2RD/2RF/2R7/2R8/2R9/2RA-1

Ref. No. 番号	Part.No. 部品番号	Description 部品名称	Notes 備考	Revision 改訂	Quantity 個数			
					100(日本)	120	230	240
1	302S018260	ACTUATOR TIMING C			1	1	1	1
2	302S018370	GEAR Z30R			3	3	3	3
3	302S018170	GEAR Z25L			3	3	3	3
4	302S018150	ACTUATOR TIMING A			1	1	1	1
5	302P794010	PARTS SENSOR OPT. SP			4	4	4	4
6	302S018121	GUIDE READING		1:Design-chg.	1	1	1	1
7	302S018180	ACTUATOR SET			1	1	1	1
8	302S018690	COVER PI			1	1	1	1
9	302R794320	PARTS SENSOR A4 CIS SP			1	1	1	1
10	302S318030	ACTUATOR TIMING B			1	1	1	1
11	303LL31430	GEAR Z25L			1	1	1	1
101	7BB200308H	+BIND T.T P SCREW 3X8						

• Parts with a Ref.No. of 500 and above in the illustration indicate they are not selected for service parts.

• イラスト中で 500 番台の Ref 番号が付いている部品はサービスパーツに選定されていません。

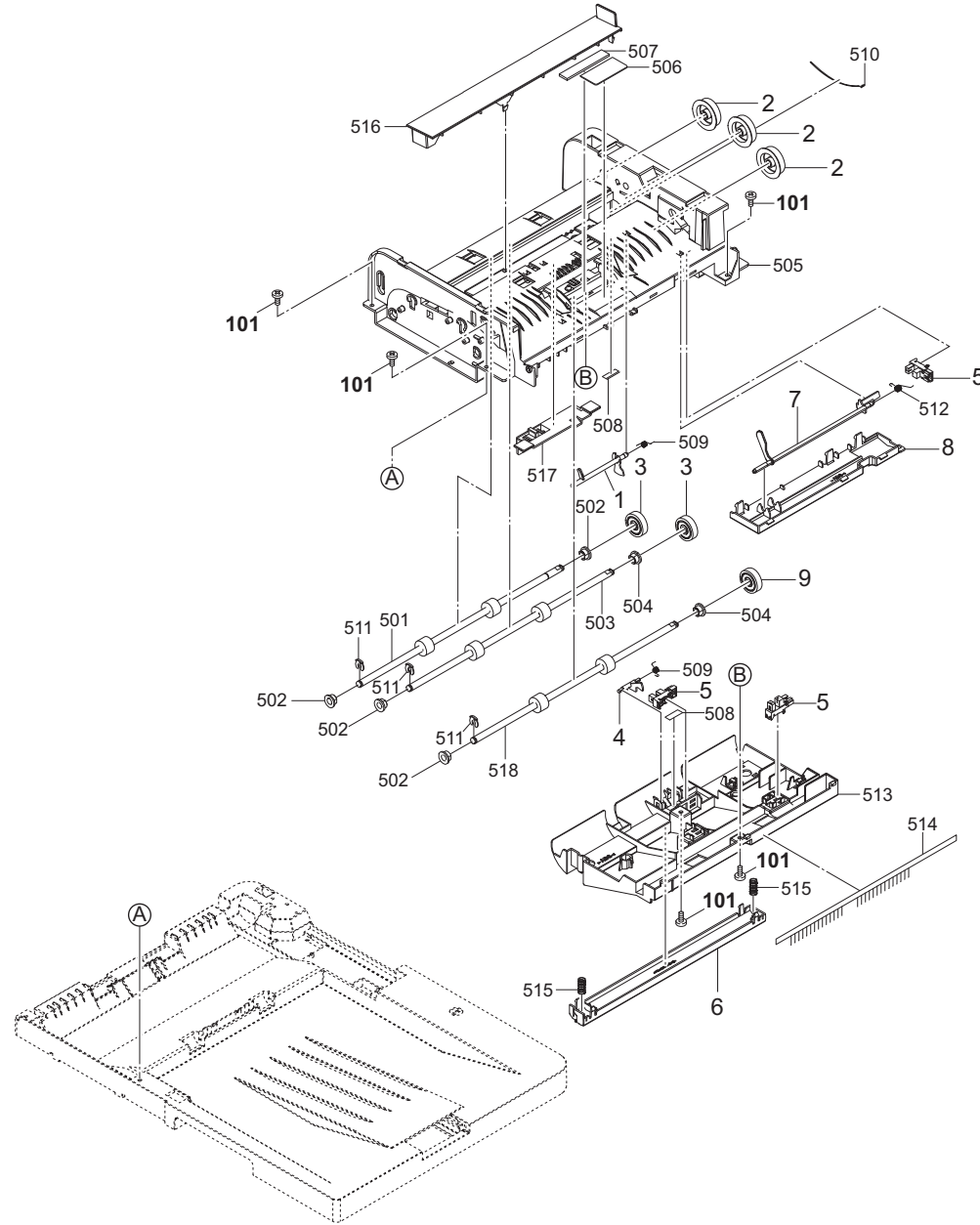


FIG. 25 DP Conveying Section (21ppm(A4),22ppm(Letter)(AF)/21ppm(A4),22ppm(Letter)(BF))

2RB/2RC/2RD/2RF/2R7/2R8/2R9/2RA-1

Ref. No. 番号	Part.No. 部品番号	Description 部品名称	Notes 備考	Revision 改訂	Quantity 個数			
					100(日本)	120	230	240
1	302S018260	ACTUATOR TIMING C				1	1	1
2	302S018370	GEAR Z30R				3	3	3
3	302S018170	GEAR Z25L				2	2	2
4	302S018150	ACTUATOR TIMING A				1	1	1
5	302P794010	PARTS SENSOR OPT. SP				3	3	3
6	302S018121	GUIDE READING		1:Design-chg.		1	1	1
7	302S018180	ACTUATOR SET				1	1	1
8	302S018690	COVER PI				1	1	1
9	303LL31430	GEAR Z25L				1	1	1
101	7BB200308H	+BIND T.T P SCREW 3X8						

• Parts with a Ref.No. of 500 and above in the illustration indicate they are not selected for service parts.

• イラスト中で 500 番台の Ref 番号が付いている部品はサービスパーツに選定されていません。

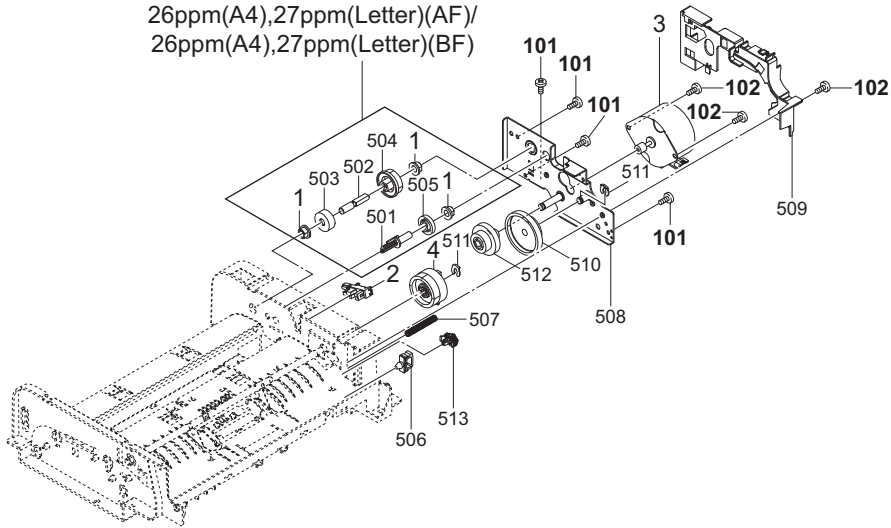


FIG. 27 Wire Sections 1 (21ppm(A4),22ppm(Letter)(A)/21ppm(A4),22ppm(Letter)(B)
/26ppm(A4),27ppm(Letter)(A)/26ppm(A4),27ppm(Letter)(B))

2RB/2RC/2RD/2RF/2R7/2R8/2R9/2RA

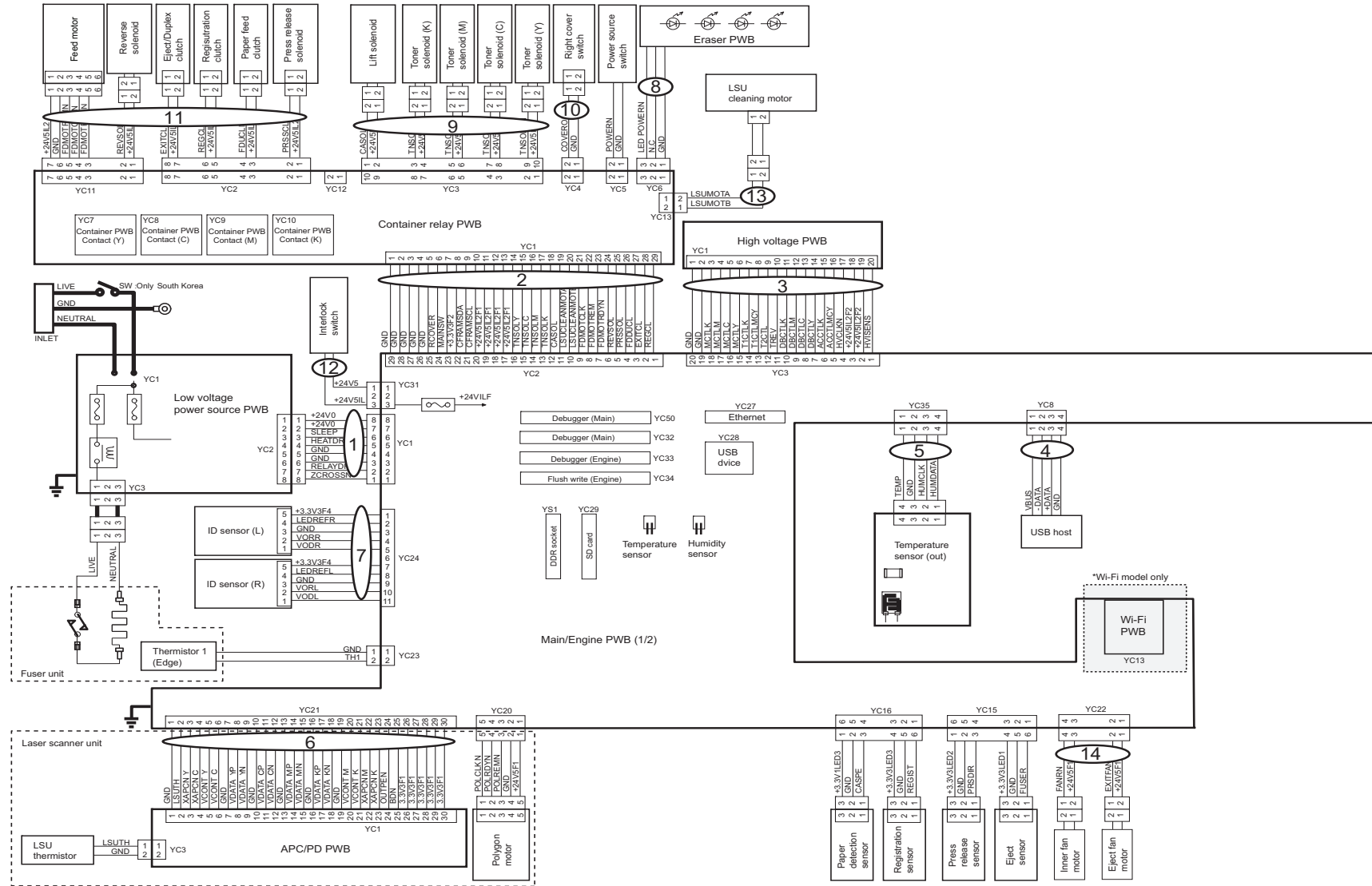


FIG. 27 Wire Sections 1 (21ppm(A4),22ppm(Letter)(A)/21ppm(A4),22ppm(Letter)(B)/
26ppm(A4),27ppm(Letter)(A)/26ppm(A4),27ppm(Letter)(B))

2RB/2RC/2RD/2RF/2R7/2R8/2R9/2RA

Ref. No. 番号	Part.No. 部品番号	Description 部品名称	Notes 備考	Revision 改訂	Quantity 個数			
					100(日本)	120	230	240
1	302R746010	CONN.CORD ASSY LVU			1	1	1	1
2	302R746020	CONN.CORD ASSY FFC CONTAINER			1	1	1	1
3	302R746030	CONN.CORD ASSY FFC HVU			1	1	1	1
4	302R746050	CONN.CORD ASSY USB HOST			1	1	1	1
5	302R746330	CONN.CORD ASSY THERMISTOR			1	1	1	1
6	302R746140	CONN.CORD ASSY FFC APC			1	1	1	1
7	302R746160	CONN.CORD ASSY FFC ID SENSOR			1	1	1	1
8	302R746180	CONN.CORD ASSY FFC ERASER			1	1	1	1
9	302R746220	CONN.CORD ASSY TONER SOL			1	1	1	1
10	302R746230	CONN.CORD ASSY RIGHT COVER SW			1	1	1	1
11	302R746240	CONN.CORD ASSY FEED MOTOR			1	1	1	1
12	302R746250	CONN.CORD ASSY INTER LOCK SW			1	1	1	1
13	302R746380	CONN.CORD ASSY CLEANER JUNCTION			1	1	1	1
14	302RB46040	CONN.CORD ASSY COOLING FAN						

• Parts with a Ref.No. of 500 and above in the illustration indicate they are not selected for service parts.

• イラスト中で 500 番台の Ref 番号が付いている部品はサービスパーツに選定されていません。

FIG. 28 Wire Sections 2 (21ppm(A4),22ppm(Letter)(A)/21ppm(A4),22ppm(Letter)(B)/
26ppm(A4),27ppm(Letter)(A)/26ppm(A4),27ppm(Letter)(B)/PF-5110)

2RB/2RC/2RD/2RF/2R7/2R8/2R9/2RA

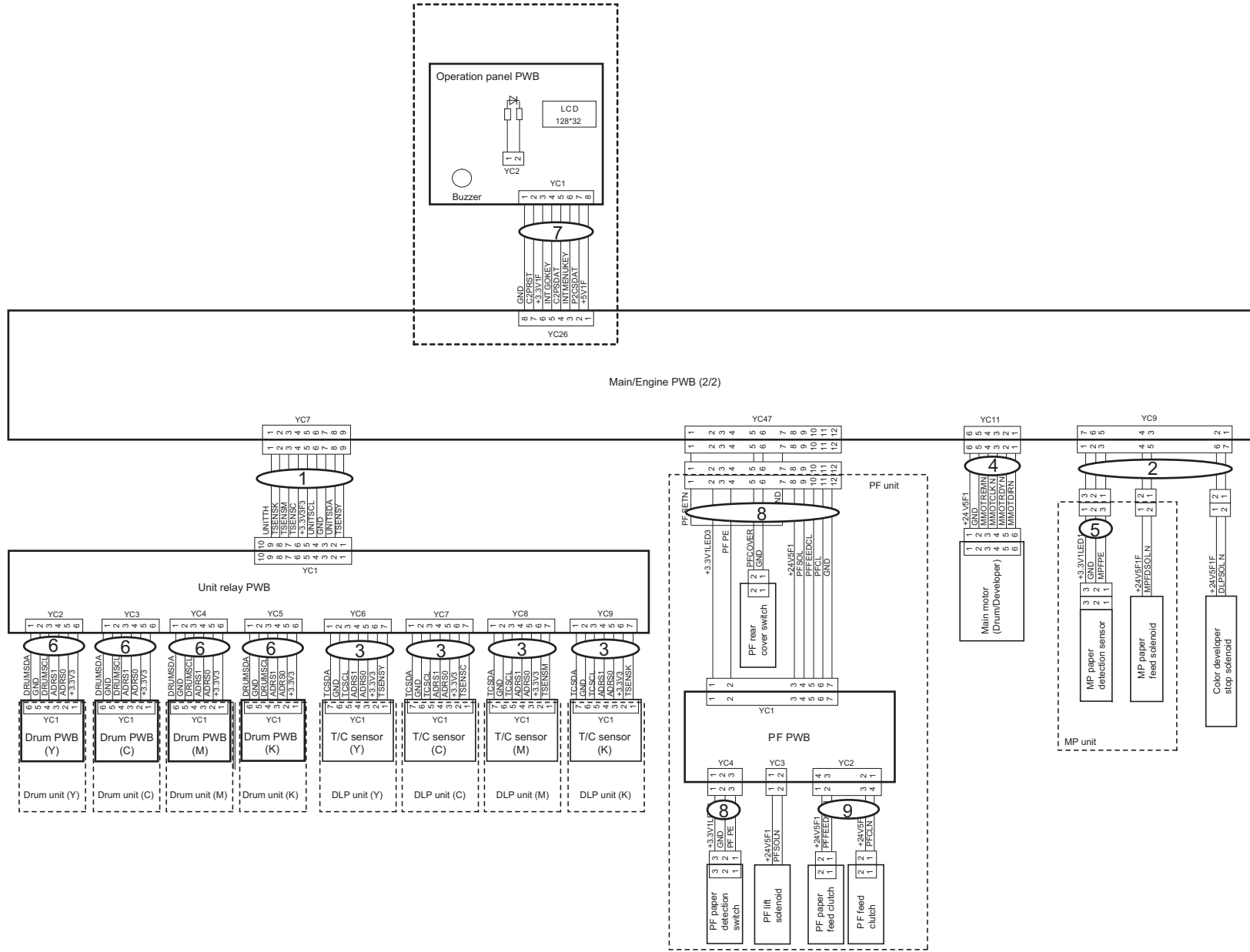
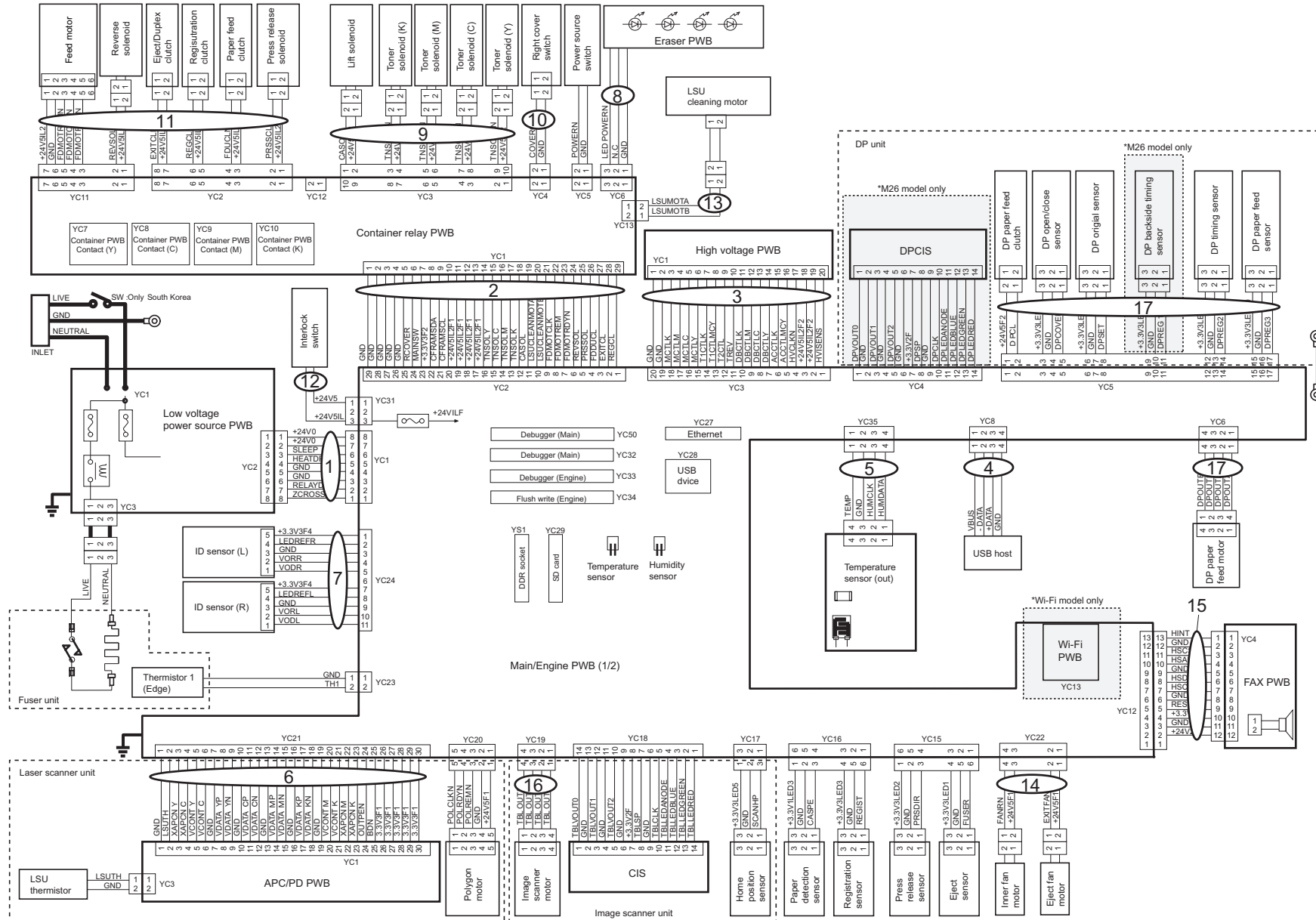


FIG. 29 Wire Sections 1 (21ppm(A4),22ppm(Letter)(AF)/21ppm(A4),22ppm(Letter)(BF)/
26ppm(A4),27ppm(Letter)(AF)/26ppm(A4),27ppm(Letter)(BF))

2RB/2RC/2RD/2RF/2R7/2R8/2R9/2RA



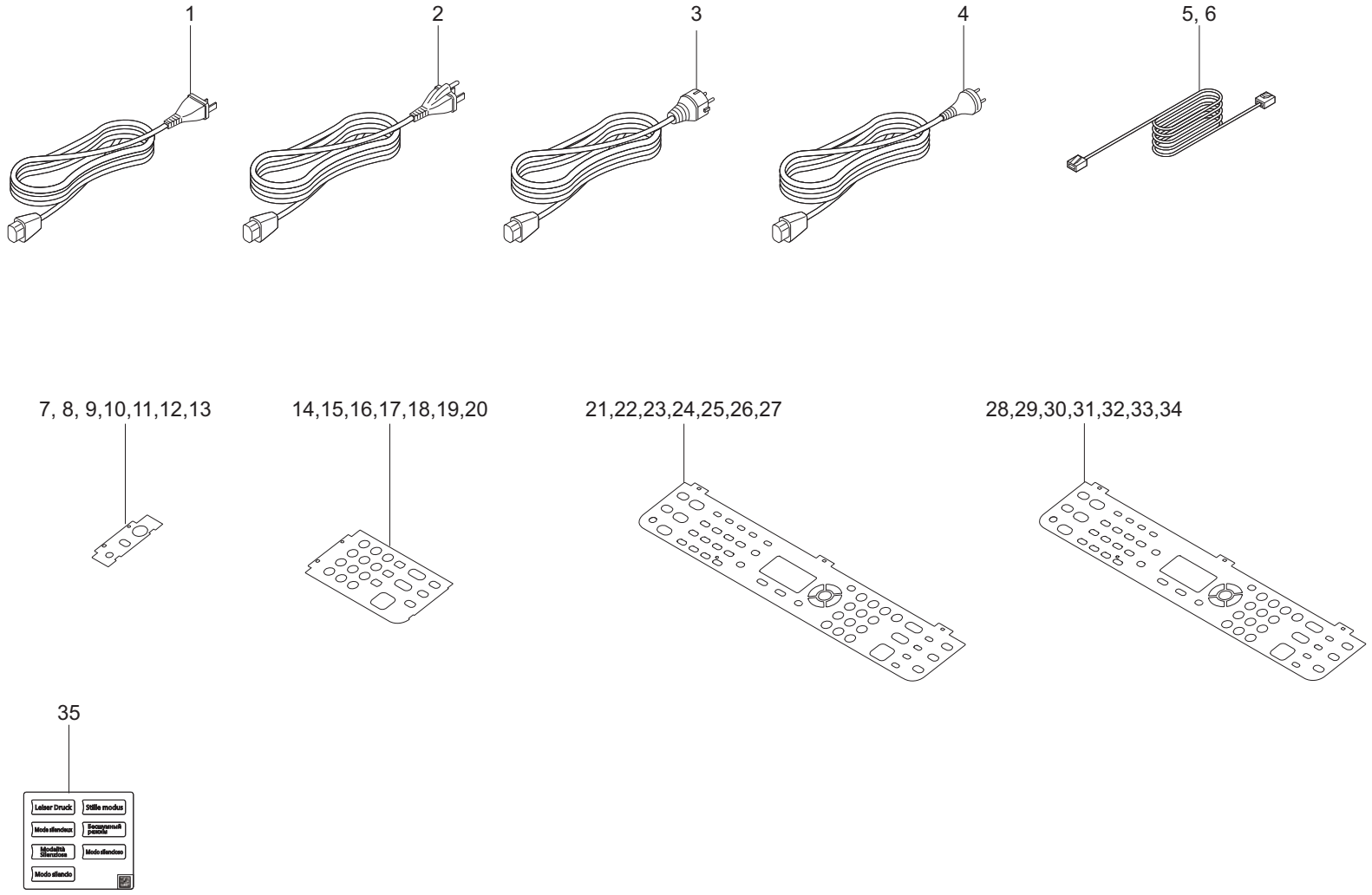


FIG. 31 Accessory

2RB/2RC/2RD/2RF/2R7/2R8/2R9/2RA-2

Ref. No. 番号	Part.No. 部品番号	Description 部品名称	Notes 備考	Revision 改訂	Quantity 個数			
					100(日本)	120	230	240
1	7AAACCJP+12H009	AC CORD ASSY JP		2:Part No-chg.	1			
2	3019527401	POWER CORD(120)				1		
3	302FV94010	PARTS AC CORD EU SP					1	
4	302FV45040	AC CORD ASSY						1
5	303HZ45010	MODULAR CORD			1	1		
6	303R246010	MODULAR CORD AUSTRALIA		2:Part No-chg.				1
7	302R705730	LABEL OPERATION T LEFT GER					1	
8	302R705740	LABEL OPERATION T LEFT FRA				1	1	
9	302R705750	LABEL OPERATION T LEFT ITA					1	
10	302R705760	LABEL OPERATION T LEFT SPA				1	1	
11	302R705770	LABEL OPERATION T LEFT DUT					1	
12	302R705780	LABEL OPERATION T LEFT RUS					1	
13	302R705790	LABEL OPERATION T LEFT PTB				1	1	
14	302R705530	LABEL OPERATION T RIGHT GER					1	
15	302R705540	LABEL OPERATION T RIGHT FRA				1	1	
16	302R705550	LABEL OPERATION T RIGHT ITA					1	
17	302R705560	LABEL OPERATION T RIGHT SPA				1	1	
18	302R705570	LABEL OPERATION T RIGHT DUT					1	
19	302R705580	LABEL OPERATION T RIGHT RUS					1	
20	302R705590	LABEL OPERATION T RIGHT PTB				1	1	
21	302R905530	LABEL OPERATION LCD W GER					1	
22	302R905540	LABEL OPERATION LCD W FRA				1	1	
23	302R905550	LABEL OPERATION LCD W ITA					1	
24	302R905560	LABEL OPERATION LCD W SPA				1	1	
25	302R905570	LABEL OPERATION LCD W DUT					1	
26	302R905580	LABEL OPERATION LCD W RUS					1	
27	302R905590	LABEL OPERATION LCD W PTB				1	1	
28	302RA05530	LABEL OPERATION LCD GER					1	
29	302RA05540	LABEL OPERATION LCD FRA				1	1	
30	302RA05550	LABEL OPERATION LCD ITA					1	
31	302RA05560	LABEL OPERATION LCD SPA				1	1	
32	302RA05570	LABEL OPERATION LCD DUT					1	
33	302RA05580	LABEL OPERATION LCD RUS					1	
34	302RA05590	LABEL OPERATION LCD PTB				1	1	
35	302RB34040	LABEL QUIET MODE US NL	21ppm(A4),22ppm(Letter)(A)/21ppm(A4),22ppm(Letter)(B)/ 26ppm(A4),27ppm(Letter)(A)/26ppm(A4),27ppm(Letter)(B)	1:Add		1	1	

• Parts with a Ref.No. of 500 and above in the illustration indicate they are not selected for service parts.

• イラスト中で 500 番台の Ref 番号が付いている部品はサービスパーツに選定されていません。

INDEX / 索引

2RB/2RC/2RD/2RF/2R7/2R8/2R9/2RA-3

Part.No. 部品番号	Description 部品名称	Fig.No.
2FB27160	INTER LOCK SWITCH	17
36211110	PULLEY,LEADING FEED ADF	23
3019527401	POWER CORD(120)	31
302F909171	RETARD ROLLER ASSY	8
302F931270	SPRING FUSER	1,2
302FV45040	AC CORD ASSY	31
302FV94010	PARTS AC CORD EU SP	31
302GR44150	SOLENOID TONER	7,15
302H702590	BUSH SCREW	26
302HN24400	PULLEY PA	9
302HN44160	SOLENOID MPF	14,15
302HN44210	FAN MOTOR	2,16
302HN94140	SOLENOID FD ASSY SP	16
302HS08260	ROLLER M/P ASSY	7
302HS25220	BUSH FUSER	16
302K394171	PARTS LCD COLOR SP	18
302KV24140	ROLLER REGIST	8
302LC94283	PARTS MOTOR-BL W40 SP	14,16
302LV31480	BUSH DRIVE POM	16
302M294130	PARTS PWB ASSY THERMISTOR SP	17
302NG94220	PARTS FAN MOTOR SP	17
302NR94010	PARTS CLUTCH 35 Z35R SP	16,26
302P794010	PARTS SENSOR OPT. SP	7,11,17,24,25,26
302R494410	PARTS ROLLER DU SP	9
302R702181	COVER SD CARD	13
302R702310	GUIDE CONTAINER Y	4
302R702320	GUIDE CONTAINER M	4
302R702330	GUIDE CONTAINER C	4
302R702340	GUIDE CONTAINER K	4
302R702390	SHUTTER SECURITY	4
302R702420	SPRING SHUTTER SECURITY	4
302R704020	COVER LEFT	1,2
302R704040	COVER RIGHT REAR	1,2
302R704050	COVER LEFT REAR	1,2
302R704070	COVER ISU LEFT	2
302R704090	STOPPER PAPER	1,2
302R704110	KEY POWER SW	1,2
302R704130	PUSH BUTTON	1,2
302R704140	LOCK CROW	1,2
302R704160	HOLDER MAIN SW	1,2
302R704170	COVER LEFT REAR HARNESS	1,2
302R704180	COVER ISU REAR	2
302R704220	COVER ISU RIGHT	2
302R704240	COVER REAR BOTTOM	1,2
302R704270	STRAP COVER FRONT R	1,2
302R704280	STRAP COVER FRONT L	1,2
302R704290	STOPPER PAPER B	1,2
302R705110	KEY ONE-TOUCH COLOR	19
302R705510	LABEL OPERATION T RIGHT EN	18
302R705520	LABEL OPERATION T RIGHT JP	18

Part.No. 部品番号	Description 部品名称	Fig.No.
302R705530	LABEL OPERATION T RIGHT GER	31
302R705540	LABEL OPERATION T RIGHT FRA	31
302R705550	LABEL OPERATION T RIGHT ITA	31
302R705560	LABEL OPERATION T RIGHT SPA	31
302R705570	LABEL OPERATION T RIGHT DUT	31
302R705580	LABEL OPERATION T RIGHT RUS	31
302R705590	LABEL OPERATION T RIGHT PTB	31
302R705710	LABEL OPERATION T LEFT EN	18
302R705720	LABEL OPERATION T LEFT JP	18
302R705730	LABEL OPERATION T LEFT GER	31
302R705740	LABEL OPERATION T LEFT FRA	31
302R705750	LABEL OPERATION T LEFT ITA	31
302R705760	LABEL OPERATION T LEFT SPA	31
302R705770	LABEL OPERATION T LEFT DUT	31
302R705780	LABEL OPERATION T LEFT RUS	31
302R705790	LABEL OPERATION T LEFT PTB	31
302R706010	FRAME FEED	8
302R706020	ACTUATOR REGIST	8
302R706100	GUIDE PICK HOLDER	8
302R706170	GEAR SHAFT Z26R	8
302R706180	GUIDE CASSETTE REAR	8
302R706200	COVER GUIDE RETARD	8
302R709050	CURSOR LEFT	5
302R709060	CURSOR RIGHT	5
302R709070	CURSOR END	5
302R709100	ACTUATOR CASSETTE 1	5
302R709110	ACTUATOR CASSETTE 2	5
302R709140	SPRING BOTTOM	5
302R709150	COVER CASSETTE	5
302R718010	BASE DP A4	22
302R718040	COVER DP FEED	21
302R722080	SPRING PRESS TC L	9
302R722090	SPRING PRESS TC R	9
302R724030	FRAME CONVEYING B	9
302R724040	FRAME CONVEYING C	9
302R724071	HOOK CONVEYING L	9
302R724080	HOOK CONVEYING R	9
302R724090	SPRING HOOK CONVEYING L	9
302R724100	SPRING HOOK CONVEYING R	9
302R724170	GUIDE MIDDLE	9
302R724180	SPRING PRESS GUIDE MIDDLE	9
302R724200	SHEET GUIDE MIDDLE L	9
302R728110	GEAR Z19S	16
302R728180	ACTUATOR FD	16
302R731410	PLATE MOTOR MAIN	14
302R731510	GEAR Z28L	16
302R731520	SHAFT CLUTCH REGIST	16
302R731530	GEAR Z28R	16
302R731540	SHAFT CLUTCH FEED	16
302R731570	GEAR Z35R	16

Part.No. 部品番号	Description 部品名称	Fig.No.
302R731630	COVER CLUTCH	16
302R731660	PLATE MOTOR FEED	16
302R734030	LABEL B	9
302R734050	LABEL CONTAINER OPERATION	1,2
302R734060	LABEL MPF	6
302R734070	LABEL FUSER CAUTION	15
302R734090	LABEL DP TABLE	23
302R734100	EMBLEM MACHINE NUMBER	3
302R746010	CONN.CORD ASSY LVU	27,29
302R746020	CONN.CORD ASSY FFC CONTAINER	27,29
302R746030	CONN.CORD ASSY FFC HVU	27,29
302R746040	CONN.CORD ASSY UNIT CONNECT	28,30
302R746050	CONN.CORD ASSY USB HOST	27,29
302R746060	CONN.CORD ASSY MPF DLP SOL	28,30
302R746070	CONN.CORD ASSY FFC SENSOR TONER	12,28,30
302R746080	CONN.CORD ASSY MAIN MOTOR	28,30
302R746090	CONN.CORD ASSY FAX	29
302R746100	CONN.CORD ASSY MPF PE	7,28,30
302R746140	CONN.CORD ASSY FFC APC	10,27,29
302R746160	CONN.CORD ASSY FFC ID SENSOR	27,29
302R746170	CONN.CORD ASSY FFC PANEL	11,30
302R746180	CONN.CORD ASSY FFC ERASER	27,29
302R746200	CONN.CORD ASSY FFC DRUM	12,28,30
302R746220	CONN.CORD ASSY TONER SOL	27,29
302R746230	CONN.CORD ASSY RIGHT COVER SW	27,29
302R746240	CONN.CORD ASSY FEED MOTOR	27,29
302R746250	CONN.CORD ASSY INTER LOCK SW	27,29
302R746310	CONN.CORD ASSY TABLE MOT	11,29
302R746320	CONN.CORD ASSY COOLING FAN	29
302R746330	CONN.CORD ASSY THERMISTOR	27,29
302R746340	CONN.CORD ASSY FFC KEY RIGHT	18,30
302R746380	CONN.CORD ASSY CLEANER JUNCTION	27,29
302R746400	CONN.CORD ASSY DP	29
302R793010	DK-5230	12
302R793020	DK-5231	12
302R793031	DV-5230(K)	12
302R793041	DV-5230(Y)	12
302R793051	DV-5230(M)	12
302R793061	DV-5230(C)	12
302R793070	TR-5230	12
302R793080	FK-5230	13
302R793090	FK-5232	13
302R793100	FK-5231	13
302R793111	LK-5230	10
302R793130	PARTS DP UNIT SP	20
302R793140	CT-5230	5
302R793150	DR-5230	14
302R794010	PARTS WIFI UNIT SP	17
302R794020	PARTS COVER FRONT ASSY SP	1,2
302R794030	PARTS RIGHT BOTTOM ASSY SP	1,2

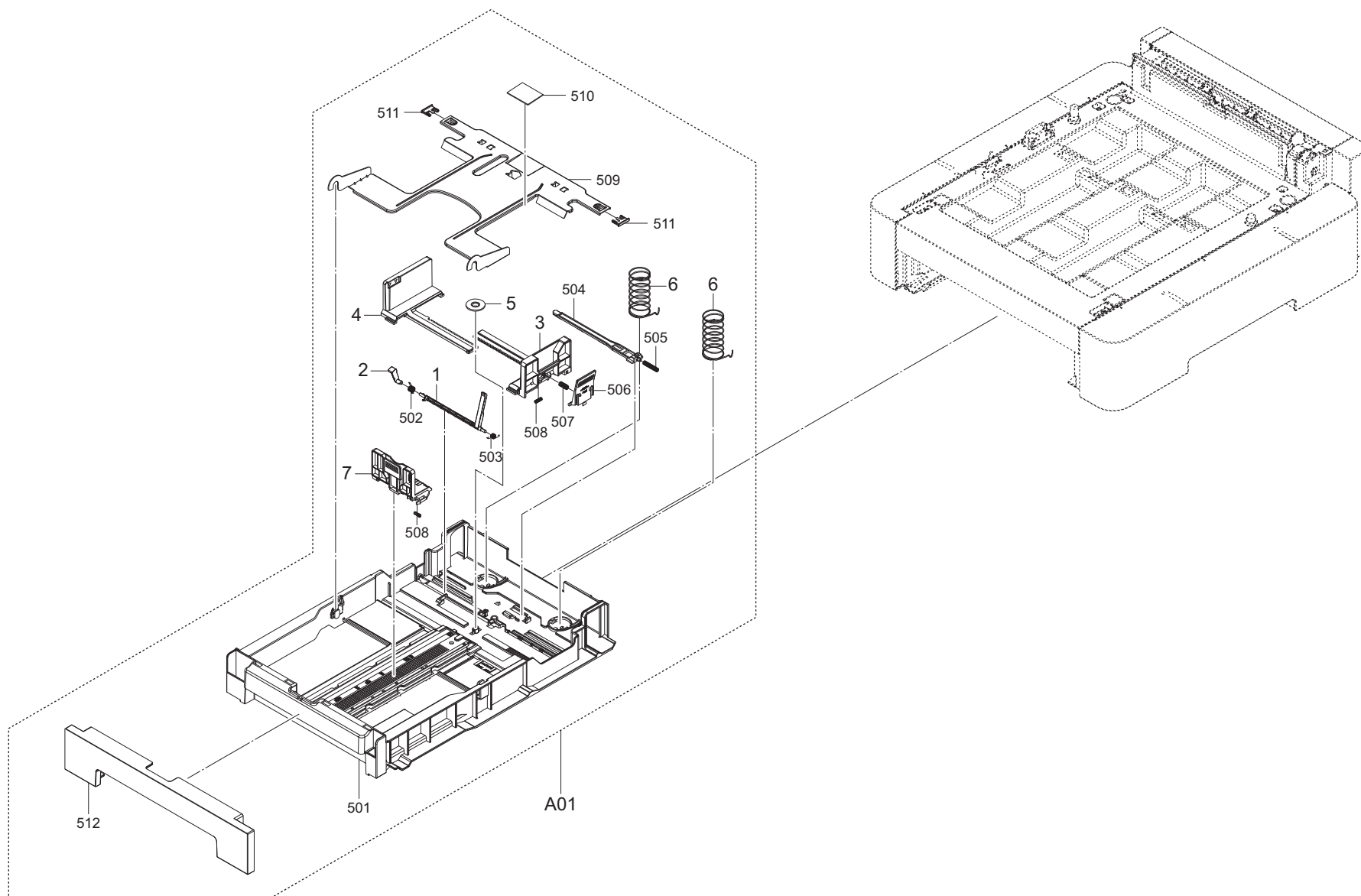
Part.No. 部品番号	Description 部品名称	Fig.No.
302R794040	PARTS COVER CONTAINER ASSY SP	1,2
302R794050	PARTS OPERATION ASSY SP	18
302R794060	PARTS HOLDER RETARD ASSY SP	8
302R794070	PARTS HOLDER FEED ASSY SP	8
302R794080	PARTS FRAME MPF ASSY SP	7
302R794090	PARTS GUIDE MPF FEED LOW ASSY SP	7
302R794100	PARTS TRAY MPF UNIT M SP	6
302R794110	PARTS FRAME ISU TOP A ASSY SP	11
302R794120	PARTS TABLE MAIN ASSY SP	23
302R794130	PARTS PLATE ORIGINAL SP	21
302R794140	PARTS ROLLER TRANSFER ASSY SP	9
302R794150	PARTS FRAME CONVEYING A ASSY SP	9
302R794160	PARTS GUIDE EXIT R ASSY SP	16
302R794170	PARTS COVER REAR ASSY SP	9
302R794180	PARTS DRIVE EXIT PRESS ASSY SP	16
302R794190	PARTS PWB PANEL ASSY SP	18
302R794200	PARTS PWB ID SENSOR ASSY SP	17
302R794210	PARTS PWB CONTAINER CONNECT ASSY SP	17
302R794220	PARTS PWB KEY RIGHT ASSY SP	18
302R794230	PARTS PWB ERASER ASSY SP	17
302R794240	PARTS PWB UNIT CONNECT ASSY SP	12
302R794250	PARTS PWB KEY LEFT ASSY SP	18
302R794260	PARTS PWB SWITCH ASSY SP	17
302R794270	PARTS PWB MAIN ASSY SP	17
302R794281	PARTS PWB MAIN ASSY EU SP	17
302R794290	PARTS UNIT LOW VOLTAGE 120V SP	17
302R794300	PARTS UNIT LOW VOLTAGE 230V SP	17
302R794310	PARTS UNIT HIGH VOLTAGE SP	17
302R794320	PARTS SENSOR A4 CIS SP	11,24
302R794330	PARTS FAX UNIT J SP	17
302R794340	PARTS FAX UNIT U SP	17
302R794350	PARTS PULLEY FEED ASSY SP	8
302R794360	PARTS ROLLER REGIST RUBBER SP	9
302R794370	PARTS ROLLER EXIT SP	16
302R794380	PARTS MOTOR ISU SP	11
302R794390	PARTS SPEAKER SP	17
302R794400	PARTS COVER TOP M ASSY SP	2
302R794450	PARTS PLATE SPRING SET SP	15
302R79J031	DV-5230(K)(J)	12
302R79J041	DV-5230(Y)(J)	12
302R79J051	DV-5230(M)(J)	12
302R79J061	DV-5230(C)(J)	12
302R834100	EMBLEM MACHINE NUMBER	3
302R894010	PARTS PWB MAIN ASSY SP	17
302R894021	PARTS PWB MAIN ASSY EU SP	17
302R905020	SHEET COVER LCD W	19
302R905510	LABEL OPERATION LCD W EN	19
302R905530	LABEL OPERATION LCD W GER	31
302R905540	LABEL OPERATION LCD W FRA	31
302R905550	LABEL OPERATION LCD W ITA	31

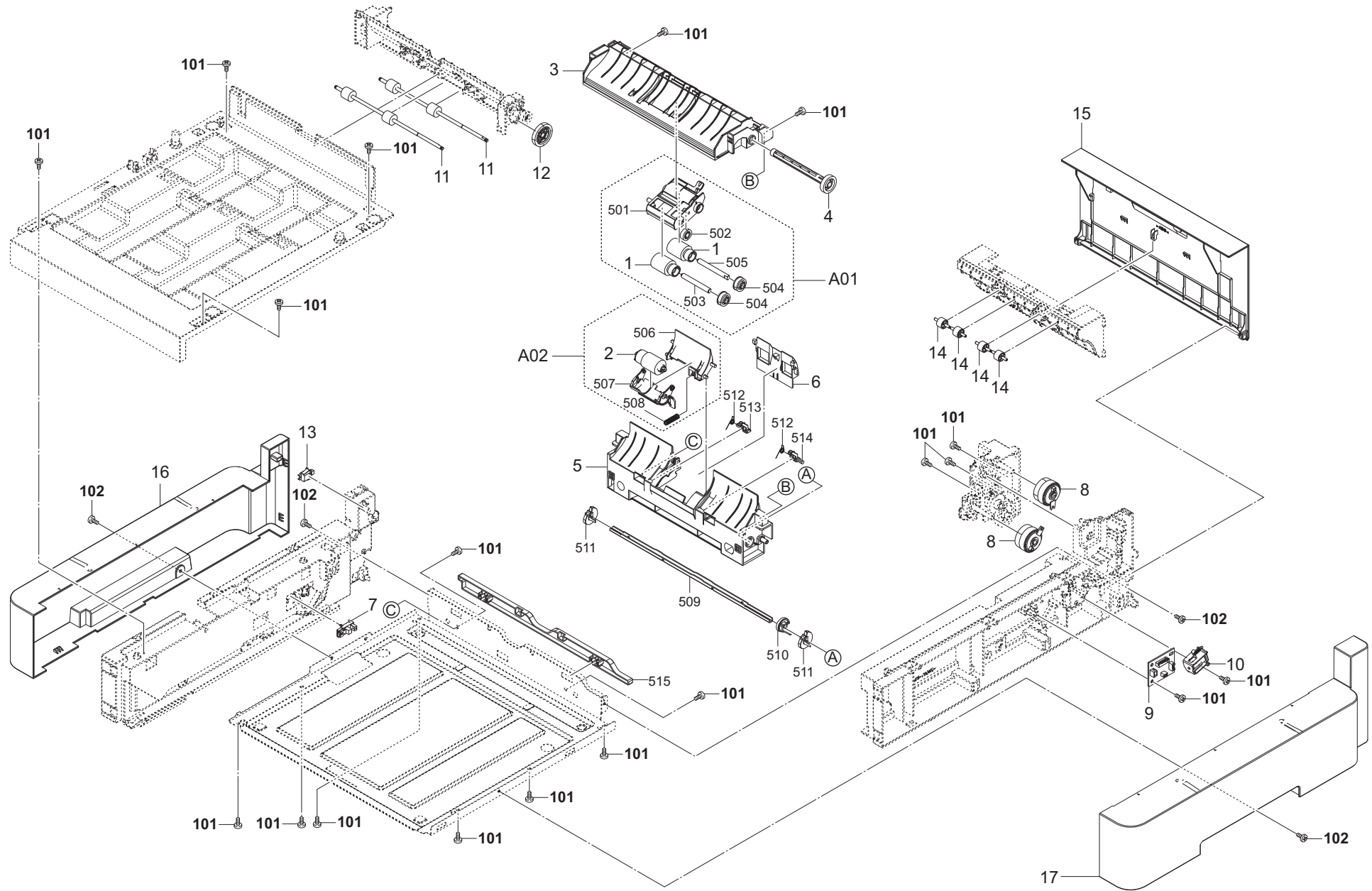
PF-5110

First Edition
April 2017

—— CONTENTS / 目次 ——

FIG. 1	Paper Cassettes.....	2
FIG. 2	Paper Feed Section	4
	• INDEX / 索引	6





KYOCERA Document Solutions America, Inc.**Headquarters**

225 Sand Road,
Fairfield, New Jersey 07004-0008, USA
Phone: +1-973-808-8444
Fax: +1-973-882-6000

Latin America

8240 NW 52nd Terrace Dawson Building, Suite 100
Miami, Florida 33166, USA
Phone: +1-305-421-6640
Fax: +1-305-421-6666

KYOCERA Document Solutions Canada, Ltd.

6120 Kestrel Rd., Mississauga, ON L5T 1S8,
Canada
Phone: +1-905-670-4425
Fax: +1-905-670-8116

KYOCERA Document Solutions**Mexico, S.A. de C.V.**

Calle Arquimedes No. 130, 4 Piso, Colonia Polanco
Chapultepec, Delegacion Miguel Hidalgo,
Distrito Federal, C.P. 11560, México
Phone: +52-555-383-2741
Fax: +52-555-383-7804

KYOCERA Document Solutions Brazil, Ltda.

Alameda África, 545, Pólo Empresarial Consbrás,
Tamboré, Santana de Parnaíba, State of São Paulo,
CEP 06543-306, Brazil
Phone: +55-11-2424-5353
Fax: +55-11-2424-5304

KYOCERA Document Solutions Chile SpA

Jose Ananias 505, Macul. Santiago, Chile
Phone: +562-2350-7000
Fax: +562-2350-7150

KYOCERA Document Solutions**Australia Pty. Ltd.**

Level 3, 6-10 Talavera Road North Ryde N.S.W, 2113,
Australia
Phone: +61-2-9888-9999
Fax: +61-2-9888-9588

KYOCERA Document Solutions**New Zealand Ltd.**

Ground Floor, 19 Byron Avenue, Takapuna, Auckland,
New Zealand
Phone: +64-9-415-4517
Fax: +64-9-415-4597

KYOCERA Document Solutions Asia Limited

13/F., Mita Centre, 552-566, Castle Peak Road Tsuen
Wan, New Territories, Hong Kong
Phone: +852-2496-5678
Fax: +852-2610-2063

KYOCERA Document Solutions**(China) Corporation**

8F, No. 288 Nanjing Road West, Huangpu District,
Shanghai, 200003, China
Phone: +86-21-5301-1777
Fax: +86-21-5302-8300

KYOCERA Document Solutions**(Thailand) Corp., Ltd.**

335 Ratchadapisek Road, Wongsawang, Bangsue,
Bangkok 10800,
Thailand
Phone: +66-2-586-0333
Fax: +66-2-586-0278

KYOCERA Document Solutions**Singapore Pte. Ltd.**

12 Tai Seng Street #04-01A,
Luxasia Building, Singapore 534118
Phone: +65-6741-8733
Fax: +65-6748-3788

KYOCERA Document Solutions**Hong Kong Limited**

16/F., Mita Centre, 552-566, Castle Peak Road Tsuen
Wan, New Territories, Hong Kong
Phone: +852-3582-4000
Fax: +852-3185-1399

KYOCERA Document Solutions**Taiwan Corporation**

6F., No.37, Sec. 3, Minquan E. Rd.,
Zhongshan Dist., Taipei 104, Taiwan R.O.C.
Phone: +886-2-2507-6709
Fax: +886-2-2507-8432

KYOCERA Document Solutions Korea Co., Ltd.

#10F Daewoo Foundation Bldg 18, Toegye-ro, Jung-gu,
Seoul, Korea
Phone: +822-6933-4050
Fax: +822-747-0084

KYOCERA Document Solutions**India Private Limited**

Second Floor, Centrum Plaza, Golf Course Road,
Sector-53, Gurgaon, Haryana 122002, India
Phone: +91-0124-4671000
Fax: +91-0124-4671001

KYOCERA Document Solutions Europe B.V.

Bloemlaan 4, 2132 NP Hoofddorp,
The Netherlands
Phone: +31-20-654-0000
Fax: +31-20-653-1256

KYOCERA Document Solutions Nederland B.V.

Beechavenue 25, 1119 RA Schiphol-Rijk,
The Netherlands
Phone: +31-20-5877200
Fax: +31-20-5877260

KYOCERA Document Solutions (U.K.) Limited

Eldon Court, 75-77 London Road,
Reading, Berkshire RG1 5BS,
United Kingdom
Phone: +44-118-931-1500
Fax: +44-118-931-1108

KYOCERA Document Solutions Italia S.p.A.

Via Monfalcone 15, 20132, Milano, Italy,
Phone: +39-02-921791
Fax: +39-02-92179-600

KYOCERA Document Solutions Belgium N.V.

Sint-Martinusweg 199-201 1930 Zaventem,
Belgium
Phone: +32-2-7209270
Fax: +32-2-7208748

KYOCERA Document Solutions France S.A.S.

Espace Technologique de St Aubin
Route de l'Orme 91195 Gif-sur-Yvette CEDEX,
France
Phone: +33-1-69852600
Fax: +33-1-69853409

KYOCERA Document Solutions Espana, S.A.

Edificio Kyocera, Avda. de Manacor No.2,
28290 Las Matas (Madrid), Spain
Phone: +34-91-6318392
Fax: +34-91-6318219

© 2017 KYOCERA Document Solutions Inc.

 is a trademark of KYOCERA Corporation

KYOCERA Document Solutions Finland Oy

Atomitie 5C, 00370 Helsinki,
Finland
Phone: +358-9-47805200
Fax: +358-9-47805212

**KYOCERA Document Solutions
Europe B.V., Amsterdam (NL) Zürich Branch**

Hohlstrasse 614, 8048 Zürich,
Switzerland
Phone: +41-44-9084949
Fax: +41-44-9084950

**KYOCERA Bilgitas Document Solutions
Turkey A.S.**

Gülbahar Mahallesi Otello Kamil Sk. No:6 Mecidiyeköy
34394 Şişli İstanbul, Turkey
Phone: +90-212-356-7000
Fax: +90-212-356-6725

**KYOCERA Document Solutions
Deutschland GmbH**

Otto-Hahn-Strasse 12, 40670 Meerbusch,
Germany
Phone: +49-2159-9180
Fax: +49-2159-918100


KYOCERA Document Solutions Austria GmbH

Wienerbergstraße 11, Turm A, 18. OG, 1100 Wien,
Austria
Phone: +43-1-863380
Fax: +43-1-86338-400

KYOCERA Document Solutions Nordic AB

Esbogatan 16B 164 75 Kista, Sweden
Phone: +46-8-546-550-00
Fax: +46-8-546-550-10

京セラドキュメントソリューションズ株式会社
京セラドキュメントソリューションズジャパン株式会社

 は京セラ株式会社の登録商標です。

KYOCERA Document Solutions Norge Nuf

Olaf Helsetsv. 6, 0619 Oslo, Norway
Phone: +47-22-62-73-00
Fax: +47-22-62-72-00

KYOCERA Document Solutions Danmark A/S

Ejby Industrivej 60, DK-2600 Glostrup,
Denmark
Phone: +45-70223880
Fax: +45-45765850

KYOCERA Document Solutions Portugal Lda.

Rua do Centro Cultural, 41 (Alvalade) 1700-106 Lisboa,
Portugal
Phone: +351-21-843-6780
Fax: +351-21-849-3312

**KYOCERA Document Solutions
South Africa (Pty) Ltd.**

KYOCERA House, Hertford Office Park,
90 Bekker Road (Cnr. Allandale), Midrand, South Africa
Phone: +27-11-540-2600
Fax: +27-11-466-3050

KYOCERA Document Solutions Russia LLC.

Building 2, 51/4, Schepkina St., 129110, Moscow,
Russia
Phone: +7(495)741-0004
Fax: +7(495)741-0018

KYOCERA Document Solutions Middle East

Dubai Internet City, Bldg. 17,
Office 157 P.O. Box 500817, Dubai,
United Arab Emirates
Phone: +971-04-433-0412

KYOCERA Document Solutions Inc.

2-28, 1-chome, Tamatsukuri, Chuo-ku
Osaka 540-8585, Japan
Phone: +81-6-6764-3555
<http://www.kyoceradocumentsolutions.com>