



ECOSYS M4125idn
ECOSYS M4132idn
PF-470
PF-471
DF-470
AK-470
FAX System 13

TASKalfa 2510i
TASKalfa 2520i
PF-470
PF-471
DF-470
AK-470
FAX System 13

PARTS LIST

Published in May 2018
Rev.2

パーツリスト

2018年5月 改訂版
Rev. 2

Items listed in the revision columns are defined as follows.

Item	Description
Add	Add a new part
Del	Delete a part
Design-chg.	A design changed part (Parts number version up)
Part No.-chg.	A part number is changed to other one.
Quantity-chg.	Change Quantity of parts to use
Others	Other changes

Revision history

Rev.	Date	Remarks
1	September 2017	Design change & Add New Model
2	May 2018	Design change

Symbols in the parts list

- Parts without a Ref.No. in the illustration indicate they are not supplied.
- Parts with a Ref.No. of 500 and above in the illustration indicate they are not selected for service parts.
- Parts with "*" are component parts or sub-assemblies of the assembly appearing immediately above them.
- Parts with "**" are component parts or sub-assembly with "*" appearing immediately above them.

<Notation of products>

For the purpose of this parts list, products are identified as following.
 ECOSYS M4125idn : 25ppm(A)
 ECOSYS M4132idn : 32ppm

改訂欄記載項目の内容は以下の通りです。

記載項目	内容
Add	新規部品の追加
Del	部品の削除
Design-chg.	部品の設変（版数アップ）
Part No.-chg.	部品番号の変更
Quantity-chg.	部品の個数変更
Others	その他の変更

改訂履歴

Rev.	改訂日	備考
1	2017年9月	設変対応 & 新機種追加
2	2018年5月	設変対応

記号の見方

イラスト中で Ref 番号がない部品は供給できません。
 イラスト中で 500 番台の Ref 番号が付いている部品はサービスパーツに選定されていません。
 部品番号欄の・印は、組立部品の単品部品及び準組立部品を表わします。
 部品番号欄の**印は、準組立部品の単品部品を表わします。

<本体機種区別表記>

パーツリスト中の本体機種区別は、以下の様に記載します。
 TASKalfa 2510i : 25ppm(A)
 TASKalfa 2520i : 25ppm(B)

TASKalfa 2510i
TASKalfa 2520i
ECOSYS M4125idn
ECOSYS M4132idn

FIG. 1 Covers

2P1/2P2/2WB

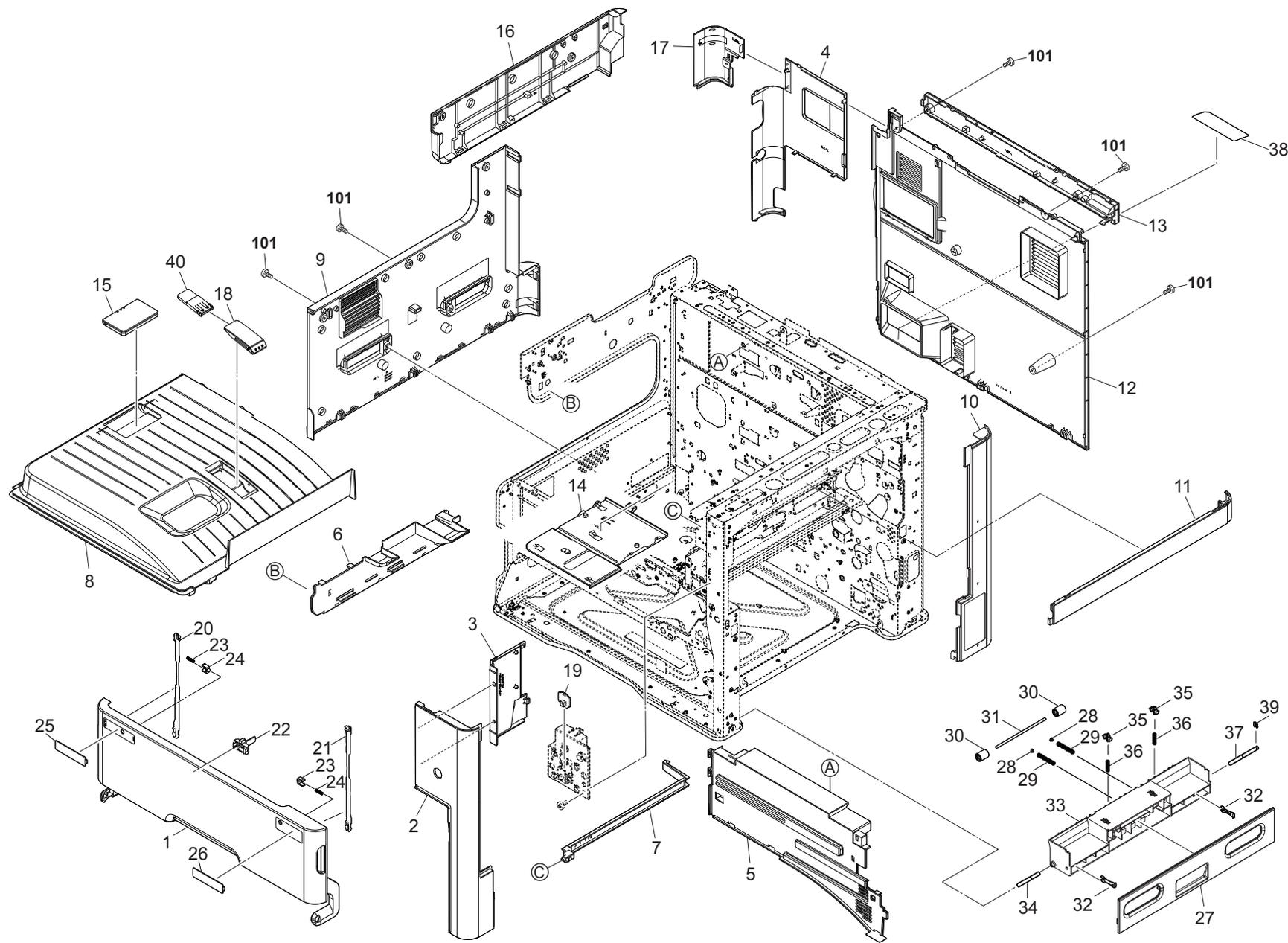


FIG. 1 Covers

2P1/2P2/2WB-1

Ref. No. 番号	Part.No. 部品番号	Description 部品名称	Notes 備考	Revision 改訂	Quantity 個数			
					100(日本)	120	230	240
1	302P104060	COVER FRONT			1	1	1	1
2	302P104020	COVER FRONT TOP			1	1	1	1
3	302P104080	COVER EXIT FRONT			1	1	1	1
4	302P104140	LID CONTROLLER BOX			1	1	1	1
5	302P104070	COVER EXIT REAR			1	1	1	1
6	302P104200	COVER TRAY LEFT			1	1	1	1
7	302P104150	COVER EXIT TOP			1	1	1	1
8	302P104090	COVER TRAY			1	1	1	1
9	302P104010	COVER LEFT LOW			1	1	1	1
10	302K304060	COVER RIGHT REAR			1	1	1	1
11	302P104100	COVER RIGHT MIDDLE			1	1	1	1
12	302P104120	COVER REAR			1	1	1	1
13	302P104130	COVER REAR TOP			1	1	1	1
14	302P104210	COVER EXIT FRONT UPPER	25ppm(B)/32ppm	1:Others	1	1	1	1
14	302P204020	COVER EXIT FRONT UPPER	25ppm(A)	1:Others	1	1	1	1
15	302P104240	STOPPER PAPER			1	1	1	1
16	302P104180	COVER LEFT MIDDLE			1	1	1	1
17	302P104190	LID CONTROLLER BOX TOP			1	1	1	1
18	302P104330	HOLDER STOPPER PAPER			1	1	1	1
19	302NG94300	PARTS PWB SWITCH ASSY SP			1	1	1	1
20	302K304320	STRAP COVER FRONT L			1	1	1	1
21	302K304230	STRAP COVER FRONT R			1	1	1	1
22	302H004652	HOLDER SWITCH			1	1	1	1
23	302FB17700	SPRING BYPASS TEBLE			2	2	2	2
24	2FB07330	STOPPER BYPASS TABLE			2	2	2	2
25	302DY04091	EMBLEM KC 1SG 70 W			1	1	1	1
26	302P134020	LABEL EMBLEM M4132	32ppm		1	1	1	1
26	302P234020	LABEL EMBLEM M4125	25ppm(A)	1:Others	1	1	1	1
26	302P234010	LABEL EMBLEM 2510	25ppm(A)	1:Others	1			
26	302WB34010	LABEL EMBLEM 2520	25ppm(B)	1:Add	1			
27	302K304070	COVER RIGHT LOW			1	1	1	1
28	2FM04150	CAP SPRING /B-11 ENCLOSURE A4			2	2	2	2
29	303NN24180	SPRING FEED LOW			2	2	2	2
30	3HY07120	PULLEY 15 DUPLEX			2	2	2	2
31	302BG06152	SHAFT FEED B			1	1	1	1
32	302H024510	STOPPER SHUTTER			2	2	2	2
33	302K306320	GUIDE COVER INNER			1	1	1	1
34	302K306330	SHAFT INNER ROLLER F			1	1	1	1
35	302K306340	STOPPER INNER GUIDE			2	2	2	2
36	302K306350	SPRING INNER GUIDE			2	2	2	2
37	302K306380	SHAFT INNER ROLLER R			1	1	1	1
38	302P134050	LABEL DEHUMIDIFIER SWITCH US	32ppm			1		
38	302P134060	LABEL DEHUMIDIFIER SWITCH NL KR	32ppm				1	1
38	302P234030	LABEL DEHUMIDIFIER SWITCH	25ppm(A)/25ppm(B)	1:Others	1	1	1	1
39	5MVX111DN003	RING STOPPER /A-49 FEED A4			1	1	1	1
40	302P104340	STOPPER PAPER C			1	1	1	1
101	7BB782308H	+TP-FLAT T.T S SCREW 3X8 SR(BLACK)						

• Parts with a Ref.No. of 500 and above in the illustration indicate they are not selected for service parts.

• イラスト中で 500 番台の Ref 番号が付いている部品はサービスパーツに選定されていません。

FIG. 2 Frames

2P1/2P2/2WB-2

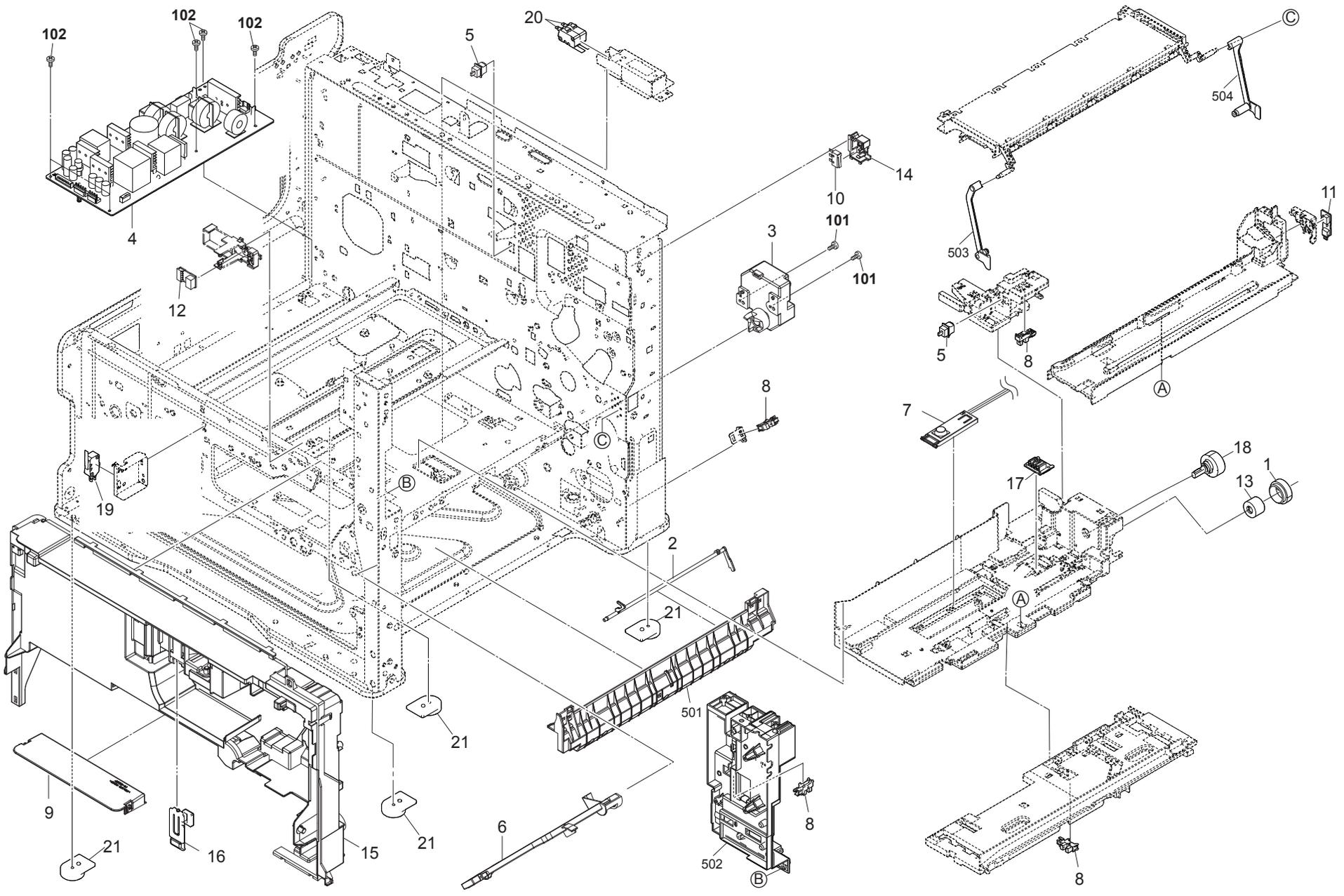


FIG. 3 Paper Cassette

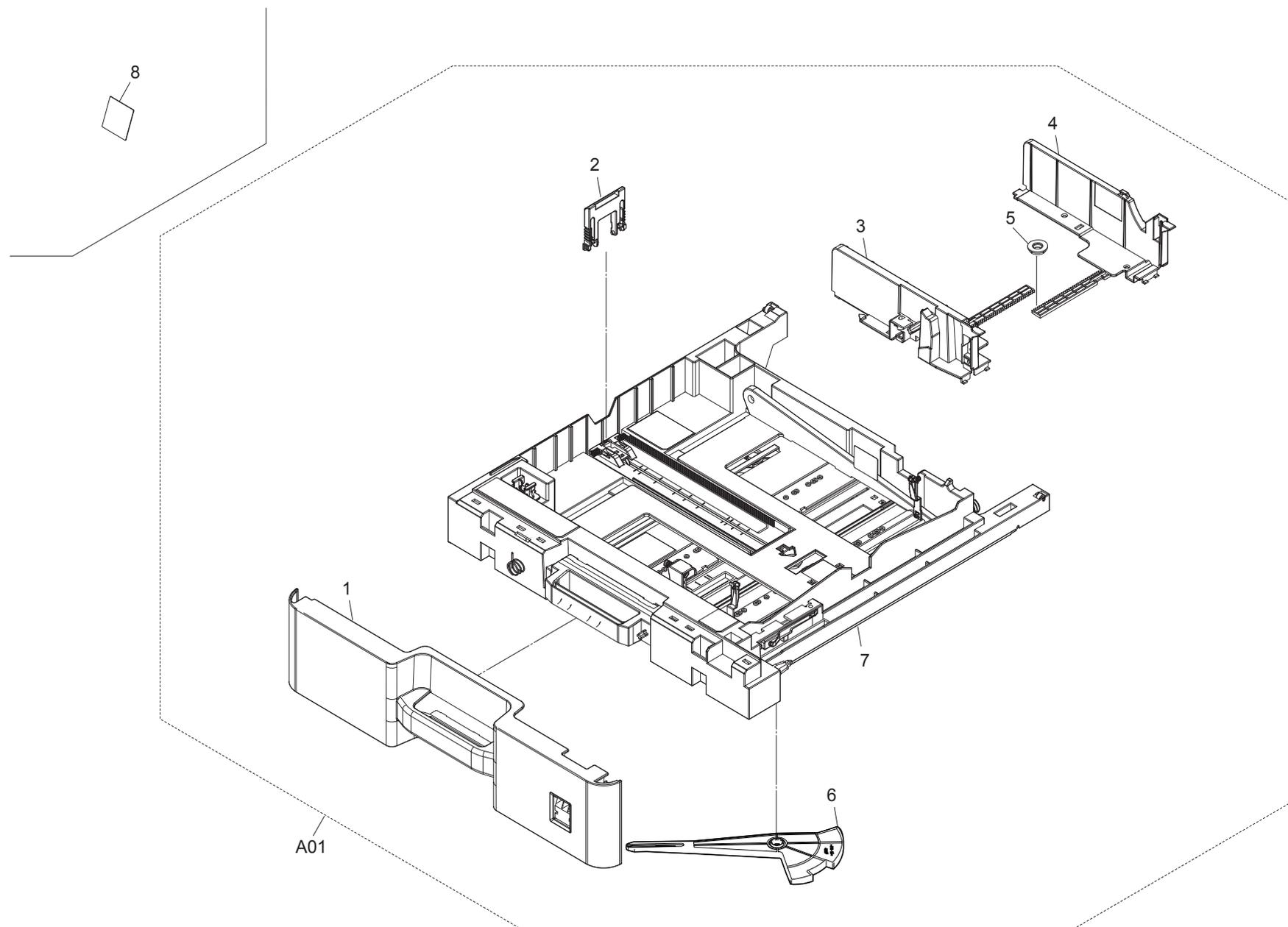


FIG. 4 Paper Feed Section

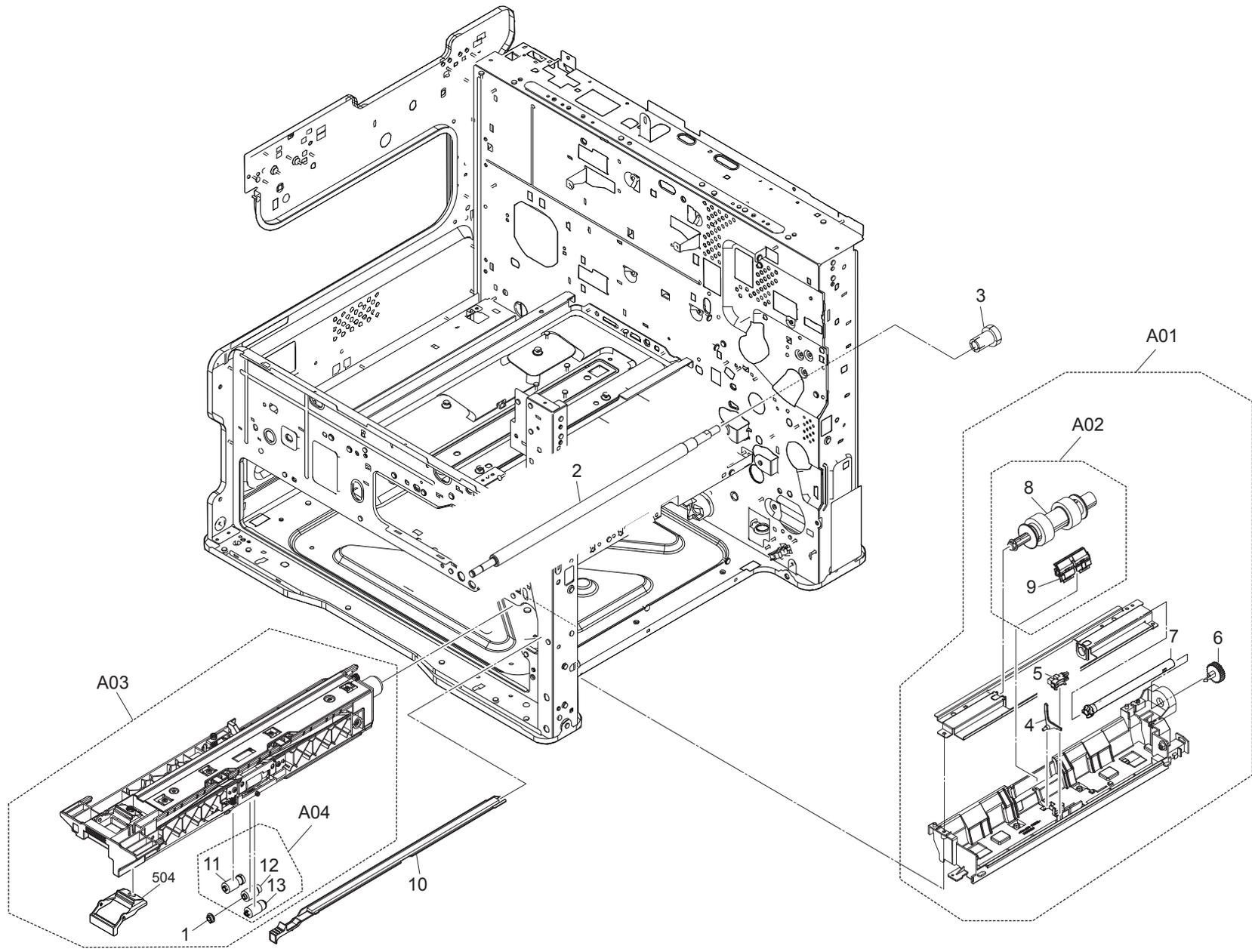


FIG. 4 Paper Feed Section

2P1/2P2/2WB-2

Ref. No. 番号	Part.No. 部品番号	Description 部品名称	Notes 備考	Revision 改訂	Quantity 個数			
					100(日本)	120	230	240
A03	302K394480	PRIMARY FEED UNIT		2:Others	1	1	1	1
1	*302K306460	BUSH 4		2:Add	1	1	1	1
A04	*302LK94140	PARTS PULLEY SET SP		2:Add	1	1	1	1
11	**302HN06080	PULLEY PICKUP ASSY		2:Add	1	1	1	1
12	**302F906230	PULLEY FEED ASSY		2:Add	1	1	1	1
13	**302F909171	RETARD ROLLER ASSY		2:Add	1	1	1	1
2	302K394230	PARTS ROLLER REGIST LEFT SP			1	1	1	1
3	302K394310	PARTS GEAR REGIST Z28L-Z18L SP			1	1	1	1
A01	302P194040	PARTS MPF ASSY SP			1	1	1	1
4	*302K308020	ACTUATOR MPF			1	1	1	1
5	*7NXGP1S173LCH01	SENSOR OPT.			1	1	1	1
6	*302K394320	PARTS GEAR MPF Z28 SP			1	1	1	1
7	*302K308080	SHAFT MPF			1	1	1	1
A02	*302P194310	MPF ROLLER-PAD SET	for customer		1	1	1	1
8	*302K394460	MPF ROLLER	service only		1	1	1	1
9	**302P194090	SEPARATION PAD	service only		2	2	2	2
10	302K394450	REGIST CLEANER			1	1	1	1

• Parts with a Ref.No. of 500 and above in the illustration indicate they are not selected for service parts.

• イラスト中で 500 番台の Ref 番号が付いている部品はサービスパーツに選定されていません。

FIG. 5 Exit Section

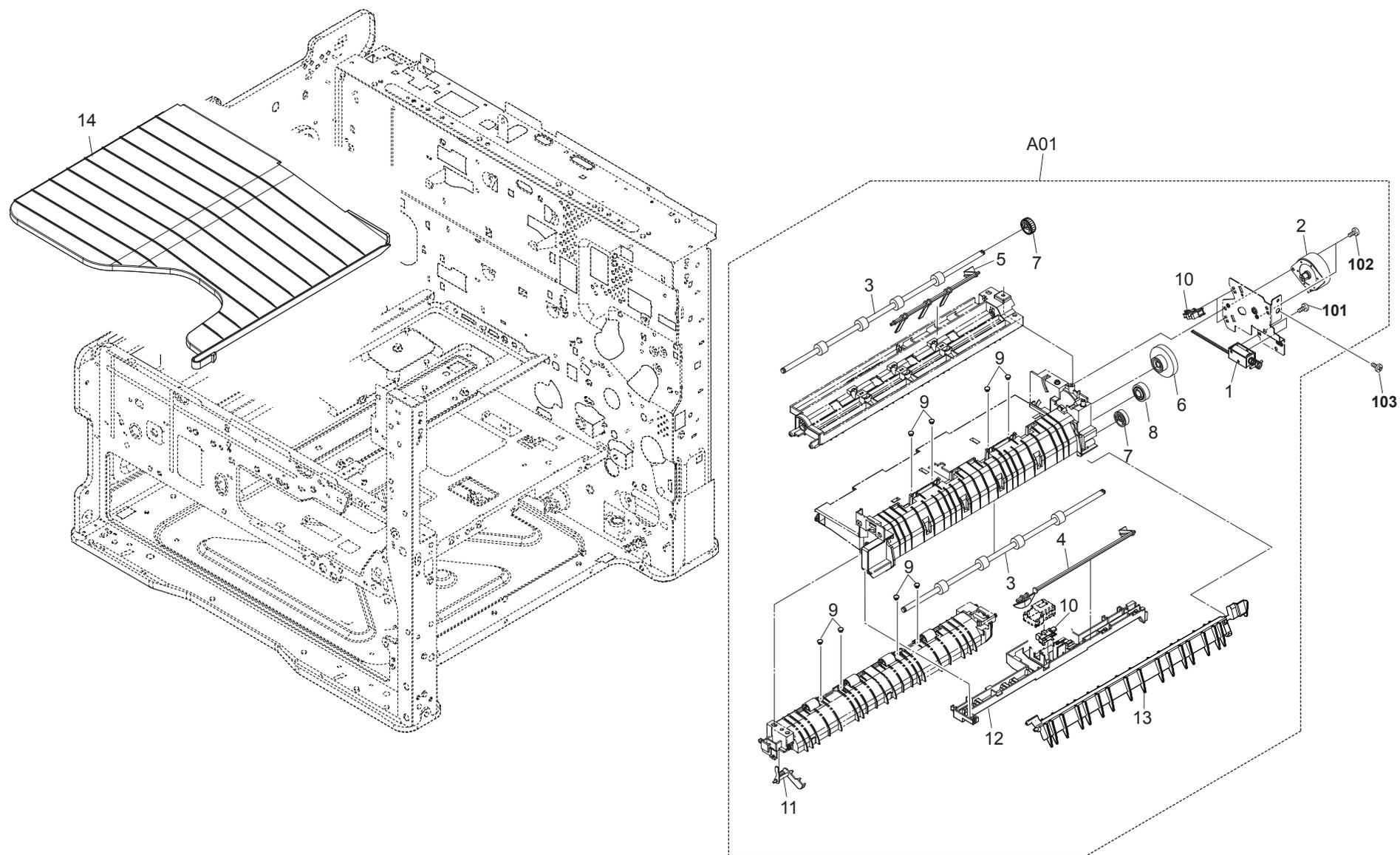


FIG. 6 Paper Conveying Section

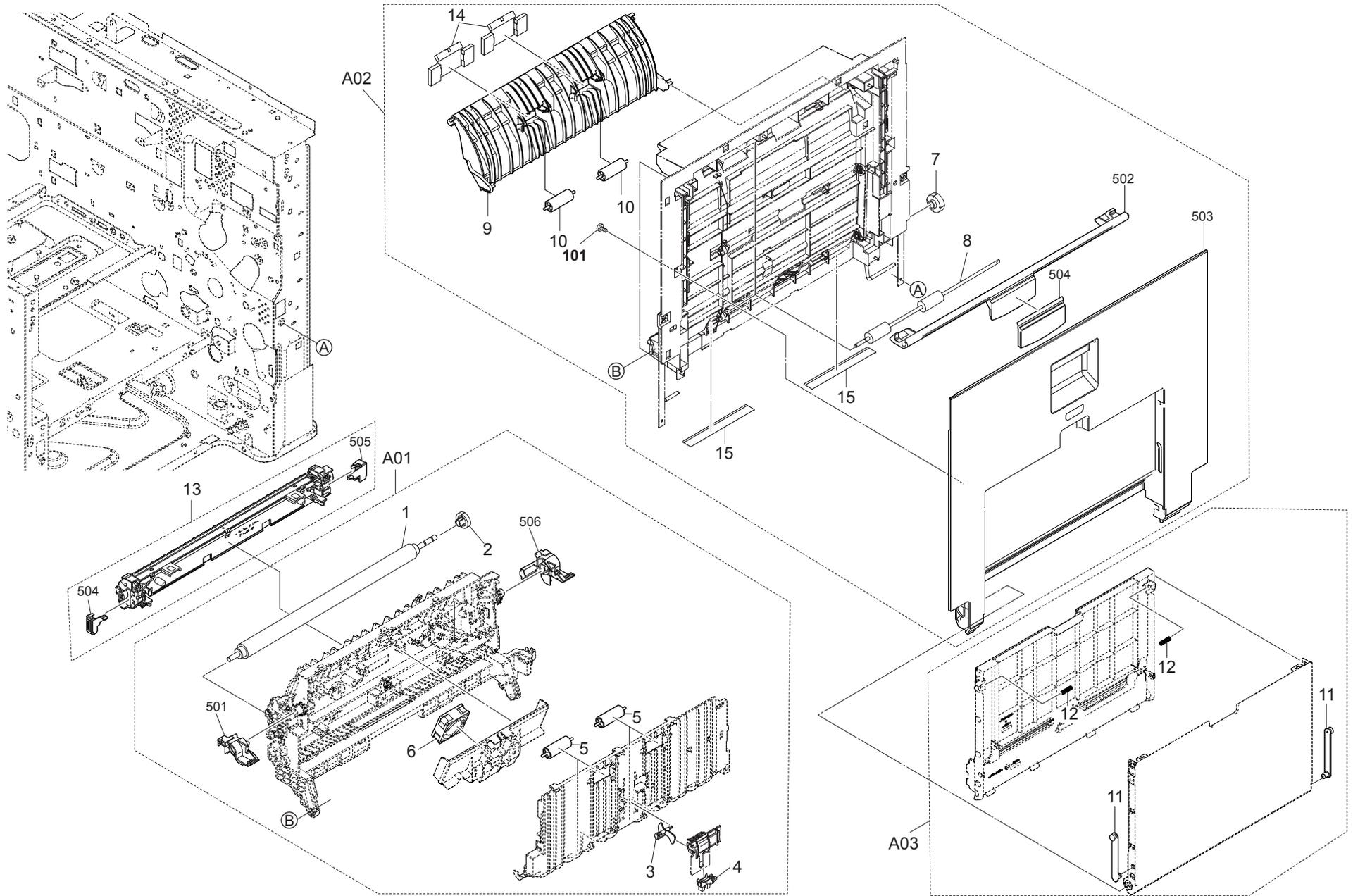


FIG. 6 Paper Conveying Section

2P1/2P2/2WB-1

Ref. No. 番号	Part.No. 部品番号	Description 部品名称	Notes 備考	Revision 改訂	Quantity 個数			
					100 (日本)	120	230	240
A01	302P194010	PARTS CONVEYING UNIT SP			1	1	1	1
1	+302K394220	PARTS ROLLER REGIST RIGHT SP			1	1	1	1
2	+302K394330	PARTS GEAR REGIST Z24R SP			1	1	1	1
3	+302K329040	ACTUATOR DU			1	1	1	1
4	+7NXGP1S173LCH01	SENSOR OPT.			1	1	1	1
5	+302K329020	PULLEY DU			6	6	6	6
6	+302HG44120	FAN MOTOR PS40			1	1	1	1
A02	302P194300	PARTS RIGHT COVER UNIT SP			1	1	1	1
7	+302K394400	PARTS GEAR DU Z27L SP			1	1	1	1
8	+302K394250	PARTS ROLLER DU SP			3	3	3	3
9	+302RH29010	GUIDE EXIT RIGHT			1	1	1	1
10	+302K329020	PULLEY DU			2	2	2	2
14	+302P129010	FILM GUIDE EXI		1:Add	2	2	2	2
15	+302V629010	SHEET GUIDE RI		1:Add	2	2	2	2
A03	302K394471	PARTS MPF TABLE ASSY SP			1	1	1	1
11	+302K308460	STRAP LINK MPF			2	2	2	2
12	+302FB17700	SPRING BYPASS TEBLE			2	2	2	2
13	302P193030	TR-6115			1	1	1	1
101	7BB200308H	+BIND T.T P SCREW 3X8						

• Parts with a Ref.No. of 500 and above in the illustration indicate they are not selected for service parts.

• イラスト中で 500 番台の Ref 番号が付いている部品はサービスパーツに選定されていません。

FIG. 7 Scanner Section(25ppm(A))

2P1/2P2/2WB-1

Ref. No. 番号	Part.No. 部品番号	Description 部品名称	Notes 備考	Revision 改訂	Quantity 個数			
					100(日本)	120	230	240
1	302P204010	COVER ISU FRONT			1	1	1	1
2	302NG94211	PARTS MOTOR ISU SP			1	1	1	1
3	302P294070	PARTS CONTACT-GLASS ASSY SP			1	1	1	1
4	302P104170	COVER CARD-READER			1	1	1	1
5	302P117120	COVER DP CONNECTOR			1	1	1	1
6	302P293010	PARTS CIS ASSY SP			1	1	1	1
7	303M894260	PARTS SENSOR OPT SP			2	2	2	2
8	302NG17070	GEAR P21-Z62R			1	1	1	1
9	302ND94800	PARTS SENSOR OPT SP			1	1	1	1
101	7BB782308H	+TP-FLAT T.T S SCREW 3X8 SR(BLACK)						
102	7BB282308H	+TP-FLAT T.T P SCREW 3X8(BLACK)						
103	7BB700308H	+BIND T.T S SCREW 3X8 SR						

• Parts with a Ref.No. of 500 and above in the illustration indicate they are not selected for service parts.

• イラスト中で 500 番台の Ref 番号が付いている部品はサービスパーツに選定されていません。

FIG. 8 Scanner Section(25ppm(B)/32ppm)

2P1/2P2/2WB-1

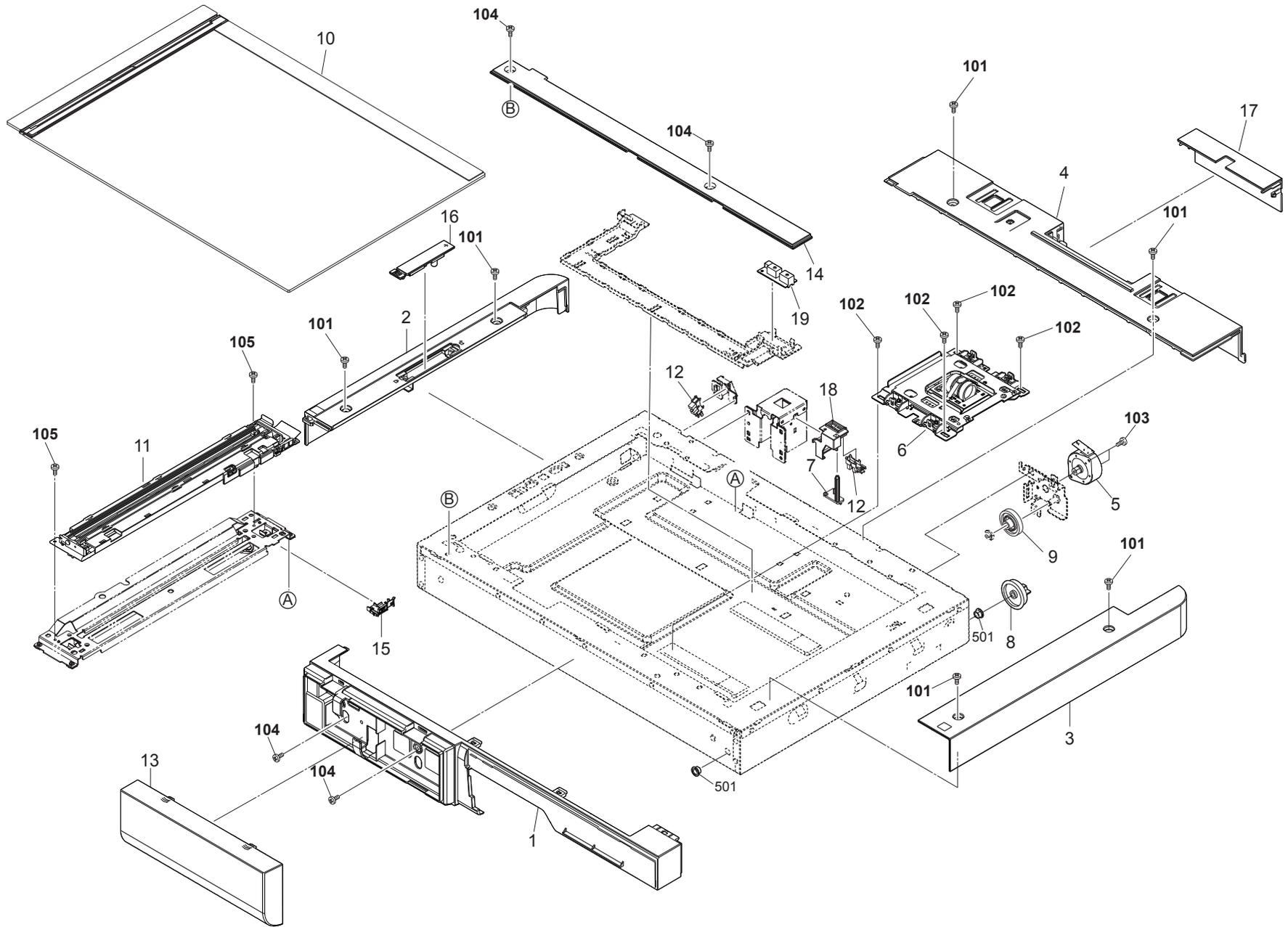


FIG. 9 Laser Scanner Section

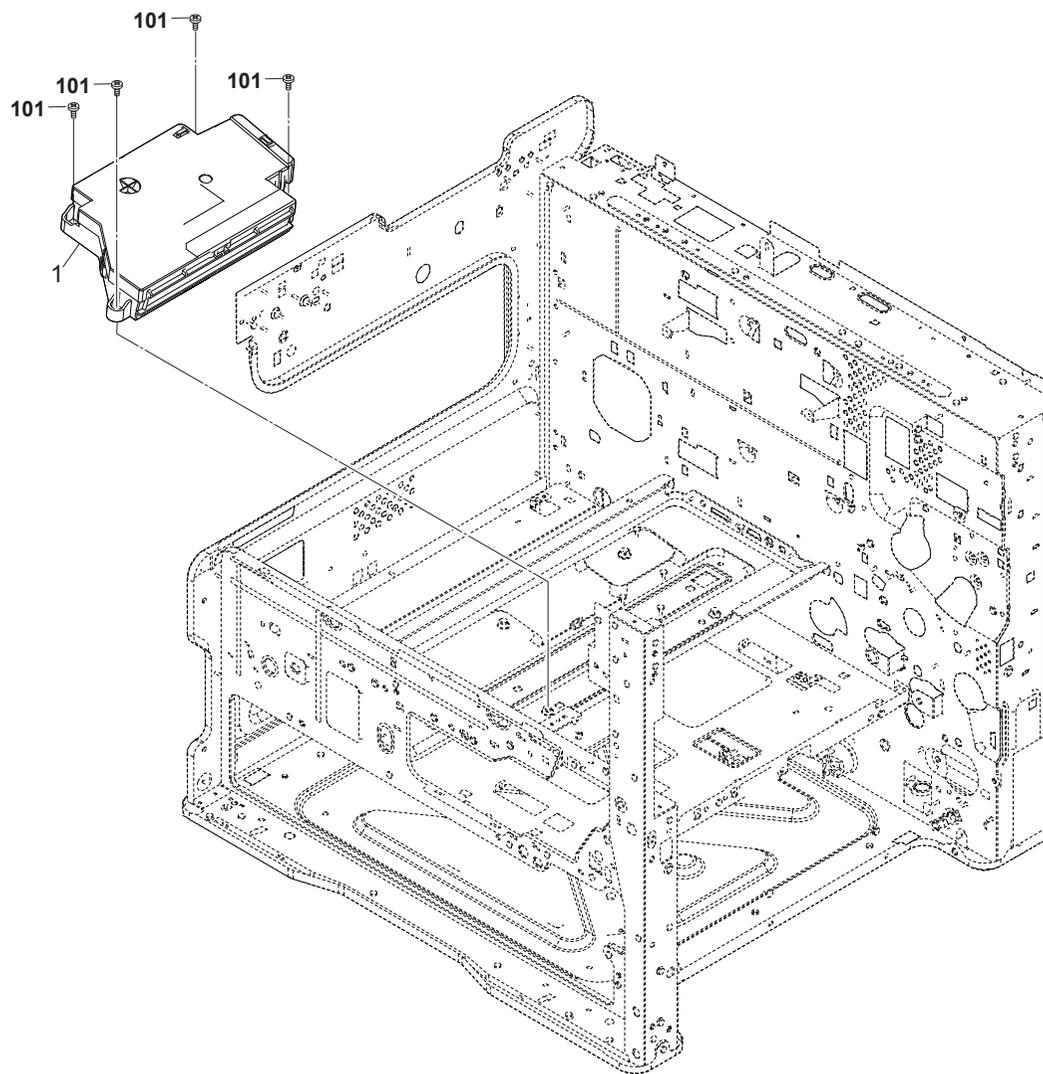


FIG. 10 Developer Section

2P1/2P2/2WB

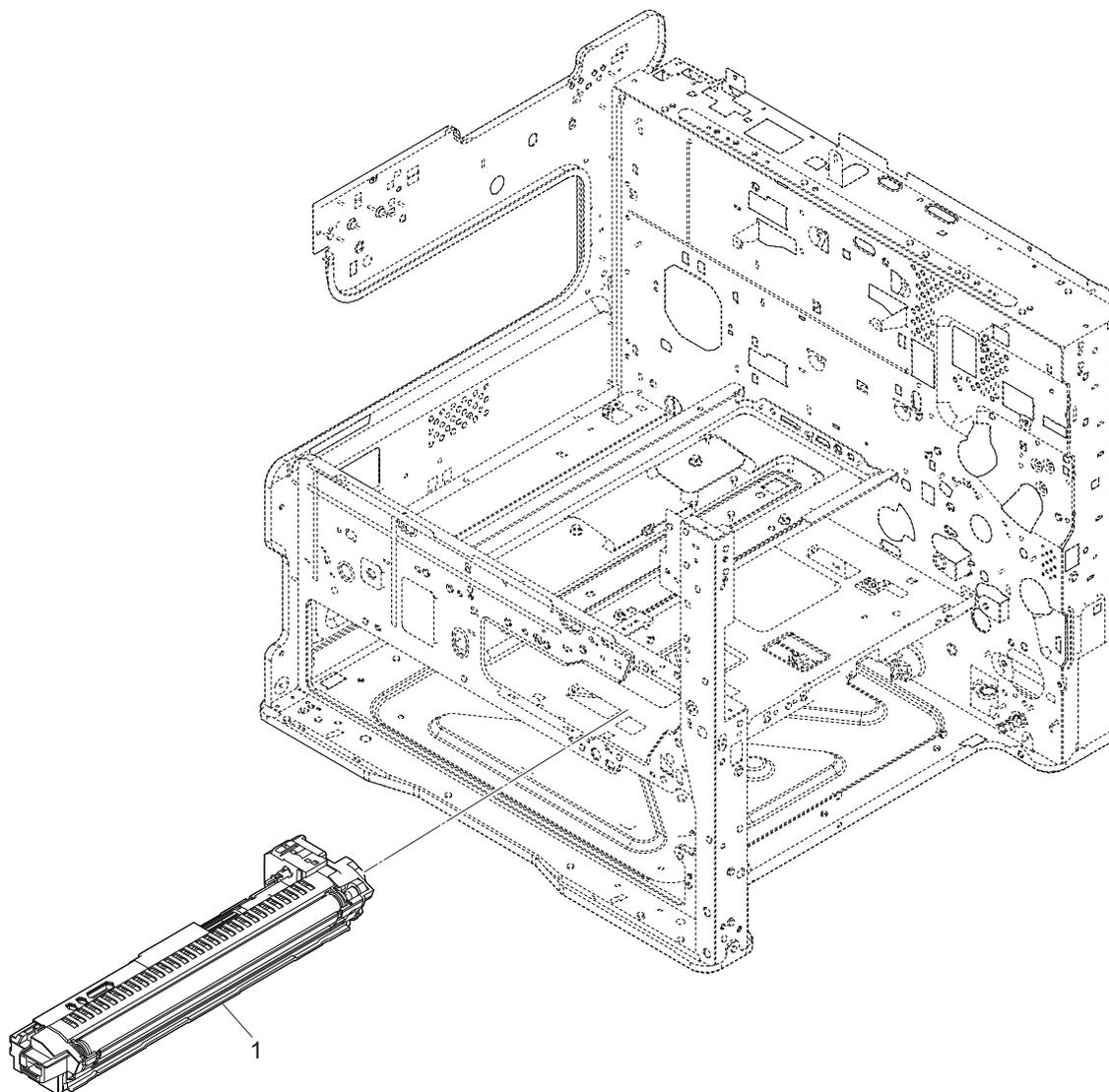


FIG. 11 Image Formation Section

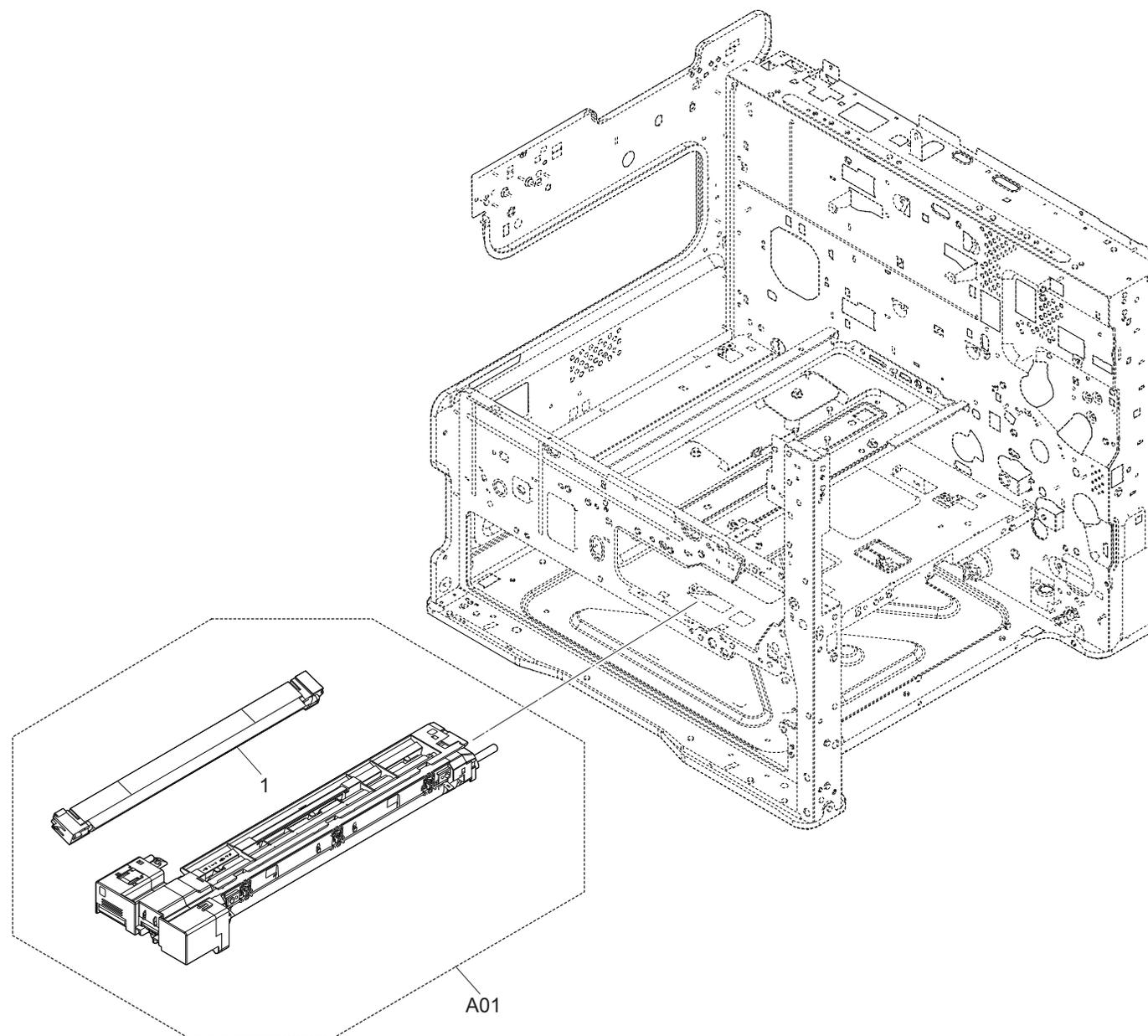


FIG. 12 Fuser Section

2P1/2P2/2WB

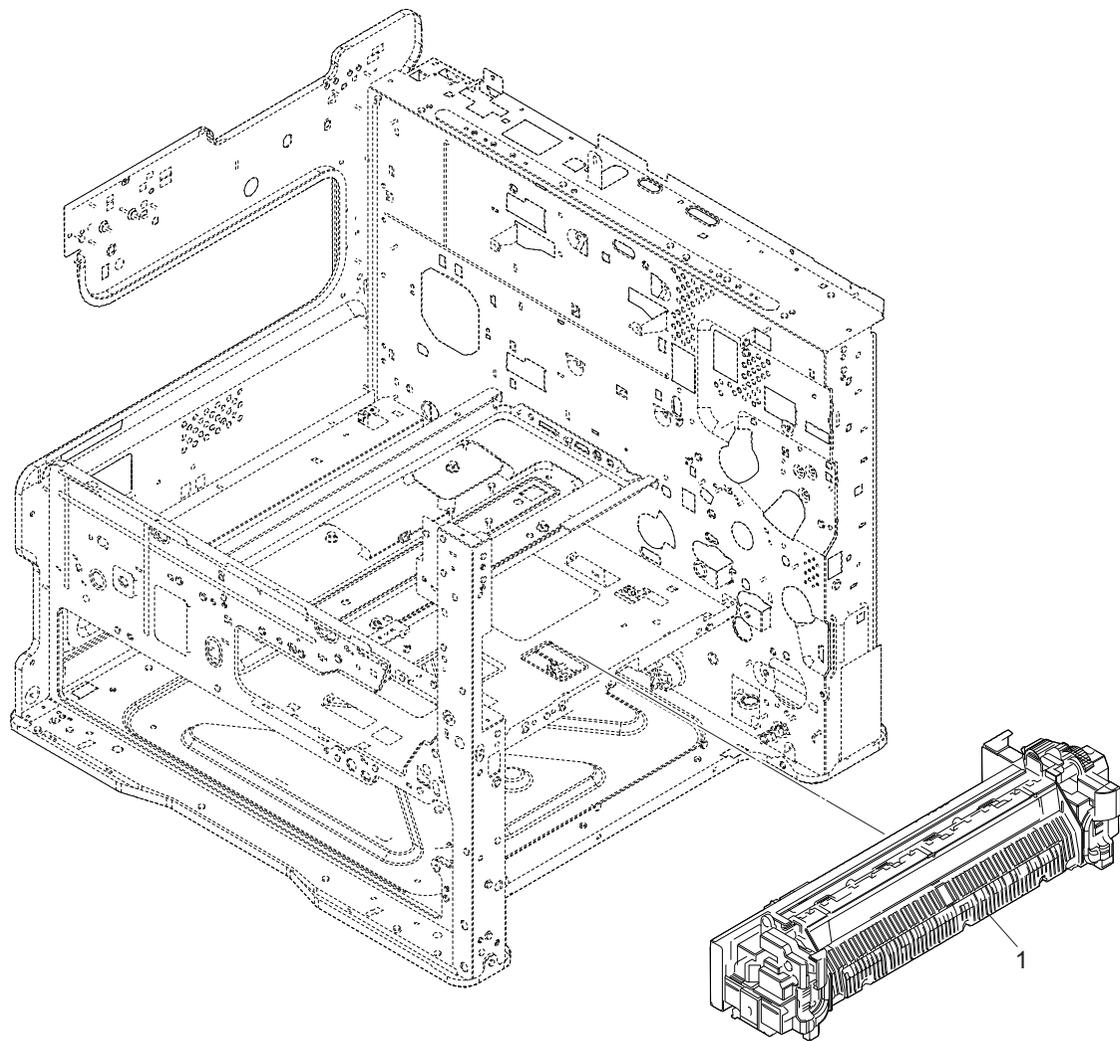


FIG. 13 Drive Section

2P1/2P2/2WB

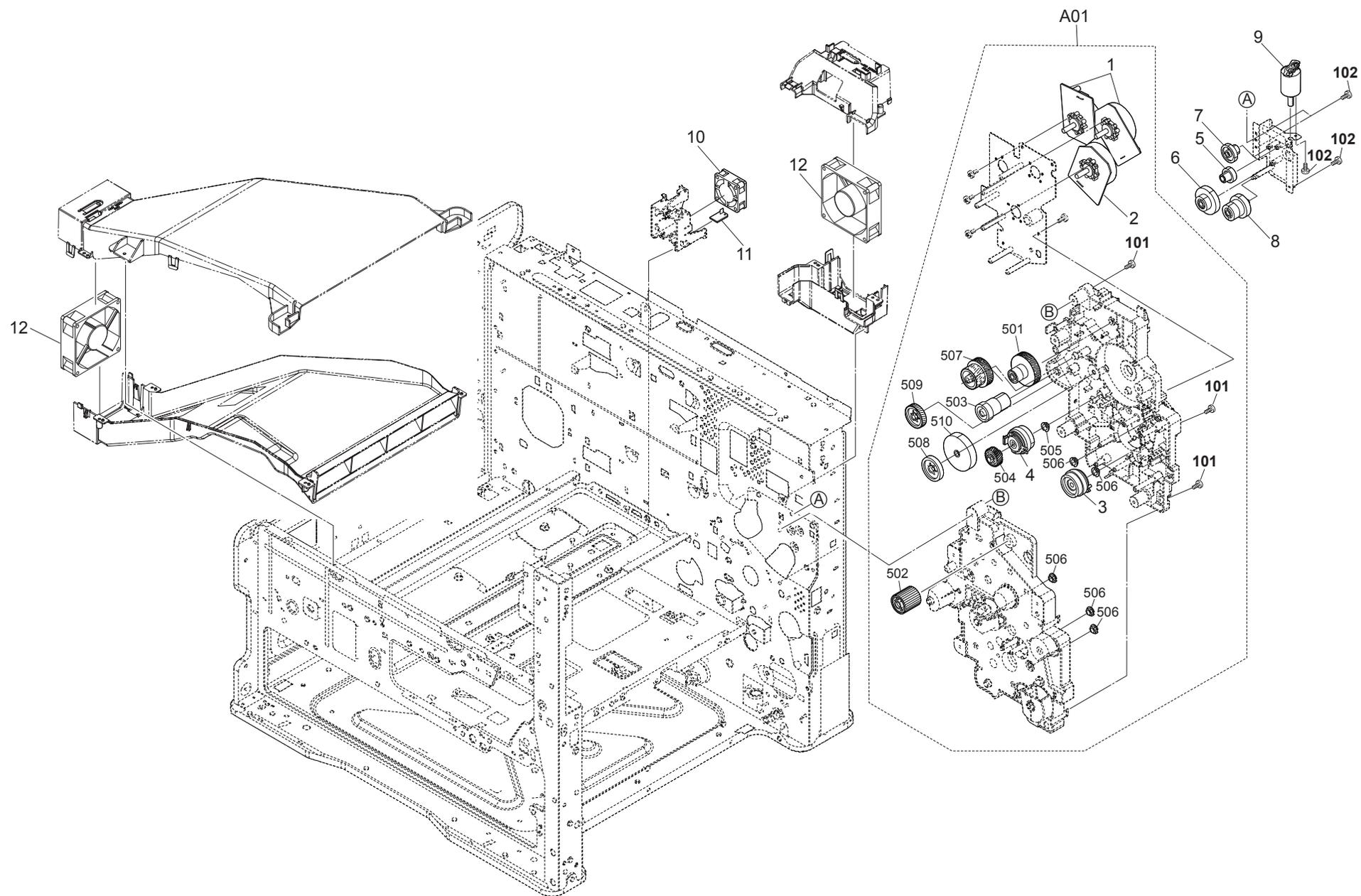


FIG. 14 Electrical Components

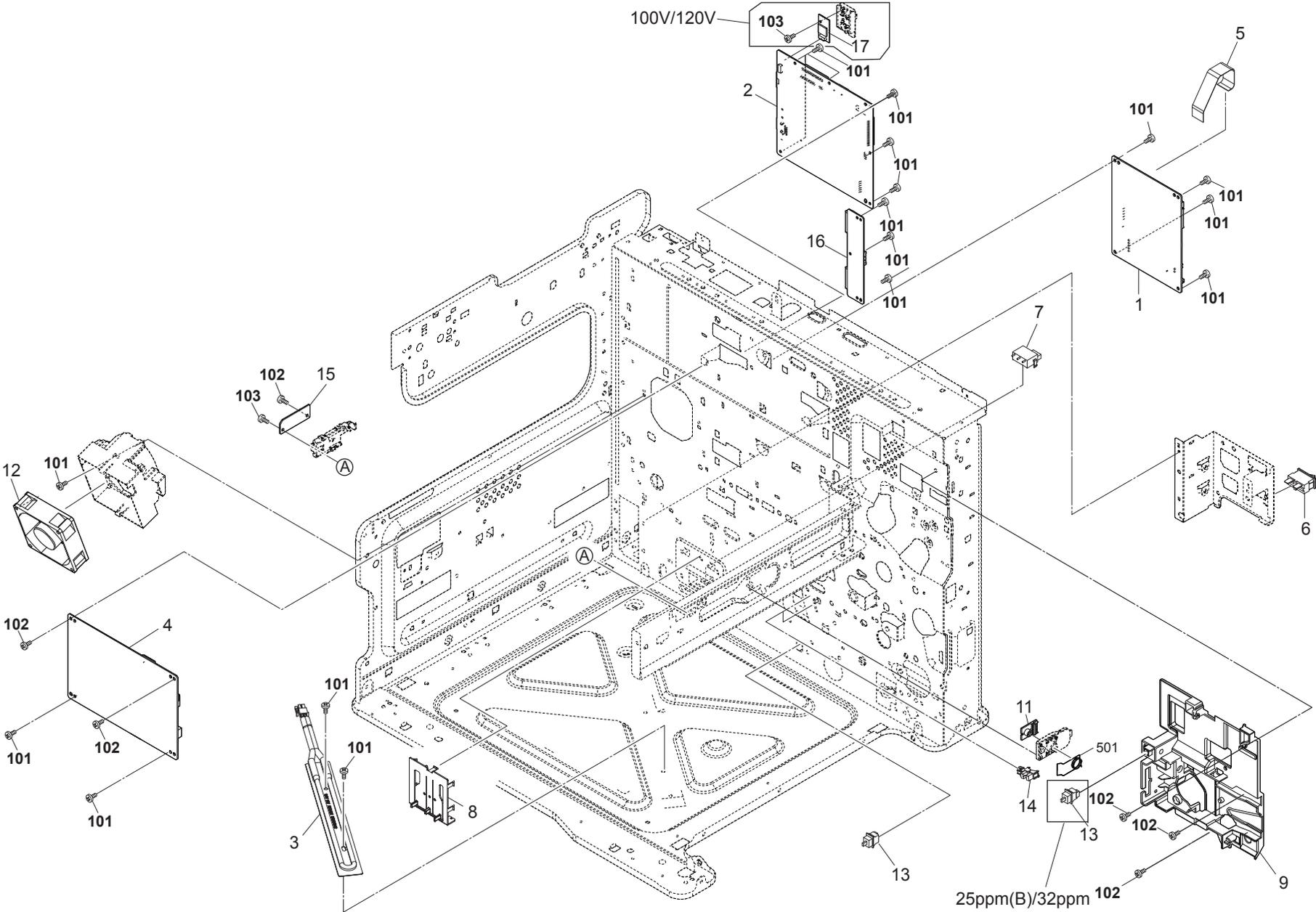


FIG. 14 Electrical Components

2P1/2P2/2WB-2

Ref. No. 番号	Part.No. 部品番号	Description 部品名称	Notes 備考	Revision 改訂	Quantity 個数			
					100(日本)	120	230	240
1	302P194170	PARTS PWB ENGINE ASSY SP			1	1	1	1
2	302P194140	PARTS PWB MAIN ASSY SP	25ppm(B)/32ppm	1:Others	1	1		1
2	302P194150	PARTS PWB MAIN ASSY SP EU	32ppm				1	
2	302P294030	PARTS PWB MAIN ASSY SP	25ppm(A)	1:Others	1	1		1
2	302P294040	PARTS PWB MAIN ASSY SP EU	25ppm(A)	1:Others			1	
3	302RH44040	HEATER DEHUMIDIFIER 120				1		
3	302RH44030	HEATER DEHUMIDIFIER 100			1			
3	302RH44050	HEATER DEHUMIDIFIER 240					1	1
4	302P194260	PARTS UNIT HIGH VOLTAGE SP			1	1	1	1
5	302K346370	FFC ENGINE-HVU			1	1	1	1
6	7SC010104+++H01	SW.SEESAW			1	1	1	1
7	7SP03090001+H01	SW.PUSH			1	1	1	1
8	302K309410	PLATE SIZE DETECTION			1	1	1	1
9	302P102280	FRAME REAR UPPER			1	1	1	1
10				2:Del				
11	302RH94110	PARTS THERMOPILE ASSY SP			1	1	1	1
12	302NG94220	PARTS FAN MOTOR SP			1	1	1	1
13	7SP01000001+H01	SW.PUSH	25ppm(B)/32ppm	1:Others	2	2	2	2
13	7SP01000001+H01	SW.PUSH	25ppm(A)	1:Others	1	1	1	1
14	7NXGP1S173LCH01	SENSOR OPT.			2	2	2	2
15	302P194220	PARTS PWB ZENER ASSY SP			1	1	1	1
16	302P194200	PARTS PWB KUIO ASSY SP			1	1	1	1
17	302P194130	PARTS WIFI UNIT SP	100V/120V	1:Others	1	1		
101	7BB700308H	+BIND T.T S SCREW 3X8 SR						
102	7BB702308H	+TP-FLAT T.T S SCREW 3X8 SR						
103	7BB200308H	+BIND T.T P SCREW 3X8						

• Parts with a Ref.No. of 500 and above in the illustration indicate they are not selected for service parts.

• イラスト中で 500 番台の Ref 番号が付いている部品はサービスパーツに選定されていません。

FIG. 15 Operation Section

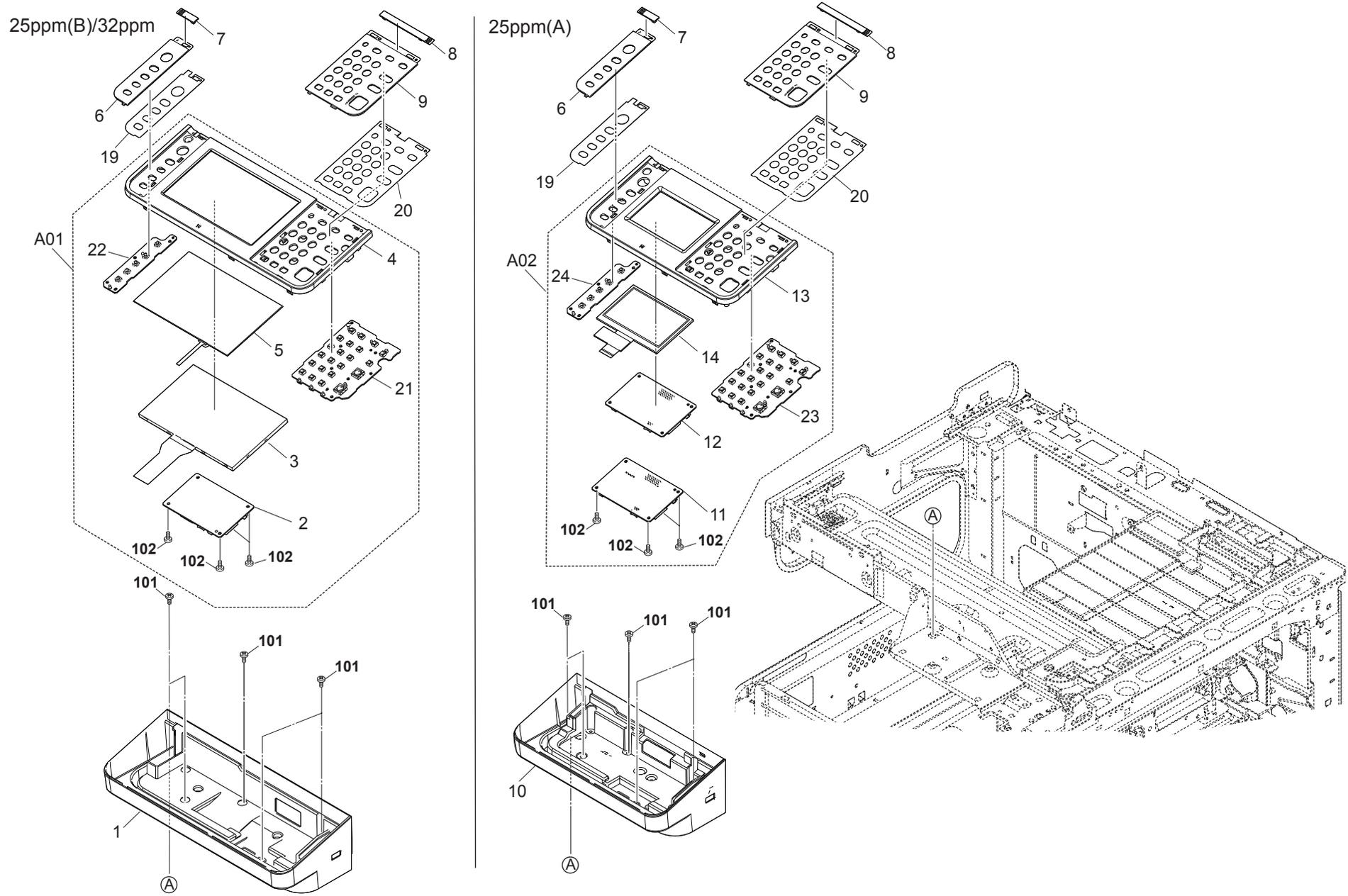


FIG. 15 Operation Section

2P1/2P2/2WB-2

Ref. No. 番号	Part.No. 部品番号	Description 部品名称	Notes 備考	Revision 改訂	Quantity 個数			
					100(日本)	120	230	240
1	302P105020	COVER OPERATION LOW	25ppm(B)/32ppm	1:Others	1	1	1	1
A01	302P194070	PARTS OPERATION UNIT SP	32ppm			1	1	1
A01	302P194080	PARTS OPERATION UNIT J SP	25ppm(B)	1:Add	1			
2	*302P194160	PARTS PWB PANEL MAIN ASSY SP	25ppm(B)/32ppm	1:Others	1	1	1	1
3	*302NM94121	PARTS TABLET OPERATION SP	25ppm(B)/32ppm	1:Others	1	1	1	1
4	*302P105010	COVER OPERATION	32ppm			1	1	1
4	*302P105170	COVER OPERATION J	25ppm(B)	1:Add	1			
5	*302P194230	PARTS LCD OPERATION SP	25ppm(B)/32ppm	1:Others	1	1	1	1
21	*302P194330	PARTS PWB KEY RIGHT ASSY SP	25ppm(B)/32ppm	2:Add	1	1	1	1
22	*302P194340	PARTS PWB KEY LEFT ASSY SP	25ppm(B)/32ppm	2:Add	1	1	1	1
6	302P105040	COVER PANEL LEFT			1	1	1	1
7	302P105050	LID OPERATION LEFT			1	1	1	1
8	302P105120	LID OPERATION RIGHT			1	1	1	1
9	302P105030	COVER PANEL RIGHT			1	1	1	1
10	302P205020	COVER OPERATION LOW	25ppm(A)	1:Others	1	1	1	1
A02	302P294010	PARTS OPERATION UNIT SP	25ppm(A)	1:Others		1	1	1
A02	302P294020	PARTS OPERATION UNIT J SP	25ppm(A)	1:Others	1			
11	*302P294050	PARTS PWB PANEL MAIN ASSY SP	25ppm(A)	1:Others	1	1	1	1
12	*302R494310	PARTS TABLET OPERATION SP	25ppm(A)	1:Others	1	1	1	1
13	*302P205080	COVER OPERATION J	25ppm(A)	1:Others	1			
13	*302P205010	COVER OPERATION	25ppm(A)	1:Others		1	1	1
14	*302P294060	PARTS LCD OPERATION SP	25ppm(A)	1:Others	1	1	1	1
23	*302P194330	PARTS PWB KEY RIGHT ASSY SP	25ppm(A)	2:Add	1	1	1	1
24	*302P194340	PARTS PWB KEY LEFT ASSY SP	25ppm(A)	2:Add	1	1	1	1
15				2:Del				
16				2:Del				
17				2:Del				
18				2:Del				
19	302P105530	SHEET OPERATION LEFT EN				1	1	1
19	302P105510	SHEET OPERATION LEFT JP		1:Others	1			
20	302P105520	SHEET OPERATION RIGHT EN				1	1	1
20	302P105500	SHEET OPERATION RIGHT JP		1:Others	1			
101	7BB702308H	+TP-FLAT T.T S SCREW 3X8 SR						
102	7BB700308H	+BIND T.T S SCREW 3X8 SR						

• Parts with a Ref.No. of 500 and above in the illustration indicate they are not selected for service parts.

• イラスト中で 500 番台の Ref 番号が付いている部品はサービスパーツに選定されていません。

FIG. 16 Wire Sections 1

2P1/2P2/2WB

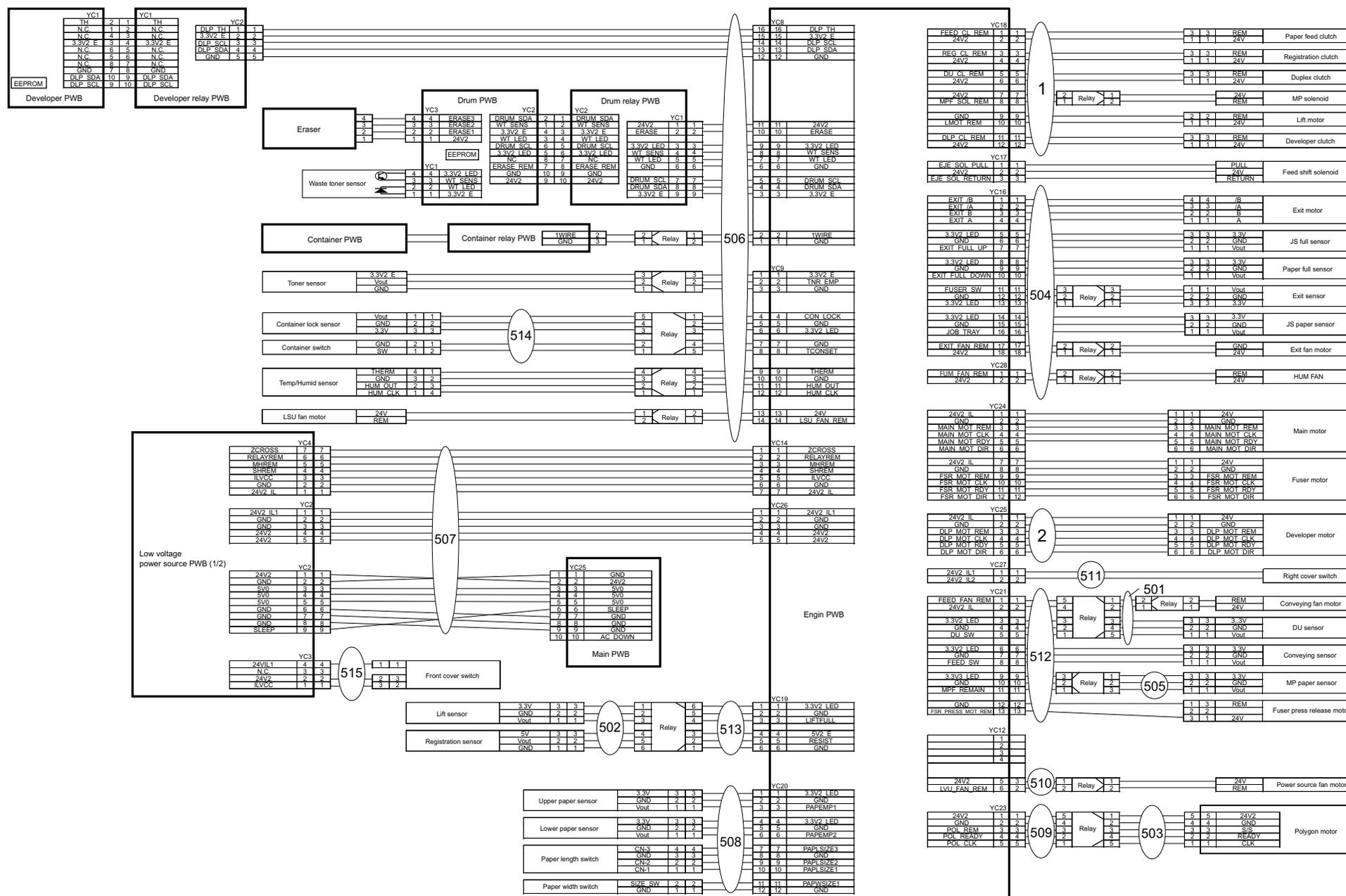


FIG. 17 Wire Sections 2

2P1/2P2/2WB

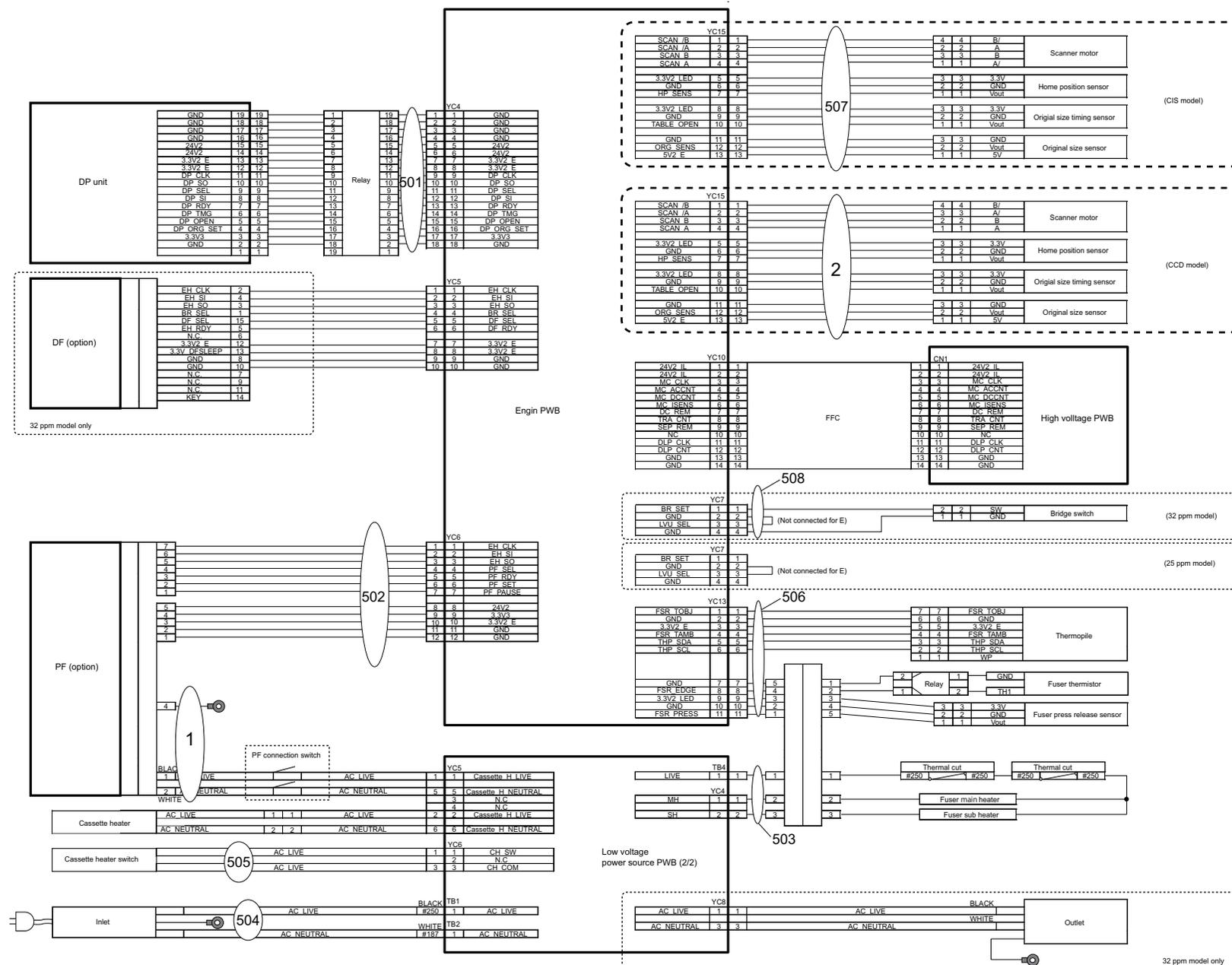


FIG. 18 Wire Sections 3

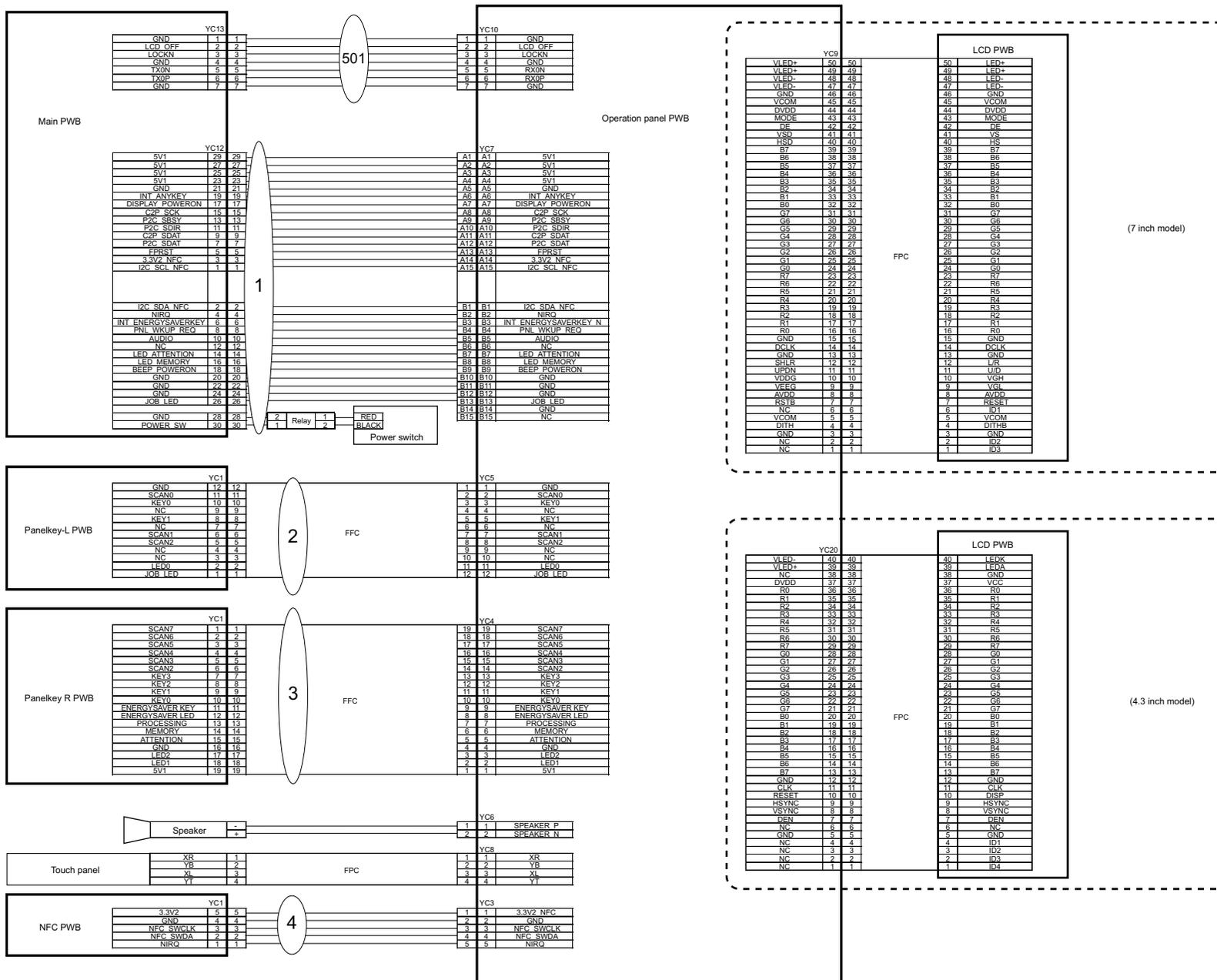


FIG. 19 Wire Sections 4

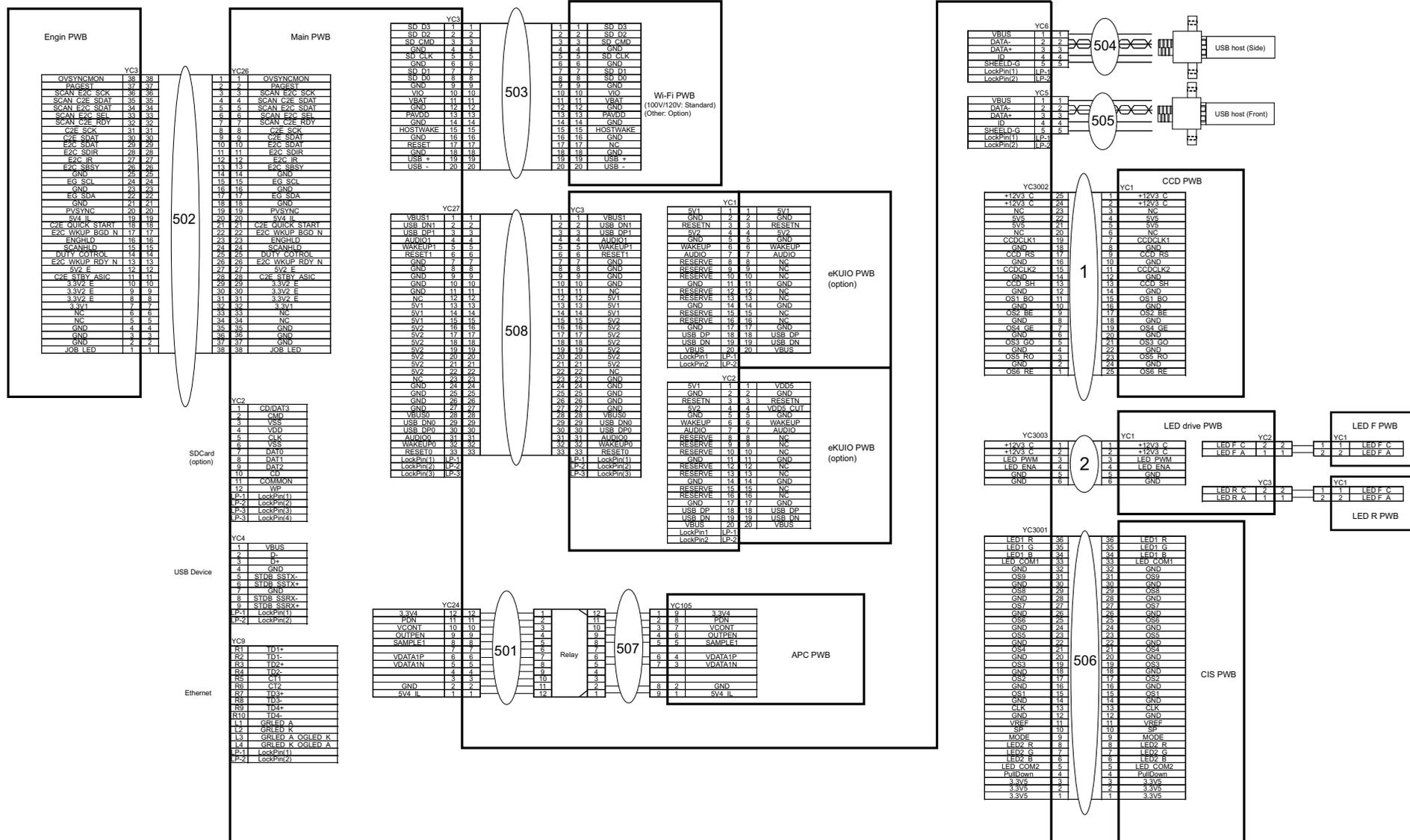


FIG. 20 Wire Sections 5

2P1/2P2/2WB

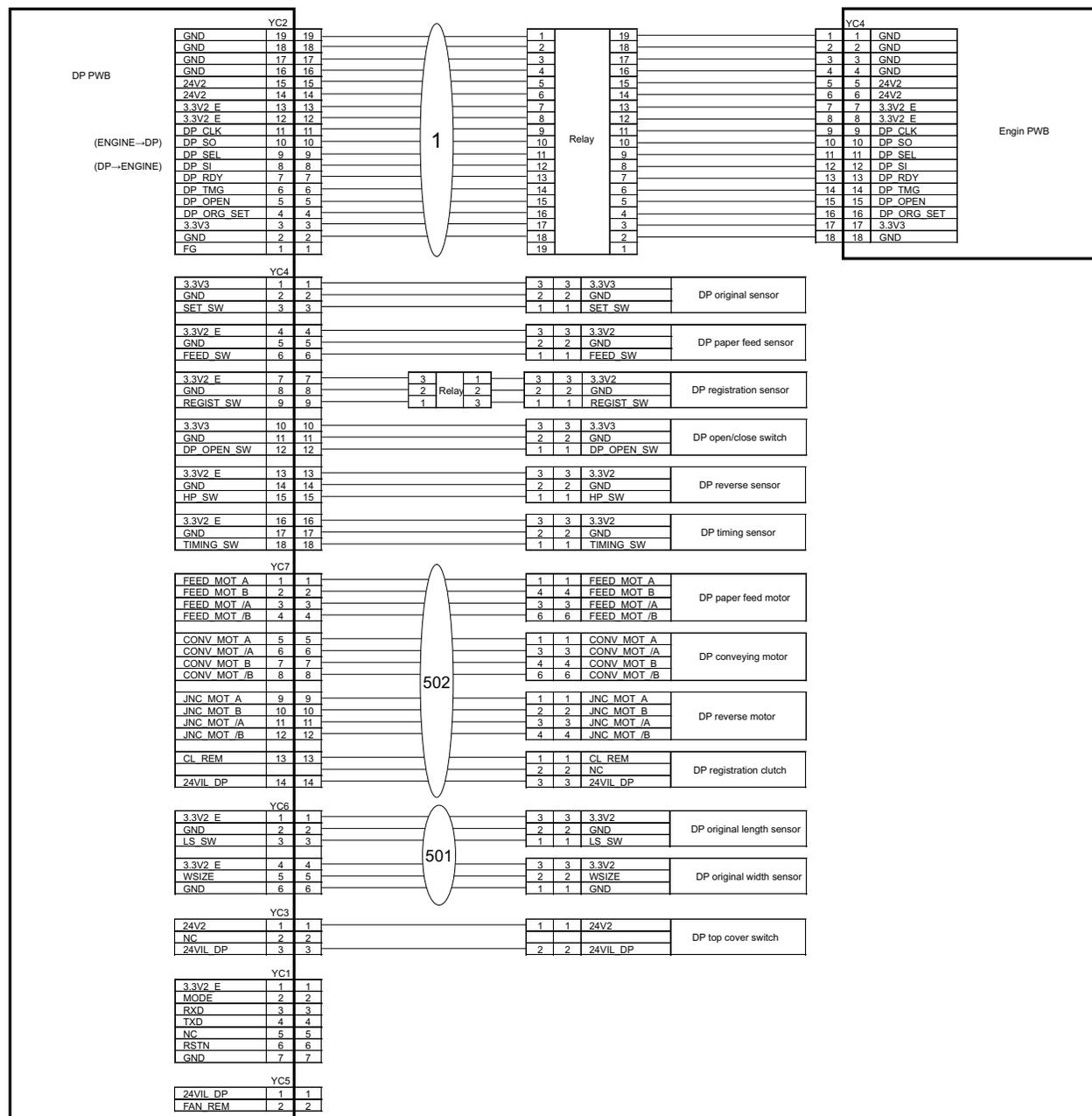


FIG. 21 DP ASSY SP

2P1/2P2/2WB

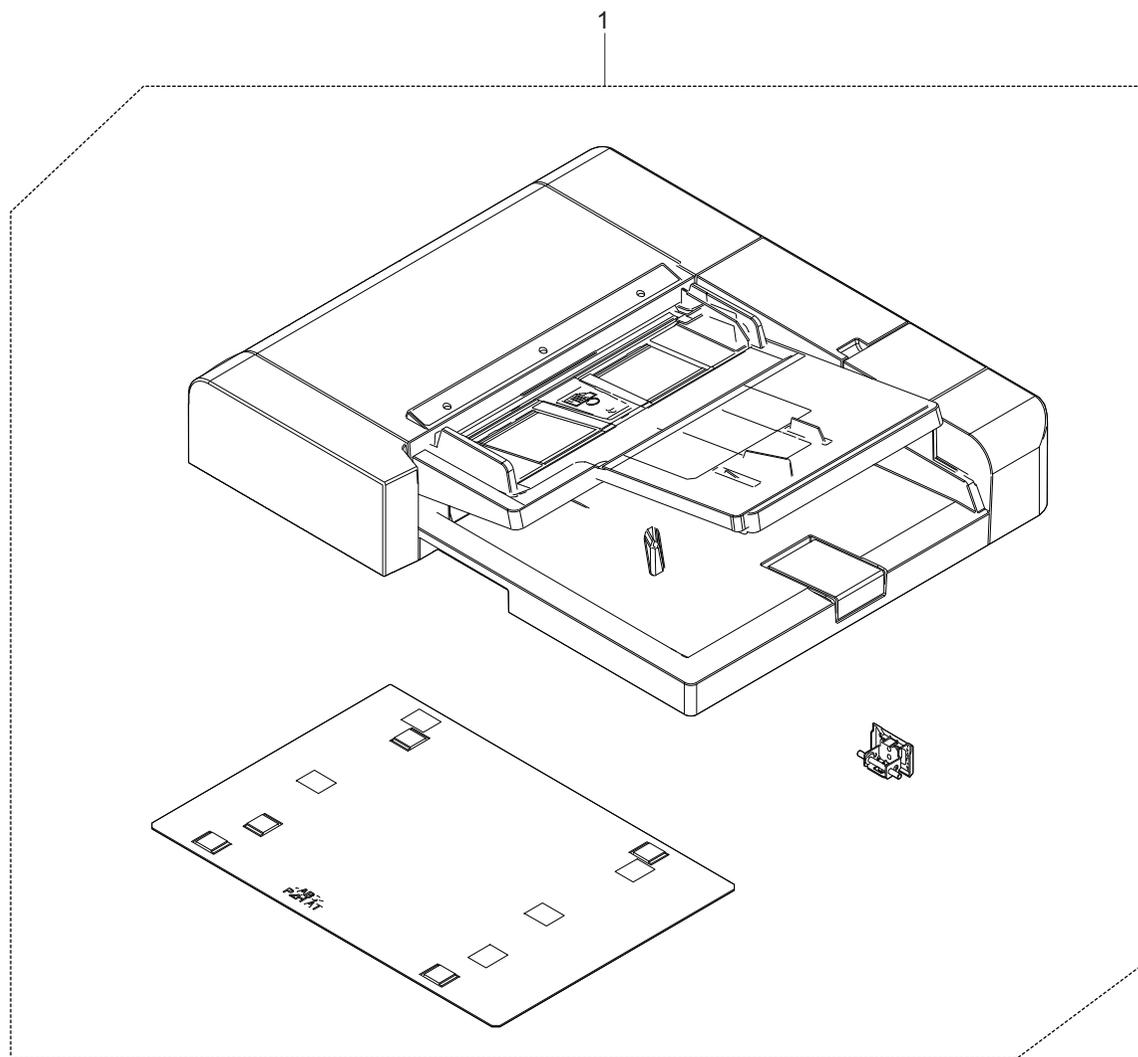


FIG. 22 DP Covers

2P1/2P2/2WB-2

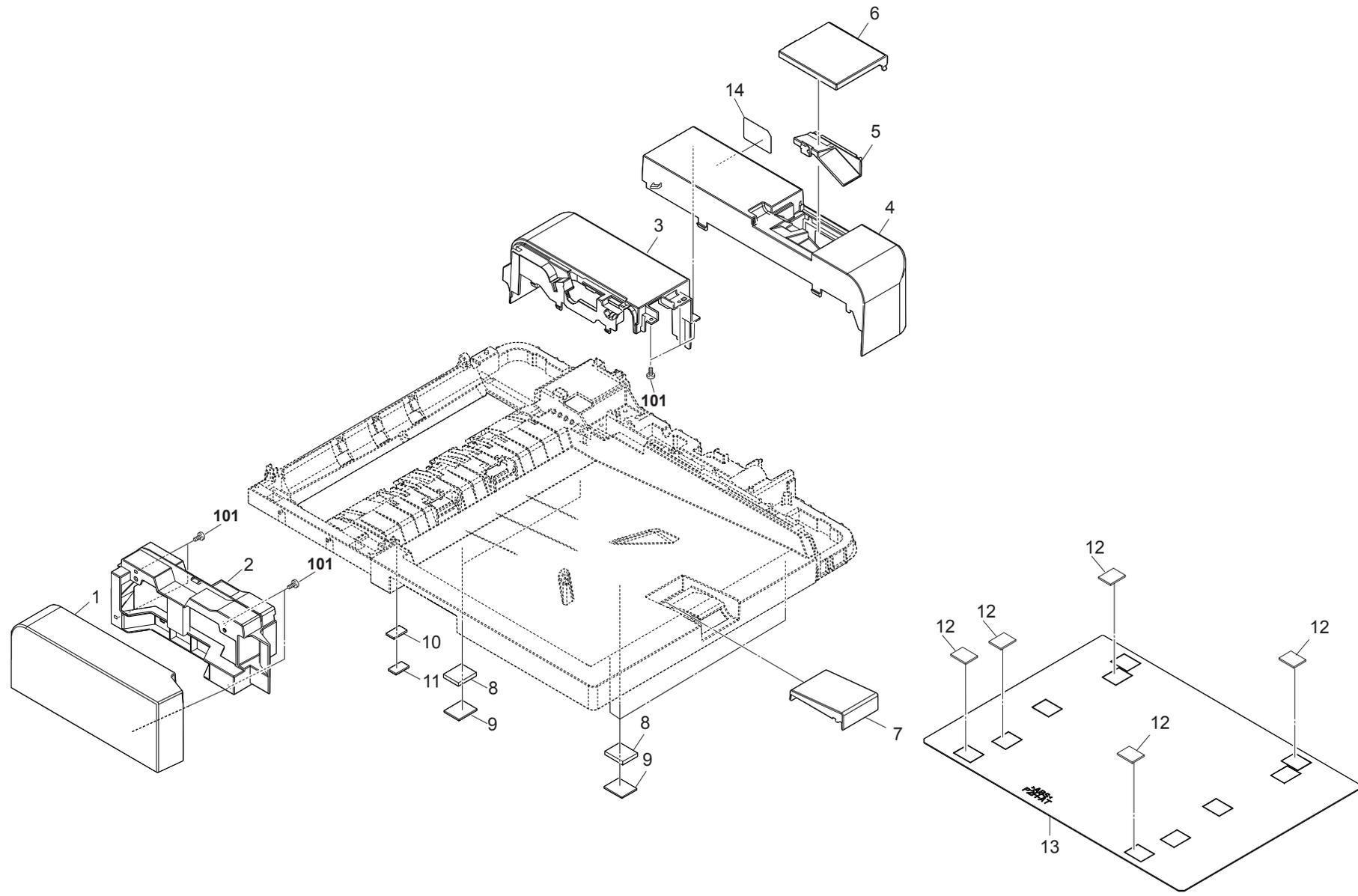


FIG. 22 DP Covers

2P1/2P2/2WB-2

Ref. No. 番号	Part.No. 部品番号	Description 部品名称	Notes 備考	Revision 改訂	Quantity 個数			
					100(日本)	120	230	240
1	302P118130	COVER FRONT			1	1	1	1
2	302P118250	COVER INNER			1	1	1	1
3	302P118140	COVER REAR A			1	1	1	1
4	302P118240	COVER REAR B			1	1	1	1
5	303RJ04140	LID INNER COVER			1	1	1	1
6	302P118340	COVER LID			1	1	1	1
7	302P118220	STOPPER EJECT			1	1	1	1
8	303PH02030	SPONGE ORIGINAL MAT FILM			5	5	5	5
9	303MX02031	CUSHION ORIGINAL MAT B			5	5	5	5
10	303M802320	SPONGE ORIGINAL MAT A			1	1	1	1
11	303J902370	CUSHION ORIGINAL MAT			1	1	1	1
12	303MX02021	CUSHION ORIGINAL MAT A			5	5	5	5
13	303JC04201	PLATE ORIGINAL			1	1	1	1
14	303R834011	LABEL CAUTION HINGE		2:Add	1	1	1	1
101	7BB200308H	+BIND T.T P SCREW 3X8						

• Parts with a Ref.No. of 500 and above in the illustration indicate they are not selected for service parts.

• イラスト中で 500 番台の Ref 番号が付いている部品はサービスパーツに選定されていません。

FIG. 23 DP Frames

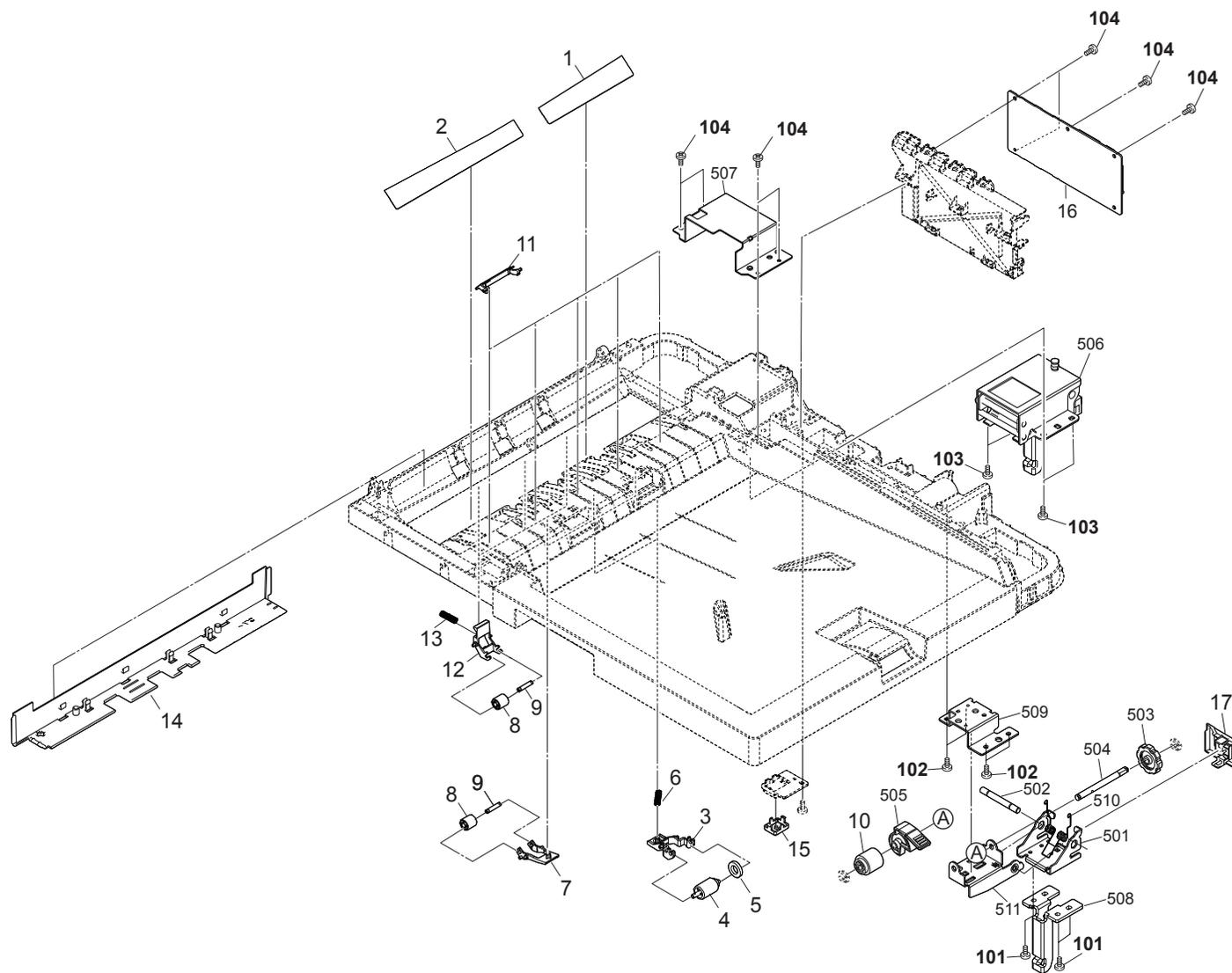


FIG. 24 DP Table Assy

2P1/2P2/2WB-2

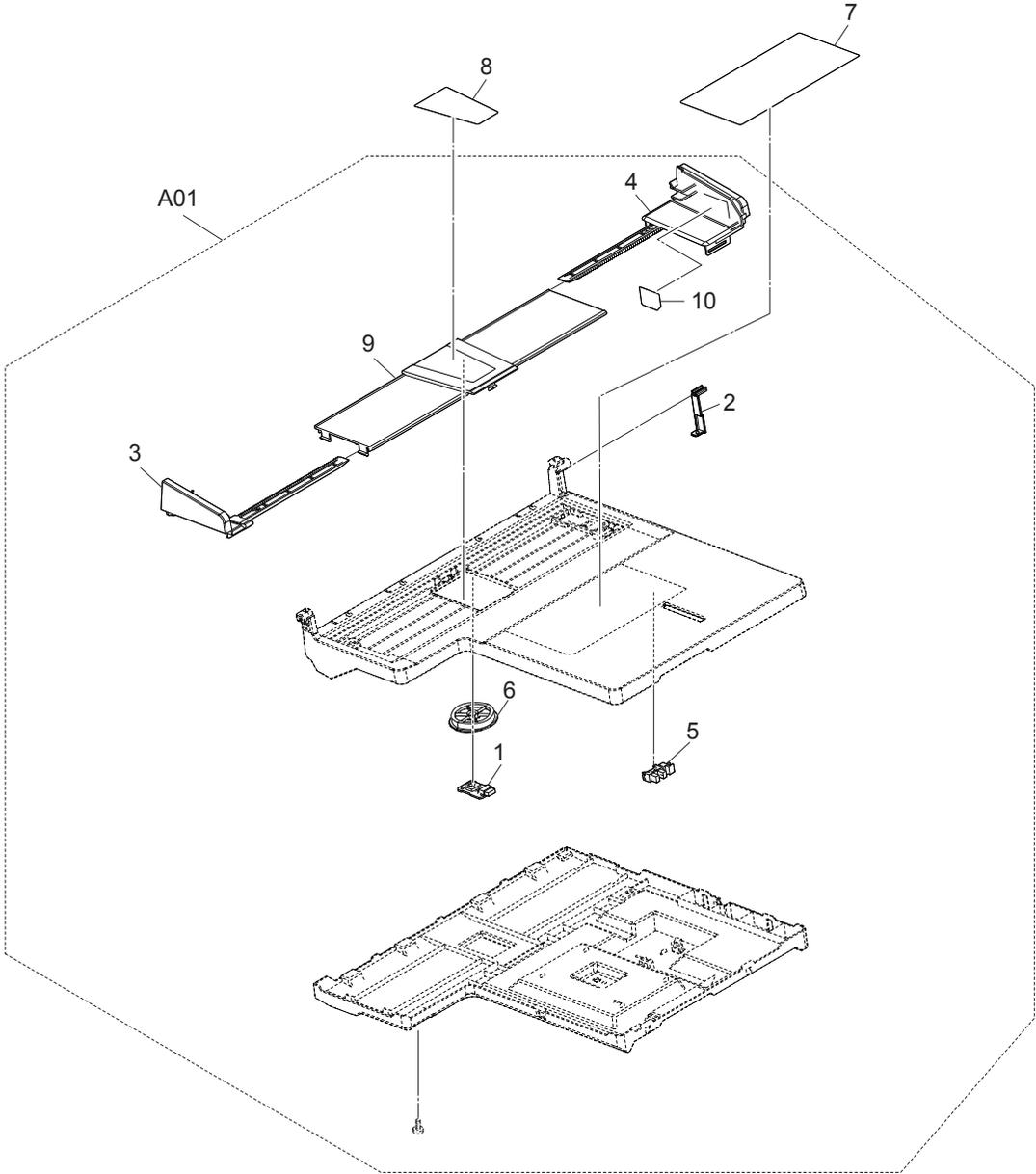


FIG. 24 DP Table Assy

2P1/2P2/2WB-2

Ref. No. 番号	Part.No. 部品番号	Description 部品名称	Notes 備考	Revision 改訂	Quantity 個数			
					100 (日本)	120	230	240
A01	302P194020	PARTS TABLE ASSY SP			1	1	1	1
1	*303R394050	PARTS PWB PAPER SIZE SENSOR ASSY SP			1	1	1	1
2	*303P706060	COVER TABLE WIRE			1	1	1	1
3	*302P118200	CURSOR FRONT			1	1	1	1
4	*302P118210	CURSOR REAR			1	1	1	1
5	*303M894260	PARTS SENSOR OPT SP			1	1	1	1
6	*303R706060	GEAR DETECTION			1	1	1	1
9	*303R706050	COVER CURSOR		2:Add	1	1	1	1
10	*303R734030	LABEL ORIGINAL MAX		2:Add	1	1	1	1
7	303RJ34040	LABEL CAUTION JP		1:Part No.-chg.	1			
7	303R734060	LABEL CAUTION IN		1:Others		1	1	1
7				1:Del				
8	303R834040	LABEL FACE UP JP			1			
8	303R834050	LABEL FACE UP EN				1	1	1

• Parts with a Ref.No. of 500 and above in the illustration indicate they are not selected for service parts.

• イラスト中で 500 番台の Ref 番号が付いている部品はサービスパーツに選定されていません。

FIG. 25 DP Paper Feed Section

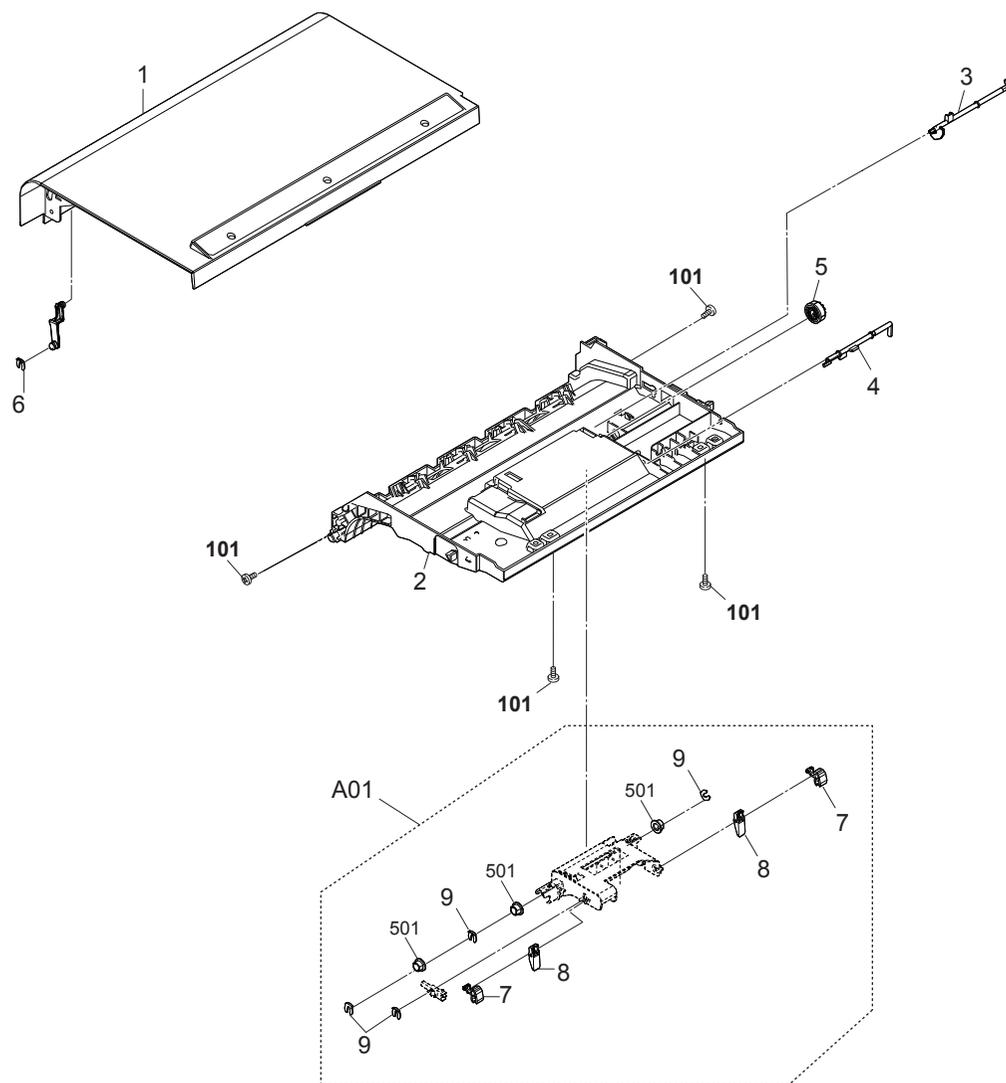


FIG. 25 DP Paper Feed Section

2P1/2P2/2WB

Ref. No. 番号	Part.No. 部品番号	Description 部品名称	Notes 備考	Revision 改訂	Quantity 個数			
					100 (日本)	120	230	240
1	302P118150	COVER PF			1	1	1	1
2	302P118230	GUIDE CONVEYING UPPER			1	1	1	1
3	303P724090	ACTUATOR FEED			1	1	1	1
4	303P724160	ACTUATOR ORIGINAL SET			1	1	1	1
5	303P731120	GEAR Z21 CONT			1	1	1	1
6	5MVX111DN003	RING STOPPER /A-49 FEED A4			1	1	1	1
A01	302P194100	FEED ROLLER (DP)	service only		1	1	1	1
7	*303P707060	STOPPER PAPER			2	2	2	2
8	*303P707120	STOPPER PAPER B			2	2	2	2
9	*5MVX111DN003	RING STOPPER /A-49 FEED A4			4	4	4	4
101	7BB200308H	+BIND T.T P SCREW 3X8						

• Parts with a Ref.No. of 500 and above in the illustration indicate they are not selected for service parts.

• イラスト中で 500 番台の Ref 番号が付いている部品はサービスパーツに選定されていません。

FIG. 26 DP Paper Conveying Section

2P1/2P2/2WB-2

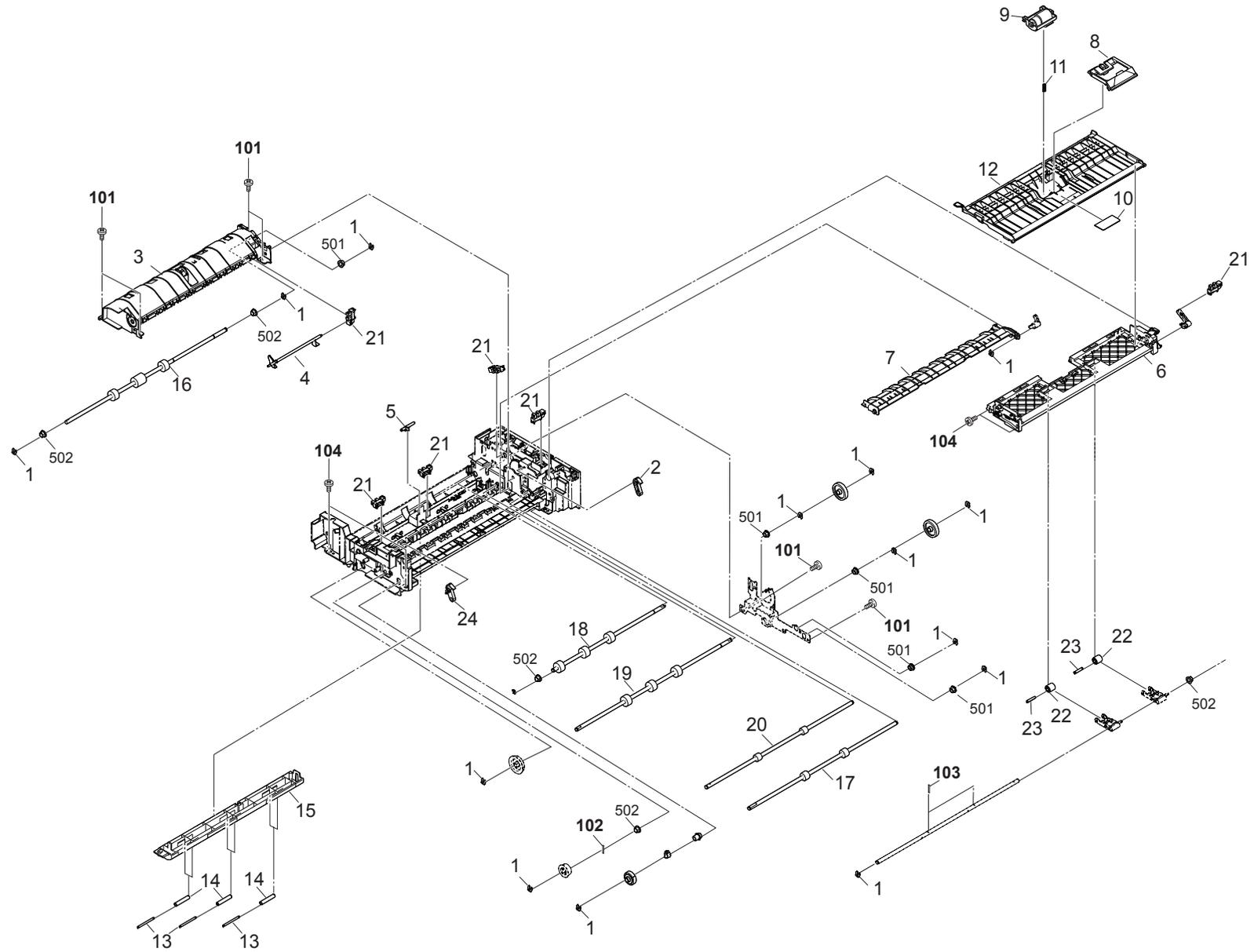


FIG. 26 DP Paper Conveying Section

2P1/2P2/2WB-2

Ref. No. 番号	Part.No. 部品番号	Description 部品名称	Notes 備考	Revision 改訂	Quantity 個数			
					100(日本)	120	230	240
1	5MVX111DN003	RING STOPPER /A-49 FEEDA4			14	14	14	14
2	302P118550	HOOK REAR B			1	1	1	1
3	303P724030	GUIDE CONVEYING			1	1	1	1
4	303P724080	ACTUATOR REGISTRATION			1	1	1	1
5	303P724140	ACTUATOR TIMING			1	1	1	1
6	303P729010	GUIDE DUPLEX			1	1	1	1
7	303P729020	GUIDE SHIFT			1	1	1	1
8	302P194110	RETARD GUIDE (DP)	service only		1	1	1	1
9	302P194120	RETARD ROLLER (DP)	service only		1	1	1	1
10	3HK07240	FRICTION PLATE LF			1	1	1	1
11	303P707160	SPRING SEPARATION			1	1	1	1
12	302P118420	GUIDE PAPER FEED			1	1	1	1
13	303LL24190	PULLEY GUIDE READING			6	6	6	6
14	303M824130	SHAFT GUIDE READING			6	6	6	6
15	302P118260	GUIDE READING			1	1	1	1
16	302P194270	PARTS ROLLER REGIST SP			1	1	1	1
17	303P794050	PARTS ROLLER EXIT SP			1	1	1	1
18	303P794030	PARTS ROLLER CONVEYING A SP			1	1	1	1
19	302P194280	PARTS ROLLER CONVEYING B SP			1	1	1	1
20	303P794060	PARTS ROLLER LOOP SP			1	1	1	1
21	303M894260	PARTS SENSOR OPT SP			6	6	6	6
22	303M824210	PULLEY CONVEYING BK			2	2	2	2
23	303M824200	SHAFT PULLEY			2	2	2	2
24	303HL07161	FRONT HOOK PF COVER		2:Add	1	1	1	1
101	7BB200308H	+BIND T.T P SCREW 3X8						
102	7BP512012B0CH01	PARALLEL PIN 2.0X12						
103	7BP512016B0CH01	PARALLEL PIN 2.0X16						
104	7BB202310H	+TP-FLAT T.T P SCREW 3X10						

• Parts with a Ref.No. of 500 and above in the illustration indicate they are not selected for service parts.

• イラスト中で 500 番台の Ref 番号が付いている部品はサービスパーツに選定されていません。

FIG. 27 DP Drive Section

2P1/2P2/2WB

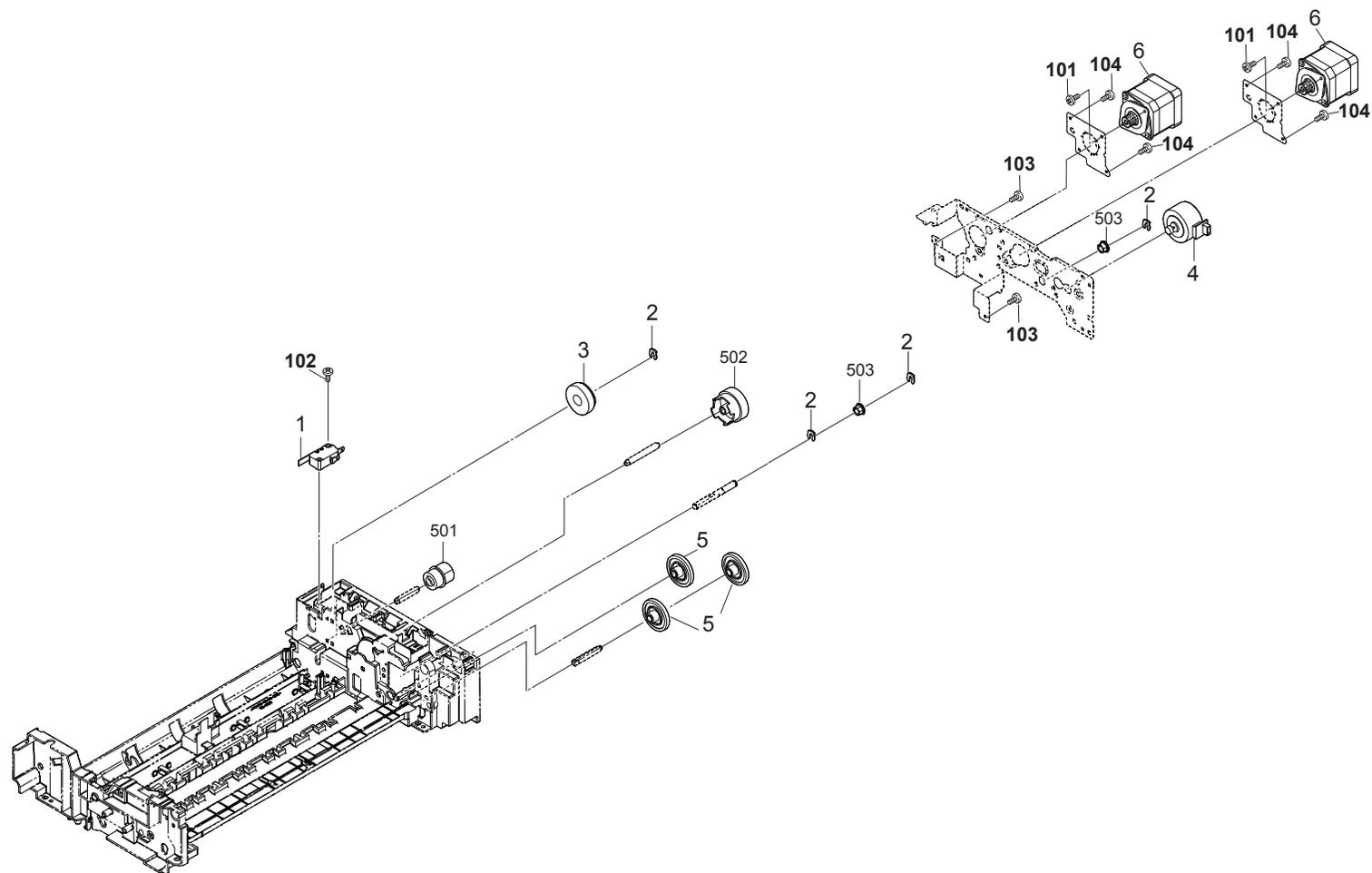


FIG. 27 DP Drive Section

2P1/2P2/2WB

Ref. No. 番号	Part.No. 部品番号	Description 部品名称	Notes 備考	Revision 改訂	Quantity 個数			
					100 (日本)	120	230	240
1	2FB27160	INTER LOCK SWITCH			1	1	1	1
2	5MVX111DN003	RING STOPPER /A-49 FEED A4			4	4	4	4
3	302KV44041	CLUTCH 50 Z35R			1	1	1	1
4	302KY94140	PARTS MOTOR ROTARY SP			1	1	1	1
5	303H622331	GEAR 20/65 IDLE			3	3	3	3
6	303R494040	PARTS MOTOR PAPER FEED SP			2	2	2	2
101	7BB000306H	+BIND M SCREW 3X6						
102	7BB700316H	+BIND T.T S SCREW 3X16 SR						
103	7BB200308H	+BIND T.T P SCREW 3X8						
104	7BB700308H	+BIND T.T S SCREW 3X8 SR						

• Parts with a Ref.No. of 500 and above in the illustration indicate they are not selected for service parts.

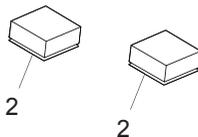
• イラスト中で 500 番台の Ref 番号が付いている部品はサービスパーツに選定されていません。

FIG. 28 Accessories

2P1/2P2/2WB-1



1



2

2



3

3



4

4

<p>Utiliser la vitre Il est essentiel pour les types de papier suivants:</p> <p>• Papier verre • Papier couché • Papier brillant • Papier mat • Papier adhésif • Papier carbone</p> <p>Nettoyage du scanner Déplacez soigneusement les pages des documents sur la surface de verre pendant le guidage de la feuille de papier de documents avec le Drive-Thru Feeder.</p> <p>Nettoyage pour les originaux mouillés Répétez les étapes 1 et 2. Répétez les étapes 3 et 4 si nécessaire.</p> <p>Orientation des originaux Placez les originaux comme indiqué sur le diagramme. Répétez les étapes 1 et 2 si nécessaire.</p>	<p>Nunca utilice el alimentador automático para originales con:</p> <p>• Papel de vidrio • Papel mateado • Papel brillante • Papel mate • Papel adhesivo • Papel carbón</p> <p>Limpieza del escáner Desplace cuidadosamente las páginas de los documentos sobre la superficie de vidrio durante el guiado de la hoja de papel de documentos con el Paso a Paso Feeder.</p> <p>Limpieza para documentos mojados Repita los pasos 1 y 2. Repita los pasos 3 y 4 si es necesario.</p> <p>Orientación de los originales Coloque los originales como se muestra en el diagrama. Repita los pasos 1 y 2 si es necesario.</p>	<p>Não use o alimentador automático para originais com:</p> <p>• Papel de vidro • Papel mateado • Papel brilhante • Papel mate • Papel adesivo • Papel carbono</p> <p>Limpeza do scanner Desloque cuidadosamente as páginas dos documentos sobre a superfície de vidro durante o guiado da folha de papel de documentos com o passo a passo Feeder.</p> <p>Limpeza para documentos molhados Repita os passos 1 e 2. Repita os passos 3 e 4 se necessário.</p> <p>Orientação dos originais Coloque os originais como mostrado no diagrama. Repita os passos 1 e 2 se necessário.</p>
--	--	---

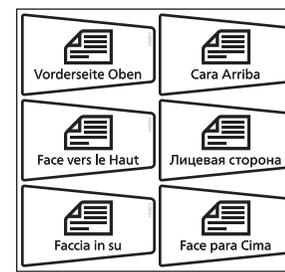
5

<p>Verwenden Sie die Feederart für folgende Arten von Originalen ausschließlich:</p> <p>• Glas • mattes Papier • glänzendes Papier • mattes Papier • Klebefolie • Kohlenpapier</p> <p>Reinigen des Scanners Bewegen Sie die Dokumentenblätter vorsichtig über die Glasoberfläche während des Einführens der Dokumente mit dem Drive-Thru Feeder.</p> <p>Reinigen von verschmutzten Originalen Wiederholen Sie die Schritte 1 und 2. Wiederholen Sie die Schritte 3 und 4, falls erforderlich.</p> <p>Originalausrichtung Legen Sie die Originalen wie im Diagramm dargestellt an. Wiederholen Sie die Schritte 1 und 2, falls erforderlich.</p>	<p>Benutze alleen de voederart voor de volgende soorten origineel:</p> <p>• Glas • mat papier • glanzend papier • mat papier • plakfolie • koolstofpapier</p> <p>Reinigen van de scanner Beweeg de documenten zorgvuldig over de glazen oppervlakte tijdens het invoeren van de documenten met het Drive-Thru Feeder.</p> <p>Reinigen van origineel met vlekken Herhaal de stappen 1 en 2. Herhaal de stappen 3 en 4 indien nodig.</p> <p>Originaloriëntatie Plaats de origineel zoals aangegeven in het diagram. Herhaal de stappen 1 en 2 indien nodig.</p>	<p>Gebruik de automatische voederart alleen voor de volgende soorten origineel:</p> <p>• Glas • mat papier • glanzend papier • mat papier • plakfolie • koolstofpapier</p> <p>Reinigen van de scanner Beweeg de documenten zorgvuldig over de glazen oppervlakte tijdens het invoeren van de documenten met het Drive-Thru Feeder.</p> <p>Reinigen van origineel met vlekken Herhaal de stappen 1 en 2. Herhaal de stappen 3 en 4 indien nodig.</p> <p>Originaloriëntatie Plaats de origineel zoals aangegeven in het diagram. Herhaal de stappen 1 en 2 indien nodig.</p>	<p>Utilizzare solo la modalità di alimentazione automatica per i seguenti tipi di originali:</p> <p>• Vetro • carta opaca • carta lucida • carta opaca • carta adesiva • carta carbonata</p> <p>Pulizia della lettina di scansioni Muovere con cura le pagine dei documenti sulla superficie di vetro durante l'inserimento dei documenti nel Drive-Thru Feeder.</p> <p>Pulizia per documenti macchiati Ripetere i passaggi 1 e 2. Ripetere i passaggi 3 e 4 se necessario.</p> <p>Orientamento dell'originale Posizionare gli originali come mostrato nel diagramma. Ripetere i passaggi 1 e 2 se necessario.</p>	<p>Utilizar somente a alimentação automática para os seguintes tipos de originais:</p> <p>• Vidro • papel opaco • papel brilhante • papel opaco • papel adesivo • papel carbono</p> <p>Puliza de la bandeja de escanear Mueva con cuidado las páginas de los documentos sobre la superficie de vidrio durante el ingreso de los documentos con el Paso a Paso Feeder.</p> <p>Puliza para documentos manchados Repita los pasos 1 y 2. Repita los pasos 3 y 4 si es necesario.</p> <p>Orientación de los originales Coloque los originales como se muestra en el diagrama. Repita los pasos 1 y 2 si es necesario.</p>
---	---	--	--	---

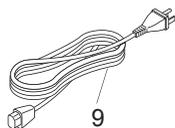
6



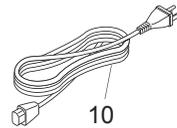
7



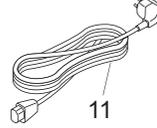
8



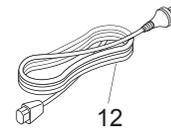
9



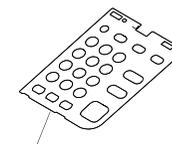
10



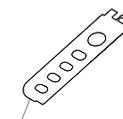
11



12



13, 15, 17, 19, 21, 23, 25



14, 16, 18, 20, 22, 24, 26



27

FIG. 28 Accessories

2P1/2P2/2WB-1

Ref. No. 番号	Part.No. 部品番号	Description 部品名称	Notes 備考	Revision 改訂	Quantity 個数			
					100(日本)	120	230	240
1	302K393130	WT-475			1	1	1	1
2	302N404460	SPONGE IC CARD		1:Others	2			
3	303LL02531	CUSHION ORIGINAL MAT			2	2	2	2
4	303MX02021	CUSHION ORIGINAL MAT A			2	2	2	2
5	303R734050	LABEL CAUTION US		1:Others		1	1	
6	303RJ34080	LABEL CAUTION NL		1:Others			1	
7	303R834060	LABEL FACE UP US				1		
8	303R834130	LABEL FACE UP NL		1:Others			1	
9	7AAACCUS+13H002	AC CORD ASSY US				1		
10	302RH94240	PARTS AC CORD EU SP					1	
11	7AAACCAS+10H001	AC CORD ASSY AS						1
12	7AAACCJP+15H011	AC CORD ASSY JP		1:Others	1			
13	302P105540	SHEET OPERATION RIGHT GER	German	1:Add			1	
14	302P105550	SHEET OPERATION LEFT GER	German	1:Add			1	
15	302P105560	SHEET OPERATION RIGHT FRA	French	1:Add		1	1	
16	302P105570	SHEET OPERATION LEFT FRA	French	1:Add		1	1	
17	302P105580	SHEET OPERATION RIGHT ITA	Italian	1:Add			1	
18	302P105590	SHEET OPERATION LEFT ITA	Italian	1:Add			1	
19	302P105600	SHEET OPERATION RIGHT SPA	Spanish	1:Add		1	1	
20	302P105610	SHEET OPERATION LEFT SPA	Spanish	1:Add		1	1	
21	302P105620	SHEET OPERATION RIGHT DUT	Dutch	1:Add			1	
22	302P105630	SHEET OPERATION LEFT DUT	Dutch	1:Add			1	
23	302P105640	SHEET OPERATION RIGHT RUS	Russian	1:Add			1	
24	302P105650	SHEET OPERATION LEFT RUS	Russian	1:Add			1	
25	302P105660	SHEET OPERATION RIGHT PTB	Brazilian Portuguese	1:Add		1	1	
26	302P105670	SHEET OPERATION LEFT PTB	Brazilian Portuguese	1:Add		1	1	
27	302P105680	LABEL OPERATION FUNCTION		1:Add	1	1	1	1

• Parts with a Ref.No. of 500 and above in the illustration indicate they are not selected for service parts.

• イラスト中で 500 番台の Ref 番号が付いている部品はサービスパーツに選定されていません。

FIG. 29 Maintenance Kits

2P1/2P2/2WB-1

Ref. No. 番号	Part.No. 部品番号	Description 部品名称	Notes 備考	Revision 改訂	Quantity 個数			
					100(日本)	120	230	240
	1702P19JP0	MK-6116/MAINTENANCE KIT	OPTION	1:Others	1			
	*302P193020	DV-6115			1			
	*302P193010	DK-6115			1			
	*302P193050	FK-6116			1			
	*302K394480	PRIMARY FEED UNIT			1			
	*302P194090	SEPARATION PAD	service only		1			
	*302K394460	MPF ROLLER	service only		1			
	*302K394450	REGIST CLEANER			1			
	*302P193030	TR-6115			1			
	1702P17US0	MK-6117/MAINTENANCE KIT	OPTION			1		
	*302P193020	DV-6115				1		
	*302P193010	DK-6115				1		
	*302P193060	FK-6117				1		
	*302K394480	PRIMARY FEED UNIT				1		
	*302P194090	SEPARATION PAD	service only			1		
	*302K394460	MPF ROLLER	service only			1		
	*302K394450	REGIST CLEANER				1		
	*302P193030	TR-6115				1		
	1702P18NL0	MK-6115/MAINTENANCE KIT	OPTION				1	
	*302P193020	DV-6115					1	
	*302P193010	DK-6115					1	
	*302P193040	FK-6115					1	
	*302K394480	PRIMARY FEED UNIT					1	
	*302P194090	SEPARATION PAD	service only				1	
	*302K394460	MPF ROLLER	service only				1	
	*302K394450	REGIST CLEANER					1	
	*302P193030	TR-6115					1	
	1702P18AS0	MK-6119/MAINTENANCE KIT	OPTION					1
	*302P193020	DV-6115						1
	*302P193010	DK-6115						1
	*302P193040	FK-6115						1
	*302K394480	PRIMARY FEED UNIT						1
	*302P194090	SEPARATION PAD	service only					1
	*302K394460	MPF ROLLER	service only					1
	*302K394450	REGIST CLEANER						1
	*302P193030	TR-6115						1
	1702P10UN0	MK-6110/MAINTENANCE KIT	OPTION,for customer		1	1	1	1
	*302P194100	FEED ROLLER (DP)	service only		1	1	1	1
	*302P194110	RETARD GUIDE (DP)	service only		1	1	1	1
	*302P194120	RETARD ROLLER (DP)	service only		1	1	1	1

• Parts with a Ref.No. of 500 and above in the illustration indicate they are not selected for service parts.

• イラスト中で 500 番台の Ref 番号が付いている部品はサービスパーツに選定されていません。

INDEX / 索引

Part.No. 部品番号	Description 部品名称	Fig.No.
1702P10UN0	MK-6110/MAINTENANCE KIT	29
1702P17US0	MK-6117/MAINTENANCE KIT	29
1702P18AS0	MK-6119/MAINTENANCE KIT	29
1702P18NL0	MK-6115/MAINTENANCE KIT	29
1702P19JP0	MK-6116/MAINTENANCE KIT	29
2FB07330	STOPPER BYPASS TABLE	1
2FB27160	INTER LOCK SWITCH	2,27
2FM04150	CAP SPRING /B-11 ENCLOSURE A4	1,5
302BG06152	SHAFT FEED B	1
302DY04091	EMBLEM KC 1SG 70 W	1
302F906230	PULLEY FEED ASSY	4
302F909171	RETARD ROLLER ASSY	4
302F944090	SOLENOID ASSY	5
302FB17700	SPRING BYPASS TEBLE	1,6
302H004652	HOLDER SWITCH	1
302H008140	SPRING BYPASSFFED	23
302H024510	STOPPER SHUTTER	1
302H728100	SPRING EXIT PULLEY	23
302HG44120	FAN MOTOR PS40	6,13
302HN06080	PULLEY PICKUP ASSY	4
302HN31030	GEAR Z36L-Z20S	13
302HN44100	MOTOR REVERSE	5,8
302K302811	ACTUATOR PAPER EMPTY	2
302K302831	ACTUATOR DECK FEED	2
302K302940	MOUNT RIGHT INTERLOCK	2
302K304060	COVER RIGHT REAR	1
302K304070	COVER RIGHT LOW	1
302K304080	COVER INNER LOW	2
302K304221	COVER INNER FRONT	2
302K304230	STRAP COVER FRONT R	1
302K304280	STOPPER CONTAINER	2
302K304320	STRAP COVER FRONT L	1
302K306320	GUIDE COVER INNER	1
302K306330	SHAFT INNER ROLLER F	1
302K306340	STOPPER INNER GUIDE	1
302K306350	SPRING INNER GUIDE	1
302K306380	SHAFT INNER ROLLER R	1
302K306460	BUSH 4	4
302K308020	ACTUATOR MPF	4
302K308080	SHAFT MPF	4
302K308460	STRAP LINK MPF	6
302K309021	BASE CASSETTE	3
302K309041	ARM SIZE DETECTION	3
302K309080	COVER CASSETTE	3
302K309120	CURSOR CASSETTE REAR	3
302K309130	CURSOR CASSETTE FRONT	3
302K309270	CURSOR END	3
302K309410	PLATE SIZE DETECTION	14
302K317250	SWITCH RELEASE	8
302K317260	MOUNT RELEASE SWITCH	8
302K328070	ACTUATOR EXIT UPPER SWITCH	5

Part.No. 部品番号	Description 部品名称	Fig.No.
302K328181	LID EXIT EMPTY SWITCH	5
302K328300	TRAY EJECT	5
302K329020	PULLEY DU	6
302K329040	ACTUATOR DU	6
302K334090	SHEET CASSETTE C	3
302K334100	SHEET CASSETTE I	3
302K346370	FFC ENGINE-HVU	14
302K346470	WIRE PF DRAWER	17
302K346660	WIRE PF DRAWER 200	17
302K393130	WT-475	28
302K393174	CT-475	3
302K394080	PARTS PWB DRUM CONNECT ASSY SP	2
302K394190	PARTS MOTOR LIFT ASSY SP	2
302K394220	PARTS ROLLER REGIST RIGHT SP	6
302K394230	PARTS ROLLER REGIST LEFT SP	4
302K394240	PARTS ROLLER EXIT SP	5
302K394250	PARTS ROLLER DU SP	6
302K394280	PARTS GEAR CONTAINER Z35R SP	2
302K394310	PARTS GEAR REGIST Z28L-Z18L SP	4
302K394320	PARTS GEAR MPF Z28 SP	4
302K394330	PARTS GEAR REGIST Z24R SP	6
302K394340	PARTS GEAR Z74R-Z22S EXIT SP	5
302K394350	PARTS GEAR Z22S EXIT SP	5
302K394360	PARTS GEAR Z25S EXIT INPUT SP	5
302K394370	PARTS GEAR Z18-Z63R SP	8
302K394380	PARTS GEAR Z18 SP	3
302K394400	PARTS GEAR DU Z27L SP	6
302K394450	REGIST CLEANER	4,29
302K394460	MPF ROLLER	4,29
302K394471	PARTS MPF TABLE ASSY SP	6
302K394480	PRIMARY FEED UNIT	4,29
302KK94070	PARTS CONT SENSOR ASSY SP	2
302KV44041	CLUTCH 50 Z35R	13,27
302KY94140	PARTS MOTOR ROTARY SP	27
302LC94292	PARTS MOTOR-BL W10 SP	13
302LC94463	PARTS MOTOR-BL W20 DRUM Z11 SP	13
302LK94140	PARTS PULLEY SET SP	4
302MV02190	FOOT	2
302MW31010	TORQUE LIMITER 4000	2
302N404460	SPONGE IC CARD	28
302ND94800	PARTS SENSOR OPT SP	7,8
302NG17070	GEAR P21-Z62R	7
302NG94200	PARTS CLUTCH 50 Z35R SP	13
302NG94211	PARTS MOTOR ISU SP	7
302NG94220	PARTS FAN MOTOR SP	13,14
302NG94300	PARTS PWB SWITCH ASSY SP	1
302NL28060	ACTUATOR EXIT OVERFLOW	5
302NM94121	PARTS TABLET OPERATION SP	15
302P102180	GEAR CONTAINER Z35R	2
302P102280	FRAME REAR UPPER	14
302P104010	COVER LEFT LOW	1

2P1/2P2/2WB-2

Part.No. 部品番号	Description 部品名称	Fig.No.
302P104020	COVER FRONT TOP	1
302P104030	COVER ISU RIGHT	8
302P104040	COVER ISU LEFT	8
302P104050	COVER ISU REAR	8
302P104060	COVER FRONT	1
302P104070	COVER EXIT REAR	1
302P104080	COVER EXIT FRONT	1
302P104090	COVER TRAY	1
302P104100	COVER RIGHT MIDDLE	1
302P104110	COVER ISU FRONT	8
302P104120	COVER REAR	1
302P104130	COVER REAR TOP	1
302P104140	LID CONTROLLER BOX	1
302P104150	COVER EXIT TOP	1
302P104160	COVER ISU FRONT A	8
302P104170	COVER CARD-READER	7,8
302P104180	COVER LEFT MIDDLE	1
302P104190	LID CONTROLLER BOX TOP	1
302P104200	COVER TRAY LEFT	1
302P104210	COVER EXIT FRONT UPPER	1
302P104220	COVER ISU LEFT SUB	8
302P104240	STOPPER PAPER	1
302P104330	HOLDER STOPPER PAPER	1
302P104340	STOPPER PAPER C	1
302P105010	COVER OPERATION	15
302P105020	COVER OPERATION LOW	15
302P105030	COVER PANEL RIGHT	15
302P105040	COVER PANEL LEFT	15
302P105050	LID OPERATION LEFT	15
302P105120	LID OPERATION RIGHT	15
302P105170	COVER OPERATION J	15
302P105500	SHEET OPERATION RIGHT JP	15
302P105510	SHEET OPERATION LEFT JP	15
302P105520	SHEET OPERATION RIGHT EN	15
302P105530	SHEET OPERATION LEFT EN	15
302P105540	SHEET OPERATION RIGHT GER	28
302P105550	SHEET OPERATION LEFT GER	28
302P105560	SHEET OPERATION RIGHT FRA	28
302P105570	SHEET OPERATION LEFT FRA	28
302P105580	SHEET OPERATION RIGHT ITA	28
302P105590	SHEET OPERATION LEFT ITA	28
302P105600	SHEET OPERATION RIGHT SPA	28
302P105610	SHEET OPERATION LEFT SPA	28
302P105620	SHEET OPERATION RIGHT DUT	28
302P105630	SHEET OPERATION LEFT DUT	28
302P105640	SHEET OPERATION RIGHT RUS	28
302P105650	SHEET OPERATION LEFT RUS	28
302P105660	SHEET OPERATION RIGHT PTB	28
302P105670	SHEET OPERATION LEFT PTB	28
302P105680	LABEL OPERATION FUNCTION	28
302P117120	COVER DP CONNECTOR	7,8

Part.No. 部品番号	Description 部品名称	Fig.No.
302P118130	COVER FRONT	22
302P118140	COVER REAR A	22
302P118150	COVER PF	25
302P118160	COVER LEFT	23
302P118200	CURSOR FRONT	24
302P118210	CURSOR REAR	24
302P118220	STOPPER EJECT	22
302P118230	GUIDE CONVEYING UPPER	25
302P118240	COVER REAR B	22
302P118250	COVER INNER	22
302P118260	GUIDE READING	26
302P118340	COVER LID	22
302P118420	GUIDE PAPER FEED	26
302P118490	GUIDE RIGHT READING B	23
302P118550	HOOK REAR B	26
302P129010	FILM GUIDE EXI	6
302P131020	GEAR Z35S-Z19S	13
302P131030	GEAR Z43S-Z23S	13
302P131040	GEAR Z46S-Z13S	13
302P134020	LABEL EMBLEM M4132	1
302P134050	LABEL DEHUMIDIFIER SWITCH US	1
302P134060	LABEL DEHUMIDIFIER SWITCH NL KR	1
302P146040	CONN.CORD ASSY DRIVE	16
302P146060	CONN.CORD ASSY MOTOR	16
302P146210	CONN.CORD ASSY FFC CCD	19
302P146240	CONN.CORD ASSY MAIN-PANEL	18
302P146250	CONN.CORD ASSY FFC PANEL LEFT	18
302P146260	CONN.CORD ASSY FFC PANEL RIGHT	18
302P146280	CONN.CORD ASSY NFC	18
302P146440	CONN.CORD ASSY SCANNER CCD	17
302P146610	CONN.CORD ASSY DP ENGINE	20
302P146680	CONN.CORD ASSY FFC LED	19
302P193010	DK-6115	11,29
302P193020	DV-6115	10,29
302P193030	TR-6115	6,29
302P193040	FK-6115	12,29
302P193050	FK-6116	12,29
302P193060	FK-6117	12,29
302P193080	LK-6115	9
302P193090	DR-6115	13
302P193100	PARTS DP UNIT SP	21
302P193110	PARTS MOUNT LED ASSY	8
302P193120	PARTS ISU SP	8
302P194010	PARTS CONVEYING UNIT SP	6
302P194020	PARTS TABLE ASSY SP	24
302P194030	PARTS EXIT UNIT SP	5
302P194040	PARTS MPF ASSY SP	4
302P194050	PARTS CONTACT-GLASS ASSY(C) SP	8
302P194060	PARTS CONTACT-GLASS ASSY(I) SP	8
302P194070	PARTS OPERATION UNIT SP	15
302P194080	PARTS OPERATION UNIT J SP	15

2P1/2P2/2WB-2

Part.No. 部品番号	Description 部品名称	Fig.No.
302P194090	SEPARATION PAD	4,29
302P194100	FEED ROLLER (DP)	25,29
302P194110	RETARD GUIDE (DP)	26,29
302P194120	RETARD ROLLER (DP)	26,29
302P194130	PARTS WIFI UNIT SP	14
302P194140	PARTS PWB MAIN ASSY SP	14
302P194150	PARTS PWB MAIN ASSY SP EU	14
302P194160	PARTS PWB PANEL MAIN ASSY SP	15
302P194170	PARTS PWB ENGINE ASSY SP	14
302P194180	PARTS PWB DP MAIN ASSY SP	23
302P194190	PARTS PWB CONTAINER CONNECT ASSY SP	2
302P194200	PARTS PWB KUIO ASSY SP	14
302P194210	PARTS PWB DEVE CONNECT ASSY SP	2
302P194220	PARTS PWB ZENER ASSY SP	14
302P194230	PARTS LCD OPERATION SP	15
302P194240	PARTS UNIT LOW VOLTAGE 200V SP	2
302P194250	PARTS UNIT LOW VOLTAGE 100V SP	2
302P194260	PARTS UNIT HIGH VOLTAGE SP	14
302P194270	PARTS ROLLER REGIST SP	26
302P194280	PARTS ROLLER CONVEYING B SP	26
302P194290	PARTS EXIT UNIT B SP	5
302P194300	PARTS RIGHT COVER UNIT SP	6
302P194310	MPF ROLLER-PAD SET	4
302P194330	PARTS PWB KEY RIGHT ASSY SP	15
302P194340	PARTS PWB KEY LEFT ASSY SP	15
302P204010	COVER ISU FRONT	7
302P204020	COVER EXIT FRONT UPPER	1
302P205010	COVER OPERATION	15
302P205020	COVER OPERATION LOW	15
302P205080	COVER OPERATION J	15
302P234010	LABEL EMBLEM 2510	1
302P234020	LABEL EMBLEM M4125	1
302P234030	LABEL DEHUMIDIFIER SWITCH	1
302P246030	CONN.CORD ASSY FFC PANEL LEFT	18
302P246040	CONN.CORD ASSY FFC PANEL RIGHT	18
302P293010	PARTS CIS ASSY SP	7
302P294010	PARTS OPERATION UNIT SP	15
302P294020	PARTS OPERATION UNIT J SP	15
302P294030	PARTS PWB MAIN ASSY SP	14
302P294040	PARTS PWB MAIN ASSY SP EU	14
302P294050	PARTS PWB PANEL MAIN ASSY SP	15
302P294060	PARTS LCD OPERATION SP	15
302P294070	PARTS CONTACT-GLASS ASSY SP	7
302R494310	PARTS TABLET OPERATION SP	15
302R694190	PARTS PWB THERMISTOR ASSY SP	13
302RH17060	GEAR P54	8
302RH28030	GUIDE CHANGE	5
302RH28040	ARM ACTUATOR EXIT	5
302RH29010	GUIDE EXIT RIGHT	6
302RH44030	HEATER DEHUMIDIFIER 100	14
302RH44040	HEATER DEHUMIDIFIER 120	14

Part.No. 部品番号	Description 部品名称	Fig.No.
302RH44050	HEATER DEHUMIDIFIER 240	14
302RH94110	PARTS THERMOPILE ASSY SP	14
302RH94240	PARTS AC CORD EU SP	28
302RV94180	PARTS DC MOTOR ASSY SP	13
302V617080	GUIDE FFC LED	8
302V629010	SHEET GUIDE RI	6
302V693030	MC-7125	11
302WB34010	LABEL EMBLEM 2520	1
303H622331	GEAR 20/65 IDLE	27
303HL07161	FRONT HOOK PF COVER	26
303J902370	CUSHION ORIGINAL MAT	22
303J945030	SWITCH INTERLOCK	2
303JC04201	PLATE ORIGINAL	22
303LL02531	CUSHION ORIGINAL MAT	28
303LL24190	PULLEY GUIDE READING	26
303M802320	SPONGE ORIGINAL MAT A	22
303M824100	HOLDER LEFT PULLEY	23
303M824121	HOLDER RIGHT PULLEY	23
303M824130	SHAFT GUIDE READING	26
303M824200	SHAFT PULLEY	23,26
303M824210	PULLEY CONVEYING BK	23,26
303M828040	PULLEY EJECT	23
303M828050	SPONGE EJECT	23
303M894260	PARTS SENSOR OPT SP	7,24,26
303MX02021	CUSHION ORIGINAL MAT A	22,28
303MX02031	CUSHION ORIGINAL MAT B	22
303NN24180	SPRING FEED LOW	1
303P706060	COVER TABLE WIRE	24
303P707060	STOPPER PAPER	25
303P707120	STOPPER PAPER B	25
303P707160	SPRING SEPARATION	26
303P724030	GUIDE CONVEYING	26
303P724080	ACTUATOR REGISTRATION	26
303P724090	ACTUATOR FEED	25
303P724120	SHEET LEFT GUIDE R	23
303P724130	SHEET LEFT GUIDE F	23
303P724140	ACTUATOR TIMING	26
303P724160	ACTUATOR ORIGINAL SET	25
303P728050	HOLDER PULLEY EJECT	23
303P729010	GUIDE DUPLEX	26
303P729020	GUIDE SHIFT	26
303P731120	GEAR Z21 CONT	25
303P794030	PARTS ROLLER CONVEYING A SP	26
303P794050	PARTS ROLLER EXIT SP	26
303P794060	PARTS ROLLER LOOP SP	26
303PH02030	SPONGE ORIGINAL MAT FILM	22
303R394050	PARTS PWB PAPER SIZE SENSOR ASSY SP	24
303R494040	PARTS MOTOR PAPER FEED SP	27
303R706050	COVER CURSOR	24
303R706060	GEAR DETECTION	24
303R734030	LABEL ORIGINAL MAX	24

PF-470

Rev.3
May 2018

———— CONTENTS / 目次 ————

FIG. 1	Covers	2
FIG. 2	Paper Feed Section 1	4
FIG. 3	Paper Feed Section 2	6
FIG. 4	Paper Cassette	8
	• INDEX / 索引	10

FIG. 1 Covers

3NP

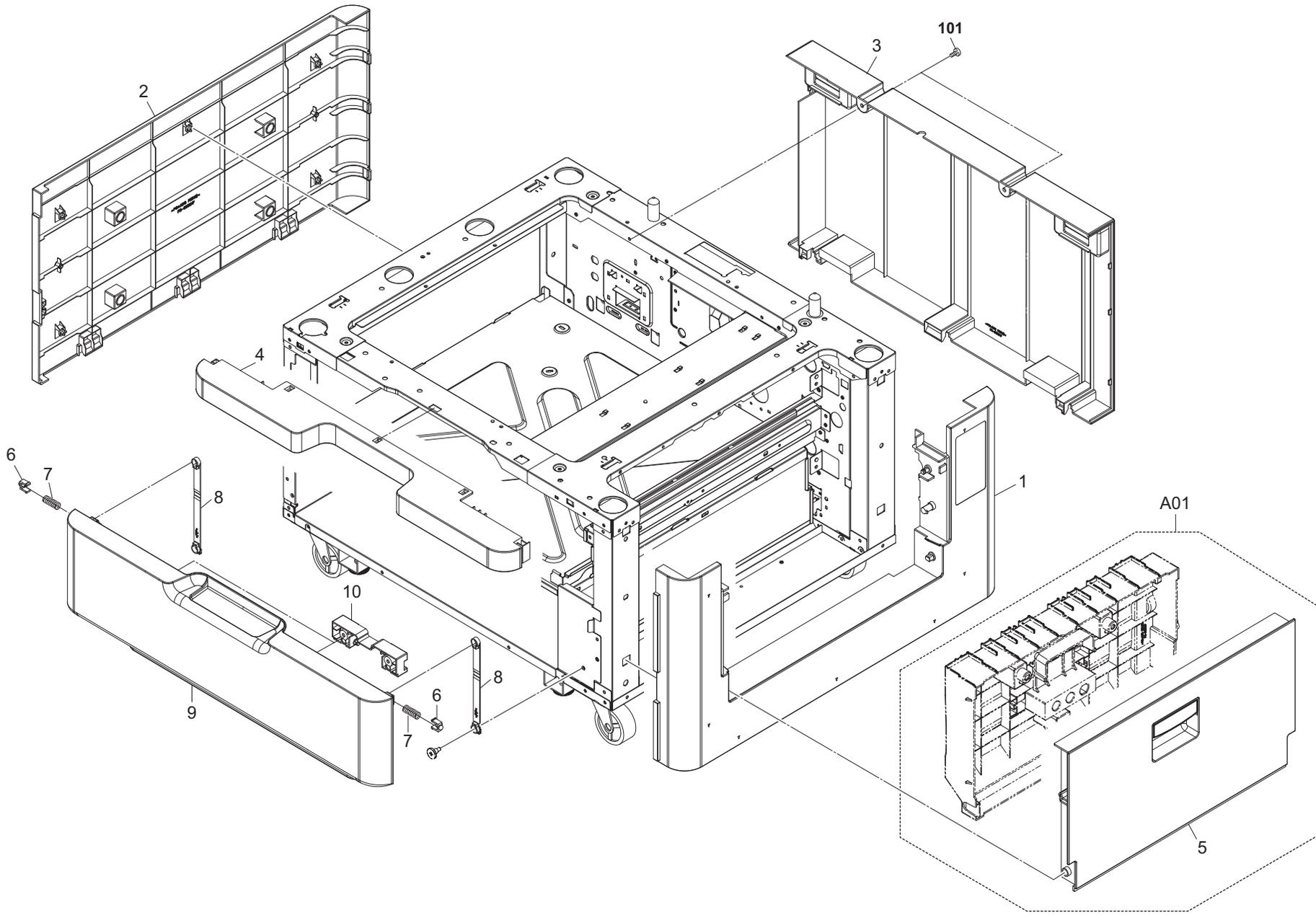


FIG. 2 Paper Feed Section 1

3NP

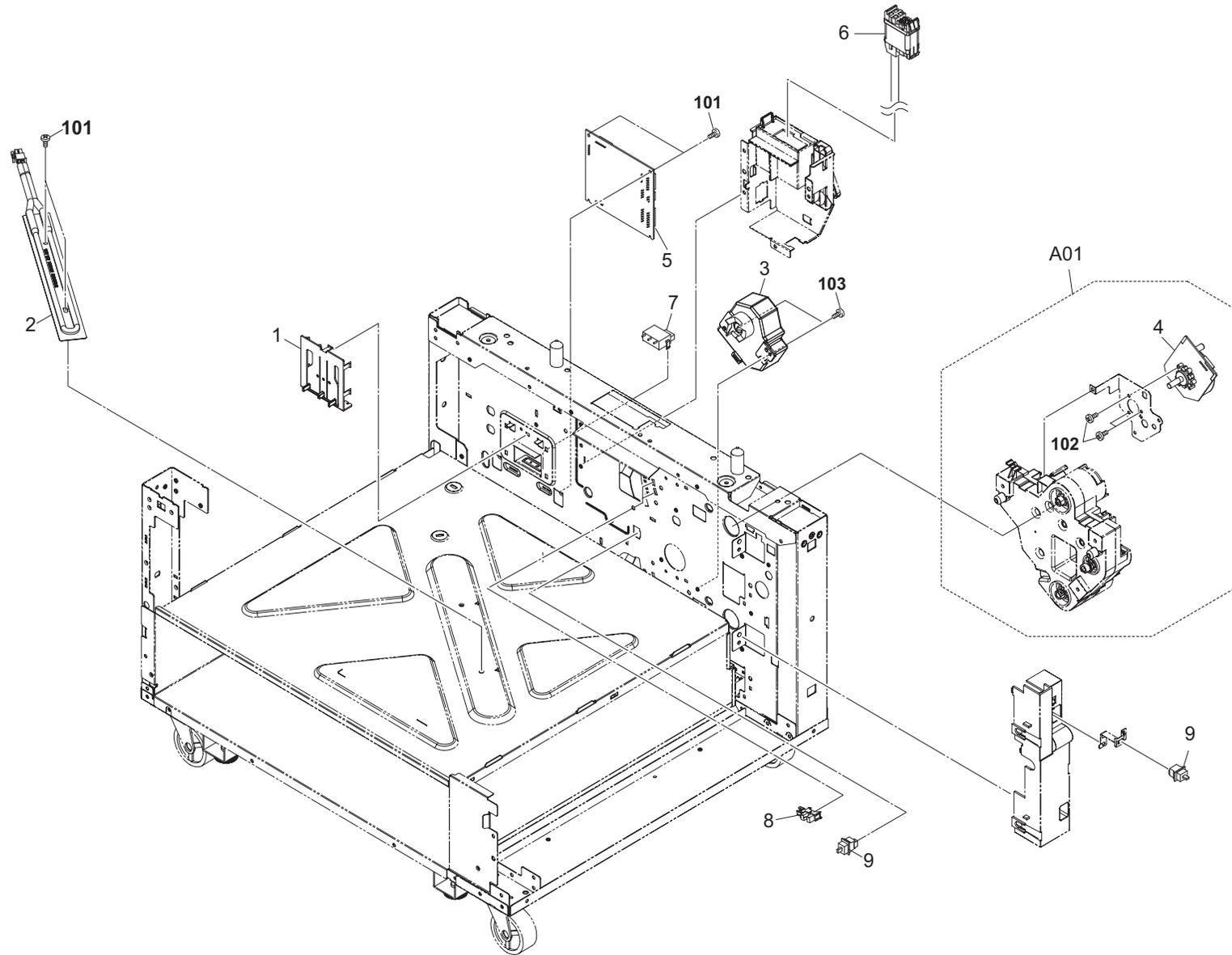


FIG. 3 Paper Feed Section 2

3NP

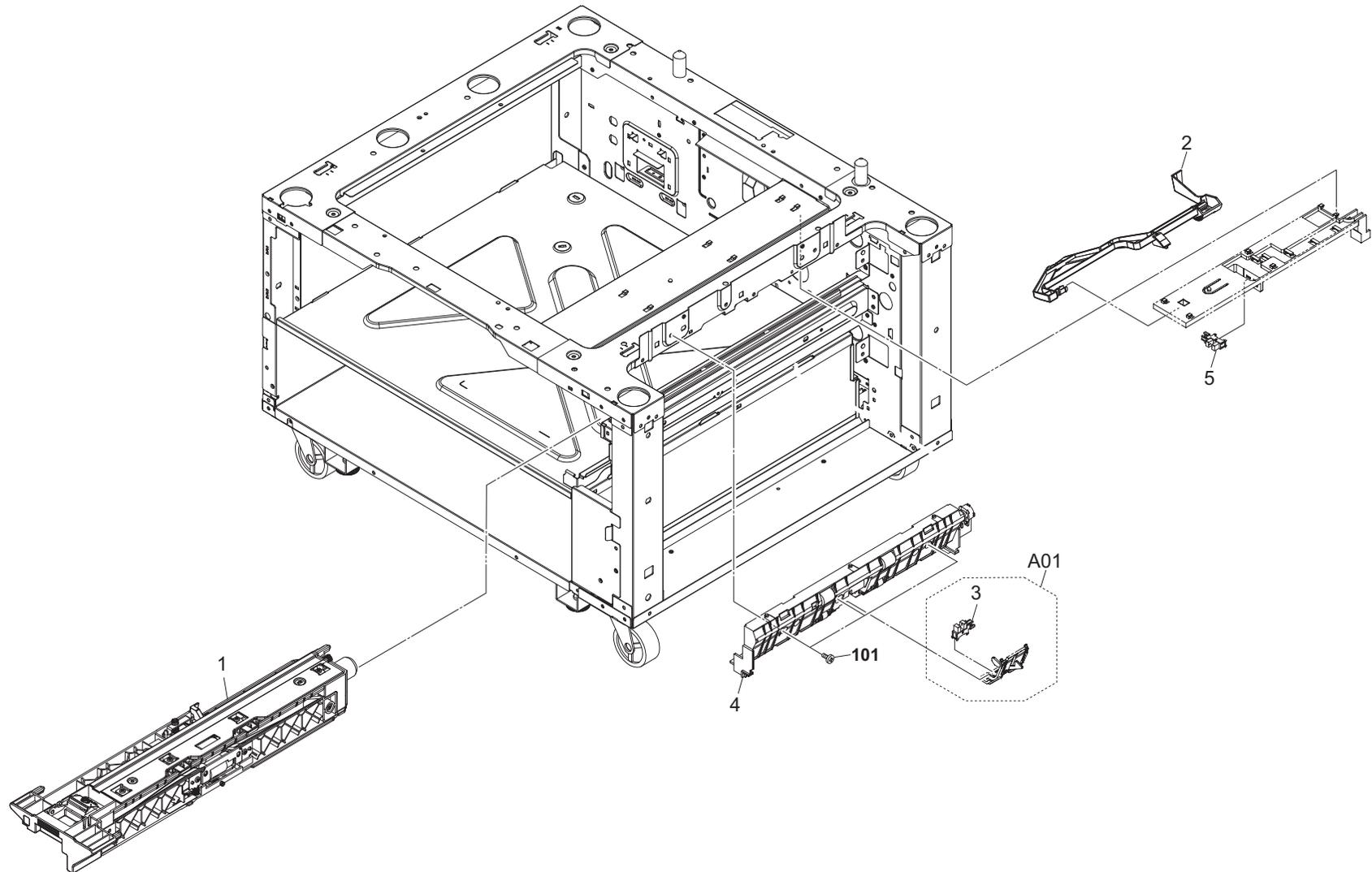


FIG. 3 Paper Feed Section 2

3NP-2

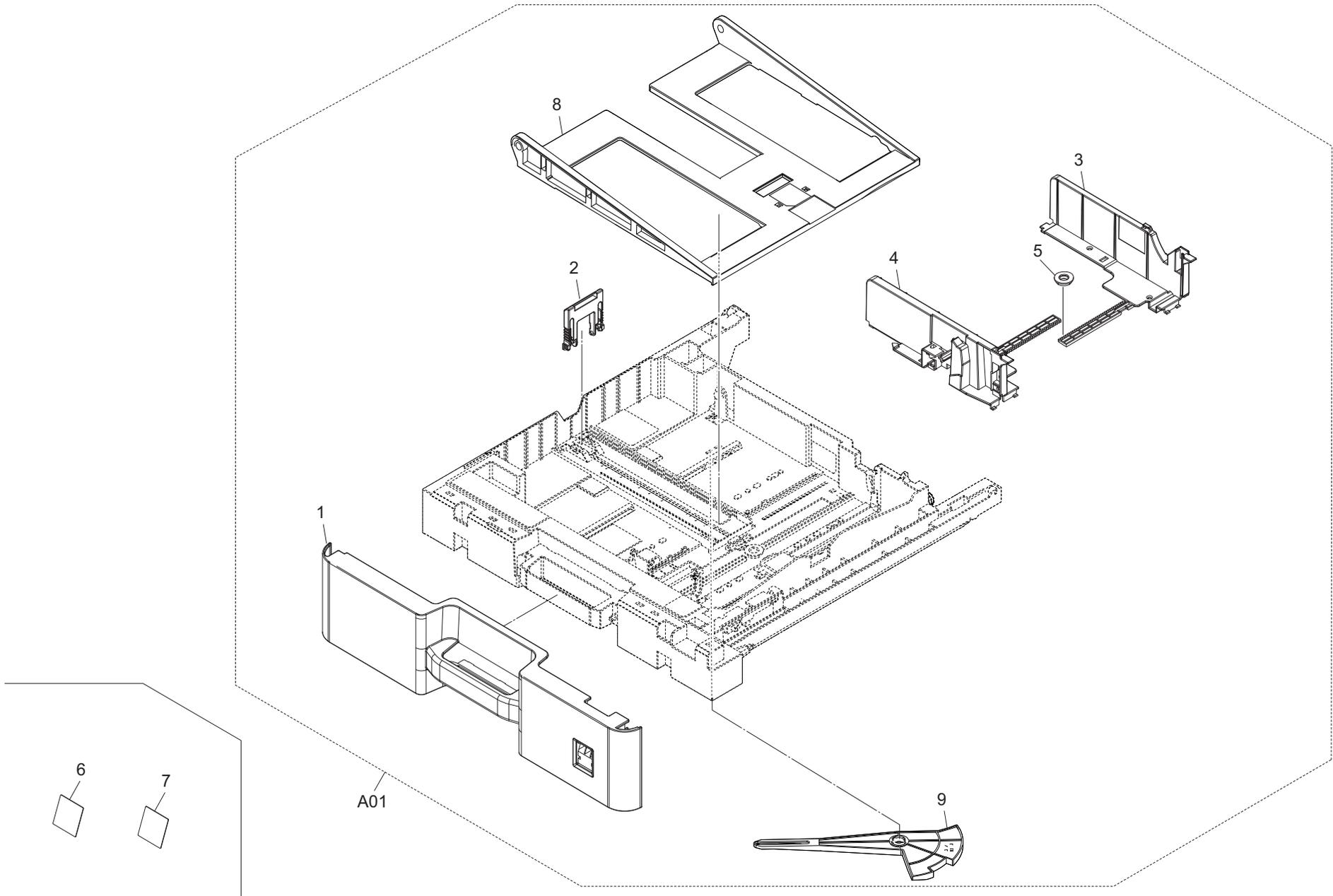
Ref. No. 番号	Part.No. 部品番号	Description 部品名称	Notes 備考	Revision 改訂	Quantity 個数			
					100(日本)	120	230	240
1	302K394480	PRIMARY FEED UNIT			1	1	1	1
2	302K302811	ACTUATOR PAPER EMPTY		2: Design-chg.	1	1	1	1
A01	303NN94040	PARTS ACTUATOR FEED ASSY SP			1	1	1	1
3	*7NXGP1S173LCH01	SENSOR OPT.			1	1	1	1
4	303NN94050	PARTS ROLLER GUIDE UPPER ASSY SP			1	1	1	1
5	7NXGP1S173LCH01	SENSOR OPT.			1	1	1	1
101	7BB702308H	+TP-FLAT T.T S SCREW 3X8 SR						

• Parts with a Ref.No. of 500 and above in the illustration indicate they are not selected for service parts.

• イラスト中で 500 番台の Ref 番号が付いている部品はサービスパーツに選定されていません。

FIG. 4 Paper Cassette

3NP-2



PF-471

Rev.3
May 2018

———— CONTENTS / 目次 ————

FIG. 1	Covers	2
FIG. 2	Paper Feed Section 1	4
FIG. 3	Paper Feed Section 2	6
FIG. 4	Paper Cassette	8
	• INDEX / 索引	10

FIG. 1 Covers

3NN

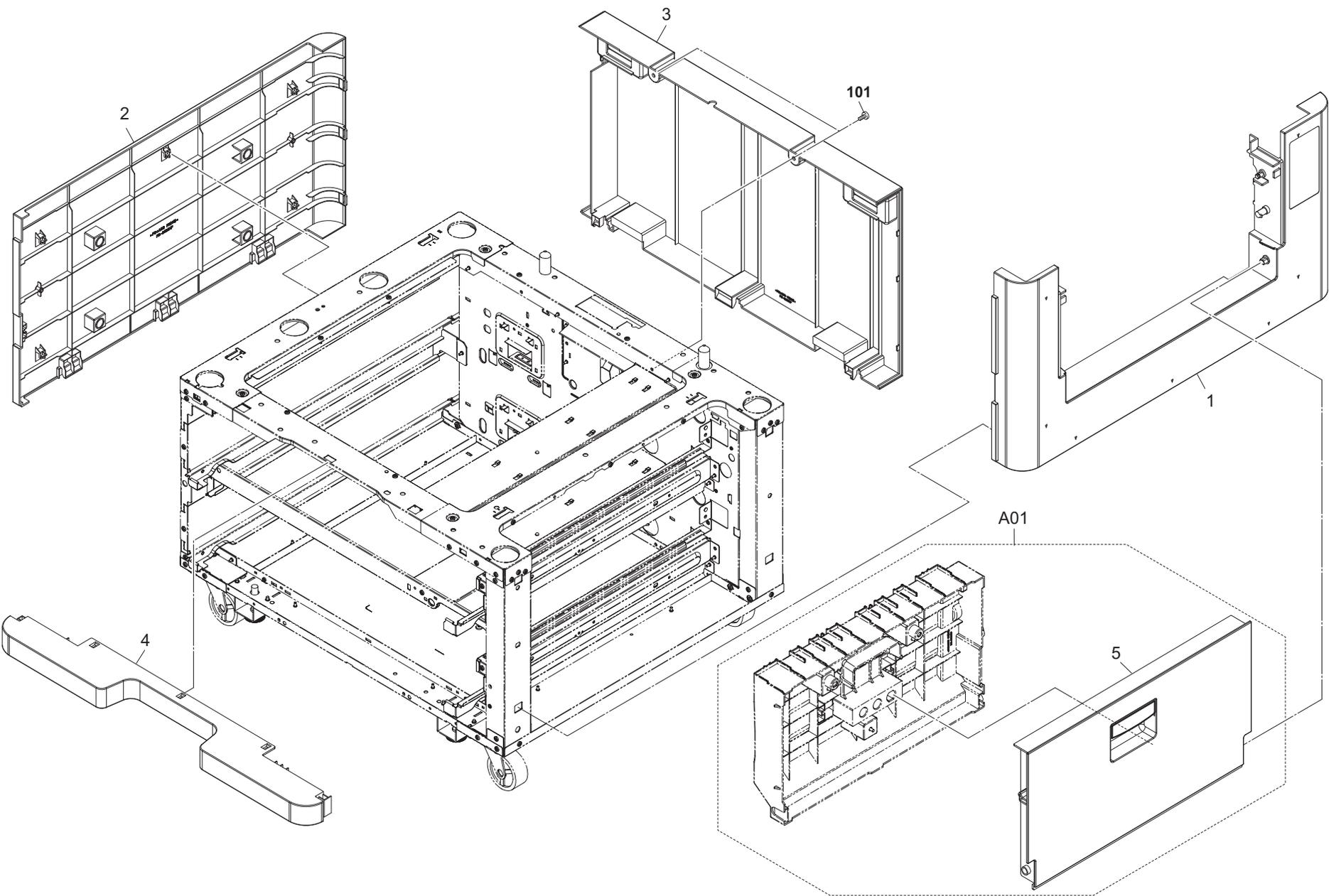


FIG. 2 Paper Feed Section 1

3NN

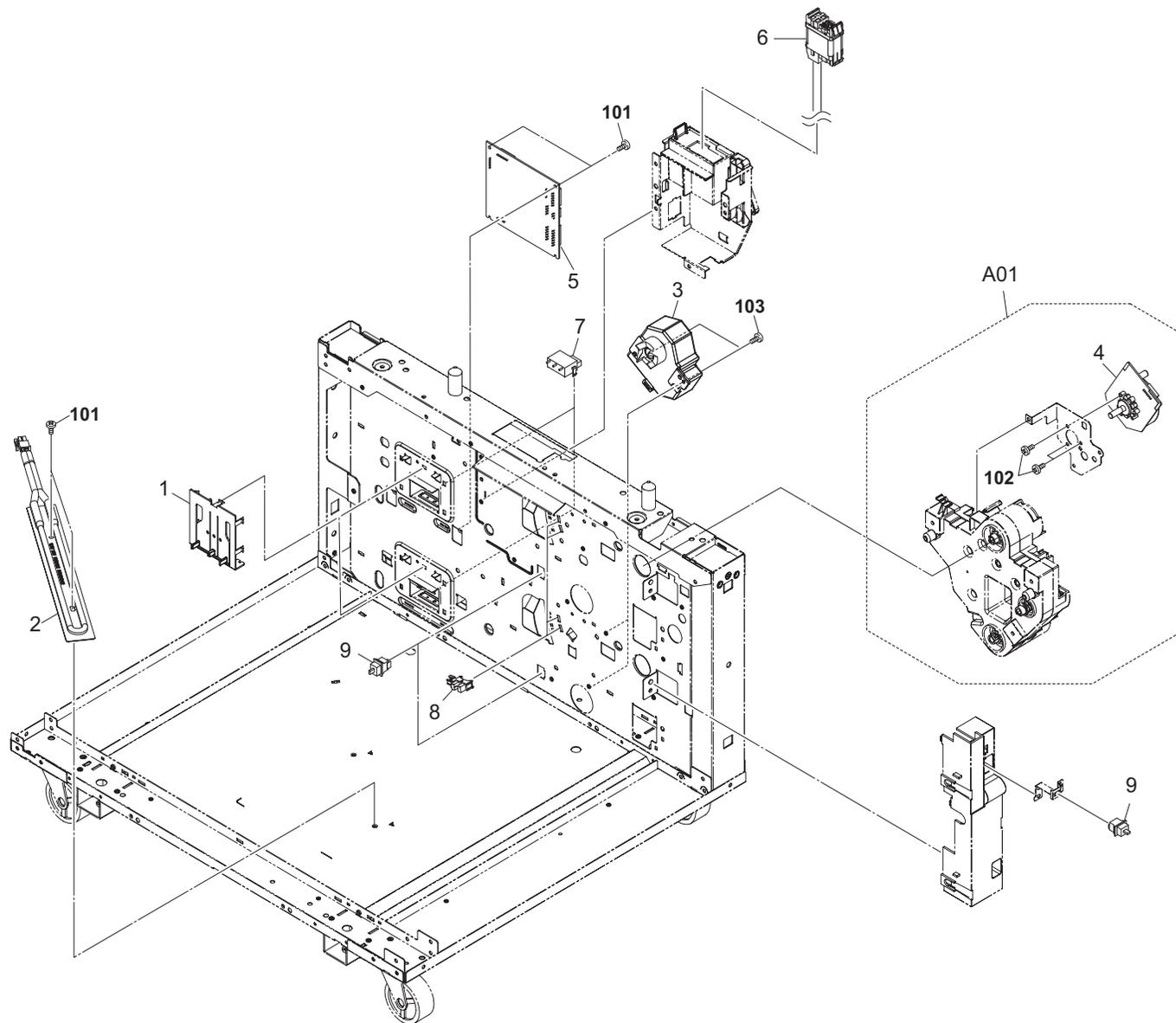


FIG. 3 Paper Feed Section 2

3NN

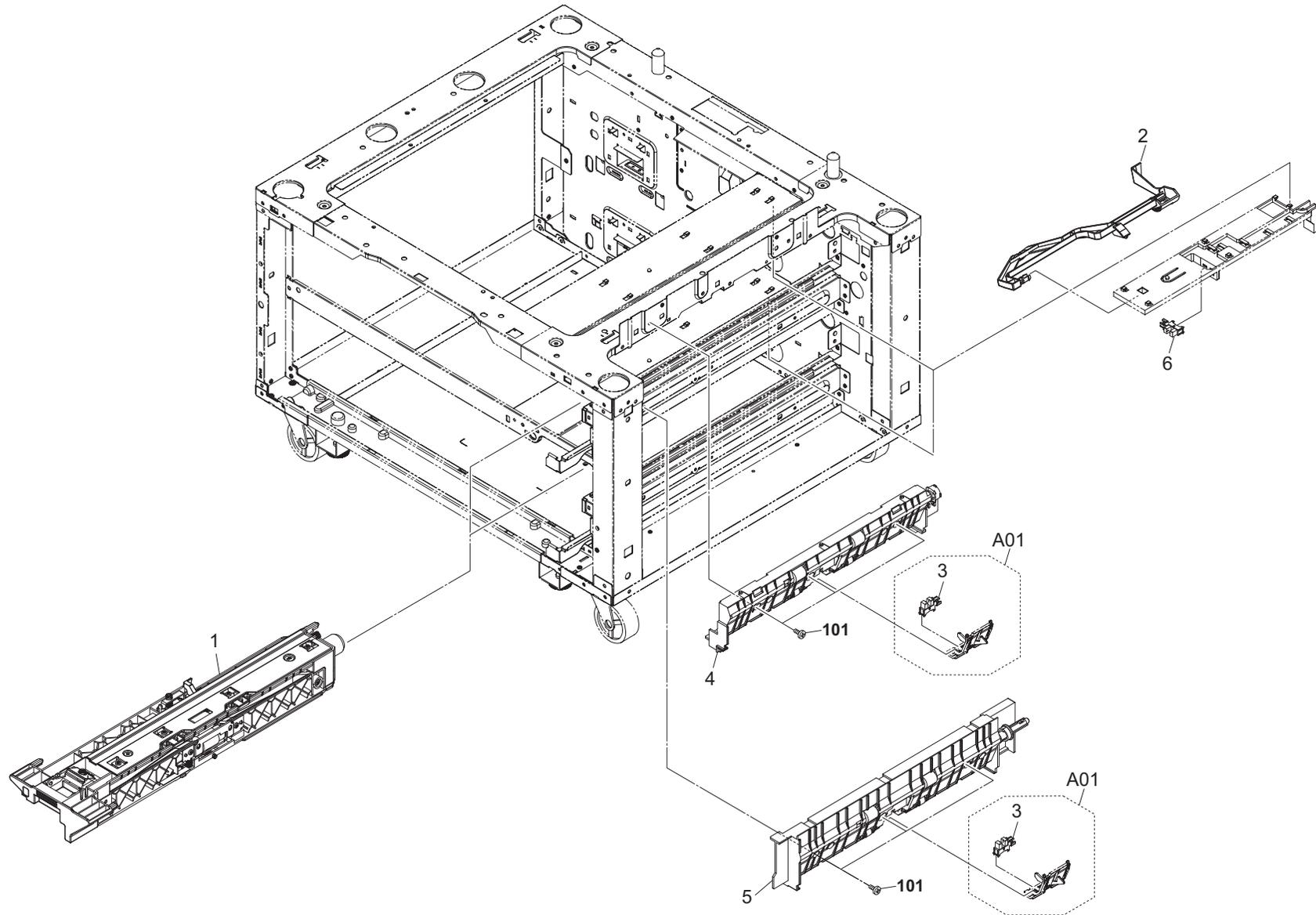


FIG. 4 Paper Cassette

3NN-2

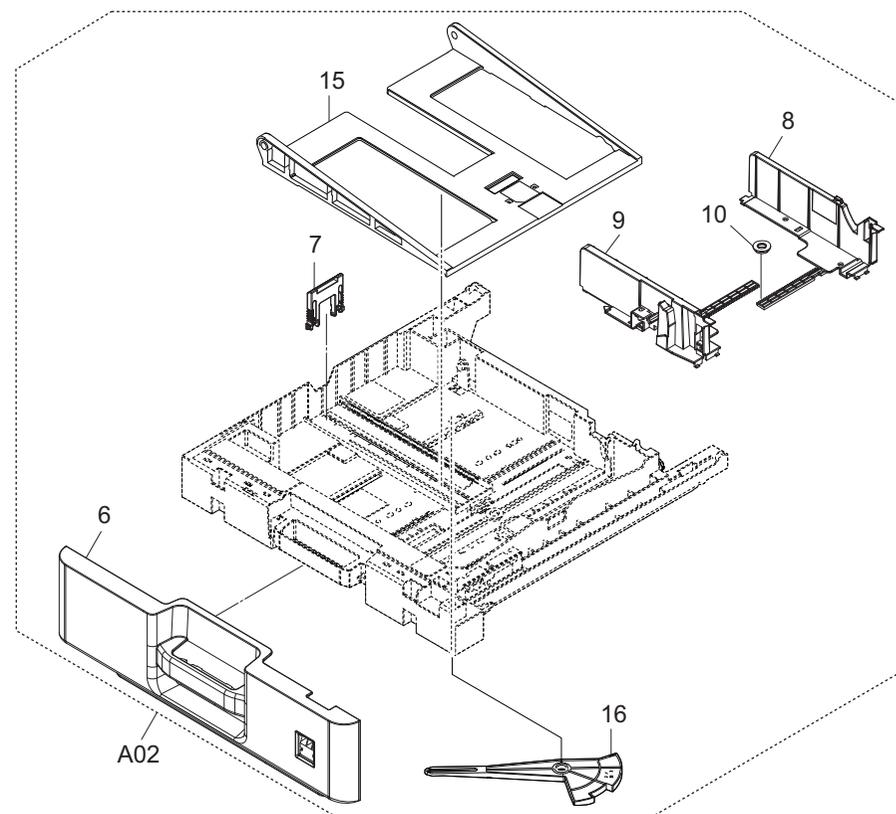
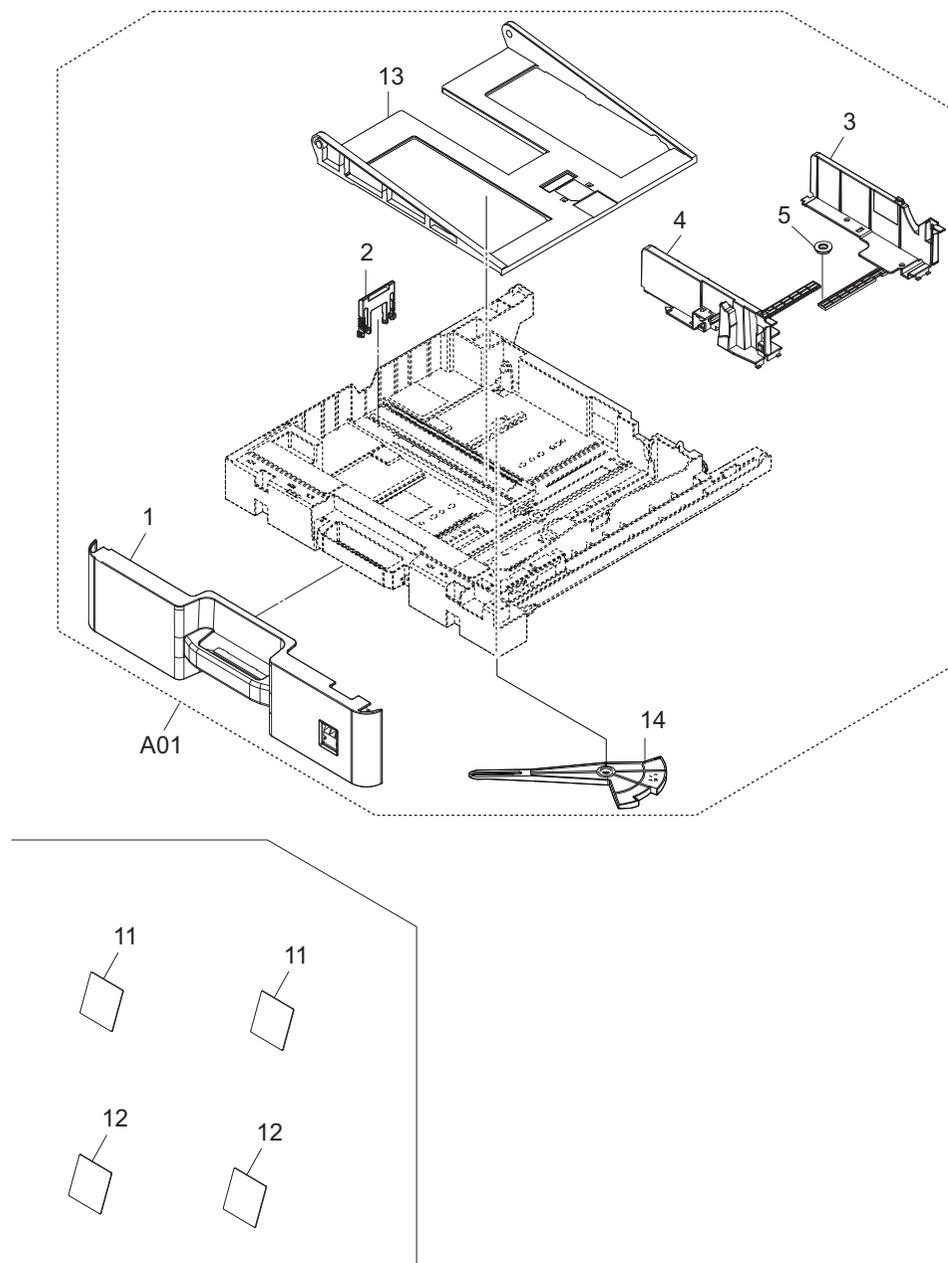


FIG. 4 Paper Cassette

3NN-2

Ref. No. 番号	Part.No. 部品番号	Description 部品名称	Notes 備考	Revision 改訂	Quantity 個数			
					100(日本)	120	230	240
A01	302K393174	CT-475						
1	*302K309080	COVER CASSETTE		2: Design-chg.	1	1	1	1
2	*302K309270	CURSOR END			1	1	1	1
3	*302K309120	CURSOR CASSETTE REAR			1	1	1	1
4	*302K309130	CURSOR CASSETTE FRONT			1	1	1	1
5	*302K394380	PARTS GEAR Z18 SP			1	1	1	1
13	*302K309021	BASE CASSETTE		2: Add	1	1	1	1
14	*302K309041	ARM SIZE DETECTION		2: Add	1	1	1	1
A02	303NN93014	CT-476		2: Design-chg.	1	1	1	1
6	*303NN09020	COVER CASSETTE LOWER			1	1	1	1
7	*302K309270	CURSOR END			1	1	1	1
8	*302K309120	CURSOR CASSETTE REAR			1	1	1	1
9	*302K309130	CURSOR CASSETTE FRONT			1	1	1	1
10	*302K394380	PARTS GEAR Z18 SP			1	1	1	1
15	*302K309021	BASE CASSETTE		2: Add	1	1	1	1
16	*302K309041	ARM SIZE DETECTION		2: Add	1	1	1	1
11	302K334090	SHEET CASSETTE C			2	2	2	2
12	302K334100	SHEET CASSETTE I			2	2	2	2

• Parts with a Ref.No. of 500 and above in the illustration indicate they are not selected for service parts.

• イラスト中で 500 番台の Ref 番号が付いている部品はサービスパーツに選定されていません。

DF-470

Rev.2
August 2017

———— CONTENTS / 目次 ————

FIG. 1	Covers	2
FIG. 2	Paper Feed Section 1	4
FIG. 3	Paper Feed Section 2	6
FIG. 4	Drive Section & Electrical Components	8
	• INDEX / 索引	10

FIG. 1 Covers

5JS

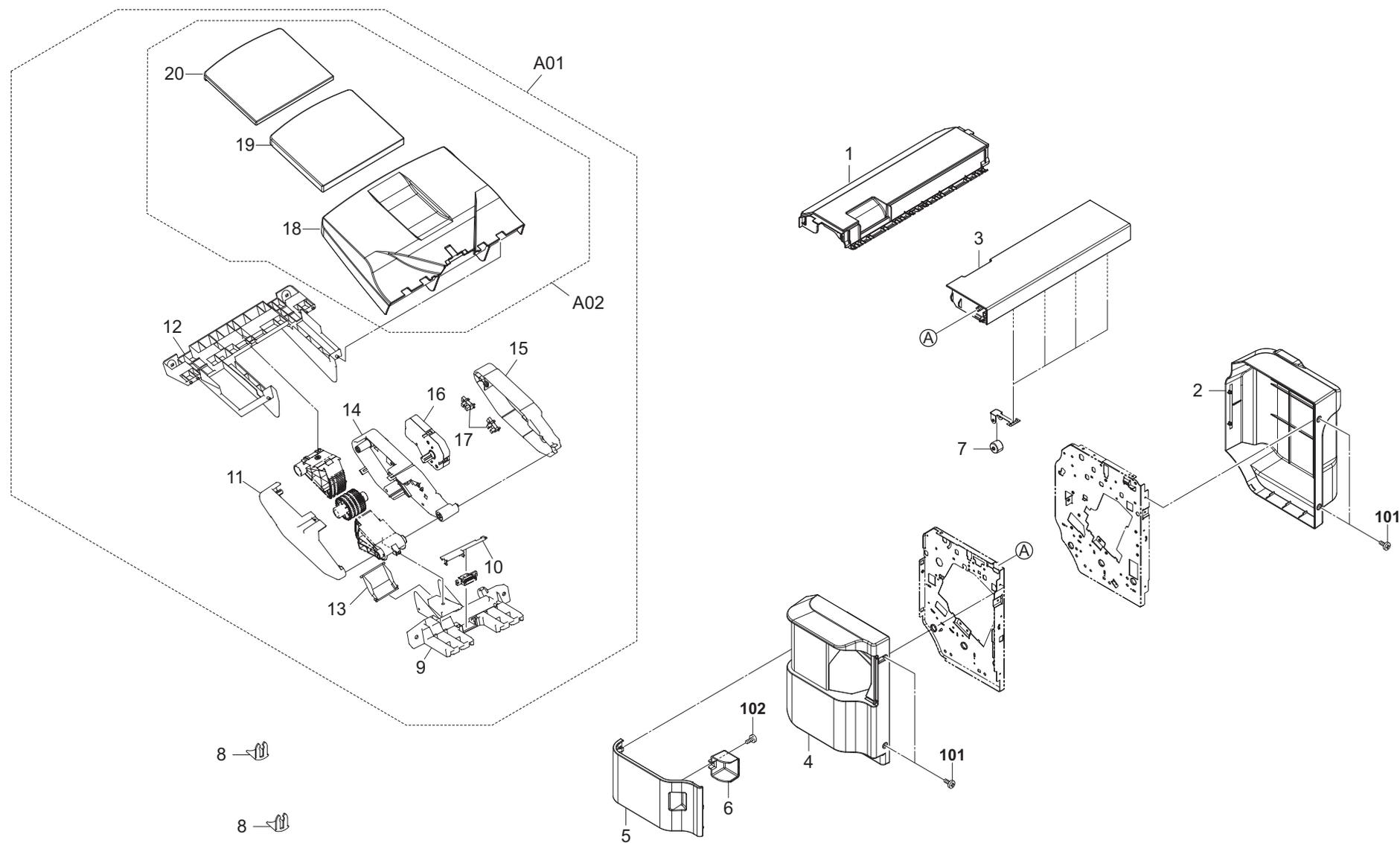


FIG. 1 Covers

5JS-1

Ref. No. 番号	Part.No. 部品番号	Description 部品名称	Notes 備考	Revision 改訂	Quantity 個数			
					100(日本)	120	230	240
1	305JS70040	COVER:CVR-TOP			1	1	1	1
2	305JS70020	COVER:CVR-REAR			1	1	1	1
3	305JS70050	COVER:CVR-JAM			1	1	1	1
4	305JS70300	COVER:ASY-S/P-CVR-F-M			1	1	1	1
5	305JS70030	COVER:CVR-FRONT-S-1			1	1	1	1
6	305JS70110	COVER:CVR-FRONT-S-2			1	1	1	1
7	305JA70850	KORO-FE-ENT			4	4	4	4
8	305JS70250	STOPPER:CLIP050140W			2	2	2	2
A01	305JS70290	TRAY:ASY-S/P-TRY-S			1	1	1	1
9	*305JS70160	COVER:HLDR-S-BASE			1	1	1	1
10	*305JS70170	COVER:CVR-S-BASE			1	1	1	1
11	*305JS70100	COVER:HLDR-S-LINK-F			1	1	1	1
12	*305JS70150	COVER:HLDR-S-TRY			1	1	1	1
13	*305JS70180	COVER:LEV-S-SHUT			1	1	1	1
14	*305JS70200	COVER:HLDR-S-LINK-R-A			1	1	1	1
15	*305JS70210	COVER:CVR-S-LINK-R-A			1	1	1	1
16	*305JS70240	MOTOR:MOTOR,DC GEARED			1	1	1	1
17	*305JA70070	GP1S73P2J00F			2	2	2	2
A02	**305JS70280	TRAY:ASY-S/P-TRY-SUB			1	1	1	1
18	**305JS70120	COVER:TRY-S-MAIN			1	1	1	1
19	**305JS70130	COVER:TRY-S-SUB			1	1	1	1
20	**305JS70140	COVER:TRY-S-MID			1	1	1	1
101	5HL08470	SCR-M3X6BISR-3C						
102	305JA70030	SCR-030-080-WBB						

• Parts with a Ref.No. of 500 and above in the illustration indicate they are not selected for service parts.

• イラスト中で 500 番台の Ref 番号が付いている部品はサービスパーツに選定されていません。

FIG. 2 Paper Feed Section 1

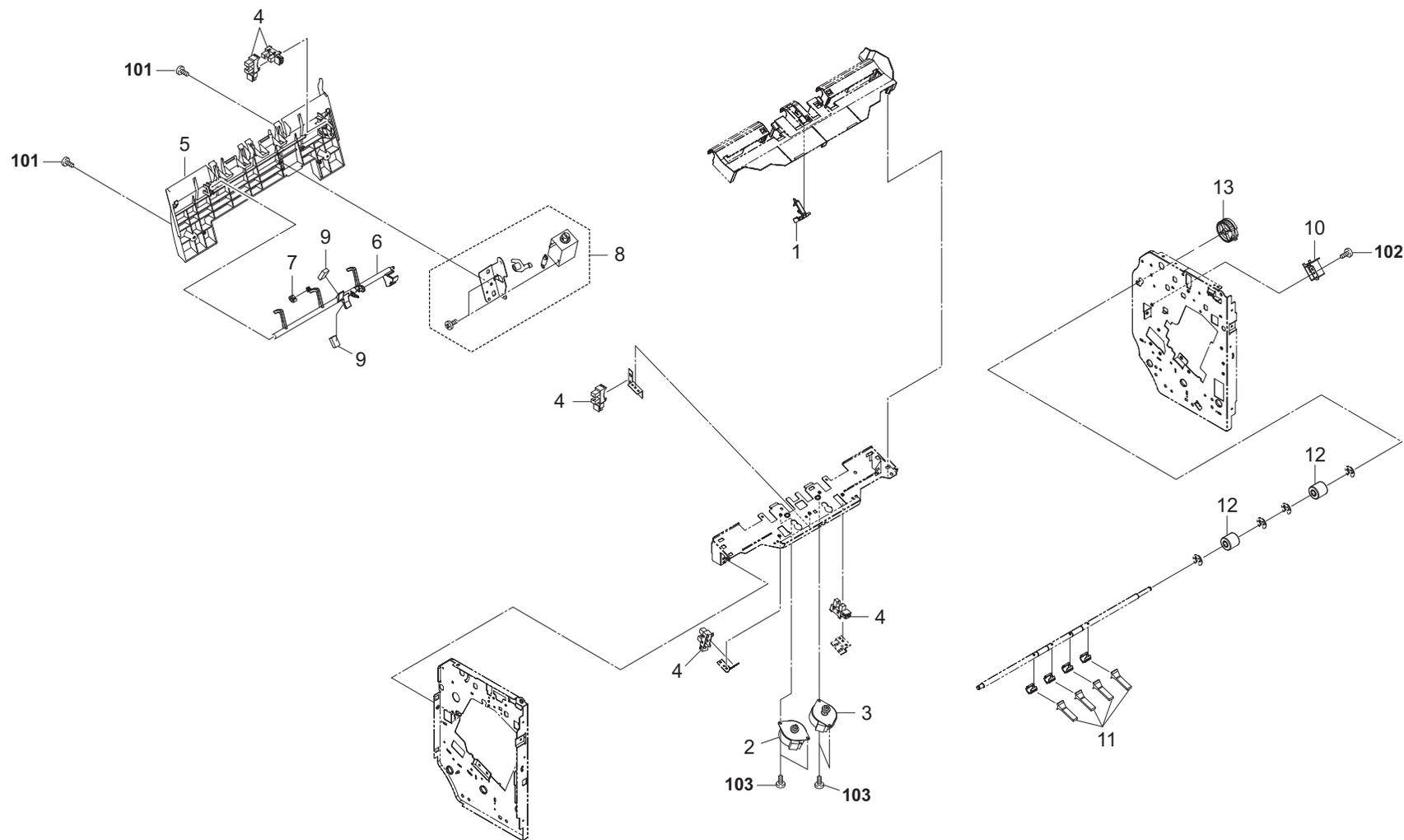


FIG. 3 Paper Feed Section 2

5JS

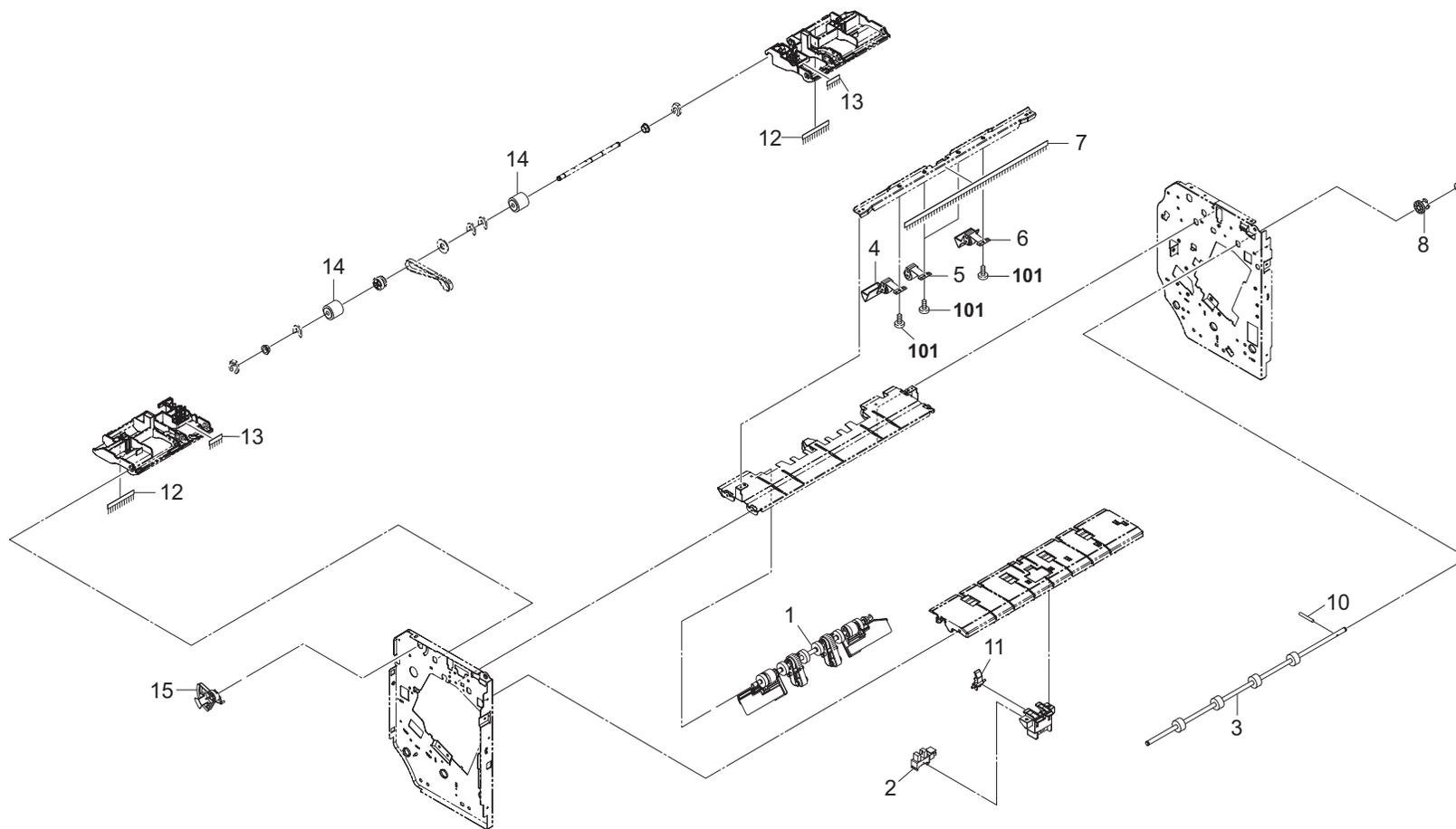


FIG. 3 Paper Feed Section 2

5JS

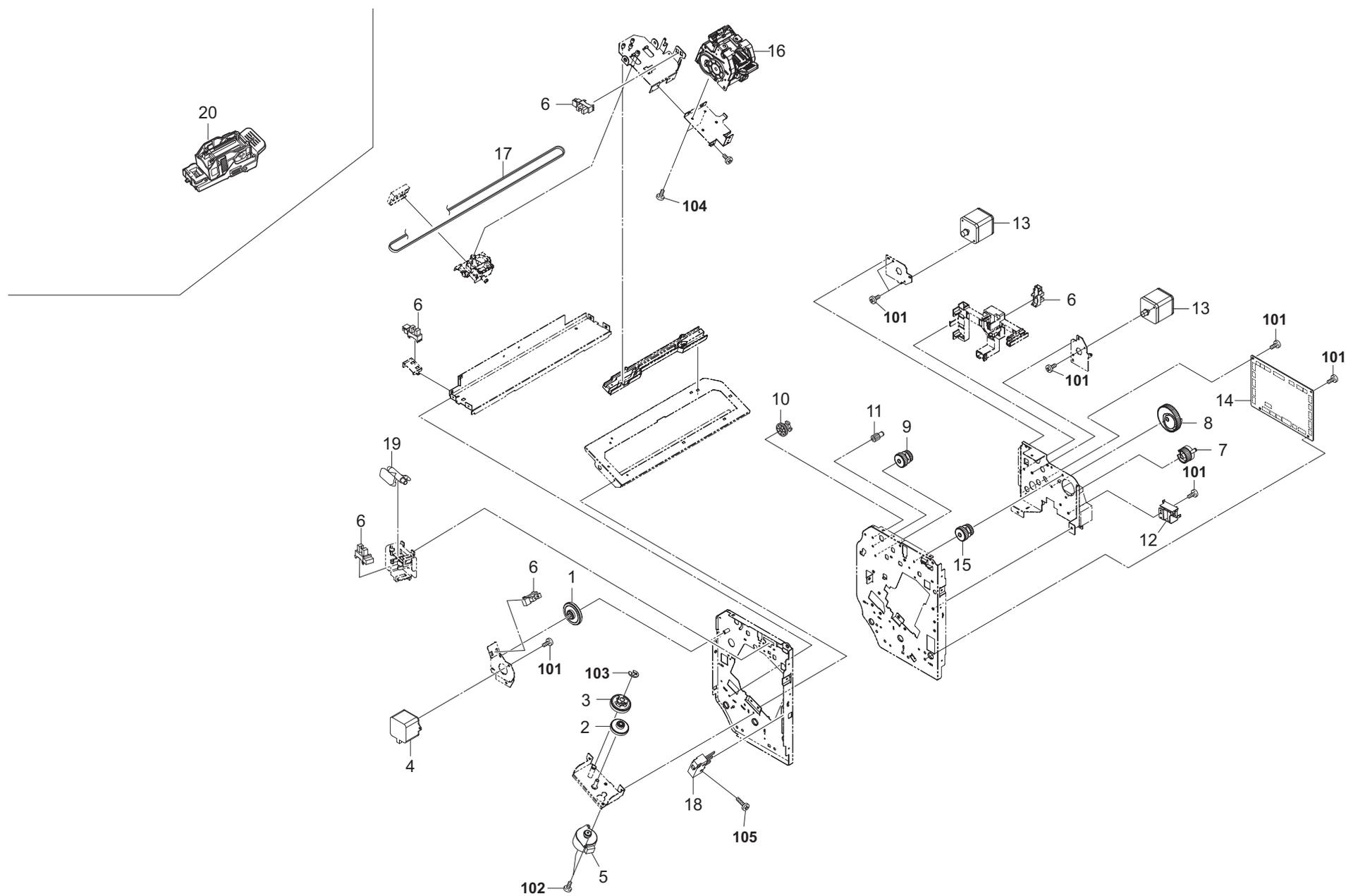
Ref. No. 番号	Part.No. 部品番号	Description 部品名称	Notes 備考	Revision 改訂	Quantity 個数			
					100(日本)	120	230	240
1	305JA73180	ASY-BLT-KM			1	1	1	1
2	305JA70070	GP1S73P2J00F			1	1	1	1
3	305JA71360	ROL-FE-FEED-ENT			1	1	1	1
4	305JS70320	BRACKET:K-SP-BLT-F-N			1	1	1	1
5	305JS70330	BRACKET:K-SP-BLT-C-N			2	2	2	2
6	305JS70340	BRACKET:K-SP-BLT-R-N			1	1	1	1
7	305JA71410	BRSH-PICK-1			1	1	1	1
8	305JA70780	GER-080-32-PLY-S2M-18			1	1	1	1
9	305JA70760	GER-080-32			1	1	1	1
10	5AA09060	PIN DOWEL 2*10			1	1	1	1
11	305JA70880	LVR-FE-SEN-ENT			1	1	1	1
12	305JA71430	BRSH-PICK-3			2	2	2	2
13	305JA71420	BRSH-PICK-2			2	2	2	2
14	305JA70310	ROL-FE-PICK			2	2	2	2
15	305JA70830	GER-100-56			1	1	1	1
101	305H280430	SCR-030-060WTP						

• Parts with a Ref.No. of 500 and above in the illustration indicate they are not selected for service parts.

• イラスト中で 500 番台の Ref 番号が付いている部品はサービスパーツに選定されていません。

FIG. 4 Drive Section & Electrical Components

5JS



INDEX / 索引

5JS-2

Part.No. 部品番号	Alternative. 代替部品番号	Description 部品名称	Fig.No.
303JY38750	3JY38750	CARTRIDGE EH590	4
303JY44011	3JY44011	STAPLER EH590	4
305H080470	5H080470	SCR03M060-WS-W	4
305H180600	5H180600	SCR-030-060NSW	4
305H280430	5H280430	SCR-030-060WTP	2,3
305JA70010	5JA70010	SCR-023-100ZWS	4
305JA70030	5JA70030	SCR-030-080-WBB	1,2
305JA70060	5JA70060	DE2L-FJ15	4
305JA70070	5JA70070	GP1S73P2J00F	1,2
305JA70150	5JA70150	BELTS3M284040	4
305JA70280	5JA70280	CUSH-YO	2
305JA70310	5JA70310	ROL-FE-PICK	3
305JA70330	5JA70330	PDL-PR-EXIT	2
305JA70380	5JA70380	DMP-PR-YO	2
305JA70390	5JA70390	GER-080-17-42	4
305JA70490	5JA70490	MOT-17PM-J343-P3VS	4
305JA70500	5JA70500	MOT-17PM-J052-G1VS	4
305JA70660	5JA70660	GER-080-47-PLY-S3M-18	4
305JA70740	5JA70740	GER-080-43-KH	2
305JA70750	5JA70750	GER-080-16	4
305JA70760	5JA70760	GER-080-32	3
305JA70770	5JA70770	GER-080-32-PLY-S2M-35	4
305JA70780	5JA70780	GER-080-32-PLY-S2M-18	3,4
305JA70790	5JA70790	GER-080-64-CAM	4
305JA70810	5JA70810	GER-080-32-KH	4
305JA70830	5JA70830	GER-100-56	3
305JA70850	5JA70850	KORO-FE-ENT	1
305JA70880	5JA70880	LVR-FE-SEN-ENT	3
305JA70940	5JA70940	LVR-YO	2
305JA71360	5JA71360	ROL-FE-FEED-ENT	3
305JA71410	5JA71410	BRSH-PICK-1	3
305JA71420	5JA71420	BRSH-PICK-2	3
305JA71430	5JA71430	BRSH-PICK-3	3
305JA71490	5JA71490	SOL-TDS-F12G-68	4
305JA71500	5JA71500	MOT-PM42L-048-NSE4	4
305JA71510	5JA71510	MOT-PM42M-048-NSE3	2
305JA71520	5JA71520	MOT-PM42M-048-NSF0	2
305JA71820	5JA71820	GER-080-32-PLY-S2M28	4
305JA71850	5JA71850	LVR-PR-SEIGO-SEN-KM	2
305JA72510	5JA72510	SCR-030-060	2
305JA72800	5JA72800	GER-100-16-050-88	4
305JA72810	5JA72810	ROL-PR-EXIT-W	2
305JA73180	5JA73180	ASY-BLT-KM	3
305JS70020	5JS70020	COVER:CVR-REAR	1
305JS70030	5JS70030	COVER:CVR-FRONT-S-1	1
305JS70040	5JS70040	COVER:CVR-TOP	1
305JS70050	5JS70050	COVER:CVR-JAM	1
305JS70100	5JS70100	COVER:HLDR-S-LINK-F	1
305JS70110	5JS70110	COVER:CVR-FRONT-S-2	1
305JS70120	5JS70120	COVER:TRY-S-MAIN	1
305JS70130	5JS70130	COVER:TRY-S-SUB	1

Part.No. 部品番号	Alternative. 代替部品番号	Description 部品名称	Fig.No.
305JS70140	5JS70140	COVER:TRY-S-MID	1
305JS70150	5JS70150	COVER:HLDR-S-TRY	1
305JS70160	5JS70160	COVER:HLDR-S-BASE	1
305JS70170	5JS70170	COVER:CVR-S-BASE	1
305JS70180	5JS70180	COVER:LEV-S-SHUT	1
305JS70190	5JS70190	COVER:CVR-PR-WALL	2
305JS70200	5JS70200	COVER:HLDR-S-LINK-R-A	1
305JS70210	5JS70210	COVER:CVR-S-LINK-R-A	1
305JS70240	5JS70240	MOTOR:MOTOR,DC GEARED	1
305JS70250	5JS70250	STOPPER:CLIP050140W	1
305JS70260	5JS70260	PWB:PBA-CONTROL	4
305JS70270	5JS70270	SOLENOID:SOL-TDS-F12G-67A	2
305JS70280	5JS70280	TRAY:ASY-S/P-TRY-SUB	1
305JS70290	5JS70290	TRAY:ASY-S/P-TRY-S	1
305JS70300	5JS70300	COVER:ASY-S/P-CVR-F-M	1
305JS70310	5JS70310	SOLENOID:ASY-YO-SOL	2
305JS70320	5JS70320	BRACKET:K-SP-BLT-F-N	3
305JS70330	5JS70330	BRACKET:K-SP-BLT-C-N	3
305JS70340	5JS70340	BRACKET:K-SP-BLT-R-N	3
305JS70350	5JS70350	LEVER:LVR-SEN-CVR-JAM	4
5AA09060	5AA09060	PIN DOWEL 2*10	3
5HL08300	5HL08300	ER-070	4
5HL08470	5HL08470	SCR-MX6BISR-3C	1

AK-470

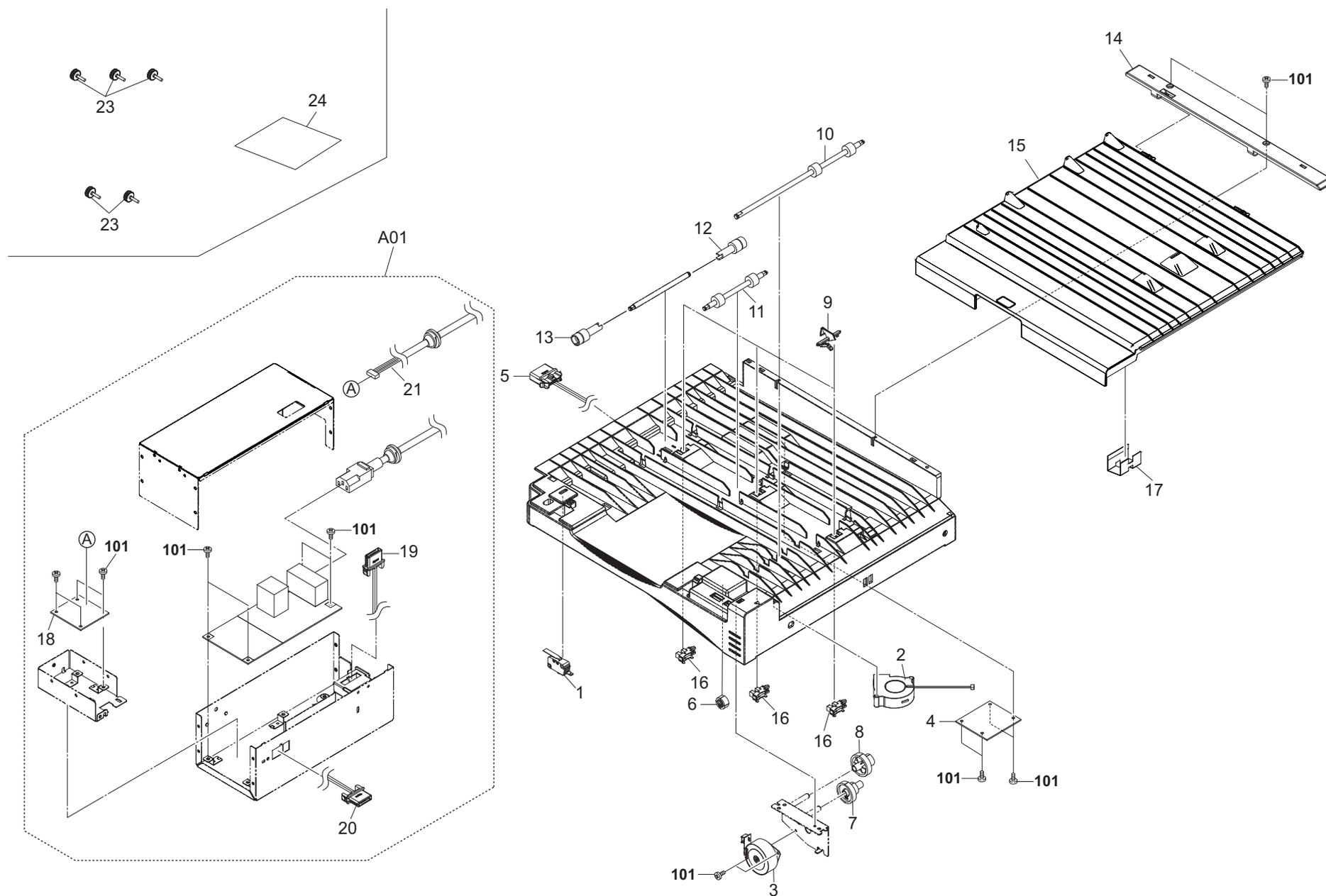
Rev.1
August 2017

—— CONTENTS / 目次 ——

FIG. 1 AK-470 2

FIG. 1 AK-470

3NS-1



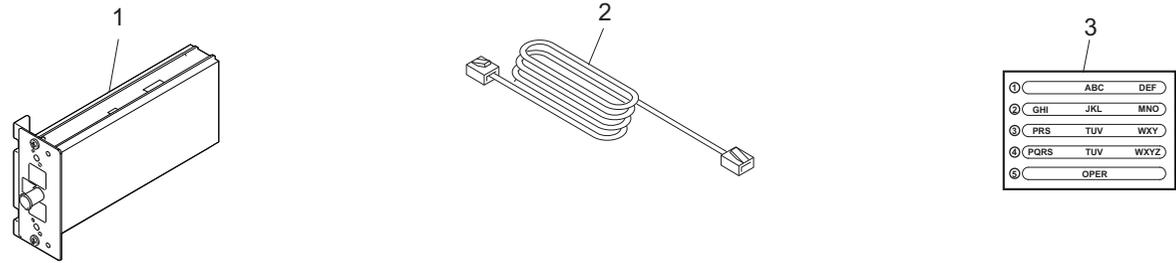
FAX System 13

First Edition
August 2017

—— CONTENTS / 目次 ——

FIG. 1 FAX System 13 2

FIG. 1 FAX System 13



KYOCERA Document Solutions America, Inc.**Headquarters**

225 Sand Road,
Fairfield, New Jersey 07004-0008, USA
Phone: +1-973-808-8444
Fax: +1-973-882-6000

Latin America

8240 NW 52nd Terrace, Suite 301
Miami, Florida 33166, USA
Phone: +1-305-421-6640
Fax: +1-305-421-6666

KYOCERA Document Solutions Canada, Ltd.

6120 Kestrel Rd., Mississauga, ON L5T 1S8,
Canada
Phone: +1-905-670-4425
Fax: +1-905-670-8116

KYOCERA Document Solutions**Mexico, S.A. de C.V.**

Calle Arquimedes No. 130, 4 Piso, Colonia Polanco
Chapultepec, Delegacion Miguel Hidalgo,
Distrito Federal, C.P. 11560, México
Phone: +52-555-383-2741
Fax: +52-555-383-7804

KYOCERA Document Solutions Brazil, Ltda.

Alameda África, 545, Pólo Empresarial Consbrás,
Tamboré, Santana de Parnaíba, State of São Paulo,
CEP 06543-306, Brazil
Phone: +55-11-2424-5353
Fax: +55-11-2424-5304

KYOCERA Document Solutions Chile SpA

Jose Ananias 505, Macul. Santiago, Chile
Phone: +56-2-2670-1900
Fax: +562-2350-7150

KYOCERA Document Solutions**Australia Pty. Ltd.**

Level 3, 6-10 Talavera Road North Ryde N.S.W, 2113,
Australia
Phone: +61-2-9888-9999
Fax: +61-2-9888-9588

KYOCERA Document Solutions**New Zealand Ltd.**

Ground Floor, 19 Byron Avenue, Takapuna, Auckland,
New Zealand
Phone: +64-9-415-4517
Fax: +64-9-415-4597

KYOCERA Document Solutions Asia Limited

13/F., Mita Centre, 552-566, Castle Peak Road Tsuen
Wan, New Territories, Hong Kong
Phone: +852-2496-5678
Fax: +852-2610-2063

KYOCERA Document Solutions**(China) Corporation**

8F, No. 288 Nanjing Road West, Huangpu District,
Shanghai, 200003, China
Phone: +86-21-5301-1777
Fax: +86-21-5302-8300

KYOCERA Document Solutions**(Thailand) Corp., Ltd.**

335 Ratchadapisek Road, Wongsawang, Bangsue,
Bangkok 10800,
Thailand
Phone: +66-2-586-0333
Fax: +66-2-586-0278

KYOCERA Document Solutions**Singapore Pte. Ltd.**

12 Tai Seng Street #04-01A,
Luxasia Building, Singapore 534118
Phone: +65-6741-8733
Fax: +65-6748-3788

KYOCERA Document Solutions**Hong Kong Limited**

16/F., Mita Centre, 552-566, Castle Peak Road Tsuen
Wan, New Territories, Hong Kong
Phone: +852-3582-4000
Fax: +852-3185-1399

KYOCERA Document Solutions**Taiwan Corporation**

6F., No.37, Sec. 3, Minquan E. Rd.,
Zhongshan Dist., Taipei 104, Taiwan R.O.C.
Phone: +886-2-2507-6709
Fax: +886-2-2507-8432

KYOCERA Document Solutions Korea Co., Ltd.

#10F Daewoo Foundation Bldg 18, Toegye-ro, Jung-gu,
Seoul, Korea
Phone: +822-6933-4050
Fax: +822-747-0084

KYOCERA Document Solutions**India Private Limited**

Second Floor, Centrum Plaza, Golf Course Road,
Sector-53, Gurgaon, Haryana 122002, India
Phone: +91-0124-4671000
Fax: +91-0124-4671001

KYOCERA Document Solutions Europe B.V.

Bloemlaan 4, 2132 NP Hoofddorp,
The Netherlands
Phone: +31-20-654-0000
Fax: +31-20-653-1256

KYOCERA Document Solutions Nederland B.V.

Beechavenue 25, 1119 RA Schiphol-Rijk,
The Netherlands
Phone: +31-20-5877200
Fax: +31-20-5877260

KYOCERA Document Solutions (U.K.) Limited

Eldon Court, 75-77 London Road,
Reading, Berkshire RG1 5BS,
United Kingdom
Phone: +44-118-931-1500
Fax: +44-118-931-1108

KYOCERA Document Solutions Italia S.p.A.

Via Monfalcone 15, 20132, Milano, Italy,
Phone: +39-02-921791
Fax: +39-02-92179-600

KYOCERA Document Solutions Belgium N.V.

Sint-Martinusweg 199-201 1930 Zaventem,
Belgium
Phone: +32-2-7209270
Fax: +32-2-7208748

KYOCERA Document Solutions France S.A.S.

Espace Technologique de St Aubin
Route de l'Orme 91195 Gif-sur-Yvette CEDEX,
France
Phone: +33-1-69852600
Fax: +33-1-69853409

KYOCERA Document Solutions Espana, S.A.

Edificio Kyocera, Avda. de Manacor No.2,
28290 Las Matas (Madrid), Spain
Phone: +34-91-6318392
Fax: +34-91-6318219

© 2018 KYOCERA Document Solutions Inc.

 is a trademark of KYOCERA Corporation

KYOCERA Document Solutions Finland Oy

Atomitie 5C, 00370 Helsinki,
Finland
Phone: +358-9-47805200
Fax: +358-9-47805212

KYOCERA Document Solutions Europe B.V., Amsterdam (NL) Zürich Branch

Hohlstrasse 614, 8048 Zürich,
Switzerland
Phone: +41-44-9084949
Fax: +41-44-9084950

KYOCERA Bilgitas Document Solutions Turkey A.S.

Altunizade Mah. Prof. Fahrettin Kerim Gökay Cad.
No:45
34662 ÜSKÜDAR İSTANBUL, TURKEY
Phone: +90-216-339-0020
Fax: +90-216-339-0070

KYOCERA Document Solutions Deutschland GmbH

Otto-Hahn-Strasse 12, 40670 Meerbusch,
Germany
Phone: +49-2159-9180
Fax: +49-2159-918100

KYOCERA Document Solutions Austria GmbH

Wienerbergstraße 11, Turm A, 18. OG, 1100 Wien,
Austria
Phone: +43-1-863380
Fax: +43-1-86338-400

KYOCERA Document Solutions Nordic AB

Esbogatan 16B 164 75 Kista, Sweden
Phone: +46-8-546-550-00
Fax: +46-8-546-550-10

京セラドキュメントソリューションズ株式会社
京セラドキュメントソリューションズジャパン株式会社

 は京セラ株式会社の登録商標です。

KYOCERA Document Solutions Norge Nuf

Olaf Helsetsv. 6, 0619 Oslo, Norway
Phone: +47-22-62-73-00
Fax: +47-22-62-72-00

KYOCERA Document Solutions Danmark A/S

Ejby Industrivej 60, DK-2600 Glostrup,
Denmark
Phone: +45-70223880
Fax: +45-45765850

KYOCERA Document Solutions Portugal Lda.

Rua do Centro Cultural, 41 (Alvalade) 1700-106 Lisboa,
Portugal
Phone: +351-21-843-6780
Fax: +351-21-849-3312

KYOCERA Document Solutions South Africa (Pty) Ltd.

KYOCERA House, Hertford Office Park,
90 Bekker Road (Cnr. Allandale), Midrand, South Africa
Phone: +27-11-540-2600
Fax: +27-11-466-3050

KYOCERA Document Solutions Russia LLC.

Building 2, 51/4, Schepkina St., 129110, Moscow,
Russia
Phone: +7(495)741-0004
Fax: +7(495)741-0018

KYOCERA Document Solutions Middle East

Dubai Internet City, Bldg. 17,
Office 157 P.O. Box 500817, Dubai,
United Arab Emirates
Phone: +971-04-433-0412

KYOCERA Document Solutions Inc.

2-28, 1-chome, Tamatsukuri, Chuo-ku
Osaka 540-8585, Japan
Phone: +81-6-6764-3555
<http://www.kyoceradocumentsolutions.com>