



ECOSYS M3040dn
ECOSYS M3040idn
ECOSYS M3540dn
ECOSYS M3540idn
ECOSYS M3550idn
ECOSYS M3560idn

PARTS LIST

Published in October 2014
2NMPL074
Rev.4

ECOSYS M3540idn
ECOSYS M3550idn

パーツリスト

2014年10月 改訂版
2NMPL014
Rev.4

CONTENTS / 目次

<p>FIG. 1 Covers 2</p> <p>FIG. 2 Frames 4</p> <p>FIG. 3 Paper Cassette 6</p> <p>FIG. 4 Paper Feed Section 8</p> <p>FIG. 5 Image Formation Section 10</p> <p>FIG. 6 Developer Section 12</p> <p>FIG. 7 Fuser Section 14</p> <p>FIG. 8 Exit Section 16</p> <p>FIG. 9 Scanner Section 18</p> <p>FIG. 10 Drive Section 20</p>	<p>FIG. 11 Operation Section (40ppm(A4),42ppm(Letter)(B)/ 40ppm(A4),42ppm(Letter)(BF)/ 50ppm(A4),52ppm(Letter)/ 60ppm(A4),62ppm(Letter))..... 22</p> <p>FIG. 11 Operation Section (40ppm(A4),42ppm(Letter)(A)/ 40ppm(A4),42ppm(Letter)(AF))..... 24</p> <p>FIG. 12 Document Processor 26</p> <p>FIG. 13 Accessories 28</p> <p>FIG. 14 PT-320 30</p> <p>FIG. 15 Maintenance Kits 32</p>
---	--

Symbols in the “parts Number” cloumn.

- Parts with Ref.No. indicate maintenance parts and the ones without it indicate out of the above.
- Parts with "•" are component parts or sub-assemblies of the assembly appearing immediately above them.
- Parts with "••" are component parts or sub-assembly with "•" appearing immediately above them.

<Notation of products>

For the purpose of this parts list, products are identified as following.

ECOSYS M3040dn : 40ppm(A4),42ppm(Letter)(A)

ECOSYS M3040idn: 40ppm(A4),42ppm(Letter)(B)

ECOSYS M3540dn : 40ppm(A4),42ppm(Letter)(AF)

ECOSYS M3540idn: 40ppm(A4),42ppm(Letter)(BF)

ECOSYS M3550idn: 50ppm(A4),52ppm(Letter)

ECOSYS M3560idn: 60ppm(A4),62ppm(Letter)

記号の見方

番号がある部品は保守対象部品、番号がない部品は保守部品対象外です。
商品番号欄の•印は、〇〇組立の単品部品及び準組立部品を表わします。
商品番号欄の••印は、準組立部品の単品部品を表わします。

<本体機種区別表記>

パーツリスト中の本体機種区別は、以下の様に記載します。

ECOSYS M3540idn: 40ppm(A4)(BF)

ECOSYS M3550idn: 50ppm(A4)

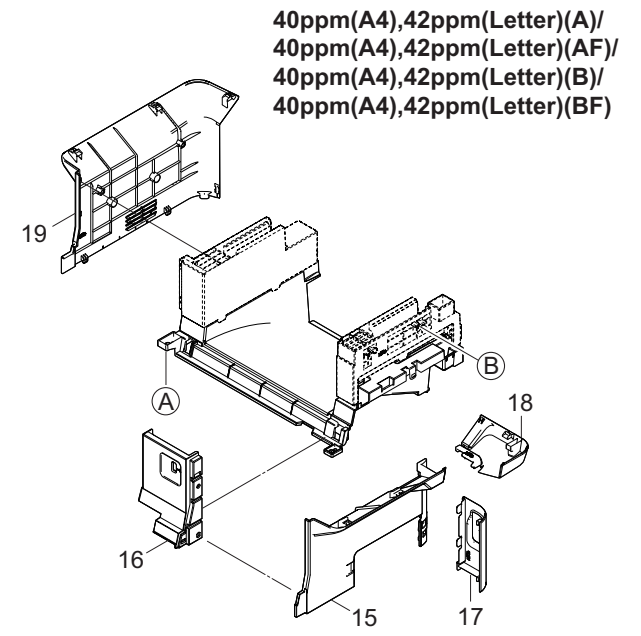
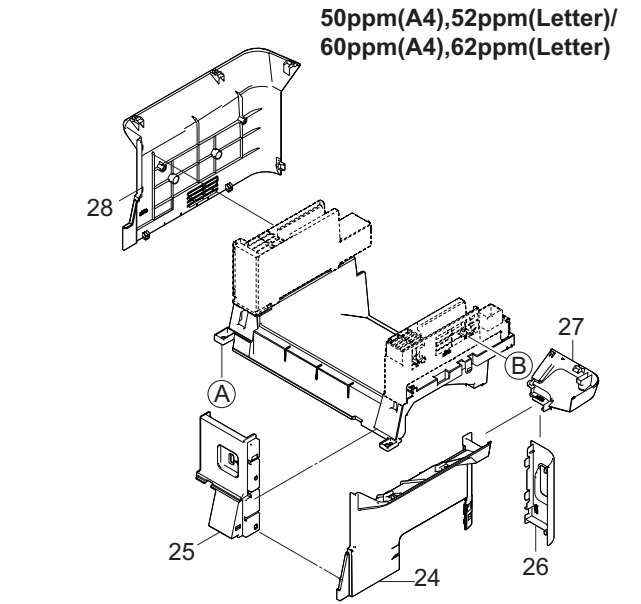
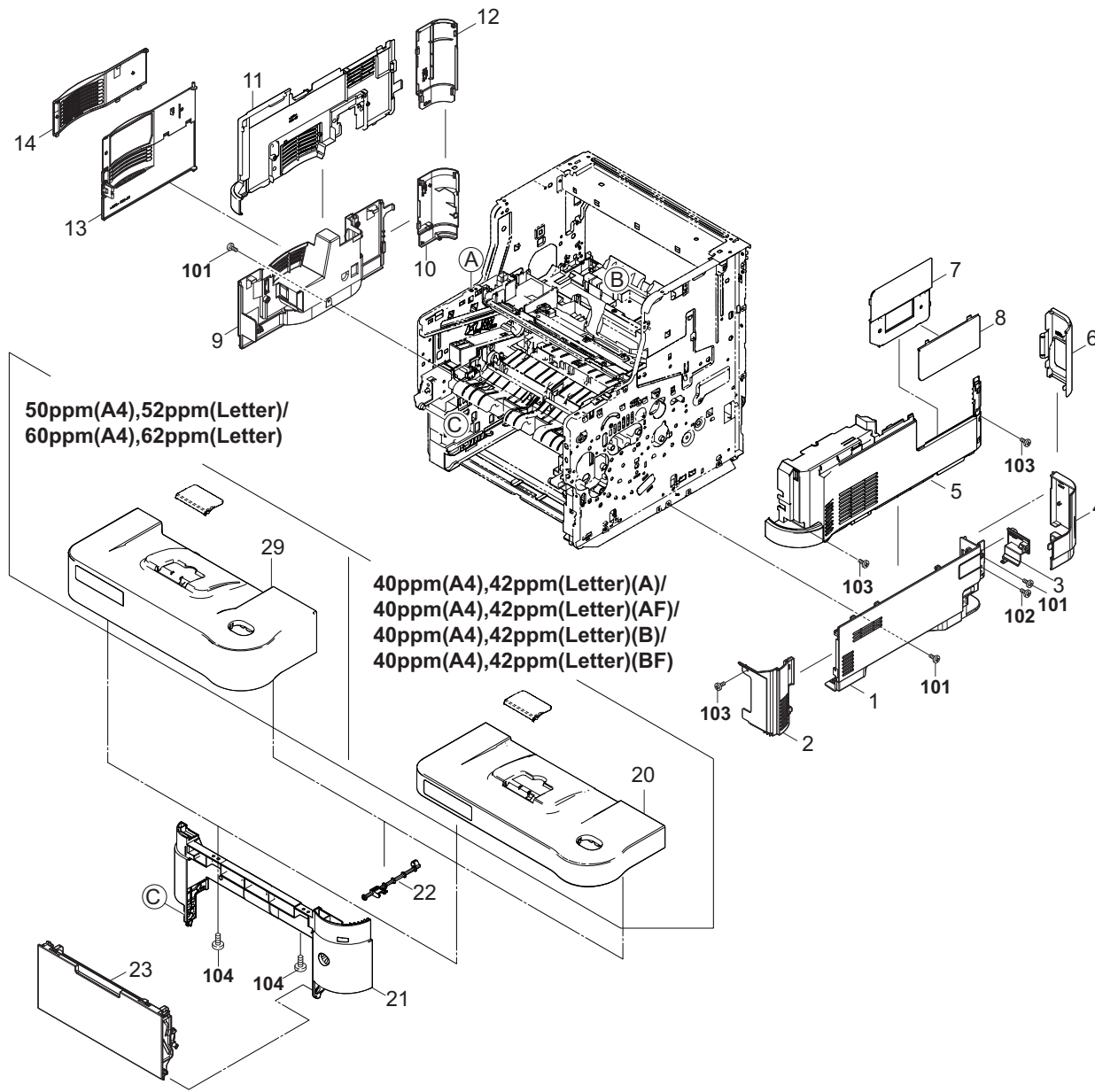


FIG. 1 Covers

2NM/2NX/2NY/2NZ/2P0/2P6-3

Ref. No. 番号	Part.No. 部品番号	Alternative. 代替部品番号	Description 部品名称	Notes 備考	Quantity 個数			
					100 (日本)	120	230	240
1	302LV04070	2LV04070	COVER RIGHT LOW		1	1	1	1
2	302LV04080	2LV04080	COVER RIGHT FRONT		1	1	1	1
3	302LV04270	2LV04270	COVER RIGHT REAR		1	1	1	1
4	302LV04150	2LV04150	COVER CONT LOW		1	1	1	1
5	302NM94020	2NM94020	PARTS COVER RIGHT MIDDLE ASSY SP		1	1	1	1
6	3V2NM04130	2NM04130	COVER CONT MIDDLE		1	1	1	1
7	3V2NM04100	2NM04100	COVER CONTROLLER UP		1	1	1	1
8	3V2NM04110	2NM04110	COVER CONTROLLER LOW		1	1	1	1
9	302LV04050	2LV04050	COVER LEFT LOW		1	1	1	1
10	302LV04260	2LV04260	COVER LEFT LOW REAR		1	1	1	1
11	3V2NM04080	2NM04080	COVER LEFT MIDDLE		1	1	1	1
12	302LV04250	2LV04250	COVER LEFT UP REAR		1	1	1	1
13	302LV04190	2LV04190	COVER SIDE LOW		1	1	1	1
14	302LV04170	2LV04170	COVER SIDE UP		1	1	1	1
15	3V2NX04030	2NX04030	COVER RIGHT UP A	40ppm(A4),42ppm(Letter)(A)/40ppm(A4),42ppm(Letter)(AF)/40ppm(A4),42ppm(Letter)(B)/40ppm(A4),42ppm(Letter)(BF)	1	1	1	1
16	3V2NX04120	2NX04120	COVER RIGHT UP B	40ppm(A4),42ppm(Letter)(A)/40ppm(A4),42ppm(Letter)(AF)/40ppm(A4),42ppm(Letter)(B)/40ppm(A4),42ppm(Letter)(BF)	1	1	1	1
17	3V2NX04150	2NX04150	COVER CONT UP B	40ppm(A4),42ppm(Letter)(A)/40ppm(A4),42ppm(Letter)(AF)/40ppm(A4),42ppm(Letter)(B)/40ppm(A4),42ppm(Letter)(BF)	1	1	1	1
18	3V2NX04140	2NX04140	COVER CONT UP A	40ppm(A4),42ppm(Letter)(A)/40ppm(A4),42ppm(Letter)(AF)/40ppm(A4),42ppm(Letter)(B)/40ppm(A4),42ppm(Letter)(BF)	1	1	1	1
19	3V2NX04050	2NX04050	COVER LEFT UP	40ppm(A4),42ppm(Letter)(A)/40ppm(A4),42ppm(Letter)(AF)/40ppm(A4),42ppm(Letter)(B)/40ppm(A4),42ppm(Letter)(BF)	1	1	1	1
20	302P094010	2P094010	PARTS LID TOP ASSY SP	40ppm(A4),42ppm(Letter)(A)			1	1
20	302NY94010	2NY94010	PARTS LID TOP ASSY SP	40ppm(A4),42ppm(Letter)(B)		1	1	1
20	302NZ94010	2NZ94010	PARTS LID TOP ASSY SP	40ppm(A4),42ppm(Letter)(AF)			1	1
20	302NX94010	2NX94010	PARTS LID TOP ASSY SP	40ppm(A4),42ppm(Letter)(BF)	1	1	1	1
21	302NX94020	2NX94020	PARTS COVER FRONT ASSY SP	40ppm(A4),42ppm(Letter)(A)/40ppm(A4),42ppm(Letter)(AF)/40ppm(A4),42ppm(Letter)(B)/40ppm(A4),42ppm(Letter)(BF)	1	1	1	1
21	3V2NM04030	2NM04030	COVER FRONT	50ppm(A4),52ppm(Letter)/60ppm(A4),62ppm(Letter)	1	1	1	1
22	3V2NM04230	2NM04230	HOOK LID TOP A		1	1	1	1
23	302LV94041	2LV94041	PARTS COVER MPF ASSY SP		1	1	1	1
24	3V2NM04040	2NM04040	COVER RIGHT UP A	50ppm(A4),52ppm(Letter)/60ppm(A4),62ppm(Letter)	1	1	1	1
25	3V2NM04280	2NM04280	COVER RIGHT UP B	50ppm(A4),52ppm(Letter)/60ppm(A4),62ppm(Letter)	1	1	1	1
26	3V2NM04330	2NM04330	COVER CONT UP B	50ppm(A4),52ppm(Letter)/60ppm(A4),62ppm(Letter)	1	1	1	1
27	3V2NM04320	2NM04320	COVER CONT UP A	50ppm(A4),52ppm(Letter)/60ppm(A4),62ppm(Letter)	1	1	1	1
28	3V2NM04070	2NM04070	COVER LEFT UP	50ppm(A4),52ppm(Letter)/60ppm(A4),62ppm(Letter)	1	1	1	1
29	302NM94010	2NM94010	PARTS LID TOP ASSY SP	50ppm(A4),52ppm(Letter)	1	1	1	
29	302P694010	2P694010	PARTS LID TOP ASSY SP	60ppm(A4),62ppm(Letter)		1	1	
101	7BB780308H	BB111200	+BIND T.T S SCREW 3X8 SR(BLACK)					
102	7BB282308H	BB111240	+TP-FLAT T.T P SCREW 3X8(BLACK)					
103	7BB700308H	BB105600	+BIND T.T S SCREW 3X8 SR					
104	7BB200312H	BB105680	+BIND T.T P SCREW 3X12					

• The (A),(AF),(B) or (BF) designation references Specific Products.
Please see Page 1 for details.

• (A), (AF), (B), (BF) は、製品を区別する記号です。
詳細は1ページを参照してください。

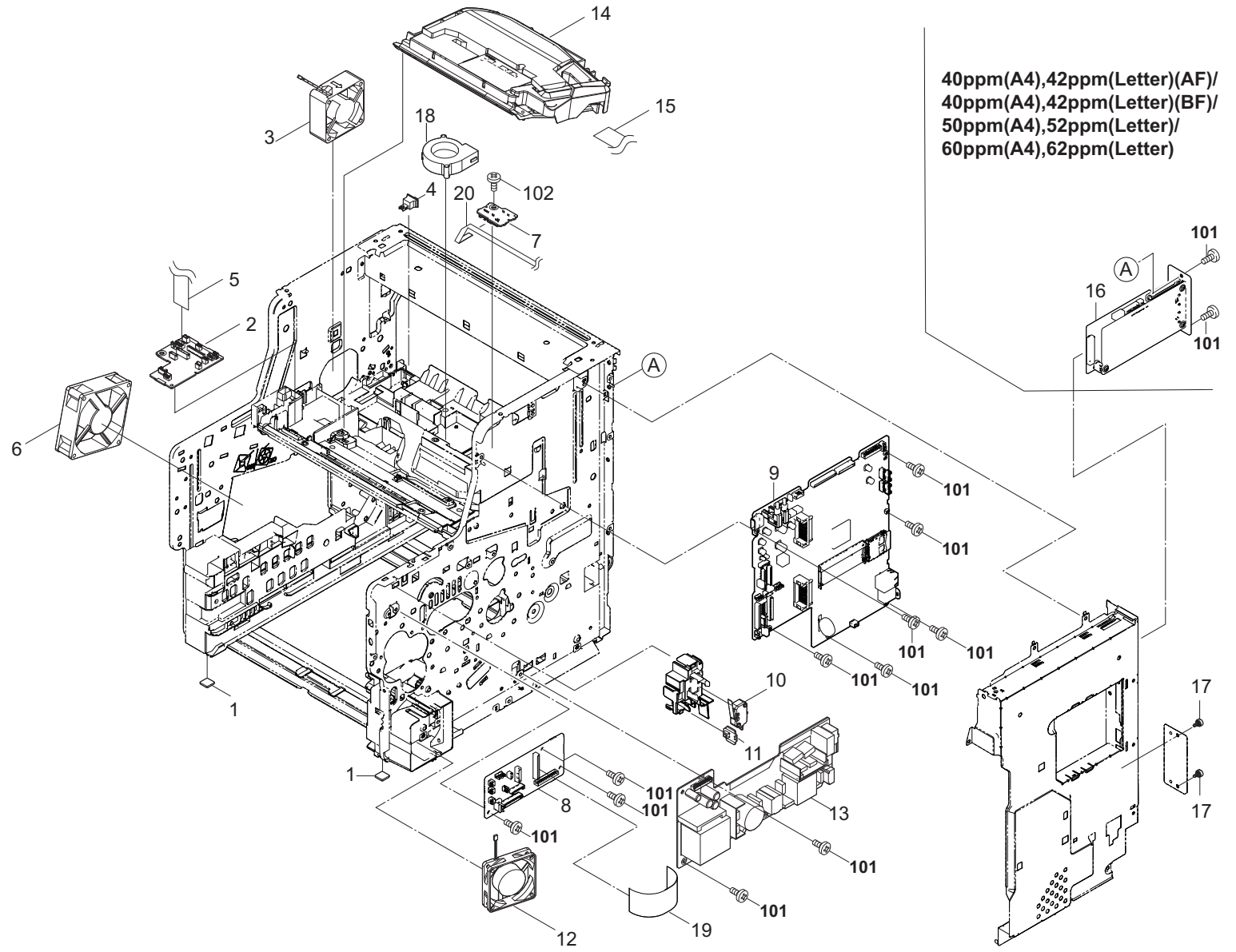


FIG. 2 Frames

2NM/2NX/2NY/2NZ/2P0/2P6-3

Ref. No. 番号	Part.No. 部品番号	Alternative. 代替部品番号	Description 部品名称	Notes 備考	Quantity 個数			
					100 (日本)	120	230	240
1	302HN02611	2HN02611	FOOT		2	2	2	2
2	302LV94192	2LV94192	PARTS PWB ASSY CONNECT-L SP	50ppm(A4),52ppm(Letter)/60ppm(A4),62ppm(Letter)	1	1	1	1
2	302L294092	2L294092	PARTS PWB ASSY CONNECT-L SP	40ppm(A4),42ppm(Letter)(A)/40ppm(A4),42ppm(Letter)(AF)/40ppm(A4),42ppm(Letter)(B)/40ppm(A4),42ppm(Letter)(BF)	1	1	1	1
3	302GR44080	2GR44080	FAN LSU 60-25		1	1	1	1
4	7SP01000006+H01	SP121020	SW.PUSH	50ppm(A4),52ppm(Letter)/60ppm(A4),62ppm(Letter)	1	1	1	1
5	302NX46020	2NX46020	CONN.CORD ASSY S03862 CONT-CONN L FFC	40ppm(A4),42ppm(Letter)(A)/40ppm(A4),42ppm(Letter)(AF)/40ppm(A4),42ppm(Letter)(B)/40ppm(A4),42ppm(Letter)(BF)	1	1	1	1
5	302NM46050	2NM46050	CONN.CORD ASSY S03861 CONT-CONN L FFC	50ppm(A4),52ppm(Letter)/60ppm(A4),62ppm(Letter)	1	1	1	1
6	302HN44010	2HN44010	FAN MOTOR		1	1	1	1
7	302LV94220	2LV94220	PARTS PWB ASSY TH CONNECT SP		1	1	1	1
8	302NM94070	2NM94070	PARTS PWB ASSY CONNECT-R SP	50ppm(A4),52ppm(Letter)/60ppm(A4),62ppm(Letter)	1	1	1	1
8	302NX94060	2NX94060	PARTS PWB ASSY CONNECT-R SP	40ppm(A4),42ppm(Letter)(A)/40ppm(A4),42ppm(Letter)(AF)/40ppm(A4),42ppm(Letter)(B)/40ppm(A4),42ppm(Letter)(BF)	1	1	1	1
9	302P094020	2P094020	PARTS PWB ASSY CONTROLLER SP	40ppm(A4),42ppm(Letter)(A)				1
9	302P094030	2P094030	PARTS PWB ASSY CONTROLLER SP EU	40ppm(A4),42ppm(Letter)(A)			1	
9	302NY94020	2NY94020	PARTS PWB ASSY CONTROLLER SP	40ppm(A4),42ppm(Letter)(B)		1		1
9	302NY94030	2NY94030	PARTS PWB ASSY CONTROLLER SP EU	40ppm(A4),42ppm(Letter)(B)			1	
9	302NZ94020	2NZ94020	PARTS PWB ASSY CONTROLLER SP	40ppm(A4),42ppm(Letter)(AF)				1
9	302NZ94030	2NZ94030	PARTS PWB ASSY CONTROLLER SP EU	40ppm(A4),42ppm(Letter)(AF)			1	
9	302NX94030	2NX94030	PARTS PWB ASSY CONTROLLER SP	40ppm(A4),42ppm(Letter)(BF)		1		1
9	302NX94040	2NX94040	PARTS PWB ASSY CONTROLLER SP EU	40ppm(A4),42ppm(Letter)(BF)			1	
9	302NX94070	2NX94070	PARTS PWB ASSY CONTROLLER SP JP	40ppm(A4),42ppm(Letter)(BF)	1			
9	302NM94041	2NM94041	PARTS PWB ASSY CONTROLLER SP	50ppm(A4),52ppm(Letter)		1		1
9	302NM94051	2NM94051	PARTS PWB ASSY CONTROLLER SP EU	50ppm(A4),52ppm(Letter)			1	
9	302NM94251	2NM94251	PARTS PWB ASSY CONTROLLER SP JP	50ppm(A4),52ppm(Letter)	1			
9	302P694021	2NZ93011	PARTS PWB ASSY CONTROLLER SP	60ppm(A4),62ppm(Letter)		1		1
9	302P694031	2P694031	PARTS PWB ASSY CONTROLLER SP EU	60ppm(A4),62ppm(Letter)			1	
10	2FB27160	2FB27160	INTER LOCK SWITCH		1	1	1	1
11	302LV94210	2LV94210	PARTS PWB ASSY SWITCH SP		1	1	1	1
12	302FZ94420	2FZ94420	PARTS.FAN COOLING CONVEYING SP		1	1	1	1
13	302LV94070	2LV94070	PARTS SWITCHING REGULATOR 230V SP	50ppm(A4),52ppm(Letter)/60ppm(A4),62ppm(Letter)			1	1
13	302LV94080	2LV94080	PARTS SWITCHING REGULATOR 120V SP	50ppm(A4),52ppm(Letter)/60ppm(A4),62ppm(Letter)	1	1		
13	302L294040	2L294040	PARTS SWITCHING REGULATOR 230V SP	40ppm(A4),42ppm(Letter)(A)/40ppm(A4),42ppm(Letter)(AF)/40ppm(A4),42ppm(Letter)(B)/40ppm(A4),42ppm(Letter)(BF)			1	1
13	302NX94050	2NX94050	PARTS SWITCHING REGULATOR 120V SP	40ppm(A4),42ppm(Letter)(B)/40ppm(A4),42ppm(Letter)(BF)	1	1		
14	302P693010	2P693010	LK-3230	60ppm(A4),62ppm(Letter)	1	1	1	1
14	302NZ93010	2NZ93010	LK-3200	40ppm(A4),42ppm(Letter)(A)/40ppm(A4),42ppm(Letter)(AF)/40ppm(A4),42ppm(Letter)(B)/40ppm(A4),42ppm(Letter)(BF)/50ppm(A4),52ppm(Letter)	1	1	1	1
15	302NM46040	2NM46040	CONN.CORD ASSY S03860 CONT-APC FFC		1	1	1	1
16	302PL94020	2PL94020	PARTS FAX UNIT E SP	40ppm(A4),42ppm(Letter)(AF)/40ppm(A4),42ppm(Letter)(BF)/50ppm(A4),52ppm(Letter)/60ppm(A4),62ppm(Letter)			1	
16	302PL94040	2PL94040	PARTS FAX UNIT U SP	40ppm(A4),42ppm(Letter)(BF)/50ppm(A4),52ppm(Letter)/60ppm(A4),62ppm(Letter)		1		
16	302PL94050	2PL94050	PARTS FAX UNIT AS SP	40ppm(A4),42ppm(Letter)(AF)/40ppm(A4),42ppm(Letter)(BF)/50ppm(A4),52ppm(Letter)/60ppm(A4),62ppm(Letter)				1
16	302PL94030	2PL94030	PARTS FAX UNIT J SP	40ppm(A4),42ppm(Letter)(BF)/50ppm(A4),52ppm(Letter)	1			
17	302F939082	2F939082	SCREW BOX		2	2	2	2
18	302LV94350	2LV94350	PARTS FAN MOTOR SP	50ppm(A4),52ppm(Letter)	1			
19	302NM46010	2NM46010	CONN.CORD ASSY S03833 CONT-CONN R FFC	50ppm(A4),52ppm(Letter)/60ppm(A4),62ppm(Letter)	1	1	1	1
19	302NX46010	2NX46010	CONN.CORD ASSY S03853 CONT-CONN R FFC	40ppm(A4),42ppm(Letter)(A)/40ppm(A4),42ppm(Letter)(AF)/40ppm(A4),42ppm(Letter)(B)/40ppm(A4),42ppm(Letter)(BF)	1	1	1	1
20	302NM46090	2NM46090	CONN.CORD ASSY S03849 CONT-TH FFC		1	1	1	1
101	7BB700308H	BB105600	+BIND T.T S SCREW 3X8 SR					
102	7BB200412H	BB105710	+BIND T.T P SCREW 4X12					

• The (A),(AF),(B) or (BF) designation references Specific Products.
Please see Page 1 for details.

• (A), (AF), (B), (BF) は、製品を区別する記号です。
詳細は 1 ページを参照してください。

A01

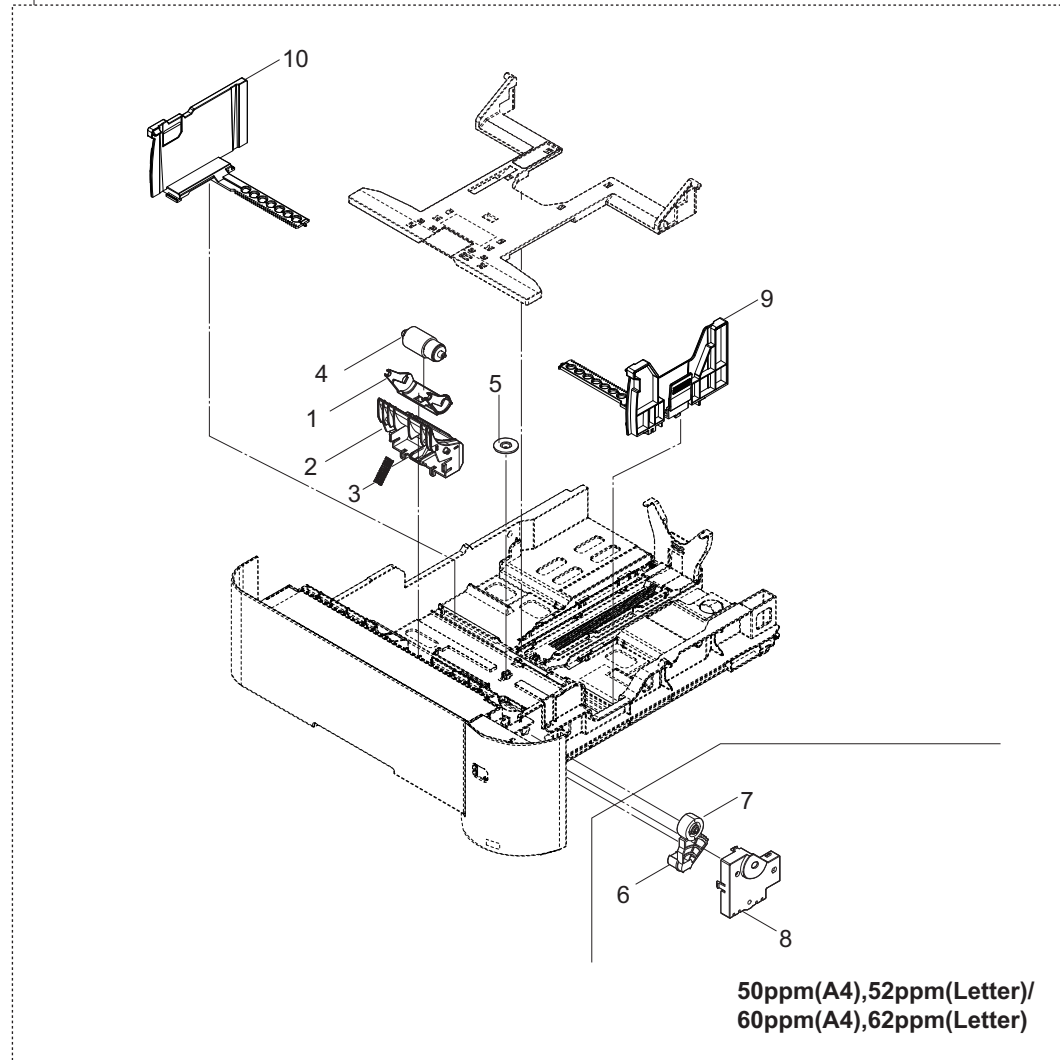


FIG. 3 Paper Cassette

2NM/2NX/2NY/2NZ/2P0/2P6-4

Ref. No. 番号	Part.No. 部品番号	Alternative. 代替部品番号	Description 部品名称	Notes 備考	Quantity 個数			
					100 (日本)	120	230	240
A01	302LV93031	2LV93031	CT-3130	50ppm(A4),52ppm(Letter)/60ppm(A4),62ppm(Letter)	1	1	1	1
A01	302MS93011	2MS93011	CT-3100	40ppm(A4),42ppm(Letter)(A)/40ppm(A4),42ppm(Letter)(AF)/40ppm(A4),42ppm(Letter)(B)/40ppm(A4),42ppm(Letter)(BF)	1	1	1	1
1	*302LV09110	2LV09110	HOLDER RETARD		1	1	1	1
2	*302LV09120	2LV09120	GUIDE RETARD		1	1	1	1
3	*302LV09130	2LV09130	SPRING RETARD		1	1	1	1
4	*302F909171	2F909171	RETARD ROLLER ASSY		1	1	1	1
5	*5MVG127DN071	2A807050	GEAR CASSETTE /A-49 CASSETTE A4		1	1	1	1
6	*302LV09240	2LV09240	GEAR Z48S LIFT	50ppm(A4),52ppm(Letter)/60ppm(A4),62ppm(Letter)	1	1	1	1
7	*302LV09220	2LV09220	GEAR Z15S JOINT	50ppm(A4),52ppm(Letter)/60ppm(A4),62ppm(Letter)	1	1	1	1
8	*302LV09200	2LV09200	COVER LIFT GEAR	50ppm(A4),52ppm(Letter)/60ppm(A4),62ppm(Letter)	1	1	1	1
9	*302LV09060	2LV09060	CURSOR RIGHT		1	1	1	1
10	*302LV09070	2LV09070	CURSOR LEFT		1	1	1	1

• The (A),(AF),(B) or (BF) designation references Specific Products.
Please see Page 1 for details.

• (A), (AF), (B), (BF) は、製品を区別する記号です。
詳細は 1 ページを参照してください。

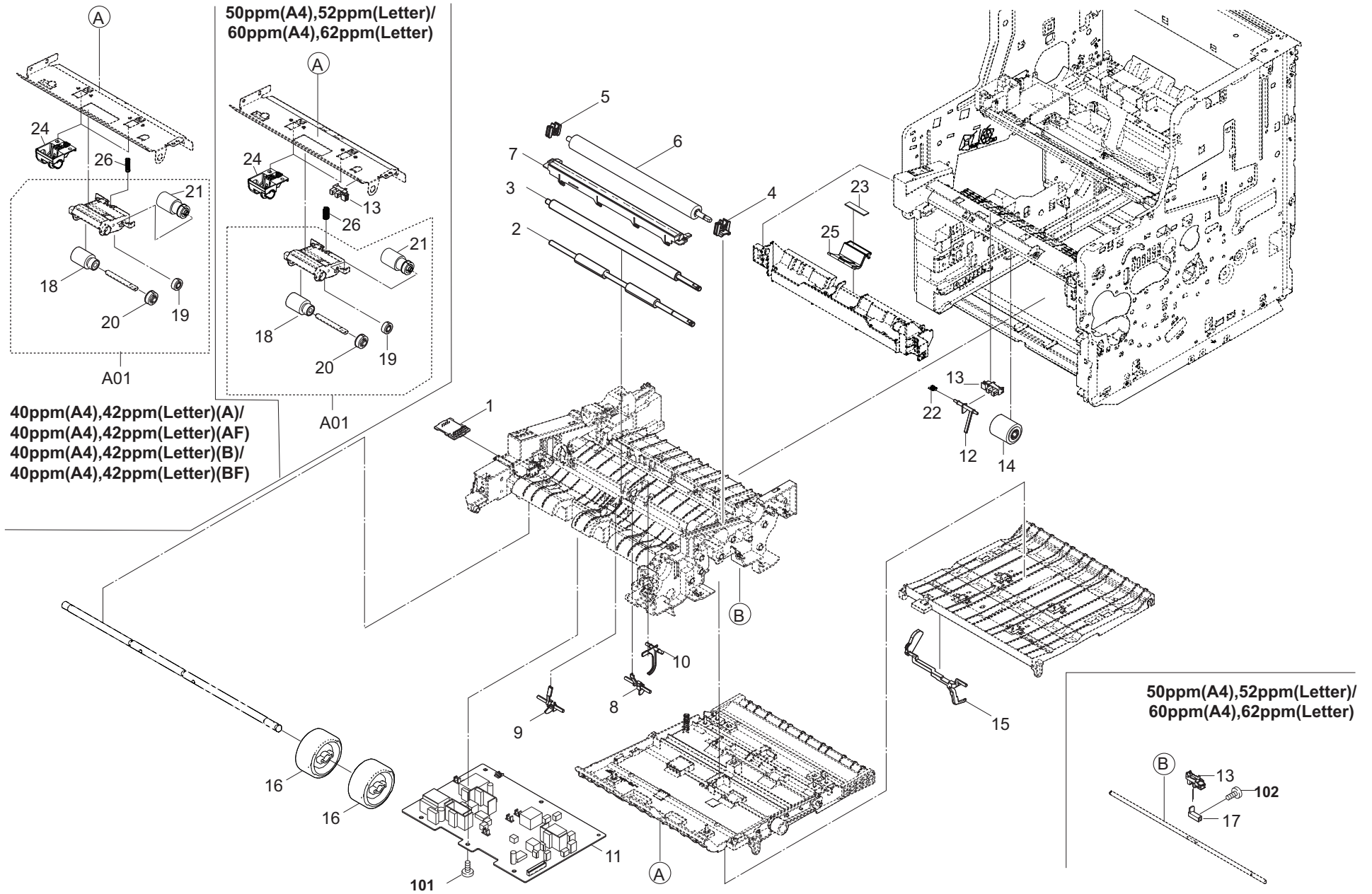


FIG. 4 Paper Feed Section

2NM/2NX/2NY/2NZ/2P0/2P6-4

Ref. No. 番号	Part.No. 部品番号	Alternative. 代替部品番号	Description 部品名称	Notes 備考	Quantity 個数			
					100 (日本)	120	230	240
1	302LV94200	2LV94200	PARTS PWB ASSY DRUM CONNECT SP		1	1	1	1
2	302LV94170	2LV94170	PARTS ROLLER REGIST LOW SP		1	1	1	1
3	302LV94180	2LV94180	PARTS ROLLER REGIST UP SP		1	1	1	1
4	302F924190	2F924190	BUSH TRANSFER R		1	1	1	1
5	302LV24360	2LV24360	BUSH TRANSFER L		1	1	1	1
6	302LV94130	2LV94130	PARTS ROLLER TRANSFER SP		1	1	1	1
7	302LV94261	2LV94261	PARTS GUIDE PAPER CHUTE SP			1	1	1
7	302LV94330	2LV94330	PARTS GUIDE PAPER CHUTE SP JP		1			
8	302LV24100	2LV24100	ACTUATOR IMAGE	50ppm(A4),52ppm(Letter)/60ppm(A4),62ppm(Letter)	1	1	1	1
9	302L224030	2L224030	ACTUATOR REGIST	40ppm(A4),42ppm(Letter)(A)/40ppm(A4),42ppm(Letter)(AF)/ 40ppm(A4),42ppm(Letter)(B)/40ppm(A4),42ppm(Letter)(BF)	1	1	1	1
10	302LV24110	2LV24110	ACTUATOR DU		1	1	1	1
11	302LV94060	2LV94060	PARTS HIGH VOLTAGE UNIT SP	50ppm(A4),52ppm(Letter)/60ppm(A4),62ppm(Letter)	1	1	1	1
11	302L294030	2L294030	PARTS HIGH VOLTAGE UNIT SP	40ppm(A4),42ppm(Letter)(A)/40ppm(A4),42ppm(Letter)(AF)/ 40ppm(A4),42ppm(Letter)(B)/40ppm(A4),42ppm(Letter)(BF)	1	1	1	1
12	302LV08180	2LV08180	ACTUATOR MPF		1	1	1	1
13	303M894260	3M894260	PARTS SENSOR OPT SP	50ppm(A4),52ppm(Letter)/60ppm(A4),62ppm(Letter)	3	3	3	3
13	303M894260	3M894260	PARTS SENSOR OPT SP	40ppm(A4),42ppm(Letter)(A)/40ppm(A4),42ppm(Letter)(AF)/ 40ppm(A4),42ppm(Letter)(B)/40ppm(A4),42ppm(Letter)(BF)	1	1	1	1
14	302HS08260	2HS08260	ROLLER M/P ASSY		1	1	1	1
15	302LV29090	2LV29090	ACTUATOR PE		1	1	1	1
16	302NM24010	2NM24010	ROLLER MIDDLE ASSY		2	2	2	2
17	302LV24450	2LV24450	ACTUATOR ENVELOPE	50ppm(A4),52ppm(Letter)/60ppm(A4),62ppm(Letter)	1	1	1	1
A01	302LV94270	2LV94270	PARTS HOLDER FEED ASSY SP		1	1	1	1
18	*302F906230	2F906230	PULLEY FEED ASSY		1	1	1	1
19	*302F906030	2F906030	GEAR FEED Z26H		1	1	1	1
20	*302F906280	2F906280	GEAR FEED Z30H		1	1	1	1
21	*302HN06080	2HN06080	PULLEY PICKUP ASSY		1	1	1	1
22	302LV08201	2LV08201	SPRING ACTUATOR MPF		1	1	1	1
23	302F908250	2F908250	PAD SEPARATOR MPF		1	1	1	1
24	3V2LV06030	2LV06030	GUIDE FEED SIDE		2	2	2	2
25	3V2LV08070	2LV08070	HOLDER SEPARATION MPF		1	1	1	1
26	302LV06040	2LV06040	SPRING PICKUP		1	1	1	1
101	7BB200412H	BB105710	+BIND T.T P SCREW 4X12					
102	7BB000304H	BB105720	+BIND M SCREW 3X4					

• The (A),(AF),(B) or (BF) designation references Specific Products.
Please see Page 1 for details.

• (A), (AF), (B), (BF) は、製品を区別する記号です。
詳細は 1 ページを参照してください。

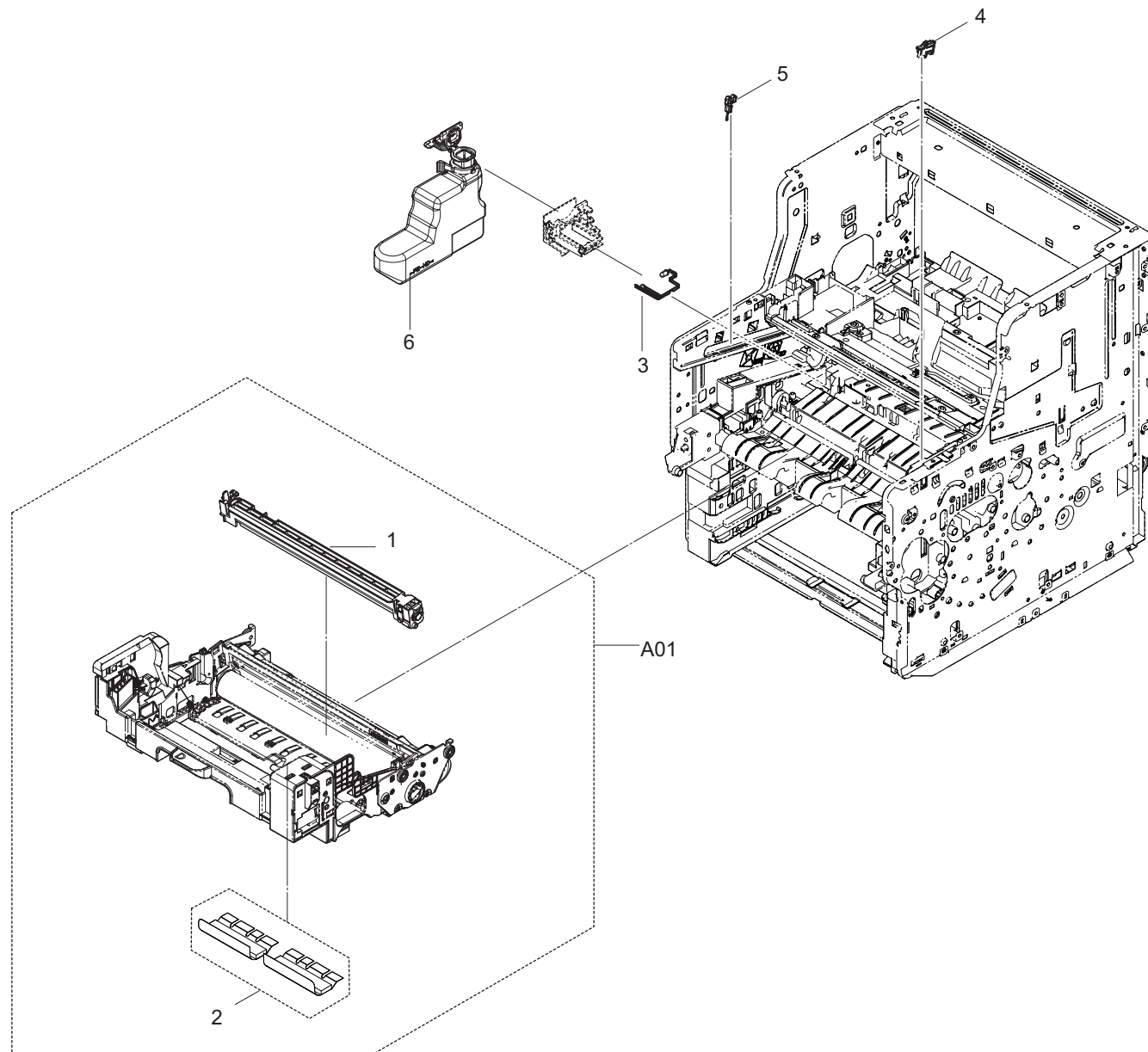


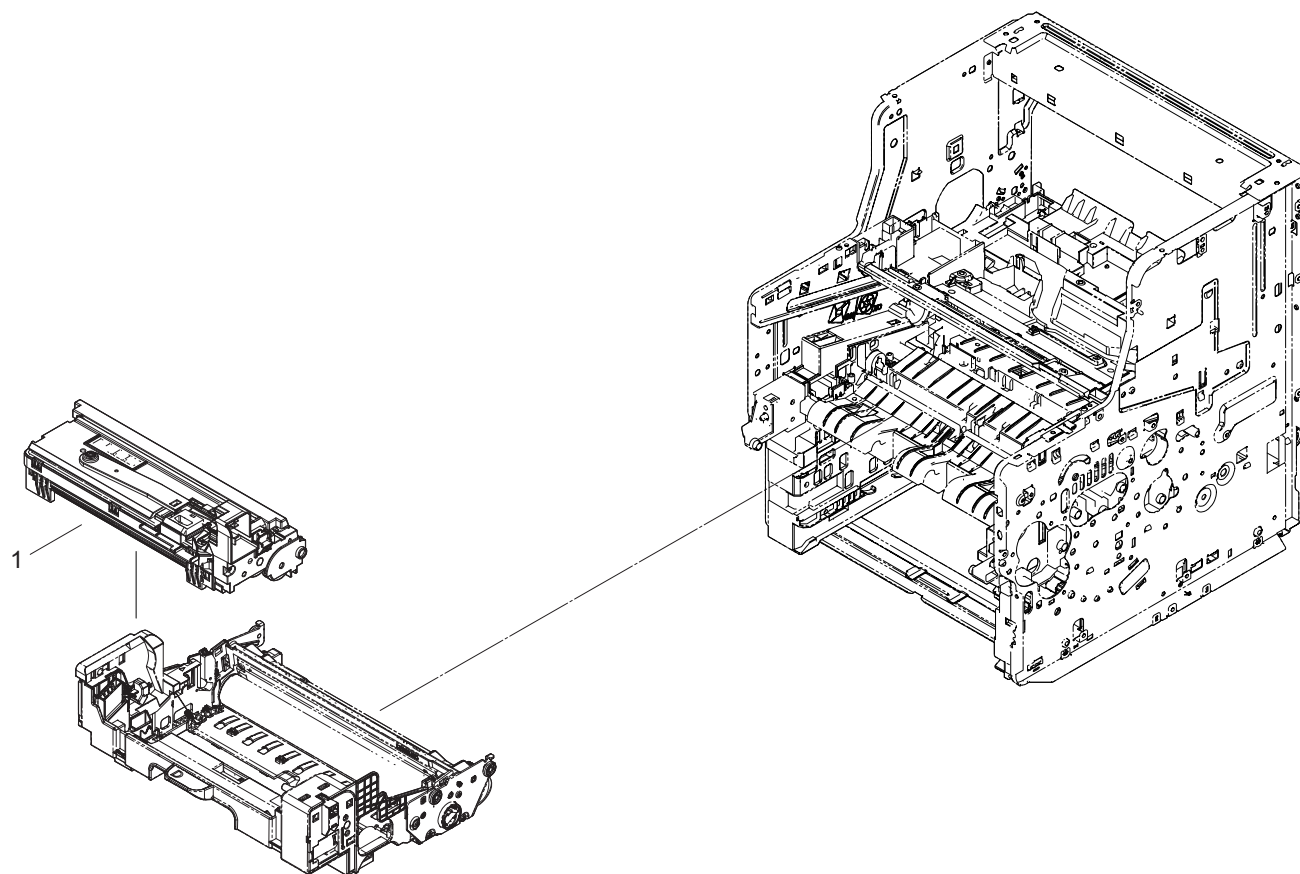
FIG. 5 Image Formation Section

2NM/2NX/2NY/2NZ/2P0/2P6

Ref. No. 番号	Part.No. 部品番号	Alternative. 代替部品番号	Description 部品名称	Notes 備考	Quantity 個数			
					100 (日本)	120	230	240
A01	302LV93042	2LV93042	DK-3130(E)	50ppm(A4),52ppm(Letter)/60ppm(A4),62ppm(Letter)			1	
A01	302LV93062	2LV93062	DK-3130(U)	50ppm(A4),52ppm(Letter)/60ppm(A4),62ppm(Letter)		1		
A01	302LV93072	2LV93072	DK-3130(AO)	50ppm(A4),52ppm(Letter)/60ppm(A4),62ppm(Letter)				1
A01	302MS93022	2MS93022	DK-3100(E)	40ppm(A4),42ppm(Letter)(A)/40ppm(A4),42ppm(Letter)(AF)			1	
A01	302MS93042	2MS93042	DK-3100(U)	40ppm(A4),42ppm(Letter)(B)/40ppm(A4),42ppm(Letter)(BF)		1		
A01	302MS93052	2MS93052	DK-3100(AO)	40ppm(A4),42ppm(Letter)(A)/40ppm(A4),42ppm(Letter)(AF)/ 40ppm(A4),42ppm(Letter)(B)/40ppm(A4),42ppm(Letter)(BF)				1
A01	302LV93172	2LV93172	DK-3130(J)	50ppm(A4),52ppm(Letter)	1			
A01	302MS93122	2MS93122	DK-3100(J)	40ppm(A4),42ppm(Letter)(BF)	1			
A01	302NX93010	2NX93010	DK-3150(E)	40ppm(A4),42ppm(Letter)(B)/40ppm(A4),42ppm(Letter)(BF)			1	
1	*302LV93010	2LV93010	MC-3100		1	1	1	1
2	*302LV94460	2LV94460	PARTS SHEET DRUM CUSHION SET SP		1	1	1	1
3	302LV94120	2LV94120	PARTS TONER FULL DETECT ASSY SP		1	1	1	1
4	302LV02110	2LV02110	STOPPER PROCESS		1	1	1	1
5	302LV02200	2LV02200	STOPPER PROCESS L		1	1	1	1
6	302LV93020	2LV93020	WT-3100		1	1	1	1

• The (A),(AF),(B) or (BF) designation references Specific Products.
Please see Page 1 for details.

• (A),(AF),(B),(BF) は、製品を区別する記号です。
詳細は1ページを参照してください。



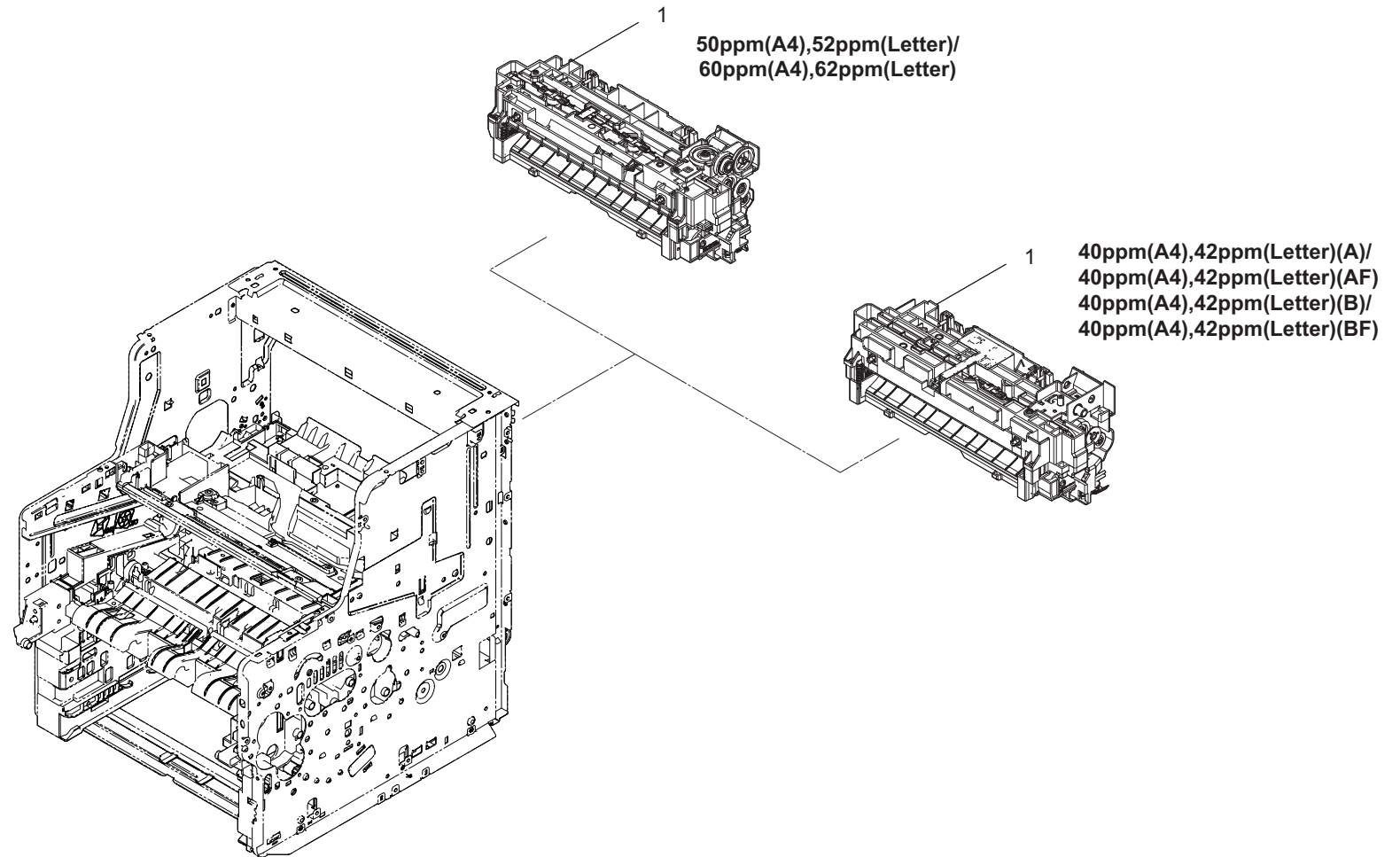


FIG. 7 Fuser Section

2NM/2NX/2NY/2NZ/2P0/2P6-3

Ref. No. 番号	Part.No. 部品番号	Alternative. 代替部品番号	Description 部品名称	Notes 備考	Quantity 個数			
					100 (日本)	120	230	240
1	302LV93113	2LV93113	FK-3130(E)	50ppm(A4),52ppm(Letter)/60ppm(A4),62ppm(Letter)			1	1
1	302LV93133	2LV93133	FK-3130(U)	50ppm(A4),52ppm(Letter)/60ppm(A4),62ppm(Letter)		1		
1	302MS93075	2MS93075	FK-3100(E)	40ppm(A4),42ppm(Letter)(A)/40ppm(A4),42ppm(Letter)(AF)/ 40ppm(A4),42ppm(Letter)(B)/40ppm(A4),42ppm(Letter)(BF)			1	1
1	302MS93095	2MS93095	FK-3100(U)	40ppm(A4),42ppm(Letter)(B)/40ppm(A4),42ppm(Letter)(BF)		1		
1	302LV93123	2LV93123	FK-3130(J)	50ppm(A4),52ppm(Letter)	1			
1	302MS93085	2MS93085	FK-3100(J)	40ppm(A4),42ppm(Letter)(BF)	1			

• The (A),(AF),(B) or (BF) designation references Specific Products. Please see Page 1 for details.

• (A), (AF), (B), (BF) は、製品を区別する記号です。詳細は1ページを参照してください。

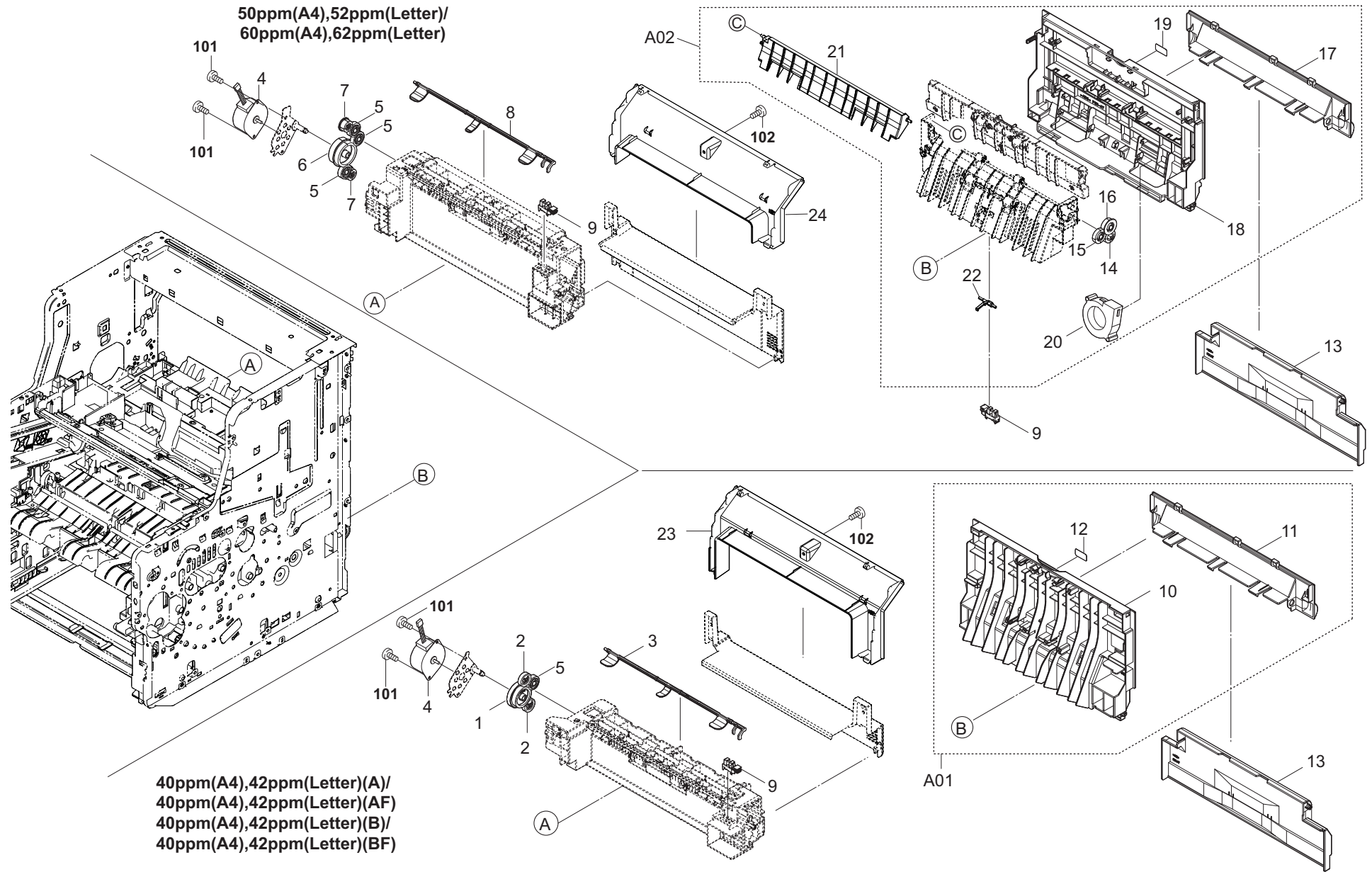


FIG. 8 Exit Section

2NM/2NX/2NY/2NZ/2P0/2P6-4

Ref. No. 番号	Part.No. 部品番号	Alternative. 代替部品番号	Description 部品名称	Notes 備考	Quantity 個数			
					100 (日本)	120	230	240
1	302L228041	2L228041	GEAR Z66R Z34S	40ppm(A4),42ppm(Letter)(A)/40ppm(A4),42ppm(Letter)(AF)/40ppm(A4),42ppm(Letter)(B)/40ppm(A4),42ppm(Letter)(BF)	1	1	1	1
2	302L228030	2L228030	GEAR Z21S EXIT	40ppm(A4),42ppm(Letter)(A)/40ppm(A4),42ppm(Letter)(AF)/40ppm(A4),42ppm(Letter)(B)/40ppm(A4),42ppm(Letter)(BF)	2	2	2	2
3	302L228090	2L228090	ACTUATOR OVERFLOW	40ppm(A4),42ppm(Letter)(A)/40ppm(A4),42ppm(Letter)(AF)/40ppm(A4),42ppm(Letter)(B)/40ppm(A4),42ppm(Letter)(BF)	1	1	1	1
4	302F944131	2F944131	MOTOR EJECT		1	1	1	1
5	302LV28050	2LV28050	GEAR Z22S	50ppm(A4),52ppm(Letter)/60ppm(A4),62ppm(Letter)	3	3	3	3
5	302LV28050	2LV28050	GEAR Z22S	40ppm(A4),42ppm(Letter)(A)/40ppm(A4),42ppm(Letter)(AF)/40ppm(A4),42ppm(Letter)(B)/40ppm(A4),42ppm(Letter)(BF)	1	1	1	1
6	302LV28031	2LV28031	GEAR Z66R-Z40S	50ppm(A4),52ppm(Letter)/60ppm(A4),62ppm(Letter)	1	1	1	1
7	302LV28040	2LV28040	GEAR Z17S	50ppm(A4),52ppm(Letter)/60ppm(A4),62ppm(Letter)	2	2	2	2
8	302LV28141	2LV28141	ACTUATOR OVERFLOW	50ppm(A4),52ppm(Letter)/60ppm(A4),62ppm(Letter)	1	1	1	1
9	303M894260	3M894260	PARTS SENSOR OPT SP	50ppm(A4),52ppm(Letter)/60ppm(A4),62ppm(Letter)	2	2	2	2
9	303M894260	3M894260	PARTS SENSOR OPT SP	40ppm(A4),42ppm(Letter)(A)/40ppm(A4),42ppm(Letter)(AF)/40ppm(A4),42ppm(Letter)(B)/40ppm(A4),42ppm(Letter)(BF)	1	1	1	1
A01	302MS94040	2MS94040	PARTS COVER REAR ASSY SP	40ppm(A4),42ppm(Letter)(A)/40ppm(A4),42ppm(Letter)(AF)/40ppm(A4),42ppm(Letter)(B)/40ppm(A4),42ppm(Letter)(BF)	1	1	1	1
10	*302L204040	2L204040	COVER REAR UP	40ppm(A4),42ppm(Letter)(A)/40ppm(A4),42ppm(Letter)(AF)/40ppm(A4),42ppm(Letter)(B)/40ppm(A4),42ppm(Letter)(BF)	1	1	1	1
11	*302LV04110	2LV04110	COVER REAR LOW	40ppm(A4),42ppm(Letter)(A)/40ppm(A4),42ppm(Letter)(AF)/40ppm(A4),42ppm(Letter)(B)/40ppm(A4),42ppm(Letter)(BF)	1	1	1	1
12	*302MC34040	2MC34040	LABEL PUSH	40ppm(A4),42ppm(Letter)(A)/40ppm(A4),42ppm(Letter)(AF)/40ppm(A4),42ppm(Letter)(B)/40ppm(A4),42ppm(Letter)(BF)	1	1	1	1
13	302LV04120	2LV04120	COVER CASSETTE		1	1	1	1
A02	302LV94143	2LV94143	PARTS COVER REAR ASSY SP	50ppm(A4),52ppm(Letter)/60ppm(A4),62ppm(Letter)	1	1	1	1
A02	302LV94153	2LV94153	PARTS COVER REAR ASSY J SP	50ppm(A4),52ppm(Letter)	1			
14	*302LV28090	2LV28090	GEAR Z20S	50ppm(A4),52ppm(Letter)/60ppm(A4),62ppm(Letter)	1	1	1	1
15	*302LV28191	2LV28191	GEAR Z22S B	50ppm(A4),52ppm(Letter)/60ppm(A4),62ppm(Letter)	1	1	1	1
16	*302LV28100	2LV28100	GEAR Z22S A	50ppm(A4),52ppm(Letter)/60ppm(A4),62ppm(Letter)	1	1	1	1
17	*302LV04110	2LV04110	COVER REAR LOW	50ppm(A4),52ppm(Letter)/60ppm(A4),62ppm(Letter)	1	1	1	1
18	*302LV04100	2LV04100	COVER REAR UP	50ppm(A4),52ppm(Letter)/60ppm(A4),62ppm(Letter)	1	1	1	1
19	*302MC34040	2MC34040	LABEL PUSH	50ppm(A4),52ppm(Letter)/60ppm(A4),62ppm(Letter)	1	1	1	1
20	*302FZ94660	2FZ94660	PARTS,FAN IMAGE SP	50ppm(A4),52ppm(Letter)	1			
21	*3V2LV28081	2LV28081	GUIDE CHANGE	50ppm(A4),52ppm(Letter)/60ppm(A4),62ppm(Letter)	1	1	1	1
22	*3V2LV28070	2LV28070	ACTUATOR DU	50ppm(A4),52ppm(Letter)/60ppm(A4),62ppm(Letter)	1	1	1	1
23	3V2NX04130	2NX04130	COVER STAY B	40ppm(A4),42ppm(Letter)(A)/40ppm(A4),42ppm(Letter)(AF)/40ppm(A4),42ppm(Letter)(B)/40ppm(A4),42ppm(Letter)(BF)	1	1	1	1
24	3V2NM04150	2NM04150	COVER STAY B	50ppm(A4),52ppm(Letter)/60ppm(A4),62ppm(Letter)	1	1	1	1
101	7BB200308H	BB105660	+BIND T.T P SCREW 3X8					
102	7BB282308H	BB111240	+TP-FLAT T.T P SCREW 3X8(BLACK)					

• The (A),(AF),(B) or (BF) designation references Specific Products.
Please see Page 1 for details.

• (A), (AF), (B), (BF) は、製品を区別する記号です。
詳細は 1 ページを参照してください。

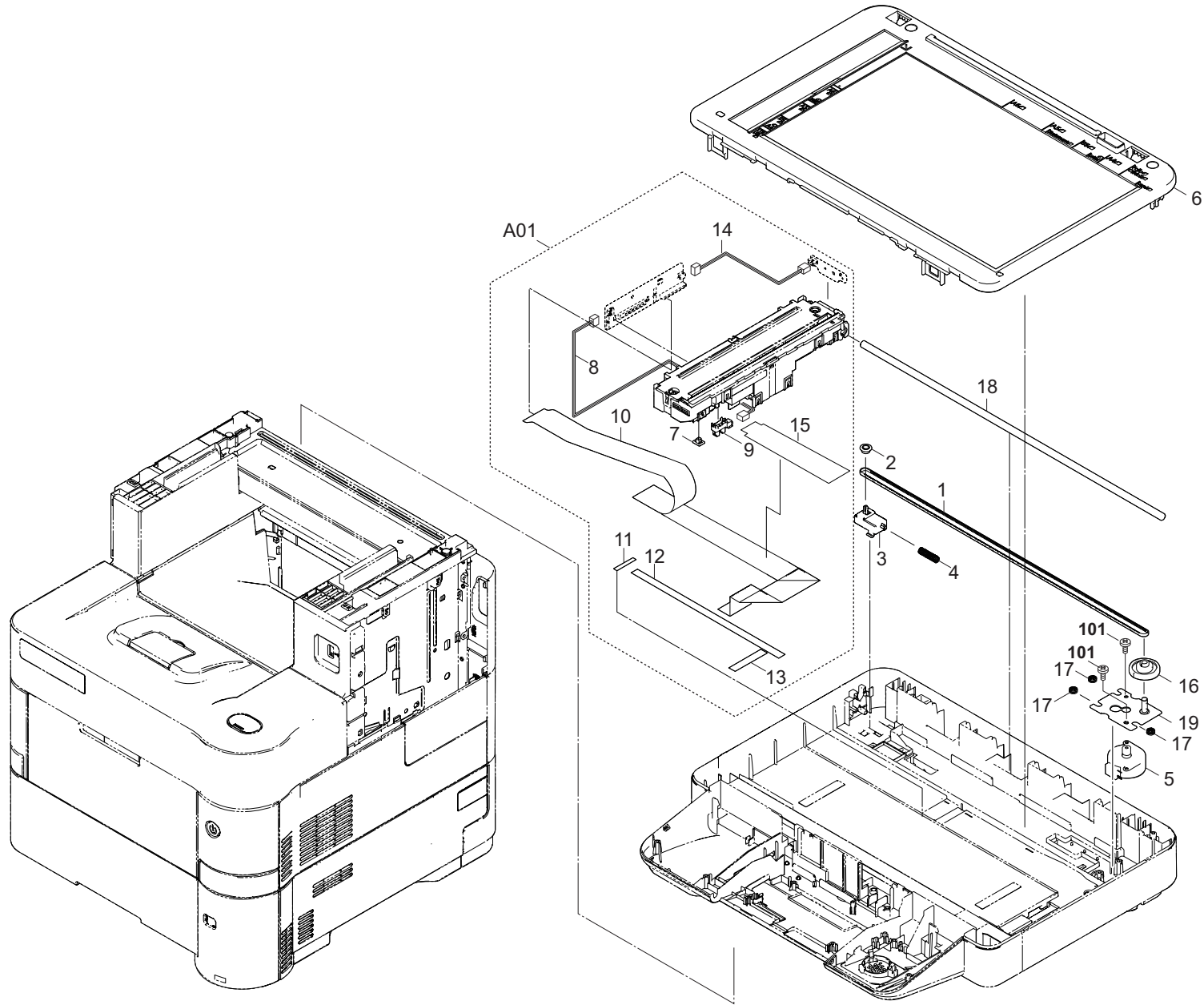


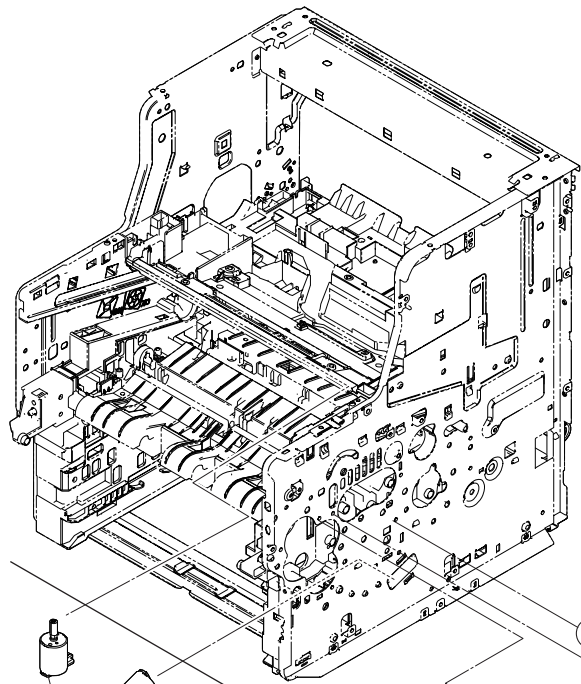
FIG. 9 Scanner Section

2NM/2NX/2NY/2NZ/2P0/2P6-1

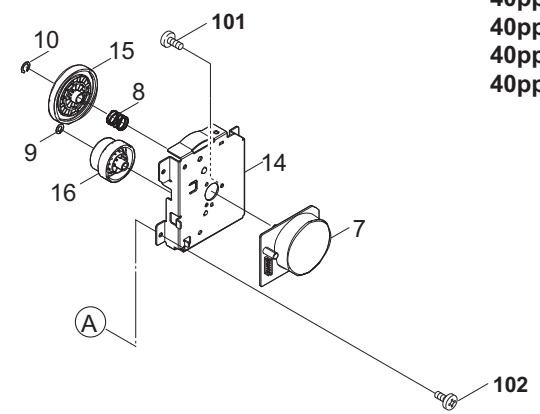
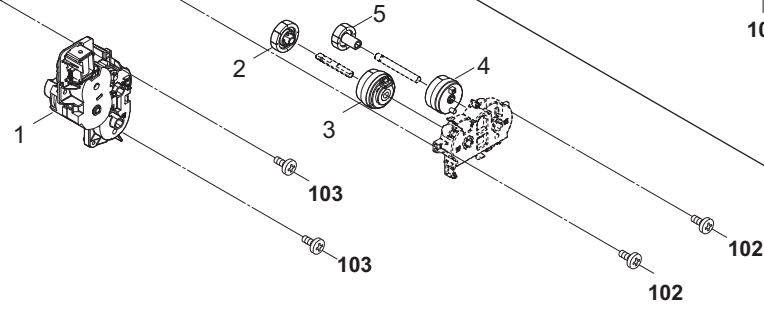
Ref. No. 番号	Part.No. 部品番号	Alternative. 代替部品番号	Description 部品名称	Notes 備考	Quantity 個数			
					100 (日本)	120	230	240
1	302H917230	2H917230	BELT ISU		1	1	1	1
2	302M417180	2M417180	PULLEY TENSION		1	1	1	1
3	3V2NM17210	2NM17210	MOUNT TENSION PULLEY		1	1	1	1
4	3V2NM17600	2NM17600	SPRING-COMPRESSION ISU BELT		1	1	1	1
5	302H994270	2H994270	PARTS MOTOR ISU SP		1	1	1	1
6	302NM94030	2NM94030	PARTS FRAME ISU TOP ASSY SP		1	1	1	1
A01	302NM93010	2NM93010	PARTS ISU ASSY SP		1	1	1	1
7	*302H917450	2H917450	SLIDER ISU		1	1	1	1
8	*3V2NM46140	2NM46140	CONN.CORD ASSY S03841 CCD-HP		1	1	1	1
9	*303M894260	3M894260	PARTS SENSOR OPT SP		1	1	1	1
10	*302NM46120	2NM46120	CONN.CORD ASSY S03832 CONT-CCD FFC		1	1	1	1
11	*3V2NM17310	2NM17310	TAPE FFC A		1	1	1	1
12	*3V2NM17320	2NM17320	TAPE FFC B		1	1	1	1
13	*3V2NM17490	2NM17490	TAPE FFC C		1	1	1	1
14	*3V2NM46130	2NM46130	CONN.CORD ASSY S03840 CCD-LED		1	1	1	1
15	*3V2NM17560	2NM17560	SHEET FFC LEFT		1	1	1	1
16	3V2NM17200	2NM17200	GEAR Z63R-P32 ISU		1	1	1	1
17	302JD19140	2JD19140	BUSHING FAN		3	3	3	3
18	3V2NM17270	2NM17270	SHAFT ISU		1	1	1	1
19	3V2NM17190	2NM17190	MOUNT MOTOR ISU		1	1	1	1
101	7BB600306H	BB105730	+BIND M SCREW 3X6 R					

• The (A),(AF),(B) or (BF) designation references Specific Products.
Please see Page 1 for details.

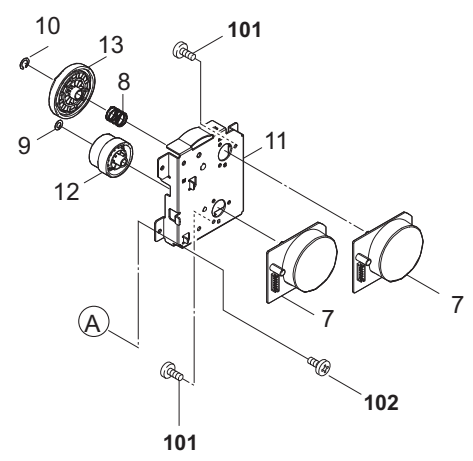
• (A), (AF), (B), (BF) は、製品を区別する記号です。
詳細は1ページを参照してください。



50ppm(A4),52ppm(Letter)/
60ppm(A4),62ppm(Letter)



40ppm(A4),42ppm(Letter)(A)/
40ppm(A4),42ppm(Letter)(AF)
40ppm(A4),42ppm(Letter)(B)/
40ppm(A4),42ppm(Letter)(BF)



50ppm(A4),52ppm(Letter)/
60ppm(A4),62ppm(Letter)

FIG. 10 Drive Section

2NM/2NX/2NY/2NZ/2P0/2P6-1

Ref. No. 番号	Part.No. 部品番号	Alternative. 代替部品番号	Description 部品名称	Notes 備考	Quantity 個数			
					100 (日本)	120	230	240
1	302LV94251	2LV94251	PARTS DRIVE FEED ASSY SP	50ppm(A4),52ppm(Letter)/60ppm(A4),62ppm(Letter)	1	1	1	1
1	302MS94051	2MS94051	PARTS DRIVE FEED ASSY SP	40ppm(A4),42ppm(Letter)(A)/40ppm(A4),42ppm(Letter)(AF)/ 40ppm(A4),42ppm(Letter)(B)/40ppm(A4),42ppm(Letter)(BF)	1	1	1	1
2	302LV31440	2LV31440	GEAR Z32L REG CL	50ppm(A4),52ppm(Letter)/60ppm(A4),62ppm(Letter)	1	1	1	1
3	302KV44041	2KV44041	CLUTCH 50 Z35R		1	1	1	1
4	302LV94161	2LV94161	PARTS CLUTCH 20-2W Z35R		1	1	1	1
5	302LV31180	2LV31180	GEAR Z26L DLP CLUTCH		1	1	1	1
6	302LV94230	2LV94230	PARTS DC MOTOR ASSY SP	50ppm(A4),52ppm(Letter)/60ppm(A4),62ppm(Letter)	2	2	2	2
7	302K394201	2K394201	PARTS MOTOR-BL W30 SP	50ppm(A4),52ppm(Letter)/60ppm(A4),62ppm(Letter)	2	2	2	2
7	302K394201	2K394201	PARTS MOTOR-BL W30 SP	40ppm(A4),42ppm(Letter)(A)/40ppm(A4),42ppm(Letter)(AF)/ 40ppm(A4),42ppm(Letter)(B)/40ppm(A4),42ppm(Letter)(BF)	1	1	1	1
8	302LV31290	2LV31290	SPRING COUPLING DRUM		1	1	1	1
9	2C904550	2C904550	CUT WASHER 5		1	1	1	1
10	302K914570	2K914570	CUT WASHER 7		1	1	1	1
11	302LV31010	2LV31010	PLATE DRIVE	50ppm(A4),52ppm(Letter)/60ppm(A4),62ppm(Letter)	1	1	1	1
12	302LV31060	2LV31060	GEAR Z80R-Z36L	50ppm(A4),52ppm(Letter)/60ppm(A4),62ppm(Letter)	1	1	1	1
13	302LV31050	2LV31050	GEAR Z119R	50ppm(A4),52ppm(Letter)/60ppm(A4),62ppm(Letter)	1	1	1	1
14	302L231030	2L231030	PLATE DRIVE	40ppm(A4),42ppm(Letter)(A)/40ppm(A4),42ppm(Letter)(AF)/ 40ppm(A4),42ppm(Letter)(B)/40ppm(A4),42ppm(Letter)(BF)	1	1	1	1
15	302L231040	2L231040	GEAR Z128R	40ppm(A4),42ppm(Letter)(A)/40ppm(A4),42ppm(Letter)(AF)/ 40ppm(A4),42ppm(Letter)(B)/40ppm(A4),42ppm(Letter)(BF)	1	1	1	1
16	302L231050	2L231050	GEAR Z86R-Z36L	40ppm(A4),42ppm(Letter)(A)/40ppm(A4),42ppm(Letter)(AF)/ 40ppm(A4),42ppm(Letter)(B)/40ppm(A4),42ppm(Letter)(BF)	1	1	1	1
101	7BB000304H	BB105720	+BIND M SCREW 3X4					
102	7BB700308H	BB105600	+BIND T.T S SCREW 3X8 SR					
103	7BB700312H	BB106820	+BIND T.T S SCREW 3X12 SR					

• The (A),(AF),(B) or (BF) designation references Specific Products.
Please see Page 1 for details.

• (A), (AF), (B), (BF) は、製品を区別する記号です。
詳細は 1 ページを参照してください。

FIG. 11 Operation Section(40ppm(A4),42ppm(Letter)(B)/40ppm(A4),42ppm(Letter)(BF)/
50ppm(A4),52ppm(Letter)/60ppm(A4),62ppm(Letter))

2NM/2NX/2NY/2NZ/2P0/2P6

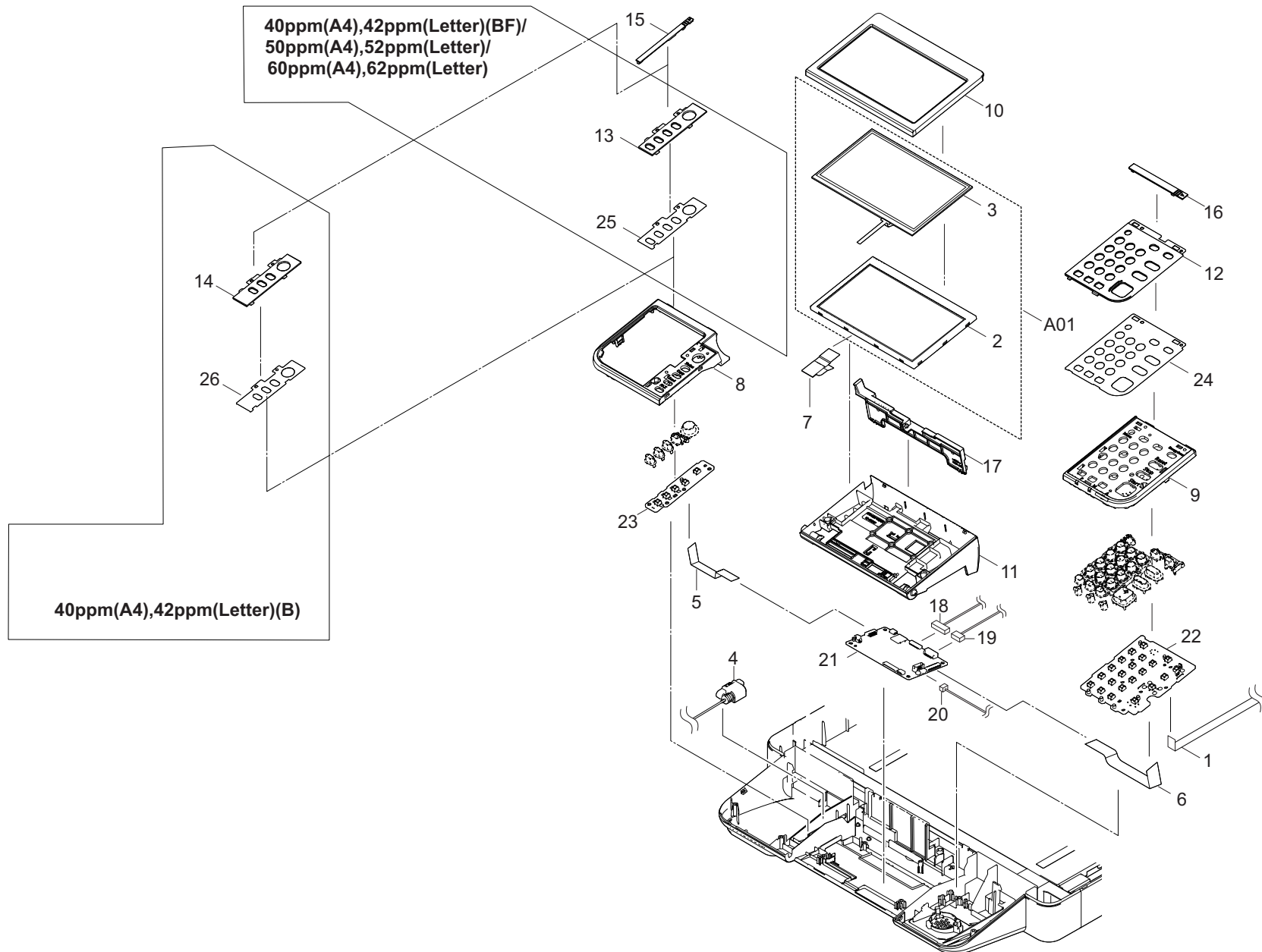


FIG. 11 Operation Section(40ppm(A4),42ppm(Letter)(B)/40ppm(A4),42ppm(Letter)(BF)/
50ppm(A4),52ppm(Letter)/60ppm(A4),62ppm(Letter))

2NM/2NX/2NY/2NZ/2P0/2P6-1

Ref. No. 番号	Part.No. 部品番号	Alternative. 代替部品番号	Description 部 品 名 称	Notes 備 考	Quantity 個数			
					100 (日本)	120	230	240
1	302NM46200	2NM46200	CONN.CORD ASSY S03824 PANEL SENS FFC		1	1	1	1
A01	302NM94060	2NM94060	PARTS LCD UNIT SP		1	1	1	1
2	*302NM94110	2NM94110	PARTS LCD OPERATION SP		1	1	1	1
3	*302NM94120	2NM94120	PARTS TABLET OPERATION SP		1	1	1	1
4	302NM46220	2NM46220	CONN.CORD ASSY S03838 USB HYPAS HOST		1	1	1	1
5	302NM46240	2NM46240	CONN.CORD ASSY S03835 KEY L FFC		1	1	1	1
6	302NM46250	2NM46250	CONN.CORD ASSY S03836 KEY R FFC		1	1	1	1
7	302NM46270	2NM46270	CONN.CORD ASSY S03846 LCD FFC		1	1	1	1
8	3V2NM05020	2NM05020	COVER OPERATION LEFT		1	1	1	1
9	3V2NM05010	2NM05010	COVER OPERATION RIGHT		1	1	1	1
10	3V2NM05030	2NM05030	COVER LCD UPPER		1	1	1	1
11	3V2NM05040	2NM05040	COVER LCD LOWER		1	1	1	1
12	3V2NM05050	2NM05050	COVER PANEL RIGHT		1	1	1	1
13	3V2NM05060	2NM05060	COVER PANEL LEFT	40ppm(A4),42ppm(Letter)(BF)/50ppm(A4),52ppm(Letter)/ 60ppm(A4),62ppm(Letter)	1	1	1	1
14	3V2NY05030	2NY05030	COVER PANEL LEFT 3IN1	40ppm(A4),42ppm(Letter)(B)		1	1	1
15	3V2NM05160	2NM05160	LID OPERATION LEFT		1	1	1	1
16	3V2NM05170	2NM05170	LID OPERATION RIGHT		1	1	1	1
17	3V2NM05220	2NM05220	LEVER LCD		1	1	1	1
18	3V2NM46180	2NM46180	CONN.CORD ASSY S03823 PANEL HYPAS SIG		1	1	1	1
19	3V2NM46190	2NM46190	CONN.CORD ASSY S03825 PANEL HYPAS POWER		1	1	1	1
20	3V2NM46290	2NM46290	CONN.CORD ASSY S03869 BACKLIGHT		1	1	1	1
21	302NM94080	2NM94080	PARTS PWB ASSY H PANEL MAIN SP			1	1	1
21	302NM94290	2NM94290	PARTS PWB ASSY H PANEL MAIN SP JP	40ppm(A4),42ppm(Letter)(BF)/50ppm(A4),52ppm(Letter)	1			
22	302NM94090	2NM94090	PARTS PWB ASSY H PANEL KEY-R SP		1	1	1	1
23	302NM94100	2NM94100	PARTS PWB ASSY H PANEL KEY-L SP		1	1	1	1
24	3V2NM05520	2NM05520	LABEL OPERATION RIGHT E	40ppm(A4),42ppm(Letter)(BF)/50ppm(A4),52ppm(Letter)/ 60ppm(A4),62ppm(Letter)		1	1	1
24	3V2NM05270	2NM05270	LABEL OPERATION RIGHT	40ppm(A4),42ppm(Letter)(BF)/50ppm(A4),52ppm(Letter)	1			
24	3V2NY05140	2NY05140	LABEL OPERATION RIGHT 3IN1 E	40ppm(A4),42ppm(Letter)(B)		1	1	1
25	3V2NM05590	2NM05590	LABEL OPERATION LEFT E	40ppm(A4),42ppm(Letter)(BF)/50ppm(A4),52ppm(Letter)/ 60ppm(A4),62ppm(Letter)		1	1	1
25	3V2NM05280	2NM05280	LABEL OPERATION LEFT	40ppm(A4),42ppm(Letter)(BF)/50ppm(A4),52ppm(Letter)	1			
26	3V2NY05020	2NY05020	LABEL OPERATION LEFT 3IN1 E	40ppm(A4),42ppm(Letter)(B)		1	1	1

• The (A),(AF),(B) or (BF) designation references Specific Products.
Please see Page 1 for details.

• (A), (AF), (B), (BF) は、製品を区別する記号です。
詳細は 1 ページを参照してください。

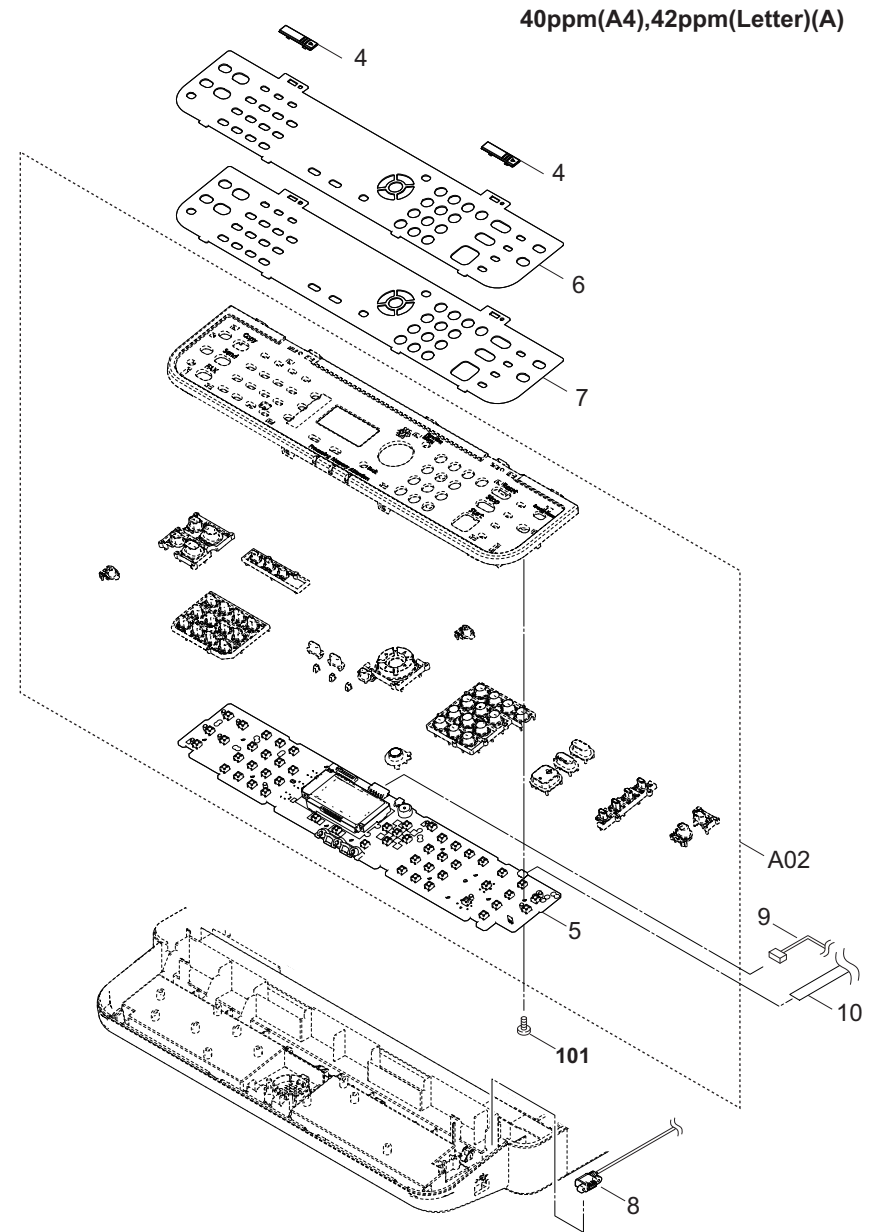
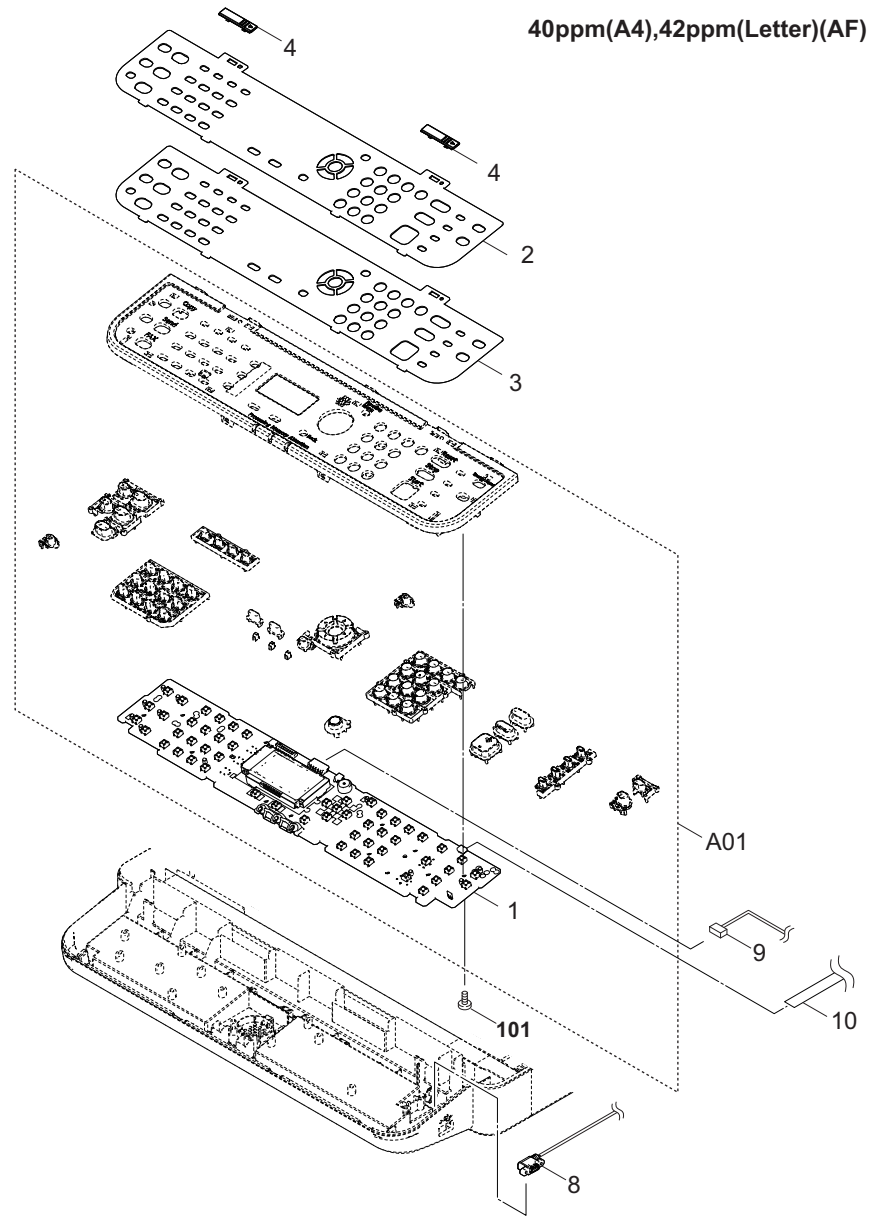


FIG. 11 Operation Section(40ppm(A4),42ppm(Letter)(A)/40ppm(A4),42ppm(Letter)(AF))

2NM/2NX/2NY/2NZ/2P0/2P6-1

Ref. No. 番号	Part.No. 部品番号	Alternative. 代替部品番号	Description 部品名称	Notes 備考	Quantity 個数			
					100(日本)	120	230	240
A01	302NZ94040	2NZ94040	PARTS PANEL UNIT B SP	40ppm(A4),42ppm(Letter)(AF)			1	1
1	•302NZ94050	2NZ94050	PARTS PWB ASSY PANEL SP	40ppm(A4),42ppm(Letter)(AF)			1	1
2	302NZ05020	2NZ05020	PANEL OPERATION	40ppm(A4),42ppm(Letter)(AF)			1	1
3	3V2NZ05210	2NZ05210	LABEL OPERATION E	40ppm(A4),42ppm(Letter)(AF)			1	1
4	3V2NZ05180	2NZ05180	LID OPERATION SHEET				2	2
A02	302P094040	2P094040	PARTS PANEL UNIT B SP	40ppm(A4),42ppm(Letter)(A)			1	1
5	•302P094050	2P094050	PARTS PWB ASSY PANEL SP	40ppm(A4),42ppm(Letter)(A)			1	1
6	302P005020	2P005020	PANEL OPERATION 3IN1	40ppm(A4),42ppm(Letter)(A)			1	1
7	3V2P005040	2P005040	LABEL OPERATION 3IN1 E	40ppm(A4),42ppm(Letter)(A)			1	1
8	302NZ46020	2NZ46020	CONN.CORD ASSY S03856 USB BASIC HOST				1	1
9	3V2NZ46010	2NZ46010	CONN.CORD ASSY S03855 PANEL BASIC SIG				1	1
10	302NZ46030	2NZ46030	CONN.CORD ASSY S03970 PANEL SENS FFC				1	1
101	7BB200308H	BB105660	+BIND T.T P SCREW 3X8					

• The (A),(AF),(B) or (BF) designation references Specific Products.
Please see Page 1 for details.

• (A), (AF), (B), (BF) は、製品を区別する記号です。
詳細は 1 ページを参照してください。

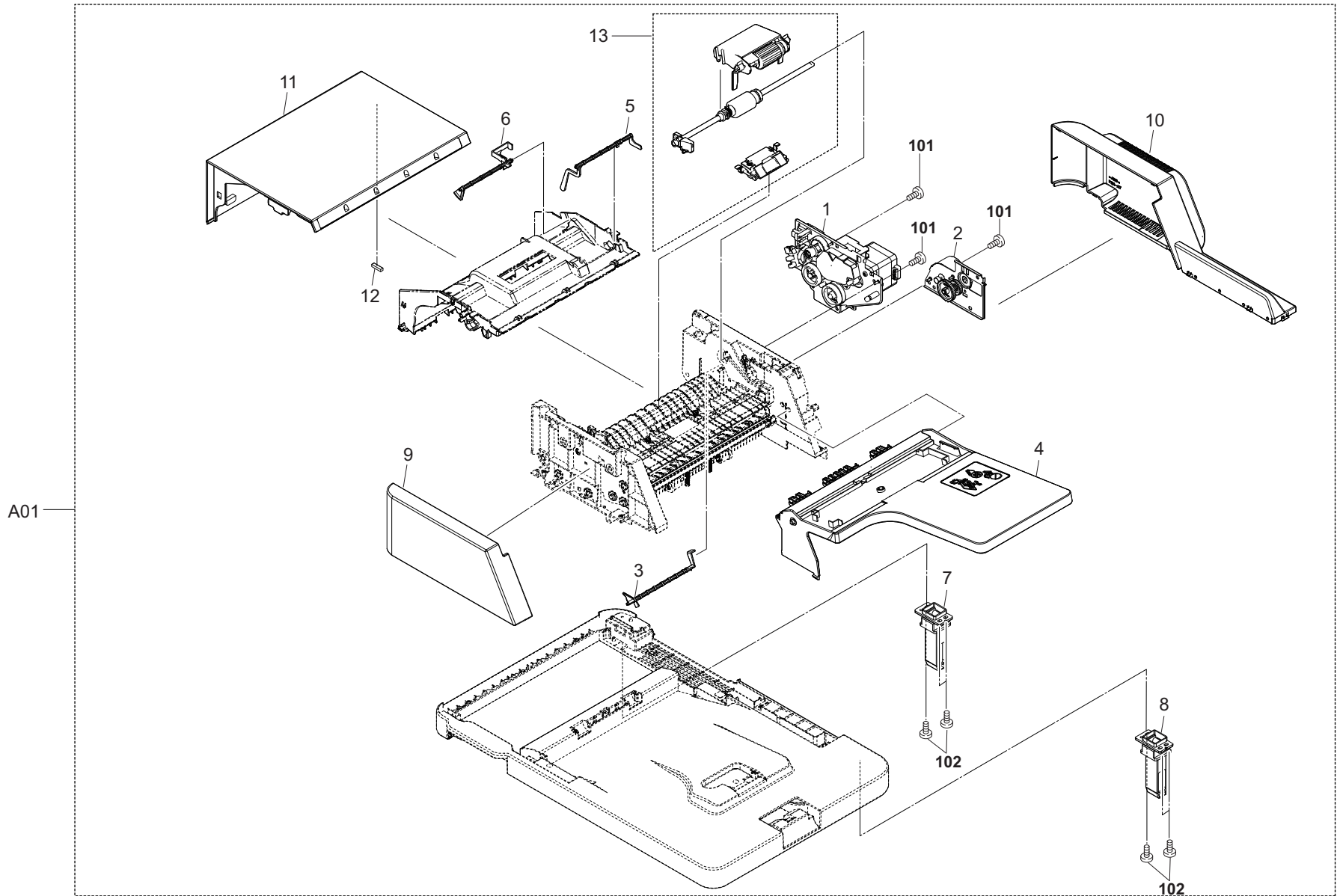


FIG. 12 Document Processor

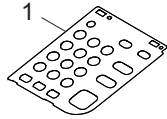
2NM/2NX/2NY/2NZ/2P0/2P6-4

Ref. No. 番号	Part.No. 部品番号	Alternative. 代替部品番号	Description 部品名称	Notes 備考	Quantity 個数			
					100(日本)	120	230	240
A01	302NZ94060	2NZ94060	PARTS DP UNIT SP		1	1	1	1
1	*302NM94230	2NM94230	PARTS DRIVE ASSY A SP		1	1	1	1
2	*302NM94240	2NM94240	PARTS DRIVE ASSY B SP		1	1	1	1
3	*3V2NM18260	2NM18260	ACTUATOR TIMING		1	1	1	1
4	*302NM94150	2NM94150	PARTS TABLE MAIN ASSY SP		1	1	1	1
5	*3V2NM18750	2NM18750	ACTUATOR ORIGINAL		1	1	1	1
6	*3V2NM18790	2NM18790	ACTUATOR PF		1	1	1	1
7	*302NM18020	2NM18020	HINGE LEFT		1	1	1	1
8	*302NM18030	2NM18030	HINGE RIGHT		1	1	1	1
9	*3V2NM18410	2NM18410	COVER FRONT		1	1	1	1
10	*3V2NM18420	2NM18420	COVER REAR		1	1	1	1
11	*3V2NM18430	2NM18430	COVER PF		1	1	1	1
12	*3V2NM18180	2NM18180	CUSHION PF		1	1	1	1
13	*1702P60UN0	072P60UN	MK-3140/MAINTENANCE KIT	OPTION	1	1	1	1
			PAD SEPARATION		1	1	1	1
			PULLEY PAPER FEED ASSY		1	1	1	1
			PULLEY PICKUP ASSY		1	1	1	1
101	7BB200308H	BB105660	+BIND T.T P SCREW 3X8					
102	7BB202310H	BB063420	+TP-FLAT T.T P SCREW 3X10					

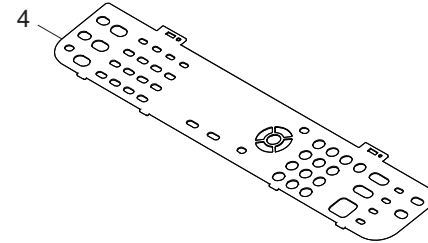
• The (A),(AF),(B) or (BF) designation references Specific Products.
Please see Page 1 for details.

• (A), (AF), (B), (BF) は、製品を区別する記号です。
詳細は1ページを参照してください。

40ppm(A4),42ppm(Letter)(B)/
40ppm(A4),42ppm(Letter)(BF)/
50ppm(A4),52ppm(Letter)/
60ppm(A4),62ppm(Letter)

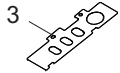


40ppm(A4),42ppm(Letter)(AF)



40ppm(A4),42ppm(Letter)(B)

40ppm(A4),42ppm(Letter)(BF)/
50ppm(A4),52ppm(Letter)/
60ppm(A4),62ppm(Letter)



40ppm(A4),42ppm(Letter)(A)

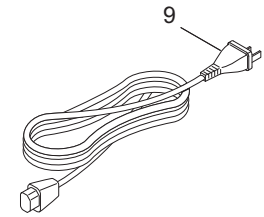
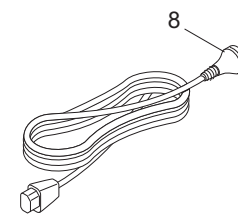
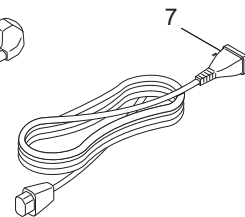
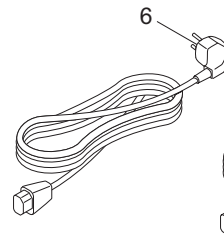
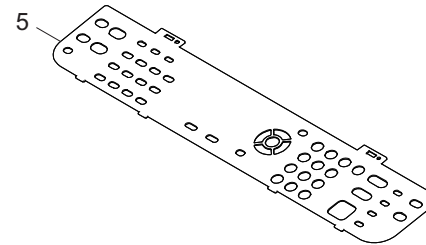


FIG. 13 Accessories

2NM/2NX/2NY/2NZ/2P0/2P6-3

Ref. No. 番号	Part.No. 部品番号	Alternative. 代替部品番号	Description 部品名称	Notes 備考	Quantity 個数			
					100 (日本)	120	230	240
1	3V2NM05380	2NM05380	LABEL OPERATION LEFT GER	40ppm(A4),42ppm(Letter)(BF)/50ppm(A4),52ppm(Letter)/60ppm(A4),62ppm(Letter)			1	1
1	3V2NM05390	2NM05390	LABEL OPERATION LEFT FRA	40ppm(A4),42ppm(Letter)(BF)/50ppm(A4),52ppm(Letter)/60ppm(A4),62ppm(Letter)			1	
1	3V2NM05400	2NM05400	LABEL OPERATION LEFT ITA	40ppm(A4),42ppm(Letter)(BF)/50ppm(A4),52ppm(Letter)/60ppm(A4),62ppm(Letter)			1	
1	3V2NM05410	2NM05410	LABEL OPERATION LEFT SPA	40ppm(A4),42ppm(Letter)(BF)/50ppm(A4),52ppm(Letter)/60ppm(A4),62ppm(Letter)			1	1
1	3V2NM05420	2NM05420	LABEL OPERATION LEFT POR	40ppm(A4),42ppm(Letter)(BF)/50ppm(A4),52ppm(Letter)/60ppm(A4),62ppm(Letter)			1	
1	3V2NM05430	2NM05430	LABEL OPERATION LEFT DUT	40ppm(A4),42ppm(Letter)(BF)/50ppm(A4),52ppm(Letter)/60ppm(A4),62ppm(Letter)			1	
1	3V2NM05440	2NM05440	LABEL OPERATION LEFT RUS	40ppm(A4),42ppm(Letter)(BF)/50ppm(A4),52ppm(Letter)/60ppm(A4),62ppm(Letter)			1	
1	3V2NY05040	2NY05040	LABEL OPERATION LEFT 3IN1 GER	40ppm(A4),42ppm(Letter)(B)			1	1
1	3V2NY05050	2NY05050	LABEL OPERATION LEFT 3IN1 FRA	40ppm(A4),42ppm(Letter)(B)			1	
1	3V2NY05060	2NY05060	LABEL OPERATION LEFT 3IN1 ITA	40ppm(A4),42ppm(Letter)(B)			1	
1	3V2NY05070	2NY05070	LABEL OPERATION LEFT 3IN1 SPA	40ppm(A4),42ppm(Letter)(B)			1	1
1	3V2NY05080	2NY05080	LABEL OPERATION LEFT 3IN1 POR	40ppm(A4),42ppm(Letter)(B)			1	
1	3V2NY05090	2NY05090	LABEL OPERATION LEFT 3IN1 DUT	40ppm(A4),42ppm(Letter)(B)			1	
1	3V2NY05100	2NY05100	LABEL OPERATION LEFT 3IN1 RUS	40ppm(A4),42ppm(Letter)(B)			1	
2	3V2NM05450	2NM05450	LABEL OPERATION RIGHT GER	40ppm(A4),42ppm(Letter)(BF)/50ppm(A4),52ppm(Letter)/60ppm(A4),62ppm(Letter)			1	
2	3V2NM05460	2NM05460	LABEL OPERATION RIGHT FRA	40ppm(A4),42ppm(Letter)(BF)/50ppm(A4),52ppm(Letter)/60ppm(A4),62ppm(Letter)			1	1
2	3V2NM05470	2NM05470	LABEL OPERATION RIGHT ITA	40ppm(A4),42ppm(Letter)(BF)/50ppm(A4),52ppm(Letter)/60ppm(A4),62ppm(Letter)			1	
2	3V2NM05480	2NM05480	LABEL OPERATION RIGHT SPA	40ppm(A4),42ppm(Letter)(BF)/50ppm(A4),52ppm(Letter)/60ppm(A4),62ppm(Letter)			1	1
2	3V2NM05490	2NM05490	LABEL OPERATION RIGHT POR	40ppm(A4),42ppm(Letter)(BF)/50ppm(A4),52ppm(Letter)/60ppm(A4),62ppm(Letter)			1	
2	3V2NM05500	2NM05500	LABEL OPERATION RIGHT DUT	40ppm(A4),42ppm(Letter)(BF)/50ppm(A4),52ppm(Letter)/60ppm(A4),62ppm(Letter)			1	
2	3V2NM05510	2NM05510	LABEL OPERATION RIGHT RUS	40ppm(A4),42ppm(Letter)(BF)/50ppm(A4),52ppm(Letter)/60ppm(A4),62ppm(Letter)			1	
3	3V2NY05150	2NY05150	LABEL OPERATION RIGHT 3IN1 GER	40ppm(A4),42ppm(Letter)(B)			1	
3	3V2NY05160	2NY05160	LABEL OPERATION RIGHT 3IN1 FRA	40ppm(A4),42ppm(Letter)(B)			1	1
3	3V2NY05170	2NY05170	LABEL OPERATION RIGHT 3IN1 ITA	40ppm(A4),42ppm(Letter)(B)			1	
3	3V2NY05180	2NY05180	LABEL OPERATION RIGHT 3IN1 SPA	40ppm(A4),42ppm(Letter)(B)			1	1
3	3V2NY05190	2NY05190	LABEL OPERATION RIGHT 3IN1 POR	40ppm(A4),42ppm(Letter)(B)			1	
3	3V2NY05200	2NY05200	LABEL OPERATION RIGHT 3IN1 DUT	40ppm(A4),42ppm(Letter)(B)			1	
3	3V2NY05210	2NY05210	LABEL OPERATION RIGHT 3IN1 RUS	40ppm(A4),42ppm(Letter)(B)			1	
4	3V2NZ05250	2NZ05250	LABEL OPERATION GER	40ppm(A4),42ppm(Letter)(AF)			1	
4	3V2NZ05260	2NZ05260	LABEL OPERATION FRA	40ppm(A4),42ppm(Letter)(AF)			1	1
4	3V2NZ05270	2NZ05270	LABEL OPERATION ITA	40ppm(A4),42ppm(Letter)(AF)			1	
4	3V2NZ05280	2NZ05280	LABEL OPERATION SPA	40ppm(A4),42ppm(Letter)(AF)			1	1
4	3V2NZ05290	2NZ05290	LABEL OPERATION POR	40ppm(A4),42ppm(Letter)(AF)			1	
4	3V2NZ05300	2NZ05300	LABEL OPERATION DUT	40ppm(A4),42ppm(Letter)(AF)			1	
4	3V2NZ05310	2NZ05310	LABEL OPERATION RUS	40ppm(A4),42ppm(Letter)(AF)			1	
5	3V2P005050	2P005050	LABEL OPERATION 3IN1 GER	40ppm(A4),42ppm(Letter)(A)			1	
5	3V2P005060	2P005060	LABEL OPERATION 3IN1 FRA	40ppm(A4),42ppm(Letter)(A)			1	1
5	3V2P005070	2P005070	LABEL OPERATION 3IN1 ITA	40ppm(A4),42ppm(Letter)(A)			1	
5	3V2P005080	2P005080	LABEL OPERATION 3IN1 SPA	40ppm(A4),42ppm(Letter)(A)			1	1
5	3V2P005090	2P005090	LABEL OPERATION 3IN1 POR	40ppm(A4),42ppm(Letter)(A)			1	
5	3V2P005100	2P005100	LABEL OPERATION 3IN1 DUT	40ppm(A4),42ppm(Letter)(A)			1	
5	3V2P005110	2P005110	LABEL OPERATION 3IN1 RUS	40ppm(A4),42ppm(Letter)(A)			1	
6	302FV94010	2FV94010	PARTS AC CORD EU SP				1	
7	3019527401	19527401	POWER CORD(120)			1		
8	302FV45040	2FV45040	AC CORD ASSY					1
9	7AAACCJP+12H006	AA119230	AC CORD ASSY JP			1		

• The (A),(AF),(B) or (BF) designation references Specific Products.
Please see Page 1 for details.

• (A), (AF), (B), (BF) は、製品を区別する記号です。
詳細は1ページを参照してください。

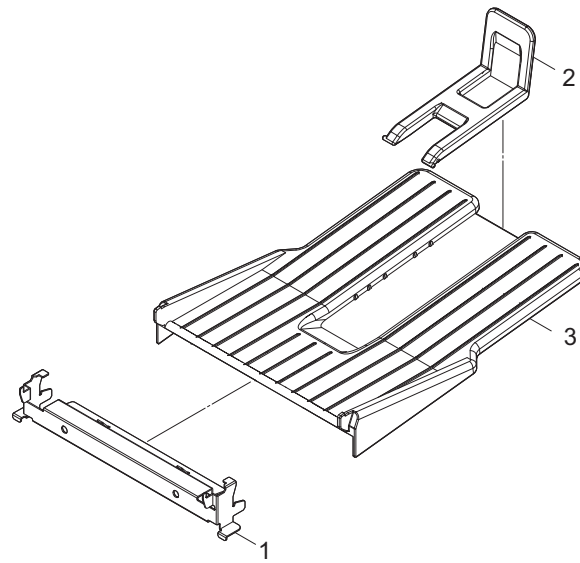


FIG. 14 PT-320

2NM/2NX/2NY/2NZ/2P0/2P6

Ref. No. 番号	Part.No. 部品番号	Alternative. 代替部品番号	Description 部品名称	Notes 備考	Quantity 個数			
					100 (日本)	120	230	240
1	303N728010	3N728010	PLATE HOOK		1	1	1	1
2	303N728030	3N728030	STOPPER PAPER REAR		1	1	1	1
3	303N728020	3N728020	TRAY REAR		1	1	1	1

• The (A),(AF),(B) or (BF) designation references Specific Products.
Please see Page 1 for details.

・ (A) , (AF) , (B) , (BF) は、製品を区別する記号です。
詳細は 1 ページを参照してください。

FIG. 15 Maintenance Kits

2NM/2NX/2NY/2NZ/2P0/2P6

Ref. No. 番号	Part.No. 部品番号	Alternative. 代替部品番号	Description 部品名称	Notes 備考	Quantity 個数			
					100 (日本)	120	230	240
	1702MS7USV	072MS7UV	MK-3102/MAINTENANCE KIT RETARD ROLLER ASSY PARTS HOLDER FEED ASSY SP ROLLER TRANSFER ASSY DK-3100(U) DV-3100 FK-3100(U)	OPTION 40ppm(A4),42ppm(Letter)(B)/40ppm(A4),42ppm(Letter)(BF)		1 1 1 1 1 1 1		
	1702MS8ASV	072MS8AV	MK-3104/MAINTENANCE KIT RETARD ROLLER ASSY PARTS HOLDER FEED ASSY SP ROLLER TRANSFER ASSY DK-3100(AO) DV-3100 FK-3100(E)	OPTION 40ppm(A4),42ppm(Letter)(A)/40ppm(A4),42ppm(Letter)(AF)/ 40ppm(A4),42ppm(Letter)(B)/40ppm(A4),42ppm(Letter)(BF)				1 1 1 1 1 1
	1702MS8NLV	072MS8NV	MK-3100/MAINTENANCE KIT RETARD ROLLER ASSY PARTS HOLDER FEED ASSY SP ROLLER TRANSFER ASSY DK-3100(E) DV-3100 FK-3100(E)	OPTION 40ppm(A4),42ppm(Letter)(A)/40ppm(A4),42ppm(Letter)(AF)			1 1 1 1 1 1 1	
	1702NX8NL0	072NX8NL	MK-3150/MAINTENANCE KIT RETARD ROLLER ASSY PARTS HOLDER FEED ASSY SP ROLLER TRANSFER ASSY DK-3150(E) DV-3100 FK-3100(E)	OPTION 40ppm(A4),42ppm(Letter)(B)/40ppm(A4),42ppm(Letter)(BF)			1 1 1 1 1 1 1	
	1702MS9JPV	072MS9JV	MK-3101/MAINTENANCE KIT RETARD ROLLER ASSY PARTS HOLDER FEED ASSY SP ROLLER TRANSFER ASSY DK-3100(J) DV-3100 FK-3100(J)	OPTION 40ppm(A4),42ppm(Letter)(BF)	1 1 1 1 1 1 1			

• The (A),(AF),(B) or (BF) designation references Specific Products.
Please see Page 1 for details.

• (A), (AF), (B), (BF) は、製品を区別する記号です。
詳細は 1 ページを参照してください。

FIG. 15 Maintenance Kits

2NM/2NX/2NY/2NZ/2P0/2P6-2

Ref. No. 番号	Part.No. 部品番号	Alternative. 代替部品番号	Description 部品名称	Notes 備考	Quantity 個数			
					100 (日本)	120	230	240
	1702MT7USV	072MT7UV	MK-3132/MAINTENANCE KIT RETARD ROLLER ASSY PARTS HOLDER FEED ASSY SP ROLLER TRANSFER ASSY DK-3130(U) DV-3100 FK-3130(U)	OPTION 50ppm(A4),52ppm(Letter)/60ppm(A4),62ppm(Letter)		1 1 1 1 1 1 1		
	1702MT8ASV	072MT8AV	MK-3134/MAINTENANCE KIT RETARD ROLLER ASSY PARTS HOLDER FEED ASSY SP ROLLER TRANSFER ASSY DK-3130(AO) DV-3100 FK-3130(E)	OPTION 50ppm(A4),52ppm(Letter)/60ppm(A4),62ppm(Letter)				1 1 1 1 1 1
	1702MT8NLV	072MT8NV	MK-3130/MAINTENANCE KIT RETARD ROLLER ASSY PARTS HOLDER FEED ASSY SP ROLLER TRANSFER ASSY DK-3130(E) DV-3100 FK-3130(E)	OPTION 50ppm(A4),52ppm(Letter)/60ppm(A4),62ppm(Letter)			1 1 1 1 1 1	1
	1702MT9JPV	072MT9JV	MK-3131/MAINTENANCE KIT RETARD ROLLER ASSY PARTS HOLDER FEED ASSY SP ROLLER TRANSFER ASSY DK-3130(J) DV-3100 FK-3130(J)	OPTION 50ppm(A4),52ppm(Letter)	1 1 1 1 1 1 1			
	1702P60UN0	072P60UN	MK-3140/MAINTENANCE KIT PAD SEPARATION PULLEY PAPER FEED ASSY PULLEY PICKUP ASSY	OPTION	1 1 1 1	1 1 1 1	1 1 1 1	1 1 1 1

• The (A),(AF),(B) or (BF) designation references Specific Products.
Please see Page 1 for details.

• (A), (AF), (B), (BF) は、製品を区別する記号です。
詳細は1ページを参照してください。

INDEX / 索引

2NM/2NX/2NY/2NZ/2P0/2P6-4

Part.No. 部品番号	Alternative. 代替部品番号	Description 部品名称	Fig.No.
1702MS7USV	072MS7UV	MK-3102/MAINTENANCE KIT	15
1702MS8ASV	072MS8AV	MK-3104/MAINTENANCE KIT	15
1702MS8NLV	072MS8NV	MK-3100/MAINTENANCE KIT	15
1702MS9JPV	072MS9JV	MK-3101/MAINTENANCE KIT	15
1702MT7USV	072MT7UV	MK-3132/MAINTENANCE KIT	15
1702MT8ASV	072MT8AV	MK-3134/MAINTENANCE KIT	15
1702MT8NLV	072MT8NV	MK-3130/MAINTENANCE KIT	15
1702MT9JPV	072MT9JV	MK-3131/MAINTENANCE KIT	15
1702NX8NLO	072NX8NL	MK-3150/MAINTENANCE KIT	15
1702P60UNO	072P60UN	MK-3140/MAINTENANCE KIT	12,15
2C904550	2C904550	CUT WASHER 5	10
2FB27160	2FB27160	INTER LOCK SWITCH	2
3019527401	19527401	POWER CORD(120)	2,13
302F906030	2F906030	GEAR FEED Z26H	4
302F906230	2F906230	PULLEY FEED ASSY	4
302F906280	2F906280	GEAR FEED Z30H	4
302F908250	2F908250	PAD SEPARATOR MPF	4
302F909171	2F909171	RETARD ROLLER ASSY	3
302F924190	2F924190	BUSH TRANSFER R	4
302F939082	2F939082	SCREW BOX	2
302F944131	2F944131	MOTOR EJECT	8
302FV45040	2FV45040	AC CORD ASSY	2,13
302FV94010	2FV94010	PARTS AC CORD EU SP	2,13
302FZ94420	2FZ94420	PARTS,FAN COOLING CONVEYING SP	2
302FZ94660	2FZ94660	PARTS,FAN IMAGE SP	8
302GR44080	2GR44080	FAN LSU 60-25	2
302H917230	2H917230	BELT ISU	9
302H917450	2H917450	SLIDER ISU	9
302H994270	2H994270	PARTS MOTOR ISU SP	9
302HN02611	2HN02611	FOOT	2
302HN06080	2HN06080	PULLEY PICKUP ASSY	4
302HN44010	2HN44010	FAN MOTOR	2
302HS08260	2HS08260	ROLLER M/P ASSY	4
302JD19140	2JD19140	BUSHING FAN	9
302K394201	2K394201	PARTS MOTOR-BL W30 SP	10
302K914570	2K914570	CUT WASHER 7	10
302KV44041	2KV44041	CLUTCH 50 Z35R	10
302L204040	2L204040	COVER REAR UP	8
302L224030	2L224030	ACTUATOR REGIST	4
302L228030	2L228030	GEAR Z21S EXIT	8
302L228041	2L228041	GEAR Z66R Z34S	8
302L228090	2L228090	ACTUATOR OVERFLOW	8
302L231030	2L231030	PLATE DRIVE	10
302L231040	2L231040	GEAR Z128R	10
302L231050	2L231050	GEAR Z86R-Z36L	10
302L294030	2L294030	PARTS HIGH VOLTAGE UNIT SP	4
302L294040	2L294040	PARTS SWITCHING REGULATOR 230V SP	2
302L294092	2L294092	PARTS PWB ASSY CONNECT-L SP	2
302LV02110	2LV02110	STOPPER PROCESS	5
302LV02200	2LV02200	STOPPER PROCESS L	5
302LV04050	2LV04050	COVER LEFT LOW	1

Part.No. 部品番号	Alternative. 代替部品番号	Description 部品名称	Fig.No.
302LV04070	2LV04070	COVER RIGHT LOW	1
302LV04080	2LV04080	COVER RIGHT FRONT	1
302LV04100	2LV04100	COVER REAR UP	8
302LV04110	2LV04110	COVER REAR LOW	8
302LV04120	2LV04120	COVER CASSETTE	8
302LV04150	2LV04150	COVER CONT LOW	1
302LV04170	2LV04170	COVER SIDE UP	1
302LV04190	2LV04190	COVER SIDE LOW	1
302LV04250	2LV04250	COVER LEFT UP REAR	1
302LV04260	2LV04260	COVER LEFT LOW REAR	1
302LV04270	2LV04270	COVER RIGHT REAR	1
302LV06040	2LV06040	SPRING PICKUP	4
302LV08180	2LV08180	ACTUATOR MPF	4
302LV08201	2LV08201	SPRING ACTUATOR MPF	4
302LV09060	2LV09060	CURSOR RIGHT	3
302LV09070	2LV09070	CURSOR LEFT	3
302LV09110	2LV09110	HOLDER RETARD	3
302LV09120	2LV09120	GUIDE RETARD	3
302LV09130	2LV09130	SPRING RETARD	3
302LV09200	2LV09200	COVER LIFT GEAR	3
302LV09220	2LV09220	GEAR Z15S JOINT	3
302LV09240	2LV09240	GEAR Z48S LIFT	3
302LV24100	2LV24100	ACTUATOR IMAGE	4
302LV24110	2LV24110	ACTUATOR DU	4
302LV24360	2LV24360	BUSH TRANSFER L	4
302LV24450	2LV24450	ACTUATOR ENVELOPE	4
302LV28031	2LV28031	GEAR Z66R-Z40S	8
302LV28040	2LV28040	GEAR Z17S	8
302LV28050	2LV28050	GEAR Z22S	8
302LV28090	2LV28090	GEAR Z20S	8
302LV28100	2LV28100	GEAR Z22S A	8
302LV28141	2LV28141	ACTUATOR OVERFLOW	8
302LV28191	2LV28191	GEAR Z22S B	8
302LV29090	2LV29090	ACTUATOR PE	4
302LV31010	2LV31010	PLATE DRIVE	10
302LV31050	2LV31050	GEAR Z119R	10
302LV31060	2LV31060	GEAR Z80R-Z36L	10
302LV31180	2LV31180	GEAR Z26L DLP CLUTCH	10
302LV31290	2LV31290	SPRING COUPLING DRUM	10
302LV31440	2LV31440	GEAR Z32L REG CL	10
302LV93010	2LV93010	MC-3100	5
302LV93020	2LV93020	WT-3100	5
302LV93031	2LV93031	CT-3130	3
302LV93042	2LV93042	DK-3130(E)	5
302LV93062	2LV93062	DK-3130(U)	5
302LV93072	2LV93072	DK-3130(AO)	5
302LV93080	2LV93080	DV-3100	6
302LV93113	2LV93113	FK-3130(E)	7
302LV93123	2LV93123	FK-3130(J)	7
302LV93133	2LV93133	FK-3130(U)	7
302LV93172	2LV93172	DK-3130(J)	5

Part.No. 部品番号	Alternative. 代替部品番号	Description 部品名称	Fig.No.
302LV94041	2LV94041	PARTS COVER MPF ASSY SP	1
302LV94060	2LV94060	PARTS HIGH VOLTAGE UNIT SP	4
302LV94070	2LV94070	PARTS SWITCHING REGULATOR 230V SP	2
302LV94080	2LV94080	PARTS SWITCHING REGULATOR 120V SP	2
302LV94120	2LV94120	PARTS TONER FULL DETECT ASSY SP	5
302LV94130	2LV94130	PARTS ROLLER TRANSFER SP	4
302LV94143	2LV94143	PARTS COVER REAR ASSY SP	8
302LV94153	2LV94153	PARTS COVER REAR ASSY J SP	8
302LV94161	2LV94161	PARTS CLUTCH 20-2W Z35R	10
302LV94170	2LV94170	PARTS ROLLER REGIST LOW SP	4
302LV94180	2LV94180	PARTS ROLLER REGIST UP SP	4
302LV94192	2LV94192	PARTS PWB ASSY CONNECT-L SP	2
302LV94200	2LV94200	PARTS PWB ASSY DRUM CONNECT SP	4
302LV94210	2LV94210	PARTS PWB ASSY SWITCH SP	2
302LV94220	2LV94220	PARTS PWB ASSY TH CONNECT SP	2
302LV94230	2LV94230	PARTS DC MOTOR ASSY SP	10
302LV94251	2LV94251	PARTS DRIVE FEED ASSY SP	10
302LV94261	2LV94261	PARTS GUIDE PAPER CHUTE SP	4
302LV94270	2LV94270	PARTS HOLDER FEED ASSY SP	4
302LV94330	2LV94330	PARTS GUIDE PAPER CHUTE SP JP	4
302LV94350	2LV94350	PARTS FAN MOTOR SP	2
302LV94460	2LV94460	PARTS SHEET DRUM CUSHION SET SP	5
302M417180	2M417180	PULLEY TENSION	9
302MC34040	2MC34040	LABEL PUSH	8
302MS93011	2MS93011	CT-3100	3
302MS93022	2MS93022	DK-3100(E)	5
302MS93042	2MS93042	DK-3100(U)	5
302MS93052	2MS93052	DK-3100(AO)	5
302MS93075	2MS93075	FK-3100(E)	7
302MS93085	2MS93085	FK-3100(J)	7
302MS93095	2MS93095	FK-3100(U)	7
302MS93122	2MS93122	DK-3100(J)	5
302MS94040	2MS94040	PARTS COVER REAR ASSY SP	8
302MS94051	2MS94051	PARTS DRIVE FEED ASSY SP	10
302NM18020	2NM18020	HINGE LEFT	12
302NM18030	2NM18030	HINGE RIGHT	12
302NM24010	2NM24010	ROLLER MIDDLE ASSY	4
302NM46010	2NM46010	CONN.CORD ASSY S03833 CONT-CONN R FFC	2
302NM46040	2NM46040	CONN.CORD ASSY S03860 CONT-APC FFC	2
302NM46050	2NM46050	CONN.CORD ASSY S03861 CONT-CONN L FFC	2
302NM46090	2NM46090	CONN.CORD ASSY S03849 CONT-TH FFC	2
302NM46120	2NM46120	CONN.CORD ASSY S03832 CONT-CCD FFC	9
302NM46200	2NM46200	CONN.CORD ASSY S03824 PANEL SENS FFC	11
302NM46220	2NM46220	CONN.CORD ASSY S03838 USB HYPAS HOST	11
302NM46240	2NM46240	CONN.CORD ASSY S03835 KEY L FFC	11
302NM46250	2NM46250	CONN.CORD ASSY S03836 KEY R FFC	11
302NM46270	2NM46270	CONN.CORD ASSY S03846 LCD FFC	11
302NM93010	2NM93010	PARTS ISU ASSY SP	9
302NM94010	2NM94010	PARTS LID TOP ASSY SP	1
302NM94020	2NM94020	PARTS COVER RIGHT MIDDLE ASSY SP	1
302NM94030	2NM94030	PARTS FRAME ISU TOP ASSY SP	9

Part.No. 部品番号	Alternative. 代替部品番号	Description 部品名称	Fig.No.
302NM94041	2NM94041	PARTS PWB ASSY CONTROLLER SP	2
302NM94051	2NM94051	PARTS PWB ASSY CONTROLLER SP EU	2
302NM94060	2NM94060	PARTS LCD UNIT SP	11
302NM94070	2NM94070	PARTS PWB ASSY CONNECT-R SP	2
302NM94080	2NM94080	PARTS PWB ASSY H PANEL MAIN SP	11
302NM94090	2NM94090	PARTS PWB ASSY H PANEL KEY-R SP	11
302NM94100	2NM94100	PARTS PWB ASSY H PANEL KEY-L SP	11
302NM94110	2NM94110	PARTS LCD OPERATION SP	11
302NM94120	2NM94120	PARTS TABLET OPERATION SP	11
302NM94150	2NM94150	PARTS TABLE MAIN ASSY SP	12
302NM94230	2NM94230	PARTS DRIVE ASSY A SP	12
302NM94240	2NM94240	PARTS DRIVE ASSY B SP	12
302NM94251	2NM94251	PARTS PWB ASSY CONTROLLER SP JP	2
302NM94290	2NM94290	PARTS PWB ASSY H PANEL MAIN SP JP	11
302NX46010	2NX46010	CONN.CORD ASSY S03853 CONT-CONN R FFC	2
302NX46020	2NX46020	CONN.CORD ASSY S03862 CONT-CONN L FFC	2
302NX93010	2NX93010	DK-3150(E)	5
302NX94010	2NX94010	PARTS LID TOP ASSY SP	1
302NX94020	2NX94020	PARTS COVER FRONT ASSY SP	1
302NX94030	2NX94030	PARTS PWB ASSY CONTROLLER SP	2
302NX94040	2NX94040	PARTS PWB ASSY CONTROLLER SP EU	2
302NX94050	2NX94050	PARTS SWITCHING REGULATOR 120V SP	2
302NX94060	2NX94060	PARTS PWB ASSY CONNECT-R SP	2
302NX94070	2NX94070	PARTS PWB ASSY CONTROLLER SP JP	2
302NY94010	2NY94010	PARTS LID TOP ASSY SP	1
302NY94020	2NY94020	PARTS PWB ASSY CONTROLLER SP	2
302NY94030	2NY94030	PARTS PWB ASSY CONTROLLER SP EU	2
302NZ05020	2NZ05020	PANEL OPERATION	11
302NZ46020	2NZ46020	CONN.CORD ASSY S03856 USB BASIC HOST	11
302NZ46030	2NZ46030	CONN.CORD ASSY S03970 PANEL SENS FFC	11
302NZ93010	2NZ93010	LK-3200	2
302NZ94010	2NZ94010	PARTS LID TOP ASSY SP	1
302NZ94020	2NZ94020	PARTS PWB ASSY CONTROLLER SP	2
302NZ94030	2NZ94030	PARTS PWB ASSY CONTROLLER SP EU	2
302NZ94040	2NZ94040	PARTS PANEL UNIT B SP	11
302NZ94050	2NZ94050	PARTS PWB ASSY PANEL SP	11
302NZ94060	2NZ94060	PARTS DP UNIT SP	12
302P005020	2P005020	PANEL OPERATION 3IN1	11
302P094010	2P094010	PARTS LID TOP ASSY SP	1
302P094020	2P094020	PARTS PWB ASSY CONTROLLER SP	2
302P094030	2P094030	PARTS PWB ASSY CONTROLLER SP EU	2
302P094040	2P094040	PARTS PANEL UNIT B SP	11
302P094050	2P094050	PARTS PWB ASSY PANEL SP	11
302P693010	2P693010	LK-3230	2
302P694010	2P694010	PARTS LID TOP ASSY SP	1
302P694021	2NZ93011	PARTS PWB ASSY CONTROLLER SP	2
302P694031	2P694031	PARTS PWB ASSY CONTROLLER SP EU	2
302PL94020	2PL94020	PARTS FAX UNIT E SP	2
302PL94030	2PL94030	PARTS FAX UNIT J SP	2
302PL94040	2PL94040	PARTS FAX UNIT U SP	2
302PL94050	2PL94050	PARTS FAX UNIT AS SP	2

Part.No. 部品番号	Alternative. 代替部品番号	Description 部品名称	Fig.No.
303M894260	3M894260	PARTS SENSOR OPT SP	4,8,9
303N728010	3N728010	PLATE HOOK	14
303N728020	3N728020	TRAY REAR	14
303N728030	3N728030	STOPPER PAPER REAR	14
3V2LV06030	2LV06030	GUIDE FEED SIDE	4
3V2LV08070	2LV08070	HOLDER SEPARATION MPF	4
3V2LV28070	2LV28070	ACTUATOR DU	8
3V2LV28081	2LV28081	GUIDE CHANGE	8
3V2NM04030	2NM04030	COVER FRONT	1
3V2NM04040	2NM04040	COVER RIGHT UP A	1
3V2NM04070	2NM04070	COVER LEFT UP	1
3V2NM04080	2NM04080	COVER LEFT MIDDLE	1
3V2NM04100	2NM04100	COVER CONTROLLER UP	1
3V2NM04110	2NM04110	COVER CONTROLLER LOW	1
3V2NM04130	2NM04130	COVER CONT MIDDLE	1
3V2NM04150	2NM04150	COVER STAY B	8
3V2NM04230	2NM04230	HOOK LID TOP A	1
3V2NM04280	2NM04280	COVER RIGHT UP B	1
3V2NM04320	2NM04320	COVER CONT UP A	1
3V2NM04330	2NM04330	COVER CONT UP B	1
3V2NM05010	2NM05010	COVER OPERATION RIGHT	11
3V2NM05020	2NM05020	COVER OPERATION LEFT	11
3V2NM05030	2NM05030	COVER LCD UPPER	11
3V2NM05040	2NM05040	COVER LCD LOWER	11
3V2NM05050	2NM05050	COVER PANEL RIGHT	11
3V2NM05060	2NM05060	COVER PANEL LEFT	11
3V2NM05160	2NM05160	LID OPERATION LEFT	11
3V2NM05170	2NM05170	LID OPERATION RIGHT	11
3V2NM05220	2NM05220	LEVER LCD	11
3V2NM05270	2NM05270	LABEL OPERATION RIGHT	11
3V2NM05280	2NM05280	LABEL OPERATION LEFT	11
3V2NM05380	2NM05380	LABEL OPERATION LEFT GER	13
3V2NM05390	2NM05390	LABEL OPERATION LEFT FRA	13
3V2NM05400	2NM05400	LABEL OPERATION LEFT ITA	13
3V2NM05410	2NM05410	LABEL OPERATION LEFT SPA	13
3V2NM05420	2NM05420	LABEL OPERATION LEFT POR	13
3V2NM05430	2NM05430	LABEL OPERATION LEFT DUT	13
3V2NM05440	2NM05440	LABEL OPERATION LEFT RUS	13
3V2NM05450	2NM05450	LABEL OPERATION RIGHT GER	13
3V2NM05460	2NM05460	LABEL OPERATION RIGHT FRA	13
3V2NM05470	2NM05470	LABEL OPERATION RIGHT ITA	13
3V2NM05480	2NM05480	LABEL OPERATION RIGHT SPA	13
3V2NM05490	2NM05490	LABEL OPERATION RIGHT POR	13
3V2NM05500	2NM05500	LABEL OPERATION RIGHT DUT	13
3V2NM05510	2NM05510	LABEL OPERATION RIGHT RUS	13
3V2NM05520	2NM05520	LABEL OPERATION RIGHT E	11
3V2NM05590	2NM05590	LABEL OPERATION LEFT E	11
3V2NM17190	2NM17190	MOUNT MOTOR ISU	9
3V2NM17200	2NM17200	GEAR Z63R-P32 ISU	9
3V2NM17210	2NM17210	MOUNT TENSION PULLEY	9
3V2NM17270	2NM17270	SHAFT ISU	9

Part.No. 部品番号	Alternative. 代替部品番号	Description 部品名称	Fig.No.
3V2NM17310	2NM17310	TAPE FFC A	9
3V2NM17320	2NM17320	TAPE FFC B	9
3V2NM17490	2NM17490	TAPE FFC C	9
3V2NM17560	2NM17560	SHEET FFC LEFT	9
3V2NM17600	2NM17600	SPRING-COMPRESSION ISU BELT	9
3V2NM18180	2NM18180	CUSHION PF	12
3V2NM18260	2NM18260	ACTUATOR TIMING	12
3V2NM18410	2NM18410	COVER FRONT	12
3V2NM18420	2NM18420	COVER REAR	12
3V2NM18430	2NM18430	COVER PF	12
3V2NM18750	2NM18750	ACTUATOR ORIGINAL	12
3V2NM18790	2NM18790	ACTUATOR PF	12
3V2NM46130	2NM46130	CONN.CORD ASSY S03840 CCD-LED	9
3V2NM46140	2NM46140	CONN.CORD ASSY S03841 CCD-HP	9
3V2NM46180	2NM46180	CONN.CORD ASSY S03823 PANEL HYPAS SIG	11
3V2NM46190	2NM46190	CONN.CORD ASSY S03825 PANEL HYPAS POWER	11
3V2NM46290	2NM46290	CONN.CORD ASSY S03869 BACKLIGHT	11
3V2NX04030	2NX04030	COVER RIGHT UP A	1
3V2NX04050	2NX04050	COVER LEFT UP	1
3V2NX04120	2NX04120	COVER RIGHT UP B	1
3V2NX04130	2NX04130	COVER STAY B	8
3V2NX04140	2NX04140	COVER CONT UP A	1
3V2NX04150	2NX04150	COVER CONT UP B	1
3V2NY05020	2NY05020	LABEL OPERATION LEFT 3IN1 E	11
3V2NY05030	2NY05030	COVER PANEL LEFT 3IN1	11
3V2NY05040	2NY05040	LABEL OPERATION LEFT 3IN1 GER	13
3V2NY05050	2NY05050	LABEL OPERATION LEFT 3IN1 FRA	13
3V2NY05060	2NY05060	LABEL OPERATION LEFT 3IN1 ITA	13
3V2NY05070	2NY05070	LABEL OPERATION LEFT 3IN1 SPA	13
3V2NY05080	2NY05080	LABEL OPERATION LEFT 3IN1 POR	13
3V2NY05090	2NY05090	LABEL OPERATION LEFT 3IN1 DUT	13
3V2NY05100	2NY05100	LABEL OPERATION LEFT 3IN1 RUS	13
3V2NY05140	2NY05140	LABEL OPERATION RIGHT 3IN1 E	11
3V2NY05150	2NY05150	LABEL OPERATION RIGHT 3IN1 GER	13
3V2NY05160	2NY05160	LABEL OPERATION RIGHT 3IN1 FRA	13
3V2NY05170	2NY05170	LABEL OPERATION RIGHT 3IN1 ITA	13
3V2NY05180	2NY05180	LABEL OPERATION RIGHT 3IN1 SPA	13
3V2NY05190	2NY05190	LABEL OPERATION RIGHT 3IN1 POR	13
3V2NY05200	2NY05200	LABEL OPERATION RIGHT 3IN1 DUT	13
3V2NY05210	2NY05210	LABEL OPERATION RIGHT 3IN1 RUS	13
3V2NZ05180	2NZ05180	LID OPERATION SHEET	11
3V2NZ05210	2NZ05210	LABEL OPERATION E	11
3V2NZ05250	2NZ05250	LABEL OPERATION GER	13
3V2NZ05260	2NZ05260	LABEL OPERATION FRA	13
3V2NZ05270	2NZ05270	LABEL OPERATION ITA	13
3V2NZ05280	2NZ05280	LABEL OPERATION SPA	13
3V2NZ05290	2NZ05290	LABEL OPERATION POR	13
3V2NZ05300	2NZ05300	LABEL OPERATION DUT	13
3V2NZ05310	2NZ05310	LABEL OPERATION RUS	13
3V2NZ46010	2NZ46010	CONN.CORD ASSY S03855 PANEL BASIC SIG	11
3V2P005040	2P005040	LABEL OPERATION 3IN1 E	11

KYOCERA Document Solutions America, Inc.**Headquarters**

225 Sand Road,
Fairfield, New Jersey 07004-0008, USA
Phone: +1-973-808-8444
Fax: +1-973-882-6000

Latin America

8240 NW 52nd Terrace Dawson Building, Suite 100
Miami, Florida 33166, USA
Phone: +1-305-421-6640
Fax: +1-305-421-6666

KYOCERA Document Solutions Canada, Ltd.

6120 Kestrel Rd., Mississauga, ON L5T 1S8,
Canada
Phone: +1-905-670-4425
Fax: +1-905-670-8116

**KYOCERA Document Solutions
Mexico, S.A. de C.V.**

Calle Arquimedes No. 130, 4 Piso, Colonia Polanco
Chapultepec, Delegacion Miguel Hidalgo,
Distrito Federal, C.P. 11560, México
Phone: +52-555-383-2741
Fax: +52-555-383-7804

KYOCERA Document Solutions Brazil, Ltda.

Alameda África, 545, Pólo Empresarial Consbrás,
Tamboré, Santana de Parnaíba-SP, CEP 06543-306,
Brazil
Phone: +55-11-4195-8496
Fax: +55-11-4195-6167

**KYOCERA Document Solutions
Australia Pty. Ltd.**

Level 3, 6-10 Talavera Road North Ryde N.S.W, 2113,
Australia
Phone: +61-2-9888-9999
Fax: +61-2-9888-9588

**KYOCERA Document Solutions
New Zealand Ltd.**

Ground Floor, 19 Byron Avenue, Takapuna, Auckland,
New Zealand
Phone: +64-9-415-4517
Fax: +64-9-415-4597

KYOCERA Document Solutions Asia Limited

16/F., Mita Centre, 552-566, Castle Peak Road
Tsuenwan, NT, Hong Kong
Phone: +852-2610-2181
Fax: +852-2610-2063

**KYOCERA Document Solutions
(China) Corporation**

8F, No. 288 Nanjing Road West, Huangpu District,
Shanghai, 200003, China
Phone: +86-21-5301-1777
Fax: +86-21-5302-8300

**KYOCERA Document Solutions
(Thailand) Corp., Ltd.**

335 Ratchadapisek Road, Bangsue, Bangkok 10800,
Thailand
Phone: +66-2-586-0333
Fax: +66-2-586-0278

**KYOCERA Document Solutions
Singapore Pte. Ltd.**

12 Tai Seng Street #04-01A,
Luxasia Building, Singapore 534118
Phone: +65-6741-8733
Fax: +65-6748-3788

**KYOCERA Document Solutions
Hong Kong Limited**

16/F., Mita Centre, 552-566, Castle Peak Road
Tsuenwan, NT, Hong Kong
Phone: +852-3582-4000
Fax: +852-3185-1399

**KYOCERA Document Solutions
Taiwan Corporation**

6F., No.37, Sec. 3, Minquan E. Rd.,
Zhongshan Dist., Taipei 104, Taiwan R.O.C.
Phone: +886-2-2507-6709
Fax: +886-2-2507-8432

KYOCERA Document Solutions Korea Co., Ltd.

18F, Kangnam bldg, 1321-1,
Seocho-Dong, Seocho-Gu, Seoul, Korea
Phone: +822-6933-4050
Fax: +822-747-0084

**KYOCERA Document Solutions
India Private Limited**

Second floor, Centrum Plaza, Golf Course Road,
Sector-53, Gurgaon, Haryana 122002, India
Phone: +91-0124-4671000
Fax: +91-0124-4671001

KYOCERA Document Solutions Europe B.V.

Bloemlaan 4, 2132 NP Hoofddorp,
The Netherlands
Phone: +31-20-654-0000
Fax: +31-20-653-1256

KYOCERA Document Solutions Nederland B.V.

Beechavenue 25, 1119 RA Schiphol-Rijk,
The Netherlands
Phone: +31-20-5877200
Fax: +31-20-5877260

KYOCERA Document Solutions (U.K.) Limited

Eldon Court, 75-77 London Road,
Reading, Berkshire RG1 5BS,
United Kingdom
Phone: +44-118-931-1500
Fax: +44-118-931-1108

KYOCERA Document Solutions Italia S.p.A.

Via Verdi, 89/91 20063 Cernusco s/N.(MI),
Italy
Phone: +39-02-921791
Fax: +39-02-92179-600

KYOCERA Document Solutions Belgium N.V.

Sint-Martinusweg 199-201 1930 Zaventem,
Belgium
Phone: +32-2-7209270
Fax: +32-2-7208748

KYOCERA Document Solutions France S.A.S.

Espace Technologique de St Aubin
Route de l'Orme 91195 Gif-sur-Yvette CEDEX,
France
Phone: +33-1-69852600
Fax: +33-1-69853409

KYOCERA Document Solutions Espana, S.A.

Edificio Kyocera, Avda. de Manacor No.2,
28290 Las Matas (Madrid), Spain
Phone: +34-91-6318392
Fax: +34-91-6318219

KYOCERA Document Solutions Finland Oy

Atomitie 5C, 00370 Helsinki,
Finland
Phone: +358-9-47805200
Fax: +358-9-47805390

**KYOCERA Document Solutions
Europe B.V., Amsterdam (NL) Zürich Branch**

Hohlstrasse 614, 8048 Zürich,
Switzerland
Phone: +41-44-9084949
Fax: +41-44-9084950

**KYOCERA Document Solutions
Deutschland GmbH**

Otto-Hahn-Strasse 12, 40670 Meerbusch,
Germany
Phone: +49-2159-9180
Fax: +49-2159-918100

KYOCERA Document Solutions Austria GmbH

Eduard-Kittenberger-Gasse 95, 1230 Vienna,
Austria
Phone: +43-1-863380
Fax: +43-1-86338-400

KYOCERA Document Solutions Nordic AB

Esbogatan 16B 164 75 Kista, Sweden
Phone: +46-8-546-550-00
Fax: +46-8-546-550-10

**京セラドキュメントソリューションズ株式会社
京セラドキュメントソリューションズジャパン株式会社**

 は京セラ株式会社の登録商標です。

KYOCERA Document Solutions Norge Nuf

Postboks 150 Oppsal, 0619 Oslo,
Norway
Phone: +47-22-62-73-00
Fax: +47-22-62-72-00

KYOCERA Document Solutions Danmark A/S

Ejby Industrivej 60, DK-2600 Glostrup,
Denmark
Phone: +45-70223880
Fax: +45-45765850

KYOCERA Document Solutions Portugal Lda.

Rua do Centro Cultural, 41 (Alvalade) 1700-106 Lisboa,
Portugal
Phone: +351-21-843-6780
Fax: +351-21-849-3312

**KYOCERA Document Solutions
South Africa (Pty) Ltd.**

KYOCERA House, Hertford Office Park,
90 Bekker Road (Cnr. Allandale), Midrand, South Africa.
Phone: +27-11-540-2600
Fax: +27-11-466-3050

KYOCERA Document Solutions Russia LLC

Botanichesky pereulok 5, Moscow, 129090,
Russia
Phone: +7(495)741-0004
Fax: +7(495)741-0018

KYOCERA Document Solutions Middle East

Dubai Internet City, Bldg. 17,
Office 157 P.O. Box 500817, Dubai,
United Arab Emirates
Phone: +971-04-433-0412

KYOCERA Document Solutions Inc.

2-28, 1-chome, Tamatsukuri, Chuo-ku
Osaka 540-8585, Japan
Phone: +81-6-6764-3555
<http://www.kyoceradocumentsolutions.com>

© 2014 KYOCERA Document Solutions Inc.

 is a trademark of KYOCERA Corporation