



FS-1030MFP FS-1030MFP/DP
FS-1130MFP
FS-1035MFP/DP
FS-1135MFP
ECOSYS M2030dn/PN ECOSYS M2030dn
ECOSYS M2530dn
ECOSYS M2035dn
ECOSYS M2535dn

PARTS LIST

Published in March 2014
842MH125
Rev.5

CONTENTS

FIG. 1	Covers	2
FIG. 2	Frames	4
FIG. 3	Paper Cassette	6
FIG. 4	Paper Feed Section 1	8
FIG. 5	Paper Feed Section 2	10
FIG. 6	Scanner Section	12
FIG. 7	Image Formation Section	14
FIG. 8	Developing Section	16
FIG. 9	Fuser Section	18
FIG. 10	Drive Section	20
FIG. 11	Paper Conveying Section	22
FIG. 12	Electrical Components(30ppm(A),30ppm(A/DP), 30ppm(AF),35ppm(A/DP),35ppm(AF))	24
FIG. 12	Electrical Components(30ppm(B),30ppm(B/DP), 30ppm(BF),35ppm(B/DP),35ppm(BF))	26
FIG. 13	Operation Section & Original Cover	28
FIG. 14	Document Processor 1	30
FIG. 15	Document Processor 2	32
FIG. 16	Accessories	34
FIG. 17	Maintenance Kits	36
	• INDEX	37

<Notation of products>

For the purpose of this parts list, products are identified as following.

FS-1030MFP : 30ppm(A)	ECOSYS M2030dn/PN : 30ppm(B)
FS-1030MFP/DP : 30ppm(A/DP)	ECOSYS M2030dn : 30ppm(B/DP)
FS-1130MFP : 30ppm(AF)	ECOSYS M2530dn : 30ppm(BF)
FS-1035MFP/DP : 35ppm(A/DP)	ECOSYS M2035dn : 35ppm(B/DP)
FS-1135MFP : 35ppm(AF)	ECOSYS M2535dn : 35ppm(BF)

FIG. 1 Covers

2MH/2MJ/2MK/2ML/2PK/2PL/2PM/2PN-3

30ppm(B)
 30ppm(B/DP),30ppm(BF)
 35ppm(B/DP),35ppm(BF)

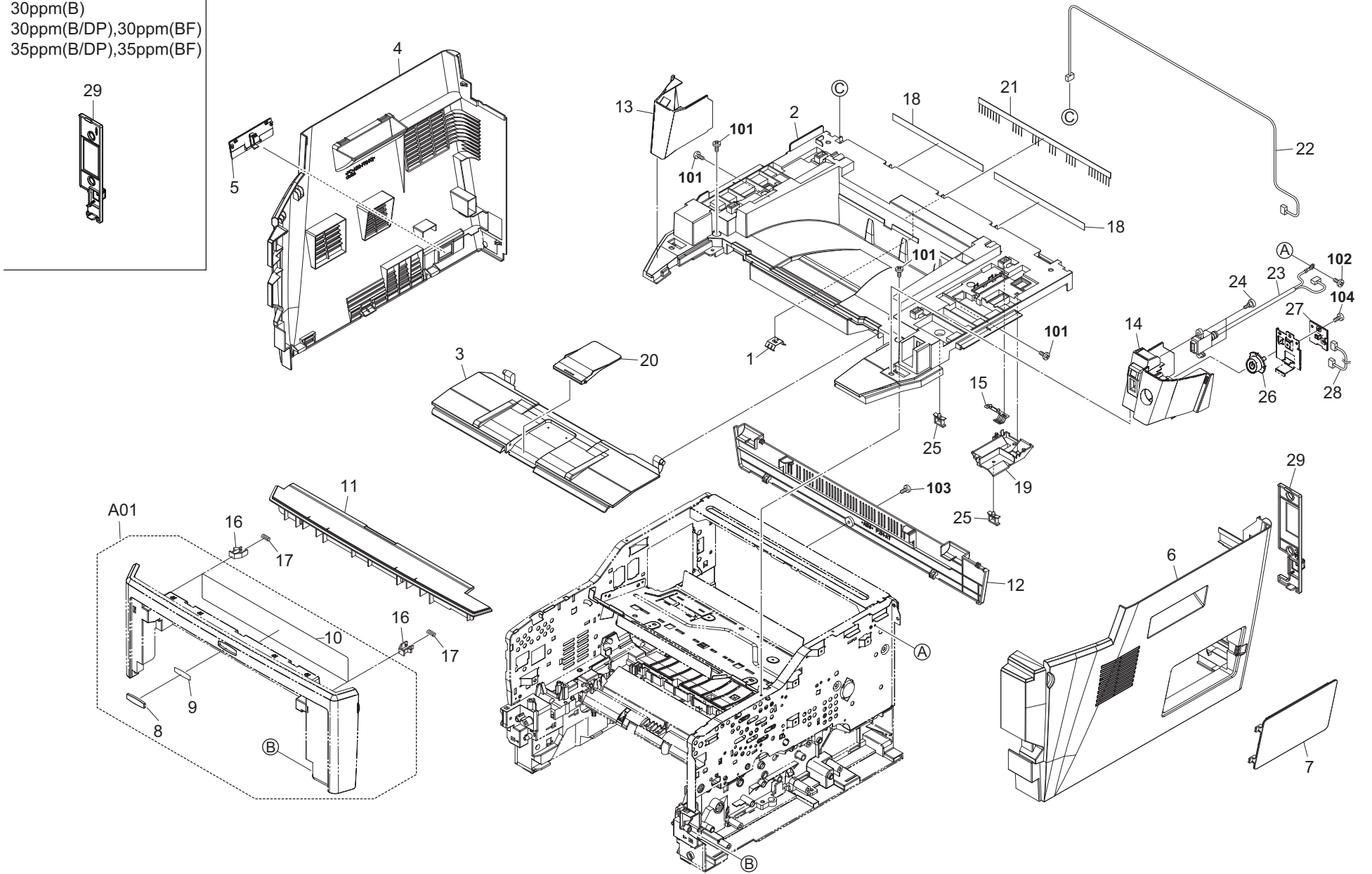


FIG. 1 Covers

Ref. No.	Part.No.	Alternative.	Description	Notes	Quantity		
					120	230	240
1	302H902270	2H902270	PLATE EARTH		1	1	1
⊙ 2	302H904011	2H904011	COVER TOP		1	1	1
⊙ 3	302H904021	2H904021	LID TOP		1	1	1
⊙ 4	302MH04070	2MH04070	COVER LEFT		1	1	1
5	302MH04060	2MH04060	COVER MAIN SW		1	1	1
⊙ 6	302MH04080	2MH04080	COVER RIGHT		1	1	1
⊙ 7	302MH04090	2MH04090	COVER DIMM		1	1	1
⊙ A01	302MH94030	2MH94030	PARTS COVER FRONT ASSY SP		1	1	1
8	*302H904150	2H904150	EMBLEM		1	1	1
9	*302H904170	2H904170	TAPE EMBLEM		1	1	1
10	*302H934010	2H934010	LABEL JAM TK OPERATION		1	1	1
⊙ 11	302H904070	2H904070	COVER FRONT B		1	1	1
⊙ 12	302MH04110	2MH04110	COVER REAR		1	1	1
⊙ 13	302MH04010	2MH04010	COVER INNER L		1	1	1
⊙ 14	302MH04020	2MH04020	COVER INNER R		1	1	1
15	302H904180	2H904180	PLATE EARTH REAR		1	1	1
16	302H904200	2H904200	HOOK COVER		2	2	2
17	302H904210	2H904210	SPRING COVER HOOK		2	2	2
18	302H904230	2H904230	SHEET HARNESS		2	2	2
19	302H904260	2H904260	GUIDE HARNESS		1	1	1
⊙ 20	302H904270	2H904270	STOPPER PAPER D		1	1	1
21	302H904280	2H904280	DISCHARGER FD		1	1	1
22	302H946050	2H946050	CONN.CORD ASSY LVU-SCN		1	1	1
23	302MH46030	2MH46030	CONN.CORD ASSY USB-MAIN S03742		1	1	1
24	302JD19150	2JD19150	PIN LSU		2	2	2
25	7YZM610008++H01	YZ037940	ACCESS.SADDLE		2	2	2
26	302MH04030	2MH04030	KEY POWER		1	1	1
⊙ 27	302MH94080	2MH94080	PARTS PWB SW ASSY SP		1	1	1
28	302MH46020	2MH46020	CONN.CORD ASSY MAIN-POWER SW S03741		1	1	1
⊙ 29	302MH39030	2MH39030	COVER BOX	30ppm(A) 30ppm(A/DP) 35ppm(A/DP)	1	1	1
⊙ 29	302MK39010	2MK39010	COVER BOX	30ppm(AF) 35ppm(AF)	1	1	1
⊙ 29	302PK39020	2PK39020	COVER BOX	30ppm(B) 30ppm(B/DP) 35ppm(B/DP)	1	1	1
⊙ 29	302PL39010	2PL39010	COVER BOX	30ppm(BF) 35ppm(BF)	1	1	1

- Parts with "⊙" indicate regular maintenance parts.
- Parts with Ref.No. indicate maintenance parts and the ones without it indicate out of the above.

2MH/2MJ/2MK/2ML/2PK/2PL/2PM/2PN-3

Ref. No.	Part.No.	Alternative.	Description	Notes	Quantity		
					120	230	240
101	7BB700308H	BB105600	+BIND T.T S SCREW 3X8 SR				
102	7BB100306H1	BB105820	+BIND T.T S SCREW 3X6				
103	7BB600306H	BB105730	+BIND M SCREW 3X6 R				
104	7BB200308H	BB105660	+BIND T.T P SCREW 3X8				

- Parts with "*" are component parts or sub-assemblies of the assembly appearing immediately above them.
- Parts with "*•" are component parts or sub-assembly with "*" appearing immediately above them.

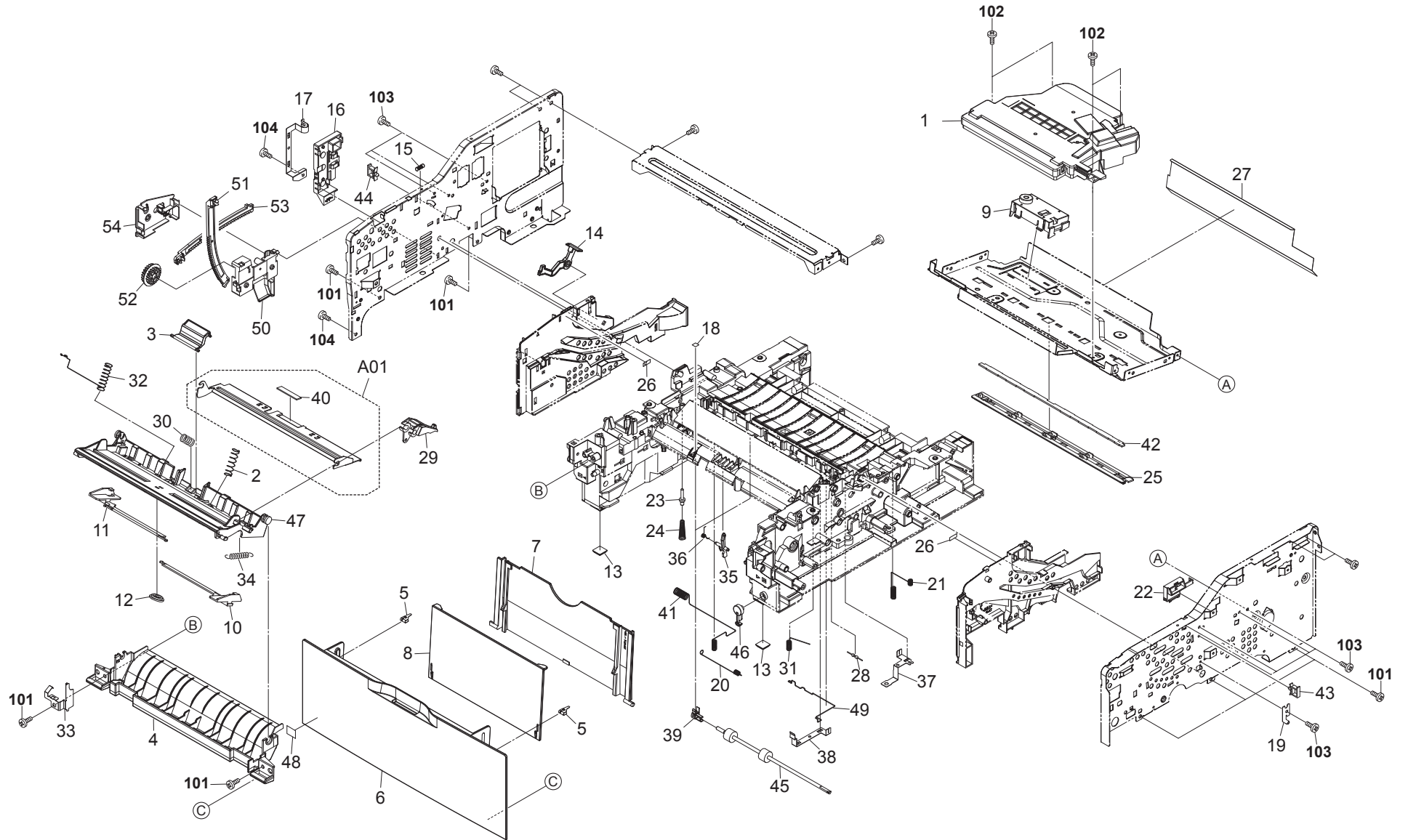


FIG. 2 Frames

Ref. No.	Part.No.	Alternative.	Description	Notes	Quantity		
					120	230	240
⊙ 1	302LY93030	2LY93030	LK-160	30ppm(A) 30ppm(A/DP) 30ppm(AF) 30ppm(B) 30ppm(B/DP) 30ppm(BF)		1	1
⊙ 1	302LZ93030	2LZ93030	LK-170	35ppm(A/DP) 35ppm(AF) 35ppm(B/DP) 35ppm(BF)	1	1	1
2	302F908270	2F908270	SP BOTTOM MPF L		1	1	1
⊙ 3	302HS94040	2HS94040	SEPARATOR MPF ASSY		1	1	1
4	302LZ08020	2LZ08020	GUIDE TURN MPF		1	1	1
5	302H908020	2H908020	PLATE COVER MPF		2	2	2
⊙ 6	302MH08011	2MH08011	COVER MPF		1	1	1
7	302HS08060	2HS08060	TRAY MPF MID		1	1	1
8	302HS08220	2HS08220	TRAY MPF TOP		1	1	1
⊙ 9	302H994360	2H994360	PARTS FULL SENSOR ASSY SP		1	1	1
10	302HS08241	2HS08241	GUIDE MPF R		1	1	1
11	302HS08251	2HS08251	GUIDE MPF L		1	1	1
12	5MVG137DN032	2A806720	GEAR MPF /A-49 MPF A4		1	1	1
13	302J002010	2J002010	FOOT		2	2	2
⊙ 14	302HS02090	2HS02090	LEVER STOPPER DLP		1	1	1
15	302HS02100	2HS02100	SPRING STOPPER DLP		1	1	1
16	302MH02030	2MH02030	HOLDER MC		1	1	1
17	302HS02140	2HS02140	PLATE CONTACT MC		1	1	1
⊙ 18	302HS02700	2HS02700	SHEET BUSH DU		1	1	1
19	302HS02291	2HS02291	PLATE EARTH DRUM		1	1	1
20	302H402060	2H402060	SPRING EARTH DU FEED		1	1	1
21	302HS02330	2HS02330	SPRING EARTH DU PLATE		1	1	1
22	302HS02351	2HS02351	COVER CABLE B		1	1	1
23	302HS02461	2HS02461	PIN CONTACT BIAS		1	1	1
24	302HS02470	2HS02470	SPRING PIN BIAS		1	1	1
25	302H402020	2H402020	HOLDER ERASER		1	1	1
26	302FV14500	2FV14500	LABEL GUIDE DLP		2	2	2
27	302HS02590	2HS02590	SHEET DUCT FD		1	1	1
28	7RHA2H10701+H01	RH043740	M.GLAZE R. 100MJ 1/2W		1	1	1
29	302HS08100	2HS08100	BRACKET BOTTOM		1	1	1
30	302HS08170	2HS08170	SPRING SEPARATOR		1	1	1
31	302HS24300	2HS24300	SPRING CONTACT TC		1	1	1
32	302HS08210	2HS08210	SPRING EARTH MPF		1	1	1
33	302HS08230	2HS08230	PLATE EARTH BOTTOM		1	1	1
34	302HS08270	2HS08270	SPRING BRACKET		1	1	1
35	302LZ24030	2LZ24030	ACTUATOR REGIST		1	1	1
36	302HS24070	2HS24070	SPRING ACTUATOR REG		1	1	1
37	302HS24080	2HS24080	PLATE EARTH HV		1	1	1
38	302HS24110	2HS24110	PLATE ERATH PAPER CHUTE		1	1	1
39	302HS24130	2HS24130	BUSH 4 DU ROLL		2	2	2
⊙ A01	302HS94050	2HS94050	PLATE BOTTOM MPF ASSY		1	1	1
40	*302F908310	2F908310	PAD FRICTION MPF		1	1	1

- Parts with "⊙" indicate regular maintenance parts.
- Parts with Ref.No. indicate maintenance parts and the ones without it indicate out of the above.

2MH/2MJ/2MK/2ML/2PK/2PL/2PM/2PN-5

Ref. No.	Part.No.	Alternative.	Description	Notes	Quantity		
					120	230	240
41	302HS02160	2HS02160	SPRING MC		1	1	1
⊙ 42	302H494020	2H494020	ERASER KIT (N) SP	30ppm(A) 30ppm(A/DP) 30ppm(AF) 30ppm(B) 30ppm(B/DP) 30ppm(BF)		1	1
⊙ 42	302LZ94010	2LZ94010	PARTS PWB ERASER SP	35ppm(A/DP) 35ppm(AF) 35ppm(B/DP) 35ppm(BF)	1	1	1
43	7YZM610008++H01	YZ037940	ACCESS.SADDLE		1	1	1
44	7YZM610007++H01	YZ023340	ACCESS.SADDLE		1	1	1
⊙ 45	302HS24160	2HS24160	ROLLER DU		2	2	2
⊙ 46	302HS02650	2HS02650	HOOK PF		1	1	1
47	302HS08050	2HS08050	BASE MPF		1	1	1
48	302G634070	2G634070	LABEL ENERGY STAR	30ppm(B) 30ppm(B/DP) 30ppm(BF) 35ppm(B/DP) 35ppm(BF)	1	1	1
49	302H402040	2H402040	SPRING REG GND		1	1	1
50	302H902110	2H902110	HOLDER GEAR A		1	1	1
51	302H902030	2H902030	RACK LID L		1	1	1
⊙ 52	302H902070	2H902070	GEAR RACK Z20-23		1	1	1
53	302H902050	2H902050	RACK FRONT L		1	1	1
54	302H902120	2H902120	HOLDER GEAR B		1	1	1
101	7BB200410H	BB105700	+BIND T.T P SCREW 4X10				
102	7BB600308H	BB055190	+BIND SCREW M3X8 CRFREE SR				
103	7BB700308H	BB105600	+BIND T.T S SCREW 3X8 SR				
104	7BB200308H	BB105660	+BIND T.T P SCREW 3X8				

- Parts with "*" are component parts or sub-assemblies of the assembly appearing immediately above them.
- Parts with "*•" are component parts or sub-assembly with "•" appearing immediately above them.

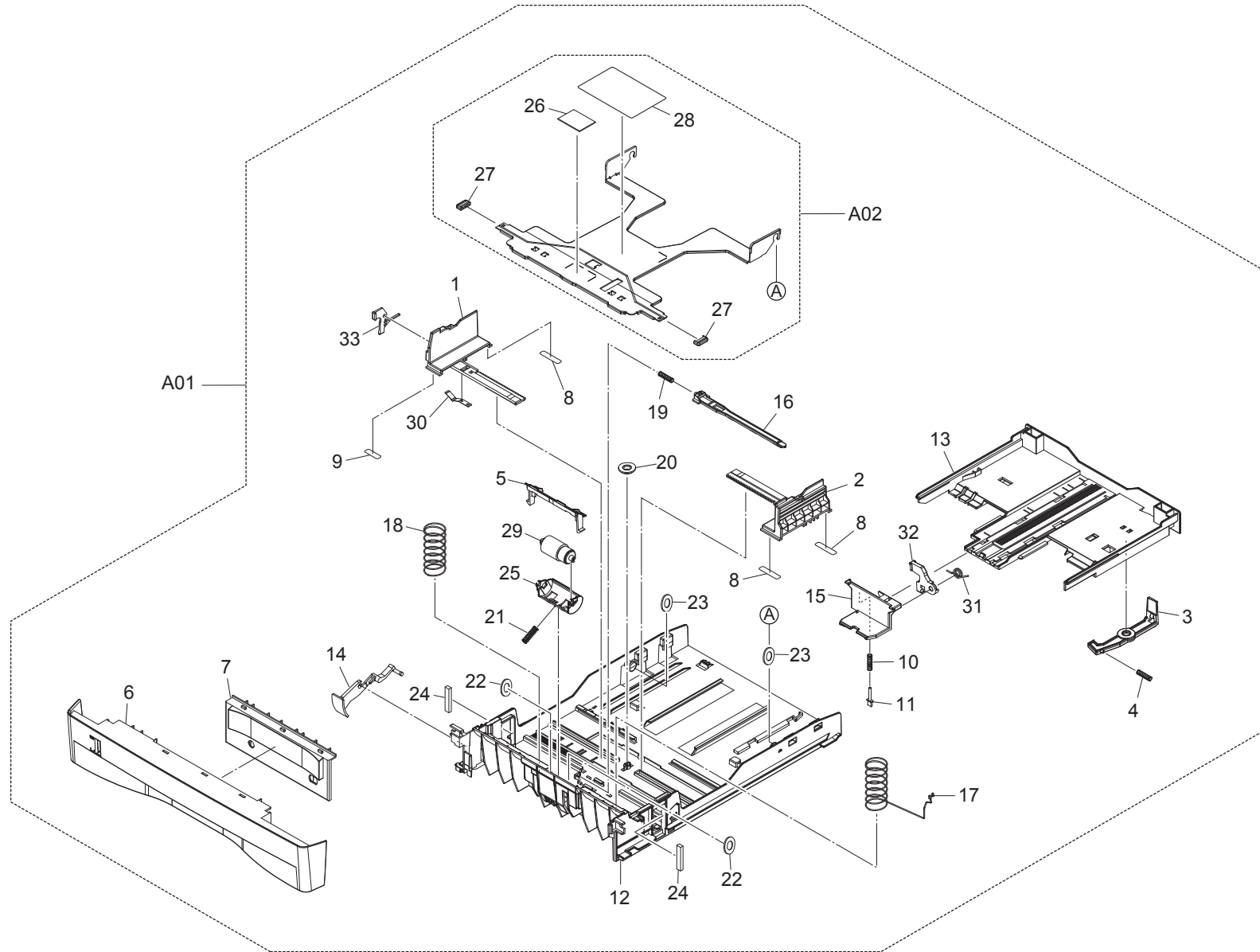


FIG. 3 Paper Cassette

2MH/2MJ/2MK/2ML/2PK/2PL/2PM/2PN-1

Ref. No.	Part.No.	Alternative.	Description	Notes	Quantity		
					120	230	240
⊙ A01	302MH93041	2MH93041	CT-1130		1	1	1
1	*302MH09060	2MH09060	GUIDE SIDE L		1	1	1
2	*302MH09070	2MH09070	GUIDE SIDE R		1	1	1
3	*302F909031	2F909031	LEVER BASE CAS REAR		1	1	1
4	*302F909040	2F909040	SPRING BASE CAS REAR		1	1	1
5	*302LZ09030	2LZ09030	GUIDE RETARD		1	1	1
⊙ 6	*302MH09011	2MH09011	COVER CASSETTE		1	1	1
⊙ 7	*302MH09080	2MH09080	GUIDE CASSETTE B		1	1	1
8	*302H909030	2H909030	SPACER CASS A		3	3	3
9	*302H909040	2H909040	SPACER CASS B		1	1	1
10	*302HN09190	2HN09190	SPRING FIX		1	1	1
11	*302HN09240	2HN09240	SIZE FIX		1	1	1
12	*302MH09031	2MH09031	BASE CASSETTE		1	1	1
13	*302MH09041	2MH09041	BASE CASSETTE REAR		1	1	1
14	*302HS09070	2HS09070	PAPER INDICATOR		1	1	1
15	*302MH09050	2MH09050	CURSOR END		1	1	1
16	*302HS09100	2HS09100	LOCK BOTTOM		1	1	1
17	*302HS09120	2HS09120	SPRING BOTTOM L		1	1	1
18	*302HS09130	2HS09130	SPRING BOTTOM R		1	1	1
19	*302HS09140	2HS09140	SPRING LOCK BOTTOM		1	1	1
20	*302HS09160	2HS09160	GEAR CASSETTE		1	1	1
21	*302HS09180	2HS09180	SPRING RETARD		1	1	1
22	*302HS09210	2HS09210	SEAL RETARD WASHER		2	2	2
23	*302HS09220	2HS09220	CUT POLYSLIDER 11_8		2	2	2
24	*302HS09231	2HS09231	SPONGE CASSETTE		2	2	2
25	*302HS09260	2HS09260	HOLDER RETARD		1	1	1
⊙ A02	*302HS94000	2HS94000	PLATE BOTTOM ASSY		1	1	1
26	**302F909210	2F909210	PAD BOTTOM		1	1	1
27	**302HS09170	2HS09170	CAP BOTTOM		2	2	2
28	**302HS34030	2HS34030	LABEL OPERATION		1	1	1
⊙ 29	*302BR06521	2BR06521	RETARD ROLL ASSY /43487V0005 A4		1	1	1
30	*5MMP141LD002	2A807510	PLATE SIDE GUIDE /A49 CASSETTE A4		1	1	1
31	*5MMW171LD006	2A807530	SPRING STOPPER /A49 CASSETTE A4		1	1	1
32	*5MVX541DG002	2A807191	LEVER REAR /A-49 CASSETTE A3		1	1	1
33	*5MVX541DG003	2A807161	LEVER SIDE /A-49 CASSETTE A3		1	1	1

Ref. No.	Part.No.	Alternative.	Description	Notes	Quantity		
					120	230	240

- Parts with "⊙" indicate regular maintenance parts.
- Parts with Ref.No. indicate maintenance parts and the ones without it indicate out of the above.

- Parts with "*" are component parts or sub-assemblies of the assembly appearing immediately above them.
- Parts with "*•" are component parts or sub-assembly with "*" appearing immediately above them.

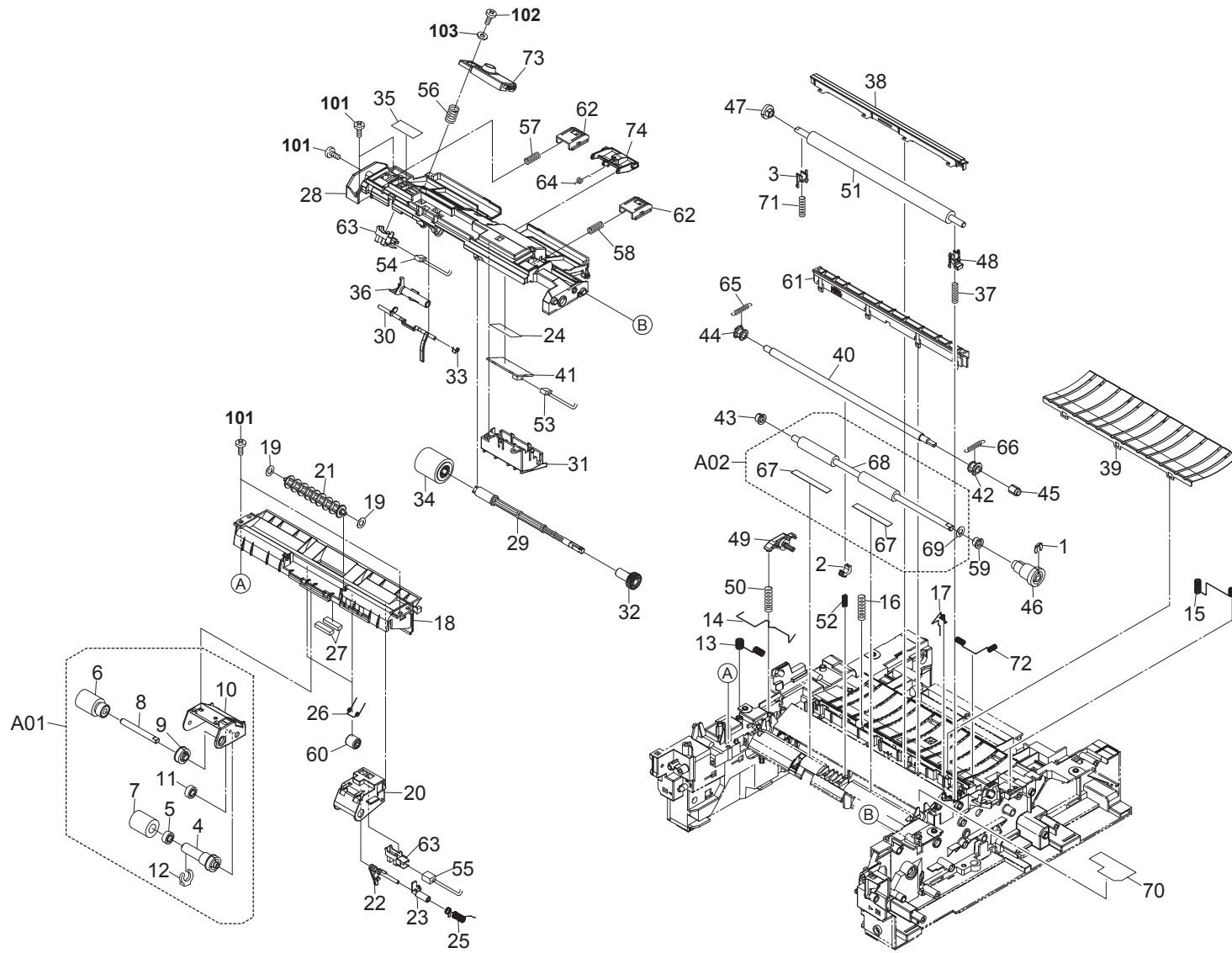


FIG. 4 Paper Feed Section 1

Ref. No.	Part.No.	Alternative.	Description	Notes	Quantity		
					120	230	240
1	5MVX111DN003	2A806250	RING STOPPER /A-49 FEED A4		1	1	1
2	302LZ24220	2LZ24220	BUSH REGIST C		1	1	1
3	302A816031	2A816031	BUSH TC R /A-49 FEED A4		1	1	1
⊙ A01	302HS94032	2HS94032	HOLDER FEED ASSY		1	1	1
4	*302F906170	2F906170	JOINT PICKUP A		1	1	1
5	*302F906180	2F906180	JOINT PICKUP B		1	1	1
⊙ 6	*302F906230	2F906230	PULLEY FEED ASSY		1	1	1
7	*302F906240	2F906240	PULLEY PICKUP ASSY		1	1	1
8	*302F906272	2F906272	SHAFT FEED L		1	1	1
9	*302F906280	2F906280	GEAR FEED Z30H		1	1	1
10	*302HS06020	2HS06020	HOLDER FEED		1	1	1
⊙ 11	*302HS06090	2HS06090	GEAR Z22S FEED		1	1	1
12	*5MVX111DN003	2A806250	RING STOPPER /A-49 FEED A4		1	1	1
13	302LZ02100	2LZ02100	SPRING EARTH REG UP		1	1	1
14	302HS02260	2HS02260	SPRING EARTH REG LOW		1	1	1
15	302HS02340	2HS02340	SPRING EARTH RIGHT		1	1	1
16	302HS02410	2HS02410	SPRING EARTH DU MID		1	1	1
17	302HS02440	2HS02440	SPRING EARTH DLP PLATE		1	1	1
18	302HS06010	2HS06010	FRAME FEED		1	1	1
19	302HS06150	2HS06150	SEAL FEED PULLEY		2	2	2
20	302HS06040	2HS06040	GUIDE FEED R		1	1	1
21	302HS06050	2HS06050	PULLEY FEED		1	1	1
⊙ 22	302LZ06011	2LZ06011	ACTUATOR EMPTY A		1	1	1
⊙ 23	302HS06071	2HS06071	ACTUATOR EMPTY B		1	1	1
24	302HS19220	2HS19220	TAPE FFC		1	1	1
25	302HS06120	2HS06120	SPRING ACTUATOR		1	1	1
26	302HS06130	2HS06130	SPRING PULLEY		2	2	2
27	302HS06140	2HS06140	SEAL FRAME FEED		2	2	2
28	302HS08011	2HS08011	FRAME MPF		1	1	1
29	302HS08080	2HS08080	SHAFT FEED MPF		1	1	1
⊙ 30	302HS08110	2HS08110	ACTUATOR MPF		1	1	1
31	302HS08140	2HS08140	BASE IC PWB		1	1	1
⊙ 32	302HS08160	2HS08160	GEAR Z20S MPF		1	1	1
33	302HS08190	2HS08190	SPRING ACTUATOR		1	1	1
⊙ 34	302HS08260	2HS08260	ROLLER M/P ASSY		1	1	1
35	302HS08290	2HS08290	FILM SENSOR		1	1	1
36	302HS08300	2HS08300	HOLDER FEED M/P		1	1	1
37	302HS24400	2HS24400	SPRING TC R		1	1	1
38	302HS24010	2HS24010	GUIDE PAPER CHUTE		1	1	1
39	302HS24020	2HS24020	GUIDE EARTH		1	1	1
⊙ 40	302LZ24050	2LZ24050	ROLLER REGIST UP		1	1	1
⊙ 41	302MH94150	2MH94150	PARTS PWB RFID ASSY SP		1	1	1
42	302HS24120	2HS24120	BUSH REGIST		1	1	1
43	302HS24140	2HS24140	BUSH 6 EW		1	1	1
44	302H402050	2H402050	BUSH REGIST		1	1	1
⊙ 45	302HS24190	2HS24190	GEAR Z14R REG UP		1	1	1
⊙ 46	302HS24200	2HS24200	GEAR Z21L-Z23L REG LOW		1	1	1
⊙ 47	302LZ24010	2LZ24010	GEAR Z17L TC		1	1	1
⊙ 48	302HS24250	2HS24250	BUSH TC R		1	1	1

- Parts with "⊙" indicate regular maintenance parts.
- Parts with Ref.No. indicate maintenance parts and the ones without it indicate out of the above.

2MH/2MJ/2MK/2ML/2PK/2PL/2PM/2PN-2

Ref. No.	Part.No.	Alternative.	Description	Notes	Quantity		
					120	230	240
49	302HS24260	2HS24260	LEVER RELEASE TC L		1	1	1
50	302HS24280	2HS24280	SPRING RELEASE TC L		1	1	1
⊙ 51	302LZ94070	2LZ94070	PARTS ROLLER TRANSFER A SP		1		
⊙ 51	302LZ94060	2LZ94060	PARTS ROLLER TRANSFER E SP			1	1
52	302HS24360	2HS24360	SPRING REGIST C		1	1	1
53	302HS46050	2HS46050	CONN.CORD ASSY CONTROL-RFID S03244		1	1	1
54	302HS46150	2HS46150	CONN.CORD ASSY CONTROL-MPFSENSOR S03		1	1	1
55	302HS46160	2HS46160	CONN.CORD ASSY CONTROL-P.SENS0R S0330		1	1	1
56	5MMW261LD036	2A814570	SPRING TE SENSOR /A-49 DLP A4		1	1	1
57	5MMW261LD067	2FV02270	SPRING LEVER LOCK L		1	1	1
58	5MMW261LD068	2FV02280	SPRING LEVER LOCK R		1	1	1
59	302HS24460	2HS24460	BUSH REGIST R		1	1	1
60	5MVM273DB005	2A820100	PULLEY EXIT /A-49 FUSER A3		2	2	2
⊙ 61	302H494080	2H494080	HOLDER DC BRUSH ASSY		1	1	1
⊙ 62	5MVX431DN005	2FV02100	LEVER LOCK DLP		2	2	2
⊙ 63	7NXSG2481+++H01	NX052600	SENSOR OPT.		2	2	2
64	302HS08351	2HS08351	SPRING COVER REG		1	1	1
⊙ 65	302LZ24120	2LZ24120	SPRING REGIST LB		1	1	1
⊙ 66	302LZ24110	2LZ24110	SPRING REGIST RB		1	1	1
⊙ A02	302HS94081	2HS94081	REGIST LOW KIT		1	1	1
67	*302HS24181	2HS24181	SHEET REGIST		2	2	2
68	*302HS24410	2HS24410	ROLLER REGIST LOW		1	1	1
69	*7BC460529080H01	BC059590	CUT WASHER 5.2X9.0X0.8T(BLACK)		1	1	1
70	302HS24420	2HS24420	FILM REGIST GUIDE		1	1	1
71	302LZ24090	2LZ24090	SPRING TC L		1	1	1
72	302HS24310	2HS24310	SPRING EARTH BRUSH		1	1	1
⊙ 73	302HS94150	2HS94150	EMPTY SENSOR KIT SP		1	1	1
74	302HS08340	2HS08340	COVER REG SW		1	1	1
101	7BB200410H	BB105700	+BIND T.T P SCREW 4X10				
102	7BB202308H	BB105690	+TP-FLAT T.T P SCREW 3X8				
103	7BC00030A080H01	BC046150	WASHER M3X10X0.8T				

- Parts with "*" are component parts or sub-assemblies of the assembly appearing immediately above them.
- Parts with "••" are component parts or sub-assembly with "•" appearing immediately above them.

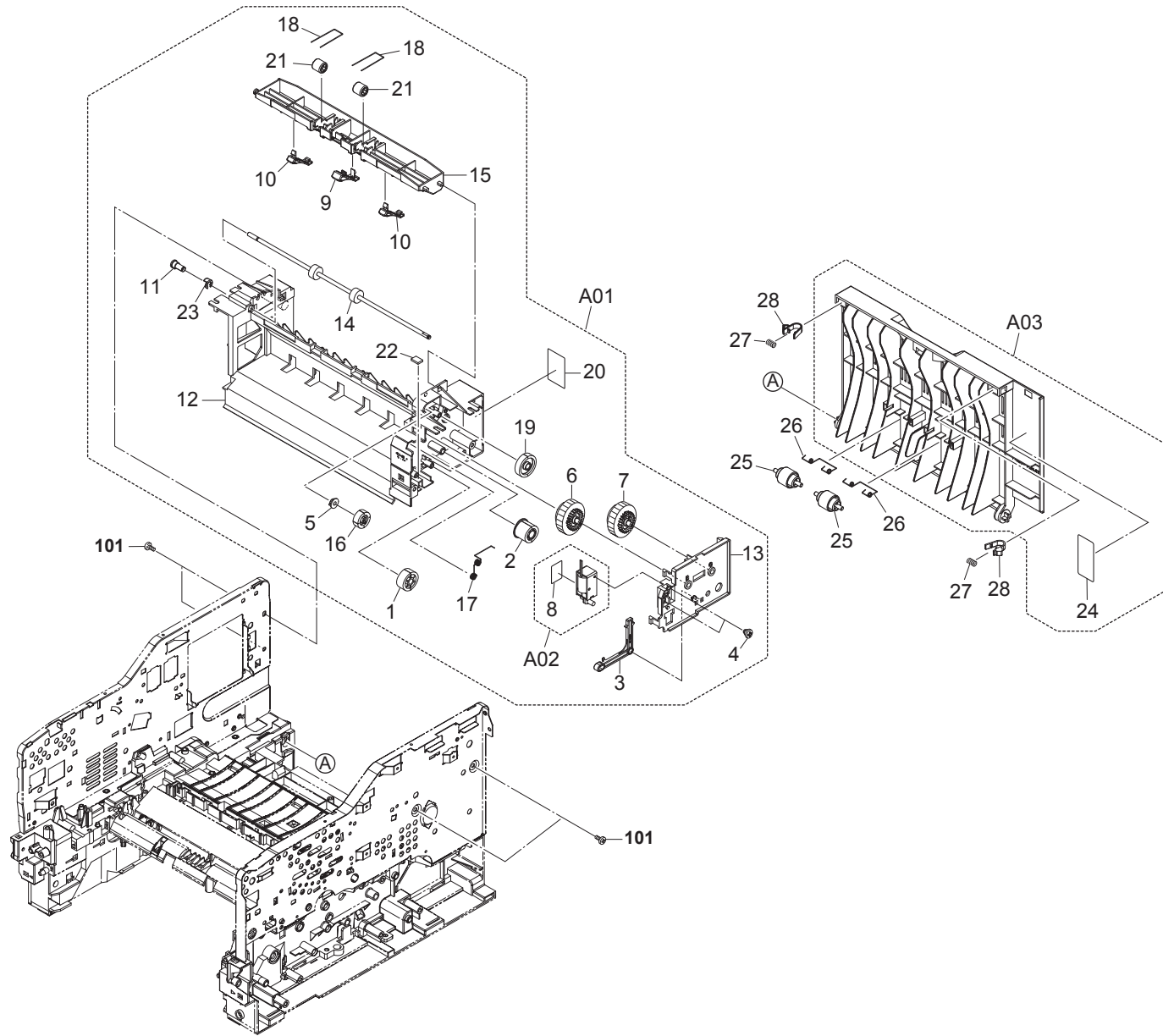


FIG. 5 Paper Feed Section 2

2MH/2MJ/2MK/2ML/2PK/2PL/2PM/2PN

Ref. No.	Part.No.	Alternative.	Description	Notes	Quantity		
					120	230	240
⊙ A01	302H994380	2H994380	PARTS FD ASSY (2H9) SP		1	1	1
⊙ 1	*2BL06380	2BL06380	GEAR Z25 JOINT		1	1	1
⊙ 2	*2FM02350	5MVG133DN022	GEAR Z22 /B-11 FRAME A4		1	1	1
3	*2FM20050	5MVX651DN001	LEVER SOLENOID /B-11 FD A3		1	1	1
4	*302F325010	2F325010	STUD SCREW M3		2	2	2
5	*302F929140	2F929140	BUSH DU		1	1	1
⊙ 6	*302FM94020	2FM94020	GEAR CLUTCH ASSY A SP		1	1	1
⊙ 7	*302FM94030	2FM94030	GEAR CLUTCH ASSY B SP		1	1	1
⊙ A02	*302H494070	2H494070	SOLENOID ASSY SP		1	1	1
8	**302H428010	2H428010	FILM SOLENOID		1	1	1
9	*302H928010	2H928010	GUIDE FD CENTER		1	1	1
10	*302H928020	2H928020	GUIDE FD SIDE		2	2	2
11	*302HN29050	2HN29050	BUSH DU		1	1	1
12	*302HS28820	2HS28820	FRAME FD N		1	1	1
13	*302HS28021	2HS28021	COVER FRAME FD		1	1	1
⊙ 14	*302HS28830	2HS28830	ROLLER FD UP B		1	1	1
15	*302HS28041	2HS28041	COVER FD		1	1	1
⊙ 16	*302HS28060	2HS28060	GEAR Z21S		1	1	1
17	*302HS28110	2HS28110	SPRING EARTH		1	1	1
18	*302HS28141	2HS28141	SPRING PULLEY		2	2	2
⊙ 19	*302HS28170	2HS28170	GEAR FD Z29S		1	1	1
20	*302JA34280	2JA34280	LABEL FUSER CAUTION		1	1	1
21	*5MVM273DB005	2A820100	PULLEY EXIT /A-49 FUSER A3		2	2	2
22	*5MVS217SN002	2A806280	PAD SOLENOID /FS-1000 A4		1	1	1
23	*5MVX111DN007	2BT11070	STOPPER 3 /2BT1107 A4		1	1	1
⊙ A03	302MH94040	2MH94040	COVER REAR ASSY SP		1	1	1
24	*302HS34020	2HS34020	LABEL FUSER JAM		1	1	1
25	302HS28070	2HS28070	PULLEY EXIT		2	2	2
26	302HS28120	2HS28120	SPRING EXIT		2	2	2
27	302HS08320	2HS08320	SPRING COVER MPF		2	2	2
28	302F908200	2F908200	LOCK COVER		2	2	2

Ref. No.	Part.No.	Alternative.	Description	Notes	Quantity		
					120	230	240
101	7BB200410H	BB105700	+BIND T.T P SCREW 4X10				

- Parts with "⊙" indicate regular maintenance parts.
- Parts with Ref.No. indicate maintenance parts and the ones without it indicate out of the above.

- Parts with "•" are component parts or sub-assemblies of the assembly appearing immediately above them.
- Parts with "••" are component parts or sub-assembly with "•" appearing immediately above them.

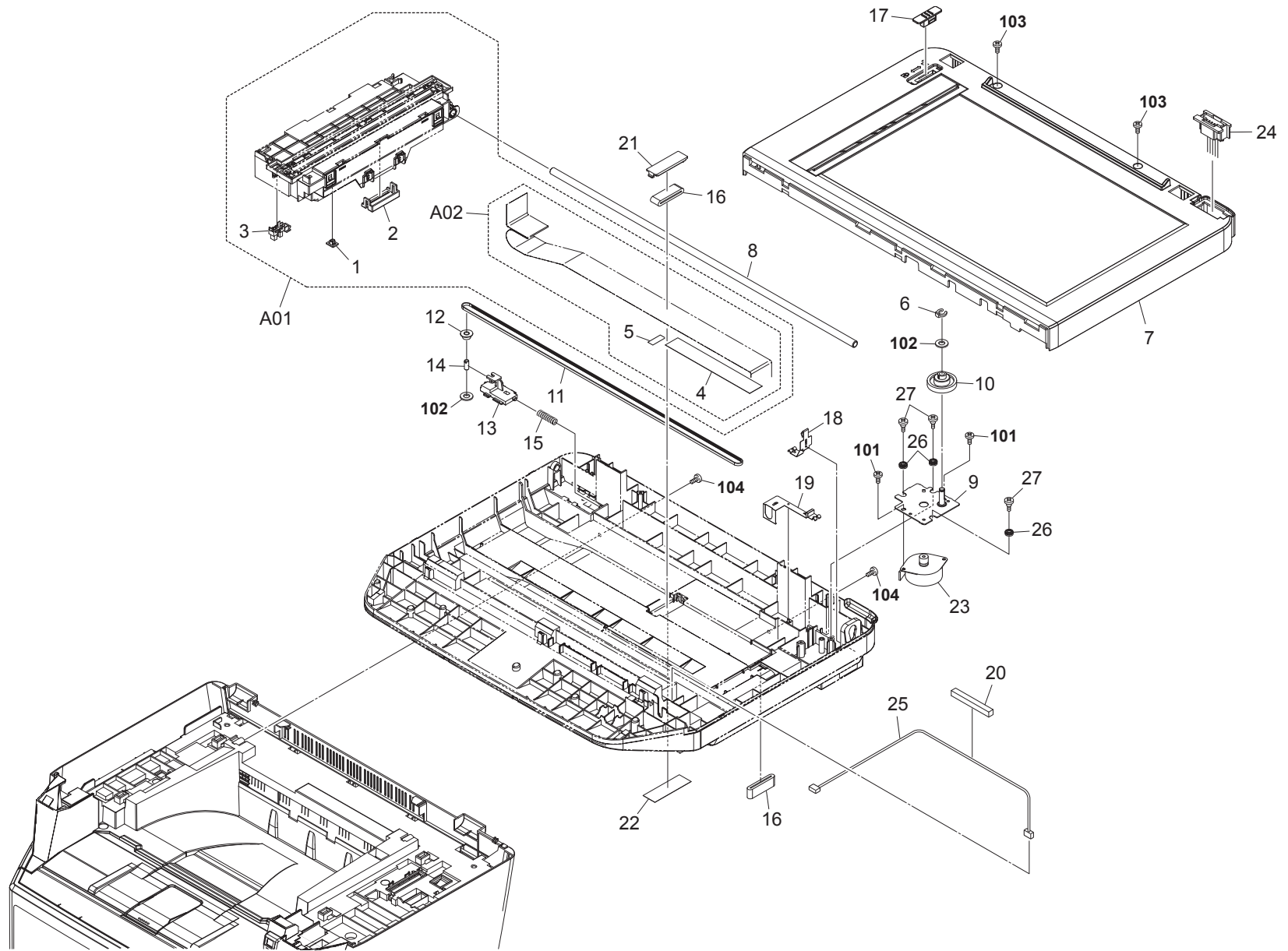


FIG. 6 Scanner Section

2MH/2MJ/2MK/2ML/2PK/2PL/2PM/2PN-5

Ref. No.	Part.No.	Alternative.	Description	Notes	Quantity		
					120	230	240
⊙ A01	302MH93010	2MH93010	PARTS ISU ASSY		1	1	1
1	*302H917450	2H917450	SLIDER ISU		1	1	1
2	*302H917510	2H917510	HOLDER FFC		1	1	1
⊙ 3	*7NXSG2481+++H01	NX052600	SENSOR OPT.		1	1	1
⊙ A02	*302H994310	2H994310	PARTS FFC MAIN-CCD KIT SP		1	1	1
4	**302H917380	2H917380	TAPE FFC A		1	1	1
5	**302H917530	2H917530	TAPE FFC D		1	1	1
6	5MVX111DN003	2A806250	RING STOPPER /A-49 FEED A4		1	1	1
⊙ 7	302LW94100	2LW94100	PARTS FRAME ISU SP		1	1	1
8	302H917051	2H917051	SHAFT ISU		1	1	1
9	302H917210	2H917210	MOUNT MOTOR ISU		1	1	1
⊙ 10	302H917220	2H917220	GEAR ISU 63/32		1	1	1
⊙ 11	302H917230	2H917230	BELT ISU		1	1	1
⊙ 12	302H917240	2H917240	PULLEY TENSION		1	1	1
13	302H917251	2H917251	MOUNT TENSION PULLEY		1	1	1
14	302H917260	2H917260	PIN TENSION PULLEY		1	1	1
15	302H917270	2H917270	SPRING TENSION		1	1	1
16	7YBFZZ65C002H01	YB114070	FERRITE CORE		2	2	2
17	302H917330	2H917330	STOPPER ISU		1	1	1
18	302H917410	2H917410	PLATE EARTH ISU A		1	1	1
19	302H917420	2H917420	PLATE EARTH ISU B		1	1	1
20	302H917500	2H917500	SPONGE HARNESS		1	1	1
21	302H917520	2H917520	STOPPER FFC CENTER		1	1	1
22	302H917540	2H917540	SHEET FRAME BOTTOM		1	1	1
⊙ 23	302H994270	2H994270	PARTS MOTOR ISU SP		1	1	1
24	302H946040	2H946040	CONN.CORD ASSY INTERFACE	except for 30ppm(B)	1	1	1
25	302H946060	2H946060	CONN.CORD ASSY MAIN-PANEL		1	1	1
26	302JD19140	2JD19140	BUSHING FAN		3	3	3
27	302JD19150	2JD19150	PIN LSU		3	3	3

Ref. No.	Part.No.	Alternative.	Description	Notes	Quantity		
					120	230	240
101	7BB700308H	BB105600	+BIND T.T S SCREW 3X8 SR				
102	C2893960	C2893960	SHIM 6.2-13-0.13T				
103	7BB200308H	BB105660	+BIND T.T P SCREW 3X8				
104	7BB200410H	BB105700	+BIND T.T P SCREW 4X10				

- Parts with "⊙" indicate regular maintenance parts.
- Parts with Ref.No. indicate maintenance parts and the ones without it indicate out of the above.

- Parts with "*" are component parts or sub-assemblies of the assembly appearing immediately above them.
- Parts with "*•" are component parts or sub-assembly with "*•" appearing immediately above them.

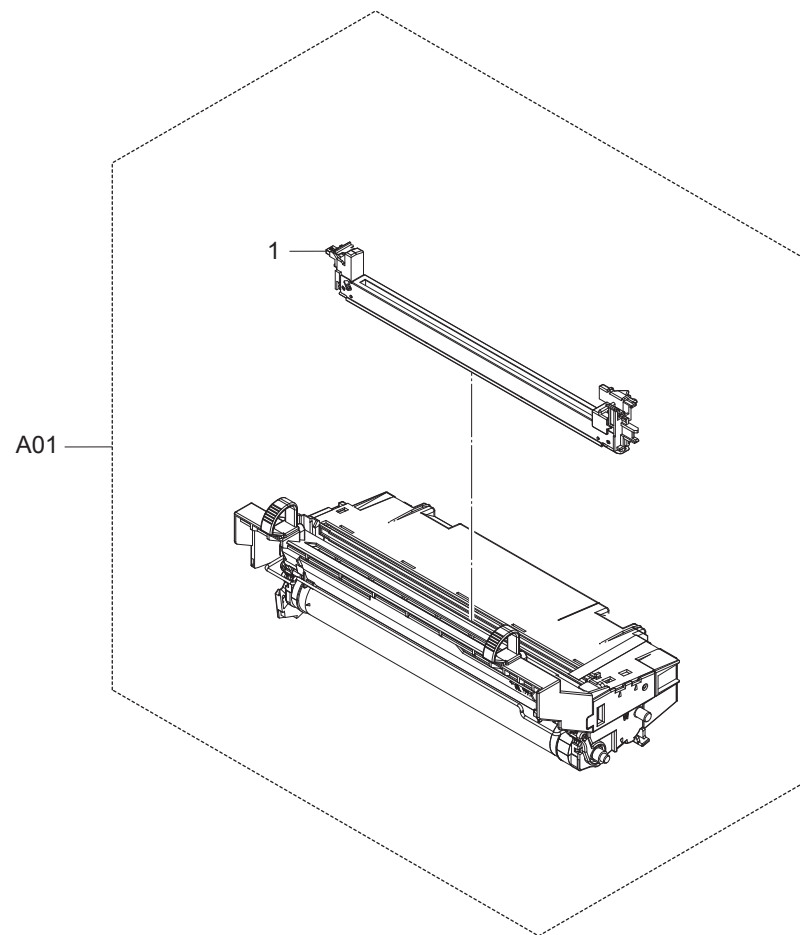


FIG. 7 Image Formation Section

2MH/2MJ/2MK/2ML/2PK/2PL/2PM/2PN-5

Ref. No.	Part.No.	Alternative.	Description	Notes	Quantity		
					120	230	240
⊙ A01	302H493011	2H493011	DK-150	30ppm(A) 30ppm(A/DP) 30ppm(AF) 30ppm(B) 30ppm(B/DP) 30ppm(BF)		1	1
⊙ A01	302LZ93061	2LZ93061	DK-170	35ppm(A/DP) 35ppm(AF) 35ppm(B/DP) 35ppm(BF)	1	1	1
⊙ 1	*302HS93070	2HS93070	MC-130		1	1	1

Ref. No.	Part.No.	Alternative.	Description	Notes	Quantity		
					120	230	240

- Parts with "⊙" indicate regular maintenance parts.
- Parts with Ref.No. indicate maintenance parts and the ones without it indicate out of the above.

- Parts with "*" are component parts or sub-assemblies of the assembly appearing immediately above them.
- Parts with "••" are component parts or sub-assembly with "•" appearing immediately above them.

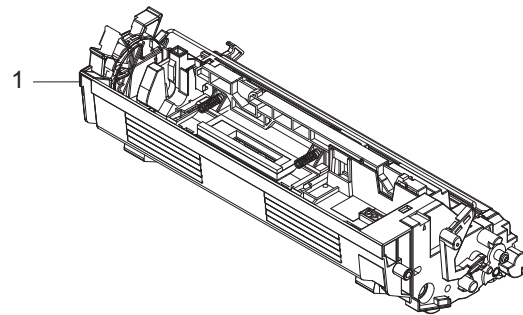


FIG. 8 Developing Section

Ref. No.	Part.No.	Alternative.	Description	Notes	Quantity		
					120	230	240
⊙ 1	302MH93020	2MH93020	DV-1130(E)	30ppm(A) 30ppm(A/DP) 30ppm(AF) 30ppm(B) 30ppm(B/DP) 30ppm(BF)		1	
⊙ 1	302MH93060	2MH93060	DV-1134(AO)	30ppm(A) 30ppm(A/DP) 30ppm(AF) 30ppm(B) 30ppm(B/DP) 30ppm(BF)		1	
⊙ 1	302MK93020	2MK93020	DV-1142(U)	35ppm(A/DP) 35ppm(AF) 35ppm(B/DP) 35ppm(BF)	1		
⊙ 1	302MK93010	2MK93010	DV-1140(E)	35ppm(A/DP) 35ppm(AF) 35ppm(B/DP) 35ppm(BF)		1	
⊙ 1	302MK93040	2MK93040	DV-1144(AO)	35ppm(A/DP) 35ppm(AF) 35ppm(B/DP) 35ppm(BF)		1	

2MH/2MJ/2MK/2ML/2PK/2PL/2PM/2PN-5

Ref. No.	Part.No.	Alternative.	Description	Notes	Quantity		
					120	230	240

- Parts with "⊙" indicate regular maintenance parts.
- Parts with Ref.No. indicate maintenance parts and the ones without it indicate out of the above.

- Parts with "*" are component parts or sub-assemblies of the assembly appearing immediately above them.
- Parts with "*." are component parts or sub-assembly with "*" appearing immediately above them.

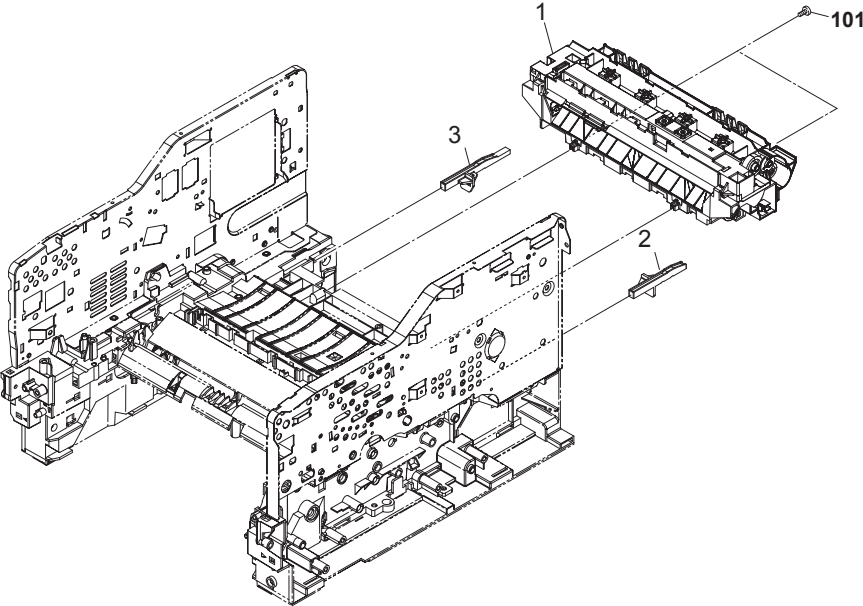


FIG. 10 Drive Section

2MH/2MJ/2MK/2ML/2PK/2PL/2PM/2PN

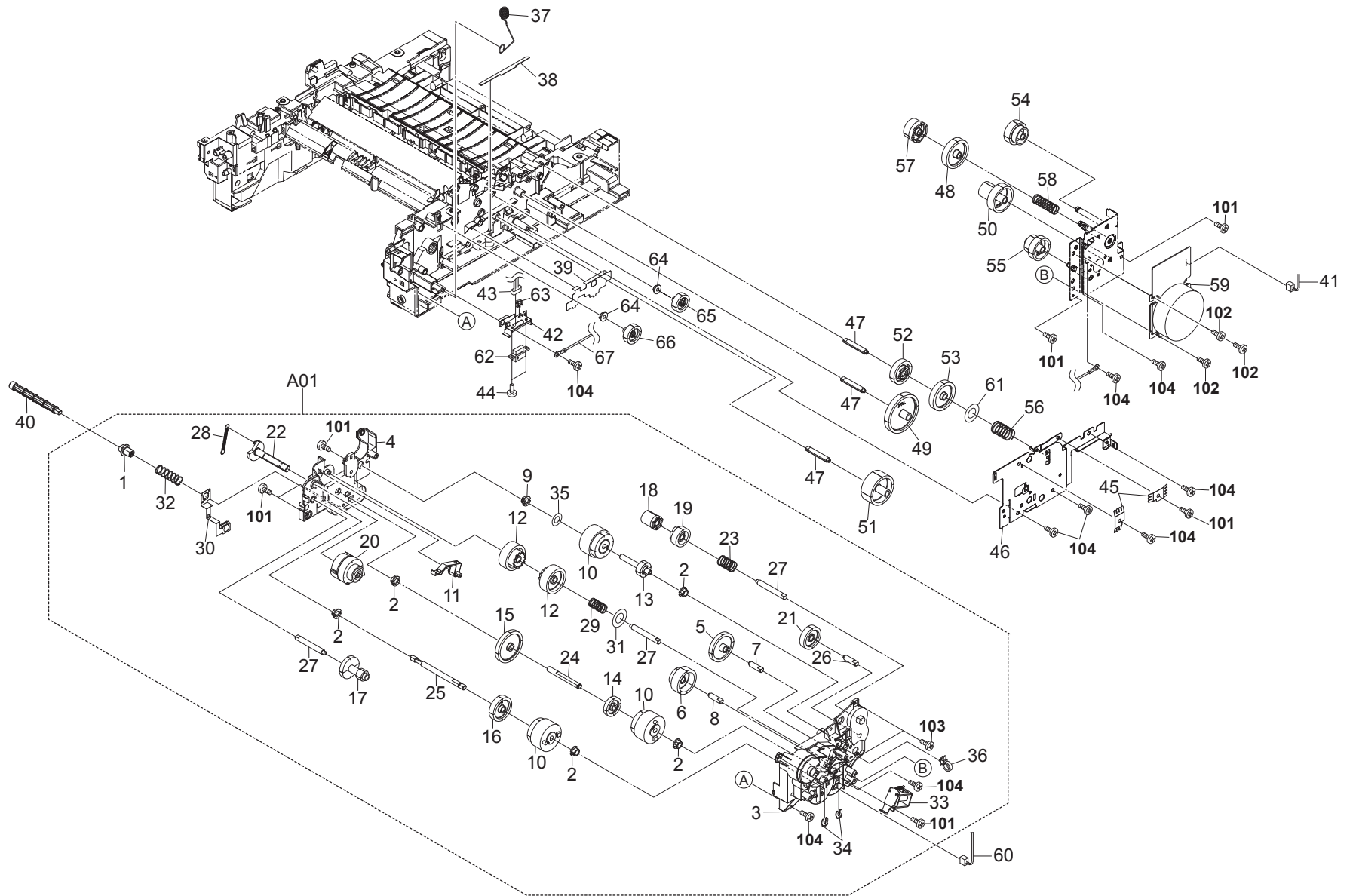


FIG. 10 Drive Section

2MH/2MJ/2MK/2ML/2PK/2PL/2PM/2PN-4

Ref. No.	Part.No.	Alternative.	Description	Notes	Quantity		
					120	230	240
⊙ A01	302H493040	2H493040	DR-150		1	1	1
1	*302F931350	2F931350	JOINT SHAFT CASSETTE		1	1	1
2	*302F931490	2F931490	BUSH FEED DRIVE		5	5	5
3	*302H431010	2H431010	HOLDER DRIVE		1	1	1
4	*302H431020	2H431020	COVER HOLDER DRIVE		1	1	1
⊙ 5	*302H431030	2H431030	GEAR Z42R		1	1	1
⊙ 6	*302H431040	2H431040	GEAR Z34L-Z24L		1	1	1
7	*302H431050	2H431050	PIN HOLDER A		1	1	1
8	*302H431060	2H431060	PIN HOLDER B		1	1	1
9	*302H431070	2H431070	BUSH DRIVE 6		1	1	1
⊙ 10	*302HN44111	2HN44111	CLUTCH FEED		3	3	3
11	*302HS31050	2HS31050	LEVER LIFT BOTTOM		1	1	1
⊙ 12	*302HS31090	2HS31090	GEAR Z37L FREE		2	2	2
⊙ 13	*302HS31100	2HS31100	GEAR Z20L CLUTCH		1	1	1
⊙ 14	*302HS31120	2HS31120	GEAR Z27L CLUTCH		1	1	1
⊙ 15	*302HS31130	2HS31130	GEAR Z45R CLUTCH		1	1	1
⊙ 16	*302HS31140	2HS31140	GEAR Z35R IDLE		1	1	1
⊙ 17	*302HS31150	2HS31150	GEAR Z31L-Z14S		1	1	1
⊙ 18	*302HS31190	2HS31190	GEAR Z17R FREE		1	1	1
⊙ 19	*302HS31200	2HS31200	GEAR Z26L FREE		1	1	1
⊙ 20	*302HS31230	2HS31230	GEAR Z38S MPF		1	1	1
⊙ 21	*302HS31260	2HS31260	GEAR Z32R		1	1	1
22	*302HS31281	2HS31281	LIFT BOTTOM		1	1	1
23	*302HS31320	2HS31320	SPRING FREE MAG		1	1	1
24	*302HS31330	2HS31330	PIN CLUTCH		1	1	1
25	*302HS31340	2HS31340	SHAFT CASSETTE		1	1	1
26	*302HS31360	2HS31360	PIN HOLDER A		1	1	1
27	*302HS31370	2HS31370	PIN HOLDER B		3	3	3
28	*302HS31380	2HS31380	SPRING LIFT BOTTOM		1	1	1
29	*302HS31410	2HS31410	SPRING FREE Z37L		1	1	1
30	*302HS31420	2HS31420	EARTH PLATE DRIVE		1	1	1
31	*302HS31430	2HS31430	POLYSLIDER 9.5		1	1	1
32	*302HS31440	2HS31440	SPRING FEED		1	1	1
⊙ 33	*302HS44020	2HS44020	SOLENOID MPF		1	1	1
34	*5MVX111DN003	2A806250	RING STOPPER /A-49 FEED A4		2	2	2
35	*7BC06062C020H01	BC045240	POLY SLIDER WASHER M6.2X12X0.2T		1	1	1
36	*M2107250	M2107250	BAND,RSG-100(KITAGAWA)		1	1	1
37	302HS02370	2HS02370	SPRING EARTH CASSETTE		1	1	1
38	302HS02520	2HS02520	COVER CABLE E		1	1	1
39	302HS02530	2HS02530	COVER CABLE F		1	1	1
40	302HS06110	2HS06110	SHAFT FEED		1	1	1
41	302LZ46010	2LZ46010	CONN.CORD ASSY S03622		1	1	1
42	302HS02381	2HS02381	PLATE PF CONNECTOR		1	1	1
43	302HS46030	2HS46030	CONN.CORD ASSY CONTROL-PF S03247		1	1	1
44	302HS02540	2HS02540	PIN DRAWER		2	2	2
45	302H902280	2H902280	PLATE EARTH DRIVE		2	2	2

- Parts with "⊙" indicate regular maintenance parts.
- Parts with Ref.No. indicate maintenance parts and the ones without it indicate out of the above.

Ref. No.	Part.No.	Alternative.	Description	Notes	Quantity		
					120	230	240
46	302MH31010	2MH31010	PLATE GEAR DRIVE	30ppm(A) 30ppm(A/DP) 30ppm(AF) 35ppm(A/DP) 35ppm(AF)	1	1	1
46	302PK31010	2PK31010	PLATE GEAR DRIVE	30ppm(B) 30ppm(B/DP) 30ppm(BF) 35ppm(B/DP) 35ppm(BF)	1	1	1
47	302HS31060	2HS31060	PIN GEAR DRIVE		3	3	3
⊙ 48	302HS31070	2HS31070	GEAR Z42R FREE 2		1	1	1
⊙ 49	302HS31110	2HS31110	GEAR Z58L		1	1	1
⊙ 50	302H431080	2H431080	GEAR Z64R-Z21L		1	1	1
⊙ 51	302HS31180	2HS31180	GEAR Z44R		1	1	1
⊙ 52	302HS31210	2HS31210	GEAR Z35S FREE		1	1	1
⊙ 53	302HS31220	2HS31220	GEAR Z42R FREE		1	1	1
⊙ 54	302HS31240	2HS31240	GEAR Z32L DRUM		1	1	1
⊙ 55	302HS31250	2HS31250	GEAR Z54R-Z24R		1	1	1
56	302HS31310	2HS31310	SPRING FREE FUSER		1	1	1
⊙ 57	302HS31390	2HS31390	GEAR Z27R FREE 2		1	1	1
58	302LZ31040	2LZ31040	SPRING FREE DRUM		1	1	1
⊙ 59	302KK94613	2KK94613	PARTS MOTOR BL W25 N		1	1	1
60	302HS46210	2HS46210	CONN.CORD ASSY CONTROL-F/RCLUTCH S03308		1	1	1
61	302HS31430	2HS31430	POLYSLIDER 9.5		1	1	1
62	7YCC08B1112+H01	YC058670	CONNECTOR		1	1	1
63	7YZM610007++H01	YZ023340	ACCESS.SADDLE		1	1	1
64	302F929140	2F929140	BUSH DU		2	2	2
⊙ 65	302HS24220	2HS24220	GEAR Z25R DU FEED		1	1	1
⊙ 66	302HS24230	2HS24230	GEAR Z26L DU MID		1	1	1
67	302H946130	2H946130	CONN.CORD ASSY FG		1	1	1
101	7BB700308H	BB105600	+BIND T.T S SCREW 3X8 SR				
102	BAB53060	BAB53060	+TP TAP-TITE S SCREW M3X06				
103	7BB100306H1	BB105820	+BIND T.T S SCREW 3X6				
104	7BB200410H	BB105700	+BIND T.T P SCREW 4X10				

- Parts with "*" are component parts or sub-assemblies of the assembly appearing immediately above them.
- Parts with "*••" are component parts or sub-assembly with "*•" appearing immediately above them.

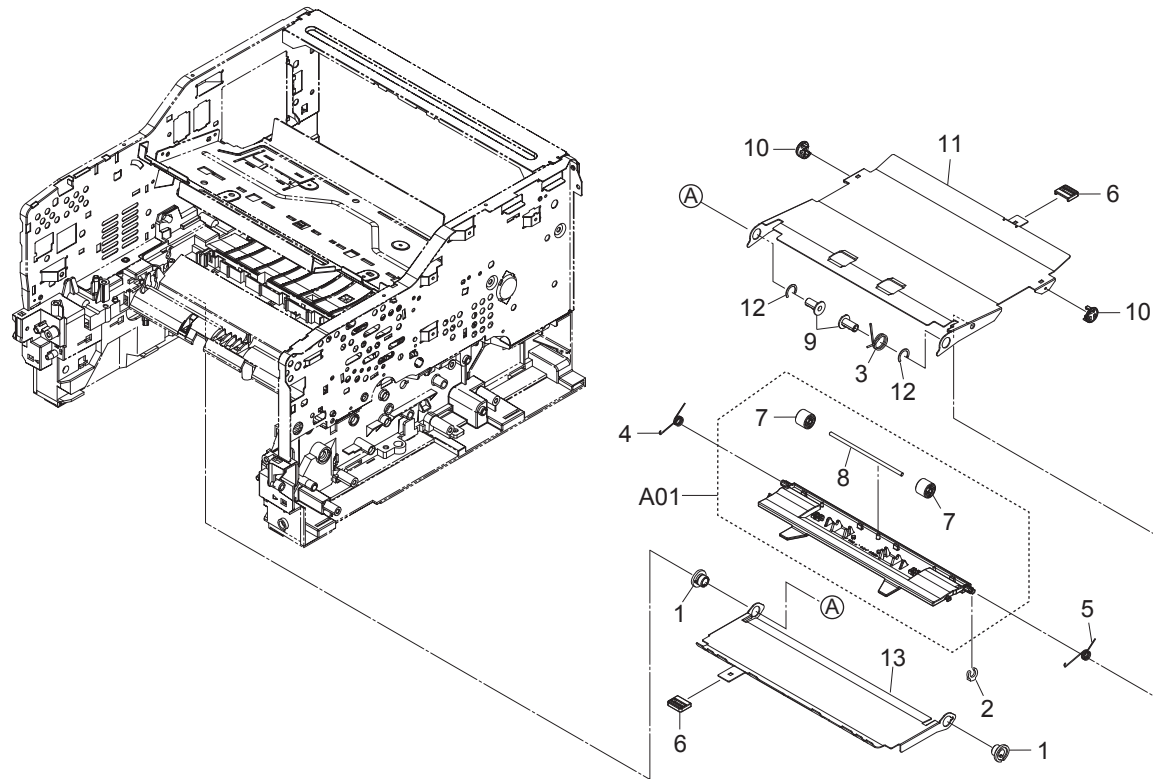


FIG. 11 Paper Conveying Section

2MH/2MJ/2MK/2ML/2PK/2PL/2PM/2PN-1

Ref. No.	Part.No.	Alternative.	Description	Notes	Quantity		
					120	230	240
1	2FM02140	5MVM786XB001	BUSH DU /B-11 FRAME A3		2	2	2
2	5MVX111DN003	2A806250	RING STOPPER /A-49 FEED A4		1	1	1
3	2FM02500	5MMW176SD002	SPRING DU R /B-11 FRAME A4		1	1	1
4	2FM02510	5MMW166SD002	SPRING HOLDER L /B-11 FRAME A4		1	1	1
5	2FM02520	5MMW166SD003	SPRING HOLDER R /B-11 FRAME A4		1	1	1
6	2FM02690	5MVX221DG002	LEVER DU /B-11 DU A3		2	2	2
⊙ A01	302FM94061	2FM94061	PARTS HOLDER DU ASSY SP		1	1	1
⊙ 7	*2FM02210	5MVM274DN002	PULLEY MID /B-11 FRAME A4		2	2	2
8	*302FM02421	2FM02421	SHAFT PULLEY /B-11 FRAME A4		1	1	1
9	2FM21030	5MVM276DN017	STOPPER BUSH /B-11 DU A4		2	2	2
10	2FM21050	5MVX173DN001	COLLER DU /B-11 DU A3		2	2	2
⊙ 11	302HS94320	2HS94320	PARTS PLATE COVER DU B ASSY SP		1	1	1
12	5MBCK9560XSC	D4103700	C STOP RING /X9.5 X 0.6T S-CR		2	2	2
⊙ 13	302HS94331	2HS94331	PARTS PLATE COVER DU ASSY SP		1	1	1

Ref. No.	Part.No.	Alternative.	Description	Notes	Quantity		
					120	230	240

- Parts with "⊙" indicate regular maintenance parts.
- Parts with Ref.No. indicate maintenance parts and the ones without it indicate out of the above.

- Parts with "*" are component parts or sub-assemblies of the assembly appearing immediately above them.
- Parts with "••" are component parts or sub-assembly with "•" appearing immediately above them.

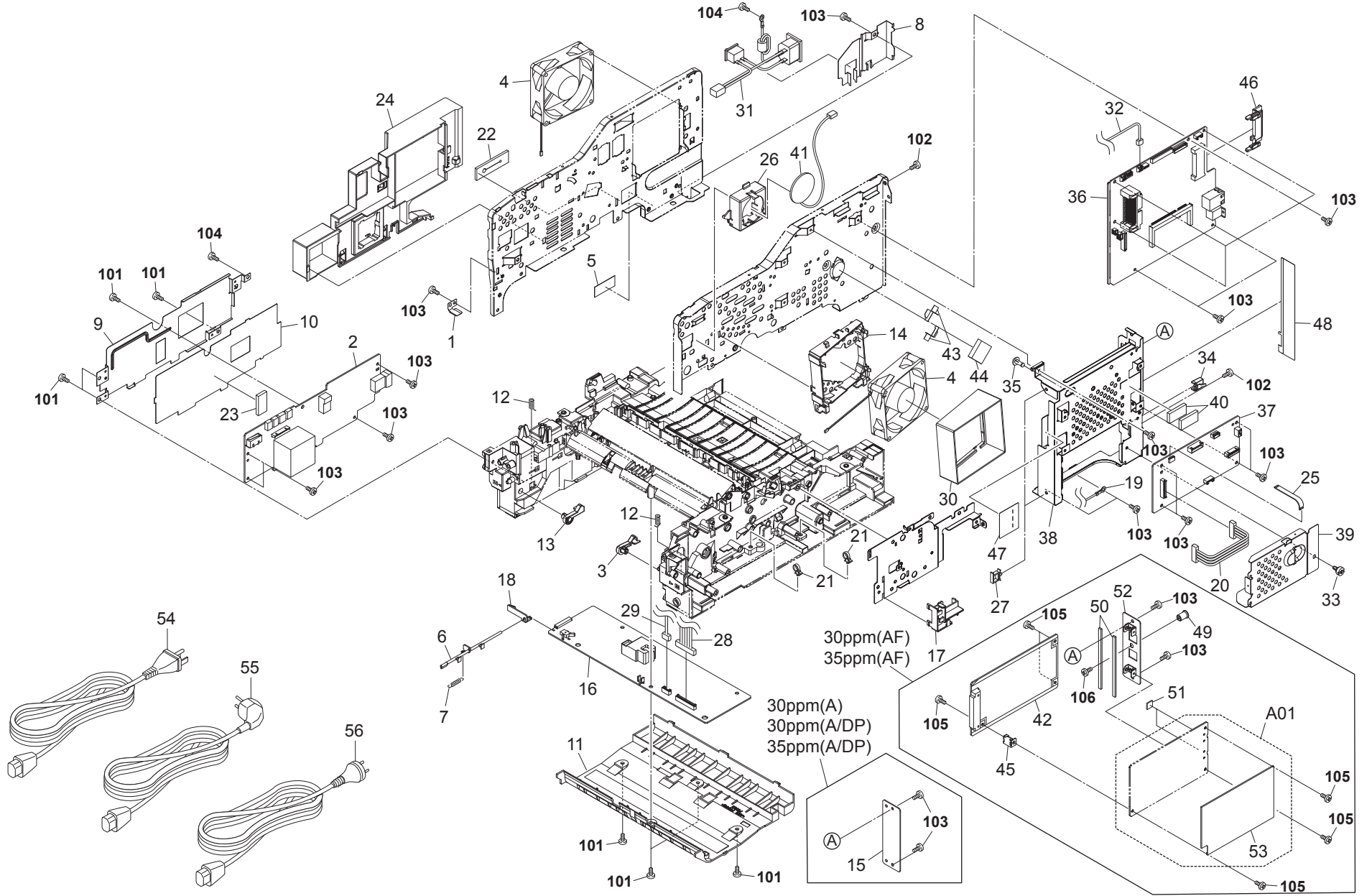


FIG. 12 Electrical Components(30ppm(A),30ppm(A/DP),30ppm(AF),35ppm(A/DP),35ppm(AF))

2MH/2MJ/2MK/2ML/2PK/2PL/2PM/2PN-5

Ref. No.	Part.No.	Alternative.	Description	Notes	Quantity		
					120	230	240
1	302H902210	2H902210	PLATE EARTH MPF		1	1	1
2	302MH94100	2MH94100	PARTS SWITCHING REGULATOR 120V SP		1		
2	302MH94110	2MH94110	PARTS SWITCHING REGULATOR 230V SP			1	1
3	302HS02070	2HS02070	LEVER LOCK CASSETTE		1	1	1
4	302LZ94030	2LZ94030	PARTS MOTOR FAN 80 SP		2	2	2
5	302H902260	2H902260	SHEET PWB		1	1	1
6	302HS02180	2HS02180	PIN CASSETTE		1	1	1
7	302HS02190	2HS02190	SPRING PIN CASSETTE		1	1	1
8	302H902220	2H902220	MOUNT INLET		1	1	1
9	302H902100	2H902100	PLATE POWER SUPPLY		1	1	1
10	302H902330	2H902330	SHEET REGULATOR PWB B		1	1	1
11	302HS02280	2HS02280	COVER BASE LOW		1	1	1
12	302HS02360	2HS02360	SPRING LOCK CASSETTE		2	2	2
13	302HS02390	2HS02390	LEVER LOCK CASSETTE L		1	1	1
14	302MH02040	2MH02040	BKT FAN R		1	1	1
15	302HS39040	2HS39040	PLATE OPTION		1	1	1
16	302H494220	2H494220	PARTS HIGH VOLTAGE UNIT SP	30ppm(A) 30ppm(A/DP) 35ppm(A/DP)		1	1
16	302LZ94041	2LZ94041	PARTS HIGH VOLTAGE UNIT SP	35ppm(A/DP) 35ppm(AF)	1	1	1
17	302HS02510	2HS02510	COVER CABLE D		1	1	1
18	302HS02561	2HS02561	HOLDER PIN CASSETTE		1	1	1
19	302H946120	2H946120	CONN.CORD ASSY LVU-MAIN		1	1	1
20	302H946010	2H946010	CONN.CORD ASSY MAIN-SCN		1	1	1
21	M2107250	M2107250	BAND.RSG-100(KITAGAWA)		2	2	2
22	302H902310	2H902310	SEAL FRAME L		1	1	1
23	7ZS29154001+H01	ZS114200	THERMAL SHEET		1	1	1
24	302H902161	2H902161	DUCT FRAME L		1	1	1
25	302H946110	2H946110	FFC SCN-MAIN		1	1	1
26	302JN02010	2JN02010	MOUNT SPEAKER	30ppm(AF) 35ppm(AF)	1	1	1
27	7YZM610008++H01	YZ037940	ACCESS.SADDLE		2	2	2
28	302JA46020	2JA46020	CONN.CORD ASSY CONTROL-H.V.UNIT S03391		1	1	1
29	302HS46070	2HS46070	CONN.CORD ASSY CONTROL-H.V.UNIT S03303		1	1	1
30	302H902170	2H902170	DUCT FRAME R		1	1	1
31	302MH46010	2MH46010	CONN.CORD ASSY LVU-INLET S03740		1	1	1
32	302HS46130	2HS46130	CONN.CORD ASSY CONTROL-ERASER S03252		1	1	1
33	302F939082	2F939082	SCREW BOX		1	1	1
34	302F939090	2F939090	CAP NETWORK		1	1	1
35	M2108670	M2108670	SPACER,KGPS-6RF(KITAGAWA)		1	1	1
36	302MH94052	2MH94052	PARTS PWB MAIN ASSY SP	30ppm(A) 30ppm(A/DP)			1
36	302MJ94022	2MJ94022	PARTS PWB MAIN ASSY SP	30ppm(AF)			1
36	302MK94012	2MK94012	PARTS PWB MAIN ASSY SP	35ppm(A/DP)	1		1
36	302ML94012	2ML94012	PARTS PWB MAIN ASSY SP	35ppm(AF)	1		1

- Parts with "⊙" indicate regular maintenance parts.
- Parts with Ref.No. indicate maintenance parts and the ones without it indicate out of the above.

Ref. No.	Part.No.	Alternative.	Description	Notes	Quantity		
					120	230	240
36	302MH94062	2MH94062	PARTS PWB MAIN ASSY SPEU	30ppm(A) 30ppm(A/DP)		1	
36	302MJ94032	2MJ94032	PARTS PWB MAIN ASSY SPEU	30ppm(AF)		1	
36	302MK94022	2MK94022	PARTS PWB MAIN ASSY SPEU	35ppm(A/DP)		1	
36	302ML94022	2ML94022	PARTS PWB MAIN ASSY SPEU	35ppm(AF)		1	
37	302MH94070	2MH94070	PARTS PWB SCANNER ASSY SP		1	1	1
38	302MH39010	2MH39010	BOX CONTROLLER		1	1	1
39	302H939020	2H939020	PLATE SHIELD		1	1	1
40	7ZS29154001+H01	ZS114200	THERMAL SHEET		2	2	2
41	303PA94020	3PA94020	PARTS SPEAKER SP	30ppm(AF) 35ppm(AF)	1	1	1
42	302ML94040	2ML94040	PARTS PWB MAIN FAX ASSY U SP	30ppm(AF) 35ppm(AF)	1		1
42	302ML94050	2ML94050	PARTS PWB MAIN FAX ASSY E SP	30ppm(AF) 35ppm(AF)		1	
43	302H902290	2H902290	HOLDER THERMAL SHEET		2	2	2
44	7ZS25253001+H01	ZS113220	THERMAL SHEET		1	1	1
45	3JG26020	3JG26020	MOUNT MAIN PWB 2	30ppm(AF) 35ppm(AF)	1	1	1
46	302H939030	2H939030	GUIDE CF		1	1	1
47	302H939070	2H939070	SHEET PWB		1	1	1
48	302H939080	2H939080	SHEET BOX		1	1	1
49	5MVM266SB003	2B903130	PULL KNOB /C0002 A4	30ppm(AF) 35ppm(AF)	1	1	1
50	7ZGSTG24C090H01	ZG115020	SHIELD GASKET	30ppm(AF) 35ppm(AF)	2	2	2
51	303JG26040	3JG26040	SPONGE CONNECT	30ppm(AF) 35ppm(AF)	2	2	2
52	302JN39010	2JN39010	MOUNT FAX PWB	30ppm(AF) 35ppm(AF)	1	1	1
A01	302JN94250	2JN94250	PARTS SUB FAX ASSY(EXP) SP	30ppm(AF) 35ppm(AF)		1	
A01	302JN94260	2JN94260	PARTS SUB FAX ASSY(EXP2) SP	30ppm(AF) 35ppm(AF)		1	
A01	302JN94090	2JN94090	PARTS SUB FAX ASSY(EXP3) SP	30ppm(AF) 35ppm(AF)			1
53	*303JG26030	3JG26030	SHEET SUB PCB2	30ppm(AF) 35ppm(AF)	1	1	1
54	7AAACCUS+10H001	AA068380	AC CORD ASSY US		1		
55	302FV94010	2FV94010	PARTS AC CORD EU SP			1	
56	302FV45040	2FV45040	AC CORD ASSY				1
101	7BB200410H	BB105700	+BIND T.T P SCREW 4X10				
102	7BB600306H	BB105730	+BIND M SCREW 3X6 R				
103	7BB700308H	BB105600	+BIND T.T S SCREW 3X8 SR				
104	7BB100406H	BB106920	+BIND T.T S SCREW 4X6				
105	7BB007306H	BB112570	+TP-CUP M SCREW 3X6				
106	7BB202308H	BB105690	+TP-FLAT T.T P SCREW 3X8				

- Parts with "*" are component parts or sub-assemblies of the assembly appearing immediately above them.
- Parts with "••" are component parts or sub-assembly with "•" appearing immediately above them.

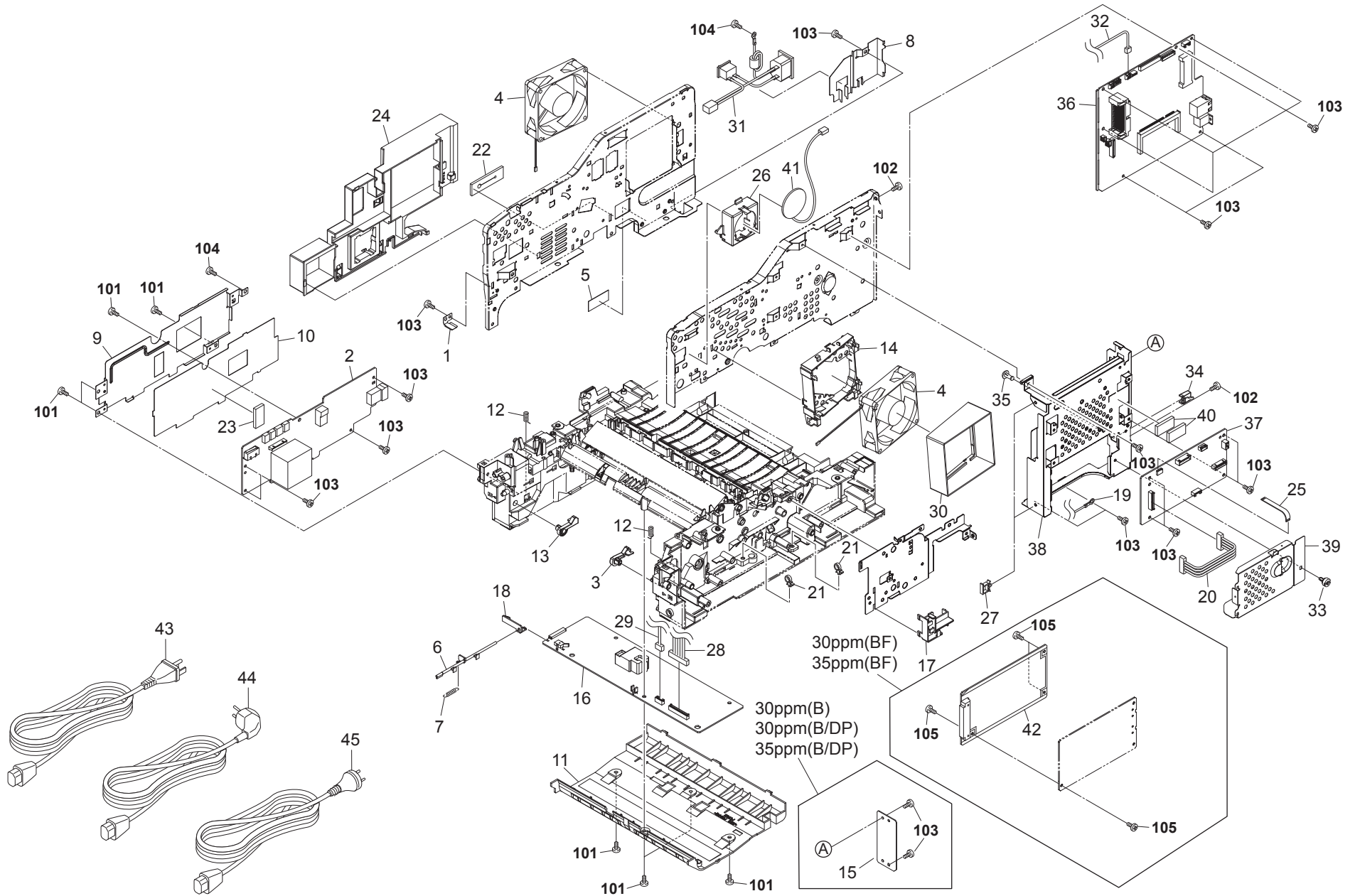


FIG. 12 Electrical Components(30ppm(B),30ppm(B/DP),30ppm(BF),35ppm(B/DP),35ppm(BF))

2MH/2MJ/2MK/2ML/2PK/2PL/2PM/2PN-5

Ref. No.	Part.No.	Alternative.	Description	Notes	Quantity			
					120	230	240	
1	302H902210	2H902210	PLATE EARTH MPF		1	1	1	
2	302MH94100	2MH94100	PARTS SWITCHING REGULATOR 120V SP		1			
2	302MH94110	2MH94110	PARTS SWITCHING REGULATOR 230V SP			1	1	
3	302HS02070	2HS02070	LEVER LOCK CASSETTE		1	1	1	
4	302LZ94030	2LZ94030	PARTS MOTOR FAN 80 SP		2	2	2	
5	302H902260	2H902260	SHEET PWB		1	1	1	
6	302HS02180	2HS02180	PIN CASSETTE		1	1	1	
7	302HS02190	2HS02190	SPRING PIN CASSETTE		1	1	1	
8	302H902220	2H902220	MOUNT INLET		1	1	1	
9	302H902100	2H902100	PLATE POWER SUPPLY		1	1	1	
10	302H902330	2H902330	SHEET REGULATOR PWB B		1	1	1	
11	302HS02280	2HS02280	COVER BASE LOW		1	1	1	
12	302HS02360	2HS02360	SPRING LOCK CASSETTE		2	2	2	
13	302HS02390	2HS02390	LEVER LOCK CASSETTE L		1	1	1	
14	302MH02040	2MH02040	BKT FAN R		1	1	1	
15	302K339050	2K339050	PLATE OPTION		1	1	1	
				30ppm(B) 30ppm(B/DP) 35ppm(B/DP)				
16	302H494220	2H494220	PARTS HIGH VOLTAGE UNIT SP			1	1	
				30ppm(B) 30ppm(B/DP) 30ppm(BF)				
16	302LZ94041	2LZ94041	PARTS HIGH VOLTAGE UNIT SP		35ppm(B/DP) 35ppm(BF)	1	1	1
17	302HS02510	2HS02510	COVER CABLE D		1	1	1	
18	302HS02561	2HS02561	HOLDER PIN CASSETTE		1	1	1	
19	302H946120	2H946120	CONN.CORD ASSY LVU-MAIN		1	1	1	
20	302H946010	2H946010	CONN.CORD ASSY MAIN-SCN		1	1	1	
21	M2107250	M2107250	BAND.RSG-100(KITAGAWA)		2	2	2	
22	302H902310	2H902310	SEAL FRAME L		1	1	1	
23	7ZS29154001+H01	ZS114200	THERMAL SHEET		1	1	1	
24	302H902161	2H902161	DUCT FRAME L		1	1	1	
25	302H946110	2H946110	FFC SCN-MAIN		1	1	1	
26	302JN02010	2JN02010	MOUNT SPEAKER		30ppm(BF) 35ppm(BF)	1	1	1
27	7YZM610008++H01	YZ037940	ACCESS.SADDLE		2	2	2	
28	302JA46020	2JA46020	CONN.CORD ASSY CONTROL-H.V.UNIT S03391		1	1	1	
29	302HS46070	2HS46070	CONN.CORD ASSY CONTROL-H.V.UNIT S03303		1	1	1	
30	302H902170	2H902170	DUCT FRAME R		1	1	1	
31	302MH46010	2MH46010	CONN.CORD ASSY LVU-INLET S03740		1	1	1	
32	302HS46130	2HS46130	CONN.CORD ASSY CONTROL-ERASER S03252		1	1	1	
33	302F939082	2F939082	SCREW BOX		1	1	1	
34	302F939090	2F939090	CAP NETWORK		1	1	1	
35	M2108670	M2108670	SPACER,KGPS-6RF(KITAGAWA)		1	1	1	
36	302PK94030	2PK94030	PARTS PWB MAIN ASSY SP EU		30ppm(B) 30ppm(B/DP)	1		
36	302PK94020	2PK94020	PARTS PWB MAIN ASSY SP		30ppm(B/DP)		1	
36	302PL94070	2PL94070	PARTS PWB MAIN ASSY SP EU		30ppm(BF)	1		
36	302PL94060	2PL94060	PARTS PWB MAIN ASSY SP		30ppm(BF)		1	

- Parts with "⊙" indicate regular maintenance parts.
- Parts with Ref.No. indicate maintenance parts and the ones without it indicate out of the above.

Ref. No.	Part.No.	Alternative.	Description	Notes	Quantity			
					120	230	240	
36	302PM94020	2PM94020	PARTS PWB MAIN ASSY SP EU	35ppm(B/DP)		1		
36	302PM94010	2PM94010	PARTS PWB MAIN ASSY SP	35ppm(B/DP)	1		1	
36	302PN94020	2PN94020	PARTS PWB MAIN ASSY SP EU	35ppm(BF)		1		
36	302PN94010	2PN94010	PARTS PWB MAIN ASSY SP	35ppm(BF)	1		1	
37	302PK94040	2PK94040	PARTS PWB SCANNER ASSY SP		1	1	1	
38	302PK39010	2PK39010	BOX CONTROLLER		1	1	1	
39	302H939020	2H939020	PLATE SHIELD		1	1	1	
40	7ZS29154001+H01	ZS114200	THERMAL SHEET		2	2	2	
41	303PA94020	3PA94020	PARTS SPEAKER SP	30ppm(BF) 35ppm(BF)	1	1	1	
42	302PL94040	2PL94040	PARTS FAX UNIT U SP	35ppm(BF)	1			
42	302PL94020	2PL94020	PARTS FAX UNIT E SP	30ppm(BF) 35ppm(BF)		1		
42	302PL94050	2PL94050	PARTS FAX UNIT AS SP	30ppm(BF) 35ppm(BF)			1	
43	7AAACCUS+10H001	AA068380	AC CORD ASSY US		1			
44	302FV94010	2FV94010	PARTS AC CORD EU SP			1		
45	302FV45040	2FV45040	AC CORD ASSY				1	
101	7BB200410H	BB105700	+BIND T.T P SCREW 4X10					
102	7BB600306H	BB105730	+BIND M SCREW 3X6 R					
103	7BB700308H	BB105600	+BIND T.T S SCREW 3X8 SR					
104	7BB100406H	BB106920	+BIND T.T S SCREW 4X6					
105	7BB007306H	BB112570	+TP-CUP M SCREW 3X6					
106	7BB202308H	BB105690	+TP-FLAT T.T P SCREW 3X8					

- Parts with "•" are component parts or sub-assemblies of the assembly appearing immediately above them.
- Parts with "••" are component parts or sub-assembly with "•" appearing immediately above them.

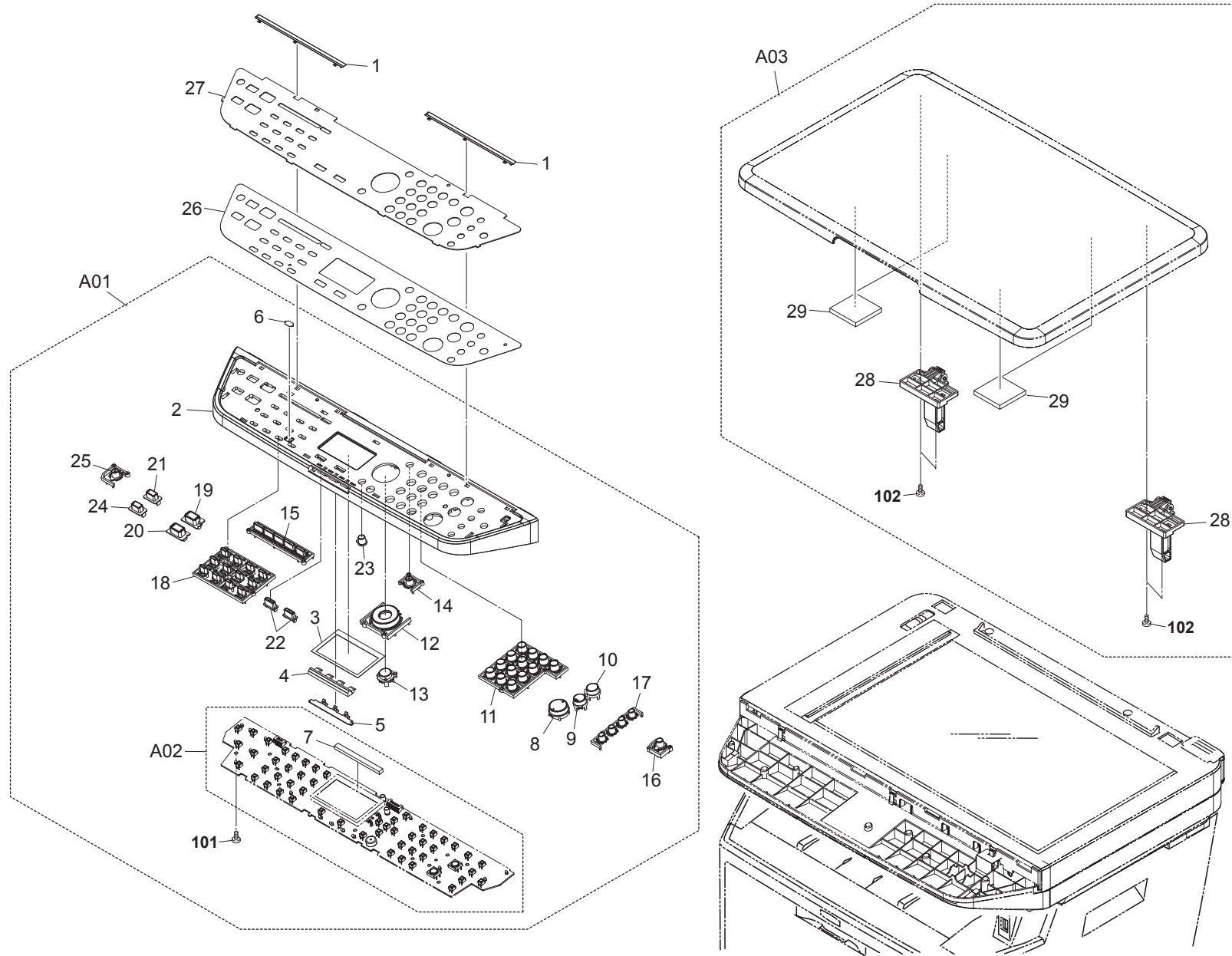


FIG. 13 Operation Section & Original Cover

2MH/2MJ/2MK/2ML/2PK/2PL/2PM/2PN-5

Ref. No.	Part.No.	Alternative.	Description	Notes	Quantity		
					120	230	240
1	302H905240	2H905240	LID OPE SHEET		2	2	2
	302MH94020	2MH94020	PARTS OPERATION UNIT SP	30ppm(A) 30ppm(A/DP) 35ppm(A/DP)	1	1	1
⊙ A01	302MJ94010	2MJ94010	PARTS OPERATION UNIT SP	30ppm(AF) 35ppm(AF)	1	1	1
⊙ A01	302PK94010	2PK94010	PARTS OPERATION UNIT SP	30ppm(B) 30ppm(B/DP) 35ppm(B/DP)	1	1	1
⊙ A01	302PL94010	2PL94010	PARTS OPERATION UNIT SP	30ppm(BF) 35ppm(BF)	1	1	1
2	*302H905011	2H905011	COVER OPERATION		1	1	1
3	*302H905390	2H905390	SHEET STATIC LCD		1	1	1
4	*302H905411	2H905411	LENS INFORMATION		1	1	1
5	*302H905421	2H905421	HOLDER LENS		1	1	1
6	*302H905430	2H905430	FILM DIFFUSION		1	1	1
⊙ A02	*302MH94090	2MH94090	PARTS PANEL PWB ASSY SP	30ppm(A) 30ppm(A/DP) 30ppm(AF) 35ppm(A/DP) 35ppm(AF)	1	1	1
	*302PK94050	2PK94050	PARTS PWB PANEL ASSY SP	30ppm(B) 30ppm(B/DP) 30ppm(BF) 35ppm(B/DP) 35ppm(BF)	1	1	1
7	**7ZGSTR55060H01	ZG112780	SHIELD GASKET		1	1	1
8	*302H994060	2H994060	PARTS KEY START SP	30ppm(A) 30ppm(A/DP) 30ppm(AF) 35ppm(A/DP) 35ppm(AF)	1	1	1
8	*302PK94060	2PK94060	PARTS KEY START SP	30ppm(B) 30ppm(B/DP) 30ppm(BF) 35ppm(B/DP) 35ppm(BF)	1	1	1
9	*302H994070	2H994070	PARTS KEY STOP SP		1	1	1
10	*302H994080	2H994080	PARTS KEY RESET SP		1	1	1
11	*302H994090	2H994090	PARTS KEY OPERATION 10 SP		1	1	1
12	*302H994100	2H994100	PARTS KEY CONTROL SP		1	1	1
13	*302H994110	2H994110	PARTS KEY OK SP		1	1	1
14	*302H994120	2H994120	PARTS KEY MENU SP		1	1	1
15	*302JN94040	2JN94040	PARTS KEY ADDRESS SP	30ppm(AF) 35ppm(AF) 30ppm(BF) 35ppm(BF)	1	1	1
15	*302H994170	2H994170	PARTS KEY ADDRESS SP	30ppm(A) 30ppm(A/DP) 35ppm(A/DP) 30ppm(B) 30ppm(B/DP) 35ppm(B/DP)	1	1	1
16	*302H994140	2H994140	PARTS KEY LOGOUT SP		1	1	1

Ref. No.	Part.No.	Alternative.	Description	Notes	Quantity		
					120	230	240
17	*302H994150	2H994150	PARTS KEY PROGRAM SP		1	1	1
18	*302H994161	2H994161	PARTS KEY ONE TOUCH SP		1	1	1
19	*302H994180	2H994180	PARTS KEY COPY SP		1	1	1
20	*302H994190	2H994190	PARTS KEY SEND SP		1	1	1
21	*302H994210	2H994210	PARTS KEY STATUS SP		1	1	1
22	*302H994220	2H994220	PARTS KEY LCD SP		2	2	2
23	*302H994230	2H994230	PARTS KEY BACK SP		1	1	1
24	*302H994240	2H994240	PARTS KEY BOX SP		1	1	1
25	*302H994250	2H994250	PARTS KEY SYSTEM SP		1	1	1
26	302MH05020	2MH05020	LABEL OPERATION	30ppm(A) 30ppm(A/DP)	1	1	1
26	302MJ05020	2MJ05020	LABEL OPERATION	30ppm(AF)	1	1	1
26	302MK05010	2MK05010	LABEL OPERATION	35ppm(A/DP)	1	1	1
26	302ML05010	2ML05010	LABEL OPERATION	35ppm(AF)	1	1	1
26	302PK05010	2PK05010	LABEL OPERATION	30ppm(B) 30ppm(B/DP)	1	1	1
26	302PL05010	2PL05010	LABEL OPERATION	30ppm(BF)	1	1	1
26	302PM05010	2PM05010	LABEL OPERATION	35ppm(B/DP)	1	1	1
26	302PN05010	2PN05010	LABEL OPERATION	35ppm(BF)	1	1	1
27	302MH05010	2MH05010	PANEL OPERATION	30ppm(A) 30ppm(A/DP) 35ppm(B) 30ppm(B) 30ppm(B/DP) 35ppm(B/DP)	1	1	1
27	302MJ05010	2MJ05010	PANEL OPERATION	30ppm(AF) 35ppm(AF) 30ppm(BF) 35ppm(BF)	1	1	1
A03	302MH93050	2MH93050	PARTS PLATEN COVER	30ppm(A) 30ppm(A/DP) 30ppm(B) 30ppm(B/DP)	1	1	1
28	*2DC11060	2DC11060	HINGE ORIGINAL COVER	30ppm(A) 30ppm(A/DP) 30ppm(B) 30ppm(B/DP)	2	2	2
29	*302H918041	2H918041	SPONGE ORIGINAL MAT	30ppm(A) 30ppm(A/DP) 30ppm(B) 30ppm(B/DP)	4	4	4
101	7BB200308H	BB105660	+BIND T.T P SCREW 3X8				
102	7BB202308H	BB105690	+TP-FLAT T.T P SCREW 3X8				

- Parts with "⊙" indicate regular maintenance parts.
- Parts with Ref.No. indicate maintenance parts and the ones without it indicate out of the above.

- Parts with "*" are component parts or sub-assemblies of the assembly appearing immediately above them.
- Parts with "••" are component parts or sub-assembly with "•" appearing immediately above them.

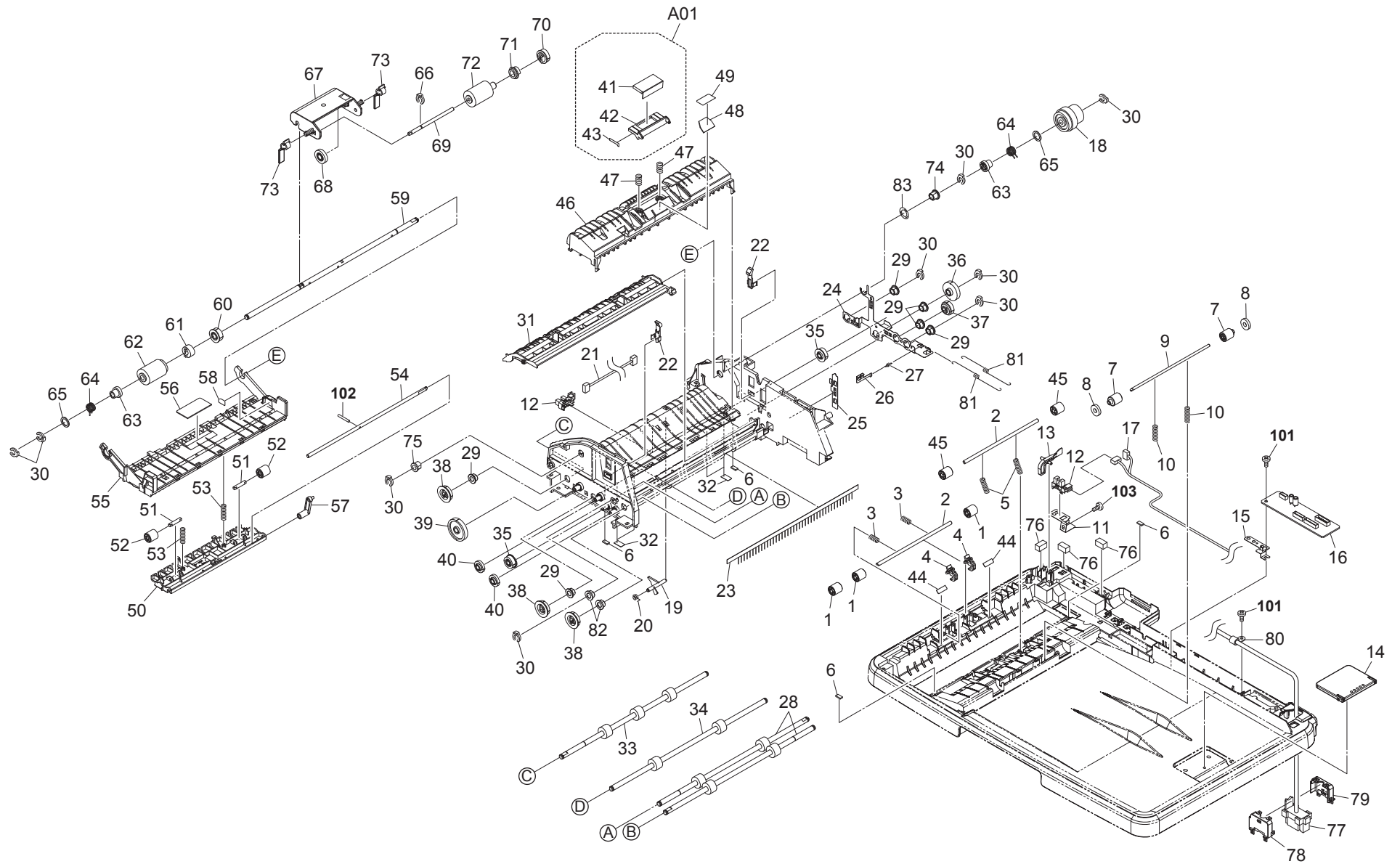


FIG. 14 Document Processor 1

2MH/2MJ/2MK/2ML/2PK/2PL/2PM/2PN-1

Ref. No.	Part.No.	Alternative.	Description	Notes	Quantity		
					120	230	240
1	303JX29160	3JX29160	PULLEY CONVEYING		3	3	3
2	303LJ24110	3LJ24110	SHAFT CONVEYING		2	2	2
3	303LJ24230	3LJ24230	SPRING REGIST		2	2	2
4	303LJ02150	3LJ02150	LEVER RELEASE		2	2	2
5	303LJ24121	3LJ24121	SPRING CONVEYING		2	2	2
6	303LJ02260	3LJ02260	CUSHION GUIDE		4	4	4
7	3HK10030	3HK10030	PULLEY EJECT		2	2	2
8	3HK10060	3HK10060	SPONGE EJECT		2	2	2
9	303LJ28020	3LJ28020	SHAFT EXIT		1	1	1
10	303LJ24150	3LJ24150	SPRING EXIT		2	2	2
11	303LJ02200	3LJ02200	PLATE EARTH PI		1	1	1
12	7NXSG2481+++H01	NX052600	SENSOR OPT.		2	2	2
13	303K502200	3K502200	ACTUATOR BASE		1	1	1
14	303M602070	3M602070	STOPPER ORIGINAL		1	1	1
15	303LJ02220	3LJ02220	PLATE EARTH PWB SUB		1	1	1
16	303LJ94010	3LJ94010	PARTS DRIVER PWB ASSY SP		1	1	1
17	303LJ46040	3LJ46040	CONN. CORD ASSY SOL CL		1	1	1
18	303LJ44040	3LJ44040	CLUTCH PAPER FEED		1	1	1
19	303LJ24080	3LJ24080	ACTUATOR TIMING		1	1	1
20	303LJ24090	3LJ24090	SPRING TIMING		1	1	1
21	303LJ46030	3LJ46030	CONN.CORD ASSY TIM SW		1	1	1
22	303LJ24190	3LJ24190	HOOK PF COVER		2	2	2
23	303LJ28040	3LJ28040	STATIC ELIMINATOR		1	1	1
24	303LJ24060	3LJ24060	PLATE EARTH CONVEYING		1	1	1
25	303LJ02110	3LJ02110	PLATE EARTH SOL		1	1	1
26	303LJ28030	3LJ28030	PLATE EARTH EXIT		1	1	1
27	303LJ02250	3LJ02250	SPRING GND B		1	1	1
28	303LJ94040	3LJ94040	PARTS ROLLER EXIT SP		2	2	2
29	3CY07080	3CY07080	BUSHING 6		6	6	6
30	5MVX111DN003	2A806250	RING STOPPER /A-49 FEED A4		9	9	9
31	303LJ24101	3LJ24101	GUIDE SEPARATION		1	1	1
32	303LJ24210	3LJ24210	FILM CONVEYING		4	4	4
33	303LJ94020	3LJ94020	PARTS ROLLER A CONVEYING SP		1	1	1
34	303LJ94030	3LJ94030	PARTS ROLLER B CONVEYING SP		1	1	1
35	303LJ31100	3LJ31100	GEAR T Z28S		2	2	2
36	303LJ94050	3LJ94050	PARTS GEAR Z46S ONEWAY SP		1	1	1
37	303LJ31060	3LJ31060	GEAR Z32S		1	1	1
38	303LJ31080	3LJ31080	GEAR Z35S		3	3	3
39	303LJ31090	3LJ31090	GEAR Z56S		1	1	1
40	303LJ31050	3LJ31050	GEAR Z28S		2	2	2
A01	303M694030	3M694030	PARTS SEPARATION PAD ASSY SP		1	1	1
41	*302LW07100	2LW07100	PAD SEPARATION		1	1	1
42	*303LJ07030	3LJ07030	MOUNT PAD		1	1	1
43	*303LJ07080	3LJ07080	CUSHION SEPARATION		1	1	1
44	303LJ02270	3LJ02270	FILM BASE		2	2	2
45	303LJ24200	3LJ24200	PULLEY 13 CONVEYING		2	2	2
46	303LJ24280	3LJ24280	UPPER GUIDE B		1	1	1
47	303LJ24140	3LJ24140	SPRING PAD		2	2	2
48	303K507102	3K507102	PAD FRONT SEP		1	1	1

- Parts with "⊙" indicate regular maintenance parts.
- Parts with Ref.No. indicate maintenance parts and the ones without it indicate out of the above.

Ref. No.	Part.No.	Alternative.	Description	Notes	Quantity		
					120	230	240
49	303LJ07090	3LJ07090	FILM FRONT SEP		1	1	1
50	303LJ29022	3LJ29022	MOUNT PULLEY LOOP		1	1	1
51	3H608150	3H608150	SHAFT C PULLEY		2	2	2
52	3HL10140	3HL10140	PULLEY LOOP		2	2	2
53	303LJ29040	3LJ29040	SPRING LOOP PRESSURE		2	2	2
54	303LJ29030	3LJ29030	SHAFT LOOP		1	1	1
55	303LJ29010	3LJ29010	GUIDE LOOP		1	1	1
56	3HK07240	3HK07240	FRICTION PLATE LF		1	1	1
57	303LJ29060	3LJ29060	LEVER PRESSURE		1	1	1
58	303LJ34060	3LJ34060	LABEL A		1	1	1
59	303LJ07010	3LJ07010	SHAFT PF		1	1	1
60	3HK07070	3HK07070	GR PF PULLEY		1	1	1
61	3BC07130	3BC07130	ONE-WAY CLUTCH 6		1	1	1
62	3BR07040	3BR07040	PULLEY,PAPER FEED		1	1	1
63	3HK07080	3HK07080	COLLAR S SPRING		2	2	2
64	3HK07140	3HK07140	SPRING LF		2	2	2
65	3HK07270	3HK07270	COLLAR PF		2	2	2
66	5MVX111DN007	2BT11070	STOPPER 3 /2BT1107 A4		1	1	1
67	303LJ07021	3LJ07021	HOLDER LF		1	1	1
68	35322020	35322020	GEAR 20,PAPER FEED DRIVE		1	1	1
69	303HK07051	3HK07051	SHAFT LF		1	1	1
70	3HK07200	3HK07200	GR 18 LF		1	1	1
71	36211500	36211500	GEAR,LEADING FEED JOINT		1	1	1
72	36211110	36211110	PULLEY,LEADING FEED ADF		1	1	1
73	3HK07130	3HK07130	STOPPER PF		2	2	2
74	2BC06520	2BC06520	BUSHING 6,REGISTRATION		1	1	1
75	29806560	29806560	BUSHING 6		1	1	1
76	303K502070	3K502070	SEAL WIRE		3	3	3
77	303LJ46010	3LJ46010	CONN. CORD ASSY INTERFACE		1	1	1
78	303LJ02170	3LJ02170	PLUG COVER A		1	1	1
79	303LJ02180	3LJ02180	PLUG COVER B		1	1	1
80	M2105010	M2105010	NYLON CLAMP 3N,NK-3N		1	1	1
81	303LJ02240	3LJ02240	SPRING GND A		2	2	2
82	302H702590	2H702590	BUSH SCREW		2	2	2
83	303HL22200	3HL22200	PLATE GND		1	1	1
101	7BB202308H	BB105690	+TP-FLAT T.T P SCREW 3X8				
102	E0020160	E0020160	SPRING PIN 2X16				
103	7BB700308H	BB105600	+BIND T.T S SCREW 3X8 SR				

- Parts with "•" are component parts or sub-assemblies of the assembly appearing immediately above them.
- Parts with "••" are component parts or sub-assembly with "•" appearing immediately above them.

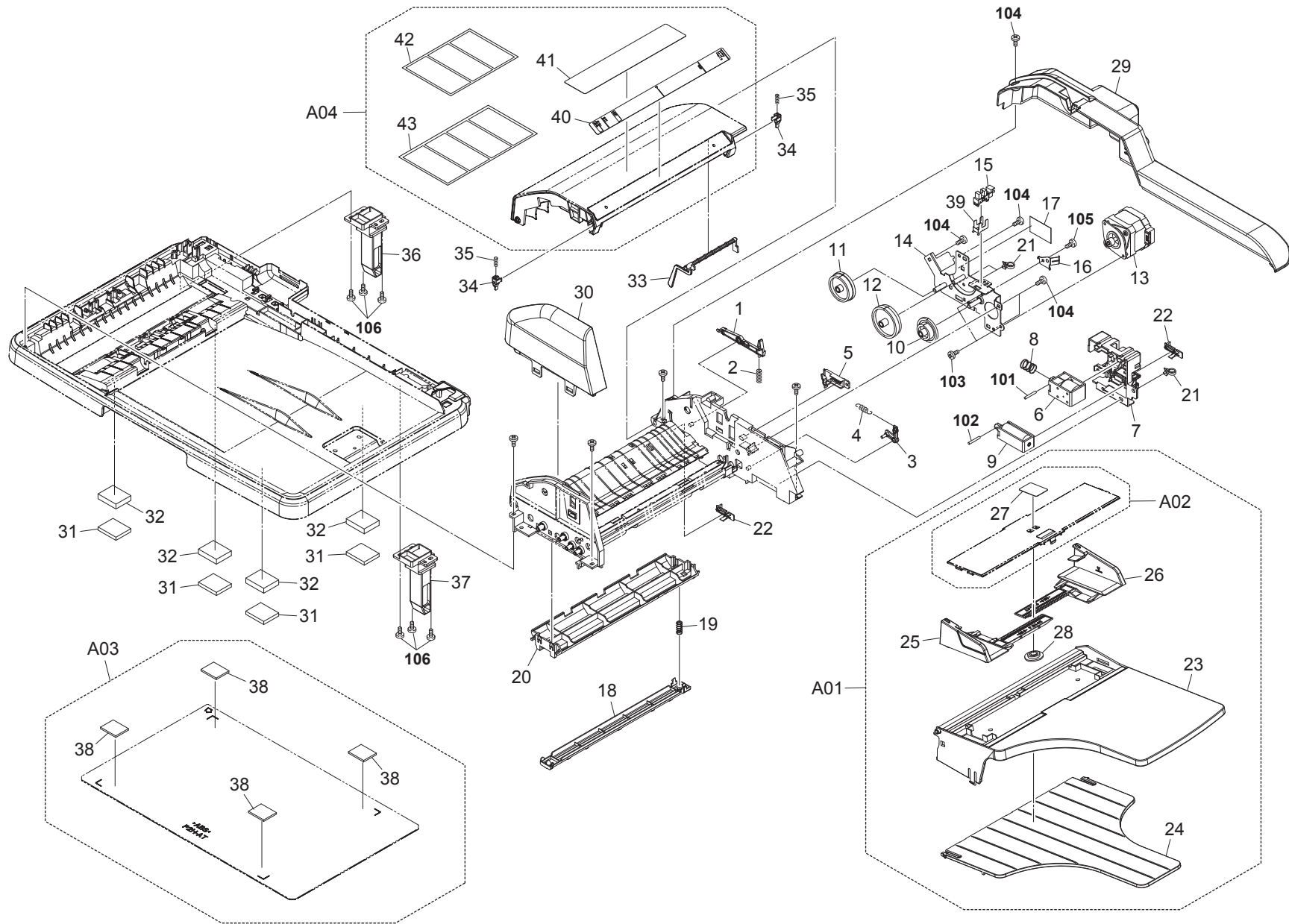


FIG. 15 Document Processor 2

2MH/2MJ/2MK/2ML/2PK/2PL/2PM/2PN-5

Ref. No.	Part.No.	Alternative.	Description	Notes	Quantity			
					120	230	240	
1	303LJ02080	3LJ02080	ACTUATOR PUSH		1	1	1	
2	303LJ02060	3LJ02060	SPRING RELEASE		1	1	1	
3	303LJ24041	3LJ24041	LEVER SEPARATE		1	1	1	
4	3HL10090	3HL10090	SPRING,LF SHIFT GUIDE		1	1	1	
5	303LJ24050	3LJ24050	LEVER LOOP		1	1	1	
⊙	6	303LJ94140	3LJ94140	PARTS SOLENOID PRESSURE PULLEY SP		1	1	1
7	303LJ02051	3LJ02051	MOUNT SOLENOID		1	1	1	
⊙	8	303HL10200	3HL10200	SPRING LOOP		1	1	1
⊙	9	303LJ94150	3LJ94150	PARTS SOLENOID FEED SHIFT SP		1	1	1
⊙	10	303LJ31040	3LJ31040	GEAR Z66S Z70S		1	1	1
⊙	11	303LJ31020	3LJ31020	GEAR Z40S Z61S		1	1	1
⊙	12	303LJ31030	3LJ31030	GEAR Z46S Z79S		1	1	1
⊙	13	303LJ94061	3LJ94061	PARTS MOTOR DP SP		1	1	1
14	303LJ31010	3LJ31010	MOUNT DRIVE		1	1	1	
⊙	15	7NXSG2481+++H01	NX052600	SENSOR OPT.		1	1	1
16	303LJ02100	3LJ02100	PLATE EARTH MOTOR		1	1	1	
17	303LJ24260	3LJ24260	FILM WIRE		1	1	1	
18	303LJ02020	3LJ02020	GUIDE READING		1	1	1	
19	303LJ02070	3LJ02070	SPRING READING		1	1	1	
20	303LJ24130	3LJ24130	BOTTOM CONVEYING		1	1	1	
21	7YZM410001+++H01	YZ037950	ACCESS.BAND		3	3	3	
22	303LJ24170	3LJ24170	COVER WIRE		2	2	2	
⊙	A01	303LJ94120	3LJ94120	PARTS TABLE ASSY SP		1	1	1
⊙	23	*303LJ06010	3LJ06010	TABLE MAIN		1	1	1
⊙	24	*303LJ06020	3LJ06020	TABLE SUB		1	1	1
⊙	25	*303LJ06031	3LJ06031	FRONT CURSOR		1	1	1
⊙	26	*303LJ06041	3LJ06041	REAR CURSOR		1	1	1
⊙	A02	*303LJ94100	3LJ94100	PARTS COVER CURSOR ASSY SP		1	1	1
27	**303LJ34020	3LJ34020	LABEL FACE UP		1	1	1	
28	*5MVG127DN071	2A807050	GEAR CASSETTE /A-49 CASSETTE A4		1	1	1	
⊙	29	302MC07031	2MC07031	COVER REAR		1	1	1
⊙	30	302MC07021	2MC07021	COVER FRONT		1	1	1
31	303MX02031	3MX02031	CUSHION ORIGINAL MAT B		4	4	4	
32	303MX02060	3MX02060	SPONGE ORIGINAL MAT		4	4	4	
33	303LJ07050	3LJ07050	ACTUATOR ORIGINAL		1	1	1	
34	303LJ07060	3LJ07060	LEVER PUSH DU		2	2	2	
35	303LJ07070	3LJ07070	SPRING PUSH DU		2	2	2	
36	303LJ02030	3LJ02030	HINGE L		1	1	1	
37	303LJ02040	3LJ02040	HINGE R		1	1	1	
⊙	A03	303LJ94070	3LJ94070	PARTS PLATE ORIGINAL SP		1	1	1
38	*303MX02021	3MX02021	CUSHION ORIGINAL MAT A		4	4	4	
39	3HP07420	3HP07420	EARTH PLATE D		1	1	1	
⊙	A04	302MH94010	2MH94010	PARTS COVER PF ASSY SP		1	1	1
40	*303M634010	3M634010	LABEL SIZE DIRECTION		1	1	1	
41	*302MC34050	2MC34050	LABEL CAUTION		1	1	1	
42	*302MC34070	2MC34070	LABEL CAUTION SET A		1	1	1	
43	*302MC34080	2MC34080	LABEL CAUTION SET E		1	1	1	

Ref. No.	Part.No.	Alternative.	Description	Notes	Quantity		
					120	230	240
101	E0130280	E0130280	SPRING PIN 3X28(SUS)				
102	5MBP2020WWLD	E1120200	SPRING PIN / M2 X 20 SUS-DP XX				
103	7BB000306H	BB106880	+BIND M SCREW 3X6				
104	7BB200308H	BB105660	+BIND T.T P SCREW 3X8				
105	7BB700308H	BB105600	+BIND T.T S SCREW 3X8 SR				
106	7BB202308H	BB105690	+TP-FLAT T.T P SCREW 3X8				

- Parts with "⊙" indicate regular maintenance parts.
- Parts with Ref.No. indicate maintenance parts and the ones without it indicate out of the above.

- Parts with "*" are component parts or sub-assemblies of the assembly appearing immediately above them.
- Parts with "*•" are component parts or sub-assembly with "*" appearing immediately above them.

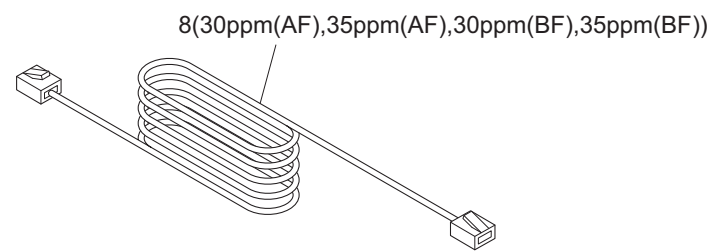
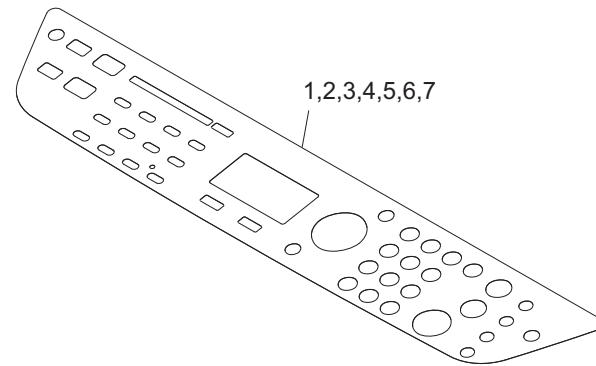


FIG. 16 Accessories

2MH/2MJ/2MK/2ML/2PK/2PL/2PM/2PN-5

Ref. No.	Part.No.	Alternative.	Description	Notes	Quantity		
					120	230	240
1	302MH05050	2MH05050	LABEL OPERATION GER	30ppm(A) 30ppm(A/DP)		1	
1	302MJ05050	2MJ05050	LABEL OPERATION GER	30ppm(AF)		1	
1	302MK05050	2MK05050	LABEL OPERATION GER	35ppm(A/DP)		1	
1	302ML05050	2ML05050	LABEL OPERATION GER	35ppm(AF)		1	
1	302PK05030	2PK05030	LABEL OPERATION GER	30ppm(B) 30ppm(B/DP)		1	
1	302PL05030	2PL05030	LABEL OPERATION GER	30ppm(BF)		1	
1	302PM05040	2PM05040	LABEL OPERATION GER	35ppm(B/DP)		1	
1	302PN05040	2PN05040	LABEL OPERATION GER	35ppm(BF)		1	
2	302MH05060	2MH05060	LABEL OPERATION FRA	30ppm(A) 30ppm(A/DP)		1	
2	302MJ05060	2MJ05060	LABEL OPERATION FRA	30ppm(AF)		1	
2	302MK05060	2MK05060	LABEL OPERATION FRA	35ppm(A/DP)	1	1	
2	302ML05060	2ML05060	LABEL OPERATION FRA	35ppm(AF)	1	1	
2	302PK05040	2PK05040	LABEL OPERATION FRA	30ppm(B) 30ppm(B/DP)		1	
2	302PL05040	2PL05040	LABEL OPERATION FRA	30ppm(BF)		1	
2	302PM05050	2PM05050	LABEL OPERATION FRA	35ppm(B/DP)	1	1	
2	302PN05050	2PN05050	LABEL OPERATION FRA	35ppm(BF)	1	1	
3	302MH05070	2MH05070	LABEL OPERATION ITA	30ppm(A) 30ppm(A/DP)		1	
3	302MJ05070	2MJ05070	LABEL OPERATION ITA	30ppm(AF)		1	
3	302MK05070	2MK05070	LABEL OPERATION ITA	35ppm(A/DP)		1	
3	302ML05070	2ML05070	LABEL OPERATION ITA	35ppm(AF)		1	
3	302PK05050	2PK05050	LABEL OPERATION ITA	30ppm(B) 30ppm(B/DP)		1	
3	302PL05050	2PL05050	LABEL OPERATION ITA	30ppm(BF)		1	
3	302PM05060	2PM05060	LABEL OPERATION ITA	35ppm(B/DP)		1	
3	302PN05060	2PN05060	LABEL OPERATION ITA	35ppm(BF)		1	
4	302MH05040	2MH05040	LABEL OPERATION SPA	30ppm(A) 30ppm(A/DP)		1	
4	302MJ05040	2MJ05040	LABEL OPERATION SPA	30ppm(AF)		1	
4	302MK05040	2MK05040	LABEL OPERATION SPA	35ppm(A/DP)	1	1	
4	302ML05040	2ML05040	LABEL OPERATION SPA	35ppm(AF)	1	1	
4	302PK05020	2PK05020	LABEL OPERATION SPA	30ppm(B) 30ppm(B/DP)		1	
4	302PL05020	2PL05020	LABEL OPERATION SPA	30ppm(BF)		1	
4	302PM05030	2PM05030	LABEL OPERATION SPA	35ppm(B/DP)	1	1	
4	302PN05030	2PN05030	LABEL OPERATION SPA	35ppm(BF)	1	1	
5	302MH05080	2MH05080	LABEL OPERATION POR	30ppm(A) 30ppm(A/DP)		1	
5	302MJ05080	2MJ05080	LABEL OPERATION POR	30ppm(AF)		1	
5	302MK05080	2MK05080	LABEL OPERATION POR	35ppm(A/DP)	1	1	
5	302ML05080	2ML05080	LABEL OPERATION POR	35ppm(AF)	1	1	
5	302PK05060	2PK05060	LABEL OPERATION POR	30ppm(B) 30ppm(B/DP)		1	
5	302PL05060	2PL05060	LABEL OPERATION POR	30ppm(BF)		1	
5	302PM05070	2PM05070	LABEL OPERATION POR	35ppm(B/DP)	1	1	
5	302PN05070	2PN05070	LABEL OPERATION POR	35ppm(BF)	1	1	

- Parts with "⊙" indicate regular maintenance parts.
- Parts with Ref.No. indicate maintenance parts and the ones without it indicate out of the above.

Ref. No.	Part.No.	Alternative.	Description	Notes	Quantity		
					120	230	240
6	302MH05090	2MH05090	LABEL OPERATION DUT	30ppm(A) 30ppm(A/DP)		1	
6	302MJ05090	2MJ05090	LABEL OPERATION DUT	30ppm(AF)		1	
6	302MK05090	2MK05090	LABEL OPERATION DUT	35ppm(A/DP)		1	
6	302ML05090	2ML05090	LABEL OPERATION DUT	35ppm(AF)		1	
6	302PK05070	2PK05070	LABEL OPERATION DUT	30ppm(B) 30ppm(B/DP)		1	
6	302PL05070	2PL05070	LABEL OPERATION DUT	30ppm(BF)		1	
6	302PM05080	2PM05080	LABEL OPERATION DUT	35ppm(B/DP)		1	
6	302PN05080	2PN05080	LABEL OPERATION DUT	35ppm(BF)		1	
7	302MH05100	2MH05100	LABEL OPERATION RUS	30ppm(A) 30ppm(A/DP)		1	
7	302MJ05100	2MJ05100	LABEL OPERATION RUS	30ppm(AF)		1	
7	302MK05100	2MK05100	LABEL OPERATION RUS	35ppm(A/DP)		1	
7	302ML05100	2ML05100	LABEL OPERATION RUS	35ppm(AF)		1	
7	302PK05080	2PK05080	LABEL OPERATION RUS	30ppm(B) 30ppm(B/DP)		1	
7	302PL05080	2PL05080	LABEL OPERATION RUS	30ppm(BF)		1	
7	302PM05090	2PM05090	LABEL OPERATION RUS	35ppm(B/DP)		1	
7	302PN05090	2PN05090	LABEL OPERATION RUS	35ppm(BF)		1	
8	303HZ45010	3HZ45010	MODULAR CORD	30ppm(AF) 35ppm(AF) 35ppm(BF)		1	
8	3063527482	63527482	MODULAR CORD AUSTRALIA	30ppm(AF) 35ppm(AF) 30ppm(BF) 35ppm(BF)			1

- Parts with "•" are component parts or sub-assemblies of the assembly appearing immediately above them.
- Parts with "••" are component parts or sub-assembly with "•" appearing immediately above them.

FIG. 17 Maintenance Kits

2MH/2MJ/2MK/2ML/2PK/2PL/2PM/2PN-5

Ref. No.	Part.No.	Alternative.	Description	Notes	Quantity		
					120	230	240
	1702MJ0NL0	072MJ0NL	MK-1130/MAINTENANCE KIT	(OPTION) 30ppm(A) 30ppm(A/DP) 30ppm(AF) 30ppm(B) 30ppm(B/DP) 30ppm(BF)		1	
			DK-150 DV-1130(E)			1	
	1702MJ0AS0	072MJ0AS	MK-1134/MAINTENANCE KIT	(OPTION) 30ppm(A) 30ppm(A/DP) 30ppm(AF) 30ppm(B) 30ppm(B/DP) 30ppm(BF)			1
			DK-150 DV-1134(AO)				1
	1702ML0KL0	072ML0KL	MK-1142/MAINTENANCE KIT	(OPTION) 35ppm(A/DP) 35ppm(AF) 35ppm(B/DP) 35ppm(BF)	1		
			DK-170 DV-1142(U)		1		1
	1702ML0NL0	072ML0NL	MK-1140/MAINTENANCE KIT	(OPTION) 35ppm(A/DP) 35ppm(AF) 35ppm(B/DP) 35ppm(BF)		1	
			DK-170 DV-1140(E)			1	
	1702ML0AS0	072ML0AS	MK-1144/MAINTENANCE KIT	(OPTION) 35ppm(A/DP) 35ppm(AF) 35ppm(B/DP) 35ppm(BF)			1
			DK-170 DV-1144(AO)				1

Ref. No.	Part.No.	Alternative.	Description	Notes	Quantity		
					120	230	240

- Parts with "☉" indicate regular maintenance parts.
- Parts with Ref.No. indicate maintenance parts and the ones without it indicate out of the above.

- Parts with "•" are component parts or sub-assemblies of the assembly appearing immediately above them.
- Parts with "••" are component parts or sub-assembly with "•" appearing immediately above them.

INDEX

2MH/2MJ/2MK/2ML/2PK/2PL/2PM/2PN-5

	Part.No.	Alternative.	Description	Fig.No.
	1702MJ0AS0	072MJ0AS	MK-1134/MAINTENANCE KIT	17
	1702MJ0NL0	072MJ0NL	MK-1130/MAINTENANCE KIT	17
	1702ML0AS0	072ML0AS	MK-1144/MAINTENANCE KIT	17
	1702ML0KL0	072ML0KL	MK-1142/MAINTENANCE KIT	17
	1702ML0NL0	072ML0NL	MK-1140/MAINTENANCE KIT	17
⊙	29806560	29806560	BUSHING 6	14
	2BC06520	2BC06520	BUSHING 6,REGISTRATION	14
⊙	2BL06380	2BL06380	GEAR Z25 JOINT	5
	2DC11060	2DC11060	HINGE ORIGINAL COVER	13
	2FM02140	5MVM786XB001	BUSH DU /B-11 FRAME A3	11
⊙	2FM02210	5MVM274DN002	PULLEY MID /B-11 FRAME A4	11
⊙	2FM02350	5MVG133DN022	GEAR Z22 /B-11 FRAME A4	5
	2FM02500	5MMW176SD002	SPRING DU R /B-11 FRAME A4	11
	2FM02510	5MMW166SD002	SPRING HOLDER L /B-11 FRAME A4	11
	2FM02520	5MMW166SD003	SPRING HOLDER R /B-11 FRAME A4	11
	2FM02690	5MVX221DG002	LEVER DU /B-11 DU A3	11
	2FM20050	5MVX651DN001	LEVER SOLENOID /B-11 FD A3	5
	2FM21030	5MVM276DN017	STOPPER BUSH /B-11 DU A4	11
	2FM21050	5MVX173DN001	COLLER DU /B-11 DU A3	11
	3063527482	63527482	MODULAR CORD AUSTRALIA	16
⊙	302A816031	2A816031	BUSH TC R /A-49 FEED A4	4
⊙	302BR06521	2BR06521	RETARD ROLL ASSY /43487V0005 A4	3
	302F325010	2F325010	STUD SCREW M3	5
	302F906170	2F906170	JOINT PICKUP A	4
	302F906180	2F906180	JOINT PICKUP B	4
⊙	302F906230	2F906230	PULLEY FEED ASSY	4
	302F906240	2F906240	PULLEY PICKUP ASSY	4
	302F906272	2F906272	SHAFT FEED L	4
	302F906280	2F906280	GEAR FEED Z30H	4
	302F908200	2F908200	LOCK COVER	5
	302F908270	2F908270	SP BOTTOM MPF L	2
	302F908310	2F908310	PAD FRICTION MPF	2
	302F909031	2F909031	LEVER BASE CAS REAR	3
	302F909040	2F909040	SPRING BASE CAS REAR	3
	302F909210	2F909210	PAD BOTTOM	3
	302F929140	2F929140	BUSH DU	5,10
	302F931350	2F931350	JOINT SHAFT CASSETTE	10
	302F931490	2F931490	BUSH FEED DRIVE	10
	302F939082	2F939082	SCREW BOX	12
	302F939090	2F939090	CAP NETWORK	12
	302FM02421	2FM02421	SHAFT PULLEY /B-11 FRAME A4	11
⊙	302FM94020	2FM94020	GEAR CLUTCH ASSY A SP	5
⊙	302FM94030	2FM94030	GEAR CLUTCH ASSY B SP	5
⊙	302FM94061	2FM94061	PARTS HOLDER DU ASSY SP	11
	302FV14500	2FV14500	LABEL GUIDE DLP	2
	302FV45040	2FV45040	AC CORD ASSY	12
	302FV94010	2FV94010	PARTS AC CORD EU SP	12
	302G634070	2G634070	LABEL ENERGY STAR	2
	302H402020	2H402020	HOLDER ERASER	2
	302H402040	2H402040	SPRING REG GND	2

	Part.No.	Alternative.	Description	Fig.No.
	302H402050	2H402050	BUSH REGIST	4
	302H402060	2H402060	SPRING EARTH DU FEED	2
	302H428010	2H428010	FILM SOLENOID	5
	302H431010	2H431010	HOLDER DRIVE	10
	302H431020	2H431020	COVER HOLDER DRIVE	10
⊙	302H431030	2H431030	GEAR Z42R	10
⊙	302H431040	2H431040	GEAR Z34L-Z24L	10
	302H431050	2H431050	PIN HOLDER A	10
	302H431060	2H431060	PIN HOLDER B	10
	302H431070	2H431070	BUSH DRIVE 6	10
⊙	302H431080	2H431080	GEAR Z64R-Z21L	10
⊙	302H493011	2H493011	DK-150	7
⊙	302H493040	2H493040	DR-150	10
⊙	302H494020	2H494020	ERASER KIT (N) SP	2
⊙	302H494070	2H494070	SOLENOID ASSY SP	5
⊙	302H494080	2H494080	HOLDER DC BRUSH ASSY	4
⊙	302H494220	2H494220	PARTS HIGH VOLTAGE UNIT SP	12
	302H702590	2H702590	BUSH SCREW	14
	302H902030	2H902030	RACK LID L	2
	302H902050	2H902050	RACK FRONT L	2
⊙	302H902070	2H902070	GEAR RACK Z20-23	2
	302H902100	2H902100	PLATE POWER SUPPLY	12
	302H902110	2H902110	HOLDER GEAR A	2
	302H902120	2H902120	HOLDER GEAR B	2
	302H902161	2H902161	DUCT FRAME L	12
	302H902170	2H902170	DUCT FRAME R	12
	302H902210	2H902210	PLATE EARTH MPF	12
	302H902220	2H902220	MOUNT INLET	12
	302H902260	2H902260	SHEET PWB	12
	302H902270	2H902270	PLATE EARTH	1
	302H902280	2H902280	PLATE EARTH DRIVE	10
	302H902290	2H902290	HOLDER THERMAL SHEET	12
	302H902310	2H902310	SEAL FRAME L	12
	302H902330	2H902330	SHEET REGULATOR PWB B	12
⊙	302H904011	2H904011	COVER TOP	1
⊙	302H904021	2H904021	LID TOP	1
⊙	302H904070	2H904070	COVER FRONT B	1
	302H904150	2H904150	EMBLEM	1
	302H904170	2H904170	TAPE EMBLEM	1
	302H904180	2H904180	PLATE EARTH REAR	1
	302H904200	2H904200	HOOK COVER	1
	302H904210	2H904210	SPRING COVER HOOK	1
	302H904230	2H904230	SHEET HARNESS	1
	302H904260	2H904260	GUIDE HARNESS	1
⊙	302H904270	2H904270	STOPPER PAPER D	1
	302H904280	2H904280	DISCHARGER FD	1
	302H905011	2H905011	COVER OPERATION	13
	302H905240	2H905240	LID OPE SHEET	13
	302H905390	2H905390	SHEET STATIC LCD	13
	302H905411	2H905411	LENS INFORMATION	13

• Parts with "⊙" indicate regular maintenance parts.

Part.No.	Alternative.	Description	Fig.No.
302H905421	2H905421	HOLDER LENS	13
302H905430	2H905430	FILM DIFFUSION	13
302H908020	2H908020	PLATE COVER MPF	2
302H909030	2H909030	SPACER CASS A	3
302H909040	2H909040	SPACER CASS B	3
302H917051	2H917051	SHAFT ISU	6
302H917210	2H917210	MOUNT MOTOR ISU	6
302H917220	2H917220	GEAR ISU 63/32	6
302H917230	2H917230	BELT ISU	6
302H917240	2H917240	PULLEY TENSION	6
302H917251	2H917251	MOUNT TENSION PULLEY	6
302H917260	2H917260	PIN TENSION PULLEY	6
302H917270	2H917270	SPRING TENSION	6
302H917330	2H917330	STOPPER ISU	6
302H917380	2H917380	TAPE FFC A	6
302H917410	2H917410	PLATE EARTH ISU A	6
302H917420	2H917420	PLATE EARTH ISU B	6
302H917450	2H917450	SLIDER ISU	6
302H917500	2H917500	SPONGE HARNESS	6
302H917510	2H917510	HOLDER FFC	6
302H917520	2H917520	STOPPER FFC CENTER	6
302H917530	2H917530	TAPE FFC D	6
302H917540	2H917540	SHEET FRAME BOTTOM	6
302H918041	2H918041	SPONGE ORIGINAL MAT	13
302H928010	2H928010	GUIDE FD CENTER	5
302H928020	2H928020	GUIDE FD SIDE	5
302H934010	2H934010	LABEL JAM TK OPERATION	1
302H939020	2H939020	PLATE SHIELD	12
302H939030	2H939030	GUIDE CF	12
302H939070	2H939070	SHEET PWB	12
302H939080	2H939080	SHEET BOX	12
302H946010	2H946010	CONN.CORD ASSY MAIN-SCN	12
302H946040	2H946040	CONN.CORD ASSY INTERFACE	6
302H946050	2H946050	CONN.CORD ASSY LVU-SCN	1
302H946060	2H946060	CONN.CORD ASSY MAIN-PANEL	6
302H946110	2H946110	FFC SCN-MAIN	12
302H946120	2H946120	CONN.CORD ASSY LVU-MAIN	12
302H946130	2H946130	CONN.CORD ASSY FG	10
302H994060	2H994060	PARTS KEY START SP	13
302H994070	2H994070	PARTS KEY STOP SP	13
302H994080	2H994080	PARTS KEY RESET SP	13
302H994090	2H994090	PARTS KEY OPERATION 10 SP	13
302H994100	2H994100	PARTS KEY CONTROL SP	13
302H994110	2H994110	PARTS KEY OK SP	13
302H994120	2H994120	PARTS KEY MENU SP	13
302H994140	2H994140	PARTS KEY LOGOUT SP	13
302H994150	2H994150	PARTS KEY PROGRAM SP	13
302H994161	2H994161	PARTS KEY ONE TOUCH SP	13
302H994170	2H994170	PARTS KEY ADDRESS SP	13
302H994180	2H994180	PARTS KEY COPY SP	13

Part.No.	Alternative.	Description	Fig.No.
302H994190	2H994190	PARTS KEY SEND SP	13
302H994210	2H994210	PARTS KEY STATUS SP	13
302H994220	2H994220	PARTS KEY LCD SP	13
302H994230	2H994230	PARTS KEY BACK SP	13
302H994240	2H994240	PARTS KEY BOX SP	13
302H994250	2H994250	PARTS KEY SYSTEM SP	13
302H994270	2H994270	PARTS MOTOR ISU SP	6
302H994310	2H994310	PARTS FFC MAIN-CCD KIT SP	6
302H994360	2H994360	PARTS FULL SENSOR ASSY SP	2
302H994380	2H994380	PARTS FD ASSY (2H9) SP	5
302HN09190	2HN09190	SPRING FIX	3
302HN09240	2HN09240	SIZE FIX	3
302HN29050	2HN29050	BUSH DU	5
302HN44111	2HN44111	CLUTCH FEED	10
302HS02070	2HS02070	LEVER LOCK CASSETTE	12
302HS02090	2HS02090	LEVER STOPPER DLP	2
302HS02100	2HS02100	SPRING STOPPER DLP	2
302HS02140	2HS02140	PLATE CONTACT MC	2
302HS02160	2HS02160	SPRING MC	2
302HS02180	2HS02180	PIN CASSETTE	12
302HS02190	2HS02190	SPRING PIN CASSETTE	12
302HS02260	2HS02260	SPRING EARTH REG LOW	4
302HS02280	2HS02280	COVER BASE LOW	12
302HS02291	2HS02291	PLATE EARTH DRUM	2
302HS02330	2HS02330	SPRING EARTH DU PLATE	2
302HS02340	2HS02340	SPRING EARTH RIGHT	4
302HS02351	2HS02351	COVER CABLE B	2
302HS02360	2HS02360	SPRING LOCK CASSETTE	12
302HS02370	2HS02370	SPRING EARTH CASSETTE	10
302HS02381	2HS02381	PLATE PF CONNECTOR	10
302HS02390	2HS02390	LEVER LOCK CASSETTE L	12
302HS02410	2HS02410	SPRING EARTH DU MID	4
302HS02440	2HS02440	SPRING EARTH DLP PLATE	4
302HS02461	2HS02461	PIN CONTACT BIAS	2
302HS02470	2HS02470	SPRING PIN BIAS	2
302HS02510	2HS02510	COVER CABLE D	12
302HS02520	2HS02520	COVER CABLE E	10
302HS02530	2HS02530	COVER CABLE F	10
302HS02540	2HS02540	PIN DRAWER	10
302HS02561	2HS02561	HOLDER PIN CASSETTE	12
302HS02590	2HS02590	SHEET DUCT FD	2
302HS02650	2HS02650	HOOK PF	2
302HS02700	2HS02700	SHEET BUSH DU	2
302HS06010	2HS06010	FRAME FEED	4
302HS06020	2HS06020	HOLDER FEED	4
302HS06040	2HS06040	GUIDE FEED R	4
302HS06050	2HS06050	PULLEY FEED	4
302HS06071	2HS06071	ACTUATOR EMPTY B	4
302HS06090	2HS06090	GEAR Z22S FEED	4
302HS06110	2HS06110	SHAFT FEED	10

• Parts with "⊙" indicate regular maintenance parts.

Part.No.	Alternative.	Description	Fig.No.
302HS06120	2HS06120	SPRING ACTUATOR	4
302HS06130	2HS06130	SPRING PULLEY	4
302HS06140	2HS06140	SEAL FRAME FEED	4
302HS06150	2HS06150	SEAL FEED PULLEY	4
302HS08011	2HS08011	FRAME MPF	4
302HS08050	2HS08050	BASE MPF	2
302HS08060	2HS08060	TRAY MPF MID	2
302HS08080	2HS08080	SHAFT FEED MPF	4
302HS08100	2HS08100	BRACKET BOTTOM	2
302HS08110	2HS08110	ACTUATOR MPF	4
302HS08140	2HS08140	BASE IC PWB	4
302HS08160	2HS08160	GEAR Z20S MPF	4
302HS08170	2HS08170	SPRING SEPARATOR	2
302HS08190	2HS08190	SPRING ACTUATOR	4
302HS08210	2HS08210	SPRING EARTH MPF	2
302HS08220	2HS08220	TRAY MPF TOP	2
302HS08230	2HS08230	PLATE EARTH BOTTOM	2
302HS08241	2HS08241	GUIDE MPF R	2
302HS08251	2HS08251	GUIDE MPF L	2
302HS08260	2HS08260	ROLLER M/P ASSY	4
302HS08270	2HS08270	SPRING BRACKET	2
302HS08290	2HS08290	FILM SENSOR	4
302HS08300	2HS08300	HOLDER FEED M/P	4
302HS08320	2HS08320	SPRING COVER MPF	5
302HS08340	2HS08340	COVER REG SW	4
302HS08351	2HS08351	SPRING COVER REG	4
302HS09070	2HS09070	PAPER INDICATOR	3
302HS09100	2HS09100	LOCK BOTTOM	3
302HS09120	2HS09120	SPRING BOTTOM L	3
302HS09130	2HS09130	SPRING BOTTOM R	3
302HS09140	2HS09140	SPRING LOCK BOTTOM	3
302HS09160	2HS09160	GEAR CASSETTE	3
302HS09170	2HS09170	CAP BOTTOM	3
302HS09180	2HS09180	SPRING RETARD	3
302HS09210	2HS09210	SEAL RETARD WASHER	3
302HS09220	2HS09220	CUT POLYSLIDER 11_8	3
302HS09231	2HS09231	SPONGE CASSETTE	3
302HS09260	2HS09260	HOLDER RETARD	3
302HS19220	2HS19220	TAPE FFC	4
302HS24010	2HS24010	GUIDE PAPER CHUTE	4
302HS24020	2HS24020	GUIDE EARTH	4
302HS24070	2HS24070	SPRING ACTUATOR REG	2
302HS24080	2HS24080	PLATE EARTH HV	2
302HS24110	2HS24110	PLATE EARTH PAPER CHUTE	2
302HS24120	2HS24120	BUSH REGIST	4
302HS24130	2HS24130	BUSH 4 DU ROLL	2
302HS24140	2HS24140	BUSH 6 EW	4
302HS24160	2HS24160	ROLLER DU	2
302HS24181	2HS24181	SHEET REGIST	4
302HS24190	2HS24190	GEAR Z14R REG UP	4

• Parts with "⊙" indicate regular maintenance parts.

Part.No.	Alternative.	Description	Fig.No.
302HS24200	2HS24200	GEAR Z21L-Z23L REG LOW	4
302HS24220	2HS24220	GEAR Z25R DU FEED	10
302HS24230	2HS24230	GEAR Z26L DU MID	10
302HS24250	2HS24250	BUSH TC R	4
302HS24260	2HS24260	LEVER RELEASE TC L	4
302HS24280	2HS24280	SPRING RELEASE TC L	4
302HS24300	2HS24300	SPRING CONTACT TC	2
302HS24310	2HS24310	SPRING EARTH BRUSH	4
302HS24360	2HS24360	SPRING REGIST C	4
302HS24400	2HS24400	SPRING TC R	4
302HS24410	2HS24410	ROLLER REGIST LOW	4
302HS24420	2HS24420	FILM REGIST GUIDE	4
302HS24460	2HS24460	BUSH REGIST R	4
302HS25200	2HS25200	LEVER FUSER R	9
302HS25210	2HS25210	LEVER FUSER L	9
302HS28021	2HS28021	COVER FRAME FD	5
302HS28041	2HS28041	COVER FD	5
302HS28060	2HS28060	GEAR Z21S	5
302HS28070	2HS28070	PULLEY EXIT	5
302HS28110	2HS28110	SPRING EARTH	5
302HS28120	2HS28120	SPRING EXIT	5
302HS28141	2HS28141	SPRING PULLEY	5
302HS28170	2HS28170	GEAR FD Z29S	5
302HS28820	2HS28820	FRAME FD N	5
302HS28830	2HS28830	ROLLER FD UP B	5
302HS31050	2HS31050	LEVER LIFT BOTTOM	10
302HS31060	2HS31060	PIN GEAR DRIVE	10
302HS31070	2HS31070	GEAR Z42R FREE 2	10
302HS31090	2HS31090	GEAR Z37L FREE	10
302HS31100	2HS31100	GEAR Z20L CLUTCH	10
302HS31110	2HS31110	GEAR Z58L	10
302HS31120	2HS31120	GEAR Z27L CLUTCH	10
302HS31130	2HS31130	GEAR Z45R CLUTCH	10
302HS31140	2HS31140	GEAR Z35R IDLE	10
302HS31150	2HS31150	GEAR Z31L-Z14S	10
302HS31180	2HS31180	GEAR Z44R	10
302HS31190	2HS31190	GEAR Z17R FREE	10
302HS31200	2HS31200	GEAR Z26L FREE	10
302HS31210	2HS31210	GEAR Z35S FREE	10
302HS31220	2HS31220	GEAR Z42R FREE	10
302HS31230	2HS31230	GEAR Z38S MPF	10
302HS31240	2HS31240	GEAR Z32L DRUM	10
302HS31250	2HS31250	GEAR Z54R-Z24R	10
302HS31260	2HS31260	GEAR Z32R	10
302HS31281	2HS31281	LIFT BOTTOM	10
302HS31310	2HS31310	SPRING FREE FUSER	10
302HS31320	2HS31320	SPRING FREE MAG	10
302HS31330	2HS31330	PIN CLUTCH	10
302HS31340	2HS31340	SHAFT CASSETTE	10
302HS31360	2HS31360	PIN HOLDER A	10

	Part.No.	Alternative.	Description	Fig.No.
	302HS31370	2HS31370	PIN HOLDER B	10
	302HS31380	2HS31380	SPRING LIFT BOTTOM	10
⊙	302HS31390	2HS31390	GEAR Z27R FREE 2	10
	302HS31410	2HS31410	SPRING FREE Z37L	10
	302HS31420	2HS31420	EARTH PLATE DRIVE	10
	302HS31430	2HS31430	POLYSLIDER 9.5	10
	302HS31440	2HS31440	SPRING FEED	10
	302HS34020	2HS34020	LABEL FUSER JAM	5
	302HS34030	2HS34030	LABEL OPERATION	3
	302HS39040	2HS39040	PLATE OPTION	12
⊙	302HS44020	2HS44020	SOLENOID MPF	10
	302HS46030	2HS46030	CONN.CORD ASSY CONTROL-PF S03247	10
	302HS46050	2HS46050	CONN.CORD ASSY CONTROL-RFID S03244	4
	302HS46070	2HS46070	CONN.CORD ASSY CONTROL-H.V.UNIT S03303	12
	302HS46130	2HS46130	CONN.CORD ASSY CONTROL-ERASER S03252	12
	302HS46150	2HS46150	CONN.CORD ASSY CONTROL-MPFSENSOR S03	4
	302HS46160	2HS46160	CONN.CORD ASSY CONTROL-P.SENSOR S0330	4
	302HS46210	2HS46210	CONN.CORD ASSY CONTROL-F/RCLUTCH S03308	10
⊙	302HS93070	2HS93070	MC-130	7
⊙	302HS94000	2HS94000	PLATE BOTTOM ASSY	3
⊙	302HS94032	2HS94032	HOLDER FEED ASSY	4
⊙	302HS94040	2HS94040	SEPARATOR MPF ASSY	2
⊙	302HS94050	2HS94050	PLATE BOTTOM MPF ASSY	2
⊙	302HS94081	2HS94081	REGIST LOW KIT	4
⊙	302HS94150	2HS94150	EMPTY SENSOR KIT SP	4
⊙	302HS94320	2HS94320	PARTS PLATE COVER DU B ASSY SP	11
⊙	302HS94331	2HS94331	PARTS PLATE COVER DU ASSY SP	11
	302J002010	2J002010	FOOT	2
	302JA34280	2JA34280	LABEL FUSER CAUTION	5
	302JA46020	2JA46020	CONN.CORD ASSY CONTROL-H.V.UNIT S03391	12
	302JD19140	2JD19140	BUSHING FAN	6
	302JD19150	2JD19150	PIN LSU	1,6
	302JN02010	2JN02010	MOUNT SPEAKER	12
	302JN39010	2JN39010	MOUNT FAX PWB	12
	302JN94040	2JN94040	PARTS KEY ADDRESS SP	13
⊙	302JN94090	2JN94090	PARTS SUB FAX ASSY(EXP3) SP	12
⊙	302JN94250	2JN94250	PARTS SUB FAX ASSY(EXP) SP	12
⊙	302JN94260	2JN94260	PARTS SUB FAX ASSY(EXP2) SP	12
	302K339050	2K339050	PLATE OPTION	12
⊙	302KK94613	2KK94613	PARTS MOTOR BL W25 N	10
	302LW07100	2LW07100	PAD SEPARATION	14
⊙	302LW94100	2LW94100	PARTS FRAME ISU SP	6
⊙	302LY93030	2LY93030	LK-160	2
	302LZ02100	2LZ02100	SPRING EARTH REG UP	4
⊙	302LZ06011	2LZ06011	ACTUATOR EMPTY A	4
	302LZ08020	2LZ08020	GUIDE TURN MPF	2
	302LZ09030	2LZ09030	GUIDE RETARD	3
⊙	302LZ24010	2LZ24010	GEAR Z17L TC	4
	302LZ24030	2LZ24030	ACTUATOR REGIST	2
⊙	302LZ24050	2LZ24050	ROLLER REGIST UP	4

• Parts with "⊙" indicate regular maintenance parts.

	Part.No.	Alternative.	Description	Fig.No.
	302LZ24090	2LZ24090	SPRING TC L	4
⊙	302LZ24110	2LZ24110	SPRING REGIST RB	4
⊙	302LZ24120	2LZ24120	SPRING REGIST LB	4
	302LZ24220	2LZ24220	BUSH REGIST C	4
	302LZ31040	2LZ31040	SPRING FREE DRUM	10
	302LZ46010	2LZ46010	CONN.CORD ASSY S03622	10
⊙	302LZ93030	2LZ93030	LK-170	2
⊙	302LZ93040	2LZ93040	FK-170(E)	9
⊙	302LZ93050	2LZ93050	FK-170(U)	9
⊙	302LZ93061	2LZ93061	DK-170	7
⊙	302LZ94010	2LZ94010	PARTS PWB ERASER SP	2
⊙	302LZ94030	2LZ94030	PARTS MOTOR FAN 80 SP	12
⊙	302LZ94041	2LZ94041	PARTS HIGH VOLTAGE UNIT SP	12
⊙	302LZ94060	2LZ94060	PARTS ROLLER TRANSFER E SP	4
⊙	302LZ94070	2LZ94070	PARTS ROLLER TRANSFER A SP	4
⊙	302MC07021	2MC07021	COVER FRONT	15
⊙	302MC07031	2MC07031	COVER REAR	15
	302MC34050	2MC34050	LABEL CAUTION	15
	302MC34070	2MC34070	LABEL CAUTION SET A	15
	302MC34080	2MC34080	LABEL CAUTION SET E	15
	302MH02030	2MH02030	HOLDER MC	2
	302MH02040	2MH02040	BKT FAN R	12
⊙	302MH04010	2MH04010	COVER INNER L	1
⊙	302MH04020	2MH04020	COVER INNER R	1
	302MH04030	2MH04030	KEY POWER	1
	302MH04060	2MH04060	COVER MAIN SW	1
⊙	302MH04070	2MH04070	COVER LEFT	1
⊙	302MH04080	2MH04080	COVER RIGHT	1
⊙	302MH04090	2MH04090	COVER DIMM	1
⊙	302MH04110	2MH04110	COVER REAR	1
	302MH05010	2MH05010	PANEL OPERATION	13
	302MH05020	2MH05020	LABEL OPERATION	13
	302MH05040	2MH05040	LABEL OPERATION SPA	16
	302MH05050	2MH05050	LABEL OPERATION GER	16
	302MH05060	2MH05060	LABEL OPERATION FRA	16
	302MH05070	2MH05070	LABEL OPERATION ITA	16
	302MH05080	2MH05080	LABEL OPERATION POR	16
	302MH05090	2MH05090	LABEL OPERATION DUT	16
	302MH05100	2MH05100	LABEL OPERATION RUS	16
⊙	302MH08011	2MH08011	COVER MPF	2
⊙	302MH09011	2MH09011	COVER CASSETTE	3
	302MH09031	2MH09031	BASE CASSETTE	3
	302MH09041	2MH09041	BASE CASSETTE REAR	3
	302MH09050	2MH09050	CURSOR END	3
	302MH09060	2MH09060	GUIDE SIDE L	3
	302MH09070	2MH09070	GUIDE SIDE R	3
⊙	302MH09080	2MH09080	GUIDE CASSETTE B	3
	302MH31010	2MH31010	PLATE GEAR DRIVE	10
	302MH39010	2MH39010	BOX CONTROLLER	12
⊙	302MH39030	2MH39030	COVER BOX	1

Part.No.	Alternative.	Description	Fig.No.
302MH46010	2MH46010	CONN.CORD ASSY LVU-INLET S03740	12
302MH46020	2MH46020	CONN.CORD ASSY MAIN-POWER SW S03741	1
302MH46030	2MH46030	CONN.CORD ASSY USB-MAIN S03742	1
⊙ 302MH93010	2MH93010	PARTS ISU ASSY	6
⊙ 302MH93020	2MH93020	DV-1130(E)	8
⊙ 302MH93041	2MH93041	CT-1130	3
⊙ 302MH93050	2MH93050	PARTS PLATEN COVER	13
⊙ 302MH93060	2MH93060	DV-1134(AO)	8
⊙ 302MH94010	2MH94010	PARTS COVER PF ASSY SP	15
⊙ 302MH94020	2MH94020	PARTS OPERATION UNIT SP	13
⊙ 302MH94030	2MH94030	PARTS COVER FRONT ASSY SP	1
⊙ 302MH94040	2MH94040	COVER REAR ASSY SP	5
⊙ 302MH94052	2MH94052	PARTS PWB MAIN ASSY SP	12
⊙ 302MH94062	2MH94062	PARTS PWB MAIN ASSY SP EU	12
⊙ 302MH94070	2MH94070	PARTS PWB SCANNER ASSY SP	12
⊙ 302MH94080	2MH94080	PARTS PWB SW ASSY SP	1
⊙ 302MH94090	2MH94090	PARTS PANEL PWB ASSY SP	13
⊙ 302MH94100	2MH94100	PARTS SWITCHING REGULATOR 120V SP	12
⊙ 302MH94110	2MH94110	PARTS SWITCHING REGULATOR 230V SP	12
⊙ 302MH94150	2MH94150	PARTS PWB RFID ASSY SP	4
302MJ05010	2MJ05010	PANEL OPERATION	13
302MJ05020	2MJ05020	LABEL OPERATION	13
302MJ05040	2MJ05040	LABEL OPERATION SPA	16
302MJ05050	2MJ05050	LABEL OPERATION GER	16
302MJ05060	2MJ05060	LABEL OPERATION FRA	16
302MJ05070	2MJ05070	LABEL OPERATION ITA	16
302MJ05080	2MJ05080	LABEL OPERATION POR	16
302MJ05090	2MJ05090	LABEL OPERATION DUT	16
302MJ05100	2MJ05100	LABEL OPERATION RUS	16
⊙ 302MJ94010	2MJ94010	PARTS OPERATION UNIT SP	13
⊙ 302MJ94022	2MJ94022	PARTS PWB MAIN ASSY SP	12
⊙ 302MJ94032	2MJ94032	PARTS PWB MAIN ASSY SP EU	12
302MK05010	2MK05010	LABEL OPERATION	13
302MK05040	2MK05040	LABEL OPERATION SPA	16
302MK05050	2MK05050	LABEL OPERATION GER	16
302MK05060	2MK05060	LABEL OPERATION FRA	16
302MK05070	2MK05070	LABEL OPERATION ITA	16
302MK05080	2MK05080	LABEL OPERATION POR	16
302MK05090	2MK05090	LABEL OPERATION DUT	16
302MK05100	2MK05100	LABEL OPERATION RUS	16
⊙ 302MK39010	2MK39010	COVER BOX	1
⊙ 302MK93010	2MK93010	DV-1140(E)	8
⊙ 302MK93020	2MK93020	DV-1142(U)	8
⊙ 302MK93040	2MK93040	DV-1144(AO)	8
⊙ 302MK94012	2MK94012	PARTS PWB MAIN ASSY SP	12
⊙ 302MK94022	2MK94022	PARTS PWB MAIN ASSY SP EU	12
302ML05010	2ML05010	LABEL OPERATION	13
302ML05040	2ML05040	LABEL OPERATION SPA	16
302ML05050	2ML05050	LABEL OPERATION GER	16
302ML05060	2ML05060	LABEL OPERATION FRA	16

Part.No.	Alternative.	Description	Fig.No.
302ML05070	2ML05070	LABEL OPERATION ITA	16
302ML05080	2ML05080	LABEL OPERATION POR	16
302ML05090	2ML05090	LABEL OPERATION DUT	16
302ML05100	2ML05100	LABEL OPERATION RUS	16
⊙ 302ML94012	2ML94012	PARTS PWB MAIN ASSY SP	12
⊙ 302ML94022	2ML94022	PARTS PWB MAIN ASSY SP EU	12
⊙ 302ML94040	2ML94040	PARTS PWB MAIN FAX ASSY U SP	12
⊙ 302ML94050	2ML94050	PARTS PWB MAIN FAX ASSY E SP	12
⊙ 302PH93010	2PH93010	FK-171(E)	9
⊙ 302PH93020	2PH93020	FK-171(U)	9
302PK05010	2PK05010	LABEL OPERATION	13
302PK05020	2PK05020	LABEL OPERATION SPA	16
302PK05030	2PK05030	LABEL OPERATION GER	16
302PK05040	2PK05040	LABEL OPERATION FRA	16
302PK05050	2PK05050	LABEL OPERATION ITA	16
302PK05060	2PK05060	LABEL OPERATION POR	16
302PK05070	2PK05070	LABEL OPERATION DUT	16
302PK05080	2PK05080	LABEL OPERATION RUS	16
302PK31010	2PK31010	PLATE GEAR DRIVE	10
302PK39010	2PK39010	BOX CONTROLLER	12
⊙ 302PK39020	2PK39020	COVER BOX	1
⊙ 302PK94010	2PK94010	PARTS OPERATION UNIT SP	13
⊙ 302PK94020	2PK94020	PARTS PWB MAIN ASSY SP	12
⊙ 302PK94030	2PK94030	PARTS PWB MAIN ASSY SP EU	12
⊙ 302PK94040	2PK94040	PARTS PWB SCANNER ASSY SP	12
⊙ 302PK94050	2PK94050	PARTS PWB PANEL ASSY SP	13
302PK94060	2PK94060	PARTS KEY START SP	13
302PL05010	2PL05010	LABEL OPERATION	13
302PL05020	2PL05020	LABEL OPERATION SPA	16
302PL05030	2PL05030	LABEL OPERATION GER	16
302PL05040	2PL05040	LABEL OPERATION FRA	16
302PL05050	2PL05050	LABEL OPERATION ITA	16
302PL05060	2PL05060	LABEL OPERATION POR	16
302PL05070	2PL05070	LABEL OPERATION DUT	16
302PL05080	2PL05080	LABEL OPERATION RUS	16
⊙ 302PL39010	2PL39010	COVER BOX	1
⊙ 302PL94010	2PL94010	PARTS OPERATION UNIT SP	13
⊙ 302PL94020	2PL94020	PARTS FAX UNIT E SP	12
⊙ 302PL94040	2PL94040	PARTS FAX UNIT U SP	12
⊙ 302PL94050	2PL94050	PARTS FAX UNIT AS SP	12
⊙ 302PL94060	2PL94060	PARTS PWB MAIN ASSY SP	12
⊙ 302PL94070	2PL94070	PARTS PWB MAIN ASSY SP EU	12
302PM05010	2PM05010	LABEL OPERATION	13
302PM05030	2PM05030	LABEL OPERATION SPA	16
302PM05040	2PM05040	LABEL OPERATION GER	16
302PM05050	2PM05050	LABEL OPERATION FRA	16
302PM05060	2PM05060	LABEL OPERATION ITA	16
302PM05070	2PM05070	LABEL OPERATION POR	16
302PM05080	2PM05080	LABEL OPERATION DUT	16
302PM05090	2PM05090	LABEL OPERATION RUS	16

• Parts with "⊙" indicate regular maintenance parts.

	Part.No.	Alternative.	Description	Fig.No.
⊙	302PM94010	2PM94010	PARTS PWB MAIN ASSY SP	12
⊙	302PM94020	2PM94020	PARTS PWB MAIN ASSY SP EU	12
	302PN05010	2PN05010	LABEL OPERATION	13
	302PN05030	2PN05030	LABEL OPERATION SPA	16
	302PN05040	2PN05040	LABEL OPERATION GER	16
	302PN05050	2PN05050	LABEL OPERATION FRA	16
	302PN05060	2PN05060	LABEL OPERATION ITA	16
	302PN05070	2PN05070	LABEL OPERATION POR	16
	302PN05080	2PN05080	LABEL OPERATION DUT	16
	302PN05090	2PN05090	LABEL OPERATION RUS	16
⊙	302PN94010	2PN94010	PARTS PWB MAIN ASSY SP	12
⊙	302PN94020	2PN94020	PARTS PWB MAIN ASSY SP EU	12
	303HK07051	3HK07051	SHAFT LF	14
⊙	303HL10200	3HL10200	SPRING LOOP	15
	303HL22200	3HL22200	PLATE GND	14
	303HZ45010	3HZ45010	MODULAR CORD	16
	303JG26030	3JG26030	SHEET SUB PCB2	12
	303JG26040	3JG26040	SPONGE CONNECT	12
⊙	303JX29160	3JX29160	PULLEY CONVEYING	14
	303K502070	3K502070	SEAL WIRE	14
	303K502200	3K502200	ACTUATOR BASE	14
⊙	303K507102	3K507102	PAD FRONT SEP	14
	303LJ02020	3LJ02020	GUIDE READING	15
	303LJ02030	3LJ02030	HINGE L	15
	303LJ02040	3LJ02040	HINGE R	15
	303LJ02051	3LJ02051	MOUNT SOLENOID	15
	303LJ02060	3LJ02060	SPRING RELEASE	15
	303LJ02070	3LJ02070	SPRING READING	15
	303LJ02080	3LJ02080	ACTUATOR PUSH	15
	303LJ02100	3LJ02100	PLATE EARTH MOTOR	15
	303LJ02110	3LJ02110	PLATE EARTH SOL	14
	303LJ02150	3LJ02150	LEVER RELEASE	14
	303LJ02170	3LJ02170	PLUG COVER A	14
	303LJ02180	3LJ02180	PLUG COVER B	14
	303LJ02200	3LJ02200	PLATE EARTH PI	14
	303LJ02220	3LJ02220	PLATE EARTH PWB SUB	14
	303LJ02240	3LJ02240	SPRING GND A	14
	303LJ02250	3LJ02250	SPRING GND B	14
	303LJ02260	3LJ02260	CUSHION GUIDE	14
	303LJ02270	3LJ02270	FILM BASE	14
⊙	303LJ06010	3LJ06010	TABLE MAIN	15
⊙	303LJ06020	3LJ06020	TABLE SUB	15
⊙	303LJ06031	3LJ06031	FRONT CURSOR	15
⊙	303LJ06041	3LJ06041	REAR CURSOR	15
	303LJ07010	3LJ07010	SHAFT PF	14
	303LJ07021	3LJ07021	HOLDER LF	14
	303LJ07030	3LJ07030	MOUNT PAD	14
	303LJ07050	3LJ07050	ACTUATOR ORIGINAL	15
	303LJ07060	3LJ07060	LEVER PUSH DU	15
	303LJ07070	3LJ07070	SPRING PUSH DU	15

• Parts with "⊙" indicate regular maintenance parts.

	Part.No.	Alternative.	Description	Fig.No.
	303LJ07080	3LJ07080	CUSHION SEPARATION	14
	303LJ07090	3LJ07090	FILM FRONT SEP	14
	303LJ24041	3LJ24041	LEVER SEPARATE	15
	303LJ24050	3LJ24050	LEVER LOOP	15
	303LJ24060	3LJ24060	PLATE EARTH CONVEYING	14
	303LJ24080	3LJ24080	ACTUATOR TIMING	14
	303LJ24090	3LJ24090	SPRING TIMING	14
	303LJ24101	3LJ24101	GUIDE SEPARATION	14
	303LJ24110	3LJ24110	SHAFT CONVEYING	14
	303LJ24121	3LJ24121	SPRING CONVEYING	14
	303LJ24130	3LJ24130	BOTTOM CONVEYING	15
	303LJ24140	3LJ24140	SPRING PAD	14
	303LJ24150	3LJ24150	SPRING EXIT	14
	303LJ24170	3LJ24170	COVER WIRE	15
	303LJ24190	3LJ24190	HOOK PF COVER	14
⊙	303LJ24200	3LJ24200	PULLEY 13 CONVEYING	14
	303LJ24210	3LJ24210	FILM CONVEYING	14
	303LJ24230	3LJ24230	SPRING REGIST	14
	303LJ24260	3LJ24260	FILM WIRE	15
	303LJ24280	3LJ24280	UPPER GUIDE B	14
	303LJ28020	3LJ28020	SHAFT EXIT	14
	303LJ28030	3LJ28030	PLATE EARTH EXIT	14
⊙	303LJ28040	3LJ28040	STATIC ELIMINATOR	14
	303LJ29010	3LJ29010	GUIDE LOOP	14
	303LJ29022	3LJ29022	MOUNT PULLEY LOOP	14
	303LJ29030	3LJ29030	SHAFT LOOP	14
	303LJ29040	3LJ29040	SPRING LOOP PRESSURE	14
	303LJ29060	3LJ29060	LEVER PRESSURE	14
	303LJ31010	3LJ31010	MOUNT DRIVE	15
⊙	303LJ31020	3LJ31020	GEAR Z40S Z61S	15
⊙	303LJ31030	3LJ31030	GEAR Z46S Z79S	15
⊙	303LJ31040	3LJ31040	GEAR Z66S Z70S	15
⊙	303LJ31050	3LJ31050	GEAR Z28S	14
⊙	303LJ31060	3LJ31060	GEAR Z32S	14
⊙	303LJ31080	3LJ31080	GEAR Z35S	14
⊙	303LJ31090	3LJ31090	GEAR Z56S	14
⊙	303LJ31100	3LJ31100	GEAR T Z28S	14
	303LJ34020	3LJ34020	LABEL FACE UP	15
	303LJ34060	3LJ34060	LABEL A	14
⊙	303LJ44040	3LJ44040	CLUTCH PAPER FEED	14
	303LJ46010	3LJ46010	CONN. CORD ASSY INTERFACE	14
	303LJ46030	3LJ46030	CONN. CORD ASSY TIM SW	14
	303LJ46040	3LJ46040	CONN. CORD ASSY SOL CL	14
⊙	303LJ94010	3LJ94010	PARTS DRIVER PWB ASSY SP	14
⊙	303LJ94020	3LJ94020	PARTS ROLLER A CONVEYING SP	14
⊙	303LJ94030	3LJ94030	PARTS ROLLER B CONVEYING SP	14
⊙	303LJ94040	3LJ94040	PARTS ROLLER EXIT SP	14
⊙	303LJ94050	3LJ94050	PARTS GEAR Z46S ONEWAY SP	14
⊙	303LJ94061	3LJ94061	PARTS MOTOR DP SP	15
⊙	303LJ94070	3LJ94070	PARTS PLATE ORIGINAL SP	15

Part.No.	Alternative.	Description	Fig.No.
⊙ 303LJ94100	3LJ94100	PARTS COVER CURSOR ASSY SP	15
⊙ 303LJ94120	3LJ94120	PARTS TABLE ASSY SP	15
⊙ 303LJ94140	3LJ94140	PARTS SOLENOID PRESSURE PULLEY SP	15
⊙ 303LJ94150	3LJ94150	PARTS SOLENOID FEED SHIFT SP	15
⊙ 303M602070	3M602070	STOPPER ORIGINAL	14
303M634010	3M634010	LABEL SIZE DIRECTION	15
⊙ 303M694030	3M694030	PARTS SEPARATION PAD ASSY SP	14
303MX02021	3MX02021	CUSHION ORIGINAL MAT A	15
303MX02031	3MX02031	CUSHION ORIGINAL MAT B	15
303MX02060	3MX02060	SPONGE ORIGINAL MAT	15
303PA94020	3PA94020	PARTS SPEAKER SP	12
⊙ 35322020	35322020	GEAR 20,PAPER FEED DRIVE	14
⊙ 36211110	36211110	PULLEY,LEADING FEED ADF	14
⊙ 36211500	36211500	GEAR,LEADING FEED JOINT	14
⊙ 3BC07130	3BC07130	ONE-WAY CLUTCH 6	14
⊙ 3BR07040	3BR07040	PULLEY,PAPER FEED	14
3CY07080	3CY07080	BUSHING 6	14
3H608150	3H608150	SHAFT C PULLEY	14
⊙ 3HK07070	3HK07070	GR PF PULLEY	14
3HK07080	3HK07080	COLLAR S SPRING	14
⊙ 3HK07130	3HK07130	STOPPER PF	14
⊙ 3HK07140	3HK07140	SPRING LF	14
⊙ 3HK07200	3HK07200	GR 18 LF	14
⊙ 3HK07240	3HK07240	FRICITION PLATE LF	14
⊙ 3HK07270	3HK07270	COLLAR PF	14
⊙ 3HK10030	3HK10030	PULLEY EJECT	14
⊙ 3HK10060	3HK10060	SPONGE EJECT	14
3HL10090	3HL10090	SPRING,LF SHIFT GUIDE	15
⊙ 3HL10140	3HL10140	PULLEY LOOP	14
3HP07420	3HP07420	EARTH PLATE D	15
3JG26020	3JG26020	MOUNT MAIN PWB 2	12
5MBCK9560XSC	D4103700	C STOP RING /X9.5 X 0.6T S-CR	11
5MMP141LD002	2A807510	PLATE SIDE GUIDE /A49 CASSETTE A4	3
5MMW171LD006	2A807530	SPRING STOPPER /A49 CASSETTE A4	3
5MMW261LD036	2A814570	SPRING TE SENSOR /A-49 DLP A4	4
5MMW261LD067	2FV02270	SPRING LEVER LOCK L	4
5MMW261LD068	2FV02280	SPRING LEVER LOCK R	4
5MVG127DN071	2A807050	GEAR CASSETTE /A-49 CASSETTE A4	15
5MVG137DN032	2A806720	GEAR MPF /A-49 MPF A4	2
5MVM266SB003	2B903130	PULL KNOB /C0002 A4	12
5MVM273DB005	2A820100	PULLEY EXIT /A-49 FUSER A3	4,5
5MVS217SN002	2A806280	PAD SOLENOID /FS-1000 A4	5
5MVX111DN003	2A806250	RING STOPPER /A-49 FEED A4	4,6,10,11,14
5MVX111DN007	2BT11070	STOPPER 3 /2BT1107 A4	5,14
⊙ 5MVX431DN005	2FV02100	LEVER LOCK DLP	4
5MVX541DG002	2A807191	LEVER REAR /A-49 CASSETTE A3	3
5MVX541DG003	2A807161	LEVER SIDE /A-49 CASSETTE A3	3
7AAACCU+10H001	AA068380	AC CORD ASSY US	12
7BC06062C020H01	BC045240	POLY SLIDER WASHER M6.2X12X0.2T	10
7BC460529080H01	BC059590	CUT WASHER 5.2X9.0X0.8T(BLACK)	4

• Parts with "⊙" indicate regular maintenance parts.

Part.No.	Alternative.	Description	Fig.No.
⊙ 7NXSG2481+++H01	NX052600	SENSOR OPT.	4,6,14,15
7RHA2H10701+H01	RH043740	M.GLAZE R. 100MJ 1/2W	2
7YBFZZ65C002H01	YB114070	FERRITE CORE	6
7YCC08B1112+H01	YC058670	CONNECTOR	10
7YZM410001++H01	YZ037950	ACCESS.BAND	15
7YZM610007++H01	YZ023340	ACCESS.SADDLE	2,10
7YZM610008++H01	YZ037940	ACCESS.SADDLE	1,2,12
7ZGSTG24C090H01	ZG115020	SHIELD GASKET	12
7ZGSTGR55060H01	ZG112780	SHIELD GASKET	13
7ZS25253001+H01	ZS113220	THERMAL SHEET	12
7ZS29154001+H01	ZS114200	THERMAL SHEET	12
M2105010	M2105010	NYLON CLAMP 3N,NK-3N	14
M2107250	M2107250	BAND,RSG-100(KITAGAWA)	10,12
M2108670	M2108670	SPACER,KGPS-6RF(KITAGAWA)	12

KYOCERA Document Solutions America, Inc.**Headquarters**

225 Sand Road,
Fairfield, New Jersey 07004-0008, USA
Phone: +1-973-808-8444
Fax: +1-973-882-6000

Latin America

8240 NW 52nd Terrace Dawson Building, Suite 100
Miami, Florida 33166, USA
Phone: +1-305-421-6640
Fax: +1-305-421-6666

KYOCERA Document Solutions Canada, Ltd.

6120 Kestrel Rd., Mississauga, ON L5T 1S8,
Canada
Phone: +1-905-670-4425
Fax: +1-905-670-8116

KYOCERA Document Solutions**Mexico, S.A. de C.V.**

Calle Arquimedes No. 130, 4 Piso, Colonia Polanco
Chapultepec, Delegacion Miguel Hidalgo,
Distrito Federal, C.P. 11560, México
Phone: +52-555-383-2741
Fax: +52-555-383-7804

KYOCERA Document Solutions Brazil, Ltda.

Alameda África, 545, Pólo Empresarial Consbrás,
Tamboré, Santana de Parnaíba-SP, CEP 06543-306,
Brazil
Phone: +55-11-4195-8496
Fax: +55-11-4195-6167

KYOCERA Document Solutions**Australia Pty. Ltd.**

Level 3, 6-10 Talavera Road North Ryde N.S.W, 2113,
Australia
Phone: +61-2-9888-9999
Fax: +61-2-9888-9588

KYOCERA Document Solutions**New Zealand Ltd.**

Ground Floor, 19 Byron Avenue, Takapuna, Auckland,
New Zealand
Phone: +64-9-415-4517
Fax: +64-9-415-4597

KYOCERA Document Solutions Asia Limited

16/F., Mita Centre, 552-566, Castle Peak Road
Tsuenwan, NT, Hong Kong
Phone: +852-2610-2181
Fax: +852-2610-2063

KYOCERA Document Solutions**(China) Corporation**

8F, No. 288 Nanjing Road West, Huangpu District,
Shanghai, 200003, China
Phone: +86-21-5301-1777
Fax: +86-21-5302-8300

KYOCERA Document Solutions**(Thailand) Corp., Ltd.**

335 Ratchadapisek Road, Bangsue, Bangkok 10800,
Thailand
Phone: +66-2-586-0333
Fax: +66-2-586-0278

KYOCERA Document Solutions**Singapore Pte. Ltd.**

12 Tai Seng Street #04-01A,
Luxasia Building, Singapore 534118
Phone: +65-6741-8733
Fax: +65-6748-3788

KYOCERA Document Solutions**Hong Kong Limited**

16/F., Mita Centre, 552-566, Castle Peak Road
Tsuenwan, NT, Hong Kong
Phone: +852-3582-4000
Fax: +852-3185-1399

KYOCERA Document Solutions**Taiwan Corporation**

6F., No.37, Sec. 3, Minquan E. Rd.,
Zhongshan Dist., Taipei 104, Taiwan R.O.C.
Phone: +886-2-2507-6709
Fax: +886-2-2507-8432

KYOCERA Document Solutions Korea Co., Ltd.

18F, Kangnam bldg, 1321-1,
Seocho-Dong, Seocho-Gu, Seoul, Korea
Phone: +822-6933-4050
Fax: +822-747-0084

KYOCERA Document Solutions**India Private Limited**

First Floor, ORCHID CENTRE
Sector-53, Golf Course Road, Gurgaon 122 002,
India
Phone: +91-0124-4671000
Fax: +91-0124-4671001

KYOCERA Document Solutions Europe B.V.

Bloemlaan 4, 2132 NP Hoofddorp,
The Netherlands
Phone: +31-20-654-0000
Fax: +31-20-653-1256

KYOCERA Document Solutions Nederland B.V.

Beechavenue 25, 1119 RA Schiphol-Rijk,
The Netherlands
Phone: +31-20-5877200
Fax: +31-20-5877260

KYOCERA Document Solutions (U.K.) Limited

Eldon Court, 75-77 London Road,
Reading, Berkshire RG1 5BS,
United Kingdom
Phone: +44-118-931-1500
Fax: +44-118-931-1108

KYOCERA Document Solutions Italia S.p.A.

Via Verdi, 89/91 20063 Cernusco s/N.(MI),
Italy
Phone: +39-02-921791
Fax: +39-02-92179-600

KYOCERA Document Solutions Belgium N.V.

Sint-Martinusweg 199-201 1930 Zaventem,
Belgium
Phone: +32-2-7209270
Fax: +32-2-7208748

KYOCERA Document Solutions France S.A.S.

Espace Technologique de St Aubin
Route de l'Orme 91195 Gif-sur-Yvette CEDEX,
France
Phone: +33-1-69852600
Fax: +33-1-69853409

KYOCERA Document Solutions Espana, S.A.

Edificio Kyocera, Avda. de Manacor No.2,
28290 Las Matas (Madrid), Spain
Phone: +34-91-6318392
Fax: +34-91-6318219

KYOCERA Document Solutions Finland Oy

Atomitie 5C, 00370 Helsinki,
Finland
Phone: +358-9-47805200
Fax: +358-9-47805390

**KYOCERA Document Solutions
Europe B.V., Amsterdam (NL) Zürich Branch**

Hohlstrasse 614, 8048 Zürich,
Switzerland
Phone: +41-44-9084949
Fax: +41-44-9084950

**KYOCERA Document Solutions
Deutschland GmbH**

Otto-Hahn-Strasse 12, 40670 Meerbusch,
Germany
Phone: +49-2159-9180
Fax: +49-2159-918100

KYOCERA Document Solutions Austria GmbH

Eduard-Kittenberger-Gasse 95, 1230 Vienna,
Austria
Phone: +43-1-863380
Fax: +43-1-86338-400

KYOCERA Document Solutions Nordic AB

Esbogatan 16B 164 75 Kista, Sweden
Phone: +46-8-546-550-00
Fax: +46-8-546-550-10

KYOCERA Document Solutions Norge Nuf

Postboks 150 Oppsal, 0619 Oslo,
Norway
Phone: +47-22-62-73-00
Fax: +47-22-62-72-00

KYOCERA Document Solutions Danmark A/S

Ejby Industrivej 60, DK-2600 Glostrup,
Denmark
Phone: +45-70223880
Fax: +45-45765850

KYOCERA Document Solutions Portugal Lda.

Rua do Centro Cultural, 41 (Alvalade) 1700-106 Lisboa,
Portugal
Phone: +351-21-843-6780
Fax: +351-21-849-3312

**KYOCERA Document Solutions
South Africa (Pty) Ltd.**

KYOCERA House, Hertford Office Park,
90 Bekker Road (Cnr. Allandale), Midrand, South Africa.
Phone: +27-11-540-2600
Fax: +27-11-466-3050

KYOCERA Document Solutions Russia LLC

Botanichesky pereulok 5, Moscow, 129090,
Russia
Phone: +7(495)741-0004
Fax: +7(495)741-0018

KYOCERA Document Solutions Middle East

Dubai Internet City, Bldg. 17,
Office 157 P.O. Box 500817, Dubai,
United Arab Emirates
Phone: +971-04-433-0412

KYOCERA Document Solutions Inc.

2-28, 1-chome, Tamatsukuri, Chuo-ku
Osaka 540-8585, Japan
Phone: +81-6-6764-3555
<http://www.kyoceradocumentsolutions.com>

© 2014 KYOCERA Document Solutions Inc.

 is a trademark of KYOCERA Corporation