



ECOSYS FS-C8520MFP

ECOSYS FS-C8525MFP

PARTS LIST

Published in November 2014
2MYPL073
Rev.3

— CONTENTS —

FIG. 1	Covers	2	FIG. 11	Image Formation Section	22
FIG. 2	Frames 1	4	FIG. 12	Transfer Section	24
FIG. 3	Frames 2	6	FIG. 13	Fuser Section	26
FIG. 4	Paper Cassette	8	FIG. 14	Drive Section	28
FIG. 5	Paper Feed Section	10	FIG. 15	Electrical Components	30
FIG. 6	Exit Section	12	FIG. 16	Operation Section	32
FIG. 7	Paper Conveying Section	14	FIG. 17	Document Processor1	34
FIG. 8	Scanner Section	16	FIG. 18	Document Processor2	36
FIG. 9	Laser Scanner Section	18	FIG. 19	Document Processor3	38
FIG. 10	Developing Section	20	FIG. 20	Maintenance Kits	40
			• INDEX		41

<Notation of products>

For the purpose of this parts list, products are identified as following.

ECOSYS FS-C8520MFP : 20ppm

ECOSYS FS-C8525MFP : 25ppm

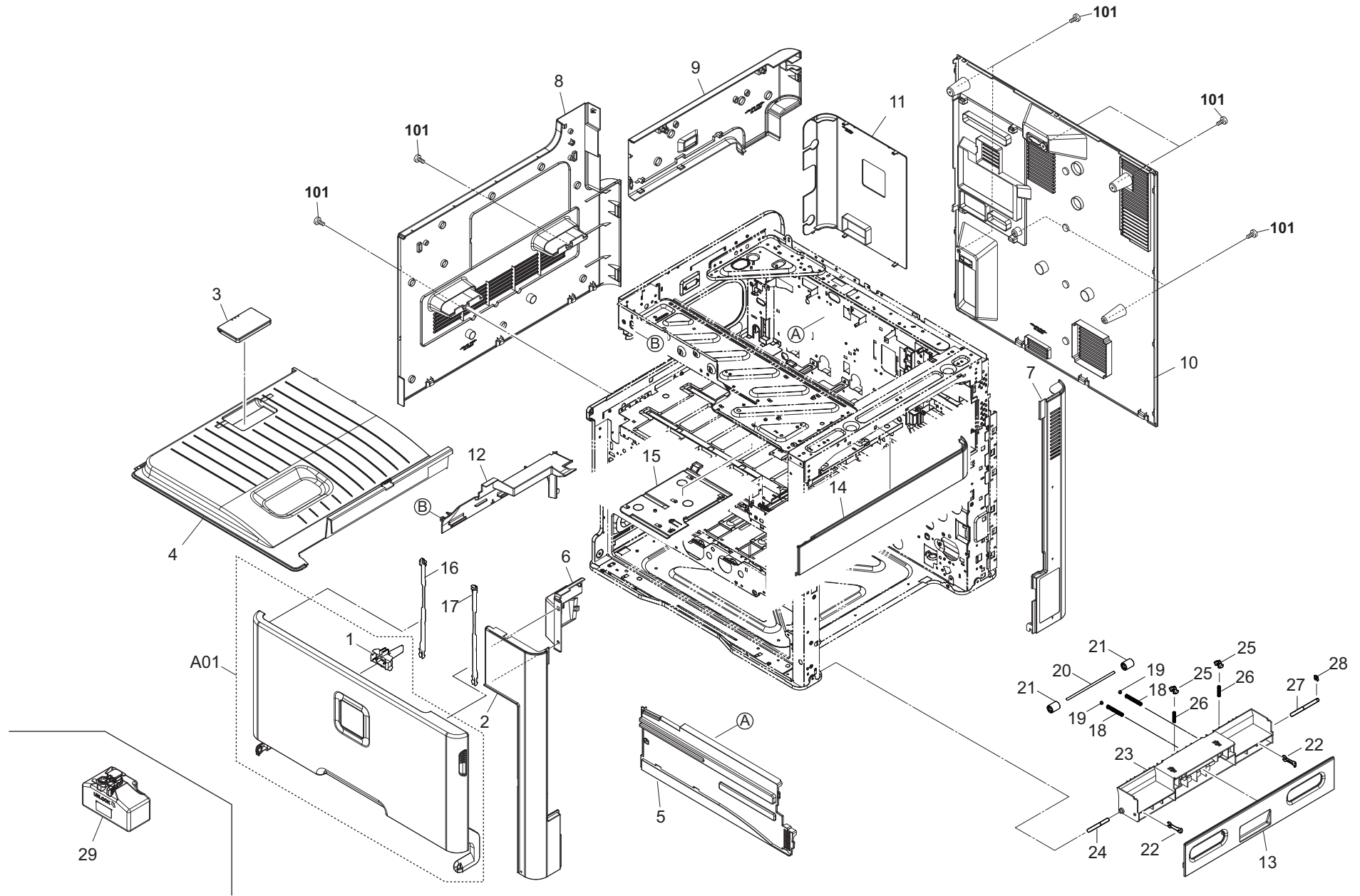


FIG. 1 Covers

2MZ/2MY-2

Ref. No.	Part.No.	Alternative.	Description	Notes	Quantity		
					120	230	240
A01	302MZ94020	2MZ94020	PARTS COVER FRONT ASSY 20 E SP	20ppm		1	1
A01	302MY94020	2MY94020	PARTS COVER FRONT ASSY 25 E SP	25ppm		1	1
A01	302MZ94010	2MZ94010	PARTS COVER FRONT ASSY 20 J/A SP	20ppm	1		
A01	302MY94010	2MY94010	PARTS COVER FRONT ASSY 25 J/A SP	25ppm	1		
1	302K004350	2K004350	HOLDER SWITCH		1	1	1
2	302K004020	2K004020	COVER FRONT TOP		1	1	1
3	302H004560	2H004560	STOPPER PAPER		1	1	1
4	302K004031	2K004031	COVER TRAY		1	1	1
5	302K004040	2K004040	COVER EXIT REAR		1	1	1
6	302K004050	2K004050	COVER EXIT FRONT		1	1	1
7	302K004060	2K004060	COVER RIGHT REAR		1	1	1
8	302K004100	2K004100	COVER LEFT LOW		1	1	1
9	302K004110	2K004110	COVER LEFT TOP		1	1	1
10	302K094430	2K094430	PARTS COVER REAR ASSY E SP			1	1
10	302K094370	2K094370	PARTS COVER REAR ASSY SP		1		
11	302K004170	2K004170	LID CONTROLLER BOX		1	1	1
12	302K004180	2K004180	COVER TRAY LEFT		1	1	1
13	302K304070	2K304070	COVER RIGHT LOW		1	1	1
14	302K094380	2K094380	PARTS COVER RIGHT TOP ASSY SP		1	1	1
15	302K304290	2K304290	COVER EXIT FRONT TOP		1	1	1
16	302K304320	2K304320	STRAP COVER FRONT L		1	1	1
17	302K304230	2K304230	STRAP COVER FRONT R		1	1	1
18	303NN24180	3NN24180	SPRING FEED LOW		2	2	2
19	2FM04150	5MVM163DN005	CAP SPRING /B-11 ENCLOSURE A4		2	2	2
20	302BG06152	2BG06152	SHAFT FEED B		1	1	1
21	3HY07120	3HY07120	PULLEY 15 DUPLEX		2	2	2
22	302H024510	2H024510	STOPPER SHUTTER		2	2	2
23	302K306320	2K306320	GUIDE COVER INNER		1	1	1
24	302K306330	2K306330	SHAFT INNER ROLLER F		1	1	1
25	302K306340	2K306340	STOPPER INNER GUIDE		2	2	2
26	302K306350	2K306350	SPRING INNER GUIDE		2	2	2
27	302K306380	2K306380	SHAFT INNER ROLLER R		1	1	1
28	5MVX111DN003	2A806250	RING STOPPER /A-49 FEED A4		1	1	1
29	302K093110	2K093110	WT-895		1	1	1
101	7BB702308H	BB107060	+TP-FLAT T.T S SCREW 3X8 SR				

•Parts with Ref.No. indicate maintenance parts and the ones without it indicate out of the above.

•Parts with "•" are component parts or sub-assemblies of the assembly appearing immediately above them.
 •Parts with "••" are component parts or sub-assembly with "•" appearing immediately above them.

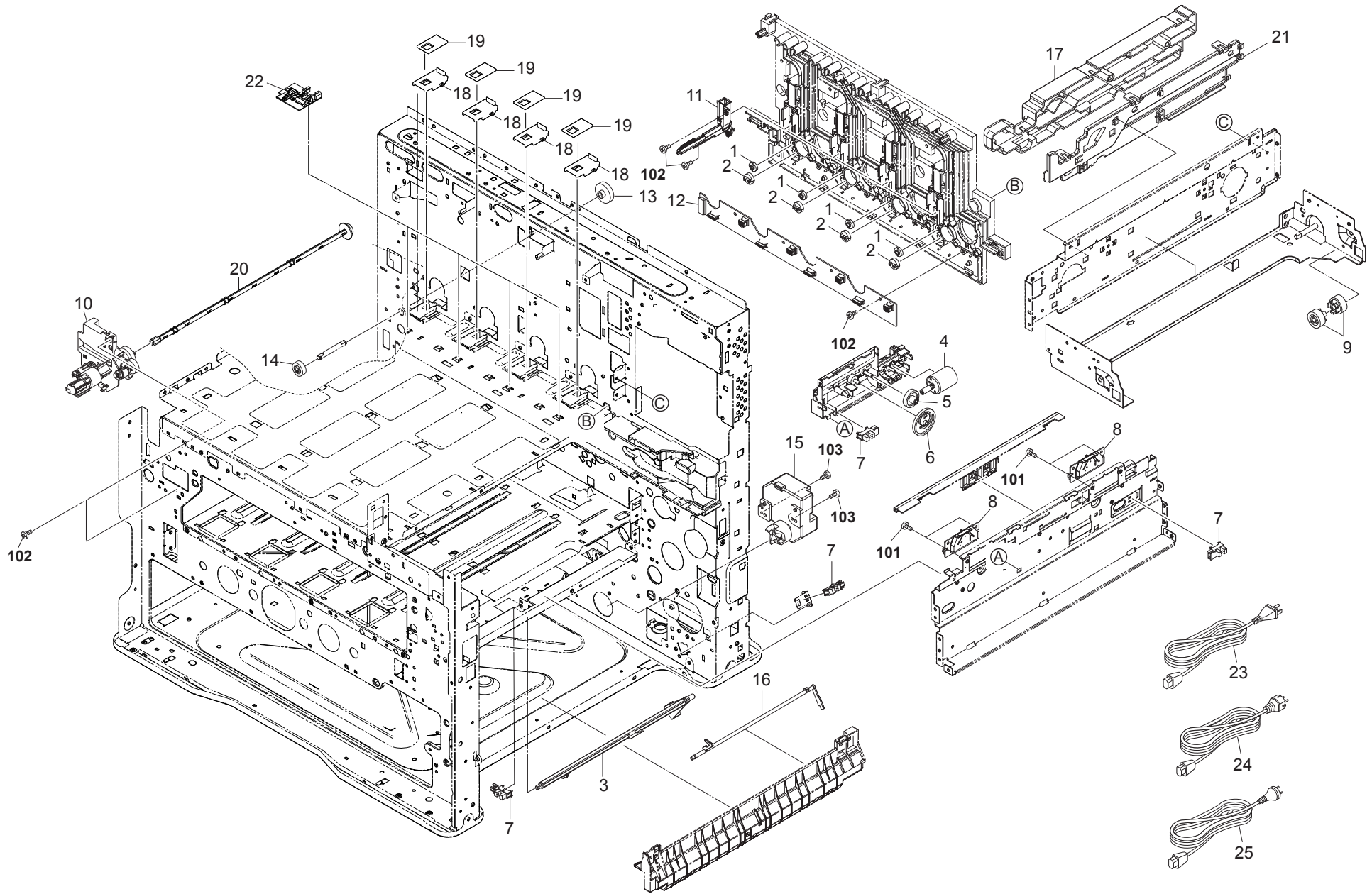


FIG. 2 Frames 1

2MZ/2MY-3

Ref. No.	Part.No.	Alternative.	Description	Notes	Quantity		
					120	230	240
1	302K015230	2K015230	GEAR IDLE Z22S		4	4	4
2	302K015240	2K015240	GEAR JOINT Z26S		4	4	4
3	302K002230	2K002230	ACTUATOR PAPER EMPTY		1	1	1
4	302K094100	2K094100	PARTS DC MOTOR SP		1	1	1
5	302K002880	2K002880	WORM-WHEEL ID SENSOR CLEANING		1	1	1
6	302K002890	2K002890	GEAR ID SENSOR CLEANING Z71R		1	1	1
7	7NXGP1S173LCH01	NX116910	SENSOR OPT.		4	4	4
8	302K094290	2K094290	PARTS ID SENSOR ASSY ASSY SP		2	2	2
9	302K026120	2K026120	GEAR IDLE Z20S		2	2	2
10	302K094041	2K094041	PARTS PIPE TRANSFER CLEANING ASSY SP		1	1	1
11	302K094050	2K094050	PARTS TONER SUPPLY ASSY SP		4	4	4
12	302K094180	2K094180	PARTS PWB DRUM DLP CONNECT ASSY SP		1	1	1
13	302K031720	2K031720	GEAR BELT CLEANING DRIVE Z30L		1	1	1
14	302K031740	2K031740	GEAR BELT CLEANING DRIVE Z20L		1	1	1
15	302K394190	2K394190	PARTS MOTOR LIFT ASSY SP		1	1	1
16	302K302831	2K302831	ACTUATOR DECK FEED		1	1	1
17	302MV33020	2MV33020	DUCT CONTAINER B		1	1	1
18	302K015200	2K015200	SHUTTER TONER SUPPLY A		4	4	4
19	302K015340	2K015340	SEAL SHUTTER SUPPLY		4	4	4
20	302MV21110	2MV21110	SHAFT TRANSFER CLEANING DRIVE		1	1	1
21	302MV33030	2MV33030	DUCT CONTAINER C		1	1	1
22	302K094620	2K094620	PARTS HOLDER SHUTTER CONT ASSY SP		4	4	4
23	3019527401	19527401	POWER CORD(120)		1		
24	302AR94050	2AR94050	PARTS AC CORD EU SP			1	
25	7AAACCAS+10H001	AA063380	AC CORD ASSY AS				1
101	7BB700308H	BB105600	+BIND T.T S SCREW 3X8 SR				
102	7BB200308H	BB105660	+BIND T.T P SCREW 3X8				
103	7BB700312H	BB106820	+BIND T.T S SCREW 3X12 SR				

•Parts with Ref.No. indicate maintenance parts and the ones without it indicate out of the above.

•Parts with "•" are component parts or sub-assemblies of the assembly appearing immediately above them.

•Parts with "••" are component parts or sub-assembly with "•" appearing immediately above them.

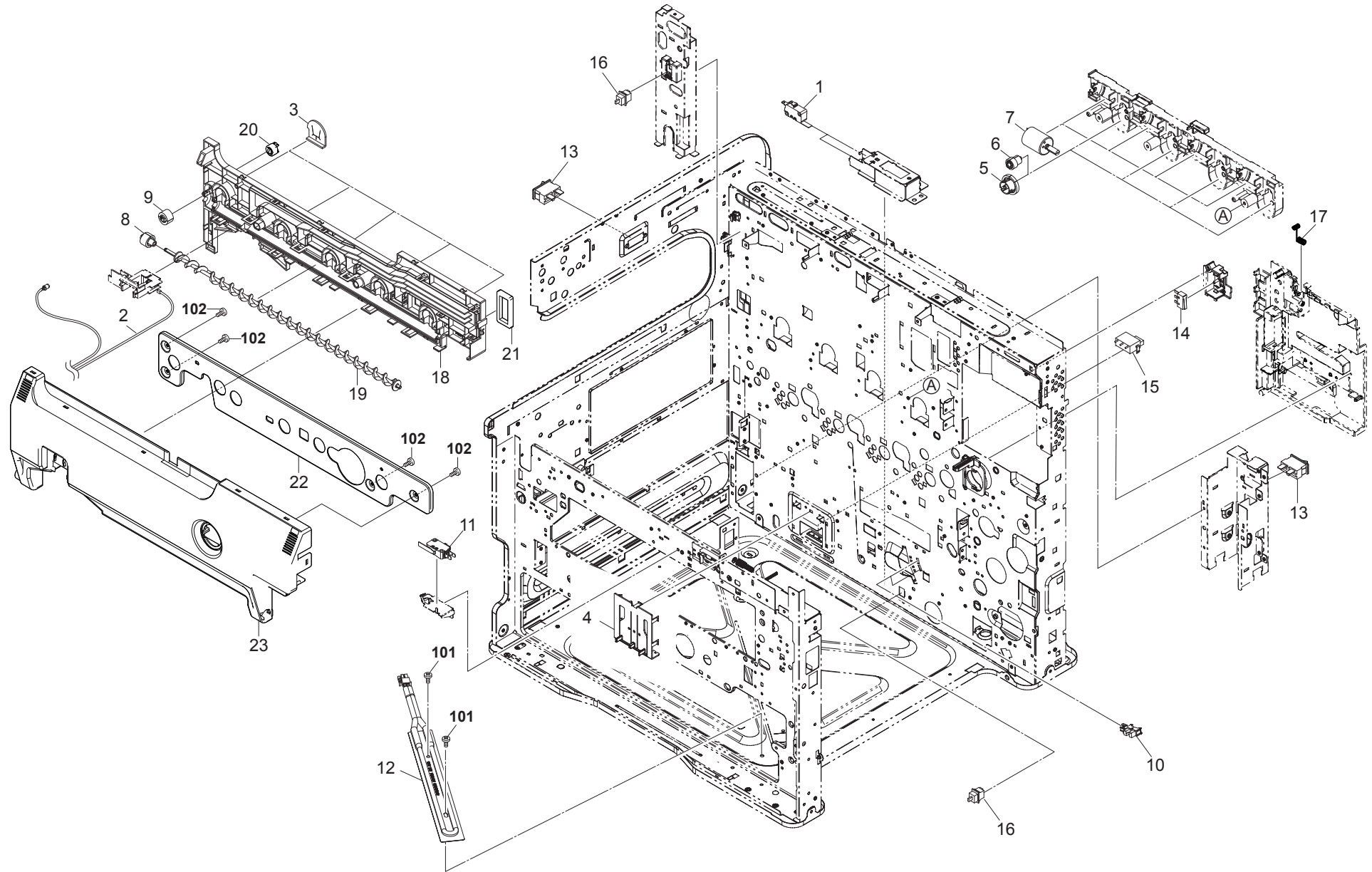


FIG. 3 Frames 2

2MZ/2MY-2

Ref. No.	Part.No.	Alternative.	Description	Notes	Quantity		
					120	230	240
1	2FB27160	2FB27160	INTER LOCK SWITCH		2	2	2
2	302K094280	2K094280	PARTS TONER FULL DETECT ASSY SP		1	1	1
3	302K003280	2K003280	SEAL CASE WASTE C		5	5	5
4	302K309410	2K309410	PLATE SIZE DETECTION		1	1	1
5	302K015040	2K015040	GEAR Z50S		4	4	4
6	302K015030	2K015030	GEAR Z20S-Z26L		4	4	4
7	302K094100	2K094100	PARTS DC MOTOR SP		4	4	4
8	302K003060	2K003060	GEAR SCREW WASTE Z13L		1	1	1
9	302K003110	2K003110	GEAR WASTE Z13L		1	1	1
10	7NXGP1S173LCH01	NX116910	SENSOR OPT.		2	2	2
11	7SM010303+++H01	SM037910	SW.MICRO		1	1	1
12	302K302430	2K302430	HEATER DEHUMIDIFIER 120		1		
12	302K302440	2K302440	HEATER DEHUMIDIFIER 240			1	1
13	7SC010105+++H01	SC125000	SW.SEESAW		2	2	2
14	7SM010101+++H01	SM042310	SW.MICRO		1	1	1
15	5ESP03090001+01	SP000360	PUSH SWITCH 03 SN /SW-192 N		1	1	1
16	7SP01000001+H01	SP044290	SW.PUSH		2	2	2
17	302K002671	2K002671	SPRING EARTH EXIT		1	1	1
18	302K003022	2K003022	CASE WASTE A		1	1	1
19	302K003050	2K003050	SCREW WASTE		1	1	1
20	302K003140	2K003140	JOINT WASTE C		1	1	1
21	302K003331	2K003331	SEAL CASE WASTE D		1	1	1
22	302K003620	2K003620	PLATE HOUSING WASTE		1	1	1
23	302K003012	2K003012	HOUSING WASTE		1	1	1
101	7BB700308H	BB105600	+BIND T.T S SCREW 3X8 SR				
102	7BB200308H	BB105660	+BIND T.T P SCREW 3X8				

•Parts with Ref.No. indicate maintenance parts and the ones without it indicate out of the above.

•Parts with "•" are component parts or sub-assemblies of the assembly appearing immediately above them.
 •Parts with "••" are component parts or sub-assembly with "•" appearing immediately above them.

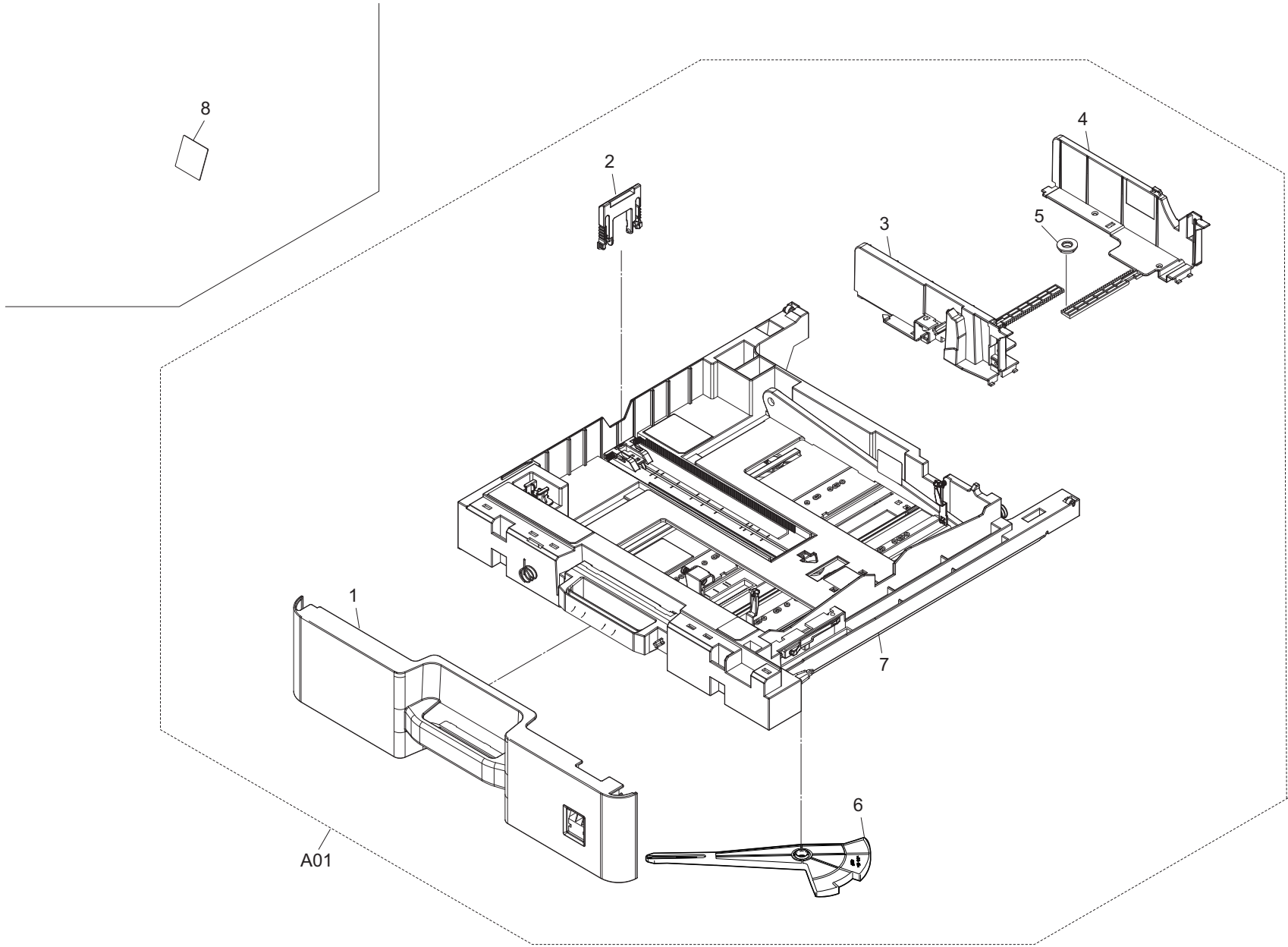


FIG. 4 Paper Cassette

2MZ/2MY-2

Ref. No.	Part.No.	Alternative.	Description	Notes	Quantity		
					120	230	240
A01	302K393174	2K393174	CT-475		1	1	1
1	*302K309080	2K309080	COVER CASSETTE		1	1	1
2	*302K309270	2K309270	CURSOR END		1	1	1
3	*302K309130	2K309130	CURSOR CASSETTE FRONT		1	1	1
4	*302K309120	2K309120	CURSOR CASSETTE REAR		1	1	1
5	*302K394380	2K394380	PARTS GEAR Z18 SP		1	1	1
6	*302K309041	2K309041	ARM SIZE DETECTION		1	1	1
7	*302K309021	2K309021	BASE CASSETTE		1	1	1
8	302K334090	2K334090	SHEET CASSETTE C			1	1
8	302K334100	2K334100	SHEET CASSETTE I		1		

•Parts with Ref.No. indicate maintenance parts and the ones without it indicate out of the above.

•Parts with "*" are component parts or sub-assemblies of the assembly appearing immediately above them.
 •Parts with "••" are component parts or sub-assembly with "•" appearing immediately above them.

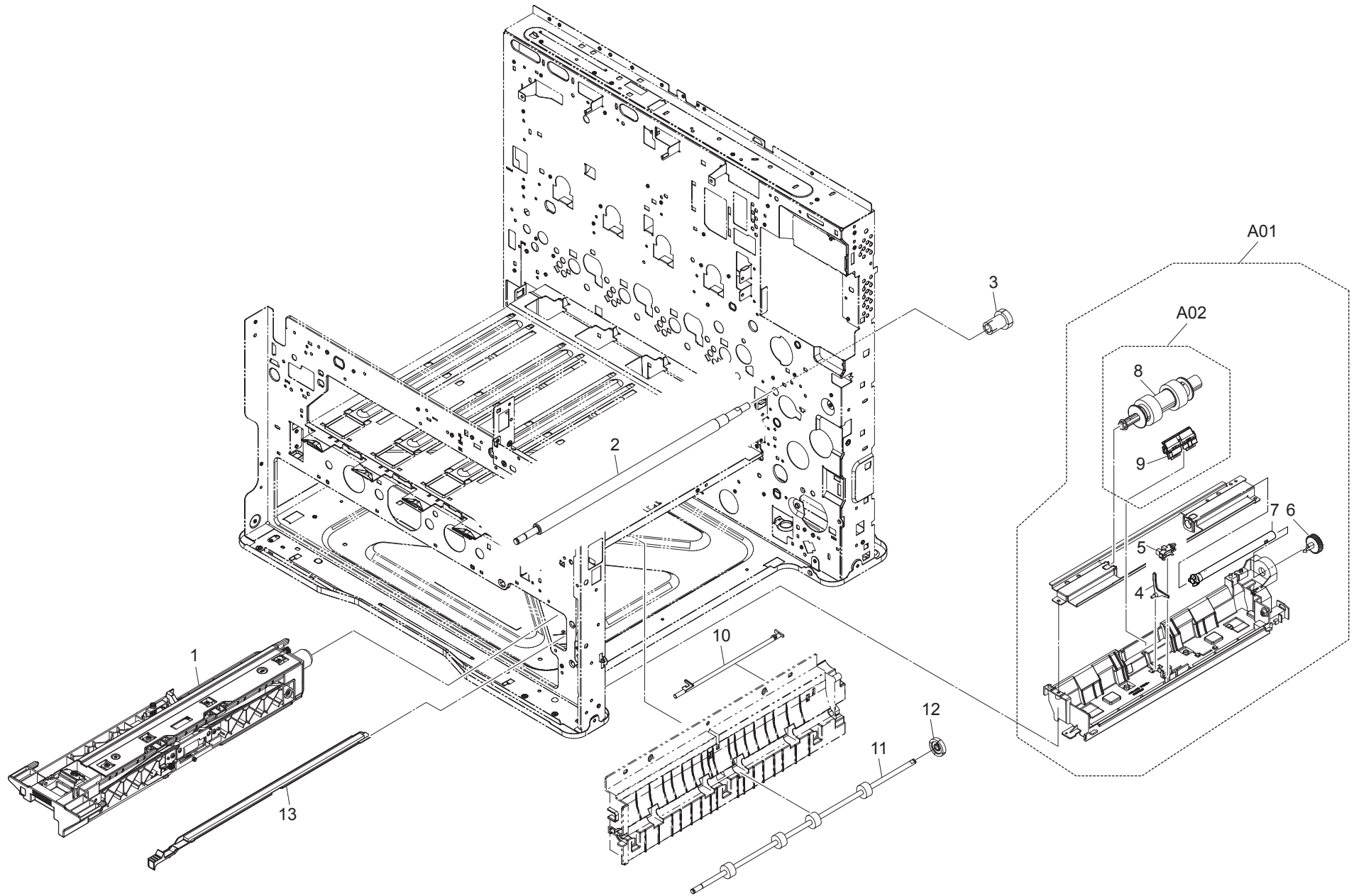


FIG. 5 Paper Feed Section

2MZ/2MY-2

Ref. No.	Part.No.	Alternative.	Description	Notes	Quantity		
					120	230	240
1	302K394480	2K394480	PRIMARY FEED UNIT		1	1	1
2	302K394230	2K394230	PARTS ROLLER REGIST LEFT SP		1	1	1
3	302K394310	2K394310	PARTS GEAR REGIST Z28L-Z18L SP		1	1	1
A01	302K394501	2K394501	PARTS MPF UNIT		1	1	1
4	•302K308020	2K308020	ACTUATOR MPF		1	1	1
5	•7NXGP1S173LCH01	NX116910	SENSOR OPT.		1	1	1
6	•302K394320	2K394320	PARTS GEAR MPF Z28 SP		1	1	1
7	•302K308080	2K308080	SHAFT MPF		1	1	1
A02	•302K394621	2K394621	MPF ROLLER-PAD SET	for customer	1	1	1
8	••302K394460	2K394460	MPF ROLLER	service only	1	1	1
9	••302K394491	2K394491	SEPARATION PAD	service only	1	1	1
10	302K306140	2K306140	ACTUATOR REGIST		1	1	1
11	302K094330	2K094330	PARTS ROLLER MIDDLE SP		1	1	1
12	302HS31120	2HS31120	GEAR Z27L CLUTCH		1	1	1
13	302K094400	2K094400	REGIST CLEANER		1	1	1

•Parts with Ref.No. indicate maintenance parts and the ones without it indicate out of the above.

•Parts with "•" are component parts or sub-assemblies of the assembly appearing immediately above them.

•Parts with "••" are component parts or sub-assembly with "•" appearing immediately above them.

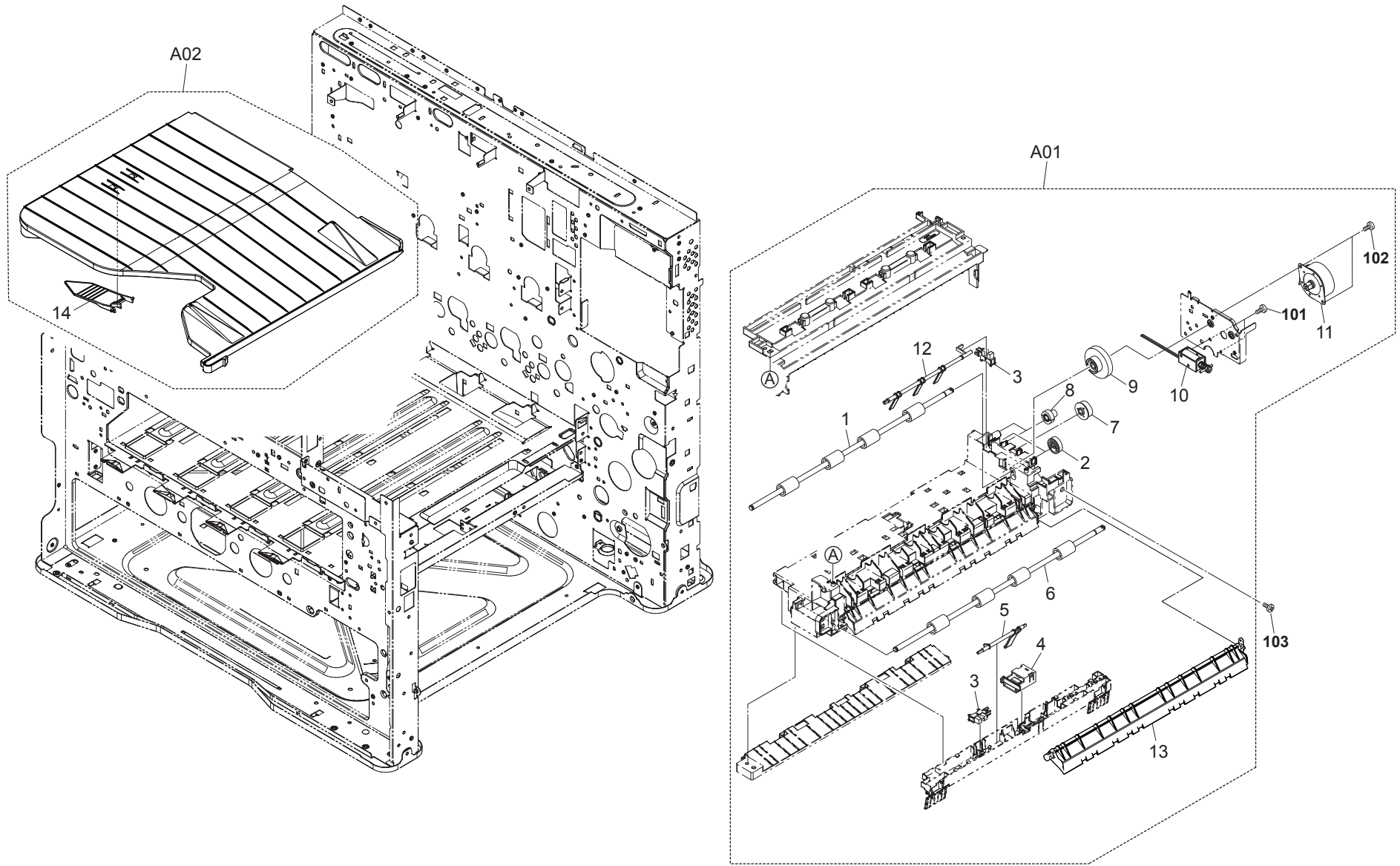


FIG. 6 Exit Section

2MZ/2MY-2

Ref. No.	Part.No.	Alternative.	Description	Notes	Quantity		
					120	230	240
A01	302K094010	2K094010	PARTS EXIT UNIT SP		1	1	1
1	*302K094350	2K094350	PARTS ROLLER EXIT REVERSE SP		1	1	1
2	*302K394350	2K394350	PARTS GEAR Z22S EXIT SP		2	2	2
3	*7NXGP1S173LCH01	NX116910	SENSOR OPT.		2	2	2
4	*302MV94650	2MV94650	PARTS SWITCH EXIT PAPER EMPTY SP		1	1	1
5	*302K028080	2K028080	ACTUATOR EXIT OVERFLOW LOW		1	1	1
6	*302K094340	2K094340	PARTS ROLLER EXIT FD SP		1	1	1
7	*302K028260	2K028260	GEAR Z23S EXIT		1	1	1
8	*302KP29090	2KP29090	GEAR IDLE Z18S		2	2	2
9	*302K394340	2K394340	PARTS GEAR Z74R-Z22S EXIT SP		1	1	1
10	*303LJ94150	3LJ94150	PARTS SOLENOID FEED SHIFT SP		1	1	1
11	*302HN44100	2HN44100	MOTOR REVERSE		1	1	1
12	*302K028090	2K028090	ACTUATOR EXIT OVERFLOW UP		1	1	1
13	*302K028060	2K028060	GUIDE CHANGE		1	1	1
A02	302MV94550	2MV94550	PARTS TRAY EJECT ASSY SP		1	1	1
14	*302K317820	2K317820	STOPPER PAPER C		1	1	1
101	7BB000303H	BB107000	+BIND M SCREW 3X3				
102	7BB700308H	BB105600	+BIND T.T S SCREW 3X8 SR				
103	7BB200410H	BB105700	+BIND T.T P SCREW 4X10				

•Parts with Ref.No. indicate maintenance parts and the ones without it indicate out of the above.

•Parts with "*" are component parts or sub-assemblies of the assembly appearing immediately above them.
 •Parts with "••" are component parts or sub-assembly with "•" appearing immediately above them.

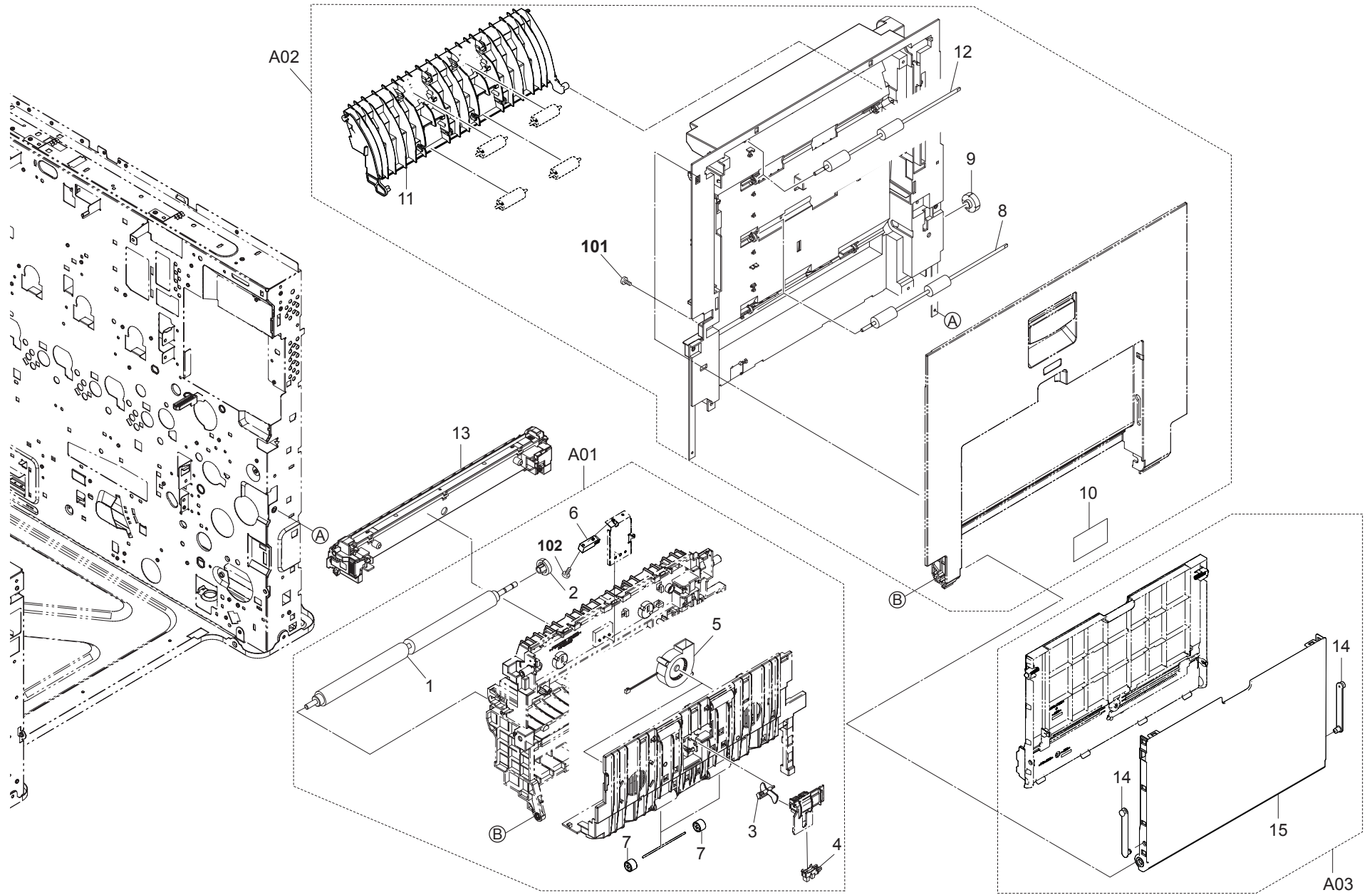


FIG. 7 Paper Conveying Section

2MZ/2MY-2

Ref. No.	Part.No.	Alternative.	Description	Notes	Quantity		
					120	230	240
A01	302MY94120	2MY94120	PARTS CONVEYING UNIT SP		1	1	1
1	*302K094420	2K094420	PARTS ROLLER REGIST RIGHT SP		1	1	1
2	*302K394330	2K394330	PARTS GEAR REGIST Z24R SP		1	1	1
3	*302K329040	2K329040	ACTUATOR DU		1	1	1
4	*7NXGP1S173LCH01	NX116910	SENSOR OPT.		1	1	1
5	*302HN44210	2HN44210	FAN MOTOR		2	2	2
6	*3H327410	3H327410	SENSOR,CONVEYING		1	1	1
7	*302MV24030	2MV24030	PULLEY MIDDLE		4	4	4
A02	302K094031	2K094031	PARTS COVER RIGHT ASSY SP		1	1	1
8	*302K394250	2K394250	PARTS ROLLER DU SP		2	2	2
9	*302K394400	2K394400	PARTS GEAR DU Z27L SP		1	1	1
10	*302K334480	2K334480	LABEL COVER CAUTION 9NATIONS		1	1	1
11	*302K029050	2K029050	GUIDE EXIT RIGHT		1	1	1
12	*302K094390	2K094390	PARTS ROLLER DU B SP		2	2	2
13	302MY93070	2MY93070	TR-896B		1	1	1
A03	302K394470	2K394470	PARTS MPF TABLE ASSY SP		1	1	1
14	*302K308460	2K308460	STRAP LINK MPF		2	2	2
15	*302K308400	2K308400	COVER MPF		1	1	1
101	7BB200308H	BB105660	+BIND T.T P SCREW 3X8				
102	7BB607312H	BB107140	+TP-CUP M SCREW 3X12 R				

•Parts with Ref.No. indicate maintenance parts and the ones without it indicate out of the above.

•Parts with "*" are component parts or sub-assemblies of the assembly appearing immediately above them.
 •Parts with "••" are component parts or sub-assembly with "*" appearing immediately above them.

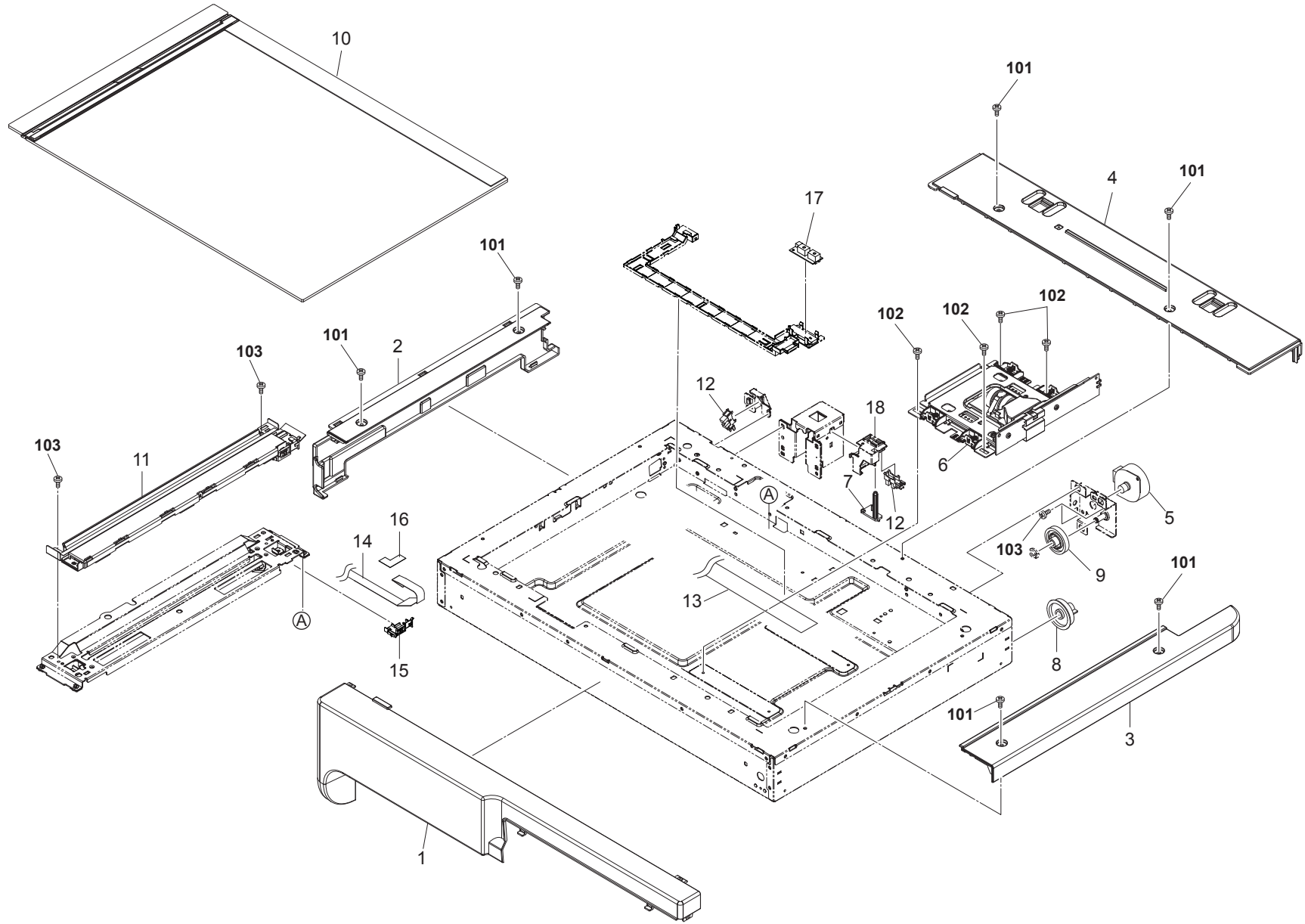


FIG. 8 Scanner Section

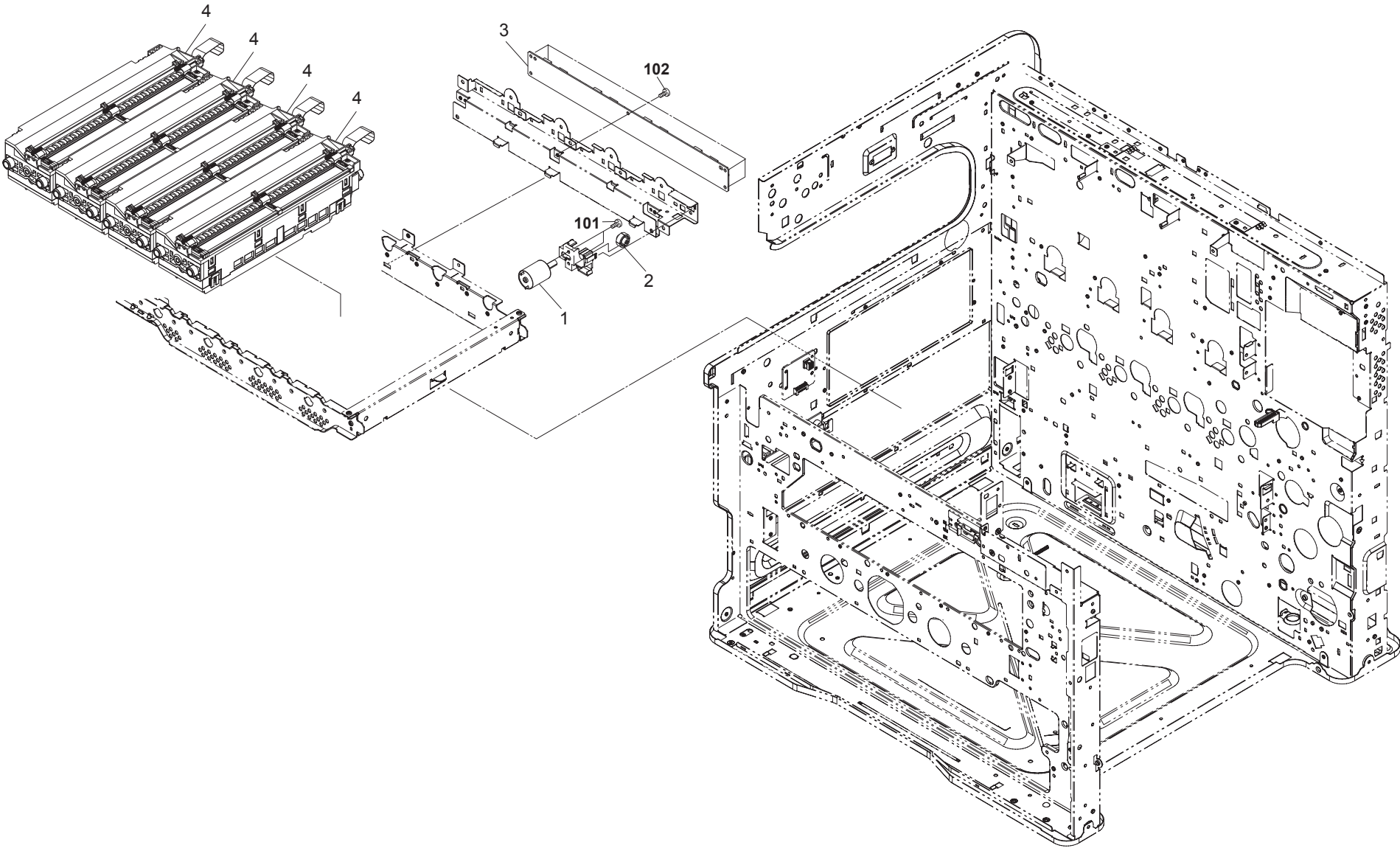
2MZ/2MY-2

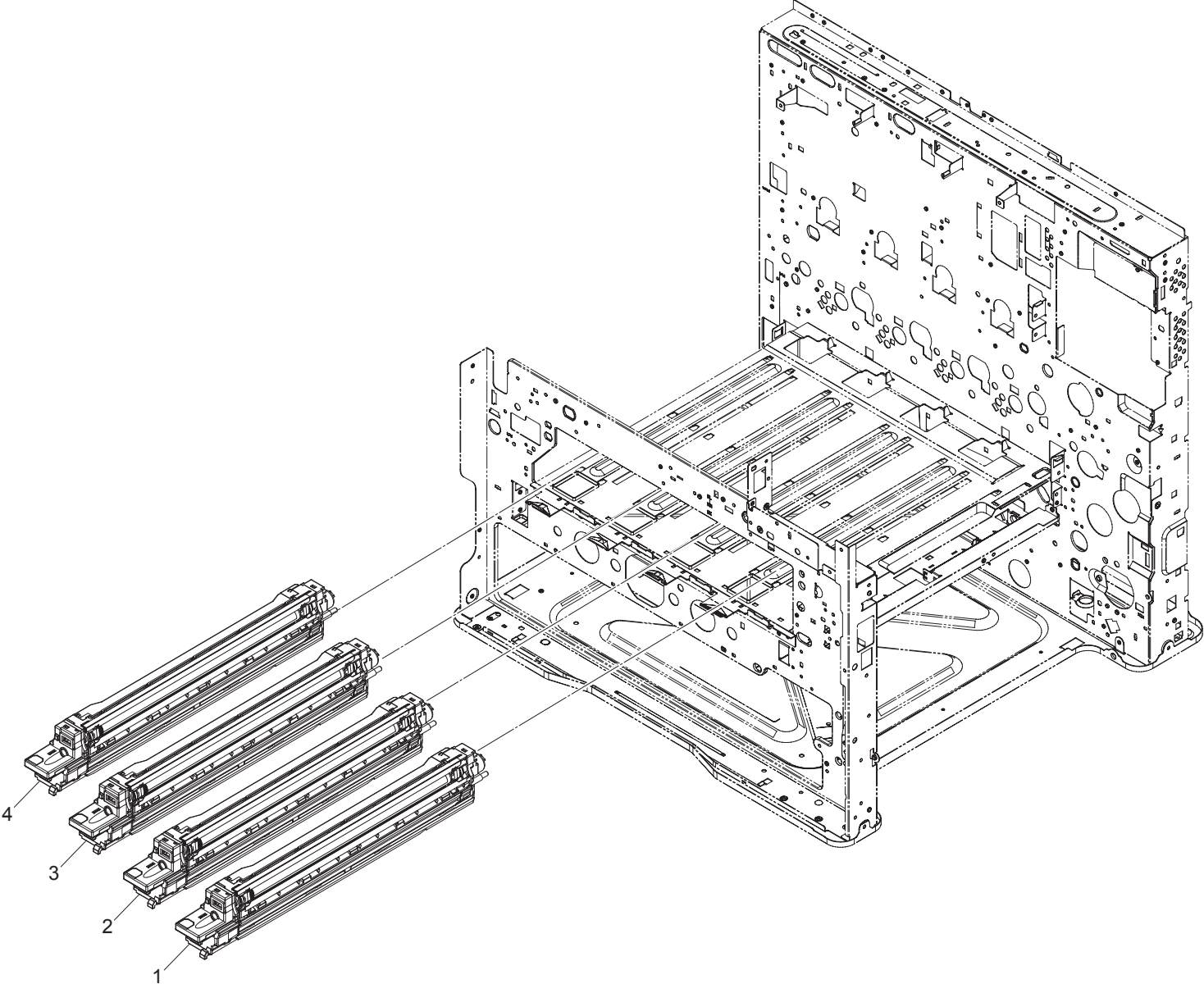
Ref. No.	Part.No.	Alternative.	Description	Notes	Quantity		
					120	230	240
1	302K004121	2K004121	COVER ISU FRONT		1	1	1
2	302K304131	2K304131	COVER ISU LEFT		1	1	1
3	302K394590	2K394590	PARTS COVER ISU RIGHT ASSY A SP		1	1	1
4	302K304150	2K304150	COVER ISU REAR		1	1	1
5	302K394210	2K394210	PARTS MOTOR ISU SP		1	1	1
6	302K093162	2K093162	PARTS ISU		1	1	1
7	302K317250	2K317250	SWITCH RELEASE		1	1	1
8	302K317350	2K317350	GEAR Z54		1	1	1
9	302K394370	2K394370	PARTS GEAR Z18-Z63R SP		1	1	1
10	302K394560	2K394560	PARTS CONTACT-GLASS ASSY(I) SP		1		
10	302K394550	2K394550	PARTS CONTACT-GLASS ASSY(C) SP			1	1
11	302K093150	2K093150	PARTS MOUNT LED ASSY		1	1	1
12	7NXGP1S173LCH01	NX116910	SENSOR OPT.		2	2	2
13	302K346411	2K346411	FFC MAIN-CCD		1	1	1
14	302K346401	2K346401	FFC MAIN-LED LAMP		1	1	1
15	302K317172	2K317172	GUIDE FFC LED C		1	1	1
16	302K317791	2K317791	SHEET FFC LED		1	1	1
17	302H044110	2H044110	SENSOR ORIGINAL		1	1	1
18	302K317260	2K317260	MOUNT RELEASE SWITCH		1	1	1
101	7BB702308H	BB107060	+TP-FLAT T.T S SCREW 3X8 SR				
102	7BB606308H	BB105280	+PAN M SCREW WITH SW W 3X8 R				
103	7BB700308H	BB105600	+BIND T.T S SCREW 3X8 SR				

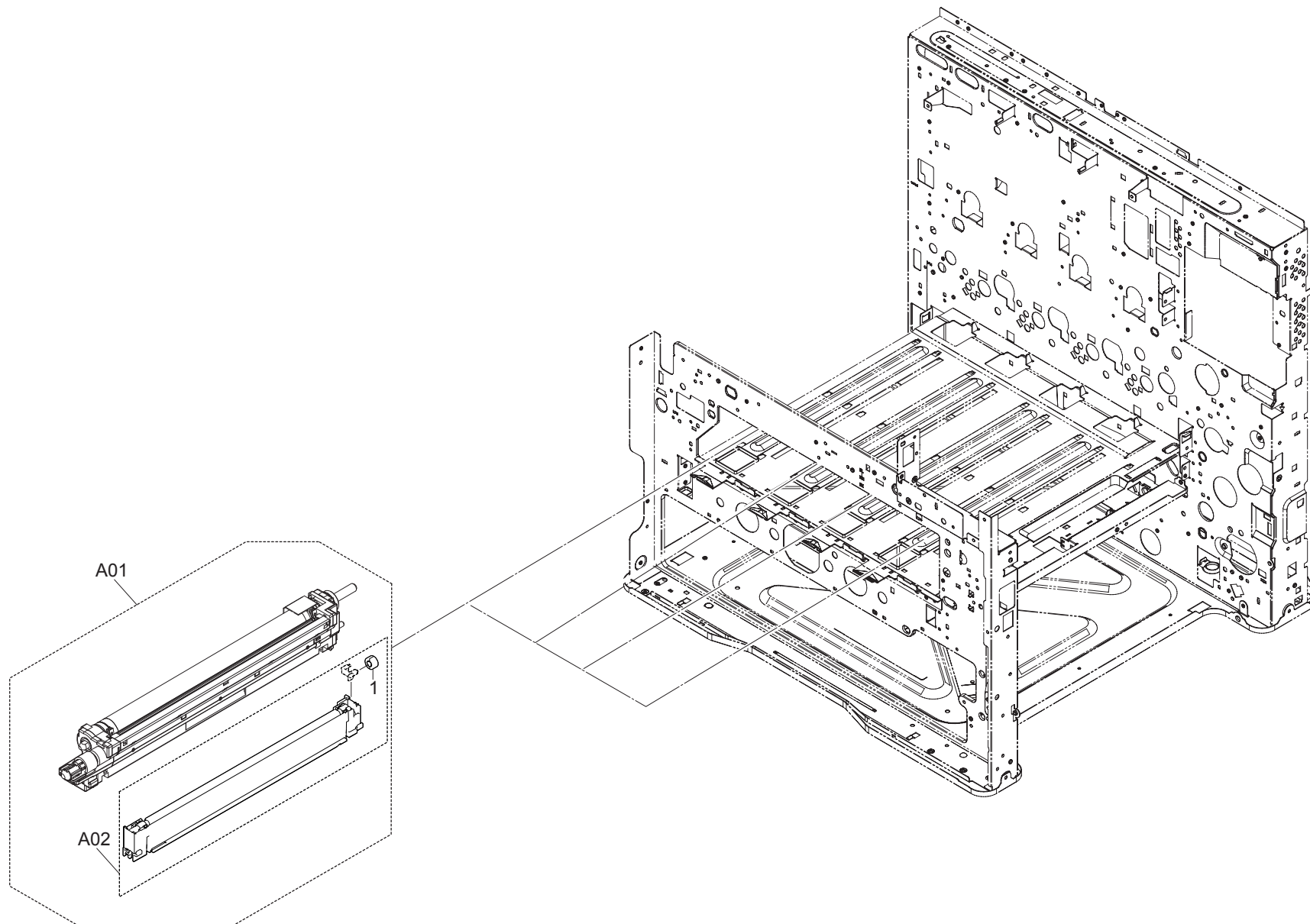
•Parts with Ref.No. indicate maintenance parts and the ones without it indicate out of the above.

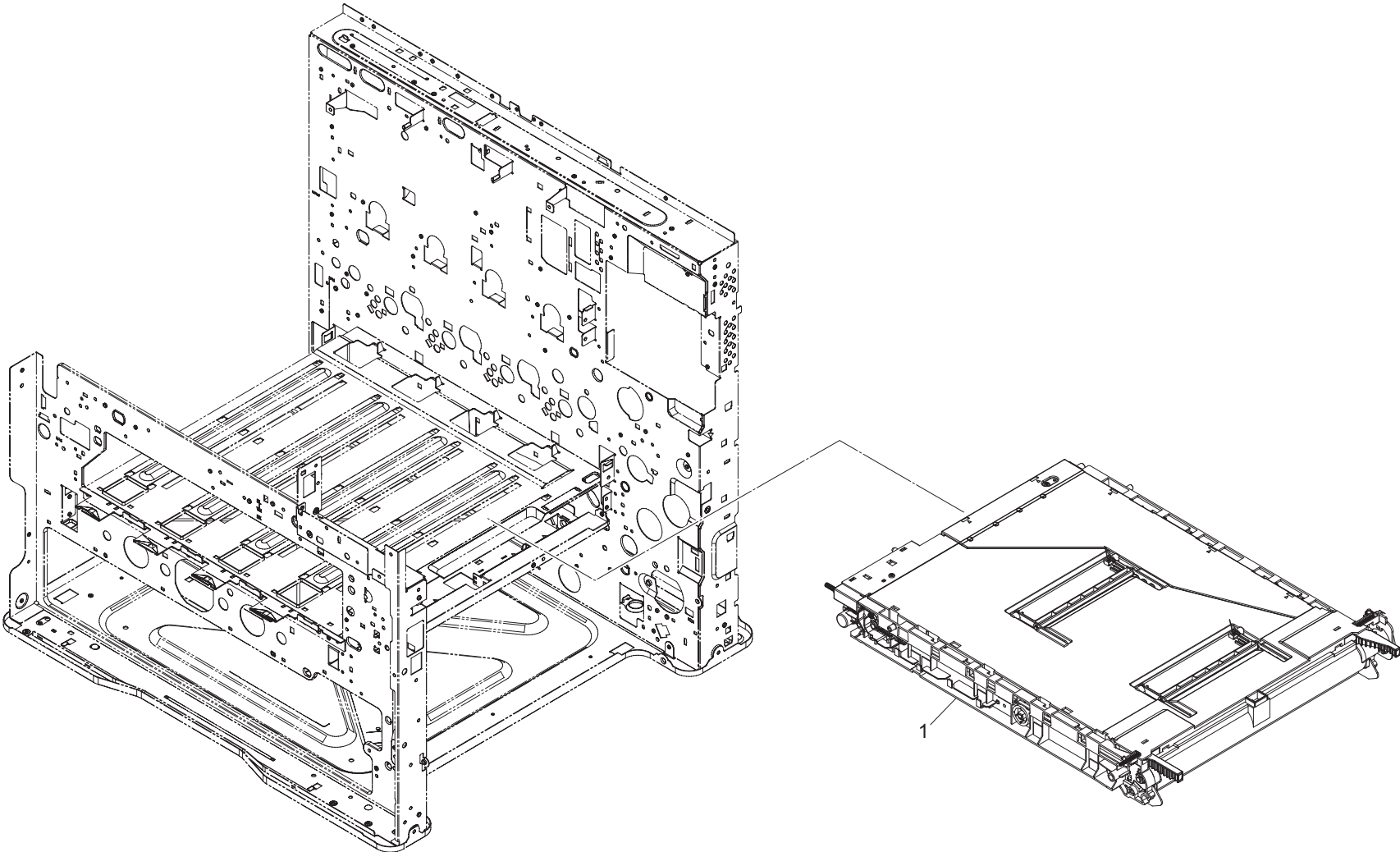
•Parts with "•" are component parts or sub-assemblies of the assembly appearing immediately above them.

•Parts with "••" are component parts or sub-assembly with "•" appearing immediately above them.









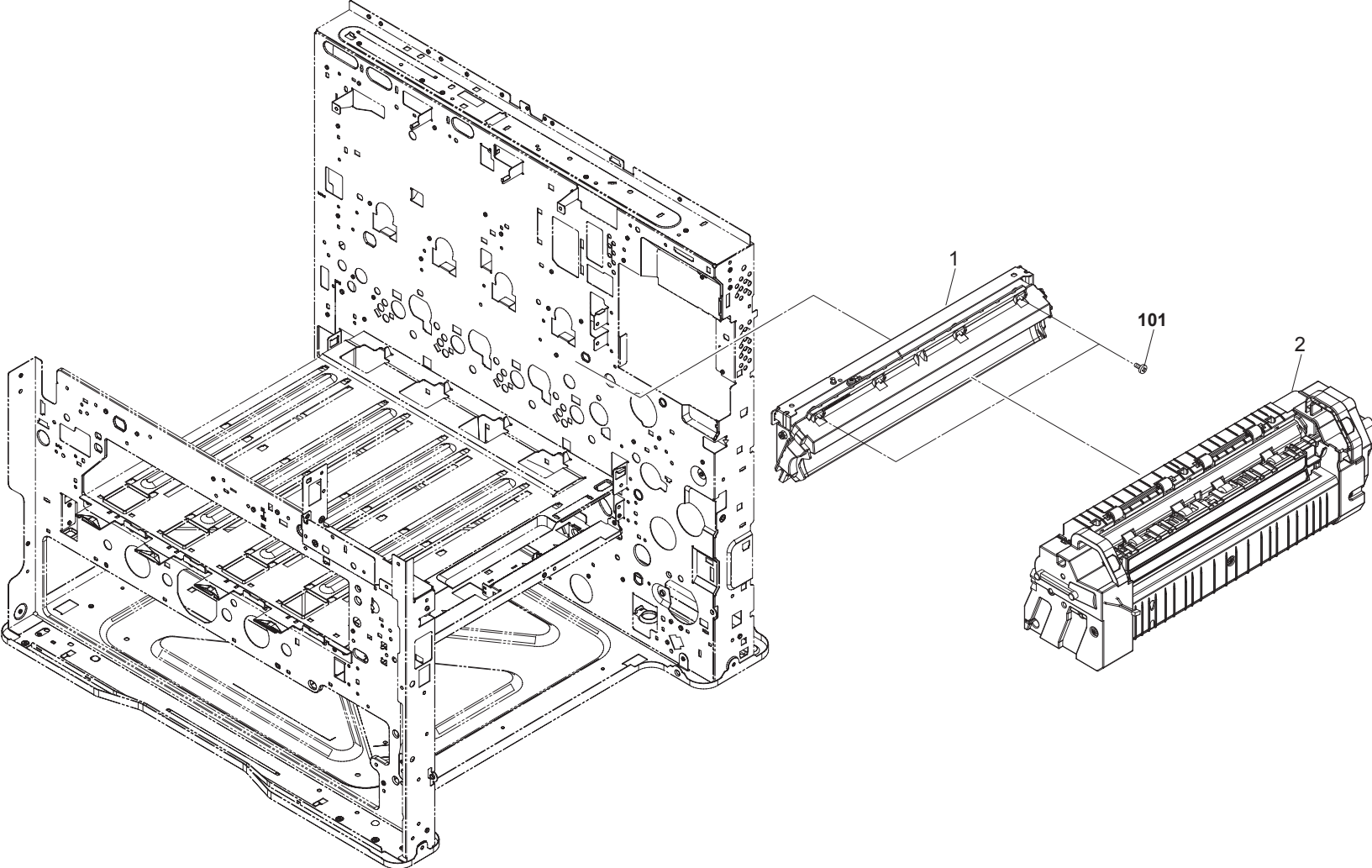


FIG. 13 Fuser Section

2MZ/2MY-1

Ref. No.	Part.No.	Alternative.	Description	Notes	Quantity		
					120	230	240
1	302LC93080	2LC93080	FK-8506 IH		1		
1	302LC93090	2LC93090	FK-8507 IH			1	1
2	302MY93083	2MY93083	FK-896		1	1	1
101	7BB700308H	BB105600	+BIND T.T S SCREW 3X8 SR				

•Parts with Ref.No. indicate maintenance parts and the ones without it indicate out of the above.

•Parts with "•" are component parts or sub-assemblies of the assembly appearing immediately above them.
 •Parts with "••" are component parts or sub-assembly with "•" appearing immediately above them.

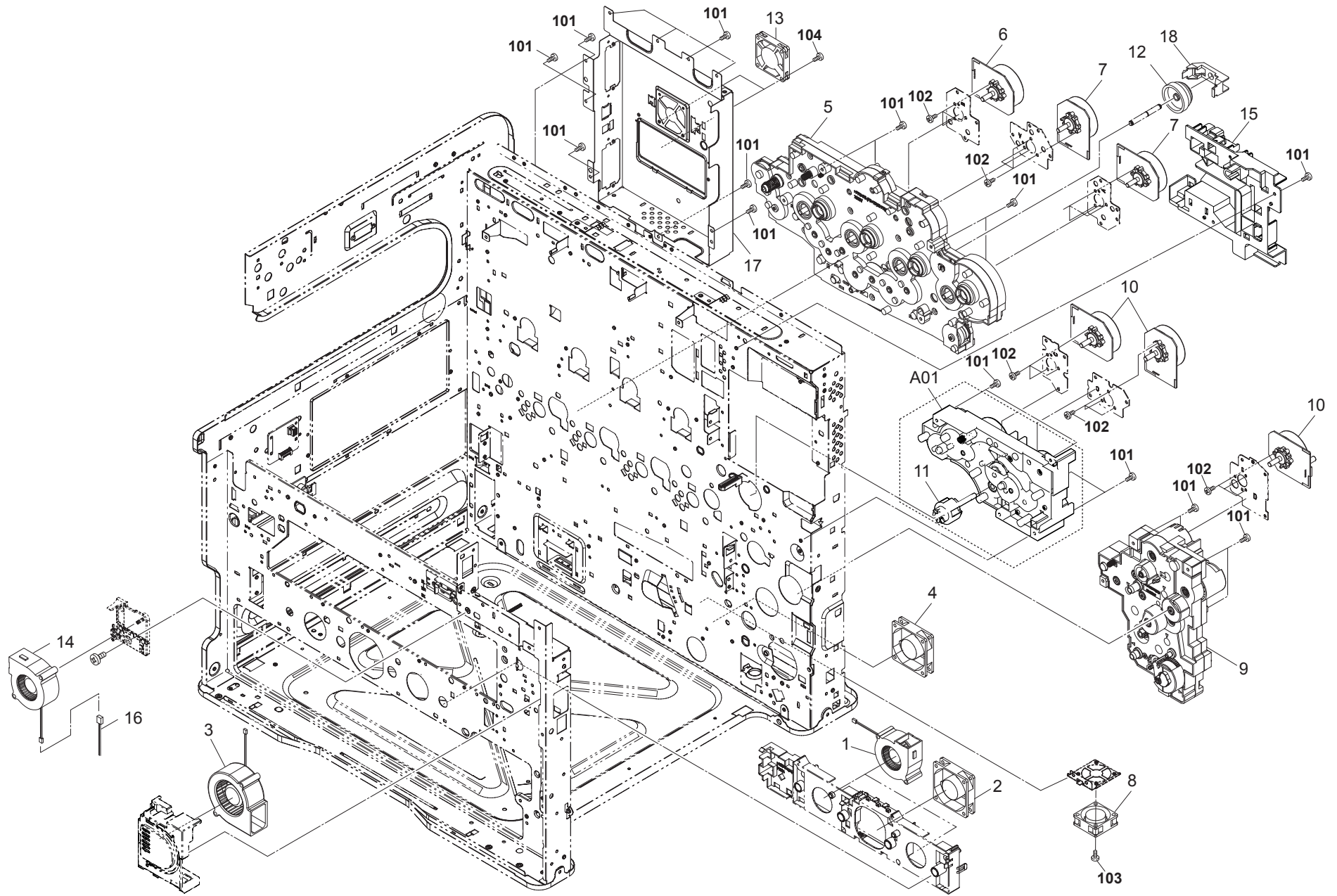


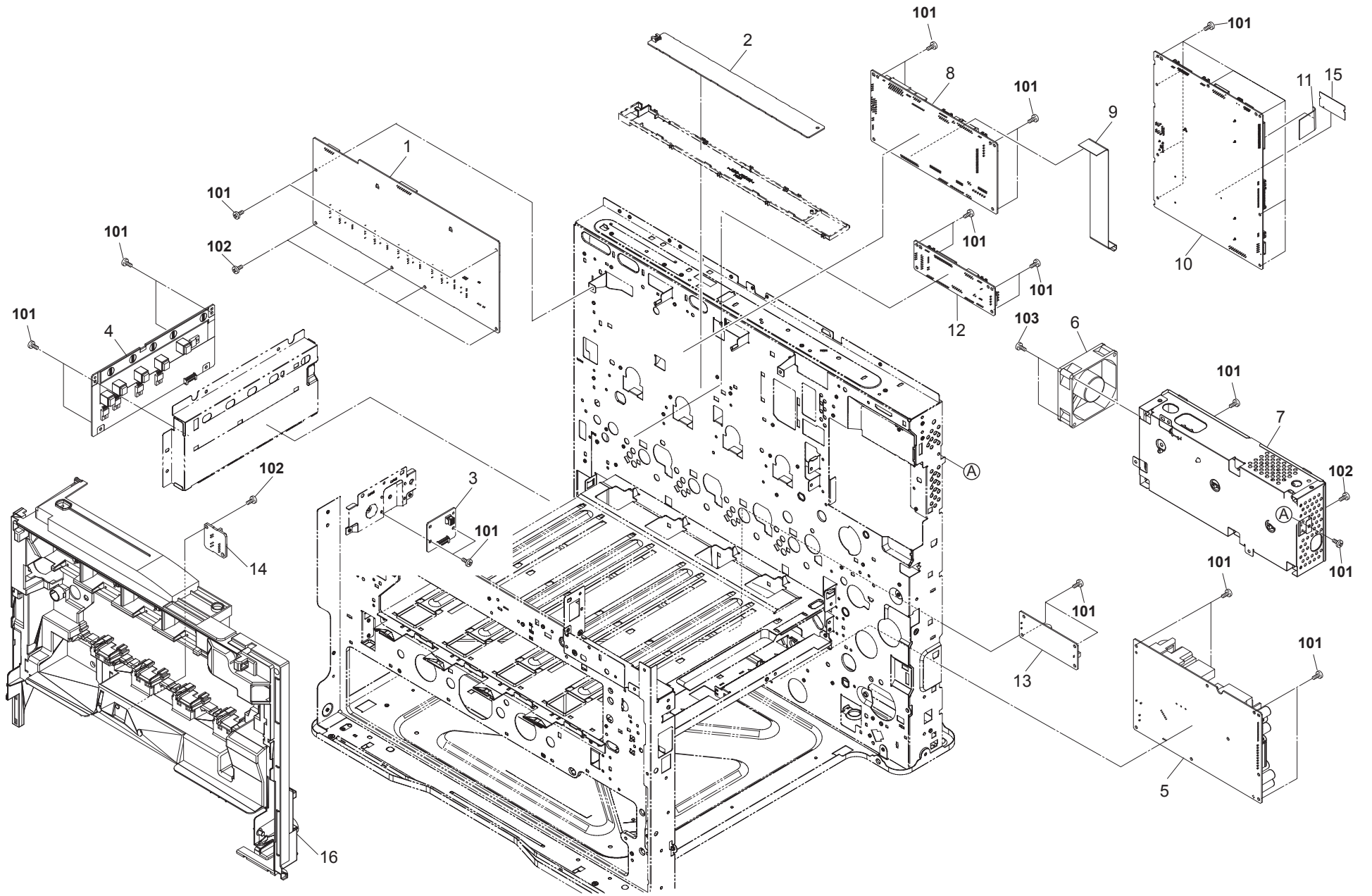
FIG. 14 Drive Section

2MZ/2MY-2

Ref. No.	Part.No.	Alternative.	Description	Notes	Quantity		
					120	230	240
1	302LC94380	2LC94380	PARTS FAN COOLING LSU 60 SP		2	2	2
2	302FZ94420	2FZ94420	PARTS,FAN COOLING CONVEYING SP		1	1	1
3	302FZ94380	2FZ94380	PARTS,FAN COOLING DLP 70 SP		1	1	1
4	302HN44010	2HN44010	FAN MOTOR		1	1	1
5	302K093122	2K093122	DR-895A		1	1	1
6	302K994331	2K994331	PARTS MOTOR-BL W30 SP		1	1	1
7	302LC94301	2LC94301	PARTS MOTOR-BL W20 DRUM SP		2	2	2
8	302HG44120	2HG44120	FAN MOTOR PS40		1	1	1
9	302K093142	2K093142	DR-895C		1	1	1
10	302K994321	2K994321	PARTS MOTOR-BL W20 SP		3	3	3
A01	302K093132	2K093132	DR-895B		1	1	1
11	•302K094640	2K094640	PARTS DRIVE MIDDLE TRANS SP		1	1	1
12	302K094320	2K094320	PARTS CLUTCH 50 Z45L SP		1	1	1
13	302HG44110	2HG44110	FAN MOTOR 50		1	1	1
14	302K994360	2K994360	PARTS FAN COOLING LSU 60 SP		1	1	1
15	302K033012	2K033012	DUCT EXIT		1	1	1
16	302MV46540	2MV46540	WIRE IH-DLP FAN		1	1	1
17	302K039010	2K039010	SHIELD CONTROLLER		1	1	1
18	302K031450	2K031450	HOLDER CLUTCH		1	1	1
101	7BB700308H	BB105600	+BIND T.T S SCREW 3X8 SR				
102	7BB000304H	BB105720	+BIND M SCREW 3X4				
103	7BB700320H	BB105620	+BIND T.T S SCREW 3X20 SR				
104	7BB700312H	BB106820	+BIND T.T S SCREW 3X12 SR				

•Parts with Ref.No. indicate maintenance parts and the ones without it indicate out of the above.

•Parts with "•" are component parts or sub-assemblies of the assembly appearing immediately above them.
 •Parts with "••" are component parts or sub-assembly with "•" appearing immediately above them.



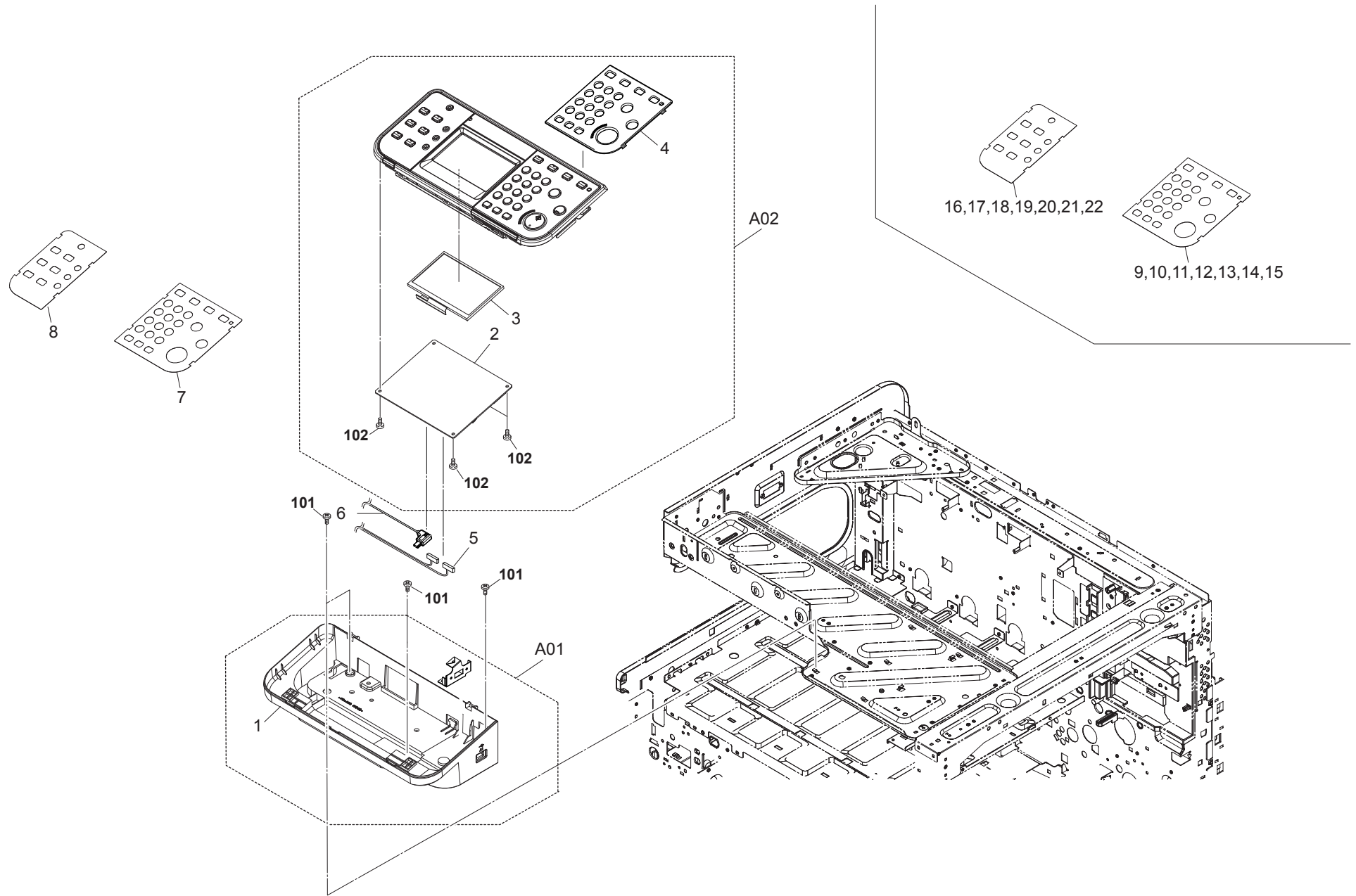


FIG. 16 Operation Section

2MZ/2MY-2

Ref. No.	Part.No.	Alternative.	Description	Notes	Quantity		
					120	230	240
A01	302K394870	2K394870	PARTS COVER OPE LOW SET SP		1	1	1
1	*302K305022	2K305022	COVER OPERATION LOW		1	1	1
A02	302MY94031	2MY94031	PARTS OPERATION UNIT SP	*1	1	1	1
2	*302MY94110	2MY94110	PARTS PWB PANEL MAIN ASSY SP		1	1	1
3	*302K394170	2K394170	PARTS LCD COLOR SP		1	1	1
4	*302K305050	2K305050	COVER PANEL RIGHT		1	1	1
5	302K046160	2K046160	WIRE PANELMAIN SIG		1	1	1
6	302K046871	2K046871	WIRE MAIN-PANEL_MAIN		1	1	1
7	302K305310	2K305310	SHEET OPERATION RIGHT E		1	1	1
8	302MY05010	2MY05010	SHEET OPERATION LEFT E		1	1	1
9	302K305380	2K305380	SHEET OPERATION RIGHT S		1	1	
10	302K305390	2K305390	SHEET OPERATION RIGHT P(B)		1	1	
11	302K305350	2K305350	SHEET OPERATION RIGHT G			1	
12	302K305370	2K305370	SHEET OPERATION RIGHT I			1	
13	302K305400	2K305400	SHEET OPERATION RIGHT N			1	
14	302K305410	2K305410	SHEET OPERATION RIGHT R			1	
15	302K305360	2K305360	SHEET OPERATION RIGHT F		1	1	
16	302MY05030	2MY05030	SHEET OPERATION LEFT S		1	1	
17	302MY05040	2MY05040	SHEET OPERATION LEFT F		1	1	
18	302MY05050	2MY05050	SHEET OPERATION LEFT P		1	1	
19	302MY05060	2MY05060	SHEET OPERATION LEFT G			1	
20	302MY05070	2MY05070	SHEET OPERATION LEFT I			1	
21	302MY05080	2MY05080	SHEET OPERATION LEFT N			1	
22	302MY05090	2MY05090	SHEET OPERATION LEFT R			1	
101	7BB702308H	BB107060	+TP-FLAT T.T S SCREW 3X8 SR				
102	7BB700308H	BB105600	+BIND T.T S SCREW 3X8 SR				
<div style="border: 1px solid black; padding: 5px; width: fit-content; margin: 0 auto;"> *1:The old part No. is not used for the machines with the Serial No. starting with the following: 'V1G','V1H','V1J' and 'V1K' </div>							

•Parts with Ref.No. indicate maintenance parts and the ones without it indicate out of the above.

•Parts with "•" are component parts or sub-assemblies of the assembly appearing immediately above them.

•Parts with "••" are component parts or sub-assembly with "•" appearing immediately above them.

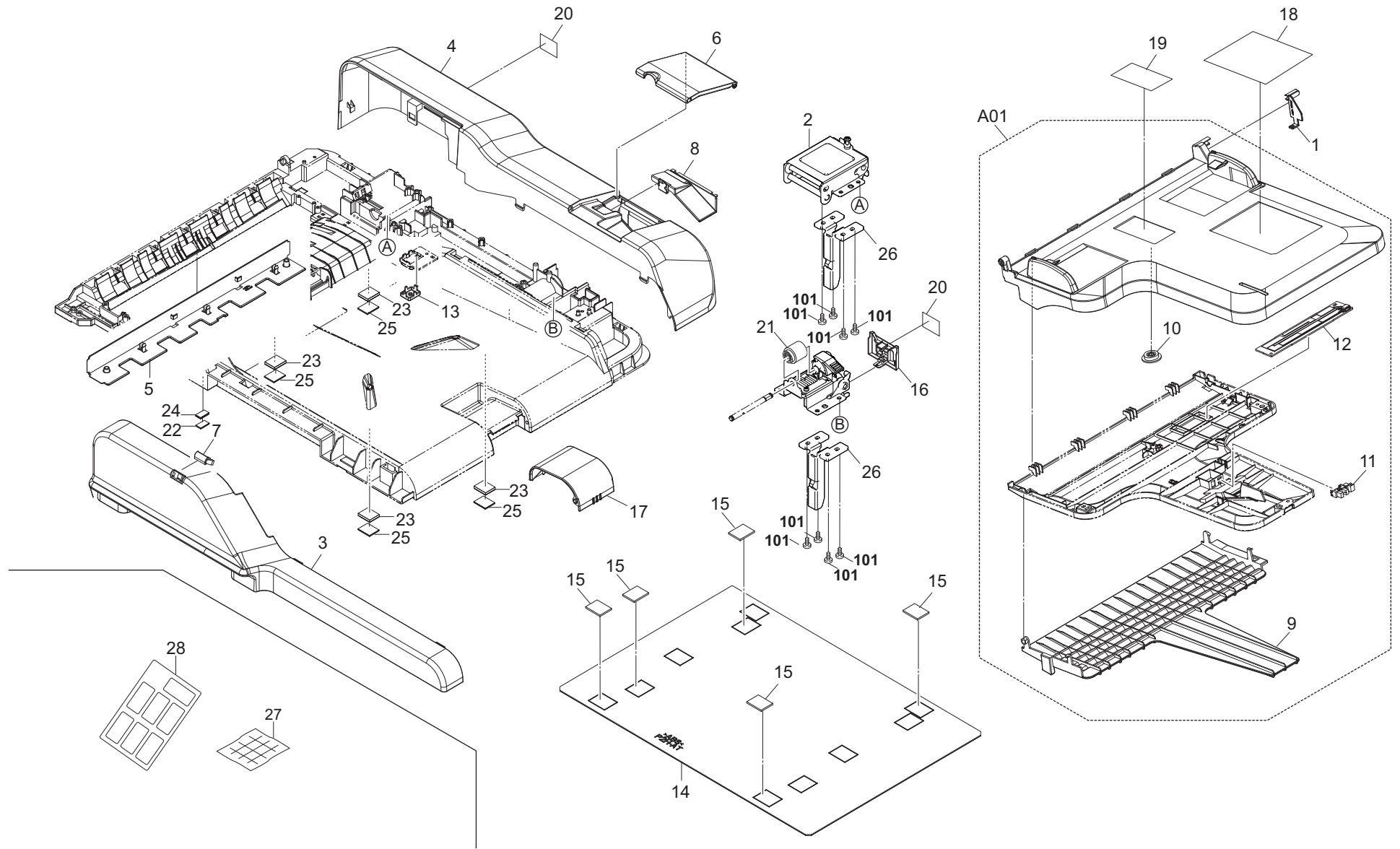


FIG. 17 Document Processor1

2MZ/2MY-2

Ref. No.	Part.No.	Alternative.	Description	Notes	Quantity		
					120	230	240
1	303LL06100	3LL06100	COVER TABLE WIRE		1	1	1
2	303M802021	3M802021	LEFT HINGE		1	1	1
3	303M804011	3M804011	COVER FRONT		1	1	1
4	303M804020	3M804020	COVER REAR		1	1	1
5	303M804040	3M804040	COVER LEFT		1	1	1
6	303M804060	3M804060	LID REAR COVER		1	1	1
7	303M804070	3M804070	COVER LED		1	1	1
8	303M804080	3M804080	LID INNER COVER		1	1	1
A01	303M894060	3M894060	PARTS TABLE ASSY SP		1	1	1
9	*303M806050	3M806050	TRAY LOOP		1	1	1
10	*65907210	65907210	GEAR 20,CASSETTE		1	1	1
11	*303M894260	3M894260	PARTS SENSOR OPT SP		1	1	1
12	*303M894270	3M894270	PARTS PWB SIZE DETECTION ASSY SP		1	1	1
13	3HL02240	3HL02240	PUSH SW DP		1	1	1
14	303JC04201	3JC04201	PLATE ORIGINAL		1	1	1
15	303MX02021	3MX02021	CUSHION ORIGINAL MAT A		5	5	5
16	303M804090	3M804090	COVER HINGE		1	1	1
17	303M804050	3M804050	STOPPER EJECT		1	1	1
18	303M834111	3M834111	LABEL PAPER SET CAUTION ENG		1	1	1
19	303H605110	3H605110	LABEL MSP A		1	1	1
20	303M834070	3M834070	LABEL HINGE CAUTION		2	2	2
21	3AK20130	3AK20130	GEAR,WORM MAIN TRAY		1	1	1
22	303J902370	3J902370	CUSHION ORIGINAL MAT		1	1	1
23	303K502080	3K502080	SPONGE ORIGINAL MAT		4	4	4
24	303M802320	3M802320	SPONGE ORIGINAL MAT A		1	1	1
25	303MX02031	3MX02031	CUSHION ORIGINAL MAT B		4	4	4
26	303M802100	3M802100	STAY HINGE		2	2	2
27	302N904100	2N904100	CLEANER CLOTH		1	1	1
28	303LL34190	3LL34190	LABEL FACE UP 7NATIONS		1	1	1
101	7BB700410H	BB107090	+BIND T.T S SCREW 4X10 SR				

•Parts with Ref.No. indicate maintenance parts and the ones without it indicate out of the above.

•Parts with "*" are component parts or sub-assemblies of the assembly appearing immediately above them.

•Parts with "••" are component parts or sub-assembly with "•" appearing immediately above them.

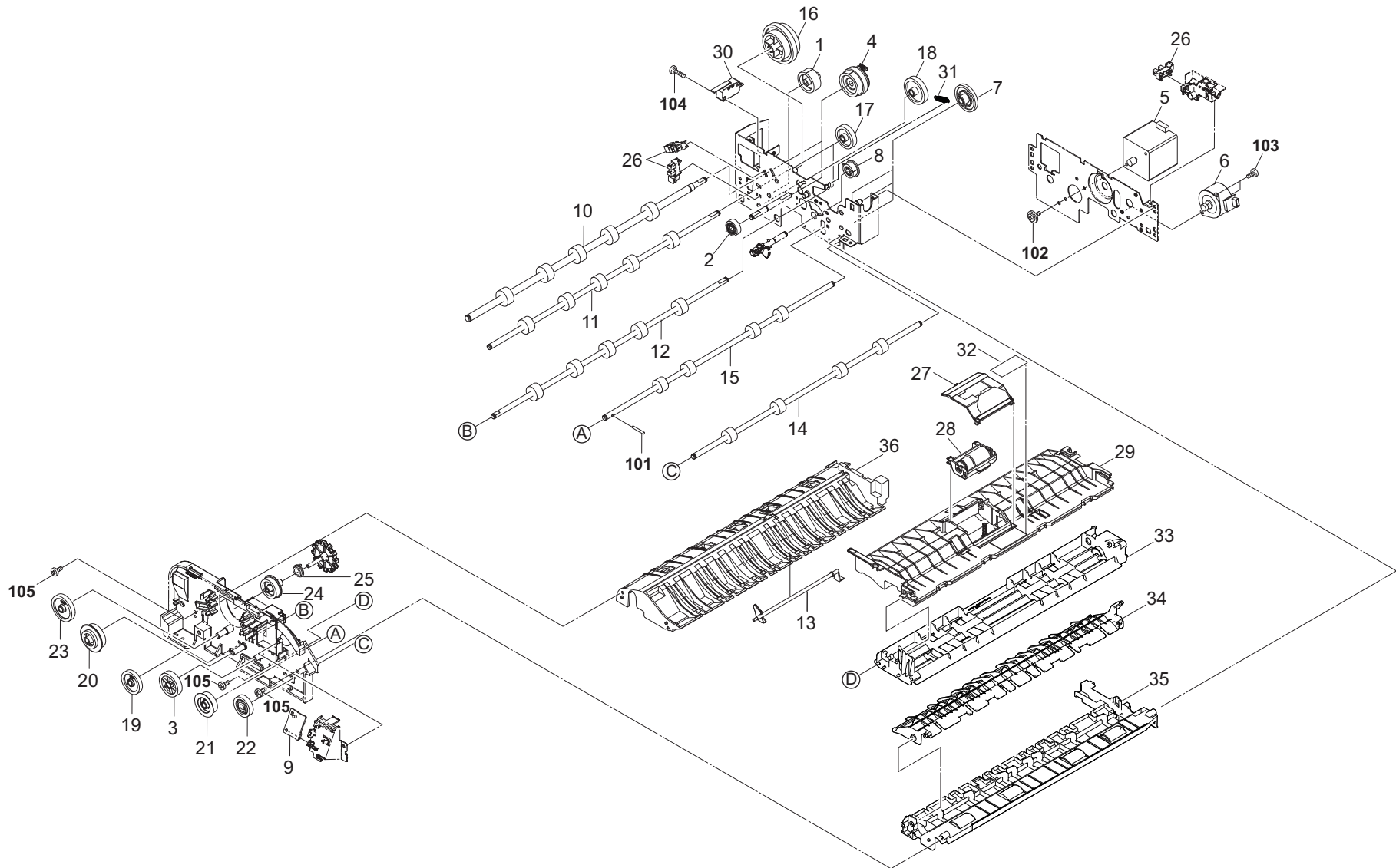


FIG. 18 Document Processor2

2MZ/2MY-2

Ref. No.	Part.No.	Alternative.	Description	Notes	Quantity		
					120	230	240
1	302F914160	2F914160	GEAR Z30H		1	1	1
2	302H731700	2H731700	GEAR Z21 CONT		1	1	1
3	302H731730	2H731730	GEAR Z34L MIDDLE		1	1	1
4	302KV44041	2KV44041	CLUTCH 50 Z35R		2	2	2
5	302KY44010	2KY44010	MOTOR IMAGE		1	1	1
6	302KY44090	2KY44090	MOTOR ROTARY		1	1	1
7	303H622331	3H622331	GEAR 20/65 IDLE		3	3	3
8	303LL31260	3LL31260	GEAR Z32S LIFT		1	1	1
9	303M894100	3M894100	PARTS PWB LED ASSY SP		1	1	1
10	303M894110	3M894110	PARTS ROLLER REGISTRATION SP		1	1	1
11	303M894120	3M894120	PARTS ROLLER CONVEYING A SP		1	1	1
12	303M894130	3M894130	PARTS ROLLER CONVEYING B SP		1	1	1
13	303M824110	3M824110	ACTUATOR REGISTRATION		1	1	1
14	303M894140	3M894140	PARTS ROLLER EXIT SP		1	1	1
15	303M894150	3M894150	PARTS ROLLER LOOP SP		1	1	1
16	303M894160	3M894160	PARTS GEAR Z41L Z58L Z76L SP		1	1	1
17	303M894170	3M894170	PARTS GEAR Z32R SP		2	2	2
18	303M894180	3M894180	PARTS GEAR Z38L SP		1	1	1
19	303M894190	3M894190	PARTS GEAR Z33L SP		1	1	1
20	303M894200	3M894200	PARTS GEAR Z34R Z26S SP		1	1	1
21	303M894210	3M894210	PARTS GEAR Z29R SP		1	1	1
22	303M894220	3M894220	PARTS GEAR Z29L ONEWAY SP		1	1	1
23	303M894240	3M894240	PARTS GEAR Z39S SP		1	1	1
24	303M894250	3M894250	PARTS GEAR LF Z29S SP		1	1	1
25	36211500	36211500	GEAR,LEADING FEED JOINT		1	1	1
26	303M894260	3M894260	PARTS SENSOR OPT SP		3	3	3
27	303M894030	3M894030	RETARD GUIDE (DP)	service only	1	1	1
28	303M894040	3M894040	RETARD ROLLER (DP)	service only	1	1	1
29	303M894071	3M894071	PARTS GUIDE PF ASSY SP		1	1	1
30	2FB27160	2FB27160	INTER LOCK SWITCH		1	1	1
31	303M807220	3M807220	SPRING REAR HOOK		1	1	1
32	3HK07240	3HK07240	FRICTION PLATE LF		1	1	1
33	303M829051	3M829051	GUIDE DUPLEX		1	1	1
34	303M829012	3M829012	GUIDE SHIFT		1	1	1
35	303M828021	3M828021	GUIDE EXIT		1	1	1
36	303M824015	3M824015	GUIDE CONVEYING		1	1	1
101	5MBP2010PXLJ	EP120100	PARALLEL PIN H7 / M2 X 10 SUS				
102	7BB607306H	BB105770	+TP-CUP M SCREW 3X6 R				
103	7BB700308H	BB105600	+BIND T.T S SCREW 3X8 SR				
104	7BB700316H	BB106910	+BIND T.T S SCREW 3X16 SR				
105	7BB200308H	BB105660	+BIND T.T P SCREW 3X8				

•Parts with Ref.No. indicate maintenance parts and the ones without it indicate out of the above.

•Parts with "•" are component parts or sub-assemblies of the assembly appearing immediately above them.

•Parts with "••" are component parts or sub-assembly with "•" appearing immediately above them.

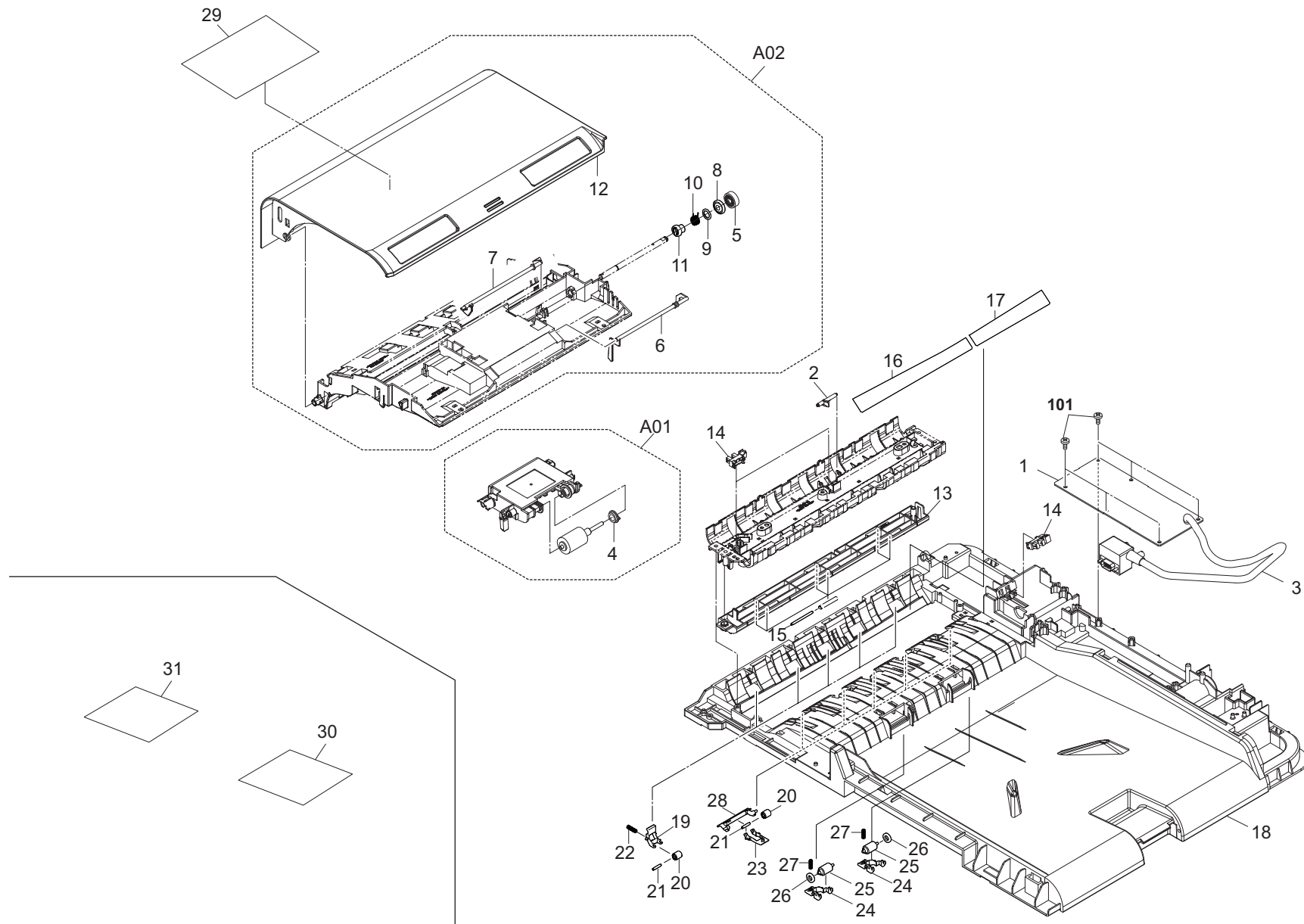


FIG. 19 Document Processor3

2MZ/2MY-2

Ref. No.	Part.No.	Alternative.	Description	Notes	Quantity		
					120	230	240
1	303M894010	3M894010	PARTS PWB DRIVE ASSY SP		1	1	1
2	303M824191	3M824191	ACTUATOR TIMING		1	1	1
3	303M846010	3M846010	WIRE INTERFACE		1	1	1
A01	303M894022	3M894022	FEED ROLLER (DP)	service only	1	1	1
4	*36211500	36211500	GEAR,LEADING FEED JOINT		1	1	1
A02	303M894052	3M894052	PARTS COVER PF ASSY SP		1	1	1
5	*302H731700	2H731700	GEAR Z21 CONT		1	1	1
6	*303M807060	3M807060	ACTUATOR ORIGINAL SET		1	1	1
7	*303M824090	3M824090	ACTUATOR FEED		1	1	1
8	*303M807130	3M807130	COLLAR FEED		1	1	1
9	*3HK07270	3HK07270	COLLAR PF		1	1	1
10	*3HK07140	3HK07140	SPRING LF		1	1	1
11	*303HK07081	3HK07081	COLLAR S SPRING		1	1	1
12	*303M804030	3M804030	COVER PF		1	1	1
13	303M894080	3M894080	PARTS GUIDE READING ASSY SP		1	1	1
14	303M894260	3M894260	PARTS SENSOR OPT SP		3	3	3
15	303M824130	3M824130	SHAFT GUIDE READING		6	6	6
16	303M824170	3M824170	SHEET LEFT GUIDE F		1	1	1
17	303M824180	3M824180	SHEET LEFT GUIDE R		1	1	1
18	303M802014	3M802014	BASE DP		1	1	1
19	303M824100	3M824100	HOLDER LEFT PULLEY		5	5	5
20	303M824210	3M824210	PULLEY CONVEYING BK		10	10	10
21	303M824200	3M824200	SHAFT PULLEY		10	10	10
22	302H008140	2H008140	SPRING BYPASSFFED		5	5	5
23	303M824121	3M824121	HOLDER RIGHT PULLEY		5	5	5
24	303M828030	3M828030	HOLDER PULLEY EJECT		2	2	2
25	303M828040	3M828040	PULLEY EJECT		2	2	2
26	303M828050	3M828050	SPONGE EJECT		2	2	2
27	302H728100	2H728100	SPRING EXIT PULLEY		2	2	2
28	303M824160	3M824160	GUIDE RIGHT READING		5	5	5
29	303M834090	3M834090	LABEL CAUTION ENG		1	1	1
30	303M834121	3M834121	LABEL CAUTION SET 3NATIONS		1	1	
31	303M834131	3M834131	LABEL CAUTION SET 4NATIONS			1	
101	7BB200308H	BB105660	+BIND T.T P SCREW 3X8				

•Parts with Ref.No. indicate maintenance parts and the ones without it indicate out of the above.

•Parts with "•" are component parts or sub-assemblies of the assembly appearing immediately above them.

•Parts with "••" are component parts or sub-assembly with "•" appearing immediately above them.

FIG. 20 Maintenance Kits

2MZ/2MY

Ref. No.	Part.No.	Alternative.	Description	Notes	Quantity		
					120	230	240
	1702K00UN2	072K00U2	MK-896B/MAINTENANCE KIT	OPTION	1	1	1
			DK-896		3	3	3
			DV-896M		1	1	1
			DV-896C		1	1	1
			DV-896Y		1	1	1
	1702MY0UN0	072MY0UN	MK-896A/MAINTENANCE KIT	OPTION	1	1	1
			TR-896B		1	1	1
			DK-896		1	1	1
			DV-896K		1	1	1
			TR-896A		1	1	1
			FK-896		1	1	1
			PRIMARY FEED UNIT		1	1	1
			SEPARATION PAD	service only	1	1	1
			MPF ROLLER	service only	1	1	1
			REGIST CLEANER		1	1	1
	1703M80UN0	073M80UN	MK-470/MAINTENANCE KIT	OPTION	1	1	1
			FEED ROLLER (DP)	service only	1	1	1
			RETARD GUIDE (DP)	service only	1	1	1
			RETARD ROLLER (DP)	service only	1	1	1

•Parts with Ref.No. indicate maintenance parts and the ones without it indicate out of the above.

•Parts with "•" are component parts or sub-assemblies of the assembly appearing immediately above them.
 •Parts with "••" are component parts or sub-assembly with "•" appearing immediately above them.

INDEX

2MZ/2MY-3

Part.No.	Alternative.	Description	Fig.No.
1702K00UN2	072K00U2	MK-896B/MAINTENANCE KIT	20
1702MY0UN0	072MY0UN	MK-896A/MAINTENANCE KIT	20
1703M80UN0	073M80UN	MK-470/MAINTENANCE KIT	20
2FB27160	2FB27160	INTER LOCK SWITCH	3,18
2FM04150	5MVM163DN005	CAP SPRING /B-11 ENCLOSURE A4	1
3019527401	19527401	POWER CORD(120)	2
302AR94050	2AR94050	PARTS AC CORD EU SP	2
302BG06152	2BG06152	SHAFT FEED B	1
302F914160	2F914160	GEAR Z30H	18
302FZ94380	2FZ94380	PARTS,FAN COOLING DLP 70 SP	14
302FZ94420	2FZ94420	PARTS,FAN COOLING CONVEYING SP	14
302H004560	2H004560	STOPPER PAPER	1
302H008140	2H008140	SPRING BYPASSFFED	19
302H024510	2H024510	STOPPER SHUTTER	1
302H044110	2H044110	SENSOR ORIGINAL	8
302H728100	2H728100	SPRING EXIT PULLEY	19
302H731700	2H731700	GEAR Z21 CONT	18,19
302H731730	2H731730	GEAR Z34L MIDDLE	18
302HG44110	2HG44110	FAN MOTOR 50	14
302HG44120	2HG44120	FAN MOTOR PS40	14
302HN44010	2HN44010	FAN MOTOR	14
302HN44100	2HN44100	MOTOR REVERSE	6
302HN44210	2HN44210	FAN MOTOR	7
302HS31120	2HS31120	GEAR Z27L CLUTCH	5
302K002230	2K002230	ACTUATOR PAPER EMPTY	2
302K002671	2K002671	SPRING EARTH EXIT	3
302K002880	2K002880	WORM-WHEEL ID SENSOR CLEANING	2
302K002890	2K002890	GEAR ID SENSOR CLEANING Z71R	2
302K002A32	2K002A32	COVER INNER FRONT	15
302K003012	2K003012	HOUSING WASTE	3
302K003022	2K003022	CASE WASTE A	3
302K003050	2K003050	SCREW WASTE	3
302K003060	2K003060	GEAR SCREW WASTE Z13L	3
302K003110	2K003110	GEAR WASTE Z13L	3
302K003140	2K003140	JOINT WASTE C	3
302K003280	2K003280	SEAL CASE WASTE C	3
302K003331	2K003331	SEAL CASE WASTE D	3
302K003620	2K003620	PLATE HOUSING WASTE	3
302K004020	2K004020	COVER FRONT TOP	1
302K004031	2K004031	COVER TRAY	1
302K004040	2K004040	COVER EXIT REAR	1
302K004050	2K004050	COVER EXIT FRONT	1
302K004060	2K004060	COVER RIGHT REAR	1
302K004100	2K004100	COVER LEFT LOW	1
302K004110	2K004110	COVER LEFT TOP	1
302K004121	2K004121	COVER ISU FRONT	8
302K004170	2K004170	LID CONTROLLER BOX	1
302K004180	2K004180	COVER TRAY LEFT	1
302K004350	2K004350	HOLDER SWITCH	1
302K011041	2K011041	GEAR MC Z17S	11

Part.No.	Alternative.	Description	Fig.No.
302K015030	2K015030	GEAR Z20S-Z26L	3
302K015040	2K015040	GEAR Z50S	3
302K015200	2K015200	SHUTTER TONER SUPPLY A	2
302K015230	2K015230	GEAR IDLE Z22S	2
302K015240	2K015240	GEAR JOINT Z26S	2
302K015340	2K015340	SEAL SHUTTER SUPPLY	2
302K026120	2K026120	GEAR IDLE Z20S	2
302K028060	2K028060	GUIDE CHANGE	6
302K028080	2K028080	ACTUATOR EXIT OVERFLOW LOW	6
302K028090	2K028090	ACTUATOR EXIT OVERFLOW UP	6
302K028260	2K028260	GEAR Z23S EXIT	6
302K029050	2K029050	GUIDE EXIT RIGHT	7
302K031450	2K031450	HOLDER CLUTCH	14
302K031720	2K031720	GEAR BELT CLEANING DRIVE Z30L	2
302K031740	2K031740	GEAR BELT CLEANING DRIVE Z20L	2
302K033012	2K033012	DUCT EXIT	14
302K039010	2K039010	SHIELD CONTROLLER	14
302K046160	2K046160	WIRE PANELMAIN SIG	16
302K046330	2K046330	FFC ENGINE1-2 SIG	15
302K046871	2K046871	WIRE MAIN-PANEL_MAIN	16
302K046880	2K046880	FFC ENGINE-MAIN	15
302K093060	2K093060	LK-895	9
302K093110	2K093110	WT-895	1
302K093122	2K093122	DR-895A	14
302K093132	2K093132	DR-895B	14
302K093142	2K093142	DR-895C	14
302K093150	2K093150	PARTS MOUNT LED ASSY	8
302K093162	2K093162	PARTS ISU	8
302K094010	2K094010	PARTS EXIT UNIT SP	6
302K094031	2K094031	PARTS COVER RIGHT ASSY SP	7
302K094041	2K094041	PARTS PIPE TRANSFER CLEANING ASSY SP	2
302K094050	2K094050	PARTS TONER SUPPLY ASSY SP	2
302K094090	2K094090	PARTS MOTOR-DC ASSY C SP	9
302K094100	2K094100	PARTS DC MOTOR SP	2,3
302K094111	2K094111	PARTS PWB IH 100 ASSY SP	15
302K094122	2K094122	PARTS PWB IH 200 ASSY SP	15
302K094170	2K094170	PARTS PWB LSU CONNECT ASSY SP	9
302K094180	2K094180	PARTS PWB DRUM DLP CONNECT ASSY SP	2
302K094190	2K094190	PARTS PWB TRANSFER CONNECT ASSY SP	15
302K094200	2K094200	PARTS PWB RFID ASSY SP	15
302K094212	2K094212	PARTS PWB ENGINE CONNECT ASSY SP	15
302K094240	2K094240	PARTS LVU MAIN 100 SP	15
302K094250	2K094250	PARTS LVU MAIN 200 SP	15
302K094260	2K094260	PARTS HVU1 SP	15
302K094270	2K094270	PARTS HVU2 SP	15
302K094280	2K094280	PARTS TONER FULL DETECT ASSY SP	3
302K094290	2K094290	PARTS ID SENSOR ASSY ASSY SP	2
302K094300	2K094300	PARTS FAN MOTOR SP	15
302K094320	2K094320	PARTS CLUTCH 50 Z45L SP	14
302K094330	2K094330	PARTS ROLLER MIDDLE SP	5

Part.No.	Alternative.	Description	Fig.No.
302K094340	2K094340	PARTS ROLLER EXIT FD SP	6
302K094350	2K094350	PARTS ROLLER EXIT REVERSE SP	6
302K094370	2K094370	PARTS COVER REAR ASSY SP	1
302K094380	2K094380	PARTS COVER RIGHT TOP ASSY SP	1
302K094390	2K094390	PARTS ROLLER DU B SP	7
302K094400	2K094400	REGIST CLEANER	5
302K094420	2K094420	PARTS ROLLER REGIST RIGHT SP	7
302K094430	2K094430	PARTS COVER REAR ASSY E SP	1
302K094620	2K094620	PARTS HOLDER SHUTTER CONT ASSY SP	2
302K094640	2K094640	PARTS DRIVE MIDDLE TRANS SP	14
302K302430	2K302430	HEATER DEHUMIDIFIER 120	3
302K302440	2K302440	HEATER DEHUMIDIFIER 240	3
302K302831	2K302831	ACTUATOR DECK FEED	2
302K304070	2K304070	COVER RIGHT LOW	1
302K304131	2K304131	COVER ISU LEFT	8
302K304150	2K304150	COVER ISU REAR	8
302K304230	2K304230	STRAP COVER FRONT R	1
302K304290	2K304290	COVER EXIT FRONT TOP	1
302K304320	2K304320	STRAP COVER FRONT L	1
302K305022	2K305022	COVER OPERATION LOW	16
302K305050	2K305050	COVER PANEL RIGHT	16
302K305310	2K305310	SHEET OPERATION RIGHT E	16
302K305350	2K305350	SHEET OPERATION RIGHT G	16
302K305360	2K305360	SHEET OPERATION RIGHT F	16
302K305370	2K305370	SHEET OPERATION RIGHT I	16
302K305380	2K305380	SHEET OPERATION RIGHT S	16
302K305390	2K305390	SHEET OPERATION RIGHT P(B)	16
302K305400	2K305400	SHEET OPERATION RIGHT N	16
302K305410	2K305410	SHEET OPERATION RIGHT R	16
302K306140	2K306140	ACTUATOR REGIST	5
302K306320	2K306320	GUIDE COVER INNER	1
302K306330	2K306330	SHAFT INNER ROLLER F	1
302K306340	2K306340	STOPPER INNER GUIDE	1
302K306350	2K306350	SPRING INNER GUIDE	1
302K306380	2K306380	SHAFT INNER ROLLER R	1
302K308020	2K308020	ACTUATOR MPF	5
302K308080	2K308080	SHAFT MPF	5
302K308400	2K308400	COVER MPF	7
302K308460	2K308460	STRAP LINK MPF	7
302K309021	2K309021	BASE CASSETTE	4
302K309041	2K309041	ARM SIZE DETECTION	4
302K309080	2K309080	COVER CASSETTE	4
302K309120	2K309120	CURSOR CASSETTE REAR	4
302K309130	2K309130	CURSOR CASSETTE FRONT	4
302K309270	2K309270	CURSOR END	4
302K309410	2K309410	PLATE SIZE DETECTION	3
302K317172	2K317172	GUIDE FFC LED C	8
302K317250	2K317250	SWITCH RELEASE	8
302K317260	2K317260	MOUNT RELEASE SWITCH	8
302K317350	2K317350	GEAR Z54	8

Part.No.	Alternative.	Description	Fig.No.
302K317791	2K317791	SHEET FFC LED	8
302K317820	2K317820	STOPPER PAPER C	6
302K329040	2K329040	ACTUATOR DU	7
302K334090	2K334090	SHEET CASSETTE C	4
302K334100	2K334100	SHEET CASSETTE I	4
302K334480	2K334480	LABEL COVER CAUTION 9NATIONS	7
302K346401	2K346401	FFC MAIN-LED LAMP	8
302K346411	2K346411	FFC MAIN-CCD	8
302K393174	2K393174	CT-475	4
302K394170	2K394170	PARTS LCD COLOR SP	16
302K394190	2K394190	PARTS MOTOR LIFT ASSY SP	2
302K394210	2K394210	PARTS MOTOR ISU SP	8
302K394230	2K394230	PARTS ROLLER REGIST LEFT SP	5
302K394250	2K394250	PARTS ROLLER DU SP	7
302K394310	2K394310	PARTS GEAR REGIST Z28L-Z18L SP	5
302K394320	2K394320	PARTS GEAR MPF Z28 SP	5
302K394330	2K394330	PARTS GEAR REGIST Z24R SP	7
302K394340	2K394340	PARTS GEAR Z74R-Z22S EXIT SP	6
302K394350	2K394350	PARTS GEAR Z22S EXIT SP	6
302K394370	2K394370	PARTS GEAR Z18-Z63R SP	8
302K394380	2K394380	PARTS GEAR Z18 SP	4
302K394400	2K394400	PARTS GEAR DU Z27L SP	7
302K394460	2K394460	MPF ROLLER	5
302K394470	2K394470	PARTS MPF TABLE ASSY SP	7
302K394480	2K394480	PRIMARY FEED UNIT	5
302K394491	2K394491	SEPARATION PAD	5
302K394501	2K394501	PARTS MPF UNIT	5
302K394550	2K394550	PARTS CONTACT-GLASS ASSY(C) SP	8
302K394560	2K394560	PARTS CONTACT-GLASS ASSY(I) SP	8
302K394590	2K394590	PARTS COVER ISU RIGHT ASSY A SP	8
302K394621	2K394621	MPF ROLLER-PAD SET	5
302K394870	2K394870	PARTS COVER OPE LOW SET SP	16
302K994321	2K994321	PARTS MOTOR-BL W20 SP	14
302K994331	2K994331	PARTS MOTOR-BL W30 SP	14
302K994360	2K994360	PARTS FAN COOLING LSU 60 SP	14
302K994520	2K994520	PARTS GEAR Z32L SP	9
302KP29090	2KP29090	GEAR IDLE Z18S	6
302KV44041	2KV44041	CLUTCH 50 Z35R	18
302KV94360	2KV94360	PARTS PWB ASSY THERMISTOR SP	15
302KY44010	2KY44010	MOTOR IMAGE	18
302KY44090	2KY44090	MOTOR ROTARY	18
302LC93080	2LC93080	FK-8506 IH	13
302LC93090	2LC93090	FK-8507 IH	13
302LC94301	2LC94301	PARTS MOTOR-BL W20 DRUM SP	14
302LC94380	2LC94380	PARTS FAN COOLING LSU 60 SP	14
302MV21110	2MV21110	SHAFT TRANSFER CLEANING DRIVE	2
302MV24030	2MV24030	PULLEY MIDDLE	7
302MV33020	2MV33020	DUCT CONTAINER B	2
302MV33030	2MV33030	DUCT CONTAINER C	2
302MV46540	2MV46540	WIRE IH-DLP FAN	14

Part.No.	Alternative.	Description	Fig.No.
302MV94550	2MV94550	PARTS TRAY EJECT ASSY SP	6
302MV94650	2MV94650	PARTS SWITCH EXIT PAPER EMPTY SP	6
302MW94070	2MW94070	PARTS LVU SUB 100 SP	15
302MW94080	2MW94080	PARTS LVU SUB 200 SP	15
302MY05010	2MY05010	SHEET OPERATION LEFT E	16
302MY05030	2MY05030	SHEET OPERATION LEFT S	16
302MY05040	2MY05040	SHEET OPERATION LEFT F	16
302MY05050	2MY05050	SHEET OPERATION LEFT P	16
302MY05060	2MY05060	SHEET OPERATION LEFT G	16
302MY05070	2MY05070	SHEET OPERATION LEFT I	16
302MY05080	2MY05080	SHEET OPERATION LEFT N	16
302MY05090	2MY05090	SHEET OPERATION LEFT R	16
302MY93012	2MY93012	DK-896	11
302MY93021	2MY93021	DV-896Y	10
302MY93031	2MY93031	DV-896M	10
302MY93041	2MY93041	DV-896C	10
302MY93051	2MY93051	DV-896K	10
302MY93060	2MY93060	TR-896A	12
302MY93070	2MY93070	TR-896B	7
302MY93083	2MY93083	FK-896	13
302MY94010	2MY94010	PARTS COVER FRONT ASSY 25 J/A SP	1
302MY94020	2MY94020	PARTS COVER FRONT ASSY 25 E SP	1
302MY94031	2MY94031	PARTS OPERATION UNIT SP	16
302MY94050	2MY94050	PARTS PWB MAIN ASSY SP	15
302MY94060	2MY94060	PARTS PWB MAIN ASSY SP EU	15
302MY94080	2MY94080	PARTS MEMORY MODULE SP	15
302MY94090	2MY94090	PARTS PWB ENGINE ASSY SP	15
302MY94110	2MY94110	PARTS PWB PANEL MAIN ASSY SP	16
302MY94120	2MY94120	PARTS CONVEYING UNIT SP	7
302MZ94010	2MZ94010	PARTS COVER FRONT ASSY 20 J/A SP	1
302MZ94020	2MZ94020	PARTS COVER FRONT ASSY 20 E SP	1
302N904100	2N904100	CLEANER CLOTH	17
302NP93020	2NP93020	MC-8325	11
303H605110	3H605110	LABEL MSP A	17
303H622331	3H622331	GEAR 20/65 IDLE	18
303HK07081	3HK07081	COLLAR S SPRING	19
303J902370	3J902370	CUSHION ORIGINAL MAT	17
303JC04201	3JC04201	PLATE ORIGINAL	17
303K502080	3K502080	SPONGE ORIGINAL MAT	17
303LJ94150	3LJ94150	PARTS SOLENOID FEED SHIFT SP	6
303LL06100	3LL06100	COVER TABLE WIRE	17
303LL31260	3LL31260	GEAR Z32S LIFT	18
303LL34190	3LL34190	LABEL FACE UP 7NATIONS	17
303M802014	3M802014	BASE DP	19
303M802021	3M802021	LEFT HINGE	17
303M802100	3M802100	STAY HINGE	17
303M802320	3M802320	SPONGE ORIGINAL MAT A	17
303M804011	3M804011	COVER FRONT	17
303M804020	3M804020	COVER REAR	17
303M804030	3M804030	COVER PF	19

Part.No.	Alternative.	Description	Fig.No.
303M804040	3M804040	COVER LEFT	17
303M804050	3M804050	STOPPER EJECT	17
303M804060	3M804060	LID REAR COVER	17
303M804070	3M804070	COVER LED	17
303M804080	3M804080	LID INNER COVER	17
303M804090	3M804090	COVER HINGE	17
303M806050	3M806050	TRAY LOOP	17
303M807060	3M807060	ACTUATOR ORIGINAL SET	19
303M807130	3M807130	COLLAR FEED	19
303M807220	3M807220	SPRING REAR HOOK	18
303M824015	3M824015	GUIDE CONVEYING	18
303M824090	3M824090	ACTUATOR FEED	19
303M824100	3M824100	HOLDER LEFT PULLEY	19
303M824110	3M824110	ACTUATOR REGISTRATION	18
303M824121	3M824121	HOLDER RIGHT PULLEY	19
303M824130	3M824130	SHAFT GUIDE READING	19
303M824160	3M824160	GUIDE RIGHT READING	19
303M824170	3M824170	SHEET LEFT GUIDE F	19
303M824180	3M824180	SHEET LEFT GUIDE R	19
303M824191	3M824191	ACTUATOR TIMING	19
303M824200	3M824200	SHAFT PULLEY	19
303M824210	3M824210	PULLEY CONVEYING BK	19
303M828021	3M828021	GUIDE EXIT	18
303M828030	3M828030	HOLDER PULLEY EJECT	19
303M828040	3M828040	PULLEY EJECT	19
303M828050	3M828050	SPONGE EJECT	19
303M829012	3M829012	GUIDE SHIFT	18
303M829051	3M829051	GUIDE DUPLEX	18
303M834070	3M834070	LABEL HINGE CAUTION	17
303M834090	3M834090	LABEL CAUTION ENG	19
303M834111	3M834111	LABEL PAPER SET CAUTION ENG	17
303M834121	3M834121	LABEL CAUTION SET 3NATIONS	19
303M834131	3M834131	LABEL CAUTION SET 4NATIONS	19
303M846010	3M846010	WIRE INTERFACE	19
303M894010	3M894010	PARTS PWB DRIVE ASSY SP	19
303M894022	3M894022	FEED ROLLER (DP)	19
303M894030	3M894030	RETARD GUIDE (DP)	18
303M894040	3M894040	RETARD ROLLER (DP)	18
303M894052	3M894052	PARTS COVER PF ASSY SP	19
303M894060	3M894060	PARTS TABLE ASSY SP	17
303M894071	3M894071	PARTS GUIDE PF ASSY SP	18
303M894080	3M894080	PARTS GUIDE READING ASSY SP	19
303M894100	3M894100	PARTS PWB LED ASSY SP	18
303M894110	3M894110	PARTS ROLLER REGISTRATION SP	18
303M894120	3M894120	PARTS ROLLER CONVEYING A SP	18
303M894130	3M894130	PARTS ROLLER CONVEYING B SP	18
303M894140	3M894140	PARTS ROLLER EXIT SP	18
303M894150	3M894150	PARTS ROLLER LOOP SP	18
303M894160	3M894160	PARTS GEAR Z41L Z58L Z76L SP	18
303M894170	3M894170	PARTS GEAR Z32R SP	18

KYOCERA Document Solutions America, Inc.**Headquarters**

225 Sand Road,
Fairfield, New Jersey 07004-0008, USA
Phone: +1-973-808-8444
Fax: +1-973-882-6000

Latin America

8240 NW 52nd Terrace Dawson Building, Suite 100
Miami, Florida 33166, USA
Phone: +1-305-421-6640
Fax: +1-305-421-6666

KYOCERA Document Solutions Canada, Ltd.

6120 Kestrel Rd., Mississauga, ON L5T 1S8,
Canada
Phone: +1-905-670-4425
Fax: +1-905-670-8116

**KYOCERA Document Solutions
Mexico, S.A. de C.V.**

Calle Arquimedes No. 130, 4 Piso, Colonia Polanco
Chapultepec, Delegacion Miguel Hidalgo,
Distrito Federal, C.P. 11560, México
Phone: +52-555-383-2741
Fax: +52-555-383-7804

KYOCERA Document Solutions Brazil, Ltda.

Alameda África, 545, Pólo Empresarial Consbrás,
Tamboré, Santana de Parnaíba-SP, CEP 06543-306,
Brazil
Phone: +55-11-4195-8496
Fax: +55-11-4195-6167

**KYOCERA Document Solutions
Australia Pty. Ltd.**

Level 3, 6-10 Talavera Road North Ryde N.S.W, 2113,
Australia
Phone: +61-2-9888-9999
Fax: +61-2-9888-9588

**KYOCERA Document Solutions
New Zealand Ltd.**

Ground Floor, 19 Byron Avenue, Takapuna, Auckland,
New Zealand
Phone: +64-9-415-4517
Fax: +64-9-415-4597

KYOCERA Document Solutions Asia Limited

16/F., Mita Centre, 552-566, Castle Peak Road
Tsuenwan, NT, Hong Kong
Phone: +852-2610-2181
Fax: +852-2610-2063

**KYOCERA Document Solutions
(China) Corporation**

8F, No. 288 Nanjing Road West, Huangpu District,
Shanghai, 200003, China
Phone: +86-21-5301-1777
Fax: +86-21-5302-8300

**KYOCERA Document Solutions
(Thailand) Corp., Ltd.**

335 Ratchadapisek Road, Bangsue, Bangkok 10800,
Thailand
Phone: +66-2-586-0333
Fax: +66-2-586-0278

**KYOCERA Document Solutions
Singapore Pte. Ltd.**

12 Tai Seng Street #04-01A,
Luxasia Building, Singapore 534118
Phone: +65-6741-8733
Fax: +65-6748-3788

**KYOCERA Document Solutions
Hong Kong Limited**

16/F., Mita Centre, 552-566, Castle Peak Road
Tsuenwan, NT, Hong Kong
Phone: +852-3582-4000
Fax: +852-3185-1399

**KYOCERA Document Solutions
Taiwan Corporation**

6F., No.37, Sec. 3, Minquan E. Rd.,
Zhongshan Dist., Taipei 104, Taiwan R.O.C.
Phone: +886-2-2507-6709
Fax: +886-2-2507-8432

KYOCERA Document Solutions Korea Co., Ltd.

18F, Kangnam bldg, 1321-1,
Seocho-Dong, Seocho-Gu, Seoul, Korea
Phone: +822-6933-4050
Fax: +822-747-0084

**KYOCERA Document Solutions
India Private Limited**

Second floor, Centrum Plaza, Golf Course Road,
Sector-53, Gurgaon, Haryana 122002, India
Phone: +91-0124-4671000
Fax: +91-0124-4671001

KYOCERA Document Solutions Europe B.V.

Bloemlaan 4, 2132 NP Hoofddorp,
The Netherlands
Phone: +31-20-654-0000
Fax: +31-20-653-1256

KYOCERA Document Solutions Nederland B.V.

Beechavenue 25, 1119 RA Schiphol-Rijk,
The Netherlands
Phone: +31-20-5877200
Fax: +31-20-5877260

KYOCERA Document Solutions (U.K.) Limited

Eldon Court, 75-77 London Road,
Reading, Berkshire RG1 5BS,
United Kingdom
Phone: +44-118-931-1500
Fax: +44-118-931-1108

KYOCERA Document Solutions Italia S.p.A.

Via Verdi, 89/91 20063 Cernusco s/N.(MI),
Italy
Phone: +39-02-921791
Fax: +39-02-92179-600

KYOCERA Document Solutions Belgium N.V.

Sint-Martinusweg 199-201 1930 Zaventem,
Belgium
Phone: +32-2-7209270
Fax: +32-2-7208748

KYOCERA Document Solutions France S.A.S.

Espace Technologique de St Aubin
Route de l'Orme 91195 Gif-sur-Yvette CEDEX,
France
Phone: +33-1-69852600
Fax: +33-1-69853409

KYOCERA Document Solutions Espana, S.A.

Edificio Kyocera, Avda. de Manacor No.2,
28290 Las Matas (Madrid), Spain
Phone: +34-91-6318392
Fax: +34-91-6318219

KYOCERA Document Solutions Finland Oy

Atomitie 5C, 00370 Helsinki,
Finland
Phone: +358-9-47805200
Fax: +358-9-47805390

**KYOCERA Document Solutions
Europe B.V., Amsterdam (NL) Zürich Branch**

Hohlstrasse 614, 8048 Zürich,
Switzerland
Phone: +41-44-9084949
Fax: +41-44-9084950

**KYOCERA Document Solutions
Deutschland GmbH**

Otto-Hahn-Strasse 12, 40670 Meerbusch,
Germany
Phone: +49-2159-9180
Fax: +49-2159-918100

KYOCERA Document Solutions Austria GmbH

Eduard-Kittenberger-Gasse 95, 1230 Vienna,
Austria
Phone: +43-1-863380
Fax: +43-1-86338-400

KYOCERA Document Solutions Nordic AB

Esbogatan 16B 164 75 Kista, Sweden
Phone: +46-8-546-550-00
Fax: +46-8-546-550-10

KYOCERA Document Solutions Norge Nuf

Postboks 150 Oppsal, 0619 Oslo,
Norway
Phone: +47-22-62-73-00
Fax: +47-22-62-72-00

KYOCERA Document Solutions Danmark A/S

Ejby Industrivej 60, DK-2600 Glostrup,
Denmark
Phone: +45-70223880
Fax: +45-45765850

KYOCERA Document Solutions Portugal Lda.

Rua do Centro Cultural, 41 (Alvalade) 1700-106 Lisboa,
Portugal
Phone: +351-21-843-6780
Fax: +351-21-849-3312

**KYOCERA Document Solutions
South Africa (Pty) Ltd.**

KYOCERA House, Hertford Office Park,
90 Bekker Road (Cnr. Allandale), Midrand, South Africa.
Phone: +27-11-540-2600
Fax: +27-11-466-3050

KYOCERA Document Solutions Russia LLC

Botanichesky pereulok 5, Moscow, 129090,
Russia
Phone: +7(495)741-0004
Fax: +7(495)741-0018

KYOCERA Document Solutions Middle East

Dubai Internet City, Bldg. 17,
Office 157 P.O. Box 500817, Dubai,
United Arab Emirates
Phone: +971-04-433-0412

KYOCERA Document Solutions Inc.

2-28, 1-chome, Tamatsukuri, Chuo-ku
Osaka 540-8585, Japan
Phone: +81-6-6764-3555
<http://www.kyoceradocumentsolutions.com>

© 2014 KYOCERA Document Solutions Inc.

 is a trademark of KYOCERA Corporation