



FS-C5150DN

FS-C5250DN

SERVICE MANUAL

Published in September 2010
2KVSM060
First Edition

CAUTION

RISK OF EXPLOSION IF BATTERY IS REPLACED BY AN INCORRECT TYPE. DISPOSE OF USED BATTERIES ACCORDING TO THE INSTRUCTIONS.

It may be illegal to dispose of this battery into the municipal waste stream. Check with your local solid waste officials for details in your area for proper disposal.

ATTENTION

IL Y A UN RISQUE D'EXPLOSION SI LA BATTERIE EST REMPLACÉE PAR UN MODÈLE DE TYPE INCORRECT. METTRE AU REBUT LES BATTERIES UTILISÉES SELON LES INSTRUCTIONS DONNÉES.

Il peut être illégal de jeter les batteries dans des eaux d'égout municipales. Vérifiez avec les fonctionnaires municipaux de votre région pour les détails concernant des déchets solides et une mise au rebut appropriée.

Revision history

Revision	Date	Replaced pages	Remarks

This page is intentionally left blank.

Safety precautions

This booklet provides safety warnings and precautions for our service personnel to ensure the safety of their customers, their machines as well as themselves during maintenance activities. Service personnel are advised to read this booklet carefully to familiarize themselves with the warnings and precautions described here before engaging in maintenance activities.

Safety warnings and precautions

Various symbols are used to protect our service personnel and customers from physical danger and to prevent damage to their property. These symbols are described below:

⚠ DANGER: High risk of serious bodily injury or death may result from insufficient attention to or incorrect compliance with warning messages using this symbol.

⚠ WARNING: Serious bodily injury or death may result from insufficient attention to or incorrect compliance with warning messages using this symbol.

⚠ CAUTION: Bodily injury or damage to property may result from insufficient attention to or incorrect compliance with warning messages using this symbol.

Symbols

The triangle (\triangle) symbol indicates a warning including danger and caution. The specific point of attention is shown inside the symbol.



General warning.



Warning of risk of electric shock.



Warning of high temperature.

⊘ indicates a prohibited action. The specific prohibition is shown inside the symbol.



General prohibited action.



Disassembly prohibited.

● indicates that action is required. The specific action required is shown inside the symbol.



General action required.





Remove the power plug from the wall outlet.











Always ground the copier.

1. Installation Precautions

WARNING











- Do not use a power supply with a voltage other than that specified. Avoid multiple connections to one outlet: they may cause fire or electric shock. When using an extension cable, always check that it is adequate for the rated current. 
- Connect the ground wire to a suitable grounding point. Not grounding the copier may cause fire or electric shock. Connecting the earth wire to an object not approved for the purpose may cause explosion or electric shock. Never connect the ground cable to any of the following: gas pipes, lightning rods, ground cables for telephone lines and water pipes or faucets not approved by the proper authorities. 

CAUTION:





- Do not place the copier on an infirm or angled surface: the copier may tip over, causing injury. 
- Do not install the copier in a humid or dusty place. This may cause fire or electric shock. 
- Do not install the copier near a radiator, heater, other heat source or near flammable material. This may cause fire. 
- Allow sufficient space around the copier to allow the ventilation grills to keep the machine as cool as possible. Insufficient ventilation may cause heat buildup and poor copying performance. 
- Always handle the machine by the correct locations when moving it. 
- Always use anti-toppling and locking devices on copiers so equipped. Failure to do this may cause the copier to move unexpectedly or topple, leading to injury. 
- Avoid inhaling toner or developer excessively. Protect the eyes. If toner or developer is accidentally ingested, drink a lot of water to dilute it in the stomach and obtain medical attention immediately. If it gets into the eyes, rinse immediately with copious amounts of water and obtain medical attention. 
- Advise customers that they must always follow the safety warnings and precautions in the copier's instruction handbook. 












2. Precautions for Maintenance

WARNING

- Always remove the power plug from the wall outlet before starting machine disassembly. 
- Always follow the procedures for maintenance described in the service manual and other related brochures. 
- Under no circumstances attempt to bypass or disable safety features including safety mechanisms and protective circuits. 
- Always use parts having the correct specifications. 
- Always use the thermostat or thermal fuse specified in the service manual or other related brochure when replacing them. Using a piece of wire, for example, could lead to fire or other serious accident. 
- When the service manual or other serious brochure specifies a distance or gap for installation of a part, always use the correct scale and measure carefully. 
- Always check that the copier is correctly connected to an outlet with a ground connection. 
- Check that the power cable covering is free of damage. Check that the power plug is dust-free. If it is dirty, clean it to remove the risk of fire or electric shock. 
- Never attempt to disassemble the optical unit in machines using lasers. Leaking laser light may damage eyesight. 
- Handle the charger sections with care. They are charged to high potentials and may cause electric shock if handled improperly. 


CAUTION

- Wear safe clothing. If wearing loose clothing or accessories such as ties, make sure they are safely secured so they will not be caught in rotating sections. 
- Use utmost caution when working on a powered machine. Keep away from chains and belts. 
- Handle the fixing section with care to avoid burns as it can be extremely hot. 
- Check that the fixing unit thermistor, heat and press rollers are clean. Dirt on them can cause abnormally high temperatures. 

- Do not remove the ozone filter, if any, from the copier except for routine replacement. 
- Do not pull on the AC power cord or connector wires on high-voltage components when removing them; always hold the plug itself. 
- Do not route the power cable where it may be stood on or trapped. If necessary, protect it with a cable cover or other appropriate item. 
- Treat the ends of the wire carefully when installing a new charger wire to avoid electric leaks. 
- Remove toner completely from electronic components. 
- Run wire harnesses carefully so that wires will not be trapped or damaged. 
- After maintenance, always check that all the parts, screws, connectors and wires that were removed, have been refitted correctly. Special attention should be paid to any forgotten connector, trapped wire and missing screws. 
- Check that all the caution labels that should be present on the machine according to the instruction handbook are clean and not peeling. Replace with new ones if necessary. 
- Handle greases and solvents with care by following the instructions below: 
 - Use only a small amount of solvent at a time, being careful not to spill. Wipe spills off completely.
 - Ventilate the room well while using grease or solvents.
 - Allow applied solvents to evaporate completely before refitting the covers or turning the power switch on.
 - Always wash hands afterwards.
- Never dispose of toner or toner bottles in fire. Toner may cause sparks when exposed directly to fire in a furnace, etc. 
- Should smoke be seen coming from the copier, remove the power plug from the wall outlet immediately. 

3. Miscellaneous

WARNING

- Never attempt to heat the drum or expose it to any organic solvents such as alcohol, other than the specified refiner; it may generate toxic gas. 

This page is intentionally left blank.

CONTENTS

1-1 Specifications	
1-1-1 Specifications	1-1-1
1-1-2 Parts names	1-1-3
(1) Machine (front side).....	1-1-3
(2) Machine (rear side).....	1-1-4
(3) Operation panel	1-1-5
1-1-3 Machine cross section	1-1-6
1-2 Installation	
1-2-1 Installation environment.....	1-2-1
1-2-2 Unpacking.....	1-2-2
1-2-3 Installing the expansion memory (option).....	1-2-10
1-2-4 Installing the hard disk (option for 26/28 ppm model only)	1-2-12
1-2-5 Installing the network interface card (option).....	1-2-13
1-3 Service Mode	
1-3-1 Service mode.....	1-3-1
(1) Executing a service mode	1-3-1
(2) Description of service mode	1-3-2
(3) Printing an event log.....	1-3-15
1-4 Troubleshooting	
1-4-1 Paper misfeed detection	1-4-1
(1) Paper misfeed indication	1-4-1
(2) Paper misfeed detection condition	1-4-2
1-4-2 Self-diagnostic function	1-4-6
(1) Self-diagnostic function	1-4-6
(2) Self diagnostic codes.....	1-4-7
1-4-3 Image formation problems.....	1-4-29
(1) No image appears (entirely white).....	1-4-30
(2) No image appears (entirely black).....	1-4-30
(3) A specific color is printed solid.	1-4-31
(4) The back side gets dirty.....	1-4-31
(5) Image is too light.	1-4-31
(6) The background is colored.	1-4-32
(7) White streaks are printed vertically.....	1-4-32
(8) Black streaks are printed vertically.....	1-4-32
(9) Streaks are printed horizontally.....	1-4-33
(10) Spots are printed.	1-4-33
(11) The leading edge of image begins to print too early or too late.....	1-4-33
(12) Paper is wrinkled.	1-4-33
(13) Offset occurs.	1-4-34
(14) Part of image is missing.	1-4-34
(15) Fusing is loose.....	1-4-34
(16) Colors are printed offset to each other.	1-4-35
1-4-4 Electric problems	1-4-36
1-4-5 Mechanical problems.....	1-4-40

1-5 Assembly and disassembly

1-5-1 Precautions for assembly and disassembly.....	1-5-1
(1) Precautions.....	1-5-1
(2) Drum.....	1-5-1
(3) Toner.....	1-5-1
(4) How to tell a genuine Kyocera Mita toner container.....	1-5-2
1-5-2 Outer covers.....	1-5-3
(1) Detaching and refitting the top cover.....	1-5-3
(2) Detaching and refitting the right rear cover, right cover and right lower cover.....	1-5-5
(3) Detaching and refitting the left rear cover, left cover and left lower cover.....	1-5-8
(4) Detaching and refitting the inner cover.....	1-5-10
1-5-3 Paper feed section.....	1-5-12
(1) Detaching and refitting the retard roller unit.....	1-5-12
(2) Detaching and refitting the paper feed roller unit.....	1-5-14
(3) Detaching and refitting the MP paper feed roller.....	1-5-16
1-5-4 Developing section.....	1-5-18
(1) Detaching and refitting the developing unit.....	1-5-18
1-5-5 Drum section.....	1-5-20
(1) Detaching and refitting the drum unit.....	1-5-20
1-5-6 Transfer/Separation section.....	1-5-21
(1) Detaching and refitting the intermediate transfer unit.....	1-5-21
(2) Detaching and refitting the transfer roller unit.....	1-5-24
1-5-7 Fuser section.....	1-5-25
(1) Detaching and refitting the fuser unit.....	1-5-25
1-5-8 PWBs.....	1-5-26
(1) Detaching and refitting the engine PWB.....	1-5-26
(2) Detaching and refitting the power source PWB.....	1-5-28
(3) Detaching and refitting the main PWB.....	1-5-29
(4) Detaching and refitting the high voltage PWB.....	1-5-34
1-5-9 Drive section.....	1-5-35
(1) Detaching and refitting the MP feed drive unit.....	1-5-35
(2) Detaching and refitting the drum/developing drive unit.....	1-5-36
(3) Detaching and refitting the paper feed drive unit.....	1-5-38
(4) Detaching and refitting the fuser pressure drive unit.....	1-5-39
(5) Detaching and refitting the middle transfer drive unit.....	1-5-41
1-5-10 Optical section.....	1-5-43
(1) Detaching and refitting the laser scanner unit.....	1-5-43
1-5-11 Others.....	1-5-46
(1) Detaching and refitting the paper conveying unit.....	1-5-46
(2) Detaching and refitting the operation panel.....	1-5-48
(3) Detaching and refitting the power source inlet.....	1-5-49
(4) Direction of installing the principal fan motors.....	1-5-51

1-6 Requirements on PWB Replacement

1-6-1 Upgrading the firmware.....	1-6-1
1-6-2 Remarks on engine PWB replacement.....	1-6-2

2-1 Mechanical Construction

2-1-1 Paper feed/conveying section.....	2-1-1
(1) Cassette paper feed section (21/23 ppm model).....	2-1-1
(2) Cassette paper feed section (26/28 ppm model).....	2-1-2
(3) MP tray paper feed section.....	2-1-4
(4) Paper conveying section.....	2-1-6

2-1-2 Drum section	2-1-8
2-1-3 Developing section	2-1-10
2-1-4 Laser scanner section	2-1-12
2-1-5 Transfer/Separation section	2-1-14
(1) Intermediate transfer unit section	2-1-14
(2) Secondary transfer roller section.....	2-1-16
2-1-6 Fuser section	2-1-17
2-1-7 Eject/Feedshift section	2-1-19
2-1-8 Duplex conveying section.....	2-1-21
2-2 Electrical Parts Layout	
2-2-1 Electrical parts layout	2-2-1
(1) PWBs.....	2-2-1
(2) Switches and sensors.....	2-2-4
(3) Motors.....	2-2-6
(4) Others.....	2-2-7
2-3 Operation of the PWBs	
2-3-1 Power source PWB	2-3-1
2-3-2 Engine PWB	2-3-3
2-3-3 Main PWB.....	2-3-13
2-3-4 Drum relay PWB.....	2-3-18
2-4 Appendixes	
2-4-1 Appendixes	2-4-1
(1) Maintenance kits (26/28 ppm model only).....	2-4-1
(2) Repetitive defects gauge	2-4-2
(3) Firmware environment commands	2-4-3
(4) Wiring diagram	2-4-9

This page is intentionally left blank.

1-1-1 Specifications

Item	Specifications																									
	21/23 ppm model (A4/Letter)	26/28 ppm model (A4/Letter)																								
Type	Desktop																									
Printing method	Electrophotography by semiconductor laser, tandem (4) drum system																									
Paper weight	Cassette	60 to 163 g/m ²																								
	MP tray	60 to 220 g/m ²																								
Paper type	Cassette	Plain, Recycled, Preprinted, Bond, Color (Colour), Prepunched, Letterhead, Thick, High quality, Custom 1 to 8 (Duplex: Same as simplex)																								
	MP tray	Plain, Transparency, Vellum, Labels, Recycled, Preprinted, Bond, Cardstock, Color (Colour), Prepunched, Letterhead, Thick, Envelope, Coated, High quality, Custom 1 to 8																								
Paper size	Cassette	A4, A5, A6, B5, ISO B5, Letter, Legal, Statement, Executive, Oficio II, Folio, 16K, Envelope C5, Custom																								
	MP tray	A4, A5, A6, B5, ISO B5, B6, Letter, Legal, Statement, Executive, Oficio II, Folio, 16K, Envelope #10, Envelope #9, Envelope #6, Envelope Monarch, Envelope DL, Envelope C5, Postcards, Return postcard, Youkei 2, Youkei 4, Custom																								
Copying speed	Simplex	<table border="0"> <tr> <td>A4</td> <td>: 21 sheets/min</td> <td>A4</td> <td>: 26 sheets/min</td> </tr> <tr> <td>Letter</td> <td>: 23 sheets/min</td> <td>Letter</td> <td>: 28 sheets/min</td> </tr> <tr> <td>Legal</td> <td>: 18 sheets/min</td> <td>Legal</td> <td>: 23 sheets/min</td> </tr> <tr> <td>B5</td> <td>: 23 sheets/min</td> <td>B5</td> <td>: 28 sheets/min</td> </tr> <tr> <td>A5</td> <td>: 23 sheets/min</td> <td>A5</td> <td>: 28 sheets/min</td> </tr> <tr> <td>A6</td> <td>: 23 sheets/min</td> <td>A6</td> <td>: 28 sheets/min</td> </tr> </table>	A4	: 21 sheets/min	A4	: 26 sheets/min	Letter	: 23 sheets/min	Letter	: 28 sheets/min	Legal	: 18 sheets/min	Legal	: 23 sheets/min	B5	: 23 sheets/min	B5	: 28 sheets/min	A5	: 23 sheets/min	A5	: 28 sheets/min	A6	: 23 sheets/min	A6	: 28 sheets/min
	A4	: 21 sheets/min	A4	: 26 sheets/min																						
Letter	: 23 sheets/min	Letter	: 28 sheets/min																							
Legal	: 18 sheets/min	Legal	: 23 sheets/min																							
B5	: 23 sheets/min	B5	: 28 sheets/min																							
A5	: 23 sheets/min	A5	: 28 sheets/min																							
A6	: 23 sheets/min	A6	: 28 sheets/min																							
Duplex	<table border="0"> <tr> <td>A4</td> <td>: 11 sheets/min</td> <td>A4</td> <td>: 13 sheets/min</td> </tr> <tr> <td>Letter</td> <td>: 11 sheets/min</td> <td>Letter</td> <td>: 13 sheets/min</td> </tr> <tr> <td>Legal</td> <td>: 10 sheets/min</td> <td>Legal</td> <td>: 12 sheets/min</td> </tr> </table>	A4	: 11 sheets/min	A4	: 13 sheets/min	Letter	: 11 sheets/min	Letter	: 13 sheets/min	Legal	: 10 sheets/min	Legal	: 12 sheets/min													
A4	: 11 sheets/min	A4	: 13 sheets/min																							
Letter	: 11 sheets/min	Letter	: 13 sheets/min																							
Legal	: 10 sheets/min	Legal	: 12 sheets/min																							
First print time (A4, feed from cassette)	B/W : 10.5 s or less Color: 12.0 s or less	B/W : 9.0 s or less Color: 10.5 s or less																								
Warm-up time (22 °C/71.6 °F, 60% RH)	Power on : 32 s or less Sleep mode: 18 s or less	Power on : 29 s or less Sleep mode: 20 s or less																								
Paper capacity	Cassette	250 sheets (80g/m ²)																								
	MP tray	50 sheets (80 g/m ²)																								
Output tray capacity	250 sheets (80g/m ²)																									
Photoconductor	OPC drum (diameter 30 mm)																									
Image write system	Semiconductor laser																									
Charging system	Charger roller																									
Developing system	Touch down developing system Developer: 2-component Toner replenishing: Automatic from the toner container																									
Transfer system	Primary: Transfer belt Secondary: Transfer roller																									

Item	Specifications	
	21/23 ppm model (A4/Letter)	26/28 ppm model (A4/Letter)
Separation system	Small diameter separation	
Cleaning system	Drum: Counter blade	
Charge erasing system	Exposure by cleaning lamp (LED)	
Fusing system	Heat and pressure fusing with the heat roller and the press roller Heat source: halogen heater Abnormally high temperature protection devices: thermostat	
CPU	PowerPC464 (667MHz)	
Main memory	Standard	256 MB
	Maximum	1280 MB
Operating system	Windows 2000/XP/Vista/7, Windows Server 2003/2008, Macintosh OS 10.x	
Interface	Standard	USB interface connector: 1 (USB 1.1 Full-speed) USB host: 2 Network interface: 1 (10BASE-T/100BASE-TX)
	Option	KUIO/W slot: 1
Page description language	PRESCRIBE	
Resolution	600 dpi	
Operating environment	Temperature	10 to 32.5 °C/50 to 90.5 °F
	Humidity	15 to 80% RH
	Altitude	2,500 m/8,202 ft or less
	Brightness	1,500 lux or less
Dimensions (W × D × H)	390 × 523 × 370 mm 15 3/8 × 20 9/16 × 14 9/16"	390 × 523 × 397 mm 15 3/8 × 20 9/16 × 15 5/8"
Weight	Approx. 28.0 kg / 61.7 lbs (with toner container)	Approx. 31.5 kg / 69.4 lbs (with toner container)
Space required (W × D)	440 × 1020 mm (using MP tray) 17 5/16 × 40 3/16" (using MP tray)	
Power source	120 V AC, 60 Hz, max. 8.5 A 220 - 240 V AC, 50/60 Hz, max. 4.5 A	
Options	Paper feeder × 2, Expanded memory, Network interface card	Paper feeder × 3, Expanded memory, Hard disk, Network interface card

NOTE: These specifications are subject to change without notice.

1-1-2 Parts names

(1) Machine (front side)

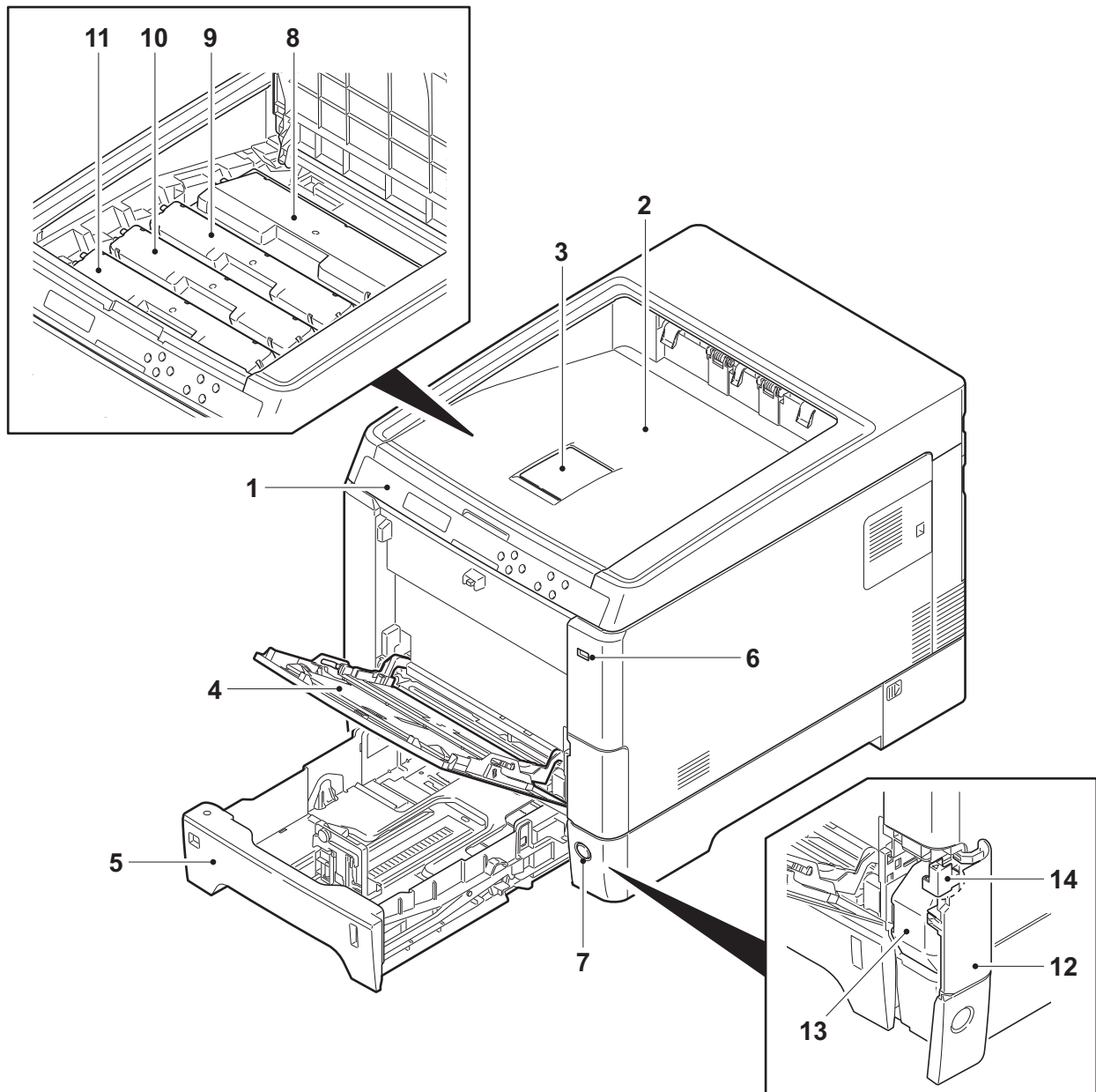
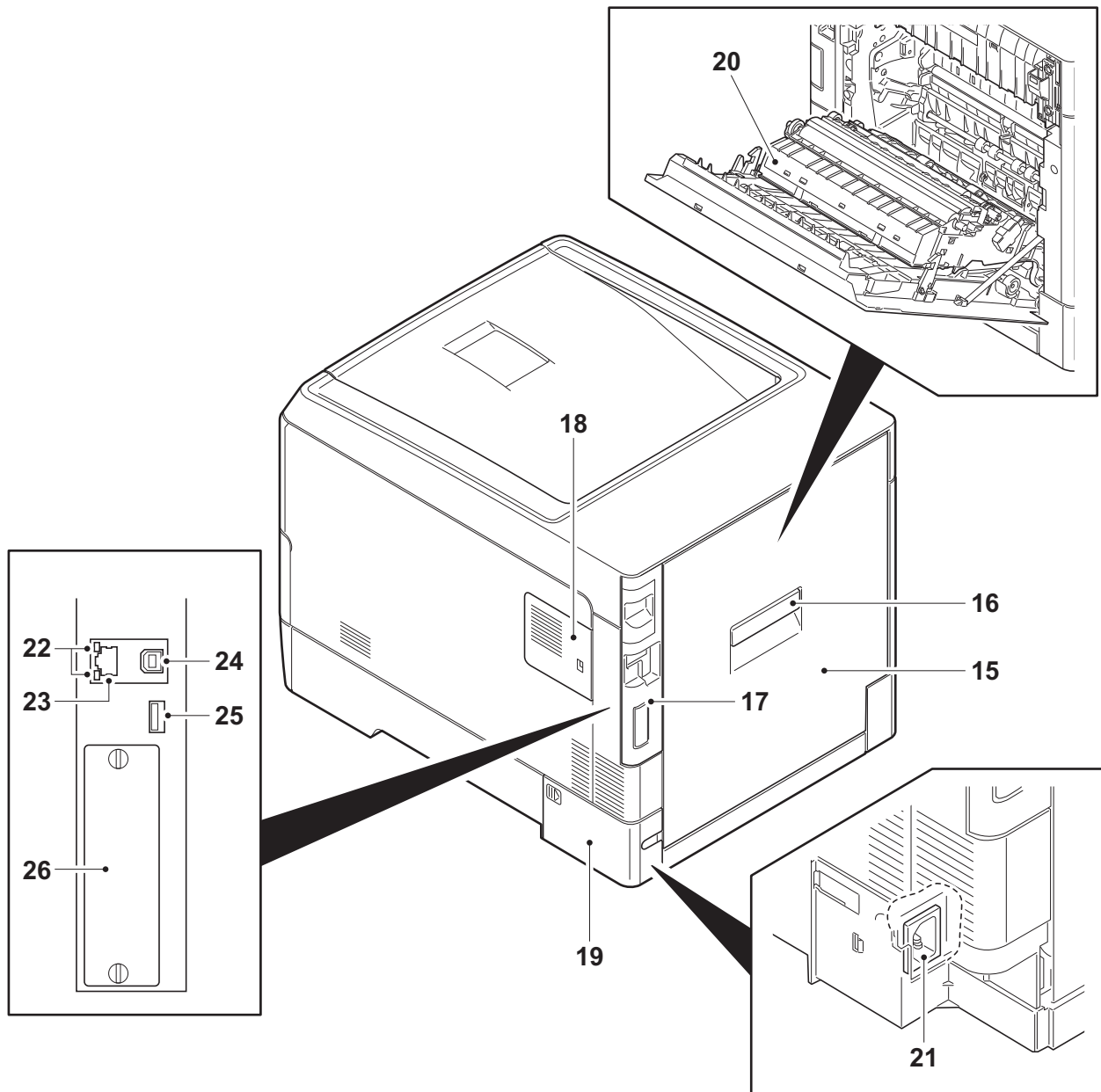
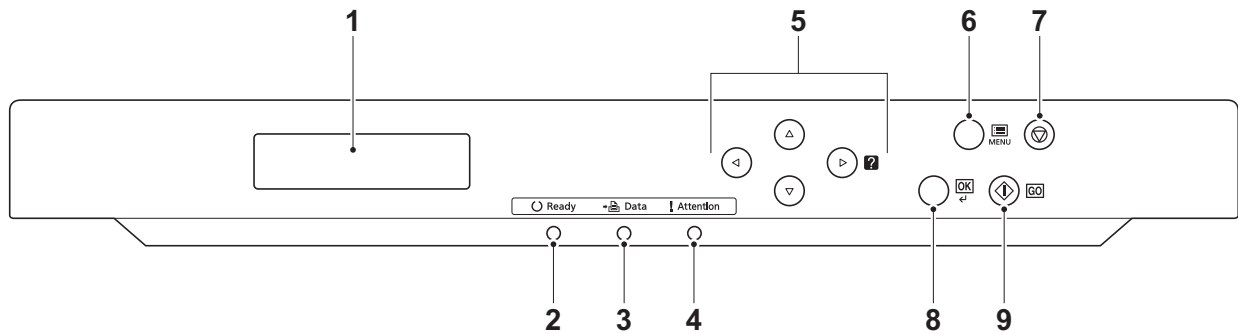


Figure 1-1-1

- | | |
|----------------------------|-------------------------|
| 1. Operation panel | 8. Toner container K |
| 2. Top tray (Top cover) | 9. Toner container M |
| 3. Paper stopper | 10. Toner container C |
| 4. MP (Multi-Purpose) tray | 11. Toner container Y |
| 5. Cassette | 12. Waste toner cover |
| 6. USB memory slot | 13. Waste toner box |
| 7. Main power switch | 14. Lock release button |

(2) Machine (rear side)**Figure 1-1-2**

- | | |
|--------------------------|---------------------------------|
| 15. Rear cover | 21. Power cord connector |
| 16. Rear cover lever | 22. Network indicators |
| 17. IF cover | 23. Network interface connector |
| 18. Memory cover | 24. USB interface connector |
| 19. Power cord cover | 25. USB memory slot |
| 20. Paper conveying unit | 26. Interface slot |

(3) Operation panel**Figure 1-1-3**

1. Message display
2. Ready indicator
3. Data indicator
4. Attention indicator
5. Cursor keys
6. MENU key
7. Cancel key
8. OK key
9. GO key

1-1-3 Machine cross section

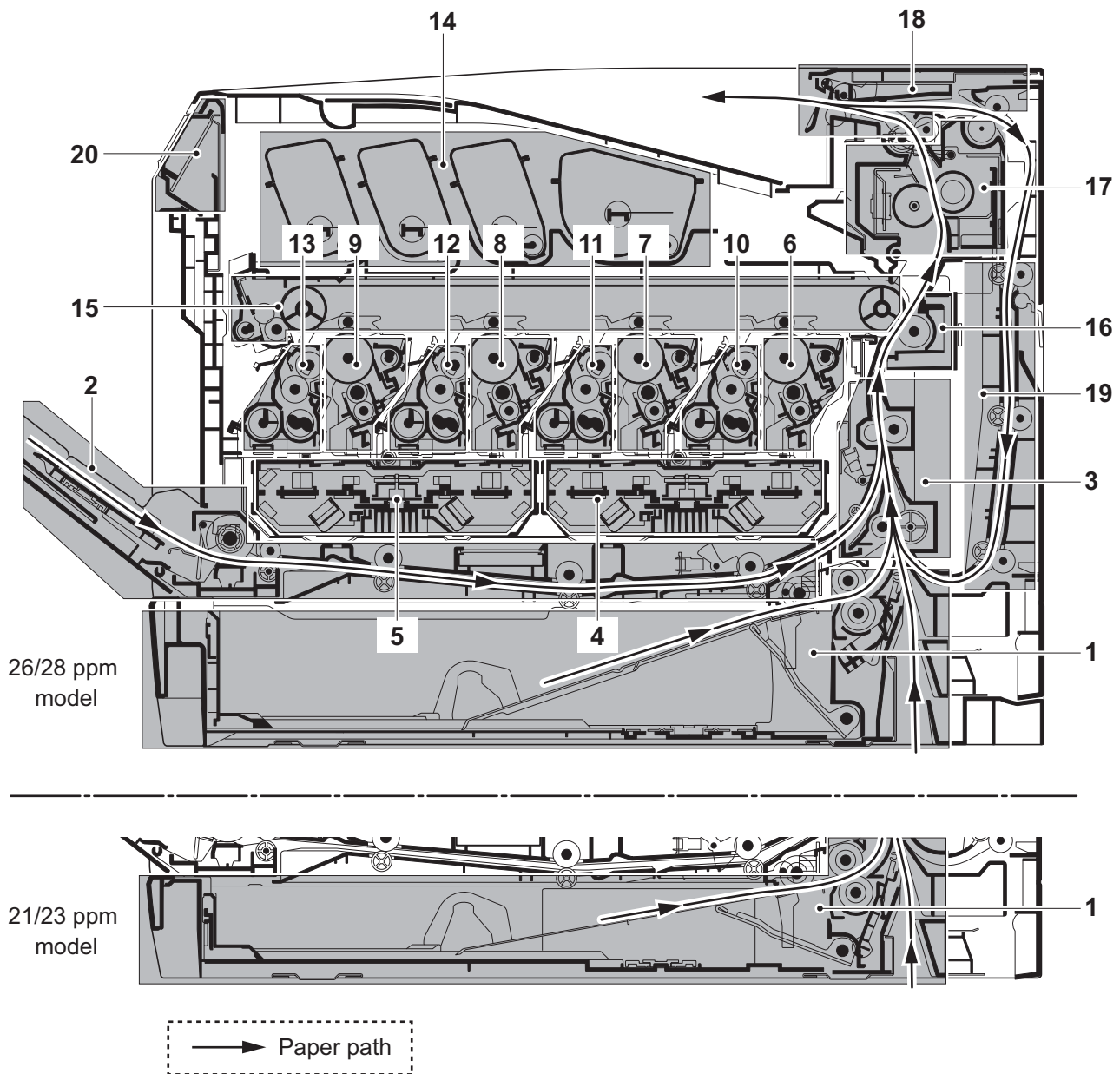


Figure 1-1-4

- | | | |
|--------------------------------|-----------------------------|--|
| 1. Cassette paper feed section | 8. Drum unit C | 15. Primary transfer section |
| 2. MP tray paper feed section | 9. Drum unit Y | 16. Secondary transfer/Separation sections |
| 3. Paper conveying section | 10. Developing unit K | 17. Fuser section |
| 4. Laser scanner unit KM | 11. Developing unit M | 18. Eject/Feed shift sections |
| 5. Laser scanner unit CY | 12. Developing unit C | 19. Duplex section |
| 6. Drum unit K | 13. Developing unit Y | 20. Operation panel section |
| 7. Drum unit M | 14. Toner container section | |

1-2-1 Installation environment

1. Temperature: 10 to 32.5°C/50 to 90.5°F
2. Humidity: 15 to 80% RH
3. Power supply: 120 V AC, 8.5 A
220 - 240 V AC, 4.5 A
4. Power source frequency: 50 Hz $\pm 2\%$ /60 Hz $\pm 2\%$
5. Installation location

Avoid direct sunlight or bright lighting. Ensure that the photoconductor will not be exposed to direct sunlight or other strong light when removing paper jams.

Avoid locations subject to high temperature and high humidity or low temperature and low humidity; an abrupt change in the environmental temperature; and cool or hot, direct air.

Avoid places subject to dust and vibrations.

Choose a surface capable of supporting the weight of the machine.

Place the machine on a level surface (maximum allowance inclination: 1°).

Avoid air-borne substances that may adversely affect the machine or degrade the photoconductor, such as mercury, acidic or alkaline vapors, inorganic gasses, NO_x, SO_x gases and chlorine-based organic solvents.

Select a well-ventilated location.

6. Allow sufficient access for proper operation and maintenance of the machine.

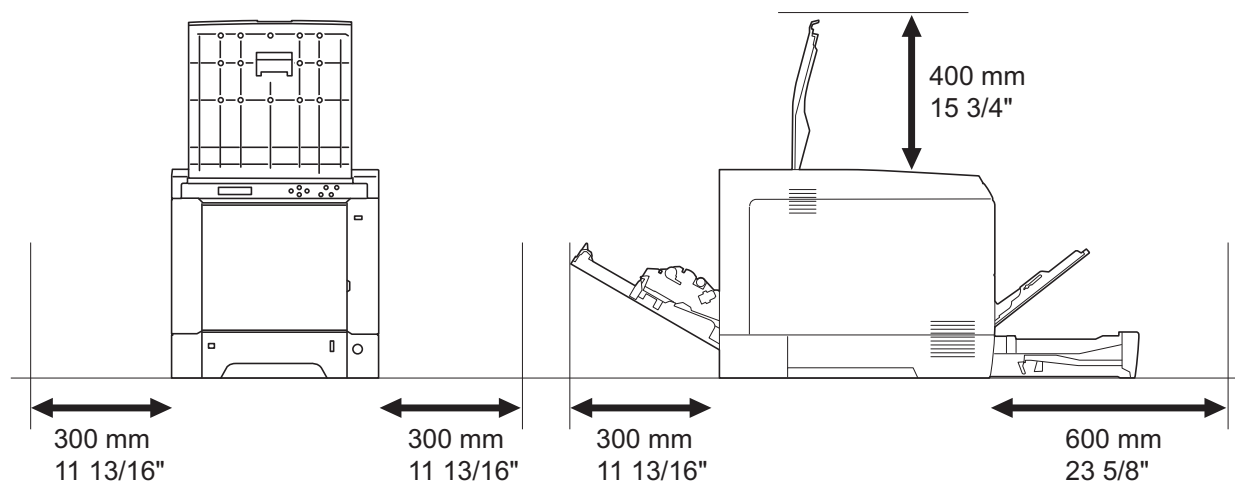


Figure 1-2-1

1-2-2 Unpacking

Unpacking

120V AC model

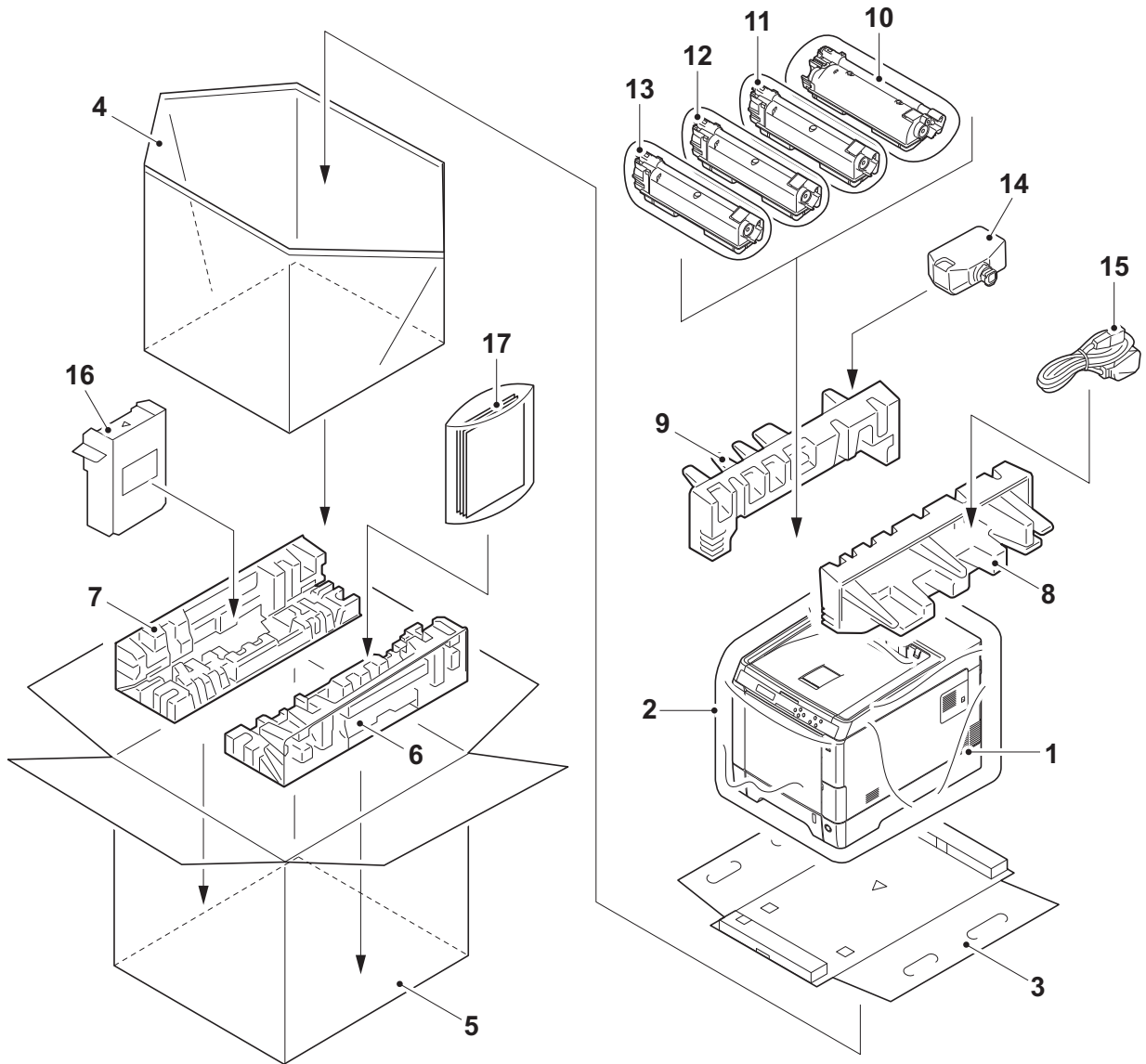


Figure 1-2-2

- | | | |
|---------------------|-----------------------|--------------------------|
| 1. Machine | 7. Bottom left pad | 13. Toner container Y |
| 2. Plastic bag | 8. Top right pad | 14. Waste toner box |
| 3. Bottom spacer | 9. Top left pad | 15. Power cord |
| 4. Machine cover | 10. Toner container K | 16. Left spacer |
| 5. Outer case | 11. Toner container M | 17. Operation guide etc. |
| 6. Bottom right pad | 12. Toner container C | |

Place the machine on a level surface.

220-240V AC model

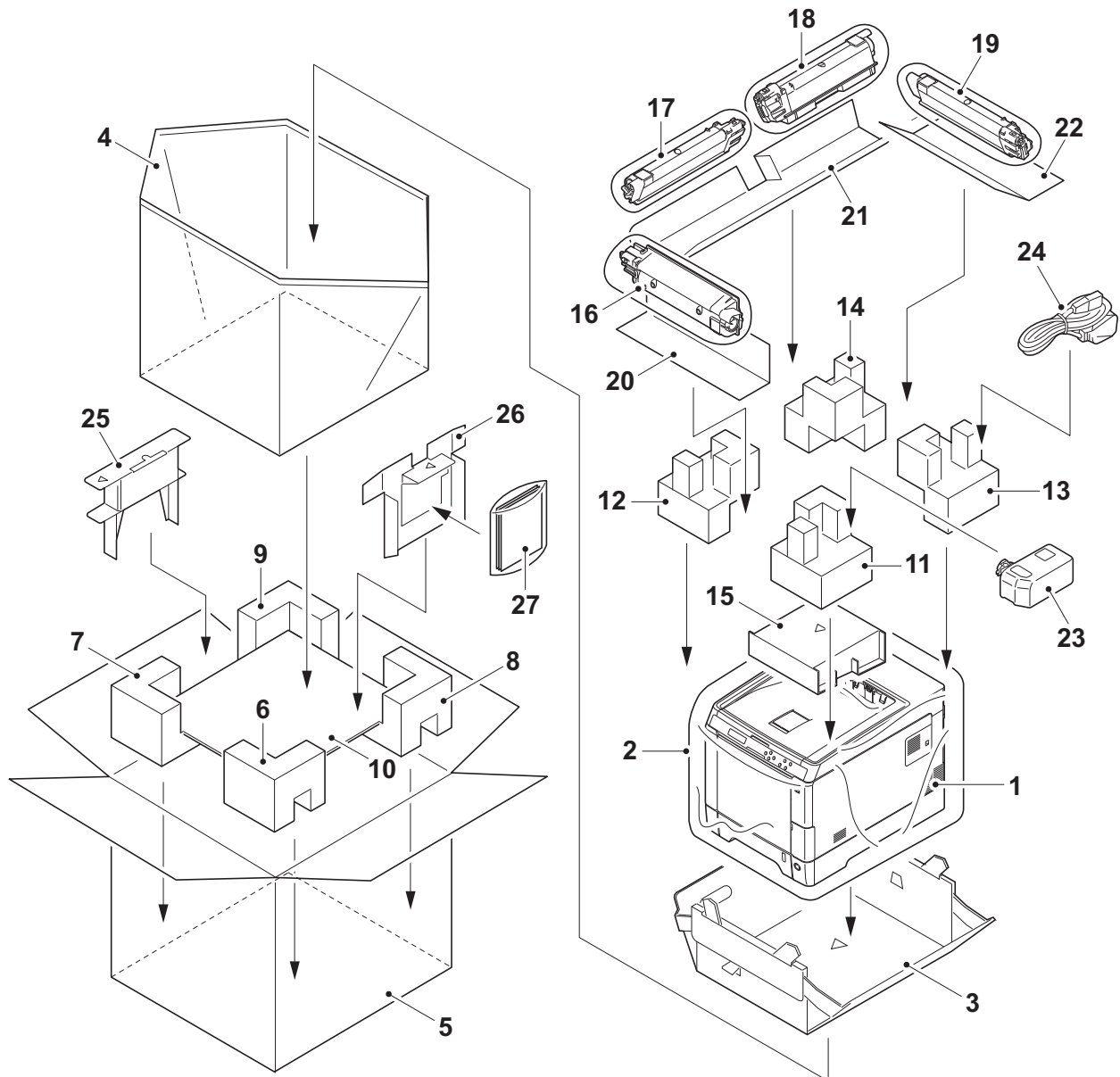


Figure 1-2-3

- | | | |
|---------------------------|-------------------------|----------------------------|
| 1. Machine | 10. Bottom pad | 19. Toner container Y |
| 2. Plastic bag | 11. Top front right pad | 20. Front container spacer |
| 3. Bottom spacer | 12. Top front left pad | 21. Left container spacer |
| 4. Machine cover | 13. Top back right pad | 22. Back container spacer |
| 5. Outer case | 14. Top back left pad | 23. Waste toner box |
| 6. Bottom front right pad | 15. Top spacer | 24. Power cord |
| 7. Bottom front left pad | 16. Toner container K | 25. Left spacer |
| 8. Bottom back right pad | 17. Toner container M | 26. Right spacer |
| 9. Bottom back left pad | 18. Toner container C | 27. Operation guide etc. |

Place the machine on a level surface.

Removing the tapes and pads

1. Remove four tapes.

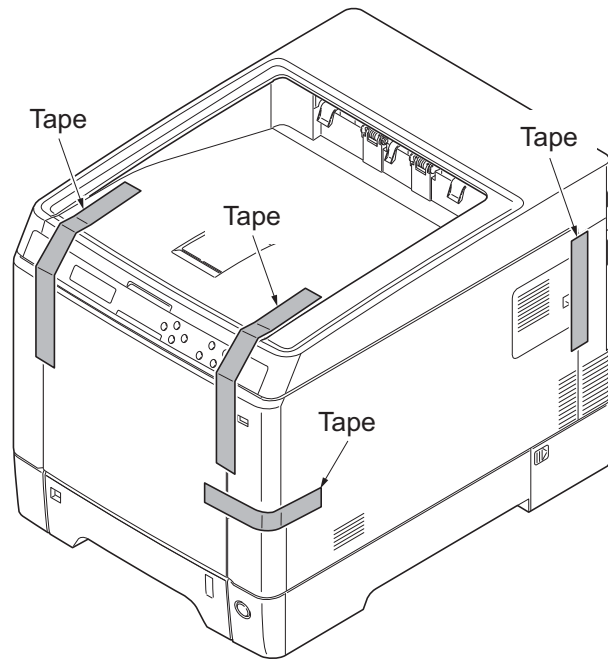


Figure 1-2-4

2. Remove the tape.

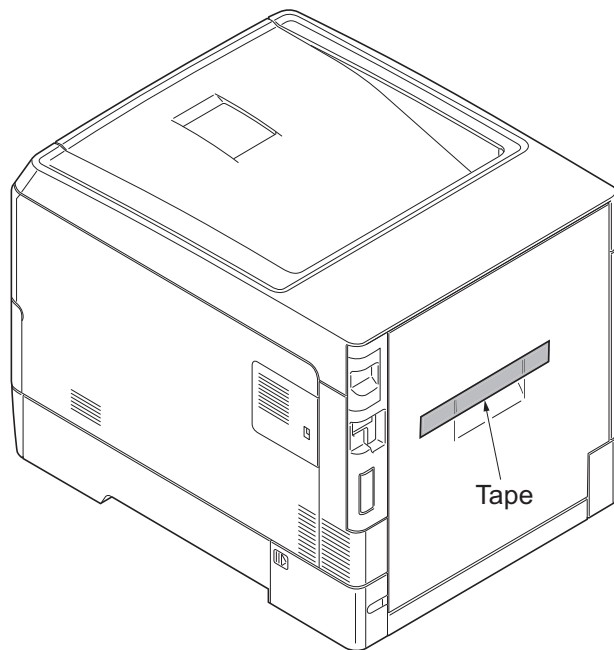


Figure 1-2-5

3. Open the top cover.
4. Remove pads A and B.

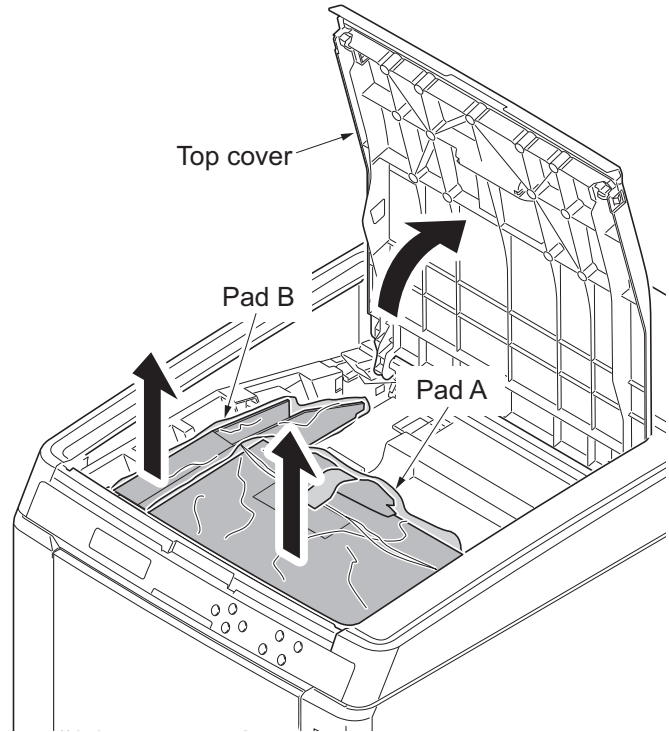


Figure 1-2-6

Installing the toner containers

1. Slide the release lever backward.

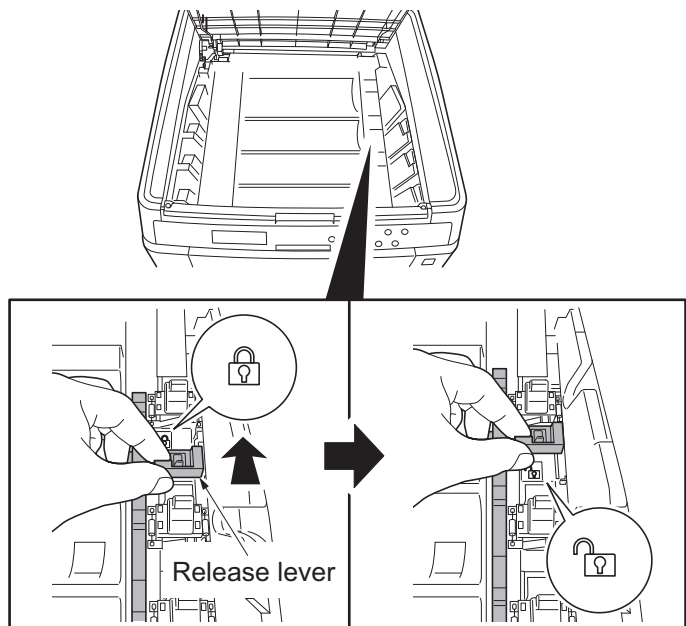
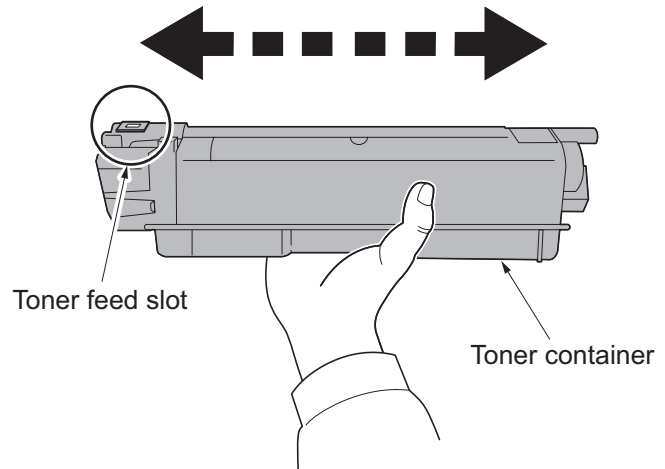
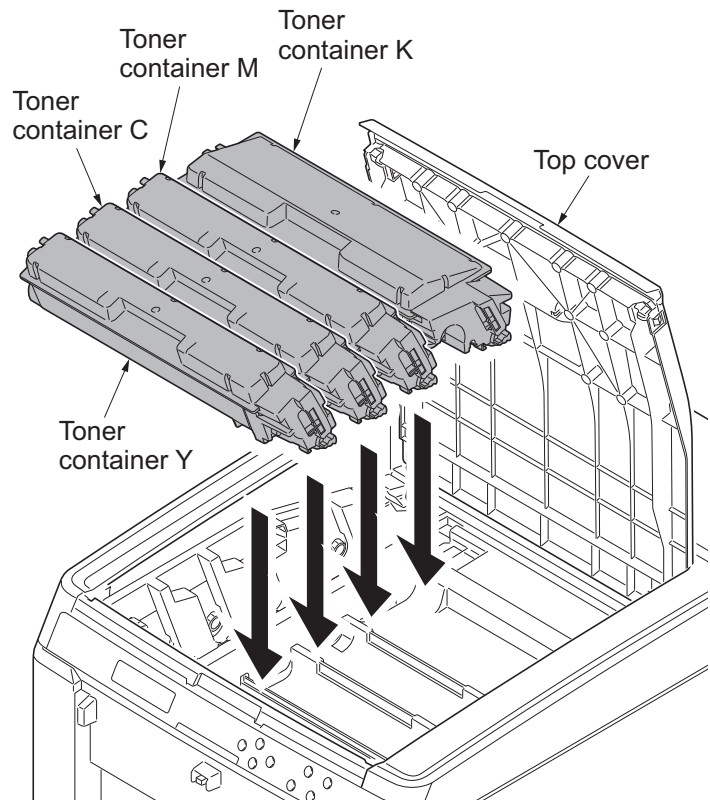


Figure 1-2-7

2. Facing the toner feed slot up and shake the toner container 5 to 6 times.

**Figure 1-2-8**

3. Install toner containers (K, M, C, Y).
4. Close the top cover.

**Figure 1-2-9**

Installing the waste toner box

1. Open the waste toner cover.
2. Open the cap of the waste toner box.
3. Install the waste toner box.
4. Close the waste toner cover.

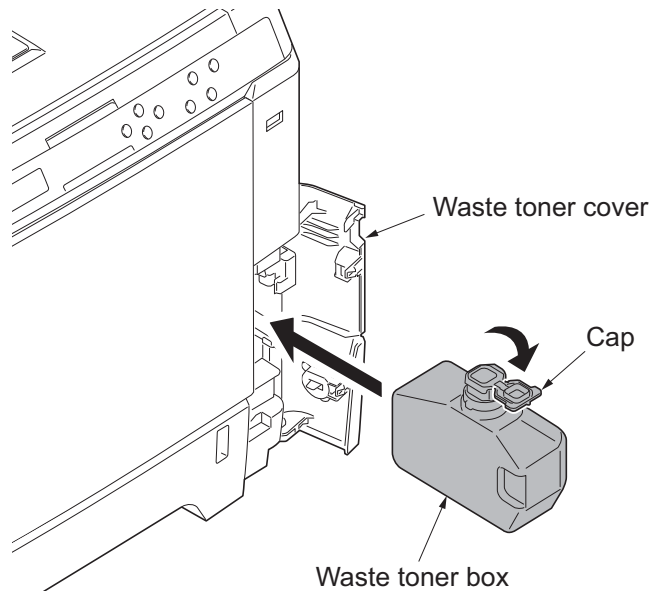


Figure 1-2-10

Loading paper

1. Pull the cassette out.
2. While pressing the width lever, adjust the paper width guides to fit the paper size.
3. While pressing the length lever, adjust the paper length guide to fit the paper size.

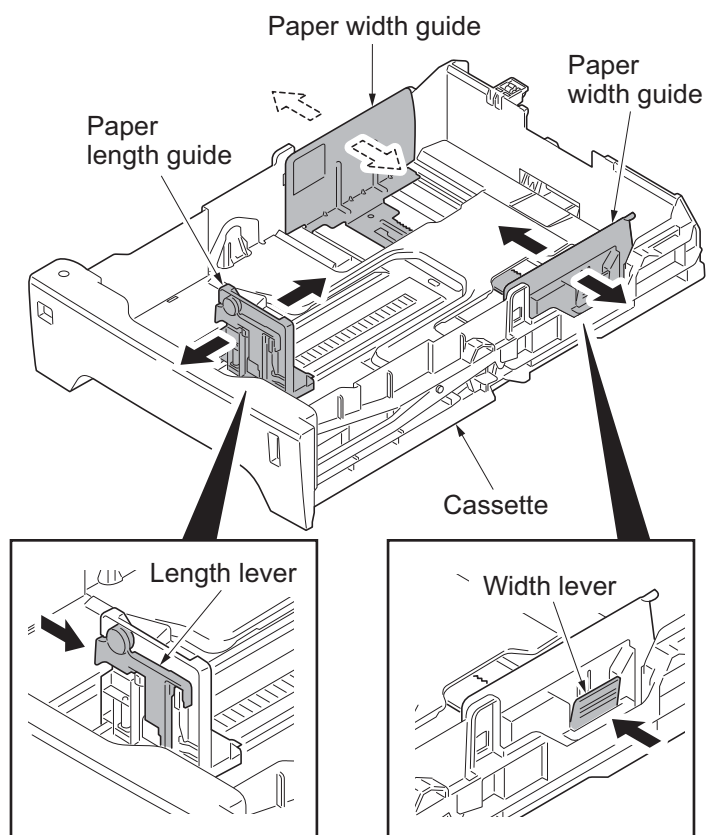


Figure 1-2-11

4. Load the paper in the cassette.
5. Turn the paper size dial so that it shows the paper size you are going to use.
6. Insert the cassette.

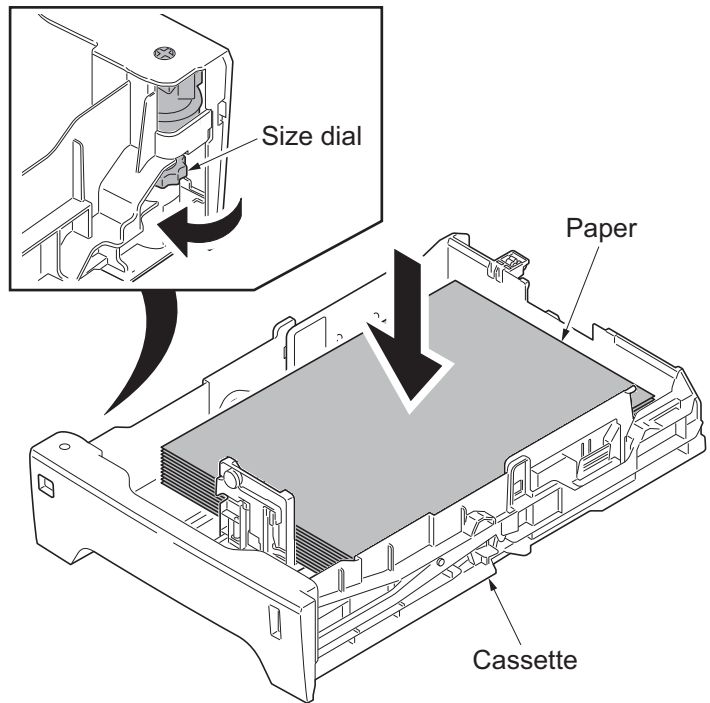


Figure 1-2-12

Connecting the interface cable

1. Connect the interface cable to the machine and PC or network.

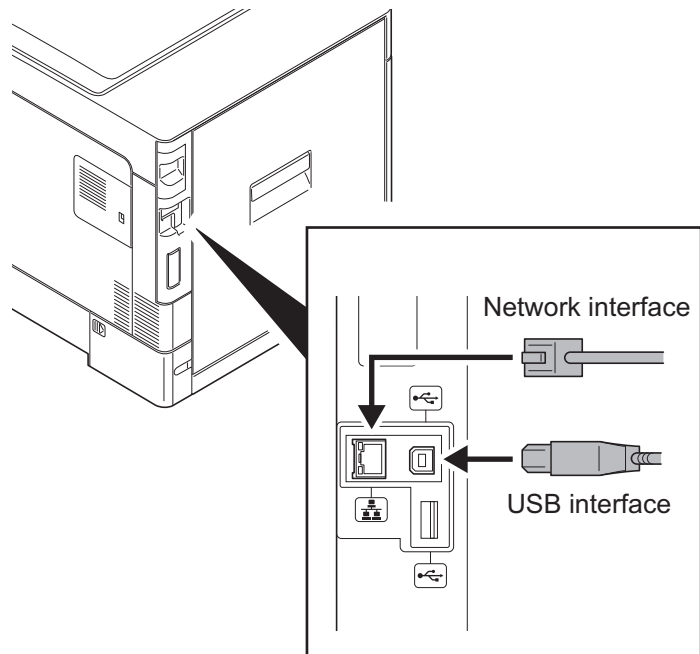
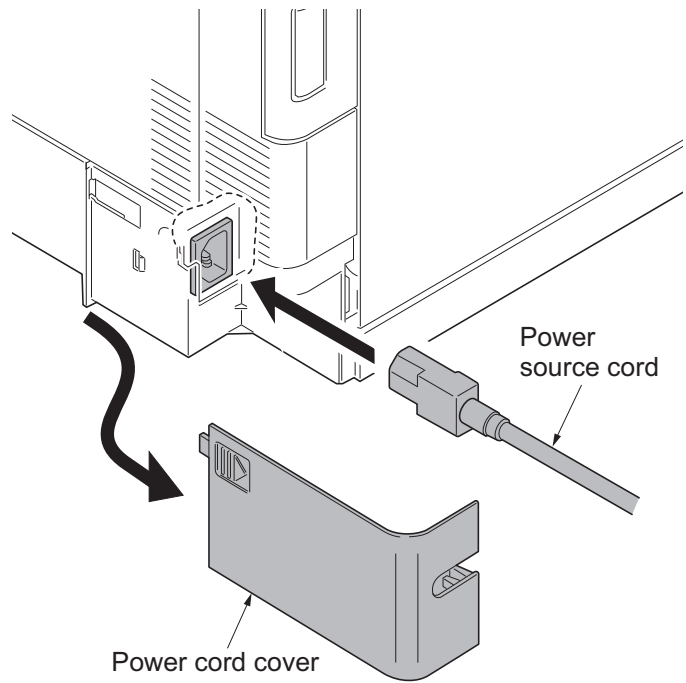


Figure 1-2-13

Connecting the power cord

1. Remove the power cord cover.
2. Connect the power cord to the machine and the wall outlet.
3. Refit the power cord cover.
4. Press the main power switch to turn power on.
5. Installing the printer driver (refer to operation guide).

**Figure 1-2-14****Completion of the machine installation**

1-2-3 Installing the expansion memory (option)

Procedure

1. Turn off the main power switch.
Caution: Do not insert or remove expansion memory while machine power is on.
 Doing so may cause damage to the machine and the expansion memory.
2. Remove the memory cover.

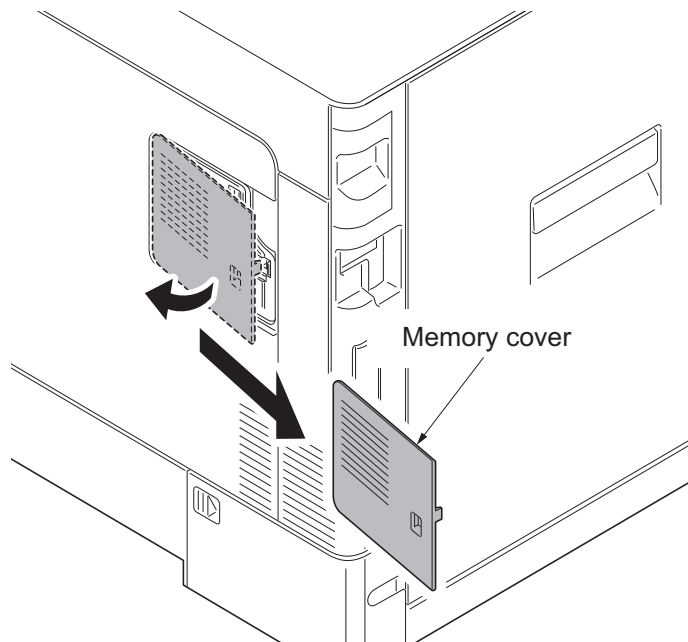


Figure 1-2-15

3. Release the hook and then open the bracket.

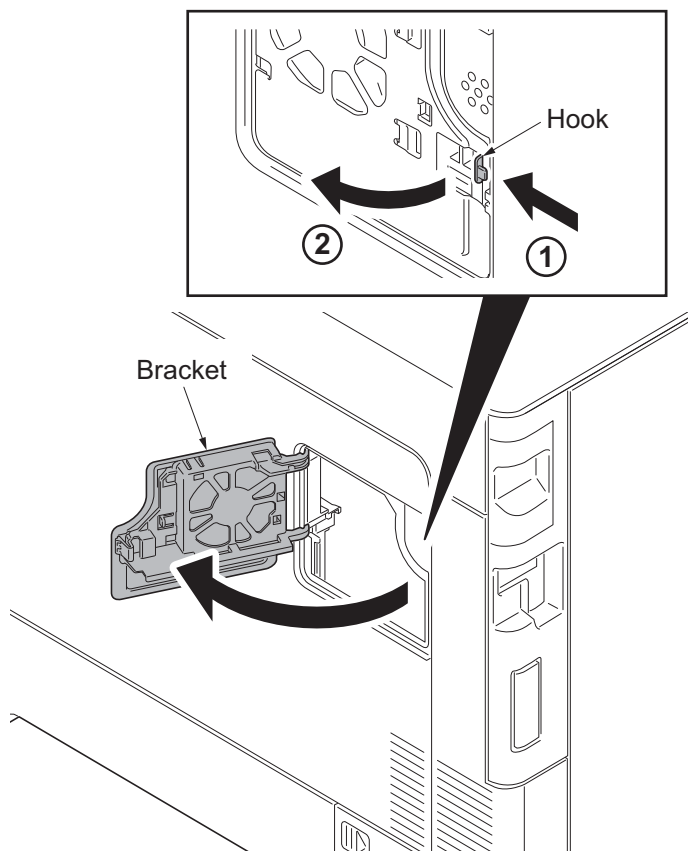


Figure 1-2-16

4. Insert the expansion memory into the memory socket so that the notches on the memory align with the corresponding protrusions in the slot.
 5. Close the bracket.
 6. Refit the memory cover.
 7. Print a status page to check the memory expansion (see page 1-3-2).
- If memory expansion has been properly performed, information on the installed memory is printed with the total memory capacity has been increased. Standard memory capacity 256 MB.

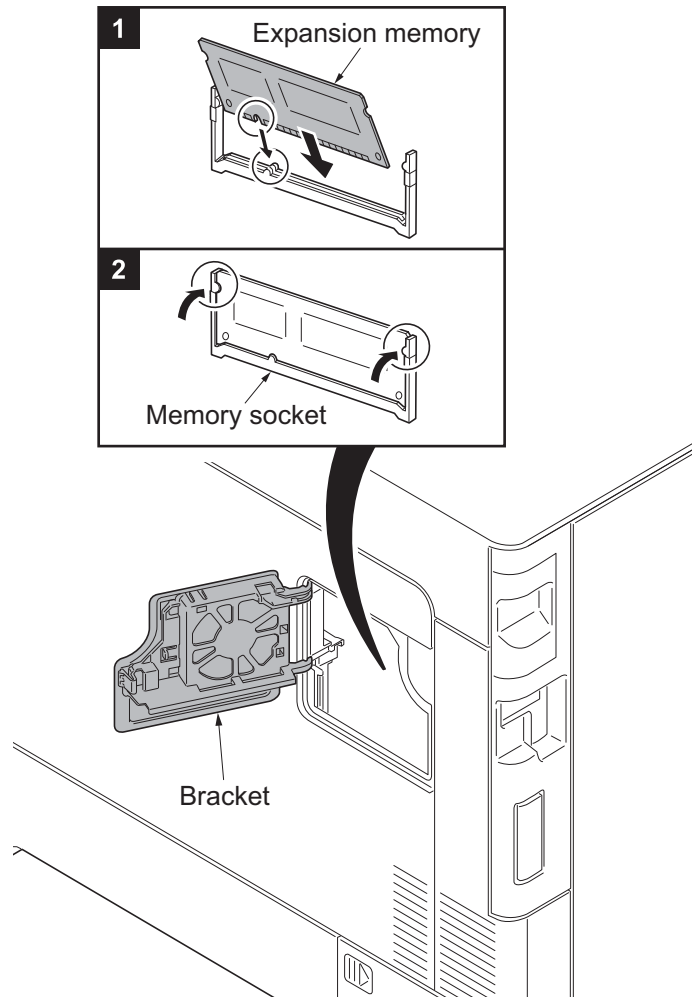


Figure 1-2-17

1-2-4 Installing the hard disk (option for 26/28 ppm model only)

Procedure

1. Turn off the main power switch.
Caution: Do not insert or remove hard disk while machine power is on.
 Doing so may cause damage to the machine and the hard disk.
2. Remove the IF cover.
3. Remove two pins and then remove the slot cover.

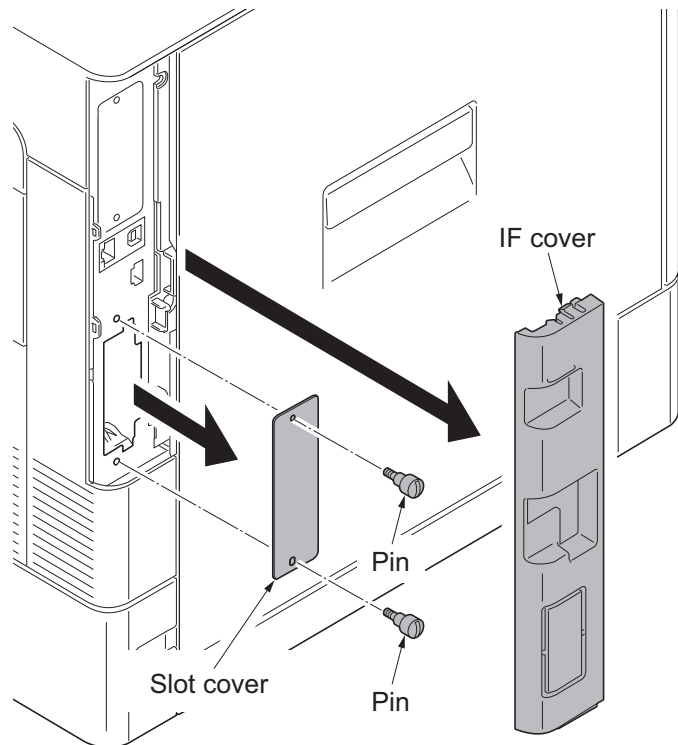


Figure 1-2-18

4. Insert the hard disk into the interface slot.
5. Secure the hard disk by using two pins.

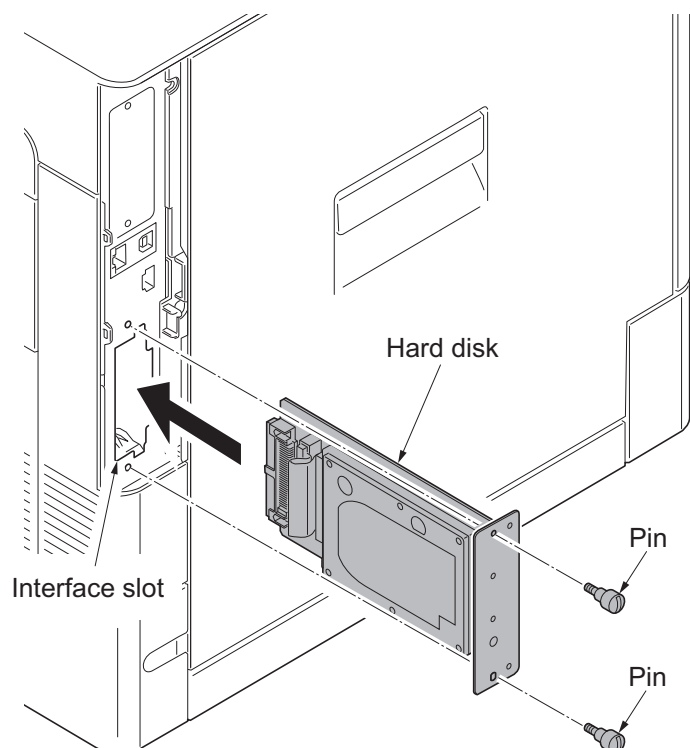


Figure 1-2-19

1-2-5 Installing the network interface card (option)

Procedure

1. Turn off the main power switch.
2. Remove the IF cover.
3. Remove two pins and then remove the slot cover.

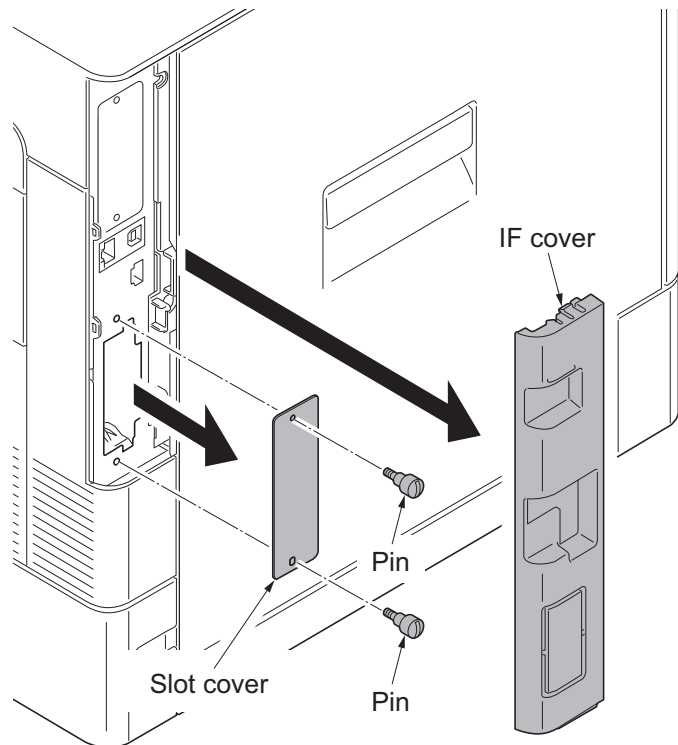


Figure 1-2-20

4. Insert the network interface card into the interface slot.
5. Secure the network interface card by using two pins.

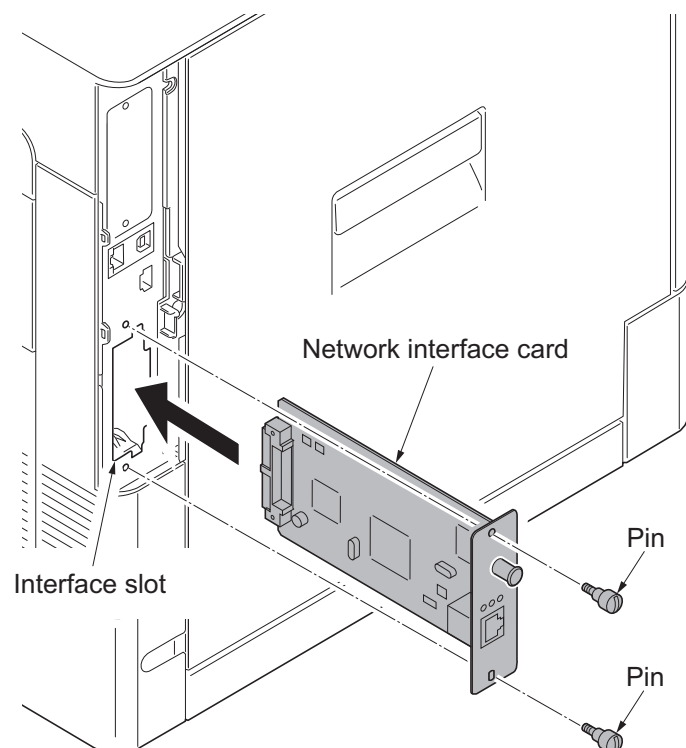


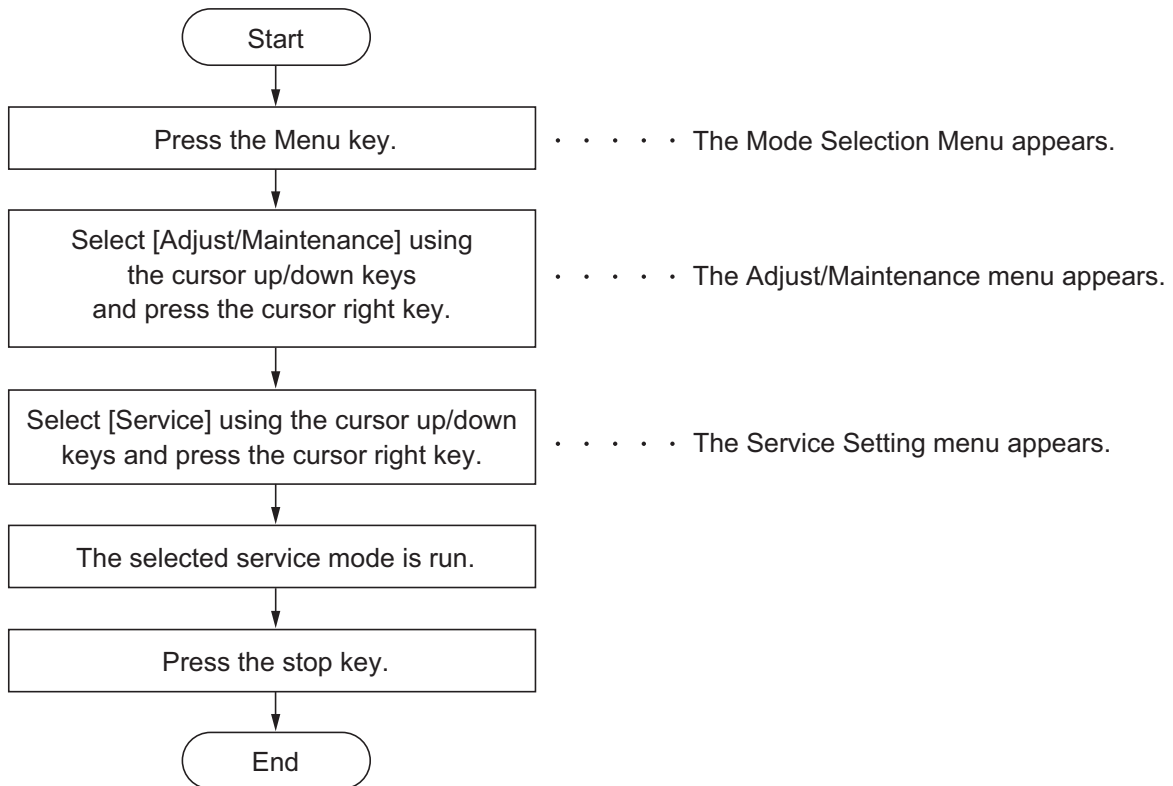
Figure 1-2-21

This page is intentionally left blank.

1-3-1 Service mode

The machine is equipped with a maintenance function which can be used to maintain and service the machine.

(1) Executing a service mode



(2) Description of service mode

Service items	Description
Service Status	<p>Printing a status page for service purpose</p> <p>Description Prints a status page for service purpose. The status page includes various settings and service cumulative.</p> <p>Purpose To acquire the current printing environmental parameters and cumulative information.</p> <p>Method</p> <ol style="list-style-type: none">1. Enter the Service Setting menu.2. Select [Print Status Page] using the cursor up/down keys.3. Press the OK key.4. Press the OK key. Two pages will be printed.

Service items	Description
	<p data-bbox="386 241 683 273">Service status page (1)</p> <div data-bbox="338 309 1396 1758" style="border: 1px solid black; padding: 10px;"> <p data-bbox="363 331 801 376">Service Status Page</p> <p data-bbox="363 380 443 407">Printer</p> <p data-bbox="1152 376 1343 403">(2) 28/07/2010 16:39</p> <p data-bbox="354 430 829 456">(1) Firmware version 2KV_2000.000.000 2010.07.28</p> <p data-bbox="979 407 1353 456">(3) [XXXXXXXX] (4) [XXXXXXXX] (5) [XXXXXXXX]</p> <hr/> <p data-bbox="367 506 654 533">Controller Information</p> <p data-bbox="399 537 545 564">Memory status</p> <p data-bbox="363 564 734 591">(7) Standard Size 128.0 KB</p> <p data-bbox="363 591 734 618">(8) Option Slot 128.0 KB</p> <p data-bbox="363 618 734 645">(9) Total Size 256.0 KB</p> <p data-bbox="399 672 450 698">Time</p> <p data-bbox="354 698 766 725">(10) Local Time Zone +01:00 Tokio</p> <p data-bbox="354 725 807 752">(11) Date and Time 28/07/2010 16:39</p> <p data-bbox="354 752 769 779">(12) Time Server 10.183.53.13</p> <p data-bbox="399 806 564 833">Installed Options</p> <p data-bbox="354 833 724 860">(13) Paper feeder2 Installed</p> <p data-bbox="354 860 724 887">(14) Paper feeder3 Installed</p> <p data-bbox="354 887 762 913">(15) Paper feeder4 Not Installed</p> <p data-bbox="354 913 724 940">(16) Hard disk Installed</p> <p data-bbox="354 976 545 1003">(17) Print Coverage</p> <p data-bbox="354 1003 890 1030">(18) Average(%) / Usage Page(A4/Letter Conversion)</p> <p data-bbox="411 1030 673 1057">K: 1.10 / 1111111.11</p> <p data-bbox="411 1057 683 1084">C: 2.20 / 2222222.22</p> <p data-bbox="411 1084 683 1111">M: 3.30 / 3333333.33</p> <p data-bbox="411 1111 683 1137">Y: 4.40 / 4444444.44</p> <p data-bbox="354 1137 823 1164">(19) Last Page K/C/M/Y(%) 1.00 / 2.22 / 3.33 / 4.44</p> <p data-bbox="354 1200 526 1227">(20) FRPO Status</p> <p data-bbox="399 1227 823 1254">User Top Margin A1+A2/100 0.00</p> <p data-bbox="399 1254 823 1281">User Left Margin A3+A4/100 0.00</p> <p data-bbox="925 1254 1331 1281">PDF mode Y5 00</p> <p data-bbox="858 1697 871 1720">1</p> <p data-bbox="1094 1697 1362 1724">(6) [XXXXXXXXXXXXXXXXXXXXX]</p> </div>

Figure 1-3-1

Service items	Description						
	<p data-bbox="387 241 679 275">Service status page (2)</p> <div data-bbox="338 304 1396 1765" style="border: 1px solid black; padding: 10px;"> <p data-bbox="363 331 799 376">Service Status Page</p> <p data-bbox="363 380 443 405">Printer</p> <p data-bbox="1182 380 1342 405" style="text-align: right;">28/07/2010 16:39</p> <p data-bbox="384 434 831 459">Firmware version 2KV_2000.000.000 2010.07.28</p> <p data-bbox="979 434 1353 459" style="text-align: right;">[XXXXXXXX] [XXXXXXXX] [XXXXXXXX]</p> <hr/> <table data-bbox="363 504 1318 595"> <tr> <td data-bbox="363 504 612 533">Engine Information</td> <td data-bbox="963 504 1182 533">Send Information</td> </tr> <tr> <td data-bbox="352 539 839 564">(21) NVRAM Version _1F31225_1F31225</td> <td data-bbox="948 539 1318 564">(23) Date and Time 10/07/28 16:39</td> </tr> <tr> <td data-bbox="352 568 839 593">(22) MAC Address 00:C0:EE:D0:01:0D</td> <td data-bbox="948 568 1066 593">(24) Address</td> </tr> </table> <p data-bbox="395 857 528 882">1/2 (25) (26)</p> <p data-bbox="352 887 469 911">(27) 100/100</p> <p data-bbox="352 916 496 940">(28) 0/0/0/0/0/0/</p> <p data-bbox="352 945 496 969">(29) 0/0/0/0/0/0/</p> <p data-bbox="352 974 528 999">(30) 0/0/0/0/0/0/0/</p> <p data-bbox="352 1003 948 1028">(31) 0000000/0000000/0000000/0000000/0000000/0000000/0000000/</p> <p data-bbox="395 1032 1182 1057">0000000/0000000/0000000/0000000/0000000/0000000/0000000/0000000/0000000/0000000/</p> <p data-bbox="352 1061 1377 1086">(45) 0000/0000/0000/0000/0000/0000/0000/0000/0000/0000/0000/0000/0000/0000/0000/0000/</p> <p data-bbox="395 1099 868 1124">0000/0000/0000/0000/0000/0000/0000/0000/</p> <p data-bbox="352 1128 1150 1153">(46) 0000/0000/0000/0000/0000/0000/0000/0000/0000/0000/0000/0000/0000/0000/0000/0000/</p> <p data-bbox="395 1158 1150 1182">0000/0000/0000/0000/0000/0000/0000/0000/0000/0000/0000/0000/0000/0000/0000/0000/</p> <p data-bbox="352 1187 1345 1211">(47) 12345678/11223344/00001234abcd567800001234abcd5678/01234567890123456789012345678901/0008/00/07</p> <p data-bbox="395 1216 1345 1240">12345678/11223344/00001234abcd567800001234abcd5678/01234567890123456789012345678901/0008/00/07</p> <p data-bbox="395 1245 1345 1270">12345678/11223344/00001234abcd567800001234abcd5678/01234567890123456789012345678901/0008/00/07</p> <p data-bbox="395 1274 1345 1299">12345678/11223344/00001234abcd567800001234abcd5678/01234567890123456789012345678901/0008/00/07</p> <p data-bbox="352 1303 564 1328">(48) 2KV_D100.001.005</p> <p data-bbox="352 1332 459 1357">(49) [][][]</p> <p data-bbox="395 1361 699 1386">[2KV_81BR.001.010][] (50) (51)</p> <p data-bbox="395 1391 528 1415">0/3/ (52) (53)</p> <p data-bbox="352 1420 895 1444">(54) ABCDEFGHIJ/ABCDEFGHJIJ/ABCDEFGHJIJ/ABCDEFGHJIJ/</p> <hr/> <p data-bbox="858 1720 874 1744" style="text-align: center;">2</p> <p data-bbox="1142 1720 1353 1744" style="text-align: right;">[XXXXXXXXXXXXXXXXXXXX]</p> </div>	Engine Information	Send Information	(21) NVRAM Version _1F31225_1F31225	(23) Date and Time 10/07/28 16:39	(22) MAC Address 00:C0:EE:D0:01:0D	(24) Address
Engine Information	Send Information						
(21) NVRAM Version _1F31225_1F31225	(23) Date and Time 10/07/28 16:39						
(22) MAC Address 00:C0:EE:D0:01:0D	(24) Address						

Figure 1-3-2

Service items	Description	
	Detail of service status page	
No.	Description	Supplement
(1)	Firmware version	-
(2)	System date	-
(3)	Engine soft version	-
(4)	Engine boot version	-
(5)	Operation panel mask version	-
(6)	Machine serial number	-
(7)	Standard memory size	-
(8)	Optional memory size	-
(9)	Total memory size	-
(10)	Local time zone	-
(11)	Report output date	Day/Month/Year hour:minute
(12)	NTP server name	-
(13)	Presence or absence of the optional paper feeder 1	Installed/Not Installed
(14)	Presence or absence of the optional paper feeder 2	Installed/Not Installed
(15)	Presence or absence of the optional paper feeder 3	Installed/Not Installed
(16)	Presence or absence of the optional hard disk	Installed/Not Installed
(17)	Page of relation to the A4/Letter	-
(18)	Average coverage for printer	Black/Cyan/Magenta/Yellow
(19)	Coverage on the final output page	-
(20)	FRPO setting	-
(21)	NV RAM version	<p>_ 1F3 1225 _ 1F3 1225 (a) (b) (c) (d) (e) (f) (a) Consistency of the present software version and the database _ (underscore): OK * (Asterisk): NG (b) Database version (c) The oldest time stamp of database version (d) Consistency of the present software version and the ME firmware version _ (underscore): OK * (Asterisk): NG (e) ME firmware version (f) The oldest time stamp of the ME database version Normal if (a) and (d) are underscored, and (b) and (e) are identical with (c) and (f).</p>

Service items	Description																																																																										
	<table border="1"> <thead> <tr> <th data-bbox="295 286 379 331">No.</th> <th data-bbox="379 286 794 331">Description</th> <th data-bbox="794 286 1423 331">Supplement</th> </tr> </thead> <tr> <td data-bbox="295 331 379 376">(22)</td> <td data-bbox="379 331 794 376">Mac address</td> <td data-bbox="794 331 1423 376">-</td> </tr> <tr> <td data-bbox="295 376 379 421">(23)</td> <td data-bbox="379 376 794 421">The last sent date and time</td> <td data-bbox="794 376 1423 421">-</td> </tr> <tr> <td data-bbox="295 421 379 465">(24)</td> <td data-bbox="379 421 794 465">Transmission address</td> <td data-bbox="794 421 1423 465">-</td> </tr> <tr> <td data-bbox="295 465 379 510">(25)</td> <td data-bbox="379 465 794 510">Destination information</td> <td data-bbox="794 465 1423 510">-</td> </tr> <tr> <td data-bbox="295 510 379 555">(26)</td> <td data-bbox="379 510 794 555">Area information</td> <td data-bbox="794 510 1423 555">-</td> </tr> <tr> <td data-bbox="295 555 379 600">(27)</td> <td data-bbox="379 555 794 600">Margin settings</td> <td data-bbox="794 555 1423 600">Top margin/Left margin</td> </tr> <tr> <td data-bbox="295 600 379 701">(28)</td> <td data-bbox="379 600 794 701">Top offset for each paper source</td> <td data-bbox="794 600 1423 701">MP tray/Paper feeder 1/Paper feeder 2/ Paper feeder 3/Duplex/Page rotation</td> </tr> <tr> <td data-bbox="295 701 379 801">(29)</td> <td data-bbox="379 701 794 801">Left offset for each paper source</td> <td data-bbox="794 701 1423 801">MP tray/Paper feeder 1/Paper feeder 2/ Paper feeder 3/Duplex/Page rotation</td> </tr> <tr> <td data-bbox="295 801 379 936">(30)</td> <td data-bbox="379 801 794 936">Margin/Page length/Page width settings</td> <td data-bbox="794 801 1423 936">Top margin integer part/Top margin decimal part/ Left margin integer part/Left margin decimal part/ Page length integer part/Page length decimal part/ Page width integer part/Page width decimal part</td> </tr> <tr> <td data-bbox="295 936 379 1171" rowspan="2">(31)</td> <td data-bbox="379 936 794 1014">Life counter (The first line)</td> <td data-bbox="794 936 1423 1014">Machine life/MP tray/Cassette/Paper feeder 1/ Paper feeder 2/Paper feeder 3/Duplex</td> </tr> <tr> <td data-bbox="379 1014 794 1171">Life counter (The second line)</td> <td data-bbox="794 1014 1423 1171">Drum unit K/Drum unit C/Drum unit M/Drum unit Y/ Intermediate transfer unit/Developing unit K/ Developing unit C/Developing unit M/ Developing unit Y/Maintenance kit</td> </tr> <tr> <td data-bbox="295 1171 379 1216">(32)</td> <td data-bbox="379 1171 794 1216">Panel lock information</td> <td data-bbox="794 1171 1423 1216">0: OFF/1: Partial lock/2: Full lock</td> </tr> <tr> <td data-bbox="295 1216 379 1261">(33)</td> <td data-bbox="379 1216 794 1261">USB information</td> <td data-bbox="794 1216 1423 1261">U00: Not installed/U01: Full speed/U02: Hi speed</td> </tr> <tr> <td data-bbox="295 1261 379 1305">(34)</td> <td data-bbox="379 1261 794 1305">Paper handling information</td> <td data-bbox="794 1261 1423 1305">0: Paper source unit select/1: Paper source unit</td> </tr> <tr> <td data-bbox="295 1305 379 1395">(35)</td> <td data-bbox="379 1305 794 1395">Color printing double count mode</td> <td data-bbox="794 1305 1423 1395">0: All single counts 3: Folio, Single count, Less than 330 mm (length)</td> </tr> <tr> <td data-bbox="295 1395 379 1485">(36)</td> <td data-bbox="379 1395 794 1485">Black and white printing double count mode</td> <td data-bbox="794 1395 1423 1485">0: All single counts 3: Folio, Single count, Less than 330 mm (length)</td> </tr> <tr> <td data-bbox="295 1485 379 1529">(37)</td> <td data-bbox="379 1485 794 1529">Billing counting timing</td> <td data-bbox="794 1485 1423 1529">-</td> </tr> <tr> <td data-bbox="295 1529 379 1574">(38)</td> <td data-bbox="379 1529 794 1574">Temperature (machine inside)</td> <td data-bbox="794 1529 1423 1574">-</td> </tr> <tr> <td data-bbox="295 1574 379 1619">(39)</td> <td data-bbox="379 1574 794 1619">Temperature (machine outside)</td> <td data-bbox="794 1574 1423 1619">-</td> </tr> <tr> <td data-bbox="295 1619 379 1709">(40)</td> <td data-bbox="379 1619 794 1709">Relative temperature (machine outside)</td> <td data-bbox="794 1619 1423 1709">-</td> </tr> <tr> <td data-bbox="295 1709 379 1798">(41)</td> <td data-bbox="379 1709 794 1798">Absolute temperature (machine outside)</td> <td data-bbox="794 1709 1423 1798">-</td> </tr> <tr> <td data-bbox="295 1798 379 1843">(42)</td> <td data-bbox="379 1798 794 1843">Fixed assets number</td> <td data-bbox="794 1798 1423 1843">-</td> </tr> <tr> <td data-bbox="295 1843 379 1888">(43)</td> <td data-bbox="379 1843 794 1888">Job end judgment time-out time</td> <td data-bbox="794 1843 1423 1888">-</td> </tr> <tr> <td data-bbox="295 1888 379 1935">(44)</td> <td data-bbox="379 1888 794 1935">Job end detection mode</td> <td data-bbox="794 1888 1423 1935">-</td> </tr> </table>	No.	Description	Supplement	(22)	Mac address	-	(23)	The last sent date and time	-	(24)	Transmission address	-	(25)	Destination information	-	(26)	Area information	-	(27)	Margin settings	Top margin/Left margin	(28)	Top offset for each paper source	MP tray/Paper feeder 1/Paper feeder 2/ Paper feeder 3/Duplex/Page rotation	(29)	Left offset for each paper source	MP tray/Paper feeder 1/Paper feeder 2/ Paper feeder 3/Duplex/Page rotation	(30)	Margin/Page length/Page width settings	Top margin integer part/Top margin decimal part/ Left margin integer part/Left margin decimal part/ Page length integer part/Page length decimal part/ Page width integer part/Page width decimal part	(31)	Life counter (The first line)	Machine life/MP tray/Cassette/Paper feeder 1/ Paper feeder 2/Paper feeder 3/Duplex	Life counter (The second line)	Drum unit K/Drum unit C/Drum unit M/Drum unit Y/ Intermediate transfer unit/Developing unit K/ Developing unit C/Developing unit M/ Developing unit Y/Maintenance kit	(32)	Panel lock information	0: OFF/1: Partial lock/2: Full lock	(33)	USB information	U00: Not installed/U01: Full speed/U02: Hi speed	(34)	Paper handling information	0: Paper source unit select/1: Paper source unit	(35)	Color printing double count mode	0: All single counts 3: Folio, Single count, Less than 330 mm (length)	(36)	Black and white printing double count mode	0: All single counts 3: Folio, Single count, Less than 330 mm (length)	(37)	Billing counting timing	-	(38)	Temperature (machine inside)	-	(39)	Temperature (machine outside)	-	(40)	Relative temperature (machine outside)	-	(41)	Absolute temperature (machine outside)	-	(42)	Fixed assets number	-	(43)	Job end judgment time-out time	-	(44)	Job end detection mode	-
No.	Description	Supplement																																																																									
(22)	Mac address	-																																																																									
(23)	The last sent date and time	-																																																																									
(24)	Transmission address	-																																																																									
(25)	Destination information	-																																																																									
(26)	Area information	-																																																																									
(27)	Margin settings	Top margin/Left margin																																																																									
(28)	Top offset for each paper source	MP tray/Paper feeder 1/Paper feeder 2/ Paper feeder 3/Duplex/Page rotation																																																																									
(29)	Left offset for each paper source	MP tray/Paper feeder 1/Paper feeder 2/ Paper feeder 3/Duplex/Page rotation																																																																									
(30)	Margin/Page length/Page width settings	Top margin integer part/Top margin decimal part/ Left margin integer part/Left margin decimal part/ Page length integer part/Page length decimal part/ Page width integer part/Page width decimal part																																																																									
(31)	Life counter (The first line)	Machine life/MP tray/Cassette/Paper feeder 1/ Paper feeder 2/Paper feeder 3/Duplex																																																																									
	Life counter (The second line)	Drum unit K/Drum unit C/Drum unit M/Drum unit Y/ Intermediate transfer unit/Developing unit K/ Developing unit C/Developing unit M/ Developing unit Y/Maintenance kit																																																																									
(32)	Panel lock information	0: OFF/1: Partial lock/2: Full lock																																																																									
(33)	USB information	U00: Not installed/U01: Full speed/U02: Hi speed																																																																									
(34)	Paper handling information	0: Paper source unit select/1: Paper source unit																																																																									
(35)	Color printing double count mode	0: All single counts 3: Folio, Single count, Less than 330 mm (length)																																																																									
(36)	Black and white printing double count mode	0: All single counts 3: Folio, Single count, Less than 330 mm (length)																																																																									
(37)	Billing counting timing	-																																																																									
(38)	Temperature (machine inside)	-																																																																									
(39)	Temperature (machine outside)	-																																																																									
(40)	Relative temperature (machine outside)	-																																																																									
(41)	Absolute temperature (machine outside)	-																																																																									
(42)	Fixed assets number	-																																																																									
(43)	Job end judgment time-out time	-																																																																									
(44)	Job end detection mode	-																																																																									

 |

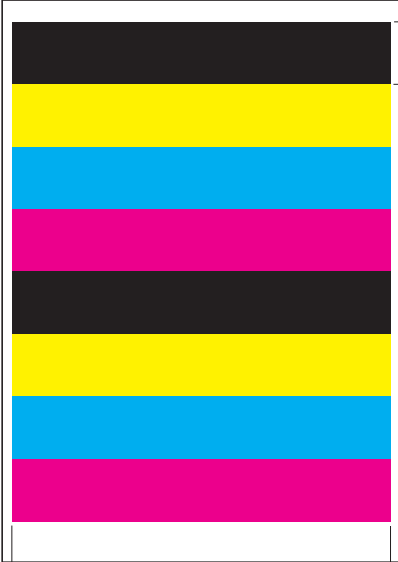
Service items	Description																																																																											
	<table border="1"> <thead> <tr> <th data-bbox="295 286 384 333">No.</th> <th data-bbox="384 286 798 333">Description</th> <th data-bbox="798 286 1417 333">Supplement</th> </tr> </thead> <tr> <td data-bbox="295 333 384 660">(45)</td> <td data-bbox="384 333 798 660">Media type attributes 1 to 28 (Not used: 18, 19, 20)</td> <td data-bbox="798 333 1417 660"> <table border="0"> <tr> <td>Weight settings</td> <td>Fuser settings</td> </tr> <tr> <td>0: Light</td> <td>0: High</td> </tr> <tr> <td>1: Normal 1</td> <td>1: Middle</td> </tr> <tr> <td>2: Normal 2</td> <td>2: Low</td> </tr> <tr> <td>3: Normal 3</td> <td>3: Vellum</td> </tr> <tr> <td>4: Heavy 1</td> <td>Duplex settings</td> </tr> <tr> <td>5: Heavy 2</td> <td>0: Disable</td> </tr> <tr> <td>6: Heavy 3</td> <td>1: Enable</td> </tr> <tr> <td>7: Extra Heavy</td> <td></td> </tr> </table> </td> </tr> <tr> <td data-bbox="295 660 384 707">(46)</td> <td data-bbox="384 660 798 707">Calibration information</td> <td data-bbox="798 660 1417 707">Black/Cyan/Magenta/Yellow</td> </tr> <tr> <td data-bbox="295 707 384 754">(47)</td> <td data-bbox="384 707 798 754">RFID information</td> <td data-bbox="798 707 1417 754">-</td> </tr> <tr> <td data-bbox="295 754 384 837">(48)</td> <td data-bbox="384 754 798 837">RFID reader/writer version information</td> <td data-bbox="798 754 1417 837">-</td> </tr> <tr> <td data-bbox="295 837 384 920">(49)</td> <td data-bbox="384 837 798 920">Soft version of the optional paper feeder</td> <td data-bbox="798 837 1417 920">Paper feeder 1/Paper feeder 2/Paper feeder 3</td> </tr> <tr> <td data-bbox="295 920 384 967">(50)</td> <td data-bbox="384 920 798 967">Version of the optional message</td> <td data-bbox="798 920 1417 967">-</td> </tr> <tr> <td data-bbox="295 967 384 1014">(51)</td> <td data-bbox="384 967 798 1014">Color table version</td> <td data-bbox="798 967 1417 1014">-</td> </tr> <tr> <td data-bbox="295 1014 384 1133">(52)</td> <td data-bbox="384 1014 798 1133">Altitude</td> <td data-bbox="798 1014 1417 1133"> 0: Standard 1: High altitude 1 2: High altitude 2 </td> </tr> <tr> <td data-bbox="295 1133 384 1180">(53)</td> <td data-bbox="384 1133 798 1180">Charger roller correction</td> <td data-bbox="798 1133 1417 1180">1 to 5</td> </tr> <tr> <td data-bbox="295 1180 384 1227">(54)</td> <td data-bbox="384 1180 798 1227">Drum serial number</td> <td data-bbox="798 1180 1417 1227">Black/Cyan/Magenta/Yellow</td> </tr> <tr> <td data-bbox="295 1227 384 1473"></td> <td colspan="2" data-bbox="384 1227 1417 1473"> Code conversion <table border="1"> <tr> <td>A</td><td>B</td><td>C</td><td>D</td><td>E</td><td>F</td><td>G</td><td>H</td><td>I</td><td>J</td> </tr> <tr> <td>0</td><td>1</td><td>2</td><td>3</td><td>4</td><td>5</td><td>6</td><td>7</td><td>8</td><td>9</td> </tr> </table> </td> </tr> </table>		No.	Description	Supplement	(45)	Media type attributes 1 to 28 (Not used: 18, 19, 20)	<table border="0"> <tr> <td>Weight settings</td> <td>Fuser settings</td> </tr> <tr> <td>0: Light</td> <td>0: High</td> </tr> <tr> <td>1: Normal 1</td> <td>1: Middle</td> </tr> <tr> <td>2: Normal 2</td> <td>2: Low</td> </tr> <tr> <td>3: Normal 3</td> <td>3: Vellum</td> </tr> <tr> <td>4: Heavy 1</td> <td>Duplex settings</td> </tr> <tr> <td>5: Heavy 2</td> <td>0: Disable</td> </tr> <tr> <td>6: Heavy 3</td> <td>1: Enable</td> </tr> <tr> <td>7: Extra Heavy</td> <td></td> </tr> </table>	Weight settings	Fuser settings	0: Light	0: High	1: Normal 1	1: Middle	2: Normal 2	2: Low	3: Normal 3	3: Vellum	4: Heavy 1	Duplex settings	5: Heavy 2	0: Disable	6: Heavy 3	1: Enable	7: Extra Heavy		(46)	Calibration information	Black/Cyan/Magenta/Yellow	(47)	RFID information	-	(48)	RFID reader/writer version information	-	(49)	Soft version of the optional paper feeder	Paper feeder 1/Paper feeder 2/Paper feeder 3	(50)	Version of the optional message	-	(51)	Color table version	-	(52)	Altitude	0: Standard 1: High altitude 1 2: High altitude 2	(53)	Charger roller correction	1 to 5	(54)	Drum serial number	Black/Cyan/Magenta/Yellow		Code conversion <table border="1"> <tr> <td>A</td><td>B</td><td>C</td><td>D</td><td>E</td><td>F</td><td>G</td><td>H</td><td>I</td><td>J</td> </tr> <tr> <td>0</td><td>1</td><td>2</td><td>3</td><td>4</td><td>5</td><td>6</td><td>7</td><td>8</td><td>9</td> </tr> </table>		A	B	C	D	E	F	G	H	I	J	0	1	2	3	4	5	6	7	8	9
No.	Description	Supplement																																																																										
(45)	Media type attributes 1 to 28 (Not used: 18, 19, 20)	<table border="0"> <tr> <td>Weight settings</td> <td>Fuser settings</td> </tr> <tr> <td>0: Light</td> <td>0: High</td> </tr> <tr> <td>1: Normal 1</td> <td>1: Middle</td> </tr> <tr> <td>2: Normal 2</td> <td>2: Low</td> </tr> <tr> <td>3: Normal 3</td> <td>3: Vellum</td> </tr> <tr> <td>4: Heavy 1</td> <td>Duplex settings</td> </tr> <tr> <td>5: Heavy 2</td> <td>0: Disable</td> </tr> <tr> <td>6: Heavy 3</td> <td>1: Enable</td> </tr> <tr> <td>7: Extra Heavy</td> <td></td> </tr> </table>	Weight settings	Fuser settings	0: Light	0: High	1: Normal 1	1: Middle	2: Normal 2	2: Low	3: Normal 3	3: Vellum	4: Heavy 1	Duplex settings	5: Heavy 2	0: Disable	6: Heavy 3	1: Enable	7: Extra Heavy																																																									
Weight settings	Fuser settings																																																																											
0: Light	0: High																																																																											
1: Normal 1	1: Middle																																																																											
2: Normal 2	2: Low																																																																											
3: Normal 3	3: Vellum																																																																											
4: Heavy 1	Duplex settings																																																																											
5: Heavy 2	0: Disable																																																																											
6: Heavy 3	1: Enable																																																																											
7: Extra Heavy																																																																												
(46)	Calibration information	Black/Cyan/Magenta/Yellow																																																																										
(47)	RFID information	-																																																																										
(48)	RFID reader/writer version information	-																																																																										
(49)	Soft version of the optional paper feeder	Paper feeder 1/Paper feeder 2/Paper feeder 3																																																																										
(50)	Version of the optional message	-																																																																										
(51)	Color table version	-																																																																										
(52)	Altitude	0: Standard 1: High altitude 1 2: High altitude 2																																																																										
(53)	Charger roller correction	1 to 5																																																																										
(54)	Drum serial number	Black/Cyan/Magenta/Yellow																																																																										
	Code conversion <table border="1"> <tr> <td>A</td><td>B</td><td>C</td><td>D</td><td>E</td><td>F</td><td>G</td><td>H</td><td>I</td><td>J</td> </tr> <tr> <td>0</td><td>1</td><td>2</td><td>3</td><td>4</td><td>5</td><td>6</td><td>7</td><td>8</td><td>9</td> </tr> </table>		A	B	C	D	E	F	G	H	I	J	0	1	2	3	4	5	6	7	8	9																																																						
A	B	C	D	E	F	G	H	I	J																																																																			
0	1	2	3	4	5	6	7	8	9																																																																			

Service items	Description
Network Status	<p data-bbox="387 244 823 275">Printing a status page for network</p> <p data-bbox="387 315 539 347">Description</p> <p data-bbox="387 349 772 380">Prints a status page for network.</p> <p data-bbox="387 383 499 414">Purpose</p> <p data-bbox="387 416 994 448">To acquire the detailed network setting information.</p> <p data-bbox="387 488 488 519">Method</p> <ol data-bbox="403 521 1222 656" style="list-style-type: none">1. Enter the Service Setting menu.2. Select [Print Network Status Page] using the cursor up/down keys.3. Press the OK key.4. Press the OK key. Network status page will be printed.

Service items	Description
<p>Test Page</p>	<p>Printing a test page</p> <p>Description Four colors are printed respectively with halftones of three different levels.</p> <p>Purpose To check the activation of the developer and drum units of four colors.</p> <p>Method</p> <ol style="list-style-type: none"> 1. Enter the Service Setting menu. 2. Select [Print Test Page] using the cursor up/down keys. 3. Press the OK key. 4. Press the OK key. Test page will be printed. <div data-bbox="507 719 1316 1281" data-label="Figure"> </div> <p>*1: Since focusing in yellow is hardly readable, yellow is mixed with cyan for more readability, resulting in green.</p> <p>*2: Each portion of colors has three different magnitude of halftones (bands). If focus is excessively lost, dots are not recognizable with the 16/256 band, resulting in uneven density. It also results in vertical streaks in the 24/256 and/or 32/256 bands.</p> <p style="text-align: center;">Figure 1-3-3</p>

Service items	Description
Maintenance	<p data-bbox="389 241 1171 275">Counter reset for the maintenance kit (26/28 ppm model only)</p> <p data-bbox="389 311 539 340">Description</p> <p data-bbox="389 344 1401 412">The "Install MK" message means that maintenance kit should be replaced at 200,000 pages of printing. The interval counter must be manually reset using this service item.</p> <p data-bbox="389 450 983 479">Maintenance kit MK-592 (for 120 V specifications)</p> <p data-bbox="389 486 983 515">Maintenance kit MK-590 (for 230 V specifications)</p> <p data-bbox="389 553 911 582">Maintenance kit includes the following units:</p> <ul data-bbox="411 589 746 826" style="list-style-type: none"> Drum unit x 4 Developing unit (K, M, C, Y) Intermediate transfer unit Fuser unit Paper feed roller unit Retard roller unit MP paper feed roller <p data-bbox="389 864 499 893">Purpose</p> <p data-bbox="389 900 911 929">To reset the life counter for maintenance kit.</p> <p data-bbox="389 967 952 996">Procedure for replacing the maintenance kit</p> <p data-bbox="389 1003 727 1032">Drum unit (see page 1-5-20)</p> <p data-bbox="389 1039 796 1068">Developing unit (see page 1-5-18)</p> <p data-bbox="389 1075 908 1104">Intermediate transfer unit (see page 1-5-21)</p> <p data-bbox="389 1111 730 1140">Fuser unit (see page 1-5-25)</p> <p data-bbox="389 1146 858 1176">Paper feed roller unit (see page 1-5-14)</p> <p data-bbox="389 1182 809 1211">Retard roller unit (see page 1-5-12)</p> <p data-bbox="389 1218 852 1247">MP paper feed roller (see page 1-5-16)</p> <p data-bbox="389 1285 485 1314">Method</p> <ol data-bbox="405 1321 1294 1449" style="list-style-type: none"> 1. Enter the Service Setting menu. 2. Select [Maintenance] using the cursor up/down keys. 3. Press the OK key. 4. Press the OK key. The counter for each component is reset immediately. <p data-bbox="389 1487 459 1516">Note:</p> <p data-bbox="389 1523 1433 1657">Occurrences of resetting the maintenance kits are recorded on the service status page or event log in number of pages at which the maintenance kit was replaced (see page 1-3-2, 1-3-15). This may be used to determine the possibility that the counter was erroneously or unintentionally reset.</p>

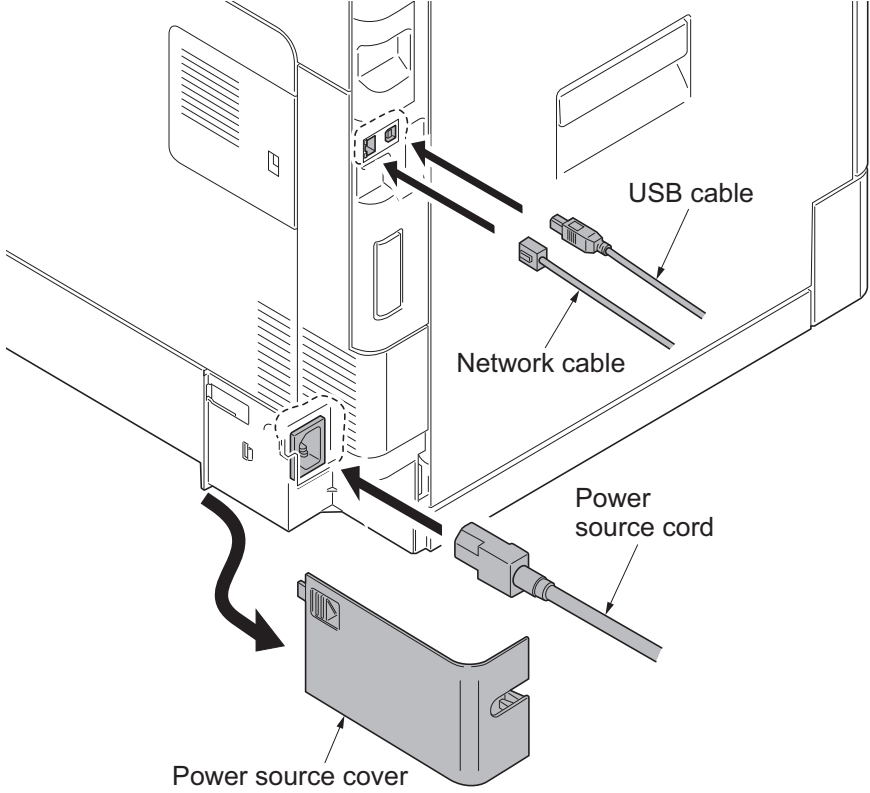
Service items	Description
Developer Setting	<p>Entering initial value for replacing the developing unit</p> <p>Description After replacing the developing unit, enter the initial value (6-digit data) assigned on a label attached to the package or developing unit.</p> <p>Purpose To set the initial value after replacing the developing unit.</p> <p>Method</p> <ol style="list-style-type: none"> 1. Enter the Service Setting menu. 2. Select [DEV-SET] using the cursor up/down keys. 3. Press the OK key. Enter the initial value (6-digit data) using the cursor keys. 4. Press the OK key. The initial value is set. <div data-bbox="539 792 1286 1281" style="text-align: center;"> <p>The diagram illustrates the location of the initial value label. It shows a developing unit on the left and its corresponding package on the right. A callout box labeled 'Label' contains a QR code, the alphanumeric code '128F1E', and the model identifier 'DV560Y'. Dashed circles indicate the label's location on the top of the developing unit and on the side of the package.</p> </div> <p>Figure 1-3-4</p>

Service items	Description
Developer Refresh	<p>Performing developer refresh</p> <p>Description The laser output of the image data for developer refreshing is carried out, and operation to exposure, developing, and primary transfer is performed by 10 pages (paper is not fed).</p> <p>Purpose To perform cleaning when faulty images occur and a line appears longitudinally.</p> <p>Method</p> <ol style="list-style-type: none"> 1. Enter the Service Setting menu. 2. Select [DEV-CLN] using the cursor up/down keys. 3. Press the OK key. 4. Press the OK key. Developer refresh is performed. <div data-bbox="651 792 1173 1480" style="text-align: center;"> <p>A4 paper size</p>  <p>33 mm</p> <p>200 mm</p> <p>Toner image on the transfer belt</p> </div> <p>Figure 1-3-5</p>

Service items	Description
LSU Cleaning	<p>Performing LSU cleaning</p> <p>Description The LSU cleaning motor drives the cleaning pad which in turn wipes clean the LSU dust shield glass.</p> <p>Purpose To perform cleaning when the printed image is bad and stripes are seen in the vertical direction.</p> <p>Method</p> <ol style="list-style-type: none"> 1. Enter the Service Setting menu. 2. Select [LSU] using the cursor up/down keys. 3. Press the OK key. 4. Press the OK key. LSU cleaning is performed.
Drum surface refreshing	<p>Performing drum surface refreshing</p> <p>Description Rotates the drum approximately 2 minutes with toner lightly on the overall drum. The cleaning blade in the drum unit scrapes toner off the drum surface to clean it.</p> <p>Purpose To clean the drum surface when image failure occurs due to the drum. This mode is effective when dew condensation on the drum occurs.</p> <p>Method</p> <ol style="list-style-type: none"> 1. Enter the Service Setting menu. 2. Select [Drum] using the cursor up/down keys. 3. Press the OK key. 4. Press the OK key. Drum surface refreshing is performed.

Service items	Description
Altitude adjustment	<p>Setting altitude adjustment</p> <p>Description Sets the altitude adjustment mode.</p> <p>Purpose Used when print quality deteriorates in an installation at the altitude of 1,500 meters or higher.</p> <p>Method</p> <ol style="list-style-type: none"> 1. Enter the Service Setting menu. 2. Select [Altitude Adj.] using the cursor up/down keys. 3. Press the start key. 4. Select [Normal], [High 1] or [High 2]) using the cursor up/down keys. 5. Press the start key. The setting is set.
Main charger adjustment	<p>Setting main charger output</p> <p>Description Sets the main charger output. This is executable only when the altitude adjustment mode is set to [Normal].</p> <p>Purpose Execute when the image density declines or an offset has occurred.</p> <p>Method</p> <ol style="list-style-type: none"> 1. Enter the Service Setting menu. 2. Select [MC] using the cursor up/down keys. 3. Press the start key. 4. Select [1] to [5] using the cursor up/down keys. 5. Press the start key. The setting is set.

(3) Printing an event log

Service items	Description
Printing an event log	<p>Printing an event log (EVENT LOG)</p> <p>Description Prints a history list of occurrences of paper jam, self-diagnostics, toner replacements, etc.</p> <p>Purpose To allow machine malfunction analysis based on the frequency of paper misfeeds, self diagnostic errors and replacements.</p> <p>Method</p> <ol style="list-style-type: none"> 1. Connect the USB or network cable between machine and PC (network). 2. Remove the power source cover and connect the power cord.  <p style="text-align: center;">Figure 1-3-6</p> <ol style="list-style-type: none"> 3. Refit the power source cover. 4. Turn the main power switch on. Make sure the machine is ready. 5. Send the following PRESCRIBE command sequence from the PC to the machine. !RIKCFG"ELOG";EXIT; 6. A sheet of event log will be printed.

Service items	Description																																																																																																																																																											
	Event log																																																																																																																																																											
	<div style="border: 1px solid black; padding: 10px;"> <h3 style="margin: 0;">Event Log</h3> <p style="margin: 0;">Printer (2) 28/July/2010 08:40</p> <p style="margin: 0;">(1) Firmware version 2KV_2000.000.000 2010.07.28 (3) [XXXXXXXXX] (4) [XXXXXXXXX] (5) [XXXXXXXXX]</p> <hr style="border: 1px solid black;"/> <div style="display: flex; justify-content: space-between;"> <div style="width: 48%;"> <p>(7) Paper Jam Log</p> <table border="1" style="width:100%; border-collapse: collapse; font-size: small;"> <thead> <tr> <th>#</th> <th>Count.</th> <th>Event Descriptions</th> </tr> </thead> <tbody> <tr><td>16</td><td>1876543</td><td>0501.01.08.01.01</td></tr> <tr><td>15</td><td>166554</td><td>4020.01.08.01.01</td></tr> <tr><td>14</td><td>4988</td><td>0501.01.08.01.01</td></tr> <tr><td>13</td><td>4988</td><td>4020.01.08.01.01</td></tr> <tr><td>12</td><td>4988</td><td>0501.01.08.01.01</td></tr> <tr><td>11</td><td>4988</td><td>4020.01.08.01.01</td></tr> <tr><td>10</td><td>1103</td><td>0501.01.08.01.01</td></tr> <tr><td>9</td><td>1103</td><td>4020.01.08.01.01</td></tr> <tr><td>8</td><td>1103</td><td>0501.01.08.01.01</td></tr> <tr><td>7</td><td>1103</td><td>4020.01.08.01.01</td></tr> <tr><td>6</td><td>1027</td><td>0501.01.08.01.01</td></tr> <tr><td>5</td><td>1027</td><td>4020.01.08.01.01</td></tr> <tr><td>4</td><td>1027</td><td>0501.01.08.01.01</td></tr> <tr><td>3</td><td>1027</td><td>4020.01.08.01.01</td></tr> <tr><td>2</td><td>406</td><td>0501.01.08.01.01</td></tr> <tr><td>1</td><td>36</td><td>4020.01.08.01.01</td></tr> </tbody> </table> </div> <div style="width: 48%;"> <p>(8) Service Call Log</p> <table border="1" style="width:100%; border-collapse: collapse; font-size: small;"> <thead> <tr> <th>#</th> <th>Count.</th> <th>Service Code</th> </tr> </thead> <tbody> <tr><td>8</td><td>1881214</td><td>01.6000</td></tr> <tr><td>7</td><td>178944</td><td>01.2100</td></tr> <tr><td>6</td><td>5296</td><td>01.4000</td></tr> <tr><td>5</td><td>5295</td><td>01.6000</td></tr> <tr><td>4</td><td>2099</td><td>01.2100</td></tr> <tr><td>3</td><td>1054</td><td>01.4000</td></tr> <tr><td>2</td><td>809</td><td>01.6000</td></tr> <tr><td>1</td><td>30</td><td>01.2100</td></tr> </tbody> </table> <p>(9) Maintenance Log</p> <table border="1" style="width:100%; border-collapse: collapse; font-size: small;"> <thead> <tr> <th>#</th> <th>Count.</th> <th>Item</th> </tr> </thead> <tbody> <tr><td>8</td><td>1045571</td><td>01.00</td></tr> <tr><td>7</td><td>104511</td><td>01.00</td></tr> <tr><td>6</td><td>7045</td><td>01.00</td></tr> <tr><td>5</td><td>3454</td><td>01.00</td></tr> <tr><td>4</td><td>3454</td><td>01.01</td></tr> <tr><td>3</td><td>3454</td><td>01.01</td></tr> <tr><td>2</td><td>417</td><td>01.01</td></tr> <tr><td>1</td><td>34</td><td>01.01</td></tr> </tbody> </table> <p>(10) Unknown toner Log</p> <table border="1" style="width:100%; border-collapse: collapse; font-size: small;"> <thead> <tr> <th>#</th> <th>Count.</th> <th>Item</th> </tr> </thead> <tbody> <tr><td>5</td><td>3454</td><td>01.00</td></tr> <tr><td>4</td><td>3454</td><td>01.00</td></tr> <tr><td>3</td><td>3454</td><td>01.00</td></tr> <tr><td>2</td><td>406</td><td>01.00</td></tr> <tr><td>1</td><td>32</td><td>01.00</td></tr> </tbody> </table> </div> </div> <div style="margin: 10px 0;"> <table style="margin-left: auto; margin-right: auto; border: 1px solid black; padding: 5px;"> <tr> <td style="text-align: center; padding: 0 5px;">0501.01.08.01.01</td> </tr> <tr> <td style="text-align: center; padding: 0 5px;">(a) (b) (c) (d) (e)</td> </tr> </table> </div> <p style="margin: 0;">(11) Counter Log</p> <table style="width:100%; font-size: x-small;"> <tr> <td style="width: 33%;">(f) J0100: 0 J0512: 0 J4201: 0</td> <td style="width: 33%;">(g) C0030: 1 C2100: 1</td> <td style="width: 33%;">(h) T00: 1</td> </tr> <tr> <td>J0105: 0 J0513: 0 J4202: 0</td> <td>C0070: 1 C2200: 1</td> <td>T01: 1</td> </tr> <tr> <td>J0106: 0 J0518: 0 J4203: 0</td> <td>C0100: 1 C2300: 1</td> <td></td> </tr> <tr> <td>J0110: 0 J0519: 0 J4208: 0</td> <td>C0120: 1 C2330: 1</td> <td></td> </tr> <tr> <td>J0111: 0 J1020: 0 J4209: 0</td> <td>C0130: 1 C2340: 1</td> <td></td> </tr> <tr><td>· · ·</td><td>· ·</td><td></td></tr> <tr><td>· · ·</td><td>· ·</td><td></td></tr> <tr><td>· · ·</td><td>· ·</td><td></td></tr> <tr><td>· · ·</td><td>· ·</td><td></td></tr> <tr><td>· · ·</td><td>· ·</td><td></td></tr> </table> <p style="text-align: right; margin-top: 10px;">(6) [XXXXXXXXXXXXXXXXXXXX]</p> </div>	#	Count.	Event Descriptions	16	1876543	0501.01.08.01.01	15	166554	4020.01.08.01.01	14	4988	0501.01.08.01.01	13	4988	4020.01.08.01.01	12	4988	0501.01.08.01.01	11	4988	4020.01.08.01.01	10	1103	0501.01.08.01.01	9	1103	4020.01.08.01.01	8	1103	0501.01.08.01.01	7	1103	4020.01.08.01.01	6	1027	0501.01.08.01.01	5	1027	4020.01.08.01.01	4	1027	0501.01.08.01.01	3	1027	4020.01.08.01.01	2	406	0501.01.08.01.01	1	36	4020.01.08.01.01	#	Count.	Service Code	8	1881214	01.6000	7	178944	01.2100	6	5296	01.4000	5	5295	01.6000	4	2099	01.2100	3	1054	01.4000	2	809	01.6000	1	30	01.2100	#	Count.	Item	8	1045571	01.00	7	104511	01.00	6	7045	01.00	5	3454	01.00	4	3454	01.01	3	3454	01.01	2	417	01.01	1	34	01.01	#	Count.	Item	5	3454	01.00	4	3454	01.00	3	3454	01.00	2	406	01.00	1	32	01.00	0501.01.08.01.01	(a) (b) (c) (d) (e)	(f) J0100: 0 J0512: 0 J4201: 0	(g) C0030: 1 C2100: 1	(h) T00: 1	J0105: 0 J0513: 0 J4202: 0	C0070: 1 C2200: 1	T01: 1	J0106: 0 J0518: 0 J4203: 0	C0100: 1 C2300: 1		J0110: 0 J0519: 0 J4208: 0	C0120: 1 C2330: 1		J0111: 0 J1020: 0 J4209: 0	C0130: 1 C2340: 1		· · ·	· ·		· · ·	· ·		· · ·	· ·		· · ·	· ·		· · ·	· ·	
#	Count.	Event Descriptions																																																																																																																																																										
16	1876543	0501.01.08.01.01																																																																																																																																																										
15	166554	4020.01.08.01.01																																																																																																																																																										
14	4988	0501.01.08.01.01																																																																																																																																																										
13	4988	4020.01.08.01.01																																																																																																																																																										
12	4988	0501.01.08.01.01																																																																																																																																																										
11	4988	4020.01.08.01.01																																																																																																																																																										
10	1103	0501.01.08.01.01																																																																																																																																																										
9	1103	4020.01.08.01.01																																																																																																																																																										
8	1103	0501.01.08.01.01																																																																																																																																																										
7	1103	4020.01.08.01.01																																																																																																																																																										
6	1027	0501.01.08.01.01																																																																																																																																																										
5	1027	4020.01.08.01.01																																																																																																																																																										
4	1027	0501.01.08.01.01																																																																																																																																																										
3	1027	4020.01.08.01.01																																																																																																																																																										
2	406	0501.01.08.01.01																																																																																																																																																										
1	36	4020.01.08.01.01																																																																																																																																																										
#	Count.	Service Code																																																																																																																																																										
8	1881214	01.6000																																																																																																																																																										
7	178944	01.2100																																																																																																																																																										
6	5296	01.4000																																																																																																																																																										
5	5295	01.6000																																																																																																																																																										
4	2099	01.2100																																																																																																																																																										
3	1054	01.4000																																																																																																																																																										
2	809	01.6000																																																																																																																																																										
1	30	01.2100																																																																																																																																																										
#	Count.	Item																																																																																																																																																										
8	1045571	01.00																																																																																																																																																										
7	104511	01.00																																																																																																																																																										
6	7045	01.00																																																																																																																																																										
5	3454	01.00																																																																																																																																																										
4	3454	01.01																																																																																																																																																										
3	3454	01.01																																																																																																																																																										
2	417	01.01																																																																																																																																																										
1	34	01.01																																																																																																																																																										
#	Count.	Item																																																																																																																																																										
5	3454	01.00																																																																																																																																																										
4	3454	01.00																																																																																																																																																										
3	3454	01.00																																																																																																																																																										
2	406	01.00																																																																																																																																																										
1	32	01.00																																																																																																																																																										
0501.01.08.01.01																																																																																																																																																												
(a) (b) (c) (d) (e)																																																																																																																																																												
(f) J0100: 0 J0512: 0 J4201: 0	(g) C0030: 1 C2100: 1	(h) T00: 1																																																																																																																																																										
J0105: 0 J0513: 0 J4202: 0	C0070: 1 C2200: 1	T01: 1																																																																																																																																																										
J0106: 0 J0518: 0 J4203: 0	C0100: 1 C2300: 1																																																																																																																																																											
J0110: 0 J0519: 0 J4208: 0	C0120: 1 C2330: 1																																																																																																																																																											
J0111: 0 J1020: 0 J4209: 0	C0130: 1 C2340: 1																																																																																																																																																											
· · ·	· ·																																																																																																																																																											
· · ·	· ·																																																																																																																																																											
· · ·	· ·																																																																																																																																																											
· · ·	· ·																																																																																																																																																											
· · ·	· ·																																																																																																																																																											

Figure 1-3-7

Detail of event log

No.	Items	Description
(1)	System version	
(2)	System date	
(3)	Engine soft version	
(4)	Engine boot version	

Service items	Description														
	No.	Items	Description												
	(5)	Operation panel mask version													
	(6)	Machine serial number													
	(7)	Paper Jam Log	<table border="1"> <thead> <tr> <th data-bbox="539 421 850 477">#</th> <th data-bbox="850 421 1114 477">Count.</th> <th data-bbox="1114 421 1441 477">Event</th> </tr> </thead> <tbody> <tr> <td data-bbox="539 477 850 801">Remembers 1 to 16 of occurrence. If the occurrence of the previous paper jam is less than 16, all of the paper jams are logged. When the occurrence exceeds 16, the oldest occurrence is removed.</td> <td data-bbox="850 477 1114 801">The total page count at the time of the paper jam.</td> <td data-bbox="1114 477 1441 801">Log code (hexadecimal, 5 categories) (a) Cause of a paper jam (b) Paper source (c) Paper size (d) Paper type (e) Paper eject</td> </tr> <tr> <td colspan="3" data-bbox="539 801 1441 857">(a) Cause of paper jam (Hexadecimal)</td> </tr> <tr> <td colspan="3" data-bbox="539 857 1441 2007"> Refer to P.1-4-1 for paper jam location 0100: Controller sequence error 0105: Registration sensor not detected 0106: Controller sequence error 0110: Top tray open 0111: Rear cover open 0112: Front cover open 0113: MP tray open 0120: Controller sequence error 0121: Controller sequence error 0211: Rear cover open (paper feeder 1) 0212: Rear cover open (paper feeder 2) 0213: Rear cover open (paper feeder 3) 0501: No paper feed from cassette 1 0502: No paper feed from cassette 2 0503: No paper feed from cassette 3 0504: No paper feed from cassette 4 0508: No paper feed from duplex section 0509: No paper feed from MP tray 0511: Multiple sheets in cassette 1 0512: Multiple sheets in cassette 2 0513: Multiple sheets in cassette 3 0514: Multiple sheets in cassette 4 0518: Multiple sheets in duplex section 0519: Multiple sheets in MP tray 1020: MP feed sensor is turned ON 1403: PF feed sensor 1 does not turn ON (Paper feeder 2) 1404: PF feed sensor 1 does not turn ON (Paper feeder 3) 1413: PF feed sensor 1 does not turn OFF (Paper feeder 2) 1414: PF feed sensor 1 does not turn OFF (Paper feeder 3) 1420: PF feed sensor 1 is turned ON 1604: PF feed sensor 2 does not turn ON (Paper feeder 3) 1614: PF feed sensor 2 does not turn OFF (Paper feeder 3) </td> </tr> </tbody> </table>	#	Count.	Event	Remembers 1 to 16 of occurrence. If the occurrence of the previous paper jam is less than 16, all of the paper jams are logged. When the occurrence exceeds 16, the oldest occurrence is removed.	The total page count at the time of the paper jam.	Log code (hexadecimal, 5 categories) (a) Cause of a paper jam (b) Paper source (c) Paper size (d) Paper type (e) Paper eject	(a) Cause of paper jam (Hexadecimal)			Refer to P.1-4-1 for paper jam location 0100: Controller sequence error 0105: Registration sensor not detected 0106: Controller sequence error 0110: Top tray open 0111: Rear cover open 0112: Front cover open 0113: MP tray open 0120: Controller sequence error 0121: Controller sequence error 0211: Rear cover open (paper feeder 1) 0212: Rear cover open (paper feeder 2) 0213: Rear cover open (paper feeder 3) 0501: No paper feed from cassette 1 0502: No paper feed from cassette 2 0503: No paper feed from cassette 3 0504: No paper feed from cassette 4 0508: No paper feed from duplex section 0509: No paper feed from MP tray 0511: Multiple sheets in cassette 1 0512: Multiple sheets in cassette 2 0513: Multiple sheets in cassette 3 0514: Multiple sheets in cassette 4 0518: Multiple sheets in duplex section 0519: Multiple sheets in MP tray 1020: MP feed sensor is turned ON 1403: PF feed sensor 1 does not turn ON (Paper feeder 2) 1404: PF feed sensor 1 does not turn ON (Paper feeder 3) 1413: PF feed sensor 1 does not turn OFF (Paper feeder 2) 1414: PF feed sensor 1 does not turn OFF (Paper feeder 3) 1420: PF feed sensor 1 is turned ON 1604: PF feed sensor 2 does not turn ON (Paper feeder 3) 1614: PF feed sensor 2 does not turn OFF (Paper feeder 3)		
#	Count.	Event													
Remembers 1 to 16 of occurrence. If the occurrence of the previous paper jam is less than 16, all of the paper jams are logged. When the occurrence exceeds 16, the oldest occurrence is removed.	The total page count at the time of the paper jam.	Log code (hexadecimal, 5 categories) (a) Cause of a paper jam (b) Paper source (c) Paper size (d) Paper type (e) Paper eject													
(a) Cause of paper jam (Hexadecimal)															
Refer to P.1-4-1 for paper jam location 0100: Controller sequence error 0105: Registration sensor not detected 0106: Controller sequence error 0110: Top tray open 0111: Rear cover open 0112: Front cover open 0113: MP tray open 0120: Controller sequence error 0121: Controller sequence error 0211: Rear cover open (paper feeder 1) 0212: Rear cover open (paper feeder 2) 0213: Rear cover open (paper feeder 3) 0501: No paper feed from cassette 1 0502: No paper feed from cassette 2 0503: No paper feed from cassette 3 0504: No paper feed from cassette 4 0508: No paper feed from duplex section 0509: No paper feed from MP tray 0511: Multiple sheets in cassette 1 0512: Multiple sheets in cassette 2 0513: Multiple sheets in cassette 3 0514: Multiple sheets in cassette 4 0518: Multiple sheets in duplex section 0519: Multiple sheets in MP tray 1020: MP feed sensor is turned ON 1403: PF feed sensor 1 does not turn ON (Paper feeder 2) 1404: PF feed sensor 1 does not turn ON (Paper feeder 3) 1413: PF feed sensor 1 does not turn OFF (Paper feeder 2) 1414: PF feed sensor 1 does not turn OFF (Paper feeder 3) 1420: PF feed sensor 1 is turned ON 1604: PF feed sensor 2 does not turn ON (Paper feeder 3) 1614: PF feed sensor 2 does not turn OFF (Paper feeder 3)															

Service items	Description																																									
(7) cont.	Paper Jam Log	<p>1620: PF feed sensor 2 is turned ON 1820: PF feed sensor 3 is turned ON 4002: Registration sensor does not turn ON (Paper feeder 1) 4003: Registration sensor does not turn ON (Paper feeder 2) 4009: Registration sensor does not turn ON (MP tray) 4012: Registration sensor does not turn OFF (Paper feeder 1) 4013: Registration sensor does not turn OFF (Paper feeder 2) 4014: Registration sensor does not turn OFF (Paper feeder 3) 4019: Registration sensor does not turn OFF (MP tray) 4020: Registration sensor is turned ON 4201: Eject sensor does not turn ON (Cassette) 4202: Eject sensor does not turn ON (Paper feeder 1) 4203: Eject sensor does not turn ON (Paper feeder 2) 4204: Eject sensor does not turn ON (Paper feeder 3) 4208: Eject sensor does not turn ON (Duplex) 4209: Eject sensor does not turn ON (MP tray) 4211: Eject sensor does not turn OFF (Cassette) 4212: Eject sensor does not turn OFF (Paper feeder 1) 4213: Eject sensor does not turn OFF (Paper feeder 2) 4214: Eject sensor does not turn OFF (Paper feeder 3) 4218: Eject sensor does not turn OFF (Duplex) 4219: Eject sensor does not turn OFF (MP tray) 4220: Eject sensor is turned ON</p>																																								
		(b) Detail of paper source (Hexadecimal)																																								
		<p>00: MP tray 01: Cassette 1 02: Cassette 2 (paper feeder 1) 03: Cassette 3 (paper feeder 2) 04: Cassette 4 (paper feeder 3) 05 to 09: Reserved</p>																																								
		<p>(c) Detail of paper size (Hexadecimal)</p> <table border="1" data-bbox="576 1451 1422 1989"> <tbody> <tr> <td>00: (Not specified)</td> <td>0B: B4</td> <td>22: Special 1</td> </tr> <tr> <td>01: Monarch</td> <td>0C: Ledger</td> <td>23: Special 2</td> </tr> <tr> <td>02: Business</td> <td>0D: A5R</td> <td>24: A3 wide</td> </tr> <tr> <td>03: International DL</td> <td>0E: A6</td> <td>25: Ledger wide</td> </tr> <tr> <td>04: International C5</td> <td>0F: B6</td> <td>26: Full bleed paper (12 x 8)</td> </tr> <tr> <td>05: Executive</td> <td>10: Commercial #9</td> <td>27: 8K</td> </tr> <tr> <td>06: Letter-R</td> <td>11: Commercial #6</td> <td>28: 16K-R</td> </tr> <tr> <td>86: Letter-E</td> <td>12: ISO B5</td> <td>A8: 16K-E</td> </tr> <tr> <td>07: Legal</td> <td>13: Custom size</td> <td>32: Statement-R</td> </tr> <tr> <td>08: A4R</td> <td>1E: C4</td> <td>B2: Statement-E</td> </tr> <tr> <td>88: A4E</td> <td>1F: Postcard</td> <td>33: Folio</td> </tr> <tr> <td>09: B5R</td> <td>20: Reply-paid post- card</td> <td>34: Western type 2</td> </tr> <tr> <td>89: B5E</td> <td>21: Oficio II</td> <td>35: Western type 4</td> </tr> <tr> <td>0A: A3</td> <td></td> <td></td> </tr> </tbody> </table>	00: (Not specified)	0B: B4	22: Special 1	01: Monarch	0C: Ledger	23: Special 2	02: Business	0D: A5R	24: A3 wide	03: International DL	0E: A6	25: Ledger wide	04: International C5	0F: B6	26: Full bleed paper (12 x 8)	05: Executive	10: Commercial #9	27: 8K	06: Letter-R	11: Commercial #6	28: 16K-R	86: Letter-E	12: ISO B5	A8: 16K-E	07: Legal	13: Custom size	32: Statement-R	08: A4R	1E: C4	B2: Statement-E	88: A4E	1F: Postcard	33: Folio	09: B5R	20: Reply-paid post- card	34: Western type 2	89: B5E	21: Oficio II	35: Western type 4	0A: A3
00: (Not specified)	0B: B4	22: Special 1																																								
01: Monarch	0C: Ledger	23: Special 2																																								
02: Business	0D: A5R	24: A3 wide																																								
03: International DL	0E: A6	25: Ledger wide																																								
04: International C5	0F: B6	26: Full bleed paper (12 x 8)																																								
05: Executive	10: Commercial #9	27: 8K																																								
06: Letter-R	11: Commercial #6	28: 16K-R																																								
86: Letter-E	12: ISO B5	A8: 16K-E																																								
07: Legal	13: Custom size	32: Statement-R																																								
08: A4R	1E: C4	B2: Statement-E																																								
88: A4E	1F: Postcard	33: Folio																																								
09: B5R	20: Reply-paid post- card	34: Western type 2																																								
89: B5E	21: Oficio II	35: Western type 4																																								
0A: A3																																										

Service items	Description			
(7) cont.	Paper Jam Log	(d) Detail of paper type (Hexadecimal)		
		01: Plain 02: Transparency 03: Preprinted 04: Labels 05: Bond 06: Recycled 07: Vellum 08: Rough 09: Letterhead	0A: Color 0B: Prepunched 0C: Envelope 0D: Cardstock 0E: Coated 0F: 2nd side 10: Media 16 11: High quality	15: Custom 1 16: Custom 2 17: Custom 3 18: Custom 4 19: Custom 5 1A: Custom 6 1B: Custom 7 1C: Custom 8
		(e) Detail of paper eject location (Hexadecimal)		
(8)	Service Call Log	#	Count.	Service Code
		Remembers 1 to 8 of occurrence of self diagnostics error. If the occurrence of the previous diagnostics error is less than 8, all of the diagnostics errors are logged.	The total page count at the time of the self diagnostics error.	Self diagnostic error code (See page 1-4-7) Example: 01.6000 01: Self diagnostic error 6000: Self diagnostic error code number
(9)	Maintenance Log	#	Count.	Item
		Remembers 1 to 8 of occurrence of replacement. If the occurrence of the previous replacement of toner container is less than 8, all of the occurrences of replacement are logged.	The total page count at the time of the replacement of the toner container.	Code of maintenance replacing item (1 byte, 2 categories) First byte (Replacing item) 01: Toner container Second byte (Type of replacing item) 00: Black 01: Cyan 02: Magenta 03: Yellow First byte (Replacing item) 02: Maintenance kit Second byte (Type of replacing item) 01: MK-590/592/594 (26/28 ppm model only)

Service items	Description			
No.	Items	Description		
(10)	Unknown Toner Log	<p>#</p> <p>Remembers 1 to 5 of occurrence of unknown toner detection. If the occurrence of the previous unknown toner detection is less than 5, all of the unknown toner detection are logged.</p>	<p>Count.</p> <p>The total page count at the time of the toner empty error with using an unknown toner container.</p>	<p>Item</p> <p>Unknown toner log code (1 byte, 2 categories)</p> <p>First byte 01: Toner container (Fixed)</p> <p>Second byte 00: Black 01: Cyan 02: Magenta 03: Yellow</p>
(11)	<p>Counter Log</p> <p>Comprised of three log counters including paper jams, self diagnostics errors, and replacement of the toner container.</p>	<p>(f) Paper jam</p> <p>Indicates the log counter of paper jams depending on location.</p> <p>Refer to Paper Jam Log.</p> <p>All instances including those are not occurred are displayed.</p>	<p>(g) Self diagnostic error</p> <p>Indicates the log counter of self diagnostics errors depending on cause. (See page 1-4-7)</p> <p>Example: C6000: 4</p> <p>Self diagnostics error 6000 has happened four times.</p>	<p>(h) Maintenance item replacing</p> <p>Indicates the log counter depending on the maintenance item for maintenance.</p> <p>T: Toner container 00: Black 01: Cyan 02: Magenta 03: Yellow</p> <p>M: Maintenance kit 01: MK-590/592/594 (26/28 ppm model only)</p> <p>Example: T00: 1 The toner container has been replaced once.</p>

This page is intentionally left blank.

1-4-1 Paper misfeed detection

(1) Paper misfeed indication

When a paper misfeed occurs, the machine immediately stops printing and displays the paper misfeed message on the operation panel. To remove paper misfed in the machine, pull out the cassette, open the rear cover or paper conveying unit.

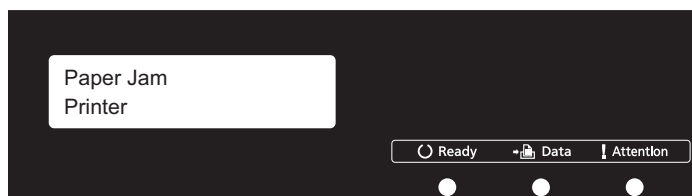


Figure 1-4-1 Paper misfeed indication

(2) Paper misfeed detection condition

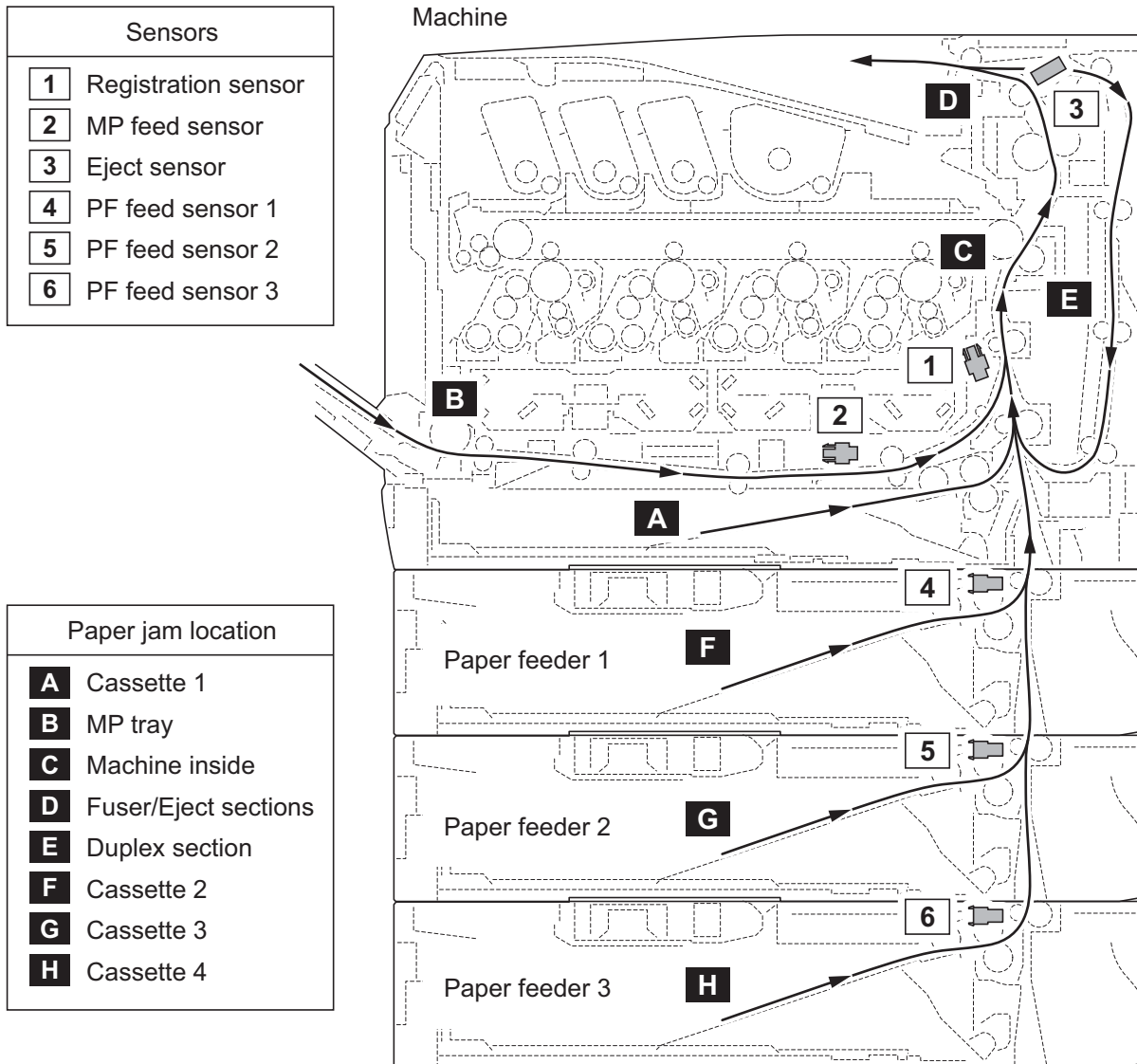


Figure 1-4-2 Paper jam location

Code	Contents	Conditions	Jam location*
0100	Controller sequence error	Secondary paper feed request given by the controller is unreachable.	C
0105	Registration sensor not detected	Activation of the registration sensor (on/off) is undetected for 90 s during printing.	-
0106	Controller sequence error	Paper feeding request for duplex printing given by the controller is unreachable.	E
0110	Top tray open	The top tray is opened during printing.	-
0111	Rear cover open	The rear cover is opened during printing.	-
0112	Front cover open	The waste toner cover is opened during printing.	-
0113	MP tray open	The MP tray is opened during printing.	-
0120	Controller sequence error	Paper feed request was received from the duplex section despite the absence of paper in the duplex section.	E
0121	Controller sequence error	The controller issued the duplex section a request for more pages than the duplex print cycle contains.	E
0211	Rear cover open (paper feeder 1)	The rear cover of paper feeder 1 is opened during printing.	-
0212	Rear cover open (paper feeder 2)	The rear cover of paper feeder 2 is opened during printing.	-
0213	Rear cover open (paper feeder 3)	The rear cover of paper feeder 3 is opened during printing.	-
0501	No paper feed from cassette 1	The registration sensor (RS) does not turn on during paper feed from cassette.	A
0502	No paper feed from cassette 2	PF feed sensor 1 (PFFS1) does not turn on during paper feed from paper feeder 1.	F
0503	No paper feed from cassette 3	PF feed sensor 2 (PFFS2) does not turn on during paper feed from paper feeder 2.	G
0504	No paper feed from cassette 4	PF feed sensor 3 (PFFS3) does not turn on during paper feed from paper feeder 3.	H
0508	No paper feed from duplex section	The registration sensor (RS) does not turn on during paper feed from duplex section.	E
0509	No paper feed from MP tray	MP feed sensor (MPFS) does not turn on during paper feed from MP tray.	B
0511	Multiple sheets in cassette 1	The registration sensor (RS) does not turn off during paper feed from cassette.	A
0512	Multiple sheets in cassette 2	PF feed sensor 1 (PFFS1) does not turn off during paper feed from paper feeder 1.	F
0513	Multiple sheets in cassette 3	PF feed sensor 2 (PFFS2) does not turn off during paper feed from paper feeder 2.	G

*: Refer to figure 1-4-2 for paper jam location (see page 1-4-2).

Code	Contents	Conditions	Jam location*
0514	Multiple sheets in cassette 4	PF feed sensor 3 (PFFS3) does not turn off during paper feed from paper feeder 3.	H
0518	Multiple sheets in duplex section	The registration sensor (RS) does not turn off during paper feed from duplex section.	E
0519	Multiple sheets in MP tray	MP feed sensor (MPFS) does not turn off during paper feed from MP tray.	B
1020	MP feed sensor remaining jam	MP feed sensor (MPFS) is turned on when the power is turned on.	B
1403	PF feed sensor 1 non arrival jam	PF feed sensor 1 (PFFS1) does not turn on during paper feed from paper feeder 2.	F
1404		PF feed sensor 1 (PFFS1) does not turn on during paper feed from paper feeder 3.	F
1413	PF feed sensor 1 stay jam	PF feed sensor 1 (PFFS1) does not turn off during paper feed from paper feeder 2.	F
1414		PF feed sensor 1 (PFFS1) does not turn off during paper feed from paper feeder 3.	F
1420	PF feed sensor 1 remaining jam	PF feed sensor 1 (PFFS1) is turned on when the power is turned on.	F
1604	PF feed sensor 2 non arrival jam	PF feed sensor 2 (PFFS2) does not turn on during paper feed from paper feeder 3.	G
1614	PF feed sensor 2 stay jam	PF feed sensor 2 (PFFS2) does not turn off during paper feed from paper feeder 3.	G
1620	PF feed sensor 2 remaining jam	PF feed sensor 2 (PFFS2) is turned on when the power is turned on.	G
1820	PF feed sensor 3 remaining jam	PF feed sensor 3 (PFFS3) is turned on when the power is turned on.	H
4002	Registration sensor non arrival jam	The registration sensor (RS) does not turn on during paper feed from paper feeder 1.	A
4003		The registration sensor (RS) does not turn on during paper feed from paper feeder 2.	A
4009		The registration sensor (RS) does not turn on during paper feed from MP tray.	A
4012	Registration sensor stay jam	The registration sensor (RS) does not turn off during paper feed from paper feeder 1.	C
4013		The registration sensor (RS) does not turn off during paper feed from paper feeder 2.	C
4014		The registration sensor (RS) does not turn off during paper feed from paper feeder 3.	C
4019		The registration sensor (RS) does not turn off during paper feed from MP tray.	C

*: Refer to figure 1-4-2 for paper jam location (see page 1-4-2).

Code	Contents	Conditions	Jam location*
4200	Registration sensor remaining jam	The registration sensor (RS) is turned on when the power is turned on.	C
4201	Eject sensor non arrival jam	The eject sensor (ES) does not turn on during paper feed from cassette.	C
4202		The eject sensor (ES) does not turn on during paper feed from paper feeder 1.	C
4203		The eject sensor (ES) does not turn on during paper feed from paper feeder 2.	C
4204		The eject sensor (ES) does not turn on during paper feed from paper feeder 3.	C
4208		The eject sensor (ES) does not turn on during paper feed from duplex section.	C
4209		The eject sensor (ES) does not turn on during paper feed from MP tray.	C
4211		Eject sensor stay jam	The eject sensor (ES) does not turn off during paper feed from cassette.
4212	The eject sensor (ES) does not turn off during paper feed from paper feeder 1.		D
4213	The eject sensor (ES) does not turn off during paper feed from paper feeder 2.		D
4214	The eject sensor (ES) does not turn off during paper feed from paper feeder 3.		D
4218	The eject sensor (ES) does not turn off during paper feed from duplex section.		D
4219	The eject sensor (ES) does not turn off during paper feed from MP tray.		D
4220	Eject sensor remaining jam	The eject sensor (ES) is turned on when the power is turned on.	D

*: Refer to figure 1-4-2 for paper jam location (see page 1-4-2).

1-4-2 Self-diagnostic function

(1) Self-diagnostic function

This machine is equipped with self-diagnostic function. When a problem is detected, the machine stops printing and display an error message on the operation panel. An error message consists of a message prompting a contact to service personnel and a four-digit error code indicating the type of the error.

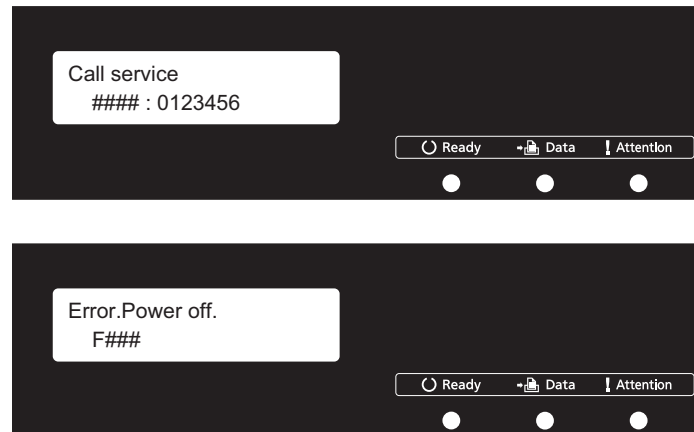


Figure 1-4-3

(2) Self diagnostic codes

If the part causing the problem was not supplied, use the unit including the part for replacement.

Code	Contents	Causes	Check procedures/ corrective measures
0100	Backup memory device error	Defective flash memory.	Replace the main PWB and check for correct operation (see page 1-5-29).
		Defective main PWB.	Replace the main PWB and check for correct operation (see page 1-5-29).
0120	MAC address data error For data in which the MAC address is invalid.	Defective flash memory.	Replace the main PWB and check for correct operation (see page 1-5-29).
		Defective engine PWB.	Replace the engine PWB and check for correct operation (see page 1-5-26).
0130	Backup memory read/write error (main PWB)	Defective flash memory.	Replace the main PWB and check for correct operation (see page 1-5-29).
		Defective main PWB.	Replace the main PWB and check for correct operation (see page 1-5-29).
0140	Backup memory data error (main PWB)	Defective flash memory.	Replace the main PWB and check for correct operation (see page 1-5-29).
		Defective main PWB.	Replace the main PWB and check for correct operation (see page 1-5-29).
0150	Engine PWB EEPROM error Detecting engine PWB EEPROM communication error.	Improper installation engine PWB EEPROM.	Check the installation of the EEPROM and remedy if necessary.
		Defective engine PWB.	Replace the engine PWB and check for correct operation (see page 1-5-26).
		Device damage of EEPROM.	Contact the Service Administrative Division.
0170	Billing counting error A checksum error is detected in the main and engine backup memories for the billing counters.	Data damage of EEPROM.	Contact the Service Administrative Division.
		Defective PWB.	Replace the main PWB or the engine PWB and check for correct operation (see page 1-5-29, 1-5-26).
0600	Expanded memory (DIMM) installing error The expansion memory modules (DIMM) are not correctly mounted.	Improper installation expanded memory (DIMM).	Check the installation of the expanded memory (DIMM).
0610	Expanded memory (DIMM) error The expansion memory modules (DIMM) mounted on the main PWB does not operate correctly.	Defective expanded memory (DIMM).	Replace the expanded memory (DIMM) and check for correct operation (see page 1-2-10).
		Defective main PWB.	Replace the main PWB and check for correct operation (see page 1-5-29).

Code	Contents	Causes	Check procedures/ corrective measures
0640	Hard disk error The hard disk cannot be accessed.	Defective hard disk.	Replace the hard disk and check for correct operation.
		Defective main PWB.	Replace the main PWB and check for correct operation (see page 1-5-29).
0840	Faults of RTC The time is judged to go back based on the comparison of the RTC time and the current time or five years or more have passed.	The battery is disconnected from the main PWB.	Check visually and remedy if necessary
		Defective main PWB.	Replace the main PWB and check for correct operation (see page 1-5-29).
0930	EEPROM bus error	Defective drum PWB (EEPROM).	Replace the drum unit (see page 1-5-20).
		Defective engine PWB (EEPROM).	Replace the engine PWB and check for correct operation (see page 1-5-26).
		Defective engine PWB.	Replace the engine PWB and check for correct operation (see page 1-5-26).
		Defective main PWB.	Replace the main PWB and check for correct operation (see page 1-5-29).
1010	Lift motor error When the lift motor is driven, the motor over-current detection signal is detected continuously for 50 times (5 s) at 100 ms intervals. After the lift motor is driven, the ON status of lift sensor cannot be detected for 8 s. The cassette installed confirmation message is displayed on the operation panel, and even if the cassette is opened and closed, the cassette installed confirmation message is displayed 5 times successively.	Defective bottom plate elevation mechanism in the cassette.	Check to see if the bottom plate can move smoothly and repair it if any problem is found.
		Defective connector cable or poor contact in the connector.	Reinsert the connector. Also check for continuity within the connector cable. If none, replace the cable. Lift motor and engine PWB (YC27)
		Defective drive transmission system of the lift motor.	Check if the gears rotate smoothly. If not, grease the bushes and gears. Check for broken gears and replace if any.
		Defective lift motor.	Replace the lift motor
		Defective engine PWB.	Replace the engine PWB and check for correct operation (see page 1-5-26).

Code	Contents	Causes	Check procedures/ corrective measures
1020	PF lift motor error (paper feeder 1) When the lift motor is driven, the motor over-current detection signal is detected continuously for 50 times (5 s) at 100 ms intervals. After the lift motor is driven, the ON status of lift sensor cannot be detected for 8 s. The cassette installed confirmation message is displayed on the operation panel, and even if the cassette is opened and closed, the cassette installed confirmation message is displayed 5 times successively.	Defective bottom plate elevation mechanism in the cassette.	Check to see if the bottom plate can move smoothly and repair it if any problem is found.
		Defective connector cable or poor contact in the connector.	Reinsert the connector. Also check for continuity within the connector cable. If none, replace the cable. PF lift motor and PF main PWB (YC7)
		Defective drive transmission system of the PF lift motor.	Check if the gears rotate smoothly. If not, grease the bushes and gears. Check for broken gears and replace if any.
		Defective PF lift motor.	Replace the PF lift motor
		Defective PF main PWB.	Replace the PF main PWB (Refer to the service manual for the paper feeder).
1030	PF lift motor error (paper feeder 2) When the lift motor is driven, the motor over-current detection signal is detected continuously for 50 times (5 s) at 100 ms intervals. After the lift motor is driven, the ON status of lift sensor cannot be detected for 8 s. The cassette installed confirmation message is displayed on the operation panel, and even if the cassette is opened and closed, the cassette installed confirmation message is displayed 5 times successively.	Defective bottom plate elevation mechanism in the cassette.	Check to see if the bottom plate can move smoothly and repair it if any problem is found.
		Defective connector cable or poor contact in the connector.	Reinsert the connector. Also check for continuity within the connector cable. If none, replace the cable. PF lift motor and PF main PWB (YC7)
		Defective drive transmission system of the PF lift motor.	Check if the gears rotate smoothly. If not, grease the bushes and gears. Check for broken gears and replace if any.
		Defective PF lift motor.	Replace the PF lift motor
		Defective PF main PWB.	Replace the PF main PWB (Refer to the service manual for the paper feeder).

Code	Contents	Causes	Check procedures/ corrective measures
1040	PF lift motor error (paper feeder 3) When the lift motor is driven, the motor over-current detection signal is detected continuously for 50 times (5 s) at 100 ms intervals. After the lift motor is driven, the ON status of lift sensor cannot be detected for 8 s. The cassette installed confirmation message is displayed on the operation panel, and even if the cassette is opened and closed, the cassette installed confirmation message is displayed 5 times successively.	Defective bottom plate elevation mechanism in the cassette.	Check to see if the bottom plate can move smoothly and repair it if any problem is found.
		Defective connector cable or poor contact in the connector.	Reinsert the connector. Also check for continuity within the connector cable. If none, replace the cable. PF lift motor and PF main PWB (YC7)
		Defective drive transmission system of the PF lift motor.	Check if the gears rotate smoothly. If not, grease the bushes and gears. Check for broken gears and replace if any.
		Defective PF lift motor.	Replace the PF lift motor
		Defective PF main PWB.	Replace the PF main PWB (Refer to the service manual for the paper feeder).
1500	PF heater 1 high temperature error (paper feeder 1) A temperature higher than 75°C/167°F is detected.	Defective connector cable or poor contact in the connector.	Reinsert the connector. Also check for continuity within the connector cable. If none, replace the cable. PF fan motor 1 and PF main PWB (YC111)
		Shorted PF thermistor 1.	Replace the top heater unit (Refer to the service manual for the paper feeder).
		Defective PF fan motor 1.	Replace the top heater unit (Refer to the service manual for the paper feeder).
		Defective PF main PWB.	Replace the PF main PWB (Refer to the service manual for the paper feeder).
1510	PF heater 2 high temperature error (paper feeder 1) A temperature higher than 75°C/167°F is detected.	Defective connector cable or poor contact in the connector.	Reinsert the connector. Also check for continuity within the connector cable. If none, replace the cable. PF fan motor 2 and PF main PWB (YC111)
		Shorted PF thermistor 2.	Replace the side heater unit (Refer to the service manual for the paper feeder).
		Defective PF fan motor 2.	Replace the side heater unit (Refer to the service manual for the paper feeder).
		Defective PF main PWB.	Replace the PF main PWB (Refer to the service manual for the paper feeder).

Code	Contents	Causes	Check procedures/ corrective measures
1520	PF heater 1 high temperature error (paper feeder 2) A temperature higher than 75°C/167°F is detected.	Defective connector cable or poor contact in the connector.	Reinsert the connector. Also check for continuity within the connector cable. If none, replace the cable. PF fan motor 1 and PF main PWB (YC111)
		Shorted PF thermistor 1.	Replace the top heater unit (Refer to the service manual for the paper feeder).
		Defective PF fan motor 1.	Replace the top heater unit (Refer to the service manual for the paper feeder).
		Defective PF main PWB.	Replace the PF main PWB (Refer to the service manual for the paper feeder).
1530	PF heater 2 high temperature error (paper feeder 2) A temperature higher than 75°C/167°F is detected.	Defective connector cable or poor contact in the connector.	Reinsert the connector. Also check for continuity within the connector cable. If none, replace the cable. PF fan motor 2 and PF main PWB (YC111)
		Shorted PF thermistor 2.	Replace the side heater unit (Refer to the service manual for the paper feeder).
		Defective PF fan motor 2.	Replace the side heater unit (Refer to the service manual for the paper feeder).
		Defective PF main PWB.	Replace the PF main PWB (Refer to the service manual for the paper feeder).
1540	PF heater 1 high temperature error (paper feeder 3) A temperature higher than 75°C/167°F is detected.	Defective connector cable or poor contact in the connector.	Reinsert the connector. Also check for continuity within the connector cable. If none, replace the cable. PF fan motor 1 and PF main PWB (YC111)
		Shorted PF thermistor 1.	Replace the top heater unit (Refer to the service manual for the paper feeder).
		Defective PF fan motor 1.	Replace the top heater unit (Refer to the service manual for the paper feeder).
		Defective PF main PWB.	Replace the PF main PWB (Refer to the service manual for the paper feeder).
1550	PF heater 2 high temperature error (paper feeder 3) A temperature higher than 75°C/167°F is detected.	Defective connector cable or poor contact in the connector.	Reinsert the connector. Also check for continuity within the connector cable. If none, replace the cable. PF fan motor 2 and PF main PWB (YC111)
		Shorted PF thermistor 2.	Replace the side heater unit (Refer to the service manual for the paper feeder).
		Defective PF fan motor 2.	Replace the side heater unit (Refer to the service manual for the paper feeder).
		Defective PF main PWB.	Replace the PF main PWB (Refer to the service manual for the paper feeder).

Code	Contents	Causes	Check procedures/ corrective measures
1600	PF heater 1 low temperature error (paper feeder 1) An external temperature higher than + 5°C/+ 9°F is not detected when one minute elapses after PF heater 1 is turned on.	Defective connector cable or poor contact in the connector.	Reinsert the connector. Also check for continuity within the connector cable. If none, replace the cable. PF heater 1 and PF heater PWB (YC1) PF heater PWB (YC3) and PF main PWB (YC113) PF thermistor 1 and PF main PWB (YC114)
		PF thermistor 1 installed incorrectly.	Check the installation of the PF thermistor 1.
		Defective PF thermistor 1.	Replace the top heater unit (Refer to the service manual for the paper feeder).
		Broken PF heater 1.	Replace the top heater unit (Refer to the service manual for the paper feeder).
		Defective PF heater PWB or PF main PWB.	Replace the PF heater PWB or PF main PWB (Refer to the service manual for the paper feeder).
1610	PF heater 2 low temperature error (paper feeder 1) An external temperature higher than + 5°C/+ 9°F is not detected when one minute elapses after PF heater 2 is turned on.	Defective connector cable or poor contact in the connector.	Reinsert the connector. Also check for continuity within the connector cable. If none, replace the cable. PF heater 2 and PF heater PWB (YC2) PF heater PWB (YC3) and PF main PWB (YC113) PF thermistor 2 and PF main PWB (YC115)
		PF thermistor 2 installed incorrectly.	Check the installation of the PF thermistor 2.
		Defective PF thermistor 2.	Replace the side heater unit (Refer to the service manual for the paper feeder).
		Broken PF heater 2.	Replace the side heater unit (Refer to the service manual for the paper feeder).
		Defective PF heater PWB or PF main PWB.	Replace the PF heater PWB or PF main PWB (Refer to the service manual for the paper feeder).

Code	Contents	Causes	Check procedures/ corrective measures
1620	PF heater 1 low temperature error (paper feeder 2) An external temperature higher than + 5°C/+ 9°F is not detected when one minute elapses after PF heater 1 is turned on.	Defective connector cable or poor contact in the connector.	Reinsert the connector. Also check for continuity within the connector cable. If none, replace the cable. PF heater 1 and PF heater PWB (YC1) PF heater PWB (YC3) and PF main PWB (YC113) PF thermistor 1 and PF main PWB (YC114)
		PF thermistor 1 installed incorrectly.	Check the installation of the PF thermistor 1.
		Defective PF thermistor 1.	Replace the top heater unit (Refer to the service manual for the paper feeder).
		Broken PF heater 1.	Replace the top heater unit (Refer to the service manual for the paper feeder).
		Defective PF heater PWB or PF main PWB.	Replace the PF heater PWB or PF main PWB (Refer to the service manual for the paper feeder).
1630	PF heater 2 low temperature error (paper feeder 2) An external temperature higher than + 5°C/+ 9°F is not detected when one minute elapses after PF heater 2 is turned on.	Defective connector cable or poor contact in the connector.	Reinsert the connector. Also check for continuity within the connector cable. If none, replace the cable. PF heater 2 and PF heater PWB (YC2) PF heater PWB (YC3) and PF main PWB (YC113) PF thermistor 2 and PF main PWB (YC115)
		PF thermistor 2 installed incorrectly.	Check the installation of the PF thermistor 2.
		Defective PF thermistor 2.	Replace the side heater unit (Refer to the service manual for the paper feeder).
		Broken PF heater 2.	Replace the side heater unit (Refer to the service manual for the paper feeder).
		Defective PF heater PWB or PF main PWB.	Replace the PF heater PWB or PF main PWB (Refer to the service manual for the paper feeder).

Code	Contents	Causes	Check procedures/ corrective measures
1640	PF heater 1 low temperature error (paper feeder 3) An external temperature higher than + 5°C/+ 9°F is not detected when one minute elapses after PF heater 1 is turned on.	Defective connector cable or poor contact in the connector.	Reinsert the connector. Also check for continuity within the connector cable. If none, replace the cable. PF heater 1 and PF heater PWB (YC1) PF heater PWB (YC3) and PF main PWB (YC113) PF thermistor 1 and PF main PWB (YC114)
		PF thermistor 1 installed incorrectly.	Check the installation of the PF thermistor 1.
		Defective PF thermistor 1.	Replace the top heater unit (Refer to the service manual for the paper feeder).
		Broken PF heater 1.	Replace the top heater unit (Refer to the service manual for the paper feeder).
		Defective PF heater PWB or PF main PWB.	Replace the PF heater PWB or PF main PWB (Refer to the service manual for the paper feeder).
1650	PF heater 2 low temperature error (paper feeder 3) An external temperature higher than + 5°C/+ 9°F is not detected when one minute elapses after PF heater 2 is turned on.	Defective connector cable or poor contact in the connector.	Reinsert the connector. Also check for continuity within the connector cable. If none, replace the cable. PF heater 2 and PF heater PWB (YC2) PF heater PWB (YC3) and PF main PWB (YC113) PF thermistor 2 and PF main PWB (YC115)
		PF thermistor 2 installed incorrectly.	Check the installation of the PF thermistor 2.
		Defective PF thermistor 2.	Replace the side heater unit (Refer to the service manual for the paper feeder).
		Broken PF heater 2.	Replace the side heater unit (Refer to the service manual for the paper feeder).
		Defective PF heater PWB or PF main PWB.	Replace the PF heater PWB or PF main PWB (Refer to the service manual for the paper feeder).
1800	Paper feeder communication error Communication error between engine PWB and optional paper feeder.	Improper installation paper feeder.	Follow installation instruction carefully again.
		Defective connector cable or poor contact in the connector.	Reinsert the connector. Also check for continuity within the connector cable. If none, replace the cable. PF main PWB (YC3) and engine PWB (YC33)
		Defective engine PWB.	Replace the engine PWB and check for correct operation (see page 1-5-26).
		Defective PF main PWB.	Replace the PF main PWB (Refer to the service manual for the paper feeder).

Code	Contents	Causes	Check procedures/ corrective measures
2100	Developing motor error The developing motor ready input is not given for 5 s during the main motor is ON.	Defective connector cable or poor contact in the connector.	Reinsert the connector. Also check for continuity within the connector cable. If none, replace the cable. Developing motor and engine PWB (YC14)
		Defective drive transmission system of the developing motor.	Check if the rollers and gears rotate smoothly. If not, grease the bushes and gears. Check for broken gears and replace if any.
		Defective developing motor.	Replace the developing motor.
		Defective engine PWB.	Replace the engine PWB and check for correct operation (see page 1-5-26).
2200	Drum motor error The drum motor ready input is not given for 5 s during the drum motor is ON.	Defective connector cable or poor contact in the connector.	Reinsert the connector. Also check for continuity within the connector cable. If none, replace the cable. Drum motor and engine PWB (YC13)
		Defective drive transmission system of the drum motor.	Check if the rollers and gears rotate smoothly. If not, grease the bushes and gears. Check for broken gears and replace if any.
		Defective drum motor.	Replace the drum motor.
		Defective engine PWB.	Replace the engine PWB and check for correct operation (see page 1-5-26).
2330	Fuser pressure release motor error When the fuser pressure release motor is driven, the motor over-current detection signal is detected continuously for 8 times (800 ms) at 100 ms intervals.	Defective connector cable or poor contact in the connector.	Reinsert the connector. Also check for continuity within the connector cable. If none, replace the cable. Fuser pressure release motor and engine PWB (YC38)
		Defective drive transmission system of the fuser pressure release motor.	Check if the rollers and gears rotate smoothly. If not, grease the bushes and gears. Check for broken gears and replace if any.
		Defective fuser pressure release motor.	Replace the fuser pressure release motor.
		Defective engine PWB.	Replace the engine PWB and check for correct operation (see page 1-5-26).

Code	Contents	Causes	Check procedures/ corrective measures
2340	Fuser pressure release motor time-out error When the fuser pressure release motor is driven, the envelope switch (EVS) is not detectable for 6 s.	Defective connector cable or poor contact in the connector.	Reinsert the connector. Also check for continuity within the connector cable. If none, replace the cable. Fuser pressure release motor and engine PWB (YC38)
		Defective drive transmission system of the fuser pressure release motor.	Check if the rollers and gears rotate smoothly. If not, grease the bushes and gears. Check for broken gears and replace if any.
		Defective fuser pressure release motor.	Replace the fuser pressure release motor.
		Defective engine PWB.	Replace the engine PWB and check for correct operation (see page 1-5-26).
2500	Paper feed motor error The drum motor ready input is not given for 5 s during the paper feed motor is ON.	Defective connector cable or poor contact in the connector.	Reinsert the connector. Also check for continuity within the connector cable. If none, replace the cable. Paper feed motor and engine PWB (YC3)
		Defective drive transmission system of the paper feed motor.	Check if the rollers and gears rotate smoothly. If not, grease the bushes and gears. Check for broken gears and replace if any.
		Defective paper feed motor.	Replace the paper feed motor.
		Defective engine PWB.	Replace the engine PWB and check for correct operation (see page 1-5-26).
2600	PF paper feed motor error (paper feeder 1) The drum motor ready input is not given for 2 s during the PF paper feed motor is ON.	Defective connector cable or poor contact in the connector.	Reinsert the connector. Also check for continuity within the connector cable. If none, replace the cable. PF paper feed motor and PF main PWB (YC6)
		Defective drive transmission system of the PF paper feed motor.	Check if the rollers and gears rotate smoothly. If not, grease the bushes and gears. Check for broken gears and replace if any.
		Defective PF paper feed motor.	Replace the PF paper feed motor.
		Defective PF main PWB.	Replace the PF main PWB (Refer to the service manual for the paper feeder).

Code	Contents	Causes	Check procedures/ corrective measures
2610	PF paper feed motor error (paper feeder 2) The drum motor ready input is not given for 2 s during the PF paper feed motor is ON.	Defective connector cable or poor contact in the connector.	Reinsert the connector. Also check for continuity within the connector cable. If none, replace the cable. PF paper feed motor and PF main PWB (YC6)
		Defective drive transmission system of the PF paper feed motor.	Check if the rollers and gears rotate smoothly. If not, grease the bushes and gears. Check for broken gears and replace if any.
		Defective PF paper feed motor.	Replace the PF paper feed motor.
		Defective PF main PWB.	Replace the PF main PWB (Refer to the service manual for the paper feeder).
2620	PF paper feed motor error (paper feeder 3) The drum motor ready input is not given for 2 s during the PF paper feed motor is ON.	Defective connector cable or poor contact in the connector.	Reinsert the connector. Also check for continuity within the connector cable. If none, replace the cable. PF paper feed motor and PF main PWB (YC6)
		Defective drive transmission system of the PF paper feed motor.	Check if the rollers and gears rotate smoothly. If not, grease the bushes and gears. Check for broken gears and replace if any.
		Defective PF paper feed motor.	Replace the PF paper feed motor.
		Defective PF main PWB.	Replace the PF main PWB (Refer to the service manual for the paper feeder).
2730	Developing release motor error When the developing release motor is driven, the motor over-current detection signal is detected continuously for 8 times (800 ms) at 100 ms intervals.	Defective connector cable or poor contact in the connector.	Reinsert the connector. Also check for continuity within the connector cable. If none, replace the cable. Developing release motor and engine PWB (YC35)
		Defective drive transmission system of the developing release motor.	Check if the rollers and gears rotate smoothly. If not, grease the bushes and gears. Check for broken gears and replace if any.
		Defective developing release motor.	Replace the developing release motor.
		Defective engine PWB.	Replace the engine PWB and check for correct operation (see page 1-5-26).

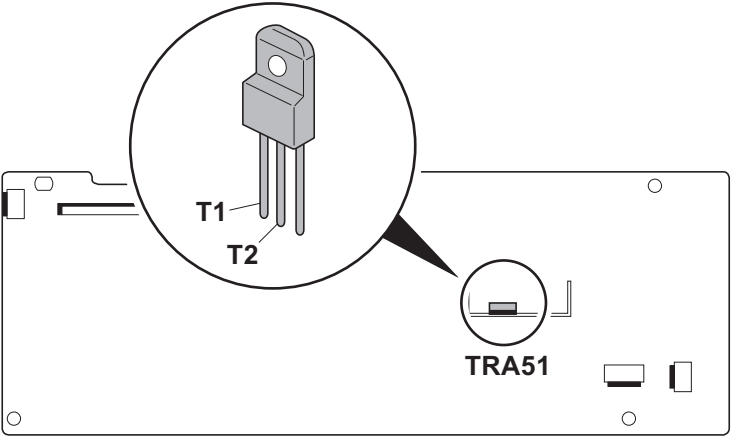
Code	Contents	Causes	Check procedures/ corrective measures
2740	Developing release motor time-out error When the developing release motor is driven, the developing release switch (DEVRSW) is not detectable for 1 s.	Defective connector cable or poor contact in the connector.	Reinsert the connector. Also check for continuity within the connector cable. If none, replace the cable. Developing release motor and engine PWB (YC35)
		Defective drive transmission system of the developing release motor.	Check if the rollers and gears rotate smoothly. If not, grease the bushes and gears. Check for broken gears and replace if any.
		Defective developing release motor.	Replace the developing release motor.
		Defective engine PWB.	Replace the engine PWB and check for correct operation (see page 1-5-26).
2820	Fuser motor error The fuser motor ready input is not given for 5 s during the fuser motor is ON.	Defective connector cable or poor contact in the connector.	Reinsert the connector. Also check for continuity within the connector cable. If none, replace the cable. Fuser motor and engine PWB (YC15)
		Defective drive transmission system of the fuser motor.	Check if the rollers and gears rotate smoothly. If not, grease the bushes and gears. Check for broken gears and replace if any.
		Defective fuser motor.	Replace the fuser motor.
		Defective engine PWB.	Replace the engine PWB and check for correct operation (see page 1-5-26).
4001	Polygon motor KM error The polygon motor KM ready input is not given for 10 s during the polygon motor is ON.	Defective connector cable or poor contact in the connector.	Reinsert the connector. Also check for continuity within the connector cable. If none, replace the cable. Laser scanner unit KM and engine PWB (YC31)
		Defective polygon motor KM.	Replace the laser scanner unit KM (see page 1-5-43).
		Defective engine PWB.	Replace the engine PWB and check for correct operation (see page 1-5-26).
4002	Polygon motor CY error The polygon motor CY ready input is not given for 10 s during the polygon motor is ON.	Defective connector cable or poor contact in the connector.	Reinsert the connector. Also check for continuity within the connector cable. If none, replace the cable. Laser scanner unit CY and engine PWB (YC31)
		Defective polygon motor CY.	Replace the laser scanner unit CY (see page 1-5-43).
		Defective engine PWB.	Replace the engine PWB and check for correct operation (see page 1-5-26).

Code	Contents	Causes	Check procedures/ corrective measures
4201	Laser output error (black) The pin photo signal is not output from PD PWB K for one second while laser is emitted.	Defective connector cable or poor contact in the connector.	Reinsert the connector. Also check for continuity within the connector cable. If none, replace the cable. APC PWB K and engine PWB (YC31)
		Defective APC PWB K.	Replace the laser scanner unit KM (see page 1-5-43).
		Defective PD PWB K.	Replace the laser scanner unit KM (see page 1-5-43).
		Defective engine PWB.	Replace the engine PWB and check for correct operation (see page 1-5-26).
4202	Laser output error (cyan) The pin photo signal is not output from PD PWB C for one second while laser is emitted.	Defective connector cable or poor contact in the connector.	Reinsert the connector. Also check for continuity within the connector cable. If none, replace the cable. APC PWB C and engine PWB (YC32)
		Defective APC PWB C.	Replace the laser scanner unit CY (see page 1-5-43).
		Defective PD PWB C.	Replace the laser scanner unit CY (see page 1-5-43).
		Defective engine PWB.	Replace the engine PWB (see page 1-5-26).
4203	Laser output error (magenta) The pin photo signal is not output from PD PWB M for one second while laser is emitted.	Defective connector cable or poor contact in the connector.	Reinsert the connector. Also check for continuity within the connector cable. If none, replace the cable. APC PWB M and engine PWB (YC31)
		Defective APC PWB M.	Replace the laser scanner unit KM (see page 1-5-43).
		Defective PD PWB M.	Replace the laser scanner unit KM (see page 1-5-43).
		Defective engine PWB.	Replace the engine PWB (see page 1-5-26).
4204	Laser output error (yellow) The pin photo signal is not output from PD PWB Y for one second while laser is emitted.	Defective connector cable or poor contact in the connector.	Reinsert the connector. Also check for continuity within the connector cable. If none, replace the cable. APC PWB Y and engine PWB (YC32)
		Defective APC PWB Y.	Replace the laser scanner unit CY (see page 1-5-43).
		Defective PD PWB Y.	Replace the laser scanner unit CY (see page 1-5-43).
		Defective engine PWB.	Replace the engine PWB (see page 1-5-26).

Code	Contents	Causes	Check procedures/ corrective measures
4600	LSU cleaning motor error When the LSU cleaning motor is driven, the motor over-current detection signal is detected continuously for 50 times (5 s) at 100 ms intervals.	Defective connector cable or poor contact in the connector.	Reinsert the connector. Also check for continuity within the connector cable. If none, replace the cable. LSU cleaning motor and engine PWB (YC36)
		Defective drive transmission system of the LSU cleaning motor.	Check if the rollers and gears rotate smoothly. If not, grease the bushes and gears. Check for broken gears and replace if any.
		Defective LSU cleaning motor.	Replace the LSU cleaning motor.
		Defective engine PWB.	Replace the engine PWB and check for correct operation (see page 1-5-26).
4700	VIDEO ASIC device error	Defective connector cable or poor contact in the connector.	Reinsert the connector. Also check for continuity within the connector cable. If none, replace the cable. Main PWB (YC39) and relay PWB (YC3) Relay PWB (YC2, 4) and engine PWB (YC8, 9)
		Defective main PWB or engine PWB.	Replace the main PWB or the engine PWB and check for correct operation (see page 1-5-29, 1-5-26).
5301	Broken cleaning lamp K wire When the cleaning lamp K is driven, the lamp over-current detection signal is detected continuously for 10 times (1 s) at 100 ms intervals.	Defective connector cable or poor contact in the connector.	Reinsert the connector. Also check for continuity within the connector cable. If none, replace the cable. Drum unit K and Drum relay PWB (YC2) Drum relay PWB (YC1) and engine PWB (YC34)
		Defective cleaning lamp K.	Replace the drum unit K. (see page 1-5-20).
		Defective engine PWB.	Replace the engine PWB and check for correct operation (see page 1-5-26).
5302	Broken cleaning lamp C wire When the cleaning lamp C is driven, the lamp over-current detection signal is detected continuously for 10 times (1 s) at 100 ms intervals.	Defective connector cable or poor contact in the connector.	Reinsert the connector. Also check for continuity within the connector cable. If none, replace the cable. Drum unit C and Drum relay PWB (YC4) Drum relay PWB (YC1) and engine PWB (YC34)
		Defective cleaning lamp C.	Replace the drum unit C. (see page 1-5-20).
		Defective engine PWB.	Replace the engine PWB and check for correct operation (see page 1-5-26).

Code	Contents	Causes	Check procedures/ corrective measures
5303	Broken cleaning lamp M wire When the cleaning lamp M is driven, the lamp over-current detection signal is detected continuously for 10 times (1 s) at 100 ms intervals.	Defective connector cable or poor contact in the connector.	Reinsert the connector. Also check for continuity within the connector cable. If none, replace the cable. Drum unit M and Drum relay PWB (YC3) Drum relay PWB (YC1) and engine PWB (YC34)
		Defective cleaning lamp M.	Replace the drum unit M. (see page 1-5-20).
		Defective engine PWB.	Replace the engine PWB and check for correct operation (see page 1-5-26).
5304	Broken cleaning lamp Y wire When the cleaning lamp Y is driven, the lamp over-current detection signal is detected continuously for 10 times (1 s) at 100 ms intervals.	Defective connector cable or poor contact in the connector.	Reinsert the connector. Also check for continuity within the connector cable. If none, replace the cable. Drum unit Y and Drum relay PWB (YC5) Drum relay PWB (YC1) and engine PWB (YC34)
		Defective cleaning lamp Y.	Replace the drum unit Y. (see page 1-5-20).
		Defective engine PWB.	Replace the engine PWB and check for correct operation (see page 1-5-26).
6000	Broken fuser heater wire The detected temperature of fuser thermistor does not rise 1°C/1.8°F after the fuser heater has been turned on continuously for 10 s in warming up. The fuser temperature does not reach 100°C/212°F after the fuser heater has been turned on continuously for 30 s in warming up. The detected temperature of fuser thermistor does not reach the specified temperature (ready indication temperature) after the fuser heater has been turned on continuously for 60 s in warming up. The detected temperature of fuser thermistor does not rise 1°C/1.8°F after the fuser heater has been turned on continuously for 10 s during printing.	Defective connector cable or poor contact in the connector.	Reinsert the connector. Also check for continuity within the connector cable. If none, replace the cable. Fuser heater and power source PWB (YC102) Fuser unit and eject PWB (YC3) Eject PWB (YC1) and engine PWB (YC19)
		Deformed connector pin.	See page 1-4-23.
		Defective triac.	See page 1-4-23.
		Fuser thermostat triggered.	Reinsert the fuser unit (see page 1-5-25).
		Broken fuser heater wire.	Replace the fuser unit (see page 1-5-25).
		Defective engine PWB.	Replace the engine PWB and check for correct operation (see page 1-5-26).

Code	Contents	Causes	Check procedures/ corrective measures
6020	Abnormally high fuser thermistor temperature The fuser thermistor detects a temperature higher than 240°C/464°F. By the activation of the high temperature error detection circuit (230°C/446°F or more) of fuser thermistor, the illumination of fuser heater was forcibly turned off and 10 s has elapsed.	Deformed connector pin.	See page 1-4-23.
		Defective triac.	See page 1-4-23.
		Shorted fuser thermistor.	Replace the fuser unit (see page 1-5-25).
		Defective engine PWB.	Replace the engine PWB and check for correct operation (see page 1-5-26).
6030	Broken fuser thermistor wire Input from fuser thermistor is 3 or less (A/D value) continuously for 1 s.	Defective connector cable or poor contact in the connector.	Reinsert the connector. Also check for continuity within the connector cable. If none, replace the cable. Fuser unit and eject PWB (YC3) Eject PWB (YC1) and engine PWB (YC19)
		Deformed connector pin.	See page 1-4-23.
		Defective triac.	See page 1-4-23.
		Broken fuser thermistor wire.	Replace the fuser unit (see page 1-5-25).
		Fuser thermostat triggered.	Reinsert the fuser unit (see page 1-5-25).
		Broken fuser heater wire.	Replace the fuser unit (see page 1-5-25).
		Defective engine PWB.	Replace the engine PWB and check for correct operation (see page 1-5-26).

Code	Contents	Causes	Check procedures/ corrective measures
6000/ 6020/ 6030 Com- bined	Broken fuser heater wire Abnormally high fuser thermistor temperature Broken fuser thermistor wire	Deformed connec- tor pin.	If the I/F connector pins of the fuser unit and the main unit are deformed owing to foreign matters, such as paper dusts, replace the connectors or the units including the connectors.
		Defective triac.	Remove the power cord and check that the resistance between terminals T1 and T2 of the triac TRA51 is of several Mega-Ohms and not shorted (see figure 1-4-4). If failed, replace the power source PWB (see page 1-5-28).
 <p data-bbox="941 1182 1181 1209">Power source PWB</p> <p data-bbox="965 1227 1125 1254">Figure 1-4-4</p>			
6400	Zero-cross signal error The zero-cross signal does not reach the engine PWB for more than 1 s.	Defective connec- tor cable or poor contact in the con- nector.	Reinsert the connector. Also check for conti- nuity within the connector cable. If none, replace the cable. Power source PWB (YC103) and relay PWB (YC1) Relay PWB (YC4) and engine PWB (YC9)
		Defective power source PWB or engine PWB.	Replace the power source PWB or the engine PWB and check for correct operation (see page 1-5-28, 1-5-26).

Code	Contents	Causes	Check procedures/ corrective measures
7001	Toner motor K error When the toner motor K is driven, the motor over-current detection signal is detected continuously for 50 times (5 s) at 100 ms intervals.	Defective connector cable or poor contact in the connector.	Reinsert the connector. Also check for continuity within the connector cable. If none, replace the cable. Toner motor K and engine PWB (YC23)
		Defective drive transmission system of the toner motor K.	Check if the rollers and gears rotate smoothly. If not, grease the bushes and gears. Check for broken gears and replace if any.
		Defective toner motor K.	Replace the toner motor K.
		Defective engine PWB.	Replace the engine PWB and check for correct operation (see page 1-5-26).
7002	Toner motor C error When the toner motor C is driven, the motor over-current detection signal is detected continuously for 50 times (5 s) at 100 ms intervals.	Defective connector cable or poor contact in the connector.	Reinsert the connector. Also check for continuity within the connector cable. If none, replace the cable. Toner motor C and engine PWB (YC25)
		Defective drive transmission system of the toner motor C.	Check if the rollers and gears rotate smoothly. If not, grease the bushes and gears. Check for broken gears and replace if any.
		Defective toner motor C.	Replace the toner motor C.
		Defective engine PWB.	Replace the engine PWB and check for correct operation (see page 1-5-26).
7003	Toner motor M error When the toner motor M is driven, the motor over-current detection signal is detected continuously for 50 times (5 s) at 100 ms intervals.	Defective connector cable or poor contact in the connector.	Reinsert the connector. Also check for continuity within the connector cable. If none, replace the cable. Toner motor M and engine PWB (YC24)
		Defective drive transmission system of the toner motor M.	Check if the rollers and gears rotate smoothly. If not, grease the bushes and gears. Check for broken gears and replace if any.
		Defective toner motor M.	Replace the toner motor M.
		Defective engine PWB.	Replace the engine PWB and check for correct operation (see page 1-5-26).

Code	Contents	Causes	Check procedures/ corrective measures
7004	Toner motor Y error When the toner motor Y is driven, the motor over-current detection signal is detected continuously for 50 times (5 s) at 100 ms intervals.	Defective connector cable or poor contact in the connector.	Reinsert the connector. Also check for continuity within the connector cable. If none, replace the cable. Toner motor Y and engine PWB (YC26)
		Defective drive transmission system of the toner motor Y.	Check if the rollers and gears rotate smoothly. If not, grease the bushes and gears. Check for broken gears and replace if any.
		Defective toner motor Y.	Replace the toner motor Y.
		Defective engine PWB.	Replace the engine PWB and check for correct operation (see page 1-5-26).
7401	Developing unit K non-installing error No density detection signal is output from toner sensor K in developing unit K.	Defective connector cable or poor contact in the connector.	Reinsert the connector. Also check for continuity within the connector cable. If none, replace the cable. Developing unit K and Drum relay PWB (YC6) Drum relay PWB (YC1) and engine PWB (YC34)
		Defective toner sensor K.	Replace the developing unit K (see page 1-5-18).
		Defective engine PWB.	Replace the engine PWB and check for correct operation (see page 1-5-26).
7402	Developing unit C non-installing error No density detection signal is output from toner sensor C in developing unit C.	Defective connector cable or poor contact in the connector.	Reinsert the connector. Also check for continuity within the connector cable. If none, replace the cable. Developing unit C and Drum relay PWB (YC10) Drum relay PWB (YC1) and engine PWB (YC34)
		Defective toner sensor C.	Replace the developing unit C (see page 1-5-18).
		Defective engine PWB.	Replace the engine PWB and check for correct operation (see page 1-5-26).
7403	Developing unit M non-installing error No density detection signal is output from toner sensor M in developing unit M.	Defective connector cable or poor contact in the connector.	Reinsert the connector. Also check for continuity within the connector cable. If none, replace the cable. Developing unit M and Drum relay PWB (YC7) Drum relay PWB (YC1) and engine PWB (YC34)
		Defective toner sensor M.	Replace the developing unit M (see page 1-5-18).
		Defective engine PWB.	Replace the engine PWB and check for correct operation (see page 1-5-26).

Code	Contents	Causes	Check procedures/ corrective measures
7404	Developing unit Y non-installing error No density detection signal is output from toner sensor Y in developing unit Y.	Defective connector cable or poor contact in the connector.	Reinsert the connector. Also check for continuity within the connector cable. If none, replace the cable. Developing unit Y and Drum relay PWB (YC13) Drum relay PWB (YC1) and engine PWB (YC34)
		Defective toner sensor Y.	Replace the developing unit Y (see page 1-5-18).
		Defective engine PWB.	Replace the engine PWB and check for correct operation (see page 1-5-26).
7411	Drum unit K non-installing error The EEPROM of drum PWB K does not communicate normally.	Installation of incompatible drum unit K.	Install drum unit K compatible with the specifications to the machine.
		Defective connector cable or poor contact in the connector.	Reinsert the connector. Also check for continuity within the connector cable. If none, replace the cable. Drum unit K and Drum relay PWB (YC2) Drum relay PWB (YC1) and engine PWB (YC34)
		Defective drum PWB K.	Replace the drum unit K (see page 1-5-20).
		Defective engine PWB.	Replace the engine PWB and check for correct operation (see page 1-5-26).
7412	Drum unit C non-installing error The EEPROM of drum PWB C does not communicate normally.	Installation of incompatible drum unit C.	Install drum unit C compatible with the specifications to the machine.
		Defective connector cable or poor contact in the connector.	Reinsert the connector. Also check for continuity within the connector cable. If none, replace the cable. Drum unit C and Drum relay PWB (YC4) Drum relay PWB (YC1) and engine PWB (YC34)
		Defective drum PWB C.	Replace the drum unit C (see page 1-5-20).
		Defective engine PWB.	Replace the engine PWB and check for correct operation (see page 1-5-26).

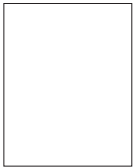
Code	Contents	Causes	Check procedures/ corrective measures
7413	Drum unit M non- installing error The EEPROM of drum PWB M does not communicate normally.	Installation of incompatible drum unit M.	Install drum unit M compatible with the specifications to the machine.
		Defective connector cable or poor contact in the connector.	Reinsert the connector. Also check for continuity within the connector cable. If none, replace the cable. Drum unit M and Drum relay PWB (YC3) Drum relay PWB (YC1) and engine PWB (YC34)
		Defective drum PWB M.	Replace the drum unit M (see page 1-5-20).
		Defective engine PWB.	Replace the engine PWB and check for correct operation (see page 1-5-26).
7414	Drum unit Y non- installing error The EEPROM of drum PWB Y does not communicate normally.	Installation of incompatible drum unit Y.	Install drum unit Y compatible with the specifications to the machine.
		Defective connector cable or poor contact in the connector.	Reinsert the connector. Also check for continuity within the connector cable. If none, replace the cable. Drum unit Y and Drum relay PWB (YC5) Drum relay PWB (YC1) and engine PWB (YC34)
		Defective drum PWB Y.	Replace the drum unit Y (see page 1-5-20).
		Defective engine PWB.	Replace the engine PWB and check for correct operation (see page 1-5-26).
9530	Backup data error The serial number of the machine written on the EEPROM of the engine PWB differs with that is written on both the flash memory of the engine PWB and the EEPROM of the drum PWB as a backup.	Replacing both the engine PWB and the drum unit at the same time.	Check that the machine operates properly by reverting the engine controller and the drum unit to the old ones. To replace the engine PWB and the drum unit at the same time, turn on the machine after replacing either one. Check that the machine operates properly and then turn off the machine. Replace the other and turn on the machine to check that the machine operates properly. Be sure to replace one by one.
F000	Main PWB - operation panel PWB communication error	Defective main PWB.	Turn the main power switch off/on to restart the machine. If the error is not resolved, replace main PWB (see page 1-5-29).
		Defective operation panel PWB.	Replace the operation panel PWB and check for correct operation.
F010	Main PWB checksum error	Defective main PWB.	Turn the main power switch off/on to restart the machine. If the error is not resolved, replace main PWB (see page 1-5-29).

Code	Contents	Causes	Check procedures/ corrective measures
F020	Main PWB RAM checksum error	Defective main memory (RAM) on the main PWB.	Turn the main power switch off/on to restart the machine. If the error is not resolved, replace main PWB (see page 1-5-29).
		Defective expanded memory (DIMM).	Replace the expanded memory (DIMM) (see page 1-2-10).
F040	Main PWB - print engine communication error	Defective main PWB.	Turn the main power switch off/on to restart the machine. If the error is not resolved, replace main PWB (see page 1-5-29).
		Defective engine PWB.	Replace the engine PWB and check for correct operation (see page 1-5-26).
F050	Print engine ROM checksum error	Defective engine PWB.	Turn the main power switch off/on to restart the machine. If the error is not resolved, replace engine PWB (see page 1-5-26).
F278	Power supply in drive system error	Main power switch was turned off without using the power key, or a power failure has occurred.	Turn on power. (To switch off power, first press the power key, then turn the main power switch off.)

1-4-3 Image formation problems

If the part causing the problem was not supplied, use the unit including the part for replacement.

(1) No image appears (entirely white).



See page 1-4-30

(2) No image appears (entirely black).



See page 1-4-30

(3) A specific color is printed solid.



See page 1-4-31

(4) The back side gets dirty.



See page 1-4-31

(5) Image is too light.



See page 1-4-31

(6) The background is colored.



See page 1-4-32

(7) White streaks are printed vertically.



See page 1-4-32

(8) Black streaks are printed vertically.



See page 1-4-32

(9) Streaks are printed horizontally.



See page 1-4-33

(10) Spots are printed.



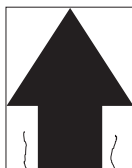
See page 1-4-33

(11) The leading edge of image begins to print too early or too late.



See page 1-4-33

(12) Paper is wrinkled.



See page 1-4-33

(13) Offset occurs.



See page 1-4-34

(14) Part of image is missing.



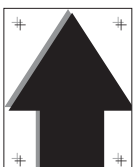
See page 1-4-34

(15) Fusing is loose.



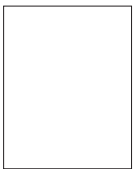
See page 1-4-34

(16) Colors are printed offset to each other.




See page 1-4-35


(1) No image appears (entirely white).

Print example	Causes		Check procedures/corrective measures
	Defective transfer bias output.	Defective connector cable or poor contact in the connector.	Reinsert the connector. Also check for continuity within the connector cable. If none, replace the cable. High voltage PWB and engine PWB (YC11)
		Defective high voltage PWB.	Replace the high voltage PWB (see page 1-5-34).
		Defective engine PWB.	Replace the engine PWB (see page 1-5-26).
	Defective developing bias output.	Defective connector cable or poor contact in the connector.	Reinsert the connector. Also check for continuity within the connector cable. If none, replace the cable. High voltage PWB and engine PWB (YC11)
		Defective high voltage PWB.	Replace the high voltage PWB (see page 1-5-34).
		Defective engine PWB.	Replace the engine PWB (see page 1-5-26).
	No LSU laser is output.	Defective laser scanner unit.	Replace the laser scanner unit KM/CY (see page 1-5-43).
		Defective engine PWB.	Replace the engine PWB (see page 1-5-26).

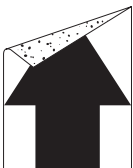
(2) No image appears (entirely black).

Print example	Causes		Check procedures/corrective measures
	No main charging.	Defective connector cable or poor contact in the connector.	Reinsert the connector. Also check for continuity within the connector cable. If none, replace the cable. High voltage PWB and engine PWB (YC11)
		Defective charger roller unit.	Replace the drum unit (see page 1-5-20).
		Defective high voltage PWB.	Replace the high voltage PWB (see page 1-5-34).
		Defective engine PWB.	Replace the engine PWB (see page 1-5-26).
	The laser is activated simultaneously for all colors.	Defective laser scanner unit.	Replace the laser scanner unit KM/CY (see page 1-5-43).

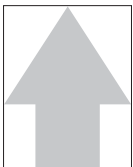
(3) A specific color is printed solid.

Print example	Causes	Check procedures/corrective measures
	Defective charger roller unit which corresponds to the color causing the problem.	Replace the drum unit for the color that causes an error (see page 1-5-20).
	Laser of laser scanner unit for solid color printing is ON. Defective laser scanner unit.	Replace the laser scanner unit KM/CY (see page 1-5-43).

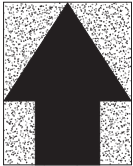
(4) The back side gets dirty.

Print example	Causes	Check procedures/corrective measures
	Dirty secondary transfer roller.	Clean the secondary transfer roller.
	Dirty paper conveying path.	Clean the paper conveying path.
	Dirty heat roller and press roller.	Clean the heat roller and press roller.


(5) Image is too light.

Print example	Causes	Check procedures/corrective measures	
	Defective developing bias output.	Defective developing unit.	Replace the developing unit for the color that causes an error (see page 1-5-18).
		Defective high voltage PWB.	Replace the high voltage PWB (see page 1-5-34).
		Defective engine PWB.	Replace the engine PWB (see page 1-5-26).
	Defective drum unit.		Decrease the surface potential by performing the main charger adjustment (see page 1-3-14). When the problem is not cleared, replace the drum unit (see page 1-5-20).
	Defective transfer bias output.	Defective high voltage PWB.	Replace the high voltage PWB (see page 1-5-34).
		Defective engine PWB.	Replace the engine (see page 1-5-26).
	Defective color calibration.		Perform the color calibration (Refer to operation guide).
	Insufficient toner.		If the display shows the message requesting toner replenishment, replace the container.
	Insufficient agitation of toner container.		Shake the toner container vertically approximately 10 times.
Paper damp.		Check the paper storage conditions, replace the paper.	

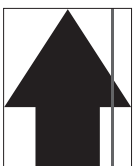
(6) The background is colored.

Print example	Causes	Check procedures/corrective measures	
	Defective color calibration.	Perform the color calibration (Refer to operation guide).	
	Defective developing bias output.	Defective developing unit.	Replace the developing unit for the color that causes an error (see page 1-5-18).
		Defective high voltage PWB.	Replace the high voltage PWB (see page 1-5-34).
		Defective engine PWB.	Replace the engine PWB (see page 1-5-26).
	Defective drum surface charging.	Defective drum unit.	Replace the drum unit (see page 1-5-20).
		Defective high voltage PWB.	Replace the high voltage PWB (see page 1-5-34).
		Defective engine PWB.	Replace the engine PWB (see page 1-5-26).

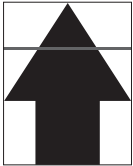
(7) White streaks are printed vertically.

Print example	Causes	Check procedures/corrective measures
	Foreign object in one of the developing units.	Replace the developing unit for the color that causes an error (see page 1-5-18).
	Adhesion of soiling to transfer belt.	Clean the transfer belt. Replace the intermediate transfer unit if it is extremely dirty (see page 1-5-21).
	Adhesion of soiling to transfer roller.	Clean the transfer roller. Replace the transfer roller if it is extremely dirty (see page 1-5-24).
	Dirty LSU dust shield glass.	Perform the LSU dust shield glass cleaning.


(8) Black streaks are printed vertically.

Print example	Causes	Check procedures/corrective measures
	Dirty or flawed drum.	Perform the drum surface refreshing (see page 1-3-13). Flawed drum. Replace the drum unit (see page 1-5-20).
	Deformed or worn cleaning blade in the drum unit.	Replace the drum unit (see page 1-5-20).
	Worn primary transfer belt.	Replace the intermediate transfer unit (see page 1-5-21).
	Defective transfer roller.	Replace the transfer roller (see page 1-5-24).


(9) Streaks are printed horizontally.

Print example	Causes	Check procedures/corrective measures
	Dirty or flawed drum.	Perform the drum surface refreshing (see page 1-3-13). Flawed drum. Replace the drum unit (see page 1-5-20).
	Dirty developing section.	Clean any part contaminated with toner in the developing section.
	Poor contact of grounding terminal of drum unit.	Check the installation of the drum unit. If it operates incorrectly, replace it (see page 1-5-20).

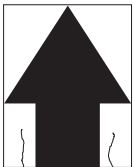
(10) Spots are printed.

Print example	Causes	Check procedures/corrective measures
	Dirty or flawed drum.	Perform the drum surface refreshing (see page 1-3-13). Flawed drum. Replace the drum unit (see page 1-5-20).
	Deformed or worn cleaning blade in the drum unit.	Replace the drum unit (see page 1-5-20).
	Flawed developing roller.	Replace the developing unit (see page 1-5-18).
	Dirty heat roller and press roller.	Clean the heat roller and press roller.

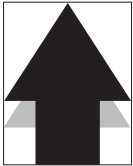
(11) The leading edge of image begins to print too early or too late.

Print example	Causes	Check procedures/corrective measures
	Paper feed clutch or registration clutch operating incorrectly.	Check the installation of the clutch. If it operates incorrectly, replace it.


(12) Paper is wrinkled.

Print example	Causes	Check procedures/corrective measures
	Paper curled.	Check the paper storage conditions.
	Paper damp.	Check the paper storage conditions.

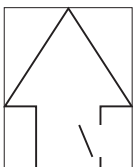
(13) Offset occurs.

Print example	Causes	Check procedures/corrective measures
	Defective drum surface charging.	Perform the drum surface refreshing (see page 1-3-13). When the problem is not cleared, increase the surface potential by performing the main charger adjustment (see page 1-3-14).
	Deformed or worn cleaning blade in the drum unit.	Replace the drum unit (see page 1-5-20).
	Defective transfer belt cleaning.	Replace the intermediate transfer unit (see page 1-5-21).
	Defective fuser unit.	Replace the fuser unit (see page 1-5-25).
	Wrong types of paper.	Check if the paper meets specifications. Replace paper.

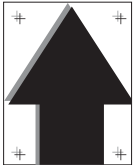
(14) Part of image is missing.

Print example	Causes	Check procedures/corrective measures
	Paper damp.	Check the paper storage conditions.
	Paper creased.	Replace the paper.
	Drum condensation.	Perform the drum surface refreshing (see page 1-3-13).
	Dirty or flawed drum.	Perform the drum surface refreshing (see page 1-3-13). Flawed drum. Replace the drum unit (see page 1-5-20).
	Dirty transfer belt.	Clean the transfer belt. Replace the intermediate transfer unit if it is extremely dirty (see page 1-5-21).
	Dirty transfer roller.	Clean the transfer roller. Replace the transfer roller if it is extremely dirty (see page 1-5-24).

(15) Fusing is loose.

Print example	Causes	Check procedures/corrective measures
	Wrong types of paper.	Check if the paper meets specifications, replace paper.
	Flawed heat roller or press roller.	Replace the fuser unit (see page 1-5-25).

(16) Colors are printed offset to each other.

Print example	Causes	Check procedures/corrective measures
	Defective color calibration.	Perform the color calibration (refer to operation guide).
	Slip the mirror position of laser scanner unit.	Perform the normal color registration. When the problem is not cleared, perform the detail color registration adjustment (refer to operation guide).

1-4-4 Electric problems

If the part causing the problem was not supplied, use the unit including the part for replacement. Troubleshooting to each failure must be in the order of the numbered symptoms.

Problem	Causes	Check procedures/corrective measures
(1) The machine does not operate when the main power switch is turned on.	1. No electricity at the power outlet.	Measure the input voltage.
	2. The power cord is not plugged in properly.	Check the contact between the power plug and the outlet.
	3. The top tray is not closed completely.	Check the top tray.
	4. Broken power cord.	Check for continuity. If none, replace the cord.
	5. Defective main power switch.	Check for continuity across the contacts. If none, replace the power source PWB (see page 1-5-28).
	6. Defective interlock switch.	Check for continuity across the contacts of interlock switch. If none, replace the power source PWB (see page 1-5-28).
	7. Defective power source PWB.	Replace the power source PWB (see page 1-5-28).
(2) Duplex motor does not operate.	1. Defective connector cable or poor contact in the connector.	Reinsert the connector. Also check for continuity within the connector cable. If none, replace the cable. Duplex motor and engine PWB (YC37)
	2. Defective drive transmission system.	Check if the rollers and gears rotate smoothly. If not, grease the bushes and gears. Check for broken gears and replace if any.
	3. Defective motor.	Replace the duplex motor.
	4. Defective PWB.	Replace the engine PWB and check for correct operation (see page 1-5-26).
(3) Right fan motor does not operate.	1. Defective connector cable or poor contact in the connector.	Reinsert the connector. Also check for continuity within the connector cable. If none, replace the cable. Right fan motor and main PWB (YC12)
	2. Defective motor.	Replace the right fan motor.
	3. Defective PWB.	Replace the main PWB and check for correct operation (see page 1-5-29).
(4) Left fan motor does not operate.	1. Defective connector cable or poor contact in the connector.	Reinsert the connector. Also check for continuity within the connector cable. If none, replace the cable. Left fan motor and engine PWB (YC29)
	2. Defective motor.	Replace the left fan motor.
	3. Defective PWB.	Replace the engine PWB and check for correct operation (see page 1-5-26).

Problem	Causes	Check procedures/corrective measures
(5) Fuser fan motor does not operate.	1. Defective connector cable or poor contact in the connector.	Reinsert the connector. Also check for continuity within the connector cable. If none, replace the cable. Fuser fan motor and engine PWB (YC40)
	2. Defective motor.	Replace the fuser fan motor.
	3. Defective PWB.	Replace the engine PWB and check for correct operation (see page 1-5-26).
(6) Container fan motor does not operate.	1. Defective connector cable or poor contact in the connector.	Reinsert the connector. Also check for continuity within the connector cable. If none, replace the cable. Container fan motor and engine PWB (YC28)
	2. Defective motor.	Replace the container fan motor.
	3. Defective PWB.	Replace the engine PWB and check for correct operation (see page 1-5-26).
(7) Paper feed clutch does not operate.	1. Defective connector cable or poor contact in the connector.	Reinsert the connector. Also check for continuity within the connector cable. If none, replace the cable. Paper feed clutch and engine PWB (YC3)
	2. Defective clutch.	Replace the paper feed clutch.
	3. Defective PWB.	Replace the engine PWB and check for correct operation (see page 1-5-26).
(8) MP feed clutch does not operate.	1. Defective connector cable or poor contact in the connector.	Reinsert the connector. Also check for continuity within the connector cable. If none, replace the cable. MP feed clutch and engine PWB (YC3)
	2. Defective clutch.	Replace the MP feed clutch.
	3. Defective PWB.	Replace the engine PWB and check for correct operation (see page 1-5-26).
(9) Registration clutch does not operate.	1. Defective connector cable or poor contact in the connector.	Reinsert the connector. Also check for continuity within the connector cable. If none, replace the cable. Registration clutch and engine PWB (YC3)
	2. Defective clutch.	Replace the registration clutch.
	3. Defective PWB.	Replace the engine PWB and check for correct operation (see page 1-5-26).
(10) Middle clutch does not operate.	1. Defective connector cable or poor contact in the connector.	Reinsert the connector. Also check for continuity within the connector cable. If none, replace the cable. Middle clutch and engine PWB (YC3)
	2. Defective clutch.	Replace the middle clutch.
	3. Defective PWB.	Replace the engine PWB and check for correct operation (see page 1-5-26).

Problem	Causes	Check procedures/corrective measures
(11) MP solenoid does not operate.	1. Defective connector cable or poor contact in the connector.	Reinsert the connector. Also check for continuity within the connector cable. If none, replace the cable. MP solenoid and engine PWB (YC4)
	2. Defective solenoid.	Replace the MP solenoid.
	3. Defective PWB.	Replace the engine PWB and check for correct operation (see page 1-5-26).
(12) The message requesting paper to be loaded is shown when paper is present on the cassette.	1. Defective connector cable or poor contact in the connector.	Reinsert the connector. Also check for continuity within the connector cable. If none, replace the cable. Cassette PWB (YC1) and engine PWB (YC21)
	2. Deformed actuator of the paper sensor.	Check visually and replace if necessary.
	3. Defective paper sensor.	Replace the cassette PWB.
	4. Defective PWB.	Replace the engine PWB and check for correct operation (see page 1-5-26).
(13) The message requesting paper to be loaded is shown when paper is present on the MP tray.	1. Defective connector cable or poor contact in the connector.	Reinsert the connector. Also check for continuity within the connector cable. If none, replace the cable. MP paper sensor and engine PWB (YC16)
	2. Deformed actuator of the MP paper sensor.	Check visually and replace if necessary.
	3. Defective MP paper sensor.	Replace the MP paper sensor.
	4. Defective PWB.	Replace the engine PWB and check for correct operation (see page 1-5-26).
(14) The size of paper on the cassette is not displayed correctly.	1. Defective connector cable or poor contact in the connector.	Reinsert the connector. Also check for continuity within the connector cable. If none, replace the cable. Cassette size switch and engine PWB (YC17)
	2. Defective cassette size switch.	Replace the cassette size switch.
	3. Defective PWB.	Replace the engine PWB and check for correct operation (see page 1-5-26).
(15) A paper jam in the paper feed, paper conveying or eject section is indicated when the main power switch is turned on.	1. A piece of paper torn from paper is caught around registration sensor, MP feed sensor or eject sensor.	Check visually and remove it, if any.
	2. Defective registration sensor.	Replace the registration sensor.
	3. Defective MP feed sensor.	Replace the MP feed sensor.
	4. Defective eject sensor.	Replace the eject PWB.

Problem	Causes	Check procedures/corrective measures
(16) A message indicating cover open is displayed when the top cover or rear cover is closed.	1. Deformed actuator of the interlock switch.	Check visually and replace if necessary.
	2. Defective interlock switch.	Replace the interlock switch.

1-4-5 Mechanical problems

If the part causing the problem was not supplied, use the unit including the part for replacement.

Problem	Causes/check procedures	Corrective measures
(1) No primary paper feed.	Check if the surfaces of the following rollers are dirty with paper powder. Pickup roller Paper feed roller MP paper feed roller	Clean with isopropyl alcohol.
	Check if the following rollers is deformed. Pickup roller Paper feed roller MP paper feed roller	Check visually and replace any deformed (see page 1-5-14, 1-5-16).
	Defective paper feed clutch installation.	Check visually and remedy if necessary.
(2) No secondary paper feed.	Check if the surfaces of the following rollers are dirty with paper powder. Front registration roller Rear registration roller	Clean with isopropyl alcohol.
	Defective registration clutch installation.	Check visually and remedy if necessary.
(3) Skewed paper feed.	Paper width guide in a cassette installed incorrectly.	Check the paper width guide visually and remedy or replace if necessary.
(4) Multiple sheets of paper are fed.	Check if the paper is excessively curled.	Change the paper.
	Paper is loaded incorrectly.	Load the paper correctly.
	Check if the retard roller is worn.	Replace the retard roller if it is worn (see page 1-5-12).
(5) Paper jams.	Check if the paper is excessively curled.	Change the paper.
	Check if the contact between the front and rear registration rollers is correct.	Check visually and remedy if necessary.
	Check if the heat roller or press roller is extremely dirty or deformed.	Check visually and replace the fuser unit (see page 1-5-25).
(6) Toner drops on the paper conveying path.	Check if the drum unit or developing unit is extremely dirty.	Clean the drum unit or developing unit.
(7) Abnormal noise is heard.	Check if the rollers, pulleys and gears operate smoothly.	Grease the bushes and gears.
	Check if the following clutches are installed correctly. Paper feed clutch MP feed clutch Registration clutch Middle clutch	Check visually and remedy if necessary.

This page is intentionally left blank.

1-5-1 Precautions for assembly and disassembly

(1) Precautions

Be sure to turn the power switch off and disconnect the power plug before starting disassembly.

When handling PWBs (printed wiring boards), do not touch parts with bare hands.

The PWBs are susceptible to static charge.

Do not touch any PWB containing ICs with bare hands or any object prone to static charge.

When removing the hook of the connector, be sure to release the hook.

Take care not to get the cables caught.

To reassemble the parts, use the original screws. If the types and the sizes of screws are not known, refer to the PARTS LIST.

(2) Drum

Note the following when handling or storing the drum.

When removing the drum unit, never expose the drum surface to strong direct light.

Keep the drum at an ambient temperature between $-20^{\circ}\text{C}/-4^{\circ}\text{F}$ and $40^{\circ}\text{C}/104^{\circ}\text{F}$ and at a relative humidity not higher than 85% RH. Avoid abrupt changes in temperature and humidity.

Avoid exposure to any substance which is harmful to or may affect the quality of the drum.

Do not touch the drum surface with any object. Should it be touched by hands or stained with oil, clean it.

(3) Toner

Store the toner container in a cool, dark place.

Avoid direct light and high humidity.

(4) How to tell a genuine Kyocera Mita toner container

As a means of brand protection, the Kyocera Mita toner container utilizes an optical security technology to enable visual validation. A validation viewer is required to accomplish this.

Hold the validation viewer over the left side part of the brand protection seal on the toner container. Through each window of the validation viewer, the left side part of the seal should be seen as follows:

A black-colored band when seen through the left side window (●)

A shiny or gold-colored band when seen through the right side window (☀)

The above will reveal that the toner container is a genuine Kyocera Mita branded toner container, otherwise, it is a counterfeit.

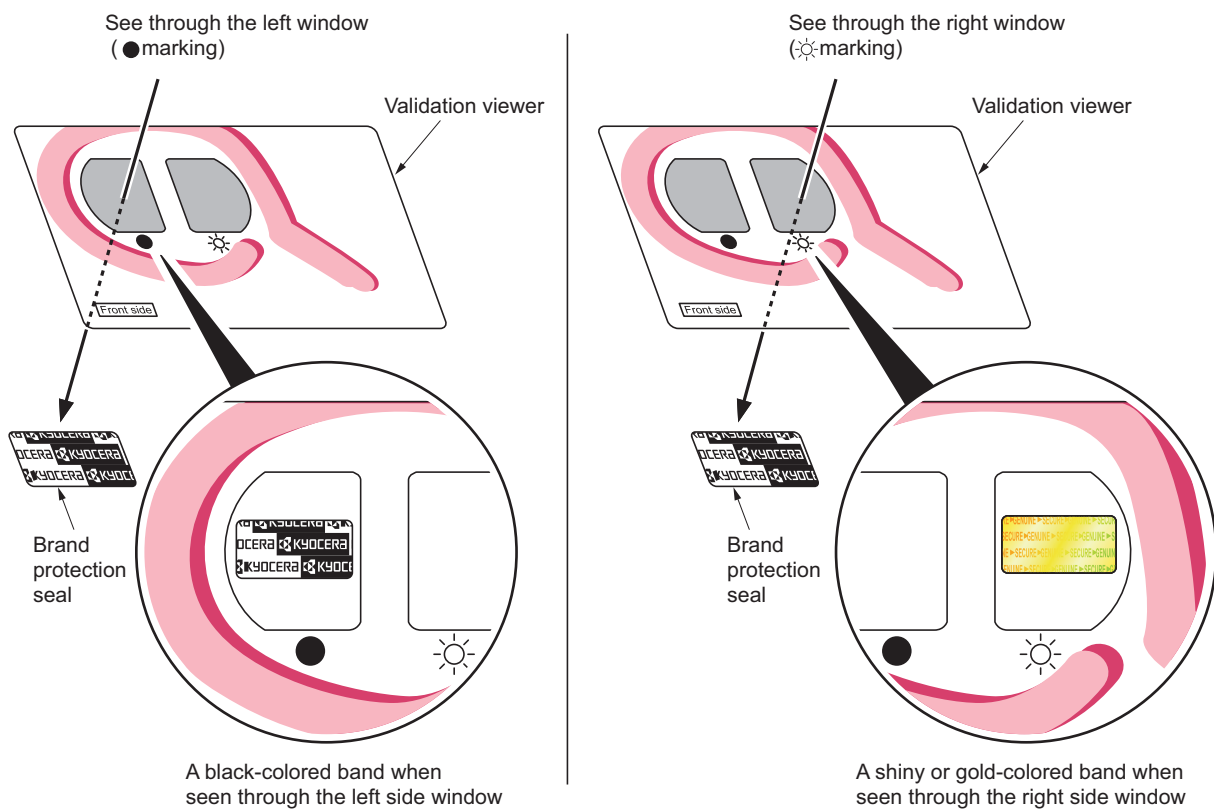


Figure 1-5-1

The brand protection seal has an incision as shown below to prohibit reuse.

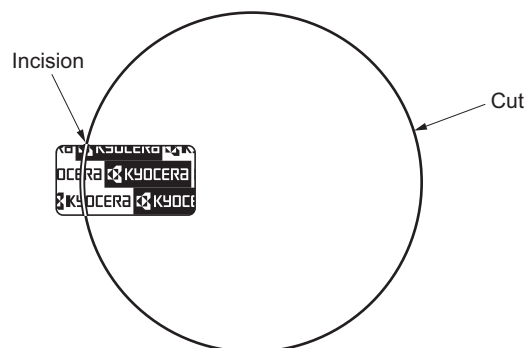


Figure 1-5-2

1-5-2 Outer covers

(1) Detaching and refitting the top cover

Procedure

1. Open the paper conveying unit.
2. Release the hook and then remove the IF cover.

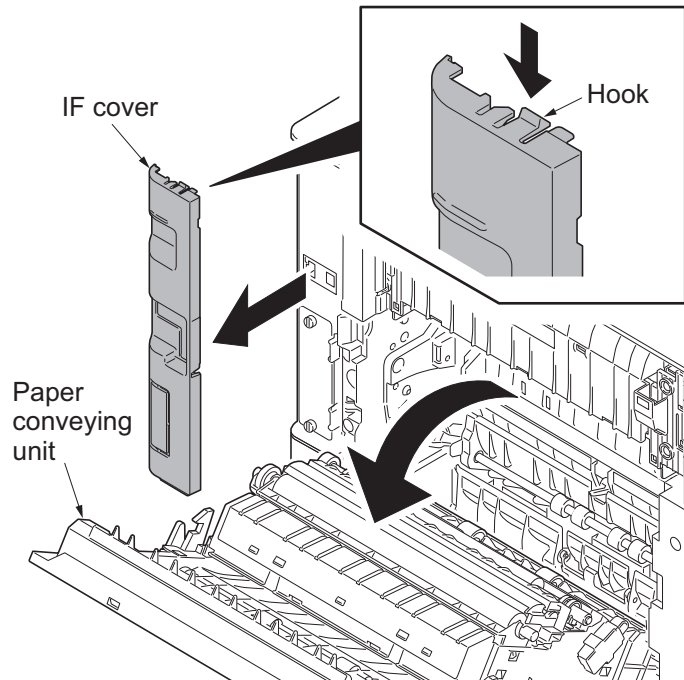


Figure 1-5-3

3. Remove two screws.

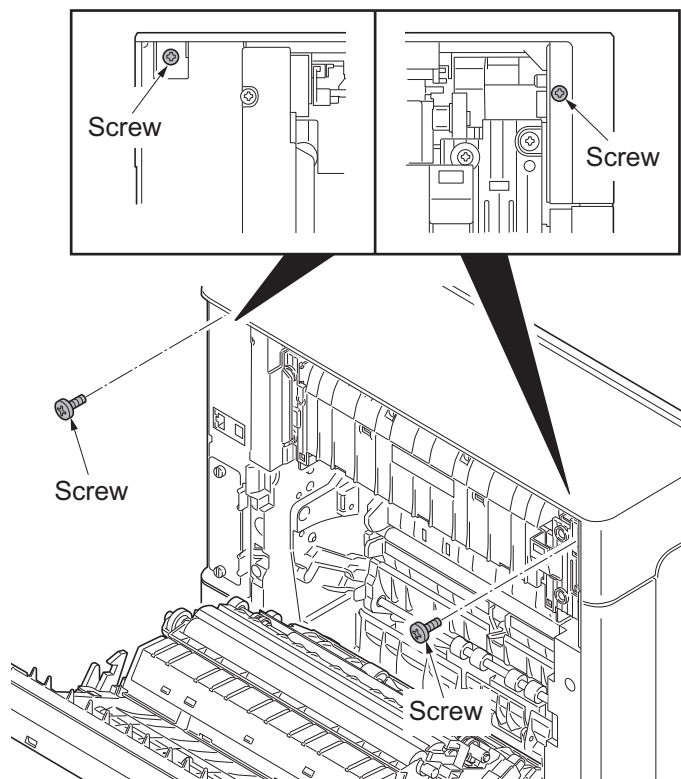


Figure 1-5-4

4. Open the top tray.
5. Remove two screws.
6. Release two hooks and then remove the top tray.

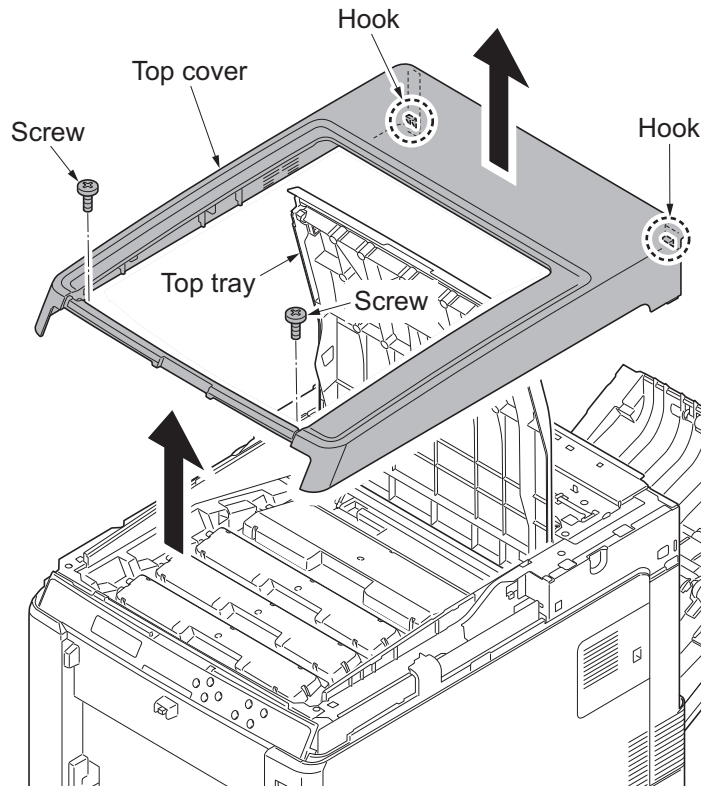


Figure 1-5-5

(2) Detaching and refitting the right rear cover, right cover and right lower cover

Procedure

1. Remove the top cover (see page 1-5-3).
2. Slide the power source cover backward and then remove it.

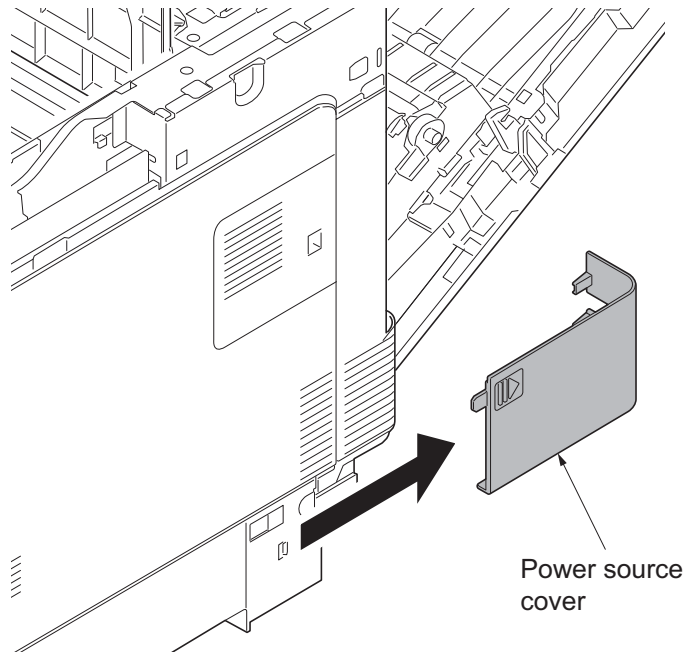


Figure 1-5-6

3. Remove the screw.
4. Release four hooks. Slide the right rear cover backward and then remove it.

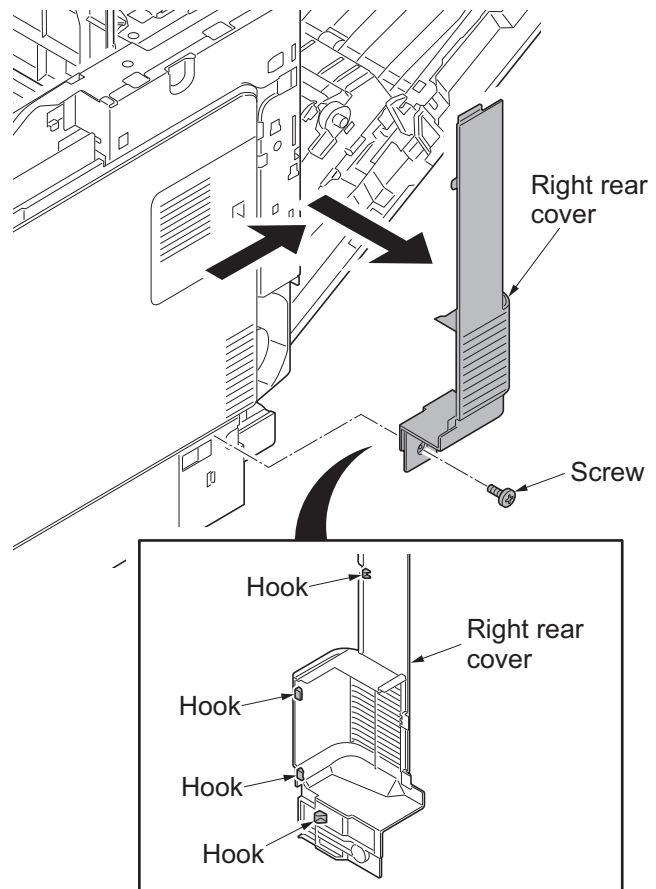


Figure 1-5-7

5. Open the memory cover and then remove it.

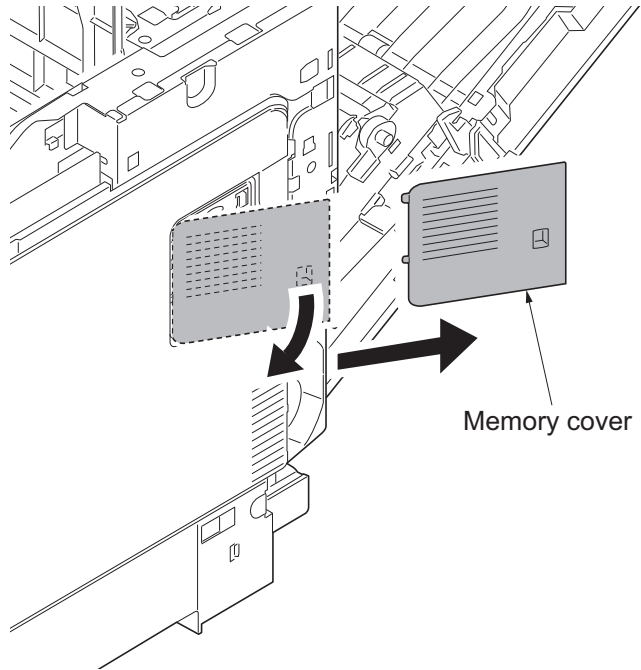


Figure 1-5-8

6. Open the waste toner cover.
7. Push the lock release button and then remove the waste toner box.

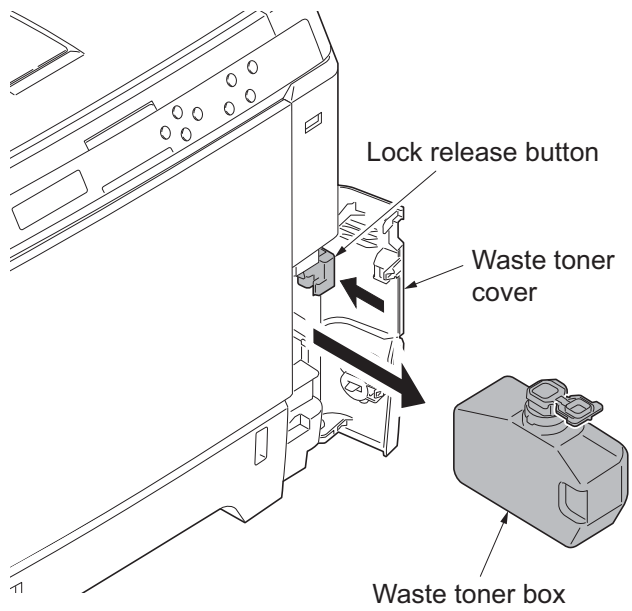


Figure 1-5-9

8. Release four hooks (hook A → B → C). Slide the right cover forward and then remove it.
9. Remove the waste toner cover.

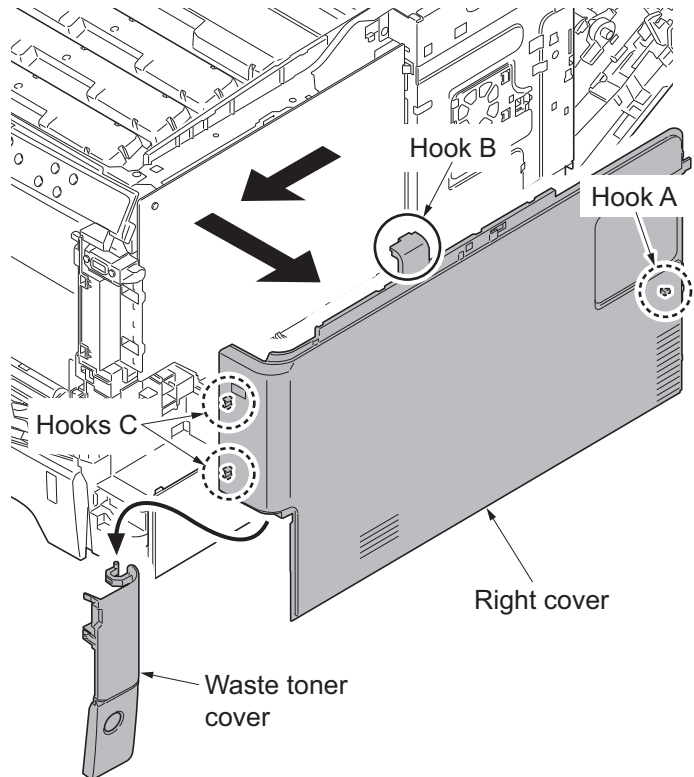


Figure 1-5-10

10. Release the hook. Slide the right lower cover forward and then remove it.

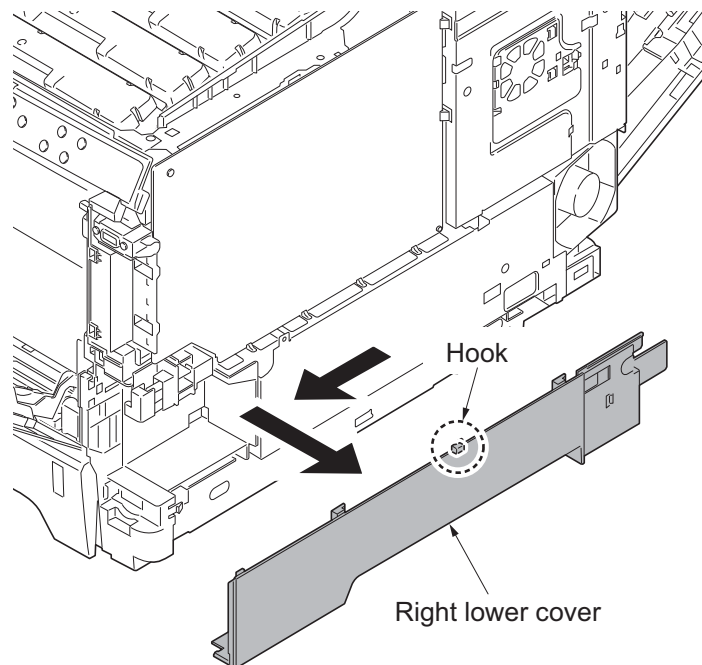


Figure 1-5-11

(3) Detaching and refitting the left rear cover, left cover and left lower cover

Procedure

1. Remove the top cover (see page 1-5-3).
2. Release the hook. Slide the left rear cover upward and then remove it.

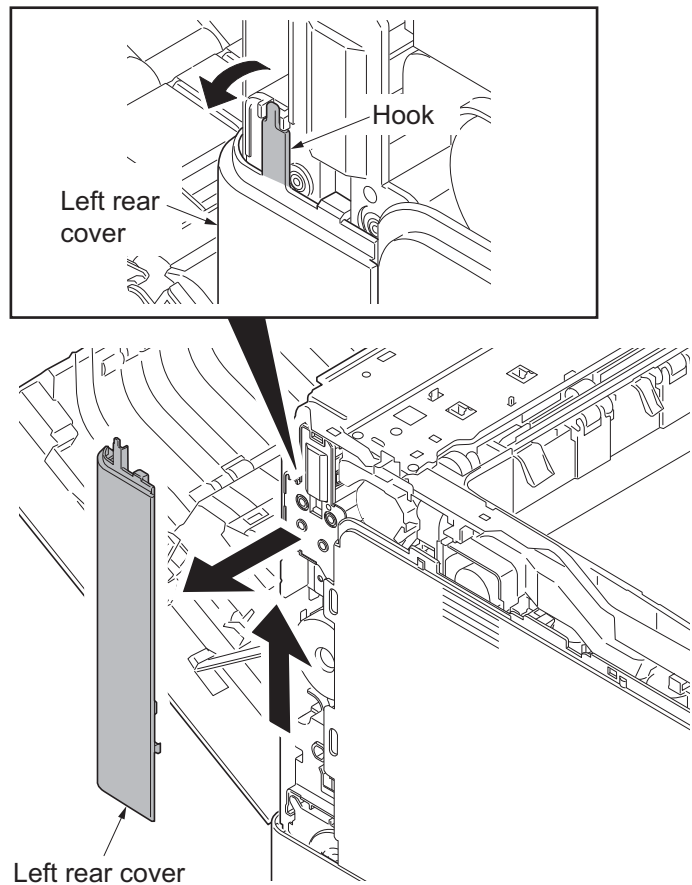


Figure 1-5-12

3. Release four hooks (hook A → B) and then remove the left cover.

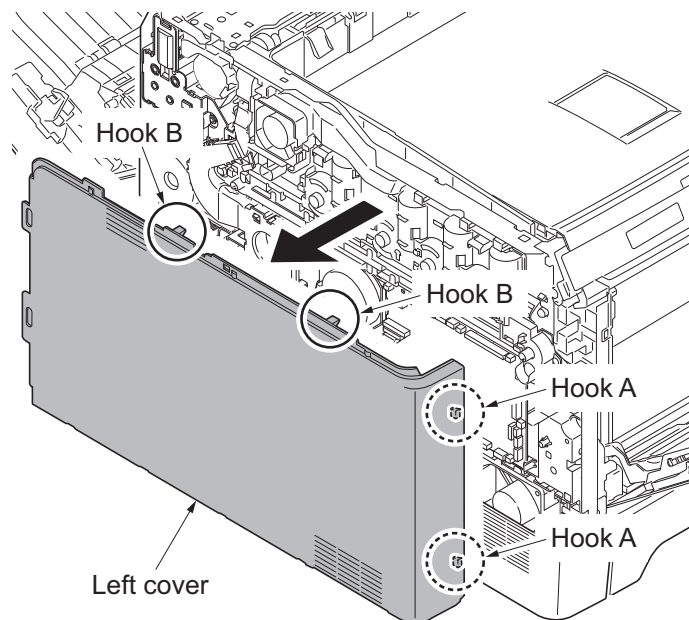


Figure 1-5-13

4. Remove the screw.
5. Release four hooks (hook A → B → C) and then remove the left lower cover.

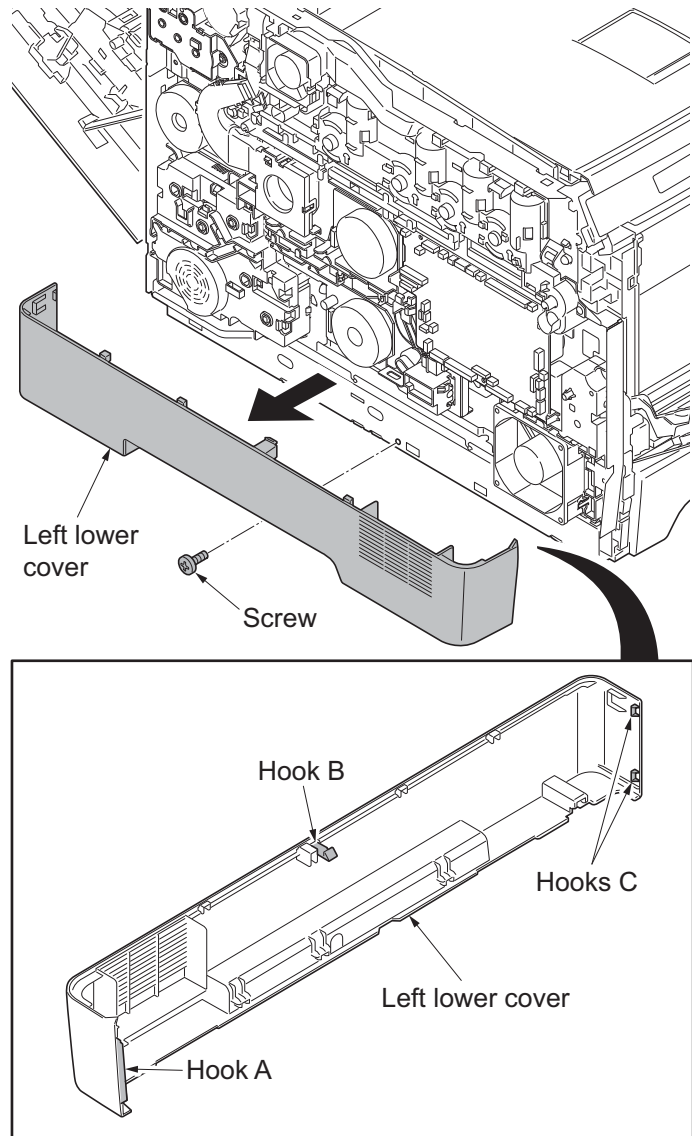


Figure 1-5-14

(4) Detaching and refitting the inner cover

Procedure

1. Remove the cassette.

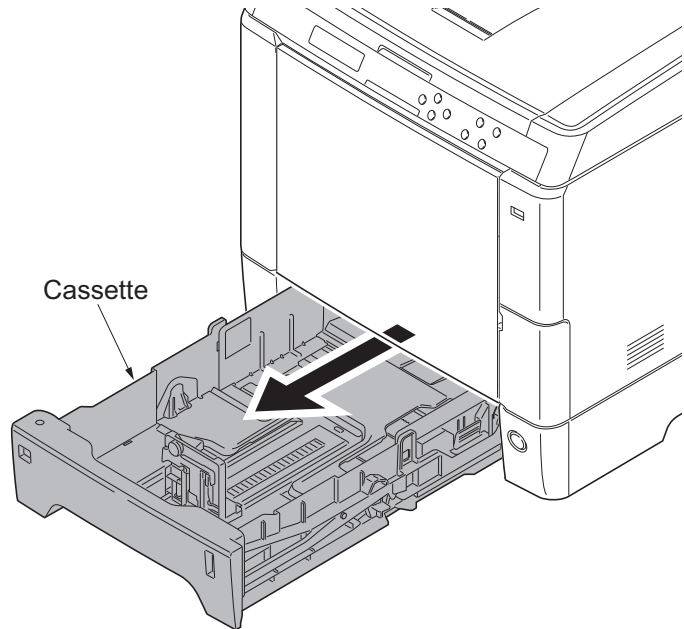


Figure 1-5-15

2. Remove the MP tray.

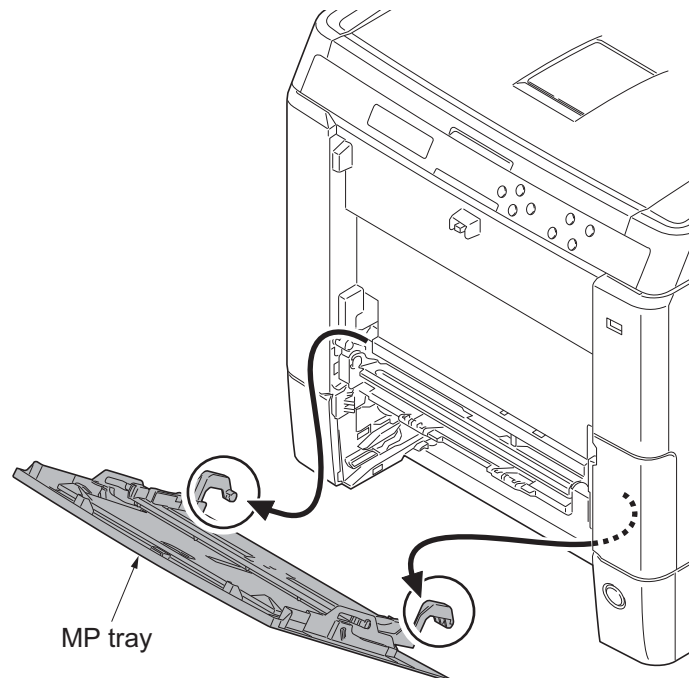


Figure 1-5-16

3. Remove the top cover (see page 1-5-3).
4. Remove the right rear cover, right cover and right lower cover (see page 1-5-5).
5. Remove the left rear cover, left cover and left lower cover (see page 1-5-8).
6. Release four hooks and then remove the inner cover.

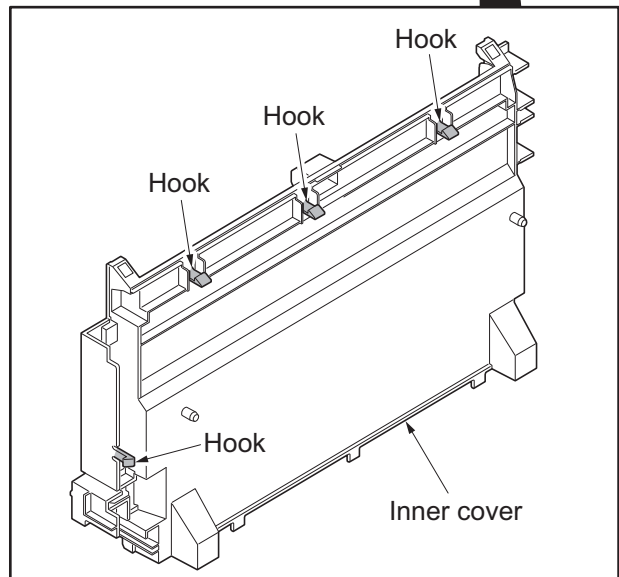
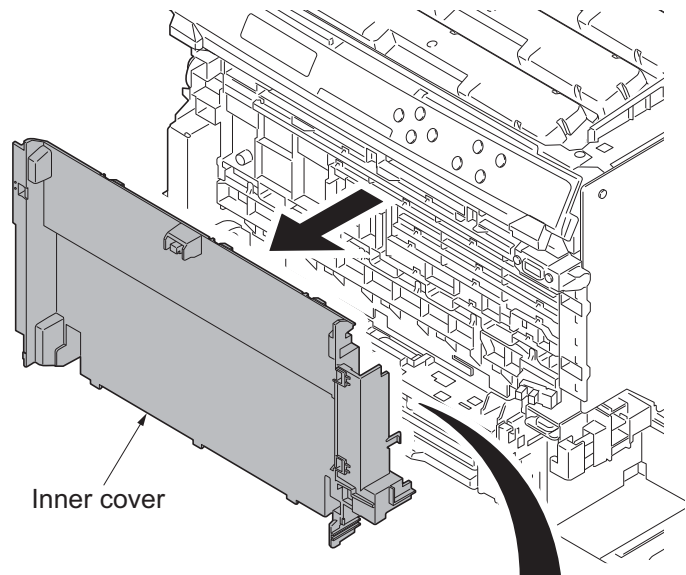


Figure 1-5-17

1-5-3 Paper feed section

(1) Detaching and refitting the retard roller unit

Procedure

1. Open the paper conveying unit.
2. Pull the middle roller unit forward to the hook.
3. While pressing the right and left hooks outwards, unlatch the shaft from the rail and remove the middle roller unit.

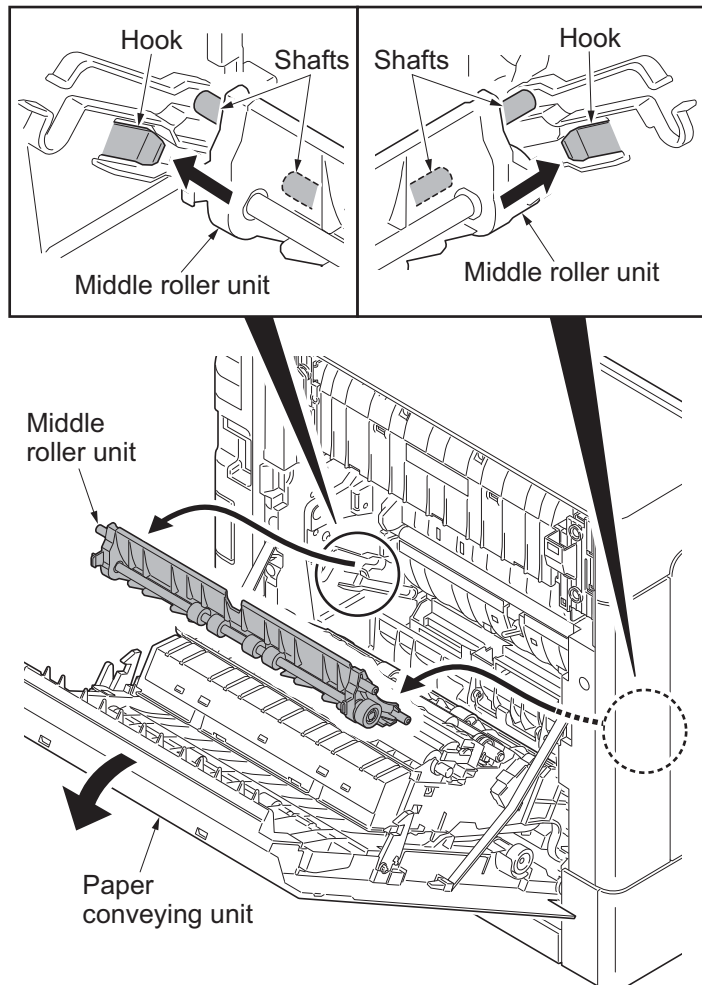


Figure 1-5-18

4. Pull the retard cover down and remove.
5. Release two hooks and then remove the retard roller unit.
6. Check or replace the retard roller unit and refit all the removed parts.

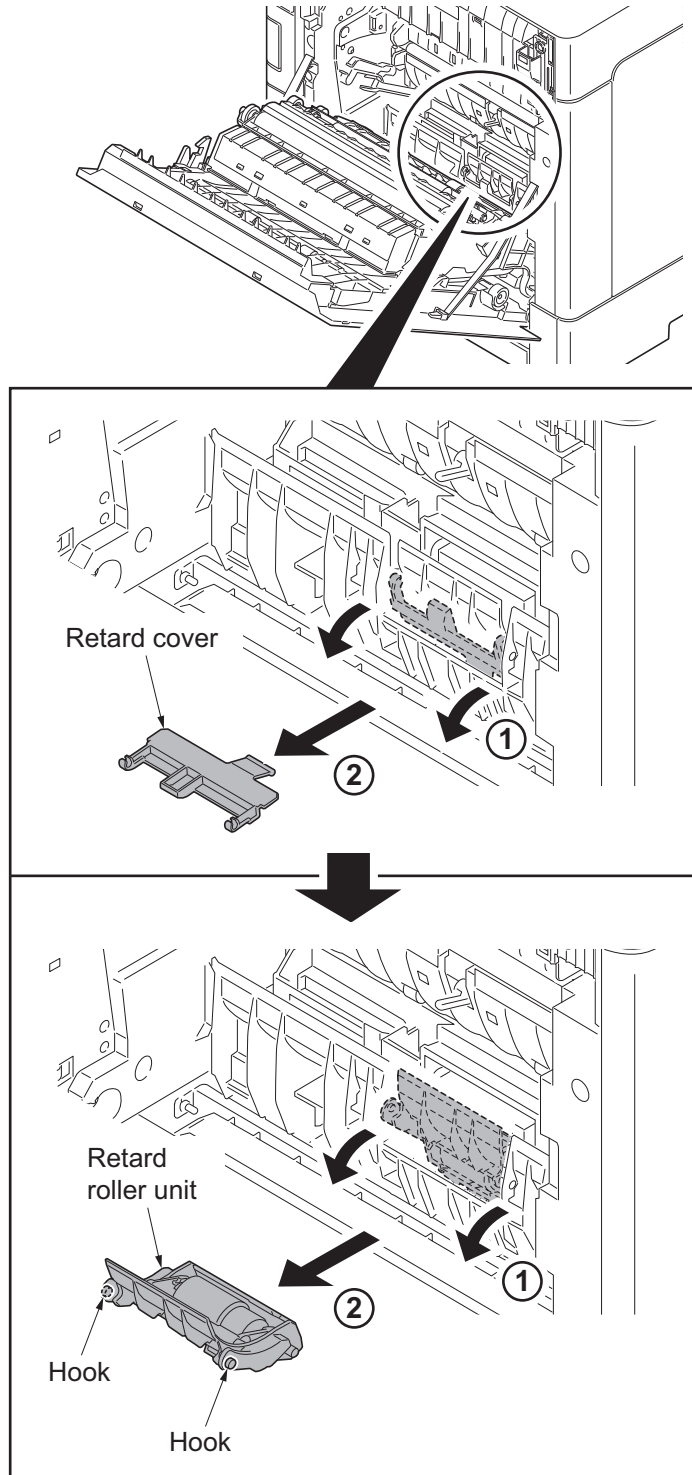


Figure 1-5-19

(2) Detaching and refitting the paper feed roller unit

Procedure

1. Remove the retard roller unit (see page 1-5-12).
2. Turn forward the lever of the feed pin to release the lock.
3. Slide the feed pin.

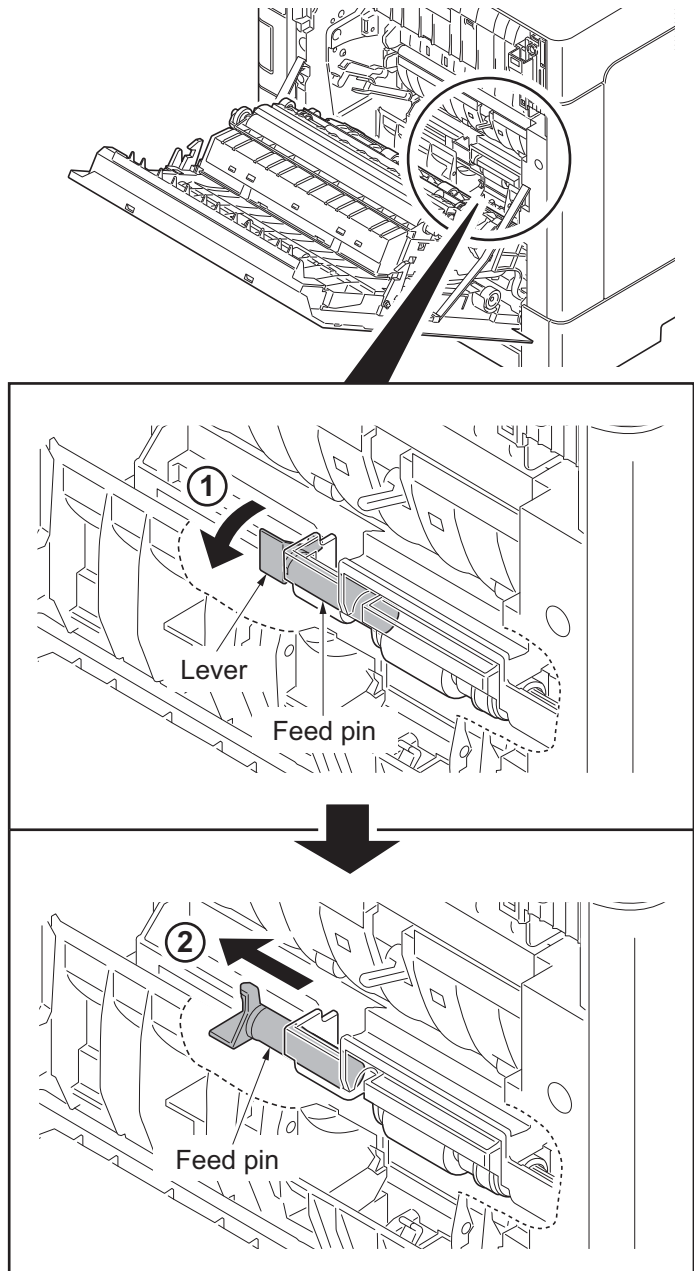


Figure 1-5-20

4. Remove the paper feed roller unit.
5. Check or replace the paper feed roller unit and refit all the removed parts.

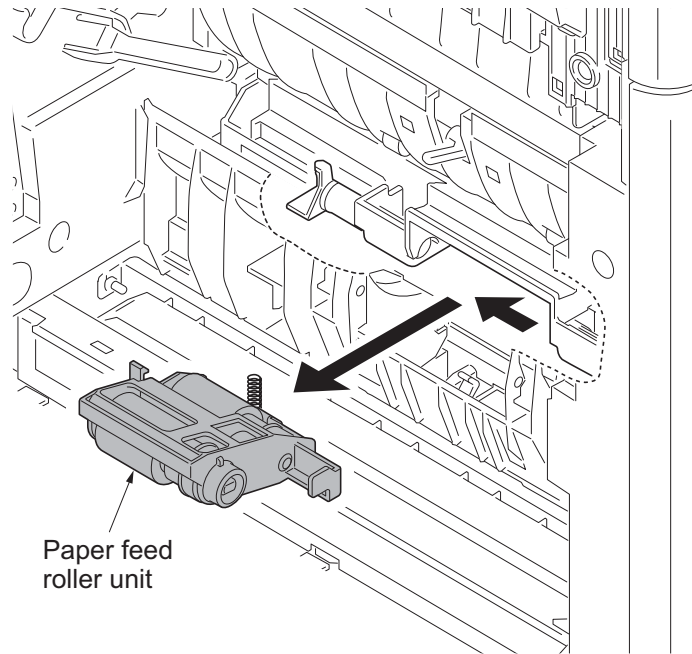


Figure 1-5-21

(3) Detaching and refitting the MP paper feed roller

Procedure

1. Remove the cassette.
2. Raise the MP tray cover upward.
Release two hooks and then remove the MP tray cover.

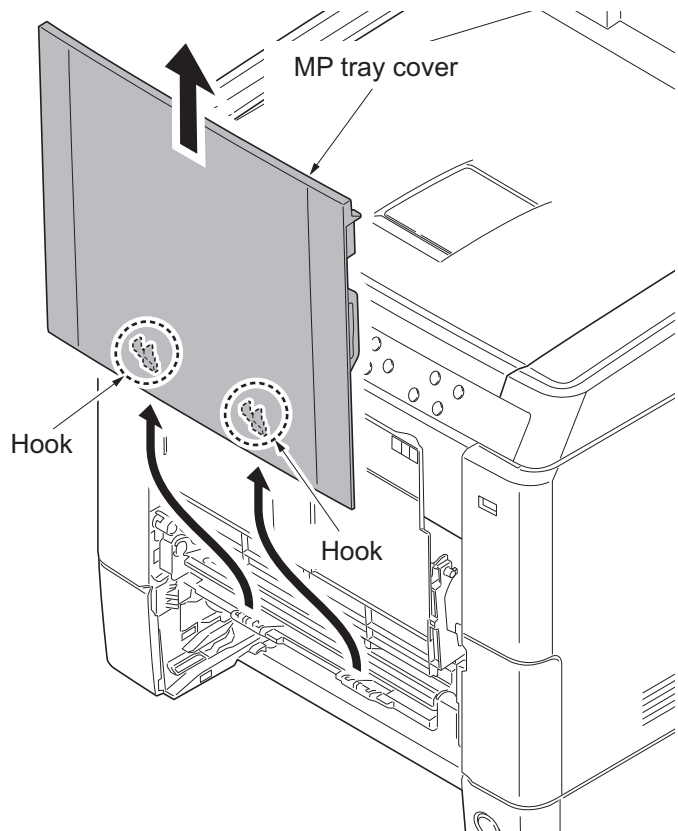


Figure 1-5-22

3. Open the conveying lower cover.

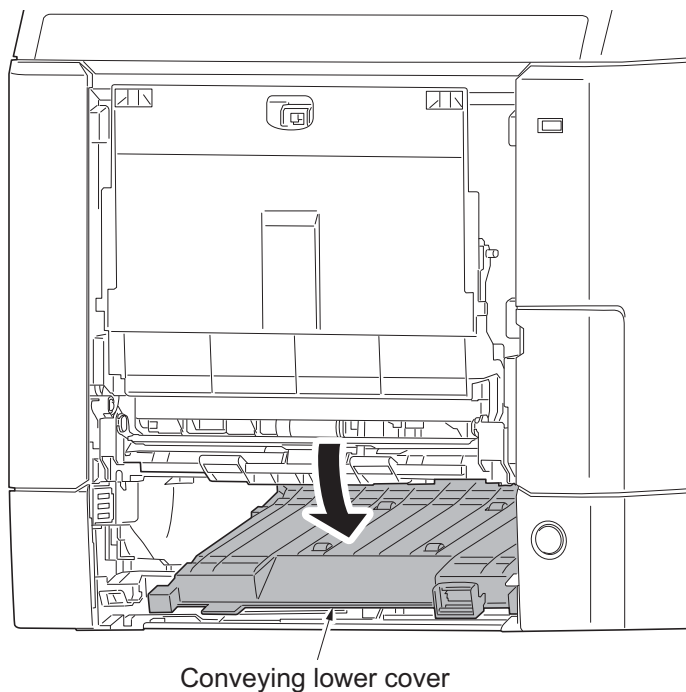


Figure 1-5-23

- Remove two screws and then remove the MP paper feed lower unit.

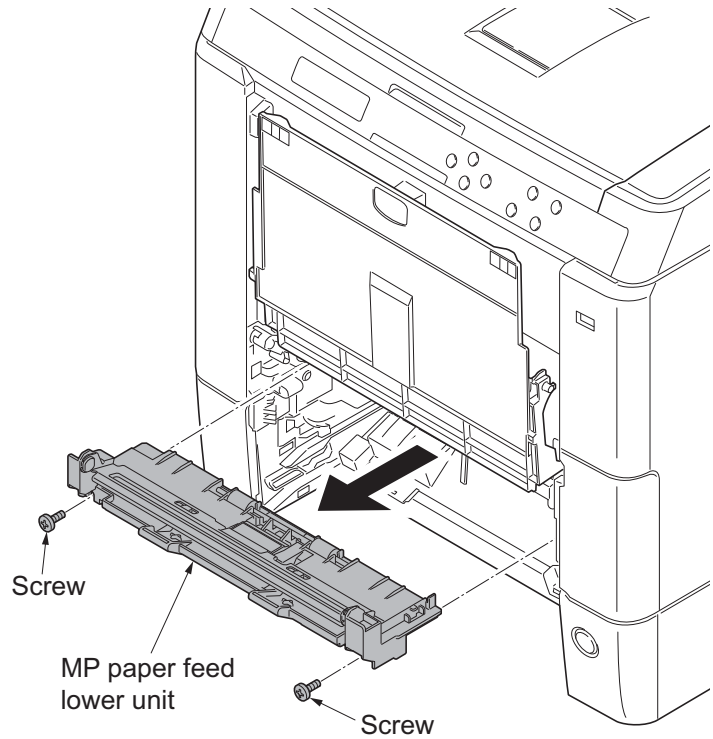


Figure 1-5-24

- Pull the hook forward and then slide the MP feed shaft.
- Remove the MP paper feed roller.
- Check or replace the Mp paper feed roller and refit all the removed parts.

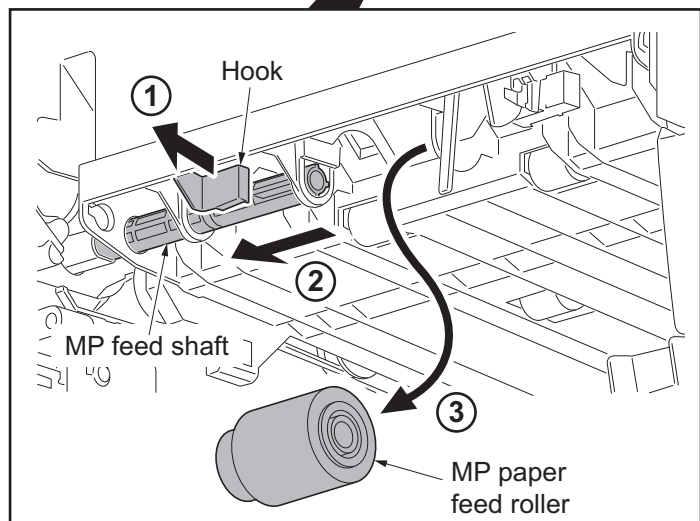
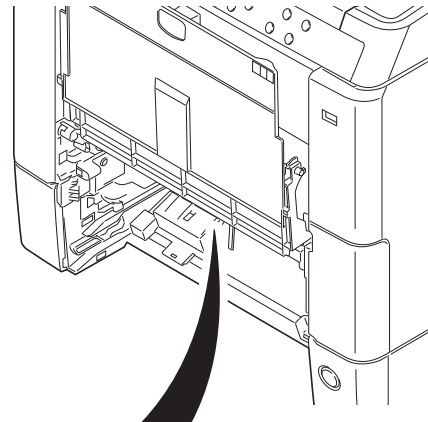


Figure 1-5-25

1-5-4 Developing section

(1) Detaching and refitting the developing unit

Procedure

1. Remove the intermediate transfer unit (see page 1-5-21).
2. Remove drum units (K, M, C, Y).
3. Pinch the lever of developing unit.
4. Remove developing units (K, M, C, Y).

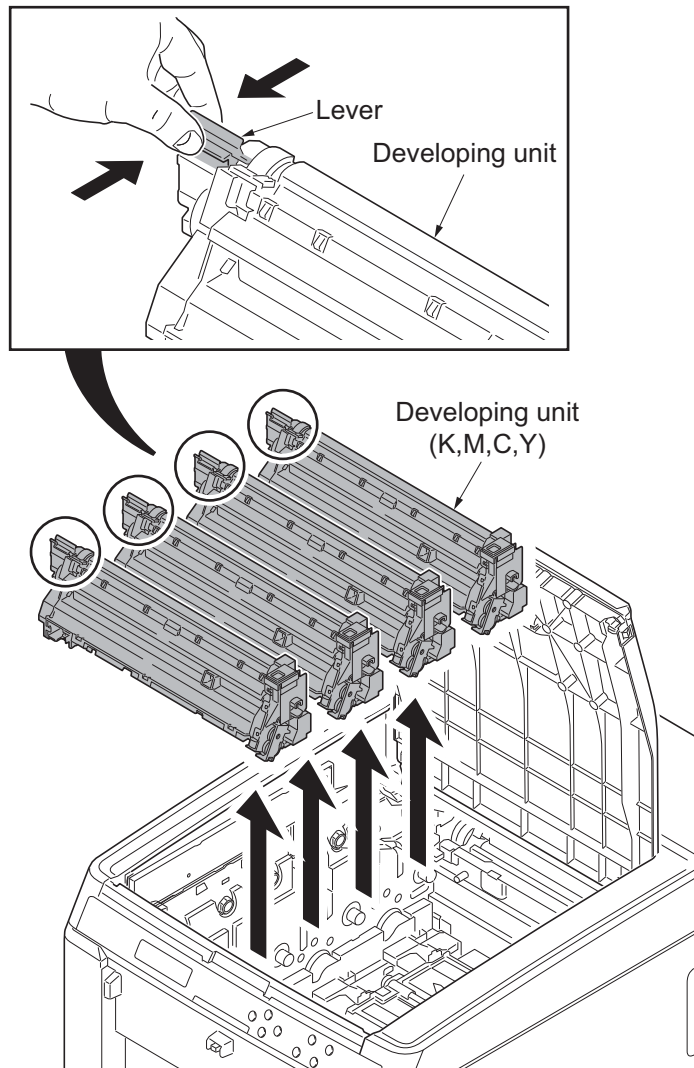


Figure 1-5-26

5. Check or replace the developing unit and refit all the removed parts.

NOTE:

- *: Remove the cap before installing the new developing unit.
- *: When reinstalling the developing unit, press it down until the lever of developing unit is engaged with the notch.
- *: If it is difficult to engage the lever, press the unit down while rotating the gear to engage it.

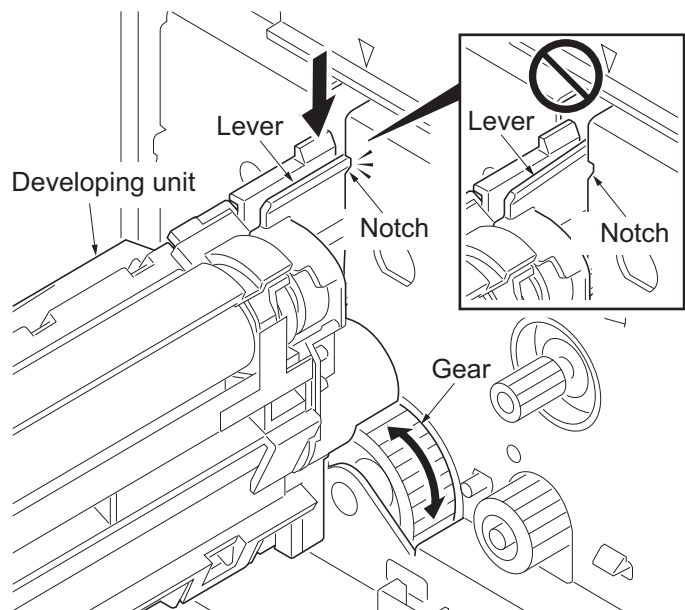
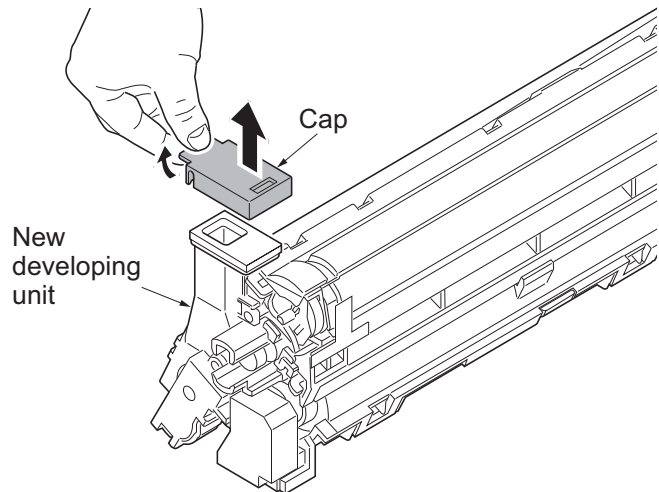


Figure 1-5-27

1-5-5 Drum section

(1) Detaching and refitting the drum unit

Procedure

1. Remove the intermediate transfer unit (see page 1-5-21).
2. Remove drum units (K, M, C, Y).
3. Check or replace the drum unit and refit all the removed parts.

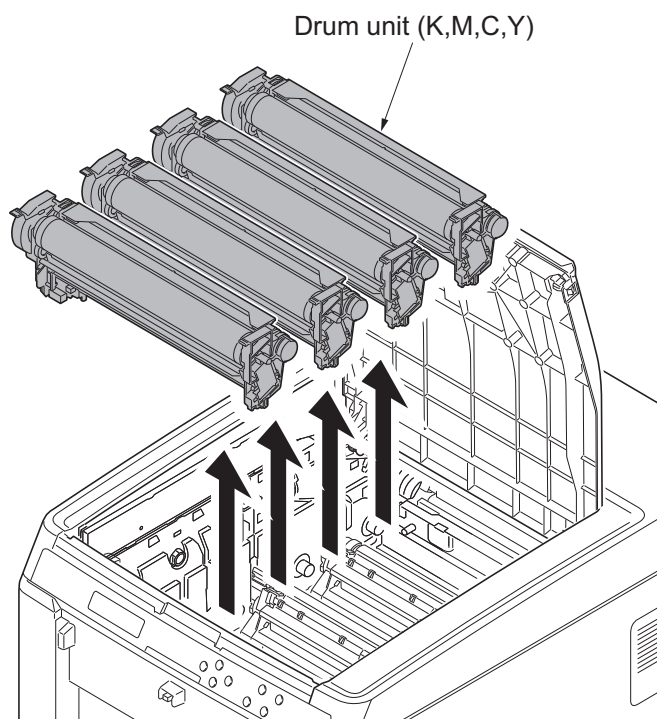


Figure 1-5-28

1-5-6 Transfer/Separation section

(1) Detaching and refitting the intermediate transfer unit

Procedure

1. Open the top tray and the paper conveying unit.
2. Remove toner containers (K, M, C, Y).

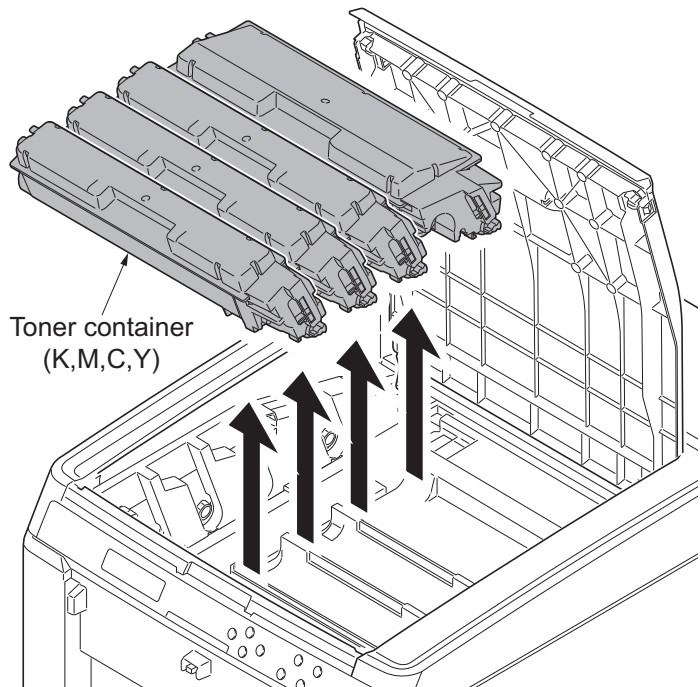


Figure 1-5-29

3. Slide the container guide forward and then remove it.

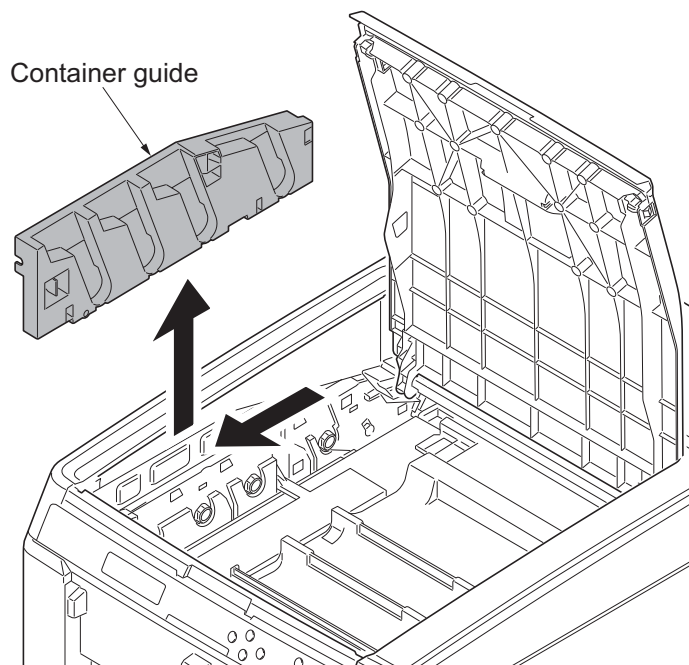


Figure 1-5-30

4. Open the RFID holder.

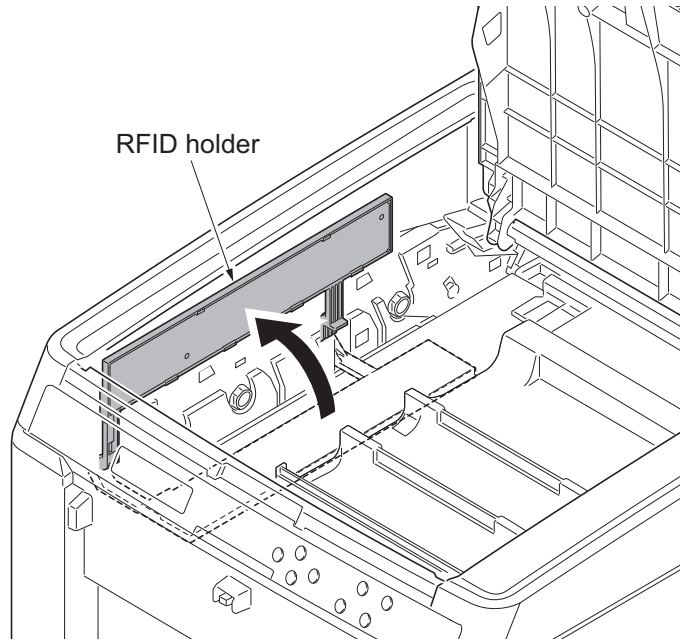


Figure 1-5-31

5. Slide the shutter forward and seal the toner inlet.
6. Remove the screw.

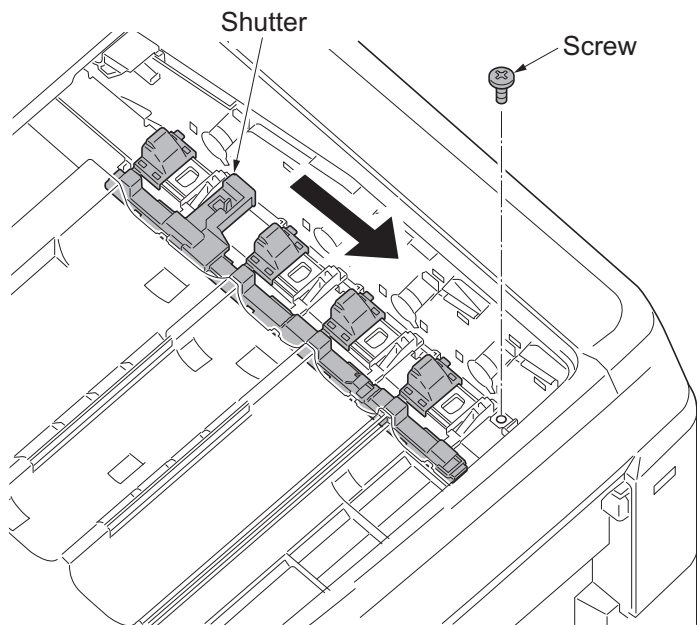


Figure 1-5-32

7. Remove the intermediate transfer unit.
8. Check or replace the intermediate transfer unit and refit all the removed parts.

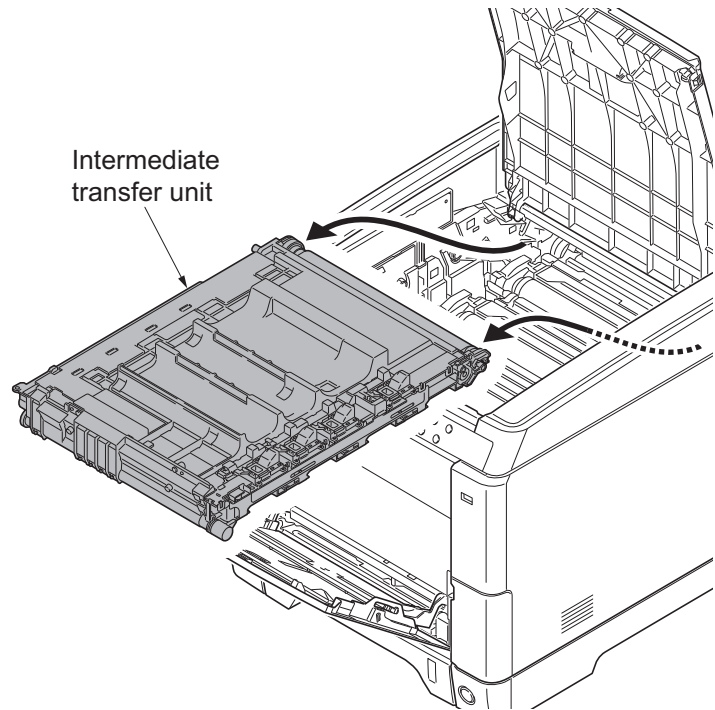


Figure 1-5-33

(2) Detaching and refitting the transfer roller unit

Procedure

1. Open the paper conveying unit.
2. Release two hooks and then remove the transfer roller unit.
3. Check or replace the transfer roller unit and refit all the removed parts.

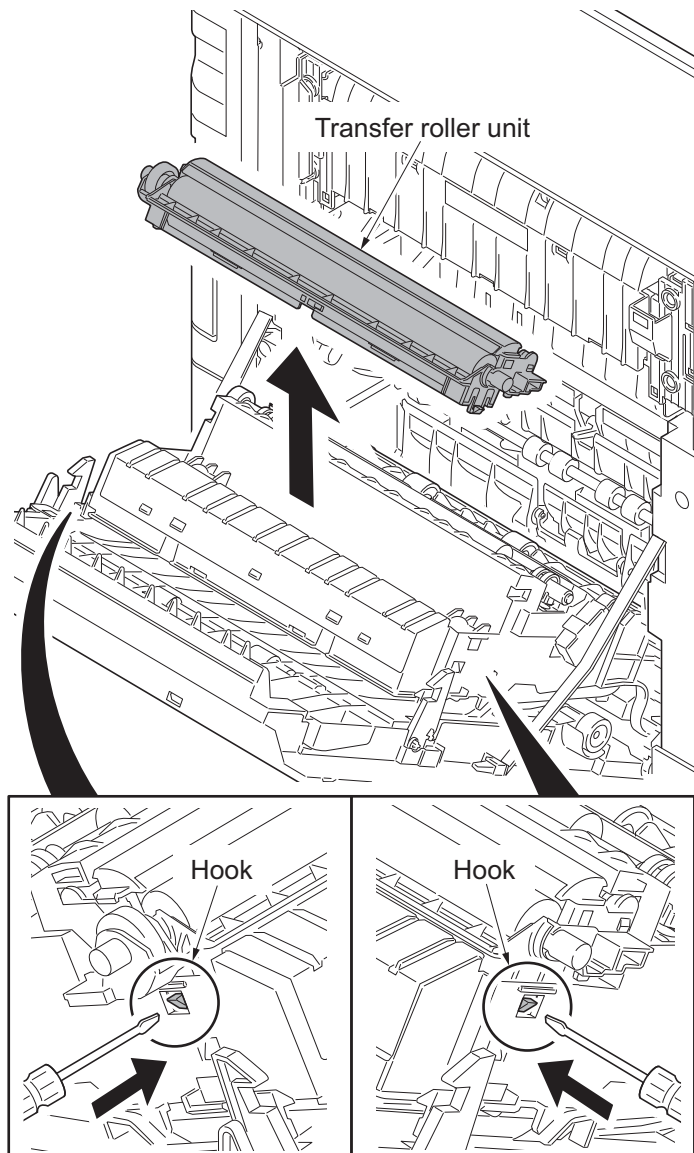


Figure 1-5-34

1-5-7 Fuser section

(1) Detaching and refitting the fuser unit

Procedure

1. Open the paper conveying unit.
2. Remove the IF cover (see page 1-5-3).
3. Remove the screw and then fuser wire cover.

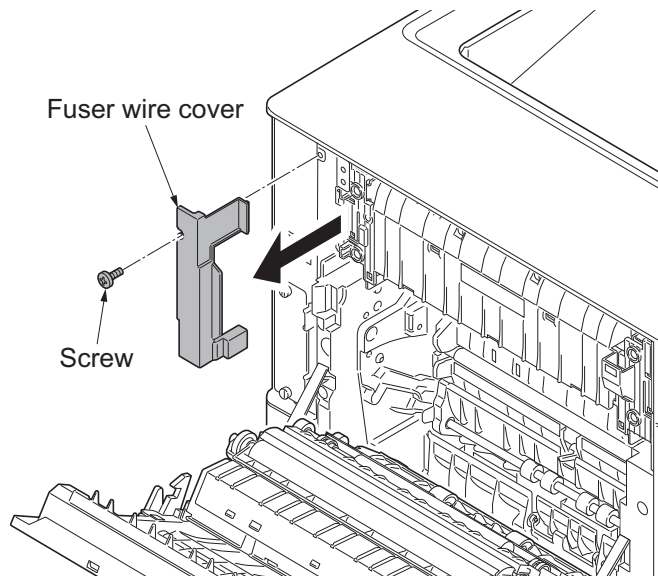


Figure 1-5-35

4. Remove three connectors.
 5. Remove two screws and then remove the fuser unit.
 6. Check or replace the fuser unit and refit all the removed parts.
- *: Take care not to get the cables caught.

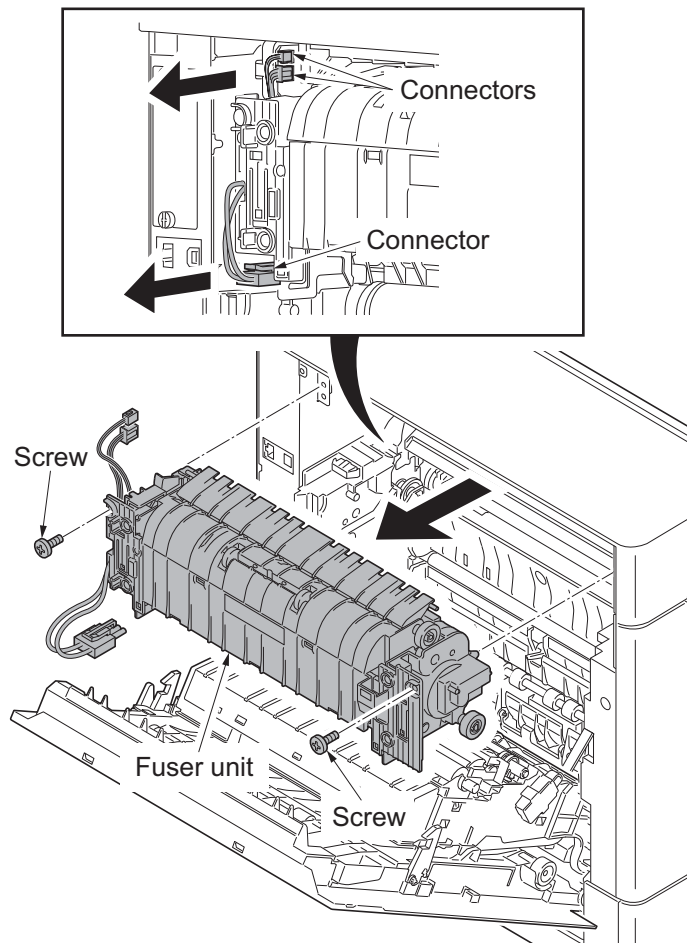


Figure 1-5-36

1-5-8 PWBs

(1) Detaching and refitting the engine PWB

Procedure

1. Remove the top cover (see page 1-5-3).
2. Remove the left rear cover and left cover (see page 1-5-8).
3. Remove all connectors from the engine PWB.

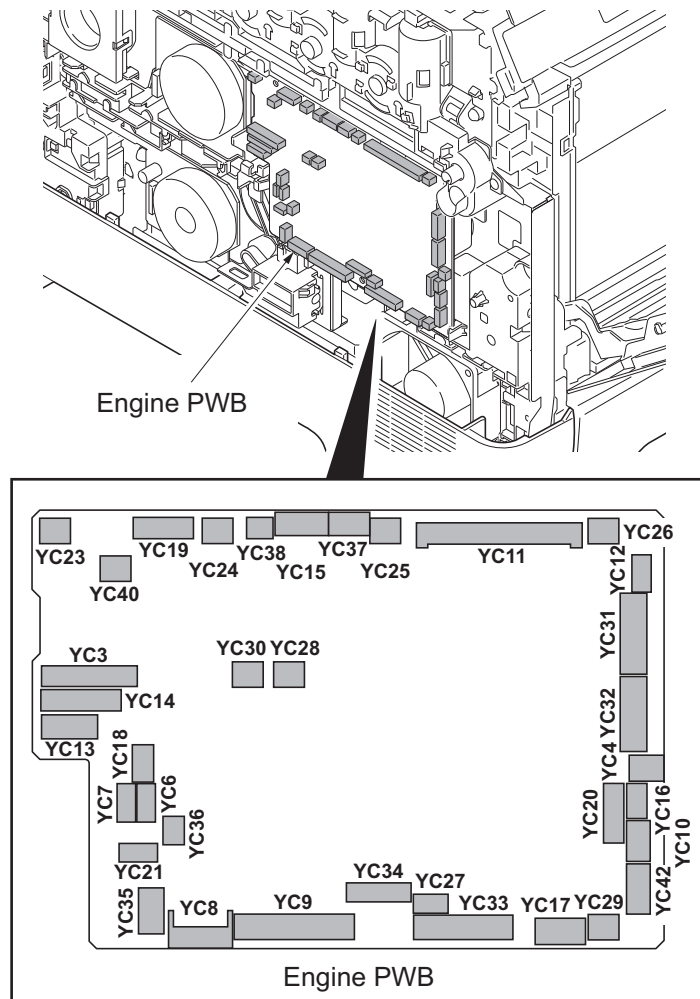
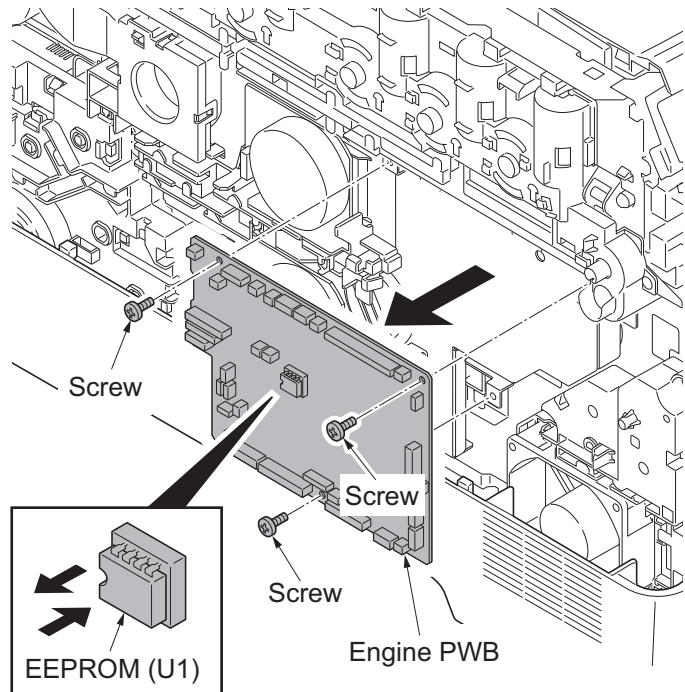


Figure 1-5-37

4. Remove three screws and then remove the engine PWB.
 5. Check or replace the engine PWB and refit all the removed parts.
- *: To replace the engine PWB, remove the EEPROM (U1) from the old engine PWB and mount it to the new engine PWB.

**Figure 1-5-38**

(2) Detaching and refitting the power source PWB

Procedure

1. Remove the top cover (see page 1-5-3).
2. Remove the right rear cover, right cover and right lower cover (see page 1-5-5).
3. Remove three screws and then remove the power source shield.
Screws A and B are unidentical, therefore, do not mix up.

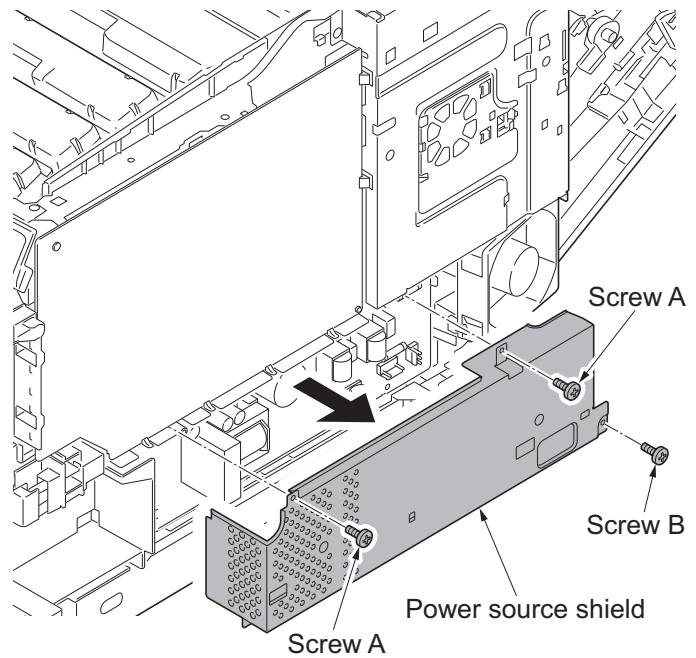


Figure 1-5-39

4. Remove all connectors from power source PWB.
5. Remove two screws.
6. Release three hooks and then remove the power source PWB.
7. Check or replace the power source PWB and refit all the removed parts.

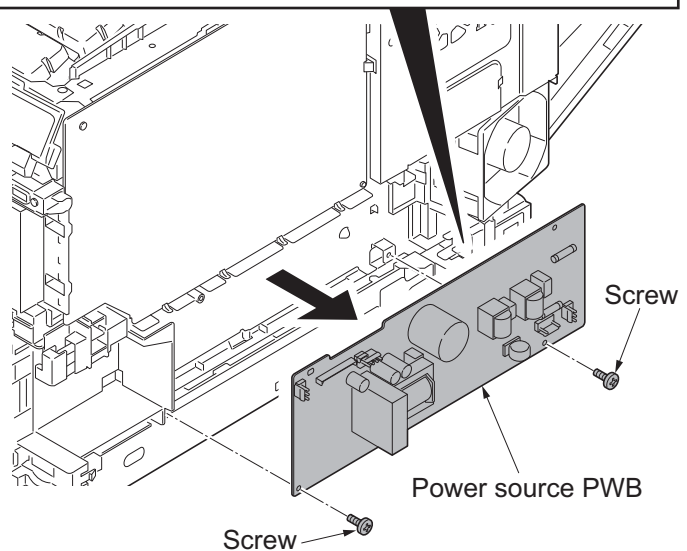
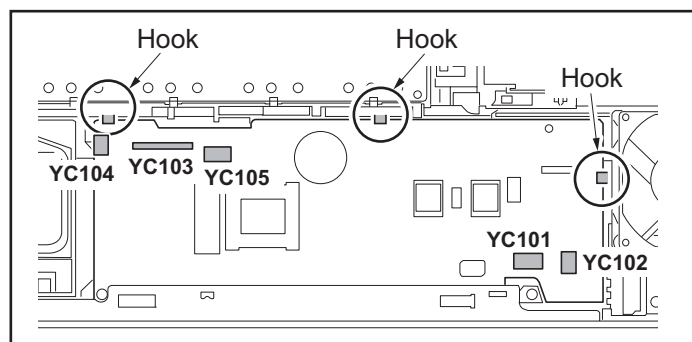


Figure 1-5-40

(3) Detaching and refitting the main PWB

Procedure

1. Remove the hard disk* or network interface card, if installed.
*: 26/28 ppm model only
2. Remove the IF cover (see page 1-5-3).
3. Remove two pins and then remove the hard disk or network interface card.

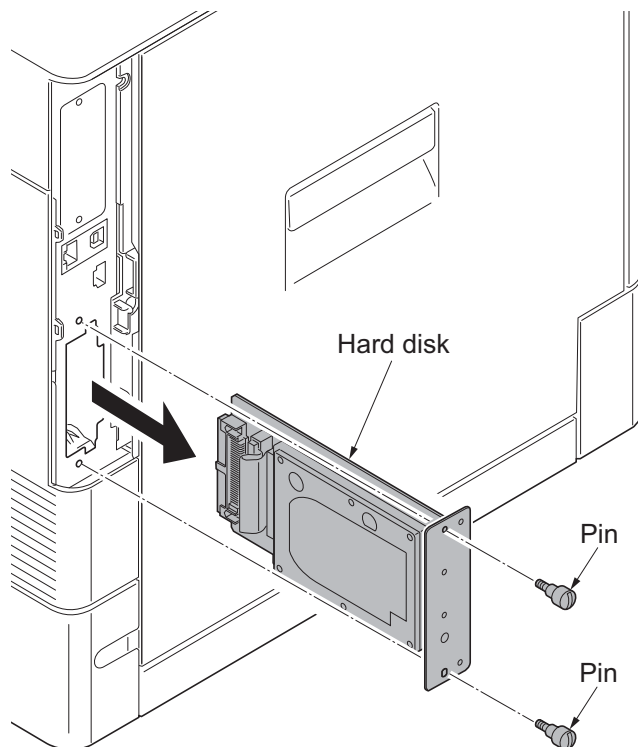


Figure 1-5-41

4. Remove the top cover (see page 1-5-3).
5. Remove the right rear cover, right cover and right lower cover (see page 1-5-5).
6. Remove three screws and then remove the power source shield.
Screws A and B are unidentical, therefore, do not mix up.

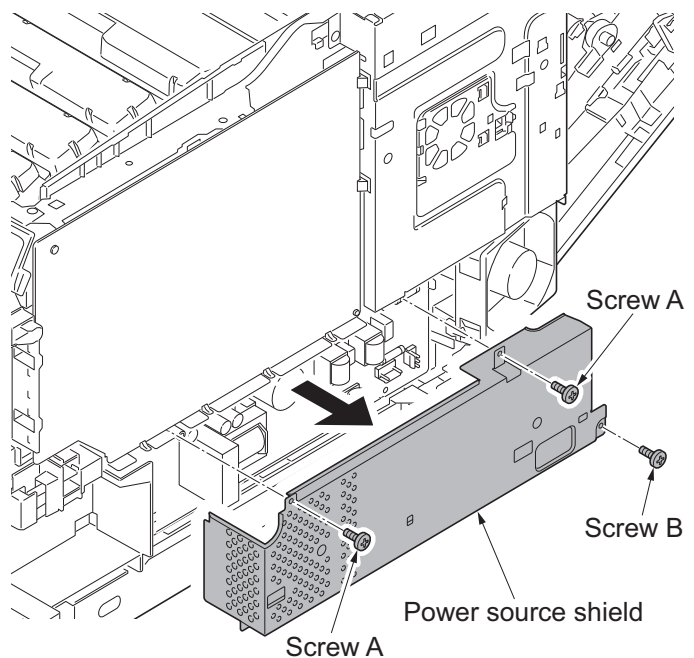


Figure 1-5-42

7. Open the bracket.
8. Slide the plate. Release four hooks and then remove the plate.

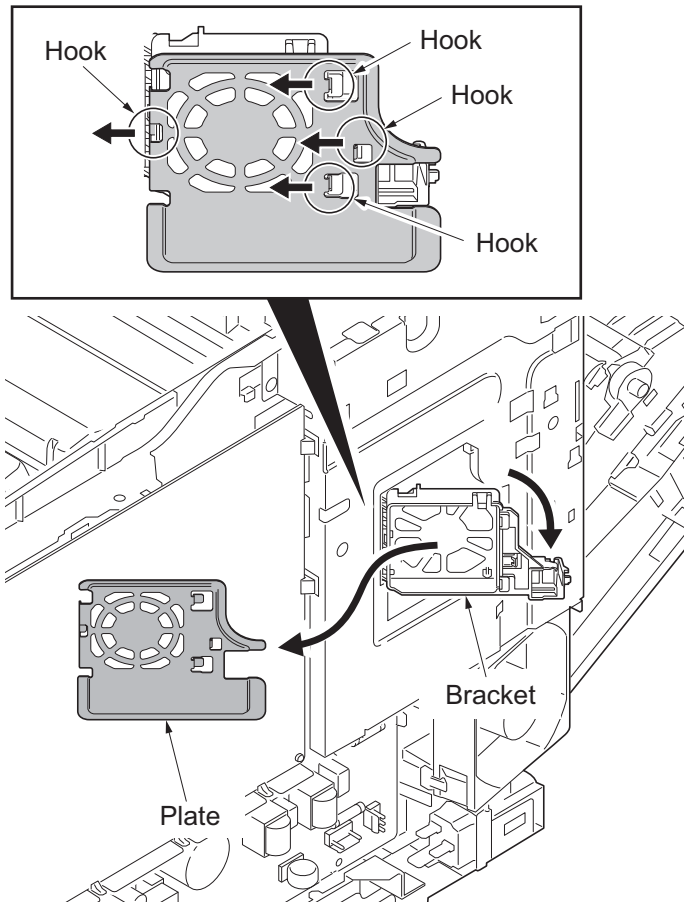


Figure 1-5-43

9. Remove the screw and then remove the fuser wire cover.

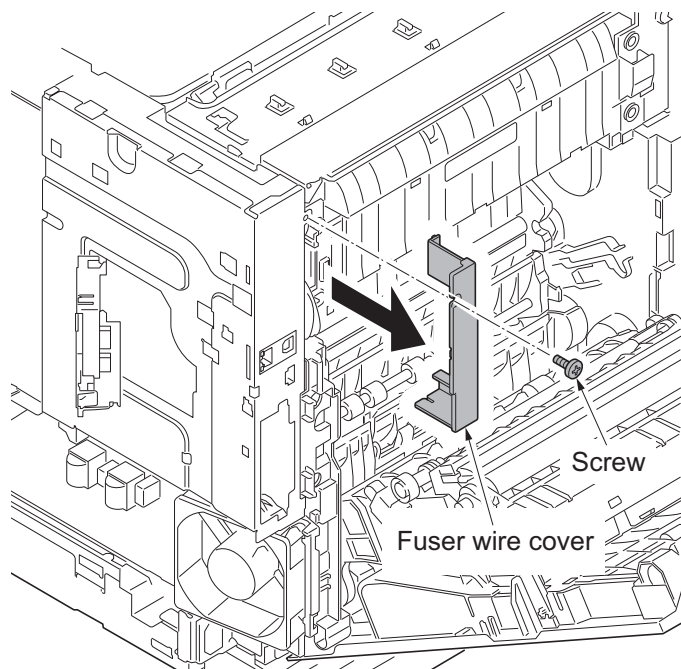


Figure 1-5-44

10. Remove four screws and then remove the controller shield.

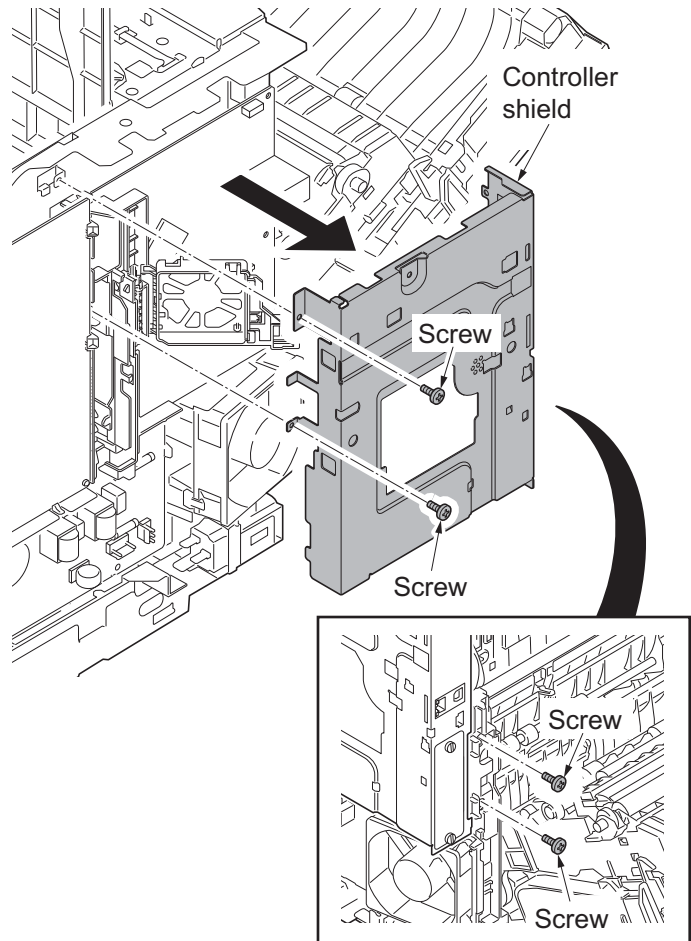


Figure 1-5-45

11. Open the bracket and then remove it.

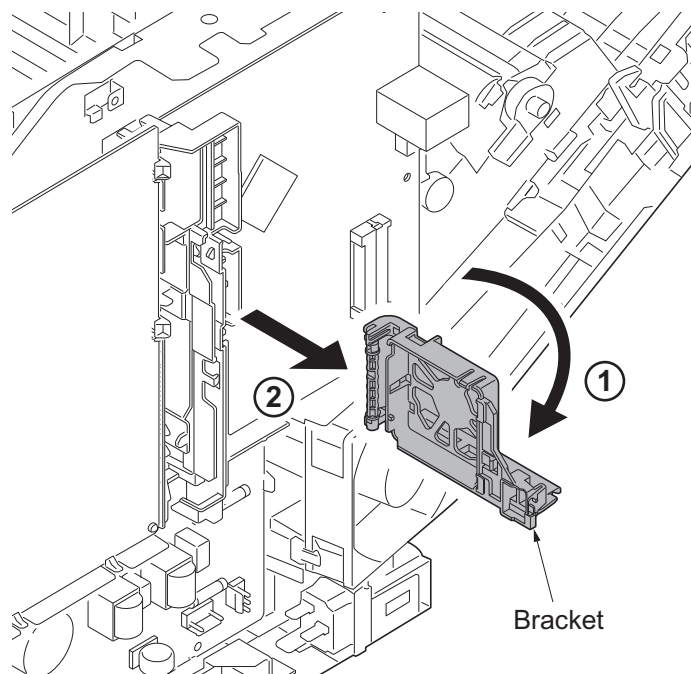


Figure 1-5-46

- Remove all connectors from the main PWB.

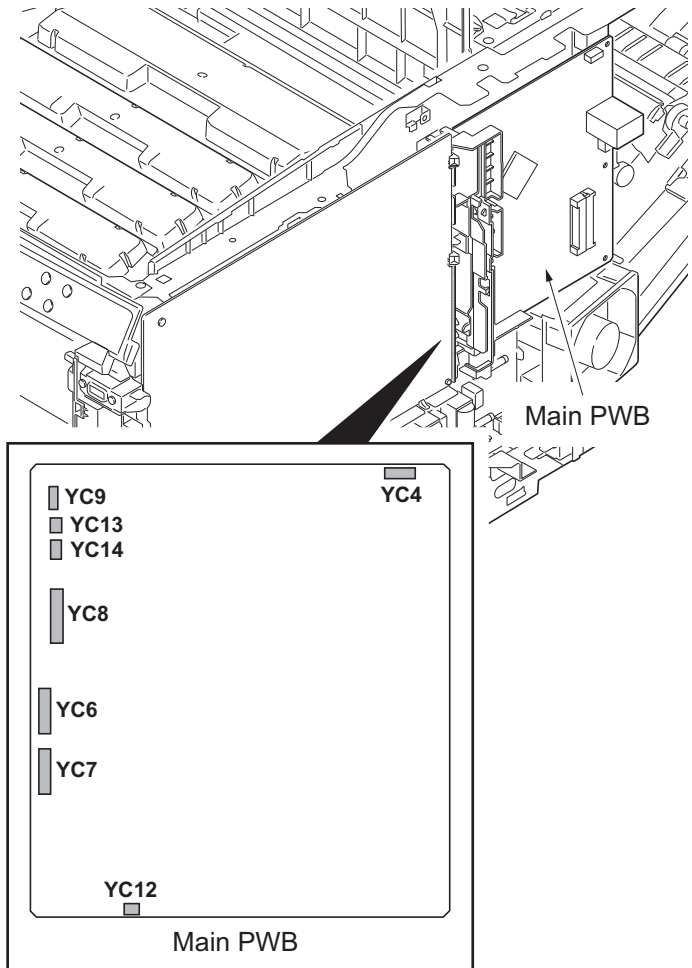


Figure 1-5-47

- Remove two screws and then remove the wire holder.

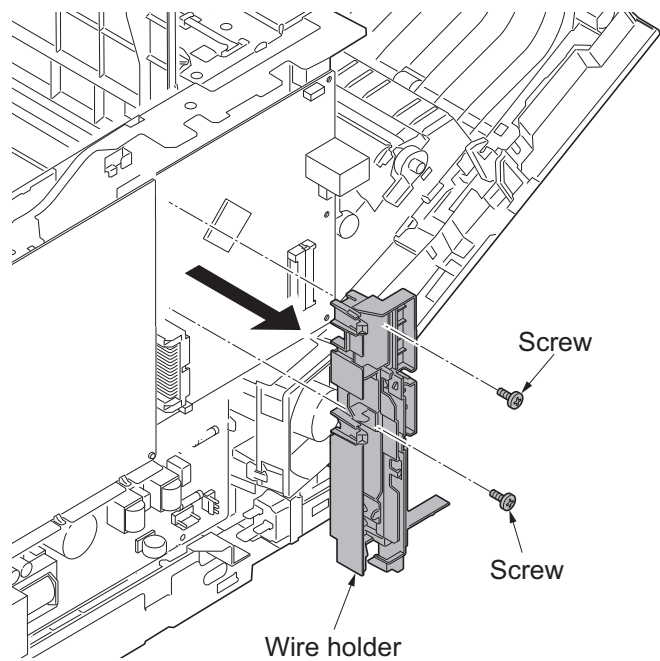


Figure 1-5-48

14. Remove three screws and then remove the main PWB.
15. Check or replace the main PWB and refit all the removed parts.

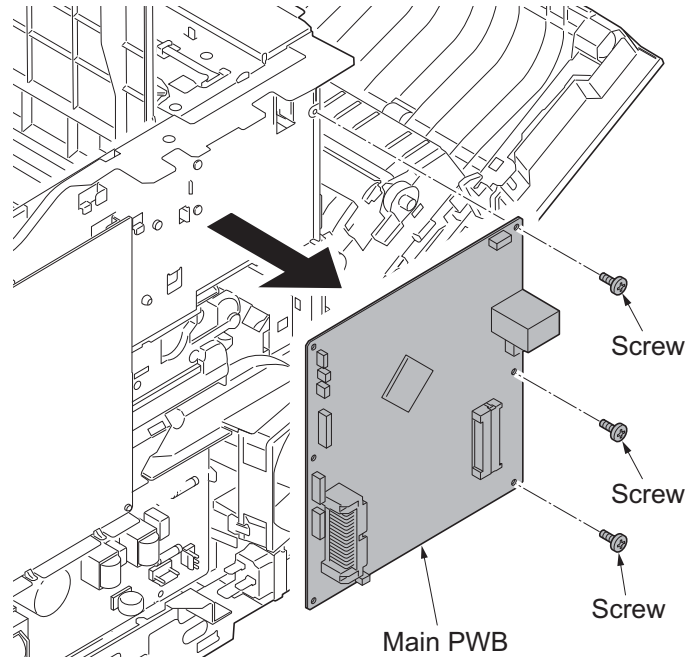


Figure 1-5-49

(4) Detaching and refitting the high voltage PWB

Procedure

1. Remove the top cover (see page 1-5-3).
1. Remove the right rear cover and right cover (see page 1-5-5).
2. Remove the FFC from the high voltage PWB.

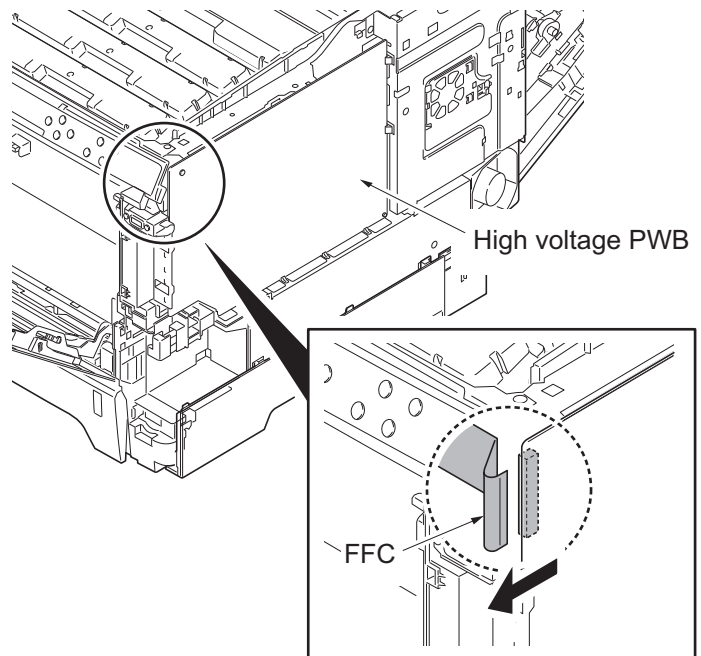


Figure 1-5-50

3. Remove the screw.
4. Release eight hooks and then remove the high voltage PWB.
5. Check or replace the high voltage PWB and refit all the removed parts.

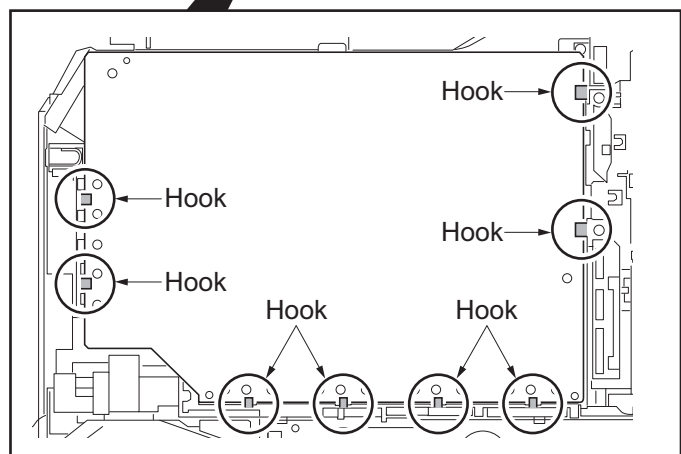
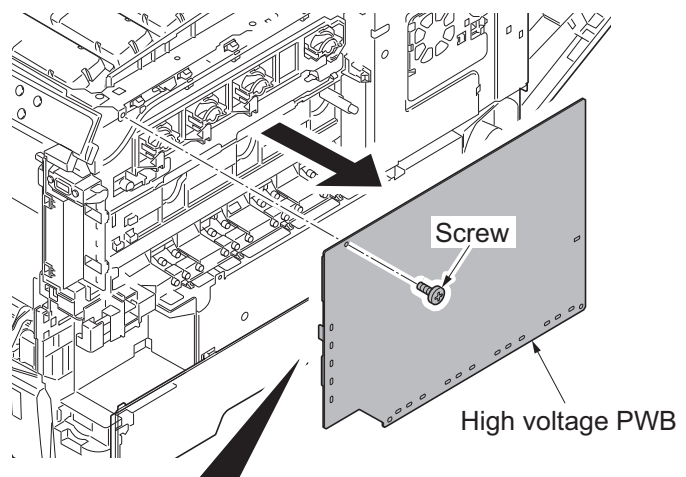


Figure 1-5-51

1-5-9 Drive section

(1) Detaching and refitting the MP feed drive unit

Procedure

1. Remove the top cover (see page 1-5-3).
2. Remove the right rear cover and right cover (see page 1-5-5).
3. Remove the left rear cover, left cover and left lower cover (see page 1-5-8).
4. Remove the inner cover (see page 1-5-10).
5. Remove the engine PWB (see page 1-5-26).
6. Release three hooks and then remove the left fan motor.

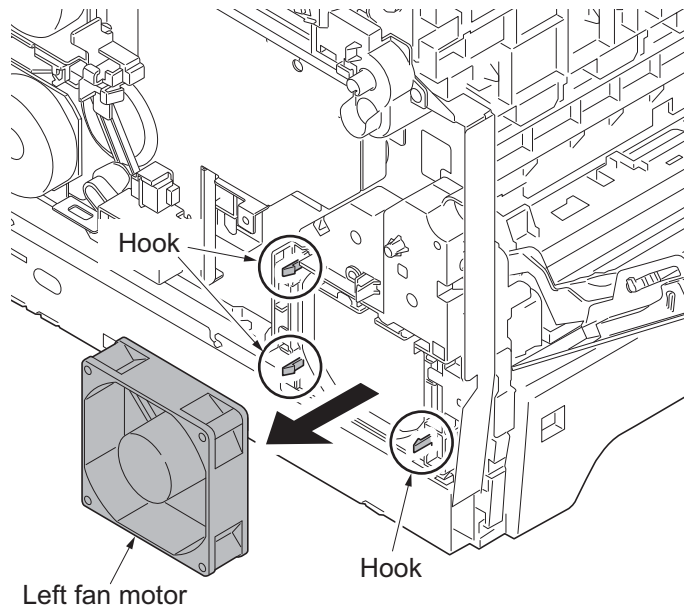


Figure 1-5-52

7. Turn the cam inside the device to the position indicated.
8. Remove three screws and then remove MP feed drive unit.
9. Check or replace the MP feed drive unit and refit all the removed parts.

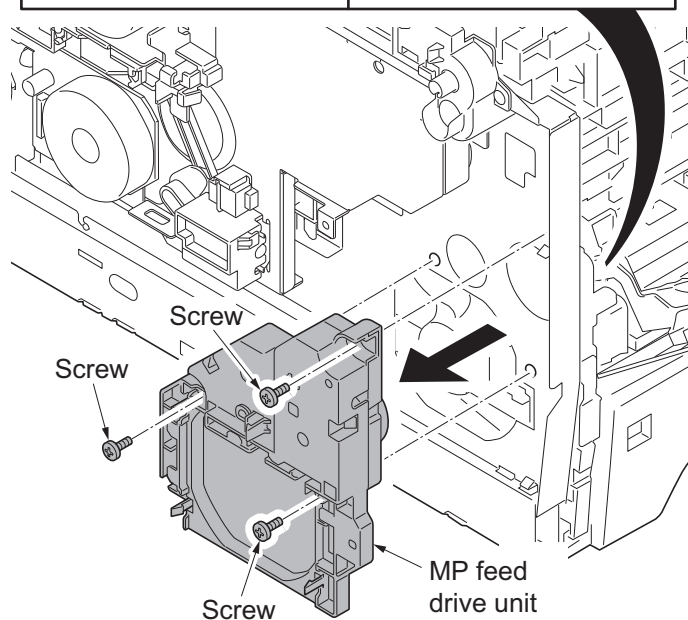
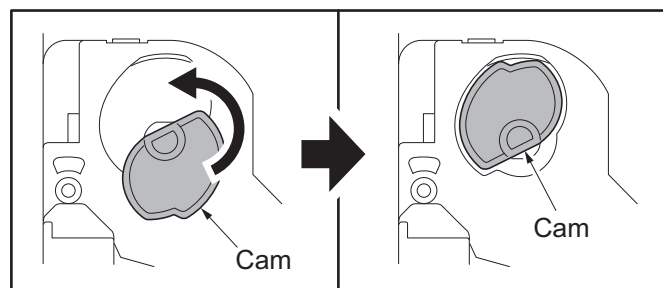


Figure 1-5-53

(2) Detaching and refitting the drum/developing drive unit

Procedure

1. Remove drum units (K, M, C, Y) and developing units (K, M, C, Y) (see page 1-5-20, 1-5-18).
2. Remove the top cover (see page 1-5-3).
3. Remove the left rear cover, left cover and left lower cover (see page 1-5-8).
4. Remove the engine PWB (see page 1-5-26).
5. Remove the screw and release the hook, and then remove the developing fan unit.

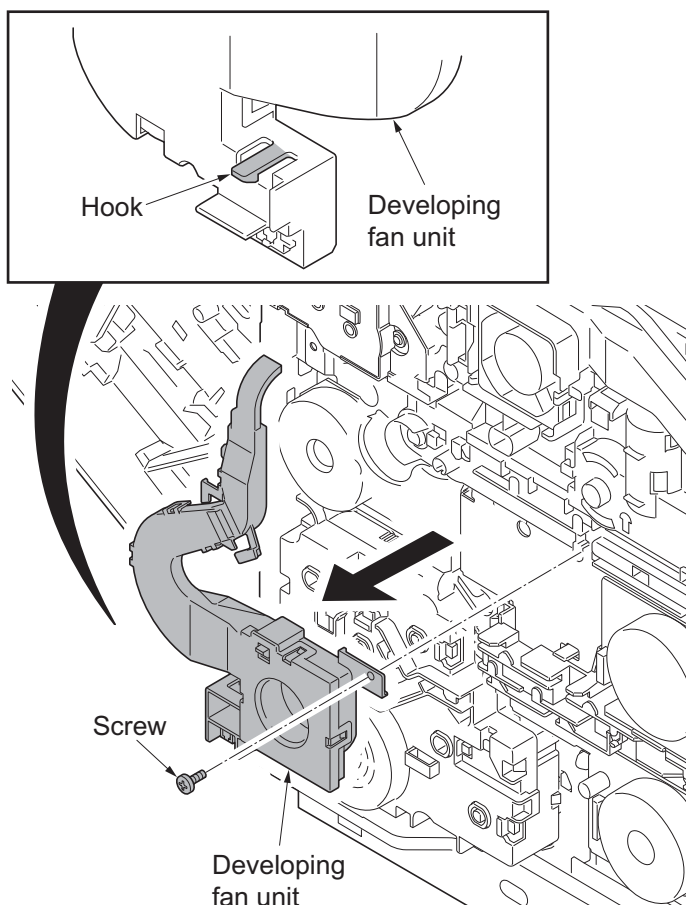


Figure 1-5-54

6. Remove the screw and then remove the ID guide.

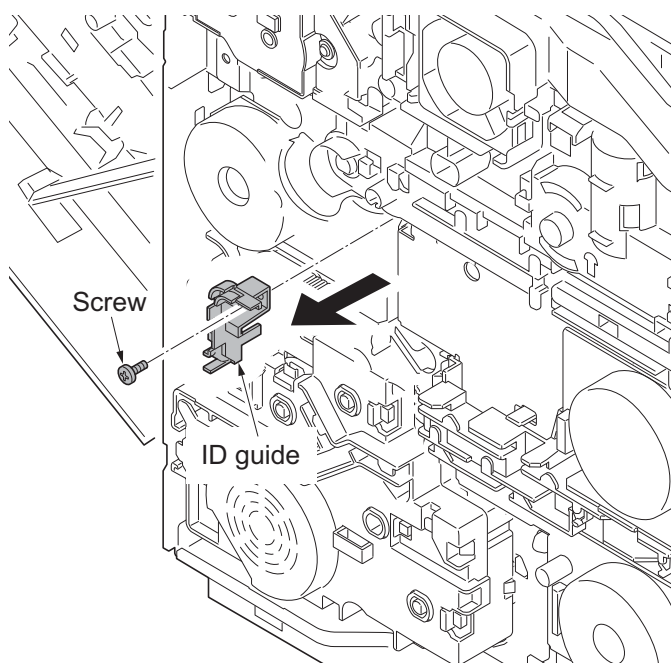


Figure 1-5-55

7. Remove five screws and then remove drum/developing drive unit.
8. Check or replace the drum/developing drive unit and refit all the removed parts.

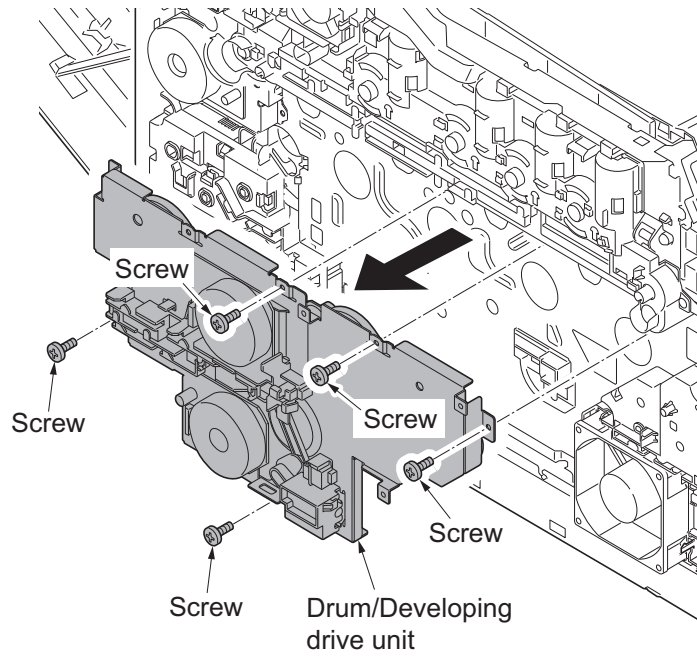


Figure 1-5-56

(3) Detaching and refitting the paper feed drive unit

Procedure

1. Remove the top cover (see page 1-5-3).
2. Remove the left rear cover, left cover and left lower cover (see page 1-5-8).
3. Remove connector (YC3) from engine PWB.

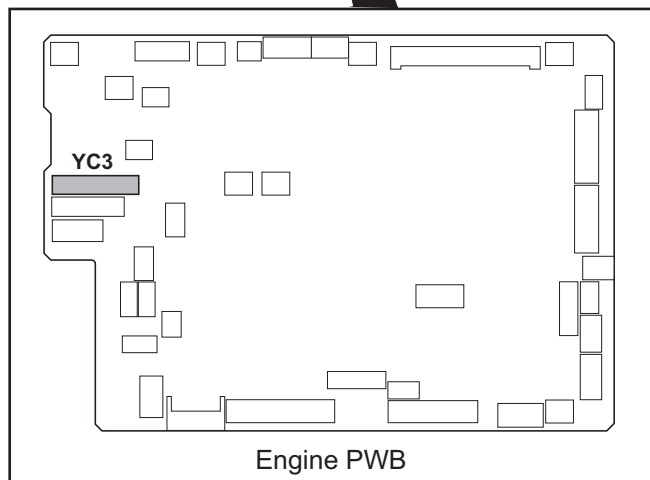
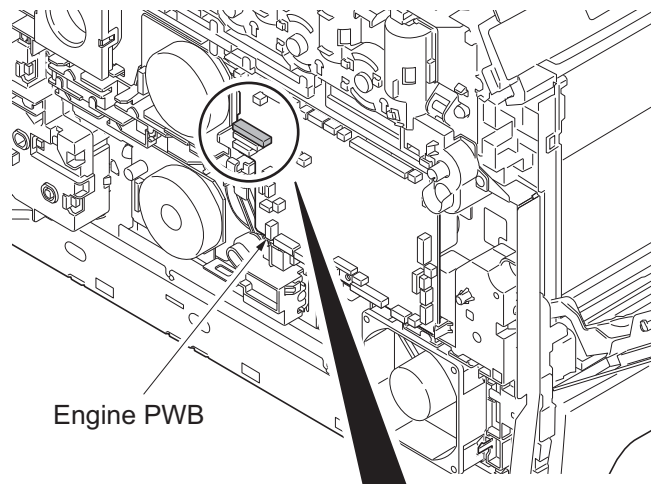


Figure 1-5-57

4. Remove four screws and then remove the paper feed drive unit.
5. Check or replace the paper feed drive unit and refit all the removed parts.

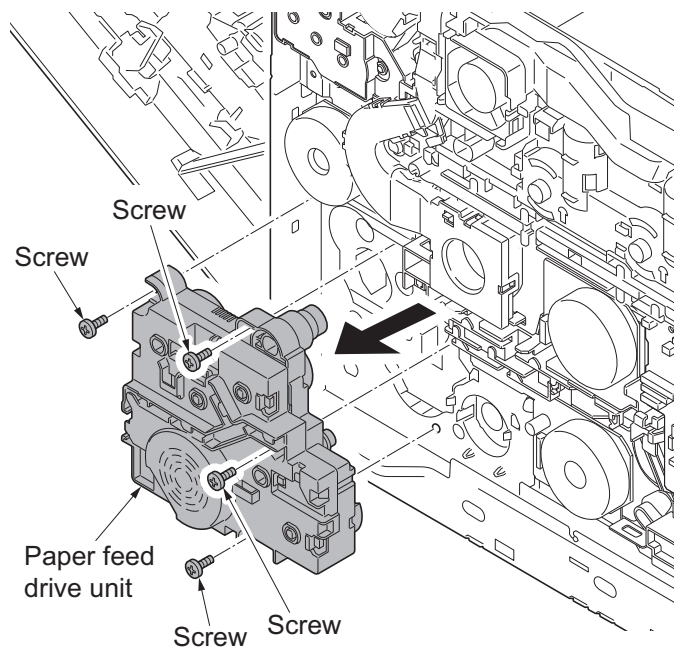


Figure 1-5-58

(4) Detaching and refitting the fuser pressure drive unit

Procedure

1. Remove the fuser unit (see page 1-5-25).
2. Remove the top cover (see page 1-5-3).
3. Remove the left rear cover and left cover (see page 1-5-8).
4. Remove connector (YC38) from engine PWB.

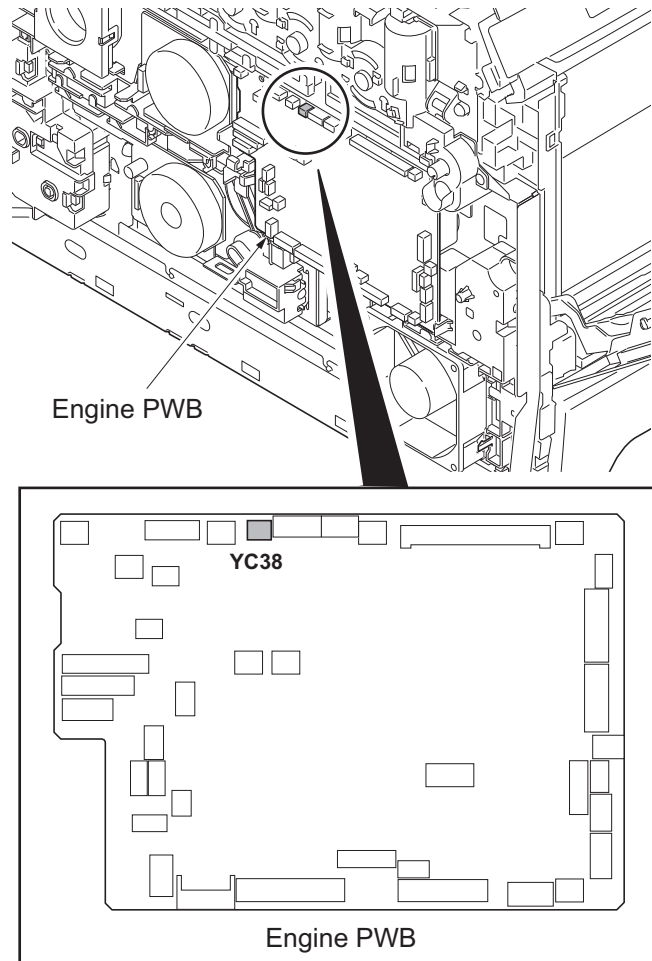


Figure 1-5-59

5. Remove the developing fan unit (see page 1-5-36).
6. Remove three screws.
7. Release two hooks remove the fuser pressure drive unit.
8. Check or replace the fuser pressure drive unit and refit all the removed parts.

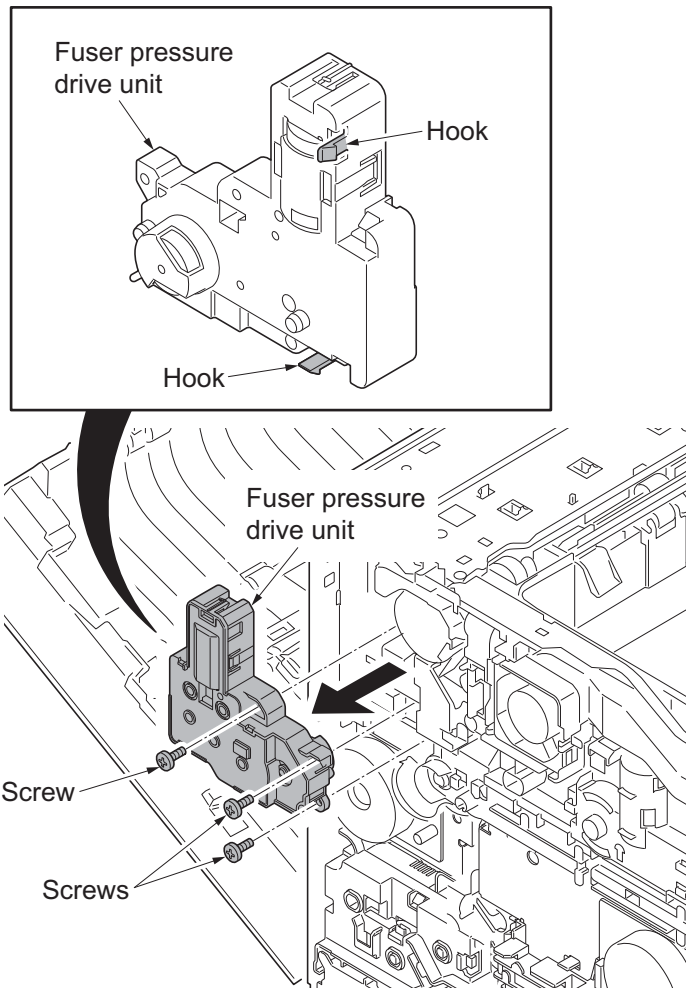


Figure 1-5-60

(5) Detaching and refitting the middle transfer drive unit

Procedure

1. Remove the intermediate transfer unit (see page 1-5-21).
2. Remove the top cover (see page 1-5-3).
3. Remove the left rear cover and left cover (see page 1-5-8).
4. Remove the fuser pressure drive unit (see page 1-5-39).
5. Remove connector (YC15) from engine PWB.

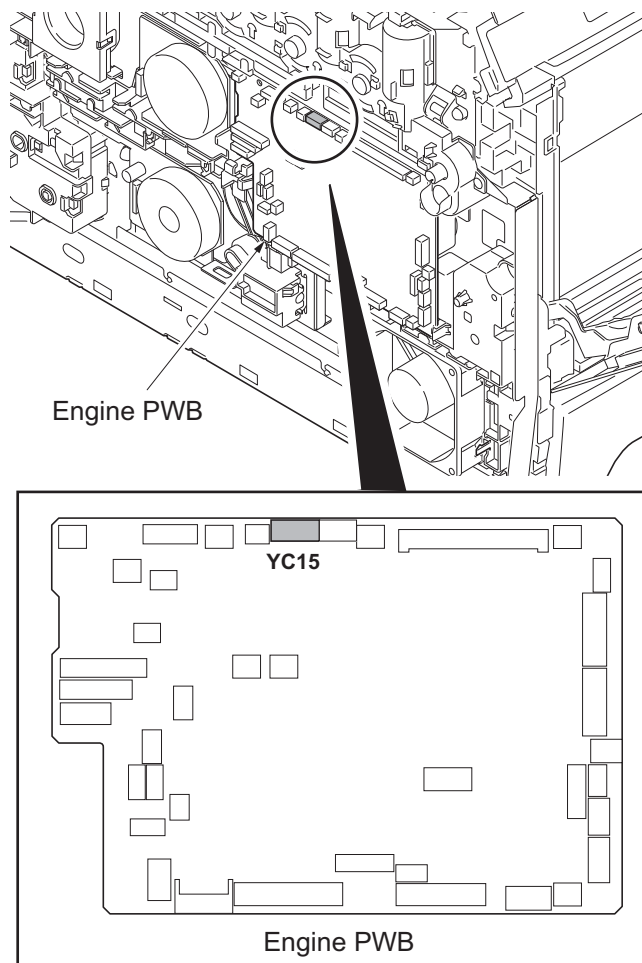


Figure 1-5-61

6. Remove the screw and then remove the ID guide.

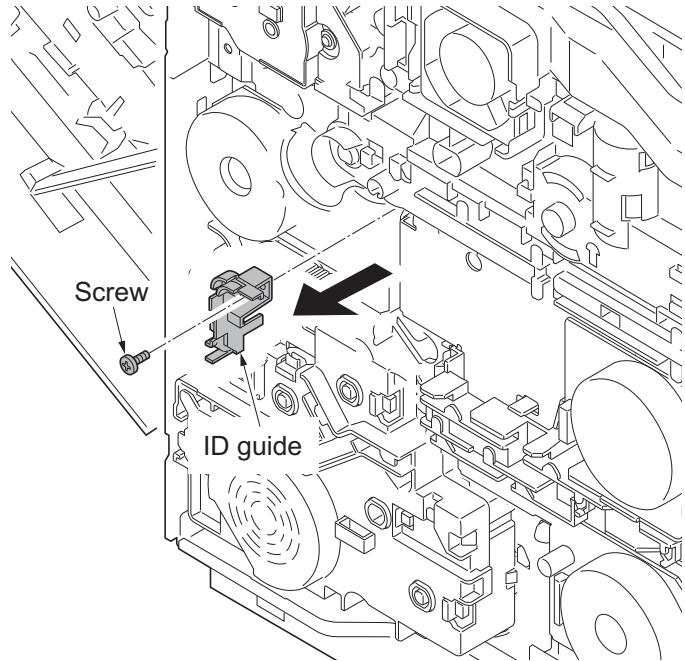


Figure 1-5-62

7. Remove three screws and then remove the middle transfer drive unit.
8. Check or replace the middle transfer drive unit and refit all the removed parts.

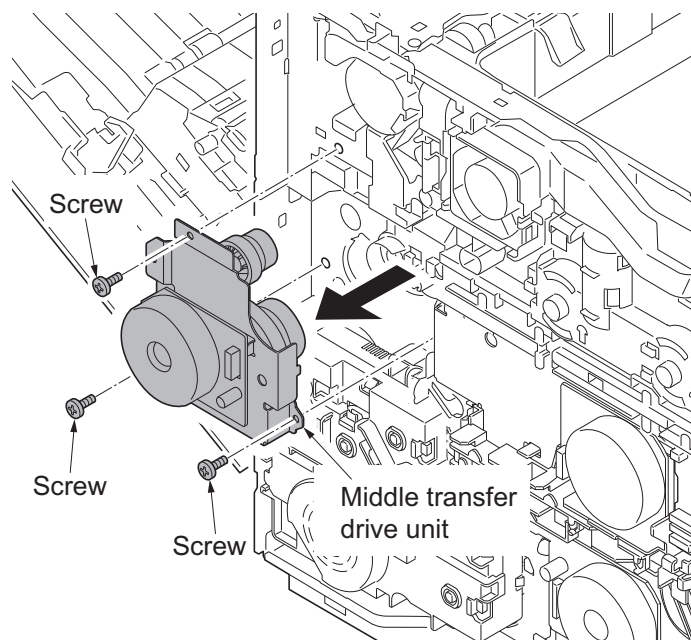


Figure 1-5-63

1-5-10 Optical section

(1) Detaching and refitting the laser scanner unit

Procedure

1. Remove the intermediate transfer unit (see page 1-5-21).
2. Remove drum units (K, M, C, Y) and developing units (K, M, C, Y) (see page 1-5-20, 1-5-18).
3. Remove the top cover (see page 1-5-3).
4. Remove the left rear cover and left cover (see page 1-5-8).
5. Remove two connectors (YC32, YC32) from engine PWB.

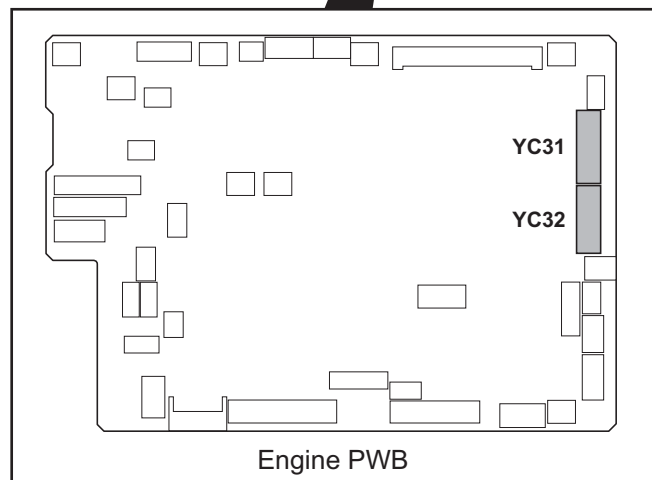
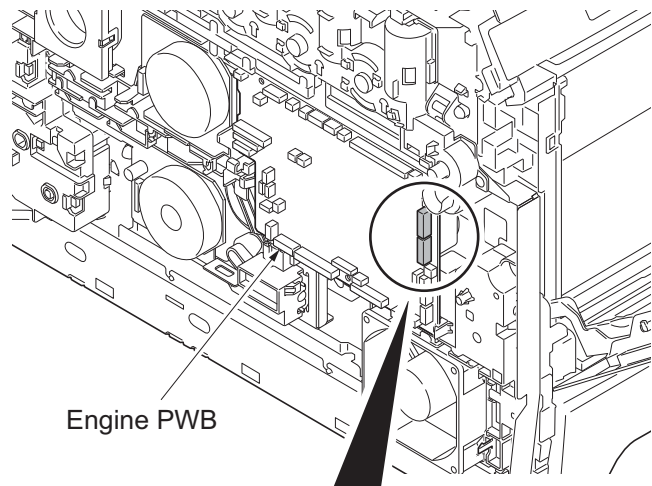


Figure 1-5-64

6. Draw two connectors (YC31, YC32) into the machine inside.

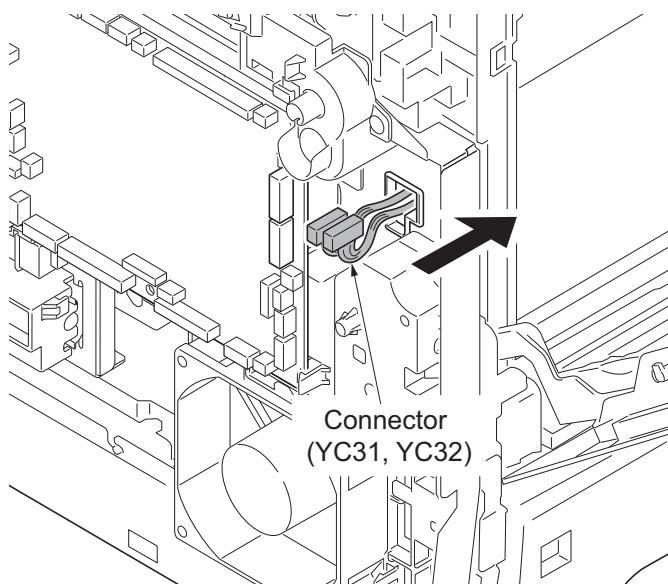


Figure 1-5-65

7. Remove the right rear cover, right cover and right lower cover (see page 1-5-5).
8. Remove the controller shield (see page 1-5-29).
9. Remove two connectors (YC6, YC7) from main PWB.

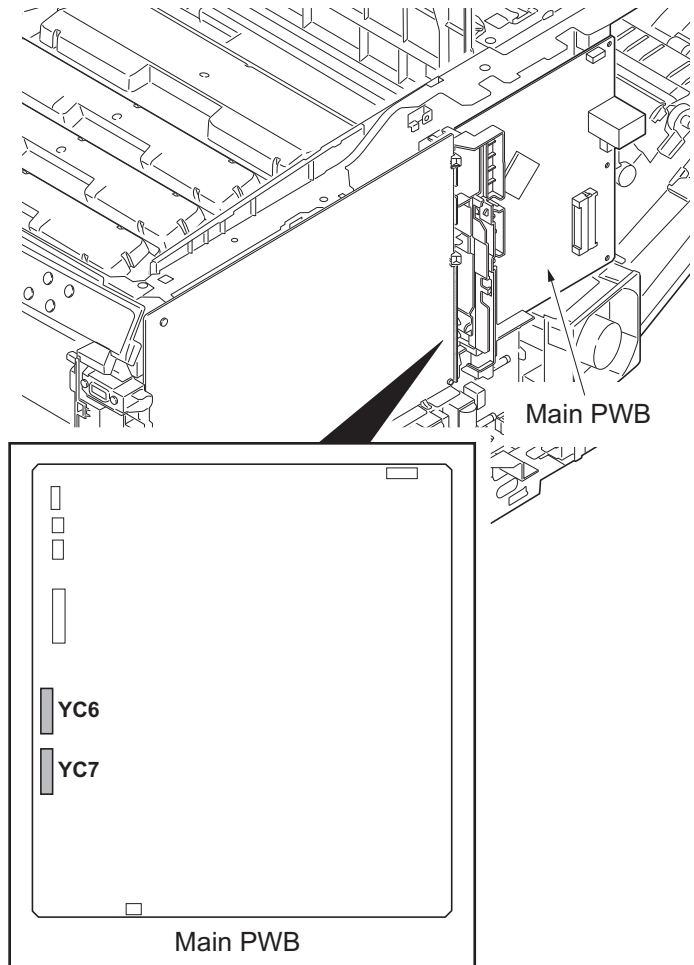


Figure 1-5-66

10. Draw two connectors (YC6, YC7) into the machine inside.

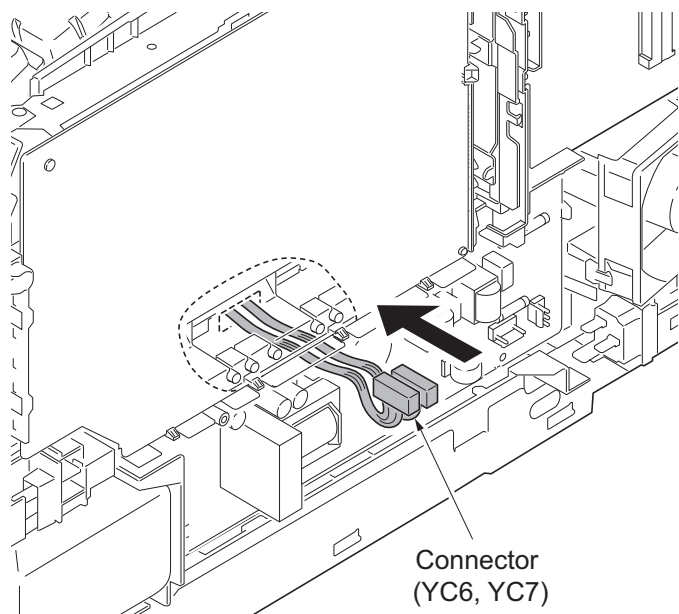


Figure 1-5-67

11. Remove each three screws and then remove laser scanner unit (KM, CY).
12. Check or replace the laser scanner unit and refit all the removed parts.

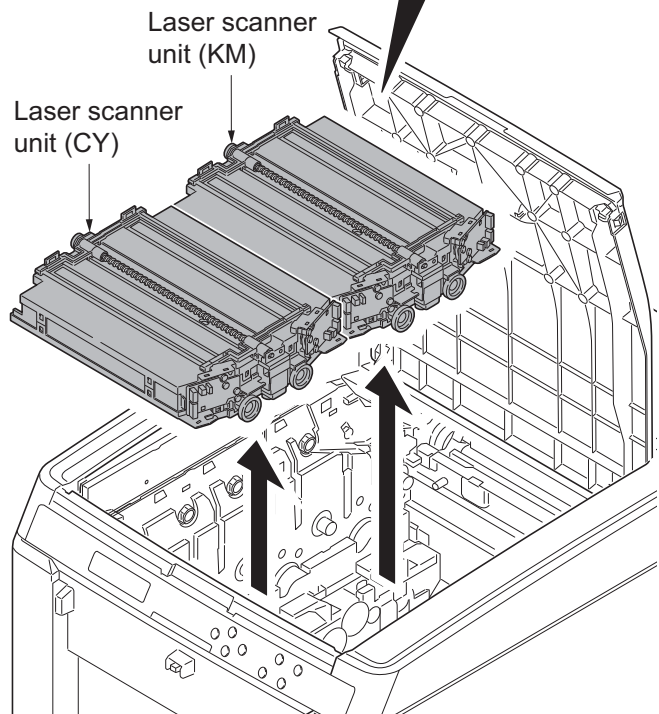
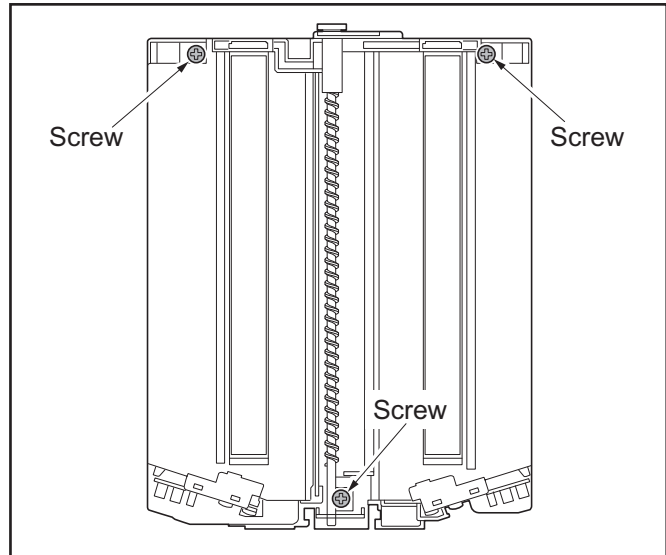


Figure 1-5-68

1-5-11 Others

(1) Detaching and refitting the paper conveying unit

Procedure

1. Open the rear cover.
2. Remove left and right straps.

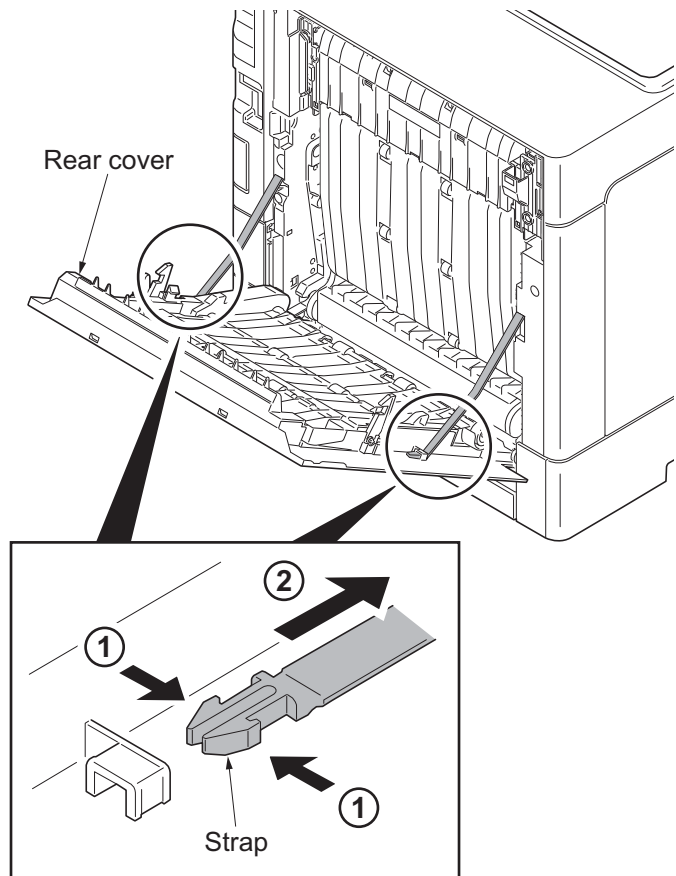


Figure 1-5-69

3. Remove the rear cover unit.

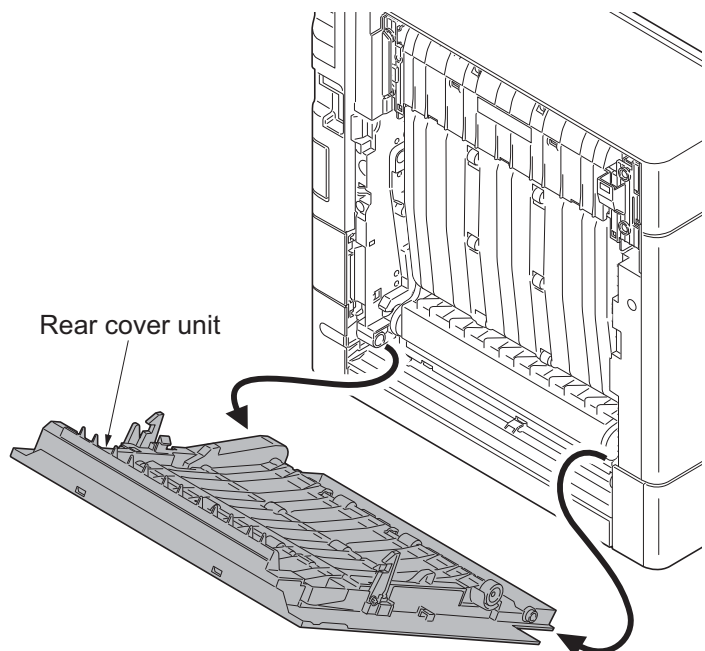


Figure 1-5-70

4. Remove the paper conveying unit.

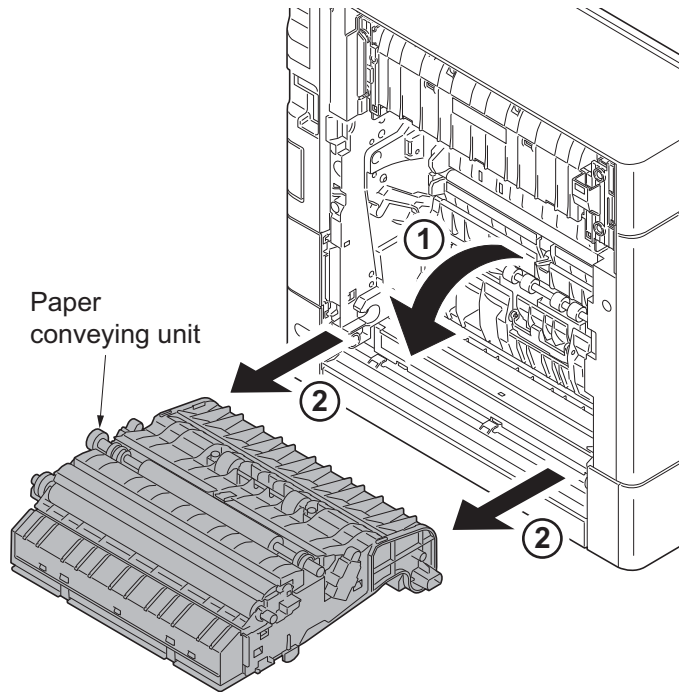


Figure 1-5-71

(2) Detaching and refitting the operation panel

Procedure

1. Release two hooks and then remove the operation panel.
2. Remove the FFC from connector.
3. Check or replace the operation panel and refit all the removed parts.

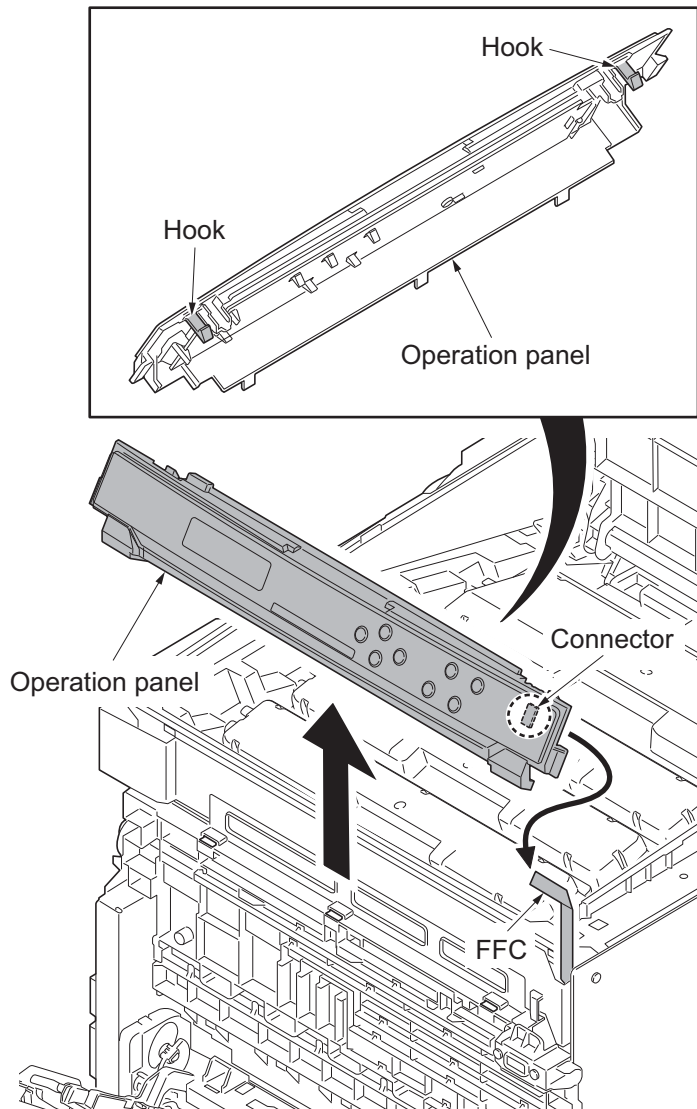


Figure 1-5-72

(3) Detaching and refitting the power source inlet

Procedure

1. Remove the power source PWB (see page 1-5-28).
2. Remove the connector and release the hook and then remove the right fan motor.

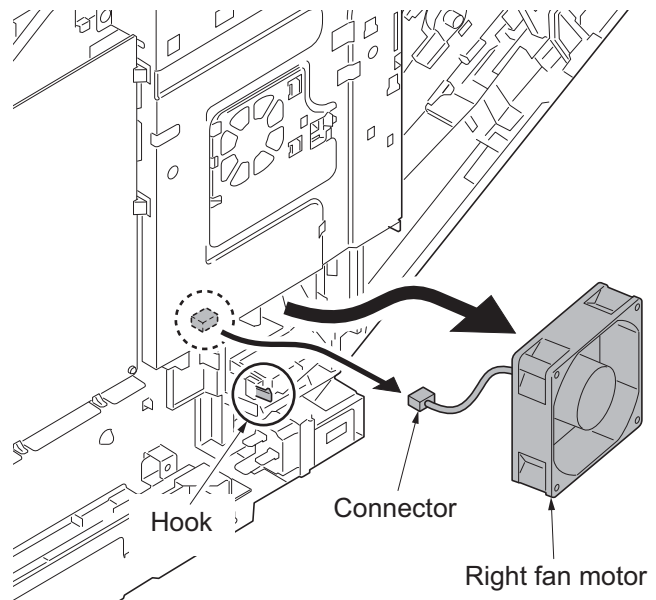


Figure 1-5-73

3. Remove the screw of the grounding wire.

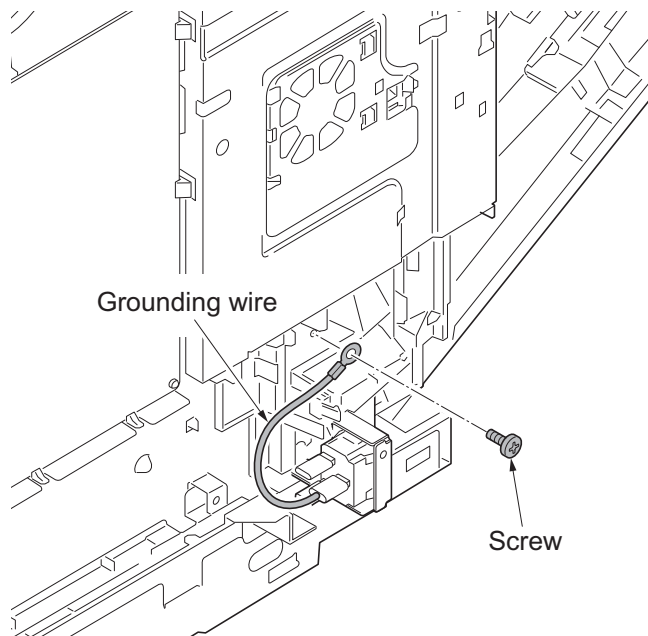


Figure 1-5-74

4. Remove the screw and two terminals and then remove the power source inlet.

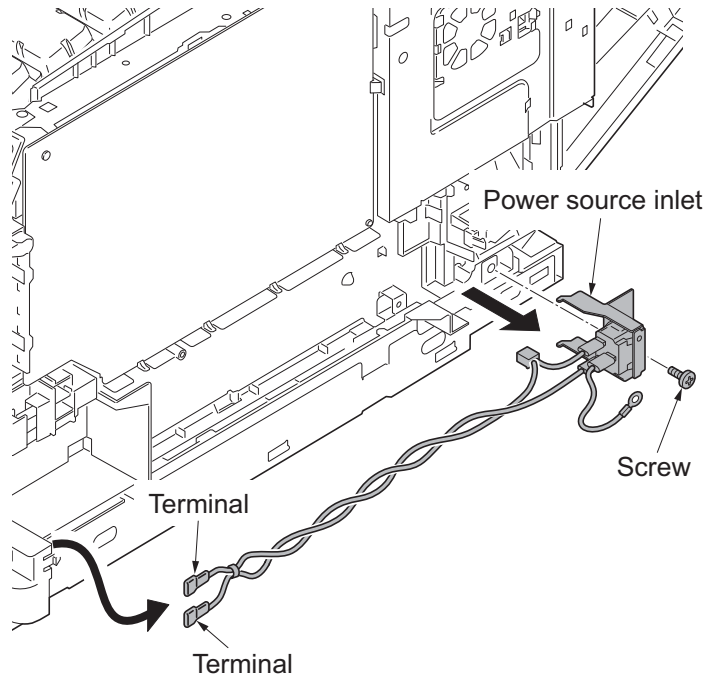


Figure 1-5-75

5. Check or replace the power source inlet and refit all the removed parts.
 *: Before mounting the AC inlet on the main unit, twist the wires 5 to 7 turns.

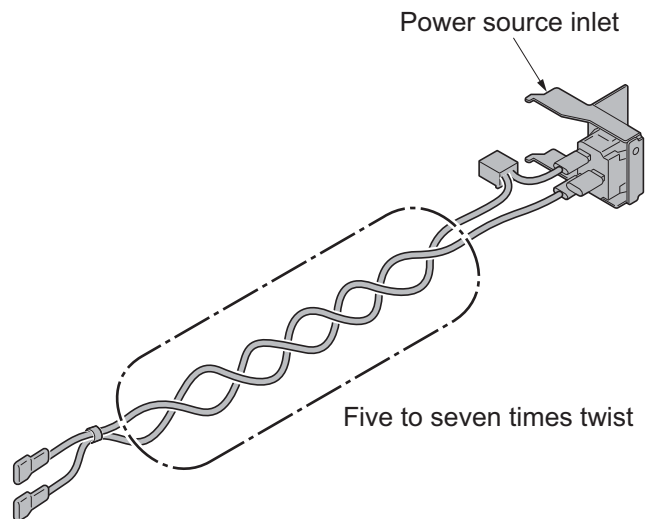


Figure 1-5-76

(4) Direction of installing the principal fan motors

When detaching or refitting the fan motors, be careful of the airflow direction (intake or exhaust).

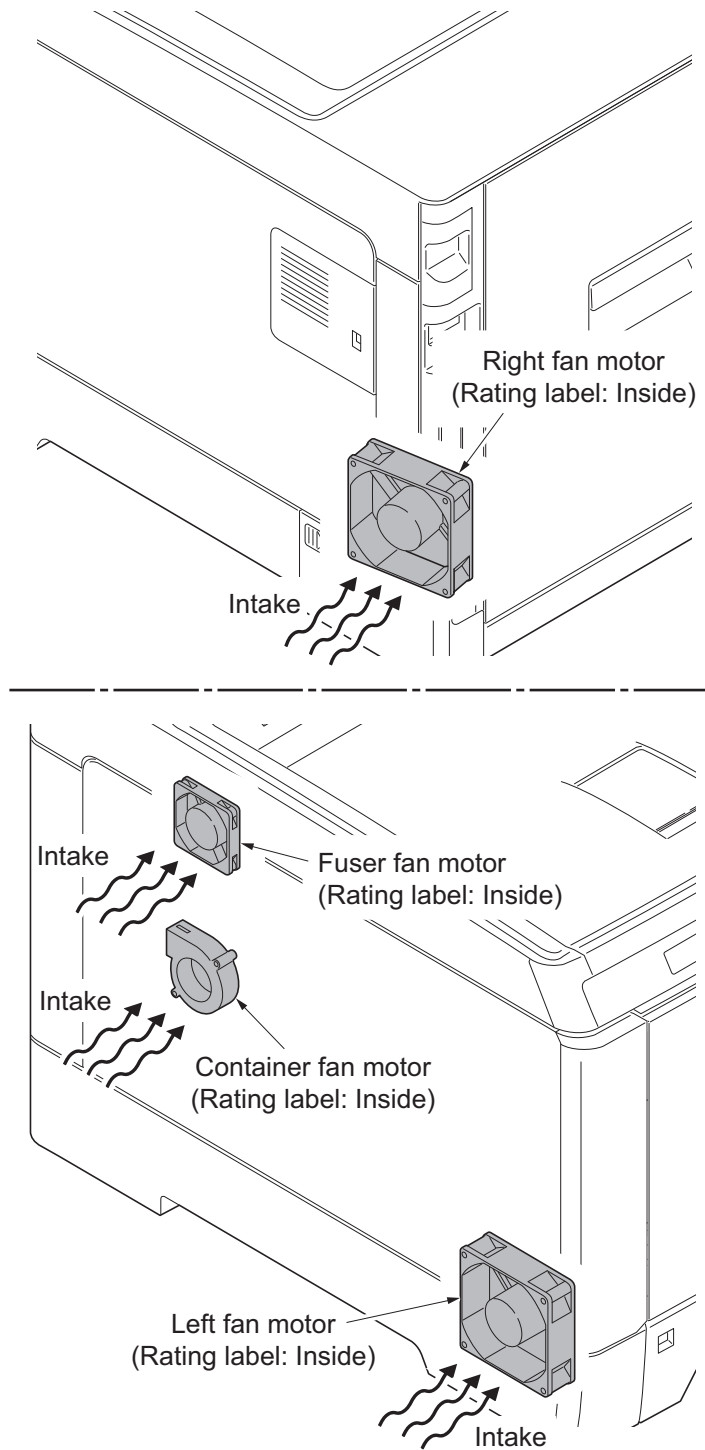


Figure 1-5-77

1-6-1 Upgrading the firmware

Follow the procedure below to upgrade the firmware of main PWB, engine PWB, optional language, optional paper feeder and color table.

Preparation

Extract the file that has the download firmware and put them in the USB Memory.

Procedure

1. Turn ON the main power switch and confirm if the screen shows "Ready" then, turn OFF the main power switch.
2. Insert USB memory that has the firmware in the USB memory slot.
3. Turn ON the main power switch.
4. About 40 seconds later, "FW-Update" will be displayed and blinking the data LED (this shows to start the download).
5. Display the software that now upgrading.

"FW-Update [CTRL]"
 "FW-Update [ENGN]"
 "FW-Update [PF1]"
 "FW-Update [PF2]"
 "FW-Update [PF3]"
 "FW-Update [OPT]"
 "FW-Update [CLT]"

6. Display the completion of the upgrade (Data LED is ON condition).
7. ROM version is confirmed by the content of the display.
8. Turn OFF the main power switch and remove the USB memory.

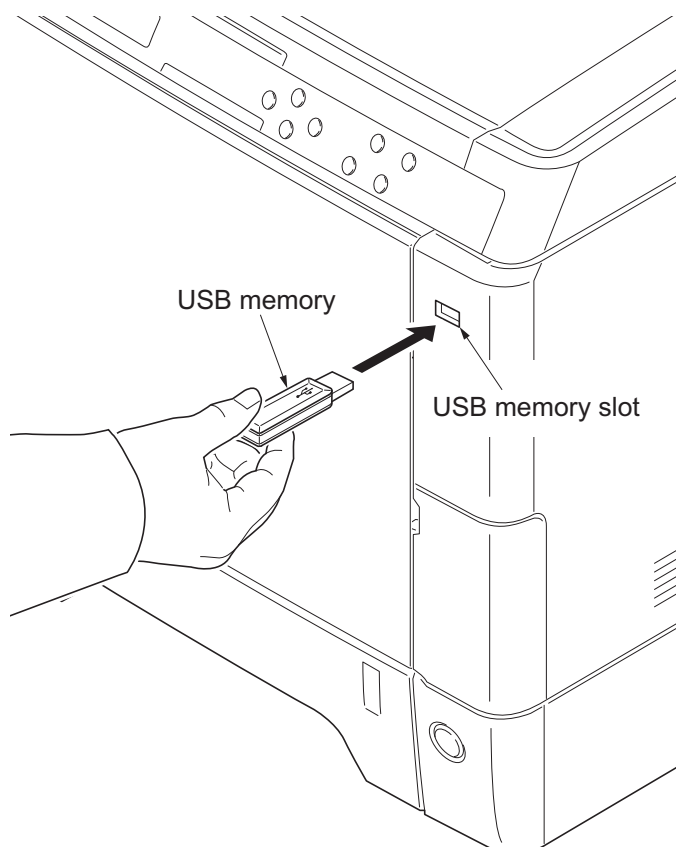


Figure 1-6-1

1-6-2 Remarks on engine PWB replacement

When replacing the engine PWB, remove the EEPROM (U1) from the engine PWB that has been removed and then reattach it to the new engine PWB.

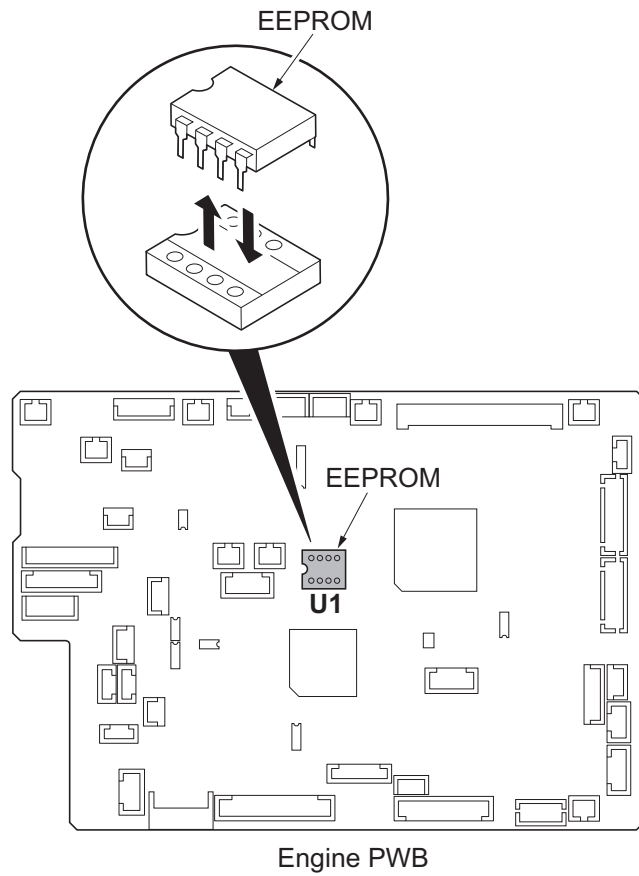


Figure 1-6-2

2-1-1 Paper feed/conveying section

Paper feed/conveying section consists of the paper feed unit that feeds paper from the cassette and the MP tray paper feed unit that feeds paper from the MP tray, and the paper conveying section that conveys the fed paper to the transfer/separation section.

(1) Cassette paper feed section (21/23 ppm model)

The cassette can contain 250 sheets. The sheet from the cassette is pulled out by rotation of the pickup roller and sent to the paper conveying section by rotation of the paper feed roller. Also the retard roller prevents multiple feeding of paper.

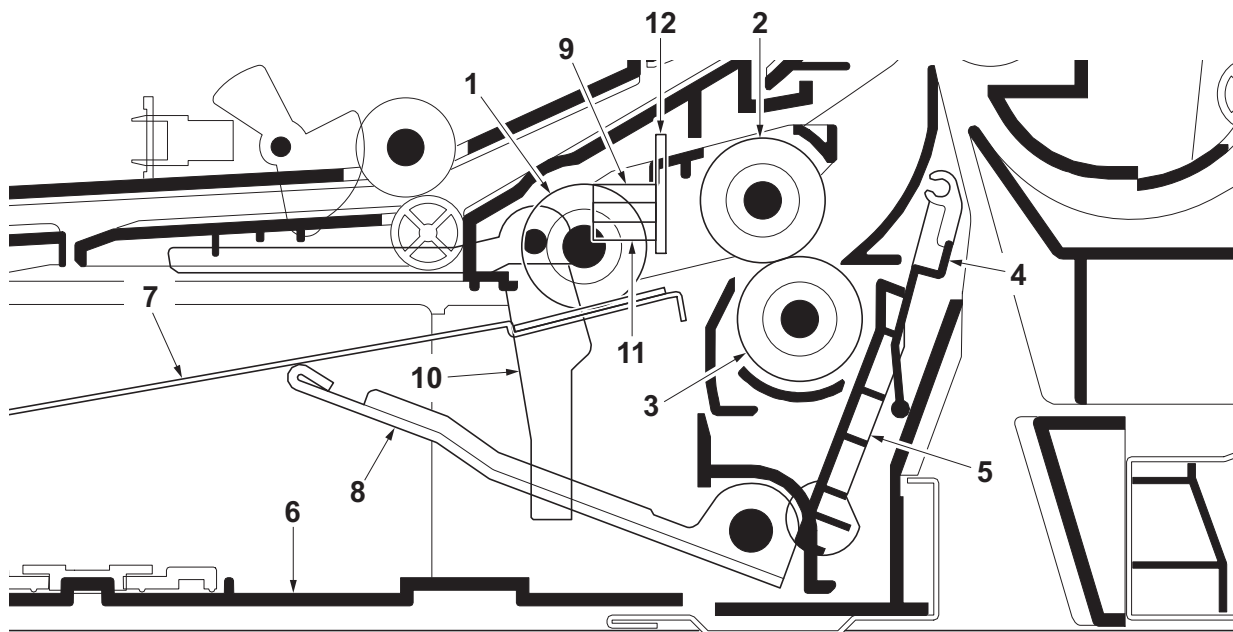


Figure 2-1-1 Cassette paper feed section (21/23 ppm model)

- | | |
|----------------------|-----------------------------|
| 1. Pickup roller | 7. Bottom plate |
| 2. Paper feed roller | 8. Lift work plate |
| 3. Retard roller | 9. Paper sensor (PS) |
| 4. Retard cover | 10. Actuator (paper sensor) |
| 5. Paper hook | 11. Lift sensor (LS) |
| 6. Cassette base | 12. Cassette PWB (CPWB) |

(2) Cassette paper feed section (26/28 ppm model)

The cassette can contain 500 sheets. The sheet from the cassette is pulled out by rotation of the pickup roller and sent to the paper conveying section by rotation of the paper feed roller. Also the retard roller prevents multiple feeding of paper.

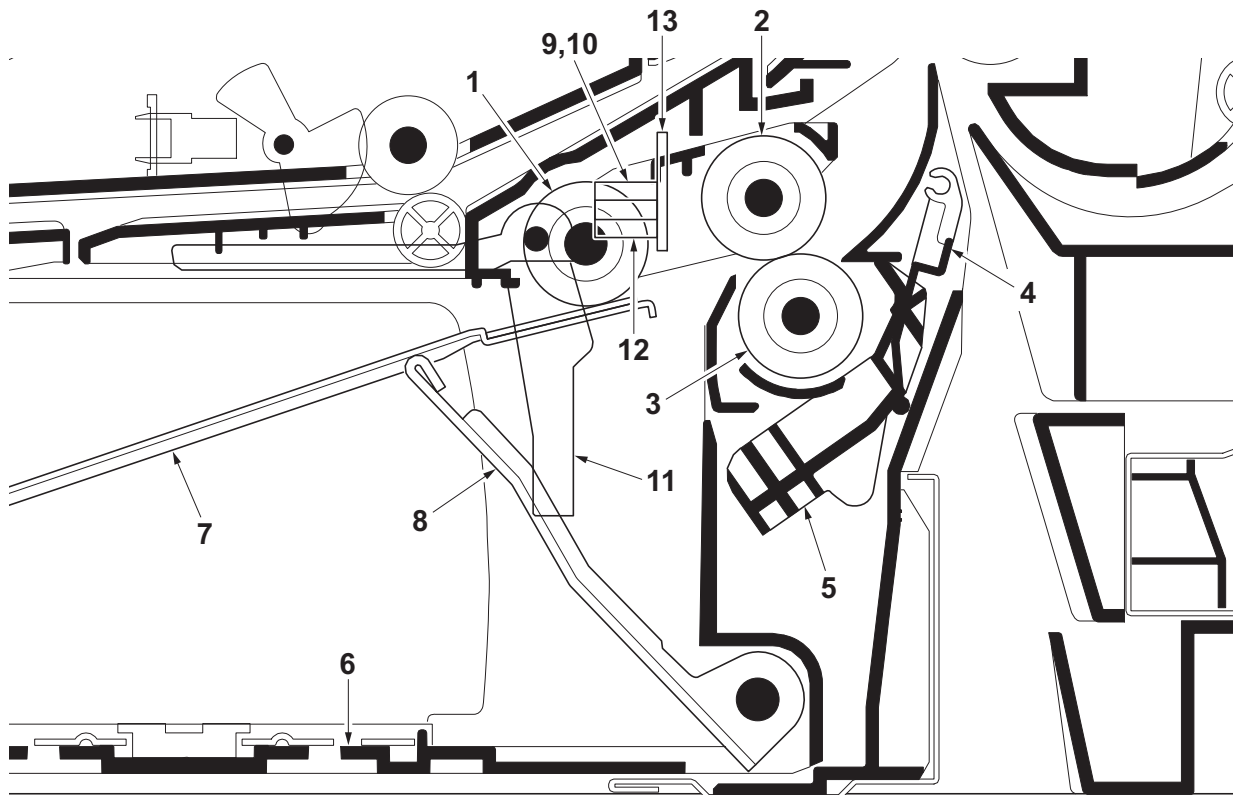


Figure 2-1-2 Cassette paper feed section (26/28 ppm model)

- | | |
|----------------------|-----------------------------|
| 1. Pickup roller | 8. Lift work plate |
| 2. Paper feed roller | 9. Paper sensor 1 (PS1) |
| 3. Retard roller | 10. Paper sensor 2 (PS2) |
| 4. Retard cover | 11. Actuator (paper sensor) |
| 5. Paper hook | 12. Lift sensor (LS) |
| 6. Cassette base | 13. Cassette PWB (CPWB) |
| 7. Bottom plate | |

*: 26/28 ppm model only

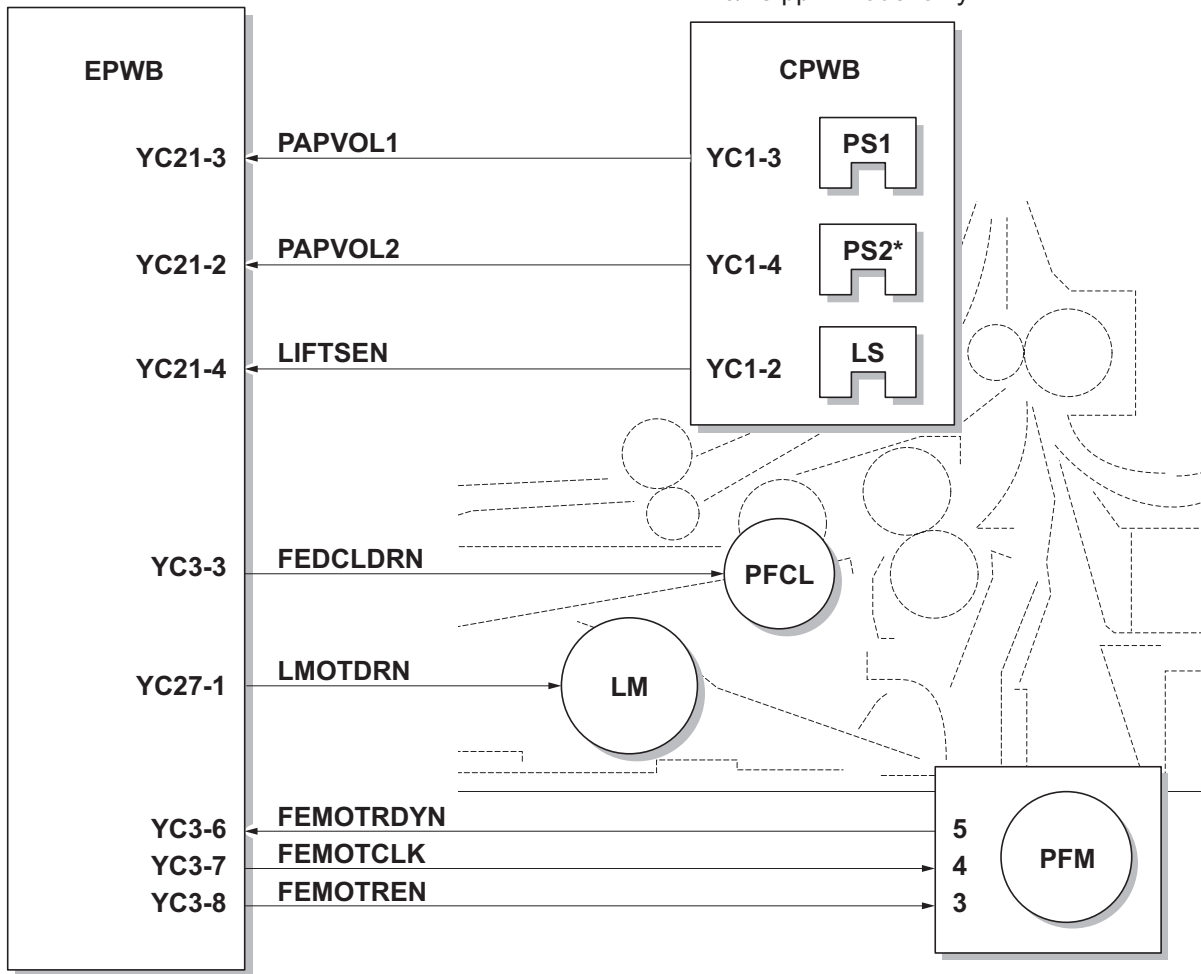


Figure 2-1-3 Cassette paper feed section block diagram

(3) MP tray paper feed section

The MP tray can contain 50 sheets. Feeding from the MP tray is performed by the rotation of the MP paper feed roller. Also, function of the MPF separation pad prevents paper from multiple feeding.

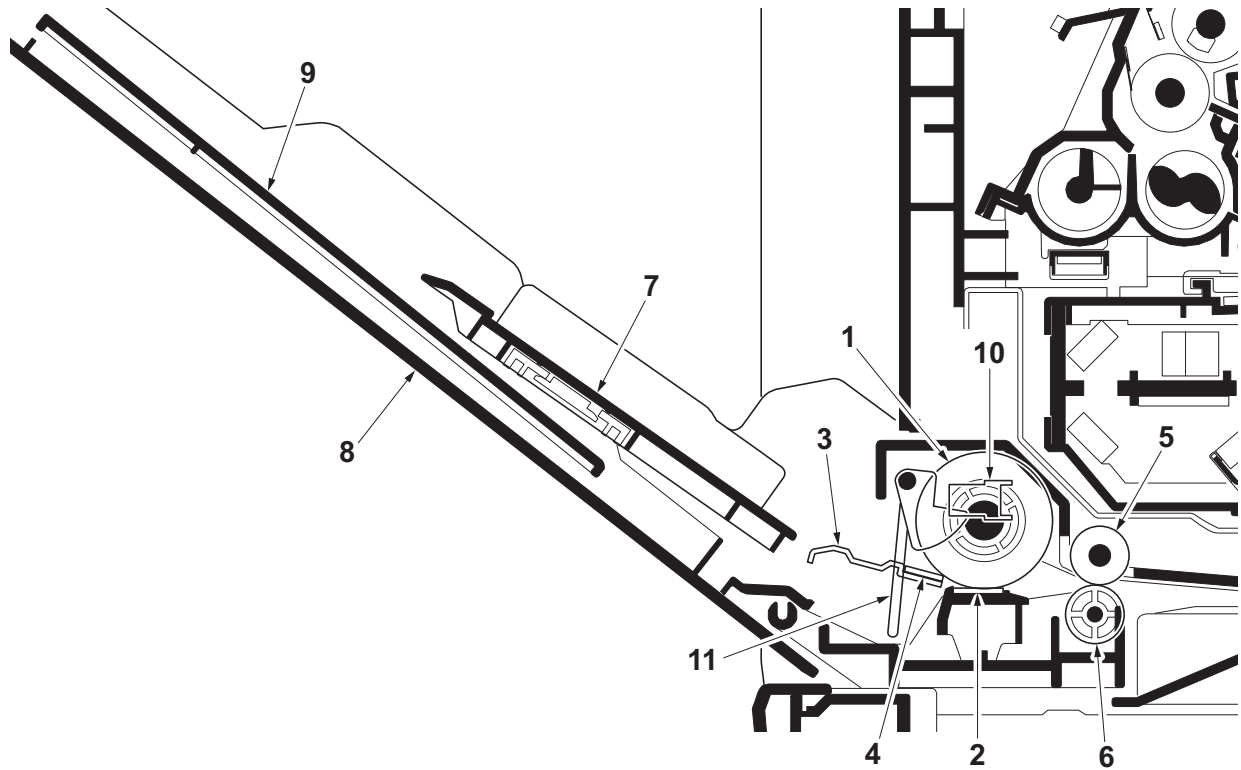


Figure 2-1-4 MP tray paper feed section

- | | |
|-------------------------|--------------------------------|
| 1. MP paper feed roller | 7. MPF base |
| 2. MPF separation pad | 8. MPF cover |
| 3. MPF bottom plate | 9. MPF tray |
| 4. Friction pad | 10. MP paper sensor (MPPS) |
| 5. MPF feed roller | 11. Actuator (MP paper sensor) |
| 6. Feed pulley | |

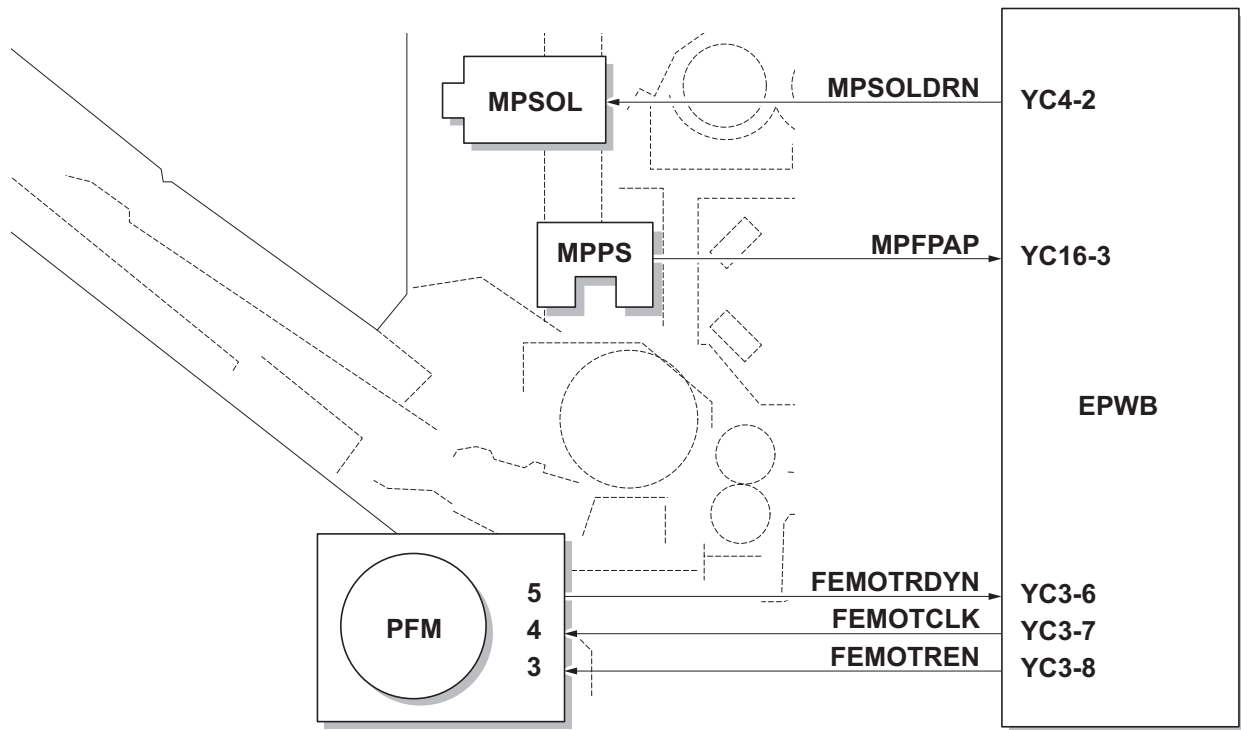


Figure 2-1-5 MP tray paper feed section block diagram

(4) Paper conveying section

The paper conveying section conveys paper to the transfer/separation section as paper feeding from the cassette or MP tray, or as paper refeeding for duplex printing. Paper by feeding is conveyed by the middle roller to the position where the registration sensor (RS) is turned on, and then sent to the transfer/separation section by the front registration roller and rear registration roller.

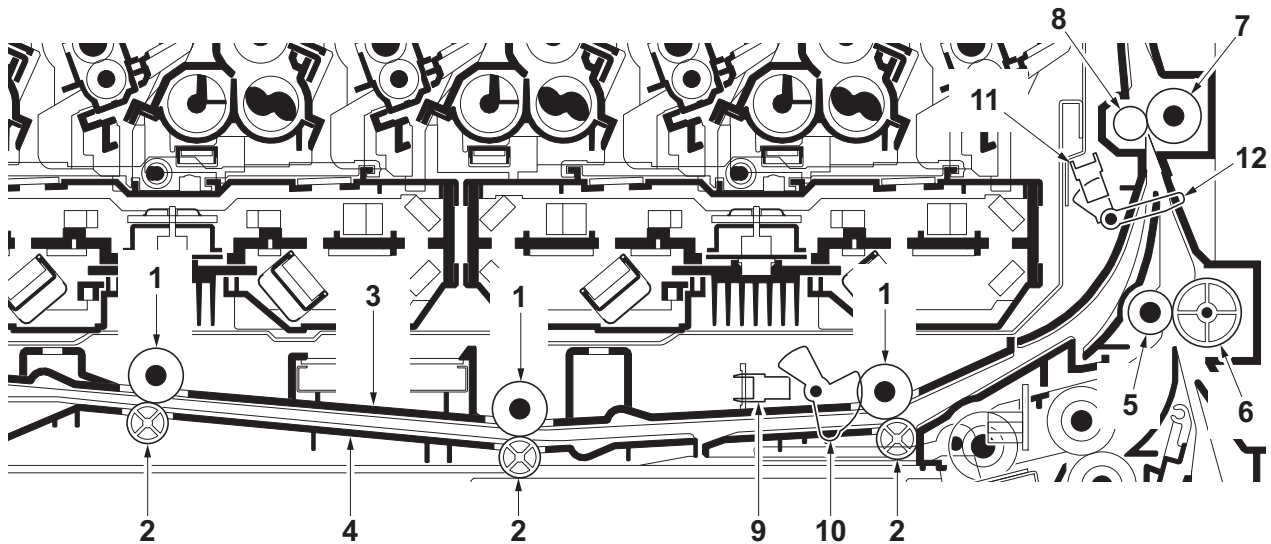


Figure 2-1-6 Paper conveying section

- | | |
|-------------------------|------------------------------------|
| 1. MPF feed rollers | 7. Front registration roller |
| 2. Feed pulleys | 8. Rear registration roller |
| 3. MPF feed upper guide | 9. MP feed sensor (MPFS) |
| 4. MPF feed lower guide | 10. Actuator (MP feed sensor) |
| 5. Middle roller | 11. Registration sensor (RS) |
| 6. Middle pulley | 12. Actuator (registration sensor) |

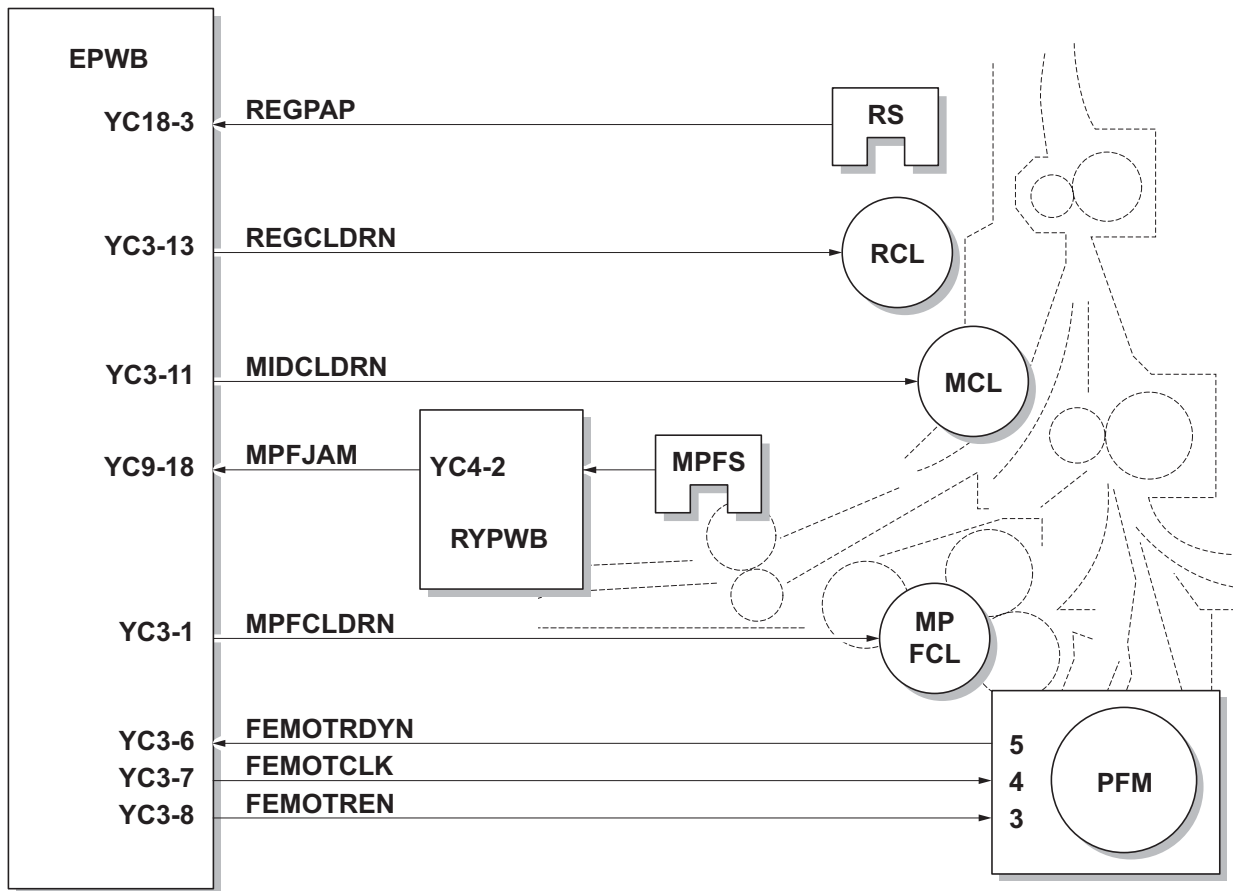


Figure 2-1-7 Paper conveying section block diagram

2-1-2 Drum section

The drum section consists of the drum, the charger roller unit, and the cleaning unit, and the drum surface is uniformly charged in preparation for formation of residual image by laser beam.

After transfer is complete, toner remaining on the drum surface is chipped off with the cleaning blade and is collected to the waste toner box with the drum screw. The cleaning lamp (CL) consists of LEDs and removes residual charge on the drum before main charging.

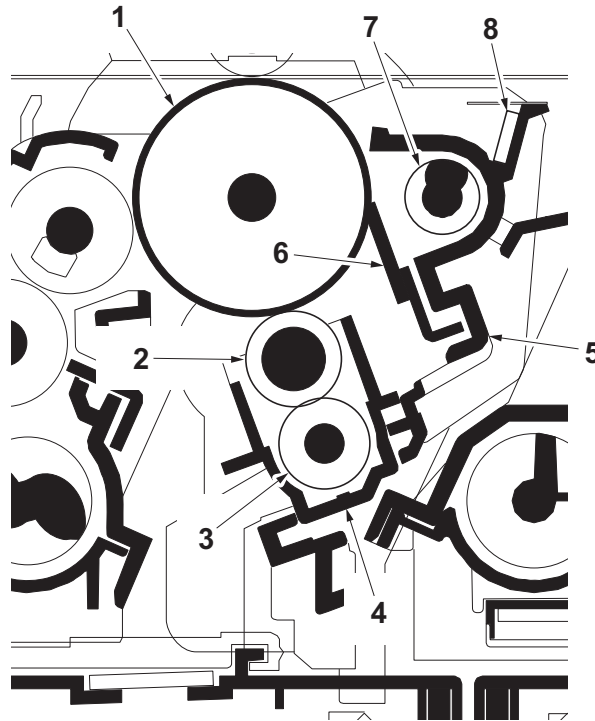


Figure 2-1-8 Drum section

- | | |
|-----------------------------|-------------------------|
| 1. Drum | 6. Cleaning blade |
| 2. Charger roller | 7. Drum screw |
| 3. Charger cleaning roller* | 8. Cleaning lamp (CL) |
| 4. Charger case | |
| 5. Drum frame | *: 26/28 ppm model only |

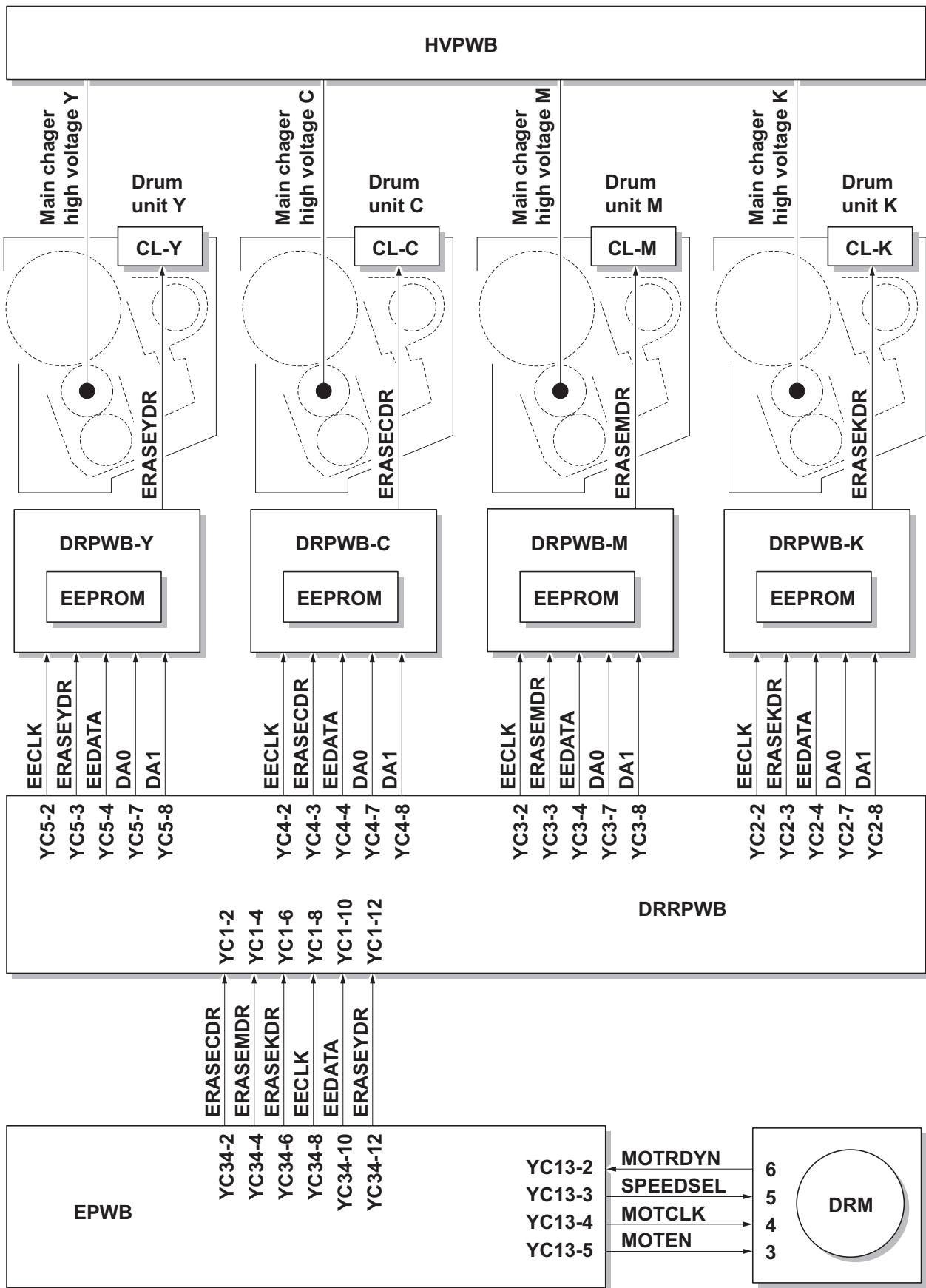


Figure 2-1-9 Drum section block diagram

2-1-3 Developing section

The developing unit consists of the sleeve roller that forms the magnetic brush, the magnet roller, the developing blade and the developing screws that agitate the toner. Also, the toner sensor (TS) checks whether or not toner remains in the developing unit.

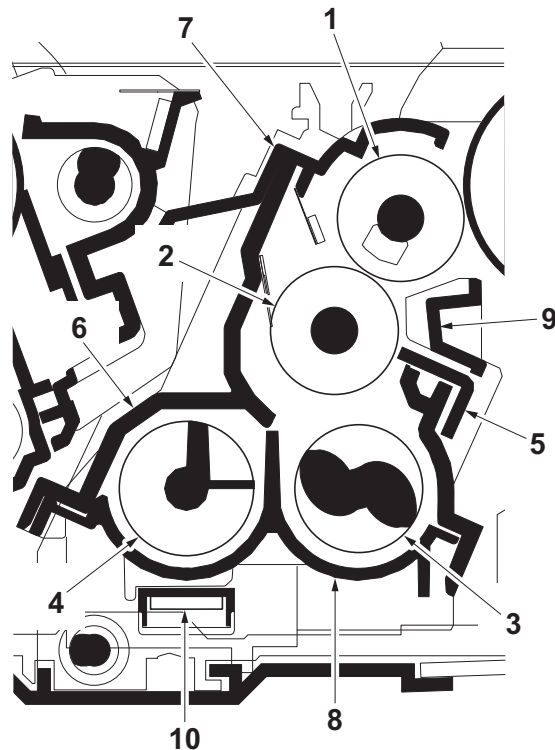


Figure 2-1-10 Developing section

- | | |
|-----------------------|--------------------------|
| 1. Sleeve roller | 6. Developer case |
| 2. Magnet roller | 7. Upper developer cover |
| 3. Developing screw A | 8. Developer base |
| 4. Developing screw B | 9. Sleeve cover |
| 5. Developing blade | 10. Toner sensor (TS) |

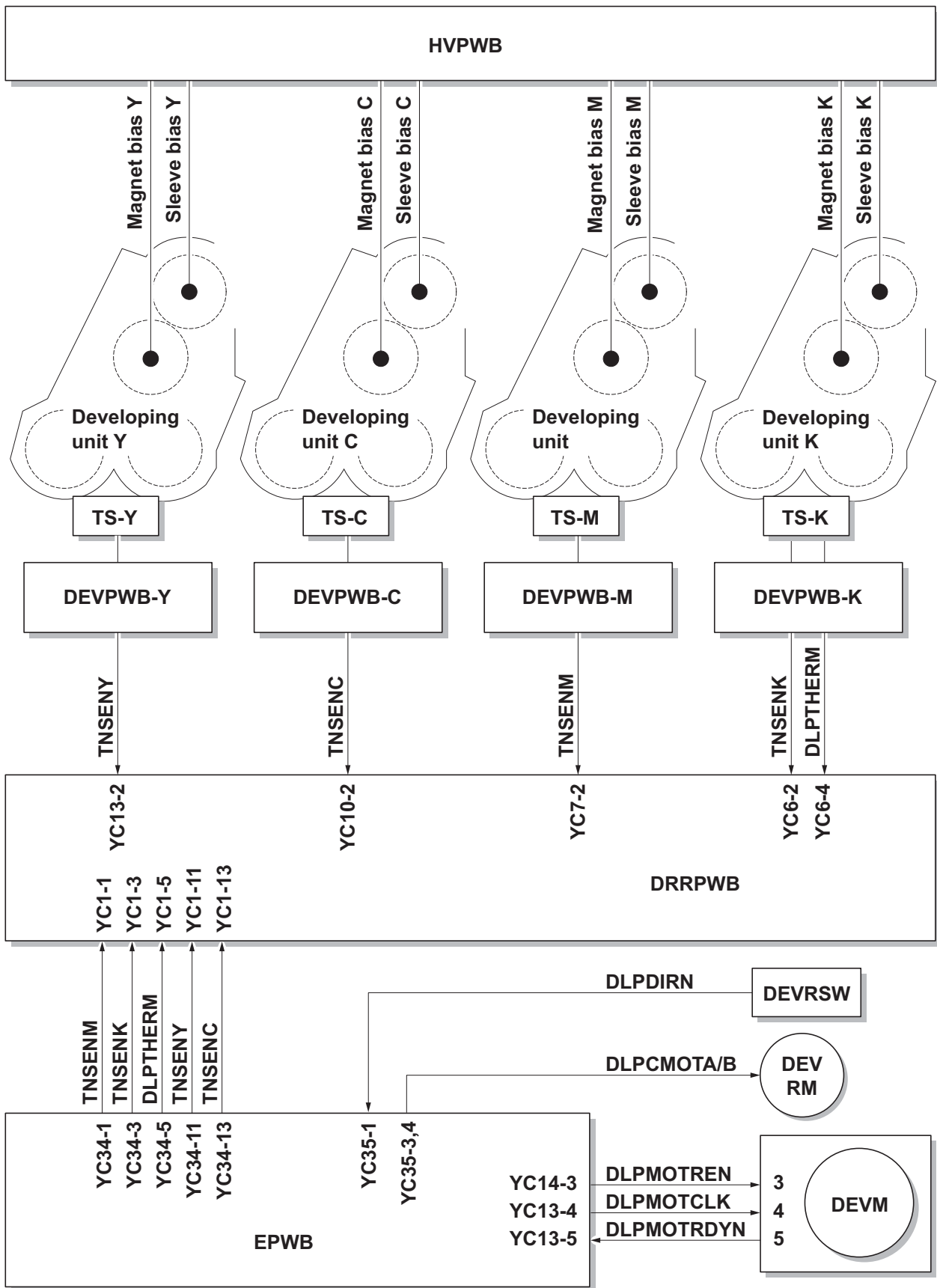


Figure 2-1-11 Developing section block diagram

2-1-4 Laser scanner section

The charged surface of the drum is then scanned by the laser beam from the laser scanner unit. The laser beam is dispersed as the polygon motor (PM) revolves to reflect the laser beam over the drum. Various lenses and mirror are housed in the laser scanner unit, adjust the diameter of the laser beam, and focalize it at the drum surface. Also the LSU cleaning motor (LSUCM) is activated to conduct automatically cleaning of the LSU dust shield glass.

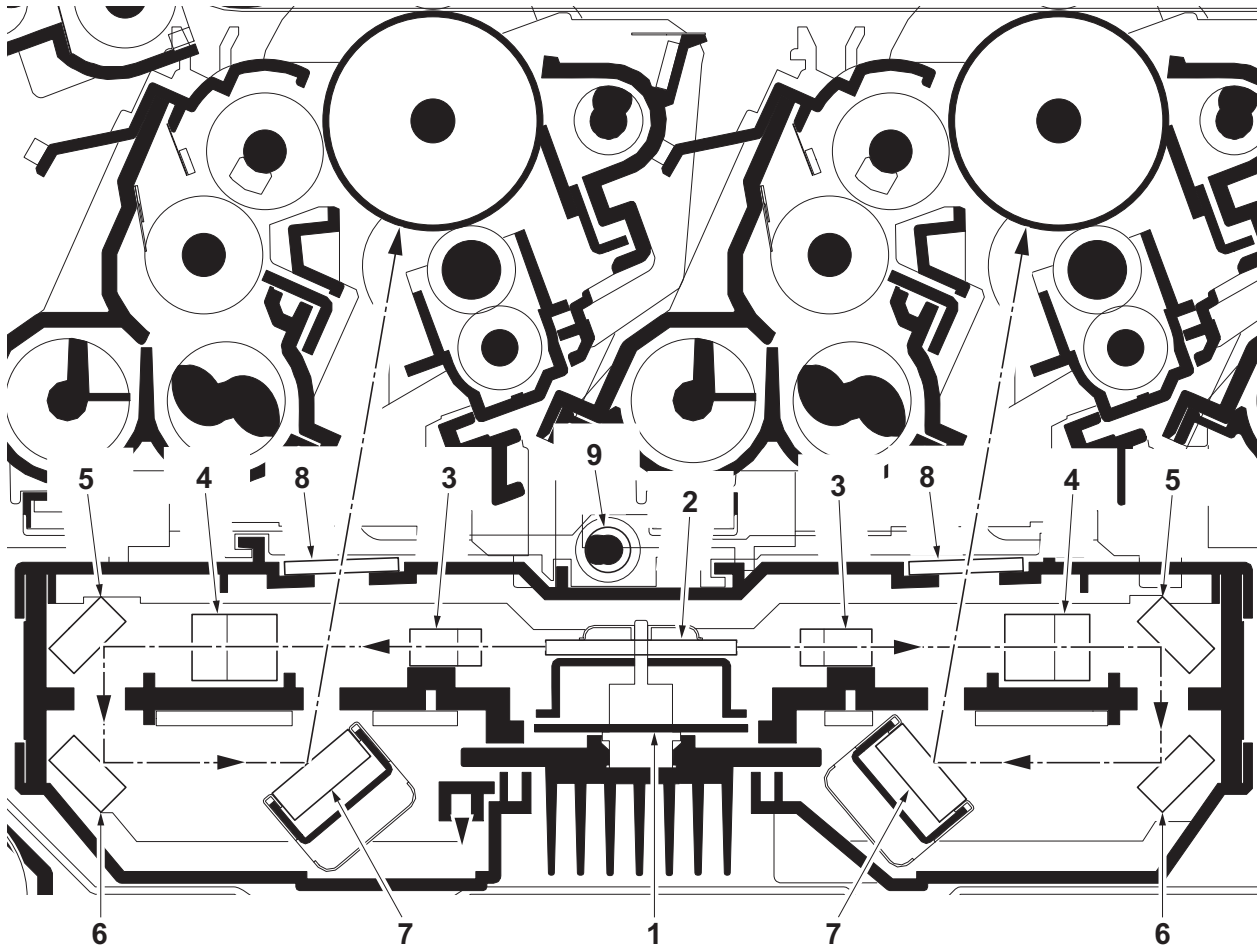


Figure 2-1-12 Laser scanner unit (LSU)

- | | |
|-----------------------|--------------------------|
| 1. Polygon motor (PM) | 6. Mirror B |
| 2. Polygon mirror | 7. Mirror C |
| 3. f-θ lens A | 8. LSU dust shield glass |
| 4. f-θ lens B | 9. LSU spiral |
| 5. Mirror A | |

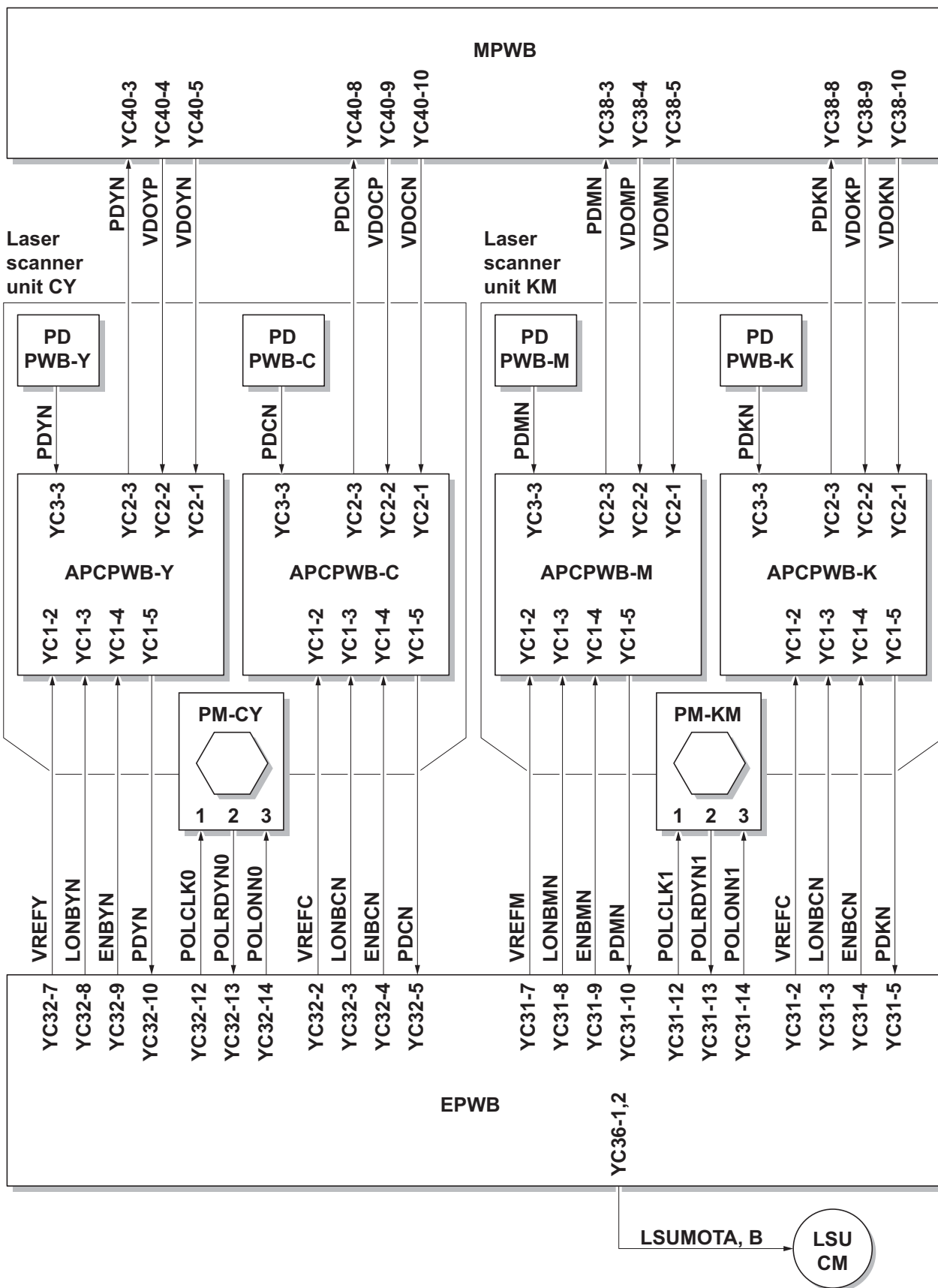


Figure 2-1-13 Laser scanner unit block diagram

2-1-5 Transfer/Separation section

The transfer/separation section consists of the intermediate transfer unit section and the secondary transfer roller section.

(1) Intermediate transfer unit section

The intermediate transfer unit section consists of the transfer cleaning unit, the transfer belt, and the four primary transfer rollers for respective color drums, and forms a full-color toner image by superimposing and transferring single-color toner images formed on each drum onto the transfer belt. Also with the ID sensors (IDS) mounted on the machine frame, the toner density on the transfer belt is measured.

The transfer cleaning unit collects toner remaining on the transfer belt after secondary transfer and forwards it as waste toner to the waste toner box.

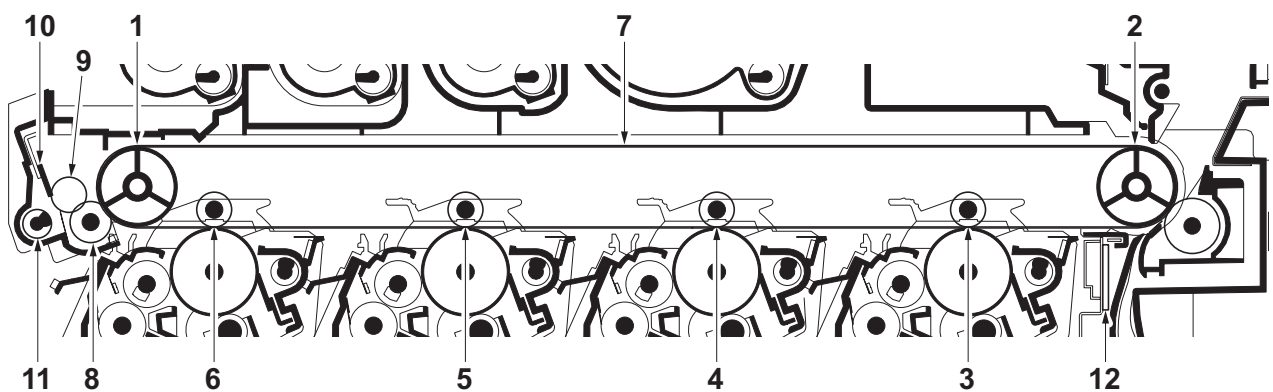


Figure 2-1-14 Intermediate transfer unit section

- | | |
|------------------------------|-----------------------|
| 1. Tension roller | 7. Transfer belt |
| 2. Drive roller | 8. Cleaning fur brush |
| 3. Primary transfer roller K | 9. Cleaning roller |
| 4. Primary transfer roller M | 10. Cleaning blade |
| 5. Primary transfer roller C | 11. Cleaning screw |
| 6. Primary transfer roller Y | 12. ID sensors (IDS) |

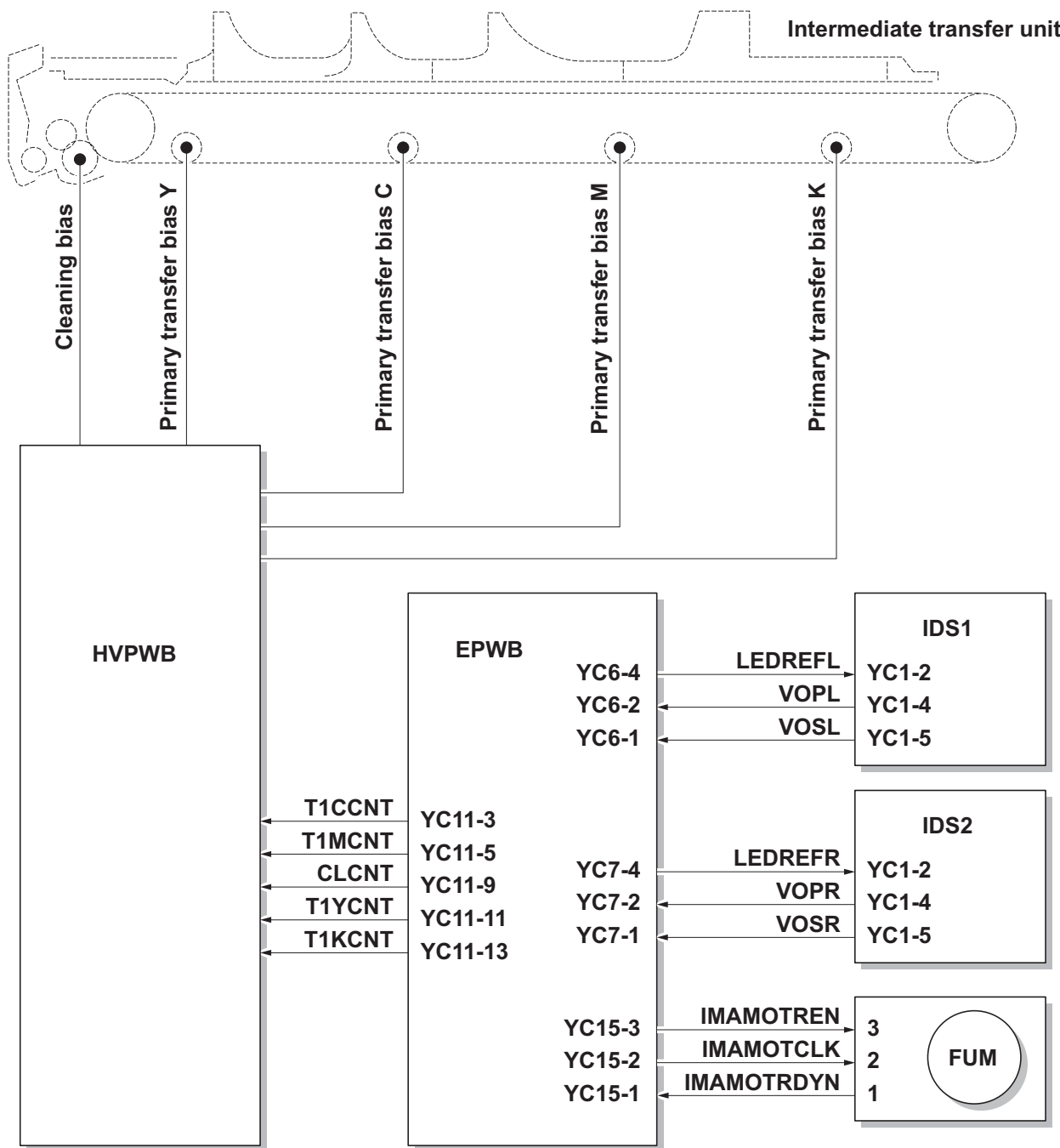


Figure 2-1-15 Intermediate transfer unit section block diagram

(2) Secondary transfer roller section

The secondary transfer roller section consists of the secondary transfer roller mounted to the paper conveying unit and the separation brush. To the secondary transfer roller, DC bias is applied from the high voltage PWB (HVPWB). The toner image formed on the transfer belt is transferred to the paper by the potential difference and the paper is separated by curvature separation.

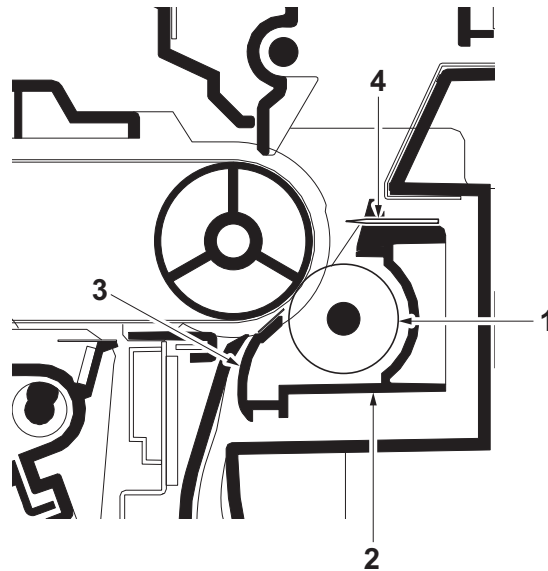


Figure 2-1-16 Secondary transfer roller section

1. Secondary transfer roller
2. Brush holder
3. Paper chute guide
4. Separation brush

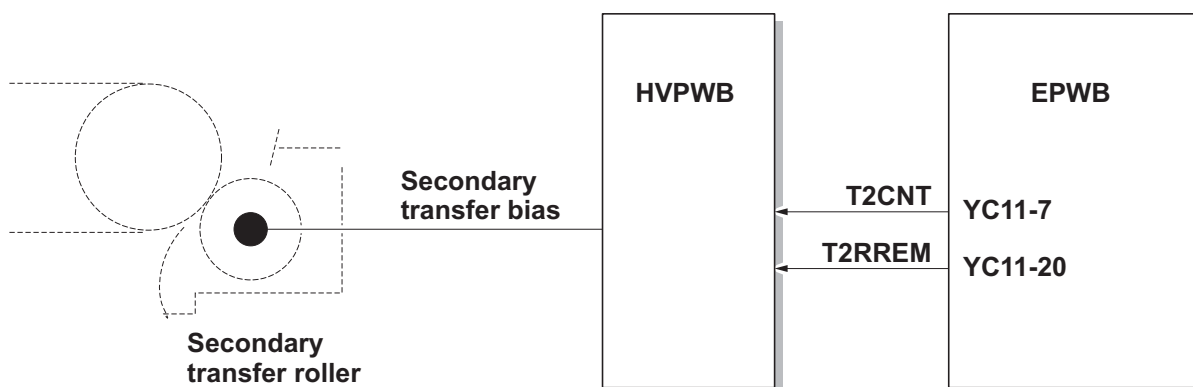


Figure 2-1-17 Secondary transfer roller section block diagram

2-1-6 Fuser section

The paper sent from the transfer/separation section is interleaved between the heat roller and the press roller. The heat roller is heated by the fuser heater (FH), and the toner is fused by heat and pressure and fixed onto the paper because the press roller is pressed by the fuser press spring. The surface temperature of heat roller is detected by the fuser thermistor (FTH) and controlled by the engine PWB (EPWB). If the fuser section shows extremely high temperature, the power line will be shut off and the fuser heater (FH) is forced to turn off.

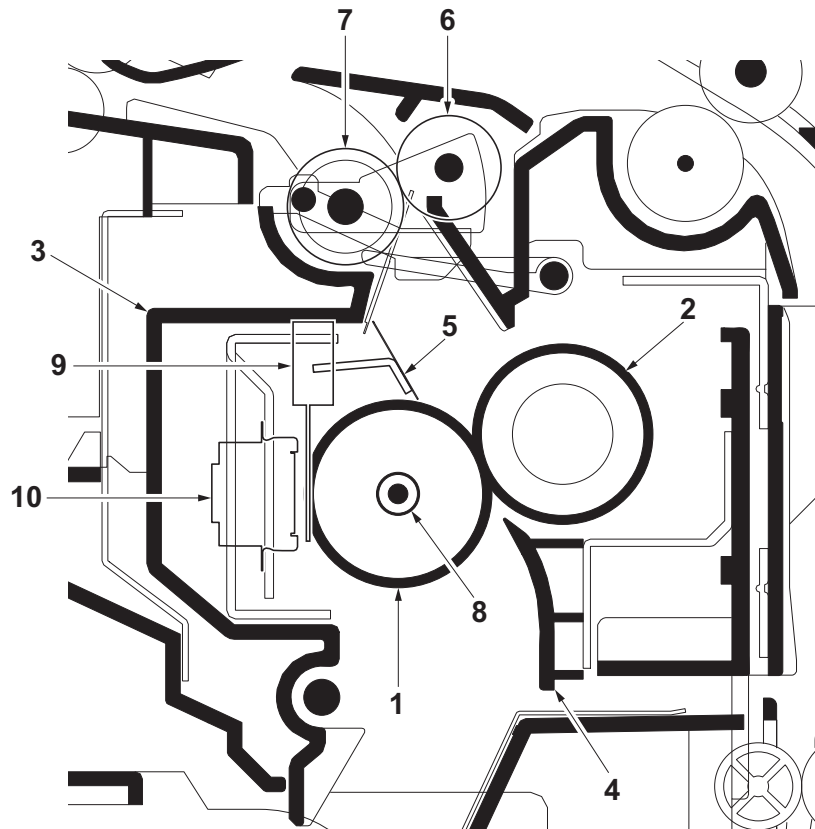


Figure 2-1-18 Fuser section

- | | |
|----------------------|----------------------------|
| 1. Heat roller | 6. Eject roller |
| 2. Press roller | 7. Eject pulley |
| 3. Upper fuser frame | 8. Fuser heater (FH) |
| 4. Fuser paper guide | 9. Fuser thermistor (FTH) |
| 5. Separators | 10. Fuser thermostat (FTS) |

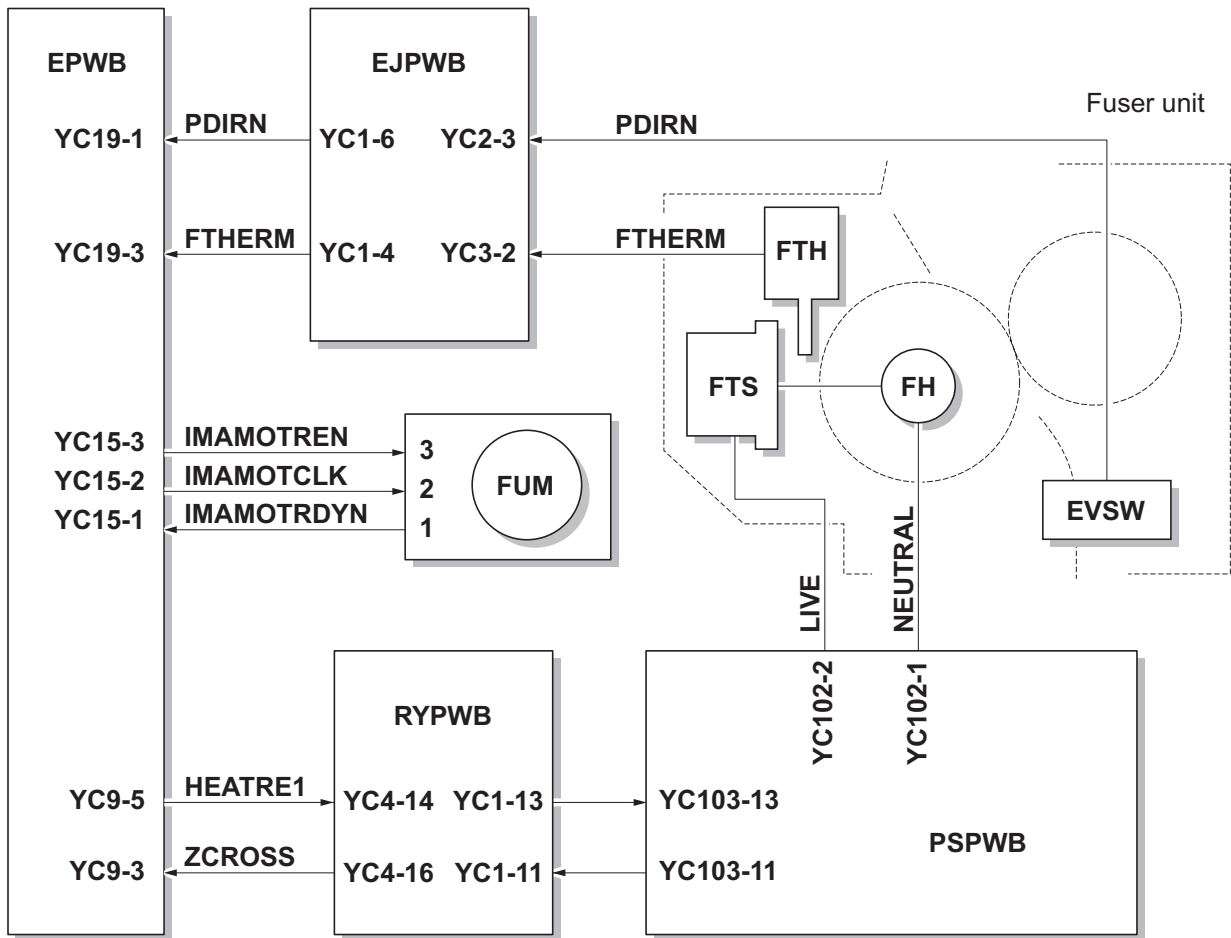


Figure 2-1-19 Fuser section block diagram

2-1-7 Eject/Feedshift section

The paper eject/feedshift section consists of the conveying path which sends the paper that has passed the fuser section to the top tray or the duplex conveying section.

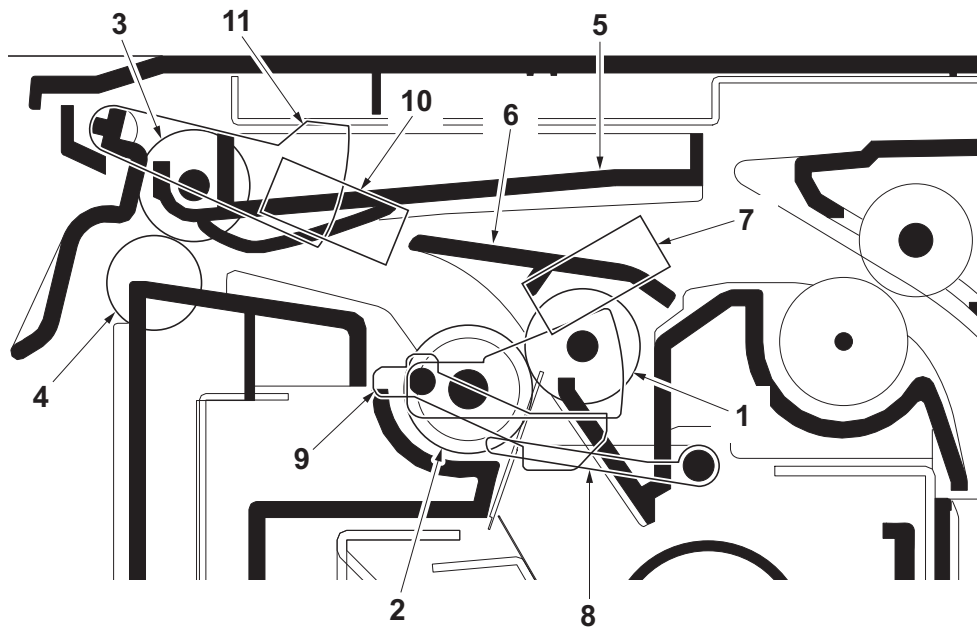


Figure 2-1-20 Eject/Feed shift section

- | | |
|----------------------|-----------------------------------|
| 1. Eject roller | 7. Eject sensor (ES) |
| 2. Eject pulley | 8. Actuator (eject sensor) |
| 3. Eject roller | 9. Actuator (eject sensor) |
| 4. Eject pulley | 10. Paper full sensor* |
| 5. Upper eject guide | 11. Actuator (paper full sensor)* |
| 6. Change guide | |

*: 26/28 ppm model only

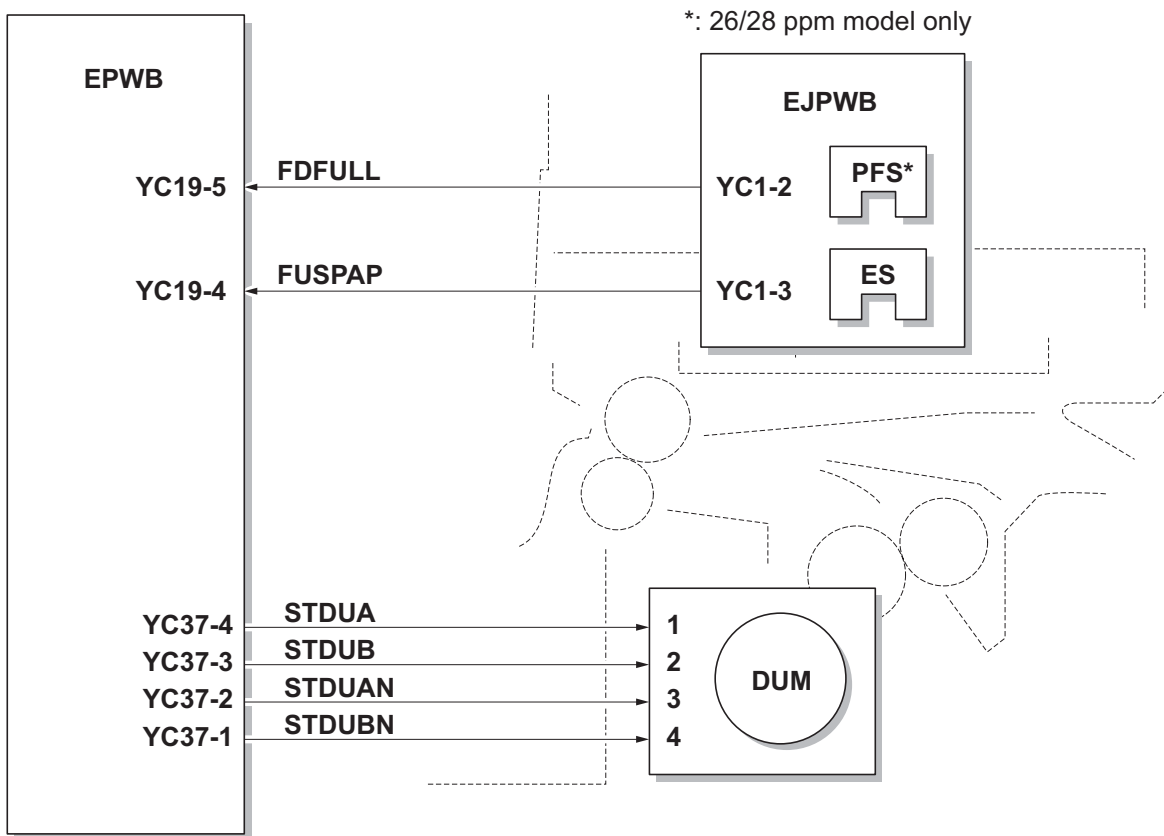


Figure 2-1-21 Eject/Feed shift section block diagram

2-1-8 Duplex conveying section

The duplex conveying section consists of conveying path which sends the paper sent from the eject/feedshift section to the paper feed/conveying section when duplex printing.

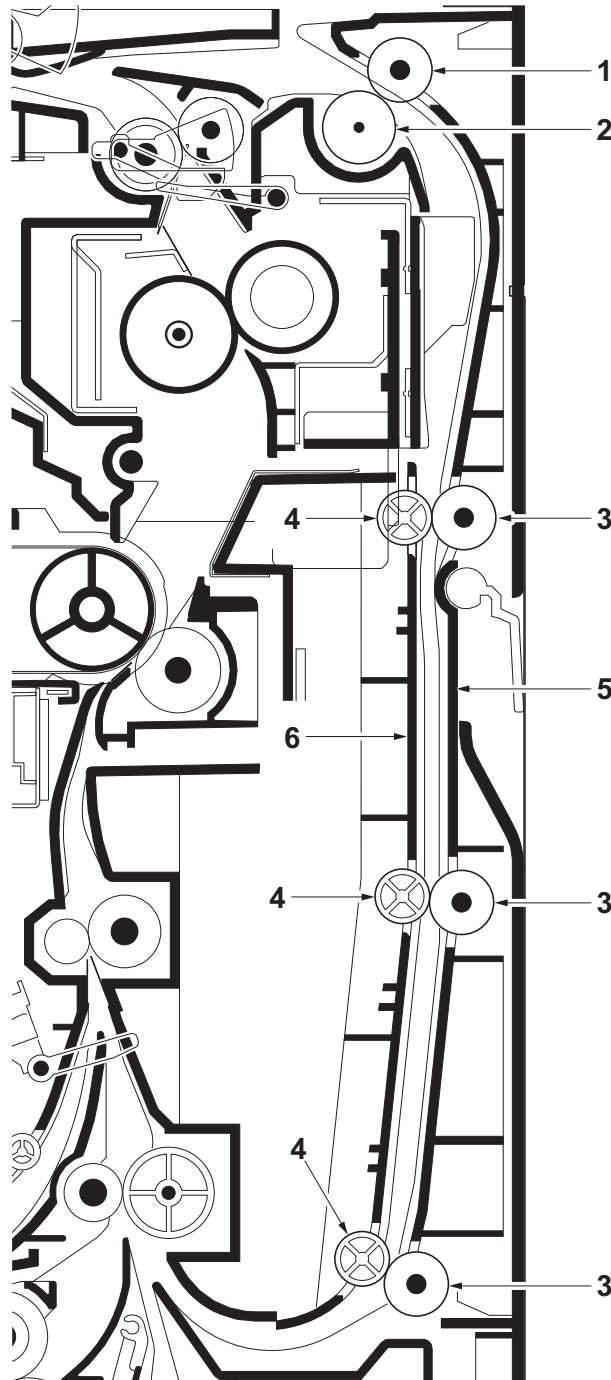


Figure 2-1-22 Duplex conveying section

- | | |
|---------------------|----------------------|
| 1. Duplex roller L | 4. Duplex pulleys |
| 2. Eject pulley | 5. Duplex frame |
| 3. Duplex rollers S | 6. Duplex feed guide |

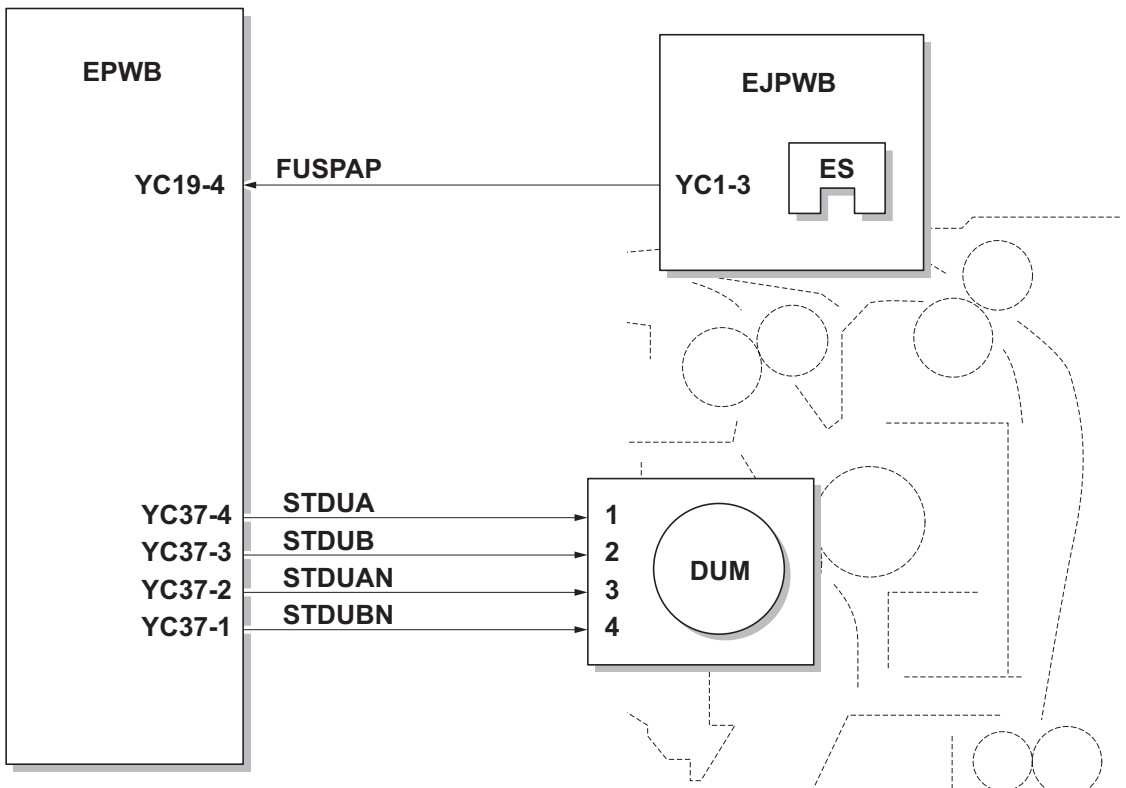


Figure 2-1-23 Duplex conveying section block diagram

2-2-1 Electrical parts layout

(1) PWBs

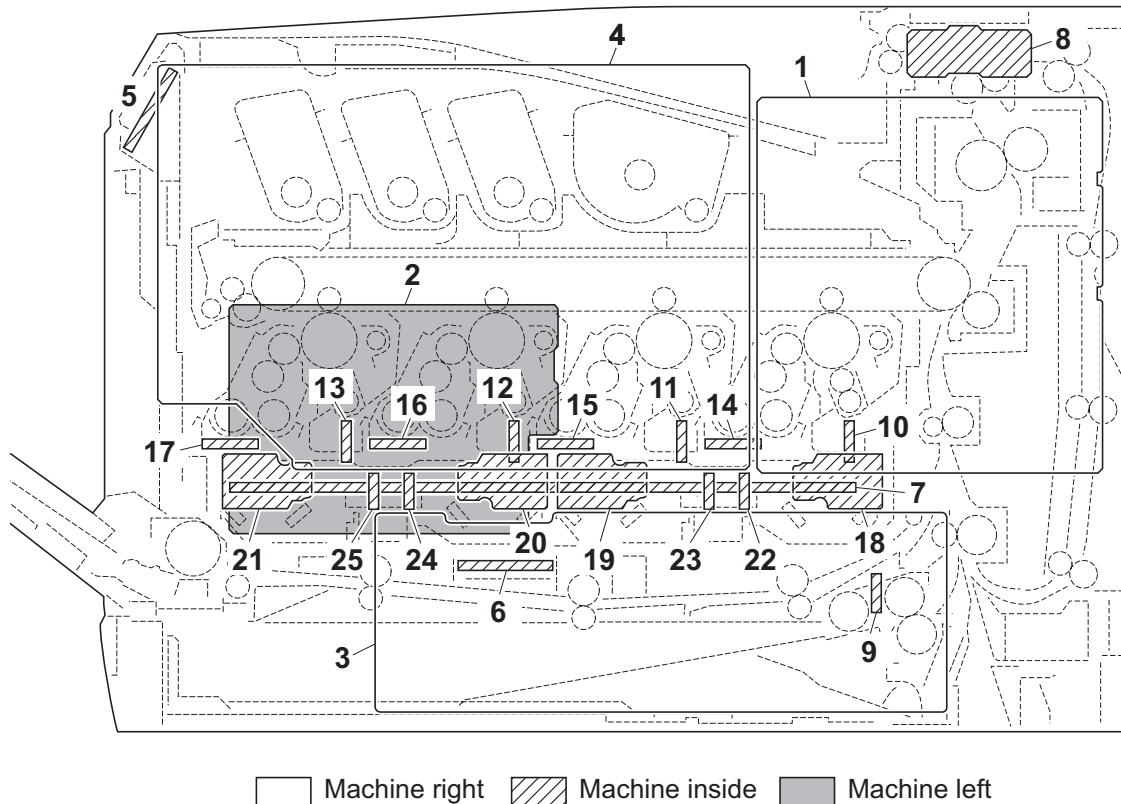


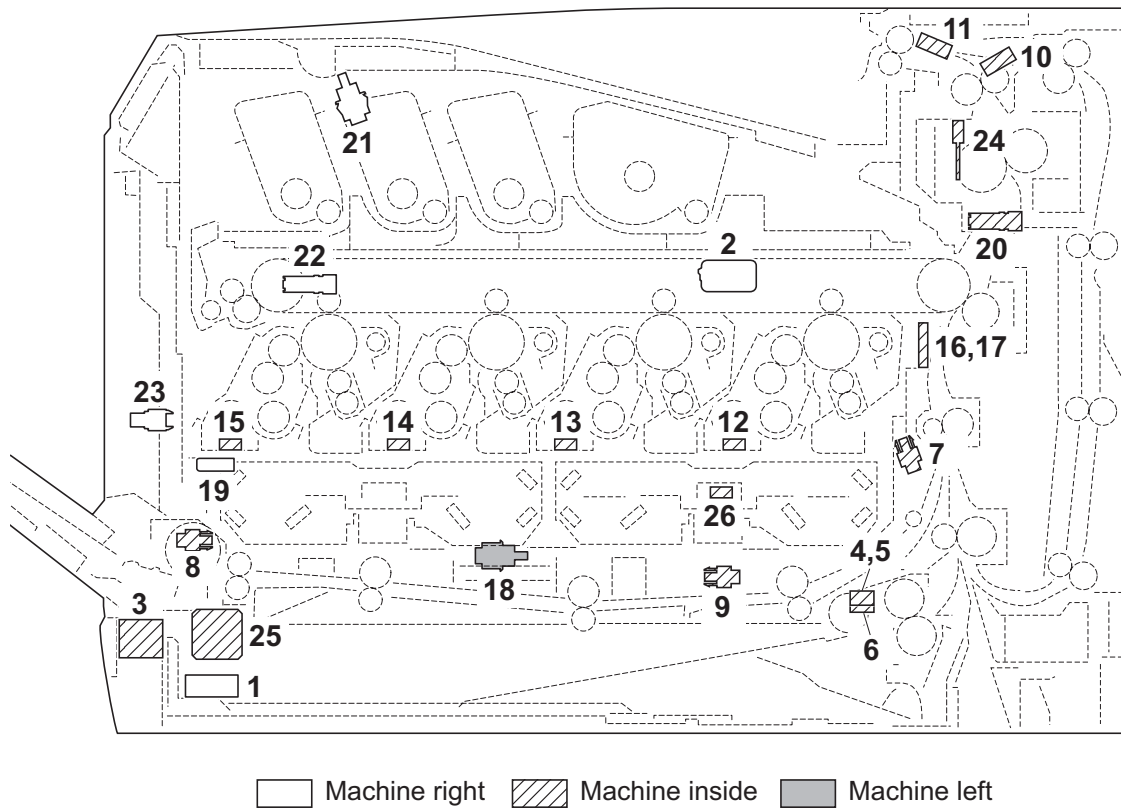
Figure 2-2-1 PWBs

- | | |
|--------------------------------------|--|
| 1. Main PWB (MPWB) | Controls the software such as the print data processing and provides the interface with computers. |
| 2. Engine PWB (EPWB)..... | Controls printer hardware such as high voltage/bias output control, paper conveying system control, and fuser temperature control, etc. |
| 3. Power source PWB (PSPWB) | After full-wave rectification of AC power source input, switching for converting to 24 V DC and 5 VDC for output. Controls the fuser heater. |
| 4. High voltage PWB (HVPWB) | Generates main charging, developing bias, transfer bias and cleaning bias. |
| 5. Operation panel PWB (OPPWB) | Controls the LCD display. Consists the LCD, LED indicators and key switches. |
| 6. Relay PWB (RPWB) | Consists of wiring relay circuit between main PWB and engine PWB and power source PWB. |
| 7. Drum relay PWB (DRRPWB)..... | Consists of wiring relay circuit between engine PWB and the drum units and developing units. |
| 8. Eject PWB (EJPWB)..... | Consists of wiring relay circuit between engine PWB and each electrical component (eject section). |
| 9. Cassette PWB (CPWB) | Interconnects the engine PWB and each electrical component (cassette section). |
| 10. Drum PWB K (DRPWB-K) | Relays wirings from electrical components on the drum unit K. Drum individual information in EEPROM storage. |

11. Drum PWB M (DRPWB-M) Relays wirings from electrical components on the drum unit M.
Drum individual information in EEPROM storage.
12. Drum PWB C (DRPWB-C) Relays wirings from electrical components on the drum unit C.
Drum individual information in EEPROM storage.
13. Drum PWB Y (DRPWB-Y) Relays wirings from electrical components on the drum unit Y.
Drum individual information in EEPROM storage.
14. Developing PWB K (DEVPWB-K) Relays wirings from electrical components on the developing unit
K.
15. Developing PWB M (DEVPWB-M) Relays wirings from electrical components on the developing unit
M.
16. Developing PWB C (DEVPWB-C) Relays wirings from electrical components on the developing unit
C.
17. Developing PWB Y (DEVPWB-Y) Relays wirings from electrical components on the developing unit
Y.
18. APC PWB K (APCPWB-K) Generates and controls the laser beam (black).
19. APC PWB M (APCPWB-M) Generates and controls the laser beam (magenta).
20. APC PWB C (APCPWB-C) Generates and controls the laser beam (cyan).
21. APC PWB Y (APCPWB-Y) Generates and controls the laser beam (yellow).
22. PD PWB K (PDPWB-K) Controls horizontal synchronizing timing of laser beam (black).
23. PD PWB M (PDPWB-M) Controls horizontal synchronizing timing of laser beam (magenta).
24. PD PWB C (PDPWB-C) Controls horizontal synchronizing timing of laser beam (cyan).
25. PD PWB Y (PDPWB-Y) Controls horizontal synchronizing timing of laser beam (yellow).

List of correspondences of PWB names

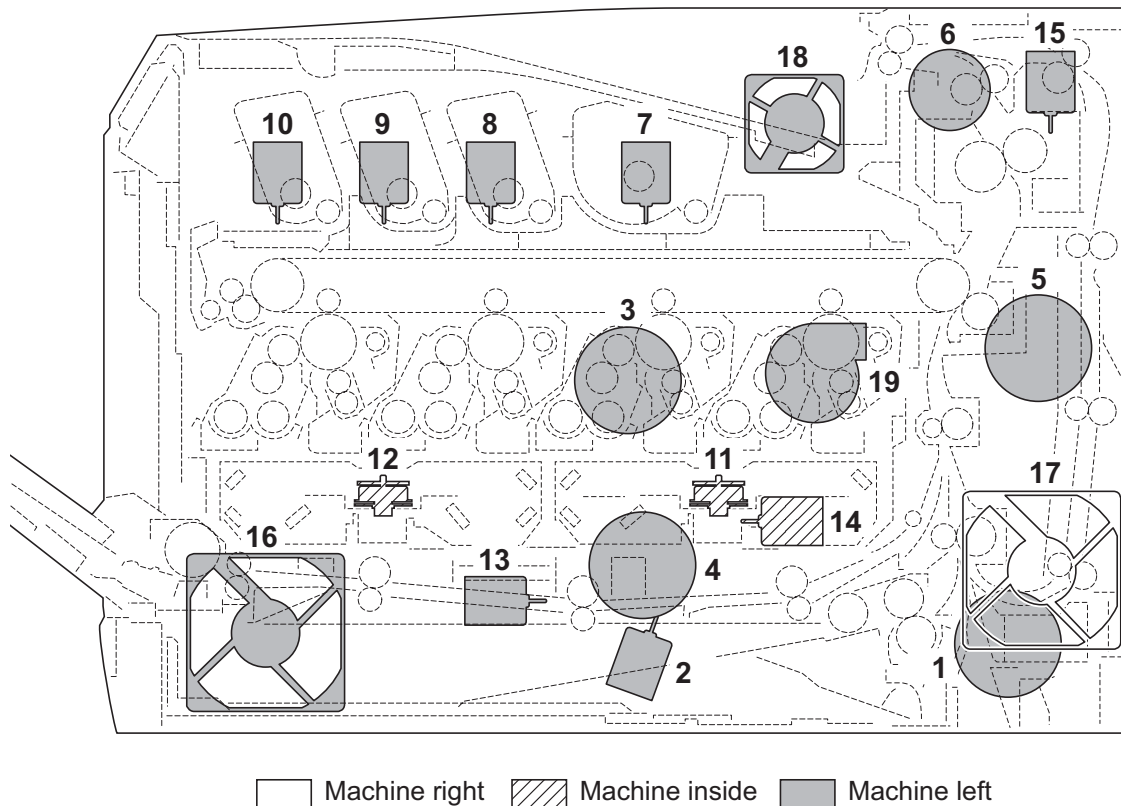
No.	Name used in service manual	Name used in parts list
1	Main PWB (MPWB)	PARTS PWB MAIN ASSY SP
2	Engine PWB (EPWB)	PARTS PWB ENGINE ASSY SP
3	Power source PWB (PSPWB)	PARTS SWITCHING REGULATOR SP
4	High voltage PWB (HVPWB)	PARTS HIGH VOLTAGE UNIT SP
5	Operation panel PWB (OPPWB)	-
6	Relay PWB (RPWB)	-
7	Drum relay PWB (DRRPWB)	-
8	Eject PWB (EJPWB)	PARTS PWB ASSY EXIT SP
9	Cassette PWB (CPWB)	PARTS PWB ASSY CASSETTE SP
10	Drum PWB K (DRPWB-K)	-
11	Drum PWB M (DRPWB-M)	-
12	Drum PWB C (DRPWB-C)	-
13	Drum PWB Y (DRPWB-Y)	-
14	Developing PWB K (DEVPWB-K)	-
15	Developing PWB M (DEVPWB-M)	-
16	Developing PWB C (DEVPWB-C)	-
17	Developing PWB Y (DEVPWB-Y)	-
18	APC PWB K (APCPWB-K)	-
19	APC PWB M (APCPWB-M)	-
20	APC PWB C (APCPWB-C)	-
21	APC PWB Y (APCPWB-Y)	-
22	PD PWB K (PDPWB-K)	-
23	PD PWB M (PDPWB-M)	-
24	PD PWB C (PDPWB-C)	-
25	PD PWB Y (PDPWB-Y)	-

(2) Switches and sensors**Figure 2-2-2 Switches and sensors**

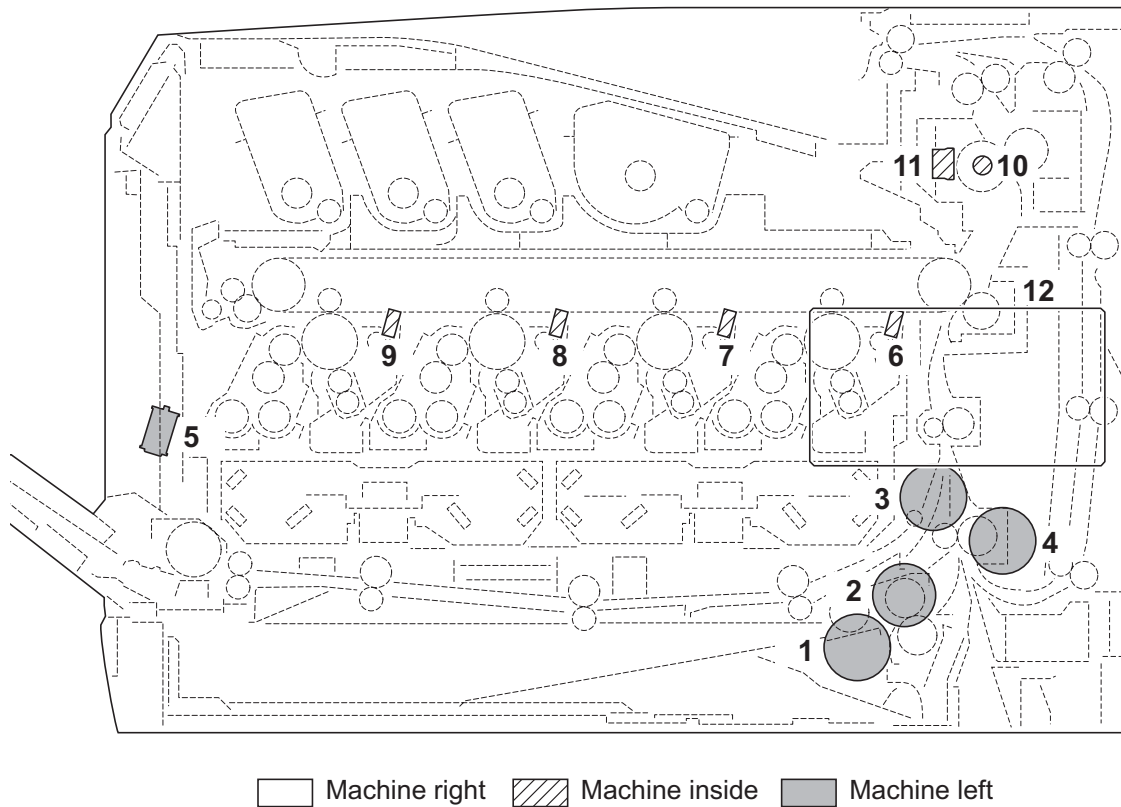
- | | |
|---|---|
| 1. Main power switch (MSW) | Turns ON/OFF the AC power source. |
| 2. Interlock switch (ILSW) | Shuts off 24 V DC power line when the top tray and rear cover are opened. |
| 3. Cassette size switch (CSSW) | Detects the paper size dial setting of the paper setting dial. |
| 4. Paper sensor 1 (PS1) | Detects the paper remaining amount level. |
| 5. Paper sensor 2 (PS2)* | Detects the paper remaining amount level. |
| 6. Lift sensor (LS)..... | Detects activation of upper limit of the bottom plate. |
| 7. Registration sensor (RS)..... | Controls the secondary paper feed start timing. |
| 8. MP paper sensor (MPPS) | Detects the presence of paper on the MP tray. |
| 9. MP feed sensor (MPFS) | Detects a paper misfeed in the MP conveying section. |
| 10. Eject sensor (ES)..... | Detects a paper misfeed in the fuser or eject section. |
| 11. Paper full sensor (PFS)* | Detects the paper full in the top tray. |
| 12. Toner sensor K (TS-K) | Detects the toner density in the developing unit K. |
| 13. Toner sensor K (TS-M)..... | Detects the toner density in the developing unit M. |
| 14. Toner sensor K (TS-C)..... | Detects the toner density in the developing unit C. |
| 15. Toner sensor K (TS-Y) | Detects the toner density in the developing unit Y. |
| 16. ID sensor 1 (IDS1) | Measures image density for color calibration. |
| 17. ID sensor 2 (IDS2) | Measures image density for color calibration. |
| 18. Developing release switch (DEVRSW)..... | Detects separation of developing units M, C and Y. |
| 19. Waste toner sensor (WTS)..... | Detects when the waste toner box is full. |
| 20. Envelope switch (EVSW) | Detects the envelope mode setting. |
| 21. Top tray switch (TTSW)..... | Detects the opening and closing of the top tray. |

- 22. Toner container sensor (TCS)..... Detects the presence of the toner container.
- 23. Waste toner cover sensor (WTCS) Detects the opening and closing of the waste toner cover.
- 24. Fuser thermistor (FTH) Detects the heat roller temperature.
- 25. Outer temperature sensor (OTEMS)..... Detects the outside temperature and humidity.
- 26. Inner temperature sensor (ITEMS) Detects the inside temperature.

*: 26/28 ppm model only

(3) Motors**Figure 2-2-3 Motors**

- | | |
|--|--|
| 1. Paper feed motor (PFM) | Drives the paper feed section. |
| 2. Lift motor (LM)..... | Operates the bottom plate. |
| 3. Drum motor (DRM) | Drives the drum unit. |
| 4. Developing motor (DEVM)..... | Drives the developing unit. |
| 5. Fuser motor (FUM) | Drives the transfer section and the fuser section. |
| 6. Duplex motor (DUM)..... | Drives the duplex section. |
| 7. Toner motor K (TM-K) | Replenishes toner to the developing unit K |
| 8. Toner motor M (TM-M)..... | Replenishes toner to the developing unit M |
| 9. Toner motor C (TM-C)..... | Replenishes toner to the developing unit C |
| 10. Toner motor Y (TM-Y) | Replenishes toner to the developing unit Y |
| 11. Polygon motor KM (PM-KM)..... | Drives the polygon mirror KM. |
| 12. Polygon motor CY (PM-CY)..... | Drives the polygon mirror CY. |
| 13. Developing release motor (DEVRM)..... | Drives separation of developing units M, C and Y. |
| 14. LSU cleaning motor (LSUCM) | Drives LSU dust shield glass cleaning system. |
| 15. Fuser pressure release motor
(FPRM) | Drives fuser pressure release. |
| 16. Left fan motor (LFM) | Cools the interior of machine. |
| 17. Right fan motor (RFM) | Cools the interior of machine. |
| 18. Fuser fan motor (FUFM) | Cools the toner container section. |
| 19. Container fan motor (CFM)..... | Cools the toner container section. |

(4) Others**Figure 2-2-4 Others**

- | | |
|-----------------------------------|---|
| 1. Paper feed clutch (PFCL) | Primary paper feed from cassette. |
| 2. MP feed clutch (MPFCL)..... | Controls the drive of MP conveying section. |
| 3. Registration clutch (RCL)..... | Controls the secondary paper feed. |
| 4. Middle clutch (MCL)..... | Controls the drive of conveying section. |
| 5. MP solenoid (MPSOL) | Controls the MP bottom plate. |
| 6. Cleaning lamp K (CL-K) | Eliminates the residual electrostatic charge on the drum (black). |
| 7. Cleaning lamp M (CL-M)..... | Eliminates the residual electrostatic charge on the drum (magenta). |
| 8. Cleaning lamp C (CL-C)..... | Eliminates the residual electrostatic charge on the drum (cyan). |
| 9. Cleaning lamp Y (CL-Y) | Eliminates the residual electrostatic charge on the drum (yellow). |
| 10. Fuser heater (FH) | Heats the heat roller. |
| 11. Fuser thermal cutout..... | Prevents overheating of the heat roller. |
| 12. Hard disk (HDD)* | Stores the image data and information of job accounting mode. |

*: Option for 26/28 ppm model

This page is intentionally left blank.

2-3-1 Power source PWB

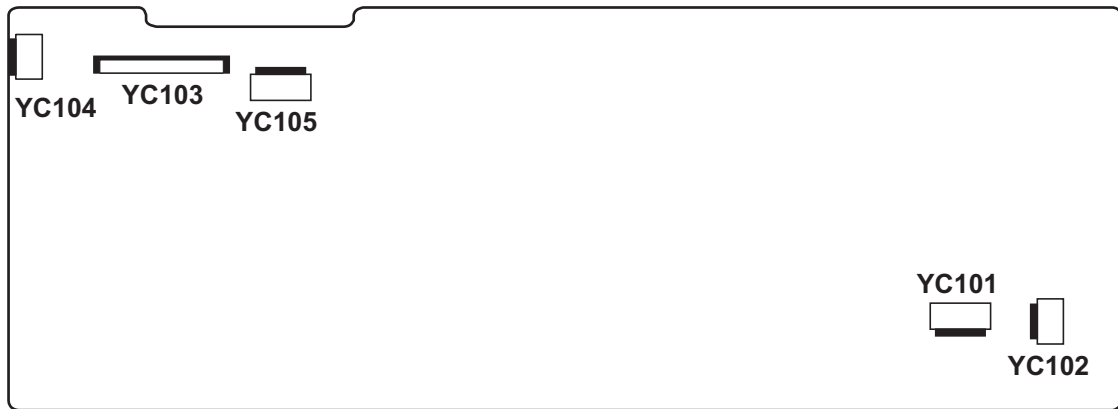


Figure 2-3-1 Power source PWB silk-screen diagram

Connector	Pin	Signal	I/O	Voltage	Description	
YC101	1	LIVE	I	120 V AC 220-240 V AC	AC power input	
	Connected to AC inlet and main power switch	2	NEUTRAL	I	120 V AC 220-240 V AC	AC power input
YC102	1	NEUTRAL	O	120 V AC/0 V 220-240 V AC/0 V	FH: On/Off	
	Connected to fuser heater	2	LIVE	O	120 V AC 220-240 V AC	AC power to FH
YC103	1	+24V1	O	24 V DC	24 V DC power to RYPWB	
	Connected to relay PWB	2	GND	-	-	Ground
		3	GND	-	-	Ground
		4	GND	-	-	Ground
		5	GND	-	-	Ground
		6	+24V2	O	24 V DC	24 V DC power to RYPWB (via ILSW)
	7	+24V2	O	24 V DC	24 V DC power to RYPWB (via ILSW)	
	8	+24V2	O	24 V DC	24 V DC power to RYPWB (via ILSW)	
	9	+24V2	O	24 V DC	24 V DC power to RYPWB (via ILSW)	
	10	PSSLEEPN	I	0/3.3 V DC	Sleep mode signal: On/Off	
	11	ZCROSS	O	0/3.3 V DC (pulse)	Zero-cross signal	
	12	RELAY	I	0/3.3 V DC	Power relay signal: On/Off	
	13	HEATRE1	I	0/3.3 V DC	FH: On/Off	
YC104	1	+24V1	O	24 V DC	24 V DC power to ILSW	
	Connected to interlock switch	2	N.C	-	-	Not used
		3	+24V2	I	24 V DC	24 V DC power from ILSW
YC105	1	+24V1	O	24 V DC	24 V DC power to MPWB	
	Connected to main PWB	2	GND	-	-	Ground

2-3-2 Engine PWB

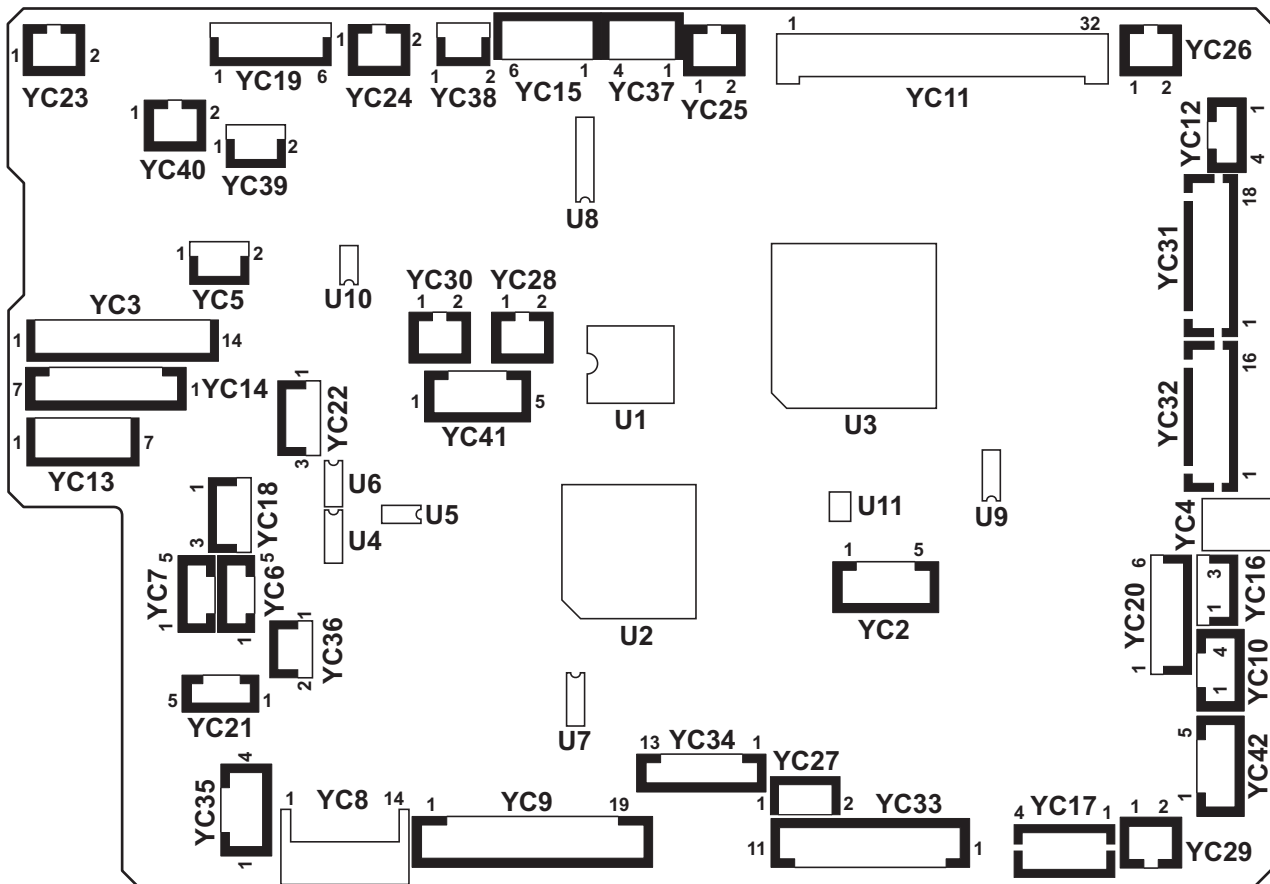


Figure 2-3-2 Engine PWB silk-screen diagram

Connector	Pin	Signal	I/O	Voltage	Description
YC3	1	MPFCLDRN	O	0/24 V DC	MPFCL: On/Off
Connected to MP feed clutch, paper feed clutch, paper feed motor, middle clutch and registration clutch	2	+24V3	O	24 V DC	24 V DC power to MPFCL
	3	FEDCLDRN	O	0/24 V DC	PFCL: On/Off
	4	+24V3	O	24 V DC	24 V DC power to PFCL
	5	N.C.	-	-	Not used
	6	FEMOTRDYN	I	0/3.3 V DC	PFM ready signal
	7	FEMOTCLK	O	0/3.3 V DC (pulse)	PFM clock signal
	8	FEMOTREN	O	0/3.3 V DC	PFM: On/Off
	9	GND	-	-	Ground
	10	+24V3	O	24 V DC	24 V DC power to PFM
	11	MIDCLDRN	O	0/24 V DC	MCL: On/Off
	12	+24V3	O	24 V DC	24 V DC power to MCL
	13	REGCLDRN	O	0/24 V DC	RCL: On/Off
	14	+24V3	O	24 V DC	24 V DC power to RCL
	YC4	1	+24V3	O	24 V DC
Connected to MP solenoid	2	MPSOLDRN	I	0/24 V DC	MPSOL: On/Off
YC6	1	VOSL	I	Analog	IDS1 detection signal
Connected to ID sensor 1	2	VOPL	I	Analog	IDS1 detection signal
	3	GND	-	-	Ground
	4	LEDREFL	O	Analog	IDS1 control signal
	5	+3.3V2	O	3.3 V DC	3.3 V DC power to IDS1
YC7	1	VOSR	I	Analog	IDS2 detection signal
Connected to ID sensor 2	2	VOPR	I	Analog	IDS2 detection signal
	3	GND	-	-	Ground
	4	LEDREFR	O	Analog	IDS2 control signal
	5	+3.3V2	O	3.3 V DC	3.3 V DC power to IDS2

Connector	Pin	Signal	I/O	Voltage	Description
YC8	1	+24V1	I	24 V DC	24 V DC power from RYPWB
Connected to relay PWB	2	GND	-	-	Ground
	3	GND	-	-	Ground
	4	GND	-	-	Ground
	5	GND	-	-	Ground
	6	+24V3	O	24 V DC	24 V DC power from RYPWB
	7	+24V3	O	24 V DC	24 V DC power from RYPWB
	8	+24V3	O	24 V DC	24 V DC power from RYPWB
	9	+24V3	O	24 V DC	24 V DC power from RYPWB
	10	GND	-	-	Ground
	11	SLEEPN	O	0/3.3 V DC	Sleep mode signal: On/Off
	12	PSSLEEPN	O	0/3.3 V DC	Sleep mode signal: On/Off
	13	N.C.	-	-	Not used
	14	+3.3V2	I	3.3 V DC	3.3 V DC power from RYPWB
YC9	1	TCOVOPN	O	0/3.3 V DC	TTSW: On/Off
Connected to relay PWB	2	N.C.	-	-	Not used
	3	ZCROSS	I	0/3.3 V DC (pulse)	Zero-cross signal
	4	RELAY	O	0/3.3 V DC	Power relay signal
	5	HEATRE1	O	0/3.3 V DC	FH: On/Off
	6	(HEATRE2)	-	-	Not used
	7	VSYNC	O	0/3.3 V DC	Vertical synchronizing signal
	8	EGIRN	O	0/3.3 V DC	Engine interruption signal
	9	SBSY	O	0/3.3 V DC	Serial busy signal
	10	SDIR	O	0/3.3 V DC	Serial communication direction change signal
	11	SI	I	0/3.3 V DC (pulse)	Serial communication data signal input
	12	SO	O	0/3.3 V DC (pulse)	Serial communication data signal output
	13	SCKN	I	0/3.3 V DC (pulse)	Serial communication clock signal
	14	RESETN	I	0/3.3 V DC	Reset signal
	15	I2CSCL	I	0/3.3 V DC (pulse)	EEPROM clock signal
	16	GND	-	-	Ground
	17	I2CSDA	I/O	0/3.3 V DC (pulse)	EEPROM data signal
	18	MPFJAM	I	0/3.3 V DC	MPFS: On/Off
	19	+3.3V2	O	3.3 V DC	3.3 V DC power to RYPWB

Connector	Pin	Signal	I/O	Voltage	Description
YC10 Connected to waste toner sensor	1	LEDA	O	3.3 V DC	3.3 V DC power to WTS
	2	LEDK	O	0/3.3 V DC (pulse)	WTS LED emitter signal
	3	PTRE	I	Analog	WTS detection signal
	4	PTRC	O	3.3 V DC	3.3 V DC power to WTS
YC11 Connected to high voltage PWB	1	+24V3	O	24 V DC	24 V DC power to HVPWB
	2	+24V3	O	24 V DC	24 V DC power to HVPWB
	3	T1CCNT	O	PWM	Primary transfer bias control voltage (Cyan)
	4	HVCLKY	O	0/3.3 V DC (pulse)	Developing bias clock signal (Yellow)
	5	T1MCNT	O	PWM	Primary transfer bias control voltage (Magenta)
	6	HVCLKC	O	0/3.3 V DC (pulse)	Developing bias clock signal (Cyan)
	7	T2CNT	O	PWM	Secondary transfer bias control voltage
	8	BCMCNT	O	PWM	Developing magnet roller bias control voltage (Cyan)
	9	CLCNT	O	PWM	Cleaning bias control voltage
	10	BKMCNT	O	PWM	Developing magnet roller bias control voltage (Black)
	11	T1YCNT	O	PWM	Primary transfer bias control voltage (Yellow)
	12	BKSCNT	O	PWM	Developing sleeve roller bias control voltage (Black)
	13	T1KCNT	O	PWM	Primary transfer bias control voltage (Black)
	14	BYSCNT	O	PWM	Developing sleeve roller bias control voltage (Yellow)
	15	MYCNT	O	PWM	Charger roller control voltage (Yellow)
	16	BMMCNT	O	PWM	Developing magnet roller bias control voltage (Magenta)
	17	MKCNT	O	PWM	Charger roller control voltage (Black)
	18	BYMCNT	O	PWM	Developing magnet roller bias control voltage (Yellow)
	19	MCCNT	O	PWM	Charger roller control voltage (Cyan)
	20	T2RREM	O	0/3.3 V DC (pulse)	Secondary transfer bias reverse signal
	21	MMCNT	O	PWM	Charger roller control voltage (Magenta)
	22	BMSCNT	O	PWM	Developing sleeve roller bias control voltage (Magenta)
	23	MISENS	I	Analog	Charger roller AC current signal
	24	BKACNT	O	PWM	Developing AC bias control voltage (Black)

Connector	Pin	Signal	I/O	Voltage	Description
YC11 Connected to high voltage PWB	25	BCACNT	O	PWM	Developing AC bias control voltage (Cyan)
	26	BMACNT	O	PWM	Developing AC bias control voltage (Magenta)
	27	BYACNT	O	PWM	Developing AC bias control voltage (Yellow)
	28	HVCLKK	O	0/3.3 V DC (pulse)	Developing bias clock signal (Black)
	29	BCSCNT	O	PWM	Developing sleeve roller bias control voltage (Cyan)
	30	HVCLKM	O	0/3.3 V DC (pulse)	Developing bias clock signal (Magenta)
	31	GND	-	-	Ground
	32	GND	-	-	Ground
YC13 Connected to drum motor	1	MOTREV (GND)	-	-	Ground
	2	MOTRDYN	I	0/3.3 V DC	DRM ready signal
	3	SPEEDSEL	O	0/3.3 V DC	DRM speed selection signal
	4	MOTCLK	O	0/3.3 V DC (pulse)	DRM clock signal
	5	MOTEN	O	0/3.3 V DC	DRM: On/Off
	6	GND	-	-	Ground
	7	+24V3	O	24 V DC	24 V DC power to DRM
YC14 Connected to developing motor	1	+24V3	O	24 V DC	24 V DC power to DEVM
	2	GND	-	-	Ground
	3	DLPMOTREN	O	0/3.3 V DC	DEVM: On/Off
	4	DLPMOTCLK	O	0/3.3 V DC (pulse)	DEVM clock signal
	5	DLPMOT RDYN	I	0/3.3 V DC	DEVM ready signal
	6	MOTREV	O	0/3.3 V DC	DEVM drive switch signal
YC15 Connected to fuser motor	1	IMAMOT RDYN	I	0/3.3 V DC	FUM ready signal
	2	IMAMOTCLK	O	0/3.3 V DC (pulse)	FUM clock signal
	3	IMAMOTREN	O	0/3.3 V DC	FUM: On/Off
	4	GND	-	-	Ground
	5	+24V3	O	24 V DC	24 V DC power to FUM
YC16 Connected to MP paper sensor	1	+3.3V2_LED1	O	3.3 V DC	3.3 V DC power to MPPS
	2	GND	-	-	Ground
	3	MPFPAP	I	0/3.3 V DC	MPPS: On/Off

Connector	Pin	Signal	I/O	Voltage	Description
YC17 Connected to cassette size switch	1	CAS2	I	0/3.3 V DC	CSSW (SW2): On/Off
	2	CAS1	I	0/3.3 V DC	CSSW (SW1): On/Off
	3	COM	-	-	Ground
	4	CAS0	I	0/3.3 V DC	CSSW (SW0): On/Off
YC18 Connected to registration sensor	1	+3.3V2_LED2	O	3.3 V DC	3.3 V DC power to RS
	2	GND	-	-	Ground
	3	REGPAP	I	0/3.3 V DC	RS: On/Off
YC19 Connected to eject PWB	1	PDIRN	I	0/3.3 V DC	EVSU: On/Off
	2	+3.3V2	O	3.3 V DC	3.3 V DC power to EJPWB
	3	F THERM	I	Analog	FTH detection voltage
	4	FUSPAP	I	0/3.3 V DC	ES: On/Off
	5	FDFULL	I	0/3.3 V DC	PFS: On/Off
	6	GND	-	-	Ground
YC20 Connected to toner con- tainer sensor and waste toner cover sensor	1	+3.3V2_LED3	O	3.3 V DC	3.3 V DC power to TCS
	2	GND	-	-	Ground
	3	TCONTN	I	0/3.3 V DC	TCS: On/Off
	4	+3.3V2_LED7	O	3.3 V DC	3.3 V DC power to WTCS
	5	GND	-	-	Ground
	6	WSTOPN	I	0/3.3 V DC	WTCS: On/Off
YC21 Connected to cassette PWB	1	GND	-	-	Ground
	2	PAPVOL2	I	0/3.3 V DC	PS2: On/Off
	3	PAPVOL1	I	0/3.3 V DC	PS1: On/Off
	4	LIFTSEN	I	0/3.3 V DC	LS: On/Off
	5	+3.3V2	O	3.3 V DC	3.3 V DC power to CPWB
YC23 Connected to toner motor K	1	+24V3	O	24 V DC	24 V DC power to TM-K
	2	TNMKDRN	O	0/24 V DC	TM-K: On/Off
YC24 Connected to toner motor M	1	+24V3	O	24 V DC	24 V DC power to TM-M
	2	TNMMDRN	O	0/24 V DC	TM-M: On/Off
YC25 Connected to toner motor C	1	+24V3	O	24 V DC	24 V DC power to TM-C
	2	TNMCDRN	O	0/24 V DC	TM-C: On/Off
YC26 Connected to toner motor Y	1	+24V3	O	24 V DC	24 V DC power to TM-Y
	2	TNMYDRN	O	0/24 V DC	TM-Y: On/Off

Connector	Pin	Signal	I/O	Voltage	Description
YC27 Connected to lift motor	1	LMOTDRN	O	0/24 V DC	LM: On/Off
	2	GND	-	-	Ground
YC28 Connected to container fan motor	1	+24V1	O	24 V DC	24 V DC power to CFM
	2	TCONFAN DRN	O	0/12/24 V DC	CFM: Full speed/Half speed/Off
YC29 Connected to left fan motor	1	+24V1	O	24 V DC	24 V DC power to LFM
	2	LFANDRN	O	0/12/24 V DC	LFM: Full speed/Half speed/Off
YC30 Connected to top tray switch	1	TOPOPON	O	0/3.3 V DC	TTSW: On/Off
	2	GND	-	-	Ground
YC31 Connected to laser scanner unit KM	1	GND	-	-	Ground
	2	VREFK	O	Analog	APCPWB-K laser power standard voltage
	3	LONBKN	O	0/3.3 V DC	APCPWB-K sample/hold signal
	4	ENBKN	O	0/3.3 V DC	APCPWB-K laser enable signal
	5	PDKN	I	0/3.3 V DC (pulse)	Horizontal synchronizing signal
	6	GND	-	-	Ground
	7	VREFM	O	Analog	APCPWB-M laser power standard voltage
	8	LONBMN	O	0/3.3 V DC	APCPWB-M sample/hold signal
	9	ENBMN	O	0/3.3 V DC	APCPWB-M laser enable signal
	10	PDMN	I	0/3.3 V DC (pulse)	Horizontal synchronizing signal
	11	LSUTHERMM	I	Analog	ITEMS detection voltage
	12	POLCLK1	O	0/3.3 V DC (pulse)	PM-KM clock signal
	13	POLRDYN1	I	0/3.3 V DC	PM-KM ready signal
	14	POLONN1	O	0/3.3 V DC	PM-KM: On/Off
	15	GND	-	-	Ground
	16	+24V3	O	24 V DC	24 V DC power to PM-KM
	17	N.C.	-	-	Not used
	18	N.C.	-	-	Not used

Connector	Pin	Signal	I/O	Voltage	Description
YC32	1	GND	-	-	Ground
Connected to laser scanner unit CY	2	VREFC	O	Analog	APCPWB-C laser power standard voltage
	3	LONBCN	O	0/3.3 V DC	APCPWB-C sample/hold signal
	4	ENBCN	O	0/3.3 V DC	APCPWB-C laser enable signal
	5	PDCN	I	0/3.3 V DC (pulse)	Horizontal synchronizing signal
	6	GND	-	-	Ground
	7	VREFY	O	Analog	APCPWB-Y laser power standard voltage
	8	LONBYN	O	0/3.3 V DC	APCPWB-Y sample/hold signal
	9	ENBYN	O	0/3.3 V DC	APCPWB-Y laser enable signal
	10	PDYN	I	0/3.3 V DC (pulse)	Horizontal synchronizing signal
	11	LSUTHERMY	-	-	Not used
	12	POLCLK0	O	0/3.3 V DC (pulse)	PM-CY clock signal
	13	POLRDYN0	I	0/3.3 V DC	PM-CY ready signal
	14	POLONN0	O	0/3.3 V DC	PM-CY: On/Off
	15	GND	-	-	Ground
	16	+24V3	O	24 V DC	24 V DC power to PM-CY
YC33	1	GND	-	-	Ground
Connected to paper feeder	2	OPCLK	O	0/3.3 V DC (pulse)	Paper feeder clock signal
	3	OPRDYN	I	0/3.3 V DC	Paper feeder ready signal
	4	OPSDI	I	0/3.3 V DC (pulse)	Paper feeder serial communication data signal input
	5	OPSDO	O	0/3.3 V DC (pulse)	Paper feeder serial communication data signal output
	6	+3.3V1	O	3.3 V DC	3.3 V DC power to paper feeder
	7	GND	-	-	Ground
	8	OPSEL0	O	0/3.3 V DC	Paper feeder selection signal
	9	OPSEL1	O	0/3.3 V DC	Paper feeder selection signal
	10	OPSEL2	O	0/3.3 V DC	Paper feeder selection signal
	11	+24V3	O	24 V DC	24 V DC power to paper feeder

Connector	Pin	Signal	I/O	Voltage	Description
YC34 Connected to drum relay PWB	1	TNSENK	I	Analog	TS-M detection voltage
	2	ERASECDR	O	0/24 V DC	CL-C: On/Off
	3	TNSENK	I	Analog	TS-K detection voltage
	4	ERASEMDR	O	0/24 V DC	CL-M: On/Off
	5	DLPTHERM	I	Analog	DEVTH detection voltage
	6	ERASEKDR	O	0/24 V DC	CL-K: On/Off
	7	+3.3V2	O	3.3 V DC	3.3 V DC power to DRRPWB
	8	EECLK	O	0/3.3 V DC (pulse)	EEPROM clock signal
	9	GND	-	-	Ground
	10	EEDATA	I/O	0/3.3 V DC (pulse)	EEPROM data signal
	11	TNSENK	I	Analog	TS-Y detection voltage
	12	ERASEYDR	O	0/24 V DC	CL-Y: On/Off
	13	TNSENK	I	Analog	TS-C detection voltage
YC35 Connected to developing release switch and developing release motor	1	DLPDIRN	I	0/3.3 V DC	DEVRSW: On/Off
	2	GND	-	-	Ground
	3	DLPCMOTA	O	24/0 V DC	DEVCM: Forward/Stop (Reverse)
	4	DLPCMOTB	O	24/0 V DC	DEVCM: Reverse/Stop (Forward)
YC36 Connected to LSU cleaning motor	1	LSUMOTA	O	24/0 V DC	LSUCM: Forward/Stop (Reverse)
	2	LSUMOTB	O	24/0 V DC	LSUCM: Reverse/Stop (Forward)
YC37 Connected to duplex motor	1	STDUBN	O	0/24 V DC (pulse)	DUM drive control signal
	2	STDUAN	O	0/24 V DC (pulse)	DUM drive control signal
	3	STDUB	O	0/24 V DC (pulse)	DUM drive control signal
	4	STDUA	O	0/24 V DC (pulse)	DUM drive control signal
YC38 Connected to fuser pressure release motor	1	PREMOTDRN	O	0/24 V DC	FPRM: On/Off
	2	GND	-	-	Ground
YC40 Connected to fuser fan motor	1	+24V1	O	24 V DC	24 V DC power to FUFM
	2	FUFANDRN	O	0/12/24 V DC	FUFM: Full speed/Half speed/Off

Connector	Pin	Signal	I/O	Voltage	Description
YC42	1	GND	-	-	Ground
Connected to outer temper- ature sensor	2	AIRTEMP	I	Analog	OITEMS detection voltage (temperature)
	3	WETCLK0	O	0/3.3 V DC (pulse)	OITEMS clock signal
	4	WETCLK1	O	0/3.3 V DC (pulse)	OITEMS clock signal
	5	AIRWETOUT	I	Analog	OITEMS detection voltage (humidity)

2-3-3 Main PWB

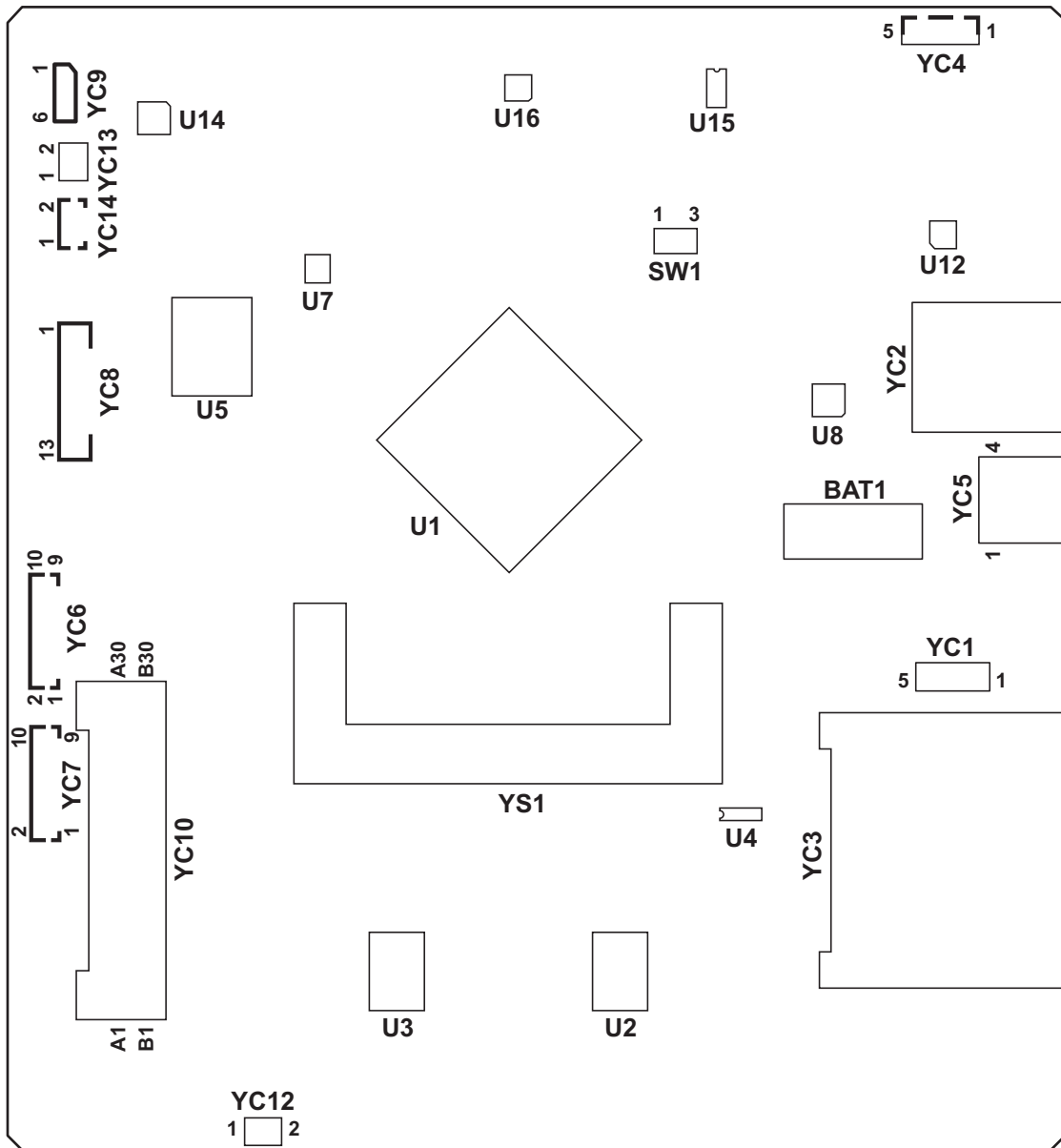


Figure 2-3-3 Main PWB silk-screen diagram

Connector	Pin	Signal	I/O	Voltage	Description
YC2-1 Connected to ethernet	1	CT	O	3.3 V DC	3.3 V DC power output
	2	TD+	O	0/3.3 V DC (pulse)	Transmission data
	3	TD-	O	0/3.3 V DC (pulse)	Transmission data
	4	RD+	I	0/3.3 V DC (pulse)	Received data
	5	RD-	I	0/3.3 V DC (pulse)	Received data
	6	CT	O	3.3 V DC	3.3 V DC power output
	7	CAT PHY	O	0/3.3 V DC	Control signal
	8	ANO PHY	O	3.3 V DC	3.3 V DC power output
	9	CAT MAC	-	-	Ground
	10	ANO MAC	O	0/3.3 V DC	Control signal
YC2-2 Connected to USB	U1	VBUS	O	5 V DC	5 V DC power output
	U2	DATA-	I/O	-	USB data signal
	U3	DATA+	I/O	-	USB data signal
	U4	GND	-	-	Ground
YC4 Connected to USB	1	VBUS	O	5 V DC	5 V DC power output
	2	DATAN	I/O	-	USB data signal
	3	DATAP	I/O	-	USB data signal
	4	GND	-	-	Ground
	5	GND	-	-	Ground
YC5 Connected to USB	1	VBUS	O	5 V DC	5 V DC power output
	2	DATA-	I/O	-	USB data signal
	3	DATA+	I/O	-	USB data signal
	4	GND	-	-	Ground
YC6 Connected to laser scanner unit CY	1	GND	-	-	Ground
	2	+3.3V3	O	3.3 V DC	3.3 V DC power to APCPWB-Y
	3	PDYN	I	0/3.3 V DC (pulse)	Horizontal synchronizing signal
	4	VDOYP	O	LVDS	APCPWB-Y video data signal (+)
	5	VDOYN	O	LVDS	APCPWB-Y video data signal (-)
	6	GND	-	-	Ground
	7	+3.3V3	O	3.3 V DC	3.3 V DC power to APCPWB-C
	8	PDCN	I	0/3.3 V DC (pulse)	Horizontal synchronizing signal
	9	VDOCP	O	LVDS	APCPWB-C video data signal (+)
	10	VDOCN	O	LVDS	APCPWB-C video data signal (-)

Connector	Pin	Signal	I/O	Voltage	Description
YC7 Connected to laser scanner unit KM	1	GND	-	-	Ground
	2	+3.3V3	O	3.3 V DC	3.3 V DC power to APCPWB-M
	3	PDMN	I	0/3.3 V DC (pulse)	Horizontal synchronizing signal
	4	VDOMP	O	LVDS	APCPWB-M video data signal (+)
	5	VDOMN	O	LVDS	APCPWB-M video data signal (-)
	6	GND	-	-	Ground
	7	+3.3V3	O	3.3 V DC	3.3 V DC power to APCPWB-K
	8	PDKN	I	0/3.3 V DC (pulse)	Horizontal synchronizing signal
	9	VDOKP	O	LVDS	APCPWB-K video data signal (+)
	10	VDOKN	O	LVDS	APCPWB-K video data signal (-)
YC8 Connected to relay PWB	1	I2CSDA	I/O	0/3.3 V DC (pulse)	EEPROM data signal
	2	GND	-	-	Ground
	3	I2CSCL	O	0/3.3 V DC (pulse)	EEPROM clock signal
	4	RESETN	O	0/3.3 V DC	Reset signal
	5	SCKN	O	0/3.3 V DC (pulse)	Serial communication clock signal
	6	SO	I	0/3.3 V DC (pulse)	Serial communication data signal input
	7	SI	O	0/3.3 V DC (pulse)	Serial communication data signal output
	8	SDIR	I	0/3.3 V DC	Serial communication direction change signal
	9	SBSY	I	0/3.3 V DC	Serial busy signal
	10	EGIRN	I	0/3.3 V DC	Engine interruption signal
	11	VSYNC	I	0/3.3 V DC (pulse)	Vertical synchronizing signal
	12	+3.3V1	O	3.3 V DC	3.3 V DC power to RYPWB
	13	GND	-	-	Ground
YC9 Connected to operation panel PWB	1	+5V1	-	5 V DC	5 V DC power to OPPWB
	2	FPRSTN	O	0/3.3 V DC	OPPWB reset signal
	3	+3.3V1	O	3.3 V DC	3.3 V DC power to OPPWB
	4	FPTXD	O	0/3.3 V DC (pulse)	OPPWB transmission data
	5	FPRXD	I	0/3.3 V DC (pulse)	OPPWB received data
	6	GND	-	-	Ground

Connector	Pin	Signal	I/O	Voltage	Description
YC10	A1	NC	-	-	Not used
Connected to KUJO slot	B1	NC	-	-	Not used
	A2	NC	-	-	Not used
	B2	NC	-	-	Not used
	A3	GND	-	-	Ground
	B3	3.3V	O	3.3 V DC	3.3 V DC power output
	A4	3.3V	O	3.3 V DC	3.3 V DC power output
	B4	A15	O	0/3.3 V DC (pulse)	Address bus signal
	A5	GND	-	-	Ground
	B5	A14	O	0/3.3 V DC (pulse)	Address bus signal
	A6	A13	O	0/3.3 V DC (pulse)	Address bus signal
	B6	A12	O	0/3.3 V DC (pulse)	Address bus signal
	A7	A11	O	0/3.3 V DC (pulse)	Address bus signal
	B7	A10	O	0/3.3 V DC (pulse)	Address bus signal
	A8	A9	O	0/3.3 V DC (pulse)	Address bus signal
	B8	A8	O	0/3.3 V DC (pulse)	Address bus signal
	A9	GND	-	-	Ground
	B9	A7	O	0/3.3 V DC (pulse)	Address bus signal
	A10	A6	O	0/3.3 V DC (pulse)	Address bus signal
	B10	A5	O	0/3.3 V DC (pulse)	Address bus signal
	A11	A4	O	0/3.3 V DC (pulse)	Address bus signal
	B11	A3	O	0/3.3 V DC (pulse)	Address bus signal
	A12	A2	O	0/3.3 V DC (pulse)	Address bus signal
	B12	A1	O	0/3.3 V DC (pulse)	Address bus signal
	A13	GND	-	-	Ground
	B13	3.3V	O	3.3 V DC	3.3 V DC power output
	A14	OP2IFN	O	0/3.3 V DC	Select signal
	B14	OP2ACKN	I	0/3.3 V DC (pulse)	OP2ACKN signal
	A15	OP2IRN	I	0/3.3 V DC	Interruption signal
	B15	5V	O	5 V DC	5 V DC power output
	A16	RDY	O	0/3.3 V DC	Ready signal
	B16	RXDREQ	I	0/3.3 V DC	Reception DMA request signal
	A17	GND	-	-	Ground
	B17	RXDMACKN	O	0/3.3 V DC (pulse)	Reception DMACK signal
A18	IORN	O	0/3.3 V DC	Read enable signal	
B18	IOWN	O	0/3.3 V DC	Write enable signal	

Connector	Pin	Signal	I/O	Voltage	Description
YC10	A19	RESETN	O	0/3.3 V DC	Reset signal
Connected to KUJO slot	B19	VOLTDETECT	-	-	Ground
	A20	D15	I/O	0/3.3 V DC (pulse)	Data bus signal
	B20	D14	I/O	0/3.3 V DC (pulse)	Data bus signal
	A21	GND	-	-	Ground
	B21	D13	I/O	0/3.3 V DC (pulse)	Data bus signal
	A22	D12	I/O	0/3.3 V DC (pulse)	Data bus signal
	B22	D11	I/O	0/3.3 V DC (pulse)	Data bus signal
	A23	D10	I/O	0/3.3 V DC (pulse)	Data bus signal
	B23	D9	I/O	0/3.3 V DC (pulse)	Data bus signal
	A24	D8	I/O	0/3.3 V DC (pulse)	Data bus signal
	B24	D7	I/O	0/3.3 V DC (pulse)	Data bus signal
	A25	GND	-	-	Ground
	B25	D6	I/O	0/3.3 V DC (pulse)	Data bus signal
	A26	D5	I/O	0/3.3 V DC (pulse)	Data bus signal
	B26	D4	I/O	0/3.3 V DC (pulse)	Data bus signal
	A27	D3	I/O	0/3.3 V DC (pulse)	Data bus signal
	B27	D2	I/O	0/3.3 V DC (pulse)	Data bus signal
	A28	D1	I/O	0/3.3 V DC (pulse)	Data bus signal
	B28	D0	I/O	0/3.3 V DC (pulse)	Data bus signal
	A29	GND	-	-	Ground
B29	NC	-	-	Not used	
A30	NC	-	-	Not used	
B30	NC	-	-	Not used	
YC12	1	+24V1	O	24 V DC	24 V DC power to RFM
Connected to right fan motor	2	RFANDRN	O	0/12/24 V DC	RFM: Full speed/Half speed/Off
YC14	1	+24V1	I	24 V DC	24 V DC power from PSPWB
Connected to power source PWB	2	GND	-	-	Ground

2-3-4 Drum relay PWB



Figure 2-3-4 Drum relay PWB silk-screen diagram

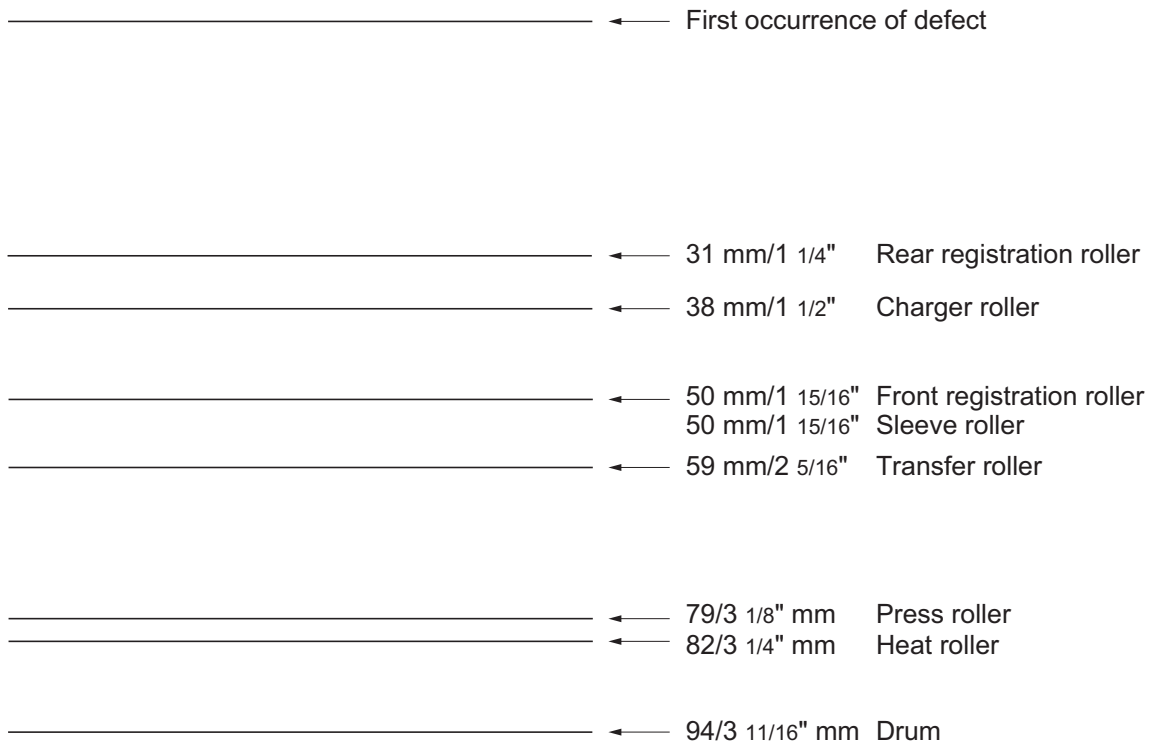
Connector	Pin	Signal	I/O	Voltage	Description
YC1 Connected to engine PWB	1	TNSENK	O	Analog	TS-M detection voltage
	2	ERASECDR	I	0/24 V DC	CL-C: On/Off
	3	TNSENK	O	Analog	TS-K detection voltage
	4	ERASEMDR	I	0/24 V DC	CL-M: On/Off
	5	DLP THERM	O	Analog	DEVTH detection voltage
	6	ERASEKDR	I	0/24 V DC	CL-K: On/Off
	7	+3.3V2	I	3.3 V DC	3.3 V DC power from EPWB
	8	EECLK	I	0/3.3 V DC (pulse)	EEPROM clock signal
	9	GND	-	-	Ground
	10	EEDATA	I/O	0/3.3 V DC (pulse)	EEPROM data signal
	11	TNSENK	O	Analog	TS-Y detection voltage
	12	ERASEYDR	I	0/24 V DC	CL-Y: On/Off
	13	TNSENK	O	Analog	TS-C detection voltage
YC2 Connected to drum PWB K	1	GND	-	-	Ground
	2	EECLK	O	0/3.3 V DC (pulse)	EEPROM clock signal
	3	ERASEKDR	O	0/24 V DC	CL-K: On/Off
	4	EEDATA	I/O	0/3.3 V DC (pulse)	EEPROM data signal
	5	N.C.	-	-	Not used
	6	+3.3V2	O	3.3 V DC	3.3 V DC power to DRPWB-K
	7	DA0	-	-	Not used
	8	DA1	-	-	Not used
YC3 Connected to drum PWB M	1	GND	-	-	Ground
	2	EECLK	O	0/3.3 V DC (pulse)	EEPROM clock signal
	3	ERASEMDR	O	0/24 V DC	CL-M: On/Off
	4	EEDATA	I/O	0/3.3 V DC (pulse)	EEPROM data signal
	5	N.C.	-	-	Not used
	6	+3.3V2	O	3.3 V DC	3.3 V DC power to DRPWB-M
	7	DA0	-	-	Ground
	8	DA1	-	-	Not used
YC4 Connected to drum PWB C	1	GND	-	-	Ground
	2	EECLK	O	0/3.3 V DC (pulse)	EEPROM clock signal
	3	ERASECDR	O	0/24 V DC	CL-C: On/Off
	4	EEDATA	I/O	0/3.3 V DC (pulse)	EEPROM data signal
	5	N.C.	-	-	Not used
	6	+3.3V2	O	3.3 V DC	3.3 V DC power to DRPWB-C
	7	DA0	-	-	Not used
	8	DA1	-	-	Ground

Connector	Pin	Signal	I/O	Voltage	Description
YC5 Connected to drum PWB Y	1	GND	-	-	Ground
	2	EECLK	O	0/3.3 V DC (pulse)	EEPROM clock signal
	3	ERASEYDR	O	0/24 V DC	CL-Y: On/Off
	4	EEDATA	I/O	0/3.3 V DC (pulse)	EEPROM data signal
	5	N.C.	-	-	Not used
	6	+3.3V2	O	3.3 V DC	3.3 V DC power to DRPWB-Y
	7	DA0	-	-	Ground
	8	DA1	-	-	Ground
YC6 Connected to developing PWB K	1	GND	-	-	Ground
	2	TNSENK	I	Analog	TS-K detection voltage
	3	+3.3V2	O	3.3 V DC	3.3 V DC power to DEVPWB-K
	4	DLPTHERM	I	Analog	DEVTH detection voltage
YC7 Connected to developing PWB M	1	GND	-	-	Ground
	2	TNSEN M	I	Analog	TS-M detection voltage
	3	+3.3V2	O	3.3 V DC	3.3 V DC power to DEVPWB-M
	4	N.C.	-	-	Not used
YC8 Connected to developing PWB C	1	GND	-	-	Ground
	2	TNSEN C	I	Analog	TS-C detection voltage
	3	+3.3V2	O	3.3 V DC	3.3 V DC power to DEVPWB-C
	4	N.C.	-	-	Not used
YC9 Connected to developing PWB Y	1	GND	-	-	Ground
	2	TNSEN Y	I	Analog	TS-Y detection voltage
	3	+3.3V2	O	3.3 V DC	3.3 V DC power to DEVPWB-Y
	4	N.C.	-	-	Not used

2-4-1 Appendixes

(1) Maintenance kits (26/28 ppm model only)

Maintenance part name		Parts No.	Alternative part No.
Name used in service	Name used in parts list		
MK-592/Maintenance kit	MK-592/MAINTENANCE KIT	1702KV7US0	072KV7US
Developing unit K	DV-560 US (K)	-	-
Developing unit M	DV-560 US (M)	-	-
Developing unit C	DV-560 US (C)	-	-
Developing unit Y	DV-560 US (Y)	-	-
Drum unit	DK-590	-	-
Intermediate transfere unit	TR-590	-	-
Fuser unit	FK-590(U)	-	-
Retard roller unit	PARTS HOLDER RETARD ASSY SP	-	-
Paper feed roller unit	PARTS HOLDER FEED ASSY SP	-	-
MP paper feed roller	ROLLER M/P ASSY	-	-
MK-590/Maintenance kit	MK-590/MAINTENANCE KIT	1702KV8NLO	072KV8NL
Developing unit K	DV-560(K)	-	-
Developing unit M	DV-560(M)	-	-
Developing unit C	DV-560(C)	-	-
Developing unit Y	DV-560(Y)	-	-
Drum unit	DK-590	-	-
Intermediate transfer unit	TR-590	-	-
Fuser unit	FK-590(E)	-	-
Retard roller unit	PARTS HOLDER RETARD ASSY SP	-	-
Paper feed roller unit	PARTS HOLDER FEED ASSY SP	-	-
MP paper feed roller	ROLLER M/P ASSY	-	-

(2) Repetitive defects gauge

(3) Firmware environment commands

The printer maintains a number of printing parameters in its memory. These parameters may be changed permanently with the FRPO (Firmware RePrOgram) commands.

This section provides information on how to use the FRPO command and its parameters using examples.

Using FRPO commands for reprogramming firmware

The current settings of the FRPO parameters are listed as optional values on the service status page.

Note: Before changing any FRPO parameter, print out a service status page, so you will know the parameter values before the changes are made. To return FRPO parameters to their factory default values, send the FRPO INIT (FRPO-INITialize) command.(!R! FRPO INIT; EXIT;)

The FRPO command is sent to the printer in the following sequence:

!R! FRPO parameter, value; EXIT;

Example: Changing emulation mode to PCL6

!R! FRPO P1, 6; EXIT;

FRPO parameters

Item	FRPO	Setting values	Factory setting
Default pattern resolution	B8	0: 300 dpi 1: 600 dpi	0
Page orientation	C1	0: Portrait 1: Landscape	0
Default font No. *	C2 C3 C5	Middle two digits of power-up font Last two digits of power-up font First two digits of power-up font	0 0 0
PCL font switch	C8	0: HP compatibility mode 32: Conventional compatibility mode	0
Total host buffer size	H8	0 to 99 in units of the size defined by FRPO S5	5
Form feed time-out value	H9	Value in units of 5 seconds (1 to 99)	6
Top margin	L1 L2	Top margin (integer value) Top margin (decimal value)	0 50
Left margin	L3 L4	Left margin (integer value) Left margin (decimal value)	0 50
Page length	L5 L6	Page length (integer value) Page length (decimal value)	10 61
Page width	L7 L8	Page width (integer value) Page width (decimal value)	8 11
Duplex mode	N4	0: Off 1: Long edge binding 2: Short edge binding	0
Sleep timer time-out time	N5	Value in units of 1 minute (1 to 240)	15
Ecoprint level	N6	0: Off 2: On	0

Item	FRPO	Setting values	Factory setting
Default emulation mode	P1	6: PCL 6 9: KPDL	120V: 9 220-240V: 6
Carriage-return action	P2	0: Ignores 1: Carriage-return 2: Carriage-return + linefeed	1
Linefeed action	P3	0: Ignores 1: Linefeed 2: Linefeed + carriage-return	1
Automatic emulation switching	P4	0: AES disabled 1: AES enabled	120V: 1 220-240V: 0
Automatic emulation switching trigger	P7	0: Page eject commands 1: None 2: Page eject and prescribe EXIT commands 3: Prescribe EXIT commands 4: Formfeed (^L) commands 6: Prescribe EXIT and formfeed commands 10: Page eject commands; if AES fails, resolves to KPDL	120V: 11 220-240V: 10
Command recognition character	P9	ASCII code of 33 to 126	82 (R)
Default paper size	R2	0: Size of the default paper cassette (See R4.) 1: Envelope Monarch 2: Envelope #10 3: Envelope DL 4: Envelope C5 5: Executive 6: Letter 7: Legal 8: ISO A4 9: JIS B5 13: ISO A5 14: ISO A6 15: JIS B6 16: Envelope #9 17: Envelope #6-3/4 18: ISO B5 19: Custom 31: Postcard 32: Reply-paid postcard 33: Oficio II 40: 16K 50: Statement 51: Folio 52: Youkei 2 53: Youkei 4	0

Item	FRPO	Setting values	Factory setting
Default cassette	R4	0: MP tray 1: Cassette 1 2: Cassette 2 3: Cassette 3 4: Cassette 4	1
MP tray paper size	R7	0: Maximum paper size Same as the R2 values except: 0	120V: 6 220-240V: 8
A4/letter equation	S4	0: Off 1: On	1
Host buffer size	S5	0: 10 KB 1: 100 KB 2: 1024 KB	1
RAM disk capacity	S6	0 to 1024 MB	400
RAM disk	S7	0: Disabled 1: Enabled	0
Wide A4	T6	0: Off 1: On	0
Line spacing *	U0	Lines per inch (integer value)	6
	U1	Lines per inch (decimal value)	0
Character spacing *	U2	Characters per inch (integer value)	10
	U3	Characters per inch (decimal value)	0
Country code	U6	0: US-ASCII 1: France 2: Germany 3: UK 4: Denmark 5: Sweden 6: Italy 7: Spain 8: Japan 9: US Legal 10: IBM PC-850 (Multilingual) 11: IBM PC-860 (Portuguese) 12: IBM PC-863 (Canadian French) 13: IBM PC-865 (Norwegian) 14: Norway 15: Denmark 2 16: Spain 2 17: Latin America 50 - 99: HP PCL symbol set coding	41
Code set at power up in daisywheel emulation	U7	0: Same as the default emulation mode (P1) 1: IBM 6: IBM PC-8 7 - 99: HP PCL symbol set coding	53
Font pitch for fixedpitch scalable font *	U8	Default font pitch (integer value)	10
	U9	Default font pitch (decimal value)	0

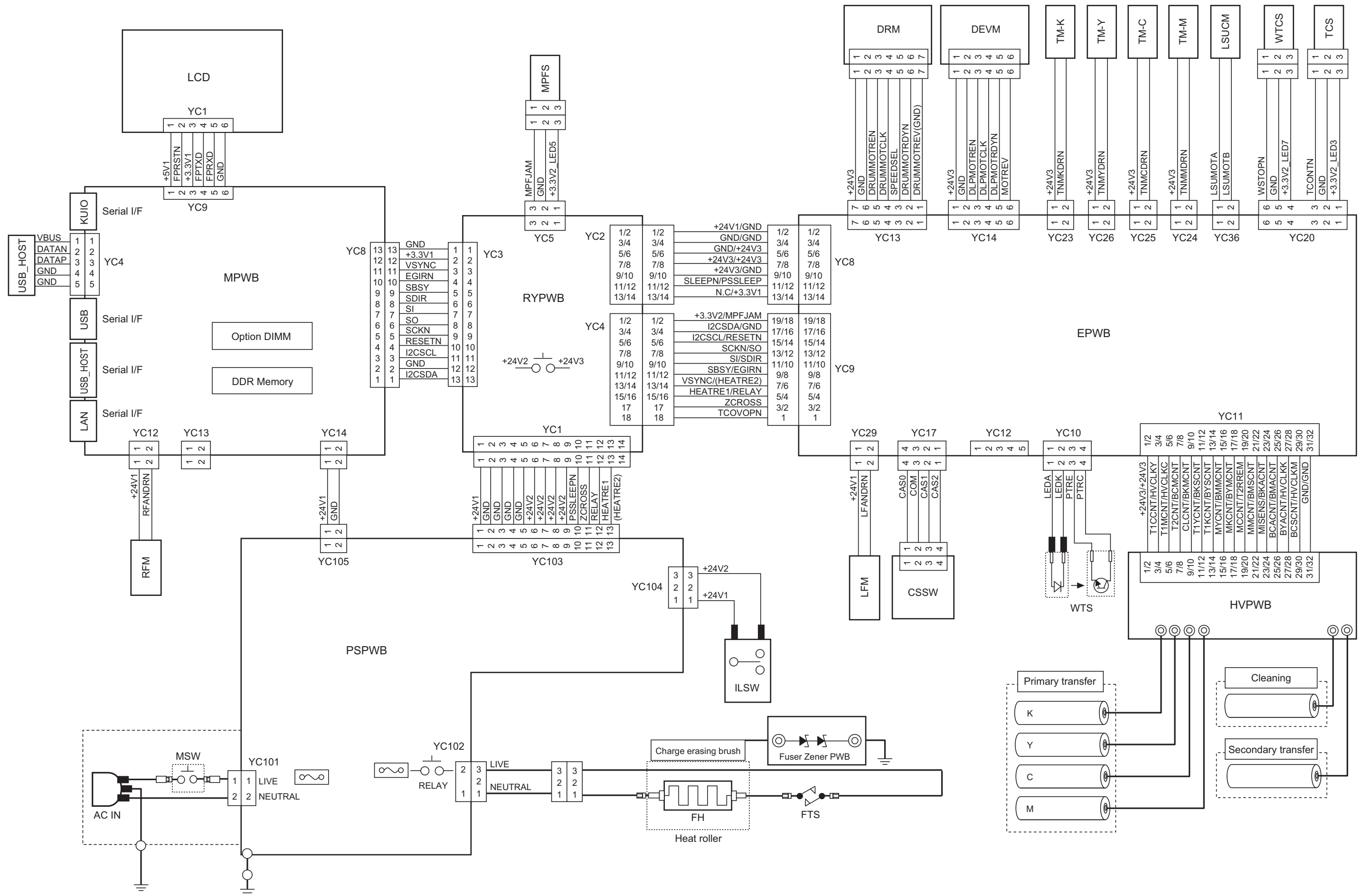
Item	FRPO	Setting values	Factory setting
Font height for the default scalable font *	V0	Integer value in 100 points: 0 to 9	0
	V1	Integer value in points: 0 to 99	12
	V2	decimal value in 1/100 points: 0, 25, 50, 75	0
Default scalable font *	V3	Name of typeface of up to 32 characters, enclosed with single or double quotation marks	Courier
Default weight (courier and letter Gothic)	V9	0: Courier = darkness Letter Gothic = darkness 1: Courier = regular Letter Gothic = darkness 4: Courier = darkness Letter Gothic = regular 5: Courier = regular Letter Gothic = regular	5
Color mode	W1	0: Black & white 1: Color	1
Gloss mode	W6	0: Low (normal) 1: High	0
Paper type for the MP tray	X0	1: Plain 2: Transparency 3: Preprinted 4: Label 5: Bond 6: Recycle 7: Vellum 9: Letterhead 10: Color 11: Prepunched 12: Envelope 13: Cardstock 14: Coated 16: Thick 17: High quality 21 to 28: Custom1 to 8	1
Paper type for cassettes 1	X1	1: Plain 3: Preprinted 5: Bond 6: Recycled 7: Vellum 9: Letterhead 10: Color 11: Prepunched 16: Thick 17: High quality 21 to 28: Custom1 to 8	1

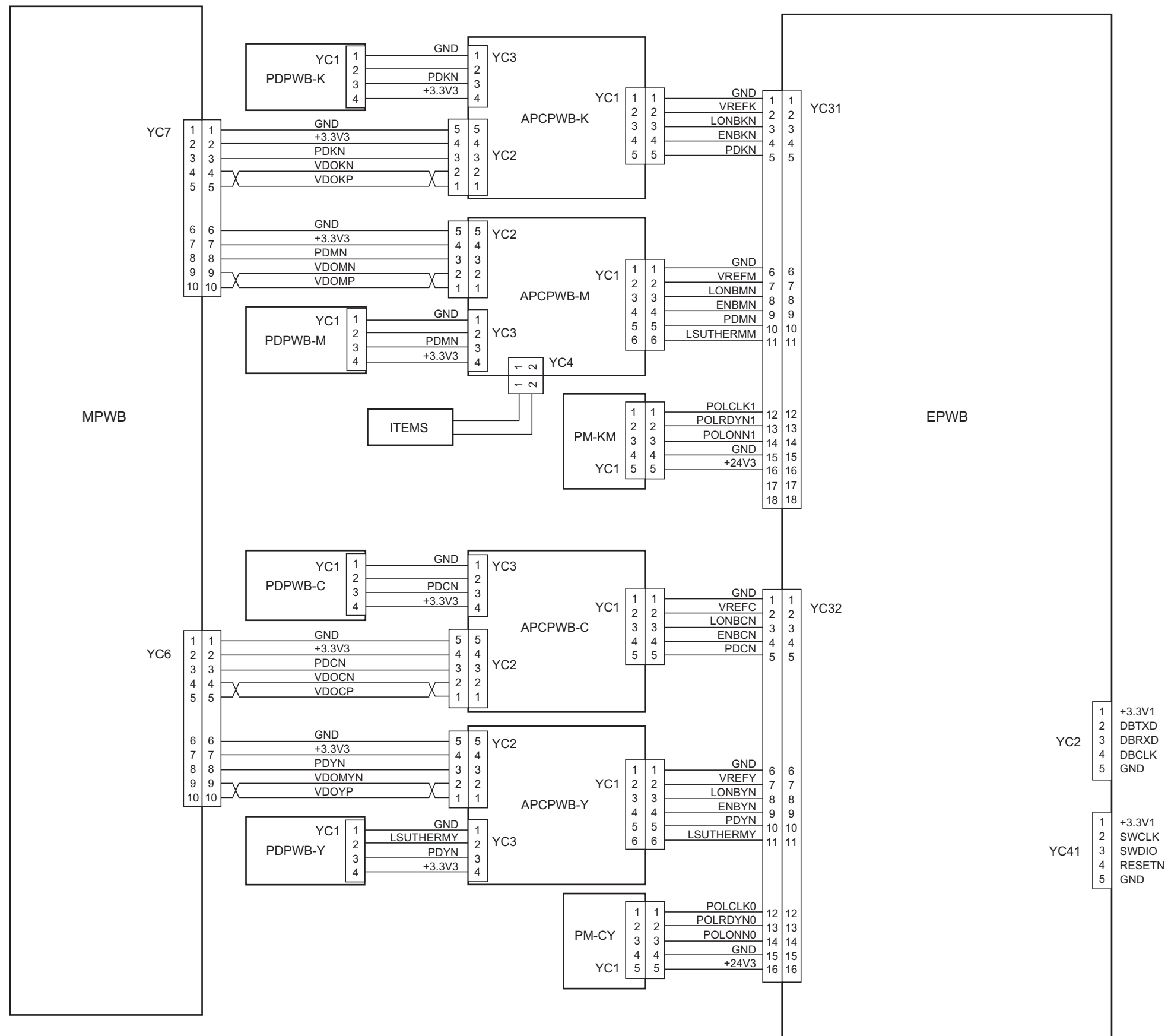
Item	FRPO	Setting values	Factory setting
Paper type for cassettes 2 to 4	X2	Paper feeder (Normal)	1
	X3	1: Plain	
	X4	3: Preprinted 5: Bond 6: Recycled 9: Letterhead 10: Color 11: Prepunched 17: High quality 21 to 28: Custom1 to 8	
		Multi purpose feeder 1: Plain 3: Preprinted 4: Label 5: Bond 6: Recycle 7: Vellum 9: Letterhead 10: Color 11: Prepunched 12: Envelope 13: Cardstock 14: Coated 16: Thick 17: High quality 21 to 28: Custom1 to 8	
PCL paper source	X9	0: Performs paper selection depending on media type. 1: Performs paper selection depending on paper sources.	0
Automatic continue for 'Press GO'	Y0	0: Off 1: On	0
Automatic continue timer	Y1	Value in units of 5 seconds (1 to 99)	6 (30 s)
Error message for device error	Y3	0: Not detect 33: Detect	0
Duplex operation for specified paper type (Prepunched, Preprinted and Letterhead)	Y4	0: Off 1: On	0

Item	FRPO	Setting values	Factory setting
Default operation for PDF direct printing	Y5	0: Enlarges or reduces the image to fit in the current paper size. Loads paper from the current paper cassette. 1: Through the image. Loads paper which is the same size as the image. 2: Enlarges or reduces the image to fit in the current paper size. Loads Letter, A4 size paper depending on the image size. 3: Through the image. Loads Letter, A4 size paper depending on the image size. 8: Through the image. Loads paper from the current paper cassette. 9: Through the image. Loads Letter, A4 size paper depending on the image size. 10: Enlarges or reduces the image to fit in the current paper size. Loads Letter, A4 size paper depending on the imagesize.	0
e-MPS error	Y6	0: Does not print the error report and display the error message. 1: Prints the error report. 2: Displays the error message. 3: Prints the error report and displays the error message.	3

*: Ignored in some emulation modes.

(4) Wiring diagram





KYOCERA MITA EUROPE B.V.

Bloemlaan 4, 2132 NP Hoofddorp,
The Netherlands
Phone: +31.20.654.0000
Home page: <http://www.kyoceramita-europe.com>
Email: info@kyoceramita-europe.com

KYOCERA MITA NEDERLAND B.V.
Beechavenue 25, 1119RA Schiphol-Rijk
The Netherlands
Phone: +31.20.58.77.200

KYOCERA MITA (UK) LTD
8 Beacontree Plaza
Gillette Way Reading Berks RG2 OBS,
U.K.
Phone: +44.1189.311.500

KYOCERA MITA ITALIA S.p.A.
Via G. Verdi, 89 / 91, 20063 Cernusco s/N
Milano, Italy
Phone: +39.02.92179.1

S.A. KYOCERA MITA BELGIUM N.V.
Sint-Martinusweg 199-201, 1930 Zaventem,
Belgium
Phone: +32.2.720.9270

KYOCERA MITA FRANCE S.A.
Espace Technologique de St Aubin
Route de l' Orme
91195 Gif-sur-Yvette CEDEX, France
Phone: +33.1.6985.2600

KYOCERA MITA ESPAÑA S.A.
Edificio Kyocera, Avda de Manacor No. 2,
28290 Las Matas (Madrid),
Spain
Phone: +34.91.631.8392

KYOCERA MITA FINLAND OY
Atomitie 5C, 00370 Helsinki,
Finland
Phone: +358.9.4780.5200

KYOCERA MITA (SCHWEIZ)
Hohlstrasse 614, 8048 Zürich
Switzerland
Phone: +41.44.908.4949

KYOCERA MITA DEUTSCHLAND GMBH
Otto-Hahn-Str. 12 D-40670 Meerbusch,
Germany
Phone: +49.2159.918.0

KYOCERA MITA GMBH AUSTRIA
Eduard-Kittenberger-Gasse 95,
1230 Wien,
Austria
Phone: +43.1.86338

KYOCERA MITA SVENSKA AB
Esbogatan 16B 164 75 Kista,
Sweden
Phone: +46.8.546.55000

KYOCERA MITA NORGE
Postboks 150 Oppsal, NO 0619 Oslo
Olaf Helsetsvvei 6, NO 0694 Oslo,
Norway
Phone: +47.22.62.73.00

KYOCERA MITA DANMARK A/S
Ejby Industrivej 1, DK-2600 Glostrup,
Denmark
Phone: +45.7022.3880

KYOCERA MITA PORTUGAL LDA.
Rua do Centro Cultural, 41 (Alvalade) 1700-106 Lisboa,
Portugal
Phone: +351.21.843.6780

KYOCERA MITA SOUTH AFRICA (PTY) LTD.
49 Kyalami Boulevard,
Kyalami Business Park Midrand,
South Africa
Phone: +27.(0)11.540.2600

KYOCERA MITA AMERICA, INC.

Headquarters:
225 Sand Road,
Fairfield, New Jersey 07004-0008,
U.S.A.
Phone: (973) 808-8444

KYOCERA MITA AUSTRALIA PTY. LTD.
Level 3, 6-10 Talavera Road, North Ryde,
N.S.W. 2113 Australia
Phone: (02) 9888-9999

KYOCERA MITA NEW ZEALAND LTD.
1-3 Parkhead Place, Albany
P.O. Box 302 125 NHPC, Auckland,
New Zealand
Phone: (09) 415-4517

KYOCERA MITA (THAILAND) CORP., LTD.
335 Ratchadapisek Road, Bangsue,
Bangkok, 10800, Thailand
Phone: (02) 586-0333

KYOCERA MITA SINGAPORE PTE LTD.
121 Genting Lane, 3rd Level,
Singapore 349572
Phone: 67418733


KYOCERA MITA HONG KONG LIMITED
16/F., Mita Centre,
552-566, Castle Peak Road,
Tsuen Wan, New Territories,
Hong Kong
Phone: 24297422

KYOCERA MITA TAIWAN Corporation.
6F., No.37, Sec. 3, Minquan E. Rd.,
Zhongshan Dist., Taipei 104, Taiwan R.O.C.
Phone: (02) 25076709

KYOCERA MITA Corporation

2-28, 1-chome, Tamatsukuri, Chuo-ku
Osaka 540-8585, Japan
Phone: (06) 6764-3555
<http://www.kyoceramita.com>

©2010 KYOCERA MITA Corporation

 is a trademark of Kyocera Corporation

Printed in Holland

WWW.SERVICE-MANUAL.NET

KYOCERA MITA AMERICA, INC.

Headquarters:

225 Sand Road,
Fairfield, New Jersey 07004-0008
TEL : (973) 808-8444
FAX : (973) 882-6000

New York Branch:

1410 Broadway 23rd floor
New York, NY 10018
TEL : (917) 286-5400
FAX : (917) 286-5402

Northeastern Region:

225 Sand Road,
Fairfield, New Jersey 07004-0008
TEL : (973) 808-8444
FAX : (973) 882-4401

Midwestern Region:

201 Hansen Court Suite 119
Wood Dale, Illinois 60191
TEL : (630) 238-9982
FAX : (630) 238-9487

Western Region:

14101 Alton Parkway,
Irvine, California 92618-7006
TEL : (949) 457-9000
FAX : (949) 457-9119

Southeastern Region:

1500 Oakbrook Drive,
Norcross, Georgia 30093
TEL : (770) 729-9786
FAX : (770) 729-9873

Southwestern Region:

2825 West Story Road,
Irving, Texas 75038-5299
TEL : (972) 550-8987
FAX : (972) 252-9786

National Operation Center & National Training Center:

2825 West Story Road,
Irving, Texas 75038-5299
TEL : (972) 659-0055
FAX : (972) 570-5816

Latin America Division:

8240 N.W. 52nd. Terrace Dawson Building,
Suite 108 Miami, Florida 33166
TEL : (305) 421-6640
FAX : (305) 421-6666

KYOCERA MITA CANADA, LTD.

6120 Kestrel Road, Mississauga,
Ontario L5T 1S8, Canada
TEL : (905) 670-4425
FAX : (905) 670-8116

KYOCERA MITA MEXICO, S.A. DE C.V.

Av. 16 de Septiembre #407
Col. Santa Inés,
Azcapotzalco México,
D.F. 02130, México
TEL : (55) 5383-2741
FAX : (55) 5383-7804

©2010 KYOCERA MITA Corporation

<http://www.kyoceramita.com>

 **KYOCERA** is a trademark of Kyocera Corporation

Printed in U.S.A.