



ECOSYS FS-2100D
ECOSYS FS-2100DN
ECOSYS FS-4100DN
ECOSYS FS-4200DN
ECOSYS FS-4300DN

PARTS LIST

Published in April 2017
2LVPL076
Rev.6

ECOSYS LS-2100DN
ECOSYS LS-4200DN
ECOSYS LS-4300DN

パーツリスト

2017年4月 改訂版
2LVPL016
Rev.6

CONTENTS / 目次

FIG. 1	Covers	2
FIG. 2	Frames	5
FIG. 3	Paper Cassette	8
FIG. 4	Paper Feed Section	10
FIG. 5	Image Formation Section	13
FIG. 6	Developer Section	15
FIG. 7	Fuser Section	17
FIG. 8	Exit Section	19
FIG. 9	Drive Section	21
FIG. 10	PT-320	23
FIG. 11	Maintenance Kits(40ppm(A4),42ppm(Letter)(B)/ 40ppm(A4),42ppm(Letter)(A),40ppm).....	25
FIG. 11	Maintenance Kits(45ppm(A4),47ppm(Letter)/ 50ppm(A4),52ppm(Letter)/60ppm(A4),62ppm(Let- ter),50ppm/60ppm).....	26
	• INDEX / 索引	27

Symbols in the “parts Number” cloumn.

- Parts with Ref.No. indicate maintenance parts and the ones without it indicate out of the above.
- Parts with "•" are component parts or sub-assemblies of the assembly appearing immediately above them.
- Parts with "••" are component parts or sub-assembly with "•" appearing immediately above them.

<Notation of products>

For the purpose of this parts list, products are identified as following.

FS-2100D : 40ppm(A4),42ppm(Letter) (B)

FS-2100DN : 40ppm(A4),42ppm(Letter) (A)

FS-4100DN : 45ppm(A4),47ppm(Letter)

FS-4200DN : 50ppm(A4),52ppm(Letter)

FS-4300DN : 60ppm(A4),62ppm(Letter)

記号の見方

番号がある部品は保守対象部品、番号がない部品は保守部品対象外です。
商品番号欄の•印は、○○組立の単品部品及び準組立部品を表わします。
商品番号欄の••印は、準組立部品の単品部品を表わします。

<本体機種区別表記>

パーツリスト中の本体機種区別は、以下の様に記載します。

FS-2100DN : 40ppm

FS-4200DN : 50ppm

FS-4300DN : 60ppm

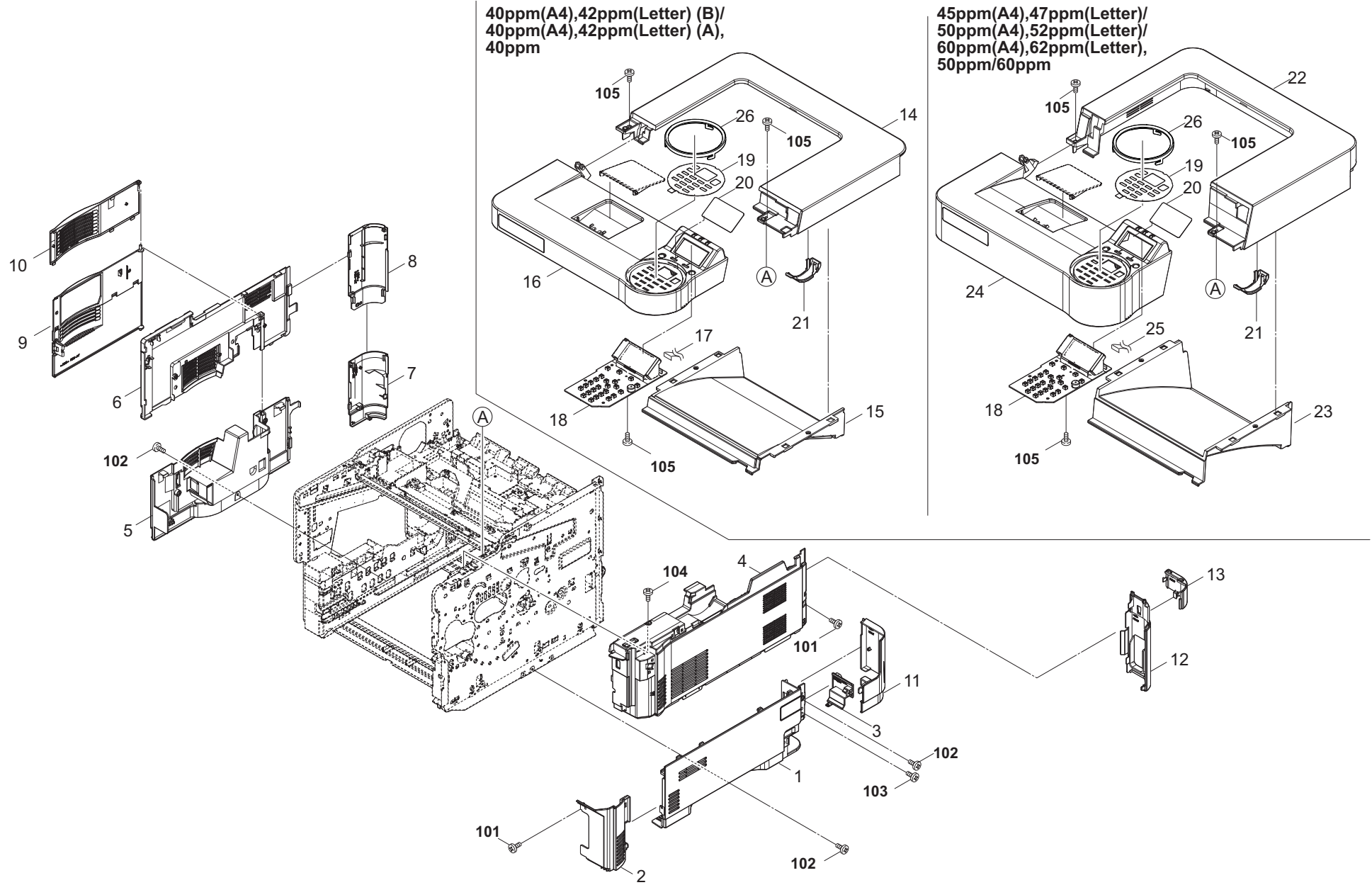


FIG. 1 Covers

2L1/2L2/2LV/2MS/2MT-6

Ref. No. 番号	Part.No. 部品番号	Alternative. 代替部品番号	Description 部品名称	Notes 備考	Revision 改訂	Quantity 個数			
						100(日本)	120	230	240
1	302LV94500	2LV94500	PARTS COVER RIGHT LOW ASSY SP		6:Part No-chg.	1	1	1	1
2	302LV04080	2LV04080	COVER RIGHT FRONT			1	1	1	1
3	302LV04270	2LV04270	COVER RIGHT REAR			1	1	1	1
4	302LV94290	2LV94290	PARTS COVER RIGHT UP ASSY SP			1	1	1	1
5	302LV04050	2LV04050	COVER LEFT LOW			1	1	1	1
6	302LV04040	2LV04040	COVER LEFT UP			1	1	1	1
7	302LV04260	2LV04260	COVER LEFT LOW REAR			1	1	1	1
8	302LV04250	2LV04250	COVER LEFT UP REAR			1	1	1	1
9	302LV04190	2LV04190	COVER SIDE LOW			1	1	1	1
10	302LV04170	2LV04170	COVER SIDE UP			1	1	1	1
11	302LV04150	2LV04150	COVER CONT LOW			1	1	1	1
12	302LV04140	2LV04140	COVER CONT MIDDLE			1	1	1	1
13	302LV04130	2LV04130	COVER CONT UP			1	1	1	1
14	302L294010	2L294010	PARTS COVER TOP ASSY	40ppm(A4),42ppm(Letter)(B)/40ppm(A4),42ppm(Letter)(A),40ppm		1	1	1	1
15	302L294110	2L294110	PARTS TRAY TOP ASSY SP	40ppm(A4),42ppm(Letter)(B)/40ppm(A4),42ppm(Letter)(A),40ppm		1	1	1	1
16	302L294020	2L294020	PARTS LID TOP ASSY SP	40ppm(A4),42ppm(Letter)(B)			1	1	1
16	302MS94010	2MS94010	PARTS LID TOP ASSY SP	40ppm(A4),42ppm(Letter)(A)			1	1	1
16	302MS94020	2MS94020	PARTS LID TOP ASSY J SP	40ppm		1			
17	302L246080	2L246080	CONN.CORD ASSY S03781	40ppm(A4),42ppm(Letter)(B)/40ppm(A4),42ppm(Letter)(A),40ppm		1	1	1	1
18	302LV94051	2LV94051	PARTS PWB ASSY PANEL SP		6:Design-chg.	1	1	1	1
19	302LV05140	2LV05140	SHEET OPE E				1	1	1
19	302LV05150	2LV05150	SHEET OPE GER					1	
19	302LV05160	2LV05160	SHEET OPE FRA				1	1	
19	302LV05170	2LV05170	SHEET OPE ITA					1	
19	302LV05180	2LV05180	SHEET OPE SPA				1	1	
19	302LV05190	2LV05190	SHEET OPE POR				1	1	
19	302LV05200	2LV05200	SHEET OPE DUT					1	
19	302LV05210	2LV05210	SHEET OPE RUS					1	
19	302LV05240	2LV05240	SHEET OPE J			1			
20	302LV04290	2LV04290	PANEL LCD				1	1	1
20	302LV04320	2LV04320	PANEL LCD J			1			
21	302LV04280	2LV04280	COVER CABLE			1	1	1	1
22	302LV94010	2LV94010	PARTS COVER TOP ASSY SP	45ppm(A4),47ppm(Letter)/50ppm(A4),52ppm(Letter)/60ppm(A4),62ppm(Letter)			1	1	1
22	302LV94010	2LV94010	PARTS COVER TOP ASSY SP	50ppm/60ppm		1			
23	302LV94280	2LV94280	PARTS TRAY TOP ASSY SP	45ppm(A4),47ppm(Letter)/50ppm(A4),52ppm(Letter)/60ppm(A4),62ppm(Letter)			1	1	1
23	302LV94280	2LV94280	PARTS TRAY TOP ASSY SP	50ppm/60ppm		1			
24	302LV94020	2LV94020	PARTS LID TOP ASSY SP	60ppm(A4),62ppm(Letter)			1	1	1
24	302L194010	2L194010	PARTS LID TOP ASSY SP	50ppm(A4),52ppm(Letter)			1	1	1
24	302MT94010	2MT94010	PARTS LID TOP ASSY SP	45ppm(A4),47ppm(Letter)			1	1	1
24	302LV94030	2LV94030	PARTS LID TOP ASSY J SP	60ppm		1			
24	302L194020	2L194020	PARTS LID TOP ASSY J SP	50ppm		1			
25	302LV46300	2LV46300	CONN.CORD ASSY S03682	45ppm(A4),47ppm(Letter)/50ppm(A4),52ppm(Letter)/60ppm(A4),62ppm(Letter),50ppm/60ppm		1	1	1	1
26	3V2LV05080	2LV05080	RING KEY		6:Add	1	1	1	1

• Parts with a Ref.No. of 500 and above in the illustration indicate they are not selected for service parts.

• イラスト中で 500 番台の Ref 番号が付いている部品はサービスパーツに選定されていません。

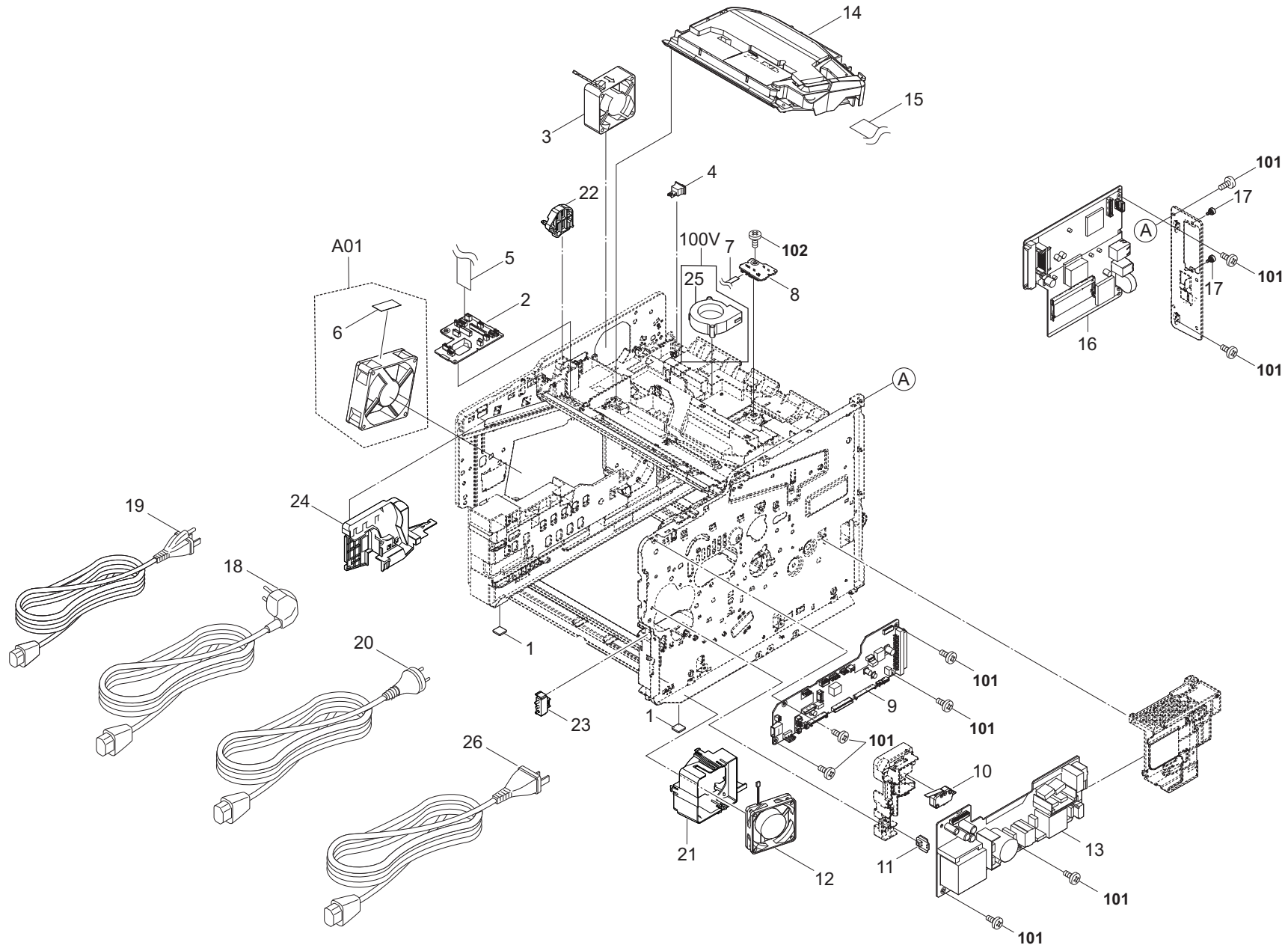


FIG. 2 Frames

2L1/2L2/2LV/2MS/2MT-6

Ref. No. 番号	Part.No. 部品番号	Alternative. 代替部品番号	Description 部品名称	Notes 備考	Revision 改訂	Quantity 個数			
						100 (日本)	120	230	240
1	302HN02611	2HN02611	FOOT			2	2	2	2
2	302LV94192	2LV94192	PARTS PWB ASSY CONNECT-L SP	45ppm(A4),47ppm(Letter)/50ppm(A4),52ppm(Letter)/60ppm(A4),62ppm(Letter),50ppm/60ppm	6:Design-chg.	1	1	1	1
2	302L294092	2L294092	PARTS PWB ASSY CONNECT-L SP	40ppm(A4),42ppm(Letter)(B)/40ppm(A4),42ppm(Letter)(A),40ppm	6:Design-chg.	1	1	1	1
3	302GR44080	2GR44080	FAN LSU 60-25			1	1	1	1
4	7SP01000006+H01	SP121020	SW.PUSH	45ppm(A4),47ppm(Letter)/50ppm(A4),52ppm(Letter)/60ppm(A4),62ppm(Letter),50ppm/60ppm		1	1	1	1
5	302LV46140	2LV46140	CONN.CORD ASSY S03666	45ppm(A4),47ppm(Letter)/50ppm(A4),52ppm(Letter)/60ppm(A4),62ppm(Letter),50ppm/60ppm		1	1	1	1
5	302L246060	2L246060	CONN.CORD ASSY S03720	40ppm(A4),42ppm(Letter)(B)/40ppm(A4),42ppm(Letter)(A),40ppm		1	1	1	1
A01	302LV94430	2LV94430	PARTS FAN MOTOR ASSY SP			1	1	1	1
6	302LV02610	2LV02610	SHEET FAN L			1	1	1	1
7	302LV46420	2LV46420	CONN.CORD ASSY S03737			1	1	1	1
8	302LV94220	2LV94220	PARTS PWB ASSY TH CONNECT SP			1	1	1	1
9	302LV94112	2LV94112	PARTS PWB ASSY ENGINE SP	60ppm(A4),62ppm(Letter),60ppm	6:Design-chg.	1	1	1	1
9	302L194032	2L194032	PARTS PWB ASSY ENGINE SP	50ppm(A4),52ppm(Letter),50ppm	6:Design-chg.	1	1	1	1
9	302MT94022	2MT94022	PARTS PWB ASSY ENGINE SP	45ppm(A4),47ppm(Letter)	6:Design-chg.		1	1	1
9	302L294081	2L294081	PARTS PWB ASSY ENGINE SP	40ppm(A4),42ppm(Letter)(B)			1	1	1
9	302MS94031	2MS94031	PARTS PWB ASSY ENGINE SP	40ppm(A4),42ppm(Letter)(A),40ppm		1	1	1	1
10	2FB27160	2FB27160	INTER LOCK SWITCH			1	1	1	1
11	302LV94210	2LV94210	PARTS PWB ASSY SWITCH SP			1	1	1	1
12	302FZ94420	2FZ94420	PARTS.FAN COOLING CONVEYING SP			1	1	1	1
13	302LV94071	2LV94071	PARTS SWITCHING REGULATOR 230V SP	45ppm(A4),47ppm(Letter)/50ppm(A4),52ppm(Letter)/60ppm(A4),62ppm(Letter)	6:Design-chg.			1	1
13	302LV94081	2LV94081	PARTS SWITCHING REGULATOR 120V SP	45ppm(A4),47ppm(Letter)/50ppm(A4),52ppm(Letter)/60ppm(A4),62ppm(Letter),50ppm/60ppm	6:Design-chg.	1	1		
13	302L294040	2L294040	PARTS SWITCHING REGULATOR 230V SP	40ppm(A4),42ppm(Letter)(B)/40ppm(A4),42ppm(Letter)(A)				1	1
13	302L294051	2L294051	PARTS SWITCHING REGULATOR 120V SP	40ppm(A4),42ppm(Letter)(B)/40ppm(A4),42ppm(Letter)(A),40ppm	6:Design-chg.	1	1		
14	302LV93090	2LV93090	LK-3130	60ppm(A4),62ppm(Letter),60ppm		1	1	1	1
14	302MS93060	2MS93060	LK-3100	40ppm(A4),42ppm(Letter)(B)/40ppm(A4),42ppm(Letter)(A)/45ppm(A4),47ppm(Letter)/50ppm(A4),52ppm(Letter),40ppm/50ppm		1	1	1	1
15	302T646120	2T646120	CONN.CORD ASSY FFC APC		6:Part No-chg.	1	1	1	1
16	302LV94101	2LV94101	PARTS PWB ASSY MAIN SP EU	40ppm(A4),42ppm(Letter)(A)/45ppm(A4),47ppm(Letter)/50ppm(A4),52ppm(Letter)/60ppm(A4),62ppm(Letter)				1	
16	302LV94093	2LV94093	PARTS PWB ASSY MAIN SP	40ppm(A4),42ppm(Letter)(A)/45ppm(A4),47ppm(Letter)/50ppm(A4),52ppm(Letter)/60ppm(A4),62ppm(Letter)	6:Design-chg.		1		1
16	302L294071	2L294071	PARTS PWB ASSY MAIN SP EU	40ppm(A4),42ppm(Letter)(B)				1	
16	302L294063	2L294063	PARTS PWB ASSY MAIN SP	40ppm(A4),42ppm(Letter)(B)	6:Design-chg.		1		1
16	302LV94301	2LV94301	PARTS PWB ASSY MAIN SP LS	40ppm/50ppm/60ppm	6:Design-chg.	1			
17	302F939082	2F939082	SCREW BOX			2	2	2	2
18	302FV94010	2FV94010	PARTS AC CORD EU SP					1	
19	3019527401	19527401	POWER CORD(120)				1		
20	302FV45040	2FV45040	AC CORD ASSY						1

• Parts with a Ref.No. of 500 and above in the illustration indicate they are not selected for service parts.

• イラスト中で 500 番台の Ref 番号が付いている部品はサービスパーツに選定されていません。

FIG. 2 Frames

2L1/2L2/2LV/2MS/2MT-6

Ref. No. 番号	Part.No. 部品番号	Alternative. 代替部品番号	Description 部品名称	Notes 備考	Revision 改訂	Quantity 個数			
						100(日本)	120	230	240
21	3V2LV02131	2LV02131	DUCT FAN LV		6:Add	1	1	1	1
22	302LV94520	2LV94520	PARTS LEVER LINK SP		6:Add	1	1	1	1
23	7SP03072001+H01	SP121030	SW.PUSH		6:Add	1	1	1	1
24	302LV11240	2LV11240	GUIDE CONTAINER		6:Add	1	1	1	1
25	302LV94350	2LV94350	PARTS FAN MOTOR SP	50ppm/60ppm	6:Others	1			
26	7AAACCJP+15H004	AA119210	AC CORD ASSY JP	50ppm/60ppm		1			
26	7AAACCJP+12H006	AA119230	AC CORD ASSY JP	40ppm		1			
101	7BB700308H	BB105600	+BIND T.T S SCREW 3X8 SR						
102	7BB200410H	BB105700	+BIND T.T P SCREW 4X10						

• Parts with a Ref.No. of 500 and above in the illustration indicate they are not selected for service parts.

・イラスト中で 500 番台の Ref 番号が付いている部品はサービスパーツに選定されていません。

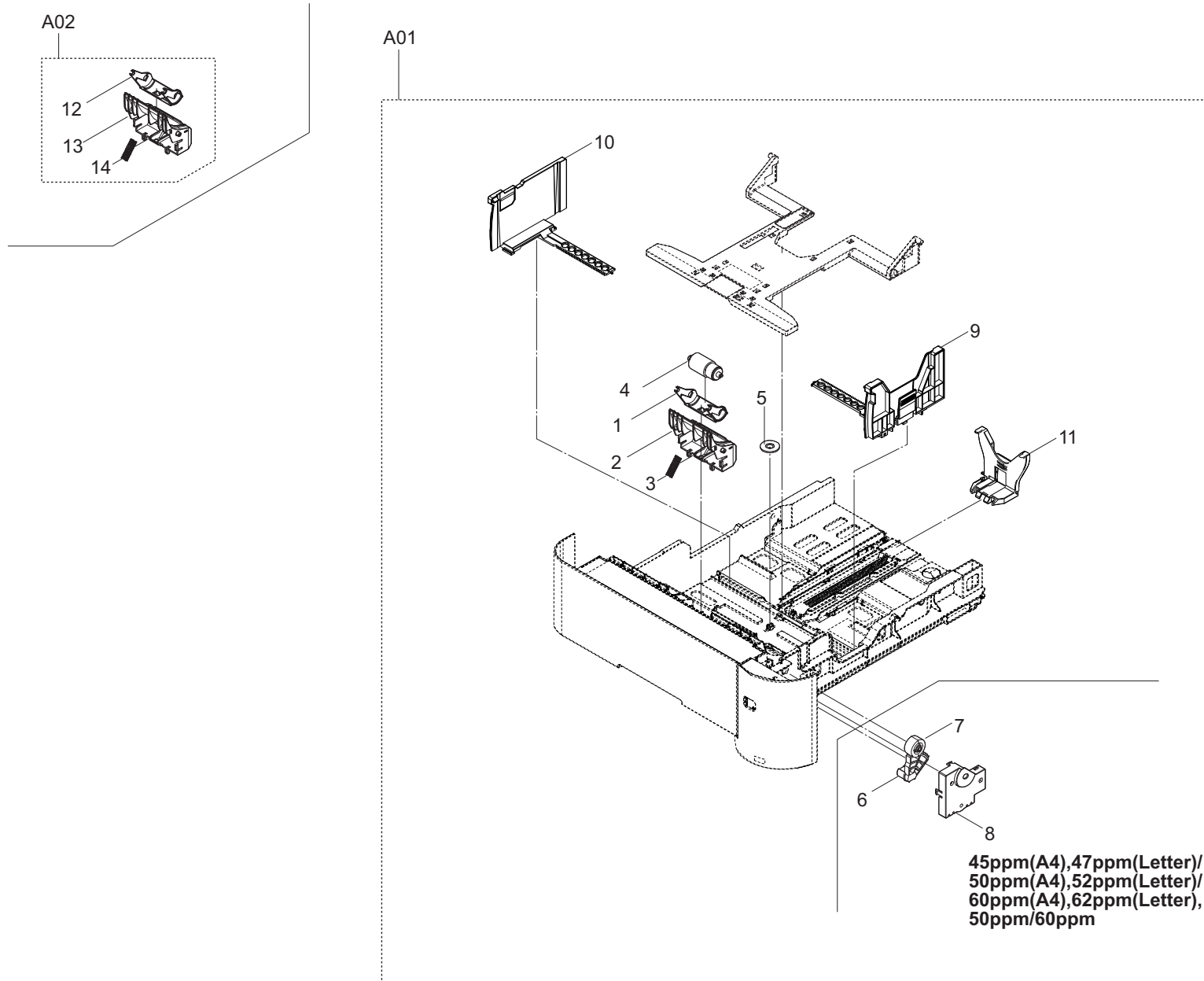


FIG. 3 Paper Cassette

2L1/2L2/2LV/2MS/2MT-6

Ref. No. 番号	Part.No. 部品番号	Alternative. 代替部品番号	Description 部品名称	Notes 備考	Revision 改訂	Quantity 個数			
						100 (日本)	120	230	240
A01	302LV93036	2LV93036	CT-3130	45ppm(A4),47ppm(Letter)/50ppm(A4),52ppm(Letter)/60ppm(A4),62ppm(Letter),50ppm/60ppm	6:Design-chg.	1	1	1	1
A01	302MS93016	2MS93016	CT-3100	40ppm(A4),42ppm(Letter)(B)/40ppm(A4),42ppm(Letter)(A),40ppm	6:Design-chg.	1	1	1	1
1	*3V2LV09311	2LV09311	HOLDER RETARD B		6:Part No-chg.	1	1	1	1
2	*302LV09340	2LV09340	GUIDE RETARD C		6:Part No-chg.	1	1	1	1
3	*302LV09330	2LV09330	SPRING RETARD B		6:Part No-chg.	1	1	1	1
4	*302F909171	2F909171	RETARD ROLLER ASSY			1	1	1	1
5	*5MVG127DN071	2A807050	GEAR CASSETTE /A-49 CASSETTE A4			1	1	1	1
6	*302LV09241	2LV09241	GEAR Z48S LIFT	45ppm(A4),47ppm(Letter)/50ppm(A4),52ppm(Letter)/60ppm,50ppm/60ppm	6:Design-chg.	1	1	1	1
7	*302LV09220	2LV09220	GEAR Z15S JOINT	45ppm(A4),47ppm(Letter)/50ppm(A4),52ppm(Letter)/60ppm,50ppm/60ppm		1	1	1	1
8	*302LV09201	2LV09201	COVER LIFT GEAR	45ppm(A4),47ppm(Letter)/50ppm(A4),52ppm(Letter)/60ppm,50ppm/60ppm	6:Design-chg.	1	1	1	1
9	*302LV09350	2LV09350	CURSOR RIGHT B		6:Part No-chg.	1	1	1	1
10	*302LV09070	2LV09070	CURSOR LEFT			1	1	1	1
11	*3V2P709150	2P709150	CURSOR END		6:Add	1	1	1	1
A02	302LV94480	2LV94480	PARTS HOLDER RETARD B SET SP		6:Add	1	1	1	1
12	*3V2LV09311	2LV09311	HOLDER RETARD B		6:Others	1	1	1	1
13	*302LV09340	2LV09340	GUIDE RETARD C		6:Others	1	1	1	1
14	*302LV09330	2LV09330	SPRING RETARD B		6:Others	1	1	1	1

• Parts with a Ref.No. of 500 and above in the illustration indicate they are not selected for service parts.

• イラスト中で 500 番台の Ref 番号が付いている部品はサービスパーツに選定されていません。

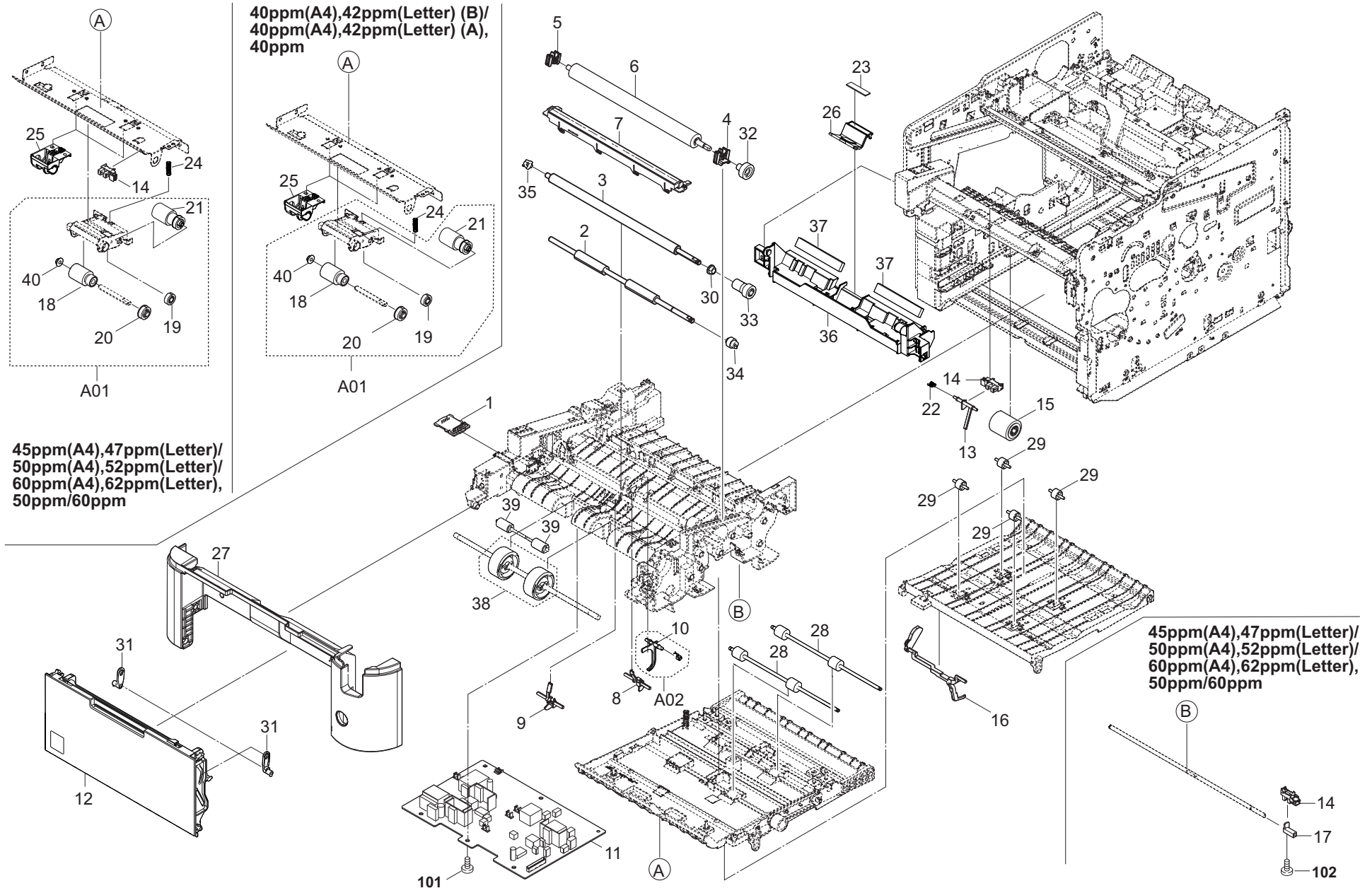


FIG. 4 Paper Feed Section

2L1/2L2/2LV/2MS/2MT-6

Ref. No. 番号	Part.No. 部品番号	Alternative. 代替部品番号	Description 部品名称	Notes 備考	Revision 改訂	Quantity 個数			
						100 (日本)	120	230	240
1	302LV94200	2LV94200	PARTS PWB ASSY DRUM CONNECT SP			1	1	1	1
2	302LV94170	2LV94170	PARTS ROLLER REGIST LOW SP			1	1	1	1
3	302LV94180	2LV94180	PARTS ROLLER REGIST UP SP			1	1	1	1
4	302F924190	2F924190	BUSH TRANSFER R			1	1	1	1
5	302LV24360	2LV24360	BUSH TRANSFER L			1	1	1	1
6	302LV94130	2LV94130	PARTS ROLLER TRANSFER SP			1	1	1	1
7	302LV94261	2LV94261	PARTS GUIDE PAPER CHUTE SP	40ppm(A4),42ppm(Letter)(B)/40ppm(A4),42ppm(Letter)(A)/45ppm(A4),47ppm(Letter)/50ppm(A4),52ppm(Letter)/60ppm(A4),62ppm(Letter)		1	1	1	1
7	302LV94330	2LV94330	PARTS GUIDE PAPER CHUTE SP JP	40ppm/50ppm/60ppm		1			
8	302LV24100	2LV24100	ACTUATOR IMAGE	45ppm(A4),47ppm(Letter)/50ppm(A4),52ppm(Letter)/60ppm(A4),62ppm(Letter),50ppm/60ppm		1	1	1	1
9	302L224030	2L224030	ACTUATOR REGIST	40ppm(A4),42ppm(Letter)(B)/40ppm(A4),42ppm(Letter)(A),40ppm		1	1	1	1
A02	302LV94540	2LV94540	PARTS ACTUATOR DU SET SP		6:Add	1	1	1	1
10	*3V2LV24111	2LV24111	ACTUATOR DU		6:Others, Design-chg.	1	1	1	1
11	302LV94060	2LV94060	PARTS HIGH VOLTAGE UNIT SP	45ppm(A4),47ppm(Letter)/50ppm(A4),52ppm(Letter)/60ppm(A4),62ppm(Letter),50ppm/60ppm		1	1	1	1
11	302L294030	2L294030	PARTS HIGH VOLTAGE UNIT SP	40ppm(A4),42ppm(Letter)(B)/40ppm(A4),42ppm(Letter)(A),40ppm		1	1	1	1
12	302LV94041	2LV94041	PARTS COVER MPF ASSY SP		6:Design-chg.	1	1	1	1
13	302LV08180	2LV08180	ACTUATOR MPF			1	1	1	1
14	303M894260	3M894260	PARTS SENSOR OPT SP	45ppm(A4),47ppm(Letter)/50ppm(A4),52ppm(Letter)/60ppm(A4),62ppm(Letter),50ppm/60ppm		3	3	3	3
14	303M894260	3M894260	PARTS SENSOR OPT SP	40ppm(A4),42ppm(Letter)(B)/40ppm(A4),42ppm(Letter)(A),40ppm		1	1	1	1
15	302HS08260	2HS08260	ROLLER M/P ASSY			1	1	1	1
16	302LV29090	2LV29090	ACTUATOR PE			1	1	1	1
17	302LV24450	2LV24450	ACTUATOR ENVELOPE	45ppm(A4),47ppm(Letter)/50ppm(A4),52ppm(Letter)/60ppm(A4),62ppm(Letter),50ppm/60ppm		1	1	1	1
A01	302LV94270	2LV94270	PARTS HOLDER FEED ASSY SP			1	1	1	1
18	*302F906230	2F906230	PULLEY FEED ASSY			1	1	1	1
19	*302F906030	2F906030	GEAR FEED Z26H			1	1	1	1
20	*302F906280	2F906280	GEAR FEED Z30H			1	1	1	1
21	*302HN06080	2HN06080	PULLEY PICKUP ASSY			1	1	1	1
40	*302K306460	2K306460	BUSH 4		6:Add	1	1	1	1
22	302LV08201	2LV08201	SPRING ACTUATOR MPF			1	1	1	1
23	302F908250	2F908250	PAD SEPARATOR MPF			1	1	1	1
24	3V2LV06090	2LV06090	SPRING PICKUP B		6:Part No-chg.	1	1	1	1
25	3V2LV06030	2LV06030	GUIDE FEED SIDE			2	2	2	2
26	3V2LV08070	2LV08070	HOLDER SEPARATION MPF			1	1	1	1
27	302LV04160	2LV04160	COVER FRONT	45ppm(A4),47ppm(Letter)/50ppm(A4),52ppm(Letter)/60ppm(A4),62ppm(Letter),50ppm/60ppm		1	1	1	1
27	302L294120	2L294120	PARTS COVER FRONT ASSY SP	40ppm(A4),42ppm(Letter)(B)/40ppm(A4),42ppm(Letter)(A)			1	1	1
27	302L294130	2L294130	PARTS COVER FRONT ASSY J SP	40ppm		1			
28	302LV94530	2LV94530	PARTS ROLLER DU ASSY SP		6:Add	2	2	2	2
29	302LV24760	2LV24760	PULLEY PA		6:Add	4	4	4	4
30	302H702590	2H702590	BUSH SCREW		6:Add	1	1	1	1
31	3V2LV08100	2LV08100	LEVER LINK		6:Add	2	2	2	2

• Parts with a Ref.No. of 500 and above in the illustration indicate they are not selected for service parts.

• イラスト中で 500 番台の Ref 番号が付いている部品はサービスパーツに選定されていません。

FIG. 4 Paper Feed Section

2L1/2L2/2LV/2MS/2MT-6

Ref. No. 番号	Part.No. 部品番号	Alternative. 代替部品番号	Description 部品名称	Notes 備考	Revision 改訂	Quantity 個数			
						100(日本)	120	230	240
32	302LV24140	2LV24140	GEAR Z22R TC		6:Add	1	1	1	1
33	3V2LV24160	2LV24160	GEAR Z19R-Z22R REGIST UP		6:Add	1	1	1	1
34	302LV24150	2LV24150	GEAR Z22L REGIST LOW		6:Add	1	1	1	1
35	302LV24520	2LV24520	BUSH 6 EW		6:Add	1	1	1	1
36	302LV08150	2LV08150	GUIDE TURN MPF A		6:Add	1	1	1	1
37	302LV08220	2LV08220	SHEET GUIDE TURN A		6:Add	2	2	2	2
38	302P794090	2P794090	PARTS ROLLER MIDDLE SET SP		6:Add	1	1	1	1
39	3V2LV08210	2LV08210	PULLEY FEED		6:Add	2	2	2	2
101	7BB200412H	BB105710	+BIND T.T P SCREW 4X12						
102	7BB000304H	BB105720	+BIND M SCREW 3X4						

• Parts with a Ref.No. of 500 and above in the illustration indicate they are not selected for service parts.

・イラスト中で 500 番台の Ref 番号が付いている部品はサービスパーツに選定されていません。

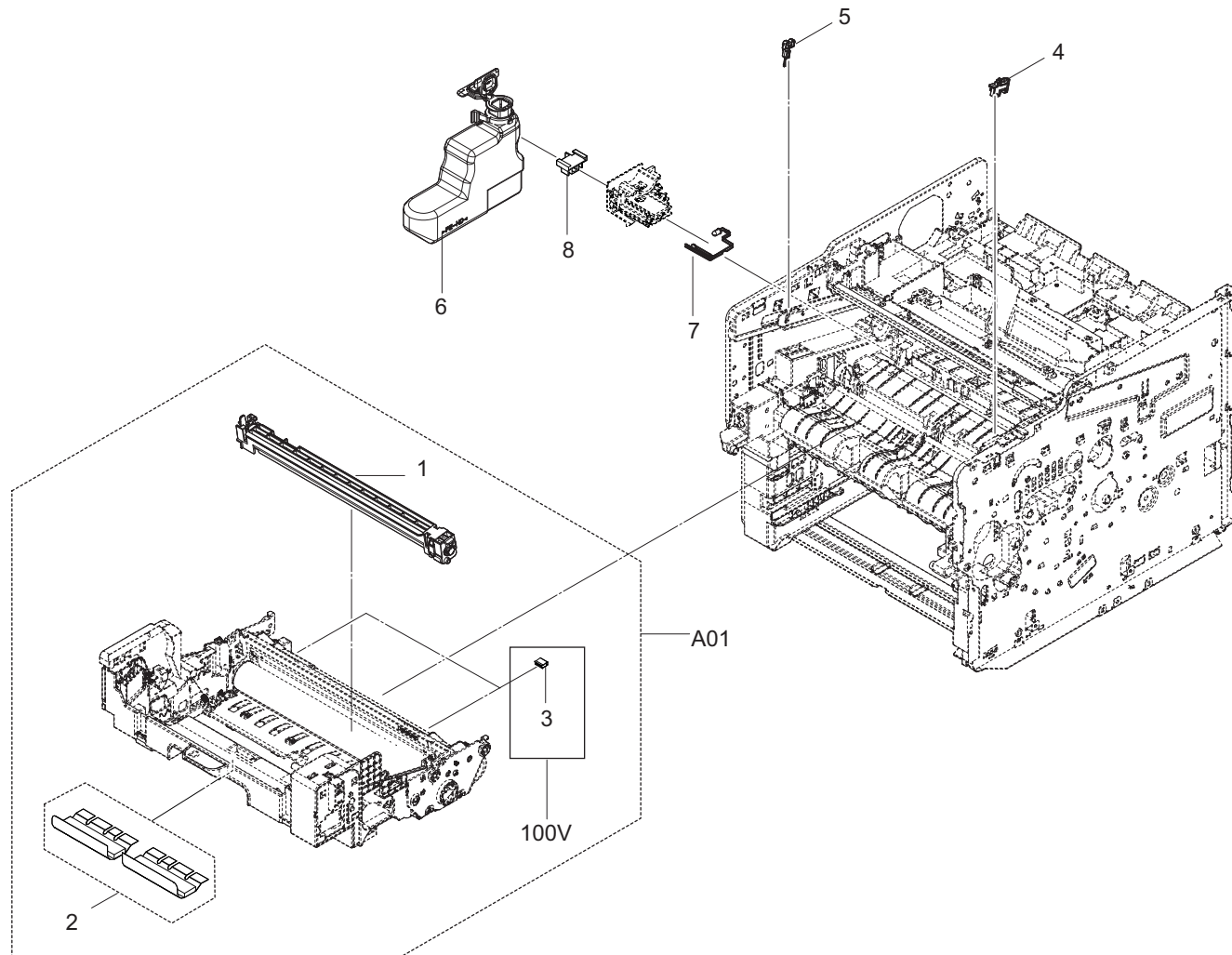


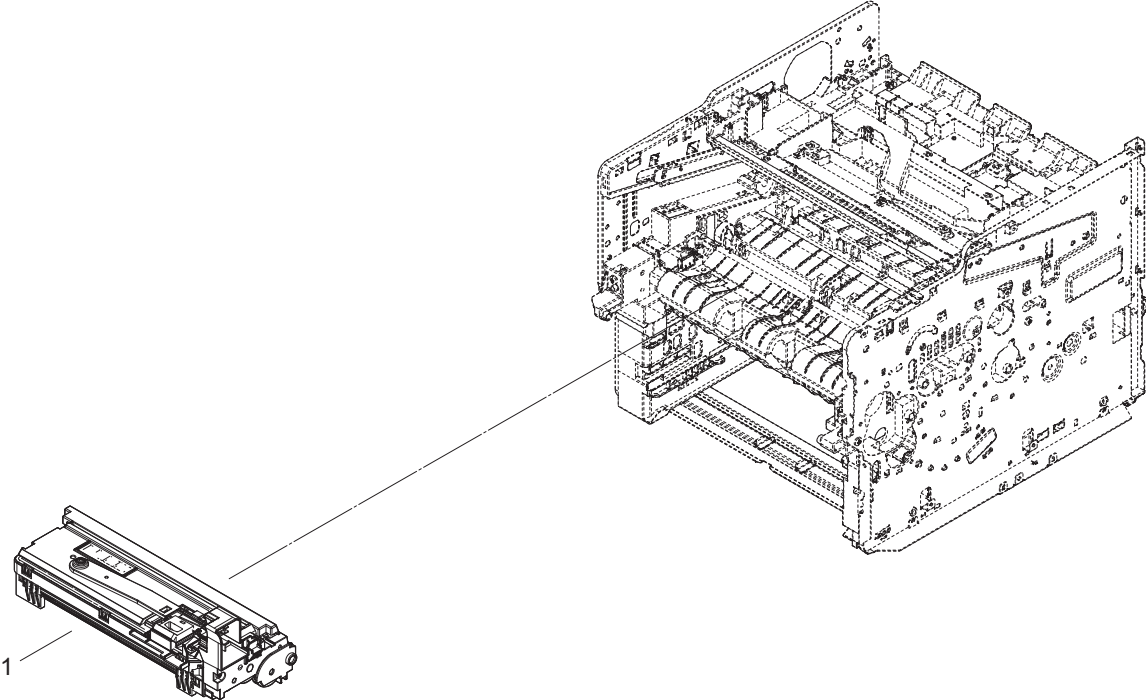
FIG. 5 Image Formation Section

2L1/2L2/2LV/2MS/2MT-6

Ref. No. 番号	Part.No. 部品番号	Alternative. 代替部品番号	Description 部品名称	Notes 備考	Revision 改訂	Quantity 個数			
						100 (日本)	120	230	240
A01	302LV93044	2LV93044	DK-3130(E)	45ppm(A4),47ppm(Letter)/50ppm(A4),52ppm(Letter)/60ppm(A4),62ppm(Letter)	6:Design-chg.			1	
A01	302LV93064	2LV93064	DK-3130(U)	45ppm(A4),47ppm(Letter)/50ppm(A4),52ppm(Letter)/60ppm(A4),62ppm(Letter)	6:Design-chg.		1		
A01	302LV93074	2LV93074	DK-3130(AO)	45ppm(A4),47ppm(Letter)/50ppm(A4),52ppm(Letter)/60ppm(A4),62ppm(Letter)	6:Design-chg.				1
A01	302MS93024	2MS93024	DK-3100(E)	40ppm(A4),42ppm(Letter)(B)/40ppm(A4),42ppm(Letter)(A)	6:Design-chg.			1	
A01	302MS93044	2MS93044	DK-3100(U)	40ppm(A4),42ppm(Letter)(B)/40ppm(A4),42ppm(Letter)(A)	6:Design-chg.		1		
A01	302MS93054	2MS93054	DK-3100(AO)	40ppm(A4),42ppm(Letter)(B)/40ppm(A4),42ppm(Letter)(A)	6:Design-chg.				1
A01	302LV93174	2LV93174	DK-3130(J)	50ppm/60ppm	6:Design-chg.	1			
A01	302MS93124	2MS93124	DK-3100(J)	40ppm	6:Design-chg.	1			
1	*302LV93010	2LV93010	MC-3100			1	1	1	1
2	*302LV94460	2LV94460	PARTS SHEET DRUM CUSHION SET SP			1	1	1	1
3	*3V2LV12440	2LV12440	PLATE CLAW HOLDER	40ppm/50ppm/60ppm	6:Others	2			
4	302LV02110	2LV02110	STOPPER PROCESS			1	1	1	1
5	302LV02200	2LV02200	STOPPER PROCESS L			1	1	1	1
6	302LV93020	2LV93020	WT-3100		6:Others	1	1	1	1
7	302LV94121	2LV94121	PARTS TONER FULL DETECT ASSY SP		6:Design-chg.	1	1	1	1
8	3V2LV02830	2LV02830	SHUTTER WASTE		6:Add	1	1	1	1

• Parts with a Ref.No. of 500 and above in the illustration indicate they are not selected for service parts.

• イラスト中で 500 番台の Ref 番号が付いている部品はサービスパーツに選定されていません。



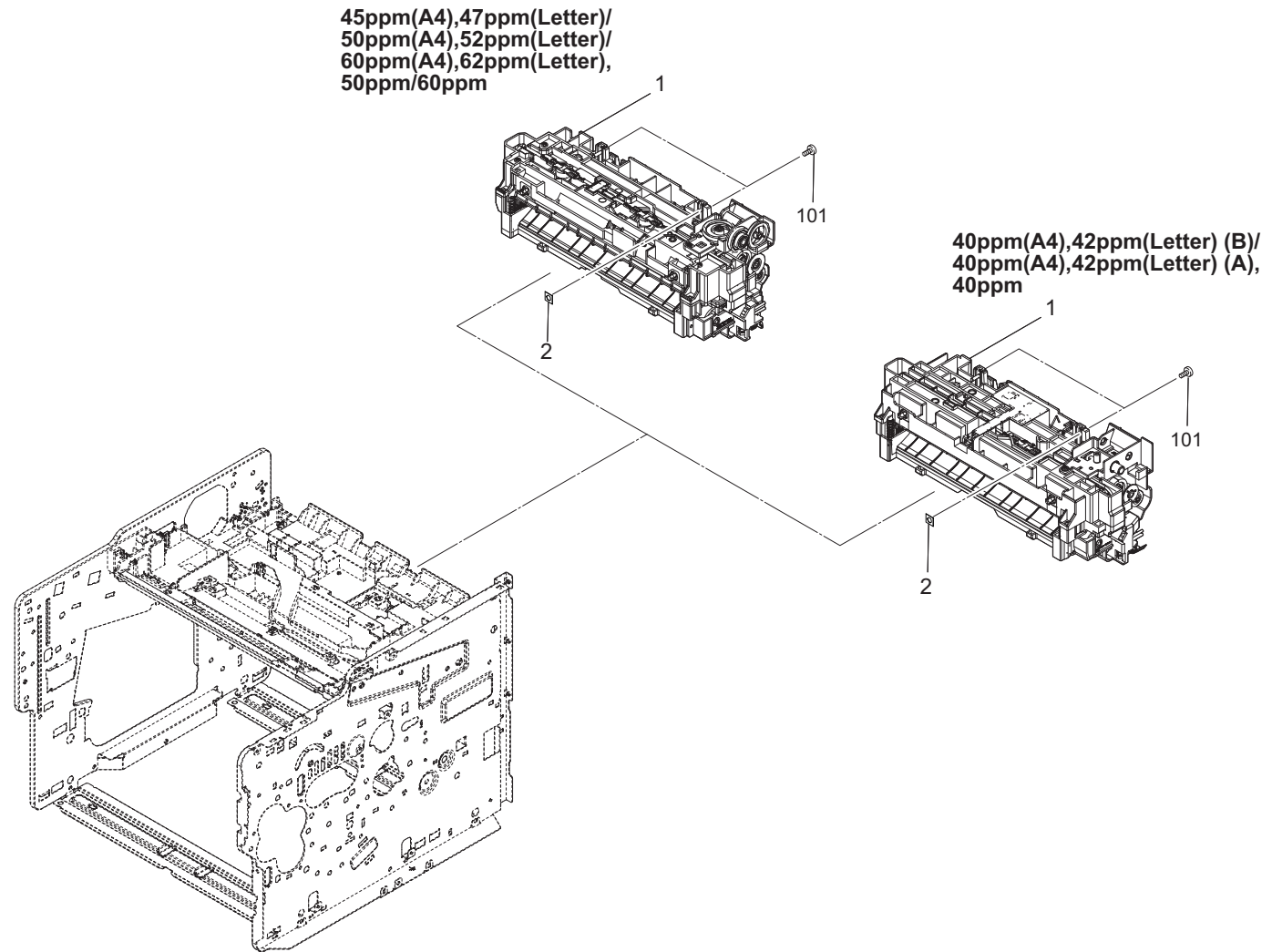


FIG. 7 Fuser Section

2L1/2L2/2LV/2MS/2MT-6

Ref. No. 番号	Part.No. 部品番号	Alternative. 代替部品番号	Description 部品名称	Notes 備考	Revision 改訂	Quantity 個数			
						100(日本)	120	230	240
1	302LV93116	2LV93116	FK-3130(E)	45ppm(A4),47ppm(Letter)/50ppm(A4),52ppm(Letter)/60ppm(A4),62ppm(Letter)	6:Design-chg.			1	1
1	302LV93136	2LV93136	FK-3130(U)	45ppm(A4),47ppm(Letter)/50ppm(A4),52ppm(Letter)/60ppm(A4),62ppm(Letter)	6:Design-chg.		1		
1	302MS93076	2MS93076	FK-3100(E)	40ppm(A4),42ppm(Letter)(B)/40ppm(A4),42ppm(Letter)(A)	6:Design-chg.			1	1
1	302MS93096	2MS93096	FK-3100(U)	40ppm(A4),42ppm(Letter)(B)/40ppm(A4),42ppm(Letter)(A)	6:Design-chg.		1		
1	302LV93126	2LV93126	FK-3130(J)	50ppm/60ppm	6:Design-chg.	1			
1	302MS93086	2MS93086	FK-3100(J)	40ppm	6:Design-chg.	1			
2	302LV25510	2LV25510	SPACER FUSER R			1	1	1	1
101	7BB200412H	BB105710	+BIND T.T P SCREW 4X12						

• Parts with a Ref.No. of 500 and above in the illustration indicate they are not selected for service parts.

• イラスト中で 500 番台の Ref 番号が付いている部品はサービスパーツに選定されていません。

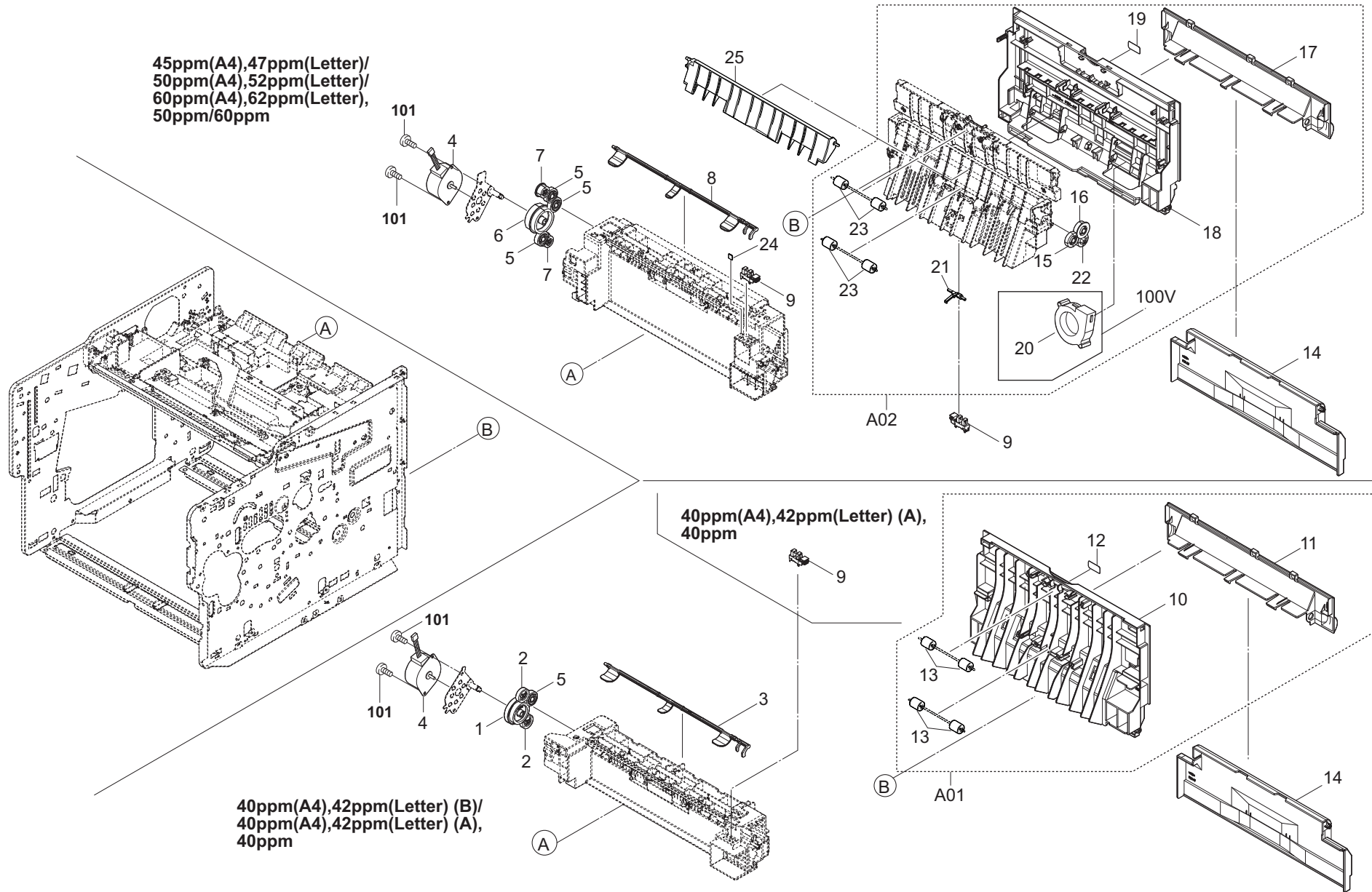


FIG. 8 Exit Section

2L1/2L2/2LV/2MS/2MT-6

Ref. No. 番号	Part.No. 部品番号	Alternative. 代替部品番号	Description 部品名称	Notes 備考	Revision 改訂	Quantity 個数			
						100 (日本)	120	230	240
1	302L228041	2L228041	GEAR Z66R Z34S	40ppm(A4),42ppm(Letter)(B)/40ppm(A4),42ppm(Letter)(A),40ppm		1	1	1	1
2	302L228030	2L228030	GEAR Z21S EXIT	40ppm(A4),42ppm(Letter)(B)/40ppm(A4),42ppm(Letter)(A),40ppm		2	2	2	2
3	302L228090	2L228090	ACTUATOR OVERFLOW	40ppm(A4),42ppm(Letter)(B)/40ppm(A4),42ppm(Letter)(A),40ppm		1	1	1	1
4	302F944131	2F944131	MOTOR EJECT			1	1	1	1
5	302LV28050	2LV28050	GEAR Z22S	45ppm(A4),47ppm(Letter)/50ppm(A4),52ppm(Letter)/60ppm(A4),62ppm(Letter),50ppm/60ppm		3	3	3	3
5	302LV28050	2LV28050	GEAR Z22S	40ppm(A4),42ppm(Letter)(B)/40ppm(A4),42ppm(Letter)(A),40ppm		1	1	1	1
6	302LV28031	2LV28031	GEAR Z66R-Z40S	45ppm(A4),47ppm(Letter)/50ppm(A4),52ppm(Letter)/60ppm(A4),62ppm(Letter),50ppm/60ppm		1	1	1	1
7	302LV28040	2LV28040	GEAR Z17S	45ppm(A4),47ppm(Letter)/50ppm(A4),52ppm(Letter)/60ppm(A4),62ppm(Letter),50ppm/60ppm		2	2	2	2
8	302LV28141	2LV28141	ACTUATOR OVERFLOW	45ppm(A4),47ppm(Letter)/50ppm(A4),52ppm(Letter)/60ppm(A4),62ppm(Letter),50ppm/60ppm		1	1	1	1
9	303M894260	3M894260	PARTS SENSOR OPT SP	45ppm(A4),47ppm(Letter)/50ppm(A4),52ppm(Letter)/60ppm(A4),62ppm(Letter),50ppm/60ppm		2	2	2	2
9	303M894260	3M894260	PARTS SENSOR OPT SP	40ppm(A4),42ppm(Letter)(A),40ppm		1	1	1	1
A01	302MS94041	2MS94041	PARTS COVER REAR ASSY SP	40ppm(A4),42ppm(Letter)(B)/40ppm(A4),42ppm(Letter)(A),40ppm	6:Design-chg.	1	1	1	1
10	*302L204040	2L204040	COVER REAR UP			1	1	1	1
11	*302LV04110	2LV04110	COVER REAR LOW			1	1	1	1
12	*302MC34040	2MC34040	LABEL PUSH			1	1	1	1
13	*302K325320	2K325320	PULLEY EXIT FUSER		6:Add	4	4	4	4
14	302LV04120	2LV04120	COVER CASSETTE		6:Others	1	1	1	1
A02	302LV94143	2LV94143	PARTS COVER REAR ASSY SP	45ppm(A4),47ppm(Letter)/50ppm(A4),52ppm(Letter)/60ppm(A4),62ppm(Letter),50ppm/60ppm	6:Design-chg.		1	1	1
A02	302LV94153	2LV94153	PARTS COVER REAR ASSY J SP	50ppm/60ppm	6:Design-chg.	1			
15	*302LV28191	2LV28191	GEAR Z22S B			1	1	1	1
16	*302LV28100	2LV28100	GEAR Z22S A			1	1	1	1
17	*302LV04110	2LV04110	COVER REAR LOW			1	1	1	1
18	*302LV04100	2LV04100	COVER REAR UP			1	1	1	1
19	*302MC34040	2MC34040	LABEL PUSH			1	1	1	1
20	*302FZ94660	2FZ94660	PARTS,FAN IMAGE SP	50ppm/60ppm		1			
21	*3V2LV28070	2LV28070	ACTUATOR DU			1	1	1	1
22	*302LV28090	2LV28090	GEAR Z20S			1	1	1	1
23	*302K325320	2K325320	PULLEY EXIT FUSER		6:Add	4	4	4	4
24	302LV28461	2LV28461	SEAL EXIT C	45ppm(A4),47ppm(Letter)/50ppm(A4),52ppm(Letter)/60ppm(A4),62ppm(Letter),50ppm/60ppm	6:Others	1	1	1	1
25	3V2LV28081	2LV28081	GUIDE CHANGE	45ppm(A4),47ppm(Letter)/50ppm(A4),52ppm(Letter)/60ppm(A4),62ppm(Letter),50ppm/60ppm	6:Add	1	1	1	1
101	7BB200308H	BB105660	+BIND T.T P SCREW 3X8						

• Parts with a Ref.No. of 500 and above in the illustration indicate they are not selected for service parts.

• イラスト中で 500 番台の Ref 番号が付いている部品はサービスパーツに選定されていません。

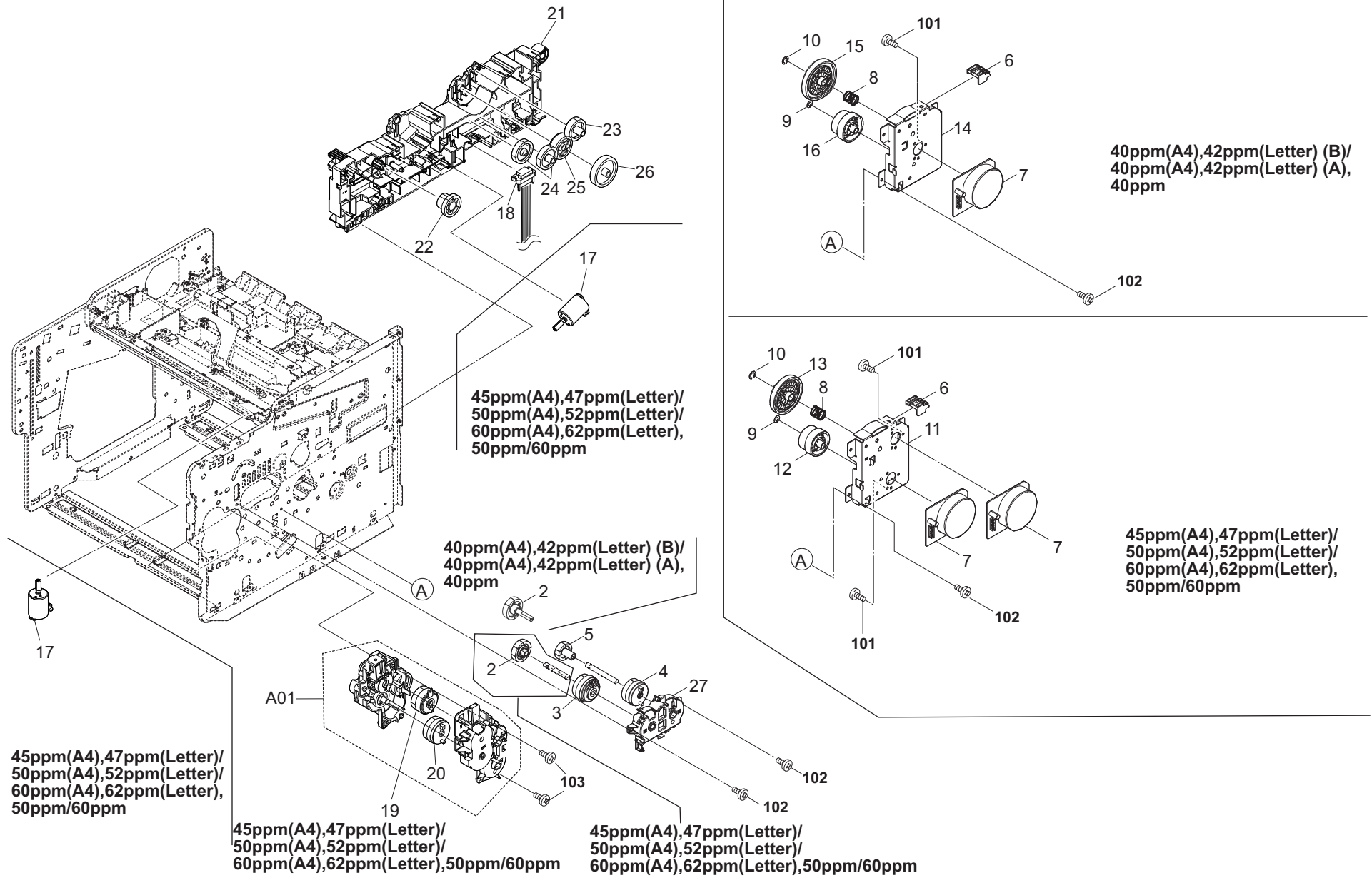


FIG. 9 Drive Section

2L1/2L2/2LV/2MS/2MT-6

Ref. No. 番号	Part.No. 部品番号	Alternative. 代替部品番号	Description 部品名称	Notes 備考	Revision 改訂	Quantity 個数			
						100 (日本)	120	230	240
1					6:Del				
1					6:Del				
2	302LV31440	2LV31440	GEAR Z32L REG CL	45ppm(A4),47ppm(Letter)/50ppm(A4),52ppm(Letter)/60ppm(A4),62ppm(Letter),50ppm/60ppm		1	1	1	1
2	3V2LV31190	2LV31190	GEAR Z32L REG CLUTCH	40ppm(A4),42ppm(Letter)(B)/40ppm(A4),42ppm(Letter)(A),40ppm	6:Others	1	1	1	1
3	302KV44041	2KV44041	CLUTCH 50 Z35R			1	1	1	1
4	302LV94161	2LV94161	PARTS CLUTCH 20-2W Z35R		6:Design-chg.	1	1	1	1
5	302LV31180	2LV31180	GEAR Z26L DLP CLUTCH			1	1	1	1
6	302LV39040	2LV39040	RAIL PWB MAIN B			1	1	1	1
7	302K394201	2K394201	PARTS MOTOR-BL W30 SP			1	1	1	1
7	302K394201	2K394201	PARTS MOTOR-BL W30 SP	45ppm(A4),47ppm(Letter)/50ppm(A4),52ppm(Letter)/60ppm(A4),62ppm(Letter),50ppm/60ppm		2	2	2	2
7	302K394201	2K394201	PARTS MOTOR-BL W30 SP	40ppm(A4),42ppm(Letter)(B)/40ppm(A4),42ppm(Letter)(A),40ppm		1	1	1	1
8	302LV31290	2LV31290	SPRING COUPLING DRUM			1	1	1	1
9	2C904550	2C904550	CUT WASHER 5			1	1	1	1
10	302K914570	2K914570	CUT WASHER 7			1	1	1	1
11	302LV31010	2LV31010	PLATE DRIVE			1	1	1	1
12	302LV31060	2LV31060	GEAR Z80R-Z36L	45ppm(A4),47ppm(Letter)/50ppm(A4),52ppm(Letter)/60ppm(A4),62ppm(Letter),50ppm/60ppm		1	1	1	1
13	302LV31050	2LV31050	GEAR Z119R	45ppm(A4),47ppm(Letter)/50ppm(A4),52ppm(Letter)/60ppm(A4),62ppm(Letter),50ppm/60ppm		1	1	1	1
14	302L231030	2L231030	PLATE DRIVE	40ppm(A4),42ppm(Letter)(B)/40ppm(A4),42ppm(Letter)(A),40ppm		1	1	1	1
15	302L231040	2L231040	GEAR Z128R	40ppm(A4),42ppm(Letter)(B)/40ppm(A4),42ppm(Letter)(A),40ppm		1	1	1	1
16	302L231050	2L231050	GEAR Z86R-Z36L	40ppm(A4),42ppm(Letter)(B)/40ppm(A4),42ppm(Letter)(A),40ppm		1	1	1	1
17	302LV94230	2LV94230	PARTS DC MOTOR ASSY SP	45ppm(A4),47ppm(Letter)/50ppm(A4),52ppm(Letter)/60ppm(A4),62ppm(Letter),50ppm/60ppm		2	2	2	2
18	302LV46040	2LV46040	CONN.CORD ASSY S03656			1	1	1	1
A01	302LV94253	2LV94253	PARTS DRIVE FEED ASSY SP	45ppm(A4),47ppm(Letter)/50ppm(A4),52ppm(Letter)/60ppm(A4),62ppm(Letter),50ppm/60ppm	6:Design-chg.	1	1	1	1
A01	302MS94052	2MS94052	PARTS DRIVE FEED ASSY SP	40ppm(A4),42ppm(Letter)(B)/40ppm(A4),42ppm(Letter)(A),40ppm	6:Design-chg.	1	1	1	1
19	*302NR94010	2NR94010	PARTS CLUTCH 35 Z35R SP	45ppm(A4),47ppm(Letter)/50ppm(A4),52ppm(Letter)/60ppm(A4),62ppm(Letter),50ppm/60ppm	6:Add	1	1	1	1
20	*302LV94161	2LV94161	PARTS CLUTCH 20-2W Z35R		6:Add	1	1	1	1
21	302LV02040	2LV02040	GUIDE CASSETTE R		6:Add	1	1	1	1
22	3V2LV31490	2LV31490	GEAR Z35S-Z13S B	45ppm(A4),47ppm(Letter)/50ppm(A4),52ppm(Letter)/60ppm(A4),62ppm(Letter),50ppm/60ppm	6:Add	1	1	1	1
23	302HN25180	2HN25180	GEAR Z34S INPUT		6:Add	1	1	1	1
24	302HS31140	2HS31140	GEAR Z35R IDLE		6:Add	2	2	2	2
25	3V2LV31130	2LV31130	GEAR Z37S FREE		6:Add	1	1	1	1
26	3V2LV31120	2LV31120	GEAR Z46L FREE		6:Add	1	1	1	1
27	302LV31040	2LV31040	HOLDER CLUTCH		6:Add	1	1	1	1
101	7BB000304H	BB105720	+BIND M SCREW 3X4						
102	7BB700308H	BB105600	+BIND T.T S SCREW 3X8 SR						
103	7BB700312H	BB106820	+BIND T.T S SCREW 3X12 SR						

• Parts with a Ref.No. of 500 and above in the illustration indicate they are not selected for service parts.

• イラスト中で 500 番の Ref 番号が付いている部品はサービスパーツに選定されていません。

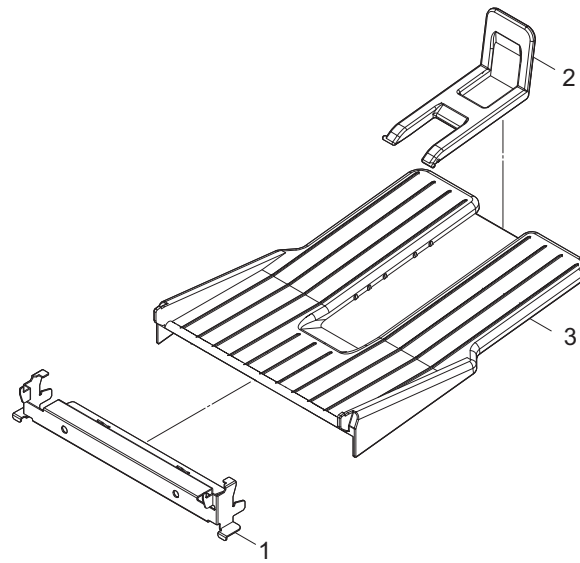


FIG. 11 Maintenance Kits(40ppm(A4),42ppm(Letter) (B)/40ppm(A4),42ppm(Letter)(A),40ppm)

2L1/2L2/2LV/2MS/2MT-6

Ref. No. 番号	Part.No. 部品番号	Alternative. 代替部品番号	Description 部品名称	Notes 備考	Revision 改訂	Quantity 個数			
						100(日本)	120	230	240
	1702MS9JP0	072MS9JP	MK-3101/MAINTENANCE KIT	OPTION,40ppm		1			
	*302F909171	2F909171	RETARD ROLLER ASSY		6:Others	1			
	*302LV94270	2LV94270	PARTS HOLDER FEED ASSY SP		6:Others	1			
	*302LV93081	2LV93081	DV-3100		6:Others	1			
	*302MS93086	2MS93086	FK-3100(J)		6:Others	1			
	*302MS93124	2MS93124	DK-3100(J)		6:Others	1			
	-	-	ROLLER TRANSFER ASSY			1			
	1702MS7US0	072MS7US	MK-3102/MAINTENANCE KIT	OPTION,40ppm(A4),42ppm(Letter)(B)/ 40ppm(A4),42ppm(Letter)(A)			1		
	*302F909171	2F909171	RETARD ROLLER ASSY		6:Others		1		
	*302LV94270	2LV94270	PARTS HOLDER FEED ASSY SP		6:Others		1		
	*302MS93044	2MS93044	DK-3100(U)		6:Others		1		
	*302LV93081	2LV93081	DV-3100		6:Others		1		
	*302MS93096	2MS93096	FK-3100(U)		6:Others		1		
	-	-	ROLLER TRANSFER ASSY				1		
	1702MS8AS0	072MS8AS	MK-3104/MAINTENANCE KIT	OPTION,40ppm(A4),42ppm(Letter)(B)/ 40ppm(A4),42ppm(Letter)(A)					1
	*302F909171	2F909171	RETARD ROLLER ASSY		6:Others				1
	*302LV94270	2LV94270	PARTS HOLDER FEED ASSY SP		6:Others				1
	*302MS93054	2MS93054	DK-3100(AO)		6:Others				1
	*302LV93081	2LV93081	DV-3100		6:Others				1
	*302MS93076	2MS93076	FK-3100(E)		6:Others				1
	-	-	ROLLER TRANSFER ASSY						1
	1702MS8NL0	072MS8NL	MK-3100/MAINTENANCE KIT	OPTION,40ppm(A4),42ppm(Letter)(B)/ 40ppm(A4),42ppm(Letter)(A)				1	
	*302F909171	2F909171	RETARD ROLLER ASSY		6:Others			1	
	*302LV94270	2LV94270	PARTS HOLDER FEED ASSY SP		6:Others			1	
	*302MS93024	2MS93024	DK-3100(E)		6:Others			1	
	*302LV93081	2LV93081	DV-3100		6:Others			1	
	*302MS93076	2MS93076	FK-3100(E)		6:Others			1	
	-	-	ROLLER TRANSFER ASSY					1	

• Parts with a Ref.No. of 500 and above in the illustration indicate they are not selected for service parts.

• イラスト中で 500 番台の Ref 番号が付いている部品はサービスパーツに選定されていません。

FIG. 11 Maintenance Kits(45ppm(A4),47ppm(Letter)/50ppm(A4),52ppm(Letter)/60ppm(A4),62ppm(Letter),50ppm/60ppm)

2L1/2L2/2LV/2MS/2MT-6

Ref. No. 番号	Part.No. 部品番号	Alternative. 代替部品番号	Description 部品名称	Notes 備考	Revision 改訂	Quantity 個数			
						100(日本)	120	230	240
	1702MT9JP0	072MT9JP	MK-3131/MAINTENANCE KIT	OPTION,50ppm/60ppm		1			
	*302F909171	2F909171	RETARD ROLLER ASSY		6:Others	1			
	*302LV94270	2LV94270	PARTS HOLDER FEED ASSY SP		6:Others	1			
	*302LV93081	2LV93081	DV-3100		6:Others	1			
	*302LV93126	2LV93126	FK-3130(J)		6:Others	1			
	*302LV93174	2LV93174	DK-3130(J)		6:Others	1			
	-	-	ROLLER TRANSFER ASSY			1			
	1702MT7US0	072MT7US	MK-3132/MAINTENANCE KIT	OPTION,45ppm(A4),47ppm(Letter)/ 50ppm(A4),52ppm(Letter)/60ppm(A4),62ppm(Letter)			1		
	*302F909171	2F909171	RETARD ROLLER ASSY		6:Others		1		
	*302LV94270	2LV94270	PARTS HOLDER FEED ASSY SP		6:Others		1		
	*302LV93064	2LV93064	DK-3130(U)		6:Others		1		
	*302LV93081	2LV93081	DV-3100		6:Others		1		
	*302LV93136	2LV93136	FK-3130(U)		6:Others		1		
	-	-	ROLLER TRANSFER ASSY				1		
	1702MT8AS0	072MT8AS	MK-3134/MAINTENANCE KIT	OPTION,45ppm(A4),47ppm(Letter)/ 50ppm(A4),52ppm(Letter)/60ppm(A4),62ppm(Letter)					1
	*302F909171	2F909171	RETARD ROLLER ASSY		6:Others				1
	*302LV94270	2LV94270	PARTS HOLDER FEED ASSY SP		6:Others				1
	*302LV93074	2LV93074	DK-3130(AO)		6:Others				1
	*302LV93081	2LV93081	DV-3100		6:Others				1
	*302LV93116	2LV93116	FK-3130(E)		6:Others				1
	-	-	ROLLER TRANSFER ASSY						1
	1702MT8NL0	072MT8NL	MK-3130/MAINTENANCE KIT	OPTION,45ppm(A4),47ppm(Letter)/ 50ppm(A4),52ppm(Letter)/60ppm(A4),62ppm(Letter)				1	
	*302F909171	2F909171	RETARD ROLLER ASSY		6:Others			1	
	*302LV94270	2LV94270	PARTS HOLDER FEED ASSY SP		6:Others			1	
	*302LV93044	2LV93044	DK-3130(E)		6:Others			1	
	*302LV93081	2LV93081	DV-3100		6:Others			1	
	*302LV93116	2LV93116	FK-3130(E)		6:Others			1	
	-	-	ROLLER TRANSFER ASSY					1	

• Parts with a Ref.No. of 500 and above in the illustration indicate they are not selected for service parts.

• イラスト中で 500 番台の Ref 番号が付いている部品はサービスパーツに選定されていません。

Part.No. 部品番号	Alternative. 代替部品番号	Description 部品名称	Fig.No.
1702MS7US0	072MS7US	MK-3102/MAINTENANCE KIT	11
1702MS8AS0	072MS8AS	MK-3104/MAINTENANCE KIT	11
1702MS8NL0	072MS8NL	MK-3100/MAINTENANCE KIT	11
1702MS9JP0	072MS9JP	MK-3101/MAINTENANCE KIT	11
1702MT7US0	072MT7US	MK-3132/MAINTENANCE KIT	11
1702MT8AS0	072MT8AS	MK-3134/MAINTENANCE KIT	11
1702MT8NL0	072MT8NL	MK-3130/MAINTENANCE KIT	11
1702MT9JP0	072MT9JP	MK-3131/MAINTENANCE KIT	11
2C904550	2C904550	CUT WASHER 5	9
2FB27160	2FB27160	INTER LOCK SWITCH	2
3019527401	19527401	POWER CORD(120)	2
302F906030	2F906030	GEAR FEED Z26H	4
302F906230	2F906230	PULLEY FEED ASSY	4
302F906280	2F906280	GEAR FEED Z30H	4
302F908250	2F908250	PAD SEPARATOR MPF	4
302F909171	2F909171	RETARD ROLLER ASSY	3,11
302F924190	2F924190	BUSH TRANSFER R	4
302F939082	2F939082	SCREW BOX	2
302F944131	2F944131	MOTOR EJECT	8
302FV45040	2FV45040	AC CORD ASSY	2
302FV94010	2FV94010	PARTS AC CORD EU SP	2
302FZ94420	2FZ94420	PARTS,FAN COOLING CONVEYING SP	2
302FZ94660	2FZ94660	PARTS,FAN IMAGE SP	8
302GR44080	2GR44080	FAN LSU 60-25	2
302H702590	2H702590	BUSH SCREW	4
302HN02611	2HN02611	FOOT	2
302HN06080	2HN06080	PULLEY PICKUP ASSY	4
302HN25180	2HN25180	GEAR Z34S INPUT	9
302HS08260	2HS08260	ROLLER M/P ASSY	4
302HS31140	2HS31140	GEAR Z35R IDLE	9
302K306460	2K306460	BUSH 4	4
302K325320	2K325320	PULLEY EXIT FUSER	8
302K394201	2K394201	PARTS MOTOR-BL W30 SP	9
302K914570	2K914570	CUT WASHER 7	9
302KV44041	2KV44041	CLUTCH 50 Z35R	9
302L194010	2L194010	PARTS LID TOP ASSY SP	1
302L194020	2L194020	PARTS LID TOP ASSY J SP	1
302L194032	2L194032	PARTS PWB ASSY ENGINE SP	2
302L204040	2L204040	COVER REAR UP	8
302L224030	2L224030	ACTUATOR REGIST	4
302L228030	2L228030	GEAR Z21S EXIT	8
302L228041	2L228041	GEAR Z66R Z34S	8
302L228090	2L228090	ACTUATOR OVERFLOW	8
302L231030	2L231030	PLATE DRIVE	9
302L231040	2L231040	GEAR Z128R	9
302L231050	2L231050	GEAR Z86R-Z36L	9
302L246060	2L246060	CONN.CORD ASSY S03720	2
302L246080	2L246080	CONN.CORD ASSY S03781	1
302L294010	2L294010	PARTS COVER TOP ASSY	1
302L294020	2L294020	PARTS LID TOP ASSY SP	1
302L294030	2L294030	PARTS HIGH VOLTAGE UNIT SP	4

Part.No. 部品番号	Alternative. 代替部品番号	Description 部品名称	Fig.No.
302L294040	2L294040	PARTS SWITCHING REGULATOR 230V SP	2
302L294051	2L294051	PARTS SWITCHING REGULATOR 120V SP	2
302L294063	2L294063	PARTS PWB ASSY MAIN SP	2
302L294071	2L294071	PARTS PWB ASSY MAIN SP EU	2
302L294081	2L294081	PARTS PWB ASSY ENGINE SP	2
302L294092	2L294092	PARTS PWB ASSY CONNECT-L SP	2
302L294110	2L294110	PARTS TRAY TOP ASSY SP	1
302L294120	2L294120	PARTS COVER FRONT ASSY SP	4
302L294130	2L294130	PARTS COVER FRONT ASSY J SP	4
302LV02040	2LV02040	GUIDE CASSETTE R	9
302LV02110	2LV02110	STOPPER PROCESS	5
302LV02200	2LV02200	STOPPER PROCESS L	5
302LV02610	2LV02610	SHEET FAN L	2
302LV04040	2LV04040	COVER LEFT UP	1
302LV04050	2LV04050	COVER LEFT LOW	1
302LV04080	2LV04080	COVER RIGHT FRONT	1
302LV04100	2LV04100	COVER REAR UP	8
302LV04110	2LV04110	COVER REAR LOW	8
302LV04120	2LV04120	COVER CASSETTE	8
302LV04130	2LV04130	COVER CONT UP	1
302LV04140	2LV04140	COVER CONT MIDDLE	1
302LV04150	2LV04150	COVER CONT LOW	1
302LV04160	2LV04160	COVER FRONT	4
302LV04170	2LV04170	COVER SIDE UP	1
302LV04190	2LV04190	COVER SIDE LOW	1
302LV04250	2LV04250	COVER LEFT UP REAR	1
302LV04260	2LV04260	COVER LEFT LOW REAR	1
302LV04270	2LV04270	COVER RIGHT REAR	1
302LV04280	2LV04280	COVER CABLE	1
302LV04290	2LV04290	PANEL LCD	1
302LV04320	2LV04320	PANEL LCD J	1
302LV05140	2LV05140	SHEET OPE E	1
302LV05150	2LV05150	SHEET OPE GER	1
302LV05160	2LV05160	SHEET OPE FRA	1
302LV05170	2LV05170	SHEET OPE ITA	1
302LV05180	2LV05180	SHEET OPE SPA	1
302LV05190	2LV05190	SHEET OPE POR	1
302LV05200	2LV05200	SHEET OPE DUT	1
302LV05210	2LV05210	SHEET OPE RUS	1
302LV05240	2LV05240	SHEET OPE J	1
302LV08150	2LV08150	GUIDE TURN MPF A	4
302LV08180	2LV08180	ACTUATOR MPF	4
302LV08201	2LV08201	SPRING ACTUATOR MPF	4
302LV08220	2LV08220	SHEET GUIDE TURN A	4
302LV09070	2LV09070	CURSOR LEFT	3
302LV09201	2LV09201	COVER LIFT GEAR	3
302LV09220	2LV09220	GEAR Z15S JOINT	3
302LV09241	2LV09241	GEAR Z48S LIFT	3
302LV09330	2LV09330	SPRING RETARD B	3
302LV09340	2LV09340	GUIDE RETARD C	3
302LV09350	2LV09350	CURSOR RIGHT B	3

Part.No. 部品番号	Alternative. 代替部品番号	Description 部品名称	Fig.No.
302LV11240	2LV11240	GUIDE CONTAINER	2
302LV24100	2LV24100	ACTUATOR IMAGE	4
302LV24140	2LV24140	GEAR Z22R TC	4
302LV24150	2LV24150	GEAR Z22L REGIST LOW	4
302LV24360	2LV24360	BUSH TRANSFER L	4
302LV24450	2LV24450	ACTUATOR ENVELOPE	4
302LV24520	2LV24520	BUSH 6 EW	4
302LV24760	2LV24760	PULLEY PA	4
302LV25510	2LV25510	SPACER FUSER R	7
302LV28031	2LV28031	GEAR Z66R-Z40S	8
302LV28040	2LV28040	GEAR Z17S	8
302LV28050	2LV28050	GEAR Z22S	8
302LV28090	2LV28090	GEAR Z20S	8
302LV28100	2LV28100	GEAR Z22S A	8
302LV28141	2LV28141	ACTUATOR OVERFLOW	8
302LV28191	2LV28191	GEAR Z22S B	8
302LV28461	2LV28461	SEAL EXIT C	8
302LV29090	2LV29090	ACTUATOR PE	4
302LV31010	2LV31010	PLATE DRIVE	9
302LV31040	2LV31040	HOLDER CLUTCH	9
302LV31050	2LV31050	GEAR Z119R	9
302LV31060	2LV31060	GEAR Z80R-Z36L	9
302LV31180	2LV31180	GEAR Z26L DLP CLUTCH	9
302LV31290	2LV31290	SPRING COUPLING DRUM	9
302LV31440	2LV31440	GEAR Z32L REG CL	9
302LV39040	2LV39040	RAIL PWB MAIN B	9
302LV46040	2LV46040	CONN.CORD ASSY S03656	9
302LV46140	2LV46140	CONN.CORD ASSY S03666	2
302LV46300	2LV46300	CONN.CORD ASSY S03682	1
302LV46420	2LV46420	CONN.CORD ASSY S03737	2
302LV93010	2LV93010	MC-3100	5
302LV93020	2LV93020	WT-3100	5
302LV93036	2LV93036	CT-3130	3
302LV93044	2LV93044	DK-3130(E)	5,11
302LV93064	2LV93064	DK-3130(U)	5,11
302LV93074	2LV93074	DK-3130(AO)	5,11
302LV93081	2LV93081	DV-3100	6,11
302LV93090	2LV93090	LK-3130	2
302LV93116	2LV93116	FK-3130(E)	7,11
302LV93126	2LV93126	FK-3130(J)	7,11
302LV93136	2LV93136	FK-3130(U)	7,11
302LV93174	2LV93174	DK-3130(J)	5,11
302LV94010	2LV94010	PARTS COVER TOP ASSY SP	1
302LV94020	2LV94020	PARTS LID TOP ASSY SP	1
302LV94030	2LV94030	PARTS LID TOP ASSY J SP	1
302LV94041	2LV94041	PARTS COVER MPF ASSY SP	4
302LV94051	2LV94051	PARTS PWB ASSY PANEL SP	1
302LV94060	2LV94060	PARTS HIGH VOLTAGE UNIT SP	4
302LV94071	2LV94071	PARTS SWITCHING REGULATOR 230V SP	2
302LV94081	2LV94081	PARTS SWITCHING REGULATOR 120V SP	2
302LV94093	2LV94093	PARTS PWB ASSY MAIN SP	2

Part.No. 部品番号	Alternative. 代替部品番号	Description 部品名称	Fig.No.
302LV94101	2LV94101	PARTS PWB ASSY MAIN SP EU	2
302LV94112	2LV94112	PARTS PWB ASSY ENGINE SP	2
302LV94121	2LV94121	PARTS TONER FULL DETECT ASSY SP	5
302LV94130	2LV94130	PARTS ROLLER TRANSFER SP	4
302LV94143	2LV94143	PARTS COVER REAR ASSY SP	8
302LV94153	2LV94153	PARTS COVER REAR ASSY J SP	8
302LV94161	2LV94161	PARTS CLUTCH 20-2W Z35R	9
302LV94170	2LV94170	PARTS ROLLER REGIST LOW SP	4
302LV94180	2LV94180	PARTS ROLLER REGIST UP SP	4
302LV94192	2LV94192	PARTS PWB ASSY CONNECT-L SP	2
302LV94200	2LV94200	PARTS PWB ASSY DRUM CONNECT SP	4
302LV94210	2LV94210	PARTS PWB ASSY SWITCH SP	2
302LV94220	2LV94220	PARTS PWB ASSY TH CONNECT SP	2
302LV94230	2LV94230	PARTS DC MOTOR ASSY SP	9
302LV94253	2LV94253	PARTS DRIVE FEED ASSY SP	9
302LV94261	2LV94261	PARTS GUIDE PAPER CHUTE SP	4
302LV94270	2LV94270	PARTS HOLDER FEED ASSY SP	4,11
302LV94280	2LV94280	PARTS TRAY TOP ASSY SP	1
302LV94290	2LV94290	PARTS COVER RIGHT UP ASSY SP	1
302LV94301	2LV94301	PARTS PWB ASSY MAIN SP LS	2
302LV94330	2LV94330	PARTS GUIDE PAPER CHUTE SP JP	4
302LV94350	2LV94350	PARTS FAN MOTOR SP	2
302LV94430	2LV94430	PARTS FAN MOTOR ASSY SP	2
302LV94460	2LV94460	PARTS SHEET DRUM CUSHION SET SP	5
302LV94480	2LV94480	PARTS HOLDER RETARD B SET SP	3
302LV94500	2LV94500	PARTS COVER RIGHT LOW ASSY SP	1
302LV94520	2LV94520	PARTS LEVER LINK SP	2
302LV94530	2LV94530	PARTS ROLLER DU ASSY SP	4
302LV94540	2LV94540	PARTS ACTUATOR DU SET SP	4
302MC34040	2MC34040	LABEL PUSH	8
302MS93016	2MS93016	CT-3100	3
302MS93024	2MS93024	DK-3100(E)	5,11
302MS93044	2MS93044	DK-3100(U)	5,11
302MS93054	2MS93054	DK-3100(AO)	5,11
302MS93060	2MS93060	LK-3100	2
302MS93076	2MS93076	FK-3100(E)	7,11
302MS93086	2MS93086	FK-3100(J)	7,11
302MS93096	2MS93096	FK-3100(U)	7,11
302MS93124	2MS93124	DK-3100(J)	5,11
302MS94010	2MS94010	PARTS LID TOP ASSY SP	1
302MS94020	2MS94020	PARTS LID TOP ASSY J SP	1
302MS94031	2MS94031	PARTS PWB ASSY ENGINE SP	2
302MS94041	2MS94041	PARTS COVER REAR ASSY SP	8
302MS94052	2MS94052	PARTS DRIVE FEED ASSY SP	9
302MT94010	2MT94010	PARTS LID TOP ASSY SP	1
302MT94022	2MT94022	PARTS PWB ASSY ENGINE SP	2
302NR94010	2NR94010	PARTS CLUTCH 35 Z35R SP	9
302P794090	2P794090	PARTS ROLLER MIDDLE SET SP	4
302T646120	2T646120	CONN.CORD ASSY FFC APC	2
303M894260	3M894260	PARTS SENSOR OPT SP	4,8
303N728010	3N728010	PLATE HOOK	10

KYOCERA Document Solutions America, Inc.**Headquarters**

225 Sand Road,
Fairfield, New Jersey 07004-0008, USA
Phone: +1-973-808-8444
Fax: +1-973-882-6000

Latin America

8240 NW 52nd Terrace Dawson Building, Suite 100
Miami, Florida 33166, USA
Phone: +1-305-421-6640
Fax: +1-305-421-6666

KYOCERA Document Solutions Canada, Ltd.

6120 Kestrel Rd., Mississauga, ON L5T 1S8,
Canada
Phone: +1-905-670-4425
Fax: +1-905-670-8116

KYOCERA Document Solutions**Mexico, S.A. de C.V.**

Calle Arquimedes No. 130, 4 Piso, Colonia Polanco
Chapultepec, Delegacion Miguel Hidalgo,
Distrito Federal, C.P. 11560, México
Phone: +52-555-383-2741
Fax: +52-555-383-7804

KYOCERA Document Solutions Brazil, Ltda.

Alameda África, 545, Pólo Empresarial Consbrás,
Tamboré, Santana de Parnaíba, State of São Paulo,
CEP 06543-306, Brazil
Phone: +55-11-2424-5353
Fax: +55-11-2424-5304

KYOCERA Document Solutions Chile SpA

Jose Ananias 505, Macul. Santiago, Chile
Phone: +562-2350-7000
Fax: +562-2350-7150

KYOCERA Document Solutions**Australia Pty. Ltd.**

Level 3, 6-10 Talavera Road North Ryde N.S.W, 2113,
Australia
Phone: +61-2-9888-9999
Fax: +61-2-9888-9588

KYOCERA Document Solutions**New Zealand Ltd.**

Ground Floor, 19 Byron Avenue, Takapuna, Auckland,
New Zealand
Phone: +64-9-415-4517
Fax: +64-9-415-4597

KYOCERA Document Solutions Asia Limited

13/F.,Mita Centre, 552-566, Castle Peak Road Tsuen
Wan, New Territories, Hong Kong
Phone: +852-2496-5678
Fax: +852-2610-2063

KYOCERA Document Solutions**(China) Corporation**

8F, No. 288 Nanjing Road West, Huangpu District,
Shanghai,200003, China
Phone: +86-21-5301-1777
Fax: +86-21-5302-8300

KYOCERA Document Solutions**(Thailand) Corp., Ltd.**

335 Ratchadapisek Road, Wongsawang, Bangsue,
Bangkok 10800,
Thailand
Phone: +66-2-586-0333
Fax: +66-2-586-0278

KYOCERA Document Solutions**Singapore Pte. Ltd.**

12 Tai Seng Street #04-01A,
Luxasia Building, Singapore 534118
Phone: +65-6741-8733
Fax: +65-6748-3788

KYOCERA Document Solutions**Hong Kong Limited**

16/F.,Mita Centre, 552-566, Castle Peak Road Tsuen
Wan, New Territories, Hong Kong
Phone: +852-3582-4000
Fax: +852-3185-1399

KYOCERA Document Solutions**Taiwan Corporation**

6F., No.37, Sec. 3, Minquan E. Rd.,
Zhongshan Dist., Taipei 104, Taiwan R.O.C.
Phone: +886-2-2507-6709
Fax: +886-2-2507-8432

KYOCERA Document Solutions Korea Co., Ltd.

#10F Daewoo Foundation Bldg 18, Toegye-ro, Jung-gu,
Seoul, Korea
Phone: +822-6933-4050
Fax: +822-747-0084

KYOCERA Document Solutions**India Private Limited**

Second Floor, Centrum Plaza, Golf Course Road,
Sector-53, Gurgaon, Haryana 122002, India
Phone: +91-0124-4671000
Fax: +91-0124-4671001

KYOCERA Document Solutions Europe B.V.

Bloemlaan 4, 2132 NP Hoofddorp,
The Netherlands
Phone: +31-20-654-0000
Fax: +31-20-653-1256

KYOCERA Document Solutions Nederland B.V.

Beechavenue 25, 1119 RA Schiphol-Rijk,
The Netherlands
Phone: +31-20-5877200
Fax: +31-20-5877260

KYOCERA Document Solutions (U.K.) Limited

Eldon Court, 75-77 London Road,
Reading, Berkshire RG1 5BS,
United Kingdom
Phone: +44-118-931-1500
Fax: +44-118-931-1108

KYOCERA Document Solutions Italia S.p.A.

Via Monfalcone 15, 20132, Milano, Italy,
Phone: +39-02-921791
Fax: +39-02-92179-600

KYOCERA Document Solutions Belgium N.V.

Sint-Martinusweg 199-201 1930 Zaventem,
Belgium
Phone: +32-2-7209270
Fax: +32-2-7208748

KYOCERA Document Solutions France S.A.S.

Espace Technologique de St Aubin
Route de l'Orme 91195 Gif-sur-Yvette CEDEX,
France
Phone: +33-1-69852600
Fax: +33-1-69853409

KYOCERA Document Solutions Espana, S.A.

Edificio Kyocera, Avda. de Manacor No.2,
28290 Las Matas (Madrid), Spain
Phone: +34-91-6318392
Fax: +34-91-6318219

© 2017 KYOCERA Document Solutions Inc.

 is a trademark of KYOCERA Corporation

KYOCERA Document Solutions Finland Oy

Atomitie 5C, 00370 Helsinki,
Finland
Phone: +358-9-47805200
Fax: +358-9-47805212

**KYOCERA Document Solutions
Europe B.V., Amsterdam (NL) Zürich Branch**

Hohlstrasse 614, 8048 Zürich,
Switzerland
Phone: +41-44-9084949
Fax: +41-44-9084950

**KYOCERA Bilgitas Document Solutions
Turkey A.S.**

Gülbahar Mahallesi Otello Kamil Sk. No:6 Mecidiyeköy
34394 Şişli İstanbul, Turkey
Phone: +90-212-356-7000
Fax: +90-212-356-6725

**KYOCERA Document Solutions
Deutschland GmbH**

Otto-Hahn-Strasse 12, 40670 Meerbusch,
Germany
Phone: +49-2159-9180
Fax: +49-2159-918100

KYOCERA Document Solutions Austria GmbH

Wienerbergstraße 11, Turm A, 18. OG, 1100 Wien,
Austria
Phone: +43-1-863380
Fax: +43-1-86338-400

KYOCERA Document Solutions Nordic AB

Esbogatan 16B 164 75 Kista, Sweden
Phone: +46-8-546-550-00
Fax: +46-8-546-550-10

京セラドキュメントソリューションズ株式会社
京セラドキュメントソリューションズジャパン株式会社

 は京セラ株式会社の登録商標です。

KYOCERA Document Solutions Norge Nuf

Olaf Helsetsv. 6, 0619 Oslo, Norway
Phone: +47-22-62-73-00
Fax: +47-22-62-72-00

KYOCERA Document Solutions Danmark A/S

Ejby Industrivej 60, DK-2600 Glostrup,
Denmark
Phone: +45-70223880
Fax: +45-45765850

KYOCERA Document Solutions Portugal Lda.

Rua do Centro Cultural, 41 (Alvalade) 1700-106 Lisboa,
Portugal
Phone: +351-21-843-6780
Fax: +351-21-849-3312

**KYOCERA Document Solutions
South Africa (Pty) Ltd.**

KYOCERA House, Hertford Office Park,
90 Bekker Road (Cnr. Allandale), Midrand, South Africa
Phone: +27-11-540-2600
Fax: +27-11-466-3050

KYOCERA Document Solutions Russia LLC.

Building 2, 51/4, Schepkina St., 129110, Moscow,
Russia
Phone: +7(495)741-0004
Fax: +7(495)741-0018

KYOCERA Document Solutions Middle East

Dubai Internet City, Bldg. 17,
Office 157 P.O. Box 500817, Dubai,
United Arab Emirates
Phone: +971-04-433-0412

KYOCERA Document Solutions Inc.

2-28, 1-chome, Tamatsukuri, Chuo-ku
Osaka 540-8585, Japan
Phone: +81-6-6764-3555
<http://www.kyoceradocumentsolutions.com>