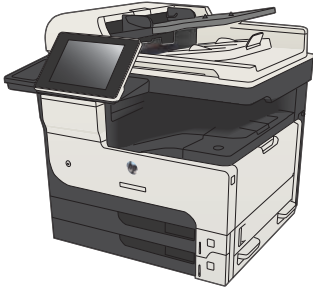


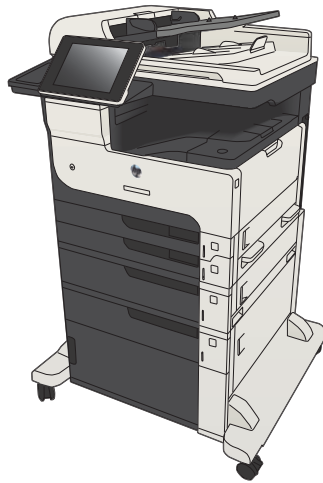


LASERJET ENTERPRISE MFP M725

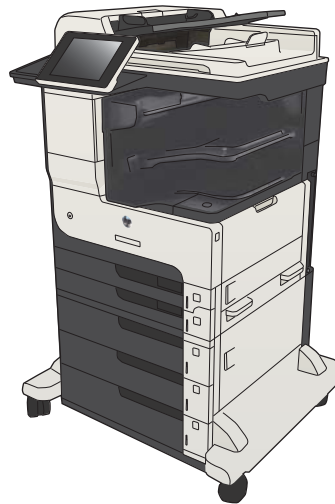
Repair Manual



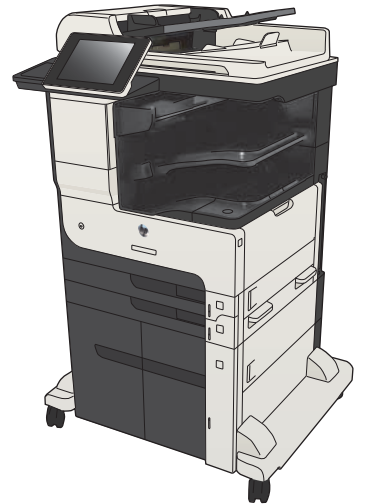
M725dn



M725f



M725z



M725z+



HP LaserJet Enterprise MFP M725

Repair Manual

Copyright and License

© 2013 Copyright Hewlett-Packard Development Company, L.P.

Reproduction, adaptation, or translation without prior written permission is prohibited, except as allowed under the copyright laws.

The information contained herein is subject to change without notice.

The only warranties for HP products and services are set forth in the express warranty statements accompanying such products and services. Nothing herein should be construed as constituting an additional warranty. HP shall not be liable for technical or editorial errors or omissions contained herein.


Part number: CF066-90988

Edition 1, 03/2013


Trademark Credits

Microsoft®, Windows®, Windows® XP, and Windows Vista® are U.S. registered trademarks of Microsoft Corporation.

Conventions used in this guide

 **TIP:** Tips provide helpful hints or shortcuts.

 **NOTE:** Notes provide important information to explain a concept or to complete a task.

 **CAUTION:** Cautions indicate procedures that you should follow to avoid losing data or damaging the product.


 **WARNING!** Warnings alert you to specific procedures that you should follow to avoid personal injury, catastrophic loss of data, or extensive damage to the product.

Table of contents

1 Removal and replacement	1
Removal and replacement strategy	2
Introduction	2
Required tools	3
Types of screws	3
Service approach	3
Before performing service	4
After performing service	4
Parts removal order	4
Pickup rollers	5
Tray 1 (multipurpose tray) pickup roller	5
Reinstall the Tray 1 (multipurpose tray) pickup roller	6
Tray 2 and Tray 3 pickup rollers	7
Tray 4, Tray 5, and Tray 6 pickup and feed rollers	9
High capacity input feeder (HCI) pickup, feed, and separation rollers	11
Document feeder pickup and feed roller assembly	13
Separation pads and rollers	15
Tray 1 separation pad assembly	15
Tray 2 and Tray 3 separation rollers	16
Tray 4, 5, and 6 separation rollers	17
Document feeder separation pad	18
Reinstall the document feeder separation pad	19
Covers and doors	21
Front cover	21
Right rear cover	22
Left door	23
Rear cover	24
Front left lower cover	25
Front right lower cover	26
Face-down cover	27
Tray 1 (multipurpose tray) cover	28
Right door	29

Reinstall the right door	30
Left handle cover	31
Left inner lower cover	32
Left inner rear cover	33
Left inner front cover	35
Right handle cover	37
Face-down side cover	38
Front upper cover	39
Top rear outer cover	40
Output upper cover	41
Top rear inner cover	42
Left inner front upper cover	43
Left inner rear upper cover	44
Main assemblies	45
Duplexer or duplex cover	46
Fuser	48
Control panel assembly	49
Paper delivery assembly	50
Install a replacement paper delivery assembly	52
Registration assembly	54
Transfer roller	57
Paper feed assembly	58
Laser scanner	62
Toner cartridge door	64
Formatter cage assembly	69
Upper cassette pickup assembly	70
Lower cassette pickup assembly	73
Lifter drive assembly	75
Main drive assembly	77
Fuser drive assembly	81
Reinstall the fuser drive assembly	82
Switches	84
Power switch assembly	85
Left door interlock switch	86
Cartridge door interlock switch	89
Cartridge door open detection switch	91
Upper cassette media end switch	93
Lower cassette media end switch	94
Sensors	96
Environment sensor	98
Cartridge presence sensor	99

Right door sensor	100
Motors, fans, and clutches	103
Fuser motor	105
Rear fan	106
Front fan	108
Fuser fan	109
Upper cassette pickup clutch	110
Lower cassette pickup clutch	112
Printed circuit-board assemblies (PCAs)	114
Formatter PCA	114
High-voltage power supply	115
DC controller PCA	118
Low-voltage power supply assembly	119
Dual in-line memory module	122
Reinstall the Dual in-line memory module	123
Fax PCA	125
Miscellaneous parts	126
Hard disk	126
Trays	128
1x500-sheet paper feeder assembly	128
1x500 rear cover	128
1x500 left cover	129
1x500 right-front cover	131
1x500 front-upper cover	132
1x500 right door	133
1x500 right-lower cover	135
1x500 pickup assembly	136
1x500 lifter-drive assembly	139
1x500 pickup motor	140
1x500 driver PCA	141
1x500 or 3x500-sheet paper feeder (optional accessory)	142
Paper deck rear cover	142
Paper deck left cover	143
Paper deck front-lower cover	144
Paper deck right and left cassette rails	145
Paper deck right-corner cover	146
Paper deck front-upper cover	147
Paper deck right-door assembly	148
Paper deck right-lower cover 1	150
Paper deck right-lower cover 2	151
Paper deck left-lower cover	152

Paper deck rear-lower cover	153
Paper deck controller PCAs	154
Paper deck lifter-drive assembly	155
Paper deck pickup motor	156
Paper deck pickup assembly	157
Input devices	159
High capacity input (HCI) feeder	159
HCI right tray	159
HCI left tray	160
HCI left cover	161
HCI left lower cover	162
HCI rear cover	163
HCI right door	164
HCI right front cover	165
HCI right center cover and right rear cover	166
HCI right lower cover	168
HCI rear lower cover	169
HCI left tray lifter drive	170
HCI right tray lifter drive	171
HCI left tray pickup drive	172
HCI right tray pickup drive	173
HCI controller PCA	174
HCI left tray automatic close assembly	175
HCI right tray automatic close assembly	176
HCI left tray pickup assembly	178
HCI right tray pickup assembly	180
HCI merge assembly	182
Output devices	184
Stapler/stacker (stapler models only)	184
Stapler/stacker left door	184
Stapler/stacker left cover	186
Stapler/stacker rear cover	190
Stapler/stacker stapler door	191
Stapler/stacker jogger upper cover	192
Stapler/stacker stapler cover	193
Stapler/stacker left rear cover	195
Stapler/stacker right rear cover	196
Stapler/stacker output bin assembly	197
Stapler/stacker rear inner cover	198
Stapler/stacker stack cover	199
Stapler/stacker stapler assembly	200

Stapler/stacker paper feed assembly	201
Stapler/stacker alignment assembly	203
Stapler/stacker controller PCA	210
Stapler/stacker assembly	211
Document feeder	214
Document feeder assembly	214
Install a replacement document feeder assembly	216
Document feeder cable cover	217
Document feeder hinge	218
Document feeder mylar strips	219
Install replacement document feeder mylar strips	220
Document feeder foam reflector	221
Install a replacement document feeder foam reflector	222
Document feeder tray extender	227
Document feeder front cover	229
Document feeder hatch cover	233
Document feeder paper present sensor	234
Document feeder input tray bottom cover	235
Document feeder width-adjust sensor, paper-long and paper-short sensors	236
Document feeder roller cover	239
Document feeder rear cover	241
Document feeder open sensor and flag	243
Reinstall the document feeder open sensor and flag	245
Scanner	246
Scanner controller board (SCB) assembly	246
Scanner assembly	248
Install a replacement scanner assembly	250
Scanner right cover	251
Scanner left cover	252
Scanner front cover	253
Reinstall the scanner front cover	254
Image scanner memory board	255
Installing a replacement SCB and image scanner memory board	257
2 Parts and diagrams	259
Order parts by authorized service providers	260
Related documentation and software	260
Supplies part numbers	260
Customer self repair orderable parts	261
Accessories part numbers	263
How to use the parts lists and diagrams	265

Fasteners used in this product	265
Assembly locations	266
Base product (no optional trays or accessories)	266
Optional 500-sheet paper feeder (accessory)	267
Optional 1x500-sheet paper deck (accessory)	268
Optional 3x500-sheet paper deck (accessory)	269
High capacity input (HCI) paper deck	270
Duplexer	271
Optional stapler/stacker	272
Document feeder, control panel, and scanner whole units	274
Document feeder assemblies	276
Scanner assemblies	278
Scanner controller board (SCB)	280
Print engine	282
External covers and panels	282
Internal components (1 of 4)	284
Internal components (2 of 4)	286
Internal components (3 of 4)	288
Internal components (4 of 4)	290
500-sheet paper feeder (Tray 4)	292
500-sheet paper feeder (Tray 4) covers	292
500-sheet paper feeder (Tray 4) components	294
1x500 and 3x500 paper deck	296
1x500 and 3x500 paper deck covers	296
1x500 paper deck components	298
3x500 paper deck components	300
High capacity input (HCI) feeder	302
HCI covers	302
HCI components (1 of 2)	304
HCI components (2 of 2)	306
Stapler/stacker assembly	308
Stapler/stacker covers	308
Stapler/stacker components	310
Alphabetical parts list	312
Numerical parts list	324

Index **337**

List of tables

Table 1-1	Switch locations	84
Table 1-2	Sensor locations	96
Table 1-3	Motor locations	103
Table 1-4	Fan locations	104
Table 1-5	Clutch locations	104
Table 2-1	Order parts, accessories, and supplies	260
Table 2-2	Related documentation and software	260
Table 2-3	Supplies part numbers	260
Table 2-4	Orderable parts	261
Table 2-5	Accessories part numbers	263
Table 2-6	Common fasteners	265
Table 2-7	Optional 500-sheet paper feeder (accessory)	267
Table 2-8	Optional 1x500-sheet paper deck (accessory)	268
Table 2-9	Optional 3x500-sheet paper deck (accessory)	269
Table 2-10	High capacity input (HCI) paper deck	270
Table 2-11	Duplexer	271
Table 2-12	Optional stapler/stacker (accessory)	272
Table 2-13	Document feeder, control panel, and scanner whole units	275
Table 2-14	Document feeder assemblies	277
Table 2-15	Scanner assemblies	279
Table 2-16	Scanner controller board (SCB) assembly	281
Table 2-17	External covers and panels	283
Table 2-18	Internal components (1 of 4)	285
Table 2-19	Internal components (2 of 4)	287
Table 2-20	Internal components (3 of 4)	289
Table 2-21	Internal components (4 of 4)	291
Table 2-22	500-sheet paper feeder (Tray 4) covers	293
Table 2-23	500-sheet paper feeder (Tray 4) components	295
Table 2-24	1x500 and 3x500 paper deck covers	297
Table 2-25	1x500 paper deck components	299
Table 2-26	3x500 paper deck components	301
Table 2-27	HCI covers	303

Table 2-28	HCI components (1 of 2)	305
Table 2-29	HCI components (2 of 2)	307
Table 2-30	Stapler/stacker covers	309
Table 2-31	Stapler/stacker components	311
Table 2-32	Alphabetical parts list	312
Table 2-33	Numerical parts list	324

List of figures

Figure 1-1	Screwdrivers	3
Figure 1-2	Remove the Tray 1 (multipurpose tray) pickup roller	5
Figure 1-3	Reinstall the Tray 1 (multipurpose tray) pickup roller (1 of 2)	6
Figure 1-4	Reinstall the Tray 1 (multipurpose tray) pickup roller (2 of 2)	6
Figure 1-5	Remove the Tray 2 and Tray 3 pickup rollers (1 of 2)	7
Figure 1-6	Remove the Tray 2 and Tray 3 pickup rollers (2 of 2)	8
Figure 1-7	Remove the 1x500 or 3x500 rollers (1 of 2)	9
Figure 1-8	Remove the 1x500 or 3x500 rollers (2 of 2)	10
Figure 1-9	Remove the high capacity input feeder pickup, feed, and separation rollers (1 of 4)	11
Figure 1-10	Remove the high capacity input feeder pickup, feed, and separation rollers (2 of 4)	11
Figure 1-11	Remove the high capacity input feeder pickup, feed, and separation rollers (3 of 4)	12
Figure 1-12	Remove the high capacity input feeder pickup, feed, and separation rollers (4 of 4)	12
Figure 1-13	Remove the document feeder pickup and feed roller assembly (1 of 3)	13
Figure 1-14	Remove the document feeder pickup and feed roller assembly (2 of 3)	13
Figure 1-15	Remove the document feeder pickup and feed roller assembly (3 of 3)	14
Figure 1-16	Remove the Tray 1 separation pad assembly (1 of 2)	15
Figure 1-17	Remove the Tray 1 separation pad assembly (2 of 2)	15
Figure 1-18	Remove the Tray 2 and Tray 3 separation rollers	16
Figure 1-19	Remove the 1x500 or 3x500 rollers (1 of 2)	17
Figure 1-20	Remove the 1x500 or 3x500 rollers (2 of 2)	17
Figure 1-21	Remove the document feeder separation pad (1 of 3)	18
Figure 1-22	Remove the document feeder separation pad (2 of 3)	18
Figure 1-23	Remove the document feeder separation pad (3 of 3)	19
Figure 1-24	Reinstall the document feeder separation pad (1 of 2)	19
Figure 1-25	Reinstall the document feeder separation pad (2 of 2)	20
Figure 1-26	Remove the front cover (1 of 2)	21
Figure 1-27	Remove the front cover (2 of 2)	21
Figure 1-28	Remove the right rear cover	22
Figure 1-29	Remove the left door (1 of 2)	23
Figure 1-30	Remove the left door (2 of 2)	23
Figure 1-31	Remove the rear cover (1 of 2)	24
Figure 1-32	Remove the rear cover (2 of 2)	24

Figure 1-33	Remove the front left lower cover	25
Figure 1-34	Remove the front right lower cover	26
Figure 1-35	Remove the face-down cover	27
Figure 1-36	Remove the Tray 1 (multipurpose tray) cover (1 of 2)	28
Figure 1-37	Remove the Tray 1 (multipurpose tray) cover (2 of 2)	28
Figure 1-38	Remove the right door (1 of 2)	29
Figure 1-39	Remove the right door (2 of 2)	29
Figure 1-40	Reinstall the right door	30
Figure 1-41	Remove the left handle cover	31
Figure 1-42	Remove the left inner lower cover	32
Figure 1-43	Remove the left inner rear cover (1 of 2)	33
Figure 1-44	Remove the left inner rear cover (2 of 2)	34
Figure 1-45	Remove the left inner front cover (1 of 2)	35
Figure 1-46	Remove the left inner front cover (2 of 2)	36
Figure 1-47	Remove the right handle cover	37
Figure 1-48	Remove the face-down side cover	38
Figure 1-49	Remove the front upper cover	39
Figure 1-50	Remove the top rear outer cover	40
Figure 1-51	Remove the output upper cover (1 of 2)	41
Figure 1-52	Remove the output upper cover (2 of 2)	41
Figure 1-53	Remove the top rear inner cover	42
Figure 1-54	Remove the left inner front upper cover	43
Figure 1-55	Remove the left inner rear upper cover	44
Figure 1-56	Remove the duplexer (1 of 2)	46
Figure 1-57	Remove the duplexer (2 of 2)	46
Figure 1-58	Remove the duplex cover	47
Figure 1-59	Remove the duplex cover	47
Figure 1-60	Remove the fuser	48
Figure 1-61	Remove the control panel (1 of 2)	49
Figure 1-62	Remove the control panel (2 of 2)	49
Figure 1-63	Remove the paper delivery assembly (1 of 2)	50
Figure 1-64	Remove the paper delivery assembly (2 of 2)	51
Figure 1-65	Install a replacement paper delivery assembly (1 of 3)	52
Figure 1-66	Install a replacement paper delivery assembly (2 of 3)	52
Figure 1-67	Install a replacement paper delivery assembly (3 of 3)	53
Figure 1-68	Registration assembly left screw	54
Figure 1-69	Registration assembly right screw	54
Figure 1-70	Remove the registration assembly (1 of 2)	55
Figure 1-71	Remove the registration assembly (2 of 2)	55
Figure 1-72	Reinstalling the registration assembly	56
Figure 1-73	Remove the transfer roller	57

Figure 1-74	Remove the paper feed assembly (1 of 4)	58
Figure 1-75	Remove the paper feed assembly (2 of 4)	58
Figure 1-76	Remove the paper feed assembly (3 of 4)	59
Figure 1-77	Reinstall the connector cover	59
Figure 1-78	Remove the paper feed assembly (4 of 4)	60
Figure 1-79	Reinstall the paper feed assembly (1 of 2)	60
Figure 1-80	Reinstall the paper feed assembly (2 of 2)	61
Figure 1-81	Remove the laser scanner (1 of 3)	62
Figure 1-82	Remove the laser scanner (2 of 3)	62
Figure 1-83	Remove the laser scanner (3 of 3)	63
Figure 1-84	Remove the toner cartridge door (1 of 6)	64
Figure 1-85	Remove the toner cartridge door (2 of 6)	65
Figure 1-86	Remove the toner cartridge door (3 of 6)	65
Figure 1-87	Remove the toner cartridge door (4 of 6)	66
Figure 1-88	Remove the toner cartridge door (5 of 6)	66
Figure 1-89	Remove the toner cartridge door (6 of 6)	67
Figure 1-90	Reinstall the cartridge door assembly (1 of 2)	67
Figure 1-91	Reinstall the cartridge door assembly (2 of 2)	68
Figure 1-92	Remove the formatter cage (1 of 2)	69
Figure 1-93	Remove the formatter cage (2 of 2)	69
Figure 1-94	Remove the upper cassette pickup assembly (1 of 4)	70
Figure 1-95	Remove the upper cassette pickup assembly (2 of 4)	71
Figure 1-96	Remove the upper cassette pickup assembly (3 of 4)	71
Figure 1-97	Remove the upper cassette pickup assembly (4 of 4)	72
Figure 1-98	Remove the lower cassette pickup assembly (1 of 3)	73
Figure 1-99	Remove the lower cassette pickup assembly (2 of 3)	74
Figure 1-100	Remove the lower cassette pickup assembly (3 of 3)	74
Figure 1-101	Remove the lifter driver assembly (1 of 2)	75
Figure 1-102	Remove the lifter driver assembly (2 of 2)	76
Figure 1-103	Remove the main drive assembly (1 of 7)	77
Figure 1-104	Remove the main drive assembly (2 of 7)	77
Figure 1-105	Remove the main drive assembly (3 of 7)	78
Figure 1-106	Remove the main drive assembly (4 of 7)	78
Figure 1-107	Remove the main drive assembly (5 of 7)	79
Figure 1-108	Remove the main drive assembly (6 of 7)	79
Figure 1-109	Remove the main drive assembly (7 of 7)	80
Figure 1-110	Reinstall the main drive assembly	80
Figure 1-111	Remove the fuser drive assembly (1 of 3)	81
Figure 1-112	Remove the fuser drive assembly (2 of 3)	81
Figure 1-113	Remove the fuser drive assembly (3 of 3)	82
Figure 1-114	Reinstall the fuser drive assembly (1 of 3)	82

Figure 1-115	Reinstall the fuser drive assembly (2 of 3)	83
Figure 1-116	Reinstall the fuser drive assembly (3 of 3)	83
Figure 1-117	Switch locations	84
Figure 1-118	Remove the power switch assembly	85
Figure 1-119	Remove the left door interlock switch (1 of 4)	86
Figure 1-120	Remove the left door interlock switch (2 of 4)	86
Figure 1-121	Remove the left door interlock switch (3 of 4)	87
Figure 1-122	Reinstall the left door lever	87
Figure 1-123	Remove the left door interlock switch (4 of 4)	88
Figure 1-124	Remove the cartridge door interlock switch (1 of 4)	89
Figure 1-125	Remove the cartridge door interlock switch (2 of 4)	89
Figure 1-126	Remove the cartridge door interlock switch (3 of 4)	90
Figure 1-127	Remove the cartridge door interlock switch (4 of 4)	90
Figure 1-128	Remove the cartridge door open detection switch (1 of 3)	91
Figure 1-129	Remove the cartridge door open detection switch (2 of 3)	91
Figure 1-130	Remove the cartridge door open detection switch (3 of 3)	92
Figure 1-131	Remove the upper cassette media end switch	93
Figure 1-132	Remove the lower cassette media end switch (1 of 3)	94
Figure 1-133	Remove the lower cassette media end switch (2 of 3)	94
Figure 1-134	Remove the lower cassette media end switch (3 of 3)	95
Figure 1-135	Sensor locations	96
Figure 1-136	Remove the environment sensor	98
Figure 1-137	Remove the cartridge presence sensor	99
Figure 1-138	Remove the right door sensor (1 of 4)	100
Figure 1-139	Remove the right door sensor (2 of 4)	101
Figure 1-140	Remove the right door sensor (3 of 4)	101
Figure 1-141	Remove the right door sensor (4 of 4)	102
Figure 1-142	Motor locations	103
Figure 1-143	Fan locations	104
Figure 1-144	Clutch locations	104
Figure 1-145	Remove the fuser motor	105
Figure 1-146	Remove the rear fan (1 of 3)	106
Figure 1-147	Remove the rear fan (2 of 3)	106
Figure 1-148	Remove the rear fan (3 of 3)	107
Figure 1-149	Reinstall the rear fan	107
Figure 1-150	Remove the front fan	108
Figure 1-151	Reinstall the front fan	108
Figure 1-152	Remove the fuser fan	109
Figure 1-153	Reinstall the fuser fan	109
Figure 1-154	Remove the upper cassette pickup assembly (1 of 2)	110
Figure 1-155	Remove the upper cassette pickup assembly (2 of 2)	111

Figure 1-156	Remove the lower cassette pickup assembly (1 of 2)	112
Figure 1-157	Remove the lower cassette pickup assembly (2 of 2)	113
Figure 1-158	Remove the formatter (1 of 2)	114
Figure 1-159	Remove the formatter (2 of 2)	114
Figure 1-160	Remove the high-voltage power supply assembly (1 of 5)	115
Figure 1-161	Remove the high-voltage power supply assembly (2 of 5)	116
Figure 1-162	Remove the high-voltage power supply assembly (3 of 5)	116
Figure 1-163	Remove the high-voltage power supply assembly (4 of 5)	117
Figure 1-164	Remove the high-voltage power supply assembly (5 of 5)	117
Figure 1-165	Remove the DC controller PCA	118
Figure 1-166	Remove the low-voltage power supply assembly (1 of 5)	119
Figure 1-167	Remove the low-voltage power supply assembly (2 of 5)	119
Figure 1-168	Remove the low-voltage power supply assembly (3 of 5)	120
Figure 1-169	Remove the low-voltage power supply assembly (4 of 5)	120
Figure 1-170	Remove the low-voltage power supply assembly (5 of 5)	121
Figure 1-171	Remove the DIMM (1 of 3)	122
Figure 1-172	Remove the DIMM (2 of 3)	122
Figure 1-173	Remove the DIMM (3 of 3)	123
Figure 1-174	Reinstall the DIMM (1 of 3)	123
Figure 1-175	Reinstall the DIMM (2 of 3)	124
Figure 1-176	Reinstall the DIMM (3 of 3)	124
Figure 1-177	Remove the fax PCA (1 of 2)	125
Figure 1-178	Remove the fax PCA (2 of 2)	125
Figure 1-179	Remove the hard disk (1 of 3)	126
Figure 1-180	Remove the hard disk (2 of 3)	126
Figure 1-181	Remove the hard disk (3 of 3)	127
Figure 1-182	Remove the 1x500 rear cover	128
Figure 1-183	Remove the 1x500 left cover (1 of 2)	129
Figure 1-184	Remove the 1x500 left cover (2 of 2)	129
Figure 1-185	Remove the 1x500 right-front cover	131
Figure 1-186	Remove the 1x500 front-upper cover	132
Figure 1-187	Remove the 1x500 right door (1 of 3)	133
Figure 1-188	Remove the 1x500 right door (2 of 3)	133
Figure 1-189	Remove the 1x500 right door (3 of 3)	134
Figure 1-190	Remove the 1x500 right-lower cover	135
Figure 1-191	Remove the 1x500 pickup assembly (1 of 4)	136
Figure 1-192	Remove the 1x500 pickup assembly (2 of 4)	136
Figure 1-193	Remove the 1x500 pickup assembly (3 of 4)	137
Figure 1-194	Remove the 1x500 pickup assembly (4 of 4)	137
Figure 1-195	Remove the 1x500 lifter-drive assembly (1 of 2)	139
Figure 1-196	Remove the 1x500 lifter-drive assembly (2 of 2)	139

Figure 1-197	Remove the 1x500 pickup motor	140
Figure 1-198	Remove the 1x500 driver PCA	141
Figure 1-199	Remove the 3x500 rear cover	142
Figure 1-200	Remove the 3x500 left cover (1 of 2)	143
Figure 1-201	Remove the 3x500 left cover (2 of 2)	143
Figure 1-202	Remove the 3x500 front-lower cover	144
Figure 1-203	Remove the 3x500 right and left cassette rails	145
Figure 1-204	Remove the 3x500 right-corner cover	146
Figure 1-205	Remove the 3x500 front-upper cover	147
Figure 1-206	Remove the 3x500 right-door assembly (1 of 3)	148
Figure 1-207	Remove the 3x500 right-door assembly (2 of 3)	148
Figure 1-208	Remove the 3x500 right-door assembly (3 of 3)	149
Figure 1-209	Remove the 3x500 right-lower cover 1	150
Figure 1-210	Remove the 3x500 right-lower cover 2	151
Figure 1-211	Remove the 3x500 left-lower cover	152
Figure 1-212	Remove the 3x500 rear-lower cover	153
Figure 1-213	Remove the 3x500 paper deck controller PCA	154
Figure 1-214	Remove the 3x500 paper deck lifter-drive assembly (1 of 2)	155
Figure 1-215	Remove the 3x500 paper deck lifter-drive assembly (2 of 2)	155
Figure 1-216	Remove the 3x500 paper deck pickup motor	156
Figure 1-217	Remove the 3x500 paper deck pickup assembly (1 of 3)	157
Figure 1-218	Remove the 3x500 paper deck pickup assembly (2 of 3)	158
Figure 1-219	Remove the 3x500 paper deck pickup assembly (3 of 3)	158
Figure 1-220	Remove the HCI right tray	159
Figure 1-221	Remove the HCI left tray	160
Figure 1-222	Remove the HCI left cover (1 of 2)	161
Figure 1-223	Remove the HCI left cover (2 of 2)	161
Figure 1-224	Remove the HCI left lower cover	162
Figure 1-225	Remove the HCI rear cover	163
Figure 1-226	Remove the HCI right door	164
Figure 1-227	HCI right door link detail	164
Figure 1-228	Remove the HCI right front cover (1 of 2)	165
Figure 1-229	Remove the HCI right front cover (2 of 2)	165
Figure 1-230	Remove the HCI right center cover and right rear cover (1 of 2)	166
Figure 1-231	Remove the HCI right center cover and right rear cover (1 of 2)	167
Figure 1-232	Remove the HCI right lower cover	168
Figure 1-233	Remove the HCI rear lower cover	169
Figure 1-234	Remove the HCI left tray lifter drive	170
Figure 1-235	Remove the HCI right tray lifter drive	171
Figure 1-236	Remove the HCI left tray pickup drive (1 of 2)	172
Figure 1-237	Remove the HCI left tray pickup drive (2 of 2)	172

Figure 1-238	Remove the HCI right tray pickup drive (1 of 2)	173
Figure 1-239	Remove the HCI right tray pickup drive (2 of 2)	173
Figure 1-240	Remove the HCI controller PCA	174
Figure 1-241	Remove the HCI left tray automatic close assembly (1 of 2)	175
Figure 1-242	Remove the HCI left tray automatic close assembly (2 of 2)	175
Figure 1-243	Remove the HCI right tray automatic close assembly (1 of 2)	176
Figure 1-244	Remove the HCI right tray automatic close assembly (2 of 2)	177
Figure 1-245	Remove the HCI left tray pickup assembly (1 of 2)	178
Figure 1-246	Remove the HCI left tray pickup assembly (2 of 2)	179
Figure 1-247	Remove the HCI right tray pickup assembly (1 of 2)	180
Figure 1-248	Remove the HCI right tray pickup assembly (2 of 2)	181
Figure 1-249	Remove the HCI merge assembly (1 of 2)	182
Figure 1-250	Remove the HCI merge assembly (2 of 2)	183
Figure 1-251	Remove the stapler/stacker left door (1 of 3)	184
Figure 1-252	Remove the stapler/stacker left door (2 of 3)	184
Figure 1-253	Remove the stapler/stacker left door (3 of 3)	185
Figure 1-254	Remove the stapler/stacker assembly (1 of 5)	186
Figure 1-255	Remove the stapler/stacker assembly (2 of 5)	187
Figure 1-256	Remove the stapler/stacker assembly (3 of 5)	187
Figure 1-257	Remove the stapler/stacker assembly (4 of 5)	188
Figure 1-258	Remove the stapler/stacker assembly (5 of 5)	188
Figure 1-259	Remove the stapler/stacker left cover	189
Figure 1-260	Remove the stapler/stacker rear cover	190
Figure 1-261	Remove the stapler front door	191
Figure 1-262	Remove the stapler/stacker jogger upper cover	192
Figure 1-263	Remove the stapler cover (1 of 2)	193
Figure 1-264	Remove the stapler cover (2 of 2)	194
Figure 1-265	Remove the stapler/stacker left rear cover	195
Figure 1-266	Remove the stapler/stacker right rear cover	196
Figure 1-267	Remove the stapler/stacker output bin assembly	197
Figure 1-268	Stapler/stacker output bin assembly tab locations	197
Figure 1-269	Remove the stapler/stacker rear inner cover (1 of 2)	198
Figure 1-270	Remove the stapler/stacker rear inner cover (2 of 2)	198
Figure 1-271	Remove the stapler/stacker stack cover	199
Figure 1-272	Remove the stapler/stacker stapler assembly	200
Figure 1-273	Remove the stapler/stacker paper feed assembly (1 of 2)	201
Figure 1-274	Remove the stapler/stacker paper feed assembly (2 of 2)	202
Figure 1-275	Remove the stapler/stacker alignment assembly (1 of 7)	203
Figure 1-276	Remove the stapler/stacker alignment assembly (2 of 7)	204
Figure 1-277	Remove the stapler/stacker alignment assembly (3 of 7)	204
Figure 1-278	Remove the stapler/stacker alignment assembly (4 of 7)	205

Figure 1-279	Remove the stapler/stacker alignment assembly (5 of 7)	205
Figure 1-280	Remove the stapler/stacker alignment assembly (6 of 7)	206
Figure 1-281	Remove the stapler/stacker alignment assembly (7 of 7)	207
Figure 1-282	Stapler/stacker alignment assembly hook detail	207
Figure 1-283	Stapler/stacker alignment assembly tab	208
Figure 1-284	Stapler/stacker alignment assembly chassis slot	208
Figure 1-285	Install the stapler/stacker alignment assembly (1 of 2)	209
Figure 1-286	Install the stapler/stacker alignment assembly (2 of 2)	209
Figure 1-287	Remove the stapler/stacker controller PCA	210
Figure 1-288	Remove the stapler/stacker assembly (1 of 5)	211
Figure 1-289	Remove the stapler/stacker assembly (2 of 5)	212
Figure 1-290	Remove the stapler/stacker assembly (3 of 5)	212
Figure 1-291	Remove the stapler/stacker assembly (4 of 5)	213
Figure 1-292	Remove the stapler/stacker assembly (5 of 5)	213
Figure 1-293	Remove the document feeder (1 of 3)	214
Figure 1-294	Remove the document feeder (2 of 3)	215
Figure 1-295	Remove the document feeder (3 of 3)	215
Figure 1-296	Remove the document feeder cable cover	217
Figure 1-297	Remove the document feeder hinge (1 of 2)	218
Figure 1-298	Remove the document feeder hinge (2 of 2)	218
Figure 1-299	Remove the document feeder mylar strips (1 of 3)	219
Figure 1-300	Remove the document feeder mylar strips (2 of 3)	219
Figure 1-301	Remove the document feeder mylar strips (3 of 3)	220
Figure 1-302	Remove the document feeder foam reflector (1 of 3)	221
Figure 1-303	Remove the document feeder foam reflector (2 of 3)	221
Figure 1-304	Remove the document feeder foam reflector (3 of 3)	222
Figure 1-305	Install a replacement document feeder foam reflector (1 of 8)	222
Figure 1-306	Install a replacement document feeder foam reflector (2 of 8)	223
Figure 1-307	Install a replacement document feeder foam reflector (3 of 8)	223
Figure 1-308	Install a replacement document feeder foam reflector (4 of 8)	224
Figure 1-309	Install a replacement document feeder foam reflector (5 of 8)	224
Figure 1-310	Install a replacement document feeder foam reflector (6 of 6)	225
Figure 1-311	Install a replacement document feeder foam reflector (7 of 8)	225
Figure 1-312	Install a replacement document feeder foam reflector (8 of 8)	226
Figure 1-313	Remove the document feeder tray extender (1 of 3)	227
Figure 1-314	Remove the document feeder tray extender (2 of 3)	227
Figure 1-315	Remove the document feeder tray extender (3 of 3)	228
Figure 1-316	Remove the document feeder front cover (1 of 8)	229
Figure 1-317	Remove the document feeder front cover (2 of 8)	229
Figure 1-318	Remove the document feeder front cover (3 of 8)	230
Figure 1-319	Remove the document feeder front cover (4 of 8)	230

Figure 1-320	Remove the document feeder front cover (5 of 8)	231
Figure 1-321	Remove the document feeder front cover (6 of 8)	231
Figure 1-322	Remove the document feeder front cover (7 of 8)	232
Figure 1-323	Remove the document feeder front cover (8 of 8)	232
Figure 1-324	Remove the document feeder hatch cover (1 of 2)	233
Figure 1-325	Remove the document feeder hatch cover (2 of 2)	233
Figure 1-326	Remove the document feeder paper present sensor (1 of 2)	234
Figure 1-327	Remove the document feeder paper present sensor (2 of 2)	234
Figure 1-328	Remove the document feeder input tray bottom cover	235
Figure 1-329	Remove the document feeder width-adjust sensor, paper-short and paper-long sensors	236
Figure 1-330	Remove the document feeder width sensor	237
Figure 1-331	Remove the document feeder paper-short sensor	237
Figure 1-332	Remove the document feeder paper-long sensor	238
Figure 1-333	Remove the document feeder roller cover (1 of 4)	239
Figure 1-334	Remove the document feeder roller cover (2 of 4)	239
Figure 1-335	Remove the document feeder roller cover (3 of 4)	240
Figure 1-336	Remove the document feeder roller cover (4 of 4)	240
Figure 1-337	Remove the document feeder rear cover (1 of 4)	241
Figure 1-338	Remove the document feeder rear cover (2 of 4)	241
Figure 1-339	Remove the document feeder rear cover (3 of 4)	242
Figure 1-340	Remove the document feeder rear cover (4 of 4)	242
Figure 1-341	Remove the document feeder open sensor and flag (1 of 4)	243
Figure 1-342	Remove the document feeder open sensor and flag (2 of 4)	243
Figure 1-343	Remove the document feeder open sensor and flag (3 of 4)	244
Figure 1-344	Remove the document feeder open sensor and flag (4 of 4)	244
Figure 1-345	Reinstall the document feeder open sensor and flag	245
Figure 1-346	Remove the SCB (1 of 3)	246
Figure 1-347	Remove the SCB (2 of 3)	246
Figure 1-348	Remove the SCB (3 of 3)	247
Figure 1-349	Remove the scanner (1 of 3)	248
Figure 1-350	Remove the scanner (2 of 3)	248
Figure 1-351	Remove the scanner (3 of 3)	249
Figure 1-352	Reinstall the scanner	250
Figure 1-353	Remove the scanner right cover (1 of 2)	251
Figure 1-354	Remove the scanner right cover (2 of 2)	251
Figure 1-355	Remove the scanner left cover (1 of 2)	252
Figure 1-356	Remove the scanner left cover (2 of 2)	252
Figure 1-357	Remove the scanner front cover (1 of 3)	253
Figure 1-358	Remove the scanner front cover (2 of 3)	253
Figure 1-359	Remove the scanner front cover (3 of 3)	254
Figure 1-360	Reinstall the scanner front cover	254

Figure 1-361	Remove the image scanner memory board (1 of 3)	255
Figure 1-362	Remove the image scanner memory board (2 of 3)	255
Figure 1-363	Remove the image scanner memory board (3 of 3)	256
Figure 2-1	Base product (no optional trays or accessories)	266
Figure 2-2	Optional 500-sheet paper feeder (accessory)	267
Figure 2-3	Optional 1x500-sheet paper deck (accessory)	268
Figure 2-4	Optional 3x500-sheet paper deck (accessory)	269
Figure 2-5	High capacity input (HCI) paper deck	270
Figure 2-6	Duplexer	271
Figure 2-7	Optional stapler/stacker	272
Figure 2-8	Document feeder, control panel, and scanner whole units	274
Figure 2-9	Document feeder assemblies	276
Figure 2-10	Scanner assemblies	278
Figure 2-11	Scanner controller board (SCB)	280
Figure 2-12	External covers and panels	282
Figure 2-13	Internal components (1 of 4)	284
Figure 2-14	Internal components (2 of 4)	286
Figure 2-15	Internal components (3 of 4)	288
Figure 2-16	Internal components (4 of 4)	290
Figure 2-17	500-sheet paper feeder (Tray 4) covers	292
Figure 2-18	500-sheet paper feeder (Tray 4) components	294
Figure 2-19	1x500 and 3x500 paper deck covers	296
Figure 2-20	1x500 paper deck components	298
Figure 2-21	3x500 paper deck components	300
Figure 2-22	HCI covers	302
Figure 2-23	HCI components (1 of 2)	304
Figure 2-24	HCI components (2 of 2)	306
Figure 2-25	Stapler/stacker covers	308
Figure 2-26	Stapler/stacker components	310

1 Removal and replacement

- [Removal and replacement strategy](#)
- [Pickup rollers](#)
- [Separation pads and rollers](#)
- [Covers and doors](#)
- [Main assemblies](#)
- [Switches](#)
- [Sensors](#)
- [Motors, fans, and clutches](#)
- [Printed circuit-board assemblies \(PCAs\)](#)
- [Miscellaneous parts](#)
- [Trays](#)
- [Input devices](#)
- [Output devices](#)
- [Document feeder](#)
- [Scanner](#)


Removal and replacement strategy

Introduction

This chapter describes the removal and replacement of field-replaceable units (FRUs) only.

Replacing FRUs is generally the reverse of removal. Notes are included to provide directions for difficult or critical replacement procedures.

HP does not support repairing individual subassemblies or troubleshooting to the component level.

 **WARNING!** Never operate or service the product with the protective cover removed from the laser scanner assembly. The reflected beam, although invisible, can damage your eyes.

The user replaces toner cartridges when they reach the end of life.


Swapping toner cartridges between products might cause a misrepresentation of supply life values and is not recommended.


 **CAUTION:** 


Some parts are sensitive to electrostatic discharge (ESD). Look for the ESD reminder when removing product parts. Always perform service work at an ESD-protected workstation or mat. If an ESD workstation or mat is not available, ground yourself by touching the sheet-metal chassis *before* touching an ESD-sensitive part.

Protect the ESD-sensitive parts by placing them in ESD pouches when they are out of the product.

CAUTION: Do not bend or fold the flat flexible cables (FFCs) during removal or installation.


 **WARNING!** The sheet-metal parts can have sharp edges. Be careful when handling sheet-metal parts.

 **NOTE:** To install a self-tapping screw, first turn it counterclockwise to align it with the existing thread pattern, and then carefully turn it clockwise to tighten. Do not overtighten. If a self-tapping screw-hole becomes stripped, repair the screw-hole or replace the affected assembly.

 **TIP:** For clarity, some figures in this chapter might show assemblies removed that are not required to be removed to service the product (for example, the scanner and document feeder assemblies). The procedures in this manual are correct for your product.

Required tools

- #2 Phillips screwdriver with a magnetic tip and a 152-mm (6-in) shaft length

 **NOTE:** For the best fit, use a JIS #2 Phillips screwdriver for the stapler/stacker.

- Small, flat-blade screwdriver
- Needle-nose pliers
- ESD strap (if one is available)
- Penlight


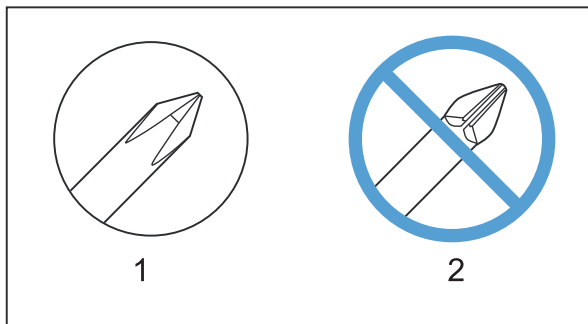

 **CAUTION:** Always use a Phillips screwdriver (callout 1). Do not use a Pozidriv screwdriver (callout 2) or any motorized screwdriver. These can damage screws or screw threads.

Figure 1-1 Screwdrivers



Types of screws

 **WARNING!** Make sure that components are replaced with the correct screw type. Using the incorrect screw (for example, substituting a long screw for the correct shorter screw) can cause damage to the product or interfere with product operation. Do not intermix screws that are removed from one component with the screws that are removed from another component.

For a complete list of screw types and part numbers, see the Parts chapter.

Service approach

The HP LaserJet Enterprise MFP M725 uses a field repair strategy. Defective parts are diagnosed and replaced at the Field Replaceable Unit (FRU) assembly level. Repair normally begins by using the product internal diagnostics and the following two-step process:

1. Isolate the problem to the major system (for example, the network or server, or the product).
2. Troubleshoot the problem by using the procedures in the troubleshooting chapter.

After you locate a faulty part, the product can usually be repaired at the assembly level by replacing FRUs. Some mechanical assemblies might need to be repaired at the subassembly level. Hewlett-Packard Company does not support replacement of components on the printed circuit assemblies.

Before performing service

⚠ WARNING! Turn the product off, wait 5 seconds, and then remove the power cord before attempting to service the product. *If this warning is not followed, severe injury and damage to the product can result.* The power must be on for certain functional checks during troubleshooting. However, the power supply should be disconnected during parts removal.

1. Remove all paper.
2. Place the product on an ESD mat (if available). If an ESD workstation or mat is not available, ground yourself by touching the sheet-metal chassis *before* touching an ESD-sensitive part.
3. Remove the toner cartridge.
4. Remove the trays.

After performing service

1. Reinstall the toner cartridge.
2. Reinstall the trays.
3. Return all paper to the trays.
4. Plug in the power cable and turn on the product.

Parts removal order

If multiple components must be removed to gain access to an assembly, the first step of the removal procedure lists all of the components that must be removed to gain access to that assembly. Use these lists to determine which parts must be removed before removing other parts.

Pickup rollers

Instructions about other user-replaceable parts are provided in this section.

The product tracks the amount of use on the customer-replaceable supplies by keeping a page count. The product prompts the user to replace certain items when a supply is depleted or a specific number of pages have been printed.

⚠ CAUTION: Do not touch the roller surface unless you are replacing the roller. Skin oils on the roller can cause paper pickup problems.

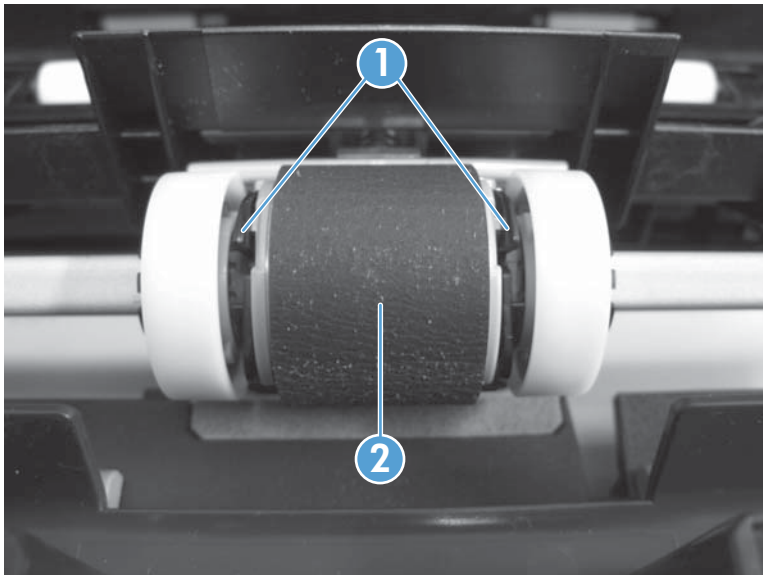
📝 NOTE: Replace all of the rollers at the same time.

- [Tray 1 \(multipurpose tray\) pickup roller](#)
- [Tray 2 and Tray 3 pickup rollers](#)
- [Tray 4, Tray 5, and Tray 6 pickup and feed rollers](#)
- [High capacity input feeder \(HCI\) pickup, feed, and separation rollers](#)
- [Document feeder pickup and feed roller assembly](#)

Tray 1 (multipurpose tray) pickup roller

1. Open the toner cartridge door.
2. Release tabs (callout 1), rotate the top of the roller away from the product, and then remove the pickup roller (callout 2).

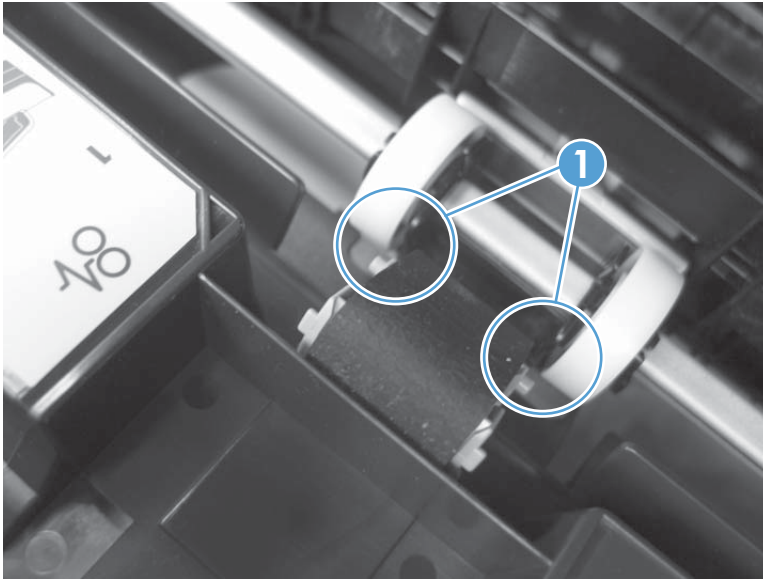
Figure 1-2 Remove the Tray 1 (multipurpose tray) pickup roller



Reinstall the Tray 1 (multipurpose tray) pickup roller

1. Align the pins (callout 1) on the roller body with the slots in the holder.

Figure 1-3 Reinstall the Tray 1 (multipurpose tray) pickup roller (1 of 2)



2. Rotate the roller into the holder. Make sure that the tabs on the roller body snap into the holder.

Figure 1-4 Reinstall the Tray 1 (multipurpose tray) pickup roller (2 of 2)



Tray 2 and Tray 3 pickup rollers

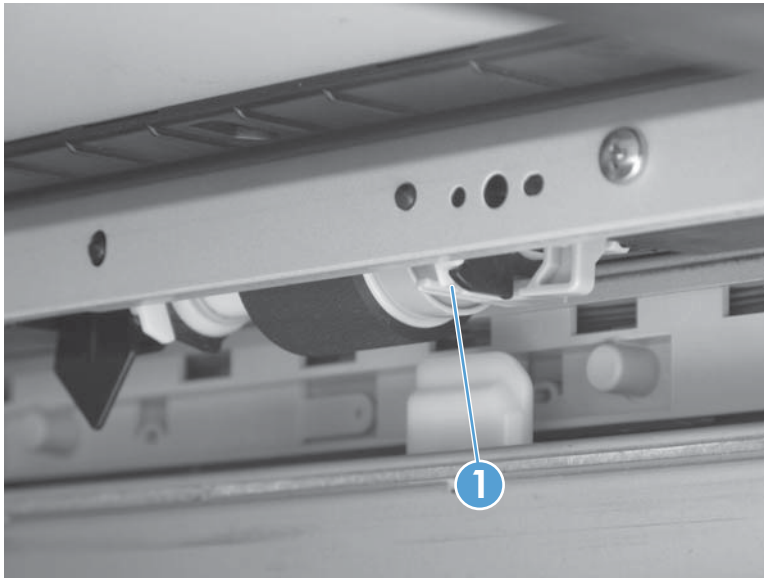
CAUTION: Do not touch the roller surface unless you are replacing the roller. Skin oils on the roller can cause paper pickup problems.

NOTE: The same removal procedures apply to the Tray 2 pickup roller and Tray 3 pickup roller.

TIP: When removing the roller assembly, take note of the position and orientation of the roller shaft so that the assembly can be correctly reinstalled.

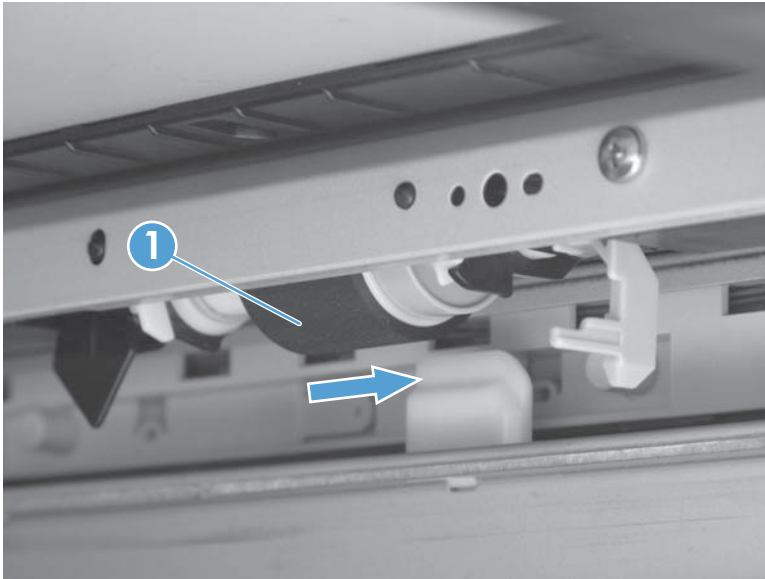
1. Remove the trays.
2. From the front of the product, on the right side of the tray cavity, rotate the stopper (callout 1) down.

Figure 1-5 Remove the Tray 2 and Tray 3 pickup rollers (1 of 2)



3. Push the pickup roller (callout 1) in the direction indicated to remove it.

Figure 1-6 Remove the Tray 2 and Tray 3 pickup rollers (2 of 2)



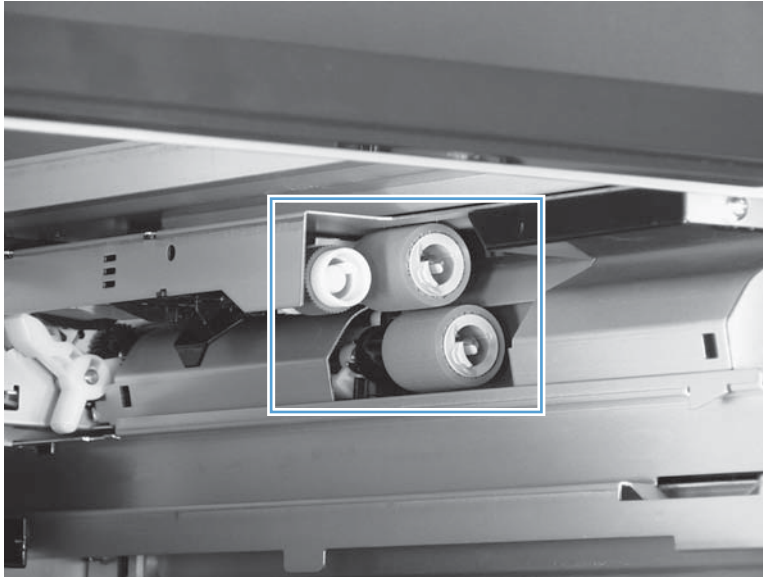
Tray 4, Tray 5, and Tray 6 pickup and feed rollers

CAUTION: Do not touch the roller surface unless you are replacing the roller. Skin oils on the roller can cause paper pickup problems.

NOTE: The same removal procedures apply to the 1x500-sheet tray, the 1x500-sheet tray stand, and the 3x500-sheet tray stand.

1. Remove the tray from the product, and then locate the rollers on the right-hand side of the tray cavity.

Figure 1-7 Remove the 1x500 or 3x500 rollers (1 of 2)



2. Release three tabs, and then pull the rollers in the direction indicated.


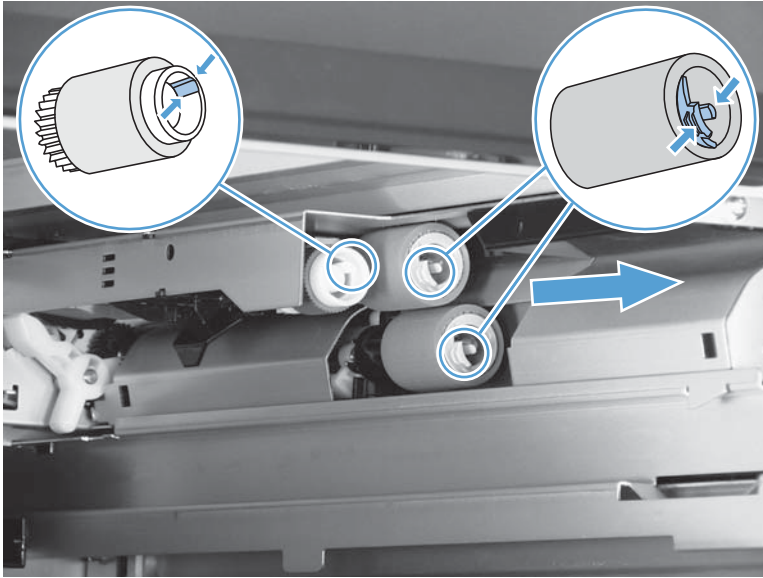
 **Reinstallation tip** When you reinstall the rollers, make sure that the rollers snap into place.

Figure 1-8 Remove the 1x500 or 3x500 rollers (2 of 2)

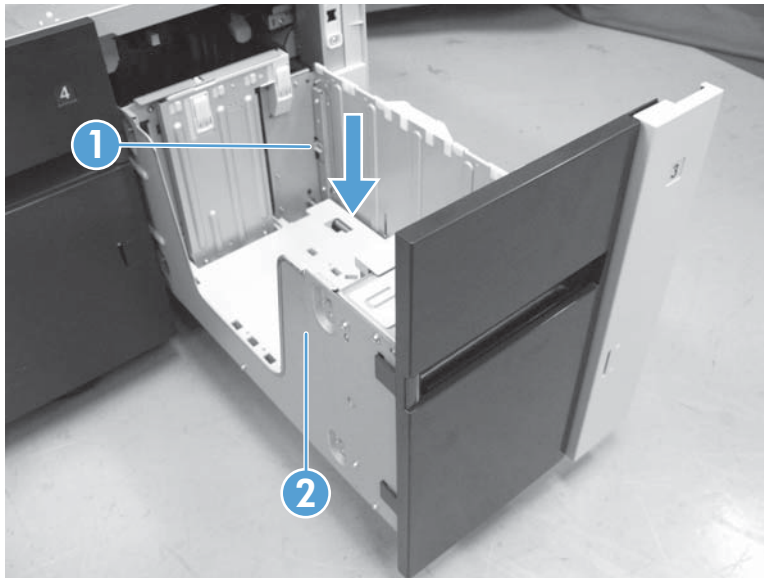


High capacity input feeder (HCI) pickup, feed, and separation rollers

⚠ CAUTION: Do not touch the roller surface unless you are replacing the roller. Skin oils on the roller can cause paper pickup problems.

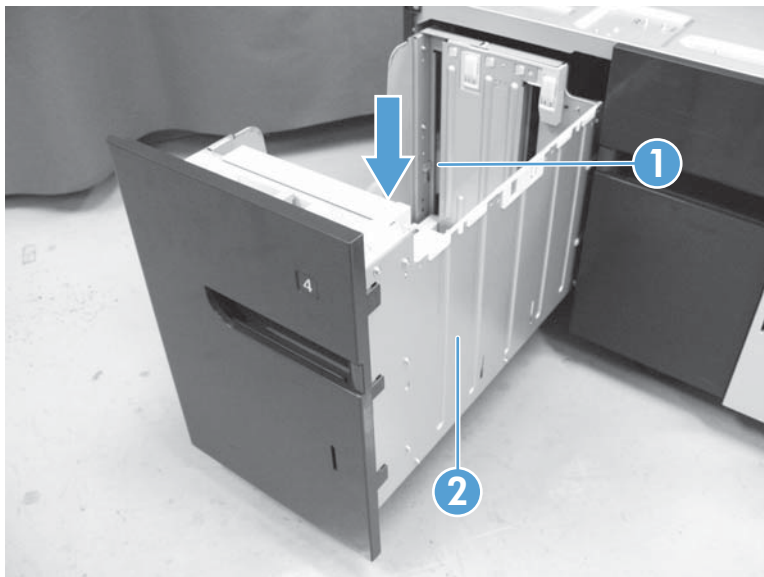
1. Open the high capacity right tray. Lower the tray release lever (callout 1) and then remove the right tray (callout 2).

Figure 1-9 Remove the high capacity input feeder pickup, feed, and separation rollers (1 of 4)



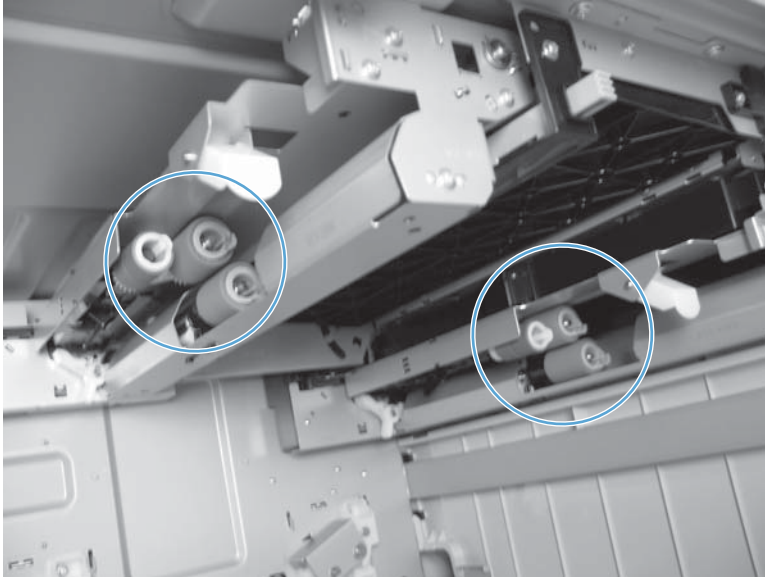
2. Open the high capacity left tray. Lower the tray release lever (callout 1) and then remove the left tray (callout 2).

Figure 1-10 Remove the high capacity input feeder pickup, feed, and separation rollers (2 of 4)



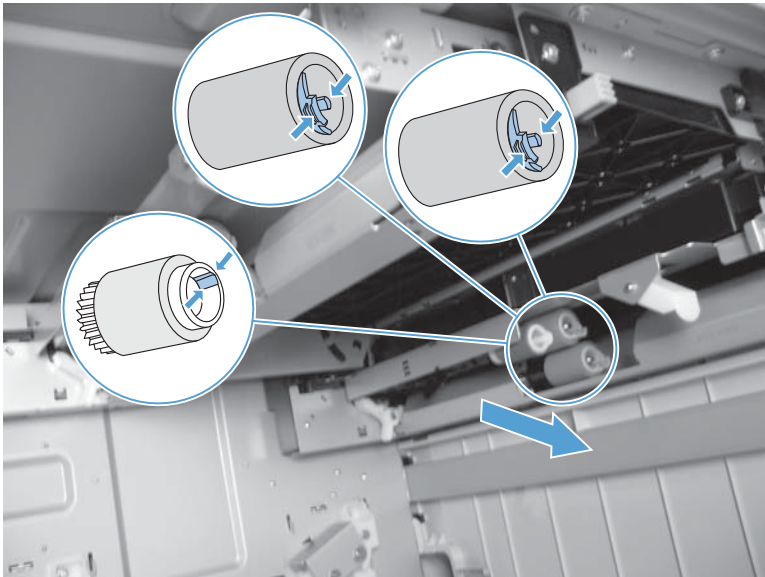
3. Look up into the tray cavity and locate the rollers.

Figure 1-11 Remove the high capacity input feeder pickup, feed, and separation rollers (3 of 4)



4. Release three tabs, and then pull the rollers in the direction of the arrow. Repeat this step for remaining rollers.

Figure 1-12 Remove the high capacity input feeder pickup, feed, and separation rollers (4 of 4)



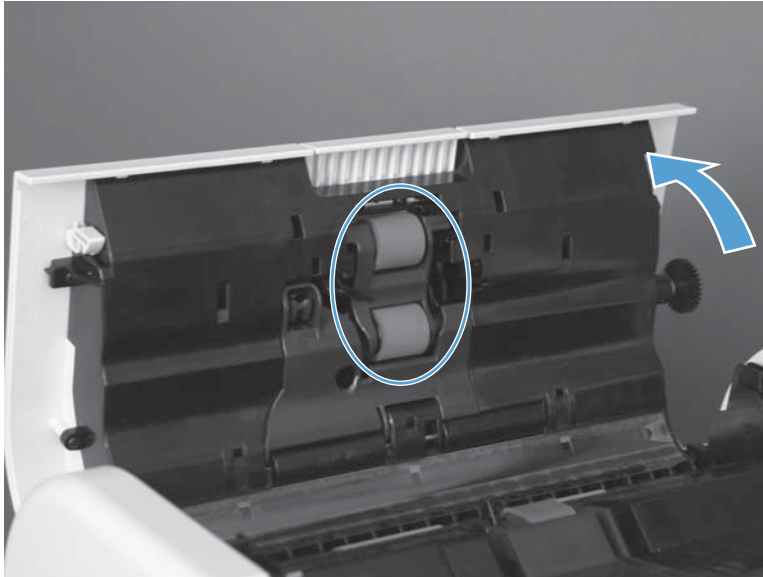
Document feeder pickup and feed roller assembly

CAUTION: Do not touch the roller surface unless you are replacing the roller. Skin oils on the roller can cause paper pickup problems.

NOTE: Always replace the document feeder separation pad and pickup and feed roller assembly at the same time.

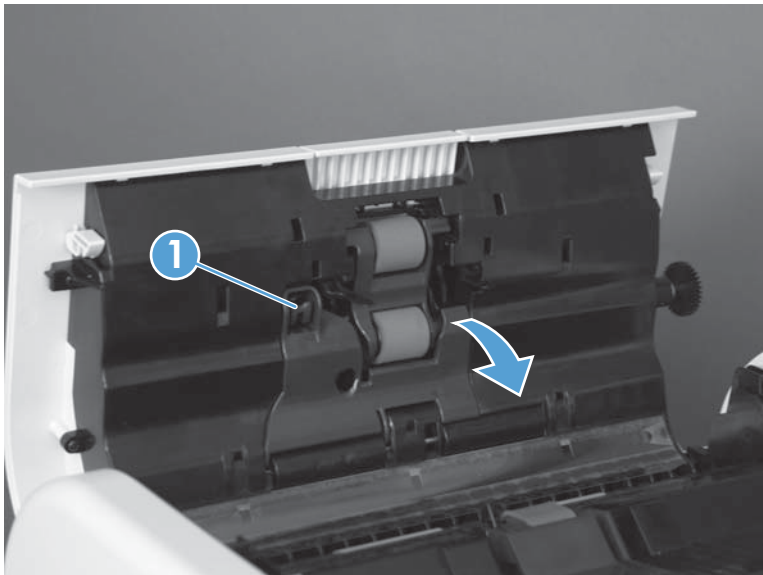
1. Open the document feeder cover and locate the document feeder pickup and feed roller assembly.

Figure 1-13 Remove the document feeder pickup and feed roller assembly (1 of 3)



2. Release one tab (callout 1) to open the assembly cover.

Figure 1-14 Remove the document feeder pickup and feed roller assembly (2 of 3)



3. Push the roller assembly toward the front of the product, and then pull the assembly away from the document feeder.

Figure 1-15 Remove the document feeder pickup and feed roller assembly (3 of 3)



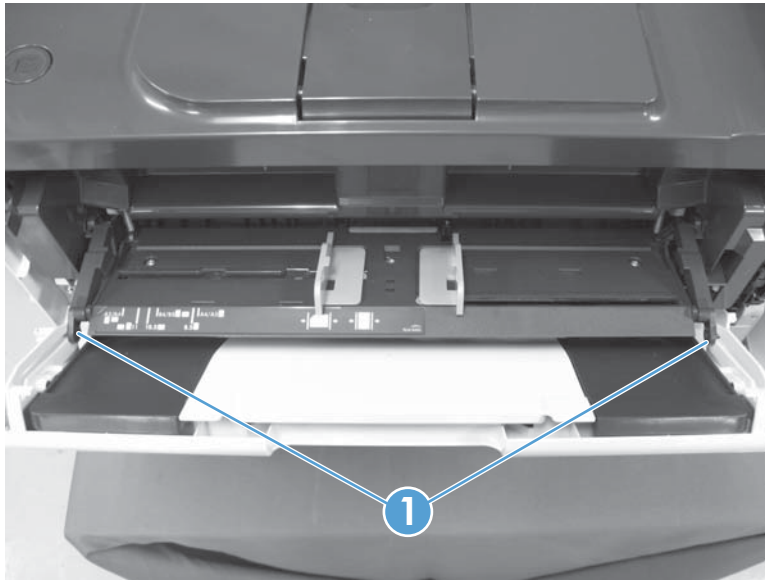
Separation pads and rollers

Tray 1 separation pad assembly

⚠ CAUTION: Do not touch the pad surface unless you are replacing the assembly. Skin oils on the pad can cause paper pickup problems.

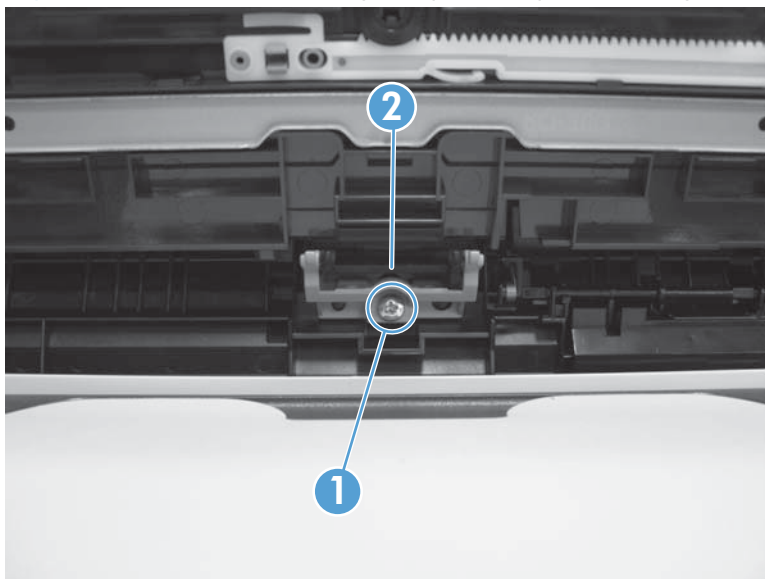
1. Open Tray 1.
2. Release two hinge pins (callout 1) on the Tray 1 cover assembly.

Figure 1-16 Remove the Tray 1 separation pad assembly (1 of 2)



3. Remove one screw (callout 1), and then remove the separation pad assembly (callout 2).

Figure 1-17 Remove the Tray 1 separation pad assembly (2 of 2)



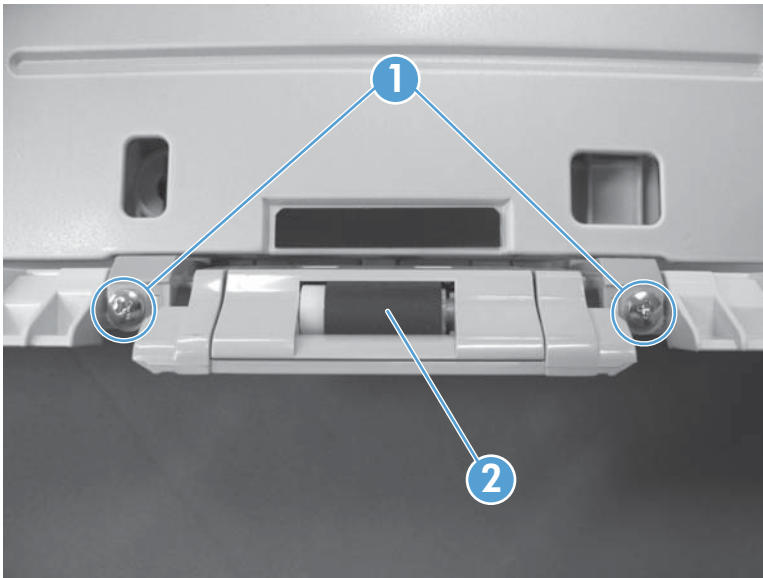
Tray 2 and Tray 3 separation rollers

CAUTION: Do not touch the roller surface unless you are replacing the roller. Skin oils on the roller can cause paper pickup problems.

NOTE: The same removal procedures apply to the Tray 2 separation roller and Tray 3 separation roller.

1. Remove the tray.
2. On the right side of the tray, remove two screws (callout 1), and then remove the roller assembly (callout 2).

Figure 1-18 Remove the Tray 2 and Tray 3 separation rollers



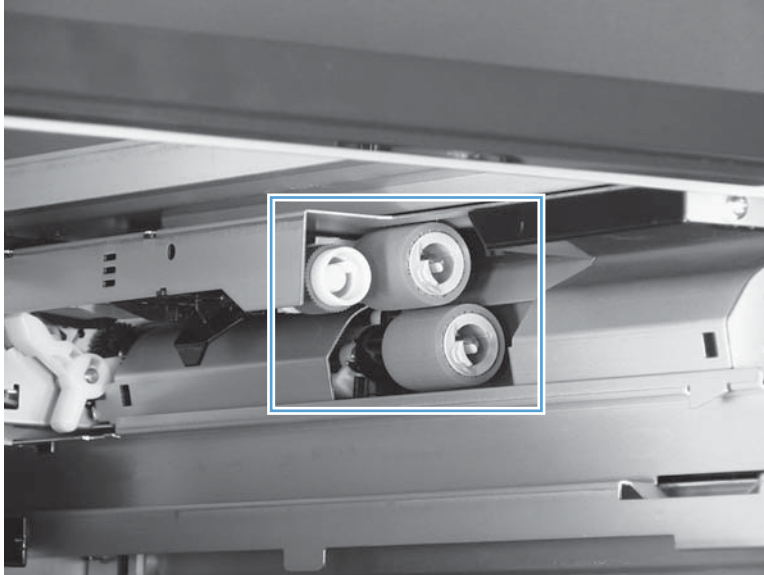
Tray 4, 5, and 6 separation rollers

⚠ CAUTION: Do not touch the roller surface unless you are replacing the roller. Skin oils on the roller can cause paper pickup problems.

💡 TIP: You do not have to separate the product from the feeder to remove these rollers.

1. Remove the tray from the product, and then locate the rollers on the right-hand side of the tray cavity.

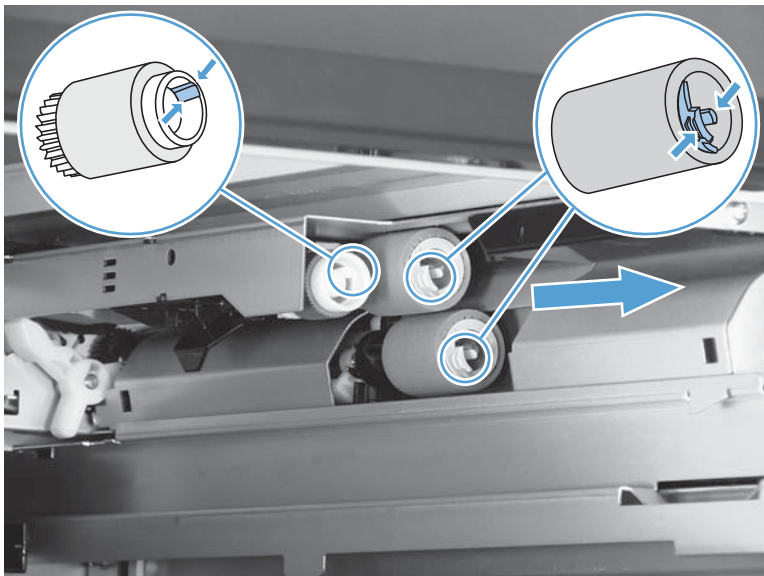
Figure 1-19 Remove the 1x500 or 3x500 rollers (1 of 2)



2. Release three tabs, and then pull the rollers in the direction indicated.

💡 Reinstallation tip When you reinstall the rollers, make sure that the rollers snap into place.

Figure 1-20 Remove the 1x500 or 3x500 rollers (2 of 2)



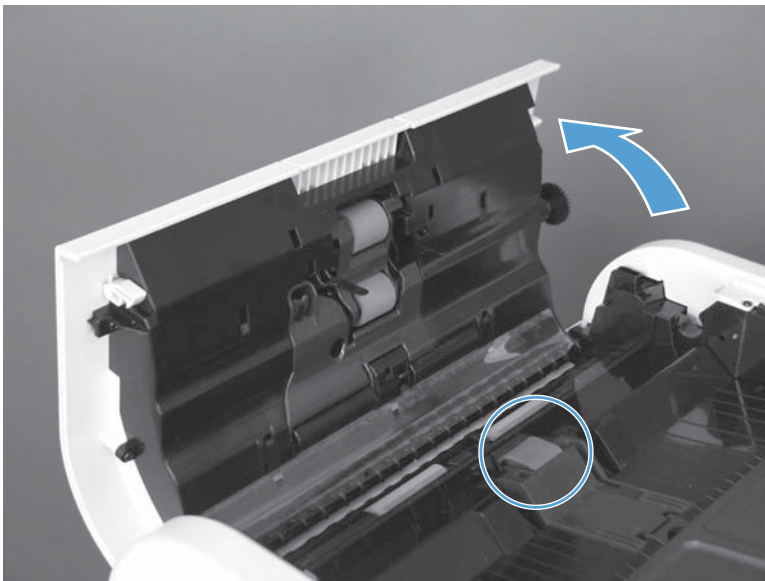
Document feeder separation pad

CAUTION: Do not touch the pad surface unless you are replacing the assembly. Skin oils on the pad can cause paper pickup problems.

NOTE: Replace the separation pad and rollers at the same time.

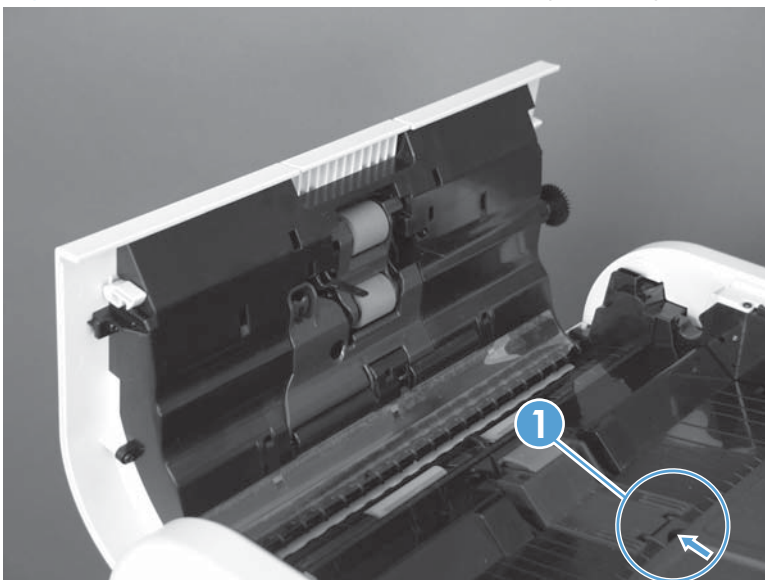
1. Open the document feeder cover and locate the document feeder separation pad.

Figure 1-21 Remove the document feeder separation pad (1 of 3)



2. Press the tab (callout 1) toward the separation pad.

Figure 1-22 Remove the document feeder separation pad (2 of 3)



3. Rotate the separation pad assembly up and away from the document feeder, and then remove the assembly.

CAUTION: The spring underneath the separation pad is not captive. Do not lose the spring.

Figure 1-23 Remove the document feeder separation pad (3 of 3)

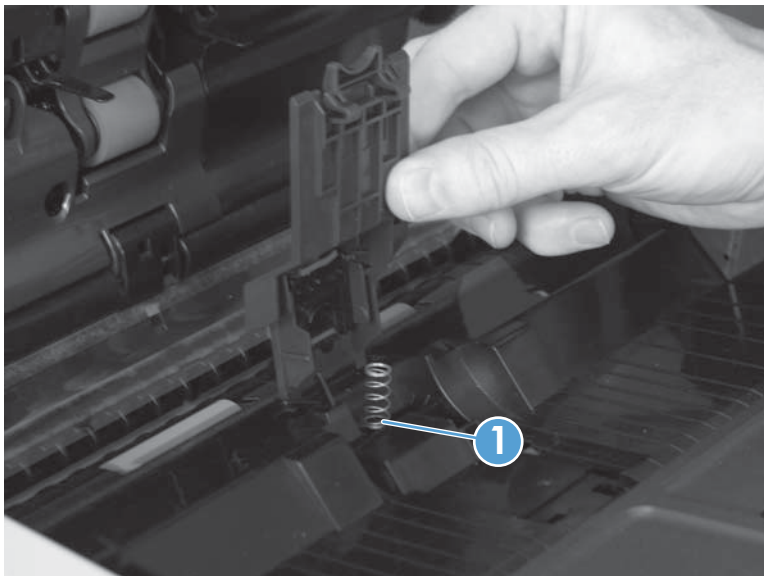


Reinstall the document feeder separation pad

When the replacement separation pad assembly is installed, verify the following.

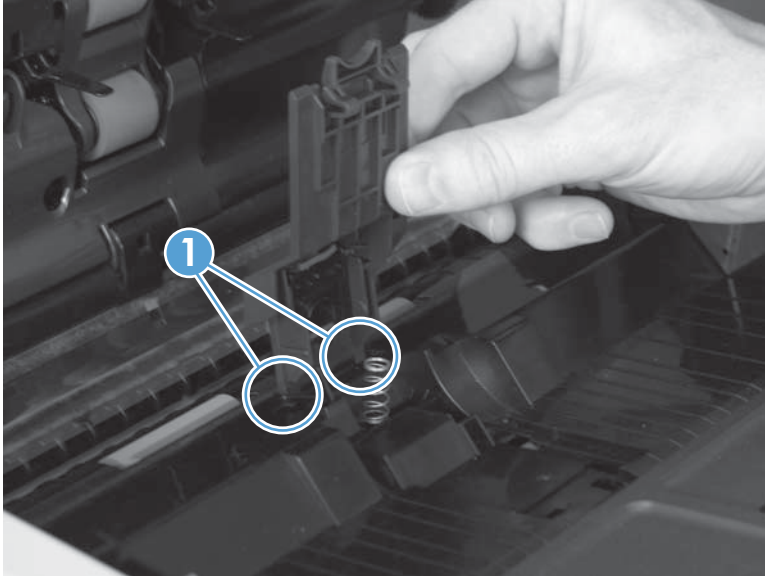
1. When the replacement separation pad assembly is installed, make sure that the spring is seated on the spring pedestal (callout 1) under the separation pad.

Figure 1-24 Reinstall the document feeder separation pad (1 of 2)



2. Position the two tabs (callout 1) on the assembly in the holes provided in the document feeder chassis.

Figure 1-25 Reinstall the document feeder separation pad (2 of 2)

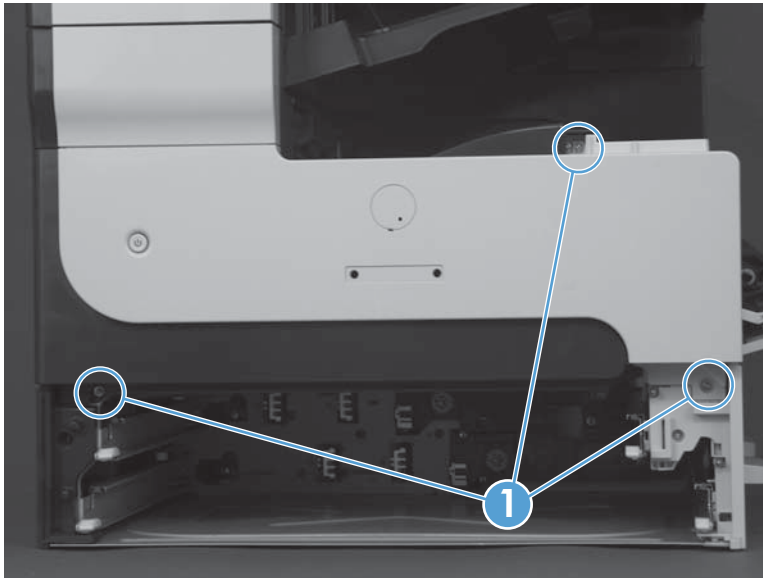


Covers and doors

Front cover

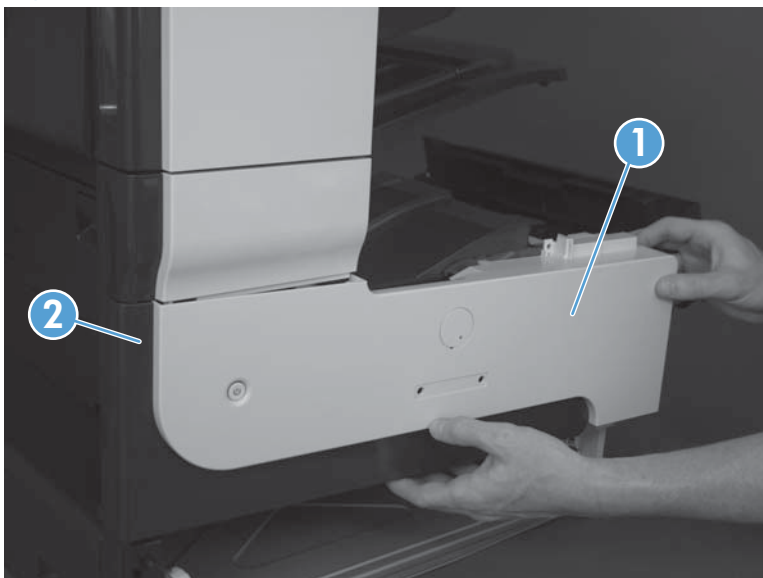
1. Remove Tray 2 and Tray 3, and open the toner cartridge door.
2. Remove three screws (callout 1).

Figure 1-26 Remove the front cover (1 of 2)



3. Pull the right side of the cover (callout 1) away from the product, and then release the tab (callout 2) on the left side of the cover to remove the cover.

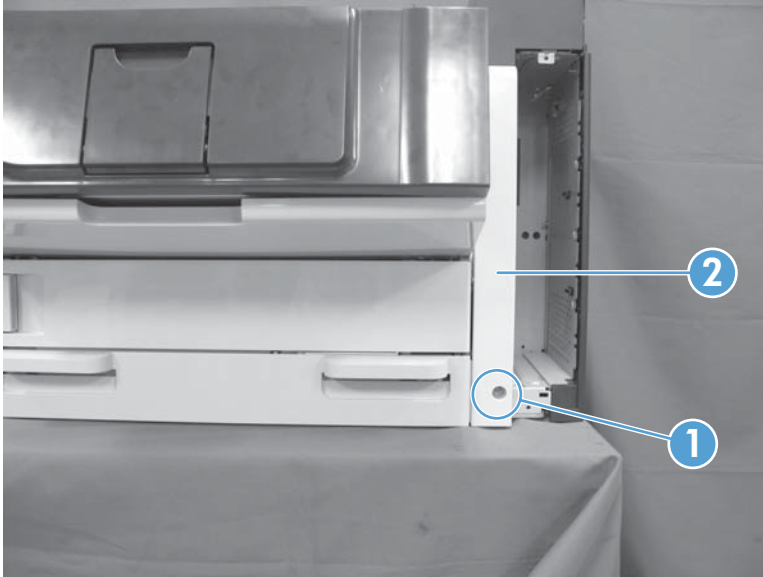
Figure 1-27 Remove the front cover (2 of 2)



Right rear cover

1. Open the toner cartridge door.
2. Remove one screw (callout 1), and then lift the right rear cover (callout 2) away from the product.

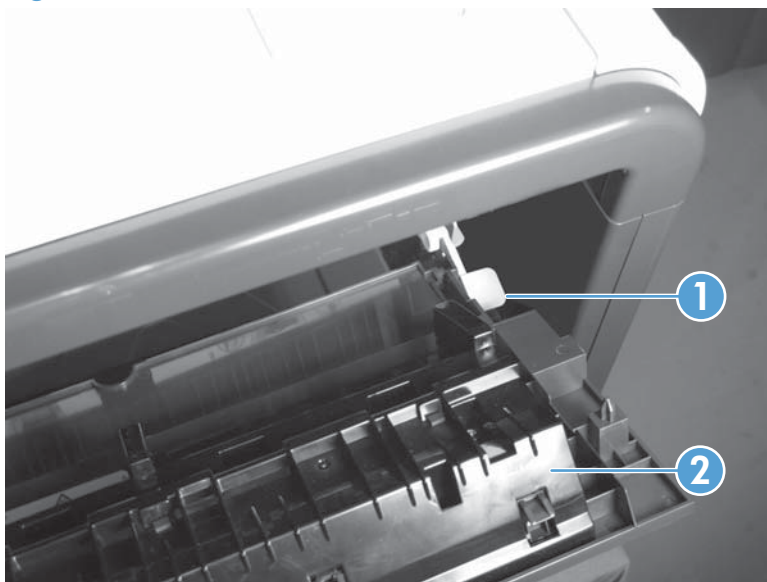
Figure 1-28 Remove the right rear cover



Left door

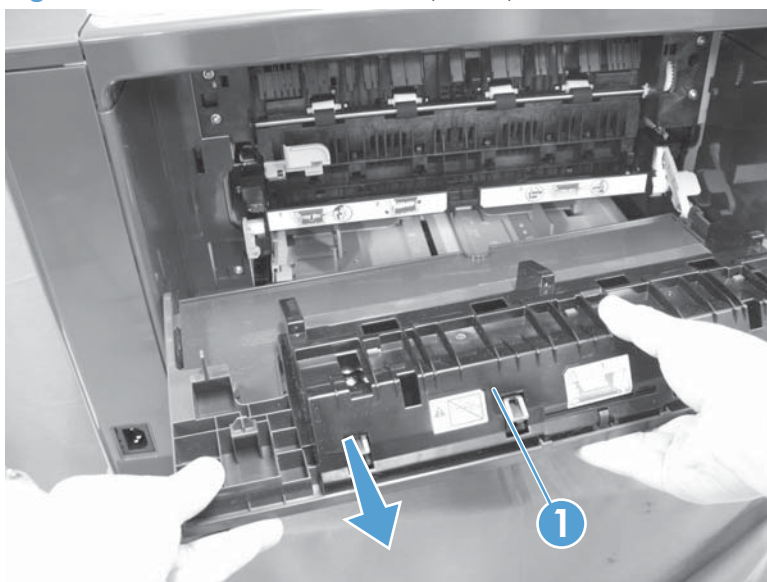
1. Remove the duplex unit or the duplex cover. See [Duplexer or duplex cover on page 46](#).
2. Open the left door, and then lift up on the retainer arm (callout 1) to release it from the door assembly (callout 2).

Figure 1-29 Remove the left door (1 of 2)



3. Pull the left side of the assembly (callout 1) away from the product, release the pin on the right side of the assembly, and then remove the door assembly.

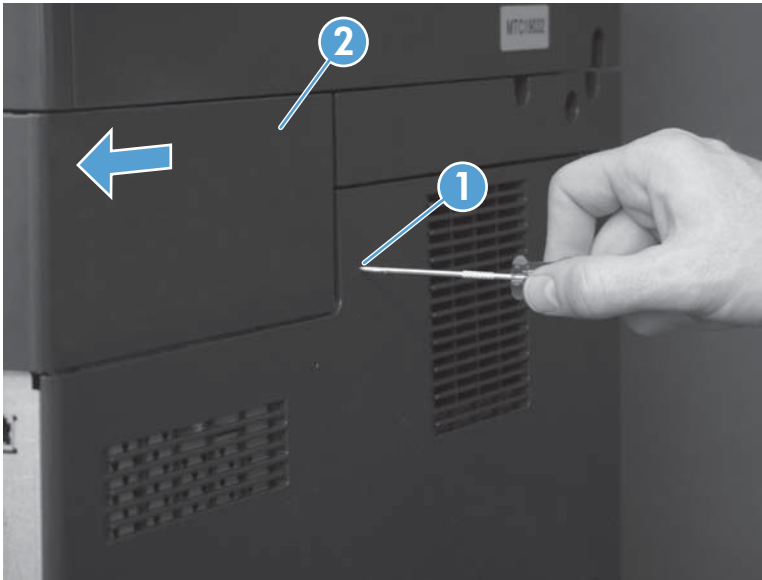
Figure 1-30 Remove the left door (2 of 2)



Rear cover

1. On the rear side of the product, insert a small screwdriver (or a paper clip) into the tab slot (callout 1) to release a hidden tab, and then slide the rear pocket cover (callout 2) in the direction indicated to remove the cover.

Figure 1-31 Remove the rear cover (1 of 2)



2. Remove two screws (callout 1), and then slide the rear cover in the direction indicated to remove the cover from the product.


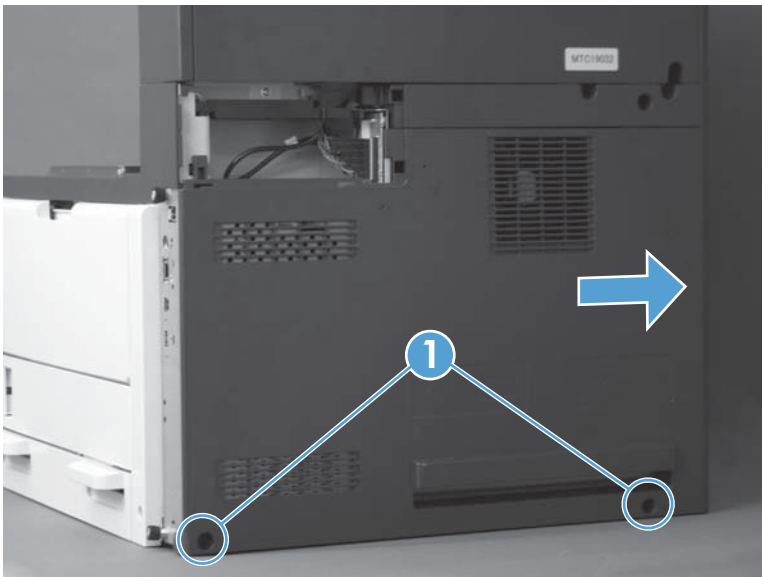
 **Reinstallation tip** During reinstallation, make sure that all cables are correctly positioned and not pinched against metal parts of the chassis when you slide the rear cover into place.

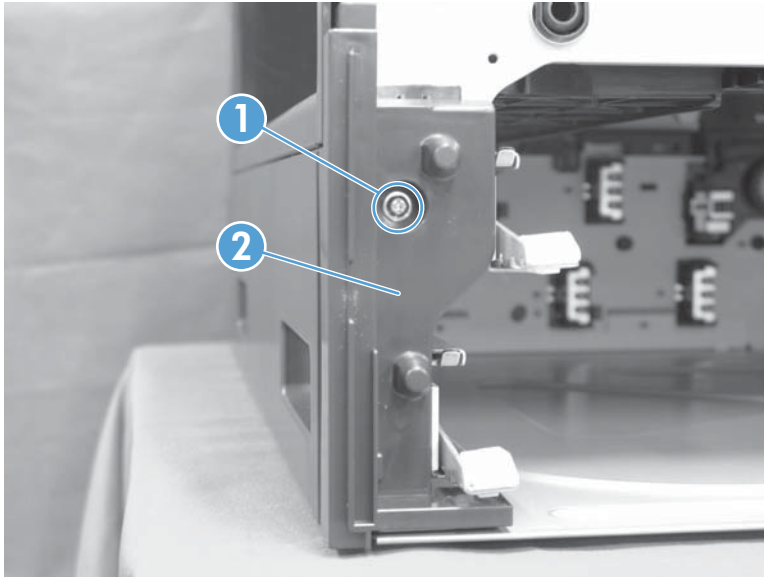
Figure 1-32 Remove the rear cover (2 of 2)



Front left lower cover


1. Remove the following components or assemblies:
 - Tray 2 and Tray 3.
 - Front cover. See [Front cover on page 21](#).
2. At the front of the product, remove one screw (callout 1), and then remove the cover (callout 2) from the product.

Figure 1-33 Remove the front left lower cover



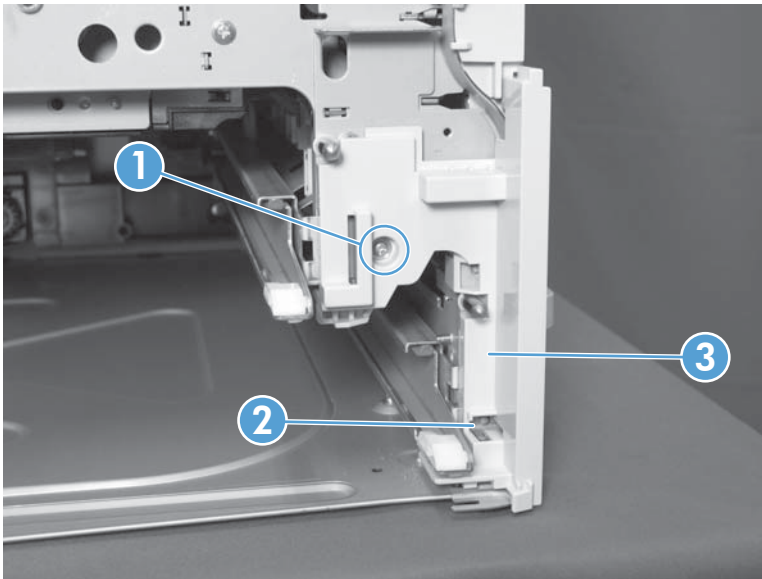
Front right lower cover

1. Remove the following components or assemblies:
 - Tray 2 and Tray 3.
 - Front cover. See [Front cover on page 21](#).

 **NOTE:** If optional trays are installed, release the tray lock below the front right lower cover. Pull Tray 4 out, and then rotate the blue lock lever to the right.


2. Remove one screw (callout 1), release one tab (callout 2), and then remove the cover (callout 3) from the product.

Figure 1-34 Remove the front right lower cover



Face-down cover

1. Open the toner cartridge door.
2. At the front of the product, remove one screw (callout 1), release one tab (callout 2) at the back of the metal rail under the cover, and then lift the left side of the cover to release three tabs on the rear side (callout 3) of the cover to remove the cover from the product.

 **NOTE:** It might be easier to remove this cover if the stapler/stacker output bin is removed first. See [Stapler/stacker output bin assembly on page 197](#).


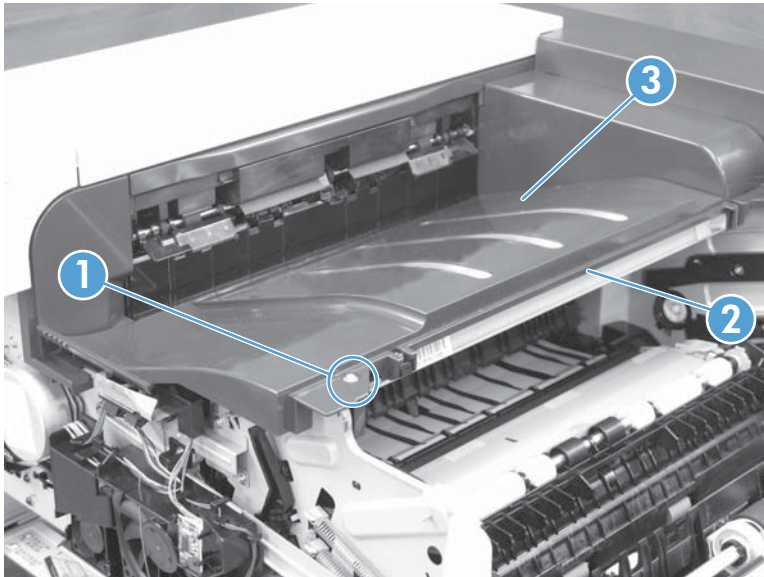
 **Reinstallation tip** When you reinstall the face-down cover, make sure that the three tabs (callout 3) are properly inserted in the paper delivery assembly.

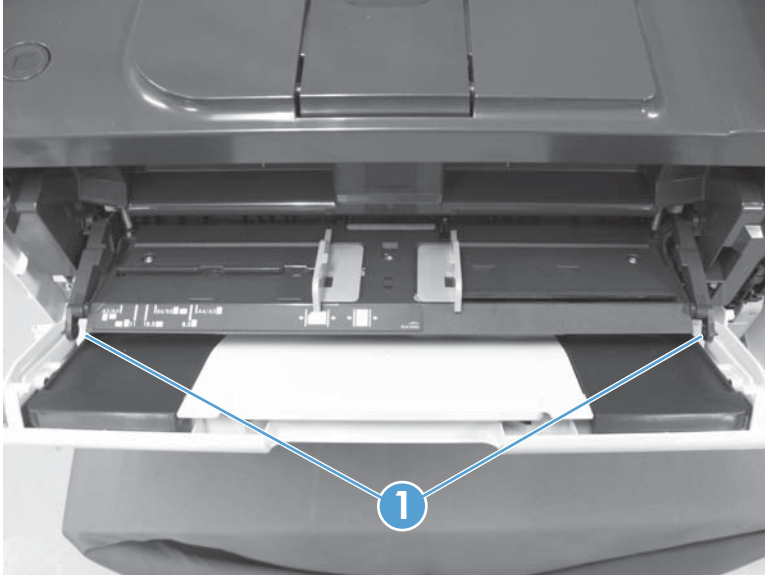
Figure 1-35 Remove the face-down cover



Tray 1 (multipurpose tray) cover

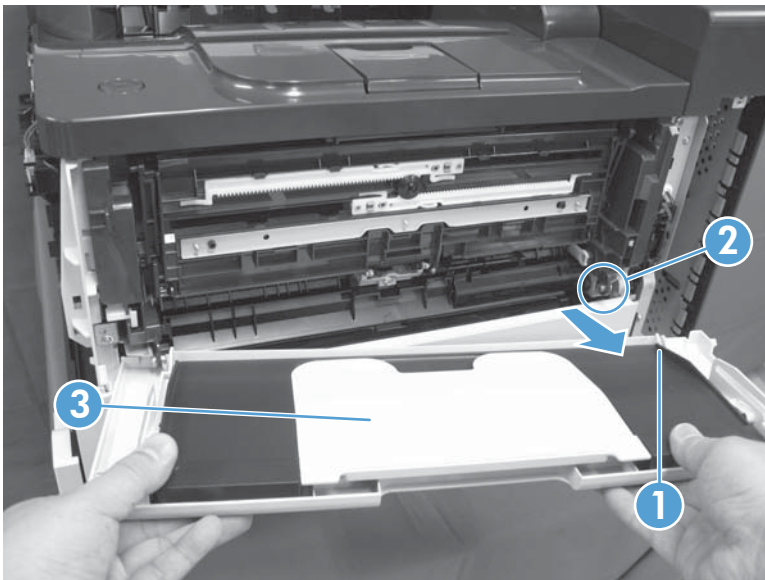
1. Remove the right rear cover. See [Right rear cover on page 22](#).
2. Open Tray 1.
3. Inside Tray 1 release two pins (callout 1).

Figure 1-36 Remove the Tray 1 (multipurpose tray) cover (1 of 2)



4. Raise the cover to a half-closed position, pull the right side hinge slot (callout 1) away from the hinge pin (callout 2), and then remove the cover (callout 3) from the product.

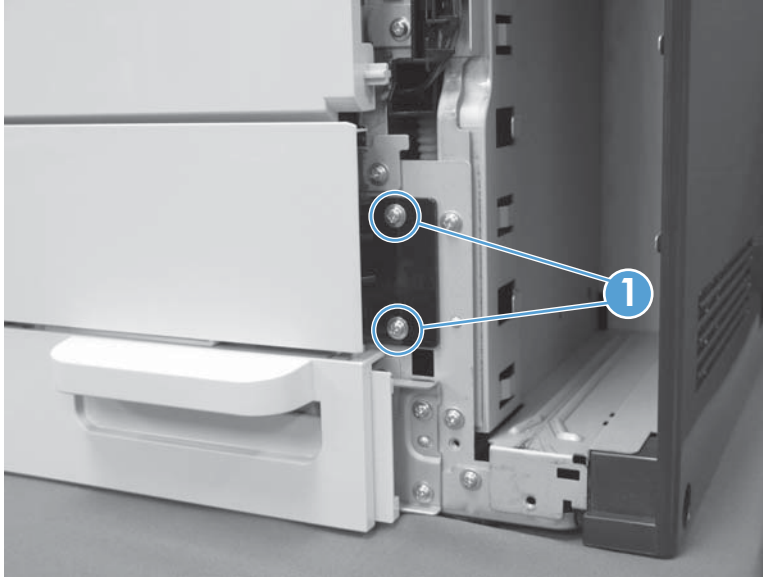
Figure 1-37 Remove the Tray 1 (multipurpose tray) cover (2 of 2)



Right door

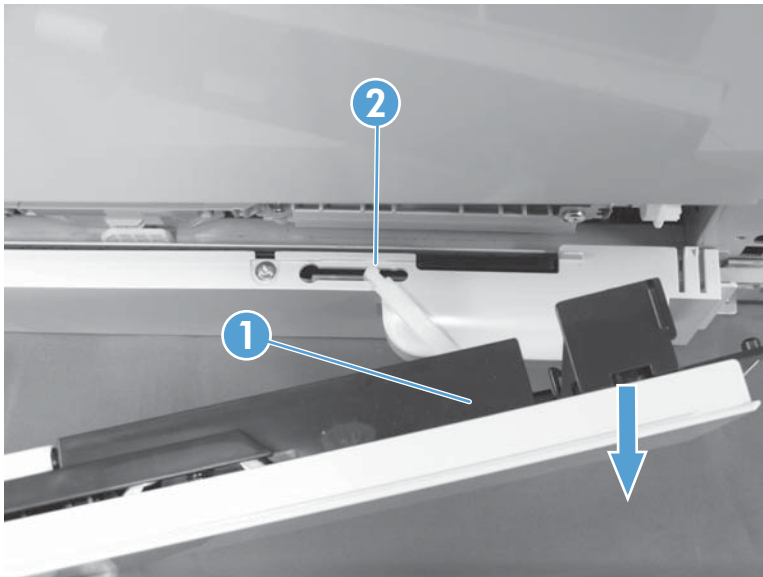
1. Remove the right rear cover. See [Right rear cover on page 22](#).
2. On the right side of the product, remove two screws (callout 1).

Figure 1-38 Remove the right door (1 of 2)



3. Open the right door (callout 1), move it slightly toward the front of the product, and then release the door retainer arm (callout 2) to remove the right door.

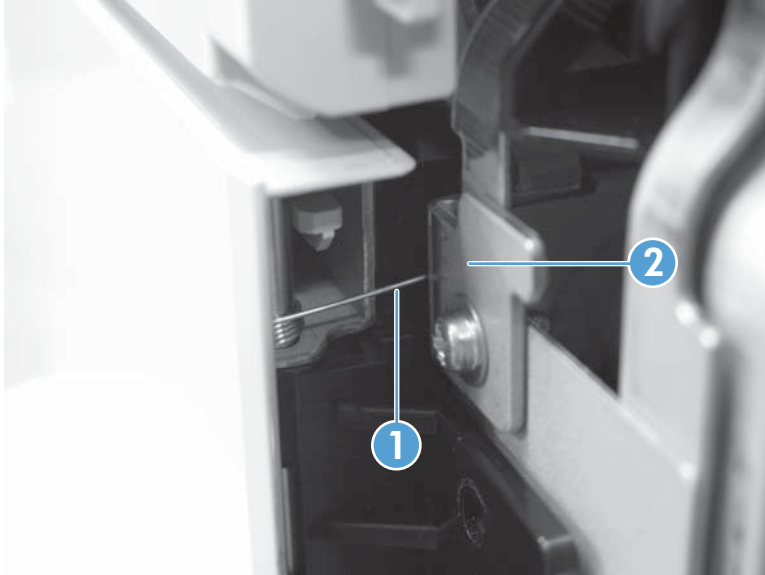
Figure 1-39 Remove the right door (2 of 2)



Reinstall the right door

Make sure that you correctly position the spring (callout 1) inside the metal chassis (callout 2) when you reinstall the right door.

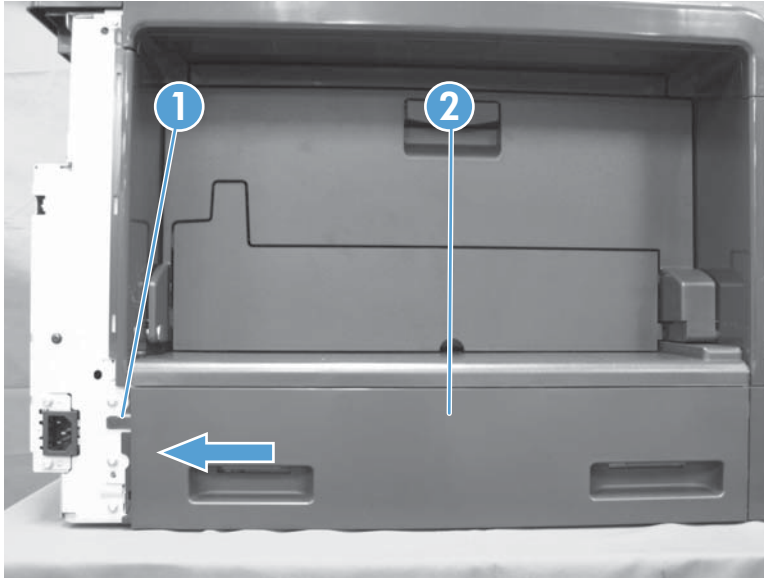
Figure 1-40 Reinstall the right door



Left handle cover

1. Remove the rear cover. See [Rear cover on page 24](#).
2. Release one tab (callout 1), and then slide the cover (callout 2) in the direction indicated to remove it from the product.

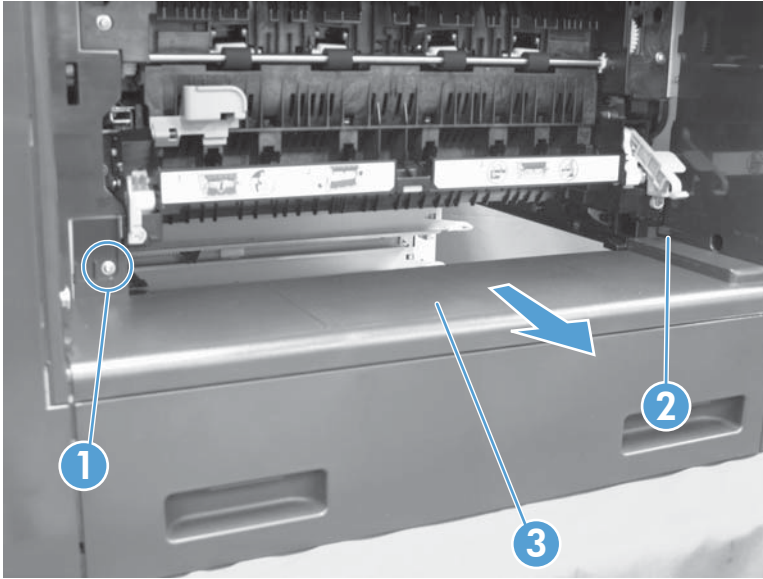
Figure 1-41 Remove the left handle cover



Left inner lower cover

1. Remove the left door. See [Left door on page 23](#).
2. Remove one screw (callout 1), release one tab (callout 2), and then slide the left inner lower cover (callout 3) in the direction indicated to remove it from the product.

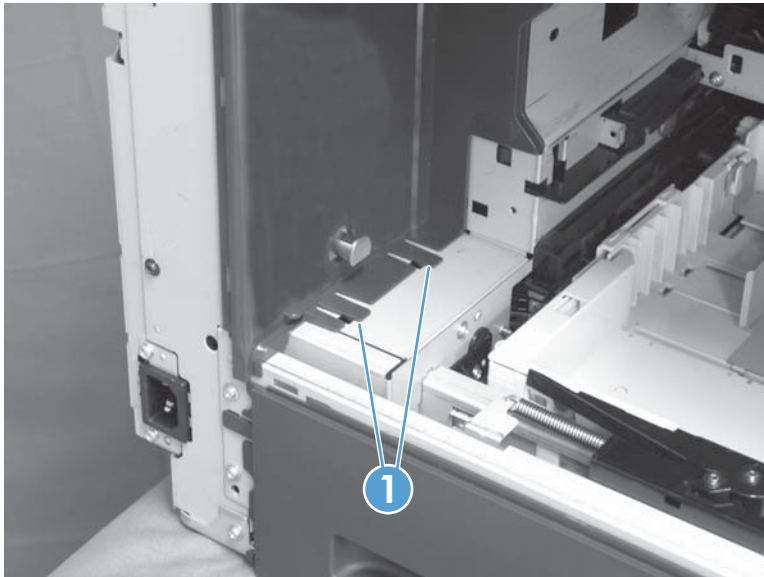
Figure 1-42 Remove the left inner lower cover



Left inner rear cover

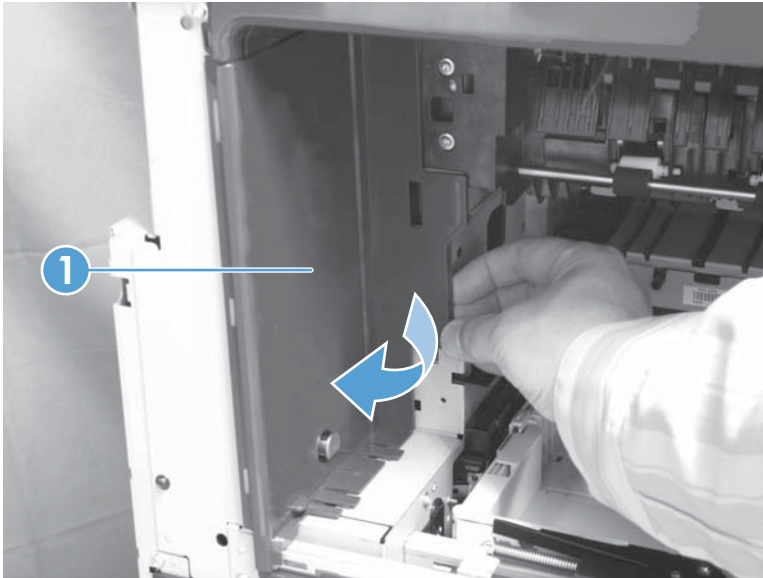
1. Remove the following components or assemblies:
 - Left door. See [Left door on page 23](#).
 - Rear cover. See [Rear cover on page 24](#).
 - Left inner lower cover. See [Left inner lower cover on page 32](#).
 - Fuser. See [Fuser on page 48](#).
2. Release two tabs (callout 1).

Figure 1-43 Remove the left inner rear cover (1 of 2)



3. Slide the left inner rear cover (callout 1) in the direction indicated to remove the cover from the product.

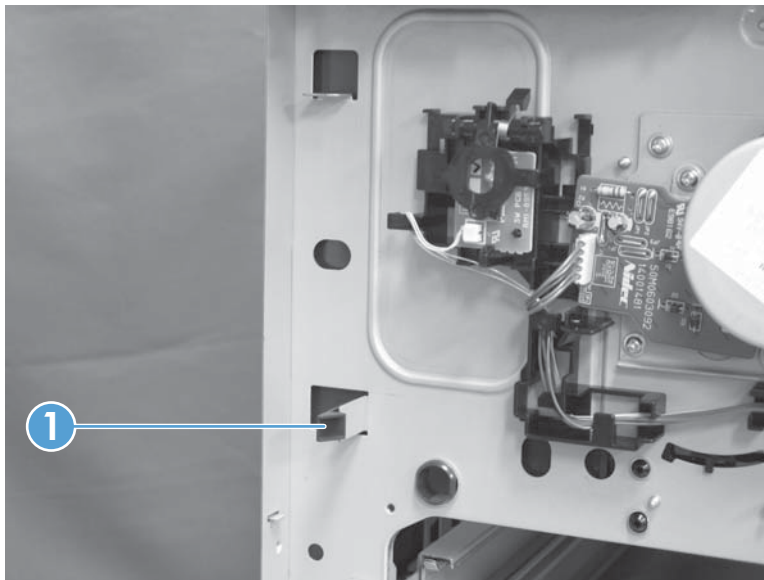
Figure 1-44 Remove the left inner rear cover (2 of 2)



Left inner front cover

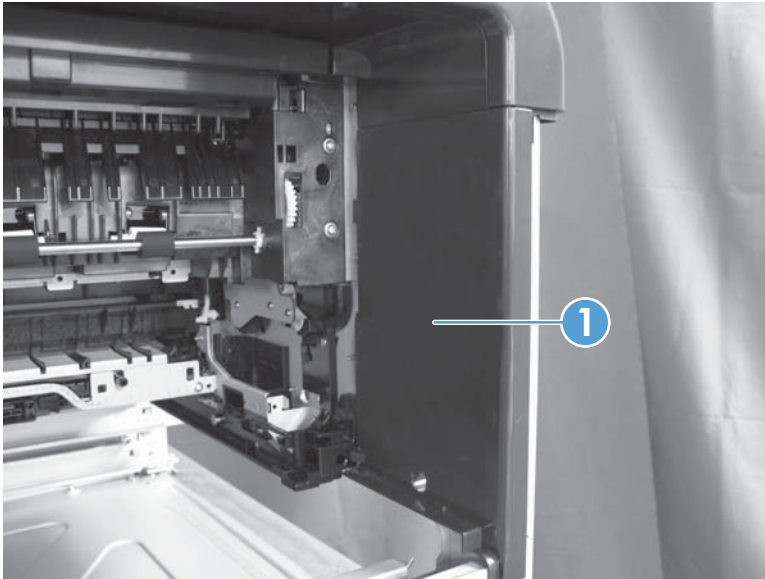
1. Remove the following components or assemblies:
 - Front cover. See [Front cover on page 21](#).
 - Left door. See [Left door on page 23](#).
 - Front left lower cover. See [Front left lower cover on page 25](#).
 - Left inner lower cover. See [Left inner lower cover on page 32](#).
 - Fuser. See [Fuser on page 48](#).
2. On the left side of the product, release one tab (callout 1).

Figure 1-45 Remove the left inner front cover (1 of 2)



3. Inside the product, slide the cover (callout 1) out to remove it from the product.

Figure 1-46 Remove the left inner front cover (2 of 2)



Right handle cover

1. Remove the following components or assemblies:
 - Front cover. See [Front cover on page 21](#).
 - Right rear cover. See [Right rear cover on page 22](#).
 - Front right lower cover. See [Front right lower cover on page 26](#).
 - Tray 1 cover. See [Tray 1 \(multipurpose tray\) cover on page 28](#).
 - Right door. See [Right door on page 29](#).
2. On the right side of the product, remove one screw (callout 1), release two tabs (callout 2), and then pull the top of the cover (callout 3) to remove it from the product.


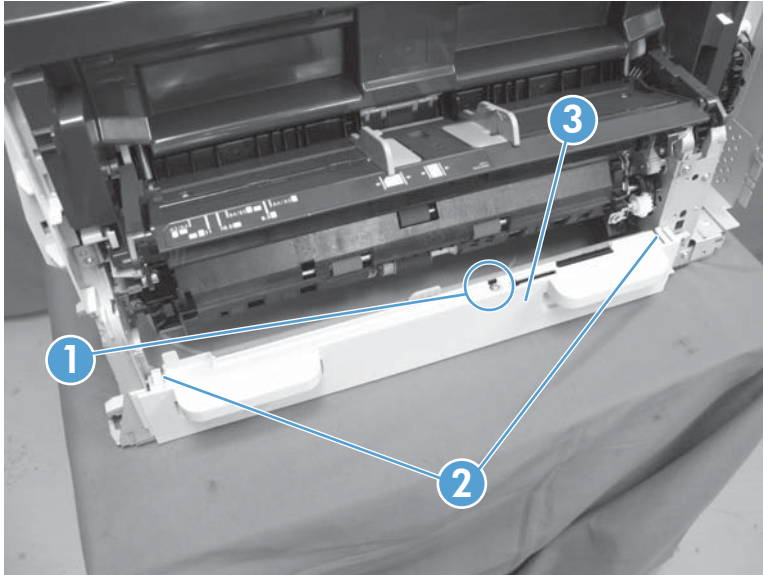
 **Reinstallation tip** You might have to move the cover up and down during reinstallation to make sure that it is correctly aligned and snaps into place.

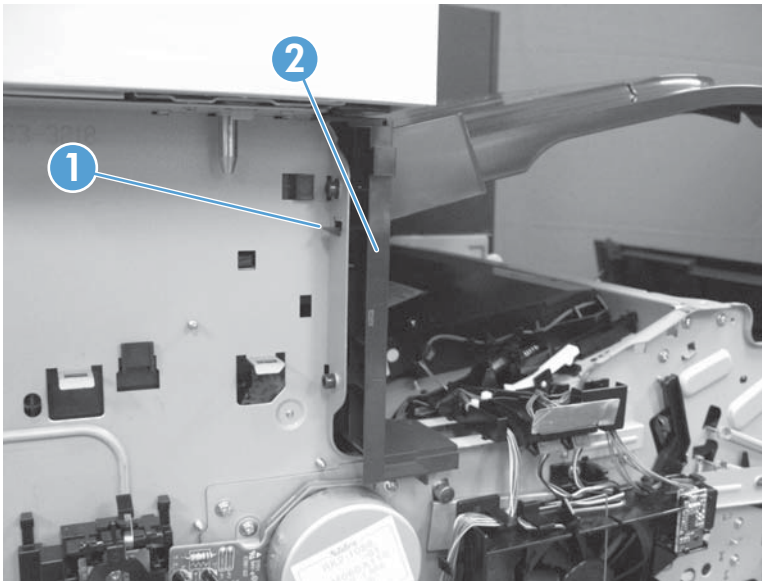
Figure 1-47 Remove the right handle cover



Face-down side cover

1. Remove the following components or assemblies:
 - Front cover. See [Front cover on page 21](#).
 - Face-down cover. See [Face-down cover on page 27](#).
 - Front upper cover. See [.Front upper cover on page 39](#).
2. On the left side at the front of the product, release one tab (callout 1), and then remove the cover (callout 2) from the product.

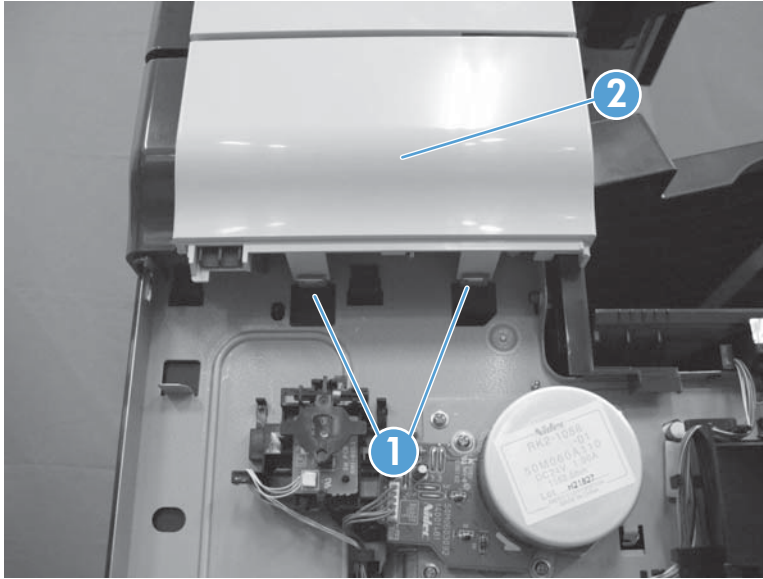
Figure 1-48 Remove the face-down side cover



Front upper cover

1. Remove the front cover. See [Front cover on page 21](#).
2. On the front side of the product, release two tabs (callout 1), and then remove the cover (callout 2) from the product.

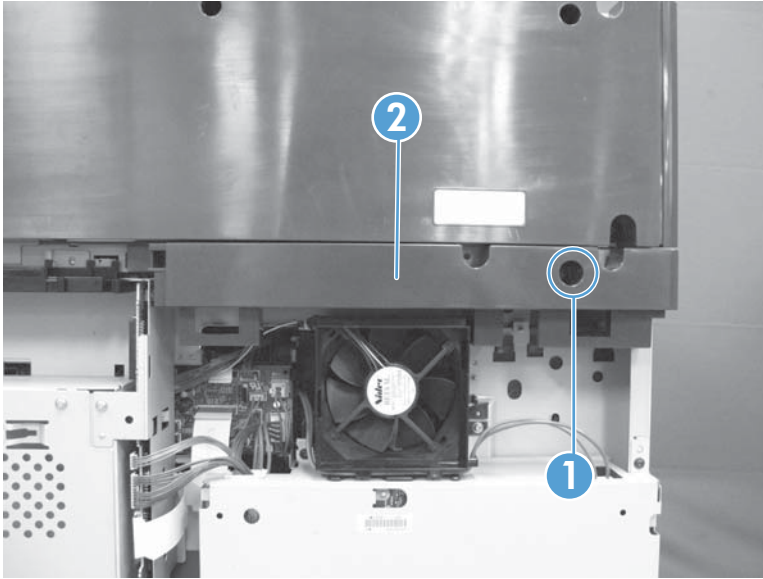
Figure 1-49 Remove the front upper cover



Top rear outer cover

1. Remove the rear cover. See [Rear cover on page 24](#).
2. On the rear side of the product, remove one screw (callout 1), and then remove the cover (callout 2) from the product.

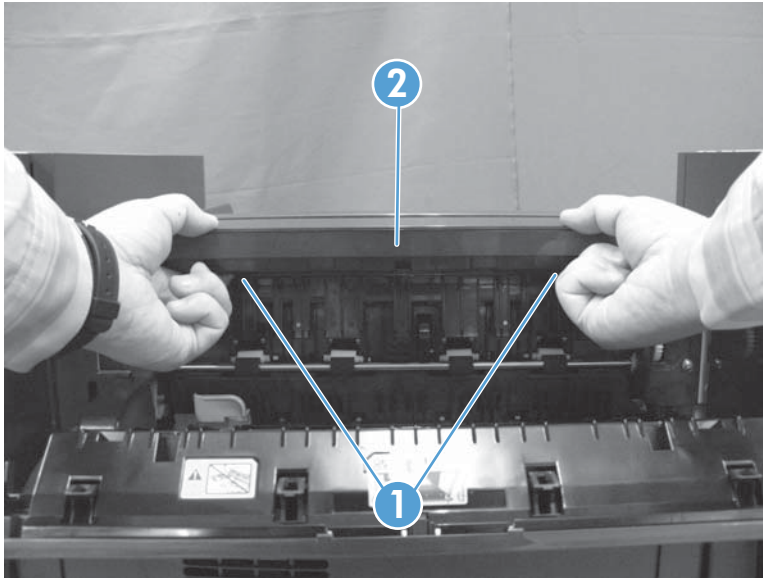
Figure 1-50 Remove the top rear outer cover



Output upper cover

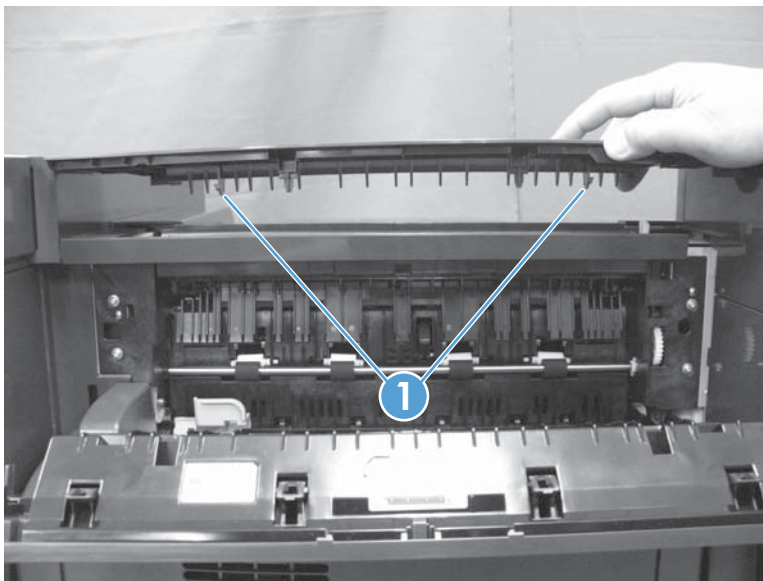
1. If the product includes a stapler/stacker, remove the stapler/stacker. See [Stapler/stacker assembly on page 211](#).
2. Open the left door.
3. From the right side of the product, release two tabs (callout 1), and then remove the cover (callout 2) from the product.

Figure 1-51 Remove the output upper cover (1 of 2)



The figure below shows the location of the tabs (callout 1).

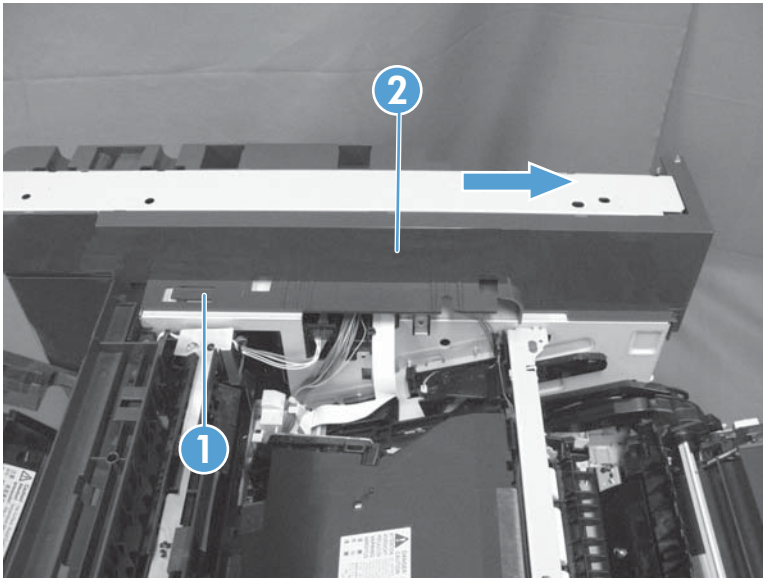
Figure 1-52 Remove the output upper cover (2 of 2)



Top rear inner cover

1. Remove the following components or assemblies:
 - Right rear cover. See [Right rear cover on page 22](#).
 - Rear pocket cover. See step 1 of [Rear cover on page 24](#).
 - Face-down cover. See [Face-down cover on page 27](#).
 - Output upper cover. See [Output upper cover on page 41](#).
 - Stapler/stacker (if it is installed). See [Stapler/stacker assembly on page 211](#).
2. On the rear side of the product, release one tab (callout 1), and then slide the cover (callout 2) in the direction indicated to remove it from the product.

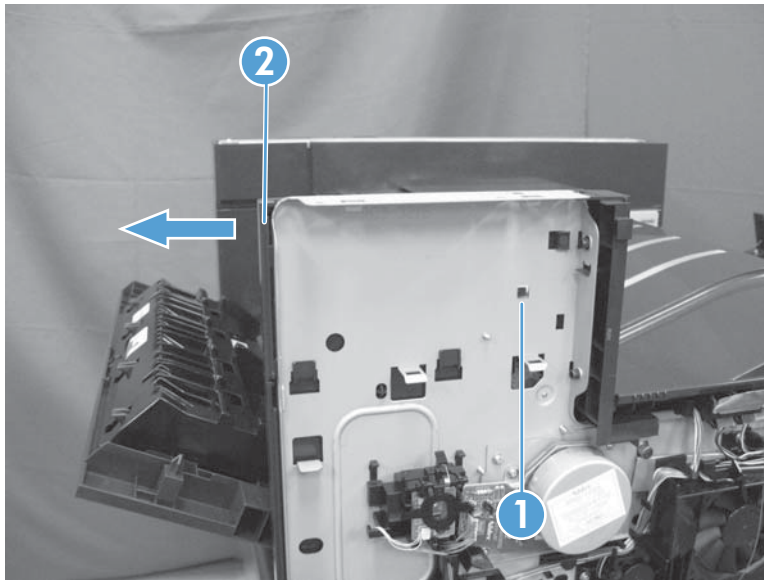
Figure 1-53 Remove the top rear inner cover



Left inner front upper cover

1. Remove the following components or assemblies:
 - Front cover. See [Front cover on page 21](#).
 - Front upper cover. See [Front upper cover on page 39](#).
 - Output upper cover. See [Output upper cover on page 41](#).
 - Stapler-stacker (if it is installed). See [Stapler/stacker assembly on page 211](#).
2. On the front side of the product, release one tab (callout 1), and then slide the cover (callout 2) in the direction indicated to remove it from the product.

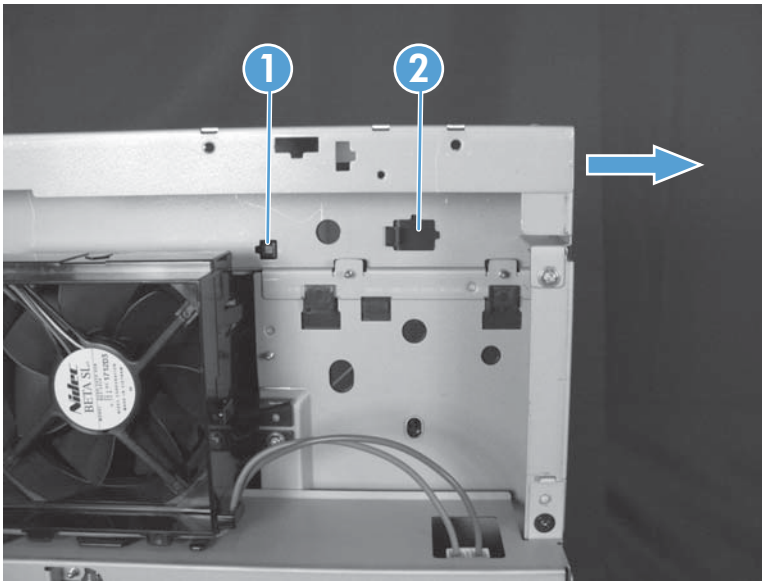
Figure 1-54 Remove the left inner front upper cover



Left inner rear upper cover

1. Remove the following components or assemblies:
 - Rear cover. See [Rear cover on page 24](#).
 - Top rear outer cover. See [Top rear outer cover on page 40](#).
 - Stapler-stacker (if it is installed). See [Stapler/stacker assembly on page 211](#).
2. On the rear side of the product, release one tab (callout 1), and then slide the cover (callout 2) in the direction indicated to remove it from the product.

Figure 1-55 Remove the left inner rear upper cover




Main assemblies

- [Duplexer or duplex cover](#)
- [Fuser](#)
- [Control panel assembly](#)
- [Paper delivery assembly](#)
- [Registration assembly](#)
- [Transfer roller](#)
- [Paper feed assembly](#)
- [Laser scanner](#)
- [Toner cartridge door](#)
- [Formatter cage assembly](#)
- [Upper cassette pickup assembly](#)
- [Lower cassette pickup assembly](#)
- [Lifter drive assembly](#)
- [Main drive assembly](#)
- [Fuser drive assembly](#)

Duplexer or duplex cover

Remove the duplexer

 **NOTE:** If the product is equipped with a duplexer, complete the following steps.

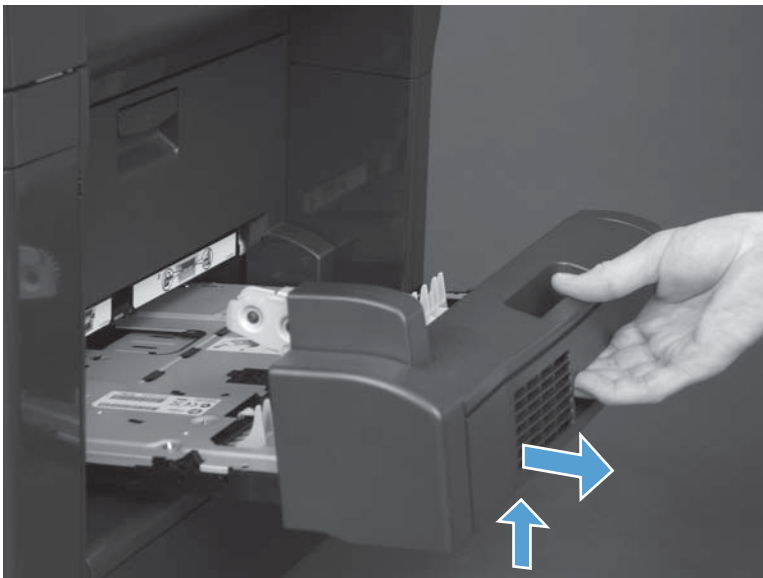
1. At the left side of the product, pull out the duplexer until it stops.

Figure 1-56 Remove the duplexer (1 of 2)




2. Lift up the duplexer and slightly pull it toward you to remove it.

Figure 1-57 Remove the duplexer (2 of 2)



Remove the duplex cover

 **NOTE:** If the product does not have a duplexer, complete the following steps.

1. On the left side of the product, place a finger in the notch (callout 1) at the bottom of the cover.

Figure 1-58 Remove the duplex cover



2. Pull the cover (callout 1) in the direction indicated to remove it from the product.

Figure 1-59 Remove the duplex cover



Fuser

1. Remove the following components or assemblies:
 - Left door. See [Left door on page 23](#).
 - Duplexer or duplex access cover. See [Duplexer or duplex cover on page 46](#).
2. Turn the two latches (callout 1) in the direction indicated, and then pull the fuser (callout 2) straight out to remove it from the product.


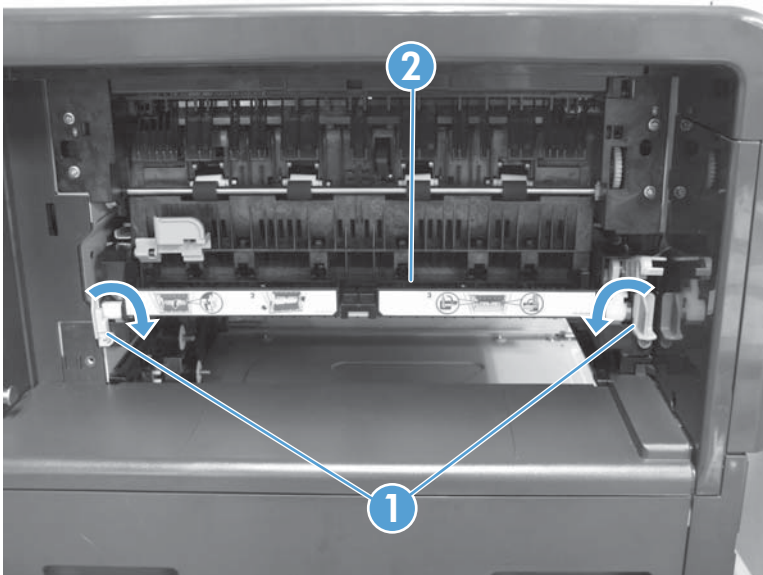
 **NOTE:** On the right side latch, you must reach behind the fuser door retainer to gain access to the latch.

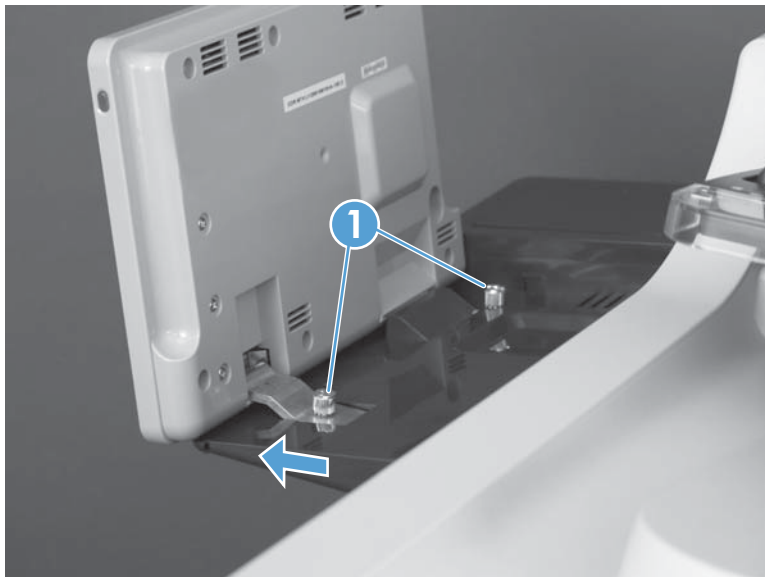
Figure 1-60 Remove the fuser



Control panel assembly

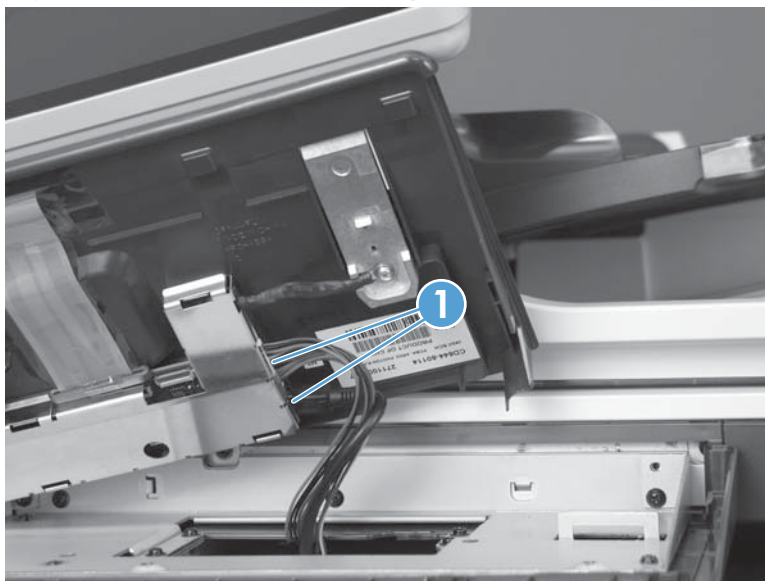
1. On the front side of the product, tilt the control panel up away from the product, remove two thumb-screws (callout 1), and then slide the control panel away from the product.

Figure 1-61 Remove the control panel (1 of 2)



2. On the underside of the control panel, disconnect two connectors (callout 1) to remove the control panel from the product.

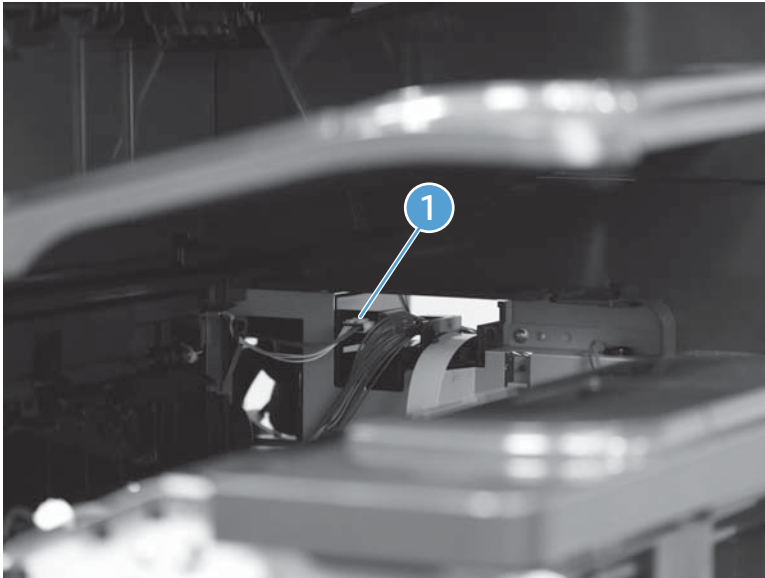
Figure 1-62 Remove the control panel (2 of 2)



Paper delivery assembly

1. Remove the following components or assemblies:
 - Face-down cover. See [Face-down cover on page 27](#).
 - Fuser. See [Fuser on page 48](#).
2. At the top of the product near the left side, disconnect one connector (callout 1).

Figure 1-63 Remove the paper delivery assembly (1 of 2)



3. Remove four screws (callout 1), and then pull the paper delivery assembly (callout 2) straight out to remove it from the product.

⚠ CAUTION: When holding the paper delivery assembly, do not touch the static eliminators.

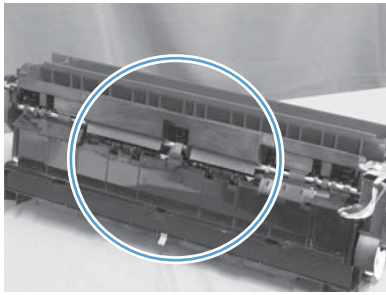
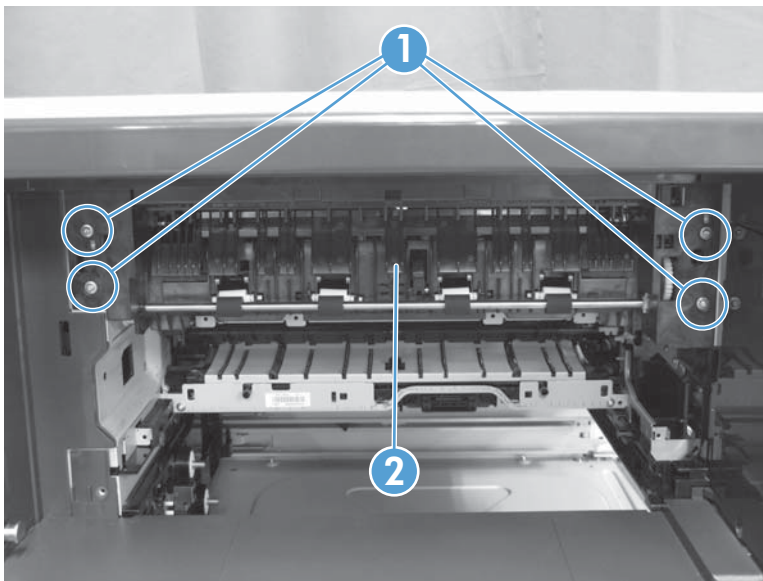


Figure 1-64 Remove the paper delivery assembly (2 of 2)

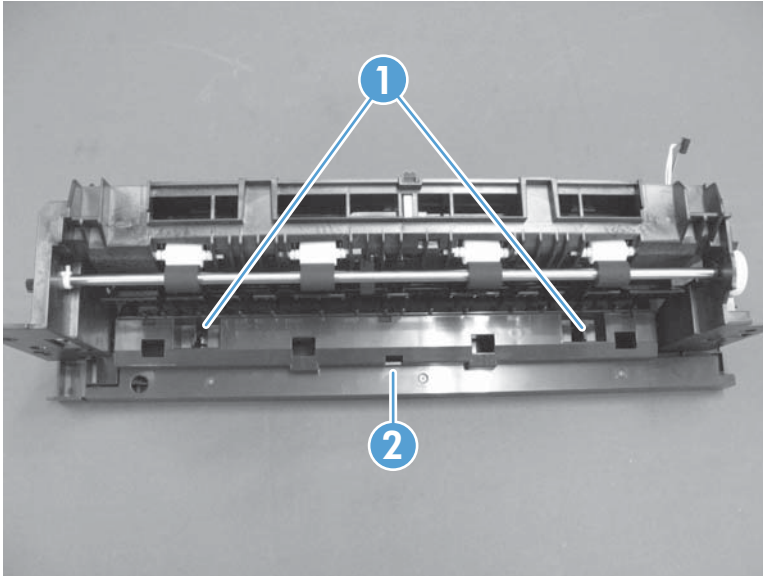


Install a replacement paper delivery assembly

If you are replacing the paper delivery assembly, remove the output upper cover, link, and lever, and then install them on the replacement assembly.

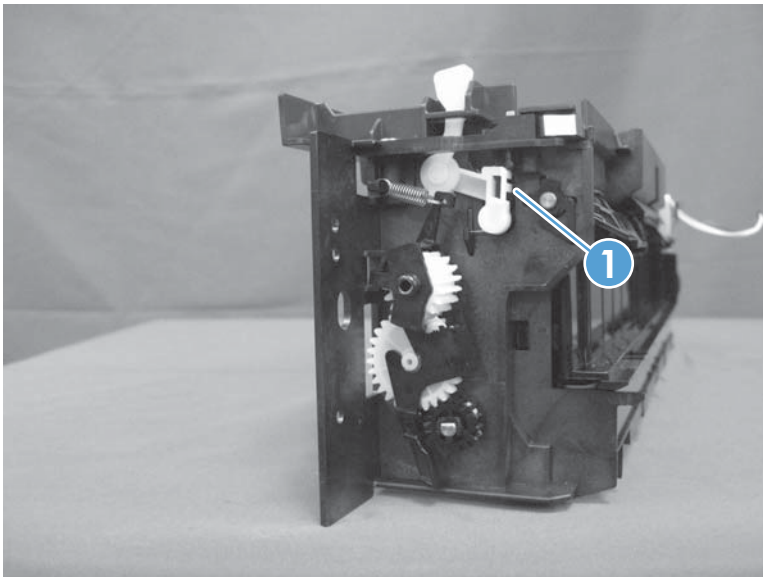
1. Release two tabs (callout 1), and then remove the output upper cover (callout 2).

Figure 1-65 Install a replacement paper delivery assembly (1 of 3)



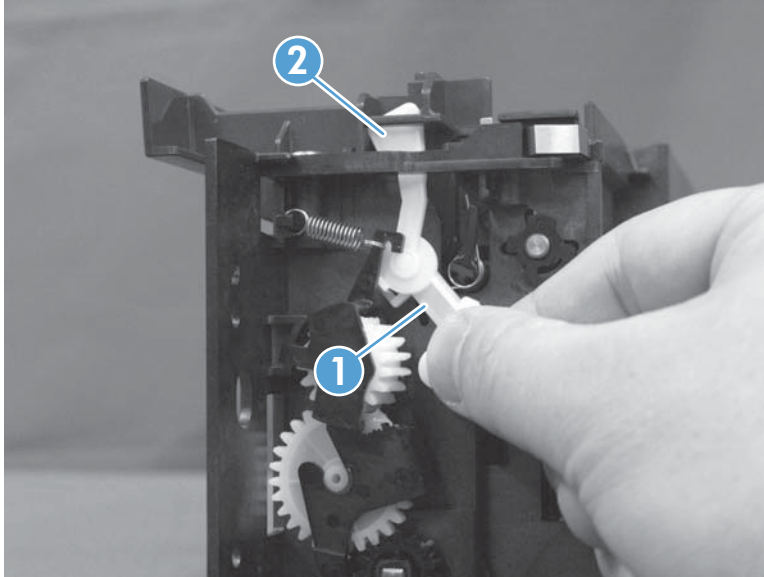
2. Release one tab (callout 1).

Figure 1-66 Install a replacement paper delivery assembly (2 of 3)



3. Remove the link (callout 1) and the lever (callout 2).

Figure 1-67 Install a replacement paper delivery assembly (3 of 3)



Registration assembly

1. Open the toner cartridge door.
2. Before proceeding, use the following two figures to locate the left and right registration mounting screws.

Figure 1-68 Registration assembly left screw

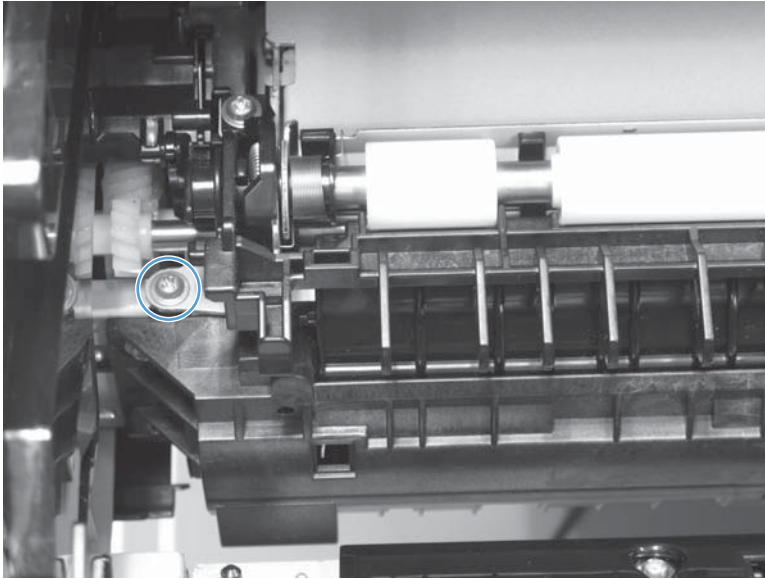
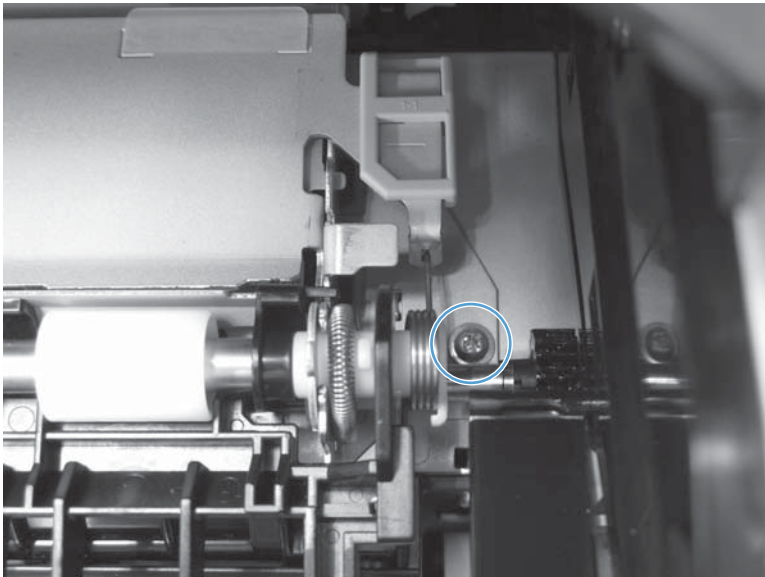
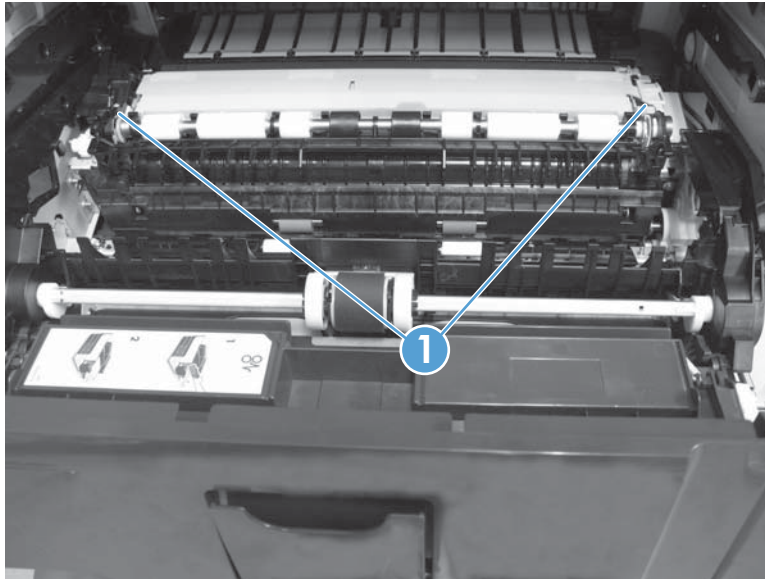


Figure 1-69 Registration assembly right screw



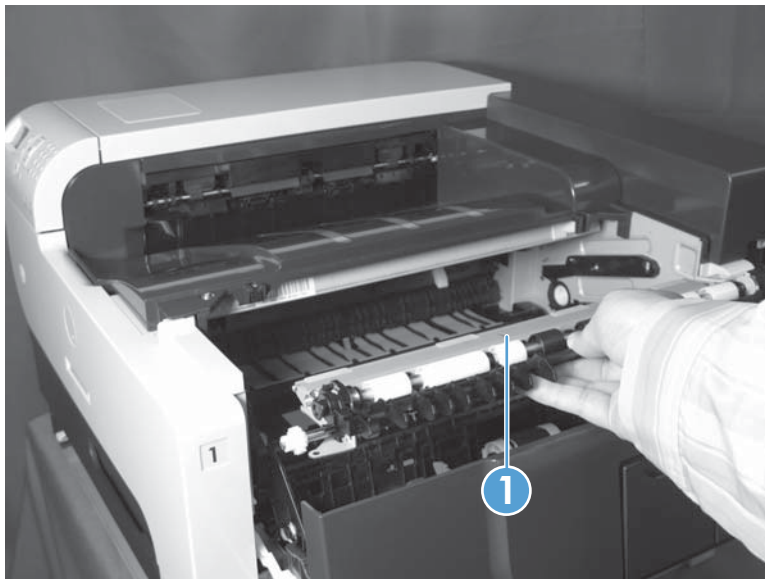
3. From the right side of the product, remove two screws (callout 1).

Figure 1-70 Remove the registration assembly (1 of 2)



4. Carefully pull the registration assembly (callout 1) out of the product.

Figure 1-71 Remove the registration assembly (2 of 2)




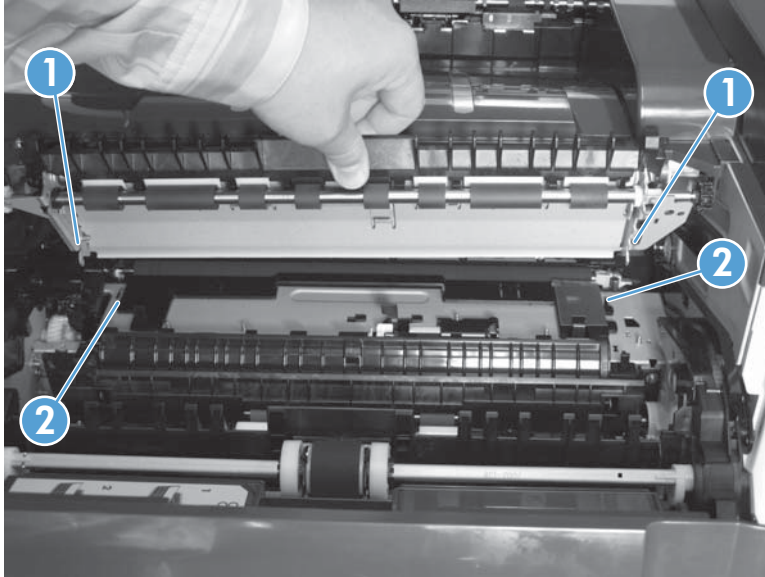
 **Reinstallation tip** When reassembling the registration assembly, make sure that the hooks (callout 1) on the rear side of assembly are seated in the slits (callout 2) on both sides. See the following figure.

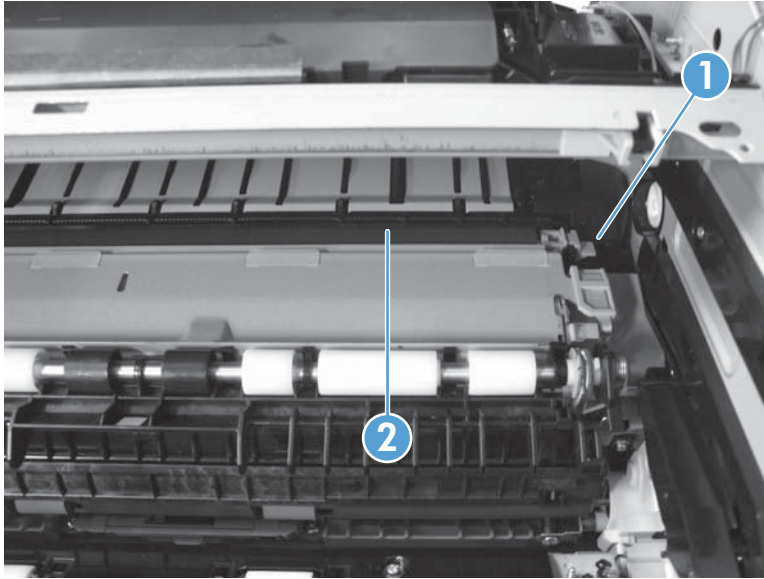
Figure 1-72 Reinstalling the registration assembly



Transfer roller

1. Open the toner cartridge door.
2. On the right end of the roller, pull up on the tab (callout 1) to loosen the roller (callout 2), and then remove the roller from the product.

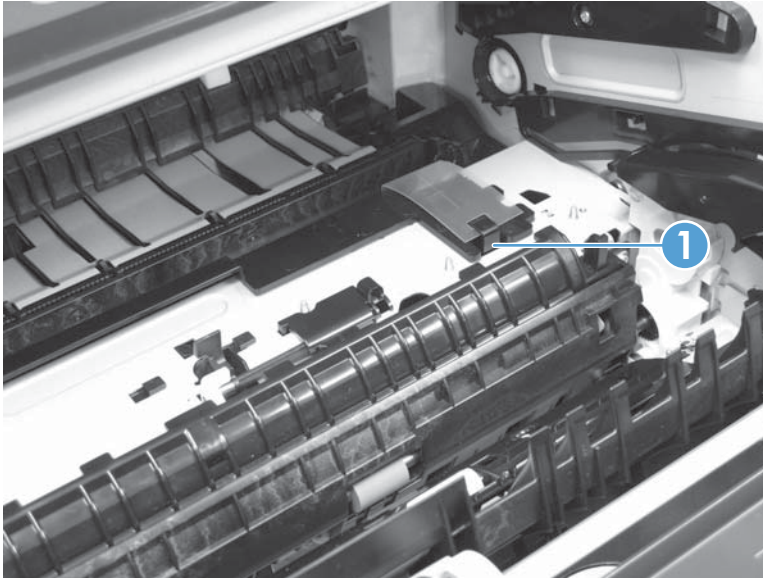
Figure 1-73 Remove the transfer roller



Paper feed assembly

1. Remove the following components or assemblies:
 - Fuser. See [Fuser on page 48](#).
 - Registration assembly. See [Registration assembly on page 54](#).
 - Transfer roller. See [Transfer roller on page 57](#).
2. On the right side of the product, release one tab (callout 1).

Figure 1-74 Remove the paper feed assembly (1 of 4)



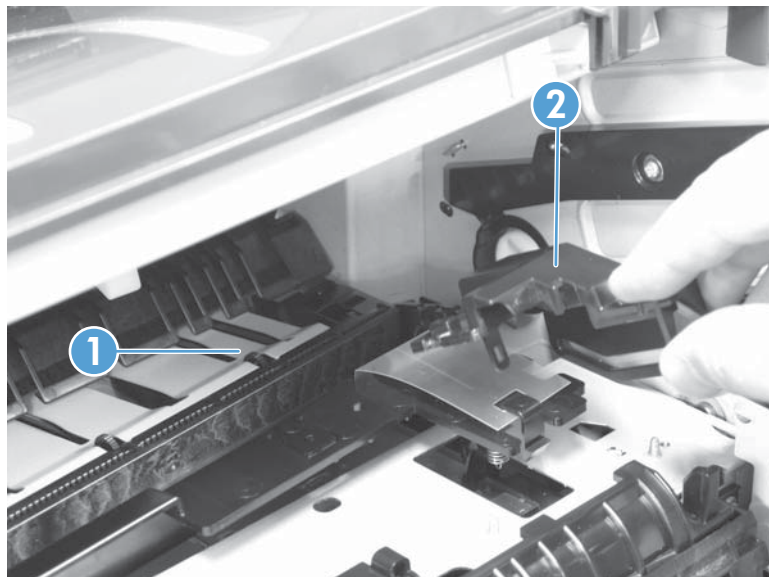
3. Hold up the right side of the paper feed assembly (callout 1).

Figure 1-75 Remove the paper feed assembly (2 of 4)



4. Beneath the paper feed assembly (callout 1), remove the connector cover (callout 2) by pulling the rear part of the cover up and toward you to release the front part of the cover.

Figure 1-76 Remove the paper feed assembly (3 of 4)




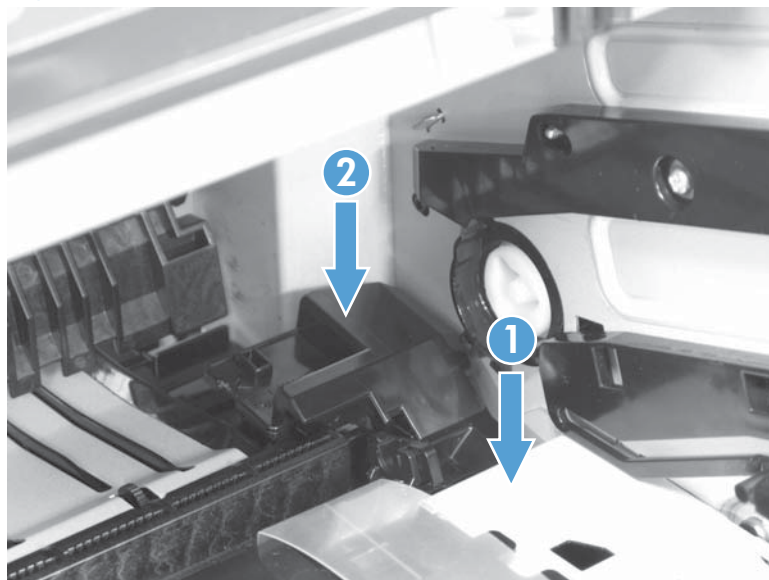
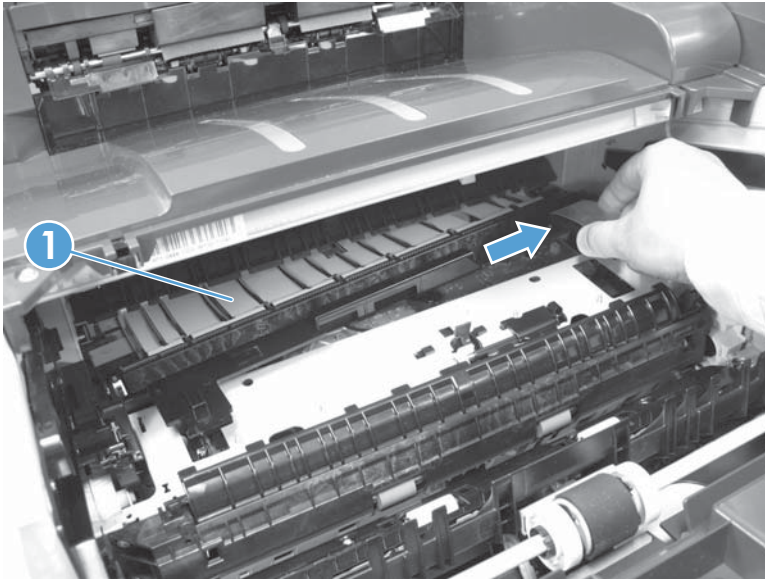
 **Reinstallation tip** When reinstalling the connector cover, insert the front side (callout 1) first, and then press down on the rear end (callout 2) of the cover to snap it in place.

Figure 1-77 Reinstall the connector cover



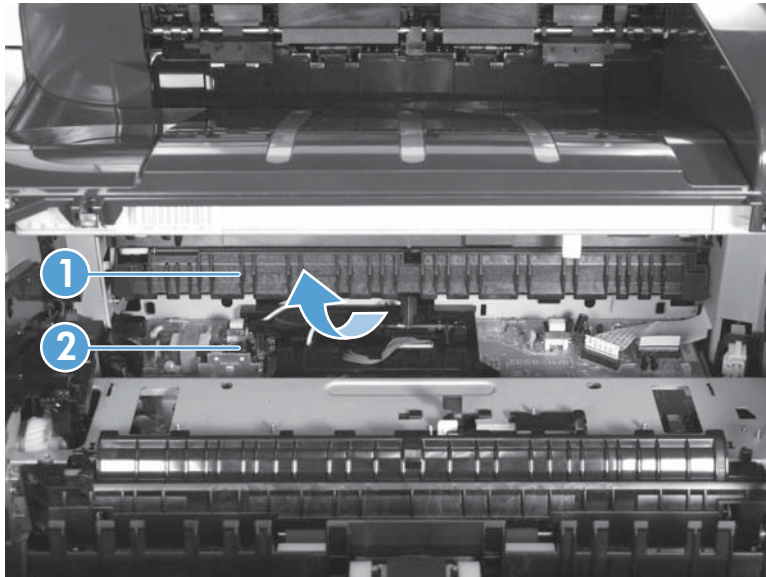
5. Slide the paper feed assembly (callout 1) in the direction indicated to remove it from the product.

Figure 1-78 Remove the paper feed assembly (4 of 4)



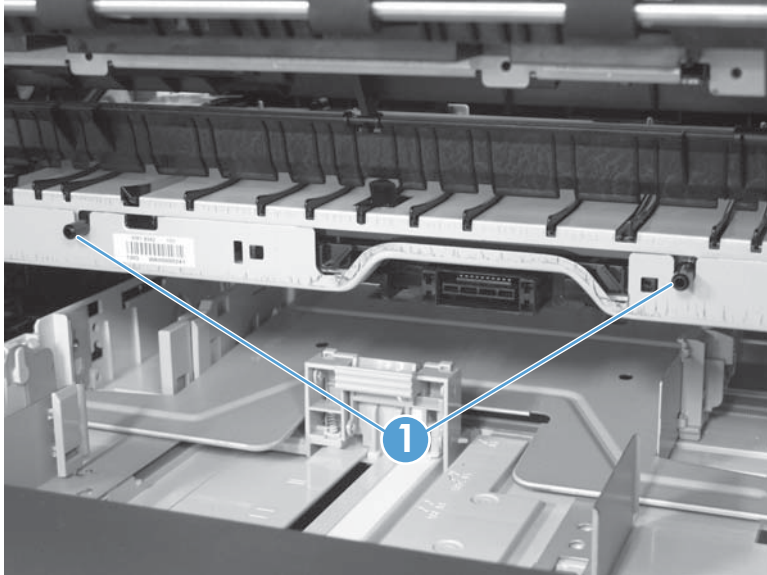
Reinstallation tip When reinstalling the paper feed assembly, turn the shutter (callout 1) frontward so that the high-voltage power supply assembly (callout 2) is not damaged.

Figure 1-79 Reinstall the paper feed assembly (1 of 2)



Reinstallation tip When reinstalling the paper feed assembly, make sure that the pins (callout 1) on the rear side of the paper feed assembly are seated in the grooves on the high-voltage power supply assembly. The following figure shows the view from the left side of the product.

Figure 1-80 Reinstall the paper feed assembly (2 of 2)



Laser scanner

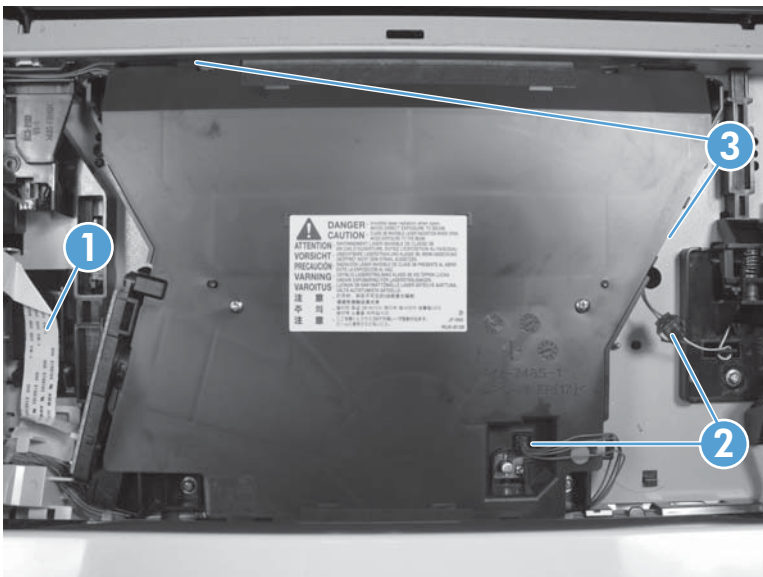
1. Remove the face-down cover. See [Face-down cover on page 27](#).
2. Remove the foam anti-static pad (callout 1) from the laser scanner.

Figure 1-81 Remove the laser scanner (1 of 3)



3. Disconnect one flat flexible cable (callout 1) and two connectors (callout 2), and then release the cables from the cable guides (callout 3).

Figure 1-82 Remove the laser scanner (2 of 3)



4. Remove four screws (callout 1), and then remove the laser scanner (callout 2) from the product.


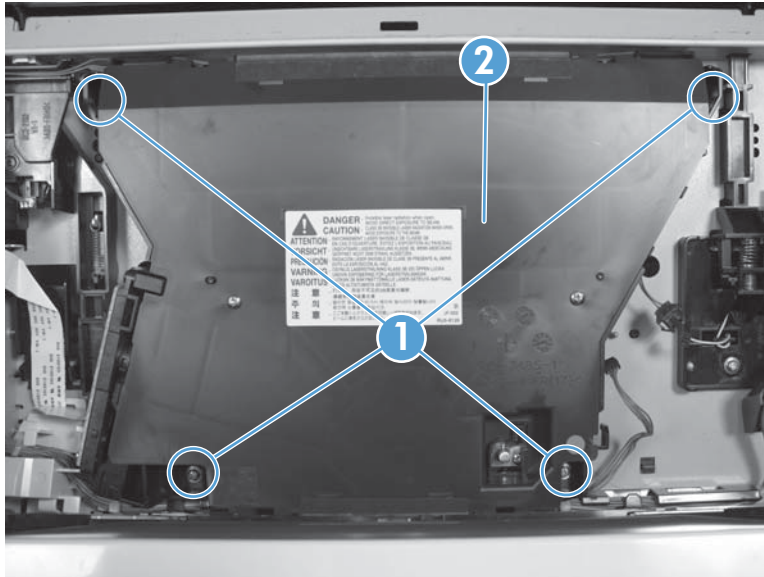
 **NOTE:** If the stapler-stacker is installed, you will need a 38 mm (1.5 in) short-shaft screwdriver with a magnetic-tip to remove the screws. Or you can remove the stapler/stacker output bin. See [Stapler/stacker output bin assembly on page 197](#).

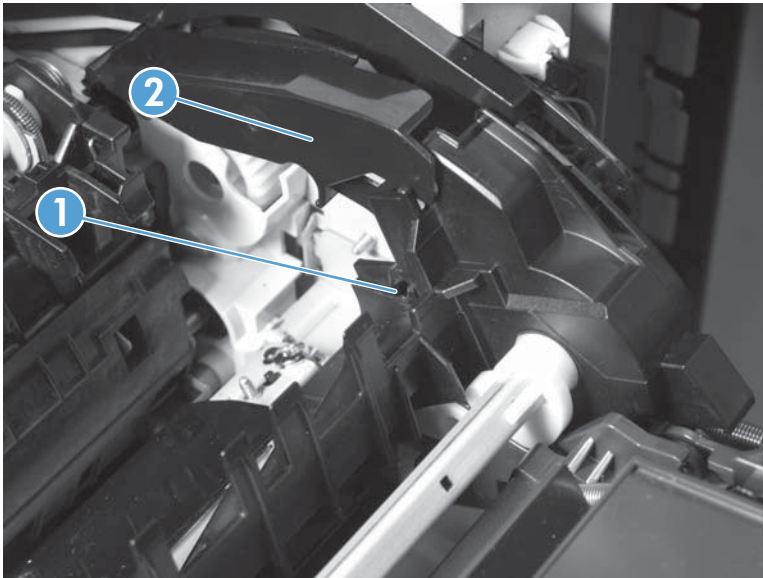
Figure 1-83 Remove the laser scanner (3 of 3)



Toner cartridge door

1. Remove the following components or assemblies:
 - Front cover. See [Front cover on page 21](#).
 - Right rear cover. See [Right rear cover on page 22](#).
 - Tray 1 (multipurpose tray) cover. See [Tray 1 \(multipurpose tray\) cover on page 28](#).
 - Right door. See [Right door on page 29](#).
2. Open the toner cartridge door.
3. Inside the door, use needle-nose pliers to release one tab (callout 1), and then release the link arm (callout 2).

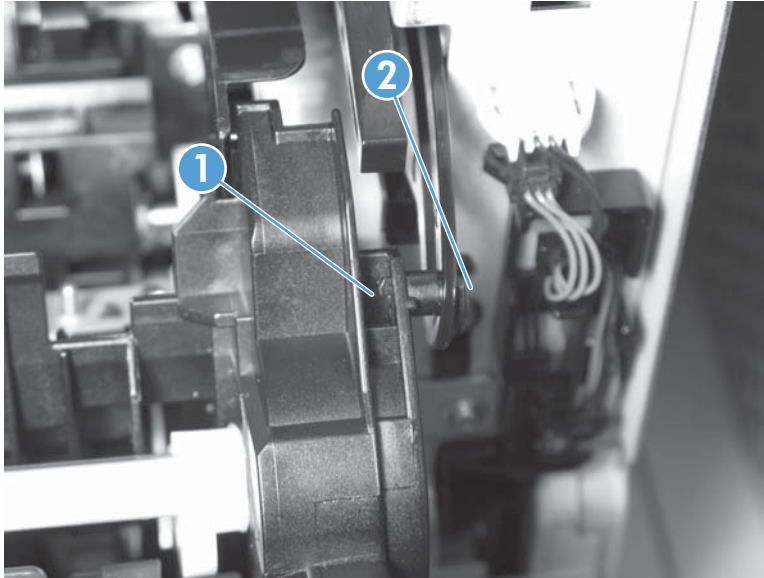
Figure 1-84 Remove the toner cartridge door (1 of 6)



4. Release one tab (callout 1), and then remove the pin (callout 2) from the door linkage.

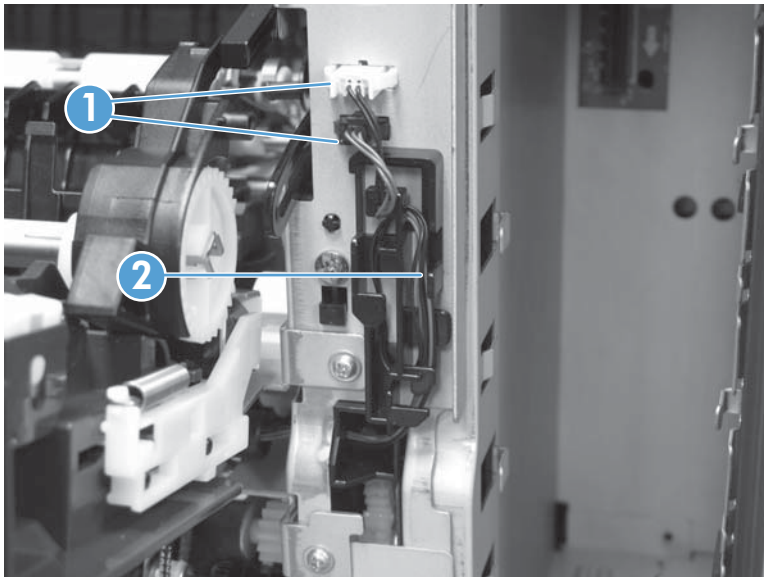
⚠ CAUTION: Be careful not to break the tab off of the pin.

Figure 1-85 Remove the toner cartridge door (2 of 6)



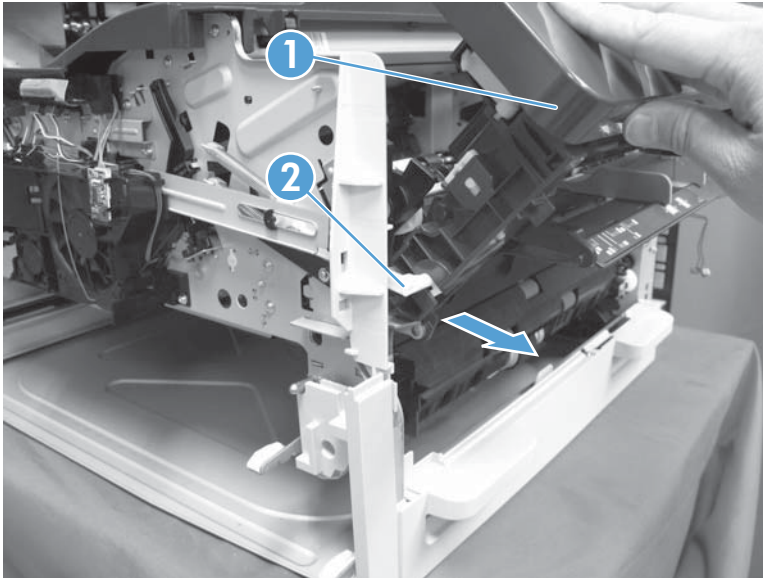
5. To the right of the door, disconnect two connectors (callout 1), and then release the cables (callout 2) from the cable guide.

Figure 1-86 Remove the toner cartridge door (3 of 6)



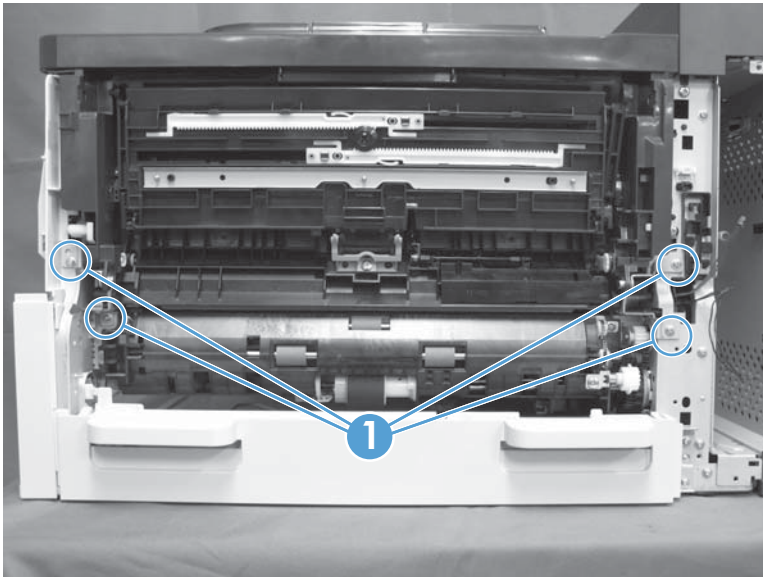
6. While partially closing the cartridge door (callout 1), pull the link arm (callout 2) in the direction indicated and release it from the notch in the cartridge door.

Figure 1-87 Remove the toner cartridge door (4 of 6)



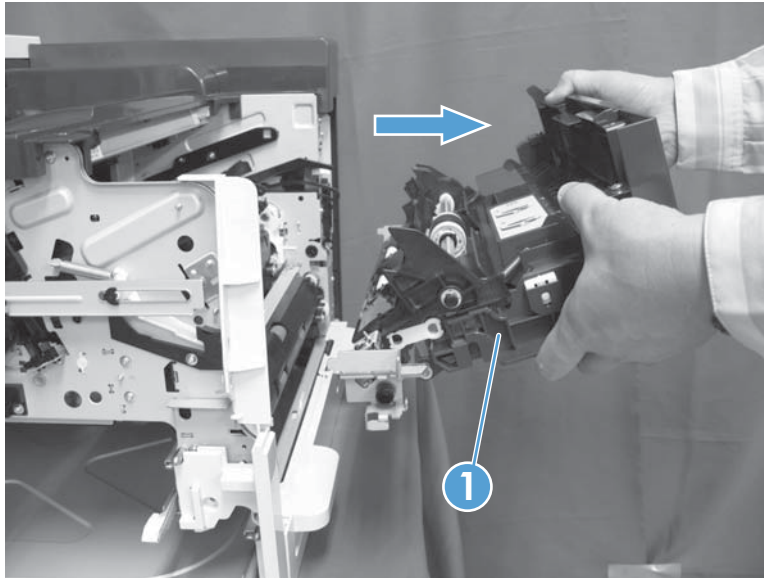
7. Remove four screws (callout 1).

Figure 1-88 Remove the toner cartridge door (5 of 6)



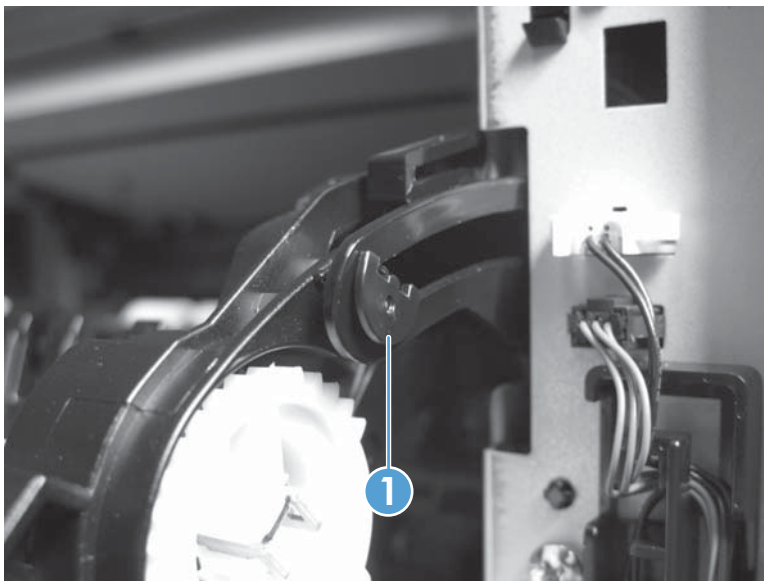
8. Slide the cartridge door assembly (callout 1) in the direction indicated to remove it from the product.

Figure 1-89 Remove the toner cartridge door (6 of 6)



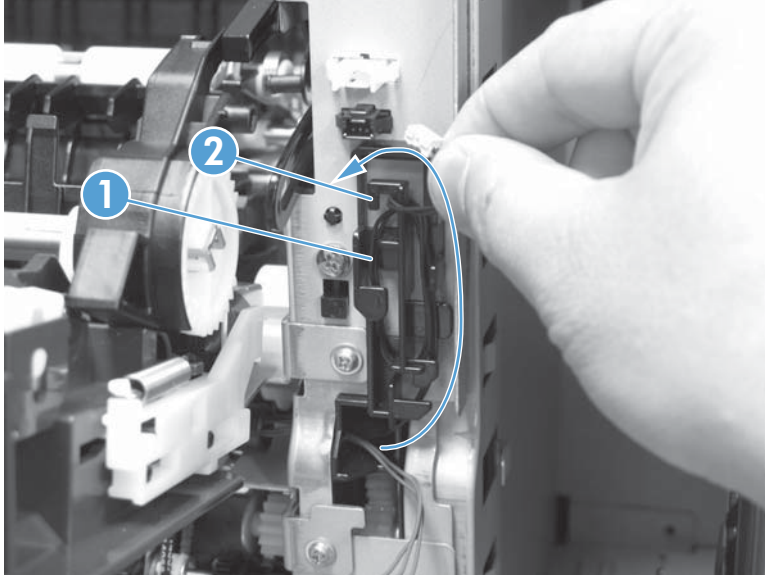
Reinstallation tip When reinstalling the cartridge door, insert the pin (callout 1) pointing as shown in the following figure while the cartridge door is open.

Figure 1-90 Reinstall the cartridge door assembly (1 of 2)



Reinstallation tip When reinstalling the cartridge door, wind the cable (callout 1) around the cable guide counter-clockwise and run through the groove (callout 2) before connecting it as shown in the following figure.

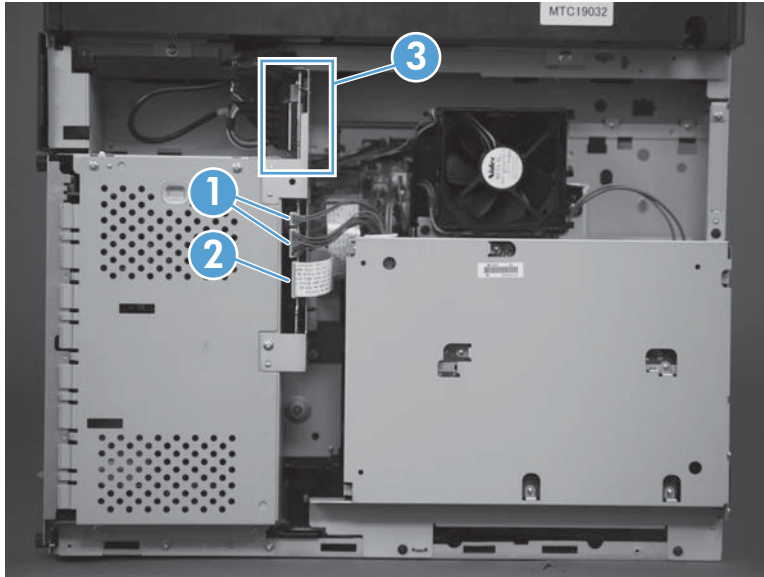
Figure 1-91 Reinstall the cartridge door assembly (2 of 2)



Formatter cage assembly

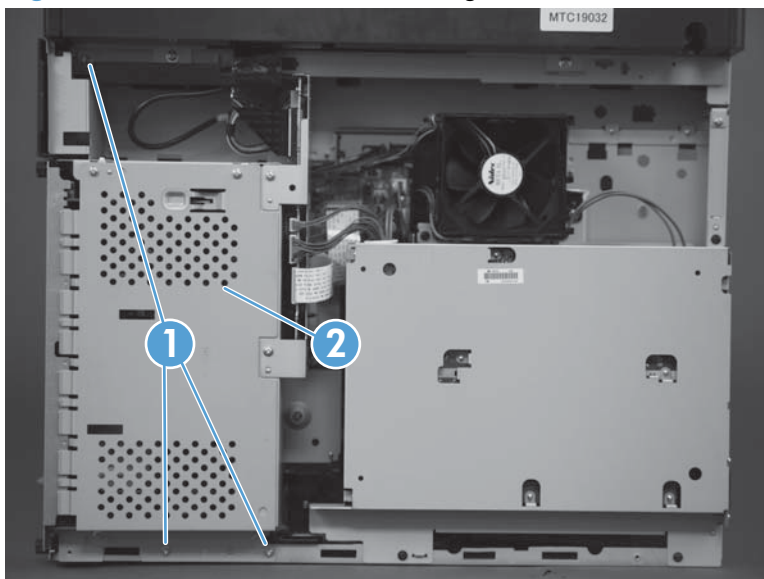
1. Remove the following components or assemblies:
 - Rear cover. See [Rear cover on page 24](#).
 - Formatter. See [Formatter PCA on page 114](#).
2. On the rear side of the product, disconnect two connectors (callout 1), one flat flexible cable (callout 2), and then five connectors at the top of the assembly (callout 3).

Figure 1-92 Remove the formatter cage (1 of 2)



3. Remove three screws (callout 1), and then lift up the bottom of the formatter cage (callout 2) to remove it from the product.

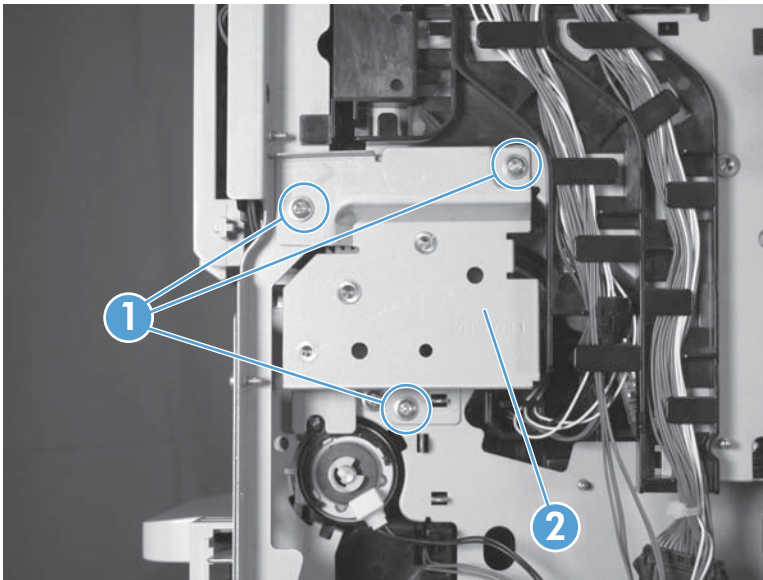
Figure 1-93 Remove the formatter cage (2 of 2)



Upper cassette pickup assembly

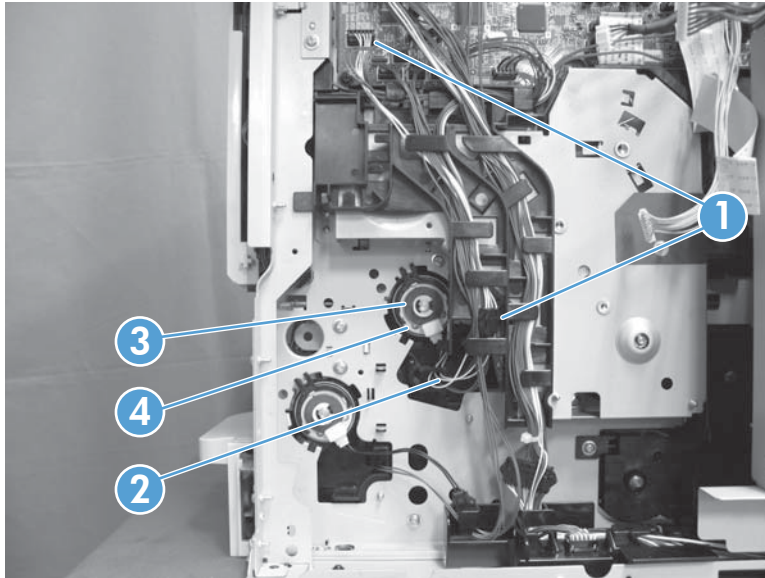
1. Remove the following components or assemblies:
 - Front cover. See [Front cover on page 21](#).
 - Right rear cover. See [Right rear cover on page 22](#).
 - Rear cover. See [Rear cover on page 24](#).
 - Tray 1 (multipurpose tray) cover. See [Tray 1 \(multipurpose tray\) cover on page 28](#).
 - Right door. See [Right door on page 29](#).
 - Toner cartridge door. See [Toner cartridge door on page 64](#).
 - Formatter cage. See [Formatter cage assembly on page 69](#).
2. Remove three screws (callout 1), and then remove the gear assembly (callout 2).

Figure 1-94 Remove the upper cassette pickup assembly (1 of 4)



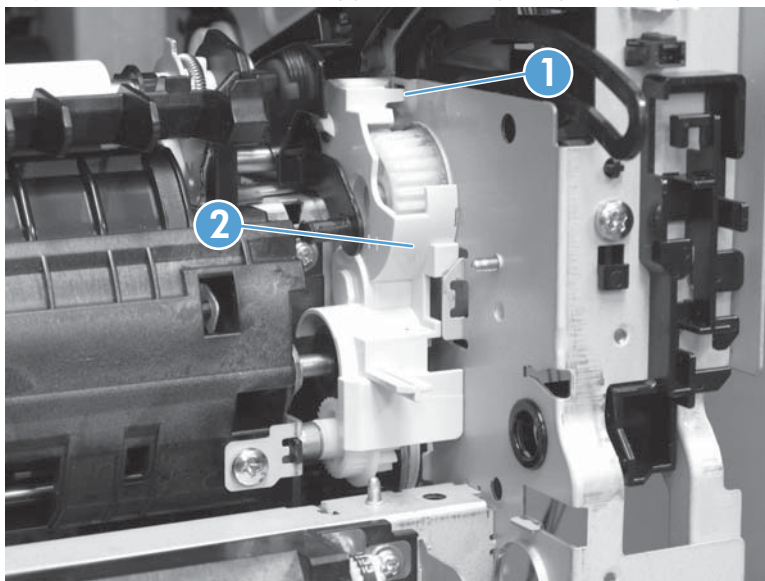
3. Disconnect two connectors (callout 1), release the cables (callout 2) from the cable guide, remove the C-clip (callout 3) from the clutch shaft, and then pull the upper cassette pickup clutch (callout 4) to remove it from the product.

Figure 1-95 Remove the upper cassette pickup assembly (2 of 4)



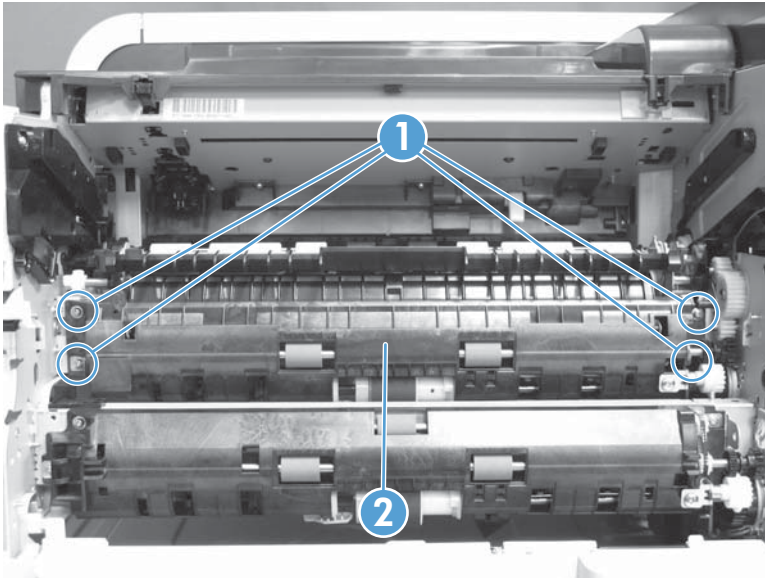
4. Release one tab (callout 1), and then remove the gear cover (callout 2).

Figure 1-96 Remove the upper cassette pickup assembly (3 of 4)



5. Remove four screws (callout 1), and then pull the upper cassette pickup assembly (callout 2) to remove it from the product.

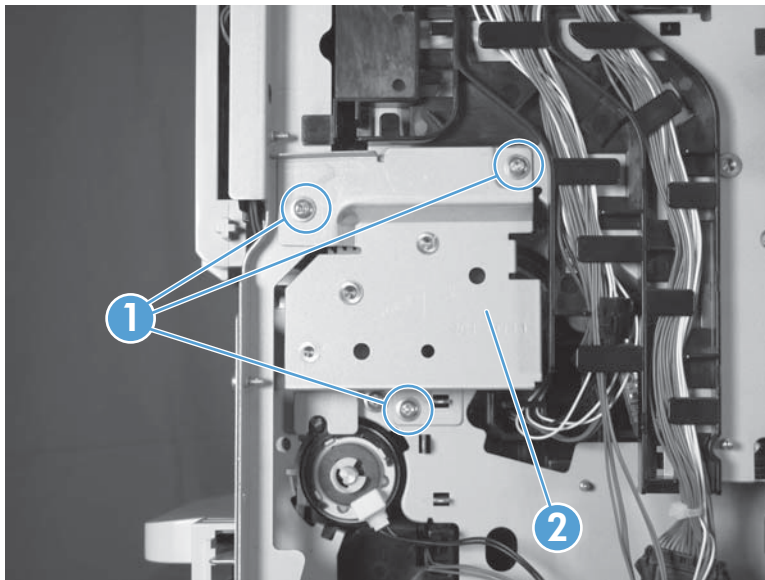
Figure 1-97 Remove the upper cassette pickup assembly (4 of 4)



Lower cassette pickup assembly

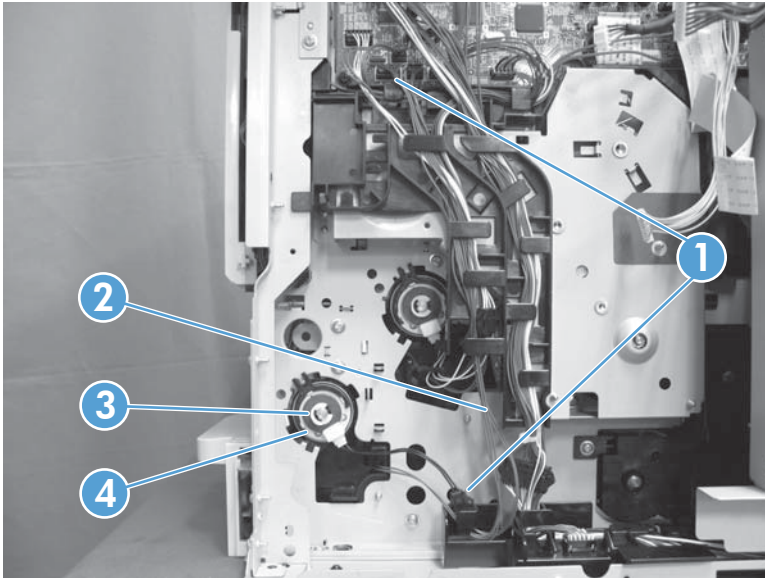
1. Remove the following components or assemblies:
 - Right rear cover. See [Right rear cover on page 22](#).
 - Rear cover. See [Rear cover on page 24](#).
 - Tray 1 (multipurpose tray) cover. See [Tray 1 \(multipurpose tray\) cover on page 28](#).
 - Right door. See [Right door on page 29](#).
 - Formatter cage. See [Formatter cage assembly on page 69](#).
2. Remove three screws (callout 1), and then remove the gear assembly (callout 2).

Figure 1-98 Remove the lower cassette pickup assembly (1 of 3)



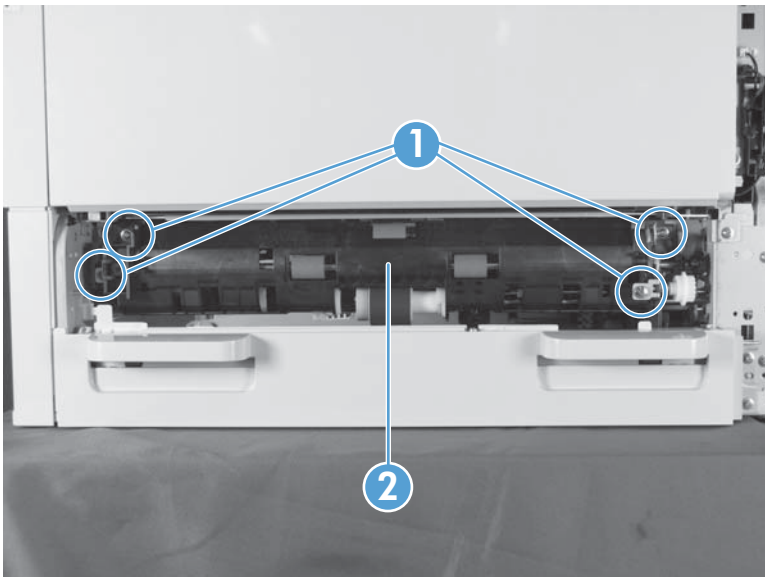
3. Disconnect two connectors (callout 1) (J43), release the cables (callout 2) from the cable guide, remove the C-clip (callout 3) from the clutch shaft, and then pull the lower cassette pickup clutch (callout 4) to remove it from the product.

Figure 1-99 Remove the lower cassette pickup assembly (2 of 3)



4. Remove four screws (callout 1), and then pull the lower cassette pickup assembly (callout 2) to remove it from the product.

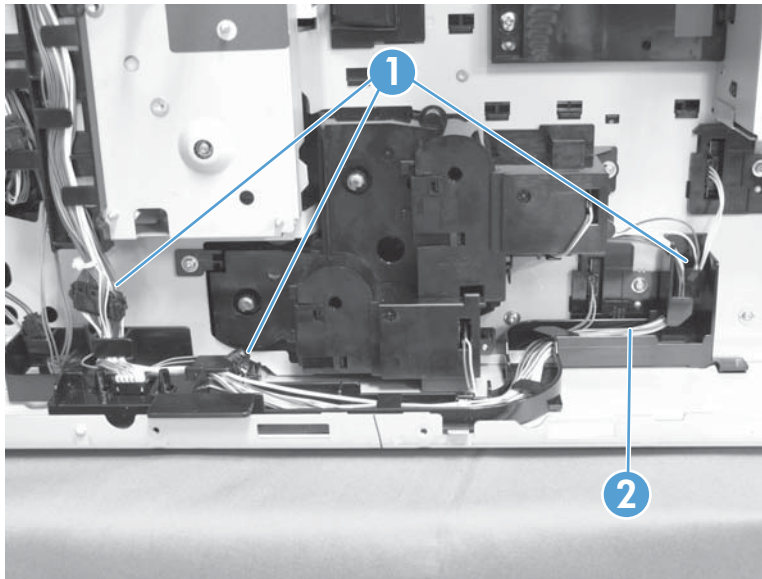
Figure 1-100 Remove the lower cassette pickup assembly (3 of 3)



Lifter drive assembly

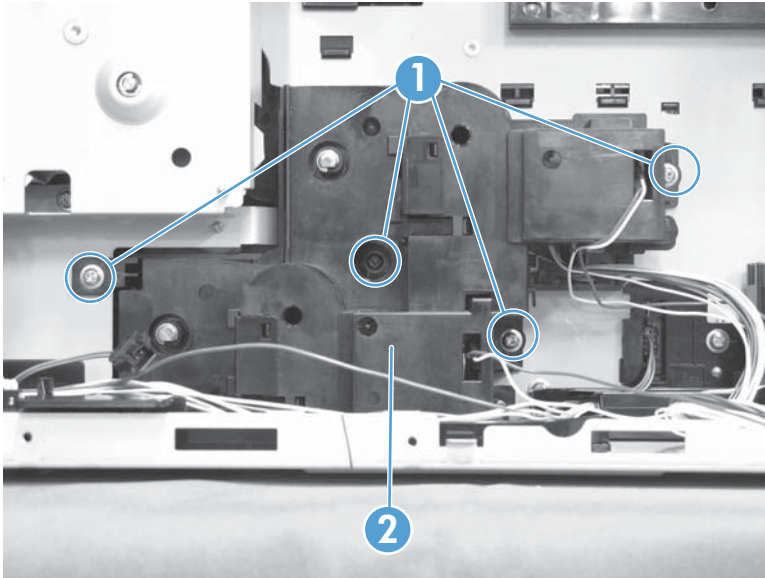
1. Remove the following components or assemblies:
 - Rear cover. See [Rear cover on page 24](#).
 - Formatter cage. See [Formatter cage assembly on page 69](#).
 - Low-voltage power supply. See [Low-voltage power supply assembly on page 119](#).
2. Disconnect three connectors (callout 1), and then release the cables (callout 2) from the cable guide.

Figure 1-101 Remove the lifter driver assembly (1 of 2)



3. Remove four screws (callout 1), and then remove the lifter drive assembly (callout 2) from the product.

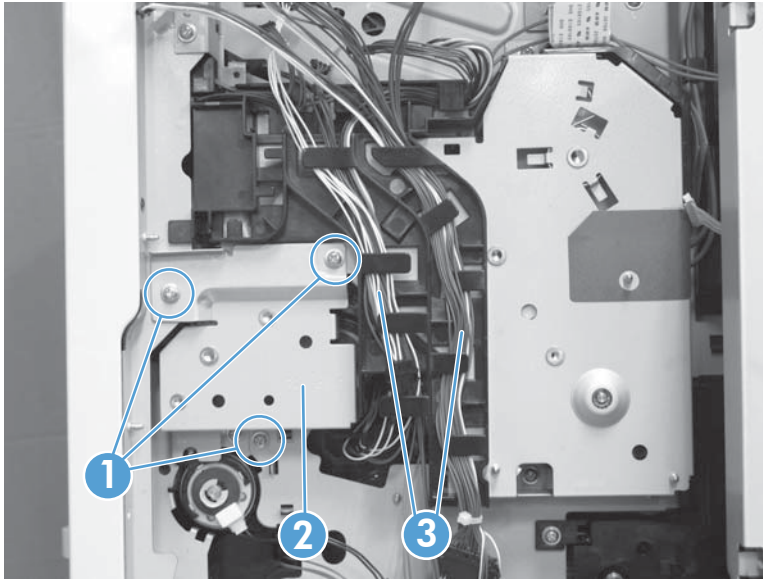
Figure 1-102 Remove the lifter driver assembly (2 of 2)



Main drive assembly

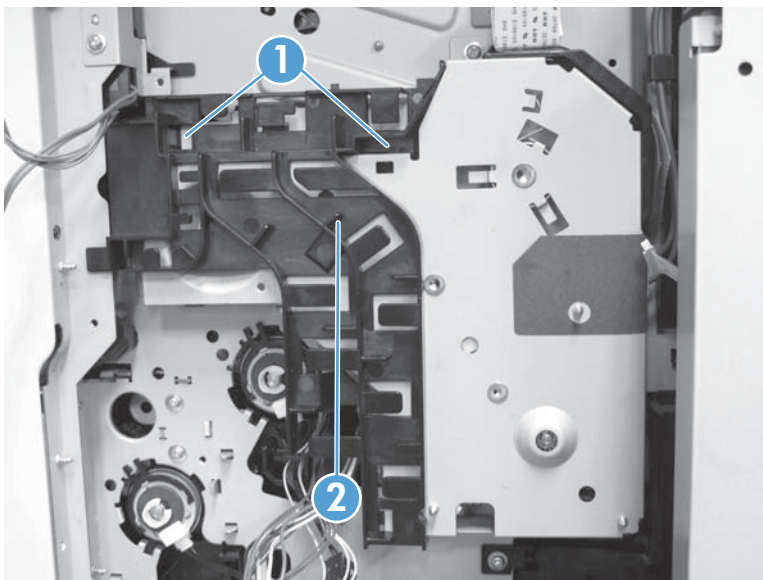
1. Remove the following components or assemblies:
 - Rear cover. See [Rear cover on page 24](#).
 - Formatter cage. See [Formatter cage assembly on page 69](#).
 - DC controller PCA. See [DC controller PCA on page 118](#).
2. Remove three screws (callout 1), remove the gear assembly (callout 2), and then release the cables (callout 3) from the cable guide.

Figure 1-103 Remove the main drive assembly (1 of 7)



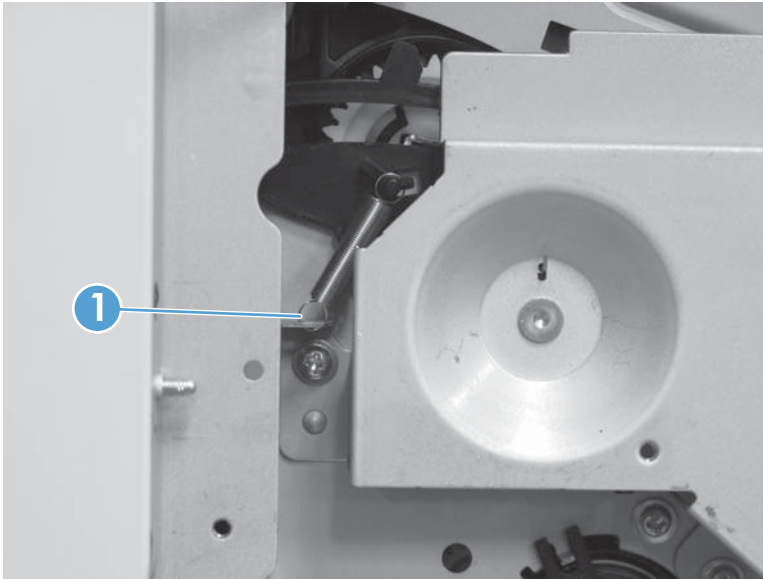
3. Release two tabs (callout 1), and then remove the cable guide (callout 2).

Figure 1-104 Remove the main drive assembly (2 of 7)



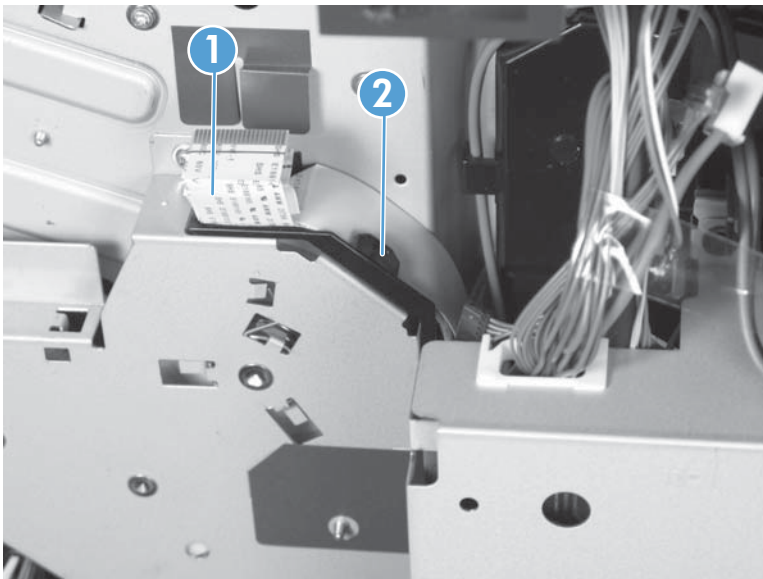
4. Unhook the spring (callout 1).

Figure 1-105 Remove the main drive assembly (3 of 7)



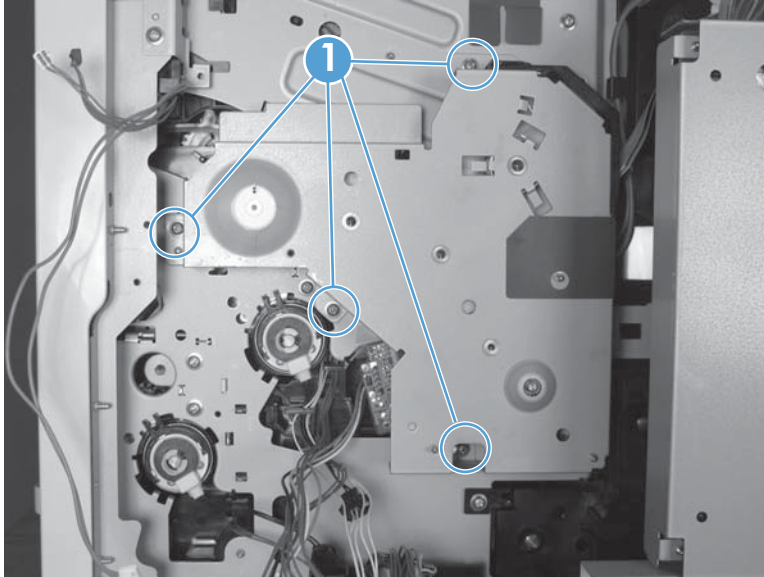
5. Release the flat flexible cable (callout 1) from the cable guide (callout 2).

Figure 1-106 Remove the main drive assembly (4 of 7)



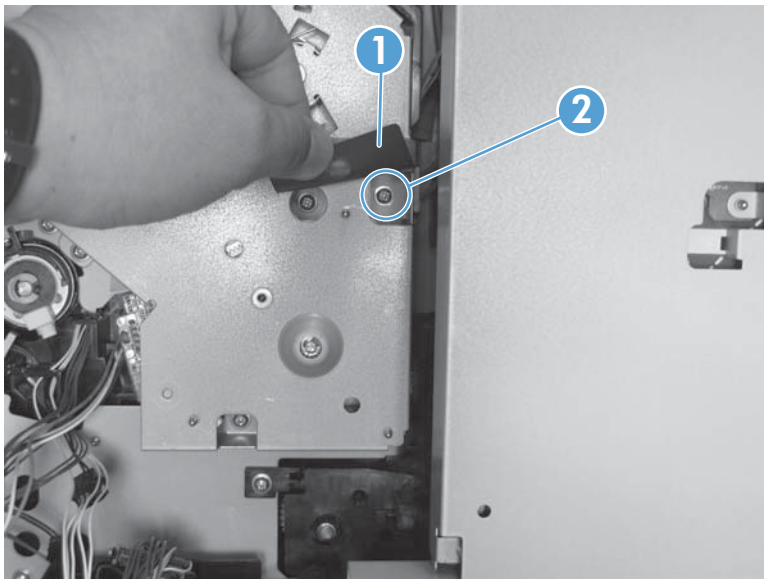
6. Remove four screws (callout 1).

Figure 1-107 Remove the main drive assembly (5 of 7)



7. Pull up the sheet (callout 1) and remove one screw (callout 2).

Figure 1-108 Remove the main drive assembly (6 of 7)



8. Remove the main drive assembly (callout 1).


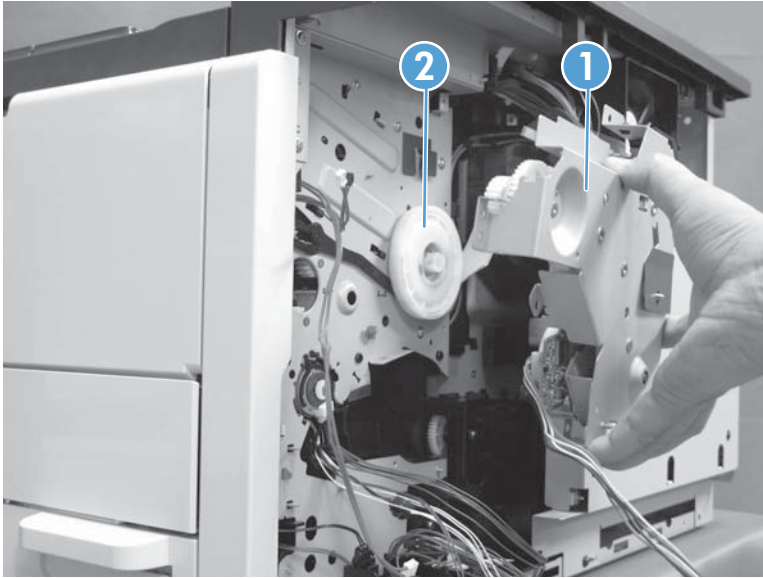
 **TIP:** When removing the main drive assembly, be careful not to drop the large gear (callout 2).

Figure 1-109 Remove the main drive assembly (7 of 7)




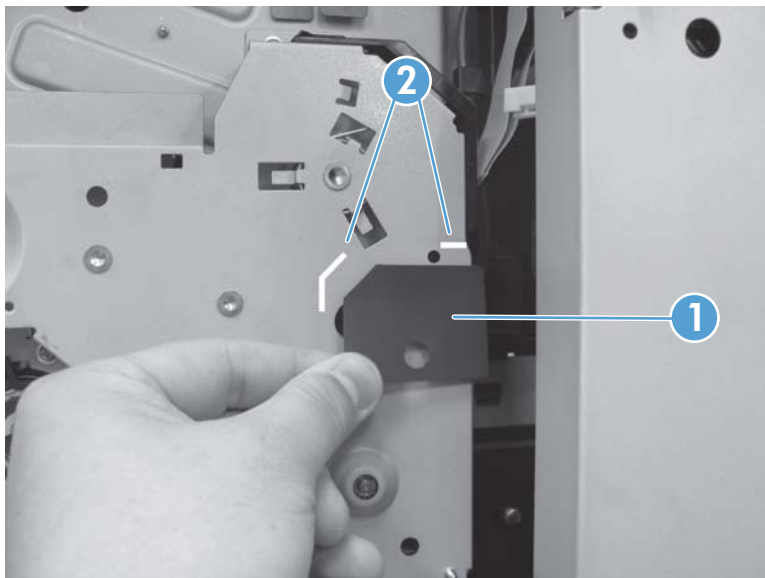
 **Reinstallation tip** When replacing the main drive assembly, replace the sheet (callout 1), which is included with the new assembly, at the same time. Attach the sheet along the line (callout 2) impressed on the main drive assembly.

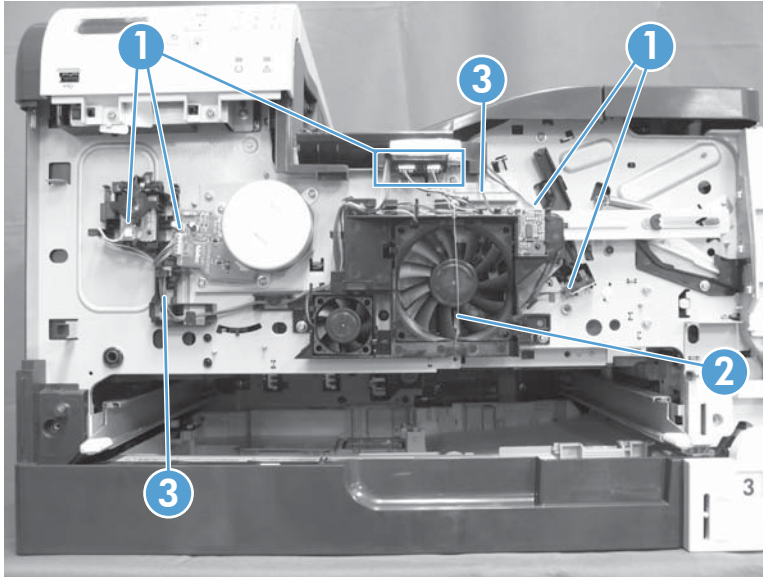
Figure 1-110 Reinstall the main drive assembly



Fuser drive assembly

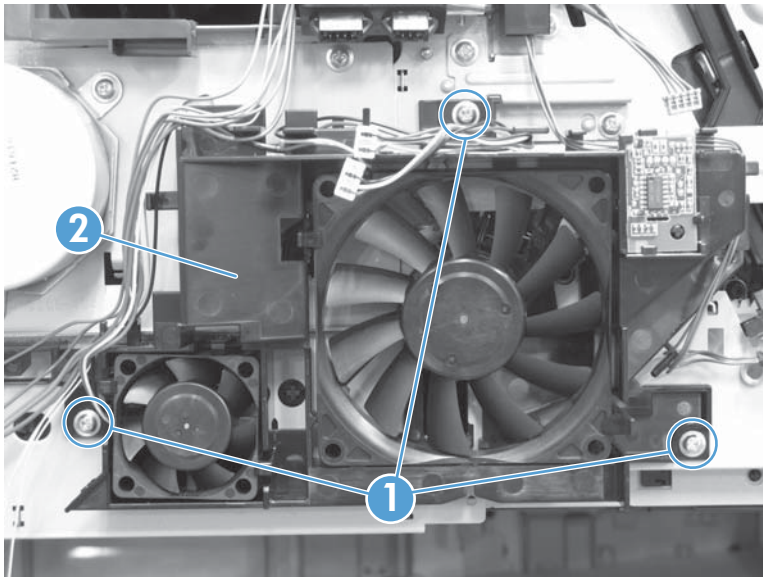
1. Remove the front cover. See [Front cover on page 21](#).
2. On the front side of the product, disconnect six connectors (callout 1), remove the wire (callout 2), and then release the cables (callout 3) from the cable guide.

Figure 1-111 Remove the fuser drive assembly (1 of 3)



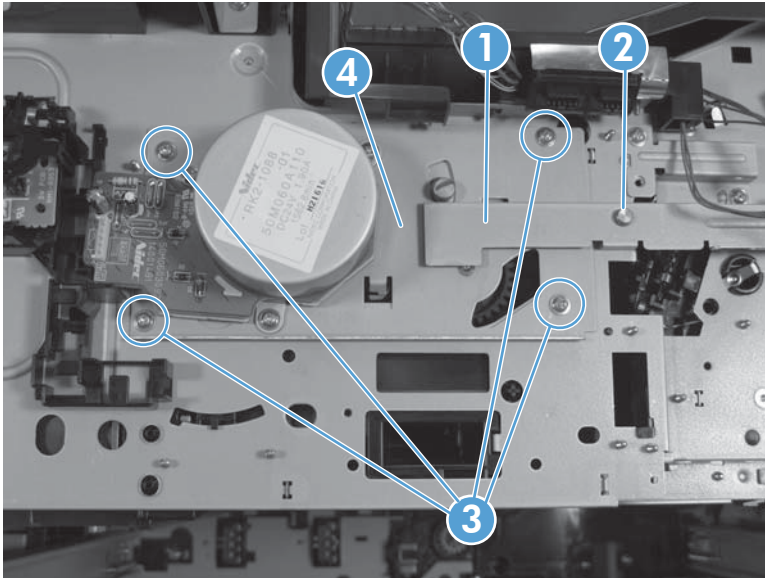
3. Remove three screws (callout 1), and then remove the fan holder (callout 2) from the product.

Figure 1-112 Remove the fuser drive assembly (2 of 3)



4. Release the link (callout 1) from the pin (callout 2), remove four screws (callout 3), and then remove the fuser drive assembly (callout 4) from the product.

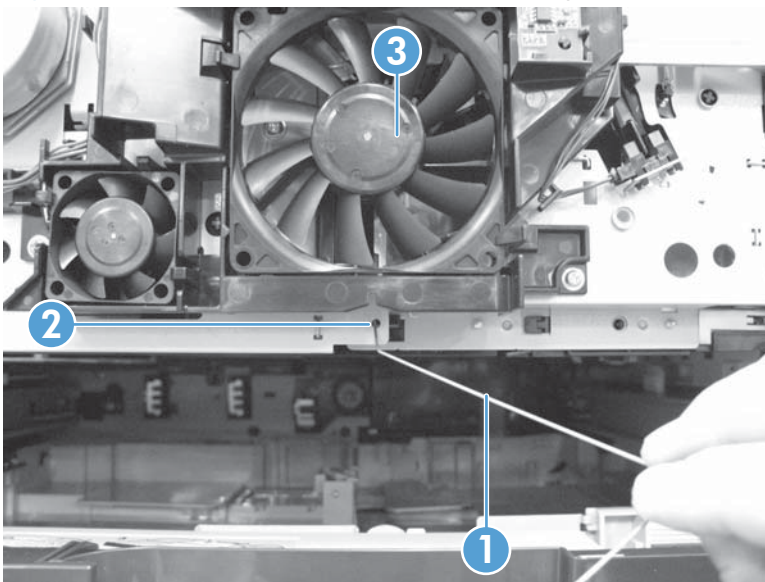
Figure 1-113 Remove the fuser drive assembly (3 of 3)



Reinstall the fuser drive assembly

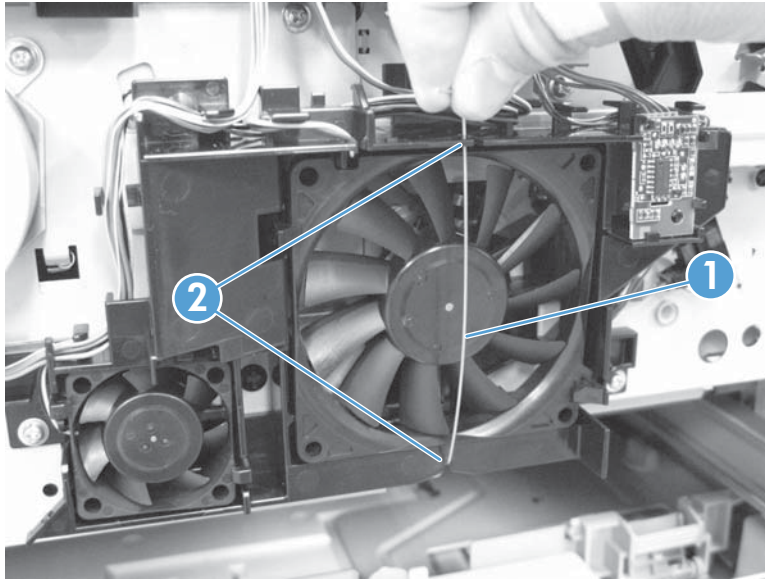
1. When reassembling the fan wire, place the leading end of the wire (callout 1) in the hole (callout 2) under the front fan (callout 3) first.

Figure 1-114 Reinstall the fuser drive assembly (1 of 3)



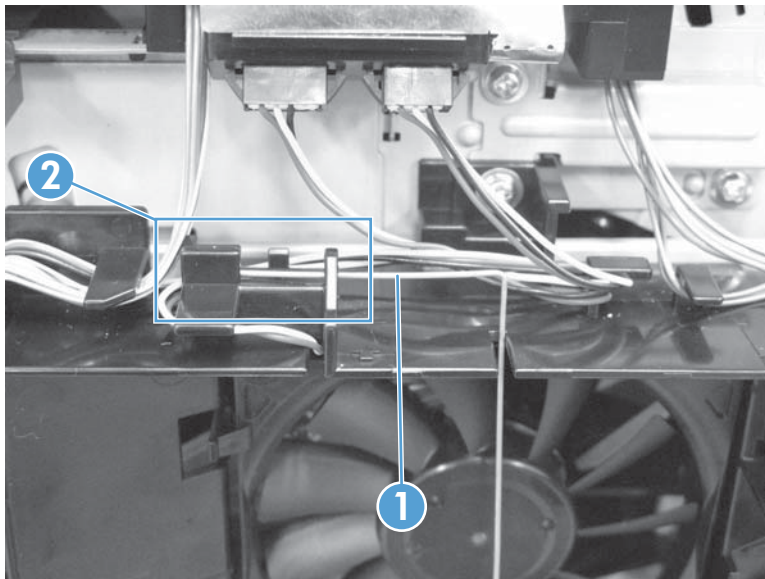
2. Then put the wire (callout 1) in the groove (callout 2) on the front side of the fan holder.

Figure 1-115 Reinstall the fuser drive assembly (2 of 3)



3. Finally, put the wire (callout 1) in the groove (callout 2) on the upper side of the fan holder.

Figure 1-116 Reinstall the fuser drive assembly (3 of 3)



Switches

The product includes the switches shown below.

Figure 1-117 Switch locations

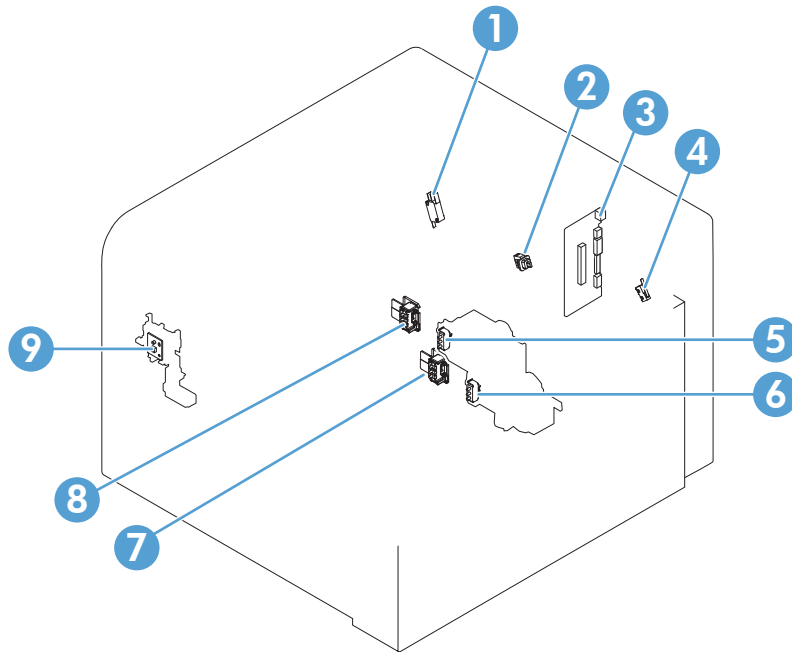


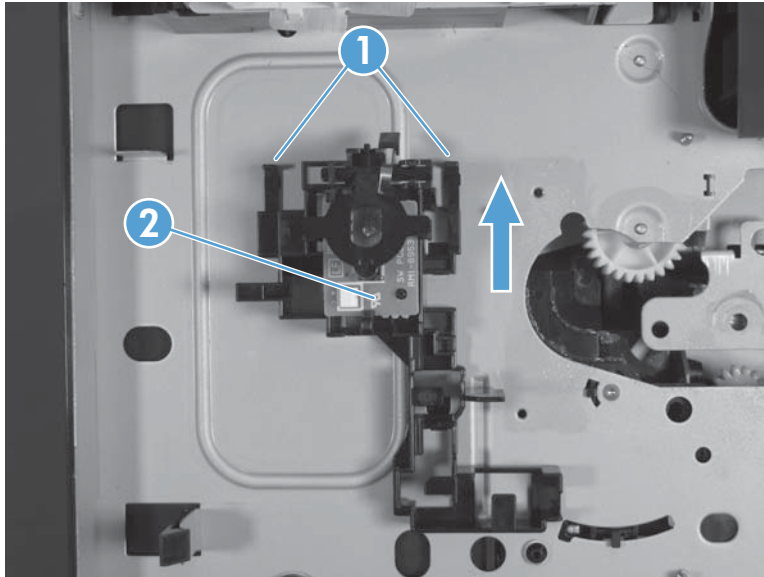
Table 1-1 Switch locations

Item	Description	Removal process
1	Left door interlock switch	See Left door interlock switch on page 86 .
2	Cartridge door open detection switch	See Cartridge door open detection switch on page 91 .
3	Test print switch	This is removed as part of the formatter cage. See Formatter cage assembly on page 69 .
4	Cartridge door interlock switch	See Cartridge door interlock switch on page 89 .
5	Upper cassette media width switch	This is removed as part of the lifter drive assembly. See Lifter drive assembly on page 75 .
6	Lower cassette media width switch	This is removed as part of the lifter drive assembly. See Lifter drive assembly on page 75 .
7	Lower cassette media end switch	See Lower cassette media end switch on page 94 .
8	Upper cassette media end switch	See Upper cassette media end switch on page 93 .
9	Power switch assembly	See Power switch assembly on page 85 .

Power switch assembly

1. Remove the following components or assemblies:
 - Front cover. See [Front cover on page 21](#).
 - Fuser drive. See [Fuser drive assembly on page 81](#).
2. Release two tabs (callout 1), and then slide the switch assembly (callout 2) in the direction indicated to remove it from the product.

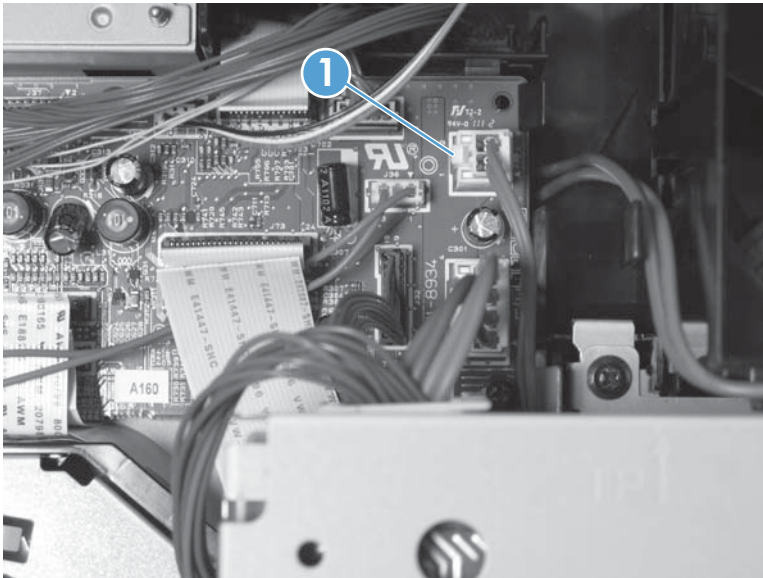
Figure 1-118 Remove the power switch assembly



Left door interlock switch

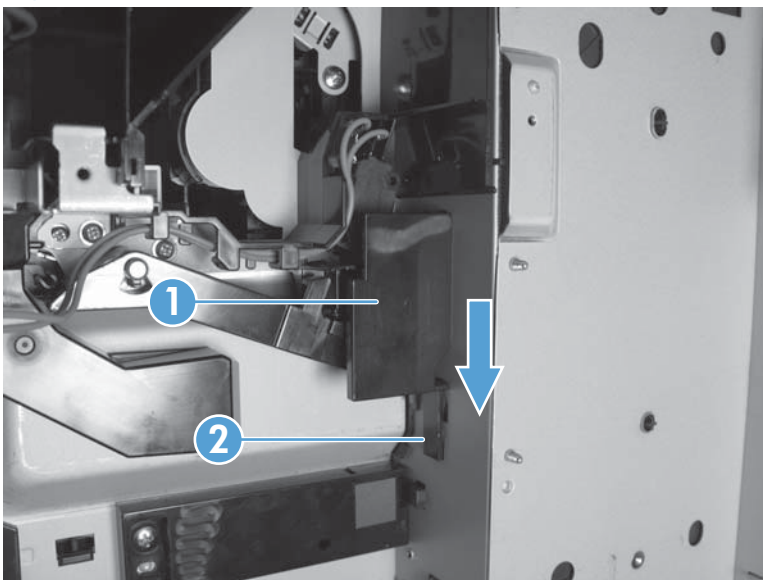
1. Remove the following components or assemblies:
 - Rear cover. See [Rear cover on page 24](#).
 - Rear fan. See [Rear fan on page 106](#).
 - Low-voltage power supply. See [Low-voltage power supply assembly on page 119](#).
2. Disconnect one connector (callout 1) on the DC controller PCA.

Figure 1-119 Remove the left door interlock switch (1 of 4)



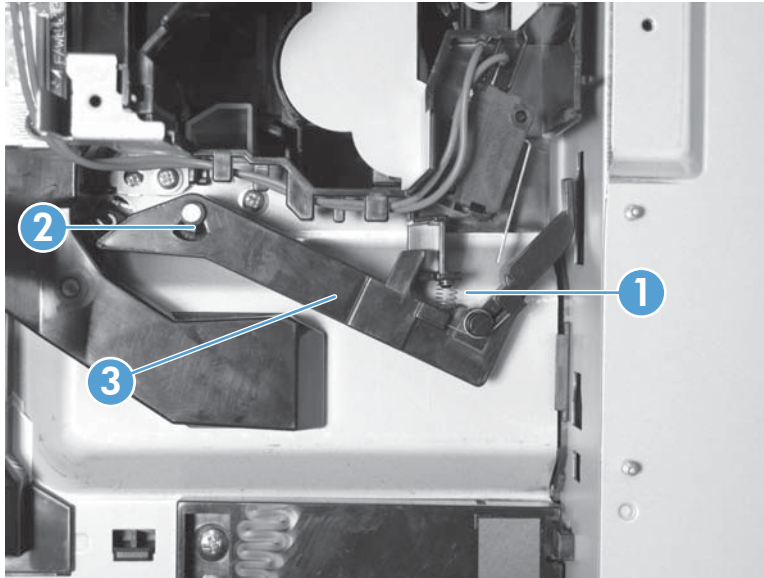
3. Release one tab (callout 1), and then slide the switch cover (callout 2) in the direction indicated to remove it from the product.

Figure 1-120 Remove the left door interlock switch (2 of 4)



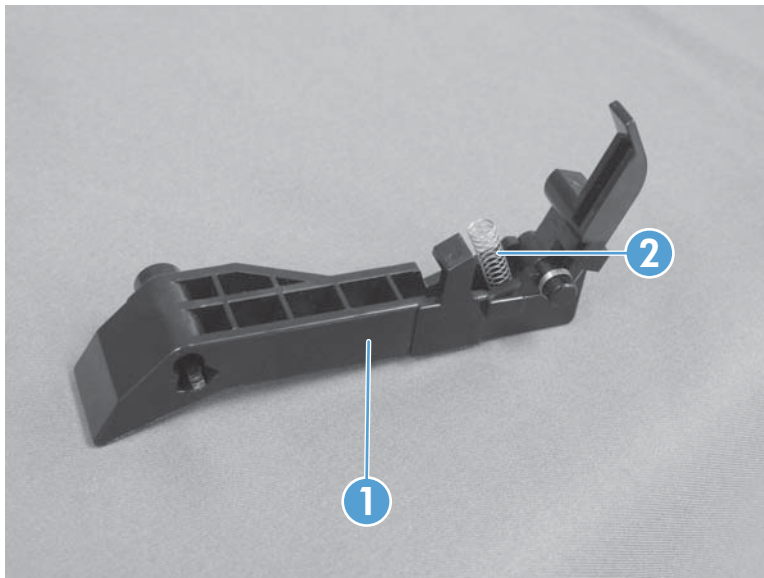
4. Open the left door, unhook the spring (callout 1), release one tab (callout 2), and then remove the lever (callout 3).

Figure 1-121 Remove the left door interlock switch (3 of 4)



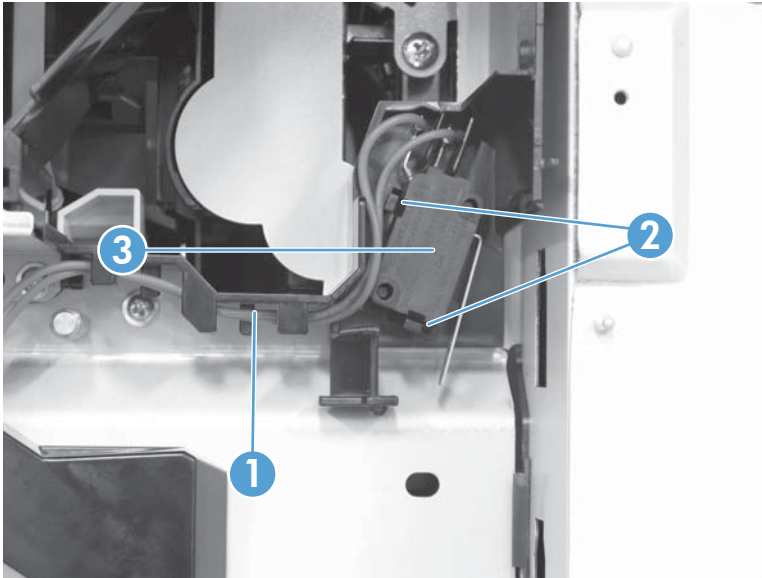
Reinstallation tip When reinstalling the lever (callout 1), make sure that the spring (callout 2) is placed in the lever.

Figure 1-122 Reinstall the left door lever



5. Release the cables (callout 1) from the cable guide, release two tabs (callout 2), and then remove the left door interlock switch (callout 3) from the product.

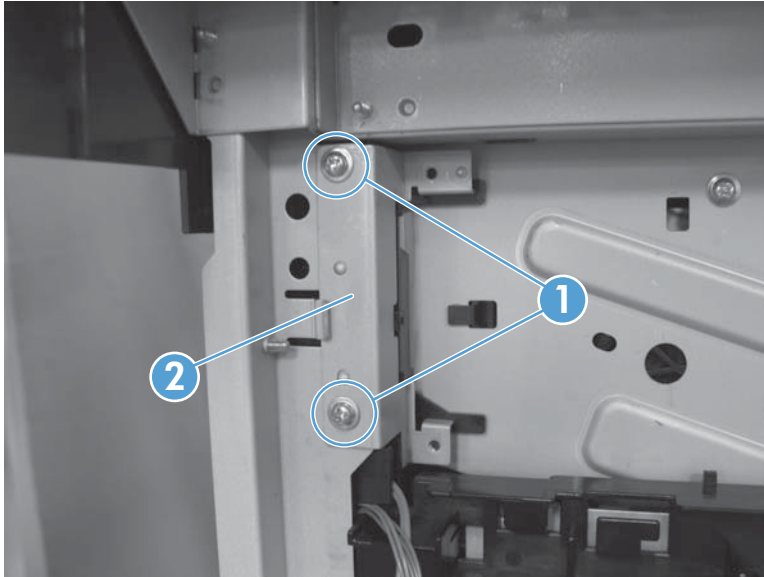
Figure 1-123 Remove the left door interlock switch (4 of 4)



Cartridge door interlock switch

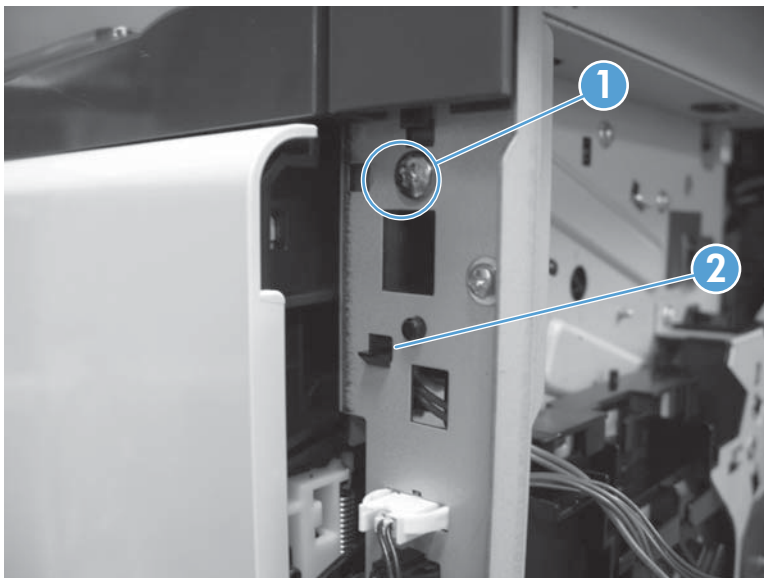
1. Remove the following components or assemblies:
 - Right rear cover. See [Right rear cover on page 22](#).
 - Rear cover. See [Rear cover on page 24](#).
 - Formatter cage. See [Formatter cage assembly on page 69](#).
 - DC controller PCA. See [DC controller PCA on page 118](#).
2. Remove two screws (callout 1) and the sheet metal cover (callout 2).

Figure 1-124 Remove the cartridge door interlock switch (1 of 4)



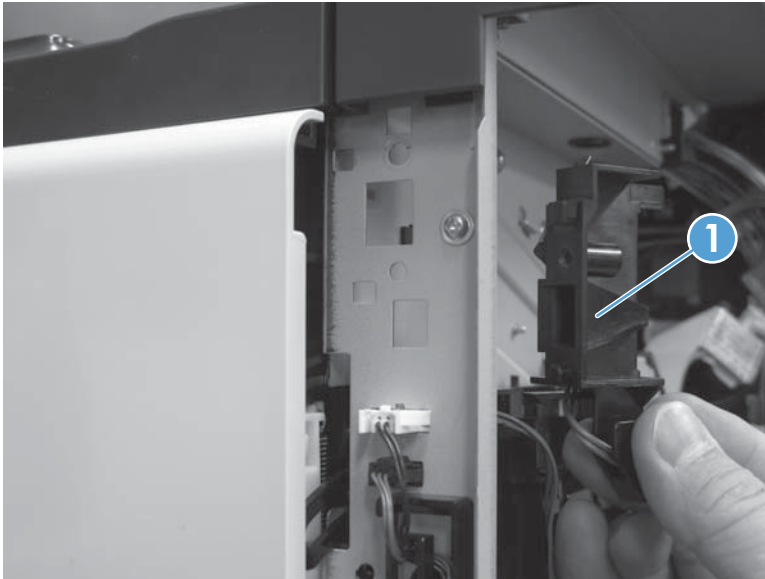
3. Remove one screw (callout 1) and release one tab (callout 2).

Figure 1-125 Remove the cartridge door interlock switch (2 of 4)



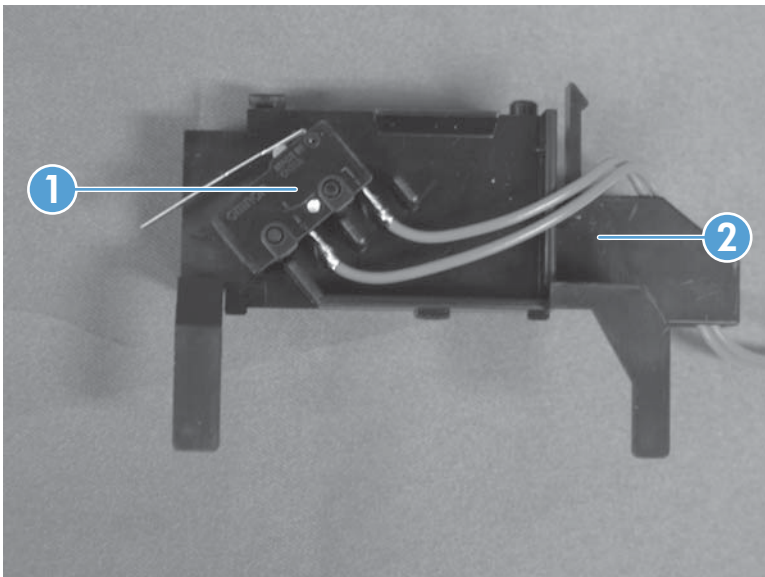
4. Remove the switch holder (callout 1).

Figure 1-126 Remove the cartridge door interlock switch (3 of 4)



5. Remove the cartridge door interlock switch (callout 1) from the switch holder (callout 2).

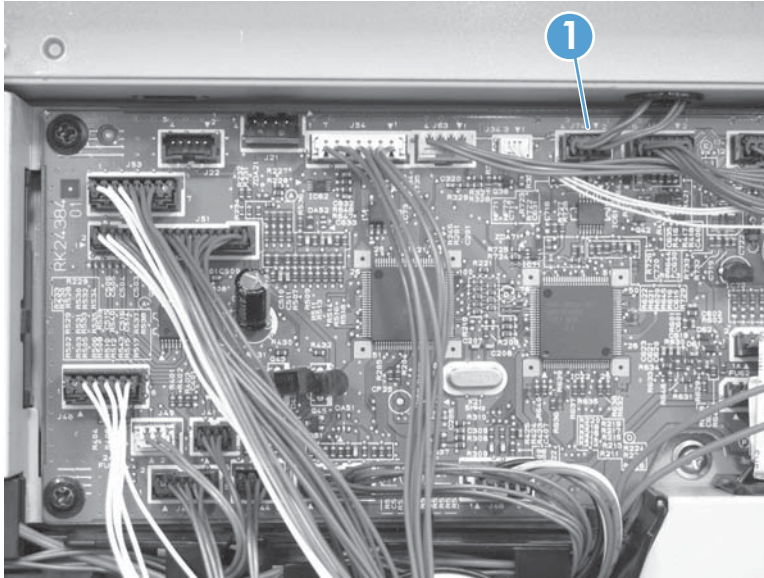
Figure 1-127 Remove the cartridge door interlock switch (4 of 4)



Cartridge door open detection switch

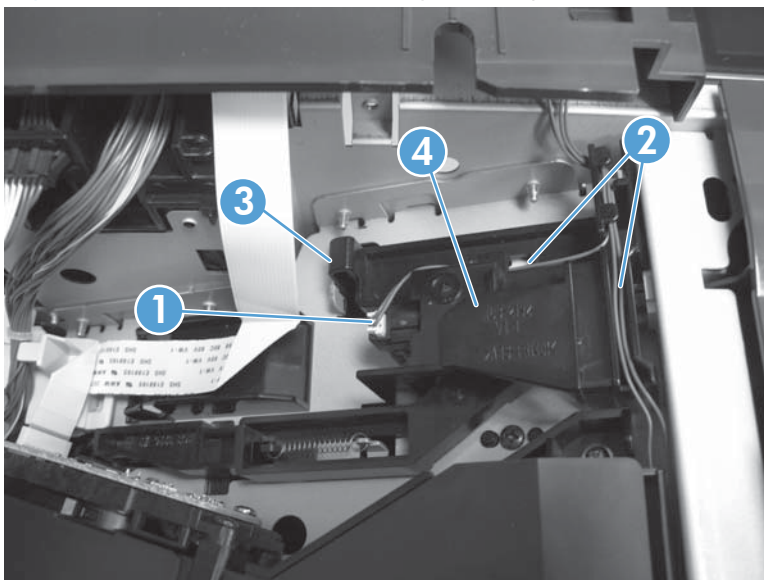
1. Remove the following components or assemblies:
 - Rear cover. See [Rear cover on page 24](#).
 - Face-down cover. See [Face-down cover on page 27](#).
 - Formatter cage. See [Formatter cage assembly on page 69](#).
2. Disconnect one connector (callout 1) (J74) on the DC controller PCA.

Figure 1-128 Remove the cartridge door open detection switch (1 of 3)



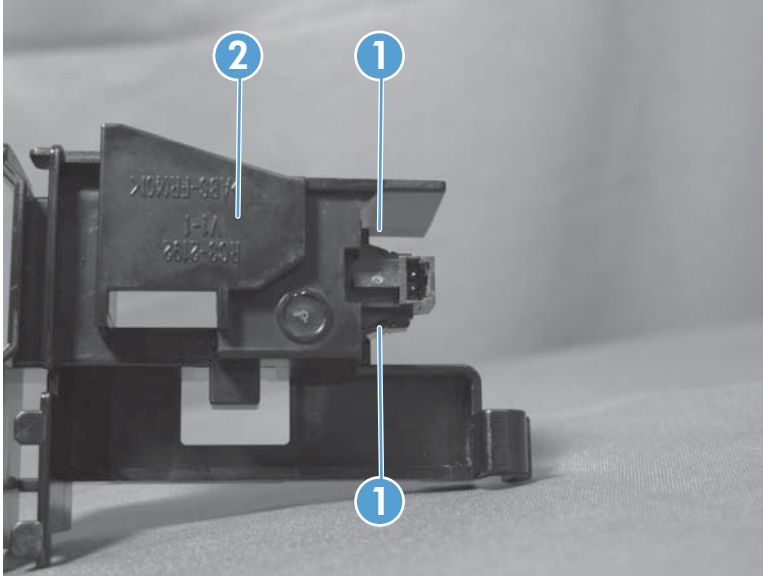
3. Disconnect one connector (callout 1), release the cables (callout 2) from the cable guide, release one tab (callout 3), and then remove the switch holder (callout 4).

Figure 1-129 Remove the cartridge door open detection switch (2 of 3)



4. Release two tabs (callout 1), and then remove the cartridge door open detection switch from the switch holder (callout 2).

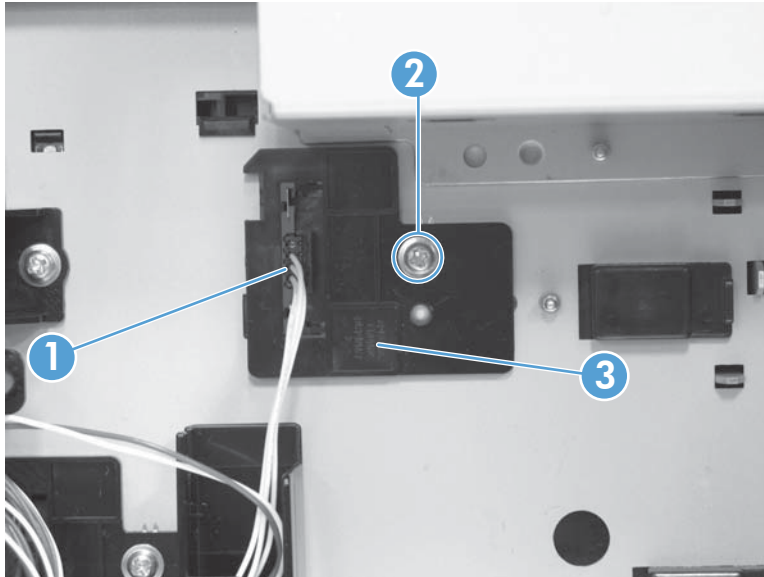
Figure 1-130 Remove the cartridge door open detection switch (3 of 3)



Upper cassette media end switch

1. Remove the following components or assemblies:
 - Rear cover. See [Rear cover on page 24](#).
 - Low-voltage power supply. See [Low-voltage power supply assembly on page 119](#).
2. Disconnect one connector (callout 1), remove one screw (callout 2), and then remove the upper cassette media end switch (callout 3) from the product.

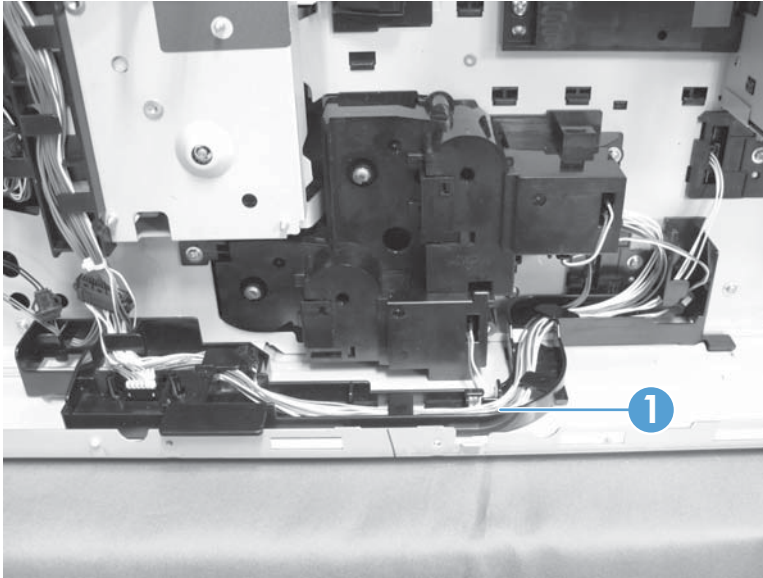
Figure 1-131 Remove the upper cassette media end switch



Lower cassette media end switch

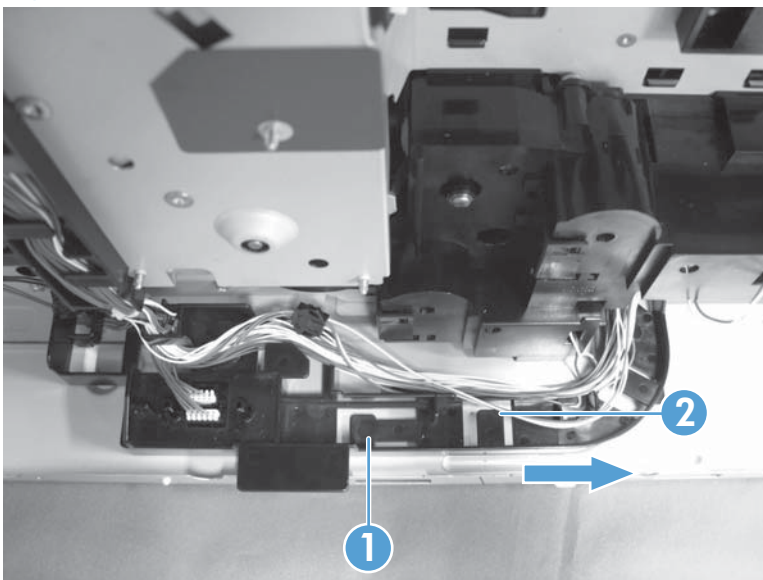
1. Remove the following components or assemblies:
 - Rear cover. See [Rear cover on page 24](#).
 - Formatter cage. See [Formatter cage assembly on page 69](#).
 - Low-voltage power supply. See [Low-voltage power supply assembly on page 119](#).
2. Release the cables (callout 1) from the cable guide.

Figure 1-132 Remove the lower cassette media end switch (1 of 3)



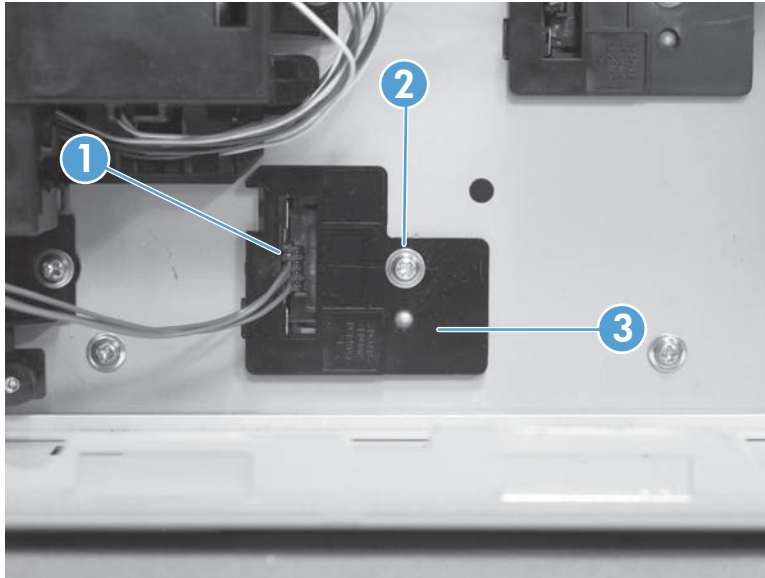
3. Release one tab (callout 1), and then slide the cable guide (callout 2) in the direction indicated to remove it.

Figure 1-133 Remove the lower cassette media end switch (2 of 3)



4. Disconnect one connector (callout 1), remove one screw (callout 2), and then remove the lower cassette media end switch (callout 3) from the product.

Figure 1-134 Remove the lower cassette media end switch (3 of 3)



Sensors

The product includes the sensors shown below.

Figure 1-135 Sensor locations

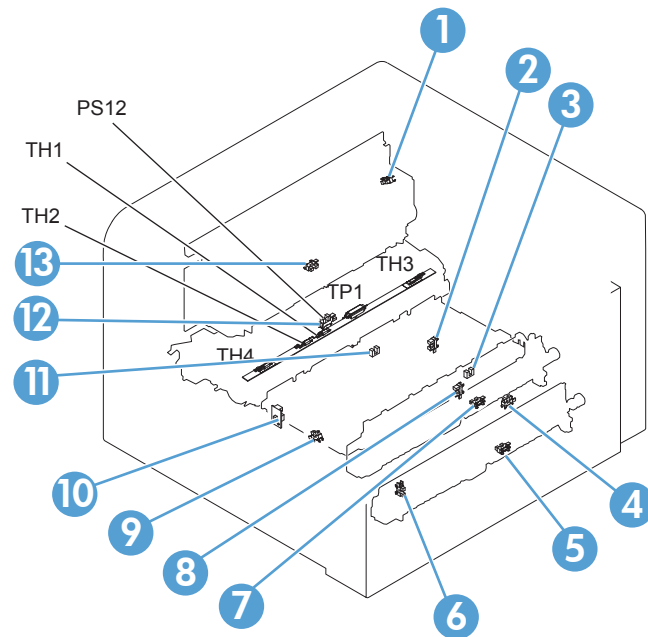


Table 1-2 Sensor locations

Item	Description	Removal process
1	Output bin media full sensor	This is removed as part of the paper delivery assembly. See Paper delivery assembly on page 50 .
2	Upper cassette lift-up sensor	This is removed as part of the lifter drive assembly. See Lifter drive assembly on page 75 .
3	Top of page sensor	This is removed as part of the high-voltage power supply. See High-voltage power supply on page 115 .
4	Tray 1 (MP tray) media out sensor	This is removed as part of the cartridge door assembly. See Toner cartridge door on page 64 .
5	Lower cassette media out sensor	This is removed as part of the lower cassette pickup assembly. See Lower cassette pickup assembly on page 73 .
6	Right door sensor	See Right door sensor on page 100 .
7	Upper cassette media out sensor	This is removed as part of the upper cassette pickup assembly. See Upper cassette pickup assembly on page 70 .
8	Lower cassette lift-up sensor	This is removed as part of the lifter drive assembly. See Lifter drive assembly on page 75 .
9	Cartridge presence sensor	See Cartridge presence sensor on page 99 .
10	Environment sensor	See Environment sensor on page 98 .
11	Loop sensor	This is removed as part of the high-voltage power supply. See High-voltage power supply on page 115 .

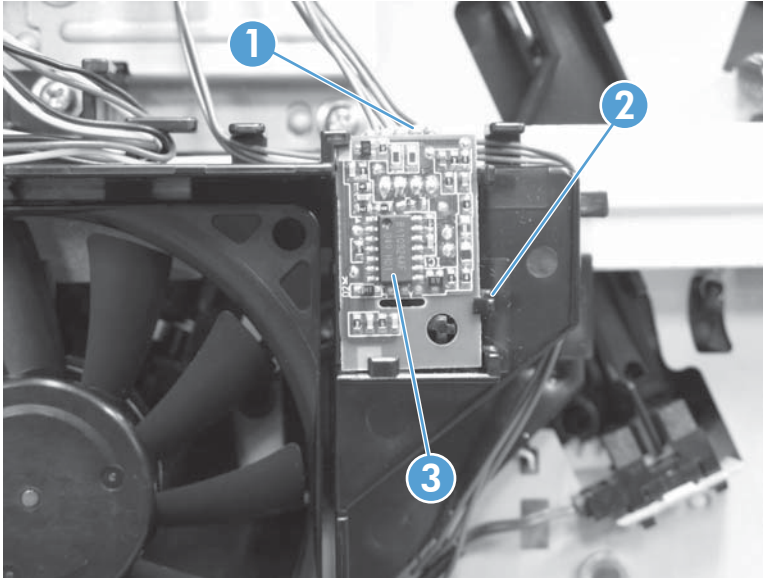
Table 1-2 Sensor locations (continued)

Item	Description	Removal process
12	Fuser output sensor	This is removed as part of the fuser. See Fuser on page 48 .
13	Output sensor	This is removed as part of the paper delivery assembly. See Paper delivery assembly on page 50 .

Environment sensor

1. Remove the front cover. See [Front cover on page 21](#).
2. Disconnect one connector (callout 1), release one tab (callout 2), and then remove the environment sensor (callout 3) from the product.

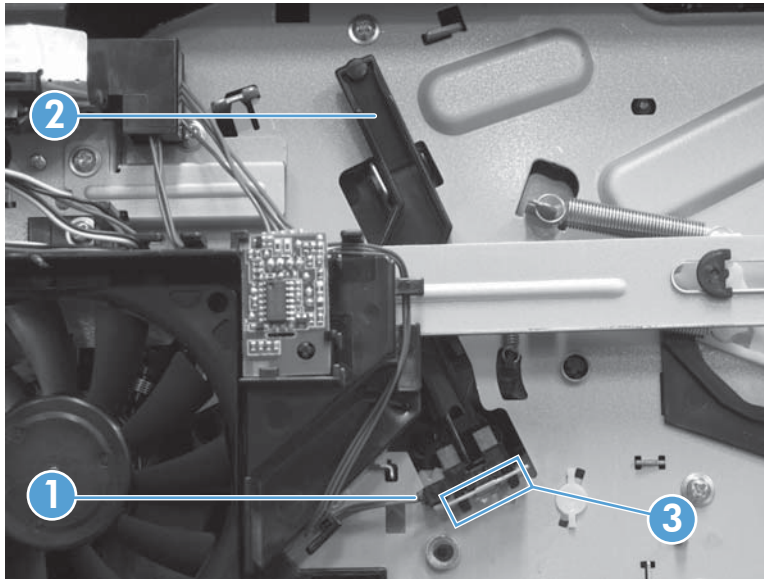
Figure 1-136 Remove the environment sensor



Cartridge presence sensor

1. Remove the front cover. See [Front cover on page 21](#).
2. Disconnect one connector (callout 1), and then, while pressing the lever (callout 2), release two tabs (callout 3) on the cartridge presence sensor to remove it from the product.

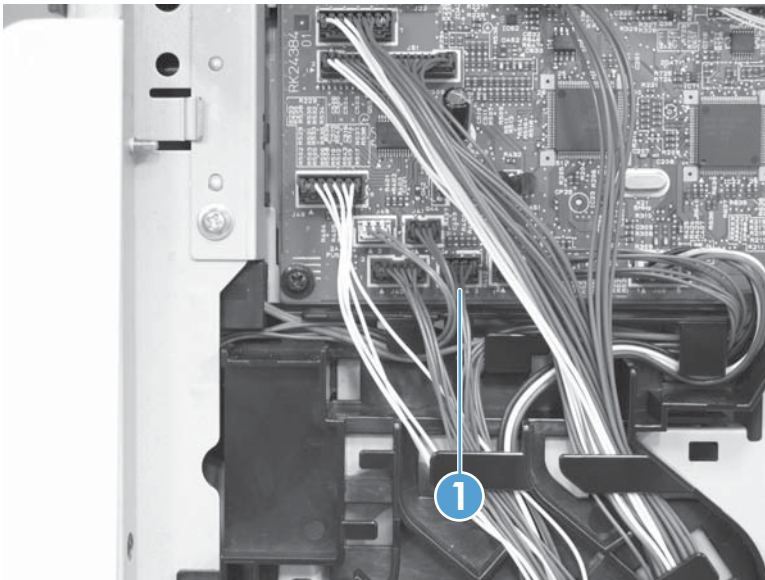
Figure 1-137 Remove the cartridge presence sensor



Right door sensor

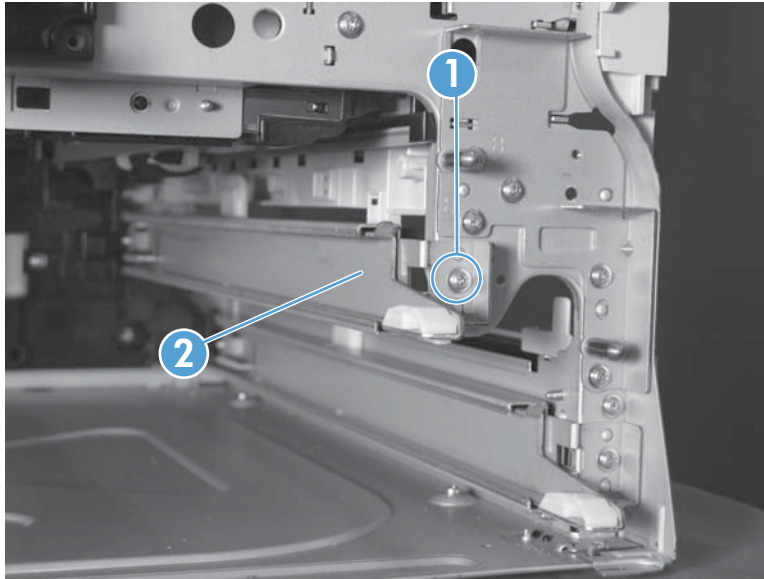
1. Remove the following components or assemblies:
 - Front cover. See [Front cover on page 21](#).
 - Right rear cover. See [Right rear cover on page 22](#).
 - Rear cover. See [Rear cover on page 24](#).
 - Front right lower cover. See [Front right lower cover on page 26](#).
 - Right door. See [Right door on page 29](#).
 - Formatter cage. See [Formatter cage assembly on page 69](#).
 - Lower cassette pickup assembly. See [Lower cassette pickup assembly on page 73](#).
2. Disconnect one connector (callout 1) (J44) on the DC controller PCA.

Figure 1-138 Remove the right door sensor (1 of 4)



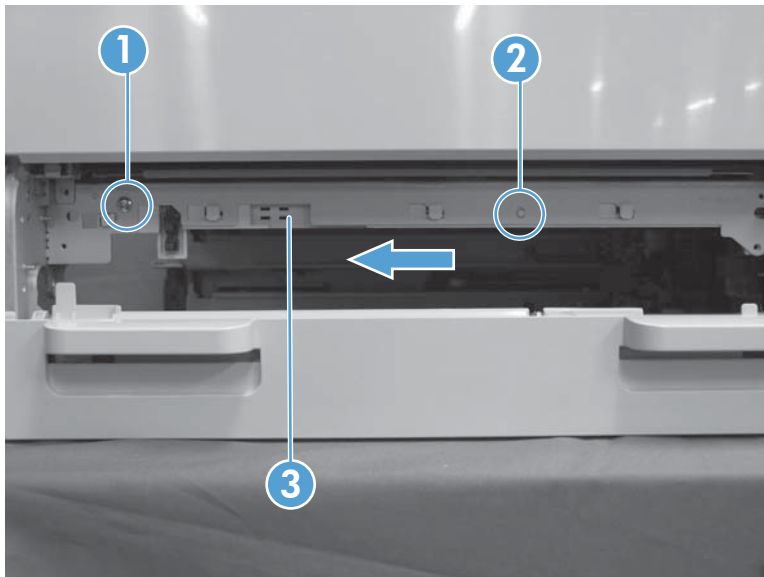
3. Remove one screw (callout 1), and then remove the right upper cassette rail (callout 2).

Figure 1-139 Remove the right door sensor (2 of 4)



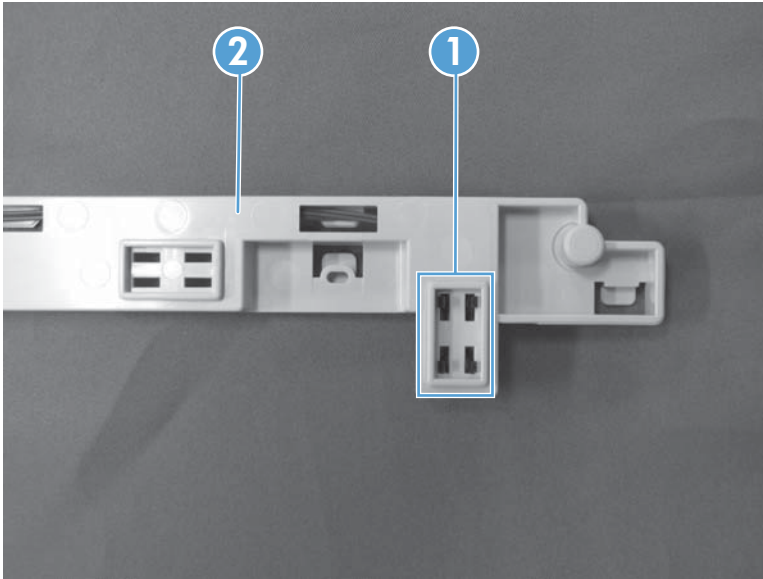
4. Remove one screw (callout 1), release one tab (callout 2), and then slide the sensor holder (callout 3) in the direction indicated to remove it from the product.

Figure 1-140 Remove the right door sensor (3 of 4)



5. Release four tabs (callout 1), and then remove the sensor from the sensor holder (callout 2).

Figure 1-141 Remove the right door sensor (4 of 4)



Motors, fans, and clutches

The product includes the motors, fans, and clutches shown in the following figures.

Figure 1-142 Motor locations

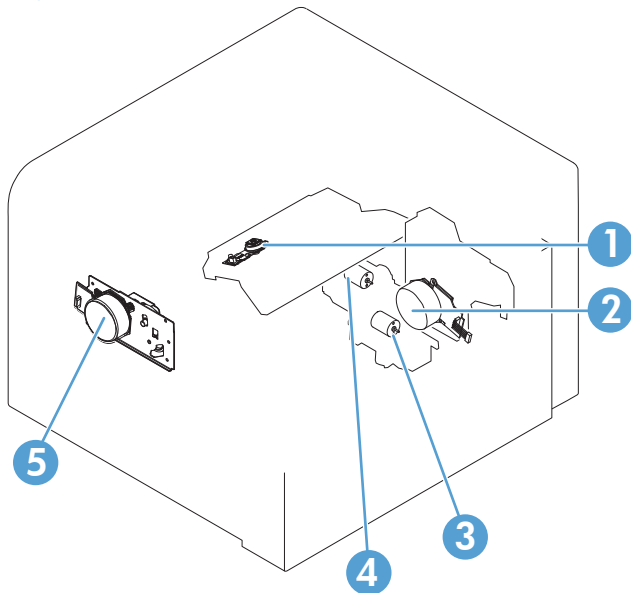


Table 1-3 Motor locations

Item	Description	Removal process
1	Scanner motor	This is removed as part of the laser scanner assembly. See Laser scanner on page 62 .
2	Drum motor	This is removed as part of the main drive assembly. See Main drive assembly on page 77 .
3	Upper cassette lifter motor	This is removed as part of the lifter drive assembly. See Lifter drive assembly on page 75 .
4	Lower cassette lifter motor	This is removed as part of the lifter drive assembly. See Lifter drive assembly on page 75 .
5	Fuser motor	See Fuser motor on page 105 .

Figure 1-143 Fan locations

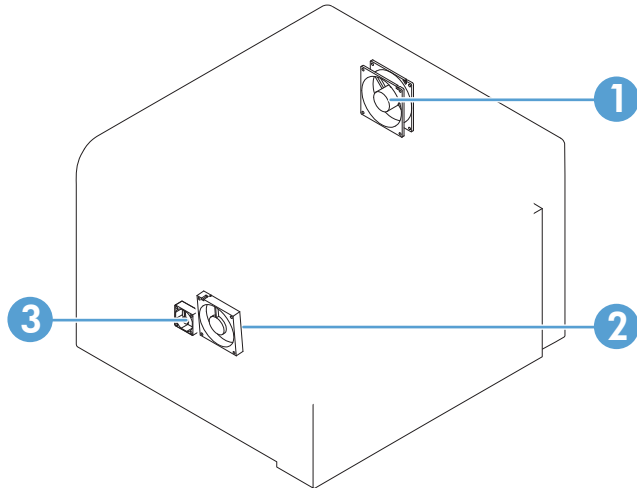


Table 1-4 Fan locations

Item	Description	Removal process
1	Rear fan	See Rear fan on page 106 .
2	Front fan	See Front fan on page 108 .
3	Fuser fan	See Fuser fan on page 109 .

Figure 1-144 Clutch locations

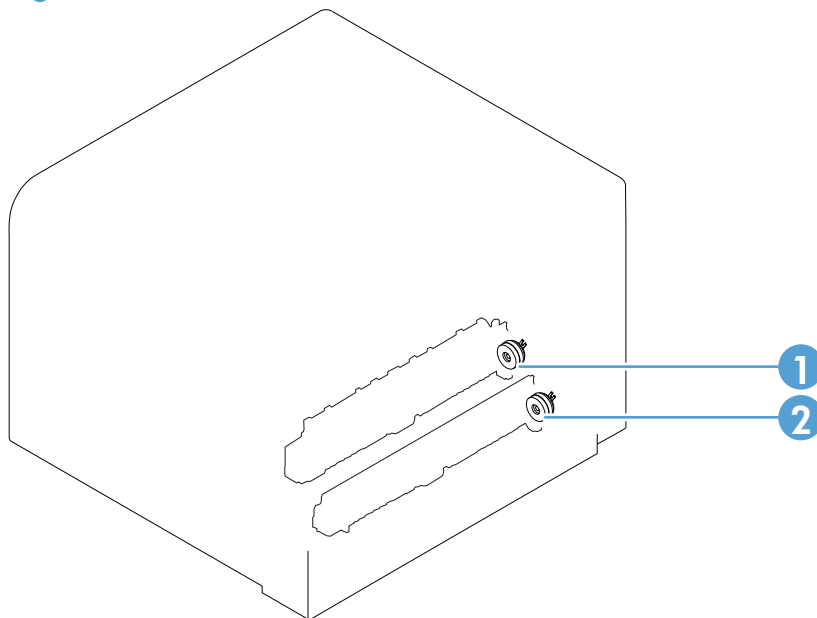


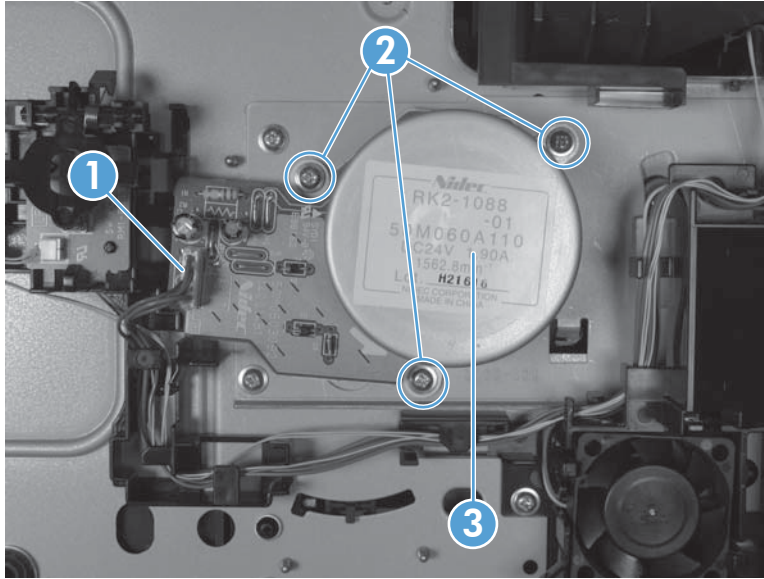
Table 1-5 Clutch locations

Item	Description	Removal process
1	Upper cassette pickup clutch	See Upper cassette pickup clutch on page 110 .
2	Lower cassette pickup clutch	See Lower cassette pickup clutch on page 112 .

Fuser motor

1. Remove the front cover. See [Front cover on page 21](#).
2. Disconnect one connector (callout 1), remove three screws (callout 2), and then remove the fuser motor (callout 3) from the product.

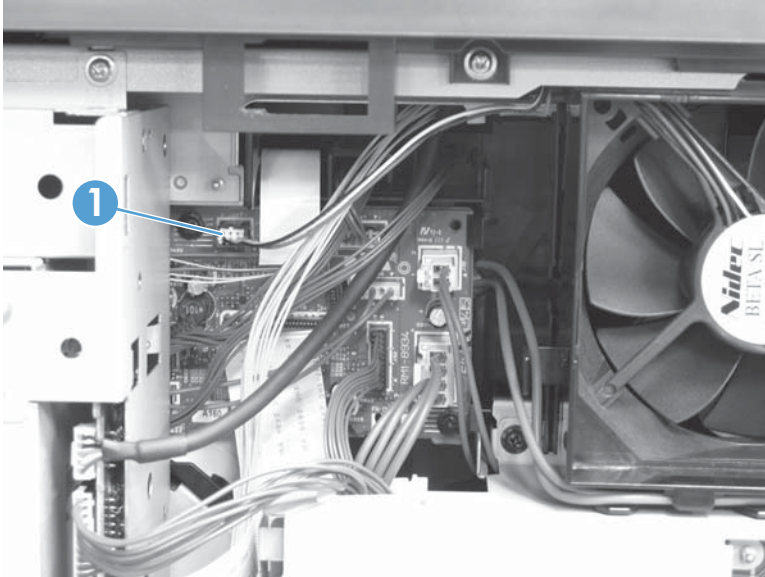
Figure 1-145 Remove the fuser motor



Rear fan

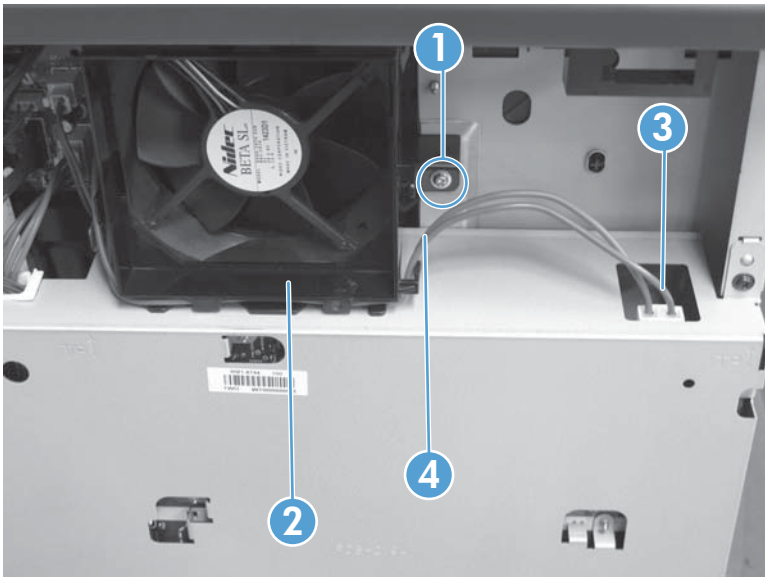
1. Remove the rear cover. See [Rear cover on page 24](#).
2. Disconnect one connector (callout 1) (J33) on the DC controller PCA.

Figure 1-146 Remove the rear fan (1 of 3)



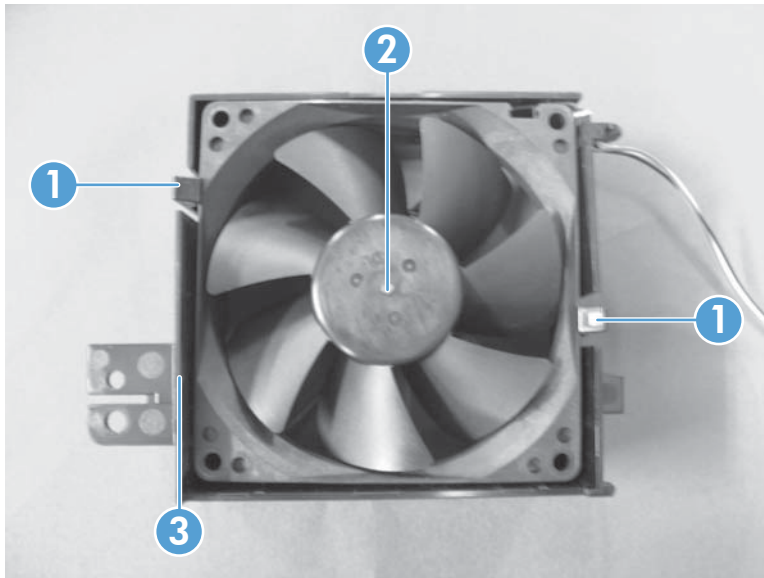
3. Remove one screw (callout 1), remove the rear fan holder (callout 2), disconnect one connector (callout 3), and release the cables (callout 4) from the cable guide.

Figure 1-147 Remove the rear fan (2 of 3)



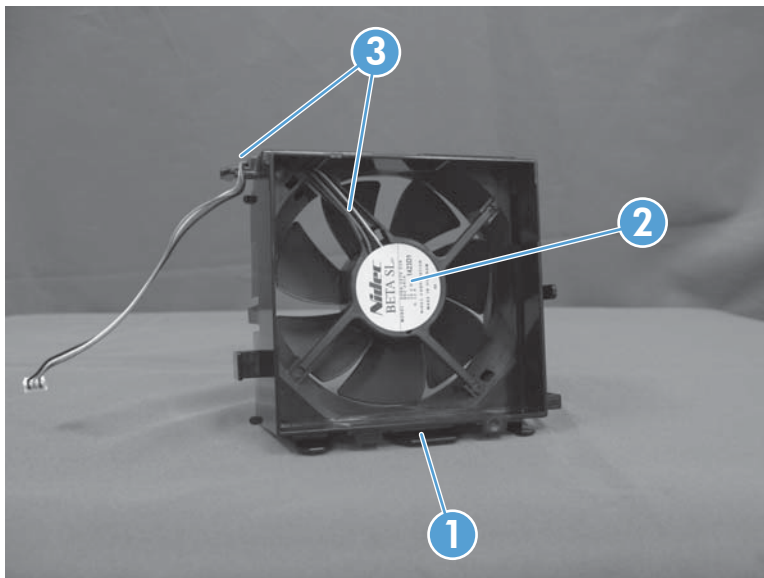
4. Release two tabs (callout 1), and then remove the rear fan (callout 2) from the rear fan holder (callout 3).

Figure 1-148 Remove the rear fan (3 of 3)



Reinstallation tip When reinstalling the rear fan, make sure that the fan holder (callout 1), the label of the fan (callout 2), and the fan cable (callout 3) are positioned as shown in the figure below.

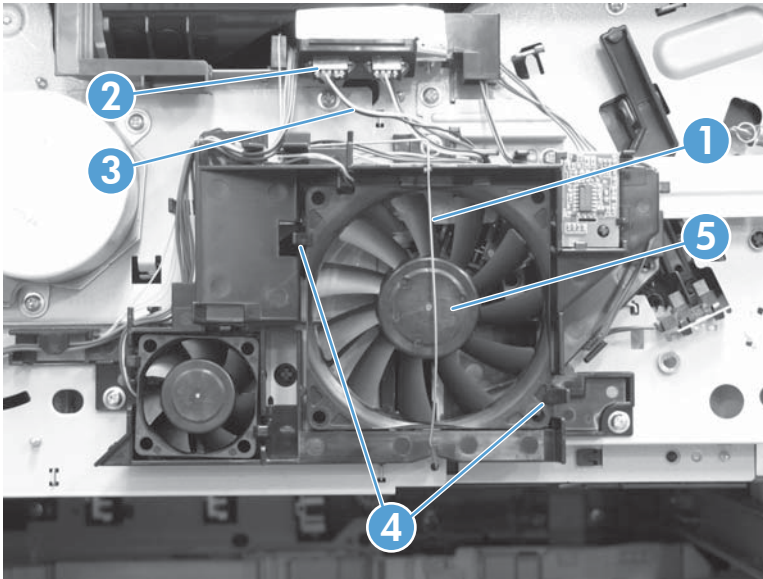
Figure 1-149 Reinstall the rear fan



Front fan

1. Remove the front cover. See [Front cover on page 21](#).
2. Remove the wire (callout 1), disconnect one connector (callout 2), release the cable (callout 3) from the cable guide, release two tabs (callout 4), and then remove the front fan (callout 5).

Figure 1-150 Remove the front fan




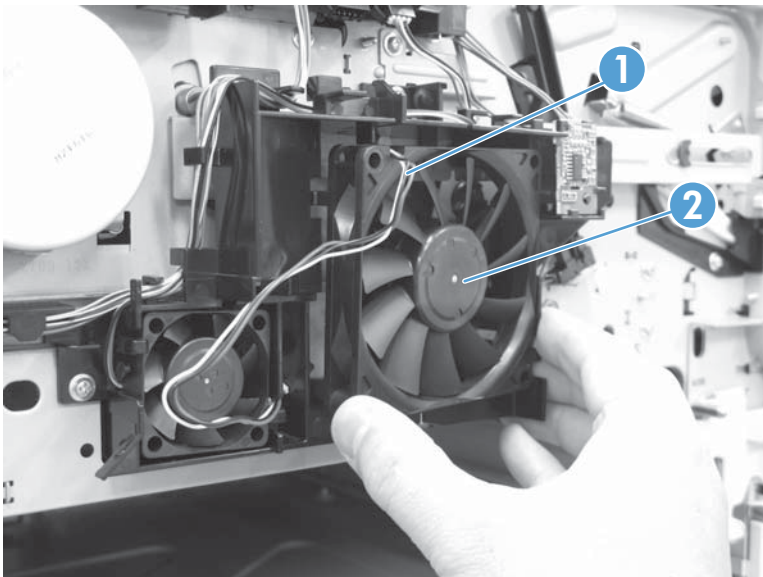

 **Reinstallation tip** When reinstalling the front fan, make sure that the fan cable (callout 1) and the fan label (callout 2) are positioned as shown in the figure below.

Figure 1-151 Reinstall the front fan

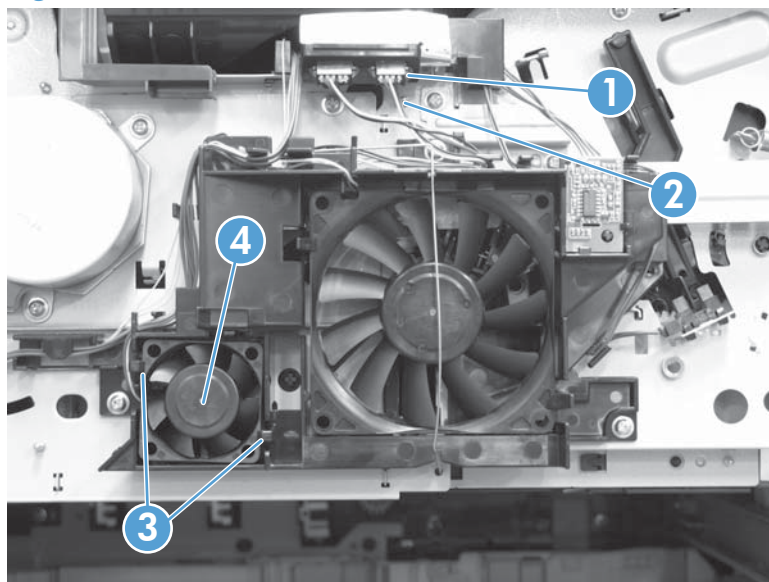


 **NOTE:** When reinstalling the ground wire, see the installation tip in [Fuser drive assembly on page 81](#).

Fuser fan

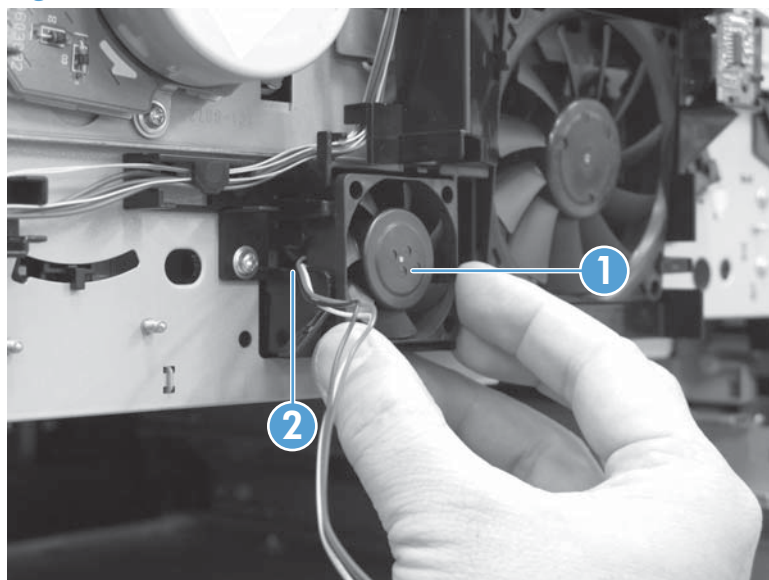
1. Remove the front cover. See [Front cover on page 21](#).
2. Disconnect one connector (callout 1), release the cable (callout 2) from the cable guide, release two tabs (callout 3), and then remove the fuser fan (callout 4) from the product.

Figure 1-152 Remove the fuser fan



Reinstallation tip When reinstalling the fuser fan, make sure that the fan label (callout 1) and the fan cable (callout 2) are positioned as shown in the figure below.

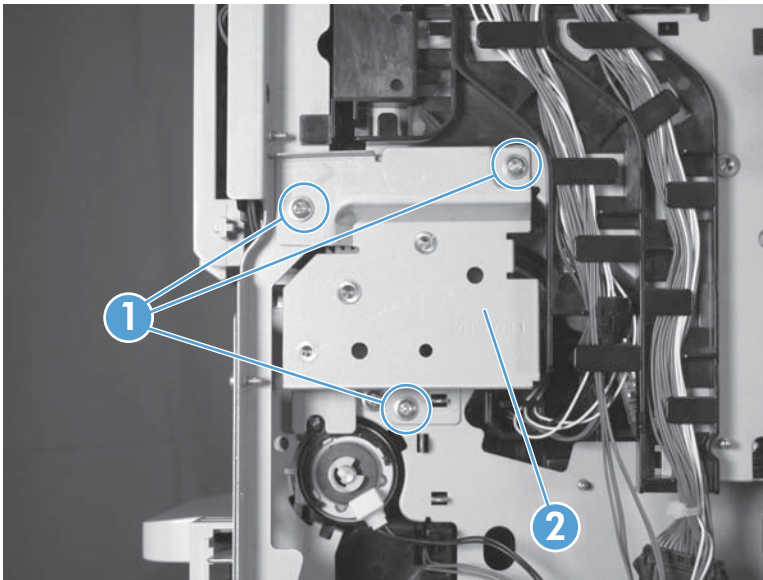
Figure 1-153 Reinstall the fuser fan



Upper cassette pickup clutch

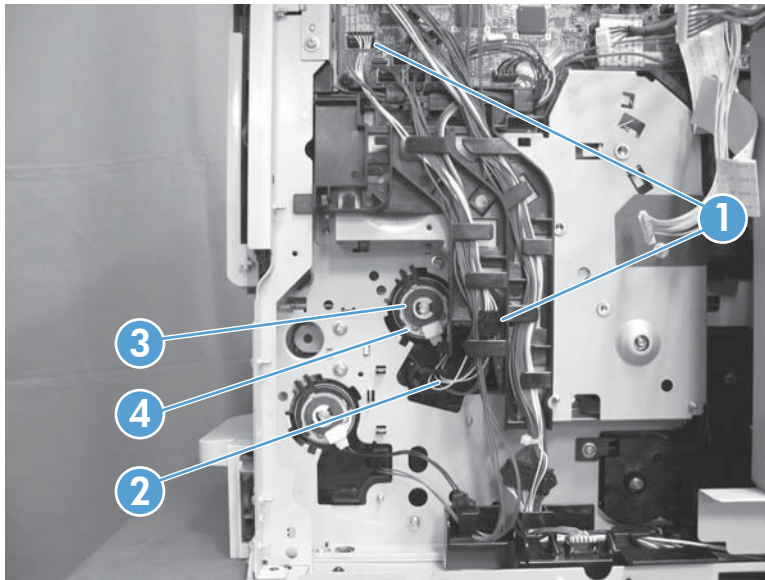
1. Remove the following components or assemblies:
 - Front cover. See [Front cover on page 21](#).
 - Right rear cover. See [Right rear cover on page 22](#).
 - Rear cover. See [Rear cover on page 24](#).
 - Tray 1 (multipurpose tray) cover. See [Tray 1 \(multipurpose tray\) cover on page 28](#).
 - Right door. See [Right door on page 29](#).
 - Toner cartridge door. See [Toner cartridge door on page 64](#).
 - Formatter cage. See [Formatter cage assembly on page 69](#).
2. Remove three screws (callout 1), and then remove the gear assembly (callout 2).

Figure 1-154 Remove the upper cassette pickup assembly (1 of 2)



3. Disconnect two connectors (callout 1), release the cables (callout 2) from the cable guide, remove the C-clip (callout 3) from the clutch shaft, and then pull the upper cassette pickup clutch (callout 4) to remove it from the product.

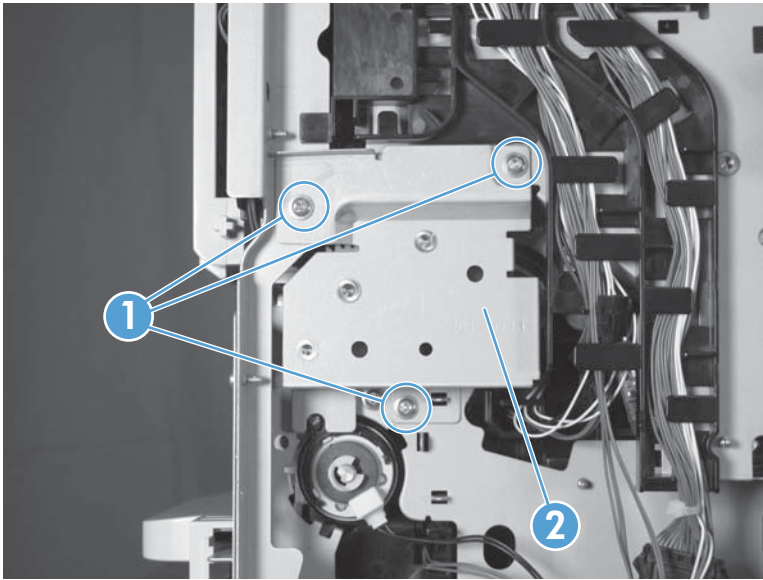
Figure 1-155 Remove the upper cassette pickup assembly (2 of 2)



Lower cassette pickup clutch

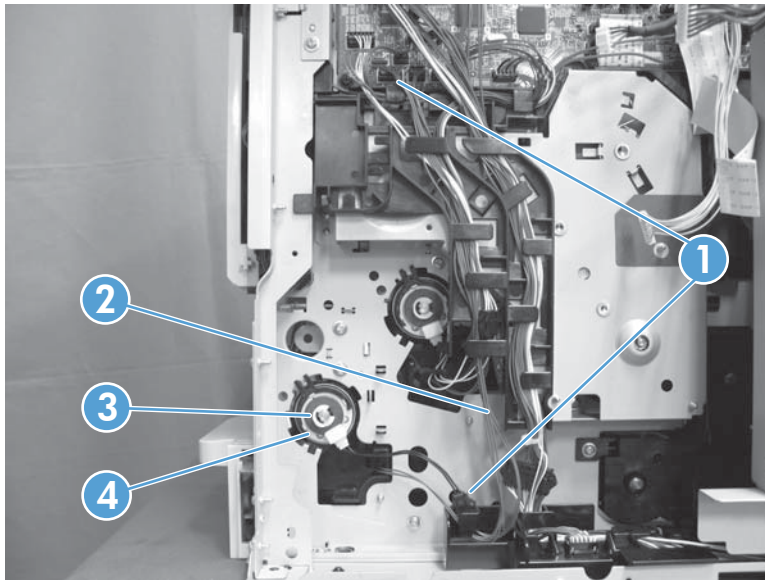
1. Remove the following components or assemblies:
 - Right rear cover. See [Right rear cover on page 22](#).
 - Rear cover. See [Rear cover on page 24](#).
 - Tray 1 (multipurpose tray) cover. See [Tray 1 \(multipurpose tray\) cover on page 28](#).
 - Right door. See [Right door on page 29](#).
 - Formatter cage. See [Formatter cage assembly on page 69](#).
2. Remove three screws (callout 1), and then remove the gear assembly (callout 2).

Figure 1-156 Remove the lower cassette pickup assembly (1 of 2)



3. Disconnect two connectors (callout 1) (J43), release the cables (callout 2) from the cable guide, remove the C-clip (callout 3) from the clutch shaft, and then pull the lower cassette pickup clutch (callout 4) to remove it from the product.

Figure 1-157 Remove the lower cassette pickup assembly (2 of 2)



Printed circuit-board assemblies (PCAs)

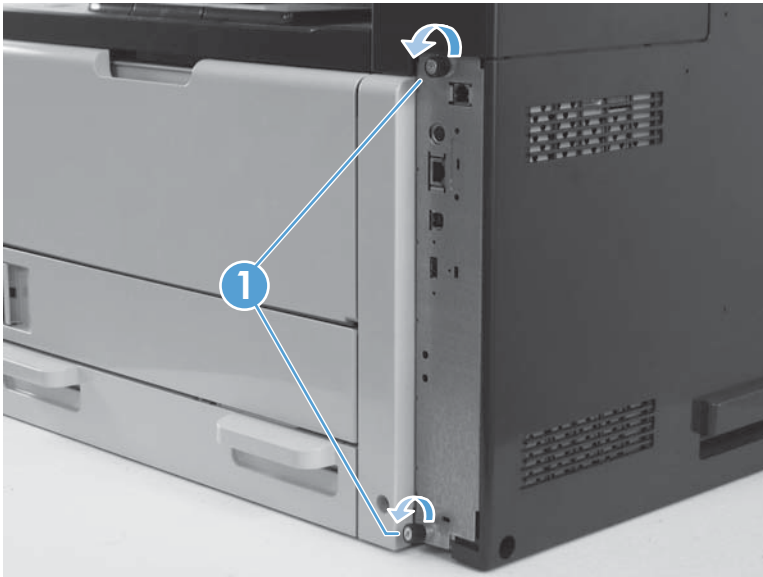
Formatter PCA

The formatter is located in the right rear corner of the product. You do not need tools to remove it.

CAUTION:  ESD sensitive assembly.

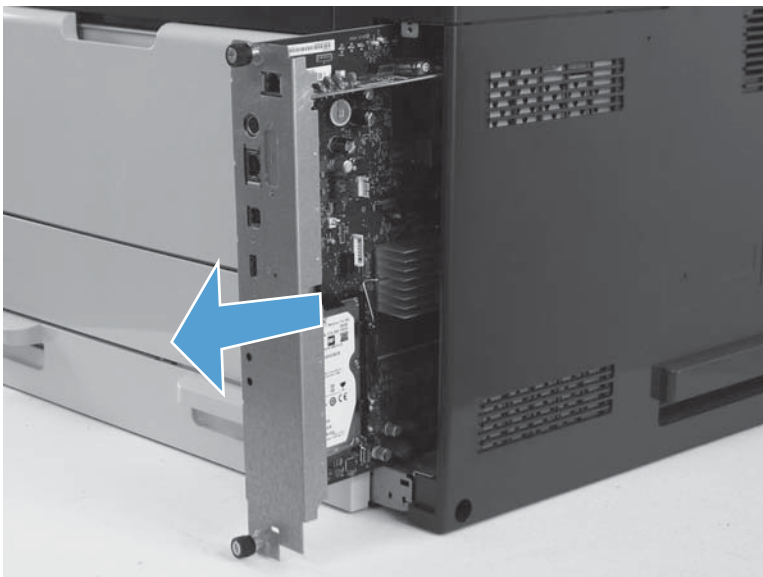
1. Locate the formatter and turn two thumb-screws (callout 1) counterclockwise to detach the formatter base plate from the chassis.

Figure 1-158 Remove the formatter (1 of 2)



2. Pull the formatter away from the product to remove it.

Figure 1-159 Remove the formatter (2 of 2)

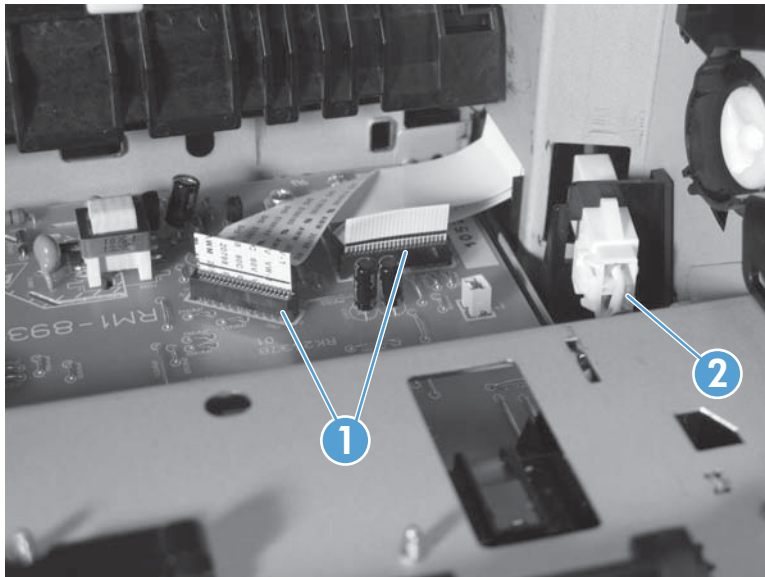


High-voltage power supply

⚠ CAUTION:  ESD sensitive assembly.

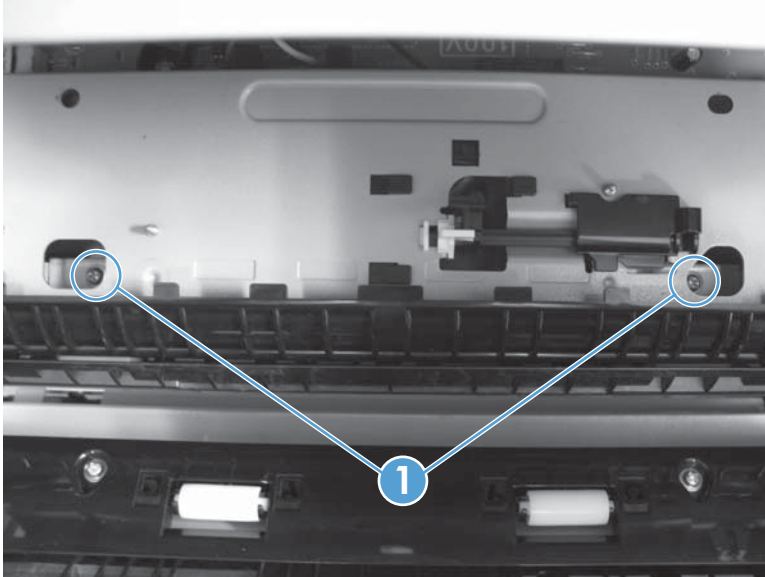
1. Remove the following components or assemblies:
 - Left door. See [Left door on page 23](#)
 - Fuser. See [Fuser on page 48](#).
 - Registration assembly. See [Registration assembly on page 54](#).
 - Paper feed assembly. See [Paper feed assembly on page 58](#).
2. Disconnect two flat flexible cables (callout 1) and one connector (callout 2).

Figure 1-160 Remove the high-voltage power supply assembly (1 of 5)



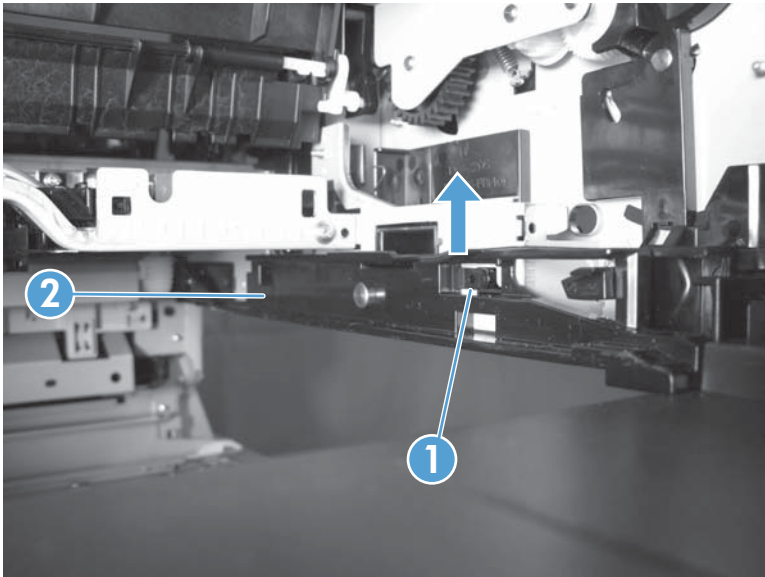
3. Remove two screws (callout 1).

Figure 1-161 Remove the high-voltage power supply assembly (2 of 5)



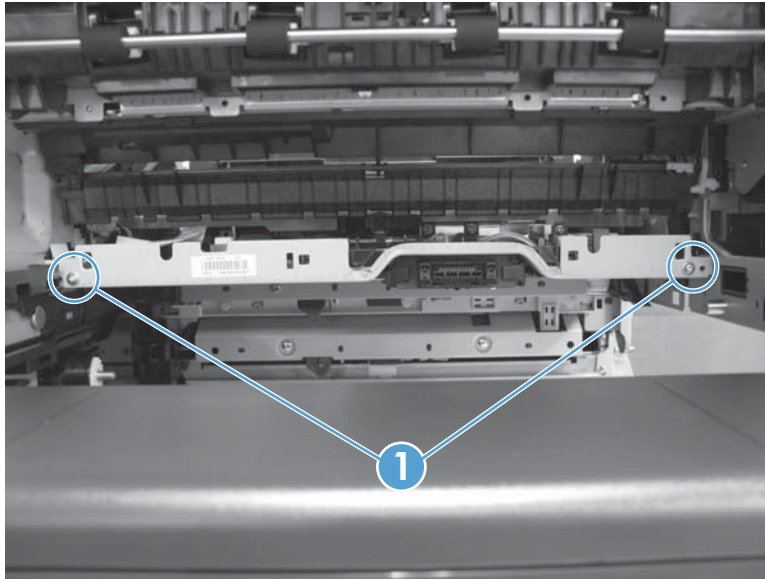
4. Release one tab (callout 1), and then turn the guide (callout 2) slightly in the direction indicated and remove it.

Figure 1-162 Remove the high-voltage power supply assembly (3 of 5)



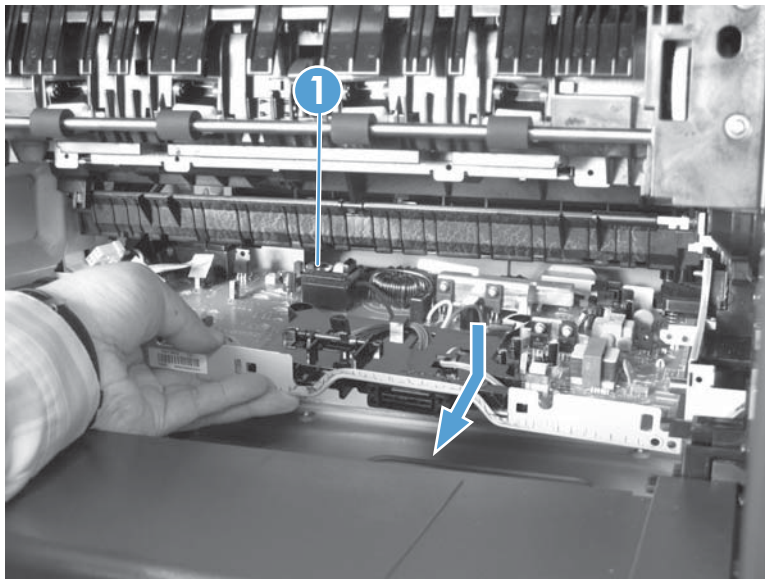
5. Remove two screws (callout 1).

Figure 1-163 Remove the high-voltage power supply assembly (4 of 5)



6. Slide the high-voltage power supply assembly (callout 1) downward slightly and remove it from the product.

Figure 1-164 Remove the high-voltage power supply assembly (5 of 5)

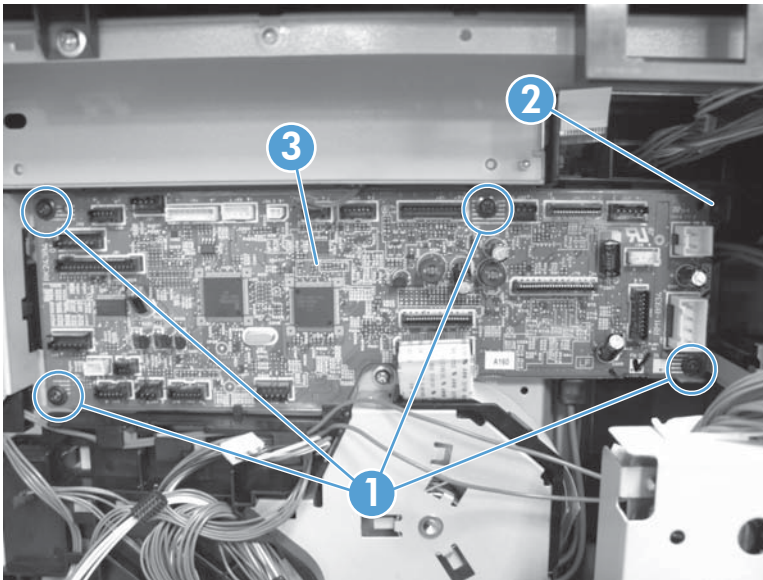


DC controller PCA

CAUTION:  ESD sensitive assembly.

1. Remove the following components or assemblies:
 - Rear cover. See [Rear cover on page 24](#).
 - Formatter cage. See [Formatter cage assembly on page 69](#).
2. Disconnect all of the connectors on the DC controller PCA, remove four screws (callout 1), release one tab (callout 2), and then remove the DC controller PCA (callout 3) from the product.

Figure 1-165 Remove the DC controller PCA

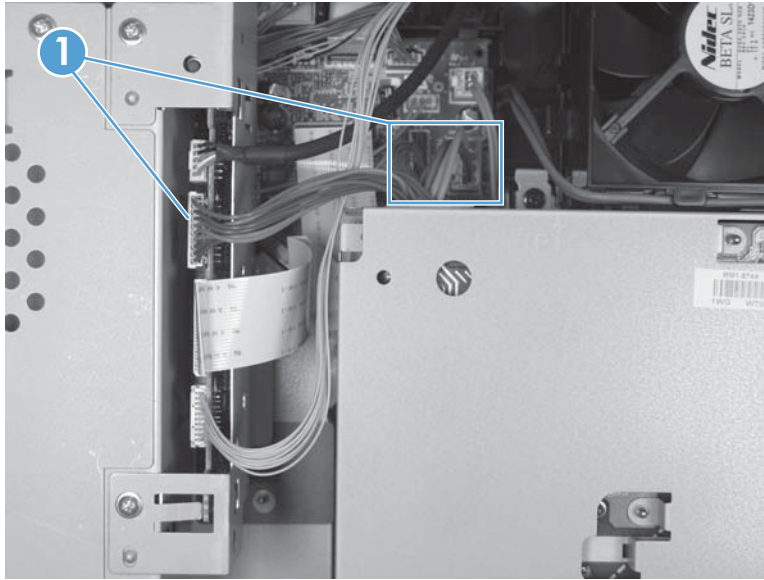


Low-voltage power supply assembly

CAUTION:  ESD sensitive assembly.

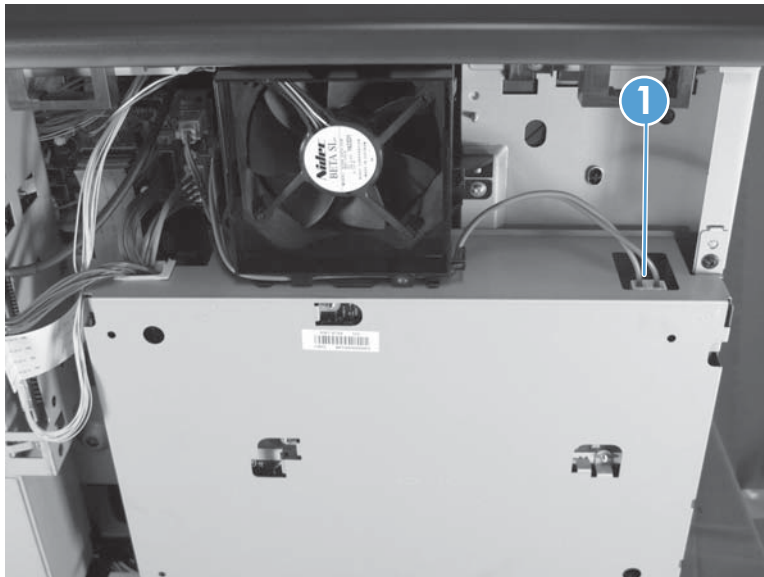
1. Remove the rear cover. See [Rear cover on page 24](#).
2. Disconnect four connectors (callout 1).

Figure 1-166 Remove the low-voltage power supply assembly (1 of 5)



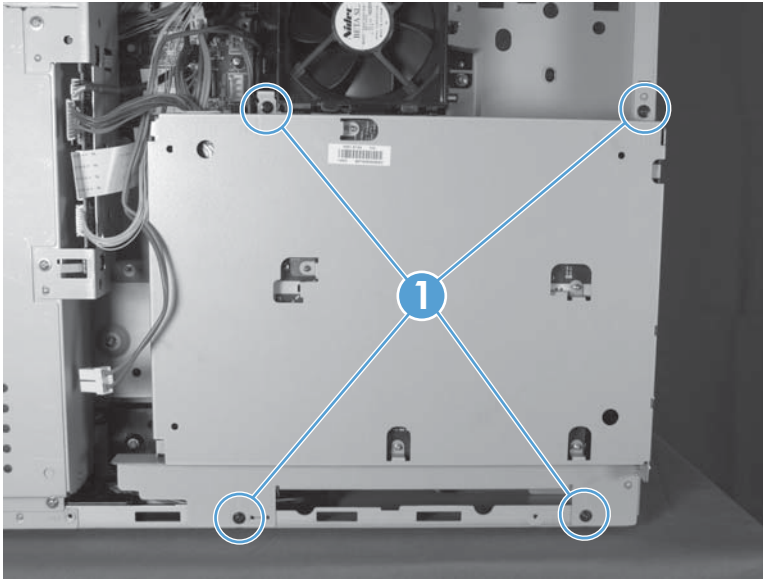
3. Disconnect one connector (callout 1).

Figure 1-167 Remove the low-voltage power supply assembly (2 of 5)



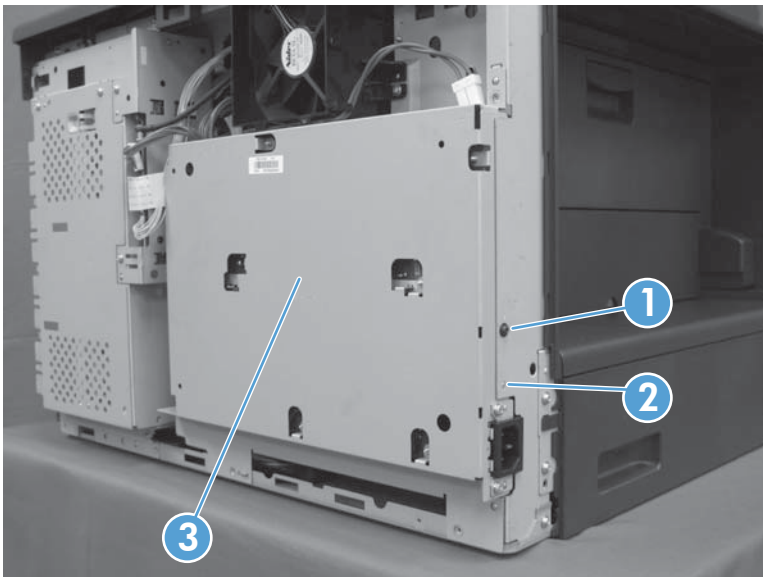
4. Remove four screws (callout 1).

Figure 1-168 Remove the low-voltage power supply assembly (3 of 5)



5. Remove one screw (callout 1), release one tab (callout 2), and then remove the low-voltage power supply assembly (callout 3) from the product.

Figure 1-169 Remove the low-voltage power supply assembly (4 of 5)



6. Open the cable clamp (callout 1) to release the cable (callout 2), and then disconnect one connector (callout 3).


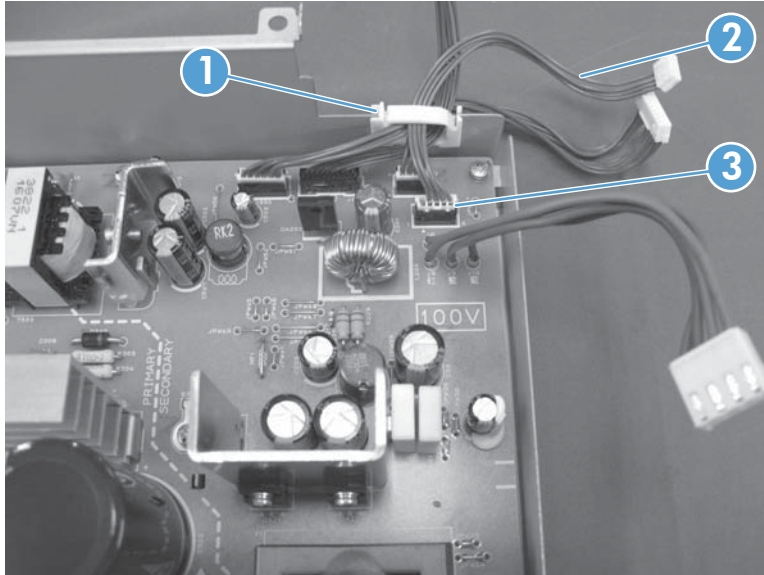
 **NOTE:** This step is only necessary if you are replacing the low-voltage power supply.

Figure 1-170 Remove the low-voltage power supply assembly (5 of 5)

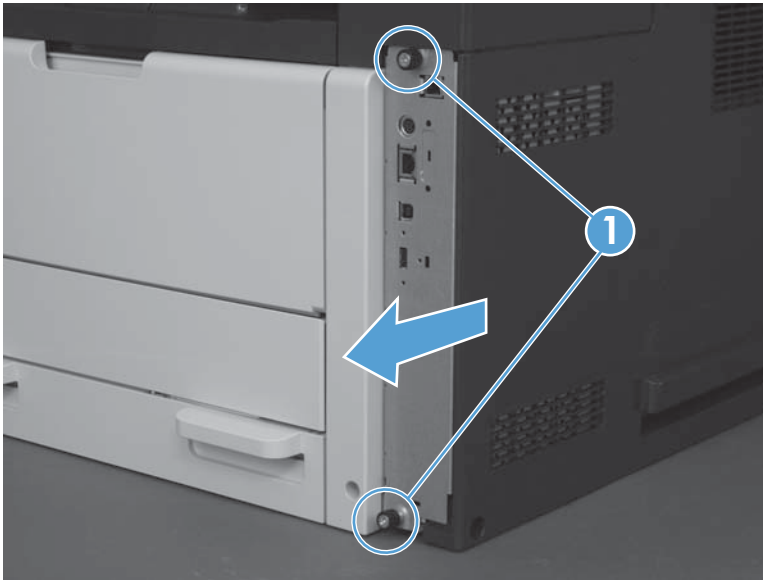


Dual in-line memory module

CAUTION:  ESD sensitive assembly.

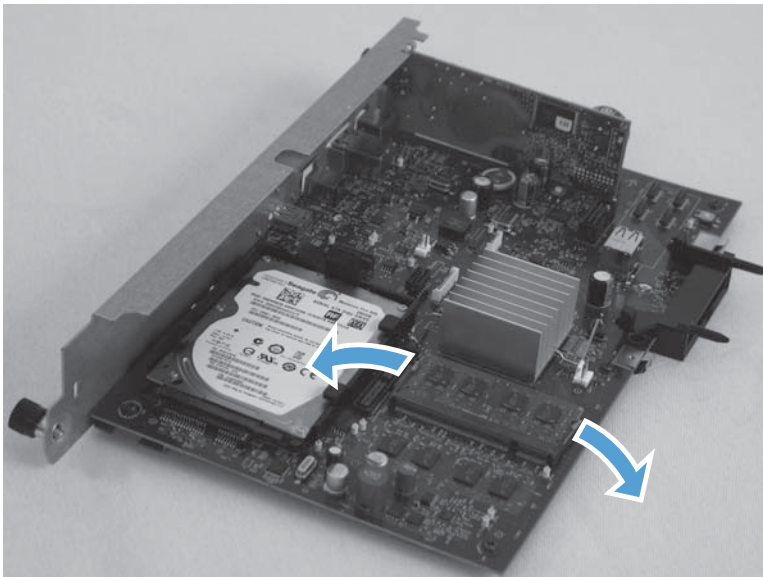
1. Loosen two thumbscrews (callout 1), and then pull the formatter out of the formatter cage.

Figure 1-171 Remove the DIMM (1 of 3)



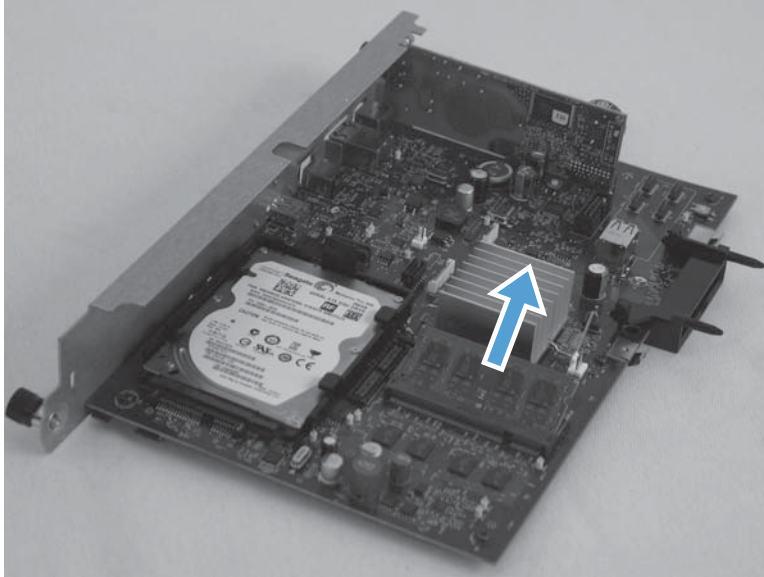
2. Release two latches (callout 1) at the right and left side of the dual in-line memory module (DIMM).

Figure 1-172 Remove the DIMM (2 of 3)



3. Remove the DIMM.

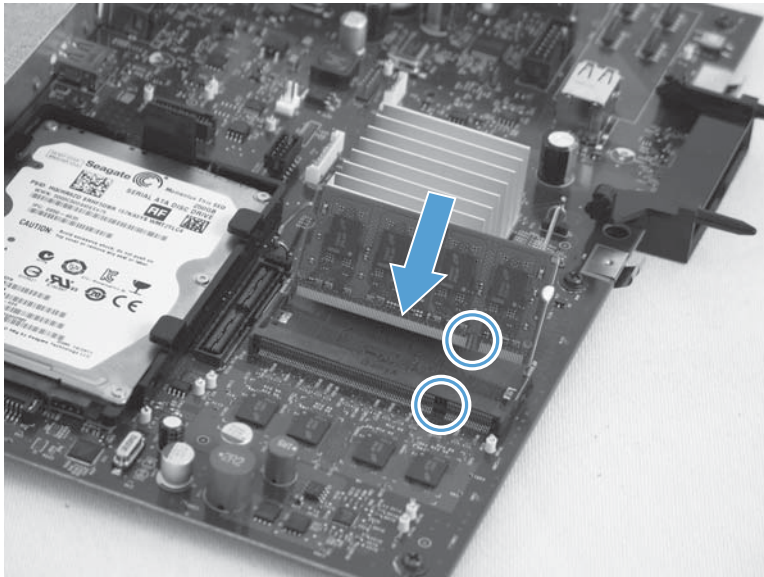
Figure 1-173 Remove the DIMM (3 of 3)



Reinstall the Dual in-line memory module

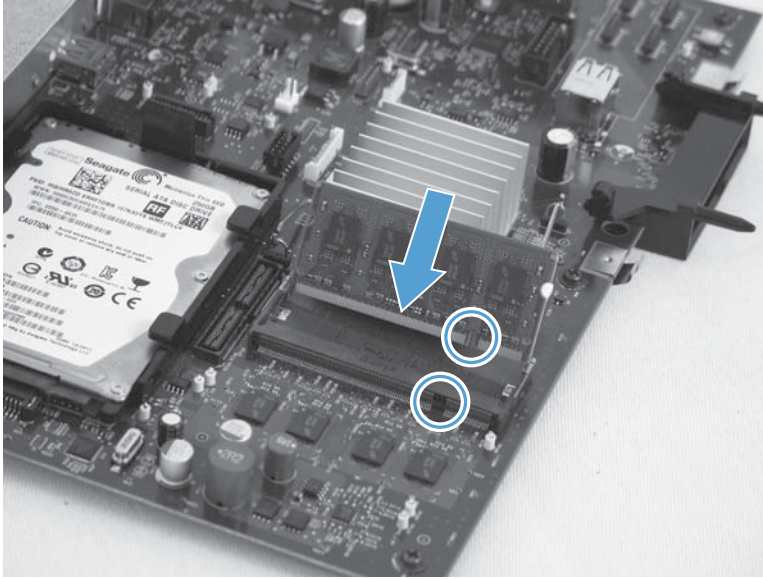
1. Align notches in the DIMM with the corresponding notches in the DIMM slot, and then position the DIMM in the slot.

Figure 1-174 Reinstall the DIMM (1 of 3)



2. Rotate the top of the DIMM down toward the formatter PCA.

Figure 1-175 Reinstall the DIMM (2 of 3)



3. Continue to push down on the DIMM until the latches snap into place.

 **NOTE:** The DIMM must be securely fastened to the formatter PCA.


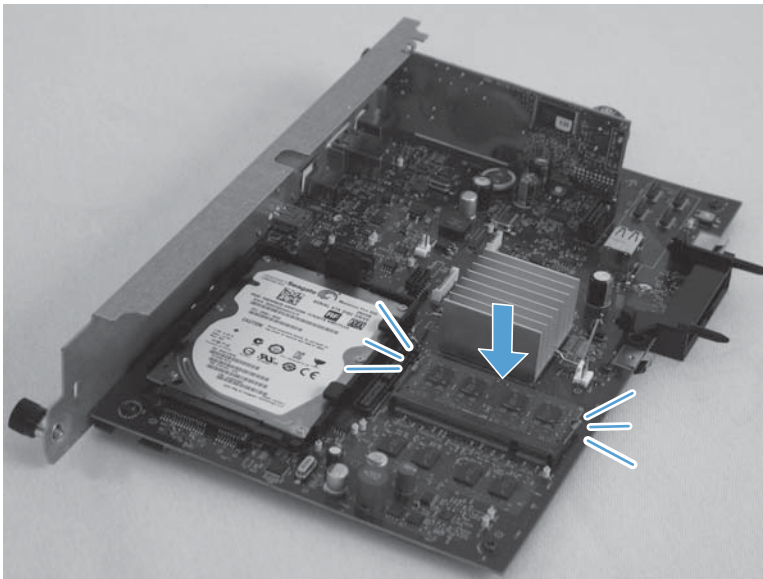
 **TIP:** If the latches do not click into place, press them inward to secure the DIMM in the slot.

Figure 1-176 Reinstall the DIMM (3 of 3)

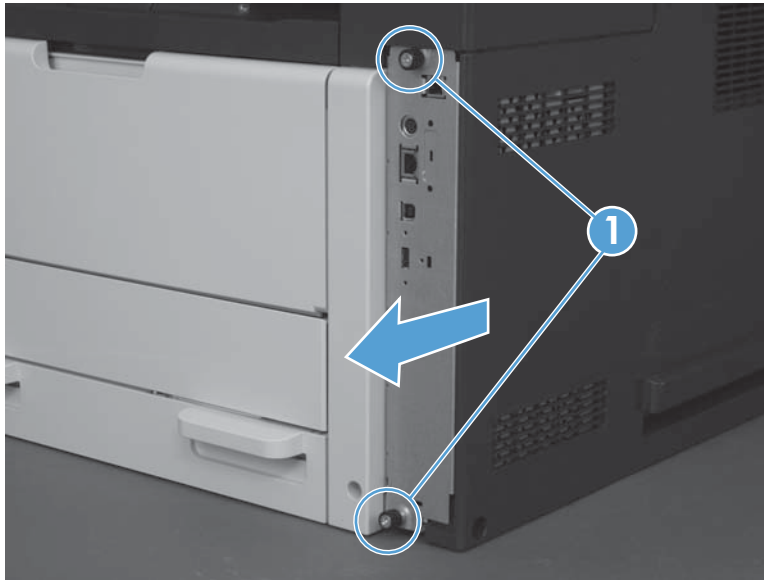


Fax PCA

⚠ CAUTION:  ESD sensitive assembly.

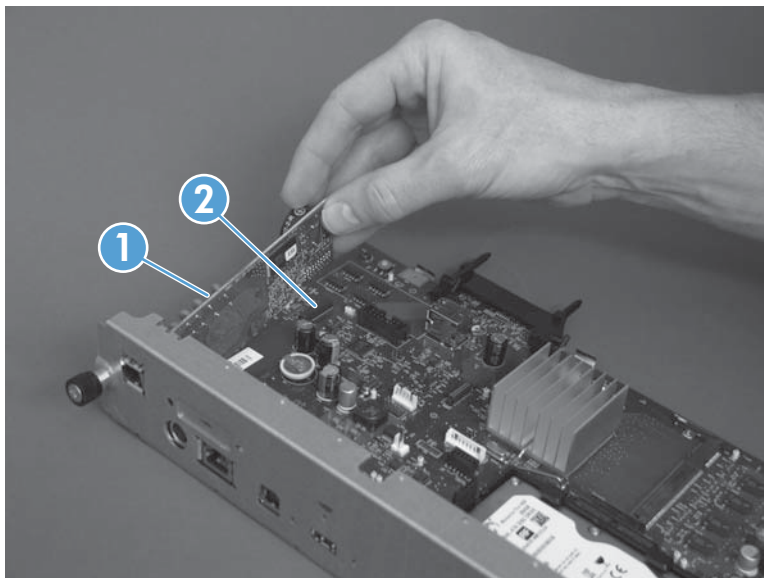
1. Loosen two thumbscrews (callout 1), and then pull the formatter out of the formatter cage.

Figure 1-177 Remove the fax PCA (1 of 2)



2. Release the fax PCA (callout 1) from the formatter connector (callout 2) to remove it from the product formatter board.

Figure 1-178 Remove the fax PCA (2 of 2)



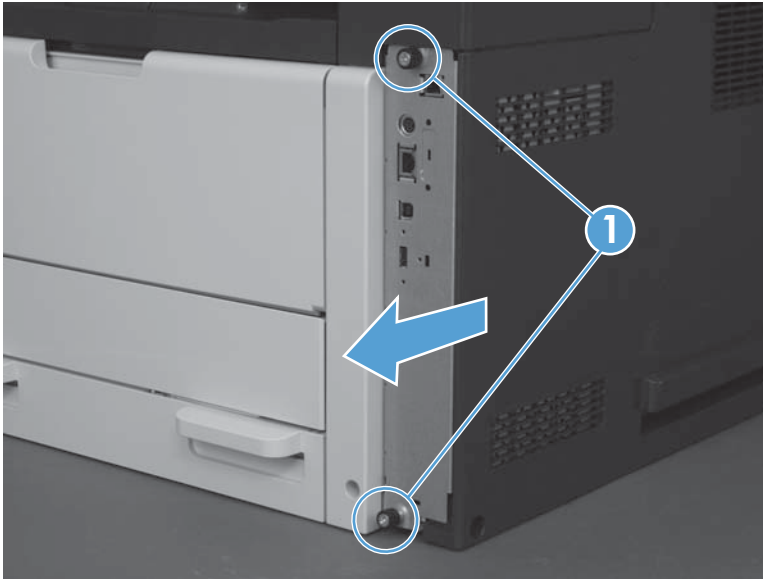
Miscellaneous parts

Hard disk

CAUTION:  ESD sensitive assembly.

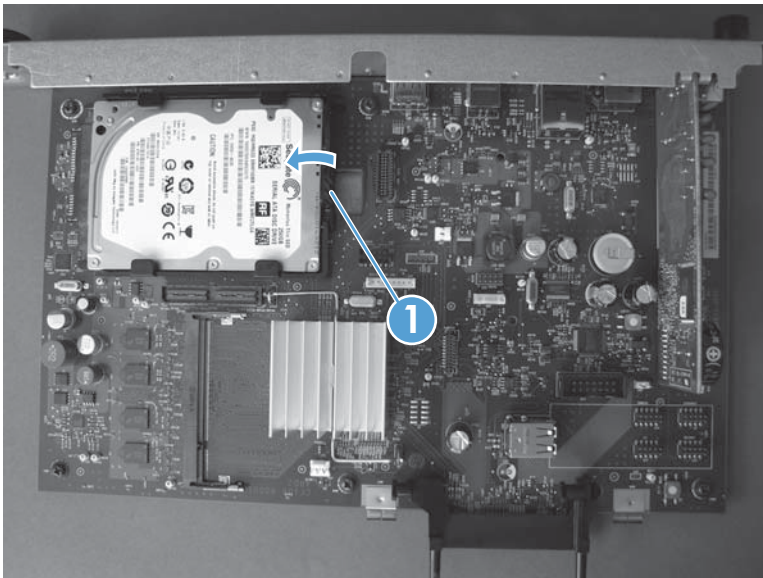
1. Loosen two thumbscrews (callout 1), and then pull the formatter out of the formatter cage.

Figure 1-179 Remove the hard disk (1 of 3)



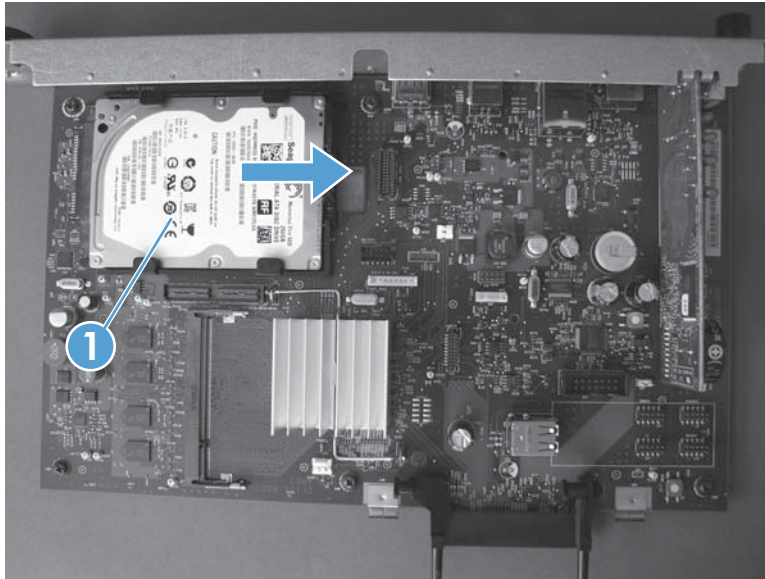
2. On the formatter, bend the plastic tab (callout 1) on the hard disk assembly toward the disk to disengage a tab underneath the formatter PCA.

Figure 1-180 Remove the hard disk (2 of 3)



3. Slide the hard disk (callout 1) in the direction indicated to remove it from the formatter PCA.

Figure 1-181 Remove the hard disk (3 of 3)



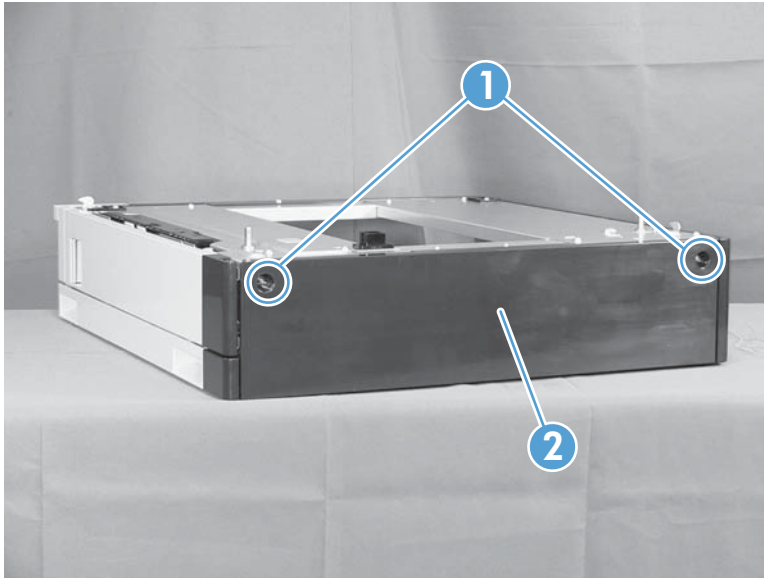
Trays

1x500-sheet paper feeder assembly

1x500 rear cover

Remove two screws (callout 1), and then remove the rear cover (callout 2).

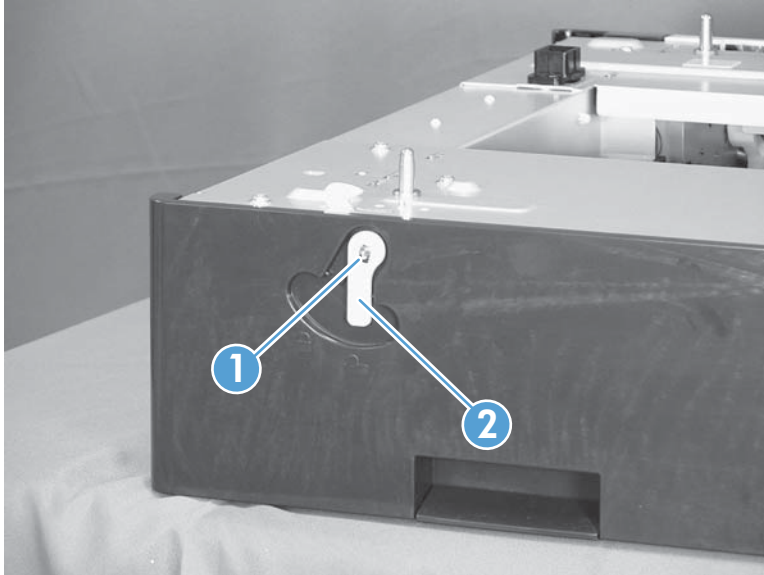
Figure 1-182 Remove the 1x500 rear cover



1x500 left cover

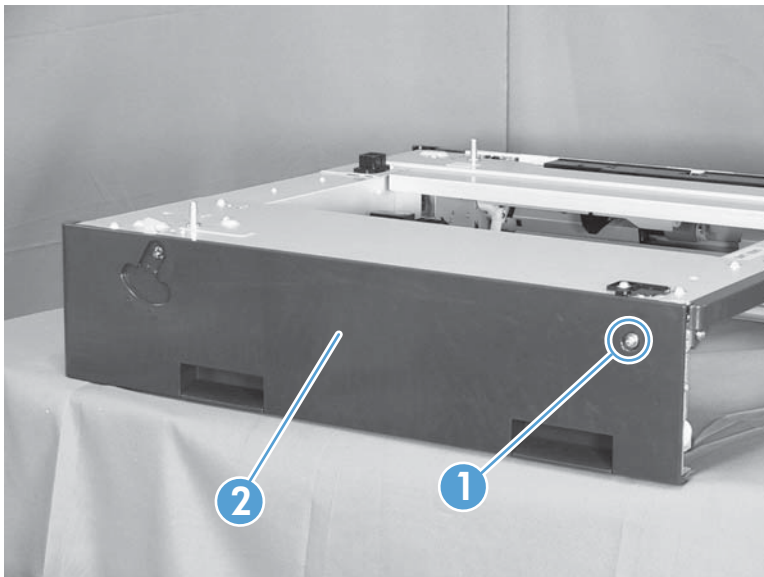
1. Take the cassette out of the feeder, release one tab (callout 1), and then remove the lever (callout 2).


Figure 1-183 Remove the 1x500 left cover (1 of 2)

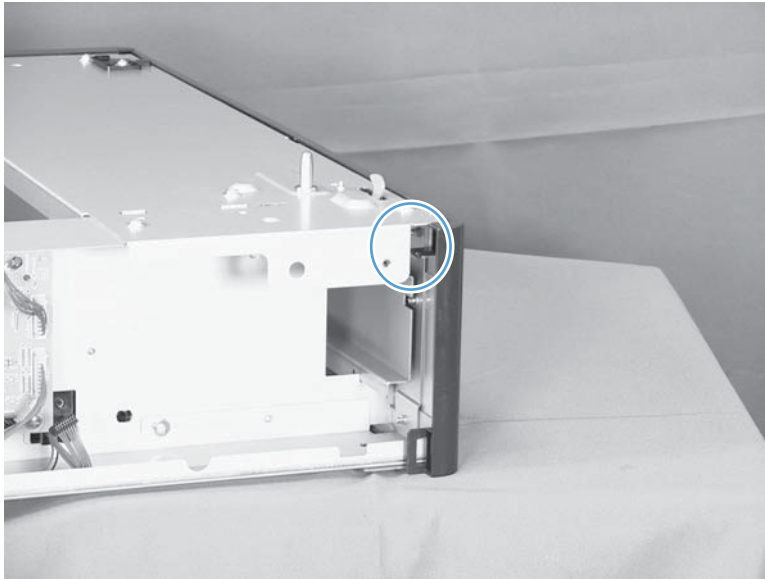
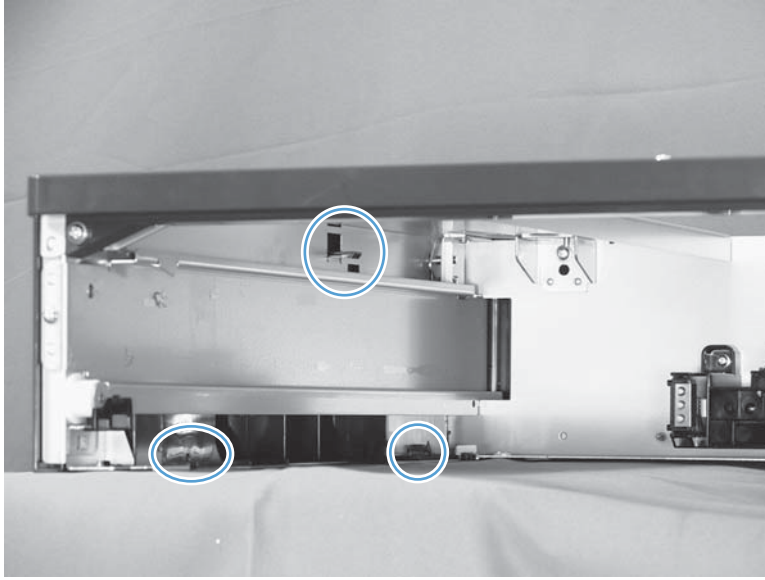


2. Remove one screw (callout 1), release four tabs from the inside (see the tip that follows this step), and then remove the left cover (callout 2).

Figure 1-184 Remove the 1x500 left cover (2 of 2)



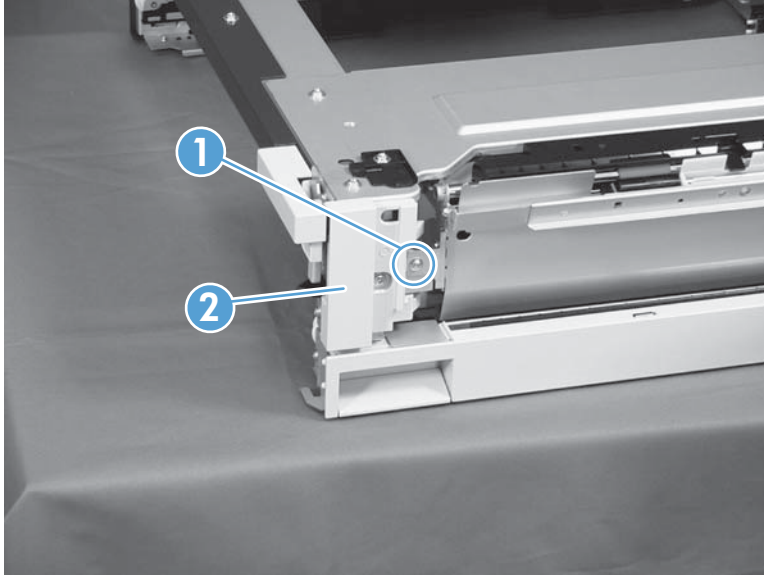
 **TIP:** The following figures show the tabs inside the cover.



1x500 right-front cover

1. Take the cassette out of the feeder, and then open the right door.
2. Remove one screw (callout 1), and then remove the right-front cover (callout 2).

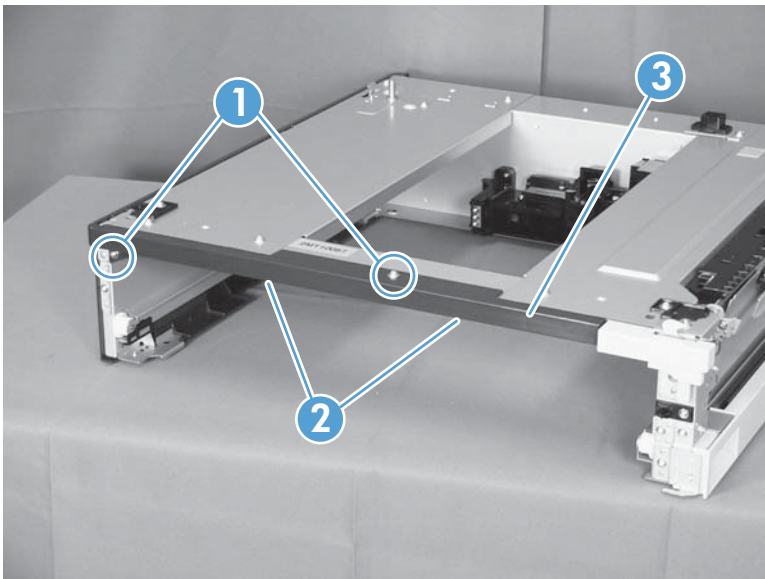
Figure 1-185 Remove the 1x500 right-front cover



1x500 front-upper cover

1. Remove the cassette from the feeder, and then remove the right-front cover (see [1x500 right-front cover on page 131](#)).
2. Remove two screws (callout 1), release two tabs (callout 2), and then remove the front upper cover unit (callout 3).

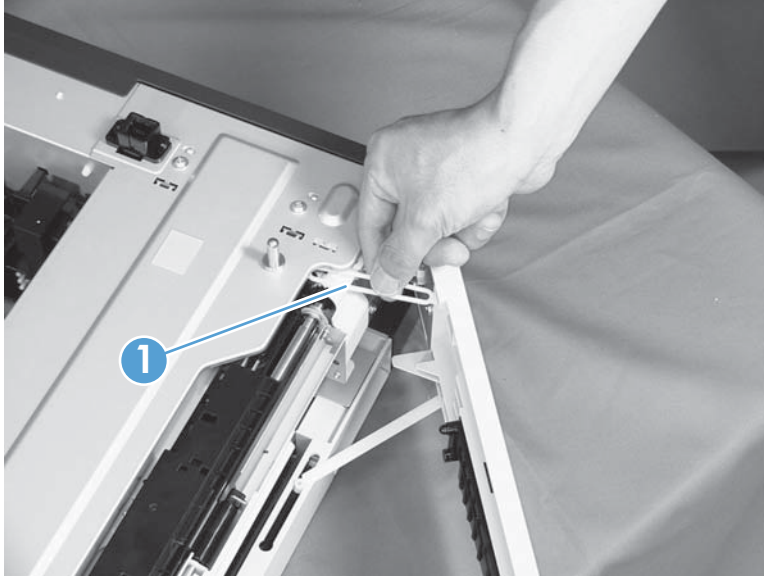
Figure 1-186 Remove the 1x500 front-upper cover



1x500 right door

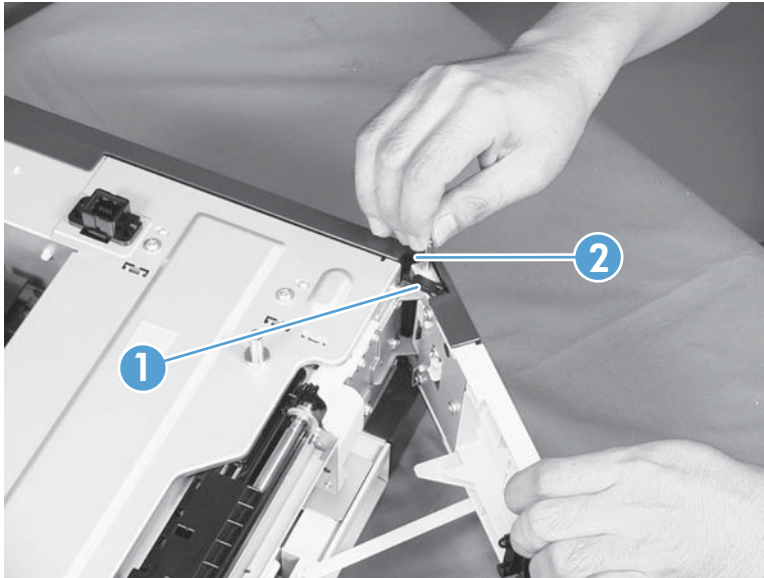
1. Lift the product off the feeder, and then open the tray right door.
2. Release the link arm (callout 1).

Figure 1-187 Remove the 1x500 right door (1 of 3)



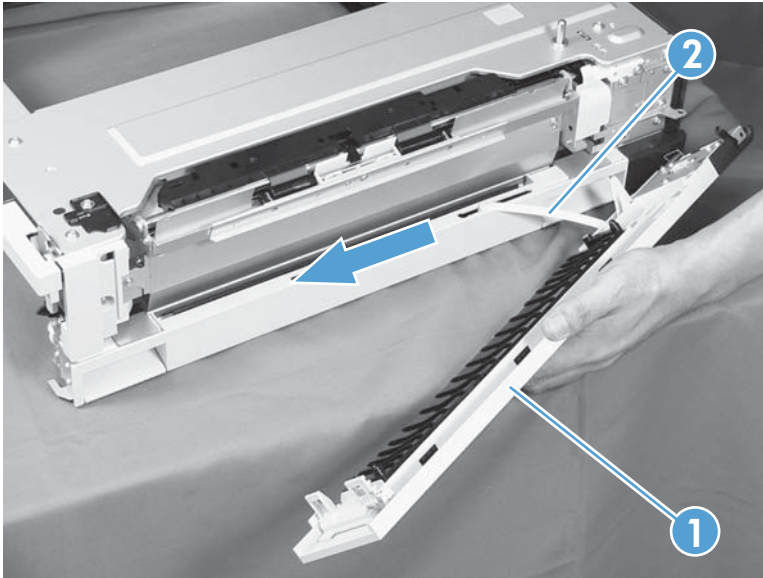
3. Release the stopper (callout 1), and then release the shaft (callout 2).

Figure 1-188 Remove the 1x500 right door (2 of 3)



4. Slide the right door (callout 1) and the arm (callout 2) in the direction indicated to remove them together, and then remove the arm from the right door unit.

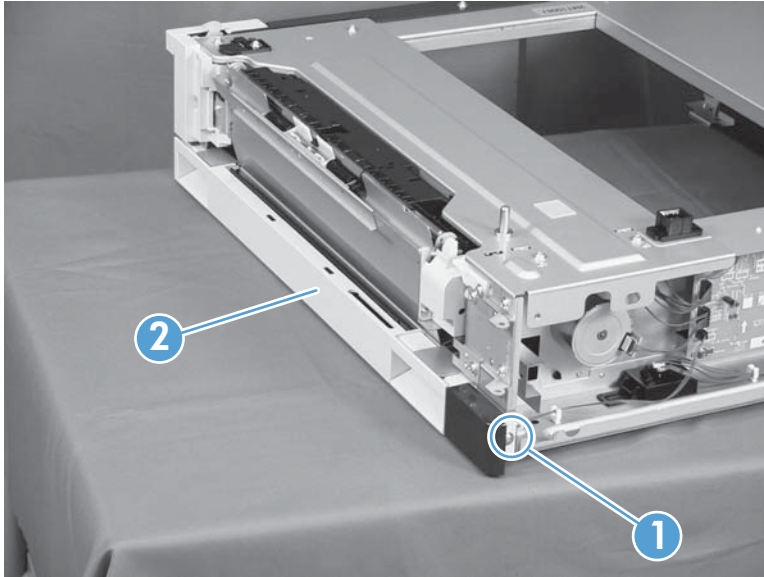
Figure 1-189 Remove the 1x500 right door (3 of 3)



1x500 right-lower cover

1. Remove the cassette from the feeder, and then remove the right door (see [1x500 right door on page 133](#)).
2. Remove one screw (callout 1), and then slide the cover (callout 2) to the right to clear an alignment pin at the left side of the cover.

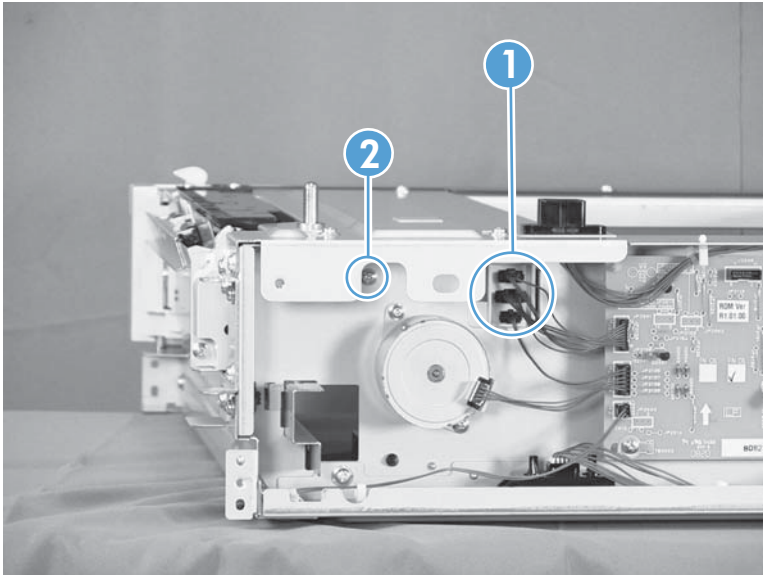
Figure 1-190 Remove the 1x500 right-lower cover



1x500 pickup assembly

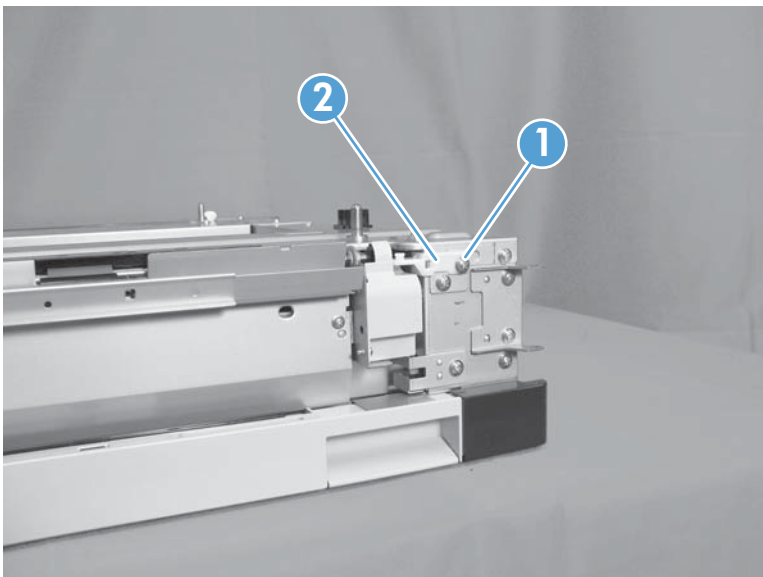
1. Remove the following components or assemblies:
 - 1x500 rear cover. See [1x500 rear cover on page 128](#).
 - 1x500 right-front cover. See [1x500 right-front cover on page 131](#).
 - 1x500 right door. See [1x500 right door on page 133](#).
 - 1x500 right-lower cover. See [1x500 right-lower cover on page 135](#).
2. Disconnect three connectors (callout 1), and then remove one screw (callout 2).

Figure 1-191 Remove the 1x500 pickup assembly (1 of 4)



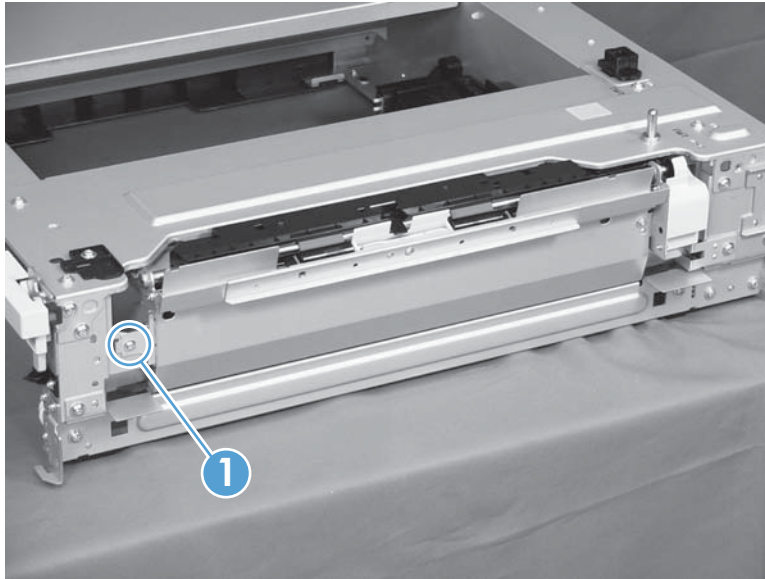
3. Remove one screw (callout 1), and then remove the stopper of the right-door link (callout 2).

Figure 1-192 Remove the 1x500 pickup assembly (2 of 4)



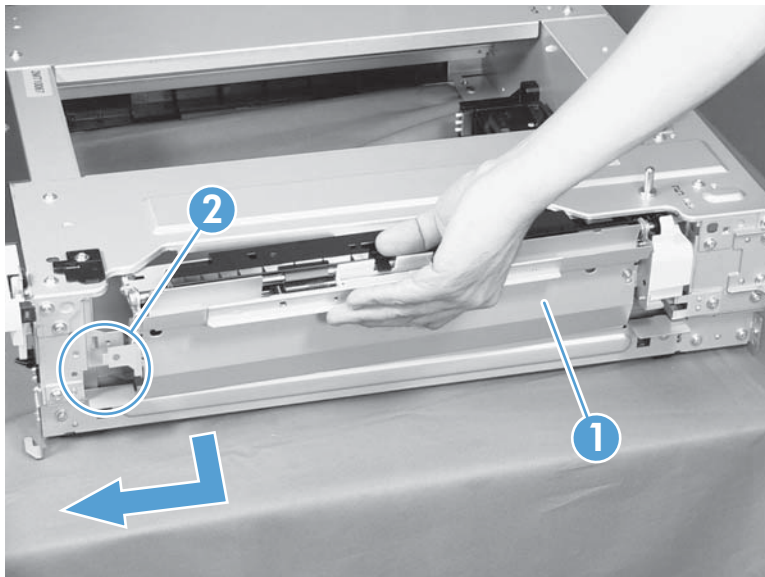
4. Remove one screw (callout 1).


Figure 1-193 Remove the 1x500 pickup assembly (3 of 4)

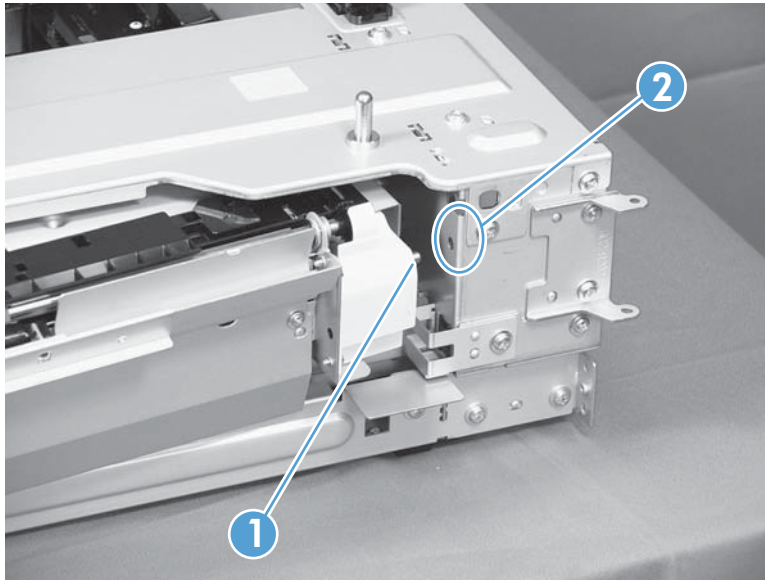


5. Lift the 1x500 pickup assembly (callout 1) slightly to clear a tab (callout 2), and then slide it in the direction indicated to remove it.

Figure 1-194 Remove the 1x500 pickup assembly (4 of 4)



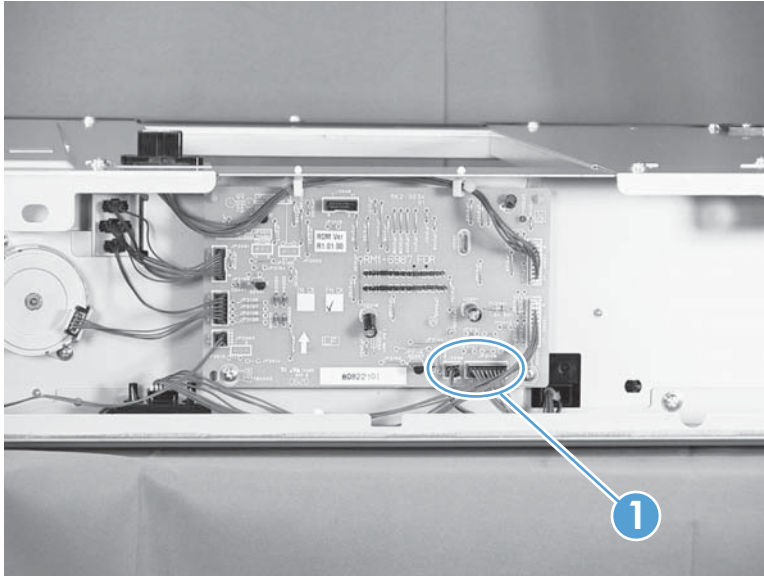
 **Reinstallation tip** When reassembling the 1x500 pickup assembly, be sure to fit the shaft (callout 1) on the assembly to the hole (callout 2) in the feeder.



1x500 lifter-drive assembly

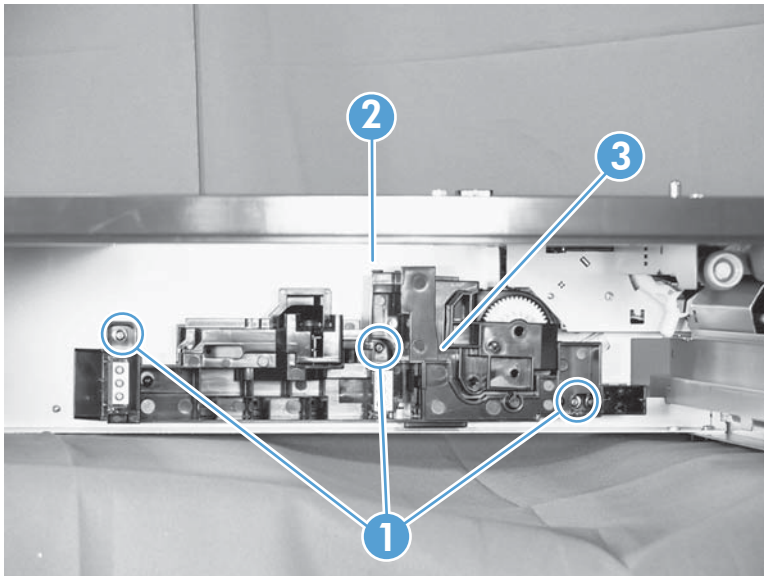
1. Remove the cassette from the feeder, and then remove the 1x500 rear cover (see [1x500 rear cover on page 128](#)).
2. Disconnect two connectors (callout 1).

Figure 1-195 Remove the 1x500 lifter-drive assembly (1 of 2)



3. From the front, inside the tray cavity, remove three screws (callout 1), release one tab (callout 2), and then remove the 1x500 lifter-drive assembly (callout 3).

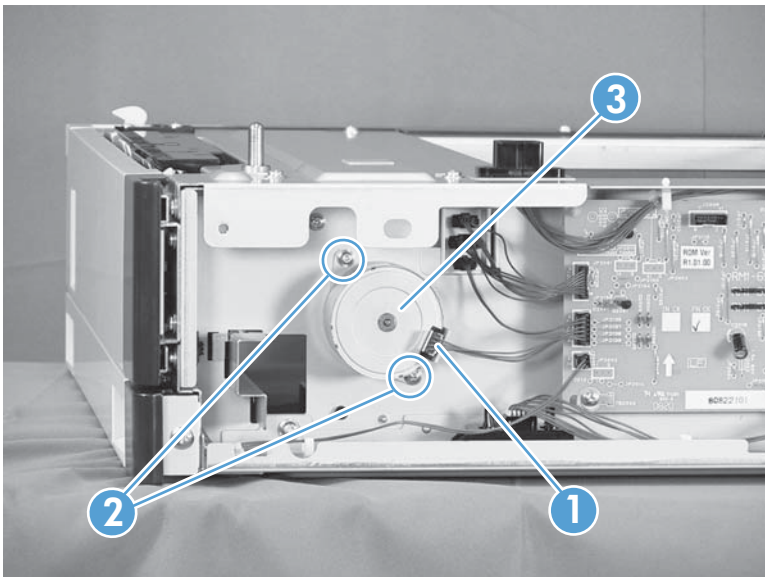
Figure 1-196 Remove the 1x500 lifter-drive assembly (2 of 2)



1x500 pickup motor

1. Remove the cassette from the feeder, and then remove the 1x500 rear cover (see [1x500 rear cover on page 128](#)).
2. Disconnect one connector (callout 1), remove two screws (callout 2), and then remove the 1x500 pickup motor (callout 3).

Figure 1-197 Remove the 1x500 pickup motor



1x500 driver PCA

CAUTION:  ESD sensitive assembly.

1. Remove the cassette from the feeder, and then remove the 1x500 rear cover (see [1x500 rear cover on page 128](#)).
2. Disconnect seven connectors (callout 1), remove two screws (callout 2), release two tabs (callout 3), and then remove the 1x500 driver PCA.


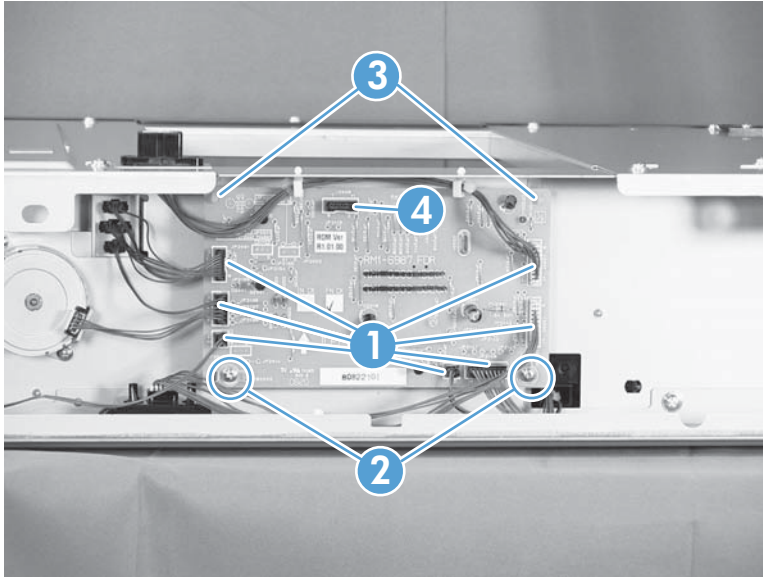

 **NOTE:** One connector (callout 4) on the 1x500 driver PCA remains empty.

Figure 1-198 Remove the 1x500 driver PCA



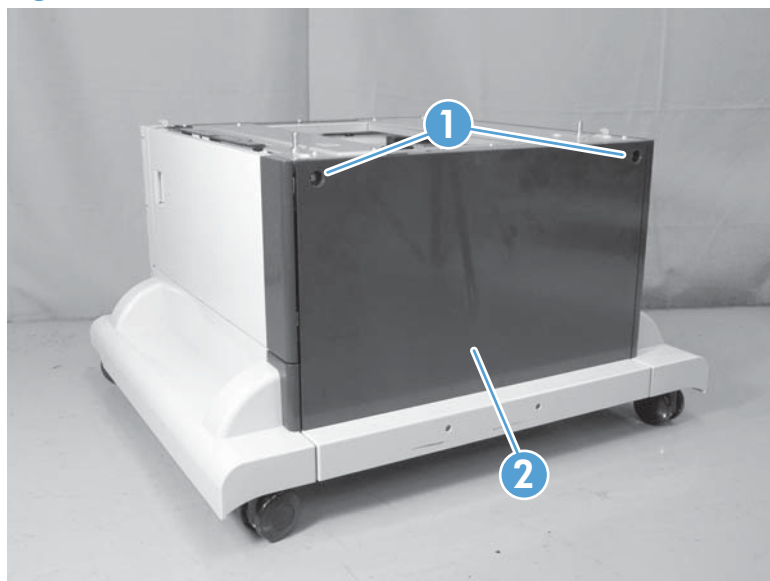
1x500 or 3x500-sheet paper feeder (optional accessory)

 **NOTE:** The figures in this section show the 3x500 paper deck. The procedures for the 1x500 paper deck are the same.

Paper deck rear cover

Remove two screws (callout 1), and then remove the 3x500 rear cover (callout 2).

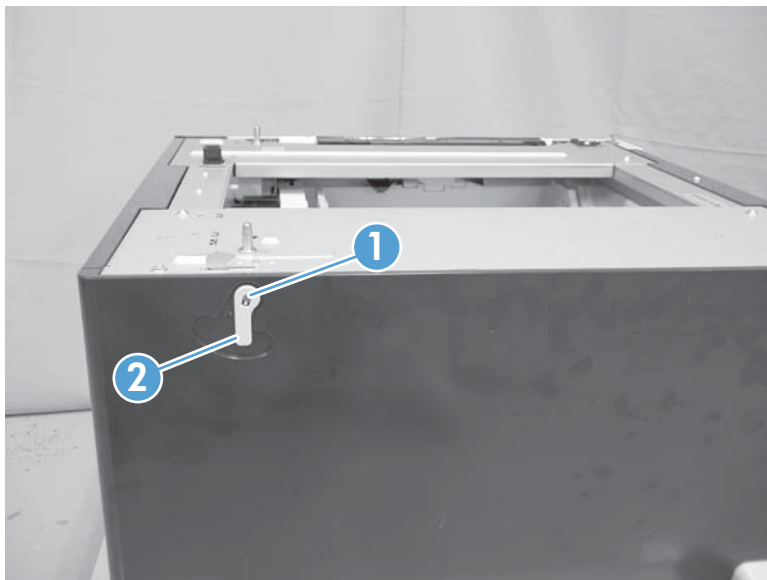
Figure 1-199 Remove the 3x500 rear cover



Paper deck left cover

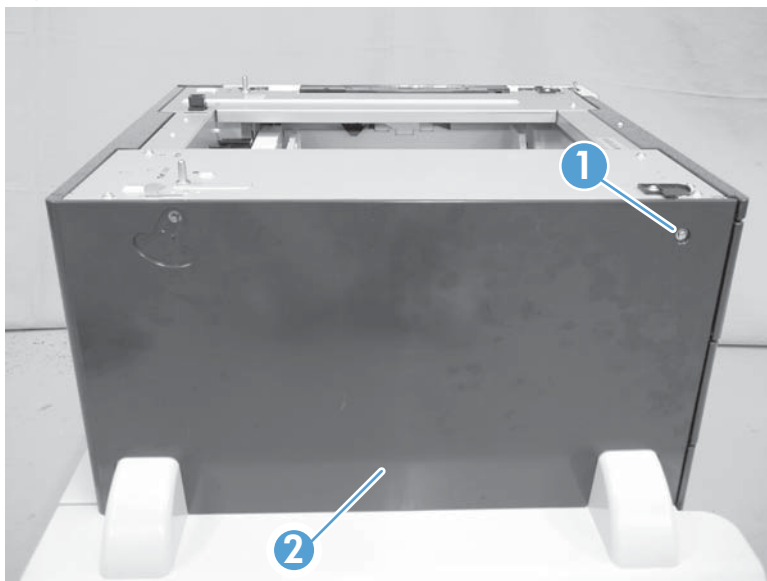
1. Release one tab (callout 1), and then remove the locking lever (callout 2).

Figure 1-200 Remove the 3x500 left cover (1 of 2)



2. Remove one screw (callout 1), and then remove the left cover (callout 2).

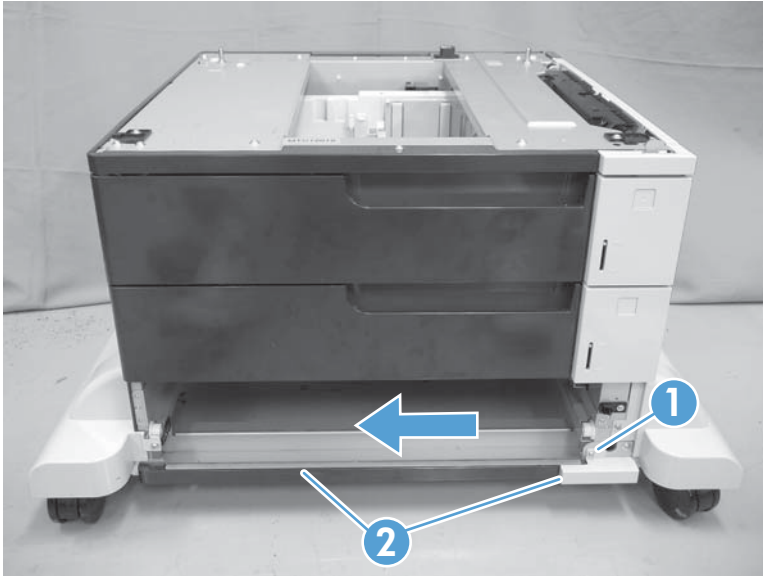
Figure 1-201 Remove the 3x500 left cover (2 of 2)



Paper deck front-lower cover

1. Remove the lowest cassette.
2. Remove one screw (callout 1), and then slide the 3x500 front-lower cover (callout 2) toward the left side of the feeder to remove it.

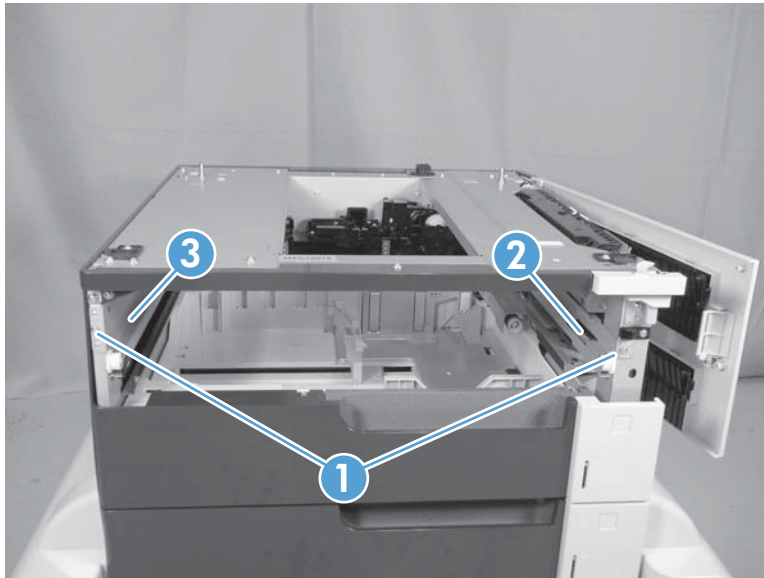
Figure 1-202 Remove the 3x500 front-lower cover



Paper deck right and left cassette rails

1. Remove a cassette.
2. Remove two screws (callout 1), and then remove the 3x500 right (callout 2) and left (callout 3) cassette rails. Repeat this procedure for the remaining cassette rails.

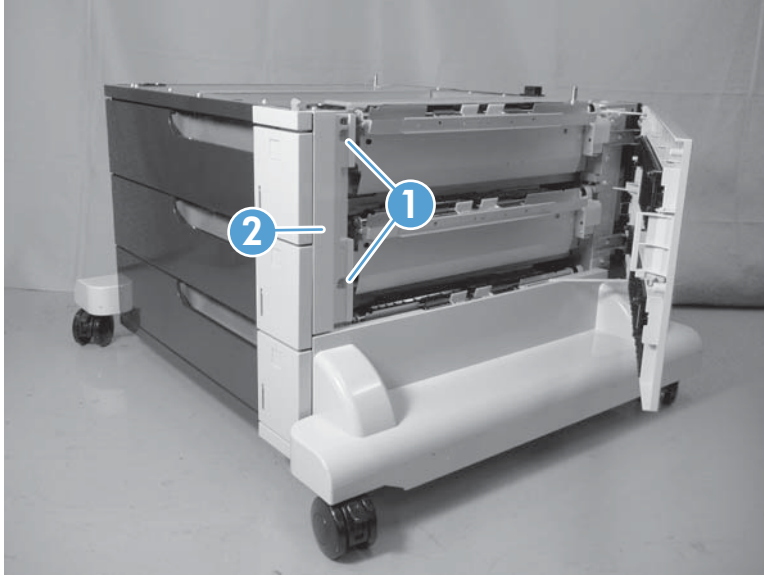
Figure 1-203 Remove the 3x500 right and left cassette rails



Paper deck right-corner cover

Open the right door, remove two screws (callout 1), and then remove the 3x500 right-corner cover (callout 2).

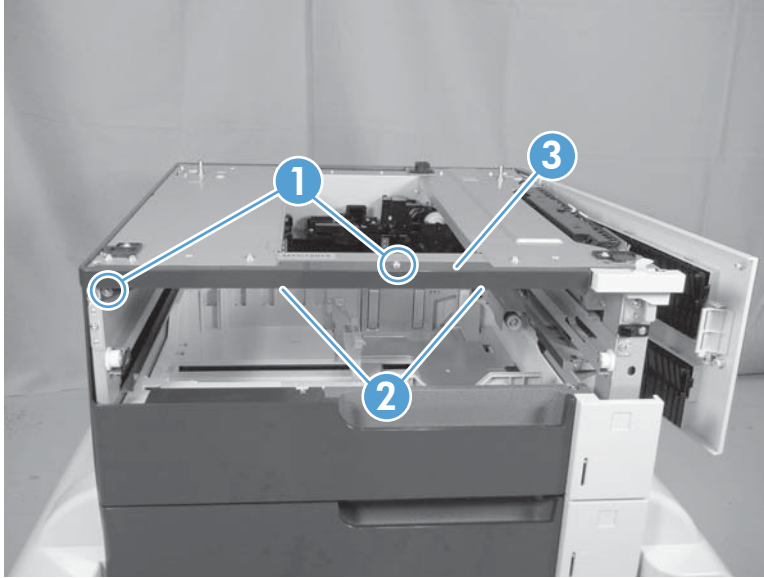
Figure 1-204 Remove the 3x500 right-corner cover



Paper deck front-upper cover

1. Remove the 3x500 right-corner cover (see [Paper deck right-corner cover on page 146](#)).
2. Remove the upper cassette.
3. Remove two screws (callout 1), release two tabs (callout 2), and then remove the front-upper cover (callout 3).

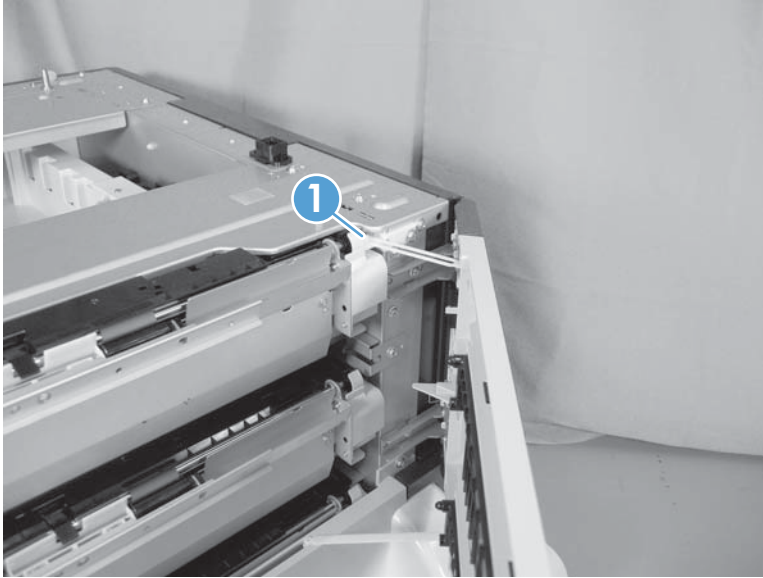
Figure 1-205 Remove the 3x500 front-upper cover



Paper deck right-door assembly

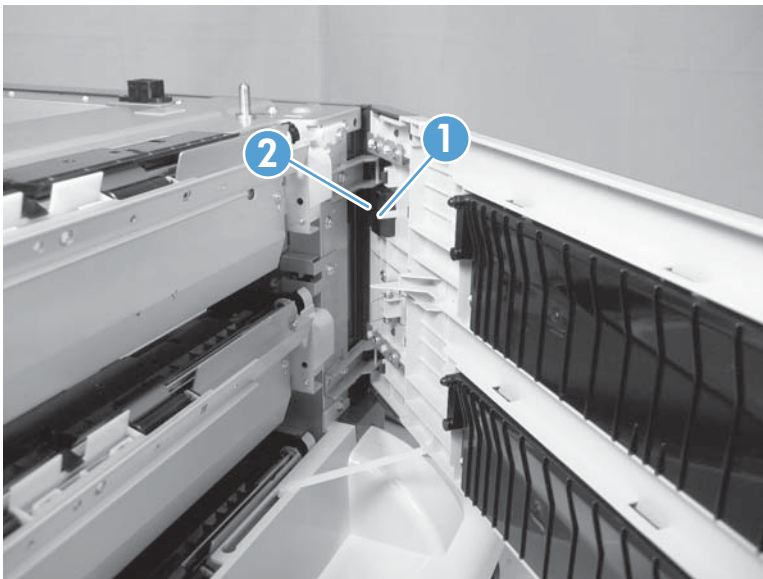
1. Open the right door, and then release one upper-link arm (callout 1).

Figure 1-206 Remove the 3x500 right-door assembly (1 of 3)



2. Release one tab (callout 1), and then remove the stopper (callout 2).

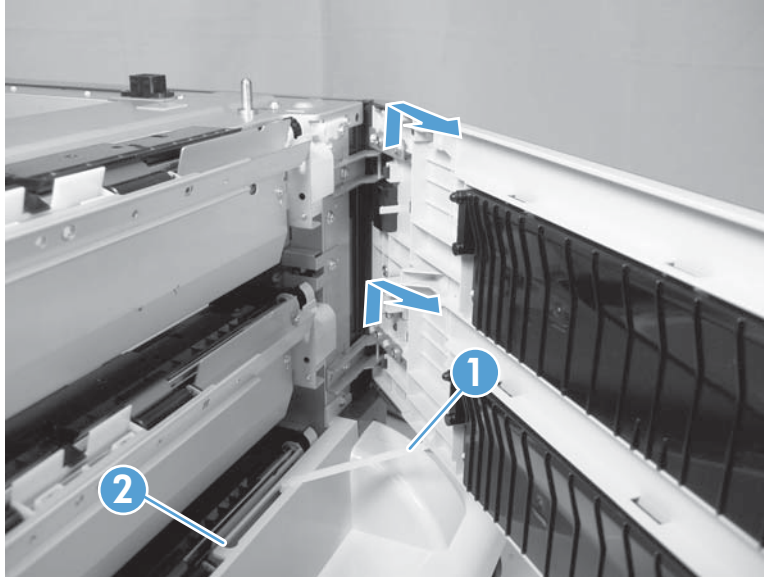
Figure 1-207 Remove the 3x500 right-door assembly (2 of 3)



3. Lift up on the door to release it, slide the lower-link arm (callout 1) along the slot in the chassis to the release point (callout 2), and then remove the 3x500 right door.

⚠ CAUTION: The door remains attached to the feeder until the link arm is released. Do not damage the link arm when the door is removed.

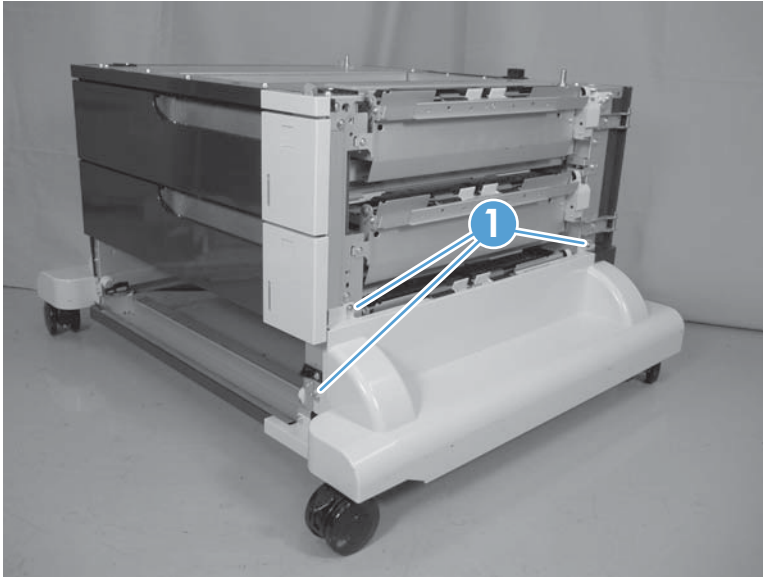
Figure 1-208 Remove the 3x500 right-door assembly (3 of 3)



Paper deck right-lower cover 1

1. Remove the lowest cassette, and then remove the 3x500 right door assembly (see [Paper deck right-door assembly on page 148](#)).
2. Remove three screws (callout 1), loosen the top portion of the cover, and then remove the 3x500 right-lower cover 1.

Figure 1-209 Remove the 3x500 right-lower cover 1



Paper deck right-lower cover 2

1. Remove the 3x500 rear cover (see [Paper deck rear cover on page 142](#)).
2. Release one tab (not shown), and then slide the 3x500 right-lower cover 2 (callout 1) toward the back of the feeder to remove it.


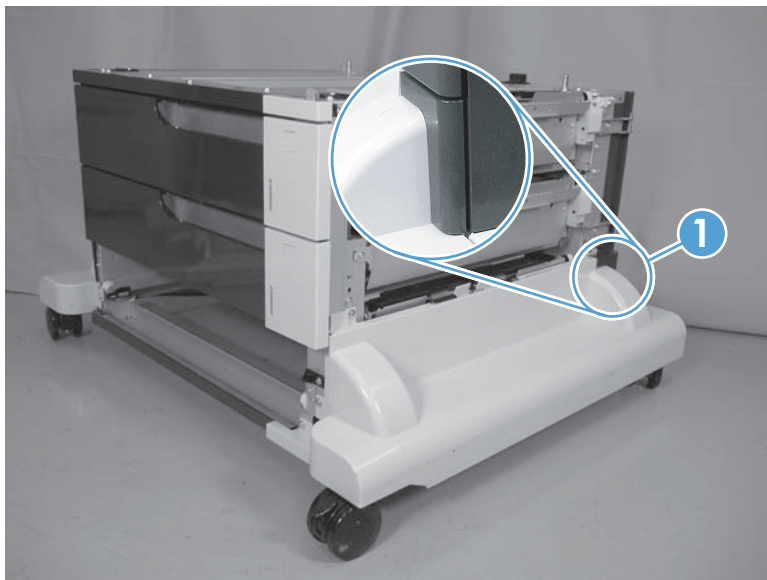
 **NOTE:** The figure in this step does not show the rear cover removed. Remove the rear cover to access the tab.

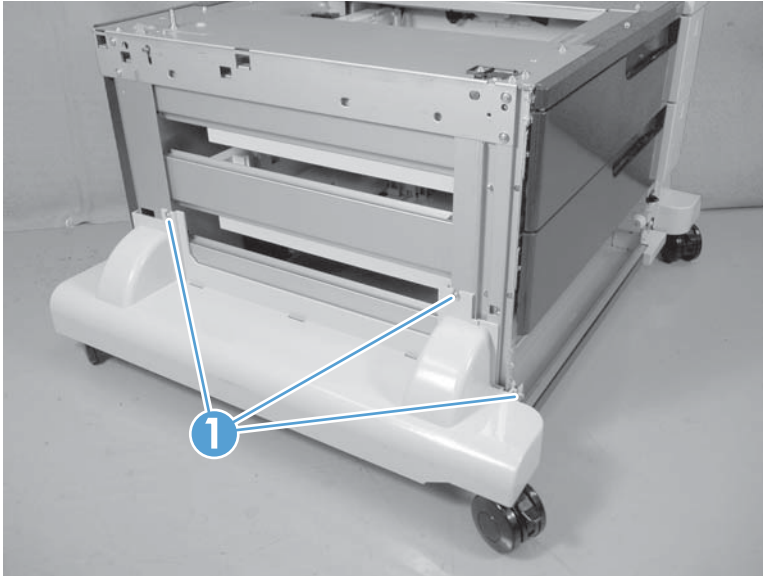
Figure 1-210 Remove the 3x500 right-lower cover 2



Paper deck left-lower cover

1. Remove the lowest cassette, and then remove the 3x500 right door assembly (see [Paper deck right-door assembly on page 148](#)).
2. Remove three screws (callout 1), and then remove the 3x500 left-lower cover.

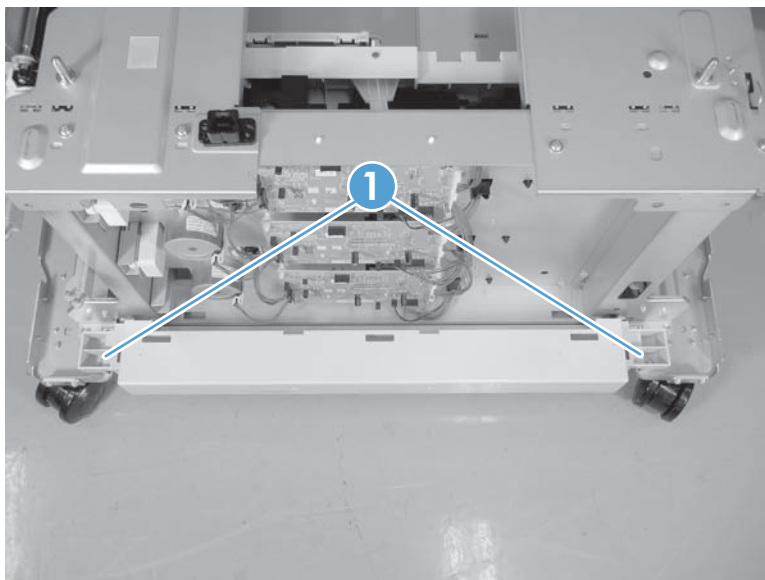
Figure 1-211 Remove the 3x500 left-lower cover



Paper deck rear-lower cover

1. Remove the following components or assemblies:
 - Lowest cassette.
 - 3x500 rear cover. See [Paper deck rear cover on page 142](#).
 - 3x500 left cover. See [Paper deck left cover on page 143](#).
 - 3x500 right door assembly. See [Paper deck right-door assembly on page 148](#).
 - 3x500 right-lower cover. See [Paper deck right-lower cover 1 on page 150](#).
 - 3x500 left-lower cover. See [Paper deck left-lower cover on page 152](#).
2. Remove two screws (callout 1), and then remove the 3x500 rear-lower cover.

Figure 1-212 Remove the 3x500 rear-lower cover



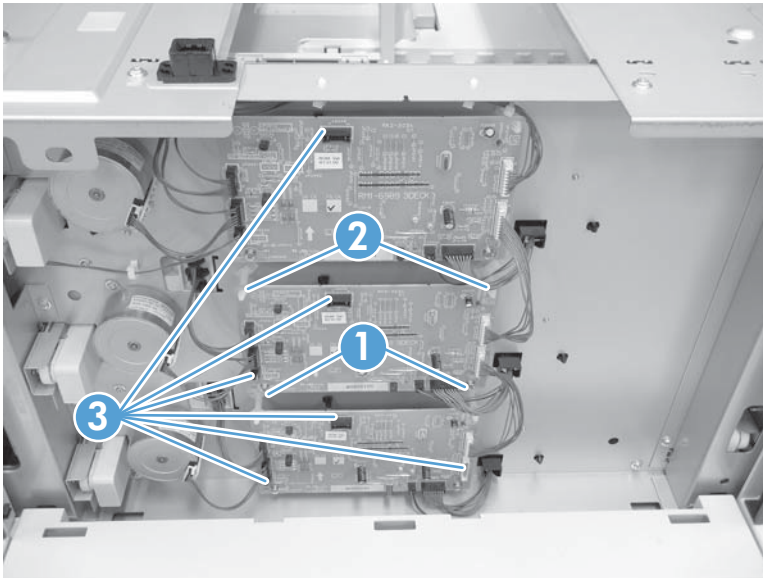
Paper deck controller PCAs

CAUTION:  ESD sensitive assembly.

1. Remove the 3x500 rear cover (see [Paper deck rear cover on page 142](#)).
2. Disconnect all of the connectors for the desired PCA.
 - The top PCA has seven connectors.
 - The middle PCA has six connectors.
 - The bottom PCA has five connectors.
3. Remove two screws (callout 1), release two tabs (callout 2), and then remove the PCA. Repeat this procedure for the remaining PCAs.

NOTE:  Some connectors (callout 3) on the PCAs are not used.

Figure 1-213 Remove the 3x500 paper deck controller PCA

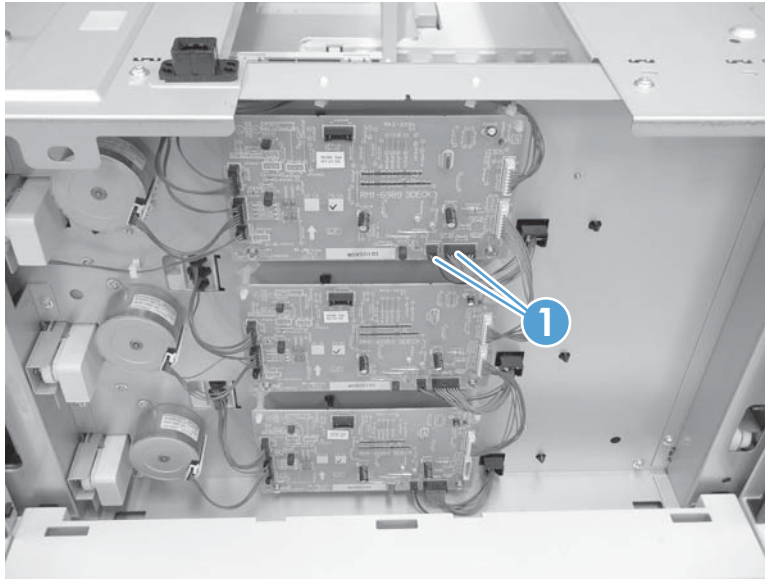


Paper deck lifter-drive assembly

This procedure describes removing the paper deck cassette 1 lifter-drive assembly. Use this procedure for any of the paper deck lifter assemblies.

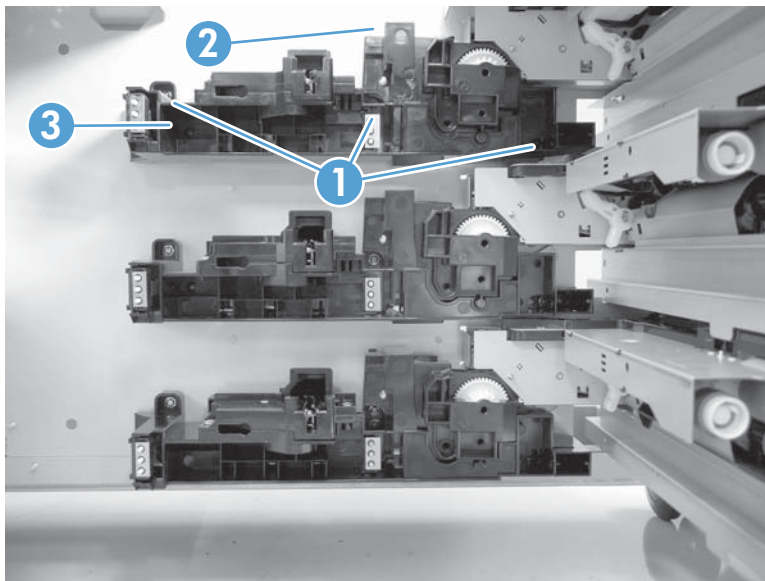
1. Remove the 3x500 rear cover. See [Paper deck rear cover on page 142](#).
2. Disconnect two connectors (callout 1).

Figure 1-214 Remove the 3x500 paper deck lifter-drive assembly (1 of 2)



3. Remove all of the cassettes, remove three screws (callout 1), release one tab (callout 2), and then remove the cassette lifter assembly (callout 3).

Figure 1-215 Remove the 3x500 paper deck lifter-drive assembly (2 of 2)

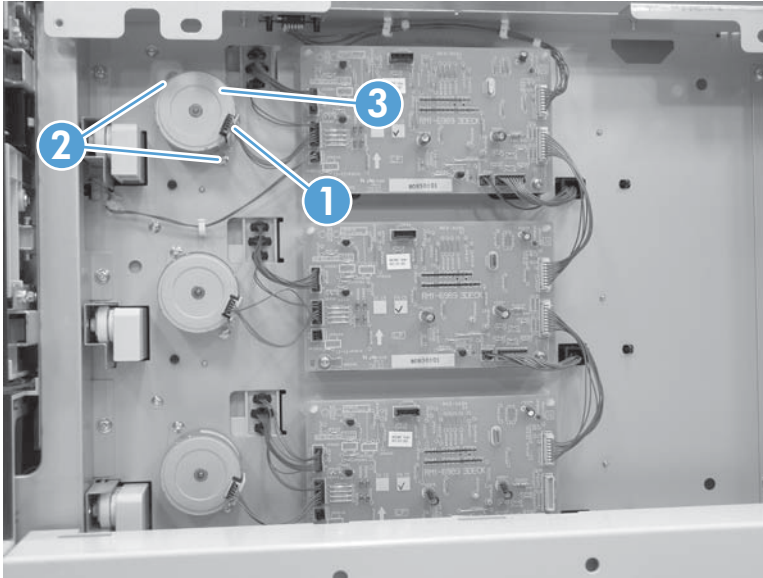


Paper deck pickup motor

This procedure describes removing the paper deck cassette 1 pickup motor. Use this procedure for any of the paper deck pickup motors.

1. Remove the 3x500 rear cover. See [Paper deck rear cover on page 142](#).
2. Disconnect one connector (callout 1), remove two screws (callout 2), and then remove the cassette pickup motor (callout 3).


Figure 1-216 Remove the 3x500 paper deck pickup motor



Paper deck pickup assembly

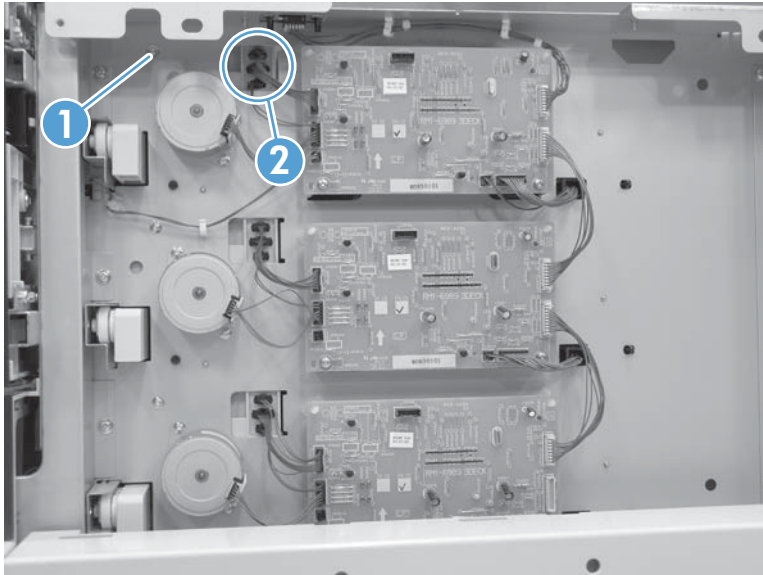
This procedure describes removing the paper deck cassette 1 assembly. Use this procedure for any of the paper deck pickup assemblies.

1. Remove the following components or assemblies:
 - 3x500 rear cover. See [Paper deck rear cover on page 142](#).
 - Right-corner cover. See [Paper deck right-corner cover on page 146](#)
 - Right door assembly. See [Paper deck right-door assembly on page 148](#).
 - Right-lower cover. See [Paper deck right-lower cover 1 on page 150](#).

 **NOTE:** Remove this cover only if you are removing the paper-feeder cassette 3 pickup assembly.

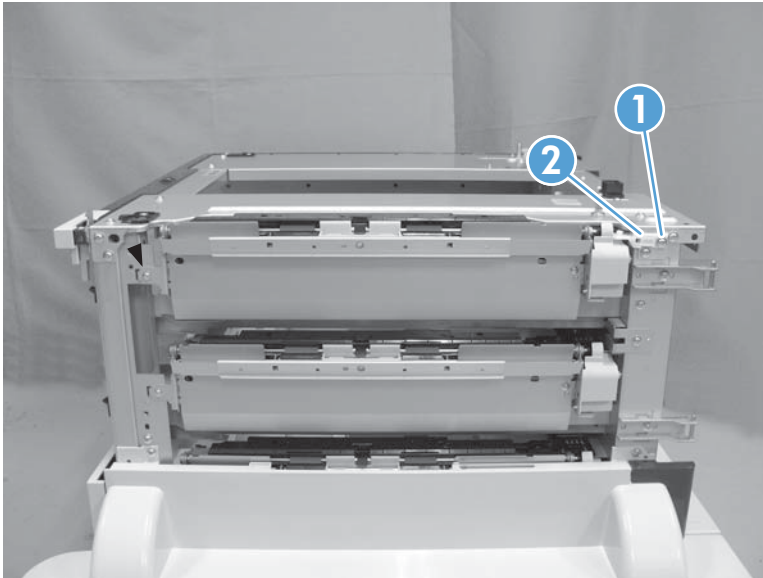
2. Remove one screw (callout 1), and then disconnect three connectors (callout 2).

Figure 1-217 Remove the 3x500 paper deck pickup assembly (1 of 3)



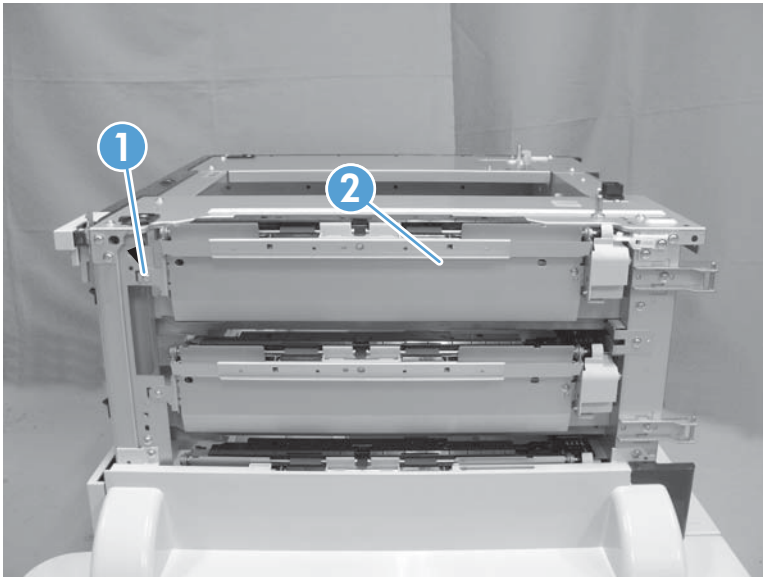
3. Remove the cassette, remove one screw (callout 1), and then remove the right-door link stopper (callout 2).

Figure 1-218 Remove the 3x500 paper deck pickup assembly (2 of 3)



4. Remove one screw (callout 1), and then remove the paper deck pickup assembly (callout 2).

Figure 1-219 Remove the 3x500 paper deck pickup assembly (3 of 3)



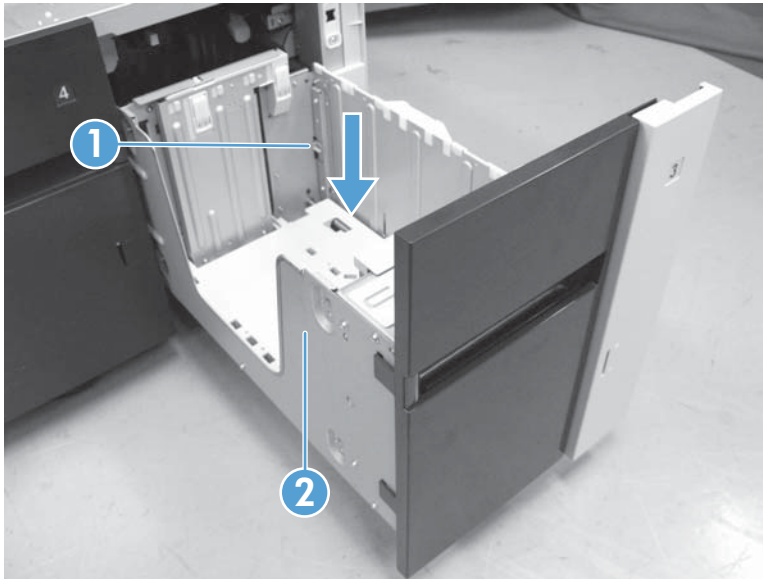
Input devices

High capacity input (HCI) feeder

HCI right tray

1. Open the right tray.
2. Lower the tray release lever (callout 1), and then remove the right tray (callout 2).

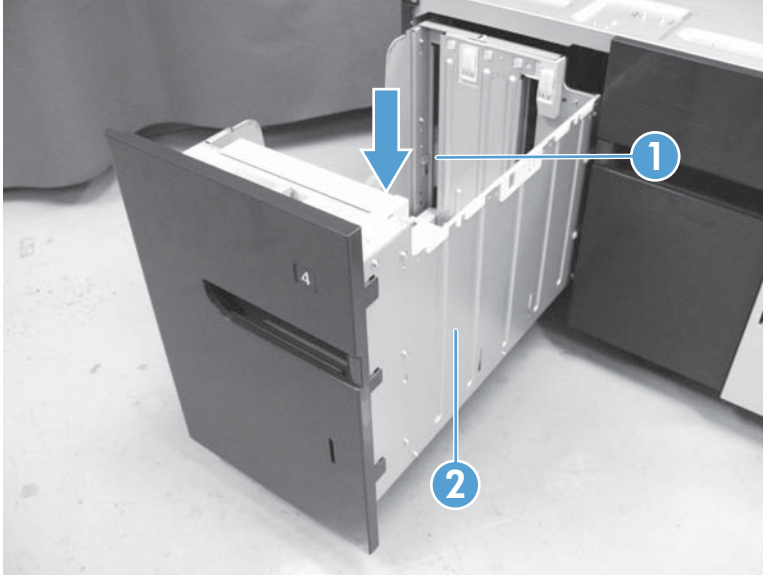
Figure 1-220 Remove the HCI right tray



HCI left tray

1. Open the left tray.
2. Lower the tray release lever (callout 1), and then remove the left tray (callout 2).

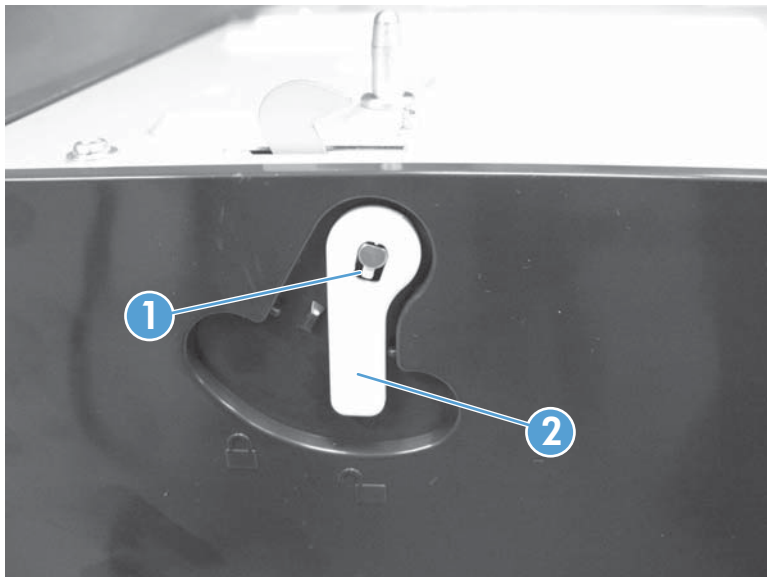
Figure 1-221 Remove the HCI left tray



HCI left cover

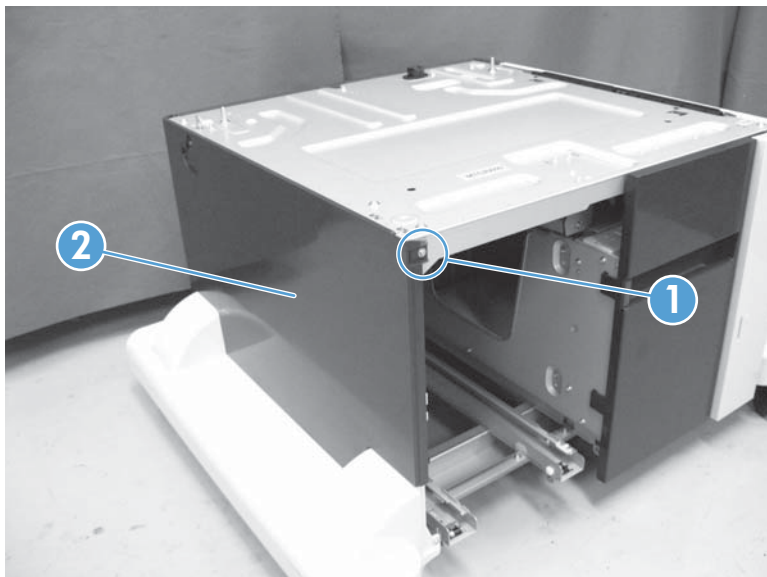
1. Remove the left tray. See [HCI left tray on page 160](#).
2. Release one tab (callout 1), and then move the lock lever (callout 2) into the unlocked position.

Figure 1-222 Remove the HCI left cover (1 of 2)



3. Remove one screw (callout 1), and then remove the left cover (callout 2) from the HCI.

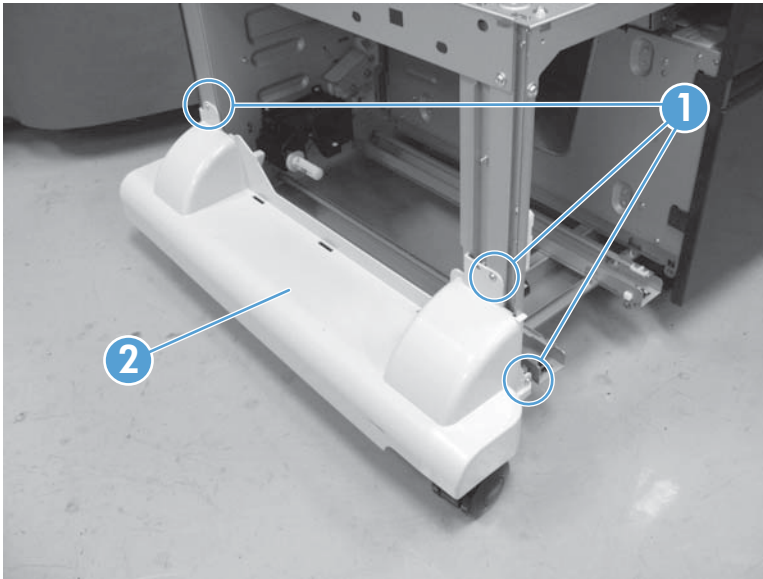
Figure 1-223 Remove the HCI left cover (2 of 2)



HCI left lower cover

1. Remove the following components or assemblies:
 - HCI left tray. See [HCI left tray on page 160](#).
 - HCI left cover. See [HCI left cover on page 161](#).
2. Remove three screws (callout 1), and then remove the left lower cover (callout 2).

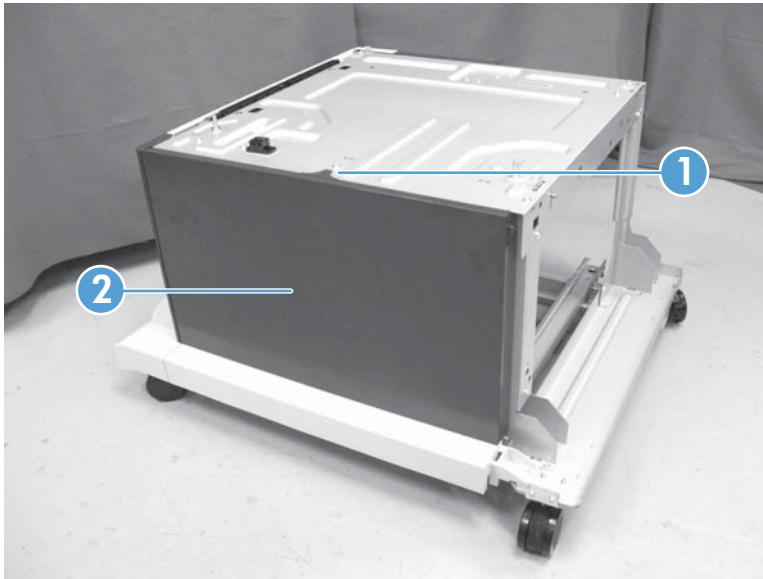
Figure 1-224 Remove the HCI left lower cover



HCI rear cover

1. Remove the following components or assemblies:
 - HCI left tray. See [HCI left tray on page 160](#).
 - HCI left cover. See [HCI left cover on page 161](#).
2. Release one tab (callout 1), and then remove the rear cover (callout 2).

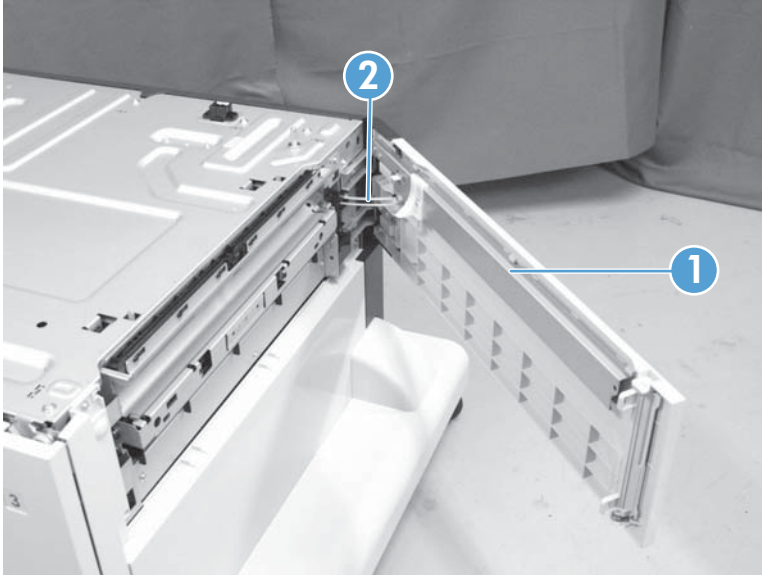
Figure 1-225 Remove the HCI rear cover



HCI right door

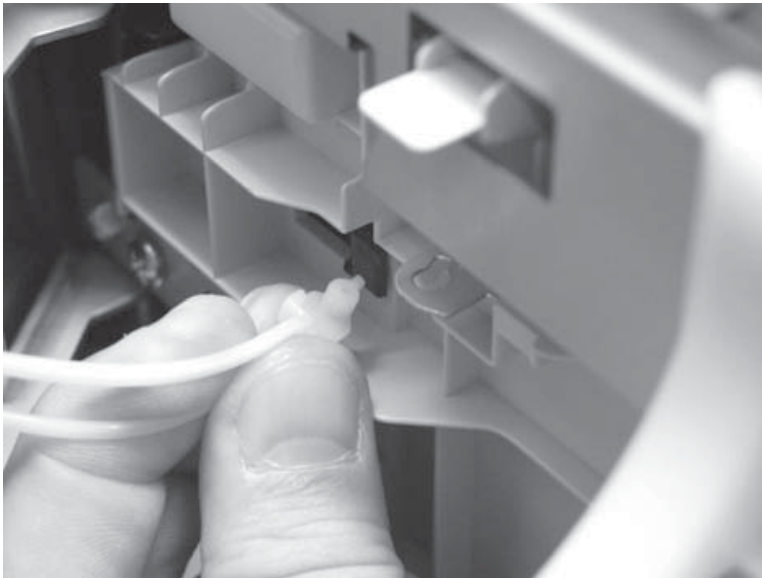
- ▲ Open the right door (callout 1), and then close the right door slightly and release the link (callout 2).

Figure 1-226 Remove the HCI right door



The figure below shows the door link in detail.

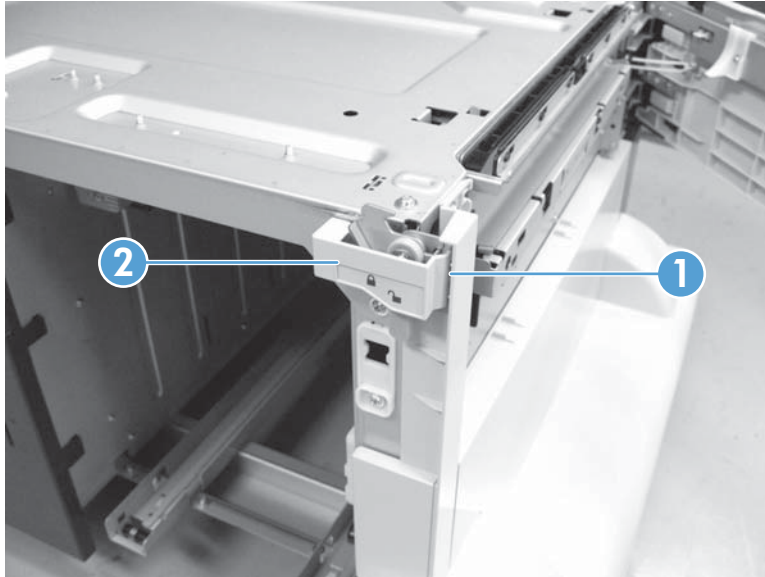
Figure 1-227 HCI right door link detail



HCI right front cover

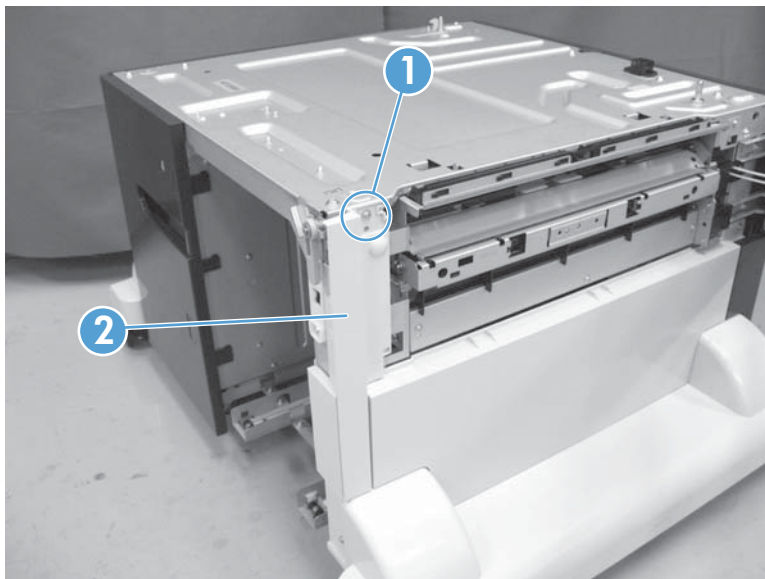
1. Remove the HCI right tray. See [HCI right tray on page 159](#).
2. Open the HCI right door, release one tab (callout 1), and then remove the lock cover (callout 2).

Figure 1-228 Remove the HCI right front cover (1 of 2)



3. Remove one screw (callout 1), and then remove the right front cover (callout 2).

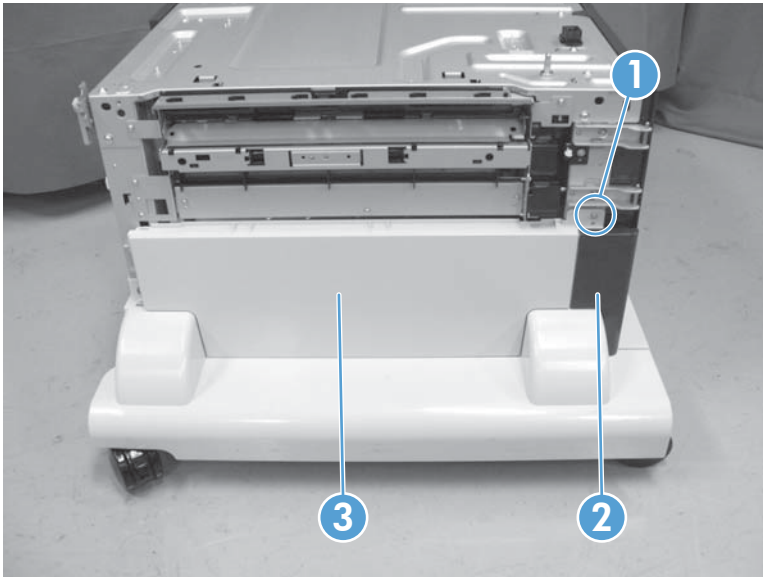
Figure 1-229 Remove the HCI right front cover (2 of 2)



HCI right center cover and right rear cover

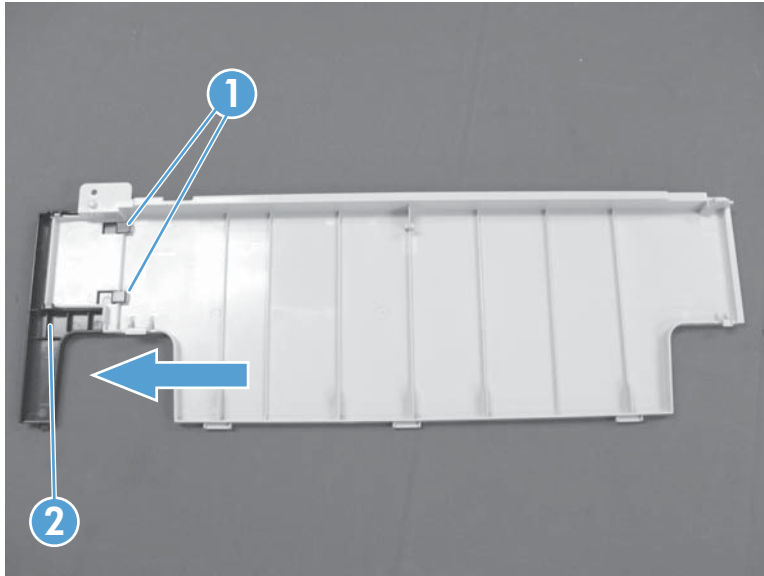
1. Remove the following components or assemblies:
 - HCI right tray. See [HCI right tray on page 159](#).
 - HCI right door. See [HCI right door on page 164](#).
 - HCI right front cover. See [HCI right front cover on page 165](#).
2. Remove one screw (callout 1), and then remove the right rear cover (callout 2) and the right center cover (callout 3) together.

Figure 1-230 Remove the HCI right center cover and right rear cover (1 of 2)



3. Release two tabs (callout 1), slide the right rear cover (callout 2) in the direction indicated and remove it from the right center cover.

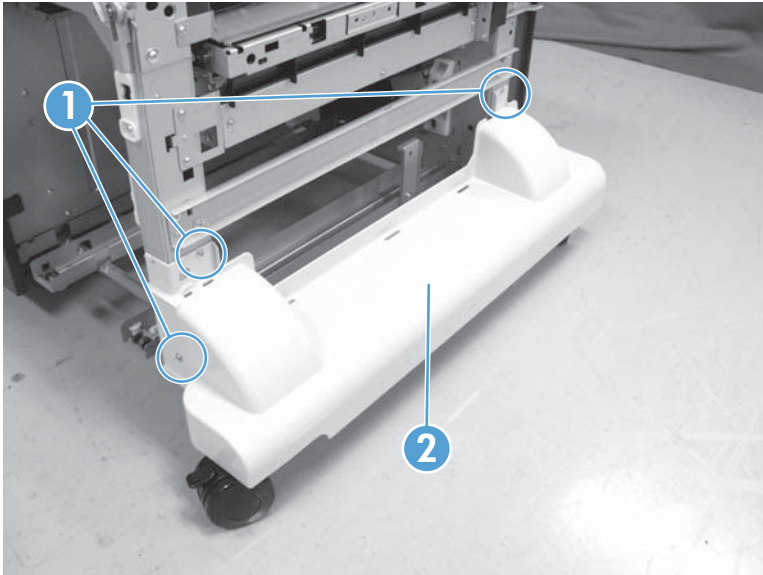
Figure 1-231 Remove the HCI right center cover and right rear cover (1 of 2)



HCI right lower cover

1. Remove the following components or assemblies:
 - HCI right tray. See [HCI right tray on page 159](#).
 - HCI right door. See [HCI right door on page 164](#).
 - HCI right front cover. See [HCI right front cover on page 165](#).
 - HCI right center cover. See [HCI right center cover and right rear cover on page 166](#).
2. Remove three screws (callout 1), and then remove the right lower cover (callout 2).

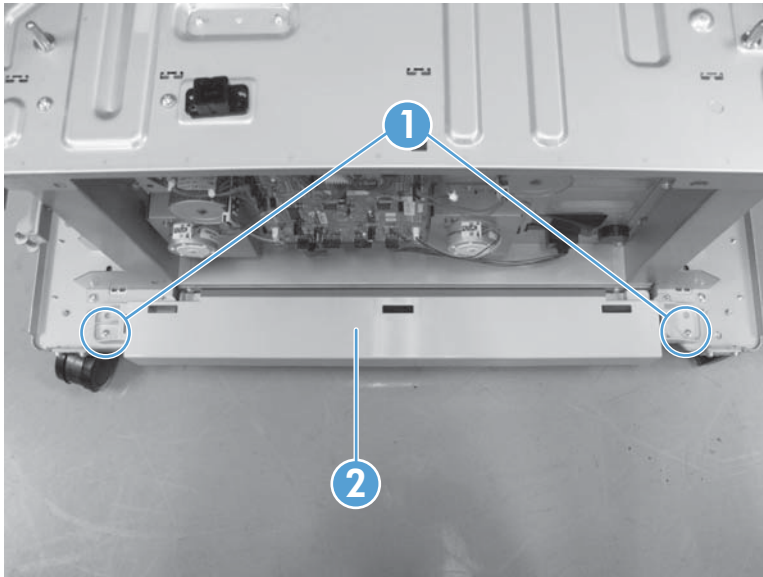
Figure 1-232 Remove the HCI right lower cover



HCI rear lower cover

1. Remove the following components or assemblies:
 - HCI right tray. See [HCI right tray on page 159](#).
 - HCI left tray. See [HCI left tray on page 160](#).
 - HCI left cover. See [HCI left cover on page 161](#).
 - HCI left lower cover. See [HCI left lower cover on page 162](#).
 - HCI rear cover. See [HCI rear cover on page 163](#).
 - HCI right door. See [HCI right door on page 164](#).
 - HCI right front cover. See [HCI right front cover on page 165](#).
 - HCI right center cover. See [HCI right center cover and right rear cover on page 166](#).
 - HCI right lower cover. See [HCI right lower cover on page 168](#).
2. Remove two screws (callout 1), and then remove the rear lower cover (callout 2).

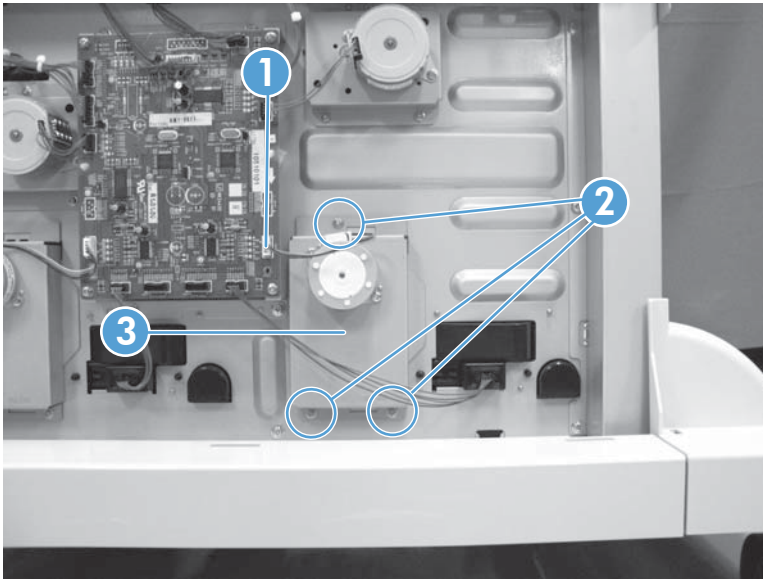
Figure 1-233 Remove the HCI rear lower cover



HCI left tray lifter drive

1. Remove the following components or assemblies:
 - HCI left tray. See [HCI left tray on page 160](#).
 - HCI left cover. See [HCI left cover on page 161](#).
 - HCI rear cover. See [HCI rear cover on page 163](#).
2. Disconnect one connector (callout 1), remove three screws (callout 2), and then remove the left tray lifter drive (callout 3).

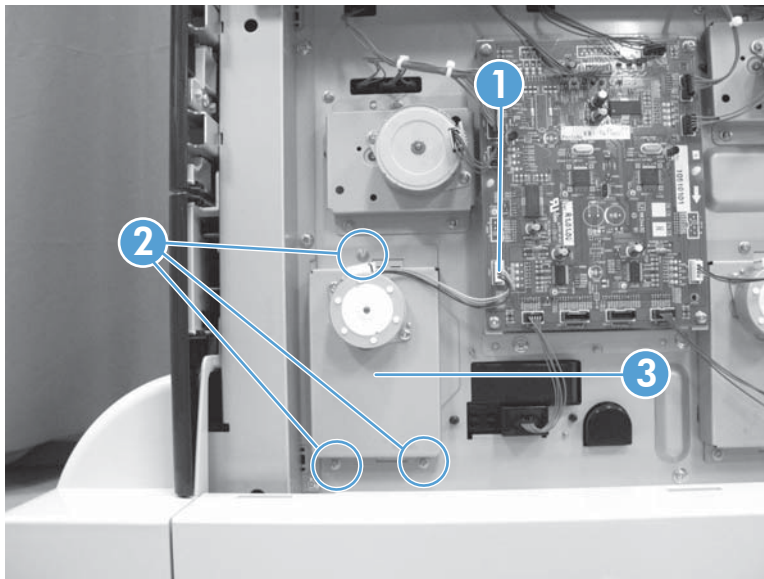
Figure 1-234 Remove the HCI left tray lifter drive



HCI right tray lifter drive

1. Remove the following components or assemblies:
 - HCI left tray. See [HCI left tray on page 160](#).
 - HCI left cover. See [HCI left cover on page 161](#).
 - HCI rear cover. See [HCI rear cover on page 163](#).
2. Disconnect one connector (callout 1), remove three screws (callout 2), and then remove the right tray lifter drive (callout 3).

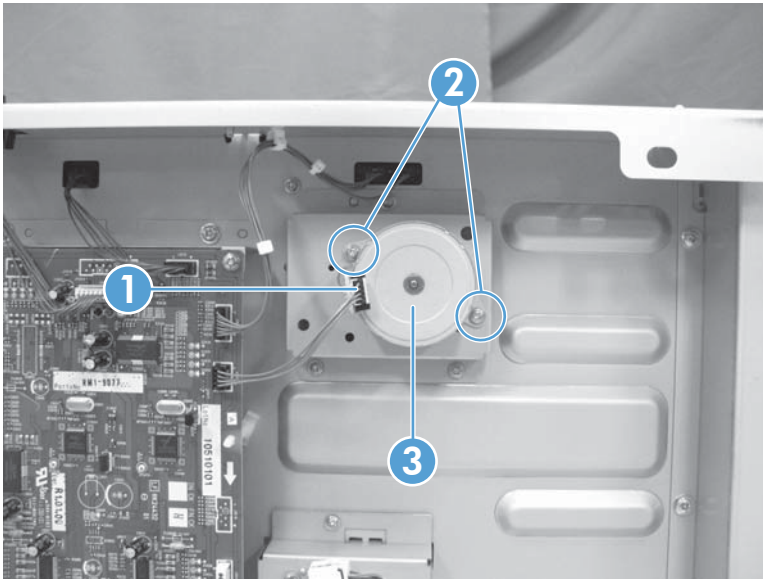
Figure 1-235 Remove the HCI right tray lifter drive



HCI left tray pickup drive

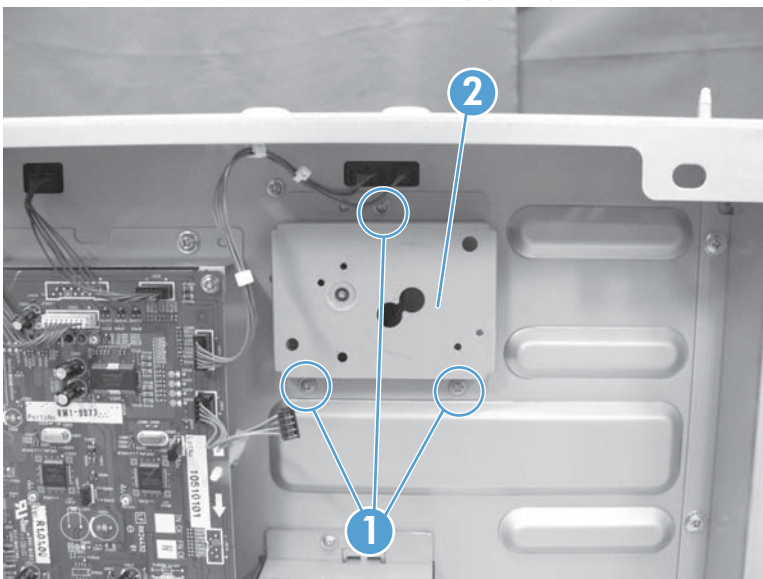
1. Remove the following components or assemblies:
 - HCI left tray. See [HCI left tray on page 160](#).
 - HCI left cover. See [HCI left cover on page 161](#).
 - HCI rear cover. See [HCI rear cover on page 163](#).
2. Disconnect one connector (callout 1), remove two screws (callout 2), and then remove the HCI left tray pickup motor (callout 3).

Figure 1-236 Remove the HCI left tray pickup drive (1 of 2)



3. Remove three screws (callout 1), and then remove the left tray pickup drive (callout 2).

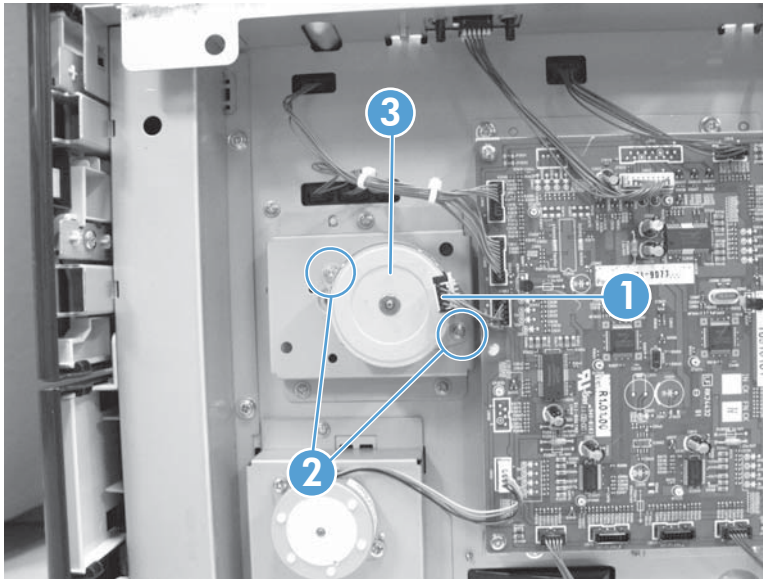
Figure 1-237 Remove the HCI left tray pickup drive (2 of 2)



HCI right tray pickup drive

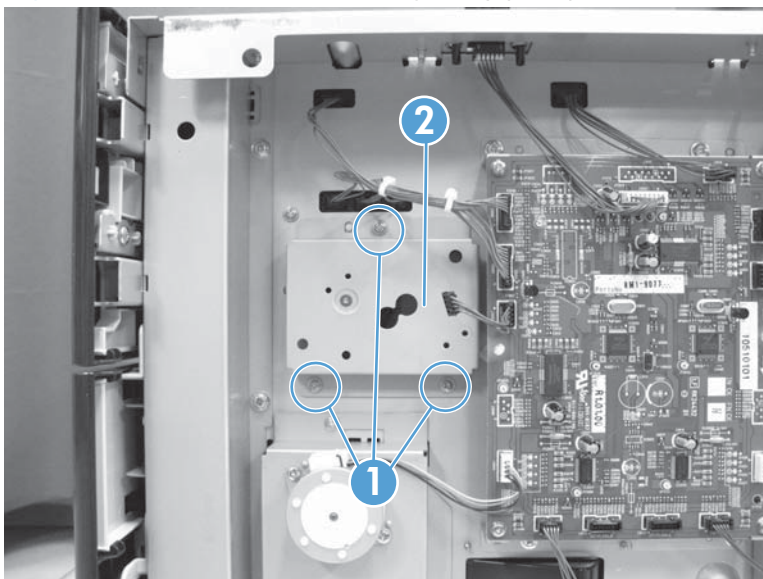
1. Remove the following components or assemblies:
 - HCI left tray. See [HCI left tray on page 160](#).
 - HCI left cover. See [HCI left cover on page 161](#).
 - HCI rear cover. See [HCI rear cover on page 163](#).
2. Disconnect one connector (callout 1), remove two screws (callout 2), and then remove the HCI right tray pickup motor (callout 3).

Figure 1-238 Remove the HCI right tray pickup drive (1 of 2)



3. Remove three screws (callout 1), and then remove the right tray pickup drive (callout 2).

Figure 1-239 Remove the HCI right tray pickup drive (2 of 2)

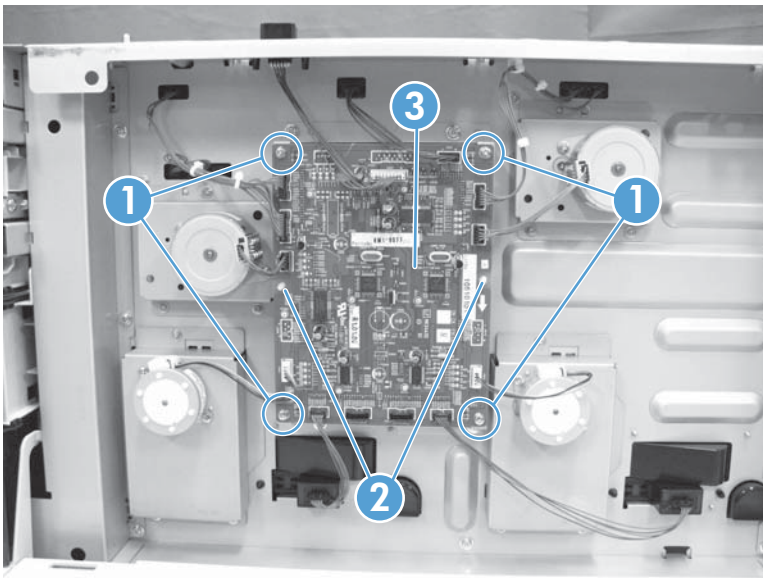


HCI controller PCA

CAUTION:  ESD sensitive assembly.

1. Remove the following components or assemblies:
 - HCI left tray. See [HCI left tray on page 160](#).
 - HCI left cover. See [HCI left cover on page 161](#).
 - HCI rear cover. See [HCI rear cover on page 163](#).
2. Disconnect all of the connectors on the HCI controller PCA, remove four screws (callout 1), release two tabs (callout 2), and then remove the HCI controller PCA (callout 3).

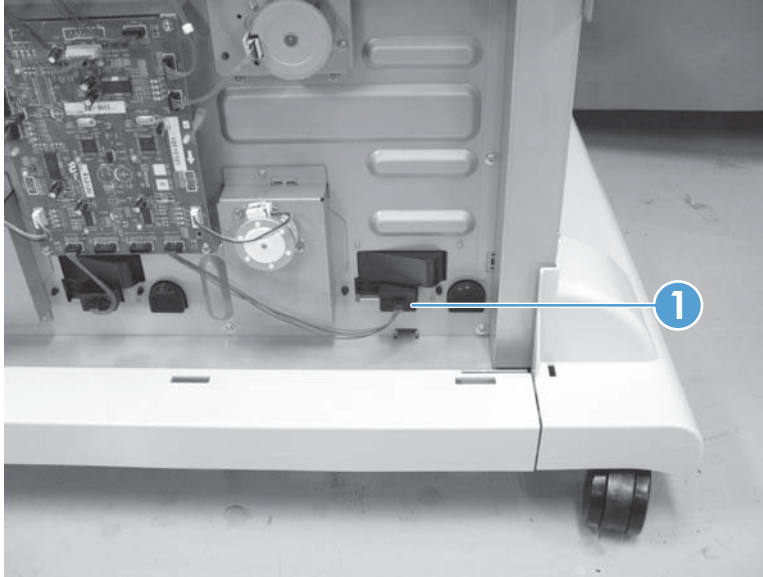
Figure 1-240 Remove the HCI controller PCA



HCI left tray automatic close assembly

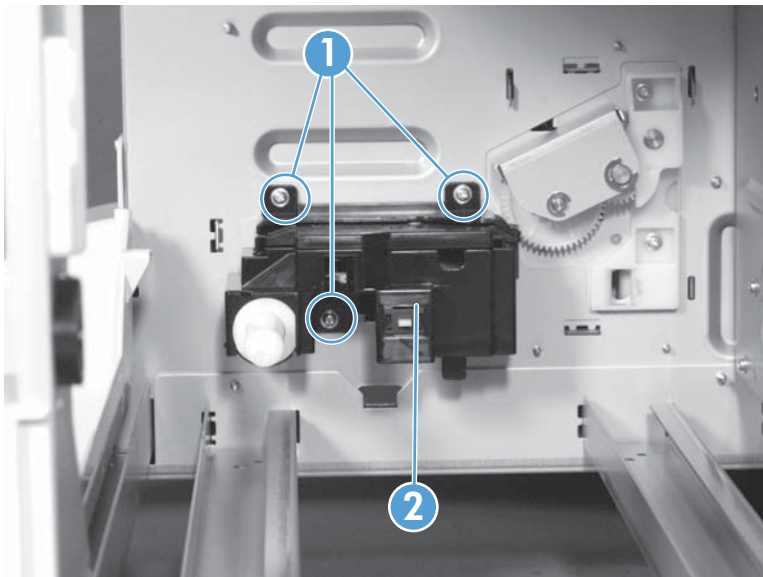
1. Remove the following components or assemblies:
 - HCI left tray. See [HCI left tray on page 160](#).
 - HCI left cover. See [HCI left cover on page 161](#).
 - HCI rear cover. See [HCI rear cover on page 163](#).
2. Disconnect one connector (callout 1).

Figure 1-241 Remove the HCI left tray automatic close assembly (1 of 2)



3. Remove three screws (callout 1), and then remove the left tray automatic close assembly (callout 2).

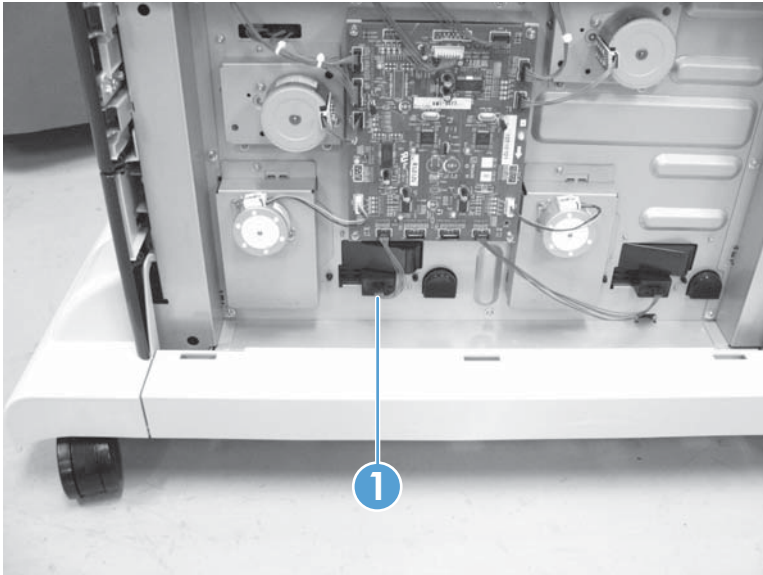
Figure 1-242 Remove the HCI left tray automatic close assembly (2 of 2)



HCI right tray automatic close assembly

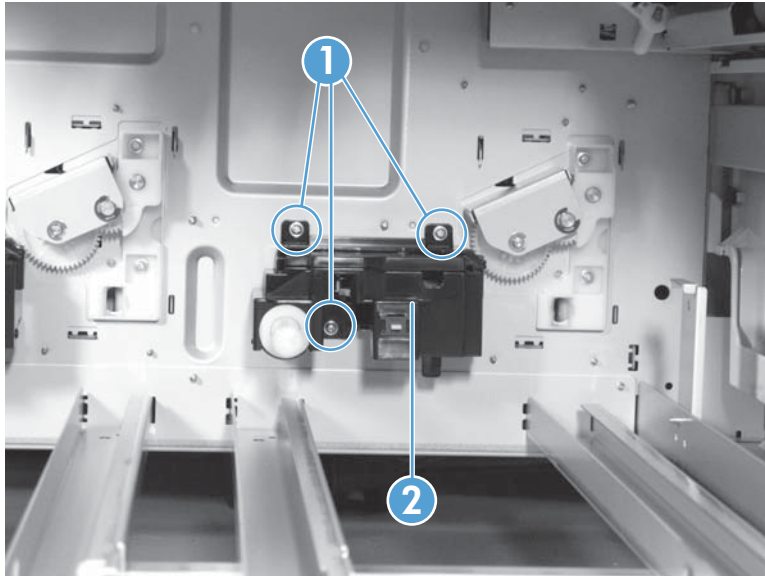
1. Remove the following components or assemblies:
 - HCI right tray. See [HCI right tray on page 159](#).
 - HCI left tray. See [HCI left tray on page 160](#).
 - HCI left cover. See [HCI left cover on page 161](#).
 - HCI rear cover. See [HCI rear cover on page 163](#).
2. Disconnect one connector (callout 1).

Figure 1-243 Remove the HCI right tray automatic close assembly (1 of 2)



3. Remove three screws (callout 1), and then remove the right tray automatic close assembly (callout 2).

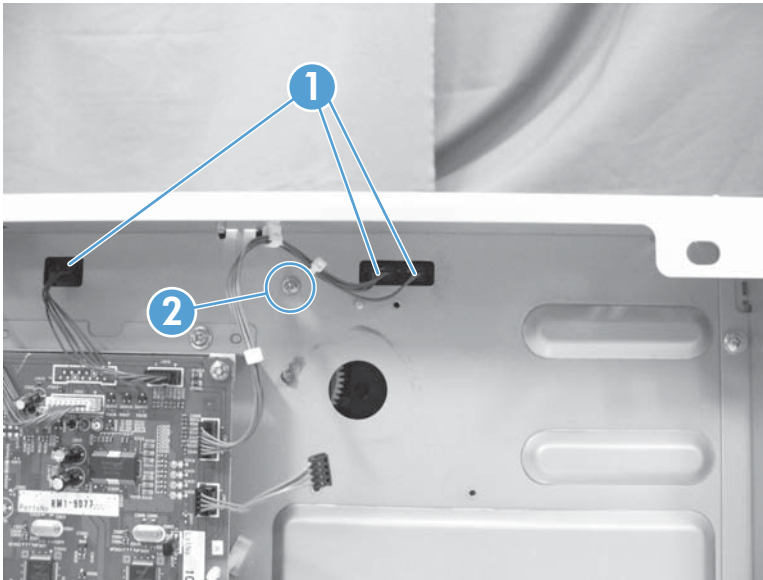
Figure 1-244 Remove the HCI right tray automatic close assembly (2 of 2)



HCI left tray pickup assembly

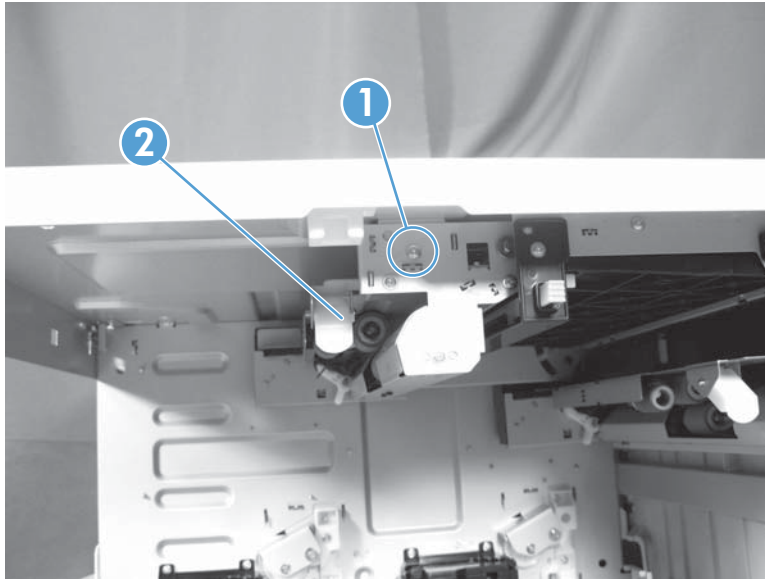
1. Remove the following components or assemblies:
 - HCI right tray. See [HCI right tray on page 159](#).
 - HCI left tray. See [HCI left tray on page 160](#).
 - HCI left cover. See [HCI left cover on page 161](#).
 - HCI rear cover. See [HCI rear cover on page 163](#).
 - HCI left tray pickup drive. See [HCI left tray pickup drive on page 172](#).
2. Disconnect three connectors (callout 1) and remove one screw (callout 2).

Figure 1-245 Remove the HCI left tray pickup assembly (1 of 2)



3. Remove one screw (callout 1), and then remove the left tray pickup assembly (callout 2).

Figure 1-246 Remove the HCI left tray pickup assembly (2 of 2)

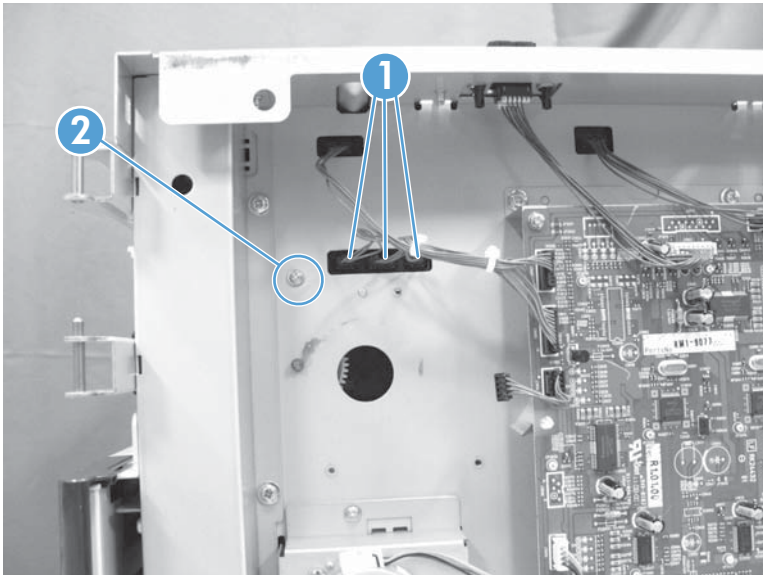


TIP: When removing the screw (callout 1), hold the left tray pickup assembly so that you do not drop the screw.

HCI right tray pickup assembly

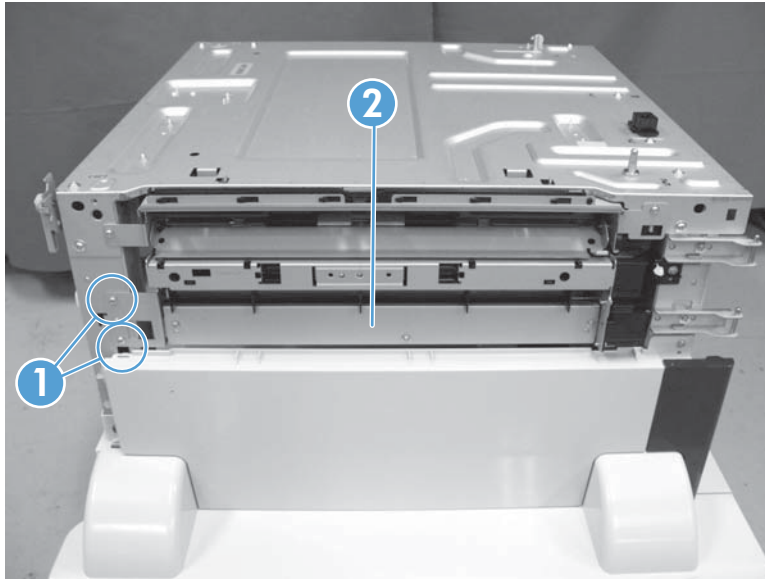
1. Remove the following components or assemblies:
 - HCI right tray. See [HCI right tray on page 159](#).
 - HCI left tray. See [HCI left tray on page 160](#).
 - HCI left cover. See [HCI left cover on page 161](#).
 - HCI rear cover. See [HCI rear cover on page 163](#).
 - HCI right door. See [HCI right door on page 164](#).
 - HCI right front cover. See [HCI right front cover on page 165](#).
 - HCI right tray pickup drive. See [HCI right tray pickup drive on page 173](#).
2. Disconnect three connectors (callout 1) and remove one screw (callout 2).

Figure 1-247 Remove the HCI right tray pickup assembly (1 of 2)



3. Remove two screws (callout 1), and then remove the right tray pickup assembly (callout 2).

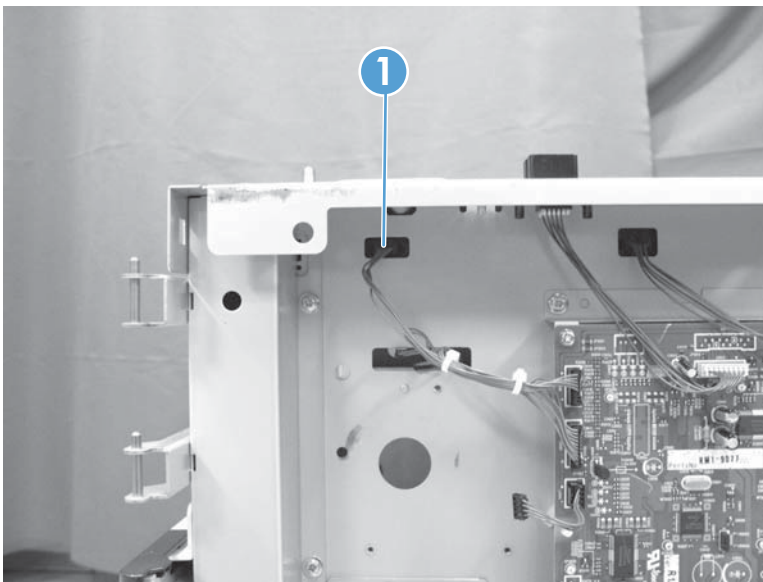
Figure 1-248 Remove the HCI right tray pickup assembly (2 of 2)



HCI merge assembly

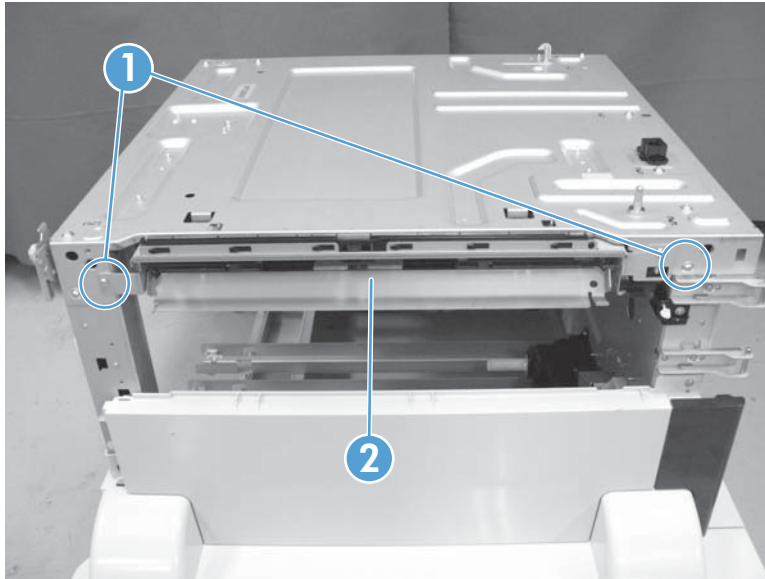
1. Remove the following components or assemblies:
 - HCI right tray. See [HCI right tray on page 159](#).
 - HCI left tray. See [HCI left tray on page 160](#).
 - HCI left cover. See [HCI left cover on page 161](#).
 - HCI rear cover. See [HCI rear cover on page 163](#).
 - HCI right door. See [HCI right door on page 164](#).
 - HCI right front cover. See [HCI right front cover on page 165](#).
 - HCI right tray pickup drive. See [HCI right tray pickup drive on page 173](#).
 - HCI right tray pickup assembly. See [HCI right tray pickup assembly on page 180](#).
2. Disconnect one connector (callout 1).

Figure 1-249 Remove the HCI merge assembly (1 of 2)



3. Remove two screws (callout 1), and then remove the merge assembly (callout 2).

Figure 1-250 Remove the HCI merge assembly (2 of 2)



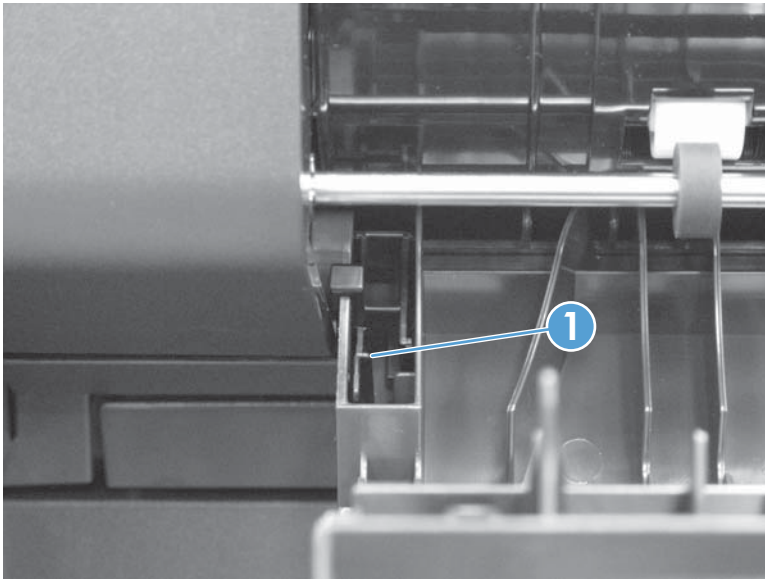
Output devices

Stapler/stacker (stapler models only)

Stapler/stacker left door

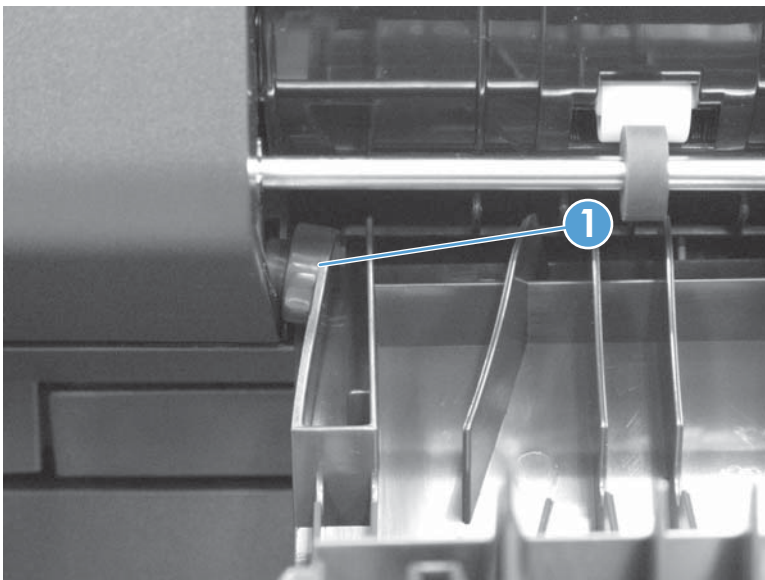
1. Open the left door.
2. Remove the shaft support spacer (callout 1) from the pocket in the door.

Figure 1-251 Remove the stapler/stacker left door (1 of 3)



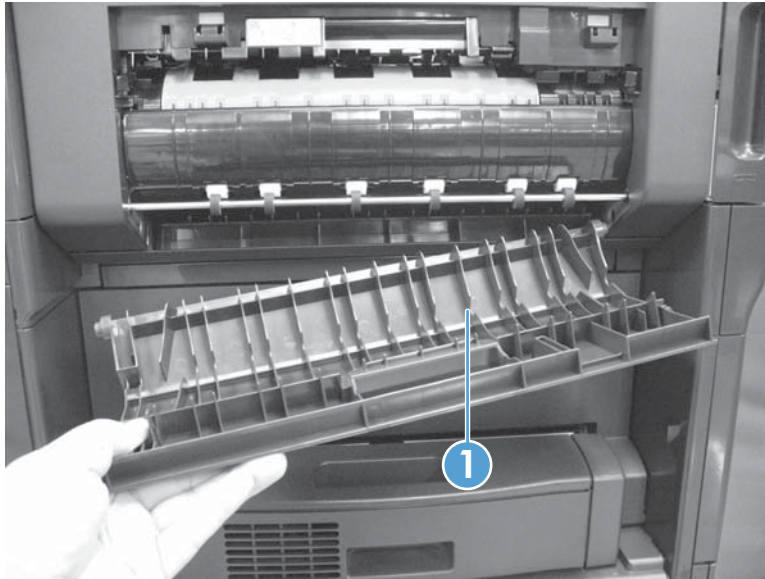
3. Bend the shaft (callout 1) slightly to release it.

Figure 1-252 Remove the stapler/stacker left door (2 of 3)



4. Pull the left side of the door (callout 1) out to remove the door from the product.

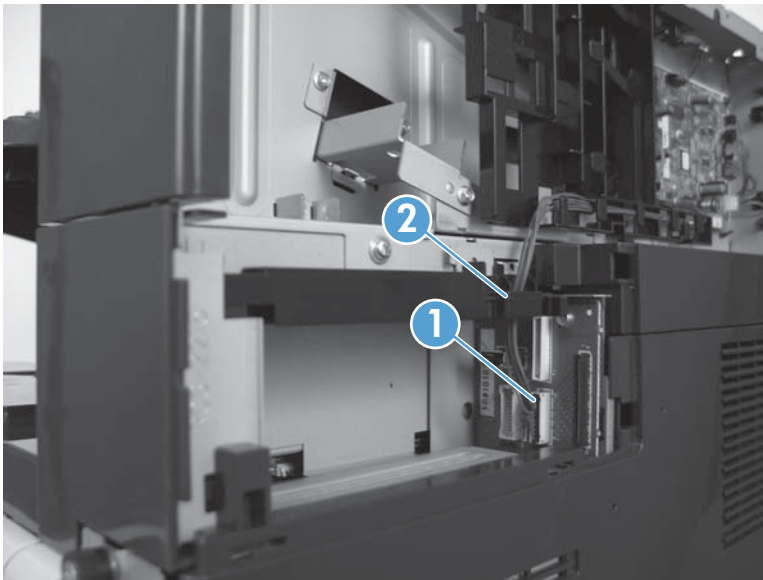
Figure 1-253 Remove the stapler/stacker left door (3 of 3)



Stapler/stacker left cover

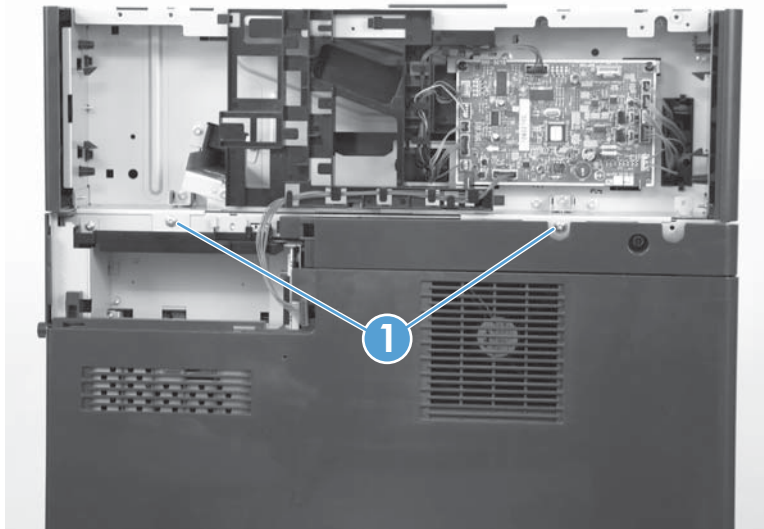
1. Remove the following components or assemblies:
 - Control panel. See [Control panel assembly on page 49](#).
 - Rear pocket cover and stapler/stacker rear cover. See step 1 of [Rear cover on page 24](#) and [Stapler/stacker rear cover on page 190](#).
 - Document feeder assembly. See [Document feeder assembly on page 214](#).
 - Scanner assembly. See [Scanner assembly on page 248](#).
2. Disconnect one connector (callout 1), and then release the wire harness from the retainer (callout 2).

Figure 1-254 Remove the stapler/stacker assembly (1 of 5)



3. Remove two screws (callout 1).

Figure 1-255 Remove the stapler/stacker assembly (2 of 5)



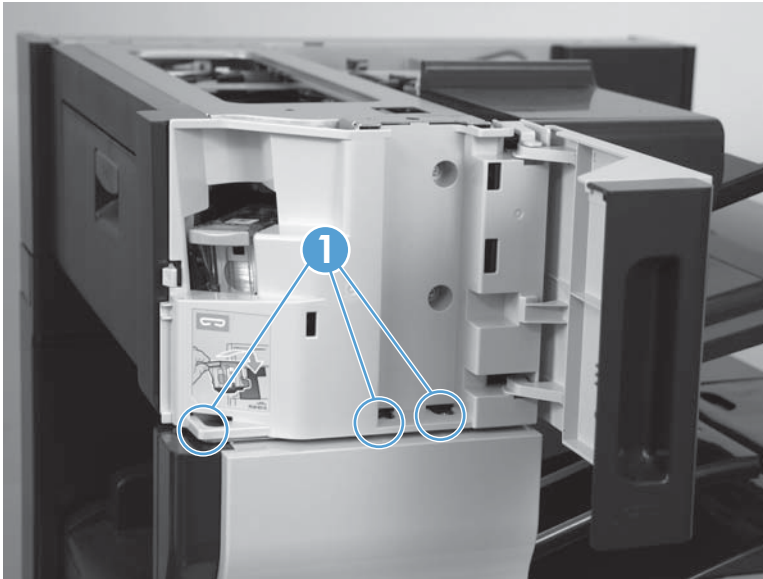
4. Open the stapler door.

Figure 1-256 Remove the stapler/stacker assembly (3 of 5)



5. Remove three screws (callout 1).

Figure 1-257 Remove the stapler/stacker assembly (4 of 5)



6. Lift the stapler/stacker straight up and off of the product to remove the assembly.

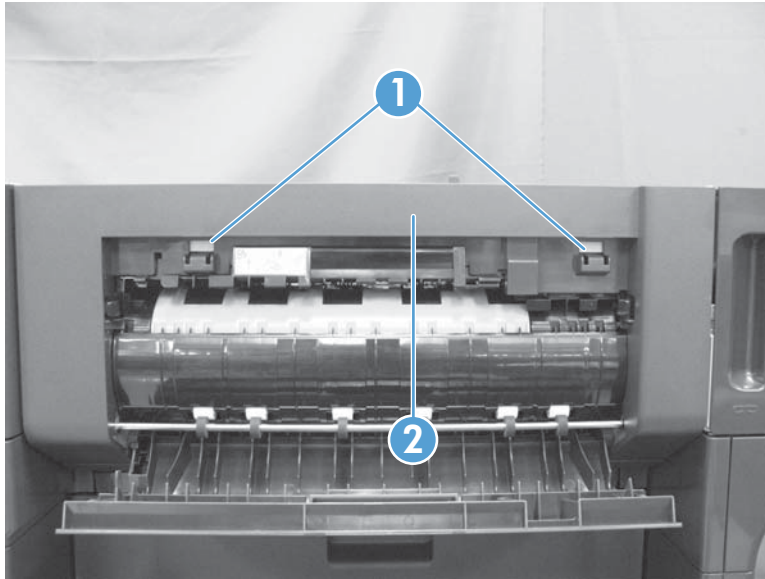
Figure 1-258 Remove the stapler/stacker assembly (5 of 5)



7. Open the left door.

8. Release two tabs (callout 1), and then remove the cover (callout 2).

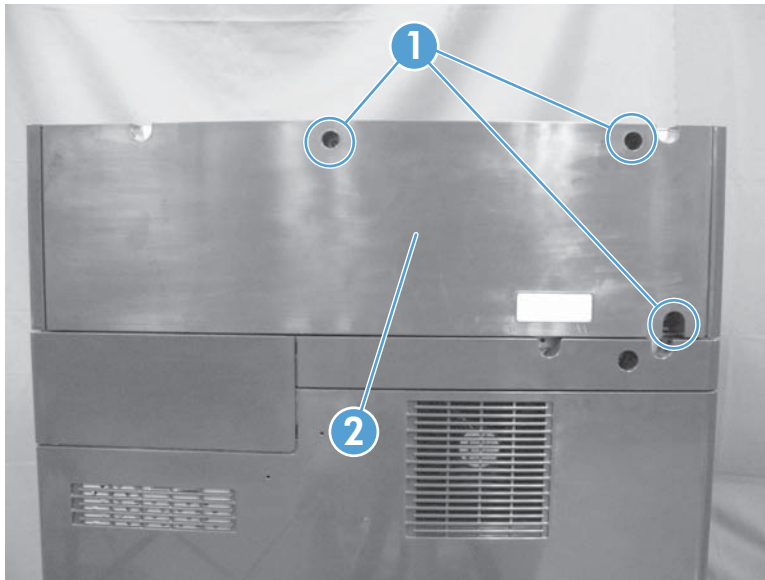
Figure 1-259 Remove the stapler/stacker left cover



Stapler/stacker rear cover

Remove three screws (callout 1), and then remove the rear cover (callout 2).

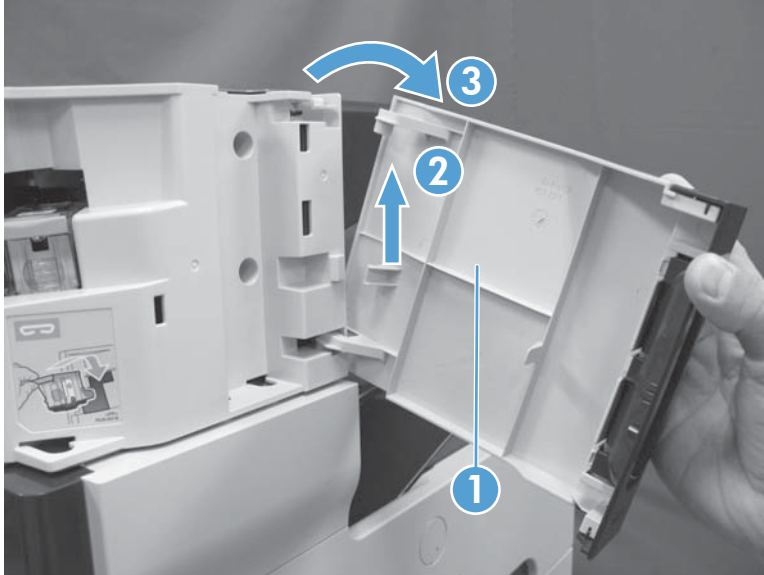
Figure 1-260 Remove the stapler/stacker rear cover



Stapler/stacker stapler door

Open the stapler door (callout 1), lift up the stapler door in the direction (callout 2) indicated, and then turn it in a clockwise direction (callout 3) to remove it.

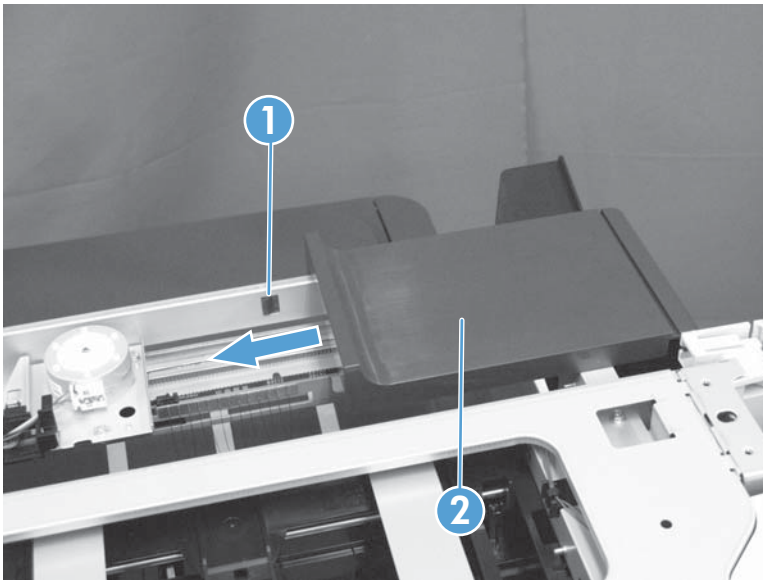
Figure 1-261 Remove the stapler front door



Stapler/stacker jogger upper cover

1. Remove the following components or assemblies:
 - Control panel. See [Control panel assembly on page 49](#).
 - Rear pocket cover and stapler/stacker rear cover. See step 1 of [Rear cover on page 24](#) and [Stapler/stacker rear cover on page 190](#).
 - Document feeder assembly. See [Document feeder assembly on page 214](#).
 - Scanner assembly. See [Scanner assembly on page 248](#).
2. Release one tab (callout 1) and slide the jogger upper cover (callout 2) in the direction indicated to remove it.

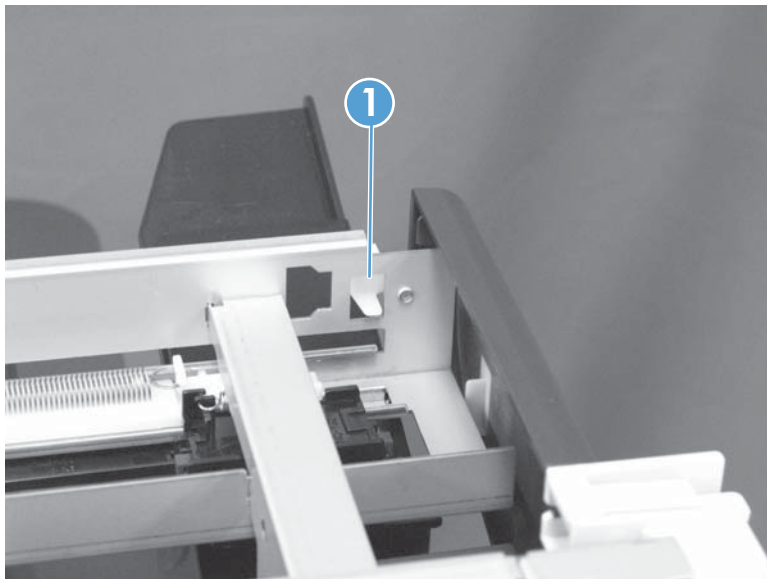
Figure 1-262 Remove the stapler/stacker jogger upper cover



Stapler/stacker stapler cover

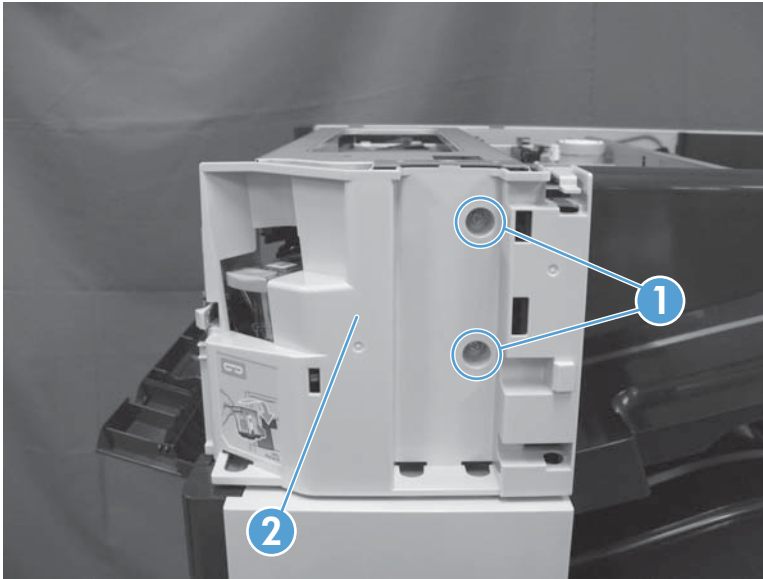
1. Remove the following components or assemblies:
 - Control panel. See [Control panel assembly on page 49](#).
 - Rear pocket cover and stapler/stacker rear cover. See step 1 of [Rear cover on page 24](#) and [Stapler/stacker rear cover on page 190](#).
 - Document feeder assembly. See [Document feeder assembly on page 214](#).
 - Scanner assembly. See [Scanner assembly on page 248](#).
 - Stapler/stacker left cover. See [Stapler/stacker left cover on page 186](#).
 - Stapler/stacker stapler door. See [Stapler/stacker stapler door on page 191](#).
 - Stapler/stacker jogger upper cover. See [Stapler/stacker jogger upper cover on page 192](#).
2. Release one tab (callout 1).

Figure 1-263 Remove the stapler cover (1 of 2)



3. Remove two screws (callout 1), and then remove the stapler cover (callout 2) from the product.

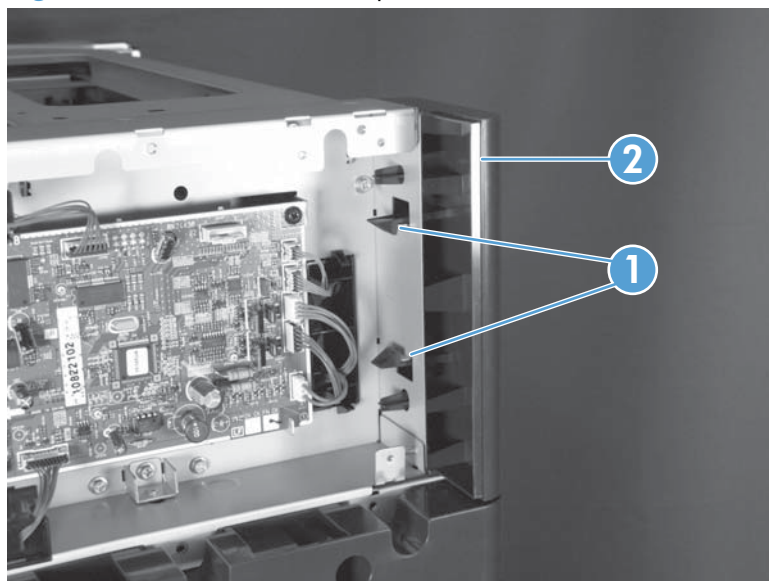
Figure 1-264 Remove the stapler cover (2 of 2)



Stapler/stacker left rear cover

1. Remove the following components or assemblies:
 - Control panel. See [Control panel assembly on page 49](#).
 - Rear pocket cover and stapler/stacker rear cover. See step 1 of [Rear cover on page 24](#) and [Stapler/stacker rear cover on page 190](#).
 - Document feeder assembly. See [Document feeder assembly on page 214](#).
 - Scanner assembly. See [Scanner assembly on page 248](#).
 - Stapler/stacker left cover. See [Stapler/stacker left cover on page 186](#).
 - Stapler/stacker rear cover. See [Stapler/stacker rear cover on page 190](#).
2. Release two tabs (callout 1), and then remove the cover (callout 2) from the product.

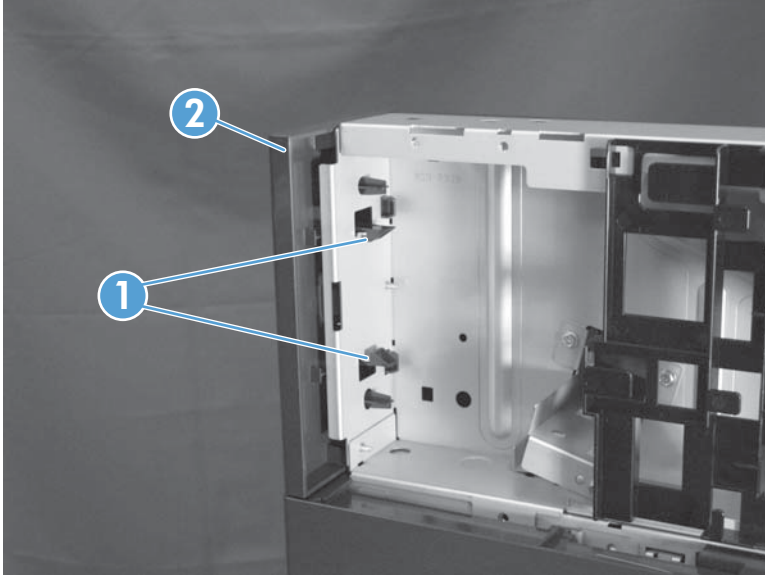
Figure 1-265 Remove the stapler/stacker left rear cover



Stapler/stacker right rear cover

1. Remove stapler/stacker rear cover. See [Stapler/stacker rear cover on page 190](#).
2. Release two tabs (callout 1), and then remove the right rear cover (callout 2) from the product.

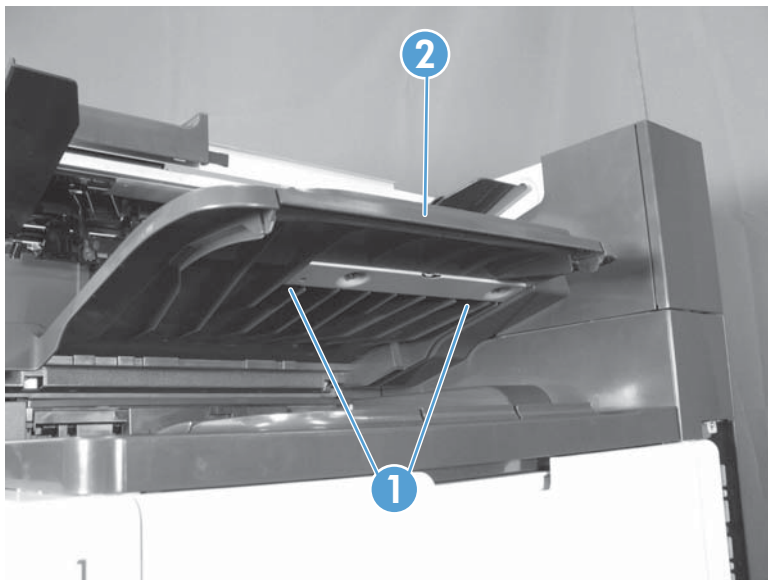
Figure 1-266 Remove the stapler/stacker right rear cover



Stapler/stacker output bin assembly

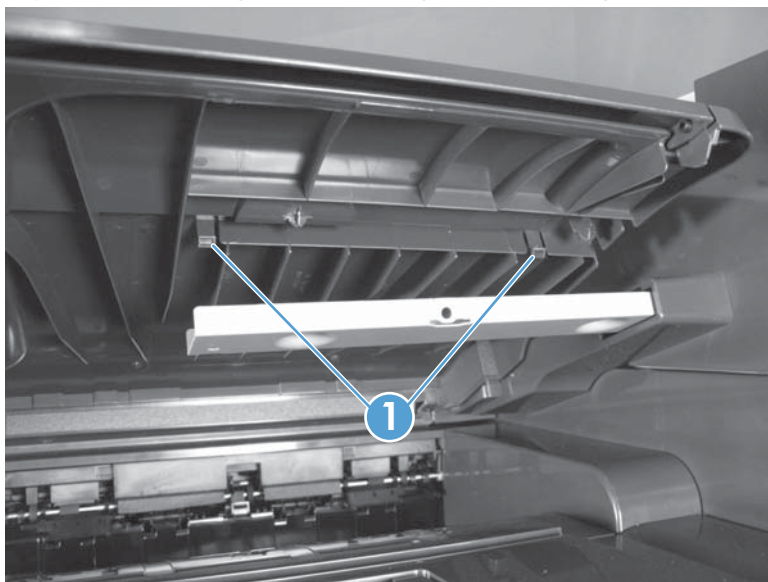
Release two tabs (callout 1), and then remove the output bin assembly (callout 2).

Figure 1-267 Remove the stapler/stacker output bin assembly



The following figure shows the location of the two tabs (callout 1) when the assembly is separated from the metal support bracket.

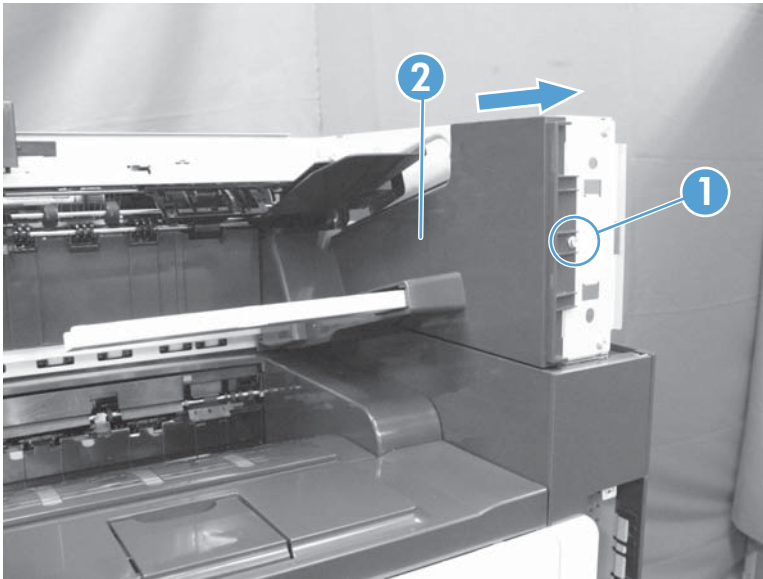
Figure 1-268 Stapler/stacker output bin assembly tab locations



Stapler/stacker rear inner cover

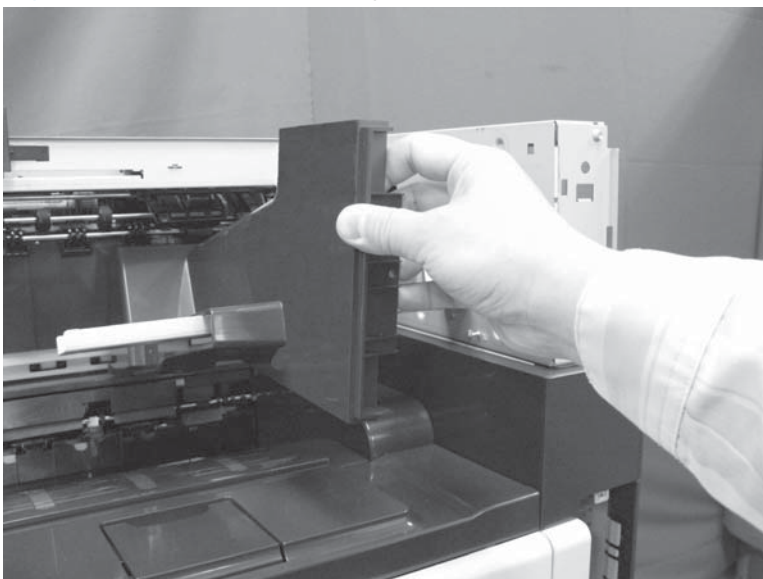
1. Remove the following components or assemblies:
 - Stapler/stacker rear cover. See [Stapler/stacker rear cover on page 190](#).
 - Stapler/stacker right rear cover. See [Stapler/stacker right rear cover on page 196](#).
 - Stapler/stacker output bin assembly. See [Stapler/stacker output bin assembly on page 197](#).
2. Remove one screw (callout 1), and slide the rear inner cover (callout 2) in the direction indicated to separate it from the stapler/stacker.

Figure 1-269 Remove the stapler/stacker rear inner cover (1 of 2)



3. Slide the cover along the metal support to remove it from the product.

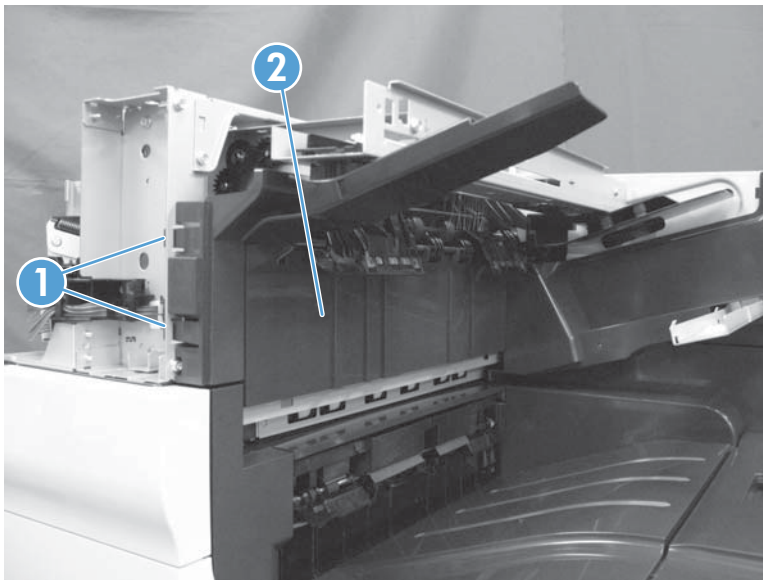
Figure 1-270 Remove the stapler/stacker rear inner cover (2 of 2)



Stapler/stacker stack cover

1. Remove the following components or assemblies:
 - Control panel. See [Control panel assembly on page 49](#).
 - Rear pocket cover and stapler/stacker rear cover. See step 1 of [Rear cover on page 24](#) and [Stapler/stacker rear cover on page 190](#).
 - Document feeder assembly. See [Document feeder assembly on page 214](#).
 - Scanner assembly. See [Scanner assembly on page 248](#).
 - Stapler/stacker left cover. See [Stapler/stacker left cover on page 186](#).
 - Stapler/stacker stapler door. See [Stapler/stacker stapler door on page 191](#).
 - Stapler/stacker jogger upper cover. See [Stapler/stacker jogger upper cover on page 192](#).
 - Stapler/stacker stapler cover. See [Stapler/stacker stapler cover on page 193](#).
 - Stapler/stacker output bin. See [Stapler/stacker output bin assembly on page 197](#).
2. Release two tabs (callout 1), and then remove the stack cover (callout 2) from the product.

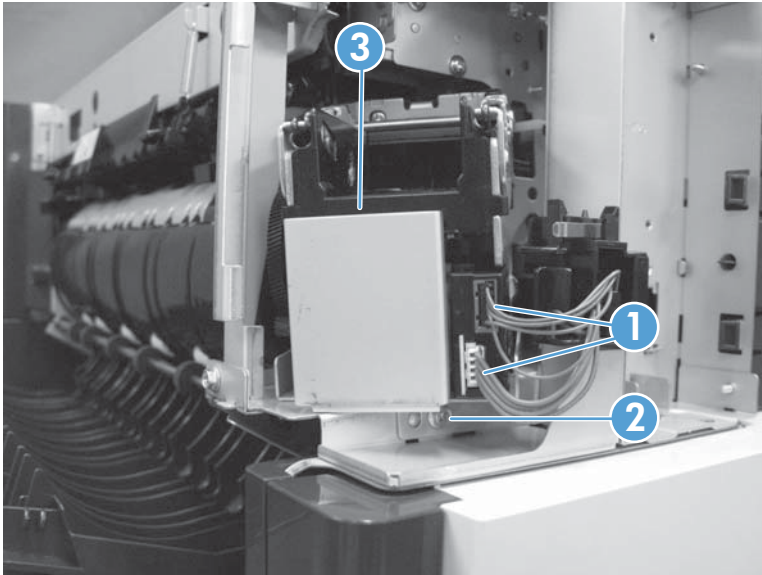
Figure 1-271 Remove the stapler/stacker stack cover



Stapler/stacker stapler assembly

1. Remove the following components or assemblies:
 - Control panel. See [Control panel assembly on page 49](#).
 - Rear pocket cover and stapler/stacker rear cover. See step 1 of [Rear cover on page 24](#) and [Stapler/stacker rear cover on page 190](#).
 - Document feeder assembly. See [Document feeder assembly on page 214](#).
 - Scanner assembly. See [Scanner assembly on page 248](#).
 - Stapler/stacker left cover. See [Stapler/stacker left cover on page 186](#).
 - Stapler/stacker stapler door. See [Stapler/stacker stapler door on page 191](#).
 - Stapler/stacker jogger upper cover. See [Stapler/stacker jogger upper cover on page 192](#).
 - Stapler/stacker stapler cover. See [Stapler/stacker stapler cover on page 193](#).
2. Disconnect two connectors (callout 1), remove one screw (callout 2), and then remove the stapler assembly (callout 3) from the product.

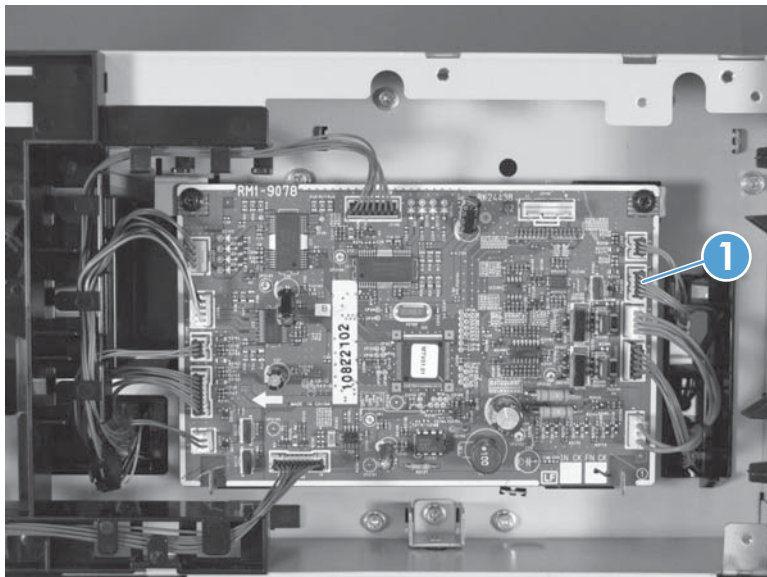
Figure 1-272 Remove the stapler/stacker stapler assembly



Stapler/stacker paper feed assembly

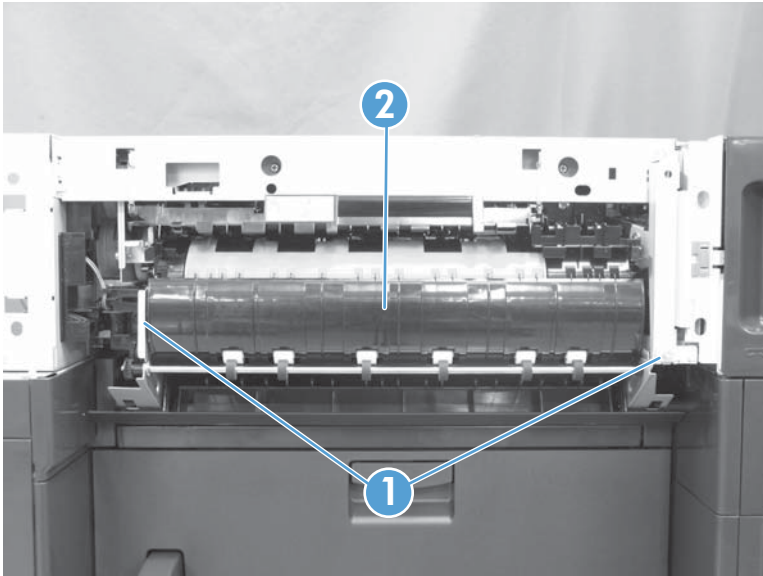
1. Remove the following components or assemblies:
 - Control panel. See [Control panel assembly on page 49](#).
 - Rear pocket cover and stapler/stacker rear cover. See step 1 of [Rear cover on page 24](#) and [Stapler/stacker rear cover on page 190](#).
 - Document feeder assembly. See [Document feeder assembly on page 214](#).
 - Scanner assembly. See [Scanner assembly on page 248](#).
 - Stapler/stacker left door. See [Stapler/stacker left door on page 184](#).
 - Stapler/stacker left cover. See [Stapler/stacker left cover on page 186](#).
 - Stapler/stacker left rear cover. See [Stapler/stacker left rear cover on page 195](#).
2. Disconnect one connector (callout 1).

Figure 1-273 Remove the stapler/stacker paper feed assembly (1 of 2)



3. Remove two screws (callout 1), and then remove the paper feed assembly (callout 2) from the product.

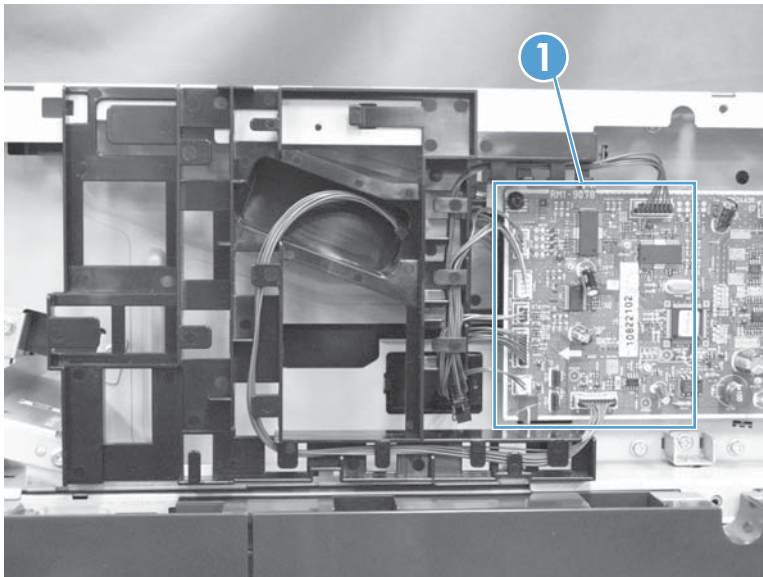
Figure 1-274 Remove the stapler/stacker paper feed assembly (2 of 2)



Stapler/stacker alignment assembly

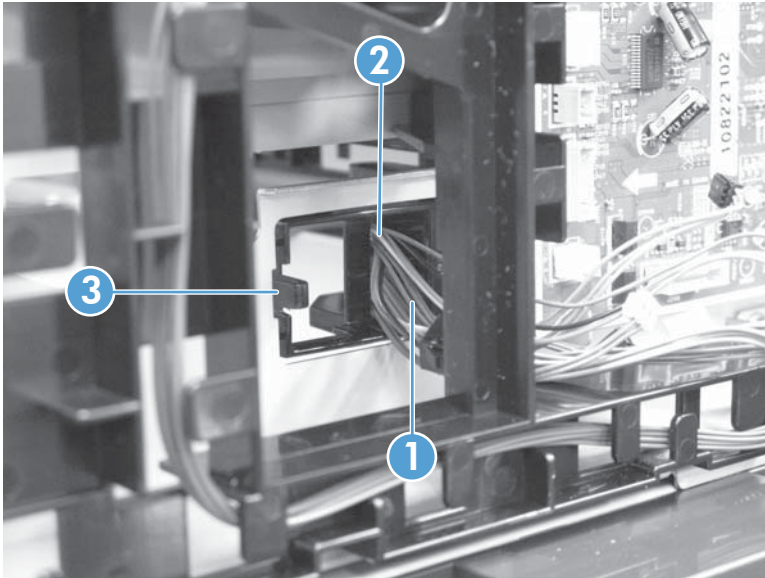
1. Remove the following components or assemblies:
 - Control panel. See [Control panel assembly on page 49](#).
 - Rear pocket cover and stapler/stacker rear cover. See step 1 of [Rear cover on page 24](#) and [Stapler/stacker rear cover on page 190](#).
 - Document feeder assembly. See [Document feeder assembly on page 214](#).
 - Scanner assembly. See [Scanner assembly on page 248](#).
 - Stapler/stacker left cover. See [Stapler/stacker left cover on page 186](#).
 - Stapler/stacker stapler door. See [Stapler/stacker stapler door on page 191](#).
 - Stapler/stacker jogger upper cover. See [Stapler/stacker jogger upper cover on page 192](#).
 - Stapler/stacker stapler cover. See [Stapler/stacker stapler cover on page 193](#).
 - Stapler/stacker left rear cover. See [Stapler/stacker left rear cover on page 195](#).
 - Stapler/stacker right rear cover. See [Stapler/stacker right rear cover on page 196](#).
 - Stapler/stacker output bin. See [Stapler/stacker output bin assembly on page 197](#).
 - Stapler/stacker rear inner cover. See [Stapler/stacker rear inner cover on page 198](#).
 - Stapler/stacker stack cover. See [Stapler/stacker stack cover on page 199](#).
 - Stapler/stacker stapler assembly. See [Stapler/stacker stapler assembly on page 200](#).
2. Disconnect seven connectors (callout 1), and then release the cables from the cable guide.

Figure 1-275 Remove the stapler/stacker alignment assembly (1 of 7)



3. Pull out the cables (callout 1) from the hole (callout 2) of the cable guide, and then release one tab (callout 3).

Figure 1-276 Remove the stapler/stacker alignment assembly (2 of 7)



4. Unhook two springs (callout 1), and then remove two screws (callout 2).


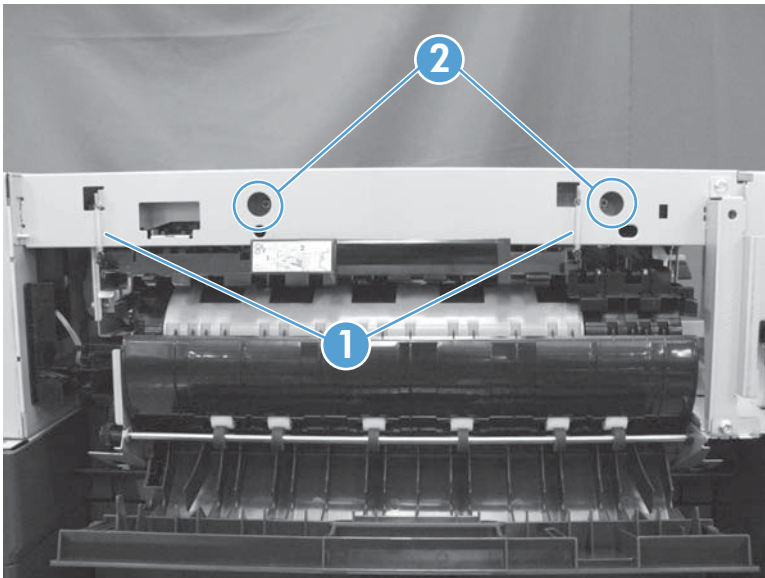
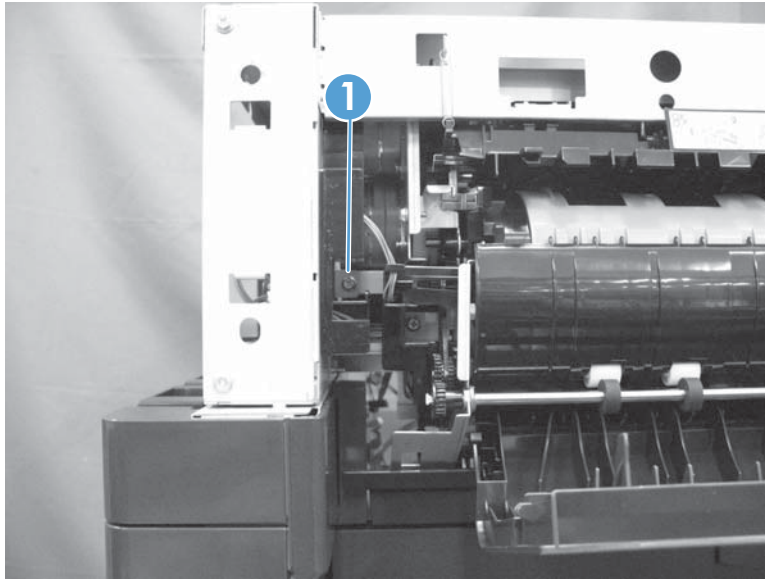
 **NOTE:** The springs are not captive and can easily be lost.

Figure 1-277 Remove the stapler/stacker alignment assembly (3 of 7)



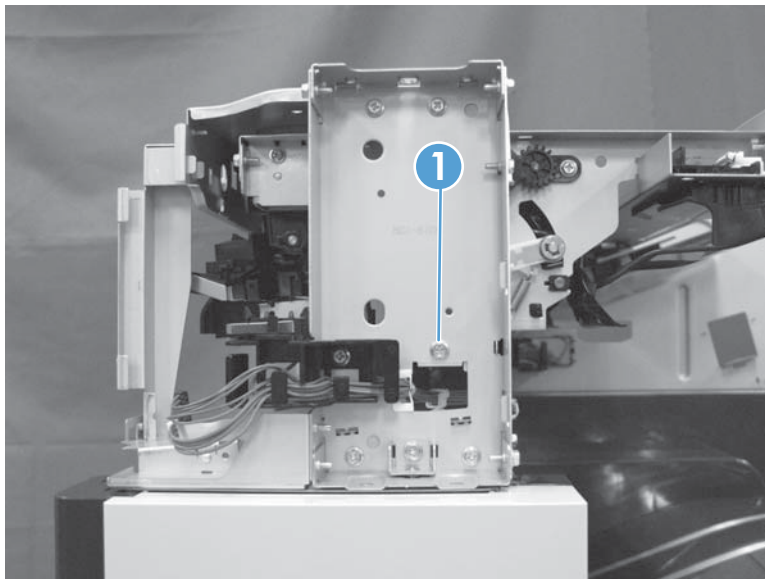
5. Remove one screw (callout 1).

Figure 1-278 Remove the stapler/stacker alignment assembly (4 of 7)



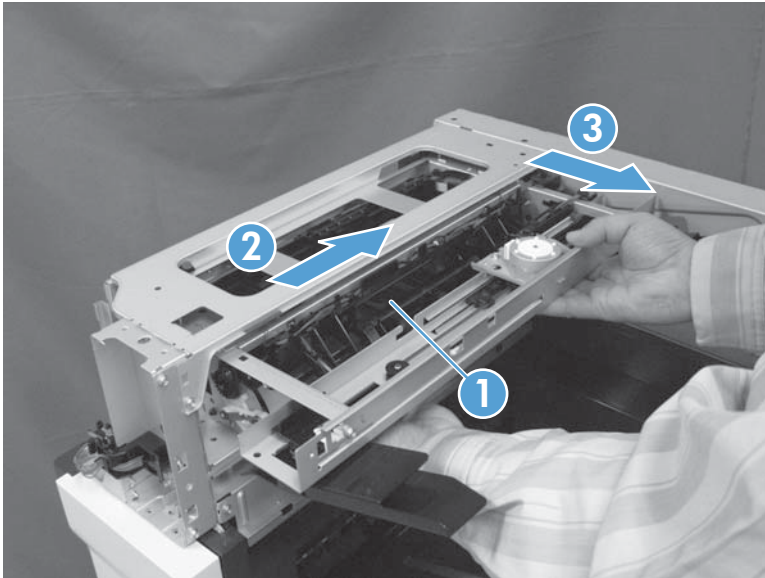
6. Remove one screw (callout 1).

Figure 1-279 Remove the stapler/stacker alignment assembly (5 of 7)



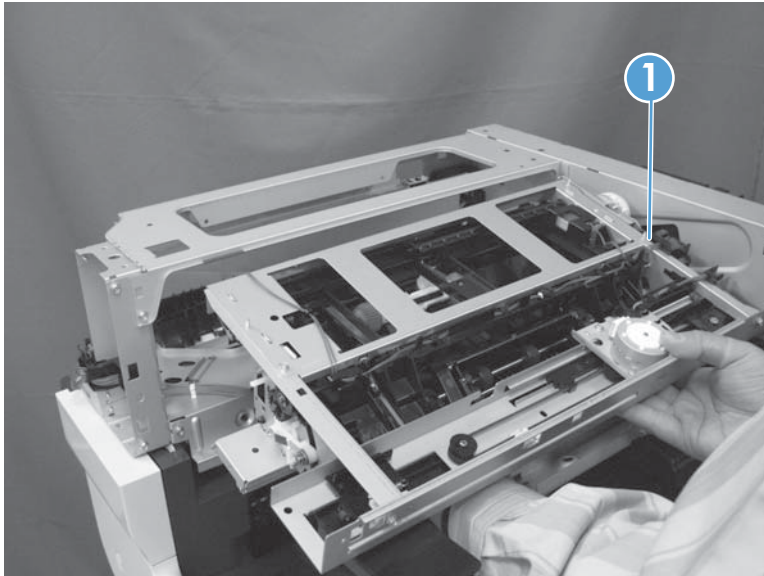
7. Slide the alignment assembly (callout 1) in the direction (callout 2) indicated, and then pull it out in the direction (callout 3) indicated.

Figure 1-280 Remove the stapler/stacker alignment assembly (6 of 7)



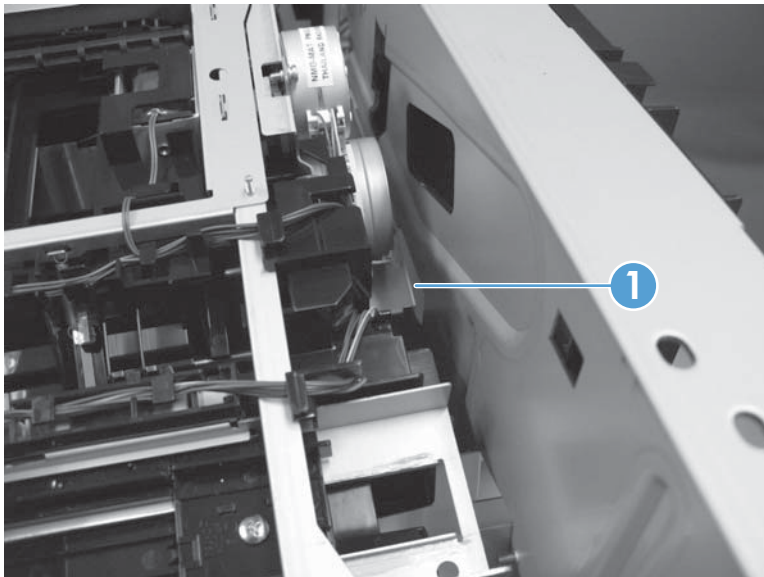
8. Tilt the front side of the alignment assembly downward, and then release the hook (callout 1) to remove the alignment assembly from the product.

Figure 1-281 Remove the stapler/stacker alignment assembly (7 of 7)



The following figure shows the assembly hook in more detail.

Figure 1-282 Stapler/stacker alignment assembly hook detail

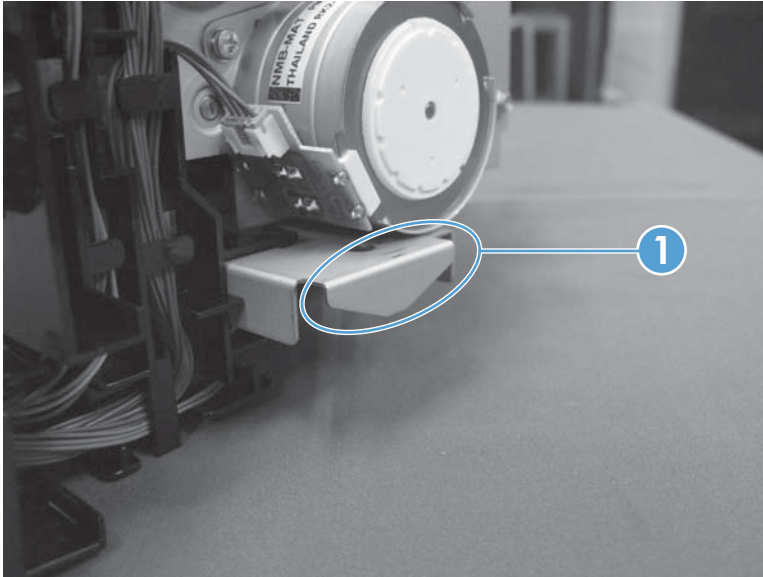


Reinstall the stapler/stacker alignment assembly

Installing the stapler/stacker alignment assembly is a complex process. Complete the following steps to install the assembly correctly.

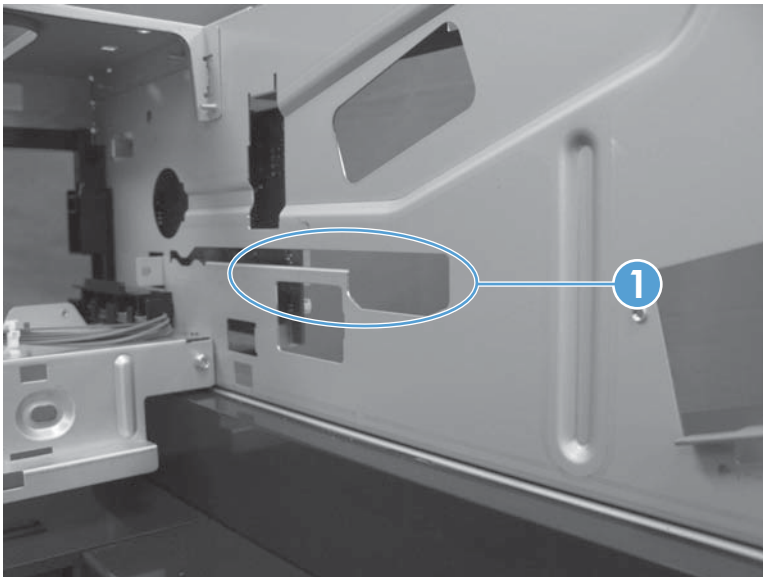
1. Before proceeding, use the following figure to identify the tab (callout 1) on the alignment assembly.

Figure 1-283 Stapler/stacker alignment assembly tab



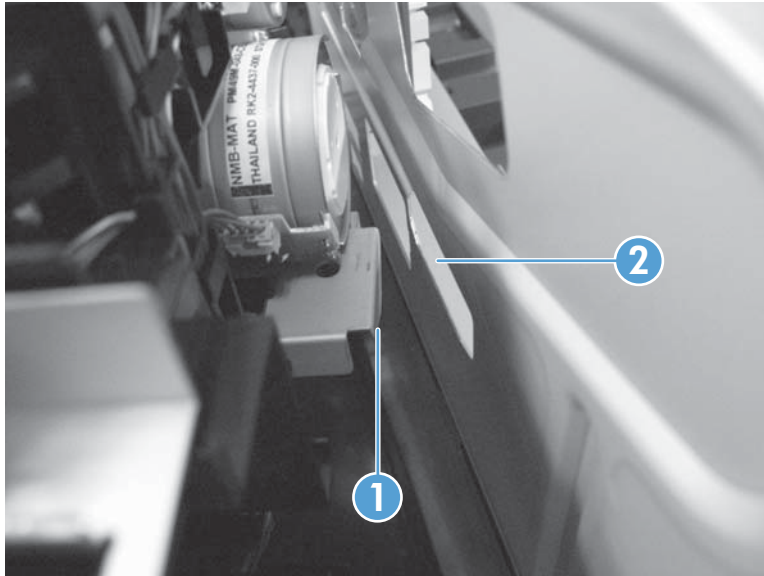
Before proceeding, use the following figure to identify the tab slot (callout 1) in the product chassis.

Figure 1-284 Stapler/stacker alignment assembly chassis slot



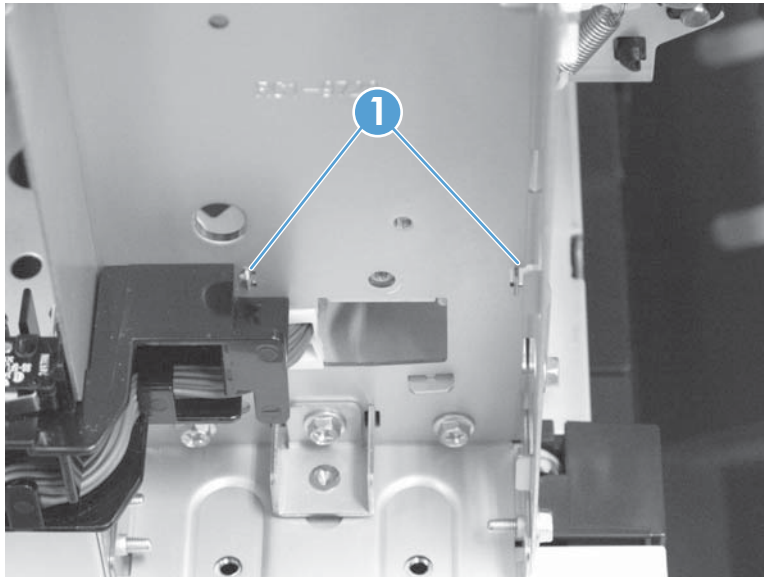
2. Place the metal tab (callout 1) of the alignment assembly in the slot (callout 2) in the chassis, and then slide the alignment assembly along the slot.

Figure 1-285 Install the stapler/stacker alignment assembly (1 of 2)



3. Place two tabs (callout 1) of the alignment assembly in the openings in the chassis.

Figure 1-286 Install the stapler/stacker alignment assembly (2 of 2)



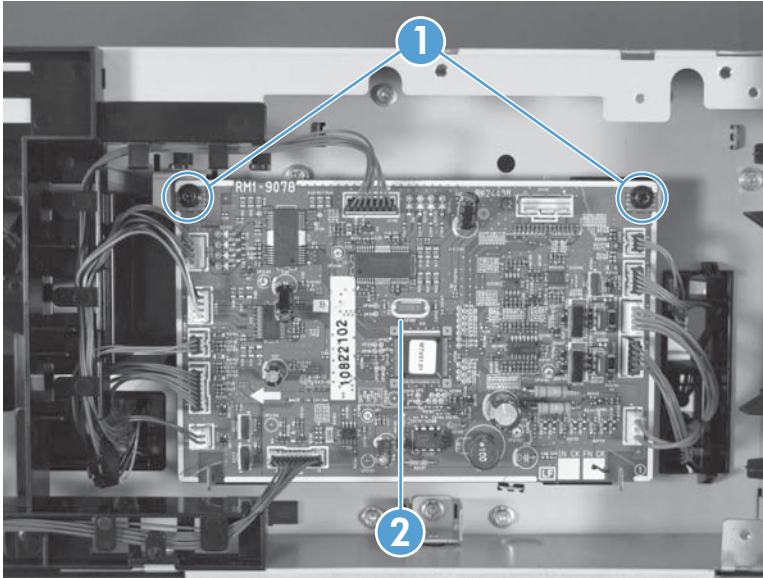
4. Reinstall the screws that you removed in steps 5 and 6 in the previous procedure. Reinstall them in the same order you removed them—install the screw in step 5 first, and then install the screw in step 6—to ensure that the assembly is aligned correctly.

Stapler/stacker controller PCA

CAUTION:  ESD sensitive assembly.

1. Remove the stapler/stacker rear cover. See [Stapler/stacker rear cover on page 190](#).
2. Disconnect all of the connectors on the stapler/stacker controller PCA.
3. Remove two screws (callout 1), and then remove the stapler/stacker controller PCA (callout 2) from the product.

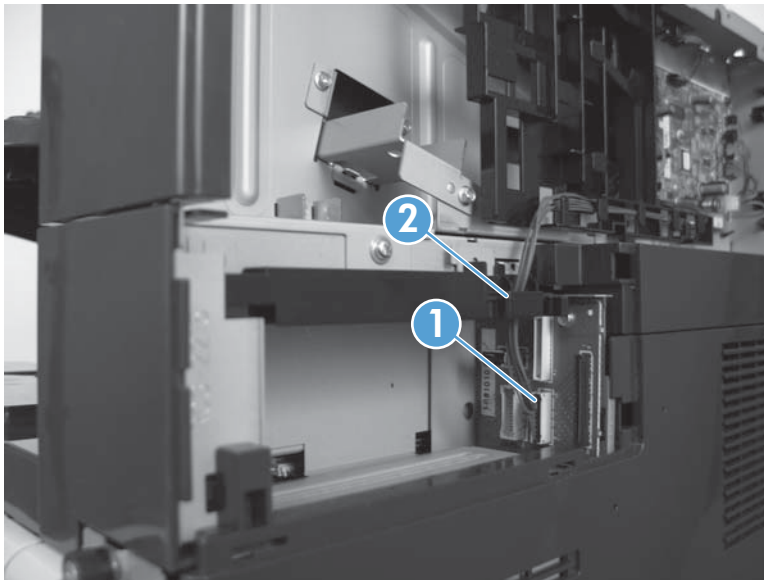
Figure 1-287 Remove the stapler/stacker controller PCA



Stapler/stacker assembly

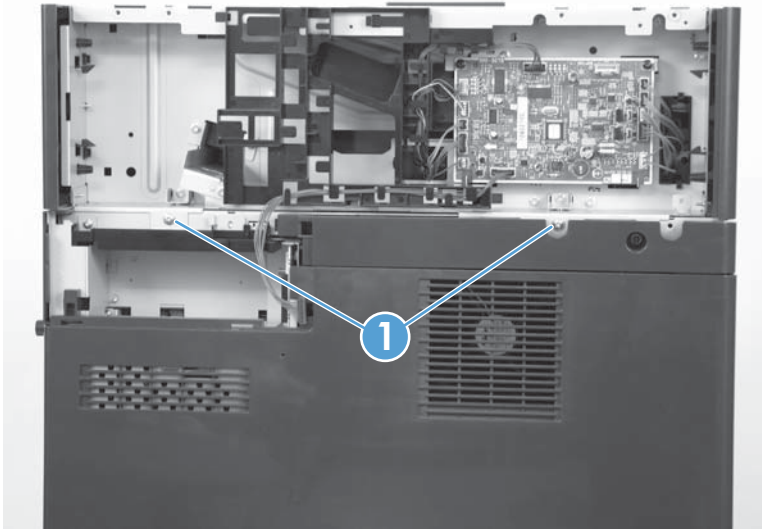
1. Remove the following components or assemblies:
 - Control panel. See [Control panel assembly on page 49](#).
 - Rear pocket cover and stapler/stacker rear cover. See step 1 of [Rear cover on page 24](#) and [Stapler/stacker rear cover on page 190](#).
 - Document feeder assembly. See [Document feeder assembly on page 214](#).
 - Scanner assembly. See [Scanner assembly on page 248](#).
2. Disconnect one connector (callout 1), and then release the wire harness from the retainer (callout 2).

Figure 1-288 Remove the stapler/stacker assembly (1 of 5)



3. Remove two screws (callout 1).

Figure 1-289 Remove the stapler/stacker assembly (2 of 5)



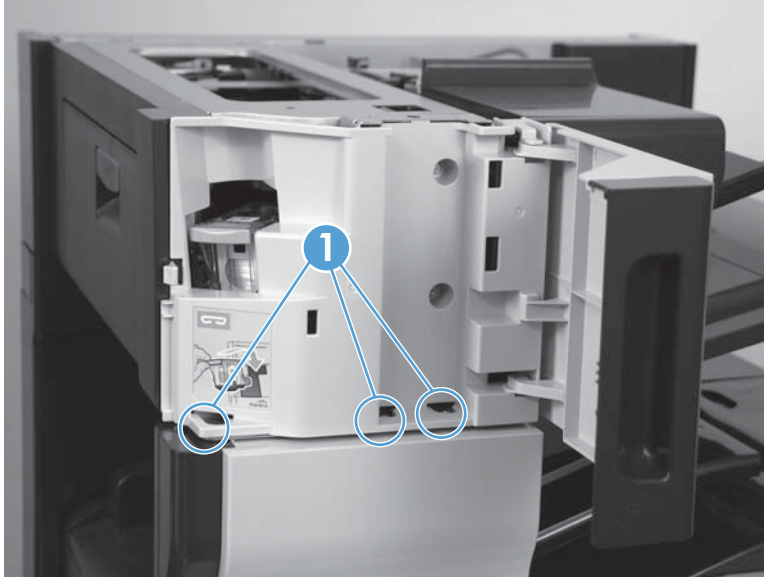
4. Open the stapler door.

Figure 1-290 Remove the stapler/stacker assembly (3 of 5)



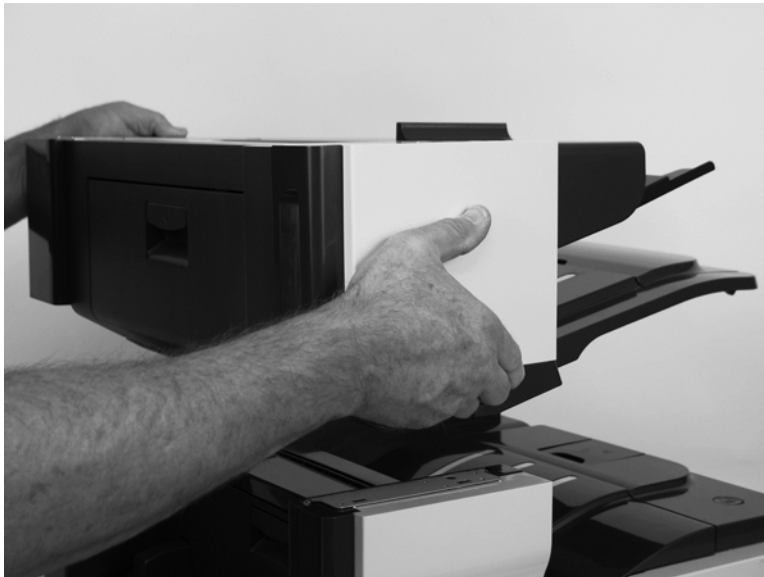
5. Remove three screws (callout 1).

Figure 1-291 Remove the stapler/stacker assembly (4 of 5)




6. Lift the stapler/stacker straight up and off of the product to remove the assembly.

Figure 1-292 Remove the stapler/stacker assembly (5 of 5)



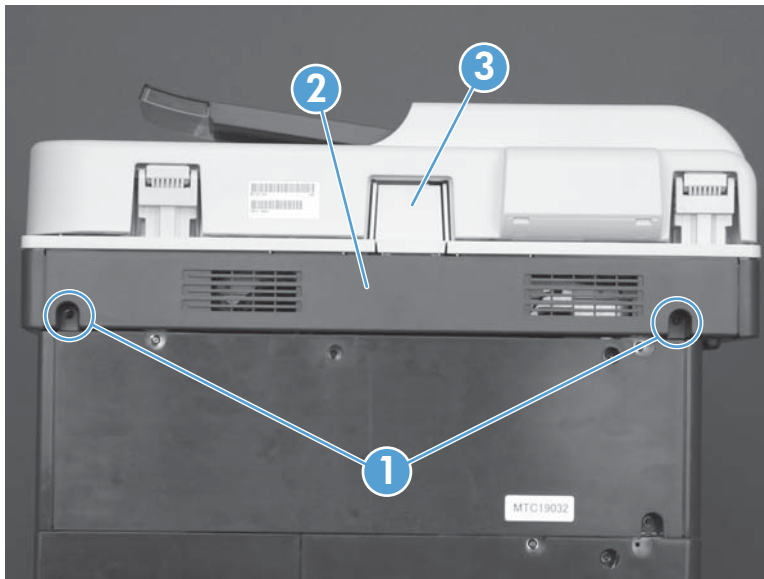
Document feeder

 **NOTE:** For information about replacing the document feeder pickup and feed rollers, and the document feeder separation pad, see [Pickup rollers on page 5](#) and [Separation pads and rollers on page 15](#).

Document feeder assembly

1. On the scanner back cover, remove two screws (callout 1), and remove the scanner back cover (callout 2) and the document feeder cable cover (callout 3) from the product.

Figure 1-293 Remove the document feeder (1 of 3)



2. Disconnect two connectors (callout 1), remove the ground-wire screw (callout 2), and then remove two screws (callout 3) in the hinge housings.


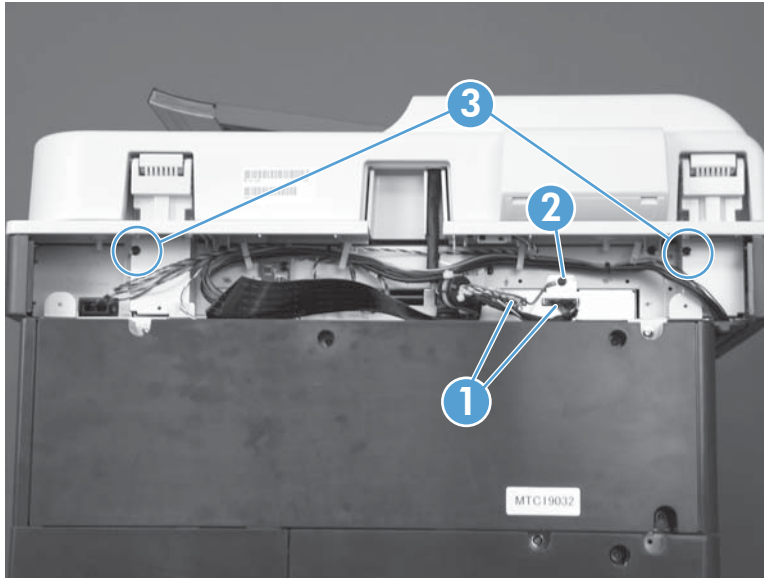
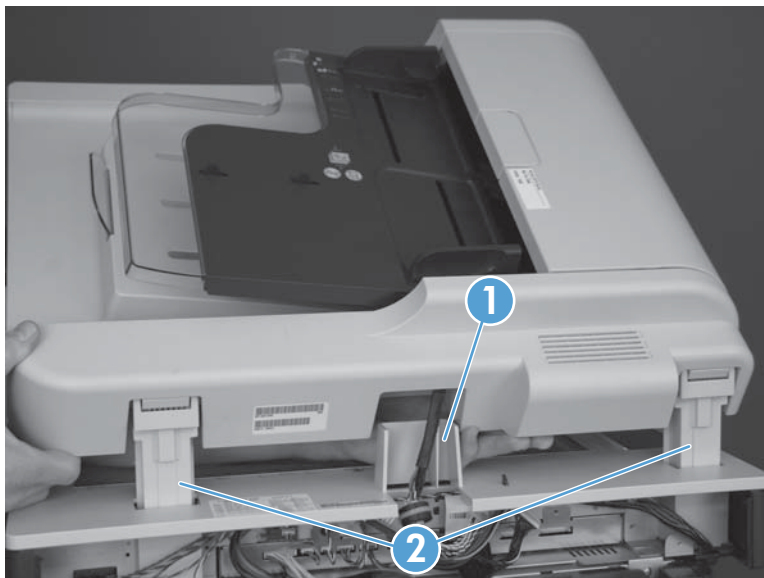
 **NOTE:** The housing screws (callout 3) are noticeably longer than most screws in the product. Remember to use these longer screws in the hinge housings when you are reinstalling the document feeder.

Figure 1-294 Remove the document feeder (2 of 3)



3. Release the document feeder cables from the cable channel (callout 1), fully open the document feeder assembly up to disengage the hinge pins (callout 2), and then remove the document feeder from the scanner assembly.

Figure 1-295 Remove the document feeder (3 of 3)



Install a replacement document feeder assembly



NOTE: If a replacement document feeder assembly or scanner assembly is installed, you must install a replacement foam reflector on the document feeder. See [Document feeder foam reflector on page 221](#).

If a replacement document feeder assembly is installed, do the following:

1. From the Home screen on the control panel, scroll to and touch the [Device Maintenance](#) button.
 2. Open the [Service](#) menu.
 3. On the sign-in screen, select the [Service Access Code](#) option from the drop-down list.
 4. Type the following service access code for this product: 05072513.
 5. Touch the [Cycle Counts](#) item, and then reset the following values to zero:
 - [Document Feeder Kit Count](#)
 - [ADF Count](#)
 - [Clean Roller Count](#)
-
1. From the Home screen on the control panel, scroll to and touch the [Device Maintenance](#) button.
 2. Touch the [Calibration/Cleaning](#) item.
 3. Touch the [Calibration](#) item.
 4. Follow the instructions on the control panel to calibrate the product.

Document feeder cable cover

- ▲ Remove two screws (callout 1), and then remove the scanner rear cover (callout 2) and document feeder cable cover (callout 3).


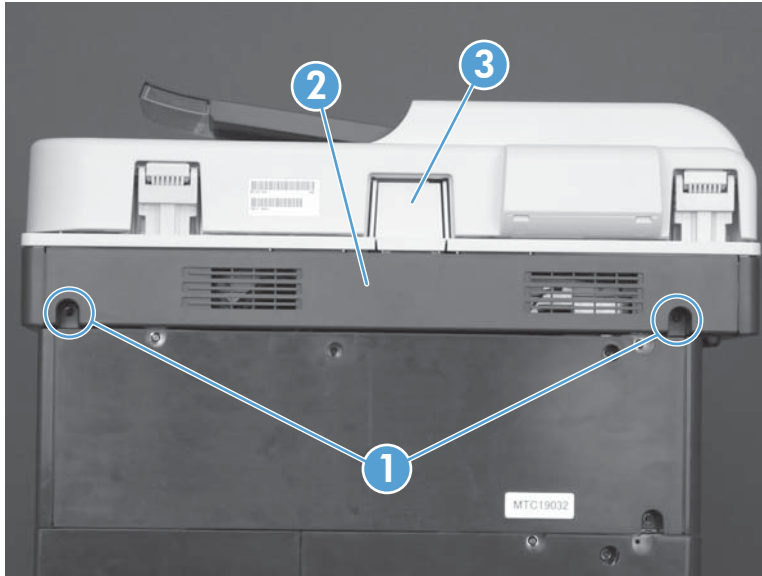
 **NOTE:** The cable cover (callout 3) is attached to the back cover, but not captive when the cover is removed and can be easily dislodged.

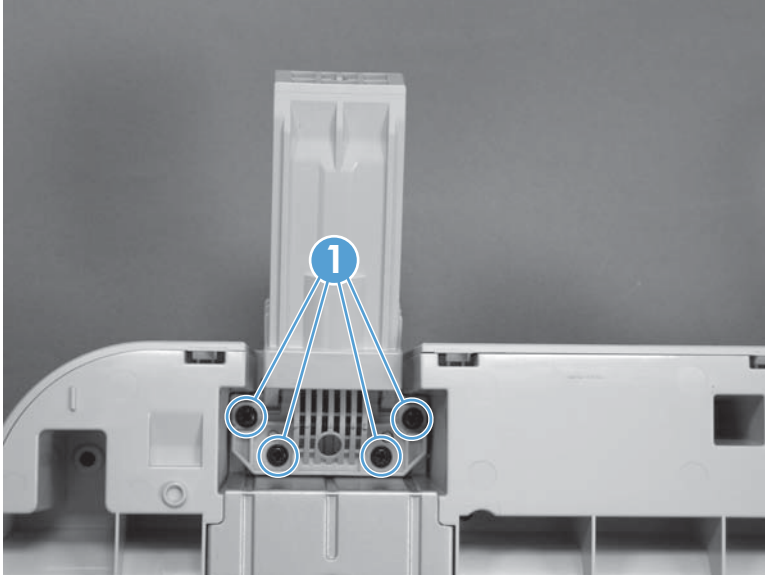
Figure 1-296 Remove the document feeder cable cover



Document feeder hinge

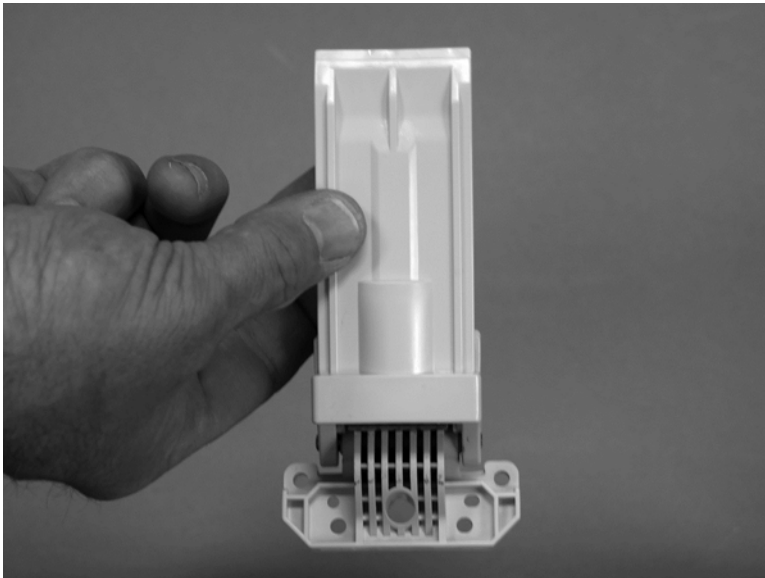
1. Remove the document feeder assembly. See [Document feeder assembly on page 214](#).
2. Turn the document feeder upside down, and then remove four screws (callout 1).

Figure 1-297 Remove the document feeder hinge (1 of 2)




3. Remove the right or left hinge.

Figure 1-298 Remove the document feeder hinge (2 of 2)

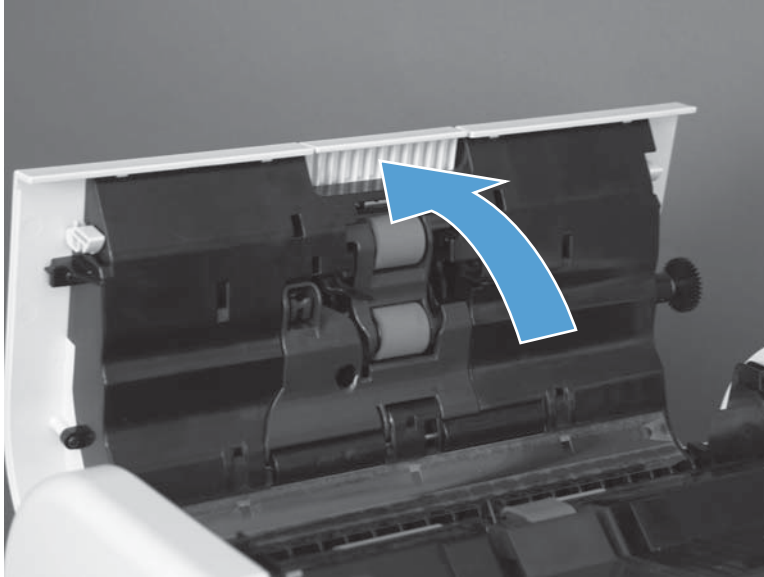


Document feeder mylar strips

 **TIP:** Before removing the mylar strips, take note of how they are positioned on the document jam access door and the inside bottom edge of the document feeder cover.

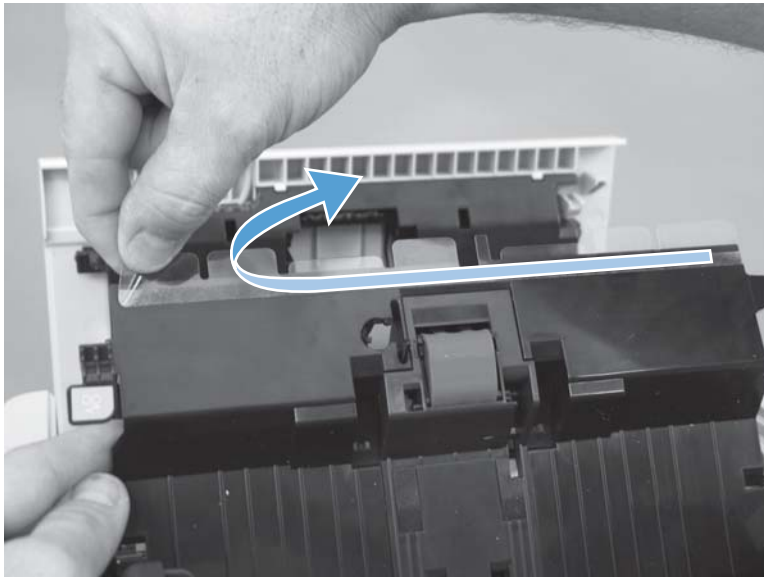
1. Open the document feeder cover.

Figure 1-299 Remove the document feeder mylar strips (1 of 3)



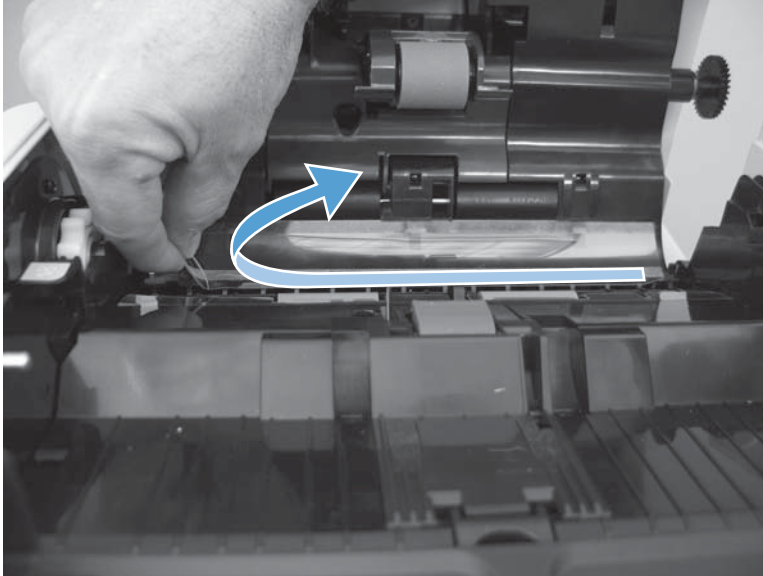
2. Lift up the jam access door, and carefully remove the mylar strip.

Figure 1-300 Remove the document feeder mylar strips (2 of 3)



3. Carefully remove the second mylar strip located along the inside bottom edge of the document feeder jam access door.

Figure 1-301 Remove the document feeder mylar strips (3 of 3)



Install replacement document feeder mylar strips

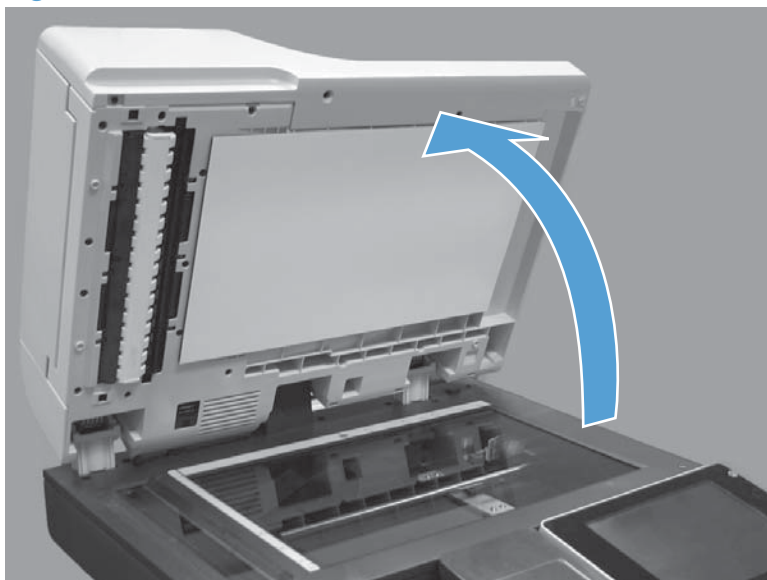
Use the following guidelines when you install the replacement mylar strips:

- Skin oils on the mylar strips can cause paper pickup problems. Wash your hands before handling the replacement mylar strips.
- When handling the replacement mylar strips, do not touch the adhesive portion of the strips.
- Make sure to firmly press down along the mylar strips to adhere them to the document feeder when installing them.

Document feeder foam reflector

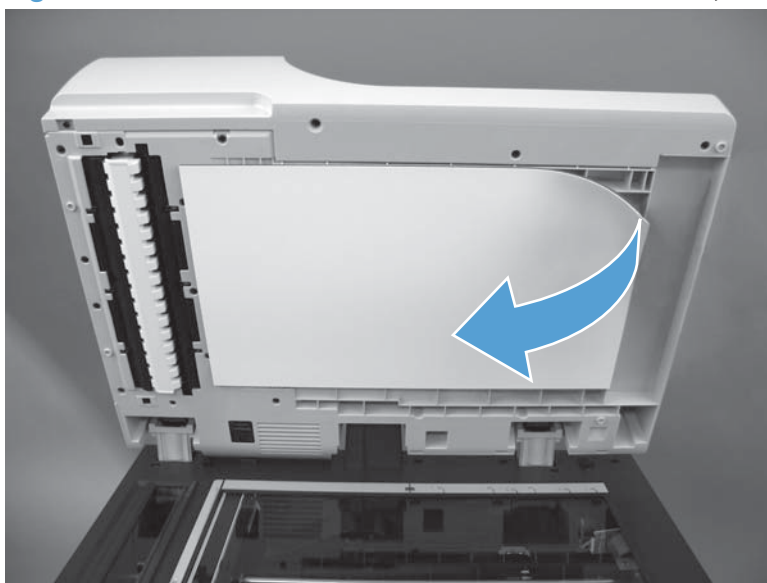
1. Open the document feeder.

Figure 1-302 Remove the document feeder foam reflector (1 of 3)



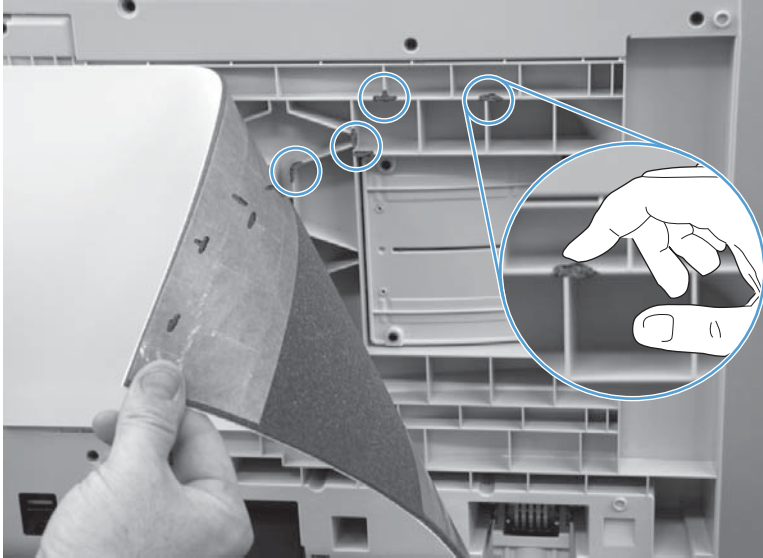
2. Carefully remove the foam reflector.

Figure 1-303 Remove the document feeder foam reflector (2 of 3)



3. Remove any left over foam reflector adhesive material from the document feeder.

Figure 1-304 Remove the document feeder foam reflector (3 of 3)



Install a replacement document feeder foam reflector

1. Position the replacement foam reflector on the scanner glass.


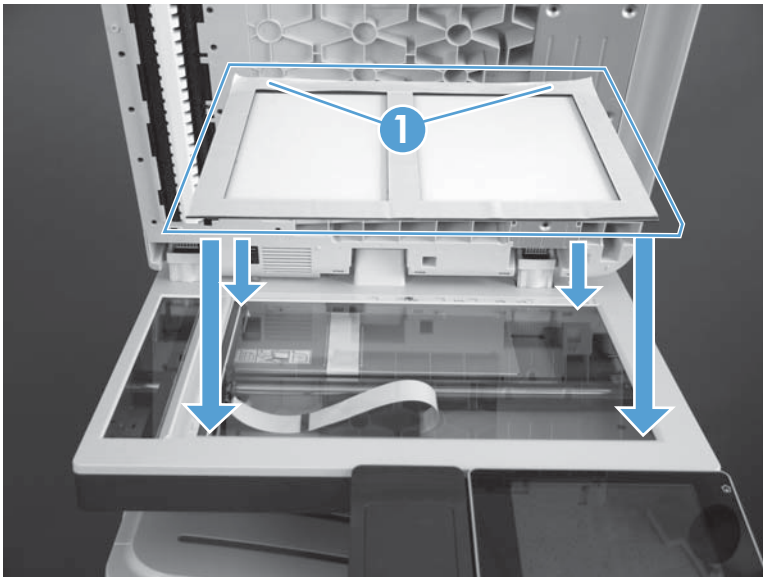
 **NOTE:** One long edge of the foam backing does not have adhesive tape (callout 1). Make sure that this edge is closest to the hinge side of the glass when positioning the foam on the glass.

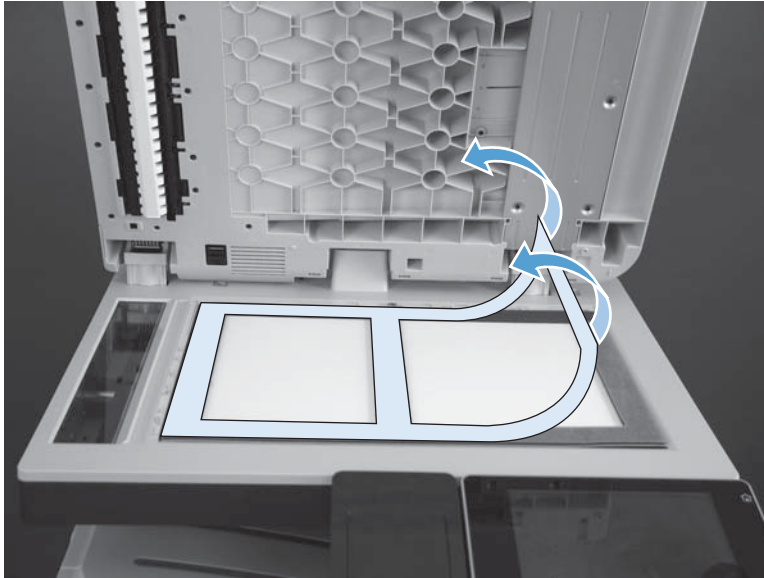
Figure 1-305 Install a replacement document feeder foam reflector (1 of 8)



- Carefully remove the protective backing from the adhesive portion of the foam reflector.

⚠ CAUTION: Do not touch the exposed adhesive.

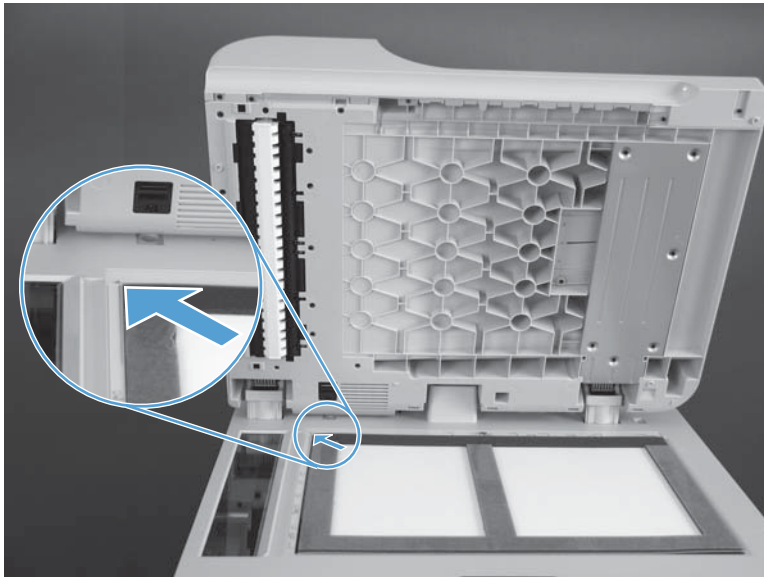
Figure 1-306 Install a replacement document feeder foam reflector (2 of 8)



- Make sure that the foam reflector is aligned with the upper-left corner of the scanner glass.

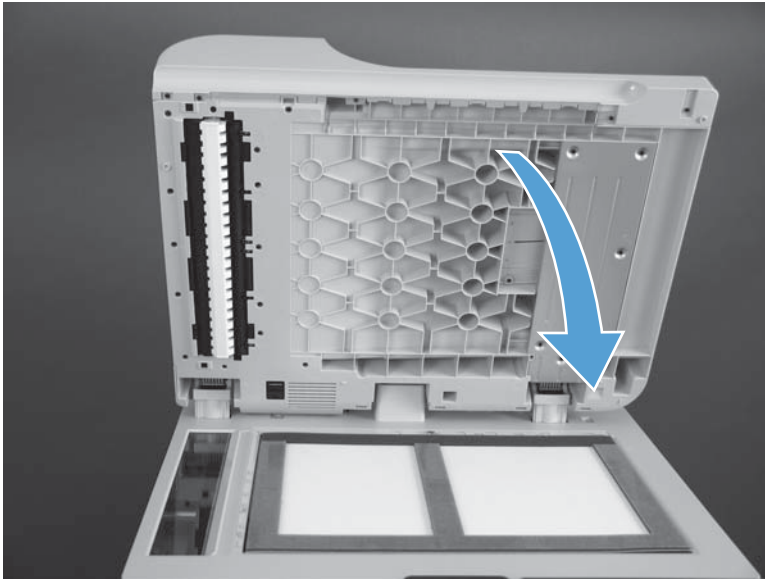
📝 NOTE: One long edge of the foam backing does not have adhesive tape. Make sure that this edge is closest to the hinge side of the glass when positioning the foam on the glass.

Figure 1-307 Install a replacement document feeder foam reflector (3 of 8)



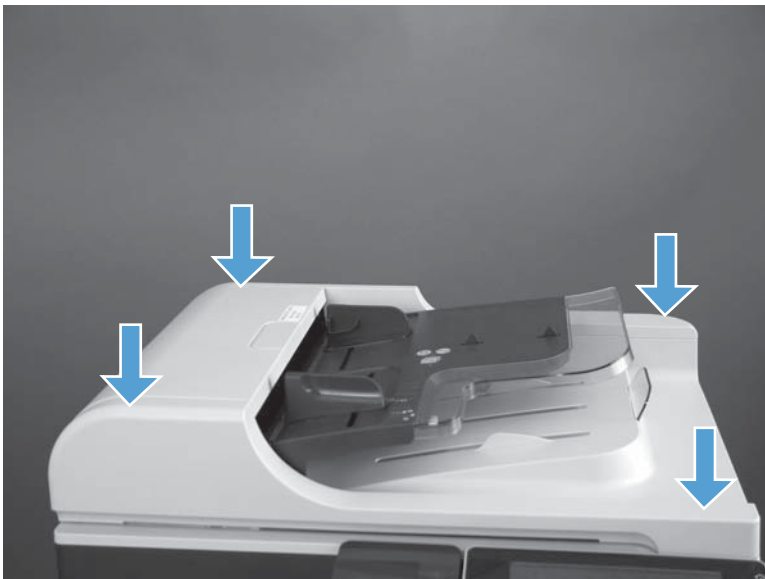
4. Completely close the document feeder.

Figure 1-308 Install a replacement document feeder foam reflector (4 of 8)



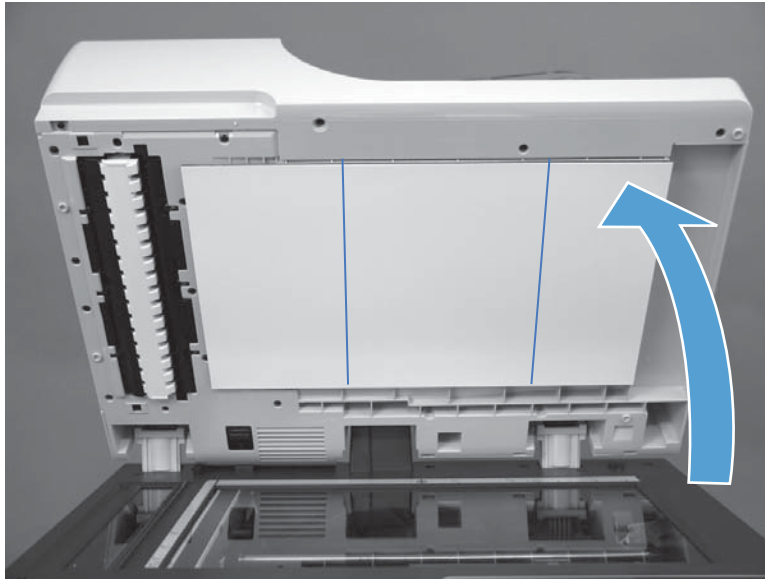
5. Firmly push down on the four corners of the document feeder to adhere the foam reflector to the document feeder.

Figure 1-309 Install a replacement document feeder foam reflector (5 of 8)



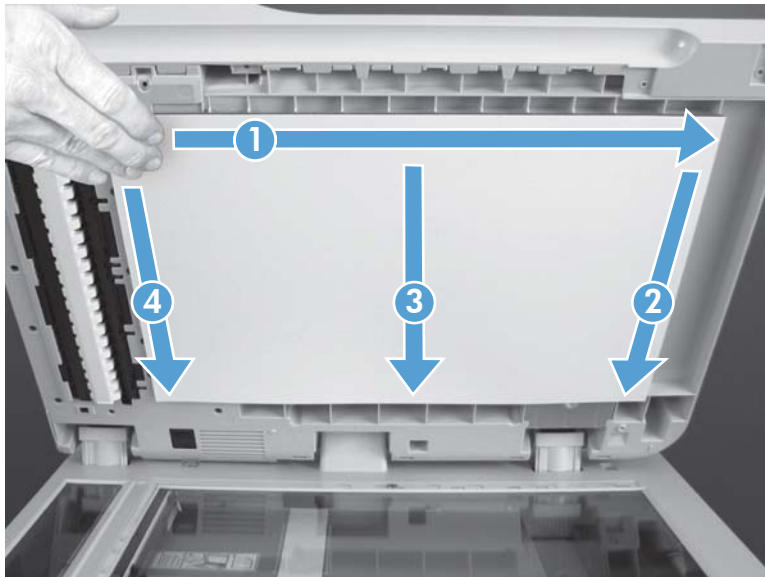
- Carefully open the document feeder.

Figure 1-310 Install a replacement document feeder foam reflector (6 of 6)



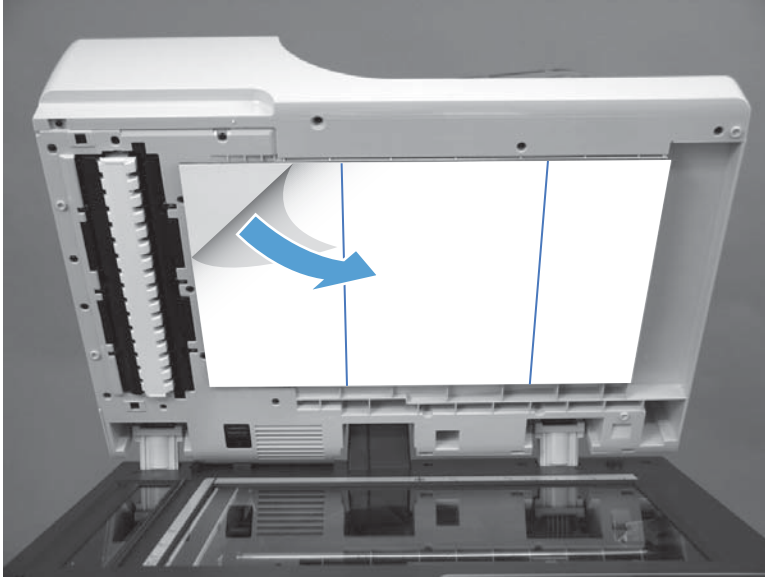
- Firmly press along the adhesive portions of the foam reflector in the order shown to adhere it to the document feeder.

Figure 1-311 Install a replacement document feeder foam reflector (7 of 8)



8. Carefully remove the protective sheet from the foam reflector.

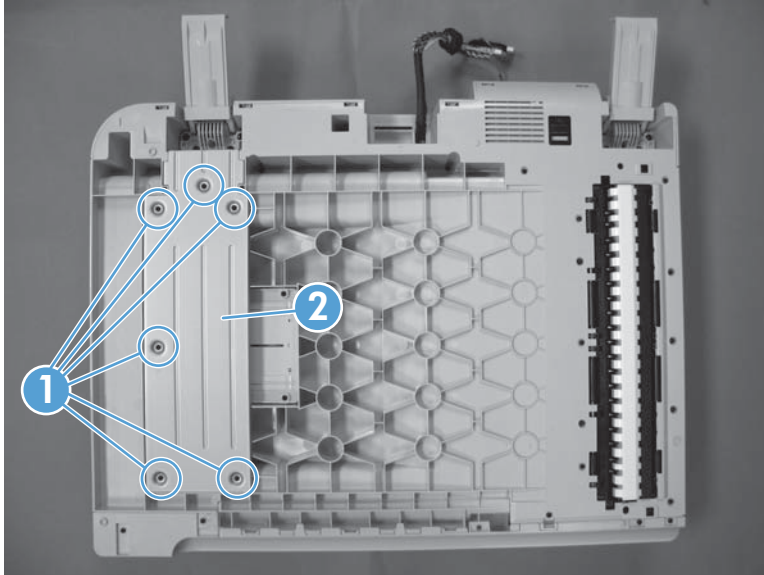
Figure 1-312 Install a replacement document feeder foam reflector (8 of 8)



Document feeder tray extender

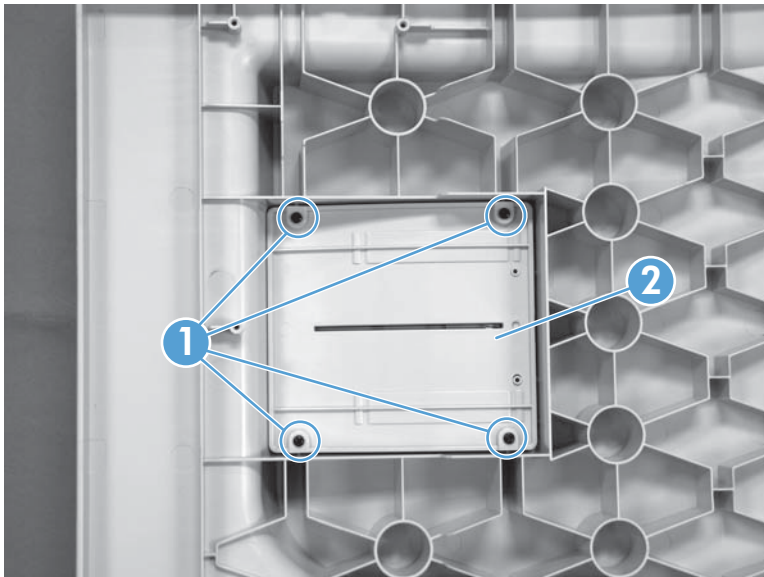
1. Remove the following components or assemblies:
 - Document feeder foam reflector. See [Document feeder foam reflector on page 221](#).
 - Document feeder. See [Document feeder assembly on page 214](#).
2. Turn the document feeder upside down, remove six screws (callout 1), and then remove the sheet metal plate (callout 2).

Figure 1-313 Remove the document feeder tray extender (1 of 3)



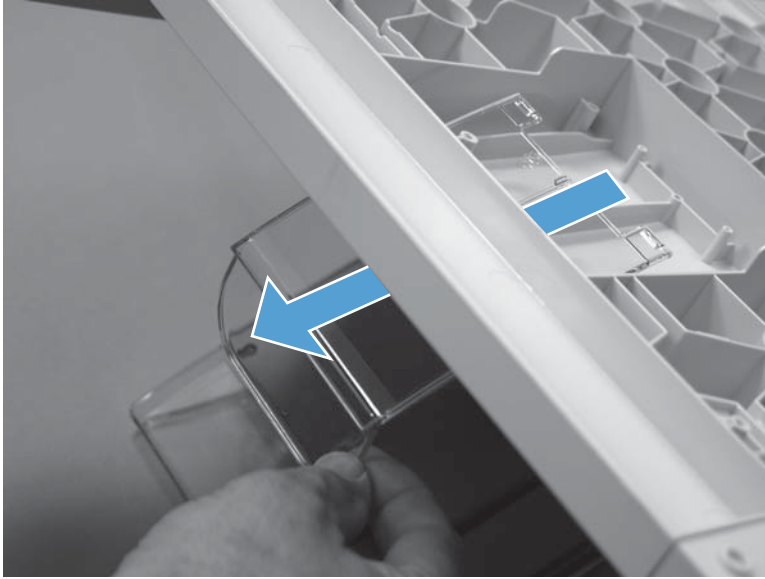
3. Remove four screws (callout 1), and then remove the cover (callout 2).

Figure 1-314 Remove the document feeder tray extender (2 of 3)



4. Remove the tray extender.

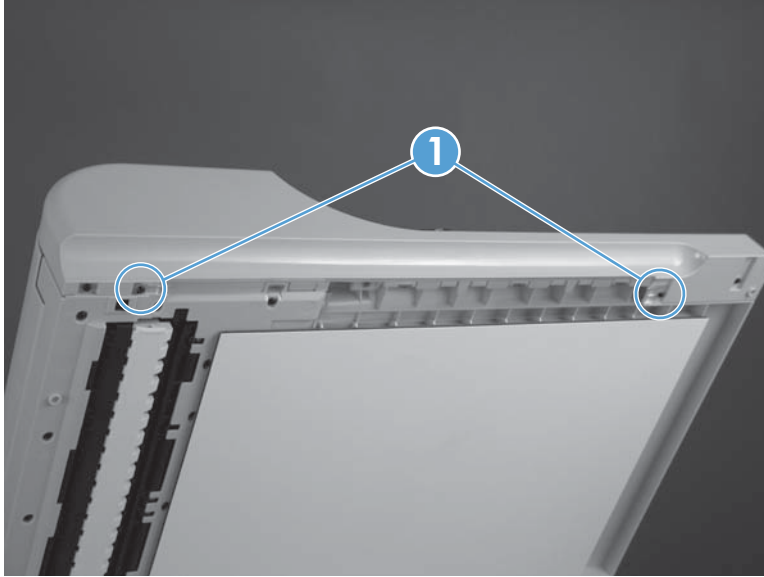
Figure 1-315 Remove the document feeder tray extender (3 of 3)



Document feeder front cover

1. Open the document feeder, and then remove two screws (callout 1).

Figure 1-316 Remove the document feeder front cover (1 of 8)



2. Carefully remove the clear-plastic reflective cover (callout 1).


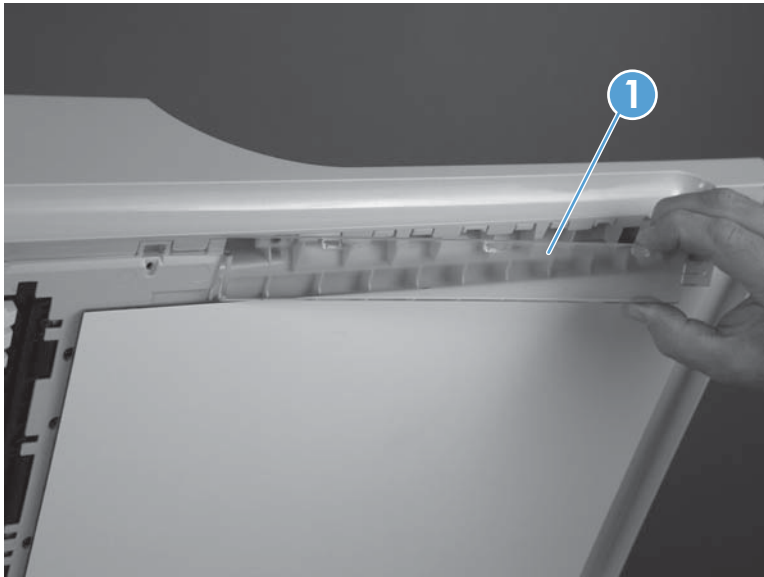
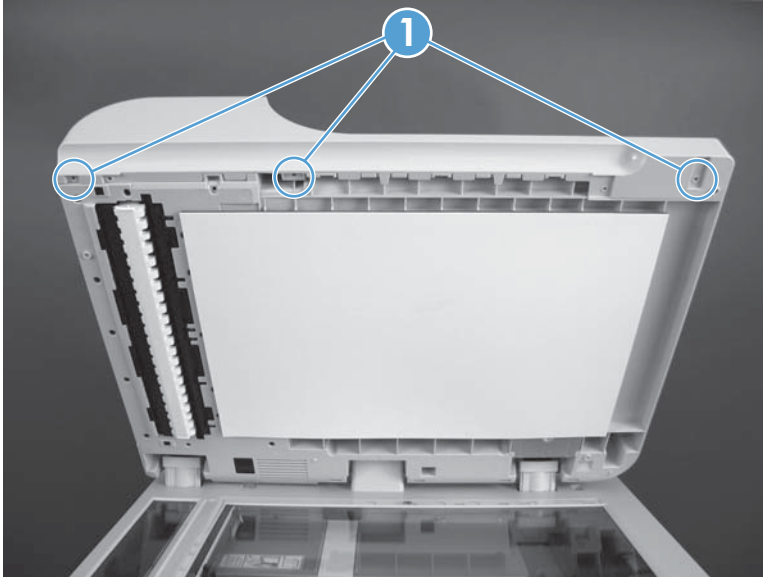
 **TIP:** The cover has several press-fit tabs along its upper edge. Start at the wide end (right-hand side) of the cover and carefully release the tabs from right to left.

Figure 1-317 Remove the document feeder front cover (2 of 8)



3. Remove three screws (callout 1).

Figure 1-318 Remove the document feeder front cover (3 of 8)



4. Open the document feeder hatch cover, and then remove two screws (callout 1).


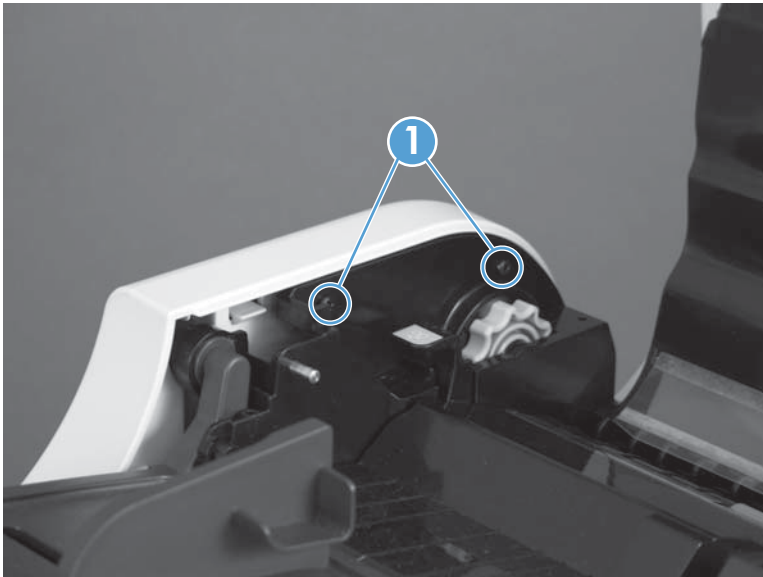
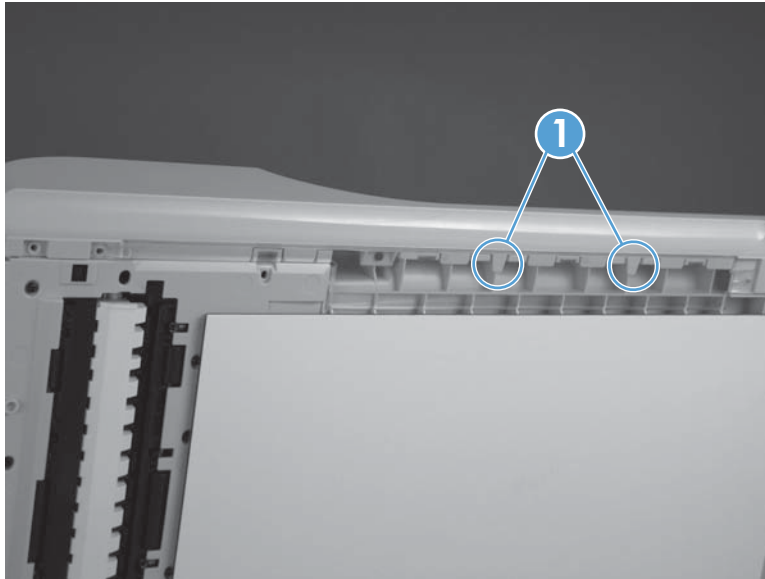
 **Reinstallation tip** These two screws are longer than the other front cover mounting screws. Make sure you replace them in the correct position when the cover is reinstalled.

Figure 1-319 Remove the document feeder front cover (4 of 8)



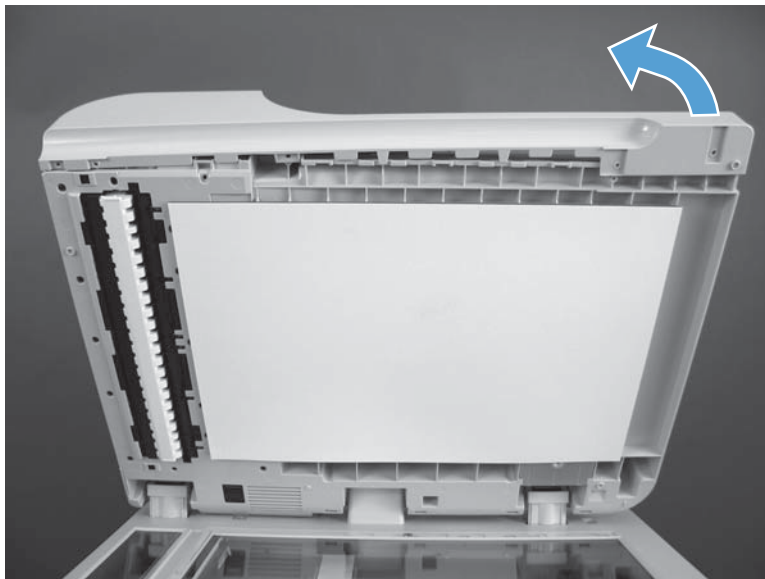
5. Release two tabs (callout 1).

Figure 1-320 Remove the document feeder front cover (5 of 8)



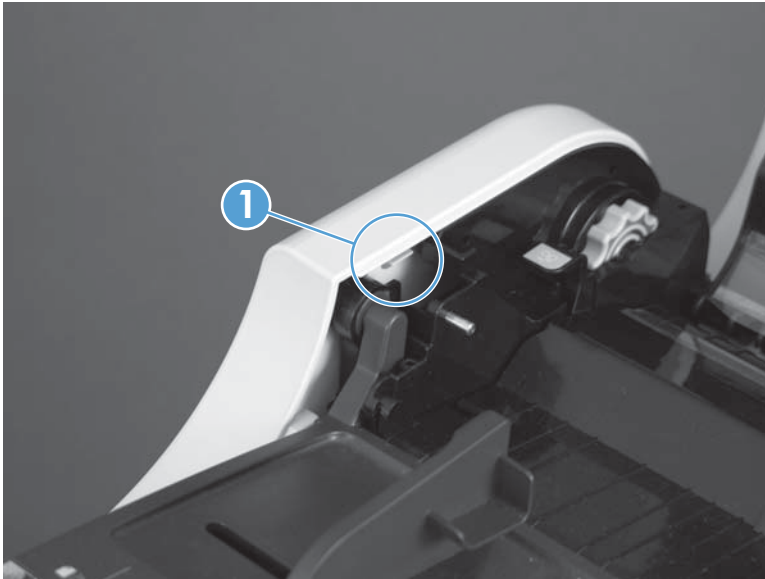
6. Carefully rotate the right-hand end of the cover up and away from the document feeder.

Figure 1-321 Remove the document feeder front cover (6 of 8)



7. Release one tab (callout 1) inside of the document feeder hatch cover.

Figure 1-322 Remove the document feeder front cover (7 of 8)



8. Remove the cover.

Figure 1-323 Remove the document feeder front cover (8 of 8)



Document feeder hatch cover

1. Remove six screws (callout 1).


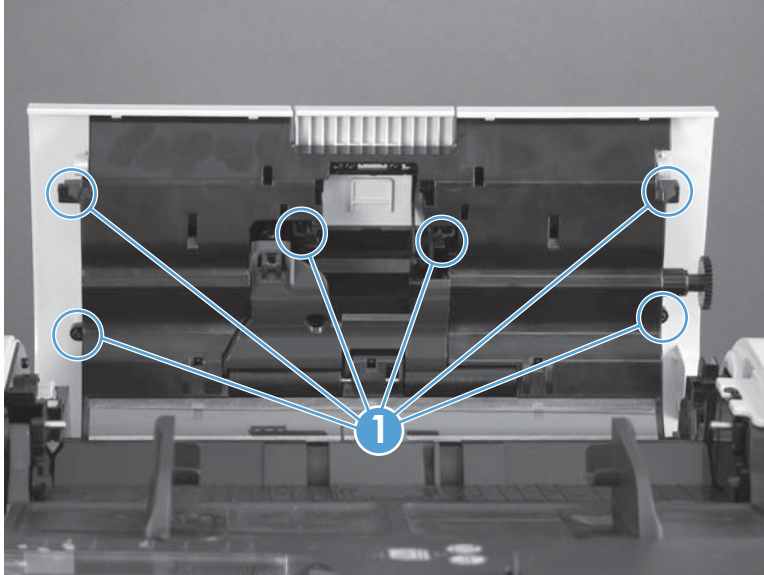
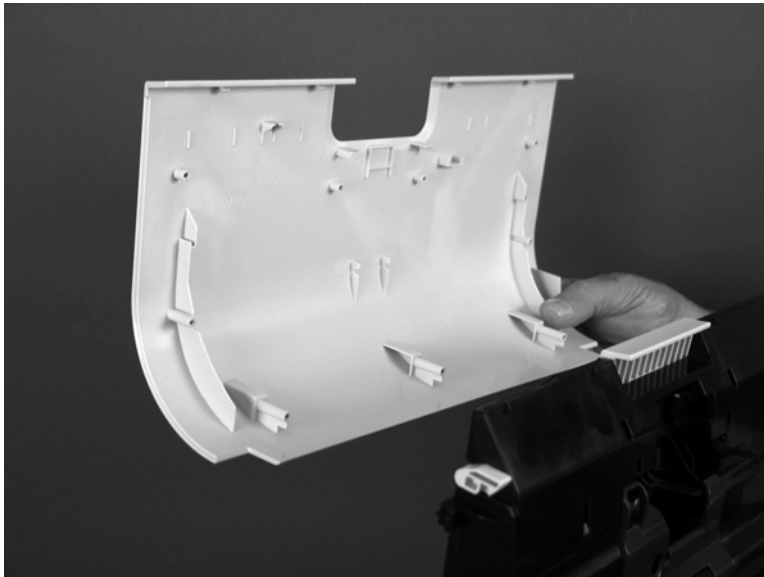
 **TIP:** It might be easier to remove these screws with a short-shaft screwdriver.

Figure 1-324 Remove the document feeder hatch cover (1 of 2)



2. Remove the hatch cover.

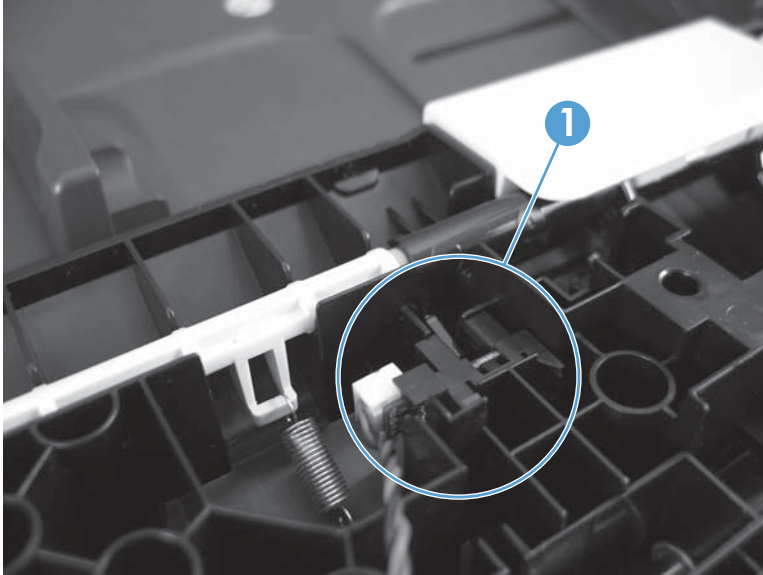
Figure 1-325 Remove the document feeder hatch cover (2 of 2)



Document feeder paper present sensor

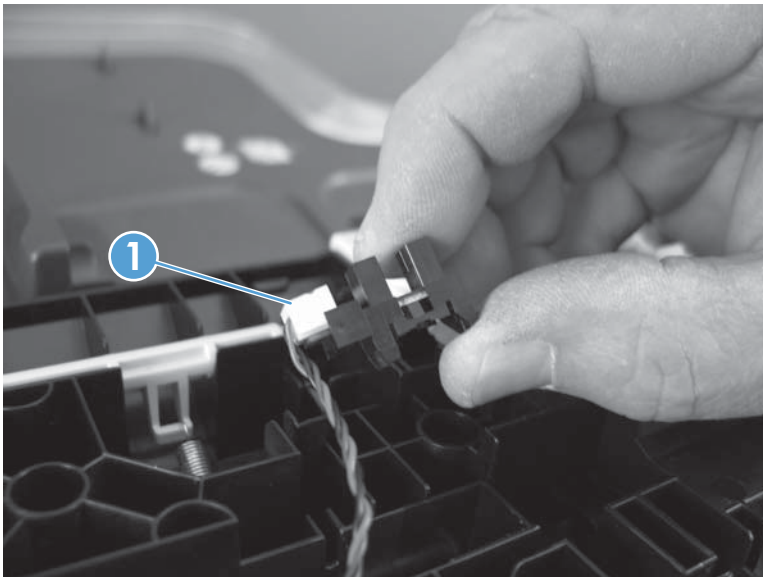
1. Remove the following components or assemblies:
 - Document feeder pickup and feed roller assembly. See [Document feeder pickup and feed roller assembly on page 13](#).
 - Document feeder hatch cover. See [Document feeder hatch cover on page 233](#).
2. Remove the sensor (callout 1).

Figure 1-326 Remove the document feeder paper present sensor (1 of 2)



3. Disconnect one connector (callout 1).

Figure 1-327 Remove the document feeder paper present sensor (2 of 2)



Document feeder input tray bottom cover

- ▲ Raise the input tray, remove nine screws (callout 1), and then remove the cover (callout 2).


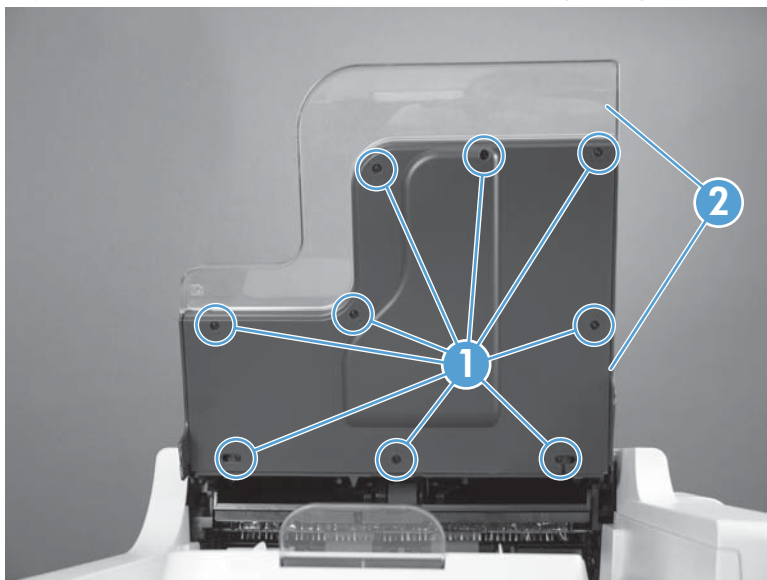
 **NOTE:** The clear plastic portion of the assembly can be separated from the cover when the cover is removed.

Figure 1-328 Remove the document feeder input tray bottom cover

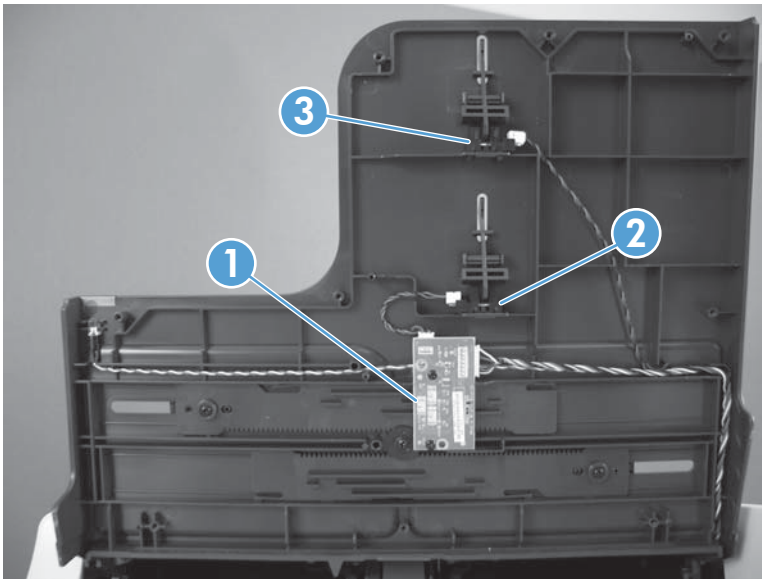


Document feeder width-adjust sensor, paper-long and paper-short sensors

⚠ CAUTION:  ESD sensitive assembly.

1. Remove the document feeder tray bottom cover. See [Document feeder input tray bottom cover on page 235](#).
2. Identify the sensor to be replaced.
 - Width-adjust sensor (callout 1)
 - Paper-short sensor (callout 2)
 - Paper-long sensor (callout 3)

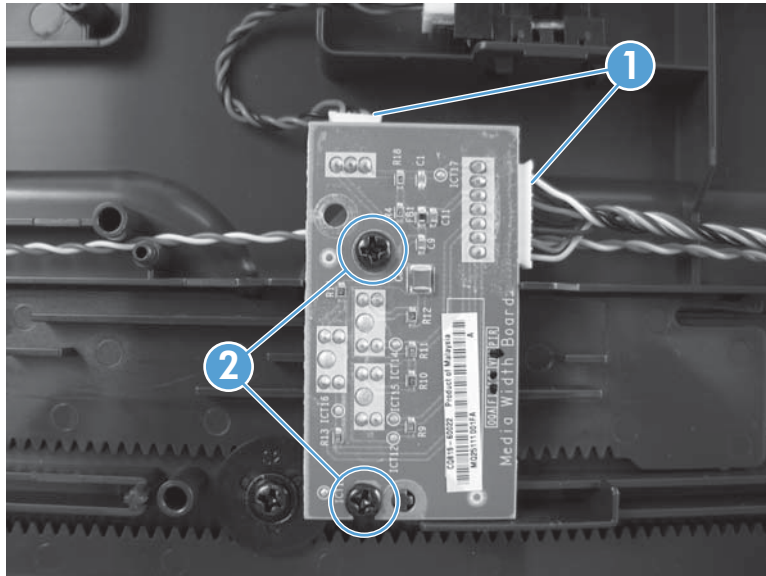
Figure 1-329 Remove the document feeder width-adjust sensor, paper-short and paper-long sensors



3. Do one of the following:

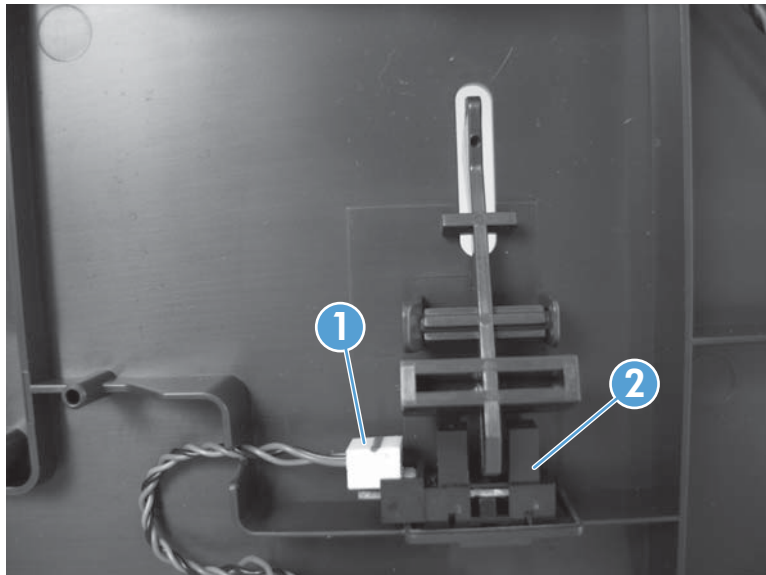
- **Width-adjust sensor:** Disconnect two connectors (callout 1, remove two screws (callout 2), and then remove the sensor PCA.

Figure 1-330 Remove the document feeder width sensor



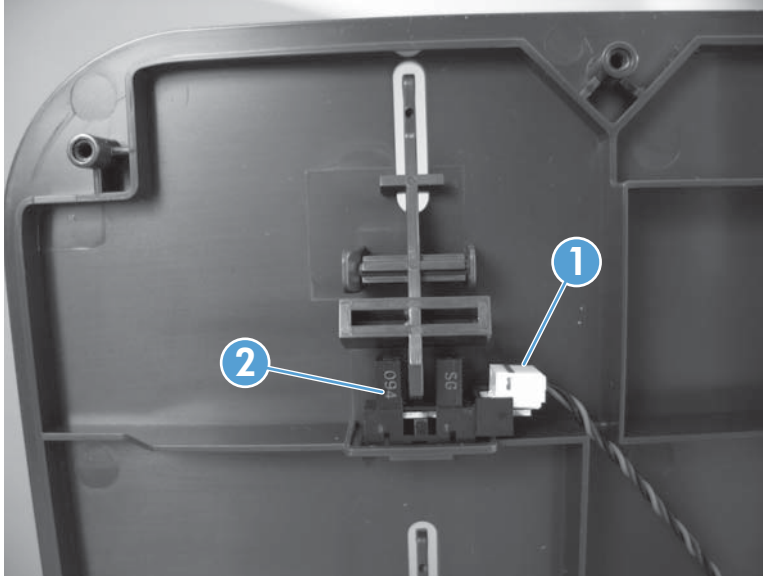
- **Paper-short sensor:** Disconnect one connector (callout 1, and then remove the sensor (callout 2).

Figure 1-331 Remove the document feeder paper-short sensor



- **Paper-long sensor:** Disconnect one connector (callout 1, and then remove the sensor (callout 2).

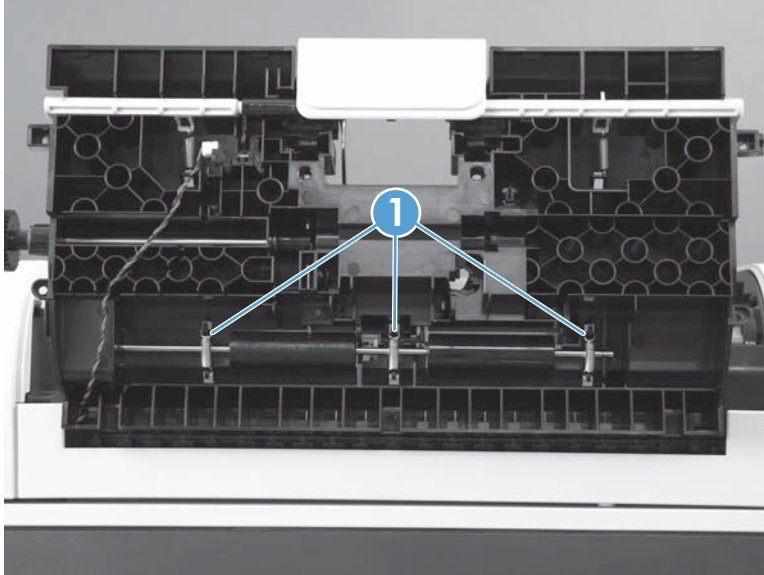
Figure 1-332 Remove the document feeder paper-long sensor



Document feeder roller cover

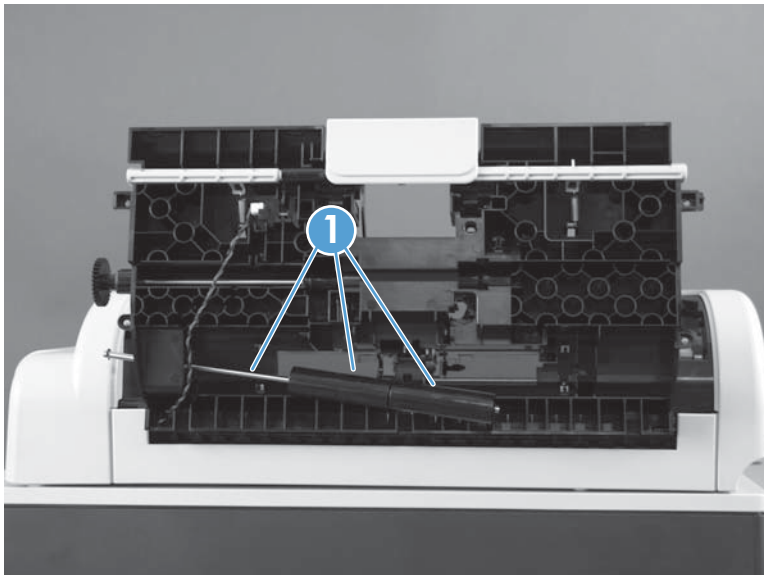
1. Remove the following components or assemblies:
 - Document feeder pickup and feed roller assembly. See [Document feeder pickup and feed roller assembly on page 13](#).
 - Document feeder hatch cover. See [Document feeder hatch cover on page 233](#).
2. Remove three springs (callout 1).

Figure 1-333 Remove the document feeder roller cover (1 of 4)



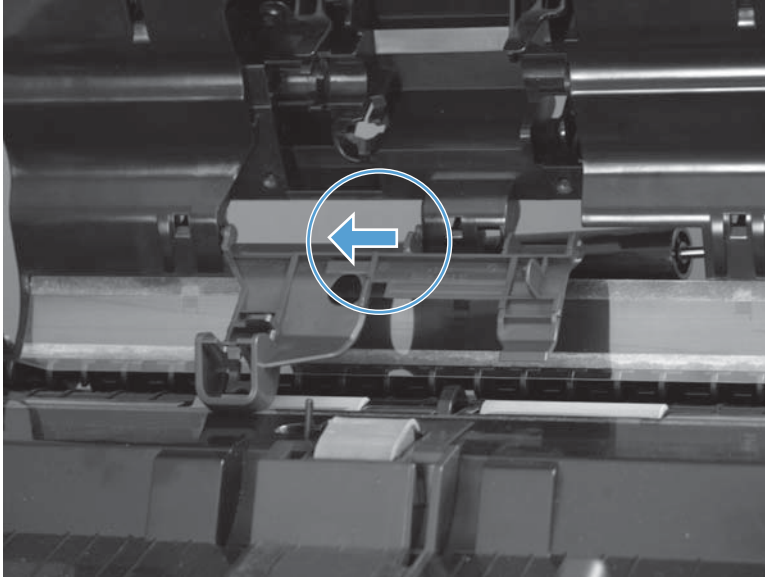
3. Move the rollers and shaft (callout 1) out of the way.

Figure 1-334 Remove the document feeder roller cover (2 of 4)



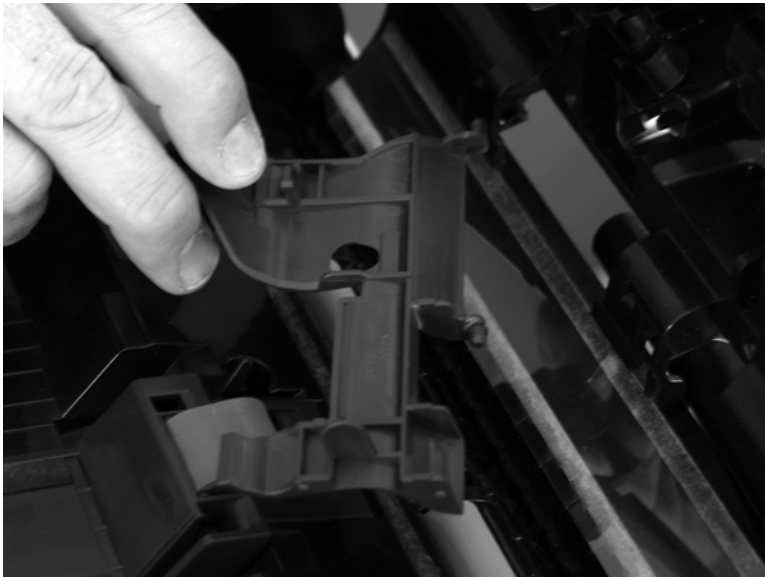
4. Use a flat blade screw driver to carefully release one cover hinge pin on the inside of the door.

Figure 1-335 Remove the document feeder roller cover (3 of 4)



5. Remove the cover.

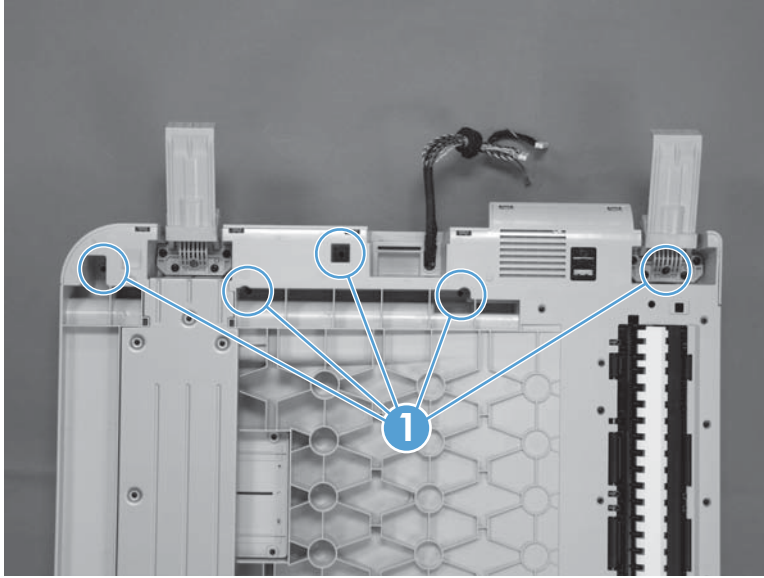
Figure 1-336 Remove the document feeder roller cover (4 of 4)



Document feeder rear cover

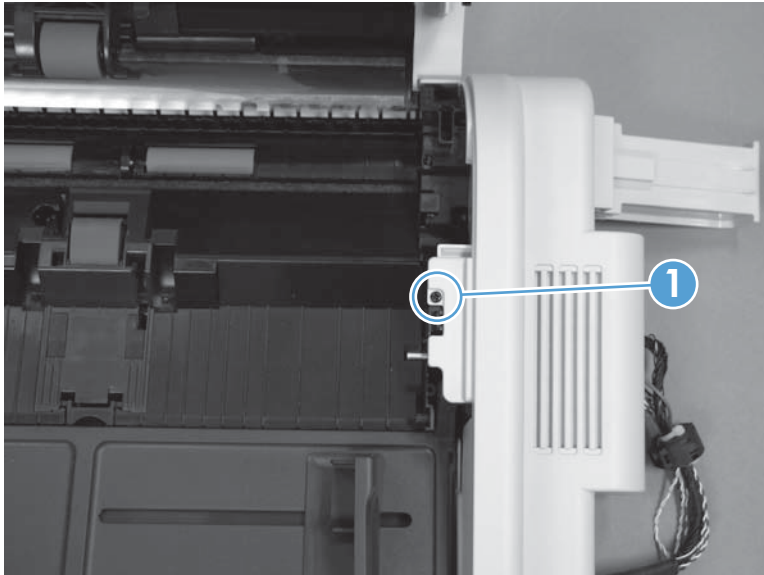
1. Remove the following components or assemblies:
 - Document feeder foam reflector. See [Document feeder foam reflector on page 221](#).
 - Document feeder assembly. See [Document feeder assembly on page 214](#).
2. Turn the document feeder upside down, and then remove five screws (callout 1).

Figure 1-337 Remove the document feeder rear cover (1 of 4)



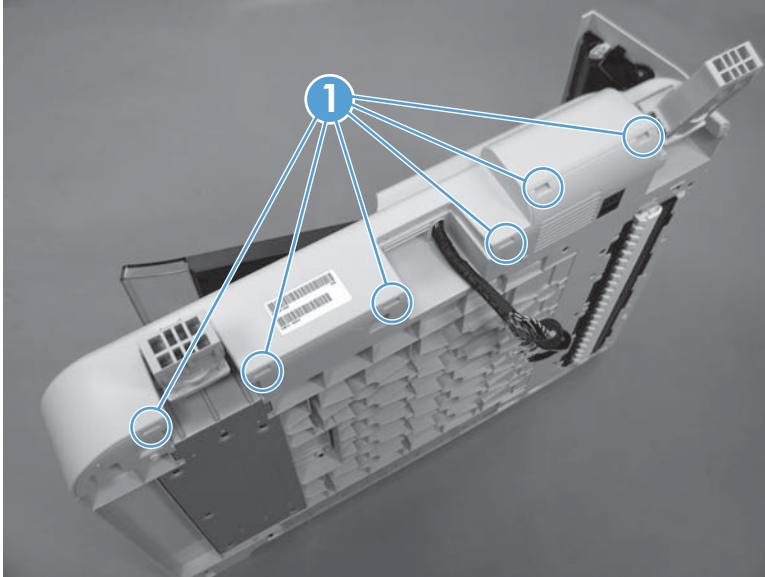
3. Turn the document feeder right-side up, open the document feeder hatch cover, and then remove one screw (callout 1).

Figure 1-338 Remove the document feeder rear cover (2 of 4)



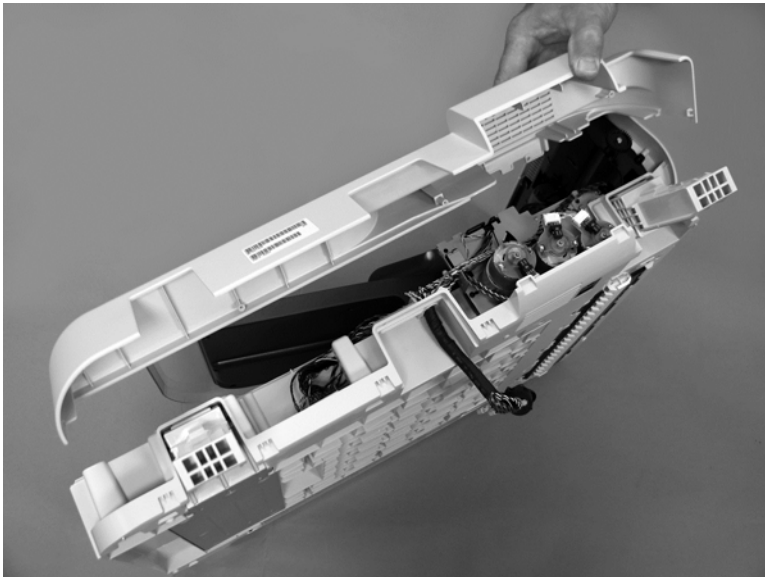
4. Release six tabs (callout 1) along the bottom edge of the cover.

Figure 1-339 Remove the document feeder rear cover (3 of 4)



5. Remove the cover.

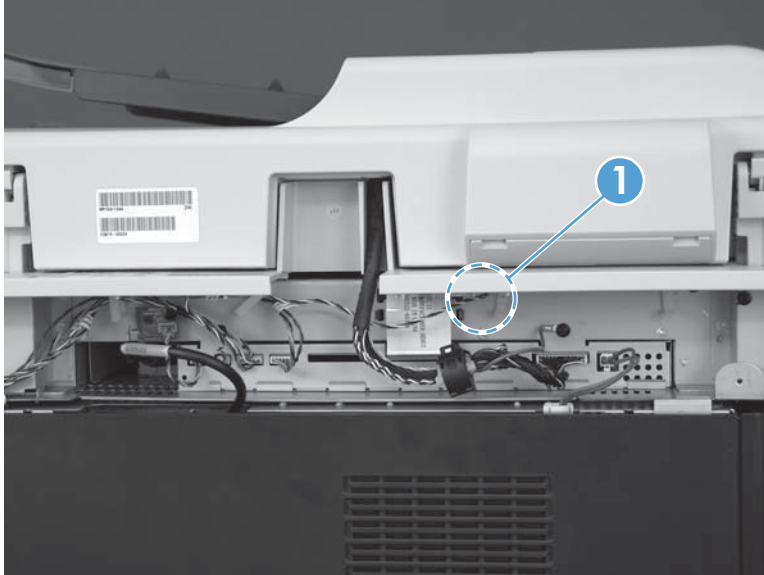
Figure 1-340 Remove the document feeder rear cover (4 of 4)



Document feeder open sensor and flag

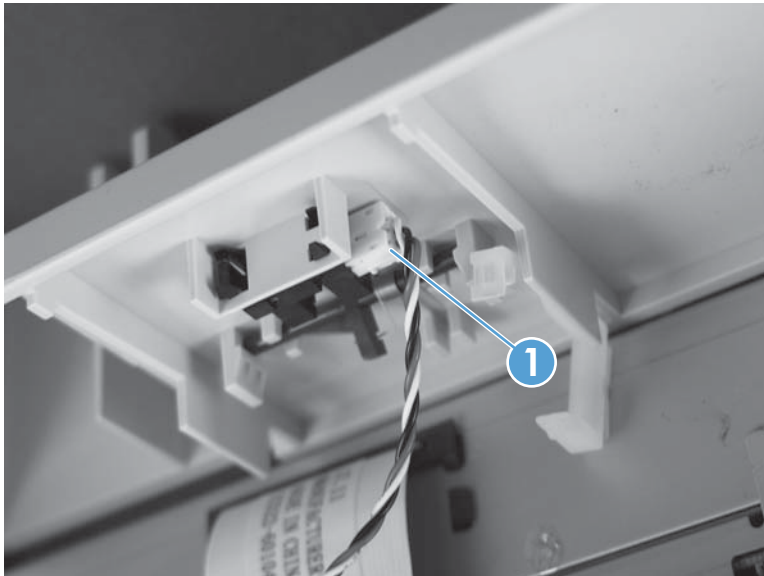
1. Remove the scanner rear and FFC bezel cover. See [Document feeder cable cover on page 217](#).
2. Locate the document feeder open sensor (callout 1).

Figure 1-341 Remove the document feeder open sensor and flag (1 of 4)



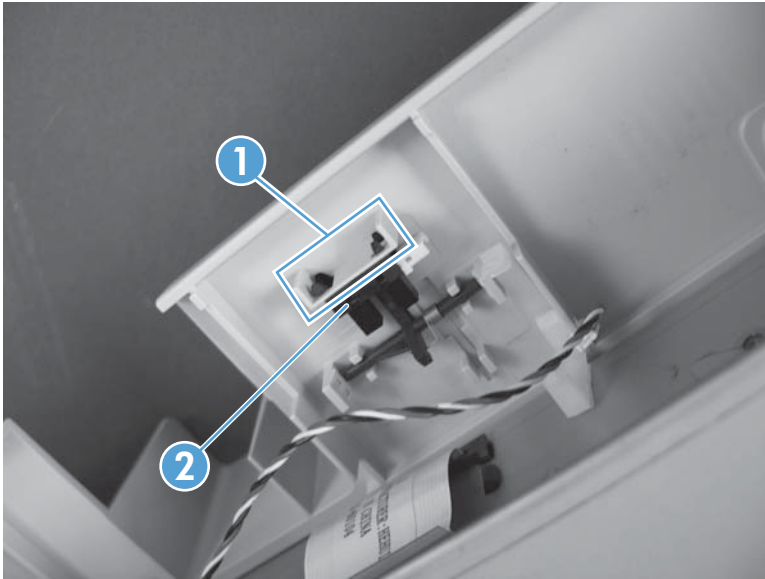
3. Disconnect one connector (callout 1).

Figure 1-342 Remove the document feeder open sensor and flag (2 of 4)



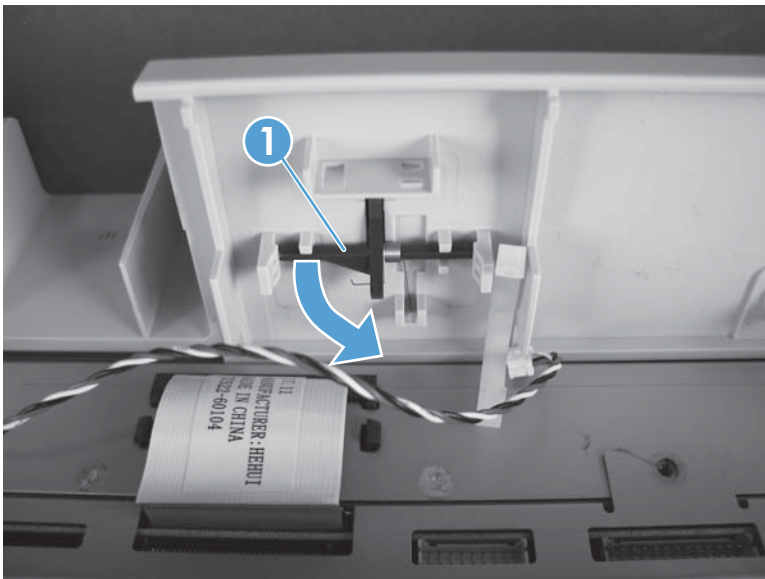
4. Release four tabs (callout 1), and then remove the sensor (callout 2).

Figure 1-343 Remove the document feeder open sensor and flag (3 of 4)



5. Carefully remove the sensor flag (callout 1).

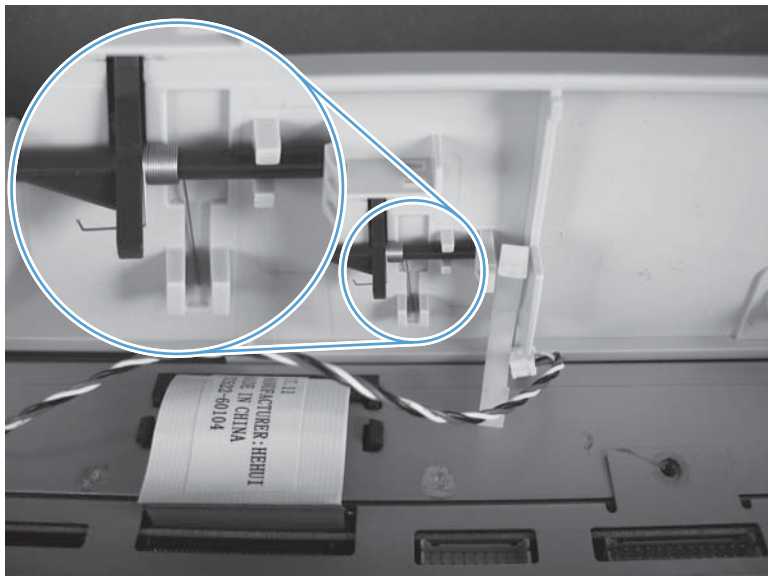
Figure 1-344 Remove the document feeder open sensor and flag (4 of 4)



Reinstall the document feeder open sensor and flag

When the assembly is removed, the spring is loose. When you reinstall the assembly, make sure that the long end of the spring fits in the provided channel and the short end of the spring is behind the flag.

Figure 1-345 Reinstall the document feeder open sensor and flag

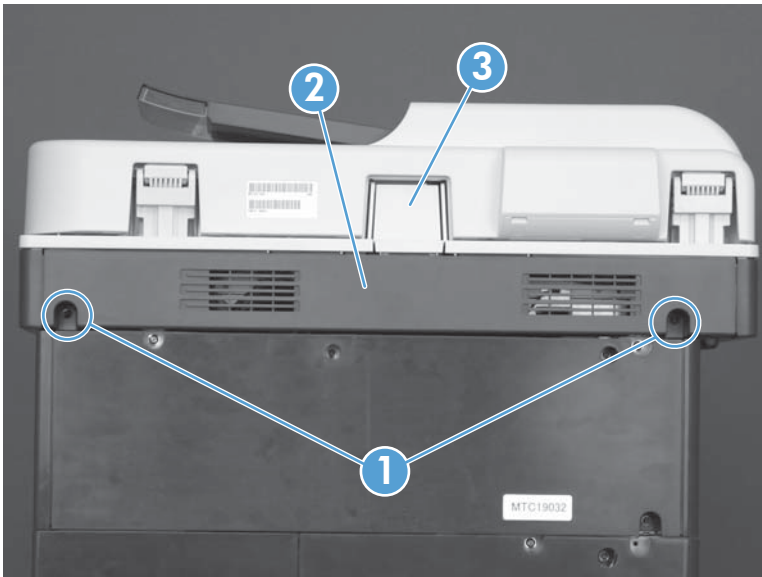


Scanner

Scanner controller board (SCB) assembly

1. On the scanner back cover, remove two screws (callout 1), and remove the scanner back cover (callout 2) and the document feeder cable cover (callout 3) from the product.

Figure 1-346 Remove the SCB (1 of 3)



2. Disconnect seven connectors (callout 1) and two flat flexible cables (callout 2), remove two screws (callout 3), and then slide the SCB assembly (callout 4) out of the product.


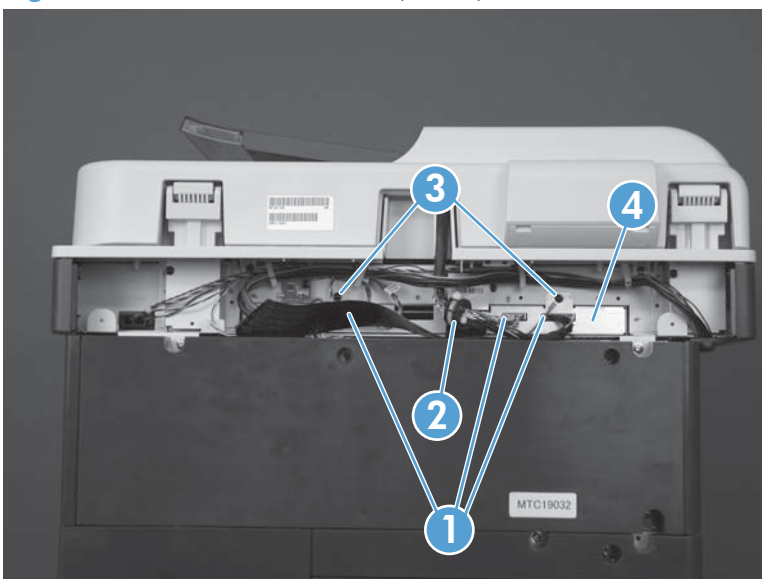
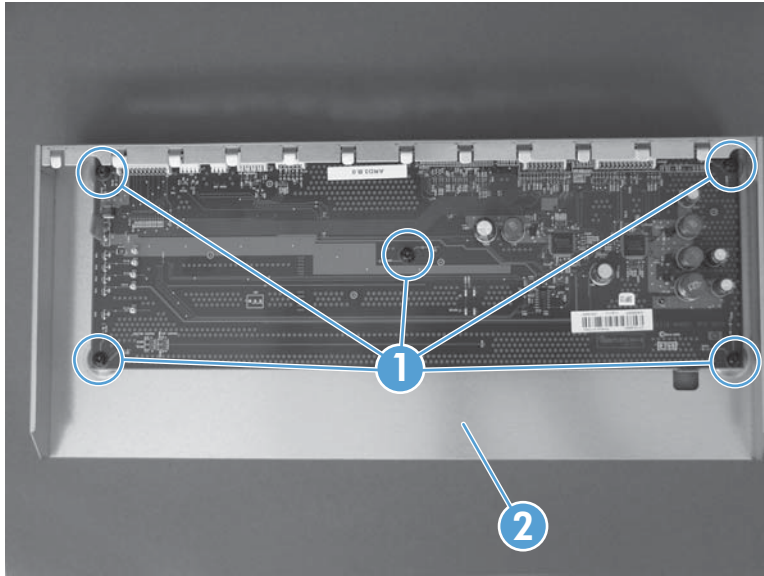
 **Reinstallation tip** Be careful not to pinch any wires between the chassis and the SCB assembly when reinstalling the assembly.

Figure 1-347 Remove the SCB (2 of 3)



3. Turn the assembly over, remove five screws (callout 1), and then remove the metal SCB cover (callout 2).

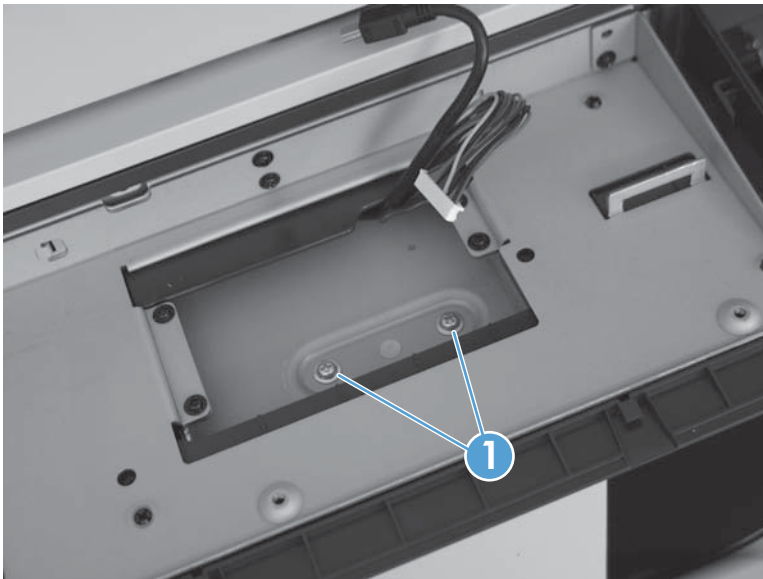
Figure 1-348 Remove the SCB (3 of 3)



Scanner assembly

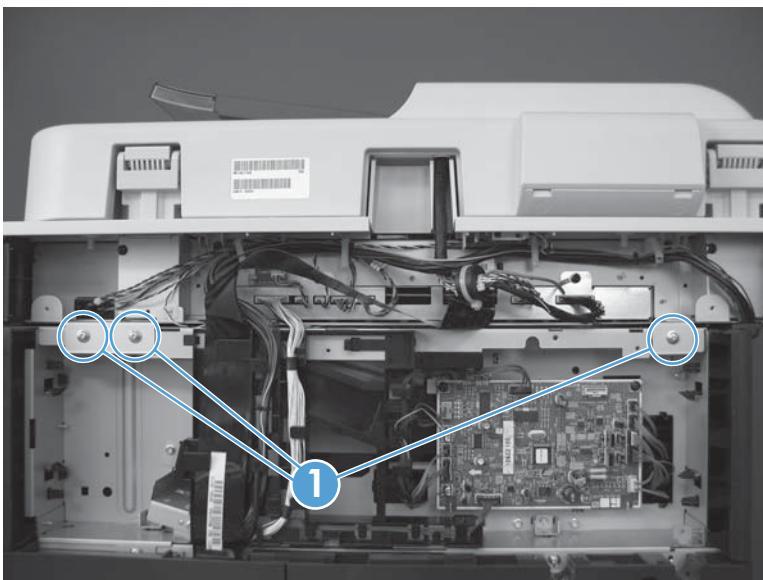
1. Remove the following components or assemblies:
 - Control panel. See [Control panel assembly on page 49](#).
 - Document feeder. See [Document feeder assembly on page 214](#).
 - Rear cover or stapler/stacker rear cover. See [Rear cover on page 24](#) or [Stapler/stacker rear cover on page 190](#).
2. At the front of the product, in the control panel cavity, remove two screws (callout 1).

Figure 1-349 Remove the scanner (1 of 3)



3. On the rear side of the product, remove three screws (callout 1).

Figure 1-350 Remove the scanner (2 of 3)



4. **Stapler/stacker models only:** Remove the rear pocket cover. See Step 1 of [Rear cover on page 24](#).
5. On the connecting PCA, disconnect one flat flexible cable (callout 1)—shown disconnected in the figure below—and three connectors (callout 2; the purple stapler/stacker wire harness connector can remain connected), and then release the cable and wire harnesses from the guides.


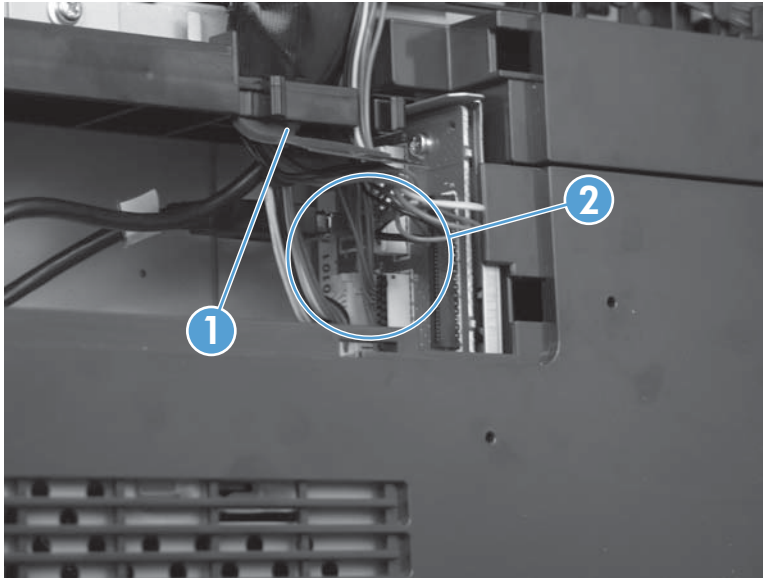
 **Reinstallation tip** When reinstalling the scanner assembly, connect the flat flexible cable (callout 1) last.

Figure 1-351 Remove the scanner (3 of 3)



- Lift the scanner assembly up and off of the product to remove it.


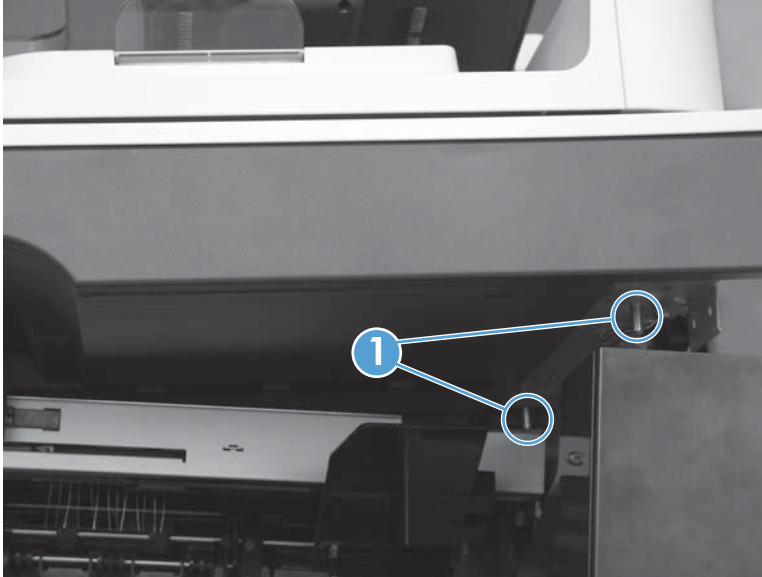

 **Reinstallation tip** Use the alignment pins (callout 1) on the back of the scanner assembly to mount the assembly on the product base or stapler/stacker when reinstalling the scanner assembly.

Figure 1-352 Reinstall the scanner



Install a replacement scanner assembly

 **NOTE:** If a replacement document feeder assembly or scanner assembly is installed, you must install a replacement foam reflector on the document feeder. See [Document feeder foam reflector on page 221](#).

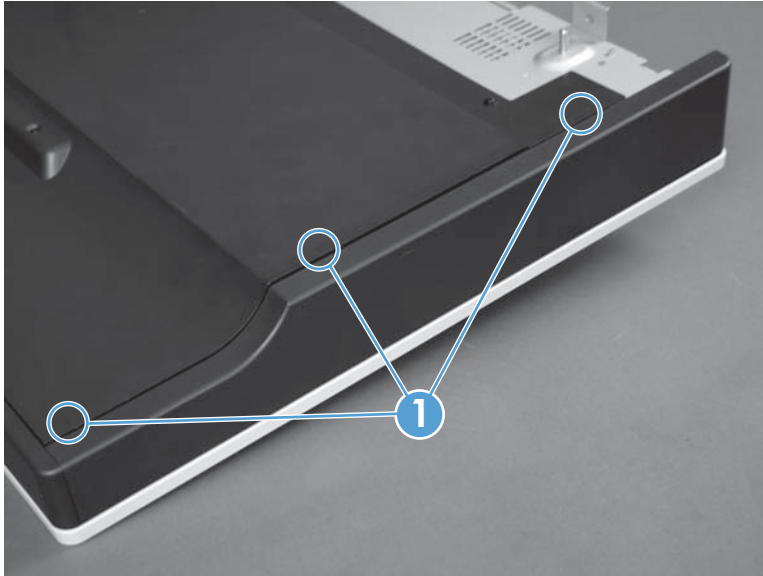
If a replacement image scanner is installed, do the following:

- From the Home screen on the control panel, scroll to and touch the [Device Maintenance](#) button.
- Open the [Service](#) menu.
- On the sign-in screen, select the [Service Access Code](#) option from the drop-down list.
- Type the following service access code for this product: 05072513.
- Reset the following values:
 - [Flatbed Count](#); set to zero
- From the Home screen on the control panel, scroll to and touch the [Device Maintenance](#) button.
- Touch the [Calibration/Cleaning](#) item.
- Touch the [Calibration](#) item.
- Follow the instructions on the control panel to calibrate the product.

Scanner right cover

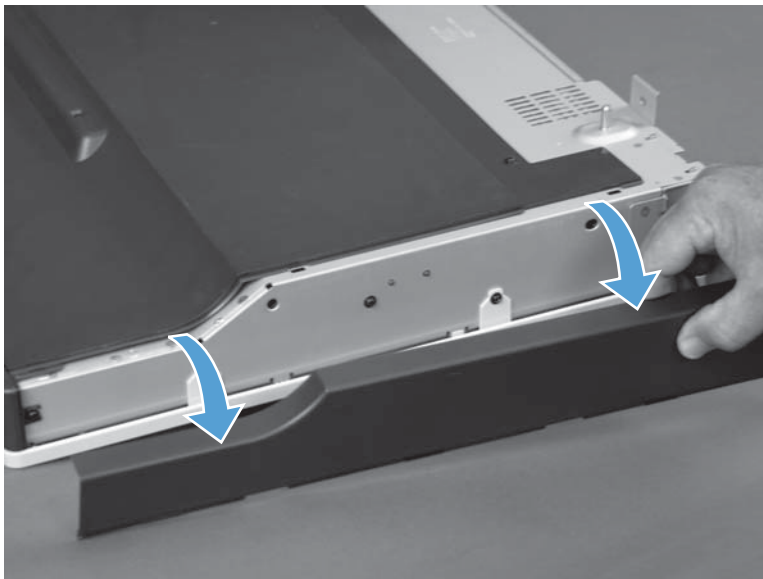
1. Remove the following components or assemblies:
 - Control panel assembly. See [Control panel assembly on page 49](#).
 - Document feeder. See [Document feeder assembly on page 214](#).
 - Scanner assembly. See [Scanner assembly on page 248](#).
2. Turn the scanner upside down, and then release three tabs (callout 1).

Figure 1-353 Remove the scanner right cover (1 of 2)



3. Rotate the cover away from the scanner to remove it.

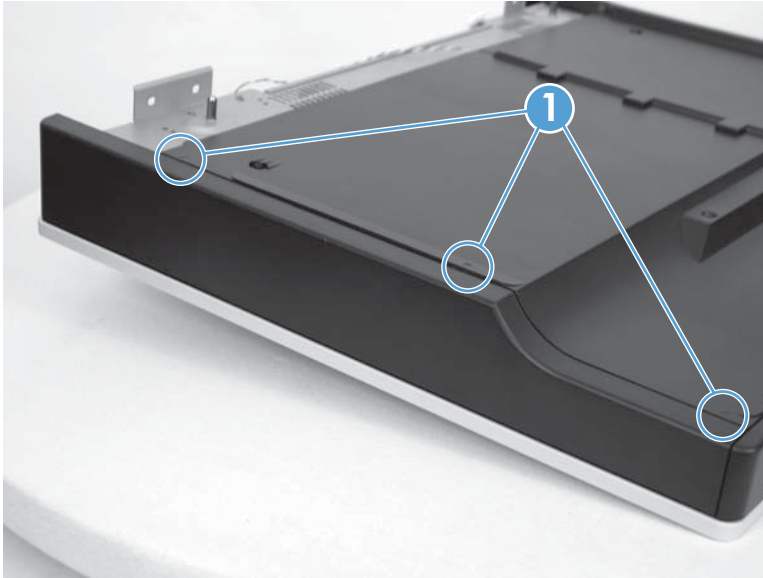
Figure 1-354 Remove the scanner right cover (2 of 2)



Scanner left cover

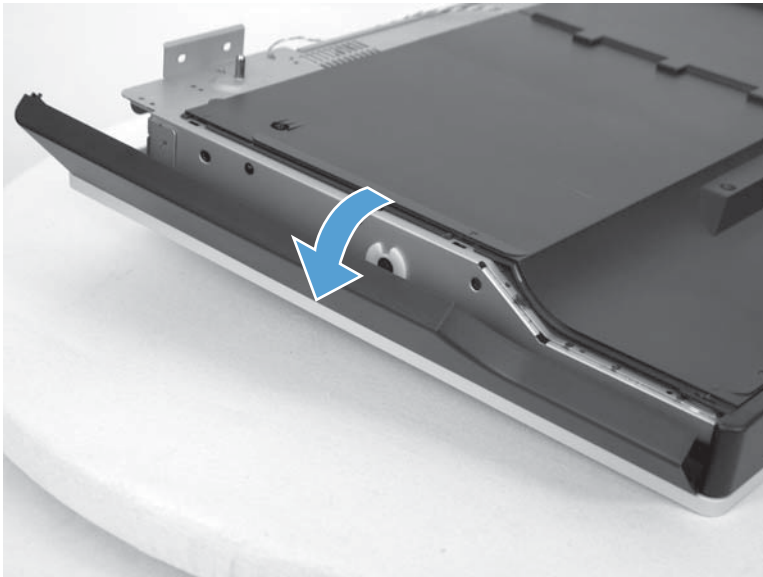
1. Remove the following components or assemblies:
 - Control panel assembly. See [Control panel assembly on page 49](#).
 - Document feeder. See [Document feeder assembly on page 214](#).
 - Scanner assembly. See [Scanner assembly on page 248](#).
2. Turn the scanner upside down, and then release three tabs (callout 1).

Figure 1-355 Remove the scanner left cover (1 of 2)



3. Rotate the cover away from the scanner to remove it.

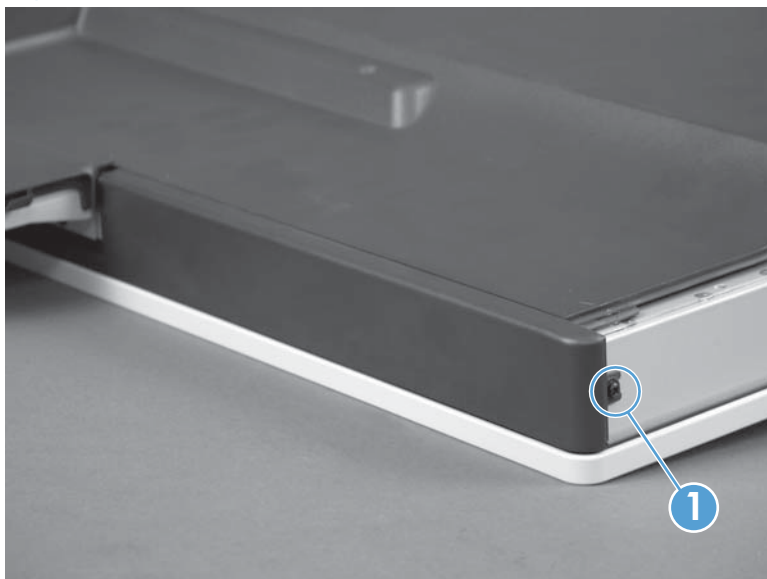
Figure 1-356 Remove the scanner left cover (2 of 2)



Scanner front cover

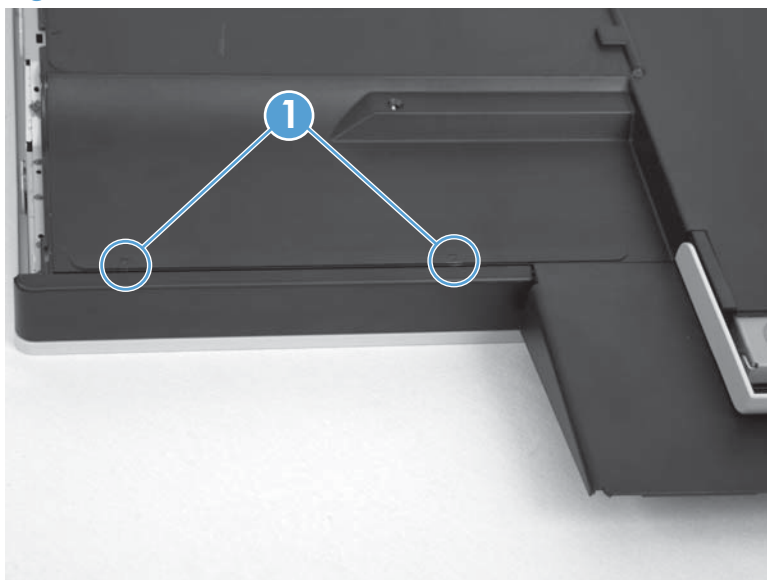
1. Remove the following components or assemblies:
 - Control panel assembly. See [Control panel assembly on page 49](#).
 - Document feeder. See [Document feeder assembly on page 214](#).
 - Scanner assembly. See [Scanner assembly on page 248](#).
 - Scanner right cover. See [Scanner right cover on page 251](#).
2. Remove one screw (callout 1).

Figure 1-357 Remove the scanner front cover (1 of 3)



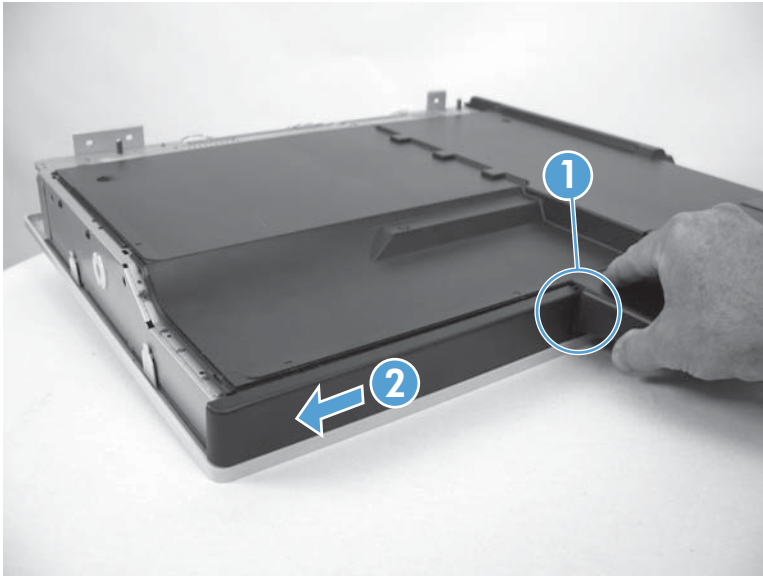
3. Release two tabs (callout 1).

Figure 1-358 Remove the scanner front cover (2 of 3)



4. Slightly lift up on the control panel bottom cover (callout 1) to give the front cover clearance, and then slide the cover away from the assembly (callout 2) to remove it.

Figure 1-359 Remove the scanner front cover (3 of 3)



Reinstall the scanner front cover

When the cover is reinstalled, Make sure that the control panel bottom cover snaps into place.

Figure 1-360 Reinstall the scanner front cover

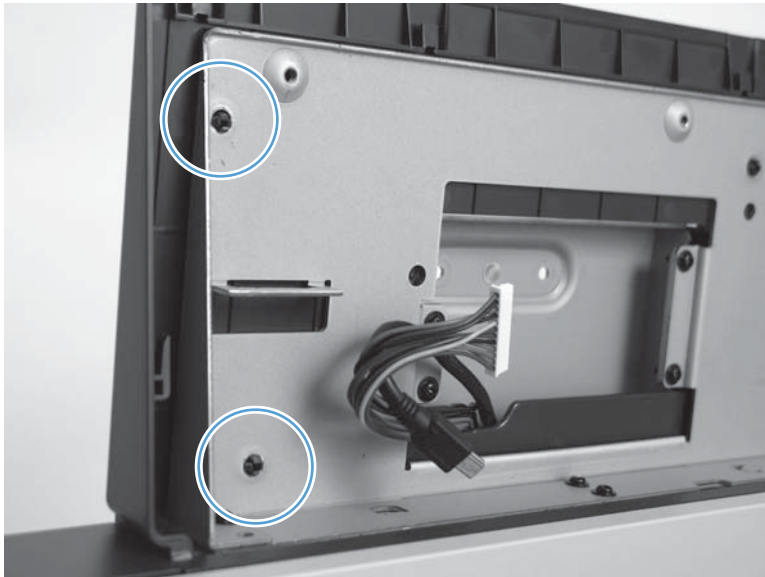


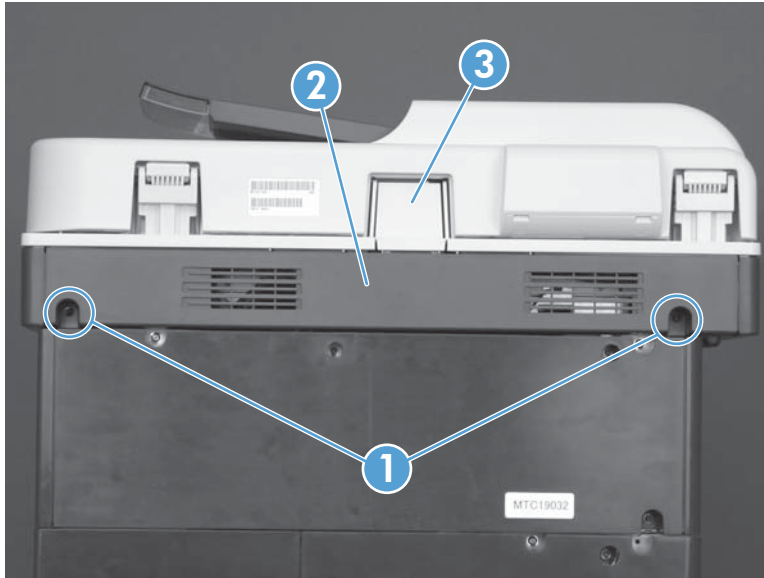
Image scanner memory board

⚠ CAUTION:  ESD sensitive assembly.

Do not replace the SCB and the image scanner memory board at the same time. If you must replace both assemblies, see [Installing a replacement SCB and image scanner memory board on page 257](#).

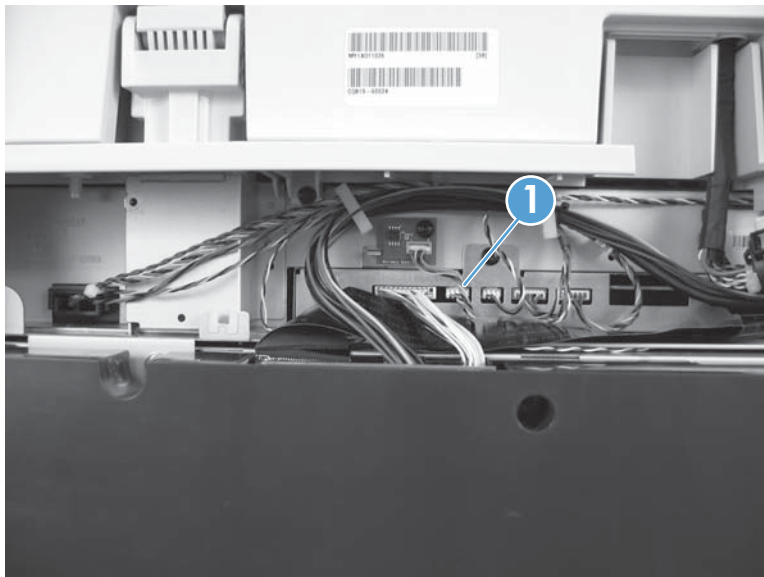
1. On the scanner back cover, remove two screws (callout 1), and remove the scanner back cover (callout 2) and the document feeder cable cover (callout 3) from the product.

Figure 1-361 Remove the image scanner memory board (1 of 3)



2. Disconnect one connector (callout 1).

Figure 1-362 Remove the image scanner memory board (2 of 3)



3. Remove one screw (callout 1), and then carefully remove the image scanner memory board.


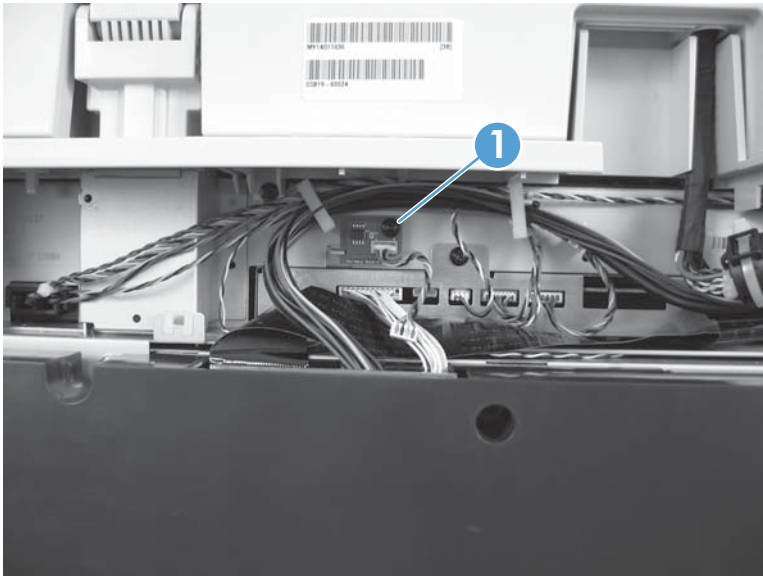
 **Reinstallation tip** When the image scanner memory board is reinstalled, make sure that the board fits in the notched holder on the chassis.

Figure 1-363 Remove the image scanner memory board (3 of 3)




Installing a replacement SCB and image scanner memory board

The image scanner memory board contains the primary copy of the scan head calibration values. The SCB contains a backup copy of these values. Replacing both of these assemblies at the same time will cause these values to be lost and the image scanner will not operate.

If both assemblies must be replaced, do the following:

1. Replace either the image scanner memory board or the SCB.
2. Turn the product power on, and wait for the product to reach the [Ready](#) state.
3. Turn the product power off, and then replace the remaining assembly.

2 Parts and diagrams

 **NOTE:** Not all components listed in the parts tables can be ordered. If a component listed has an associated part number, then it is a field replaceable unit (FRU) and can be ordered. If the component does not have an associated part number, you must order the FRU that includes the desired component.

- [Order parts by authorized service providers](#)
- [How to use the parts lists and diagrams](#)
- [Fasteners used in this product](#)
- [Assembly locations](#)
- [Document feeder, control panel, and scanner whole units](#)
- [Document feeder assemblies](#)
- [Scanner assemblies](#)
- [Scanner controller board \(SCB\)](#)
- [Print engine](#)
- [500-sheet paper feeder \(Tray 4\)](#)
- [1x500 and 3x500 paper deck](#)
- [High capacity input \(HCI\) feeder](#)
- [Stapler/stacker assembly](#)
- [Alphabetical parts list](#)
- [Numerical parts list](#)

Order parts by authorized service providers

Table 2-1 Order parts, accessories, and supplies

Order supplies and paper	www.hp.com/go/suresupply
Order genuine HP parts or accessories	www.hp.com/buy/parts
Order through service or support providers	Contact an HP-authorized service or support provider.
Order using HP software	For information about using the HP software to order parts, accessories, and supplies, see the product user guide.

Related documentation and software

Table 2-2 Related documentation and software

Item	Description	Part number
<i>HP LaserJet Enterprise MFP M725 Series User Guide</i>	Product user guide, English	CF066-90901
<i>HP LaserJet Pro Enterprise MFP M725 Series Repair Manual</i>	Repair manual, English (this manual)	CF066-90988
<i>HP LaserJet Pro Enterprise MFP M725 Series Troubleshooting Manual</i>	Troubleshooting manual, English	CF066-91023

Supplies part numbers

Table 2-3 Supplies part numbers

Item	Description	Part number
HP LaserJet toner cartridge	Standard-capacity cartridge	CF214-67901
		CF214A
	High-capacity cartridge	CF214-67902
		CF214X
Staple cartridge	5,000-staple cartridge	C8085-60541
		C8091A

Customer self repair orderable parts

Table 2-4 Orderable parts

Item	Description	Self-replacement options	Part number
Hard-disk drive replacement kit	Replacement 320 GB HP High-Performance Secure Hard Disk	Optional	CF066-67902
	Replacement 320 GB HP High-Performance Secure Hard Disk (government option)	Optional	CF066-67904
Formatter assembly kit	Replacement formatter assembly kit	Mandatory	CF066-67901
	Replacement formatter assembly kit—China	Mandatory	CF066-67903
Memory DIMM	512 MB	Mandatory	CF066-67905
Control-panel replacement kit	Replacement kit for the control panel	Mandatory	CD644-67916
Fax-card replacement kit	Replacement kit for the fax card	Mandatory	CF066-67912
Document-feeder-roller maintenance kit	Replacement rollers for the document feeder	Mandatory	L2725-60002
Document feeder separation pad spring	Replacement spring for document feeder separation pad	Optional	5851-4879
Scanner foam reflector kit	Replacement white backing under the scanner lid	Optional	5851-4888
Staple-cartridge refill	Refill for the stapler	Mandatory	C8085-60541
Tray 1 pickup roller and separation pad kit	Replacement pickup roller and separation pad for Tray 1	Optional	CF235-67906
Tray 2 or Tray 3 pickup roller and separation pad kit	Replacement pickup roller and separation pad for Tray 2 or Tray 3	Optional	CF235-67909
Tray 2 assembly kit	Replacement for Tray 2	Mandatory	CF235-67911
Tray 3 assembly kit	Replacement for Tray 3	Mandatory	CF235-67912
1x500-sheet feeder	Replacement 1x500-sheet feeder	Mandatory	CF235-67914
Trays 4, 5, and 6 roller kit	Replacement pickup, feed, and separation rollers for Trays 4, 5, and 6	Mandatory	CC522-67909
Tray 4, 5, or 6 assembly kit	Assembly kit for Trays 4, 5, or 6	Mandatory	CF235-67917
1x500-sheet feeder with stand kit	Optional 500-sheet feeder with stand	Mandatory	CF235-67915
3x500-sheet feeder with stand kit	Optional 3x500-sheet feeder with stand	Mandatory	CF235-67916
3,500-sheet high-capacity input feeder with stand kit	Optional 3,500-sheet high-capacity input feeder with stand	Mandatory	CF235-67918
3,500-sheet high-capacity input feeder left tray assembly	Left tray for the 3,500-sheet high-capacity input feeder	Mandatory	CF235-60103

Table 2-4 Orderable parts (continued)

Item	Description	Self-replacement options	Part number
3,500-sheet high-capacity input feeder right tray assembly	Right tray for the 3,500-sheet high-capacity input feeder	Mandatory	CF235-60104
3,500-sheet tray roller kit	Replacement pickup, feed, and separation rollers for the 3,500-sheet high-capacity input feeder	Mandatory	5851-5011
Transfer-roller kit	Replacement transfer roller	Mandatory	CF235-67910
Duplexer kit	Optional duplexer kit	Mandatory	CF235-67913
Fuser assembly kit	Replacement 110V fuser assembly kit	Mandatory	CF235-67921
	Replacement 220V fuser assembly kit	Mandatory	CF235-67922
110V maintenance kit	Product maintenance kit	Mandatory	CF235-67907
	<ul style="list-style-type: none"> • 110-volt fuser • Transfer roller • Tray 1 pickup roller and separation pad • Tray 2 and 3 pickup rollers • Tray 2 and 3 separation pads • Trays 4,5, and 6 feed and separation rollers 		
220V maintenance kit	Product maintenance kit	Mandatory	CF235-67908
	<ul style="list-style-type: none"> • 220-volt fuser • Transfer roller • Tray 1 pickup roller and separation pad • Tray 2 and 3 pickup rollers • Tray 2 and 3 separation pads • Trays 4,5, and 6 feed and separation rollers 		
Trays 2, 3, 4, 5, and 6 label kit	Replacement labels for Trays 2, 3, 4, 5, and 6	Mandatory	5851-5600
Toner cartridge	Standard capacity	Mandatory	CF214-67901
	High capacity	Mandatory	CF214-67902
Power cable 220V – 10A	Replacement cable – China	Mandatory	8121-0943
Power cable 110V – 13A	Replacement cable – Taiwan	Mandatory	8121-0964
Power cable 220V –10A	Replacement cable – Korea, EU generic	Mandatory	8121-0731

Table 2-4 Orderable parts (continued)

Item	Description	Self-replacement options	Part number
Power cable 110V – 12A	Replacement cable – Japan	Mandatory	8121-1143
Power cable 220V – 6A	Replacement cable – India	Mandatory	8121-0564
Power cable 220V – 10A	Replacement cable – UK/Asia Pacific	Mandatory	8121-0739
Power cable 220V – 10A	Replacement cable – Australia/New Zealand	Mandatory	8121-0837
Power cable 220V – 10A	Replacement cable – Israel	Mandatory	8121-1004
Power cable 220V – 10A	Replacement cable – Denmark	Mandatory	8121-0733
Power cable 220V – 10A	Replacement cable – South Africa	Mandatory	8121-0737
Power cable 220V – 10A	Replacement cable – Switzerland	Mandatory	8121-0738
Power cable 110V – 10A Brazil	Replacement cable – Brazil	Mandatory	8121-1071
Power cable 220V – 10A Argentina	Replacement cable – Argentina	Mandatory	8121-0729
Power cable 110V – 10A North America	Replacement cable – North America	Mandatory	8121-0740
Power cable 220V – 10A South America/Chile/Peru	Replacement cable – South America/Chile/Peru	Mandatory	8121-0735
Power cable 220V / 110V – Thailand/Philippines	Replacement cable – Thailand/Philippines	Mandatory	8121-0734

Accessories part numbers

Table 2-5 Accessories part numbers

Item	Description	Part number
500-sheet tray and feeder unit	Optional tray to increase paper capacity	CF235-67914
1x500-sheet feeder, cabinet, and stand	Optional tray to increase paper capacity	CF235-67915
3x500-sheet feeder and stand	Optional tray to increase paper capacity	CF235-67916
3,500-sheet high-capacity input and stand	Optional tray to increase paper capacity	CF235-67918
Duplex printing assembly	Optional accessory to print on both sides of the paper	CF235-67913
Hard disk drive	Replacement 320 GB HP High-Performance Secure Hard Disk	CF066-67902
	Replacement 320 GB HP High-Performance Secure Hard Disk (government option)	CF066-67904
Memory DIMM	HP Optional 512 MB DIMM memory	CF066-67905

Table 2-5 Accessories part numbers (continued)

Item	Description	Part number
Fax accessory	HP LaserJet MFP Analog Fax Accessory 500	CF066-67912
HP Jetdirect print servers	HP Jetdirect ew2500 Wireless Print Server	J8021A
	HP Jetdirect 2700w USB Wireless Print Server	J8026A
USB cable	Standard USB-compatible device connector, 2 m (6.5 ft)	C6518A

How to use the parts lists and diagrams

The figures in this chapter show the major subassemblies in the product and their component parts. A parts list table follows each exploded view assembly diagram. Each table lists the item number, the associated part number, and the description of each part. If a part is not listed in the table, then it is not a field replacement unit (FRU).

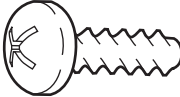
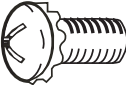
⚠ CAUTION: Be sure to order the correct part. When looking for part numbers for electrical components, pay careful attention to the voltage that is listed in the description column. Doing so will ensure that the part number selected is for the correct model.

📝 NOTE: In this manual, the abbreviation “PCA” stands for “printed circuit-board assembly.” Components described as a PCA might consist of a single circuit board or a circuit board plus other parts, such as cables and sensors.

Fasteners used in this product

📝 NOTE: The screw illustrations in the following table are for reference only. Screws might vary in size and appearance from those shown in this table.

Table 2-6 Common fasteners

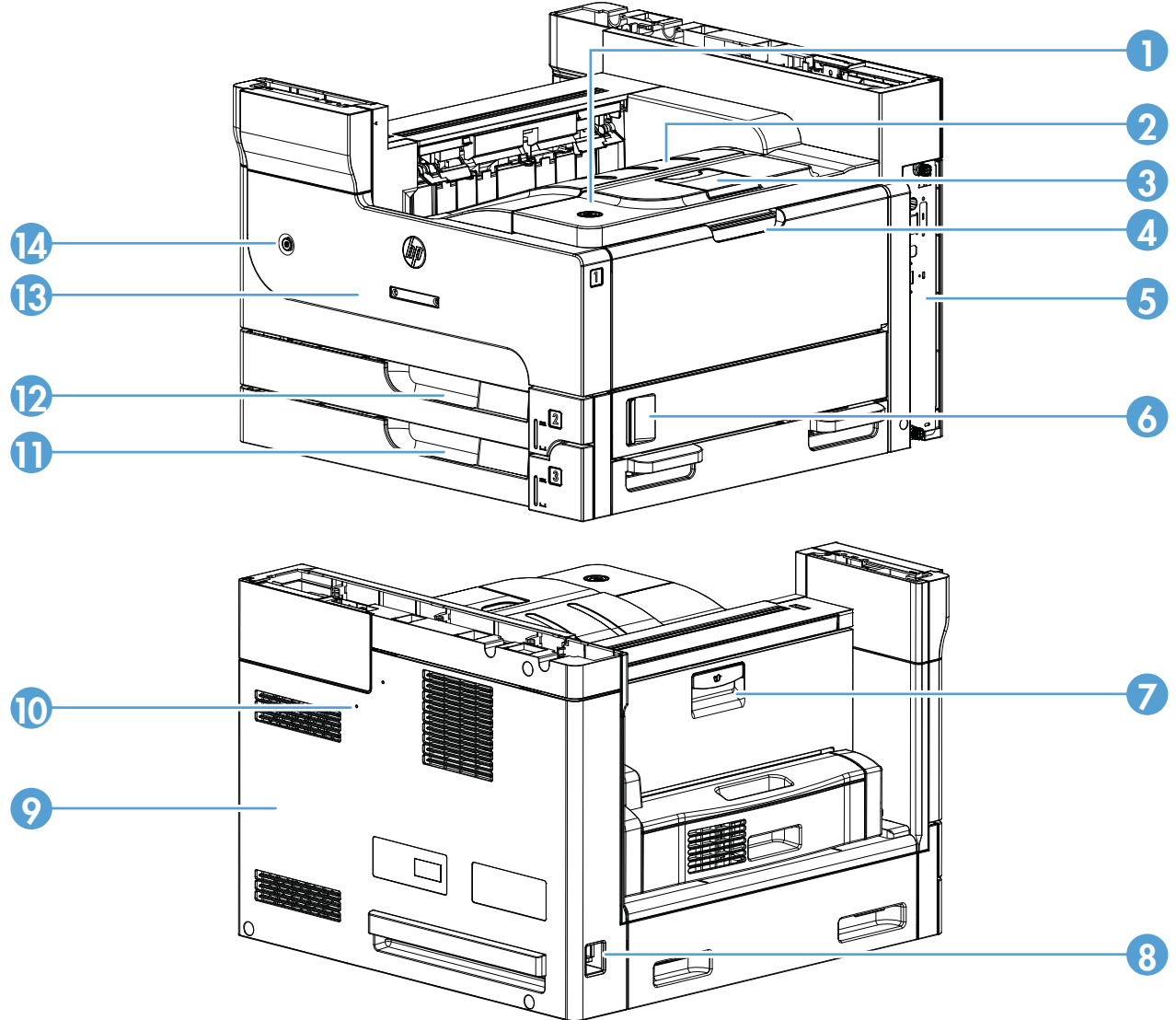
Example	Description	Size	Part Number
	Screw, tapping, truss head	M4X10	XB4-7401-005CN
	Screw, D	M3X8	XA9-1671-000CN

6 mm 8 mm 10 mm M 3 M 4
|←→| |←→| |←→| ○ ○

Assembly locations

Base product (no optional trays or accessories)

Figure 2-1 Base product (no optional trays or accessories)



Item	Description	Item	Description
1	Cartridge door	8	Power receptacle
2	Face-down output bin	9	Rear cover
3	Face-down output bin extension tray	10	Test print switch
4	Tray 1 (MP tray)	11	Lower cassette
5	Formatter	12	Upper cassette

Item	Description	Item	Description
6	Right door	13	Front cover
7	Left door	14	Power switch

Optional 500-sheet paper feeder (accessory)

Figure 2-2 Optional 500-sheet paper feeder (accessory)

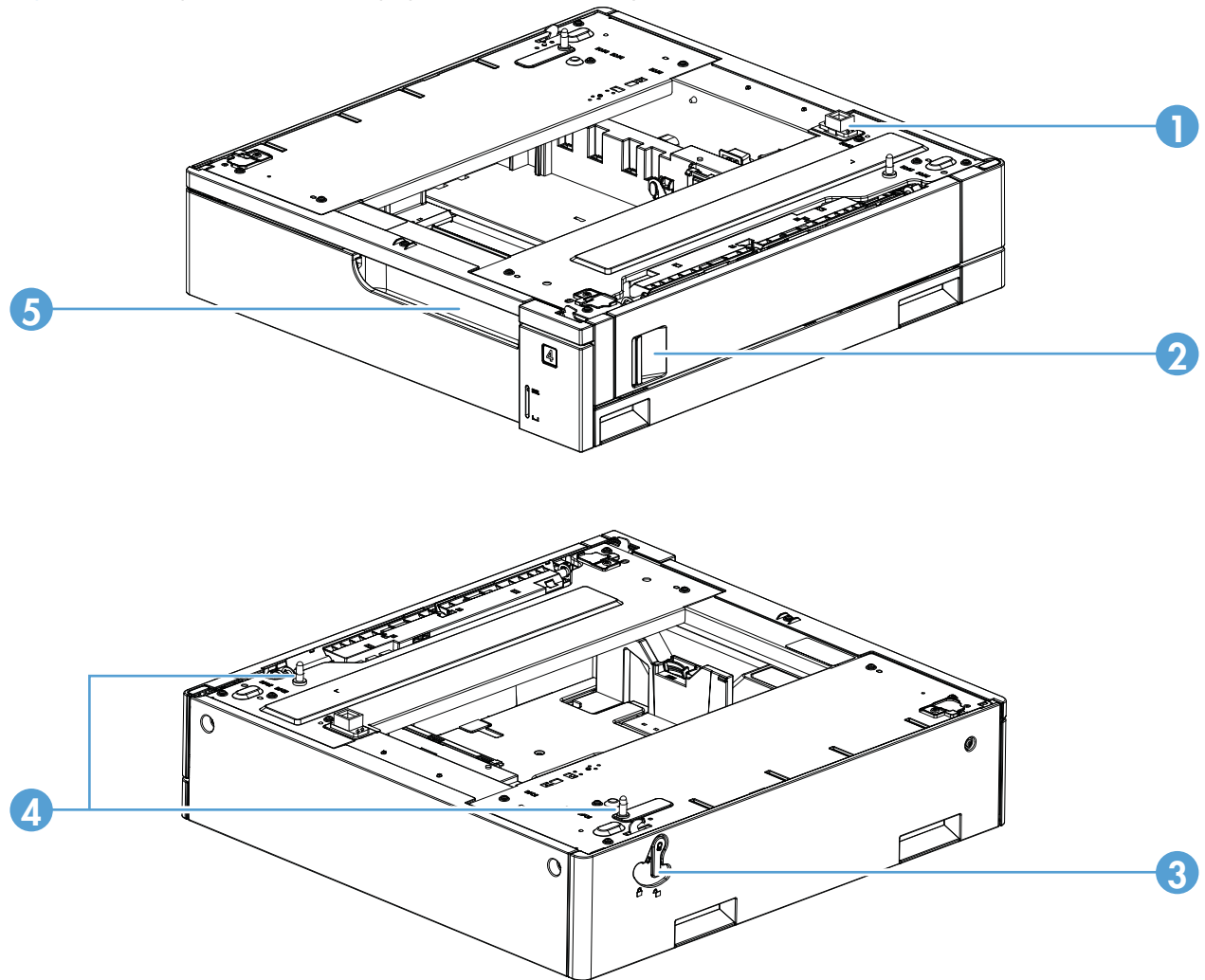


Table 2-7 Optional 500-sheet paper feeder (accessory)

Item	Description	Item	Description
1	Connector	4	Positioning pin
2	Right door	5	Cassette
3	Lock lever		

Optional 1x500-sheet paper deck (accessory)

Figure 2-3 Optional 1x500-sheet paper deck (accessory)

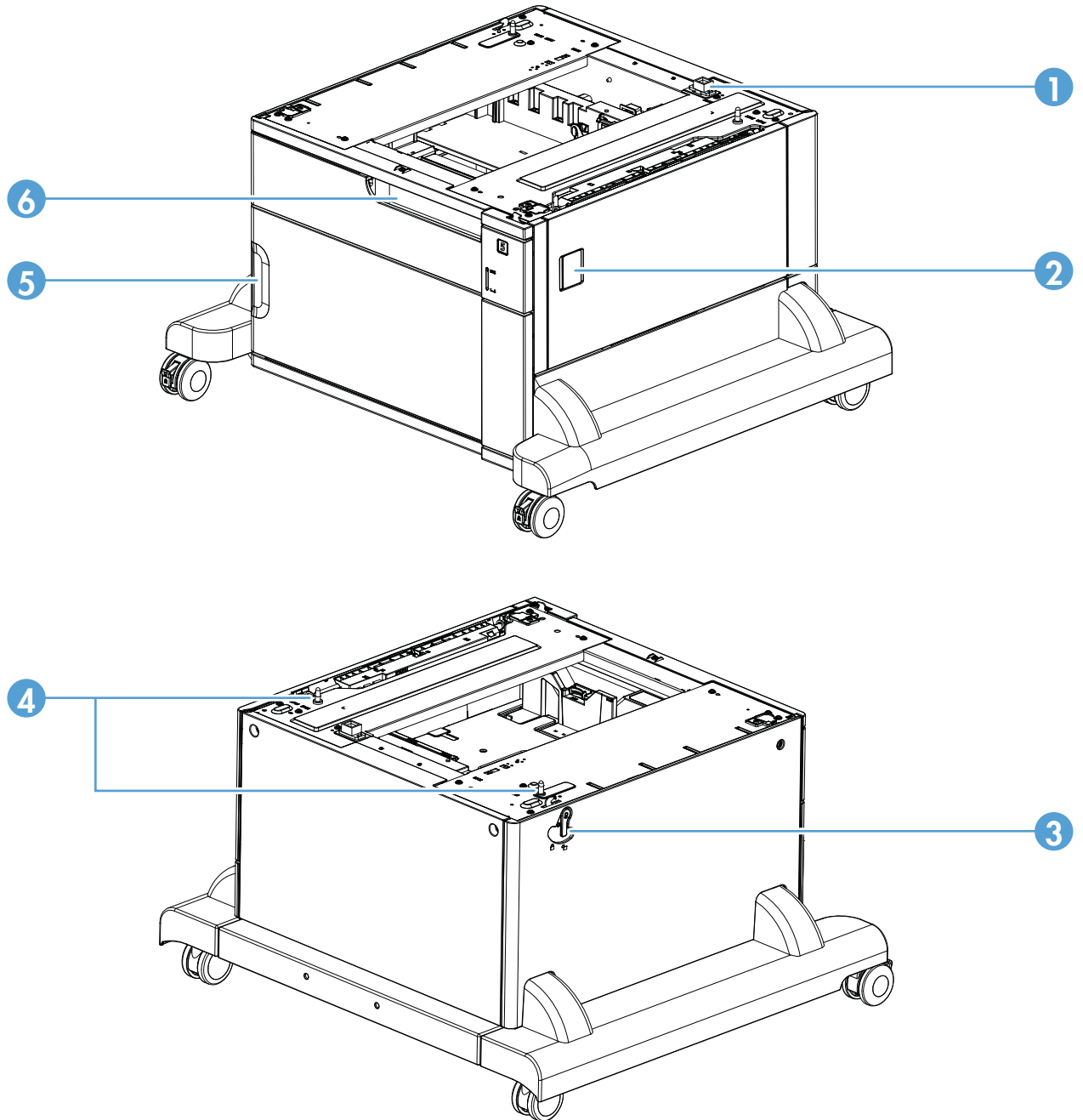


Table 2-8 Optional 1x500-sheet paper deck (accessory)

Item	Description	Item	Description
1	Connector	4	Positioning pin
2	Right door	5	Front door
3	Lock lever	6	Cassette

Optional 3x500-sheet paper deck (accessory)

Figure 2-4 Optional 3x500-sheet paper deck (accessory)

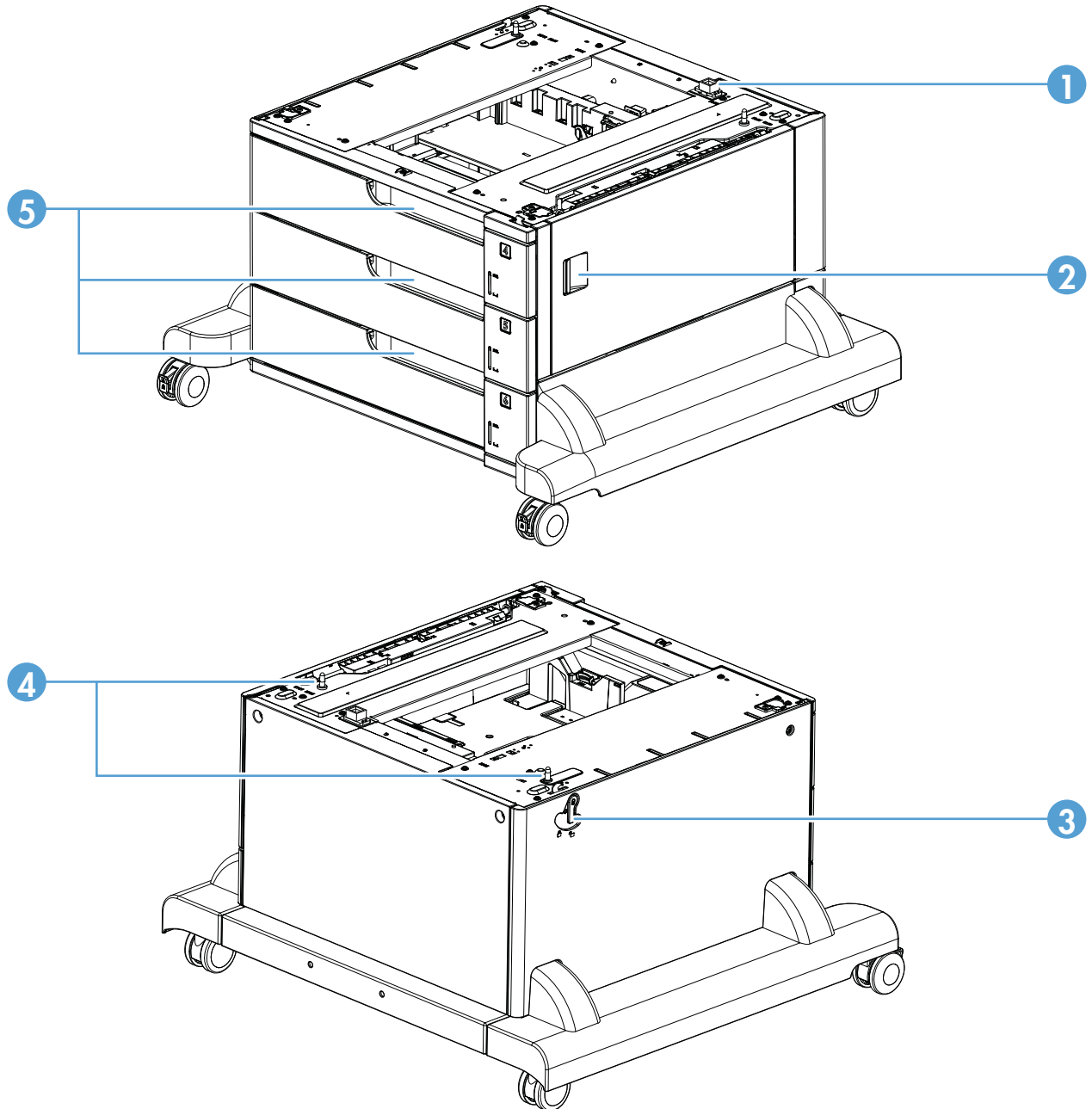


Table 2-9 Optional 3x500-sheet paper deck (accessory)

Item	Description	Item	Description
1	Connector	4	Positioning pin
2	Right door	5	Cassette
3	Lock lever		

High capacity input (HCI) paper deck

Figure 2-5 High capacity input (HCI) paper deck

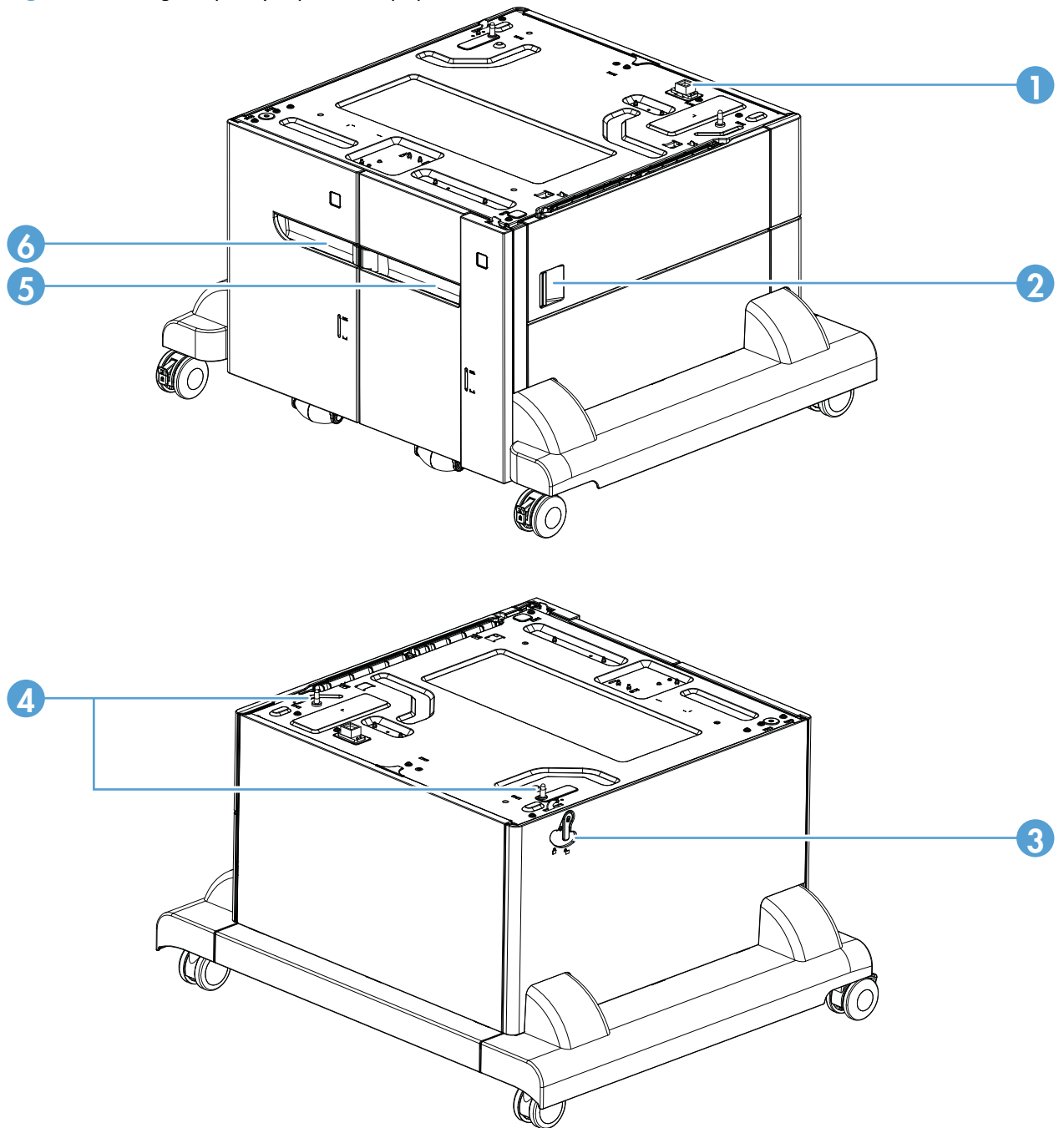


Table 2-10 High capacity input (HCI) paper deck

Item	Description	Item	Description
1	Connector	4	Positioning pin
2	Right door	5	Right cassette
3	Lock lever	6	Left cassette

Duplexer

Figure 2-6 Duplexer

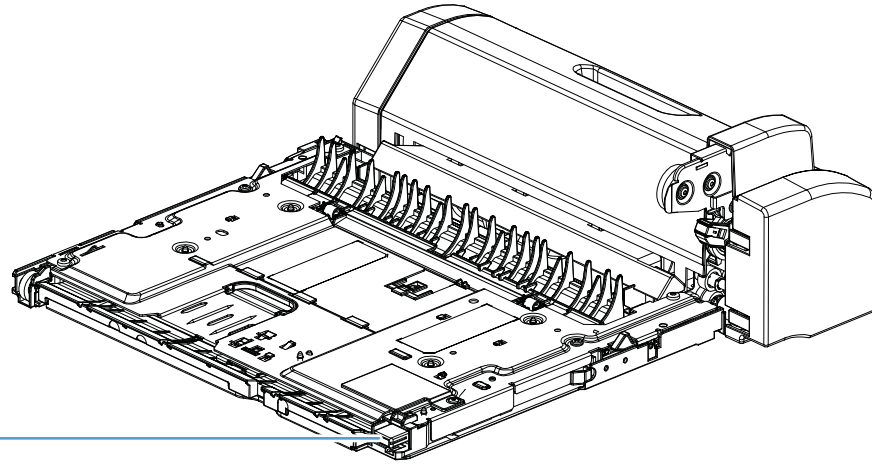


Table 2-11 Duplexer

Item	Description
1	Connector

Optional stapler/stacker

Figure 2-7 Optional stapler/stacker

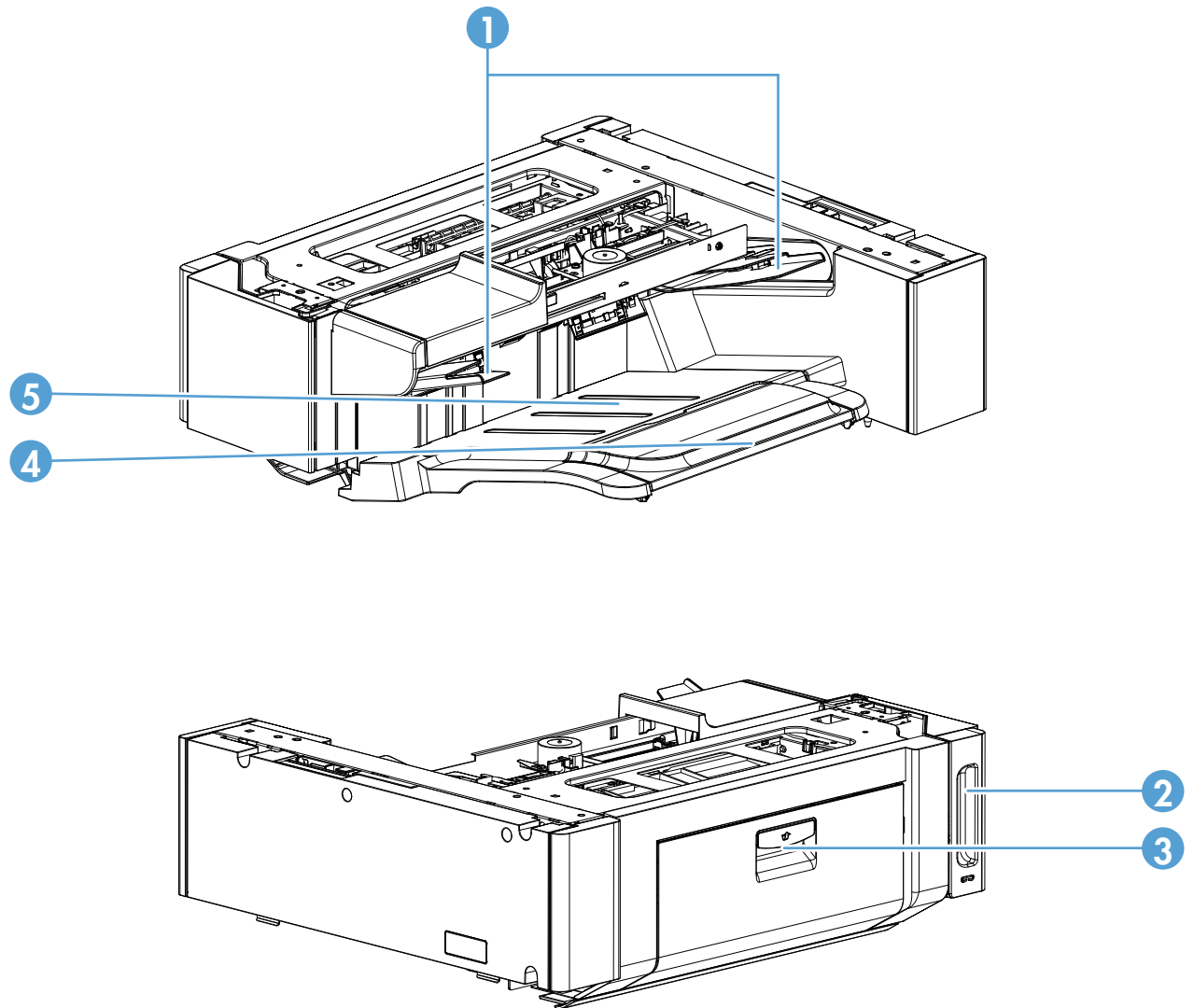


Table 2-12 Optional stapler/stacker (accessory)

Item	Description	Item	Description
1	Logger guide	4	Output bin extension
2	Stapler door	5	Output bin
3	Left door		

Document feeder, control panel, and scanner whole units

Figure 2-8 Document feeder, control panel, and scanner whole units

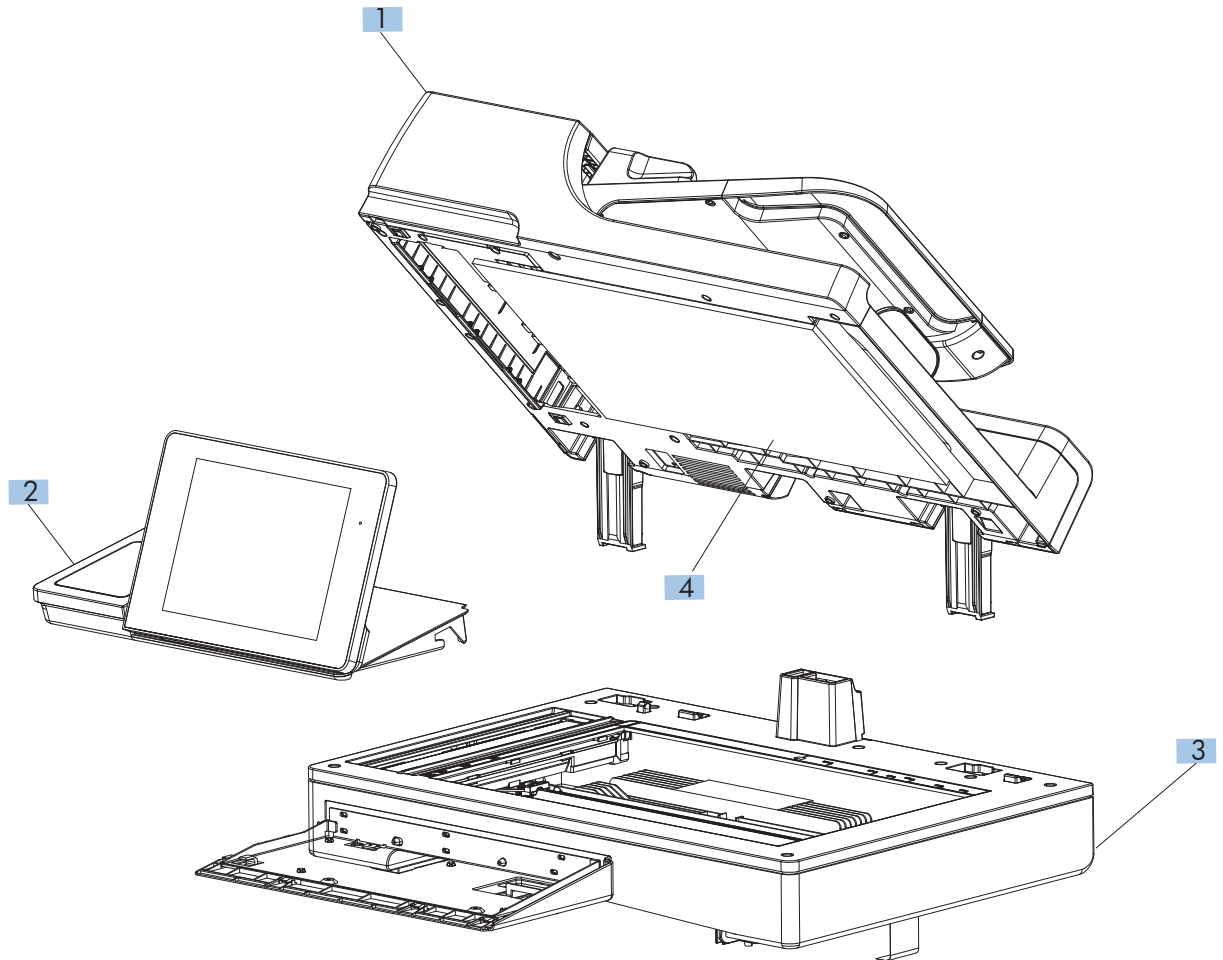


Table 2-13 Document feeder, control panel, and scanner whole units

Ref	Description	Part number	Qty
1	Kit, ADF whole unit, A3 (includes foam reflector kit)	CF066-67910	1
2	Kit, control panel	CD644-67916	1
3	Kit, scanner whole unit (includes foam reflector kit)	CF066-67906	1
4	Kit, reflector foam, A3	5851-4888	1

Document feeder assemblies

Figure 2-9 Document feeder assemblies

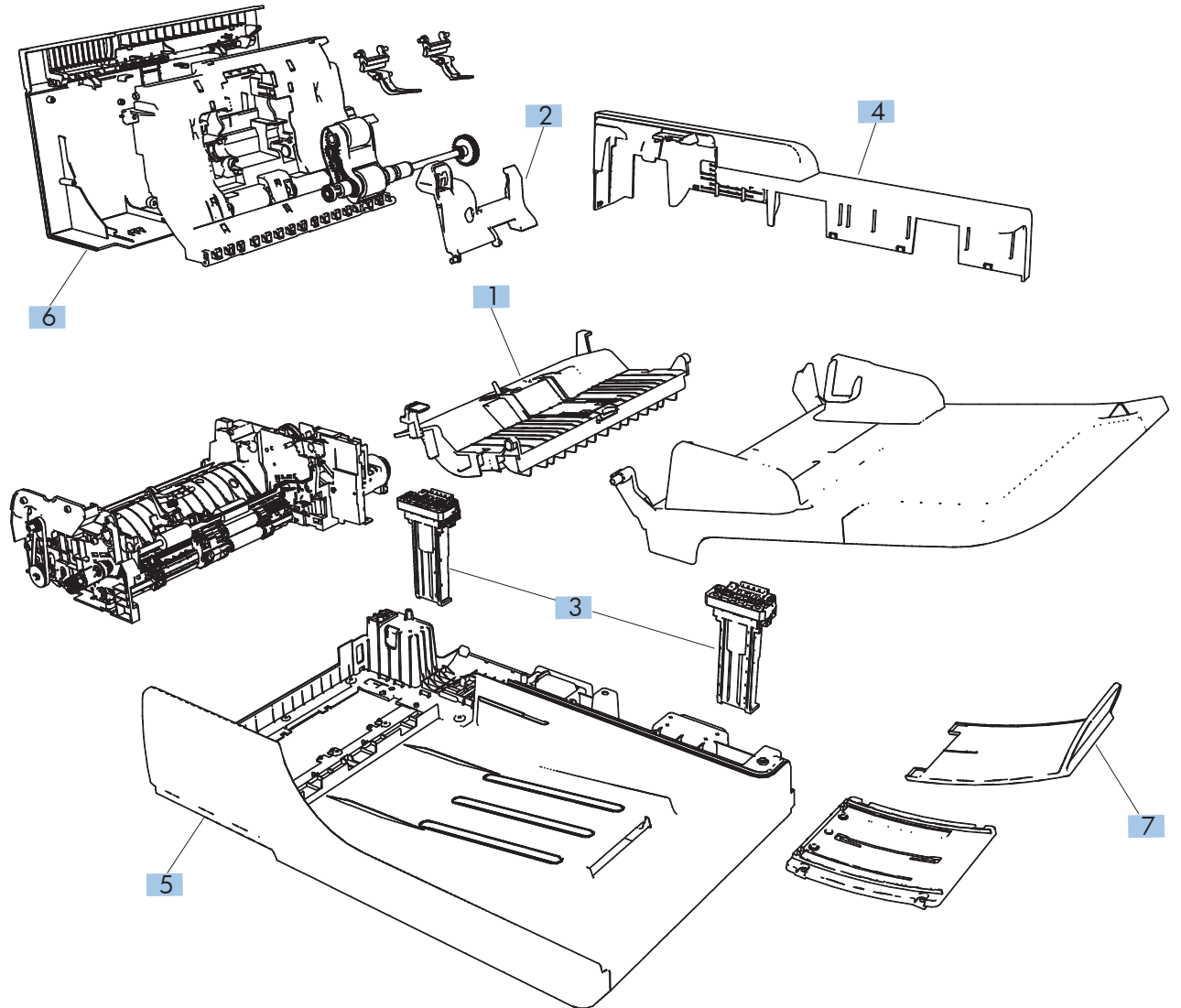


Table 2-14 Document feeder assemblies

Ref	Description	Part number	Qty
All shown	Kit, ADF whole unit, A3 (includes foam reflector kit)	CF066-67910	1
1	Kit, ADF separation pad spring	5851-4879	1
2	ADF roller cover, A3	CQ819-40032	1
3	ADF hinge assembly	CQ819-60011	2
4	Cover, ADF rear	CQ819-40005	1
5	Cover, ADF front	CQ819-40003	1
6	Cover, hatch	CQ819-40004	1
7	ADF tray extender	Q7404-40020	1
Not shown	Photosensor	CC355-80014	1
Not shown	Width sensor PCA	CQ819-60022	1
Not shown	Media Stopper, front	CC355-40046	1
Not shown	Media Stopper, rear	CC355-40047	1
Not shown	Kit, A3 ADF mylar	5851-4997	1
Not shown	Flag, media presence	CC355-40015	1

Scanner assemblies

Figure 2-10 Scanner assemblies

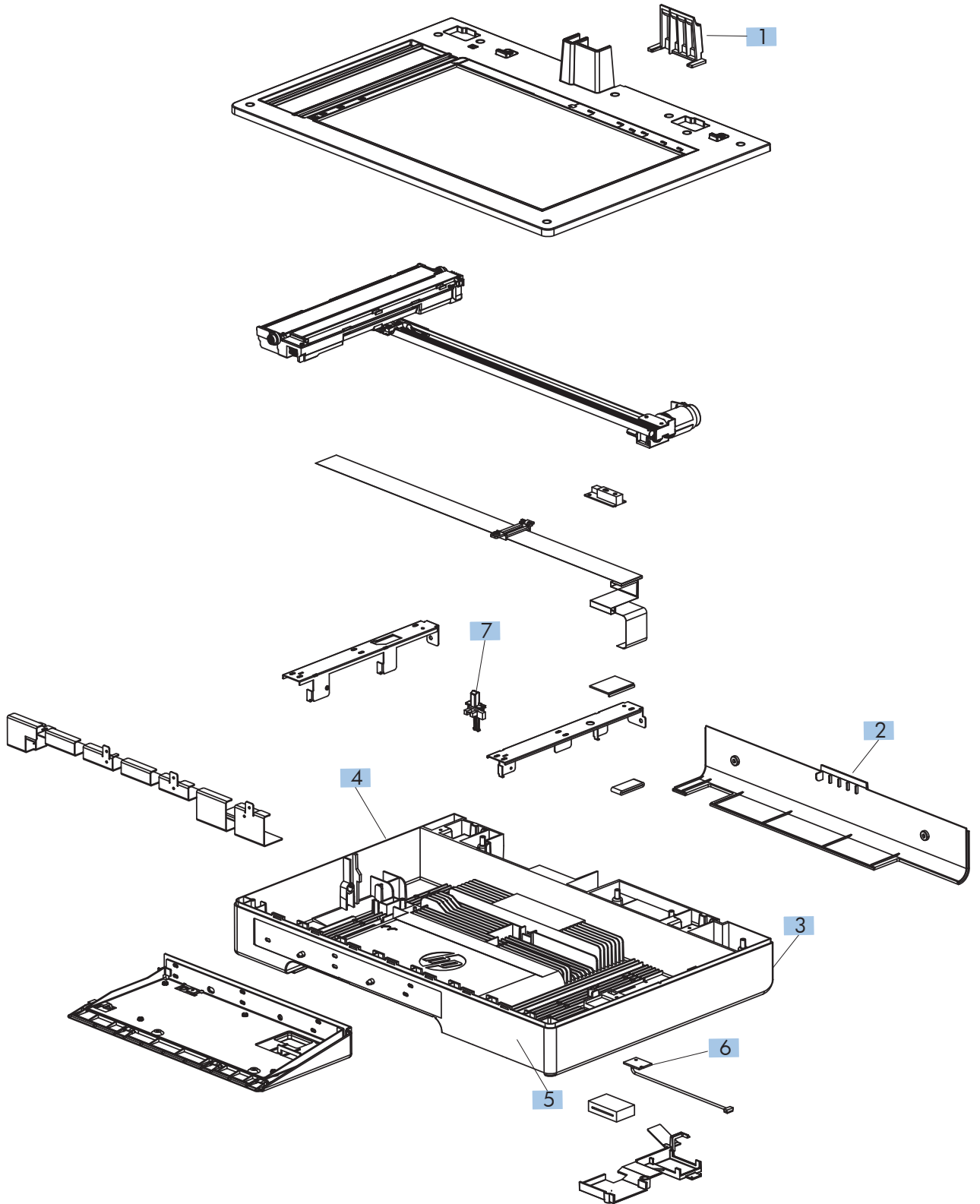


Table 2-15 Scanner assemblies

Ref	Description	Part number	Qty
All shown	Kit, scanner whole unit (includes foam reflector kit) ¹	CF066-67906	1
1	Cover, ADF cable	CC522-40023	1
2	Cover, back scanner	CC522-40017	1
3	Cover, right scanner	CF066-40002	1
4	Cover, front scanner	CF066-40001	1
5	Cover, left scanner	CC522-40021	1
6	PCA, scanner memory	5851-4285	1
7	Flag, document feeder open sensor	CC522-40029	1
Not shown	Spring, document feeder sensor	CC522-80101	1
Not shown	Photosensor	1990-3366	1

¹ Does not include the scan control board (SCB).

Scanner controller board (SCB)

Figure 2-11 Scanner controller board (SCB)

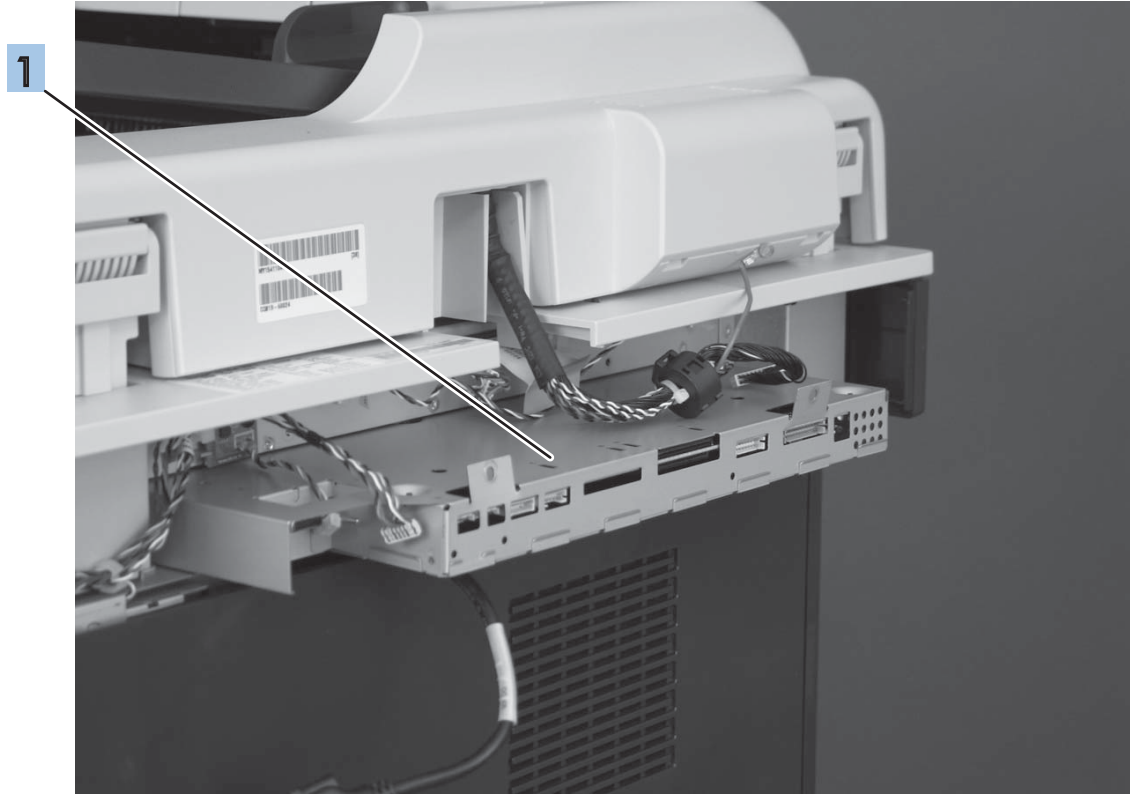


Table 2-16 Scanner controller board (SCB) assembly

Ref	Description	Part number	Qty
1	SCB, top level assembly	CF066-67911	1

Print engine

External covers and panels

Figure 2-12 External covers and panels

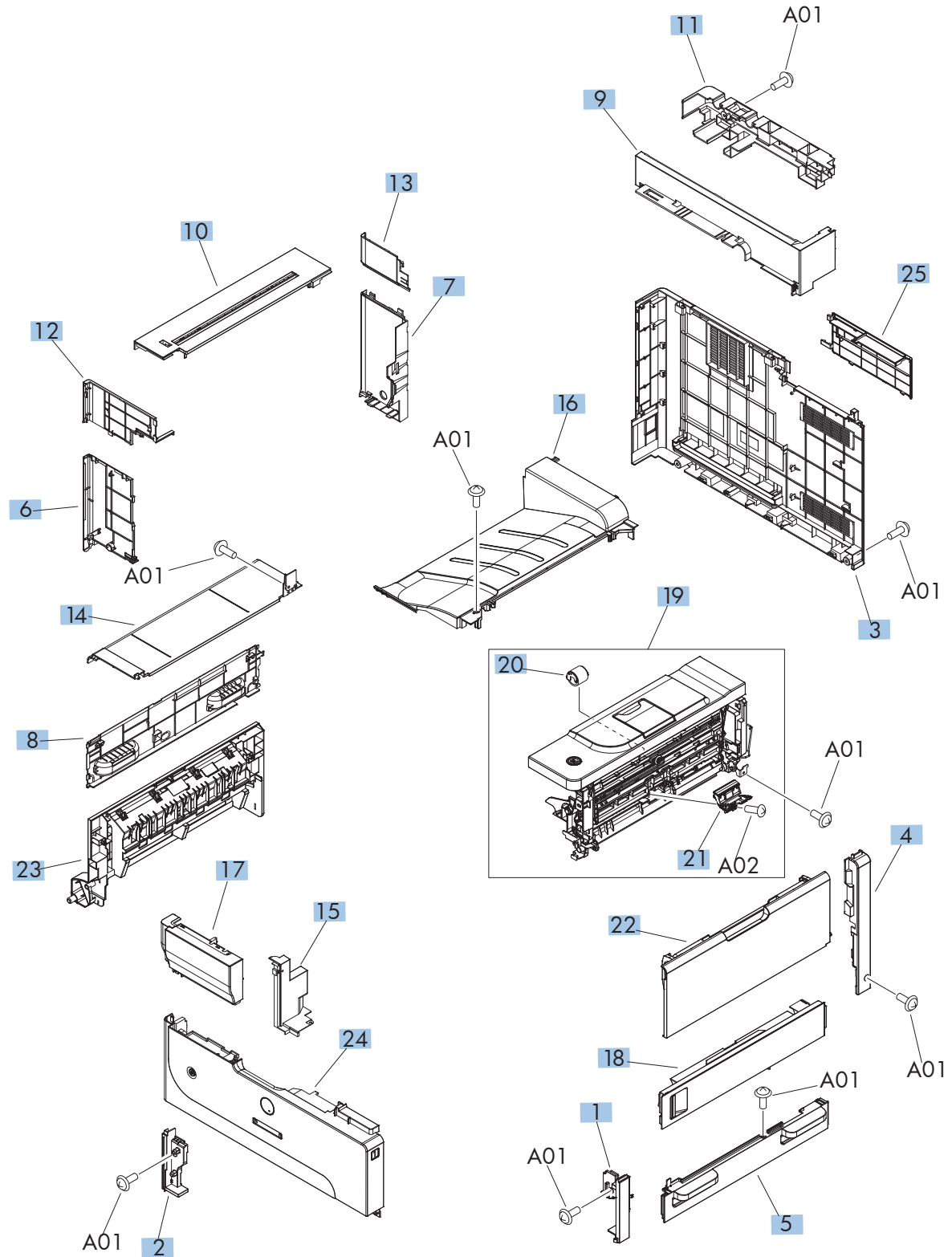


Table 2-17 External covers and panels

Ref	Description	Part number	Qty
1	Cover, front, right lower	RC3-2133-000CN	1
2	Cover, front, left lower	RC3-2134-000CN	1
3	Cover, rear	RC3-2138-000CN	1
4	Cover, right side, rear	RC3-2148-000CN	1
5	Cover, right handle	RC3-2153-000CN	1
6	Cover, left side, front, lower	RC3-2154-000CN	1
7	Cover, left side, rear, lower	RC3-2155-000CN	1
8	Cover, left handle	RC3-2156-000CN	1
9	Cover, top, rear	RC3-2159-000CN	1
10	Cover, output, top	RC3-2160-000CN	1
11	Cover, rear, top	RC3-2161-000CN	1
12	Cover, left side, front, upper	RC3-2163-000CN	1
13	Cover, left side, rear, upper	RC3-2164-000CN	1
14	Cover, left, upper	RC3-2272-000CN	1
15	Cover, facedown side	RC3-2273-000CN	1
16	Facedown cover assembly	RM1-8654-000CN	1
17	Upper front cover assembly	RM1-8656-000CN	1
18	Right door assembly	RM1-8657-000CN	1
19	Cartridge door assembly	RM1-8660-000CN	1
20	Roller, paper pickup, multipurpose tray (part of Tray 1 pickup roller and separation pad kit)	CF235-67906	1
21	Multipurpose separation pad assembly (part of Tray 1 pickup roller and separation pad kit)	CF235-67906	1
22	Multipurpose tray (Tray 1) cover assembly	RM1-8662-000CN	1
23	Left door assembly	RM1-8680-000CN	1
24	Front cover assembly kit (includes product labels)	CF235-67905	1
25	Rear pocket cover assembly	RM1-9831-000CN	1

Internal components (1 of 4)

Figure 2-13 Internal components (1 of 4)

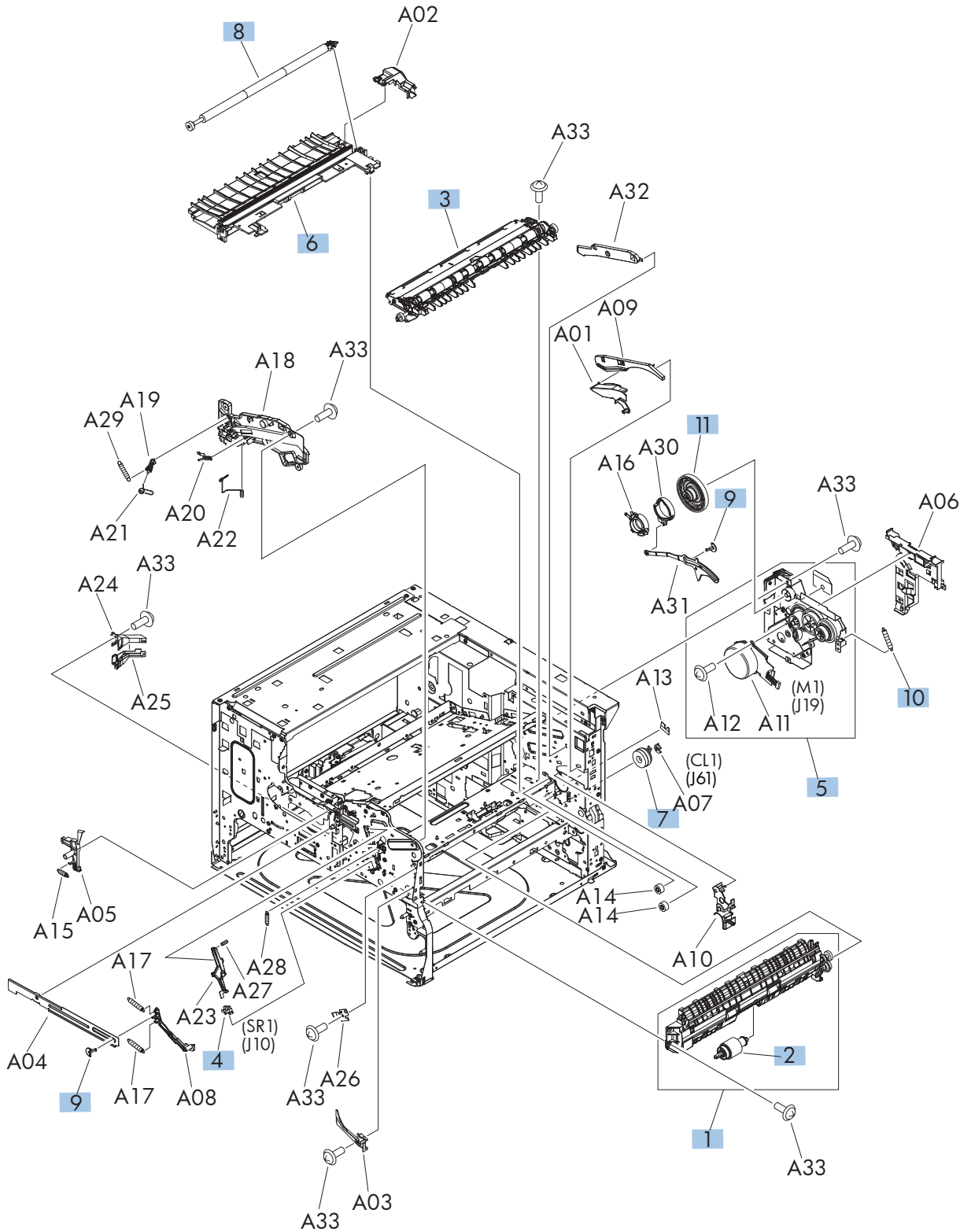


Table 2-18 Internal components (1 of 4)

Ref	Description	Part number	Qty
1	Upper cassette (Tray 2) pickup assembly	RM2-0182-000CN	1
2	Roller, cassette pickup (part of Tray 2 or 3 pickup roller and separation pad kit)	CF235-67909	1
3	Registration assembly	RM1-8671-000CN	1
4	Photointerrupter	WG8-5935-000CN	1
5	Main drive assembly	RM2-0184-000CN	1
6	Paper feed assembly	RM1-8741-000CN	1
7	Clutch, electromagnetic	RM1-8946-000CN	1
8	Transfer roller assembly kit	CF235-67910	1
9	Stopper, link	RC3-2212-000CN	2
10	Spring, tension	RU5-2632-000CN	1
11	Gear, 133T	RU7-0350-000CN	1

Internal components (2 of 4)

Figure 2-14 Internal components (2 of 4)

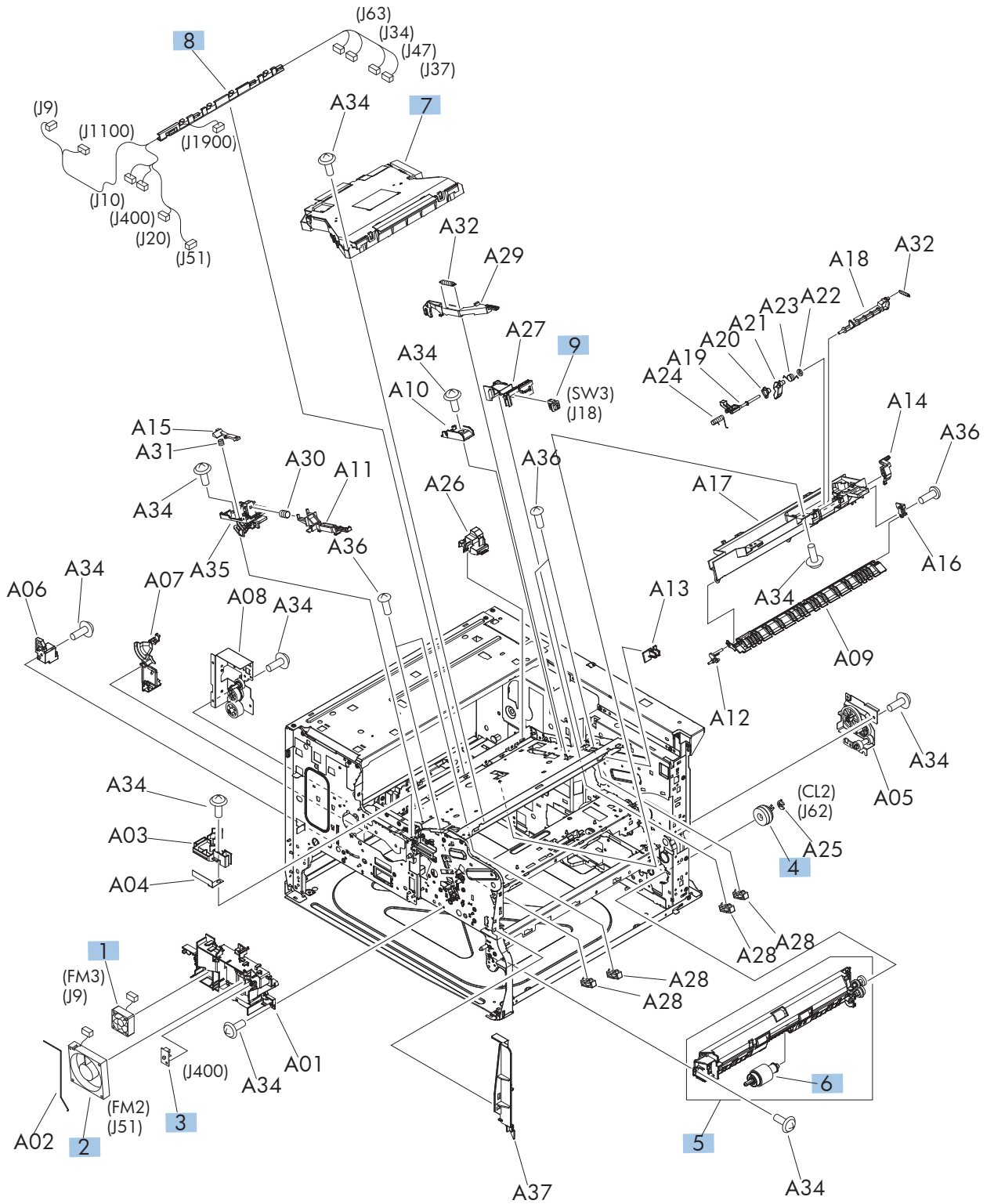


Table 2-19 Internal components (2 of 4)

Ref	Description	Part number	Qty
1	Fan	RK2-1092-000CN	1
2	Fan	RK2-3244-000CN	1
3	Sensor, humidity	WP2-5316-000CN	1
4	Clutch, electromagnetic	RM1-8946-000CN	1
5	Lower cassette (Tray 3) pickup assembly	RM2-0183-000CN	1
6	Roller, cassette pickup (part of Tray 2 or 3 pickup roller and separation pad kit)	CF235-67909	1
7	Laser scanner assembly	RM1-8679-000CN	1
8	Cable, multi, front	RM1-8971-000CN	1
9	Cartridge door open switch	WC2-5637-000CN	1

Internal components (3 of 4)

Figure 2-15 Internal components (3 of 4)

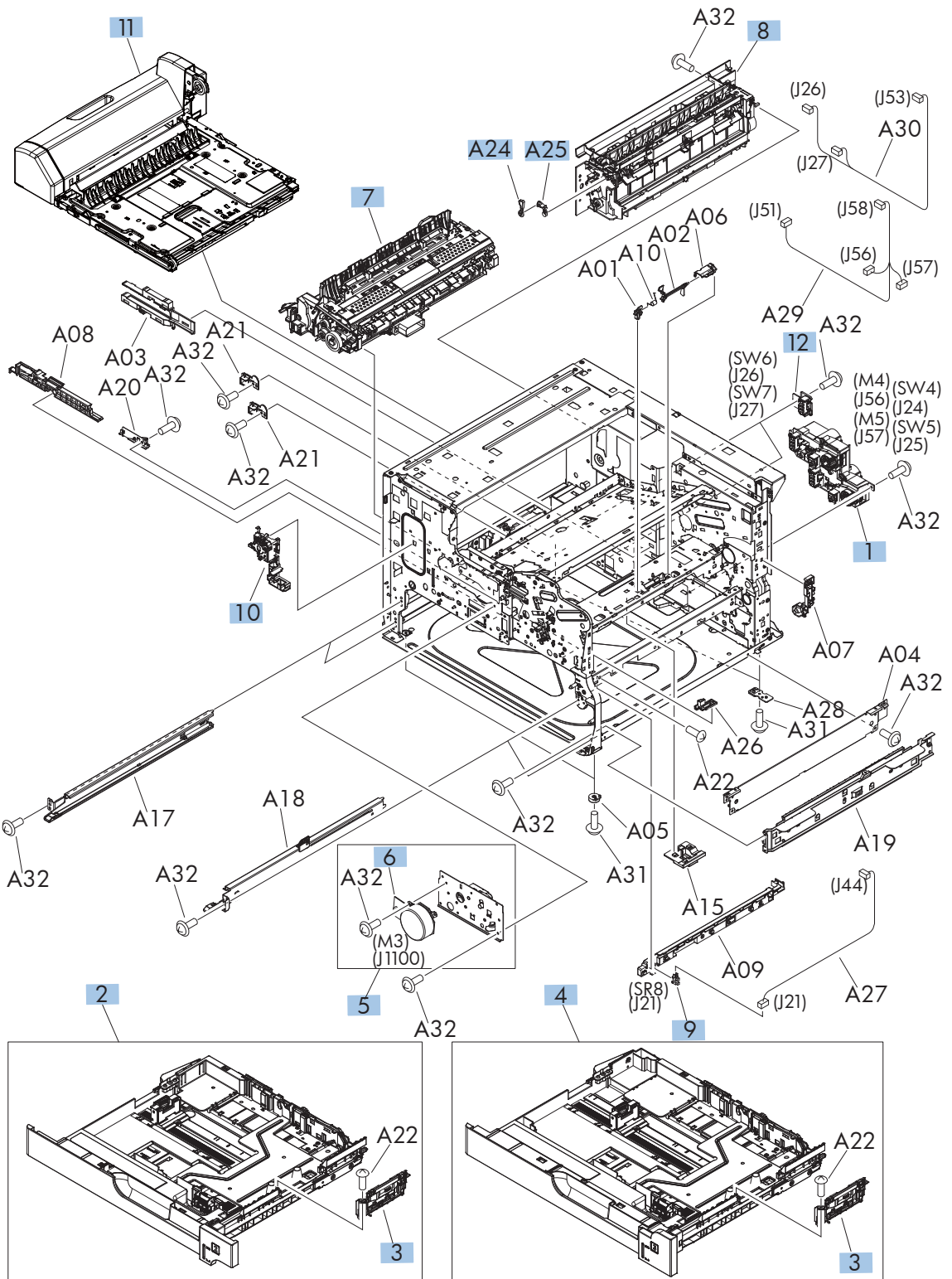


Table 2-20 Internal components (3 of 4)

Ref	Description	Part number	Qty
1	Lifter drive assembly	RM1-2969-000CN	1
2	Upper cassette (Tray 2) assembly kit	CF235-67911	1
3	Separation pad assembly (part of Tray 2 or 3 pickup roller and separation pad kit)	CF235-67909	2
4	Lower cassette (Tray 3) assembly kit	CF235-67912	1
5	Fuser drive assembly	RM1-2963-000CN	1
6	Fuser motor assembly	RM1-2538-000CN	1
7	Fuser assembly kit (110V)	CF235-67921	1
7	Fuser assembly kit (220V)	CF235-67922	1
8	Paper delivery assembly Kit	CF066-67909	1
9	Photointerrupter	WG8-5935-000CN	1
10	Power switch PCA	RM2-7561-000CN	1
11	Duplexer, optional accessory	CF235-67913	1
12	Back end sensor	RM1-2968-000CN	1
A24	Link, face down flapper 1	RC3-2209-000CN	1
A25	Link, face down flapper 2	RC3-2210-000CN	1

Internal components (4 of 4)

Figure 2-16 Internal components (4 of 4)

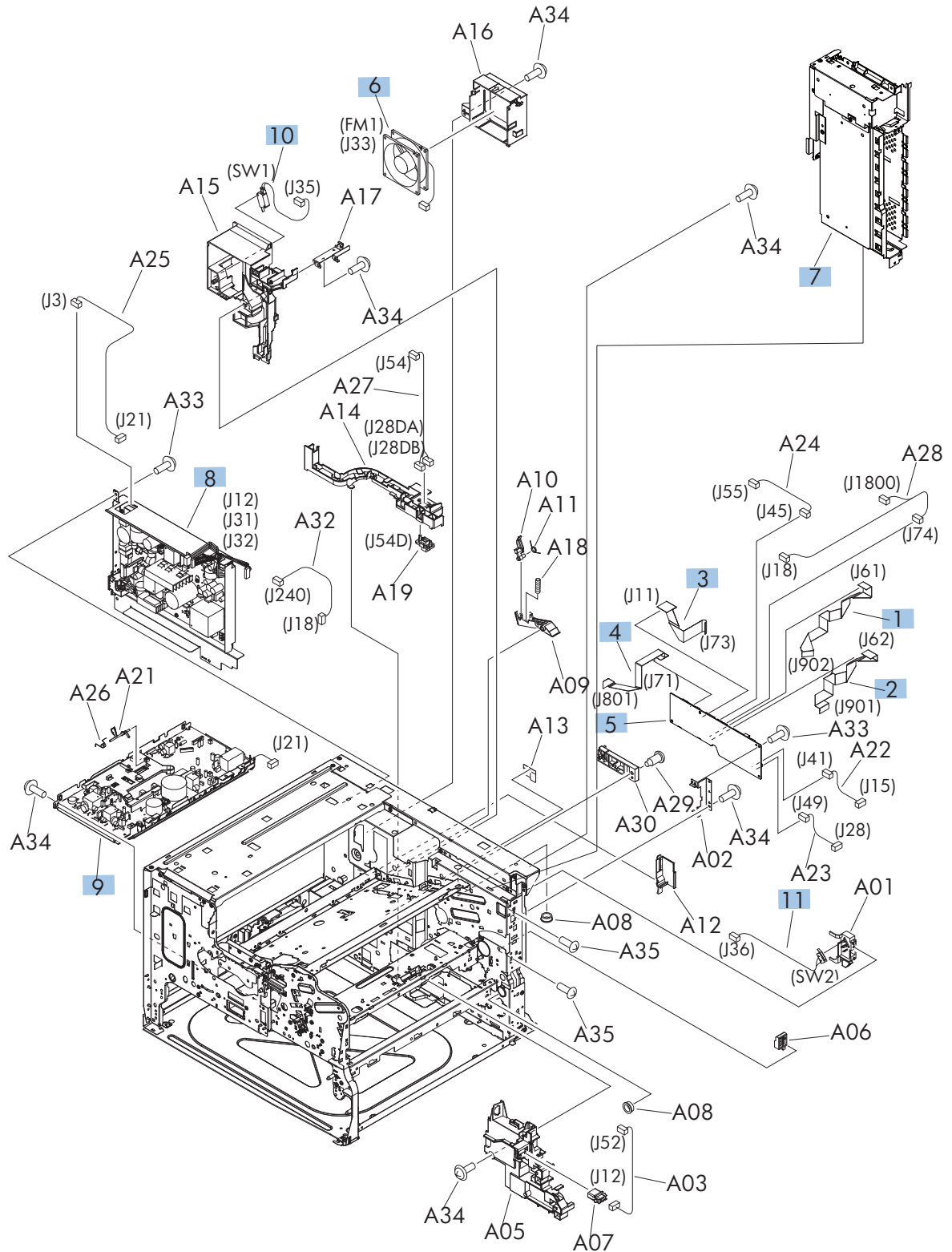


Table 2-21 Internal components (4 of 4)

Ref	Description	Part number	Qty
1	Cable, flexible flat, 21P	RK2-4490-000CN	1
2	Cable, flexible flat, 23P	RK2-4492-000CN	1
3	Cable, flexible flat, 25P	RK2-4494-000CN	1
4	Cable, flexible flat, 15P	RK2-4496-000CN	1
5	DC controller PCA	RM1-8934-000CN	1
6	Fan	RK2-2416-000CN	1
7	Formatter cage	RM1-8682-000CN	1
8	Low-voltage power supply (110V)	RM1-8744-000CN	1
8	Low-voltage power supply (220V)	RM1-8745-000CN	1
9	High-voltage power supply (110V)	RM2-7538-000CN	1
9	High-voltage power supply (220V)	RM2-7539-000CN	1
10	Switch, fuser (left) door	RM1-3474-000CN	1
11	Switch, cartridge door	RM1-3471-000CN	1

500-sheet paper feeder (Tray 4)

500-sheet paper feeder (Tray 4) covers

Figure 2-17 500-sheet paper feeder (Tray 4) covers

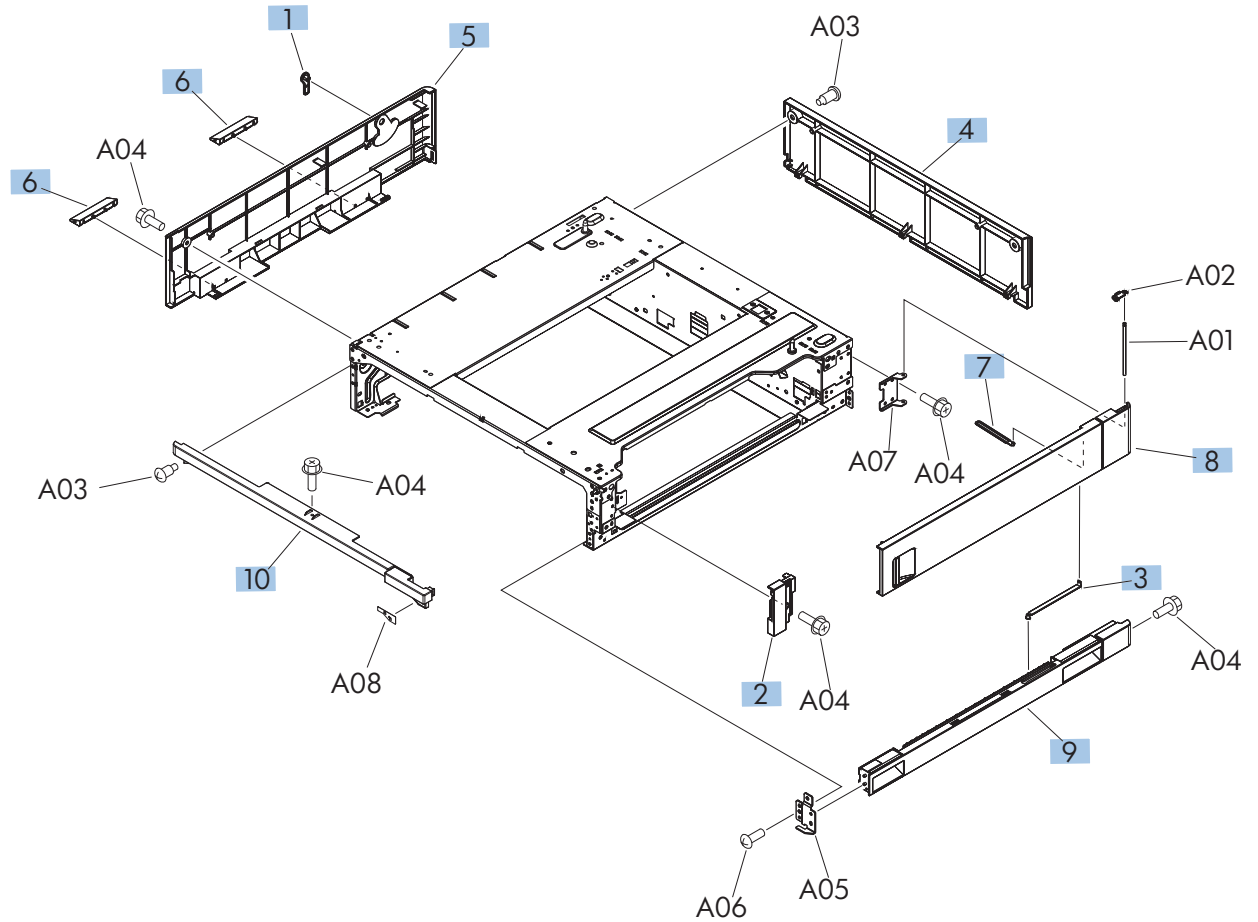


Table 2-22 500-sheet paper feeder (Tray 4) covers

Ref	Description	Part number	Qty
	Optional 500-sheet tray and feeder assembly kit	CF235-67914	1
1	Handle, lock, rear	RC2-9303-000CN	1
2	Cover, right front	RC2-9320-000CN	1
3	Link, right door, lower	RC2-9327-000CN	1
4	Cover, rear	RC2-9330-000CN	1
5	Cover, left	RC2-9331-000CN	1
6	Cover, handle lower	RC2-9332-000CN	2
7	Link, right door, upper	RC2-9335-000CN	1
8	Right door assembly	RM1-6946-000CN	1
9	Right lower cover assembly	RM1-6948-000CN	1
10	Front upper cover assembly	RM1-6949-000CN	1

500-sheet paper feeder (Tray 4) components

Figure 2-18 500-sheet paper feeder (Tray 4) components

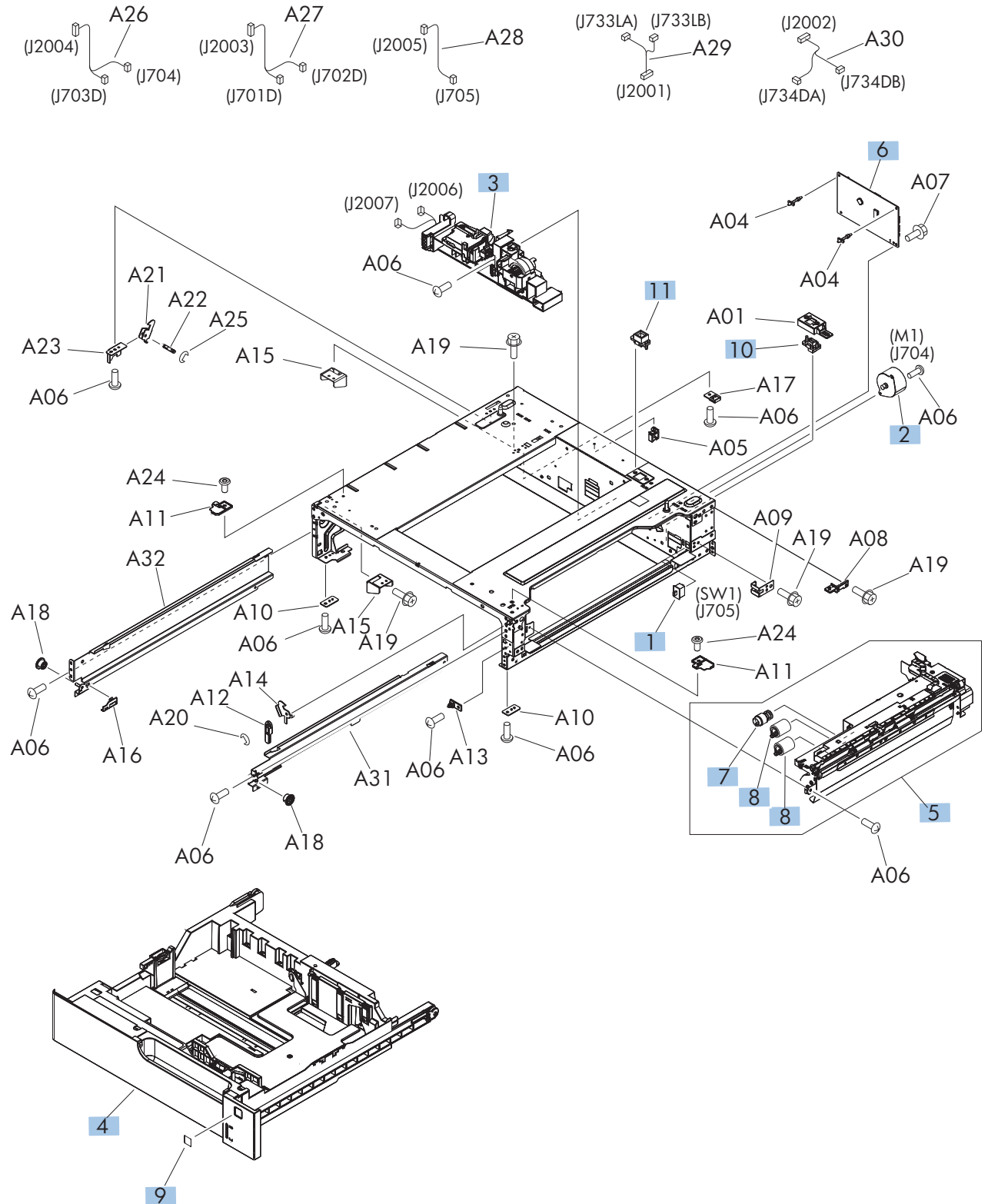


Table 2-23 500-sheet paper feeder (Tray 4) components

Ref	Description	Part number	Qty
1	Switch, button	WC2-5512-000CN	1
2	Motor, stepping, DC	RK2-1331-000CN	1
3	Lifter drive assembly	RM1-3819-000CN	1
4	Cassette assembly kit, with Trays 2-6 label kit	CF235-67917	1
5	Paper pickup assembly	RM1-9415-000CN	1
6	Paper feeder controller PCA	RM1-9074-000CN	1
7	Roller, pickup (part of Trays 4, 5 and 6 pickup and feed roller kit)	CC522-67909	4
8	Paper feed roller assembly (part of Trays 4,5 and 6 pickup and feed roller kit)	CC522-67909	8
9	Labels, cassette numbers, Trays 2-6	5851-5600	1
10	Connector, 8P	VS1-7514-008CN	1
11	Connector, 8P	VS1-7500-008CN	1

1x500 and 3x500 paper deck

1x500 and 3x500 paper deck covers

Figure 2-19 1x500 and 3x500 paper deck covers

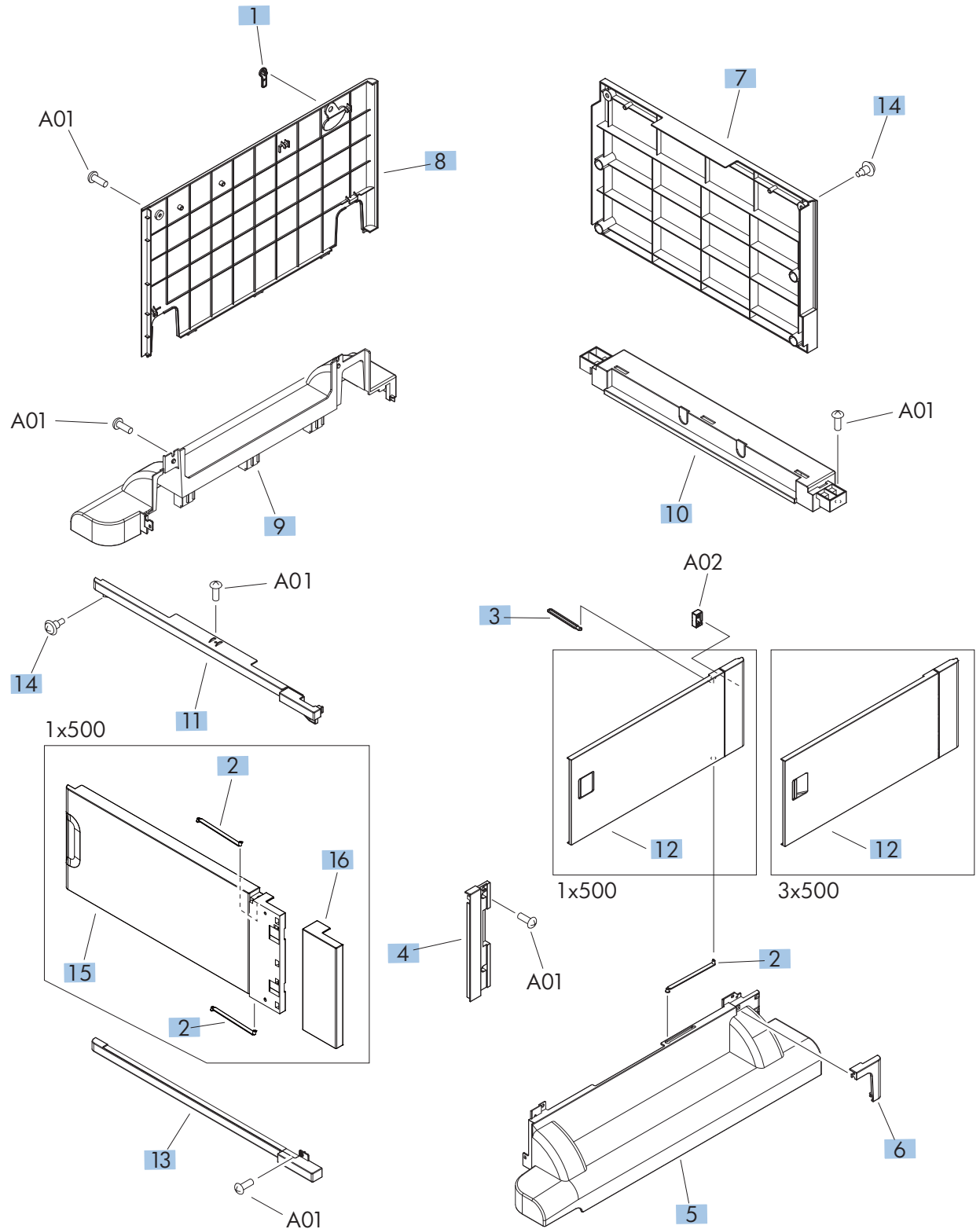


Table 2-24 1x500 and 3x500 paper deck covers

Ref	Description	Part number	Qty
	1x500 feeder and stand assembly kit	CF235-67915	1
	3x500 feeder and stand assembly kit	CF235-67916	1
1	Handle, lock, rear	RC2-9303-000CN	1
2	Link, right door, lower	RC2-9327-000CN	3
3	Link, right door, upper	RC2-9335-000CN	1
4	Cover, right corner	RC2-9343-000CN	1
5	Cover, right lower, 1	RC2-9346-000CN	1
6	Cover, right lower, 2	RC2-9347-000CN	1
7	Cover, rear	RC2-9348-000CN	1
8	Cover, left	RC2-9349-000CN	1
9	Cover, left lower	RC2-9350-000CN	1
10	Cover, rear lower	RC2-9357-000CN	1
11	Front upper cover assembly	RM1-6949-000CN	1
12	Right door assembly (1x500 paper deck)	RM1-6952-000CN	1
12	Right door assembly (3x500 paper deck)	RM1-6953-000CN	1
13	Front lower cover assembly	RM1-6958-000CN	1
14	Screw, stepped	RU5-9056-000CN	3
15	Door, stock, 1 (1x500 paper deck only)	RC2-9353-000CN	1
16	Door, stock, 2 (1x500 paper deck only)	RC2-9354-000CN	1

Table 2-25 1x500 paper deck components

Ref	Description	Part number	Qty
1	Motor, stepping, DC	RK2-1331-000CN	1
2	Rail, cassette, right	RL1-1390-000CN	2
3	Rail, cassette, left	RL1-1391-000CN	2
4	Cable, paper pickup option	RM1-3575-000CN	1
5	Cable, multisensor	RM1-3647-000CN	1
6	Stock box assembly	RM1-6954-000CN	1
7	Lifter drive assembly	RM1-3819-000CN	1
8	Cassette assembly kit, with Trays 2-6 label kit	CF235-67917	1
9	Paper pickup assembly	RM1-9415-000CN	1
10	Controller PCA	RM1-9075-000CN	1
11	Cable, engine interface	RM1-6991-000CN	1
12	Connector, 8P	VS1-7500-008CN	1
13	Labels, cassette numbers, Trays 2-6	5851-5600	1
14	Roller, pickup (part of Trays 4,5 and 6 pickup and feed roller kit)	CC522-67909	4
15	Paper feed roller assembly (part of Trays 4,5 and 6 pickup and feed roller kit)	CC522-67909	8
16	Caster, double lock, front	RC1-9896-000CN	2
17	Caster, rear	RC3-2994-000CN	2

3x500 paper deck components

Figure 2-21 3x500 paper deck components

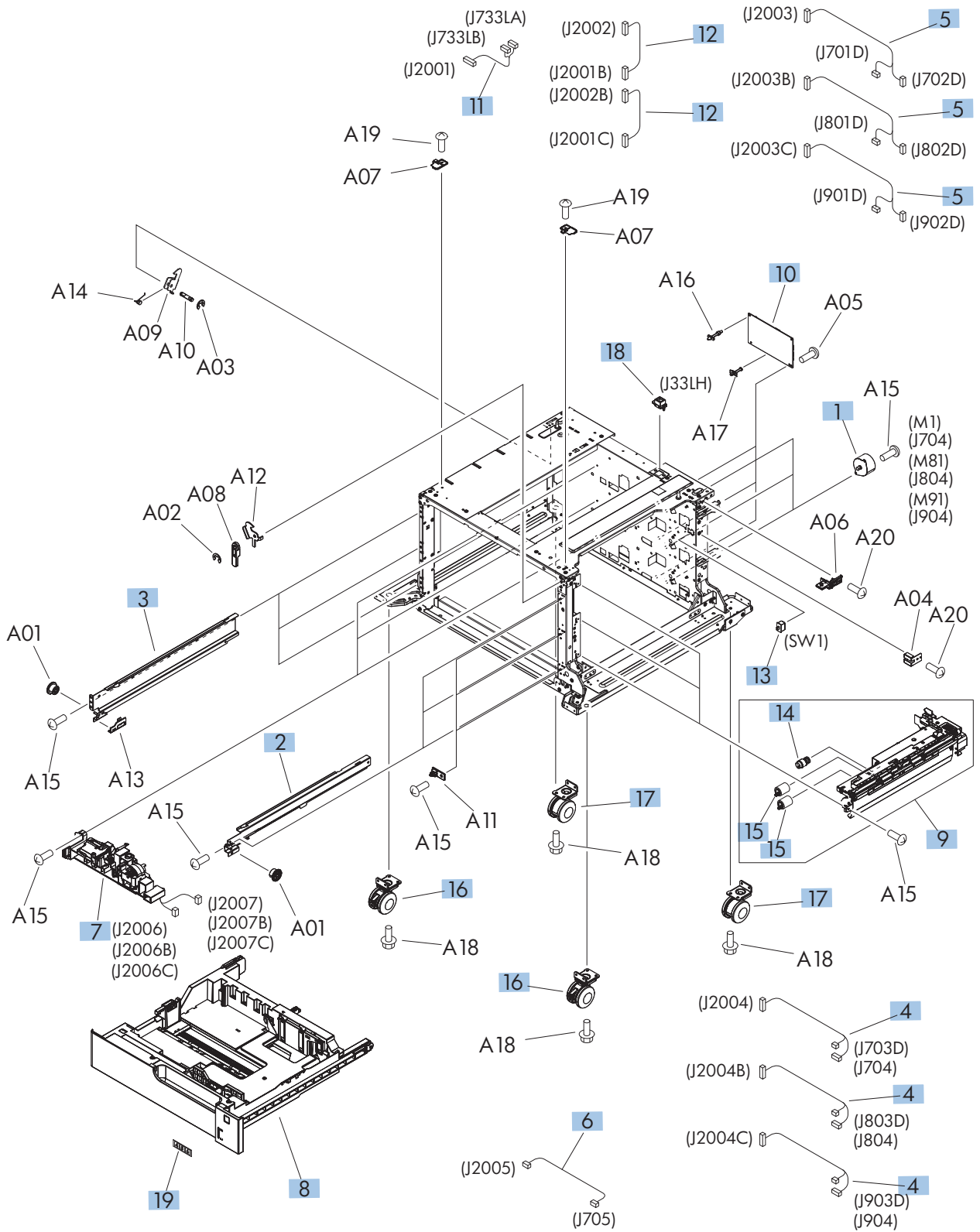


Table 2-26 3x500 paper deck components

Ref	Description	Part number	Qty
1	Motor, stepping, DC	RK2-1331-000CN	3
2	Rail, cassette, right	RL1-1390-000CN	3
3	Rail, cassette, left	RL1-1391-000CN	3
4	Cable, paper pickup option	RM1-3575-000CN	3
5	Cable, multi sensor	RM1-3647-000CN	3
6	Cable, door open switch	RM1-3651-000CN	1
7	Lifter drive assembly	RM1-3819-000CN	3
8	Cassette assembly kit, with Trays 2-6 label kit	CF235-67917	3
9	Paper pickup assembly	RM1-9415-000CN	3
10	Controller PCA	RM1-9076-000CN	1
11	Cable, engine interface	RM1-6991-000CN	1
12	Cable, PCA joint	RM1-6992-000CN	2
13	Switch, button	WC2-5512-000CN	1
14	Roller, pickup (part of Trays 4,5 and 6 pickup and feed roller kit)	CC522-67909	4
15	Paper feed roller assembly (part of Trays 4,5 and 6 pickup and feed roller kit)	CC522-67909	8
16	Caster, double lock, front	RC1-9896-000CN	2
17	Caster, rear	RC3-2994-000CN	2
18	Connector, 8P	VS1-7500-008CN	1
19	Labels, cassette numbers, Trays 2-6	5851-5600	1

High capacity input (HCI) feeder

HCI covers

Figure 2-22 HCI covers

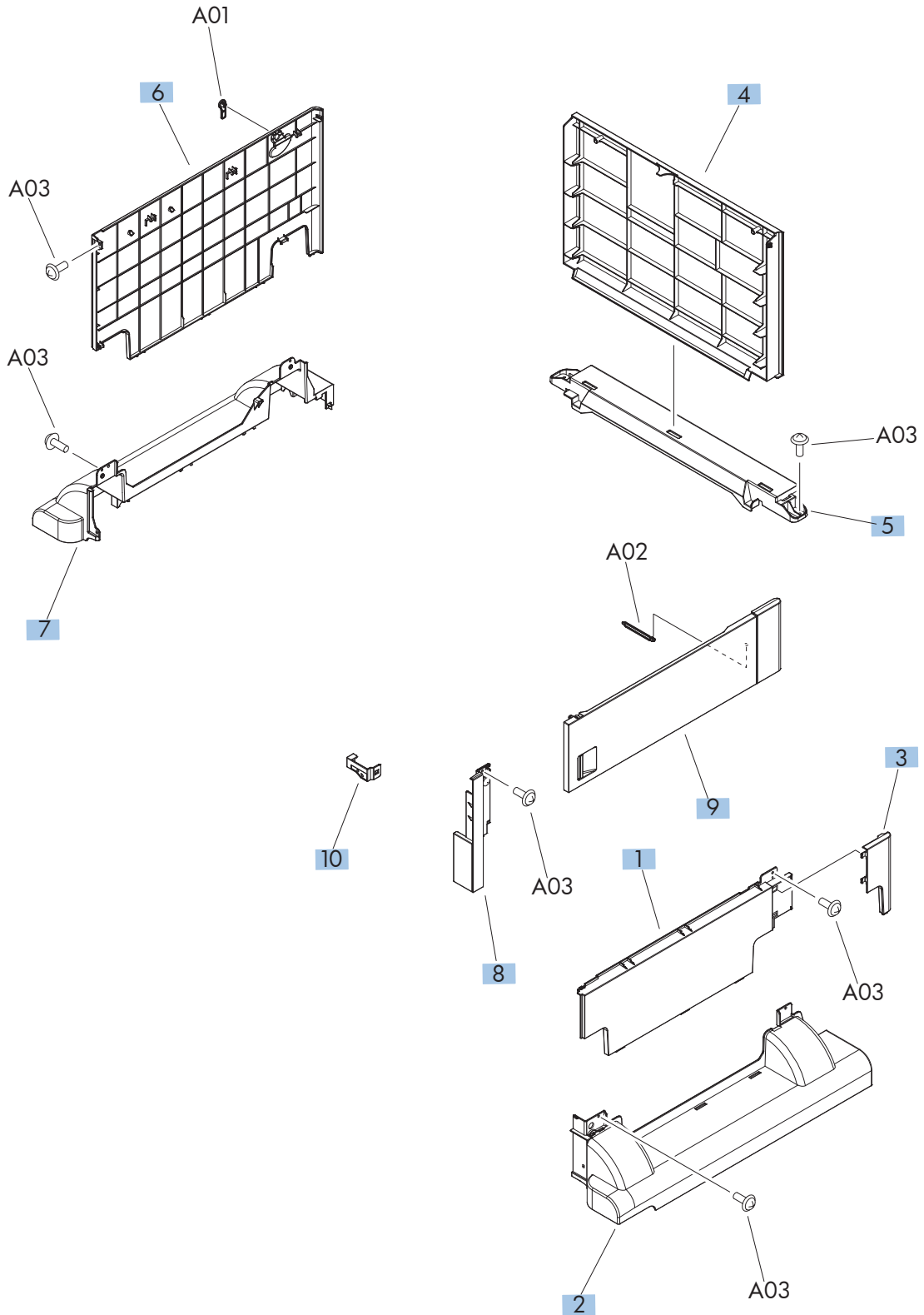


Table 2-27 HCI covers

Ref	Description	Part number	Qty
	3,500-sheet HCI feeder assembly kit	CC235-67918	1
1	Cover, right center	RC3-3000-000CN	1
2	Cover, right lower	RC3-3001-000CN	1
3	Cover, right rear	RC3-3002-000CN	1
4	Cover, rear	RC3-3003-000CN	1
5	Cover, rear lower	RC3-3004-000CN	1
6	Cover, left	RC3-3005-000CN	1
7	Cover, left lower	RC3-3006-000CN	1
8	Cover, corner, right	RC3-3009-000CN	1
9	Right door assembly	RM1-8868-000CN	1
10	Right front lock cover assembly	RM1-9416-000CN	1

HCI components (1 of 2)

Figure 2-23 HCI components (1 of 2)

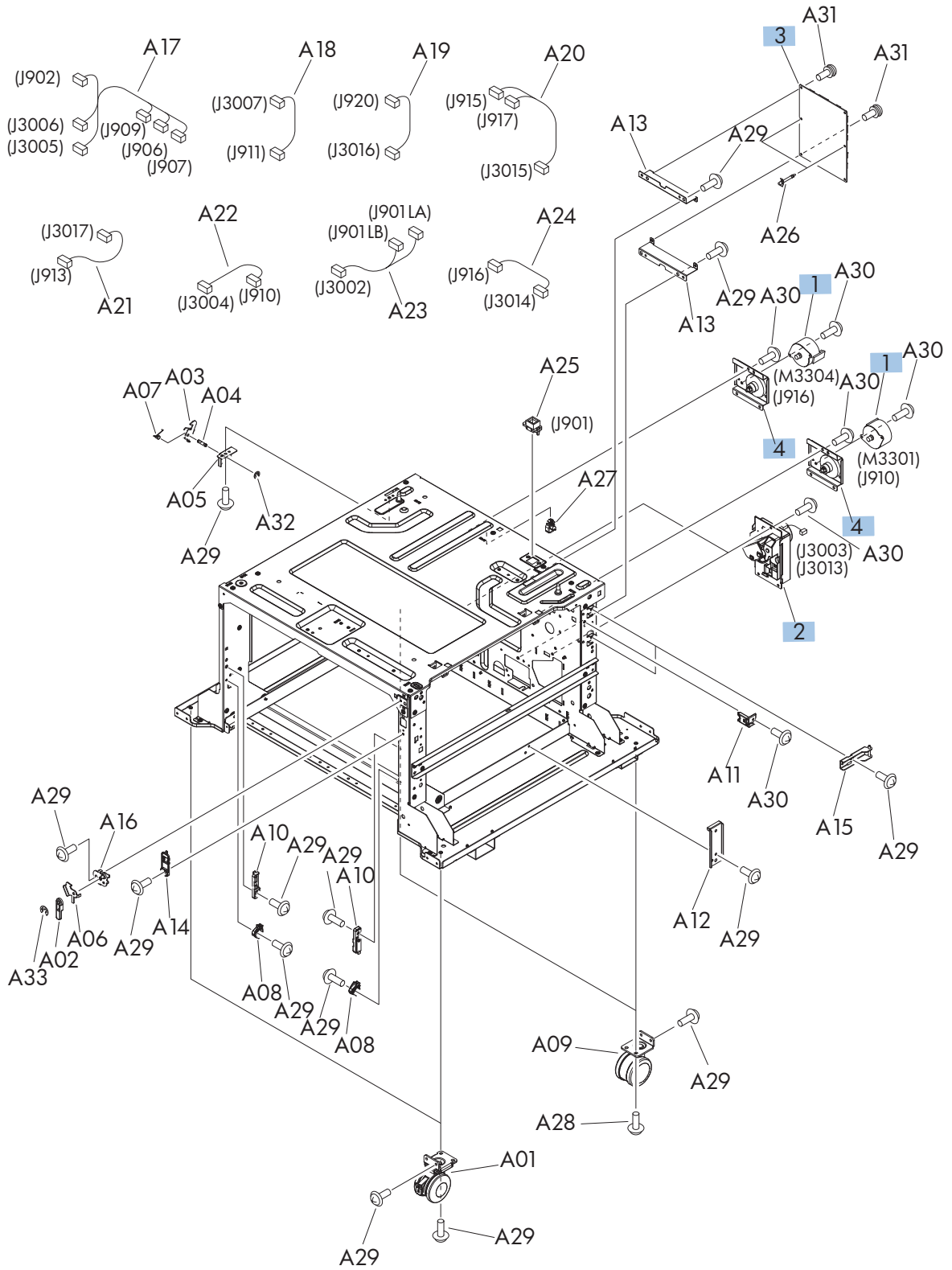


Table 2-28 HCI components (1 of 2)

Ref	Description	Part number	Qty
1	Motor, stepping, DC	RK2-1331-000CN	2
2	Lifter drive assembly	RM1-8879-000CN	2
3	Controller PCA	RM1-9057-000CN	1
4	Paper pickup motor assembly	RM1-8872-000CN	2

HCI components (2 of 2)

Figure 2-24 HCI components (2 of 2)

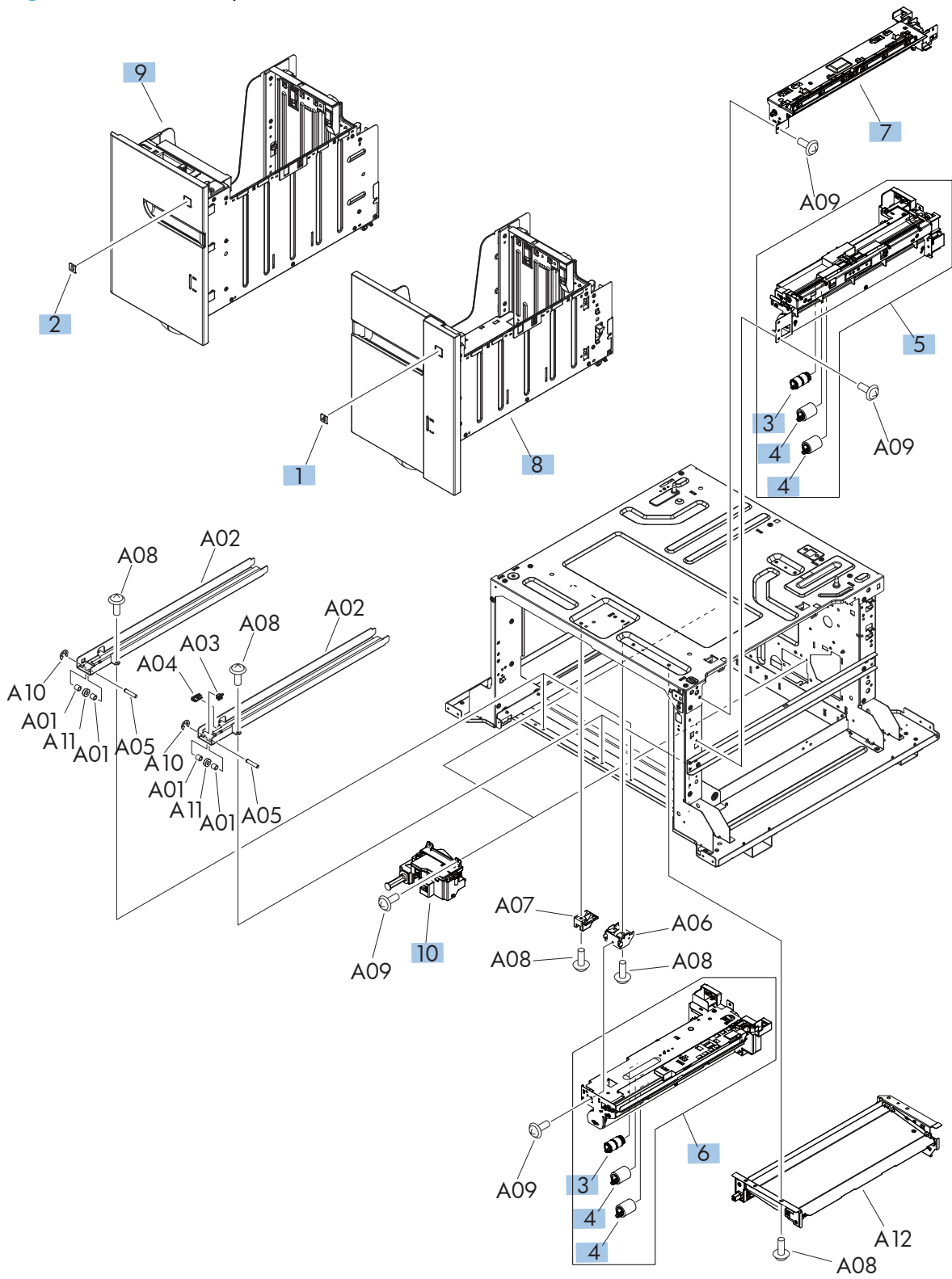


Table 2-29 HCl components (2 of 2)

Ref	Description	Part number	Qty
1	Labels, cassette numbers, Trays 2-6	5851-5600	1
2	Labels, cassette numbers, Trays 2-6	5851-5600	1
3	Roller, paper pickup (part of HCl pickup and feed roller kit)	5851-5011	2
4	Paper feed roller assembly (part of HCl pickup and feed roller kit)	5851-5011	4
5	Paper pickup assembly, right	RM1-8869-000CN	1
6	Paper pickup assembly, left	RM1-8876-000CN	1
7	Crossing paper feed assembly	RM1-8888-000CN	1
8	Tray, right assembly kit, with Trays 2-6 tray label kit	CF235-60104	1
9	Tray, left assembly kit, with Trays 2-6 tray label kit	CF235-60103	1
10	Auto close assembly	RM1-8880-000CN	2

Stapler/stacker assembly

Stapler/stacker covers

Figure 2-25 Stapler/stacker covers

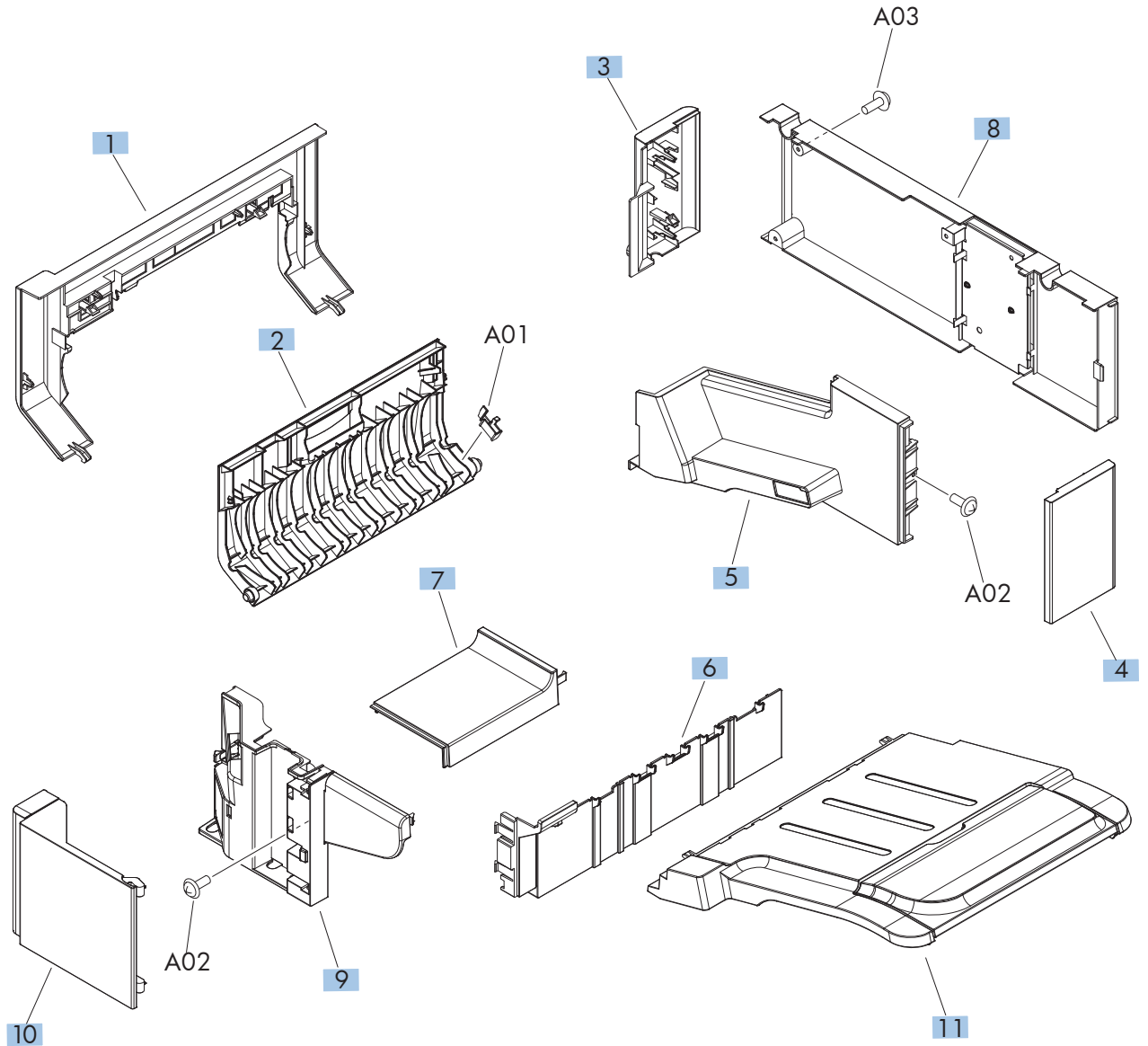


Table 2-30 Stapler/stacker covers

Ref	Description	Part number	Qty
1	Cover, left	RC3-2343-000CN	1
2	Door, left	RC3-2344-000CN	1
3	Cover, rear left	RC3-2346-000CN	1
4	Cover, rear right	RC3-2347-000CN	1
5	Cover, rear inner	RC3-2348-000CN	1
6	Cover, stack	RC3-2354-000CN	1
7	Cover, jog, top	RC3-2364-000CN	1
8	Rear cover assembly	RM1-8812-000CN	1
9	Stapler cover assembly	RM1-8813-000CN	1
10	Stapler door assembly	RM1-8814-000CN	1
11	Tray assembly	RM1-8815-000CN	1

Stapler/stacker components

Figure 2-26 Stapler/stacker components

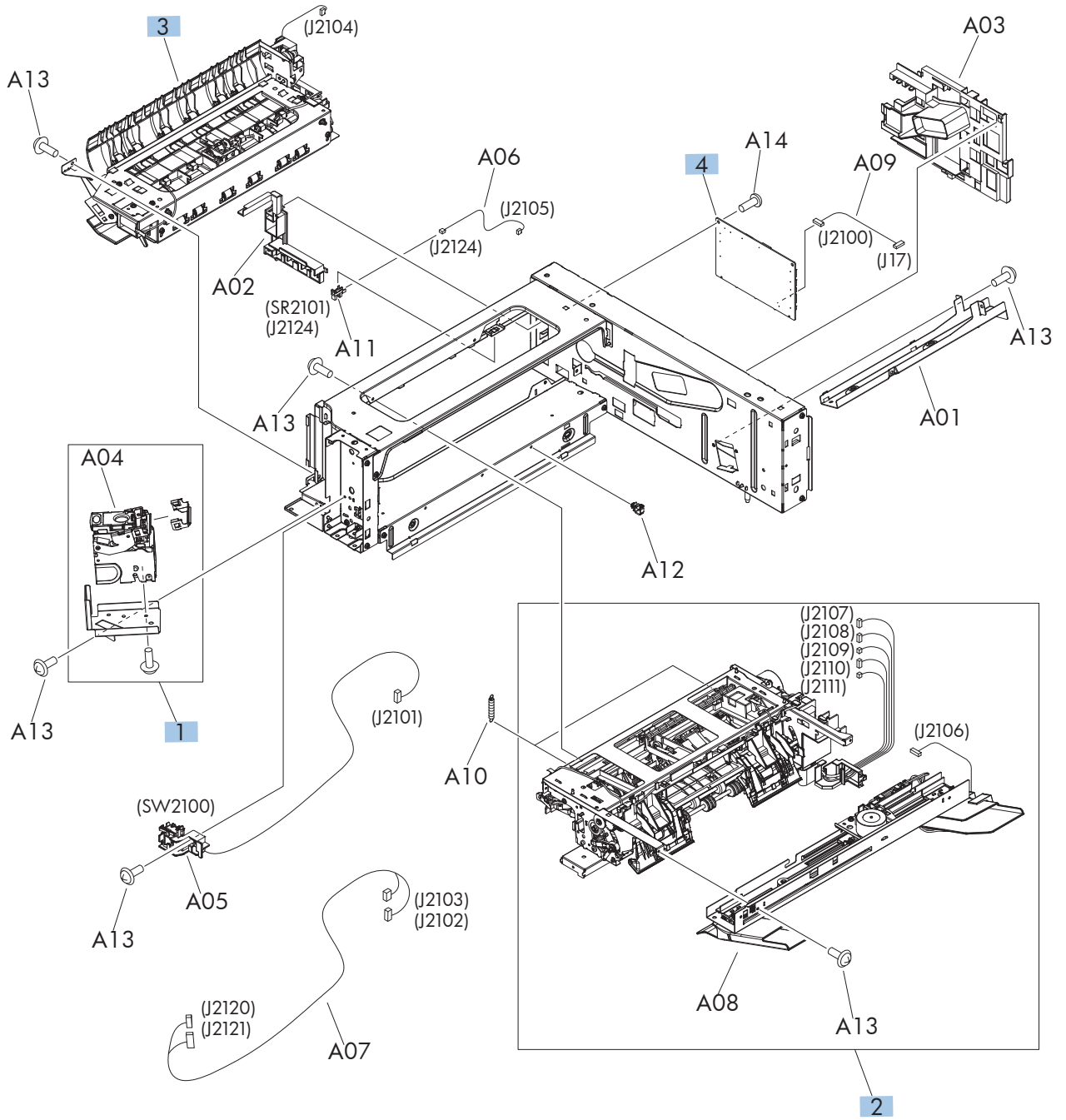


Table 2-31 Stapler/stacker components

Ref	Description	Part number	Qty
1	Stapler assembly	RM1-3092-000CN	1
2	Alignment assembly	RM1-8810-000CN	1
3	Paper feed assembly	RM1-8826-000CN	1
4	Stapler/stacker controller PCA	RM1-9078-000CN	1

Alphabetical parts list

Table 2-32 Alphabetical parts list

Description	Part number	Table and page
1x500 feeder and stand assembly kit	CF235-67915	1x500 and 3x500 paper deck covers on page 297
3,500-sheet HCl feeder assembly kit	CC235-67918	HCl covers on page 303
3x500 feeder and stand assembly kit	CF235-67916	1x500 and 3x500 paper deck covers on page 297
ADF hinge assembly	CQ819-60011	Document feeder assemblies on page 277
ADF roller cover, A3	CQ819-40032	Document feeder assemblies on page 277
ADF tray extender	Q7404-40020	Document feeder assemblies on page 277
Alignment assembly	RM1-8810-000CN	Stapler/stacker components on page 311
Auto close assembly	RM1-8880-000CN	HCl components (2 of 2) on page 307
Back end sensor	RM1-2968-000CN	Internal components (3 of 4) on page 289
Cable, door open switch	RM1-3651-000CN	3x500 paper deck components on page 301
Cable, engine interface	RM1-6991-000CN	1x500 paper deck components on page 299
Cable, engine interface	RM1-6991-000CN	3x500 paper deck components on page 301
Cable, flexible flat, 15P	RK2-4496-000CN	Internal components (4 of 4) on page 291
Cable, flexible flat, 21P	RK2-4490-000CN	Internal components (4 of 4) on page 291
Cable, flexible flat, 23P	RK2-4492-000CN	Internal components (4 of 4) on page 291
Cable, flexible flat, 25P	RK2-4494-000CN	Internal components (4 of 4) on page 291
Cable, multi sensor	RM1-3647-000CN	3x500 paper deck components on page 301
Cable, multi, front	RM1-8971-000CN	Internal components (2 of 4) on page 287
Cable, multisensor	RM1-3647-000CN	1x500 paper deck components on page 299

Table 2-32 Alphabetical parts list (continued)

Description	Part number	Table and page
Cable, paper pickup option	RM1-3575-000CN	1x500 paper deck components on page 299
Cable, paper pickup option	RM1-3575-000CN	3x500 paper deck components on page 301
Cable, PCA joint	RM1-6992-000CN	3x500 paper deck components on page 301
Cartridge door assembly	RM1-8660-000CN	External covers and panels on page 283
Cartridge door open switch	WC2-5637-000CN	Internal components (2 of 4) on page 287
Cassette assembly kit, with Trays 2-6 label kit	CF235-67917	500-sheet paper feeder (Tray 4) components on page 295
Cassette assembly kit, with Trays 2-6 label kit	CF235-67917	1x500 paper deck components on page 299
Cassette assembly kit, with Trays 2-6 label kit	CF235-67917	3x500 paper deck components on page 301
Caster, double lock, front	RC1-9896-000CN	1x500 paper deck components on page 299
Caster, double lock, front	RC1-9896-000CN	3x500 paper deck components on page 301
Caster, rear	RC3-2994-000CN	1x500 paper deck components on page 299
Caster, rear	RC3-2994-000CN	3x500 paper deck components on page 301
Clutch, electromagnetic	RM1-8946-000CN	Internal components (1 of 4) (print engine) on page 285
Clutch, electromagnetic	RM1-8946-000CN	Internal components (2 of 4) on page 287
Connector, 8P	VS1-7514-008CN	500-sheet paper feeder (Tray 4) components on page 295
Connector, 8P	VS1-7500-008CN	500-sheet paper feeder (Tray 4) components on page 295
Connector, 8P	VS1-7500-008CN	1x500 paper deck components on page 299
Connector, 8P	VS1-7500-008CN	3x500 paper deck components on page 301
Controller PCA	RM1-9075-000CN	1x500 paper deck components on page 299

Table 2-32 Alphabetical parts list (continued)

Description	Part number	Table and page
Controller PCA	RM1-9076-000CN	3x500 paper deck components on page 301
Controller PCA	RM1-9057-000CN	HCI components (1 of 2) on page 305
Cover, ADF cable	CC522-40023	Scanner assemblies on page 279
Cover, ADF front	CQ819-40003	Document feeder assemblies on page 277
Cover, ADF rear	CQ819-40005	Document feeder assemblies on page 277
Cover, back scanner	CC522-40017	Scanner assemblies on page 279
Cover, corner, right	RC3-3009-000CN	HCI covers on page 303
Cover, facedown side	RC3-2273-000CN	External covers and panels on page 283
Cover, front scanner	CF066-40001	Scanner assemblies on page 279
Cover, front, left lower	RC3-2134-000CN	External covers and panels on page 283
Cover, front, right lower	RC3-2133-000CN	External covers and panels on page 283
Cover, handle lower	RC2-9332-000CN	500-sheet paper feeder (Tray 4) covers on page 293
Cover, hatch	CQ819-40004	Document feeder assemblies on page 277
Cover, jog, top	RC3-2364-000CN	Stapler/stacker covers on page 309
Cover, left	RC2-9331-000CN	500-sheet paper feeder (Tray 4) covers on page 293
Cover, left	RC2-9349-000CN	1x500 and 3x500 paper deck covers on page 297
Cover, left	RC3-3005-000CN	HCI covers on page 303
Cover, left	RC3-2343-000CN	Stapler/stacker covers on page 309
Cover, left handle	RC3-2156-000CN	External covers and panels on page 283
Cover, left lower	RC2-9350-000CN	1x500 and 3x500 paper deck covers on page 297
Cover, left lower	RC3-3006-000CN	HCI covers on page 303

Table 2-32 Alphabetical parts list (continued)

Description	Part number	Table and page
Cover, left scanner	CC522-40021	Scanner assemblies on page 279
Cover, left side, front, lower	RC3-2154-000CN	External covers and panels on page 283
Cover, left side, front, upper	RC3-2163-000CN	External covers and panels on page 283
Cover, left side, rear, lower	RC3-2155-000CN	External covers and panels on page 283
Cover, left side, rear, upper	RC3-2164-000CN	External covers and panels on page 283
Cover, left, upper	RC3-2272-000CN	External covers and panels on page 283
Cover, output, top	RC3-2160-000CN	External covers and panels on page 283
Cover, rear	RC3-2138-000CN	External covers and panels on page 283
Cover, rear	RC2-9330-000CN	500-sheet paper feeder (Tray 4) covers on page 293
Cover, rear	RC2-9348-000CN	1x500 and 3x500 paper deck covers on page 297
Cover, rear	RC3-3003-000CN	HCI covers on page 303
Cover, rear inner	RC3-2348-000CN	Stapler/stacker covers on page 309
Cover, rear left	RC3-2346-000CN	Stapler/stacker covers on page 309
Cover, rear lower	RC2-9357-000CN	1x500 and 3x500 paper deck covers on page 297
Cover, rear lower	RC3-3004-000CN	HCI covers on page 303
Cover, rear right	RC3-2347-000CN	Stapler/stacker covers on page 309
Cover, rear, top	RC3-2161-000CN	External covers and panels on page 283
Cover, right center	RC3-3000-000CN	HCI covers on page 303
Cover, right corner	RC2-9343-000CN	1x500 and 3x500 paper deck covers on page 297
Cover, right front	RC2-9320-000CN	500-sheet paper feeder (Tray 4) covers on page 293
Cover, right handle	RC3-2153-000CN	External covers and panels on page 283

Table 2-32 Alphabetical parts list (continued)

Description	Part number	Table and page
Cover, right lower	RC3-3001-000CN	HCI covers on page 303
Cover, right lower, 1	RC2-9346-000CN	1x500 and 3x500 paper deck covers on page 297
Cover, right lower, 2	RC2-9347-000CN	1x500 and 3x500 paper deck covers on page 297
Cover, right rear	RC3-3002-000CN	HCI covers on page 303
Cover, right scanner	CF066-40002	Scanner assemblies on page 279
Cover, right side, rear	RC3-2148-000CN	External covers and panels on page 283
Cover, stack	RC3-2354-000CN	Stapler/stacker covers on page 309
Cover, top, rear	RC3-2159-000CN	External covers and panels on page 283
Crossing paper feed assembly	RM1-8888-000CN	HCI components (2 of 2) on page 307
DC controller PCA	RM1-8934-000CN	Internal components (4 of 4) on page 291
Door, left	RC3-2344-000CN	Stapler/stacker covers on page 309
Door, stock, 1 (1x500 paper deck only)	RC2-9353-000CN	1x500 and 3x500 paper deck covers on page 297
Door, stock, 2 (1x500 paper deck only)	RC2-9354-000CN	1x500 and 3x500 paper deck covers on page 297
Duplexer, optional accessory	CF235-67913	Internal components (3 of 4) on page 289
Facedown cover assembly	RM1-8654-000CN	External covers and panels on page 283
Fan	RK2-1092-000CN	Internal components (2 of 4) on page 287
Fan	RK2-3244-000CN	Internal components (2 of 4) on page 287
Fan	RK2-2416-000CN	Internal components (4 of 4) on page 291
Flag, document feeder open sensor	CC522-40029	Scanner assemblies on page 279
Flag, media presence	CC355-40015	Document feeder assemblies on page 277
Formatter cage	RM1-8682-000CN	Internal components (4 of 4) on page 291

Table 2-32 Alphabetical parts list (continued)

Description	Part number	Table and page
Front cover assembly kit (includes product labels)	CF235-67905	External covers and panels on page 283
Front lower cover assembly	RM1-6958-000CN	1x500 and 3x500 paper deck covers on page 297
Front upper cover assembly	RM1-6949-000CN	500-sheet paper feeder (Tray 4) covers on page 293
Front upper cover assembly	RM1-6949-000CN	1x500 and 3x500 paper deck covers on page 297
Fuser assembly kit (110V)	CF235-67921	Internal components (3 of 4) on page 289
Fuser assembly kit (220V)	CF235-67922	Internal components (3 of 4) on page 289
Fuser drive assembly	RM1-2963-000CN	Internal components (3 of 4) on page 289
Fuser motor assembly	RM1-2538-000CN	Internal components (3 of 4) on page 289
Gear, 133T	RU7-0350-000CN	Internal components (1 of 4) (print engine) on page 285
Handle, lock, rear	RC2-9303-000CN	500-sheet paper feeder (Tray 4) covers on page 293
Handle, lock, rear	RC2-9303-000CN	1x500 and 3x500 paper deck covers on page 297
High-voltage power supply (110V)	RM2-7538-000CN	Internal components (4 of 4) on page 291
High-voltage power supply (220V)	RM2-7539-000CN	Internal components (4 of 4) on page 291
Kit, A3 ADF mylar	5851-4997	Document feeder assemblies on page 277
Kit, ADF separation pad spring	5851-4879	Document feeder assemblies on page 277
Kit, ADF whole unit, A3 (includes foam reflector kit)	CF066-67910	Document feeder, control panel, and scanner whole units on page 275
Kit, ADF whole unit, A3 (includes foam reflector kit)	CF066-67910	Document feeder assemblies on page 277
Kit, control panel	CD644-67916	Document feeder, control panel, and scanner whole units on page 275
Kit, reflector foam, A3	5851-4888	Document feeder, control panel, and scanner whole units on page 275

Table 2-32 Alphabetical parts list (continued)

Description	Part number	Table and page
Kit, scanner whole unit (includes foam reflector kit)	CF066-67906	Document feeder, control panel, and scanner whole units on page 275
Kit, scanner whole unit (includes foam reflector kit) ¹	CF066-67906	Scanner assemblies on page 279
Labels, cassette numbers, Trays 2-6	5851-5600	HCI components (2 of 2) on page 307
Labels, cassette numbers, Trays 2-6	5851-5600	HCI components (2 of 2) on page 307
Labels, cassette numbers, Trays 2-6	5851-5600	500-sheet paper feeder (Tray 4) components on page 295
Labels, cassette numbers, Trays 2-6	5851-5600	1x500 paper deck components on page 299
Labels, cassette numbers, Trays 2-6	5851-5600	3x500 paper deck components on page 301
Laser scanner assembly	RM1-8679-000CN	Internal components (2 of 4) on page 287
Left door assembly	RM1-8680-000CN	External covers and panels on page 283
Lifter drive assembly	RM1-2969-000CN	Internal components (3 of 4) on page 289
Lifter drive assembly	RM1-3819-000CN	500-sheet paper feeder (Tray 4) components on page 295
Lifter drive assembly	RM1-3819-000CN	1x500 paper deck components on page 299
Lifter drive assembly	RM1-3819-000CN	3x500 paper deck components on page 301
Lifter drive assembly	RM1-8879-000CN	HCI components (1 of 2) on page 305
Link, face down flapper 1	RC3-2209-000CN	Internal components (3 of 4) on page 289
Link, face down flapper 2	RC3-2210-000CN	Internal components (3 of 4) on page 289
Link, right door, lower	RC2-9327-000CN	500-sheet paper feeder (Tray 4) covers on page 293
Link, right door, lower	RC2-9327-000CN	1x500 and 3x500 paper deck covers on page 297
Link, right door, upper	RC2-9335-000CN	500-sheet paper feeder (Tray 4) covers on page 293

Table 2-32 Alphabetical parts list (continued)

Description	Part number	Table and page
Link, right door, upper	RC2-9335-000CN	1x500 and 3x500 paper deck covers on page 297
Low-voltage power supply (110V)	RM1-8744-000CN	Internal components (4 of 4) on page 291
Low-voltage power supply (220V)	RM1-8745-000CN	Internal components (4 of 4) on page 291
Lower cassette (Tray 3) assembly kit	CF235-67912	Internal components (3 of 4) on page 289
Lower cassette (Tray 3) pickup assembly	RM2-0183-000CN	Internal components (2 of 4) on page 287
Main drive assembly	RM2-0184-000CN	Internal components (1 of 4) (print engine) on page 285
Media Stopper, front	CC355-40046	Document feeder assemblies on page 277
Media Stopper, rear	CC355-40047	Document feeder assemblies on page 277
Motor, stepping, DC	RK2-1331-000CN	500-sheet paper feeder (Tray 4) components on page 295
Motor, stepping, DC	RK2-1331-000CN	1x500 paper deck components on page 299
Motor, stepping, DC	RK2-1331-000CN	3x500 paper deck components on page 301
Motor, stepping, DC	RK2-1331-000CN	HCI components (1 of 2) on page 305
Multipurpose separation pad assembly (part of Tray 1 pickup roller and separation pad kit)	CF235-67906	External covers and panels on page 283
Multipurpose tray (Tray 1) cover assembly	RM1-8662-000CN	External covers and panels on page 283
Optional 500-sheet tray and feeder assembly kit	CF235-67914	500-sheet paper feeder (Tray 4) covers on page 293
Paper delivery assembly Kit	CF066-67909	Internal components (3 of 4) on page 289
Paper feed assembly	RM1-8741-000CN	Internal components (1 of 4) (print engine) on page 285
Paper feed assembly	RM1-8826-000CN	Stapler/stacker components on page 311
Paper feed roller assembly (part of HCI pickup and feed roller kit)	5851-5011	HCI components (2 of 2) on page 307

Table 2-32 Alphabetical parts list (continued)

Description	Part number	Table and page
Paper feed roller assembly (part of Trays 4,5 and 6 pickup and feed roller kit)	CC522-67909	500-sheet paper feeder (Tray 4) components on page 295
Paper feed roller assembly (part of Trays 4,5 and 6 pickup and feed roller kit)	CC522-67909	1x500 paper deck components on page 299
Paper feed roller assembly (part of Trays 4,5 and 6 pickup and feed roller kit)	CC522-67909	3x500 paper deck components on page 301
Paper feeder controller PCA	RM1-9074-000CN	500-sheet paper feeder (Tray 4) components on page 295
Paper pickup assembly	RM1-9415-000CN	500-sheet paper feeder (Tray 4) components on page 295
Paper pickup assembly	RM1-9415-000CN	1x500 paper deck components on page 299
Paper pickup assembly	RM1-9415-000CN	3x500 paper deck components on page 301
Paper pickup assembly, left	RM1-8876-000CN	HCI components (2 of 2) on page 307
Paper pickup assembly, right	RM1-8869-000CN	HCI components (2 of 2) on page 307
Paper pickup motor assembly	RM1-8872-000CN	HCI components (1 of 2) on page 305
PCA, scanner memory	5851-4285	Scanner assemblies on page 279
Photointerrupter	WG8-5935-000CN	Internal components (1 of 4) (print engine) on page 285
Photointerrupter	WG8-5935-000CN	Internal components (3 of 4) on page 289
Photosensor	CC355-80014	Document feeder assemblies on page 277
Photosensor	1990-3366	Scanner assemblies on page 279
Power switch PCA	RM2-7561-000CN	Internal components (3 of 4) on page 289
Rail, cassette, left	RL1-1391-000CN	1x500 paper deck components on page 299
Rail, cassette, left	RL1-1391-000CN	3x500 paper deck components on page 301
Rail, cassette, right	RL1-1390-000CN	1x500 paper deck components on page 299

Table 2-32 Alphabetical parts list (continued)

Description	Part number	Table and page
Rail, cassette, right	RL1-1390-000CN	3x500 paper deck components on page 301
Rear cover assembly	RM1-8812-000CN	Stapler/stacker covers on page 309
Rear pocket cover assembly	RM1-9831-000CN	External covers and panels on page 283
Registration assembly	RM1-8671-000CN	Internal components (1 of 4) (print engine) on page 285
Right door assembly	RM1-8657-000CN	External covers and panels on page 283
Right door assembly	RM1-6946-000CN	500-sheet paper feeder (Tray 4) covers on page 293
Right door assembly	RM1-8868-000CN	HCI covers on page 303
Right door assembly (1x500 paper deck)	RM1-6952-000CN	1x500 and 3x500 paper deck covers on page 297
Right door assembly (3x500 paper deck)	RM1-6953-000CN	1x500 and 3x500 paper deck covers on page 297
Right front lock cover assembly	RM1-9416-000CN	HCI covers on page 303
Right lower cover assembly	RM1-6948-000CN	500-sheet paper feeder (Tray 4) covers on page 293
Roller, cassette pickup (part of Tray 2 or 3 pickup roller and separation pad kit)	CF235-67909	Internal components (1 of 4) (print engine) on page 285
Roller, cassette pickup (part of Tray 2 or 3 pickup roller and separation pad kit)	CF235-67909	Internal components (2 of 4) on page 287
Roller, paper pickup (part of HCI pickup and feed roller kit)	5851-5011	HCI components (2 of 2) on page 307
Roller, paper pickup, multipurpose tray (part of Tray 1 pickup roller and separation pad kit)	CF235-67906	External covers and panels on page 283
Roller, pickup (part of Trays 4, 5 and 6 pickup and feed roller kit)	CC522-67909	500-sheet paper feeder (Tray 4) components on page 295
Roller, pickup (part of Trays 4,5 and 6 pickup and feed roller kit)	CC522-67909	1x500 paper deck components on page 299
Roller, pickup (part of Trays 4,5 and 6 pickup and feed roller kit)	CC522-67909	3x500 paper deck components on page 301
SCB, top level assembly	CF066-67911	Scanner controller board (SCB) assembly on page 281
Screw, stepped	RU5-9056-000CN	1x500 and 3x500 paper deck covers on page 297

Table 2-32 Alphabetical parts list (continued)

Description	Part number	Table and page
Sensor, humidity	WP2-5316-000CN	Internal components (2 of 4) on page 287
Separation pad assembly (part of Tray 2 or 3 pickup roller and separation pad kit)	CF235-67909	Internal components (3 of 4) on page 289
Spring, document feeder sensor	CC522-80101	Scanner assemblies on page 279
Spring, tension	RU5-2632-000CN	Internal components (1 of 4) (print engine) on page 285
Stapler assembly	RM1-3092-000CN	Stapler/stacker components on page 311
Stapler cover assembly	RM1-8813-000CN	Stapler/stacker covers on page 309
Stapler door assembly	RM1-8814-000CN	Stapler/stacker covers on page 309
Stapler/stacker controller PCA	RM1-9078-000CN	Stapler/stacker components on page 311
Stock box assembly	RM1-6954-000CN	1x500 paper deck components on page 299
Stopper, link	RC3-2212-000CN	Internal components (1 of 4) (print engine) on page 285
Switch, button	WC2-5512-000CN	500-sheet paper feeder (Tray 4) components on page 295
Switch, button	WC2-5512-000CN	3x500 paper deck components on page 301
Switch, cartridge door	RM1-3471-000CN	Internal components (4 of 4) on page 291
Switch, fuser (left) door	RM1-3474-000CN	Internal components (4 of 4) on page 291
Transfer roller assembly kit	CF235-67910	Internal components (1 of 4) (print engine) on page 285
Tray assembly	RM1-8815-000CN	Stapler/stacker covers on page 309
Tray, left assembly kit, with Trays 2-6 tray label kit	CF235-60103	HCl components (2 of 2) on page 307
Tray, right assembly kit, with Trays 2-6 tray label kit	CF235-60104	HCl components (2 of 2) on page 307
Upper cassette (Tray 2) assembly kit	CF235-67911	Internal components (3 of 4) on page 289
Upper cassette (Tray 2) pickup assembly	RM2-0182-000CN	Internal components (1 of 4) (print engine) on page 285

Table 2-32 Alphabetical parts list (continued)

Description	Part number	Table and page
Upper front cover assembly	RM1-8656-000CN	External covers and panels on page 283
Width sensor PCA	CQ819-60022	Document feeder assemblies on page 277

Numerical parts list

Table 2-33 Numerical parts list

Part number	Description	Table and page
1990-3366	Photosensor	Scanner assemblies on page 279
5851-4285	PCA, scanner memory	Scanner assemblies on page 279
5851-4879	Kit, ADF separation pad spring	Document feeder assemblies on page 277
5851-4888	Kit, reflector foam, A3	Document feeder, control panel, and scanner whole units on page 275
5851-4997	Kit, A3 ADF mylar	Document feeder assemblies on page 277
5851-5011	Roller, paper pickup (part of HCI pickup and feed roller kit)	HCI components (2 of 2) on page 307
5851-5011	Paper feed roller assembly (part of HCI pickup and feed roller kit)	HCI components (2 of 2) on page 307
5851-5600	Labels, cassette numbers, Trays 2-6	500-sheet paper feeder (Tray 4) components on page 295
5851-5600	Labels, cassette numbers, Trays 2-6	1x500 paper deck components on page 299
5851-5600	Labels, cassette numbers, Trays 2-6	3x500 paper deck components on page 301
5851-5600	Labels, cassette numbers, Trays 2-6	HCI components (2 of 2) on page 307
5851-5600	Labels, cassette numbers, Trays 2-6	HCI components (2 of 2) on page 307
CC235-67918	3,500-sheet HCI feeder assembly kit	HCI covers on page 303
CC355-40015	Flag, media presence	Document feeder assemblies on page 277
CC355-40046	Media Stopper, front	Document feeder assemblies on page 277
CC355-40047	Media Stopper, rear	Document feeder assemblies on page 277
CC355-80014	Photosensor	Document feeder assemblies on page 277
CC522-40017	Cover, back scanner	Scanner assemblies on page 279

Table 2-33 Numerical parts list (continued)

Part number	Description	Table and page
CC522-40021	Cover, left scanner	Scanner assemblies on page 279
CC522-40023	Cover, ADF cable	Scanner assemblies on page 279
CC522-40029	Flag, document feeder open sensor	Scanner assemblies on page 279
CC522-67909	Roller, pickup (part of Trays 4, 5 and 6 pickup and feed roller kit)	500-sheet paper feeder (Tray 4) components on page 295
CC522-67909	Paper feed roller assembly (part of Trays 4,5 and 6 pickup and feed roller kit)	500-sheet paper feeder (Tray 4) components on page 295
CC522-67909	Roller, pickup (part of Trays 4,5 and 6 pickup and feed roller kit)	1x500 paper deck components on page 299
CC522-67909	Paper feed roller assembly (part of Trays 4,5 and 6 pickup and feed roller kit)	1x500 paper deck components on page 299
CC522-67909	Roller, pickup (part of Trays 4,5 and 6 pickup and feed roller kit)	3x500 paper deck components on page 301
CC522-67909	Paper feed roller assembly (part of Trays 4,5 and 6 pickup and feed roller kit)	3x500 paper deck components on page 301
CC522-80101	Spring, document feeder sensor	Scanner assemblies on page 279
CD644-67916	Kit, control panel	Document feeder, control panel, and scanner whole units on page 275
CF066-40001	Cover, front scanner	Scanner assemblies on page 279
CF066-40002	Cover, right scanner	Scanner assemblies on page 279
CF066-67906	Kit, scanner whole unit (includes foam reflector kit)	Document feeder, control panel, and scanner whole units on page 275
CF066-67906	Kit, scanner whole unit (includes foam reflector kit) ¹	Scanner assemblies on page 279
CF066-67909	Paper delivery assembly Kit	Internal components (3 of 4) on page 289
CF066-67910	Kit, ADF whole unit, A3 (includes foam reflector kit)	Document feeder, control panel, and scanner whole units on page 275
CF066-67910	Kit, ADF whole unit, A3 (includes foam reflector kit)	Document feeder assemblies on page 277

Table 2-33 Numerical parts list (continued)

Part number	Description	Table and page
CF066-67911	SCB, top level assembly	Scanner controller board (SCB) assembly on page 281
CF235-60103	Tray, left assembly kit, with Trays 2-6 tray label kit	HCI components (2 of 2) on page 307
CF235-60104	Tray, right assembly kit, with Trays 2-6 tray label kit	HCI components (2 of 2) on page 307
CF235-67905	Front cover assembly kit (includes product labels)	External covers and panels on page 283
CF235-67906	Roller, paper pickup, multipurpose tray (part of Tray 1 pickup roller and separation pad kit)	External covers and panels on page 283
CF235-67906	Multipurpose separation pad assembly (part of Tray 1 pickup roller and separation pad kit)	External covers and panels on page 283
CF235-67909	Roller, cassette pickup (part of Tray 2 or 3 pickup roller and separation pad kit)	Internal components (1 of 4) (print engine) on page 285
CF235-67909	Roller, cassette pickup (part of Tray 2 or 3 pickup roller and separation pad kit)	Internal components (2 of 4) on page 287
CF235-67909	Separation pad assembly (part of Tray 2 or 3 pickup roller and separation pad kit)	Internal components (3 of 4) on page 289
CF235-67910	Transfer roller assembly kit	Internal components (1 of 4) (print engine) on page 285
CF235-67911	Upper cassette (Tray 2) assembly kit	Internal components (3 of 4) on page 289
CF235-67912	Lower cassette (Tray 3) assembly kit	Internal components (3 of 4) on page 289
CF235-67913	Duplexer, optional accessory	Internal components (3 of 4) on page 289
CF235-67914	Optional 500-sheet tray and feeder assembly kit	500-sheet paper feeder (Tray 4) covers on page 293
CF235-67915	1x500 feeder and stand assembly kit	1x500 and 3x500 paper deck covers on page 297
CF235-67916	3x500 feeder and stand assembly kit	1x500 and 3x500 paper deck covers on page 297
CF235-67917	Cassette assembly kit, with Trays 2-6 label kit	500-sheet paper feeder (Tray 4) components on page 295
CF235-67917	Cassette assembly kit, with Trays 2-6 label kit	1x500 paper deck components on page 299
CF235-67917	Cassette assembly kit, with Trays 2-6 label kit	3x500 paper deck components on page 301
CF235-67921	Fuser assembly kit (110V)	Internal components (3 of 4) on page 289

Table 2-33 Numerical parts list (continued)

Part number	Description	Table and page
CF235-67922	Fuser assembly kit (220V)	Internal components (3 of 4) on page 289
CQ819-40003	Cover, ADF front	Document feeder assemblies on page 277
CQ819-40004	Cover, hatch	Document feeder assemblies on page 277
CQ819-40005	Cover, ADF rear	Document feeder assemblies on page 277
CQ819-40032	ADF roller cover, A3	Document feeder assemblies on page 277
CQ819-60011	ADF hinge assembly	Document feeder assemblies on page 277
CQ819-60022	Width sensor PCA	Document feeder assemblies on page 277
Q7404-40020	ADF tray extender	Document feeder assemblies on page 277
RC1-9896-000CN	Caster, double lock, front	1x500 paper deck components on page 299
RC1-9896-000CN	Caster, double lock, front	3x500 paper deck components on page 301
RC2-9303-000CN	Handle, lock, rear	500-sheet paper feeder (Tray 4) covers on page 293
RC2-9303-000CN	Handle, lock, rear	1x500 and 3x500 paper deck covers on page 297
RC2-9320-000CN	Cover, right front	500-sheet paper feeder (Tray 4) covers on page 293
RC2-9327-000CN	Link, right door, lower	500-sheet paper feeder (Tray 4) covers on page 293
RC2-9327-000CN	Link, right door, lower	1x500 and 3x500 paper deck covers on page 297
RC2-9330-000CN	Cover, rear	500-sheet paper feeder (Tray 4) covers on page 293
RC2-9331-000CN	Cover, left	500-sheet paper feeder (Tray 4) covers on page 293
RC2-9332-000CN	Cover, handle lower	500-sheet paper feeder (Tray 4) covers on page 293
RC2-9335-000CN	Link, right door, upper	500-sheet paper feeder (Tray 4) covers on page 293
RC2-9335-000CN	Link, right door, upper	1x500 and 3x500 paper deck covers on page 297

Table 2-33 Numerical parts list (continued)

Part number	Description	Table and page
RC2-9343-000CN	Cover, right corner	1x500 and 3x500 paper deck covers on page 297
RC2-9346-000CN	Cover, right lower, 1	1x500 and 3x500 paper deck covers on page 297
RC2-9347-000CN	Cover, right lower, 2	1x500 and 3x500 paper deck covers on page 297
RC2-9348-000CN	Cover, rear	1x500 and 3x500 paper deck covers on page 297
RC2-9349-000CN	Cover, left	1x500 and 3x500 paper deck covers on page 297
RC2-9350-000CN	Cover, left lower	1x500 and 3x500 paper deck covers on page 297
RC2-9353-000CN	Door, stock, 1 (1x500 paper deck only)	1x500 and 3x500 paper deck covers on page 297
RC2-9354-000CN	Door, stock, 2 (1x500 paper deck only)	1x500 and 3x500 paper deck covers on page 297
RC2-9357-000CN	Cover, rear lower	1x500 and 3x500 paper deck covers on page 297
RC3-2133-000CN	Cover, front, right lower	External covers and panels on page 283
RC3-2134-000CN	Cover, front, left lower	External covers and panels on page 283
RC3-2138-000CN	Cover, rear	External covers and panels on page 283
RC3-2148-000CN	Cover, right side, rear	External covers and panels on page 283
RC3-2153-000CN	Cover, right handle	External covers and panels on page 283
RC3-2154-000CN	Cover, left side, front, lower	External covers and panels on page 283
RC3-2155-000CN	Cover, left side, rear, lower	External covers and panels on page 283
RC3-2156-000CN	Cover, left handle	External covers and panels on page 283
RC3-2159-000CN	Cover, top, rear	External covers and panels on page 283
RC3-2160-000CN	Cover, output, top	External covers and panels on page 283
RC3-2161-000CN	Cover, rear, top	External covers and panels on page 283

Table 2-33 Numerical parts list (continued)

Part number	Description	Table and page
RC3-2163-000CN	Cover, left side, front, upper	External covers and panels on page 283
RC3-2164-000CN	Cover, left side, rear, upper	External covers and panels on page 283
RC3-2209-000CN	Link, face down flapper 1	Internal components (3 of 4) on page 289
RC3-2210-000CN	Link, face down flapper 2	Internal components (3 of 4) on page 289
RC3-2212-000CN	Stopper, link	Internal components (1 of 4) (print engine) on page 285
RC3-2272-000CN	Cover, left, upper	External covers and panels on page 283
RC3-2273-000CN	Cover, facedown side	External covers and panels on page 283
RC3-2343-000CN	Cover, left	Stapler/stacker covers on page 309
RC3-2344-000CN	Door, left	Stapler/stacker covers on page 309
RC3-2346-000CN	Cover, rear left	Stapler/stacker covers on page 309
RC3-2347-000CN	Cover, rear right	Stapler/stacker covers on page 309
RC3-2348-000CN	Cover, rear inner	Stapler/stacker covers on page 309
RC3-2354-000CN	Cover, stack	Stapler/stacker covers on page 309
RC3-2364-000CN	Cover, jog, top	Stapler/stacker covers on page 309
RC3-2994-000CN	Caster, rear	1x500 paper deck components on page 299
RC3-2994-000CN	Caster, rear	3x500 paper deck components on page 301
RC3-3000-000CN	Cover, right center	HCI covers on page 303
RC3-3001-000CN	Cover, right lower	HCI covers on page 303
RC3-3002-000CN	Cover, right rear	HCI covers on page 303
RC3-3003-000CN	Cover, rear	HCI covers on page 303
RC3-3004-000CN	Cover, rear lower	HCI covers on page 303
RC3-3005-000CN	Cover, left	HCI covers on page 303
RC3-3006-000CN	Cover, left lower	HCI covers on page 303

Table 2-33 Numerical parts list (continued)

Part number	Description	Table and page
RC3-3009-000CN	Cover, corner, right	HCI covers on page 303
RK2-1092-000CN	Fan	Internal components (2 of 4) on page 287
RK2-1331-000CN	Motor, stepping, DC	500-sheet paper feeder (Tray 4) components on page 295
RK2-1331-000CN	Motor, stepping, DC	1x500 paper deck components on page 299
RK2-1331-000CN	Motor, stepping, DC	3x500 paper deck components on page 301
RK2-1331-000CN	Motor, stepping, DC	HCI components (1 of 2) on page 305
RK2-2416-000CN	Fan	Internal components (4 of 4) on page 291
RK2-3244-000CN	Fan	Internal components (2 of 4) on page 287
RK2-4490-000CN	Cable, flexible flat, 21P	Internal components (4 of 4) on page 291
RK2-4492-000CN	Cable, flexible flat, 23P	Internal components (4 of 4) on page 291
RK2-4494-000CN	Cable, flexible flat, 25P	Internal components (4 of 4) on page 291
RK2-4496-000CN	Cable, flexible flat, 15P	Internal components (4 of 4) on page 291
RL1-1390-000CN	Rail, cassette, right	1x500 paper deck components on page 299
RL1-1390-000CN	Rail, cassette, right	3x500 paper deck components on page 301
RL1-1391-000CN	Rail, cassette, left	1x500 paper deck components on page 299
RL1-1391-000CN	Rail, cassette, left	3x500 paper deck components on page 301
RM1-2538-000CN	Fuser motor assembly	Internal components (3 of 4) on page 289
RM1-2963-000CN	Fuser drive assembly	Internal components (3 of 4) on page 289
RM1-2968-000CN	Back end sensor	Internal components (3 of 4) on page 289
RM1-2969-000CN	Lifter drive assembly	Internal components (3 of 4) on page 289

Table 2-33 Numerical parts list (continued)

Part number	Description	Table and page
RM1-3092-000CN	Stapler assembly	Stapler/stacker components on page 311
RM1-3471-000CN	Switch, cartridge door	Internal components (4 of 4) on page 291
RM1-3474-000CN	Switch, fuser (left) door	Internal components (4 of 4) on page 291
RM1-3575-000CN	Cable, paper pickup option	1x500 paper deck components on page 299
RM1-3575-000CN	Cable, paper pickup option	3x500 paper deck components on page 301
RM1-3647-000CN	Cable, multisensor	1x500 paper deck components on page 299
RM1-3647-000CN	Cable, multi sensor	3x500 paper deck components on page 301
RM1-3651-000CN	Cable, door open switch	3x500 paper deck components on page 301
RM1-3819-000CN	Lifter drive assembly	500-sheet paper feeder (Tray 4) components on page 295
RM1-3819-000CN	Lifter drive assembly	1x500 paper deck components on page 299
RM1-3819-000CN	Lifter drive assembly	3x500 paper deck components on page 301
RM1-6946-000CN	Right door assembly	500-sheet paper feeder (Tray 4) covers on page 293
RM1-6948-000CN	Right lower cover assembly	500-sheet paper feeder (Tray 4) covers on page 293
RM1-6949-000CN	Front upper cover assembly	500-sheet paper feeder (Tray 4) covers on page 293
RM1-6949-000CN	Front upper cover assembly	1x500 and 3x500 paper deck covers on page 297
RM1-6952-000CN	Right door assembly (1x500 paper deck)	1x500 and 3x500 paper deck covers on page 297
RM1-6953-000CN	Right door assembly (3x500 paper deck)	1x500 and 3x500 paper deck covers on page 297
RM1-6954-000CN	Stock box assembly	1x500 paper deck components on page 299
RM1-6958-000CN	Front lower cover assembly	1x500 and 3x500 paper deck covers on page 297
RM1-6991-000CN	Cable, engine interface	1x500 paper deck components on page 299

Table 2-33 Numerical parts list (continued)

Part number	Description	Table and page
RM1-6991-000CN	Cable, engine interface	3x500 paper deck components on page 301
RM1-6992-000CN	Cable, PCA joint	3x500 paper deck components on page 301
RM1-8654-000CN	Facedown cover assembly	External covers and panels on page 283
RM1-8656-000CN	Upper front cover assembly	External covers and panels on page 283
RM1-8657-000CN	Right door assembly	External covers and panels on page 283
RM1-8660-000CN	Cartridge door assembly	External covers and panels on page 283
RM1-8662-000CN	Multipurpose tray (Tray 1) cover assembly	External covers and panels on page 283
RM1-8671-000CN	Registration assembly	Internal components (1 of 4) (print engine) on page 285
RM1-8679-000CN	Laser scanner assembly	Internal components (2 of 4) on page 287
RM1-8680-000CN	Left door assembly	External covers and panels on page 283
RM1-8682-000CN	Formatter cage	Internal components (4 of 4) on page 291
RM1-8741-000CN	Paper feed assembly	Internal components (1 of 4) (print engine) on page 285
RM1-8744-000CN	Low-voltage power supply (110V)	Internal components (4 of 4) on page 291
RM1-8745-000CN	Low-voltage power supply (220V)	Internal components (4 of 4) on page 291
RM1-8810-000CN	Alignment assembly	Stapler/stacker components on page 311
RM1-8812-000CN	Rear cover assembly	Stapler/stacker covers on page 309
RM1-8813-000CN	Stapler cover assembly	Stapler/stacker covers on page 309
RM1-8814-000CN	Stapler door assembly	Stapler/stacker covers on page 309
RM1-8815-000CN	Tray assembly	Stapler/stacker covers on page 309
RM1-8826-000CN	Paper feed assembly	Stapler/stacker components on page 311

Table 2-33 Numerical parts list (continued)

Part number	Description	Table and page
RM1-8868-000CN	Right door assembly	HCI covers on page 303
RM1-8869-000CN	Paper pickup assembly, right	HCI components (2 of 2) on page 307
RM1-8872-000CN	Paper pickup motor assembly	HCI components (1 of 2) on page 305
RM1-8876-000CN	Paper pickup assembly, left	HCI components (2 of 2) on page 307
RM1-8879-000CN	Lifter drive assembly	HCI components (1 of 2) on page 305
RM1-8880-000CN	Auto close assembly	HCI components (2 of 2) on page 307
RM1-8888-000CN	Crossing paper feed assembly	HCI components (2 of 2) on page 307
RM1-8934-000CN	DC controller PCA	Internal components (4 of 4) on page 291
RM1-8946-000CN	Clutch, electromagnetic	Internal components (1 of 4) (print engine) on page 285
RM1-8946-000CN	Clutch, electromagnetic	Internal components (2 of 4) on page 287
RM1-8971-000CN	Cable, multi, front	Internal components (2 of 4) on page 287
RM1-9057-000CN	Controller PCA	HCI components (1 of 2) on page 305
RM1-9074-000CN	Paper feeder controller PCA	500-sheet paper feeder (Tray 4) components on page 295
RM1-9075-000CN	Controller PCA	1x500 paper deck components on page 299
RM1-9076-000CN	Controller PCA	3x500 paper deck components on page 301
RM1-9078-000CN	Stapler/stacker controller PCA	Stapler/stacker components on page 311
RM1-9415-000CN	Paper pickup assembly	500-sheet paper feeder (Tray 4) components on page 295
RM1-9415-000CN	Paper pickup assembly	1x500 paper deck components on page 299
RM1-9415-000CN	Paper pickup assembly	3x500 paper deck components on page 301
RM1-9416-000CN	Right front lock cover assembly	HCI covers on page 303

Table 2-33 Numerical parts list (continued)

Part number	Description	Table and page
RM1-9831-000CN	Rear pocket cover assembly	External covers and panels on page 283
RM2-0182-000CN	Upper cassette (Tray 2) pickup assembly	Internal components (1 of 4) (print engine) on page 285
RM2-0183-000CN	Lower cassette (Tray 3) pickup assembly	Internal components (2 of 4) on page 287
RM2-0184-000CN	Main drive assembly	Internal components (1 of 4) (print engine) on page 285
RM2-7538-000CN	High-voltage power supply (110V)	Internal components (4 of 4) on page 291
RM2-7539-000CN	High-voltage power supply (220V)	Internal components (4 of 4) on page 291
RM2-7561-000CN	Power switch PCA	Internal components (3 of 4) on page 289
RU5-2632-000CN	Spring, tension	Internal components (1 of 4) (print engine) on page 285
RU5-9056-000CN	Screw, stepped	1x500 and 3x500 paper deck covers on page 297
RU7-0350-000CN	Gear, 133T	Internal components (1 of 4) (print engine) on page 285
VS1-7500-008CN	Connector, 8P	500-sheet paper feeder (Tray 4) components on page 295
VS1-7500-008CN	Connector, 8P	1x500 paper deck components on page 299
VS1-7500-008CN	Connector, 8P	3x500 paper deck components on page 301
VS1-7514-008CN	Connector, 8P	500-sheet paper feeder (Tray 4) components on page 295
WC2-5512-000CN	Switch, button	500-sheet paper feeder (Tray 4) components on page 295
WC2-5512-000CN	Switch, button	3x500 paper deck components on page 301
WC2-5637-000CN	Cartridge door open switch	Internal components (2 of 4) on page 287
WG8-5935-000CN	Photointerrupter	Internal components (1 of 4) (print engine) on page 285

Table 2-33 Numerical parts list (continued)

Part number	Description	Table and page
WG8-5935-000CN	Photointerrupter	Internal components (3 of 4) on page 289
WP2-5316-000CN	Sensor, humidity	Internal components (2 of 4) on page 287

Index

Symbols/Numerics

- 1x500 or 3x500-paper feeder assembly
 - components, removing 142
- 1x500-sheet paper feeder assembly
 - components, removing 128

A

- accessories
 - ordering 261
- after-service checklist 4

B

- before-service checklist 4

C

- cartridge
 - ordering 260
 - part number 260
- cassette, lower pickup assembly
 - removing and replacing 73
- cassette, upper pickup assembly
 - removing and replacing 70
- cautions iii
- controller PCA, high capacity input (HCI) feeder
 - removing and replacing 174
- conventions, document iii

D

- DC controller PCA
 - removing and replacing 118
- document conventions iii
- document feeder
 - removing and replacing 214
- document feeder assembly
 - removing and replacing 214

- document feeder cable cover
 - removing and replacing 217
- document feeder foam reflector
 - removing and replacing 221
- document feeder front cover
 - removing and replacing 229
- document feeder hatch cover
 - removing and replacing 233
- document feeder hinge
 - removing and replacing 218
- document feeder mylar strips
 - removing and replacing 219
- document feeder open sensor and flag
 - removing and replacing 243
- document feeder paper present sensor
 - removing and replacing 234
- document feeder pickup and feed roller assembly
 - removing and replacing 13
- document feeder rear cover
 - removing and replacing 241
- document feeder roller cover
 - removing and replacing 239
- document feeder separation pad
 - removing and replacing 18
- document feeder tray extender
 - removing and replacing 227
- document feeder width-adjust sensor, paper-long and paper-short sensors
 - removing and replacing 236
- document input tray bottom cover
 - removing and replacing 235
- dual in-line memory module
 - removing and replacing 122
- duplexer
 - removing 46

E

- electrostatic discharge (ESD) 2
- ESD electrostatic discharge (ESD) 2

F

- face-down cover
 - removing and replacing 27
- face-down side cover
 - removing and replacing 38
- fan, front
 - removing and replacing 108
- fan, rear
 - removing and replacing 106
- fasteners
 - screws 265
- fax PCA
 - removing and replacing 125
- feed roller, replacing tray 4, tray 5, and tray 6 9
- field-replaceable units (FRUs)
 - replacing 2
- foam reflector
 - removing and replacing foam reflector 222
- formatter, cover and cage
 - removing and replacing 69
- front cover
 - removing and replacing 21
- front fan
 - removing and replacing 108
- FRUs (field-replaceable units)
 - replacing 2
- fuser
 - removing and replacing 48
- fuser fan
 - removing and replacing 109
- fuser motor
 - removing and replacing 105

- fuser, drive assembly
 - removing and replacing 81
- fuser, fan
 - removing and replacing 109
- fuser, motor
 - removing and replacing 105
- H**
- hard disk
 - removing and replacing 126
- high capacity input (HCI) feeder
 - controller PCA, removing and replacing 174
 - left cover, removing and replacing 161
 - left lower cover, removing and replacing 162
 - left tray automatic close assembly, removing and replacing 175
 - left tray lifter drive, removing and replacing 170
 - left tray pickup assembly, removing and replacing 178
 - left tray pickup drive, removing and replacing 172
 - left tray, removing and replacing 160
 - merge assembly, removing and replacing 182
 - rear cover, removing and replacing 163
 - rear lower cover, removing and replacing 169
 - removing and replacing 159
 - right center cover, removing and replacing 166
 - right door, removing and replacing 164
 - right front cover, removing and replacing 165
 - right lower cover, removing and replacing 168
 - right rear cover, removing and replacing 166
 - right tray automatic close assembly, removing and replacing 176
 - right tray lifter drive, removing and replacing 171
 - right tray pickup assembly, removing and replacing 180
 - right tray pickup drive, removing and replacing 173
 - right tray, removing and replacing 159
- high capacity input feeder (HCI)
 - pickup, feed, and separation rollers
 - removing and replacing 11
 - high-voltage power supply
 - removing and replacing 115
- I**
- image scanner memory board
 - removing and replacing 255
- installation 2
 - screws 2
 - See also* replacing parts
- installing a replacement SCB and image scanner memory board
 - removing and replacing 257
- L**
- laser scanner
 - cautions for servicing 2
 - removing and replacing 62
- left cover, high capacity input (HCI) feeder
 - removing and replacing 161
- left door
 - removing and replacing 23
- left inner lower cover
 - removing and replacing 32
- left lower cover, high capacity input (HCI) feeder
 - removing and replacing 162
- left rear inner cover
 - removing and replacing 33
- left tray automatic close assembly, high capacity input (HCI) feeder
 - removing and replacing 175
- left tray lifter drive, high capacity input (HCI) feeder
 - removing and replacing 170
- left tray pickup assembly, high capacity input (HCI) feeder
 - removing and replacing 178
- left tray pickup drive, high capacity input (HCI) feeder
 - removing and replacing 172
- left tray, high capacity input (HCI) feeder
 - removing and replacing 160
- lifter drive assembly
 - removing and replacing 75
- low-voltage power supply
 - removing and replacing 119
- lower cassette pickup assembly
 - removing and replacing 73
- lower left cover
 - removing and replacing 25, 26
- M**
- main drive assembly
 - removing and replacing 77
- merge assembly, high capacity input (HCI) feeder
 - removing and replacing 182
- mylar strips
 - replace mylar 220
- N**
- notes iii
- O**
- ordering
 - product documents 260
 - supplies and accessories 261
 - toner cartridge 260
- P**
- paper delivery assembly
 - removing and replacing 50
- part number
 - toner cartridge 260
- part numbers
 - screws 265
 - trays 263
- pickup rollers
 - tray 1, replacing 5
 - tray 2 and tray 3, replacing 7
 - tray 4, tray 5, and tray 6, replacing 9
- pickup rollers, remove 5
- pickup, feed, and separation rollers
 - high capacity input feeder (HCI), replacing 11

power supply, high-voltage
removing and replacing 115
power supply, low-voltage
removing and replacing 119

R

rear cover
removing and replacing 24
rear cover, high capacity input
(HCI) feeder
removing and replacing 163
rear fan
removing and replacing 106
rear lower cover, high capacity
input (HCI) feeder
removing and replacing 169
registration assembly
removing and replacing 54
reinstall the document feeder open
sensor and flag
removing and replacing 245
removing parts
1x500 or 3x500-sheet paper
feeder assembly 142
1x500-sheet paper feeder
assembly 128
about 2
after-service checklist 4
before-service checklist 4
duplexer assembly 46
service approach 3
tools, required 3
tray 1 pickup roller 5
tray 2 and tray 3 separation
pad 16
tray 2 pickup roller 7
tray 4, tray 5, and tray 6 pickup
and feed rollers 9
repair approach 3
replacing parts
about 2
after-service checklist 4
before-service checklist 4
duplexer assembly 46
screws 2
service approach 3
tools, required 3
tray 1 pickup roller 5
tray 2 and tray 3 pickup roller
7

tray 2 and tray 3 separation
pad 16
tray 4, tray 5, and tray 6 pickup
and feed rollers 9
right center cover, high capacity
input (HCI) feeder
removing and replacing 166
right door
removing and replacing 29
right door, high capacity input
(HCI) feeder
removing and replacing 164
right front cover, high capacity
input (HCI) feeder
removing and replacing 165
right lower cover, high capacity
input (HCI) feeder
removing and replacing 168
right rear cover
removing and replacing 22
right rear cover, high capacity
input (HCI) feeder
removing and replacing 166
right tray automatic close assembly,
high capacity input (HCI) feeder
removing and replacing 176
right tray lifter drive, high capacity
input (HCI) feeder
removing and replacing 171
right tray pickup assembly, high
capacity input (HCI) feeder
removing and replacing 180
right tray pickup drive, high
capacity input (HCI) feeder
removing and replacing 173
right tray, high capacity input (HCI)
feeder
removing and replacing 159
rollers
tray 1 pickup, replacing 5
tray 2 and tray 3 pickup,
replacing 7
tray 4, tray 5, and tray 6 pickup
and feed, replacing 9

S

scanner
removing and replacing 246
scanner assembly
removing and replacing 248

scanner controller board (SCB)
removing and replacing 246
scanner front cover
removing and replacing 253,
254
scanner left cover
removing and replacing 252
scanner right cover
removing and replacing 251
scanner, cover
removing and replacing 246
screwdrivers, required 3
screws
installing 2
part numbers 265
types of 3
separation pads
tray 2 and tray 3, replacing
16
service approach 3
stapler/stacker, alignment
assembly
reinstall 208
removing and replacing 203
stapler/stacker, assembly
removing and replacing 211
stapler/stacker, jogger upper cover
removing and replacing 192
stapler/stacker, left cover
removing and replacing 186
stapler/stacker, left door
removing and replacing 184
stapler/stacker, left rear cover
removing and replacing 195
stapler/stacker, output bin
assembly
removing and replacing 197
stapler/stacker, paper feed
assembly (stapler)
removing and replacing 201
stapler/stacker, PCA
removing and replacing 210
stapler/stacker, rear cover
removing and replacing 190
stapler/stacker, rear inner cover
removing and replacing 198
stapler/stacker, right rear cover
removing and replacing 196
stapler/stacker, stack cover
removing and replacing 199

- stapler/stacker, stapler assembly
 - removing and replacing 200
- stapler/stacker, stapler cover
 - removing and replacing 193
- stapler/stacker, stapler door
 - removing and replacing 191
- static, precautions for 2
- supplies
 - ordering 261

T

- tips iii
- toner cartridge
 - ordering 260
 - part number 260
- toner cartridge door
 - removing and replacing 64
- tools, required 3
- transfer roller
 - removing and replacing 57
- tray 1
 - pickup roller, replacing 5
- tray 1 separation pad assembly
 - removing and replacing 15
- tray 2 and tray 3
 - pickup roller, replacing 7
 - separation pad, replacing 16
- tray 4, tray 5, and tray 6
 - pickup and feed rollers,
 - replacing 9
- trays
 - part numbers 263
- troubleshooting
 - service approach 3

U

- upper cassette pickup assembly
 - removing and replacing 70

W

- warnings iii



CF066-90988

