
3 Parts and diagrams

- [Order parts by authorized service providers](#)
- [How to use the parts lists and diagrams](#)
- [Assembly locations](#)
- [Covers](#)
- [Internal assemblies](#)
- [PCAs](#)
- [Scanner and document feeder \(ADF\) main assemblies](#)
- [Document feeder internal components](#)
- [Alphabetical parts list](#)
- [Numerical parts list](#)

Order parts by authorized service providers

Order replacement parts

Table 3-1 Order parts, accessories, and supplies

Order supplies and paper	www.hp.com/go/suresupply
Order genuine HP parts or accessories	www.hp.com/buy/parts
Order through service or support providers	Contact an HP-authorized service or support provider.

Related documentation and software

Table 3-2 Related documentation and software

Item	Description	Part number
<i>HP LaserJet Pro CM1410 Color MFP Series User Guide</i>	Product user guide.	CE861-90907
<i>HP LaserJet Pro CM1410 Color MFP Series Service Manual (this manual)</i>	English service manual (this manual)	CE861-90939

Supplies part numbers

Table 3-3 Supplies part numbers

Item	Description	Part number
HP LaserJet print cartridges	Black	CE320A (new)
		CE320-67901 (exchange)
	Cyan	CE321A (new)
		CE321-67902 (exchange)
	Yellow	CE322A (new)
		CE322-67901 (exchange)
Magenta	CE323A (new)	
	CE323-67901 (exchange)	

Service parts


 **NOTE:** The parts in the following table are not shown in the assembly illustrations in this chapter.

Table 3-4 Service parts

Item	Description	Part number
HP jewel	HP logo	7121-8266

Customer self repair parts

Table 3-5 Customer replaceable units (CRU) kit part numbers

Item	Description	Part number
Document-feeder input tray	Instructions, install Document feeder (ADF) input tray	CE861-90973
Cassette	Instructions, install paper tray (cassette)	CE861-90974

Whole-unit replacement part numbers


 **NOTE:** Whole-unit replacement products include the formatter PCA.

Table 3-6 Whole-unit replacement part numbers

Item	Description	Part number
HP LaserJet Pro CM1415fn	110 V	• CE861-67001 (North American Region, and Taiwan); New
		• CE861-67006 (Brasil); New
	220 V	• CE861-69002 (Europe, Middle East, and Africa); Exchange
		• CE861-67003 (China, and Malaysia); New
		• CE861-67004 (Asian Pacific, and Latin America Region); New
HP LaserJet Pro CM1415fnw	110 V	• CE861-67005 (Chile, and Argentina); New
		• CE862-67001 (North American Region, and Taiwan); New
	220 V	• CE862-67006 (Brasil); New
		• CE862-69002 (Europe, Middle East, and Africa); Exchange
		• CE862-67003 (China, and Malaysia); New
		• CE862-67004 (Asian Pacific, and Latin American Region); New
		• CE862-67005 (Chile, and Argentina); New

How to use the parts lists and diagrams

-
- △ **CAUTION:** Be sure to order the correct part. When looking for part numbers for electrical components, pay careful attention to the voltage that is listed. Doing so will make sure that the part number selected is for the correct model.
 - 📖 **NOTE:** In this manual, the abbreviation “PCA” stands for “printed circuit-board assembly.” Components described as a PCA might consist of a single circuit board or a circuit board plus other parts, such as cables and sensors.
-

The figures in this chapter show the major subassemblies in the product and their component parts. A parts list table follows each exploded view assembly diagram. Each table lists the item number, the associated part number, and the description of each part. If a part is not listed in the table, then it is not a field replacement unit (FRU).

Assembly locations

Base product

Figure 3-1 Base product

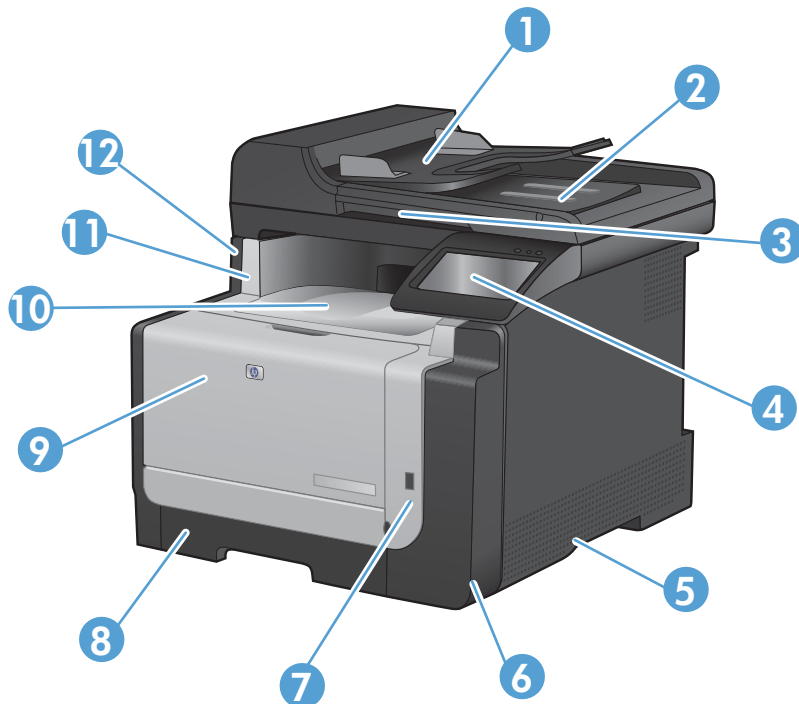


Table 3-7 Base product

Item	Description	Item	Description
1	Document feeder input tray	7	Right-front cover-2
2	Document feeder output bin	8	Input tray (Tray 1)
3	Scanner lid	9	Front door
4	Color touch screen control panel	10	Output bin
5	Right cover	11	Top cover
6	Right-front cover-1	12	Left cover

Covers

Figure 3-2 Covers, panels, and doors

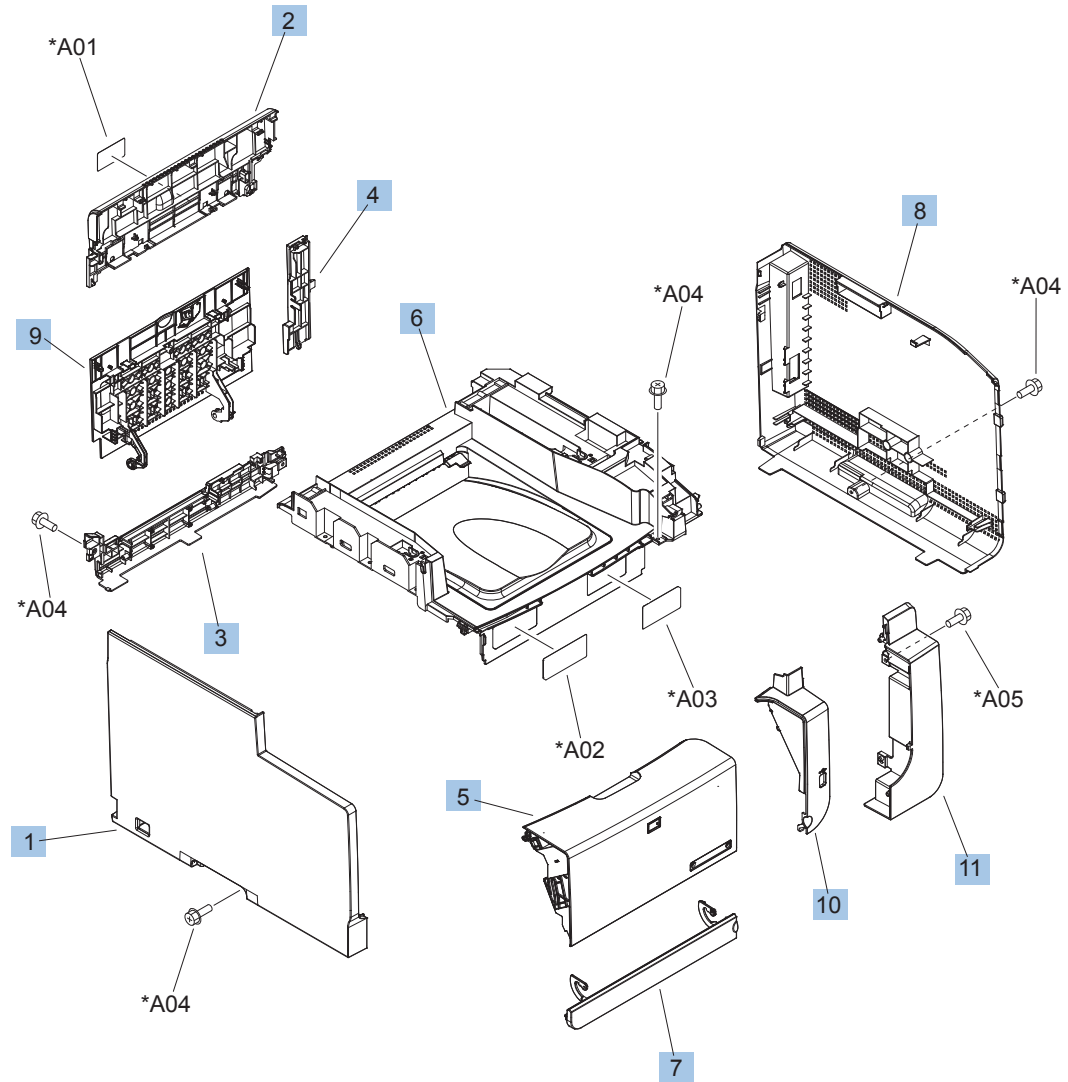


Table 3-8 Covers, panels, and doors

Ref	Description	Part number	Qty
1	Cover, left	RC1-0795-000CN	1
2	Cover, rear upper	RC3-0819-000CN	1
3	Cover, rear lower	RC3-0753-000CN	1
4	Cover, rear center	RC3-0767-000CN	1
5	Door, front	RC3-0796-000CN	1
6	Cover, top assembly	RM1-7715-000CN	1
7	Cover, priority slot (jam access)	RM3-0812-000CN	1
8	Cover, right	RC3-0794-000CN	1
9	Door, rear	RC3-0820-000CN	1
10	Cover, right-front 1	RC3-0797-000CN	1
11	Cover, right-front 2	RC3-0798-000CN	1

Internal assemblies

Internal assemblies (1 of 4)

Figure 3-3 Internal assemblies (1 of 4)

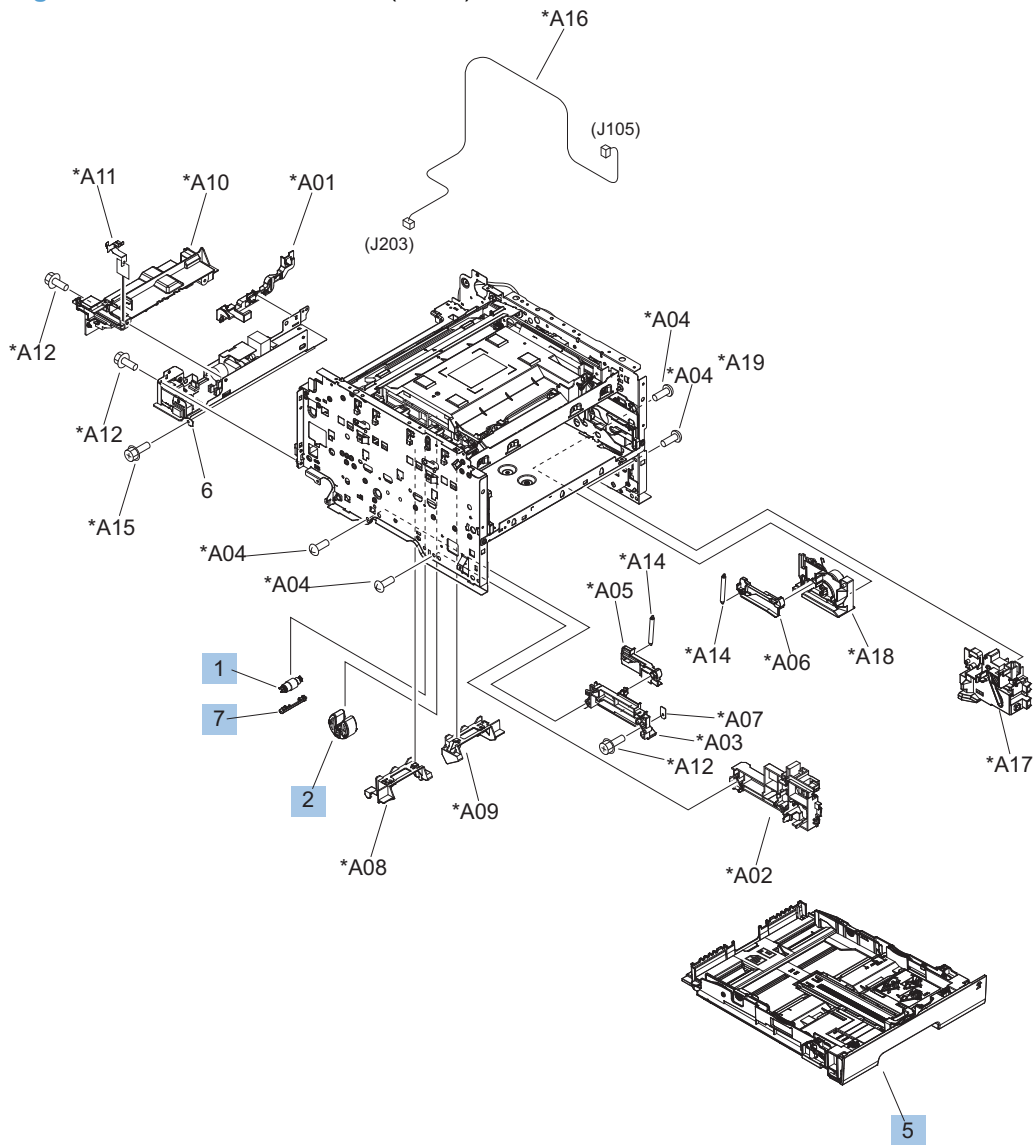


Table 3-9 Internal assemblies (1 of 4)

Ref	Description	Part number	Qty
1	Separation roller assembly	RM1-4425-000CN	1
2	Pickup roller assembly	RM1-4426-000CN	1
5	Cassette assembly	RM1-7714-000CN	1
7	Cover, holder	RC2-2014-000CN	1

Internal assemblies (2 of 4)

Figure 3-4 Internal assemblies (2 of 4)

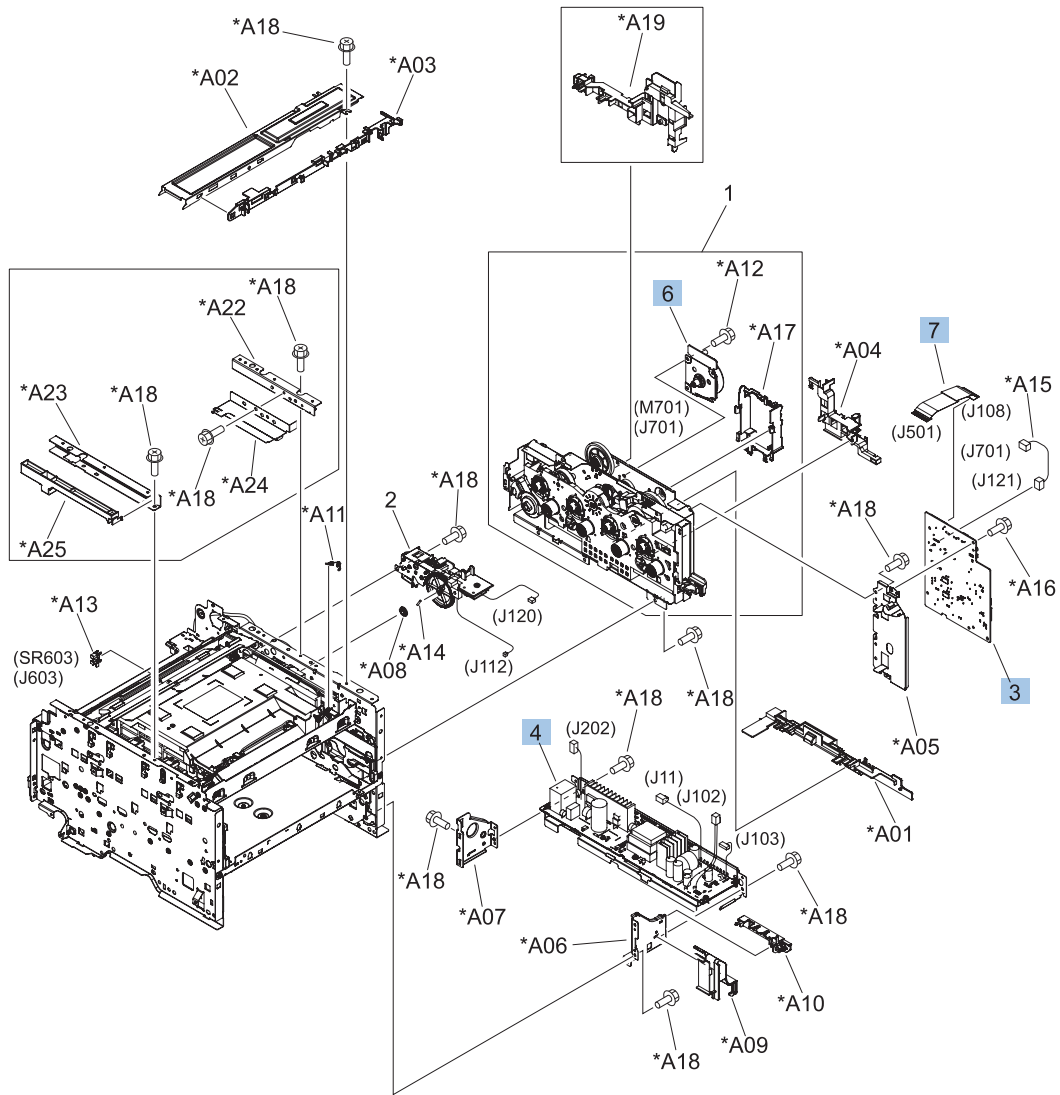


Table 3-10 Internal assemblies (2 of 4)

Ref	Description	Part number	Qty
3	DC controller assembly	RM1-7813-000CN	1
4	Low-voltage power supply (110 to 127 v)	RM1-7830-000CN	1
4	Low-voltage power supply (220 to 240 v)	RM1-7831-000CN	1
6	Motor, DC main	RL1-1834-000CN	1
7	Cable, flat (FFC)	RK2-1955-000CN	1

Internal assemblies (3 of 4)

Figure 3-5 Internal assemblies (3 of 4)

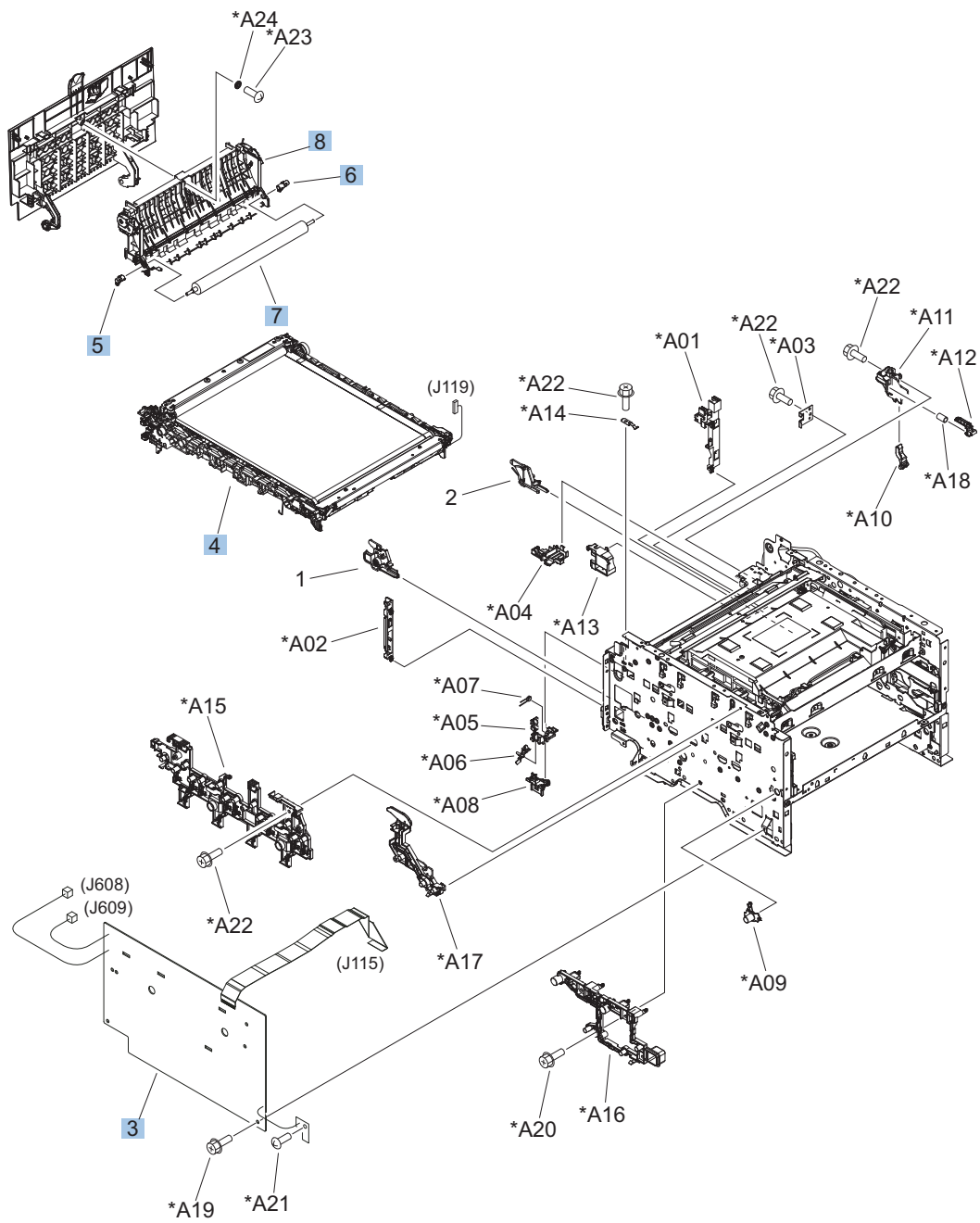


Table 3-11 Internal assemblies (3 of 4)

Ref	Description	Part number	Qty
3	High-voltage power supply	RM1-7090-000CN	1
4	Intermediate transfer belt (ITB) assembly	RM1-7866-000CN	1
5	Bushing (transfer roller)	RC2-2111-000CN	1
6	Bushing (transfer roller)	RC2-2112-000CN	1
7	Roller, transfer	RM1-4445-000CN	1
8	Paper feed guide assembly	RM1-4448-000CN	1

Internal assemblies (4 of 4)

Figure 3-6 Internal assemblies (4 of 4)

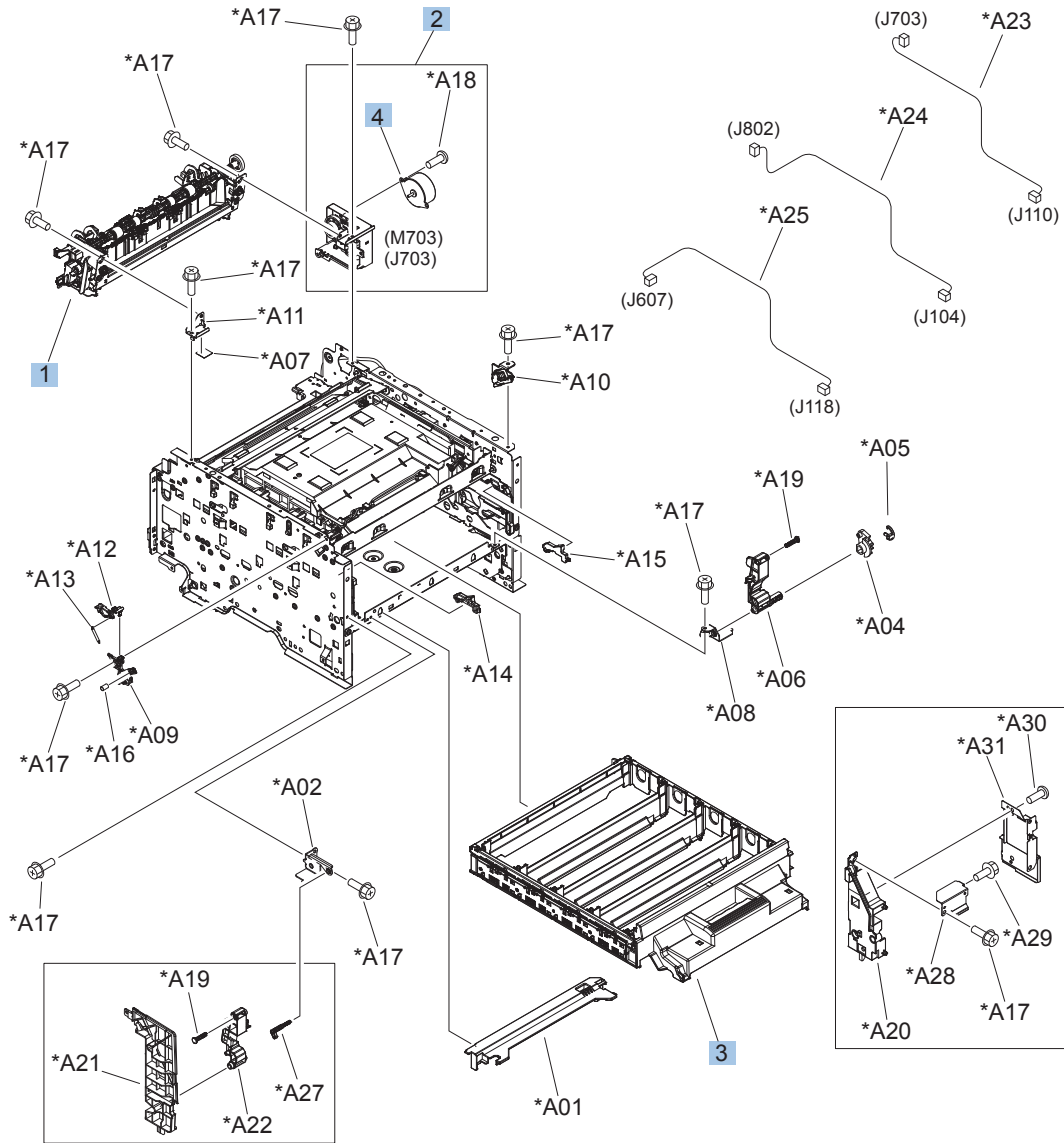


Table 3-12 Internal assemblies (4 of 4)

Ref	Description	Part number	Qty
1	Fuser assembly (110 to 127 v)	RM1-4430-000CN	1
1	Fuser assembly (220 to 240 v)	RM1-4431-000CN	1
2	Fuser drive assembly	RM1-4927-000CN	1
3	Cartridge tray assembly	RM1-7853-000CN	1
4	Motor, stepping DC fuser	RK2-1872-000CN	1

PCAs

Figure 3-7 PCAs

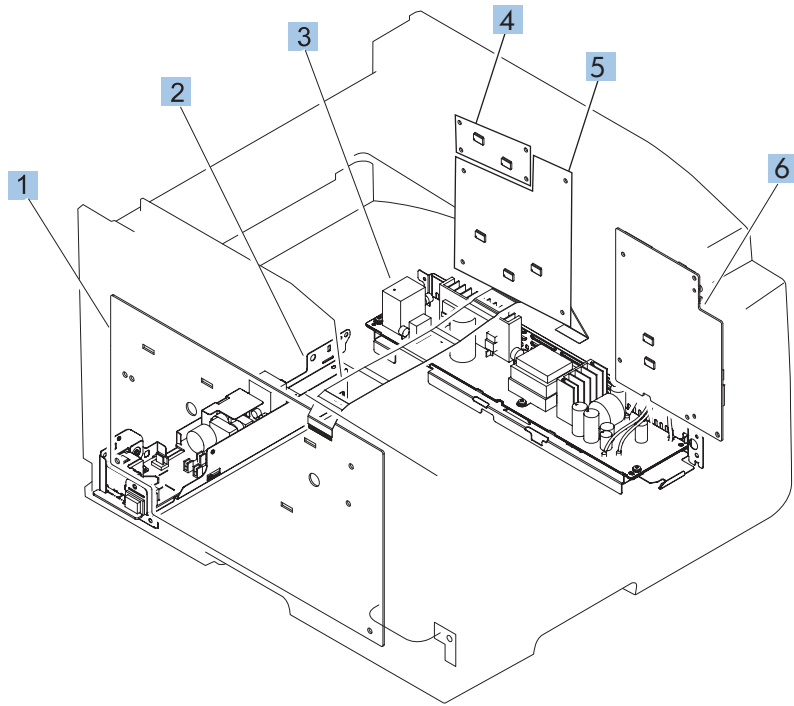


Table 3-13 PCAs

Ref	Description	Part number	Qty
1	High-voltage power supply	RM1-7090-000CN	1
2	Fuser power supply (110 to 127 v)	RM1-7082-000CN	1
2	Fuser power supply (220 to 240 v)	RM1-7083-000CN	1
3	Low-voltage power supply (110 to 127 v)	RM1-7830-000CN	1
3	Low-voltage power supply (220 to 240 v)	RM1-7831-000CN	1
4	Fax PCA, DAA EU	CE683-67901	1
4	Fax PCA, DAA AA	CE682-67901	1
5	Formatter PCA	CE690-67901	1
6	DC controller assembly	RM1-7813-000CN	1
Not shown	Wireless PCA	1150-7938	1
Not shown	USB PCA	CF030-67901	1

Scanner and document feeder (ADF) main assemblies

Figure 3-8 Scanner and document feeder main assemblies

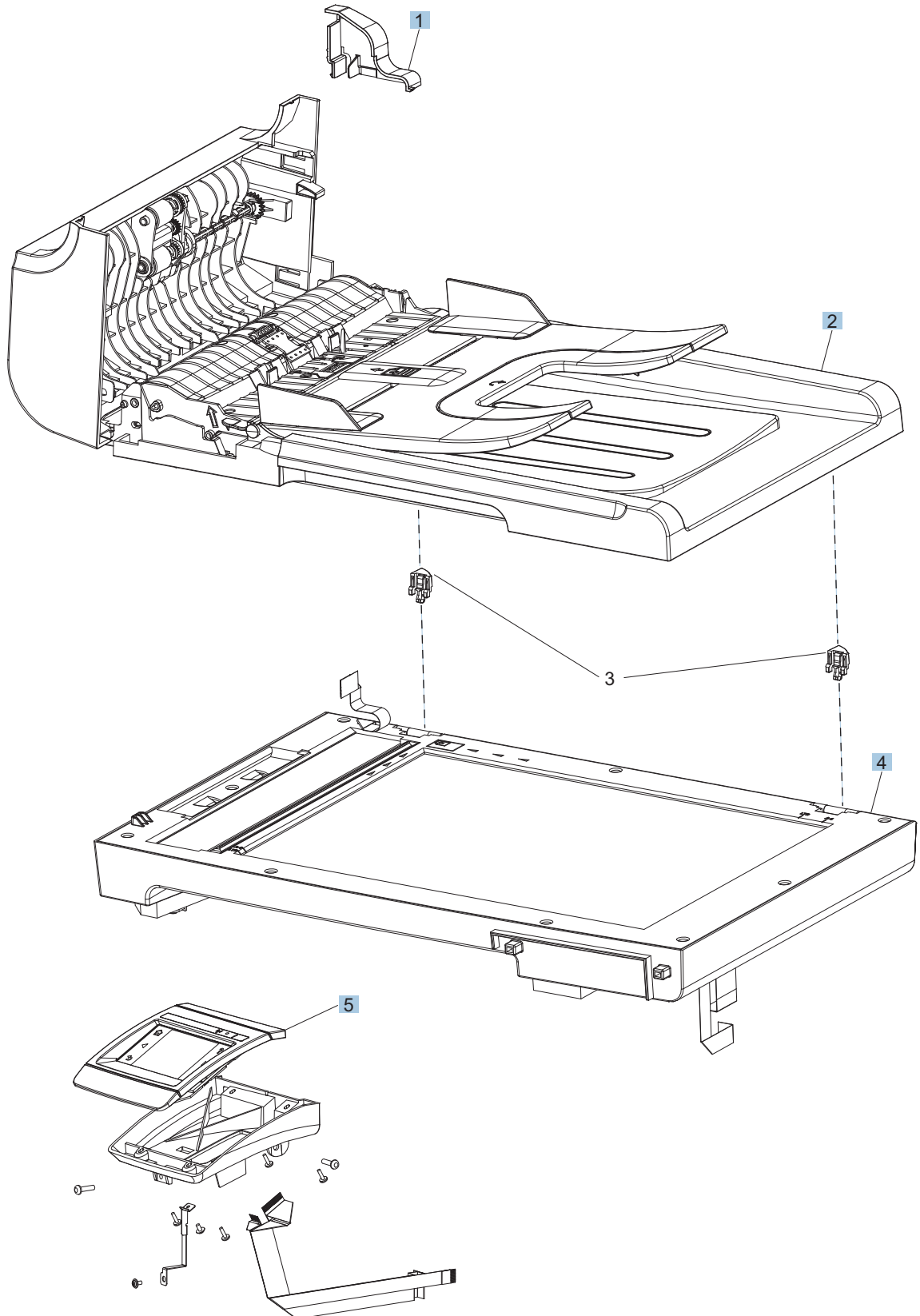


Table 3-14 Scanner and document feeder main assemblies

Ref	Description	Part number	Qty
1	Document feeder (ADF) motor cover	CE538-40015	1
2	Document feeder (ADF) assembly	CE538-60121	1
4	Scanner assembly	CE861-60110	1
5	Control-panel PCA assembly	CE862-60101	1

Document feeder internal components

Figure 3-9 Document feeder assembly parts

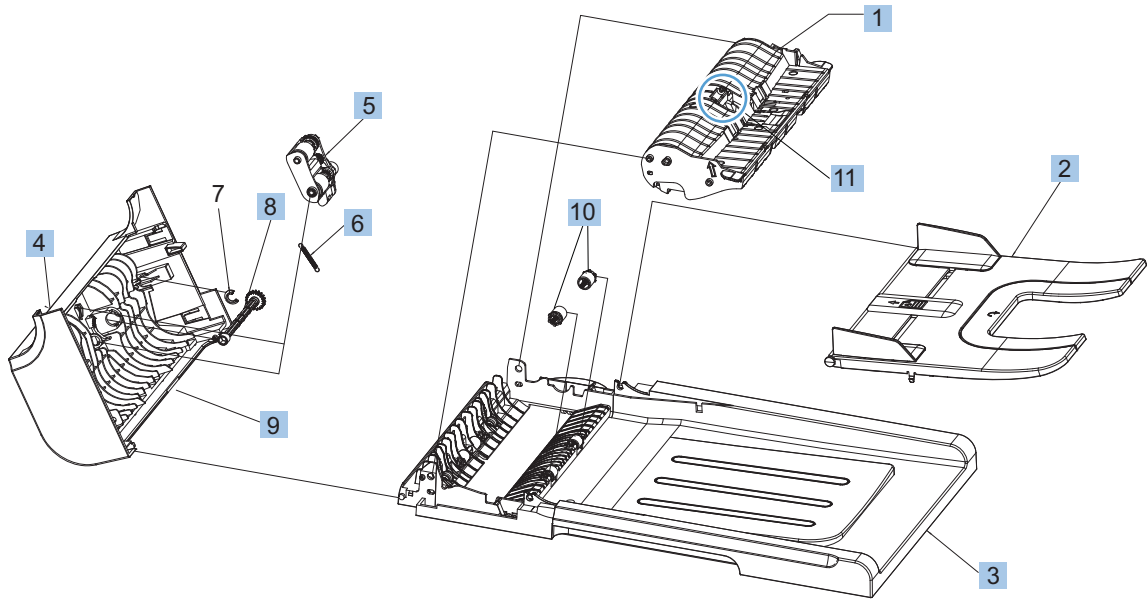


Table 3-15 Document feeder assembly parts

Ref	Description	Part number	Qty
1	Document feeder (ADF) core assembly	CE538-60122	1
2	Document feeder (ADF) input tray	CE538-60127	1
3	Document feeder (ADF) base	CE538-60126	1
4	Document feeder (ADF) cover, outer	CE538-40009	1
5	Document feeder (ADF) pick arm assembly	CE538-60137	1
6	Spring, document feeder (ADF) extension (pre-pick)	Q7400-00011	1
8	Shaft, document feeder (ADF) pick extension	Q7400-40047	1
9	Document feeder (ADF) cover, inner	CE538-40008	1
10	Roller assembly, document feeder (ADF) post-scan pinch	Q7400-60153	2
11	Document feeder (ADF) separation pad assembly	Q7400-60159	1

Alphabetical parts list

Table 3-16 Alphabetical parts list

Description	Part number	Table and page
Bushing (transfer roller)	RC2-2111-000CN	Internal assemblies (3 of 4) on page 169
Bushing (transfer roller)	RC2-2112-000CN	Internal assemblies (3 of 4) on page 169
Cable, flat (FFC)	RK2-1955-000CN	Internal assemblies (2 of 4) on page 167
Cartridge tray assembly	RM1-7853-000CN	Internal assemblies (4 of 4) on page 171
Cassette assembly	RM1-7714-000CN	Internal assemblies (1 of 4) on page 165
Control-panel PCA assembly	CE862-60101	Scanner and document feeder main assemblies on page 175
Cover, holder	RC2-2014-000CN	Internal assemblies (1 of 4) on page 165
Cover, left	RC1-0795-000CN	Covers, panels, and doors on page 163
Cover, priority slot (jam access)	RM3-0812-000CN	Covers, panels, and doors on page 163
Cover, rear center	RC3-0767-000CN	Covers, panels, and doors on page 163
Cover, rear lower	RC3-0753-000CN	Covers, panels, and doors on page 163
Cover, rear upper	RC3-0819-000CN	Covers, panels, and doors on page 163
Cover, right	RC3-0794-000CN	Covers, panels, and doors on page 163
Cover, right-front 1	RC3-0797-000CN	Covers, panels, and doors on page 163
Cover, right-front 2	RC3-0798-000CN	Covers, panels, and doors on page 163
Cover, top assembly	RM1-7715-000CN	Covers, panels, and doors on page 163
DC controller assembly	RM1-7813-000CN	Internal assemblies (2 of 4) on page 167
DC controller assembly	RM1-7813-000CN	PCAs on page 173
Document feeder (ADF) assembly	CE538-60121	Scanner and document feeder main assemblies on page 175
Document feeder (ADF) base	CE538-60126	Document feeder assembly parts on page 177
Document feeder (ADF) core assembly	CE538-60122	Document feeder assembly parts on page 177

Table 3-16 Alphabetical parts list (continued)

Description	Part number	Table and page
Document feeder (ADF) cover, inner	CE538-40008	Document feeder assembly parts on page 177
Document feeder (ADF) cover, outer	CE538-40009	Document feeder assembly parts on page 177
Document feeder (ADF) input tray	CE538-60127	Document feeder assembly parts on page 177
Document feeder (ADF) motor cover	CE538-40015	Scanner and document feeder main assemblies on page 175
Document feeder (ADF) pick arm assembly	CE538-60137	Document feeder assembly parts on page 177
Document feeder (ADF) separation pad assembly	Q7400-60159	Document feeder assembly parts on page 177
Door, front	RC3-0796-000CN	Covers, panels, and doors on page 163
Door, rear	RC3-0820-000CN	Covers, panels, and doors on page 163
Fax PCA, DAA AA	CE682-67901	PCAs on page 173
Fax PCA, DAA EU	CE683-67901	PCAs on page 173
Formatter PCA	CE690-67901	PCAs on page 173
Fuser assembly (110 to 127 v)	RM1-4430-000CN	Internal assemblies (4 of 4) on page 171
Fuser assembly (220 to 240 v)	RM1-4431-000CN	Internal assemblies (4 of 4) on page 171
Fuser drive assembly	RM1-4927-000CN	Internal assemblies (4 of 4) on page 171
Fuser power supply (110 to 127 v)	RM1-7082-000CN	PCAs on page 173
Fuser power supply (220 to 240 v)	RM1-7083-000CN	PCAs on page 173
High-voltage power supply	RM1-7090-000CN	Internal assemblies (3 of 4) on page 169
High-voltage power supply	RM1-7090-000CN	PCAs on page 173
Intermediate transfer belt (ITB) assembly	RM1-7866-000CN	Internal assemblies (3 of 4) on page 169
Low-voltage power supply (110 to 127 v)	RM1-7830-000CN	Internal assemblies (2 of 4) on page 167
Low-voltage power supply (110 to 127 v)	RM1-7830-000CN	PCAs on page 173
Low-voltage power supply (220 to 240 v)	RM1-7831-000CN	Internal assemblies (2 of 4) on page 167
Low-voltage power supply (220 to 240 v)	RM1-7831-000CN	PCAs on page 173
Motor, DC main	RL1-1834-000CN	Internal assemblies (2 of 4) on page 167
Motor, stepping DC fuser	RK2-1872-000CN	Internal assemblies (4 of 4) on page 171

Table 3-16 Alphabetical parts list (continued)

Description	Part number	Table and page
Paper feed guide assembly	RM1-4448-000CN	Internal assemblies (3 of 4) on page 169
Pickup roller assembly	RM1-4426-000CN	Internal assemblies (1 of 4) on page 165
Roller assembly, document feeder (ADF) post-scan pinch	Q7400-60153	Document feeder assembly parts on page 177
Roller, transfer	RM1-4445-000CN	Internal assemblies (3 of 4) on page 169
Scanner assembly	CE861-60110	Scanner and document feeder main assemblies on page 175
Separation roller assembly	RM1-4425-000CN	Internal assemblies (1 of 4) on page 165
Shaft, document feeder (ADF) pick extension	Q7400-40047	Document feeder assembly parts on page 177
Spring, document feeder (ADF) extension (pre-pick)	Q7400-00011	Document feeder assembly parts on page 177
USB PCA	CF030-67901	PCAs on page 173
Wireless PCA	1150-7938	PCAs on page 173

Numerical parts list

Table 3-17 Numerical parts list

Part number	Description	Table and page
1150-7938	Wireless PCA	PCAs on page 173
CE538-40008	Document feeder (ADF) cover, inner	Document feeder assembly parts on page 177
CE538-40009	Document feeder (ADF) cover, outer	Document feeder assembly parts on page 177
CE538-40015	Document feeder (ADF) motor cover	Scanner and document feeder main assemblies on page 175
CE538-60121	Document feeder (ADF) assembly	Scanner and document feeder main assemblies on page 175
CE538-60122	Document feeder (ADF) core assembly	Document feeder assembly parts on page 177
CE538-60126	Document feeder (ADF) base	Document feeder assembly parts on page 177
CE538-60127	Document feeder (ADF) input tray	Document feeder assembly parts on page 177
CE538-60137	Document feeder (ADF) pick arm assembly	Document feeder assembly parts on page 177
CE682-67901	Fax PCA, DAA AA	PCAs on page 173
CE683-67901	Fax PCA, DAA EU	PCAs on page 173
CE690-67901	Formatter PCA	PCAs on page 173
CE861-60110	Scanner assembly	Scanner and document feeder main assemblies on page 175
CE862-60101	Control-panel PCA assembly	Scanner and document feeder main assemblies on page 175
CF030-67901	USB PCA	PCAs on page 173
Q7400-00011	Spring, document feeder (ADF) extension (pre-pick)	Document feeder assembly parts on page 177
Q7400-40047	Shaft, document feeder (ADF) pick extension	Document feeder assembly parts on page 177
Q7400-60153	Roller assembly, document feeder (ADF) post-scan pinch	Document feeder assembly parts on page 177
Q7400-60159	Document feeder (ADF) separation pad assembly	Document feeder assembly parts on page 177
RC1-0795-000CN	Cover, left	Covers, panels, and doors on page 163
RC2-2014-000CN	Cover, holder	Internal assemblies (1 of 4) on page 165
RC2-2111-000CN	Bushing (transfer roller)	Internal assemblies (3 of 4) on page 169

Table 3-17 Numerical parts list (continued)

Part number	Description	Table and page
RC2-2112-000CN	Bushing (transfer roller)	Internal assemblies (3 of 4) on page 169
RC3-0753-000CN	Cover, rear lower	Covers, panels, and doors on page 163
RC3-0767-000CN	Cover, rear center	Covers, panels, and doors on page 163
RC3-0794-000CN	Cover, right	Covers, panels, and doors on page 163
RC3-0796-000CN	Door, front	Covers, panels, and doors on page 163
RC3-0797-000CN	Cover, right-front 1	Covers, panels, and doors on page 163
RC3-0798-000CN	Cover, right-front 2	Covers, panels, and doors on page 163
RC3-0819-000CN	Cover, rear upper	Covers, panels, and doors on page 163
RC3-0820-000CN	Door, rear	Covers, panels, and doors on page 163
RK2-1872-000CN	Motor, stepping DC fuser	Internal assemblies (4 of 4) on page 171
RK2-1955-000CN	Cable, flat (FFC)	Internal assemblies (2 of 4) on page 167
RL1-1834-000CN	Motor, DC main	Internal assemblies (2 of 4) on page 167
RM1-4425-000CN	Separation roller assembly	Internal assemblies (1 of 4) on page 165
RM1-4426-000CN	Pickup roller assembly	Internal assemblies (1 of 4) on page 165
RM1-4430-000CN	Fuser assembly (110 to 127 v)	Internal assemblies (4 of 4) on page 171
RM1-4431-000CN	Fuser assembly (220 to 240 v)	Internal assemblies (4 of 4) on page 171
RM1-4445-000CN	Roller, transfer	Internal assemblies (3 of 4) on page 169
RM1-4448-000CN	Paper feed guide assembly	Internal assemblies (3 of 4) on page 169
RM1-4927-000CN	Fuser drive assembly	Internal assemblies (4 of 4) on page 171
RM1-7082-000CN	Fuser power supply (110 to 127 v)	PCAs on page 173
RM1-7083-000CN	Fuser power supply (220 to 240 v)	PCAs on page 173
RM1-7090-000CN	High-voltage power supply	Internal assemblies (3 of 4) on page 169
RM1-7090-000CN	High-voltage power supply	PCAs on page 173

Table 3-17 Numerical parts list (continued)

Part number	Description	Table and page
RM1-7714-000CN	Cassette assembly	Internal assemblies (1 of 4) on page 165
RM1-7715-000CN	Cover, top assembly	Covers, panels, and doors on page 163
RM1-7813-000CN	DC controller assembly	Internal assemblies (2 of 4) on page 167
RM1-7813-000CN	DC controller assembly	PCAs on page 173
RM1-7830-000CN	Low-voltage power supply (110 to 127 v)	Internal assemblies (2 of 4) on page 167
RM1-7830-000CN	Low-voltage power supply (110 to 127 v)	PCAs on page 173
RM1-7831-000CN	Low-voltage power supply (220 to 240 v)	Internal assemblies (2 of 4) on page 167
RM1-7831-000CN	Low-voltage power supply (220 to 240 v)	PCAs on page 173
RM1-7853-000CN	Cartridge tray assembly	Internal assemblies (4 of 4) on page 171
RM1-7866-000CN	Intermediate transfer belt (ITB) assembly	Internal assemblies (3 of 4) on page 169
RM3-0812-000CN	Cover, priority slot (jam access)	Covers, panels, and doors on page 163

