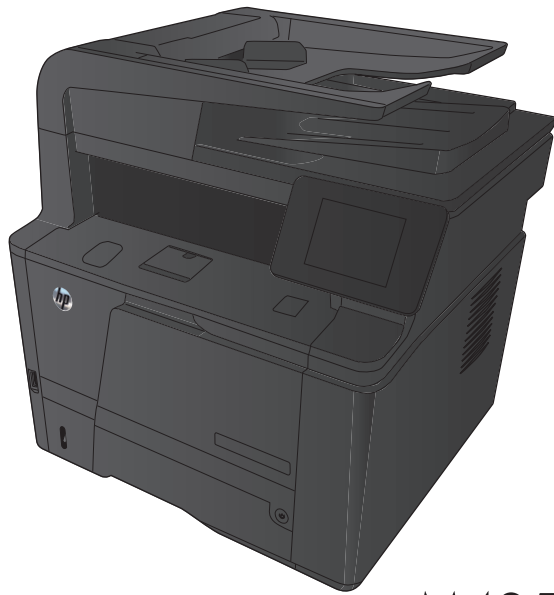




LASERJET PRO 400 MFP

Repair Manual



M425



HP LaserJet Pro 400 MFP M425 Series

Repair Manual

Copyright and License

© 2012 Copyright Hewlett-Packard Development Company, L.P.

Reproduction, adaptation, or translation without prior written permission is prohibited, except as allowed under the copyright laws.

The information contained herein is subject to change without notice.

The only warranties for HP products and services are set forth in the express warranty statements accompanying such products and services. Nothing herein should be construed as constituting an additional warranty. HP shall not be liable for technical or editorial errors or omissions contained herein.


Part number: CF286-90979

Edition 1, 4/2012


Trademark Credits

Microsoft®, Windows®, Windows® XP, and Windows Vista® are U.S. registered trademarks of Microsoft Corporation.

Conventions used in this guide

 **TIP:** Tips provide helpful hints or shortcuts.

 **NOTE:** Notes provide important information to explain a concept or to complete a task.

 **CAUTION:** Cautions indicate procedures that you should follow to avoid losing data or damaging the product.


 **WARNING!** Warnings alert you to specific procedures that you should follow to avoid personal injury, catastrophic loss of data, or extensive damage to the product.

Table of contents

1 Removal and replacement	1
Removal and replacement strategy	2
Electrostatic discharge	2
Required tools	3
Types of screws	3
Service approach	3
Before performing service	3
After performing service	4
Post-service test	4
Print-quality test	4
Parts removal order	5
Removal and replacement procedures	6
Rollers	6
Multipurpose (MP) tray pickup roller	6
Multipurpose (MP) tray separation pad	6
Tray 2 and optional Tray 3 pickup roller	9
Tray 2 and optional Tray 3 separation pad	10
Document feeder rollers	11
Document feeder separation pad	12
Covers, scanner assembly, and control panel	13
Left cover	13
Scanner assembly	13
Control panel	15
Right cover	17
Top cover	18
Rear cover, rear door, and feed assembly	20
Cartridge door and front cover assembly	22
Main assemblies	25
Laser scanner assembly	25
Registration assembly	26
Fuser assembly and paper feed guide	28
Duplex drive assembly	31

Solenoids	34
Tray 1 solenoid	34
Duplex solenoid	35
Motors and fans	37
Main motor	37
Fan	39
Printed circuit-board assemblies (PCAs)	41
Engine controller assembly (DC controller) PCA	41
Universal serial bus (USB) PCA	46
Formatter PCA	48
Wireless PCA	48
Fax PCA	49
Power switch PCA	50
Connecting PCA	51
Miscellaneous parts	52
Transfer roller	52
Multipurpose (MP) tray pickup gear assembly	53
Document feeder assembly	54
Optional paper feeder (Tray 3)	55
Optional paper feeder right cover	56
Optional paper feeder driver PCA	56
Optional paper feeder paper sensor PCA	57

2 Parts and diagrams 61

Order parts by authorized service providers	62
Order replacement parts	62
Related documentation and software	62
Supplies part numbers	62
Whole-unit replacement part numbers	62
How to use the parts lists and diagrams	64
Assembly locations	65
Main unit	65
Optional paper feeder	66
Covers, panels, and doors	68
Internal assemblies	70
Scanner and document feeder	82
Input devices	84
500-sheet paper feeder	84
Paper feeder covers	84
Paper feeder main body (1 of 2)	86
Paper feeder main body (2 of 2)	88

Alphabetical parts list	90
Numerical parts list	94

Index	99
--------------------	-----------

List of tables

Table 2-1	Order parts, accessories, and supplies	62
Table 2-2	Related documentation and software	62
Table 2-3	Supplies part numbers	62
Table 2-4	Whole-unit replacement part numbers	63
Table 2-5	Assembly locations: main unit	65
Table 2-6	Assembly locations: optional paper feeder	66
Table 2-7	Covers, panels, and doors	69
Table 2-8	Internal components (1 of 5)	71
Table 2-9	Internal components (2 of 5)	73
Table 2-10	Internal components (3 of 5)	75
Table 2-11	Internal components (4 of 5)	77
Table 2-12	Internal components (5 of 5)	79
Table 2-13	PCA locations	81
Table 2-14	Scanner and document feeder	83
Table 2-15	Paper feeder covers	85
Table 2-16	Paper feeder main body (1 of 2)	87
Table 2-17	Paper feeder main body (2 of 2)	89
Table 2-18	Alphabetical parts list	90
Table 2-19	Numerical parts list	94

List of figures

Figure 1-1	Phillips and Pozidriv screwdriver comparison	3
Figure 1-2	Parts-removal order	5
Figure 1-3	Remove the MP tray roller	6
Figure 1-4	Remove the MP tray separation pad (1 of 5)	7
Figure 1-5	Remove the MP tray separation pad (2 of 5)	7
Figure 1-6	Remove the MP tray separation pad (3 of 5)	8
Figure 1-7	Remove the MP tray separation pad (4 of 5)	8
Figure 1-8	Remove the MP tray separation pad (5 of 5)	9
Figure 1-9	Remove the Tray 2 or Tray 3 pickup roller (1 of 2)	9
Figure 1-10	Remove the Tray 2 or Tray 3 pickup roller (2 of 2)	10
Figure 1-11	Remove the Tray 2 or Tray 3 separation pad	10
Figure 1-12	Remove the document feeder rollers (1 of 2)	11
Figure 1-13	Remove the document feeder rollers (2 of 2)	11
Figure 1-14	Remove the document feeder separation pad (1 of 2)	12
Figure 1-15	Remove the document feeder separation pad (2 of 2)	12
Figure 1-16	Remove the left cover	13
Figure 1-17	Remove the scanner assembly (1 of 2)	14
Figure 1-18	Remove the scanner assembly (2 of 2)	14
Figure 1-19	Remove the control panel (1 of 3)	15
Figure 1-20	Remove the control panel (2 of 3)	16
Figure 1-21	Remove the control panel (3 of 3)	16
Figure 1-22	Remove the right cover	17
Figure 1-23	Remove the top-cover assembly (1 of 3)	18
Figure 1-24	Remove the top-cover assembly (2 of 3)	19
Figure 1-25	Remove the top-cover assembly (3 of 3)	19
Figure 1-26	Remove the rear cover, rear door, and feed assembly (1 of 3)	20
Figure 1-27	Remove the rear cover, rear door, and feed assembly (2 of 3)	21
Figure 1-28	Remove the rear cover, rear door, and feed assembly (3 of 3)	21
Figure 1-29	Remove the cartridge door assembly and front cover (1 of 4)	22
Figure 1-30	Remove the cartridge door assembly and front cover (2 of 4)	23
Figure 1-31	Remove the cartridge door assembly and front cover (3 of 4)	23
Figure 1-32	Remove the cartridge door assembly and front cover (4 of 4)	24

Figure 1-33	Remove the laser scanner assembly (1 of 2)	25
Figure 1-34	Remove the laser scanner assembly (2 of 2)	26
Figure 1-35	Remove the registration assembly (1 of 3)	27
Figure 1-36	Remove the registration assembly (2 of 3)	27
Figure 1-37	Remove the registration assembly (3 of 3)	28
Figure 1-38	Remove the fuser (1 of 5)	29
Figure 1-39	Remove the fuser (2 of 5)	29
Figure 1-40	Remove the fuser (3 of 5)	30
Figure 1-41	Remove the fuser (4 of 5)	30
Figure 1-42	Remove the fuser (5 of 5)	31
Figure 1-43	Remove the duplex drive assembly (1 of 4)	32
Figure 1-44	Remove the duplex drive assembly (2 of 4)	32
Figure 1-45	Remove the duplex drive assembly (3 of 4)	33
Figure 1-46	Remove the duplex drive assembly (4 of 4)	33
Figure 1-47	Remove the Tray 1 pickup solenoid (1 of 2)	34
Figure 1-48	Remove the Tray 1 pickup solenoid (2 of 2)	35
Figure 1-49	Remove the duplex solenoid	36
Figure 1-50	Remove the main motor (1 of 4)	37
Figure 1-51	Remove the main motor (2 of 4)	38
Figure 1-52	Remove the main motor (3 of 4)	38
Figure 1-53	Remove the main motor (4 of 4)	39
Figure 1-54	Remove the fan (1 of 2)	40
Figure 1-55	Remove the fan (2 of 2)	40
Figure 1-56	Allow the engine controller assembly to cool	41
Figure 1-57	Remove the engine controller assembly (1 of 9)	42
Figure 1-58	Remove the engine controller assembly (2 of 9)	42
Figure 1-59	Remove the engine controller assembly (3 of 9)	43
Figure 1-60	Remove the engine controller assembly (4 of 9)	43
Figure 1-61	Remove the engine controller assembly (5 of 9)	44
Figure 1-62	Remove the engine controller assembly (6 of 9)	44
Figure 1-63	Remove the engine controller assembly (7 of 9)	45
Figure 1-64	Remove the engine controller assembly (8 of 9)	45
Figure 1-65	Remove the engine controller assembly (9 of 9)	46
Figure 1-66	Remove the USB PCA (1 of 2)	47
Figure 1-67	Remove the USB PCA (2 of 2)	47
Figure 1-68	Remove the formatter	48
Figure 1-69	Remove the wireless PCA	49
Figure 1-70	Remove the fax PCA	49
Figure 1-71	Remove the power-switch PCA (1 of 3)	50
Figure 1-72	Remove the power-switch PCA (2 of 3)	51
Figure 1-73	Remove the power-switch PCA (3 of 3)	51

Figure 1-74	Remove the connecting PCA	52
Figure 1-75	Remove the transfer roller	53
Figure 1-76	Remove the paper-pickup-gear assembly	54
Figure 1-77	Remove the document feeder (1 of 2)	55
Figure 1-78	Remove the document feeder (2 of 2)	55
Figure 1-79	Remove the optional paper feeder right cover	56
Figure 1-80	Remove the optional paper feeder driver PCA (1 of 2)	57
Figure 1-81	Remove the optional paper feeder driver PCA (2 of 2)	57
Figure 1-82	Remove the optional paper feeder paper sensor PCA (1 of 3)	58
Figure 1-83	Remove the optional paper feeder paper sensor PCA (2 of 4)	58
Figure 1-84	Remove the optional paper feeder paper sensor PCA (3 of 4)	59
Figure 1-85	Remove the optional paper feeder paper sensor PCA (4 of 4)	59
Figure 2-1	Assembly locations: main unit	65
Figure 2-2	Assembly locations: optional paper feeder	66
Figure 2-3	Covers, panels, and doors	68
Figure 2-4	Internal components (1 of 5)	70
Figure 2-5	Internal components (2 of 5)	72
Figure 2-6	Internal components (3 of 5)	74
Figure 2-7	Internal components (4 of 5)	76
Figure 2-8	Internal components (5 of 5)	78
Figure 2-9	PCA locations	80
Figure 2-10	Scanner and document feeder	82
Figure 2-11	Paper feeder covers	84
Figure 2-12	Paper feeder main body (1 of 2)	86
Figure 2-13	Paper feeder main body (2 of 2)	88

1 Removal and replacement

- [Removal and replacement strategy](#)
- [Service approach](#)
- [Removal and replacement procedures](#)

Removal and replacement strategy

⚠ WARNING! Turn the product off, wait 5 seconds, and then remove the power cord before attempting to service the product. If this warning is not followed, severe injury can result, in addition to damage to the product. The power must be on for certain functional checks during problem solving. However, the power supply should be disconnected during parts removal.


Never operate or service the product with the protective cover removed from the laser/scanner assembly. The reflected beam, although invisible, can damage your eyes.

The sheet-metal parts can have sharp edges. Be careful when handling sheet-metal parts.

⚠ CAUTION: Do not bend or fold the flat flexible cables (FFCs) during removal or installation. Also, do not straighten pre-folds in the FFCs. You *must* Make sure that all FFCs are fully seated in their connectors. Failure to fully seat an FFC into a connector can cause a short circuit in a PCA.

📝 NOTE: To install a self-tapping screw, first turn it counterclockwise to align it with the existing thread pattern, and then carefully turn it clockwise to tighten. Do not overtighten. If a self-tapping screw-hole becomes stripped, repair the screw-hole or replace the affected assembly.

Electrostatic discharge

⚠ CAUTION:  Some parts are sensitive to electrostatic discharge (ESD). Look for the ESD reminder when removing product parts. Always perform service work at an ESD-protected workstation or mat. If an ESD workstation or mat is not available, ground yourself by touching the sheet-metal chassis *before* touching an ESD-sensitive part.

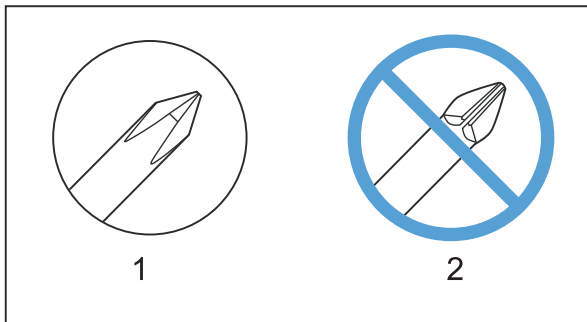
Protect the ESD-sensitive parts by placing them in ESD pouches when they are out of the product.

Required tools

- #2 Phillips screwdriver with a magnetic tip and a 152 mm (6 in) shaft length
- Small flatblade screwdriver
- Needle-nose pliers
- ESD mat (if one is available) or ESD strap
- Penlight (optional)

⚠ CAUTION: Always use a Phillips screwdriver (callout 1). Do not use a Pozidriv® screwdriver (callout 2) or any motorized screwdriver. These can damage screws or screw threads.

Figure 1-1 Phillips and Pozidriv screwdriver comparison



⚠ CAUTION: Avoid pulling directly on wires to disconnect wire-harness connectors. Pull on the plastic body of a connector to avoid damaging the connector wires.

Types of screws

⚠ WARNING! Make sure that components are replaced with the correct screw type. Using the incorrect screw (for example, substituting a long screw for the correct shorter screw) can cause damage to the product or interfere with product operation. Do not intermix screws that are removed from one component with the screws that are removed from another component.

For a complete list of screw types and part numbers, see the Parts chapter.

Service approach

Before performing service

- Remove all paper from the product.
- Turn off the power using the power switch.
- Unplug the power cable and interface cable or cables.
- Place the product on an ESD workstation or mat, or use an ESD strap (if one is available). If an ESD workstation, mat, or strap is not available, ground yourself by touching the sheet-metal chassis *before* touching an ESD-sensitive part.

- Remove the toner cartridge.
- Remove the Tray 2 cassette.

After performing service

- Plug in the power cable.
- Reinstall the toner cartridge.
- Reinstall the Tray 2 cassette.
- Load paper in the product.

Post-service test

Perform the following test to verify that the repair or replacement was successful.

Print-quality test

1. Verify that you have completed the necessary reassembly steps.
2. Make sure that the tray contains clean, unmarked paper.
3. Attach the power cord and interface cable or interface cables, and then turn on the product.
4. Verify that the expected startup sounds occur.
5. Print a configuration page, and then verify that the expected printing sounds occur.
6. Print a demo page, and then verify that the print quality is as expected.
7. Send a print job from the host computer, and then verify that the output meets expectations.
8. Clean the outside of the product with a damp cloth.

Parts removal order

Use the following diagram to determine which parts must be removed before removing other parts.

Figure 1-2 Parts-removal order

Component	Remove	Remove	Remove	Remove	Remove	Remove	Remove	Remove
Toner cartridge								
Tray 2 cassette								
Tray 1 pickup roller								
Tray 1 separation pad	Left cover							
Tray 1 pickup gear assembly	Left cover							
Tray 2/3 pickup roller	Tray 2/3 cassette							
Tray 2/3 separation roller	Tray 2/3 cassette							
Document feeder pickup rollers								
Document feeder separation pad								
Transfer roller	Toner cartridge							
Left cover	Tray 2 cassette							
Scanner assembly	Left cover							
Control panel	Left cover	Scanner assembly						
Right cover	Left cover	Scanner assembly	Control panel					
Top cover	Left cover	Scanner assembly	Control panel	Right cover				
Rear cover and feed assembly	Left cover	Scanner assembly	Control panel	Right cover				
Cartridge door and front cover assembly	Left cover	Scanner assembly	Control panel	Right cover				
Document feeder assembly	Left cover	Scanner assembly						
Laser scanner assembly	Left cover	Scanner assembly	Control panel	Right cover	Top cover			
Registration roller assembly	Left cover	Scanner assembly	Control panel	Right cover	Rear cover and feed assembly	Top cover		
Fuser assembly and paper feed guide	Left cover	Scanner assembly	Control panel	Right cover	Rear cover and feed assembly			
Duplex drive assembly	Left cover	Scanner assembly	Control panel	Right cover	Top cover			
Tray 1 solenoid	Left cover							
Tray 2 solenoid	Left cover	Scanner assembly	Control panel	Right cover				
Duplex solenoid	Left cover	Scanner assembly	Control panel	Right cover	Rear cover and feed assembly	Top cover	Fan	Duplex drive assembly
Main motor	Left cover	Scanner assembly	Control panel	Right cover	Rear cover and feed assembly	Top cover	Fuser	ECU
Fan	Left cover	Scanner assembly	Control panel	Right cover	Top cover			
Engine controller unit (ECU) PCA	Left cover	Scanner assembly	Control panel	Right cover	Rear cover and feed assembly	Top cover		
Formatter PCA	Left cover	Wireless PCA (wireless models)						
USB PCA	Left cover							
Wireless PCA (wireless models)	Left cover							
Fax PCA	Left cover							
Power switch PCA	Left cover	Scanner assembly	Control panel	Right cover	Front cover assembly			
Connecting PCA	Left cover	Scanner assembly	Control panel	Right cover				
Optional paper feeder right cover								
Optional paper feeder driver PCA	Tray 3 right cover							
Optional paper feeder paper sensor PCA	Tray 3 right cover							

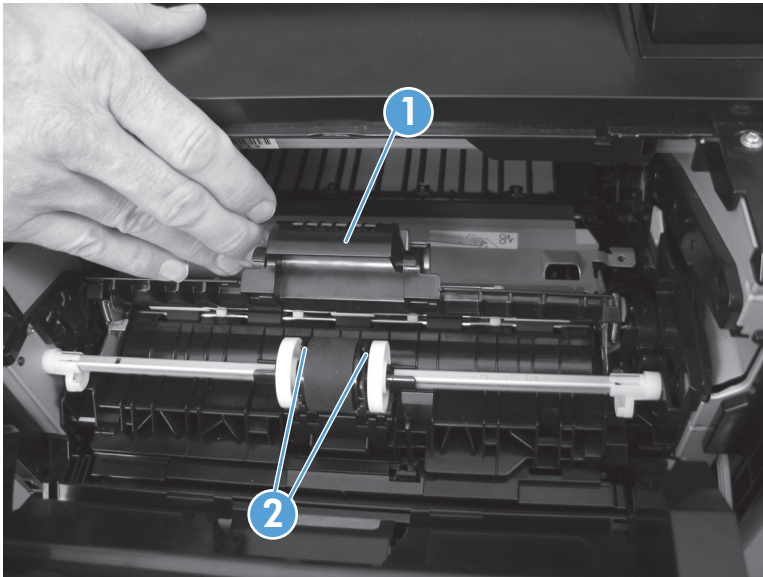
Removal and replacement procedures

Rollers

Multipurpose (MP) tray pickup roller

1. Open the toner cartridge door, and then remove the toner cartridge.
2. Pull back and hold the pickup roller cover (callout 1), press the tabs (callout 2) on both ends of the pickup roller away from the roller — which should cause the roller to move up — and then remove the roller.

Figure 1-3 Remove the MP tray roller



Multipurpose (MP) tray separation pad

To remove the separation pad, you must first remove the pickup roller assembly.

1. Remove the following components:
 - Tray 2 cassette
 - Left cover. See [Left cover on page 13](#).
2. Open the toner cartridge door, and then remove the toner cartridge.

3. On the left side of the product, release the tab (callout 1) at the center of the gear, and then remove the gear (callout 2).


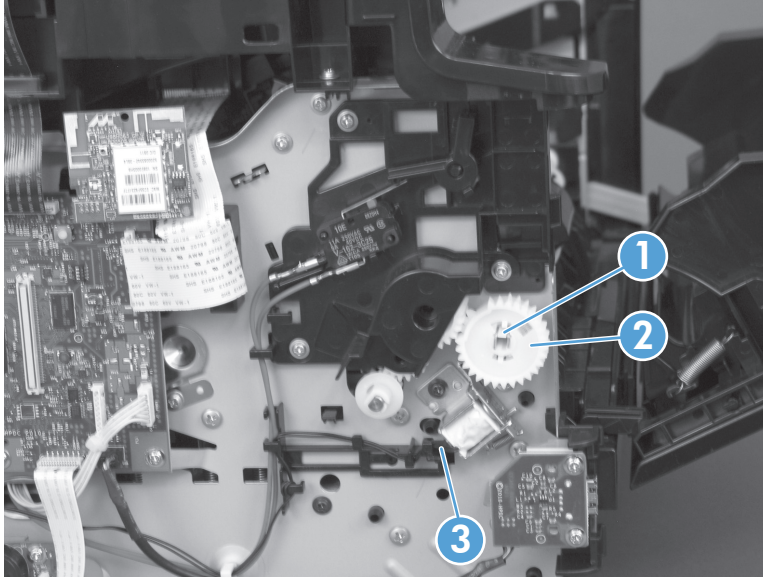

 **NOTE:** The gear is composed of two pieces. Releasing the outer tab does not remove the entire gear assembly and exposes an internal spring in the gear.

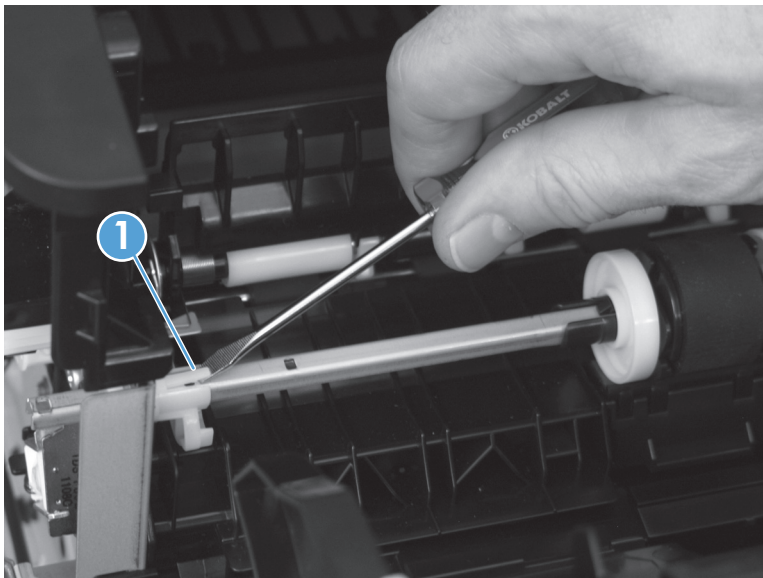
Figure 1-4 Remove the MP tray separation pad (1 of 5)



 **Reinstallation tip** Press and hold back the gear arm (callout 3) when reinstalling the pickup gear.

4. In the toner cartridge cavity, pull back the pickup roller cover, and then use a small flat-blade screwdriver to release the tab (callout 1) on the pickup roller shaft.

Figure 1-5 Remove the MP tray separation pad (2 of 5)



5. Move the pickup roller shaft to the left to free the right end of the shaft from the holder, and then remove the pickup roller shaft assembly to expose the separation pad.

Figure 1-6 Remove the MP tray separation pad (3 of 5)




 **Reinstallation tip** The spring at the right end of the shaft is not captive and might fall off during this process. Make sure that the spring is positioned correctly when reinstalling, as shown in the following figure.


Figure 1-7 Remove the MP tray separation pad (4 of 5)



6. Pull up on the top edge of the separation pad to release it from the product.

Figure 1-8 Remove the MP tray separation pad (5 of 5)

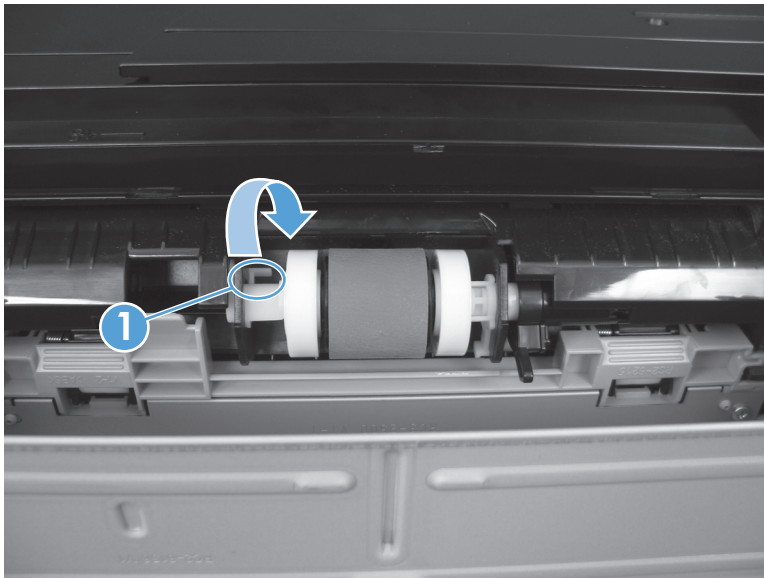


 **Reinstallation tip** When reinstalling the pickup roller shaft assembly, make sure that the flat part of the pickup roller is directly over the separation pad.

Tray 2 and optional Tray 3 pickup roller

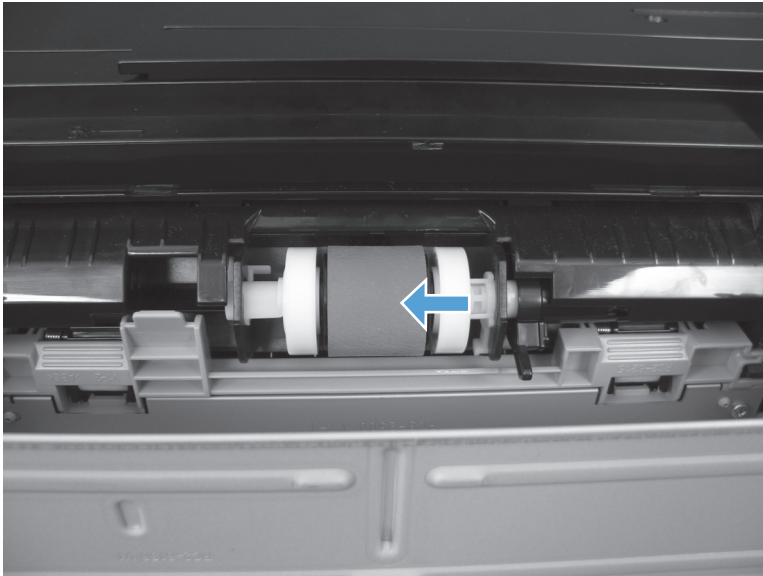
1. Remove the tray cassette from the product.
2. Locate the pickup roller at the top of the cassette cavity. On the left roller holder, release the tab (callout 1), and then turn the holder away from you.

Figure 1-9 Remove the Tray 2 or Tray 3 pickup roller (1 of 2)



3. Push the pickup roller to the left to release the right side roller, and then pull the roller out of the product.

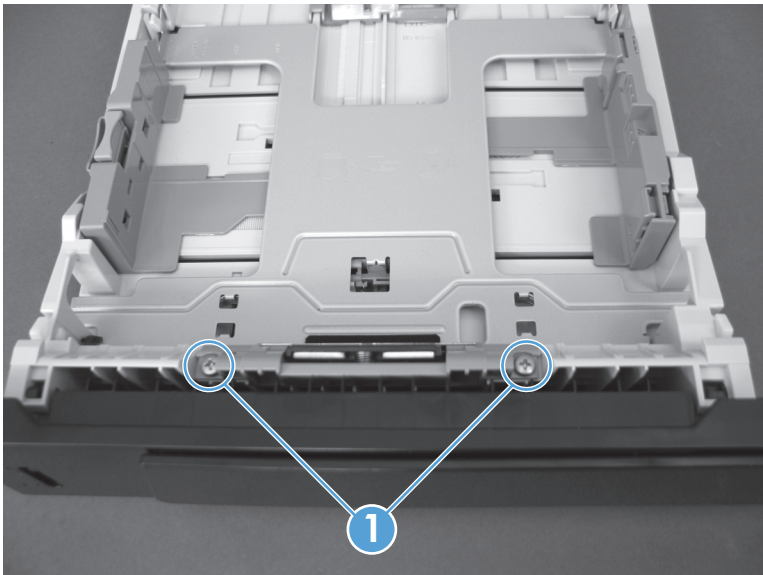
Figure 1-10 Remove the Tray 2 or Tray 3 pickup roller (2 of 2)



Tray 2 and optional Tray 3 separation pad

1. Remove the tray cassette from the product.
2. Locate the separation pad at the front of the cassette. On the separation pad, remove two screws (callout 1), and then remove the pad from the tray cassette.

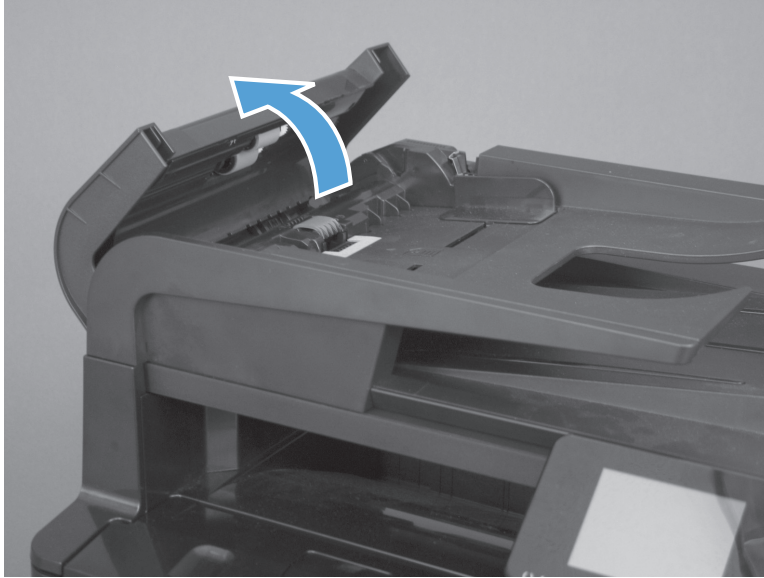
Figure 1-11 Remove the Tray 2 or Tray 3 separation pad



Document feeder rollers

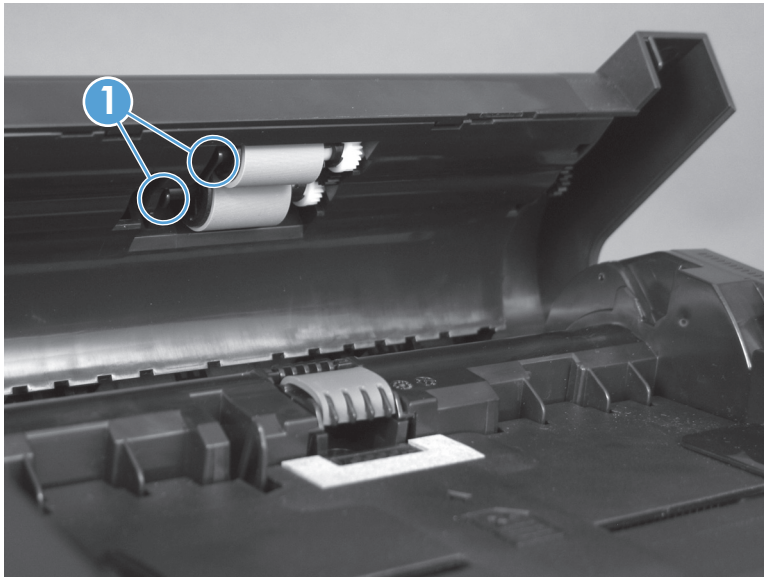
1. Open the document feeder cover.

Figure 1-12 Remove the document feeder rollers (1 of 2)



2. On the underside of the document feeder cover, use a small flat-blade screwdriver to release the tabs (callout 1) on the left side of each roller, and then pull the rollers out of the cover.

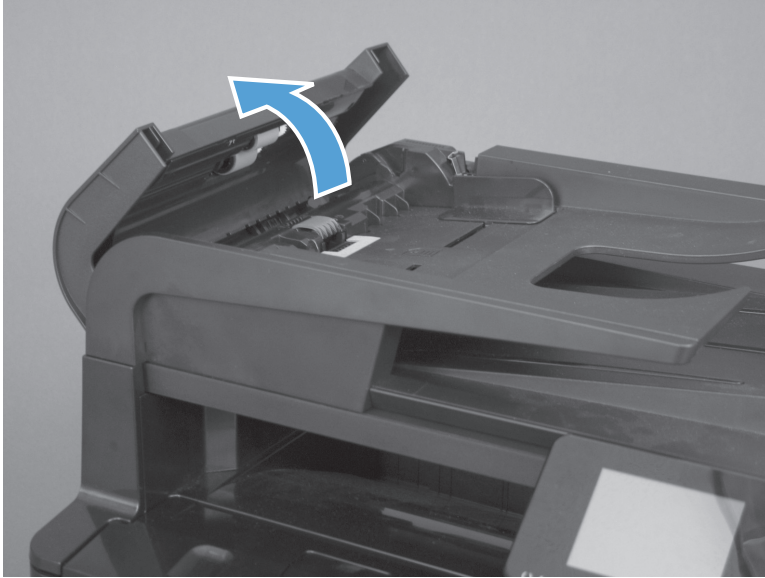
Figure 1-13 Remove the document feeder rollers (2 of 2)



Document feeder separation pad

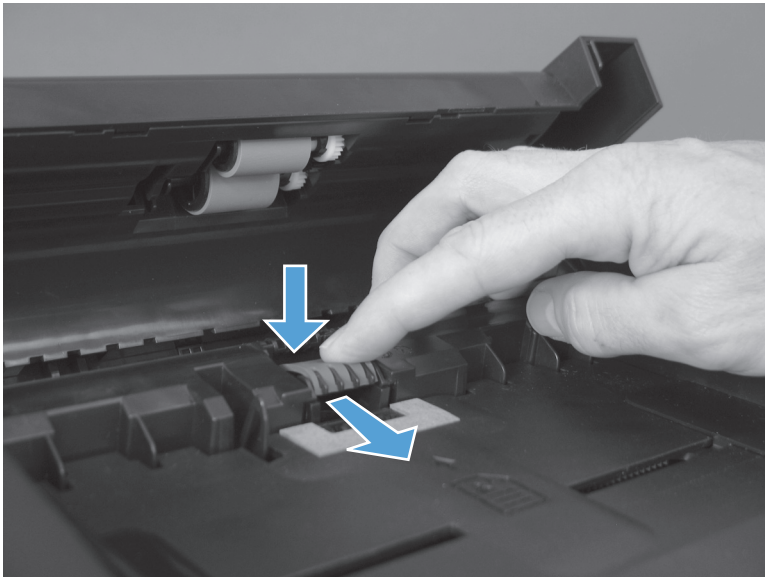
1. Open the document feeder cover.

Figure 1-14 Remove the document feeder separation pad (1 of 2)




2. Locate the separation pad at the end of the document feeder input tray, press down on the pad, and then slide the pad toward the input tray to remove it from the assembly.

Figure 1-15 Remove the document feeder separation pad (2 of 2)



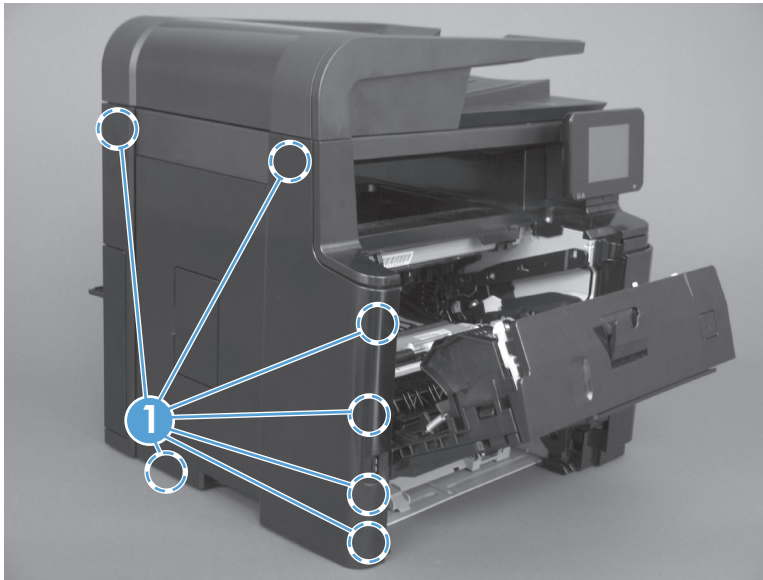
Covers, scanner assembly, and control panel

Left cover

 **NOTE:** No tools are necessary to remove this cover. However, a small flat-blade screwdriver might be helpful in releasing some of the tabs that hold the cover to the product chassis.

1. Remove the Tray 2 cassette.
2. Open the toner cartridge door and the rear jam access door.
3. Grasp the front edge of the cover, and then pull the cover toward the front to release four of the seven tabs (callout 1), and then release the two tabs at the top of the cover.

Figure 1-16 Remove the left cover



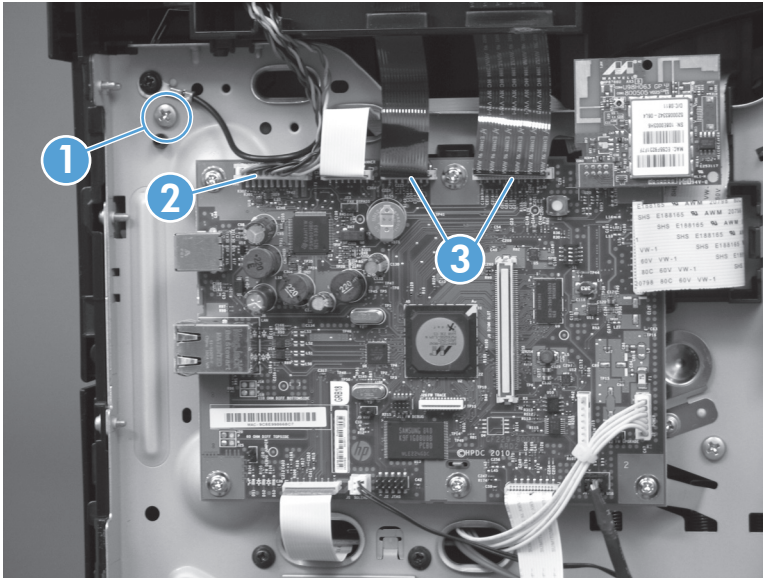
4. With the top and front edges loose, tip the top of the cover away from the product and then carefully slide the cover toward the back of the product to remove it.


Scanner assembly

1. Remove the following components:
 - Tray 2 cassette
 - Left cover. See [Left cover on page 13](#).
2. Open the toner cartridge door and the rear jam access door.

3. On the left side of the product, remove the ground-wire screw (callout 1), disconnect one wire connector (callout 2) on the formatter, and disconnect two flat, flexible cables (callout 3) on the formatter.

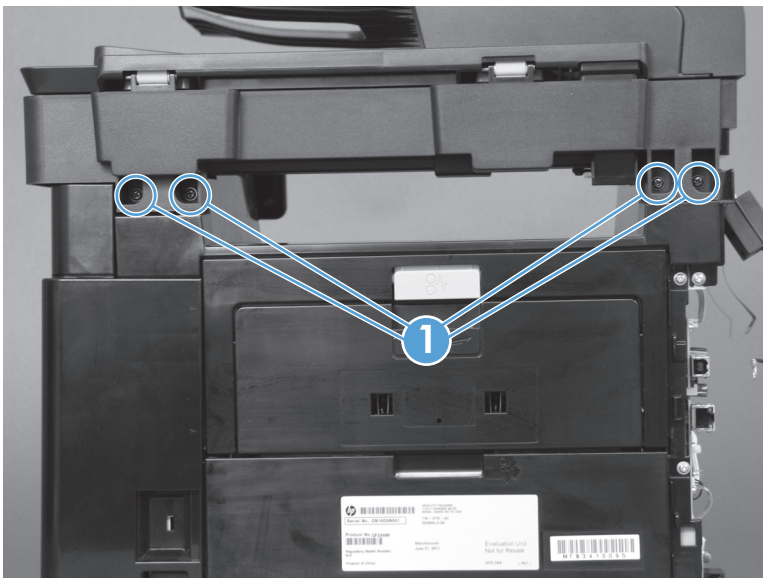
Figure 1-17 Remove the scanner assembly (1 of 2)




 **Reinstallation tip** Do not lose the two protective guides installed on the flat, flexible cables. Be sure to reinstall them when you reinstall the scanner assembly.

4. At the rear of the product, remove four screws (callout 1), and then slide the scanner toward the rear of the product to remove the assembly.

Figure 1-18 Remove the scanner assembly (2 of 2)

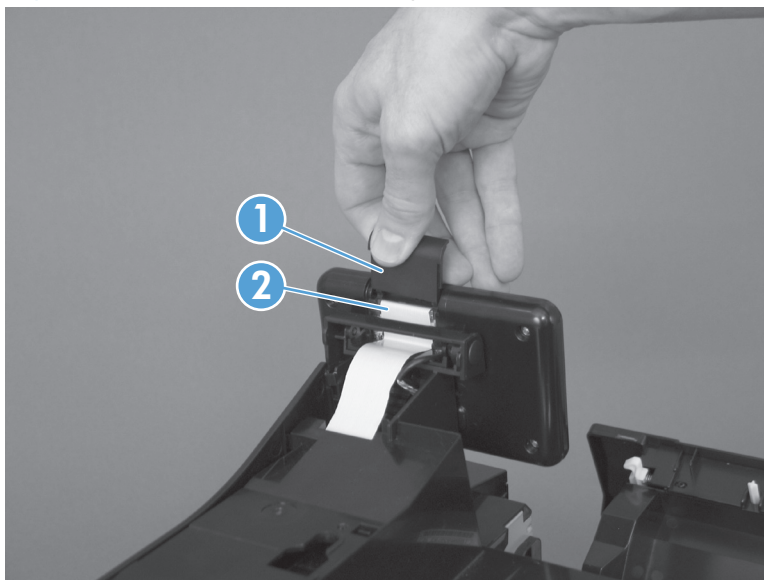


 **NOTE:** The four scanner assembly screws removed in this step are a different size than the other screws used on the product. Set these screws aside to use when you reinstall the scanner assembly.

Control panel

1. Remove the following components:
 - Tray 2 cassette
 - Left cover. See [Left cover on page 13](#).
 - Scanner assembly. See [Scanner assembly on page 13](#).
2. Open the toner cartridge door and the rear jam access door.
3. On the rear of the control panel, remove the cable cover (callout 1), disconnect one flat, flexible cable (callout 2), and then pull back the flat, flexible cable.

Figure 1-19 Remove the control panel (1 of 3)



4. In the cavity behind the control panel, remove two screws (callout 1)

Figure 1-20 Remove the control panel (2 of 3)



5. Pull the top of the control panel assembly away from the product to release the tab (callout 1) at the back of the assembly, and then pull the control panel away from the product.

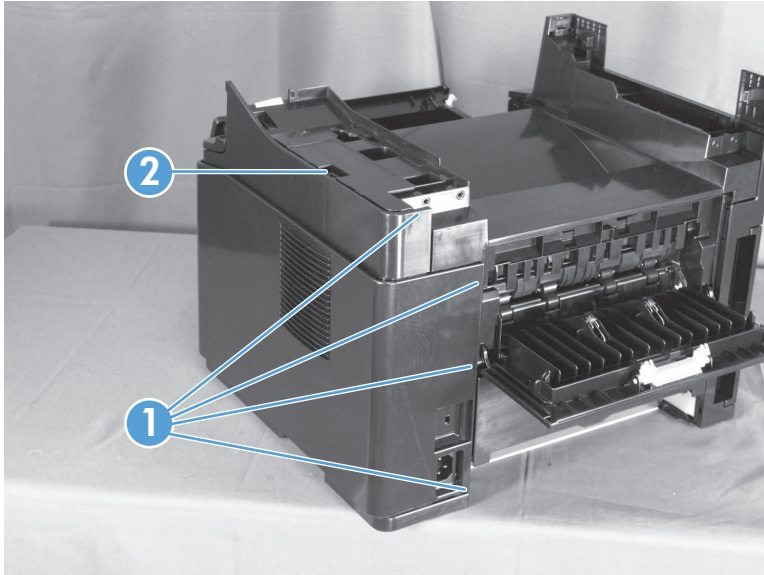
Figure 1-21 Remove the control panel (3 of 3)



Right cover

1. Remove the following components:
 - Tray 2 cassette
 - Left cover. See [Left cover on page 13](#).
 - Scanner assembly. See [Scanner assembly on page 13](#).
 - Control panel. See [Control panel on page 15](#).
2. Open the toner cartridge door and the rear jam access door.
3. Grasp the rear edge of the cover and pull that edge toward the rear to release the four tabs (callout 1) on the rear edge of the cover, and then use a small flat-blade screwdriver to release the tab (callout 2) at the top edge of the cover.

Figure 1-22 Remove the right cover

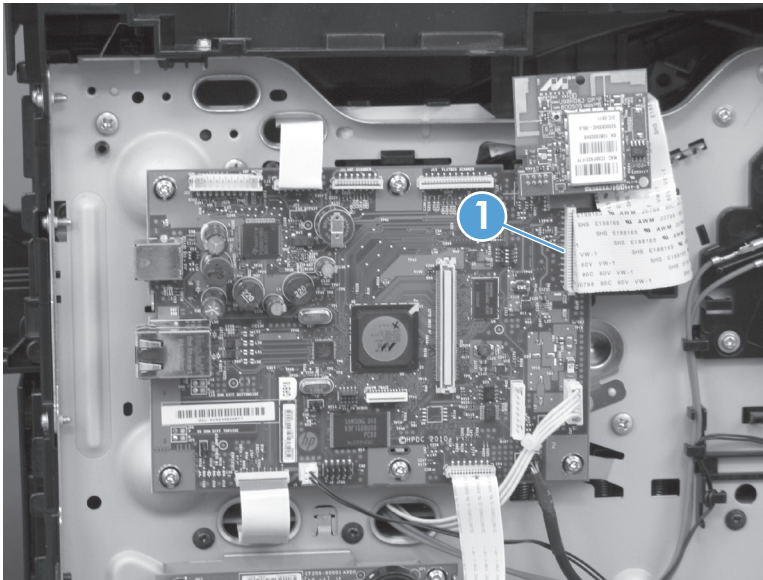


4. With the back and top edges loose, carefully slide the cover toward the front of the product, and then remove it.

Top cover

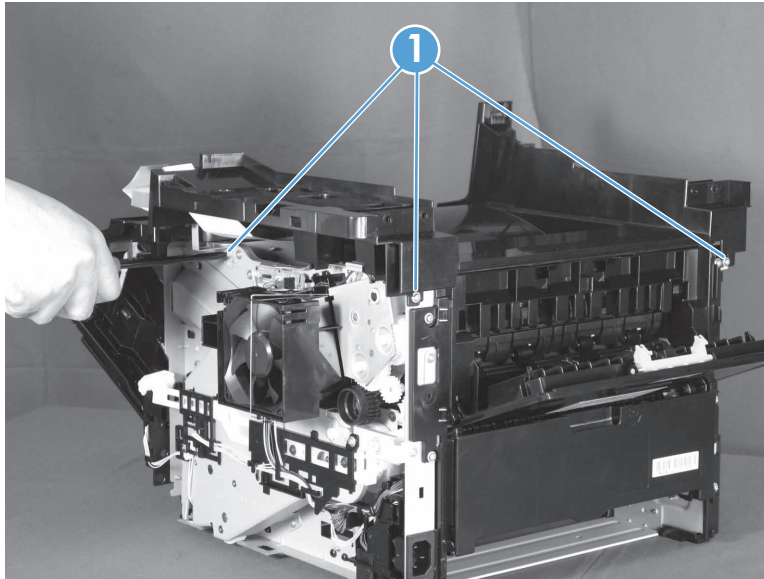
1. Remove the following components:
 - Tray 2 cassette
 - Left cover. See [Left cover on page 13](#).
 - Scanner assembly. See [Scanner assembly on page 13](#).
 - Control panel. See [Control panel on page 15](#).
 - Right cover. See [Right cover on page 17](#).
2. Open the toner cartridge door and the rear jam access door.
3. On the left side of the product, disconnect one flat, flexible cable (callout 1) from the formatter.

Figure 1-23 Remove the top-cover assembly (1 of 3)



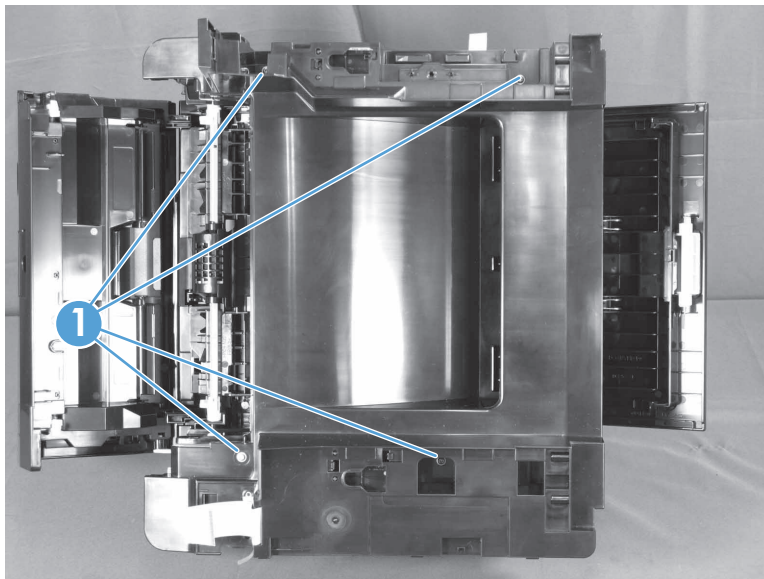
4. On the right side and the rear of the product, remove three screws (callout 1).

Figure 1-24 Remove the top-cover assembly (2 of 3)



5. On the top-cover assembly, remove four screws (callout 1).

Figure 1-25 Remove the top-cover assembly (3 of 3)



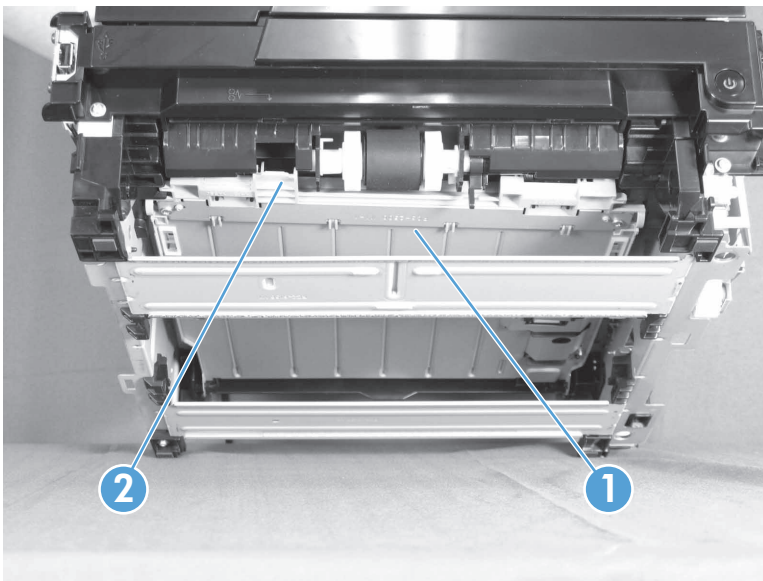
6. Lift the top-cover assembly off of the product to remove it.

Rear cover, rear door, and feed assembly

CAUTION: The fuser can be hot while the product is in use. Wait for the fuser to cool before working in that area.

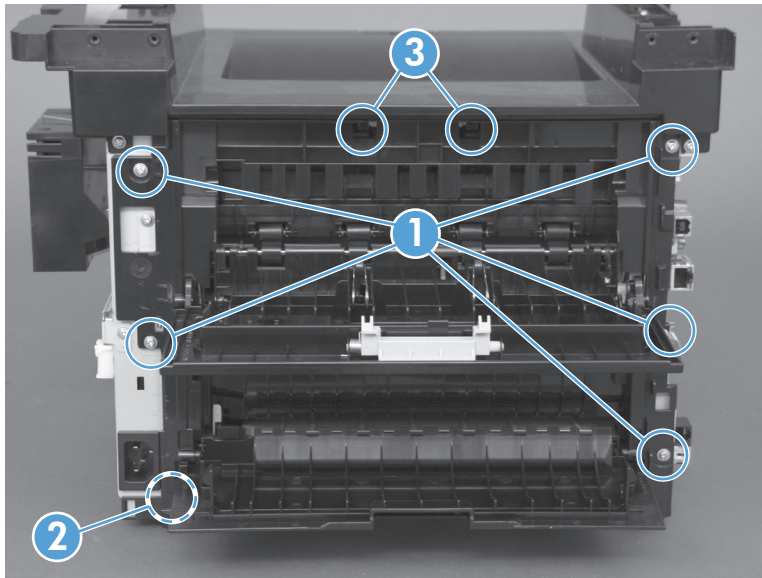
1. Remove the following components:
 - Tray 2 cassette
 - Left cover. See [Left cover on page 13](#).
 - Scanner assembly. See [Scanner assembly on page 13](#).
 - Control panel. See [Control panel on page 15](#).
 - Right cover. See [Right cover on page 17](#).
2. Open the toner cartridge door and the rear jam access door.
3. At the front of the product, in the Tray 2 cassette cavity, pull down on the green duplex-paper-feed-assembly release tab (callout 1), and then lower the assembly (callout 2).

Figure 1-26 Remove the rear cover, rear door, and feed assembly (1 of 3)





4. At the rear of the product, remove five screws (callout 1), release one tab (callout 2) near the bottom corner, and release two tabs (callout 3) from under the top cover assembly.

Figure 1-27 Remove the rear cover, rear door, and feed assembly (2 of 3)



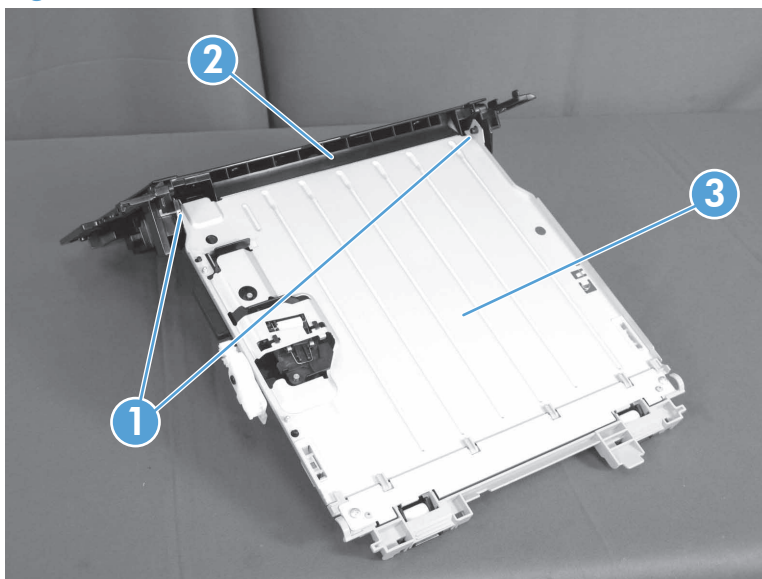
5. Carefully separate the rear cover and rear door from the product, and then remove them.

 **NOTE:** The duplex-paper-feed assembly is removed with the cover and door

 **Reinstallation tip** When you reinstall the rear cover assembly, open the rear door to make sure that the rear cover fits even against the product chassis before you install the mounting screws.

6. There are two hinge pins (callout 1). Release the shorter left pin first, and then separate the rear cover and rear door assembly (callout 2) from the duplex-paper-feed assembly (callout 3).

Figure 1-28 Remove the rear cover, rear door, and feed assembly (3 of 3)



Cartridge door and front cover assembly

 **NOTE:** The cartridge door assembly includes the cartridge door, Tray 1, and the front cover.

1. Remove the following components:
 - Tray 2 cassette
 - Left cover. See [Left cover on page 13](#).
 - Scanner assembly. See [Scanner assembly on page 13](#).
 - Control panel. See [Control panel on page 15](#).
 - Right cover. See [Right cover on page 17](#).
2. Open the toner cartridge door and the rear jam access door.
3. Disconnect one connector (callout 1), and then disengage the cartridge-door assembly link arm (callout 3) by releasing two tabs in the pivot joint (callout 2).


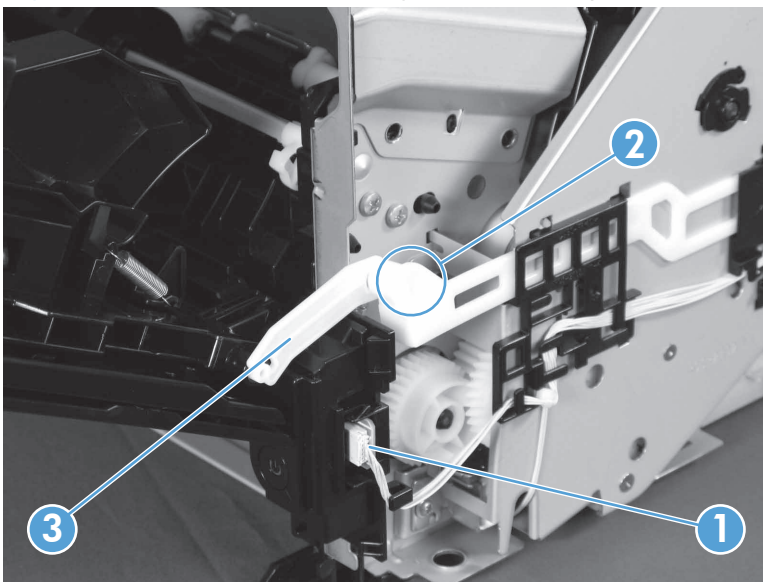
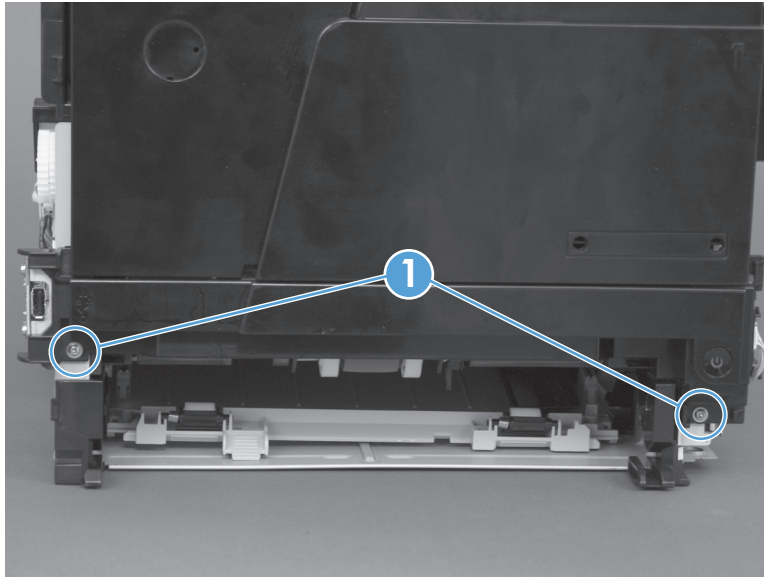
 **TIP:** The link arm releases the fuser-pressure lever when the cartridge door is opened.

Figure 1-29 Remove the cartridge door assembly and front cover (1 of 4)



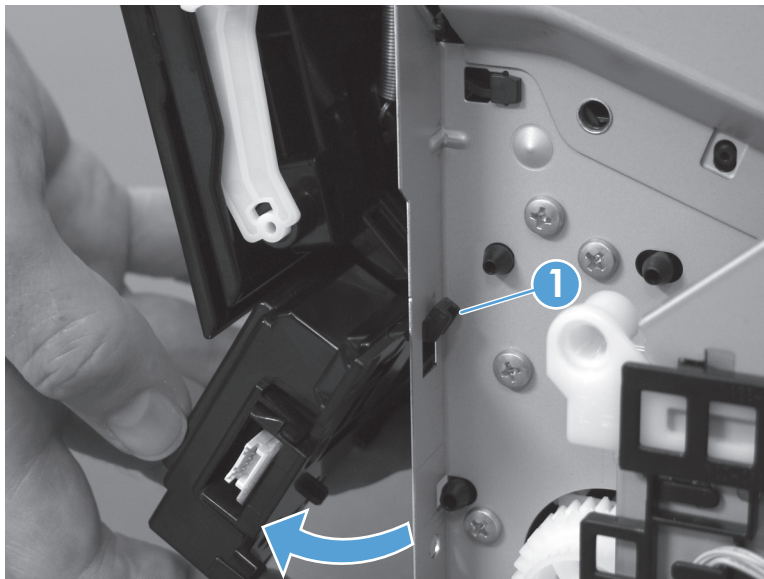
4. Remove two screws (callout 1).

Figure 1-30 Remove the cartridge door assembly and front cover (2 of 4)



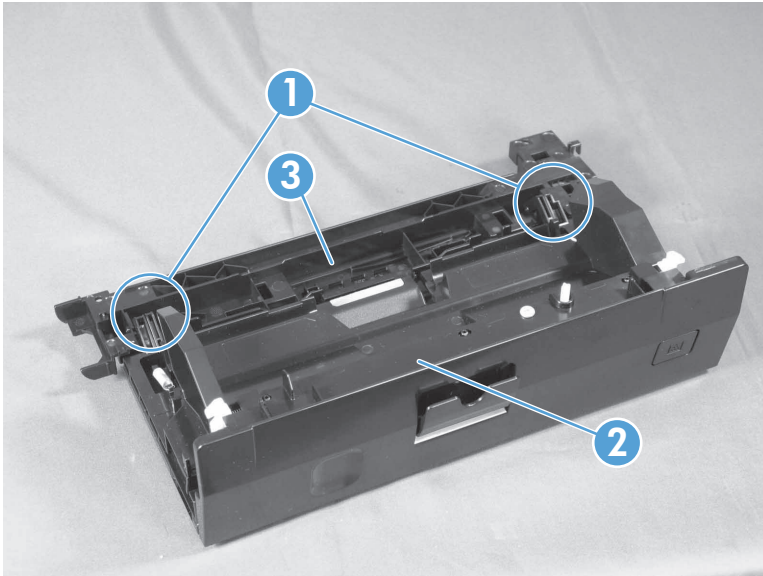
5. Pull the bottom of the assembly up in order to release two hooked tabs (callout 1), and then pull the assembly away from the product.

Figure 1-31 Remove the cartridge door assembly and front cover (3 of 4)



6. Release two hinge pins (callout 1), and then separate the front cover (callout 2) from the cartridge door assembly (callout 3).

Figure 1-32 Remove the cartridge door assembly and front cover (4 of 4)



Main assemblies

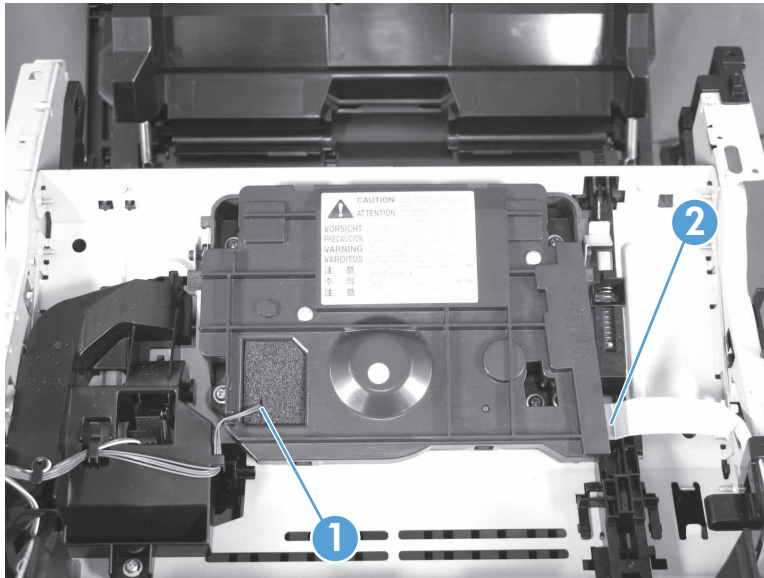
Laser scanner assembly

⚠ WARNING!  ESD sensitive component.

⚠ CAUTION: Do not bend or fold the flat flexible cables (FFCs) during removal or installation. Also, do not straighten pre-folds in the FFCs. You *must* make sure that all FFCs are fully seated in their connectors. Failure to fully seat an FFC into a connector can cause a short circuit in a PCA.

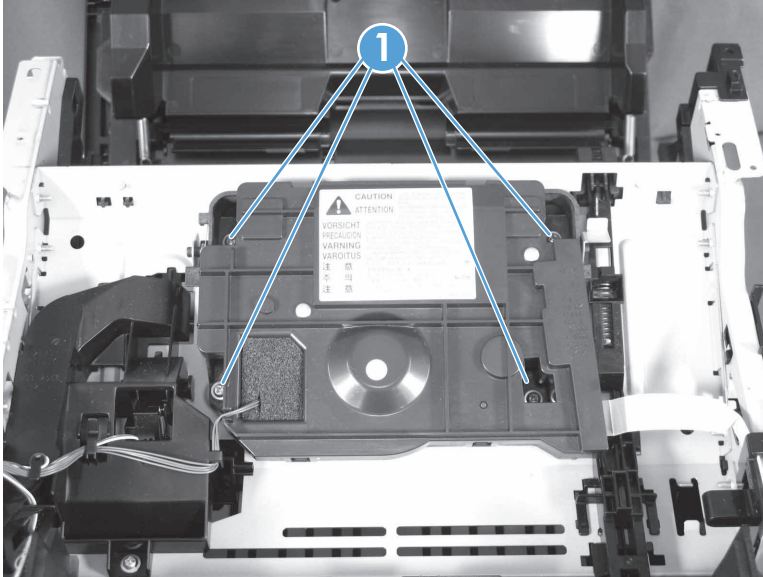
1. Remove the following components:
 - Tray 2 cassette
 - Left cover. See [Left cover on page 13](#).
 - Scanner assembly. See [Scanner assembly on page 13](#).
 - Control panel. See [Control panel on page 15](#).
 - Right cover. See [Right cover on page 17](#).
 - Top cover assembly. See [Top cover on page 18](#).
2. Open the toner cartridge door and the rear jam access door.
3. On the top of the product, remove the antistatic foam pad and disconnect one connector (callout 1), and then disconnect the flat cable (callout 2).

Figure 1-33 Remove the laser scanner assembly (1 of 2)



4. Remove four screws (callout 1), and then remove the laser scanner assembly.

Figure 1-34 Remove the laser scanner assembly (2 of 2)

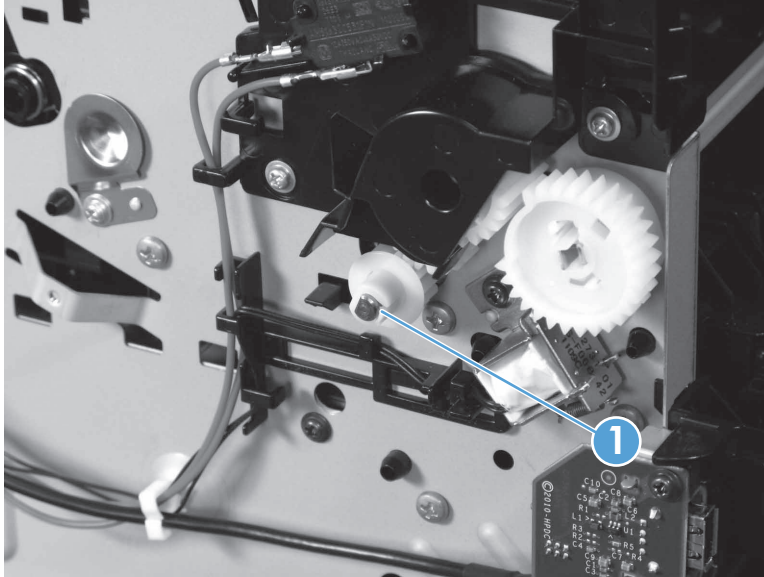


Registration assembly

1. Remove the following components:
 - Tray 2 cassette
 - Left cover. See [Left cover on page 13](#).
 - Scanner assembly. See [Scanner assembly on page 13](#).
 - Control panel. See [Control panel on page 15](#).
 - Right cover. See [Right cover on page 17](#).
 - Rear cover, rear door, and feed assembly. See [Rear cover, rear door, and feed assembly on page 20](#).
 - Top cover assembly. See [Top cover on page 18](#).
2. Open the toner cartridge door and the rear jam access door.

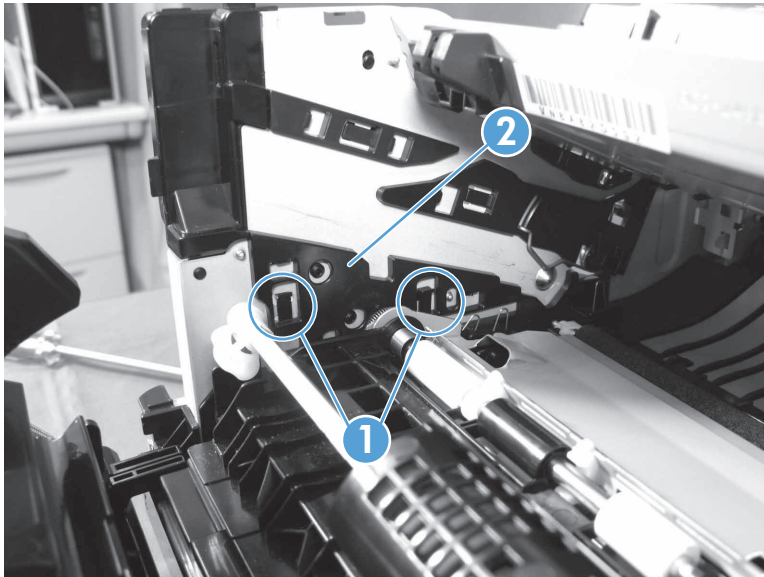
3. On the left side of the product, release one tab (callout 1), and then remove the gear.

Figure 1-35 Remove the registration assembly (1 of 3)



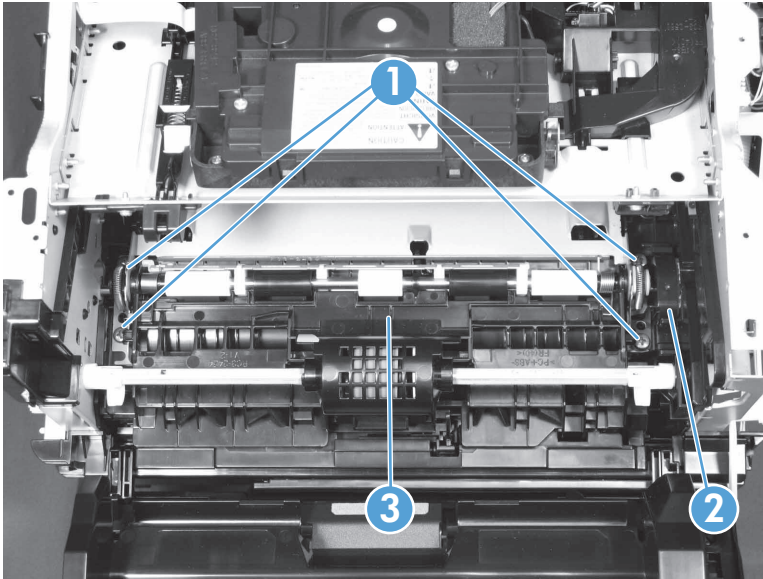
4. Inside the product chassis, on the formatter side, release two tabs (callout 1), and then lift up on the guide (callout 2) to release it and remove it from the product.

Figure 1-36 Remove the registration assembly (2 of 3)




5. Remove four screws (callout 1), and then remove the gear cover (callout 2).


Figure 1-37 Remove the registration assembly (3 of 3)




6. Slightly raise the right end of the assembly, and then slide it to the right and lift it up to release the assembly (callout 3) and remove it from the product.

 **Reinstallation tip** Insert the left end of the assembly first to reinstall the assembly.

Fuser assembly and paper feed guide

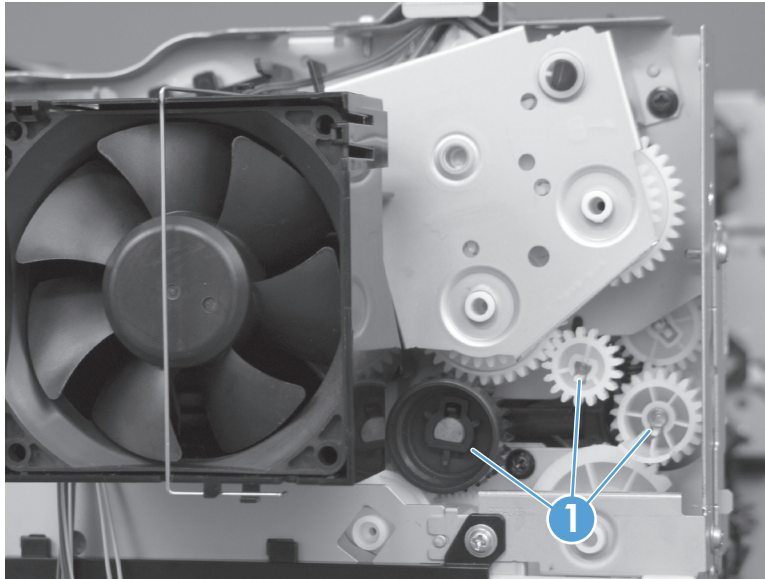
 **CAUTION:** The fuser might be hot. Allow enough time for the fuser to cool after the product power is turned off.

 **NOTE:** The toner cartridge door assembly should be in the closed position when the fuser is removed to make sure that the fuser-drive gear is correctly aligned for reinstallation.

1. Remove the following components:
 - Tray 2 cassette
 - Left cover. See [Left cover on page 13](#).
 - Scanner assembly. See [Scanner assembly on page 13](#).
 - Control panel. See [Control panel on page 15](#).
 - Right cover. See [Right cover on page 17](#).
 - Rear cover, rear door, and feed assembly. See [Rear cover, rear door, and feed assembly on page 20](#).
2. Open the rear jam access door

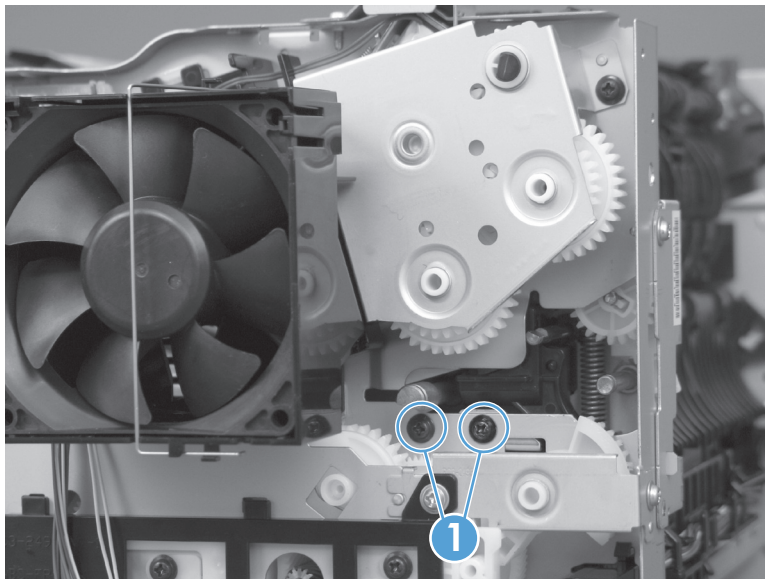
3. On the right side of the product, remove three gears (callout 1).

Figure 1-38 Remove the fuser (1 of 5)



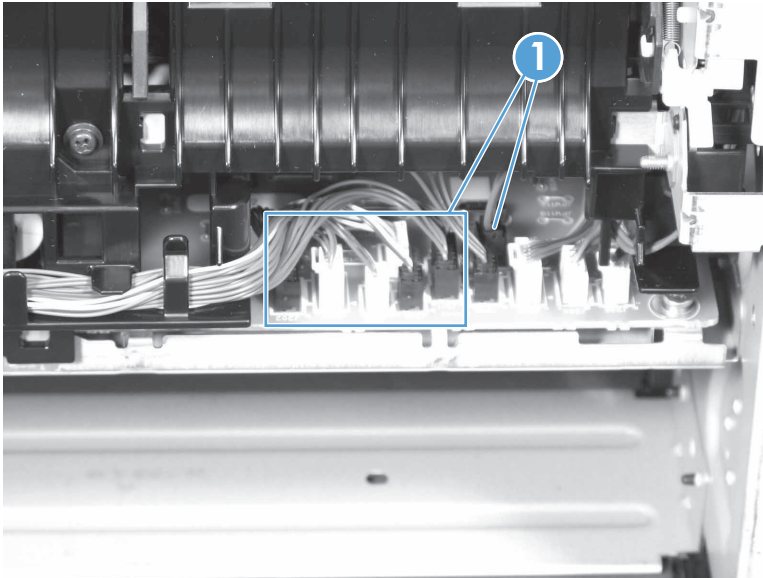
4. Remove two screws (callout 1).


Figure 1-39 Remove the fuser (2 of 5)



5. At the rear of the product, disconnect six connectors (callout 1), and then pull the wire guide (callout 2) away from the product.

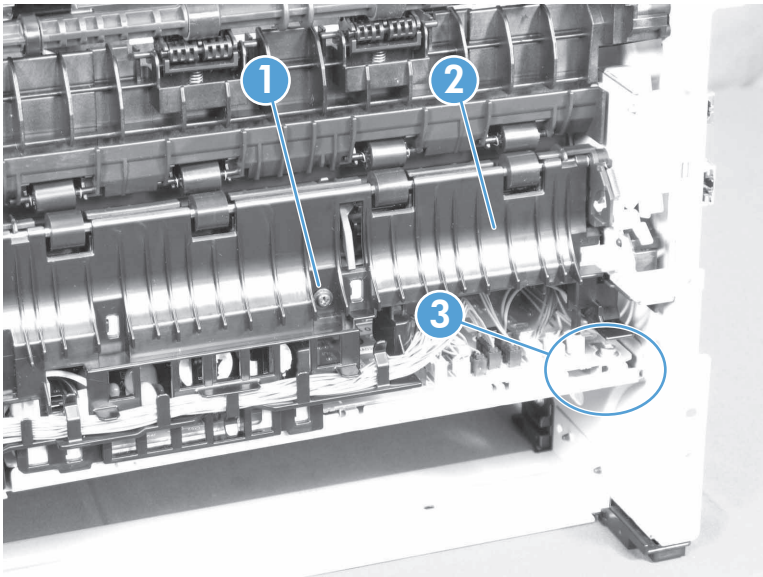
Figure 1-40 Remove the fuser (3 of 5)



 **NOTE:** You do not need to unroute the disconnected wires from the wire guide.

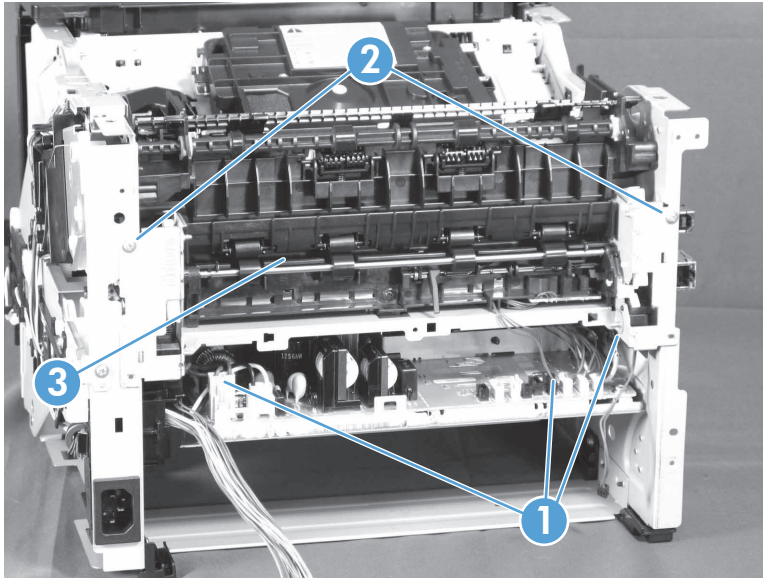
6. Remove one screw (callout 1), remove the media feed guide (callout 2), and unroute the wire (callout 3) at the corner of the engine controller assembly.

Figure 1-41 Remove the fuser (4 of 5)



7. Disconnect three connectors (callout 1), remove two screws (callout 2), and then remove the fuser (callout 3).

Figure 1-42 Remove the fuser (5 of 5)

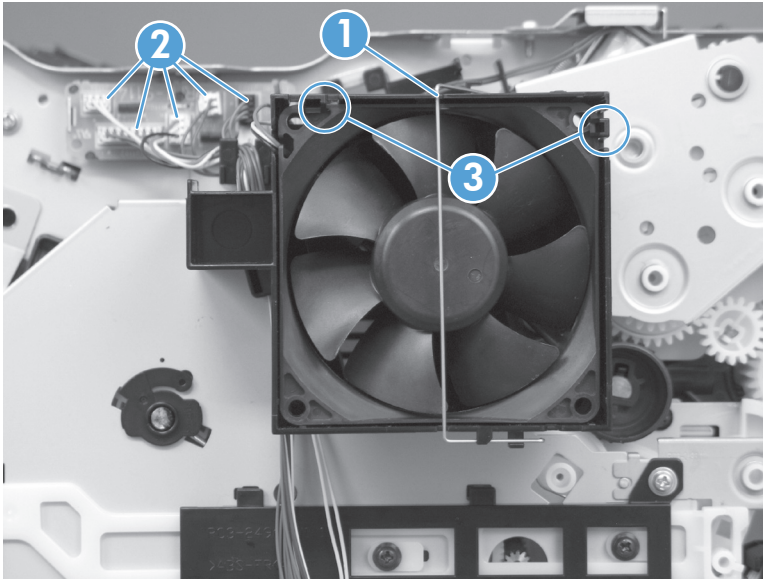


Duplex drive assembly

1. Remove the following components:
 - Tray 2 cassette
 - Left cover. See [Left cover on page 13](#).
 - Scanner assembly. See [Scanner assembly on page 13](#).
 - Control panel. See [Control panel on page 15](#).
 - Right cover. See [Right cover on page 17](#).
 - Top cover assembly. See [Top cover on page 18](#).
2. Open the toner cartridge door and the rear jam access door.

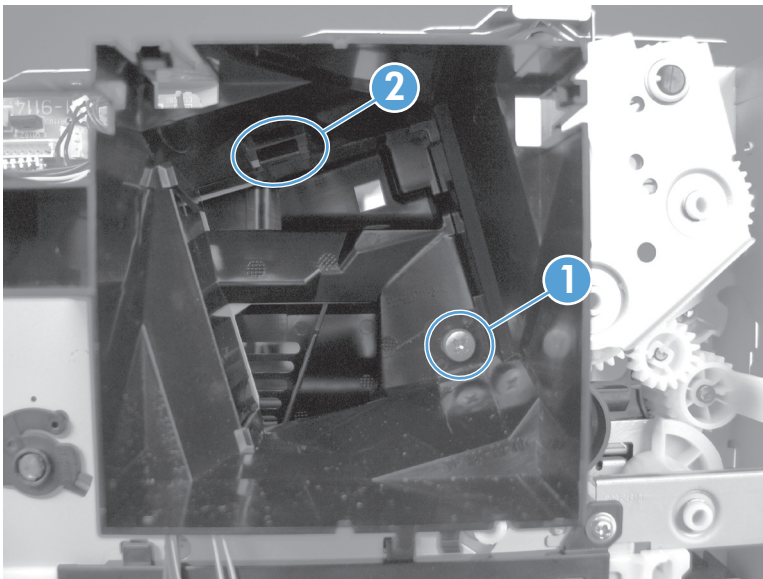
3. On the right side of the product, remove the grounding spring (callout 1), disconnect five connectors (callout 2) from the connecting PCA, release two tabs (callout 3), and then remove the fan from the holder.

Figure 1-43 Remove the duplex drive assembly (1 of 4)



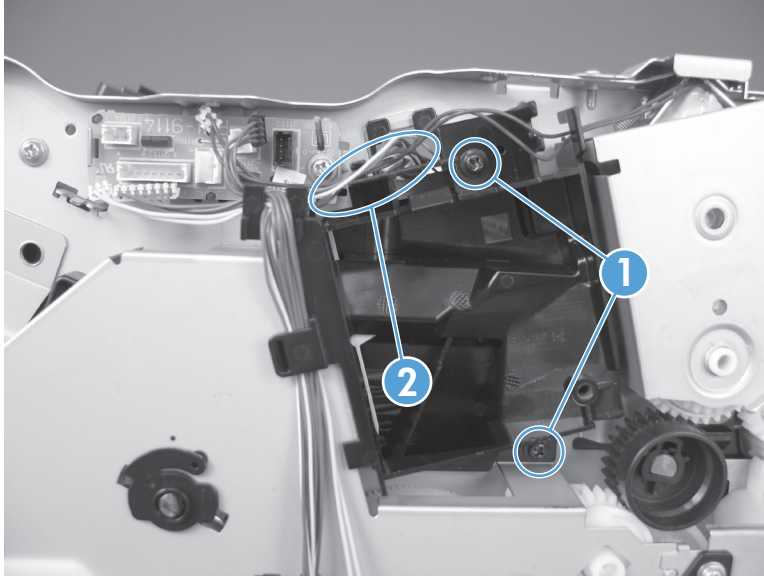
4. In the fan holder, remove one screw (callout 1), release one tab (callout 2), and then remove the holder from the product.

Figure 1-44 Remove the duplex drive assembly (2 of 4)



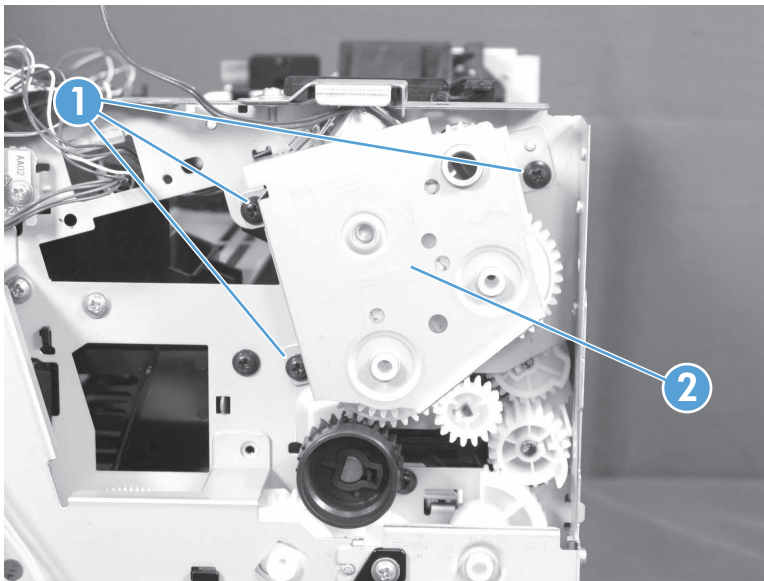
5. Remove two screws (callout 1), unroute the cables from the guides (callout 2), and then remove the fan cable guide.

Figure 1-45 Remove the duplex drive assembly (3 of 4)



6. Remove three screws (callout 1), and then pull the drive assembly (callout 2) away from the product.

Figure 1-46 Remove the duplex drive assembly (4 of 4)



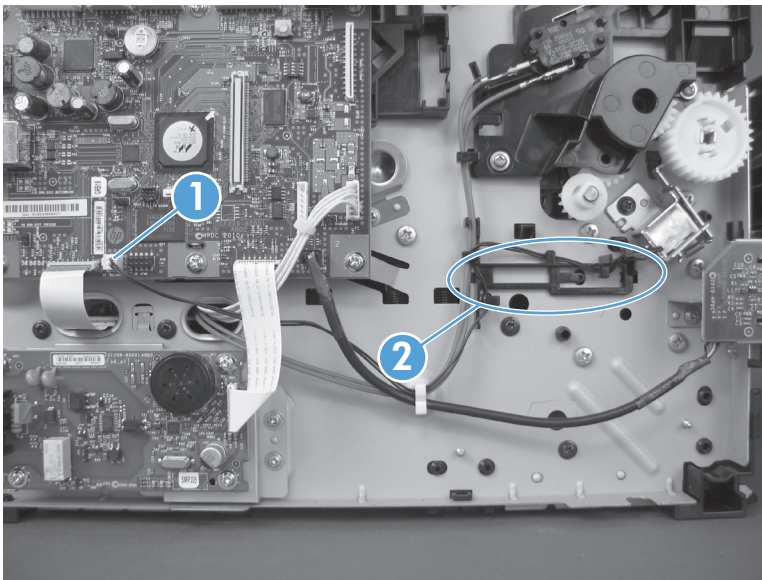
CAUTION: Some of the gears and the solenoid arm are not captive. Do not lose the gears or the arm when you remove the assembly.

Solenoids

Tray 1 solenoid

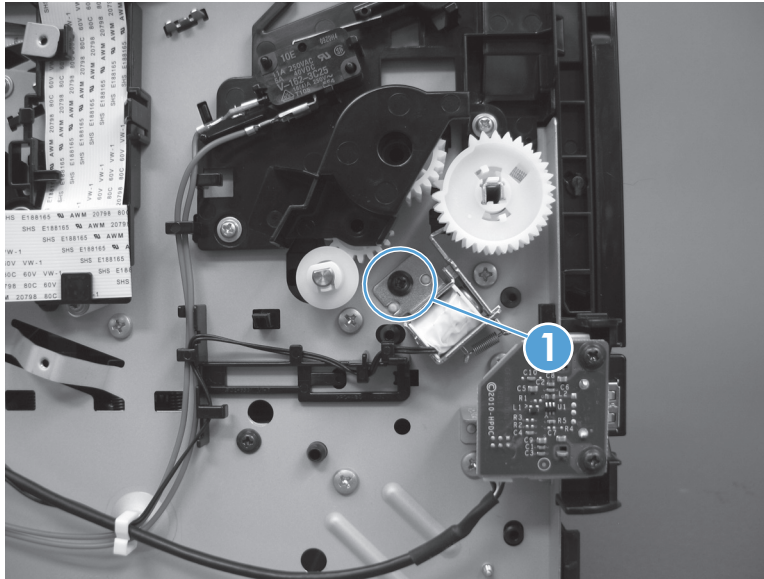
1. Remove the following components:
 - Tray 2 cassette
 - Left cover. See [Left cover on page 13](#).
2. Open the toner cartridge door and the rear jam access door.
3. On the left side of the product, disconnect one connector (callout 1), and then release the wires from the wire harness (callout 2).

Figure 1-47 Remove the Tray 1 pickup solenoid (1 of 2)



4. Remove one screw (callout 1), and then remove the Tray 1 pickup solenoid.

Figure 1-48 Remove the Tray 1 pickup solenoid (2 of 2)

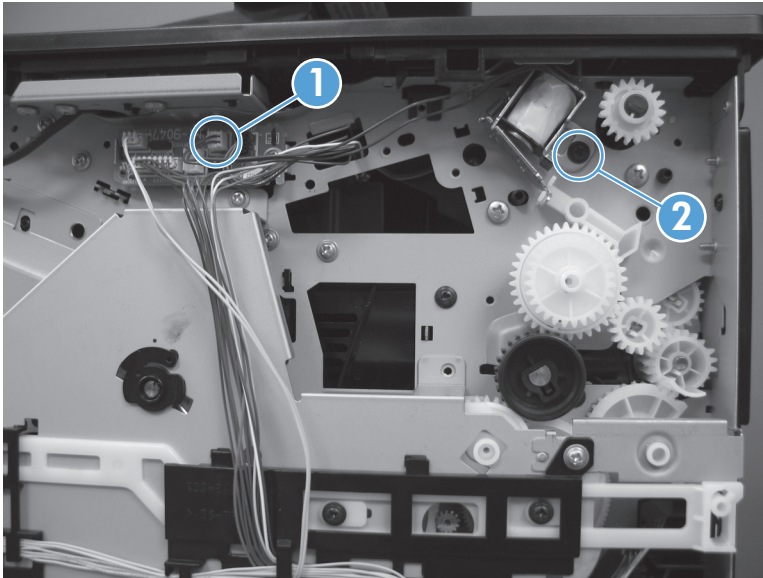


Duplex solenoid

1. Remove the following components:
 - Tray 2 cassette
 - Left cover. See [Left cover on page 13](#).
 - Scanner assembly. See [Scanner assembly on page 13](#).
 - Control panel. See [Control panel on page 15](#).
 - Right cover. See [Right cover on page 17](#).
 - Rear cover, rear door, and duplex-paper-feed assembly. See [Rear cover, rear door, and feed assembly on page 20](#).
 - Top cover assembly. See [Top cover on page 18](#).
 - Fan. See [Fan on page 39](#).
 - Duplex drive assembly. See [Duplex drive assembly on page 31](#).
2. Open the toner cartridge door and the rear jam access door.

3. On the right side of the product, disconnect one connector (callout 1) from the connecting PCA, and then remove one screw (callout 2).

Figure 1-49 Remove the duplex solenoid

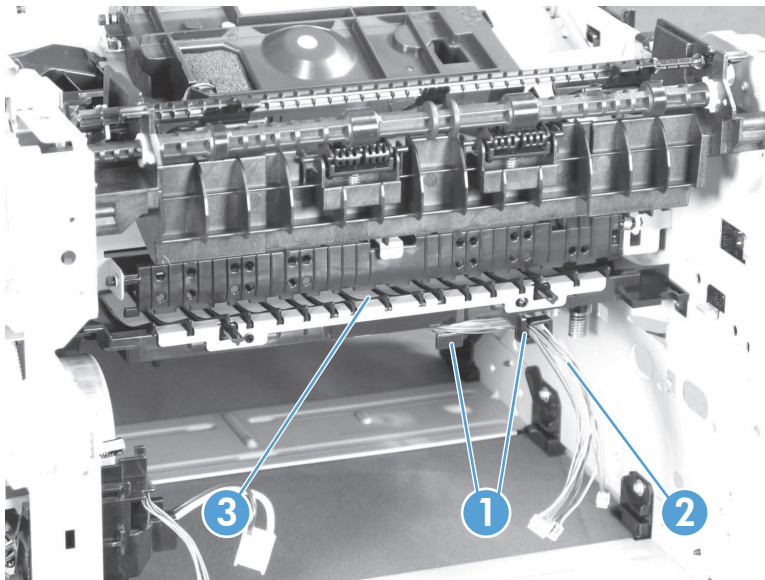


Motors and fans

Main motor

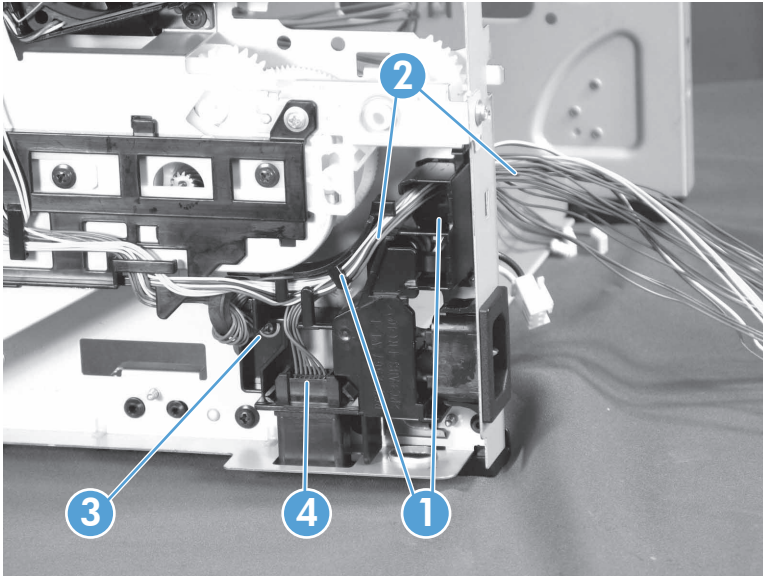
1. Remove the following components:
 - Tray 2 cassette
 - Left cover. See [Left cover on page 13](#).
 - Scanner assembly. See [Scanner assembly on page 13](#).
 - Control panel. See [Control panel on page 15](#).
 - Right cover. See [Right cover on page 17](#).
 - Rear cover, rear door, and duplex-paper-feed assembly. See [Rear cover, rear door, and feed assembly on page 20](#).
 - Top cover assembly. See [Top cover on page 18](#).
 - Fuser. See [Fuser assembly and paper feed guide on page 28](#).
 - Engine controller assembly. See [Engine controller assembly \(DC controller\) PCA on page 41](#).
2. Open the toner cartridge door and the rear jam access door.
3. At the rear of the product, release the cables (callout 1) from the cable guides (callout 2), and then pull out the paper feed assembly (callout 3).

Figure 1-50 Remove the main motor (1 of 4)



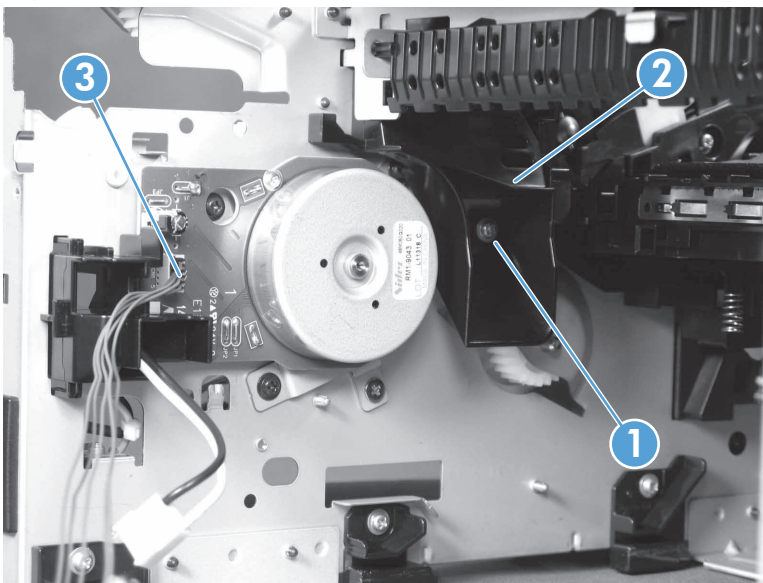
4. Release the cables (callout 1) from the cable guides (callout 2), remove one screw (callout 3), and then remove the cable guide (callout 4).

Figure 1-51 Remove the main motor (2 of 4)



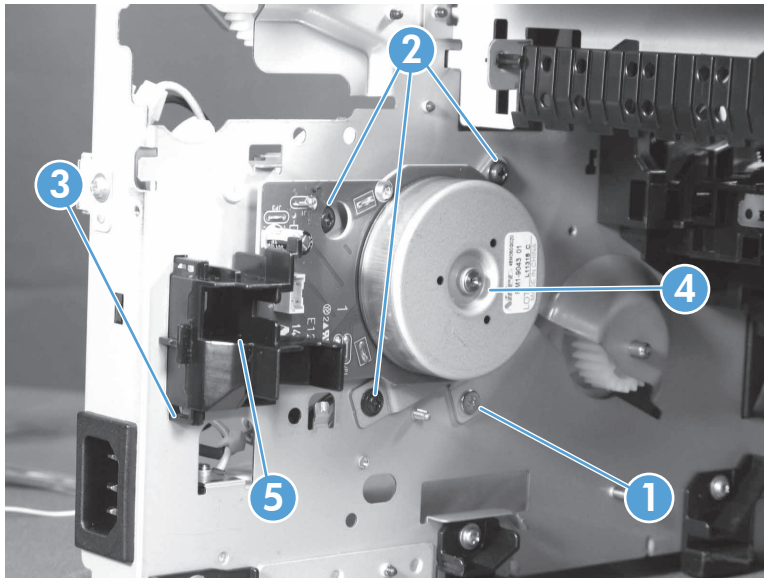
5. Remove one screw (callout 1), remove the duct (callout 2), and then disconnect one connector (callout 3).


Figure 1-52 Remove the main motor (3 of 4)



6. Remove three black screws (callout 1) and one silver screw (callout 2), release two tabs (callout 3), and then remove the main motor (callout 4) and the cable guide (callout 5) together.

Figure 1-53 Remove the main motor (4 of 4)



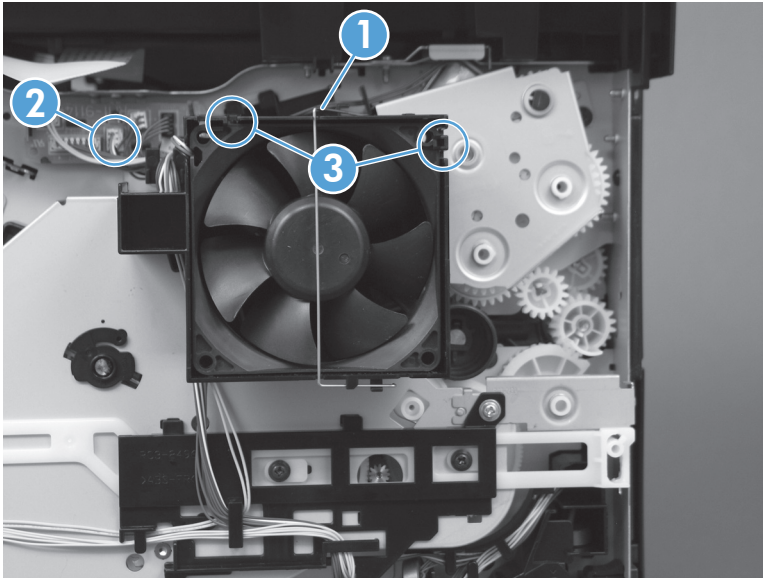
 **Reinstallation tip** Remember the location from where you removed the silver screw. The silver screw needs to be reinstalled in the same place.

Fan

1. Remove the following components:
 - Tray 2 cassette
 - Left cover. See [Left cover on page 13](#).
 - Scanner assembly. See [Scanner assembly on page 13](#).
 - Control panel. See [Control panel on page 15](#).
 - Right cover. See [Right cover on page 17](#).
 - Top cover assembly. See [Top cover on page 18](#).
2. Open the toner cartridge door and the rear jam access door.

3. On the right side of the product, remove the grounding spring (callout 1), disconnect one connector (callout 2), release two tabs (callout 3), and then remove the main fan.

Figure 1-54 Remove the fan (1 of 2)




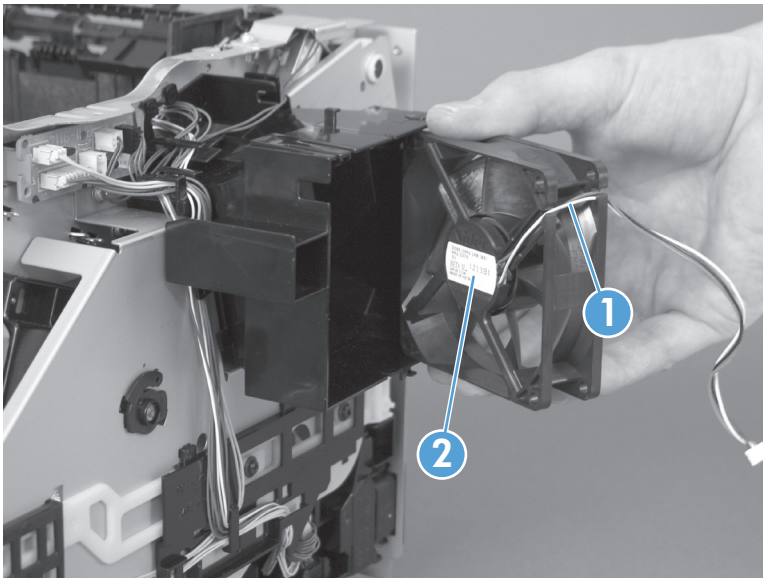
 **Reinstallation tip** When reassembling the main fan to the duct, make sure that the fan cable (callout 1) is positioned as shown in the figure below. Also, make sure that the label (callout 2) on the fan is facing inside.

Figure 1-55 Remove the fan (2 of 2)



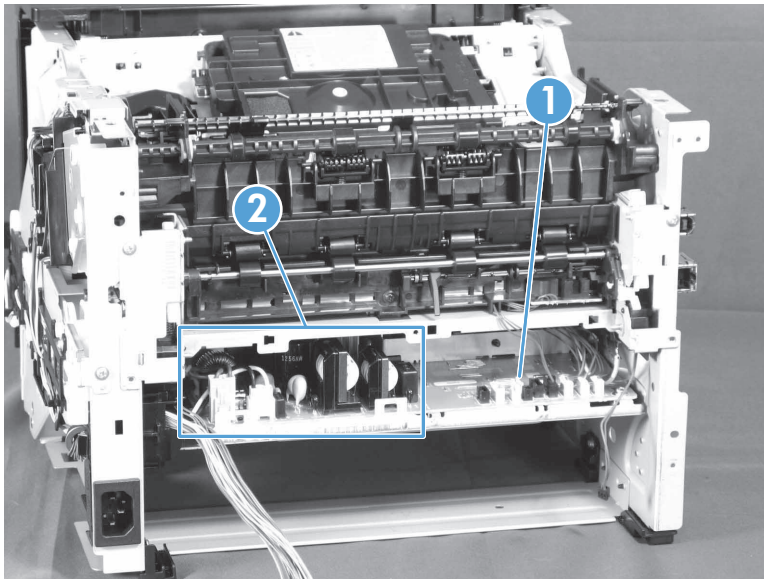
Printed circuit-board assemblies (PCAs)

Engine controller assembly (DC controller) PCA

⚠ WARNING!  ESD sensitive component.

⚠ CAUTION: When removing the engine controller assembly (callout 1) from the rear of the product, the portion (callout 2) on the left side of the assembly might be hot. Allow enough time for the engine controller assembly to cool after the product power is turned off.

Figure 1-56 Allow the engine controller assembly to cool

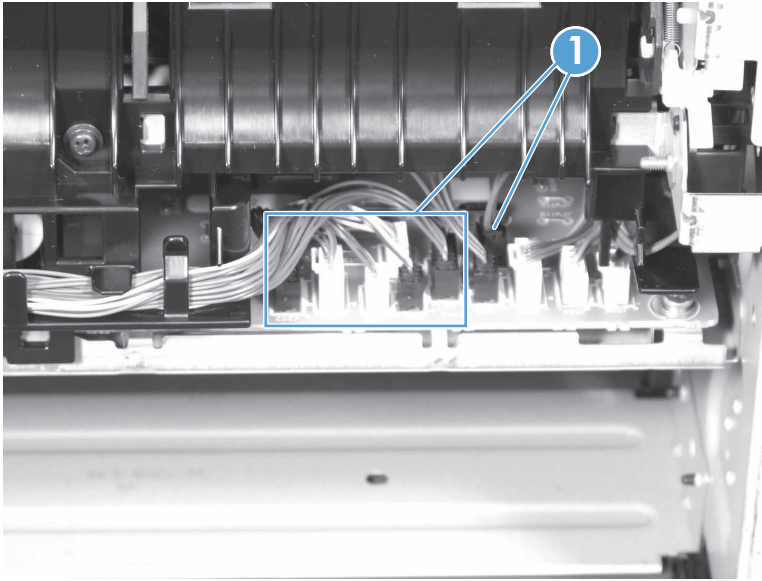


1. Remove the following components:

- Tray 2 cassette
- Left cover. See [Left cover on page 13](#).
- Scanner assembly. See [Scanner assembly on page 13](#).
- Control panel. See [Control panel on page 15](#).
- Right cover. See [Right cover on page 17](#).
- Rear cover, rear door, and feed assembly. See [Rear cover, rear door, and feed assembly on page 20](#).
- Top cover assembly. See [Top cover on page 18](#).

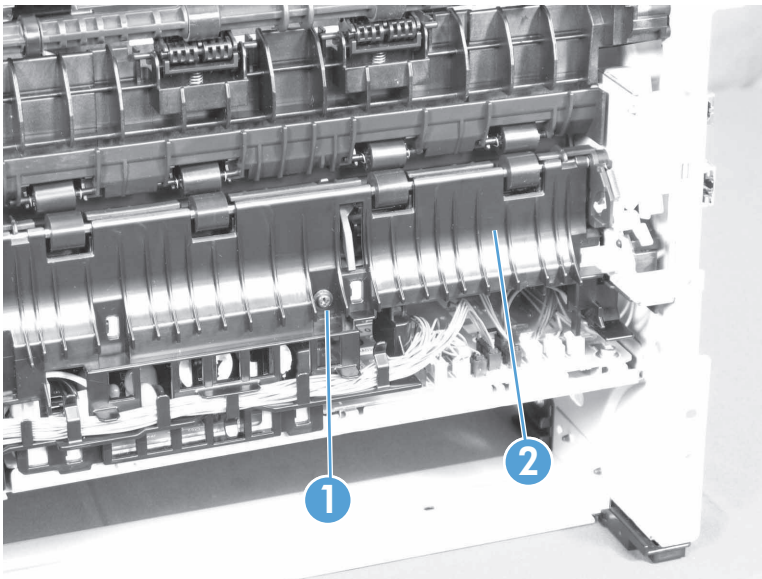
2. At the rear of the product, disconnect six connectors (callout 1).

Figure 1-57 Remove the engine controller assembly (1 of 9)



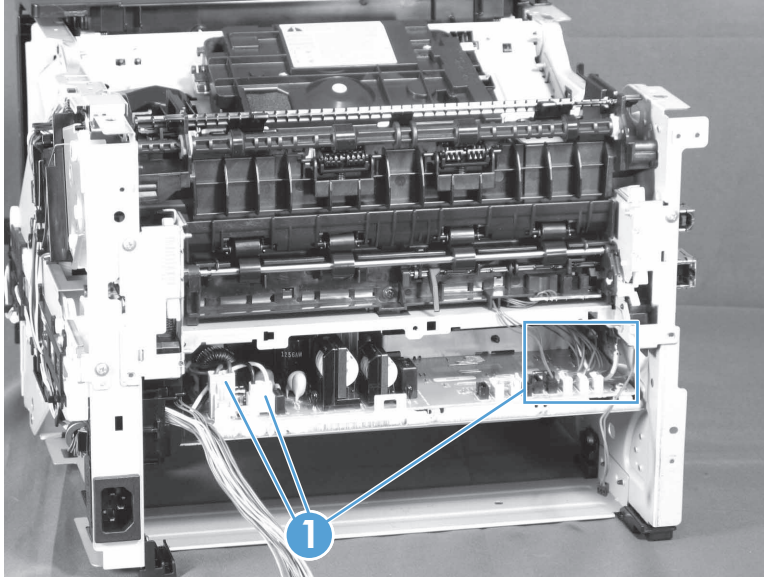
3. Remove one screw (callout 1), and then remove the paper feed guide (callout 2).

Figure 1-58 Remove the engine controller assembly (2 of 9)



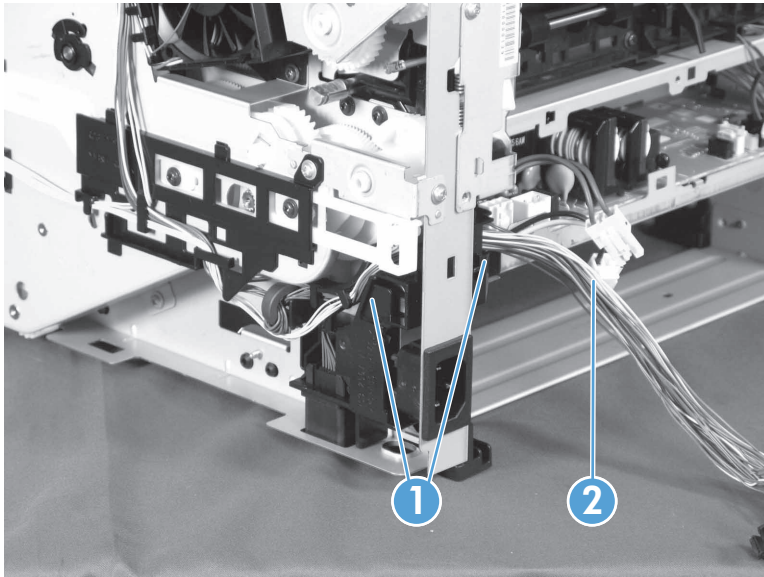
4. Disconnect seven connectors (callout 1).

Figure 1-59 Remove the engine controller assembly (3 of 9)



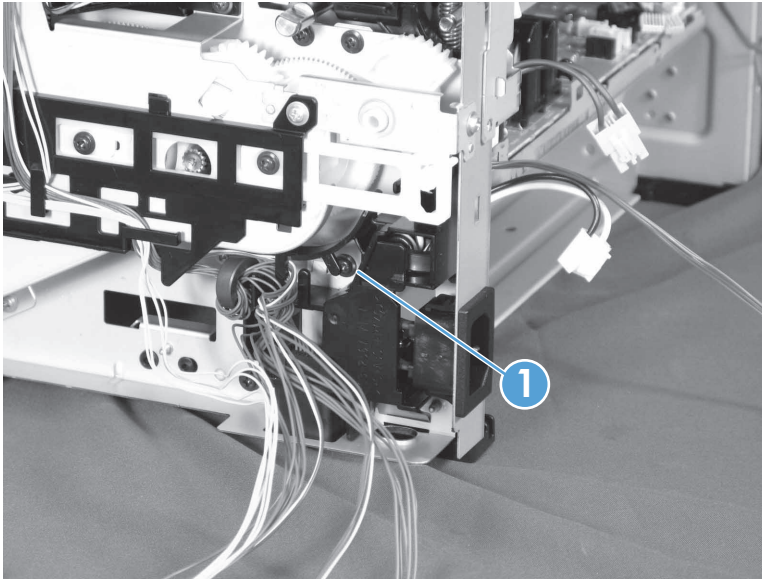
5. Release the cables (callout 1) from the cable guides (callout 2).

Figure 1-60 Remove the engine controller assembly (4 of 9)



6. On the right side of the product, remove one screw (callout 1).

Figure 1-61 Remove the engine controller assembly (5 of 9)



7. On the left side of the product, disconnect the two cartridge-door interlock switch connectors (callout 1), release the cables (callout 2) from the cable guide (callout 3), and then disconnect one connector (callout 4) and one flat cable (callout 5) on the formatter PCA.


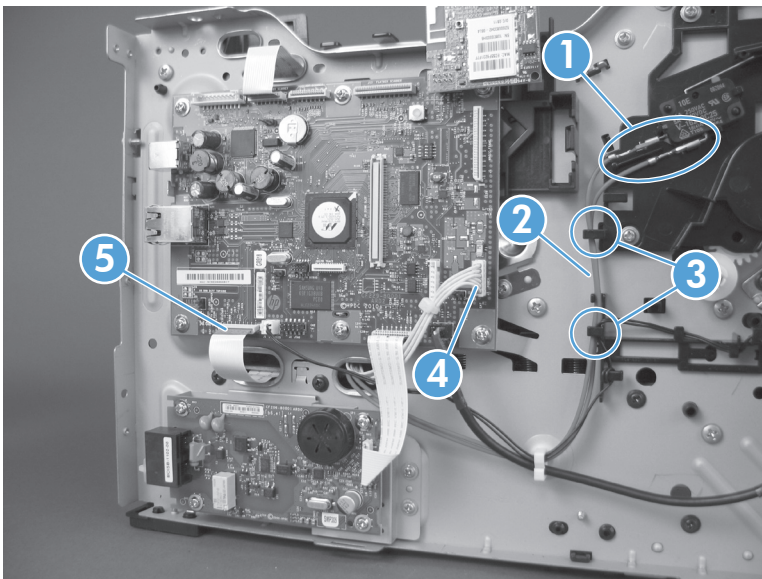
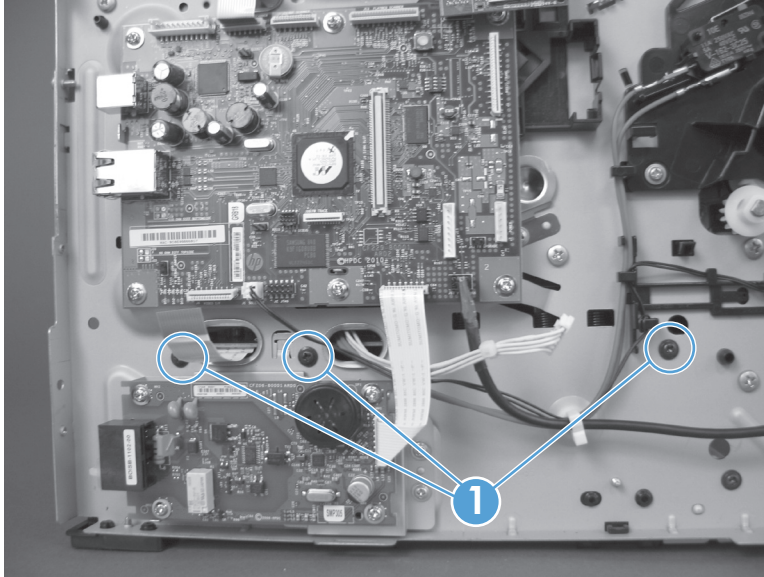
 **NOTE:** Place a mark on one of the cartridge-door interlock switch wires before you disconnect them, so that you can reconnect the connectors to the same switch lugs.

Figure 1-62 Remove the engine controller assembly (6 of 9)




8. Remove three screws (callout 1).

Figure 1-63 Remove the engine controller assembly (7 of 9)



9. On both sides of the product, use a small flat blade screwdriver to release the sheet-metal tabs (callout 1) in the product chassis to lower the engine controller assembly PCA (callout 2).

 **NOTE:** It might be easier to release the right side tab from inside the chassis.


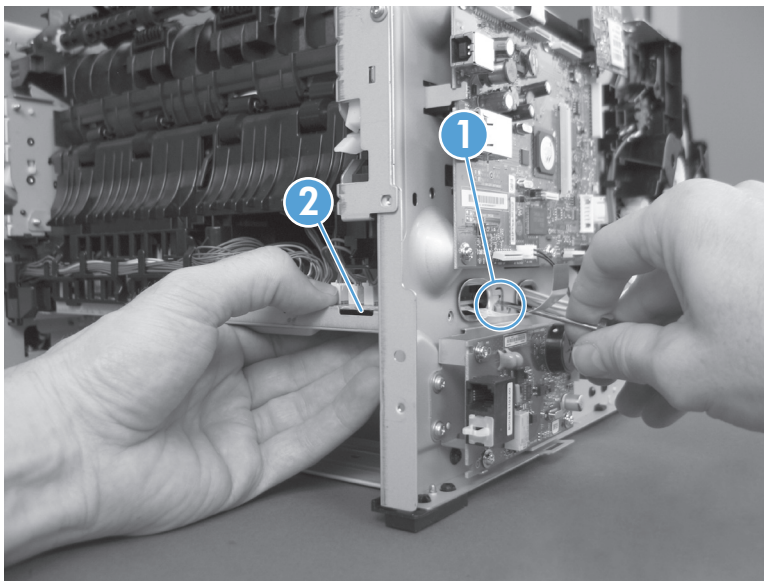
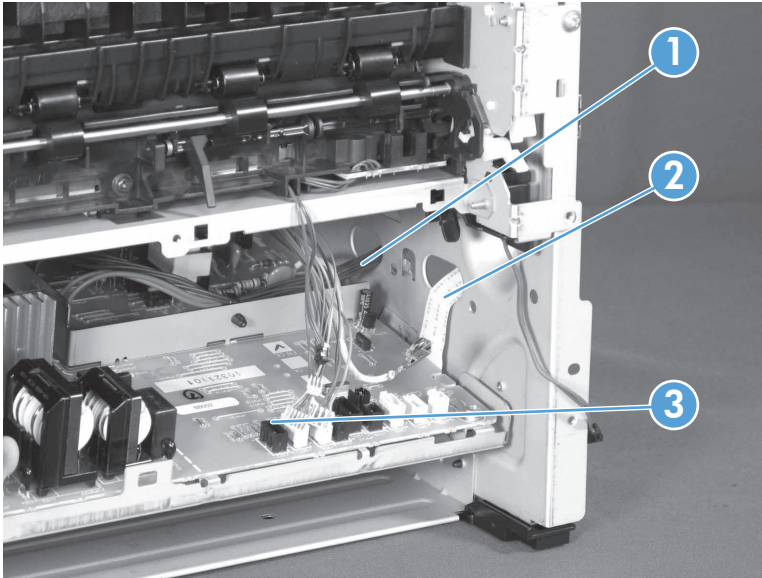
 **CAUTION:** Carefully push the tab toward the outside of the product to release it. Do not bend the tab so much that it will not engage the mounting bracket when the engine controller assembly is reinstalled.

Figure 1-64 Remove the engine controller assembly (8 of 9)




10. Pull the cable (callout 1) and the flat cable (callout 2) into the product chassis, and then carefully slide the engine controller assembly (callout 3) out of the product.

Figure 1-65 Remove the engine controller assembly (9 of 9)



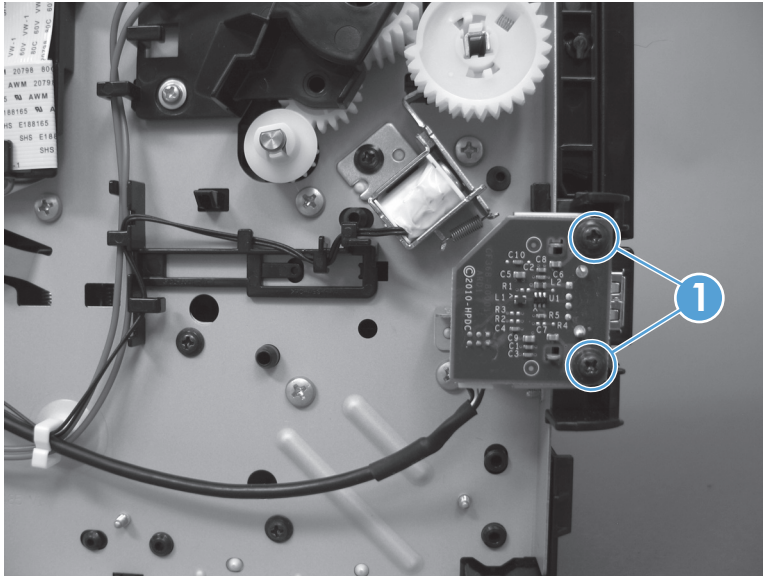
Universal serial bus (USB) PCA

 **NOTE:** This section applies to walkup USB-equipped models only.

1. Remove the following components:
 - Tray 2 cassette
 - Left cover. See [Left cover on page 13](#).

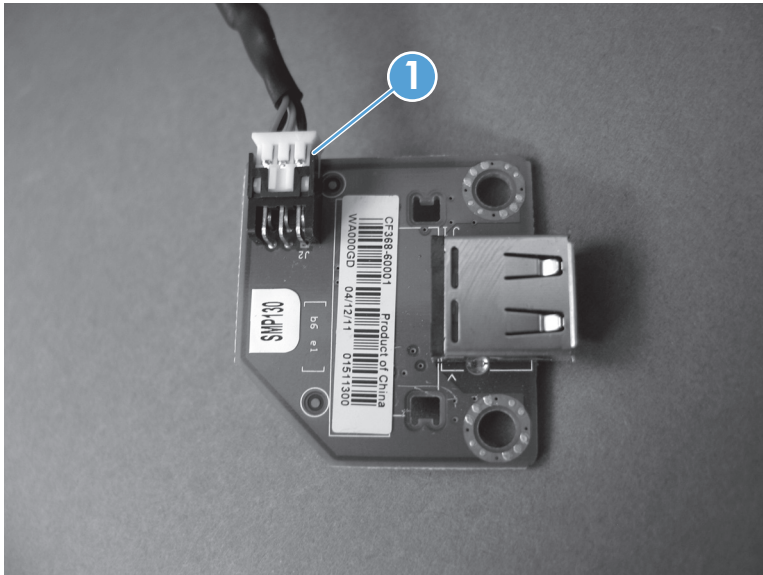
2. On the left side of the product, remove two screws (callout 1) on the USB PCA, and then pull the PCA away from the product.

Figure 1-66 Remove the USB PCA (1 of 2)



3. Disconnect the connector (callout 1) on the back of the PCA.

Figure 1-67 Remove the USB PCA (2 of 2)

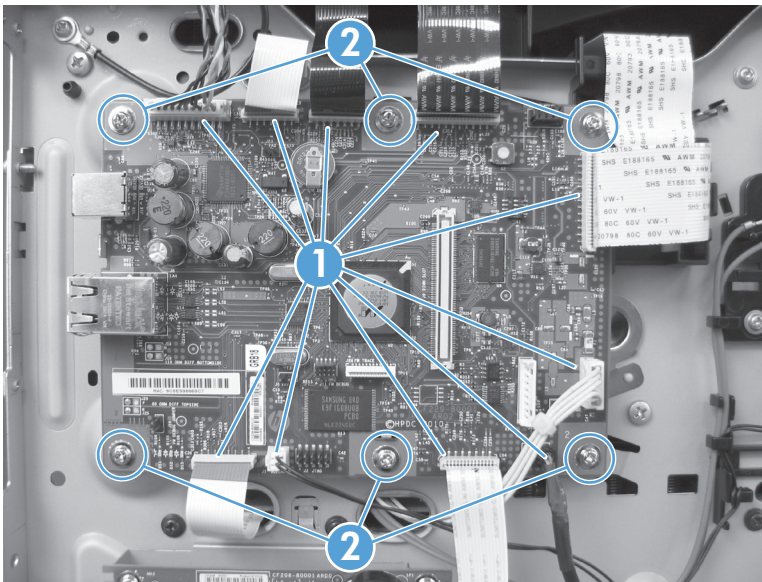


Formatter PCA

 **WARNING!**  ESD sensitive component.

1. Remove the following components:
 - Tray 2 cassette
 - Left cover. See [Left cover on page 13](#).
 - Wireless PCA (wireless models only). See [Wireless PCA on page 48](#).
2. On the left side of the product, disconnect any connectors and flat cables (callout 1) on the formatter, and then remove six screws (callout 2).

Figure 1-68 Remove the formatter



Wireless PCA

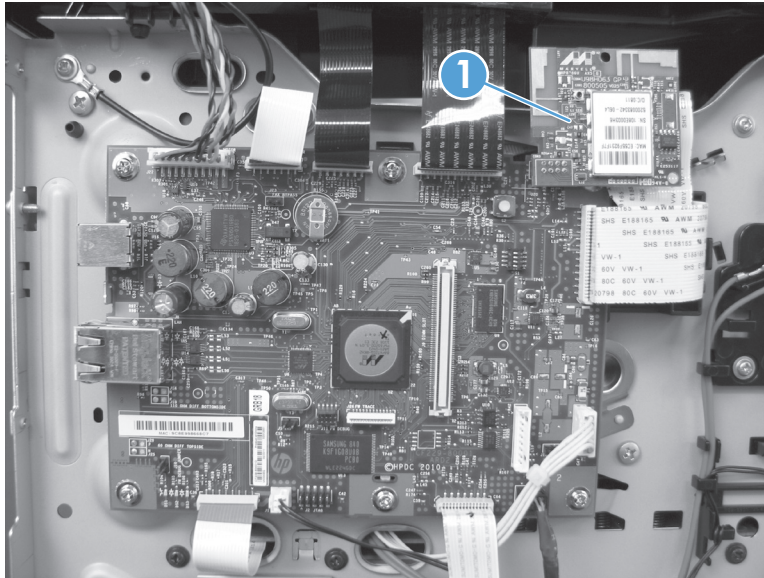
 **NOTE:** This section applies to wireless models only.

The wireless PCA is located at the top of the formatter PCA.

1. Remove the following components:
 - Tray 2 cassette
 - Left cover. See [Left cover on page 13](#).

2. On the left side of the product, pull the lower left-hand corner of the PCA (callout 1) to disconnect the connector on the back of the PCA, and then pull the PCA away from the product.

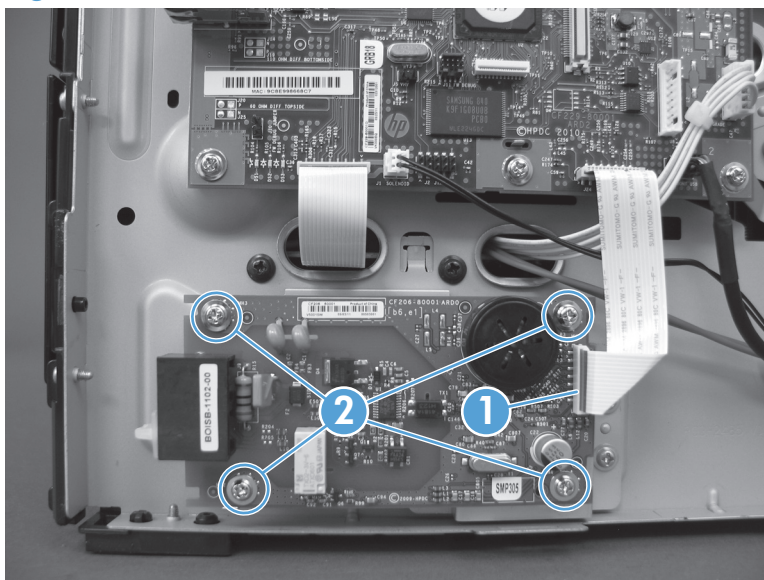
Figure 1-69 Remove the wireless PCA



Fax PCA

1. Remove the following components:
 - Tray 2 cassette
 - Left cover. See [Left cover on page 13](#).
2. Disconnect one flat flexible cable (callout 1) from the fax PCA, and then remove four screws (callout 2) to remove the PCA from the product.

Figure 1-70 Remove the fax PCA

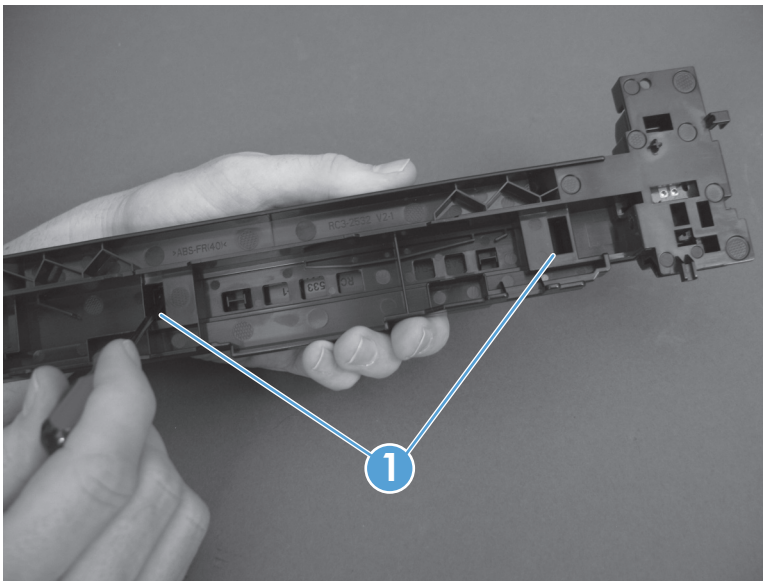


Power switch PCA

The power switch PCA is located in the product front cover.

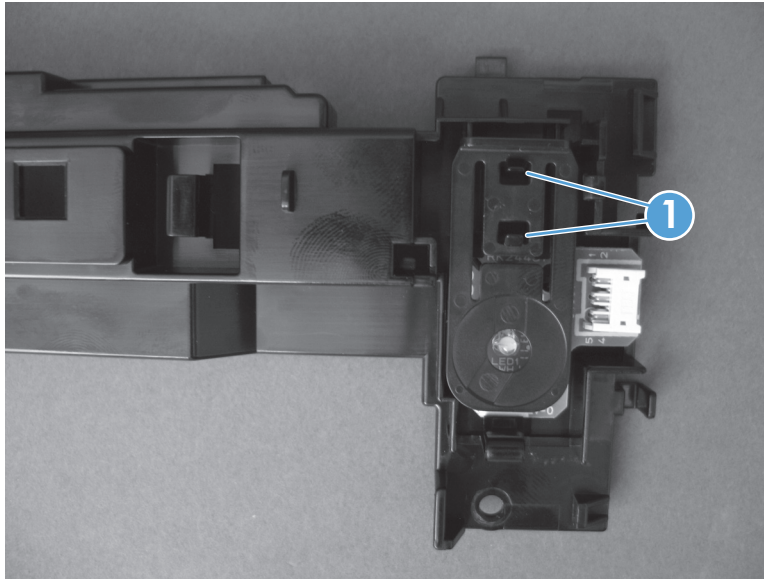
1. Remove the following components:
 - Tray 2 cassette
 - Left cover. See [Left cover on page 13](#).
 - Scanner assembly. See [Scanner assembly on page 13](#).
 - Control panel. See [Control panel on page 15](#).
 - Right cover. See [Right cover on page 17](#).
 - Cartridge door and front cover assembly. See [Cartridge door and front cover assembly on page 22](#).
2. On the back of the front cover, use a small flat-blade screwdriver to release two tabs (callout 1) to separate the two pieces of the cover.

Figure 1-71 Remove the power-switch PCA (1 of 3)



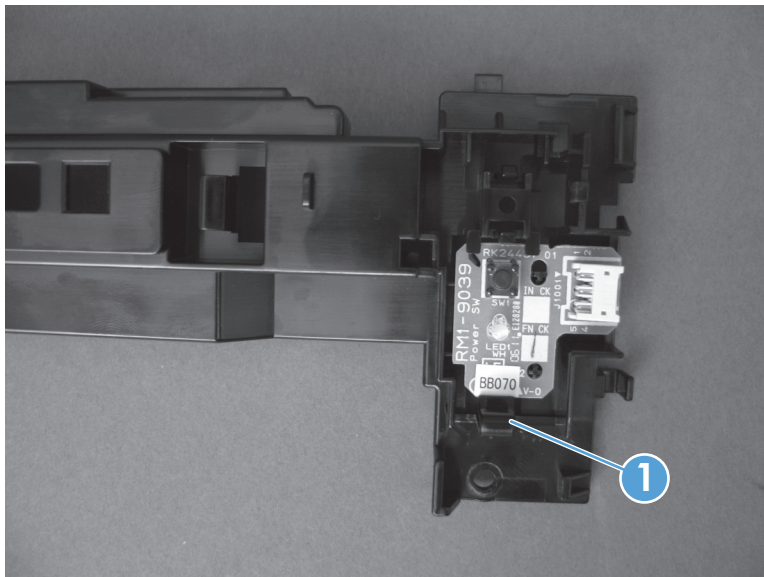
3. Release two tabs (callout 1) to remove the PCA shield.

Figure 1-72 Remove the power-switch PCA (2 of 3)



4. Release one tab (callout 1), and then pull the PCA out of the front cover.

Figure 1-73 Remove the power-switch PCA (3 of 3)



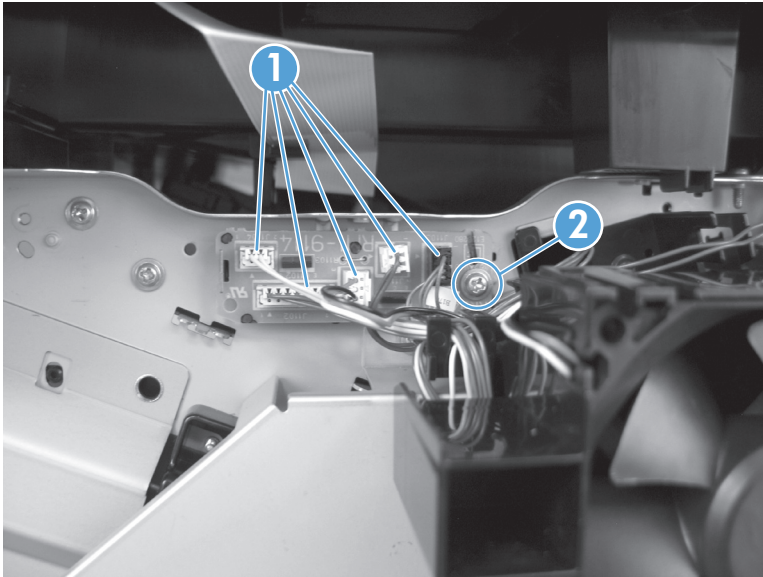
Connecting PCA

The connecting PCA is located on the product right side, below the control panel.

1. Remove the following components:
 - Tray 2 cassette
 - Left cover. See [Left cover on page 13](#).

- Scanner assembly. See [Scanner assembly on page 13](#).
 - Control panel. See [Control panel on page 15](#).
 - Right cover. See [Right cover on page 17](#).
2. On the right side of the product, disconnect any connectors (callout 1) on the PCA, remove one screw (callout 2), and then remove the connecting PCA.

Figure 1-74 Remove the connecting PCA



Miscellaneous parts

Transfer roller

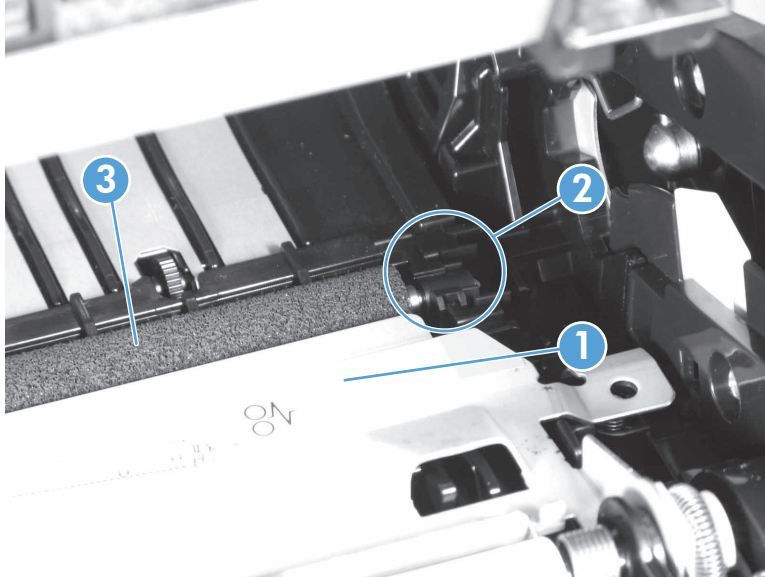
CAUTION: Do not touch the sponge surface of the roller unless you are replacing the roller. Skin oils on the roller can cause print-quality problems.

Always wear latex gloves when handling a transfer roller for reinstallation or replacement.

1. Open the toner cartridge door, and then remove the toner cartridge.

2. In the toner cartridge cavity, pull the sheet-metal jam plate toward the Tray 1 pickup roller cover (callout 1) and hold it, release the two tabs of the black locking clip on the right-side bushing (callout 2), pull the bushing up, and then slide the transfer roller (callout 3) to the right and remove it.

Figure 1-75 Remove the transfer roller



CAUTION: The black locking clip on the right side of the transfer-roller shaft is not captive. Do not lose the locking clip when you remove the transfer roller.

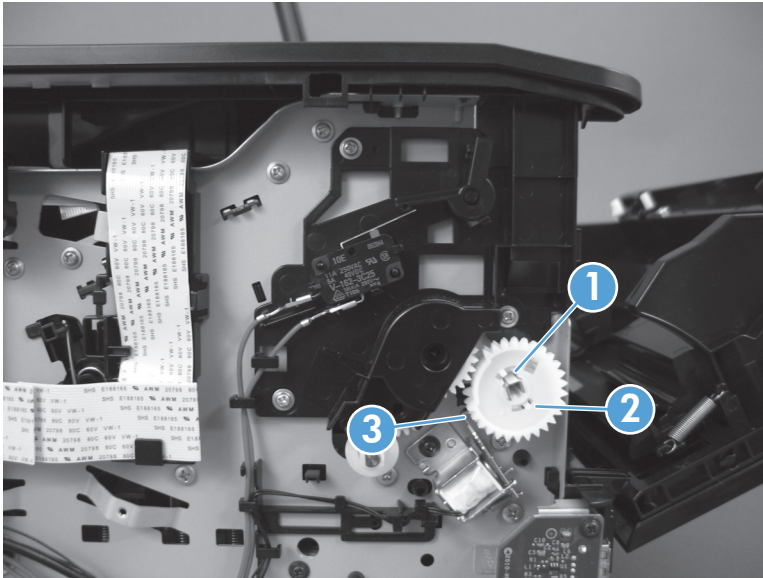
Multipurpose (MP) tray pickup gear assembly


NOTE: The multipurpose tray is referred to as Tray 1 in user documentation.

1. Remove the following components.
 - Tray 2 cassette
 - Left cover. See [Left cover on page 13](#).

2. On the left side of the product, release the tab (callout 1) at the center of the gear, and then remove the gear (callout 2).

Figure 1-76 Remove the paper-pickup-gear assembly



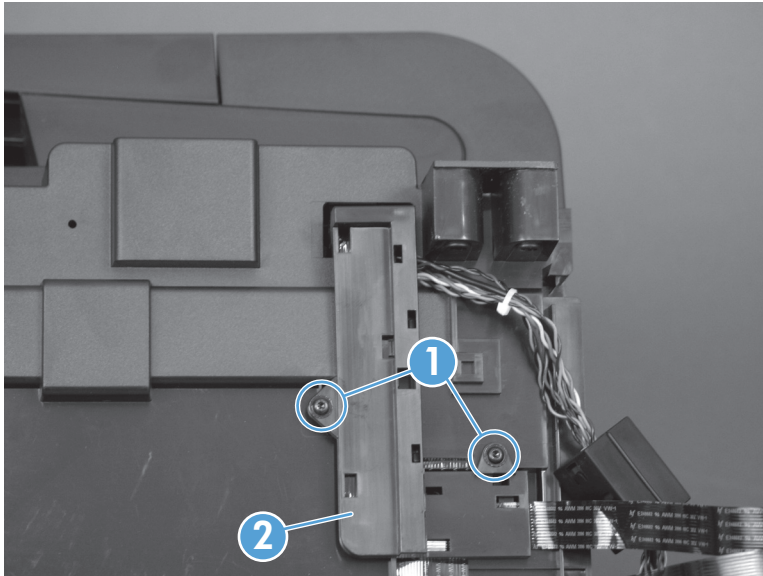
 **Reinstallation tip** Press and hold back the gear arm (callout 3) when reinstalling the pickup gear.

Document feeder assembly

1. Remove the following components:
 - Tray 2 cassette
 - Left cover. See [Left cover on page 13](#).
 - Scanner assembly. See [Scanner assembly on page 13](#).

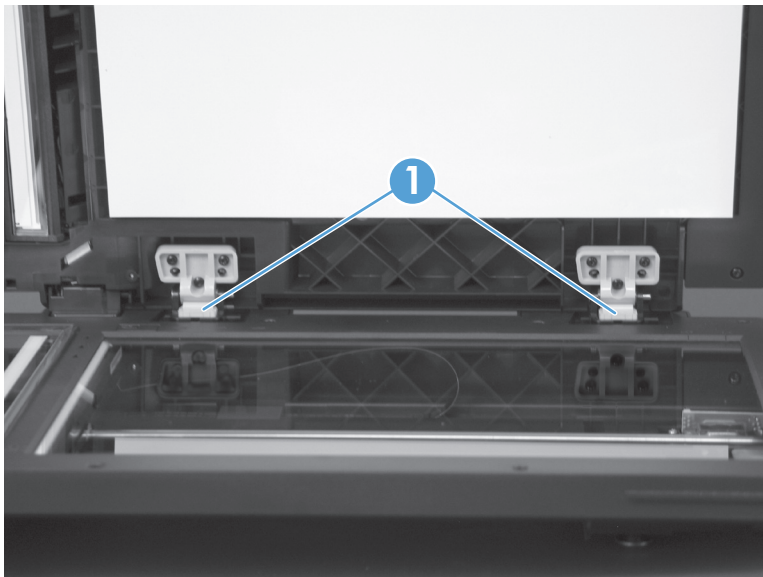
2. On the underside of the scanner assembly, remove two T-8 torx screws (callout 1), and then remove the cable cover (callout 2).

Figure 1-77 Remove the document feeder (1 of 2)




3. Thread the cables back up through the scanner bed, and then use a small flat-blade screwdriver to release the tabs (callout 1) at the front of the document feeder assembly hinges to remove the assembly from the scanner bed.

Figure 1-78 Remove the document feeder (2 of 2)



Optional paper feeder (Tray 3)

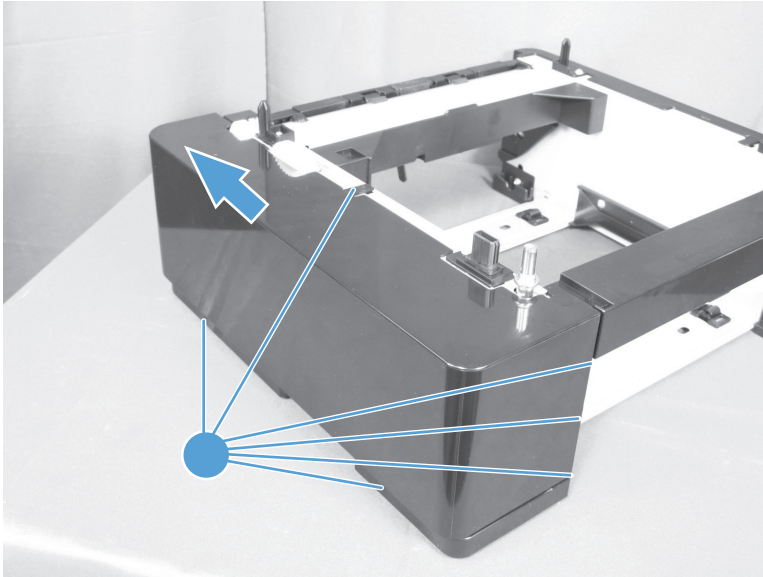
When replacing any parts on the optional paper feeder (Tray 3), remove the tray cassette before removing any other parts.

 **NOTE:** To view the procedures for removing the optional paper feeder pickup roller or separation pad, see [Rollers on page 6](#).

Optional paper feeder right cover

- ▲ Starting at the back of the unit, release six tabs (callout 1), and then slide the right cover toward the front of the unit to remove it.

Figure 1-79 Remove the optional paper feeder right cover

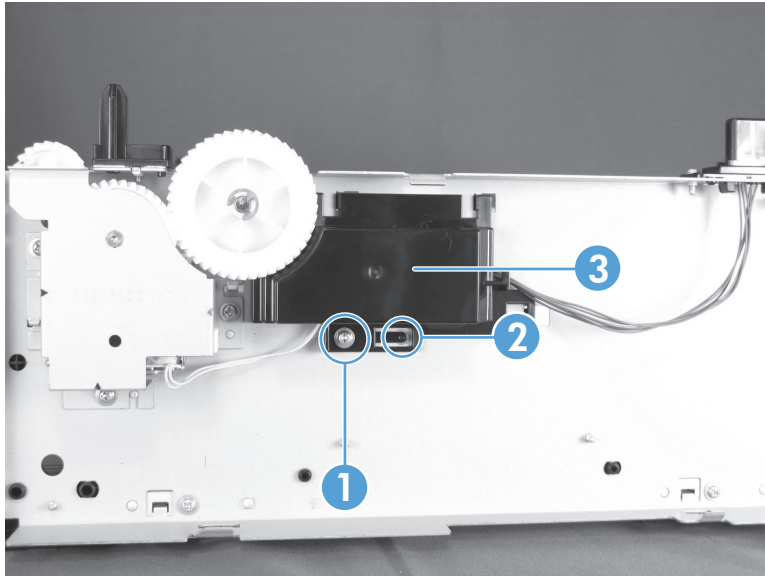


Optional paper feeder driver PCA

1. Remove the right cover.

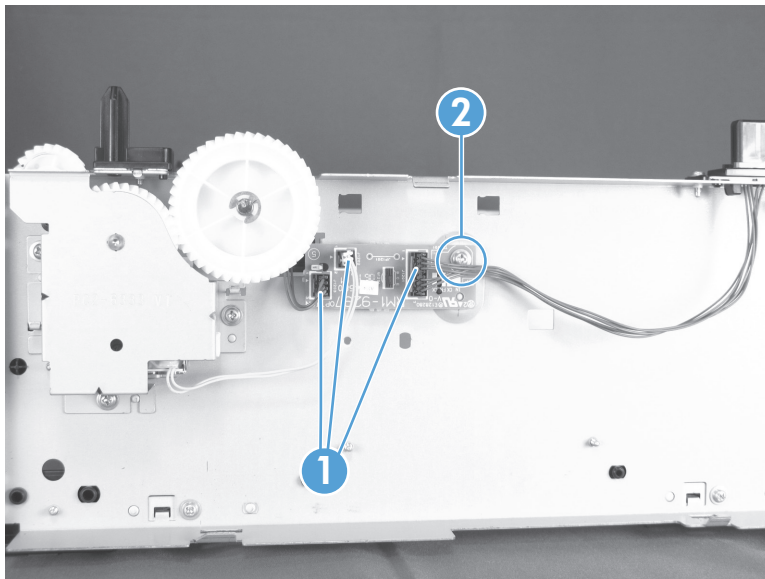
2. On the right side of the unit, remove one screw (callout 1), release one tab (callout 2) from the driver PCA cover (callout 3), and then slide the PCA cover to the right to remove it.

Figure 1-80 Remove the optional paper feeder driver PCA (1 of 2)



3. Disconnect three connectors (callout 1), and then remove one screw (callout 2) to remove the driver PCA.

Figure 1-81 Remove the optional paper feeder driver PCA (2 of 2)

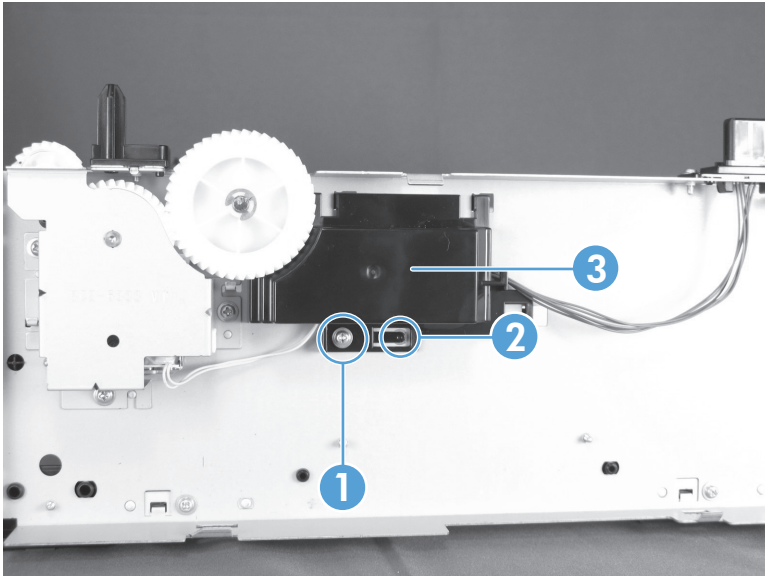


Optional paper feeder paper sensor PCA

1. Remove the right cover.

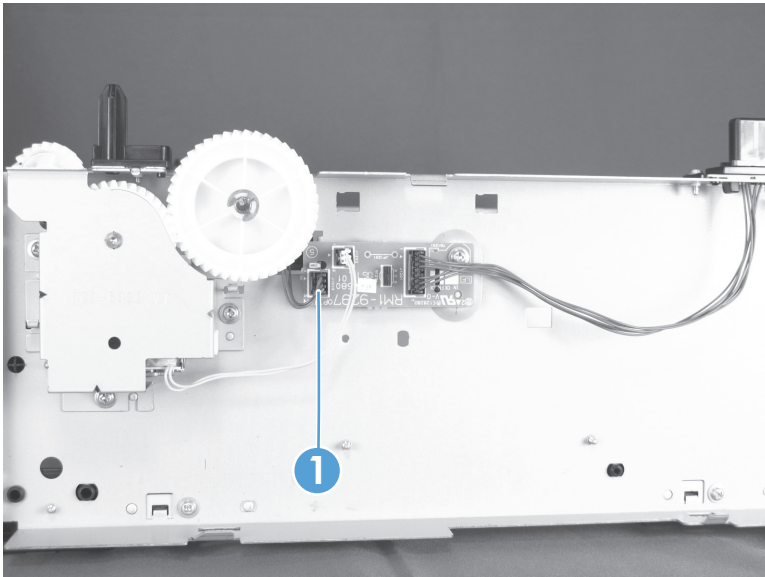
2. On the right side of the unit, remove one screw (callout 1), release one tab (callout 2) from the driver PCA cover (callout 3), and then slide the PCA cover to the right to remove it.

Figure 1-82 Remove the optional paper feeder paper sensor PCA (1 of 3)



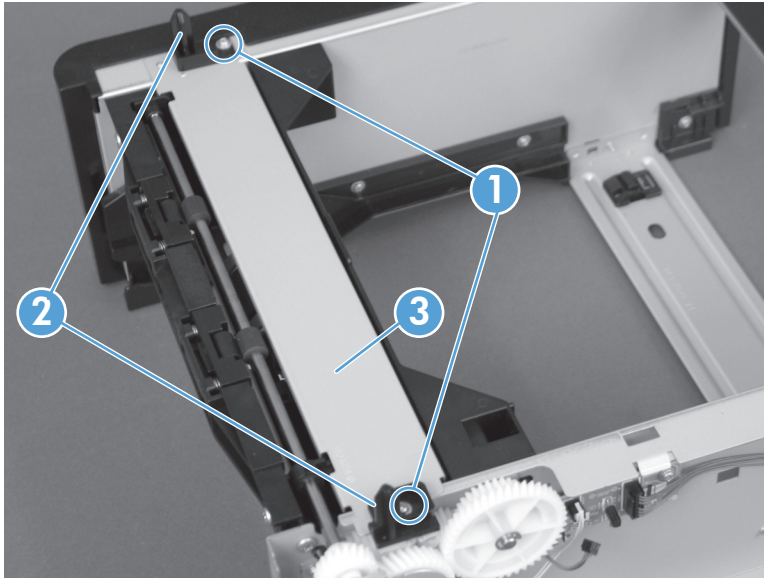
3. On the driver PCA, disconnect one connector (callout 1).

Figure 1-83 Remove the optional paper feeder paper sensor PCA (2 of 4)



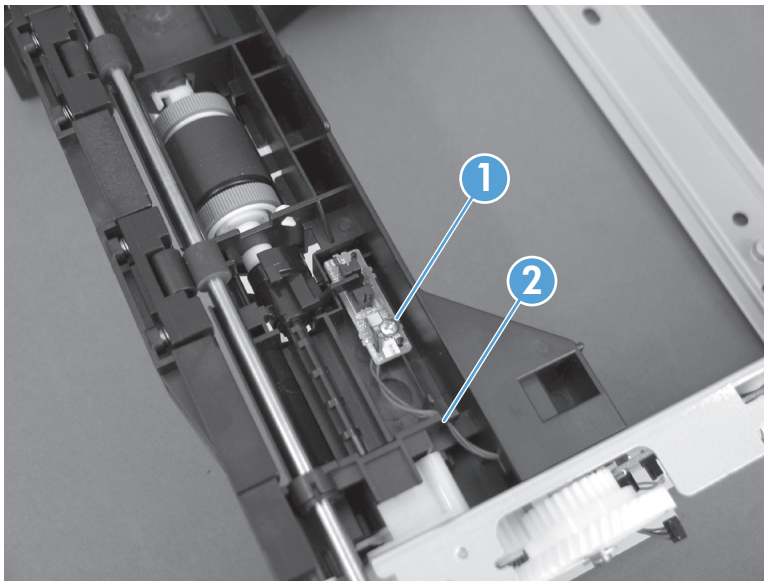
4. At the front of the paper feeder, remove two screws (callout 1), remove the two plastic posts (callout 2), and then lift the metal cover (callout 3) off the paper feeder.

Figure 1-84 Remove the optional paper feeder paper sensor PCA (3 of 4)




5. Remove one screw (callout 1), and then release the PCA cable from the cable guides (callout 2) to remove the sensor PCA.

Figure 1-85 Remove the optional paper feeder paper sensor PCA (4 of 4)



2 Parts and diagrams

 **NOTE:** In this chapter, part numbers are listed only for available replaceable parts.

- [Order parts by authorized service providers](#)
- [How to use the parts lists and diagrams](#)
- [Assembly locations](#)
- [Covers, panels, and doors](#)
- [Internal assemblies](#)
- [Scanner and document feeder](#)
- [Input devices](#)
- [Alphabetical parts list](#)
- [Numerical parts list](#)

Order parts by authorized service providers

Order replacement parts

Table 2-1 Order parts, accessories, and supplies

Order supplies and paper	www.hp.com/go/suresupply
Order genuine HP parts or accessories	www.hp.com/buy/parts
Order through service or support providers	Contact an HP-authorized service or support provider.

Related documentation and software

Table 2-2 Related documentation and software

Item	Description	Part number
HP LaserJet Pro 400 MFP M425 Series User Guide	Product user guide	CF286-90909 (English)
HP LaserJet Pro 400 MFP M425 Series Repair Manual	English repair manual (this manual)	CF286-90979
HP LaserJet Pro 400 MFP M425 Series Troubleshooting Manual	English troubleshooting manual	CF286-91012

Supplies part numbers

Table 2-3 Supplies part numbers

Part	Part number	Type/size
Toner cartridge	CF280A (standard)	Black toner cartridge
	CF280X (extended)	
Paper feeder	CF406A	500-sheet Tray 3
USB 2.0 cable	C6518A	(2-meter standard) A-to-B cable

Whole-unit replacement part numbers




NOTE: Whole-unit replacement products include the formatter PCA.


Table 2-4 Whole-unit replacement part numbers

Item	Description	Part number
HP LaserJet Pro 400 MFP M425dn	110v WUR NAR/TW	CF286-69001 (exchange)
	220v WUR EMEA	CF286-69002 (exchange)
	220v WUR CN/MY	CF286-67059 (replace)
	220v WUR AP/LAR	CF286-69003 (exchange)
	220v WUR CL/AR	CF286-69004 (exchange)
	110v WUR BR	CF286-69005 (exchange)
HP LaserJet Pro 400 MFP M425dw	110v WUR NAR/TW	CF288-69001 (exchange)
	220v WUR EMEA	CF288-69002 (exchange)
	220v WUR CN/MY	CF288-67059 (replace)
	220v WUR AP/LAR	CF288-69003 (exchange)
	220v WUR CL/AR	CF288-69004 (exchange)
	110v WUR BR	CF288-69005 (exchange)

How to use the parts lists and diagrams

The figures in this chapter show the major subassemblies in the product and their component parts. A parts list table follows each exploded view assembly diagram. Each table lists the item number, the associated part number, and the description of each part. If a part is not listed in the table, then it is not a field replacement unit (FRU).

 **CAUTION:** Be sure to order the correct part. When looking for part numbers for electrical components, pay careful attention to the voltage that is listed in the description column. Doing so will ensure that the part number selected is for the correct product model.

 **NOTE:** In this manual, the abbreviation “PCA” stands for “printed circuit-board assembly.” Components described as a PCA might consist of a single circuit board or a circuit board plus other parts, such as cables and sensors.

Assembly locations

Main unit

Figure 2-1 Assembly locations: main unit

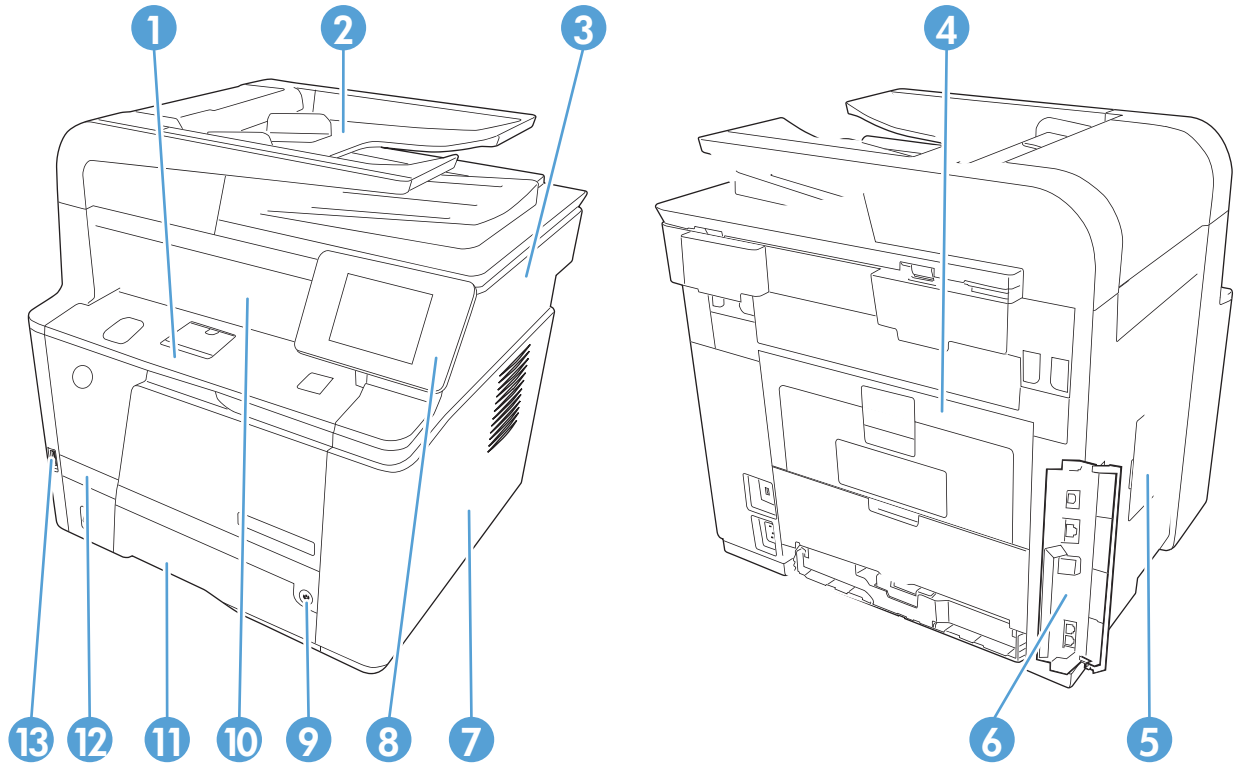


Table 2-5 Assembly locations: main unit

Item	Description	Item	Description
1	Cartridge door assembly (includes multipurpose tray — Tray 1)	8	Control panel
2	Document feeder	9	Power switch
3	Scanner assembly	10	Top cover
4	Rear cover assembly (includes rear output door, duplex cover, and duplexing paper feed assembly)	11	Tray 2 cassette
5	Left cover (includes DIMM door)	12	Front cover
6	Formatter PCA ports	13	Walkup USB port
7	Right cover		

Optional paper feeder

Figure 2-2 Assembly locations: optional paper feeder

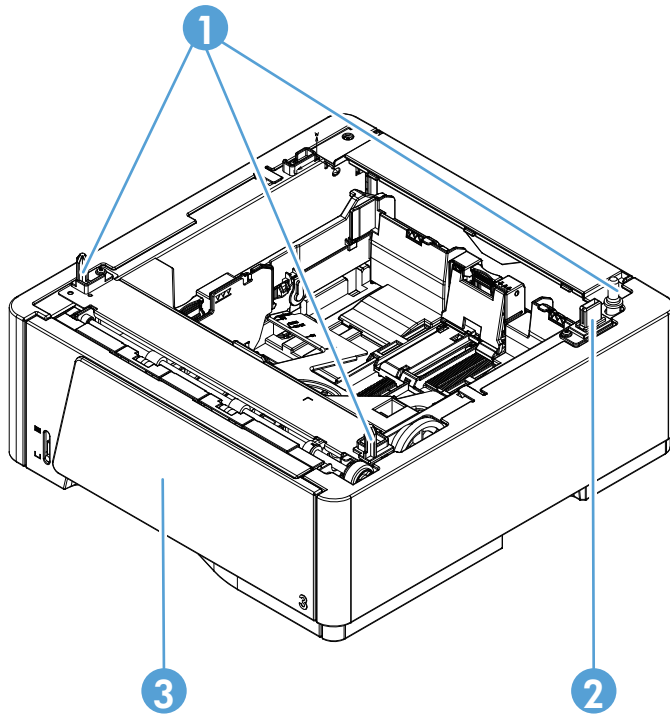


Table 2-6 Assembly locations: optional paper feeder

Item	Description	Item	Description
1	Positioning pins	3	Tray 3 cassette
2	Option interface connector		

Covers, panels, and doors

Figure 2-3 Covers, panels, and doors

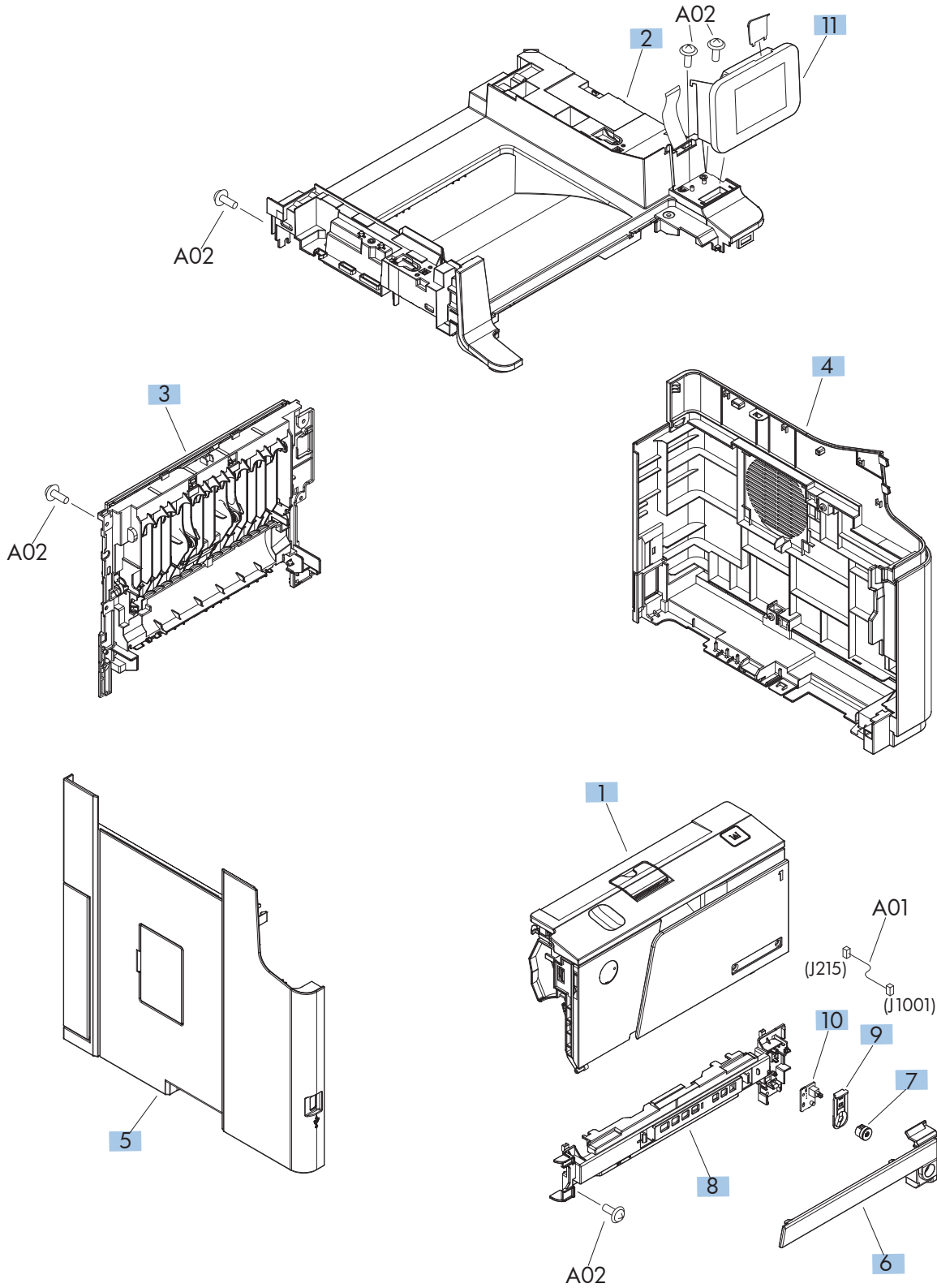


Table 2-7 Covers, panels, and doors

Ref	Description	Part number	Qty
1	Cartridge door assembly	RM1-9307-000CN	1
2	Cover, top	RM1-9303-000CN	1
3	Cover, rear	RM1-9161-000CN	1
4	Cover, right	RM1-9304-000CN	1
5	Cover, left	RM1-9305-000CN	1
6	Cover, outer, front	RC3-2533-000CN	1
7	Switch, power button assembly	RM1-9125-000CN	1
8	Cover, inner, front	RC3-2532-000CN	1
9	Lever, power supply button	RC3-2545-000CN	1
10	Power button PCA	RM1-9039-000CN	1
11	Control-panel assembly (HP LaserJet M425dn model)	CF286-60601	1
11	Control-panel assembly (HP LaserJet M425dw model)	CF288-60602	1

Internal assemblies

Figure 2-4 Internal components (1 of 5)

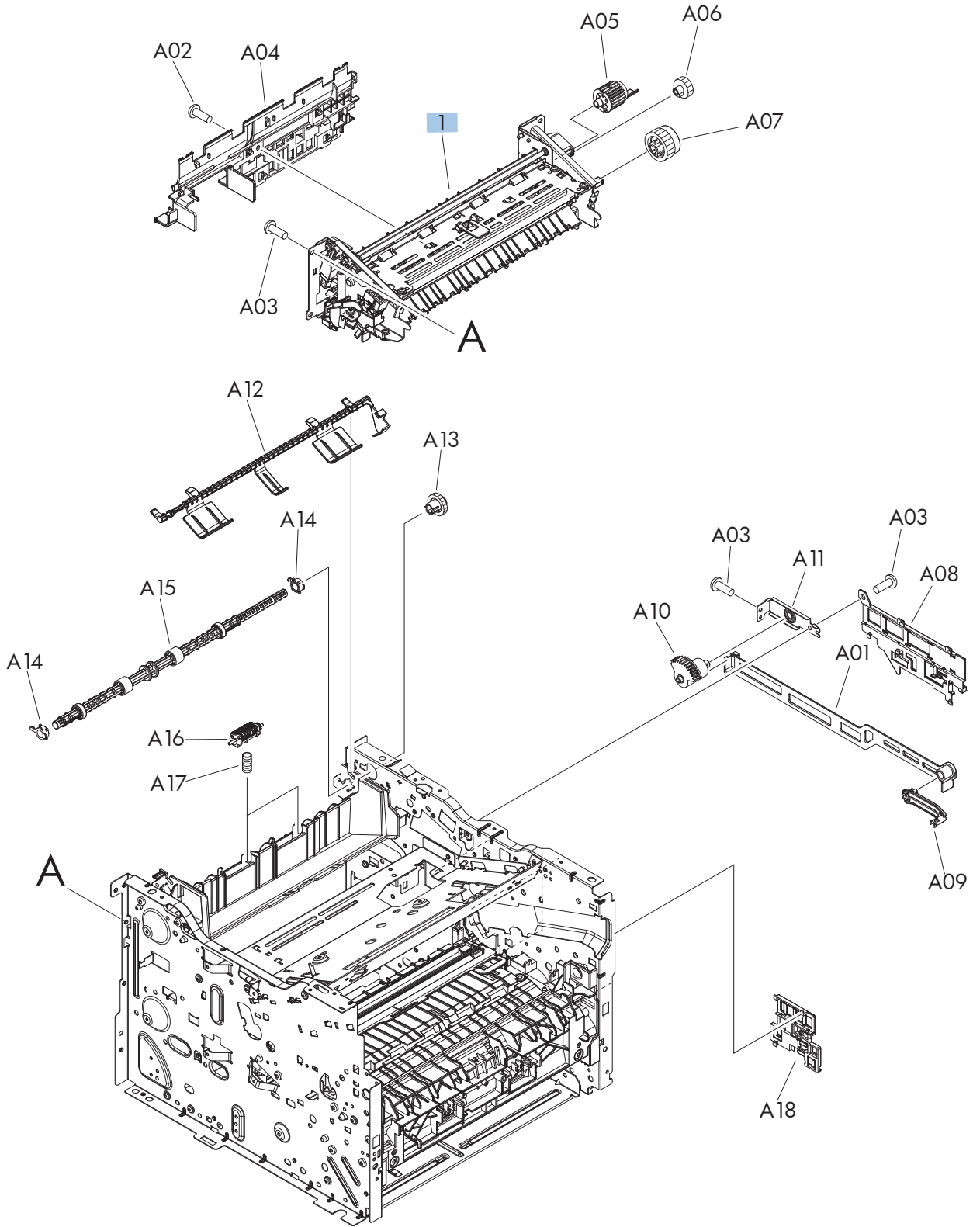


Table 2-8 Internal components (1 of 5)

Ref	Description	Part number	Qty
1	Fuser (110V)	RM1-8808-000CN	1
1	Fuser (220V)	RM1-8809-000CN	1

Figure 2-5 Internal components (2 of 5)

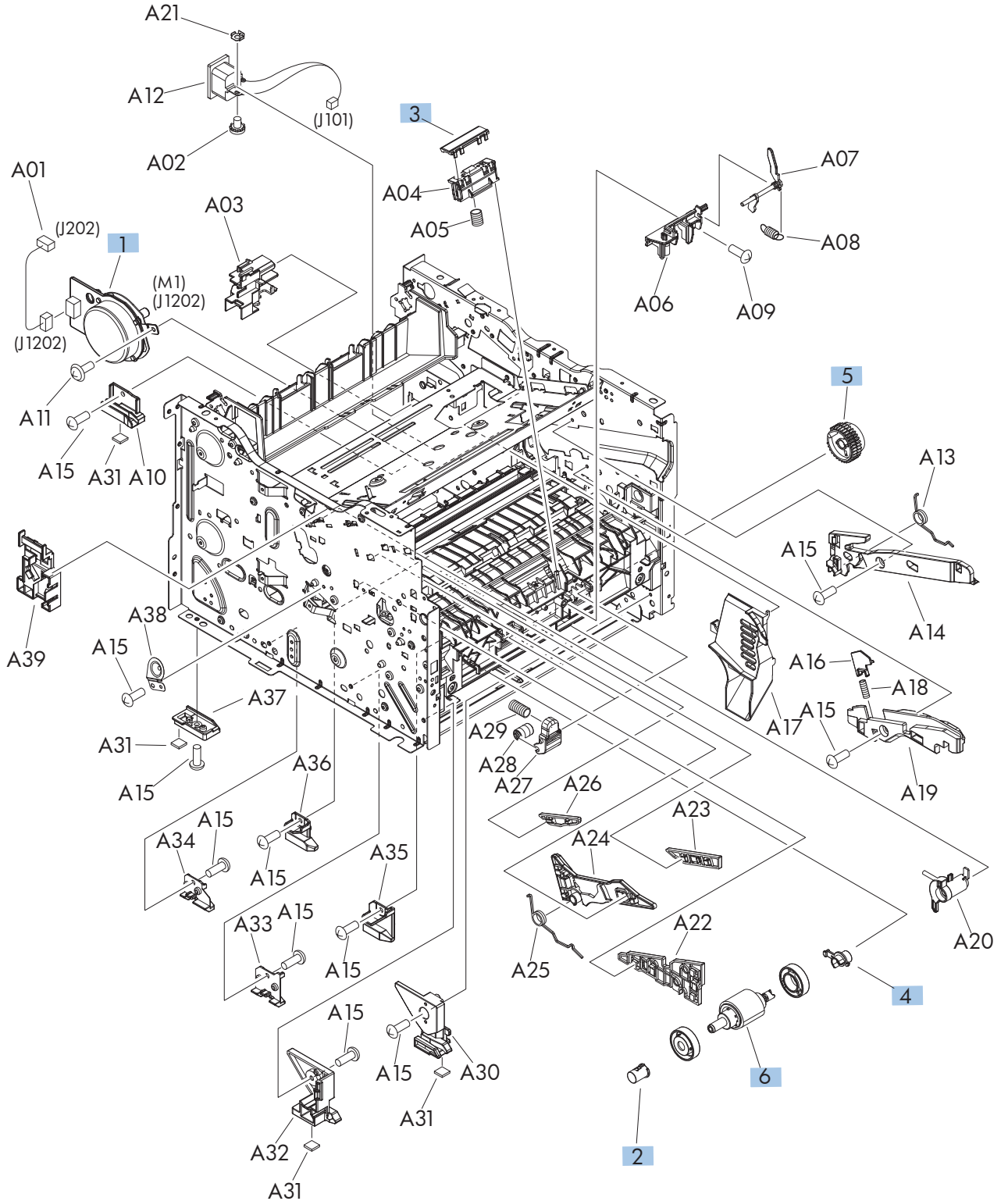


Table 2-9 Internal components (2 of 5)

Ref	Description	Part number	Qty
1	Main motor assembly	RM1-9042-000CN	1
2	Bushing	RC2-8263-000CN	1
3	Separation pad, multipurpose tray	RL1-2115-000CN	1
4	Bushing	RC2-6131-000CN	1
5	Paper pickup gear assembly	RM1-7360-000CN	1
6	Paper pickup roller assembly	RM1-9168-000CN	1

Figure 2-6 Internal components (3 of 5)

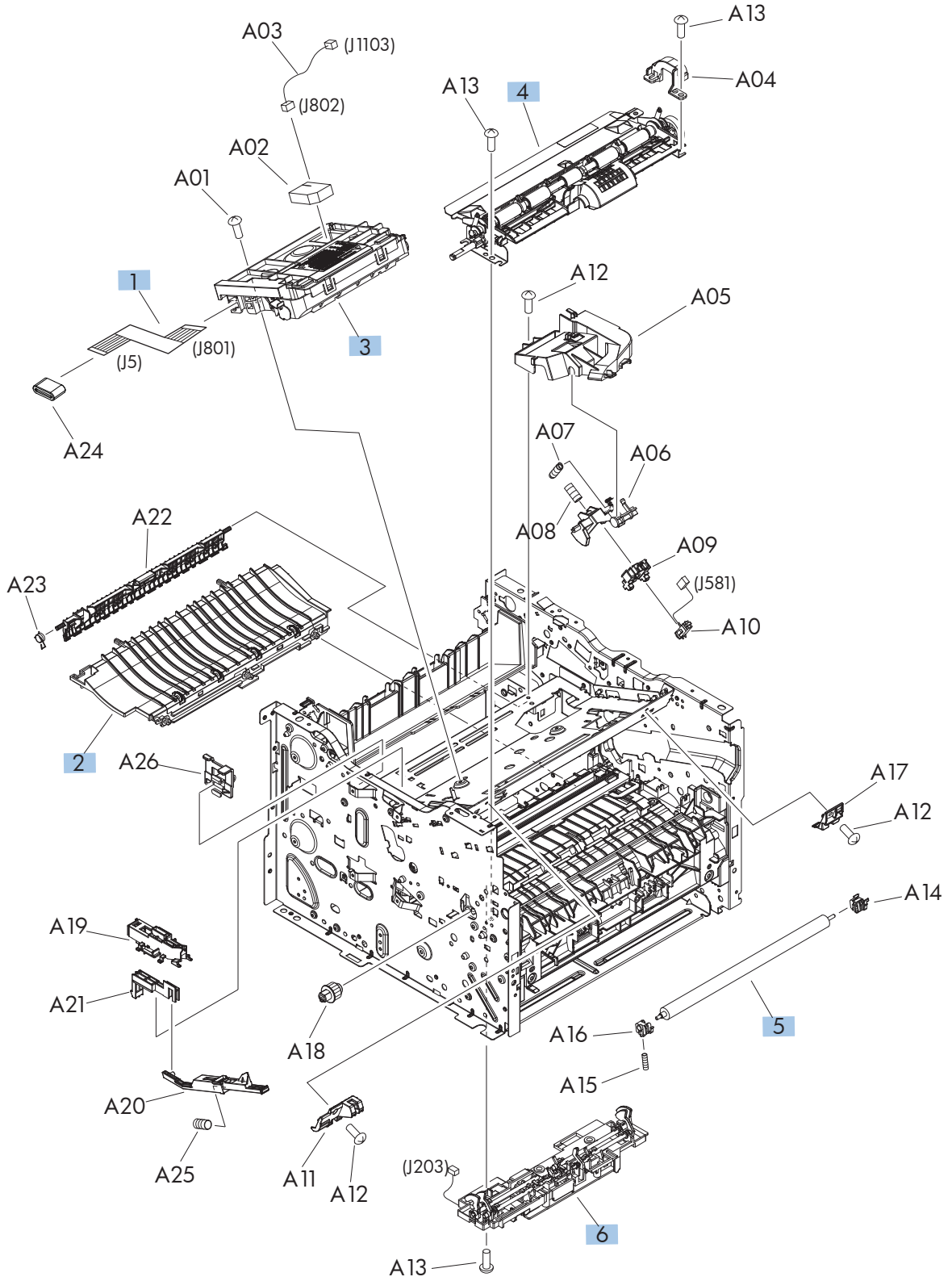


Table 2-10 Internal components (3 of 5)

Ref	Description	Part number	Qty
1	Cable, flexible, flat	RK2-4452-000CN	1
2	Paper feed guide assembly	RM1-9122-000CN	1
3	Laser scanner assembly	RM1-9135-000CN	1
4	Registration roller assembly	RM1-8806-000CN	1
5	Transfer roller assembly	RM1-9175-000CN	1
6	Sensor assembly	RM1-8807-000CN	1

Figure 2-7 Internal components (4 of 5)

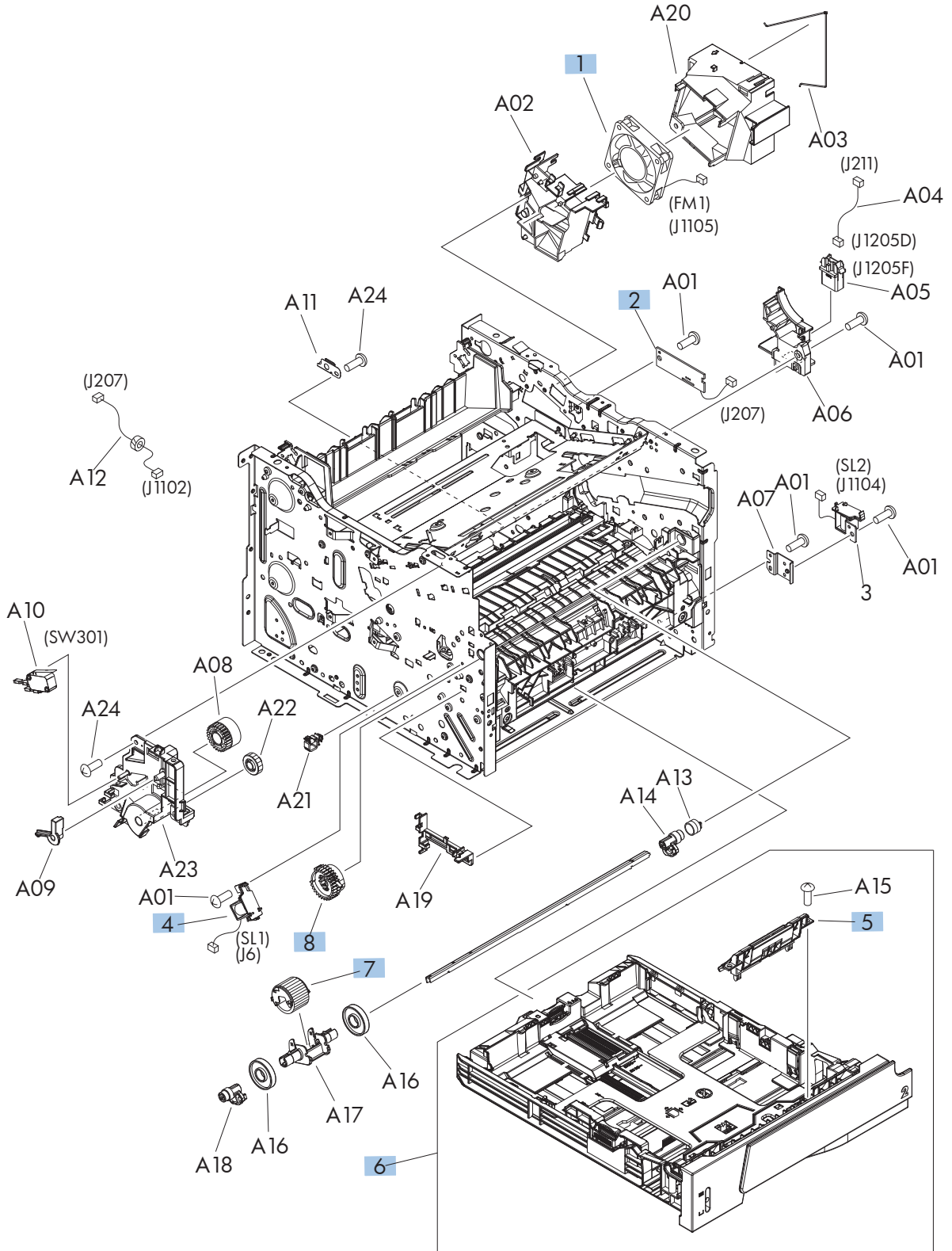


Table 2-11 Internal components (4 of 5)

Ref	Description	Part number	Qty
1	Fan	RK2-2276-000CN	1
2	Connecting PCA	RM1-9114-000CN	1
4	Solenoid, Tray 1	RK2-2731-000CN	1
5	Separation pad holder assembly, Tray 2	RM1-7365-000CN	1
6	Cassette assembly (Tray 2)	RM1-9137-000CN	1
7	Pickup roller, multipurpose tray (Tray 1)	RL1-3307-000CN	1
8	Multipurpose tray pickup gear assembly	RM1-9127-000CN	1

Figure 2-8 Internal components (5 of 5)

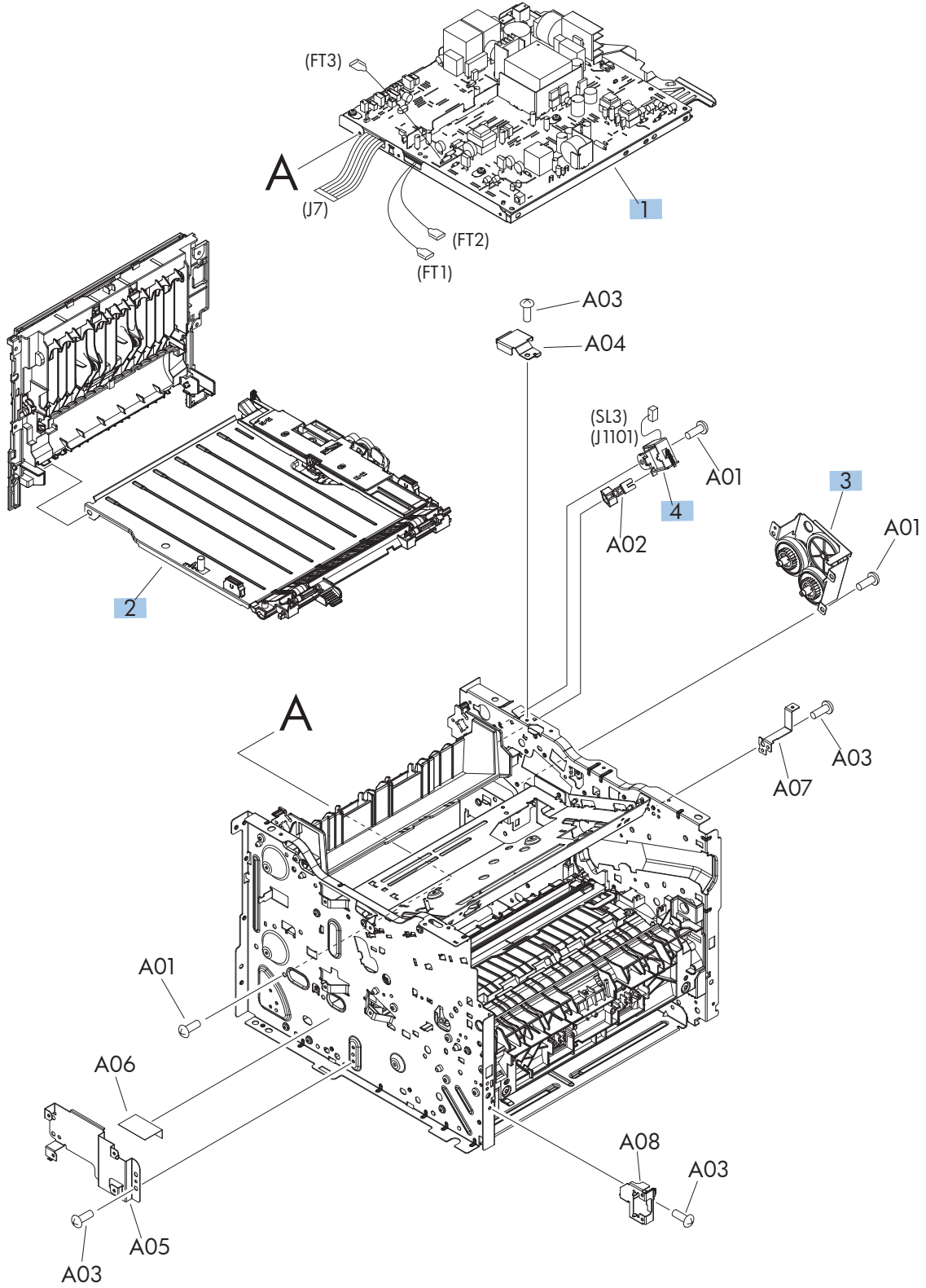


Table 2-12 Internal components (5 of 5)

Ref	Description	Part number	Qty
1	Engine controller assembly (DC controller) — 110V	RM1-9308-000CN	1
1	Engine controller assembly (DC controller) — 220V	RM1-9309-000CN	1
2	Duplexing paper feed assembly	RM1-9153-000CN	1
3	Reverse drive assembly	RM1-9157-000CN	1
4	Solenoid, duplex	RK2-2733-000CN	1

Figure 2-9 PCA locations

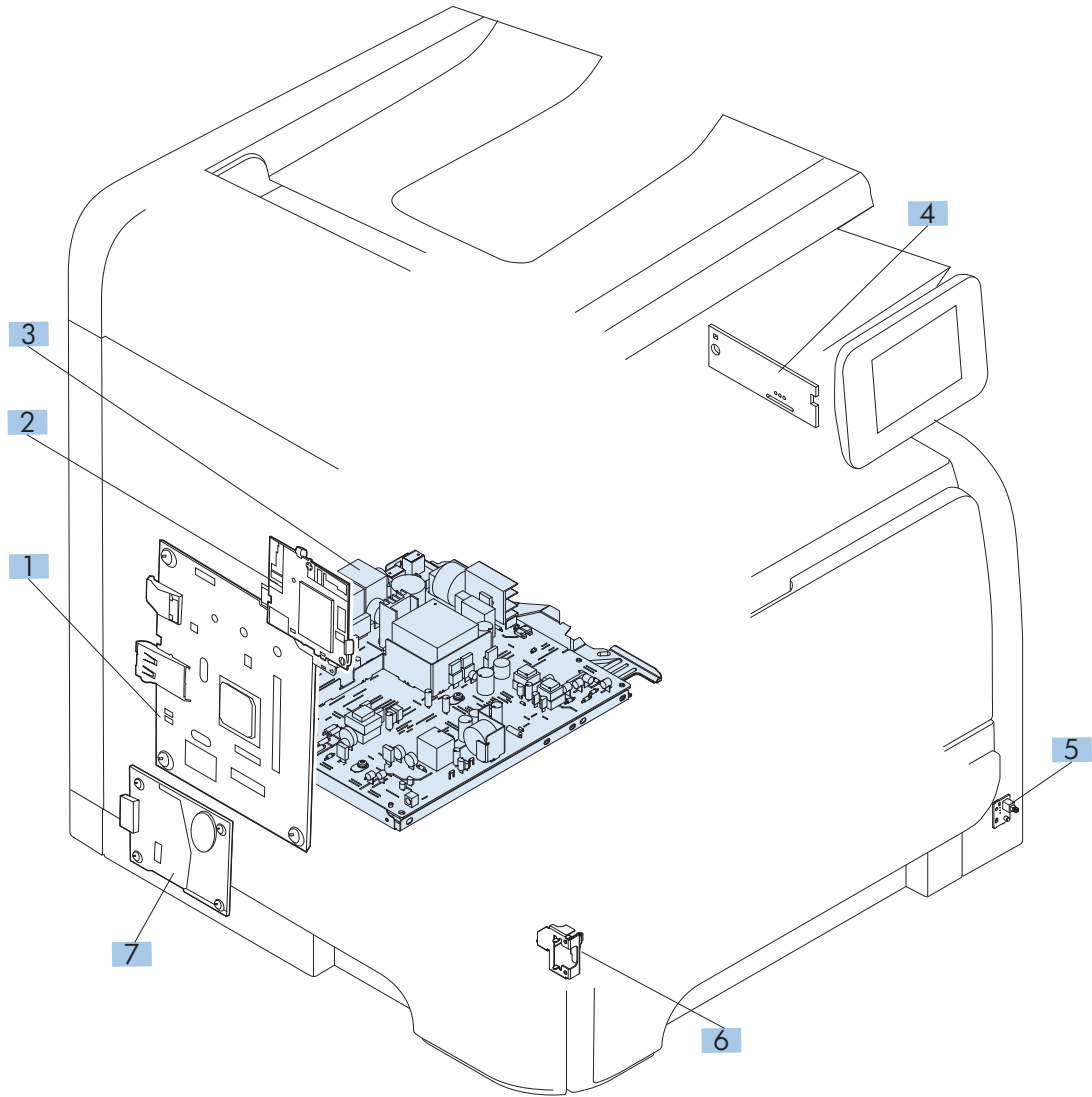


Table 2-13 PCA locations

Ref	Description	Part number	Qty
1	Formatter PCA	CF229-60001	1
1	Formatter PCA (China only)	CF229-69001	1
2	Wireless PCA (HP LaserJet M425dw model only)	CF1150-7940	1
2	Wireless PCA holder (not pictured)	CF286-40014	
3	Engine controller assembly (DC controller) PCA — 110V	RM1-9308-000CN	1
3	Engine controller assembly (DC controller) PCA — 220V	RM1-9309-000CN	1
4	Connecting PCA	RM1-9114-000CN	1
5	Power switch PCA	RM1-9039-000CN	1
6	Universal serial bus (USB) PCA	CF368-60001	1
7	Fax PCA (all countries/regions except Europe)	CF206-60001	1
7	Fax PCA (Europe)	CF207-60001	1

Scanner and document feeder

Figure 2-10 Scanner and document feeder

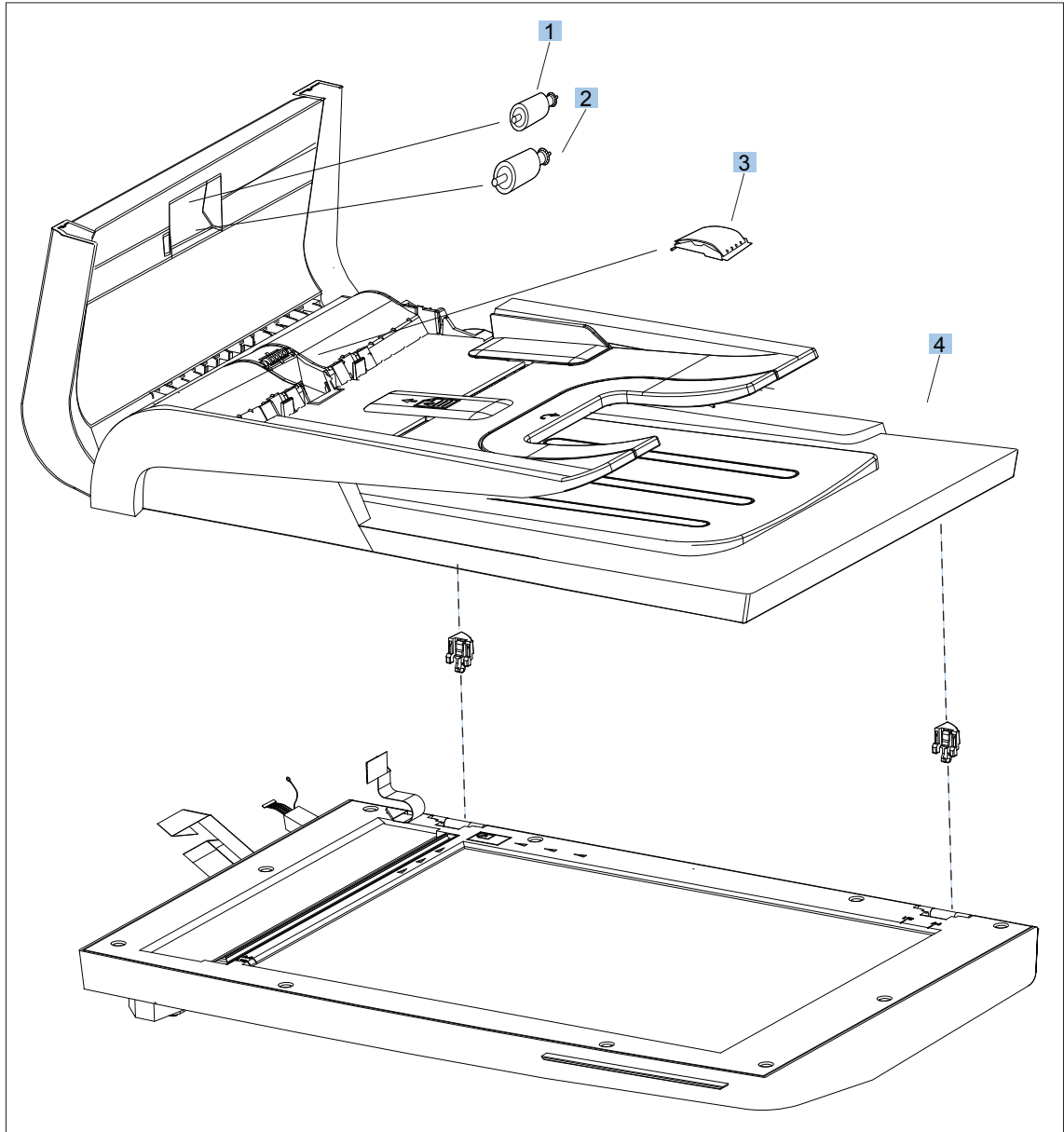


Table 2-14 Scanner and document feeder

Ref	Description	Part number	Qty
1	Document feeder pickup roller	CF288-60015	1
2	Document feeder separation roller	CF288-60016	1
3	Document feeder separation pad	CF288-60021	1
4	Document feeder assembly	CF288-60011	1
5	Scanner assembly	CF288-60104	1

Input devices

500-sheet paper feeder

Paper feeder covers

Figure 2-11 Paper feeder covers

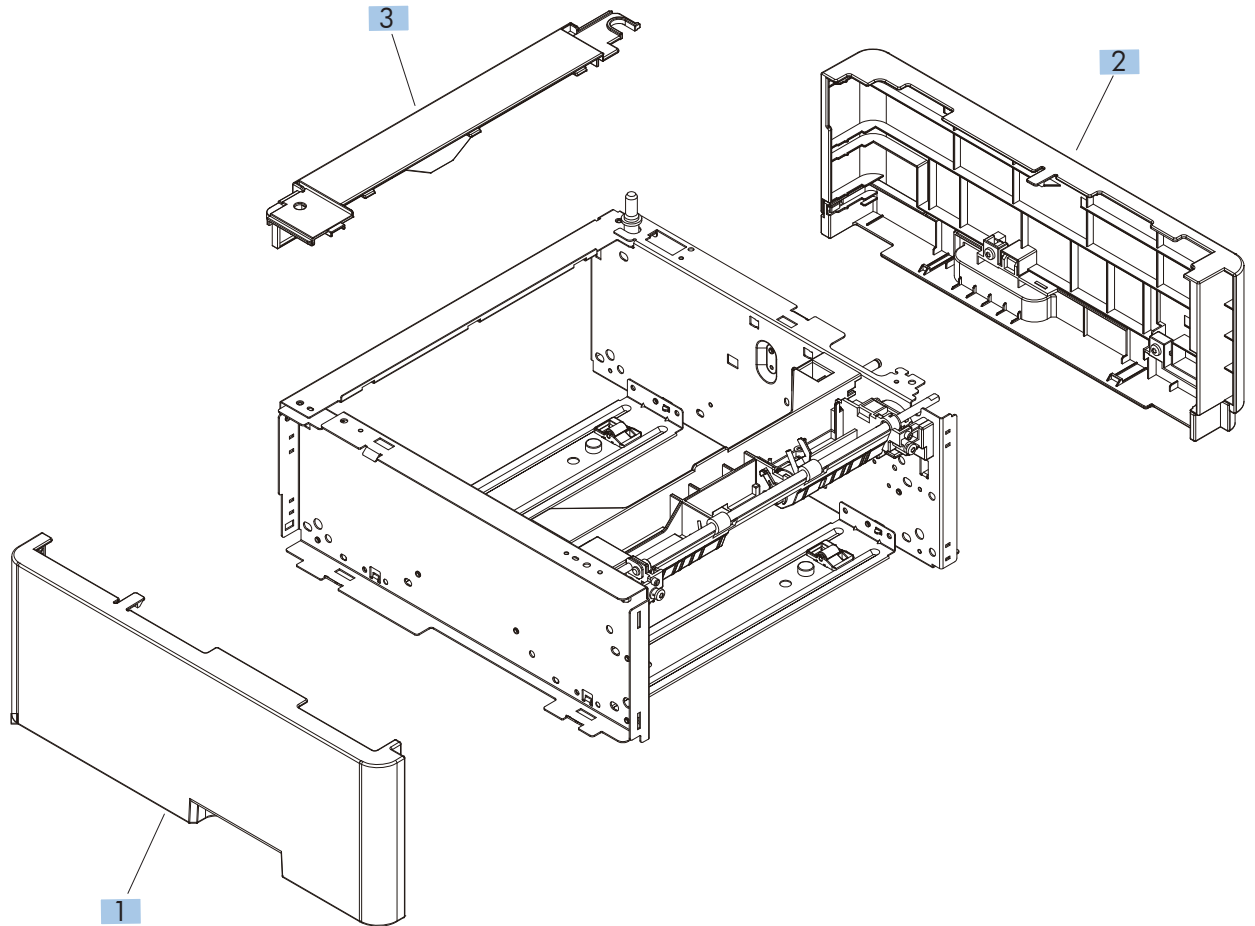


Table 2-15 Paper feeder covers

Ref	Description	Part number	Qty
1	Cover, left	RC3-2618-000CN	1
2	Cover, right	RM1-9316-000CN	1
3	Cover, rear	RC3-2621-000CN	1

Paper feeder main body (1 of 2)

Figure 2-12 Paper feeder main body (1 of 2)

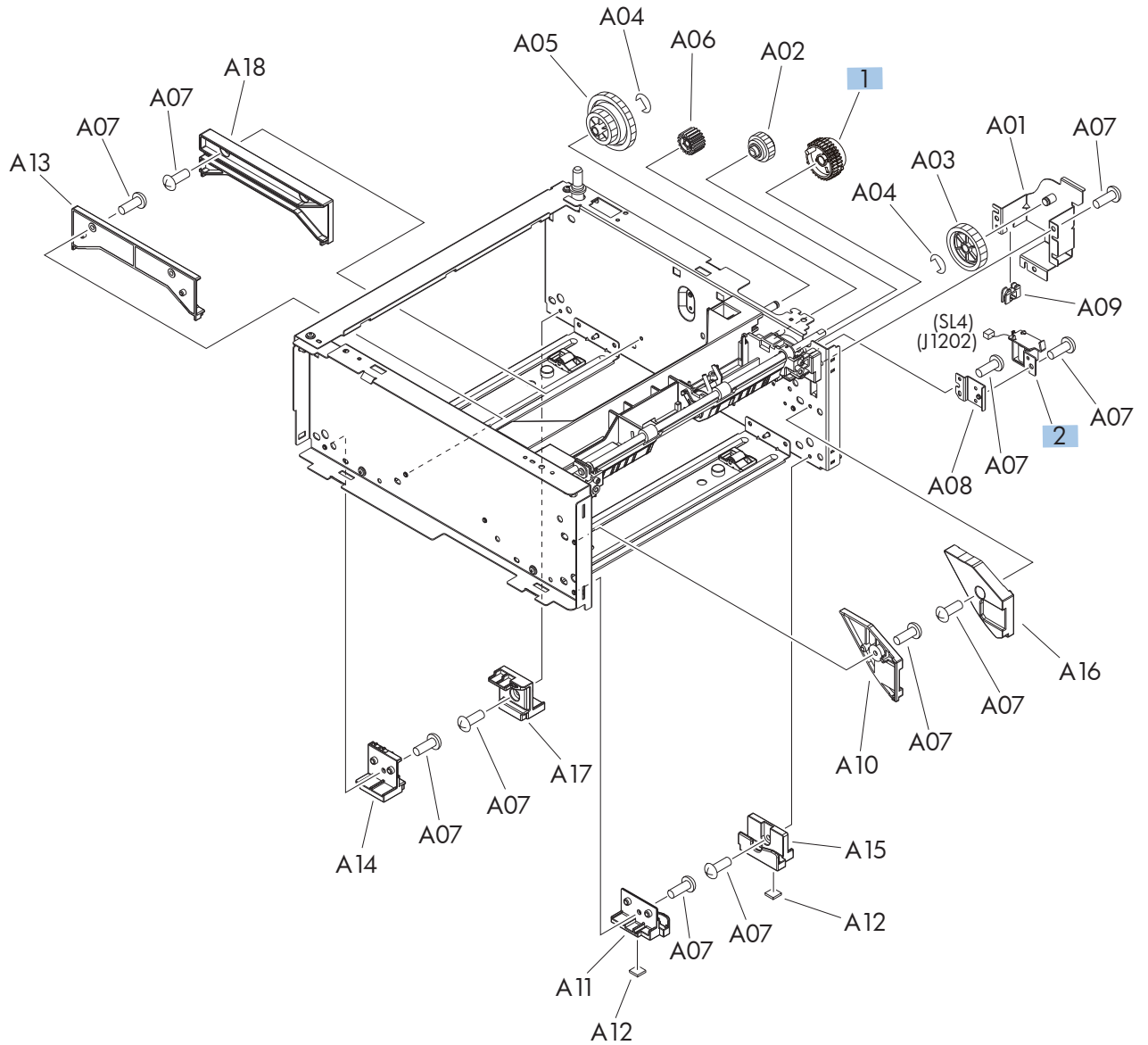


Table 2-16 Paper feeder main body (1 of 2)

Ref	Description	Part number	Qty
1	Paper pickup gear assembly	RM1-7360-000CN	1
2	Solenoid	RK2-0426-000CN	1

Paper feeder main body (2 of 2)

Figure 2-13 Paper feeder main body (2 of 2)

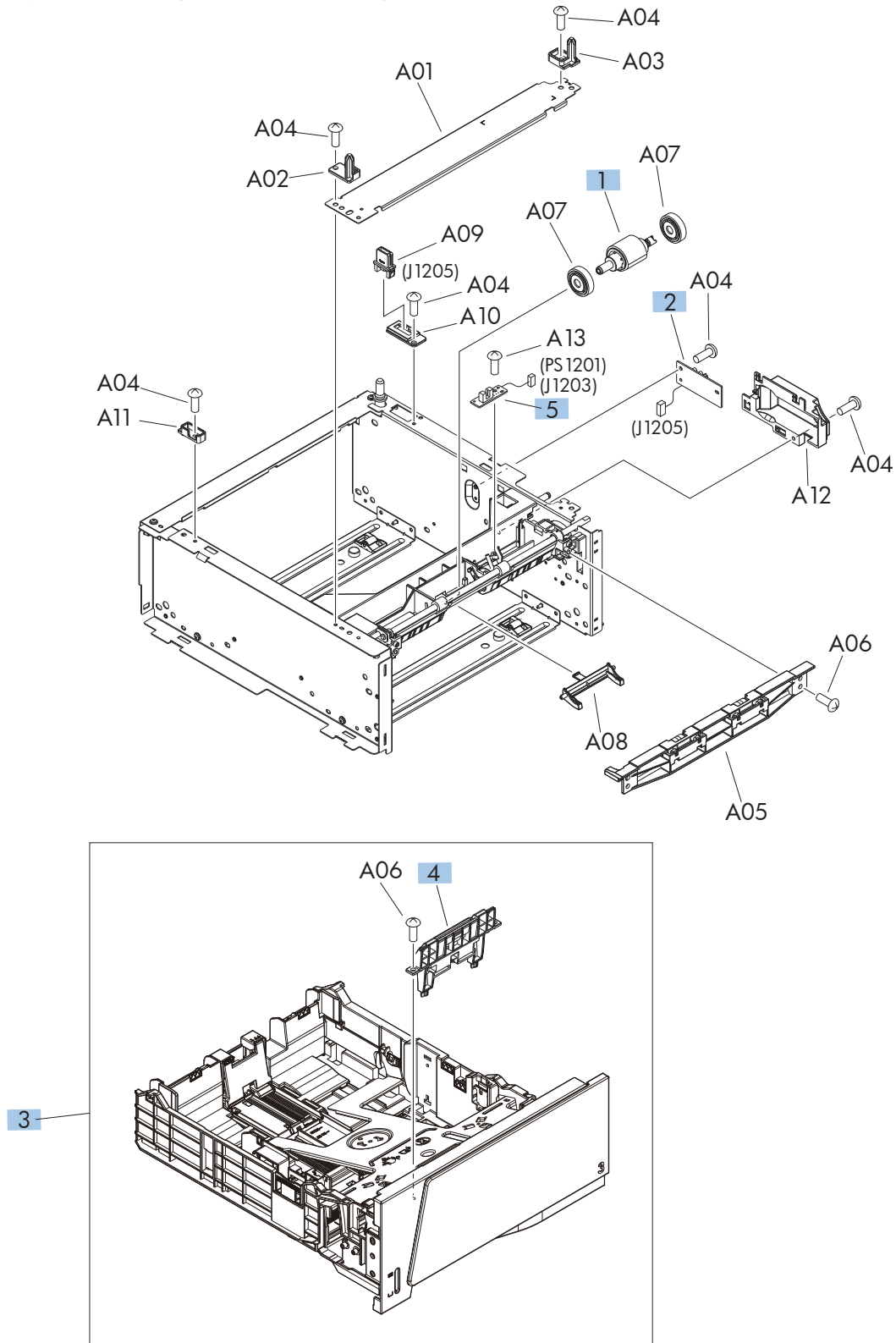


Table 2-17 Paper feeder main body (2 of 2)

Ref	Description	Part number	Qty
1	Paper feeder pickup roller assembly	RM1-9168-000CN	1
2	Paper feeder driver PCA	RM1-9297-000CN	1
3	Paper feeder 500-sheet cassette (Tray 3)	RM1-9313-000CN	1
4	Paper feeder separation pad holder assembly	RM1-6303-000CN	1
5	Paper feeder paper sensor PCA	RM1-1267-000CN	1

Alphabetical parts list

Table 2-18 Alphabetical parts list

Description	Part number	Table and page
Bushing	RC2-8263-000CN	Internal components (2 of 5) on page 73
Bushing	RC2-6131-000CN	Internal components (2 of 5) on page 73
Cable, flexible, flat	RK2-4452-000CN	Internal components (3 of 5) on page 75
Cartridge door assembly	RM1-9307-000CN	Covers, panels, and doors on page 69
Cassette assembly (Tray 2)	RM1-9137-000CN	Internal components (4 of 5) on page 77
Connecting PCA	RM1-9114-000CN	Internal components (4 of 5) on page 77
Connecting PCA	RM1-9114-000CN	PCA locations on page 81
Control-panel assembly (HP LaserJet M425dn model)	CF286-60601	Covers, panels, and doors on page 69
Control-panel assembly (HP LaserJet M425dw model)	CF288-60602	Covers, panels, and doors on page 69
Cover, inner, front	RC3-2532-000CN	Covers, panels, and doors on page 69
Cover, left	RM1-9305-000CN	Covers, panels, and doors on page 69
Cover, left	RC3-2618-000CN	Paper feeder covers on page 85
Cover, outer, front	RC3-2533-000CN	Covers, panels, and doors on page 69
Cover, rear	RM1-9161-000CN	Covers, panels, and doors on page 69
Cover, rear	RC3-2621-000CN	Paper feeder covers on page 85
Cover, right	RM1-9304-000CN	Covers, panels, and doors on page 69
Cover, right	RM1-9316-000CN	Paper feeder covers on page 85
Cover, top	RM1-9303-000CN	Covers, panels, and doors on page 69
Document feeder assembly	CF288-60011	Scanner and document feeder on page 83

Table 2-18 Alphabetical parts list (continued)

Description	Part number	Table and page
Document feeder pickup roller	CF288-60015	Scanner and document feeder on page 83
Document feeder separation pad	CF288-60021	Scanner and document feeder on page 83
Document feeder separation roller	CF288-60016	Scanner and document feeder on page 83
Duplexing paper feed assembly	RM1-9153-000CN	Internal components (5 of 5) on page 79
Engine controller assembly (DC controller) PCA — 110V	RM1-9308-000CN	PCA locations on page 81
Engine controller assembly (DC controller) PCA — 220V	RM1-9309-000CN	PCA locations on page 81
Engine controller assembly (DC controller) — 110V	RM1-9308-000CN	Internal components (5 of 5) on page 79
Engine controller assembly (DC controller) — 220V	RM1-9309-000CN	Internal components (5 of 5) on page 79
Fan	RK2-2276-000CN	Internal components (4 of 5) on page 77
Fax PCA (all countries/regions except Europe)	CF206-60001	PCA locations on page 81
Fax PCA (Europe)	CF207-60001	PCA locations on page 81
Formatter PCA	CF229-60001	PCA locations on page 81
Formatter PCA (China only)	CF229-69001	PCA locations on page 81
Fuser (110V)	RM1-8808-000CN	Internal components (1 of 5) on page 71
Fuser (220V)	RM1-8809-000CN	Internal components (1 of 5) on page 71
Laser scanner assembly	RM1-9135-000CN	Internal components (3 of 5) on page 75
Lever, power supply button	RC3-2545-000CN	Covers, panels, and doors on page 69
Main motor assembly	RM1-9042-000CN	Internal components (2 of 5) on page 73
Multipurpose tray pickup gear assembly	RM1-9127-000CN	Internal components (4 of 5) on page 77
Paper feed guide assembly	RM1-9122-000CN	Internal components (3 of 5) on page 75
Paper feeder 500-sheet cassette (Tray 3)	RM1-9313-000CN	Paper feeder main body (2 of 2) on page 89
Paper feeder driver PCA	RM1-9297-000CN	Paper feeder main body (2 of 2) on page 89

Table 2-18 Alphabetical parts list (continued)

Description	Part number	Table and page
Paper feeder paper sensor PCA	RM1-1267-000CN	Paper feeder main body (2 of 2) on page 89
Paper feeder pickup roller assembly	RM1-9168-000CN	Paper feeder main body (2 of 2) on page 89
Paper feeder separation pad holder assembly	RM1-6303-000CN	Paper feeder main body (2 of 2) on page 89
Paper pickup gear assembly	RM1-7360-000CN	Internal components (2 of 5) on page 73
Paper pickup gear assembly	RM1-7360-000CN	Paper feeder main body (1 of 2) on page 87
Paper pickup roller assembly	RM1-9168-000CN	Internal components (2 of 5) on page 73
Pickup roller, multipurpose tray (Tray 1)	RL1-3307-000CN	Internal components (4 of 5) on page 77
Power button PCA	RM1-9039-000CN	Covers, panels, and doors on page 69
Power switch PCA	RM1-9039-000CN	PCA locations on page 81
Registration roller assembly	RM1-8806-000CN	Internal components (3 of 5) on page 75
Reverse drive assembly	RM1-9157-000CN	Internal components (5 of 5) on page 79
Scanner assembly	CF288-60104	Scanner and document feeder on page 83
Sensor assembly	RM1-8807-000CN	Internal components (3 of 5) on page 75
Separation pad holder assembly, Tray 2	RM1-7365-000CN	Internal components (4 of 5) on page 77
Separation pad, multipurpose tray	RL1-2115-000CN	Internal components (2 of 5) on page 73
Solenoid	RK2-0426-000CN	Paper feeder main body (1 of 2) on page 87
Solenoid, duplex	RK2-2733-000CN	Internal components (5 of 5) on page 79
Solenoid, Tray 1	RK2-2731-000CN	Internal components (4 of 5) on page 77
Switch, power button assembly	RM1-9125-000CN	Covers, panels, and doors on page 69
Transfer roller assembly	RM1-9175-000CN	Internal components (3 of 5) on page 75
Universal serial bus (USB) PCA	CF368-60001	PCA locations on page 81

Table 2-18 Alphabetical parts list (continued)

Description	Part number	Table and page
Wireless PCA (HP LaserJet M425dw model only)	CF1150-7940	PCA locations on page 81
Wireless PCA holder (not pictured)	CF286-40014	PCA locations on page 81

Numerical parts list

Table 2-19 Numerical parts list

Part number	Description	Table and page
CF1150-7940	Wireless PCA (HP LaserJet M425dw model only)	PCA locations on page 81
CF206-60001	Fax PCA (all countries/regions except Europe)	PCA locations on page 81
CF207-60001	Fax PCA (Europe)	PCA locations on page 81
CF229-60001	Formatter PCA	PCA locations on page 81
CF229-69001	Formatter PCA (China only)	PCA locations on page 81
CF286-40014	Wireless PCA holder (not pictured)	PCA locations on page 81
CF286-60601	Control-panel assembly (HP LaserJet M425dn model)	Covers, panels, and doors on page 69
CF288-60011	Document feeder assembly	Scanner and document feeder on page 83
CF288-60015	Document feeder pickup roller	Scanner and document feeder on page 83
CF288-60016	Document feeder separation roller	Scanner and document feeder on page 83
CF288-60021	Document feeder separation pad	Scanner and document feeder on page 83
CF288-60104	Scanner assembly	Scanner and document feeder on page 83
CF288-60602	Control-panel assembly (HP LaserJet M425dw model)	Covers, panels, and doors on page 69
CF368-60001	Universal serial bus (USB) PCA	PCA locations on page 81
RC2-6131-000CN	Bushing	Internal components (2 of 5) on page 73
RC2-8263-000CN	Bushing	Internal components (2 of 5) on page 73
RC3-2532-000CN	Cover, inner, front	Covers, panels, and doors on page 69
RC3-2533-000CN	Cover, outer, front	Covers, panels, and doors on page 69
RC3-2545-000CN	Lever, power supply button	Covers, panels, and doors on page 69
RC3-2618-000CN	Cover, left	Paper feeder covers on page 85
RC3-2621-000CN	Cover, rear	Paper feeder covers on page 85

Table 2-19 Numerical parts list (continued)

Part number	Description	Table and page
RK2-0426-000CN	Solenoid	Paper feeder main body (1 of 2) on page 87
RK2-2276-000CN	Fan	Internal components (4 of 5) on page 77
RK2-2731-000CN	Solenoid, Tray 1	Internal components (4 of 5) on page 77
RK2-2733-000CN	Solenoid, duplex	Internal components (5 of 5) on page 79
RK2-4452-000CN	Cable, flexible, flat	Internal components (3 of 5) on page 75
RL1-2115-000CN	Separation pad, multipurpose tray	Internal components (2 of 5) on page 73
RL1-3307-000CN	Pickup roller, multipurpose tray (Tray 1)	Internal components (4 of 5) on page 77
RM1-1267-000CN	Paper feeder paper sensor PCA	Paper feeder main body (2 of 2) on page 89
RM1-6303-000CN	Paper feeder separation pad holder assembly	Paper feeder main body (2 of 2) on page 89
RM1-7360-000CN	Paper pickup gear assembly	Internal components (2 of 5) on page 73
RM1-7360-000CN	Paper pickup gear assembly	Paper feeder main body (1 of 2) on page 87
RM1-7365-000CN	Separation pad holder assembly, Tray 2	Internal components (4 of 5) on page 77
RM1-8806-000CN	Registration roller assembly	Internal components (3 of 5) on page 75
RM1-8807-000CN	Sensor assembly	Internal components (3 of 5) on page 75
RM1-8808-000CN	Fuser (110V)	Internal components (1 of 5) on page 71
RM1-8809-000CN	Fuser (220V)	Internal components (1 of 5) on page 71
RM1-9039-000CN	Power button PCA	Covers, panels, and doors on page 69
RM1-9039-000CN	Power switch PCA	PCA locations on page 81
RM1-9042-000CN	Main motor assembly	Internal components (2 of 5) on page 73
RM1-9114-000CN	Connecting PCA	Internal components (4 of 5) on page 77
RM1-9114-000CN	Connecting PCA	PCA locations on page 81

Table 2-19 Numerical parts list (continued)

Part number	Description	Table and page
RM1-9122-000CN	Paper feed guide assembly	Internal components (3 of 5) on page 75
RM1-9125-000CN	Switch, power button assembly	Covers, panels, and doors on page 69
RM1-9127-000CN	Multipurpose tray pickup gear assembly	Internal components (4 of 5) on page 77
RM1-9135-000CN	Laser scanner assembly	Internal components (3 of 5) on page 75
RM1-9137-000CN	Cassette assembly (Tray 2)	Internal components (4 of 5) on page 77
RM1-9153-000CN	Duplexing paper feed assembly	Internal components (5 of 5) on page 79
RM1-9157-000CN	Reverse drive assembly	Internal components (5 of 5) on page 79
RM1-9161-000CN	Cover, rear	Covers, panels, and doors on page 69
RM1-9168-000CN	Paper pickup roller assembly	Internal components (2 of 5) on page 73
RM1-9168-000CN	Paper feeder pickup roller assembly	Paper feeder main body (2 of 2) on page 89
RM1-9175-000CN	Transfer roller assembly	Internal components (3 of 5) on page 75
RM1-9297-000CN	Paper feeder driver PCA	Paper feeder main body (2 of 2) on page 89
RM1-9303-000CN	Cover, top	Covers, panels, and doors on page 69
RM1-9304-000CN	Cover, right	Covers, panels, and doors on page 69
RM1-9305-000CN	Cover, left	Covers, panels, and doors on page 69
RM1-9307-000CN	Cartridge door assembly	Covers, panels, and doors on page 69
RM1-9308-000CN	Engine controller assembly (DC controller) — 110V	Internal components (5 of 5) on page 79
RM1-9308-000CN	Engine controller assembly (DC controller) PCA — 110V	PCA locations on page 81
RM1-9309-000CN	Engine controller assembly (DC controller) — 220V	Internal components (5 of 5) on page 79
RM1-9309-000CN	Engine controller assembly (DC controller) PCA — 220V	PCA locations on page 81

Table 2-19 Numerical parts list (continued)

Part number	Description	Table and page
RM1-9313-000CN	Paper feeder 500-sheet cassette (Tray 3)	Paper feeder main body (2 of 2) on page 89
RM1-9316-000CN	Cover, right	Paper feeder covers on page 85

Index

A

- accessories
 - ordering 62
- after-service checklist 4

C

- cartridge
 - ordering 62
 - part number 62
- cautions iii
- checklists
 - after-service 4
 - preservice 3
- conventions, document iii
- covers
 - left, removing 13
 - locations 68
 - parts list 68
 - right, removing 17
 - top, removing 18
- covers, removing
 - rear 20

D

- diagrams 61
 - covers, panels, and doors 68
 - internal assemblies 70
- document conventions iii
- doors
 - front, removing 22
 - parts list 68
 - Tray 1, removing 22
- doors, removing
 - rear 20
- duplex
 - paper-feed assembly,
 - removing 20
 - paper-feed assembly,
 - replacing 31

E

- electrostatic discharge (ESD) 2
- engine controller assembly,
 - removing 41
- ESD (electrostatic discharge)
 - precaution during parts removal 2

F

- formatter PCA, removing 48
- front door, removing 22
- fuser, removing 28

I

- internal assembly
 - locations 70
 - parts list 70

L

- left cover, removing 13
- location
 - assemblies 0

M

- main motor
 - replacing 37

N

- notes iii

O

- ordering
 - product documents 62
 - supplies and accessories 62
 - toner cartridge 62
 - whole-unit replacement 63

P

- panels
 - parts list 68
- paper-pickup-gear assembly
 - replacing 53
- part number
 - toner cartridge 62
 - whole-unit replacement 63
- parts 61
 - assemblies 0
 - cover locations 68
 - door locations 68
 - internal assembly locations 70
 - panel locations 68
 - screws 3
- pliers, required 3
- post-service tests 4
- preservice checklist 3
- print quality
 - test 4

R

- rear cover, removing 20
- rear door, removing 20
- removing parts
 - cautions for 2
 - checklists 3
 - duplex-paper-feed assembly 20
 - engine controller assembly 41
 - formatter PCA 48
 - front doors 22
 - fuser 28
 - left cover 13
 - order of 5
 - rear cover 20
 - rear door 20
 - right cover 17

- tools, required 3
- top cover 18
- replacing
 - duplexing-paper-feed assembly 31
 - main motor 37
 - paper-pickup-gear assembly 53
 - parts 2
- right cover, removing 17
- rollers, pickup and separation; removing 6

S

- screwdrivers, required 3
- screws
 - replacing 2
- service
 - tools, required 3
- static precautions 2
- supplies
 - ordering 62

T

- tests
 - post-service 4
 - print-quality 4
- tips iii
- toner cartridge
 - ordering 62
 - part number 62
- tools, required 3
- top cover, removing 18
- Tray 1 door, removing 22

W

- warnings iii



CF286-90979

