



LASERJET PRO 400

## Repair Manual



M401





# HP LaserJet Pro 400 M401 Printer Series

Repair Manual

**Copyright and License**

© 2012 Copyright Hewlett-Packard Development Company, L.P.

Reproduction, adaptation, or translation without prior written permission is prohibited, except as allowed under the copyright laws.

The information contained herein is subject to change without notice.

The only warranties for HP products and services are set forth in the express warranty statements accompanying such products and services. Nothing herein should be construed as constituting an additional warranty. HP shall not be liable for technical or editorial errors or omissions contained herein.

Part number: CF270-90977


Edition 1, 4/2012

**Trademark Credits**


Microsoft®, Windows®, Windows® XP, and Windows Vista® are U.S. registered trademarks of Microsoft Corporation.


## Conventions used in this guide

---

 **TIP:** Tips provide helpful hints or shortcuts.

 **NOTE:** Notes provide important information to explain a concept or to complete a task.

 **CAUTION:** Cautions indicate procedures that you should follow to avoid losing data or damaging the product.

 **WARNING!** Warnings alert you to specific procedures that you should follow to avoid personal injury, catastrophic loss of data, or extensive damage to the product.

---



---

# Table of contents

<b>1 Removal and replacement .....</b>	<b>1</b>
Removal and replacement strategy .....	2
Electrostatic discharge .....	2
Required tools .....	3
Types of screws .....	3
Service approach .....	3
Before performing service .....	3
After performing service .....	4
Post-service test .....	4
Print-quality test .....	4
Parts removal order .....	5
Removal and replacement procedures .....	6
Rollers .....	6
Multipurpose (MP) tray pickup roller .....	6
Multipurpose (MP) tray separation pad .....	6
Tray 2 and optional Tray 3 pickup roller .....	9
Tray 2 and optional Tray 3 separation pad .....	10
Covers and control panel .....	11
Left cover .....	11
Right cover .....	12
Top cover with LCD control-panel module .....	13
LCD control panel .....	14
Top cover with touchscreen control-panel module .....	16
Touchscreen control panel .....	18
Rear cover, rear door, and feed assembly .....	20
Cartridge door and front cover assembly .....	23
Main assemblies .....	26
Laser scanner assembly .....	26
Registration roller assembly .....	27
Fuser assembly and paper feed guide .....	29
Face down drive or duplex drive assembly .....	32
Solenoids .....	34

Tray 1 solenoid .....	34
Duplex solenoid .....	35
Motors and fans .....	37
Main motor .....	37
Fan .....	39
Printed circuit-board assemblies (PCAs) .....	41
Engine controller assembly (DC controller) PCA .....	41
Universal serial bus (USB) PCA .....	46
Formatter PCA .....	48
Wireless PCA .....	48
Power switch PCA .....	49
Connecting PCA .....	51
Miscellaneous parts .....	52
Transfer roller .....	52
Multipurpose (MP) tray pickup gear assembly .....	52
Optional paper feeder (Tray 3) .....	53
Optional paper feeder right cover .....	54
Optional paper feeder driver PCA .....	54
Optional paper feeder paper sensor PCA .....	55

## **2 Parts and diagrams ..... 59**

Order parts by authorized service providers .....	60
Order replacement parts .....	60
Related documentation and software .....	60
Supplies part numbers .....	60
Whole-unit replacement part numbers .....	60
How to use the parts lists and diagrams .....	62
Assembly locations .....	63
HP LaserJet M401a, M401n, M401d models .....	63
HP LaserJet M401dn and M401dw models .....	64
Optional paper feeder .....	65
Covers, panels, and doors .....	66
Internal assemblies .....	70
Input devices .....	82
500-sheet paper feeder .....	82
Paper feeder covers .....	82
Paper feeder main body (1 of 2) .....	84
Paper feeder main body (2 of 2) .....	86
Alphabetical parts list .....	88
Numerical parts list .....	93







---

# List of tables

Table 2-1	Order parts, accessories, and supplies .....	60
Table 2-2	Related documentation and software .....	60
Table 2-3	Supplies part numbers .....	60
Table 2-4	Whole-unit replacement part numbers .....	60
Table 2-5	Assembly locations: HP LaserJet M401a, M401n, M401d models .....	63
Table 2-6	Assembly locations: HP LaserJet M401dn and M401dw models .....	64
Table 2-7	Assembly locations: optional paper feeder .....	65
Table 2-8	Covers, panels, and doors (LCD control panel models) .....	67
Table 2-9	Covers, panels, and doors (touchscreen control panel models) .....	69
Table 2-10	Internal components (1 of 5) .....	71
Table 2-11	Internal components (2 of 5) .....	73
Table 2-12	Internal components (3 of 5) .....	75
Table 2-13	Internal components (4 of 5) .....	77
Table 2-14	Internal components (5 of 5) .....	79
Table 2-15	PCA location .....	81
Table 2-16	Paper feeder covers .....	83
Table 2-17	Paper feeder main body (1 of 2) .....	85
Table 2-18	Paper feeder main body (2 of 2) .....	87
Table 2-19	Alphabetical parts list .....	88
Table 2-20	Numerical parts list .....	93



---

# List of figures

Figure 1-1	Phillips and Pozidriv screwdriver comparison .....	3
Figure 1-2	Parts-removal order .....	5
Figure 1-3	Remove the MP tray pickup roller .....	6
Figure 1-4	Remove the MP tray separation pad (1 of 5) .....	7
Figure 1-5	Remove the MP tray separation pad (2 of 5) .....	7
Figure 1-6	Remove the MP tray separation pad (3 of 5) .....	8
Figure 1-7	Remove the MP tray separation pad (4 of 5) .....	8
Figure 1-8	Remove the MP tray separation pad (5 of 5) .....	9
Figure 1-9	Remove the Tray 2 or Tray 3 pickup roller (1 of 2) .....	9
Figure 1-10	Remove the Tray 2 or Tray 3 pickup roller (2 of 2) .....	10
Figure 1-11	Remove the Tray 2 or Tray 3 separation pad .....	10
Figure 1-12	Remove the left cover .....	11
Figure 1-13	Remove the right cover .....	12
Figure 1-14	Remove the top-cover assembly and LCD control-panel module (1 of 3) .....	13
Figure 1-15	Remove the top-cover assembly and LCD control-panel module (2 of 3) .....	13
Figure 1-16	Remove the top-cover assembly and LCD control-panel module (3 of 3) .....	14
Figure 1-17	Remove the LCD control panel (1 of 2) .....	15
Figure 1-18	Remove the LCD control panel (2 of 2) .....	15
Figure 1-19	Remove the top-cover assembly (1 of 3) .....	16
Figure 1-20	Remove the top-cover assembly (2 of 3) .....	17
Figure 1-21	Remove the top-cover assembly (3 of 3) .....	17
Figure 1-22	Remove the touchscreen control panel (1 of 3) .....	18
Figure 1-23	Remove the touchscreen control panel (2 of 3) .....	19
Figure 1-24	Remove the touchscreen control panel (3 of 3) .....	19
Figure 1-25	Remove the rear cover, rear door, and feed assembly (1 of 3) .....	20
Figure 1-26	Remove the rear cover, rear door, and feed assembly (2 of 3) .....	21
Figure 1-27	Remove the rear cover, rear door, and feed assembly (3 of 3) .....	22
Figure 1-28	Remove the cartridge door assembly and front cover (1 of 4) .....	23
Figure 1-29	Remove the cartridge door assembly and front cover (2 of 4) .....	24
Figure 1-30	Remove the cartridge door assembly and front cover (3 of 4) .....	24
Figure 1-31	Remove the cartridge door assembly and front cover (4 of 4) .....	25
Figure 1-32	Remove the laser scanner assembly (1 of 2) .....	26

Figure 1-33	Remove the laser scanner assembly (2 of 2)	27
Figure 1-34	Remove the registration assembly (1 of 3)	28
Figure 1-35	Remove the registration assembly (2 of 3)	28
Figure 1-36	Remove the registration assembly (3 of 3)	29
Figure 1-37	Remove the fuser (1 of 5)	30
Figure 1-38	Remove the fuser (2 of 5)	30
Figure 1-39	Remove the fuser (3 of 5)	31
Figure 1-40	Remove the fuser (4 of 5)	31
Figure 1-41	Remove the fuser (5 of 5)	32
Figure 1-42	Remove the face-down-drive or duplex drive assembly (1 of 2)	33
Figure 1-43	Remove the face-down-drive or duplexing-paper-feed assembly (2 of 2)	33
Figure 1-44	Remove the Tray 1 pickup solenoid (1 of 2)	34
Figure 1-45	Remove the Tray 1 pickup solenoid (2 of 2)	35
Figure 1-46	Remove the duplex solenoid	36
Figure 1-47	Remove the main motor (1 of 4)	37
Figure 1-48	Remove the main motor (2 of 4)	38
Figure 1-49	Remove the main motor (3 of 4)	38
Figure 1-50	Remove the main motor (4 of 4)	39
Figure 1-51	Remove the fan (1 of 2)	40
Figure 1-52	Remove the fan (2 of 2)	40
Figure 1-53	Allow the engine controller assembly to cool	41
Figure 1-54	Remove the engine controller assembly (1 of 9)	42
Figure 1-55	Remove the engine controller assembly (2 of 9)	42
Figure 1-56	Remove the engine controller assembly (3 of 9)	43
Figure 1-57	Remove the engine controller assembly (4 of 9)	43
Figure 1-58	Remove the engine controller assembly (5 of 9)	44
Figure 1-59	Remove the engine controller assembly (6 of 9)	44
Figure 1-60	Remove the engine controller assembly (7 of 9)	45
Figure 1-61	Remove the engine controller assembly (8 of 9)	45
Figure 1-62	Remove the engine controller assembly (9 of 9)	46
Figure 1-63	Remove the USB PCA (1 of 2)	47
Figure 1-64	Remove the USB PCA (2 of 2)	47
Figure 1-65	Remove the formatter	48
Figure 1-66	Remove the wireless PCA	49
Figure 1-67	Remove the power-switch PCA (1 of 3)	50
Figure 1-68	Remove the power-switch PCA (2 of 3)	50
Figure 1-69	Remove the power-switch PCA (3 of 3)	51
Figure 1-70	Remove the connecting PCA	51
Figure 1-71	Remove the transfer roller	52
Figure 1-72	Remove the paper-pickup-gear assembly	53
Figure 1-73	Remove the optional paper feeder right cover	54

Figure 1-74	Remove the optional paper feeder driver PCA (1 of 2)	54
Figure 1-75	Remove the optional paper feeder driver PCA (2 of 2)	55
Figure 1-76	Remove the optional paper feeder paper sensor PCA (1 of 4)	55
Figure 1-77	Remove the optional paper feeder paper sensor PCA (2 of 4)	56
Figure 1-78	Remove the optional paper feeder paper sensor PCA (3 of 4)	56
Figure 1-79	Remove the optional paper feeder paper sensor PCA (4 of 4)	57
Figure 2-1	Assembly locations: HP LaserJet M401a, M401n, M401d models	63
Figure 2-2	Assembly locations: HP LaserJet M401dn and M401dw models	64
Figure 2-3	Assembly locations: optional paper feeder	65
Figure 2-4	Covers, panels, and doors (LCD control panel models)	66
Figure 2-5	Covers, panels, and doors (touchscreen control panel models)	68
Figure 2-6	Internal components (1 of 5)	70
Figure 2-7	Internal components (2 of 5)	72
Figure 2-8	Internal components (3 of 5)	74
Figure 2-9	Internal components (4 of 5)	76
Figure 2-10	Internal components (5 of 5)	78
Figure 2-11	PCA location	80
Figure 2-12	Paper feeder covers	82
Figure 2-13	Paper feeder main body (1 of 2)	84
Figure 2-14	Paper feeder main body (2 of 2)	86





---

# 1 Removal and replacement

- [Removal and replacement strategy](#)
- [Service approach](#)
- [Removal and replacement procedures](#)

## Removal and replacement strategy

---

**⚠ WARNING!** Turn the product off, wait 5 seconds, and then remove the power cord before attempting to service the product. If this warning is not followed, severe injury can result, in addition to damage to the product. The power must be on for certain functional checks during problem solving. However, the power supply should be disconnected during parts removal.

Never operate or service the product with the protective cover removed from the laser scanner assembly. The reflected beam, although invisible, can damage your eyes.

The sheet-metal parts can have sharp edges. Be careful when handling sheet-metal parts.


**⚠ CAUTION:** Do not bend or fold the flat flexible cables (FFCs) during removal or installation. Also, do not straighten pre-folds in the FFCs. You *must* Make sure that all FFCs are fully seated in their connectors. Failure to fully seat an FFC into a connector can cause a short circuit in a PCA.

**📝 NOTE:** To install a self-tapping screw, first turn it counterclockwise to align it with the existing thread pattern, and then carefully turn it clockwise to tighten. Do not overtighten. If a self-tapping screw-hole becomes stripped, repair the screw-hole or replace the affected assembly.

---

## Electrostatic discharge

---

**⚠ CAUTION:**  Some parts are sensitive to electrostatic discharge (ESD). Look for the ESD reminder when removing product parts. Always perform service work at an ESD-protected workstation or mat. If an ESD workstation or mat is not available, ground yourself by touching the sheet-metal chassis *before* touching an ESD-sensitive part.

Protect the ESD-sensitive parts by placing them in ESD pouches when they are out of the product.

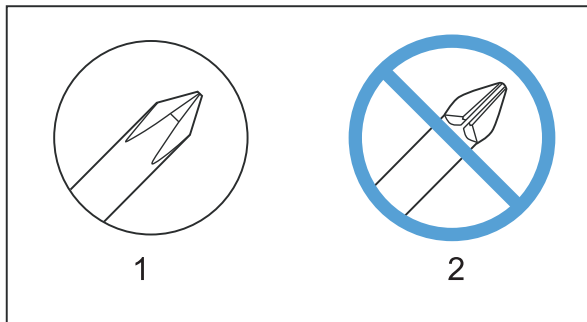
---

## Required tools

- #2 Phillips screwdriver with a magnetic tip and a 152 mm (6 in) shaft length
- Small flatblade screwdriver
- Needle-nose pliers
- ESD mat (if one is available) or ESD strap
- Penlight (optional)

**⚠ CAUTION:** Always use a Phillips screwdriver (callout 1). Do not use a Pozidriv® screwdriver (callout 2) or any motorized screwdriver. These can damage screws or screw threads.

**Figure 1-1** Phillips and Pozidriv screwdriver comparison



**⚠ CAUTION:** Avoid pulling directly on wires to disconnect wire-harness connectors. Pull on the plastic body of a connector to avoid damaging the connector wires.

## Types of screws

**⚠ WARNING!** Make sure that components are replaced with the correct screw type. Using the incorrect screw (for example, substituting a long screw for the correct shorter screw) can cause damage to the product or interfere with product operation. Do not intermix screws that are removed from one component with the screws that are removed from another component.

For a complete list of screw types and part numbers, see the Parts chapter.

## Service approach

### Before performing service

- Remove all paper from the product.
- Turn off the power using the power switch.
- Unplug the power cable and interface cable or cables.
- Place the product on an ESD workstation or mat, or use an ESD strap (if one is available). If an ESD workstation, mat, or strap is not available, ground yourself by touching the sheet-metal chassis *before* touching an ESD-sensitive part.

- Remove the toner cartridge.
- Remove the Tray 2 cassette.

## After performing service

- Plug in the power cable.
- Reinstall the toner cartridge.
- Reinstall the Tray 2 cassette.
- Load paper in the product.

## Post-service test

Perform the following test to verify that the repair or replacement was successful.

### Print-quality test

1. Verify that you have completed the necessary reassembly steps.
2. Make sure that the tray contains clean, unmarked paper.
3. Attach the power cord and interface cable or interface cables, and then turn on the product.
4. Verify that the expected startup sounds occur.
5. Print a configuration page, and then verify that the expected printing sounds occur.
6. Print a demo page, and then verify that the print quality is as expected.
7. Send a print job from the host computer, and then verify that the output meets expectations.
8. Clean the outside of the product with a damp cloth.

## Parts removal order

Use the following diagram to determine which parts must be removed before removing other parts.

**Figure 1-2** Parts-removal order

Component	Remove	Remove	Remove	Remove	Remove	Remove
Toner cartridge						
Tray 2 cassette						
Tray 1 pickup roller						
Left cover	Tray 2 cassette					
Right cover	Tray 2 cassette					
Tray 1 separation pad	Left cover					
Tray 1 pickup gear assembly	Left cover					
Tray 2/3 pickup roller	Tray 2/3 cassette					
Tray 2/3 separation roller	Tray 2/3 cassette					
Transfer roller	Toner cartridge					
Rear cover and feed assembly	Left cover	Right cover				
Top cover	Left cover	Right cover				
LCD control-panel	Left cover	Right cover	Top cover			
Touchscreen control-panel	Left cover	Right cover	Top cover			
Front-door and front-cover assembly	Left cover	Right cover	Top cover			
Laser scanner assembly	Left cover	Right cover	Top cover			
Registration roller assembly	Left cover	Right cover	Top cover		Rear cover and feed assembly	
Fuser assembly and paper feed guide	Left cover	Right cover	Rear cover and feed assembly			
Face down drive or duplex drive assembly	Left cover	Right cover	Top cover			
Tray 1 solenoid	Left cover					
Tray 2 solenoid	Right cover					
Duplex solenoid	Left cover	Right cover	Top cover		Rear cover and feed assembly	
Main motor	Left cover	Right cover	Top cover		Rear cover and feed assembly	ECU
Fan	Left cover	Right cover	Top cover			
Engine controller unit (ECU) PCA	Left cover	Right cover	Top cover		Rear cover and feed assembly	
Formatter PCA	Left cover	Wireless PCA (wireless models)				
USB PCA (touchscreen CP model)	Left cover					
Wireless PCA	Left cover					
Power switch PCA	Left cover	Right cover	Front cover assembly			
Connecting PCA	Right cover					
Optional paper feeder driver PCA	Tray 3 right cover					
Optional paper feeder paper sensor PCA	Tray 3 right cover					

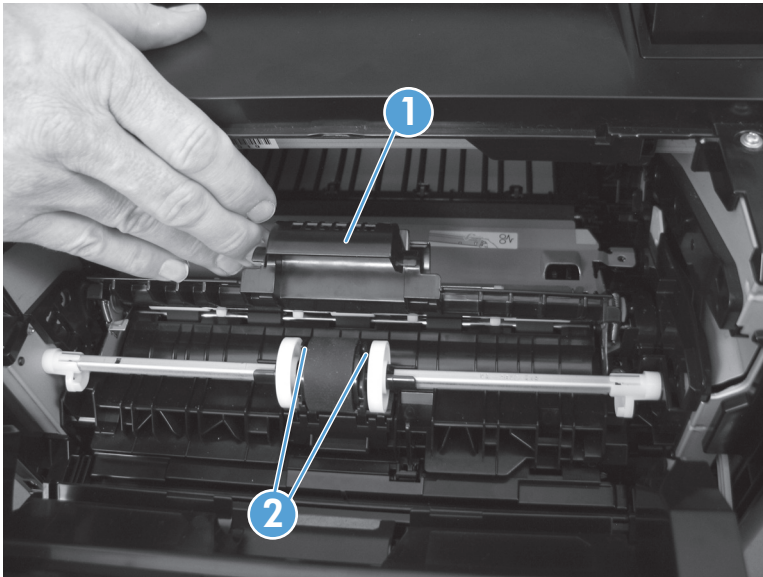
# Removal and replacement procedures

## Rollers

### Multipurpose (MP) tray pickup roller

1. Open the toner cartridge door, and then remove the toner cartridge.
2. Pull back and hold the pickup roller cover (callout 1), press the tabs (callout 2) on both ends of the pickup roller away from the roller — which should cause the roller to move up — and then remove the roller.

**Figure 1-3** Remove the MP tray pickup roller




### Multipurpose (MP) tray separation pad

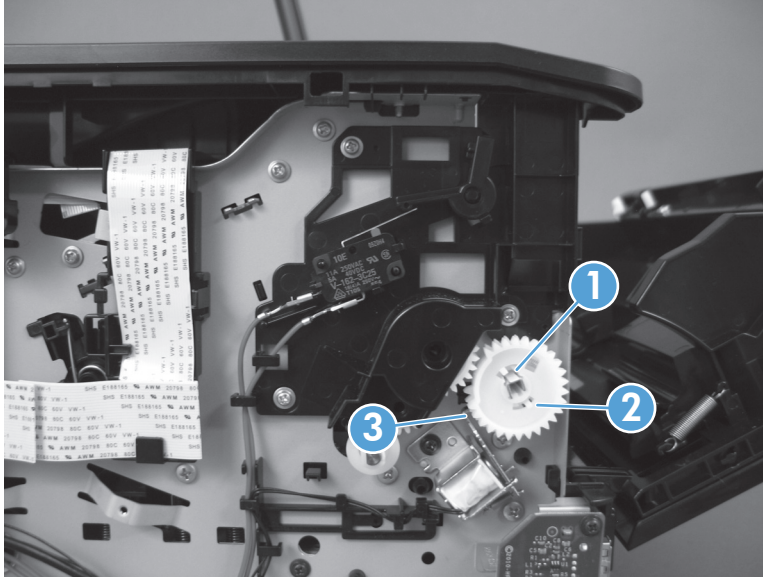
To remove the separation pad, you must first remove the pickup roller assembly.


1. Remove the following components:
  - Tray 2 cassette
  - Left cover. See [Left cover on page 11](#).
2. Open the toner cartridge door, and then remove the toner cartridge.

3. On the left side of the product, release the innermost tab (callout 1) at the center of the gear, and then remove the gear (callout 2).

 **NOTE:** The gear is composed of two pieces. Releasing the outer tab does not remove the entire gear assembly and exposes an internal spring in the gear.

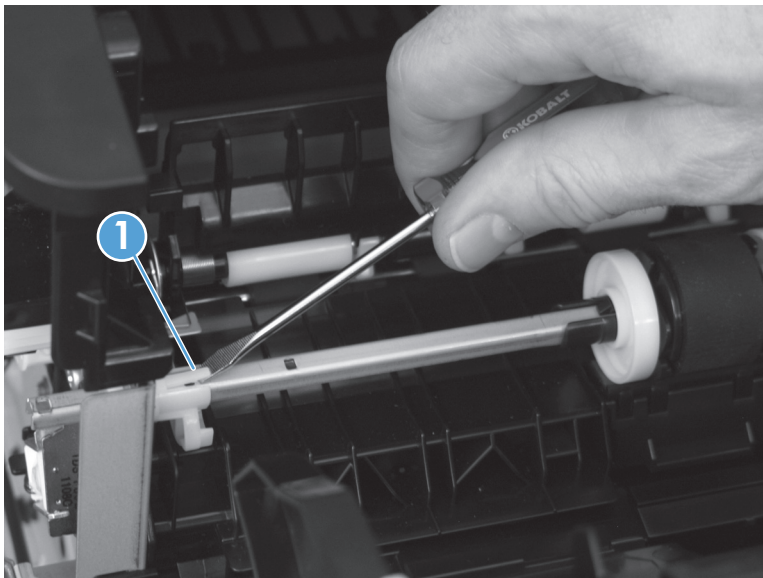
**Figure 1-4** Remove the MP tray separation pad (1 of 5)



 **Reinstallation tip** Press and hold back the gear arm (callout 3) when reinstalling the pickup gear.

4. In the toner cartridge cavity, pull back the pickup roller cover, and then use a small flat-blade screwdriver to release the tab (callout 1) on the pickup roller shaft.


**Figure 1-5** Remove the MP tray separation pad (2 of 5)



5. Move the pickup roller shaft to the left to free the right end of the shaft from the holder, and then remove the pickup roller shaft assembly to expose the separation pad.

**Figure 1-6** Remove the MP tray separation pad (3 of 5)



 **Reinstallation tip** The spring at the right end of the shaft is not captive and might fall off during this process. Make sure that the spring is positioned correctly when reinstalling, as shown in the following figure.

**Figure 1-7** Remove the MP tray separation pad (4 of 5)






6. Pull up on the top edge of the separation pad to release it from the product.

**Figure 1-8** Remove the MP tray separation pad (5 of 5)

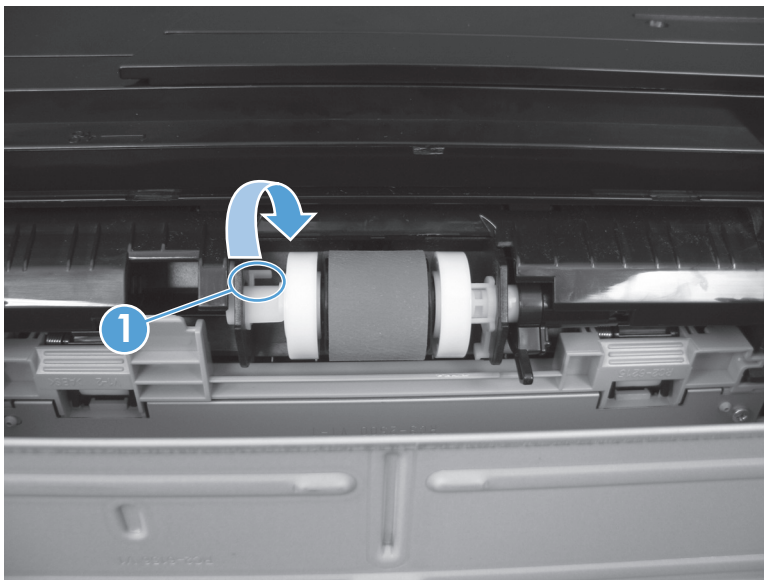


 **Reinstallation tip** When reinstalling the pickup roller shaft assembly, make sure that the flat part of the pickup roller is directly over the separation pad.

## Tray 2 and optional Tray 3 pickup roller

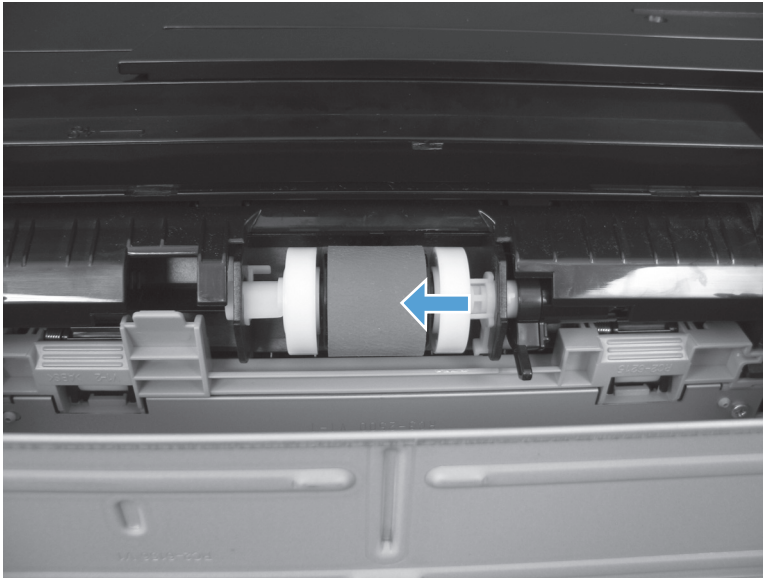
1. Remove the tray cassette from the product.
2. Locate the pickup roller at the top of the cassette cavity. On the left roller holder, release the tab (callout 1), and then turn the holder away from you.

**Figure 1-9** Remove the Tray 2 or Tray 3 pickup roller (1 of 2)



3. Push the pickup roller to the left to release the right side roller, and then pull the roller out of the product.

**Figure 1-10** Remove the Tray 2 or Tray 3 pickup roller (2 of 2)

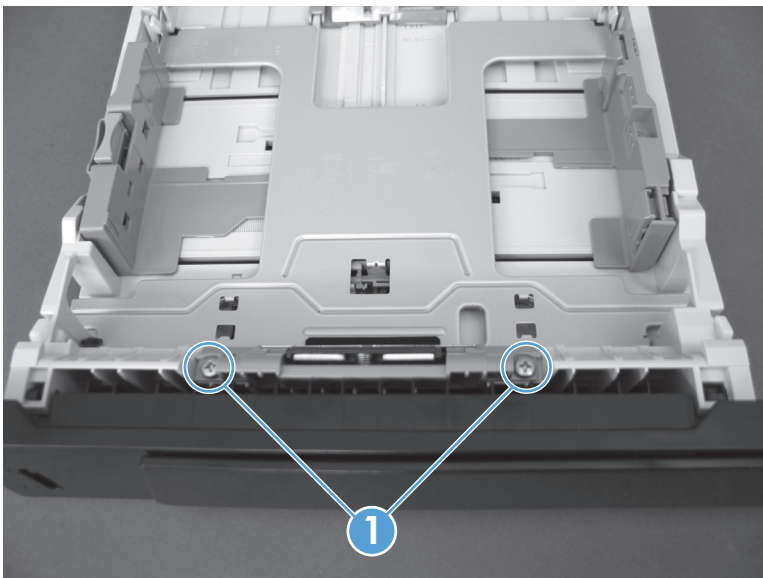


- 4.

## Tray 2 and optional Tray 3 separation pad

1. Remove the tray cassette from the product.
2. Locate the separation pad at the front of the cassette. On the separation pad, remove two screws (callout 1), and then remove the pad from the tray cassette.


**Figure 1-11** Remove the Tray 2 or Tray 3 separation pad



- 3.

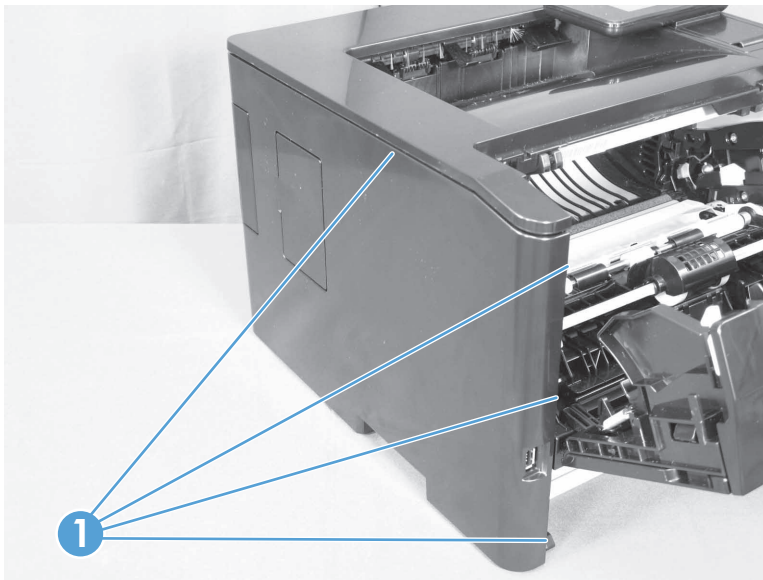
## Covers and control panel

### Left cover

 **NOTE:** No tools are necessary to remove this cover. However, a small flat-blade screwdriver might be helpful in releasing some of the tabs that hold the cover to the product chassis.


1. Remove the Tray 2 cassette.
2. Open the toner cartridge door and the rear jam access door.
3. Grasp the front edge of the cover, and then pull the cover toward the front to release the four tabs (callout 1).

**Figure 1-12** Remove the left cover



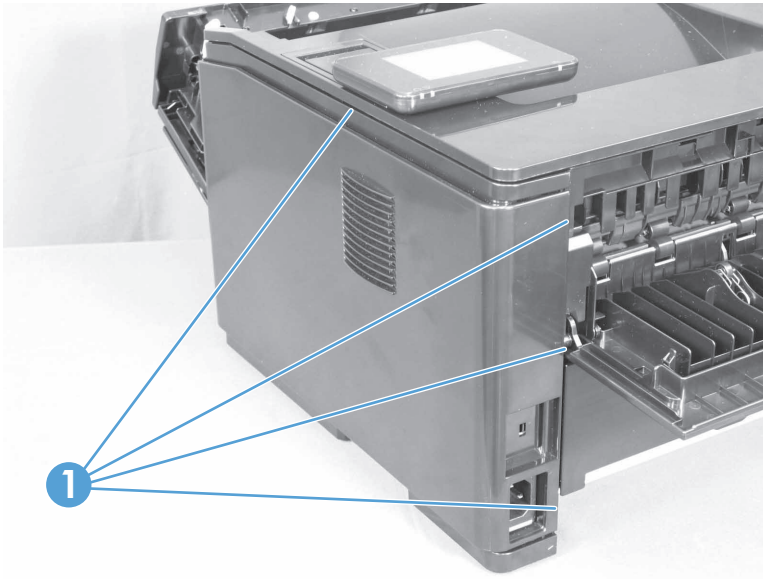
4. With the top and front edges loose, carefully slide the cover toward the back of the product, and then remove it.

## Right cover

 **NOTE:** No tools are necessary to remove this cover. However, a small flat-blade screwdriver might be helpful in releasing some of the tabs that hold the cover to the product chassis.

1. Remove the Tray 2 cassette.
2. Open the toner cartridge door and the rear jam access door.
3. Grasp the rear edge of the cover, and then pull that edge toward the rear to release the four tabs (callout 1).

**Figure 1-13** Remove the right cover

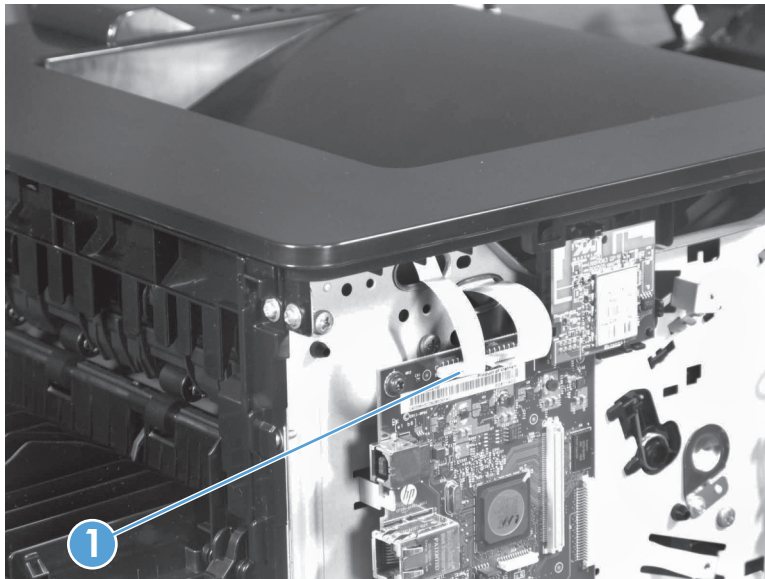


4. With the back and top edges loose, carefully slide the cover toward the front of the product, and then remove it.

## Top cover with LCD control-panel module

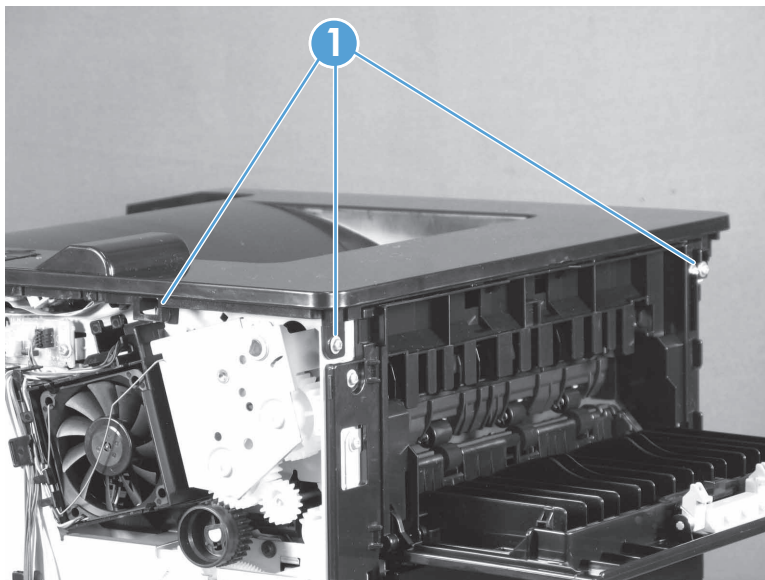
1. Remove the following components:
  - Tray 2 cassette
  - Right cover. See [Right cover on page 12](#).
  - Left cover. See [Left cover on page 11](#).
2. Open the toner cartridge door and the rear jam access door.
3. On the left side of the product, disconnect one flat cable (callout 1) from the formatter.

**Figure 1-14** Remove the top-cover assembly and LCD control-panel module (1 of 3)



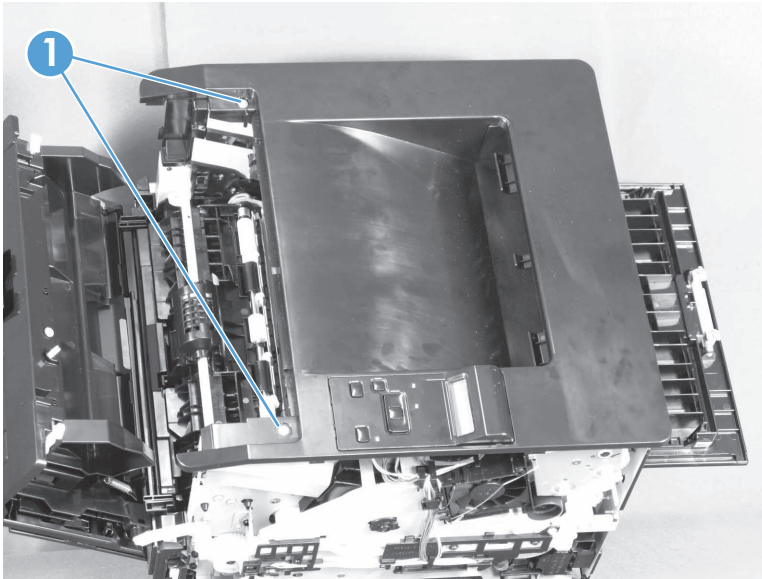
4. At the rear and on the right side of the product, remove three screws (callout 1).

**Figure 1-15** Remove the top-cover assembly and LCD control-panel module (2 of 3)




5. On the top of the top-cover assembly, remove two screws (callout 1).

**Figure 1-16** Remove the top-cover assembly and LCD control-panel module (3 of 3)



6. Lift the top-cover assembly off of the product to remove it.

---

 **NOTE:** You do not need to remove the control panel from the top cover assembly, unless you are replacing the control panel.

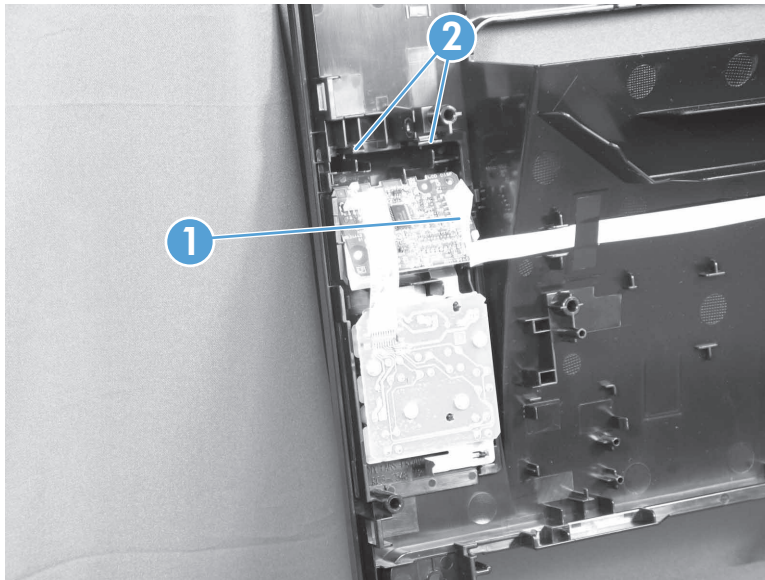
---

## LCD control panel

1. Remove the following components:
  - Tray 2 cassette
  - Right cover. See [Right cover on page 12](#).
  - Left cover. See [Left cover on page 11](#).
  - Top cover assembly. See [Top cover with LCD control-panel module on page 13](#).

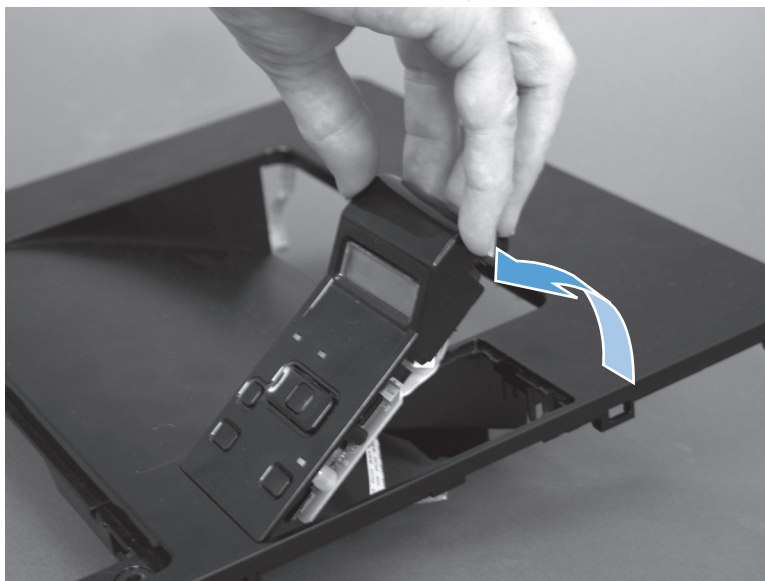
2. On the underside of the top cover assembly, disconnect the flat cable (callout 1), and then release the two tabs (callout 2) at the back of the control panel assembly. You might need to use a small, flatblade screwdriver to release the tabs.

**Figure 1-17** Remove the LCD control panel (1 of 2)



3. Pull the back of the control panel assembly away from the top cover assembly.

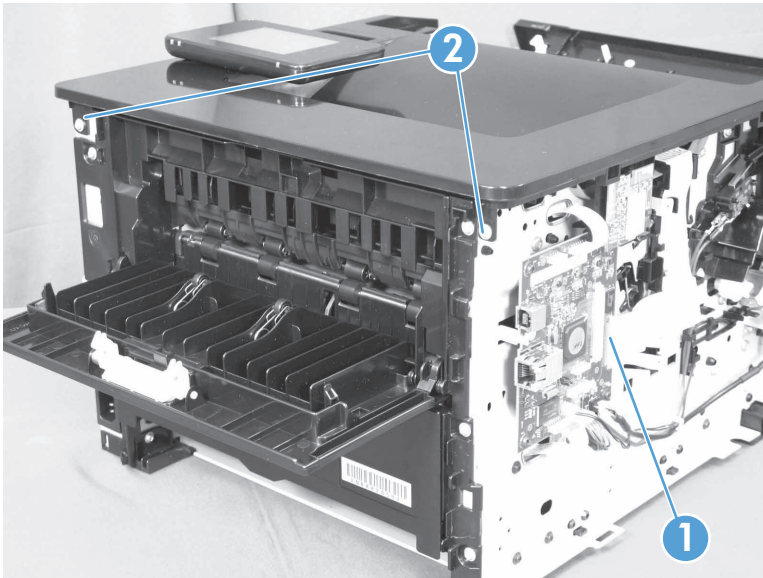
**Figure 1-18** Remove the LCD control panel (2 of 2)



## Top cover with touchscreen control-panel module

1. Remove the following components:
  - Tray 2 cassette
  - Right cover. See [Right cover on page 12](#).
  - Left cover. See [Left cover on page 11](#).
2. Open the toner cartridge door and the rear jam access door.
3. On the left side of the product, disconnect one flat cable (callout 1) from the formatter, and then remove two screws (callout 2).

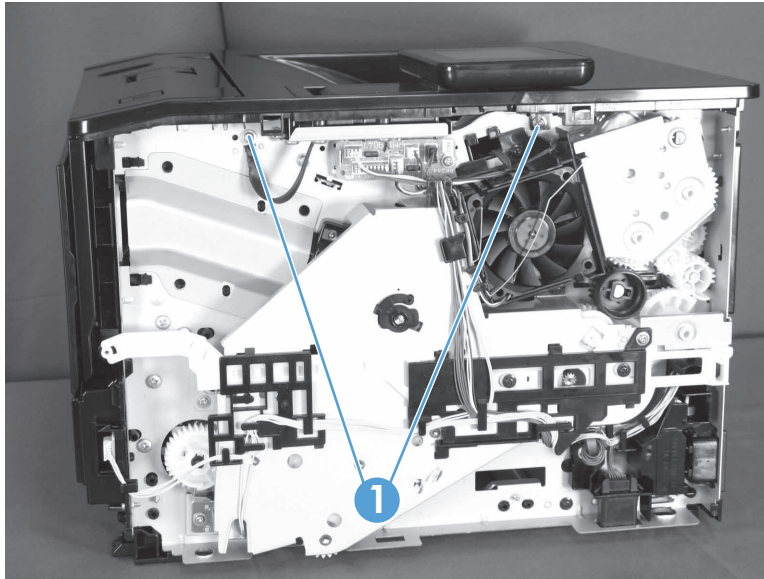
**Figure 1-19** Remove the top-cover assembly (1 of 3)






4. On the right side of the product, remove two screws (callout 1).

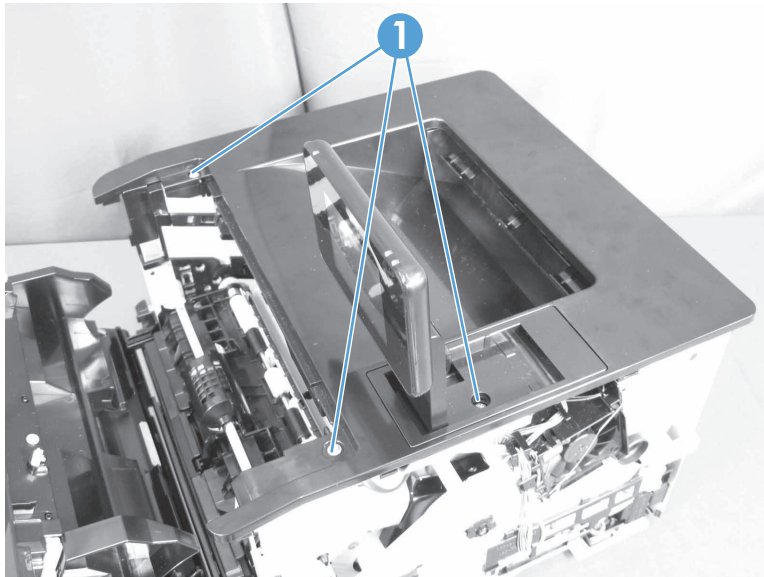
**Figure 1-20** Remove the top-cover assembly (2 of 3)



5. On the top-cover assembly, remove three screws (callout 1).

 **NOTE:** The screw behind the control panel has a protective cover over it. Remove the cover to remove the screw, but keep the cover in order to reinstall it after installing the control panel.

**Figure 1-21** Remove the top-cover assembly (3 of 3)

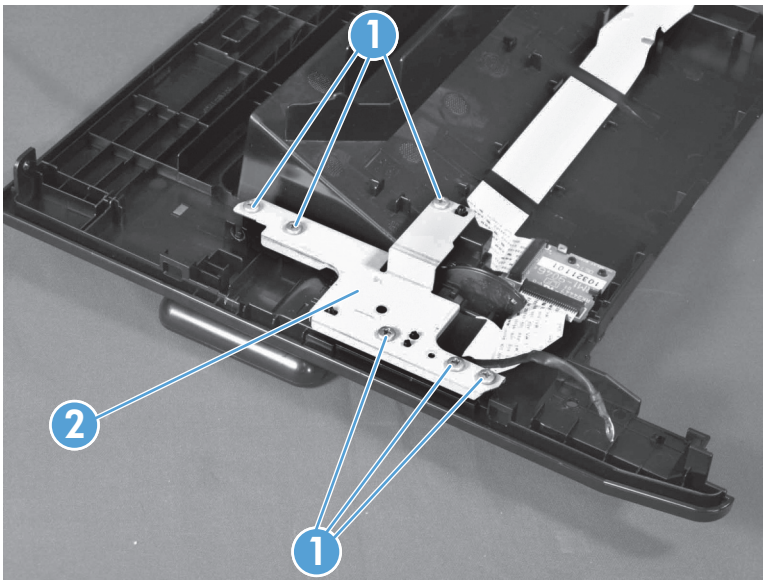


6. Lift the top-cover assembly off of the product to remove it.

## Touchscreen control panel

1. Remove the following components:
  - Tray 2 cassette
  - Right cover. See [Right cover on page 12](#).
  - Left cover. See [Left cover on page 11](#).
  - Top cover assembly. See [Top cover with touchscreen control-panel module on page 16](#).
2. On the underside of the top cover assembly, remove six screws (callout 1) and the protective plate (callout 2).

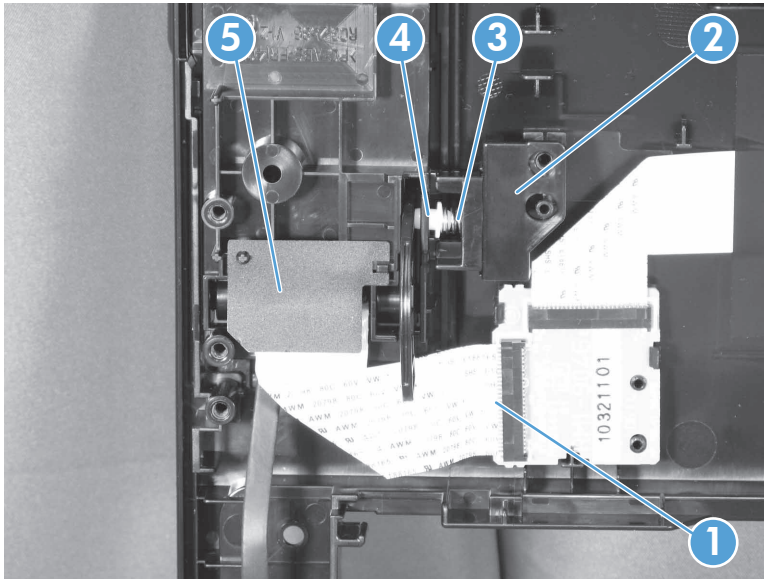
**Figure 1-22** Remove the touchscreen control panel (1 of 3)



3. Disconnect the flat cable (callout 1), and then remove the following parts:
  - Holder (callout 2)
  - Pin (callout 3)

- Spring (callout 4)
- Sheet (callout 5)

**Figure 1-23** Remove the touchscreen control panel (2 of 3)



4. Pull the back of the control panel assembly away from the top cover assembly.

**Figure 1-24** Remove the touchscreen control panel (3 of 3)

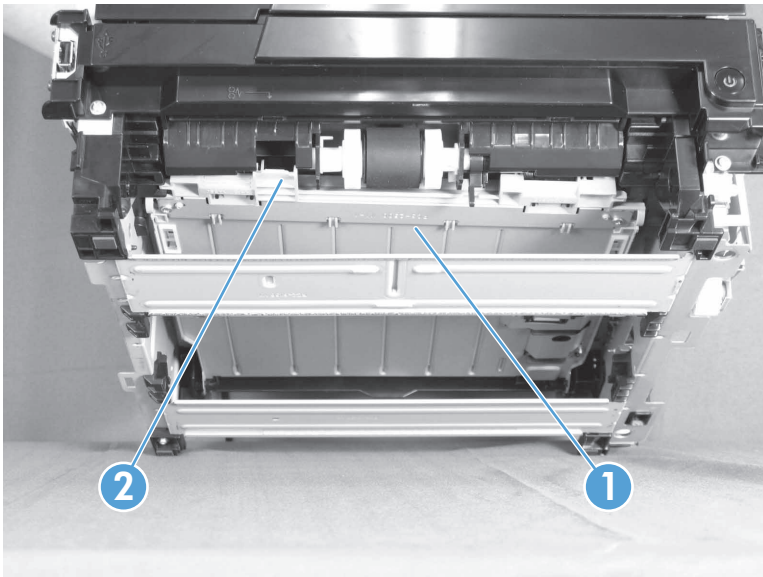


## Rear cover, rear door, and feed assembly

**CAUTION:** The fuser can be hot while the product is in use. Wait for the fuser to cool before working in that area.

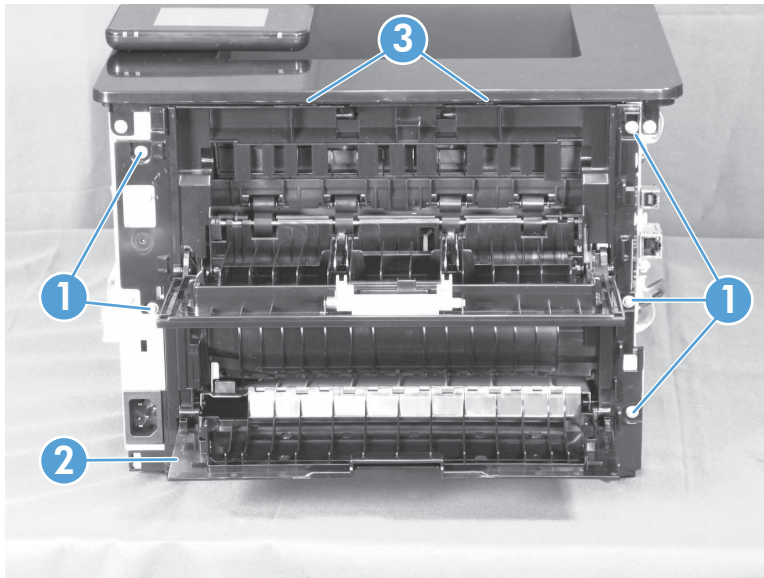
1. Remove the following components:
  - Tray 2 cassette
  - Right cover. See [Right cover on page 12](#).
  - Left cover. See [Left cover on page 11](#).
2. Open the toner cartridge door and the rear jam access door.
3. **Duplex models only:** At the front of the product, in the Tray 2 cassette cavity, pull down on the green duplex-paper-feed-assembly release tab (callout 1), and then lower the assembly (callout 2).

**Figure 1-25** Remove the rear cover, rear door, and feed assembly (1 of 3)




4. At the rear of the product, remove five screws (callout 1), release one tab (callout 2) near the bottom corner, and release two tabs (callout 3) from under the top cover assembly.


**Figure 1-26** Remove the rear cover, rear door, and feed assembly (2 of 3)



5. Carefully separate the rear cover and rear door from the product, and then remove them.

---

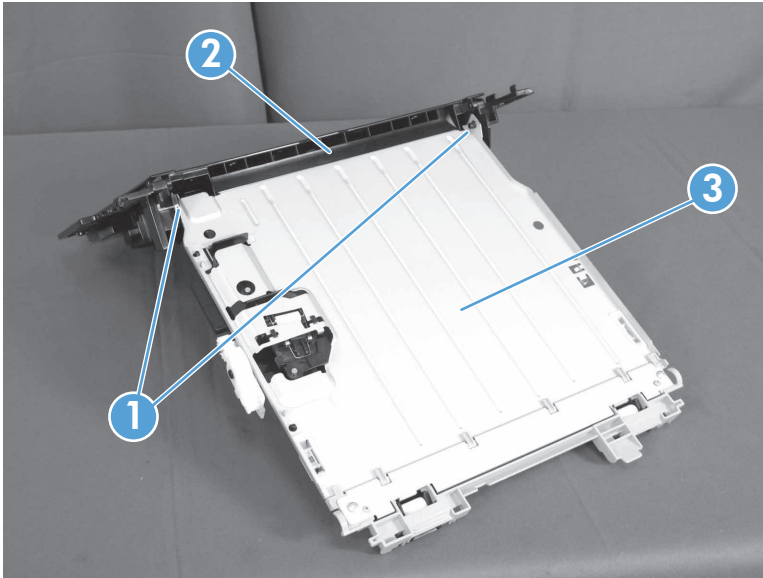
 **NOTE:** For the duplex models, the duplex-paper-feed assembly is removed with the cover and door

 **Reinstallation tip** When you reinstall the rear cover assembly, open the rear door to make sure that the rear cover fits even against the product chassis before you install the mounting screws.


---

- 6. Duplex models only:** There are two hinge pins (callout 1). Release the shorter left pin first, and then separate the rear cover and rear door assembly (callout 2) from the duplex-paper-feed assembly (callout 3).


**Figure 1-27** Remove the rear cover, rear door, and feed assembly (3 of 3)



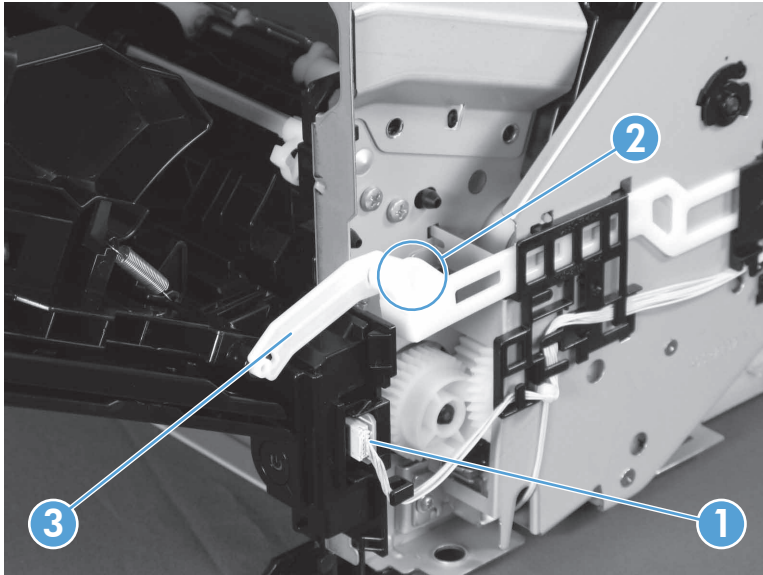
## Cartridge door and front cover assembly

 **NOTE:** The cartridge door assembly includes the cartridge door, Tray 1, and the front cover.

1. Remove the following components:
  - Tray 2 cassette
  - Right cover. See [Right cover on page 12](#).
  - Left cover. See [Left cover on page 11](#).
2. Open the toner cartridge door and the rear jam access door.
3. Disconnect one connector (callout 1), and then release two tabs in the pivot joint (callout 2) to disengage the cartridge-door assembly link arm (callout 3).

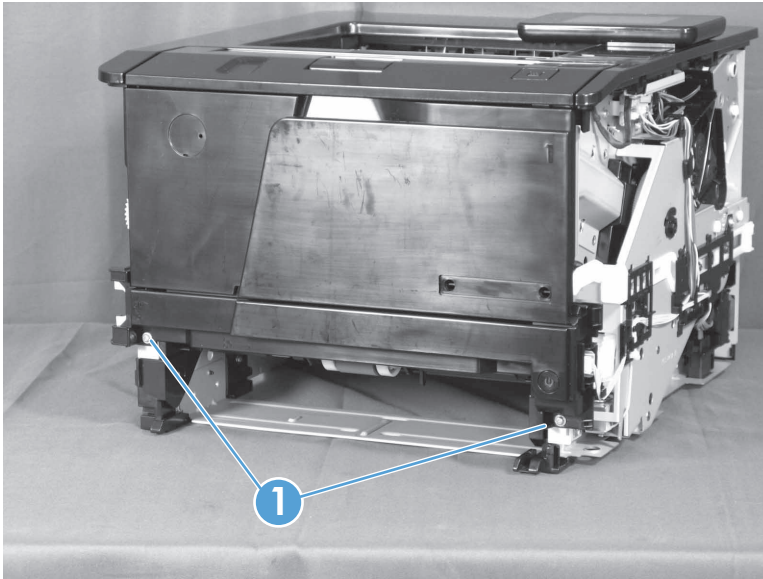
 **TIP:** The link arm releases the fuser-pressure lever when the cartridge door is opened.

**Figure 1-28** Remove the cartridge door assembly and front cover (1 of 4)



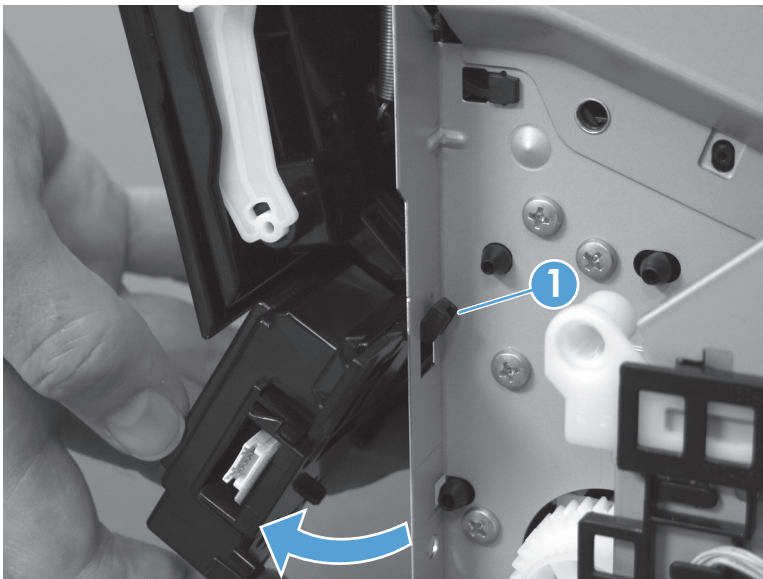
4. Remove two screws (callout 1).

**Figure 1-29** Remove the cartridge door assembly and front cover (2 of 4)



5. Pull the bottom of the assembly up in order to release two hooked tabs (callout 1), and then pull the assembly away from the product.

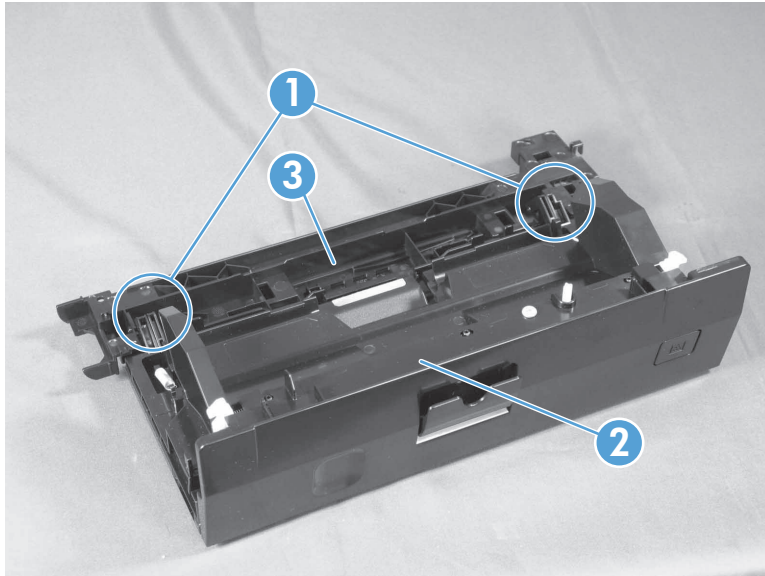
**Figure 1-30** Remove the cartridge door assembly and front cover (3 of 4)





6. Release two hinge pins (callout 1), and then separate the front cover (callout 2) from the cartridge door assembly (callout 3).

**Figure 1-31** Remove the cartridge door assembly and front cover (4 of 4)



## Main assemblies

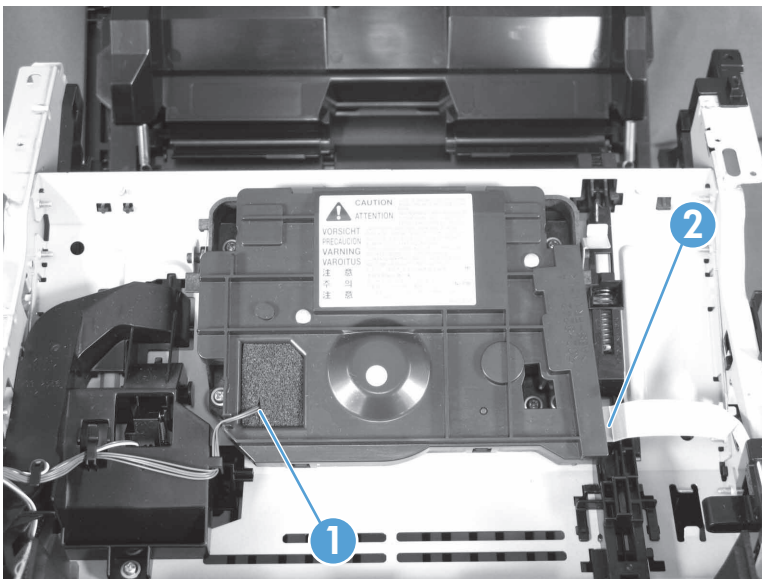
### Laser scanner assembly

**⚠ WARNING!**  ESD sensitive component.

**⚠ CAUTION:** Do not bend or fold the flat flexible cables (FFCs) during removal or installation. Also, do not straighten pre-folds in the FFCs. You *must* make sure that all FFCs are fully seated in their connectors. Failure to fully seat an FFC into a connector can cause a short circuit in a PCA.

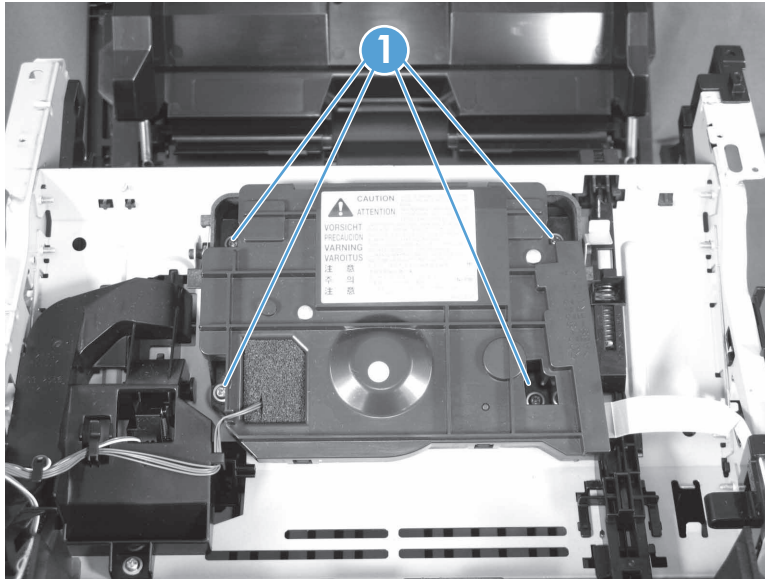
1. Remove the following components:
  - Tray 2 cassette
  - Right cover. See [Right cover on page 12](#).
  - Left cover. See [Left cover on page 11](#).
  - Top cover assembly. See [Top cover with touchscreen control-panel module on page 16](#) or [Top cover with LCD control-panel module on page 13](#).
2. Open the toner cartridge door and the rear jam access door.
3. On the top of the product, remove the antistatic foam pad and disconnect one connector (callout 1), and then disconnect the flat cable (callout 2).

**Figure 1-32** Remove the laser scanner assembly (1 of 2)



4. Remove four screws (callout 1), and then remove the laser scanner assembly.

**Figure 1-33** Remove the laser scanner assembly (2 of 2)

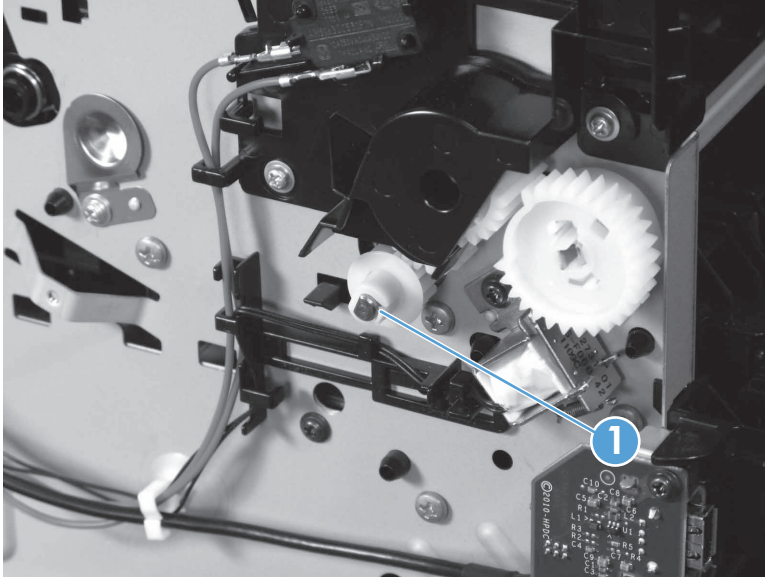


## Registration roller assembly

1. Remove the following components:
  - Tray 2 cassette
  - Right cover. See [Right cover on page 12](#).
  - Left cover. See [Left cover on page 11](#).
  - Rear cover, rear door, and feed assembly. See [Rear cover, rear door, and feed assembly on page 20](#).
  - Top cover assembly. See [Top cover with touchscreen control-panel module on page 16](#) or [Top cover with LCD control-panel module on page 13](#).
2. Open the toner cartridge door and the rear jam access door.

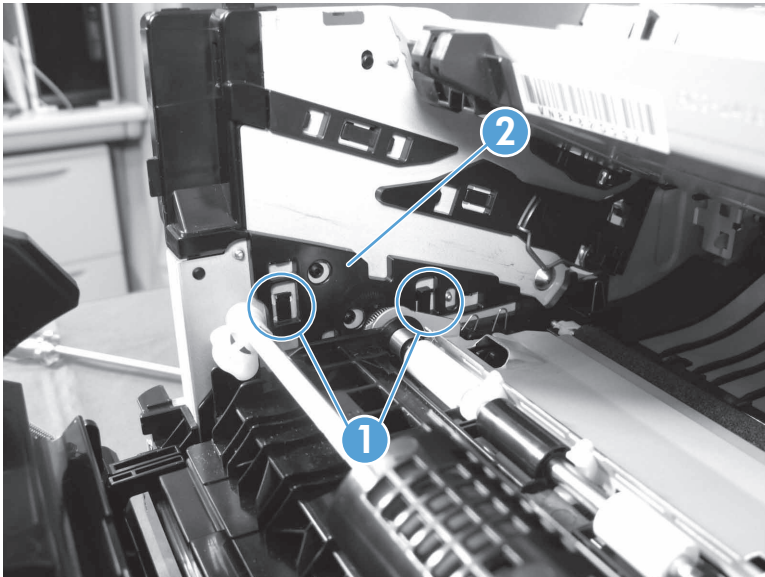
3. On the left side of the product, release one tab (callout 1), and then remove the gear.

**Figure 1-34** Remove the registration assembly (1 of 3)



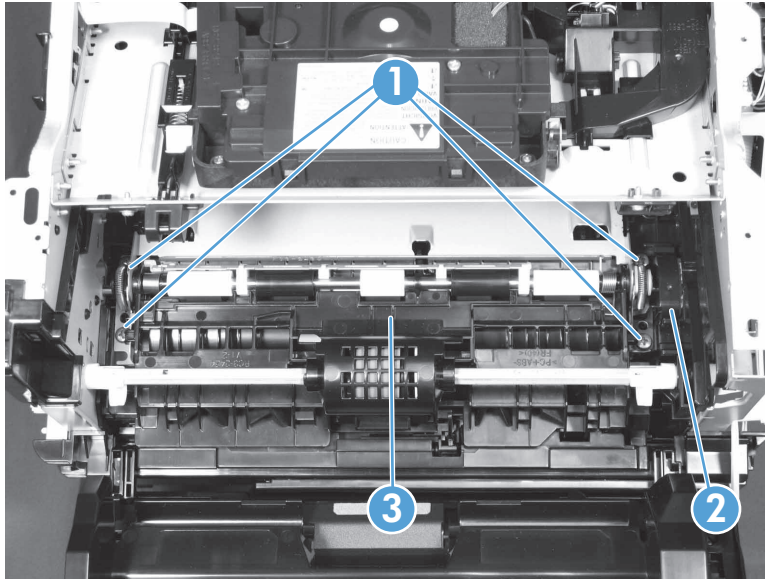
4. Inside the product chassis, on the formatter side, release two tabs (callout 1), and then lift up on the guide (callout 2) to release it and remove it from the product.

**Figure 1-35** Remove the registration assembly (2 of 3)




5. Remove four screws (callout 1), and then remove the gear cover (callout 2).

**Figure 1-36** Remove the registration assembly (3 of 3)




6. Slightly raise the right end of the assembly (callout 3), and then slide it to the right and lift it up to release it and remove it from the product.


---

 **Reinstallation tip** Insert the left end of the assembly first to reinstall the assembly.

---

## Fuser assembly and paper feed guide

 **CAUTION:** The fuser might be hot. Allow enough time for the fuser to cool after the product power is turned off.

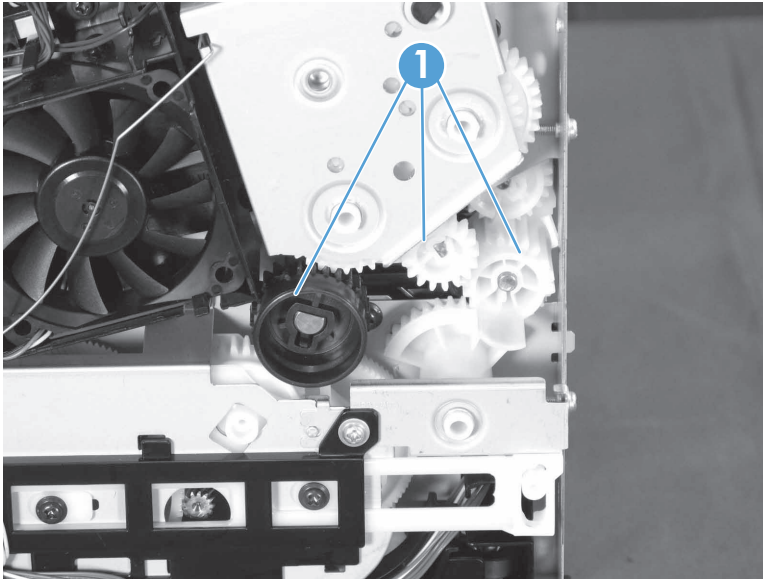
 **NOTE:** The toner cartridge door assembly should be in the closed position when the fuser is removed to make sure that the fuser-drive gear is correctly aligned for reinstallation.

---

1. Remove the following components:
  - Tray 2 cassette
  - Right cover. See [Right cover on page 12](#).
  - Left cover. See [Left cover on page 11](#).
  - Rear cover, rear door, and feed assembly. See [Rear cover, rear door, and feed assembly on page 20](#).
2. Open the rear jam access door

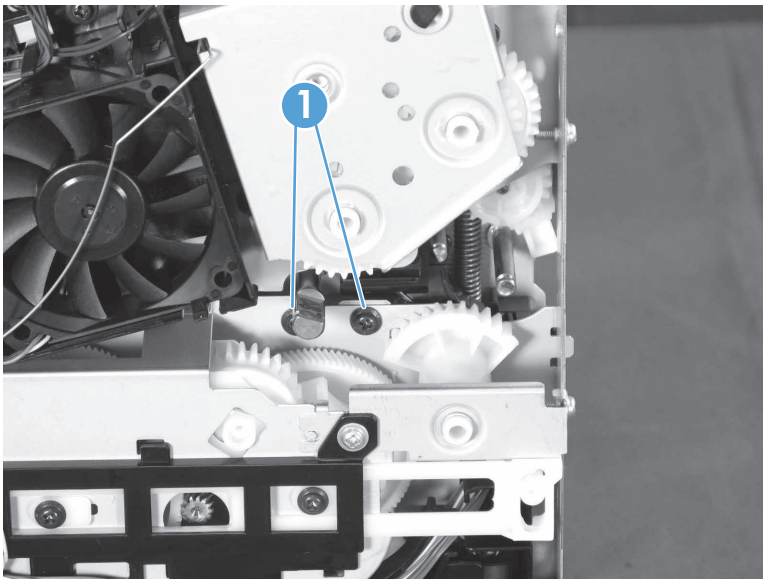
3. On the right side of the product, remove three gears (callout 1).

**Figure 1-37** Remove the fuser (1 of 5)



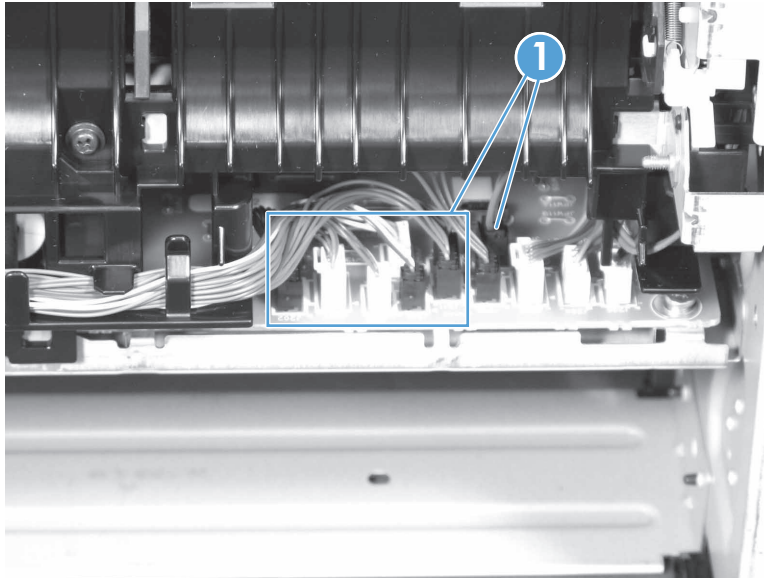
4. Remove two screws (callout 1).

**Figure 1-38** Remove the fuser (2 of 5)



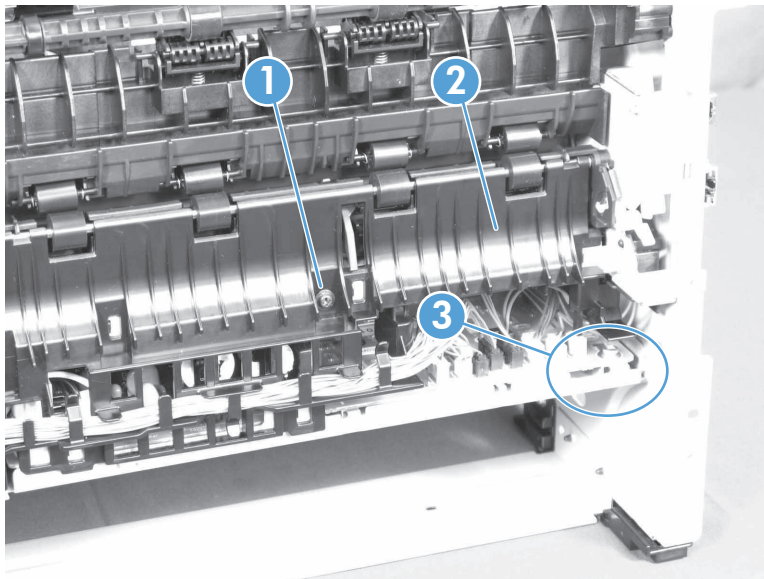
5. At the rear of the product, disconnect seven connectors (callout 1), and then pull the cable guide (callout 2) away from the product.

**Figure 1-39** Remove the fuser (3 of 5)



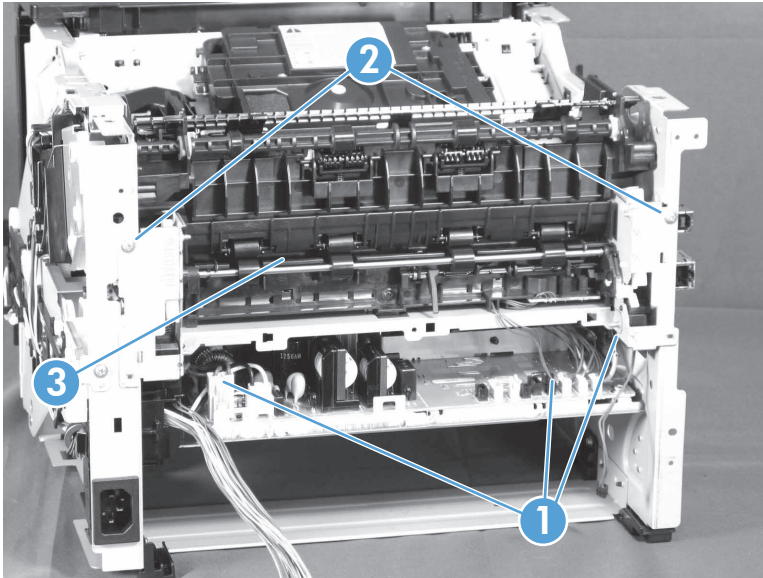
6. Remove one screw (callout 1), remove the paper feed guide (callout 2), and unrout the wire at the corner of the engine controller assembly (callout 3).

**Figure 1-40** Remove the fuser (4 of 5)



7. Disconnect three connectors (callout 1), remove two screws (callout 2), and then remove the fuser (callout 3).

**Figure 1-41** Remove the fuser (5 of 5)



## Face down drive or duplex drive assembly

Simplex products have a face-down-drive assembly installed. Duplex products have a duplexing-paper-feed assembly installed.

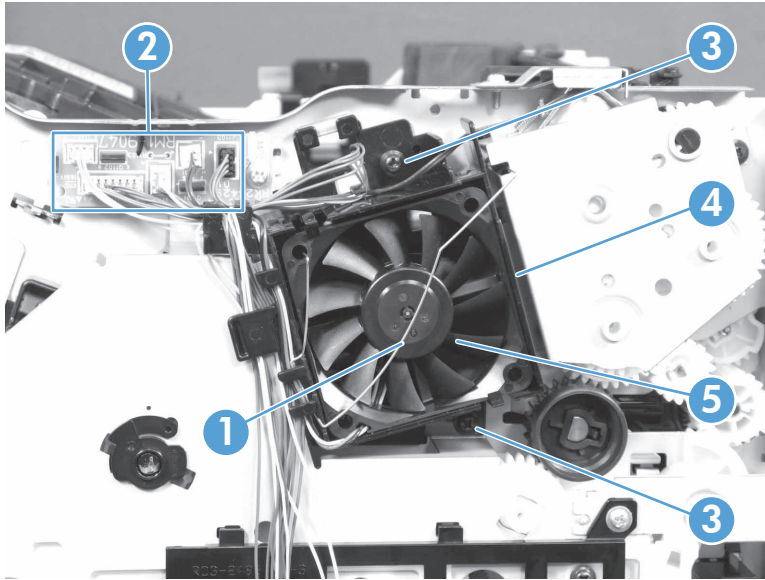
These components appear identical from the outside, but they have different internal gears and functions. The same procedure is used to remove either component.

1. Remove the following components:
  - Tray 2 cassette
  - Right cover. See [Right cover on page 12](#).
  - Left cover. See [Left cover on page 11](#).
  - Top cover assembly. See [Top cover with touchscreen control-panel module on page 16](#) or [Top cover with LCD control-panel module on page 13](#).
2. Open the toner cartridge door and the rear jam access door.



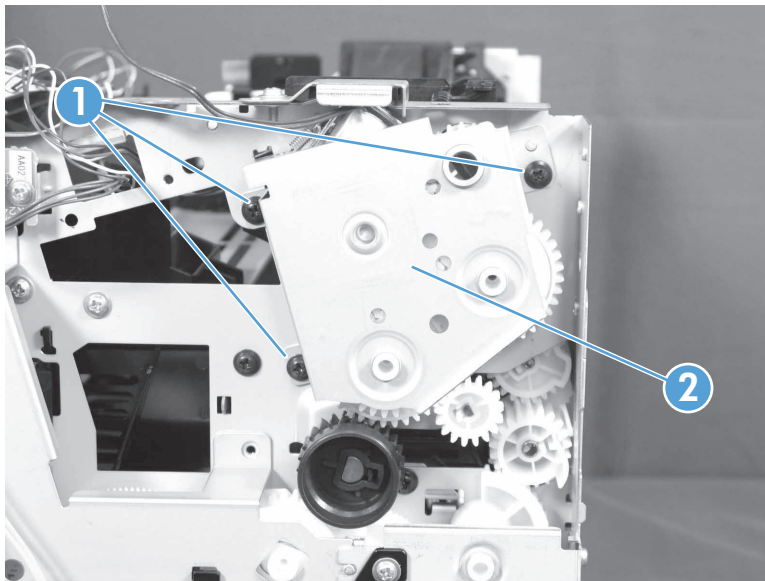
3. On the right side of the product, remove the grounding spring (callout 1), disconnect five connectors (callout 2), remove two screws (callout 3), and then remove the fan holder (callout 4) and the main fan (callout 5) together.

**Figure 1-42** Remove the face-down-drive or duplex drive assembly (1 of 2)



4. Remove three screws (callout 1), and then pull the assembly (callout 2) away from the product.

**Figure 1-43** Remove the face-down-drive or duplexing-paper-feed assembly (2 of 2)



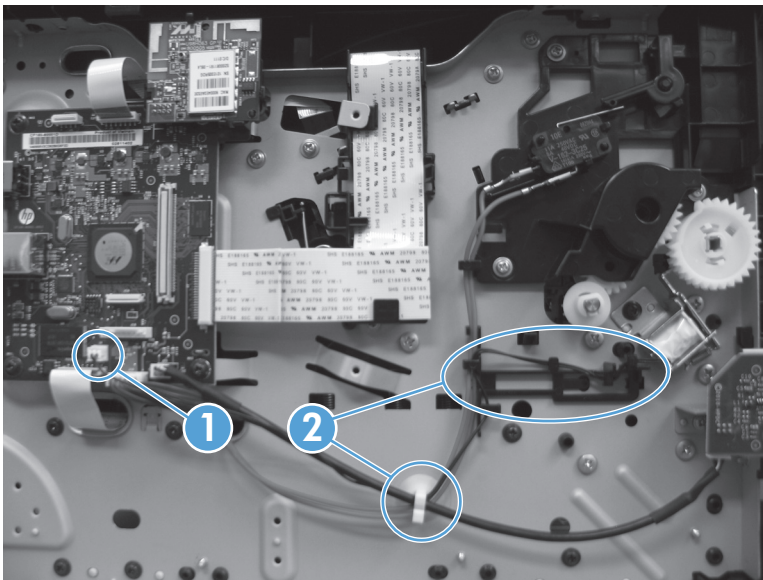
**CAUTION:** Some of the gears and the solenoid arm are not captive. Do not lose the gears or the arm when you remove the assembly.

## Solenoids

### Tray 1 solenoid

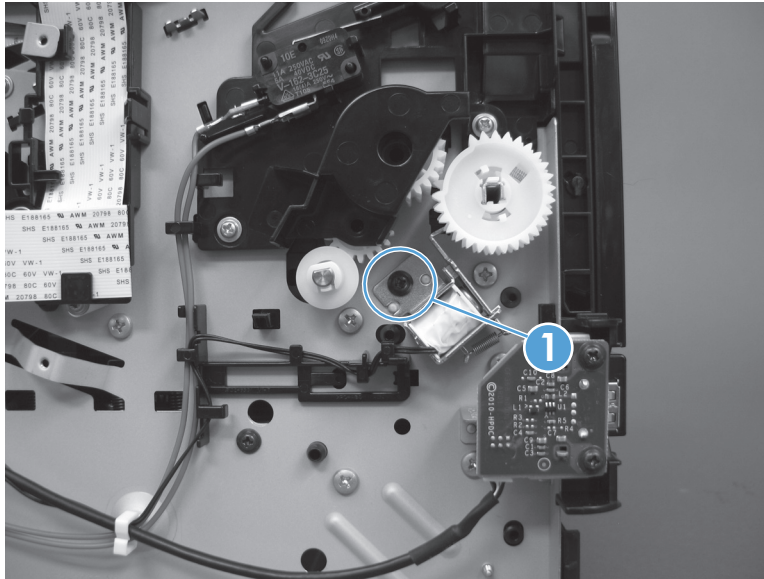
1. Remove the following components:
  - Tray 2 cassette
  - Left cover. See [Left cover on page 11](#).
2. Open the toner cartridge door and the rear jam access door.
3. On the left side of the product, disconnect one connector (callout 1), and then release the wires from the wire harness (callout 2).

**Figure 1-44** Remove the Tray 1 pickup solenoid (1 of 2)



4. Remove one screw (callout 1), and then remove the Tray 1 pickup solenoid.

**Figure 1-45** Remove the Tray 1 pickup solenoid (2 of 2)



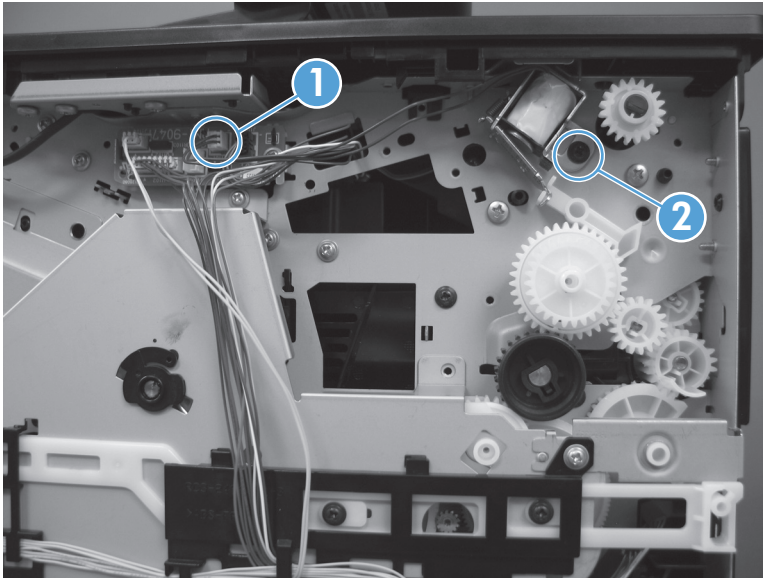
## Duplex solenoid

 **NOTE:** This section applies to duplex models only.

1. Remove the following components:
  - Tray 2 cassette
  - Right cover. See [Right cover on page 12](#).
  - Left cover. See [Left cover on page 11](#).
  - Rear cover, rear door, and duplex-paper-feed assembly. See [Rear cover, rear door, and feed assembly on page 20](#).
  - Top cover assembly. See [Top cover with touchscreen control-panel module on page 16](#) or [Top cover with LCD control-panel module on page 13](#).
  - Fan. See [Fan on page 39](#).
2. Open the toner cartridge door and the rear jam access door.

3. On the right side of the product, disconnect one connector (callout 1) from the connecting PCA, and then remove one screw (callout 2).

**Figure 1-46** Remove the duplex solenoid

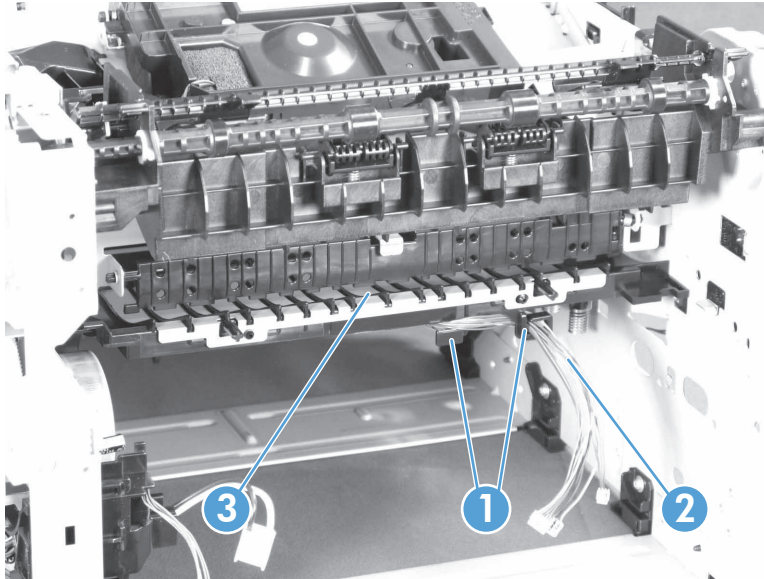


# Motors and fans

## Main motor

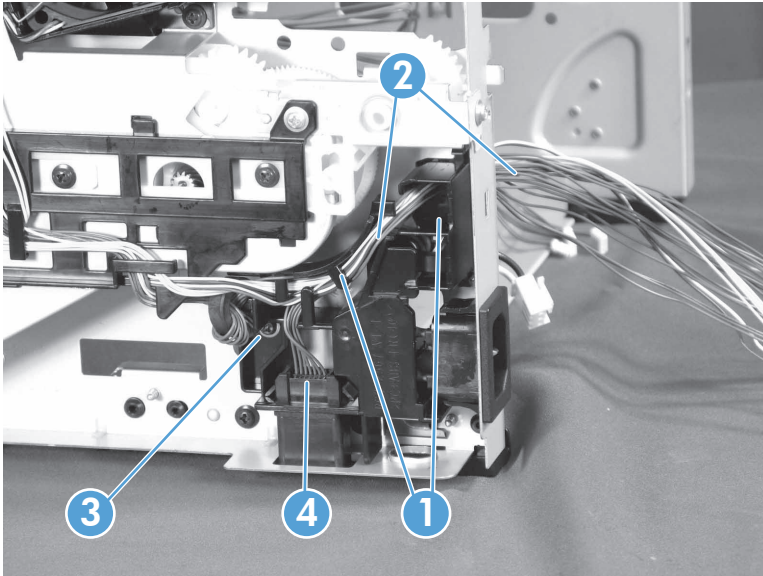
1. Remove the following components:
  - Tray 2 cassette
  - Right cover. See [Right cover on page 12](#).
  - Left cover. See [Left cover on page 11](#).
  - Top cover assembly. See [Top cover with touchscreen control-panel module on page 16](#) or [Top cover with LCD control-panel module on page 13](#).
  - Rear cover, rear door, and duplex-paper-feed assembly. See [Rear cover, rear door, and feed assembly on page 20](#).
  - Fuser. See [Fuser assembly and paper feed guide on page 29](#).
  - Engine controller assembly (DC controller). See [Engine controller assembly \(DC controller\) PCA on page 41](#).
2. Open the toner cartridge door and the rear jam access door.
3. At the rear of the product, release the cables (callout 1) from the cable guides (callout 2), and then pull out the paper feed assembly (callout 3).

**Figure 1-47** Remove the main motor (1 of 4)



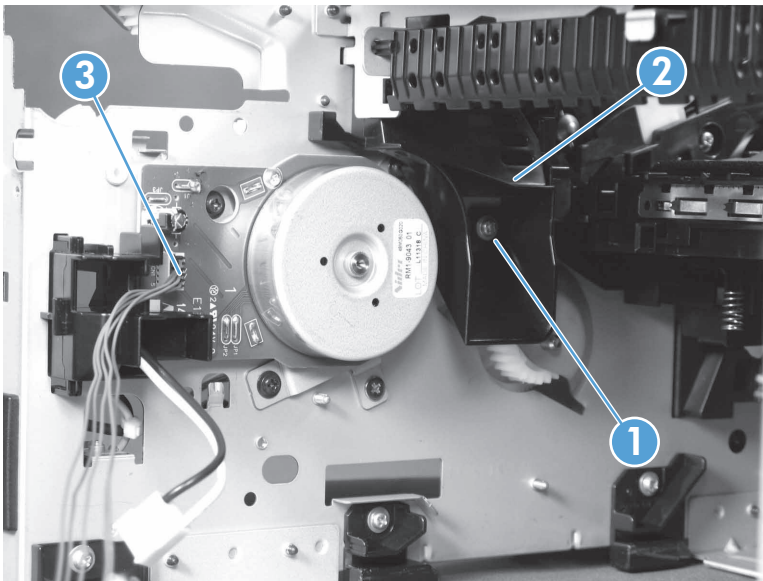
4. Release the cables (callout 1) from the cable guides (callout 2), remove one screw (callout 3), and then remove the cable guide (callout 4).

**Figure 1-48** Remove the main motor (2 of 4)



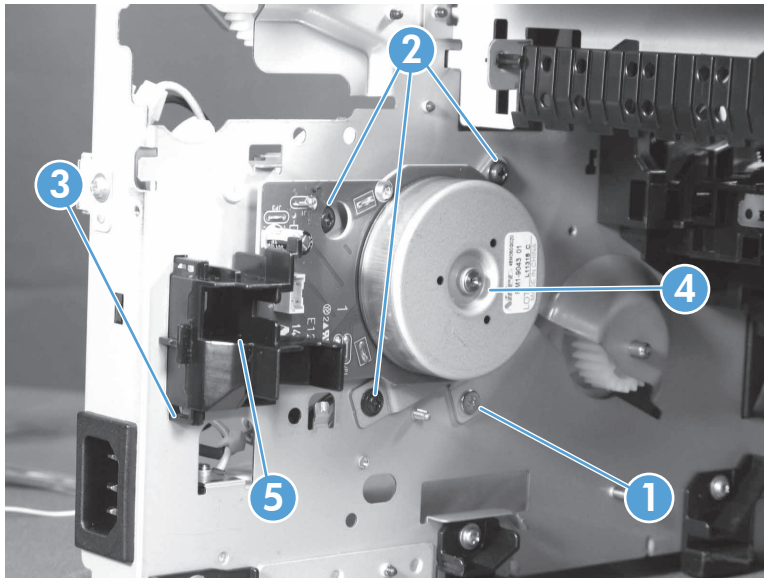
5. Remove one screw (callout 1), remove the duct (callout 2), and then disconnect one connector (callout 3).


**Figure 1-49** Remove the main motor (3 of 4)



6. Remove three black-screws (callout 1) and one silver-screw (callout 2), release two tabs (callout 3), and then remove the main motor (callout 4) and the cable guide (callout 5) together.

**Figure 1-50** Remove the main motor (4 of 4)



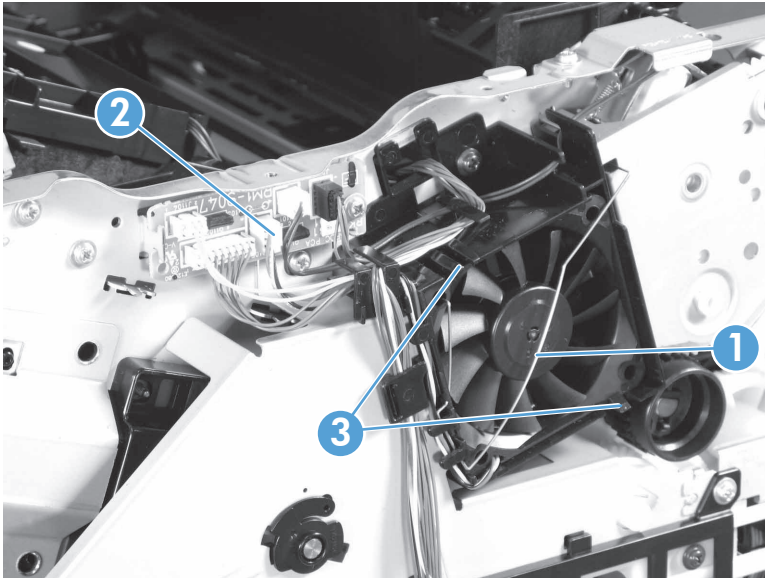
 **Reinstallation tip** Remember the location from where you removed the silver screw. The silver screw needs to be reinstalled in the same place.

## Fan

1. Remove the following components:
  - Tray 2 cassette
  - Right cover. See [Right cover on page 12](#).
  - Left cover. See [Left cover on page 11](#).
  - Top cover assembly. See [Top cover with touchscreen control-panel module on page 16](#) or [Top cover with LCD control-panel module on page 13](#).
2. Open the toner cartridge door and the rear jam access door.

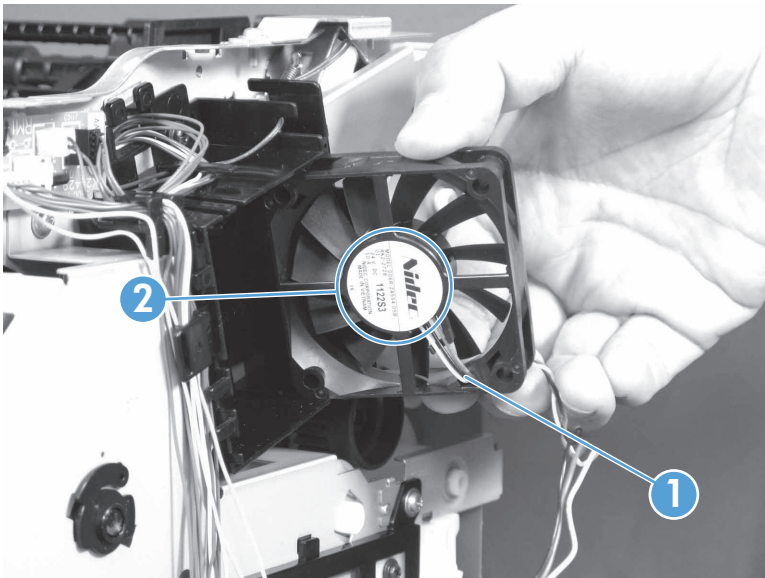
3. On the right side of the product, remove the grounding spring (callout 1), disconnect one connector (callout 2), release two tabs (callout 3), and then remove the main fan.

**Figure 1-51** Remove the fan (1 of 2)



**Reinstallation tip** When reassembling the main fan to the duct, make sure that the fan cable (callout 1) is positioned as shown in the figure below. Also, make sure that the label (callout 2) on the fan is facing inside.

**Figure 1-52** Remove the fan (2 of 2)





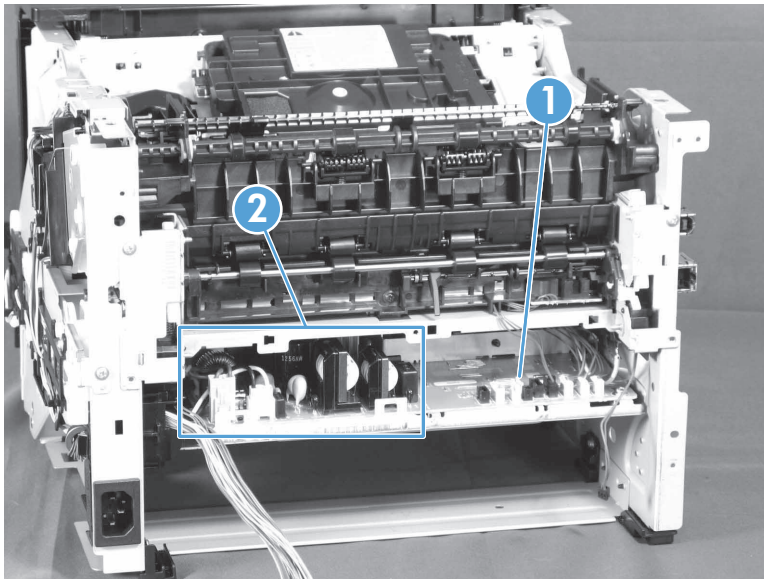
## Printed circuit-board assemblies (PCAs)

### Engine controller assembly (DC controller) PCA

**⚠ WARNING!**  ESD sensitive component.

**⚠ CAUTION:** When removing the engine controller assembly (callout 1) from the rear of the product, the portion (callout 2) on the left side of the assembly might be hot. Allow enough time for the engine controller assembly to cool after the product power is turned off.

**Figure 1-53** Allow the engine controller assembly to cool

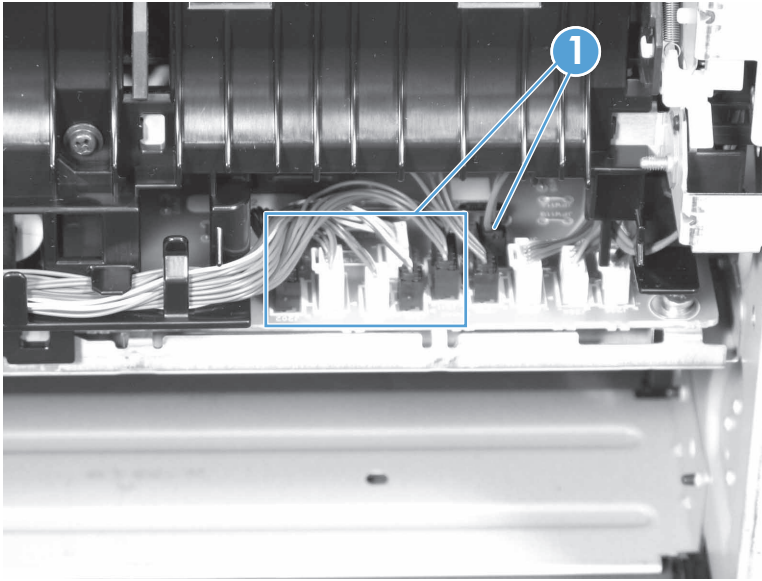


**1.** Remove the following components:

- Tray 2 cassette
- Right cover. See [Right cover on page 12](#).
- Left cover. See [Left cover on page 11](#).
- Rear cover, rear door, and feed assembly. See [Rear cover, rear door, and feed assembly on page 20](#).
- Top cover assembly. See [Top cover with touchscreen control-panel module on page 16](#) or [Top cover with LCD control-panel module on page 13](#).

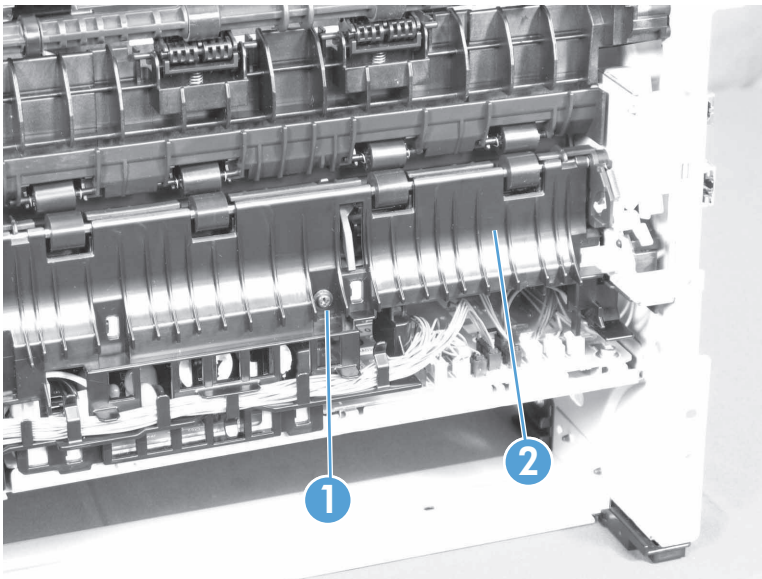
2. At the rear of the product, disconnect seven connectors (callout 1).

**Figure 1-54** Remove the engine controller assembly (1 of 9)



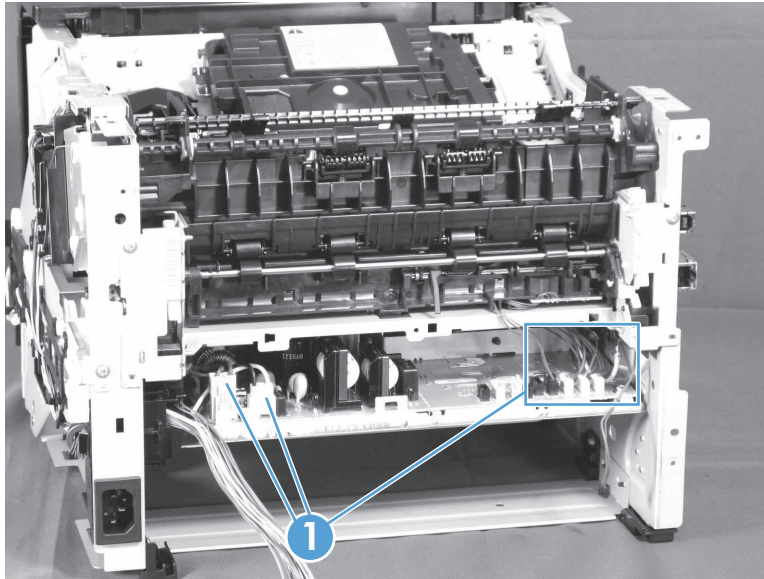
3. Remove one screw (callout 1), and then remove the paper feed guide (callout 2).

**Figure 1-55** Remove the engine controller assembly (2 of 9)



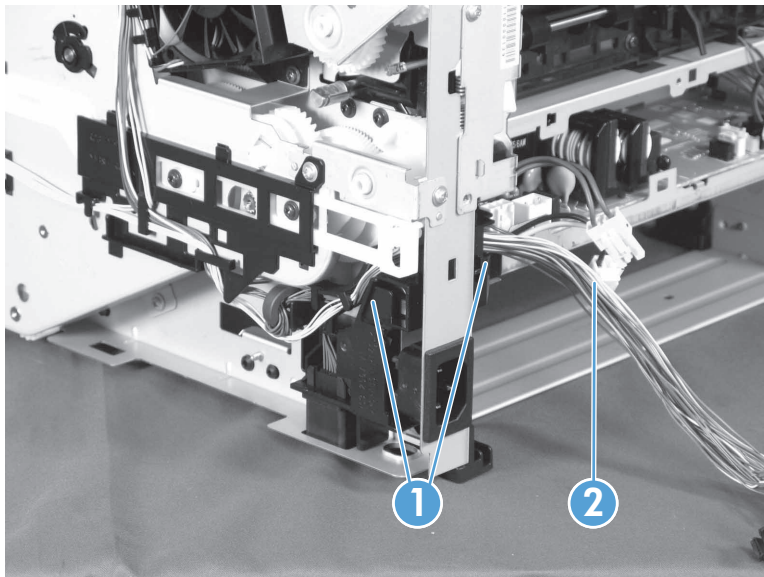
4. Disconnect seven connectors (callout 1).

**Figure 1-56** Remove the engine controller assembly (3 of 9)



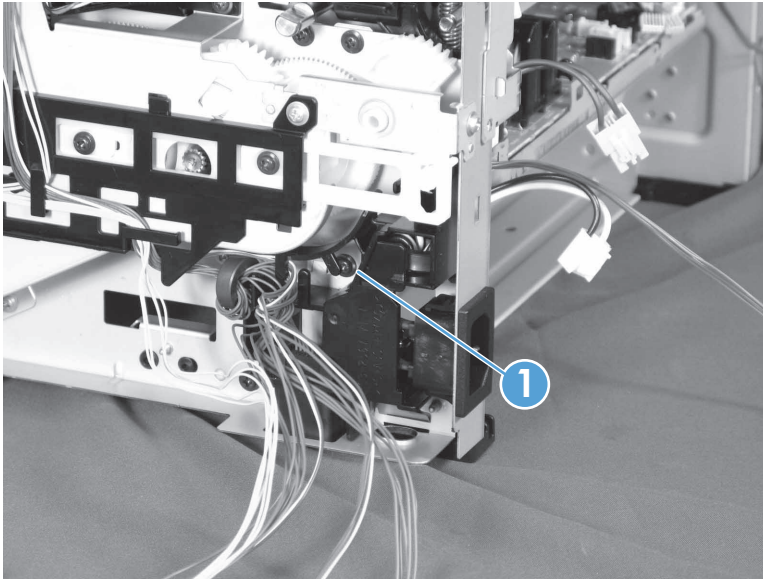
5. Release the cables (callout 1) from the cable guide (callout 2).

**Figure 1-57** Remove the engine controller assembly (4 of 9)




6. On the right side of the product, remove one screw (callout 1).

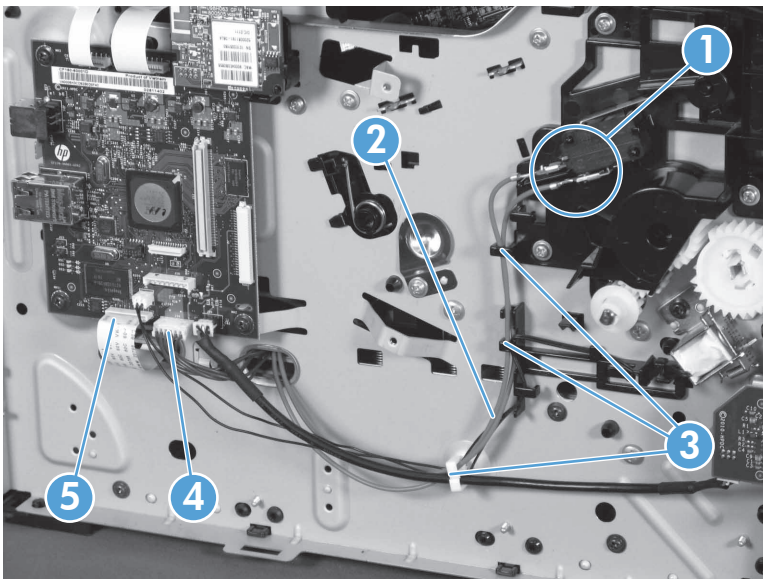
**Figure 1-58** Remove the engine controller assembly (5 of 9)



7. On the left side of the product, disconnect the two cartridge-door interlock switch connectors (callout 1), release the cables (callout 2) from the cable guides (callout 3), and then disconnect one connector (callout 4) and one flat cable (callout 5) on the formatter PCA.

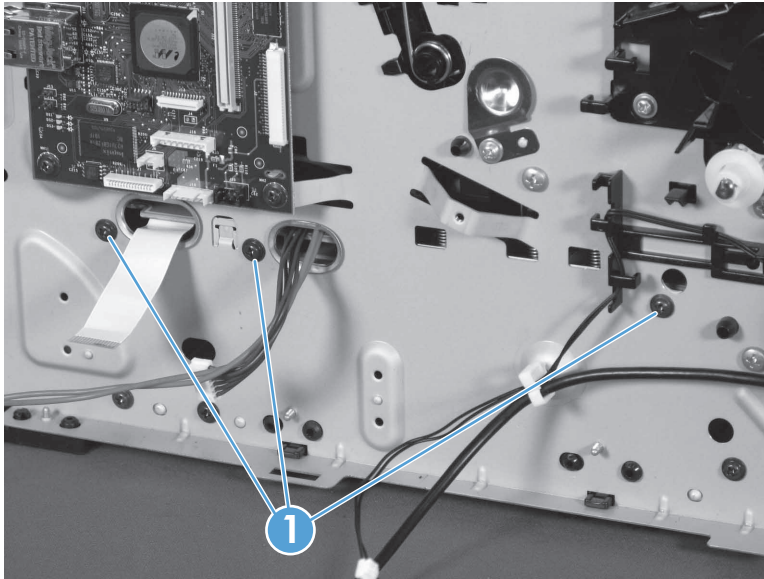
 **NOTE:** Place a mark on one of the cartridge-door interlock switch wires before you disconnect them, so that you can reconnect the connectors to the same switch lugs.

**Figure 1-59** Remove the engine controller assembly (6 of 9)




8. Remove three screws (callout 1).


**Figure 1-60** Remove the engine controller assembly (7 of 9)



9. On both sides of the product, use a small flat blade screwdriver to release the sheet-metal tabs (callout 1) in the product chassis to lower the engine controller assembly (DC controller) PCA (callout 2).

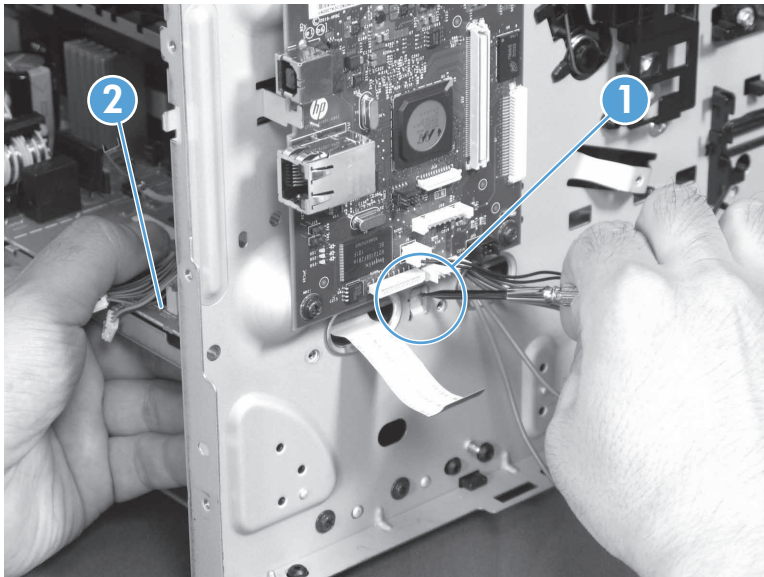
---

 **NOTE:** It might be easier to release the right side tab from inside the chassis.

 **CAUTION:** Carefully push the tab toward the outside of the product to release it. Do not bend the tab so much that it will not engage the mounting bracket when the engine controller assembly is reinstalled.

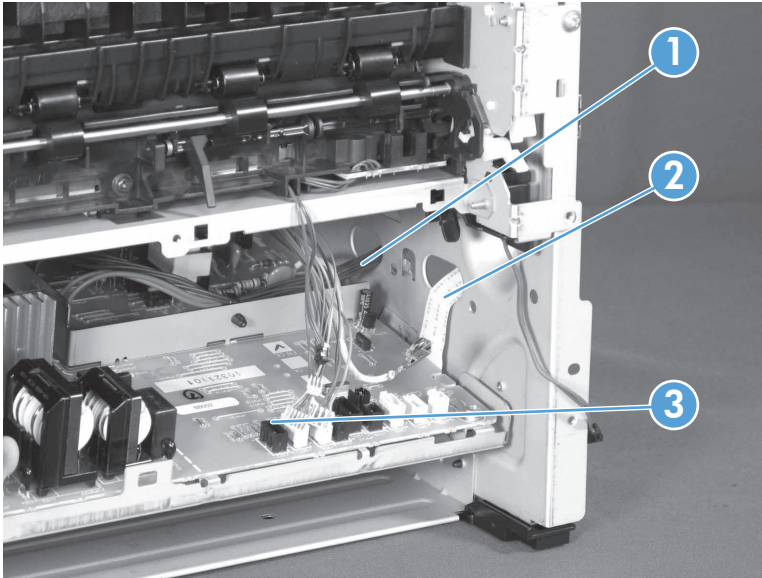
---

**Figure 1-61** Remove the engine controller assembly (8 of 9)




10. Pull the cable (callout 1) and the flat cable (callout 2) into the product chassis, and then carefully slide the engine controller assembly (callout 3) out of the product.

**Figure 1-62** Remove the engine controller assembly (9 of 9)



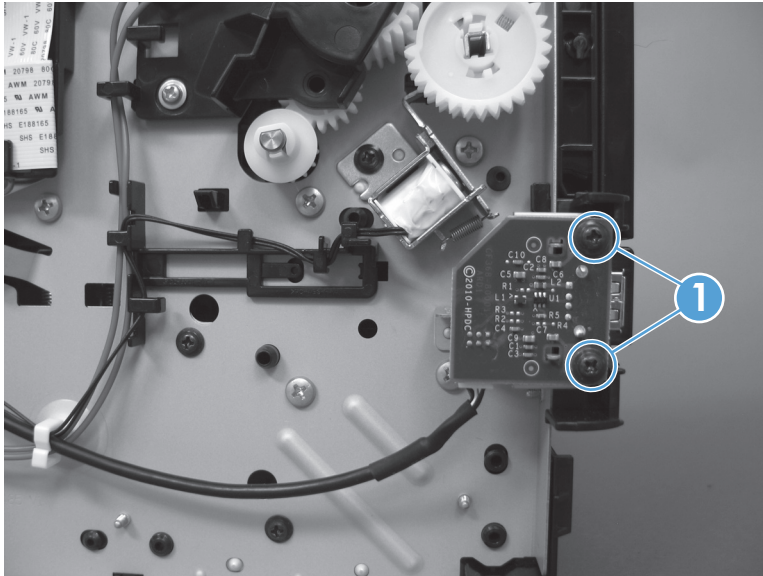
## Universal serial bus (USB) PCA

 **NOTE:** This section applies to walkup USB-equipped models only.

1. Remove the following components:
  - Tray 2 cassette
  - Left cover. See [Left cover on page 11](#).

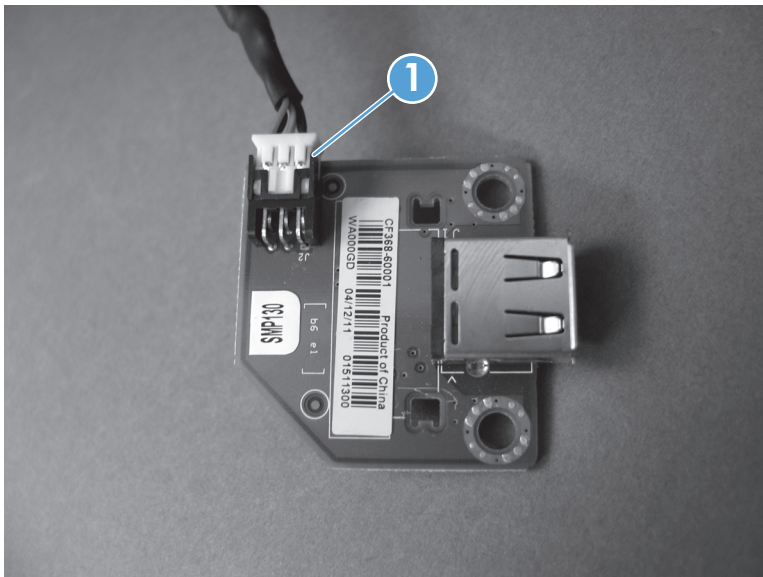
2. On the left side of the product, remove two screws (callout 1) on the USB PCA, and then pull the PCA away from the product.

**Figure 1-63** Remove the USB PCA (1 of 2)



3. Disconnect the connector (callout 1) on the back of the PCA.

**Figure 1-64** Remove the USB PCA (2 of 2)

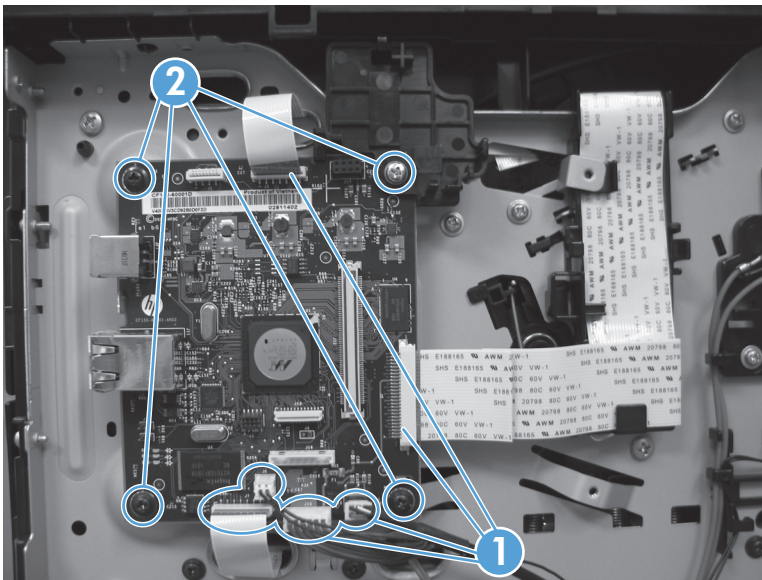



## Formatter PCA

 **WARNING!**  ESD sensitive component.

1. Remove the following components:
  - Tray 2 cassette
  - Left cover. See [Left cover on page 11](#).
  - Wireless PCA (wireless models only). See [Wireless PCA on page 48](#).
2. On the left side of the product, disconnect any connectors and flat cables (callout 1) on the formatter, and then remove four screws (callout 2).

**Figure 1-65** Remove the formatter



 **NOTE: Wireless models only:** The screw in the upper-right corner also fastens the wireless PCA holder to the formatter PCA. Keep this screw, which is longer, with the holder for reinstallation.

## Wireless PCA

 **NOTE:** This section applies to wireless models only.

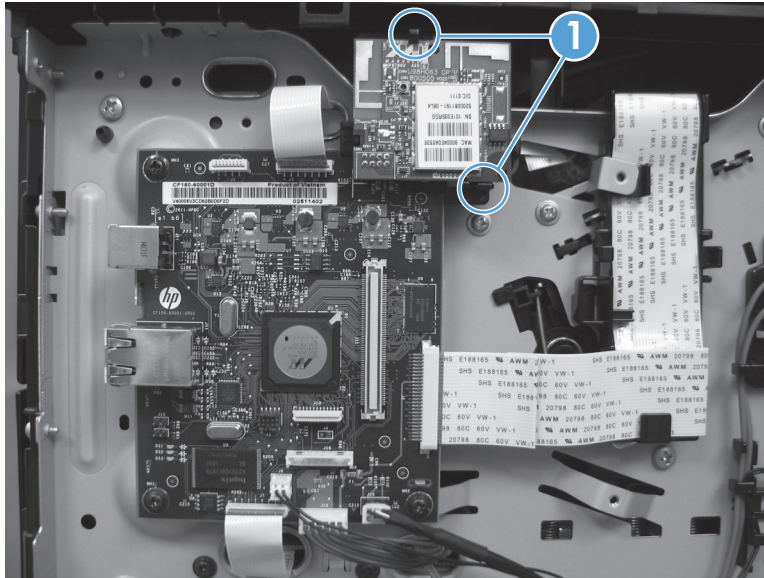
The wireless PCA is located at the top of the formatter PCA.

1. Remove the following components:
  - Tray 2 cassette
  - Left cover. See [Left cover on page 11](#).



2. On the left side of the product, release two tabs (callout 1), pull the lower left-hand corner of the PCA to disconnect the connector on the back of the PCA, and then pull the PCA away from the product.

**Figure 1-66** Remove the wireless PCA



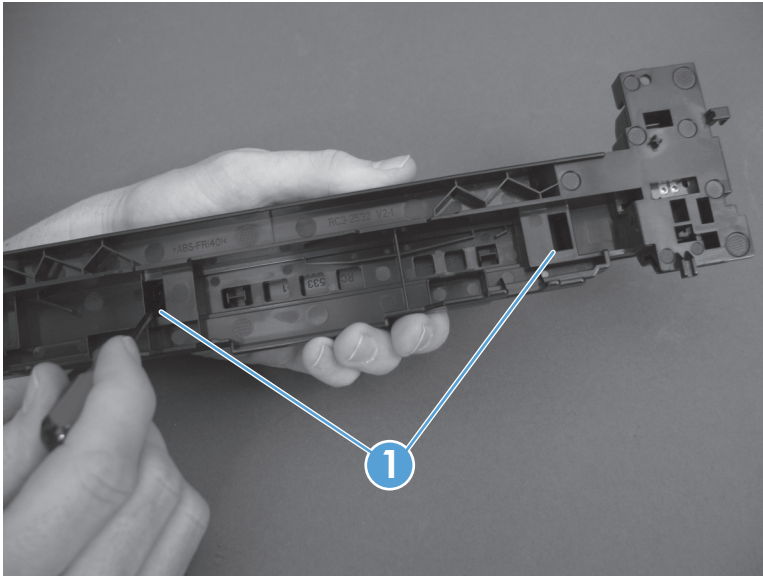
## Power switch PCA

The power switch PCA is located in the product front cover.

1. Remove the following components:
  - Tray 2 cassette
  - Right cover. See [Right cover on page 12](#).
  - Left cover. See [Left cover on page 11](#).
  - Cartridge door and front cover assembly. See [Cartridge door and front cover assembly on page 23](#).

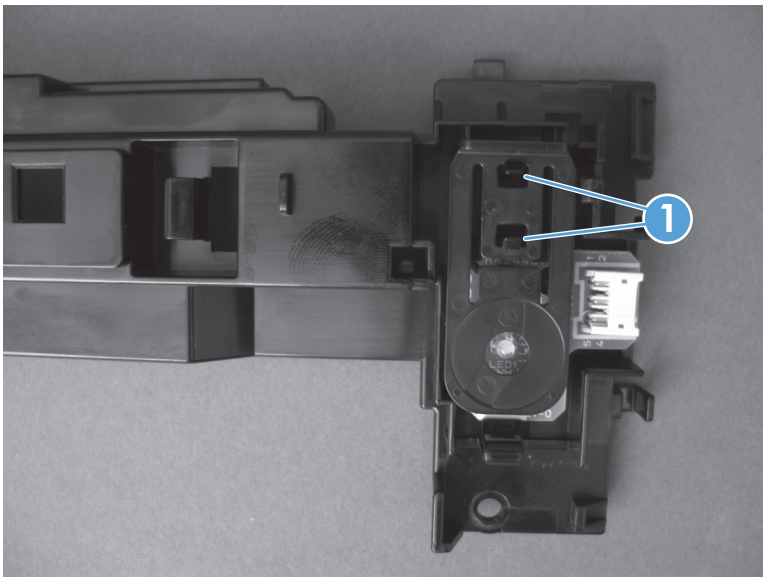
2. On the back of the front cover, use a small flat-blade screwdriver to release two tabs (callout 1) to separate the two pieces of the cover.

**Figure 1-67** Remove the power-switch PCA (1 of 3)



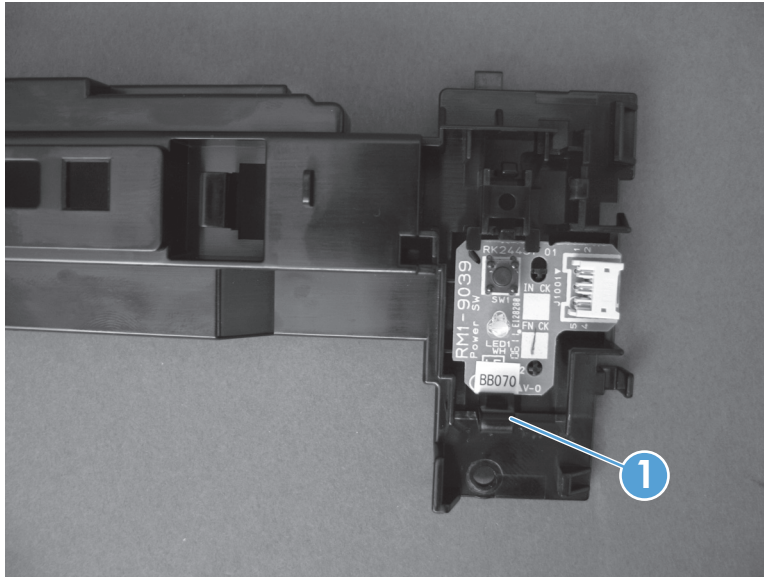
3. Release two tabs (callout 1) to remove the PCA shield.

**Figure 1-68** Remove the power-switch PCA (2 of 3)



4. Release one tab (callout 1), and then pull the PCA out of the front cover.

**Figure 1-69** Remove the power-switch PCA (3 of 3)

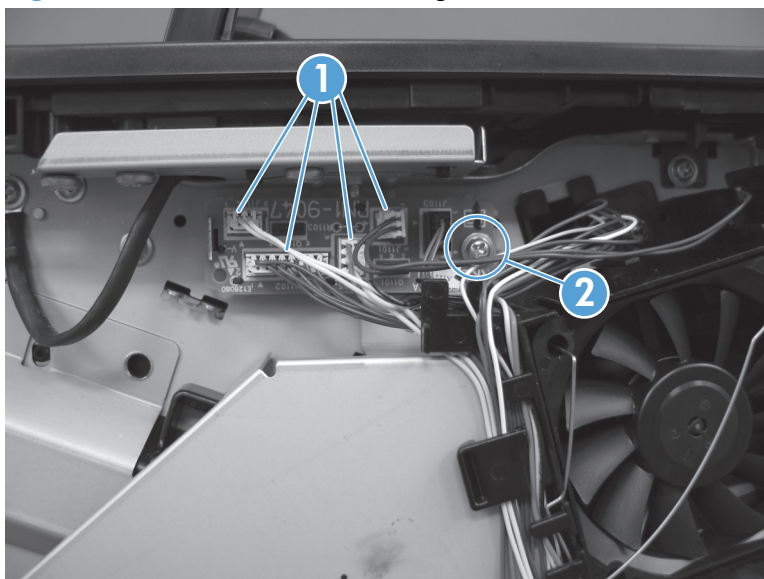


## Connecting PCA

The connecting PCA is located on the product right side, below the control panel.

1. Remove the following components:
  - Tray 2 cassette
  - Right cover. See [Right cover on page 12](#).
2. On the right side of the product, disconnect any connectors (callout 1) on the PCA, remove one screw (callout 2), and then remove the connecting PCA.

**Figure 1-70** Remove the connecting PCA



## Miscellaneous parts

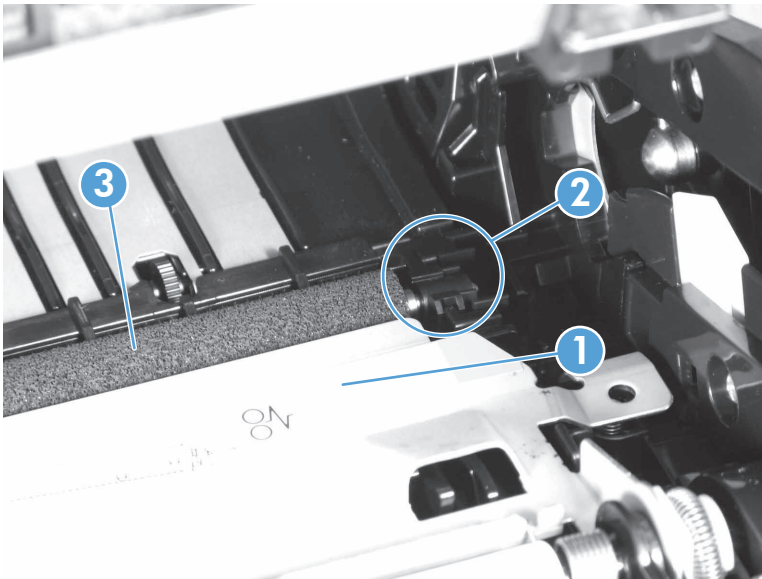
### Transfer roller

**CAUTION:** Do not touch the sponge surface of the roller unless you are replacing the roller. Skin oils on the roller can cause print-quality problems.

Always wear latex gloves when handling a transfer roller for reinstallation or replacement.

1. Open the toner cartridge door, and then remove the toner cartridge.
2. In the toner cartridge cavity, pull the sheet-metal jam plate toward the Tray 1 pickup roller cover (callout 1) and hold it, release the two tabs of the black locking clip on the right-side bushing (callout 2), pull the bushing up, and then slide the transfer roller (callout 3) to the right and remove it.

**Figure 1-71** Remove the transfer roller



**CAUTION:** The black locking clip on the right side of the transfer-roller shaft is not captive. Do not lose the locking clip when you remove the transfer roller.

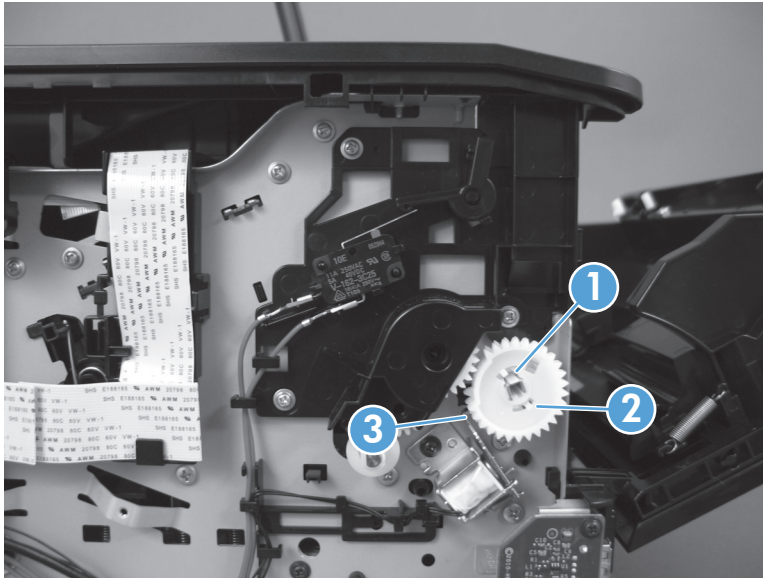
### Multipurpose (MP) tray pickup gear assembly


**NOTE:** The multipurpose tray is referred to as Tray 1 in user documentation.

1. Remove the following components.
  - Tray 2 cassette
  - Left cover. See [Left cover on page 11](#).

2. On the left side of the product, release the tab (callout 1) at the center of the gear, and then remove the gear (callout 2).


**Figure 1-72** Remove the paper-pickup-gear assembly



 **Reinstallation tip** Press and hold back the gear arm (callout 3) when reinstalling the pickup gear.

## Optional paper feeder (Tray 3)

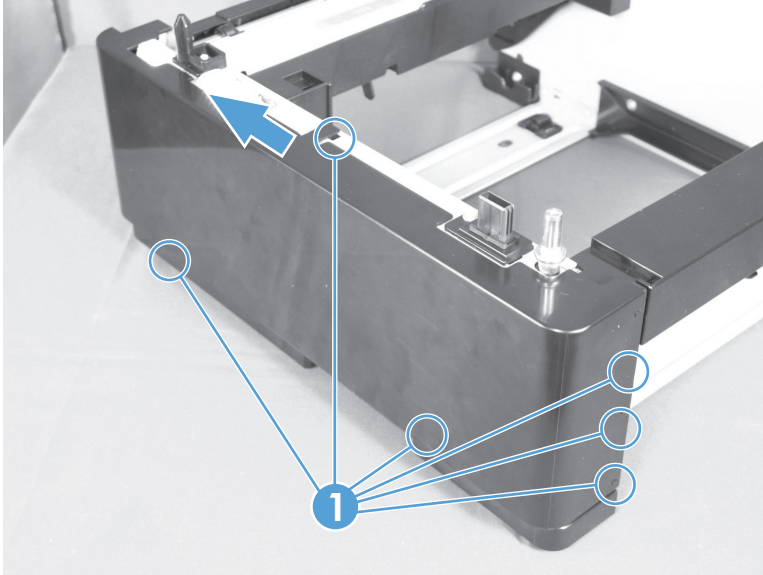
When replacing any parts on the optional paper feeder (Tray 3), remove the tray cassette before removing any other parts.

 **NOTE:** To view the procedures for removing the optional paper feeder pickup roller or separation pad, see [Rollers on page 6](#).

## Optional paper feeder right cover

- ▲ Starting at the back of the unit, release six tabs (callout 1), and then slide the right cover toward the front of the unit to remove it.

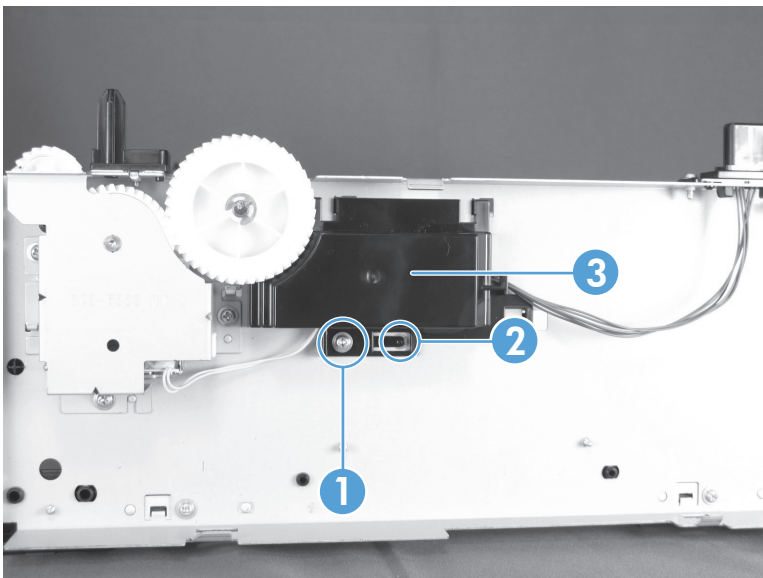
**Figure 1-73** Remove the optional paper feeder right cover



## Optional paper feeder driver PCA

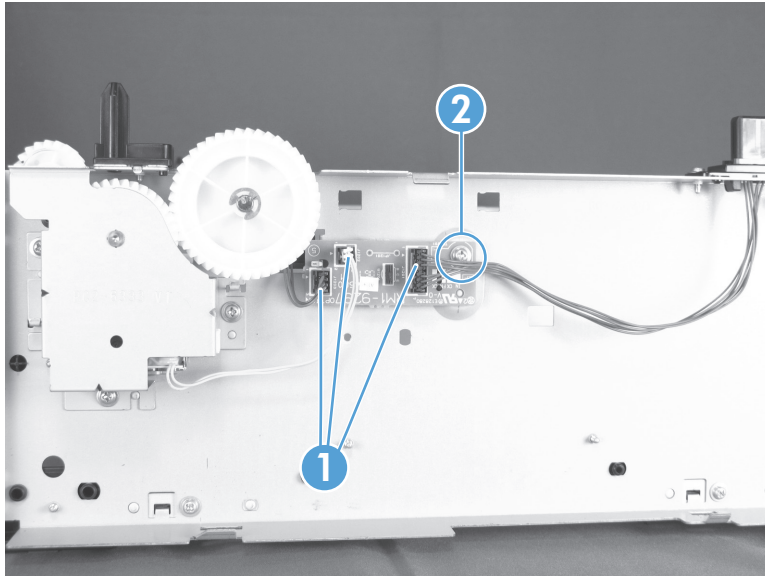
1. Remove the right cover.
2. On the right side of the unit, remove one screw (callout 1), release one tab (callout 2) from the driver PCA cover (callout 3), and then slide the PCA cover to the right to remove it.

**Figure 1-74** Remove the optional paper feeder driver PCA (1 of 2)



3. Disconnect three connectors (callout 1), and then remove one screw (callout 2) to remove the driver PCA.

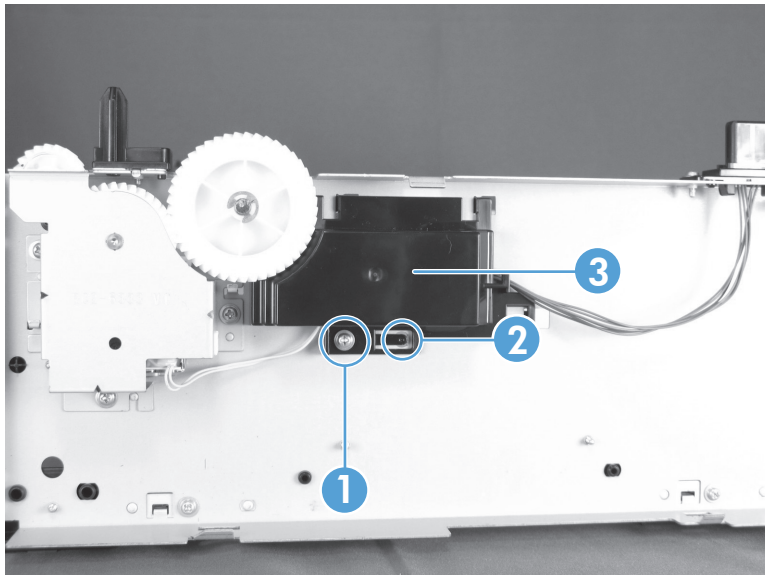
**Figure 1-75** Remove the optional paper feeder driver PCA (2 of 2)



### Optional paper feeder paper sensor PCA

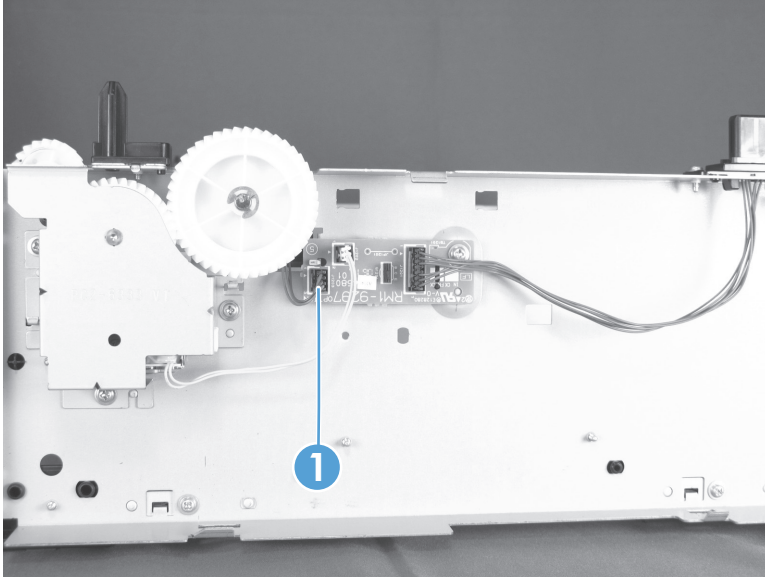
1. Remove the right cover.
2. On the right side of the unit, remove one screw (callout 1), release one tab (callout 2) from the driver PCA cover (callout 3), and then slide the PCA cover to the right to remove it.

**Figure 1-76** Remove the optional paper feeder paper sensor PCA (1 of 4)



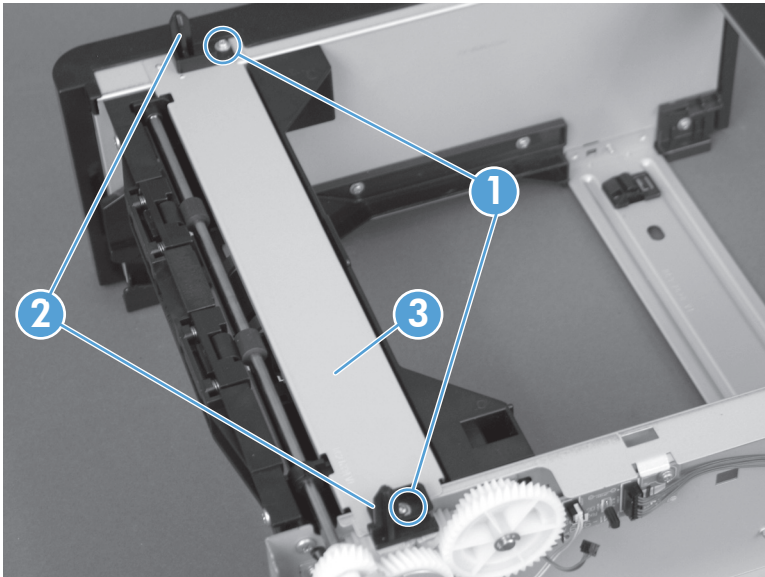
3. On the driver PCA, disconnect one connector (callout 1).

**Figure 1-77** Remove the optional paper feeder paper sensor PCA (2 of 4)



4. At the front of the paper feeder, remove two screws (callout 1), remove the two plastic positioning pins (callout 2), and then lift the metal cover (callout 3) off the paper feeder.

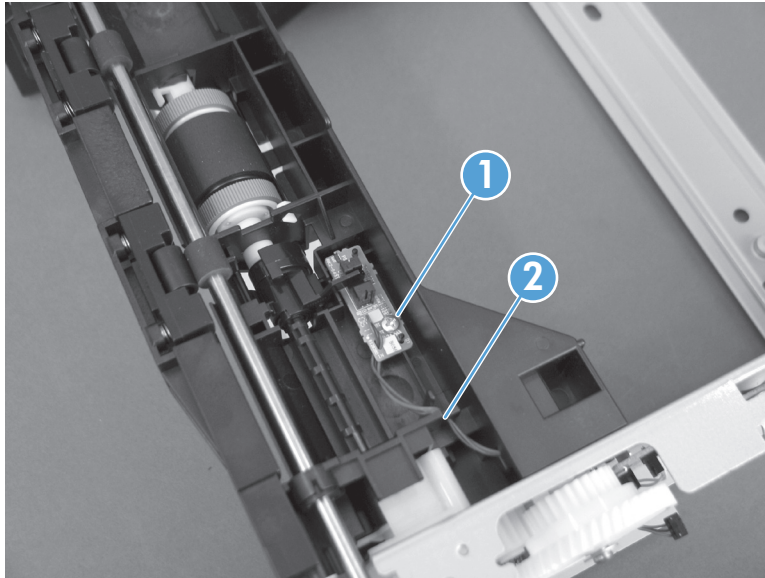
**Figure 1-78** Remove the optional paper feeder paper sensor PCA (3 of 4)





5. Remove one screw (callout 1), and then release the PCA cable from the cable guides to remove the sensor PCA.

**Figure 1-79** Remove the optional paper feeder paper sensor PCA (4 of 4)





---

## 2 Parts and diagrams

---

 **NOTE:** In this chapter, part numbers are listed only for available replaceable parts.

---

- [Order parts by authorized service providers](#)
- [How to use the parts lists and diagrams](#)
- [Assembly locations](#)
- [Covers, panels, and doors](#)
- [Internal assemblies](#)
- [Input devices](#)
- [Alphabetical parts list](#)
- [Numerical parts list](#)

# Order parts by authorized service providers

## Order replacement parts

**Table 2-1 Order parts, accessories, and supplies**

Order supplies and paper	<a href="http://www.hp.com/go/suresupply">www.hp.com/go/suresupply</a>
Order genuine HP parts or accessories	<a href="http://www.hp.com/buy/parts">www.hp.com/buy/parts</a>
Order through service or support providers	Contact an HP-authorized service or support provider.

## Related documentation and software

**Table 2-2 Related documentation and software**

Item	Description	Part number
HP LaserJet Pro 400 M401 Printer Series User Guide	Product user guide	CF270-90908 (English)
HP LaserJet Pro 400 M401 Printer Series Repair Manual	English repair manual (this manual)	CF270-90977
HP LaserJet Pro 400 M401 Printer Series Troubleshooting Manual	English troubleshooting manual	CF270-91001

## Supplies part numbers

**Table 2-3 Supplies part numbers**

Part	Part number	Type/size
Toner cartridge	CF280A (standard) CF280X (extended)	Black toner cartridge
Paper feeder	CF284A	500-sheet Tray 3
USB 2.0 cable	C6518A	(2-meter standard) A-to-B cable

## Whole-unit replacement part numbers



**NOTE:** Whole-unit replacement products include the formatter PCA.

**Table 2-4 Whole-unit replacement part numbers**

Item	Description	Part number
HP LaserJet Pro 400 M401a Printer	220v WUR EMEA	CF270-69001 (exchange)


**Table 2-4 Whole-unit replacement part numbers (continued)**


<b>Item</b>	<b>Description</b>	<b>Part number</b>
HP LaserJet Pro 400 M401d Printer	220v WUR EMEA	CF274-69001 (exchange)
	220v WUR CN/MY	CF274-67058 (replace)
	220v WUR AP	CF274-69002 (exchange)
HP LaserJet Pro 400 M401n Printer	110v WUR NAR/TW	CZ195-69001 (exchange)
	220v WUR CN/MY	CZ195-67058 (replace)
	220v WUR AP/LAR	CZ195-69002 (exchange)
	220v WUR CL/AR	CZ195-69003 (exchange)
	110v WUR BR	CZ195-69004 (exchange)
HP LaserJet Pro 400 M401dn Printer	110v WUR NAR/TW	CF278-69001 (exchange)
	220v WUR EMEA	CF278-69002 (exchange)
	220v WUR CN/MY	CF278-67059 (replace)
	220v WUR AP/LAR	CF278-69003 (exchange)
	220v WUR CL/AR	CF278-69004 (exchange)
	110v WUR BR	CF278-69005 (exchange)
HP LaserJet Pro 400 M401dw Printer	110v WUR NAR/TW	CF285-69001 (exchange)
	220v WUR EMEA	CF285-69002 (exchange)
	220v WUR CN/MY	CF285-67059 (replace)
	220v WUR AP/LAR	CF285-69003 (exchange)
	110v WUR BR	CF285-69004 (exchange)

## How to use the parts lists and diagrams

The figures in this chapter show the major subassemblies in the product and their component parts. A parts list table follows each exploded view assembly diagram. Each table lists the item number, the associated part number, and the description of each part. If a part is not listed in the table, then it is not a field replacement unit (FRU).

---

 **CAUTION:** Be sure to order the correct part. When looking for part numbers for electrical components, pay careful attention to the voltage that is listed in the description column. Doing so will ensure that the part number selected is for the correct all-in-one model.

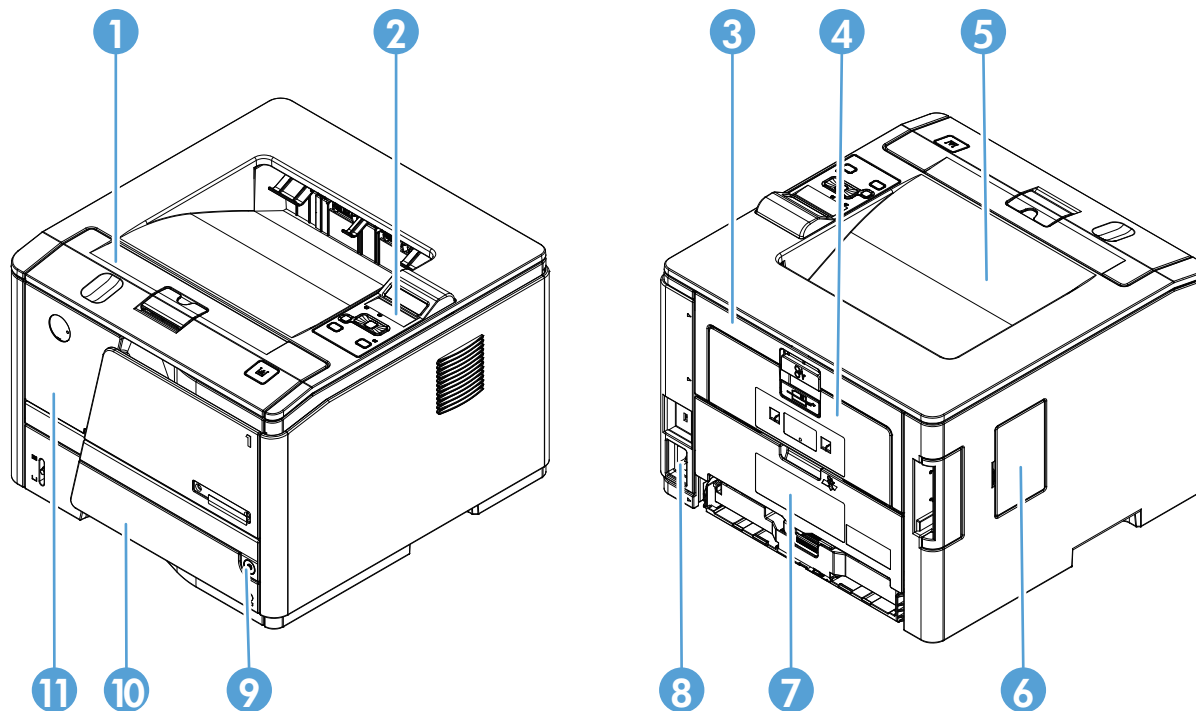
 **NOTE:** In this manual, the abbreviation “PCA” stands for “printed circuit-board assembly.” Components described as a PCA might consist of a single circuit board or a circuit board plus other parts, such as cables and sensors.

---

# Assembly locations

## HP LaserJet M401a, M401n, M401d models

**Figure 2-1** Assembly locations: HP LaserJet M401a, M401n, M401d models

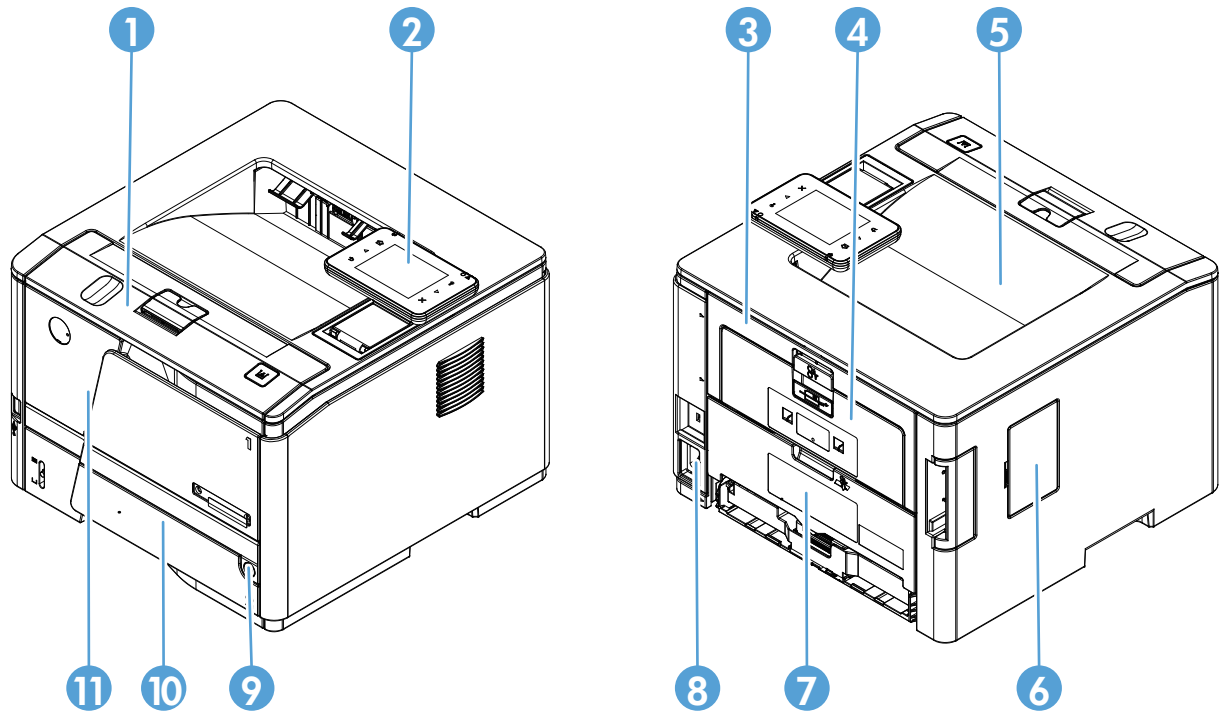


**Table 2-5** Assembly locations: HP LaserJet M401a, M401n, M401d models

Item	Description	Item	Description
1	Cartridge door	7	Rear cover (HP LaserJet M401a and M401n models) or duplex cover (HP LaserJet M401d model)
2	LCD control panel	8	Power receptacle
3	Jam removal door	9	Power switch
4	Rear output door	10	Tray 2 cassette
5	Output bin	11	Multipurpose tray (Tray 1)
6	DIMM door		

## HP LaserJet M401dn and M401dw models

**Figure 2-2** Assembly locations: HP LaserJet M401dn and M401dw models



**Table 2-6** Assembly locations: HP LaserJet M401dn and M401dw models

Item	Description	Item	Description
1	Toner cartridge door	7	Duplex cover
2	Touchscreen control panel	8	Power receptacle
3	Jam removal door	9	Power button
4	Rear output door	10	Tray 2 cassette
5	Output bin	11	Multipurpose tray (Tray 1)
6	DIMM cover		



## Optional paper feeder

Figure 2-3 Assembly locations: optional paper feeder

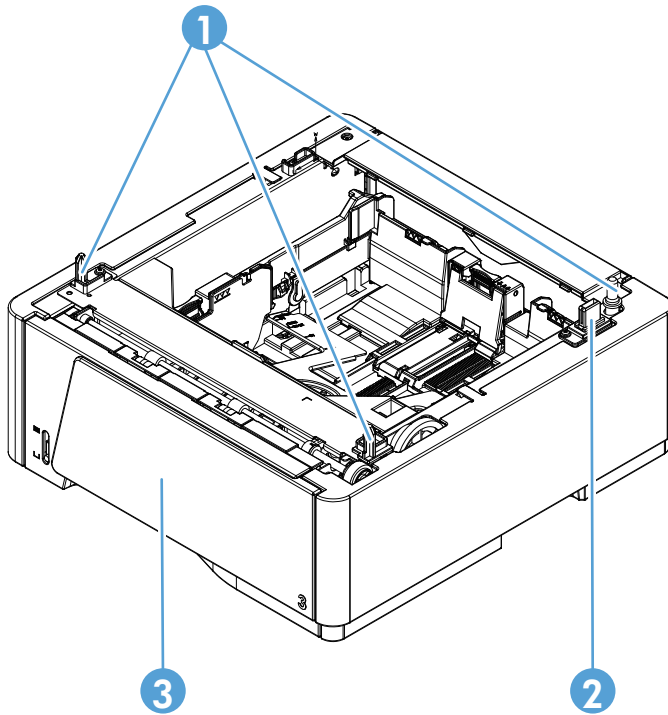
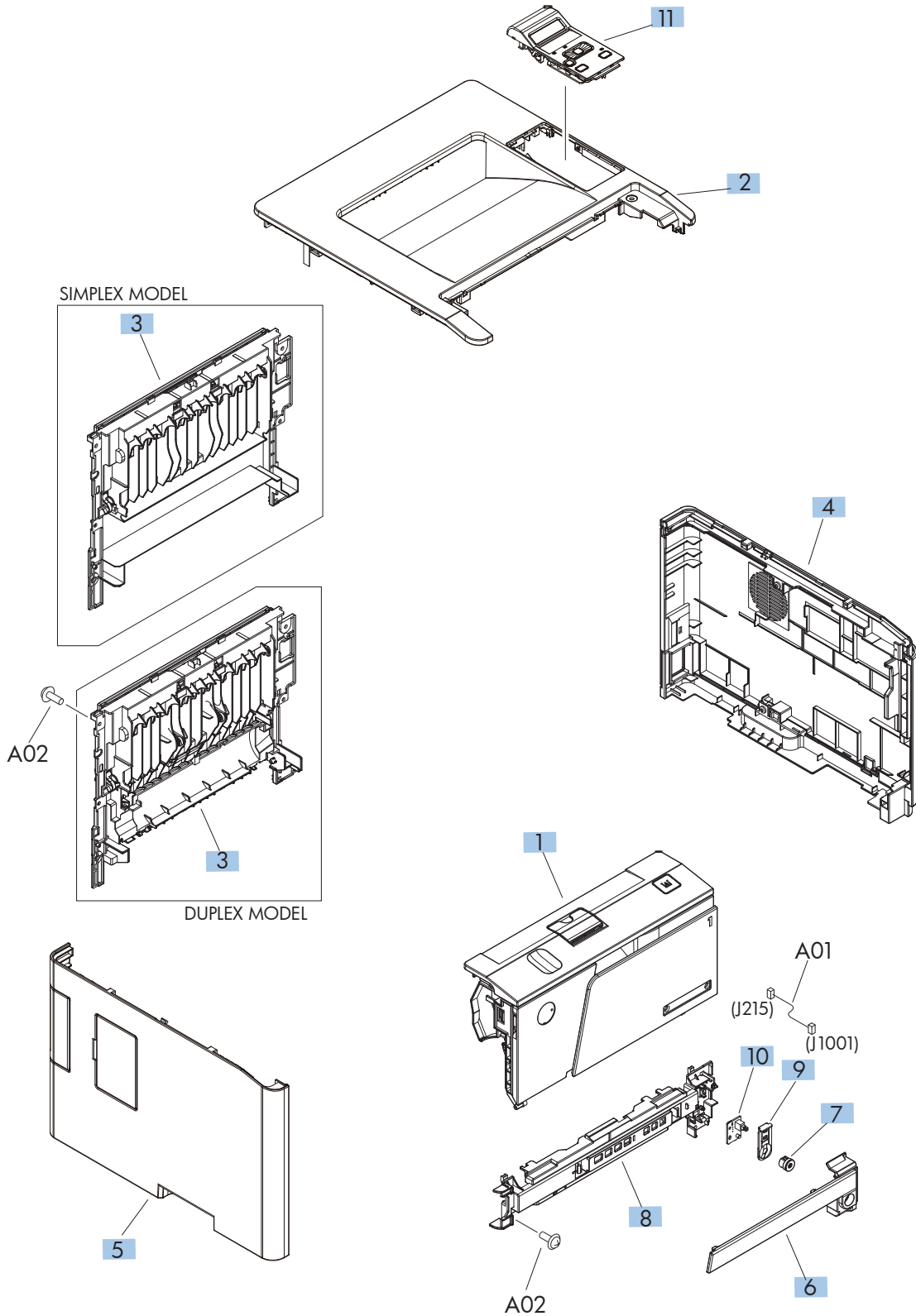


Table 2-7 Assembly locations: optional paper feeder

Item	Description	Item	Description
1	Positioning pins	3	Tray 3 cassette
2	Option interface connector		

# Covers, panels, and doors

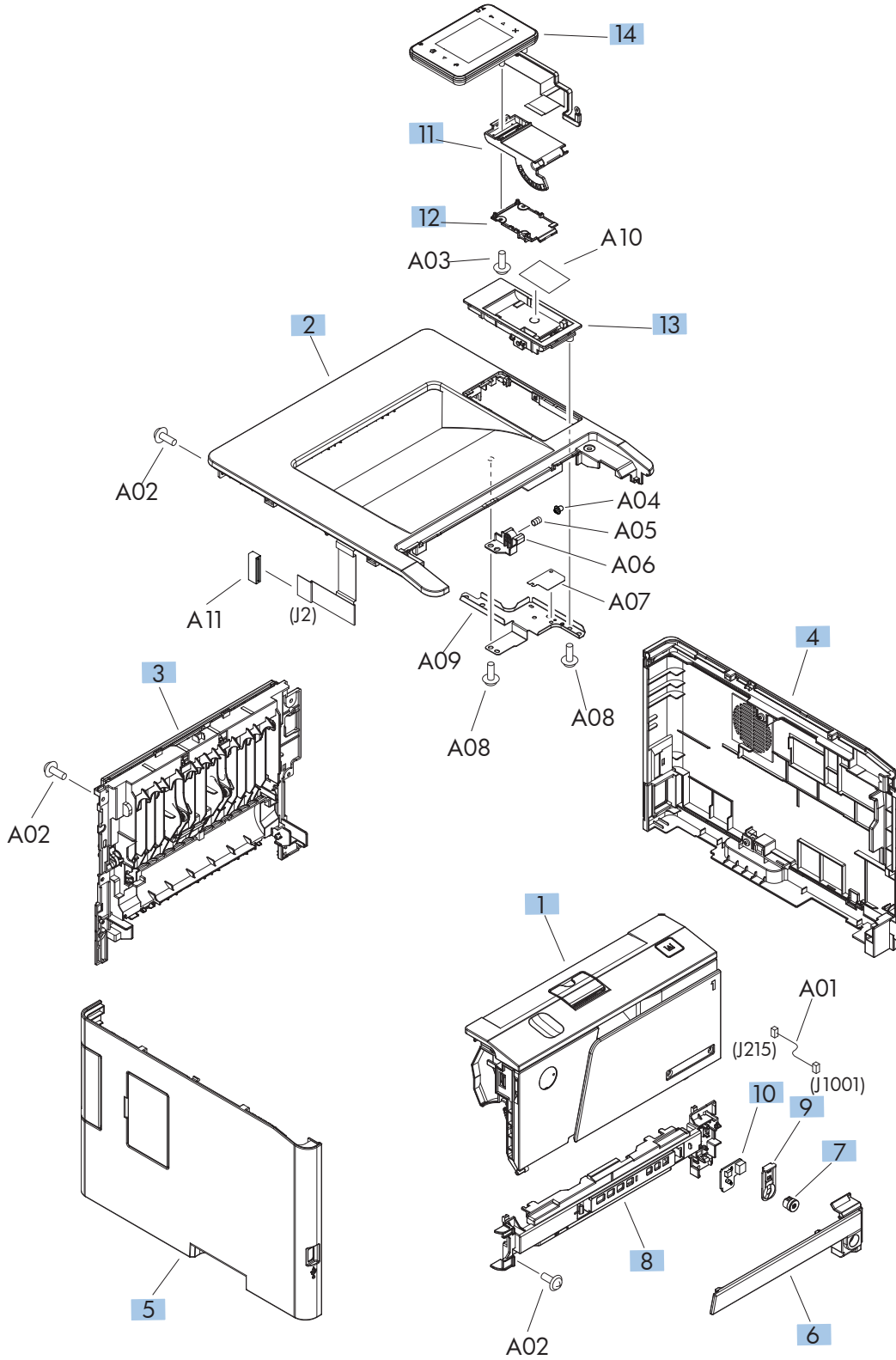
Figure 2-4 Covers, panels, and doors (LCD control panel models)



**Table 2-8 Covers, panels, and doors (LCD control panel models)**

<b>Ref</b>	<b>Description</b>	<b>Part number</b>	<b>Qty</b>
1	Cartridge door assembly	RM1-9145-000CN	1
2	Cover, top	RM1-9180-000CN	1
3	Cover, rear (duplex model)	RM1-9161-000CN	1
3	Cover, rear (simplex model)	RM1-9163-000CN	1
4	Cover, right	RM1-9171-000CN	1
5	Cover, left	RM1-9174-000CN	1
6	Cover, outer, front	RC3-2533-000CN	1
7	Switch, power button assembly	RM1-9125-000CN	1
8	Cover, inner, front	RC3-2532-000CN	1
9	Lever, power supply button	RC3-2545-000CN	1
10	Power button PCA	RM1-9039-000CN	1
11	Control-panel assembly	RM1-9149-000CN	1

**Figure 2-5** Covers, panels, and doors (touchscreen control panel models)

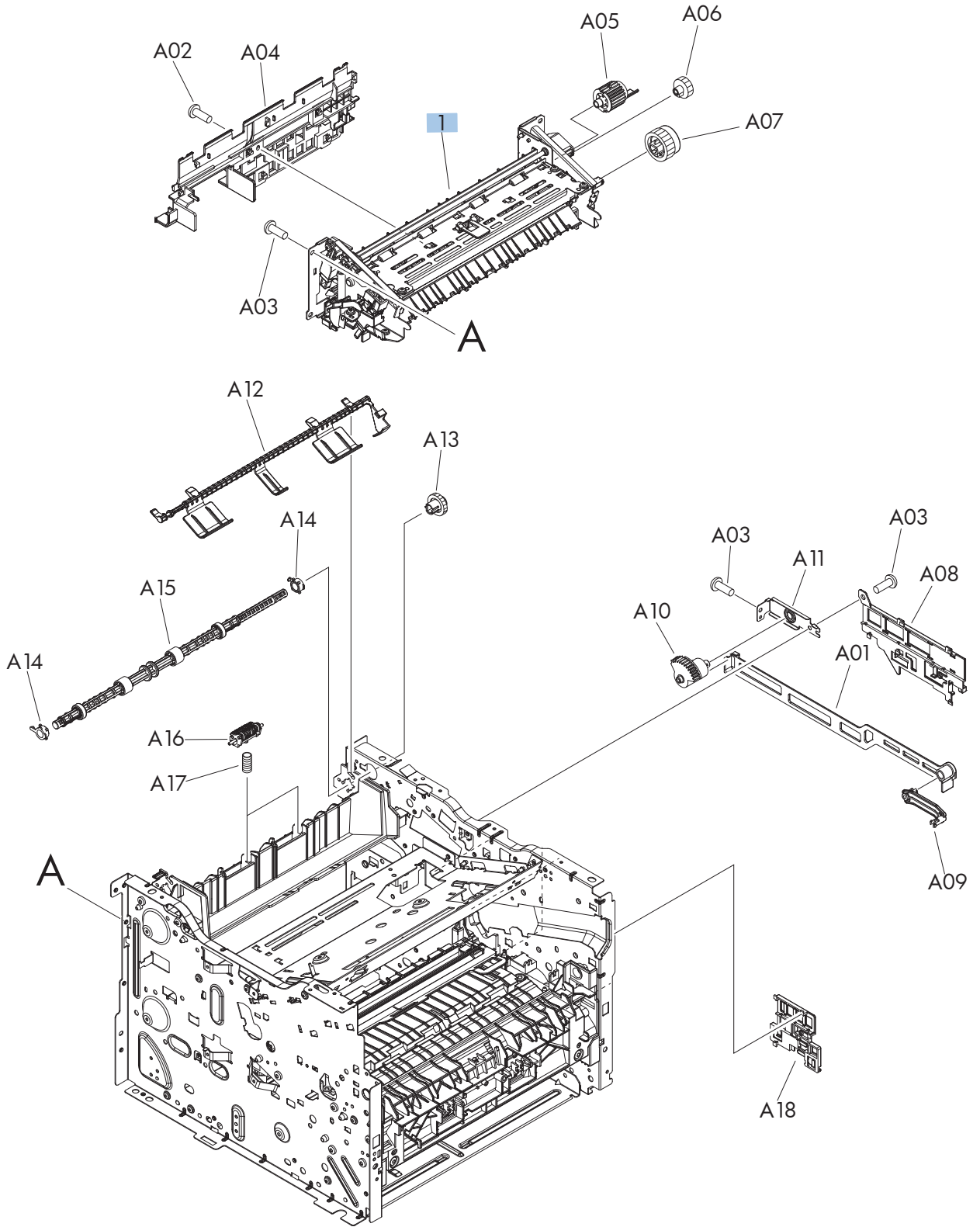


**Table 2-9 Covers, panels, and doors (touchscreen control panel models)**

<b>Ref</b>	<b>Description</b>	<b>Part number</b>	<b>Qty</b>
1	Cartridge door assembly	RM1-9145-000CN	1
2	Cover, top	RM1-9179-000CN	1
3	Cover, rear	RM1-9161-000CN	1
4	Cover, right	RM1-9171-000CN	1
5	Cover, left	RM1-9123-000CN	1
6	Cover, outer, front	RC3-2533-000CN	1
7	Switch, power button assembly	RM1-9125-000CN	1
8	Cover, inner, front	RC3-2532-000CN	1
9	Lever, power supply button	RC3-2545-000CN	1
10	Power button PCA	RM1-9039-000CN	1
11	Arm, control panel	RC3-2584-000CN	1
12	Cover, cable	RC3-2585-000CN	1
13	Plate, base	RC3-2586-000CN	1
14	Control-panel assembly (HP Laserjet M401dn model only)	CF270-60101	1
14	Control-panel assembly (HP Laserjet M401dw model only)	CF285-60101	1

# Internal assemblies

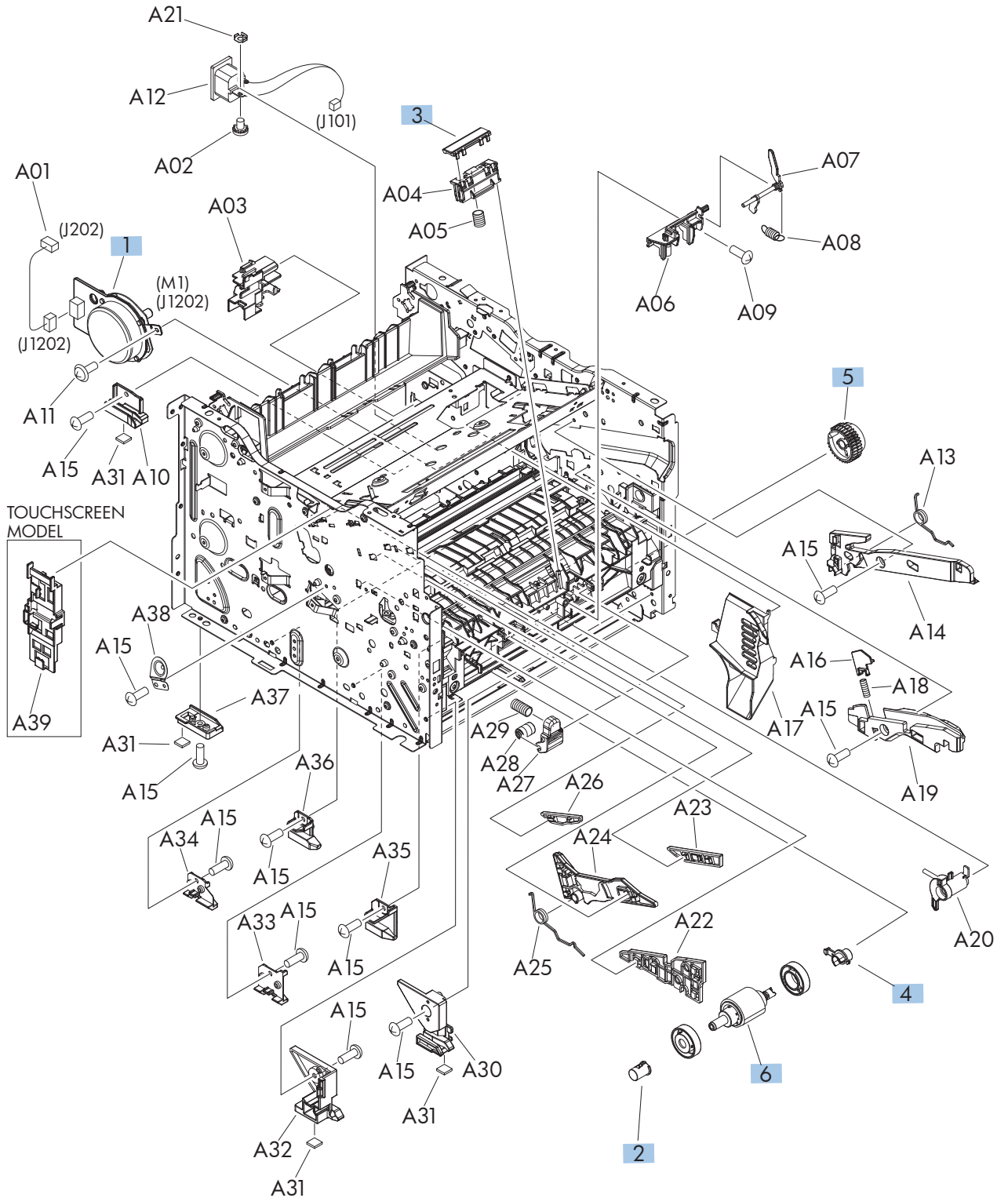
Figure 2-6 Internal components (1 of 5)



**Table 2-10 Internal components (1 of 5)**

<b>Ref</b>	<b>Description</b>	<b>Part number</b>	<b>Qty</b>
1	Fuser (110V)	RM1-8808-000CN	1
1	Fuser (220V)	RM1-8809-000CN	1

**Figure 2-7** Internal components (2 of 5)

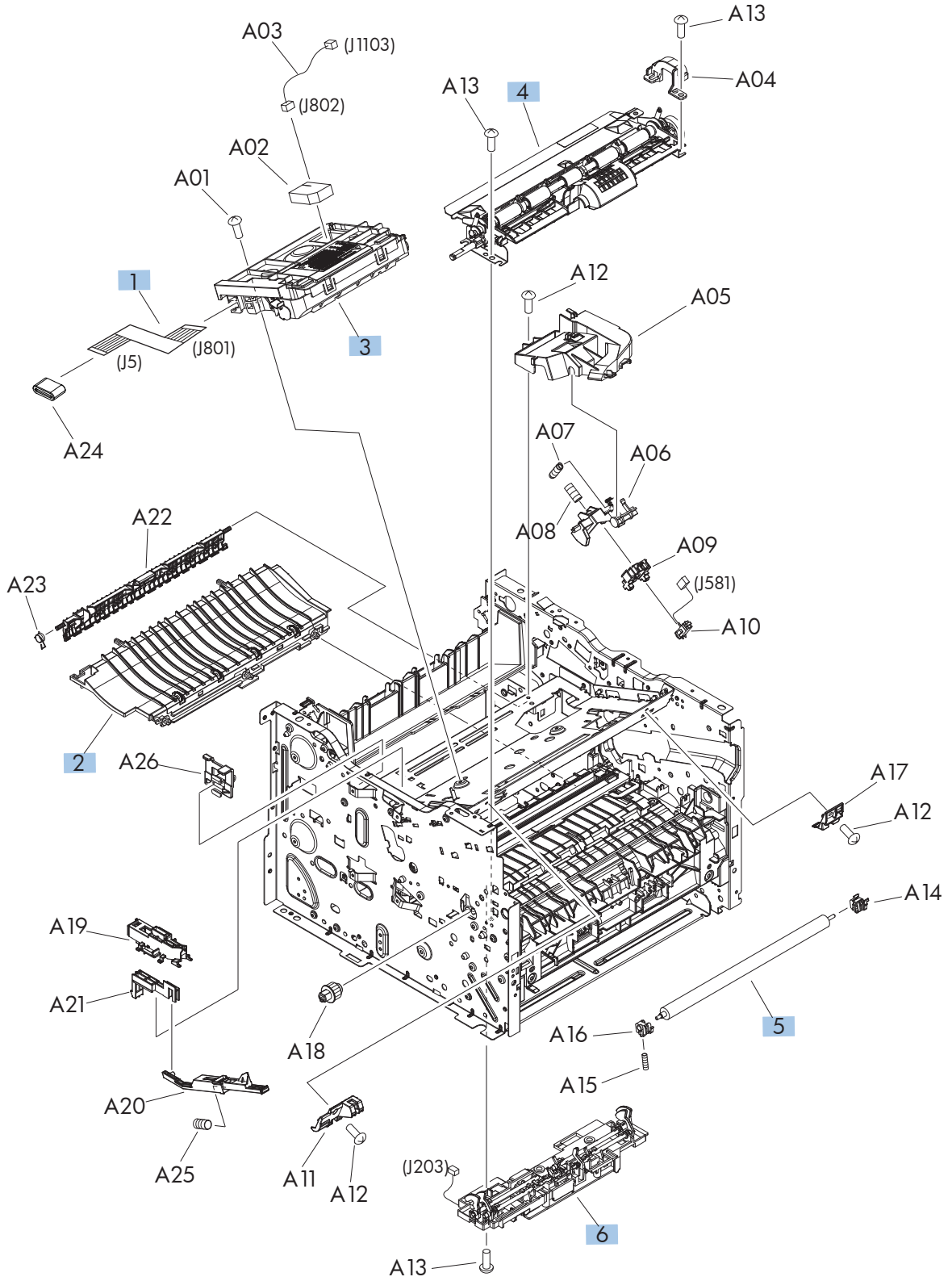




**Table 2-11 Internal components (2 of 5)**

<b>Ref</b>	<b>Description</b>	<b>Part number</b>	<b>Qty</b>
1	Main motor assembly	RM1-9042-000CN	1
2	Bushing	RC2-8263-000CN	1
3	Separation pad, multipurpose tray	RL1-2115-000CN	1
4	Bushing	RC2-6131-000CN	1
5	Paper pickup gear assembly	RM1-7360-000CN	1
6	Paper pickup roller assembly	RM1-9168-000CN	1

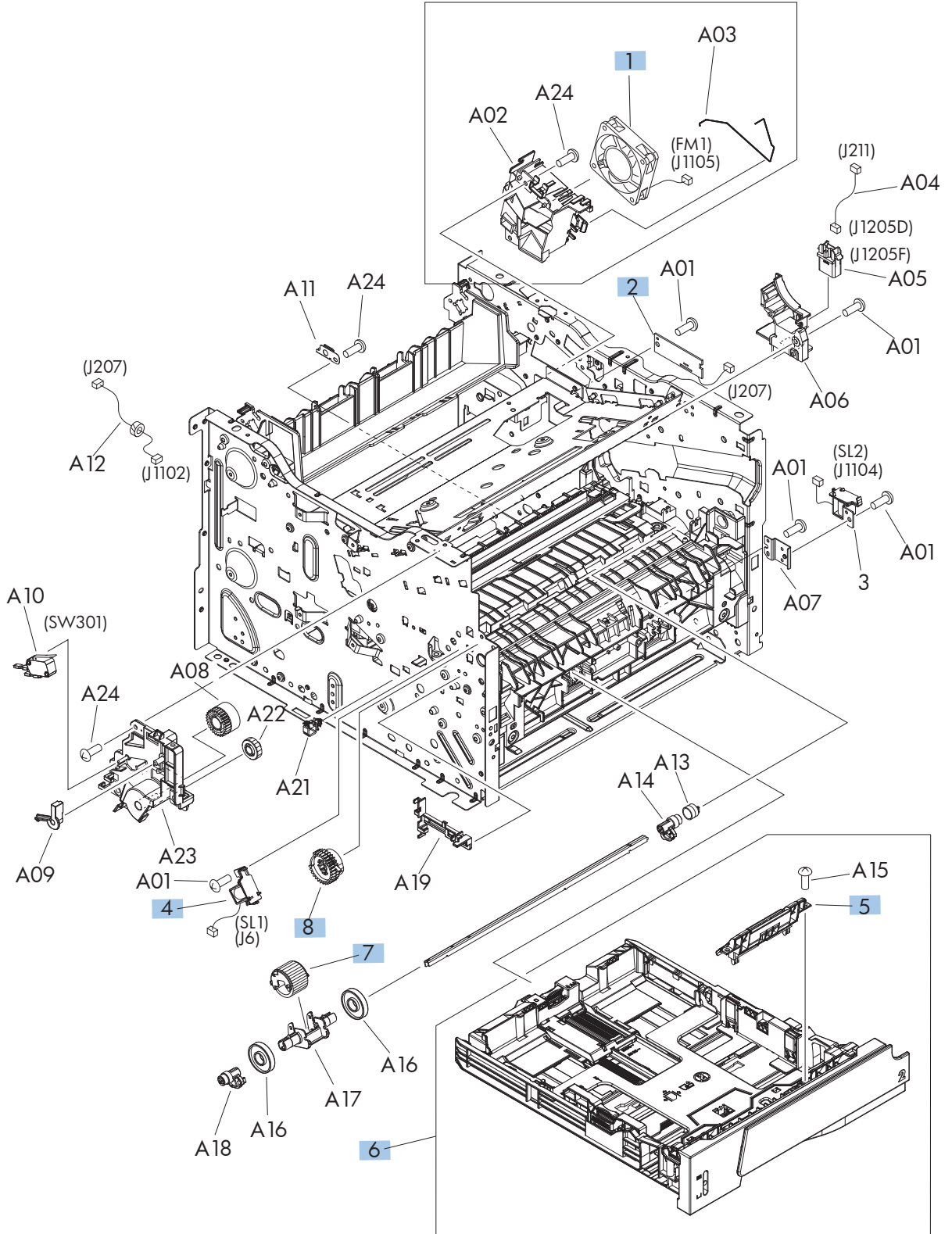
**Figure 2-8** Internal components (3 of 5)



**Table 2-12 Internal components (3 of 5)**

<b>Ref</b>	<b>Description</b>	<b>Part number</b>	<b>Qty</b>
1	Cable, flexible, flat	RK2-4452-000CN	1
2	Paper feed guide assembly	RM1-9122-000CN	1
3	Laser scanner assembly	RM1-9135-000CN	1
4	Registration roller assembly	RM1-8806-000CN	1
5	Transfer roller assembly	RM1-9175-000CN	1
6	Sensor assembly	RM1-8807-000CN	1

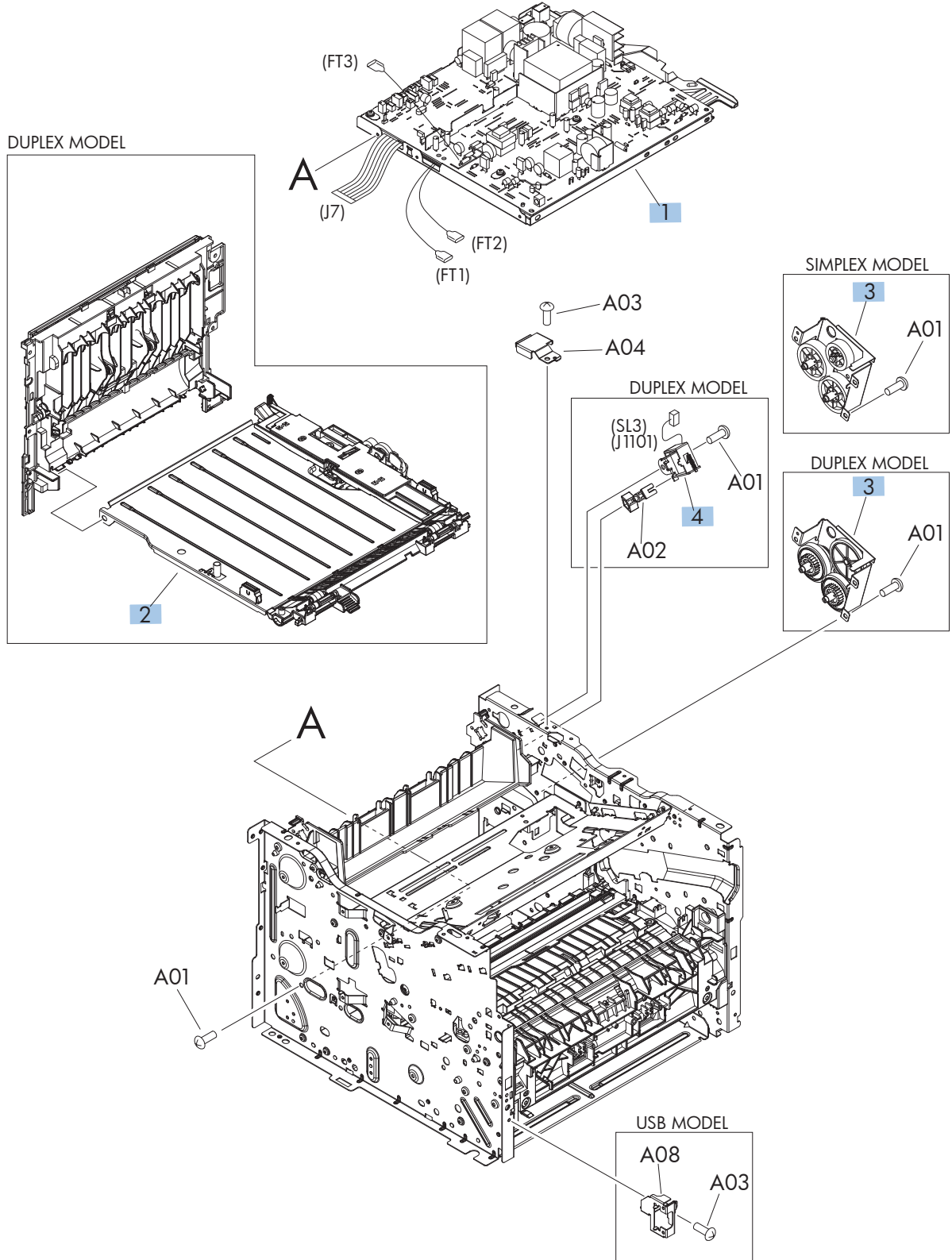
**Figure 2-9** Internal components (4 of 5)



**Table 2-13 Internal components (4 of 5)**

<b>Ref</b>	<b>Description</b>	<b>Part number</b>	<b>Qty</b>
1	Fan	RK2-4418-000CN	1
2	Connecting PCA	RM1-9047-000CN	1
4	Solenoid	RK2-2731-000CN	1
5	Separation pad holder assembly	RM1-7365-000CN	1
6	Cassette assembly (Tray 2)	RM1-9137-000CN	1
7	Pickup roller, multipurpose tray (Tray 1)	RL1-3307-000CN	1
8	Multipurpose tray pickup gear assembly	RM1-9127-000CN	1

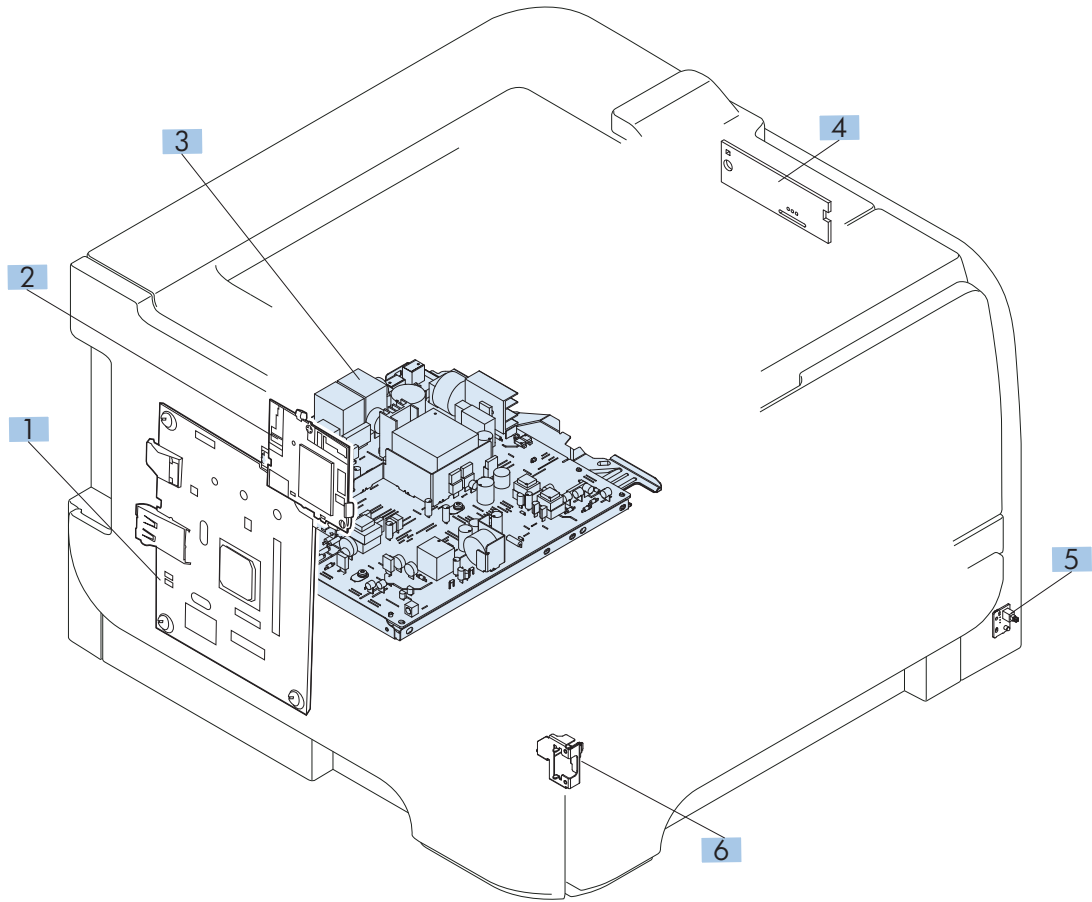
**Figure 2-10** Internal components (5 of 5)



**Table 2-14 Internal components (5 of 5)**

<b>Ref</b>	<b>Description</b>	<b>Part number</b>	<b>Qty</b>
1	Engine controller assembly (DC controller) — 110V	RM1-9164-000CN	1
1	Engine controller assembly (DC controller) — 220V	RM1-9165-000	1
2	Duplexing paper feed assembly (duplex models only)	RM1-9153-000CN	1
3	Reverse drive assembly (duplex models only)	RM1-9157-000CN	1
3	Face-down drive assembly (simplex models only)	RM1-9160-000CN	1
4	Solenoid, duplex	RK2-2733-000CN	1

**Figure 2-11** PCA location





**Table 2-15 PCA location**

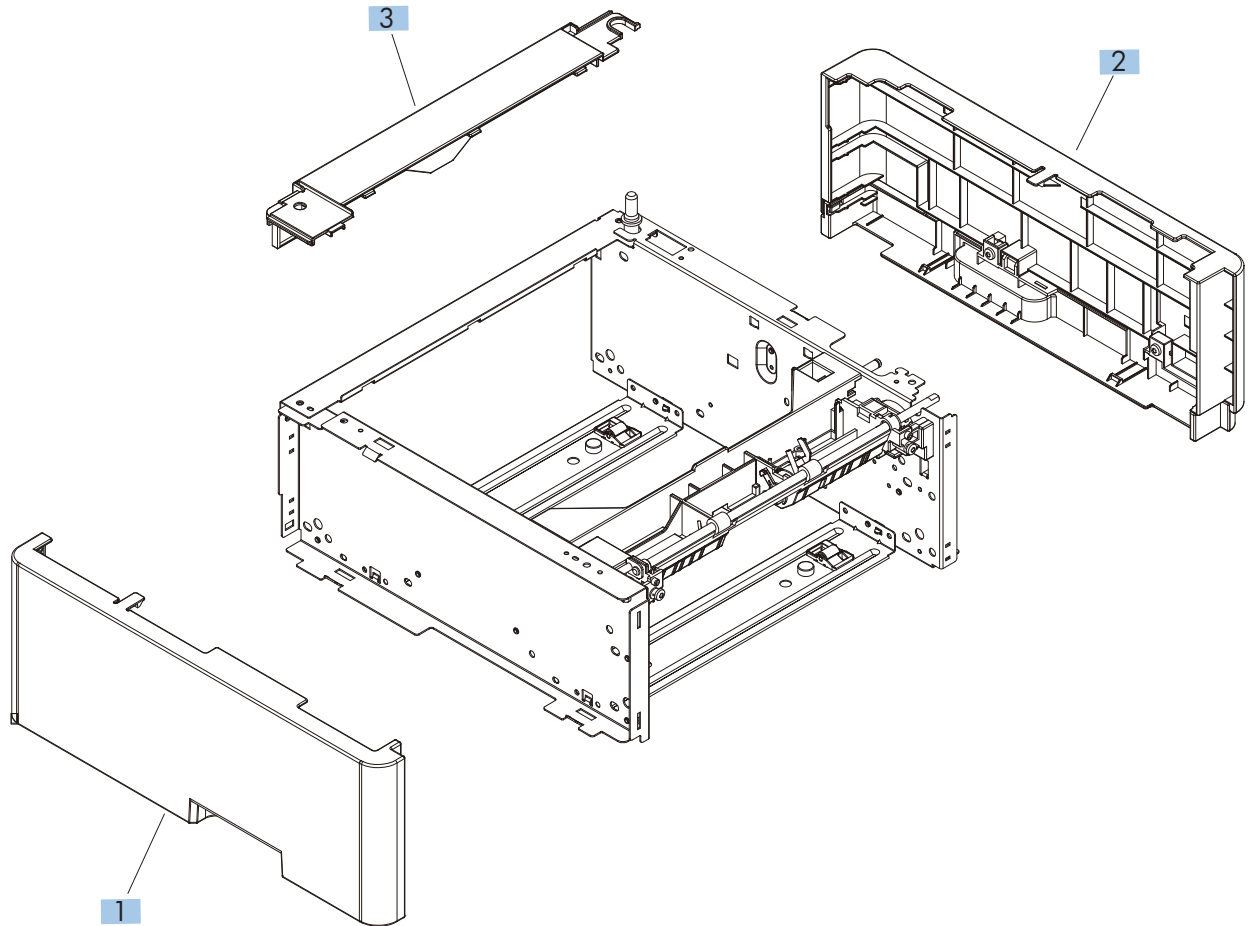
<b>Ref</b>	<b>Description</b>	<b>Part number</b>	<b>Qty</b>
1	Formatter PCA (HP LaserJet M401a, M401d models)	CF148-60001	1
1	Formatter PCA (HP LaserJet M401n model)	CF149-60001	1
1	Formatter PCA (HP LaserJet M401dn, M401dw models)	CF150-60001	1
1	Formatter PCA (China, HP LaserJet M401a, M401d models)	CF148-69001	1
1	Formatter PCA (China, HP LaserJet M401n model)	CF149-69001	1
1	Formatter PCA (China, HP LaserJet M401dn, M401dw models)	CF150-69001	1
2	Wireless PCA (HP LaserJet M401dw model only)	CF270-60101	1
2	Wireless PCA holder (not pictured — HP LaserJet M401dw model only)	CF286-40014	1
3	Engine controller assembly (DC controller) PCA — 110V	RM1-9164-000CN	1
3	Engine controller assembly (DC controller) PCA — 220V	RM1-9165-000CN	1
4	Connecting PCA	RM1-9047-000CN	1
5	Power switch PCA	RM1-9039-000CN	1
6	Universal serial bus (USB) PCA (HP LaserJet M401dn and M401dw models only)	CF368-60001	1

# Input devices

## 500-sheet paper feeder

### Paper feeder covers

Figure 2-12 Paper feeder covers

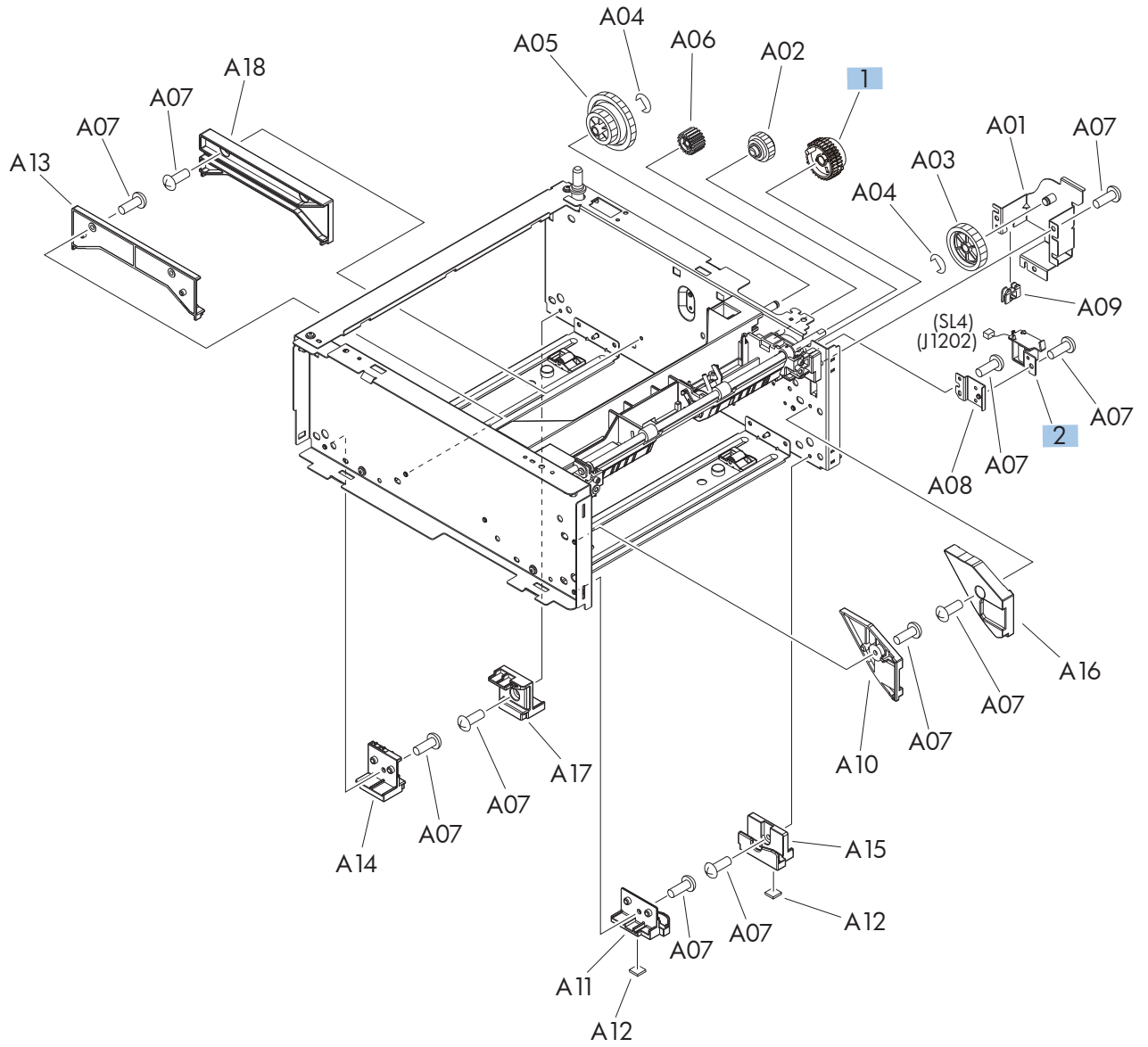


**Table 2-16 Paper feeder covers**

<b>Ref</b>	<b>Description</b>	<b>Part number</b>	<b>Qty</b>
1	Cover, left	RC3-2618-000CN	1
2	Cover, right	RM1-9316-000CN	1
3	Cover, rear	RC3-2621-000CN	1

## Paper feeder main body (1 of 2)

Figure 2-13 Paper feeder main body (1 of 2)

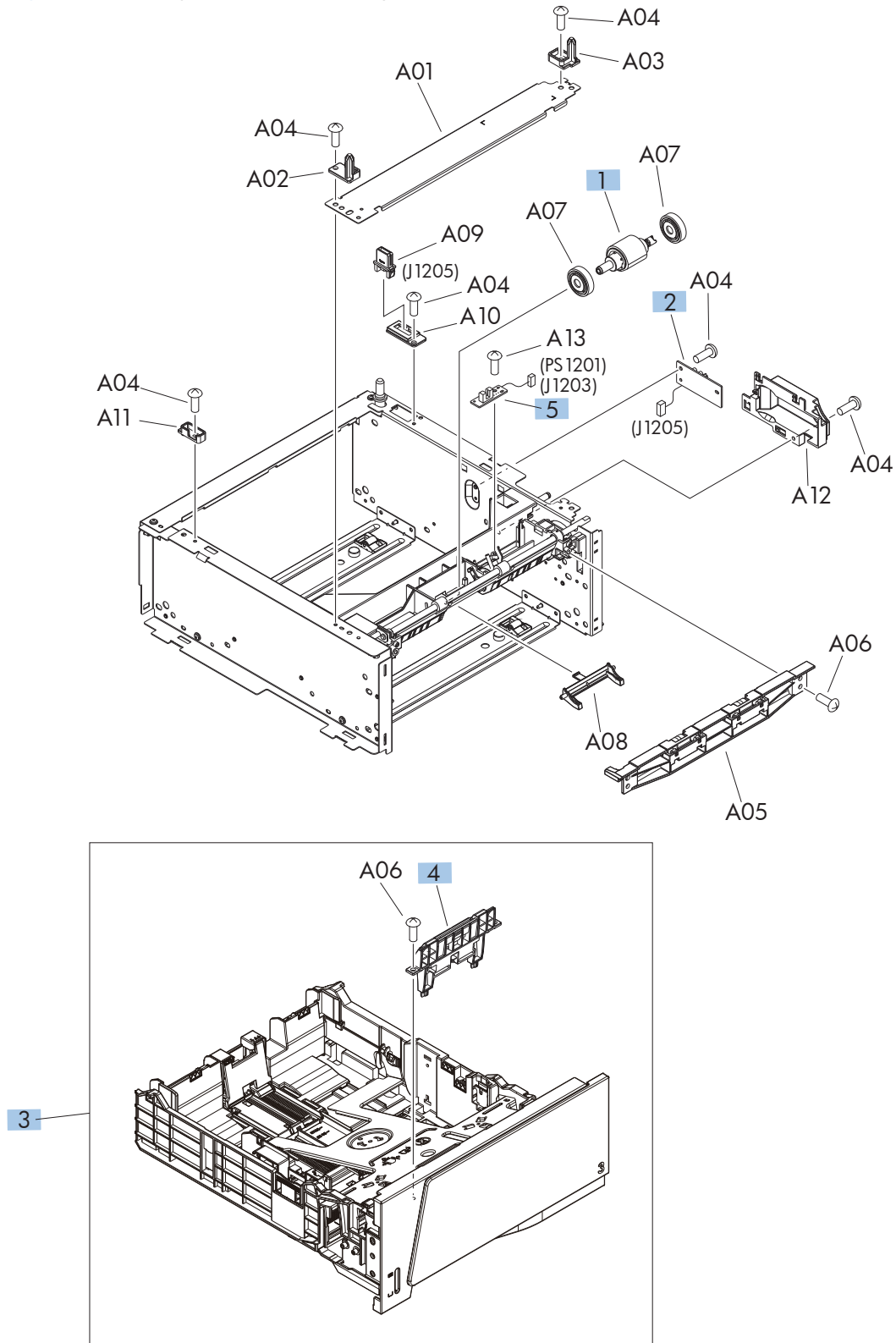


**Table 2-17 Paper feeder main body (1 of 2)**

<b>Ref</b>	<b>Description</b>	<b>Part number</b>	<b>Qty</b>
1	Paper pickup gear assembly	RM1-7360-000CN	1
2	Solenoid	RK2-0426-000CN	1

## Paper feeder main body (2 of 2)

Figure 2-14 Paper feeder main body (2 of 2)



**Table 2-18 Paper feeder main body (2 of 2)**

<b>Ref</b>	<b>Description</b>	<b>Part number</b>	<b>Qty</b>
1	Paper feeder pickup roller assembly	RM1-9168-000CN	1
2	Paper feeder driver PCA	RM1-9297-000CN	1
3	Paper feeder cassette (Tray 3)	RM1-9313-000CN	1
4	Paper feeder separation pad holder assembly	RM1-6303-000CN	1
5	Paper feeder paper sensor PCA	RM1-1267-000CN	1

# Alphabetical parts list

**Table 2-19 Alphabetical parts list**

<b>Description</b>	<b>Part number</b>	<b>Table and page</b>
Arm, control panel	RC3-2584-000CN	<a href="#">Covers, panels, and doors (touchscreen control panel models) on page 69</a>
Bushing	RC2-8263-000CN	<a href="#">Internal components (2 of 5) on page 73</a>
Bushing	RC2-6131-000CN	<a href="#">Internal components (2 of 5) on page 73</a>
Cable, flexible, flat	RK2-4452-000CN	<a href="#">Internal components (3 of 5) on page 75</a>
Cartridge door assembly	RM1-9145-000CN	<a href="#">Covers, panels, and doors (LCD control panel models) on page 67</a>
Cartridge door assembly	RM1-9145-000CN	<a href="#">Covers, panels, and doors (touchscreen control panel models) on page 69</a>
Cassette assembly (Tray 2)	RM1-9137-000CN	<a href="#">Internal components (4 of 5) on page 77</a>
Connecting PCA	RM1-9047-000CN	<a href="#">Internal components (4 of 5) on page 77</a>
Connecting PCA	RM1-9047-000CN	<a href="#">PCA location on page 81</a>
Control-panel assembly	RM1-9149-000CN	<a href="#">Covers, panels, and doors (LCD control panel models) on page 67</a>
Control-panel assembly (HP Laserjet M401dn model only)	CF270-60101	<a href="#">Covers, panels, and doors (touchscreen control panel models) on page 69</a>
Control-panel assembly (HP Laserjet M401dw model only)	CF285-60101	<a href="#">Covers, panels, and doors (touchscreen control panel models) on page 69</a>
Cover, cable	RC3-2585-000CN	<a href="#">Covers, panels, and doors (touchscreen control panel models) on page 69</a>
Cover, inner, front	RC3-2532-000CN	<a href="#">Covers, panels, and doors (LCD control panel models) on page 67</a>
Cover, inner, front	RC3-2532-000CN	<a href="#">Covers, panels, and doors (touchscreen control panel models) on page 69</a>
Cover, left	RM1-9174-000CN	<a href="#">Covers, panels, and doors (LCD control panel models) on page 67</a>



**Table 2-19 Alphabetical parts list (continued)**

<b>Description</b>	<b>Part number</b>	<b>Table and page</b>
Cover, left	RM1-9123-000CN	<a href="#">Covers, panels, and doors (touchscreen control panel models) on page 69</a>
Cover, left	RC3-2618-000CN	<a href="#">Paper feeder covers on page 83</a>
Cover, outer, front	RC3-2533-000CN	<a href="#">Covers, panels, and doors (LCD control panel models) on page 67</a>
Cover, outer, front	RC3-2533-000CN	<a href="#">Covers, panels, and doors (touchscreen control panel models) on page 69</a>
Cover, rear	RM1-9161-000CN	<a href="#">Covers, panels, and doors (touchscreen control panel models) on page 69</a>
Cover, rear	RC3-2621-000CN	<a href="#">Paper feeder covers on page 83</a>
Cover, rear (duplex model)	RM1-9161-000CN	<a href="#">Covers, panels, and doors (LCD control panel models) on page 67</a>
Cover, rear (simplex model)	RM1-9163-000CN	<a href="#">Covers, panels, and doors (LCD control panel models) on page 67</a>
Cover, right	RM1-9171-000CN	<a href="#">Covers, panels, and doors (LCD control panel models) on page 67</a>
Cover, right	RM1-9171-000CN	<a href="#">Covers, panels, and doors (touchscreen control panel models) on page 69</a>
Cover, right	RM1-9316-000CN	<a href="#">Paper feeder covers on page 83</a>
Cover, top	RM1-9180-000CN	<a href="#">Covers, panels, and doors (LCD control panel models) on page 67</a>
Cover, top	RM1-9179-000CN	<a href="#">Covers, panels, and doors (touchscreen control panel models) on page 69</a>
Duplexing paper feed assembly (duplex models only)	RM1-9153-000CN	<a href="#">Internal components (5 of 5) on page 79</a>
Engine controller assembly (DC controller) PCA — 110V	RM1-9164-000CN	<a href="#">PCA location on page 81</a>
Engine controller assembly (DC controller) PCA — 220V	RM1-9165-000CN	<a href="#">PCA location on page 81</a>
Engine controller assembly (DC controller) — 110V	RM1-9164-000CN	<a href="#">Internal components (5 of 5) on page 79</a>

**Table 2-19 Alphabetical parts list (continued)**

<b>Description</b>	<b>Part number</b>	<b>Table and page</b>
Engine controller assembly (DC controller) — 220V	RM1-9165-000	<a href="#">Internal components (5 of 5) on page 79</a>
Face-down drive assembly (simplex models only)	RM1-9160-000CN	<a href="#">Internal components (5 of 5) on page 79</a>
Fan	RK2-4418-000CN	<a href="#">Internal components (4 of 5) on page 77</a>
Formatter PCA (China, HP LaserJet M401a, M401d models)	CF148-69001	<a href="#">PCA location on page 81</a>
Formatter PCA (China, HP LaserJet M401dn, M401dw models)	CF150-69001	<a href="#">PCA location on page 81</a>
Formatter PCA (China, HP LaserJet M401n model)	CF149-69001	<a href="#">PCA location on page 81</a>
Formatter PCA (HP LaserJet M401a, M401d models)	CF148-60001	<a href="#">PCA location on page 81</a>
Formatter PCA (HP LaserJet M401dn, M401dw models)	CF150-60001	<a href="#">PCA location on page 81</a>
Formatter PCA (HP LaserJet M401n model)	CF149-60001	<a href="#">PCA location on page 81</a>
Fuser (110V)	RM1-8808-000CN	<a href="#">Internal components (1 of 5) on page 71</a>
Fuser (220V)	RM1-8809-000CN	<a href="#">Internal components (1 of 5) on page 71</a>
Laser scanner assembly	RM1-9135-000CN	<a href="#">Internal components (3 of 5) on page 75</a>
Lever, power supply button	RC3-2545-000CN	<a href="#">Covers, panels, and doors (LCD control panel models) on page 67</a>
Lever, power supply button	RC3-2545-000CN	<a href="#">Covers, panels, and doors (touchscreen control panel models) on page 69</a>
Main motor assembly	RM1-9042-000CN	<a href="#">Internal components (2 of 5) on page 73</a>
Multipurpose tray pickup gear assembly	RM1-9127-000CN	<a href="#">Internal components (4 of 5) on page 77</a>
Paper feed guide assembly	RM1-9122-000CN	<a href="#">Internal components (3 of 5) on page 75</a>
Paper feeder cassette (Tray 3)	RM1-9313-000CN	<a href="#">Paper feeder main body (2 of 2) on page 87</a>
Paper feeder driver PCA	RM1-9297-000CN	<a href="#">Paper feeder main body (2 of 2) on page 87</a>
Paper feeder paper sensor PCA	RM1-1267-000CN	<a href="#">Paper feeder main body (2 of 2) on page 87</a>
Paper feeder pickup roller assembly	RM1-9168-000CN	<a href="#">Paper feeder main body (2 of 2) on page 87</a>

**Table 2-19 Alphabetical parts list (continued)**

<b>Description</b>	<b>Part number</b>	<b>Table and page</b>
Paper feeder separation pad holder assembly	RM1-6303-000CN	<a href="#">Paper feeder main body (2 of 2) on page 87</a>
Paper pickup gear assembly	RM1-7360-000CN	<a href="#">Internal components (2 of 5) on page 73</a>
Paper pickup gear assembly	RM1-7360-000CN	<a href="#">Paper feeder main body (1 of 2) on page 85</a>
Paper pickup roller assembly	RM1-9168-000CN	<a href="#">Internal components (2 of 5) on page 73</a>
Pickup roller, multipurpose tray (Tray 1)	RL1-3307-000CN	<a href="#">Internal components (4 of 5) on page 77</a>
Plate, base	RC3-2586-000CN	<a href="#">Covers, panels, and doors (touchscreen control panel models) on page 69</a>
Power button PCA	RM1-9039-000CN	<a href="#">Covers, panels, and doors (LCD control panel models) on page 67</a>
Power button PCA	RM1-9039-000CN	<a href="#">Covers, panels, and doors (touchscreen control panel models) on page 69</a>
Power switch PCA	RM1-9039-000CN	<a href="#">PCA location on page 81</a>
Registration roller assembly	RM1-8806-000CN	<a href="#">Internal components (3 of 5) on page 75</a>
Reverse drive assembly (duplex models only)	RM1-9157-000CN	<a href="#">Internal components (5 of 5) on page 79</a>
Sensor assembly	RM1-8807-000CN	<a href="#">Internal components (3 of 5) on page 75</a>
Separation pad holder assembly	RM1-7365-000CN	<a href="#">Internal components (4 of 5) on page 77</a>
Separation pad, multipurpose tray	RL1-2115-000CN	<a href="#">Internal components (2 of 5) on page 73</a>
Solenoid	RK2-2731-000CN	<a href="#">Internal components (4 of 5) on page 77</a>
Solenoid	RK2-0426-000CN	<a href="#">Paper feeder main body (1 of 2) on page 85</a>
Solenoid, duplex	RK2-2733-000CN	<a href="#">Internal components (5 of 5) on page 79</a>
Switch, power button assembly	RM1-9125-000CN	<a href="#">Covers, panels, and doors (LCD control panel models) on page 67</a>
Switch, power button assembly	RM1-9125-000CN	<a href="#">Covers, panels, and doors (touchscreen control panel models) on page 69</a>

**Table 2-19 Alphabetical parts list (continued)**

<b>Description</b>	<b>Part number</b>	<b>Table and page</b>
Transfer roller assembly	RM1-9175-000CN	<a href="#">Internal components (3 of 5) on page 75</a>
Universal serial bus (USB) PCA (HP LaserJet M401dn and M401dw models only)	CF368-60001	<a href="#">PCA location on page 81</a>
Wireless PCA (HP LaserJet M401dw model only)	CF270-60101	<a href="#">PCA location on page 81</a>
Wireless PCA holder (not pictured — HP LaserJet M401dw model only)	CF286-40014	<a href="#">PCA location on page 81</a>

# Numerical parts list

**Table 2-20 Numerical parts list**

<b>Part number</b>	<b>Description</b>	<b>Table and page</b>
CF148-60001	Formatter PCA (HP LaserJet M401a, M401d models)	<a href="#">PCA location on page 81</a>
CF148-69001	Formatter PCA (China, HP LaserJet M401a, M401d models)	<a href="#">PCA location on page 81</a>
CF149-60001	Formatter PCA (HP LaserJet M401n model)	<a href="#">PCA location on page 81</a>
CF149-69001	Formatter PCA (China, HP LaserJet M401n model)	<a href="#">PCA location on page 81</a>
CF150-60001	Formatter PCA (HP LaserJet M401dn, M401dw models)	<a href="#">PCA location on page 81</a>
CF150-69001	Formatter PCA (China, HP LaserJet M401dn, M401dw models)	<a href="#">PCA location on page 81</a>
CF270-60101	Control-panel assembly (HP Laserjet M401dn model only)	<a href="#">Covers, panels, and doors (touchscreen control panel models) on page 69</a>
CF270-60101	Wireless PCA (HP LaserJet M401dw model only)	<a href="#">PCA location on page 81</a>
CF285-60101	Control-panel assembly (HP Laserjet M401dw model only)	<a href="#">Covers, panels, and doors (touchscreen control panel models) on page 69</a>
CF286-40014	Wireless PCA holder (not pictured — HP LaserJet M401dw model only)	<a href="#">PCA location on page 81</a>
CF368-60001	Universal serial bus (USB) PCA (HP LaserJet M401dn and M401dw models only)	<a href="#">PCA location on page 81</a>
RC2-6131-000CN	Bushing	<a href="#">Internal components (2 of 5) on page 73</a>
RC2-8263-000CN	Bushing	<a href="#">Internal components (2 of 5) on page 73</a>
RC3-2532-000CN	Cover, inner, front	<a href="#">Covers, panels, and doors (LCD control panel models) on page 67</a>
RC3-2532-000CN	Cover, inner, front	<a href="#">Covers, panels, and doors (touchscreen control panel models) on page 69</a>
RC3-2533-000CN	Cover, outer, front	<a href="#">Covers, panels, and doors (LCD control panel models) on page 67</a>
RC3-2533-000CN	Cover, outer, front	<a href="#">Covers, panels, and doors (touchscreen control panel models) on page 69</a>
RC3-2545-000CN	Lever, power supply button	<a href="#">Covers, panels, and doors (LCD control panel models) on page 67</a>

**Table 2-20 Numerical parts list (continued)**

<b>Part number</b>	<b>Description</b>	<b>Table and page</b>
RC3-2545-000CN	Lever, power supply button	<a href="#">Covers, panels, and doors (touchscreen control panel models) on page 69</a>
RC3-2584-000CN	Arm, control panel	<a href="#">Covers, panels, and doors (touchscreen control panel models) on page 69</a>
RC3-2585-000CN	Cover, cable	<a href="#">Covers, panels, and doors (touchscreen control panel models) on page 69</a>
RC3-2586-000CN	Plate, base	<a href="#">Covers, panels, and doors (touchscreen control panel models) on page 69</a>
RC3-2618-000CN	Cover, left	<a href="#">Paper feeder covers on page 83</a>
RC3-2621-000CN	Cover, rear	<a href="#">Paper feeder covers on page 83</a>
RK2-0426-000CN	Solenoid	<a href="#">Paper feeder main body (1 of 2) on page 85</a>
RK2-2731-000CN	Solenoid	<a href="#">Internal components (4 of 5) on page 77</a>
RK2-2733-000CN	Solenoid, duplex	<a href="#">Internal components (5 of 5) on page 79</a>
RK2-4418-000CN	Fan	<a href="#">Internal components (4 of 5) on page 77</a>
RK2-4452-000CN	Cable, flexible, flat	<a href="#">Internal components (3 of 5) on page 75</a>
RL1-2115-000CN	Separation pad, multipurpose tray	<a href="#">Internal components (2 of 5) on page 73</a>
RL1-3307-000CN	Pickup roller, multipurpose tray (Tray 1)	<a href="#">Internal components (4 of 5) on page 77</a>
RM1-1267-000CN	Paper feeder paper sensor PCA	<a href="#">Paper feeder main body (2 of 2) on page 87</a>
RM1-6303-000CN	Paper feeder separation pad holder assembly	<a href="#">Paper feeder main body (2 of 2) on page 87</a>
RM1-7360-000CN	Paper pickup gear assembly	<a href="#">Internal components (2 of 5) on page 73</a>
RM1-7360-000CN	Paper pickup gear assembly	<a href="#">Paper feeder main body (1 of 2) on page 85</a>
RM1-7365-000CN	Separation pad holder assembly	<a href="#">Internal components (4 of 5) on page 77</a>
RM1-8806-000CN	Registration roller assembly	<a href="#">Internal components (3 of 5) on page 75</a>

**Table 2-20 Numerical parts list (continued)**

<b>Part number</b>	<b>Description</b>	<b>Table and page</b>
RM1-8807-000CN	Sensor assembly	<a href="#">Internal components (3 of 5) on page 75</a>
RM1-8808-000CN	Fuser (110V)	<a href="#">Internal components (1 of 5) on page 71</a>
RM1-8809-000CN	Fuser (220V)	<a href="#">Internal components (1 of 5) on page 71</a>
RM1-9039-000CN	Power button PCA	<a href="#">Covers, panels, and doors (LCD control panel models) on page 67</a>
RM1-9039-000CN	Power button PCA	<a href="#">Covers, panels, and doors (touchscreen control panel models) on page 69</a>
RM1-9039-000CN	Power switch PCA	<a href="#">PCA location on page 81</a>
RM1-9042-000CN	Main motor assembly	<a href="#">Internal components (2 of 5) on page 73</a>
RM1-9047-000CN	Connecting PCA	<a href="#">Internal components (4 of 5) on page 77</a>
RM1-9047-000CN	Connecting PCA	<a href="#">PCA location on page 81</a>
RM1-9122-000CN	Paper feed guide assembly	<a href="#">Internal components (3 of 5) on page 75</a>
RM1-9123-000CN	Cover, left	<a href="#">Covers, panels, and doors (touchscreen control panel models) on page 69</a>
RM1-9125-000CN	Switch, power button assembly	<a href="#">Covers, panels, and doors (LCD control panel models) on page 67</a>
RM1-9125-000CN	Switch, power button assembly	<a href="#">Covers, panels, and doors (touchscreen control panel models) on page 69</a>
RM1-9127-000CN	Multipurpose tray pickup gear assembly	<a href="#">Internal components (4 of 5) on page 77</a>
RM1-9135-000CN	Laser scanner assembly	<a href="#">Internal components (3 of 5) on page 75</a>
RM1-9137-000CN	Cassette assembly (Tray 2)	<a href="#">Internal components (4 of 5) on page 77</a>
RM1-9145-000CN	Cartridge door assembly	<a href="#">Covers, panels, and doors (LCD control panel models) on page 67</a>
RM1-9145-000CN	Cartridge door assembly	<a href="#">Covers, panels, and doors (touchscreen control panel models) on page 69</a>

**Table 2-20 Numerical parts list (continued)**

<b>Part number</b>	<b>Description</b>	<b>Table and page</b>
RM1-9149-000CN	Control-panel assembly	<a href="#">Covers, panels, and doors (LCD control panel models) on page 67</a>
RM1-9153-000CN	Duplexing paper feed assembly (duplex models only)	<a href="#">Internal components (5 of 5) on page 79</a>
RM1-9157-000CN	Reverse drive assembly (duplex models only)	<a href="#">Internal components (5 of 5) on page 79</a>
RM1-9160-000CN	Face-down drive assembly (simplex models only)	<a href="#">Internal components (5 of 5) on page 79</a>
RM1-9161-000CN	Cover, rear (duplex model)	<a href="#">Covers, panels, and doors (LCD control panel models) on page 67</a>
RM1-9161-000CN	Cover, rear	<a href="#">Covers, panels, and doors (touchscreen control panel models) on page 69</a>
RM1-9163-000CN	Cover, rear (simplex model)	<a href="#">Covers, panels, and doors (LCD control panel models) on page 67</a>
RM1-9164-000CN	Engine controller assembly (DC controller) — 110V	<a href="#">Internal components (5 of 5) on page 79</a>
RM1-9164-000CN	Engine controller assembly (DC controller) PCA — 110V	<a href="#">PCA location on page 81</a>
RM1-9165-000	Engine controller assembly (DC controller) — 220V	<a href="#">Internal components (5 of 5) on page 79</a>
RM1-9165-000CN	Engine controller assembly (DC controller) PCA — 220V	<a href="#">PCA location on page 81</a>
RM1-9168-000CN	Paper pickup roller assembly	<a href="#">Internal components (2 of 5) on page 73</a>
RM1-9168-000CN	Paper feeder pickup roller assembly	<a href="#">Paper feeder main body (2 of 2) on page 87</a>
RM1-9171-000CN	Cover, right	<a href="#">Covers, panels, and doors (LCD control panel models) on page 67</a>
RM1-9171-000CN	Cover, right	<a href="#">Covers, panels, and doors (touchscreen control panel models) on page 69</a>
RM1-9174-000CN	Cover, left	<a href="#">Covers, panels, and doors (LCD control panel models) on page 67</a>
RM1-9175-000CN	Transfer roller assembly	<a href="#">Internal components (3 of 5) on page 75</a>
RM1-9179-000CN	Cover, top	<a href="#">Covers, panels, and doors (touchscreen control panel models) on page 69</a>



**Table 2-20 Numerical parts list (continued)**

<b>Part number</b>	<b>Description</b>	<b>Table and page</b>
RM1-9180-000CN	Cover, top	<a href="#">Covers, panels, and doors (LCD control panel models) on page 67</a>
RM1-9297-000CN	Paper feeder driver PCA	<a href="#">Paper feeder main body (2 of 2) on page 87</a>
RM1-9313-000CN	Paper feeder cassette (Tray 3)	<a href="#">Paper feeder main body (2 of 2) on page 87</a>
RM1-9316-000CN	Cover, right	<a href="#">Paper feeder covers on page 83</a>



# Index

## A

- accessories
  - ordering 60
- after-service checklist 4

## C

- cartridge
  - ordering 60
  - part number 60
- cautions iii
- checklists
  - after-service 4
  - preservice 3
- conventions, document iii
- covers
  - left, removing 11
  - locations 66
  - parts list 66
  - right, removing 12
  - top, removing 13, 16
- covers, removing
  - rear 20

## D

- diagrams 59
  - covers, panels, and doors 66
  - internal assemblies 70
- document conventions iii
- doors
  - front, removing 23
  - parts list 66
  - Tray 1, removing 23
- doors, removing
  - rear 20
- duplex
  - paper-feed assembly (duplex model) replacing 32
  - paper-feed assembly, removing 20

## E

- electrostatic discharge (ESD) 2
- engine controller assembly, removing 41
- ESD (electrostatic discharge)
  - precaution during parts removal 2

## F

- face-down-drive assembly (base model)
  - replacing 32
- formatter PCA, removing 48
- front door, removing 23
- fuser, removing 29

## I

- internal assembly
  - locations 70
  - parts list 70

## L

- left cover, removing 11
- location
  - assemblies 0

## M

- main motor
  - replacing 37

## N

- notes iii

## O

- ordering
  - product documents 60
  - supplies and accessories 60
  - toner cartridge 60
  - whole-unit replacement 60

## P

- panels
    - parts list 66
  - paper-pickup-gear assembly
    - replacing 52
  - part number
    - toner cartridge 60
    - whole-unit replacement 60
  - parts 59
    - assemblies 0
    - cover locations 66
    - door locations 66
    - internal assembly locations 70
    - panel locations 66
    - screws 3
  - pliers, required 3
  - post-service tests 4
  - preservice checklist 3
  - print quality
    - test 4
- ## R
- rear cover, removing 20
  - rear door, removing 20
  - removing parts
    - cautions for 2
    - checklists 3
    - duplex-paper-feed assembly 20
    - engine controller assembly 41
    - formatter PCA 48
    - front doors 23
    - fuser 29
    - left cover 11
    - order of 5
    - rear cover 20
    - rear door 20
    - right cover 12

- tools, required 3
- top cover 13, 16
- replacing
  - duplexing-paper-feed assembly (duplex model) 32
  - face-down-drive assembly (base model) 32
  - main motor 37
  - paper-pickup-gear assembly 52
  - parts 2
- right cover, removing 12
- rollers, pickup and separation; removing 6

## S

- screwdrivers, required 3
- screws
  - replacing 2
- service
  - tools, required 3
- static precautions 2
- supplies
  - ordering 60

## T

- tests
  - post-service 4
  - print-quality 4
- tips iii
- toner cartridge
  - ordering 60
  - part number 60
- tools, required 3
- top cover, removing 13, 16
- Tray 1 door, removing 23

## W

- warnings iii





CF270-90977

