
5 Parts and Diagrams

[Product Support on page 241](#)

[Center Covers Front \(1 of 3\) on page 242](#)

[Center Covers Front \(2 of 3\) on page 243](#)

[Center Covers Front \(3 of 3\) on page 244](#)

[Roll Covers on page 245](#)

[Center Covers \(Rear\) on page 246](#)

[Right Cover on page 247](#)

[Left Cover on page 248](#)

[Right Hand Assemblies on page 249](#)

[Left Hand Assemblies on page 250](#)

[Carriage Assembly on page 252](#)

[Scan-Axis Assemblies on page 253](#)

[Paper Path Assemblies \(Front\) on page 254](#)

[Paper Path Assemblies \(Rear\) on page 255](#)

[Roll Supports on page 256](#)

[Scanner Parts \(1 of 3\) on page 258](#)

[Scanner Parts \(2 of 3\) on page 259](#)

[Scanner Parts \(3 of 3\) on page 260](#)

[Tools 1 on page 261](#)

[Tools 2 on page 262](#)

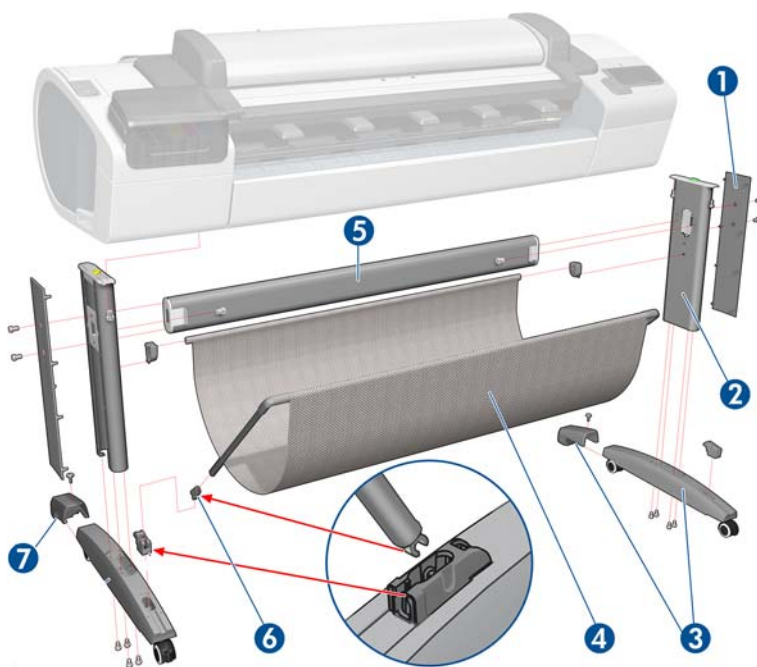
[Miscellaneous Parts on page 263](#)

Introduction

The list of parts in this chapter include the notation (CSR A) or (CSR B) for parts that can be replaced by the customer. All other parts must be replaced by an engineer. See [Customer Self Repair parts on page 275](#).

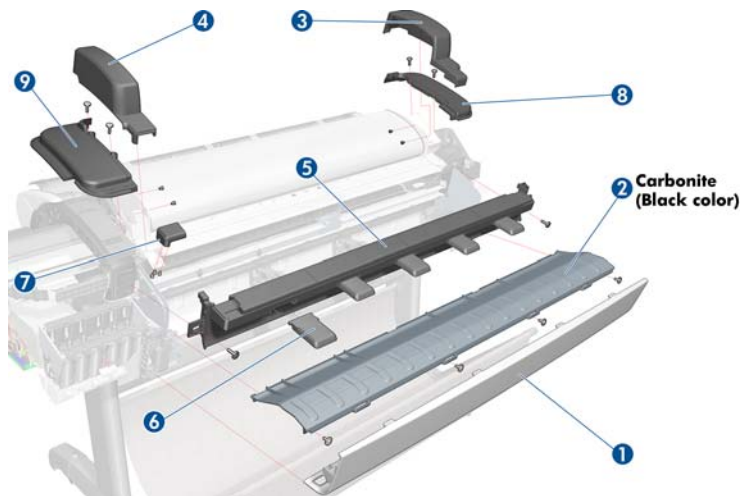
Product Support

	HP Part Number	Part Description	Cross-reference	Products Applicable
1	Q5669-60718	Leg Cover (CSR A) (Left & Right)		All
2	Q5669-60716	Leg Assembly (Left & Right)		All
3	CN727-60056	Stand Foot w/ extension w/ screw (x2)	-	T2300
	Q5669-60715	Foot Assembly SV	-	T790, T1300, Z5400
4	Q6659-60237	Bin Assembly (includes Bin Support, gray color) (CSR A)	Bin Assembly on page 280	T1300-44"-2R, T2300
	Q5669-60719			T790-24"
	CH639-69002			TT790-44"-2R, Z5400
5	Q6659-60236	Cross-brace Assembly		T790-44"-1R, T1300-44"-2R, T2300, Z5400
	Q5669-60717			T790-24"
6	Q5669-67063	Basket Tube x 2 (CSR A)		T790, T1300, T2300, Z5400
	Q5669-60730	Hardware Kit (Includes screws for Legs Assembly) (CSR A)		T2300
7	CN727-60093	Stand Foot Extension (w/screw)	Foot Extension on page 586	T2300



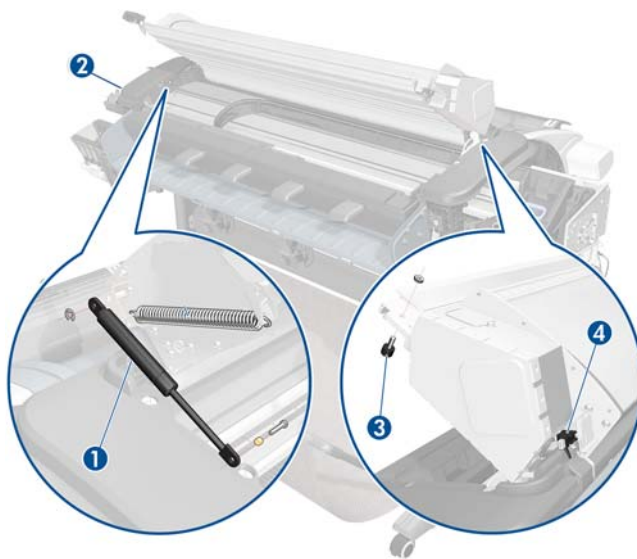
Center Covers Front (1 of 3)

	HP Part Number	Part Description	Cross-reference	Products Applicable
-	CH538-67071	Scanner Position sensor	Scanner Position Sensor (MFP only) on page 530	T2300
1	Q6687-60064	Front Cover	Front Cover on page 360	T2300
2	CN727-60052	Anti ESD Media Output Assy Carbonite	Media Output Assembly on page 442	T2300
3	CN727-60058	Scanner Cover Right	Right Scanner Cover (MFP only) on page 479	T2300
4	CN727-60059	Scanner Cover Left	Left Scanner Cover (MFP only) on page 420	T2300
5	CN727-60063	Front Top Cover Assy	Front Top Cover Assembly (MFP only) on page 361	T2300
6	CN727-60066	Front Deflector (incl. 2 pcs)	Front Deflector on page 587	T2300
7	CN727-60064	Latch Handle Cover	Latch Handle Cover on page 593	T2300
8	CN727-60060	Collar cover Right	Right Collar Cover (MFP only) on page 353	T2300
9	CN727-60062	Collar Cover Left	Left Collar Cover (MFP only) on page 413	T2300



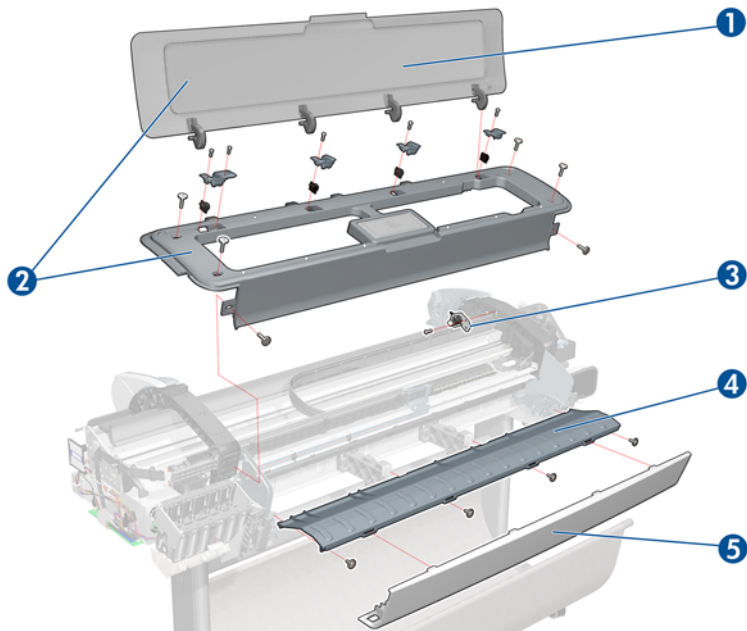
Center Covers Front (2 of 3)

	HP Part Number	Part Description	Cross-reference	Products Applicable
1	CN727-60068	Scanner Piston Gas Assy	Scanner Piston Gas (MFP only) on page 347	T2300
2	CN727-69004	Torsion Damper	Torsion Damper (MFP only) on page 535	T2300
3	CN727-60069	Scanner Bumper Assy (includes wrench #8 and allen key #10)	Scanner Bumper (MFP only) on page 350	T2300
4	CH538-67071	Position sensor	Scanner Position Sensor (MFP only) on page 530	T2300



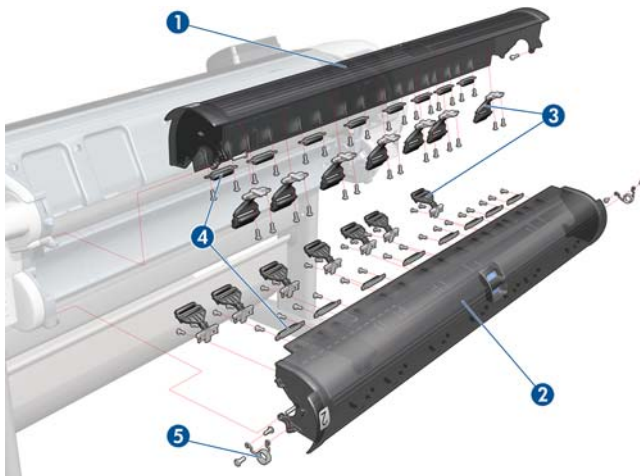
Center Covers Front (3 of 3)

	HP Part Number	Part Description	Cross-reference	Products Applicable
1	CR649-67001	T790 Window 44 SV	Window on page 551	T790-44"-1R,
	CR647-67002	T790 Window 24 SV		T790-24"
	CR651-67002	T1300 Window 44 SV		T1300-44"-2R, Z5400
2	CR647-67003	T790 Top Cover 24 SV	Front Top Cover on page 363	T790-24",
	CR649-67002	T790 Top Cover 44 SV		T790-44"-1R,
	CR651-67001	T1300 Top Cover SV		T1300-44"-2R
2	E1L21-67003	Z5400 Top Cover SV		Z5400
3	CH538-67071	Window Position Sensor (with shield)	Window Position Sensor on page 555	T790, T1300, T2300, Z5400
4	Q6659-60089	Media Output Assembly 44" products	Media Output Assembly on page 442	T1300, T790-44", Z5400
	Q5669-60155	Anti-ESD Media Output Assembly 24"		T790-24"
5	Q6687-60064	Front Cover All 44" products	Front Cover on page 360	T790-44"-1R, T1300, T2300
	Q6683-60201	Front Cover All 24" products		T790-24"
5	Q6659-60165	Front Cover 44" SV		Z5400



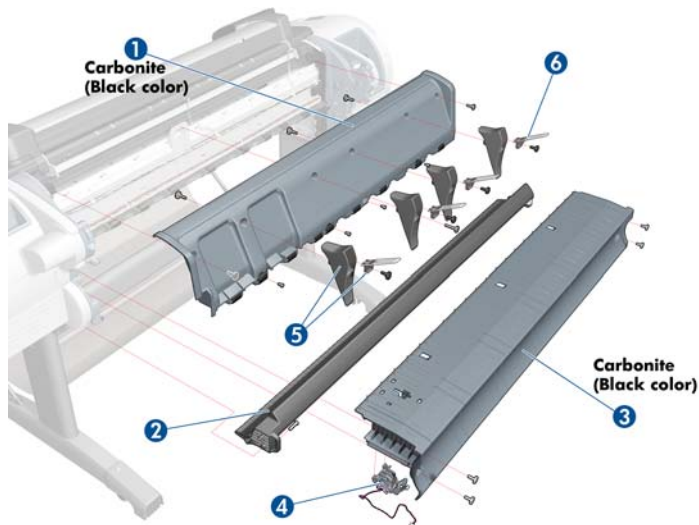
Roll Covers

	HP Part Number	Part Description	Cross-reference	Products Applicable
1	CH538-67003	Upper Roll Cover Assembly with pinches	Roll Cover, Upper on page 489	T790-44"-1R, T1300, T2300, Z5400
	CQ305-60018	Upper Roll Cover Assembly Basic SV		T790-24"
	CH539-67009	Upper Roll Cover Assembly Basic SV		T790-44"
2	CH538-67002	Lower Roll Cover Assembly with pinches	Roll Cover, Lower on page 485	T1300, T2300, Z5400
3	CH538-67037	Pinch Arm Assembly for Roll Cover (CSR A)	Pinch Arm Assembly on page 451	T1300, T2300, Z5400
4	CH538-67050	Roll Cover Freewheel Assembly (CSR A)	Freewheel Assembly on page 383	T1300, T2300, Z5400
5	CH538-67047	Roll Cover Bi-stable Springs Left and Right	Bi-stable Springs on page 283	T1300, T2300, Z5400



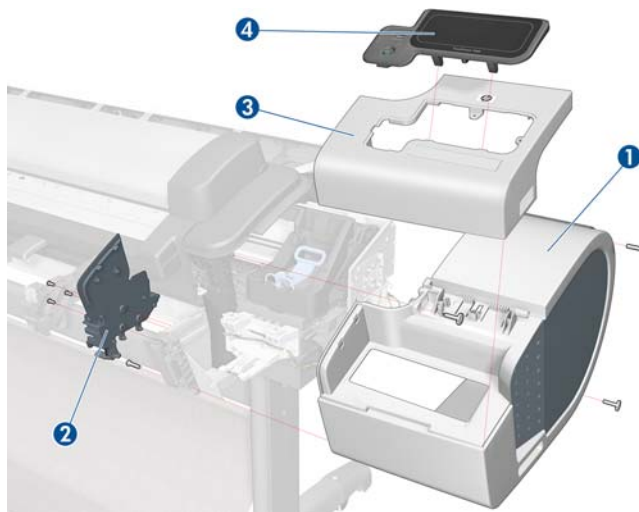
Center Covers (Rear)

	HP Part Number	Part Description	Cross-reference	Products Applicable
1	CN727-60091	Back Cover Assembly Carbonite	Rear Cover (MFP only) on page 469	T1300-44"-2R, T2300, Z5400
	CQ305-60015	Rear Cover		T790-24"
	CH538-67012	Back Cover SV		T790-44"
2	CH538-67022	Converger Assembly	Converger on page 345	T1300-44"-2R, T2300, Z5400
	CQ305-60019	Converger CR Assembly		T790-24"
	CH539-67010	Converger CR Assembly		T790-44"
3	CN727-60047	Clean Out 44 new re carbon	Cleanout on page 339	T2300
	Q6683-67802	Cleanout 24 rev B		T790-24"
	CH538-67039	Cleanout TT		T790-44", T1300, Z5400
4	Q5669-67801	Out-of-paper Sensor	Out-of-paper Sensor on page 444	All
5	CN727-60092	Rear Deflector Parts	Rear Deflectors on page 473	T2300
6	CN727-60094	Rear Deflector Mylar Assembly (CSR A)	Rear Deflector Mylar on page 589	T2300



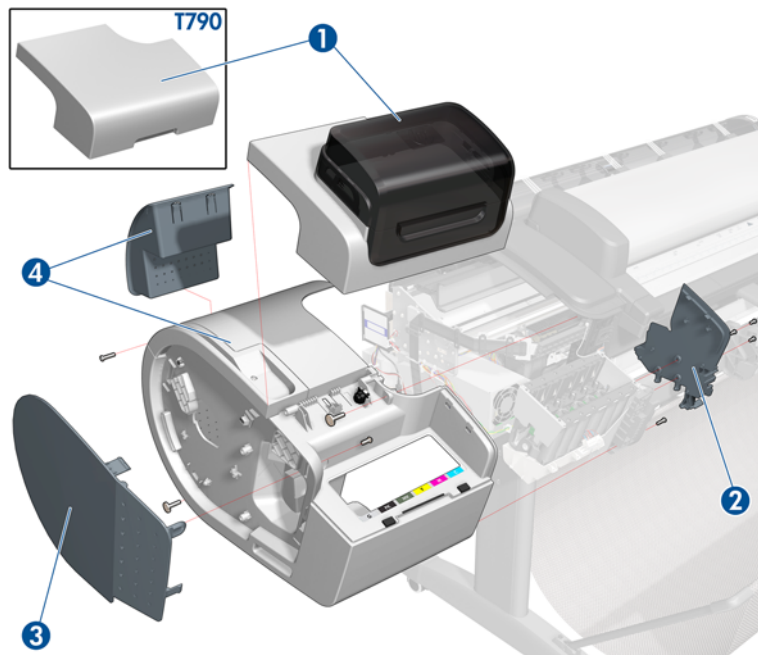
Right Cover

	HP Part Number	Part Description	Cross-reference	Products Applicable
1	CN727-60083	Right Cover (Without Right Ink Door Cover)	Right Cover on page 475	T1300, T2300
	CH539-67006	Right Cover		T790-24"
	CH538-67014	T1200 Right Cover		T790-44"
1	E1L21-67001	Case Right CH Assy SV (with the right ink door cover)		Z5400
2	CN727-60053	Integrated Front Trim Carbonite (Left and Right)	Right Front Trim on page 386	All
	Q6675-60109	Integrated Front Trim (Left and Right)		T790-24", T790-44"
3	CN727-60074	Right Ink Door Cover (FP not included)	Right Ink Cartridge Door on page 393	All
4	CN727-67019	Touch Control Panel	Touch Control Panel on page 547	All



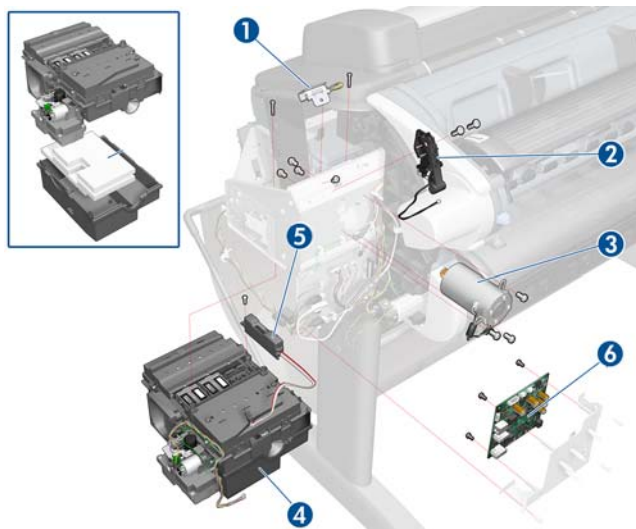
Left Cover

	HP Part Number	Part Description	Cross-reference	Products Applicable
1	CH538-67017	Left Ink Cartridge Door	Left Ink Cartridge Door on page 391	T1300-44"-2R, T2300
	CH539-67008	Left Ink Cartridge Door		T790-24", T790-44"
1	CQ113-67006	Left Ink Cartridge Door		Z5400
2	CN727-60053	Integrated Front Trim L & R Carbonite)	Left Front Trim on page 418	All
	Q6675-60109	Integrated Front Trim (Left and Right)		T790-24", T790-44"
3	CH538-67005	Left Side Panel (CSR B)	Left Panel on page 447	T1300-44"-2R, T2300
	CH539-67002	Left Side Panel (CSR B)		T790-24", T790-44"
3	CQ113-67007	Left Side Panel SV		Z5400
4	CN727-60050	Left Cover with ink Door Carbonite	Left Cover on page 414	T1300-44"-2R, T2300
	CH539-67005	Left Cover with Ink Door		T790-24", T790-44"
4	E1L21-67009	Left Cover with Ink Door		Z5400



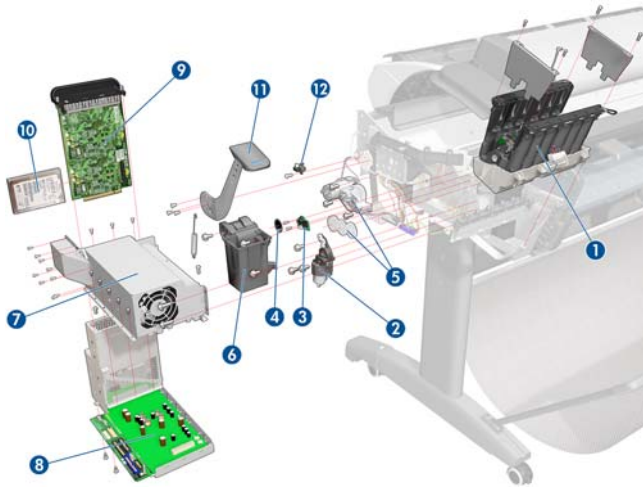
Right Hand Assemblies

	HP Part Number	Part Description	Cross-reference	Products Applicable
1	Q6675-60043	Carriage Rail Oiler	Carriage Rail Oiler on page 332	All
2	Q5669-67807	Pen to Paper Space (PPS) Solenoid	Pen to Paper Space (PPS) Solenoid on page 449	All
3	CH538-67076	Scan-Axis Motor	Scan-axis Motor on page 503	All
4	CH538-67040	Service Station (includes Drop Detector and Service Station Spittoon). Does not include Touch Control PanelHolder nor Cable holder located under the primer	Service Station on page 507	All (except Z5400)
4	E1121-67006	Service Station (includes Aerosol Fan).	Service Station on page 507	Z5400
5	Q5669-60666	Drop Detector	Drop Detector on page 366	All
6	CN727-67020	Interconnect PCA	Interconnect PCA on page 411	All
	Q5669-60664	Aerosol Fan	Aerosol Fan Assembly on page 368	Z5400



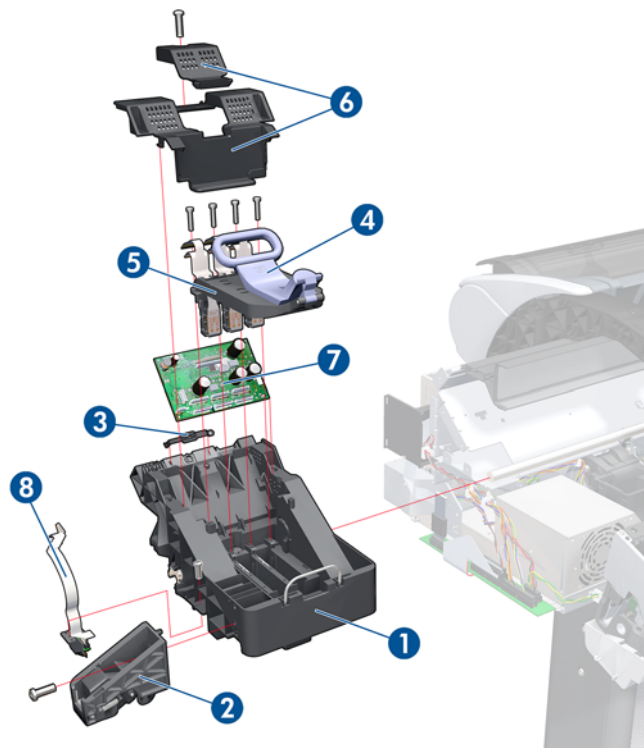
Left Hand Assemblies

	HP Part Number	Part Description	Cross-reference	Products Applicable
1	Q6683-60188	Left Ink Supply Station	Left Ink Supply Station on page 395	All (except Z5400)
1	E1L21-67007	Left Ink Supply Station	Left Ink Supply Station on page 395	Z5400
2	Q6718-67017	Starwheel Motor	Starwheel Motor on page 525	All
3	CK837-67020	Encoder Sensor	Encoder Disk and Encoder Sensor on page 375	All
4	Q5669-60702	Encoder Disk	Encoder Disk and Encoder Sensor on page 375	All
5	CH538-67027	Media Advance Transmission	Media Advance Drive on page 430	All
6	Q5669-67049	Left Spittoon	Spittoon, Left on page 515	T1300-44"-2R, T2300, Z5400
7	CR647-67010	Power Supply SV	Power Supply Unit on page 466	All
8	CR647-67011	Engine PCA w/PSU SV	EE Box on page 370	T790-24", T790-44"-1R, T1300-44"-2R, Z5400
	CN727-67018		EE Box on page 370	T2300
9	CN727-67042	Formatter w/o HDD	Formatter on page 381	T790-24", T790-44"-1R, T1300-44"-2R, T2300, Z5400
	E1L21-67017	Formatter with HDD Enc SV		Z5400ps rev.B
	CR647-67008	MSG Formatter with HDD SV		T790 rev.B, T1300 rev.B
	CN727-67029	T2300 Formatter with HDD SV		T2300 rev.B
10	CR650-67001	SATA HDD w/FW	Hard Disk Drive on page 389	T790-24", T790-44"-1R, T1300-44"-2R
	CN727-67017			T2300
	E1L21-67013	SATA HDD w/FW CH SV	Hard Disk Drive on page 389	Z5400
11	Q5669-60705	Media Lever	Media Lever on page 438	T790-24", T790-44"-1R, T2300
12	Q5669-60706	Media Lever Position Sensor	Media Lever Position Sensor on page 440	T2300



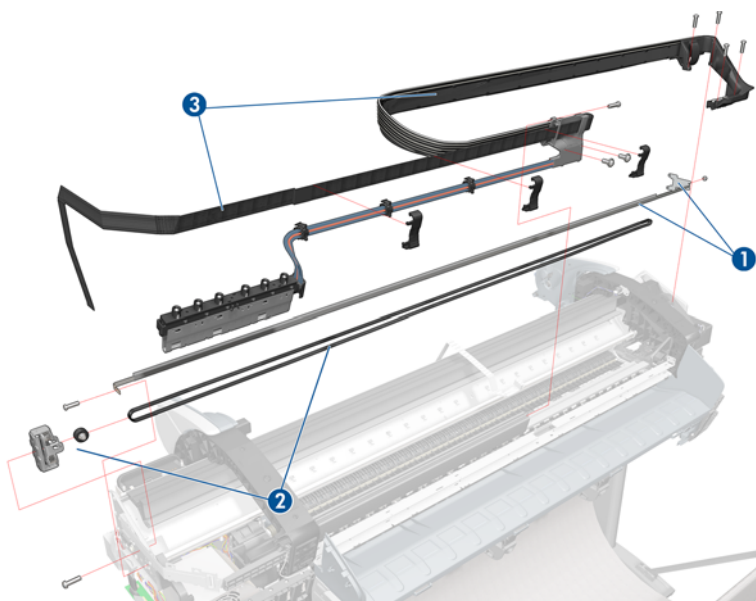
Carriage Assembly

	HP Part Number	Part Description	Cross-reference	Products Applicable
1	CH538-67044	Carriage with Cutter Assembly	Carriage and Cutter Assembly on page 316	All (except Z5400)
1	E1L21-67020	Carriage with Cutter	Carriage and Cutter Assembly on page 316	Z5400
2	CN727-67023	Cutter Assembly with Screw SV		All
3	Q5669-60687	Carriage Rear Bushing	Carriage Bushing, Rear on page 325	All
4	CK837-67001	Carriage Latch	Carriage Cover and Carriage Latch on page 327	All
5	CK837-67002	Carriage Cover	Carriage Cover and Carriage Latch on page 327	All
6	CK837-67003	Carriage PCA Cover	Carriage PCA on page 334	T2300
7	CK837-67005	Carriage PCA	Carriage PCA on page 334	All
8	Q6683-67004	Line Sensor	Line Sensor on page 424	All (except Z5400)
8	E1L21-67021	Signed Line Sensor	Line Sensor on page 424	Z5400



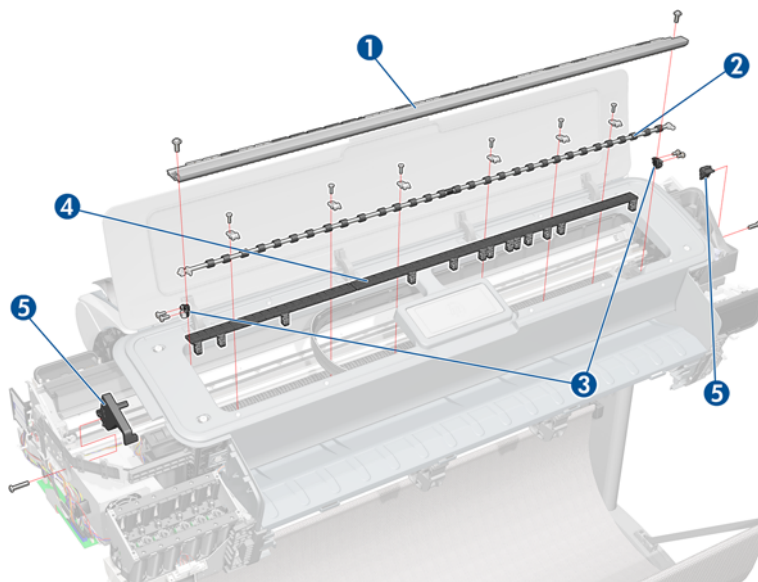
Scan-Axis Assemblies

	HP Part Number	Part Description	Cross-reference	Products Applicable
1	CK839-67005	Encoder Strip (including Encoder Strip Spring and Nut)	Encoder Strip, spring and attachment nut on page 378	T790-44"-1R, T1300-44"-2R, T2300, Z5400
	CK837-67017			T790-24"
2	CH538-67018	Belt Assembly with Belt Tensioner (3)	Belt Assembly on page 279	T790-44"-1R, T1300-44"-2R, T2300, Z5400
	CQ305-60016			T790-24"
3	CN727-60097	Tube System with Trailing Cable and ferrite parts	Ink Supply Tubes & Trailing Cable on page 400	T790-44"-1R, T1300-44"-2R, T2300
	CR647-67004	Tubes System 24		T790-24"
	E1L21-67008	Tubes System 44 Assy Z		Z5400



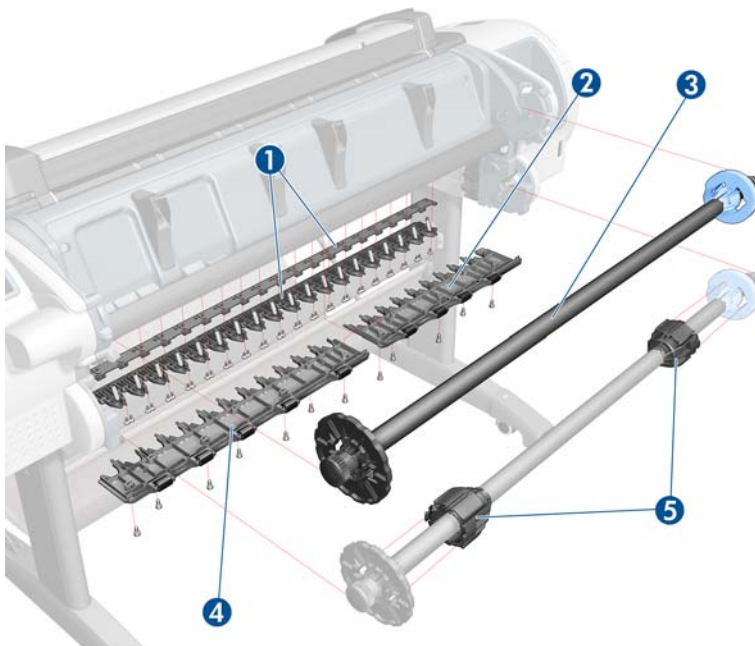
Paper Path Assemblies (Front)

	HP Part Number	Part Description	Cross-reference	Products Applicable
1	Q6687-60060	Starwheel Assembly	Starwheel Assembly on page 517	T790-44"-1R, T1300-44"-2R, T2300, Z5400
	Q6683-60196	Starwheel Assembly	Starwheel Assembly on page 517	All 24-in models
2	Q6677-60018	Print Zone Overdrive	Print Zone Overdrive on page 462	T790-44"-1R, T1300-44"-2R, T2300, Z5400
	Q6675-60042			T790-24"
3	Q5669-67054	Starwheel Support Assembly		All (except Z5400)
3	Q6718-67013	Starwheel Support Assembly		Z5400
4	Q6659-60182	Full Bleed Foam Kit	Full Bleed Foam on page 388	T790-44"-1R T1300-44"-2R, T2300, Z5400
	Q5669-60701	Full Bleed Foam Kit		T790-24"
5	CH538-67064	Bumper Cutter Actuator (Left and Right)		T2300



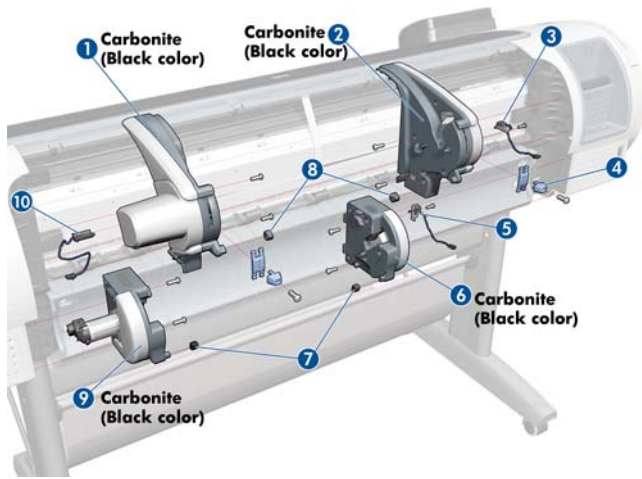
Paper Path Assemblies (Rear)

	HP Part Number	Part Description	Cross-reference	Products Applicable
1	Q6687-60085		Pinchwheel Assembly on page 454	All (except Z5400)
1	Q6718-67006	Pinch Wheel Roller (Individual Module)	Pinchwheel Assembly on page 454	Z5400
2	Q6677-60019	Left Roll Guide	Left Roll Guide on page 491	T790-44"-1R, T1300-44"-2R, T2300, Z5400
3	Q6687-67001	Spindle (CSR A)	Spindle on page 514	T790-44"-1R, T1300-44"-2R, T2300, Z5400
	CQ305-60020	Spindle (CSR A)	Spindle on page 514	T790-24"
4	Q6675-60044	Right Roll Guide	Right Roll Guide on page 492	T790-44"-1R, T1300-44"-2R, T2300, Z5400
5	Q6675-60093	3-inch Core Adaptors (2)	Right Roll Guide on page 492	T790-44"-1R, T1300-44"-2R, T2300, Z5400



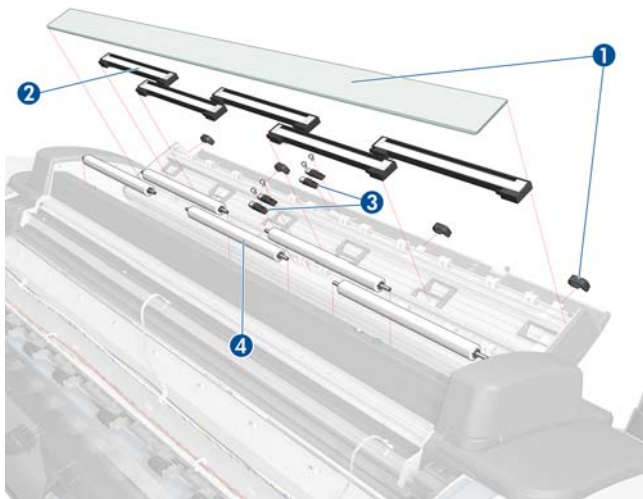
Roll Supports

	HP Part Number	Part Description	Cross-reference	Products Applicable
1	CR651-67007	Upper Right Roll Cover Support Carbonite	Roll Support, Upper Right on page 501	T1300-44"-2R, T2300
	CR647-67006	Upper Right Support		T790-24", T790-44"
1	E1L21-67004	Upper Right Support	Roll Support, Upper Right on page 501 — To replace, refer to procedure for T1300	Z5400
2	CN727-60045	Upper Left Roll Cover Support Carbonite	Roll Support, Upper Left on page 499	T1300-44"-2R, T2300
	CH539-67007	Upper Left Support without Sensor		T790-24", T790-44"
2	E1L21-67005	Upper Left Roll Support without Sensor	Roll Support, Upper Left on page 499 — To replace, refer to procedure for T1300	Z5400
3	CH538-67065	Upper Left Support Sensor with Cable	Roll Support Sensor, Upper Left on page 498	T1300-44"-2R, T2300, Z5400
4	CH538-67046	Wall Spacers, Left and Right	Wall Spacers on page 527	All
5	CH538-67041	Lower Left Support Sensor with Cable	Roll Support Sensor, Lower Left on page 497	T1300-44"-2R, T2300, Z5400
6	CN727-60049	Lower Left Roll Cover Support Carbonite	Roll Support, Lower Left on page 493	T2300
6	CH538-67016	Lower Left Roll Cover Support Carbonite	Roll Support, Lower Left on page 493	T1300
6	E1L21-67023	Lower Left Roll Cover Support Carbonite	Roll Support, Lower Left on page 493	Z5400ps
7	CH538-67052	Lower Roll Support Bumpers, Left and Right	Roll Cover Bumpers, Lower on page 482	T1300-44"-2R, Z5400
8	CH538-67051	Upper Roll Support Bumpers, Left and Right (CSR A)	Roll cover upper bumpers on page 582	All
9	CN727-60048	Lower Right Roll Cover Support Carbonite	Roll Support, Lower Right on page 495	T2300
9	CH538-67029	Lower Right Roll Cover Support Carbonite	Roll Support, Lower Right on page 495	T1300-44"-2R
9	E1L21-60014	Lower Right Support	Roll Support, Lower Right on page 495	Z5400
10	CH538-67033	Single Sheet Sensor	Single-sheet Sensor on page 512	All



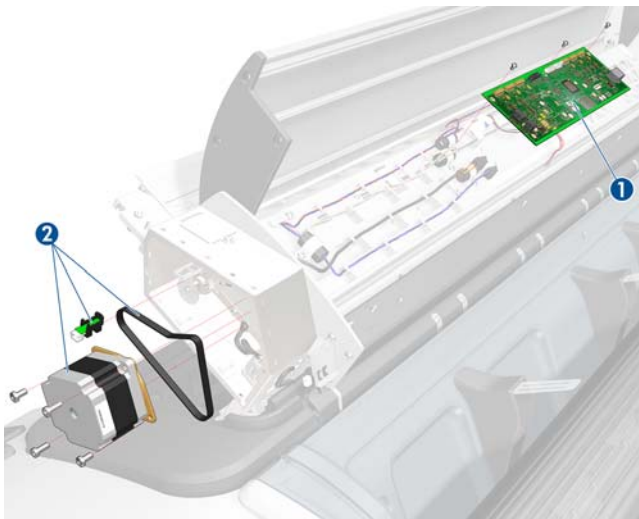
Scanner Parts (1 of 3)

	HP Part Number	Part Description	Cross-reference	Products Applicable
1	CN727-69005	Glass Plate	Glass Plate on page 591	T2300
2	CN727-69010	Individual CIS Element	CIS Element (MFP only) on page 538	T2300
3	CN727-69003	Media Sensors	Scanner Exit Media Sensors (MFP only) on page 539	T2300
4	CN727-69002	Pressure Rollers	Pressure Rollers (MFP only) on page 541	T2300
-	CN727-69006	Calibration Sheet (also includes a cleaning cloth)		T2300



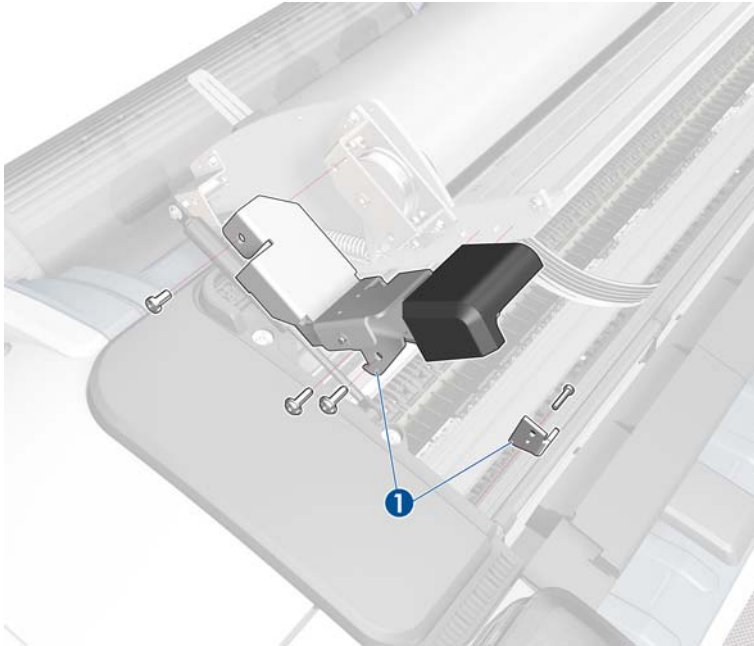
Scanner Parts (2 of 3)

	HP Part Number	Part Description	Cross-reference	Products Applicable
1	CN727-69009	Scanner Controller Board (SCU)	Scanner Controller Board (MFP only) on page 542	T2300
2	CN727-69001	Stepper Motor w. Encoder Sensor and belt	Scanner Motor Assembly (MFP only) on page 544	T2300
—	CN727-69007	Power/Reset/Awake Cable)		T2300
—	CN727-69008	Cable USB		T2300



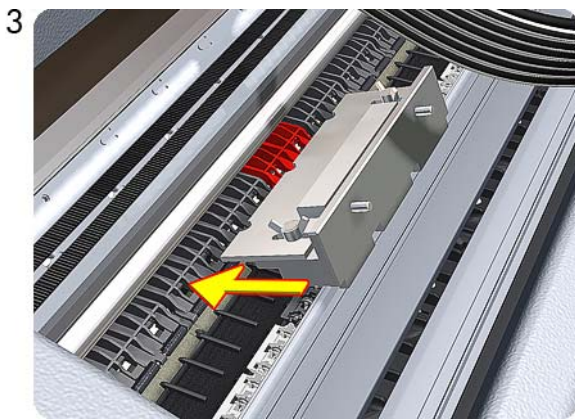
Scanner Parts (3 of 3)

	HP Part Number	Part Description	Cross-reference	Products Applicable
1	CN727-67026	Latch Assy and Hook SV	Scanner Latch and Hook Assembly (MFP only) on page 422	T2300



Tools 1

	HP Part Number	Part Description	Products Applicable
1	Q6675-67018	Media Driver Tool Kit (includes the Handle for Media Driver Tool Support and the Media Driver Adjustment Tool)	All
2	Q5669-60690	Flex Contacts Cleaning Tool (CSR A)	All
3-4	Q6687-60084	Pinchwheel Insertion Tool	All



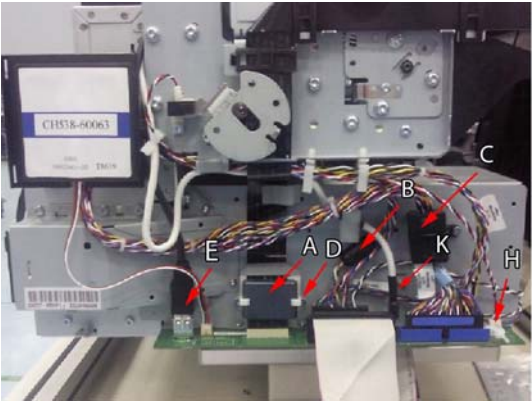
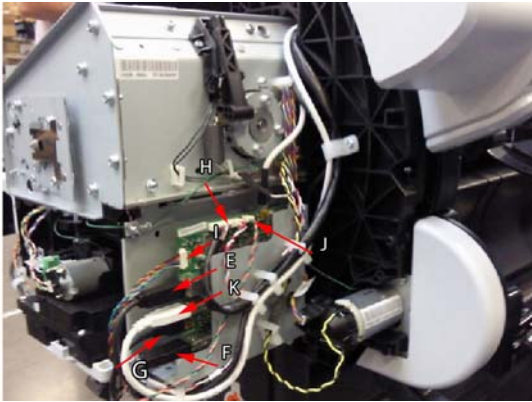
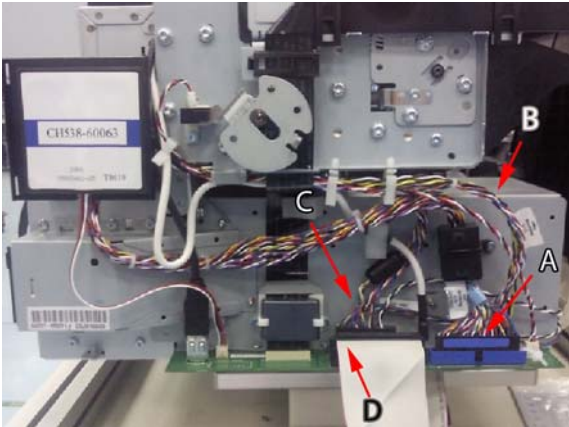
Tools 2

	HP Part Number	Part Description	Products Applicable
5	Q6675-67017	Spanner Tool	All
6	Q6683-67001	Tool Kit (includes pinchwheel alignment tool, paper driver tool, spanner # 13, oil dispenser, insert spring tool, tweezers, T15 screwdriver, 100 cc isopropyl alcohol, lubricant oil, plastic gloves, flex contacts cleaning tool and cleaning kit)	T2300
7	Q5669-60692	Lubrication Kit (CSR A)	T2300
8	CH538-67047	Bi-stable Spring Left and Right	T1300-44"-2R, T2300, Z5400



Miscellaneous Parts

HP Part Number	Part Description	Products Applicable
E1L21-67022	Aerosol Fan Cable	Z5400
CH538-67006	<p data-bbox="710 373 879 401">Engine Cables Kit</p> <p data-bbox="683 443 906 470">Cables included</p> <ul data-bbox="592 506 1007 1535" style="list-style-type: none"> <li data-bbox="592 506 1007 558">• CH538-50012: TT Touch Control Panel Cable <li data-bbox="592 583 1007 636">• CH538-60049: TT Top Rewinder Encoder Cable <li data-bbox="592 661 1007 688">• 9170-2158 Ferrite Trailing Cable (A) <li data-bbox="592 714 1007 741">• 9170-2364: Ferrite Engine Harness (B) <li data-bbox="592 766 1007 793">• 9170-2408: Ferrite Data Harness (C) <li data-bbox="592 819 1007 871">• CK837-40005: Holder Ferrite Trailing Cable (D) <li data-bbox="592 896 1007 949">• CN27-50001: Cable USB Engine to Interconnect (E) <li data-bbox="592 974 1007 1026">• CN27-50003: Cable USB Interconnect to Ext Host (F) <li data-bbox="592 1052 1007 1104">• CN27-50004: Cable USB Interconnect to Touch Control Panel (G) <li data-bbox="592 1129 1007 1182">• CN27-50006: Cable Power Engine to Interconnect (H) <li data-bbox="592 1207 1007 1260">• CN27-50008: Cable Power-Data Interconnect to Touch Control Panel (I) <li data-bbox="592 1285 1007 1337">• CN27-50009: Cable Interconnect to Power Switch (J) <li data-bbox="592 1362 1007 1415">• CN27-50010: Cable Micci2 Engine to Interconnect (K) <li data-bbox="592 1440 1007 1493">• CN27-50021: Cable USB Grounding (L) 	T1300-44"-2R, T2300, Z5400

HP Part Number	Part Description	Products Applicable
		
	<ul style="list-style-type: none"> • CH538-50001: TT Mechatronic Data Harness (A) • CH538-50002: TT Mechatronic Power Harness (B) • CH538-50003: TT Engine Harness (C) • Q6675-50002: ISS Cable Harness Left with ferrite (D) 	
		

HP Part Number	Part Description	Products Applicable
CN727-67016	<p data-bbox="660 226 928 254">Interconnect Cables Kit 44in</p> <p data-bbox="651 296 938 323">Cables and included</p> <ul data-bbox="588 359 1010 1171" style="list-style-type: none"> <li data-bbox="588 359 925 386">• 1400-0719: Cable tie <li data-bbox="588 411 999 464">• 9170-2158: Core-Ferrite Ribbon Core Rohs <li data-bbox="588 489 978 516">• CK837-40005: Holder_TC_ferrite <li data-bbox="588 541 1010 594">• CN727-50001: Cable USB SonGoku to Snoopy <li data-bbox="588 619 999 672">• CN727-50003: Cable USB Snoopy to Ext Host <li data-bbox="588 697 999 749">• CN727-50004: Cable USB Snoopy to FP <li data-bbox="588 774 1010 827">• CN727-50006: Cable Power SonGoku to Snoopy <li data-bbox="588 852 978 905">• CN727-50008: Cable Power-Data Snoopy to FP <li data-bbox="588 930 1010 982">• CN727-50009: Cable Snoopy to Power Switch <li data-bbox="588 1008 1010 1060">• CN727-50010: Cable Micci2 SonGoku to Snoopy <li data-bbox="588 1085 1010 1138">• CN727-50021: USB Grounding Gasket Cable 	T790-44"-1R T1300-44"-2R, T2300, Z5400
CN727-60084	Serial Number Label (CSR A)	All
CH538-67024	Preventive Maintenance Kit #1. See Preventive Maintenance chapter for details about maintenance kit contents	T790-44"-1R, T1300-44"-2R, T2300
CH538-67040	Preventive Maintenance Kit #2. See Preventive Maintenance chapter for details about maintenance kit contents	All
E1L21-60015	Preventive Maintenance Kit #1. See Preventive Maintenance chapter for details about maintenance kit contents	Z5400
E1L21-67006	Preventive Maintenance Kit #2. See Preventive Maintenance chapter for details about maintenance kit contents	Z5400
CQ305-60017	Preventive Maintenance Kit #1. See Preventive Maintenance chapter for details about maintenance kit contents	T790-24
Q6687-60093	Paper Advance Calibration Kit (CSR A)	All
Q6675-67004	Ink System Purgers (6 units) (CSR A)	All

HP Part Number	Part Description	Products Applicable
Q6675-67005	Ink System Purgers (100 units)	All
CH538-67005	Left Side Panel SV	All
CQ533-60001	Europe Power Cord SV kit	All
CQ533-60002	America Power Cord SV kit	All
CQ533-60003	Asia Power Cord SV kit	All
CH539-67003	<p>Engine Cables 1-Roll 44-in Kit: The following Cables are included:</p> <ul style="list-style-type: none"> • CH538-50003:TT Engine Harness • CH538-50012:TT Touch Control PanelC • CH538-60049: TT Top Rewinder Encoder Cable • CH539-50002: TT MINUS Mechatronic Power Ha • CH539-50003: TT MINUS Mechatronic Data Harn • Q6675-50002: ISS Cable Harness Left with fe 	T790-44"1R
CQ305-60014	<p>Engine Cables 1-Roll 24-in Kit: The following Cables are included:</p> <ul style="list-style-type: none"> • CH538-50003: TT Engine • CH538-60049: TT Top Rewinder Encoder • CQ305-50001: TT 24 FRONT PANEL • TT 24 MECHATRONIC POWER • CQ305-50003: TT 24 MECHATRONIC DATA • Q6675-50002: ISS Cable Harness Left with ferrite 	T790-24"1R

HP Part Number	Part Description	Products Applicable
CR647-67001	<p>Interconnect Cables 24-in Kit: The following Cables are included:</p> <ul style="list-style-type: none"> • 1400-0719: CABLE TIE .062-1.125-DIA .14-W • 9170-2158: CORE-FERRITE RIBBON CORE ROH • 9170-2364: CORE-SPLIT SHIELDING BEAD ROHS • 9170-2408: CORE-SHIELDING BEAD ROHS • CK837-40005: Holder_TC_ferrite • CN727-50003: Cable USB Snoopy to Ext Ho • CN727-50004: Cable USB Snoopy to FP • CN727-50008: Cable Power-Data Snoopy to • CN727-50009: Cable Snoopy to Power Switch • CN727-50021: USB Grounding Gasket Cable • CR647-50001: USB Cable from Main PCA to Int • CR647-50002: Power Cable from Main to Inter • CR647-50003: Micci2 SonGoku to Snoopy – 24 • CR647-80003: LABEL-SECURITY 	T790-24"1R
CR647-67005	Support Label T790 Nameplate	T790
CR648-67001	Support Label T790 PS Nameplate	T790ps
CR651-67003	Support Label T1300 Nameplate	T1300-44"-2R
CR652-67001	Support Label T1300 PS Nameplate	T1300ps
CN727-67040	Support Label T2300 nameplate	T2300
CN728-67001	Support Label T2300ps nameplate	T2300ps

HP Part Number	Part Description	Products Applicable
E1L21-67002	Support Label Z nameplate	Z5400
CQ305-60017	Preventive Maintenance Kit 1 <ul style="list-style-type: none"> <li data-bbox="564 331 976 386">● CH538-67044: Carriage with Cutter Assembly SV <li data-bbox="564 415 967 443">● CH538-60141: Scan Axis Motor SV <li data-bbox="564 472 979 527">● CK837-67014: T1120/620 Ink Supply Tubes 24 <li data-bbox="564 556 951 583">● CQ305-60016: T770 Belt 24 SV 	T790-24"