
2 Parts and diagrams

- [Order parts by authorized service providers](#)
- [How to use the parts lists and diagrams](#)
- [Assembly locations](#)
- [Document feeder and scanner assemblies \(M880\)](#)
- [Document feeder assemblies \(M880\)](#)
- [Scanner assemblies \(M880\)](#)
- [Covers](#)
- [Right door assembly](#)
- [Internal components](#)
- [Intermediate paper transfer unit \(IPTU\) assemblies](#)
- [1x500-sheet feeder with stand \(M855 only\) covers](#)
- [3x500-sheet feeder](#)
- [High-capacity input \(HCI\) feeder](#)
- [Stapler stacker/booklet maker](#)
- [Alphabetical parts list](#)
- [Numerical parts list](#)

Order parts by authorized service providers

Order parts, accessories, and supplies

Table 2-1 Order parts, accessories, and supplies

Order supplies and paper	www.hp.com/go/suresupply
Order genuine HP parts or accessories	www.hp.com/buy/parts
Order through service or support providers	Contact an HP-authorized service or support provider.
Order using HP software	For information about using the HP software to order parts, accessories, and supplies, see the product user guide.

Related documentation and software

Table 2-2 Related documentation and software

Item	Description	Part number
<i>HP Color LaserJet Enterprise M855</i>	Product user guide	A2W77-90907 (M855)
<i>HP Color LaserJet Enterprise flow MFP M880</i>		A2W75-90907 (M880)
<i>HP Color LaserJet Enterprise M855/flow MFP M880 Repair Manual</i>	English service manuals	A2W77-90997 A2W77-90998
<i>HP Color LaserJet Enterprise M855/flow MFP M880 Troubleshooting Manual</i>		

Supplies part numbers

Table 2-3 Supplies part numbers

Item	Description	Part number
HP LaserJet toner cartridges	Black toner cartridge	CF310A (M855)
		CF300A (M880)
	Cyan toner cartridge	CF311A (M855)
		CF301A (M880)
	Yellow toner cartridge	CF312A (M855)
		CF302A (M880)
	Magenta toner cartridge	CF313A (M855)
		CF303A (M880)
HP LaserJet drums	Black toner drum	CF358A
	Cyan toner drum	CF359A
	Yellow toner drum	CF364A
	Magenta toner drum	CF365A

Customer self-repair parts

The following customer self-repair parts are available for the product.

Each kit includes parts and installation instructions. The customer self-repair (CSR) level indicates the expected difficulty the customer will experience when replacing this part:

- **A:** Easy
- **B:** Requires a tool

Table 2-4 Customer self-repair parts

Item	Description	CSR level	Part number
Transfer and roller Kit	ITB, T2 and pick and feed rollers	A	D7H14-67901
Secondary transfer roller kit	Secondary transfer roller		D7H14-67902
Hard disk drive replacement kit	<ul style="list-style-type: none"> ● Hard Disk, 320GB ● Rail, Disk Drive - left/Left (M855) ● Rail, Disk Drive - left/Right (M880) ● Cradle (M880) 	B	A2W75-67905
FIPS HDD 500GB kit (U.S. government only)	Hard Disk, 500GB	B	A2W79-67901
Solid-state memory (SSM) kit (M855)	<ul style="list-style-type: none"> ● SSM 8GB drive ● SSD bracket 	B	A2W77-67909
Formatter assembly kit	<ul style="list-style-type: none"> ● Formatter PCA assembly ● Formatter tray ● DDR2, 200 Pin 1 Gb - RoHs ● 1 GB Memory DIMM Kit ● Screw - M3 x 0.5 6MM-LG 	B	A2W77-67902 A2W77-67903
Formatter assembly kit (China and India only)	<ul style="list-style-type: none"> ● Formatter PCA assembly ● Formatter tray ● DDR2, 200 Pin 1 Gb - RoHs ● 1 GB Memory DIMM Kit (China/India) ● Screw - M3 x 0.5 6MM-LG 	B	A2W75-67903 A2W75-67902
Fuser replacement kit	<ul style="list-style-type: none"> ● Fuser 	A	C1N54-67901 (110V) C1N58-67901 (220V)
1x3500-sheet (HCI) paper feeder kit	1x3500-sheet feeder (HCI)	A	C1N64-67901
1x3500 left tray kit (HCI)	Tray assembly, left	A	C1N64-67902
1x3500 right tray kit (HCI)	Tray assembly, right	A	C1N64-67903
Stapler/stacker kit	Stapler/stacker	A	A2W80-67901

NOTE: Make sure that you use the correct part number for the rated voltage of the product.

Table 2-4 Customer self-repair parts (continued)

Item	Description	CSR level	Part number
Stapler/stacker 2/4 hole punch kit	Stapler/stacker 2/4 hole puncher	A	A2W82-67901
Booklet maker with finisher kit	Booklet maker with finisher	A	A2W83-67901
Booklet maker/finisher with 2/3 hole punch kit	Booklet maker/finisher with 2/3 hole punch	A	A2W84-67901
Booklet maker/finisher with 2/4 hole punch kit	Booklet maker/finisher with 2/4 hole punch	A	CZ999-67901
1x500 sheet feeder kit (M855)	1x500 sheet feeder	A	C2H56-67901
3x500 sheet feeder kit	3x500 sheet feeder	A	A2W77-67911
Stapler cartridge refill kit (stapler/stacker)	Stapler Cartridge Refill	A	C8085-60541
2000-staple cartridge kit (booklet maker)	2000-staple cartridge	A	CF367-67914
USB wireless print server kit	Wireless print server	A	J8026-61001
Near-field communication (NFC) accessory kit	NFC accessory	A	J8029-61001
ADF roller maintenance kit M880)	ADF roller replacement	A	C1P70-67901
Control panel assembly kit (M855)	Control panel assembly	A	5851-5950
Control panel assembly kit (M880)	Control panel assembly	A	5851-5952
Fax card replacement kit (M880)	Fax card	B	A2W77-67910
White backing A/3 kit (M880)	White ADF backing	A	5851-5864
ADF separation pad spring kit (M880)	ADF separation pad spring (spring only)	B	5851-5855
Backside background selector kit (M880)	Backside background selector	A	5851-5861
Tray 1 roller kit	<ul style="list-style-type: none"> • Tray 1 pickup roller • Tray 1 feed roller 	B	A2W77-67906
Tray 2-X roller kit	<ul style="list-style-type: none"> • Feed roller • Pickup roller 	A	A2W77-67905
Intermediate transfer belt kit (maintenance)	<ul style="list-style-type: none"> • ITB • Secondary transfer roller 	A	A2W77-67904
Secondary transfer roller kit	Secondary transfer roller	A	D7H14-67902
1 GB DIMM memory kit	1 GB DIMM	A	A2W77-67912
U.S. English keyboard kit (M880)	U.S. English keyboard assembly	A	5851-5380

Table 2-4 Customer self-repair parts (continued)

Item	Description	CSR level	Part number
U.K. English keyboard kit (M880)	U.K. English keyboard assembly	A	5851-5008
Keyboard overlay kit (M880)	Keyboard overlay	A	5851-6019 (FR, IT, RU, DE, ES: UK Kybd) 5851-5065 (FR, IT, RU, DE, ES: UK Kybd) 5851-5066 (FR-CN, ES-LA, US keyboard) 5851-6020 (FR-CN, ES-LA, ES: US Kybd) 5851-6021 (FR-SW, DE-SW, DA: UK Kybd) 5851-5067 (FR-SW, DE-SW, DA: UK Kybd) 5851-6022 (ZHTW, ZHCN) 5851-5068 (ZHTW, ZHCN) 5851-6023 (ES, PT) 5851-5072 (ES, PT) 5851-6024 (JA-KG, JA-KT) 5851-5976 (JA-KG, JA-KT)

Service replacement parts

Table 2-5 Service replacement parts

Item	Description	Part number
Front door assembly kit	<ul style="list-style-type: none"> • Front cover assembly • Jewel • Product label 	A2W77-67907
Main drive assembly kit	Main drive assembly	A2W77-67908

Table 2-5 Service replacement parts (continued)

Item	Description	Part number
ADF whole unit kit (M880)	<ul style="list-style-type: none"> ADF whole unit White backing A/3 kit <p>NOTE: When the ADF assembly is replaced, you must use the Service menu to set the Document feeder Kit Interval and ADF Count values to zero. See Reinstall the document feeder assembly (M880) on page 159.</p>	CF367-90920
Image scanner A3 whole unit kit (M880)	<ul style="list-style-type: none"> Image scanner A3 whole unit White backing A/3 kit <p>NOTE: When the image scanner assembly is replaced, you must use the Service menu to set the Flatbed Count value to zero. See Reinstall the scanner assembly (M880) on page 166.</p>	A2W75-67908
SCB assembly kit (M880)	SCB assembly	A2W75-67904
Mylar kit (M880)	Mylar deskew	5851-5857
Print cartridge drive unit kit	Print cartridge drive assembly	A2W75-67910
Cartridge interface PCA kit	Cartridge interface PCA	A2W79-67902
E-ring, pin, bushing kit	<ul style="list-style-type: none"> E-rings Ins washers Bushings 	5851-6142
Duplexing feed assembly kit	Duplexing feed assembly	A2W77-67913 (M855)
	<p>NOTE: When the duplexing feed assembly is replaced, you must use the Service menu to set the New Duplex Roller item to Yes. See Reinstall the duplexing feed assembly on page 349.</p>	A2W75-67911 (M880)


Accessories


Item	Description	Part number
1x500 sheet feeder (M855 only)	Optional tray to increase paper capacity	C2H56A
3x500-sheet feeder with stand	Optional tray to increase paper capacity	C1N63A
3,500-sheet high-capacity tray	Optional tray to increase paper capacity	C1N64A
Fax accessory	HP LaserJet MFP Analog Fax Accessory 500	CC487A
USB wireless print server	HP Jetdirect ew2500 Wireless Print Server	J8026A
USB cable	Standard USB-compatible device connector, 2 m (6.5 ft)	C6518A
Booklet maker/finisher	Accessory for producing booklets	A2W83A
Booklet maker/finisher w/ 2/3 hole punch		A2W84A

Item	Description	Part number
Booklet maker/finisher w 2/4 hole punch		CZ999A
Stapler stacker	Accessory for stapling and stacking printed output.	A2W80A
Stapler stacker w/ 2/4 hole punch		A2W82A

How to use the parts lists and diagrams

The figures in this chapter show the major subassemblies in the product and their component parts. A parts list table follows each exploded view assembly diagram. Each table lists the item number, the associated part number, and the description of each part. If a part is not listed in the table, it is not a field replacement unit (FRU).

 **CAUTION:** Be sure to order the correct part. When looking for part numbers for electrical components, pay careful attention to the voltage that is listed in the description column. Doing so will ensure that the part number selected is for the correct model.

 **NOTE:** In this manual, the abbreviation “PCA” stands for “printed circuit-board assembly.” Components described as a PCA might consist of a single circuit board or a circuit board plus other parts, such as cables and sensors.

Assembly locations

Base product (no optional trays or accessories)

Figure 2-1 M855 base product cover locations (1 of 2)

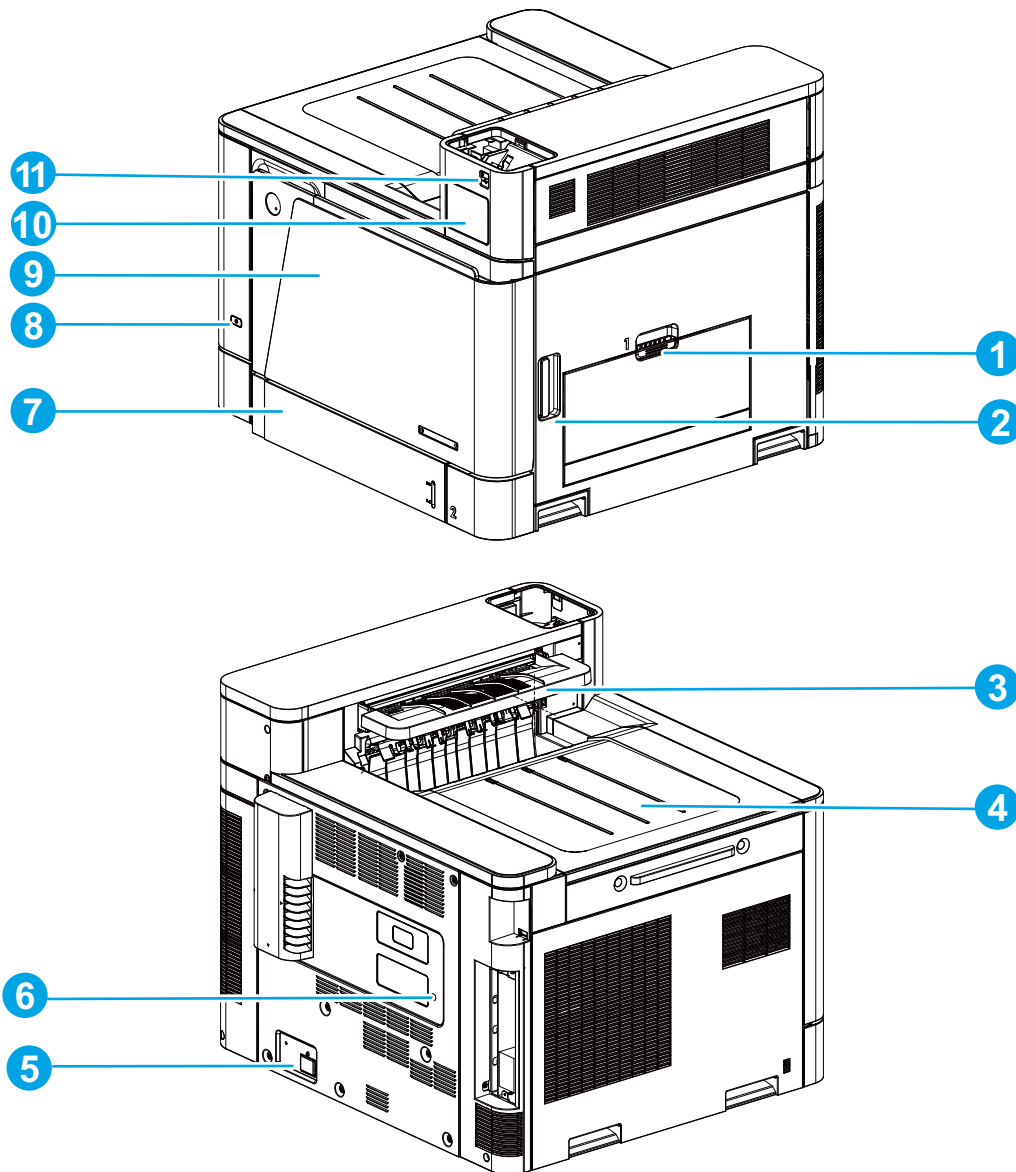


Table 2-6 M855 base product assembly locations (1 of 2)

Item	Description	Item	Description
1	Tray 1	7	Tray 2
2	Right door	8	Power switch
3	Switch back tray	9	Front door
4	Face-down bin	10	HIP cover

Table 2-6 M855 base product assembly locations (1 of 2) (continued)

Item	Description	Item	Description
5	Power receptacle	11	USB insertion slot
6	Test print switch		

Figure 2-2 M855 base product assembly locations (2 of 2)

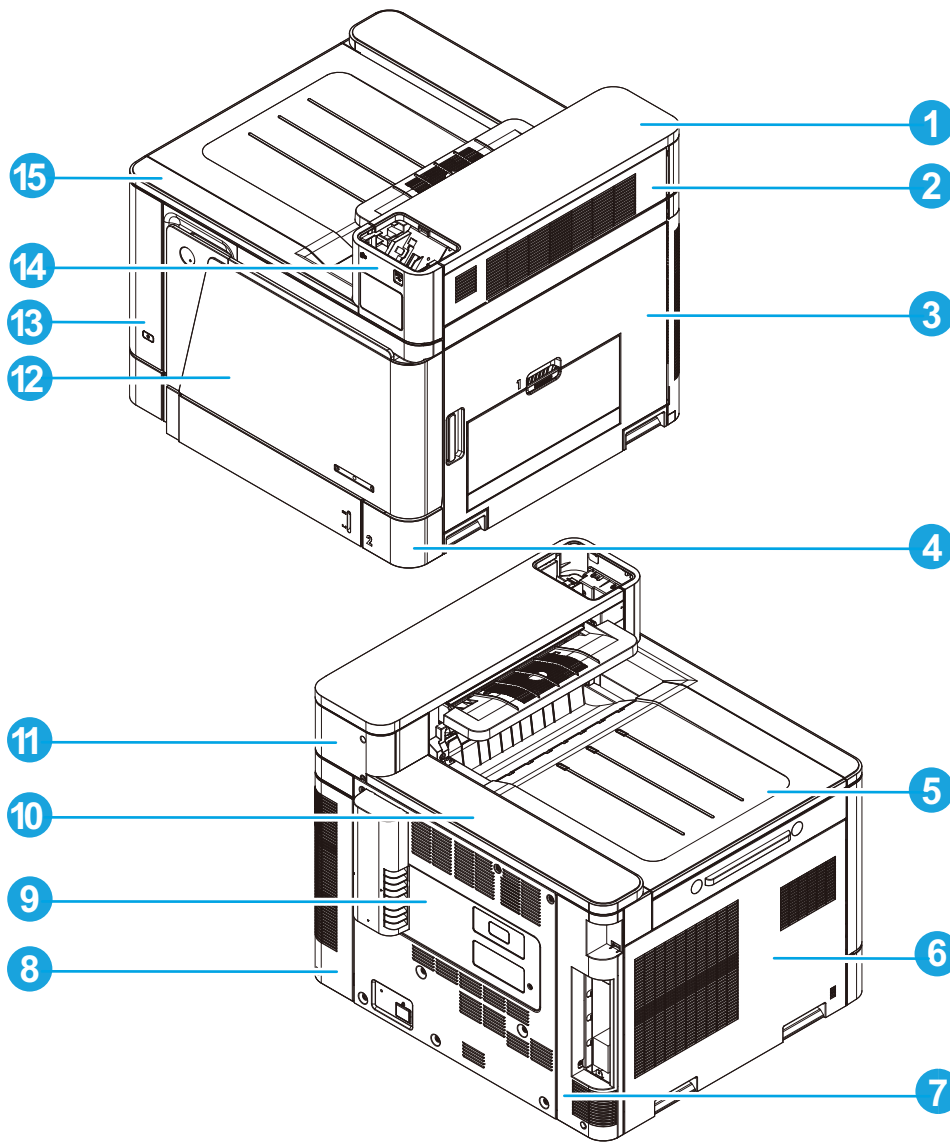


Table 2-7 M855 base product assembly locations (2 of 2)

Item	Description	Item	Description
1	Right upper cover	9	Rear cover
2	Switch back cover	10	Rear top cover
3	Right door assembly	11	Right upper rear cover

Table 2-7 M855 base product assembly locations (2 of 2) (continued)

Item	Description	Item	Description
4	Lower right cover	12	Front door assembly
5	Face-down bin	13	Left front cover
6	Left cover	14	Right upper front cover
7	Left rear cover	15	Front top cover
8	Right rear cover		

Figure 2-3 M880 base product assembly locations (1 of 2)

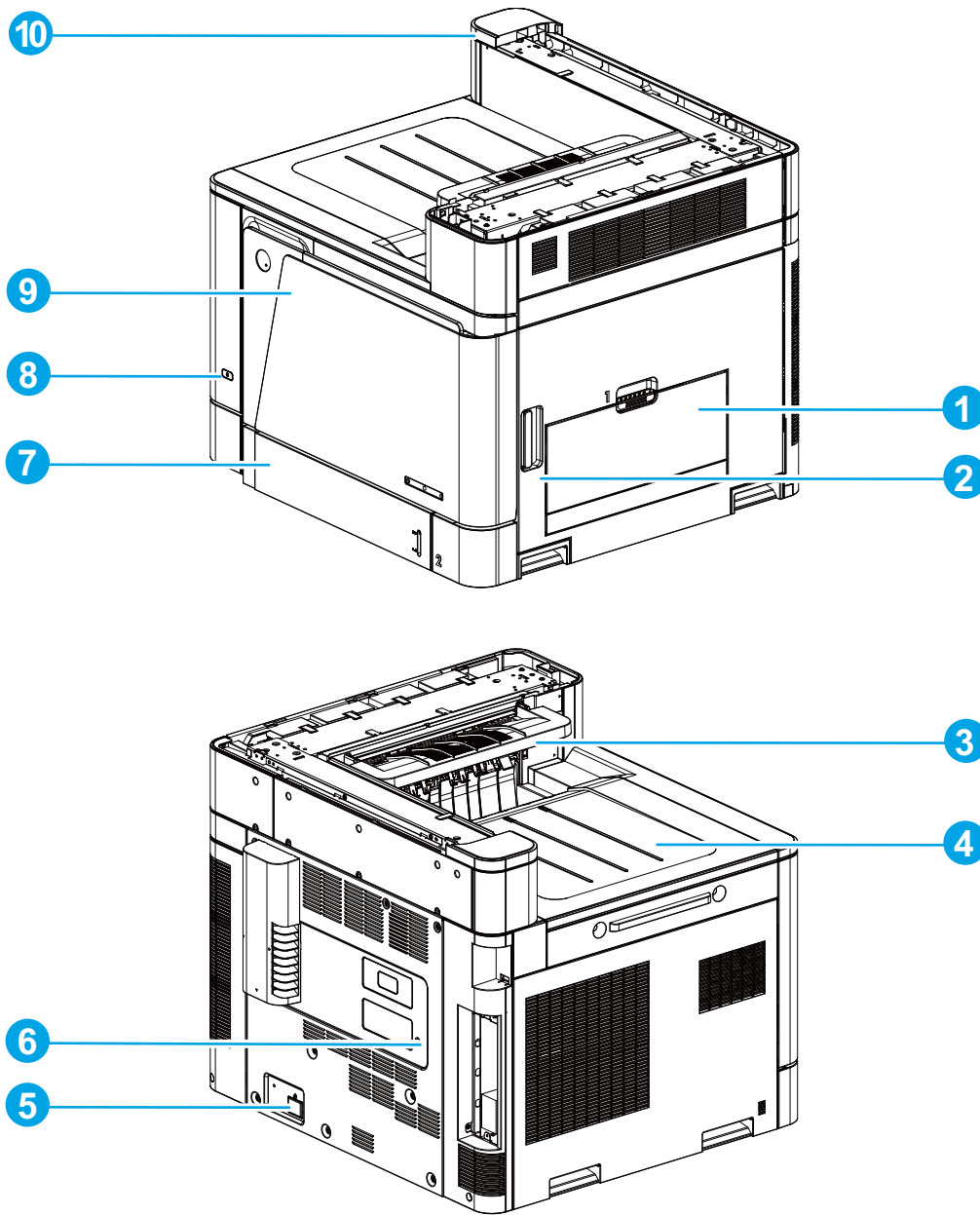


Table 2-8 M880 base product assembly locations (1 of 2)

Item1	Description	Item	Description
1	Tray 1	6	Test print switch
2	Right door	7	Tray 2
3	Switch back tray	8	Power switch
4	Face-down bin	9	Front door
5	Power receptacle	10	Rear upper MFP cover

Figure 2-4 M880 base product assembly locations (2 of 2)

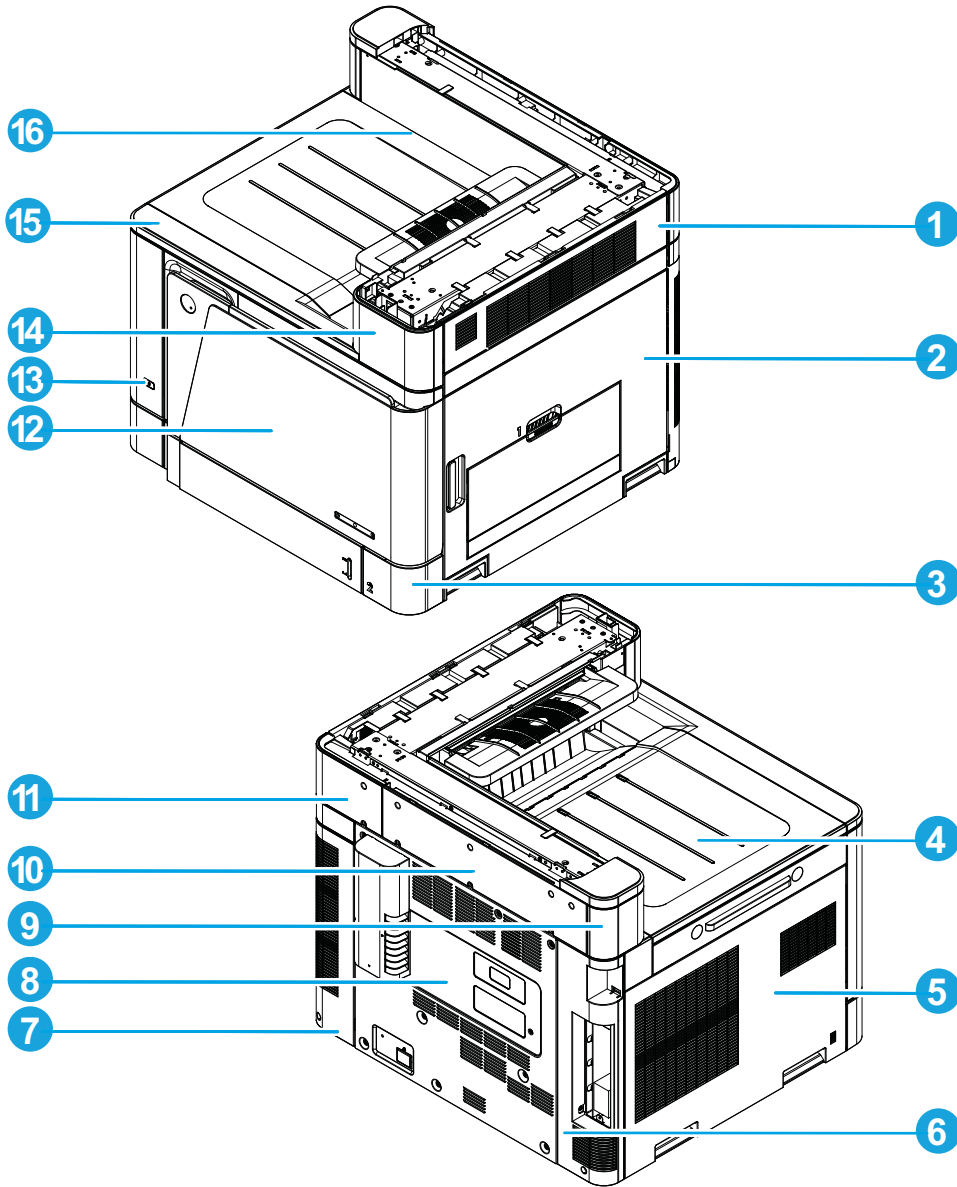


Table 2-9 M880 base product assembly locations (2 of 2)

Item	Description	Item	Description
1	Switch back cover	9	Left upper rear cover
2	Right door assembly	10	Rear upper rear cover
3	Lower right cover	11	Right upper rear cover
4	Face-down bin	12	Front door assembly
5	Left cover	13	Left front cover
6	Left rear cover	14	Right upper front cover
7	Right rear cover	15	Front top cover
8	Rear cover	16	Rear upper front cover

Stapler/stacker and booklet maker

Figure 2-5 Stapler/stacker and booklet maker main assemblies

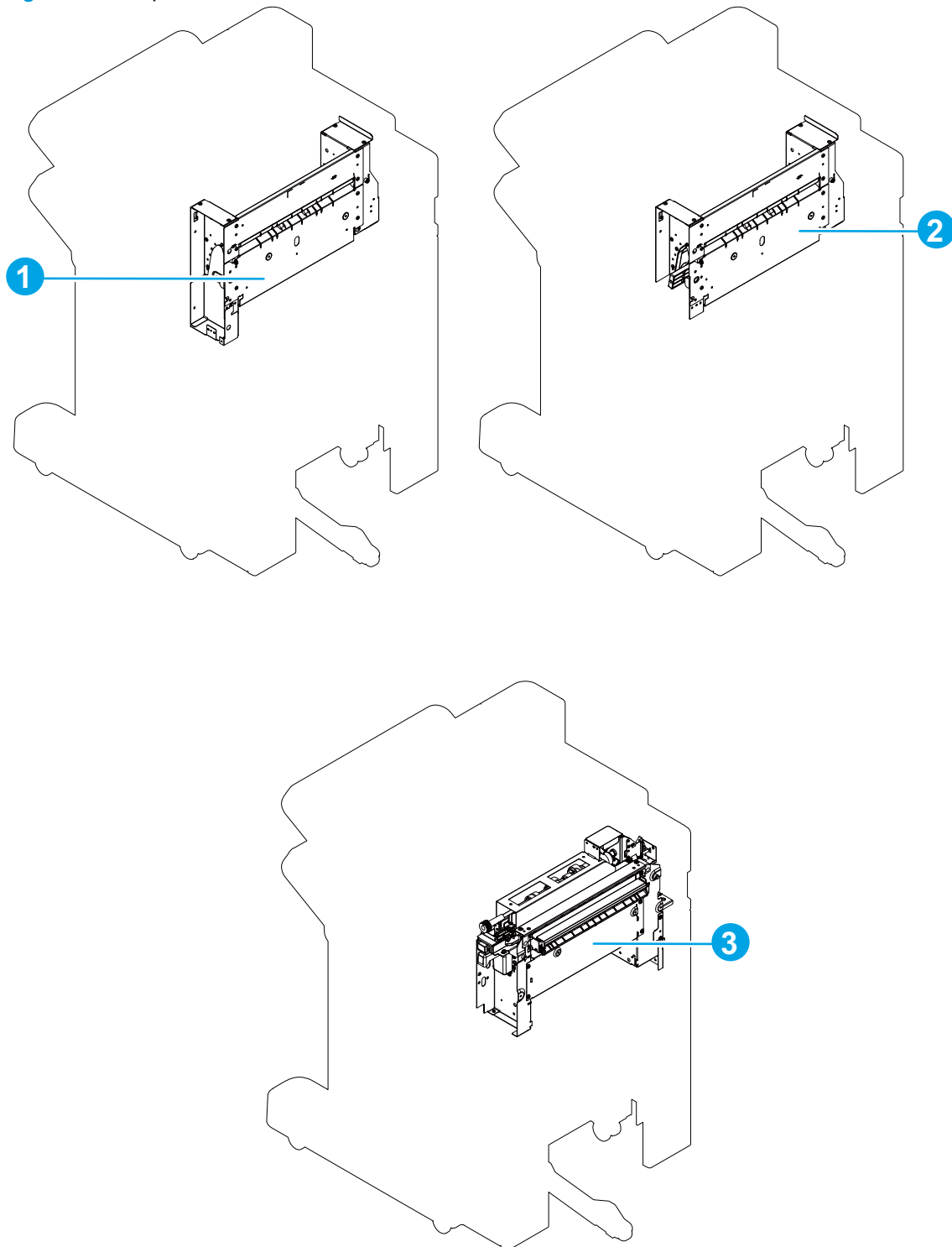


Table 2-10 Stapler/stacker and booklet maker main assemblies

Item	Description	Item	Description
1	Pass through assembly	3	Puncher assembly
2	Saddle feed assembly		

Figure 2-6 Stapler/stacker and booklet maker PCA

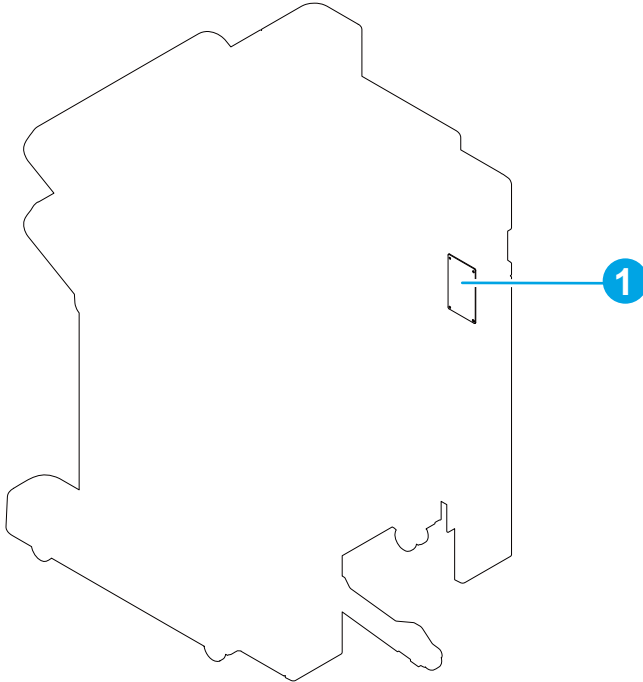


Table 2-11 Stapler/stacker and booklet maker PCA

Item	Description
1	Punch controller PCA

Stapler/stacker external assembly locator

Figure 2-7 Stapler/stacker

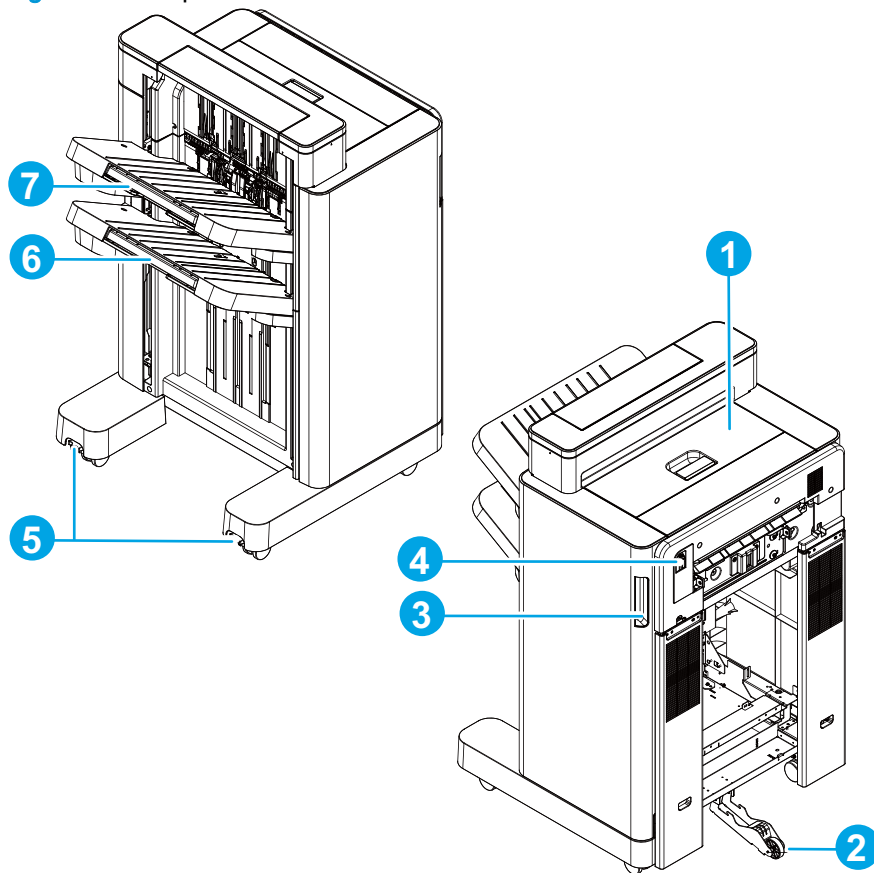


Table 2-12 Stapler/stacker external assembly locator

Item	Description	Item	Description
1	Top door	5	Height adjustment dial
2	Grounding foot	6	Output bin 2
3	Front door	7	Output bin 1
4	Connection latch lever		

Figure 2-8 Stapler/stacker with hole puncher external assembly locator

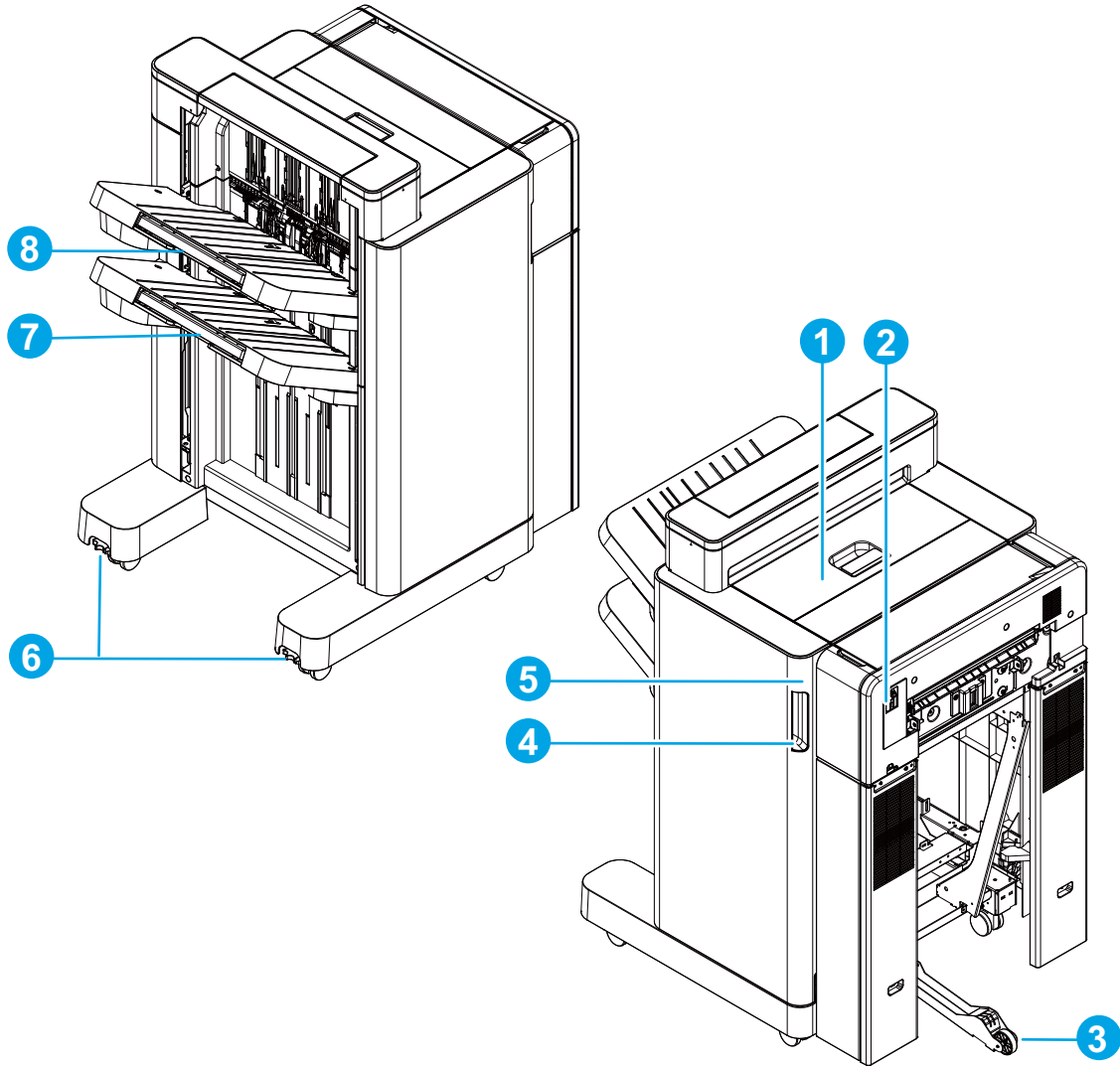


Table 2-13 Stapler/stacker with hole puncher external assembly locator

Item	Description	Item	Description
1	Top door	5	Punch front cover
2	Connection latch lever	6	Height adjustment dial
3	Grounding foot	7	Output bin 2
4	Front door	8	Output bin 1

Figure 2-9 Staple stacker internal assembly locator

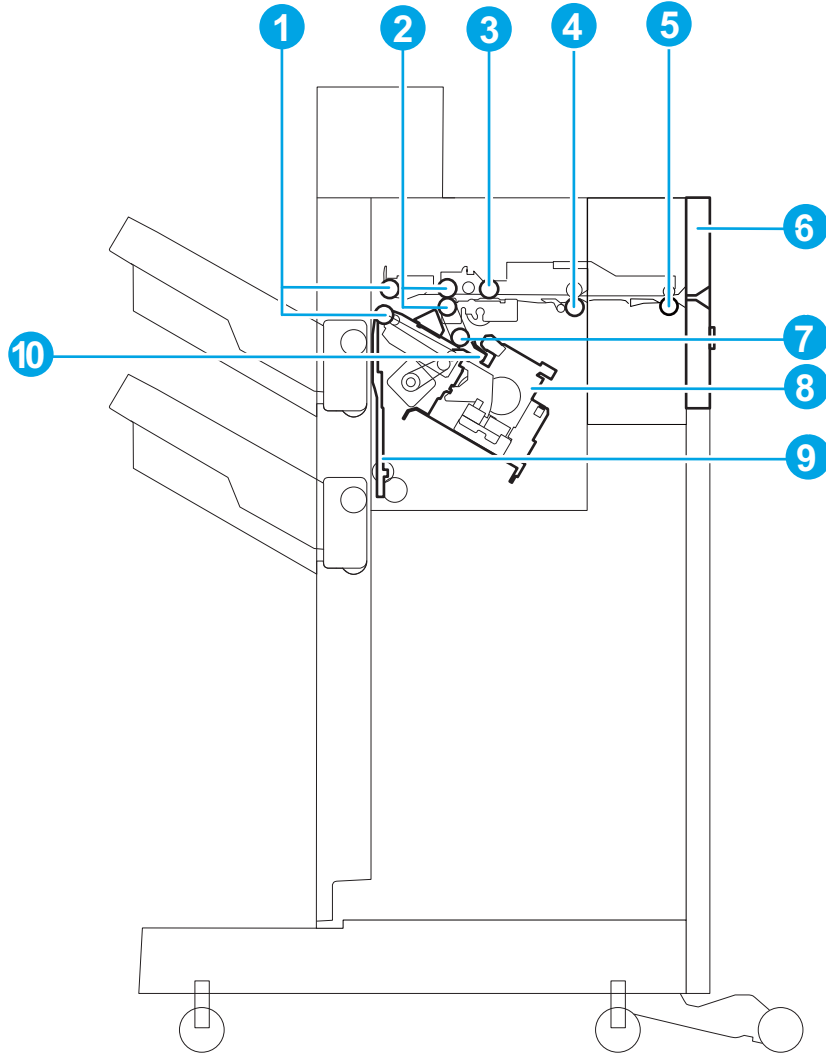


Table 2-14 Staple stacker internal assembly locator

Item	Description	Item	Description
1	Stack ejection roller	6	Latch assembly
2	Delivery roller	7	Return roller
3	Buffer roller	8	Stapler
4	Inlet roller	9	Shutter
5	Inlet roller 1	10	Processing tray assembly

Figure 2-10 Staple stacker with hole puncher internal assembly locator

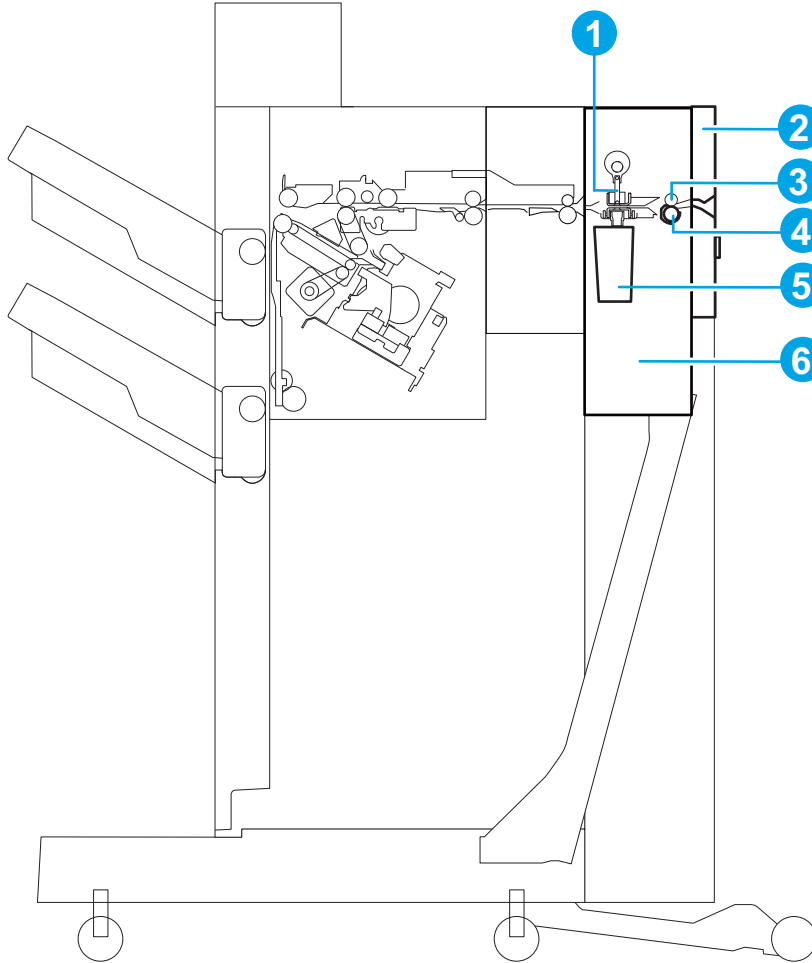


Table 2-15 Staple stacker with hole puncher internal assembly locator

Item	Description	Item	Description
1	Punch	4	Registration roller
2	Latch assembly	5	Punch chip collection box
3	Registration shutter	6	Puncher assembly

Figure 2-11 Staple stacker external assembly locator (door open)

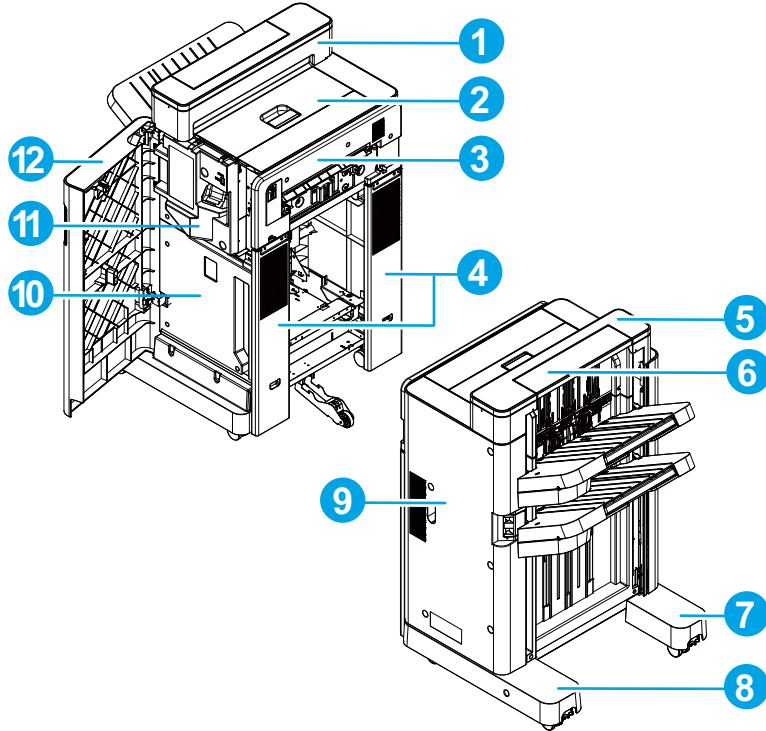


Table 2-16 Staple stacker external assembly locator (door open)

Item	Description	Item	Description
1	Step lower cover	7	Front foot cover
2	Top door assembly	8	Rear foot cover
3	Latch assembly	9	Rear cover
4	Latch lower cover	10	Inner lower cover
5	Step top cover	11	Inner upper cover assembly
6	Open-close step cover	12	Front door assembly

Figure 2-12 Staple stacker with hole puncher external assembly locator (door open)

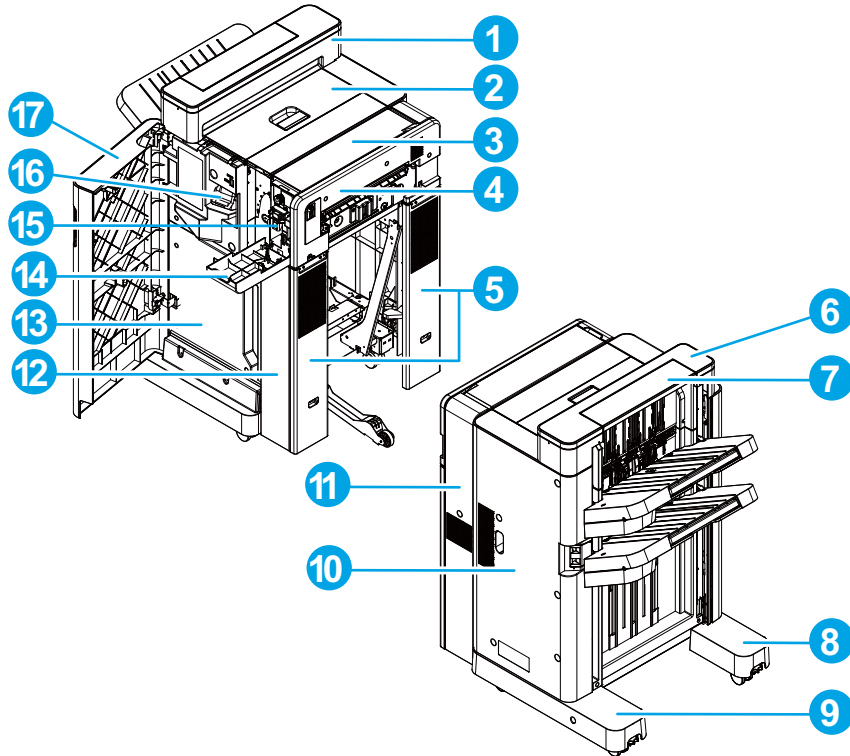


Table 2-17 Staple stacker with hole puncher external assembly locator (door open)

Item	Description	Item	Description
1	Step lower cover	10	Rear cover
2	Top door assembly	11	Punch rear cover
3	Punch top cover	12	Punch lower cover
4	Latch assembly	13	Inner lower cover
5	Latch lower cover	14	Punch front cover
6	Step top cover	15	Punch inner cover assembly
7	Open-close step cover	16	Inner upper cover assembly
8	Front foot cover	17	Front door assembly
9	Rear foot cover		

Booklet maker

Figure 2-13 Booklet maker external assembly locator

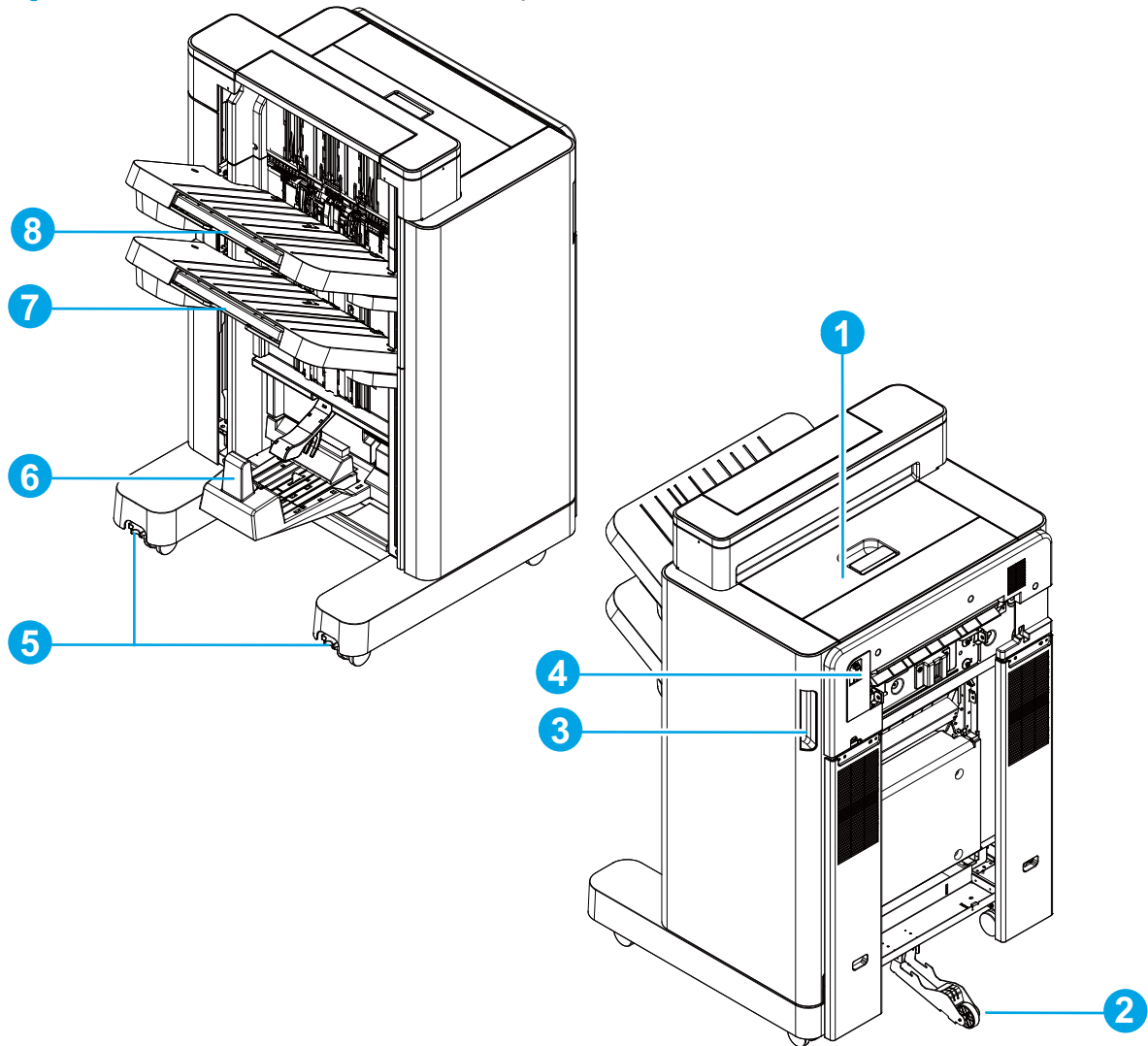


Table 2-18 Booklet maker external assembly locator

Item	Description	Item	Description
1	Top door	5	Height adjustment dial
2	Grounding foot	6	Saddle output bin
3	Front door	7	Output bin 2
4	Connection latch lever	8	Output bin 1

Figure 2-14 Booklet maker with hole puncher external assembly locator

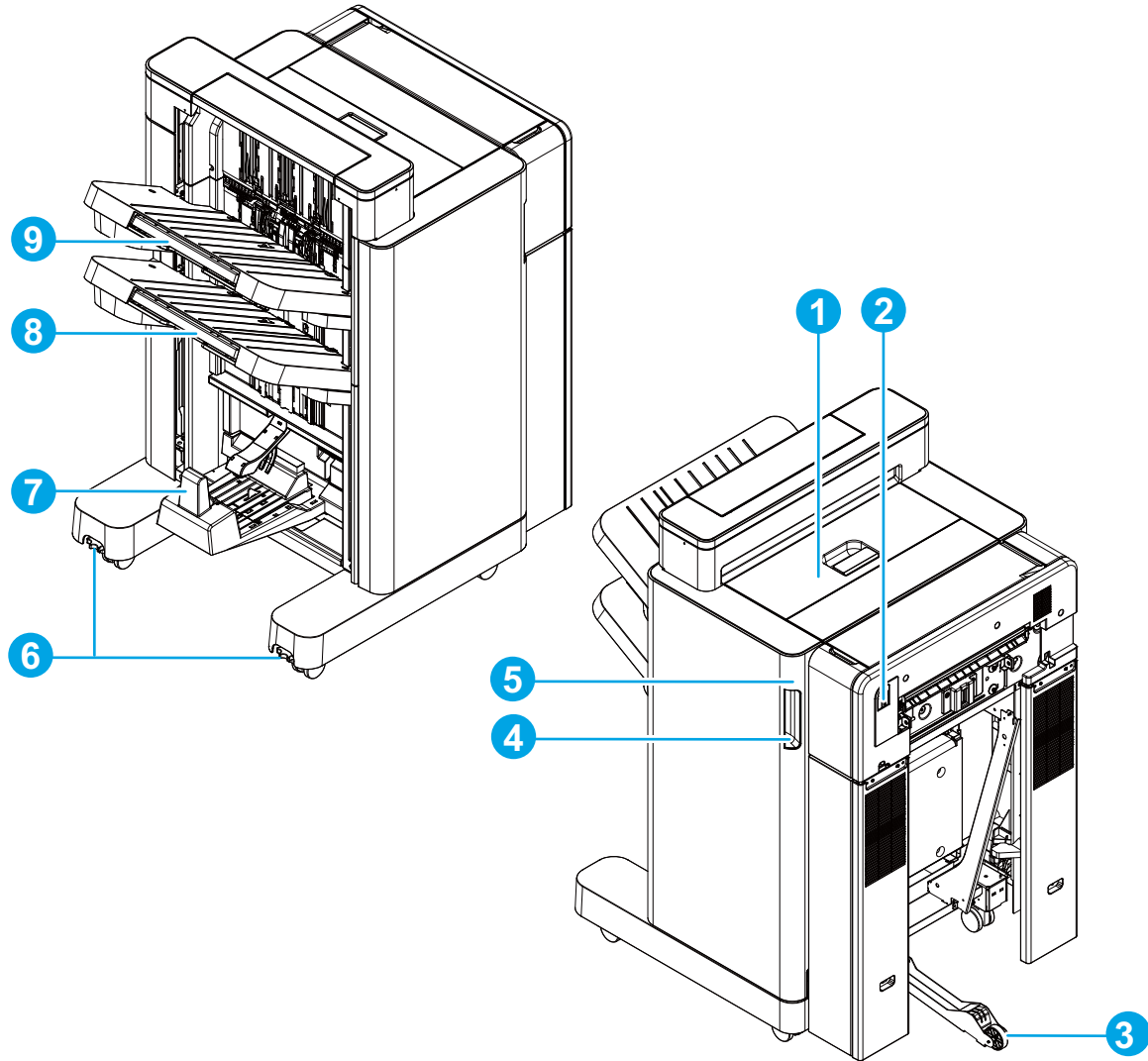


Table 2-19 Booklet maker with hole puncher external assembly locator

Item	Description	Item	Description
1	Top door	6	Height adjustment dial
2	Connection latch lever	7	Saddle output bin
3	Grounding foot	8	Output bin 2
4	Front door	9	Output bin 1
5	Punch front cover		

Figure 2-15 Booklet maker internal assembly locator

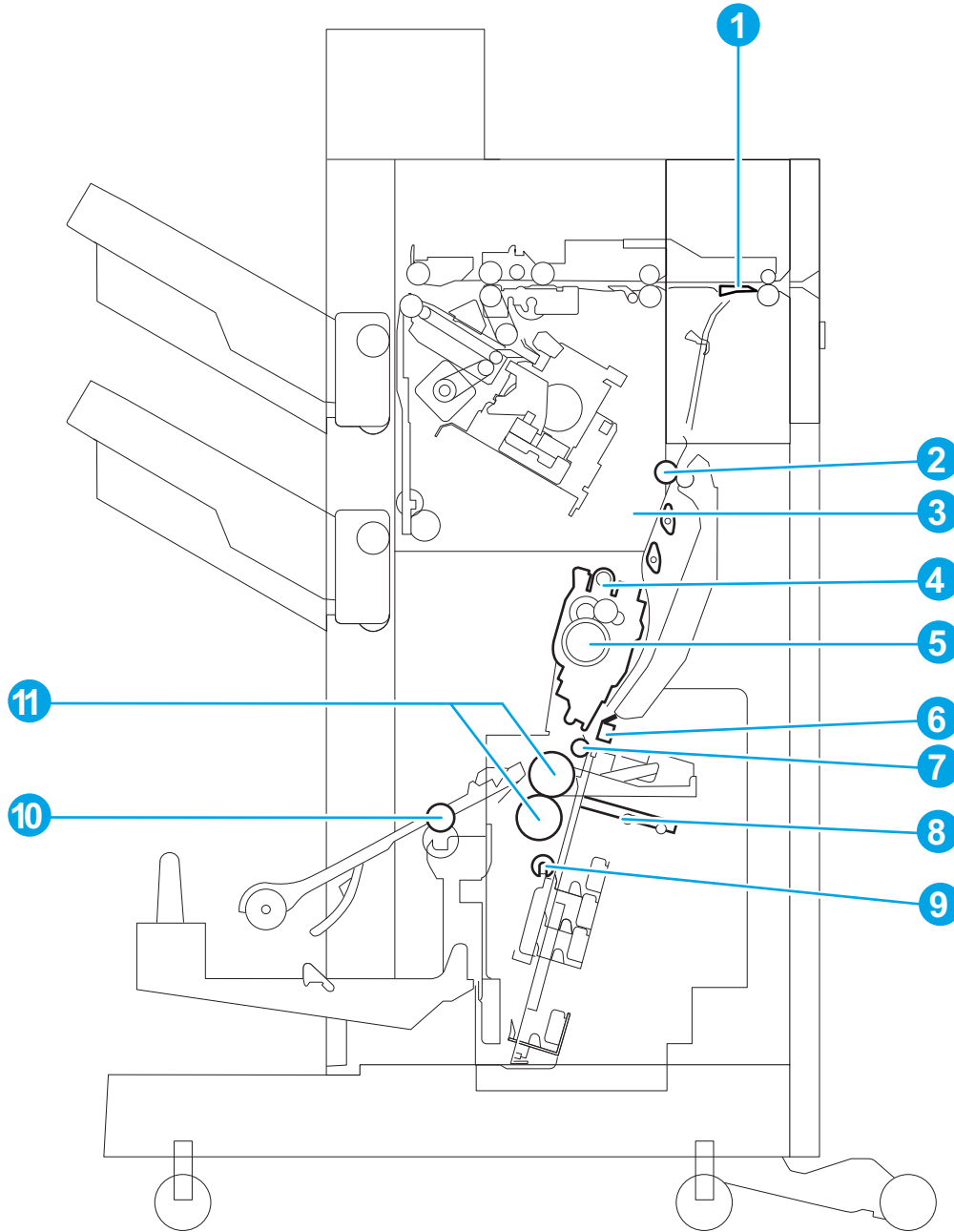


Table 2-20 Booklet maker internal assembly locator

Item	Description	Item	Description
1	Saddle stitchee flapper	7	Intermediate roller
2	Inlet roller 2	8	Paper pushing plate
3	Flapper 1	9	Crescent roller
4	Flapper 2	10	Saddle delivery roller
5	Stitchee (front, rear)	11	Paper folding roller
6	Stitchee rack		

Figure 2-16 Booklet maker with hole puncher internal assembly locator

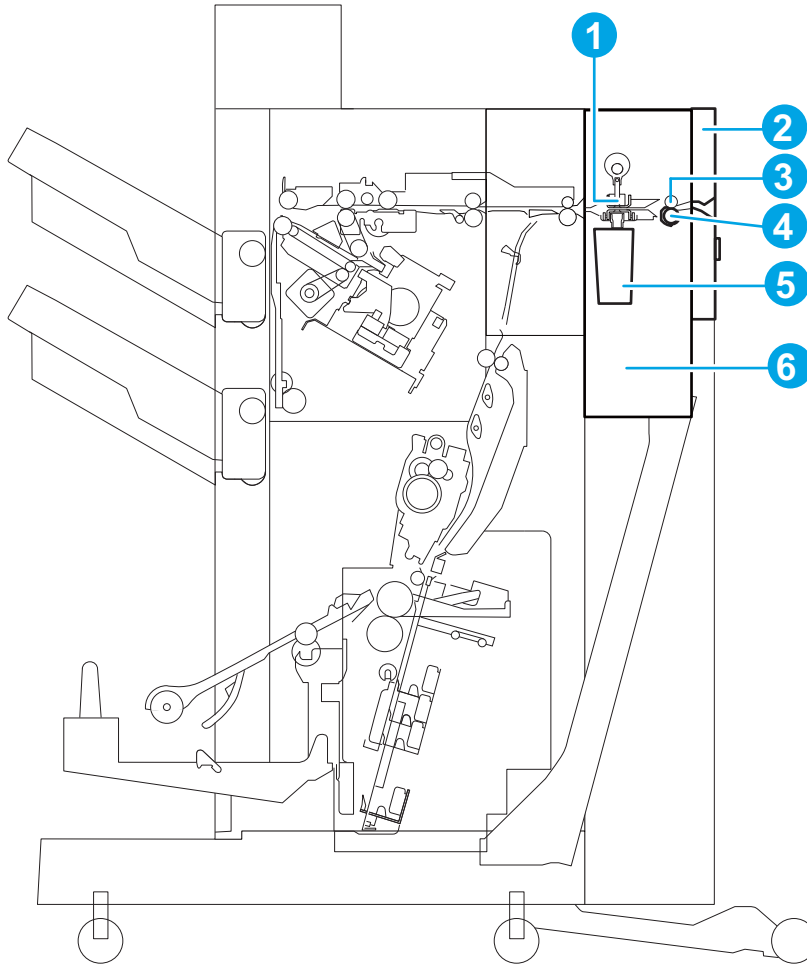


Table 2-21 Booklet maker with hole puncher internal assembly locator

Item	Description	Item	Description
1	Punch	4	Registration roller
2	Latch assembly	5	Punch chip box
3	Registration shutter	6	Puncher assembly

Figure 2-17 Booklet maker external assembly locator (door open)

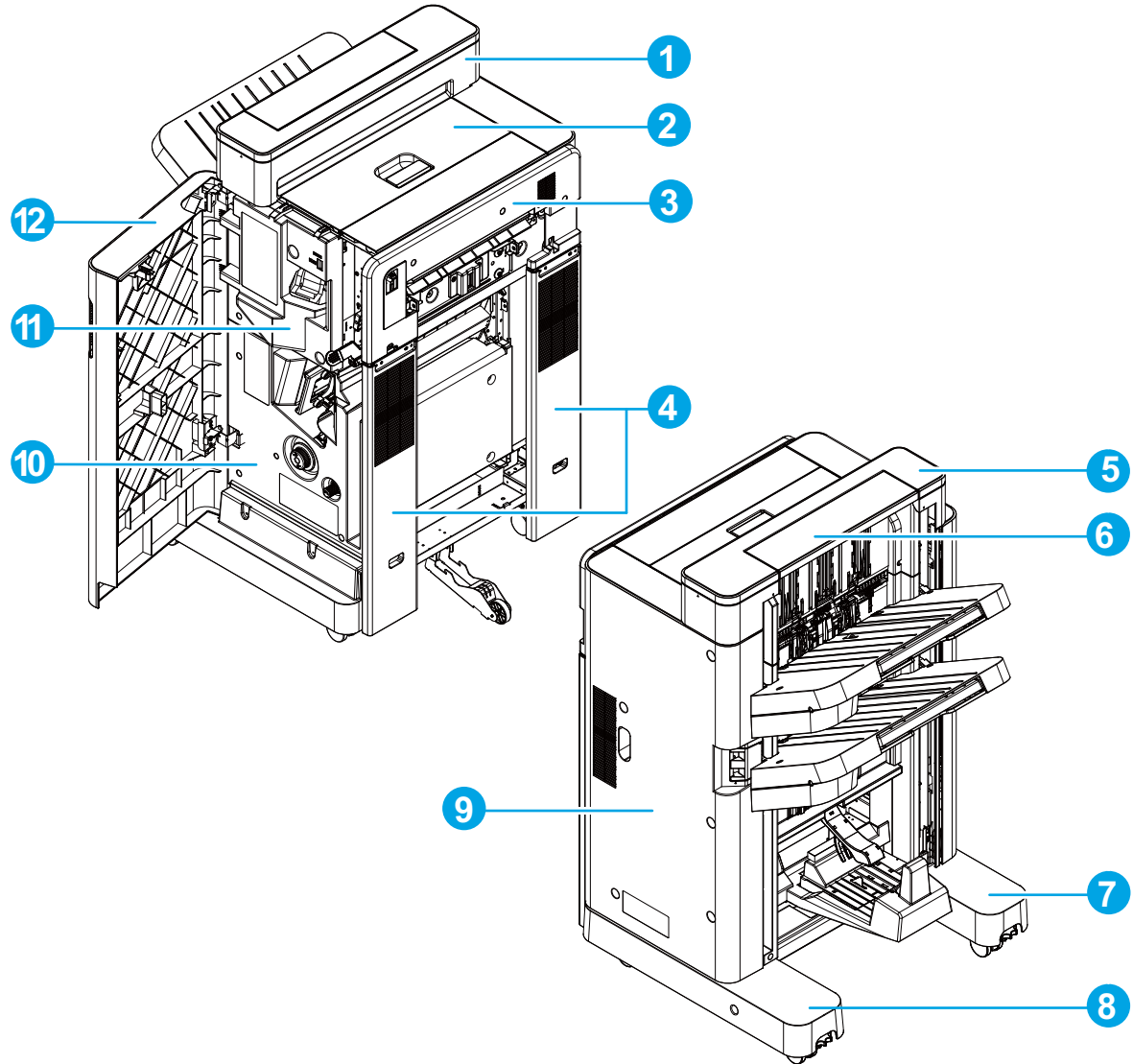


Table 2-22 Booklet maker external assembly locator (door open)

Item	Description	Item	Description
1	Step lower cover	7	Front foot cover
2	Top door assembly	8	Rear foot cover
3	Latch assembly	9	Rear cover
4	Latch lower cover	10	Inner lower cover assembly
5	Step top cover	11	Inner upper cover assembly
6	Open-close step cover	12	Front door assembly

Figure 2-18 Booklet maker with hole puncher external assembly locator (door open)

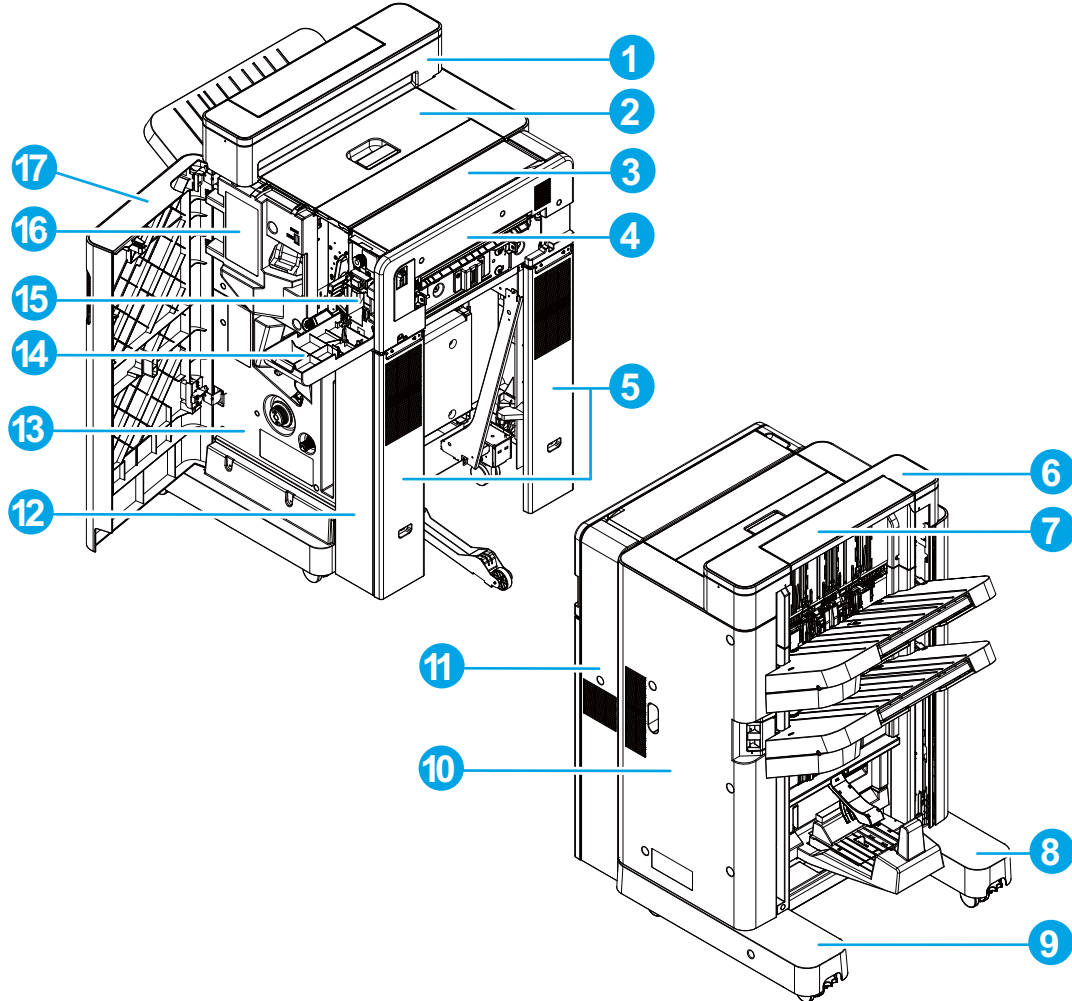


Table 2-23 Booklet maker with hole puncher external assembly locator (door open)

Item	Description	Item	Description
1	Step lower cover	10	Rear cover
2	Top door assembly	11	Punch rear cover
3	Punch top cover	12	Punch lower cover
4	Latch assembly	13	Inner lower cover assembly
5	Latch lower cover	14	Punch front cover
6	Step top cover	15	Punch inner cover assembly
7	Open-close step cover	16	Inner upper cover assembly
8	Front foot cover	17	Front door assembly
9	Rear foot cover		

Intermediate paper transportation unit (IPTU)

Figure 2-19 IPTU external assembly locator (1 of 3)

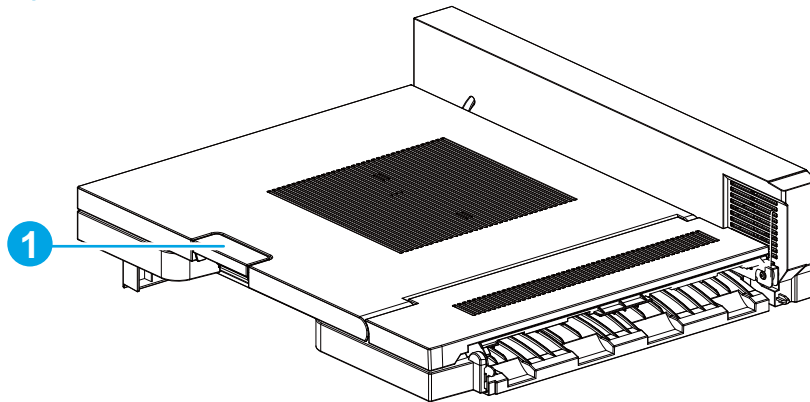


Table 2-24 IPTU external assembly locator (1 of 3)

Item	Description
1	Top door open lever

Figure 2-20 IPTU external assembly locator (2 of 3)

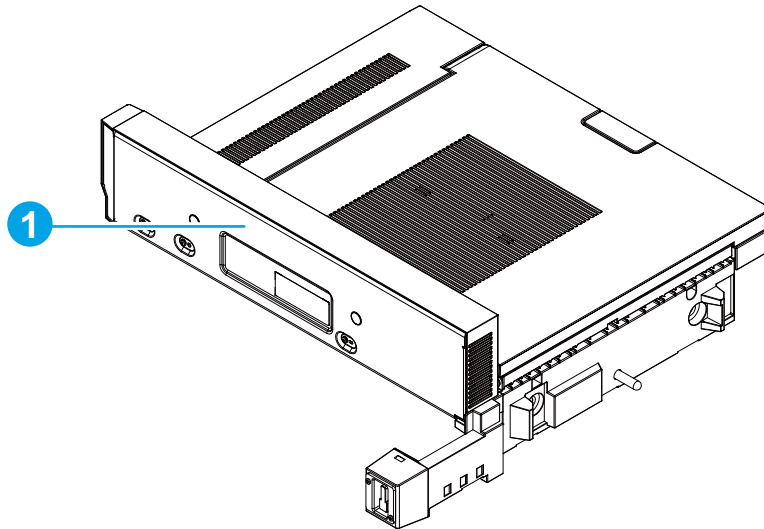


Table 2-25 IPTU external assembly locator (2 of 3)

Item	Description
1	Rear cover

Figure 2-21 IPTU external assembly locator (3 of 3)

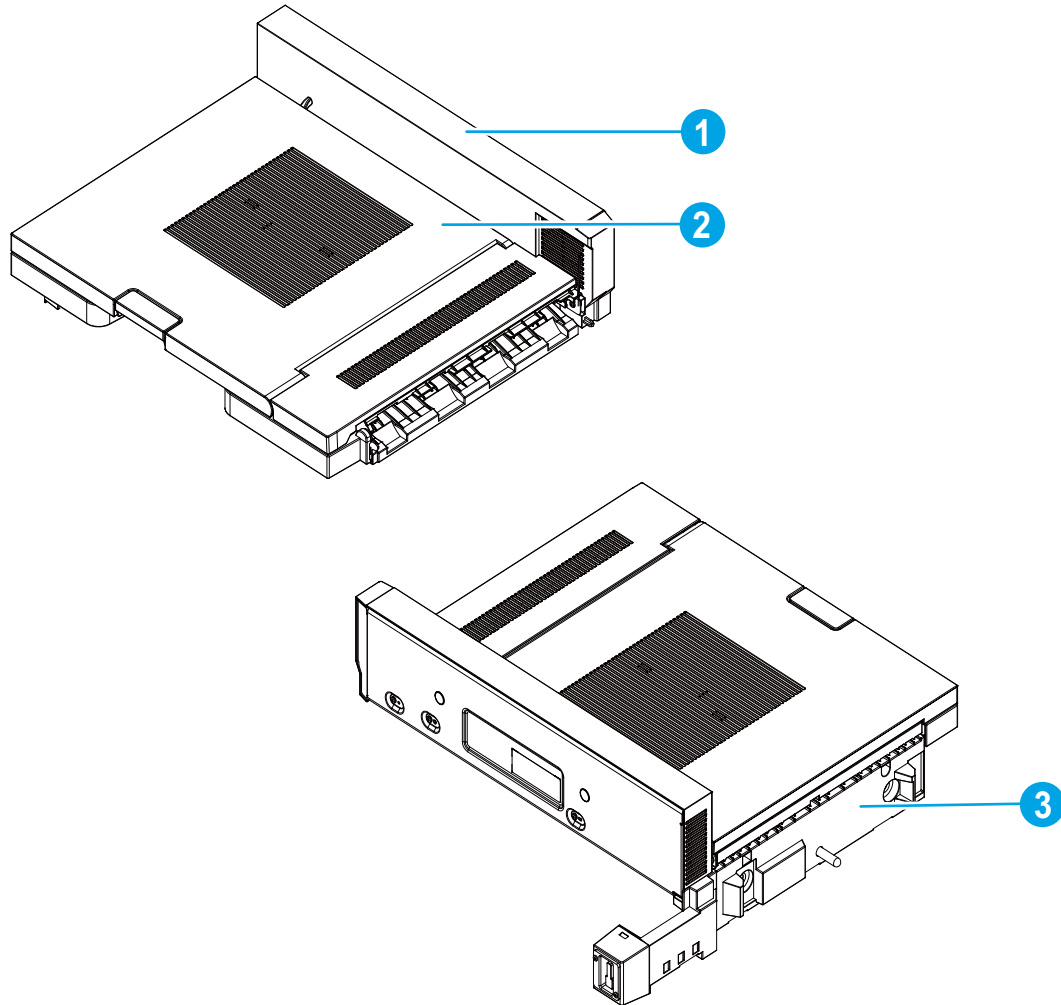


Table 2-26 IPTU external assembly locator (3 of 3)

Item	Description	Item	Description
1	Side panel assembly	3	Finisher lock assembly
2	Top cover assembly		

Figure 2-22 IPTU internal assembly locator (1 of 2)

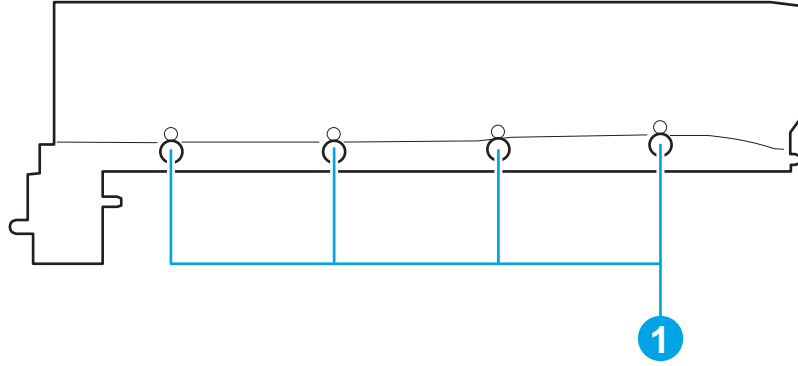


Table 2-27 IPTU internal assembly locator (1 of 2)

Item	Description
1	Feed rollers

Figure 2-23 IPTU internal assembly locator (2 of 2)

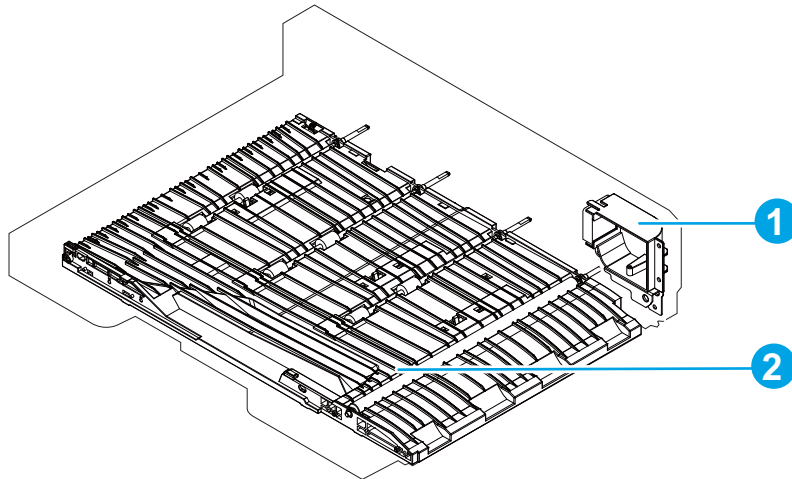


Table 2-28 IPTU internal assembly locator (2 of 2)

Item	Description	Item	Description
1	IPTU fan assembly	2	Bottom cover assembly

Figure 2-24 IPTU PCA

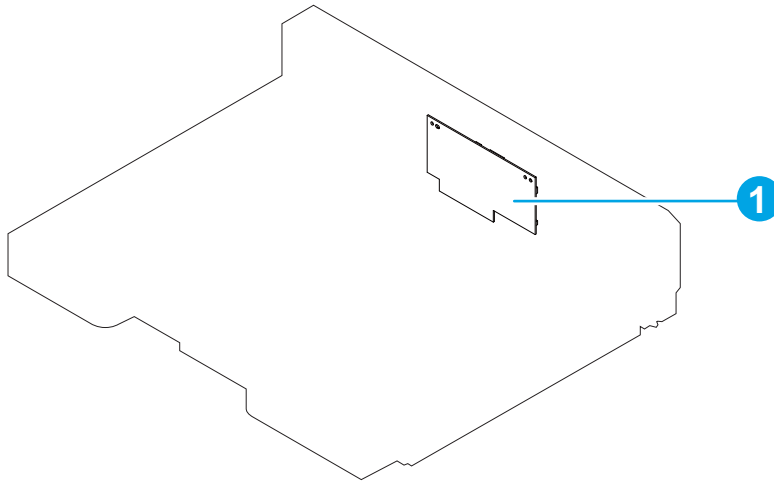


Table 2-29 IPTU PCA

Item	Description
1	IPTU driver PCA

1x500-sheet feeder

Figure 2-25 1x500-sheet feeder (1 of 2)

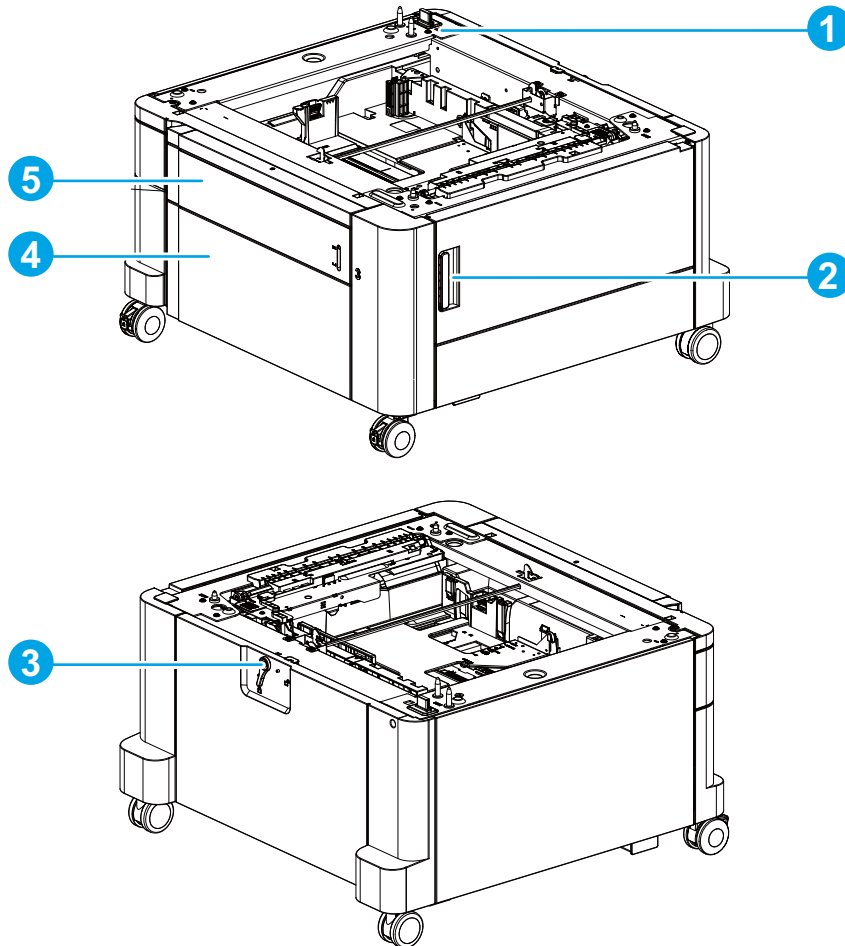


Table 2-30 1x500-sheet feeder (1 of 2)

Item	Description	Item	Description
1	Connector	4	Storage box door
2	Right door	5	Tray 3
3	Lock lever		

Figure 2-26 1x500-sheet feeder (2 of 2)

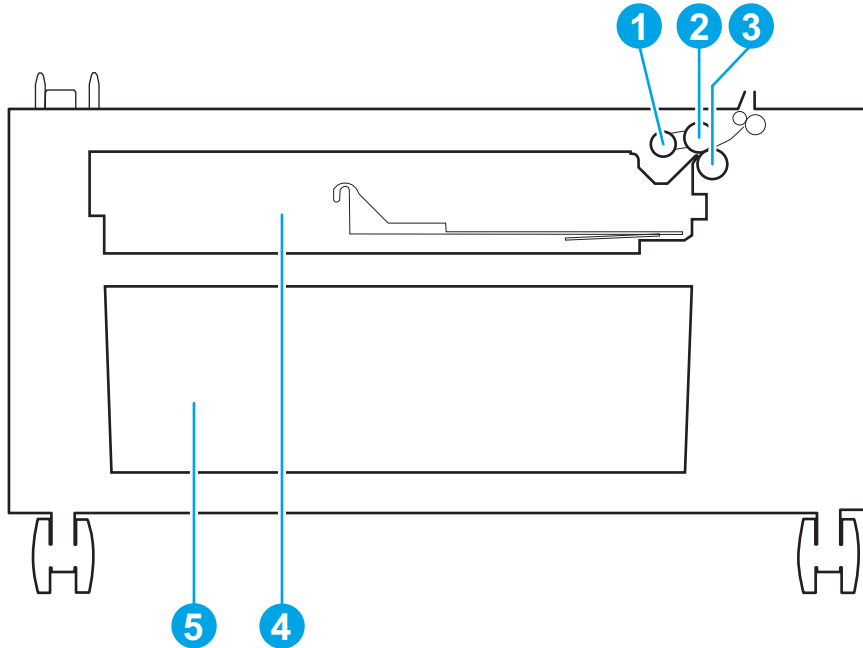


Table 2-31 1x500-sheet feeder (2 of 2)

Item	Description	Item	Description
1	Pickup roller	4	Tray 3
2	Feed roller	5	Storage box
3	Separation roller		

3x500-sheet feeder

Figure 2-27 3x500-sheet feeder (1 of 2)

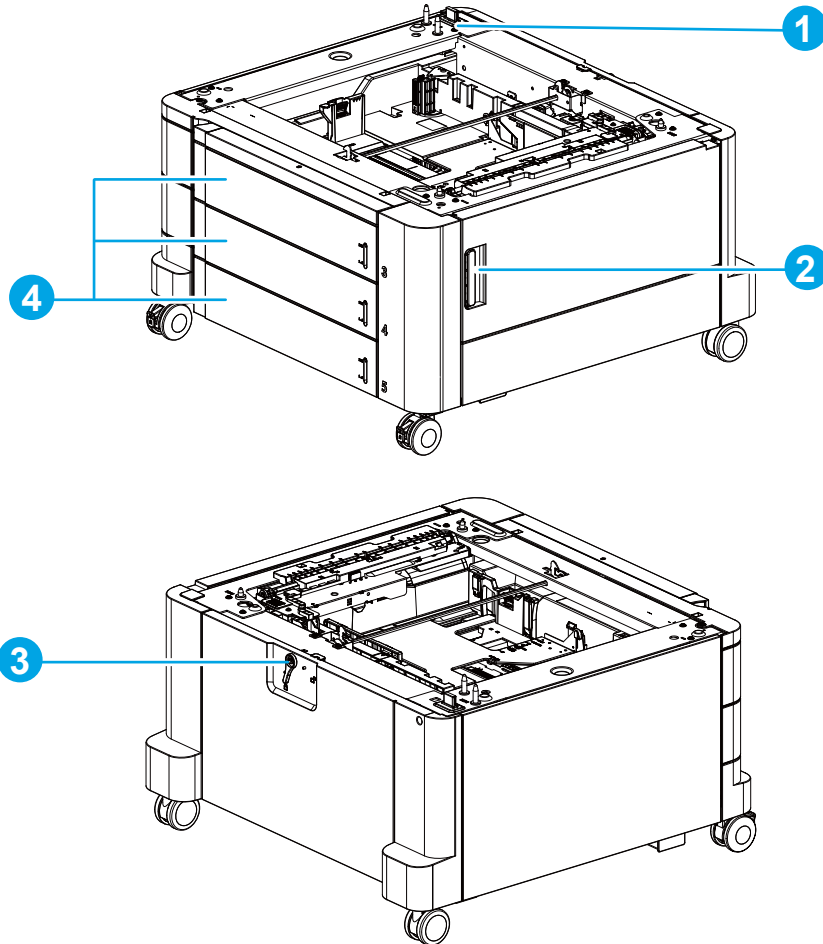


Table 2-32 3x500-sheet feeder (1 of 2)

Item	Description	Item	Description
1	Connector	3	Lock lever
2	Right door	4	Trays 3, 4, and 5

Figure 2-28 3x500-sheet feeder (2 of 2)

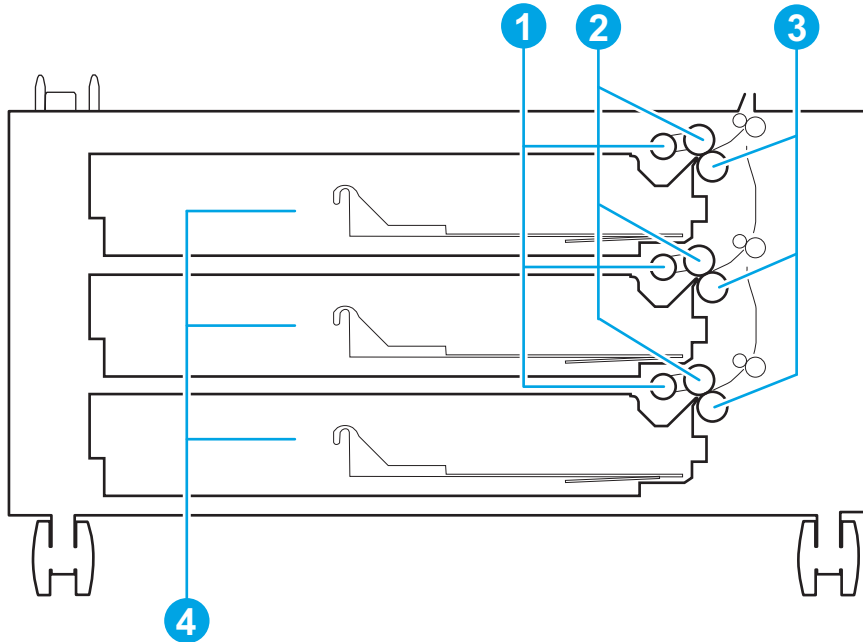


Table 2-33 3x500-sheet feeder (2 of 2)

Item	Description	Item	Description
1	Pickup roller	3	Separation roller
2	Feed roller	4	Trays 3, 4, and 5

High-capacity input (HCI) feeder

Figure 2-29 HCI feeder (1 of 6)

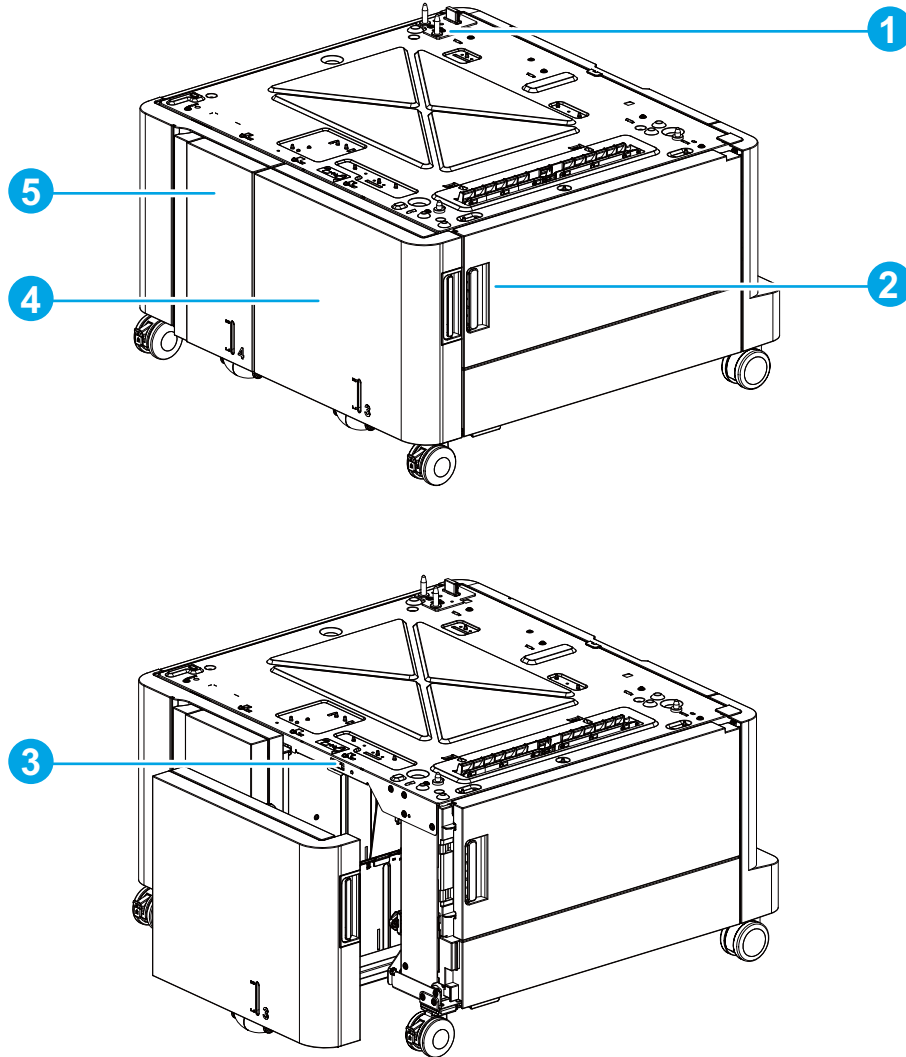


Table 2-34 HCI feeder (1 of 6)

Item	Description	Item	Description
1	Connector	4	Right tray
2	Right door	5	Left tray
3	Lock lever		

Figure 2-30 HCI feeder (2 of 6)

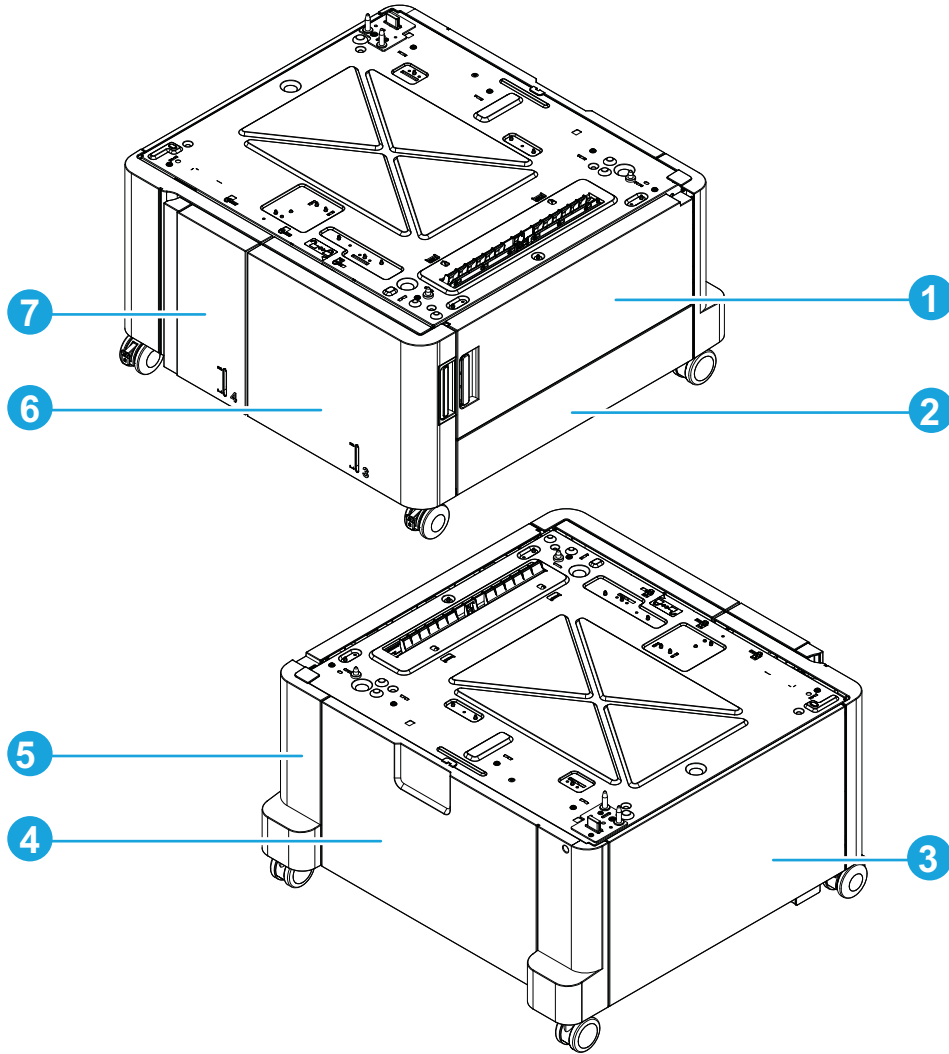


Table 2-35 HCI feeder (2 of 6)

Item	Description	Item	Description
1	Right door assembly	5	Right rear cover
2	Right lower cover	6	Right tray
3	Left cover	7	Left tray
4	Rear cover		

Figure 2-31 HCI feeder (3 of 6)

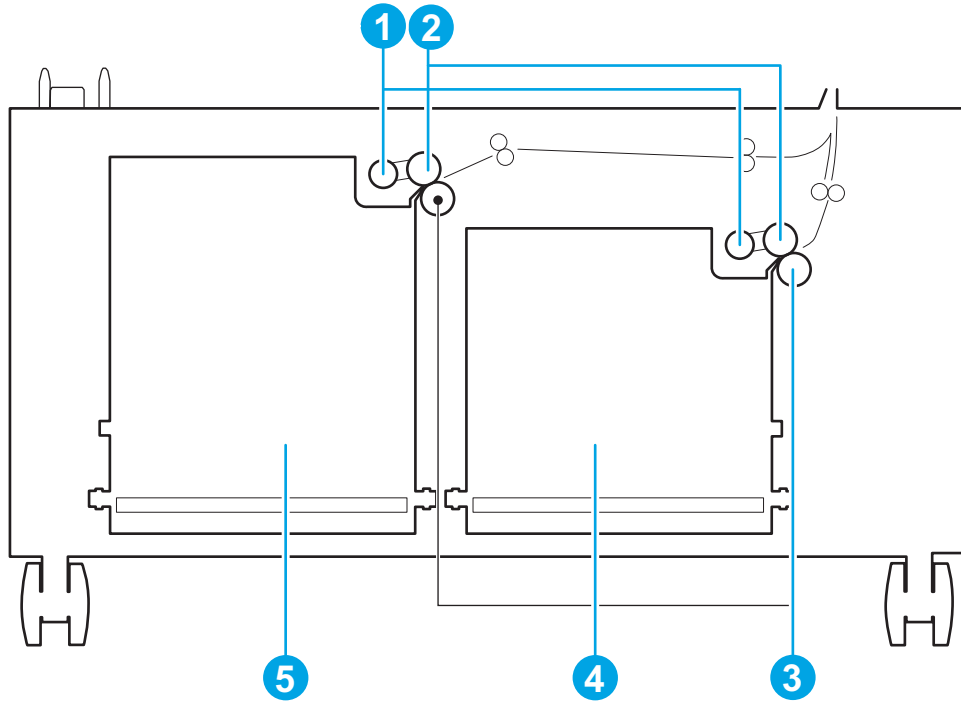


Table 2-36 HCI feeder (3 of 6)

Item	Description	Item	Description
1	Pickup roller	4	Right tray
2	Feed roller	5	Left tray
3	Separation roller		

Figure 2-32 HCI feeder (4 of 6)

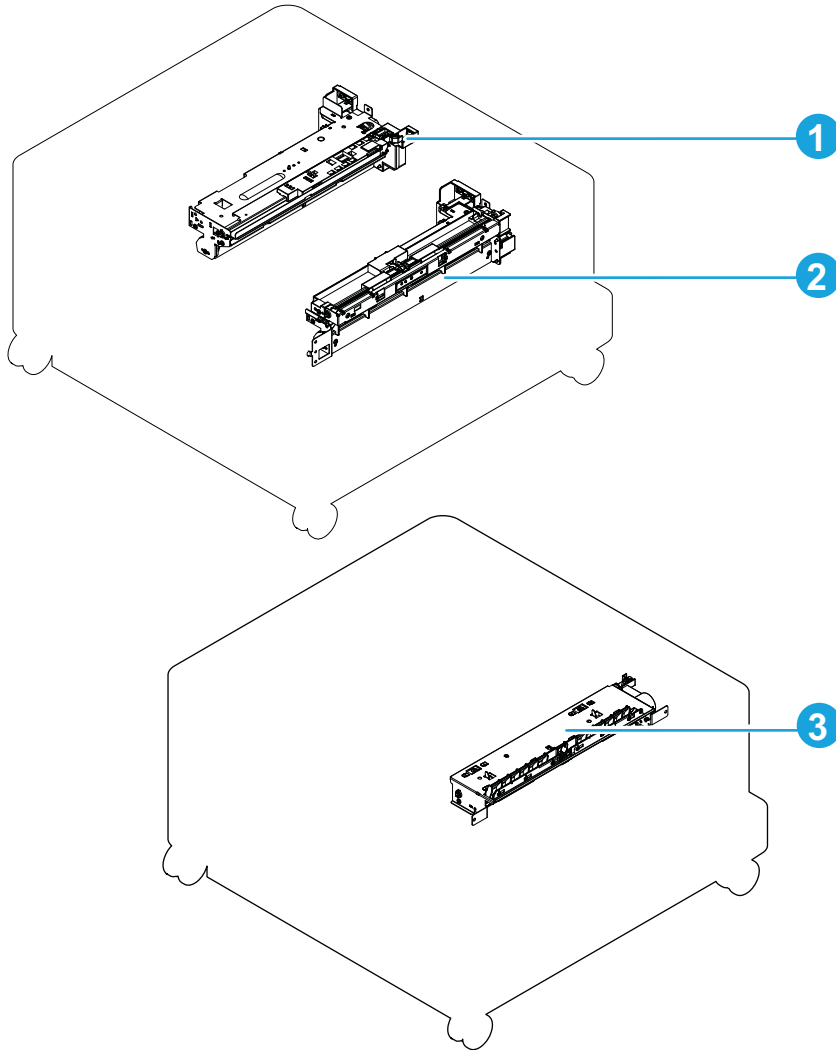


Table 2-37 HCI feeder (4 of 6)

Item	Description	Item	Description
1	Left tray pickup assembly	3	Merge paper feed assembly
2	Right tray pickup assembly		

Figure 2-33 HCI feeder (5 of 6)

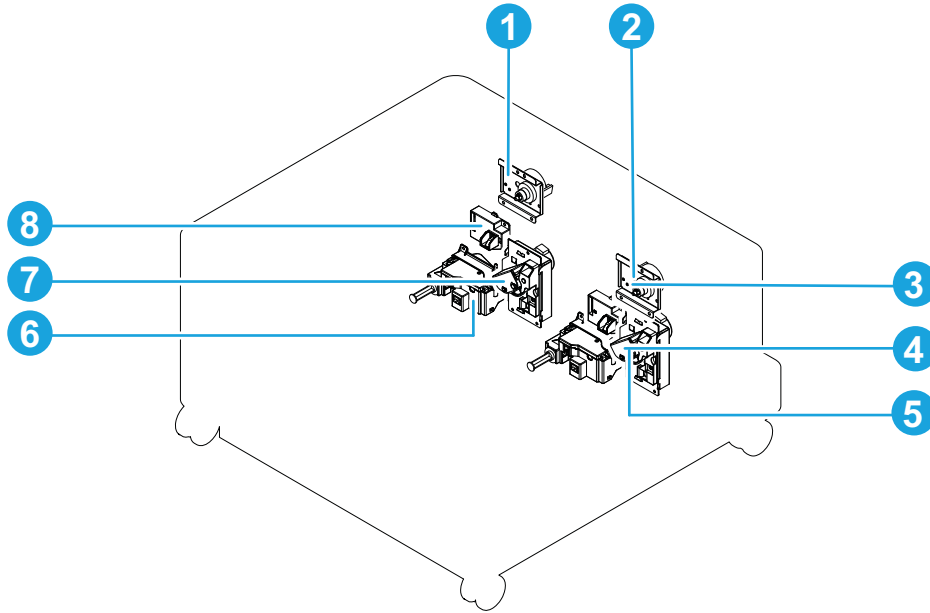


Table 2-38 HCI feeder (5 of 6)

Item	Description	Item	Description
1	Left tray pickup drive assembly	5	Right tray automatic close assembly
2	Right tray pickup drive assembly	6	Left tray automatic close assembly
3	Right tray media-level sensor assembly	7	Left tray lifter drive assembly
4	Right tray lifter drive assembly	8	Left tray media-level sensor assembly

Figure 2-34 HCI feeder (6 of 6)

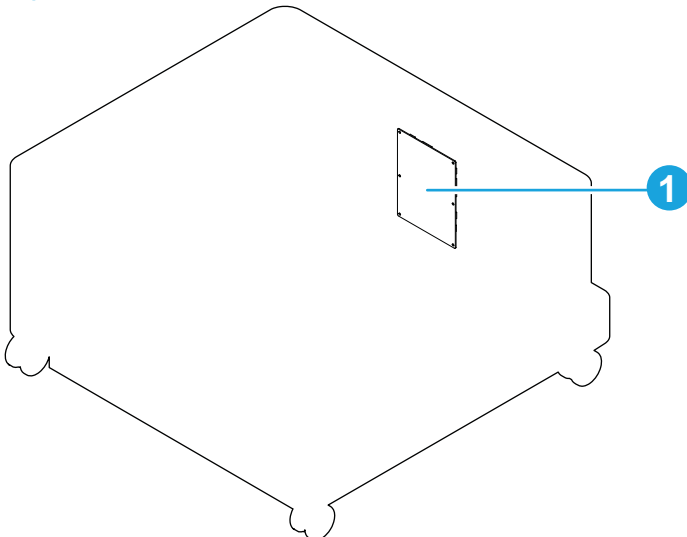


Table 2-39 HCI feeder (6 of 6)

Item	Description
1	HCI controller PCA

Document feeder and scanner assemblies (M880)

Figure 2-35 Document feeder and scanner assemblies (M880)

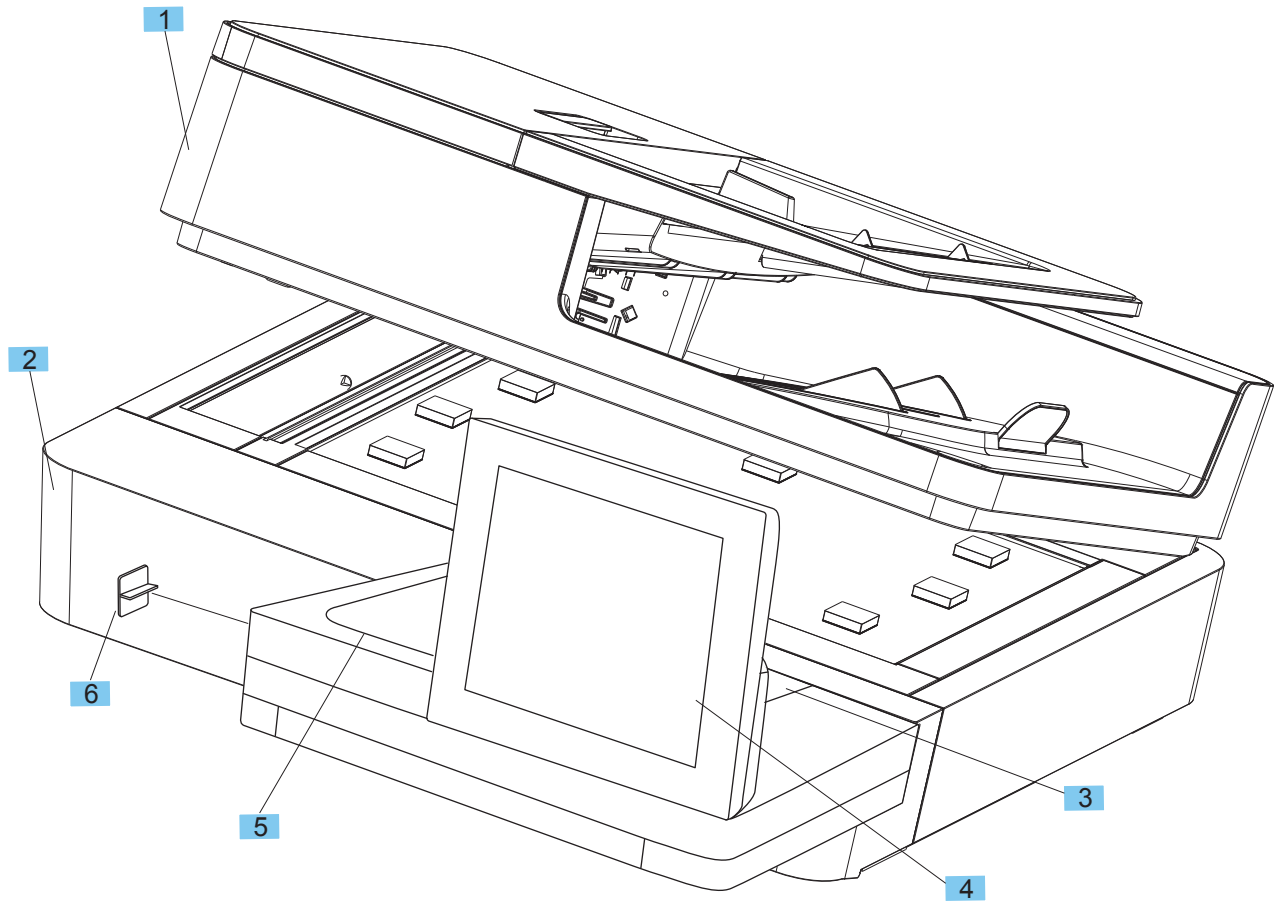


Table 2-40 Document feeder and scanner assemblies (M880)

Ref	Description	Part number	Qty
1	Kit, ADF whole unit, A3 (includes white backing kit) (M880) ¹	CF367-67920	1
2	Kit, scanner whole unit (includes white backing kit) (M880) ²	A2W75-67908	1
3	Cover, control panel access (M880)	5042-9118	1
4	Kit, control panel (without keyboard) (M880)	5851-5952	1
5	Cover, HIP (M880)	5851-5361	1
6	Cover, USB (M880)	5851-5360	1
Not shown	Kit, white backing, A3 (M880)	5851-5864	1
Not shown	Kit, ADF Mylar, A3 (M930)	5851-5857	1

¹ When the ADF assembly is replaced, you must use the [Service](#) menu to set the [Document feeder Kit Interval](#) and [ADF Count](#) values to zero. See [Reinstall the document feeder assembly \(M880\) on page 159](#).

² When the image scanner assembly is replaced, you must use the [Service](#) menu to set the [Flatbed Count](#) value to zero. See [Reinstall the scanner assembly \(M880\) on page 166](#).

Document feeder assemblies (M880)

Figure 2-36 Document feeder assemblies (M880, 1 of 2)

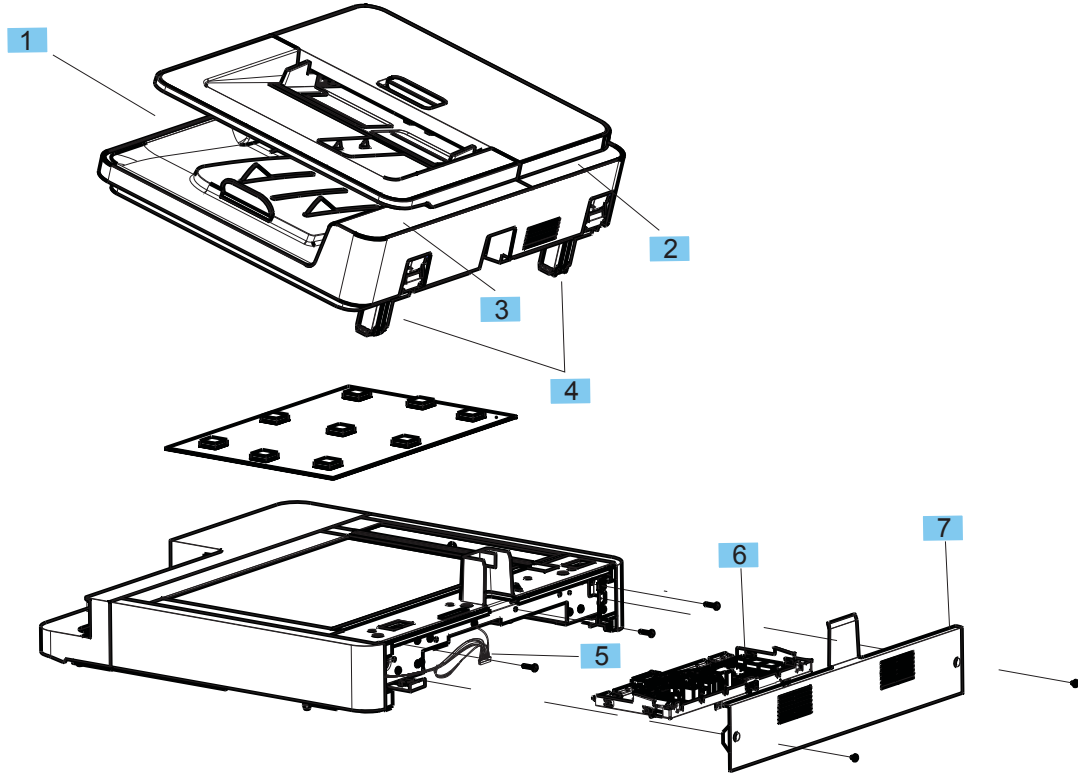


Table 2-41 Document feeder assemblies (M880, 1 of 2)

Ref	Description	Part number	Qty
1	Cover, front ADF (M880)	A8T68-40064	1
2	Cover, rear, left ADF (M880)	A8T68-40067	1
3	Cover, rear, right ADF (M880)	A8T68-40066	1
4	Assembly, ADF hinge (M880)	A8T68-60025	2
5	Cable, power, integrated scan assembly (M880)	CF367-60106	1
6	SCB Assembly (M880)	A2W75-67904	1
7	Cover, back, scanner (M880)	A2W75-60131	1
Not shown	Flag, paper presence (M880)	A8T68-40033	1
Not shown	Photosensor with connector (M880)	CC355-80014	1
Not shown	Stopper, load-front (M880)	A8T68-40034	1
Not shown	Stopper, load-rear (M880)	A8T68-40035	1
Not shown	Lift plate assembly (M880)	A8T68-60006	1
Not shown	Spring, ADF sensor	CC522-80101	1
Not shown	Photo interrupter	1990-3366	1
Not shown	Cable, cave light LED	A2W75-60111	1
Not shown	Assembly, AY_bracket-tensioner	CF367-60117	1
Not shown	Belt drive, A3	C8569-80008	1
Not shown	Scan optics, A3	C8569-60001	1
Not shown	AY motor encoder	CC522-60101	1
Not shown	Media length sensor	5851-5390	1
Not shown	Assembly, motor, A3	CC350-60006	1

Figure 2-37 Document feeder assemblies (M880, 2 of 2)

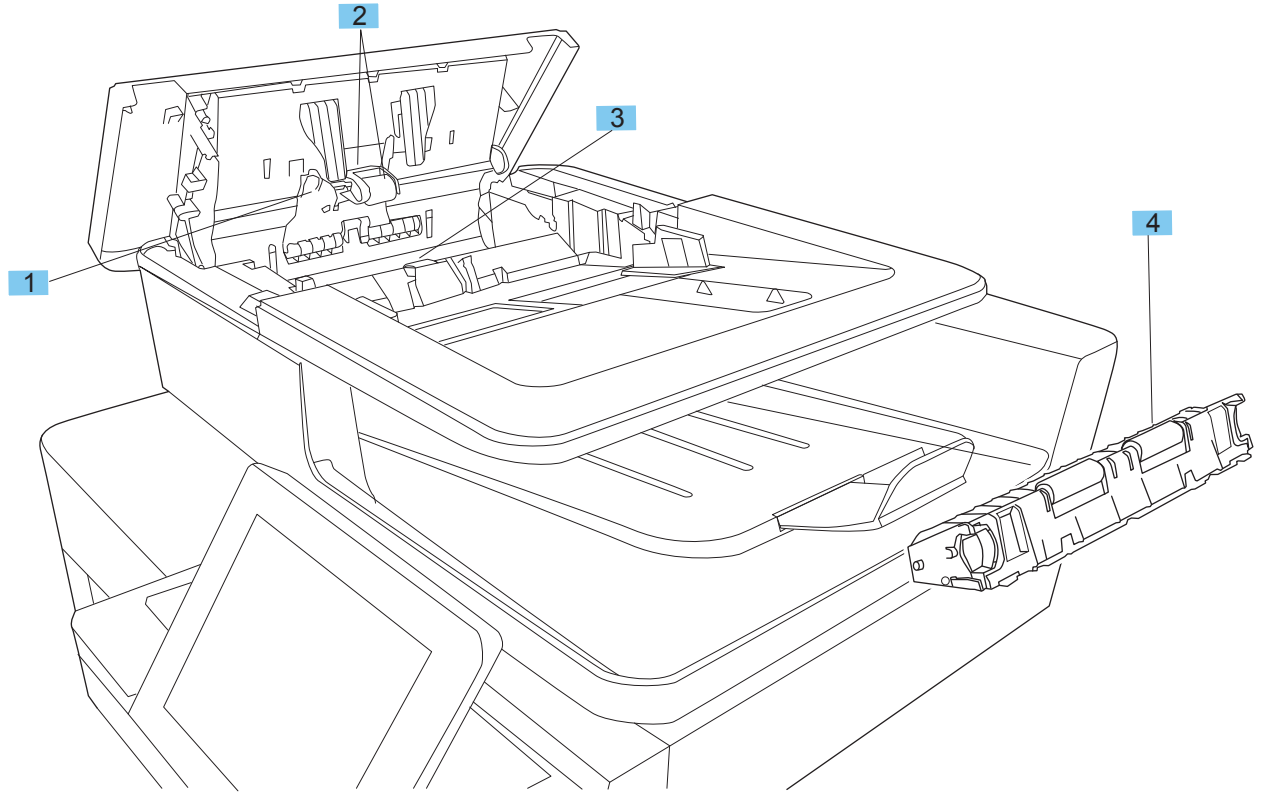


Table 2-42 Document feeder assemblies (M880, 2 of 2)

Ref	Description	Part number	Qty
1	Cover, ADF roller (M880)	A8T68-40072	1
2	Kit, ADF roller (M880)	C1P70-67901	1
3	Kit, ADF separation pad spring (M880)	5851-5855	1
4	Kit, background selector for backside scan (M880)	5851-5861	1

Scanner assemblies (M880)

Figure 2-38 Scanner assemblies (M880)

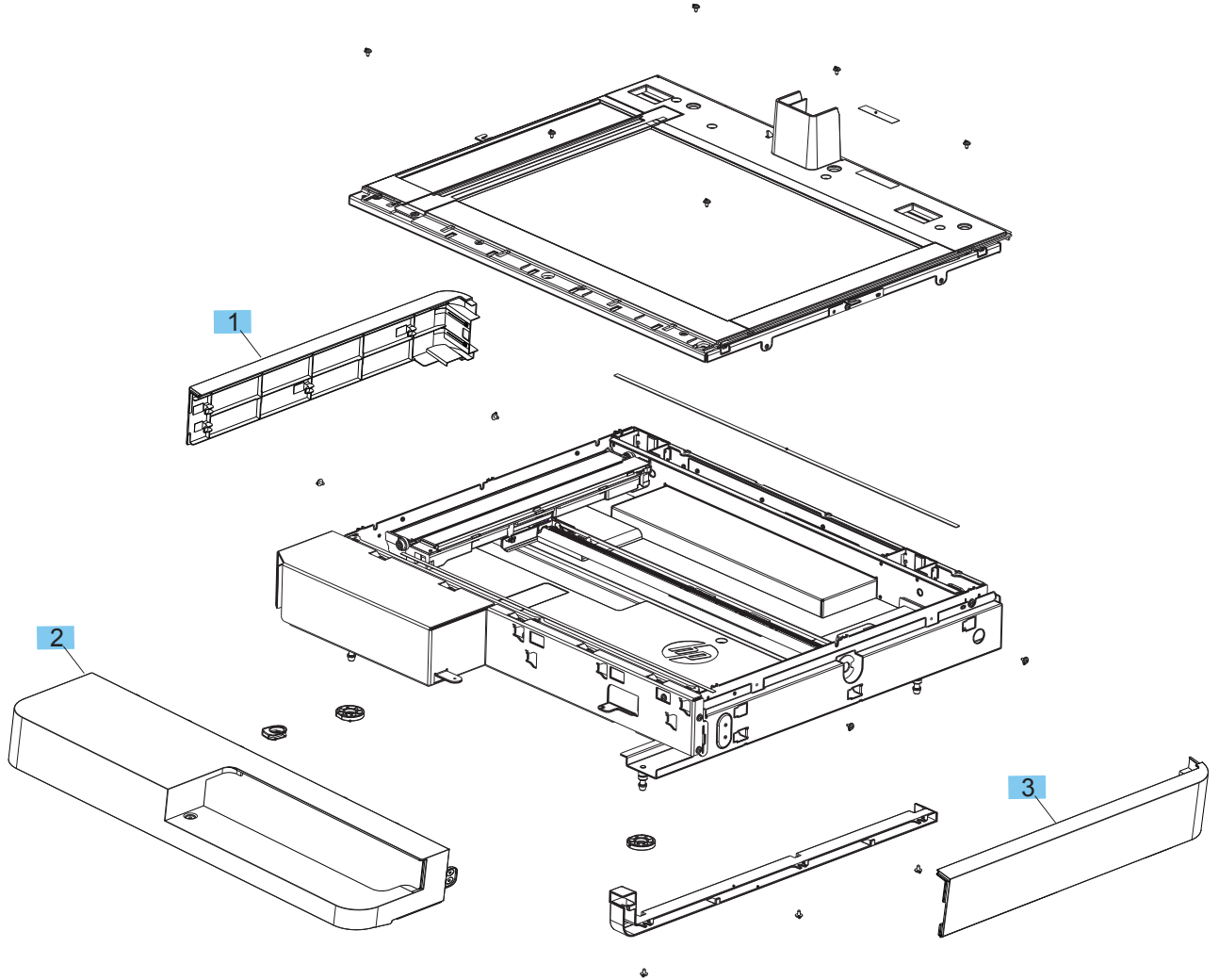


Table 2-43 Scanner assemblies (M880)

Ref	Description	Part number	Qty
1	Cover, left, scanner (M880)	A2W75-40003	1
2	Cover, front, scanner (M880)	A2W75-40002	1
3	Cover, right, scanner (M880)	A2W75-40004	1

Covers

Figure 2-39 Covers (M855)

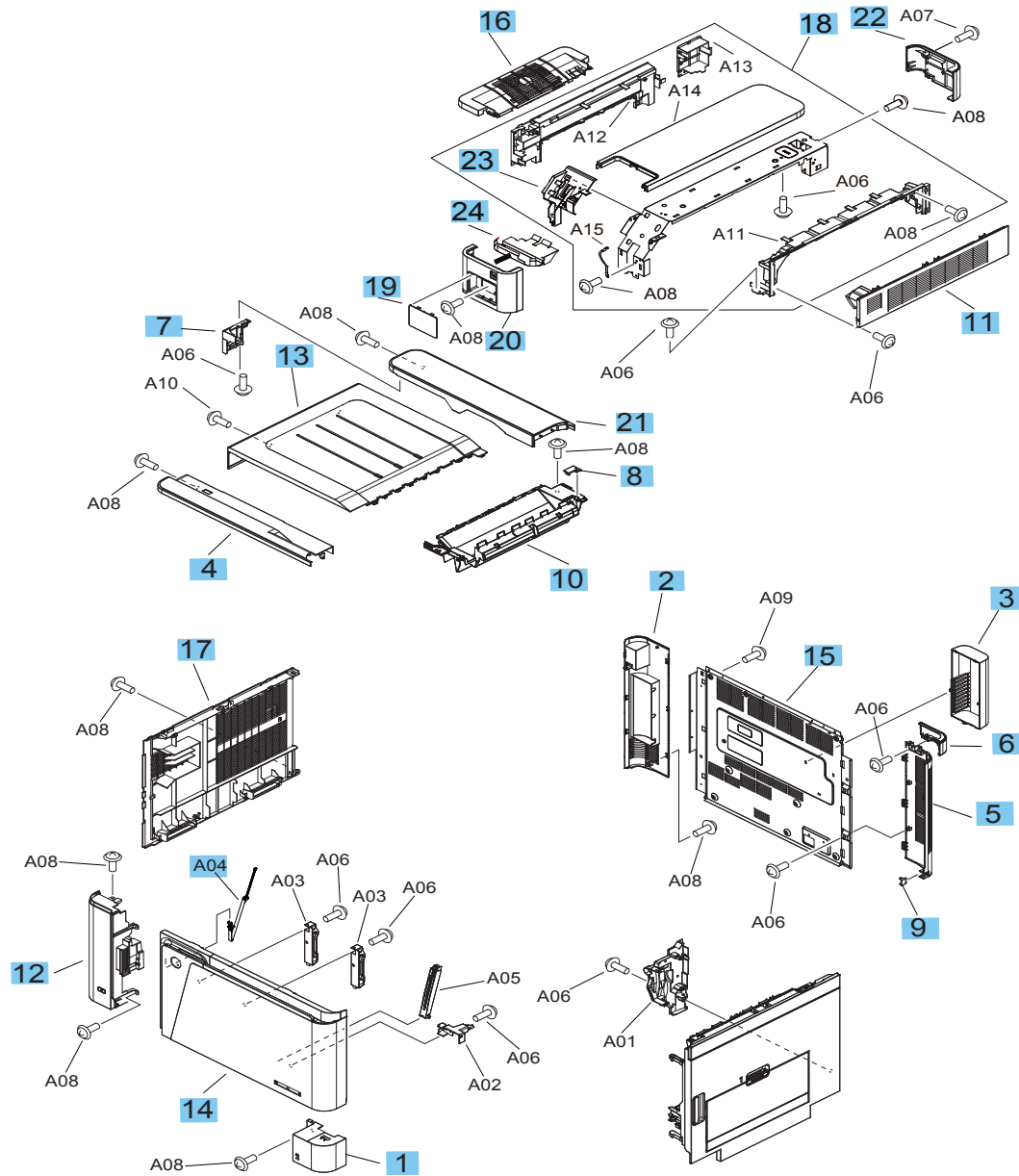


Table 2-44 Covers (M855)

Ref	Description	Part number	Qty
1	Cover, right lower	RC3-3692-000CN	1
2	Cover, rear left	RC3-3713-000CN	1
3	Cover, fuser fan	RC3-3714-000CN	1
4	Cover, front upper	RC3-3718-000CN	1
5	Cover, rear right	RC3-3711-000CN	1
6	Cover, rear right upper	RC3-3712-000CN	1
7	Cover, rear upper B	RC3-5964-000CN	1
8	Cover, face down drive	RC3-5991-000CN	1
9	Cap, rear right	RC4-1386-000CN	1
10	Assembly, face down end tray	RM1-9631-000CN	2
11	Assembly, switch back cover	RM1-9633-000CN	1
12	Assembly, left front cover	RM2-0294-000CN	1
13	Assembly, top cover	RM2-0295-000CN	1
14	Cover, front	A2W77-67907	1
15	Cover, rear	RC4-1378-000CN	1
16	Assembly, switch back tray	RM2-5023-000CN	1
17	Assembly, left cover	RM2-5049-000CN	1
18	Assembly, right upper cover	RM2-5063-000CN	1
19	Cover, HW integration pocket	RC3-3758-000CN	1
20	Cover, pocket base	RC3-3762-000CN	1
21	Cover, rear upper, upper	RC3-5290-000CN	1
22	Cover, right upper, rear	RC3-5952-000CN	1
23	Guide, cable right upper	RC3-5969-000CN	1
24	Mylar sheet	RC4-2822-000CN	1
A04	Band, door	RC4-4587-000CN	1

Figure 2-40 Covers (M880)

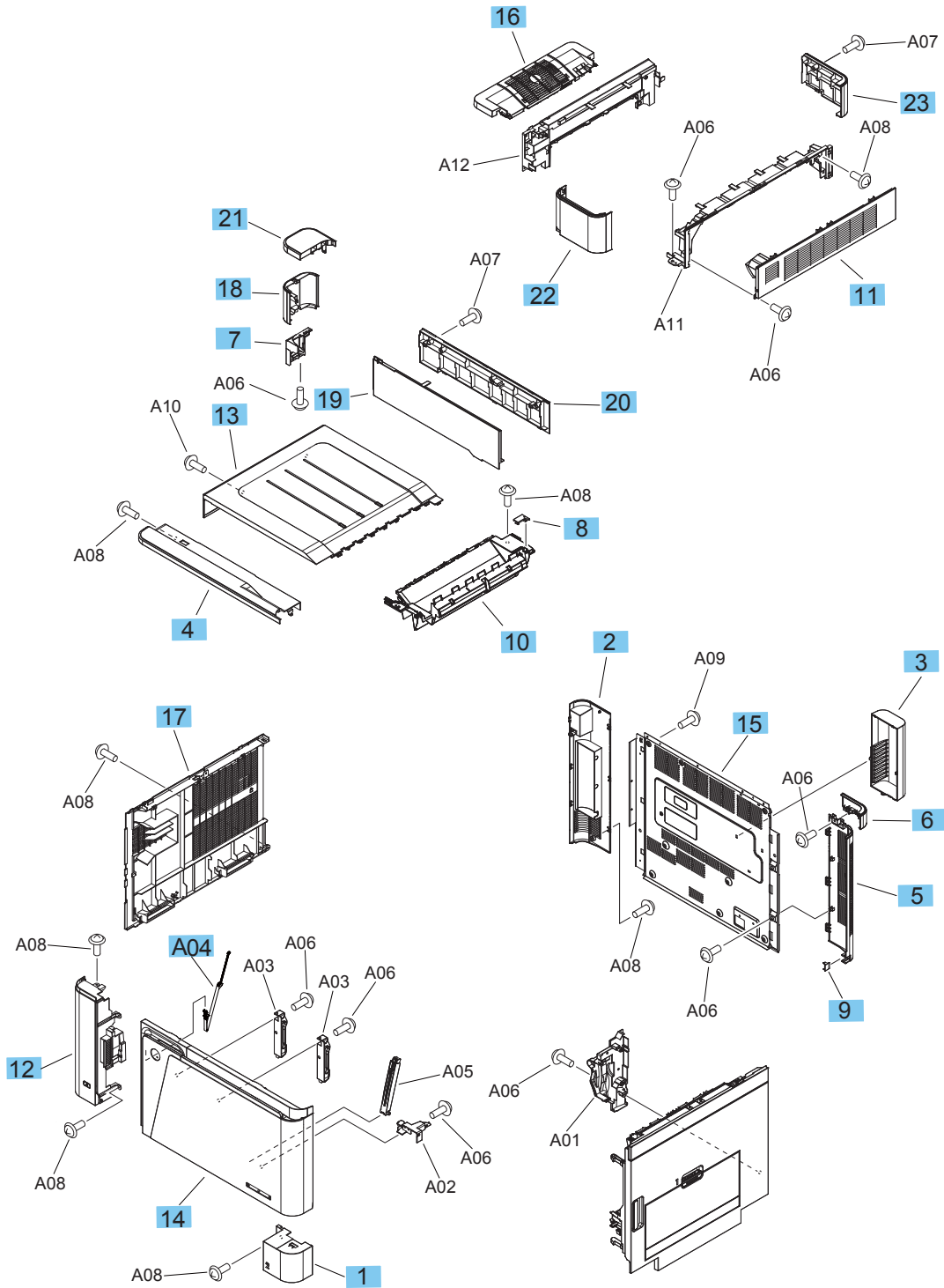


Table 2-45 Covers (M880)

Ref	Description	Part number	Qty
1	Cover, right lower	RC3-3692-000CN	1
2	Cover, rear left	RC3-3713-000CN	1
3	Cover, fuser fan	RC3-3714-000CN	1
4	Cover, front upper	RC3-3718-000CN	1
5	Cover, rear right	RC3-3711-000CN	1
6	Cover, rear right upper	RC3-3712-000CN	1
7	Cover, rear upper B	RC3-5964-000CN	1
8	Cover, face down drive	RC3-5991-000CN	1
9	Cap rear right	RC4-1386-000CN	1
10	Assembly, face down end tray	RM1-9631-000CN	1
11	Assembly, switch back cover	RM1-9633-000CN	1
12	Assembly, left front cover	RM2-0294-000CN	1
13	Assembly, top cover	RM2-0295-000CN	1
14	Door, front	A2W77-67907	1
15	Cover, rear	RC4-1378-000CN	1
16	Assembly, switch back tray	RM2-5023-000CN	1
17	Assembly, left cover	RM2-5049-000CN	1
18	Cover, rear upper side	RC3-3719-000CN	1
19	Cover, rear upper front	RC3-5288-000CN	1
20	Cover, rear upper rear	RC3-5289-000CN	1
21	Cover, rear upper MFP	RC3-5960-000CN	1
22	Cover, right upper front MFP	RC3-5965-000CN	1
23	Cover, right upper rear MFP	RC4-1291-000CN	1
A04	Band, door	RC4-4587-000CN	1

Right door assembly

Figure 2-41 Right door assembly

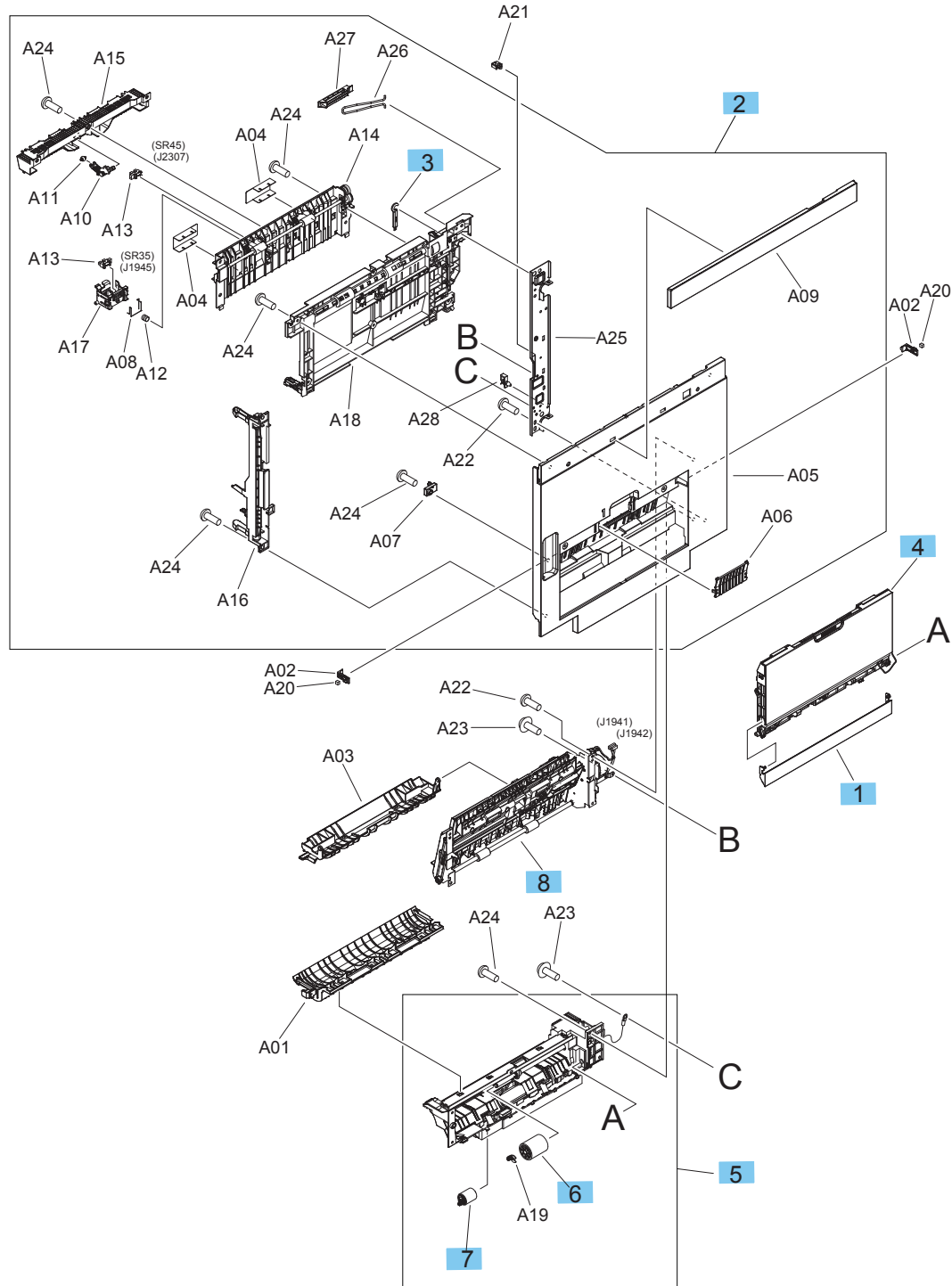


Table 2-46 Right door assembly

Ref	Description	Part number	Qty
1	Cover, MP blanking	RC3-5984-000CN	1
2	Assembly, right door sub	RM1-9640-000CN	1
3	Brush, cleaning	RB1-9617-000CN	1
4	Assembly, MP tray	RM1-9642-000CN	1
5	Assembly, MP paper pick up	RM1-9644-000CN	1
6	Roller, paper pickup	A2W77-67906	1
7	Roller, retard	A2W77-67906	1
8	Duplexing feed assembly (M855) ¹	A2W77-67913	1
8	Duplexing feed assembly (M880) ¹	A2W75-67911	1

¹ When the duplexing feed assembly is replaced, you must use the [Service](#) menu to set the [New Duplex Roller](#) item to [Yes](#). See [Reinstall the duplexing feed assembly on page 349](#).

Internal components

Internal components (1 of 6)

Figure 2-42 Internal components (1 of 6)

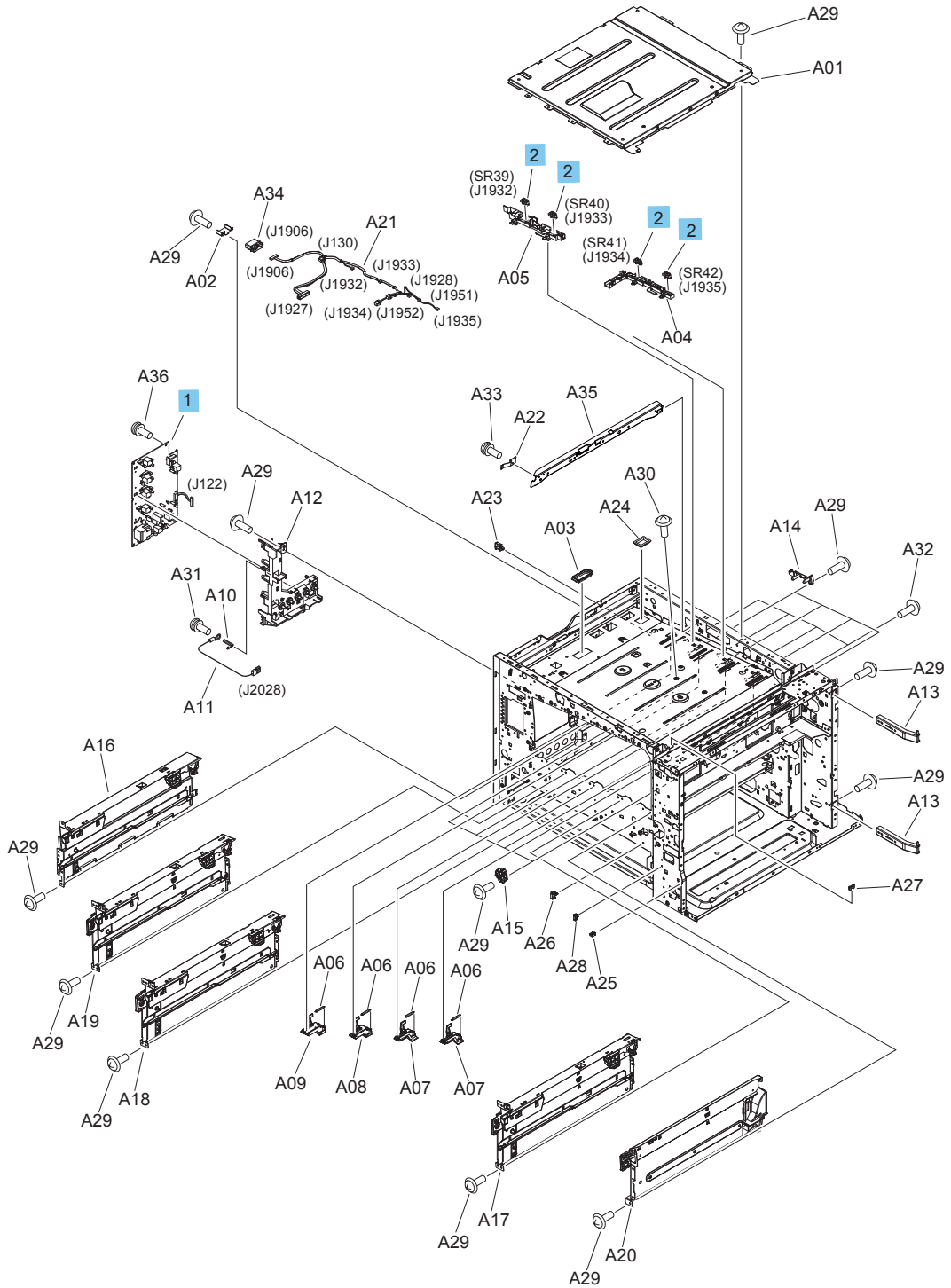


Table 2-47 Internal components (1 of 6)

Ref	Description	Part number	Qty
1	Assembly, HVPS Trans B PCA	RM2-7002-000CN	1
2	IC photo interrupter	WG8-5935-000CN	4

Internal components (2 of 6)

Figure 2-43 Internal components (2 of 6)

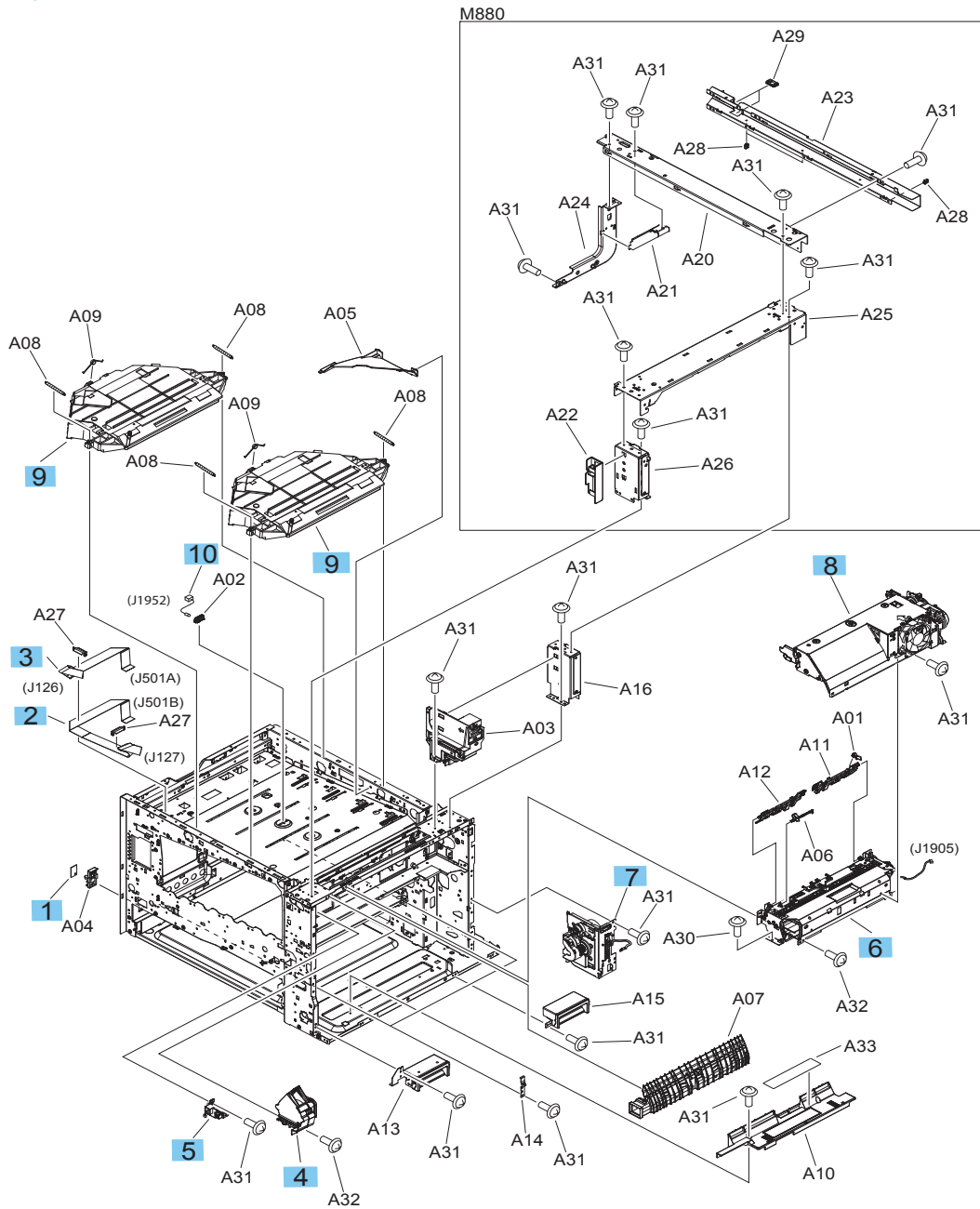


Table 2-48 Internal components (2 of 6)

Ref	Description	Part number	Qty
1	Humidity sensor unit	RK2-4811-000CN	1
2	FFC, laser	RK2-4839-000CN	1
3	FFC, laser	RK2-4841-000CN	1
4	Assembly, fan	RM1-3364-000CN	1
5	Assembly, photo sensor	RM1-9629-000CN	1
6	Assembly, face down paper delivery	RM1-9841-000CN	1
7	Assembly, MP drive	RM1-9843-000CN	1
8	Assembly, duplex reverse (M855)	RM2-0291-000CN	1
8	Assembly, duplex reverse (M880)	RM2-5061-000CN	1
9	Assembly, scanner	RM2-5176-000CN	2
10	Thermistor unit	RK2-1363-000CN	1

Internal components (3 of 6)

Figure 2-44 Internal components (3 of 6)

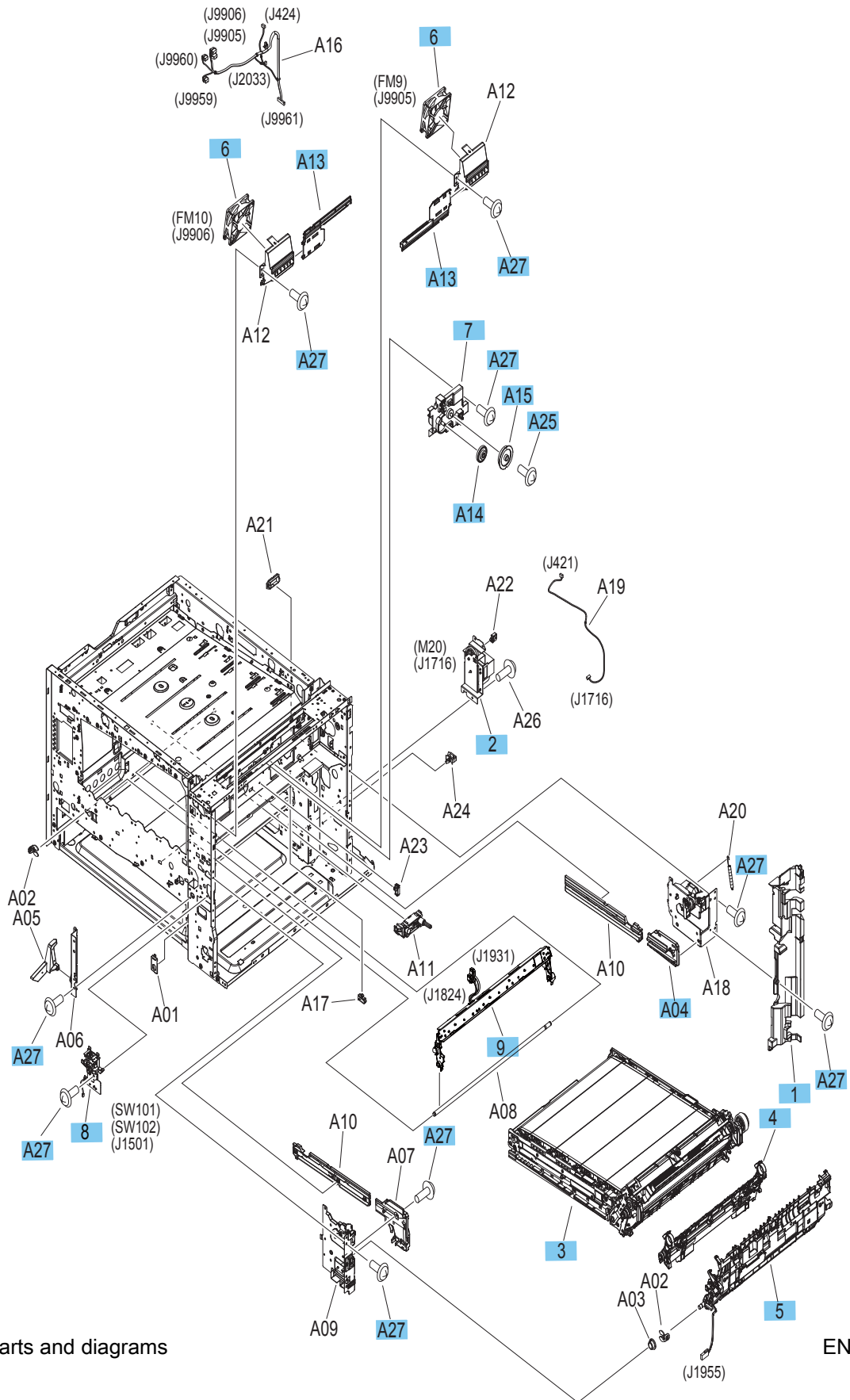


Table 2-49 Internal components (3 of 6)

Ref	Description	Part number	Qty
1	Cover, internal right	RC3-3533-000CN	1
2	Assembly, ITB alienation drive	RM1-3280-000CN	1
3	ITB	A2W77-67904	1
4	Secondary Transfer Roller	D7H14-67902	1
5	Assembly, registration 2nd transfer	RM1-9621-000CN	1
6	Fan (FM9, FM10)	RK2-1378-000CN	2
7	Assembly, shutter gear holder	RM1-9857-000CN	1
8	Assembly, interlock switch (SW101, SW102)	RM2-5062-000CN	1
9	Assembly, CPR sensor	RM2-7026-000CN	1
A04	Guide, ITB entrance	RC1-9186-000CN	1
A13	Shutter, fusing fan	RC3-3840-000CN	2
A14	Gear, 17T/66T	RU7-0713-000CN	1
A15	Gear, 42 T	RU7-0714-000CN	1
A25	Screw, TP M2x10	XA9-1986-000CN	1
A27	Screw, M3x8	XA9-1686-000CN	

Internal components (4 of 6)

Figure 2-45 Internal components (4 of 6)

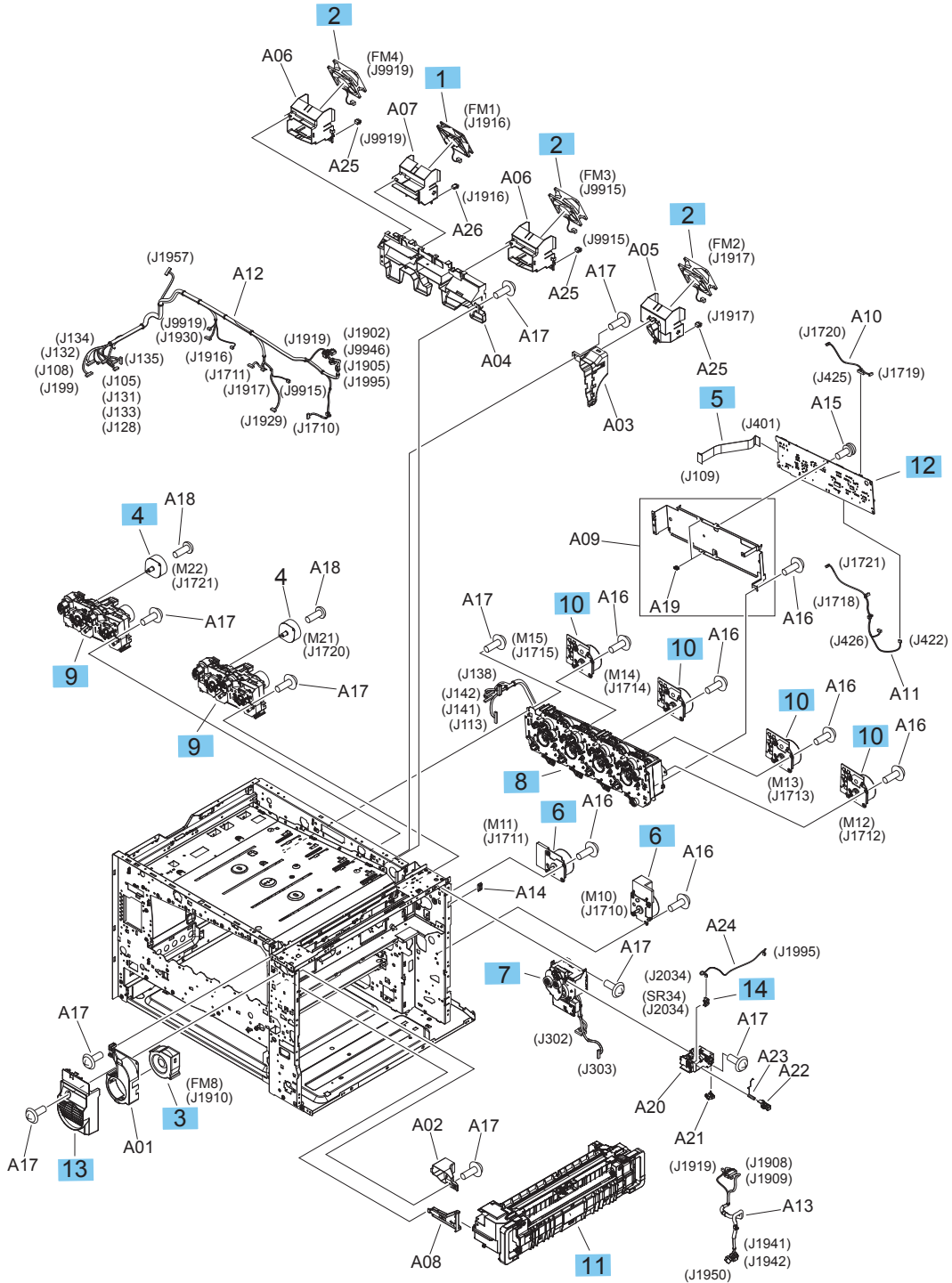


Table 2-50 Internal components (4 of 6)

Ref	Description	Part number	Qty
1	Fan (FM1)	RK2-1322-000CN	1
2	Fan (FM2, FM3, FM4)	RK2-1378-000CN	3
3	Fan (FM8)	RK2-1382-000CN	1
4	Motor, stepping DC (M21, M22)	RK2-4814-000CN	2
5	Cable, toner tag	RK2-4845-000CN	1
6	Assembly, DC motor (M10, M11)	RM1-4519-000CN	2
7	Assembly, fuser drive	RM1-9606-000CN	1
8	Main drive assembly	A2W77-67908	1
9	Print cartridge drive assembly	A2W75-67910	2
10	Assembly, drum motor (M13, M13, M14, M15)	RM1-9614-000CN	4
11	Fuser (110V)	C1N54-67901	1
11	Fuser (220V)	C1N58-67901	1
12	Assembly, memory tag PCA	RM2-7009-000CN	1
13	Cover, air duct	RC3-5990-000CN	1
14	IC photo interrupter	WG8-5935-000CN	1

Internal components (5 of 6)

Figure 2-46 Internal components (5 of 6)

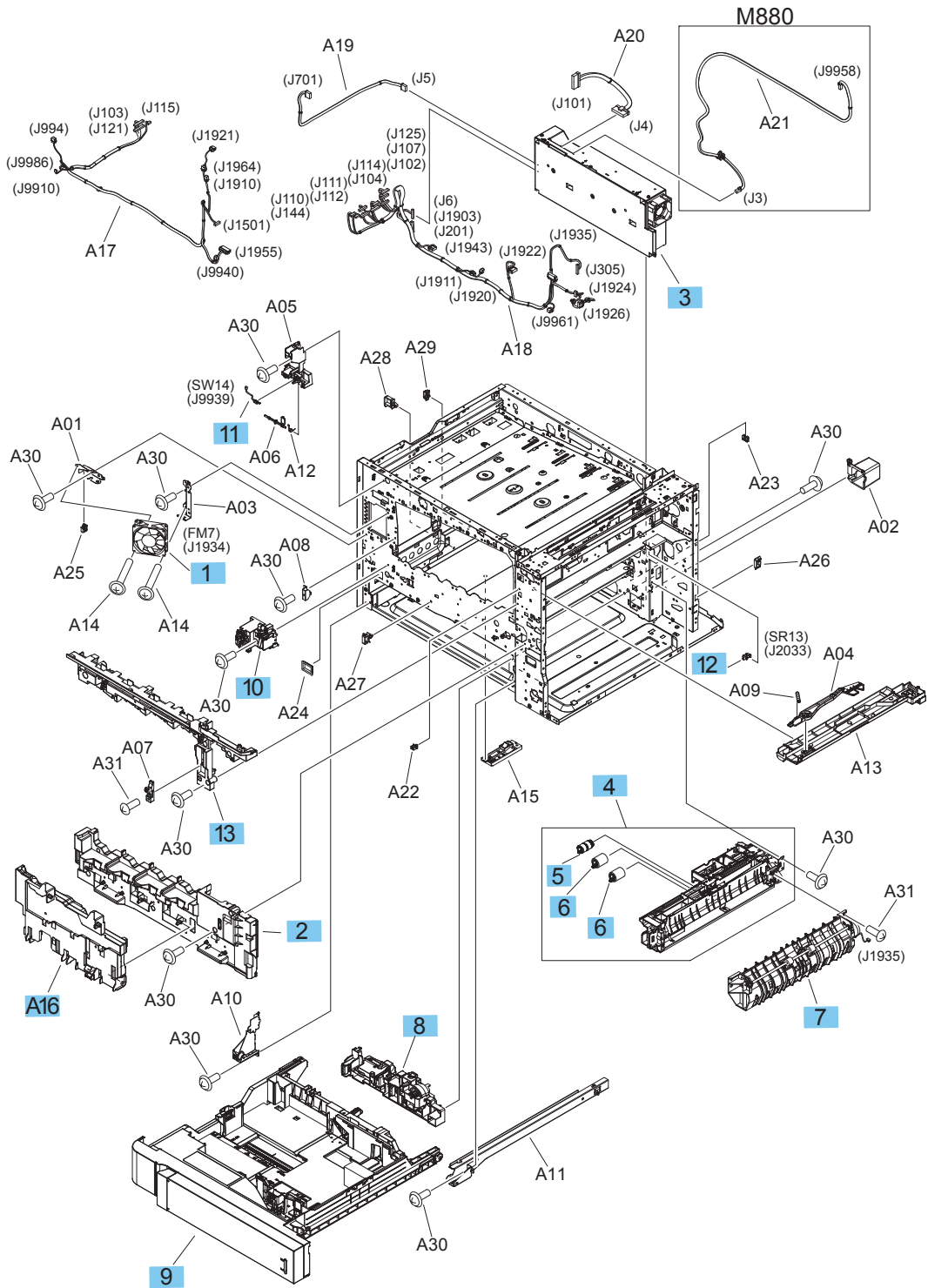


Table 2-51 Internal components (5 of 6)

Ref	Description	Part number	Qty
1	Fan (FM7)	RK2-1378-000CN	1
2	Cover, front inner lower	RL1-3637-000CN	1
3	Assembly, low-voltage power supply	RL1-4003-000CN	1
4	Assembly, cassette paper pick up	RM1-9599-000CN	1
5	Paper pick up roller	A2W77-67905	1
6	Paper feed roller	A2W77-67905	2
7	Assembly, MP Guide	RM1-9615-000CN	1
8	Assembly, lifter drive	RM1-3222-000CN	1
9	Cassette, Tray 2 (1x500 engine)	RM2-5014-000CN	1
10	Assembly, main switch PCA	RM2-5046-000CN	1
11	Door open switch assembly	RM2-7035-000CN	1
12	IC, photo interrupter	WG8-5935-000CN	1
13	Assembly, upper front inner cover (M855)	RM2-0313-000CN	1
13	Assembly, upper front inner cover (M880)	RM2-5034-000CN	1
A16	Cartridge pressure assembly	RM2-5022-000CN	1

Internal components (6 of 6)

Figure 2-47 Internal components (6 of 6)

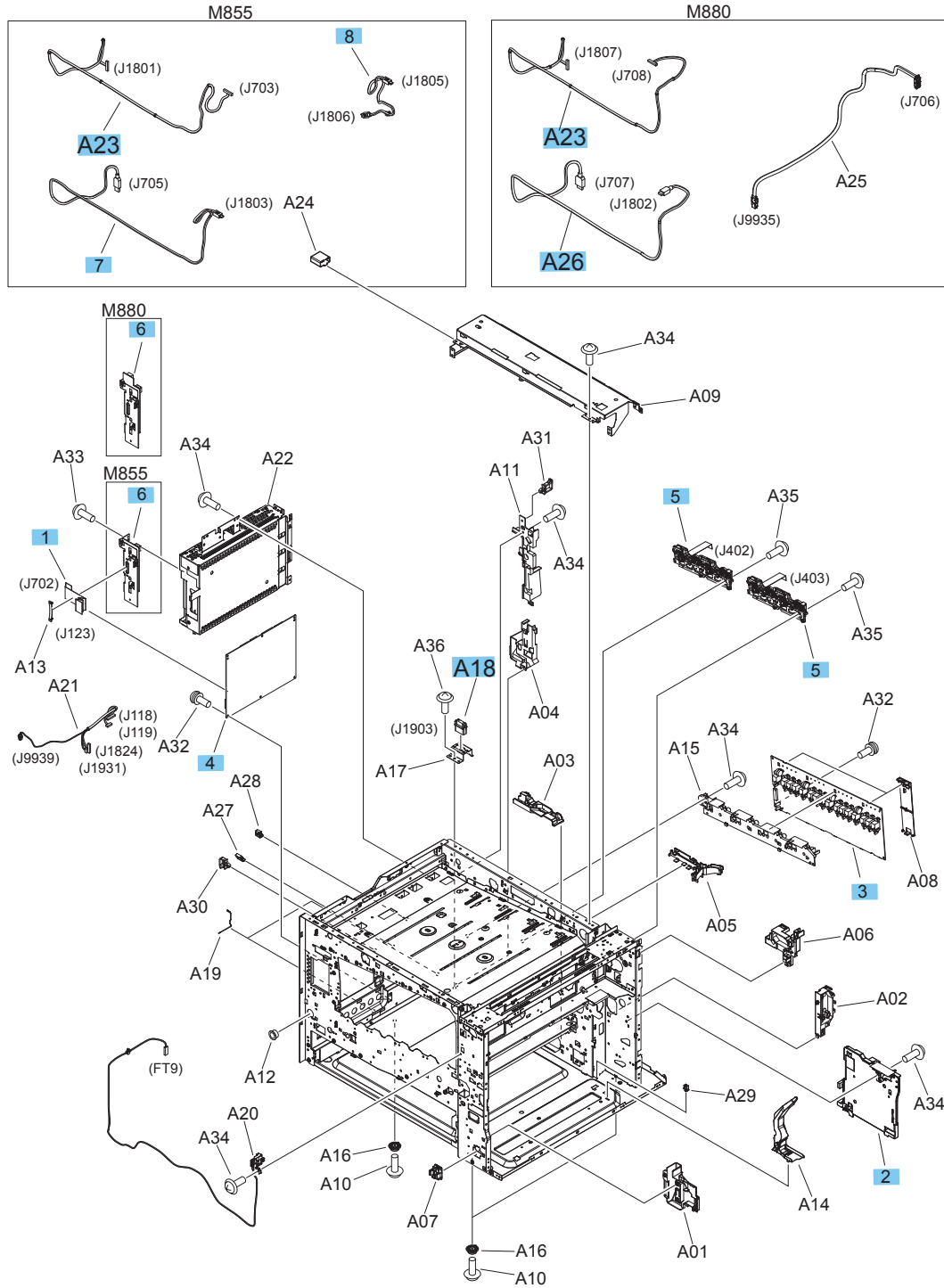


Table 2-52 Internal components (6 of 6)

Ref	Description	Part number	Qty
1	Cable, video interface (M855)	RK2-4843-000CN	1
2	Assembly, fuser power supply	RL1-4005-000CN	1
3	Assembly, high-voltage power supply tran. A PCA	RM2-7001-000CN	1
4	Assembly, DC controller PCA (M855)	RM2-7005-000CN	1
4	Assembly, DC controller PCA (M880)	RM2-7006-000CN	1
5	Cartridge interface PCAs kit	A2W79-67902	2
6	Assembly, interconnect board (ICB) (M855)	RM2-0296-000CN	1
6	Assembly, interconnect board (ICB) (M880)	RM2-5035-000CN	1
7	Cable, USB AB (M855)	RK2-4804-000CN	1
8	Cable, USB, BB (M855)	RK2-4806-000CN	1
A18	Connector	VS1-7258-000CN	1
A23	Cable, CP s (M855)	RM2-7067-000CN	1
A26	Cable, USB MFP (M880)	RK2-4836-000CN	1

Intermediate paper transfer unit (IPTU) assemblies

Figure 2-48 Intermediate paper transfer unit (IPTU) assemblies

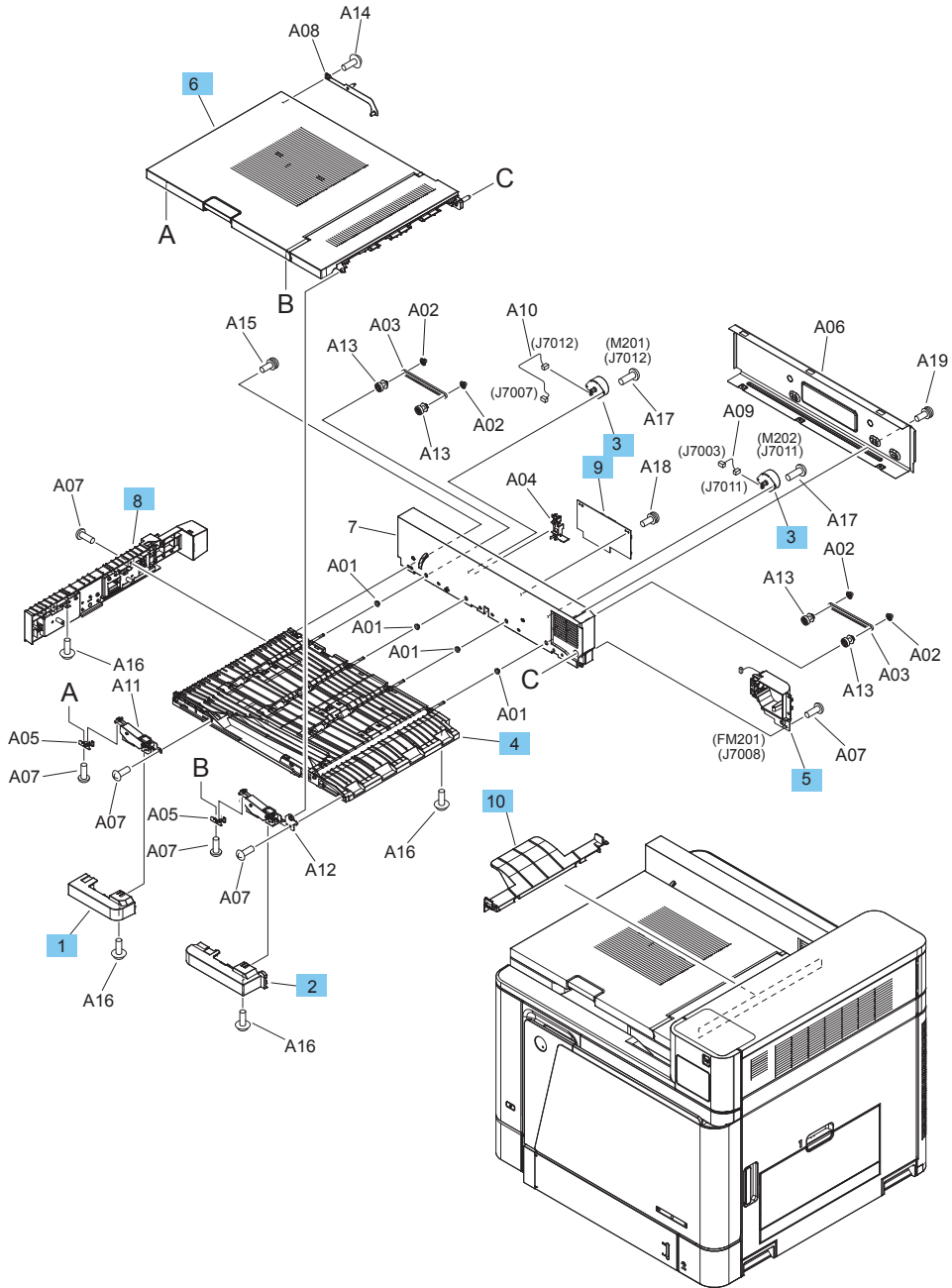


Table 2-53 Intermediate paper transfer unit (IPTU) assemblies

Ref	Description	Part number	Qty
1	Cover, assist left (ITPU)	RC3-5943-000CN	1
2	Cover, assist right (ITPU)	RC3-5944-000CN	1
3	Stepping motor DC (M201, M202) (ITPU)	RK2-1320-000CN	2
4	Lower guide assembly (ITPU)	RM2-5057-000CN	1
5	Fan assembly (FM201) (ITPU)	RM1-4394-000CN	1
6	Upper cover assembly (ITPU)	RM2-5016-000CN	1
7	Side panel assembly (ITPU)	RM2-5024-000CN	1
8	Finisher lock assembly (ITPU)	RM2-5038-000CN	1
9	Controller PCA assembly (ITPU)	RM2-7019-000CN	1
10	Cover, blanking (ITPU)	RC4-2797-000CN	1

1x500-sheet feeder with stand (M855 only) covers

1x500-sheet feeder with stand (M855 only) covers

Figure 2-49 1x500-sheet feeder with stand (M855 only) covers

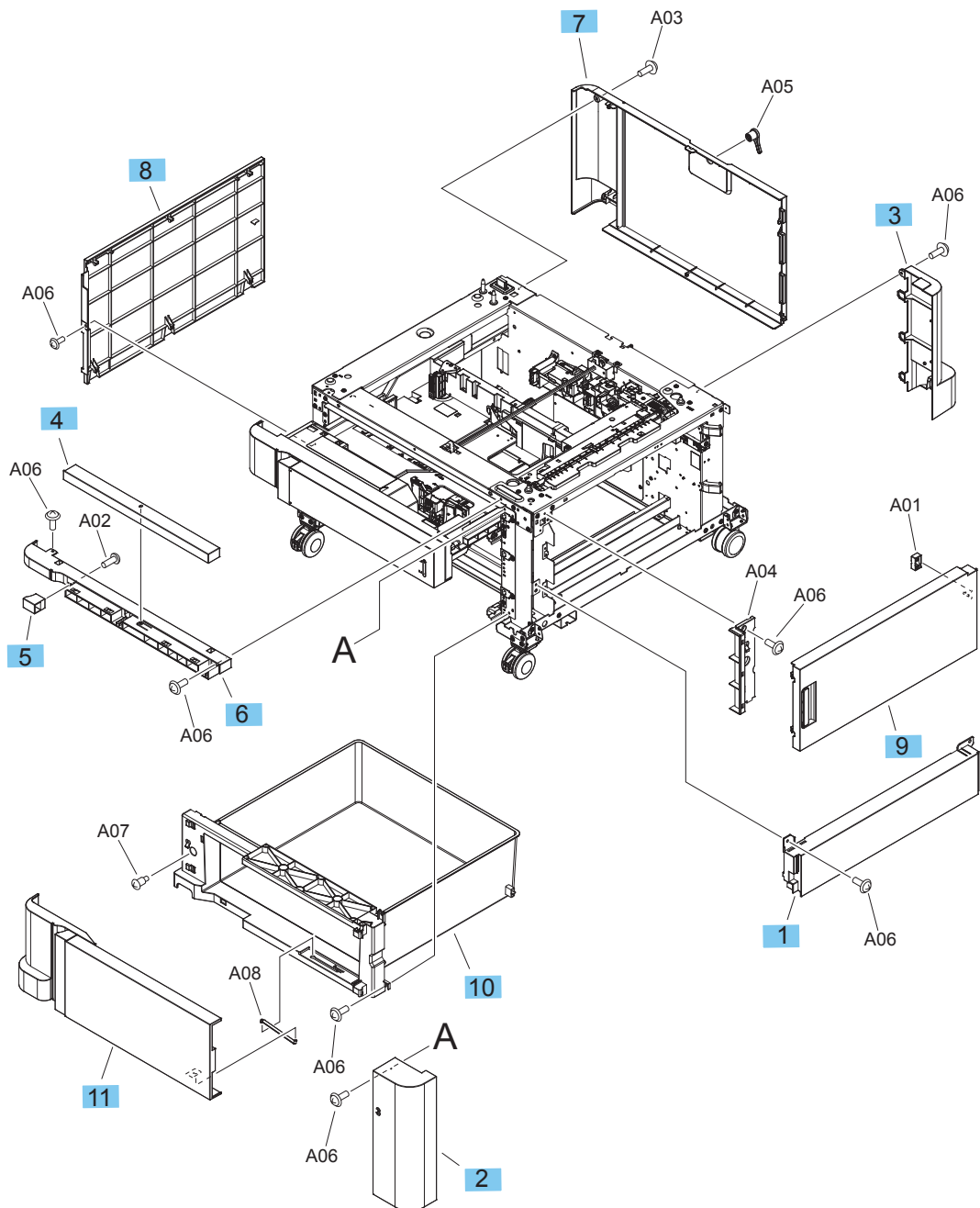


Table 2-54 1x500-sheet feeder with stand (M855 only) covers

Ref	Description	Part number	Qty
1	Cover, right lower	RC3-5875-000CN	1
2	Cover, right front	RC3-5920-000CN	1
3	Cover, right rear	RC3-5881-000CN	1
4	Cover, front upper face	RC3-5884-000CN	1
5	Cover, front upper face left	RC3-5885-000CN	1
6	Cover, front upper	RC3-5886-000CN	1
7	Cover, rear	RC3-5887-000CN	1
8	Cover, left	RC3-5913-000CN	1
9	Assembly, right door	RM2-0281-000CN	1
10	Assembly, stock box	RM2-0282-000CN	1
11	Assembly, stock box cover	RM2-0283-000CN	1

1x500-sheet feeder with stand components

Figure 2-50 1x500-sheet feeder with stand components

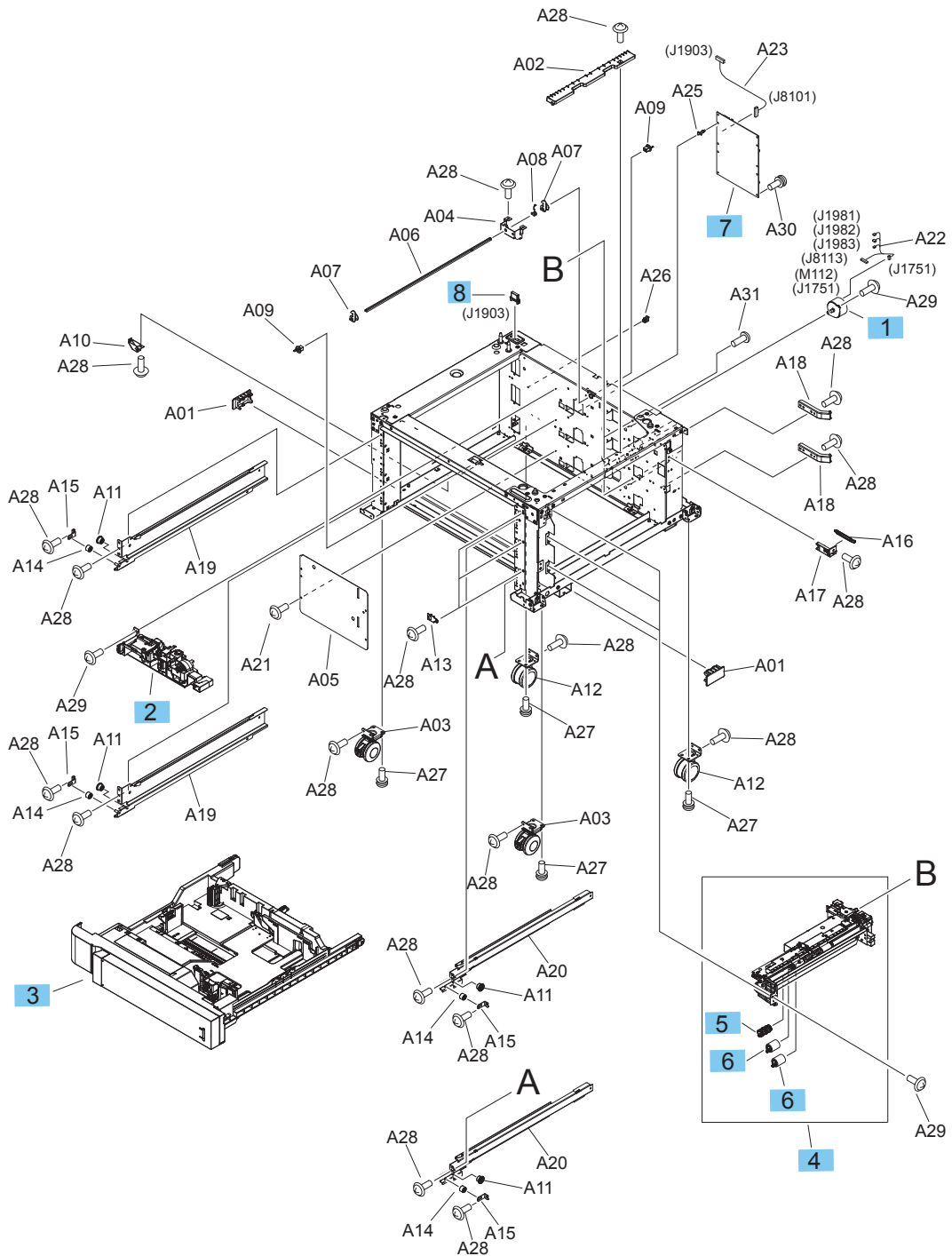


Table 2-55 1x500-sheet feeder with stand components

Ref	Description	Part number	Qty
1	Stepping motor DC (M112) (HCI)	RK2-1331-000CN	1
2	Assembly, auto close (HCI)	RM1-3531-000CN	2
3	Assembly, cassette	RM2-0273-000	1
4	Assembly, paper pick-up	RM2-0275-000	1
5	Paper pick up roller kit	A2W77-67905	1
6	Paper feed roller kit	A2W77-67905	1
7	Assembly, controller PCA	RM2-0715-000	1
8	Connector, drawer	VS1-7257-012CN	1

3x500-sheet feeder

3x500-sheet feeder covers

Figure 2-51 3x500-sheet feeder covers

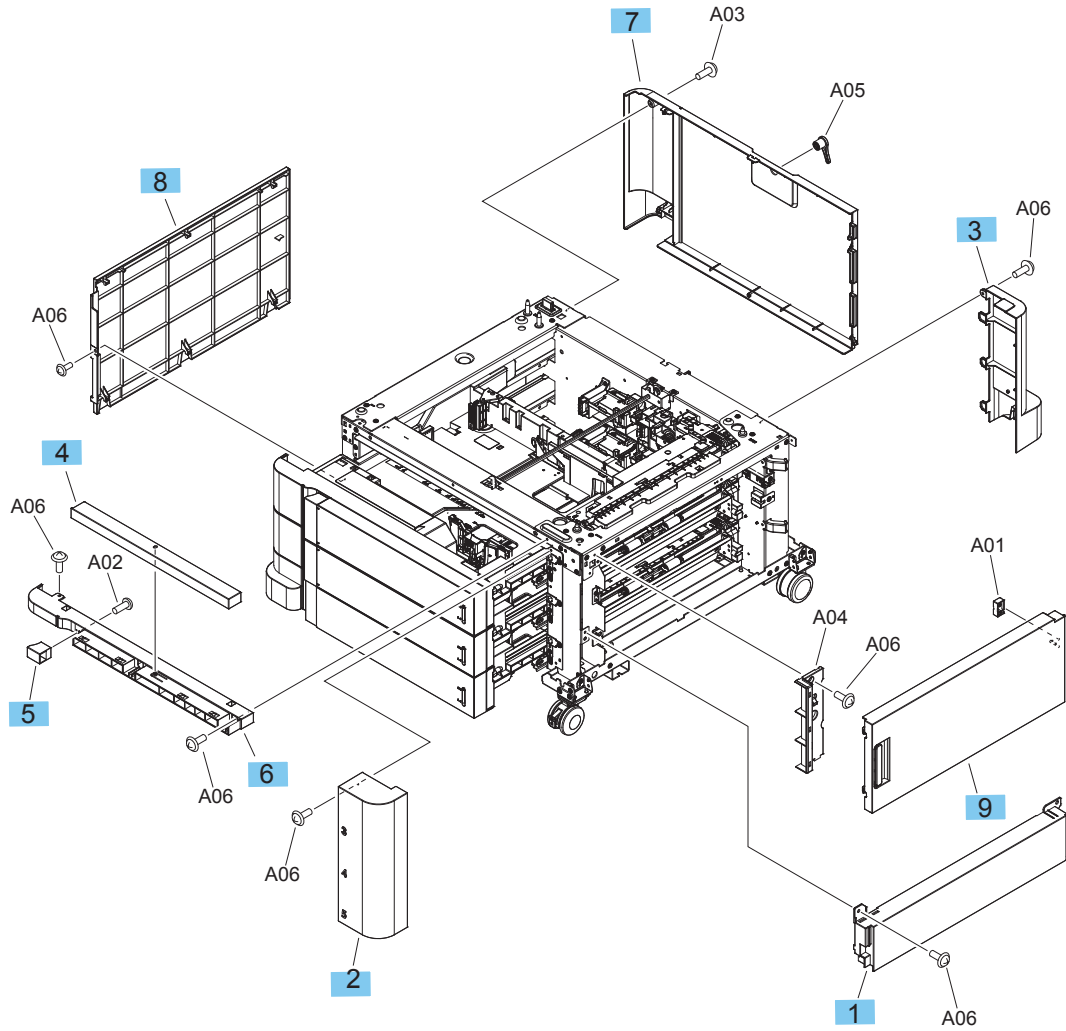


Table 2-56 3x500-sheet feeder covers

Ref	Description	Part number	Qty
1	Cover, right lower	RC3-5875-000CN	1
2	Cover, right front (3x500)	RC3-5878-000CN	1
3	Cover, right rear	RC3-5881-000CN	1
4	Cover, front upper face	RC3-5884-000CN	1
5	Cover, front upper face left	RC3-5885-000CN	1
6	Cover, front upper	RC3-5886-000CN	1
7	Cover, rear	RC3-5887-000CN	1
8	Cover, left	RC3-5913-000CN	1
9	Assembly, right door	RM2-0280-000CN	1

3x500-sheet feeder components

Figure 2-52 3x500-sheet feeder components

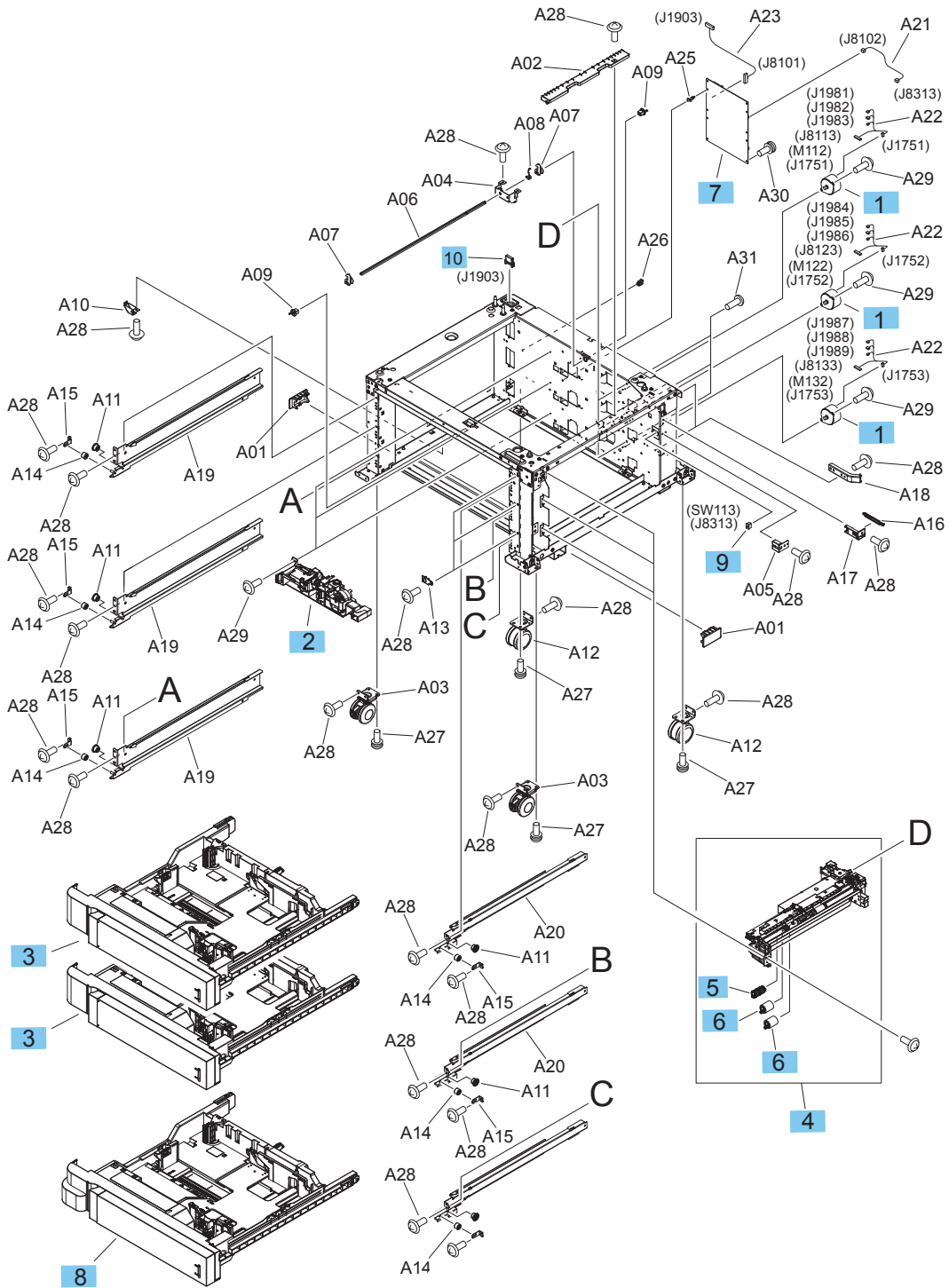


Table 2-57 3x500-sheet feeder components

Ref	Description	Part number	Qty
1	Motor, stepping (M112, M122, M132)	RK2-1331-000CN	3
2	Assembly, auto close	RM1-3531-060CN	3
3	Assembly, cassette	RM2-0273-000CN	2
4	Assembly, paper pick up	RM2-0275-000CN	3
5	Paper pick up roller kit	A2W77-67905	1
6	Paper feed roller kit	A2W77-67905	1
7	Assembly, controller PCA	RM2-0716-000CN	1
8	Assembly, cassette	RM2-0276-000CN	1
9	Switch, button (SW113)	WC2-5512-000CN	1
10	Connector, drawer	VS1-7257-012CN	1

High-capacity input (HCI) feeder

Figure 2-53 HCI feeder covers

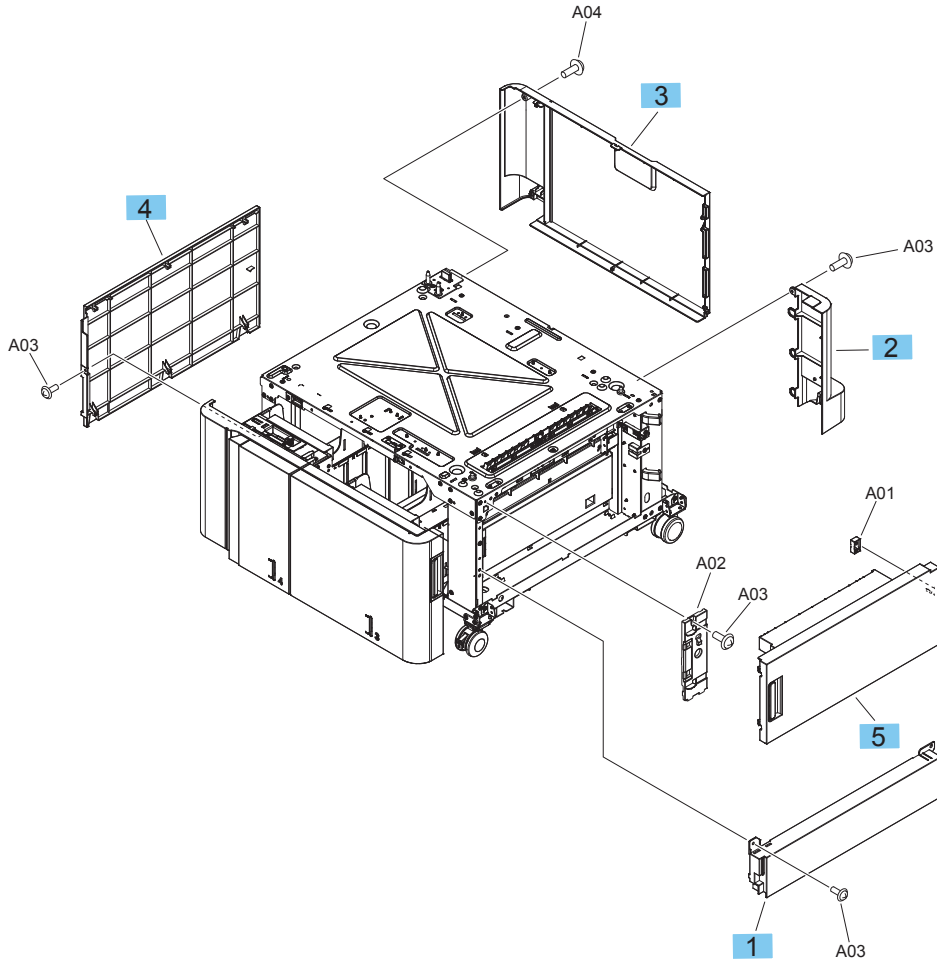


Table 2-58 HCI feeder covers

Ref	Description	Part number	Qty
1	Cover, right lower	RC3-5875-000CN	1
2	Cover, right rear	RC3-5881-000CN	1
3	Cover, rear (HCI)	RC3-5896-000CN	1
4	Cover, left	RC3-5913-000CN	1
5	Assembly, right door (HCI)	RM2-0256-000CN	1

Figure 2-54 HCI feeder internal components (1 of 2)

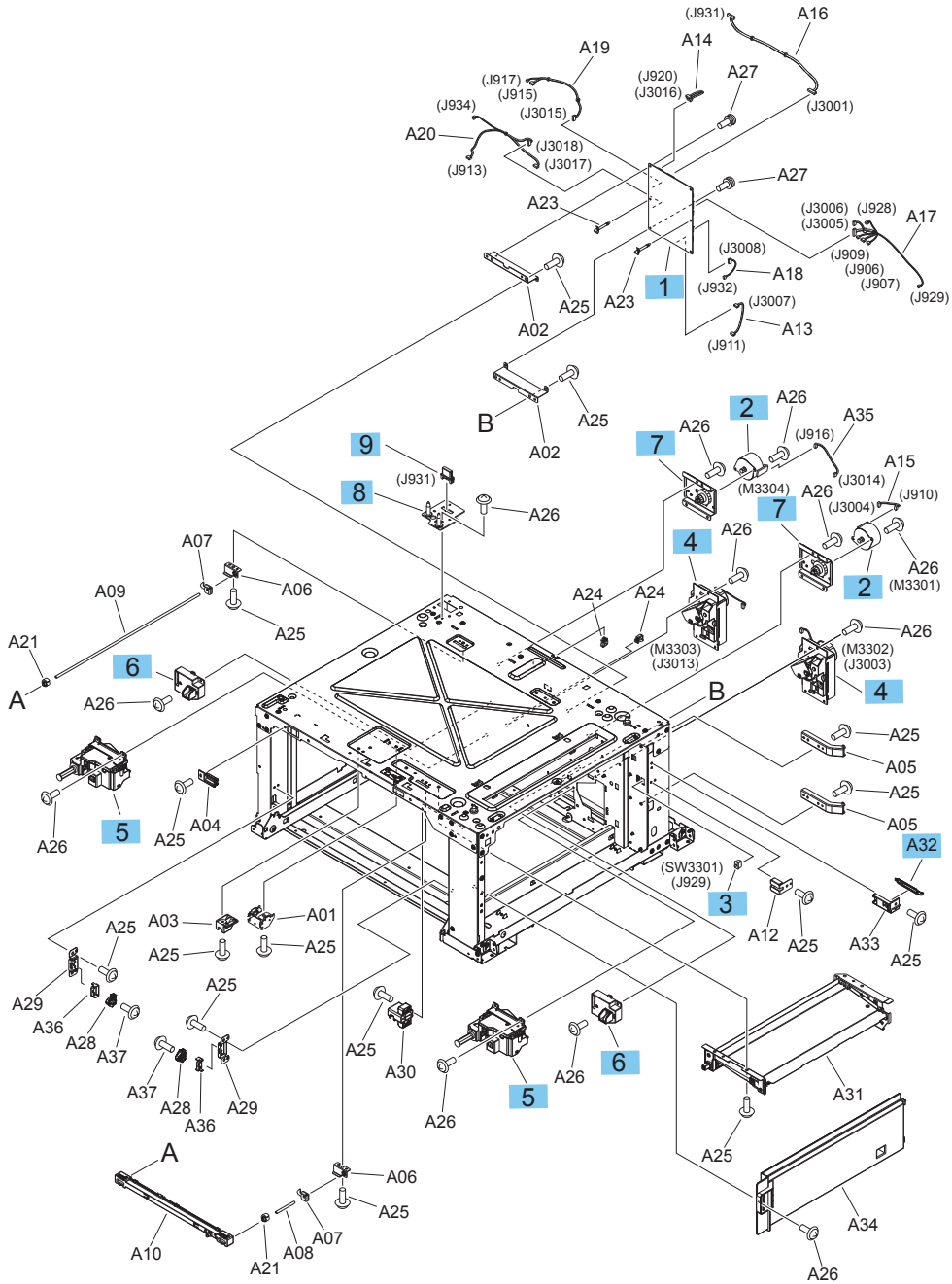


Table 2-59 HCI feeder internal components (1 of 2)

Ref	Description	Part number	Qty
1	Assembly, controller PCA (HCI)	RM2-0717-000CN	1
2	Stepping motor DC (M3302, M3304) (HCI)	RK2-1331-000CN	2
3	Switch, button (SW3301) (HCI)	WC2-5512-000CN	1
4	Assembly, lifter drive (M3302, M3303) (HCI)	RM1-8879-000CN	2
5	Assembly, auto close (HCI)	RM1-8880-000CN	2
6	Assembly, media level sensor (HCI)	RM1-9579-000CN	2
7	Assembly, paper pick up drive (HCI)	RM1-8872-000CN	2
8	Plate, drawer	RL1-4000-000CN	1
9	Connector, drawer	VS1-7257-012CN	1
A32	Link, right door	RC3-5882-000CN	1

Figure 2-55 HCI feeder internal components (2 of 2)

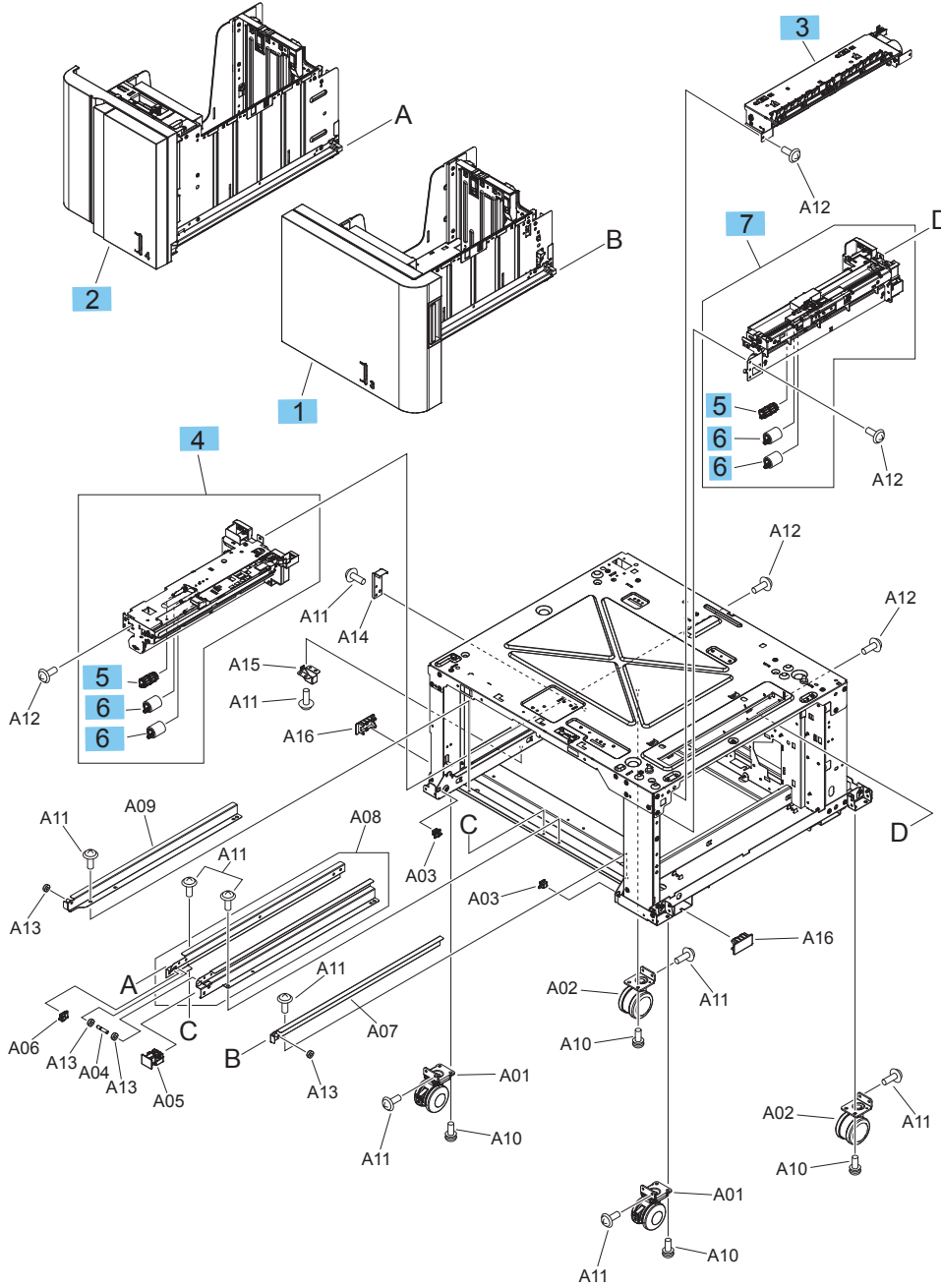


Table 2-60 HCI feeder internal components (2 of 2)

Ref	Description	Part number	Qty
1	Tray assembly, right	C1N64-67903	1
2	Tray assembly, left	C1N64-67902	1
3	Assembly, merge paper feed (HCI)	RM2-0270-000CN	1
4	Assembly, paper pick up, left (HCI)	RM1-8876-000CN	1
5	Paper pick up roller kit	A2W77-67905	1
6	Paper feed roller kit	A2W77-67905	1
7	Assembly, paper pick up, right (HCI)	RM1-8869-000CN	1

Stapler stacker/booklet maker

Stapler/stacker covers

Figure 2-56 Stapler/stacker covers

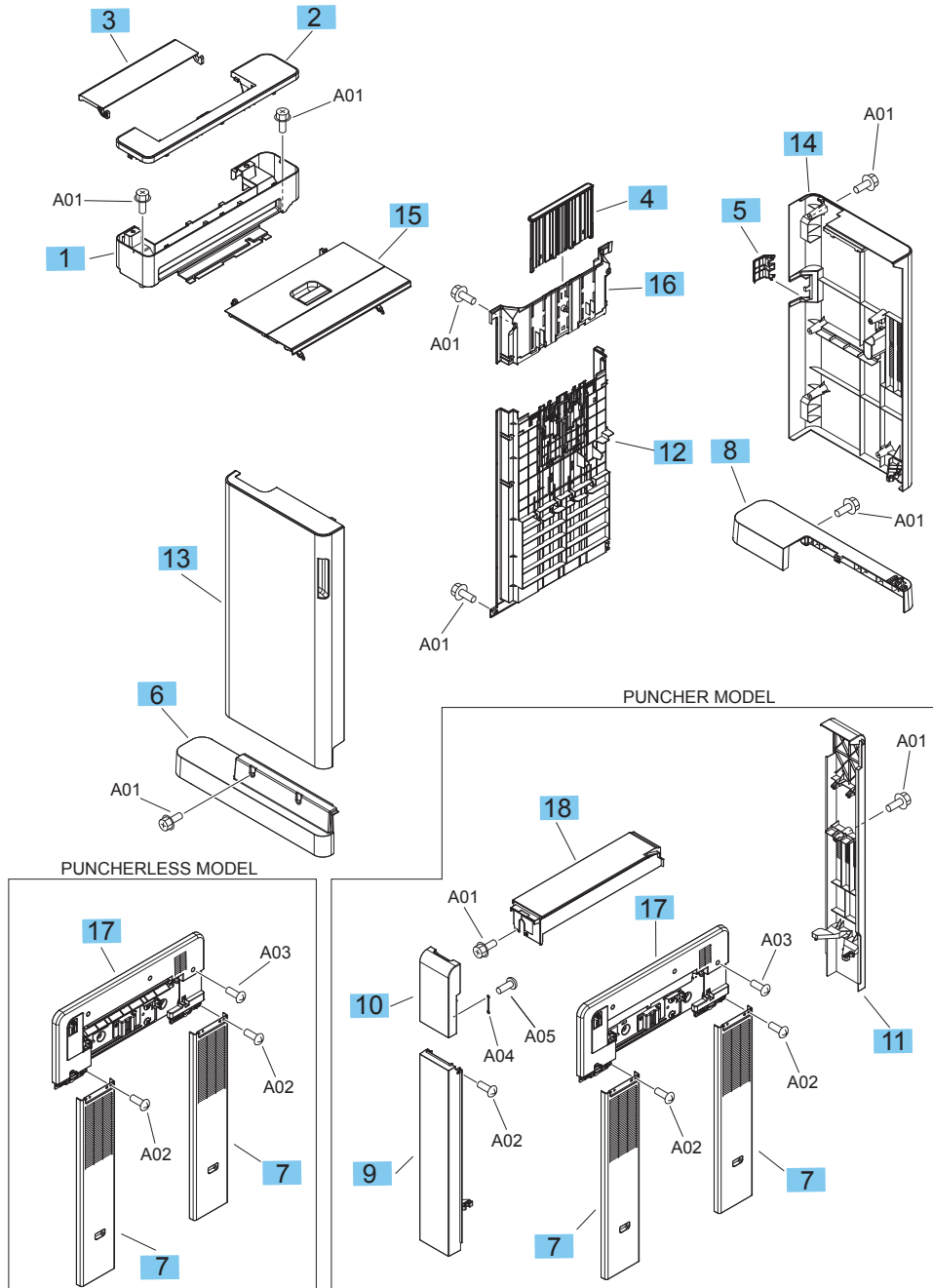


Table 2-61 Stapler/stacker covers

Ref	Description	Part number	Qty
1	Cover, stepped lower (stapler/stacker)	RC4-2447-000CN	1
2	Cover, stepped, upper	RC4-2448-000CN	1
3	Cover, open/close, stepped	RC4-2449-000CN	1
4	Guide, wall, upper	RC4-2455-000CN	1
5	Cover, tray cable	RC4-2462-000CN	1
6	Cover, foot front (stapler/stacker)	RM2-6079-000CN	1
7	Cover, latch, lower	RC4-2477-000CN	2
8	Cover, foot, rear	RM2-6080-000CN	1
9	Cover, punch front lower (hole punch)	RC4-2476-000CN	1
10	Cover, punch front (hole punch)	RC4-2478-000CN	1
11	Cover, punch rear (hole punch)	RC4-2482-000CN	1
12	Assembly, height wall, lower (stapler/stacker)	RM2-5853-000CN	1
13	Assembly, front cover	RM2-5320-000CN	1
14	Assembly, rear cover	RM2-5321-000CN	1
15	Assembly, upper cover	RM2-5322-000CN	1
16	Assembly, upper stack wall	RM2-5343-000CN	1
17	Assembly, latch (hole punch)	RM2-5352-000CN	1
17	Assembly, latch	RM2-5319-000CN	1
18	Assembly, hole punch upper cover	RM2-5336-000CN	1

Booklet maker covers

Figure 2-57 Booklet maker covers

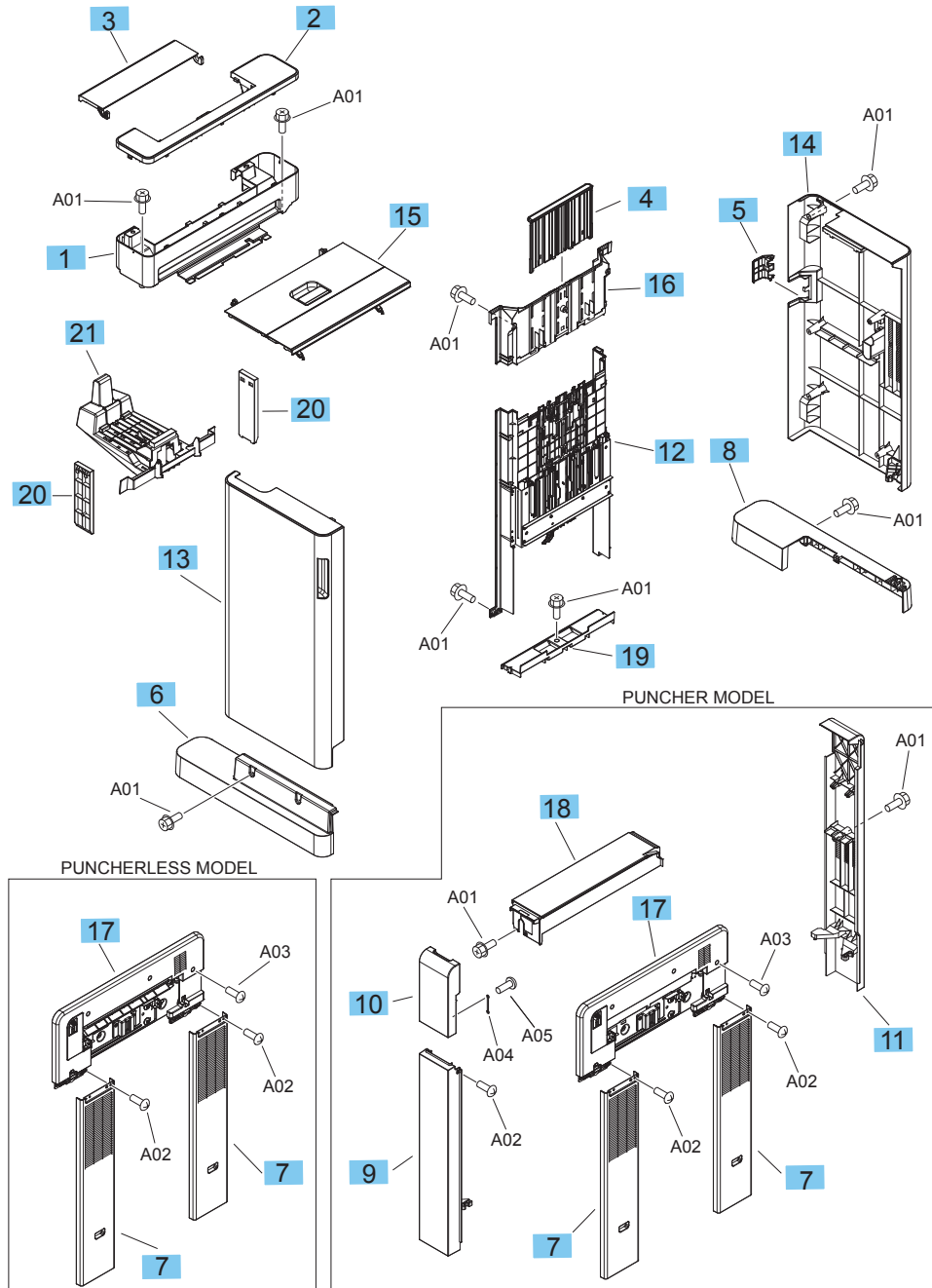


Table 2-62 Booklet maker covers

Ref	Description	Part number	Qty
1	Cover, stepped lower (booklet maker)	RC4-2447-000CN	1
2	Cover, stepped upper	RC4-2448-000CN	1
3	Cover, open/close stepped	RC4-2449-000CN	1
4	Guide, wall upper	RC4-2455-000CN	1
5	Cover, tray cable	RC4-2462-000CN	1
6	Assembly, front foot cover	RM2-6079-000CN	1
7	Cover, latch lower	RC4-2477-000CN	1
8	Assembly, rear foot cover	RM2-6080-000CN	1
9	Cover, punch front lower (hole punch)	RC4-2476-000CN	1
10	Cover, punch front (hole punch)	RC4-2478-000CN	1
11	Cover, punch rear (hole punch)	RC4-2482-000CN	1
12	Assembly, height wall center	RM2-5852-000CN	1
13	Assembly, front cover	RM2-5851-000CN	1
14	Assembly, rear cover	RM2-5321-000CN	1
15	Assembly, upper cover	RM2-5322-000CN	1
16	Assembly, stack wall upper	RM2-5343-000CN	1
17	Latch assembly (hole punch)	RM2-5352-000CN	1
17	Latch assembly	RM2-5319-000CN	1
18	Punch cover assembly upper (hole punch)	RM2-5336-000CN	1
19	Guide, left lower (booklet maker)	RC4-2467-000CN	1
20	Cover, saddle delivery inner (booklet maker)	RC4-2471-000CN	1
21	Assembly, saddle tray (booklet maker)	RM2-5318-000CN	1

Finisher main body (1 of 3)

Figure 2-58 Finisher main body (1 of 3)

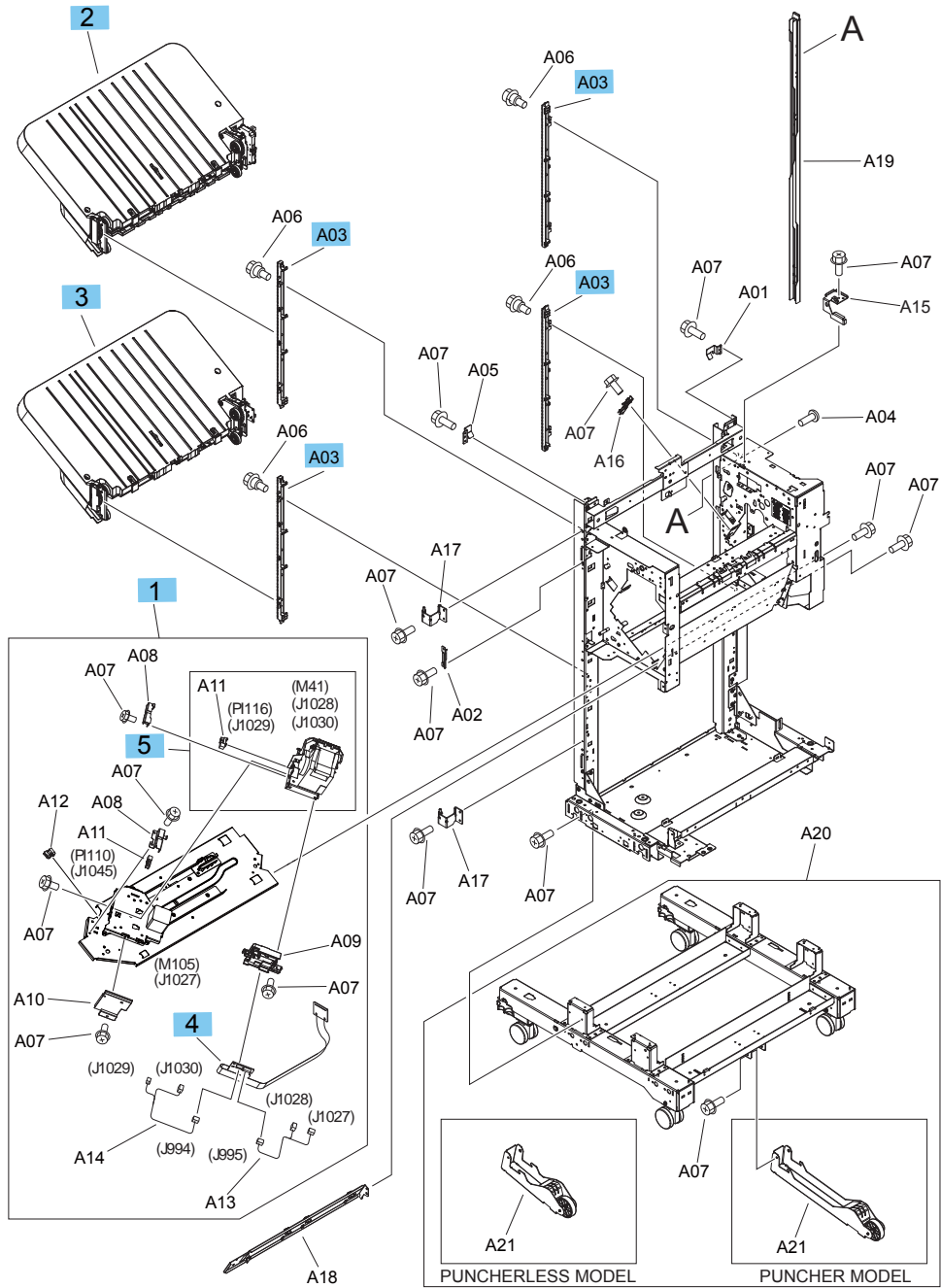


Table 2-63 Finisher main body (1 of 3)

Ref	Description	Part number	Qty
1	Staple assembly	4G3-0938-000CN	1
2	Stack upper tray assembly	RM2-5324-000CN	1
3	Stack lower tray assembly	RM2-5339-000CN	1
4	Cable, staple connecting	4G3-1777-000CN	1
5	Staple sub assembly	4G3-0939-000CN	1
A03	Rack rail	FC5-5436-000CN	4

Table 2-64 Finisher main body (2 of 3)

Ref	Description	Part number	Qty
1	Assembly, upper cover lock	4G3-0210-000CN	1
2	Assembly, entrance sensor bracket	FM2-0717-000CN	1
3	Assembly, entrance sensor flag	RM2-5849-000CN	1
4	Assembly, upper cross-member	FM0-1882-000CN	1
5	Assembly, entrance upper guide (booklet maker)	RM2-6024-000CN	1
6	Assembly, paper feed motor	FM0-1889-000CN	1
7	Photo interrupter tlp1242	WG8-5593-000CN	1
8	Assembly, operation tray	RM2-5309-000CN	1
9	Flag, paper sensing sensor	FC5-5004-000CN	1
10	Assembly, swing, HP sensor	4G3-1564-000CN	1
11	Assembly, assist sensor	FM2-1396-000CN	1
12	Assembly, adjust guide HP sensor	FM2-1393-000CN	2

Finisher main body (3 of 3)

Figure 2-60 Finisher main body (3 of 3)

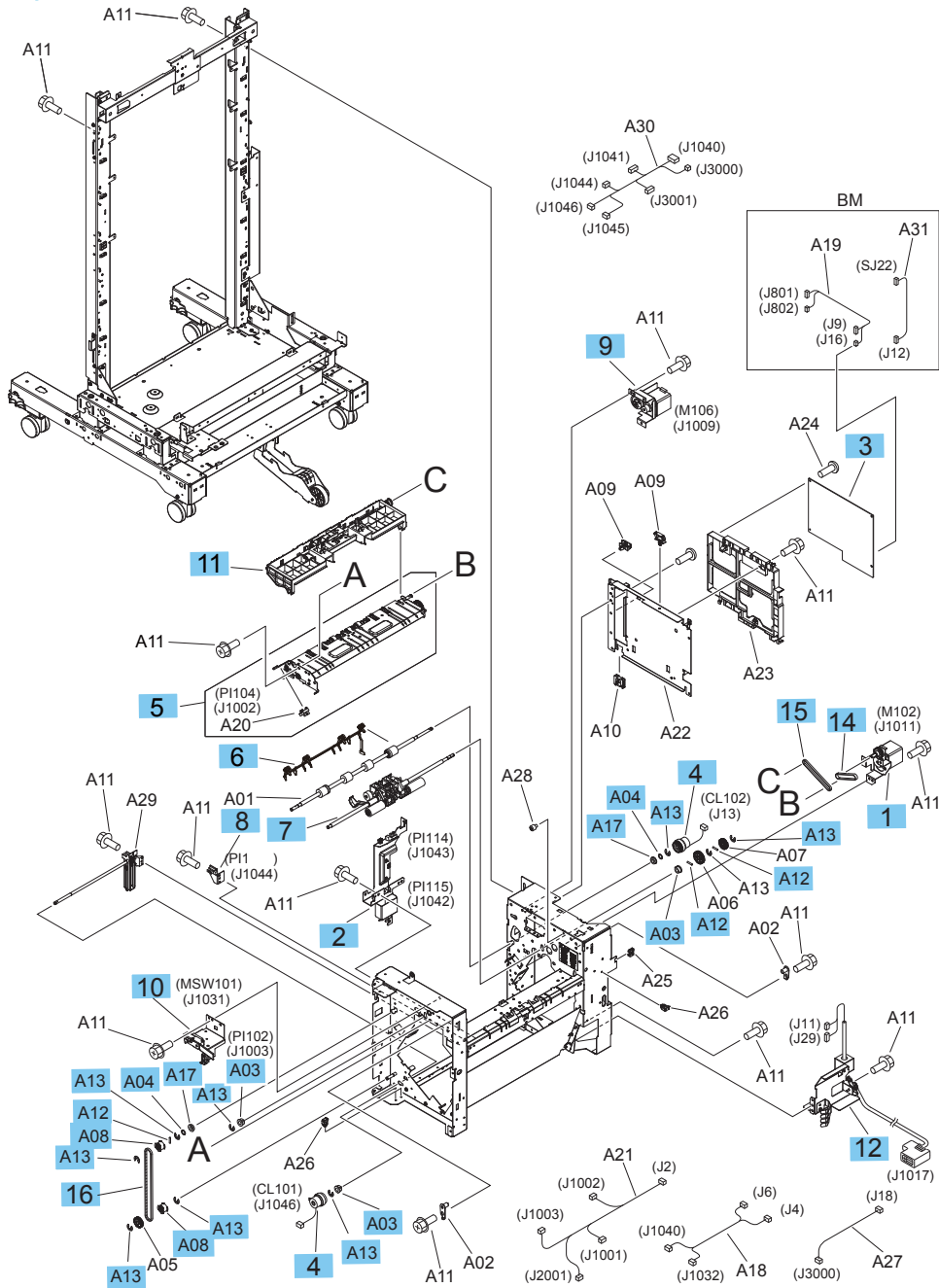


Table 2-65 Finisher main body (3 of 3)

Ref	Description	Part number	Qty
1	Assembly, stack ejection motor	4G3-0769-000CN	1
2	Assembly, paper face sensor	4G3-0934-000CN	1
3	Assembly, main controller PCA	RM2-7582-000CN	1
4	Clutch, electromagnetic (CL101, CL102)	4H3-0370-000CN	2
5	Assembly, return roller	FM0-2403-000CN	1
6	Paper detect holder assembly, up	FM0-2429-000CN	1
7	Assembly, pressure roller	FM2-0730-000CN	1
8	Assembly, shutter HP sensor	FM2-1401-000CN	1
9	Assembly, press motor (M106)	FM2-1409-000CN	1
10	Assembly, sensor/switch MSW101)	FM2-1417-000CN	1
11	Assembly, swing guide	RM2-5307-000CN	1
12	Assembly, interface cable	RM2-5521-000CN	1
13	Belt, timing cogged	XF2-1607860CN	1
14	Belt, timing	XF2-1608-840CN	1
15	Belt, timing cogged	XF9-0748-000CN	1
A03	Bushing	FS5-1805-000CN	3
A04	Washer	FS5-6488-000CN	2
A12	Pin, dowel	XD3-2200-000CN	4
A13	E-ring	XD9-0136-000CN	10
A17	Bearing , ball MF 106ZZS	XG9-0520-000CN	2
A08	Pulley, 2-T	FU5-3086-000CN	2
Not shown	E ring, clutch	XD2-1100-322	1

Stapler/stacker main body

Figure 2-61 Stapler/stacker main body

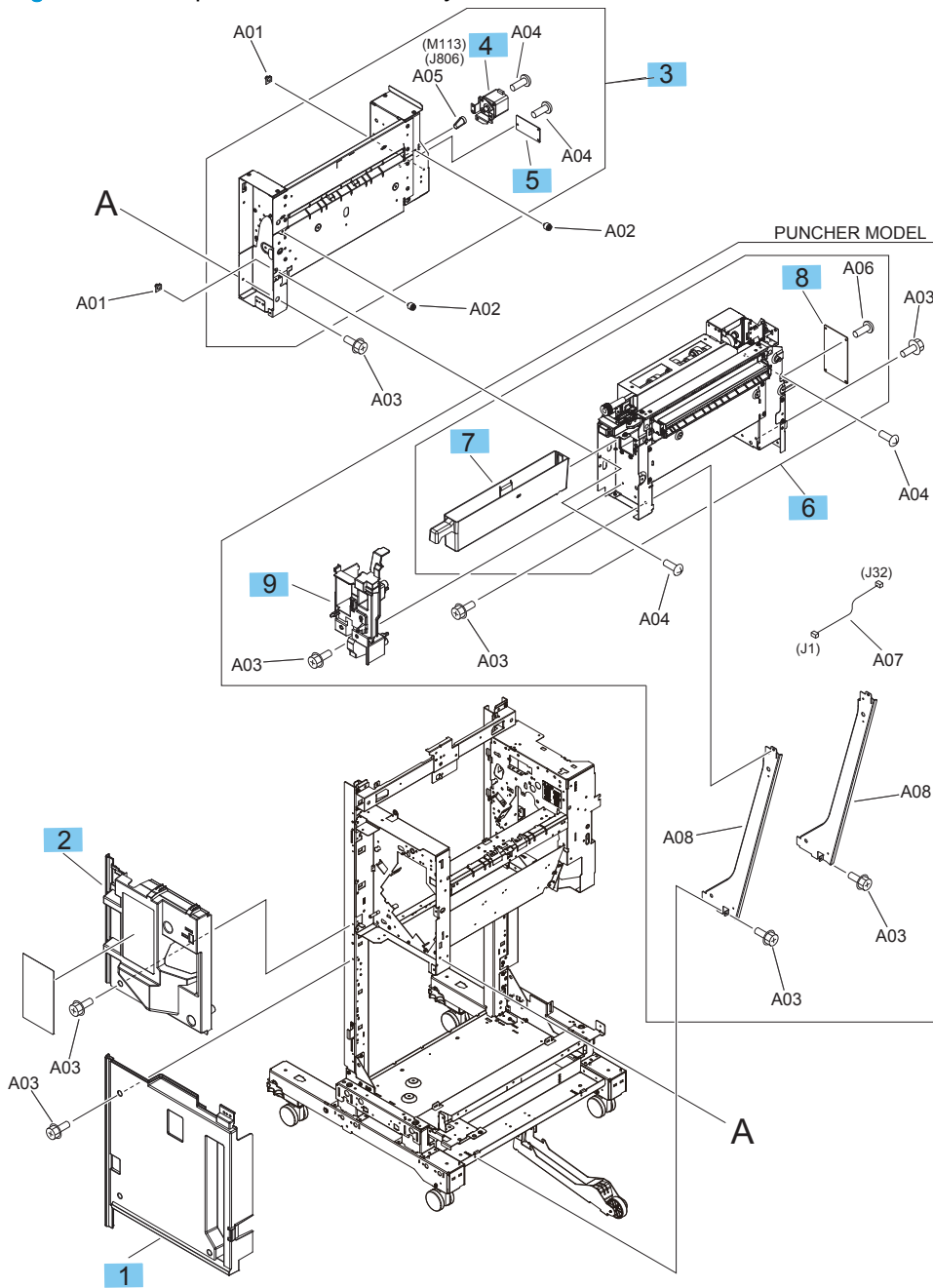


Table 2-66 Stapler/stacker main body

Ref	Description	Part number	Qty
1	Cover, inner lower	RC4-2474-000CN	1
2	Assembly, inner cover upper	RM2-5305-000CN	1
3	Assembly, paper pass	RM2-5334-000CN	1
4	Assembly, saddle motor (M113)	FM2-0737-000CN	1
5	Assembly, common driver PCA	RM2-7590-000CN	1
6	2/3 punch hole assembly kit	A2W84-67901	1
6	2/4 punch hole assembly kit	CZ999-67902	1
7	Punch waste bin	RM2-6102-000CN	1
8	Assembly, punch controller PCA (hole punch)	RM2-7592-000CN	1
9	Assembly, punch inner cover (hole punch)	RM2-5337-000CN	1

Booklet maker main body

Figure 2-62 Booklet maker main body

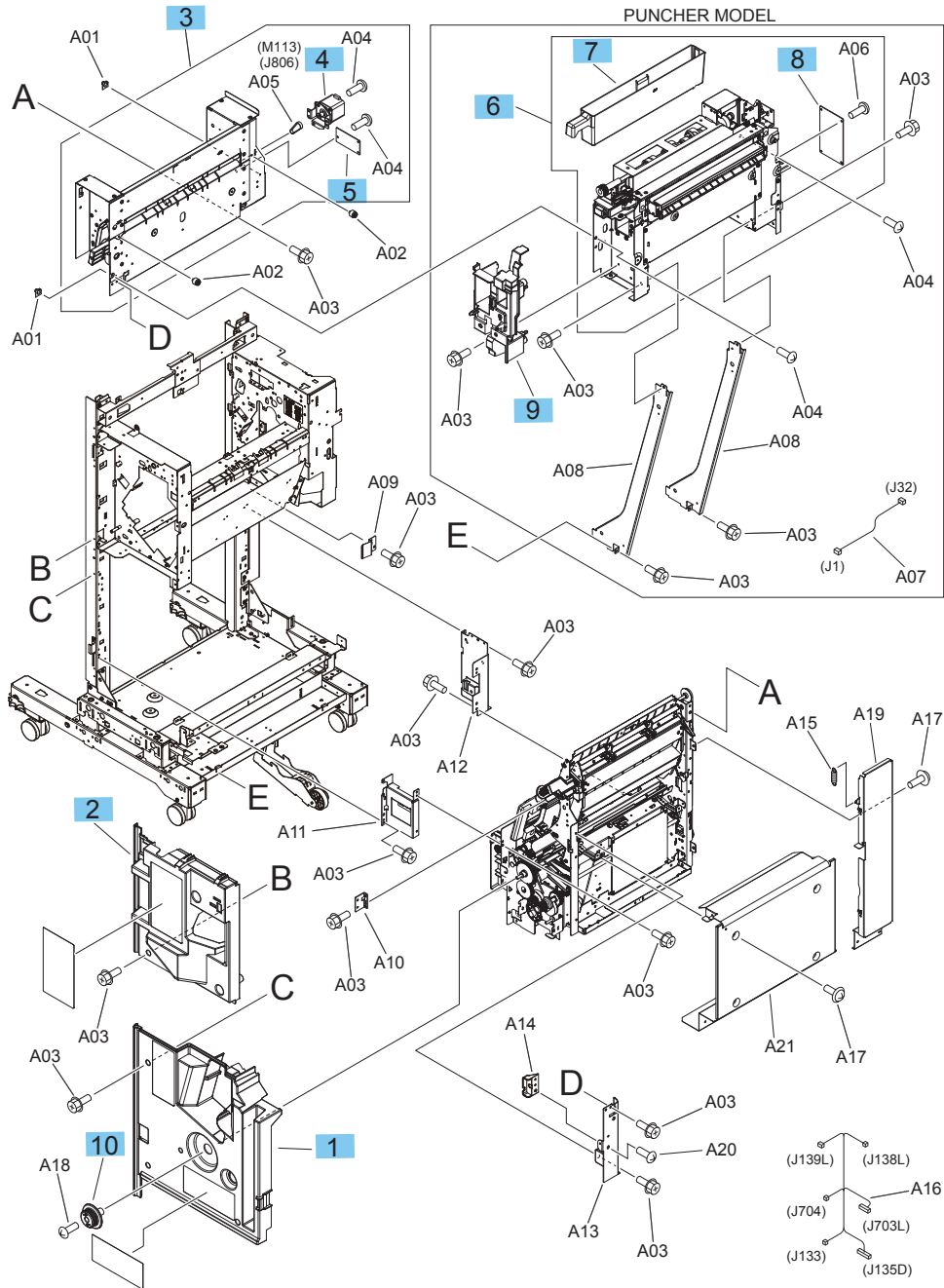


Table 2-67 Booklet maker main body

Ref	Description	Part number	Qty
1	Assembly, inner cover lower	RM2-5304-000CN	1
2	Assembly, inner cover upper	RM2-5305-000CN	1
3	Assembly, saddle paper feed	RM2-5351-000CN	1
4	Assembly, saddle motor (M113)	FM2-0737-000CN	2
5	Common driver PCA assembly	RM2-7590-000CN	1
6	Assembly, 2/3 punch hole	A2W94-67901	1
6	Assembly, 2/4 punch hole	CZ999-67902	1
7	Punch waste bin	RM2-6102-000CN	1
8	Punch controller PCA assembly	RM2-7592-000CN	1
9	Assembly, punch inner cover (hole punch)	RM2-5337-000CN	1
10	Knob	FB3-7881-000CN	1

Booklet maker saddle assembly

Figure 2-63 Booklet maker saddle assembly (1 of 3)

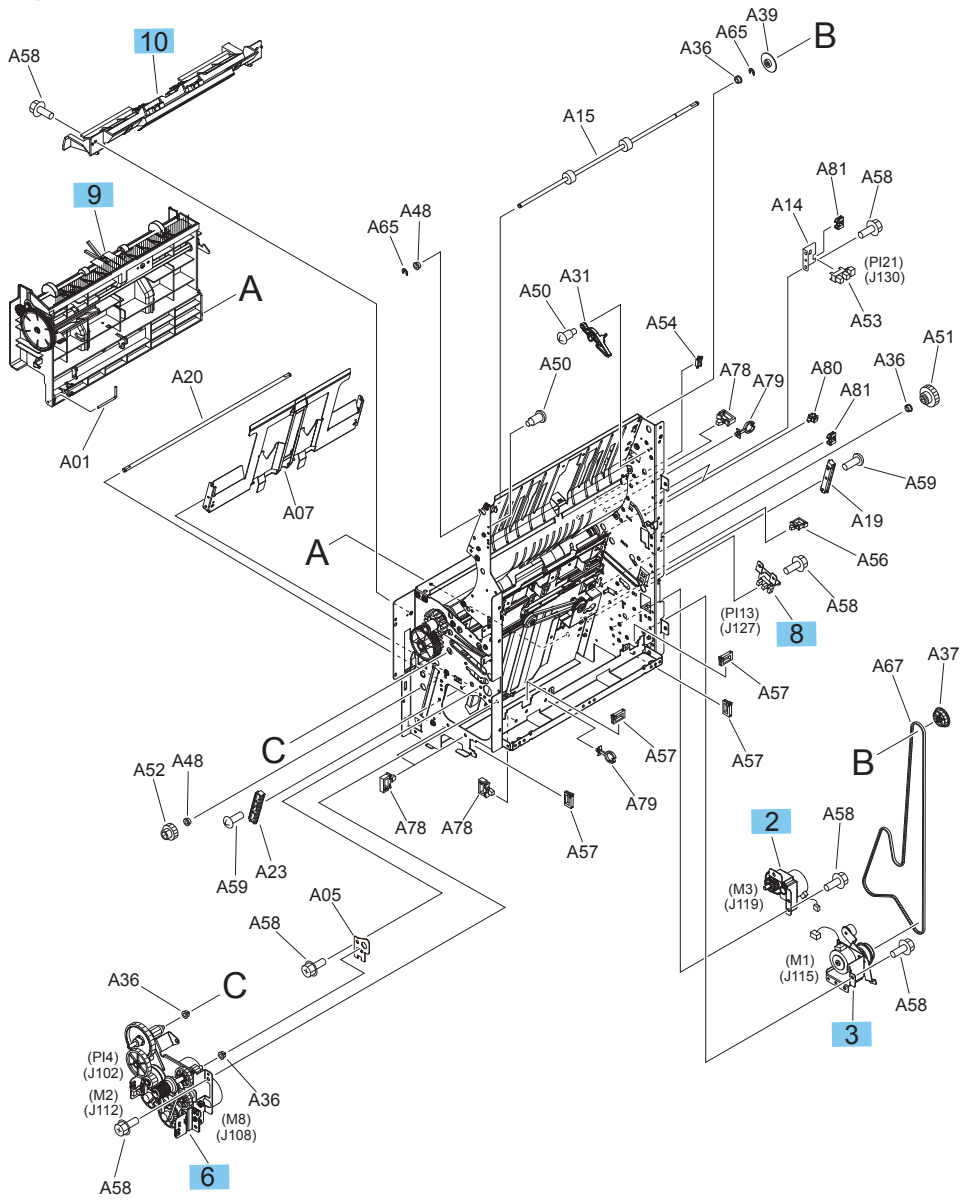


Figure 2-64 Booklet maker saddle assembly (2 of 3)

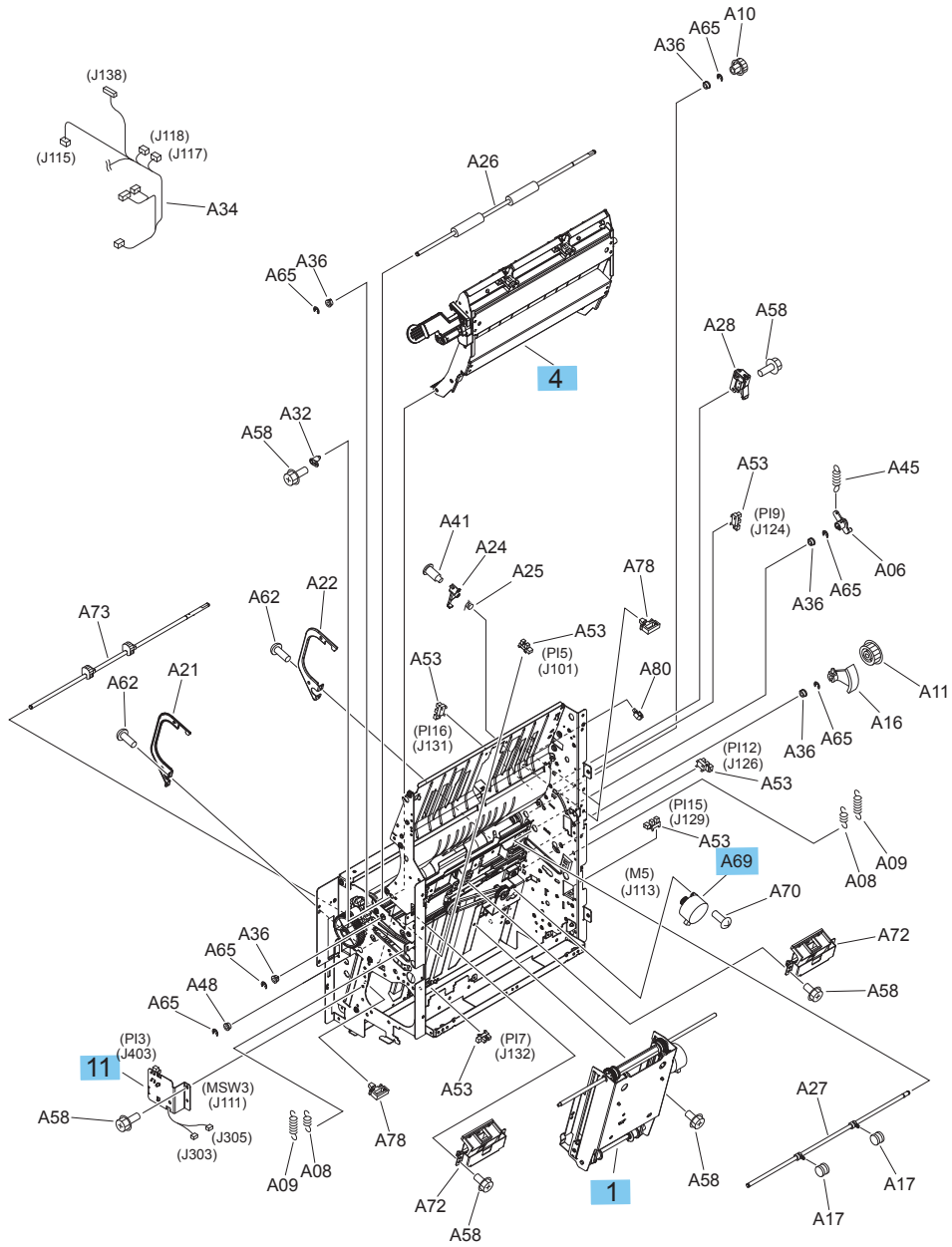


Figure 2-65 Booklet maker saddle assembly (3 of 3)

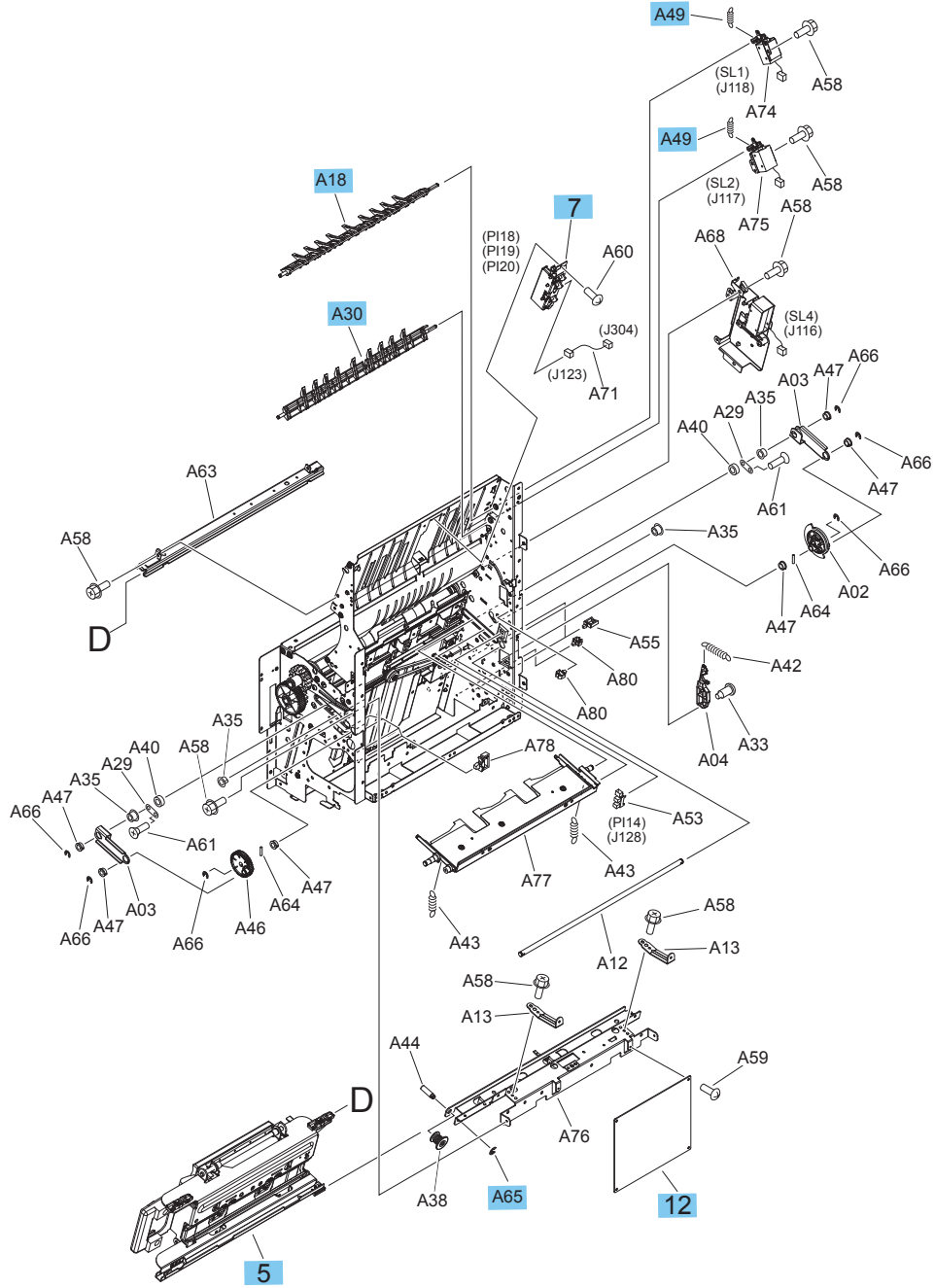


Table 2-68 Booklet maker saddle assembly

Ref	Description	Part number	Qty
1	Assembly, inner side plate	4G3-0671-000CN	1
2	Assembly, guide motor (M3)	4G3-0725-000CN	1
3	Assembly, saddle feed motor (M1)	4G3-1933-000CN	1
4	Assembly, saddle guide	4G3-1940-000CN	1
5	Assembly, saddle stapler	4G3-2721-000CN	1
6	Assembly, folding motor mount (M2, M8)	FM0-1686-000CN	1
7	Assembly, rear end sensor (PI13)	FM2-0763-000CN	1
8	Assembly, guide sensor	FM6-2283-000CN	1
9	Assembly, saddle paper delivery	RM2-5332-000CN	1
10	Assembly, upper delivery guide	RM2-5349-000CN	1
11	Assembly, delivery switch mount	RM2-5633-000CN	1
12	Assembly, saddle controller PCA	RM2-7586-000CN	1
A18	Deflector	FB3-7928-000CN	1
A30	Deflector	FB5-2697-000CN	1
A49	Spring, tension	FU5-2335-000CN	2
A65	E-ring	XD9-0136-000CN	9
A69	Motor Stepping (M5)	4K1-1103-000CN	1

Alphabetical parts list

Table 2-69 Alphabetical parts list

Description	Part number	Table and page
2/3 punch hole assembly kit	A2W84-67901	Stapler/stacker main body on page 801
2/4 punch hole assembly kit	CZ999-67902	Stapler/stacker main body on page 801
Assembly, 2/3 punch hole	A2W94-67901	Booklet maker main body on page 803
Assembly, 2/4 punch hole	CZ999-67902	Booklet maker main body on page 803
Assembly, ADF hinge (M880)	A8T68-60025	Document feeder assemblies (M880, 1 of 2) on page 751
Assembly, adjust guide HP sensor	FM2-1393-000CN	Finisher main body (2 of 3) on page 797
Assembly, assist sensor	FM2-1396-000CN	Finisher main body (2 of 3) on page 797
Assembly, auto close	RM1-3531-060CN	3x500-sheet feeder components on page 783
Assembly, auto close (HCI)	RM1-3531-000CN	1x500-sheet feeder with stand components on page 779
Assembly, auto close (HCI)	RM1-8880-000CN	HCI feeder internal components (1 of 2) on page 787
Assembly, AY_bracket-tensioner	CF367-60117	Document feeder assemblies (M880, 1 of 2) on page 751
Assembly, cassette	RM2-0273-000	1x500-sheet feeder with stand components on page 779
Assembly, cassette	RM2-0273-000CN	3x500-sheet feeder components on page 783
Assembly, cassette	RM2-0276-000CN	3x500-sheet feeder components on page 783
Assembly, cassette paper pick up	RM1-9599-000CN	Internal components (5 of 6) on page 771
Assembly, common driver PCA	RM2-7590-000CN	Stapler/stacker main body on page 801
Assembly, controller PCA	RM2-0715-000	1x500-sheet feeder with stand components on page 779
Assembly, controller PCA	RM2-0716-000CN	3x500-sheet feeder components on page 783
Assembly, controller PCA (HCI)	RM2-0717-000CN	HCI feeder internal components (1 of 2) on page 787
Assembly, CPR sensor	RM2-7026-000CN	Internal components (3 of 6) on page 767

Table 2-69 Alphabetical parts list (continued)

Description	Part number	Table and page
Assembly, DC controller PCA (M855)	RM2-7005-000CN	Internal components (6 of 6) on page 773
Assembly, DC controller PCA (M880)	RM2-7006-000CN	Internal components (6 of 6) on page 773
Assembly, DC motor (M10, M11)	RM1-4519-000CN	Internal components (4 of 6) on page 769
Assembly, delivery switch mount	RM2-5633-000CN	Booklet maker saddle assembly on page 807
Assembly, drum motor (M13, M13, M14, M15)	RM1-9614-000CN	Internal components (4 of 6) on page 769
Assembly, duplex reverse (M855)	RM2-0291-000CN	Internal components (2 of 6) on page 765
Assembly, duplex reverse (M880)	RM2-5061-000CN	Internal components (2 of 6) on page 765
Assembly, entrance sensor bracket	FM2-0717-000CN	Finisher main body (2 of 3) on page 797
Assembly, entrance sensor flag	RM2-5849-000CN	Finisher main body (2 of 3) on page 797
Assembly, entrance upper guide (booklet maker)	RM2-6024-000CN	Finisher main body (2 of 3) on page 797
Assembly, face down end tray	RM1-9631-000CN	Covers (M855) on page 757
Assembly, face down end tray	RM1-9631-000CN	Covers (M880) on page 759
Assembly, face down paper delivery	RM1-9841-000CN	Internal components (2 of 6) on page 765
Assembly, fan	RM1-3364-000CN	Internal components (2 of 6) on page 765
Assembly, folding motor mount (M2, M8)	FM0-1686-000CN	Booklet maker saddle assembly on page 807
Assembly, front cover	RM2-5320-000CN	Stapler/stacker covers on page 791
Assembly, front cover	RM2-5851-000CN	Booklet maker covers on page 793
Assembly, front foot cover	RM2-6079-000CN	Booklet maker covers on page 793
Assembly, fuser drive	RM1-9606-000CN	Internal components (4 of 6) on page 769
Assembly, fuser power supply	RL1-4005-000CN	Internal components (6 of 6) on page 773
Assembly, guide motor (M3)	4G3-0725-000CN	Booklet maker saddle assembly on page 807
Assembly, guide sensor	FM6-2283-000CN	Booklet maker saddle assembly on page 807

Table 2-69 Alphabetical parts list (continued)

Description	Part number	Table and page
Assembly, height wall center	RM2-5852-000CN	Booklet maker covers on page 793
Assembly, height wall, lower (stapler/stacker)	RM2-5853-000CN	Stapler/stacker covers on page 791
Assembly, high-voltage power supply tran. A PCA	RM2-7001-000CN	Internal components (6 of 6) on page 773
Assembly, hole punch upper cover	RM2-5336-000CN	Stapler/stacker covers on page 791
Assembly, HVPS Trans B PCA	RM2-7002-000CN	Internal components (1 of 6) on page 763
Assembly, inner cover lower	RM2-5304-000CN	Booklet maker main body on page 803
Assembly, inner cover upper	RM2-5305-000CN	Stapler/stacker main body on page 801
Assembly, inner cover upper	RM2-5305-000CN	Booklet maker main body on page 803
Assembly, inner side plate	4G3-0671-000CN	Booklet maker saddle assembly on page 807
Assembly, interconnect board (ICB) (M855)	RM2-0296-000CN	Internal components (6 of 6) on page 773
Assembly, interconnect board (ICB) (M880)	RM2-5035-000CN	Internal components (6 of 6) on page 773
Assembly, interface cable	RM2-5521-000CN	Finisher main body (3 of 3) on page 799
Assembly, interlock switch (SW101, SW102)	RM2-5062-000CN	Internal components (3 of 6) on page 767
Assembly, ITB alienation drive	RM1-3280-000CN	Internal components (3 of 6) on page 767
Assembly, latch	RM2-5319-000CN	Stapler/stacker covers on page 791
Assembly, latch (hole punch)	RM2-5352-000CN	Stapler/stacker covers on page 791
Assembly, left cover	RM2-5049-000CN	Covers (M855) on page 757
Assembly, left cover	RM2-5049-000CN	Covers (M880) on page 759
Assembly, left front cover	RM2-0294-000CN	Covers (M855) on page 757
Assembly, left front cover	RM2-0294-000CN	Covers (M880) on page 759
Assembly, lifter drive	RM1-3222-000CN	Internal components (5 of 6) on page 771
Assembly, lifter drive (M3302, M3303) (HCI)	RM1-8879-000CN	HCI feeder internal components (1 of 2) on page 787
Assembly, low-voltage power supply	RL1-4003-000CN	Internal components (5 of 6) on page 771

Table 2-69 Alphabetical parts list (continued)

Description	Part number	Table and page
Assembly, main controller PCA	RM2-7582-000CN	Finisher main body (3 of 3) on page 799
Assembly, main switch PCA	RM2-5046-000CN	Internal components (5 of 6) on page 771
Assembly, media level sensor (HCI)	RM1-9579-000CN	HCI feeder internal components (1 of 2) on page 787
Assembly, memory tag PCA	RM2-7009-000CN	Internal components (4 of 6) on page 769
Assembly, merge paper feed (HCI)	RM2-0270-000CN	HCI feeder internal components (2 of 2) on page 789
Assembly, motor, A3	CC350-60006	Document feeder assemblies (M880, 1 of 2) on page 751
Assembly, MP drive	RM1-9843-000CN	Internal components (2 of 6) on page 765
Assembly, MP Guide	RM1-9615-000CN	Internal components (5 of 6) on page 771
Assembly, MP paper pick up	RM1-9644-000CN	Right door assembly on page 761
Assembly, MP tray	RM1-9642-000CN	Right door assembly on page 761
Assembly, operation tray	RM2-5309-000CN	Finisher main body (2 of 3) on page 797
Assembly, paper face sensor	4G3-0934-000CN	Finisher main body (3 of 3) on page 799
Assembly, paper feed motor	FM0-1889-000CN	Finisher main body (2 of 3) on page 797
Assembly, paper pass	RM2-5334-000CN	Stapler/stacker main body on page 801
Assembly, paper pick up	RM2-0275-000CN	3x500-sheet feeder components on page 783
Assembly, paper pick up drive (HCI)	RM1-8872-000CN	HCI feeder internal components (1 of 2) on page 787
Assembly, paper pick up, left (HCI)	RM1-8876-000CN	HCI feeder internal components (2 of 2) on page 789
Assembly, paper pick up, right (HCI)	RM1-8869-000CN	HCI feeder internal components (2 of 2) on page 789
Assembly, paper pick-up	RM2-0275-000	1x500-sheet feeder with stand components on page 779
Assembly, photo sensor	RM1-9629-000CN	Internal components (2 of 6) on page 765

Table 2-69 Alphabetical parts list (continued)

Description	Part number	Table and page
Assembly, press motor (M106)	FM2-1409-000CN	Finisher main body (3 of 3) on page 799
Assembly, pressure roller	FM2-0730-000CN	Finisher main body (3 of 3) on page 799
Assembly, punch controller PCA (hole punch)	RM2-7592-000CN	Stapler/stacker main body on page 801
Assembly, punch inner cover (hole punch)	RM2-5337-000CN	Stapler/stacker main body on page 801
Assembly, punch inner cover (hole punch)	RM2-5337-000CN	Booklet maker main body on page 803
Assembly, rear cover	RM2-5321-000CN	Stapler/stacker covers on page 791
Assembly, rear cover	RM2-5321-000CN	Booklet maker covers on page 793
Assembly, rear end sensor (PI13)	FM2-0763-000CN	Booklet maker saddle assembly on page 807
Assembly, rear foot cover	RM2-6080-000CN	Booklet maker covers on page 793
Assembly, registration 2nd transfer	RM1-9621-000CN	Internal components (3 of 6) on page 767
Assembly, return roller	FM0-2403-000CN	Finisher main body (3 of 3) on page 799
Assembly, right door	RM2-0281-000CN	1x500-sheet feeder with stand (M855 only) covers on page 777
Assembly, right door	RM2-0280-000CN	3x500-sheet feeder covers on page 781
Assembly, right door (HCI)	RM2-0256-000CN	HCI feeder covers on page 785
Assembly, right door sub	RM1-9640-000CN	Right door assembly on page 761
Assembly, right upper cover	RM2-5063-000CN	Covers (M855) on page 757
Assembly, saddle controller PCA	RM2-7586-000CN	Booklet maker saddle assembly on page 807
Assembly, saddle feed motor (M1)	4G3-1933.000CN	Booklet maker saddle assembly on page 807
Assembly, saddle guide	4G3-1940-000CN	Booklet maker saddle assembly on page 807
Assembly, saddle motor (M113)	FM2-0737-000CN	Stapler/stacker main body on page 801
Assembly, saddle motor (M113)	FM2-0737-000CN	Booklet maker main body on page 803

Table 2-69 Alphabetical parts list (continued)

Description	Part number	Table and page
Assembly, saddle paper delivery	RM2-5332-000CN	Booklet maker saddle assembly on page 807
Assembly, saddle paper feed	RM2-5351-000CN	Booklet maker main body on page 803
Assembly, saddle stapler	4G3-2721-000CN	Booklet maker saddle assembly on page 807
Assembly, saddle tray (booklet maker)	RM2-5318-000CN	Booklet maker covers on page 793
Assembly, scanner	RM2-5176-000CN	Internal components (2 of 6) on page 765
Assembly, sensor/switch MSW101)	FM2-1417-000CN	Finisher main body (3 of 3) on page 799
Assembly, shutter gear holder	RM1-9857-000CN	Internal components (3 of 6) on page 767
Assembly, shutter HP sensor	FM2-1401-000CN	Finisher main body (3 of 3) on page 799
Assembly, stack ejection motor	4G3-0769-000CN	Finisher main body (3 of 3) on page 799
Assembly, stack wall upper	RM2-5343-000CN	Booklet maker covers on page 793
Assembly, stock box	RM2-0282-000CN	1x500-sheet feeder with stand (M855 only) covers on page 777
Assembly, stock box cover	RM2-0283-000CN	1x500-sheet feeder with stand (M855 only) covers on page 777
Assembly, swing guide	RM2-5307-000CN	Finisher main body (3 of 3) on page 799
Assembly, swing, HP sensor	4G3-1564-000CN	Finisher main body (2 of 3) on page 797
Assembly, switch back cover	RM1-9633-000CN	Covers (M855) on page 757
Assembly, switch back cover	RM1-9633-000CN	Covers (M880) on page 759
Assembly, switch back tray	RM2-5023-000CN	Covers (M855) on page 757
Assembly, switch back tray	RM2-5023-000CN	Covers (M880) on page 759
Assembly, top cover	RM2-0295-000CN	Covers (M855) on page 757
Assembly, top cover	RM2-0295-000CN	Covers (M880) on page 759
Assembly, upper cover	RM2-5322-000CN	Stapler/stacker covers on page 791
Assembly, upper cover	RM2-5322-000CN	Booklet maker covers on page 793
Assembly, upper cover lock	4G3-0210-000CN	Finisher main body (2 of 3) on page 797

Table 2-69 Alphabetical parts list (continued)

Description	Part number	Table and page
Assembly, upper cross-member	FM0-1882-000CN	Finisher main body (2 of 3) on page 797
Assembly, upper delivery guide	RM2-5349-000CN	Booklet maker saddle assembly on page 807
Assembly, upper front inner cover (M855)	RM2-0313-000CN	Internal components (5 of 6) on page 771
Assembly, upper front inner cover (M880)	RM2-5034-000CN	Internal components (5 of 6) on page 771
Assembly, upper stack wall	RM2-5343-000CN	Stapler/stacker covers on page 791
AY motor encoder	CC522-60101	Document feeder assemblies (M880, 1 of 2) on page 751
Band, door	RC4-4587-000CN	Covers (M855) on page 757
Band, door	RC4-4587-000CN	Covers (M880) on page 759
Bearing , ball MF 106ZZS	XG9-0520-000CN	Finisher main body (3 of 3) on page 799
Belt drive, A3	C8569-80008	Document feeder assemblies (M880, 1 of 2) on page 751
Belt, timing	XF2-1608-840CN	Finisher main body (3 of 3) on page 799
Belt, timing cogged	XF2-1607860CN	Finisher main body (3 of 3) on page 799
Belt, timing cogged	XF9-0748-000CN	Finisher main body (3 of 3) on page 799
Brush, cleaning	RB1-9617-000CN	Right door assembly on page 761
Bushing	FS5-1805-000CN	Finisher main body (3 of 3) on page 799
Cable, cave light LED	A2W75-60111	Document feeder assemblies (M880, 1 of 2) on page 751
Cable, CP s (M855)	RM2-7067-000CN	Internal components (6 of 6) on page 773
Cable, power, integrated scan assembly (M880)	CF367-60106	Document feeder assemblies (M880, 1 of 2) on page 751
Cable, staple connecting	4G3-1777-000CN	Finisher main body (1 of 3) on page 795
Cable, toner tag	RK2-4845-000CN	Internal components (4 of 6) on page 769
Cable, USB AB (M855)	RK2-4804-000CN	Internal components (6 of 6) on page 773
Cable, USB MFP (M880)	RK2-4836-000CN	Internal components (6 of 6) on page 773

Table 2-69 Alphabetical parts list (continued)

Description	Part number	Table and page
Cable, USB, BB (M855)	RK2-4806-000CN	Internal components (6 of 6) on page 773
Cable, video interface (M855)	RK2-4843-000CN	Internal components (6 of 6) on page 773
Cap rear right	RC4-1386-000CN	Covers (M880) on page 759
Cap, rear right	RC4-1386-000CN	Covers (M855) on page 757
Cartridge interface PCAs kit	A2W79-67902	Internal components (6 of 6) on page 773
Cartridge pressure assembly	RM2-5022-000CN	Internal components (5 of 6) on page 771
Cassette, Tray 2 (1x500 engine)	RM2-5014-000CN	Internal components (5 of 6) on page 771
Clutch, electromagnetic (CL101, CL102)	4H3-0370-000CN	Finisher main body (3 of 3) on page 799
Common driver PCA assembly	RM2-7590-000CN	Booklet maker main body on page 803
Connector	VS1-7258-000CN	Internal components (6 of 6) on page 773
Connector, drawer	VS1-7257-012CN	1x500-sheet feeder with stand components on page 779
Connector, drawer	VS1-7257-012CN	3x500-sheet feeder components on page 783
Connector, drawer	VS1-7257-012CN	HCI feeder internal components (1 of 2) on page 787
Controller PCA assembly (ITPU)	RM2-7019-000CN	Intermediate paper transfer unit (IPTU) assemblies on page 775
Cover, ADF roller (M880)	A8T68-40072	Document feeder assemblies (M880, 2 of 2) on page 753
Cover, air duct	RC3-5990-000CN	Internal components (4 of 6) on page 769
Cover, assist left (ITPU)	RC3-5943-000CN	Intermediate paper transfer unit (IPTU) assemblies on page 775
Cover, assist right (ITPU)	RC3-5944-000CN	Intermediate paper transfer unit (IPTU) assemblies on page 775
Cover, back, scanner (M880)	A2W75-60131	Document feeder assemblies (M880, 1 of 2) on page 751
Cover, blanking (ITPU)	RC4-2797-000CN	Intermediate paper transfer unit (IPTU) assemblies on page 775

Table 2-69 Alphabetical parts list (continued)

Description	Part number	Table and page
Cover, control panel access (M880)	5042-9118	Document feeder and scanner assemblies (M880) on page 749
Cover, face down drive	RC3-5991-000CN	Covers (M855) on page 757
Cover, face down drive	RC3-5991-000CN	Covers (M880) on page 759
Cover, foot front (stapler/stacker)	RM2-6079-000CN	Stapler/stacker covers on page 791
Cover, foot, rear	RM2-6080-000CN	Stapler/stacker covers on page 791
Cover, front	A2W77-67907	Covers (M855) on page 757
Cover, front ADF (M880)	A8T68-40064	Document feeder assemblies (M880, 1 of 2) on page 751
Cover, front inner lower	RL1-3637-000CN	Internal components (5 of 6) on page 771
Cover, front upper	RC3-3718-000CN	Covers (M855) on page 757
Cover, front upper	RC3-3718-000CN	Covers (M880) on page 759
Cover, front upper	RC3-5886-000CN	1x500-sheet feeder with stand (M855 only) covers on page 777
Cover, front upper	RC3-5886-000CN	3x500-sheet feeder covers on page 781
Cover, front upper face	RC3-5884-000CN	1x500-sheet feeder with stand (M855 only) covers on page 777
Cover, front upper face	RC3-5884-000CN	3x500-sheet feeder covers on page 781
Cover, front upper face left	RC3-5885-000CN	1x500-sheet feeder with stand (M855 only) covers on page 777
Cover, front upper face left	RC3-5885-000CN	3x500-sheet feeder covers on page 781
Cover, front, scanner (M880)	A2W75-40002	Scanner assemblies (M880) on page 755
Cover, fuser fan	RC3-3714-000CN	Covers (M855) on page 757
Cover, fuser fan	RC3-3714-000CN	Covers (M880) on page 759
Cover, HIP (M880)	5851-5361	Document feeder and scanner assemblies (M880) on page 749
Cover, HW integration pocket	RC3-3758-000CN	Covers (M855) on page 757
Cover, inner lower	RC4-2474-000CN	Stapler/stacker main body on page 801
Cover, internal right	RC3-3533-000CN	Internal components (3 of 6) on page 767

Table 2-69 Alphabetical parts list (continued)

Description	Part number	Table and page
Cover, latch lower	RC4-2477-000CN	Booklet maker covers on page 793
Cover, latch, lower	RC4-2477-000CN	Stapler/stacker covers on page 791
Cover, left	RC3-5913-000CN	1x500-sheet feeder with stand (M855 only) covers on page 777
Cover, left	RC3-5913-000CN	3x500-sheet feeder covers on page 781
Cover, left	RC3-5913-000CN	HCI feeder covers on page 785
Cover, left, scanner (M880)	A2W75-40003	Scanner assemblies (M880) on page 755
Cover, MP blanking	RC3-5984-000CN	Right door assembly on page 761
Cover, open/close stepped	RC4-2449-000CN	Booklet maker covers on page 793
Cover, open/close, stepped	RC4-2449-000CN	Stapler/stacker covers on page 791
Cover, pocket base	RC3-3762-000CN	Covers (M855) on page 757
Cover, punch front (hole punch)	RC4-2478-000CN	Stapler/stacker covers on page 791
Cover, punch front (hole punch)	RC4-2478-000CN	Booklet maker covers on page 793
Cover, punch front lower (hole punch)	RC4-2476-000CN	Stapler/stacker covers on page 791
Cover, punch front lower (hole punch)	RC4-2476-000CN	Booklet maker covers on page 793
Cover, punch rear (hole punch)	RC4-2482-000CN	Stapler/stacker covers on page 791
Cover, punch rear (hole punch)	RC4-2482-000CN	Booklet maker covers on page 793
Cover, rear	RC4-1378-000CN	Covers (M855) on page 757
Cover, rear	RC4-1378-000CN	Covers (M880) on page 759
Cover, rear	RC3-5887-000CN	1x500-sheet feeder with stand (M855 only) covers on page 777
Cover, rear	RC3-5887-000CN	3x500-sheet feeder covers on page 781
Cover, rear (HCI)	RC3-5896-000CN	HCI feeder covers on page 785
Cover, rear left	RC3-3713-000CN	Covers (M855) on page 757
Cover, rear left	RC3-3713-000CN	Covers (M880) on page 759

Table 2-69 Alphabetical parts list (continued)

Description	Part number	Table and page
Cover, rear right	RC3-3711-000CN	Covers (M855) on page 757
Cover, rear right	RC3-3711-000CN	Covers (M880) on page 759
Cover, rear right upper	RC3-3712-000CN	Covers (M855) on page 757
Cover, rear right upper	RC3-3712-000CN	Covers (M880) on page 759
Cover, rear upper B	RC3-5964-000CN	Covers (M855) on page 757
Cover, rear upper B	RC3-5964-000CN	Covers (M880) on page 759
Cover, rear upper front	RC3-5288-000CN	Covers (M880) on page 759
Cover, rear upper MFP	RC3-5960-000CN	Covers (M880) on page 759
Cover, rear upper rear	RC3-5289-000CN	Covers (M880) on page 759
Cover, rear upper side	RC3-3719-000CN	Covers (M880) on page 759
Cover, rear upper, upper	RC3-5290-000CN	Covers (M855) on page 757
Cover, rear, left ADF (M880)	A8T68-40067	Document feeder assemblies (M880, 1 of 2) on page 751
Cover, rear, right ADF (M880)	A8T68-40066	Document feeder assemblies (M880, 1 of 2) on page 751
Cover, right front	RC3-5920-000CN	1x500-sheet feeder with stand (M855 only) covers on page 777
Cover, right front (3x500)	RC3-5878-000CN	3x500-sheet feeder covers on page 781
Cover, right lower	RC3-3692-000CN	Covers (M855) on page 757
Cover, right lower	RC3-3692-000CN	Covers (M880) on page 759
Cover, right lower	RC3-5875-000CN	1x500-sheet feeder with stand (M855 only) covers on page 777
Cover, right lower	RC3-5875-000CN	3x500-sheet feeder covers on page 781
Cover, right lower	RC3-5875-000CN	HCI feeder covers on page 785
Cover, right rear	RC3-5881-000CN	1x500-sheet feeder with stand (M855 only) covers on page 777
Cover, right rear	RC3-5881-000CN	3x500-sheet feeder covers on page 781
Cover, right rear	RC3-5881-000CN	HCI feeder covers on page 785
Cover, right upper front MFP	RC3-5965-000CN	Covers (M880) on page 759
Cover, right upper rear MFP	RC4-1291-000CN	Covers (M880) on page 759
Cover, right upper, rear	RC3-5952-000CN	Covers (M855) on page 757

Table 2-69 Alphabetical parts list (continued)

Description	Part number	Table and page
Cover, right, scanner (M880)	A2W75-40004	Scanner assemblies (M880) on page 755
Cover, saddle delivery inner (booklet maker)	RC4-2471-000CN	Booklet maker covers on page 793
Cover, stepped lower (booklet maker)	RC4-2447-000CN	Booklet maker covers on page 793
Cover, stepped lower (stapler/stacker)	RC4-2447-000CN	Stapler/stacker covers on page 791
Cover, stepped upper	RC4-2448-000CN	Booklet maker covers on page 793
Cover, stepped, upper	RC4-2448-000CN	Stapler/stacker covers on page 791
Cover, tray cable	RC4-2462-000CN	Stapler/stacker covers on page 791
Cover, tray cable	RC4-2462-000CN	Booklet maker covers on page 793
Cover, USB (M880)	5851-5360	Document feeder and scanner assemblies (M880) on page 749
Deflector	FB3-7928-000CN	Booklet maker saddle assembly on page 807
Deflector	FB5-2697-000CN	Booklet maker saddle assembly on page 807
Door open switch assembly	RM2-7035-000CN	Internal components (5 of 6) on page 771
Door, front	A2W77-67907	Covers (M880) on page 759
Duplexing feed assembly (M855) ¹	A2W77-67913	Right door assembly on page 761
Duplexing feed assembly (M880) ¹	A2W75-67911	Right door assembly on page 761
E ring, clutch	XD2-1100-322	Finisher main body (3 of 3) on page 799
E-ring	XD9-0136-000CN	Finisher main body (3 of 3) on page 799
E-ring	XD9-0136-000CN	Booklet maker saddle assembly on page 807
Fan (FM1)	RK2-1322-000CN	Internal components (4 of 6) on page 769
Fan (FM2, FM3, FM4)	RK2-1378-000CN	Internal components (4 of 6) on page 769
Fan (FM7)	RK2-1378-000CN	Internal components (5 of 6) on page 771

Table 2-69 Alphabetical parts list (continued)

Description	Part number	Table and page
Fan (FM8)	RK2-1382-000CN	Internal components (4 of 6) on page 769
Fan (FM9, FM10)	RK2-1378-000CN	Internal components (3 of 6) on page 767
Fan assembly (FM201) (ITPU)	RM1-4394-000CN	Intermediate paper transfer unit (IPTU) assemblies on page 775
FFC, laser	RK2-4839-000CN	Internal components (2 of 6) on page 765
FFC, laser	RK2-4841-000CN	Internal components (2 of 6) on page 765
Finisher lock assembly (ITPU)	RM2-5038-000CN	Intermediate paper transfer unit (IPTU) assemblies on page 775
Flag, paper presence (M880)	A8T68-40033	Document feeder assemblies (M880, 1 of 2) on page 751
Flag, paper sensing sensor	FC5-5004-000CN	Finisher main body (2 of 3) on page 797
Fuser (110V)	C1N54-67901	Internal components (4 of 6) on page 769
Fuser (220V)	C1N58-67901	Internal components (4 of 6) on page 769
Gear, 17T/66T	RU7-0713-000CN	Internal components (3 of 6) on page 767
Gear, 42 T	RU7-0714-000CN	Internal components (3 of 6) on page 767
Guide, cable right upper	RC3-5969-000CN	Covers (M855) on page 757
Guide, ITB entrance	RC1-9186-000CN	Internal components (3 of 6) on page 767
Guide, left lower (booklet maker)	RC4-2467-000CN	Booklet maker covers on page 793
Guide, wall upper	RC4-2455-000CN	Booklet maker covers on page 793
Guide, wall, upper	RC4-2455-000CN	Stapler/stacker covers on page 791
Humidity sensor unit	RK2-4811-000CN	Internal components (2 of 6) on page 765
IC photo interrupter	WG8-5935-000CN	Internal components (1 of 6) on page 763
IC photo interrupter	WG8-5935-000CN	Internal components (4 of 6) on page 769
IC, photo interrupter	WG8-5935-000CN	Internal components (5 of 6) on page 771

Table 2-69 Alphabetical parts list (continued)

Description	Part number	Table and page
ITB	A2W77-67904	Internal components (3 of 6) on page 767
Kit, ADF Mylar, A3 (M930)	5851-5857	Document feeder and scanner assemblies (M880) on page 749
Kit, ADF roller (M880)	C1P70-67901	Document feeder assemblies (M880, 2 of 2) on page 753
Kit, ADF separation pad spring (M880)	5851-5855	Document feeder assemblies (M880, 2 of 2) on page 753
Kit, ADF whole unit, A3 (includes white backing kit) (M880) ¹	CF367-67920	Document feeder and scanner assemblies (M880) on page 749
Kit, background selector for backside scan (M880)	5851-5861	Document feeder assemblies (M880, 2 of 2) on page 753
Kit, control panel (without keyboard) (M880)	5851-5952	Document feeder and scanner assemblies (M880) on page 749
Kit, scanner whole unit (includes white backing kit) (M880) ²	A2W75-67908	Document feeder and scanner assemblies (M880) on page 749
Kit, white backing, A3 (M880)	5851-5864	Document feeder and scanner assemblies (M880) on page 749
Knob	FB3-7881-000CN	Booklet maker main body on page 803
Latch assembly	RM2-5319-000CN	Booklet maker covers on page 793
Latch assembly (hole punch)	RM2-5352-000CN	Booklet maker covers on page 793
Lift plate assembly (M880)	A8T68-60006	Document feeder assemblies (M880, 1 of 2) on page 751
Link, right door	RC3-5882-000CN	HCI feeder internal components (1 of 2) on page 787
Lower guide assembly (ITPU)	RM2-5057-000CN	Intermediate paper transfer unit (IPTU) assemblies on page 775
Main drive assembly	A2W77-67908	Internal components (4 of 6) on page 769
Media length sensor	5851-5390	Document feeder assemblies (M880, 1 of 2) on page 751
Motor Stepping (M5)	4K1-1103-000CN	Booklet maker saddle assembly on page 807
Motor, stepping (M112, M122, M132)	RK2-1331-000CN	3x500-sheet feeder components on page 783

Table 2-69 Alphabetical parts list (continued)

Description	Part number	Table and page
Motor, stepping DC (M21, M22)	RK2-4814-000CN	Internal components (4 of 6) on page 769
Mylar sheet	RC4-2822-000CN	Covers (M855) on page 757
Paper detect holder assembly, up	FM0-2429-000CN	Finisher main body (3 of 3) on page 799
Paper feed roller	A2W77-67905	Internal components (5 of 6) on page 771
Paper feed roller kit	A2W77-67905	1x500-sheet feeder with stand components on page 779
Paper feed roller kit	A2W77-67905	3x500-sheet feeder components on page 783
Paper feed roller kit	A2W77-67905	HCI feeder internal components (2 of 2) on page 789
Paper pick up roller	A2W77-67905	Internal components (5 of 6) on page 771
Paper pick up roller kit	A2W77-67905	1x500-sheet feeder with stand components on page 779
Paper pick up roller kit	A2W77-67905	3x500-sheet feeder components on page 783
Paper pick up roller kit	A2W77-67905	HCI feeder internal components (2 of 2) on page 789
Photo interrupter	1990-3366	Document feeder assemblies (M880, 1 of 2) on page 751
Photo interrupter tlp1242	WG8-5593-000CN	Finisher main body (2 of 3) on page 797
Photosensor with connector (M880)	CC355-80014	Document feeder assemblies (M880, 1 of 2) on page 751
Pin, dowel	XD3-2200-000CN	Finisher main body (3 of 3) on page 799
Plate, drawer	RL1-4000-000CN	HCI feeder internal components (1 of 2) on page 787
Print cartridge drive assembly	A2W75-67910	Internal components (4 of 6) on page 769
Pulley, 2-T	FU5-3086-000CN	Finisher main body (3 of 3) on page 799
Punch controller PCA assembly	RM2-7592-000CN	Booklet maker main body on page 803
Punch cover assembly upper (hole punch)	RM2-5336-000CN	Booklet maker covers on page 793
Punch waste bin	RM2-6102-000CN	Stapler/stacker main body on page 801

Table 2-69 Alphabetical parts list (continued)

Description	Part number	Table and page
Punch waste bin	RM2-6102-000CN	Booklet maker main body on page 803
Rack rail	FC5-5436-000CN	Finisher main body (1 of 3) on page 795
Roller, paper pickup	A2W77-67906	Right door assembly on page 761
Roller, retard	A2W77-67906	Right door assembly on page 761
Scan optics, A3	C8569-60001	Document feeder assemblies (M880, 1 of 2) on page 751
SCB Assembly (M880)	A2W75-67904	Document feeder assemblies (M880, 1 of 2) on page 751
Screw, M3x8	XA9-1686-000CN	Internal components (3 of 6) on page 767
Screw, TP M2x10	XA9-1986-000CN	Internal components (3 of 6) on page 767
Secondary Transfer Roller	D7H14-67902	Internal components (3 of 6) on page 767
Shutter, fusing fan	RC3-3840-000CN	Internal components (3 of 6) on page 767
Side panel assembly (ITPU)	RM2-5024-000CN	Intermediate paper transfer unit (IPTU) assemblies on page 775
Spring, ADF sensor	CC522-80101	Document feeder assemblies (M880, 1 of 2) on page 751
Spring, tension	FU5-2335-000CN	Booklet maker saddle assembly on page 807
Stack lower tray assembly	RM2-5339-000CN	Finisher main body (1 of 3) on page 795
Stack upper tray assembly	RM2-5324-000CN	Finisher main body (1 of 3) on page 795
Staple assembly	4G3-0938-000CN	Finisher main body (1 of 3) on page 795
Staple sub assembly	4G3-0939-000CN	Finisher main body (1 of 3) on page 795
Stepping motor DC (M112) (HCI)	RK2-1331-000CN	1x500-sheet feeder with stand components on page 779
Stepping motor DC (M201, M202) (ITPU)	RK2-1320-000CN	Intermediate paper transfer unit (IPTU) assemblies on page 775
Stepping motor DC (M3302, M3304) (HCI)	RK2-1331-000CN	HCI feeder internal components (1 of 2) on page 787

Table 2-69 Alphabetical parts list (continued)

Description	Part number	Table and page
Stopper, load-front (M880)	A8T68-40034	Document feeder assemblies (M880, 1 of 2) on page 751
Stopper, load-rear (M880)	A8T68-40035	Document feeder assemblies (M880, 1 of 2) on page 751
Switch, button (SW113)	WC2-5512-000CN	3x500-sheet feeder components on page 783
Switch, button (SW3301) (HCI)	WC2-5512-000CN	HCI feeder internal components (1 of 2) on page 787
Thermistor unit	RK2-1363-000CN	Internal components (2 of 6) on page 765
Tray assembly, left	C1N64-67902	HCI feeder internal components (2 of 2) on page 789
Tray assembly, right	C1N64-67903	HCI feeder internal components (2 of 2) on page 789
Upper cover assembly (ITPU)	RM2-5016-000CN	Intermediate paper transfer unit (IPTU) assemblies on page 775
Washer	FS5-6488-000CN	Finisher main body (3 of 3) on page 799

Numerical parts list

Table 2-70 Numerical parts list

Part number	Description	Table and page
1990-3366	Photo interrupter	Document feeder assemblies (M880, 1 of 2) on page 751
4G3-0210-000CN	Assembly, upper cover lock	Finisher main body (2 of 3) on page 797
4G3-0671-000CN	Assembly, inner side plate	Booklet maker saddle assembly on page 807
4G3-0725-000CN	Assembly, guide motor (M3)	Booklet maker saddle assembly on page 807
4G3-0769-000CN	Assembly, stack ejection motor	Finisher main body (3 of 3) on page 799
4G3-0934-000CN	Assembly, paper face sensor	Finisher main body (3 of 3) on page 799
4G3-0938-000CN	Staple assembly	Finisher main body (1 of 3) on page 795
4G3-0939-000CN	Staple sub assembly	Finisher main body (1 of 3) on page 795
4G3-1564-000CN	Assembly, swing, HP sensor	Finisher main body (2 of 3) on page 797
4G3-1777-000CN	Cable, staple connecting	Finisher main body (1 of 3) on page 795
4G3-1933-000CN	Assembly, saddle feed motor (M1)	Booklet maker saddle assembly on page 807
4G3-1940-000CN	Assembly, saddle guide	Booklet maker saddle assembly on page 807
4G3-2721-000CN	Assembly, saddle stapler	Booklet maker saddle assembly on page 807
4H3-0370-000CN	Clutch, electromagnetic (CL101, CL102)	Finisher main body (3 of 3) on page 799
4K1-1103-000CN	Motor Stepping (M5)	Booklet maker saddle assembly on page 807
5042-9118	Cover, control panel access (M880)	Document feeder and scanner assemblies (M880) on page 749
5851-5360	Cover, USB (M880)	Document feeder and scanner assemblies (M880) on page 749
5851-5361	Cover, HIP (M880)	Document feeder and scanner assemblies (M880) on page 749
5851-5390	Media length sensor	Document feeder assemblies (M880, 1 of 2) on page 751

Table 2-70 Numerical parts list (continued)

Part number	Description	Table and page
5851-5855	Kit, ADF separation pad spring (M880)	Document feeder assemblies (M880, 2 of 2) on page 753
5851-5857	Kit, ADF Mylar, A3 (M930)	Document feeder and scanner assemblies (M880) on page 749
5851-5861	Kit, background selector for backside scan (M880)	Document feeder assemblies (M880, 2 of 2) on page 753
5851-5864	Kit, white backing, A3 (M880)	Document feeder and scanner assemblies (M880) on page 749
5851-5952	Kit, control panel (without keyboard) (M880)	Document feeder and scanner assemblies (M880) on page 749
A2W75-40002	Cover, front, scanner (M880)	Scanner assemblies (M880) on page 755
A2W75-40003	Cover, left, scanner (M880)	Scanner assemblies (M880) on page 755
A2W75-40004	Cover, right, scanner (M880)	Scanner assemblies (M880) on page 755
A2W75-60111	Cable, cave light LED	Document feeder assemblies (M880, 1 of 2) on page 751
A2W75-60131	Cover, back, scanner (M880)	Document feeder assemblies (M880, 1 of 2) on page 751
A2W75-67904	SCB Assembly (M880)	Document feeder assemblies (M880, 1 of 2) on page 751
A2W75-67908	Kit, scanner whole unit (includes white backing kit) (M880) ²	Document feeder and scanner assemblies (M880) on page 749
A2W75-67910	Print cartridge drive assembly	Internal components (4 of 6) on page 769
A2W75-67911	Duplexing feed assembly (M880) ¹	Right door assembly on page 761
A2W77-67904	ITB	Internal components (3 of 6) on page 767
A2W77-67905	Paper pick up roller	Internal components (5 of 6) on page 771
A2W77-67905	Paper feed roller	Internal components (5 of 6) on page 771
A2W77-67905	Paper pick up roller kit	1x500-sheet feeder with stand components on page 779
A2W77-67905	Paper feed roller kit	1x500-sheet feeder with stand components on page 779
A2W77-67905	Paper pick up roller kit	3x500-sheet feeder components on page 783

Table 2-70 Numerical parts list (continued)

Part number	Description	Table and page
A2W77-67905	Paper feed roller kit	3x500-sheet feeder components on page 783
A2W77-67905	Paper pick up roller kit	HCI feeder internal components (2 of 2) on page 789
A2W77-67905	Paper feed roller kit	HCI feeder internal components (2 of 2) on page 789
A2W77-67906	Roller, paper pickup	Right door assembly on page 761
A2W77-67906	Roller, retard	Right door assembly on page 761
A2W77-67907	Cover, front	Covers (M855) on page 757
A2W77-67907	Door, front	Covers (M880) on page 759
A2W77-67908	Main drive assembly	Internal components (4 of 6) on page 769
A2W77-67913	Duplexing feed assembly (M855) ¹	Right door assembly on page 761
A2W79-67902	Cartridge interface PCAs kit	Internal components (6 of 6) on page 773
A2W84-67901	2/3 punch hole assembly kit	Stapler/stacker main body on page 801
A2W94-67901	Assembly, 2/3 punch hole	Booklet maker main body on page 803
A8T68-40033	Flag, paper presence (M880)	Document feeder assemblies (M880, 1 of 2) on page 751
A8T68-40034	Stopper, load-front (M880)	Document feeder assemblies (M880, 1 of 2) on page 751
A8T68-40035	Stopper, load-rear (M880)	Document feeder assemblies (M880, 1 of 2) on page 751
A8T68-40064	Cover, front ADF (M880)	Document feeder assemblies (M880, 1 of 2) on page 751
A8T68-40066	Cover, rear, right ADF (M880)	Document feeder assemblies (M880, 1 of 2) on page 751
A8T68-40067	Cover, rear, left ADF (M880)	Document feeder assemblies (M880, 1 of 2) on page 751
A8T68-40072	Cover, ADF roller (M880)	Document feeder assemblies (M880, 2 of 2) on page 753
A8T68-60006	Lift plate assembly (M880)	Document feeder assemblies (M880, 1 of 2) on page 751
A8T68-60025	Assembly, ADF hinge (M880)	Document feeder assemblies (M880, 1 of 2) on page 751

Table 2-70 Numerical parts list (continued)

Part number	Description	Table and page
C1N54-67901	Fuser (110V)	Internal components (4 of 6) on page 769
C1N58-67901	Fuser (220V)	Internal components (4 of 6) on page 769
C1N64-67902	Tray assembly, left	HCI feeder internal components (2 of 2) on page 789
C1N64-67903	Tray assembly, right	HCI feeder internal components (2 of 2) on page 789
C1P70-67901	Kit, ADF roller (M880)	Document feeder assemblies (M880, 2 of 2) on page 753
C8569-60001	Scan optics, A3	Document feeder assemblies (M880, 1 of 2) on page 751
C8569-80008	Belt drive, A3	Document feeder assemblies (M880, 1 of 2) on page 751
CC350-60006	Assembly, motor, A3	Document feeder assemblies (M880, 1 of 2) on page 751
CC355-80014	Photosensor with connector (M880)	Document feeder assemblies (M880, 1 of 2) on page 751
CC522-60101	AY motor encoder	Document feeder assemblies (M880, 1 of 2) on page 751
CC522-80101	Spring, ADF sensor	Document feeder assemblies (M880, 1 of 2) on page 751
CF367-60106	Cable, power, integrated scan assembly (M880)	Document feeder assemblies (M880, 1 of 2) on page 751
CF367-60117	Assembly, AY_bracket-tensioner	Document feeder assemblies (M880, 1 of 2) on page 751
CF367-67920	Kit, ADF whole unit, A3 (includes white backing kit) (M880) ¹	Document feeder and scanner assemblies (M880) on page 749
CZ999-67902	2/4 punch hole assembly kit	Stapler/stacker main body on page 801
CZ999-67902	Assembly, 2/4 punch hole	Booklet maker main body on page 803
D7H14-67902	Secondary Transfer Roller	Internal components (3 of 6) on page 767
FB3-7881-000CN	Knob	Booklet maker main body on page 803
FB3-7928-000CN	Deflector	Booklet maker saddle assembly on page 807
FB5-2697-000CN	Deflector	Booklet maker saddle assembly on page 807

Table 2-70 Numerical parts list (continued)

Part number	Description	Table and page
FC5-5004-000CN	Flag, paper sensing sensor	Finisher main body (2 of 3) on page 797
FC5-5436-000CN	Rack rail	Finisher main body (1 of 3) on page 795
FM0-1686-000CN	Assembly, folding motor mount (M2, M8)	Booklet maker saddle assembly on page 807
FM0-1882-000CN	Assembly, upper cross-member	Finisher main body (2 of 3) on page 797
FM0-1889-000CN	Assembly, paper feed motor	Finisher main body (2 of 3) on page 797
FM0-2403-000CN	Assembly, return roller	Finisher main body (3 of 3) on page 799
FM0-2429-000CN	Paper detect holder assembly, up	Finisher main body (3 of 3) on page 799
FM2-0717-000CN	Assembly, entrance sensor bracket	Finisher main body (2 of 3) on page 797
FM2-0730-000CN	Assembly, pressure roller	Finisher main body (3 of 3) on page 799
FM2-0737-000CN	Assembly, saddle motor (M113)	Stapler/stacker main body on page 801
FM2-0737-000CN	Assembly, saddle motor (M113)	Booklet maker main body on page 803
FM2-0763-000CN	Assembly, rear end sensor (PI13)	Booklet maker saddle assembly on page 807
FM2-1393-000CN	Assembly, adjust guide HP sensor	Finisher main body (2 of 3) on page 797
FM2-1396-000CN	Assembly, assist sensor	Finisher main body (2 of 3) on page 797
FM2-1401-000CN	Assembly, shutter HP sensor	Finisher main body (3 of 3) on page 799
FM2-1409-000CN	Assembly, press motor (M106)	Finisher main body (3 of 3) on page 799
FM2-1417-000CN	Assembly, sensor/switch MSW101)	Finisher main body (3 of 3) on page 799
FM6-2283-000CN	Assembly, guide sensor	Booklet maker saddle assembly on page 807
FS5-1805-000CN	Bushing	Finisher main body (3 of 3) on page 799
FS5-6488-000CN	Washer	Finisher main body (3 of 3) on page 799
FU5-2335-000CN	Spring, tension	Booklet maker saddle assembly on page 807

Table 2-70 Numerical parts list (continued)

Part number	Description	Table and page
FU5-3086-000CN	Pulley, 2-T	Finisher main body (3 of 3) on page 799
RB1-9617-000CN	Brush, cleaning	Right door assembly on page 761
RC1-9186-000CN	Guide, ITB entrance	Internal components (3 of 6) on page 767
RC3-3533-000CN	Cover, internal right	Internal components (3 of 6) on page 767
RC3-3692-000CN	Cover, right lower	Covers (M855) on page 757
RC3-3692-000CN	Cover, right lower	Covers (M880) on page 759
RC3-3711-000CN	Cover, rear right	Covers (M855) on page 757
RC3-3711-000CN	Cover, rear right	Covers (M880) on page 759
RC3-3712-000CN	Cover, rear right upper	Covers (M855) on page 757
RC3-3712-000CN	Cover, rear right upper	Covers (M880) on page 759
RC3-3713-000CN	Cover, rear left	Covers (M855) on page 757
RC3-3713-000CN	Cover, rear left	Covers (M880) on page 759
RC3-3714-000CN	Cover, fuser fan	Covers (M855) on page 757
RC3-3714-000CN	Cover, fuser fan	Covers (M880) on page 759
RC3-3718-000CN	Cover, front upper	Covers (M855) on page 757
RC3-3718-000CN	Cover, front upper	Covers (M880) on page 759
RC3-3719-000CN	Cover, rear upper side	Covers (M880) on page 759
RC3-3758-000CN	Cover, HW integration pocket	Covers (M855) on page 757
RC3-3762-000CN	Cover, pocket base	Covers (M855) on page 757
RC3-3840-000CN	Shutter, fusing fan	Internal components (3 of 6) on page 767
RC3-5288-000CN	Cover, rear upper front	Covers (M880) on page 759
RC3-5289-000CN	Cover, rear upper rear	Covers (M880) on page 759
RC3-5290-000CN	Cover, rear upper, upper	Covers (M855) on page 757
RC3-5875-000CN	Cover, right lower	1x500-sheet feeder with stand (M855 only) covers on page 777
RC3-5875-000CN	Cover, right lower	3x500-sheet feeder covers on page 781
RC3-5875-000CN	Cover, right lower	HCl feeder covers on page 785
RC3-5878-000CN	Cover, right front (3x500)	3x500-sheet feeder covers on page 781

Table 2-70 Numerical parts list (continued)

Part number	Description	Table and page
RC3-5881-000CN	Cover, right rear	1x500-sheet feeder with stand (M855 only) covers on page 777
RC3-5881-000CN	Cover, right rear	3x500-sheet feeder covers on page 781
RC3-5881-000CN	Cover, right rear	HCI feeder covers on page 785
RC3-5882-000CN	Link, right door	HCI feeder internal components (1 of 2) on page 787
RC3-5884-000CN	Cover, front upper face	1x500-sheet feeder with stand (M855 only) covers on page 777
RC3-5884-000CN	Cover, front upper face	3x500-sheet feeder covers on page 781
RC3-5885-000CN	Cover, front upper face left	1x500-sheet feeder with stand (M855 only) covers on page 777
RC3-5885-000CN	Cover, front upper face left	3x500-sheet feeder covers on page 781
RC3-5886-000CN	Cover, front upper	1x500-sheet feeder with stand (M855 only) covers on page 777
RC3-5886-000CN	Cover, front upper	3x500-sheet feeder covers on page 781
RC3-5887-000CN	Cover, rear	1x500-sheet feeder with stand (M855 only) covers on page 777
RC3-5887-000CN	Cover, rear	3x500-sheet feeder covers on page 781
RC3-5896-000CN	Cover, rear (HCI)	HCI feeder covers on page 785
RC3-5913-000CN	Cover, left	1x500-sheet feeder with stand (M855 only) covers on page 777
RC3-5913-000CN	Cover, left	3x500-sheet feeder covers on page 781
RC3-5913-000CN	Cover, left	HCI feeder covers on page 785
RC3-5920-000CN	Cover, right front	1x500-sheet feeder with stand (M855 only) covers on page 777
RC3-5943-000CN	Cover, assist left (ITPU)	Intermediate paper transfer unit (IPTU) assemblies on page 775

Table 2-70 Numerical parts list (continued)

Part number	Description	Table and page
RC3-5944-000CN	Cover, assist right (ITPU)	Intermediate paper transfer unit (IPTU) assemblies on page 775
RC3-5952-000CN	Cover, right upper, rear	Covers (M855) on page 757
RC3-5960-000CN	Cover, rear upper MFP	Covers (M880) on page 759
RC3-5964-000CN	Cover, rear upper B	Covers (M855) on page 757
RC3-5964-000CN	Cover, rear upper B	Covers (M880) on page 759
RC3-5965-000CN	Cover, right upper front MFP	Covers (M880) on page 759
RC3-5969-000CN	Guide, cable right upper	Covers (M855) on page 757
RC3-5984-000CN	Cover, MP blanking	Right door assembly on page 761
RC3-5990-000CN	Cover, air duct	Internal components (4 of 6) on page 769
RC3-5991-000CN	Cover, face down drive	Covers (M855) on page 757
RC3-5991-000CN	Cover, face down drive	Covers (M880) on page 759
RC4-1291-000CN	Cover, right upper rear MFP	Covers (M880) on page 759
RC4-1378-000CN	Cover, rear	Covers (M855) on page 757
RC4-1378-000CN	Cover, rear	Covers (M880) on page 759
RC4-1386-000CN	Cap, rear right	Covers (M855) on page 757
RC4-1386-000CN	Cap rear right	Covers (M880) on page 759
RC4-2447-000CN	Cover, stepped lower (stapler/stacker)	Stapler/stacker covers on page 791
RC4-2447-000CN	Cover, stepped lower (booklet maker)	Booklet maker covers on page 793
RC4-2448-000CN	Cover, stepped, upper	Stapler/stacker covers on page 791
RC4-2448-000CN	Cover, stepped upper	Booklet maker covers on page 793
RC4-2449-000CN	Cover, open/close, stepped	Stapler/stacker covers on page 791
RC4-2449-000CN	Cover, open/close stepped	Booklet maker covers on page 793
RC4-2455-000CN	Guide, wall, upper	Stapler/stacker covers on page 791
RC4-2455-000CN	Guide, wall upper	Booklet maker covers on page 793
RC4-2462-000CN	Cover, tray cable	Stapler/stacker covers on page 791
RC4-2462-000CN	Cover, tray cable	Booklet maker covers on page 793

Table 2-70 Numerical parts list (continued)

Part number	Description	Table and page
RC4-2467-000CN	Guide, left lower (booklet maker)	Booklet maker covers on page 793
RC4-2471-000CN	Cover, saddle delivery inner (booklet maker)	Booklet maker covers on page 793
RC4-2474-000CN	Cover, inner lower	Stapler/stacker main body on page 801
RC4-2476-000CN	Cover, punch front lower (hole punch)	Stapler/stacker covers on page 791
RC4-2476-000CN	Cover, punch front lower (hole punch)	Booklet maker covers on page 793
RC4-2477-000CN	Cover, latch, lower	Stapler/stacker covers on page 791
RC4-2477-000CN	Cover, latch lower	Booklet maker covers on page 793
RC4-2478-000CN	Cover, punch front (hole punch)	Stapler/stacker covers on page 791
RC4-2478-000CN	Cover, punch front (hole punch)	Booklet maker covers on page 793
RC4-2482-000CN	Cover, punch rear (hole punch)	Stapler/stacker covers on page 791
RC4-2482-000CN	Cover, punch rear (hole punch)	Booklet maker covers on page 793
RC4-2797-000CN	Cover, blanking (ITPU)	Intermediate paper transfer unit (IPTU) assemblies on page 775
RC4-2822-000CN	Mylar sheet	Covers (M855) on page 757
RC4-4587-000CN	Band, door	Covers (M855) on page 757
RC4-4587-000CN	Band, door	Covers (M880) on page 759
RK2-1320-000CN	Stepping motor DC (M201, M202) (ITPU)	Intermediate paper transfer unit (IPTU) assemblies on page 775
RK2-1322-000CN	Fan (FM1)	Internal components (4 of 6) on page 769
RK2-1331-000CN	Stepping motor DC (M112) (HCI)	1x500-sheet feeder with stand components on page 779
RK2-1331-000CN	Motor, stepping (M112, M122, M132)	3x500-sheet feeder components on page 783
RK2-1331-000CN	Stepping motor DC (M3302, M3304) (HCI)	HCI feeder internal components (1 of 2) on page 787
RK2-1363-000CN	Thermistor unit	Internal components (2 of 6) on page 765

Table 2-70 Numerical parts list (continued)

Part number	Description	Table and page
RK2-1378-000CN	Fan (FM9, FM10)	Internal components (3 of 6) on page 767
RK2-1378-000CN	Fan (FM2, FM3, FM4)	Internal components (4 of 6) on page 769
RK2-1378-000CN	Fan (FM7)	Internal components (5 of 6) on page 771
RK2-1382-000CN	Fan (FM8)	Internal components (4 of 6) on page 769
RK2-4804-000CN	Cable, USB AB (M855)	Internal components (6 of 6) on page 773
RK2-4806-000CN	Cable, USB, BB (M855)	Internal components (6 of 6) on page 773
RK2-4811-000CN	Humidity sensor unit	Internal components (2 of 6) on page 765
RK2-4814-000CN	Motor, stepping DC (M21, M22)	Internal components (4 of 6) on page 769
RK2-4836-000CN	Cable, USB MFP (M880)	Internal components (6 of 6) on page 773
RK2-4839-000CN	FFC, laser	Internal components (2 of 6) on page 765
RK2-4841-000CN	FFC, laser	Internal components (2 of 6) on page 765
RK2-4843-000CN	Cable, video interface (M855)	Internal components (6 of 6) on page 773
RK2-4845-000CN	Cable, toner tag	Internal components (4 of 6) on page 769
RL1-3637-000CN	Cover, front inner lower	Internal components (5 of 6) on page 771
RL1-4000-000CN	Plate, drawer	HCI feeder internal components (1 of 2) on page 787
RL1-4003-000CN	Assembly, low-voltage power supply	Internal components (5 of 6) on page 771
RL1-4005-000CN	Assembly, fuser power supply	Internal components (6 of 6) on page 773
RM1-3222-000CN	Assembly, lifter drive	Internal components (5 of 6) on page 771
RM1-3280-000CN	Assembly, ITB alienation drive	Internal components (3 of 6) on page 767
RM1-3364-000CN	Assembly, fan	Internal components (2 of 6) on page 765
RM1-3531-000CN	Assembly, auto close (HCI)	1x500-sheet feeder with stand components on page 779

Table 2-70 Numerical parts list (continued)

Part number	Description	Table and page
RM1-3531-060CN	Assembly, auto close	3x500-sheet feeder components on page 783
RM1-4394-000CN	Fan assembly (FM201) (ITPU)	Intermediate paper transfer unit (IPTU) assemblies on page 775
RM1-4519-000CN	Assembly, DC motor (M10, M11)	Internal components (4 of 6) on page 769
RM1-8869-000CN	Assembly, paper pick up, right (HCI)	HCI feeder internal components (2 of 2) on page 789
RM1-8872-000CN	Assembly, paper pick up drive (HCI)	HCI feeder internal components (1 of 2) on page 787
RM1-8876-000CN	Assembly, paper pick up, left (HCI)	HCI feeder internal components (2 of 2) on page 789
RM1-8879-000CN	Assembly, lifter drive (M3302, M3303) (HCI)	HCI feeder internal components (1 of 2) on page 787
RM1-8880-000CN	Assembly, auto close (HCI)	HCI feeder internal components (1 of 2) on page 787
RM1-9579-000CN	Assembly, media level sensor (HCI)	HCI feeder internal components (1 of 2) on page 787
RM1-9599-000CN	Assembly, cassette paper pick up	Internal components (5 of 6) on page 771
RM1-9606-000CN	Assembly, fuser drive	Internal components (4 of 6) on page 769
RM1-9614-000CN	Assembly, drum motor (M13, M13, M14, M15)	Internal components (4 of 6) on page 769
RM1-9615-000CN	Assembly, MP Guide	Internal components (5 of 6) on page 771
RM1-9621-000CN	Assembly, registration 2nd transfer	Internal components (3 of 6) on page 767
RM1-9629-000CN	Assembly, photo sensor	Internal components (2 of 6) on page 765
RM1-9631-000CN	Assembly, face down end tray	Covers (M855) on page 757
RM1-9631-000CN	Assembly, face down end tray	Covers (M880) on page 759
RM1-9633-000CN	Assembly, switch back cover	Covers (M855) on page 757
RM1-9633-000CN	Assembly, switch back cover	Covers (M880) on page 759
RM1-9640-000CN	Assembly, right door sub	Right door assembly on page 761

Table 2-70 Numerical parts list (continued)

Part number	Description	Table and page
RM1-9642-000CN	Assembly, MP tray	Right door assembly on page 761
RM1-9644-000CN	Assembly, MP paper pick up	Right door assembly on page 761
RM1-9841-000CN	Assembly, face down paper delivery	Internal components (2 of 6) on page 765
RM1-9843-000CN	Assembly, MP drive	Internal components (2 of 6) on page 765
RM1-9857-000CN	Assembly, shutter gear holder	Internal components (3 of 6) on page 767
RM2-0256-000CN	Assembly, right door (HCI)	HCI feeder covers on page 785
RM2-0270-000CN	Assembly, merge paper feed (HCI)	HCI feeder internal components (2 of 2) on page 789
RM2-0273-000	Assembly, cassette	1x500-sheet feeder with stand components on page 779
RM2-0273-000CN	Assembly, cassette	3x500-sheet feeder components on page 783
RM2-0275-000	Assembly, paper pick-up	1x500-sheet feeder with stand components on page 779
RM2-0275-000CN	Assembly, paper pick up	3x500-sheet feeder components on page 783
RM2-0276-000CN	Assembly, cassette	3x500-sheet feeder components on page 783
RM2-0280-000CN	Assembly, right door	3x500-sheet feeder covers on page 781
RM2-0281-000CN	Assembly, right door	1x500-sheet feeder with stand (M855 only) covers on page 777
RM2-0282-000CN	Assembly, stock box	1x500-sheet feeder with stand (M855 only) covers on page 777
RM2-0283-000CN	Assembly, stock box cover	1x500-sheet feeder with stand (M855 only) covers on page 777
RM2-0291-000CN	Assembly, duplex reverse (M855)	Internal components (2 of 6) on page 765
RM2-0294-000CN	Assembly, left front cover	Covers (M855) on page 757
RM2-0294-000CN	Assembly, left front cover	Covers (M880) on page 759
RM2-0295-000CN	Assembly, top cover	Covers (M855) on page 757
RM2-0295-000CN	Assembly, top cover	Covers (M880) on page 759

Table 2-70 Numerical parts list (continued)

Part number	Description	Table and page
RM2-0296-000CN	Assembly, interconnect board (ICB) (M855)	Internal components (6 of 6) on page 773
RM2-0313-000CN	Assembly, upper front inner cover (M855)	Internal components (5 of 6) on page 771
RM2-0715-000	Assembly, controller PCA	1x500-sheet feeder with stand components on page 779
RM2-0716-000CN	Assembly, controller PCA	3x500-sheet feeder components on page 783
RM2-0717-000CN	Assembly, controller PCA (HCI)	HCI feeder internal components (1 of 2) on page 787
RM2-5014-000CN	Cassette, Tray 2 (1x500 engine)	Internal components (5 of 6) on page 771
RM2-5016-000CN	Upper cover assembly (ITPU)	Intermediate paper transfer unit (IPTU) assemblies on page 775
RM2-5022-000CN	Cartridge pressure assembly	Internal components (5 of 6) on page 771
RM2-5023-000CN	Assembly, switch back tray	Covers (M855) on page 757
RM2-5023-000CN	Assembly, switch back tray	Covers (M880) on page 759
RM2-5024-000CN	Side panel assembly (ITPU)	Intermediate paper transfer unit (IPTU) assemblies on page 775
RM2-5034-000CN	Assembly, upper front inner cover (M880)	Internal components (5 of 6) on page 771
RM2-5035-000CN	Assembly, interconnect board (ICB) (M880)	Internal components (6 of 6) on page 773
RM2-5038-000CN	Finisher lock assembly (ITPU)	Intermediate paper transfer unit (IPTU) assemblies on page 775
RM2-5046-000CN	Assembly, main switch PCA	Internal components (5 of 6) on page 771
RM2-5049-000CN	Assembly, left cover	Covers (M855) on page 757
RM2-5049-000CN	Assembly, left cover	Covers (M880) on page 759
RM2-5057-000CN	Lower guide assembly (ITPU)	Intermediate paper transfer unit (IPTU) assemblies on page 775
RM2-5061-000CN	Assembly, duplex reverse (M880)	Internal components (2 of 6) on page 765
RM2-5062-000CN	Assembly, interlock switch (SW101, SW102)	Internal components (3 of 6) on page 767
RM2-5063-000CN	Assembly, right upper cover	Covers (M855) on page 757

Table 2-70 Numerical parts list (continued)

Part number	Description	Table and page
RM2-5176-000CN	Assembly, scanner	Internal components (2 of 6) on page 765
RM2-5304-000CN	Assembly, inner cover lower	Booklet maker main body on page 803
RM2-5305-000CN	Assembly, inner cover upper	Stapler/stacker main body on page 801
RM2-5305-000CN	Assembly, inner cover upper	Booklet maker main body on page 803
RM2-5307-000CN	Assembly, swing guide	Finisher main body (3 of 3) on page 799
RM2-5309-000CN	Assembly, operation tray	Finisher main body (2 of 3) on page 797
RM2-5318-000CN	Assembly, saddle tray (booklet maker)	Booklet maker covers on page 793
RM2-5319-000CN	Assembly, latch	Stapler/stacker covers on page 791
RM2-5319-000CN	Latch assembly	Booklet maker covers on page 793
RM2-5320-000CN	Assembly, front cover	Stapler/stacker covers on page 791
RM2-5321-000CN	Assembly, rear cover	Stapler/stacker covers on page 791
RM2-5321-000CN	Assembly, rear cover	Booklet maker covers on page 793
RM2-5322-000CN	Assembly, upper cover	Stapler/stacker covers on page 791
RM2-5322-000CN	Assembly, upper cover	Booklet maker covers on page 793
RM2-5324-000CN	Stack upper tray assembly	Finisher main body (1 of 3) on page 795
RM2-5332-000CN	Assembly, saddle paper delivery	Booklet maker saddle assembly on page 807
RM2-5334-000CN	Assembly, paper pass	Stapler/stacker main body on page 801
RM2-5336-000CN	Assembly, hole punch upper cover	Stapler/stacker covers on page 791
RM2-5336-000CN	Punch cover assembly upper (hole punch)	Booklet maker covers on page 793
RM2-5337-000CN	Assembly, punch inner cover (hole punch)	Stapler/stacker main body on page 801
RM2-5337-000CN	Assembly, punch inner cover (hole punch)	Booklet maker main body on page 803

Table 2-70 Numerical parts list (continued)

Part number	Description	Table and page
RM2-5339-000CN	Stack lower tray assembly	Finisher main body (1 of 3) on page 795
RM2-5343-000CN	Assembly, upper stack wall	Stapler/stacker covers on page 791
RM2-5343-000CN	Assembly, stack wall upper	Booklet maker covers on page 793
RM2-5349-000CN	Assembly, upper delivery guide	Booklet maker saddle assembly on page 807
RM2-5351-000CN	Assembly, saddle paper feed	Booklet maker main body on page 803
RM2-5352-000CN	Assembly, latch (hole punch)	Stapler/stacker covers on page 791
RM2-5352-000CN	Latch assembly (hole punch)	Booklet maker covers on page 793
RM2-5521-000CN	Assembly, interface cable	Finisher main body (3 of 3) on page 799
RM2-5633-000CN	Assembly, delivery switch mount	Booklet maker saddle assembly on page 807
RM2-5849-000CN	Assembly, entrance sensor flag	Finisher main body (2 of 3) on page 797
RM2-5851-000CN	Assembly, front cover	Booklet maker covers on page 793
RM2-5852-000CN	Assembly, height wall center	Booklet maker covers on page 793
RM2-5853-000CN	Assembly, height wall, lower (stapler/stacker)	Stapler/stacker covers on page 791
RM2-6024-000CN	Assembly, entrance upper guide (booklet maker)	Finisher main body (2 of 3) on page 797
RM2-6079-000CN	Cover, foot front (stapler/stacker)	Stapler/stacker covers on page 791
RM2-6079-000CN	Assembly, front foot cover	Booklet maker covers on page 793
RM2-6080-000CN	Cover, foot, rear	Stapler/stacker covers on page 791
RM2-6080-000CN	Assembly, rear foot cover	Booklet maker covers on page 793
RM2-6102-000CN	Punch waste bin	Stapler/stacker main body on page 801
RM2-6102-000CN	Punch waste bin	Booklet maker main body on page 803
RM2-7001-000CN	Assembly, high-voltage power supply tran. A PCA	Internal components (6 of 6) on page 773

Table 2-70 Numerical parts list (continued)

Part number	Description	Table and page
RM2-7002-000CN	Assembly, HVPS Trans B PCA	Internal components (1 of 6) on page 763
RM2-7005-000CN	Assembly, DC controller PCA (M855)	Internal components (6 of 6) on page 773
RM2-7006-000CN	Assembly, DC controller PCA (M880)	Internal components (6 of 6) on page 773
RM2-7009-000CN	Assembly, memory tag PCA	Internal components (4 of 6) on page 769
RM2-7019-000CN	Controller PCA assembly (IPTU)	Intermediate paper transfer unit (IPTU) assemblies on page 775
RM2-7026-000CN	Assembly, CPR sensor	Internal components (3 of 6) on page 767
RM2-7035-000CN	Door open switch assembly	Internal components (5 of 6) on page 771
RM2-7067-000CN	Cable, CP s (M855)	Internal components (6 of 6) on page 773
RM2-7582-000CN	Assembly, main controller PCA	Finisher main body (3 of 3) on page 799
RM2-7586-000CN	Assembly, saddle controller PCA	Booklet maker saddle assembly on page 807
RM2-7590-000CN	Assembly, common driver PCA	Stapler/stacker main body on page 801
RM2-7590-000CN	Common driver PCA assembly	Booklet maker main body on page 803
RM2-7592-000CN	Assembly, punch controller PCA (hole punch)	Stapler/stacker main body on page 801
RM2-7592-000CN	Punch controller PCA assembly	Booklet maker main body on page 803
RU7-0713-000CN	Gear, 17T/66T	Internal components (3 of 6) on page 767
RU7-0714-000CN	Gear, 42 T	Internal components (3 of 6) on page 767
VS1-7257-012CN	Connector, drawer	1x500-sheet feeder with stand components on page 779
VS1-7257-012CN	Connector, drawer	3x500-sheet feeder components on page 783
VS1-7257-012CN	Connector, drawer	HCl feeder internal components (1 of 2) on page 787
VS1-7258-000CN	Connector	Internal components (6 of 6) on page 773
WC2-5512-000CN	Switch, button (SW113)	3x500-sheet feeder components on page 783

Table 2-70 Numerical parts list (continued)

Part number	Description	Table and page
WC2-5512-000CN	Switch, button (SW3301) (HCI)	HCI feeder internal components (1 of 2) on page 787
WG8-5593-000CN	Photo interrupter tlp1242	Finisher main body (2 of 3) on page 797
WG8-5935-000CN	IC photo interrupter	Internal components (1 of 6) on page 763
WG8-5935-000CN	IC photo interrupter	Internal components (4 of 6) on page 769
WG8-5935-000CN	IC, photo interrupter	Internal components (5 of 6) on page 771
XA9-1686-000CN	Screw, M3x8	Internal components (3 of 6) on page 767
XA9-1986-000CN	Screw, TP M2x10	Internal components (3 of 6) on page 767
XD2-1100-322	E ring, clutch	Finisher main body (3 of 3) on page 799
XD3-2200-000CN	Pin, dowel	Finisher main body (3 of 3) on page 799
XD9-0136-000CN	E-ring	Finisher main body (3 of 3) on page 799
XD9-0136-000CN	E-ring	Booklet maker saddle assembly on page 807
XF2-1607860CN	Belt, timing cogged	Finisher main body (3 of 3) on page 799
XF2-1608-840CN	Belt, timing	Finisher main body (3 of 3) on page 799
XF9-0748-000CN	Belt, timing cogged	Finisher main body (3 of 3) on page 799
XG9-0520-000CN	Bearing , ball MF 106ZZS	Finisher main body (3 of 3) on page 799

Index

Symbols/Numerics

- 1x500 storage box door, 1x500- and 3x500-sheet feeders
 - removing and replacing 396
 - 1x500 storage box, 1x500- and 3x500-sheet feeders
 - removing and replacing 398
 - 1x500 Tray 3
 - removing and replacing 18
 - 1x500 Tray 3 automatic close assembly, 1x500- and 3x500-sheet feeders
 - removing and replacing 419
 - 1x500 Tray 3 pickup assembly, 1x500- and 3x500-sheet feeders
 - removing and replacing 402
 - 1x500- and 3x500-sheet feeder
 - left cover, removing and replacing 425
 - right door assembly, removing and replacing 428
 - right rear cover, removing and replacing 430
 - 1x500- and 3x500-sheet feeders
 - 1x500 storage box door, removing and replacing 396
 - 1x500 storage box, removing and replacing 398
 - 1x500 Tray 3 automatic close assembly, removing and replacing 419
 - 1x500 Tray 3 pickup assembly, removing and replacing 402
 - 3x500 Tray 3 pickup assembly, removing and replacing 407
 - 3x500 Tray 3, Tray 4, and Tray 5 automatic close assemblies, removing and replacing 420
 - 3x500 Tray 3, Tray 4, and Tray 5 pickup motors, removing and replacing 422
 - 3x500 Tray 4 pickup assembly, removing and replacing 412
 - 3x500 Tray 5 pickup assembly, removing and replacing 416
 - location of components 383
 - rear cover, removing and replacing 387
 - right front cover, removing and replacing 388
 - right lower cover, removing and replacing 400
 - upper front cover, removing and replacing 392
 - upper front face cover, removing and replacing 390
 - upper front left face cover, removing and replacing 395
- 3,500-sheet high-capacity input tray
 - part number 712
- 3x500 Tray 3
 - removing and replacing 18
 - 3x500 Tray 3 pickup assembly, 1x500- and 3x500-sheet feeders
 - removing and replacing 407
 - 3x500 Tray 3, Tray 4, and Tray 5 automatic close assemblies, 1x500- and 3x500-sheet feeders
 - removing and replacing 420
 - 3x500 Tray 3, Tray 4, and Tray 5 pickup motors, 1x500- and 3x500-sheet feeders
 - removing and replacing 422
 - 3x500 Tray 4
 - removing and replacing 18
 - 3x500 Tray 4 pickup assembly, 1x500- and 3x500-sheet feeders
 - removing and replacing 412
 - 3x500 Tray 5
 - removing and replacing 18
 - 3x500 Tray 5 pickup assembly, 1x500- and 3x500-sheet feeders
 - removing and replacing 416
 - 3x500-sheet paper deck
 - part number 712
- ## A
- accessories
 - ordering 708
 - part number 712
 - after-service checklist 4
 - alignment
 - adjusting for finishing accessories 504
- ## B
- background selector (M880)
 - removing and replacing 44
 - before-service checklist 4
 - bin cable cover (finishing accessories)
 - removing and replacing 492
 - booklet maker accessory
 - adjust folding position 506
 - removing and replacing procedures 607
 - booklet maker accessory controller PCA
 - removing and replacing 615
 - booklet maker with hole punch (BMHP) accessory
 - removing and replacing procedures 682

- C**
- cartridge fan FM3 (yellow and magenta)
 - removing and replacing 214
 - cartridge fan FM4 (cyan and black)
 - removing and replacing 218
 - cartridge front area cooling fan FM7
 - removing and replacing 228
 - cartridge interface PCA (cyan and black)
 - removing and replacing 284
 - cartridge interface PCA (yellow and magenta)
 - removing and replacing 286
 - cartridges
 - ordering 708
 - part number 708
 - cautions iii
 - clutch (front side, finishing accessories)
 - removing and replacing 482
 - clutch (rear side, finishing accessories)
 - removing and replacing 588
 - color-plane registration (CPR)
 - sensor assembly
 - removing and replacing 264
 - common driver PCA (booklet maker and stapler/stacker accessories)
 - removing and replacing 599
 - control panel assembly (M855)
 - removing and replacing 47
 - control panel assembly (M880)
 - removing and replacing 53
 - controller PCA main (finishing accessories)
 - removing and replacing 498
 - controller PCA, high-capacity input (HCI) feeder
 - removing and replacing 382, 424
 - conventions, document iii
 - CPR (color-plane registration)
 - sensor assembly
 - removing and replacing 264
 - CSR (customer self-repair) parts
 - part numbers 709
- D**
- customer self-repair (CSR) parts
 - part numbers 709
 - DC controller PCA
 - removing and replacing 263
 - delivery fan FM8
 - removing and replacing 226
 - delivery switch mount assembly (booklet maker accessory)
 - removing and replacing 638
 - diagrams 707
 - DIMM
 - removing and replacing 32
 - document conventions iii
 - document feeder assembly (M880)
 - removing and replacing 154
 - document feeder mylar strip
 - removing and replacing 36
 - document feeder white backing
 - removing and replacing 39
 - document-feeder roller (M880 only)
 - removing and replacing 68
 - document-feeder separation pad (M880 only)
 - removing and replacing 70
 - driver PCA, IPTU
 - removing and replacing 442
 - drivers
 - paper types 7
 - duplex reverse assembly (M855)
 - removing and replacing 319
 - duplex reverse assembly (M880)
 - removing and replacing 320
 - duplexing feed assembly
 - removing and replacing 345
- E**
- electrostatic discharge (ESD) 2
 - entrance upper guide assembly (finishing accessories)
 - removing and replacing 513
 - envelopes
 - supported sizes 4
 - environmental sensor
 - removing and replacing 247
 - ESD electrostatic discharge (ESD) 2
- F**
- face-down bin
 - removing and replacing 101
 - face-down cover
 - removing and replacing 343
 - face-down delivery unit (M855)
 - removing and replacing 327
 - face-down delivery unit (M880)
 - removing and replacing 332
 - fan assembly, IPTU
 - removing and replacing 446
 - fax PCA (M880)
 - removing and replacing 35
 - field-replaceable units (FRUs)
 - replacing 2
 - finisher lock assembly, IPTU
 - removing and replacing 443
 - finishing accessories
 - identifying covers and doors 460
 - identifying models 457
 - shared removing and replacing procedures 464
 - firmware
 - reinstall 30
 - FM1
 - removing and replacing 222
 - FM10
 - removing and replacing 200
 - FM2
 - removing and replacing 207
 - FM3
 - removing and replacing 214
 - FM4
 - removing and replacing 218
 - FM7
 - removing and replacing 228
 - FM8
 - removing and replacing 226
 - FM9
 - removing and replacing 204
 - folding motor mount assembly (booklet maker accessory)
 - removing and replacing 633
 - folding position
 - adjusting booklet maker 506
 - formatter
 - removing and replacing 23, 257

- formatter case
 - removing and replacing 255, 257
 - front door
 - removing and replacing 137
 - front door (finishing accessories)
 - removing and replacing 479
 - front foot cover (finishing accessories)
 - removing and replacing 490
 - front inner cover
 - removing and replacing 147
 - front top cover
 - removing and replacing 115
 - front-door open detection switch
 - removing and replacing 169
 - FRUs (field-replaceable units)
 - replacing 2
 - fuser
 - removing and replacing 21
 - fuser drive assembly
 - removing and replacing 298
 - fuser fan duct
 - removing and replacing 211
 - fuser fan FM2
 - removing and replacing 207
 - fuser home position sensor
 - removing and replacing 192
 - fuser motor
 - removing and replacing 242
 - fuser power supply
 - removing and replacing 235
 - fuser-edge area cooling fan FM10 (front)
 - removing and replacing 200
 - fuser-edge area cooling fan FM9 (rear)
 - removing and replacing 204
- G**
- guide motor assembly (booklet maker accessory)
 - removing and replacing 625
 - guide sensor assembly (booklet maker accessory)
 - removing and replacing 623
- H**
- hard disk drive (HDD)
 - removing and replacing 25
 - hardware integration pocket (HIP) cover (M855)
 - removing and replacing 97
 - hardware integration pocket (HIP) cover (M880)
 - removing and replacing 98
 - HCI (high-capacity input) feeder controller PCA, removing and replacing 382
 - left cover, removing and replacing 425
 - left tray automatic close assembly, removing and replacing 374
 - left tray lifter drive assembly, removing and replacing 370
 - left tray media-level sensor assembly, removing and replacing 372
 - left tray pickup assembly, removing and replacing 377
 - left tray pickup drive, removing and replacing 368
 - left tray pickup motor, removing and replacing 367
 - left tray, removing and replacing 361
 - location of components 357
 - merge assembly, removing and replacing 380
 - rear cover, removing and replacing 362
 - right door assembly, removing and replacing 428
 - right lower cover, removing and replacing 363
 - right rear cover, removing and replacing 430
 - right tray automatic close assembly, removing and replacing 373
 - right tray lifter drive assembly, removing and replacing 369
 - right tray media-level sensor assembly, removing and replacing 371
 - right tray pickup assembly, removing and replacing 375
 - right tray pickup drive, removing and replacing 366
 - right tray pickup motor, removing and replacing 365
 - right tray, removing and replacing 360
 - HCI (high-capacity input) rollers
 - removing and replacing 80
 - HDD (hard disk drive)
 - removing and replacing 25
 - height wall assembly (finishing accessories)
 - removing and replacing 546
 - high-capacity input (HCI) feeder controller PCA, removing and replacing 382, 424
 - left cover, removing and replacing 425
 - left tray automatic close assembly, removing and replacing 374
 - left tray lifter drive assembly, removing and replacing 370
 - left tray media-level sensor assembly, removing and replacing 372
 - left tray pickup assembly, removing and replacing 377
 - left tray pickup drive, removing and replacing 368
 - left tray pickup motor, removing and replacing 367
 - left tray, removing and replacing 361
 - location of components 357
 - merge assembly, removing and replacing 380
 - rear cover, removing and replacing 362
 - right door assembly, removing and replacing 428
 - right lower cover, removing and replacing 363
 - right rear cover, removing and replacing 430
 - right tray automatic close assembly, removing and replacing 373
 - right tray lifter drive assembly, removing and replacing 369

- right tray media-level sensor assembly, removing and replacing 371
- right tray pickup assembly, removing and replacing 375
- right tray pickup drive, removing and replacing 366
- right tray pickup motor, removing and replacing 365
- right tray, removing and replacing 360
- high-capacity input rollers (HCI) removing and replacing 80
- high-voltage power supply (HVPS)
 - A (first transfer) removing and replacing 272
- high-voltage power supply (HVPS)
 - B removing and replacing 260
- HIP (hardware integration pocket) cover (M855) removing and replacing 97
- HIP (hardware integration pocket) cover (M880) removing and replacing 98
- HVPS (high-voltage power supply)
 - A (first transfer) removing and replacing 272
- HVPS (high-voltage power supply)
 - B removing and replacing 260
- I**
- ICB (interconnect board) removing and replacing 257
- image-drum motor removing and replacing 233
- imaging drum removing and replacing 15
- inner lower cover (finishing accessories) removing and replacing 486
- inner side plate assembly (booklet maker accessory) removing and replacing 616
- inner upper cover (finishing accessories) removing and replacing 480
- input accessories removing and replacing 356
- installation 2
- screws 2
- See also* replacing parts
- interconnect board (ICB) removing and replacing 257
- interconnect PCA (M855) removing and replacing 248
- interconnect PCA (M880) removing and replacing 252
- interface cable (finishing accessories) removing and replacing 601
- interlock switch assembly removing and replacing 167
- intermediate paper transport unit (IPTU) driver PCA removing and replacing 442
- intermediate paper transport unit (IPTU) fan assembly removing and replacing 446
- intermediate paper transport unit (IPTU) rear cover removing and replacing 439
- intermediate paper transport unit (IPTU) side panel assembly removing and replacing 447
- intermediate paper transport unit (IPTU) upper guide assembly removing and replacing 451
- intermediate transfer belt (ITB) remove and replace 19
- intermediate transfer belt (ITB) alienation-drive assembly removing and replacing 240
- intermediate transfer belt (ITB) motor removing and replacing 243
- IPTU (intermediate paper transport unit) driver PCA removing and replacing 442
- IPTU (intermediate paper transport unit) fan assembly removing and replacing 446
- IPTU (intermediate paper transport unit) finisher lock assembly removing and replacing 443
- IPTU (intermediate paper transport unit) rear cover removing and replacing 439
- IPTU (intermediate paper transport unit) side panel assembly removing and replacing 447
- IPTU (intermediate paper transport unit) upper guide assembly removing and replacing 451
- IPTU assembly removing and replacing 437
- ITB (intermediate transfer belt) remove and replace 19
- ITB (intermediate transfer belt) motor removing and replacing 243
- ITB alienation-drive assembly removing and replacing 240
- K**
- keyboard assembly (M880) removing and replacing 59
- knob (booklet maker) removing and replacing 608
- L**
- laser scanner warning for servicing 2
- laser/scanner assembly (cyan and black) removing and replacing 312
- laser/scanner assembly (yellow and magenta) removing and replacing 307
- laser/scanner fan FM1 removing and replacing 222
- latch assembly (finishing accessories) removing and replacing 470
- latch lower cover (front, finishing accessories) removing and replacing 468
- left cover removing and replacing 118
- left cover, 1x500- and 3x500-sheet feeder removing and replacing 425
- left cover, high-capacity input (HCI) feeder removing and replacing 425
- left front cover removing and replacing 133

left rear cover
removing and replacing 104

left tray automatic close assembly, high-capacity input (HCI) feeder
removing and replacing 374

left tray lifter drive assembly, high-capacity input (HCI) feeder
removing and replacing 370

left tray media-level sensor assembly, high-capacity input (HCI) feeder
removing and replacing 372

left tray pickup assembly, high-capacity input (HCI) feeder
removing and replacing 377

left tray pickup drive, high-capacity input (HCI) feeder
removing and replacing 368

left tray pickup motor, high-capacity input (HCI) feeder
removing and replacing 367

left tray, high-capacity input (HCI) feeder
removing and replacing 361

left upper rear cover and rear upper B cover (M880)
removing and replacing 111

lifter-drive assembly
removing and replacing 276

low-voltage power supply (LVPS)
removing and replacing 269

lower left guide (booklet maker accessory)
removing and replacing 643

lower right cover
removing and replacing 106

lower stepped cover (finishing accessories)
removing and replacing 474

LVPS (low-voltage power supply)
removing and replacing 269

M

main drive assembly
removing and replacing 288

main switch assembly
removing and replacing 173

media
supported sizes 4
supported types 7

memory DIMM
removing and replacing 32

memory tag PCA
removing and replacing 230

merge assembly, high-capacity input (HCI) feeder
removing and replacing 380

multipurpose tray (Tray 1) drive assembly
removing and replacing 183

multipurpose tray (Tray 1) guide assembly
removing and replacing 190

multipurpose tray (Tray 1) pickup assembly
removing and replacing 350

mylar strips
replacing 37

N
notes iii

O

open/closed stepped cover (finishing accessories)
removing and replacing 471

operation tray assembly (finishing accessories)
removing and replacing 564

ordering
product documents 708
supplies and accessories 708
toner cartridges 708

P

paper
supported sizes 4
supported types 7

paper detect holder assembly (finishing accessories)
removing and replacing 562

paper face sensor and flag assembly (finishing accessories)
removing and replacing 548

paper feed drive assembly (finishing accessories)
removing and replacing 533

paper pass assembly (stapler/stacker accessory)
removing and replacing 603

part number
accessories 712

part numbers
customer self-repair parts 709
replacement parts 709
toner cartridge 708

parts 707
ordering 708

parts lists and diagrams
covers 756
using 714

pickup, feed, and separation
rollers and pads, remove 67

press motor (finishing accessories)
removing and replacing 595

pressure roller assembly (finishing accessories)
removing and replacing 535

primary transfer-roller disengagement motor
removing and replacing 238

punch controller PCA (BMHP and SSHP accessories)
removing and replacing 687

punch front cover (BMHP and SSHP accessories)
removing and replacing 682

punch hole assembly (stapler/stacker with hole punch accessory)
removing and replacing 694

punch inner cover (stapler/stacker with hole punch accessory)
removing and replacing 689

punch lower front cover (BMHP and SSHP accessories)
removing and replacing 684

punch rear cover (BMHP and SSHP accessories)
removing and replacing 686

punch top cover (BMHP and SSHP accessories)
removing and replacing 691

punch waste tray (stapler/stacker with hole punch accessory)
removing and replacing 688

R

rear cover
removing and replacing 143

- rear cover assembly (finishing accessories)
 - removing and replacing 496
 - rear cover, 1x500- and 3x500-sheet feeders
 - removing and replacing 387
 - rear cover, high-capacity input (HCI) feeder
 - removing and replacing 362
 - rear cover, IPTU
 - removing and replacing 439
 - rear foot cover (finishing accessories)
 - removing and replacing 516
 - rear top cover (M855)
 - removing and replacing 116
 - rear upper front cover (M880)
 - removing and replacing 113
 - rear upper MFP cover (M880)
 - removing and replacing 109
 - rear upper rear cover (M880)
 - removing and replacing 107
 - related documentation and software
 - order parts 708
 - removal order
 - removing order 4
 - removal strategy
 - removing and replacing 2
 - remove the scanner front cover
 - scanner front cover, removing and replacing 91
 - remove the scanner left cover
 - scanner left cover, removing and replacing 89
 - remove the scanner right cover
 - scanner right cover, removing and replacing 90
 - removing parts
 - after-service checklist 4
 - before-service checklist 4
 - service approach 3
 - tools, required 3
 - repair approach 3
 - replace covers and doors
 - removing and replacing covers and doors 82
 - replacement parts
 - part numbers 709
 - replacing parts
 - about 2
 - after-service checklist 4
 - before-service checklist 4
 - screws 2
 - service approach 3
 - tools, required 3
 - return roller assembly (finishing accessories)
 - removing and replacing 586
 - right cover (booklet maker PCA)
 - removing and replacing 611
 - right door assembly
 - removing and replacing 129
 - right door assembly, 1x500- and 3x500-sheet feeder
 - removing and replacing 428
 - right door assembly, high-capacity input (HCI) feeder
 - removing and replacing 428
 - right front cover, 1x500- and 3x500-sheet feeders
 - removing and replacing 388
 - right lower cover, 1x500- and 3x500-sheet feeders
 - removing and replacing 400
 - right lower cover, high-capacity input (HCI) feeder
 - removing and replacing 363
 - right rear cover
 - removing and replacing 146
 - right rear cover, 1x500- and 3x500-sheet feeder
 - removing and replacing 430
 - right rear cover, high-capacity input (HCI) feeder
 - removing and replacing 430
 - right tray automatic close assembly, high-capacity input (HCI) feeder
 - removing and replacing 373
 - right tray lifter drive assembly, high-capacity input (HCI) feeder
 - removing and replacing 369
 - right tray media-level sensor assembly, high-capacity input (HCI) feeder
 - removing and replacing 371
 - right tray pickup assembly, high-capacity input (HCI) feeder
 - removing and replacing 375
 - right tray pickup drive, high-capacity input (HCI) feeder
 - removing and replacing 366
 - right tray pickup motor, high-capacity input (HCI) feeder
 - removing and replacing 365
 - right tray, high-capacity input (HCI) feeder
 - removing and replacing 360
 - right upper cover (M855)
 - removing and replacing 124
 - right upper front cover (M855)
 - removing and replacing 120
 - right upper front cover (M880)
 - removing and replacing 122
 - right upper rear cover (M855)
 - removing and replacing 96
 - right upper rear cover (M880)
 - removing and replacing 108
 - rollers
 - transfer, remove and replace 16
- S**
- saddle assembly (booklet maker accessory)
 - removing and replacing 660
 - saddle delivery inner cover, front (booklet maker accessory)
 - removing and replacing 645
 - saddle delivery inner cover, rear (booklet maker accessory)
 - removing and replacing 647
 - saddle feed assembly (booklet maker accessory)
 - removing and replacing 655
 - saddle feed motor assembly (booklet maker accessory)
 - removing and replacing 629
 - saddle guide assembly (booklet maker accessory)
 - removing and replacing 649
 - saddle motor (stapler/stacker and booklet maker accessories)
 - removing and replacing 627

saddle output bin assembly
 (booklet maker)
 removing and replacing 609
 saddle paper delivery assembly
 (booklet maker accessory)
 removing and replacing 671
 saddle rear end sensor assembly
 (booklet maker accessory)
 removing and replacing 674
 saddle stapler assembly (booklet
 maker accessory)
 removing and replacing 641
 scanner assembly (M880)
 removing and replacing 162
 scanner back cover
 removing and replacing 88
 scanner control board (SCB)
 (M880)
 removing and replacing 160
 scanner cover
 removing and replacing 306
 scanner front cover (M880)
 removing and replacing 91
 scanner left cover (M880)
 removing and replacing 89
 scanner right cover (M880)
 removing and replacing 90
 SCB (scanner control board)
 (M880)
 removing and replacing 160
 screwdrivers, required 3
 screws
 installing 2
 types of 3
 secondary transfer assembly
 removing and replacing 175
 sensor switch assembly (finishing
 accessories)
 removing and replacing 483
 service approach 3
 service replacement parts
 order parts 711
 shared input accessory covers and
 doors
 removing and replacing 425
 shutter gear holder assembly
 removing and replacing 194
 side panel assembly, IPTU
 removing and replacing 447
 sizes of paper supported 4
 solid state memory (SSM)
 removing and replacing 25
 SSM (solid state memory)
 removing and replacing 25
 stack ejection motor (finishing
 accessories)
 removing and replacing 591
 stack upper bin and lower bin
 assemblies (finishing
 accessories)
 removing and replacing 540
 stack wall upper assembly and
 upper wall guide (finishing
 accessories)
 removing and replacing 518
 staple assembly (finishing
 accessories)
 removing and replacing 558
 staple connecting cable (finishing
 accessories)
 removing and replacing 556
 staple position
 adjusting 505
 stapler subassembly (finishing
 accessories)
 removing and replacing 553
 stapler/stacker with hole punch
 (SSHP) accessory
 removing and replacing
 procedures 682
 static, precautions for 2
 stitcher unit
 adjusting 510
 supplies
 ordering 708
 part numbers 708
 swing guide assembly (finishing
 accessories)
 removing and replacing 575
 switch back cover
 removing and replacing 105
 switch back tray
 removing and replacing 22
T
 tips iii
 toner cartridge
 removing and replacing 14
 toner cartridges
 ordering 708
 part numbers 708
 toner-cartridge drive assembly
 (cyan and black)
 removing and replacing 282
 toner-cartridge drive assembly
 (yellow and magenta)
 removing and replacing 280
 toner-cartridge feed motor (black)
 removing and replacing 244
 toner-cartridge feed motor (yellow,
 magenta, and cyan)
 removing and replacing 245
 tools, required 3
 top cover lock assembly (finishing
 accessories)
 removing and replacing 466
 top door assembly (finishing
 accessories)
 removing and replacing 478
 Tray 1
 removing and replacing guide
 assembly 190
 Tray 1 rollers
 removing and replacing 75
 Tray 2
 removing and replacing 18
 removing and replacing pickup
 unit 191
 Tray 2 and 3x500-sheet paper
 feeder rollers
 removing and replacing 78
 Tray 2 pickup unit
 removing and replacing 191
 troubleshooting
 service approach 3
 types of paper supported 7
U
 upper cross member assembly
 (finishing accessories)
 removing and replacing 521
 upper delivery guide assembly
 (booklet maker accessory)
 removing and replacing 669
 upper front cover, 1x500- and
 3x500-sheet feeders
 removing and replacing 392

upper front face cover, 1x500- and
3x500-sheet feeders
removing and replacing 390
upper front left face cover, 1x500-
and 3x500-sheet feeders
removing and replacing 395
upper guide assembly, IPTU
removing and replacing 451
upper stepped cover (finishing
accessories)
removing and replacing 472

V

VOC fan (M855)
removing and replacing 321
VOC fan (M880)
removing and replacing 323

W

warnings iii
white backing
replacing 40



A2W77-90997

