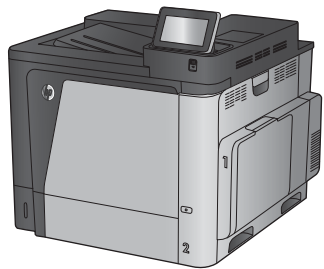


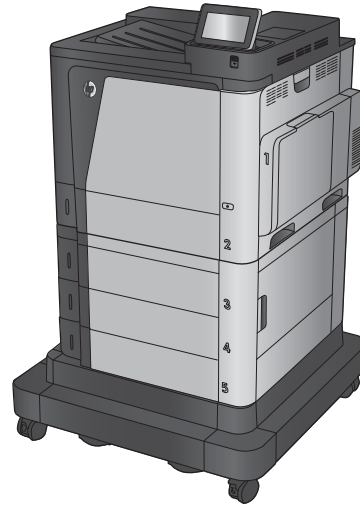


# Color LaserJet Enterprise M651 Color LaserJet Enterprise MFP M680

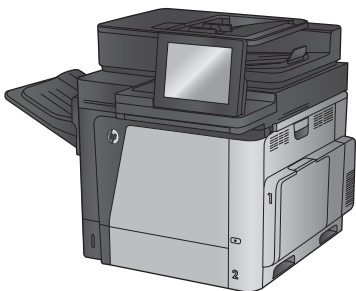
## Repair Manual



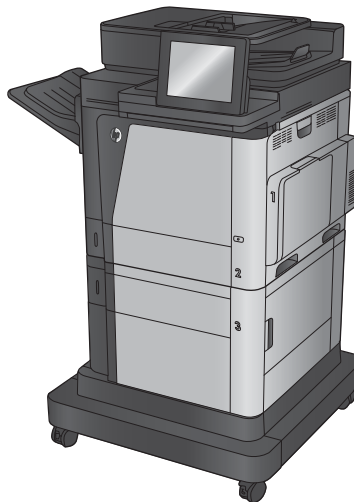
M651n  
M651dn



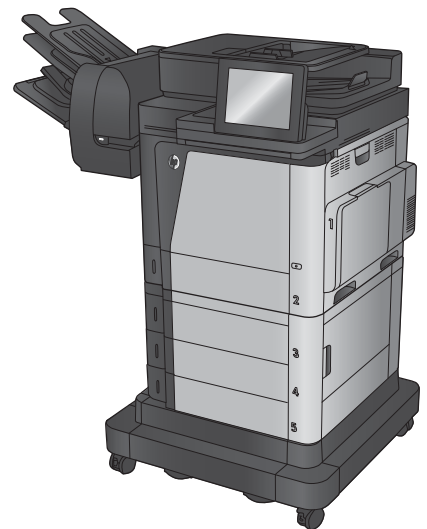
M651xh



M680dn



M680f



M680z



[www.hp.com/support/colorljm651](http://www.hp.com/support/colorljm651)  
[www.hp.com/support/colorljmfpm680](http://www.hp.com/support/colorljmfpm680)







# HP Color LaserJet Enterprise M651 and MFP M680

Repair Manual

**Copyright and License**

© 2014 Copyright Hewlett-Packard Development Company, L.P.

Reproduction, adaptation, or translation without prior written permission is prohibited, except as allowed under the copyright laws.

The information contained herein is subject to change without notice.

The only warranties for HP products and services are set forth in the express warranty statements accompanying such products and services. Nothing herein should be construed as constituting an additional warranty. HP shall not be liable for technical or editorial errors or omissions contained herein.

Edition 1, 4/2014

**Trademark Credits**


Microsoft®, Windows®, Windows® XP, and Windows Vista® are U.S. registered trademarks of Microsoft Corporation.


## Conventions used in this guide

---


 **TIP:** Helpful hints or shortcuts.

**Reinstallation tip** Reinstallation helpful hints, shortcuts, or considerations.

 **NOTE:** Information that explains a concept or how to complete a task.

 **IMPORTANT:** Information that help the user to avoid potential product error conditions.

 **CAUTION:** Procedures that the user must follow to avoid losing data or damaging the product.

 **WARNING!** Procedures that the user must follow to avoid personal injury, catastrophic loss of data, or extensive damage to the product.

---



---

# Table of contents

<b>1 Removal and replacement .....</b>	<b>1</b>
Removal and replacement strategy .....	2
Considerations during removal and replacement .....	2
Required tools .....	3
Types of screws .....	3
Service approach .....	3
Before performing service .....	4
After performing service .....	4
Parts removal order .....	4
Customer self repair (CSR) assemblies .....	5
Toner cartridges .....	5
Toner-collection unit .....	6
Tray .....	8
Formatter PCA .....	9
Install a replacement formatter .....	10
Fax PCA (M680) .....	12
Before proceeding, remove the following assemblies .....	12
Remove the fax PCA (M680) .....	12
Hard-disk drive (HDD) or solid-state memory (SSM) .....	13
Before proceeding, remove the following assemblies .....	13
Identify the storage device type .....	13
Remove the SSM (M651) .....	14
Remove the HDD .....	17
Reinstall the product firmware .....	19
Memory DIMM .....	21
Remove the memory DIMM .....	21
Reinstall the memory DIMM .....	22
Fuser .....	24
Intermediate transfer belt (ITB) .....	25
Control panel assembly (M651) .....	28
Control-panel assembly (M680) .....	32
Reinstall the control-panel assembly (M680) .....	35

Keyboard assembly (M680z) .....	37
Before proceeding, remove the following assemblies .....	37
Remove the keyboard assembly (M680z) .....	37
Reinstall the keyboard assembly (M680z) .....	41
Feed and separation rollers (Trays 2-5) .....	45
Pickup roller (Tray 1) .....	46
Reinstall the pickup roller (Tray 1) .....	49
Secondary transfer roller .....	50
Reinstall the secondary transfer roller .....	51
Standard output bin (M680) .....	52
Output bin bezel (M680) .....	53
Before proceeding, remove the following assemblies .....	53
Remove the output bin bezel .....	53
Document feeder white backing (M680) .....	54
Install a replacement document feeder white backing (M680) .....	55
Background selector (M680) .....	60
Reinstall the background selector (M680) .....	62
Document-feeder roller (M680) .....	63
Remove the document-feeder roller (M680) .....	63
Reinstall the document-feeder roller (M680) .....	65
Install a replacement document-feeder roller (M680) .....	65
Document-feeder separation pad and holder (M680) .....	66
Remove the document-feeder separation pad and holder (M680) .....	66
Install a replacement document-feeder separation pad and holder (M680) .....	68
Install a replacement document-feeder separation pad and holder (M680) .....	68
Document feeder and scanner (M680) .....	70
Document feeder mylar strip .....	70
Install a replacement document feeder mylar strip (M680) .....	71
Document-feeder roller cover .....	73
Reinstall the document-feeder roller cover .....	77
Scanner rear cover .....	79
Document feeder (ADF) .....	80
Before proceeding, remove the following assemblies .....	80
Remove the document feeder .....	80
Install a replacement document feeder .....	85
Document-feeder hinge assembly .....	89
Before proceeding, remove the following assemblies .....	89
Remove the document-feeder hinge assembly .....	89
Scanner control board (SCB) fan (M680) .....	90
Before proceeding, remove the following assemblies .....	90
Remove the scanner control board (SCB) fan .....	90

Install a replacement SCB fan .....	92
Scanner control board (SCB) .....	93
Before proceeding, remove the following assemblies .....	93
Remove the SCB .....	93
Install a scanner control board .....	99
Image scanner assembly .....	103
Before proceeding, remove the following assemblies .....	103
Remove the scanner assembly .....	103
Install a replacement scanner assembly .....	106
Scissor hinge assemblies .....	113
External panels, covers, and doors .....	115
Upper left cover (M651) .....	117
Before proceeding, remove the following assemblies .....	117
Remove the upper left cover .....	117
Fan cover (M680) .....	118
Before proceeding, remove the following assemblies .....	118
Remove the fan cover .....	118
Left rear cover .....	119
Before proceeding, remove the following assemblies .....	119
Remove the left rear cover .....	119
Left cover .....	120
Before proceeding, remove the following assemblies .....	120
Remove the left cover .....	120
Rear cover (M651) .....	121
Before proceeding, remove the following assemblies .....	121
Remove the rear cover (M651) .....	121
Rear cover (M680) .....	122
Before proceeding, remove the following assemblies .....	122
Remove the rear cover (M680) .....	122
Right-front cover .....	124
Before proceeding, remove the following assemblies .....	124
Remove the right-front cover .....	124
Front door assembly .....	126
Before proceeding, remove the following assemblies .....	126
Remove the front door assembly .....	126
Right door assembly .....	130
Face-down tray (M651) .....	134
Reinstall the face-down tray .....	135
Face-down rear cover (M651) .....	136
Before proceeding, remove the following assemblies .....	136
Remove the face-down rear cover (M651) .....	136

Upper cover (M651) .....	139
Before proceeding, remove the following assemblies .....	139
Remove the upper cover (M651) .....	139
Reinstall the upper cover (M651) .....	142
Front face-down cover and right-front upper cover (M651) .....	143
Before proceeding, remove the following assemblies .....	143
Remove the front face-down cover and right-front upper cover .....	143
Intermediate cover assembly (M680) .....	145
Before proceeding, remove the following assemblies .....	145
Remove the intermediate cover assembly (M680) .....	145
Right-rear cover .....	146
Before proceeding, remove the following assemblies .....	146
Remove the right-rear cover .....	146
Internal assemblies .....	147
IPTU (M680) .....	147
Before proceeding, remove the following assemblies .....	147
Remove the IPTU .....	147
Cassette feed guide .....	150
Reinstall the cassette feed guide .....	151
Secondary transfer assembly .....	152
Reinstall the secondary transfer assembly .....	153
Tray 1 separation pad .....	154
Before proceeding, remove the following assemblies .....	154
Remove the Tray 1 separation pad .....	154
Registration density (RD) sensor assembly .....	157
Before proceeding, remove the following assemblies .....	157
Remove the RD sensor assembly .....	157
Registration assembly .....	161
Before proceeding, remove the following assemblies .....	161
Remove the registration assembly .....	161
Install a replacement registration assembly .....	165
Paper-delivery fan (M651) .....	166
Before proceeding, remove the following assemblies .....	166
Remove the paper-delivery fan (M651) .....	166
Paper-delivery fan (M680) .....	168
Before proceeding, remove the following assemblies .....	168
Remove the paper-delivery fan (M680) .....	168
Residual-toner-feed motor .....	169
Before proceeding, remove the following assemblies .....	169
Remove the residual-toner-feed motor .....	169
Residual-toner transfer assembly .....	171



Before proceeding, remove the following assemblies .....	171
Remove the residual-toner transfer assembly .....	171
Cartridge fan and environmental sensor .....	174
Before proceeding, remove the following assemblies .....	174
Remove the cartridge fan and environmental sensor .....	174
Residual toner full sensor .....	178
Before proceeding, remove the following assemblies .....	178
Remove the residual toner full sensor .....	178
Delivery assembly (M651) .....	180
Before proceeding, remove the following assemblies .....	180
Remove the delivery assembly (M651) .....	180
Reinstall the delivery assembly (M651) .....	184
Delivery assembly (M680) .....	186
Before proceeding, remove the following assemblies .....	186
Remove the delivery assembly (M680) .....	186
Reinstall the delivery assembly (M680) .....	188
Duplex-drive assembly .....	189
Before proceeding, remove the following assemblies .....	189
Remove the duplex-drive assembly .....	189
Power-supply fan (M651) .....	190
Before proceeding, remove the following assemblies .....	190
Remove the power-supply fan (M651) .....	190
Power-supply fan (M680) .....	192
Before proceeding, remove the following assemblies .....	192
Remove the power-supply fan (M680) .....	192
Interconnect board (ICB) (M651) .....	194
Before proceeding, remove the following assemblies .....	194
Remove the interconnect board (M651) .....	194
Interconnect board (ICB) (M680) .....	196
Before proceeding, remove the following assemblies .....	196
Remove the ICB (M680) .....	196
DC controller PCA only .....	198
Before proceeding, remove the following assemblies .....	198
Remove the DC controller PCA only .....	198
Low-voltage power supply (LVPS) .....	200
Before proceeding, remove the following assemblies .....	200
Remove the low-voltage power supply .....	200
DC controller PCA and tray .....	204
Before proceeding, remove the following assemblies .....	204
Remove the DC controller PCA and tray .....	204
High-voltage power supply lower (HVPS-D) .....	207

Before proceeding, remove the following assemblies .....	207
Remove the high-voltage power supply lower .....	207
Reinstall the high-voltage power supply lower .....	211
Developing-disengagement motor .....	212
Before proceeding, remove the following assemblies .....	212
Remove the developing-disengagement motor .....	212
Exhaust fan and fan duct .....	213
Before proceeding, remove the following assemblies .....	213
Remove the exhaust fan and fan duct .....	213
Reinstall the exhaust fan and fan duct .....	215
Pickup motor .....	216
Before proceeding, remove the following assemblies .....	216
Remove the pickup motor .....	216
Lifter-drive assembly .....	217
Before proceeding, remove the following assemblies .....	217
Remove the lifter-drive assembly .....	217
Lifter base assembly .....	220
Before proceeding, remove the following assemblies .....	220
Remove the lifter base assembly .....	220
Reinstall the lifter base assembly .....	222
Paper-pickup drive assembly .....	223
Before proceeding, remove the following assemblies .....	223
Remove the paper-pickup drive assembly .....	223
Paper-pickup assembly .....	226
Before proceeding, remove the following assemblies .....	226
Remove the paper-pickup assembly .....	227
Laser/scanner assembly (Y/M) .....	233
Before proceeding, remove the following assemblies .....	233
Remove the laser/scanner assembly (Y/M) .....	234
Laser/scanner assembly (C/K) .....	237
Before proceeding, remove the following assemblies .....	237
Remove the laser/scanner assembly (C/K) .....	238
Reinstall the protective glass cleaner (PGC) actuators .....	240
High-voltage power supply upper (HVPS-T) .....	243
Before proceeding, remove the following assemblies .....	243
Remove the high-voltage power supply upper .....	244
Reinstall the high-voltage power supply upper .....	245
Yellow, magenta, cyan, and black drum motors .....	246
Before proceeding, remove the following assemblies .....	246
Remove the yellow, magenta, cyan, and black drum motors .....	247
Fuser motor .....	248

Before proceeding, remove the following assemblies .....	248
Remove the fuser motor .....	249
ITB motor .....	250
Before proceeding, remove the following assemblies .....	250
Remove the ITB motor .....	251
Main-drive assembly .....	252
Before proceeding, remove the following assemblies .....	252
Remove the main-drive assembly .....	252
Reinstall the main-drive assembly .....	257
Fuser drive assembly .....	262
Before proceeding, remove the following assemblies .....	262
Remove the fuser drive assembly .....	262
Reinstall the fuser drive assembly .....	266
Optional input and output accessories .....	267
1x500-sheet paper feeder .....	267
Front upper cover (1x500-sheet paper feeder) .....	269
Rear cover (1x500-sheet paper feeder) .....	270
Left cover (1x500-sheet paper feeder) .....	271
Before proceeding, remove the following assemblies .....	271
Remove the left cover (1x500-sheet paper feeder) .....	271
Right-front cover (1x500-sheet paper feeder) .....	272
Before proceeding, remove the following assemblies .....	272
Remove the right-front cover (1x500-sheet paper feeder) .....	272
Right cover (1x500-sheet paper feeder) .....	273
Before proceeding, remove the following assemblies .....	273
Remove the right cover (1x500-sheet paper feeder) .....	273
Paper-pickup assembly (1x500-sheet paper feeder) .....	274
Before proceeding, remove the following assemblies .....	274
Remove the pickup assembly (1x500-sheet paper feeder) .....	274
Lifter base assembly (1x500-sheet paper feeder) .....	277
Before proceeding, remove the following assemblies .....	277
Remove the lifter base assembly (1x500-sheet paper feeder) .....	277
Reinstall the lifter base assembly .....	278
Lifter assembly (1x500-sheet paper feeder) .....	279
Before proceeding, remove the following assemblies .....	279
Remove the lifter assembly (1x500-sheet paper feeder) .....	279
Pickup motor assembly (1x500-sheet paper feeder) .....	280
Before proceeding, remove the following assemblies .....	280
Remove the pickup motor assembly (1x500-sheet paper feeder) .....	280
Feeder PCA (1x500-sheet paper feeder) .....	281
Before proceeding, remove the following assemblies .....	281

Remove the feeder PCA (1x500-sheet paper feeder) .....	281
1x500-sheet paper feeder with cabinet .....	282
Rear cover (1x500-sheet paper feeder with cabinet) .....	284
Left cover (1x500-sheet paper feeder with cabinet) .....	285
Before proceeding, remove the following assemblies .....	285
Remove the left cover (1x500-sheet paper feeder with cabinet) .....	285
Stock box door (1x500-sheet paper feeder with cabinet) .....	286
Front upper cover (1x500-sheet paper feeder with cabinet) .....	287
Before proceeding, remove the following assemblies .....	287
Remove the front upper cover (1x500-sheet paper feeder with cabinet) .....	287
Right-front cover (1x500-sheet paper feeder with cabinet) .....	288
Before proceeding, remove the following assemblies .....	288
Remove the right-front cover (1x500-sheet paper feeder with cabinet) .....	288
Right door (1x500-sheet paper feeder with cabinet) .....	289
Right center cover (1x500-sheet paper feeder with cabinet) .....	291
Before proceeding, remove the following assemblies .....	291
Remove the right center cover (1x500-sheet paper feeder with cabinet) .....	291
Rear-right cover (1x500-sheet paper feeder with cabinet) .....	292
Before proceeding, remove the following assemblies .....	292
Remove the rear-right cover (1x500-sheet paper feeder with cabinet) ..	292
Paper-pickup assembly (1x500-sheet paper feeder with cabinet) .....	293
Before proceeding, remove the following assemblies .....	293
Remove the paper-pickup assembly (1x500-sheet paper feeder with cabinet) .....	293
Lifter base assembly (1x500-sheet paper feeder with cabinet) .....	296
Before proceeding, remove the following assemblies .....	296
Remove the lifter base assembly (1x500-sheet paper feeder with cabinet) .....	296
Lifter assembly (1x500-sheet paper feeder with cabinet) .....	297
Before proceeding, remove the following assemblies .....	297
Remove the lifter assembly (1x500-sheet paper feeder with cabinet) ...	297
Pickup motor assembly (1x500-sheet paper feeder with cabinet) .....	298
Before proceeding, remove the following assemblies .....	298
Remove the pickup motor (1x500-sheet paper feeder with cabinet) assembly .....	298
Feeder PCA (1x500-sheet paper feeder with cabinet) .....	299
Before proceeding, remove the following assemblies .....	299
Remove the feeder PCA (1x500-sheet paper feeder with cabinet) .....	299
2,500-sheet paper feeder HCI .....	300
Rear cover (2,500-sheet paper feeder HCI) .....	302

Left cover (2,500-sheet paper feeder HCI) .....	303
Front upper cover (2,500-sheet paper feeder HCI) .....	304
Right front cover (2,500-sheet paper feeder HCI) .....	305
Before proceeding, remove the following assemblies .....	305
Remove the right front cover (2,500-sheet paper feeder HCI) .....	305
Right door assembly (2,500-sheet paper feeder HCI) .....	306
Right center cover (2,500-sheet paper feeder HCI) .....	308
Before proceeding, remove the following assemblies .....	308
Remove the right center cover (2,500-sheet paper feeder HCI) .....	308
Right rear cover (2,500-sheet paper feeder HCI) .....	309
Before proceeding, remove the following assemblies .....	309
Remove the right rear cover (2,500-sheet paper feeder HCI) .....	309
Right lower cover (2,500-sheet paper feeder HCI) .....	310
Before proceeding, remove the following assemblies .....	310
Remove the right lower cover (2,500-sheet paper feeder HCI) .....	310
Tray 5 pickup assembly (2,500-sheet paper feeder HCI) .....	311
Before proceeding, remove the following assemblies .....	311
Remove the Tray 5 pickup assembly (2,500-sheet paper feeder HCI) .....	311
Tray 3-4 pickup assemblies (2,500-sheet paper feeder HCI) .....	313
Before proceeding, remove the following assemblies .....	313
Remove the Tray 3-4 pickup assemblies (2,500-sheet paper feeder HCI) .....	313
Tray 3-4 lifter base assemblies (2,500-sheet paper feeder HCI) .....	315
Before proceeding, remove the following assemblies .....	315
Remove the Tray 3-4 lifter base assemblies (2,500-sheet paper feeder HCI) .....	315
Tray 3-4 lifter assemblies (2,500-sheet paper feeder HCI) .....	316
Before proceeding, remove the following assemblies .....	316
Remove the Tray 3-4 lifter assemblies (2,500-sheet paper feeder HCI) ..	316
Tray 5 lifter drive assembly (2,500-sheet paper feeder HCI) .....	317
Before proceeding, remove the following assemblies .....	317
Remove the Tray 5 lifter drive assembly (2,500-sheet paper feeder HCI) .....	317
Pickup motor (2,500-sheet paper feeder HCI) .....	318
Before proceeding, remove the following assemblies .....	318
Remove the pickup motor (2,500-sheet paper feeder HCI) .....	318
HCI PCA (2,500-sheet paper feeder HCI) .....	319
Before proceeding, remove the following assemblies .....	319
Remove the HCI PCA (2,500-sheet paper feeder HCI) .....	319
Stapling mailbox (M680) .....	320
Front cover (stapling mailbox) .....	321

Rear cover (stapling mailbox) .....	322
Top door (stapling mailbox) .....	323
Before proceeding, remove the following assemblies .....	323
Remove the stapling mailbox top door .....	323
Connector holder (stapling mailbox) .....	324
Before proceeding, remove the following assemblies .....	324
Remove the stapling mailbox connector holder .....	324
Top cover (stapling mailbox) .....	325
Before proceeding, remove the following assemblies .....	325
Remove the stapling mailbox top cover .....	325
Output bin 3 (stapling mailbox) .....	326
Output bin 3 driver PCA (stapling mailbox) .....	327
Stapler assembly (stapling mailbox) .....	329
Before proceeding, remove the following assemblies .....	329
Remove the stapler assembly .....	329
Stamp solenoid (stapling mailbox) .....	330
Before proceeding, remove the following assemblies .....	330
Remove the stapling mailbox stamp solenoid .....	330
Output bin sensor PCA (stapling mailbox) .....	331
Before proceeding, remove the following assemblies .....	331
Remove the stapling mailbox output bin sensor PCA .....	331
Stacking panel (stapling mailbox) .....	333
Before proceeding, remove the following assemblies .....	333
Remove the stapling mailbox stacking panel .....	333
Jogger assembly (stapling mailbox) .....	334
Before proceeding, remove the following assemblies .....	334
Remove the stapling mailbox jogger assembly .....	334
Flapper guide assembly (stapling mailbox) .....	336
Before proceeding, remove the following assemblies .....	336
Remove the flapper guide assembly .....	336
Reinstall the stapling mailbox flapper guide assembly .....	337
Flapper assembly (stapling mailbox) .....	338
Before proceeding, remove the following assemblies .....	338
Remove the stapling mailbox flapper assembly .....	338
Output bin solenoid (stapling mailbox) .....	339
Before proceeding, remove the following assemblies .....	339
Remove the stapling mailbox output bin solenoid .....	339
Output bin assembly (stapling mailbox) .....	340
Before proceeding, remove the following assemblies .....	340
Remove the stapling mailbox output bin assembly .....	340
Output bin 3 drive assembly (stapling mailbox) .....	342

Before proceeding, remove the following assemblies .....	342
Remove the output bin 3 drive assembly (stapling mailbox) .....	342
Stage-top sub-assembly (stapling mailbox) .....	345
Before proceeding, remove the following assemblies .....	345
Remove the stage-top sub-assembly (stapling mailbox) .....	345
Reinstall the stage-top sub-assembly (stapling mailbox) .....	353
Stage assembly (stapling mailbox) .....	354
Before proceeding, remove the following assemblies .....	354
Remove the stage assembly (stapling mailbox) .....	354
Entrance solenoid (stapling mailbox) .....	358
Before proceeding, remove the following assemblies .....	358
Remove the entrance solenoid (stapling mailbox) .....	358
Feed motor (stapling mailbox) .....	360
Before proceeding, remove the following assemblies .....	360
Remove the feed motor (stapling mailbox) .....	360
Paddle motor (stapling mailbox) .....	362
Before proceeding, remove the following assemblies .....	362
Remove the paddle motor (stapling mailbox) .....	362

## **2 Parts and diagrams ..... 363**

Order parts by authorized service providers .....	364
Order parts, accessories, and supplies .....	364
Related documentation and software .....	364
Supplies part numbers .....	365
Customer self-repair parts .....	366
Service replacement parts .....	368
Accessories .....	368
How to use the parts lists and diagrams .....	369
Document feeder and scanner assemblies .....	370
Document feeder assemblies .....	372
Scan control board (SCB) .....	376
Covers .....	378
Covers (M651) .....	378
Covers (M680) .....	380
Right door .....	382
Control panels .....	384
Internal assemblies .....	386
Internal assemblies (M651) .....	386
Internal assemblies (M680) .....	388
Internal assemblies (1 of 6) .....	390
Internal assemblies (2 of 6) .....	392

Internal assemblies (3 of 6) .....	394
Internal assemblies (4 of 6) .....	396
Internal assemblies (5 of 6) .....	398
Internal assemblies (6 of 6) .....	400
1x500-sheet paper feeder .....	402
1x500-sheet paper feeder covers .....	402
1x500-sheet paper feeder components .....	404
1x500-sheet paper feeder with cabinet .....	406
1x500-sheet paper feeder with cabinet covers .....	406
1x500-sheet paper feeder with cabinet components .....	408
2,500-sheet paper feeder HCI .....	410
2,500-sheet paper feeder HCI covers .....	410
2,500-sheet paper feeder HCI components (1 of 2) .....	412
2,500-sheet paper feeder HCI components (2 of 2) .....	414
Stapling mailbox .....	416
Stapling mailbox covers .....	416
Stapling mailbox assemblies (1 of 2) .....	418
Stapling mailbox assemblies (2 of 2) .....	420
Alphabetical parts list .....	422
Numerical parts list .....	432
<b>Index .....</b>	<b>443</b>



---

# List of tables

Table 2-1	Order parts, accessories, and supplies .....	364
Table 2-2	Related documentation and software .....	364
Table 2-3	Supplies part numbers .....	365
Table 2-4	Customer self-repair parts .....	366
Table 2-5	Service replacement parts .....	368
Table 2-6	Accessories .....	368
Table 2-7	Document feeder and scanner assemblies (M680) .....	371
Table 2-8	Document feeder assemblies (M680, 1 of 2) .....	373
Table 2-9	Document feeder assemblies (M680, 2 of 2) .....	375
Table 2-10	Scan control board (SCB; M680) .....	377
Table 2-11	Covers (M651) .....	379
Table 2-12	Covers (M680) .....	381
Table 2-13	Right door .....	383
Table 2-14	Control panels .....	385
Table 2-15	Internal assemblies (M651) .....	387
Table 2-16	Internal assemblies (M680) .....	389
Table 2-17	Internal assemblies (1 of 6) .....	391
Table 2-18	Internal assemblies (2 of 6) .....	393
Table 2-19	Internal assemblies (3 of 6) .....	395
Table 2-20	Internal assemblies (4 of 6) .....	397
Table 2-21	Internal assemblies (5 of 6) .....	399
Table 2-22	Internal assemblies (6 of 6) .....	401
Table 2-23	1x500-sheet paper feeder covers .....	403
Table 2-24	1x500-sheet paper feeder components .....	405
Table 2-25	1x500-sheet paper feeder with cabinet covers .....	407
Table 2-26	1x500-sheet paper feeder with cabinet components .....	409
Table 2-27	2,500-sheet paper feeder HCI covers .....	411
Table 2-28	2,500-sheet paper feeder HCI components (1 of 2) .....	413
Table 2-29	2,500-sheet paper feeder HCI components (2 of 2) .....	415
Table 2-30	Stapling mailbox covers .....	417
Table 2-31	Stapling mailbox assemblies (1 of 2) .....	419
Table 2-32	Stapling mailbox assemblies (2 of 2) .....	421

Table 2-33	Alphabetical parts list .....	422
Table 2-34	Numerical parts list .....	432

---

# List of figures

Figure 1-1	Screwdrivers .....	3
Figure 1-2	Remove the toner cartridges (1 of 2) .....	5
Figure 1-3	Remove the toner cartridges (2 of 2) .....	5
Figure 1-4	Remove the toner collection unit (1 of 3) .....	6
Figure 1-5	Remove the toner collection unit (2 of 3) .....	6
Figure 1-6	Remove the toner collection unit (3 of 3) .....	7
Figure 1-7	Remove the tray (1 of 2) .....	8
Figure 1-8	Remove the tray (2 of 2) .....	8
Figure 1-9	Remove the formatter .....	9
Figure 1-10	Formatter LEDs .....	11
Figure 1-11	Remove the fax PCA (M680) .....	12
Figure 1-12	Identify the SSM and HDD .....	13
Figure 1-13	Remove the SSM (1 of 5) .....	14
Figure 1-14	Remove the SSM (2 of 5) .....	14
Figure 1-15	Remove the SSM (3 of 5) .....	15
Figure 1-16	Remove the SSM (4 of 5) .....	15
Figure 1-17	Remove the SSM (5 of 5) .....	16
Figure 1-18	Remove the HDD (1 of 4) .....	17
Figure 1-19	Remove the HDD (2 of 4) .....	17
Figure 1-20	Remove the HDD (3 of 4) .....	18
Figure 1-21	Remove the HDD (4 of 4) .....	18
Figure 1-22	Remove the memory DIMM (1 of 2) .....	21
Figure 1-23	Remove the memory DIMM (2 of 2) .....	21
Figure 1-24	Reinstall the memory DIMM .....	22
Figure 1-25	Reinstall the memory DIMM .....	22
Figure 1-26	Reinstall the memory DIMM .....	23
Figure 1-27	Remove the fuser (1 of 2) .....	24
Figure 1-28	Remove the fuser (2 of 2) .....	24
Figure 1-29	Remove the intermediate transfer belt (1 of 4) .....	25
Figure 1-30	Remove the intermediate transfer belt (2 of 4) .....	25
Figure 1-31	Remove the intermediate transfer belt (3 of 4) .....	26
Figure 1-32	Remove the intermediate transfer belt (4 of 4) .....	27

Figure 1-33	Remove the control panel (M651; 1 of 8)	28
Figure 1-34	Remove the control panel (M651; 2 of 8)	28
Figure 1-35	Remove the control panel (M651; 3 of 8)	29
Figure 1-36	Remove the control panel (M651; 4 of 8)	29
Figure 1-37	Remove the control panel (M651; 5 of 8)	30
Figure 1-38	Remove the control panel (M651; 6 of 8)	30
Figure 1-39	Remove the control panel (M651; 7 of 8)	31
Figure 1-40	Remove the control panel (M651; 8 of 8)	31
Figure 1-41	Remove the control-panel assembly (M680; 1 of 7)	32
Figure 1-42	Remove the control-panel assembly (M680; 2 of 7)	32
Figure 1-43	Remove the control-panel assembly (M680; 3 of 7)	33
Figure 1-44	Remove the control-panel assembly (M680; 4 of 7)	33
Figure 1-45	Remove the control-panel assembly (M680; 5 of 7)	34
Figure 1-46	Remove the control-panel assembly (M680; 6 of 7)	34
Figure 1-47	Remove the control-panel assembly (M680; 7 of 7)	35
Figure 1-48	Reinstall the control-panel assembly (M680; 1 of 3)	35
Figure 1-49	Reinstall the control-panel assembly (M680; 2 of 3)	36
Figure 1-50	Reinstall the control-panel assembly (M680; 3 of 3)	36
Figure 1-51	Remove the keyboard assembly (M680z; 1 of 7)	37
Figure 1-52	Remove the keyboard assembly (M680z; 2 of 7)	38
Figure 1-53	Remove the keyboard assembly (M680z; 3 of 7)	38
Figure 1-54	Remove the keyboard assembly (M680z; 4 of 7)	39
Figure 1-55	Remove the keyboard assembly (M680z; 5 of 7)	39
Figure 1-56	Remove the keyboard assembly (M680z; 6 of 7)	40
Figure 1-57	Remove the keyboard assembly (M680z; 7 of 7)	40
Figure 1-58	Reinstall the keyboard assembly (M680z; 1 of 7)	41
Figure 1-59	Reinstall the keyboard assembly (M680z; 2 of 7)	41
Figure 1-60	Reinstall the keyboard assembly (M680z; 3 of 7)	42
Figure 1-61	Reinstall the keyboard assembly (M680z; 4 of 7)	42
Figure 1-62	Reinstall the keyboard assembly (M680z; 5 of 7)	43
Figure 1-63	Reinstall the keyboard assembly (M680z; 6 of 7)	43
Figure 1-64	Reinstall the keyboard assembly (M680z; 7 of 7)	44
Figure 1-65	Remove the feed and separation rollers (Trays 2-5)	45
Figure 1-66	Remove the pickup roller (Tray 1; 1 of 5)	46
Figure 1-67	Remove the pickup roller (Tray 1; 2 of 5)	46
Figure 1-68	Remove the pickup roller (Tray 1; 3 of 5)	47
Figure 1-69	Remove the pickup roller (Tray 1; 4 of 5)	47
Figure 1-70	Remove the pickup roller (Tray 1; 5 of 5)	48
Figure 1-71	Correct position of cover	49
Figure 1-72	Incorrect position of cover	49
Figure 1-73	Remove the transfer roller (1 of 3)	50

Figure 1-74	Remove the transfer roller (2 of 3)	50
Figure 1-75	Remove the transfer roller (3 of 3)	51
Figure 1-76	Reinstall the secondary transfer roller	51
Figure 1-77	Remove the standard output bin	52
Figure 1-78	Remove the output bin bezel (1 of 2)	53
Figure 1-79	Remove the output bin bezel (2 of 2)	53
Figure 1-80	Remove the document feeder white backing (M680; 1 of 2)	54
Figure 1-81	Remove the document feeder white backing (M680; 2 of 2)	54
Figure 1-82	Install a replacement document feeder white backing (1 of 9)	55
Figure 1-83	Install a replacement document feeder white backing (2 of 9)	55
Figure 1-84	Install a replacement document feeder white backing (3 of 9)	56
Figure 1-85	Install a replacement document feeder white backing (4 of 9)	56
Figure 1-86	Install a replacement document feeder white backing (5 of 9)	57
Figure 1-87	Install a replacement document feeder white backing (6 of 9)	57
Figure 1-88	Install a replacement document feeder white backing (7 of 9)	58
Figure 1-89	Install a replacement document feeder white backing (8 of 9)	58
Figure 1-90	Install a replacement document feeder white backing (9 of 9)	59
Figure 1-91	Remove the background selector (M680; 1 of 4)	60
Figure 1-92	Remove the background selector (M680; 2 of 4)	60
Figure 1-93	Remove the background selector (M680; 3 of 4)	61
Figure 1-94	Remove the background selector (M680; 4 of 4)	61
Figure 1-95	Reinstall the background selector (M680)	62
Figure 1-96	Remove the document-feeder roller (M680; 1 of 3)	63
Figure 1-97	Remove the document-feeder roller (M680; 2 of 3)	64
Figure 1-98	Remove the document-feeder roller (M680; 3 of 3)	64
Figure 1-99	Reinstall the document-feeder roller (M680)	65
Figure 1-100	Remove the document-feeder separation pad and holder (M680; 1 of 3)	66
Figure 1-101	Remove the document-feeder separation pad and holder (M680; 2 of 3)	67
Figure 1-102	Remove the document-feeder separation pad and holder (M680; 3 of 3)	67
Figure 1-103	Reinstall the document-feeder separation pad spring (M680; 1 of 2)	68
Figure 1-104	Reinstall the document-feeder separation pad spring (M680; 2 of 2)	68
Figure 1-105	Remove the document feeder mylar strip (M680; 1 of 3)	70
Figure 1-106	Remove the document feeder mylar strip (M680; 2 of 3)	70
Figure 1-107	Remove the document feeder mylar strip (M680; 3 of 3)	71
Figure 1-108	Install a replacement document feeder mylar strip (M680; 1 of 3)	71
Figure 1-109	Install a replacement document feeder mylar strip (M680; 2 of 3)	72
Figure 1-110	Install a replacement document feeder mylar strip (M680; 3 of 3)	72
Figure 1-111	Remove the document-feeder roller cover (1 of 10)	73
Figure 1-112	Remove the document-feeder roller cover (2 of 10)	73
Figure 1-113	Remove the document-feeder roller cover (3 of 10)	74
Figure 1-114	Remove the document-feeder roller cover (4 of 10)	74

Figure 1-115	Remove the document-feeder roller cover (5 of 10)	75
Figure 1-116	Remove the document-feeder roller cover (6 of 10)	75
Figure 1-117	Remove the document-feeder roller cover (7 of 10)	76
Figure 1-118	Remove the document-feeder roller cover (8 of 10)	76
Figure 1-119	Remove the document-feeder roller cover (9 of 10)	77
Figure 1-120	Remove the document-feeder roller cover (10 of 10)	77
Figure 1-121	Reinstall the document-feeder roller cover (1 of 2)	78
Figure 1-122	Reinstall the document-feeder roller cover (2 of 2)	78
Figure 1-123	Remove the scanner rear cover	79
Figure 1-124	Remove the document feeder (1 of 8)	80
Figure 1-125	Remove the document feeder (2 of 8)	81
Figure 1-126	Remove the document feeder (3 of 8)	81
Figure 1-127	Remove the document feeder (4 of 8)	82
Figure 1-128	Remove the document feeder (5 of 8)	82
Figure 1-129	Remove the document feeder (6 of 8)	83
Figure 1-130	Remove the document feeder (7 of 8)	83
Figure 1-131	Remove the document feeder (8 of 8)	84
Figure 1-132	Install the ferrite and holder (1 of 5)	85
Figure 1-133	Install the ferrite and holder (2 of 5)	85
Figure 1-134	Install the ferrite and holder (3 of 5)	86
Figure 1-135	Remove the document feeder (4 of 5)	86
Figure 1-136	Install the ferrite and holder (5 of 5)	87
Figure 1-137	Remove the document-feeder hinge assembly	89
Figure 1-138	Remove the scanner control board fan (1 of 3)	90
Figure 1-139	Remove the scanner control board fan (2 of 3)	90
Figure 1-140	Remove the scanner control board fan (3 of 3)	91
Figure 1-141	Install a replacement SCB fan (1 of 2)	92
Figure 1-142	Install a replacement SCB fan (2 of 2)	92
Figure 1-143	Remove the SCB (1 of 13)	93
Figure 1-144	Remove the SCB (2 of 13)	94
Figure 1-145	Remove the SCB (3 of 13)	94
Figure 1-146	Remove the SCB (4 of 13)	95
Figure 1-147	Remove the SCB (5 of 13)	95
Figure 1-148	Remove the SCB (6 of 13)	96
Figure 1-149	Remove the SCB (7 of 13)	96
Figure 1-150	Remove the SCB (8 of 13)	97
Figure 1-151	Remove the SCB (9 of 13)	97
Figure 1-152	Remove the SCB (10 of 13)	98
Figure 1-153	Remove the SCB (11 of 13)	98
Figure 1-154	Remove the SCB (12 of 13)	99
Figure 1-155	Remove the SCB (13 of 13)	99

Figure 1-156	Install the ferrite and holder (1 of 5)	100
Figure 1-157	Install the ferrite and holder (2 of 5)	100
Figure 1-158	Install the ferrite and holder (3 of 5)	101
Figure 1-159	Remove the document feeder (4 of 5)	101
Figure 1-160	Install the ferrite and holder (5 of 5)	102
Figure 1-161	Remove the scanner assembly (1 of 5)	103
Figure 1-162	Remove the scanner assembly (2 of 5)	104
Figure 1-163	Remove the scanner assembly (3 of 5)	104
Figure 1-164	Remove the scanner assembly (4 of 5)	105
Figure 1-165	Remove the scanner assembly (5 of 5)	105
Figure 1-166	Transfer the SCB to the replacement scanner assembly (1 of 6)	106
Figure 1-167	Transfer the SCB to the replacement scanner assembly (2 of 6)	107
Figure 1-168	Transfer the SCB to the replacement scanner assembly (3 of 6)	107
Figure 1-169	Transfer the SCB to the replacement scanner assembly (4 of 6)	108
Figure 1-170	Transfer the SCB to the replacement scanner assembly (5 of 6)	108
Figure 1-171	Transfer the SCB to the replacement scanner assembly (6 of 6)	109
Figure 1-172	Install the ferrite and holder (1 of 5)	109
Figure 1-173	Install the ferrite and holder (2 of 5)	110
Figure 1-174	Install the ferrite and holder (3 of 5)	110
Figure 1-175	Remove the document feeder (4 of 5)	111
Figure 1-176	Install the ferrite and holder (5 of 5)	111
Figure 1-177	Remove the scissor hinge assemblies (1 of 4)	113
Figure 1-178	Remove the scissor hinge assemblies (2 of 4)	113
Figure 1-179	Remove the scissor hinge assemblies (3 of 4)	114
Figure 1-180	Remove the scissor hinge assemblies (4 of 4)	114
Figure 1-181	Cover and door locations (M651)	115
Figure 1-182	Cover and door locations (M680)	116
Figure 1-183	Remove the upper left cover	117
Figure 1-184	Remove the fan cover	118
Figure 1-185	Remove the left rear cover	119
Figure 1-186	Remove the left cover	120
Figure 1-187	Remove the rear cover (M651)	121
Figure 1-188	Remove the rear cover (M680; 1 of 2)	122
Figure 1-189	Remove the rear cover (M680; 2 of 2)	123
Figure 1-190	Remove the right-front cover (1 of 3)	124
Figure 1-191	Remove the right-front cover (2 of 3)	125
Figure 1-192	Remove the right-front cover (3 of 3)	125
Figure 1-193	Remove the front door assembly (1 of 7)	126
Figure 1-194	Remove the front door assembly (2 of 7)	127
Figure 1-195	Remove the front door assembly (3 of 7)	127
Figure 1-196	Remove the front door assembly (4 of 7)	128

Figure 1-197	Remove the front door assembly (5 of 7) .....	128
Figure 1-198	Remove the front door assembly (6 of 7) .....	129
Figure 1-199	Remove the front door assembly (7 of 7) .....	129
Figure 1-200	Remove the right door assembly (1 of 8) .....	130
Figure 1-201	Remove the right door assembly (2 of 8) .....	130
Figure 1-202	Remove the right door assembly (3 of 8) .....	131
Figure 1-203	Remove the right door assembly (4 of 8) .....	131
Figure 1-204	Remove the right door assembly (5 of 8) .....	132
Figure 1-205	Remove the right door assembly (6 of 8) .....	132
Figure 1-206	Remove the right door assembly (7 of 8) .....	133
Figure 1-207	Remove the right door assembly (8 of 8) .....	133
Figure 1-208	Remove the face-down tray (1 of 2) .....	134
Figure 1-209	Remove the face-down tray (2 of 2) .....	134
Figure 1-210	Reinstall the face-down tray .....	135
Figure 1-211	Remove the face-down rear cover (M651; 1 of 5) .....	136
Figure 1-212	Remove the face-down rear cover (M651; 2 of 5) .....	136
Figure 1-213	Remove the face-down rear cover (M651; 3 of 5) .....	137
Figure 1-214	Remove the face-down rear cover (M651; 4 of 5) .....	138
Figure 1-215	Remove the face-down rear cover (M651; 5 of 5) .....	138
Figure 1-216	Remove the upper cover (M651; 1 of 6) .....	139
Figure 1-217	Remove the upper cover (M651; 2 of 6) .....	139
Figure 1-218	Remove the upper cover (M651; 3 of 6) .....	140
Figure 1-219	Remove the upper cover (M651; 4 of 6) .....	140
Figure 1-220	Remove the upper cover (M651; 5 of 6) .....	141
Figure 1-221	Remove the upper cover (M651; 6 of 6) .....	141
Figure 1-222	Reinstall the upper cover (M651) .....	142
Figure 1-223	Remove the front face-down cover and right-front upper cover (1 of 3) .....	143
Figure 1-224	Remove the front face-down cover and right-front upper cover (2 of 3) .....	144
Figure 1-225	Remove the front face-down cover and right-front upper cover (3 of 3) .....	144
Figure 1-226	Remove the intermediate cover assembly (M680) .....	145
Figure 1-227	Remove the right-rear cover .....	146
Figure 1-228	Remove the IPTU (1 of 5) .....	147
Figure 1-229	Remove the IPTU (2 of 5) .....	148
Figure 1-230	Remove the IPTU (3 of 5) .....	148
Figure 1-231	Remove the IPTU (4 of 5) .....	149
Figure 1-232	Remove the IPTU (5 of 5) .....	149
Figure 1-233	Remove the cassette feed guide (1 of 2) .....	150
Figure 1-234	Remove the cassette feed guide (2 of 2) .....	150
Figure 1-235	Reinstall the cassette feed guide .....	151
Figure 1-236	Remove the secondary transfer assembly (1 of 3) .....	152
Figure 1-237	Remove the secondary transfer assembly (2 of 3) .....	152



Figure 1-238	Remove the secondary transfer assembly (3 of 3) .....	153
Figure 1-239	Reinstall the secondary transfer assembly .....	153
Figure 1-240	Remove the Tray 1 separation pad (1 of 6) .....	154
Figure 1-241	Remove the Tray 1 separation pad (2 of 6) .....	154
Figure 1-242	Remove the Tray 1 separation pad (3 of 6) .....	155
Figure 1-243	Remove the Tray 1 separation pad (4 of 6) .....	155
Figure 1-244	Remove the Tray 1 separation pad (5 of 6) .....	156
Figure 1-245	Remove the Tray 1 separation pad (6 of 6) .....	156
Figure 1-246	Remove the RD sensor assembly (1 of 7) .....	157
Figure 1-247	Remove the RD sensor assembly (2 of 7) .....	157
Figure 1-248	Remove the RD sensor assembly (3 of 7) .....	158
Figure 1-249	Remove the RD sensor assembly (4 of 7) .....	158
Figure 1-250	Remove the RD sensor assembly (5 of 7) .....	159
Figure 1-251	Remove the RD sensor assembly (6 of 7) .....	159
Figure 1-252	Remove the RD sensor assembly (7 of 7) .....	160
Figure 1-253	Remove the registration assembly (1 of 8) .....	161
Figure 1-254	Remove the registration assembly (2 of 8) .....	161
Figure 1-255	Remove the registration assembly (3 of 8) .....	162
Figure 1-256	Remove the registration assembly (4 of 8) .....	162
Figure 1-257	Remove the registration assembly (5 of 8) .....	163
Figure 1-258	Remove the registration assembly (6 of 8) .....	163
Figure 1-259	Remove the registration assembly (7 of 8) .....	164
Figure 1-260	Remove the registration assembly (8 of 8) .....	164
Figure 1-261	Remove the paper-delivery fan (M651; 1 of 2) .....	166
Figure 1-262	Remove the paper-delivery fan (M651; 2 of 2) .....	167
Figure 1-263	Remove the paper-delivery fan (M680) .....	168
Figure 1-264	Remove the residual-toner-feed motor (M651) .....	169
Figure 1-265	Remove the residual-toner-feed motor (M680) .....	170
Figure 1-266	Remove the residual-toner transfer assembly (1 of 4) .....	171
Figure 1-267	Remove the residual-toner transfer assembly (2 of 4) .....	172
Figure 1-268	Remove the residual-toner transfer assembly (3 of 4) .....	172
Figure 1-269	Remove the residual-toner transfer assembly (4 of 4) .....	173
Figure 1-270	Remove the cartridge fan and environmental sensor (1 of 7) .....	174
Figure 1-271	Remove the cartridge fan and environmental sensor (2 of 7) .....	175
Figure 1-272	Remove the cartridge fan and environmental sensor (3 of 7) .....	175
Figure 1-273	Remove the cartridge fan and environmental sensor (4 of 7) .....	176
Figure 1-274	Remove the cartridge fan and environmental sensor (5 of 7) .....	176
Figure 1-275	Remove the cartridge fan and environmental sensor (6 of 7) .....	177
Figure 1-276	Remove the cartridge fan and environmental sensor (7 of 7) .....	177
Figure 1-277	Remove the residual toner full sensor (1 of 3) .....	178
Figure 1-278	Remove the residual toner full sensor (2 of 3) .....	179

Figure 1-279	Remove the residual toner full sensor (3 of 3) .....	179
Figure 1-280	Remove the delivery assembly (M651; 1 of 7) .....	180
Figure 1-281	Remove the delivery assembly (M651; 2 of 7) .....	181
Figure 1-282	Remove the delivery assembly (M651; 3 of 7) .....	181
Figure 1-283	Remove the delivery assembly (M651; 4 of 7) .....	182
Figure 1-284	Remove the delivery assembly (M651; 5 of 7) .....	182
Figure 1-285	Remove the delivery assembly (M651; 6 of 7) .....	183
Figure 1-286	Remove the delivery assembly (M651; 7 of 7) .....	183
Figure 1-287	Reinstall the delivery assembly (M651: 1 of 4) .....	184
Figure 1-288	Reinstall the delivery assembly (M651: 2 of 4) .....	184
Figure 1-289	Reinstall the delivery assembly (M651: 3 of 4) .....	185
Figure 1-290	Reinstall the delivery assembly (M651: 4 of 4) .....	185
Figure 1-291	Remove the delivery assembly (M680; 1 of 4) .....	186
Figure 1-292	Remove the delivery assembly (M680; 2 of 4) .....	187
Figure 1-293	Remove the delivery assembly (M680; 3 of 4) .....	187
Figure 1-294	Remove the delivery assembly (M680; 4 of 4) .....	188
Figure 1-295	Reinstall the delivery assembly (M680) .....	188
Figure 1-296	Remove the duplex-drive assembly .....	189
Figure 1-297	Remove the power-supply fan (M651; 1 of 2) .....	190
Figure 1-298	Remove the power-supply fan (M651; 2 of 2) .....	191
Figure 1-299	Remove the power-supply fan (M680; 1 of 3) .....	192
Figure 1-300	Remove the power-supply fan (M680; 2 of 3) .....	193
Figure 1-301	Remove the power-supply fan (M680; 3 of 3) .....	193
Figure 1-302	Remove the interconnect board (M651; 1 of 2) .....	194
Figure 1-303	Remove the interconnect board (M651; 2 of 2) .....	195
Figure 1-304	Remove the ICB (M680; 1 of 2) .....	196
Figure 1-305	Remove the ICB (M680; 2 of 2) .....	197
Figure 1-306	Remove the DC controller PCA only .....	199
Figure 1-307	Remove the low-voltage power supply (1 of 8) .....	200
Figure 1-308	Remove the low-voltage power supply (2 of 8) .....	201
Figure 1-309	Remove the low-voltage power supply (4 of 8) .....	201
Figure 1-310	Remove the low-voltage power supply (5 of 8) .....	202
Figure 1-311	Remove the low-voltage power supply (6 of 8) .....	202
Figure 1-312	Remove the low-voltage power supply (7 of 8) .....	203
Figure 1-313	Remove the low-voltage power supply (8 of 8) .....	203
Figure 1-314	Remove the DC controller PCA and tray (1 of 3) .....	205
Figure 1-315	Remove the DC controller PCA and tray (2 of 3) .....	205
Figure 1-316	Remove the DC controller PCA and tray (3 of 3) .....	206
Figure 1-317	Remove the high-voltage power supply lower (1 of 7) .....	208
Figure 1-318	Remove the high-voltage power supply lower (2 of 7) .....	208
Figure 1-319	Remove the high-voltage power supply lower (3 of 7) .....	209

Figure 1-320	Remove the high-voltage power supply lower (4 of 7)	209
Figure 1-321	Remove the high-voltage power supply lower (5 of 7)	210
Figure 1-322	Remove the high-voltage power supply lower (6 of 7)	210
Figure 1-323	Remove the high-voltage power supply lower (7 of 7)	211
Figure 1-324	Reinstall the high-voltage power supply lower	211
Figure 1-325	Remove the developing-disengagement motor	212
Figure 1-326	Remove the exhaust fan and fan duct (1 of 3)	214
Figure 1-327	Remove the exhaust fan and fan duct (2 of 3)	214
Figure 1-328	Remove the exhaust fan and fan duct (3 of 3)	215
Figure 1-329	Reinstall the exhaust fan and fan duct	215
Figure 1-330	Remove the pickup motor	216
Figure 1-331	Remove the lifter-drive assembly (1 of 3)	218
Figure 1-332	Remove the lifter-drive assembly (2 of 3)	218
Figure 1-333	Remove the lifter-drive assembly (3 of 3)	219
Figure 1-334	Remove the lifter base assembly (1 of 2)	220
Figure 1-335	Remove the lifter base assembly (2 of 2)	221
Figure 1-336	Reinstall the lifter base assembly (1 of 2)	222
Figure 1-337	Reinstall the lifter base assembly (2 of 2)	222
Figure 1-338	Remove the paper-pickup drive assembly (1 of 3)	224
Figure 1-339	Remove the paper-pickup drive assembly (2 of 3)	224
Figure 1-340	Remove the paper-pickup drive assembly (3 of 3)	225
Figure 1-341	Remove the paper-pickup assembly (1 of 11)	227
Figure 1-342	Remove the paper-pickup assembly (2 of 11)	227
Figure 1-343	Remove the paper-pickup assembly (3 of 11)	228
Figure 1-344	Remove the paper-pickup assembly (4 of 11)	228
Figure 1-345	Remove the paper-pickup assembly (5 of 11)	229
Figure 1-346	Remove the paper-pickup assembly (6 of 11)	229
Figure 1-347	Remove the paper-pickup assembly (7 of 11)	230
Figure 1-348	Remove the paper-pickup assembly (8 of 11)	230
Figure 1-349	Remove the paper-pickup assembly (9 of 11)	231
Figure 1-350	Remove the paper-pickup assembly (10 of 11)	231
Figure 1-351	Remove the paper-pickup assembly (11 of 11)	232
Figure 1-352	Remove the laser/scanner assembly (Y/M; 1 of 5)	234
Figure 1-353	Remove the laser/scanner assembly (Y/M; 2 of 5)	234
Figure 1-354	Remove the laser/scanner assembly (Y/M; 3 of 5)	235
Figure 1-355	Remove the laser/scanner assembly (Y/M; 4 of 5)	236
Figure 1-356	Remove the laser/scanner assembly (Y/M; 5 of 5)	236
Figure 1-357	Remove the laser/scanner assembly (C/K; 1 of 5)	238
Figure 1-358	Remove the laser/scanner assembly (C/K; 2 of 5)	238
Figure 1-359	Remove the laser/scanner assembly (C/K; 3 of 5)	239
Figure 1-360	Remove the laser/scanner assembly (C/K; 4 of 5)	239

Figure 1-361	Remove the laser/scanner assembly (C/K; 5 of 5)	240
Figure 1-362	Reinstall the PGC actuators (1 of 5)	240
Figure 1-363	Reinstall the PGC actuators (2 of 5)	241
Figure 1-364	Reinstall the PGC actuators (3 of 5)	241
Figure 1-365	Reinstall the PGC actuators (4 of 5)	242
Figure 1-366	Reinstall the PGC actuators (5 of 5)	242
Figure 1-367	Remove the high-voltage power supply upper (1 of 2)	244
Figure 1-368	Remove the high-voltage power supply upper (2 of 2)	244
Figure 1-369	Reinstall the high-voltage power supply upper	245
Figure 1-370	Remove the yellow, magenta, cyan, and black drum motors	247
Figure 1-371	Remove the fuser motor	249
Figure 1-372	Remove the ITB motor	251
Figure 1-373	Remove the main-drive assembly (1 of 7)	253
Figure 1-374	Remove the main-drive assembly (2 of 7)	253
Figure 1-375	Remove the main-drive assembly (3 of 7)	254
Figure 1-376	Remove the main-drive assembly (4 of 7)	254
Figure 1-377	Remove the main-drive assembly (5 of 7)	255
Figure 1-378	Remove the main-drive assembly (6 of 7)	255
Figure 1-379	Remove the main-drive assembly (7 of 7)	256
Figure 1-380	Reinstall the main-drive assembly (1 of 7)	257
Figure 1-381	Reinstall the main-drive assembly (2 of 7)	257
Figure 1-382	Reinstall the main-drive assembly (3 of 7)	258
Figure 1-383	Reinstall the main-drive assembly (4 of 7)	259
Figure 1-384	Reinstall the main-drive assembly (5 of 7)	260
Figure 1-385	Reinstall the main-drive assembly (6 of 7)	260
Figure 1-386	Reinstall the main-drive assembly (7 of 7)	261
Figure 1-387	Remove the fuser drive assembly (1 of 7)	263
Figure 1-388	Remove the fuser drive assembly (2 of 7)	263
Figure 1-389	Remove the fuser drive assembly (3 of 7)	264
Figure 1-390	Remove the fuser drive assembly (4 of 7)	264
Figure 1-391	Remove the fuser drive assembly (5 of 7)	265
Figure 1-392	Remove the fuser drive assembly (6 of 7)	265
Figure 1-393	Remove the fuser drive assembly (7 of 7)	266
Figure 1-394	Reinstall the fuser drive assembly	266
Figure 1-395	1x500-sheet paper feeder cover locations, front view	267
Figure 1-396	1x500-sheet paper feeder cover locations, rear view	268
Figure 1-397	Remove the front upper cover (1x500-sheet paper feeder)	269
Figure 1-398	Remove the rear cover (500-sheet paper feeder)	270
Figure 1-399	Remove the left cover (1x500-sheet paper feeder; 1 of 2)	271
Figure 1-400	Remove the left cover (1x500-sheet paper feeder; 2 of 2)	271
Figure 1-401	Remove the right-front cover (1x500-sheet paper feeder)	272

Figure 1-402	Remove the right cover (1x500-sheet paper feeder; 1 of 2) .....	273
Figure 1-403	Remove the right cover (1x500-sheet paper feeder; 2 of 2) .....	273
Figure 1-404	Remove the paper-pickup assembly (1x500-sheet paper feeder; 1 of 5) .....	274
Figure 1-405	Remove the paper-pickup assembly (1x500-sheet paper feeder; 2 of 5) .....	275
Figure 1-406	Remove the paper-pickup assembly (1x500-sheet paper feeder; 3 of 5) .....	275
Figure 1-407	Remove the paper-pickup assembly (1x500-sheet paper feeder; 4 of 5) .....	276
Figure 1-408	Remove the paper pickup assembly (1x500-sheet paper feeder; 5 of 5) .....	276
Figure 1-409	Remove the lifter base assembly (1x500-sheet paper feeder; 1 of 2) .....	277
Figure 1-410	Remove the lifter base assembly (1x500-sheet paper feeder; 2 of 2) .....	277
Figure 1-411	Reinstall the lifter base assembly (1x500-sheet paper feeder) .....	278
Figure 1-412	Remove the lifter assembly (1x500-sheet paper feeder; 1 of 2) .....	279
Figure 1-413	Remove the lifter assembly (1x500-sheet paper feeder; 2 of 2) .....	279
Figure 1-414	Remove the pickup motor assembly (1x500-sheet paper feeder; 1 of 2) .....	280
Figure 1-415	Remove the pickup motor assembly (1x500-sheet paper feeder; 2 of 2) .....	280
Figure 1-416	Remove the feeder PCA (1x500-sheet paper feeder) .....	281
Figure 1-417	1x500-sheet paper feeder with cabinet covers, front view .....	282
Figure 1-418	1x500-sheet paper feeder with cabinet covers, rear view .....	283
Figure 1-419	Remove the rear cover (1x500-sheet paper feeder with cabinet) .....	284
Figure 1-420	Remove the left cover (1x500-sheet paper feeder with cabinet) .....	285
Figure 1-421	Remove the stock box door (1x500-sheet paper feeder with cabinet; 1 of 2) .....	286
Figure 1-422	Remove the stock box door (1x500-sheet paper feeder with cabinet; 2 of 2) .....	286
Figure 1-423	Remove the front upper cover (1x500-sheet paper feeder with cabinet) .....	287
Figure 1-424	Remove the right-front cover (1x500-sheet paper feeder with cabinet) .....	288
Figure 1-425	Remove the right door (1x500-sheet paper feeder with cabinet; 1 of 3) .....	289
Figure 1-426	Remove the right door (1x500-sheet paper feeder with cabinet; 2 of 3) .....	289
Figure 1-427	Remove the right door (1x500-sheet paper feeder with cabinet; 3 of 3) .....	290
Figure 1-428	Remove the right center cover (1x500-sheet paper feeder with cabinet) .....	291
Figure 1-429	Remove the rear-right cover (1x500-sheet paper feeder with cabinet) .....	292
Figure 1-430	Remove the paper-pickup assembly (1x500-sheet paper feeder with cabinet; 1 of 4) .....	293
Figure 1-431	Remove the paper-pickup assembly (1x500-sheet paper feeder with cabinet; 2 of 4) .....	294
Figure 1-432	Remove the paper-pickup assembly (1x500-sheet paper feeder with cabinet; 3 of 4) .....	294
Figure 1-433	Remove the paper-pickup assembly (1x500-sheet paper feeder with cabinet; 4 of 4) .....	295
Figure 1-434	Remove the lifter base assembly (1x500-sheet paper feeder with cabinet; 1 of 2) .....	296
Figure 1-435	Remove the lifter base assembly (1x500-sheet paper feeder with cabinet; 2 of 2) .....	296
Figure 1-436	Remove the lifter assembly (1x500-sheet paper feeder with cabinet; 1 of 2) .....	297
Figure 1-437	Remove the lifter assembly (1x500-sheet paper feeder with cabinet; 2 of 2) .....	297
Figure 1-438	Remove the pickup motor assembly (1x500-sheet paper feeder with cabinet) .....	298
Figure 1-439	Remove the feeder PCA (1x500-sheet paper feeder with cabinet) .....	299
Figure 1-440	2,500-sheet paper feeder HCl covers, front view .....	300
Figure 1-441	2,500-sheet paper feeder HCl covers, rear view .....	301
Figure 1-442	Remove the rear cover (2,500-sheet paper feeder HCl; 1 of 2) .....	302

Figure 1-443	Remove the rear cover (2,500-sheet paper feeder HCI; 2 of 2) .....	302
Figure 1-444	Remove the left cover (2,500-sheet paper feeder HCI) .....	303
Figure 1-445	Remove the front upper cover (2,500-sheet paper feeder HCI) .....	304
Figure 1-446	Remove the right front cover (2,500-sheet paper feeder HCI) .....	305
Figure 1-447	Remove the right door (2,500-sheet paper feeder HCI; 1 of 3) .....	306
Figure 1-448	Remove the right door (2,500-sheet paper feeder HCI; 2 of 3) .....	306
Figure 1-449	Remove the right door (2,500-sheet paper feeder HCI; 3 of 3) .....	307
Figure 1-450	Remove the right center cover (2,500-sheet paper feeder HCI) .....	308
Figure 1-451	Remove the right rear cover (2,500-sheet paper feeder HCI) .....	309
Figure 1-452	Remove the right lower cover (2,500-sheet paper feeder HCI) .....	310
Figure 1-453	Remove the Tray 5 pickup assembly (2,500-sheet paper feeder HCI; 1 of 3) .....	311
Figure 1-454	Remove the Tray 5 pickup assembly (2,500-sheet paper feeder HCI; 2 of 3) .....	311
Figure 1-455	Remove the Tray 5 pickup assembly (2,500-sheet paper feeder HCI; 3 of 3) .....	312
Figure 1-456	Remove the Tray 3-4 pickup assemblies (2,500-sheet paper feeder HCI; 1 of 4) .....	313
Figure 1-457	Remove the Tray 3-4 pickup assemblies (2,500-sheet paper feeder HCI; 2 of 4) .....	313
Figure 1-458	Remove the Tray 3-4 pickup assemblies (2,500-sheet paper feeder HCI; 3 of 4) .....	314
Figure 1-459	Remove the Tray 3-4 pickup assemblies (2,500-sheet paper feeder HCI; 4 of 4) .....	314
Figure 1-460	Remove the Tray 3-4 lifter base assemblies (2,500-sheet paper feeder HCI; 1 of 2) .....	315
Figure 1-461	Remove the Tray 3-4 lifter base assemblies (2,500-sheet paper feeder HCI; 2 of 2) .....	315
Figure 1-462	Remove the Tray 3-4 lifter assemblies (2,500-sheet paper feeder HCI; 1 of 2) .....	316
Figure 1-463	Remove the Tray 3-4 lifter assemblies (2,500-sheet paper feeder HCI; 2 of 2) .....	316
Figure 1-464	Remove the Tray 5 lifter drive assembly (2,500-sheet paper feeder HCI) .....	317
Figure 1-465	Remove the pickup motor (2,500-sheet paper feeder HCI) .....	318
Figure 1-466	Remove the HCI PCA (2,500-sheet paper feeder HCI) .....	319
Figure 1-467	Stapling mailbox covers, front view .....	320
Figure 1-468	Stapling mailbox covers, rear view .....	320
Figure 1-469	Remove the front cover (stapling mailbox) .....	321
Figure 1-470	Remove the rear cover (stapling mailbox) .....	322
Figure 1-471	Remove the top door (stapling mailbox) .....	323
Figure 1-472	Remove the holder connector (stapling mailbox) .....	324
Figure 1-473	Remove the top cover (stapling mailbox) .....	325
Figure 1-474	Remove output bin 3 (stapling mailbox; 1 of 2) .....	326
Figure 1-475	Remove output bin 3 (stapling mailbox; 2 of 2) .....	326
Figure 1-476	Remove the output bin 3 driver PCA (stapling mailbox; 1 of 3) .....	327
Figure 1-477	Remove the output bin 3 driver PCA (stapling mailbox; 2 of 3) .....	327
Figure 1-478	Remove the output bin 3 driver PCA (stapling mailbox; 3 of 3) .....	328
Figure 1-479	Remove the stapler assembly (stapling mailbox) .....	329
Figure 1-480	Remove the stamp solenoid (stapling mailbox; 1 of 2) .....	330
Figure 1-481	Remove the stamp solenoid (stapling mailbox; 2 of 2) .....	330
Figure 1-482	Remove the output bin sensor PCA (stapling mailbox; 1 of 2) .....	331
Figure 1-483	Remove the output bin sensor PCA (stapling mailbox; 2 of 2) .....	332

Figure 1-484	Remove the stacking panel (stapling mailbox; 1 of 2)	333
Figure 1-485	Remove the stacking panel (stapling mailbox; 2 of 2)	333
Figure 1-486	Remove the jogger assembly (stapling mailbox; 1 of 3)	334
Figure 1-487	Remove the jogger assembly (stapling mailbox; 2 of 3)	334
Figure 1-488	Remove the jogger assembly (stapling mailbox; 3 of 3)	335
Figure 1-489	Remove the flapper guide assembly (stapling mailbox)	336
Figure 1-490	Reinstall the flapper guide assembly (stapling mailbox)	337
Figure 1-491	Remove the flapper assembly (stapling mailbox)	338
Figure 1-492	Remove the output bin solenoid (stapling mailbox)	339
Figure 1-493	Remove the output bin assembly (stapling mailbox; 1 of 3)	340
Figure 1-494	Remove the output bin assembly (stapling mailbox; 2 of 3)	341
Figure 1-495	Remove the output bin assembly (stapling mailbox; 3 of 3)	341
Figure 1-496	Remove the output bin 3 drive assembly (stapling mailbox; 1 of 4)	342
Figure 1-497	Remove the output bin 3 drive assembly (stapling mailbox; 2 of 4)	343
Figure 1-498	Remove the output bin 3 drive assembly (stapling mailbox; 3 of 4)	343
Figure 1-499	Remove the output bin 3 drive assembly (stapling mailbox; 4 of 4)	344
Figure 1-500	Remove the stage-top sub-assembly (stapling mailbox; 1 of 14)	345
Figure 1-501	Remove the stage-top sub-assembly (stapling mailbox; 2 of 14)	346
Figure 1-502	Remove the stage-top sub-assembly (stapling mailbox; 3 of 14)	346
Figure 1-503	Remove the stage-top sub-assembly (stapling mailbox; 4 of 14)	347
Figure 1-504	Remove the stage-top sub-assembly (stapling mailbox; 5 of 14)	347
Figure 1-505	Remove the stage-top sub-assembly (stapling mailbox; 6 of 14)	348
Figure 1-506	Remove the stage-top sub-assembly (stapling mailbox; 7 of 14)	348
Figure 1-507	Remove the stage-top sub-assembly (stapling mailbox; 8 of 14)	349
Figure 1-508	Remove the stage-top sub-assembly (stapling mailbox; 9 of 14)	349
Figure 1-509	Remove the stage-top sub-assembly (stapling mailbox; 10 of 14)	350
Figure 1-510	Remove the stage-top sub-assembly (stapling mailbox; 11 of 14)	350
Figure 1-511	Remove the stage-top sub-assembly (stapling mailbox; 12 of 14)	351
Figure 1-512	Remove the stage-top sub-assembly (stapling mailbox; 13 of 14)	351
Figure 1-513	Remove the stage-top sub-assembly (stapling mailbox; 14 of 14)	352
Figure 1-514	Reinstall the stage-top sub-assembly (stapling mailbox; 1 of 2)	353
Figure 1-515	Reinstall the stage-top sub-assembly (stapling mailbox; 2 of 2)	353
Figure 1-516	Remove the stage assembly (stapling mailbox; 1 of 7)	354
Figure 1-517	Remove the stage assembly (stapling mailbox; 2 of 7)	355
Figure 1-518	Remove the stage assembly (stapling mailbox; 3 of 7)	355
Figure 1-519	Remove the stage assembly (stapling mailbox; 4 of 7)	356
Figure 1-520	Remove the stage assembly (stapling mailbox; 5 of 7)	356
Figure 1-521	Remove the stage assembly (stapling mailbox; 6 of 7)	357
Figure 1-522	Remove the stage assembly (stapling mailbox; 7 of 7)	357
Figure 1-523	Remove the entrance solenoid (stapling mailbox; 1 of 3)	358
Figure 1-524	Remove the entrance solenoid (stapling mailbox; 2 of 3)	359

Figure 1-525	Remove the entrance solenoid (stapling mailbox; 3 of 3)	359
Figure 1-526	Remove the feed motor (stapling mailbox; 1 of 3)	360
Figure 1-527	Remove the feed motor (stapling mailbox; 2 of 3)	361
Figure 1-528	Remove the feed motor (stapling mailbox; 3 of 3)	361
Figure 1-529	Remove the paddle motor (stapling mailbox)	362
Figure 2-1	Document feeder and scanner assemblies (M680)	370
Figure 2-2	Document feeder assemblies (M680, 1 of 2)	372
Figure 2-3	Document feeder assemblies (M680, 2 of 2)	374
Figure 2-4	Scan control board (SCB; M680)	376
Figure 2-5	Covers (M651)	378
Figure 2-6	Covers (M680)	380
Figure 2-7	Right door	382
Figure 2-8	Control panels	384
Figure 2-9	Internal assemblies (M651)	386
Figure 2-10	Internal assemblies (M680)	388
Figure 2-11	Internal assemblies (1 of 6)	390
Figure 2-12	Internal assemblies (2 of 6)	392
Figure 2-13	Internal assemblies (3 of 6)	394
Figure 2-14	Internal assemblies (4 of 6)	396
Figure 2-15	Internal assemblies (5 of 6)	398
Figure 2-16	Internal assemblies (6 of 6)	400
Figure 2-17	500-sheet paper feeder covers	402
Figure 2-18	500-sheet paper feeder components	404
Figure 2-19	1x500-sheet paper feeder with cabinet covers	406
Figure 2-20	1x500-sheet paper feeder with cabinet components	408
Figure 2-21	2,500-sheet paper feeder HCl covers	410
Figure 2-22	2,500-sheet paper feeder HCl components (1 of 2)	412
Figure 2-23	2,500-sheet paper feeder HCl components (2 of 2)	414
Figure 2-24	Stapling mailbox covers	416
Figure 2-25	Stapling mailbox assemblies (1 of 2)	418
Figure 2-26	Stapling mailbox assemblies (2 of 2)	420



---

# 1 Removal and replacement

- [Removal and replacement strategy](#)
- [Customer self repair \(CSR\) assemblies](#)
- [Document feeder and scanner \(M680\)](#)
- [External panels, covers, and doors](#)
- [Internal assemblies](#)
- [Optional input and output accessories](#)

# Removal and replacement strategy


## Considerations during removal and replacement

This chapter describes the removal and replacement of field-replaceable units (FRUs) only.

Replacing FRUs is generally the reverse of removal. Notes are included to provide directions for difficult or critical replacement procedures.

HP does not support repairing individual subassemblies or troubleshooting to the PCA component level.

---

 **WARNING!** Never operate or service the product with the protective cover removed from the laser scanner assembly. The reflected beam, although invisible, can cause damage the eyes.

The sheet-metal parts can have sharp edges. Be careful when handling sheet-metal parts.


Turn the product off, wait 5 seconds, and then remove the power cord before attempting to service the product. *If this warning is not followed*, severe injury and damage to the product can result. The power must be on for certain functional checks during troubleshooting. However, the power supply should be disconnected during parts removal.




Some parts are sensitive to electrostatic discharge (ESD). Look for the ESD reminder when removing product parts. Always perform service work at an ESD-protected workstation or mat. If an ESD workstation or mat is not available, touch the sheet-metal chassis to provide a static ground *before* touching an ESD-sensitive assembly.

Protect the ESD-sensitive assemblies by placing them in ESD pouches when they are out of the product.

Do not bend or fold the flat flexible cables (FFCs) during removal or installation.

 **NOTE:** To install a self-tapping screw, first turn it counterclockwise to align it with the existing thread pattern, and then carefully turn it clockwise to tighten. Do not overtighten. If a self-tapping screw-hole becomes stripped, repair the screw-hole or replace the affected assembly.

 **TIP:** For clarity, some figures in this chapter show assemblies removed that are not required to be removed to service the product (for example, the scanner and document feeder assemblies). The procedures in this manual are correct for this product.

---

## Required tools

- #2 Phillips screwdriver with a magnetic tip and a 152-mm (6-in) shaft length

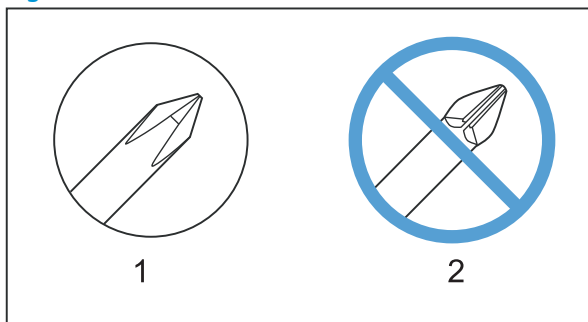


**NOTE:** For the best fit, use a JIS #2 Phillips screwdriver for the stapler/stacker.

- Small, flat-blade screwdriver
- Needle-nose pliers
- ESD strap (if one is available)
- Penlight

**CAUTION:** Always use a Phillips screwdriver (callout 1). Do not use a Pozidriv screwdriver (callout 2) or any motorized screwdriver. These can damage screws or screw threads.

**Figure 1-1** Screwdrivers



## Types of screws

**WARNING!** Make sure that assemblies are replaced with the correct screw type. Using the incorrect screw (for example, substituting a long screw for the correct shorter screw) can cause damage to the product or interfere with product operation. Do not intermix screws that are removed from one assembly with the screws that are removed from another assembly.

For a complete list of screw types and part numbers, see the Parts chapter.

## Service approach

The product uses a field repair strategy. Defective parts are diagnosed and replaced at the Field Replaceable Unit (FRU) assembly level. Repair normally begins by using the product internal diagnostics and the following two-step process:

1. Isolate the problem to the major system (for example, the network or server, or the product).
2. Troubleshoot the problem by using the procedures in the troubleshooting chapter.

After locating a faulty part, the product can usually be repaired at the assembly level by replacing FRUs. Some mechanical assemblies might need to be repaired at the subassembly level. Hewlett-Packard Company does not support replacement of components on the printed circuit assemblies.

The user replaces toner cartridges as they are depleted. Additional instructions about other user-replaceable parts are provided in this section.

The product tracks the amount of use on the customer-replaceable supplies by keeping a page count. The product prompts the user to replace certain items when a supply is depleted or a specific number of pages has been printed.

Swapping toner cartridges between products might cause a misrepresentation of supply life values and is not recommended.

## Before performing service

---

**⚠ WARNING!** Turn the product off, wait 5 seconds, and then remove the power cord before attempting to service the product. *If this warning is not followed, severe injury and damage to the product can result.* The power must be on for certain functional checks during troubleshooting. However, the power supply should be disconnected during parts removal.

---

1. Remove all paper.
2. Place the product on an ESD mat (if available). If an ESD workstation or mat is not available, touching the sheet-metal chassis to provide a static ground *before* touching an ESD-sensitive assembly.
3. Remove the toner cartridges.
4. Remove the toner collection unit (TCU)
5. Remove the trays.

## After performing service

1. Reinstall the toner cartridges.
2. Reinstall the trays.
3. Return all paper to the trays.
4. Plug in the power cable and turn on the product.
5. Perform print-quality tests by printing from a host computer, the scanner glass, and the document feeder.

## Parts removal order

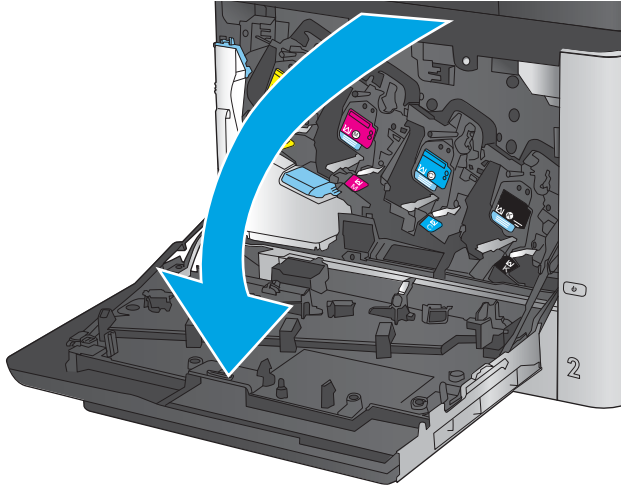
If multiple assemblies must be removed to gain access to an assembly, the first step of the removal procedure lists all of the assemblies that must be removed to gain access to that assembly. Use these lists to determine which parts must be removed before removing other parts.

# Customer self repair (CSR) assemblies

## Toner cartridges

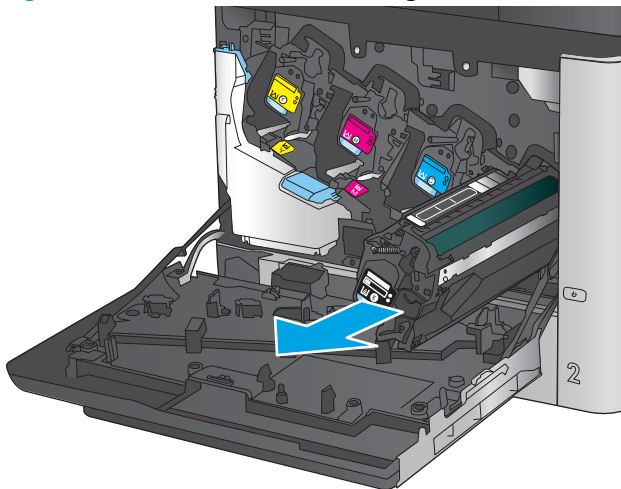
1. Open the front door.

**Figure 1-2** Remove the toner cartridges (1 of 2)




2. Grasp the handle of the toner cartridge and pull out to remove it.

**Figure 1-3** Remove the toner cartridges (2 of 2)

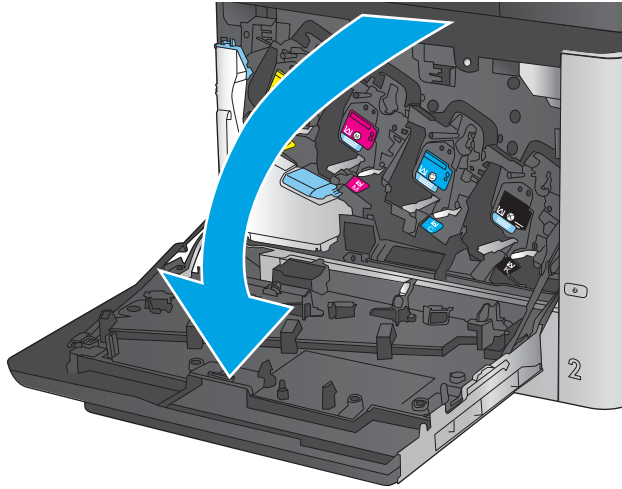


## Toner-collection unit

 **NOTE:** The toner collection unit is designed for a single use. Do not attempt to empty the toner collection unit and reuse it. Doing so could lead to toner being spilled inside the product, which could result in reduced print quality. After use, return the toner collection unit to HP's Planet Partners program for recycling.

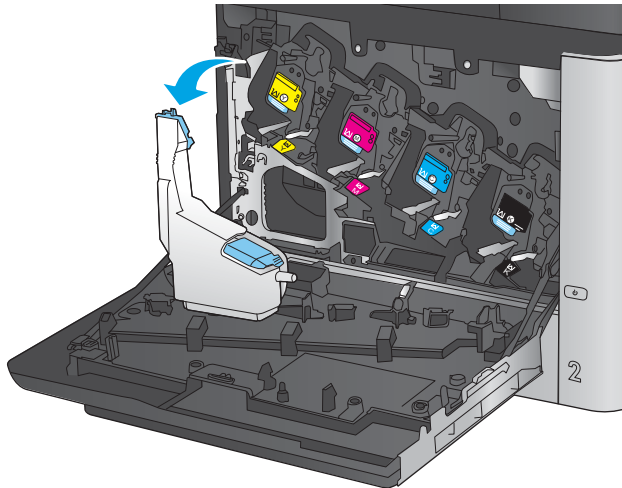
1. Open the front door.

**Figure 1-4** Remove the toner collection unit (1 of 3)



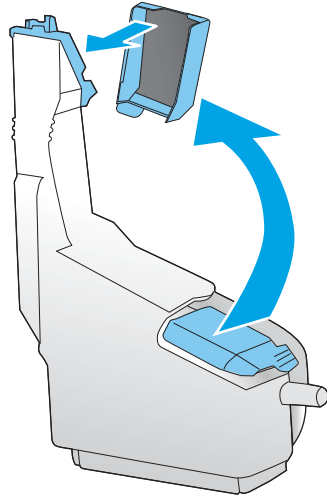
2. Grasp the top of the toner collection unit and remove it from the product.

**Figure 1-5** Remove the toner collection unit (2 of 3)



3. To prevent toner spills, place the attached cap over the opening at the top of the unit.

**Figure 1-6** Remove the toner collection unit (3 of 3)



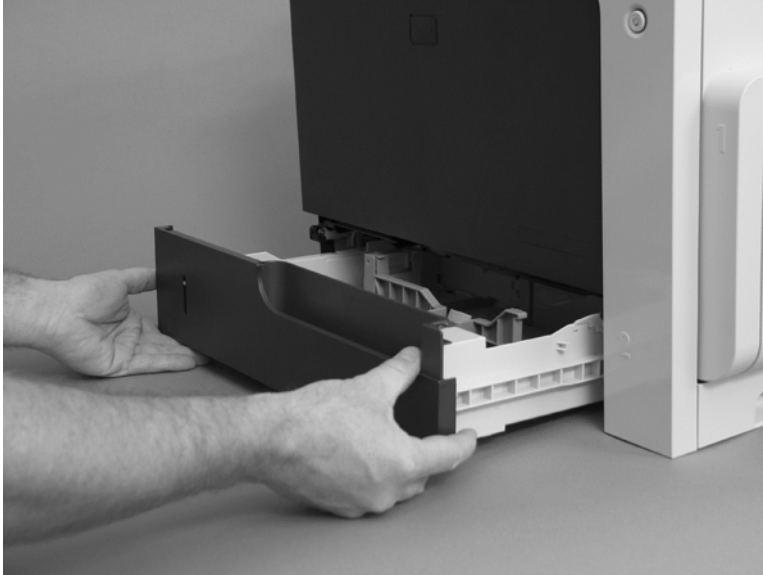
## Tray



**NOTE:** Use this procedure to remove Tray 2 and the optional 500-sheet trays.

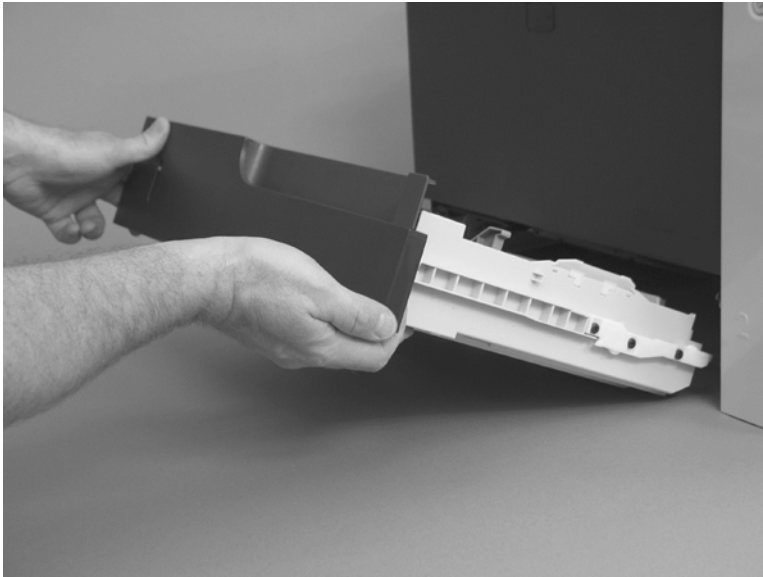
1. Pull the tray straight out of the product until it stops.

**Figure 1-7** Remove the tray (1 of 2)



2. Push the tray in slightly, carefully lift up to release it, and then remove the tray.

**Figure 1-8** Remove the tray (2 of 2)






## Formatter PCA

 **CAUTION:**  ESD sensitive assembly.

1. Turn the product off and disconnect the power and interface cable or interface cables.
2. Unscrew the formatter thumbscrews, and then firmly pull the formatter out of the product. Place the formatter on a clean, flat, grounded surface.

 **Reinstallation tip** When reinstalling the formatter, push firmly on the right side to make sure the formatter is seated.

**Figure 1-9** Remove the formatter



## Install a replacement formatter

1. Remove the following components from the failed formatter, and then install them on the replacement assembly.

### M651 models

- Hard-disk drive or solid-state memory. See [Hard-disk drive \(HDD\) or solid-state memory \(SSM\) on page 13](#).
- Memory DIMM. See [Memory DIMM on page 21](#)

### M680 models

- Fax PCA. See [Fax PCA \(M680\) on page 12](#)
- Hard-disk drive. See [Hard-disk drive \(HDD\) or solid-state memory \(SSM\) on page 13](#).
- Memory DIMM. See [Memory DIMM on page 21](#)

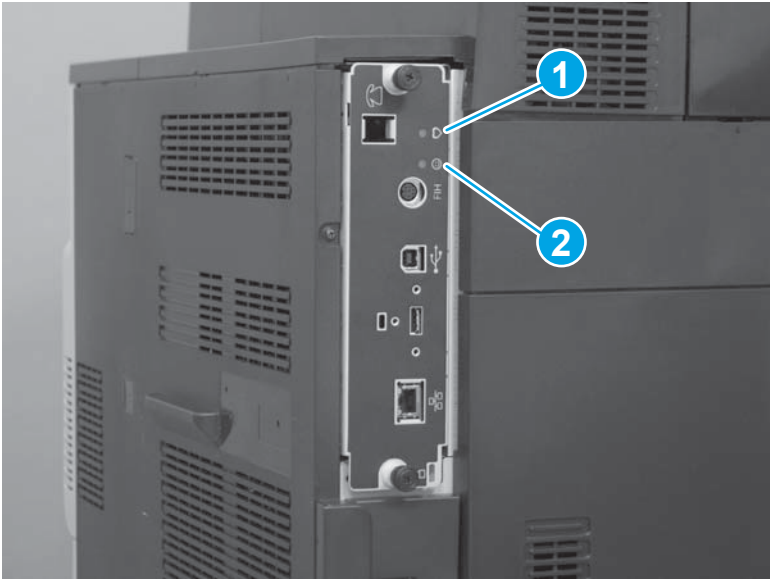
2. Do the following:
  - a. Reconnect any removed interface cables.
  - b. Plug in the power cord.
3. Turn the product power on.

To verify that the formatter is correctly installed, observe the following functions of the LEDs on the formatter:

- The heartbeat LED (callout 1) illuminates if the formatter is functioning correctly.
  - While the product is initializing, the heartbeat LED illuminates solid red for about one second, and then turns solid green for about twenty seconds.
  - After the initialization sequence is complete, the heartbeat LED blinks continuously if the printer is functioning correctly.
- The connectivity LED (callout 2) indicates that the formatter is completely seated. It illuminates green when the product power is turned on and stays green if the formatter is properly seated.

If the LEDs do not correctly function, turn the product power off, remove the formatter, and then reinstall it (make sure that the formatter is fully seated before tightening the thumbscrews).

**Figure 1-10** Formatter LEDs



## Fax PCA (M680)

### Before proceeding, remove the following assemblies

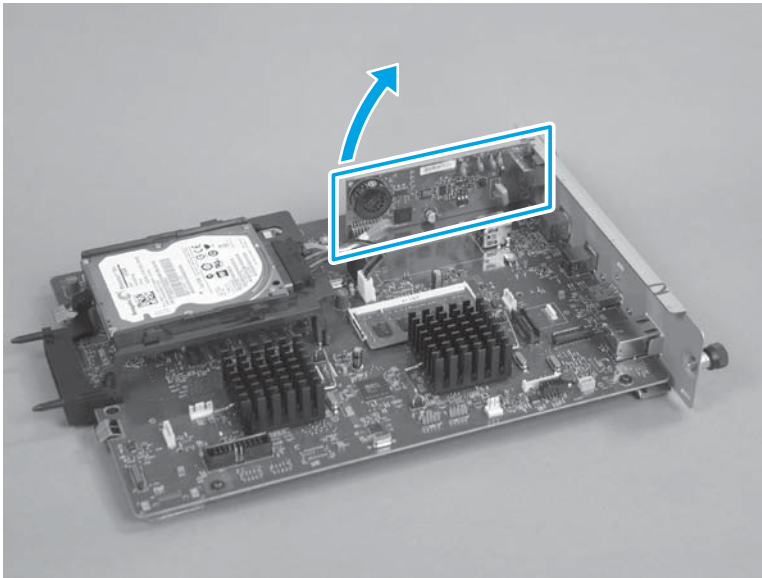
- Formatter. See [Formatter PCA on page 9](#).

### Remove the fax PCA (M680)

 **CAUTION:**  ESD sensitive assembly.

- ▲ Rotate the connector end of the fax PCA up and away from the formatter to release it. Remove the fax PCA.

**Figure 1-11** Remove the fax PCA (M680)



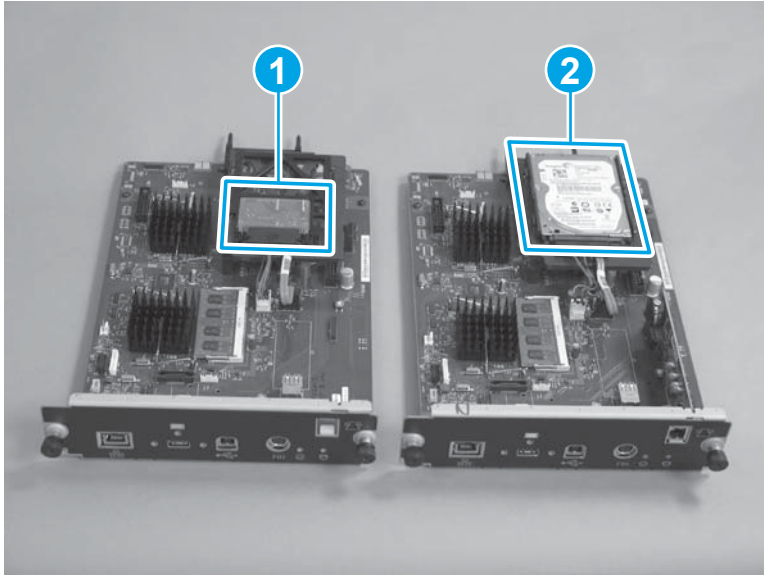
## Hard-disk drive (HDD) or solid-state memory (SSM)

### Before proceeding, remove the following assemblies

- Formatter. See [Formatter PCA on page 9](#).

### Identify the storage device type

**Figure 1-12** Identify the SSM and HDD



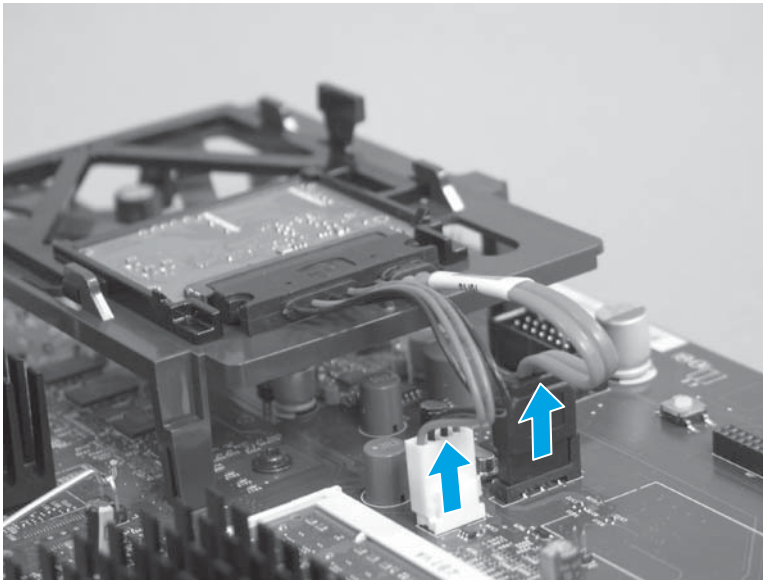
1. Solid-state memory (SSM). See [Remove the SSM \(M651\) on page 14](#).
2. Hard-disk drive (HDD). See [Remove the HDD on page 17](#).

## Remove the SSM (M651)

 **CAUTION:**  ESD sensitive assembly.

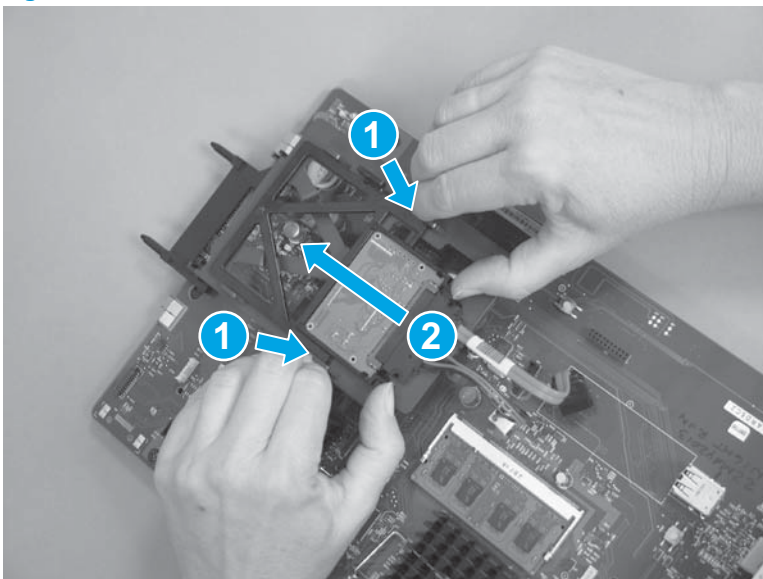
1. Disconnect two connectors.

**Figure 1-13** Remove the SSM (1 of 5)



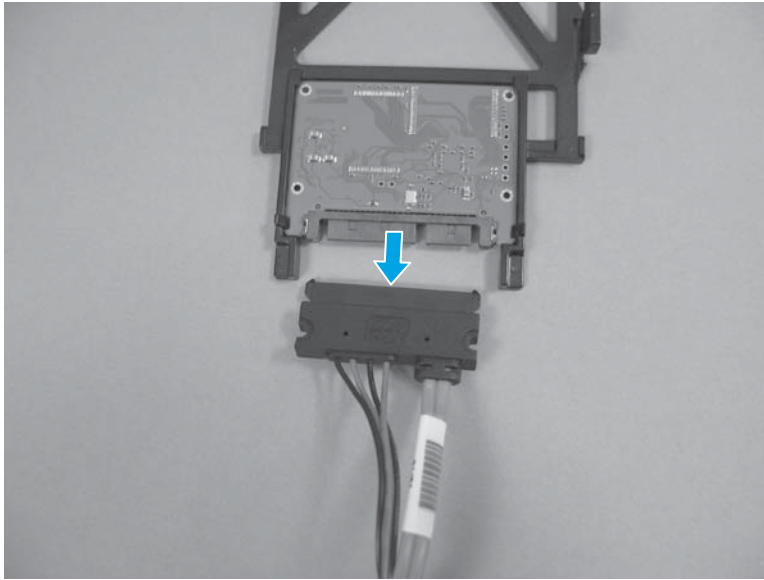
2. Push down on the two levers on each side of the bracket (callout 1), and hold them down, while sliding the bracket in the direction of the arrow (callout 2).

**Figure 1-14** Remove the SSM (2 of 5)



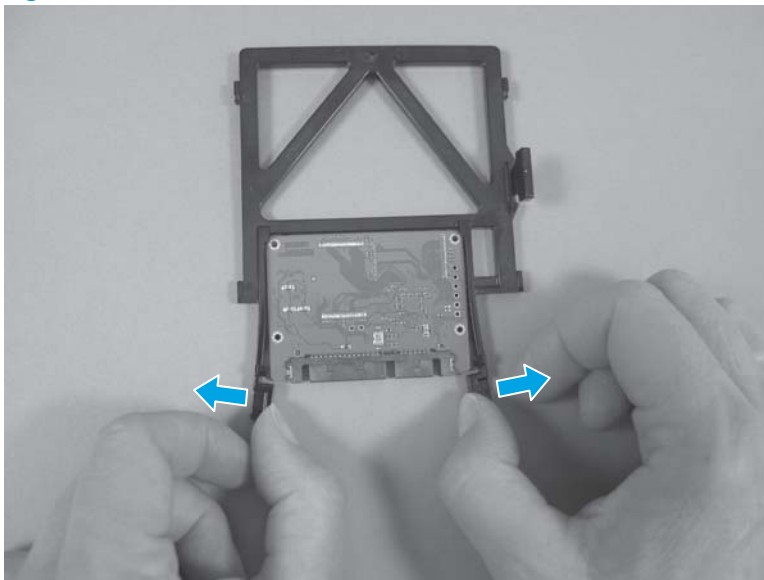
3. Remove the connector. (Transfer the connector to the new SSM.)

**Figure 1-15** Remove the SSM (3 of 5)



4. Spread the latches apart.

**Figure 1-16** Remove the SSM (4 of 5)

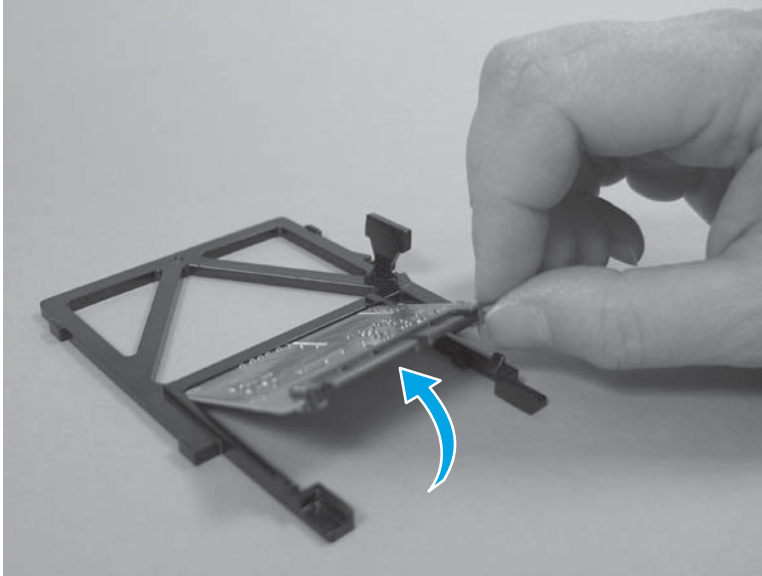


5. Lift the SSM out of the bracket.



**NOTE:** If a replacement SSM is installed, reload the product firmware. See [Reinstall the product firmware on page 19](#).

**Figure 1-17** Remove the SSM (5 of 5)



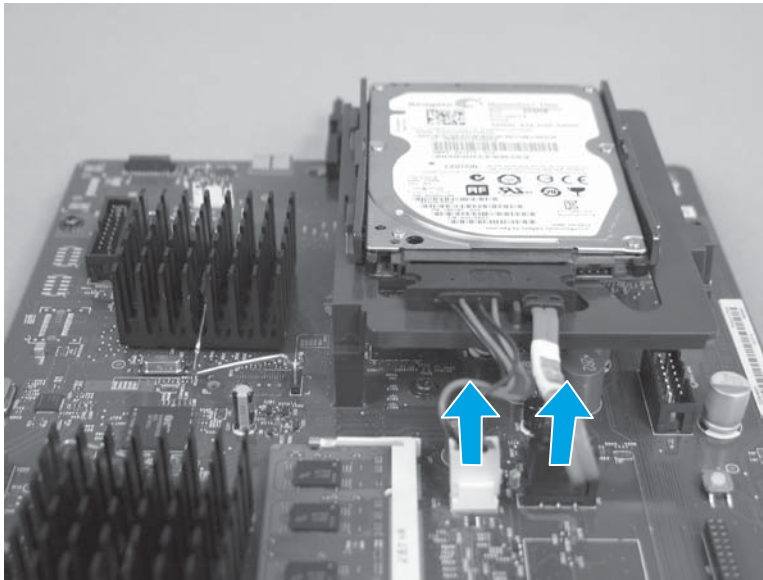


## Remove the HDD

 **CAUTION:**  ESD sensitive assembly.

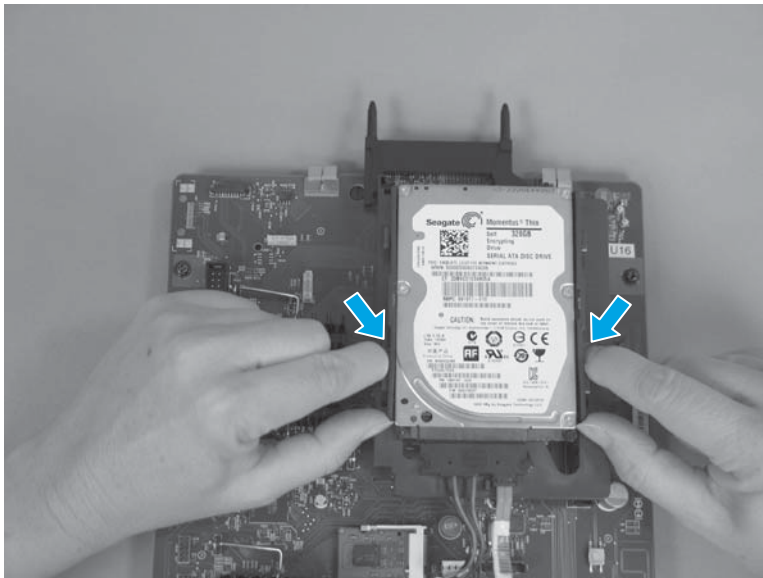
1. Disconnect two connectors.

**Figure 1-18** Remove the HDD (1 of 4)



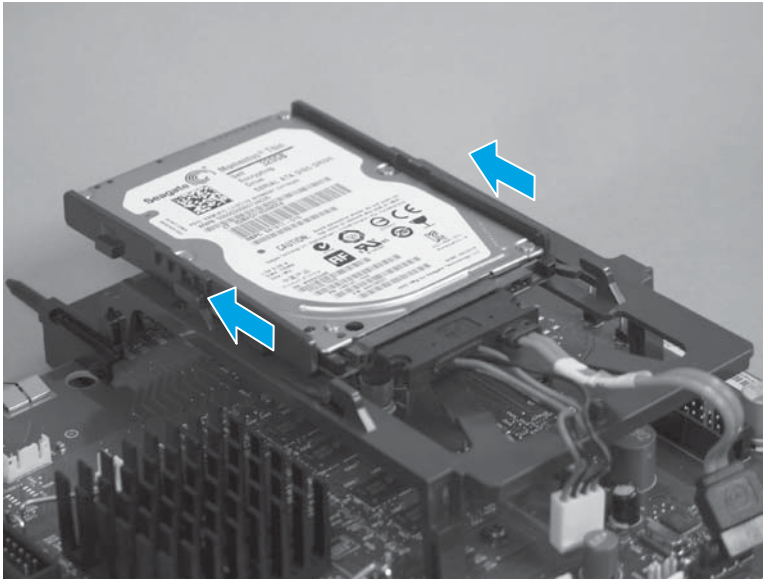
2. Depress the latches on each side of the bracket.

**Figure 1-19** Remove the HDD (2 of 4)




3. Slide the HDD in the direction of the arrow to remove it from the bracket.

**Figure 1-20** Remove the HDD (3 of 4)



4. Remove the connector from the HDD. (Transfer the connector to the new HDD.)

 **NOTE:** If a replacement HDD is installed, reload the product firmware. See [Reinstall the product firmware on page 19](#).

**Figure 1-21** Remove the HDD (4 of 4)



## Reinstall the product firmware



**NOTE:** If a replacement HDD or SSM is installed, use this procedure to reload the product firmware on the replacement drive.

If the HDD or SSM is removed so that it can be installed on a replacement formatter, skip this procedure.

1. Locate the product support Web site.
  - **In the US:**
    - Go to <http://www.hp.com/support/ljM651> or <http://www.hp.com/support/ljflowMFPM680>.
  - **Outside the US:**
    - Go to <http://www.hp.com/support>.
    - Select the appropriate country/region.
    - Select **Drivers & Downloads**
    - Enter the product name, and then select **Go**.
    - Select the appropriate product model.
2. Select **Cross operating system (BIOS, Firmware, Diagnostics, etc.)**.
3. Locate the firmware download, and then select **Download**.
4. Copy the firmware upgrade file to the root directory of a USB flash drive. The firmware upgrade file has a `.bd1` extension.
5. Insert the USB flash drive into the USB port on the product control panel, and then turn the product power on.
6. The following message displays on the control panel: **Error: 99.09.63 Incorrect Disk**. Touch the **OK** button to continue.
7. Wait for the **Pre-Boot** menu to appear on the control-panel display, and then touch the down arrow ▼ button to scroll to **3 Administrator**. Touch the **OK** button to select it.
8. Touch the down arrow ▼ button to scroll to **6 Manage Disk**. Touch the **OK** button to select it.
9. Touch the down arrow ▼ button to scroll to **+ 6 Boot Device**. Touch the **OK** button to select it.
10. Touch the down arrow ▼ button to scroll to **2 Erase / Unlock**. Touch the **OK** button to select it.
11. The message **Proceed with Requested Action** displays. Touch the **OK** button to select it.
12. Touch the back ↶ button to return to the **Pre-Boot** menu home screen.
13. Touch the down arrow ▼ button to scroll to **3 Administrator**. Touch the **OK** button to select it.
14. Touch the down arrow ▼ button to scroll to **1 Download**. Touch the **OK** button to select it.
15. Touch the down arrow ▼ button to scroll to **3 USB Thumbdrive**. Touch the **OK** button to select it.

16. Touch the down arrow ▼ button to scroll to the firmware upgrade file that was downloaded earlier. Touch the **OK** button to select it.



---

**NOTE:** If no `.bd1` files are listed, try saving the file to a different USB flash drive.

---

17. Wait while the file transfers. When the transfer is complete, the message **Complete** displays on the screen.
18. Turn the product off, remove the USB flash drive, and then turn the product on. Wait for several minutes while the product initializes.

## Memory DIMM

Before proceeding, remove the following assemblies

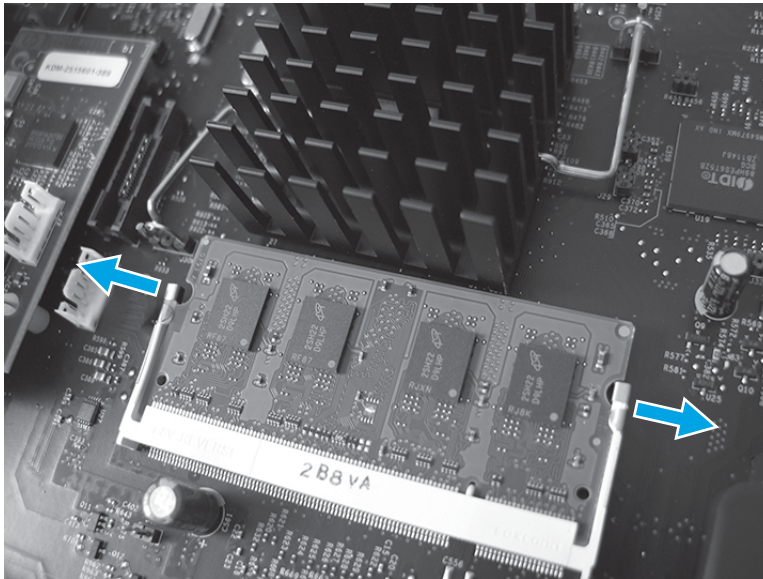
- Formatter. See [Formatter PCA on page 9](#).

### Remove the memory DIMM

 **CAUTION:**  ESD sensitive assembly.

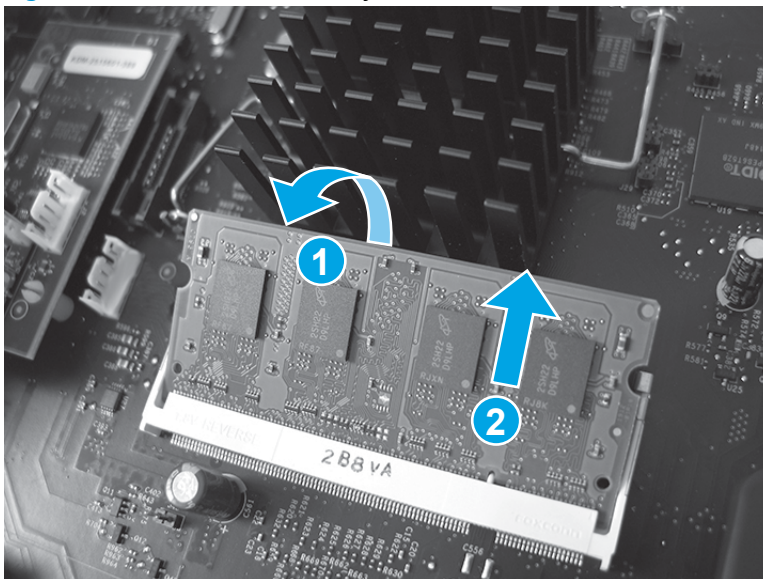
1. Release two clips.

**Figure 1-22** Remove the memory DIMM (1 of 2)



2. Rotate the DIMM upward (callout 1), and then remove it (callout 2).

**Figure 1-23** Remove the memory DIMM (2 of 2)

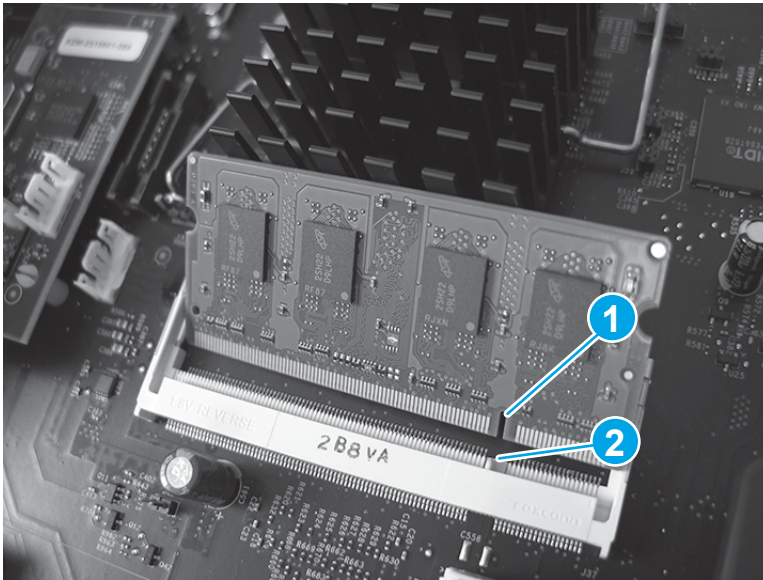




## Reinstall the memory DIMM

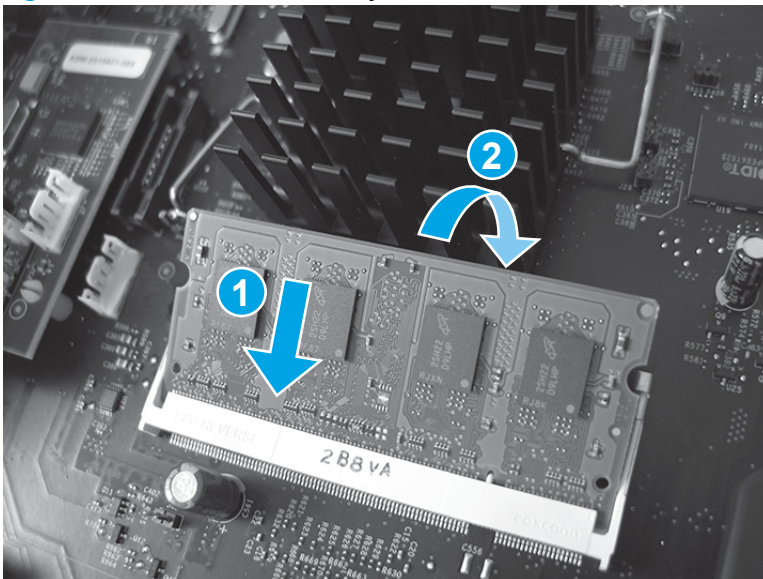
1. Align the notch (callout 1) on the DIMM with the tab (callout 2) on the connector.

**Figure 1-24** Reinstall the memory DIMM



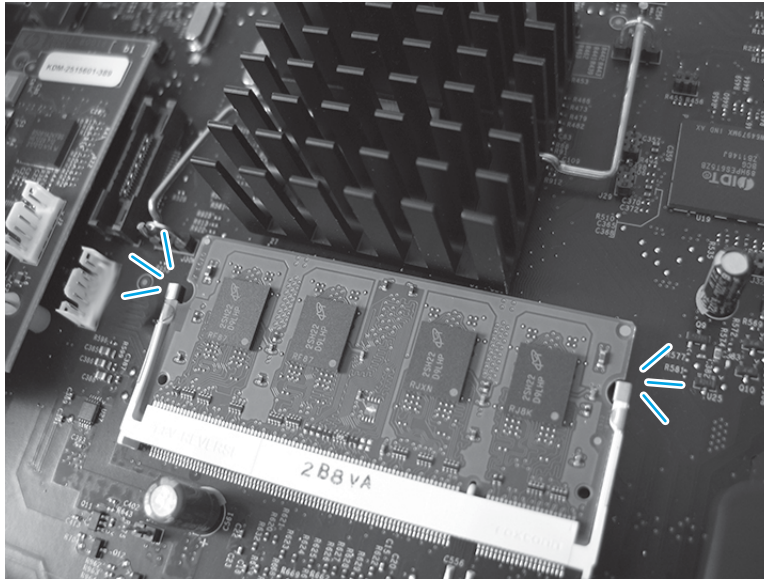
2. Slide the DIMM into the connector (callout 1), and then rotate the DIMM down, toward the formatter. (callout 2).

**Figure 1-25** Reinstall the memory DIMM



3. Make sure that the memory DIMM snaps into the holder.

**Figure 1-26** Reinstall the memory DIMM



## Fuser

**CAUTION:** The fuser might be hot. Allow enough time after turning off the product power for the fuser to cool.

**NOTE:** The product detects a new fuser using a fusible link that blows after 100 pages have been printed. If a new fuser is installed for troubleshooting purposes, be sure to remove it before printing 100 pages.

1. Open the right-door assembly.

**Figure 1-27** Remove the fuser (1 of 2)



2. Grasp the handles and squeeze the blue release levers.  
Pull the fuser straight out of the product to remove it.

**Figure 1-28** Remove the fuser (2 of 2)





## Intermediate transfer belt (ITB)

**⚠ CAUTION:** Do not touch the black-plastic belt. Skin oils and fingerprints on the belt can cause print-quality problems. Always place the ITB on a flat surface in a safe and protected location.

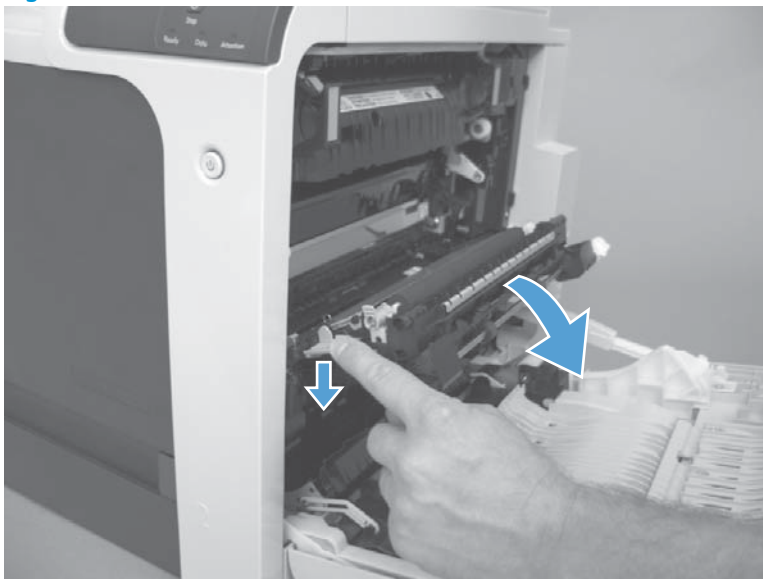
1. Open the right-door assembly.

**Figure 1-29** Remove the intermediate transfer belt (1 of 4)



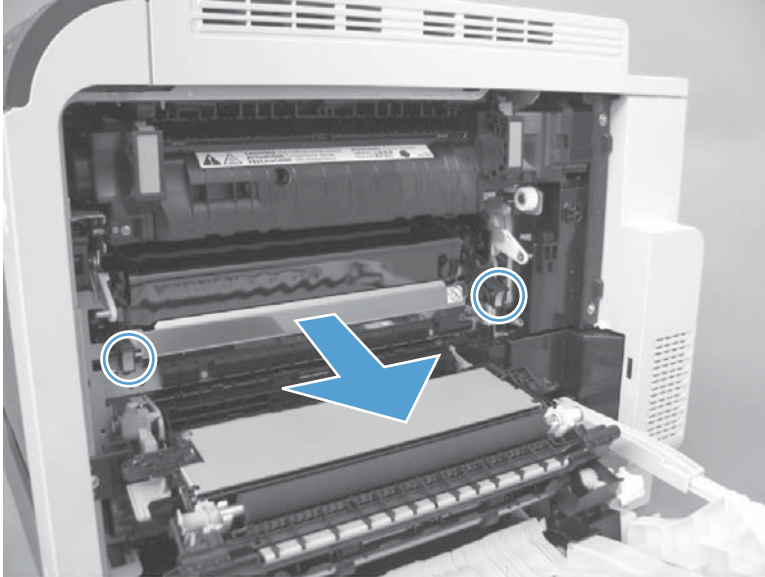
2. Use the blue lever to lower the secondary transfer assembly.

**Figure 1-30** Remove the intermediate transfer belt (2 of 4)



3. Grasp the small handles on the ITB and then pull the ITB out of the product until two large handles expand along the right- and left-side of the ITB.

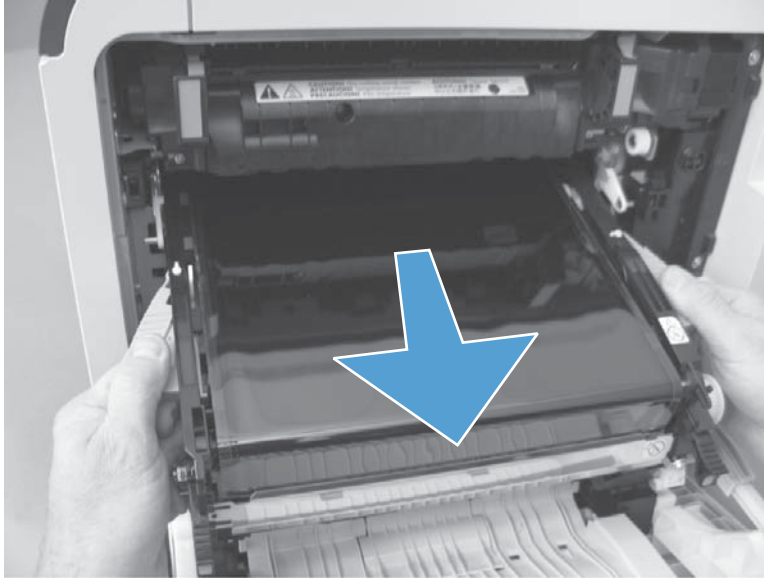
**Figure 1-31** Remove the intermediate transfer belt (3 of 4)



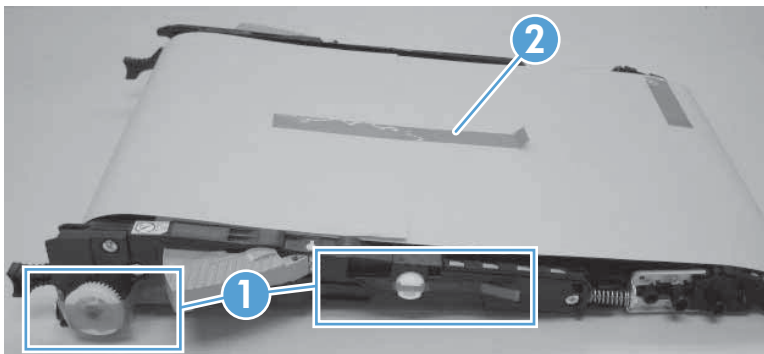
4. Grasp the large handles on the ITB and then pull the ITB straight out of the product to remove it.

**⚠ CAUTION:** The ITB is a sensitive assembly. Be careful when handling the ITB so that it is not damaged. Always place the ITB in a safe and protected location.

**Figure 1-32** Remove the intermediate transfer belt (4 of 4)



**💡 Reinstallation tip** If a replacement ITB is installed, make sure to remove the packing tape (callout 1) and the protective cover sheet (callout 2).



## Control panel assembly (M651)

1. Tilt the control panel up.

**Figure 1-33** Remove the control panel (M651; 1 of 8)



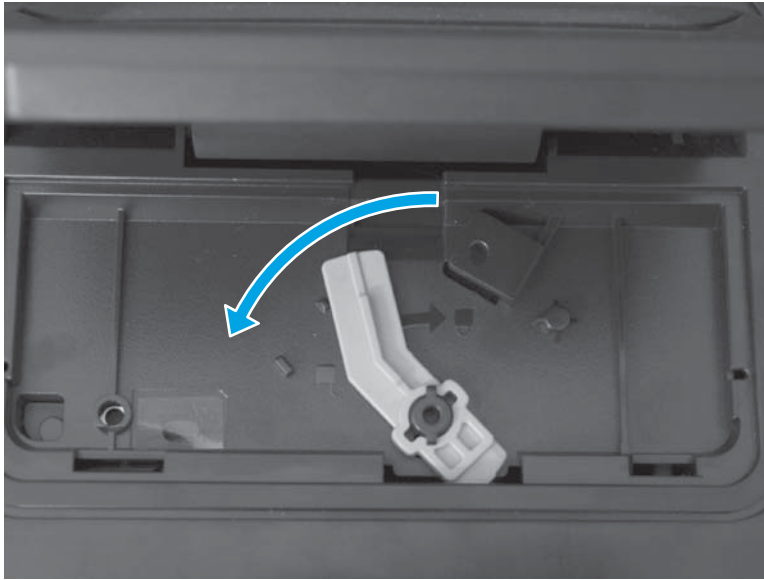
2. Release the latch on the control-panel cover, and remove the cover.

**Figure 1-34** Remove the control panel (M651; 2 of 8)



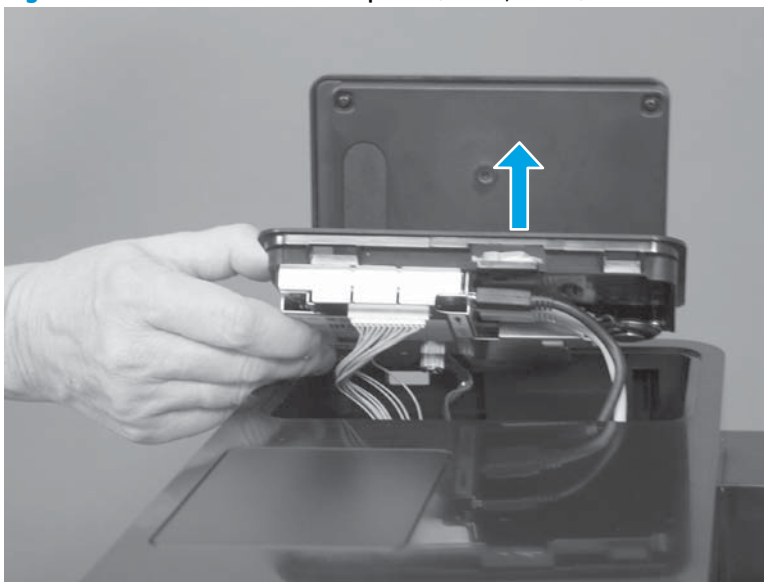
3. Rotate the blue lever counterclockwise to unlock the control-panel assembly.

**Figure 1-35** Remove the control panel (M651; 3 of 8)



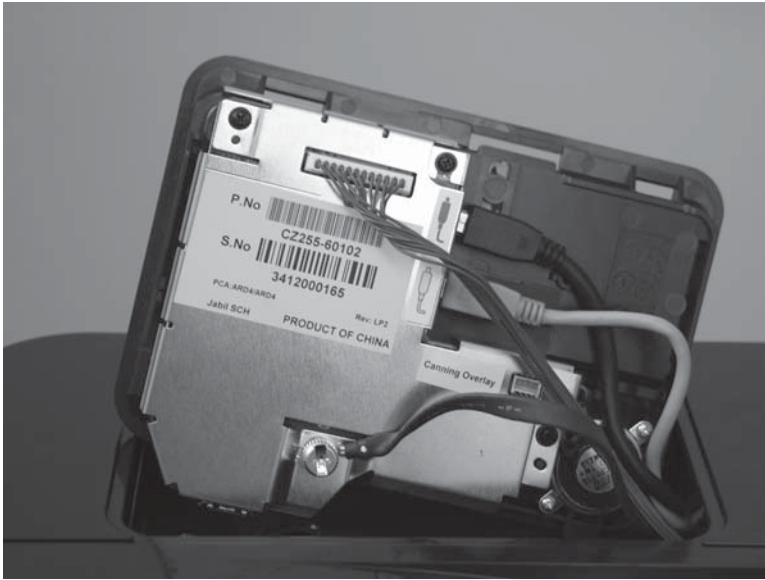
4. Lift the control-panel assembly out of the product.

**Figure 1-36** Remove the control panel (M651; 4 of 8)



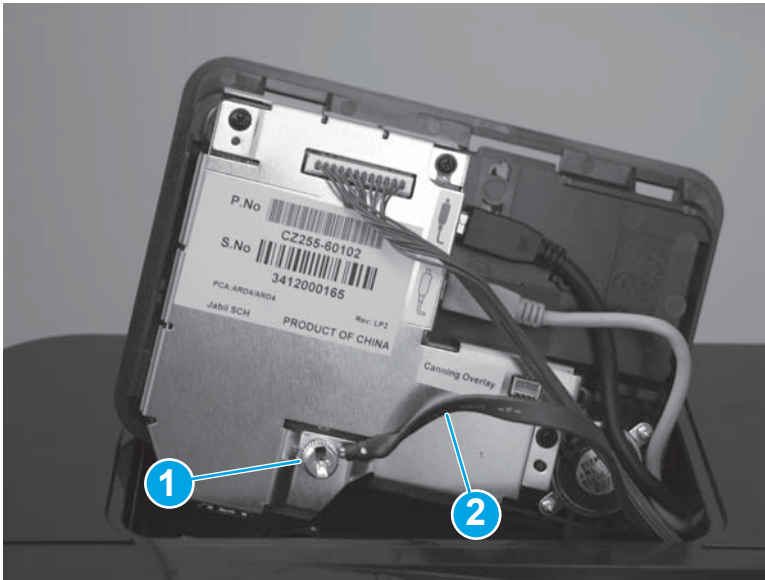
5. Tilt the control panel forward to gain access to the control-panel connectors.

**Figure 1-37** Remove the control panel (M651; 5 of 8)



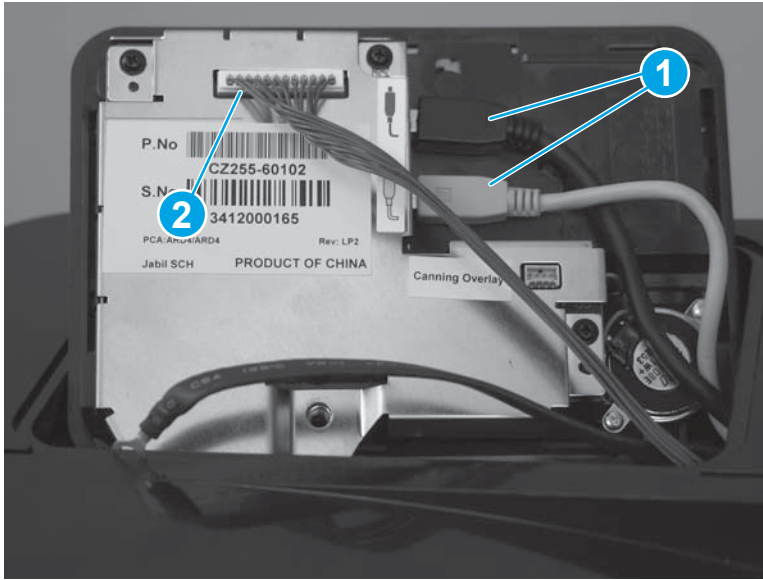
6. Remove one screw (callout 1), and then release one ground wire (callout 2).

**Figure 1-38** Remove the control panel (M651; 6 of 8)



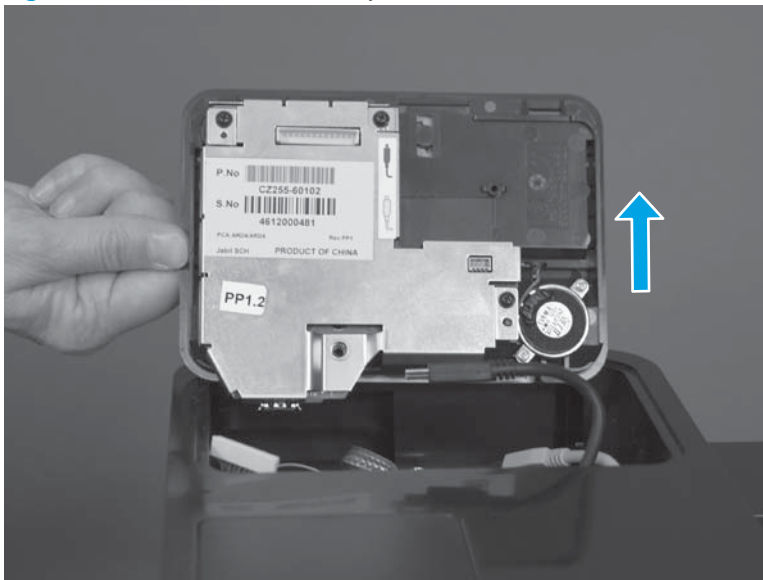
7. Disconnect two USB cables (callout 1), and then disconnect one connector (callout 2).

**Figure 1-39** Remove the control panel (M651; 7 of 8)



8. Lift the control-panel assembly up and away from the product to remove it.

**Figure 1-40** Remove the control panel (M651; 8 of 8)





## Control-panel assembly (M680)

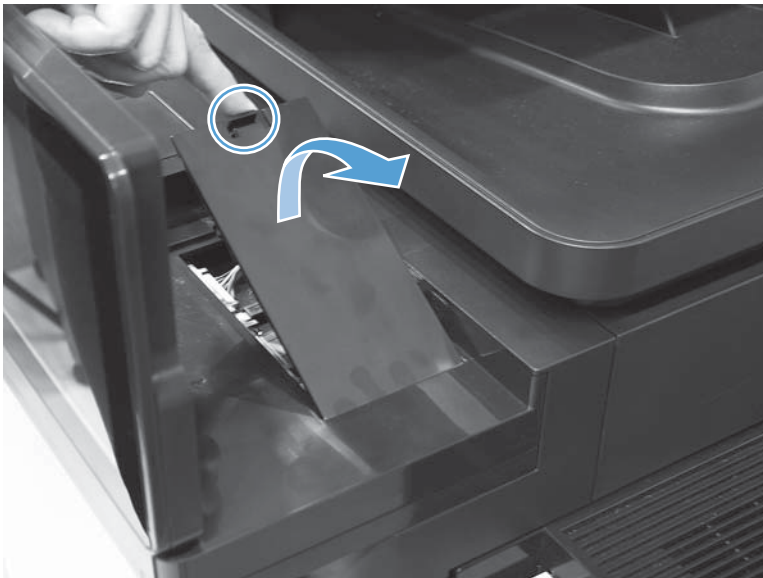
1. Tilt the control panel up.

**Figure 1-41** Remove the control-panel assembly (M680; 1 of 7)



2. Release one tab, and then remove the cover.

**Figure 1-42** Remove the control-panel assembly (M680; 2 of 7)





3. **M680z only:** Slide the keyboard about halfway out of the product.

**Figure 1-43** Remove the control-panel assembly (M680; 3 of 7)




4. Disconnect two connectors.

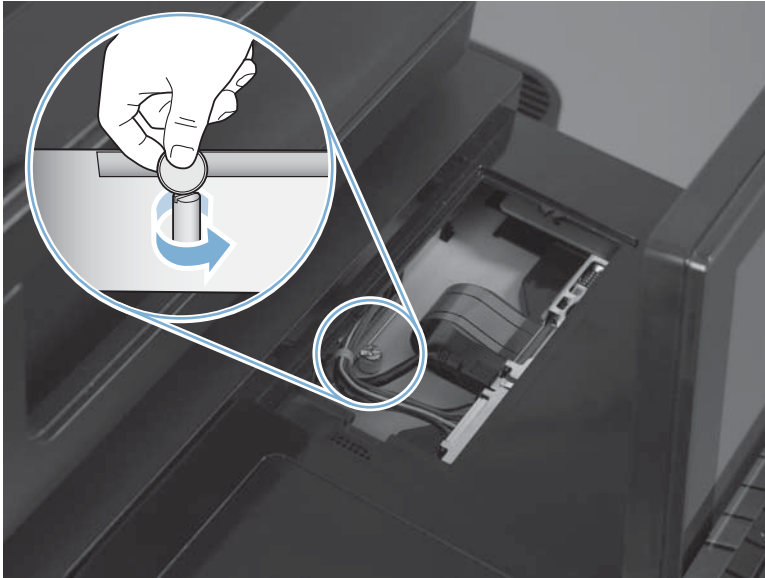
**Figure 1-44** Remove the control-panel assembly (M680; 4 of 7)



5. Remove one screw.

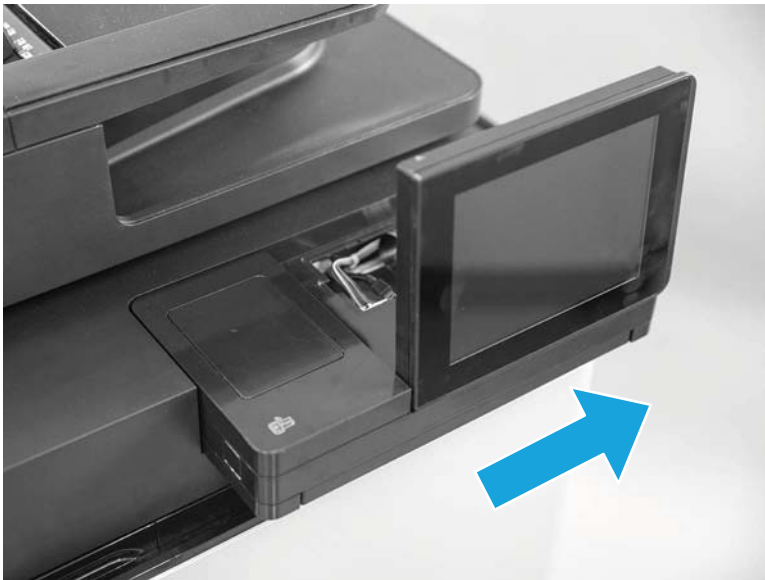
 **TIP:** Use the edge of a coin to loosen the screw.

**Figure 1-45** Remove the control-panel assembly (M680; 5 of 7)



6. Slide the control panel toward the right door.

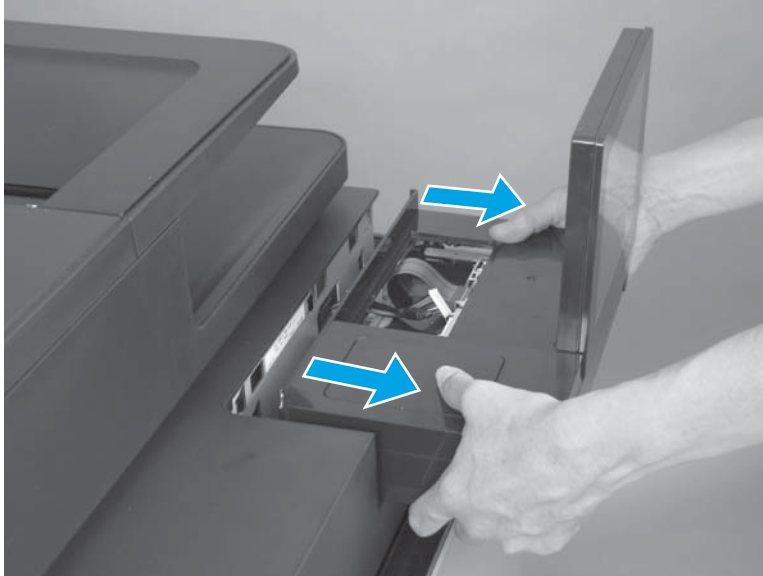
**Figure 1-46** Remove the control-panel assembly (M680; 6 of 7)



7. Slide the control panel towards the front of the product to remove it.

 **Reinstallation tip** If a replacement control-panel assembly is installed, remove the keyboard assembly so that it can be installed on the replacement control-panel assembly. See [Keyboard assembly \(M680z\) on page 37](#).

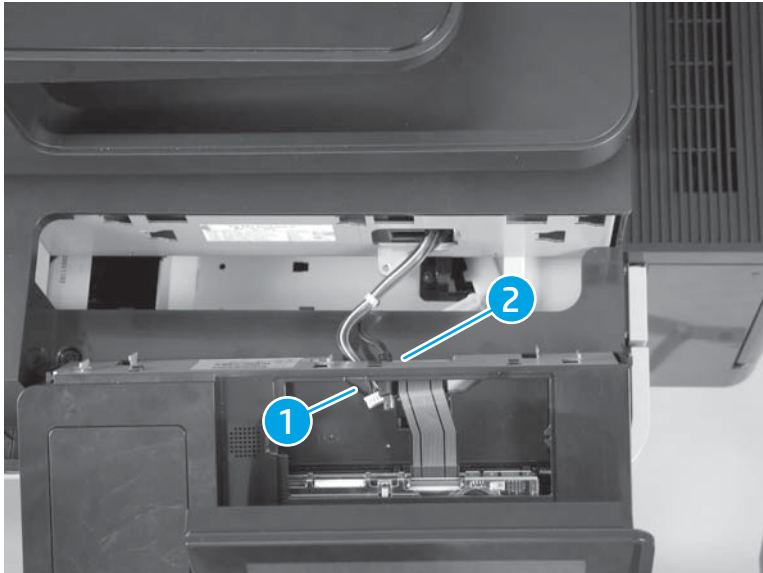
**Figure 1-47** Remove the control-panel assembly (M680; 7 of 7)



### Reinstall the control-panel assembly (M680)

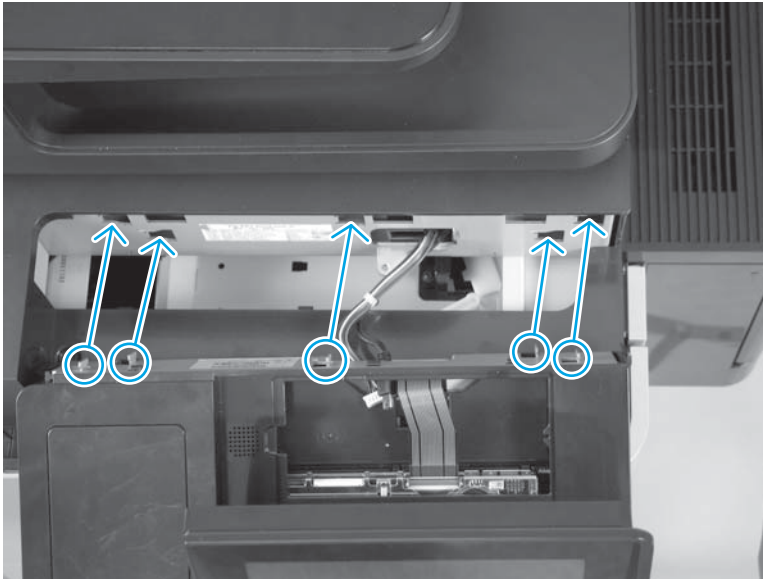
1. Insert the cable and wire harness (callout 1) into the opening at the back of the control panel (callout 2).

**Figure 1-48** Reinstall the control-panel assembly (M680; 1 of 3)



2. Insert the tabs on the control panel into the slots on the product.

**Figure 1-49** Reinstall the control-panel assembly (M680; 2 of 3)



3. Slide the control panel toward the left door to secure it to the product.

**Figure 1-50** Reinstall the control-panel assembly (M680; 3 of 3)



## Keyboard assembly (M680z)

### Before proceeding, remove the following assemblies

- Control panel. See [Control-panel assembly \(M680\) on page 32](#).


### Remove the keyboard assembly (M680z)


1. Place the control panel on a flat surface.

**Figure 1-51** Remove the keyboard assembly (M680z; 1 of 7)

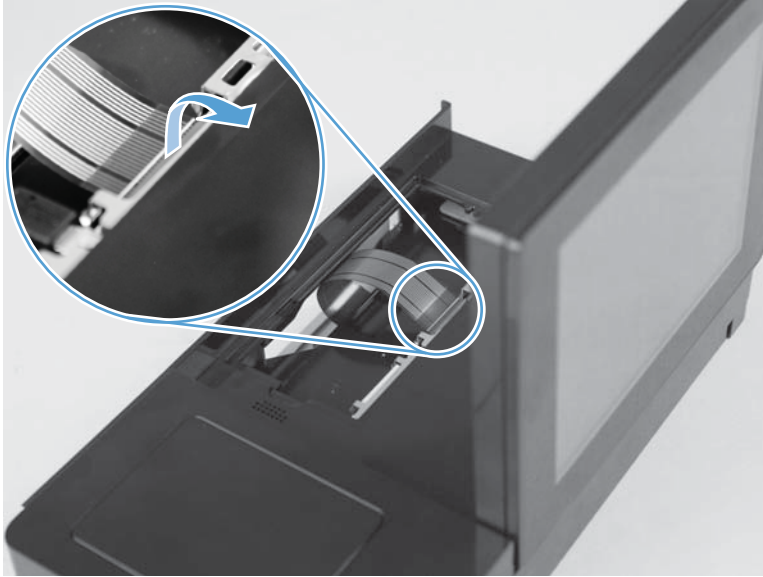


2. Open the hinged latch to release the flat cable.

 **IMPORTANT:** This connector is a Zero Insertion Force (ZIF) connector that uses a hinged retainer to secure a flat cable. The hinged retainer must be opened to release the flat cable.

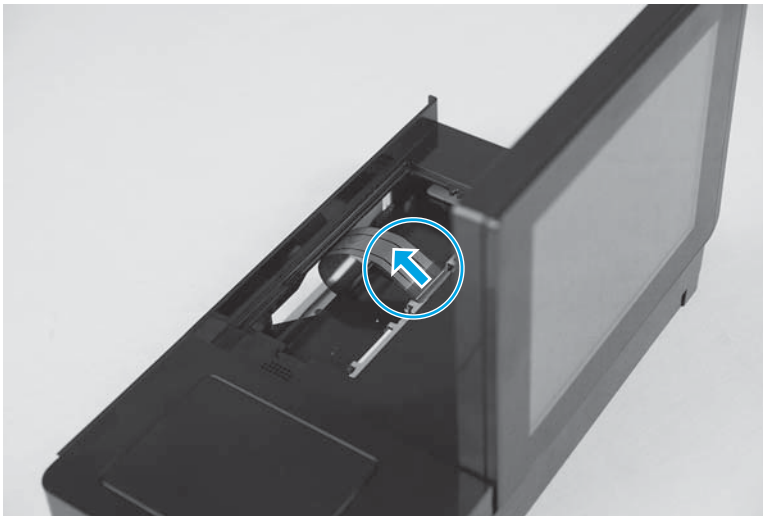
 **CAUTION:** Be careful. Do not dislodge the latch from the connector when opening it.

**Figure 1-52** Remove the keyboard assembly (M680z; 2 of 7)



3. Disconnect the flat cable.

**Figure 1-53** Remove the keyboard assembly (M680z; 3 of 7)



4. Tilt the screen down until it lays flat.

**Figure 1-54** Remove the keyboard assembly (M680z; 4 of 7)



5. Slide the keyboard tray all of the way out of the control panel until it stops.

**Figure 1-55** Remove the keyboard assembly (M680z; 5 of 7)



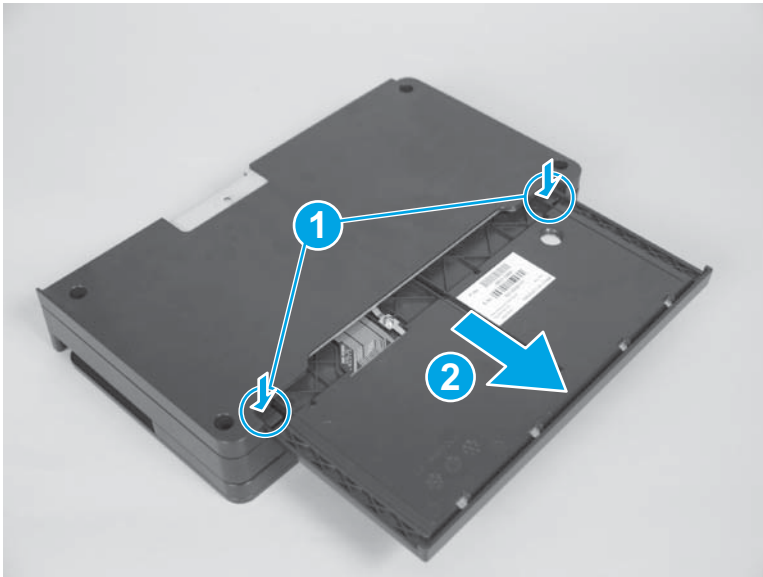
6. Turn the control panel face-down on the surface.

**Figure 1-56** Remove the keyboard assembly (M680z; 6 of 7)



7. Release and hold two tabs (callout 1) while sliding the keyboard tray away from the control panel (callout 2) to remove it.

**Figure 1-57** Remove the keyboard assembly (M680z; 7 of 7)

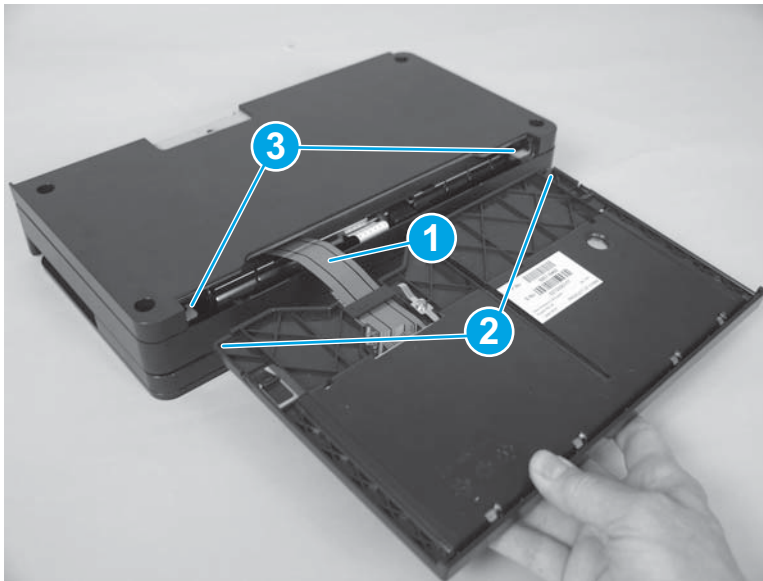




## Reinstall the keyboard assembly (M680z)

1. Turn the keyboard tray upside down, and then position the flat cable (callout 1) inside the tray cavity. Align the edges of the tray (callout 2) with the slots in the control panel (callout 3).

**Figure 1-58** Reinstall the keyboard assembly (M680z; 1 of 7)



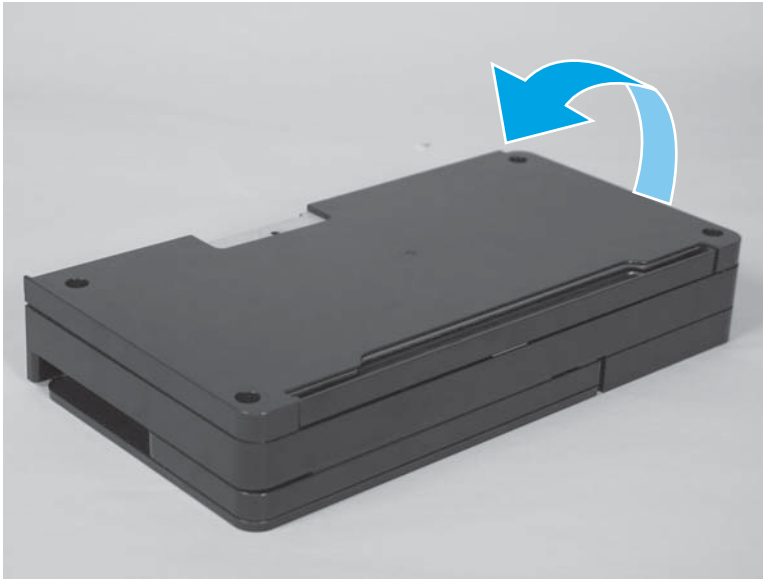
2. Slide the keyboard tray all the way into the control panel.

**Figure 1-59** Reinstall the keyboard assembly (M680z; 2 of 7)



3. Turn the control panel face-up.

**Figure 1-60** Reinstall the keyboard assembly (M680z; 3 of 7)



4. Tilt the screen up.

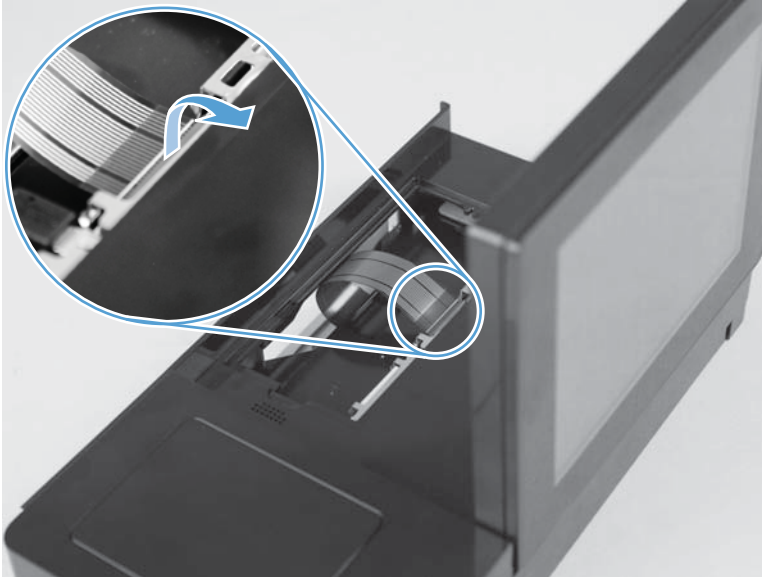
**Figure 1-61** Reinstall the keyboard assembly (M680z; 4 of 7)



5. Open the hinged latch, and then position the flat cable in the connector.

**CAUTION:** Be careful. Do not dislodge the latch from the connector when opening it.

**Figure 1-62** Reinstall the keyboard assembly (M680z; 5 of 7)

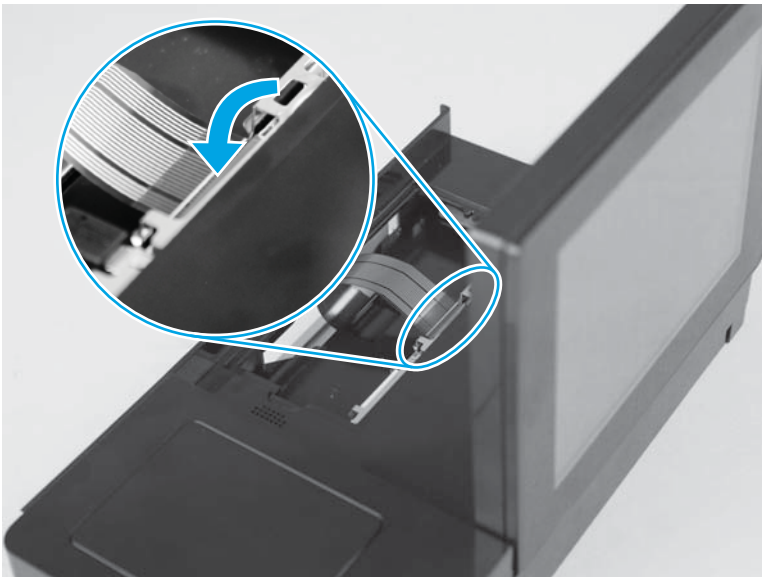


6. Use a finger to carefully close the latch to lock the flat cable into position.

**IMPORTANT:** IMPORTANT: This connector is a Zero Insertion Force (ZIF) connector that uses a hinged retainer to secure a flat cable. When the flat cable is reinstalled, fully insert the flat cable in the connector, and then close the hinged retainer to lock the flat cable into the connector and provide proper electrical contact. If the flat cable is not locked into the connector, no electrical contact will occur.

**CAUTION:** Be careful. Do not dislodge the latch from the connector when closing it.

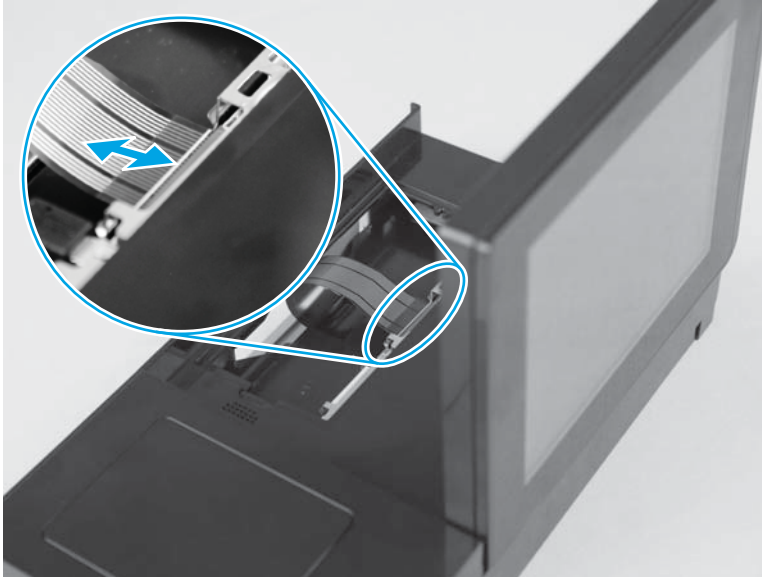
**Figure 1-63** Reinstall the keyboard assembly (M680z; 6 of 7)



7. Slightly pull on the flat cable to verify that it is securely fastened in the connector.

**⚠ CAUTION:** Be careful. Do not use full force to pull on the flat cable. A slight pull on the cable is sufficient to verify that it is securely fastened.

**Figure 1-64** Reinstall the keyboard assembly (M680z; 7 of 7)



## Feed and separation rollers (Trays 2-5)

**⚠ CAUTION:** Do not touch the spongy roller surface unless replacing the roller. Skin oils on the roller can cause paper pickup problems.

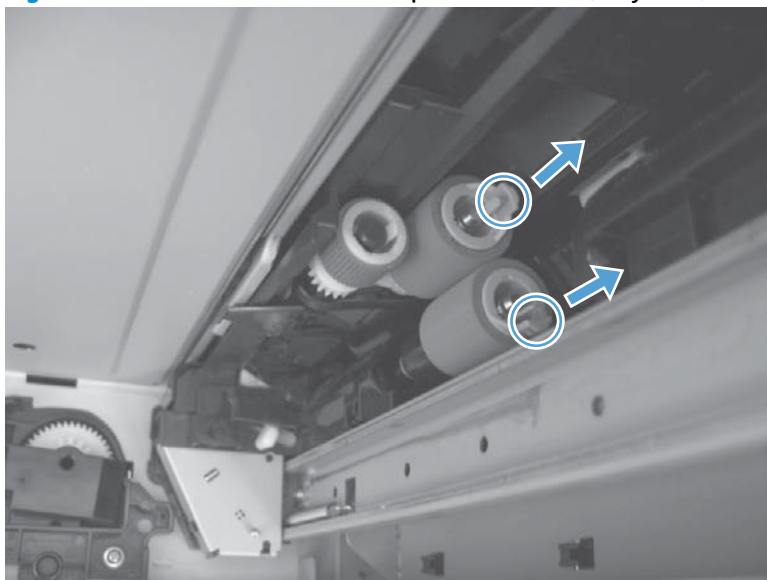
1. Locate the feed and separation rollers for the tray.

**💡 TIP:** The product does not need to be separated from the feeder to remove these rollers. Remove the tray, and then reach up into the cavity to remove the rollers.

2. Release two tabs, and then remove the rollers.

**💡 Reinstallation tip** When the rollers are reinstalled, make sure that they snap into place.

**Figure 1-65** Remove the feed and separation rollers (Trays 2-5)

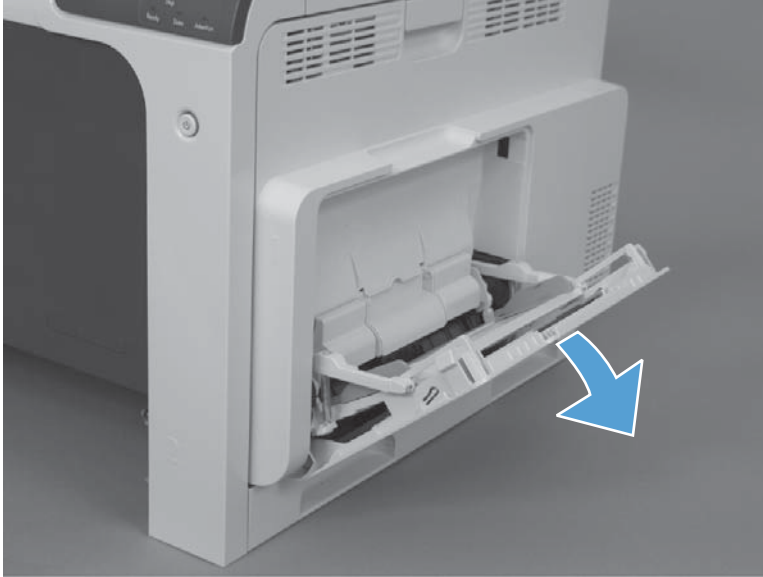


## Pickup roller (Tray 1)

**CAUTION:** Do not touch the spongy roller surface unless replacing the roller. Skin oils on the roller can cause paper pickup problems.

1. Open Tray 1.

**Figure 1-66** Remove the pickup roller (Tray 1; 1 of 5)



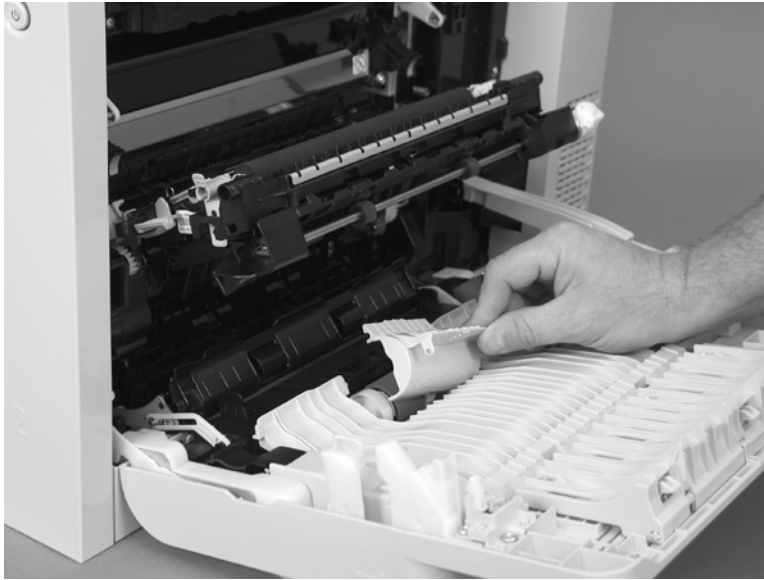
2. Push the top edge of the cover to release the tabs.

**Figure 1-67** Remove the pickup roller (Tray 1; 2 of 5)



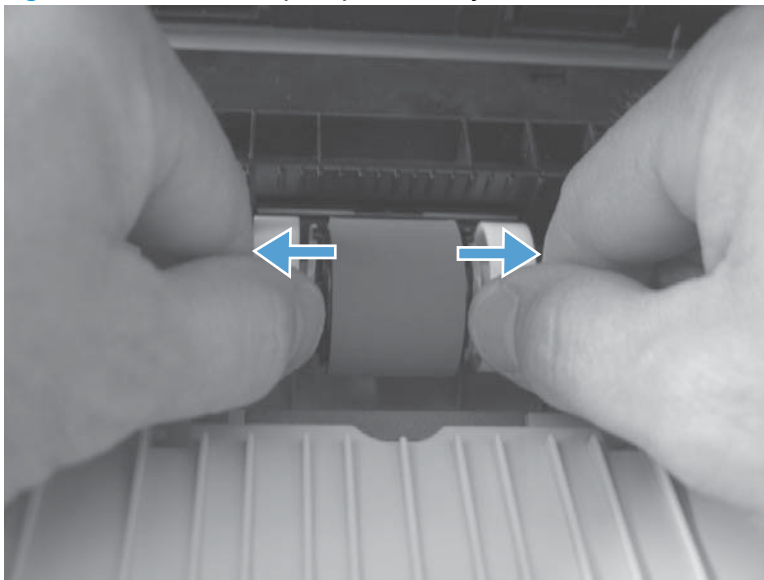
3. Open the right-door assembly, and then remove the cover.

**Figure 1-68** Remove the pickup roller (Tray 1; 3 of 5)



4. Release the two blue tabs.

**Figure 1-69** Remove the pickup roller (Tray 1; 4 of 5)



5. Rotate the roller body away from the product to remove it.

**Figure 1-70** Remove the pickup roller (Tray 1; 5 of 5)





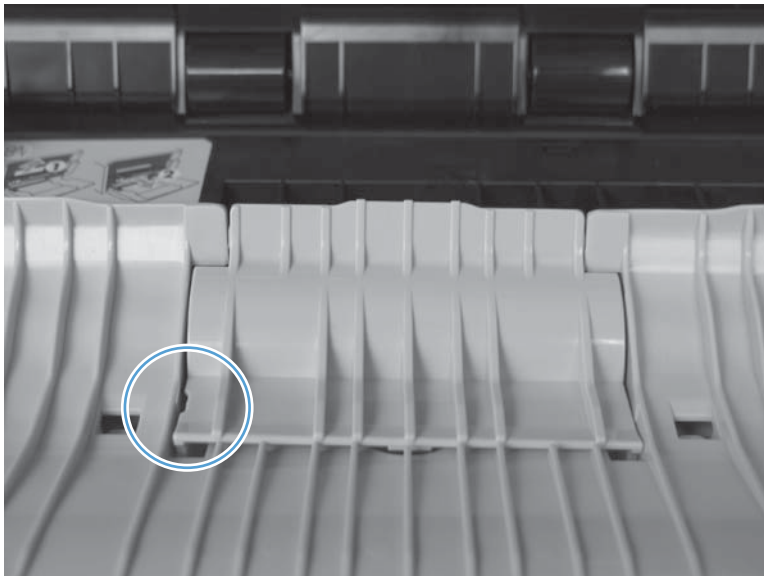
## Reinstall the pickup roller (Tray 1)

- ▲ When reinstalling the pickup roller, make sure the roller cover is installed correctly. Incorrect installation can cause paper to jam.

**Figure 1-71** Correct position of cover



**Figure 1-72** Incorrect position of cover



## Secondary transfer roller

**CAUTION:** Do not touch the spongy roller surface unless replacing the roller. Skin oils on the roller can cause image quality problems.

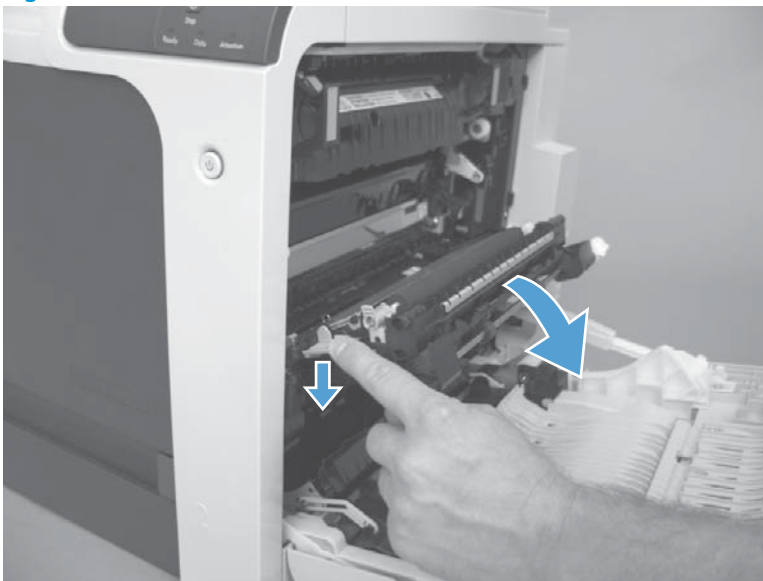
1. Open the right-door assembly.

**Figure 1-73** Remove the transfer roller (1 of 3)



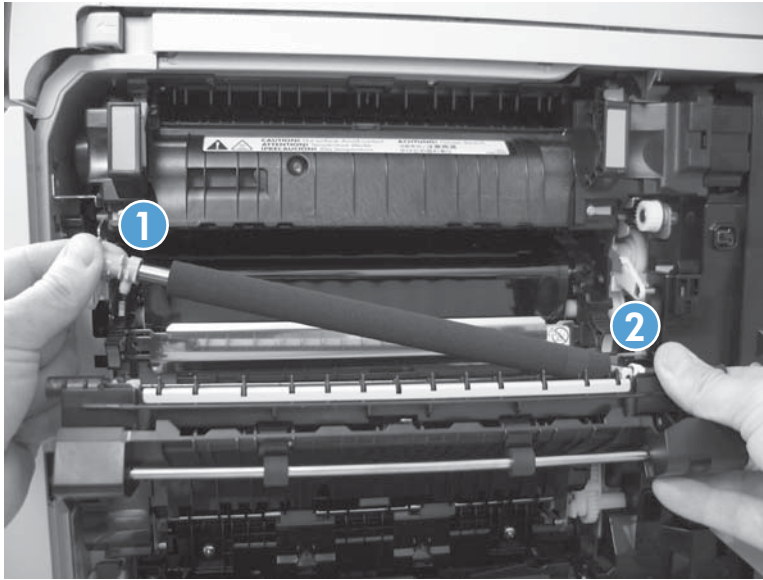
2. Use the blue lever to lower the secondary transfer assembly.

**Figure 1-74** Remove the transfer roller (2 of 3)



3. Grasp the roller shaft collars, and lift the transfer roller off of the product.

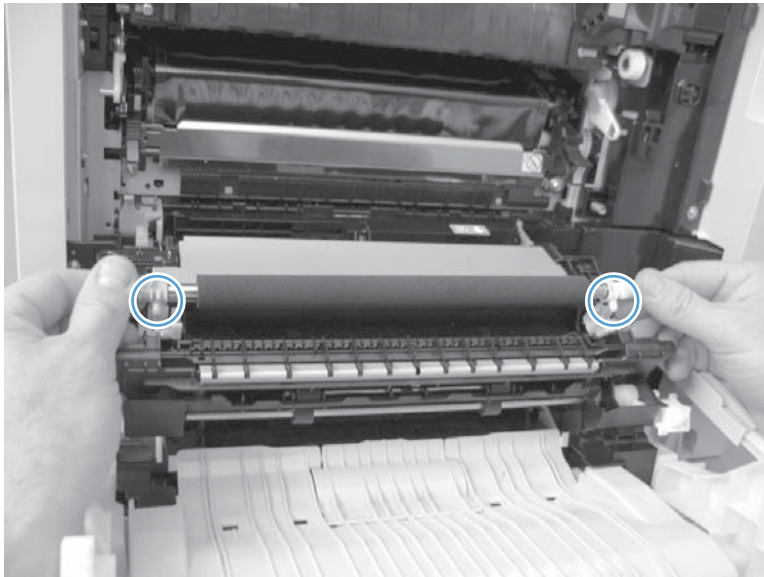
**Figure 1-75** Remove the transfer roller (3 of 3)



### Reinstall the secondary transfer roller

When the secondary transfer roller is reinstalled, make sure that the pins on the shaft collars align with the holes in the mounting assembly. After installing the replacement secondary transfer roller, remove the protective cover.

**Figure 1-76** Reinstall the secondary transfer roller



## Standard output bin (M680)

- ▲ Lift and pull the output bin to remove.

**Figure 1-77** Remove the standard output bin



## Output bin bezel (M680)

### Before proceeding, remove the following assemblies

- Standard output bin. See [Standard output bin \(M680\) on page 52](#).

### Remove the output bin bezel

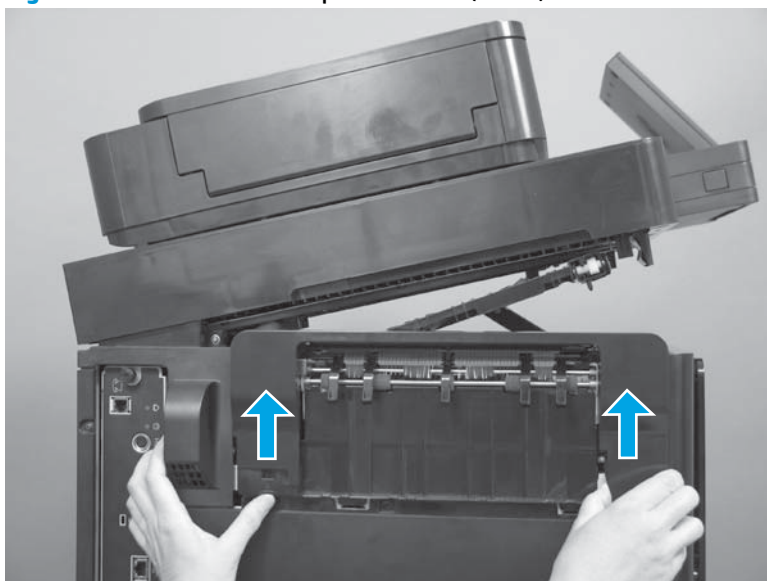
1. Release the scanner latch.

**Figure 1-78** Remove the output bin bezel (1 of 2)



2. Release two latches and lift the bezel up to remove it.

**Figure 1-79** Remove the output bin bezel (2 of 2)



## Document feeder white backing (M680)

1. Open the document feeder.

**Figure 1-80** Remove the document feeder white backing (M680; 1 of 2)



2. Carefully remove the white backing. Remove any remaining adhesive.

**Figure 1-81** Remove the document feeder white backing (M680; 2 of 2)



## Install a replacement document feeder white backing (M680)

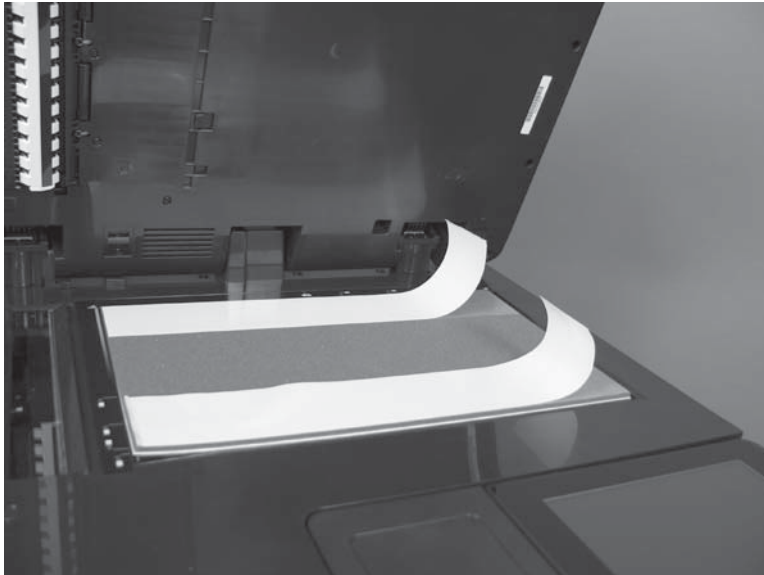
1. Place the new white backing on the scanner glass.

**Figure 1-82** Install a replacement document feeder white backing (1 of 9)



2. Peel off the two strips of adhesive backing.

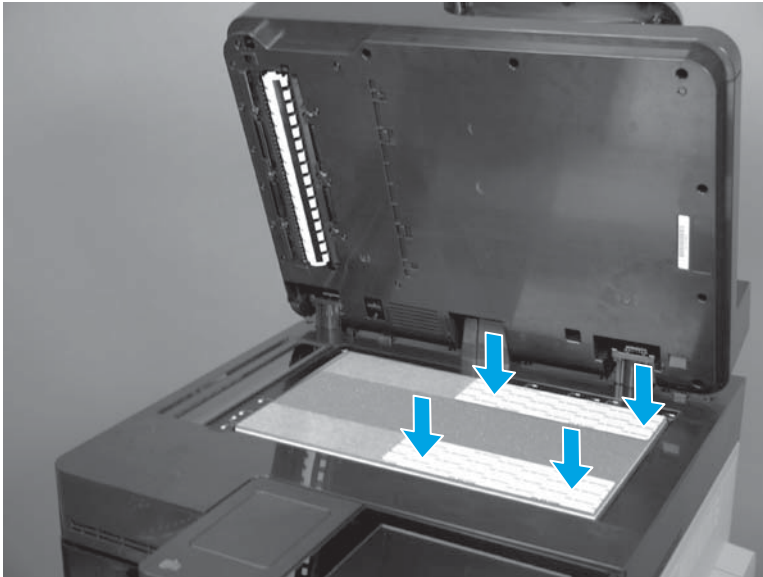
**Figure 1-83** Install a replacement document feeder white backing (2 of 9)





3. Place the two mylar strips onto the adhesive, as shown. Carefully align the mylar with the edges of the adhesive.

**Figure 1-84** Install a replacement document feeder white backing (3 of 9)



4. Peel off the two strips of adhesive backing.

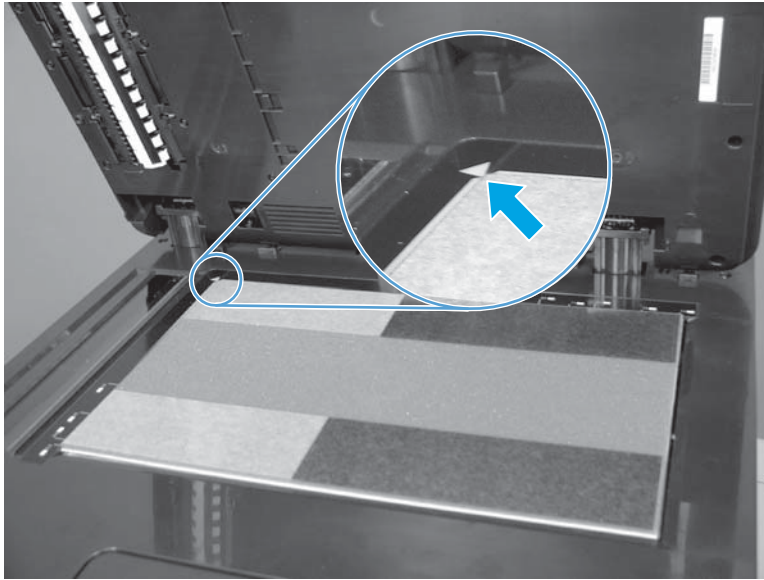
**Figure 1-85** Install a replacement document feeder white backing (4 of 9)





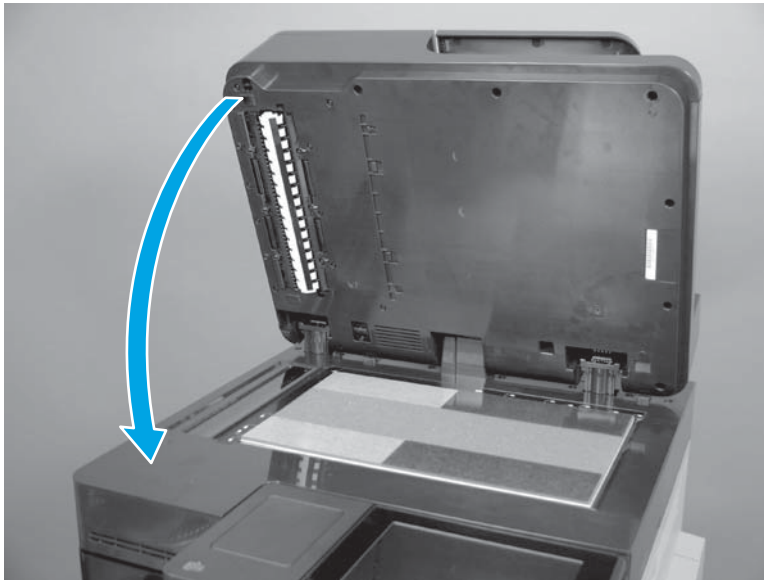
5. Verify that the white backing is aligned with the left rear corner of the scanner glass.

**Figure 1-86** Install a replacement document feeder white backing (5 of 9)



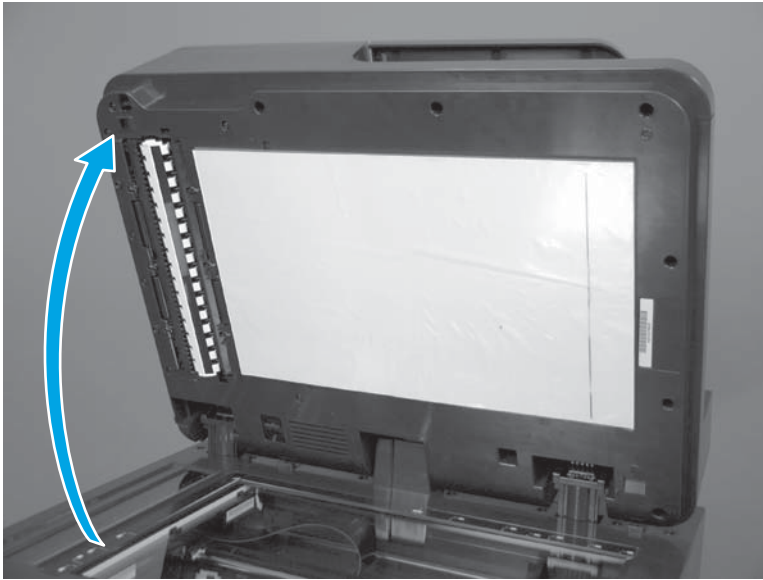
6. Close the document feeder. Press down firmly to adhere the white backing.

**Figure 1-87** Install a replacement document feeder white backing (6 of 9)



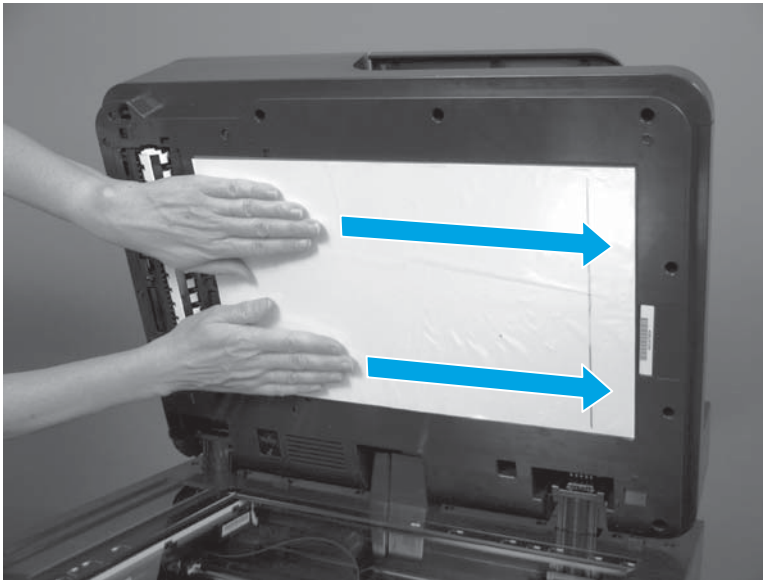
7. Open the document feeder.

**Figure 1-88** Install a replacement document feeder white backing (7 of 9)



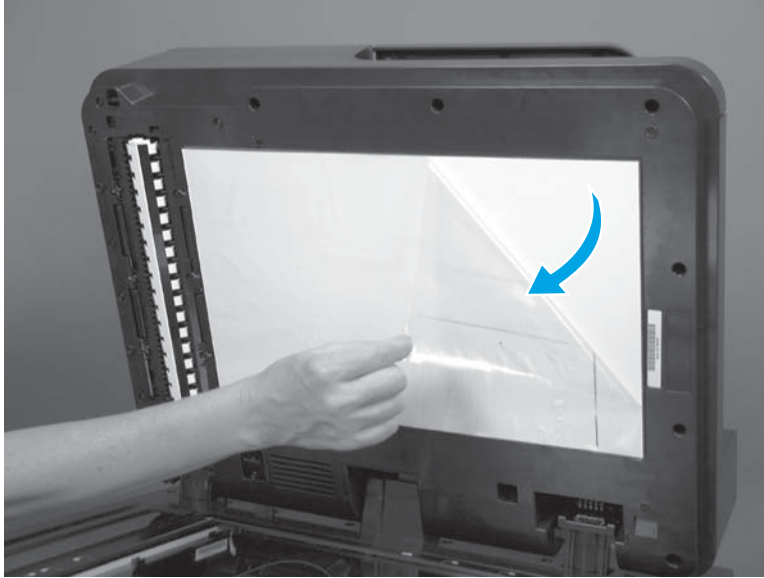
8. Press along the top and bottom of the white backing, over the areas with adhesive.

**Figure 1-89** Install a replacement document feeder white backing (8 of 9)



9. Peel off the plastic backing.

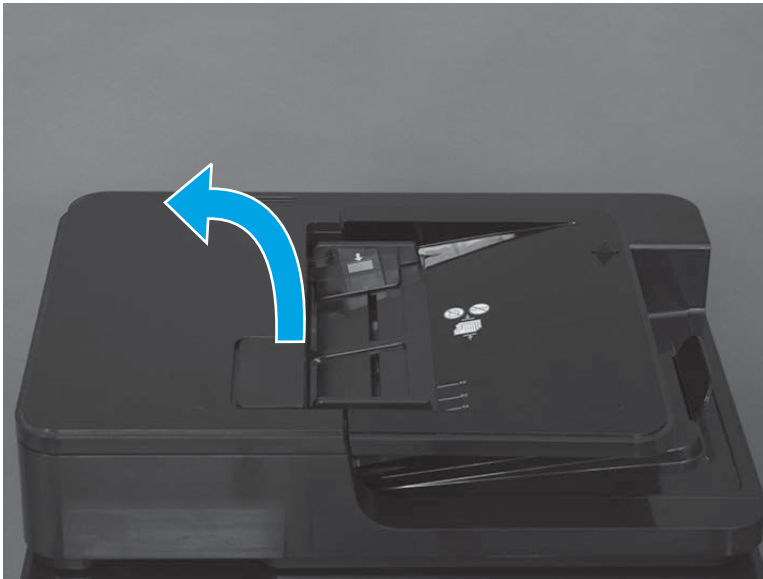
**Figure 1-90** Install a replacement document feeder white backing (9 of 9)



## Background selector (M680)

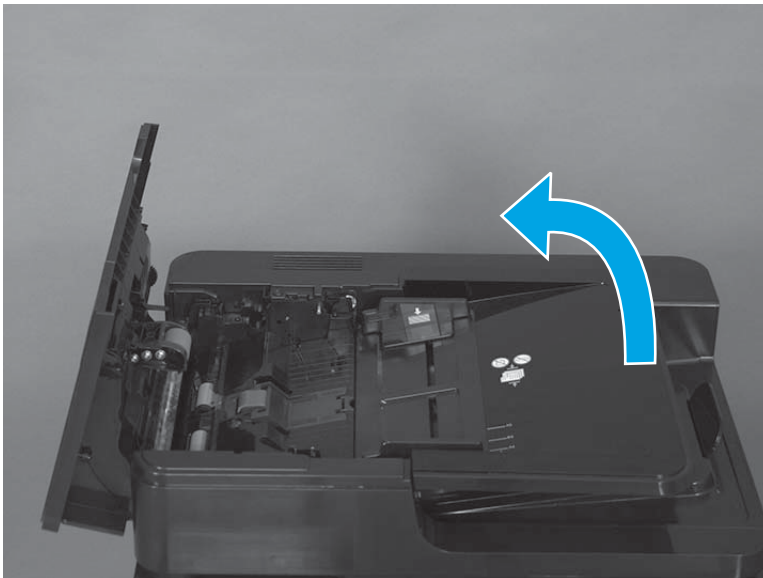
1. Open the document-feeder door.

**Figure 1-91** Remove the background selector (M680; 1 of 4)



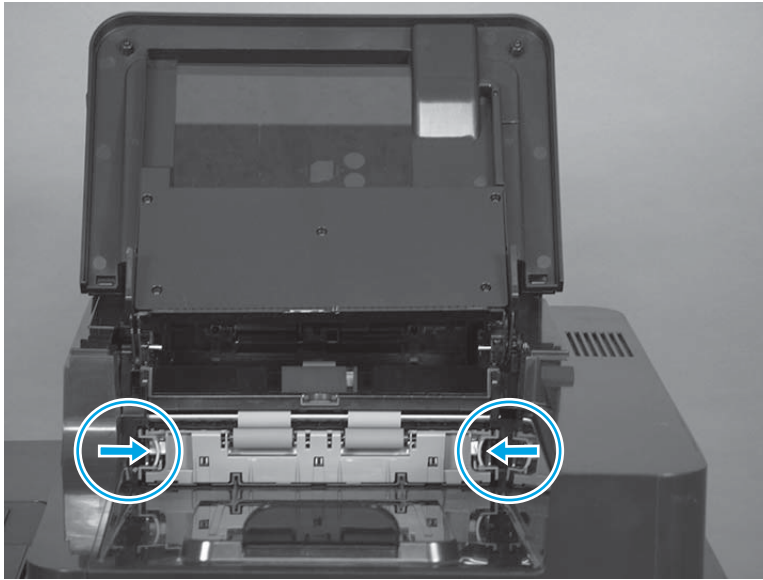
2. Rotate the input tray up.

**Figure 1-92** Remove the background selector (M680; 2 of 4)



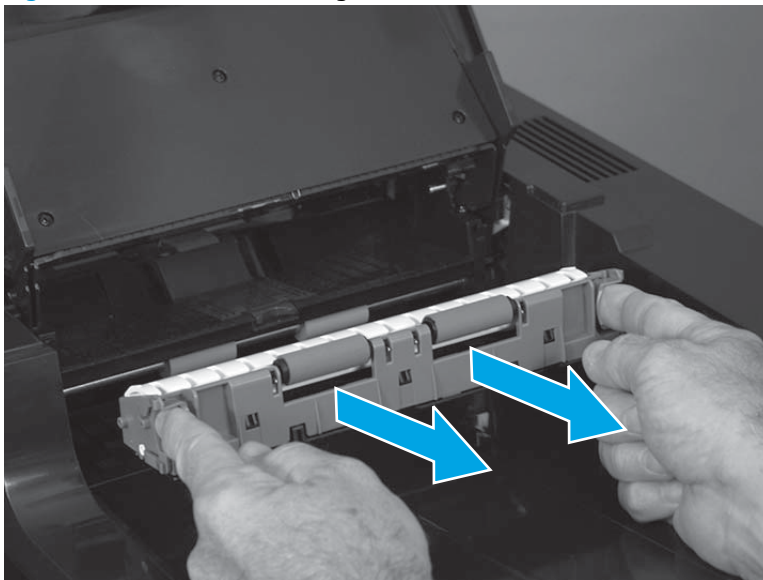
3. Release two tabs.

**Figure 1-93** Remove the background selector (M680; 3 of 4)



4. Slide the background selector away from the product to remove it.

**Figure 1-94** Remove the background selector (M680; 4 of 4)

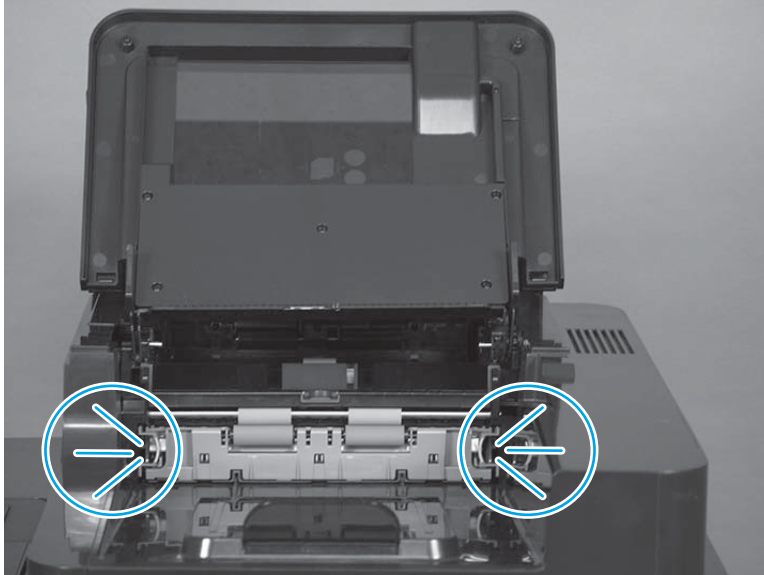


## Reinstall the background selector (M680)

Push in on the background selector until the tabs snap into place.

 **NOTE:** If jams occur after the assembly is installed, make sure that the assembly is fully seated.

**Figure 1-95** Reinstall the background selector (M680)



## Document-feeder roller (M680)

### Remove the document-feeder roller (M680)

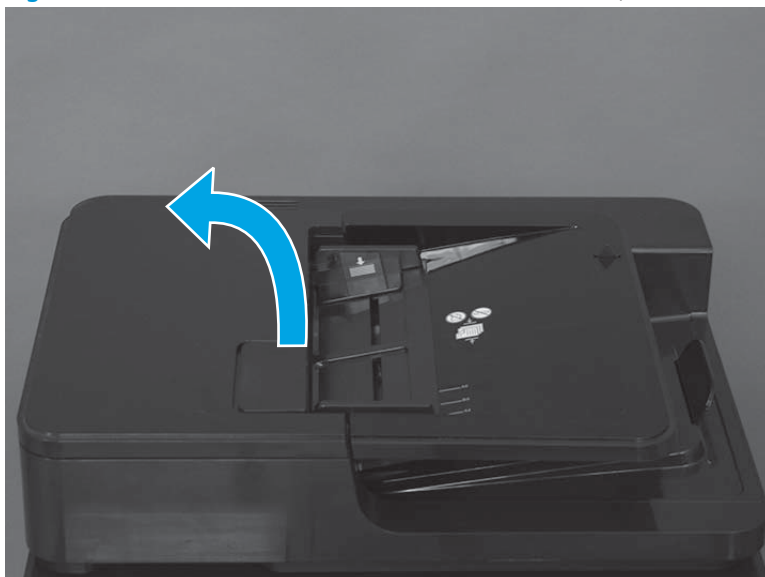
**CAUTION:** Do not touch the spongy roller surface unless replacing the rollers. Skin oils deposited on the rollers might cause paper pickup problems.

**NOTE:** The document-feeder roller and the document feeder separation pad are both part of the ADF roller maintenance kit.


If a replacement roller is installed, reset the [New Document Feeder Kit](#) firmware counter. See [Install a replacement document-feeder roller \(M680\) on page 65](#).

1. Open the document-feeder door.

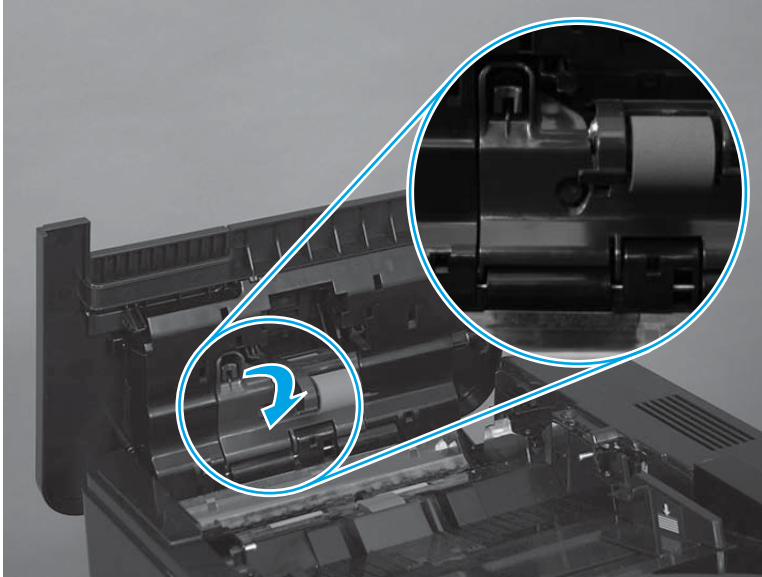
**Figure 1-96** Remove the document-feeder roller (M680; 1 of 3)



2. Release one tab, and then open the access door.

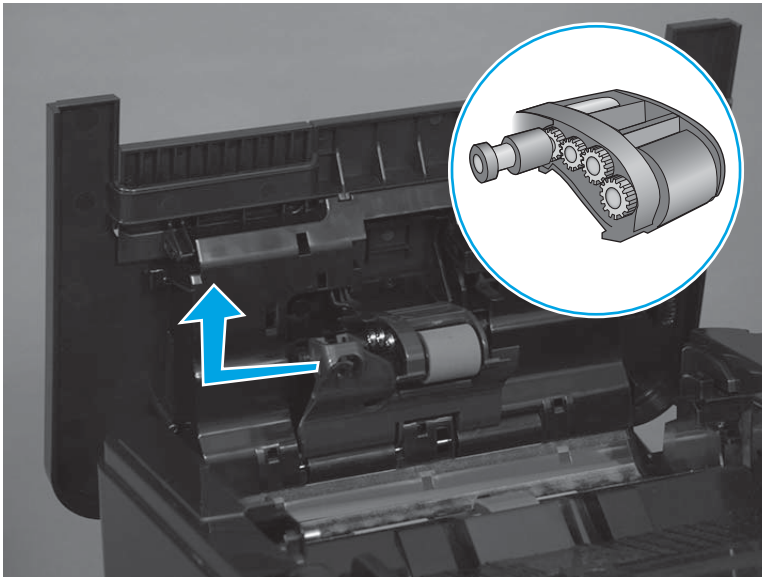
 **Reinstallation tip** When the roller is reinstalled, the access door must be fully closed. When closing the door, two audible clicks should be heard. If, after replacing the roller document feeder, a document feeder jam message appears on the control panel display, make sure that the access door is fully closed.

**Figure 1-97** Remove the document-feeder roller (M680; 2 of 3)



3. Slide the roller left, and then lift it up and out of the product.

**Figure 1-98** Remove the document-feeder roller (M680; 3 of 3)

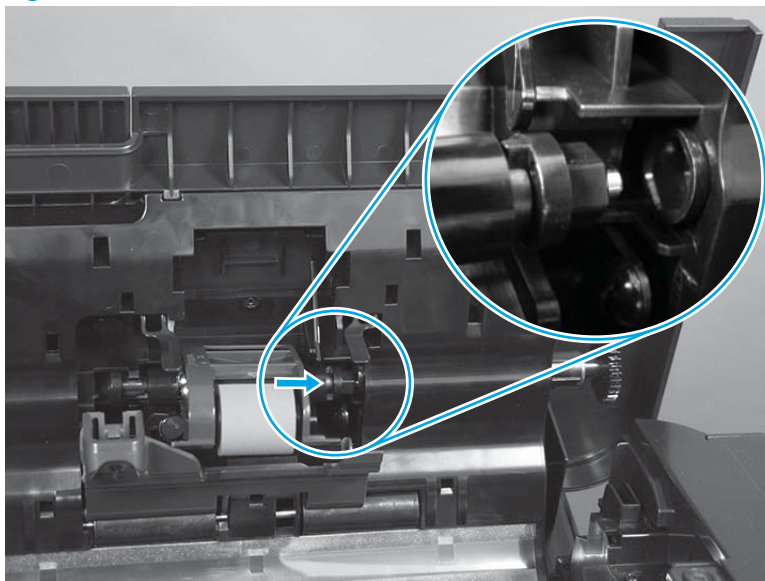




## Reinstall the document-feeder roller (M680)

- ▲ The roller assembly is keyed. When reinstalling the roller assembly, position the hex-shaped fitting on the shaft toward the rear of the product.

**Figure 1-99** Reinstall the document-feeder roller (M680)



## Install a replacement document-feeder roller (M680)

1. From the Home screen on the control panel, scroll to and touch the [Administration](#) button.
2. Open the following menus:
  - [Manage Supplies](#)
  - [Reset Supplies](#)
  - [New Document Feeder Kit](#)
3. Select the [Reset](#) item to reset the firmware counter.

## Document-feeder separation pad and holder (M680)

### Remove the document-feeder separation pad and holder (M680)

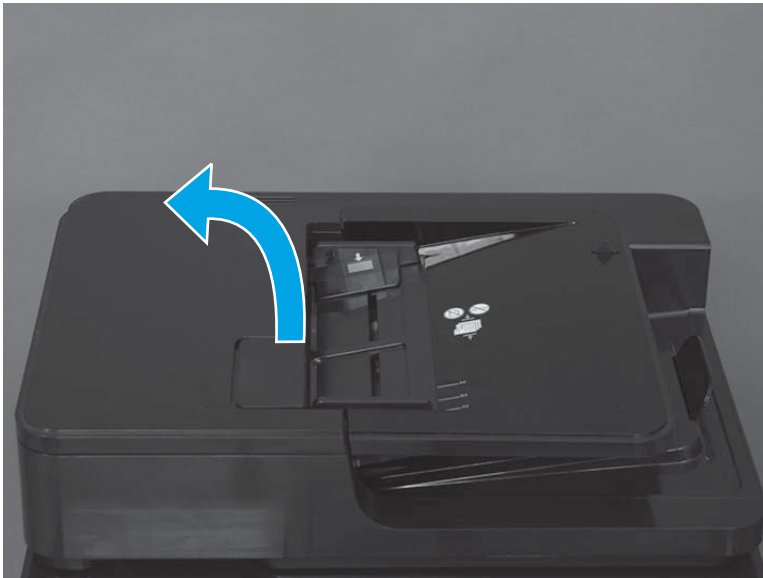
**CAUTION:** Do not touch the pad surface unless replacing the pad. Skin oils deposited on the pad might cause paper pickup problems.

**NOTE:** The document-feeder roller and the document-feeder separation pad are both part of the ADF roller maintenance kit.

If a replacement separation pad is installed, reset the [New Document Feeder Kit](#) firmware counter. See [Install a replacement document-feeder separation pad and holder \(M680\) on page 68](#).

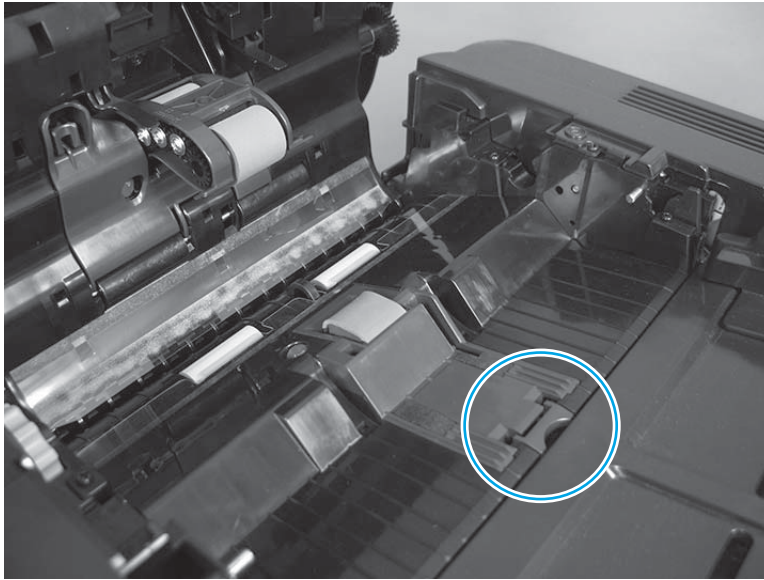
1. Open the document-feeder door.

**Figure 1-100** Remove the document-feeder separation pad and holder (M680; 1 of 3)



2. Release one tab.

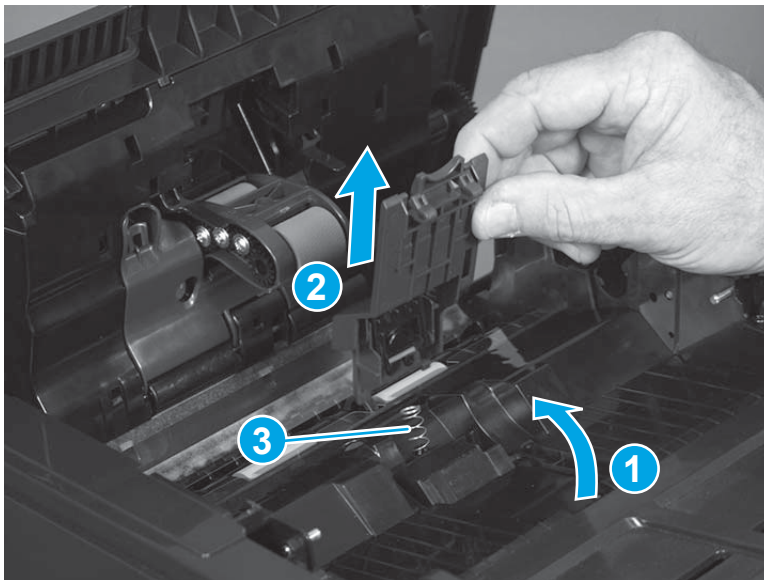
**Figure 1-101** Remove the document-feeder separation pad and holder (M680; 2 of 3)



3. Rotate the separation pad and holder up (callout 1), and then lift it up (callout 2) to remove it.

**⚠ CAUTION:** The spring (callout 3) under the separation pad and holder can easily be dislodged when the holder is removed. If the spring is dislodged, see [Install a replacement document-feeder separation pad and holder \(M680\) on page 68](#) to install it.

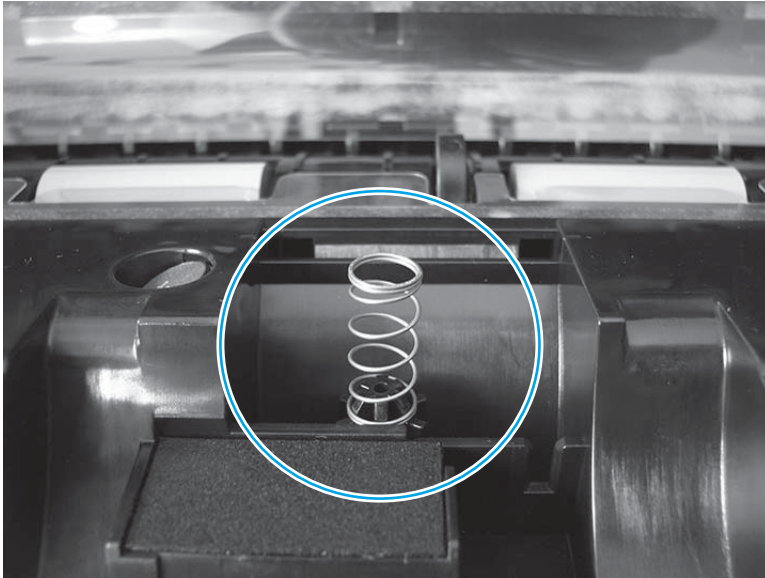
**Figure 1-102** Remove the document-feeder separation pad and holder (M680; 3 of 3)



## Install a replacement document-feeder separation pad and holder (M680)

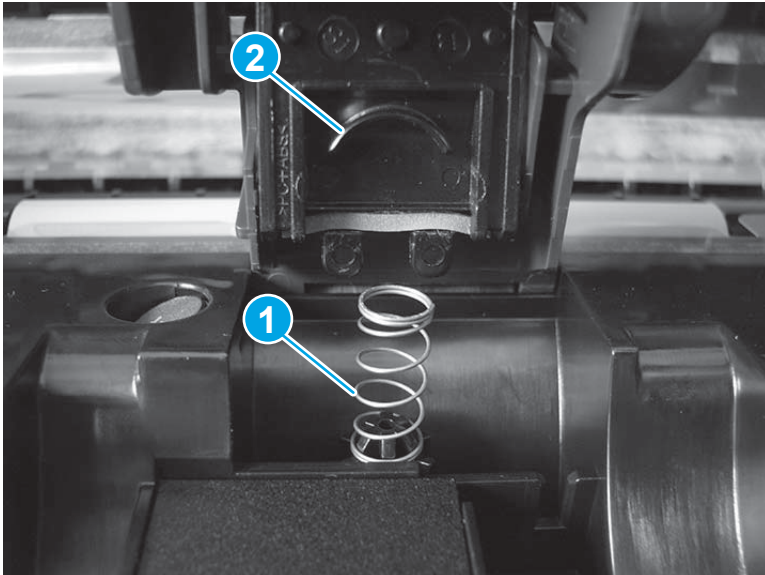
1. Make sure that the separation-pad spring is securely positioned on the spring pedestal before installing a replacement separation pad and holder.

**Figure 1-103** Reinstall the document-feeder separation pad spring (M680; 1 of 2)



2. When the separation pad and holder is installed, make sure that the separation-pad spring (callout 1) is positioned under and behind the ridge (callout 2) on the bottom of the holder.

**Figure 1-104** Reinstall the document-feeder separation pad spring (M680; 2 of 2)



## Install a replacement document-feeder separation pad and holder (M680)

1. From the Home screen on the control panel, scroll to and touch the [Administration](#) button.
2. Open the following menus:

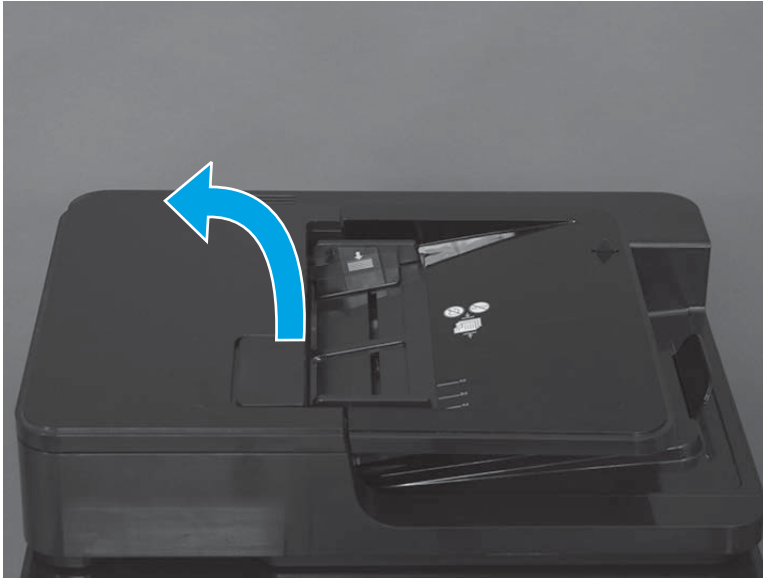
- [Manage Supplies](#)
  - [Reset Supplies](#)
  - [New Document Feeder Kit](#)
3. Select the [Reset](#) item to reset the firmware counter.

# Document feeder and scanner (M680)

## Document feeder mylar strip

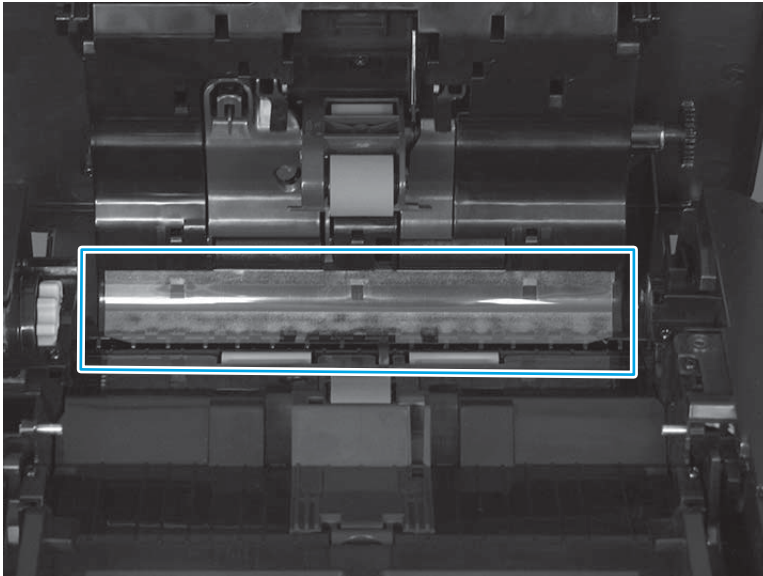
1. Open the document feeder cover.

**Figure 1-105** Remove the document feeder mylar strip (M680; 1 of 3)



2. Locate the mylar strip.

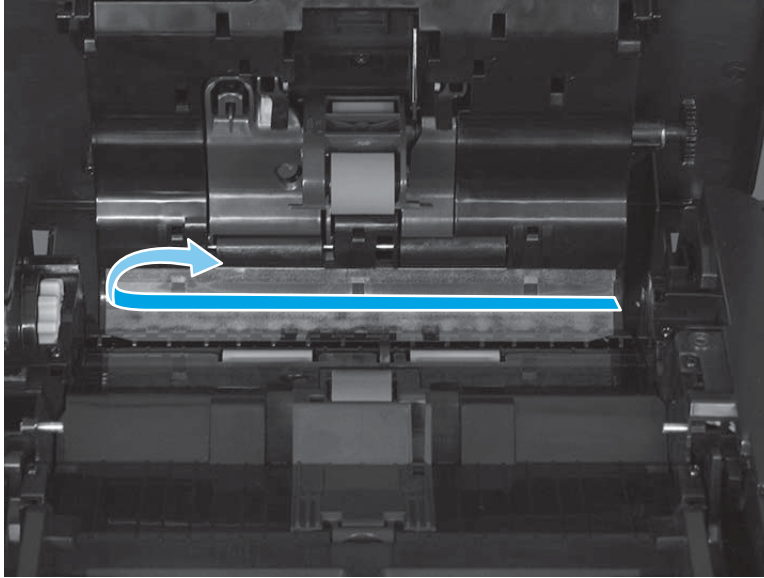
**Figure 1-106** Remove the document feeder mylar strip (M680; 2 of 3)





3. Carefully remove the mylar strip.

**Figure 1-107** Remove the document feeder mylar strip (M680; 3 of 3)

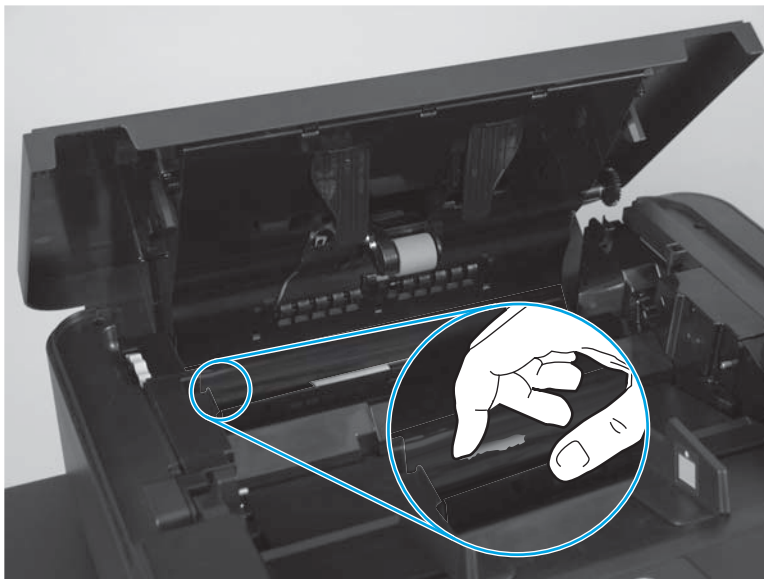


### Install a replacement document feeder mylar strip (M680)

Use the following guidelines when installing the replacement mylar strip:

1. Skin oils on the mylar strip can cause paper pickup problems. Wash your hands before handling the replacement mylar strip.
2. When handling the replacement mylar strip, do not touch the adhesive portion of the strip.
3. Use a finger to remove any adhesive that remains after removing the mylar strip.

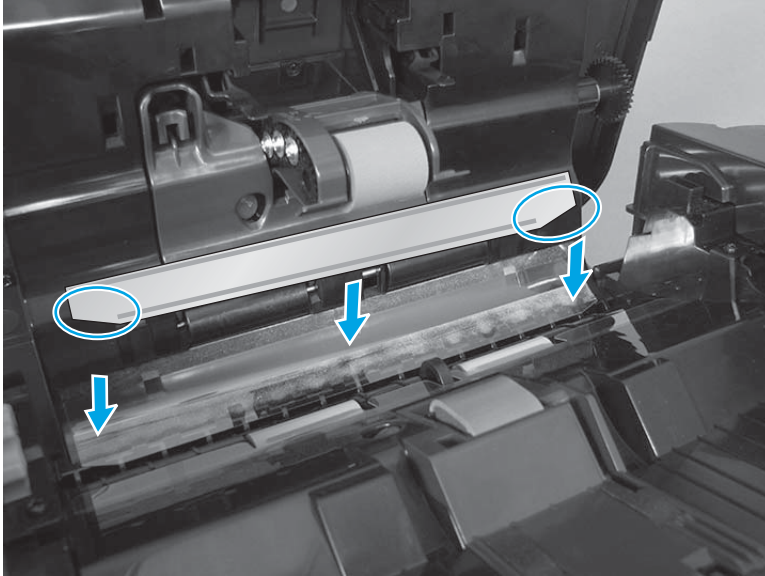
**Figure 1-108** Install a replacement document feeder mylar strip (M680; 1 of 3)



4. Remove the protective backing from the adhesive portion of the replacement mylar strip, and then position the strip as shown, with the beveled corners on the strip facing the document tray.

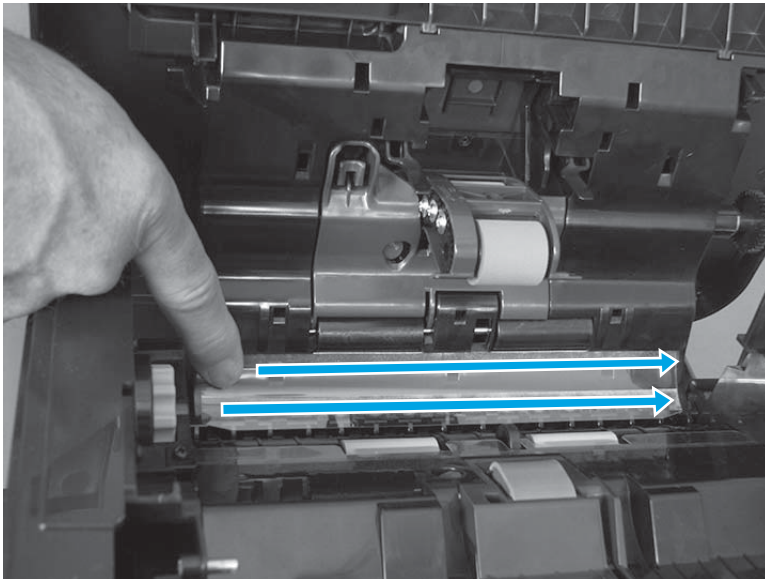
 **NOTE:** Make sure that the adhesive side of the guide is face down.

**Figure 1-109** Install a replacement document feeder mylar strip (M680; 2 of 3)



5. Press down firmly on the strip to adhere it to the product.

**Figure 1-110** Install a replacement document feeder mylar strip (M680; 3 of 3)

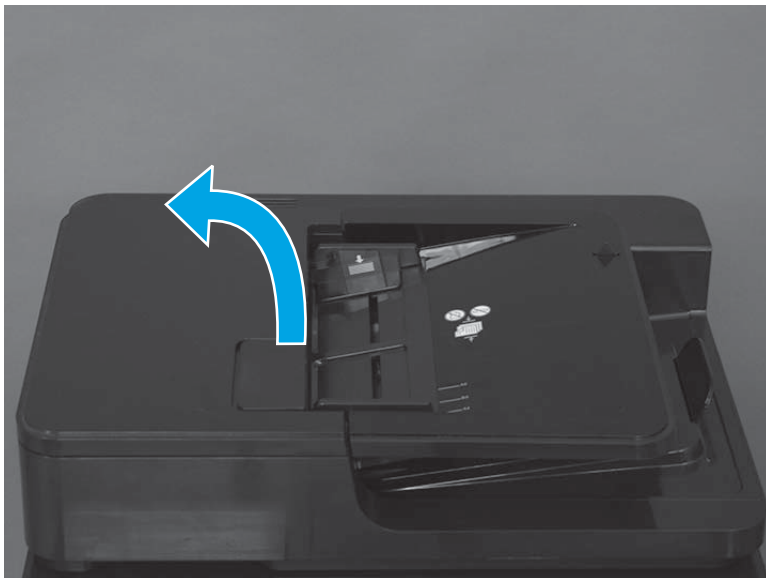




## Document-feeder roller cover

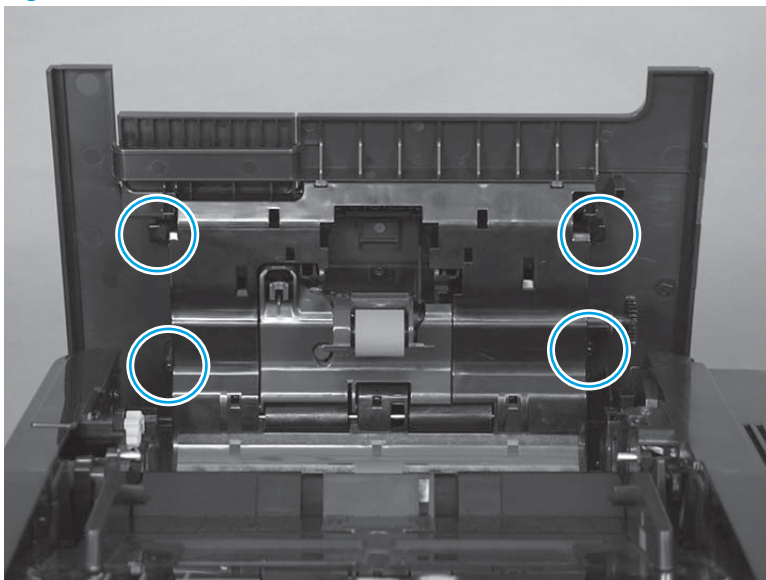
1. Open the document-feeder cover.

**Figure 1-111** Remove the document-feeder roller cover (1 of 10)



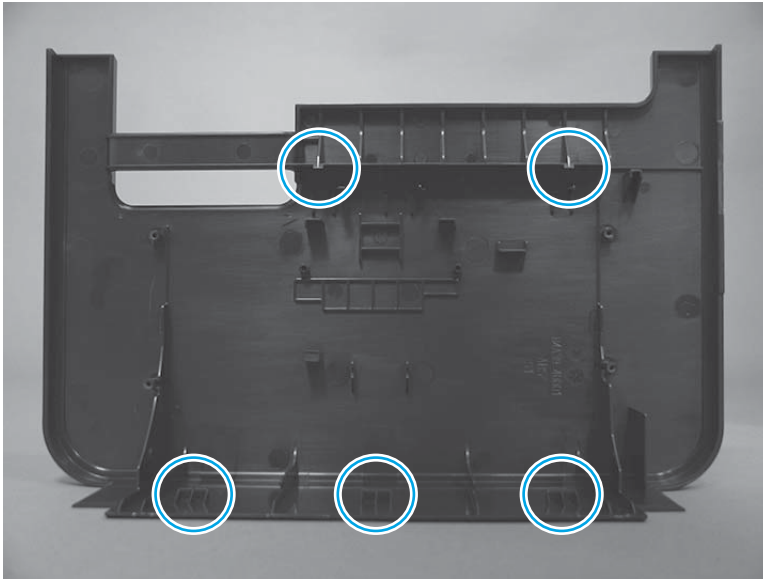
2. Remove four screws.

**Figure 1-112** Remove the document-feeder roller cover (2 of 10)



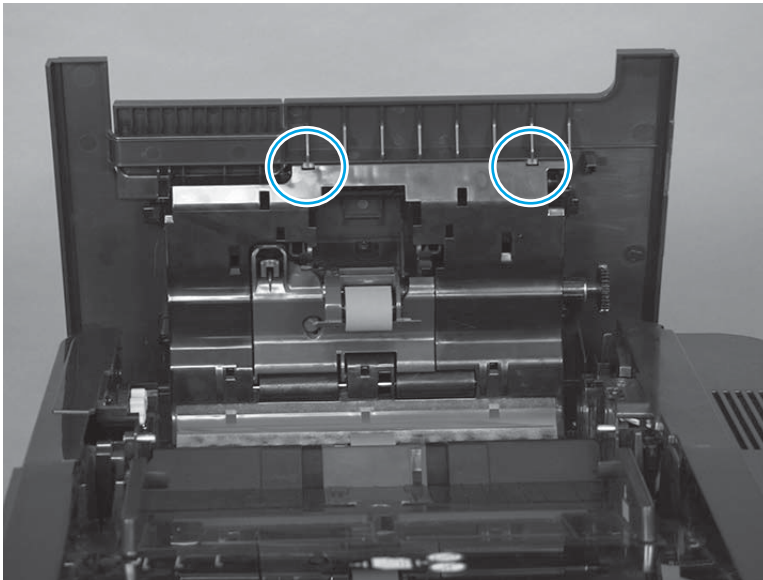
3. Before removing the cover, note the location of the tabs.

**Figure 1-113** Remove the document-feeder roller cover (3 of 10)



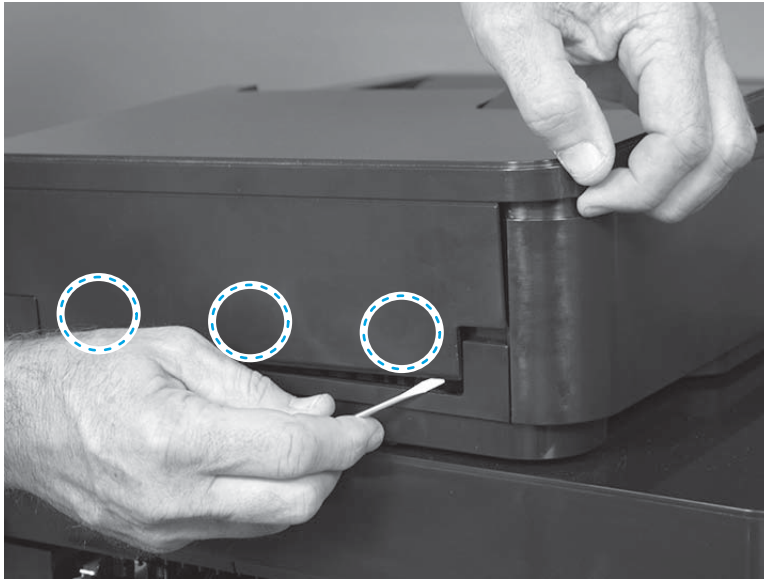
4. Release two tabs.

**Figure 1-114** Remove the document-feeder roller cover (4 of 10)



5. Close the document-feeder cover, and then release the remaining three tabs and remove the cover.

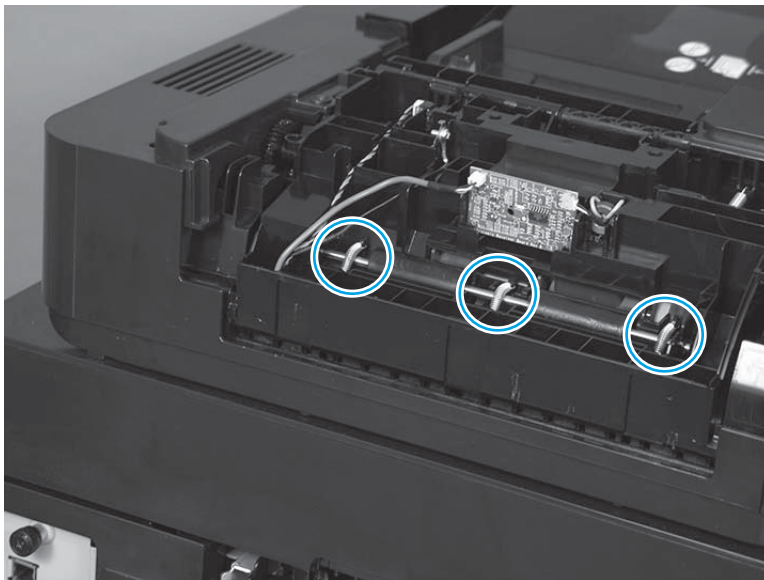
**Figure 1-115** Remove the document-feeder roller cover (5 of 10)



6. Remove three springs.

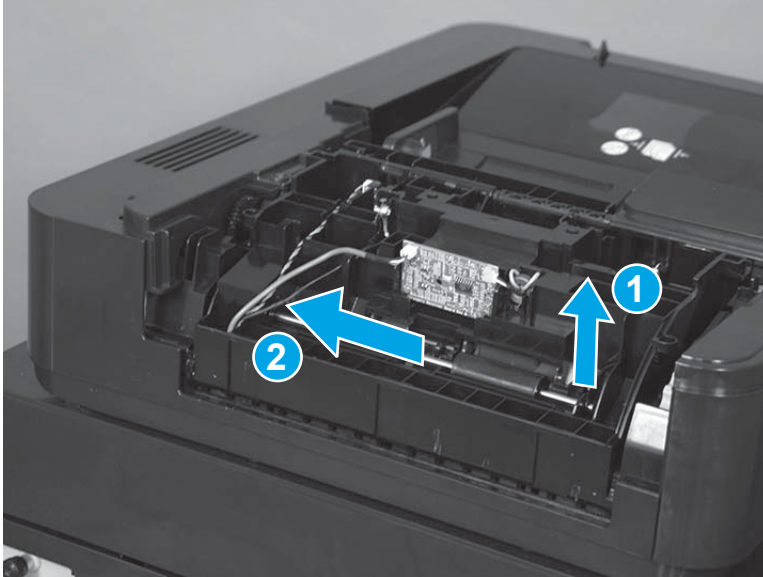
 **Reinstallation tip** Use needle nose pliers to reattach the spring. Attach the spring to the bottom hook first.

**Figure 1-116** Remove the document-feeder roller cover (6 of 10)



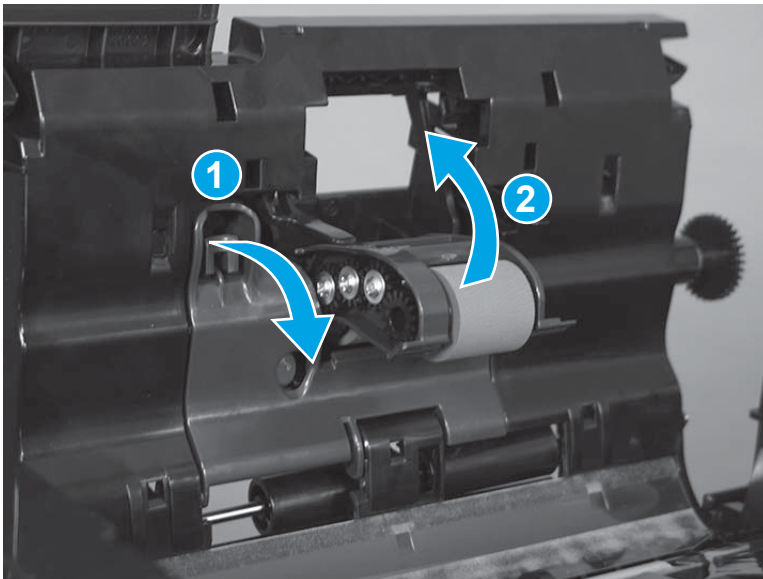
7. Lift the right end of the roller shaft up (callout 1), and then slide the shaft and rollers to the left (callout 2).

**Figure 1-117** Remove the document-feeder roller cover (7 of 10)



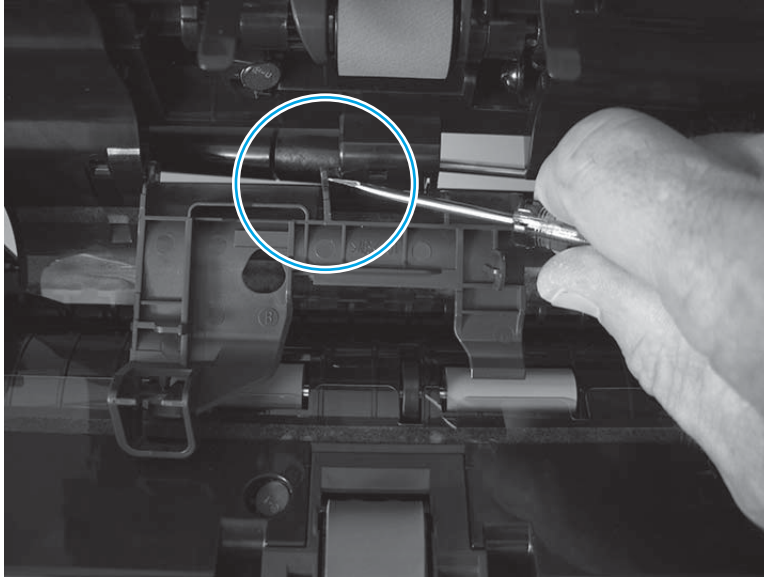
8. Open the document-feeder cover, open the ADF roller cover (callout 1), and move the ADF roller assembly out of the way (callout 2).

**Figure 1-118** Remove the document-feeder roller cover (8 of 10)



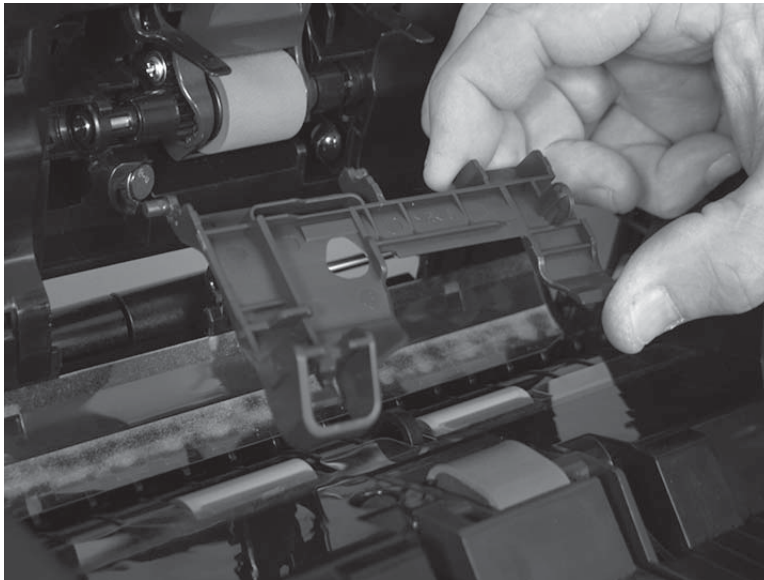
9. Release one hinge pin on the document-feeder roller cover.

**Figure 1-119** Remove the document-feeder roller cover (9 of 10)



10. Remove the document-feeder roller cover.

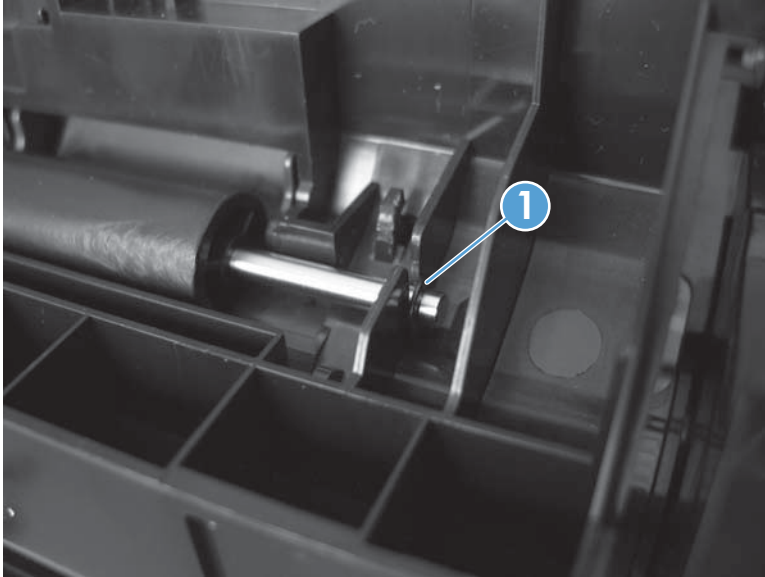
**Figure 1-120** Remove the document-feeder roller cover (10 of 10)



### Reinstall the document-feeder roller cover

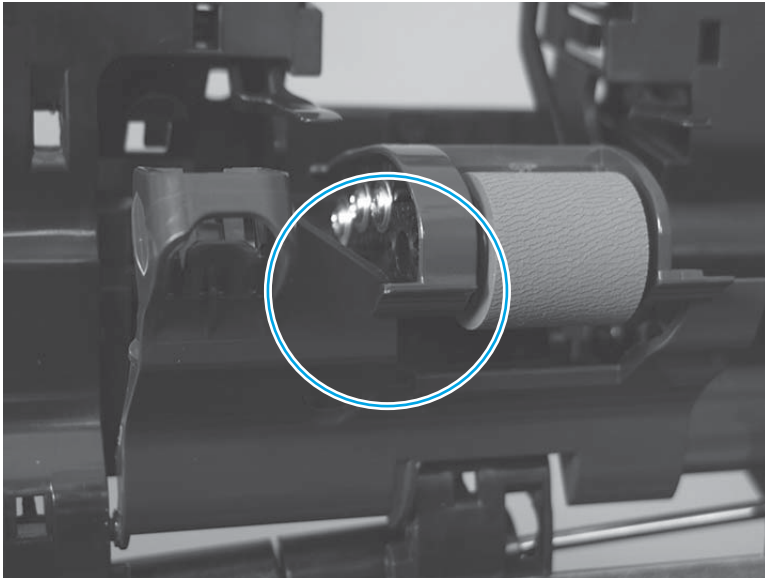
1. Make sure that the end of the roller shaft (callout 1) is correctly installed.

**Figure 1-121** Reinstall the document-feeder roller cover (1 of 2)



2. Make sure the document-feeder roller cover and document-feeder roller assembly are correctly positioned before trying to close the cover.

**Figure 1-122** Reinstall the document-feeder roller cover (2 of 2)

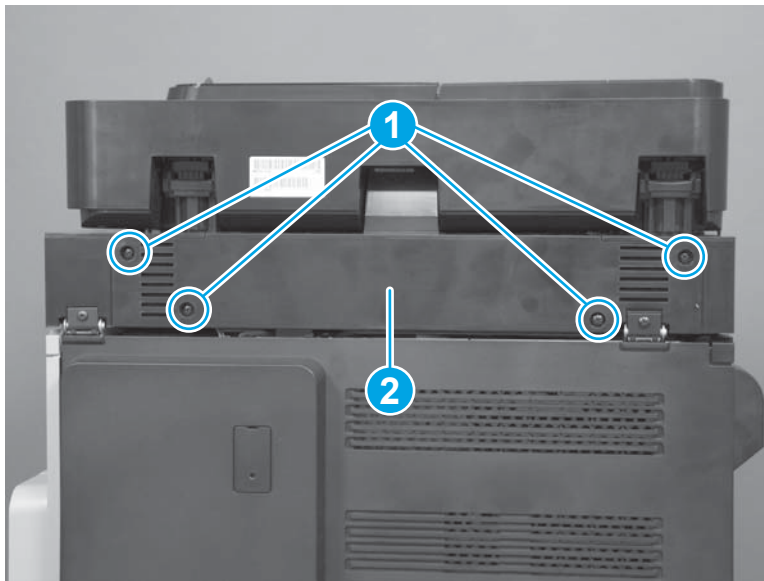




## Scanner rear cover

- ▲ Remove four screws (callout 1), and then remove the scanner rear cover (callout 2).

**Figure 1-123** Remove the scanner rear cover





## Document feeder (ADF)

### Before proceeding, remove the following assemblies

- Scanner rear cover. See [Scanner rear cover on page 79](#).

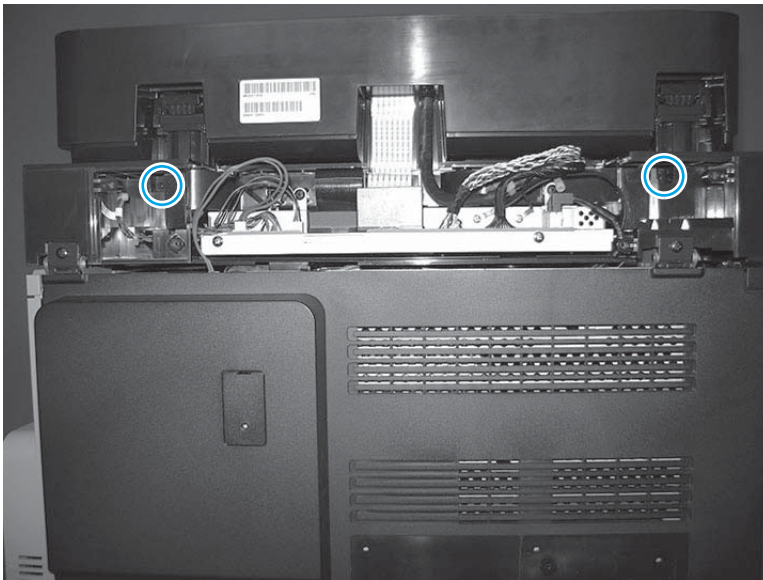
### Remove the document feeder

 **IMPORTANT:** When installing a replacement document feeder, see [Complete the document feeder replacement installation on page 87](#) after the product is reassembled.

 **NOTE:** If a replacement document feeder or scanner assembly is installed, you must install a replacement white backing on the document feeder. See [Document feeder white backing \(M680\) on page 54](#).

1. Loosen two document-feeder hinge-locking screws. Back them out about 13 mm (0.5 in).

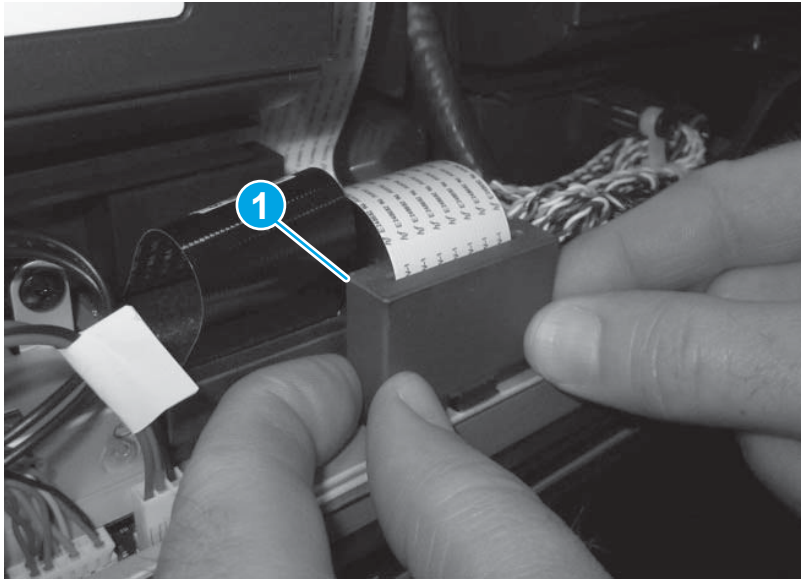
**Figure 1-124** Remove the document feeder (1 of 8)






2. Firmly grasp the left-most ferrite (callout 1) as close to the SCB sheet-metal housing as possible.

**Figure 1-125** Remove the document feeder (2 of 8)



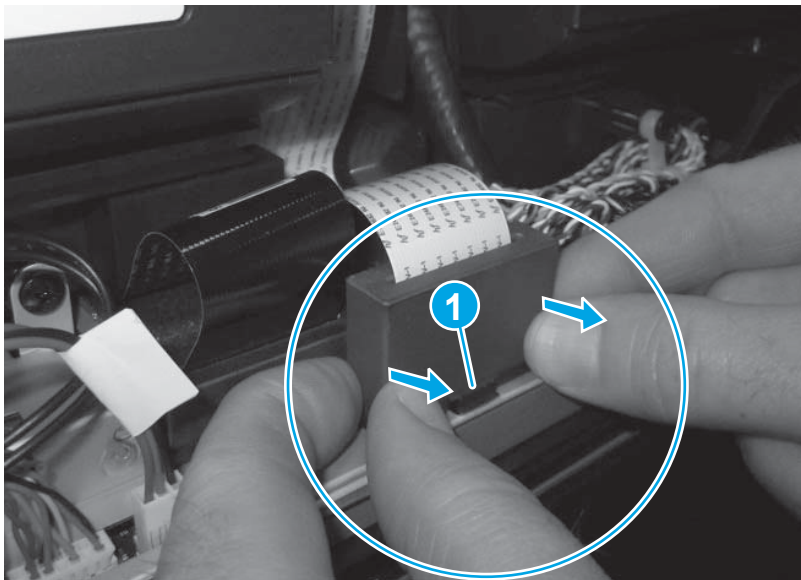
3. Carefully slide the ferrite forward to compress the locking tab (callout 1) on the ferrite holder, and to disengage the tabs at the back of the ferrite holder.

---

 **NOTE:** To avoid damaging the locking clip or the tabs on the back side of the holder, keep the ferrite vertical as it slides forward.

---

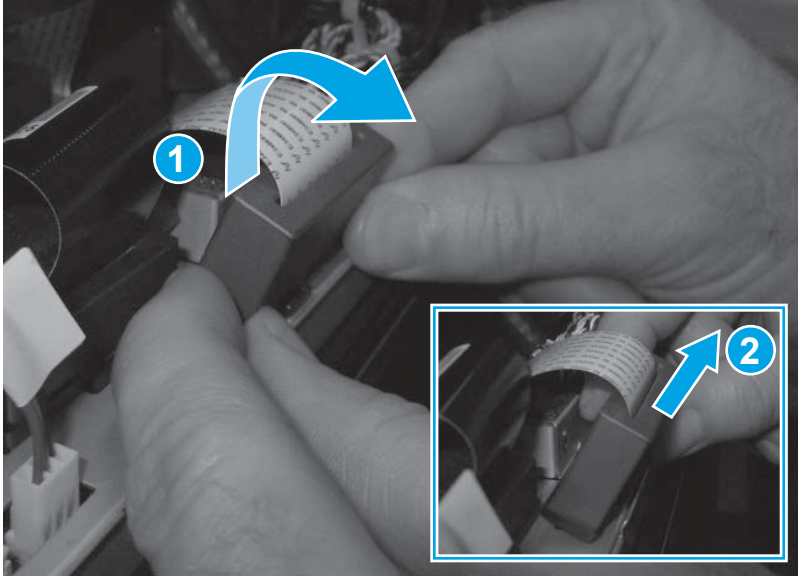
**Figure 1-126** Remove the document feeder (3 of 8)



- Carefully rotate the top of the ferrite holder forward (callout 1), and then remove the ferrite and holder (callout 2).

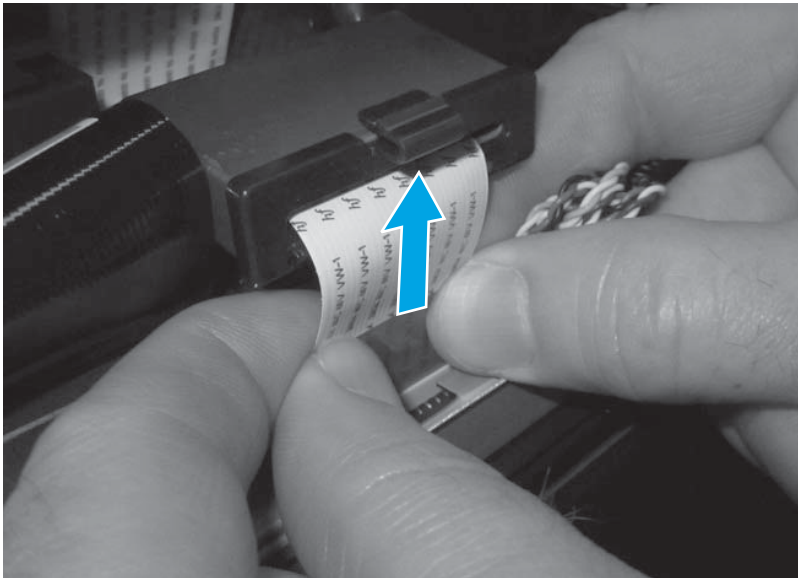
 **NOTE:** To reinstall the ferrite and holder, see [Special considerations for reinstalling the ferrite and holder on page 85](#).

**Figure 1-127** Remove the document feeder (4 of 8)




- Pull straight up on the FCC to remove it.

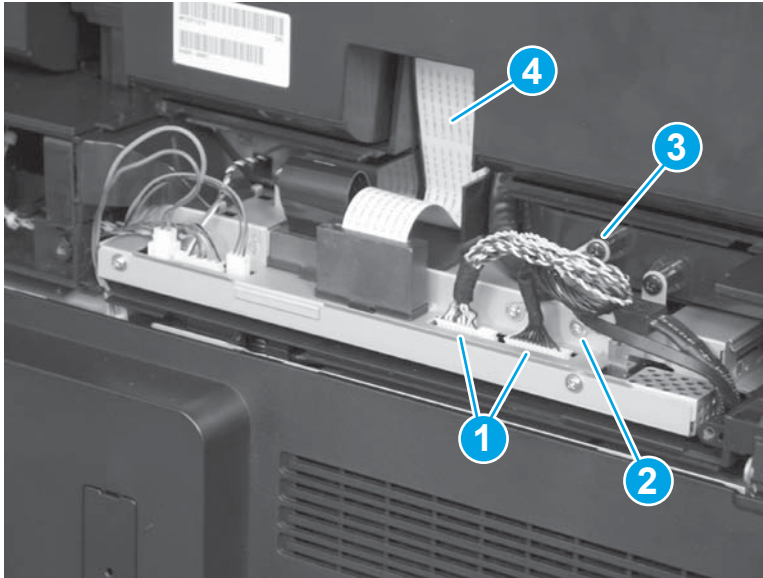
**Figure 1-128** Remove the document feeder (5 of 8)



6. Disconnect two connectors (callout 1), remove one grounding wire screw (callout 2), and the wire bundle retainer (callout 3).

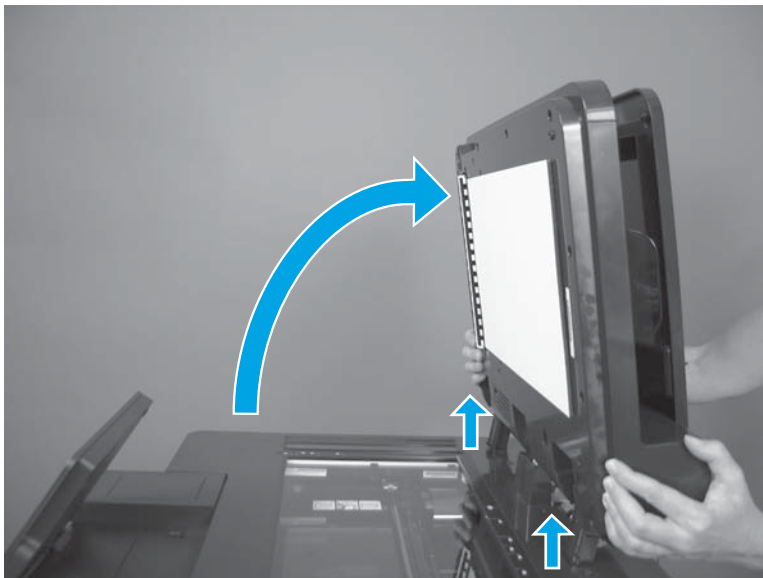
 **Reinstallation tip** When reinstalling the document feeder, position the wire harnesses and FFC in the opening in the cover (callout 4).

**Figure 1-129** Remove the document feeder (6 of 8)



7. Open the document feeder, and lift it up until it stops.

**Figure 1-130** Remove the document feeder (7 of 8)

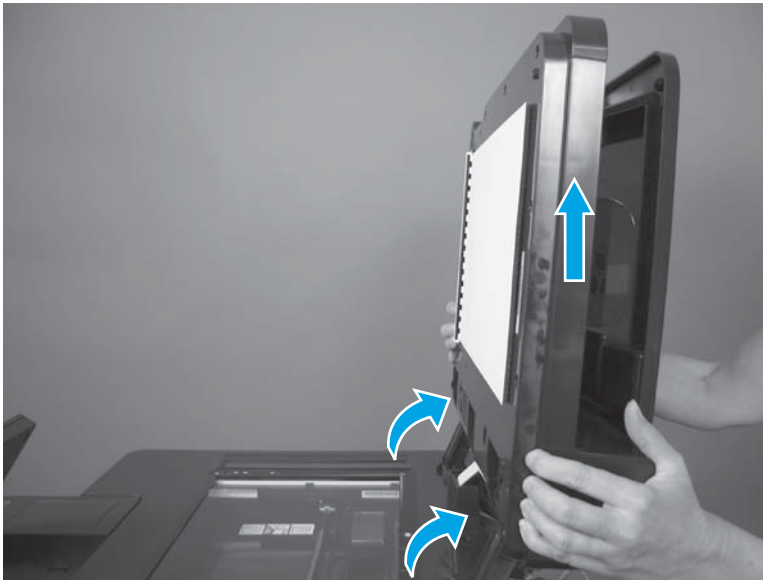


8. Tilt the document feeder back, and pull it straight up to remove it.

**⚠ CAUTION:** The document feeder weighs 5.8 kg (12.8 lb).

---

**Figure 1-131** Remove the document feeder (8 of 8)



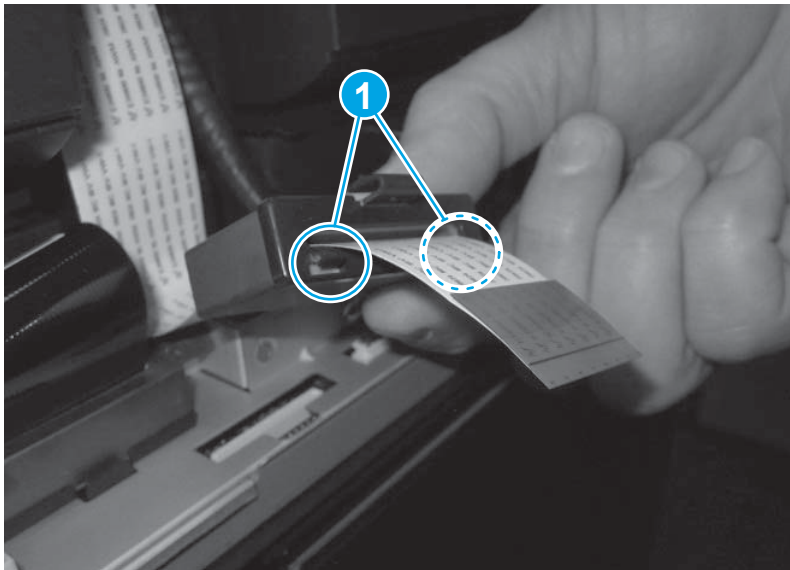
## Install a replacement document feeder

 **NOTE:** If a replacement document feeder or scanner assembly is installed, install a replacement white backing on the document feeder. See [Document feeder white backing \(M680\) on page 54](#).

### Special considerations for reinstalling the ferrite and holder

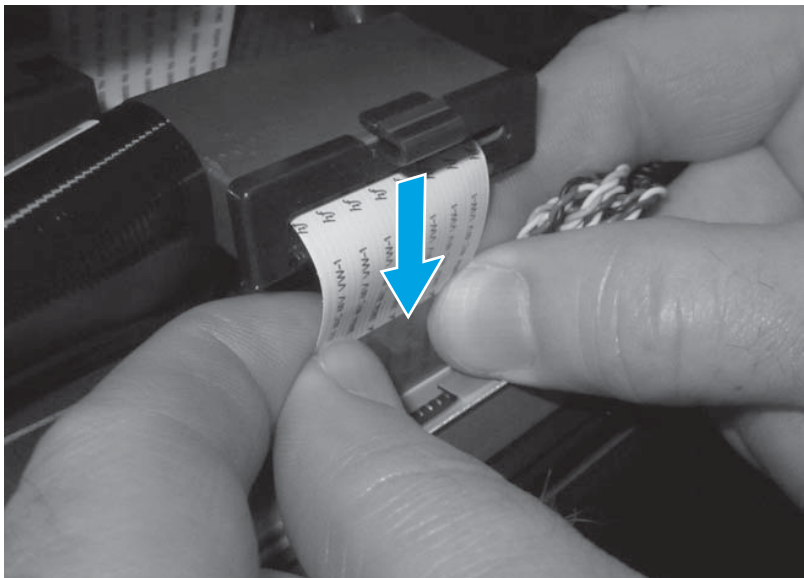
1. Insert the FFC through the opening in the ferrite, and verify that the tabs (callout 1) on the ferrite holder are not damaged.

**Figure 1-132** Install the ferrite and holder (1 of 5)



2. Push the FFC straight down into the connector to install it.

**Figure 1-133** Install the ferrite and holder (2 of 5)

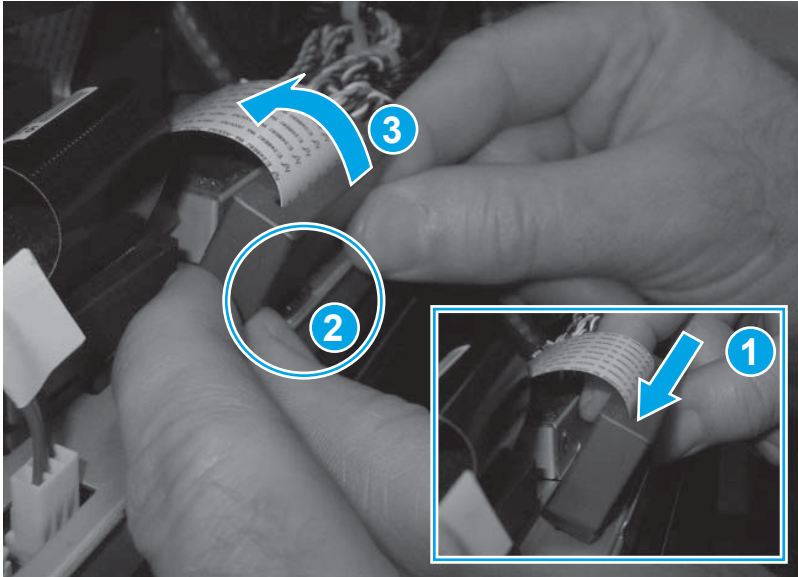




3. Tilt the ferrite and holder forward, and then place it on the opening in the SCB sheet-metal housing (callout 1). Make sure that the locking tab on the holder is compressed against the SCB sheet-metal housing (callout 2).

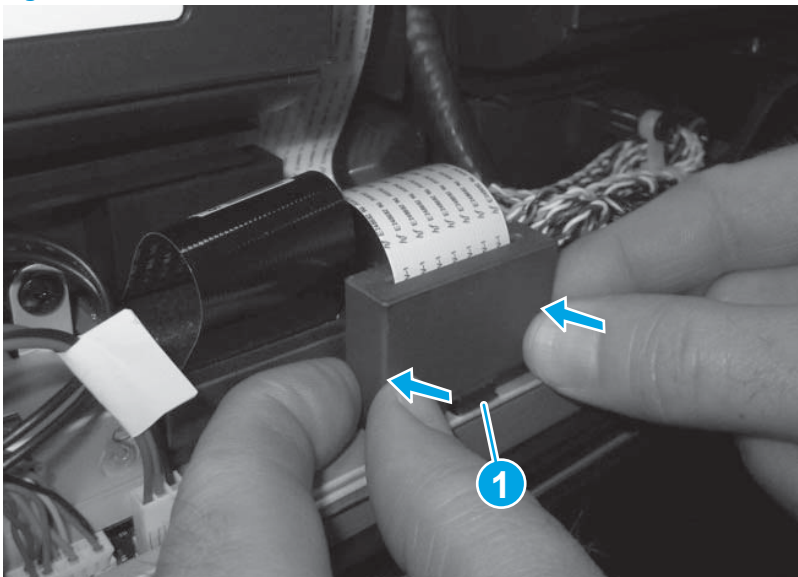
Rotate the ferrite and holder backward until it is positioned flat against the SCB sheet-metal housing (callout 3).

**Figure 1-134** Install the ferrite and holder (3 of 5)



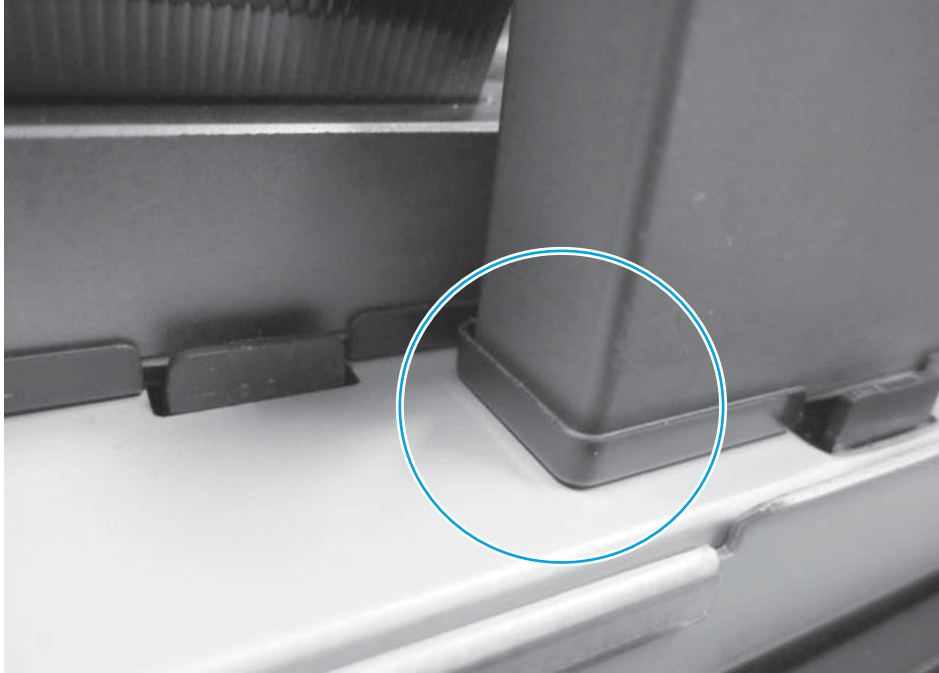
4. Carefully slide the ferrite backward to release the locking tab (callout 1) on the ferrite holder, and to engage the tabs on the back of the ferrite holder with the SCB sheet-metal housing.

**Figure 1-135** Remove the document feeder (4 of 5)



5. Verify that the ferrite and holder are securely fastened to the SCB sheet-metal housing, and that the holder is fully seated.

**Figure 1-136** Install the ferrite and holder (5 of 5)



### Complete the document feeder replacement installation

If a replacement document feeder is installed, perform the following tasks after reassembling the product:

1. Use the [Service](#) menu to reset the [Document Feeder Kit Interval](#) and [ADF Count](#) firmware counters.
  - a. From the Home screen on the control panel, scroll to and touch the [Device Maintenance](#) button.
  - b. Open the [Service](#) menu.
  - c. On the sign-in screen, select the [Service Access Code](#) option from the drop-down list.
  - d. Enter the following service access code for this product: 04068014.
  - e. Reset the following values:
    - [Document Feeder Kit Interval](#); set to zero
    - [ADF Count](#); set to zero
2. Use the [Manage Supplies](#) menu to reset the [New Document Feeder Kit](#) firmware counter.
  - a. From the Home screen on the control panel, scroll to and touch the [Supplies](#) button.
  - b. Open the following menus:

- [Manage Supplies](#)
  - [Reset Supplies](#)
  - [New Document Feeder Kit](#)
- c. Select the [Reset](#) item.
3. Use the [Calibration/Cleaning](#) menu to calibrate the scanner.
- a. From the Home screen on the control panel, scroll to and touch the [Device Maintenance](#) button.
- b. Open the following menus:
- [Calibration/Cleaning](#)
  - [Calibrate Scanner](#)
- c. Touch the [Next](#) button to start the calibration process. Follow the on-screen prompts.
- d. Wait while the product calibrates the scanner.



## Document-feeder hinge assembly

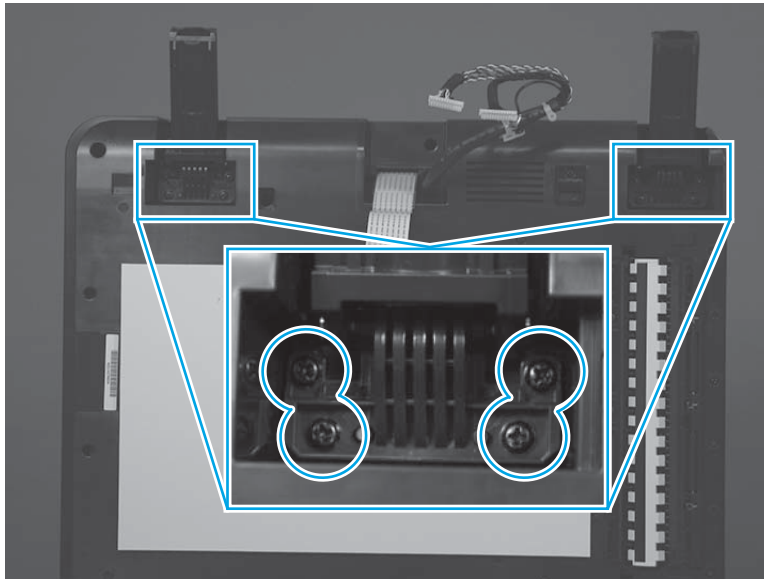
### Before proceeding, remove the following assemblies

- Document feeder. See [Document feeder \(ADF\) on page 80](#).

### Remove the document-feeder hinge assembly

- ▲ For each hinge, remove four screws and remove the hinge assembly.


**Figure 1-137** Remove the document-feeder hinge assembly



## Scanner control board (SCB) fan (M680)

### Before proceeding, remove the following assemblies

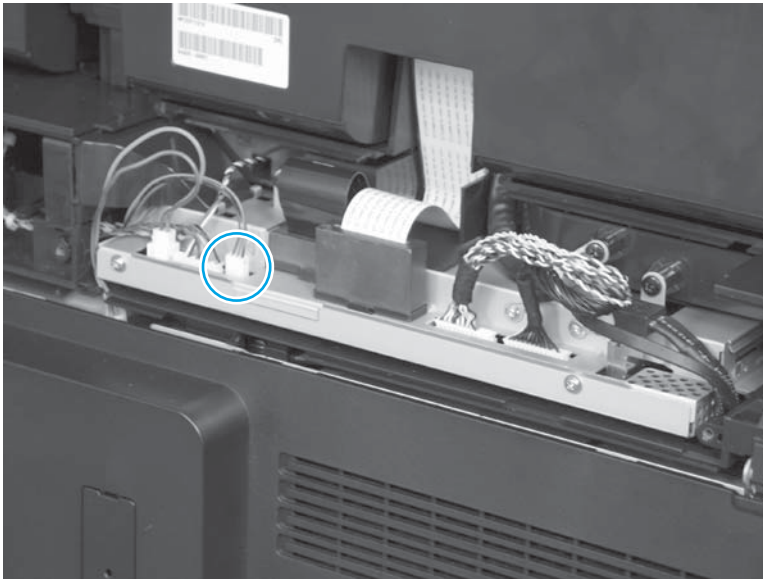
- Scanner rear cover. See [Scanner rear cover on page 79](#).

 **NOTE:** This assembly is also called the scanner control board fan assembly kit.

### Remove the scanner control board (SCB) fan

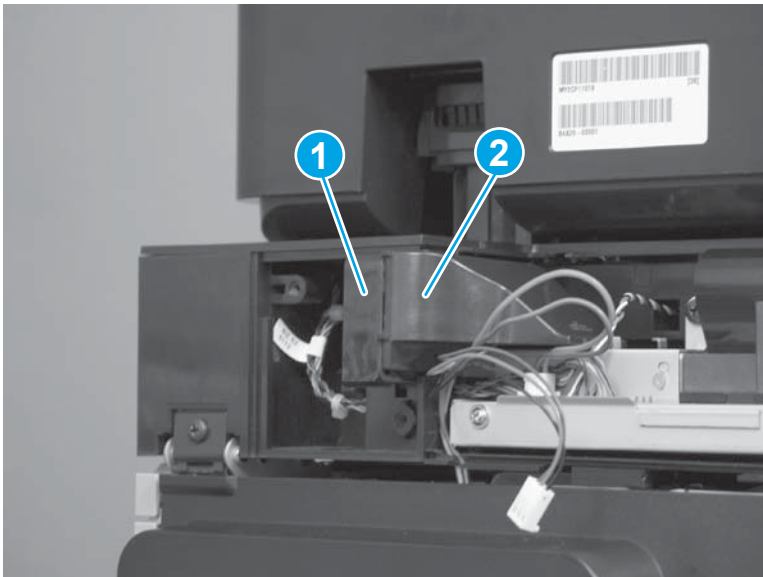
1. Disconnect one connector.

**Figure 1-138** Remove the scanner control board fan (1 of 3)



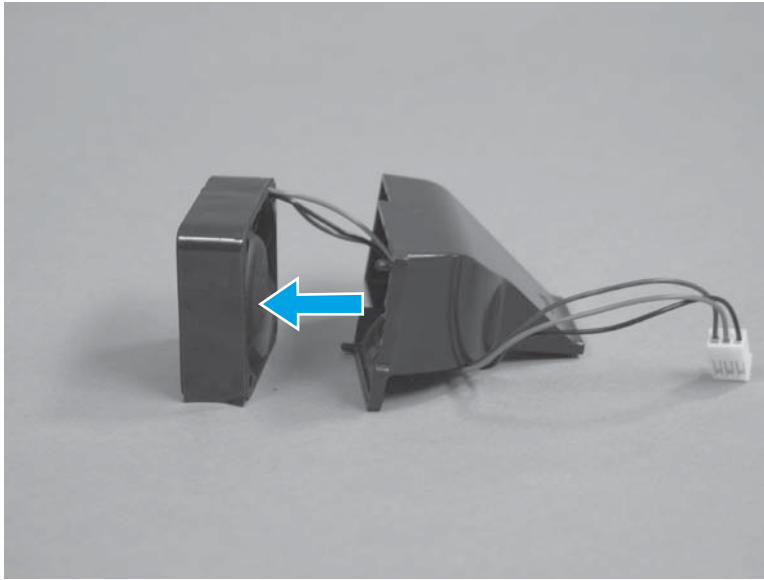
2. Slide the SCB fan (callout 1) and housing (callout 2) straight back to remove them.

**Figure 1-139** Remove the scanner control board fan (2 of 3)



3. Separate the fan from the housing.

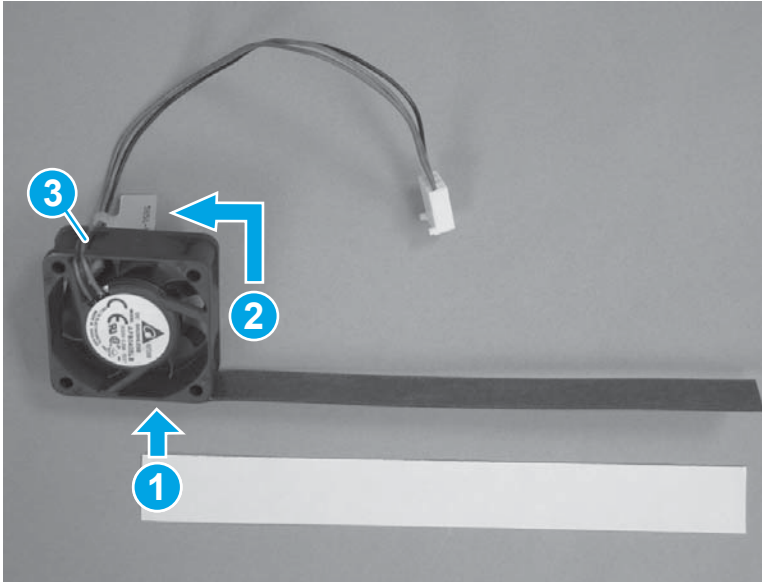
**Figure 1-140** Remove the scanner control board fan (3 of 3)



## Install a replacement SCB fan

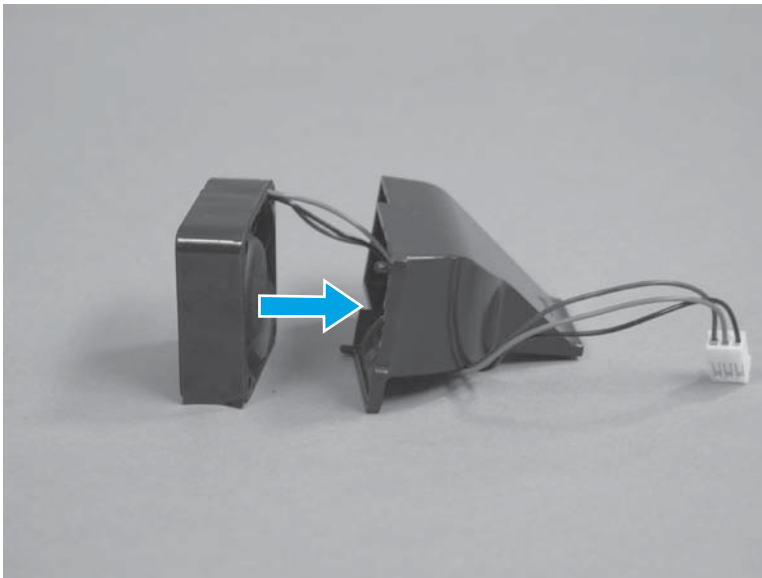
1. Peel the adhesive backing from the foam strip supplied with the replacement fan. Apply the foam strip to the fan, starting at the arrow (callout 1) and continuing around the fan (callout 2). Place the foam over the wires (callout 3).

**Figure 1-141** Install a replacement SCB fan (1 of 2)



2. Install the replacement fan in the housing, and then reinstall the assembly in the product.


**Figure 1-142** Install a replacement SCB fan (2 of 2)



## Scanner control board (SCB)

### Before proceeding, remove the following assemblies

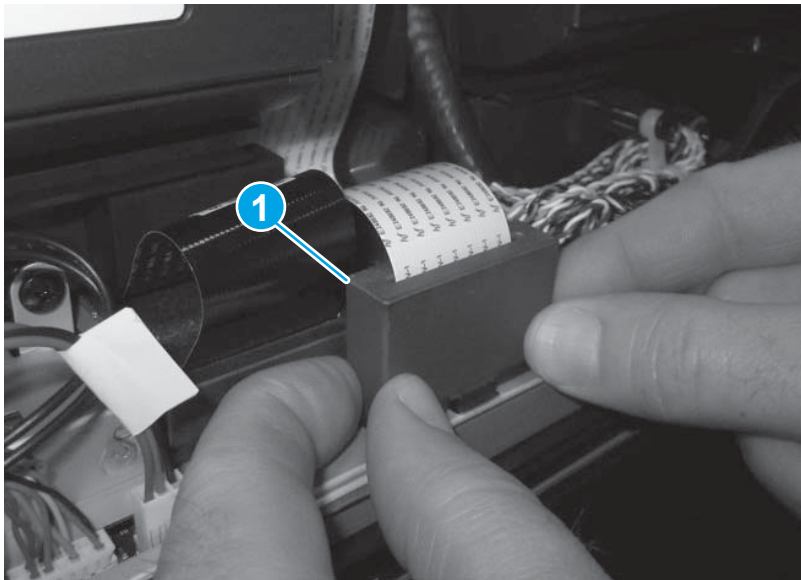
- Scanner rear cover. See [Scanner rear cover on page 79](#).
- Scanner control board fan. See [Scanner control board \(SCB\) fan \(M680\) on page 90](#).

 **TIP:** The following procedure describes removing the SCB without first removing the document feeder and scanner. If the document feeder and scanner are removed for other reasons, it is easier to remove the SCB after removing the scanner.


### Remove the SCB

1. Firmly grasp the left-most ferrite (callout 1) as close to the SCB sheet-metal housing as possible.

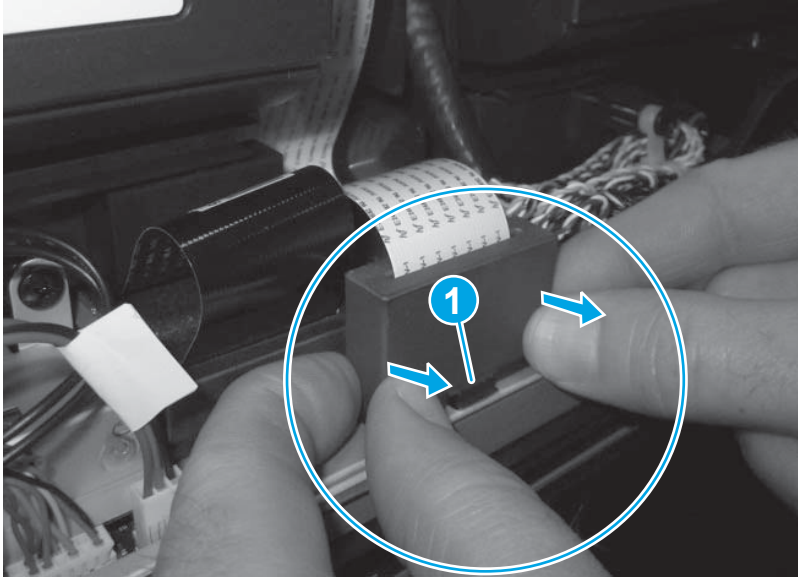
**Figure 1-143** Remove the SCB (1 of 13)




- Carefully slide the ferrite forward to compress the locking tab (callout 1) on the ferrite holder, and to disengage the tabs at the back of the ferrite holder.

 **NOTE:** To avoid damaging the locking clip or the tabs on the back side of the holder, keep the ferrite vertical as it slides forward.

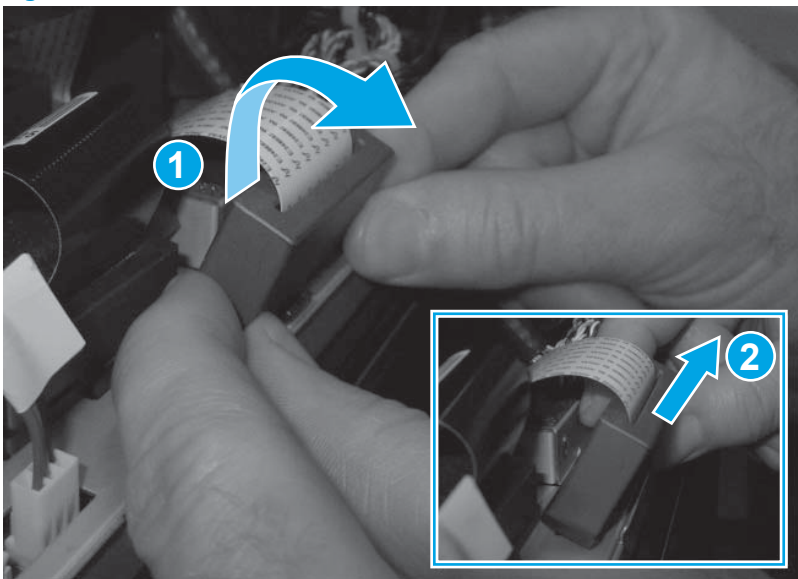
**Figure 1-144** Remove the SCB (2 of 13)



- Carefully rotate the top of the ferrite holder forward (callout 1), and then remove the ferrite and holder (callout 2).

 **NOTE:** To reinstall the ferrite and holder, see [Special considerations for reinstalling the ferrites and holders on page 99](#).

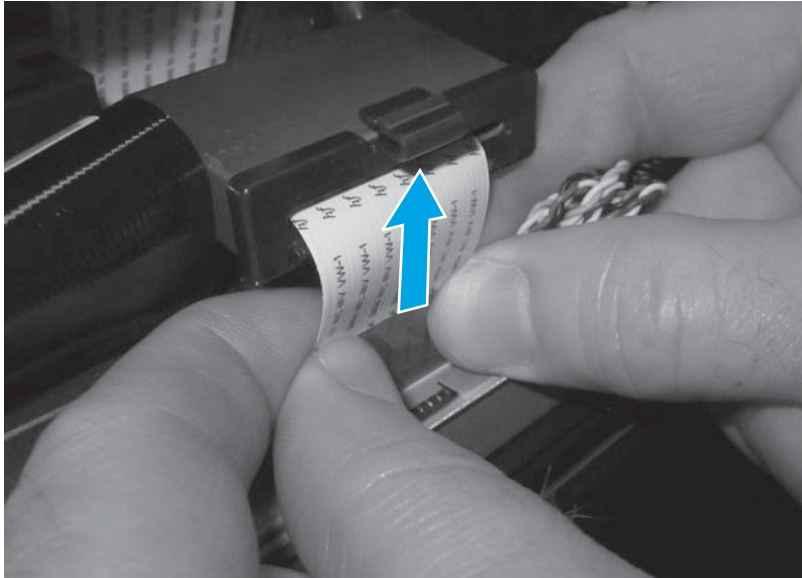
**Figure 1-145** Remove the SCB (3 of 13)



4. Pull straight up on the FCC to remove it.

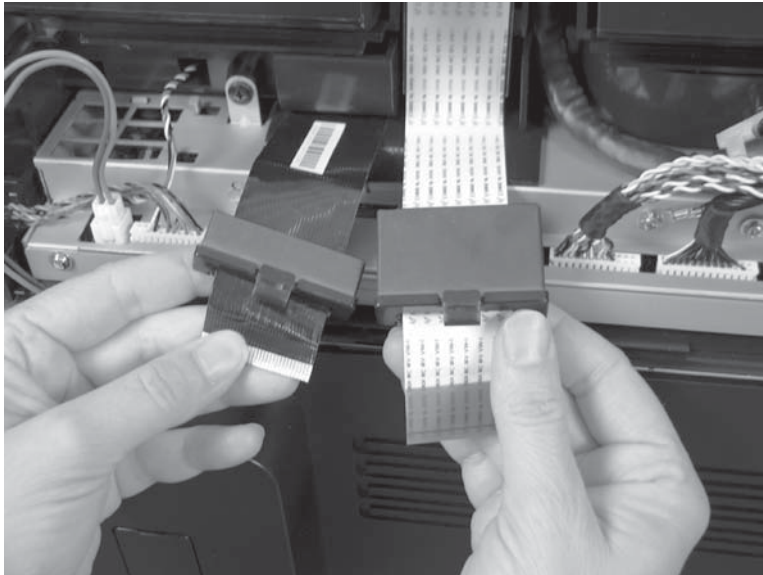
Repeat this process for the right-most ferrite, holder, and the FCC.

**Figure 1-146** Remove the SCB (4 of 13)



5. After disconnecting the two FCCs from the SCB, slide the ferrites off the FCCs.

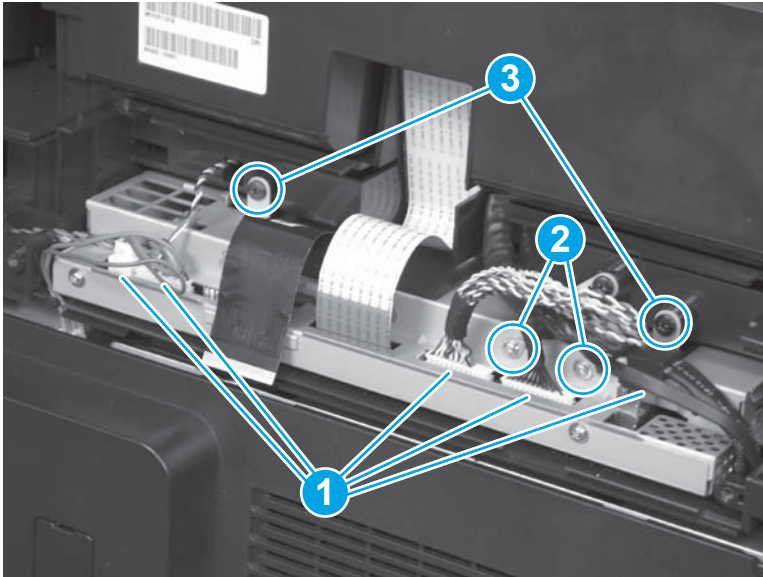
**Figure 1-147** Remove the SCB (5 of 13)





6. Disconnect five connectors (callout 1), two grounding wires (callout 2), and remove two screws (callout 3).

**Figure 1-148** Remove the SCB (6 of 13)



7. Release the scanner latch.

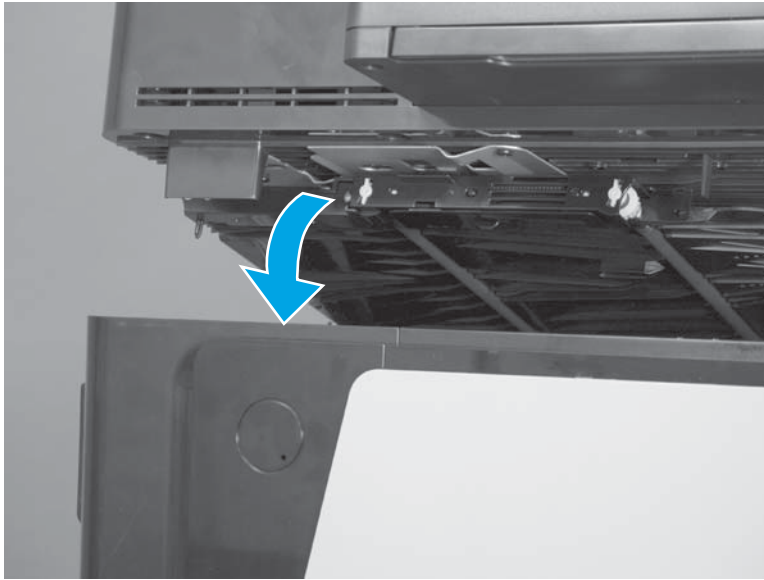
**Figure 1-149** Remove the SCB (7 of 13)





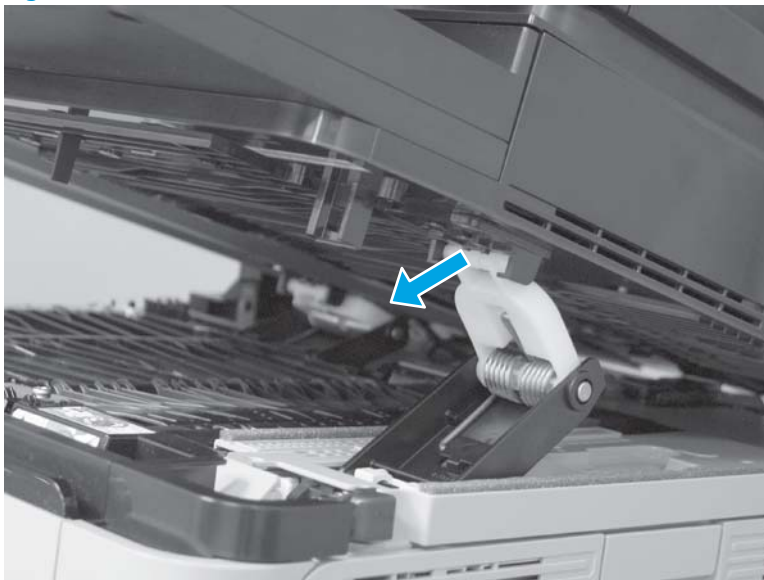
8. Pull down the IPTU top cover.

**Figure 1-150** Remove the SCB (8 of 13)



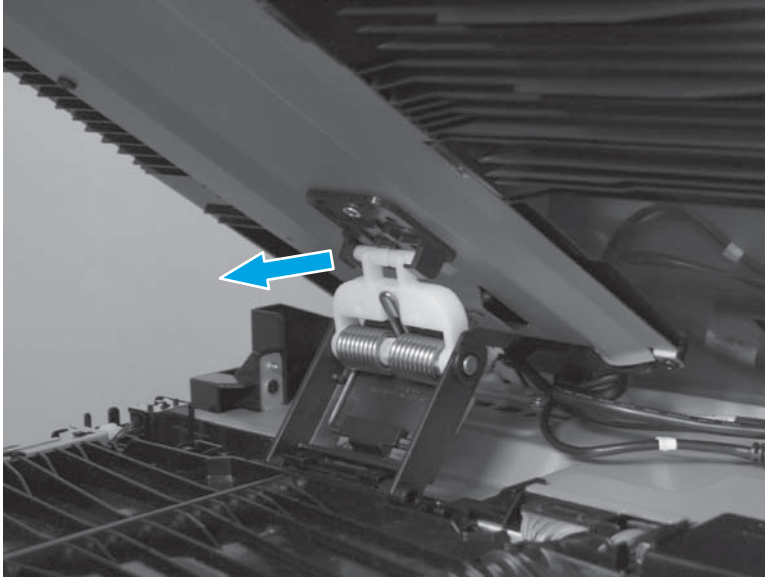
9. Pull the top of the front scanner hinge forward to release it.

**Figure 1-151** Remove the SCB (9 of 13)



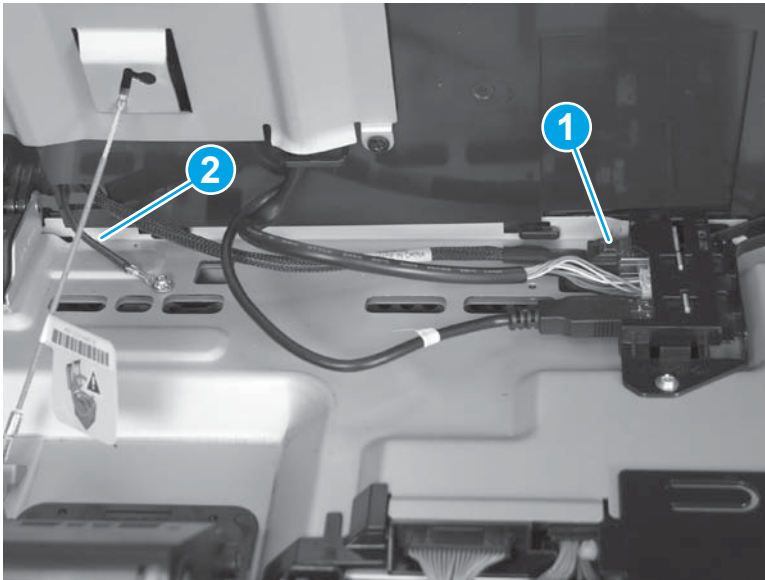
10. Pull the top of the rear scanner hinge forward to release it.

**Figure 1-152** Remove the SCB (10 of 13)



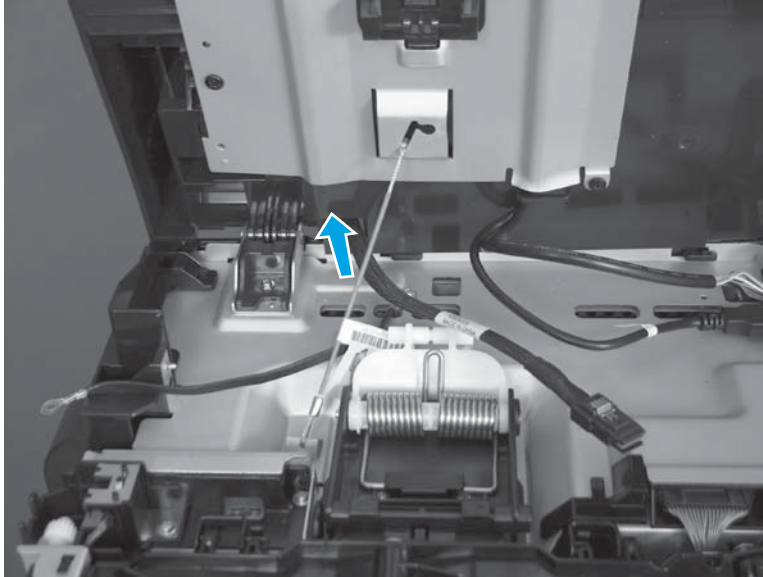
11. Disconnect the USB cable (callout 1), and pull the grounding wire through the opening (callout 2).

**Figure 1-153** Remove the SCB (11 of 13)



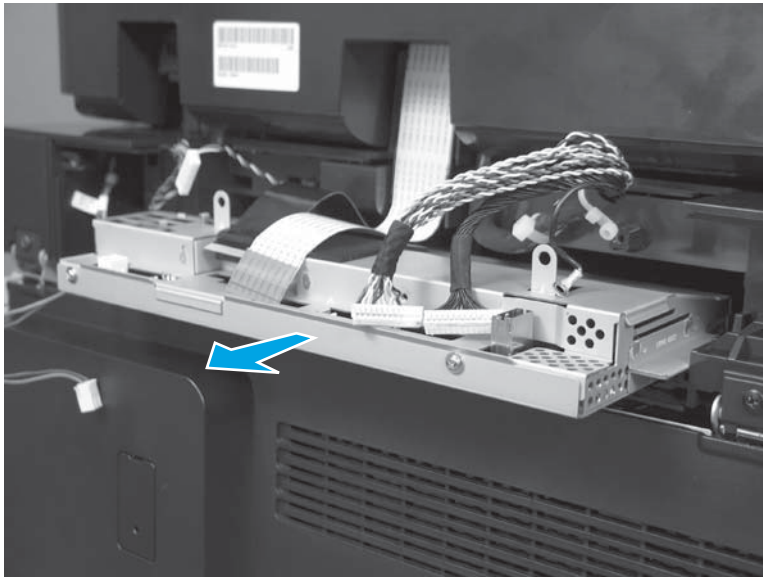
12. Push the USB cable through the opening. Rotate it to fit through the opening. Remove the USB cable, and then close the scanner.

**Figure 1-154** Remove the SCB (12 of 13)



13. From the rear of the product, pull the SCB straight back to remove it.

**Figure 1-155** Remove the SCB (13 of 13)

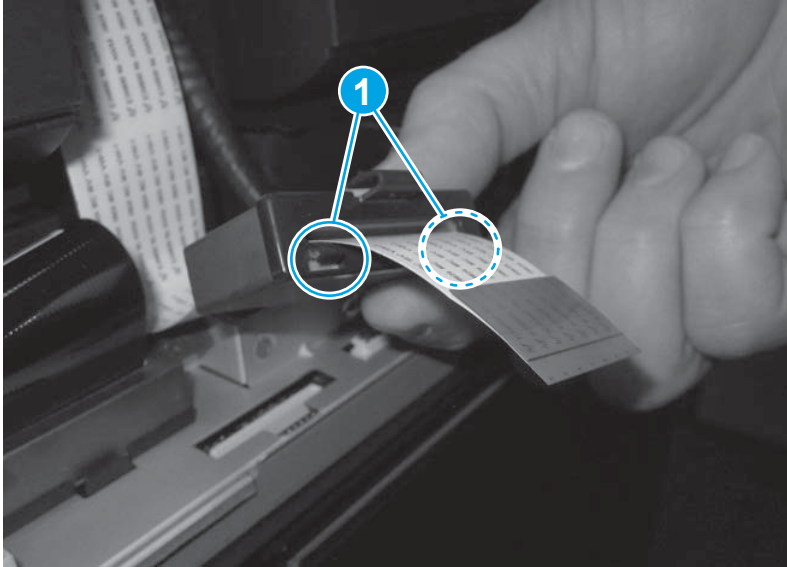


## Install a scanner control board

### Special considerations for reinstalling the ferrites and holders

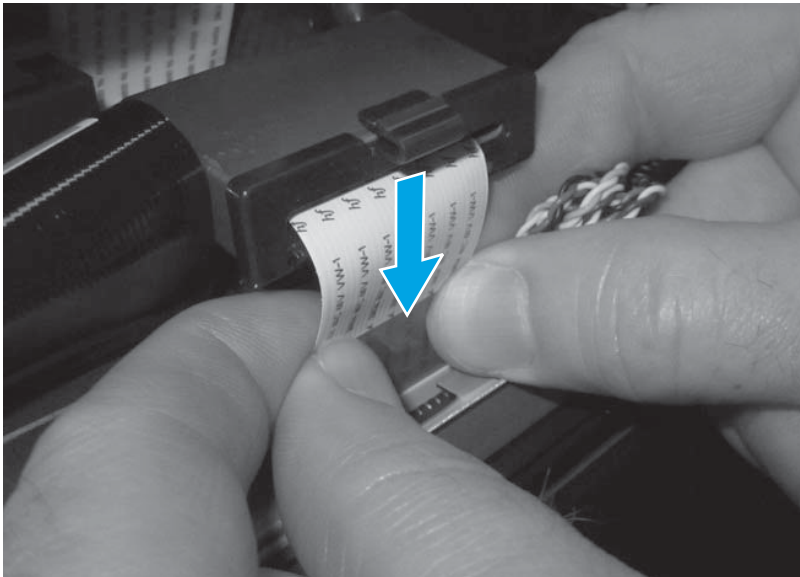
1. Insert the document-feeder FFC through the opening in the left-most ferrite, and verify that the tabs (callout 1) on the ferrite holder are not damaged.

**Figure 1-156** Install the ferrite and holder (1 of 5)



2. Push the FFC straight down into the connector to install it.

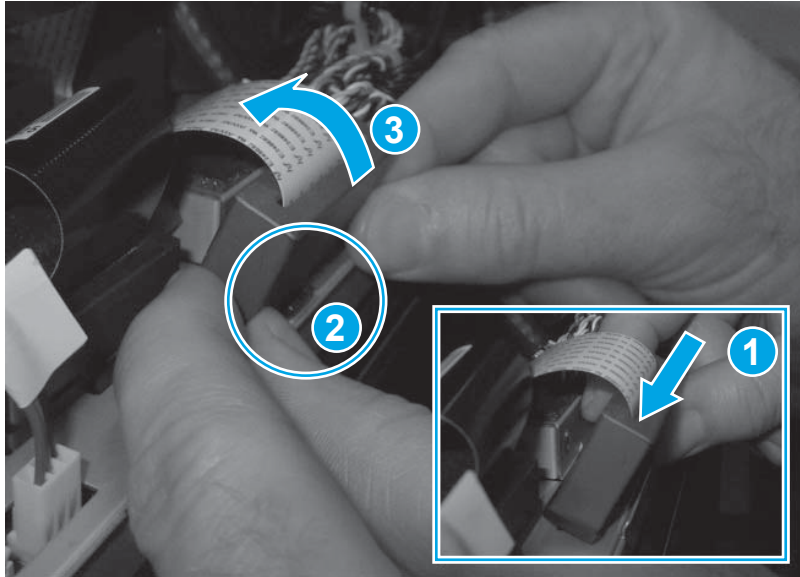
**Figure 1-157** Install the ferrite and holder (2 of 5)



3. Tilt the ferrite and holder forward, and then place it on the opening in the SCB sheet-metal housing (callout 1). Make sure that the locking tab on the holder is compressed against the SCB sheet-metal housing (callout 2).

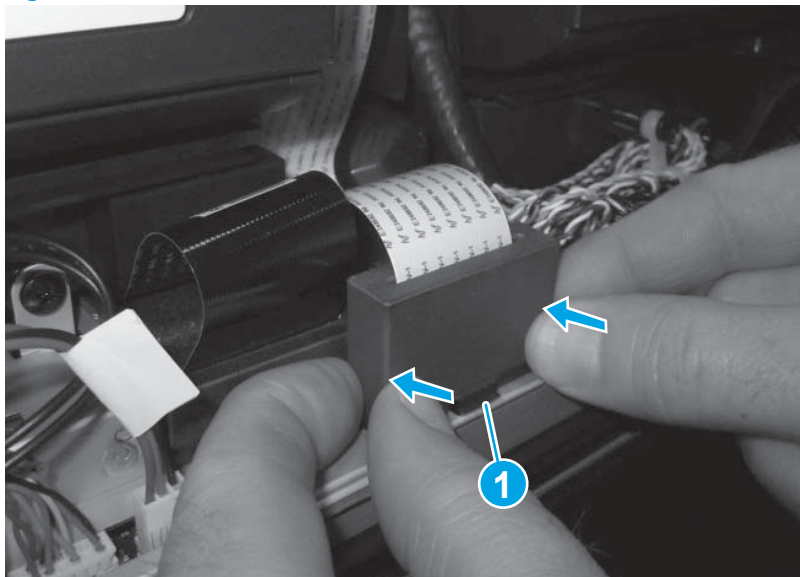
Rotate the ferrite and holder backward until it is positioned flat against the SCB sheet-metal housing (callout 3).

**Figure 1-158** Install the ferrite and holder (3 of 5)



4. Carefully slide the ferrite backward to release the locking tab (callout 1) on the ferrite holder, and to engage the tabs on the back of the ferrite holder with the SCB sheet-metal housing.

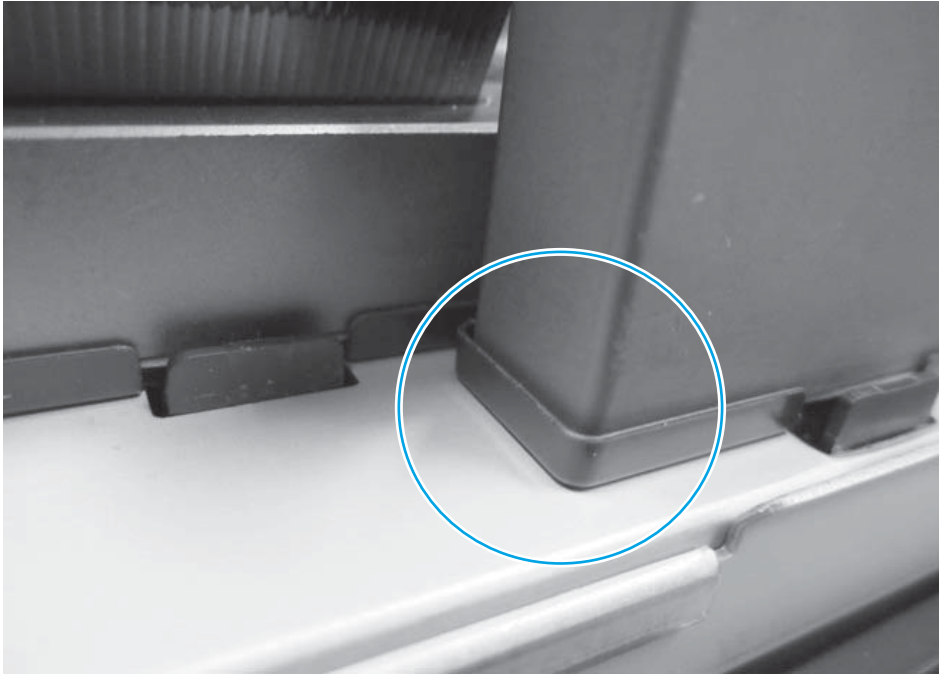
**Figure 1-159** Remove the document feeder (4 of 5)



5. Verify that the ferrite and holder are securely fastened to the SCB sheet-metal housing, and that the holder is fully seated.

Repeat this process for the right-most ferrite, holder, and the FFC.

**Figure 1-160** Install the ferrite and holder (5 of 5)







## Image scanner assembly


### Before proceeding, remove the following assemblies

- Document feeder. See [Document feeder \(ADF\) on page 80](#).
- Control panel assembly. See [Control-panel assembly \(M680\) on page 32](#).

 **NOTE:** If the scanner is being removed only to reach other assemblies, removing the control panel is not required. The photos in the following procedure show the control panel removed.

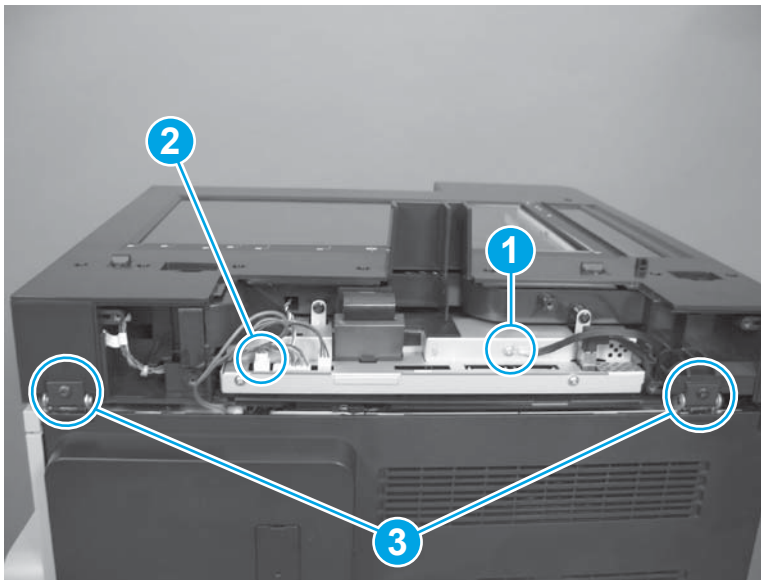
### Remove the scanner assembly

 **IMPORTANT:** When installing a replacement scanner assembly, see [Complete the image scanner replacement installation on page 111](#) after the product is reassembled.

 **NOTE:** If a replacement document feeder or scanner assembly is installed, you must install a replacement white backing on the document feeder. See [Document feeder white backing \(M680\) on page 54](#).

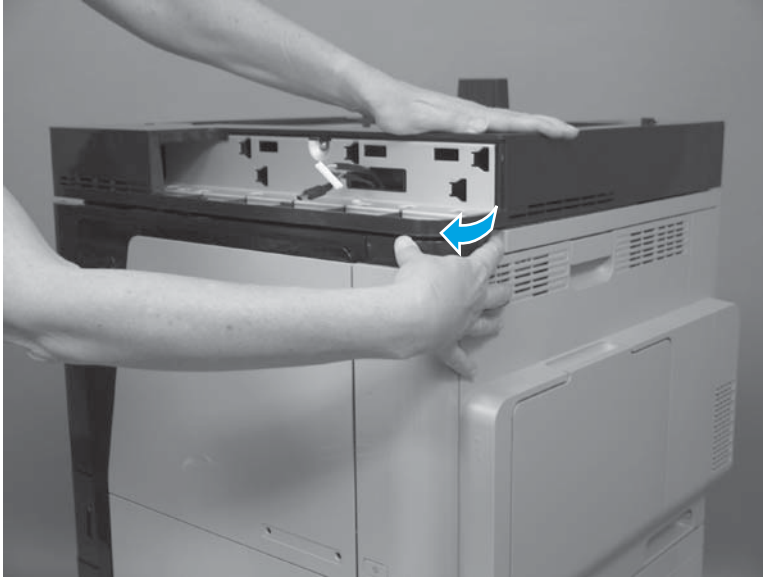
1. Disconnect one grounding wire (callout 1) and one connector (callout 2). Remove two screws and the hinge covers (callout 3).

**Figure 1-161** Remove the scanner assembly (1 of 5)



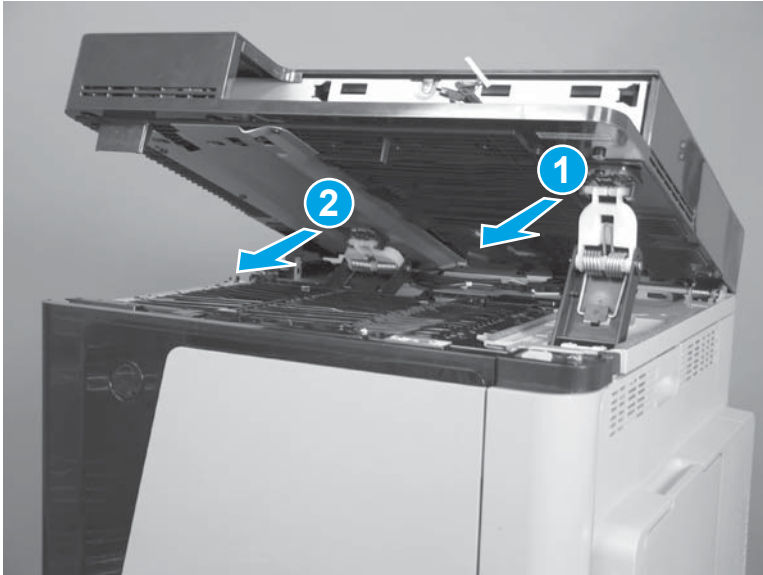
2. Hold down the top of the scanner firmly and release the scanner latch. Carefully open the scanner.

**Figure 1-162** Remove the scanner assembly (2 of 5)



3. Pull down the IPTU top cover. Pull the top of the front scanner hinge forward to release it (callout 1). Pull the top of the rear scanner hinge forward to release it (callout 2).

**Figure 1-163** Remove the scanner assembly (3 of 5)



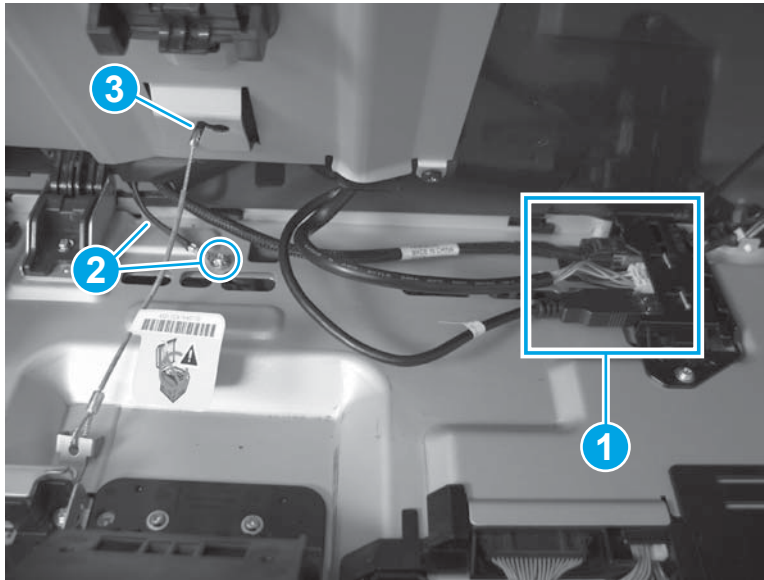


4. Disconnect three connectors (callout 1). Remove one screw, and remove the grounding wire (callout 2). Unthread the pink retaining wire from the slot (callout 3).

**CAUTION:** The scanner can fall backward after the retaining wire is removed.

Be careful not to drop the screw down into the product.

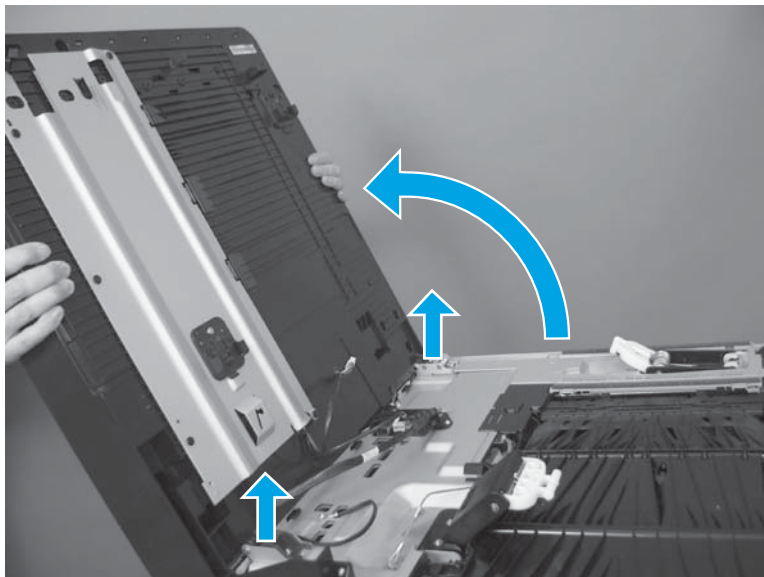
**Figure 1-164** Remove the scanner assembly (4 of 5)



5. Rotate the scanner back and lift it straight up to remove it.

**CAUTION:** The scanner weighs 6.4 kg (14 lb).


**Figure 1-165** Remove the scanner assembly (5 of 5)

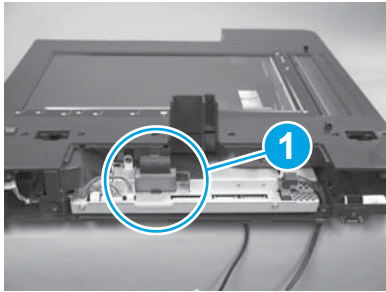


## Install a replacement scanner assembly

 **NOTE:** If a replacement document feeder or scanner assembly is installed, install a replacement white backing on the document feeder. See [Document feeder white backing \(M680\) on page 54](#).

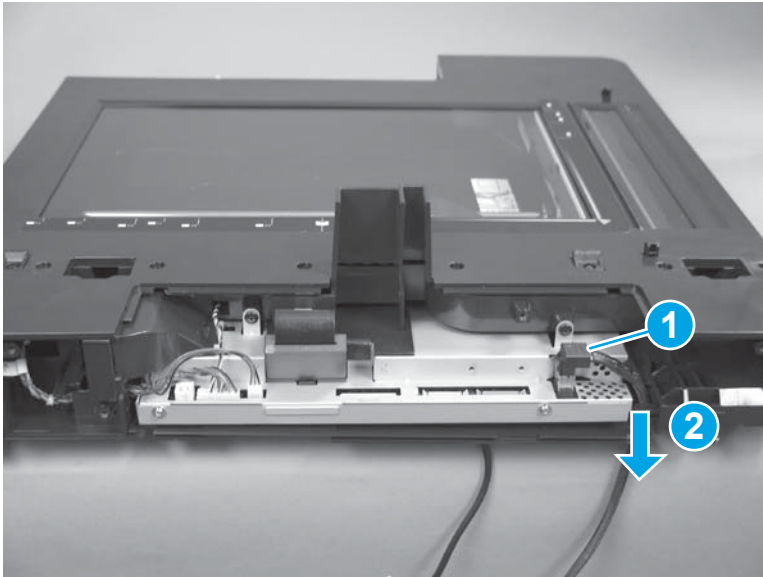
## Transfer the scanner control board (SCB) to the replacement scanner assembly

 **NOTE:** The steps below show how to remove the left-most document-feeder ferrite and holder—which is removed when the document feeder is removed—from the SCB. The steps for removing the remaining right-most ferrite and holder (callout 1) on the SCB are identical.



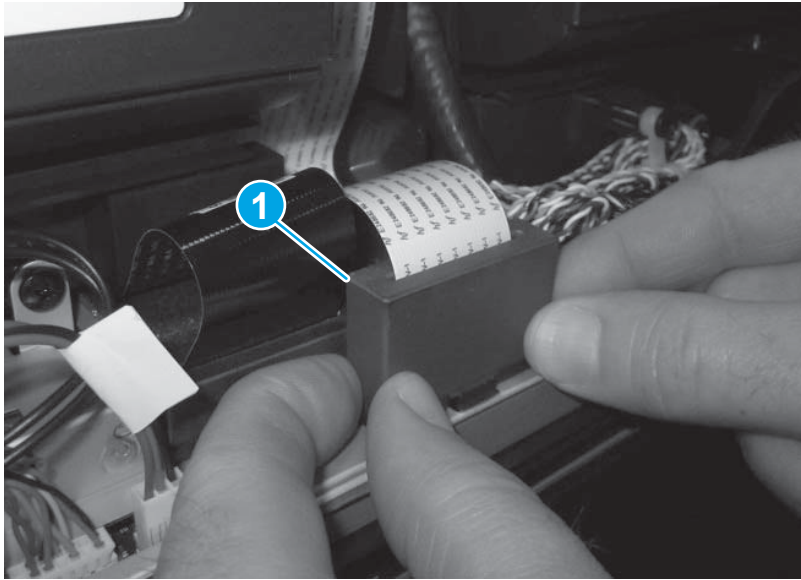
1. Disconnect one connector (callout 1), and push the cable through the opening (callout 2) to remove it.

**Figure 1-166** Transfer the SCB to the replacement scanner assembly (1 of 6)




2. Firmly grasp the ferrite (callout 1) as close to the SCB sheet-metal housing as possible.

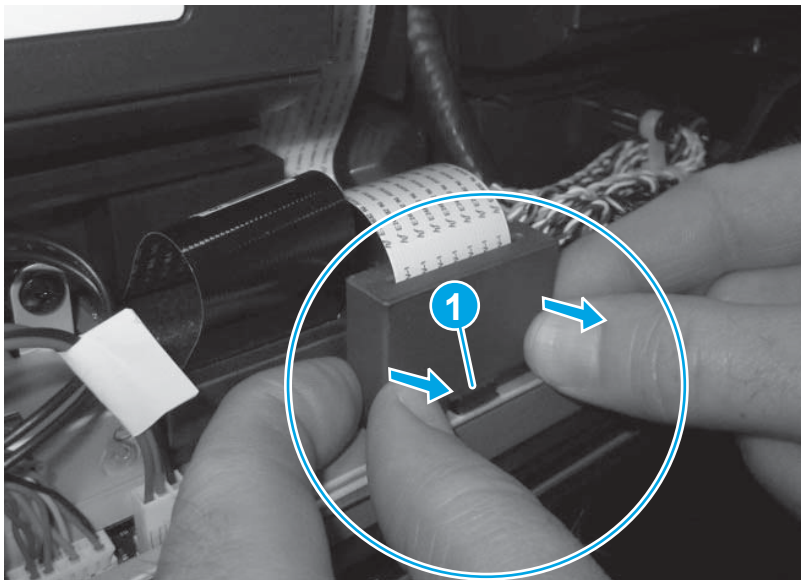
**Figure 1-167** Transfer the SCB to the replacement scanner assembly (2 of 6)



3. Carefully slide the ferrite forward to compress the locking tab (callout 1) on the ferrite holder, and to disengage the tabs at the back of the ferrite holder.

 **NOTE:** To avoid damaging the locking clip or the tabs on the back side of the holder, keep the ferrite vertical as it slides forward.

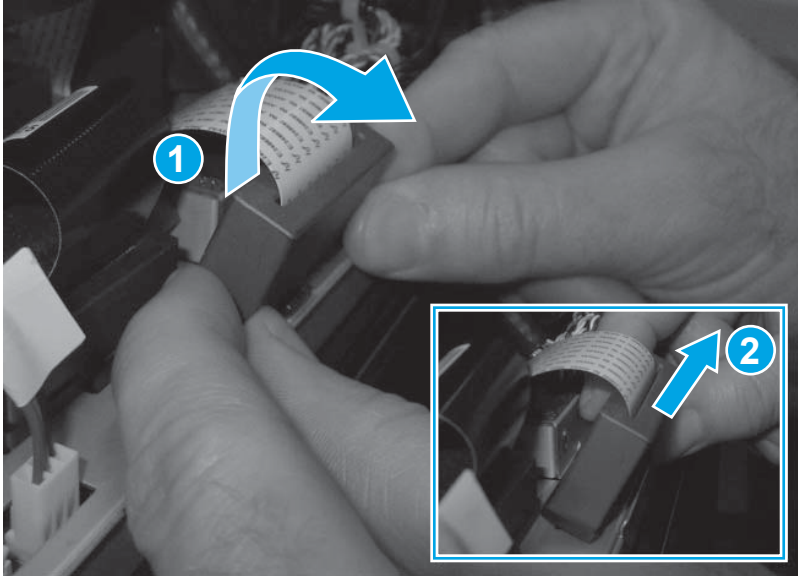
**Figure 1-168** Transfer the SCB to the replacement scanner assembly (3 of 6)



- Carefully rotate the top of the ferrite holder forward (callout 1), and then remove the ferrite and holder (callout 2).

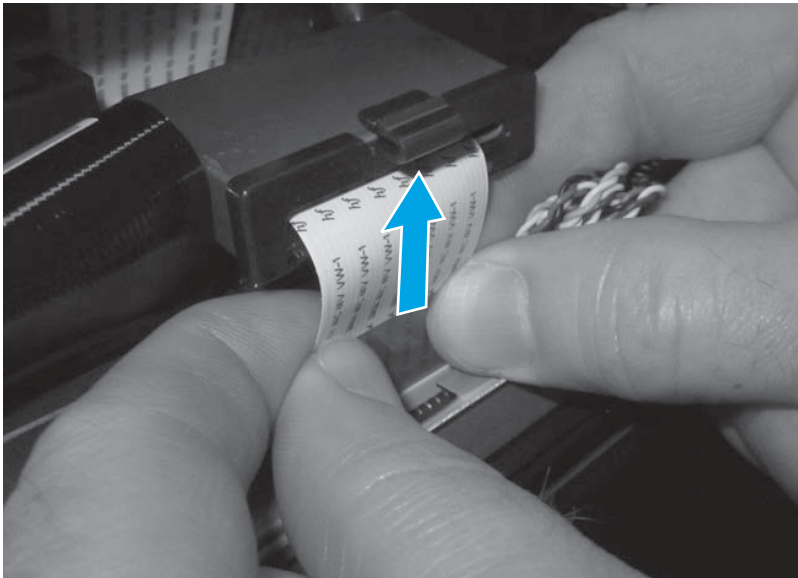
 **NOTE:** To reinstall the ferrite and holder, see [Special considerations for reinstalling the ferrite and holder on page 109](#).

**Figure 1-169** Transfer the SCB to the replacement scanner assembly (4 of 6)



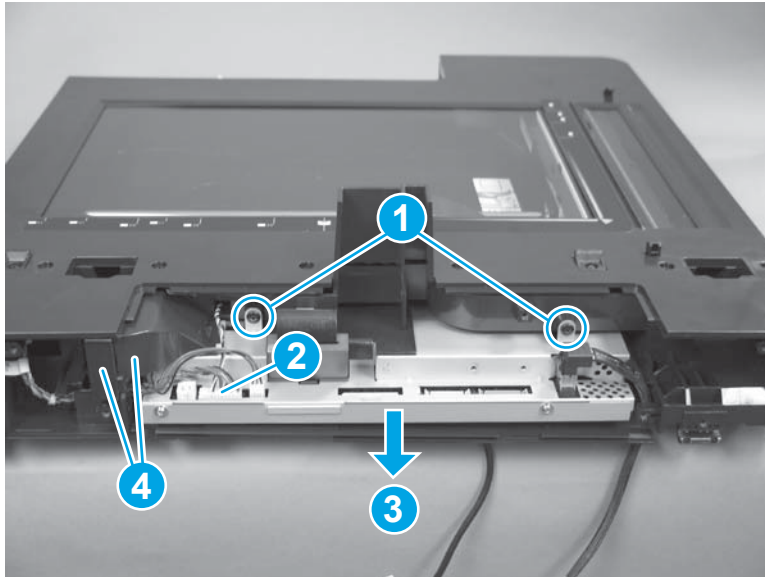
- Pull straight up on the FCC to remove it.

**Figure 1-170** Transfer the SCB to the replacement scanner assembly (5 of 6)



6. Remove two screws (callout 1), disconnect one connector (callout 2), and then remove the scan control board (callout 3) and SCB fan assembly (callout 4).

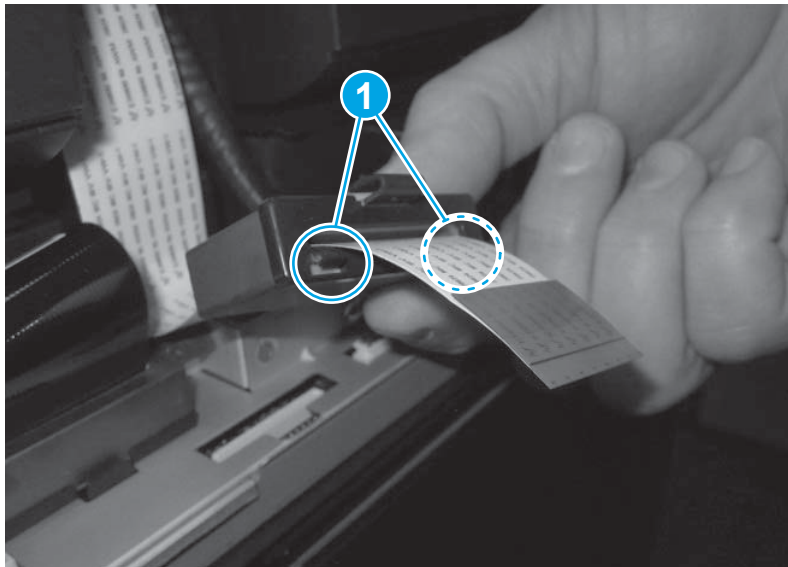
**Figure 1-171** Transfer the SCB to the replacement scanner assembly (6 of 6)



#### Special considerations for reinstalling the ferrite and holder

1. Insert the FFC through the opening in the ferrite, and verify that the tabs (callout 1) on the ferrite holder are not damaged.

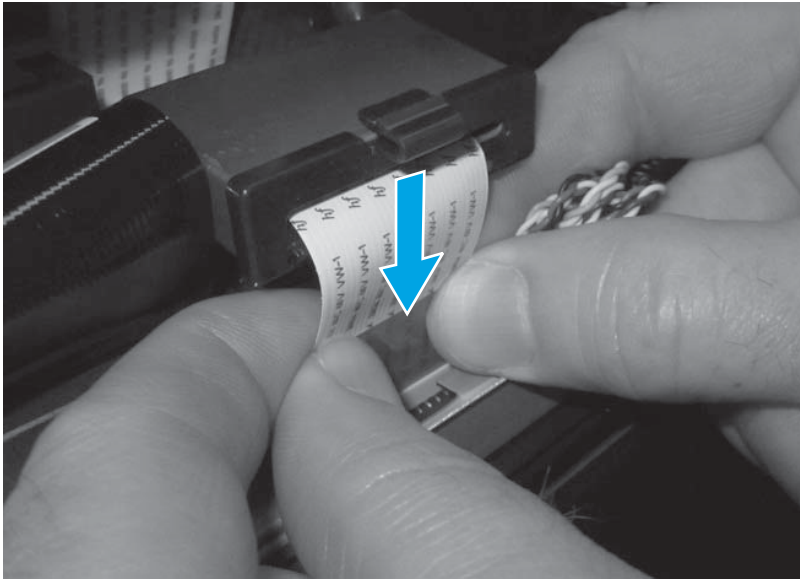
**Figure 1-172** Install the ferrite and holder (1 of 5)





2. Push the FFC straight down into the connector to install it.

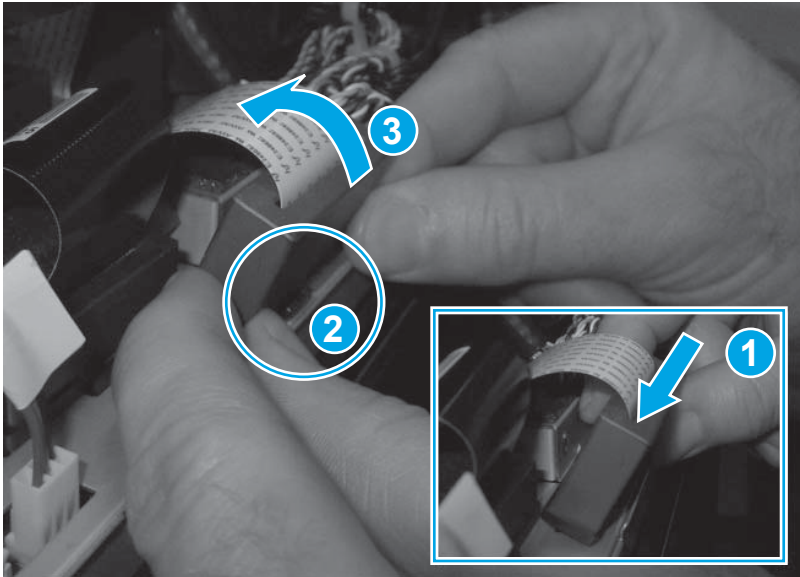
**Figure 1-173** Install the ferrite and holder (2 of 5)



3. Tilt the ferrite and holder forward, and then place it on the opening in the SCB sheet-metal housing (callout 1). Make sure that the locking tab on the holder is compressed against the SCB sheet-metal housing (callout 2).

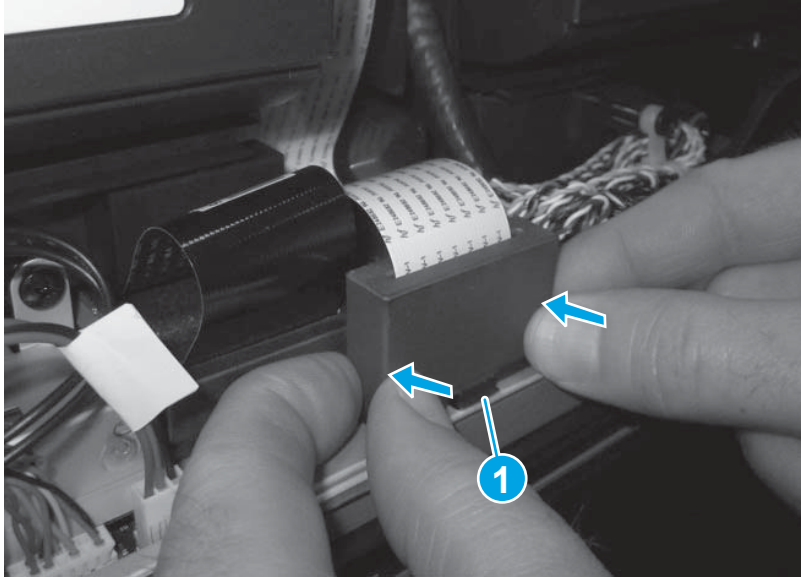
Rotate the ferrite and holder backward until it is positioned flat against the SCB sheet-metal housing (callout 3).

**Figure 1-174** Install the ferrite and holder (3 of 5)



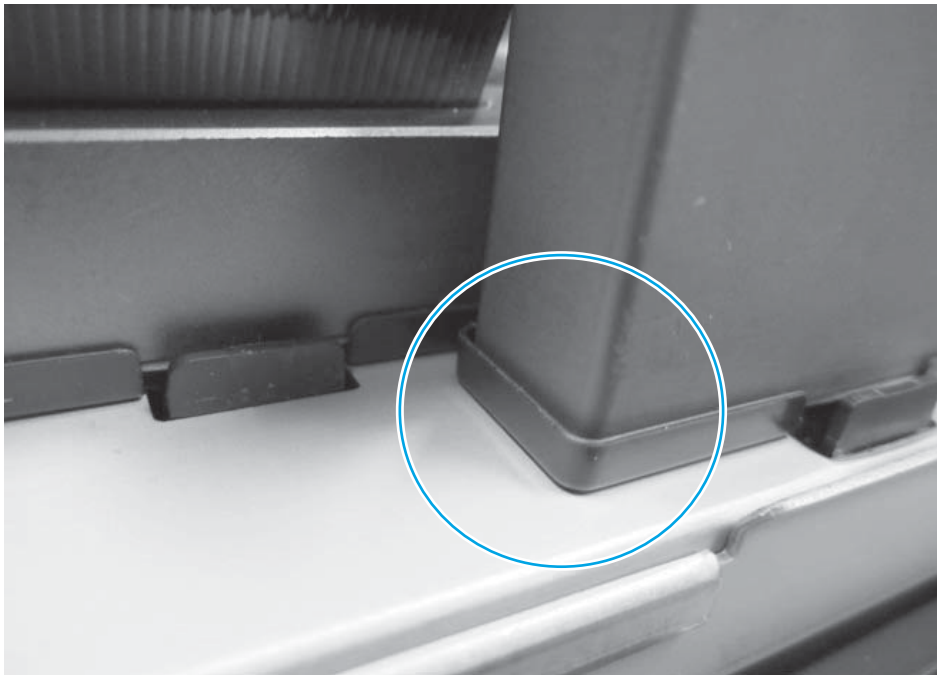
4. Carefully slide the ferrite backward to release the locking tab (callout 1) on the ferrite holder, and to engage the tabs on the back of the ferrite holder with the SCB sheet-metal housing.

**Figure 1-175** Remove the document feeder (4 of 5)



5. Verify that the ferrite and holder are securely fastened to the SCB sheet-metal housing, and that the holder is fully seated.

**Figure 1-176** Install the ferrite and holder (5 of 5)



### Complete the image scanner replacement installation

If a replacement scanner is installed, perform the following tasks after reassembling the product:

1. Use the [Service](#) menu to reset the [Flatbed Count](#) firmware counter.

- a. From the Home screen on the control panel, scroll to and touch the [Device Maintenance](#) button.
  - b. Open the [Service](#) menu.
  - c. On the sign-in screen, select the [Service Access Code](#) option from the drop-down list.
  - d. Enter the following service access code for this product: 04068014.
  - e. Reset the [Flatbed Count](#) to zero.
2. Use the [Calibration/Cleaning](#) menu to calibrate the scanner.
  - a. From the Home screen on the control panel, scroll to and touch the [Device Maintenance](#) button.
  - b. Open the following menus:
    - [Calibration/Cleaning](#)
    - [Calibrate Scanner](#)
  - c. Touch the [Next](#) button to start the calibration process. Follow the on-screen prompts.
  - d. Wait while the product calibrates the scanner.



## Scissor hinge assemblies

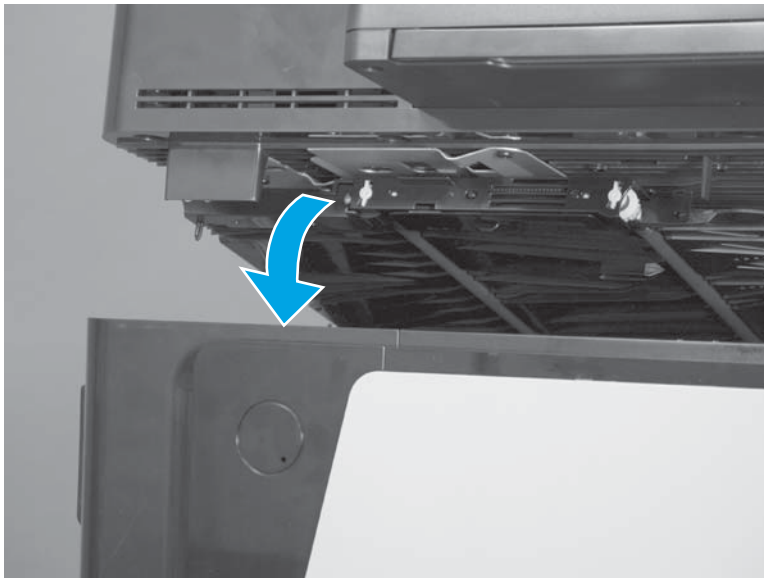
1. Release the scanner latch.

**Figure 1-177** Remove the scissor hinge assemblies (1 of 4)




2. Lower the IPTU top cover.

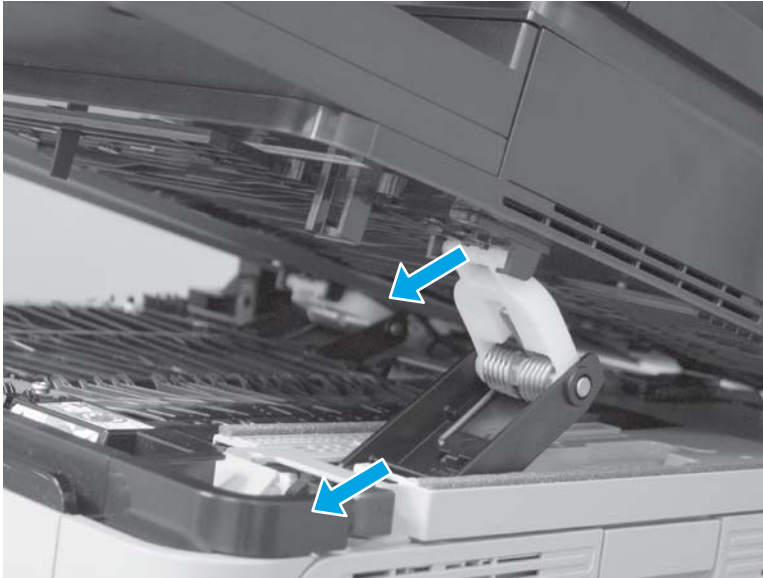
**Figure 1-178** Remove the scissor hinge assemblies (2 of 4)



3. Pull the top and bottom of the front scissor hinge forward to release the hinge and remove it.

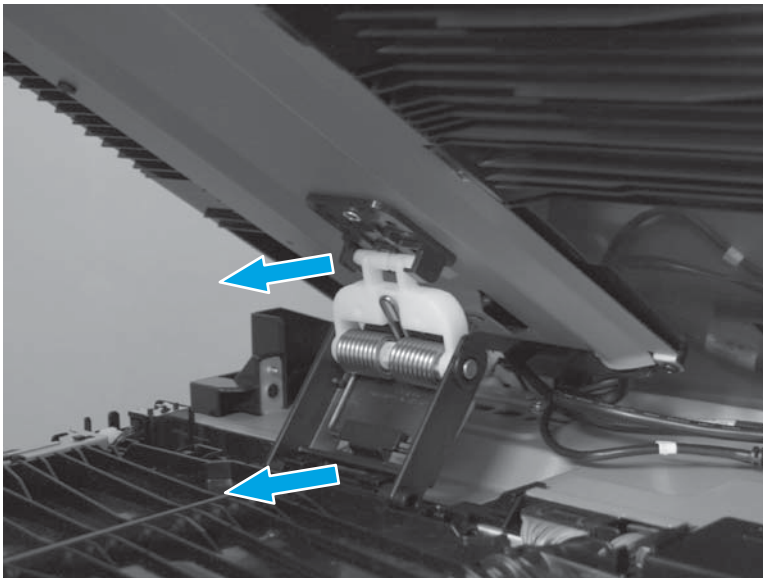
 **TIP:** Release the bottom of the hinge first, to make removal more easy.

**Figure 1-179** Remove the scissor hinge assemblies (3 of 4)



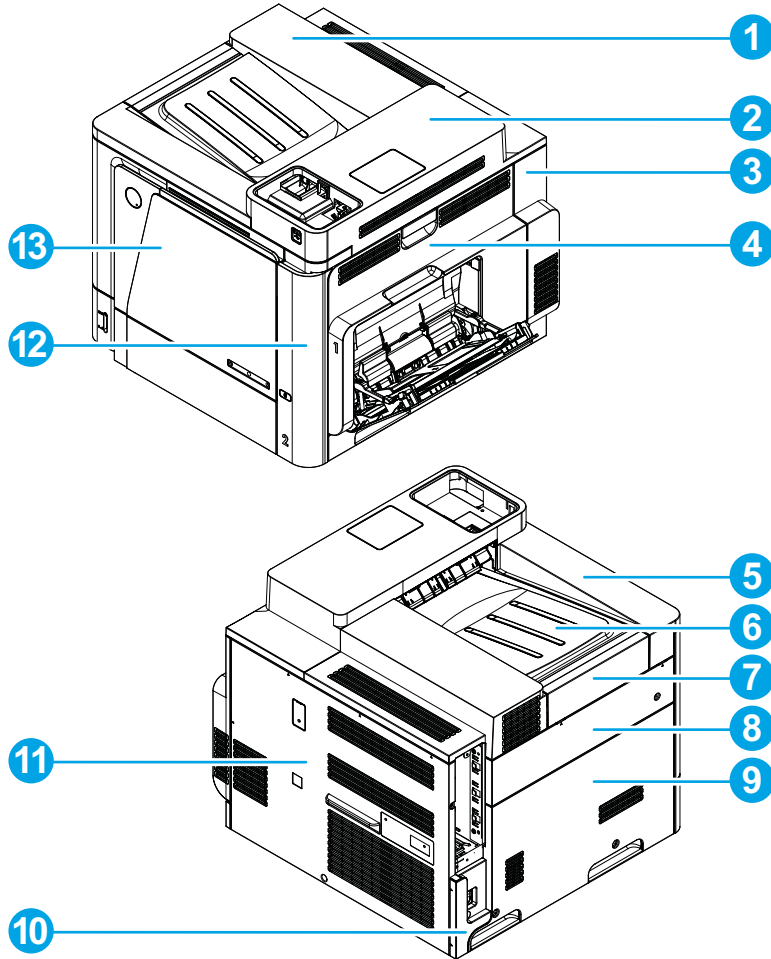
4. Pull the top and bottom of the rear scissor hinge forward to release the hinge and remove it.

**Figure 1-180** Remove the scissor hinge assemblies (4 of 4)



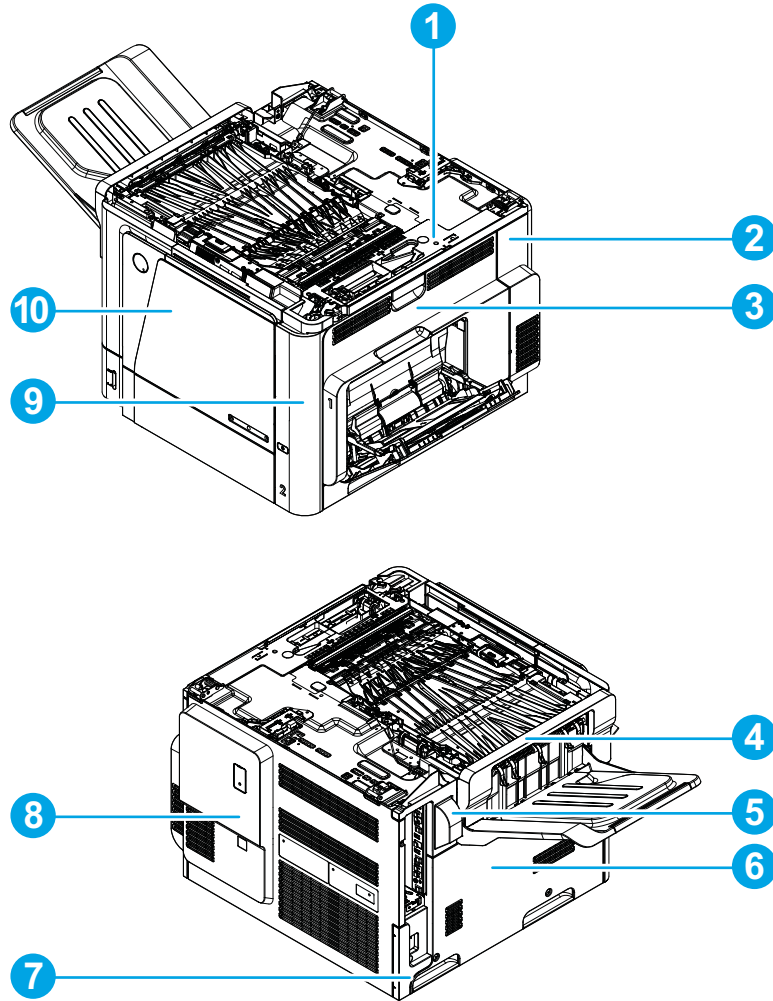
# External panels, covers, and doors

Figure 1-181 Cover and door locations (M651)



1	Face-down rear cover	8	Left upper cover
2	Upper cover	9	Left cover
3	Right rear cover	10	Left rear cover
4	Right door assembly	11	Rear cover assembly
5	Front face-down cover assembly	12	Right front cover
6	Face-down tray	13	Front door assembly
7	Left face-down cover		

**Figure 1-182** Cover and door locations (M680)



1	Intermediate cover (right-top cover)	6	Left cover
2	Right rear cover	7	Left rear cover
3	Right door assembly	8	Rear cover assembly
4	Tray cover (bezel)	9	Right front cover
5	Fan cover	10	Front door assembly

## Upper left cover (M651)

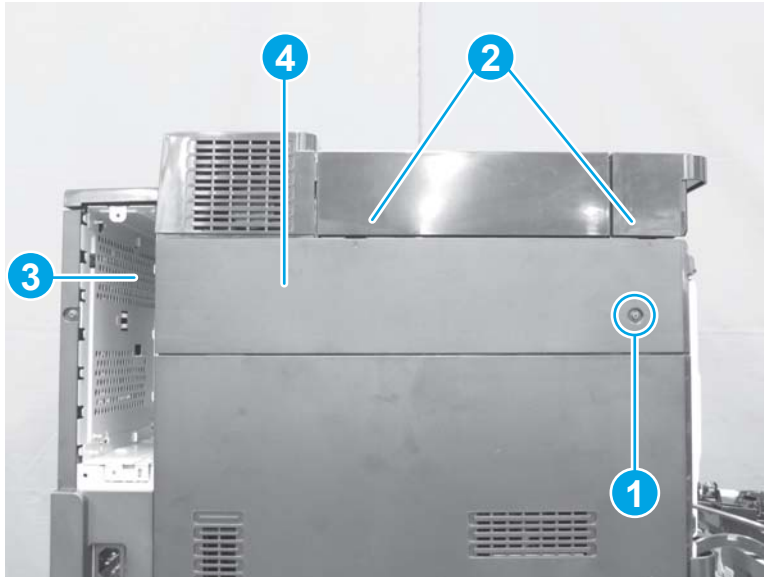
### Before proceeding, remove the following assemblies

- Formatter PCA. See [Formatter PCA on page 9](#).

### Remove the upper left cover

- ▲ Open the front door. On the left side of the product remove one screw (callout 1), release two tabs (callout 2), release one tab (callout 3), and then remove the upper left cover (callout 4).

**Figure 1-183** Remove the upper left cover



## Fan cover (M680)

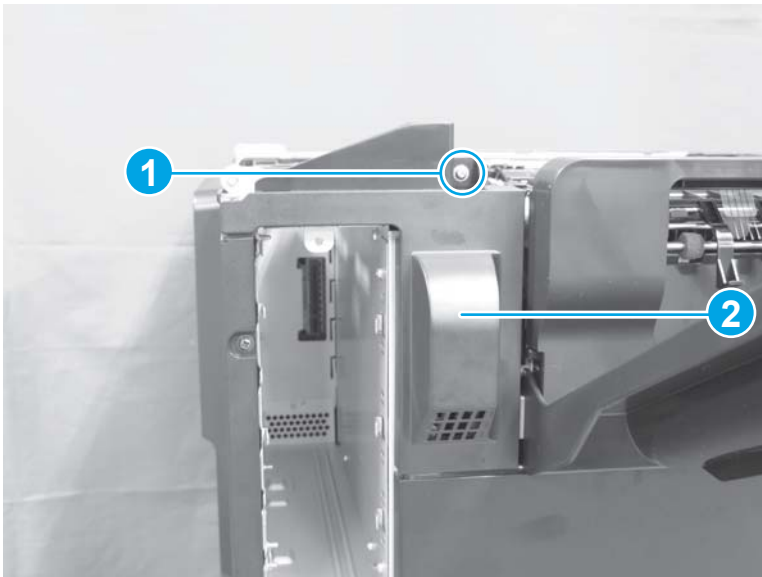
### Before proceeding, remove the following assemblies

- Standard output bin. See [Standard output bin \(M680\) on page 52](#).
- Output bin bezel. See [Output bin bezel \(M680\) on page 53](#).
- Formatter PCA. See [Formatter PCA on page 9](#).
- Document feeder assembly. See [Document feeder \(ADF\) on page 80](#).
- Scanner assembly. See [Image scanner assembly on page 103](#).

### Remove the fan cover

- ▲ Remove one screw (callout 1), and then remove the fan cover (callout 2).

**Figure 1-184** Remove the fan cover



## Left rear cover

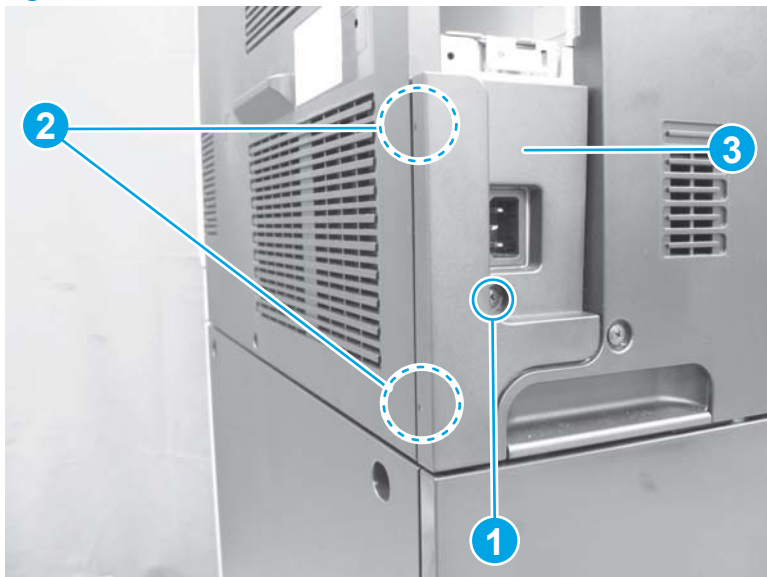
### Before proceeding, remove the following assemblies

- Formatter PCA. See [Formatter PCA on page 9](#).

### Remove the left rear cover

- ▲ Remove one screw (callout 1), release two tabs (callout 2), and then remove the left-rear cover (callout 3).

**Figure 1-185** Remove the left rear cover



## Left cover

### Before proceeding, remove the following assemblies

#### M651 models

- Formatter PCA. See [Formatter PCA on page 9](#).
- Upper left cover. See [Upper left cover \(M651\) on page 117](#).
- Left rear cover. See [Left rear cover on page 119](#).

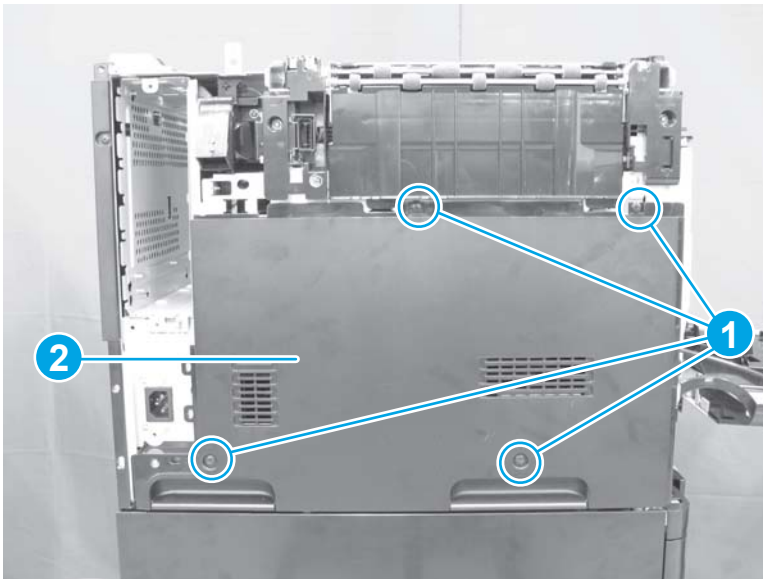
#### M680 models

- Formatter PCA. See [Formatter PCA on page 9](#).
- Standard output bin. See [Standard output bin \(M680\) on page 52](#).
- Output bin bezel. See [Output bin bezel \(M680\) on page 53](#).
- Document feeder assembly. See [Document feeder \(ADF\) on page 80](#).
- Scanner assembly. See [Image scanner assembly on page 103](#).
- Fan cover. See [Fan cover \(M680\) on page 118](#).
- Left rear cover. See [Left rear cover on page 119](#).

### Remove the left cover

- ▲ Remove four screws (callout 1), and then remove the left cover (callout 2).

**Figure 1-186** Remove the left cover





## Rear cover (M651)

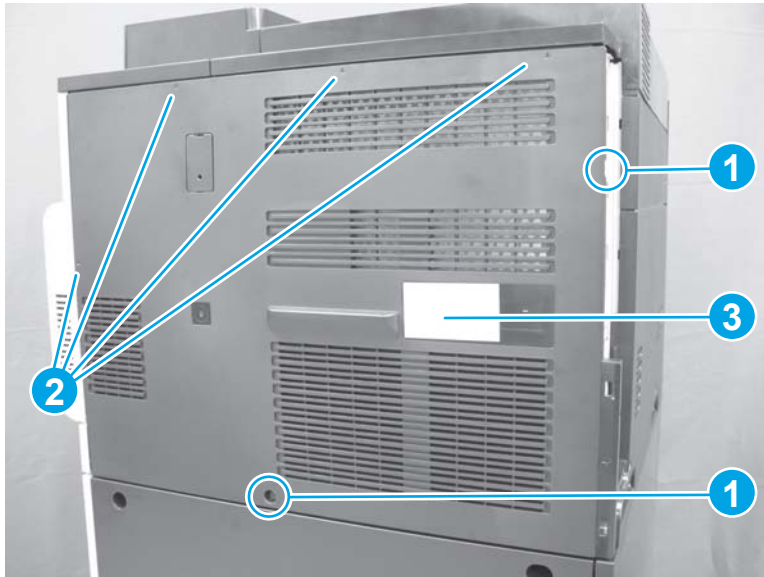
### Before proceeding, remove the following assemblies

- Formatter PCA. See [Formatter PCA on page 9](#).
- Left rear cover. See [Left rear cover on page 119](#).

### Remove the rear cover (M651)

- ▲ Remove two screws (callout 1), release four tabs (callout 2), and then remove the rear cover (callout 3).

**Figure 1-187** Remove the rear cover (M651)



## Rear cover (M680)

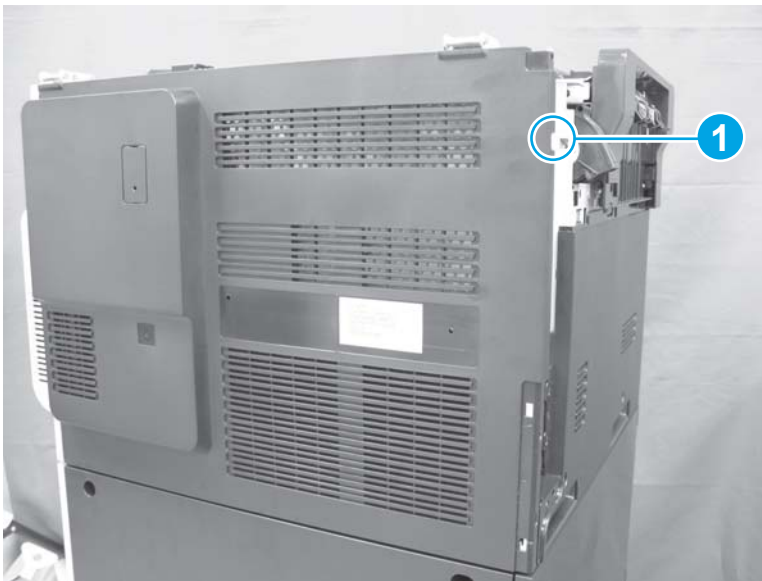
### Before proceeding, remove the following assemblies

- Formatter PCA. See [Formatter PCA on page 9](#).
- Standard output bin. See [Standard output bin \(M680\) on page 52](#).
- Output bin bezel. See [Output bin bezel \(M680\) on page 53](#).
- Document feeder assembly. See [Document feeder \(ADF\) on page 80](#).
- Scanner assembly. See [Image scanner assembly on page 103](#).
- Fan cover. See [Fan cover \(M680\) on page 118](#).
- Left rear cover. See [Left rear cover on page 119](#).

### Remove the rear cover (M680)

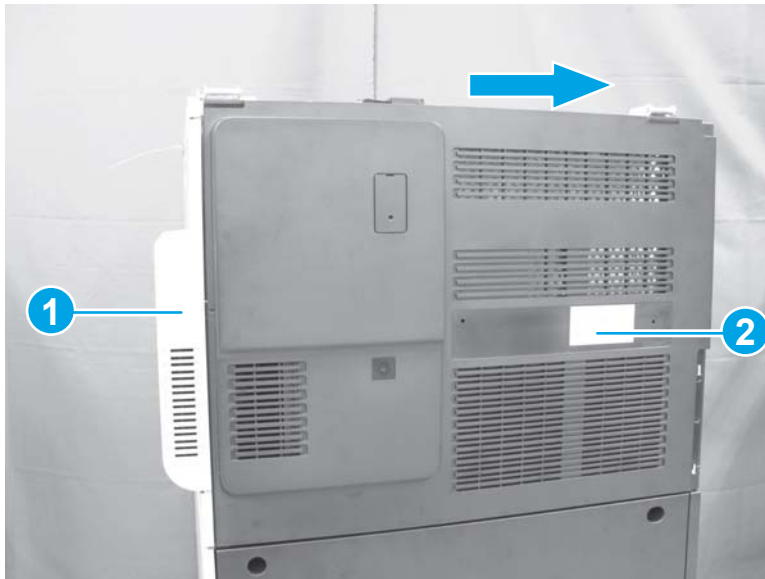
1. Remove one screw (callout 1).

**Figure 1-188** Remove the rear cover (M680; 1 of 2)



2. Release one tab (callout 1), and then slide the rear cover (callout 2) in the direction of the arrow to remove it.

**Figure 1-189** Remove the rear cover (M680; 2 of 2)



## Right-front cover

### Before proceeding, remove the following assemblies

#### M651 models

- None

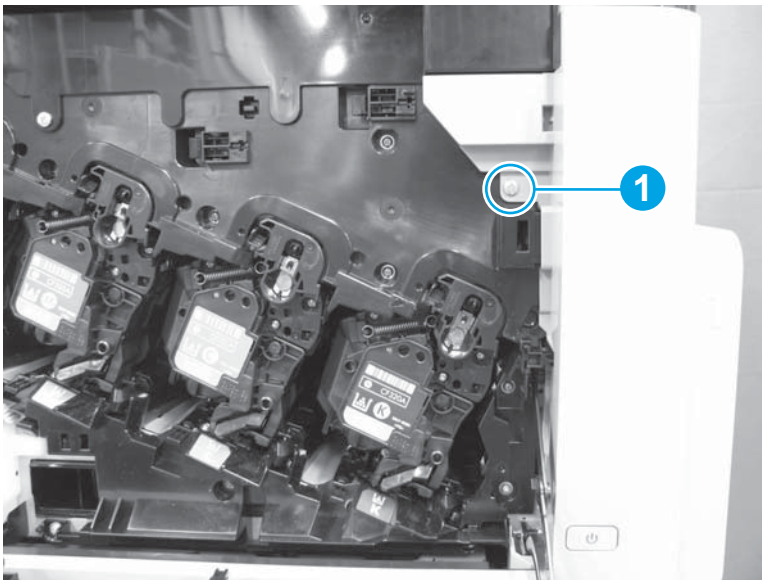
#### M680 models

- Document feeder assembly. See [Document feeder \(ADF\) on page 80](#).
- Scanner assembly. See [Image scanner assembly on page 103](#).

### Remove the right-front cover

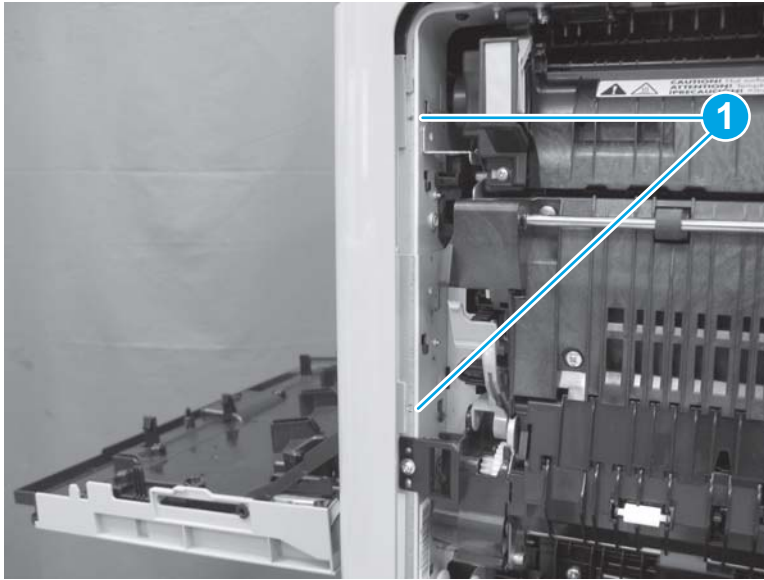
1. Open or remove Tray 2. Open the front door assembly, and remove one screw (callout 1).

**Figure 1-190** Remove the right-front cover (1 of 3)



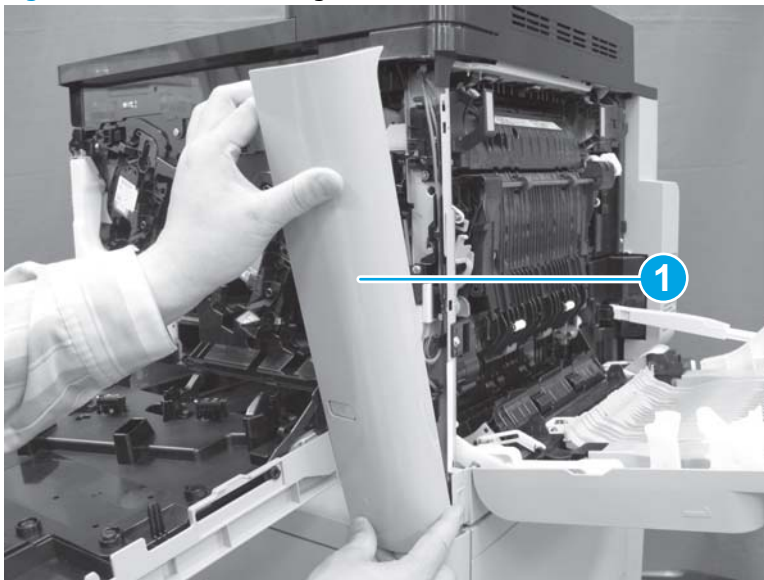
2. Open the right door assembly, and release two tabs (callout 1).

**Figure 1-191** Remove the right-front cover (2 of 3)



3. Remove the right-front cover assembly (callout 1).

**Figure 1-192** Remove the right-front cover (3 of 3)



## Front door assembly

### Before proceeding, remove the following assemblies

#### M651 models

- Toner-collection unit. See [Toner-collection unit on page 6](#).
- Formatter PCA. See [Formatter PCA on page 9](#).
- Upper left cover. See [Upper left cover \(M651\) on page 117](#).
- Left rear cover. See [Left rear cover on page 119](#).
- Left cover. See [Left cover on page 120](#).
- Right-front cover. See [Right-front cover on page 124](#).

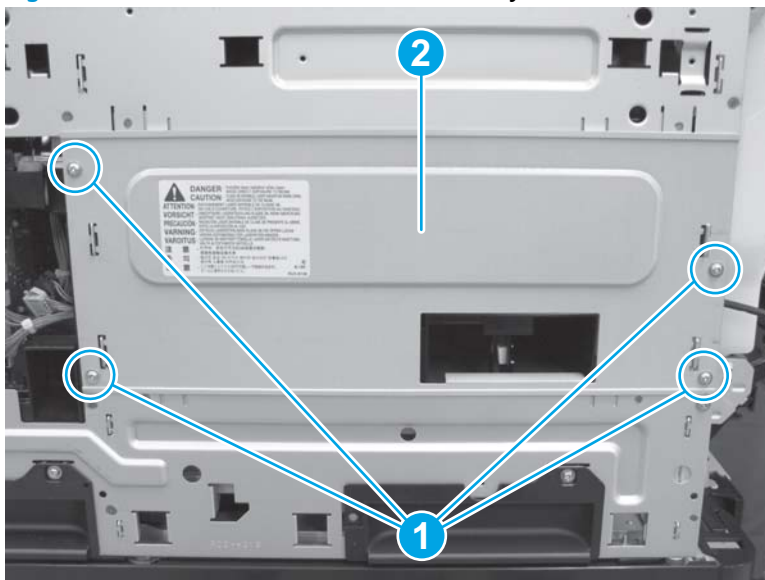
#### M680 models

- Toner-collection unit. See [Toner-collection unit on page 6](#).
- Formatter PCA. See [Formatter PCA on page 9](#).
- Standard output bin. See [Standard output bin \(M680\) on page 52](#).
- Output bin bezel. See [Output bin bezel \(M680\) on page 53](#).
- Document feeder assembly. See [Document feeder \(ADF\) on page 80](#).
- Scanner assembly. See [Image scanner assembly on page 103](#).
- Fan cover. See [Fan cover \(M680\) on page 118](#).
- Left rear cover. See [Left rear cover on page 119](#).
- Left cover. See [Left cover on page 120](#).
- Right-front cover. See [Right-front cover on page 124](#).

### Remove the front door assembly

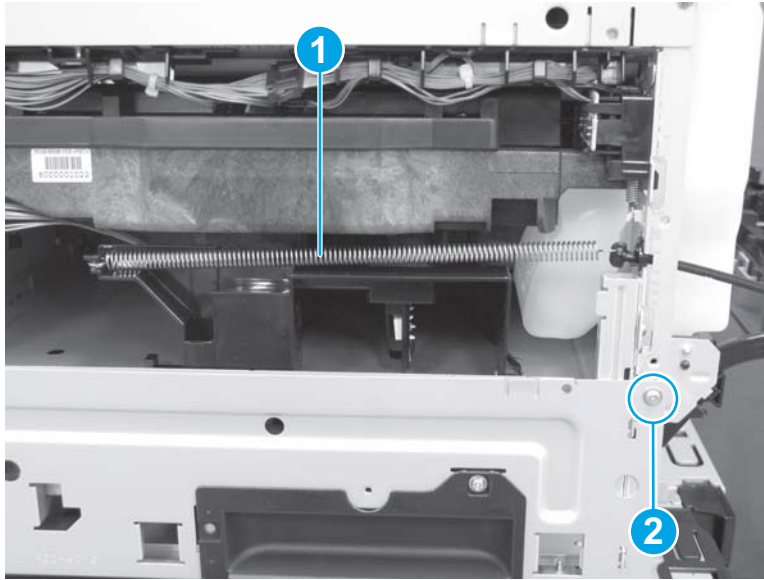
1. On the left side of the product, remove four screws (callout 1), and then remove the metal plate (callout 2).

**Figure 1-193** Remove the front door assembly (1 of 7)



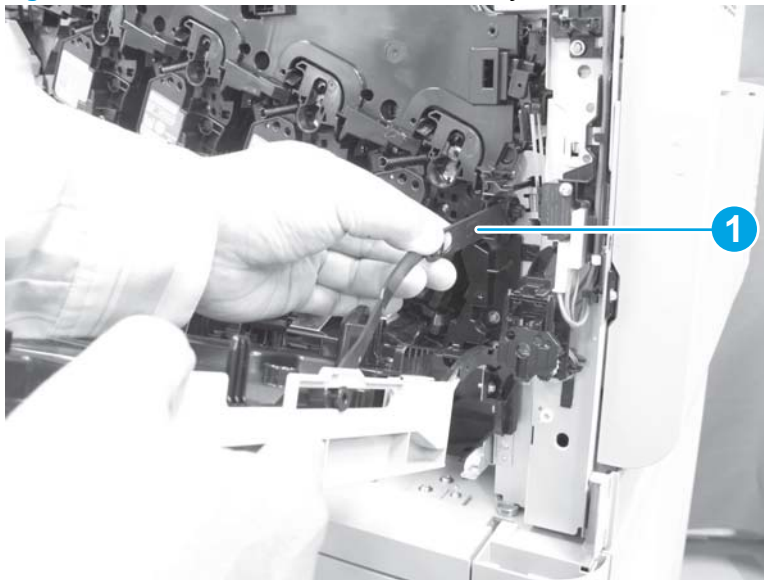
2. Unhook one spring (callout 1), and remove one screw (callout 2).

**Figure 1-194** Remove the front door assembly (2 of 7)



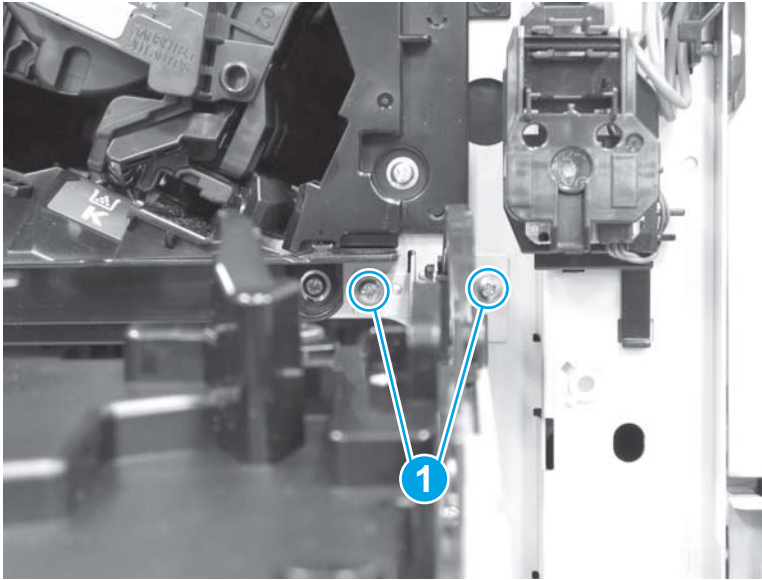
3. Inside the front door, remove one link (callout 1).

**Figure 1-195** Remove the front door assembly (3 of 7)



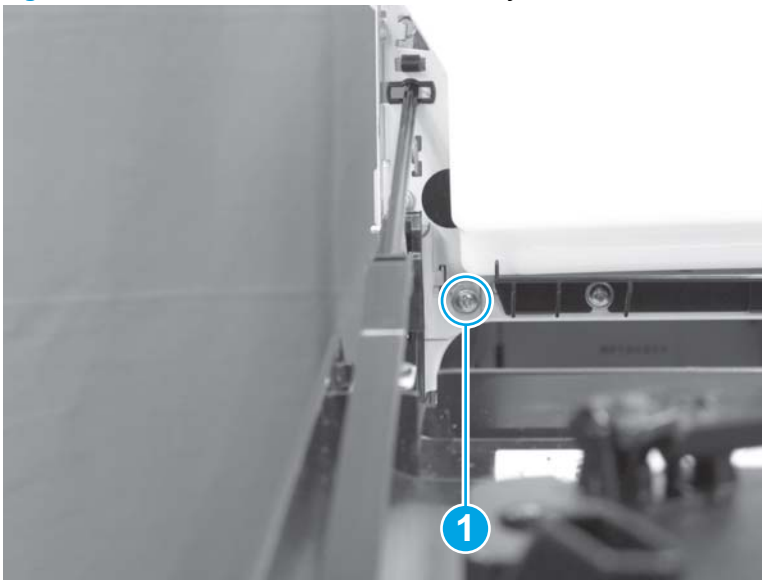
4. Remove two screws (callout 1).

**Figure 1-196** Remove the front door assembly (4 of 7)



5. Below the toner-collection unit, remove one screw (callout 1).

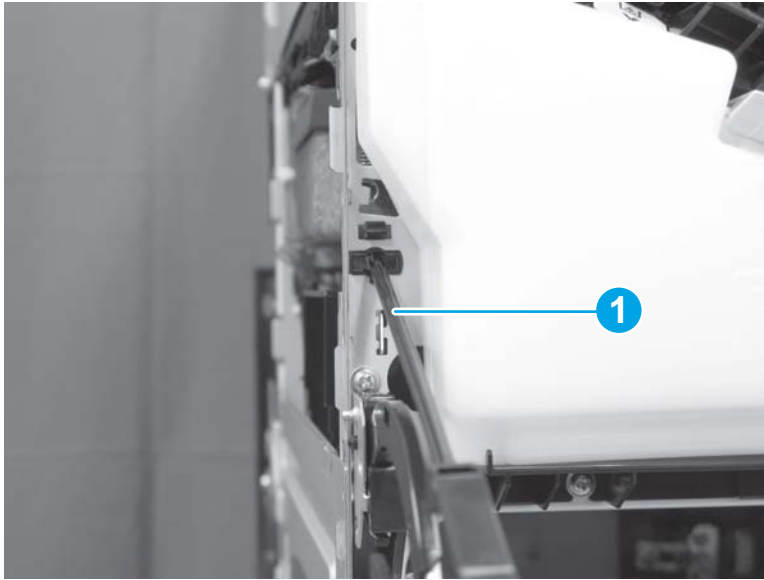
**Figure 1-197** Remove the front door assembly (5 of 7)





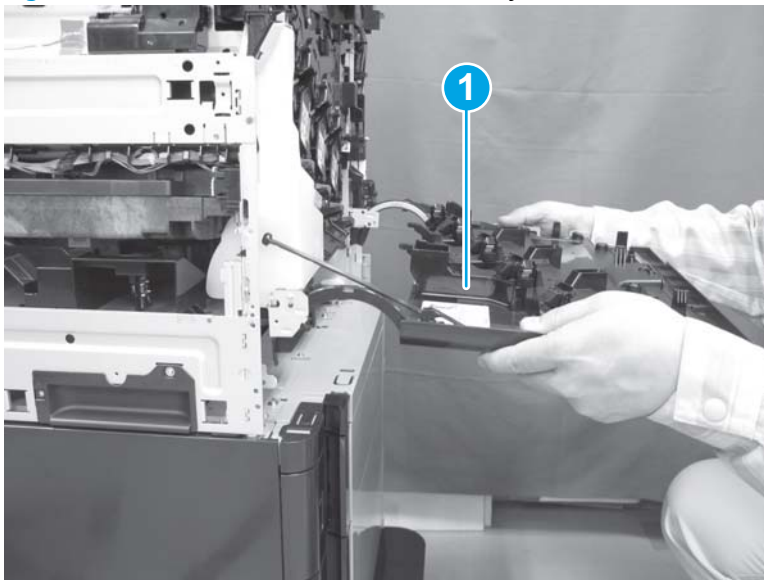
6. Rotate the link-arm (callout 1) 90 degrees and release it.

**Figure 1-198** Remove the front door assembly (6 of 7)



7. Remove the front door assembly (callout 1).

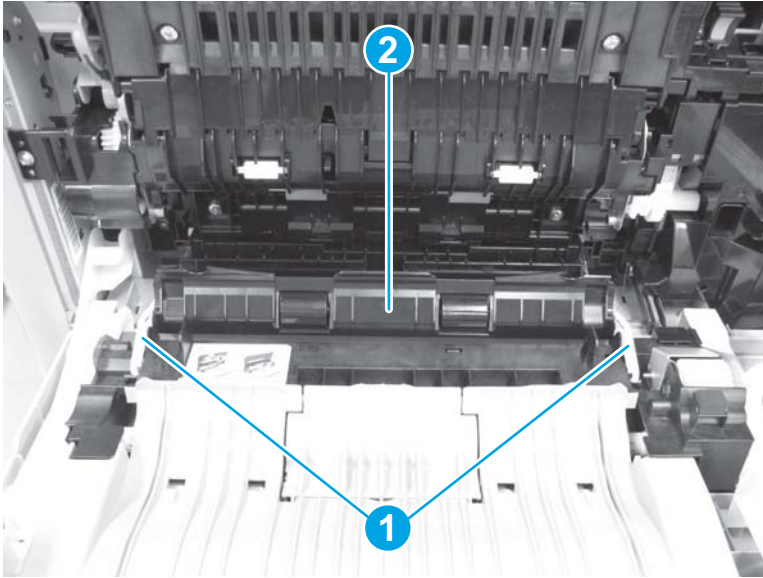
**Figure 1-199** Remove the front door assembly (7 of 7)



## Right door assembly

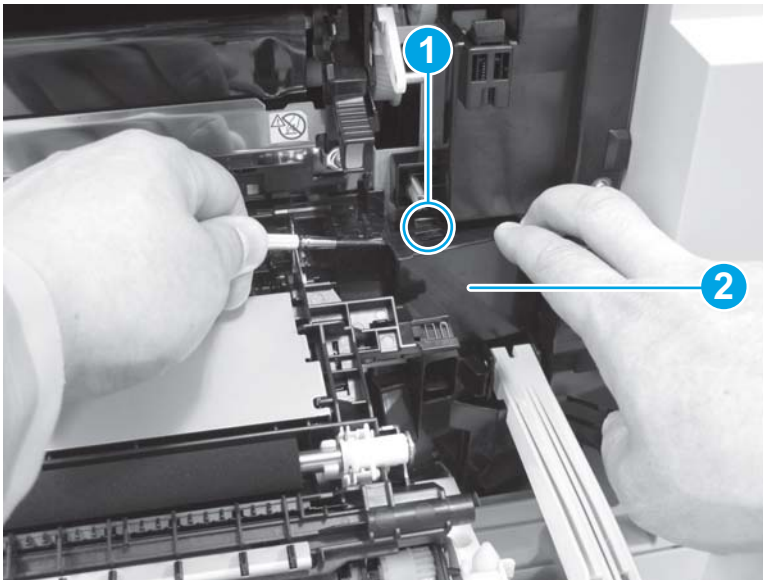
1. Open the right-door assembly. Lift up the two link-arms and release them (callout 1). Close the feed guide (callout 2).

**Figure 1-200** Remove the right door assembly (1 of 8)



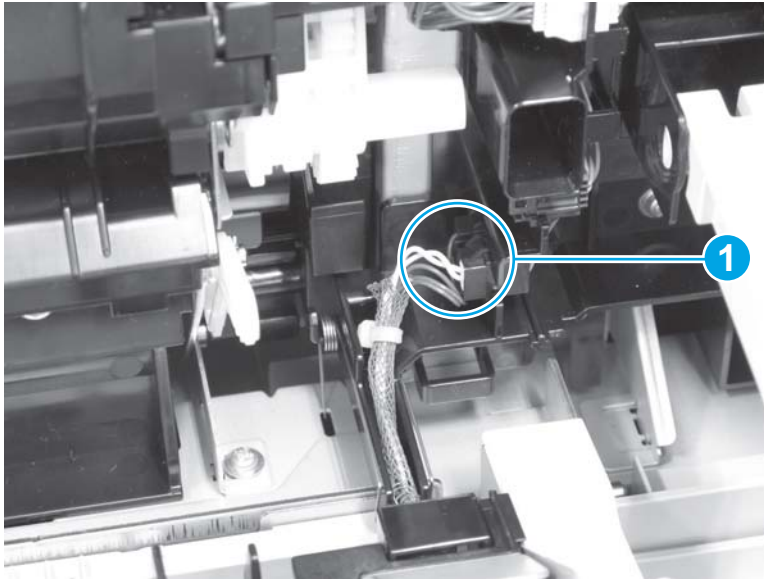
2. Release one tab (callout 1), and remove the cover (callout 2).

**Figure 1-201** Remove the right door assembly (2 of 8)



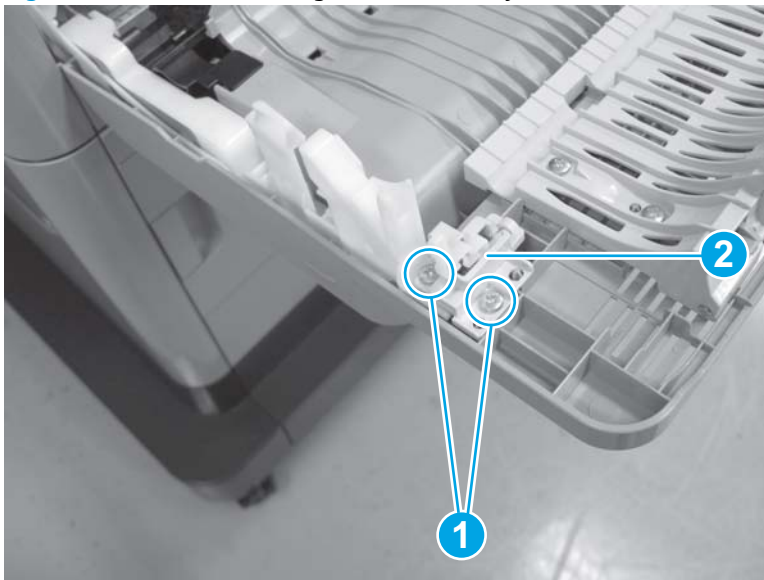
3. Disconnect two connectors (callout 1).

**Figure 1-202** Remove the right door assembly (3 of 8)



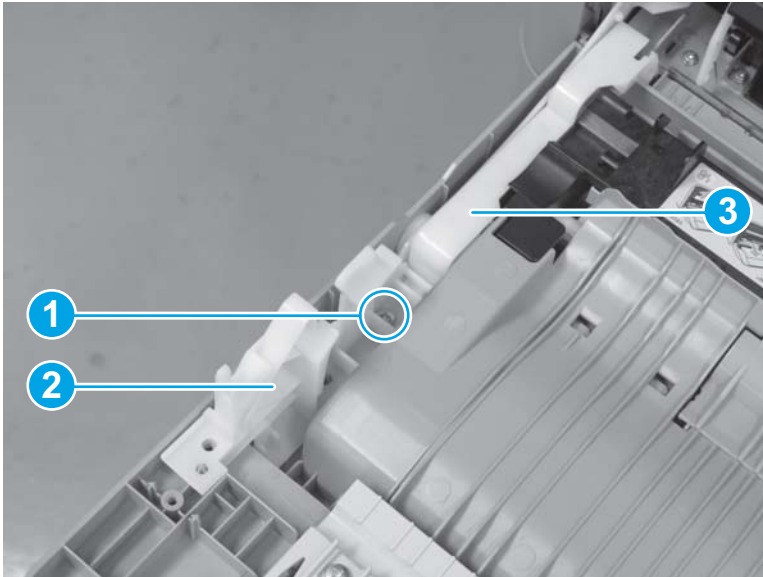
4. Remove two screws (callout 1), and then remove the right door hook (callout 2).

**Figure 1-203** Remove the right door assembly (4 of 8)



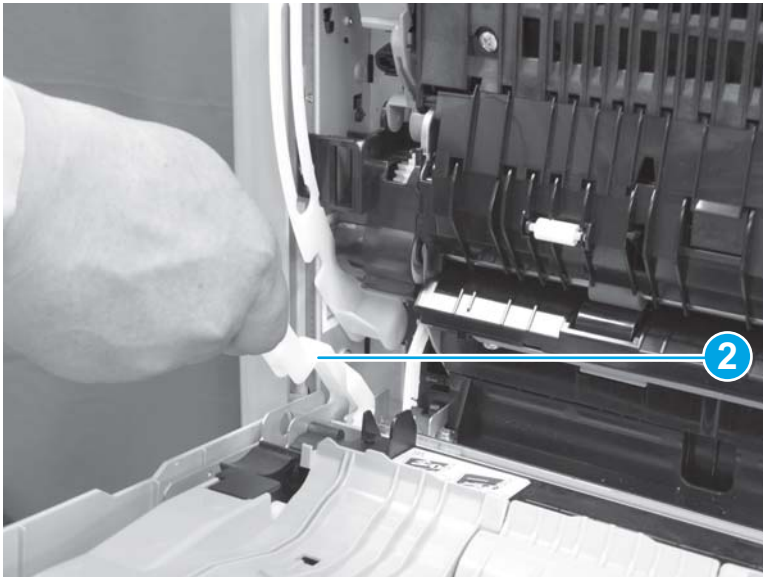
5. Remove one screw (callout 1), release the right door front arm (callout 2) from the right door link (callout 3). Lift up the right hinge cover.

**Figure 1-204** Remove the right door assembly (5 of 8)



6. Lift up the hinge cover (callout 1) and remove it.

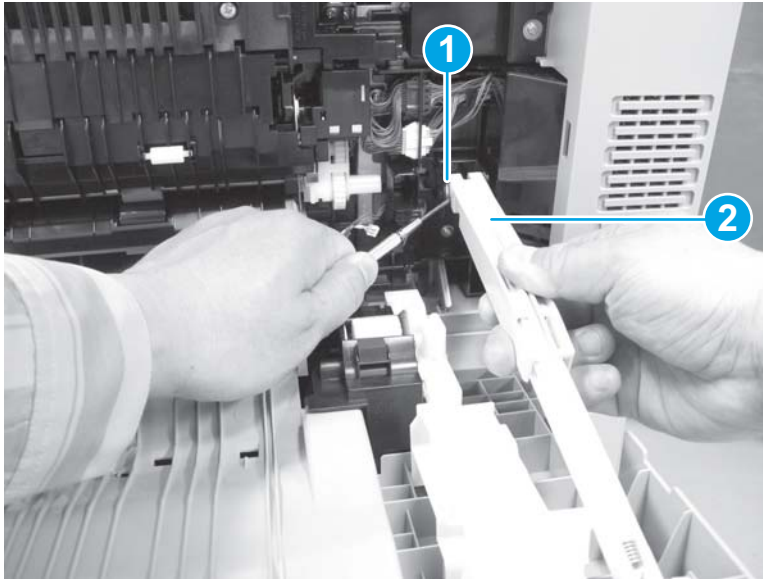
**Figure 1-205** Remove the right door assembly (6 of 8)



7. Release the shaft (callout 1), and then release the damper assembly (callout 2).

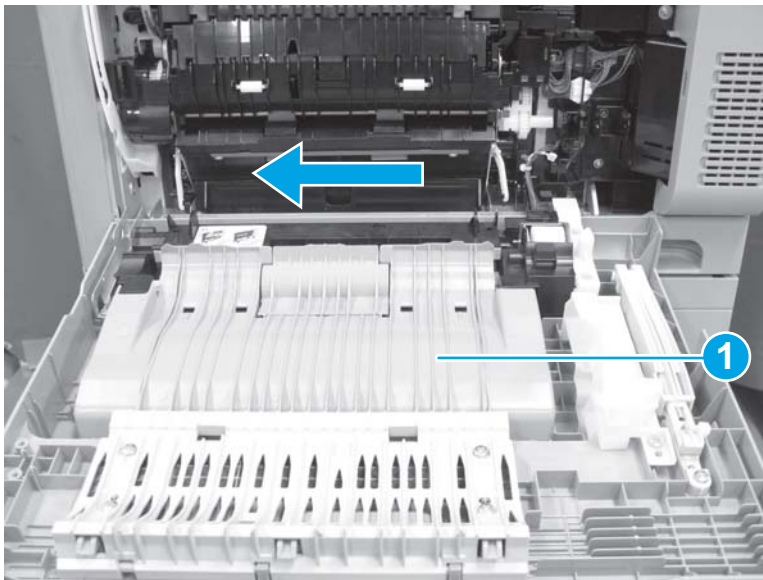
**⚠ CAUTION:** A strong spring is inside the damper assembly. Hold on to the assembly firmly as it releases.

**Figure 1-206** Remove the right door assembly (7 of 8)



8. Slide the right door assembly (callout 1) toward the front of the product to remove it

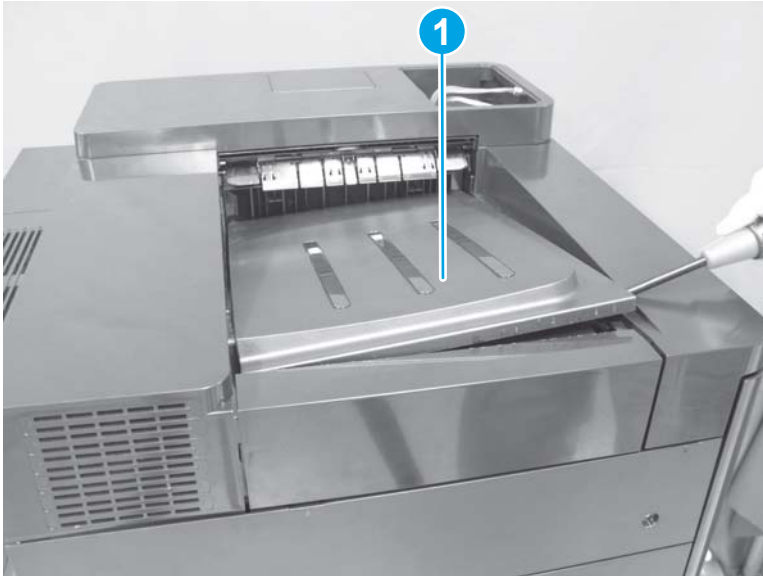
**Figure 1-207** Remove the right door assembly (8 of 8)



## Face-down tray (M651)

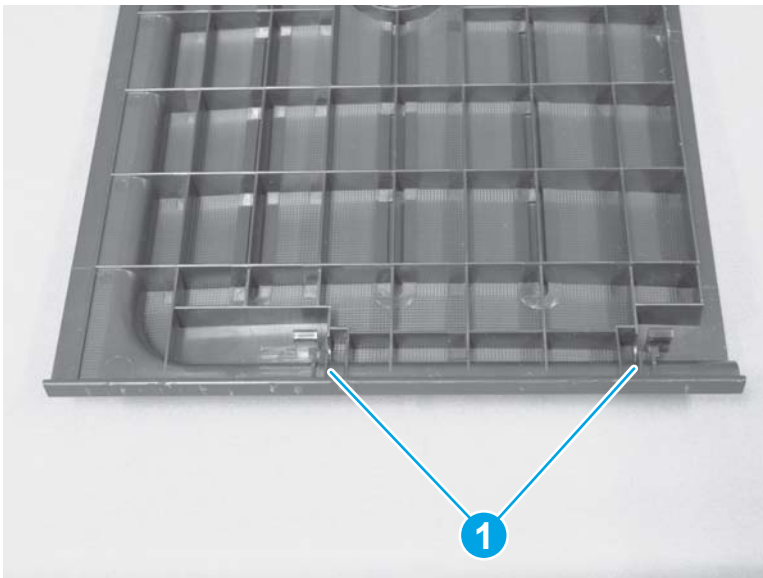
- ▲ On top of the product, insert a flat-blade screwdriver to lift the face-down tray (callout 1) and release two tabs. Remove the face-down tray.

**Figure 1-208** Remove the face-down tray (1 of 2)



This photo shows the location of the tabs (callout 1).

**Figure 1-209** Remove the face-down tray (2 of 2)

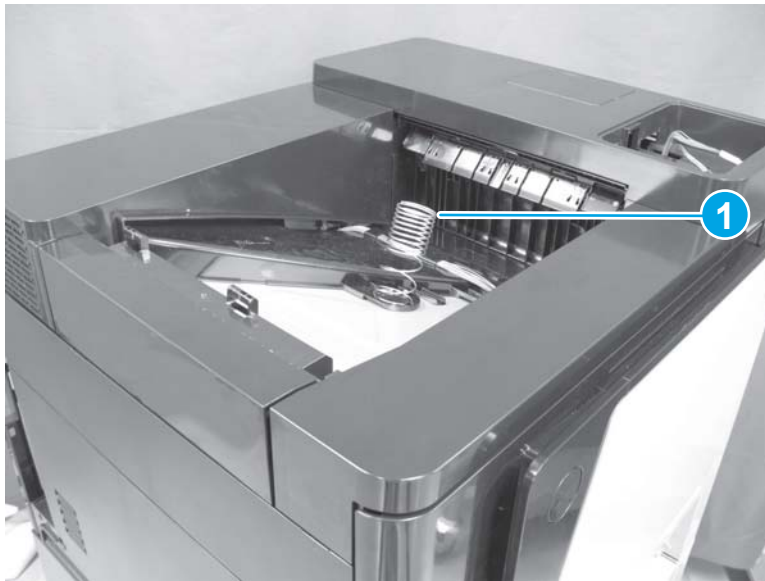




## Reinstall the face-down tray

- ▲ When reinstalling the face-down tray, insert the post on the bottom of the tray into the spring (callout 1).

**Figure 1-210** Reinstall the face-down tray



## Face-down rear cover (M651)

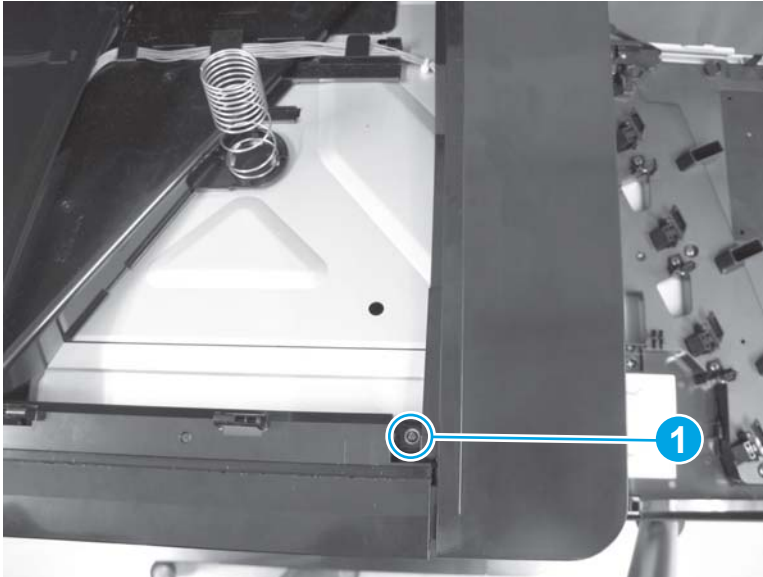
### Before proceeding, remove the following assemblies

- Upper left cover. See [Upper left cover \(M651\) on page 117](#).
- Face-down tray. See [Face-down tray \(M651\) on page 134](#).

### Remove the face-down rear cover (M651)

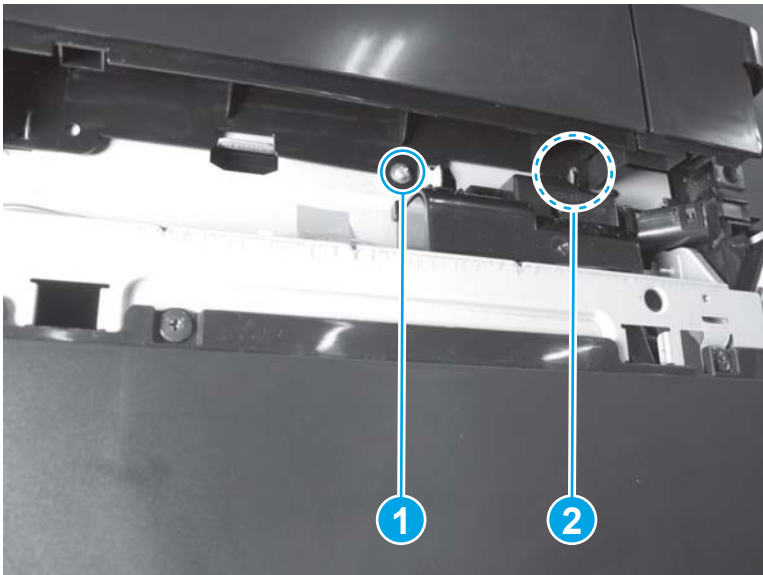
1. Remove one screw (callout 1).

**Figure 1-211** Remove the face-down rear cover (M651; 1 of 5)



2. Remove one screw (callout 1), and then release one locator pin (callout 2).

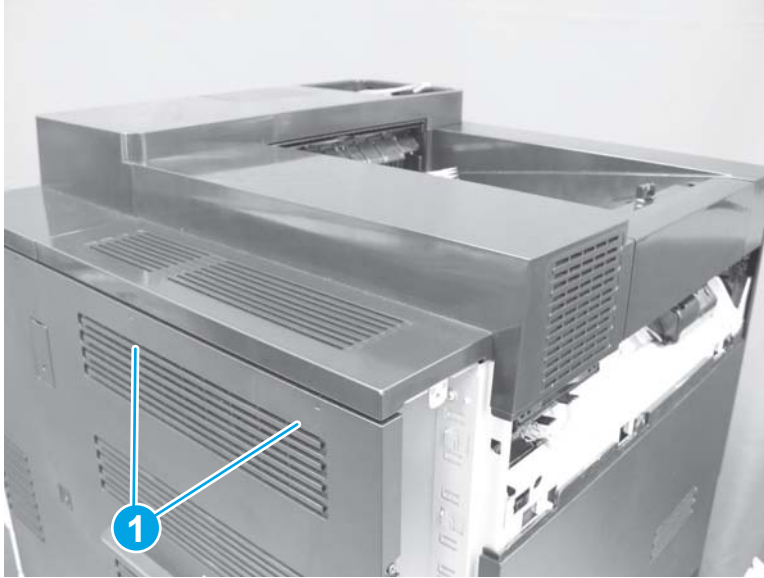
**Figure 1-212** Remove the face-down rear cover (M651; 2 of 5)





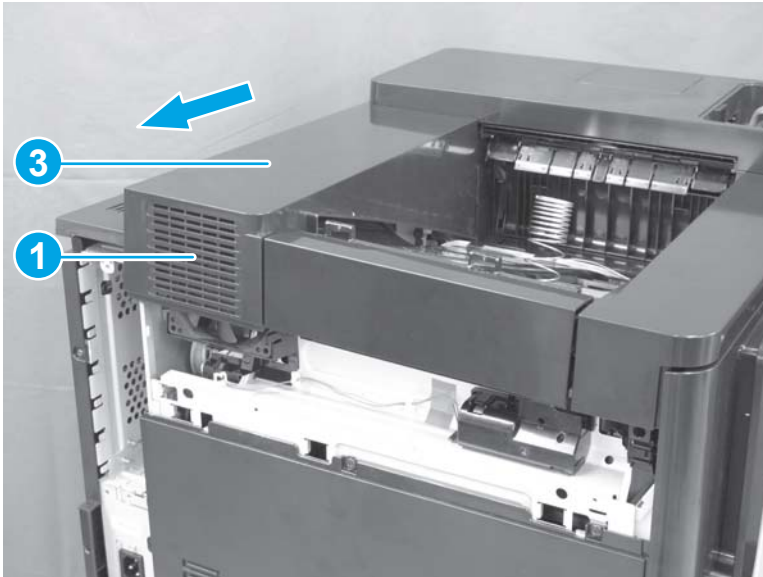
3. Release two tabs (callout 1).

**Figure 1-213** Remove the face-down rear cover (M651; 3 of 5)



4. Lift up the left edge (callout 1) and release two locator pins (callout 2). Slide the face-down rear cover (callout 3) in the direction of the arrow to remove it.

**Figure 1-214** Remove the face-down rear cover (M651; 4 of 5)



**Figure 1-215** Remove the face-down rear cover (M651; 5 of 5)



## Upper cover (M651)

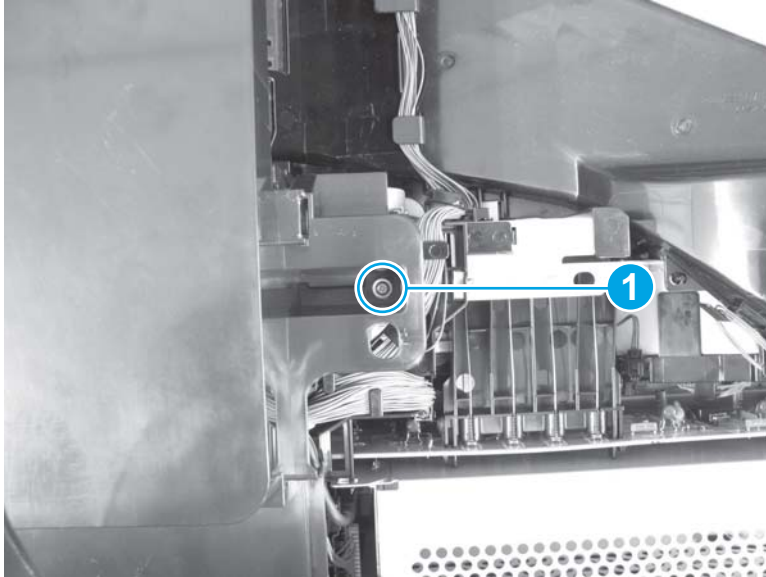
### Before proceeding, remove the following assemblies

- Control panel assembly. See [Control panel assembly \(M651\) on page 28](#).
- Face-down tray. See [Face-down tray \(M651\) on page 134](#).
- Face-down rear cover. See [Face-down rear cover \(M651\) on page 136](#).

### Remove the upper cover (M651)

1. Remove one screw (callout 1).

**Figure 1-216** Remove the upper cover (M651; 1 of 6)



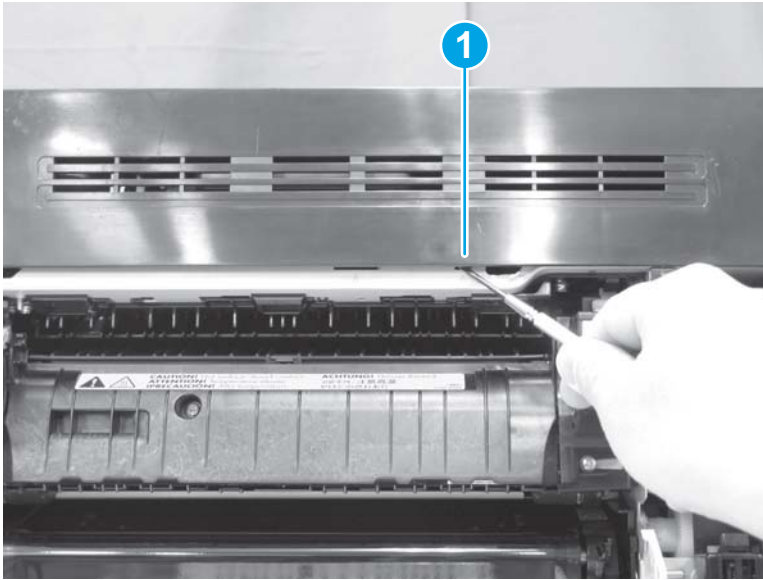
2. Remove one screw (callout 1).

**Figure 1-217** Remove the upper cover (M651; 2 of 6)



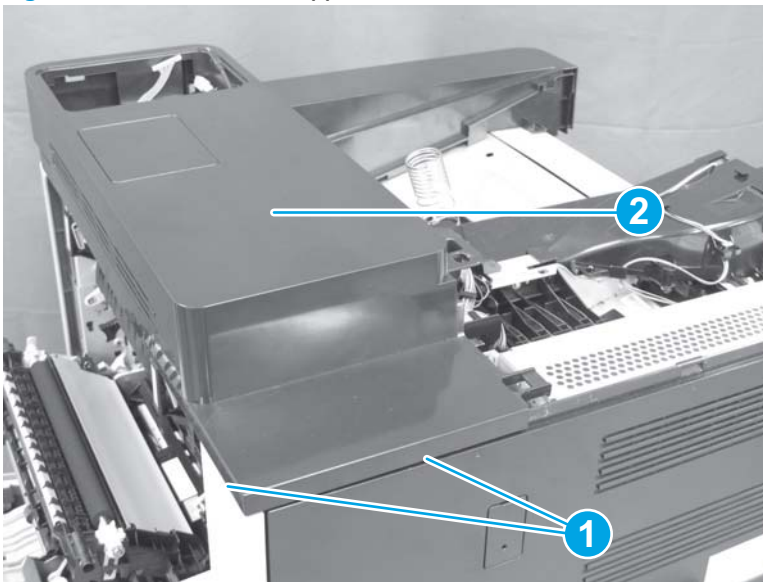
3. Open the right door assembly, and then release one tab (callout 1).

**Figure 1-218** Remove the upper cover (M651; 3 of 6)



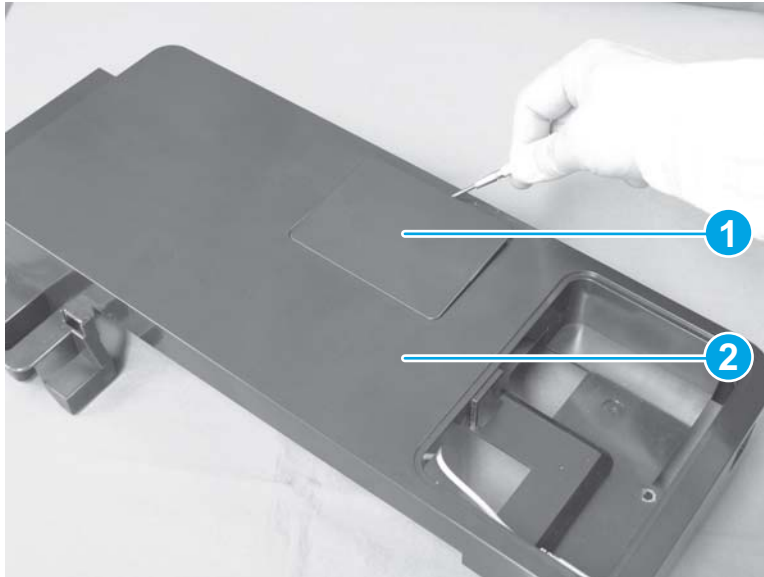
4. Release two tabs (callout 1), and then remove the upper cover assembly (callout 2).

**Figure 1-219** Remove the upper cover (M651; 4 of 6)



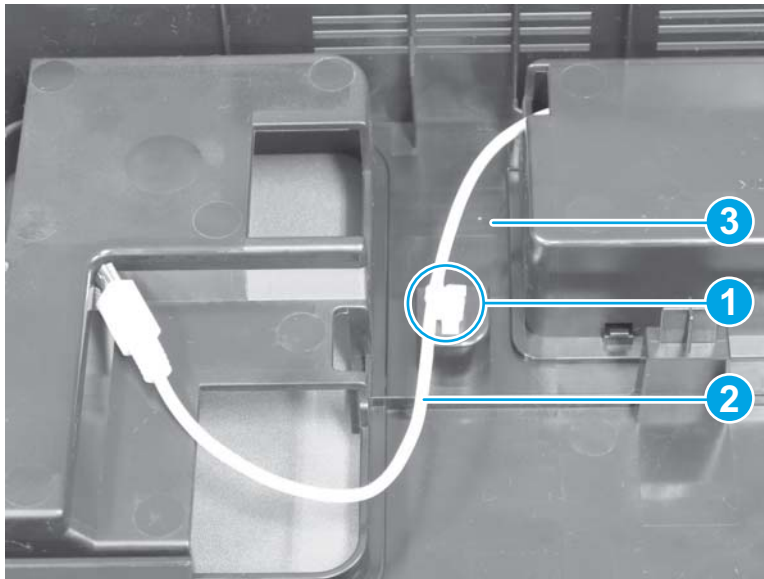
5. If replacing the upper cover, remove the hardware integration pocket cover (callout 1) from the upper cover (callout 2), and then install it on the replacement cover.

**Figure 1-220** Remove the upper cover (M651; 5 of 6)




6. If replacing the upper cover, push the lever (callout 1) and pull out the cable tie (callout 2) from the upper cover (callout 3), and then install it on the replacement cover.

**Figure 1-221** Remove the upper cover (M651; 6 of 6)

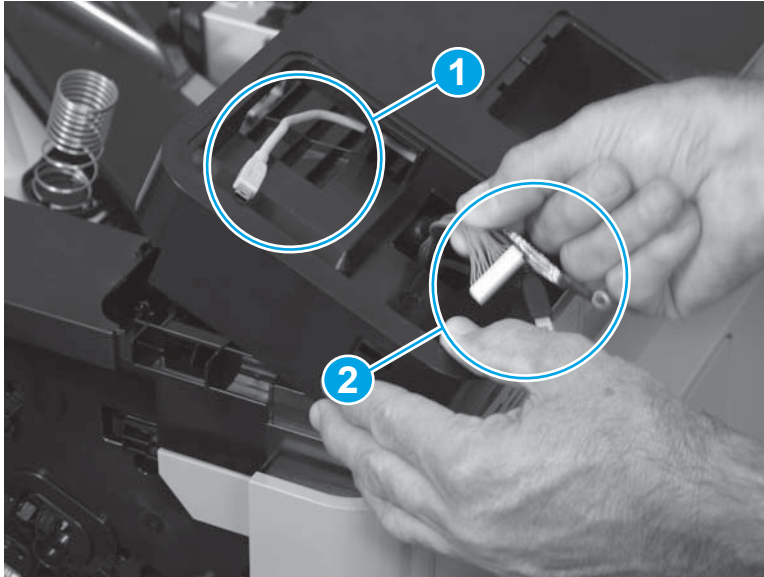


## Reinstall the upper cover (M651)

When the cover is reinstalled, make sure that the white USB cable (callout 1), black USB cable, wire harness, and ground wire (callout 2), are routed through the correct openings in the cover.

 **NOTE:** If the cables, wire harness, and ground wire are not correctly routed through the cover there might not be enough slack in them to reach the control panel when it is reinstalled.

**Figure 1-222** Reinstall the upper cover (M651)



## Front face-down cover and right-front upper cover (M651)

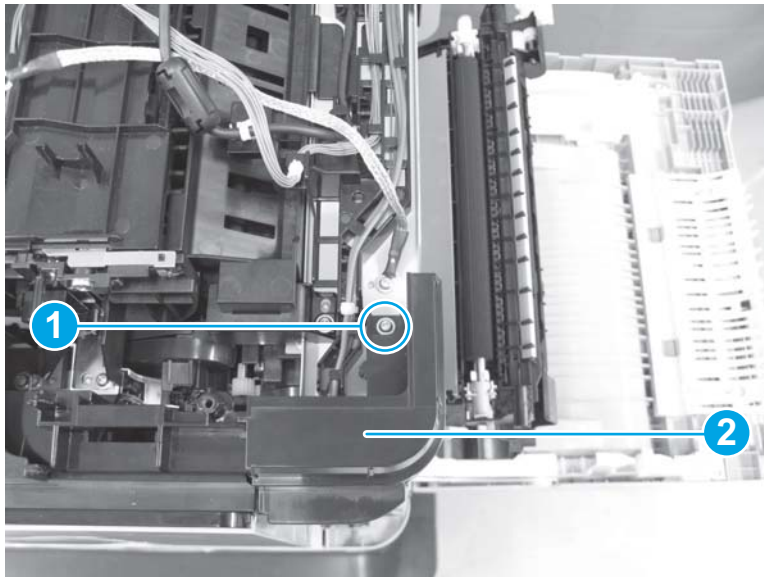
### Before proceeding, remove the following assemblies

- Control panel assembly. See [Control panel assembly \(M651\) on page 28](#).
- Right-front cover. See [Right-front cover on page 124](#).
- Face-down tray. See [Face-down tray \(M651\) on page 134](#).
- Face-down rear cover. See [Face-down rear cover \(M651\) on page 136](#).
- Upper cover. See [Upper cover \(M651\) on page 139](#).

### Remove the front face-down cover and right-front upper cover

1. Remove one screw (callout 1), and remove the right-front upper cover (callout 2).

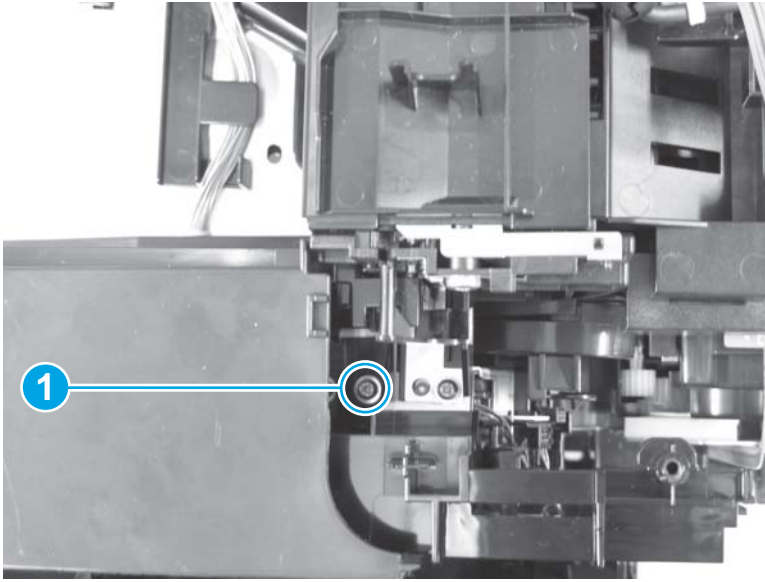
**Figure 1-223** Remove the front face-down cover and right-front upper cover (1 of 3)





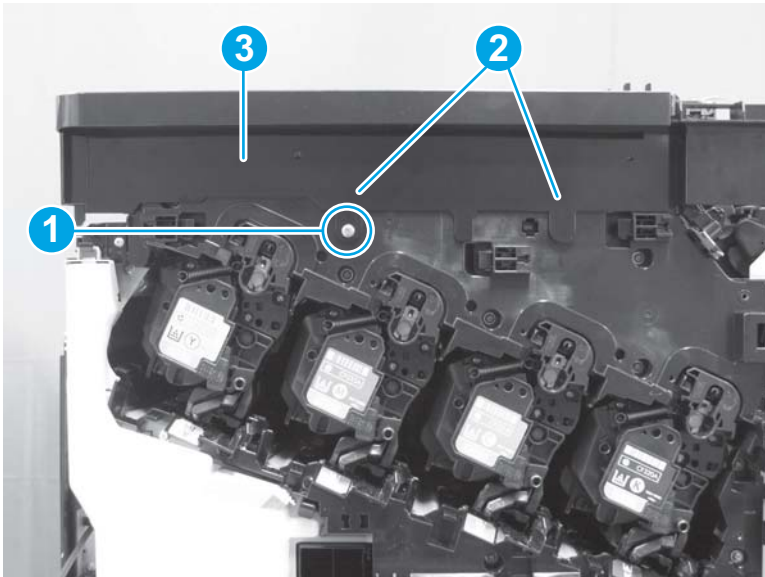
2. Remove one screw (callout 1).

**Figure 1-224** Remove the front face-down cover and right-front upper cover (2 of 3)



3. Remove one screw (callout 1), release two locator pins (callout 2), and then remove the front face-down cover assembly (callout 3).

**Figure 1-225** Remove the front face-down cover and right-front upper cover (3 of 3)





## Intermediate cover assembly (M680)

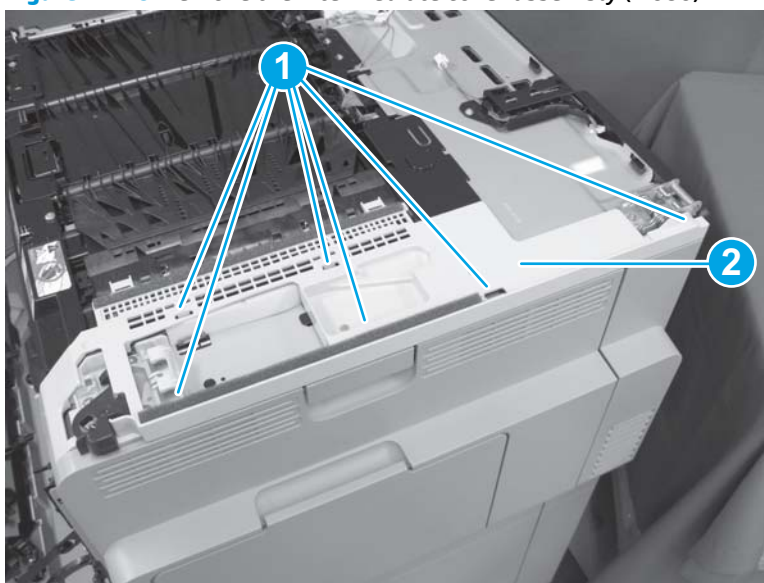
### Before proceeding, remove the following assemblies

- Document feeder assembly. See [Document feeder \(ADF\) on page 80](#).
- Scanner assembly. See [Image scanner assembly on page 103](#).
- Scissor hinge assembly (right only). See [Scissor hinge assemblies on page 113](#).
- Right front cover. See [Right-front cover on page 124](#).

### Remove the intermediate cover assembly (M680)

- ▲ Release six tabs (callout 1), and then remove the intermediate cover assembly (callout 2).

**Figure 1-226** Remove the intermediate cover assembly (M680)



## Right-rear cover

### Before proceeding, remove the following assemblies

#### M651 models

- Control panel assembly. See [Control panel assembly \(M651\) on page 28](#).
- Upper left cover. See [Upper left cover \(M651\) on page 117](#).
- Face-down tray. See [Face-down tray \(M651\) on page 134](#).
- Face-down rear cover. See [Face-down rear cover \(M651\) on page 136](#).
- Upper cover. See [Upper cover \(M651\) on page 139](#).

#### M680 models

- Document feeder assembly. See [Document feeder \(ADF\) on page 80](#).
- Scanner assembly. See [Image scanner assembly on page 103](#).
- Right front cover. See [Right-front cover on page 124](#).
- Intermediate Intermediate cover assembly. See [Intermediate cover assembly \(M680\) on page 145](#).

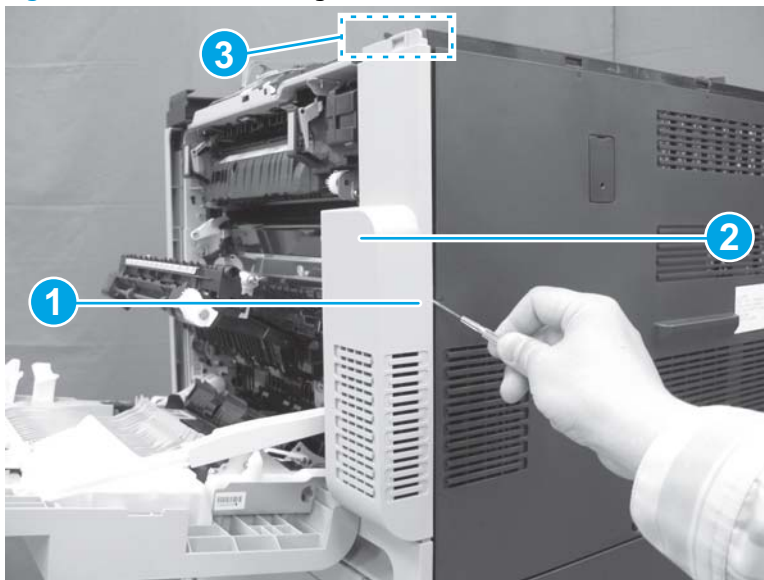
### Remove the right-rear cover

- ▲ Release one tab (callout 1), and then slide the right-rear cover (callout 2) upward to remove it.




**NOTE:** For the M680 product, carefully pry up on the corner of the grey-plastic bracket (callout 3) so the cover can slide upwards.

**Figure 1-227** Remove the right-rear cover




# Internal assemblies

 **TIP:** For clarity, some photos in this chapter show assemblies removed that would not be removed to service the product. If necessary, remove the assemblies listed at the beginning of a procedure before proceeding to service the product.

## IPTU (M680)

### Before proceeding, remove the following assemblies

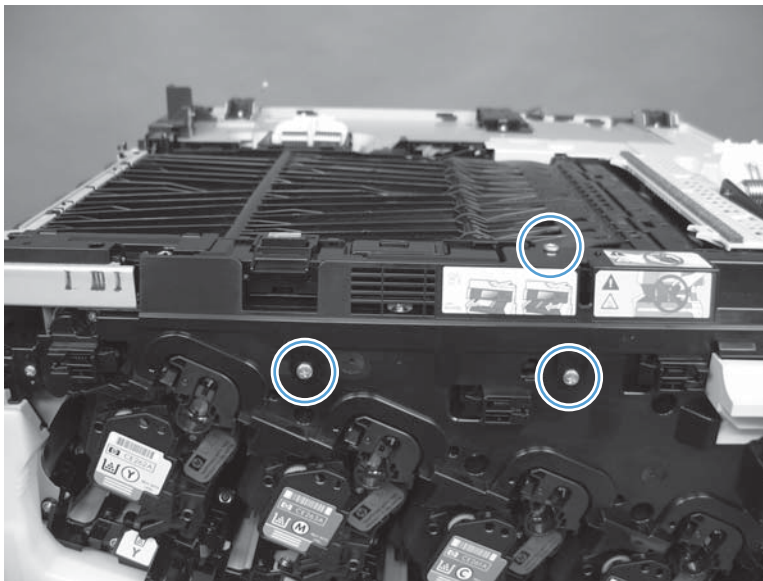
- Standard output bin. See [Standard output bin \(M680\) on page 52](#).
- Output bin bezel. See [Output bin bezel \(M680\) on page 53](#).
- Scanner rear cover. See [Scanner rear cover on page 79](#).
- Document feeder. See [Document feeder \(ADF\) on page 80](#).
- Scanner assembly. See [Image scanner assembly on page 103](#).

 **NOTE:** This assembly is also called the intermediate paper feed assembly.

### Remove the IPTU

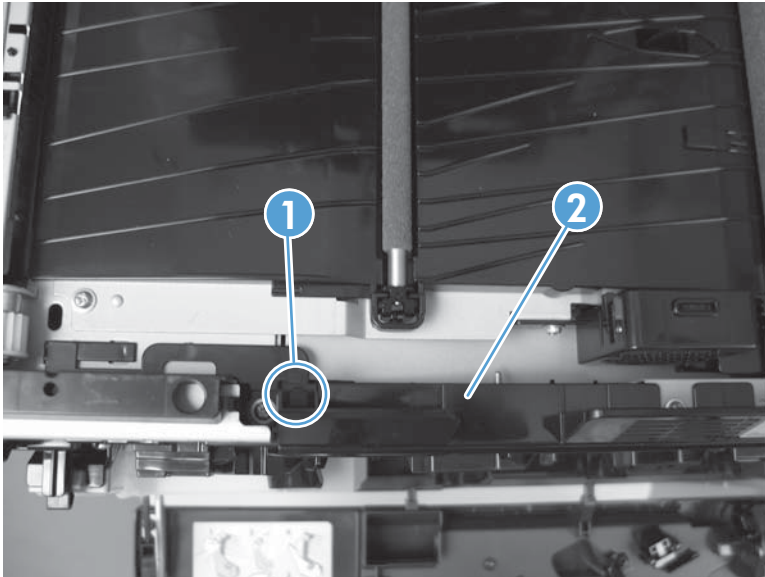
1. Open the front door and then remove three screws.

**Figure 1-228** Remove the IPTU (1 of 5)



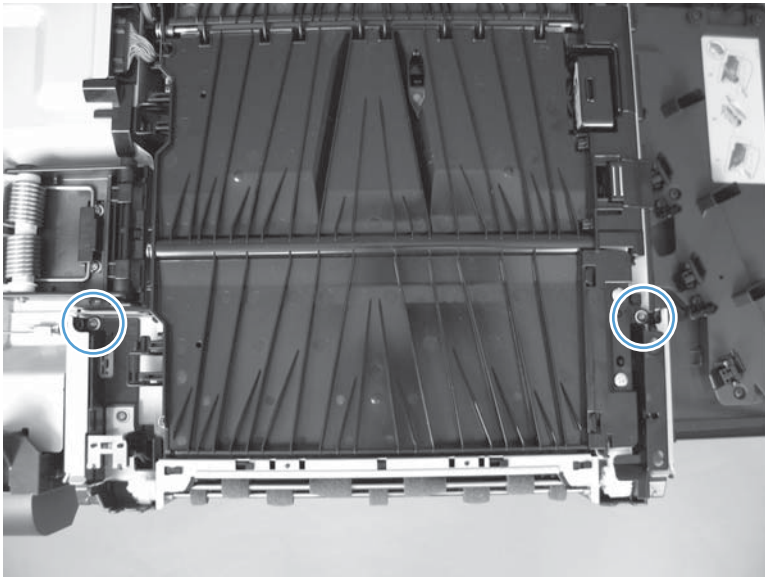
2. Lift the cover up on the right side to clear the pin, lift the paper path, rotate the cover on left side to release one tab (callout 1), and then remove the inner cover (callout 2).

**Figure 1-229** Remove the IPTU (2 of 5)



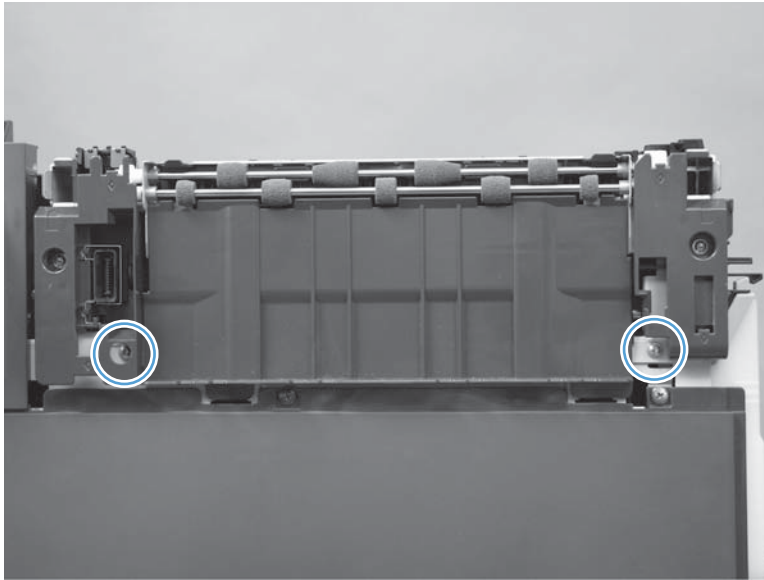
3. Remove two screws.

**Figure 1-230** Remove the IPTU (3 of 5)



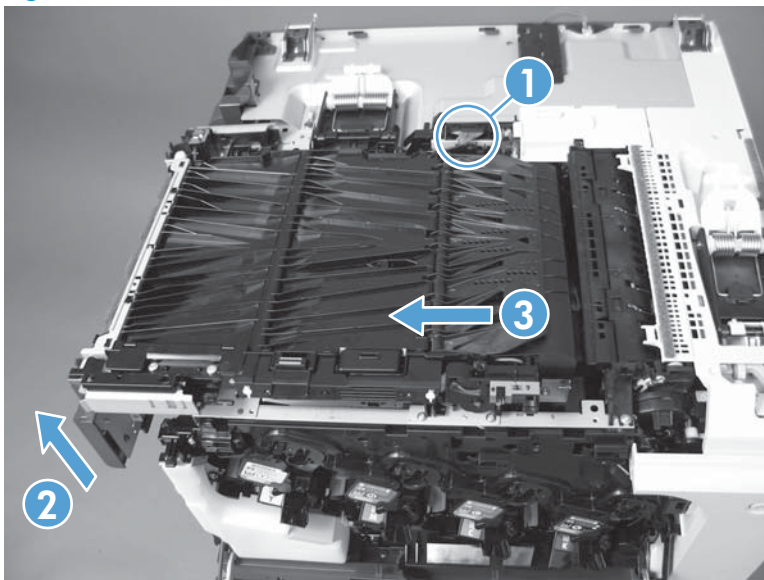
4. Remove two screws.

**Figure 1-231** Remove the IPTU (4 of 5)




5. Disconnect one connector (callout 1) and then lift (callout 2) and slide the IPTU (callout 3) to remove.

**Figure 1-232** Remove the IPTU (5 of 5)



## Cassette feed guide

 **TIP:** A page jammed in the product might be removed by removing the cassette feed guide.

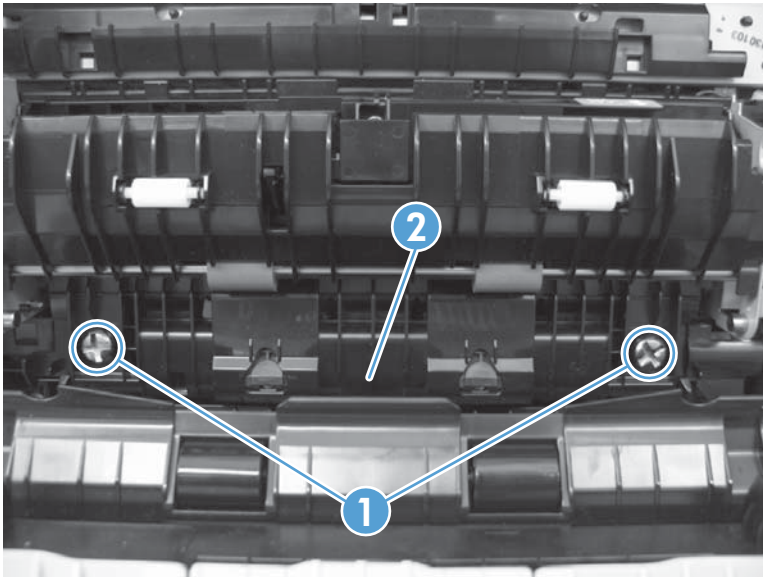
1. Open the right-door assembly.

**Figure 1-233** Remove the cassette feed guide (1 of 2)



2. Remove two screws (callout 1), and then remove the cassette feed guide (callout 2).

**Figure 1-234** Remove the cassette feed guide (2 of 2)

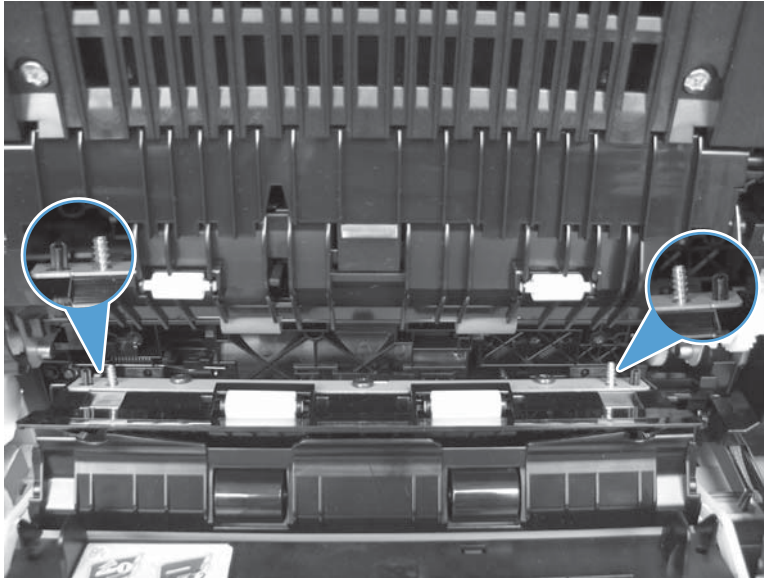




## Reinstall the cassette feed guide

When reinstalling the cassette feed guide, make sure to correctly align each screw and pin with the corresponding hole and that the guide fits secure against the chassis.

**Figure 1-235** Reinstall the cassette feed guide



## Secondary transfer assembly


The secondary transfer assembly includes the secondary transfer roller.

1. Open the right-door assembly.

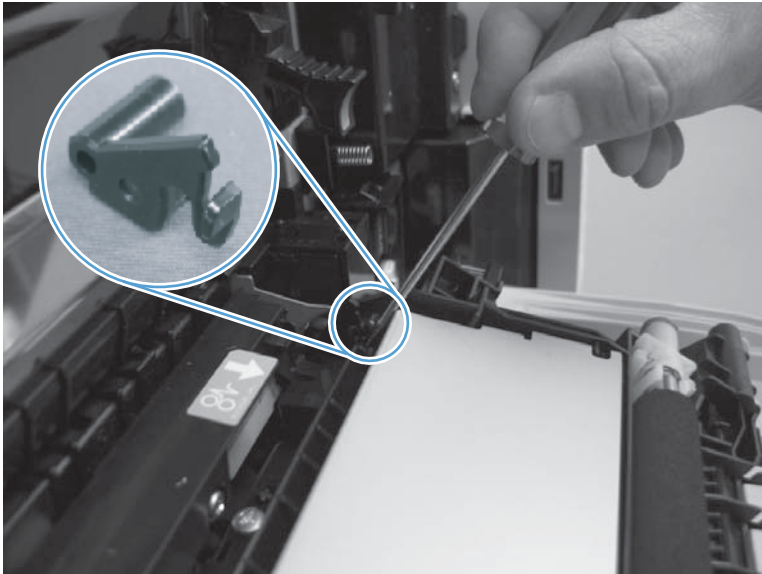
**Figure 1-236** Remove the secondary transfer assembly (1 of 3)



2. Release one tab and carefully remove the stopper.

 **NOTE:** The corner of the assembly might need to be slightly lifted to release the stopper pin from the hole in the chassis.

**Figure 1-237** Remove the secondary transfer assembly (2 of 3)





3. Remove the secondary transfer assembly.

**CAUTION:** Do not damage the blue release lever when removing the assembly.

**Figure 1-238** Remove the secondary transfer assembly (3 of 3)



### Reinstall the secondary transfer assembly

Press and hold the blue release lever when reinstalling the assembly.

**Figure 1-239** Reinstall the secondary transfer assembly



## Tray 1 separation pad

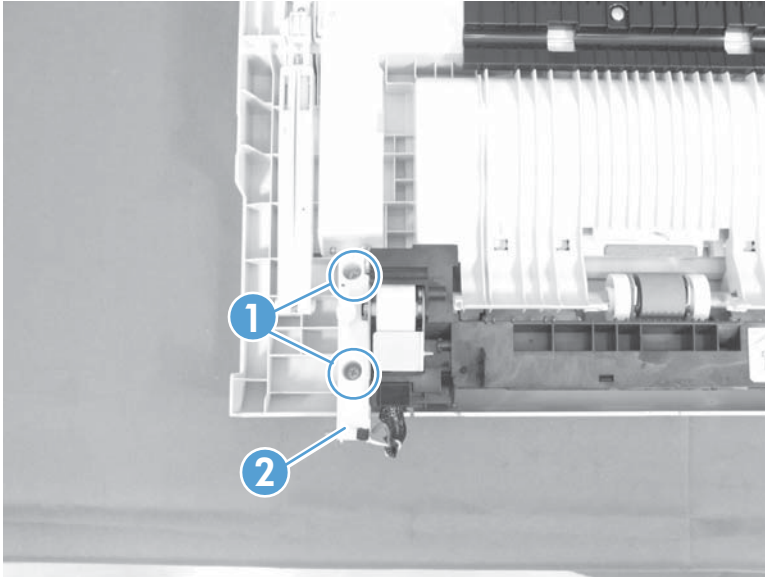
### Before proceeding, remove the following assemblies

- Pickup roller. See [Pickup roller \(Tray 1\) on page 46](#).
- Right door assembly. See [Right door assembly on page 130](#).

### Remove the Tray 1 separation pad

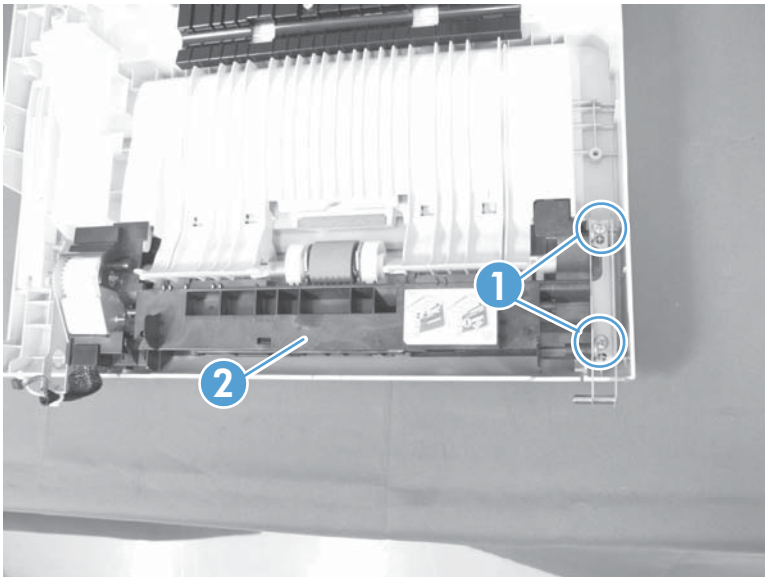
1. Remove two screws (callout 1) and the cover (callout 2).

**Figure 1-240** Remove the Tray 1 separation pad (1 of 6)



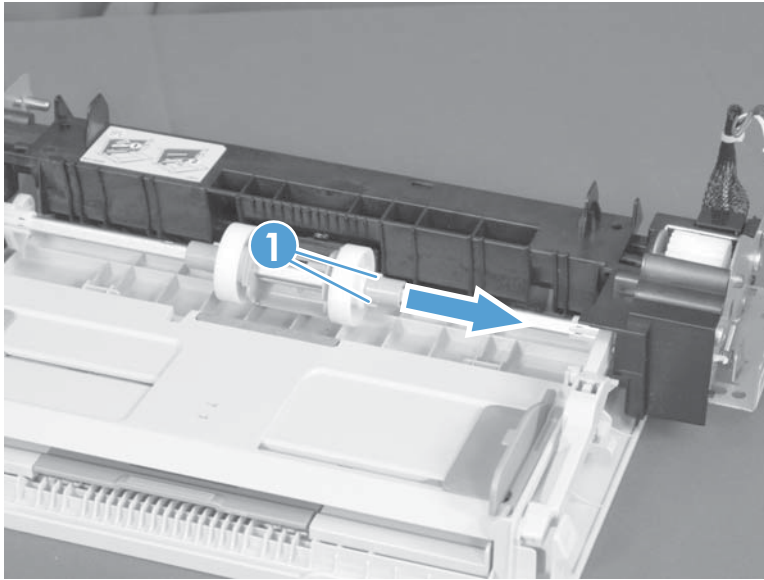
2. Remove two screws (callout 1) and separate Tray 1 (callout 2) from the door assembly.

**Figure 1-241** Remove the Tray 1 separation pad (2 of 6)



3. Release two tabs (callout 1) and slide the locking cap and sub roller toward the edge of the tray.

**Figure 1-242** Remove the Tray 1 separation pad (3 of 6)



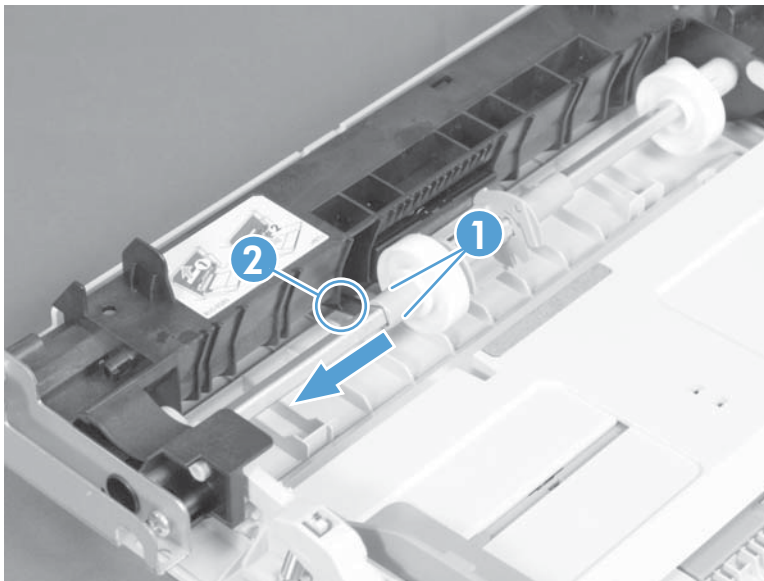
4. Release two tabs (callout 1) and slide the locking cap and sub roller toward the edge of the tray.

---

**⚠ CAUTION:** Do not damage the flag (callout 2).

---

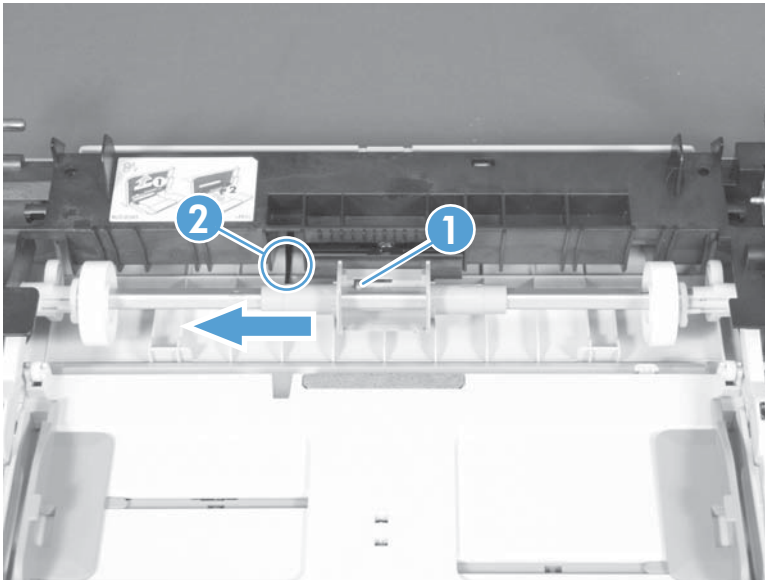
**Figure 1-243** Remove the Tray 1 separation pad (4 of 6)



5. Release one tab (callout 1) and slide the pickup-roller holder toward the edge of the tray.

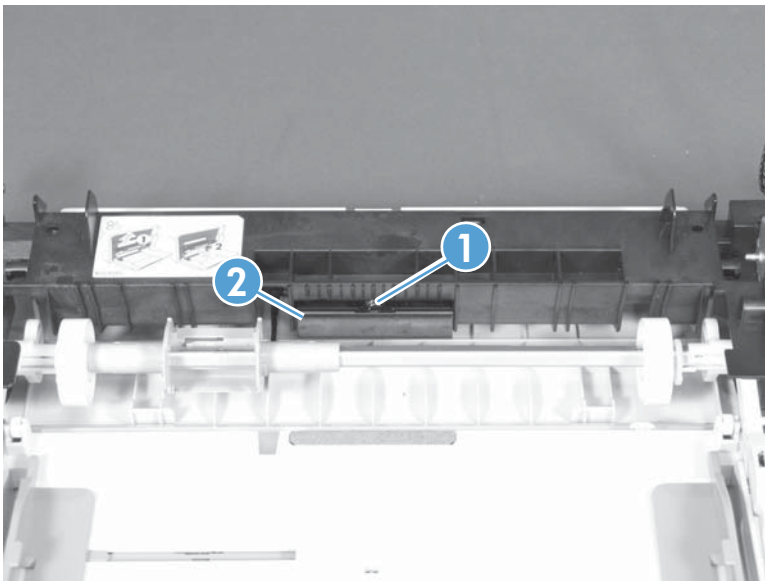
**⚠ CAUTION:** Do not damage the flag (callout 2).

**Figure 1-244** Remove the Tray 1 separation pad (5 of 6)



6. Release one tab (callout 1) and remove the separation pad.

**Figure 1-245** Remove the Tray 1 separation pad (6 of 6)



## Registration density (RD) sensor assembly

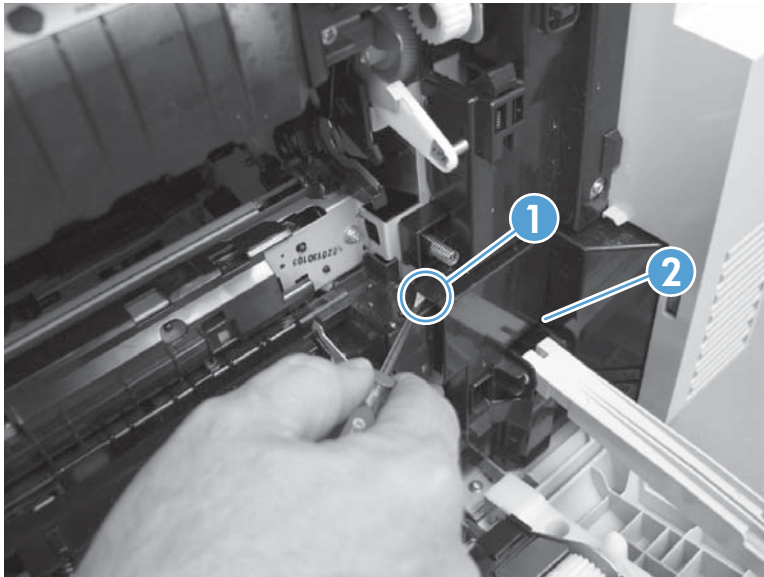
### Before proceeding, remove the following assemblies


- Intermediate transfer belt (ITB). See [Intermediate transfer belt \(ITB\) on page 25](#).
- Secondary transfer assembly. See [Secondary transfer assembly on page 152](#).

### Remove the RD sensor assembly

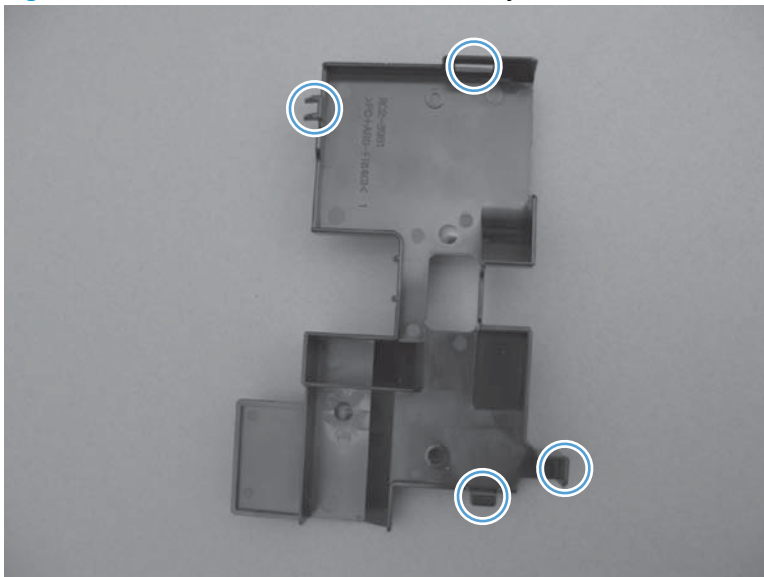
1. Release one tab (callout 1), and then remove the cover (callout 2).

**Figure 1-246** Remove the RD sensor assembly (1 of 7)




 **NOTE:** When reinstalling the cover, make sure that the tabs are seated correctly.

**Figure 1-247** Remove the RD sensor assembly (2 of 7)

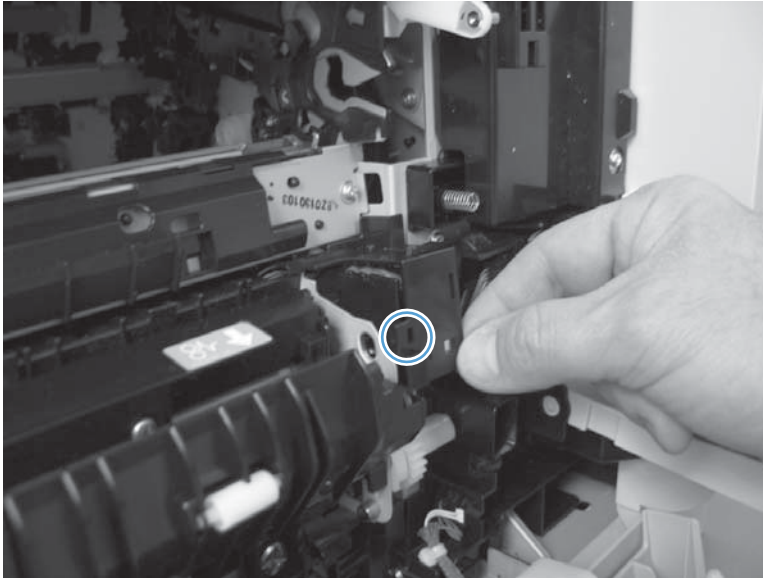




2. Release one tab, and then remove the wire-harness cover.

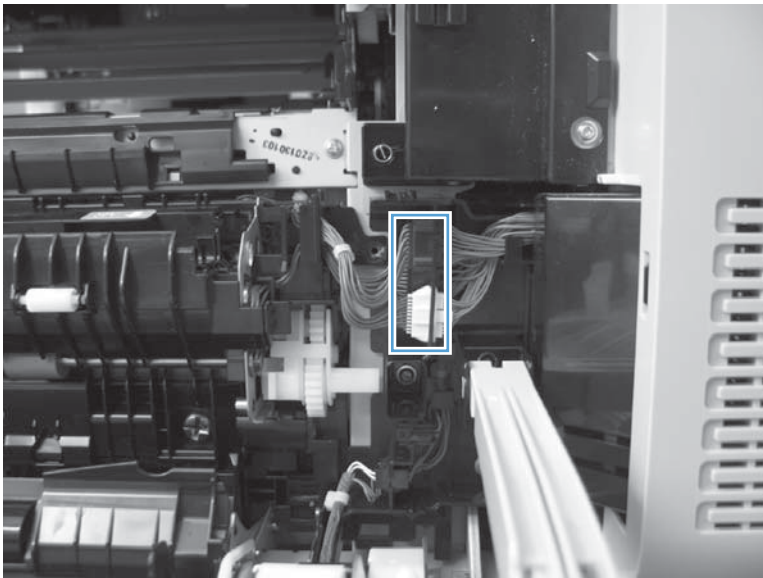
 **TIP:** Open the front door to make it easier to remove the cover.

**Figure 1-248** Remove the RD sensor assembly (3 of 7)



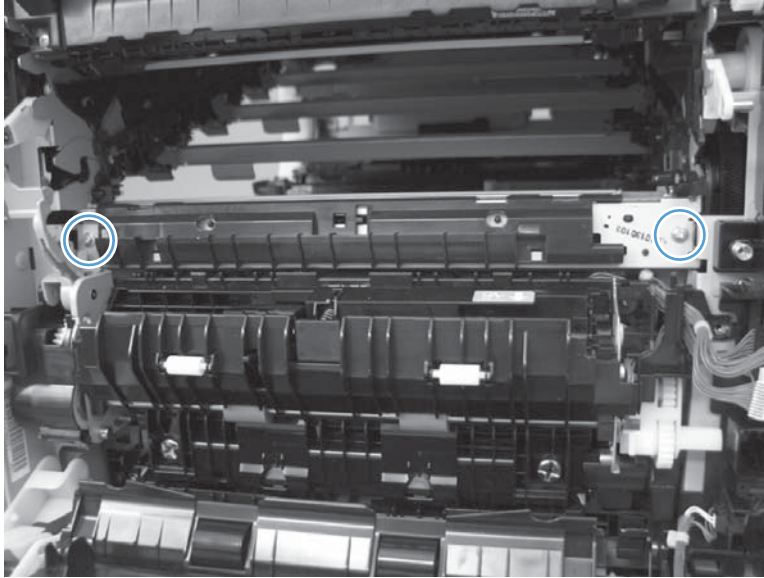
3. Disconnect three connectors.

**Figure 1-249** Remove the RD sensor assembly (4 of 7)



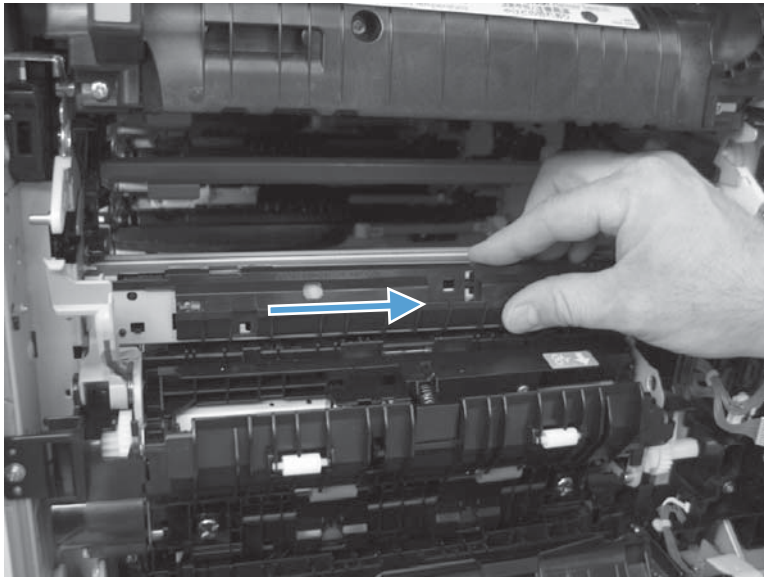
4. Remove two screws.

**Figure 1-250** Remove the RD sensor assembly (5 of 7)



5. Slide the shutter toward the back side of the product. Keep the shutter in this position for the following step.

**Figure 1-251** Remove the RD sensor assembly (6 of 7)



- Carefully remove the assembly from the product.

**⚠ CAUTION:** Do not damage the shutter as it passes through the chassis.

**Figure 1-252** Remove the RD sensor assembly (7 of 7)





## Registration assembly

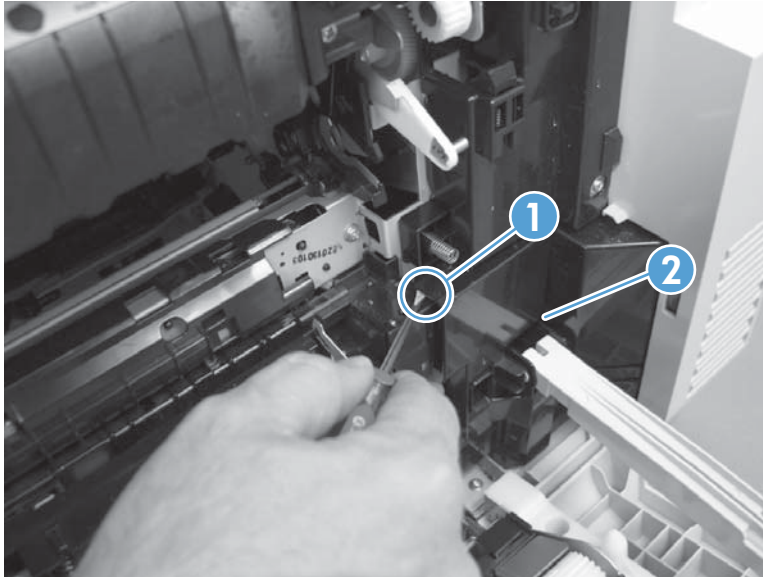
### Before proceeding, remove the following assemblies


- Intermediate transfer belt (ITB). See [Intermediate transfer belt \(ITB\) on page 25](#).
- Secondary transfer assembly. See [Secondary transfer assembly on page 152](#).

### Remove the registration assembly

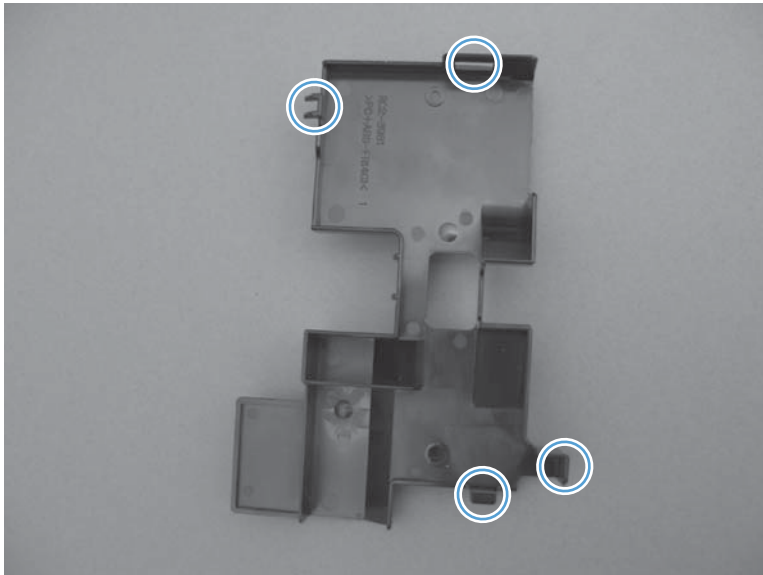
1. Release one tab (callout 1), and then remove the cover (callout 2).

**Figure 1-253** Remove the registration assembly (1 of 8)




 **NOTE:** When reinstalling the cover, be sure that the tabs are seated correctly.

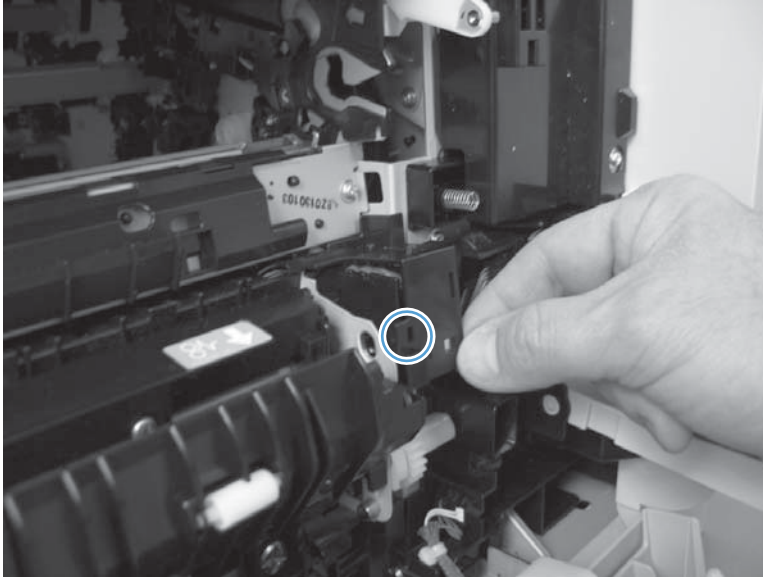
**Figure 1-254** Remove the registration assembly (2 of 8)



2. Release one tab, and then remove the wire-harness cover.

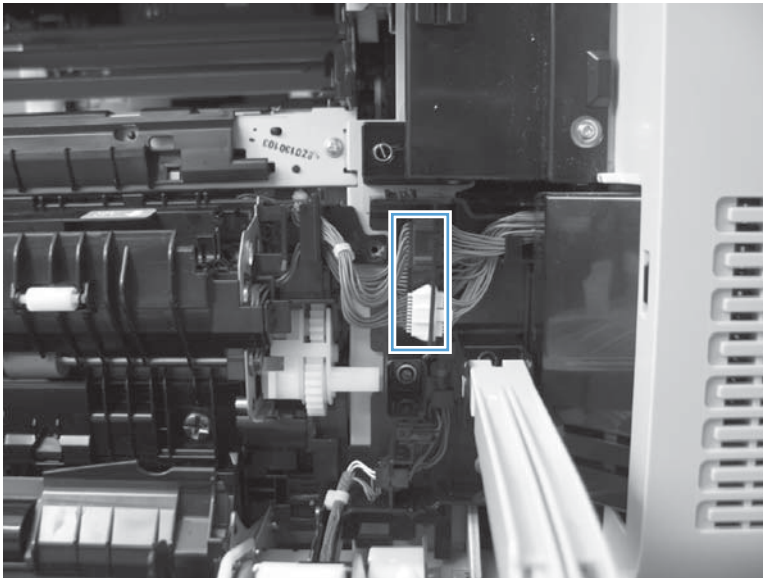
 **TIP:** To make the cover easier to remove, open the front-door assembly to close the RD-sensor shutter.

**Figure 1-255** Remove the registration assembly (3 of 8)



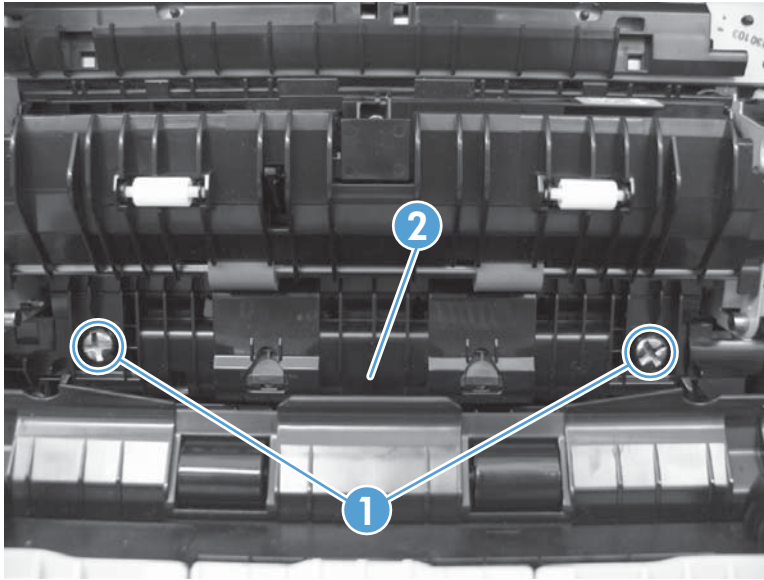
3. Disconnect three connectors.

**Figure 1-256** Remove the registration assembly (4 of 8)



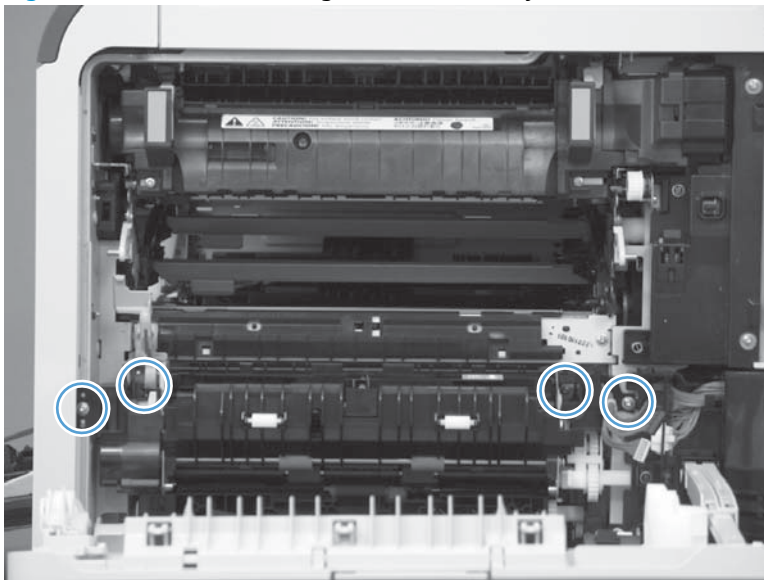
4. Remove two screws (callout 1), and then remove the cassette feed guide (callout 2).

**Figure 1-257** Remove the registration assembly (5 of 8)



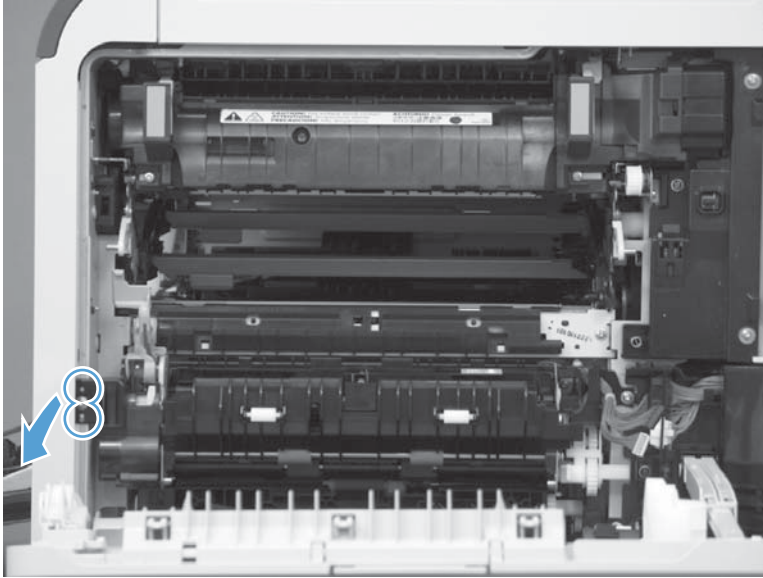
5. Remove four screws.

**Figure 1-258** Remove the registration assembly (6 of 8)




6. Release two pins and the front of the assembly.

**Figure 1-259** Remove the registration assembly (7 of 8)



7. Remove the assembly from the product.

 **Reinstallation tip** When the registration assembly is reinstalled, make sure that it is correctly positioned in the product. The tabs on the assembly must fit into the slots in the product chassis and the assembly fits securely up against the product chassis.

**Figure 1-260** Remove the registration assembly (8 of 8)



## Install a replacement registration assembly

After installing a replacement registration assembly, reset the counts for the registration roller and the media-sensor. Follow this procedure after reassembling the product:

1. From the Home screen on the product control panel, scroll to and touch the [Device Maintenance](#) button.
2. Touch the [Service](#) button.
3. The drop-down menu shows [User Access Code](#). Open the menu and select [Service Access Code](#).
4. Touch the [Access Code](#) field, and then enter the service code for this product:
  - **M651:** 04065114
  - **M680:** 04068014
5. Touch [OK](#) to open the [Service](#) menu.
6. Select [New Registration Roller](#) to reset the roller count.
7. Select [Media Sensor Value](#) to reset the media sensor.

## Paper-delivery fan (M651)

### Before proceeding, remove the following assemblies

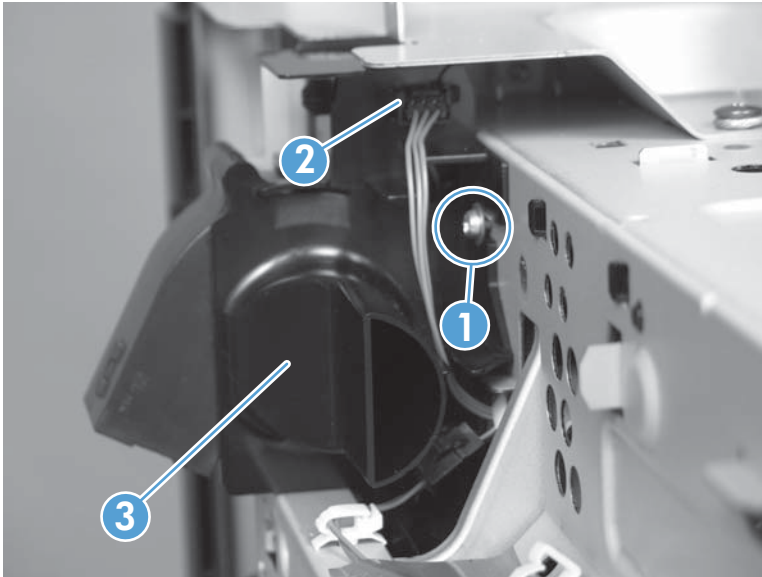
- Upper left cover. See [Upper left cover \(M651\) on page 117](#).
- Face-down tray. See [Face-down tray \(M651\) on page 134](#).
- Face-down rear cover. See [Face-down rear cover \(M651\) on page 136](#).

### Remove the paper-delivery fan (M651)

1. Remove one screw (callout 1), disconnect one connector (callout 2), and then release one wire retainer (callout 3).

 **TIP:** When the fan is reinstalled, the air must flow into the product. Check the arrows embossed on the fan frame that indicate air flow direction.

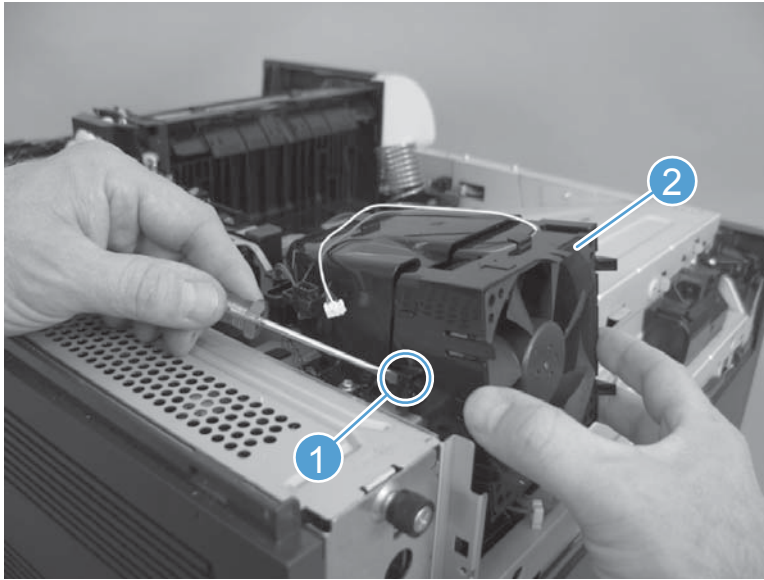
**Figure 1-261** Remove the paper-delivery fan (M651; 1 of 2)





2. Release one tab (callout 1), and then remove the fan (callout 2).

**Figure 1-262** Remove the paper-delivery fan (M651; 2 of 2)



## Paper-delivery fan (M680)

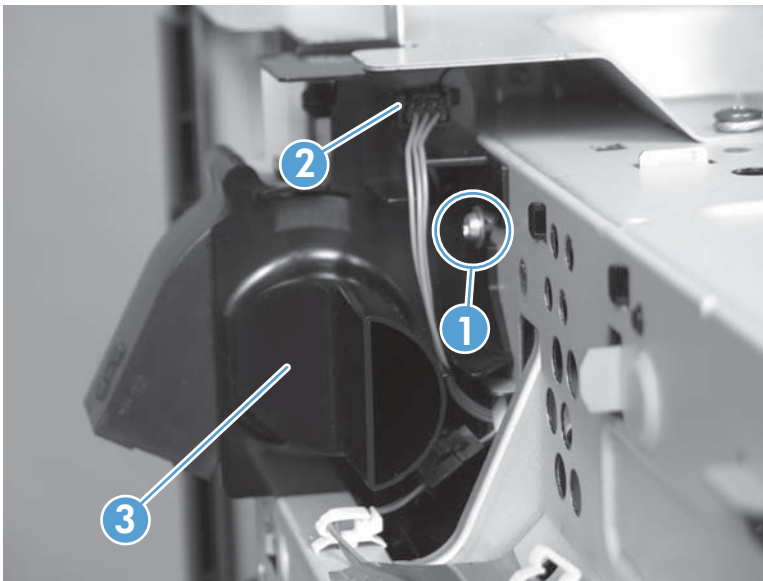
### Before proceeding, remove the following assemblies

- Standard output bin. See [Standard output bin \(M680\) on page 52](#).
- Output bin bezel. See [Output bin bezel \(M680\) on page 53](#).
- Scanner rear cover. See [Scanner rear cover on page 79](#).
- Document feeder. See [Document feeder \(ADF\) on page 80](#).
- Scanner assembly. See [Image scanner assembly on page 103](#).
- Fan cover. See [Fan cover \(M680\) on page 118](#).
- IPTU. See [IPTU \(M680\) on page 147](#).

### Remove the paper-delivery fan (M680)

- ▲ Remove one screw (callout 1), disconnect one connector (callout 2), and then remove the fan (callout 3).

**Figure 1-263** Remove the paper-delivery fan (M680)





## Residual-toner-feed motor

### Before proceeding, remove the following assemblies

#### M651 models


- Intermediate transfer belt (ITB). See [Intermediate transfer belt \(ITB\) on page 25](#).
- Upper-left cover. See [Upper left cover \(M651\) on page 117](#).

#### M680 models

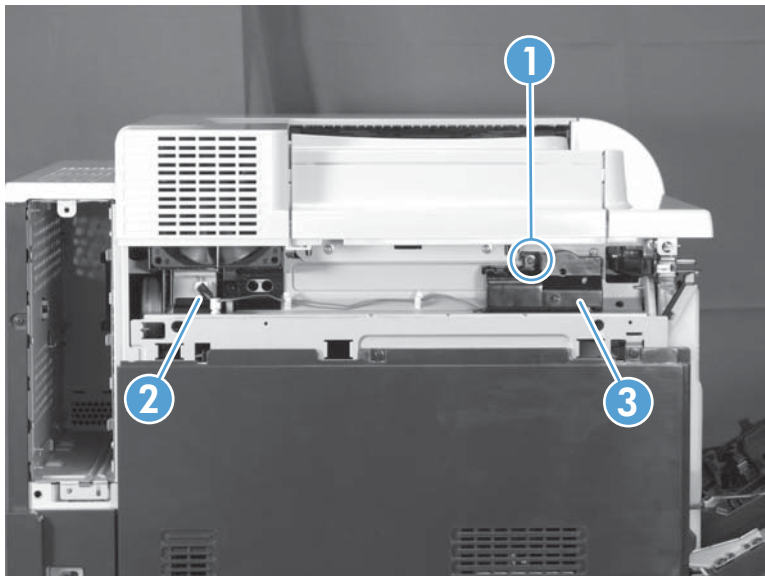
- Intermediate transfer belt (ITB). See [Intermediate transfer belt \(ITB\) on page 25](#).
- Standard output bin. See [Standard output bin \(M680\) on page 52](#).
- Output bin bezel. See [Output bin bezel \(M680\) on page 53](#).
- Scanner rear cover. See [Scanner rear cover on page 79](#).
- Document feeder. See [Document feeder \(ADF\) on page 80](#).
- Scanner assembly. See [Image scanner assembly on page 103](#).
- Fan cover. See [Fan cover \(M680\) on page 118](#).
- IPTU. See [IPTU \(M680\) on page 147](#).
- Delivery fan. See [Paper-delivery fan \(M680\) on page 168](#).

### Remove the residual-toner-feed motor

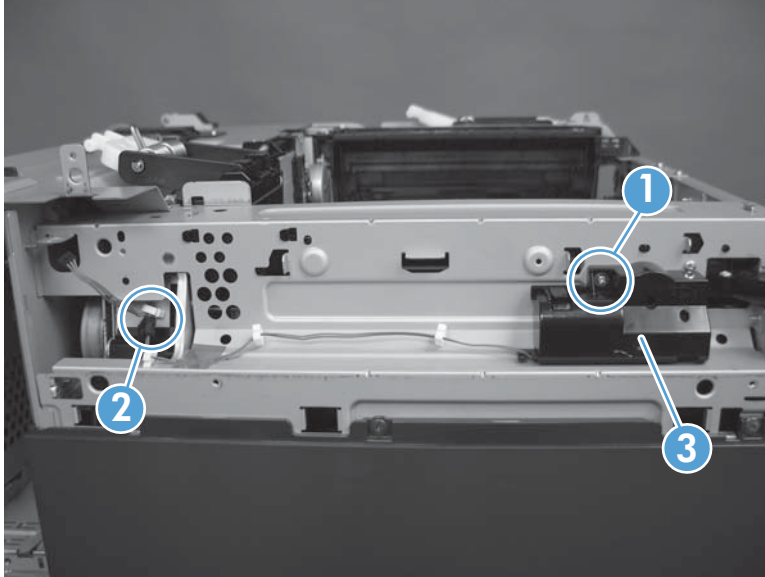
Remove one screw (callout 1), disconnect one connector (callout 2), and then remove the residual-toner-feed motor (callout 3).

 **Reinstallation tip** When the motor (callout 3) is reinstalled, make sure that the keyed shaft on the product and motor assembly are correctly aligned and engaged.

**Figure 1-264** Remove the residual-toner-feed motor (M651)



**Figure 1-265** Remove the residual-toner-feed motor (M680)



## Residual-toner transfer assembly

### Before proceeding, remove the following assemblies

#### M651 models

- Toner-collection unit. See [Toner-collection unit on page 6](#).
- Intermediate transfer belt (ITB). See [Intermediate transfer belt \(ITB\) on page 25](#).
- Upper-left cover. See [Upper left cover \(M651\) on page 117](#).
- Residual-toner-feed motor. See [Residual-toner-feed motor on page 169](#).

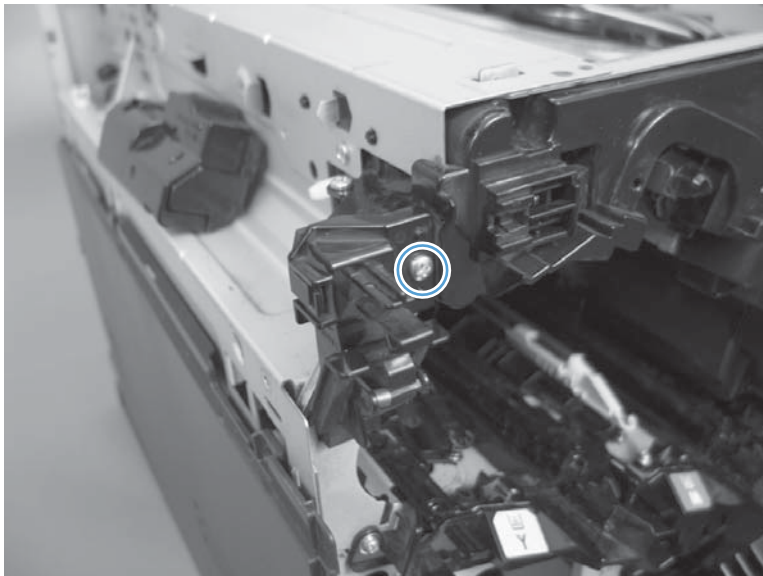
#### M680 models

- Toner-collection unit. See [Toner-collection unit on page 6](#).
- Intermediate transfer belt (ITB). See [Intermediate transfer belt \(ITB\) on page 25](#).
- Standard output bin. See [Standard output bin \(M680\) on page 52](#).
- Output bin bezel. See [Output bin bezel \(M680\) on page 53](#).
- Scanner rear cover. See [Scanner rear cover on page 79](#).
- Document feeder. See [Document feeder \(ADF\) on page 80](#).
- Scanner assembly. See [Image scanner assembly on page 103](#).
- Fan cover. See [Fan cover \(M680\) on page 118](#).
- IPTU. See [IPTU \(M680\) on page 147](#).
- Delivery fan. See [Paper-delivery fan \(M680\) on page 168](#).
- Residual-toner-feed motor. See [Residual-toner-feed motor on page 169](#).

### Remove the residual-toner transfer assembly

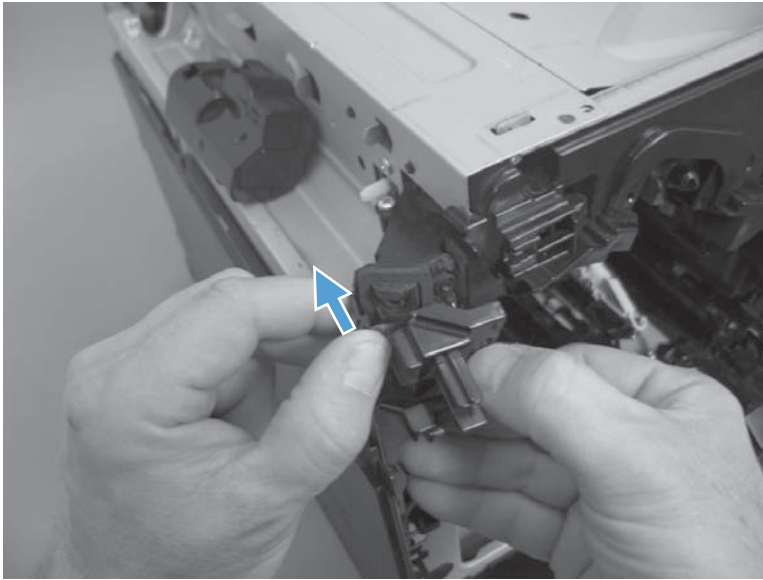
1. Remove one screw.

**Figure 1-266** Remove the residual-toner transfer assembly (1 of 4)



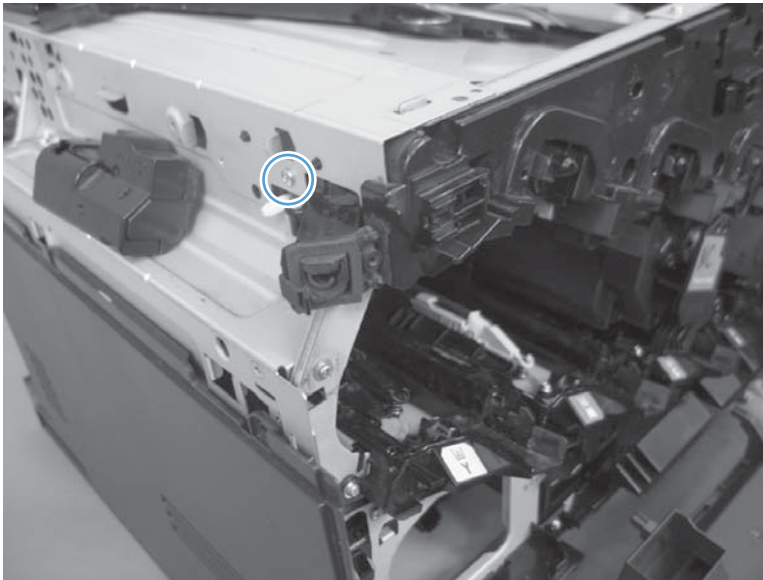
2. Release one tab, and then remove the waste toner duct.

**Figure 1-267** Remove the residual-toner transfer assembly (2 of 4)



3. Remove one screw.

**Figure 1-268** Remove the residual-toner transfer assembly (3 of 4)



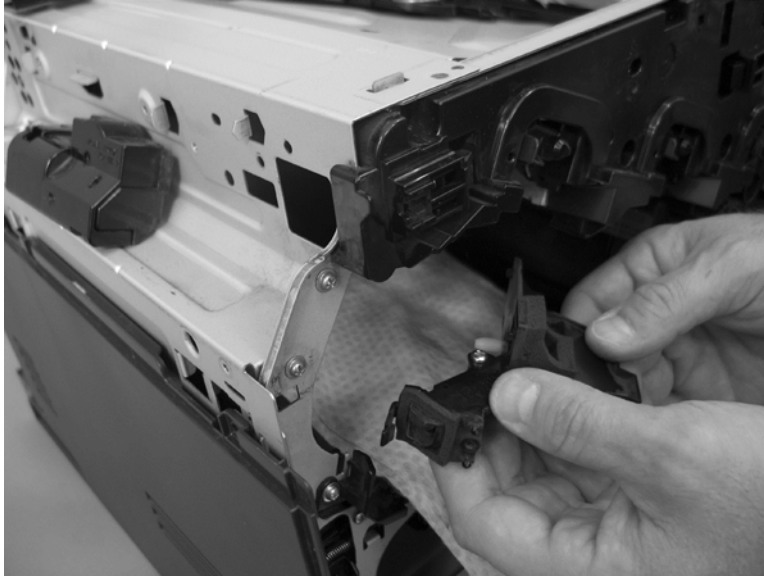
4. Push the residual-toner feed assembly into the product and then remove through the print cartridge cavity.

---

**⚠ CAUTION:** The waste toner feed assembly contains toner. Place a cloth below the work area to catch any spilled toner.

---

**Figure 1-269** Remove the residual-toner transfer assembly (4 of 4)



## Cartridge fan and environmental sensor

### Before proceeding, remove the following assemblies

#### M651 models

- Upper left cover. See [Upper left cover \(M651\) on page 117](#).
- Left rear cover. See [Left rear cover on page 119](#).
- Left cover. See [Left cover on page 120](#).

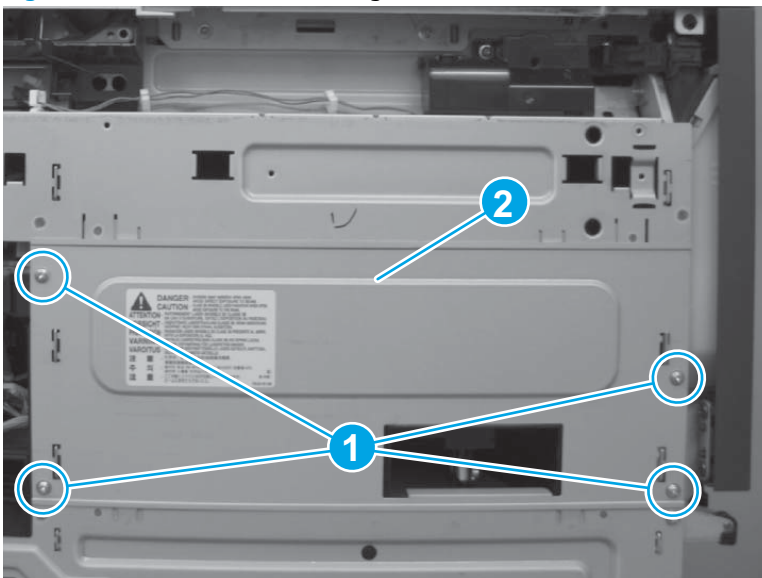
#### M680 models

- Standard output bin. See [Standard output bin \(M680\) on page 52](#).
- Output bin bezel. See [Output bin bezel \(M680\) on page 53](#).
- Fan cover. See [Fan cover \(M680\) on page 118](#).
- Left rear cover. See [Left rear cover on page 119](#).
- Left cover. See [Left cover on page 120](#).

### Remove the cartridge fan and environmental sensor

1. Remove four screws (callout 1), and then remove the sheet-metal plate (callout 2).

**Figure 1-270** Remove the cartridge fan and environmental sensor (1 of 7)



2. Release one spring.

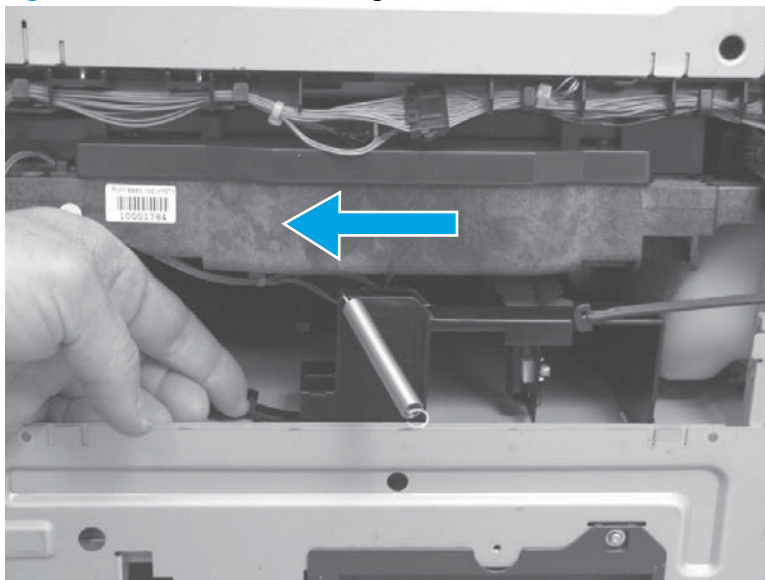
 **TIP:** Close the front-door assembly to reduce tension in the spring.

**Figure 1-271** Remove the cartridge fan and environmental sensor (2 of 7)



3. Release one tab and then slide the fan assembly toward the back of the product.

**Figure 1-272** Remove the cartridge fan and environmental sensor (3 of 7)

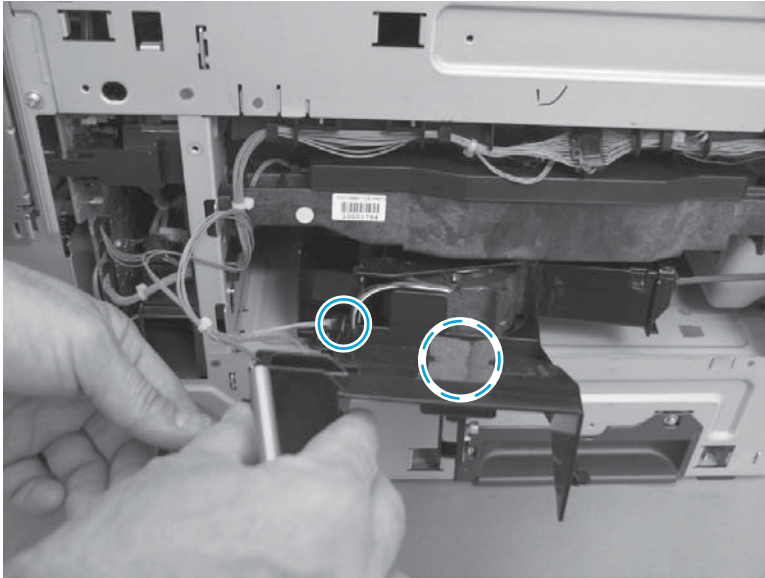




4. Pull the fan assembly out of the product, and then disconnect two connectors.

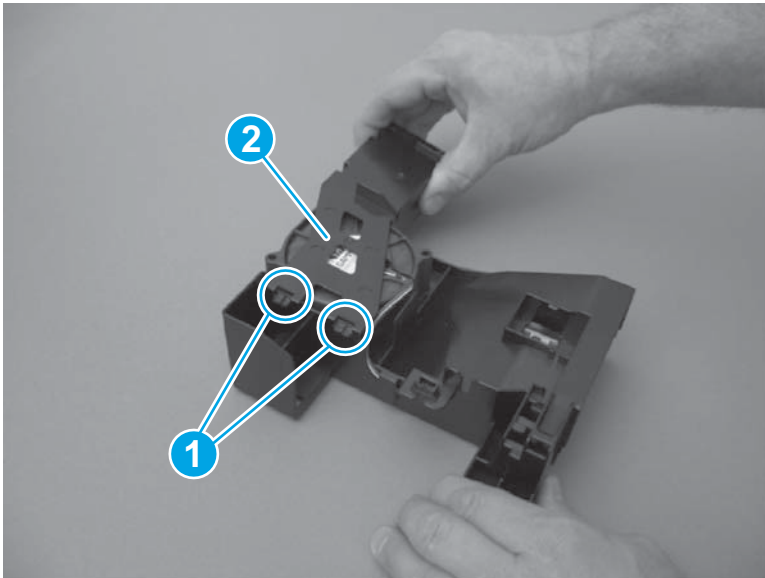
 **TIP:** One connector is below the sponge.

**Figure 1-273** Remove the cartridge fan and environmental sensor (4 of 7)



5. Release two tabs (callout 1), and then remove the cover (callout 2).

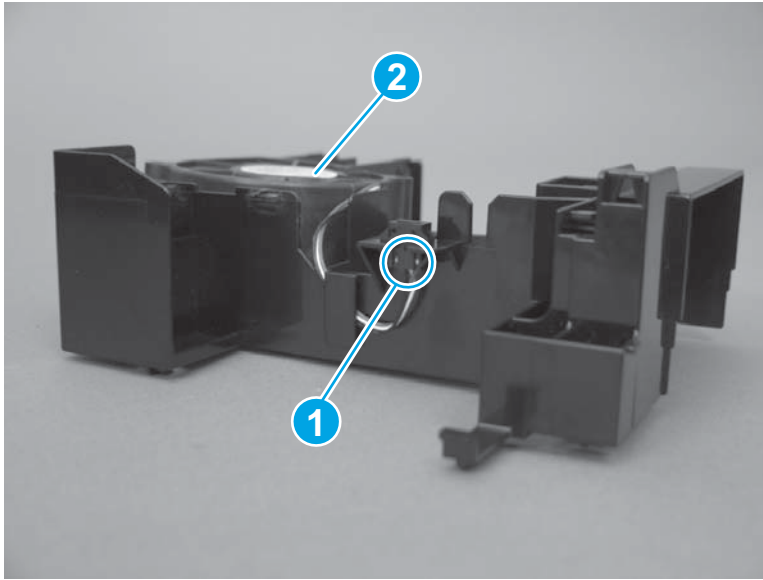
**Figure 1-274** Remove the cartridge fan and environmental sensor (5 of 7)





6. Disconnect one connector (callout 1), and then remove the fan (callout 2).

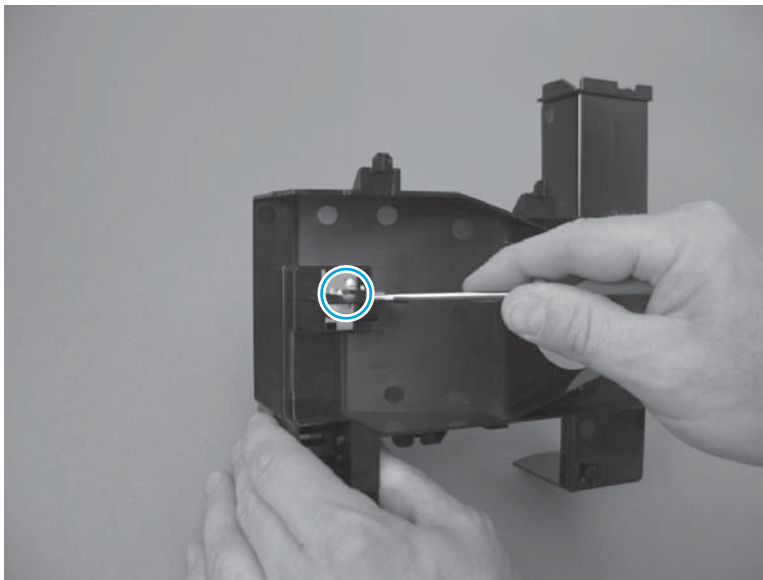
**Figure 1-275** Remove the cartridge fan and environmental sensor (6 of 7)



7. Carefully release one tab, and then remove the environmental sensor.

**CAUTION:**  ESD-sensitive assembly.

**Figure 1-276** Remove the cartridge fan and environmental sensor (7 of 7)



## Residual toner full sensor

### Before proceeding, remove the following assemblies

#### M651 models

- Toner-collection unit. See [Toner-collection unit on page 6](#).
- Upper left cover. See [Upper left cover \(M651\) on page 117](#).
- Left rear cover. See [Left rear cover on page 119](#).
- Left cover. See [Left cover on page 120](#).

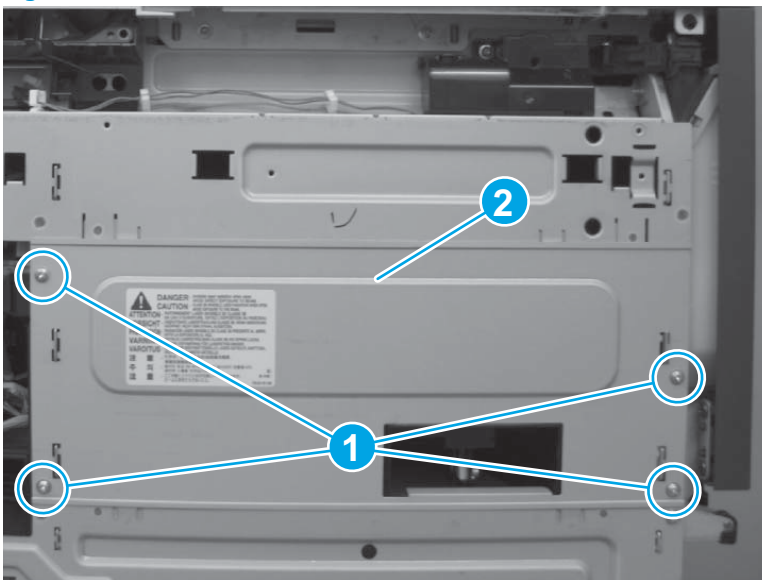
#### M680 models

- Toner-collection unit. See [Toner-collection unit on page 6](#).
- Standard output bin. See [Standard output bin \(M680\) on page 52](#).
- Output bin bezel. See [Output bin bezel \(M680\) on page 53](#).
- Fan cover. See [Fan cover \(M680\) on page 118](#).
- Left rear cover. See [Left rear cover on page 119](#).
- Left cover. See [Left cover on page 120](#).

### Remove the residual toner full sensor

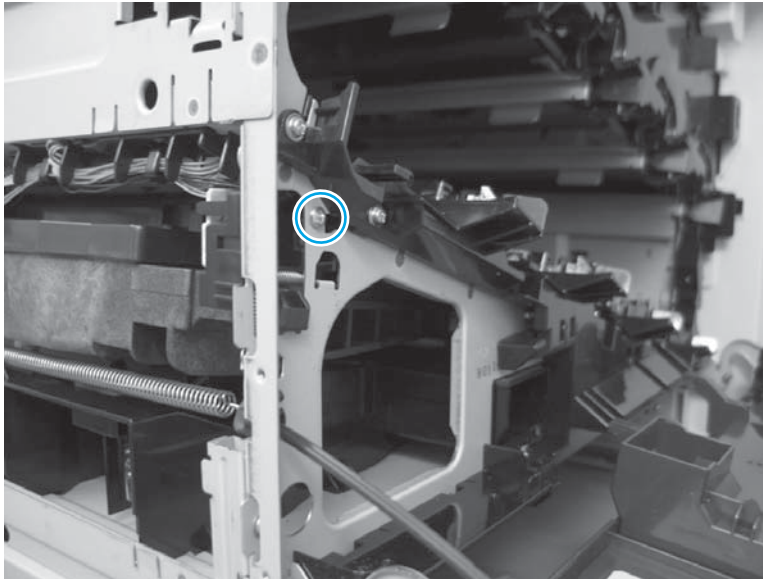
1. Remove four screws (callout 1), and then remove the sheet-metal plate (callout 2).

**Figure 1-277** Remove the residual toner full sensor (1 of 3)



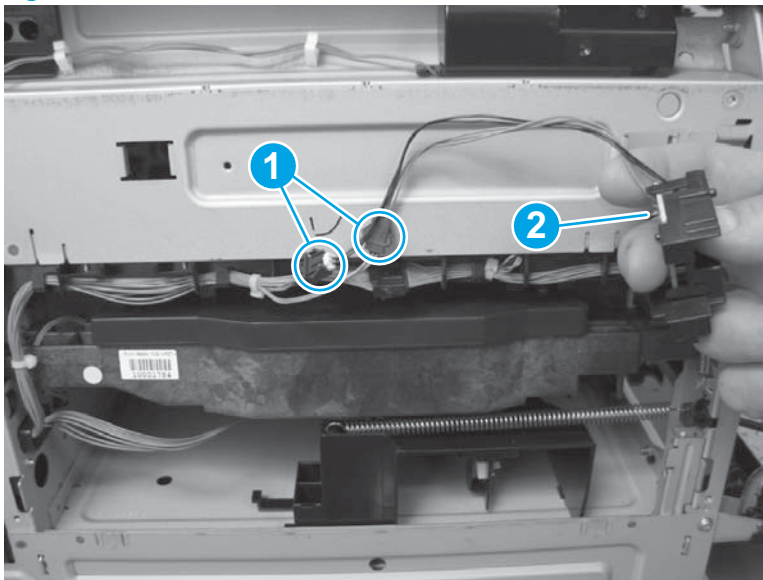
2. Open the front-door assembly, and then remove one screw.

**Figure 1-278** Remove the residual toner full sensor (2 of 3)



3. Disconnect two connectors (callout 1), and then remove the residual toner full sensor (callout 2).

**Figure 1-279** Remove the residual toner full sensor (3 of 3)




## Delivery assembly (M651)

### Before proceeding, remove the following assemblies

- Fuser. See [Fuser on page 24](#).
- Intermediate transfer belt (ITB). See [Intermediate transfer belt \(ITB\) on page 25](#).
- Control panel. See [Control panel assembly \(M651\) on page 28](#).
- Upper left cover. See [Upper left cover \(M651\) on page 117](#).
- Left-rear cover. See [Left rear cover on page 119](#).
- Right-front cover. See [Right-front cover on page 124](#).
- Face-down tray. See [Face-down tray \(M651\) on page 134](#).
- Face-down rear cover. See [Face-down rear cover \(M651\) on page 136](#).
- Delivery fan. See [Paper-delivery fan \(M651\) on page 166](#).

---


 **NOTE:** This assembly is also called the paper-delivery assembly.

---

### Remove the delivery assembly (M651)

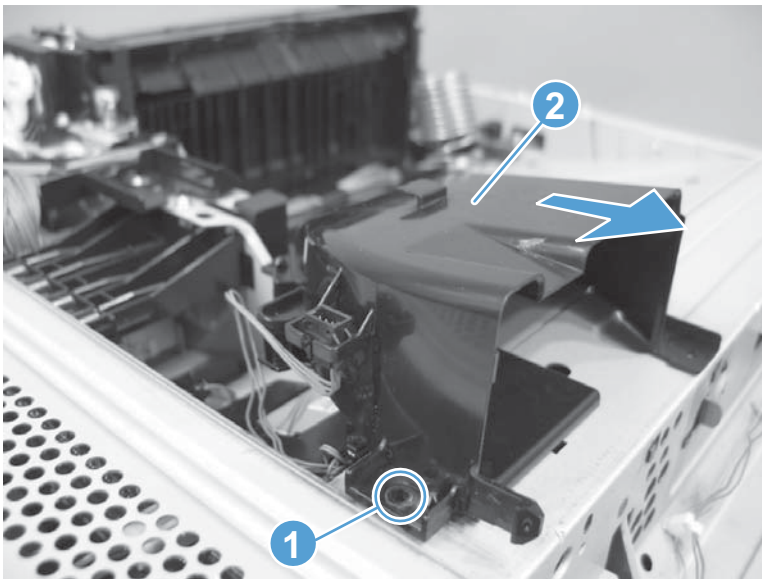
1. Remove one screw (callout 1), and then slide the fan duct (callout 2) in the direction of the arrow to release it from the delivery assembly.

---


 **NOTE:** Do not remove the fan duct from the product.


---

**Figure 1-280** Remove the delivery assembly (M651; 1 of 7)

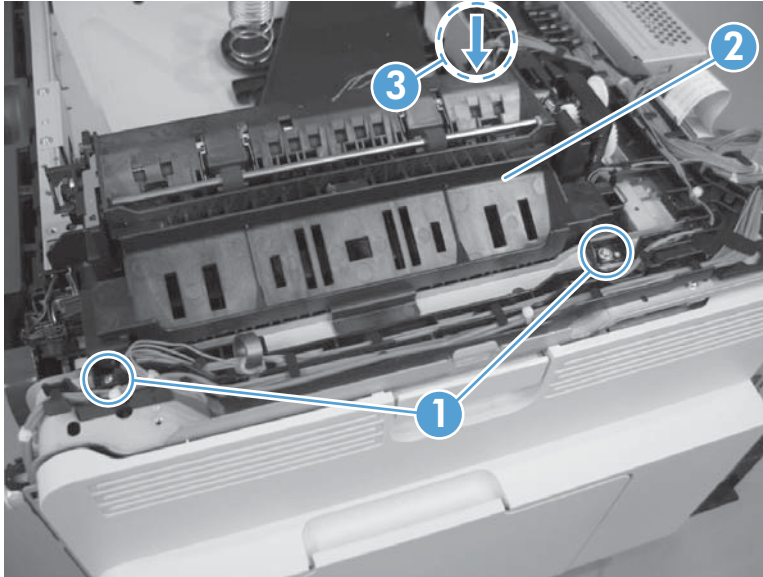


2. Remove two screws (callout 1), and then remove the paper guide (callout 2).

 **NOTE:** To create enough clearance to remove the paper guide (callout 2), press down on the duplex solenoid (callout 3).

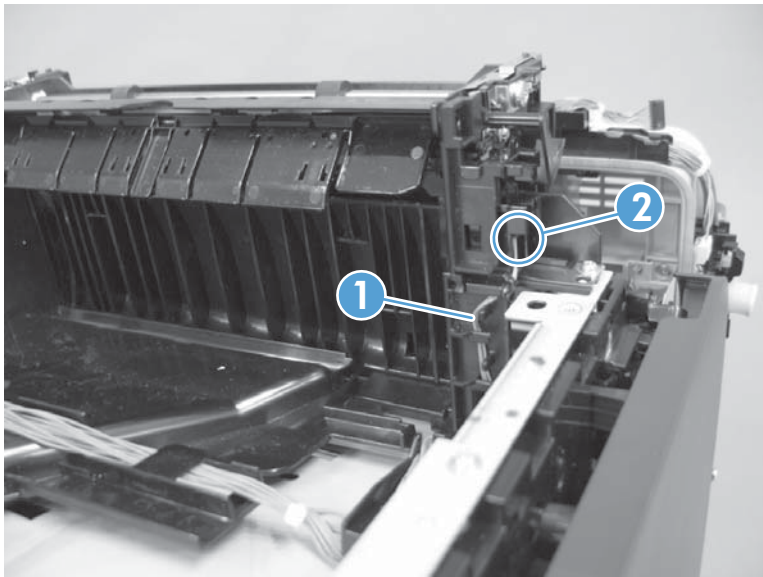
 **TIP:** The fuser delivery sensor is installed on the rear of the paper guide. Leave the sensor attached to the guide, and rotate the paper guide toward the rear of the product to access the delivery assembly.

**Figure 1-281** Remove the delivery assembly (M651; 2 of 7)



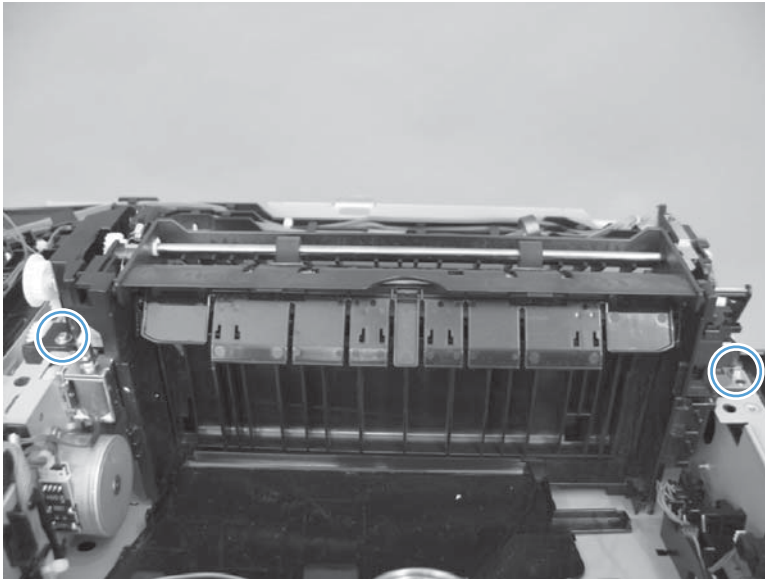
3. Release the wire harness from the guides (callout 1), and then disconnect one connector (callout 2).

**Figure 1-282** Remove the delivery assembly (M651; 3 of 7)



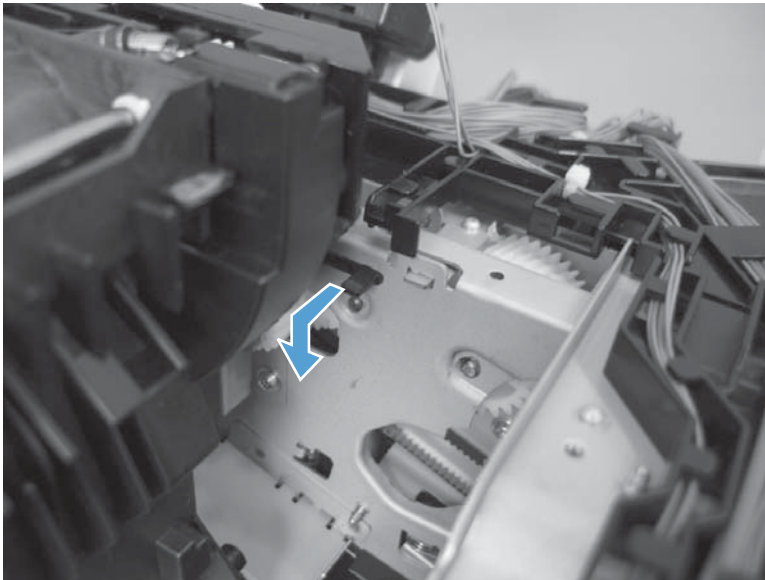
4. Remove two screws.

**Figure 1-283** Remove the delivery assembly (M651; 4 of 7)



5. Pull one tab out, and then push the tab down to release the bushing.

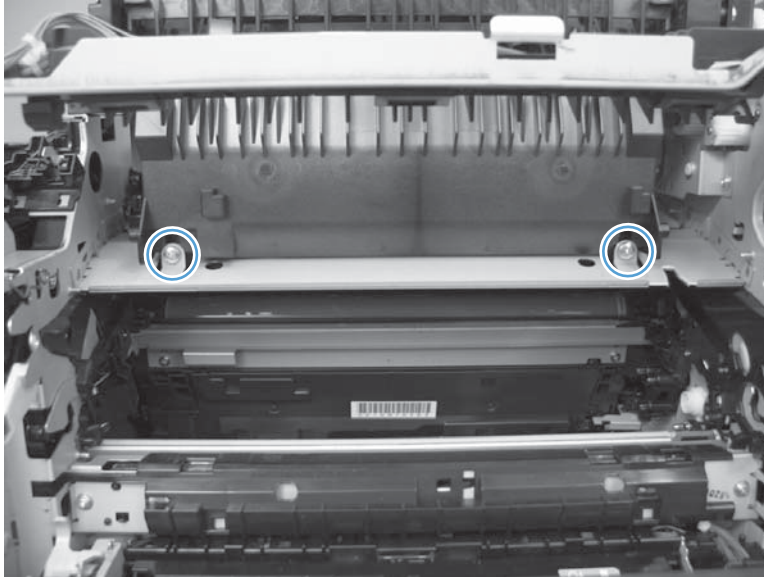
**Figure 1-284** Remove the delivery assembly (M651; 5 of 7)





6. Remove two screws.

**Figure 1-285** Remove the delivery assembly (M651; 6 of 7)



7. Remove the assembly.

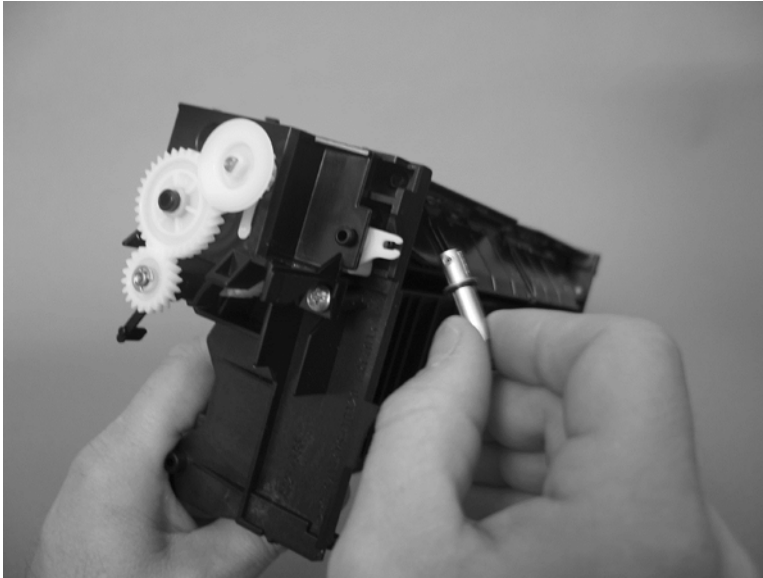
**Figure 1-286** Remove the delivery assembly (M651; 7 of 7)



## Reinstall the delivery assembly (M651)

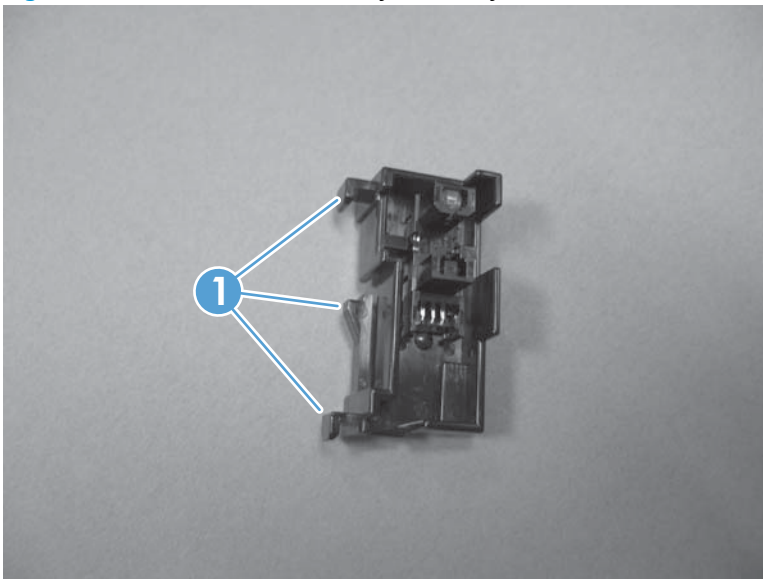
1. Transfer the solenoid plunger from the discarded assembly to the new one.

**Figure 1-287** Reinstall the delivery assembly (M651: 1 of 4)



2. Transfer the output-bin full sensor from the discarded assembly to the new one. The sensor is held in place by one tab and two hooks (callout 1).

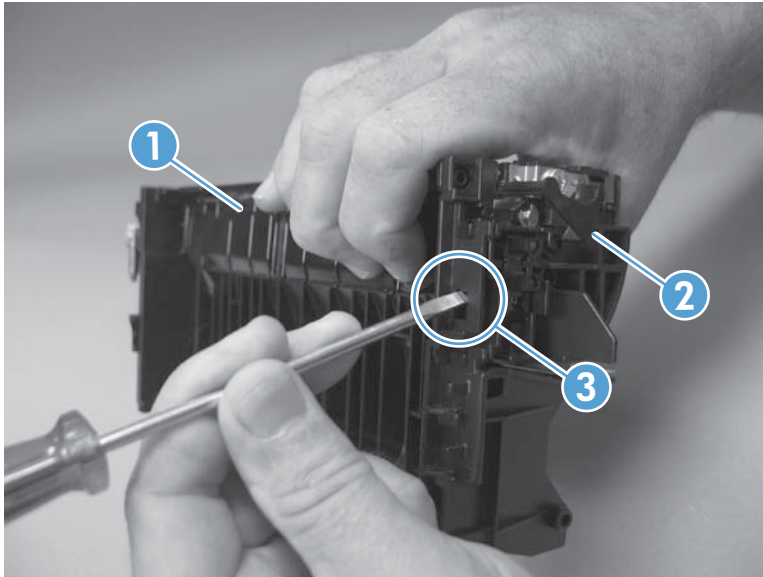
**Figure 1-288** Reinstall the delivery assembly (M651: 2 of 4)





3. Hold the delivery assembly with the diverter (callout 1) in the depressed position to move the sensor flag (callout 2) away from the sensor. Release one tab (callout 3).

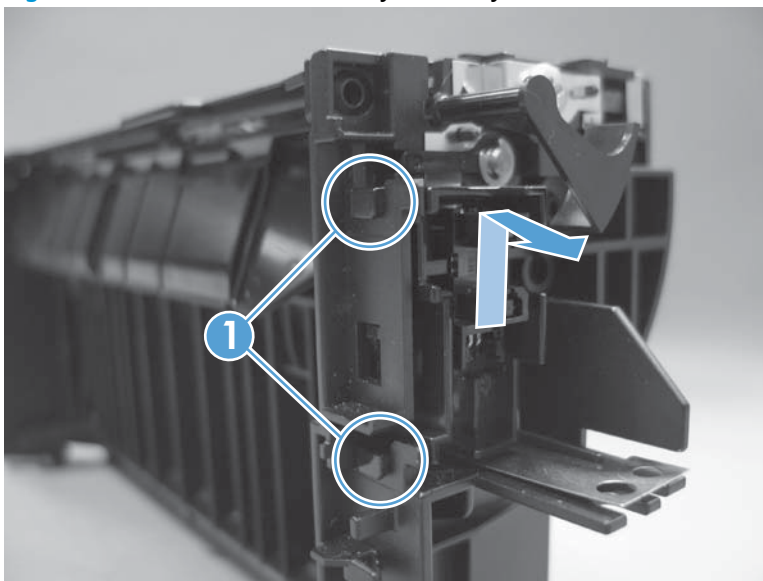
**Figure 1-289** Reinstall the delivery assembly (M651: 3 of 4)



4. Slide the sensor up toward the top of the delivery assembly to release two hooks (callout 1), and then carefully remove the sensor from the assembly.

**⚠ CAUTION:** Do not damage the sensor holder or sensor flag when removing the sensor from the delivery assembly.


**Figure 1-290** Reinstall the delivery assembly (M651: 4 of 4)



## Delivery assembly (M680)

### Before proceeding, remove the following assemblies

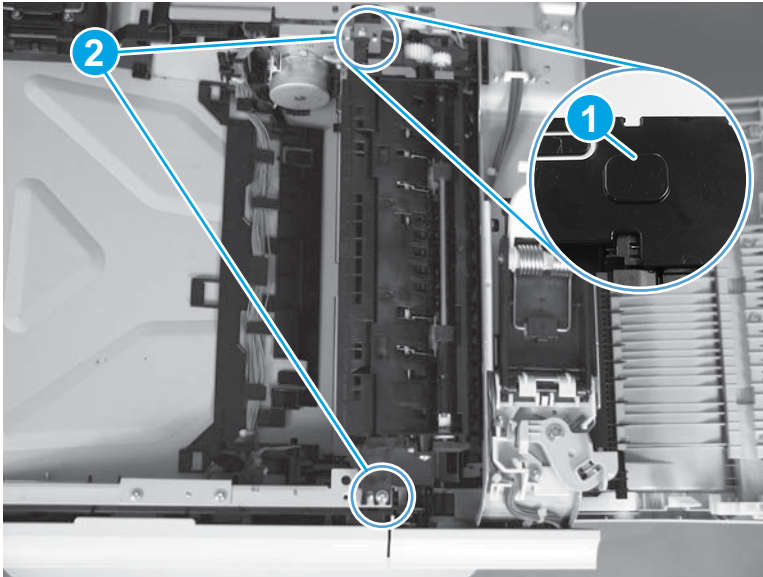
- Fuser. See [Fuser on page 24](#).
- Intermediate transfer belt (ITB). See [Intermediate transfer belt \(ITB\) on page 25](#).
- Standard output bin. See [Standard output bin \(M680\) on page 52](#).
- Output bin bezel. See [Output bin bezel \(M680\) on page 53](#).
- Scanner rear cover. See [Scanner rear cover on page 79](#).
- Document feeder. See [Document feeder \(ADF\) on page 80](#).
- Scanner assembly. See [Image scanner assembly on page 103](#).
- Fan cover. See [Fan cover \(M680\) on page 118](#).
- Intermediate cover. See [Intermediate cover assembly \(M680\) on page 145](#).
- IPTU. See [IPTU \(M680\) on page 147](#).

 **NOTE:** This assembly is also called the paper-delivery assembly.

### Remove the delivery assembly (M680)

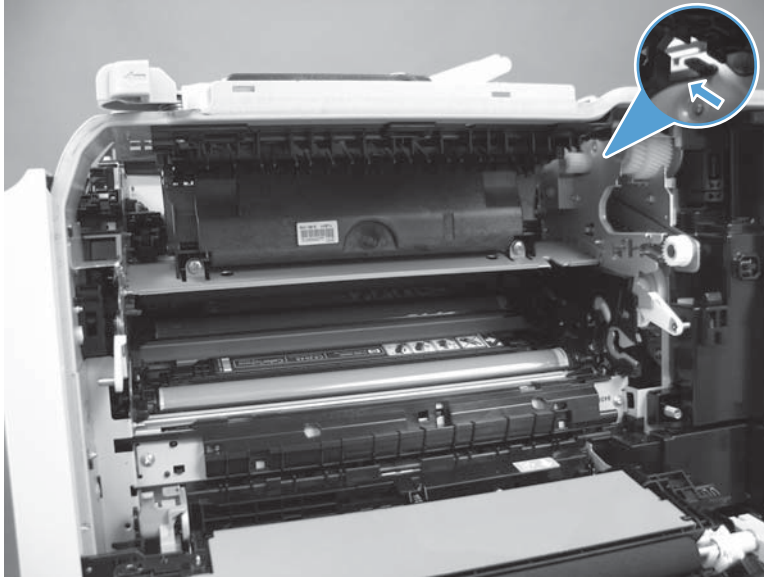
1. Remove one black-plastic cover (callout 1), and then remove two screws (callout 2).


**Figure 1-291** Remove the delivery assembly (M680; 1 of 4)



2. Pull one tab out, and then push the tab down to release the bushing.

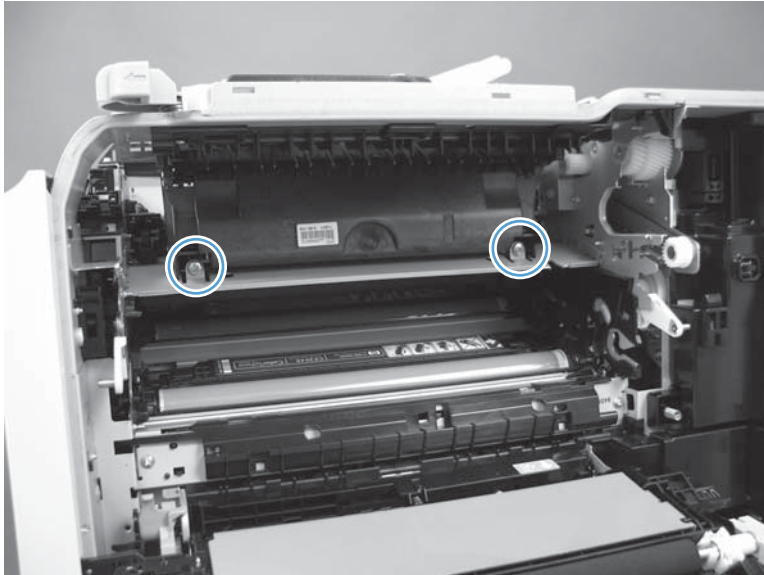
**Figure 1-292** Remove the delivery assembly (M680; 2 of 4)



 **NOTE:** When reinstalling, make sure the tab is correctly installed and flush against the chassis.

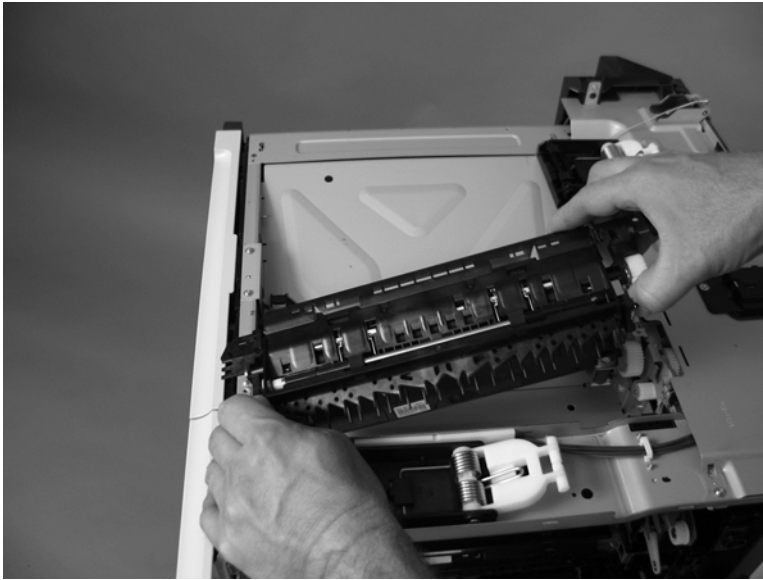
3. Remove two screws.

**Figure 1-293** Remove the delivery assembly (M680; 3 of 4)



4. Remove the assembly.

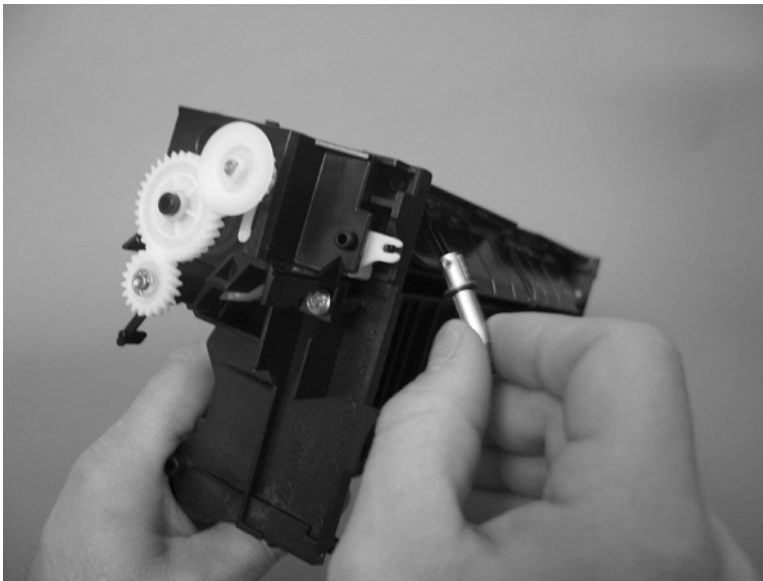
**Figure 1-294** Remove the delivery assembly (M680; 4 of 4)



#### **Reinstall the delivery assembly (M680)**

- ▲ Make sure that the solenoid plunger is correctly installed on the replacement assembly.

**Figure 1-295** Reinstall the delivery assembly (M680)



## Duplex-drive assembly

### Before proceeding, remove the following assemblies

#### M651 models

- Fuser. See [Fuser on page 24](#).
- Intermediate transfer belt (ITB). See [Intermediate transfer belt \(ITB\) on page 25](#).
- Control panel. See [Control panel assembly \(M651\) on page 28](#).
- Upper left cover. See [Upper left cover \(M651\) on page 117](#).
- Left-rear cover. See [Left rear cover on page 119](#).
- Face-down tray. See [Face-down tray \(M651\) on page 134](#).
- Face-down rear cover. See [Face-down rear cover \(M651\) on page 136](#).
- Right-front cover. See [Right-front cover on page 124](#).
- Delivery fan. See [Paper-delivery fan \(M651\) on page 166](#).
- Delivery assembly. See [Delivery assembly \(M651\) on page 180](#).

#### M680 models

- Fuser. See [Fuser on page 24](#).
- Intermediate transfer belt (ITB). See [Intermediate transfer belt \(ITB\) on page 25](#).
- Standard output bin. See [Standard output bin \(M680\) on page 52](#).
- Output bin bezel. See [Output bin bezel \(M680\) on page 53](#).
- Scanner rear cover). See [Scanner rear cover on page 79](#).
- Document feeder. See [Document feeder \(ADF\) on page 80](#).
- Scanner assembly. See [Image scanner assembly on page 103](#).
- Fan cover. See [Fan cover \(M680\) on page 118](#).
- IPTU. See [IPTU \(M680\) on page 147](#).
- Delivery assembly. See [Delivery assembly \(M680\) on page 186](#).



**NOTE:** This assembly is also called the duplexing-drive assembly.

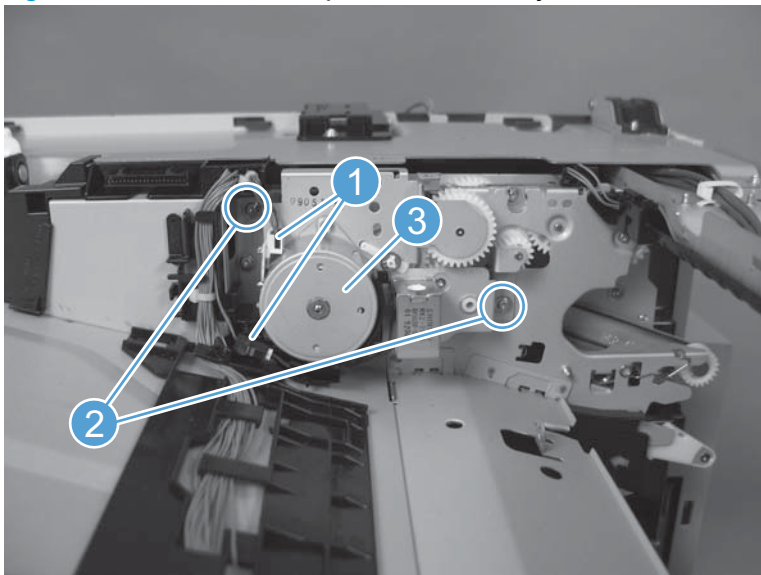
### Remove the duplex-drive assembly

- ▲ Disconnect two connectors (callout 1), remove two screws (callout 2), and then remove the assembly (callout 3).



**NOTE:** The figure below shows the M680 product. For the M651 assembly, the connectors and solenoid are located in slightly different positions than shown below.

**Figure 1-296** Remove the duplex-drive assembly





## Power-supply fan (M651)

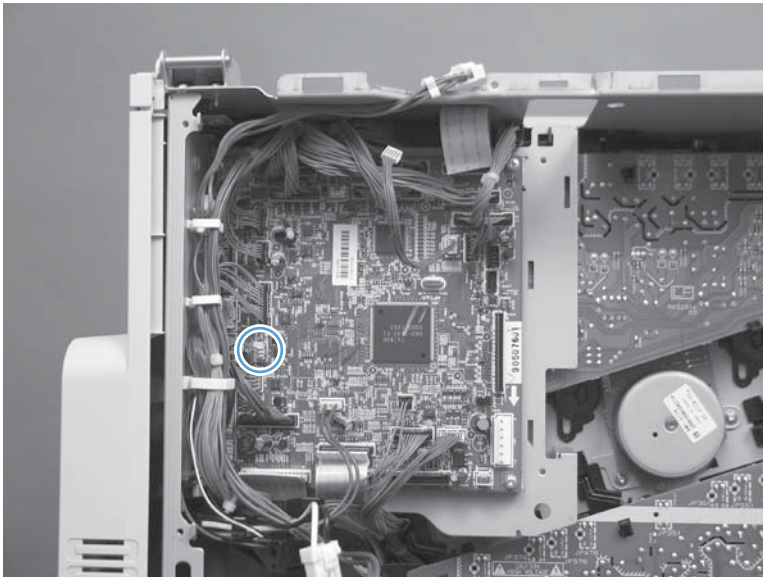
### Before proceeding, remove the following assemblies

- Control panel assembly. See [Control panel assembly \(M651\) on page 28](#).
- Upper left cover. See [Upper left cover \(M651\) on page 117](#).
- Rear cover. See [Rear cover \(M651\) on page 121](#).
- Face-down tray. See [Face-down tray \(M651\) on page 134](#).
- Face-down rear cover. See [Face-down rear cover \(M651\) on page 136](#).
- Upper cover. See [Upper cover \(M651\) on page 139](#).


### Remove the power-supply fan (M651)

1. Release the fan cable from the DC controller.

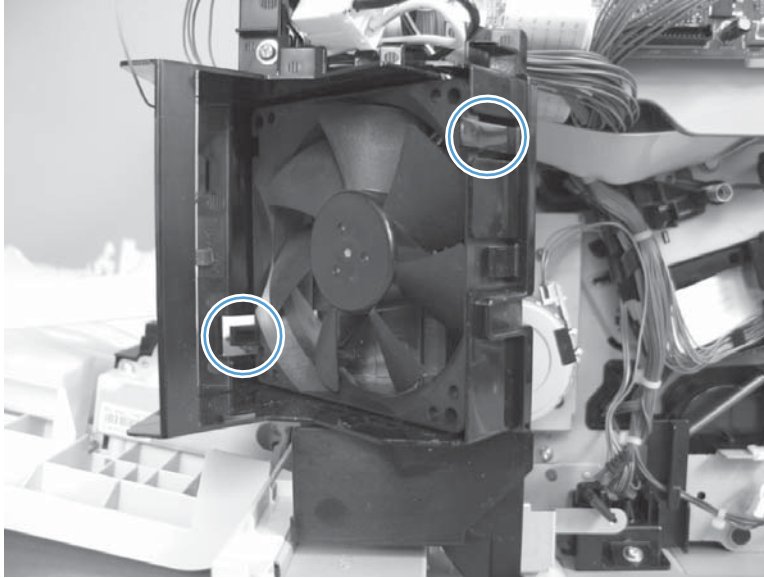
**Figure 1-297** Remove the power-supply fan (M651; 1 of 2)



2. Release two tabs, and then remove the fan from the fan duct.

 **Reinstallation tip** When the fan is reinstalled, the air must flow into the product. Check the arrows embossed on the fan frame that indicate air flow direction.

**Figure 1-298** Remove the power-supply fan (M651; 2 of 2)



## Power-supply fan (M680)

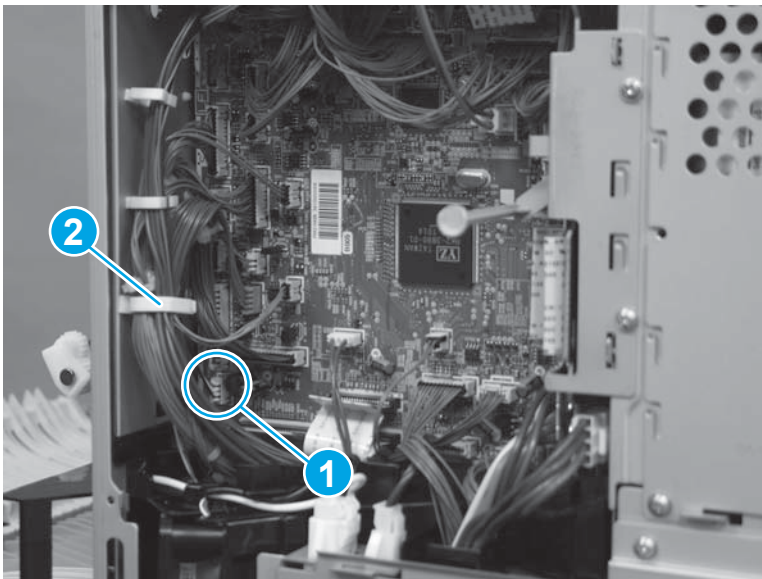
### Before proceeding, remove the following assemblies

- Standard output bin. See [Standard output bin \(M680\) on page 52](#).
- Output bin bezel. See [Output bin bezel \(M680\) on page 53](#).
- Scanner rear cover. See [Scanner rear cover on page 79](#).
- Document feeder (M680). See [Document feeder \(ADF\) on page 80](#).
- Scanner assembly (M680). See [Image scanner assembly on page 103](#).
- Fan cover. See [Fan cover \(M680\) on page 118](#).
- Left rear cover. See [Left rear cover on page 119](#).
- Rear cover. See [Rear cover \(M680\) on page 122](#).
- Right-rear cover. See [Right-rear cover on page 146](#).

### Remove the power-supply fan (M680)

1. Release the fan cable from the DC controller (callout 1), and then release the wire harness from one retainer (callout 2).

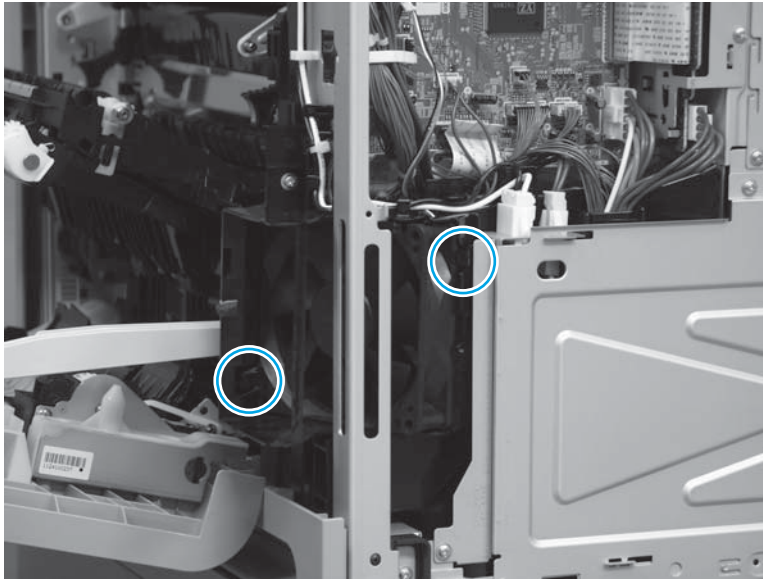
**Figure 1-299** Remove the power-supply fan (M680; 1 of 3)






2. Release two tabs.

**Figure 1-300** Remove the power-supply fan (M680; 2 of 3)



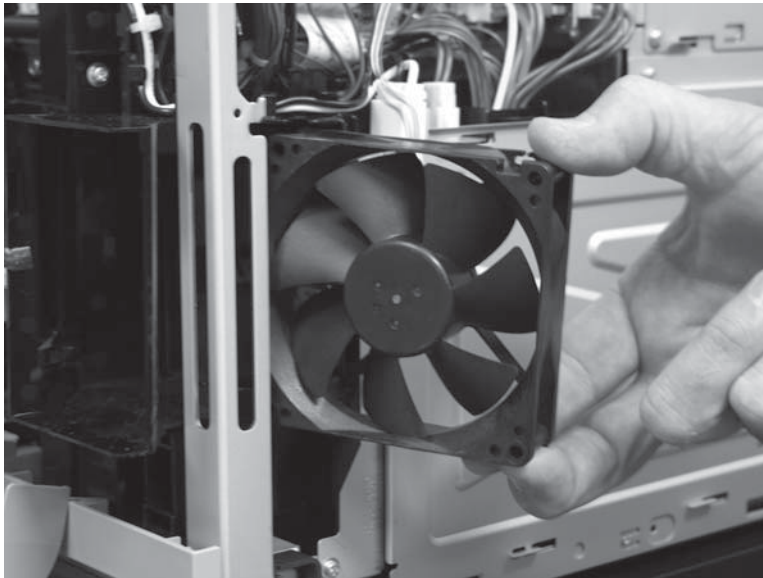
3. Remove the fan from the fan duct.

---

 **Reinstallation tip** When the fan is reinstalled, the air must flow into the product. Check the arrows embossed on the fan frame that indicate air flow direction.

---


**Figure 1-301** Remove the power-supply fan (M680; 3 of 3)




## Interconnect board (ICB) (M651)

### Before proceeding, remove the following assemblies

- Formatter PCA. See [Formatter PCA on page 9](#).
- Upper left cover. See [Upper left cover \(M651\) on page 117](#).
- Left rear cover. See [Left rear cover on page 119](#).
- Rear cover. See [Rear cover \(M651\) on page 121](#).
- Face-down tray. See [Face-down tray \(M651\) on page 134](#).
- Face-down rear cover. See [Face-down rear cover \(M651\) on page 136](#).

 **NOTE:** This assembly is also called the inner connecting PCA assembly (M651).

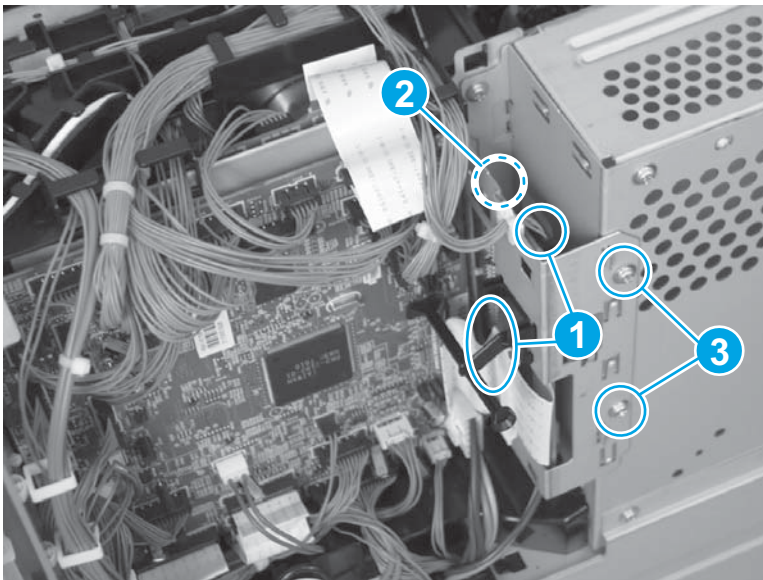
### Remove the interconnect board (M651)

 **WARNING!** Do **not** remove the ICB from a product and then install it into a **different** product. Failure to follow this warning will result in severe damage to that product and cause it to be unusable. HP recommends that if the ICB is removed and replaced, the discarded ICB should be destroyed so that it can not accidentally be installed in a different product.

 **CAUTION:**  ESD-sensitive assembly.

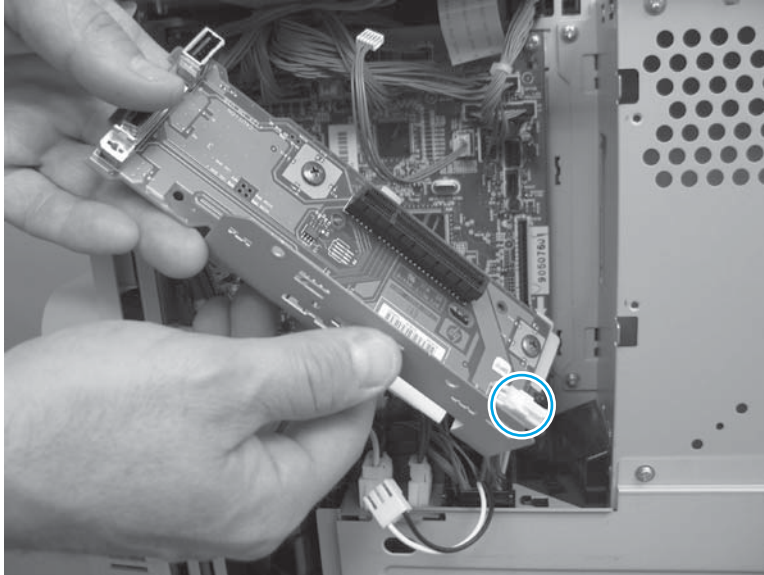
1. Disconnect two connectors (callout 1), one USB connector (callout 2), and then remove two screws (callout 3).

**Figure 1-302** Remove the interconnect board (M651; 1 of 2)



2. Carefully rotate and slide the ICB up and away from the chassis, disconnect one connector, and then remove the ICB.


**Figure 1-303** Remove the interconnect board (M651; 2 of 2)




## Interconnect board (ICB) (M680)

### Before proceeding, remove the following assemblies

- Formatter. See [Formatter PCA on page 9](#).
- Scanner rear cover. See [Scanner rear cover on page 79](#).
- Document feeder. See [Document feeder \(ADF\) on page 80](#).
- Scanner assembly. See [Image scanner assembly on page 103](#).
- Fan cover. See [Fan cover \(M680\) on page 118](#).
- Left rear cover. See [Left rear cover on page 119](#).
- Rear cover. See [Rear cover \(M680\) on page 122](#).

 **NOTE:** This assembly is also called the inner connecting PCA assembly (M680).

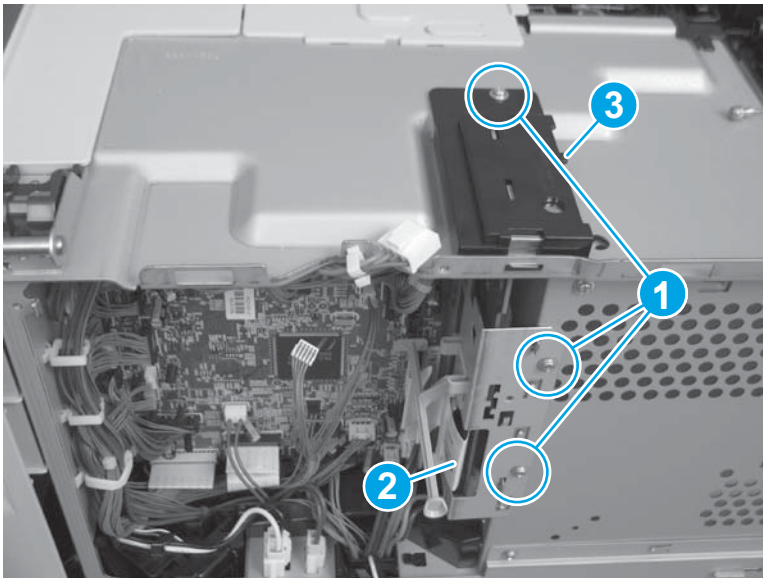
### Remove the ICB (M680)

 **WARNING!** Do **not** remove the ICB from a product and then install it into a **different** product. Failure to follow this warning will result in severe damage to that product and cause it to be unusable. HP recommends that if the ICB is removed and replaced, the discarded ICB should be destroyed so that it can not accidentally be installed in a different product.

 **CAUTION:**  ESD-sensitive assembly.

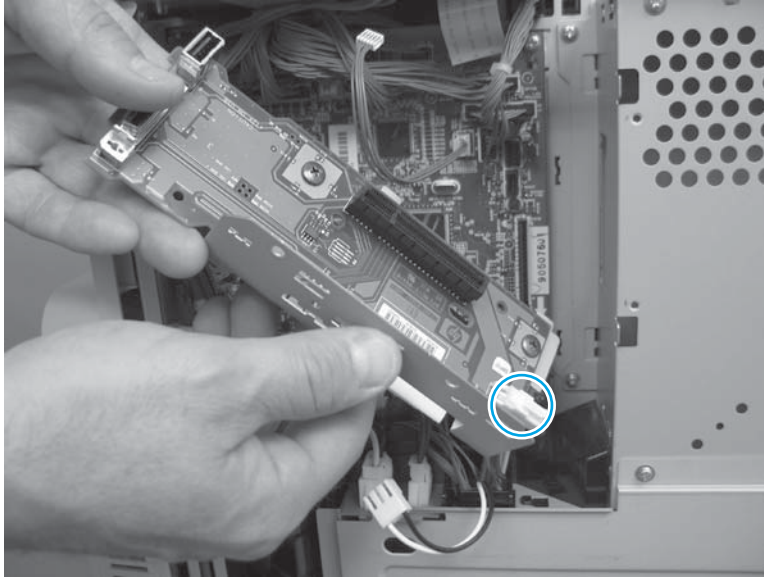
1. Remove three screws (callout 1), disconnect one FFC (callout 2), and remove the small cover (callout 3).

**Figure 1-304** Remove the ICB (M680; 1 of 2)



2. Carefully rotate and slide the ICB up and away from the chassis, disconnect one connector, and then remove the ICB.

**Figure 1-305** Remove the ICB (M680; 2 of 2)



## DC controller PCA only

### Before proceeding, remove the following assemblies

#### M651 models

- Formatter. See [Formatter PCA on page 9](#).
- Upper left cover. See [Upper left cover \(M651\) on page 117](#).
- Left rear cover. See [Left rear cover on page 119](#).
- Rear cover. See [Rear cover \(M651\) on page 121](#).
- Face-down tray. See [Face-down tray \(M651\) on page 134](#).
- Face-down rear cover. See [Face-down rear cover \(M651\) on page 136](#).
- Interconnect board. See [Interconnect board \(ICB\) \(M651\) on page 194](#).

#### M680 models


- Formatter. See [Formatter PCA on page 9](#).
- Standard output bin. See [Standard output bin \(M680\) on page 52](#).
- Output bin bezel. See [Output bin bezel \(M680\) on page 53](#).
- Scanner rear cover. See [Scanner rear cover on page 79](#).
- Document feeder. See [Document feeder \(ADF\) on page 80](#).
- Scanner assembly. See [Image scanner assembly on page 103](#).
- Fan cover. See [Fan cover \(M680\) on page 118](#).
- Left rear cover. See [Left rear cover on page 119](#).
- Rear cover. See [Rear cover \(M680\) on page 122](#).
- Interconnect board (ICB). See [Interconnect board \(ICB\) \(M680\) on page 196](#).



**NOTE:** This assembly is also called the DC controller PCA assembly.

### Remove the DC controller PCA only



**CAUTION:**  ESD-sensitive assembly.



**NOTE:** Use the following procedure to replace **only** the DC controller PCA. To access assemblies behind the DC controller, remove the PCA and the sheet-metal backing tray. See [DC controller PCA and tray on page 204](#).

- ▲ Disconnect all the connectors. Remove four screws and then remove the DC controller PCA

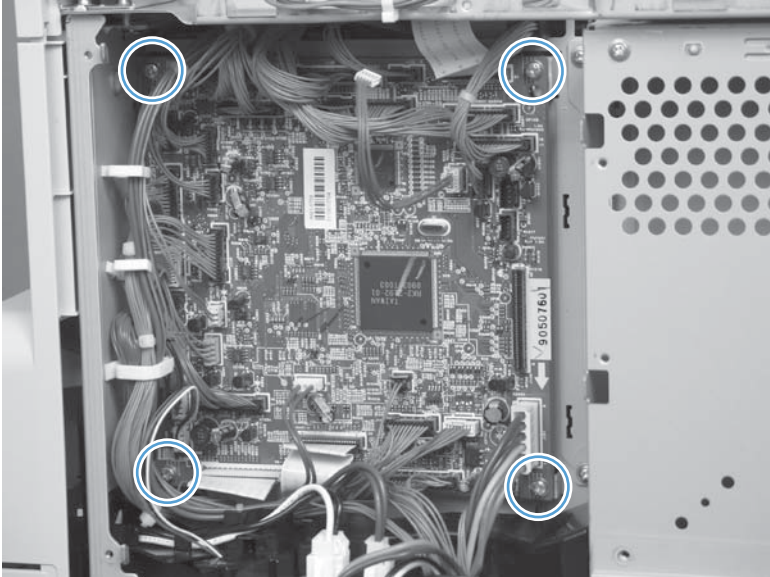


**Reinstallation tip** M651: The connector locations J101, J102, J106, and J154 are not used.

M680: The connector locations J101 and J102 are not used.



**Figure 1-306** Remove the DC controller PCA only





## Low-voltage power supply (LVPS)

### Before proceeding, remove the following assemblies

#### M651 models

- Formatter. See [Formatter PCA on page 9](#).
- Upper left cover. See [Upper left cover \(M651\) on page 117](#).
- Left rear cover. See [Left rear cover on page 119](#).
- Rear cover. See [Rear cover \(M651\) on page 121](#).
- Face-down tray. See [Face-down tray \(M651\) on page 134](#).
- Face-down rear cover. See [Face-down rear cover \(M651\) on page 136](#).
- Interconnect board. See [Interconnect board \(ICB\) \(M651\) on page 194](#).

#### M680 models


- Formatter. See [Formatter PCA on page 9](#).
- Standard output bin. See [Standard output bin \(M680\) on page 52](#).
- Output bin bezel. See [Output bin bezel \(M680\) on page 53](#).
- Scanner rear cover. See [Scanner rear cover on page 79](#).
- Document feeder. See [Document feeder \(ADF\) on page 80](#).
- Scanner assembly. See [Image scanner assembly on page 103](#).
- Fan cover. See [Fan cover \(M680\) on page 118](#).
- Left rear cover. See [Left rear cover on page 119](#).
- Rear cover. See [Rear cover \(M680\) on page 122](#).
- Interconnect board (ICB). See [Interconnect board \(ICB\) \(M680\) on page 196](#).



**NOTE:** This assembly is also called the low-voltage power supply PCA assembly.

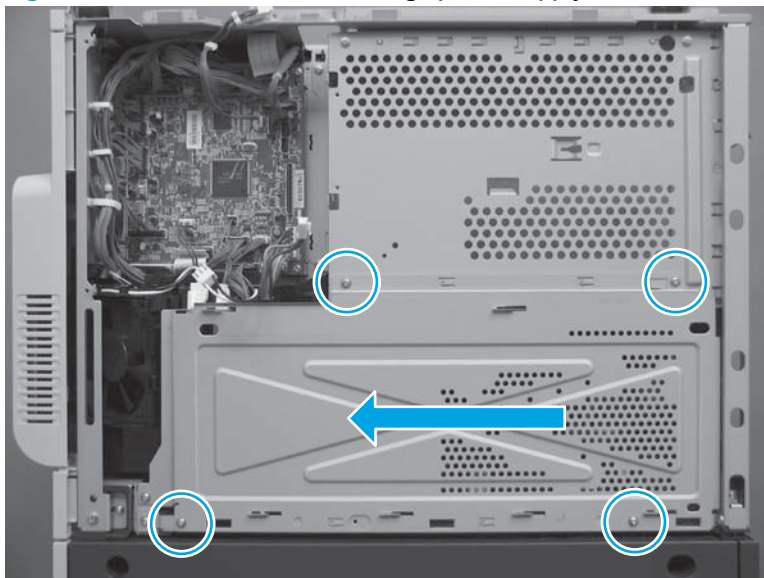
### Remove the low-voltage power supply



**CAUTION:**  ESD-sensitive assembly.

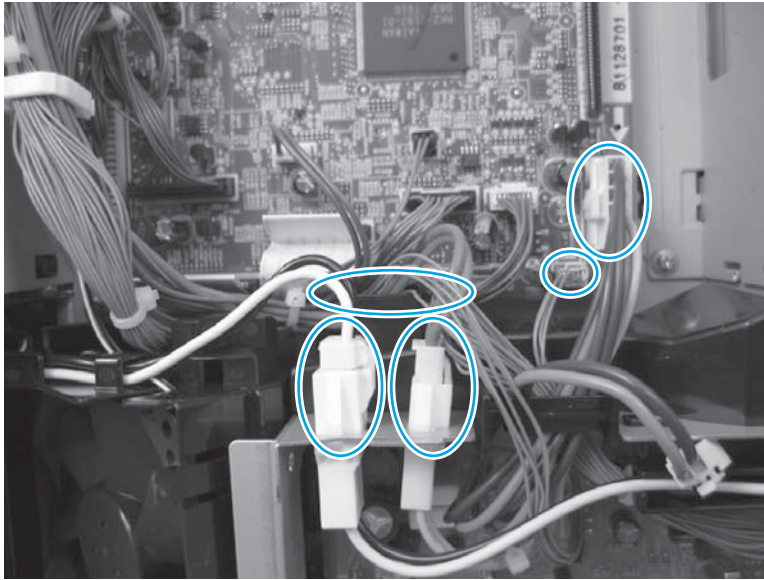
1. Remove four screws, and then slide the sheet-metal plate to the left to remove it.

**Figure 1-307** Remove the low-voltage power supply (1 of 8)



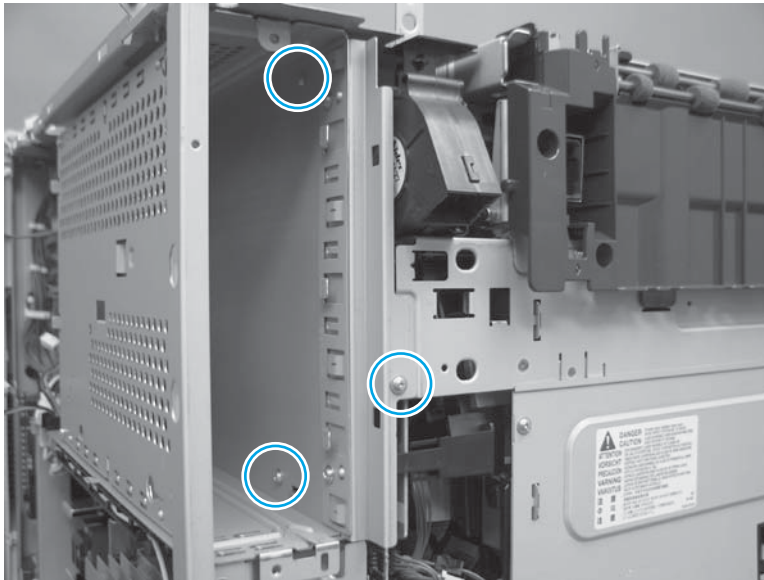
2. Disconnect five connectors, and then release the wire harnesses from the guides as necessary.

**Figure 1-308** Remove the low-voltage power supply (2 of 8)



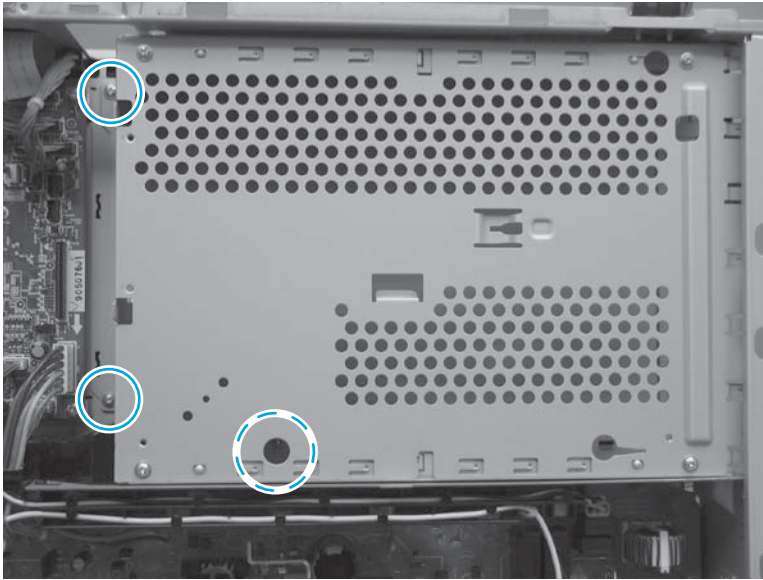
3. Remove three screws.

**Figure 1-309** Remove the low-voltage power supply (4 of 8)



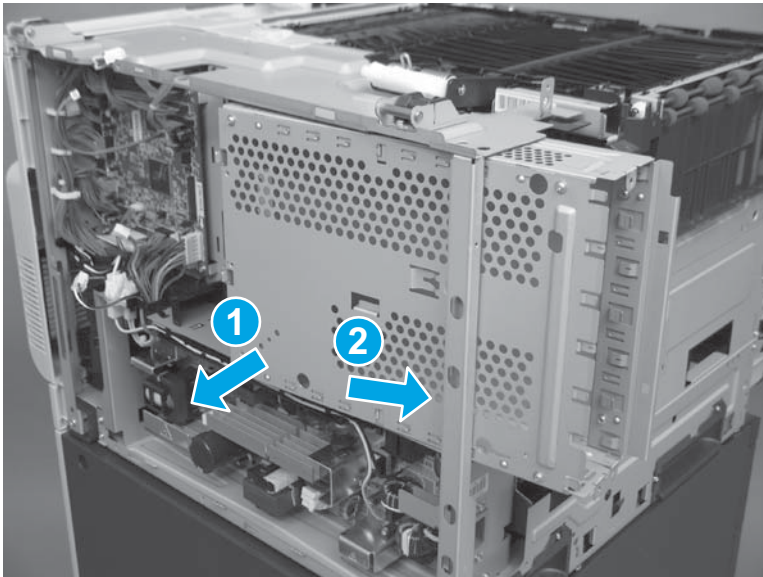
4. Remove three screws.

**Figure 1-310** Remove the low-voltage power supply (5 of 8)



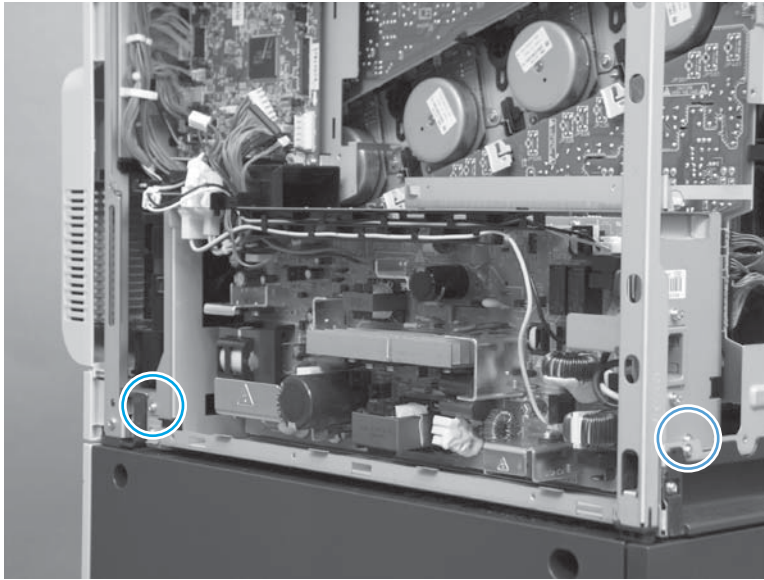
5. Slide the end of the formatter cage away from the product (callout 1) and the slide the cage out of the product (callout 2).

**Figure 1-311** Remove the low-voltage power supply (6 of 8)



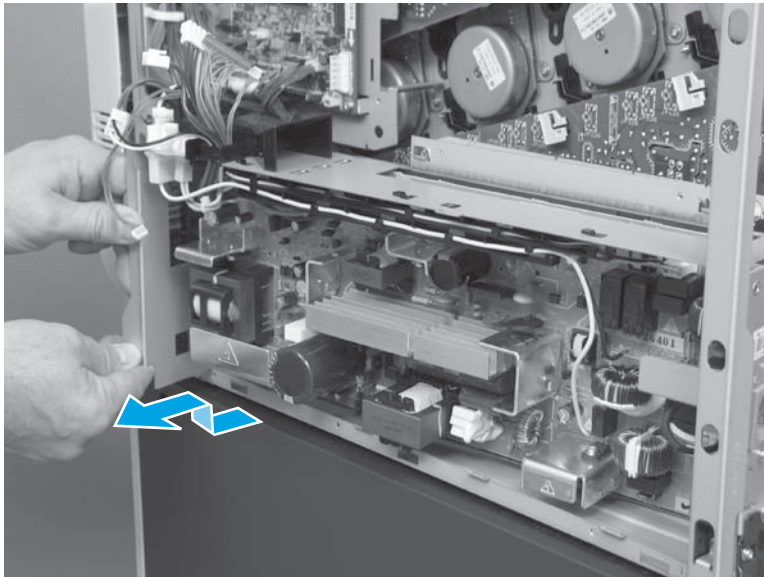
6. Remove two screws.

**Figure 1-312** Remove the low-voltage power supply (7 of 8)



7. Slide and then lift the end of low-voltage power supply until it is free of the product. Remove the low-voltage power supply.

**Figure 1-313** Remove the low-voltage power supply (8 of 8)



## DC controller PCA and tray

### Before proceeding, remove the following assemblies

#### M651 models

- Formatter. See [Formatter PCA on page 9](#).
- Upper left cover. See [Upper left cover \(M651\) on page 117](#).
- Left rear cover. See [Left rear cover on page 119](#).
- Rear cover. See [Rear cover \(M651\) on page 121](#).
- Face-down tray. See [Face-down tray \(M651\) on page 134](#).
- Face-down rear cover. See [Face-down rear cover \(M651\) on page 136](#).
- Interconnect board. See [Interconnect board \(ICB\) \(M651\) on page 194](#).
- Low-voltage power supply. See [Low-voltage power supply \(LVPS\) on page 200](#).

#### M680 models

- Formatter. See [Formatter PCA on page 9](#).
- Standard output bin. See [Standard output bin \(M680\) on page 52](#).
- Output bin bezel. See [Output bin bezel \(M680\) on page 53](#).
- Scanner rear cover. See [Scanner rear cover on page 79](#).
- Document feeder. See [Document feeder \(ADF\) on page 80](#).
- Scanner assembly. See [Image scanner assembly on page 103](#).
- Fan cover. See [Fan cover \(M680\) on page 118](#).
- Left rear cover. See [Left rear cover on page 119](#).
- Rear cover. See [Rear cover \(M680\) on page 122](#).
- Interconnect board (ICB). See [Interconnect board \(ICB\) \(M680\) on page 196](#).
- Low-voltage power supply. See [Low-voltage power supply \(LVPS\) on page 200](#).

### Remove the DC controller PCA and tray



**CAUTION:**  ESD-sensitive assembly.

1. Disconnect all the connectors.



**Reinstallation tip** M651: The connector locations J101, J102, J106, and J154 are not used.

M680: The connector locations J101 and J102 are not used.

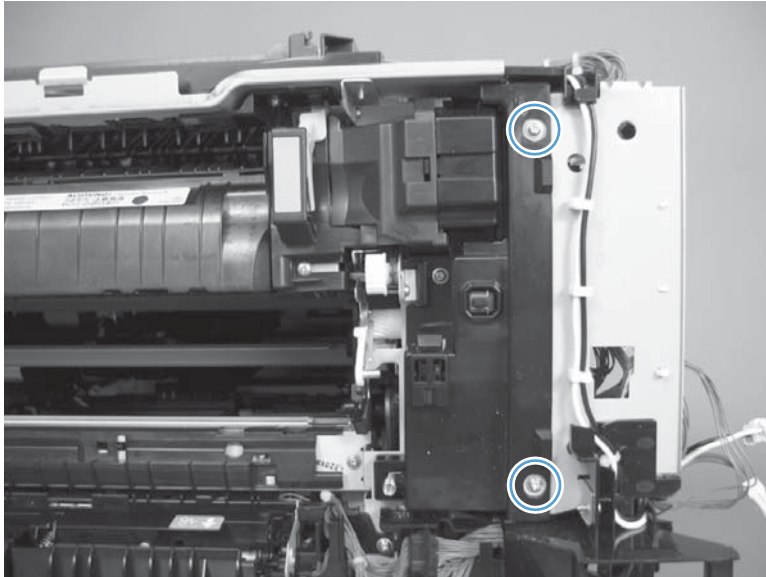


**Figure 1-314** Remove the DC controller PCA and tray (1 of 3)



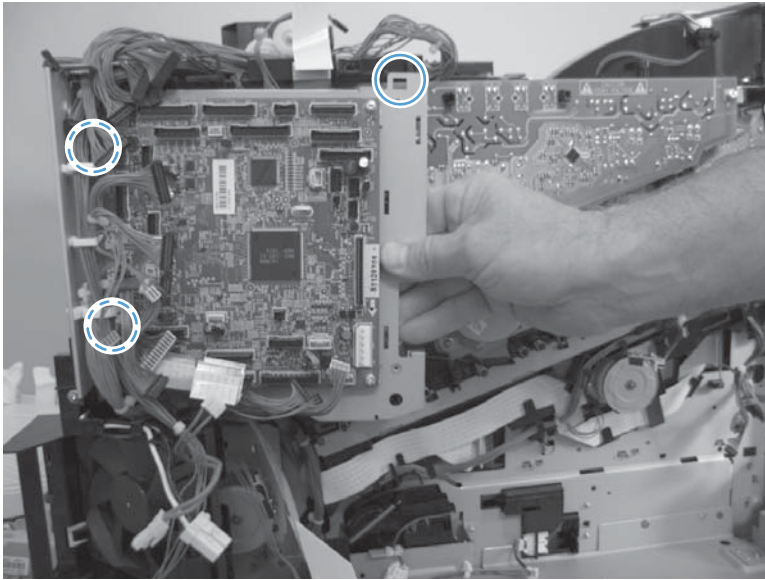
2. Remove two screws.

**Figure 1-315** Remove the DC controller PCA and tray (2 of 3)



3. Disengage three tabs (two along the left edge of the PCA and one at the top-right corner of the PCA).

**Figure 1-316** Remove the DC controller PCA and tray (3 of 3)





## High-voltage power supply lower (HVPS-D)

### Before proceeding, remove the following assemblies

#### M651 models

- Formatter. See [Formatter PCA on page 9](#).
- Upper left cover. See [Upper left cover \(M651\) on page 117](#).
- Left rear cover. See [Left rear cover on page 119](#).
- Rear cover. See [Rear cover \(M651\) on page 121](#).
- Face-down tray. See [Face-down tray \(M651\) on page 134](#).
- Face-down rear cover. See [Face-down rear cover \(M651\) on page 136](#).
- Interconnect board. See [Interconnect board \(ICB\) \(M651\) on page 194](#).
- Low-voltage power supply. See [Low-voltage power supply \(LVPS\) on page 200](#).

#### M680 models

- Formatter. See [Formatter PCA on page 9](#).
- Standard output bin. See [Standard output bin \(M680\) on page 52](#).
- Output bin bezel. See [Output bin bezel \(M680\) on page 53](#).
- Scanner rear cover. See [Scanner rear cover on page 79](#).
- Document feeder. See [Document feeder \(ADF\) on page 80](#).
- Scanner assembly. See [Image scanner assembly on page 103](#).
- Fan cover. See [Fan cover \(M680\) on page 118](#).
- Left rear cover. See [Left rear cover on page 119](#).
- Rear cover. See [Rear cover \(M680\) on page 122](#).
- Interconnect board (ICB). See [Interconnect board \(ICB\) \(M680\) on page 196](#).
- Low-voltage power supply. See [Low-voltage power supply \(LVPS\) on page 200](#).



---


**NOTE:** This assembly is also called the high-voltage power supply PCA lower assembly.

---

### Remove the high-voltage power supply lower



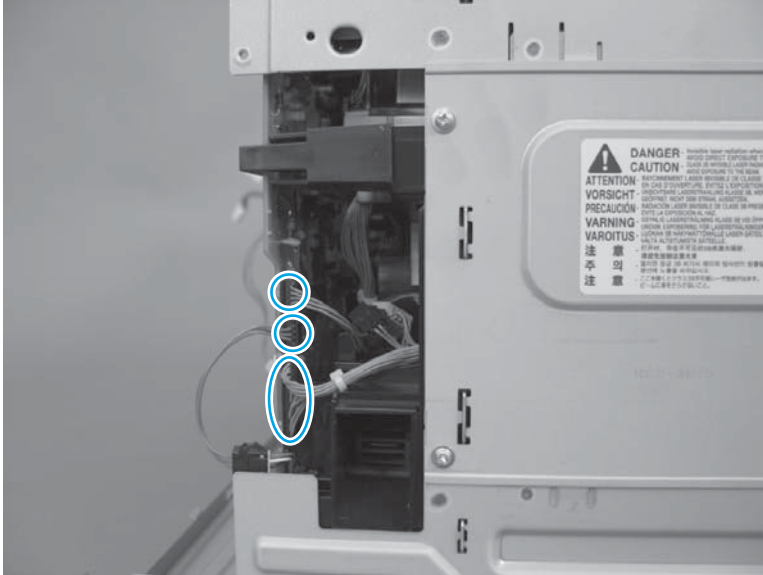
---

**CAUTION:**  ESD-sensitive assembly.

---

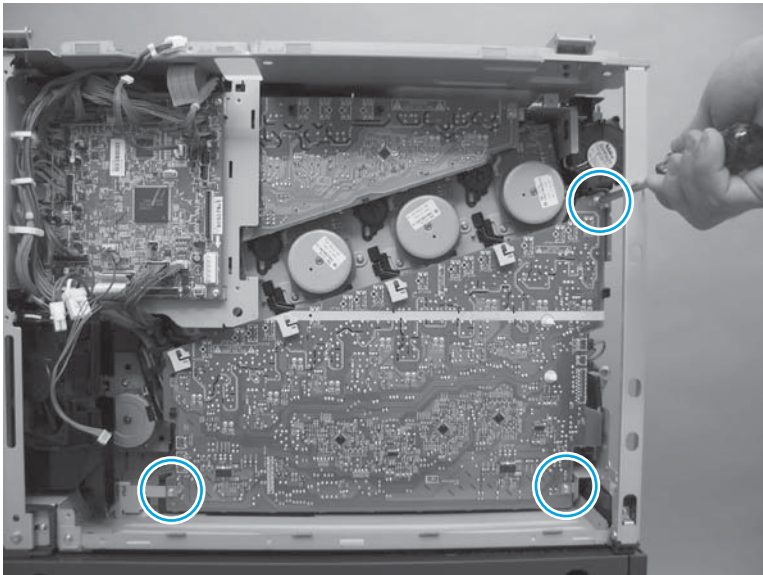
1. Disconnect three connectors.

**Figure 1-317** Remove the high-voltage power supply lower (1 of 7)




2. Remove three screws.

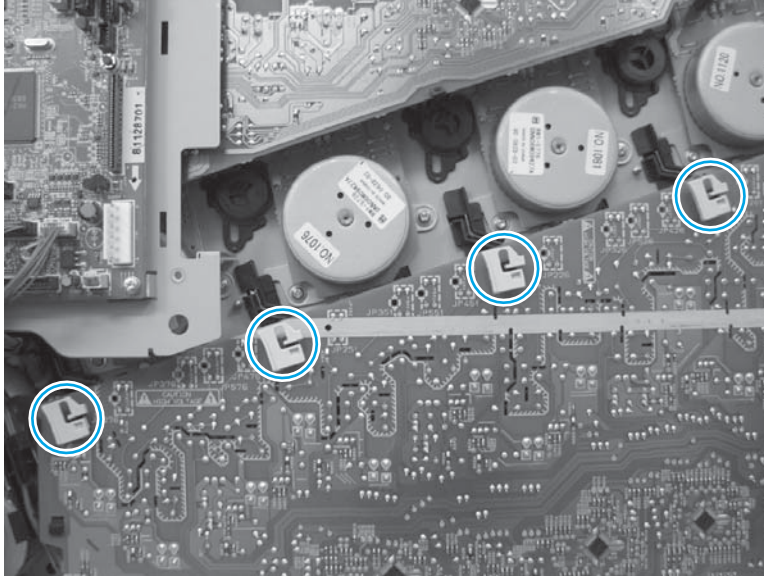
**Figure 1-318** Remove the high-voltage power supply lower (2 of 7)



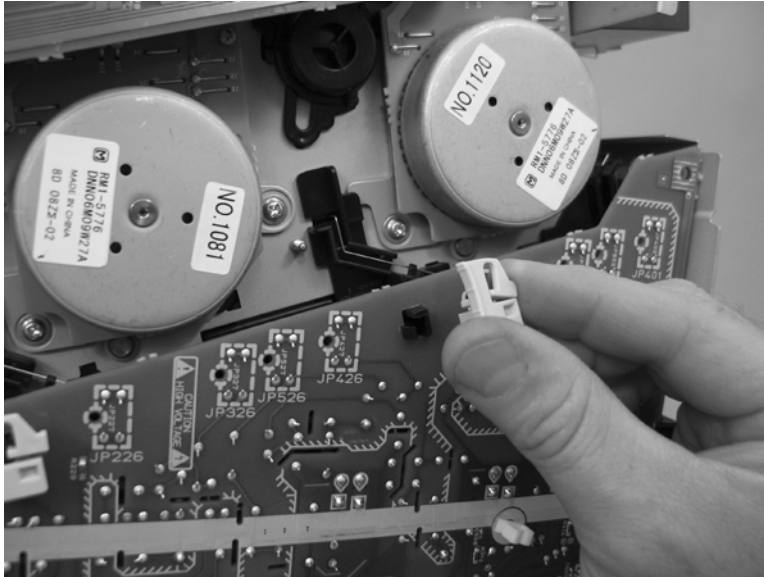
3. Release four locking clips.

 **NOTE:** Squeeze each locking clip to remove.

**Figure 1-319** Remove the high-voltage power supply lower (3 of 7)

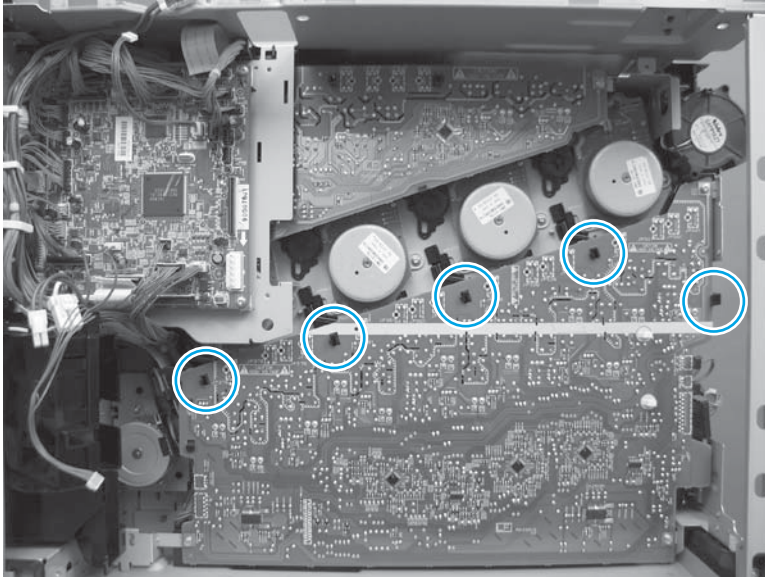


**Figure 1-320** Remove the high-voltage power supply lower (4 of 7)




4. Release five tabs.

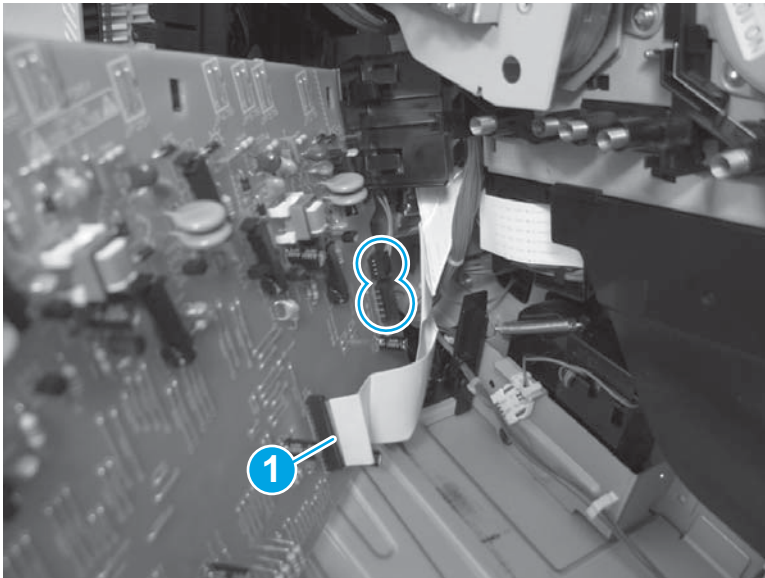
**Figure 1-321** Remove the high-voltage power supply lower (5 of 7)



5. Rotate the top of the power supply away from the chassis, and then disconnect two connectors on the back of the power supply.

 **NOTE:** Do not disconnect the FFC (callout 1). The FFC and the FFC wiring guide are supplied with the replacement assembly.

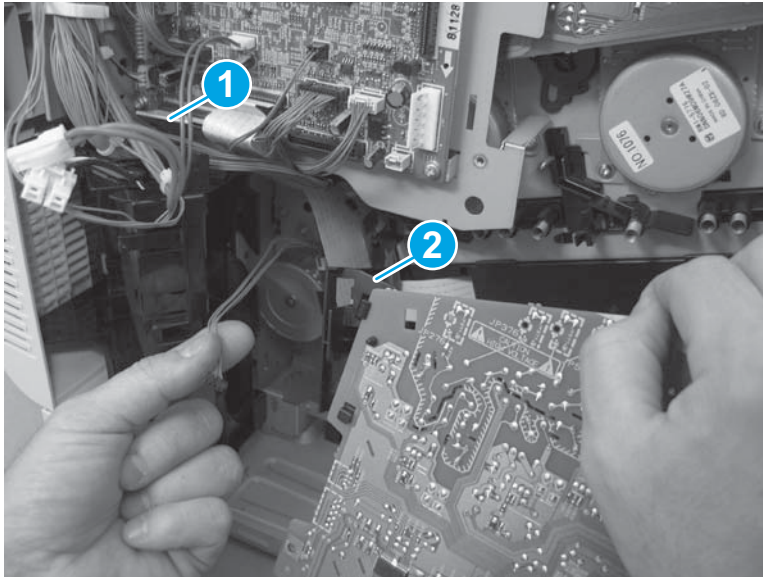
**Figure 1-322** Remove the high-voltage power supply lower (6 of 7)





6. Disconnect one FFC (callout 1). Release **only** the wire harnesses from the guide (callout 2) and then remove the power supply.

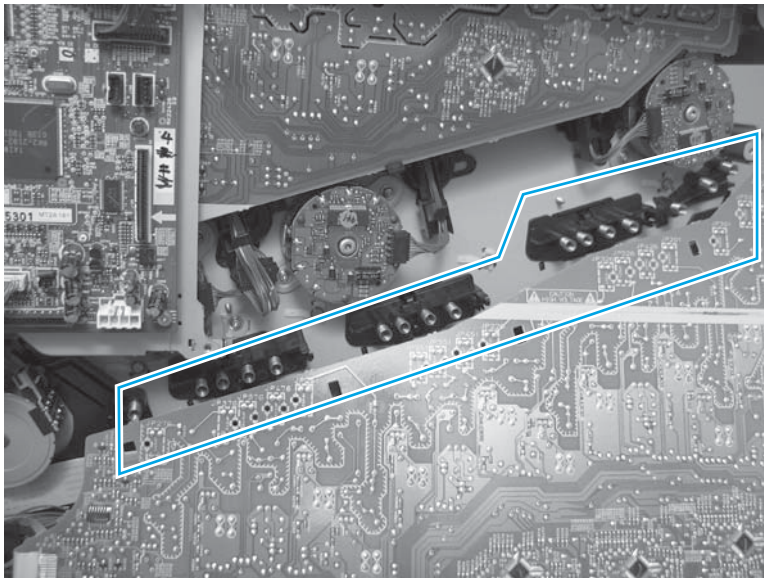
**Figure 1-323** Remove the high-voltage power supply lower (7 of 7)



#### Reinstall the high-voltage power supply lower

When the power supply is reinstalled, look through the holes in the PCA and make sure that the high-voltage contact springs are correctly seated against the PCA.

**Figure 1-324** Reinstall the high-voltage power supply lower



## Developing-disengagement motor

### Before proceeding, remove the following assemblies

#### M651 models

- Formatter. See [Formatter PCA on page 9](#).
- Upper left cover. See [Upper left cover \(M651\) on page 117](#).
- Left rear cover. See [Left rear cover on page 119](#).
- Rear cover. See [Rear cover \(M651\) on page 121](#).
- Face-down tray. See [Face-down tray \(M651\) on page 134](#).
- Face-down rear cover. See [Face-down rear cover \(M651\) on page 136](#).
- Interconnect board. See [Interconnect board \(ICB\) \(M651\) on page 194](#).
- Low-voltage power supply. See [Low-voltage power supply \(LVPS\) on page 200](#).
- High-voltage power supply lower (HVPS-D). See [High-voltage power supply lower \(HVPS-D\) on page 207](#).

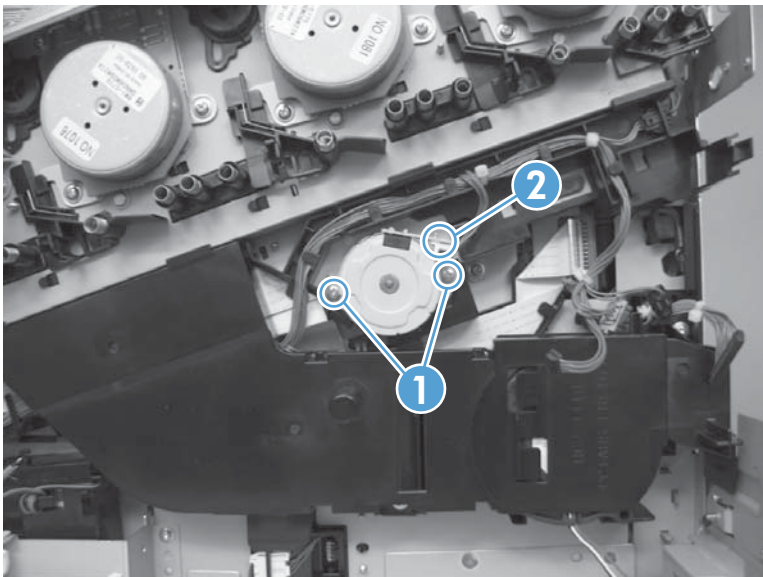
#### M680 models

- Formatter. See [Formatter PCA on page 9](#).
- Standard output bin. See [Standard output bin \(M680\) on page 52](#).
- Output bin bezel. See [Output bin bezel \(M680\) on page 53](#).
- Scanner rear cover. See [Scanner rear cover on page 79](#).
- Document feeder. See [Document feeder \(ADF\) on page 80](#).
- Scanner assembly. See [Image scanner assembly on page 103](#).
- Fan cover. See [Fan cover \(M680\) on page 118](#).
- Left rear cover. See [Left rear cover on page 119](#).
- Rear cover. See [Rear cover \(M680\) on page 122](#).
- Interconnect board (ICB). See [Interconnect board \(ICB\) \(M680\) on page 196](#).
- Low-voltage power supply. See [Low-voltage power supply \(LVPS\) on page 200](#).
- High-voltage power supply lower (HVPS-D). See [High-voltage power supply lower \(HVPS-D\) on page 207](#).

### Remove the developing-disengagement motor

- ▲ Remove two screws (callout 1), disconnect one connector (callout 2), and remove the motor.

**Figure 1-325** Remove the developing-disengagement motor



## Exhaust fan and fan duct

### Before proceeding, remove the following assemblies

#### M651 models

- Formatter. See [Formatter PCA on page 9](#).
- Upper left cover. See [Upper left cover \(M651\) on page 117](#).
- Left rear cover. See [Left rear cover on page 119](#).
- Rear cover. See [Rear cover \(M651\) on page 121](#).
- Face-down tray. See [Face-down tray \(M651\) on page 134](#).
- Face-down rear cover. See [Face-down rear cover \(M651\) on page 136](#).
- Interconnect board. See [Interconnect board \(ICB\) \(M651\) on page 194](#).
- Low-voltage power supply. See [Low-voltage power supply \(LVPS\) on page 200](#).
- High-voltage power supply lower. See [High-voltage power supply lower \(HVPS-D\) on page 207](#).

#### M680 models

- Formatter. See [Formatter PCA on page 9](#).
- Standard output bin. See [Standard output bin \(M680\) on page 52](#).
- Output bin bezel. See [Output bin bezel \(M680\) on page 53](#).
- Scanner rear cover. See [Scanner rear cover on page 79](#).
- Document feeder. See [Document feeder \(ADF\) on page 80](#).
- Scanner assembly. See [Image scanner assembly on page 103](#).
- Fan cover. See [Fan cover \(M680\) on page 118](#).
- Left rear cover. See [Left rear cover on page 119](#).
- Rear cover. See [Rear cover \(M680\) on page 122](#).
- Interconnect board (ICB). See [Interconnect board \(ICB\) \(M680\) on page 196](#).
- Low-voltage power supply. See [Low-voltage power supply \(LVPS\) on page 200](#).
- High-voltage power supply lower. See [High-voltage power supply lower \(HVPS-D\) on page 207](#).



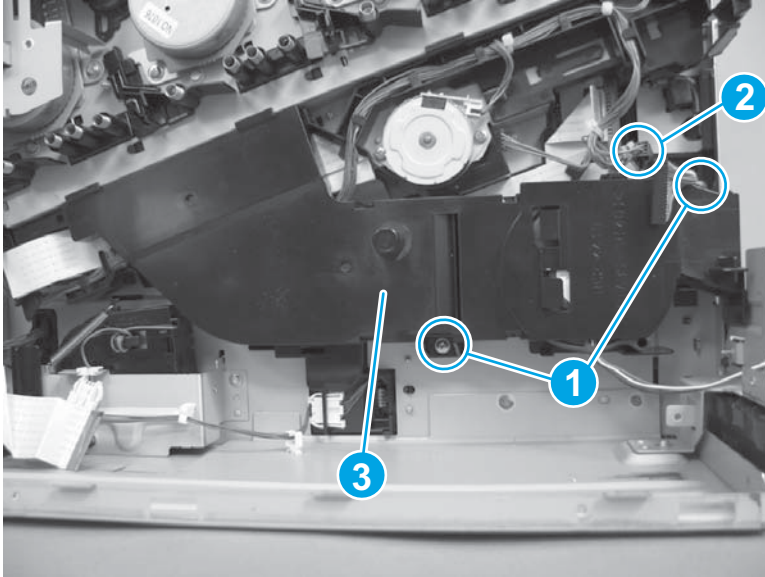
**NOTE:** This assembly is also called the cartridge duct assembly.

### Remove the exhaust fan and fan duct

1. Remove two screws (callout 1), disconnect two connectors (callout 2), and then remove the exhaust fan and duct (callout 3) from the product.

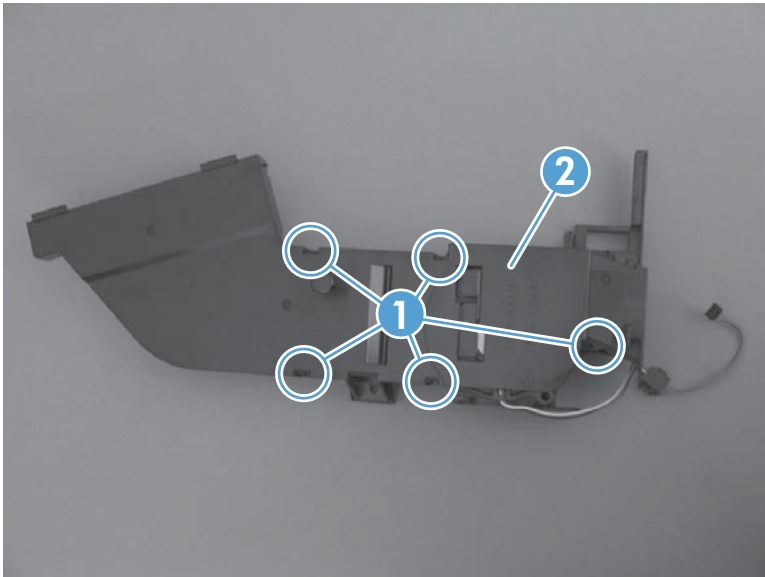


**Figure 1-326** Remove the exhaust fan and fan duct (1 of 3)



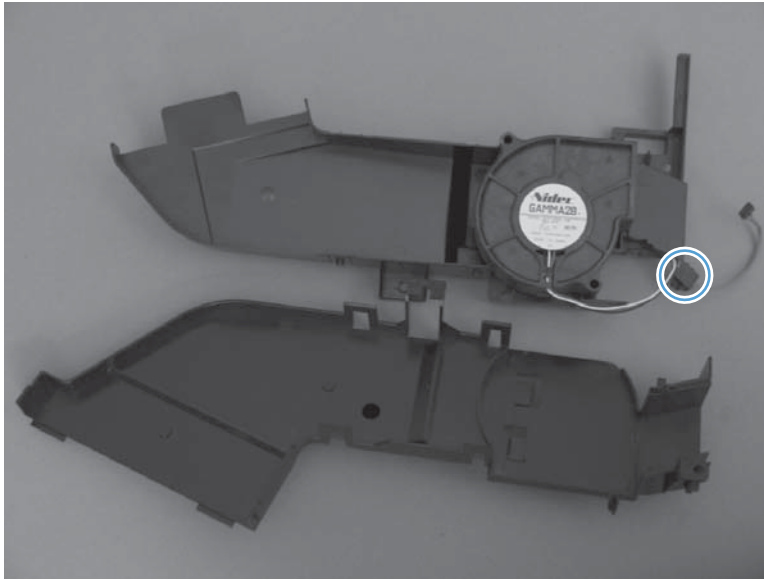
2. Release five tabs (callout 1) and remove the cover (callout 2).

**Figure 1-327** Remove the exhaust fan and fan duct (2 of 3)



3. Disconnect one connector, and then remove the fan from the duct.

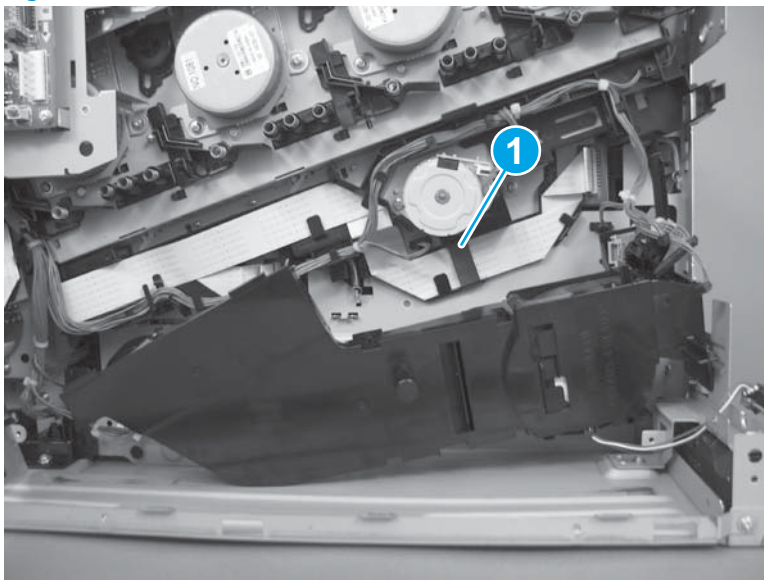
**Figure 1-328** Remove the exhaust fan and fan duct (3 of 3)



### Reinstall the exhaust fan and fan duct

Be sure that the ferrite (callout 1) is correctly aligned in the FFC cable guide before attempting to reinstall the exhaust fan and duct.

**Figure 1-329** Reinstall the exhaust fan and fan duct



## Pickup motor

### Before proceeding, remove the following assemblies

#### M651 models

- Formatter. See [Formatter PCA on page 9](#).
- Upper left cover. See [Upper left cover \(M651\) on page 117](#).
- Left rear cover. See [Left rear cover on page 119](#).
- Rear cover. See [Rear cover \(M651\) on page 121](#).
- Face-down tray. See [Face-down tray \(M651\) on page 134](#).
- Face-down rear cover. See [Face-down rear cover \(M651\) on page 136](#).
- Interconnect board. See [Interconnect board \(ICB\) \(M651\) on page 194](#).
- Low-voltage power supply. See [Low-voltage power supply \(LVPS\) on page 200](#).

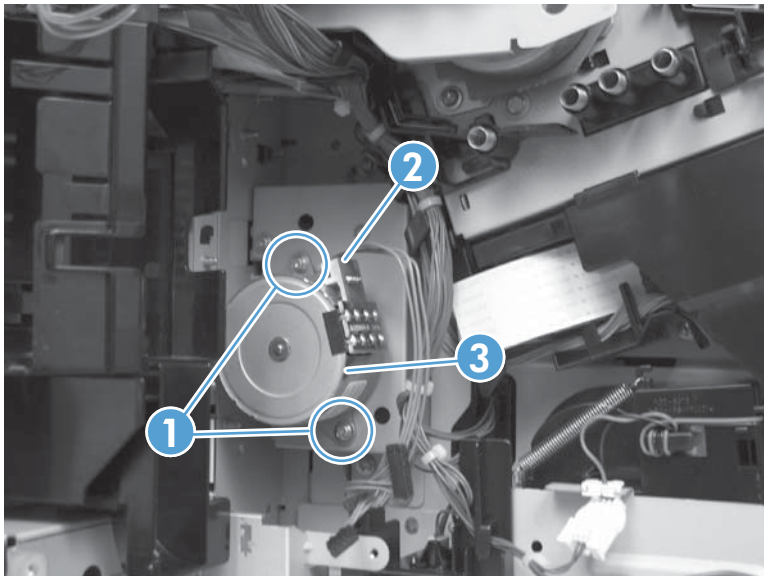
#### M680 models

- Formatter. See [Formatter PCA on page 9](#).
- Standard output bin. See [Standard output bin \(M680\) on page 52](#).
- Output bin bezel. See [Output bin bezel \(M680\) on page 53](#).
- Scanner rear cover. See [Scanner rear cover on page 79](#).
- Document feeder. See [Document feeder \(ADF\) on page 80](#).
- Scanner assembly. See [Image scanner assembly on page 103](#).
- Fan cover. See [Fan cover \(M680\) on page 118](#).
- Left rear cover. See [Left rear cover on page 119](#).
- Rear cover. See [Rear cover \(M680\) on page 122](#).
- Interconnect board (ICB). See [Interconnect board \(ICB\) \(M680\) on page 196](#).
- Low-voltage power supply. See [Low-voltage power supply \(LVPS\) on page 200](#).

### Remove the pickup motor

Remove two screws (callout 1), disconnect one connector (callout 2), and then remove the motor (callout 3).

**Figure 1-330** Remove the pickup motor



# Lifter-drive assembly

## Before proceeding, remove the following assemblies

### M651 models

- Formatter. See [Formatter PCA on page 9](#).
- Upper left cover. See [Upper left cover \(M651\) on page 117](#).
- Left rear cover. See [Left rear cover on page 119](#).
- Rear cover. See [Rear cover \(M651\) on page 121](#).
- Face-down tray. See [Face-down tray \(M651\) on page 134](#).
- Face-down rear cover. See [Face-down rear cover \(M651\) on page 136](#).
- Interconnect board. See [Interconnect board \(ICB\) \(M651\) on page 194](#).
- Low-voltage power supply. See [Low-voltage power supply \(LVPS\) on page 200](#).
- High-voltage power supply lower. See [High-voltage power supply lower \(HVPS-D\) on page 207](#).

### M680 models

- Formatter. See [Formatter PCA on page 9](#).
- Standard output bin. See [Standard output bin \(M680\) on page 52](#).
- Output bin bezel. See [Output bin bezel \(M680\) on page 53](#).
- Scanner rear cover. See [Scanner rear cover on page 79](#).
- Document feeder. See [Document feeder \(ADF\) on page 80](#).
- Scanner assembly. See [Image scanner assembly on page 103](#).
- Fan cover. See [Fan cover \(M680\) on page 118](#).
- Left rear cover. See [Left rear cover on page 119](#).
- Rear cover. See [Rear cover \(M680\) on page 122](#).
- Interconnect board (ICB). See [Interconnect board \(ICB\) \(M680\) on page 196](#).
- Low-voltage power supply. See [Low-voltage power supply \(LVPS\) on page 200](#).
- High-voltage power supply lower. See [High-voltage power supply lower \(HVPS-D\) on page 207](#).

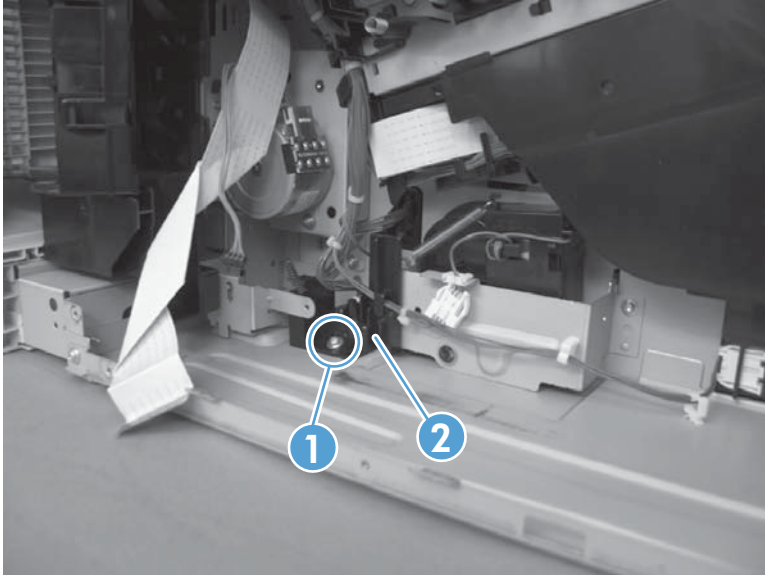
## Remove the lifter-drive assembly

1. Remove one screw (callout 1), and then move the accessory-tray connector (callout 2) to access the screw behind it.



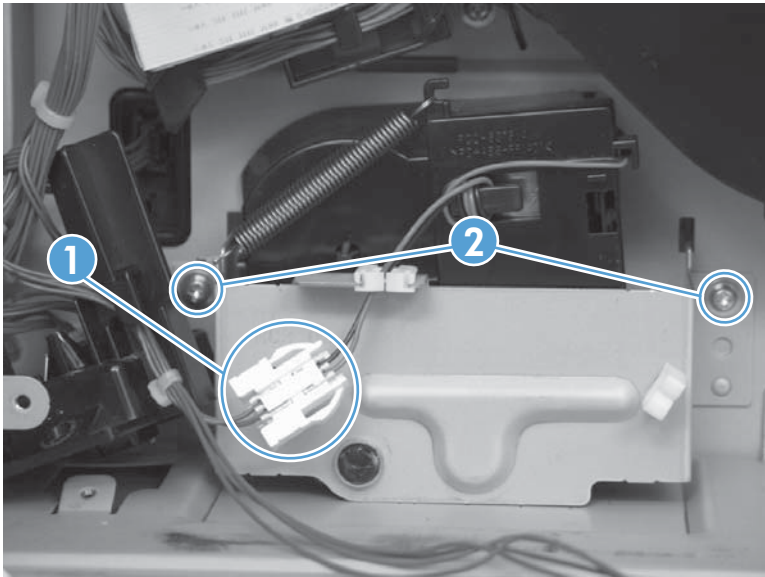
**Reinstallation tip** If the product is installed on the optional paper feeder, slightly separate the product and the feeder assembly to install this connector. Open the right door on the feeder. Use the blue handle to release the product-accessory lock, and then lift up on the edge of the product to create a slight gap between the product and the accessory.

**Figure 1-331** Remove the lifter-drive assembly (1 of 3)



2. Disconnect one connector (callout 1), and then remove two screws (callout 2).

**Figure 1-332** Remove the lifter-drive assembly (2 of 3)

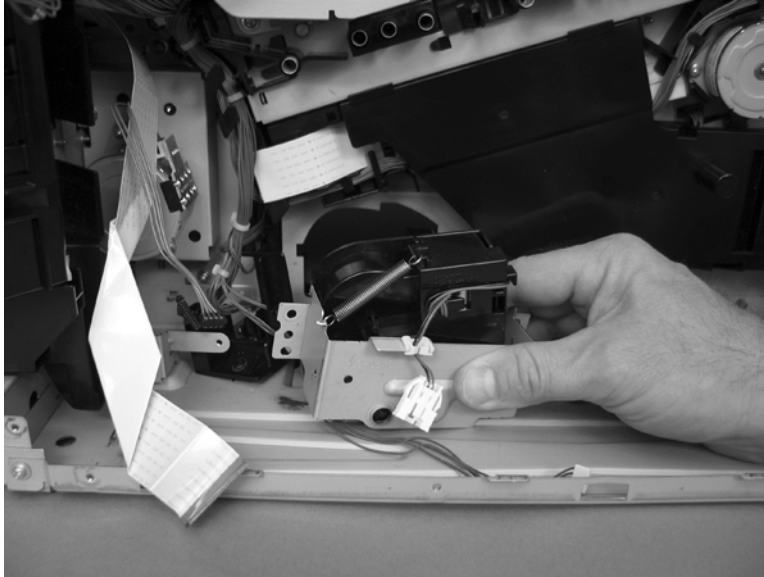


3. Remove the lifter assembly from the product.

**⚠ CAUTION:** The spring on the assembly is not captive. Do not lose the spring when the assembly is removed.

**💡 Reinstallation tip** Make sure that the lifter assembly moves up and down easily after reinstalling.

**Figure 1-333** Remove the lifter-drive assembly (3 of 3)





## Lifter base assembly

### Before proceeding, remove the following assemblies

#### M651 models

- Formatter. See [Formatter PCA on page 9](#).
- Upper left cover. See [Upper left cover \(M651\) on page 117](#).
- Left rear cover. See [Left rear cover on page 119](#).
- Rear cover. See [Rear cover \(M651\) on page 121](#).
- Face-down tray. See [Face-down tray \(M651\) on page 134](#).
- Face-down rear cover. See [Face-down rear cover \(M651\) on page 136](#).
- Interconnect board. See [Interconnect board \(ICB\) \(M651\) on page 194](#).
- Low-voltage power supply. See [Low-voltage power supply \(LVPS\) on page 200](#).
- High-voltage power supply lower. See [High-voltage power supply lower \(HVPS-D\) on page 207](#).

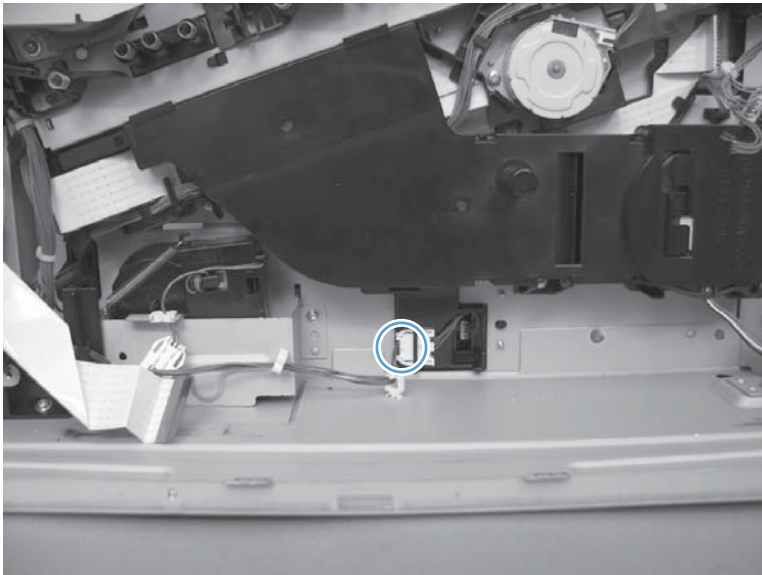
#### M680 models

- Formatter. See [Formatter PCA on page 9](#).
- Standard output bin. See [Standard output bin \(M680\) on page 52](#).
- Output bin bezel. See [Output bin bezel \(M680\) on page 53](#).
- Scanner rear cover. See [Scanner rear cover on page 79](#).
- Document feeder. See [Document feeder \(ADF\) on page 80](#).
- Scanner assembly. See [Image scanner assembly on page 103](#).
- Fan cover. See [Fan cover \(M680\) on page 118](#).
- Left rear cover. See [Left rear cover on page 119](#).
- Rear cover. See [Rear cover \(M680\) on page 122](#).
- Interconnect board (ICB). See [Interconnect board \(ICB\) \(M680\) on page 196](#).
- Low-voltage power supply. See [Low-voltage power supply \(LVPS\) on page 200](#).
- High-voltage power supply lower. See [High-voltage power supply lower \(HVPS-D\) on page 207](#).

### Remove the lifter base assembly

1. Disconnect one connector.


**Figure 1-334** Remove the lifter base assembly (1 of 2)



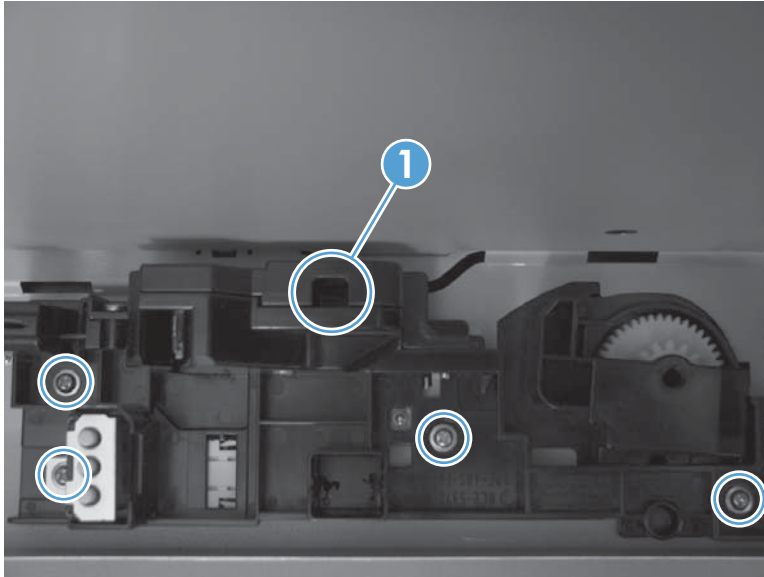


- From inside the Tray 2 cavity, remove four screws, and then remove the lifter base assembly.

 **NOTE:** Pull the assembly straight from the product without tipping to prevent the spring from falling from the assembly.

 **Reinstallation tip** If the tray does not completely close when reinstalled, push on the lever in the opening (callout 1) with a flat blade screwdriver to reset the spring in the closing mechanism.

**Figure 1-335** Remove the lifter base assembly (2 of 2)



## Reinstall the lifter base assembly

If the spring falls from the lifter base assembly, reinstall it in the lifter before reinstalling the lifter base assembly.

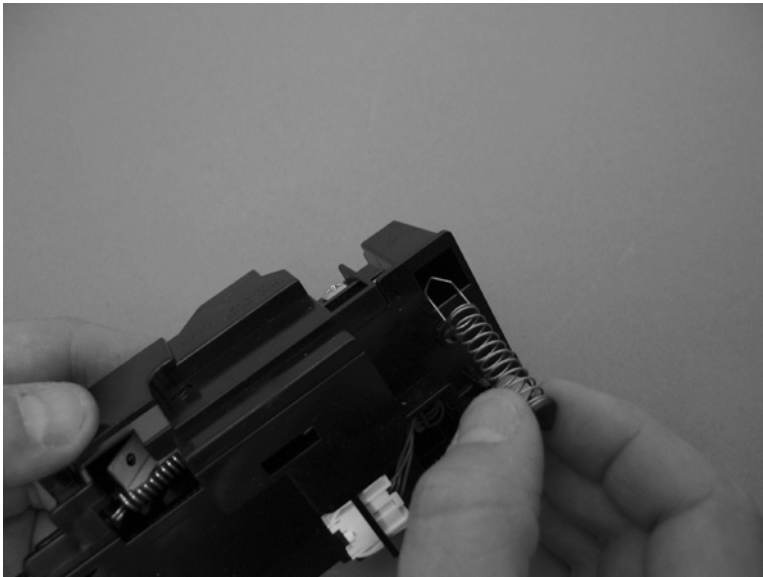
1. Make sure the black rubber end is seated on the spring.

**Figure 1-336** Reinstall the lifter base assembly (1 of 2)



2. Place the spring in the lifter before installing the assembly on the product.

**Figure 1-337** Reinstall the lifter base assembly (2 of 2)



# Paper-pickup drive assembly

## Before proceeding, remove the following assemblies

### M651 models

- Formatter. See [Formatter PCA on page 9](#).
- Upper left cover. See [Upper left cover \(M651\) on page 117](#).
- Left rear cover. See [Left rear cover on page 119](#).
- Rear cover. See [Rear cover \(M651\) on page 121](#).
- Face-down tray. See [Face-down tray \(M651\) on page 134](#).
- Face-down rear cover. See [Face-down rear cover \(M651\) on page 136](#).
- Power-supply fan. See [Power-supply fan \(M651\) on page 190](#).
- Interconnect board. See [Interconnect board \(ICB\) \(M651\) on page 194](#).
- Low-voltage power supply. See [Low-voltage power supply \(LVPS\) on page 200](#).
- power supply lower. See [High-voltage power supply lower \(HVPS-D\) on page 207](#).

### M680 models

- Formatter. See [Formatter PCA on page 9](#).
- Standard output bin. See [Standard output bin \(M680\) on page 52](#).
- Output bin bezel. See [Output bin bezel \(M680\) on page 53](#).
- Scanner rear cover. See [Scanner rear cover on page 79](#).
- Document feeder. See [Document feeder \(ADF\) on page 80](#).
- Scanner assembly. See [Image scanner assembly on page 103](#).
- Fan cover. See [Fan cover \(M680\) on page 118](#).
- Left rear cover. See [Left rear cover on page 119](#).
- Rear cover. See [Rear cover \(M680\) on page 122](#).
- Power-supply fan. See [Power-supply fan \(M680\) on page 192](#).
- Interconnect board (ICB). See [Interconnect board \(ICB\) \(M680\) on page 196](#).
- Low-voltage power supply. See [Low-voltage power supply \(LVPS\) on page 200](#).
- High-voltage power supply lower. See [High-voltage power supply lower \(HVPS-D\) on page 207](#).

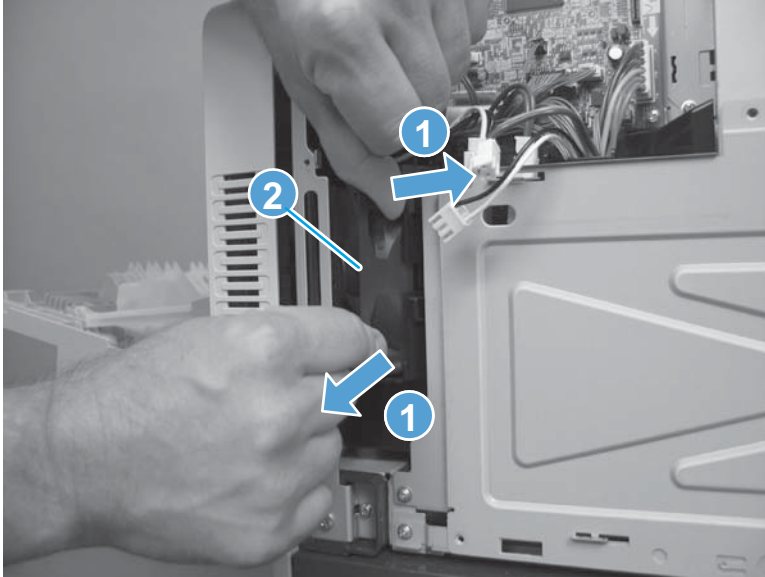
## Remove the paper-pickup drive assembly



**NOTE:** To remove the pickup motor only, see [Pickup motor on page 216](#).

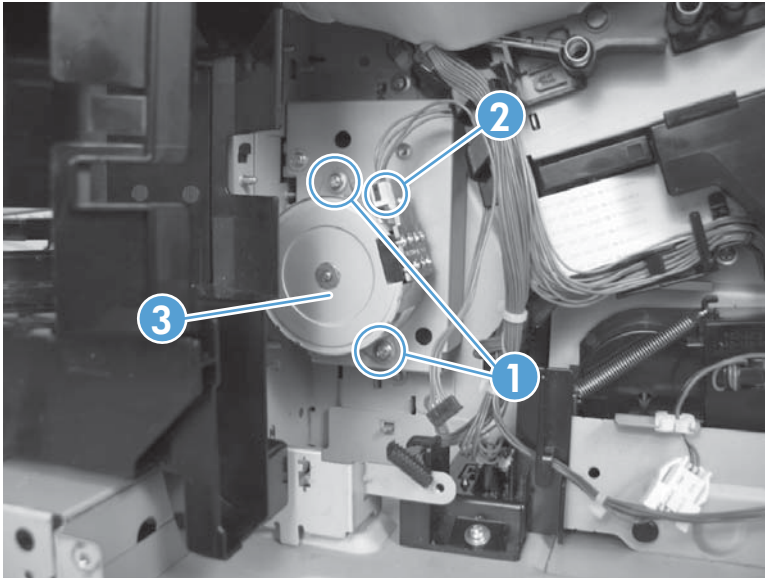
1. Release one tab (callout 1), and then remove the power-supply fan (callout 2).

**Figure 1-338** Remove the paper-pickup drive assembly (1 of 3)




2. Remove two screws (callout 1), disconnect one connector (callout 2), and then remove the pickup motor (callout 3).

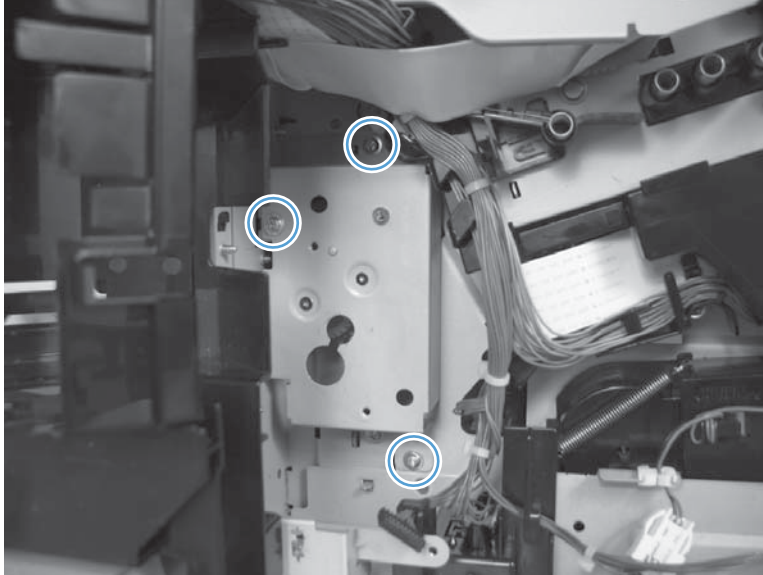
**Figure 1-339** Remove the paper-pickup drive assembly (2 of 3)



3. Remove three screws, and then remove the paper-pickup drive assembly.

 **NOTE:** The cams on the main-drive assembly can prevent the paper-pickup drive assembly from releasing from the product. If the assembly cannot be removed, remove the DC controller and tray to provide additional space. See [DC controller PCA and tray on page 204](#). The wire guide from the main-drive assembly might also need to be removed. See [Main-drive assembly on page 252](#).

**Figure 1-340** Remove the paper-pickup drive assembly (3 of 3)



## Paper-pickup assembly

### Before proceeding, remove the following assemblies


#### M651 models

- Formatter. See [Formatter PCA on page 9](#).
- Intermediate transfer belt (ITB). See [Intermediate transfer belt \(ITB\) on page 25](#).
- Upper left cover. See [Upper left cover \(M651\) on page 117](#).
- Left rear cover. See [Left rear cover on page 119](#).
- Rear cover. See [Rear cover \(M651\) on page 121](#).
- Face-down tray. See [Face-down tray \(M651\) on page 134](#).
- Face-down rear cover. See [Face-down rear cover \(M651\) on page 136](#).
- Secondary transfer assembly. See [Secondary transfer assembly on page 152](#).
- Registration assembly. See [Registration assembly on page 161](#).
- Interconnect board. See [Interconnect board \(ICB\) \(M651\) on page 194](#).
- Low-voltage power supply. See [Low-voltage power supply \(LVPS\) on page 200](#).
- High-voltage power supply lower. See [High-voltage power supply lower \(HVPS-D\) on page 207](#).

#### M680 models

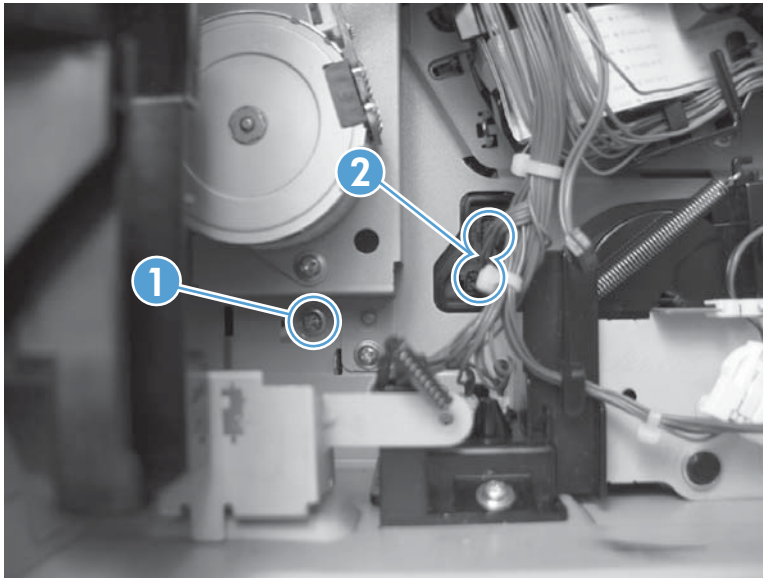
- Formatter. See [Formatter PCA on page 9](#).
- Intermediate transfer belt (ITB). See [Intermediate transfer belt \(ITB\) on page 25](#).
- Standard output bin. See [Standard output bin \(M680\) on page 52](#).
- Output bin bezel. See [Output bin bezel \(M680\) on page 53](#).
- Scanner rear cover. See [Scanner rear cover on page 79](#).
- Document feeder. See [Document feeder \(ADF\) on page 80](#).
- Scanner assembly. See [Image scanner assembly on page 103](#).
- Fan cover. See [Fan cover \(M680\) on page 118](#).
- Left rear cover. See [Left rear cover on page 119](#).
- Rear cover. See [Rear cover \(M680\) on page 122](#).
- Secondary transfer assembly. See [Secondary transfer assembly on page 152](#).
- Registration assembly. See [Registration assembly on page 161](#).
- Interconnect board (ICB). See [Interconnect board \(ICB\) \(M680\) on page 196](#).
- Low-voltage power supply. See [Low-voltage power supply \(LVPS\) on page 200](#).
- High-voltage power supply lower. See [High-voltage power supply lower \(HVPS-D\) on page 207](#).

## Remove the paper-pickup assembly

 **NOTE:** This task requires removing the three feed guides on the right side of the product before removing the paper-pickup assembly.

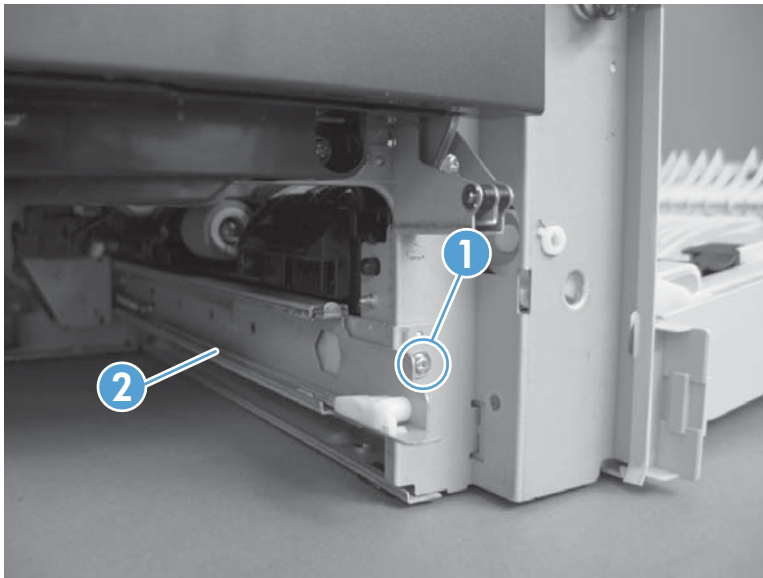
1. Remove one screw (callout 1), and then disconnect two connectors (callout 2).

**Figure 1-341** Remove the paper-pickup assembly (1 of 11)



2. From the front of the product, remove one screw (callout 1), and then remove one tray rail (callout 2).

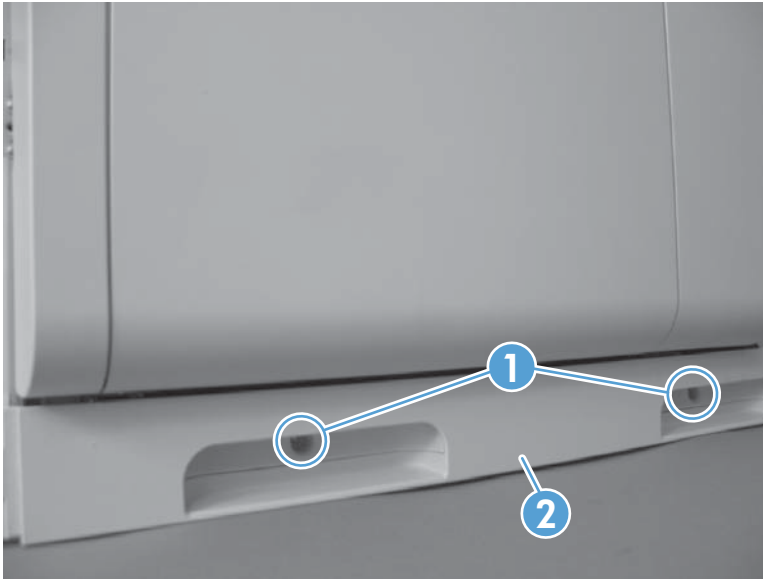
**Figure 1-342** Remove the paper-pickup assembly (2 of 11)





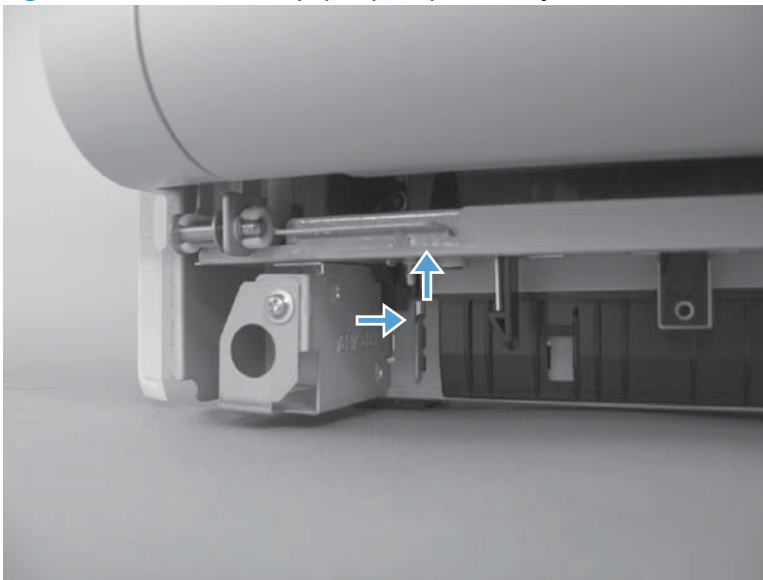
3. From the right side of the product, remove two screws (callout 1) and one cover (callout 2).

**Figure 1-343** Remove the paper-pickup assembly (3 of 11)



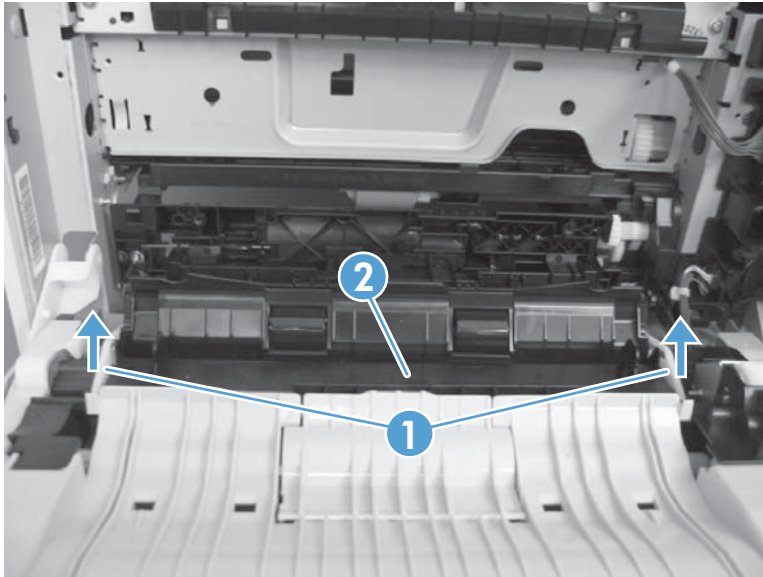
4. Close the right-door assembly. Push in and then push up on the stopper to release.

**Figure 1-344** Remove the paper-pickup assembly (4 of 11)



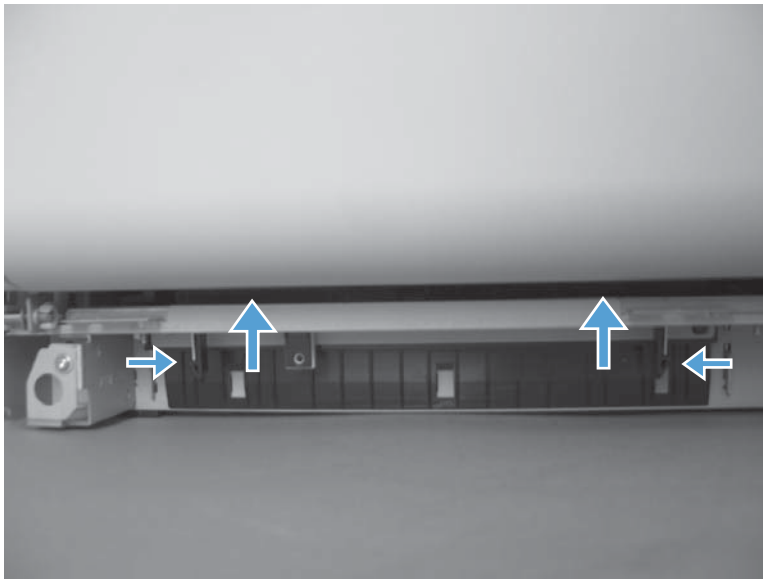
5. Open the right-door assembly. Lift the two link arms (callout 1) to release from the product, and then remove the paper guide (callout 2).

**Figure 1-345** Remove the paper-pickup assembly (5 of 11)



6. Close the right-door assembly. Push the two tabs toward each other, and then push up to release the feed guide.

**Figure 1-346** Remove the paper-pickup assembly (6 of 11)



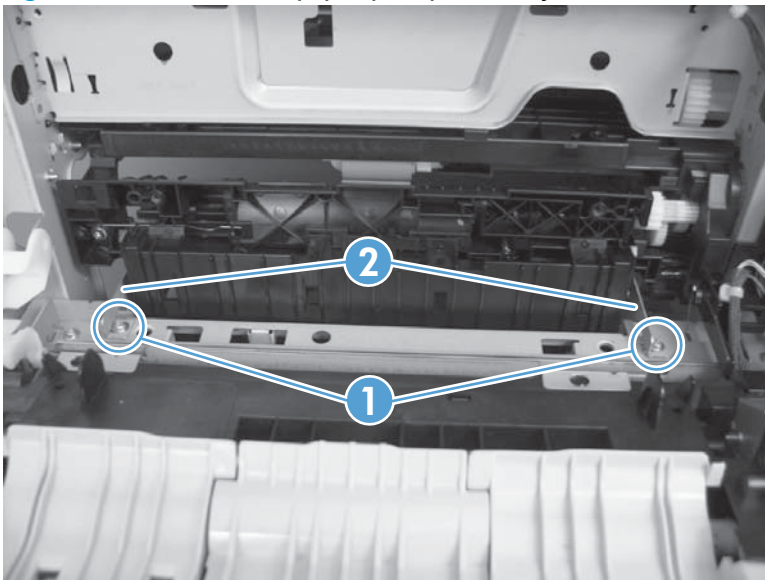
7. Open the right-door assembly, and then remove the feed guide.

**Figure 1-347** Remove the paper-pickup assembly (7 of 11)



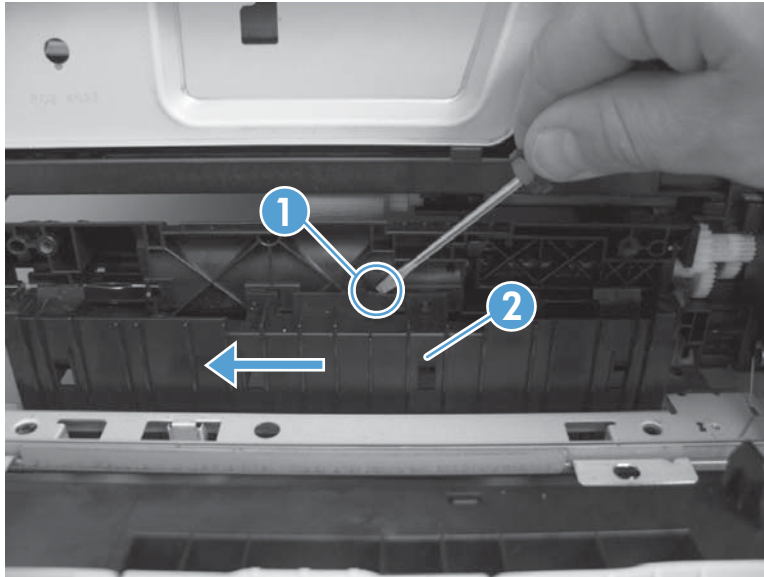
8. Remove two screws (callout 1), and then remove two brackets (callout 2).

**Figure 1-348** Remove the paper-pickup assembly (8 of 11)



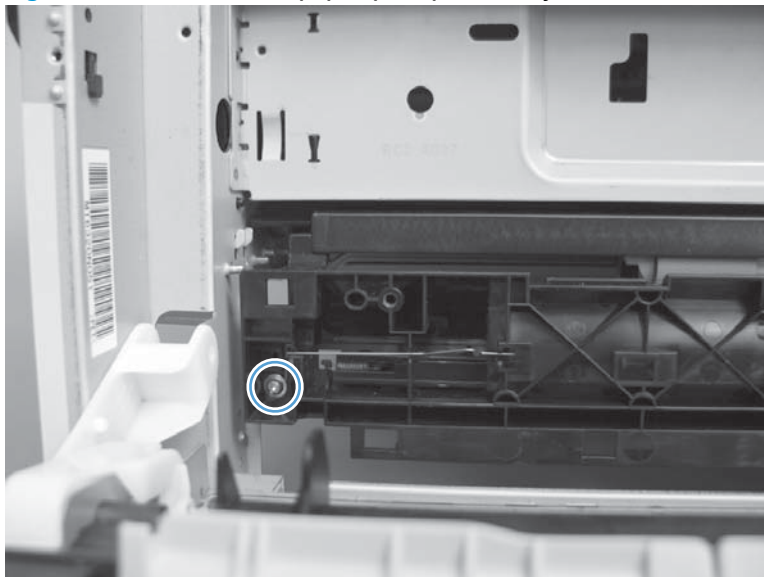
9. Release one tab (callout 1), and then slide the feed guide (callout 2) toward the front of the product to remove.

**Figure 1-349** Remove the paper-pickup assembly (9 of 11)



10. Remove one screw.

**Figure 1-350** Remove the paper-pickup assembly (10 of 11)



11. Remove the paper-pickup assembly.

**Figure 1-351** Remove the paper-pickup assembly (11 of 11)



## Laser/scanner assembly (Y/M)

### Before proceeding, remove the following assemblies


#### M651 models


- Toner-collection unit. See [Toner-collection unit on page 6](#).
- Formatter. See [Formatter PCA on page 9](#).
- Intermediate transfer belt (ITB). See [Intermediate transfer belt \(ITB\) on page 25](#).
- Upper left cover. See [Upper left cover \(M651\) on page 117](#).
- Left rear cover. See [Left rear cover on page 119](#).
- Rear cover. See [Rear cover \(M651\) on page 121](#).
- Face-down tray. See [Face-down tray \(M651\) on page 134](#).
- Face-down rear cover. See [Face-down rear cover \(M651\) on page 136](#).
- Cartridge fan and environmental sensor. See [Cartridge fan and environmental sensor on page 174](#).
- Residual toner full sensor. See [Residual toner full sensor on page 178](#).
- Interconnect board. See [Interconnect board \(ICB\) \(M651\) on page 194](#).
- Low-voltage power supply. See [Low-voltage power supply \(LVPS\) on page 200](#).
- High-voltage power supply lower. See [High-voltage power supply lower \(HVPS-D\) on page 207](#).
- Exhaust fan and fan duct. See [Exhaust fan and fan duct on page 213](#).

#### M680 models


- Toner-collection unit. See [Toner-collection unit on page 6](#).
- Formatter. See [Formatter PCA on page 9](#).
- Intermediate transfer belt (ITB). See [Intermediate transfer belt \(ITB\) on page 25](#).
- Standard output bin. See [Standard output bin \(M680\) on page 52](#).
- Output bin bezel. See [Output bin bezel \(M680\) on page 53](#).
- Scanner rear cover. See [Scanner rear cover on page 79](#).
- Document feeder. See [Document feeder \(ADF\) on page 80](#).
- Scanner assembly. See [Image scanner assembly on page 103](#).
- Fan cover. See [Fan cover \(M680\) on page 118](#).
- Left rear cover. See [Left rear cover on page 119](#).
- Rear cover. See [Rear cover \(M680\) on page 122](#).
- Cartridge fan and environmental sensor. See [Cartridge fan and environmental sensor on page 174](#).
- Residual toner full sensor. See [Residual toner full sensor on page 178](#).
- Interconnect board (ICB). See [Interconnect board \(ICB\) \(M680\) on page 196](#).
- Low-voltage power supply. See [Low-voltage power supply \(LVPS\) on page 200](#).
- High-voltage power supply lower. See [High-voltage power supply lower \(HVPS-D\) on page 207](#).
- Exhaust fan and fan duct. See [Exhaust fan and fan duct on page 213](#).

## Remove the laser/scanner assembly (Y/M)

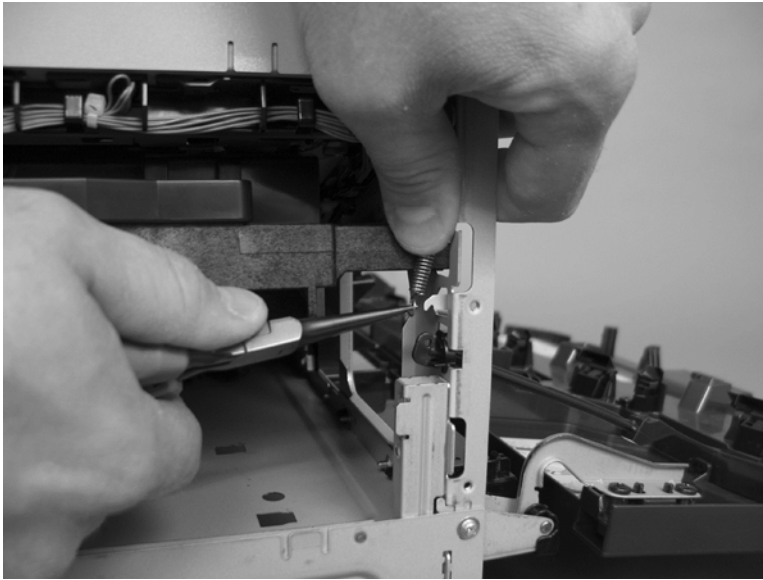
 **NOTE:** The product has two laser/scanner assemblies. The yellow/magenta laser/scanner is removed first, and it is to the left of the cyan/black laser/scanner.

 **Reinstallation tip** After installing a new laser/scanner assembly, be sure to calibrate the product.

1. Release one spring.

 **CAUTION:** The spring is not captive. Do not lose the spring when it is removed. Use a pair of needle-nose pliers to safely retain the spring when it is removed. Do not use a flat blade screwdriver to remove the spring; the spring could forcibly leave the product and cause personal injury.

**Figure 1-352** Remove the laser/scanner assembly (Y/M; 1 of 5)



2. Disconnect one connector.

**Figure 1-353** Remove the laser/scanner assembly (Y/M; 2 of 5)





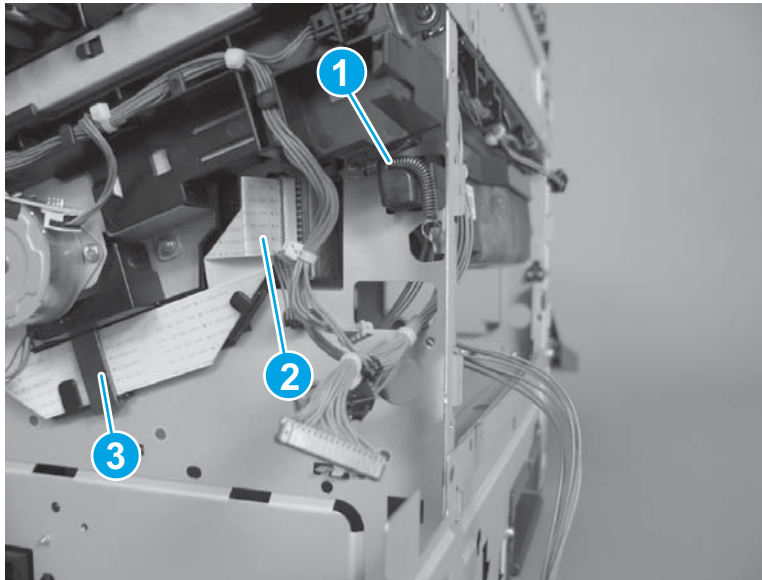
3. Release one spring (callout 1), and then disconnect one FFC (callout 2).

**⚠ CAUTION:** The spring is not captive. Do not lose the spring when it is removed. Use a pair of needle-nose pliers to safely retain the spring when it is removed. Do not use a flat blade screwdriver to remove the spring; the spring could forcibly leave the product and cause person injury.


**💡 Reinstallation tip** When reinstalled, the ferrite (callout 3) must be correctly positioned on the wire guide (in the provided slots) so that the fan duct will fully seat in the product when it is reinstalled.

When the spring is reinstalled, make sure that the laser/scanner fits tightly up against the product chassis, and make sure that the FFC is fully seated in the connector. The locator tabs on the front and rear of the scanner must be firmly seated in the slots in the chassis.

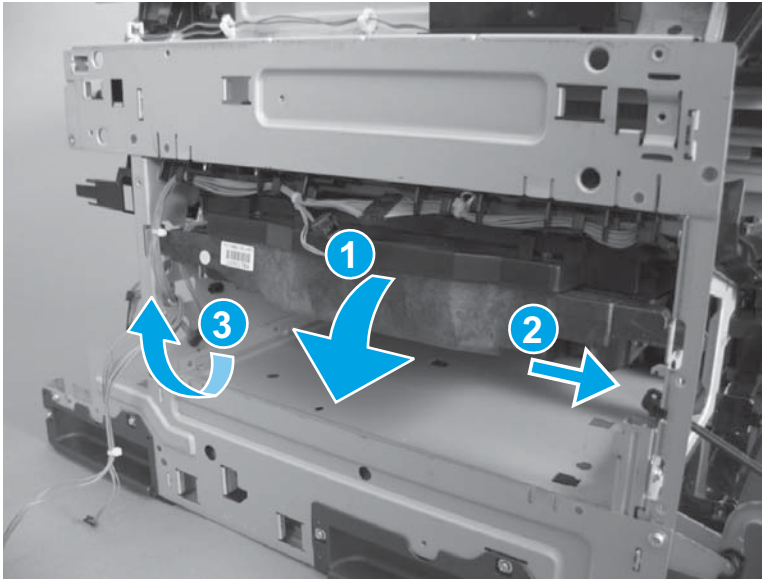
**Figure 1-354** Remove the laser/scanner assembly (Y/M; 3 of 5)




4. Rotate the front of the laser/scanner assembly down (callout 1), and then slide it toward the right (callout 2). Lower the left corner, and then rotate the left corner out of the product (callout 3).

 **Reinstallation tip** When the scanner is reinstalled, make sure that the tab on the front of the laser/scanner is inserted in the alignment hole in the product chassis. See callout 1 in [Figure 1-356 Remove the laser/scanner assembly \(Y/M; 5 of 5\) on page 236](#)

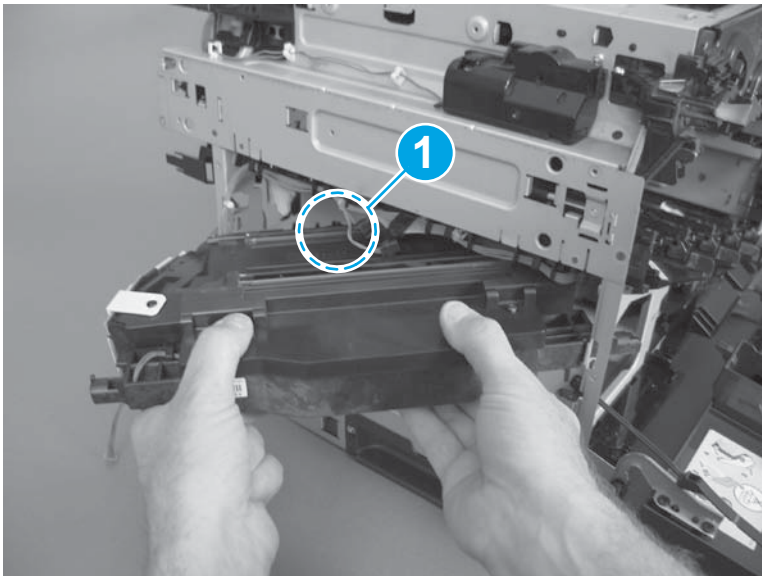
**Figure 1-355** Remove the laser/scanner assembly (Y/M; 4 of 5).



5. Pull the laser/scanner assembly out of the product to remove it.

 **Reinstallation tip** When the scanner is removed, locate the alignment tab (callout 1) on the front of the laser/scanner. The tab must be inserted in the alignment hole in the product chassis when the assembly is reinstalled.

**Figure 1-356** Remove the laser/scanner assembly (Y/M; 5 of 5)



# Laser/scanner assembly (C/K)

## Before proceeding, remove the following assemblies

### M651 models

- Toner-collection unit. See [Toner-collection unit on page 6](#).
- Formatter. See [Formatter PCA on page 9](#).
- Intermediate transfer belt (ITB). See [Intermediate transfer belt \(ITB\) on page 25](#).
- Upper left cover. See [Upper left cover \(M651\) on page 117](#).
- Left rear cover. See [Left rear cover on page 119](#).
- Rear cover. See [Rear cover \(M651\) on page 121](#).
- Face-down tray. See [Face-down tray \(M651\) on page 134](#).
- Face-down rear cover. See [Face-down rear cover \(M651\) on page 136](#).
- Cartridge fan and environmental sensor. See [Cartridge fan and environmental sensor on page 174](#).
- Residual toner full sensor. See [Residual toner full sensor on page 178](#).
- Interconnect board. See [Interconnect board \(ICB\) \(M651\) on page 194](#).
- Low-voltage power supply. See [Low-voltage power supply \(LVPS\) on page 200](#).
- High-voltage power supply lower. See [High-voltage power supply lower \(HVPS-D\) on page 207](#).
- Exhaust fan and fan duct. See [Exhaust fan and fan duct on page 213](#).
- Laser/scanner assembly (Y/M). See [Laser/scanner assembly \(Y/M\) on page 233](#).


### M680 models


- Toner-collection unit. See [Toner-collection unit on page 6](#).
- Formatter. See [Formatter PCA on page 9](#).
- Intermediate transfer belt (ITB). See [Intermediate transfer belt \(ITB\) on page 25](#).
- Standard output bin. See [Standard output bin \(M680\) on page 52](#).
- Output bin bezel. See [Output bin bezel \(M680\) on page 53](#).
- Scanner rear cover. See [Scanner rear cover on page 79](#).
- Document feeder. See [Document feeder \(ADF\) on page 80](#).
- Scanner assembly. See [Image scanner assembly on page 103](#).
- Fan cover. See [Fan cover \(M680\) on page 118](#).
- Left rear cover. See [Left rear cover on page 119](#).
- Rear cover. See [Rear cover \(M680\) on page 122](#).
- Cartridge fan and environmental sensor. See [Cartridge fan and environmental sensor on page 174](#).
- Residual toner full sensor. See [Residual toner full sensor on page 178](#).
- Interconnect board (ICB). See [Interconnect board \(ICB\) \(M680\) on page 196](#).
- Low-voltage power supply. See [Low-voltage power supply \(LVPS\) on page 200](#).
- High-voltage power supply lower. See [High-voltage power supply lower \(HVPS-D\) on page 207](#).
- Exhaust fan and fan duct. See [Exhaust fan and fan duct on page 213](#).
- Laser/scanner assembly (Y/M). See [Laser/scanner assembly \(Y/M\) on page 233](#).

## Remove the laser/scanner assembly (C/K)

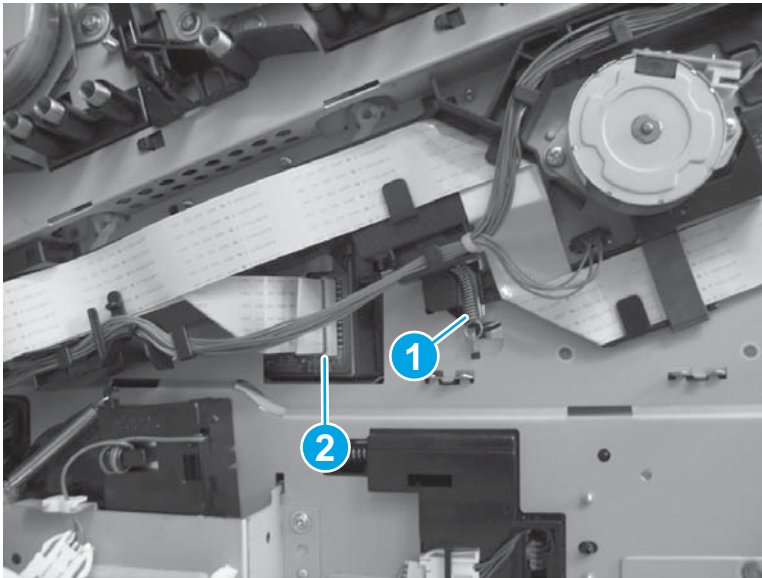
 **Reinstallation tip** After installing a new laser/scanner assembly, be sure to calibrate the product.

1. Release one spring (callout 1), and then disconnect one FFC (callout 2).

 **CAUTION:** The spring is not captive. Do not lose the spring when it is removed. Use a pair of needle-nose pliers to safely retain the spring when it is removed. Do not use a flat blade screwdriver to remove the spring; the spring could forcibly leave the product and cause personal injury.

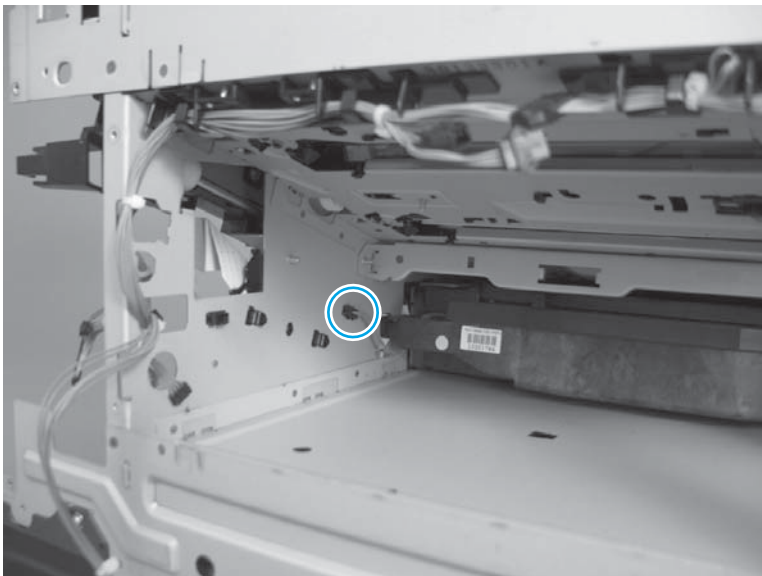
 **Reinstallation tip** When the spring is reinstalled, make sure that the laser/scanner fits tightly up against the product chassis, and make sure that the FFC is fully seated in the connector. The locator tabs on the front of the scanner must be firmly seated in the slots in the chassis.

**Figure 1-357** Remove the laser/scanner assembly (C/K; 1 of 5)



2. Disconnect one connector.

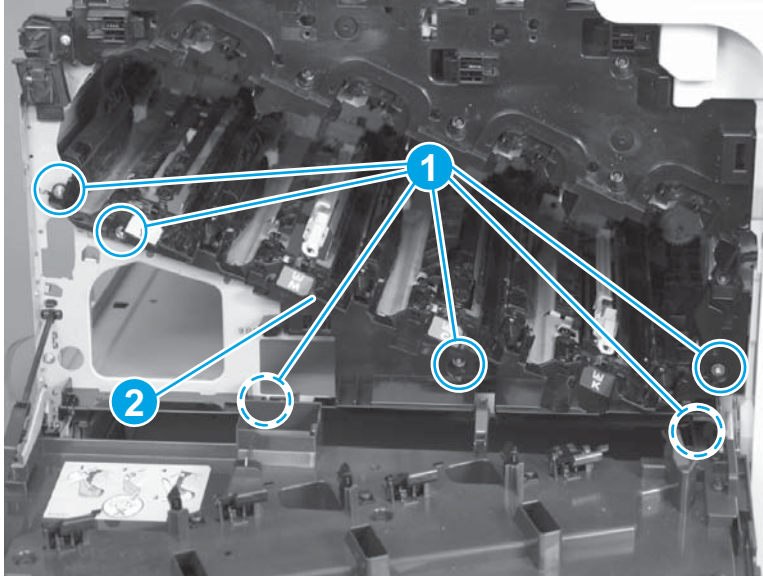
**Figure 1-358** Remove the laser/scanner assembly (C/K; 2 of 5)



3. Remove five screws (callout 1), and then remove the cover (callout 2).

**⚠ CAUTION:** Be careful. The PGC actuators are easily dislodged when the cover is removed. See [Figure 1-362 Reinstall the PGC actuators \(1 of 5\) on page 240](#). To reinstall the actuators, see [Reinstall the protective glass cleaner \(PGC\) actuators on page 240](#).

**Figure 1-359** Remove the laser/scanner assembly (C/K; 3 of 5)

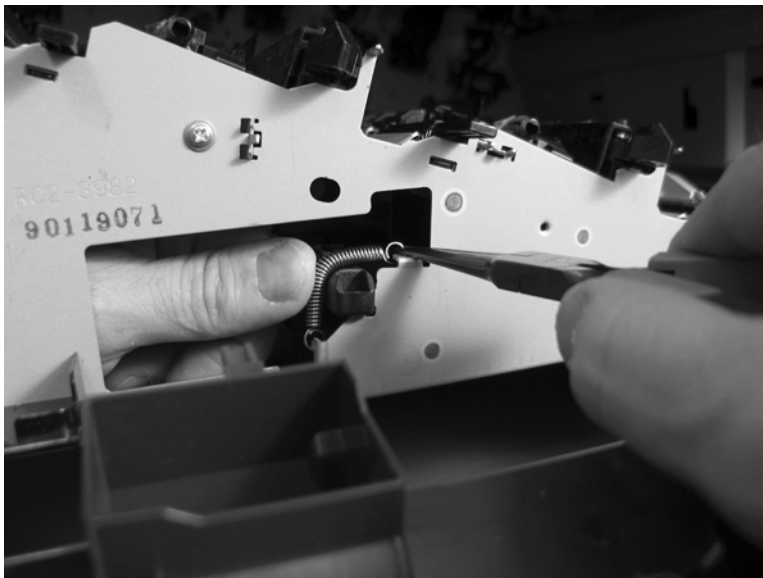


4. Release one spring.

**⚠ CAUTION:** The spring is not captive. Do not lose the spring when it is removed. Use a pair of needle-nose pliers to safely retain the spring when it is removed. Do not use a flat blade screwdriver to remove the spring; the spring could forcibly leave the product and cause personal injury.


**💡 Reinstallation tip** When the spring is reinstalled, make sure that the laser/scanner fits tightly up against the product chassis.

**Figure 1-360** Remove the laser/scanner assembly (C/K; 4 of 5)

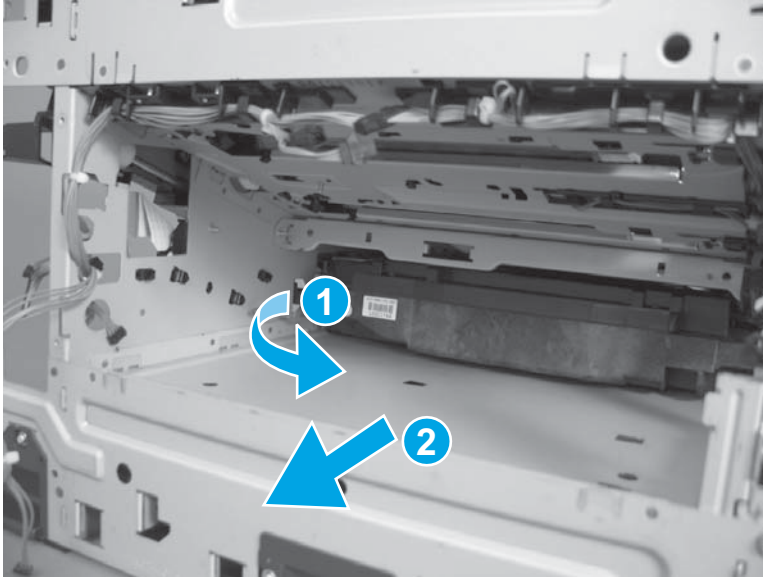




5. Rotate the corner of the assembly away from the product until the PCA is visible, and then remove the assembly from the product.

 **Reinstallation tip** When the laser/scanner is correctly positioned in the chassis, the plastic parts which protrude at the front and rear of the product will be firmly seated against the locator tabs on the chassis. Verify that the assembly is correctly seated, and then install the spring.

**Figure 1-361** Remove the laser/scanner assembly (C/K; 5 of 5)

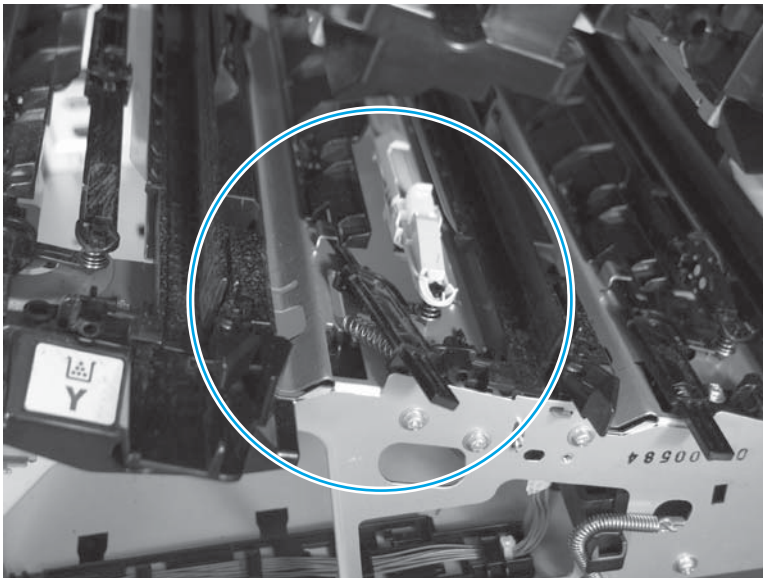


### Reinstall the protective glass cleaner (PGC) actuators

1. The following figure shows a dislodged PGC actuator.

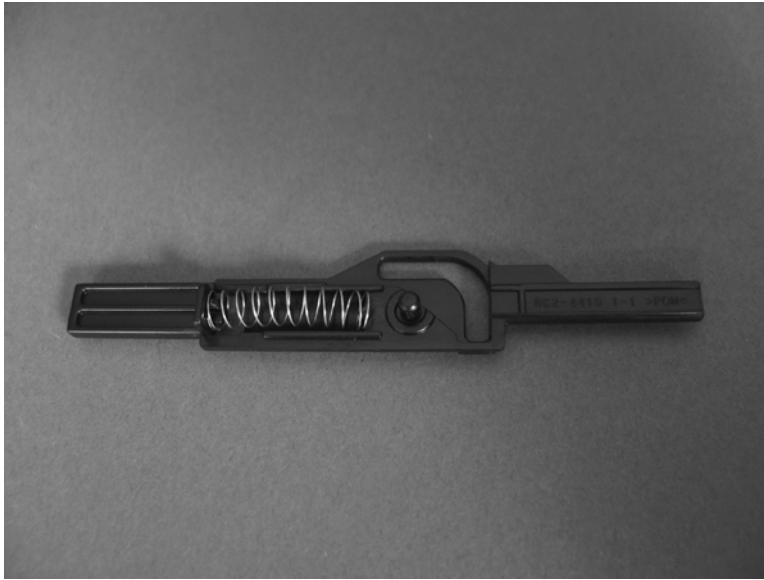
 **TIP:** If the actuator and spring are only slightly dislodged, it might be easy to push them back into place.

**Figure 1-362** Reinstall the PGC actuators (1 of 5)



2. Remove the actuator and spring from the product. Install the spring on the actuator.

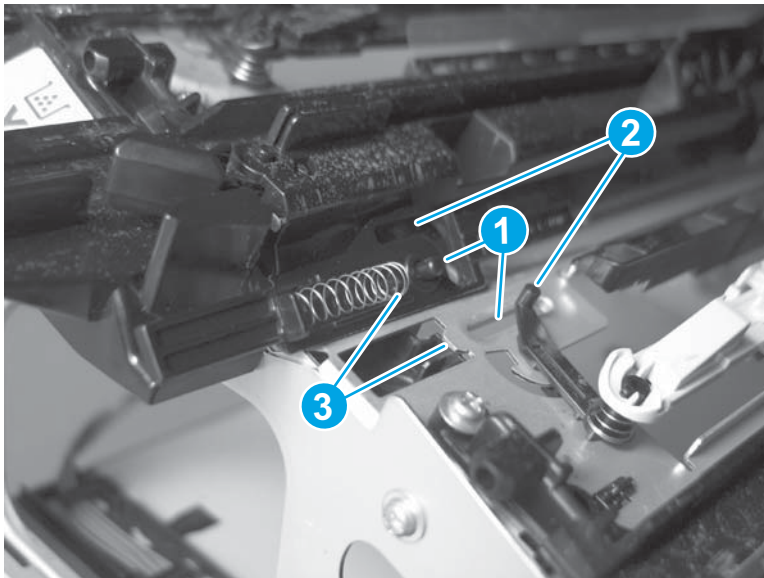
**Figure 1-363** Reinstall the PGC actuators (2 of 5)



3. Before proceeding, take note of the following:

- **Callout 1:** The pin on the actuator will be installed into the slot in the chassis.
- **Callout 2:** The pin on the pivot arm will be installed into the slot on the actuator.
- **Callout 3:** The end of the spring will be installed onto the tab on the chassis.

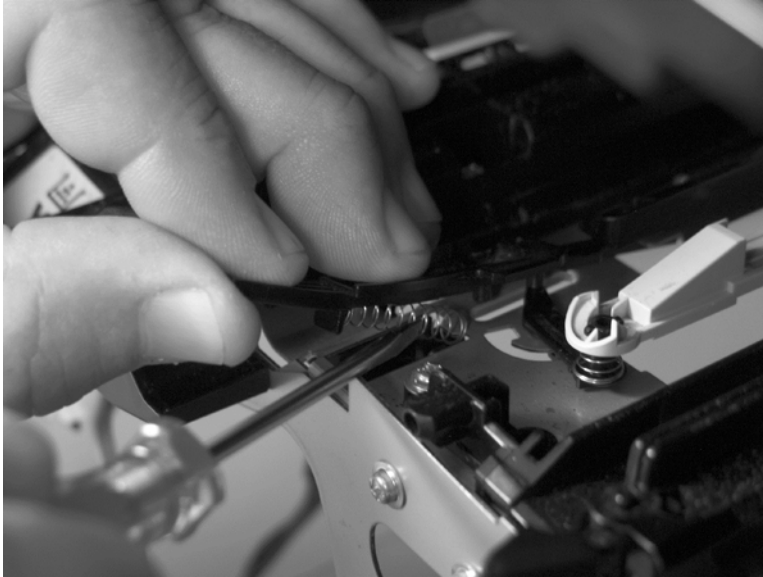
**Figure 1-364** Reinstall the PGC actuators (3 of 5)





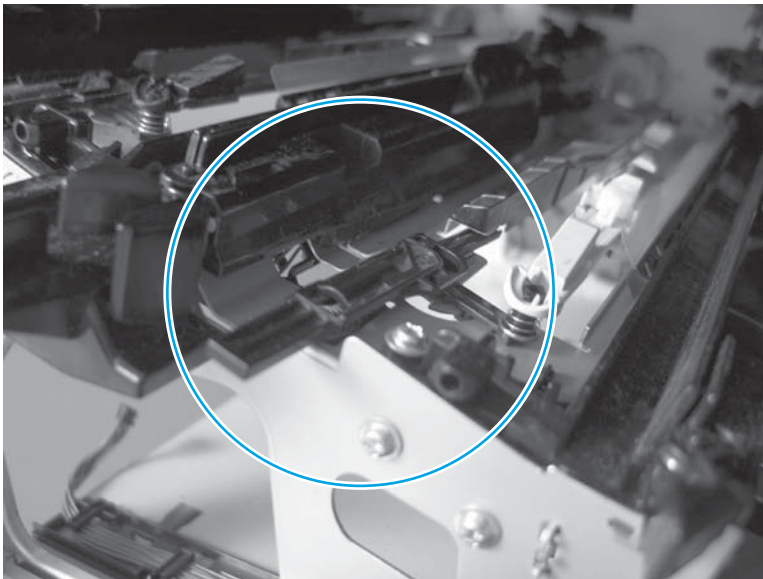
4. Place the end of the actuator into the PGC rod, and then use a small flat blade screw driver to fasten the end of the spring on the tab on the chassis.

**Figure 1-365** Reinstall the PGC actuators (4 of 5)



5. Push down on the actuator to seat it into place. Verify that the actuators is correctly installed. The PGC actuator must move freely when push on.

**Figure 1-366** Reinstall the PGC actuators (5 of 5)



# High-voltage power supply upper (HVPS-T)

## Before proceeding, remove the following assemblies

### M651 models

- Formatter. See [Formatter PCA on page 9](#).
- Upper left cover. See [Upper left cover \(M651\) on page 117](#).
- Left rear cover. See [Left rear cover on page 119](#).
- Rear cover. See [Rear cover \(M651\) on page 121](#).
- Face-down tray. See [Face-down tray \(M651\) on page 134](#).
- Face-down rear cover. See [Face-down rear cover \(M651\) on page 136](#).
- Interconnect board. See [Interconnect board \(ICB\) \(M651\) on page 194](#).
- Low-voltage power supply. See [Low-voltage power supply \(LVPS\) on page 200](#).
- DC controller and tray. See [DC controller PCA and tray on page 204](#).

### M680 models

- Formatter. See [Formatter PCA on page 9](#).
- Standard output bin. See [Standard output bin \(M680\) on page 52](#).
- Output bin bezel. See [Output bin bezel \(M680\) on page 53](#).
- Scanner rear cover. See [Scanner rear cover on page 79](#).
- Document feeder. See [Document feeder \(ADF\) on page 80](#).
- Scanner assembly. See [Image scanner assembly on page 103](#).
- Fan cover. See [Fan cover \(M680\) on page 118](#).
- Left rear cover. See [Left rear cover on page 119](#).
- Rear cover. See [Rear cover \(M680\) on page 122](#).
- Interconnect board (ICB). See [Interconnect board \(ICB\) \(M680\) on page 196](#).
- Low-voltage power supply. See [Low-voltage power supply \(LVPS\) on page 200](#).
- DC controller and tray. See [DC controller PCA and tray on page 204](#).



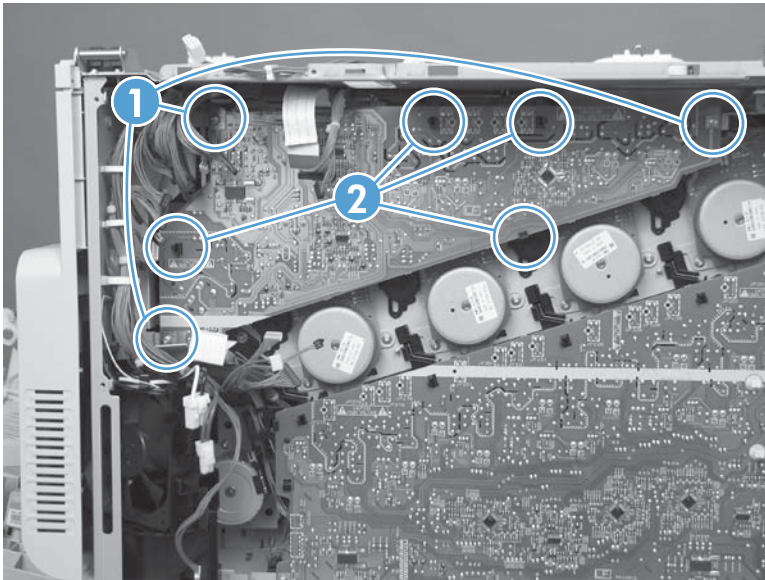
**NOTE:** This assembly is also called the high-voltage power supply PCA upper assembly.

## Remove the high-voltage power supply upper

 **CAUTION:**  ESD-sensitive assembly.

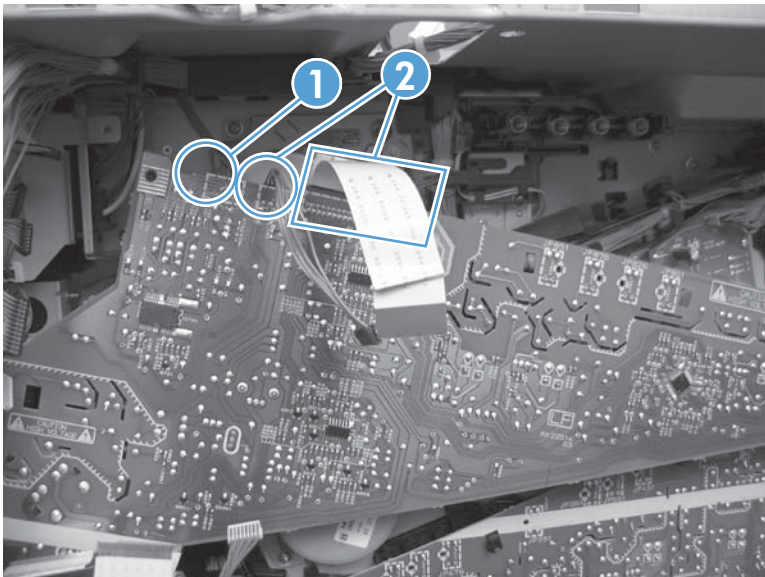
1. Remove three screws (callout 1), and then release four tabs (callout 2).

**Figure 1-367** Remove the high-voltage power supply upper (1 of 2)




2. Disconnect one connector (callout 1) and then remove the power supply. **Do not** disconnect two connectors (callout 2).

**Figure 1-368** Remove the high-voltage power supply upper (2 of 2)

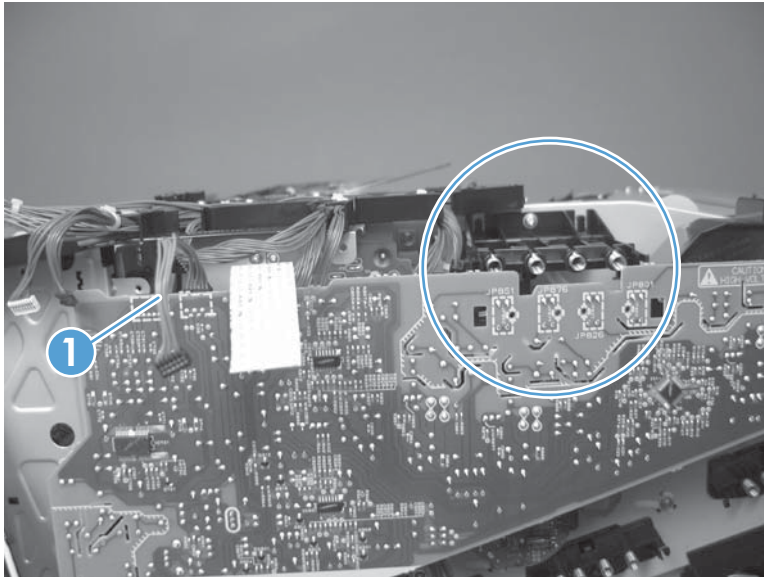


## Reinstall the high-voltage power supply upper

When the power supply is reinstalled, look through the holes in the PCA and make sure that the high-voltage contact springs are correctly seated against the PCA.

 **NOTE:** For a replacement power supply, remove one wire harness (callout 1) and then install it on the replacement power supply.

**Figure 1-369** Reinstall the high-voltage power supply upper



## Yellow, magenta, cyan, and black drum motors

### Before proceeding, remove the following assemblies

#### M651 models

- Formatter. See [Formatter PCA on page 9](#).
- Upper left cover. See [Upper left cover \(M651\) on page 117](#).
- Left rear cover. See [Left rear cover on page 119](#).
- Rear cover. See [Rear cover \(M651\) on page 121](#).
- Face-down tray. See [Face-down tray \(M651\) on page 134](#).
- Face-down rear cover. See [Face-down rear cover \(M651\) on page 136](#).
- Interconnect board. See [Interconnect board \(ICB\) \(M651\) on page 194](#).
- Low-voltage power supply. See [Low-voltage power supply \(LVPS\) on page 200](#).
- DC controller and tray. See [DC controller PCA and tray on page 204](#).
- High-voltage power supply upper (HVPS-T). See [High-voltage power supply upper \(HVPS-T\) on page 243](#).

#### M680 models

- Formatter. See [Formatter PCA on page 9](#).
- Standard output bin. See [Standard output bin \(M680\) on page 52](#).
- Output bin bezel. See [Output bin bezel \(M680\) on page 53](#).
- Scanner rear cover. See [Scanner rear cover on page 79](#).
- Document feeder. See [Document feeder \(ADF\) on page 80](#).
- Scanner assembly. See [Image scanner assembly on page 103](#).
- Fan cover. See [Fan cover \(M680\) on page 118](#).
- Left rear cover. See [Left rear cover on page 119](#).
- Rear cover. See [Rear cover \(M680\) on page 122](#).
- Interconnect board (ICB). See [Interconnect board \(ICB\) \(M680\) on page 196](#).
- Low-voltage power supply. See [Low-voltage power supply \(LVPS\) on page 200](#).
- DC controller and tray. See [DC controller PCA and tray on page 204](#).
- High-voltage power supply upper (HVPS-T). See [High-voltage power supply upper \(HVPS-T\) on page 243](#).



---

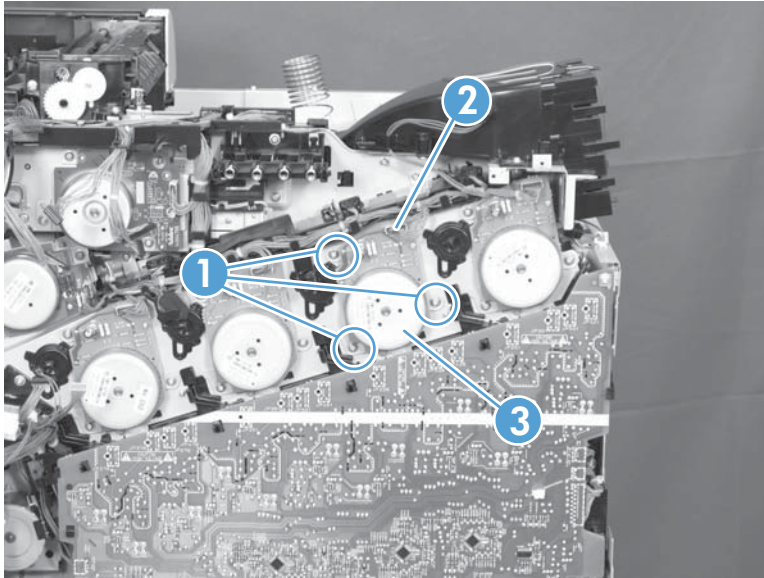
**NOTE:** This assembly is also called the main DC motor assembly.

---

## Remove the yellow, magenta, cyan, and black drum motors

- ▲ For each motor, remove three screws (callout 1), disconnect one connector (callout 2), and then remove the motor (callout 3)

**Figure 1-370** Remove the yellow, magenta, cyan, and black drum motors





## Fuser motor

### Before proceeding, remove the following assemblies

#### M651 models

- Formatter. See [Formatter PCA on page 9](#).
- Upper left cover. See [Upper left cover \(M651\) on page 117](#).
- Left rear cover. See [Left rear cover on page 119](#).
- Rear cover. See [Rear cover \(M651\) on page 121](#).
- Face-down tray. See [Face-down tray \(M651\) on page 134](#).
- Face-down rear cover. See [Face-down rear cover \(M651\) on page 136](#).
- Interconnect board. See [Interconnect board \(ICB\) \(M651\) on page 194](#).
- Low-voltage power supply. See [Low-voltage power supply \(LVPS\) on page 200](#).
- DC controller and tray. See [DC controller PCA and tray on page 204](#).
- High-voltage power supply upper (HVPS-T). See [High-voltage power supply upper \(HVPS-T\) on page 243](#).

#### M680 models

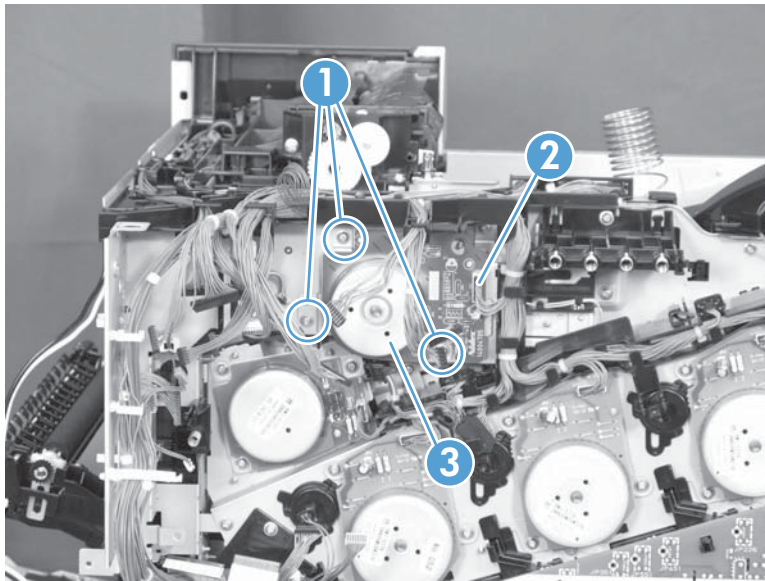
- Formatter. See [Formatter PCA on page 9](#).
- Standard output bin. See [Standard output bin \(M680\) on page 52](#).
- Output bin bezel. See [Output bin bezel \(M680\) on page 53](#).
- Scanner rear cover. See [Scanner rear cover on page 79](#).
- Document feeder. See [Document feeder \(ADF\) on page 80](#).
- Scanner assembly. See [Image scanner assembly on page 103](#).
- Fan cover. See [Fan cover \(M680\) on page 118](#).
- Left rear cover. See [Left rear cover on page 119](#).
- Rear cover. See [Rear cover \(M680\) on page 122](#).
- Interconnect board (ICB). See [Interconnect board \(ICB\) \(M680\) on page 196](#).
- Low-voltage power supply. See [Low-voltage power supply \(LVPS\) on page 200](#).
- DC controller and tray. See [DC controller PCA and tray on page 204](#).
- High-voltage power supply upper (HVPS-T). See [High-voltage power supply upper \(HVPS-T\) on page 243](#).



## Remove the fuser motor

- ▲ Remove three screws (callout 1), disconnect one connector (callout 2), and then remove the motor (callout 3).

**Figure 1-371** Remove the fuser motor



## ITB motor

### Before proceeding, remove the following assemblies

#### M651 models

- Formatter. See [Formatter PCA on page 9](#).
- Upper left cover. See [Upper left cover \(M651\) on page 117](#).
- Left rear cover. See [Left rear cover on page 119](#).
- Rear cover. See [Rear cover \(M651\) on page 121](#).
- Face-down tray. See [Face-down tray \(M651\) on page 134](#).
- Face-down rear cover. See [Face-down rear cover \(M651\) on page 136](#).
- Interconnect board. See [Interconnect board \(ICB\) \(M651\) on page 194](#).
- Low-voltage power supply. See [Low-voltage power supply \(LVPS\) on page 200](#).
- DC controller and tray. See [DC controller PCA and tray on page 204](#).
- High-voltage power supply upper (HVPS-T). See [High-voltage power supply upper \(HVPS-T\) on page 243](#).

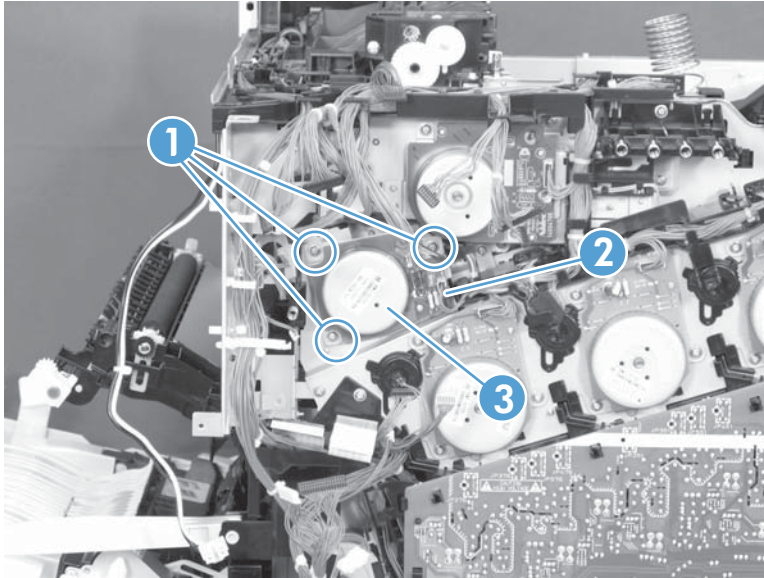
#### M680 models

- Formatter. See [Formatter PCA on page 9](#).
- Standard output bin. See [Standard output bin \(M680\) on page 52](#).
- Output bin bezel. See [Output bin bezel \(M680\) on page 53](#).
- Scanner rear cover. See [Scanner rear cover on page 79](#).
- Document feeder. See [Document feeder \(ADF\) on page 80](#).
- Scanner assembly. See [Image scanner assembly on page 103](#).
- Fan cover. See [Fan cover \(M680\) on page 118](#).
- Left rear cover. See [Left rear cover on page 119](#).
- Rear cover. See [Rear cover \(M680\) on page 122](#).
- Interconnect board (ICB). See [Interconnect board \(ICB\) \(M680\) on page 196](#).
- Low-voltage power supply. See [Low-voltage power supply \(LVPS\) on page 200](#).
- DC controller and tray. See [DC controller PCA and tray on page 204](#).
- High-voltage power supply upper (HVPS-T). See [High-voltage power supply upper \(HVPS-T\) on page 243](#).

## Remove the ITB motor

- ▲ Remove three screws (callout 1), disconnect one connector (callout 2), and then remove the motor (callout 3).

**Figure 1-372** Remove the ITB motor



## Main-drive assembly

### Before proceeding, remove the following assemblies



**NOTE:** Removing the main-drive assembly typically requires more than 2 hours to complete.

#### M651 models

- Formatter. See [Formatter PCA on page 9](#).
- Intermediate transfer belt (ITB). See [Intermediate transfer belt \(ITB\) on page 25](#).
- Upper left cover. See [Upper left cover \(M651\) on page 117](#).
- Left rear cover. See [Left rear cover on page 119](#).
- Rear cover. See [Rear cover \(M651\) on page 121](#).
- Face-down tray. See [Face-down tray \(M651\) on page 134](#).
- Face-down rear cover. See [Face-down rear cover \(M651\) on page 136](#).
- Interconnect board. See [Interconnect board \(ICB\) \(M651\) on page 194](#).
- Low-voltage power supply. See [Low-voltage power supply \(LVPS\) on page 200](#).
- DC controller and tray. See [DC controller PCA and tray on page 204](#).
- High-voltage power supply lower (HVPS-D). See [High-voltage power supply lower \(HVPS-D\) on page 207](#).
- Exhaust fan and fan duct. See [Exhaust fan and fan duct on page 213](#).
- High-voltage power supply upper (HVPS-T). See [High-voltage power supply upper \(HVPS-T\) on page 243](#).
- Yellow, magenta, cyan, and black drum motors. See [Yellow, magenta, cyan, and black drum motors on page 246](#).

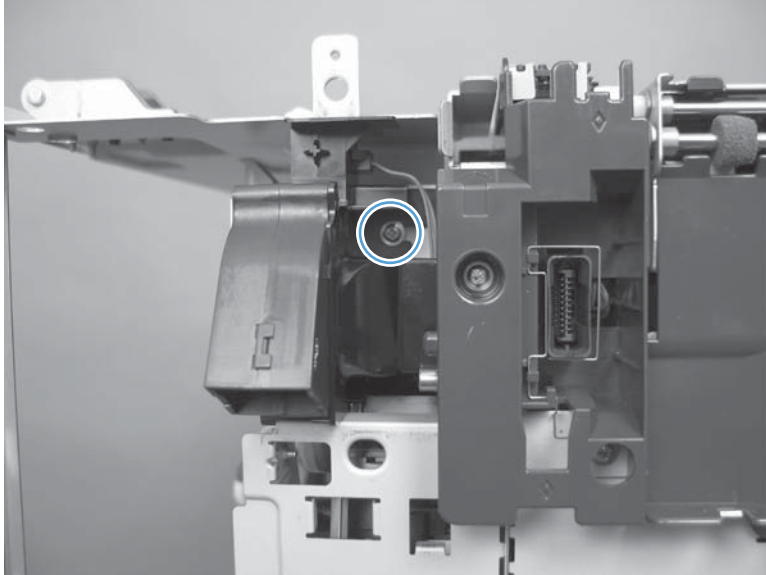
#### M680 models

- Formatter. See [Formatter PCA on page 9](#).
- Intermediate transfer belt (ITB). See [Intermediate transfer belt \(ITB\) on page 25](#).
- Standard output bin. See [Standard output bin \(M680\) on page 52](#).
- Output bin bezel. See [Output bin bezel \(M680\) on page 53](#).
- Scanner rear cover. See [Scanner rear cover on page 79](#).
- Document feeder. See [Document feeder \(ADF\) on page 80](#).
- Scanner assembly. See [Image scanner assembly on page 103](#).
- Fan cover. See [Fan cover \(M680\) on page 118](#).
- Left rear cover. See [Left rear cover on page 119](#).
- Rear cover. See [Rear cover \(M680\) on page 122](#).
- Interconnect board (ICB). See [Interconnect board \(ICB\) \(M680\) on page 196](#).
- Low-voltage power supply. See [Low-voltage power supply \(LVPS\) on page 200](#).
- DC controller and tray. See [DC controller PCA and tray on page 204](#).
- High-voltage power supply lower (HVPS-D). See [High-voltage power supply lower \(HVPS-D\) on page 207](#).
- Exhaust fan and fan duct. See [Exhaust fan and fan duct on page 213](#).
- High-voltage power supply upper (HVPS-T). See [High-voltage power supply upper \(HVPS-T\) on page 243](#).
- Yellow, magenta, cyan, and black drum motors. See [Yellow, magenta, cyan, and black drum motors on page 246](#).


### Remove the main-drive assembly

1. Remove one screw and then release the fan from the chassis.

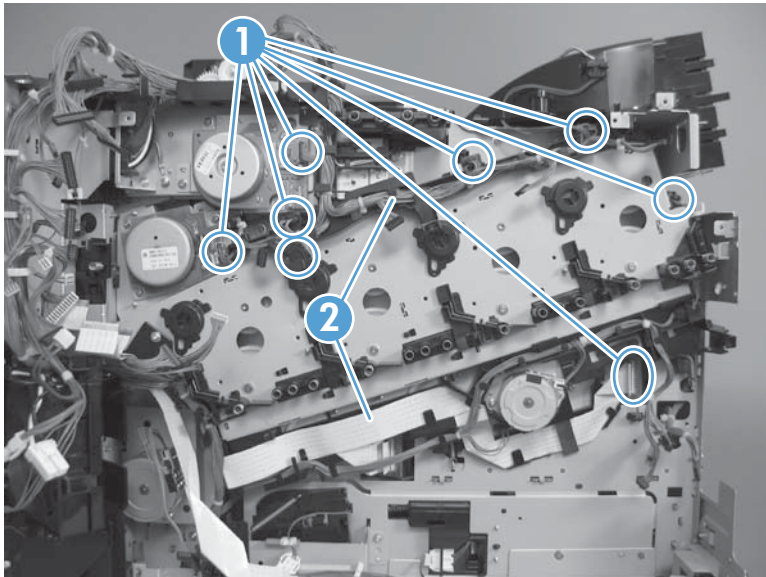
**Figure 1-373** Remove the main-drive assembly (1 of 7)




2. Remove eight connectors (callout 1), and then release the wire harnesses from the guides (callout 2).

 **NOTE:** Leave the wire harnesses with the product.

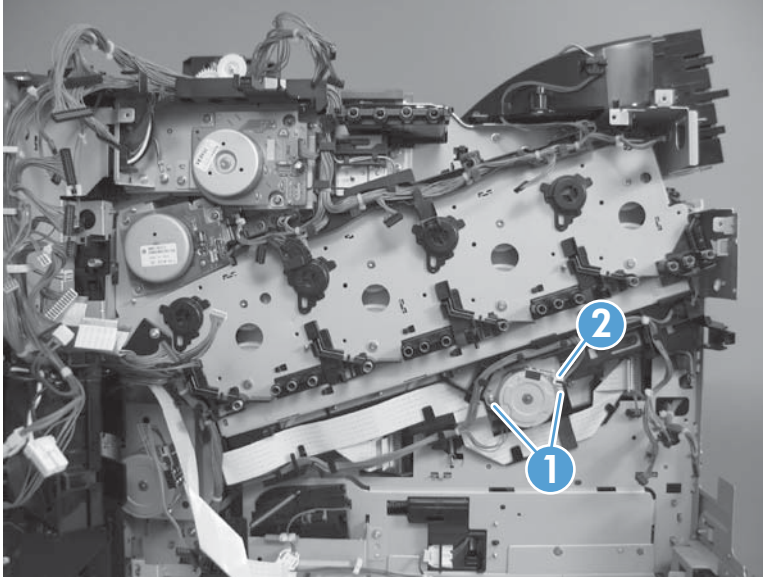
**Figure 1-374** Remove the main-drive assembly (2 of 7)




3. Remove two screws (callout 1), disconnect one connector (callout 2), and then remove the developing-disengagement motor.

 **NOTE:** When the motor is reinstalled, make sure the motor PCA is positioned at the top of the assembly.

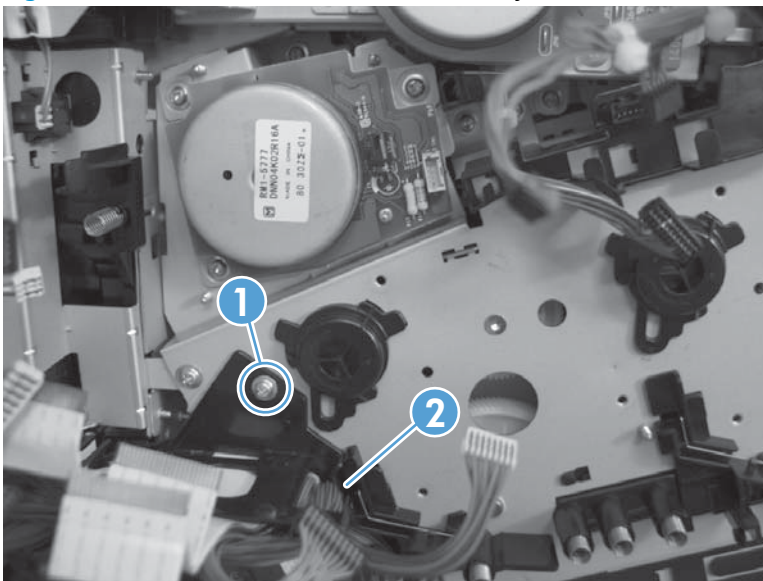
**Figure 1-375** Remove the main-drive assembly (3 of 7)



4. Remove one screw (callout 1), and then remove the wire guide from the main-drive assembly (callout 2).

 **Reinstallation tip** Leave the wire harnesses connected to the wire guide and attached to the product for easier reinstallation.

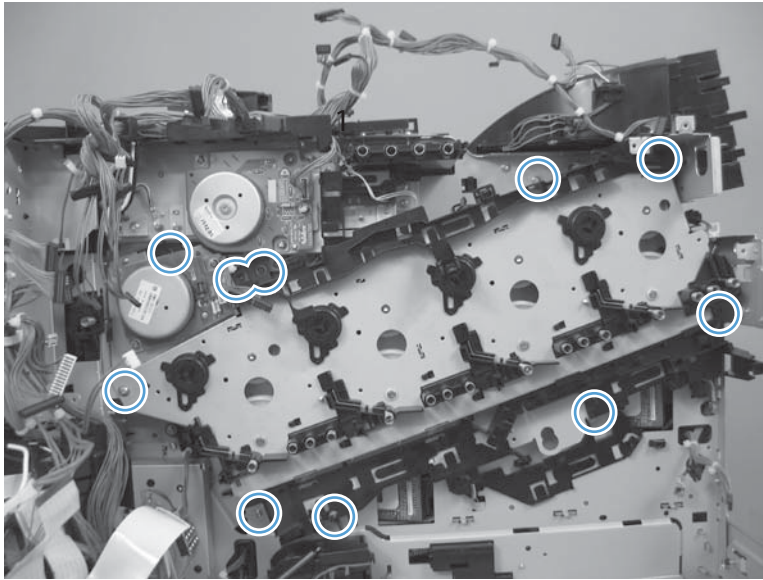
**Figure 1-376** Remove the main-drive assembly (4 of 7)





5. Remove 10 screws.

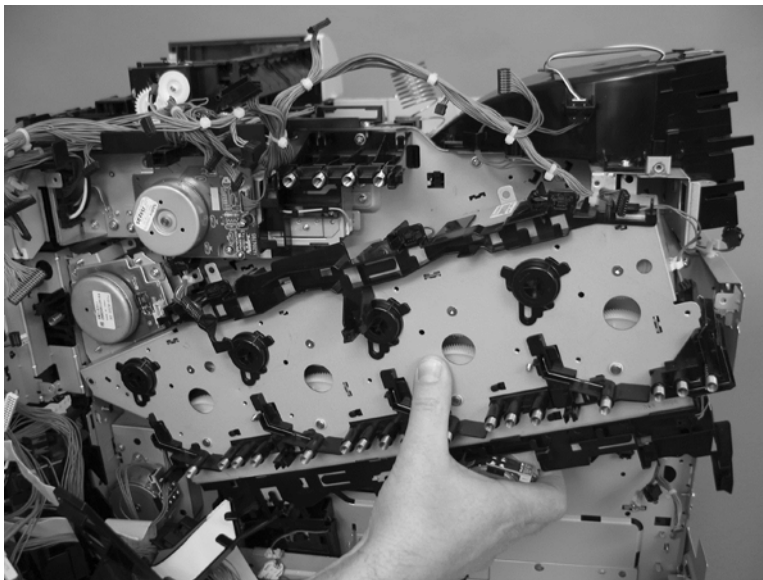
**Figure 1-377** Remove the main-drive assembly (5 of 7)



6. Separate the main-drive assembly from the product.

**⚠ CAUTION:** The assembly is still attached to the product by one wire harness. Do not attempt to completely remove the assembly until proceeding to the following step.

**Figure 1-378** Remove the main-drive assembly (6 of 7)





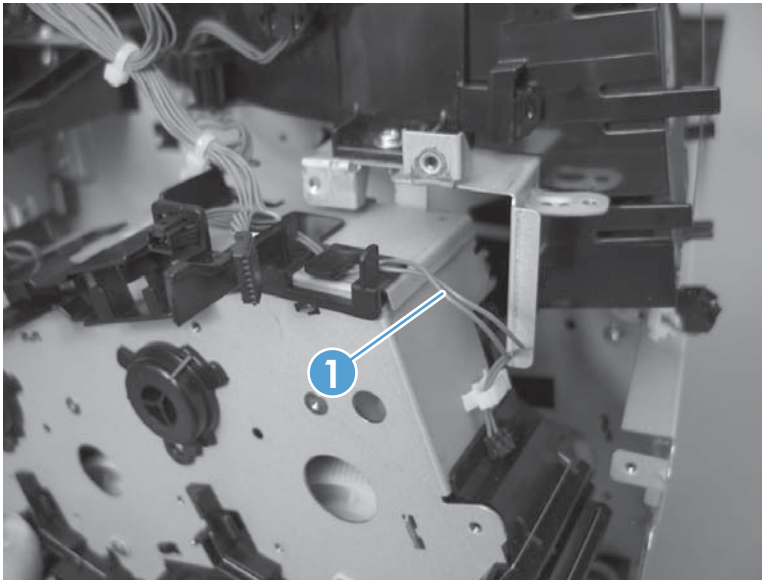
7. Release the wire harness (callout 1) from the guides, and then remove the main-drive assembly from the product.

**⚠ CAUTION:** Be careful when removing the assembly. The cams on the backside of the assembly can be dislodged. If the cams become dislodged, install them on the shafts as shown in [Figure 1-380 Reinstall the main-drive assembly \(1 of 7\) on page 257](#).

The black cam must be installed on the shaft furthest away from the developing-disengagement motor. The white cams are interchangeable.

**💡 Reinstallation tip** It might be easier to pass the harness (callout 1) over the edge of the assembly chassis after the main-drive assembly is reinstalled.

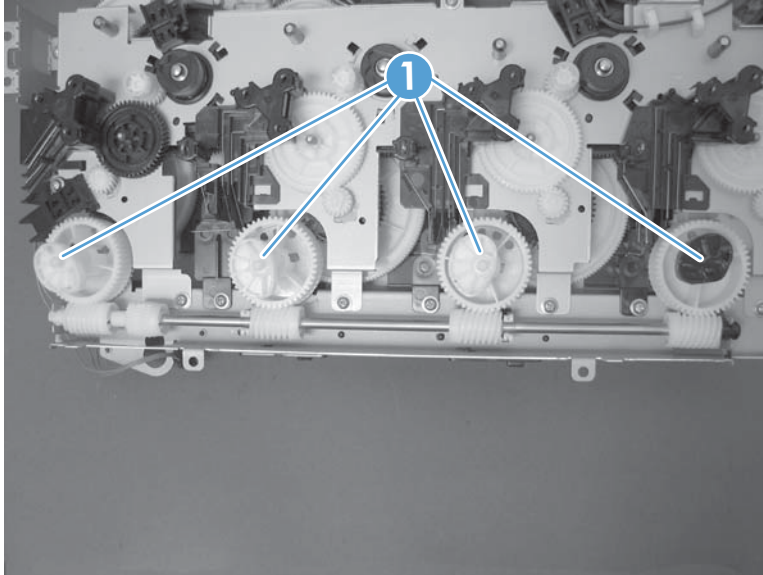
**Figure 1-379** Remove the main-drive assembly (7 of 7)



## Reinstall the main-drive assembly

1. Locate the cams (callout 1) on the back side of the assembly.

**Figure 1-380** Reinstall the main-drive assembly (1 of 7)

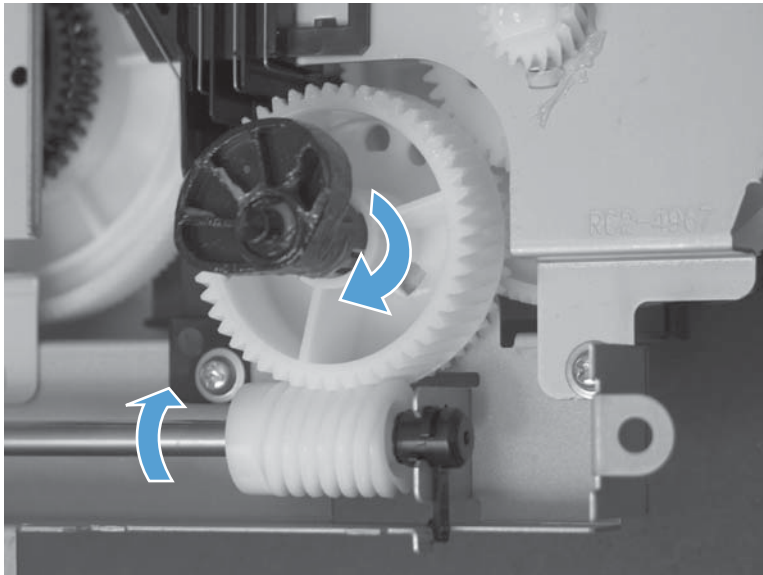


2. Slowly rotate the shaft near the black cam.



**IMPORTANT:** Do not touch the plastic gears or cams. Do not wipe away any of the grease that is applied to these assemblies. Always rotate the gears and cams by rotating the metal drive shaft.


**Figure 1-381** Reinstall the main-drive assembly (2 of 7)



3. Continue to rotate the shaft until the holes in the black-cam gear align as shown below.

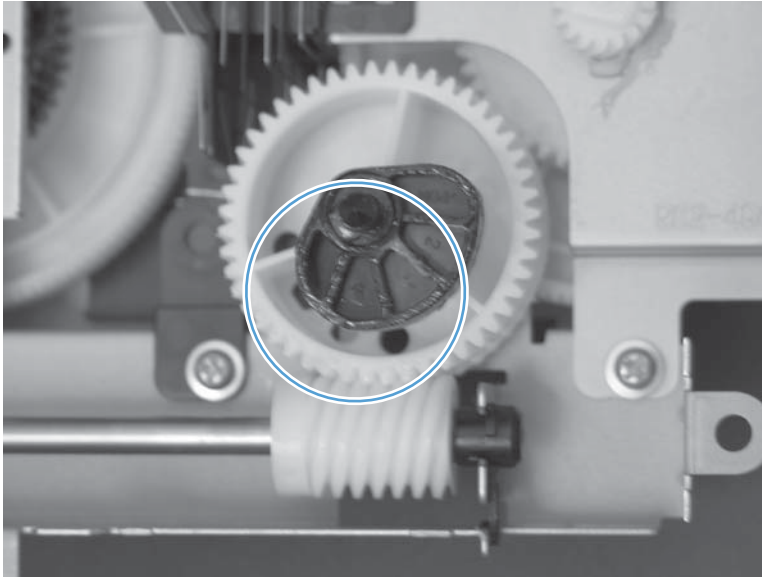
When correctly aligned, the *bottom-most* hole in the gear is aligned with a hole in the sheet-metal chassis.

---


 **NOTE:** The holes in the other cam gears have a different alignment. Make sure that the holes in the black-cam gear are correctly aligned.

---

**Figure 1-382** Reinstall the main-drive assembly (3 of 7)



4. Verify that the cams (callout 1) align correctly.

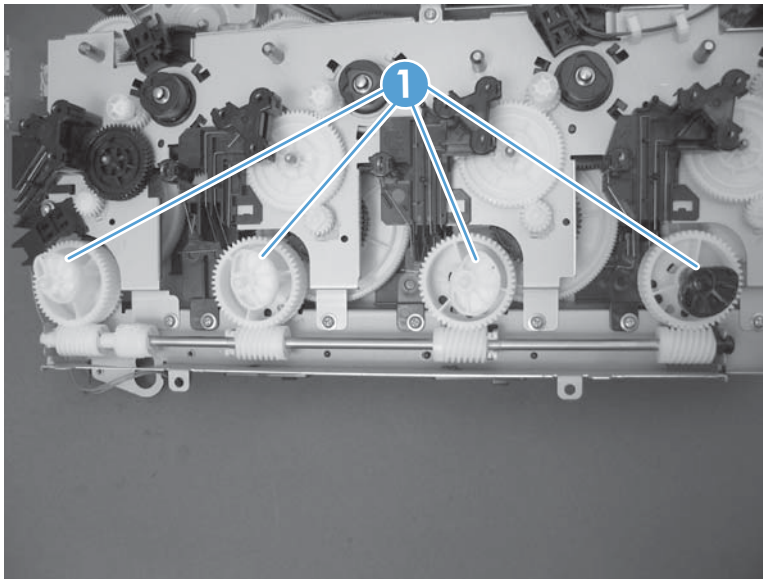
 **TIP:** The second cam in from the right (the white cam to the left of the black cam), should have the *second* hole aligned with the hole in the sheet-metal chassis.

The third cam in from the right, should have the *third* hole aligned with the hole in the sheet-metal chassis.

The fourth cam in from the right (the cam nearest the developing-disengagement motor), should have the *fourth* hole aligned with the hole in the sheet-metal chassis.

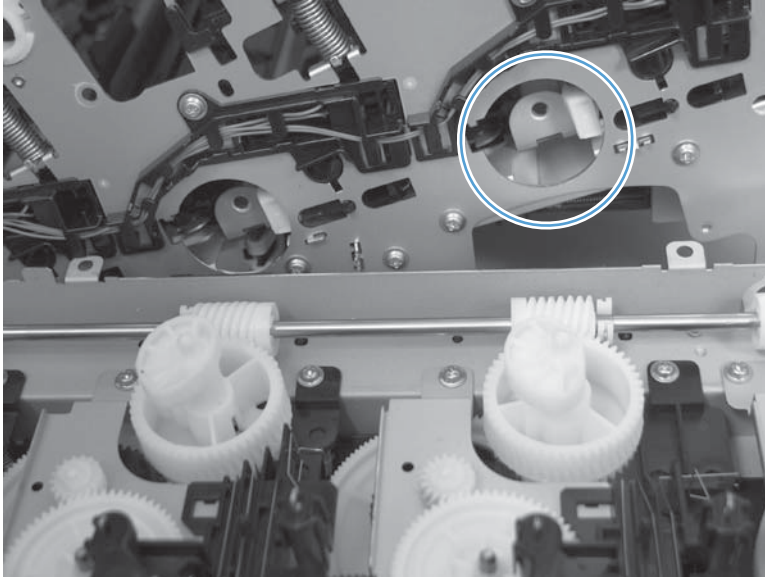
If the second, third, or fourth cams do not correctly align, do the following. Hold the long drive shaft, gently tilt the cam and gear away from the shaft to allow clearance to rotate the gear until the correct hole in the gear aligns with the hole in the chassis.

**Figure 1-383** Reinstall the main-drive assembly (4 of 7)




5. When the cams align correctly, they easily fit into the holes in the chassis.

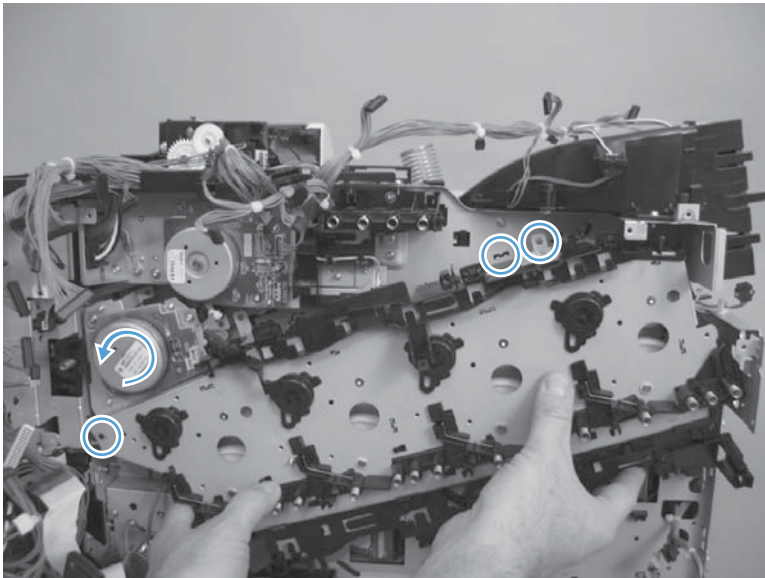
**Figure 1-384** Reinstall the main-drive assembly (5 of 7)



6. When placing the assembly on the chassis, align the holes in the assembly with the holes in the chassis.

 **Reinstallation tip** If the upper-left corner of the assembly is difficult to seat, try rotating the ITB motor to align the gear shaft with the hole in the chassis.

**Figure 1-385** Reinstall the main-drive assembly (6 of 7)

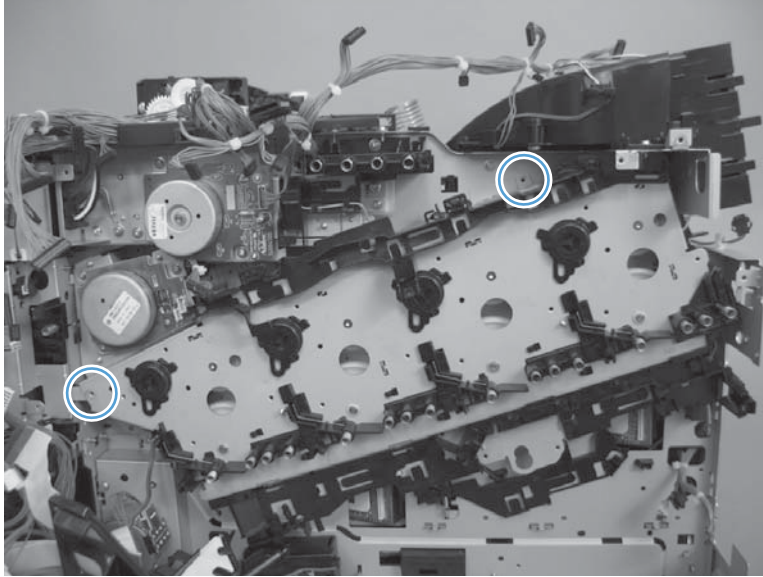


7. When the assembly is correctly installed, the tabs are flat against the chassis.

 **TIP:** After reassembling the product, use the [Troubleshooting](#) menu to print a [Color Band Test](#) page.

If the test page shows one or more color planes are not printing (usually in the upper left corner of the page), the cam or cams for the missing color plane are not correctly aligned. Repeat the reinstall the main-drive assembly procedure.

**Figure 1-386** Reinstall the main-drive assembly (7 of 7)





## Fuser drive assembly

### Before proceeding, remove the following assemblies



**NOTE:** Removing the fuser-drive assembly typically requires more than 2 hours to complete.

#### M651 models

- Formatter. See [Formatter PCA on page 9](#).
- Upper left cover. See [Upper left cover \(M651\) on page 117](#).
- Left rear cover. See [Left rear cover on page 119](#).
- Rear cover. See [Rear cover \(M651\) on page 121](#).
- Face-down tray. See [Face-down tray \(M651\) on page 134](#).
- Face-down rear cover. See [Face-down rear cover \(M651\) on page 136](#).
- Interconnect board. See [Interconnect board \(ICB\) \(M651\) on page 194](#).
- Low-voltage power supply. See [Low-voltage power supply \(LVPS\) on page 200](#).
- DC controller and tray. See [DC controller PCA and tray on page 204](#).
- High-voltage power supply upper (HVPS-T). See [High-voltage power supply upper \(HVPS-T\) on page 243](#).
- Yellow, magenta, cyan, and black drum motors. See [Yellow, magenta, cyan, and black drum motors on page 246](#).
- Main-drive assembly. See [Main-drive assembly on page 252](#).

#### M680 models

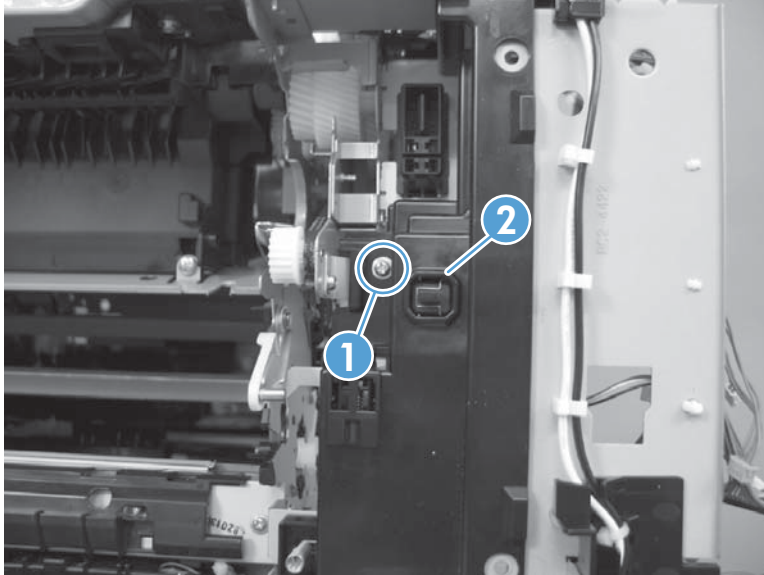
- Formatter. See [Formatter PCA on page 9](#).
- Standard output bin. See [Standard output bin \(M680\) on page 52](#).
- Output bin bezel. See [Output bin bezel \(M680\) on page 53](#).
- Scanner rear cover. See [Scanner rear cover on page 79](#).
- Document feeder. See [Document feeder \(ADF\) on page 80](#).
- Scanner assembly. See [Image scanner assembly on page 103](#).
- Fan cover. See [Fan cover \(M680\) on page 118](#).
- Left rear cover. See [Left rear cover on page 119](#).
- Rear cover. See [Rear cover \(M680\) on page 122](#).
- Interconnect board (ICB). See [Interconnect board \(ICB\) \(M680\) on page 196](#).
- Low-voltage power supply. See [Low-voltage power supply \(LVPS\) on page 200](#).
- DC controller and tray. See [DC controller PCA and tray on page 204](#).
- High-voltage power supply upper (HVPS-T). See [High-voltage power supply upper \(HVPS-T\) on page 243](#).
- Yellow, magenta, cyan, and black drum motors. See [Yellow, magenta, cyan, and black drum motors on page 246](#).
- Main-drive assembly. See [Main-drive assembly on page 252](#).

### Remove the fuser drive assembly

1. Remove one screw (callout 1), and then remove the cover (callout 2).

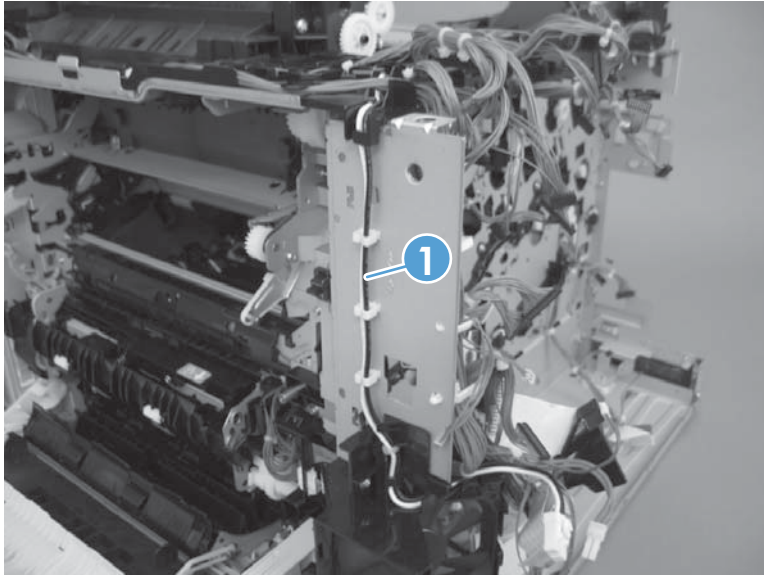


**Figure 1-387** Remove the fuser drive assembly (1 of 7)



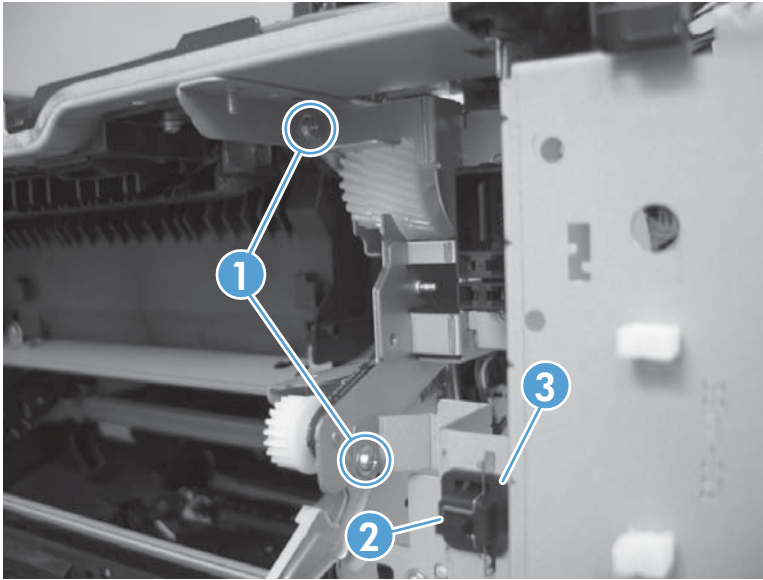
2. Release the wire harness (callout 1) from the guides.

**Figure 1-388** Remove the fuser drive assembly (2 of 7)




3. Remove two screws (callout 1), one static wire (callout 2), and one switch (callout 3).

**Figure 1-389** Remove the fuser drive assembly (3 of 7)



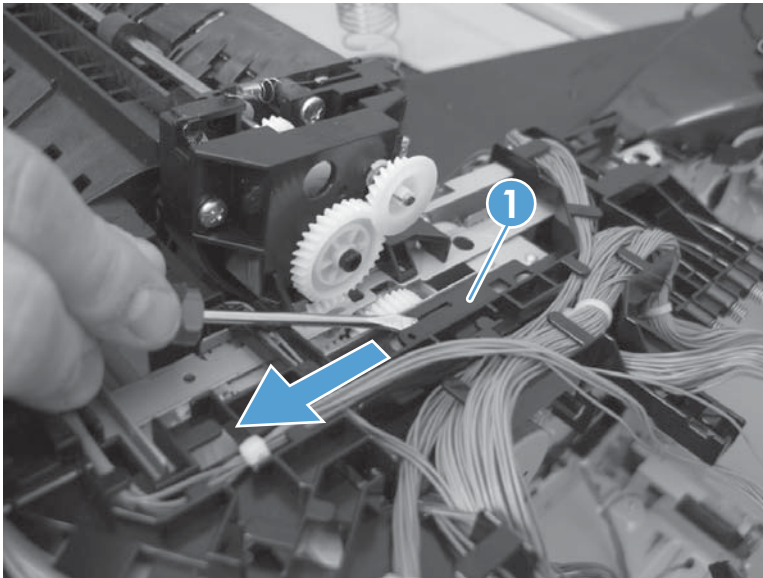
4. Release one tab, and then slide the wire harness holder (callout 1) to release it from the fuser-drive assembly.

---

 **NOTE:** Releasing the wire harness provides clearance when the assembly is removed. The harness does not need to be removed.

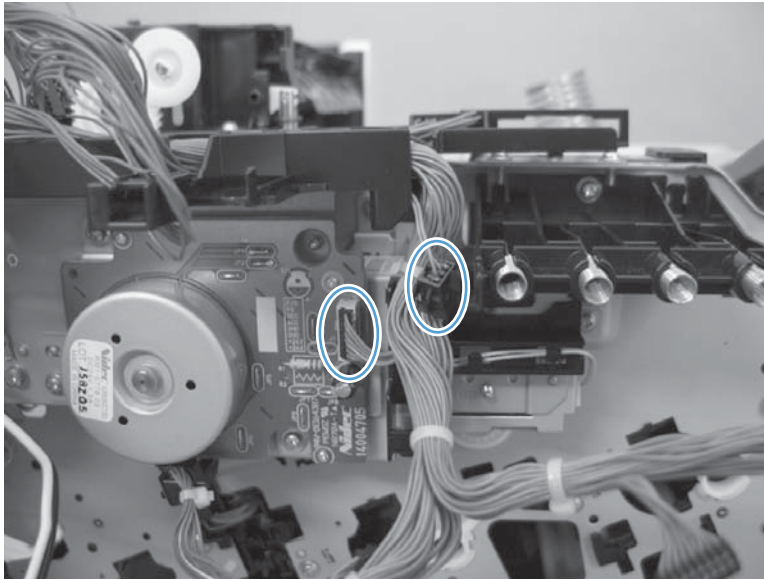
---

**Figure 1-390** Remove the fuser drive assembly (4 of 7)



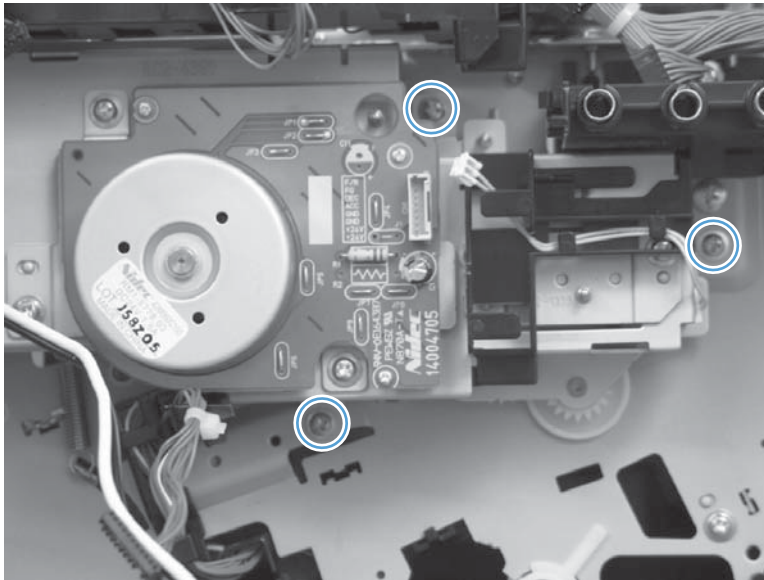
5. Disconnect two connectors.

**Figure 1-391** Remove the fuser drive assembly (5 of 7)



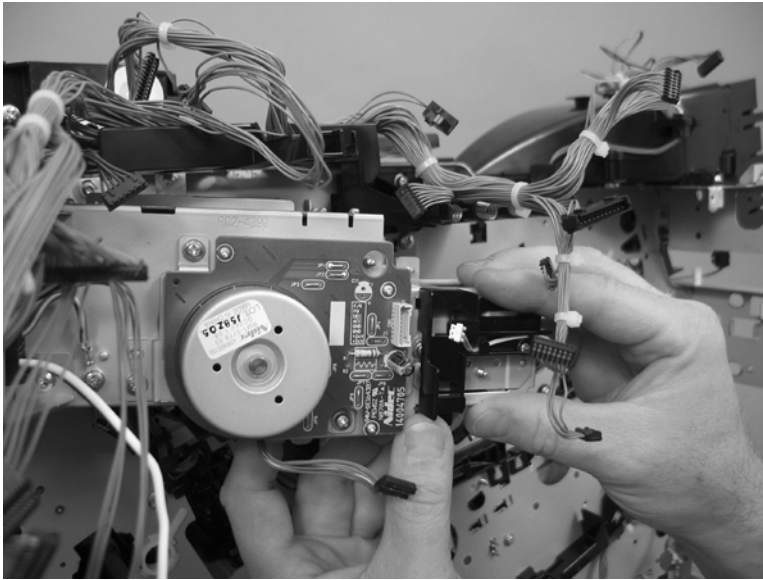
6. Remove three screws.

**Figure 1-392** Remove the fuser drive assembly (6 of 7)



7. Carefully remove the assembly.

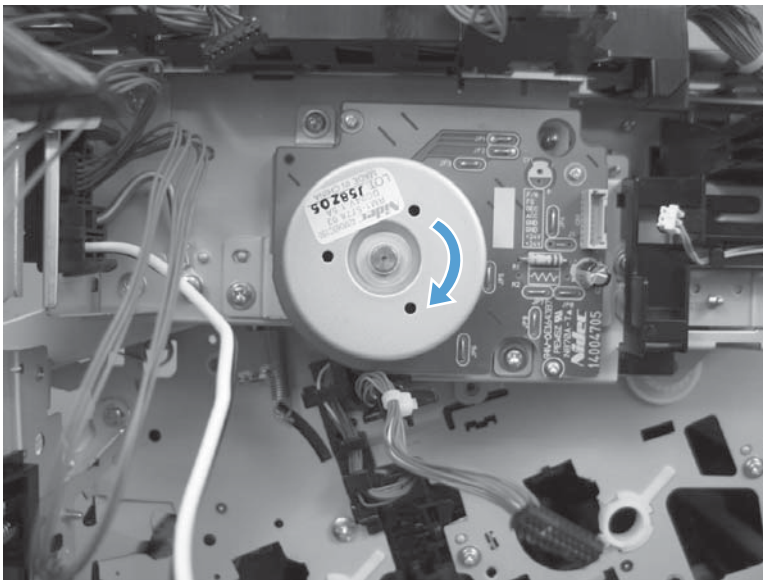
**Figure 1-393** Remove the fuser drive assembly (7 of 7)



### Reinstall the fuser drive assembly

- ▲ Rotate the motor until the gears align, and the assembly is flat against the chassis.

**Figure 1-394** Reinstall the fuser drive assembly

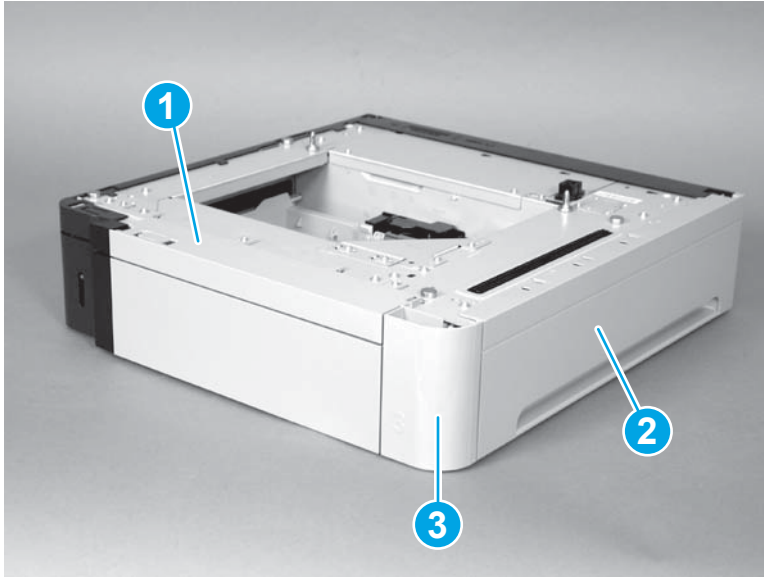


# Optional input and output accessories

## 1x500-sheet paper feeder

 **NOTE:** HP recommends removing the output accessory from the product before servicing.

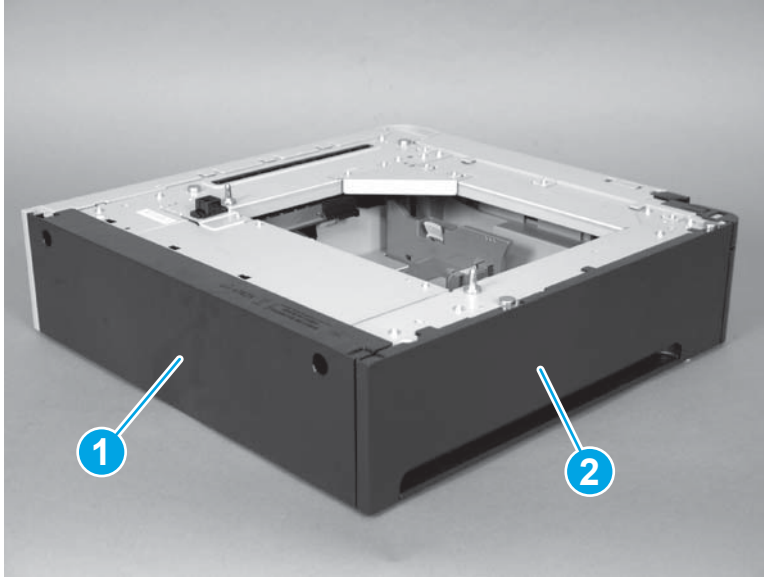
**Figure 1-395** 1x500-sheet paper feeder cover locations, front view



- |   |                   |
|---|-------------------|
| 1 | Front upper cover |
| 2 | Right front cover |
| 3 | Right cover       |



**Figure 1-396** 1x500-sheet paper feeder cover locations, rear view

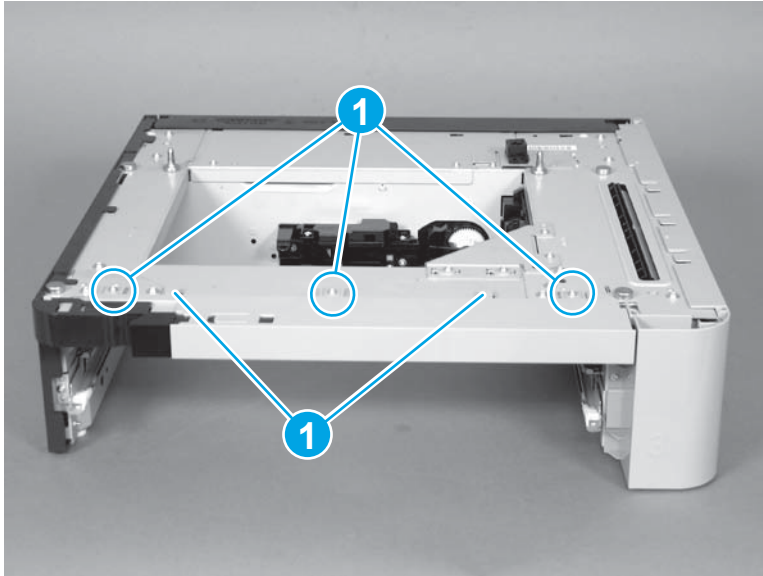


- 
- |   |            |
|---|------------|
| 1 | Rear cover |
| 2 | Left cover |
-

## Front upper cover (1x500-sheet paper feeder)

- ▲ Remove three screws (callout 1), release two tabs (callout 2), and then remove the front upper cover.

**Figure 1-397** Remove the front upper cover (1x500-sheet paper feeder)

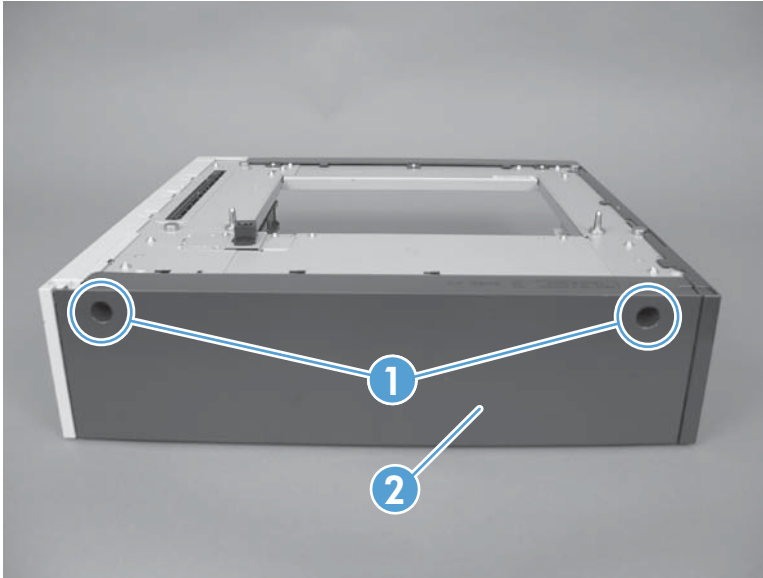




## Rear cover (1x500-sheet paper feeder)

- ▲ Remove two screws (callout 1), and then remove the rear cover (callout 2).

**Figure 1-398** Remove the rear cover (500-sheet paper feeder)



## Left cover (1x500-sheet paper feeder)

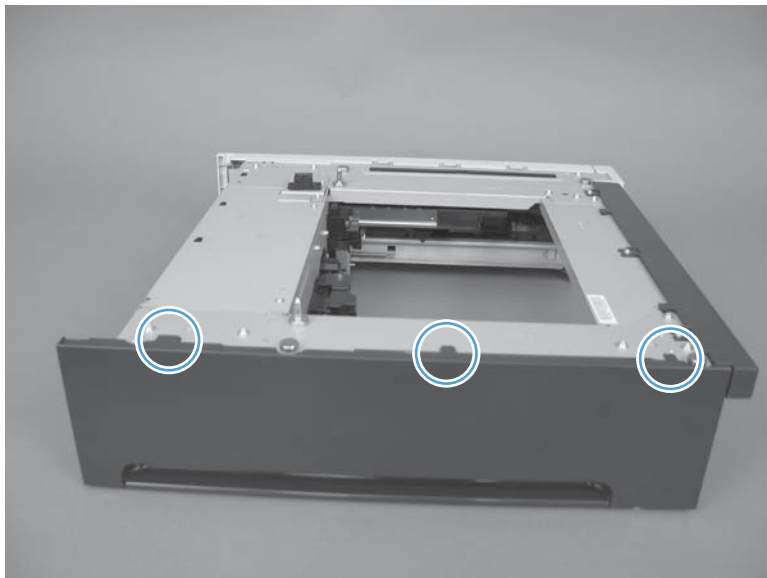
### Before proceeding, remove the following assemblies

- Rear cover (500-sheet paper feeder). See [Rear cover \(1x500-sheet paper feeder\) on page 270](#).

### Remove the left cover (1x500-sheet paper feeder)

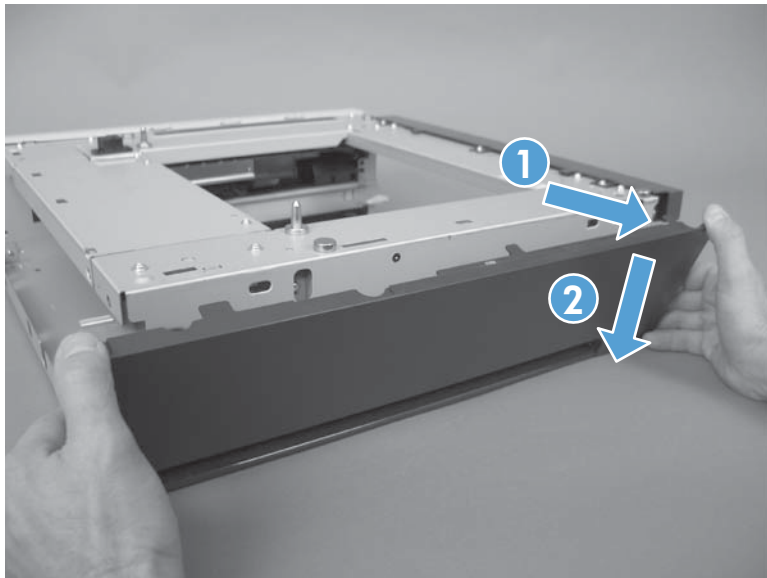
1. Release three tabs.

**Figure 1-399** Remove the left cover (1x500-sheet paper feeder; 1 of 2)



2. Pull the top of the cover out (callout 1), and then press down (callout 2) to remove the cover.

**Figure 1-400** Remove the left cover (1x500-sheet paper feeder; 2 of 2)



## Right-front cover (1x500-sheet paper feeder)

Before proceeding, remove the following assemblies

- Front upper cover. See [Front upper cover \(1x500-sheet paper feeder\) on page 269](#).

### Remove the right-front cover (1x500-sheet paper feeder)

- ▲ Remove one screw, and then rotate the right-front cover to the right to remove it.

**Figure 1-401** Remove the right-front cover (1x500-sheet paper feeder)




## Right cover (1x500-sheet paper feeder)

### Before proceeding, remove the following assemblies

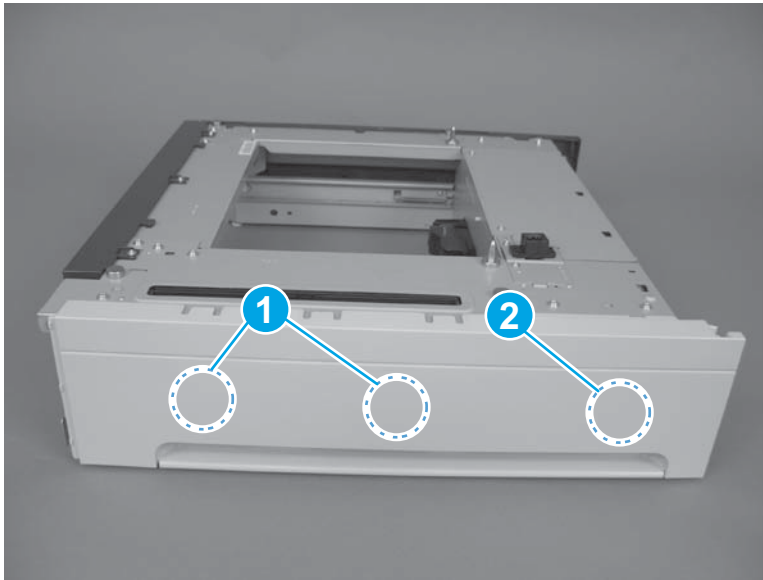
- Right front cover. See [Right-front cover \(1x500-sheet paper feeder\) on page 272](#).

### Remove the right cover (1x500-sheet paper feeder)

1. Reach inside the paper feeder, and then release three tabs (callout 1 and callout 2).

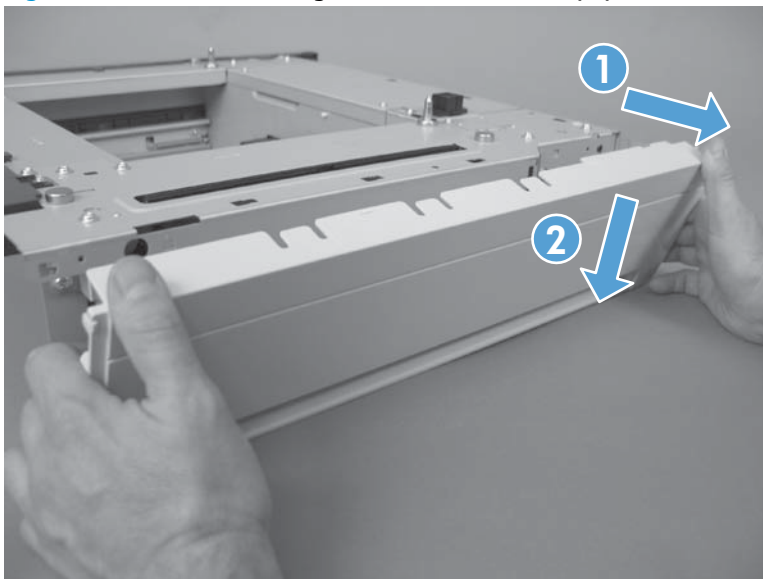
 **TIP:** Use a finger to release the left-most and center tabs (callout 1). However, it might be easier to release the right-most tab (callout 2) by using a long-barreled flat-blade screwdriver.

**Figure 1-402** Remove the right cover (1x500-sheet paper feeder; 1 of 2)



2. Rotate the top of the cover away from the assembly (callout 1) to remove it.

**Figure 1-403** Remove the right cover (1x500-sheet paper feeder; 2 of 2)



## Paper-pickup assembly (1x500-sheet paper feeder)

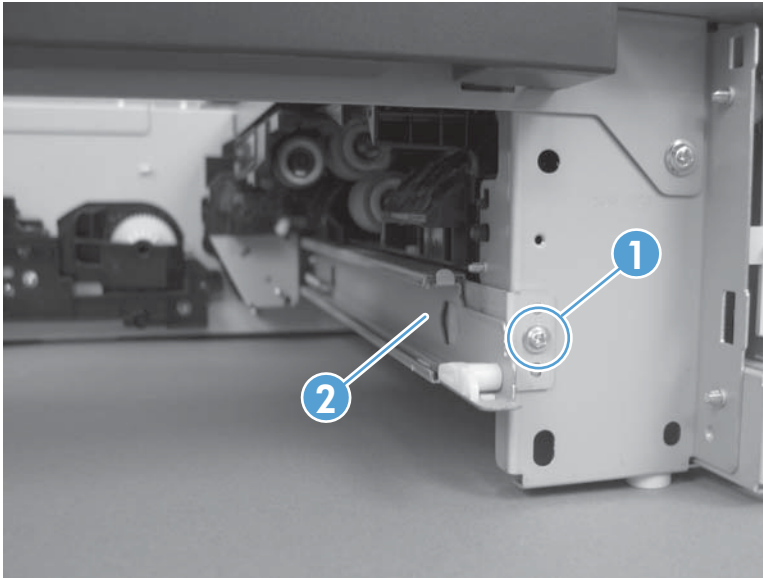
### Before proceeding, remove the following assemblies

- Rear cover. See [Rear cover \(1x500-sheet paper feeder\) on page 270](#).
- Front upper cover. See [Front upper cover \(1x500-sheet paper feeder\) on page 269](#).
- Right front cover. See [Right-front cover \(1x500-sheet paper feeder\) on page 272](#).
- Right cover See [Right cover \(1x500-sheet paper feeder\) on page 273](#).

### Remove the pickup assembly (1x500-sheet paper feeder)

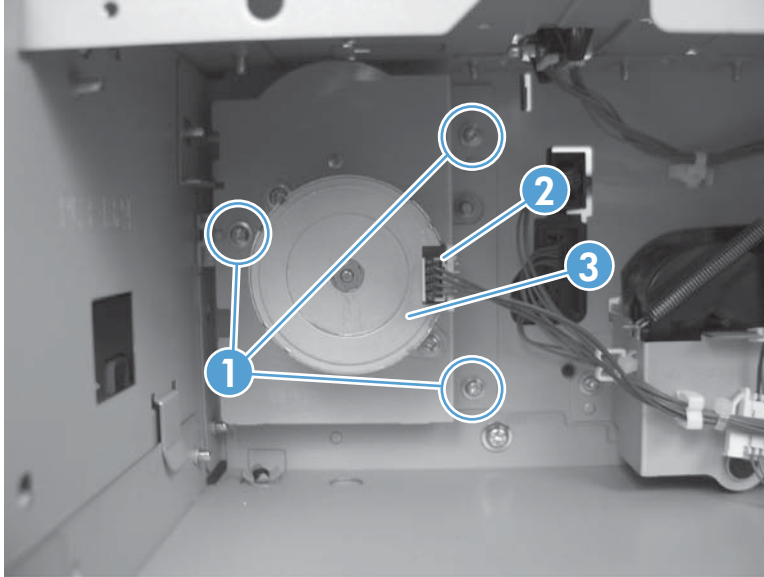
1. Remove one screw (callout 1), and then remove the tray rail (callout 2).

**Figure 1-404** Remove the paper-pickup assembly (1x500-sheet paper feeder; 1 of 5)



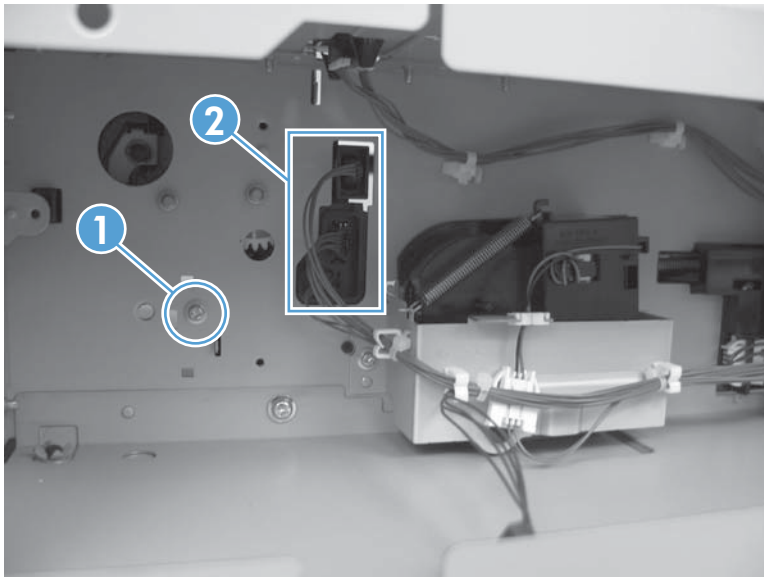
2. Remove three screws (callout 1), disconnect one connector (callout 2), and then remove the motor assembly (callout 3).

**Figure 1-405** Remove the paper-pickup assembly (1x500-sheet paper feeder; 2 of 5)



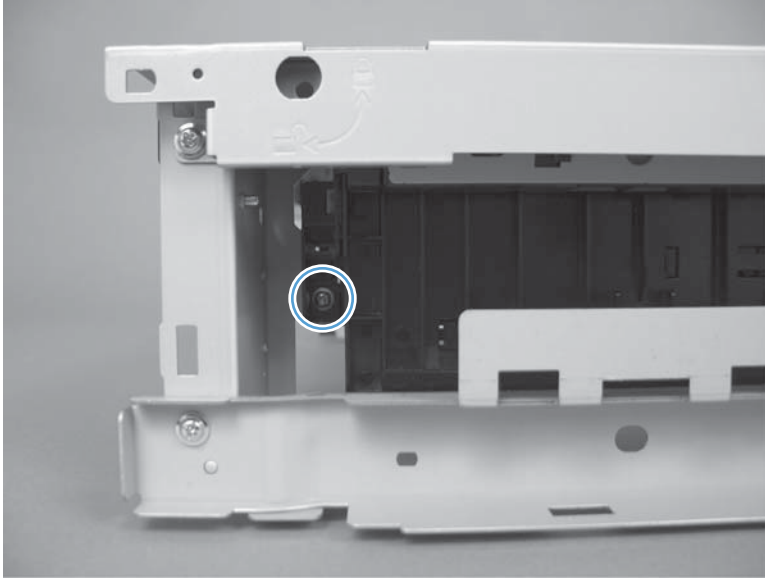
3. Remove one screw (callout 1), and then disconnect three connectors (callout 2).

**Figure 1-406** Remove the paper-pickup assembly (1x500-sheet paper feeder; 3 of 5)



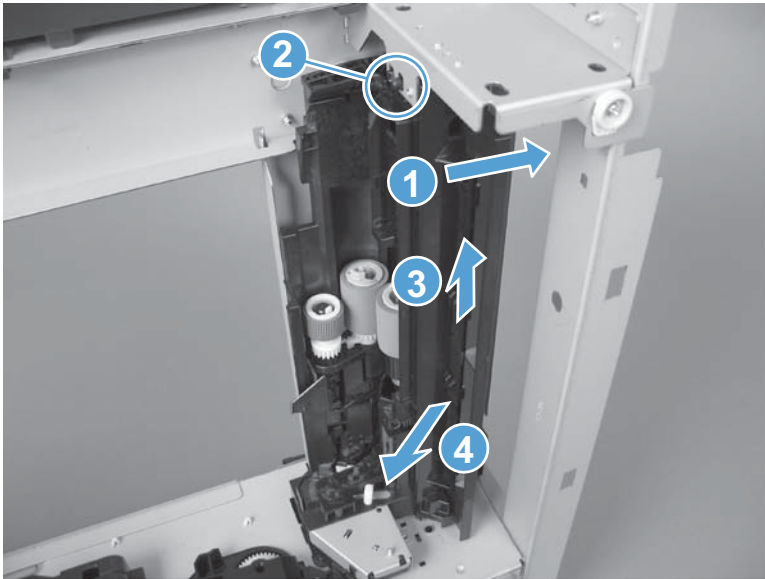
4. On the right side, remove one screw.

**Figure 1-407** Remove the paper-pickup assembly (1x500-sheet paper feeder; 4 of 5)



5. Place the paper feeder so the rear side is down. Move the top of the assembly to the right (callout 1) until the post (callout 2) is free from the hole. Lift the assembly (callout 3), and then pull the bottom of the assembly (callout 4) to remove.

**Figure 1-408** Remove the paper pickup assembly (1x500-sheet paper feeder; 5 of 5)





## Lifter base assembly (1x500-sheet paper feeder)

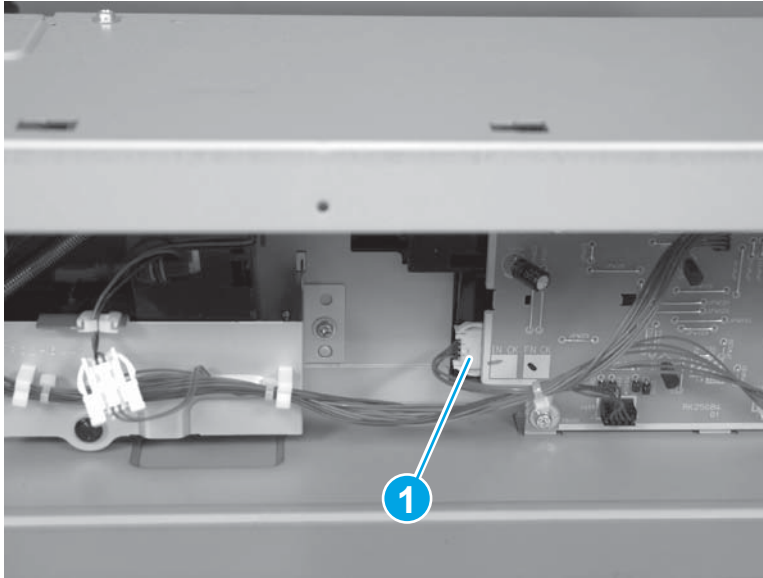
### Before proceeding, remove the following assemblies

- Rear cover. See [Rear cover \(1x500-sheet paper feeder\) on page 270](#).

### Remove the lifter base assembly (1x500-sheet paper feeder)

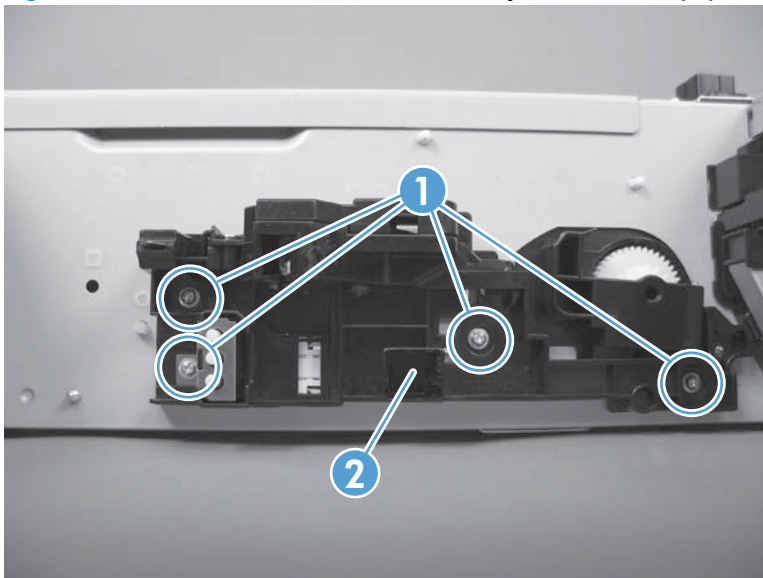
1. From the rear of the paper feeder, disconnect one connector (callout 1).

**Figure 1-409** Remove the lifter base assembly (1x500-sheet paper feeder; 1 of 2)



2. From the inside of the paper feeder, remove four screws (callout 1), and then remove the lifter base assembly (callout 2).

**Figure 1-410** Remove the lifter base assembly (1x500-sheet paper feeder; 2 of 2)



### Reinstall the lifter base assembly

If the spring falls from the lifter base assembly, reinstall it before reinstalling the lifter base assembly.

### Reinstall the lifter base assembly

- ▲ Place the spring in the assembly before reinstalling the assembly.

**Figure 1-411** Reinstall the lifter base assembly (1x500-sheet paper feeder)



## Lifter assembly (1x500-sheet paper feeder)

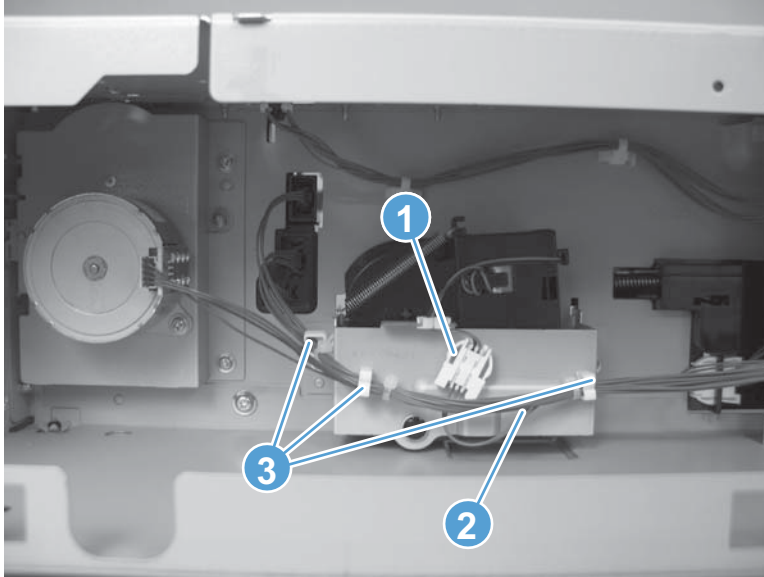
### Before proceeding, remove the following assemblies

- Rear cover. See [Rear cover \(1x500-sheet paper feeder\) on page 270](#).

### Remove the lifter assembly (1x500-sheet paper feeder)

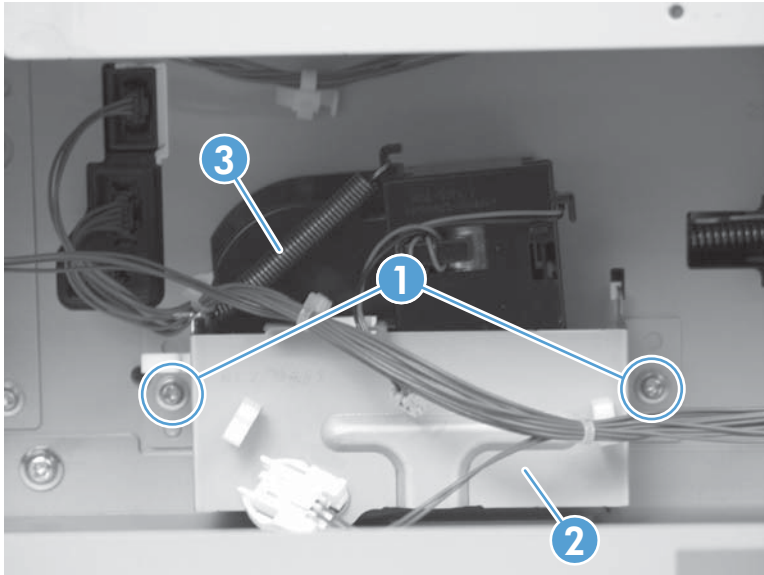
1. Disconnect one connector (callout 1), and then release the wire harnesses (callout 2) from the guides (callout 3).

**Figure 1-412** Remove the lifter assembly (1x500-sheet paper feeder; 1 of 2)



2. Remove two screws (callout 1), and then remove the sheet-metal plate (callout 2). Remove one spring (callout 3), and then remove the lifter drive assembly.

**Figure 1-413** Remove the lifter assembly (1x500-sheet paper feeder; 2 of 2)



## Pickup motor assembly (1x500-sheet paper feeder)

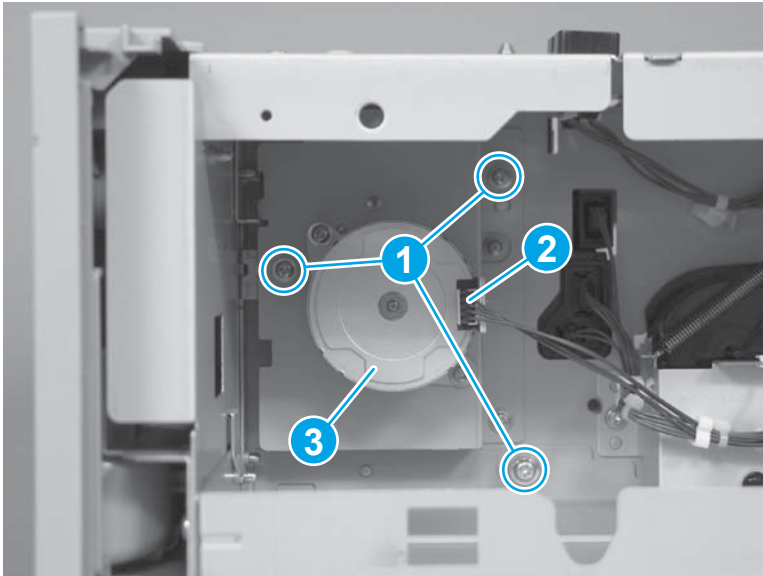
### Before proceeding, remove the following assemblies

- Rear cover (1x500-sheet paper feeder). See [Rear cover \(1x500-sheet paper feeder\) on page 270](#).

### Remove the pickup motor assembly (1x500-sheet paper feeder)

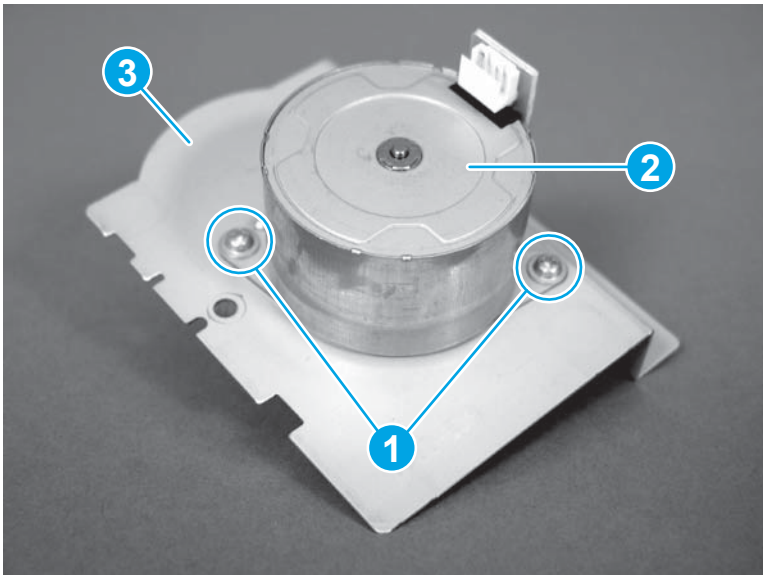
1. Remove three screws (callout 1), disconnect one connector (callout 2), and then remove the pickup motor assembly (callout 3).

**Figure 1-414** Remove the pickup motor assembly (1x500-sheet paper feeder; 1 of 2)



2. Remove two screws (callout 1) and then separate the paper-pickup motor (callout 2) from the paper-pickup drive assembly (callout 3).

**Figure 1-415** Remove the pickup motor assembly (1x500-sheet paper feeder; 2 of 2)



## Feeder PCA (1x500-sheet paper feeder)

### Before proceeding, remove the following assemblies

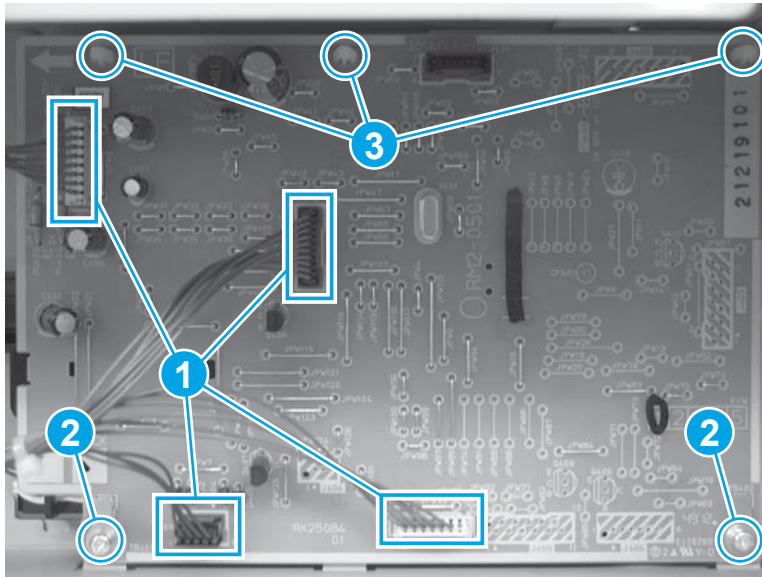
- Rear cover. See [Rear cover \(1x500-sheet paper feeder\) on page 270](#).

### Remove the feeder PCA (1x500-sheet paper feeder)

 **CAUTION:**  ESD-sensitive assembly.

- ▲ Disconnect four connectors (callout 1), remove two screws (callout 2), release three tabs (callout 3), and then remove the PCA.

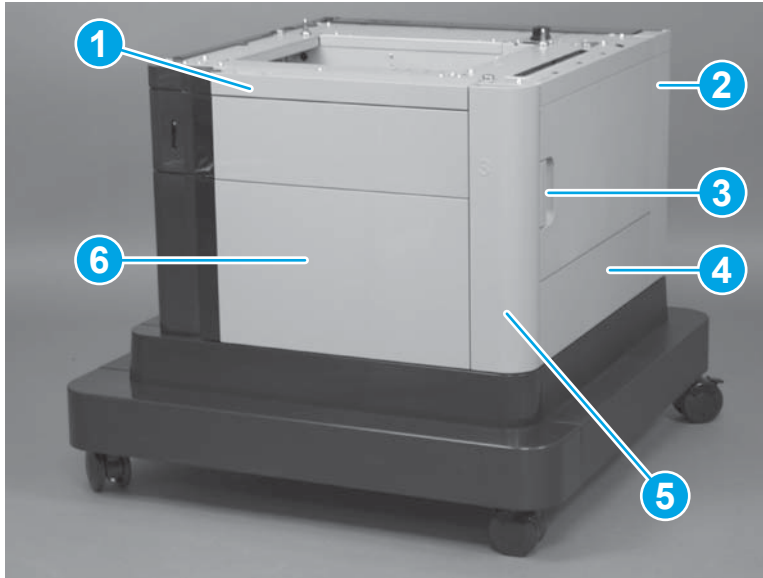
**Figure 1-416** Remove the feeder PCA (1x500-sheet paper feeder)



## 1x500-sheet paper feeder with cabinet

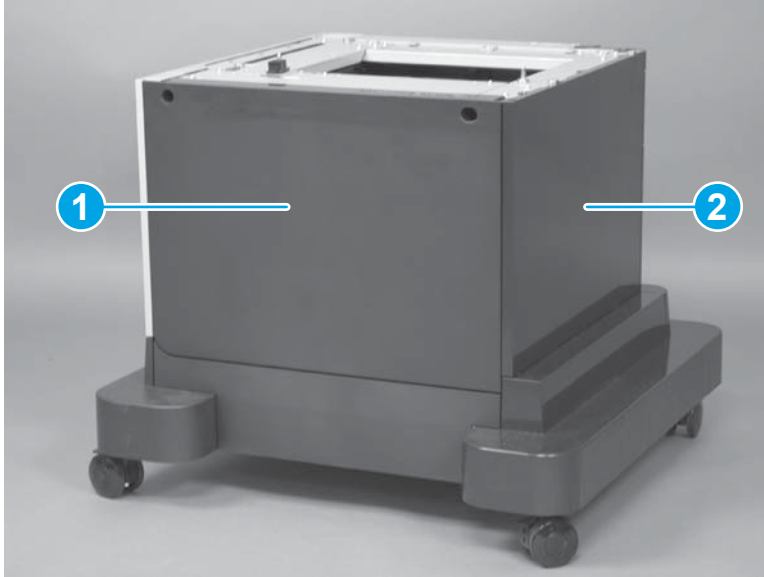
 **NOTE:** HP recommends removing the output accessory from the product before servicing.

**Figure 1-417** 1x500-sheet paper feeder with cabinet covers, front view



1	Front upper cover
2	Right rear cover
3	Right door assembly
4	Right center cover
5	Right front cover
6	Stock box door (front door)

**Figure 1-418** 1x500-sheet paper feeder with cabinet covers, rear view



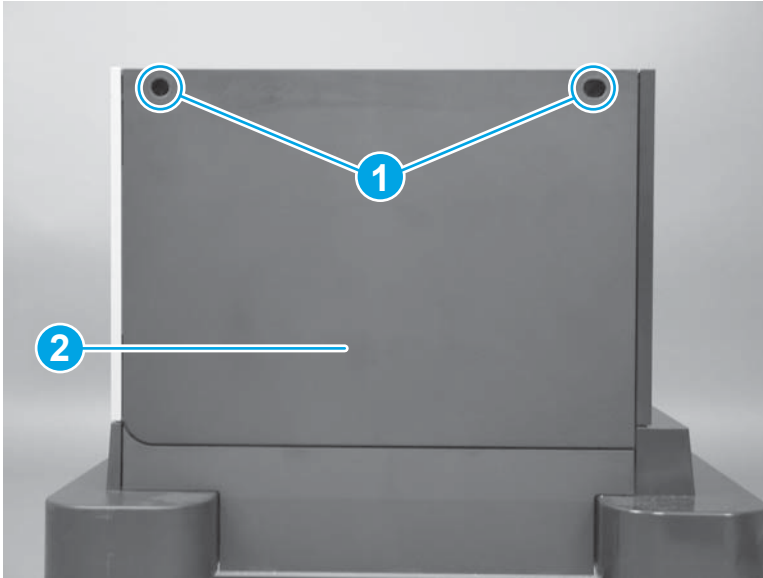
- 
- |   |            |
|---|------------|
| 1 | Rear cover |
| 2 | Left cover |
-



## Rear cover (1x500-sheet paper feeder with cabinet)

- ▲ Remove two screws (callout 1), and then remove the rear cover (callout 2).


**Figure 1-419** Remove the rear cover (1x500-sheet paper feeder with cabinet)



## Left cover (1x500-sheet paper feeder with cabinet)


### Before proceeding, remove the following assemblies

- Rear cover. See [Rear cover \(1x500-sheet paper feeder with cabinet\)](#) on page 284.

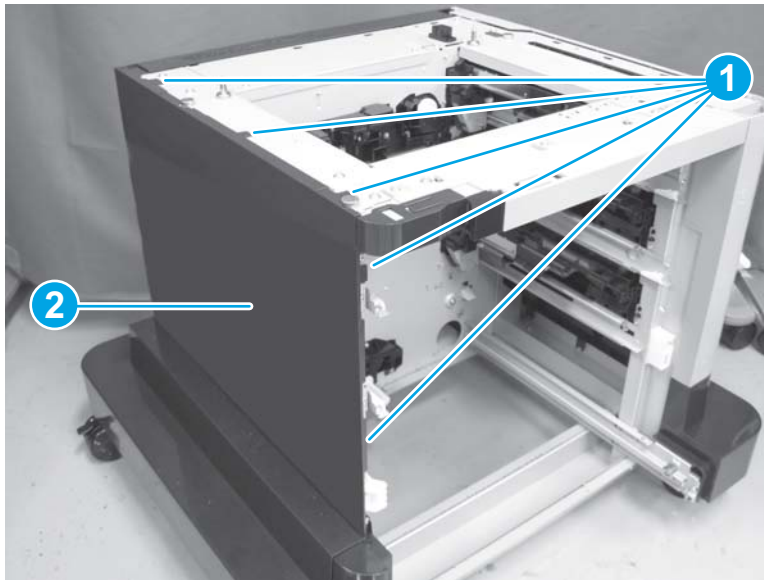
 **NOTE:** The output accessory must be removed from the product before servicing this assembly.

### Remove the left cover (1x500-sheet paper feeder with cabinet)

- ▲ Release five tabs (callout 1), and then remove the left cover (callout 2).

 **NOTE:** The figure below shows the 2,500-sheet paper feeder. However, this procedure is valid for the 1x500-sheet accessory.

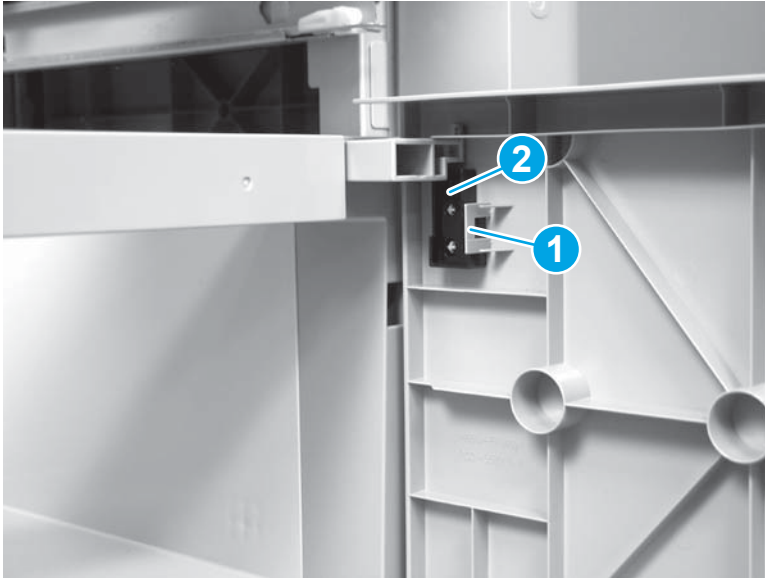
**Figure 1-420** Remove the left cover (1x500-sheet paper feeder with cabinet)



## Stock box door (1x500-sheet paper feeder with cabinet)

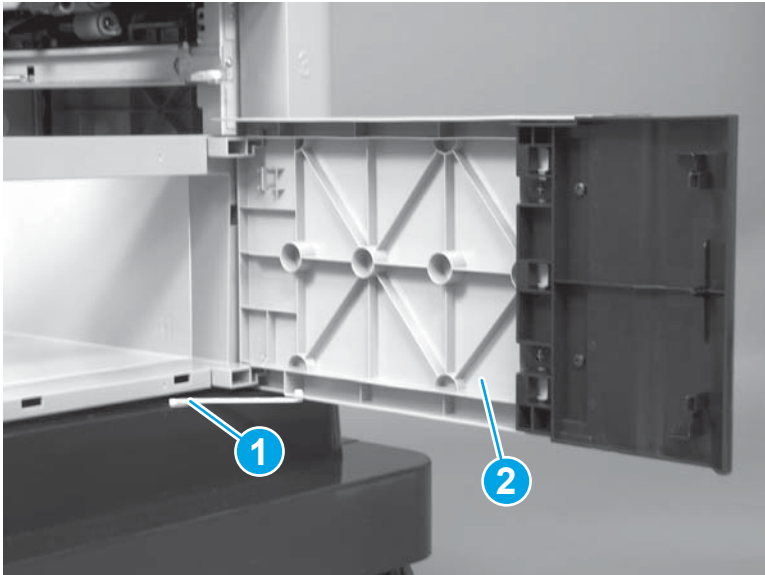
1. Release one tab (callout 1), and then remove the stopper (callout 2).

**Figure 1-421** Remove the stock box door (1x500-sheet paper feeder with cabinet; 1 of 2)



2. Release the link arm (callout 1), and then remove the front door (callout 2).


**Figure 1-422** Remove the stock box door (1x500-sheet paper feeder with cabinet; 2 of 2)



## Front upper cover (1x500-sheet paper feeder with cabinet)

### Before proceeding, remove the following assemblies

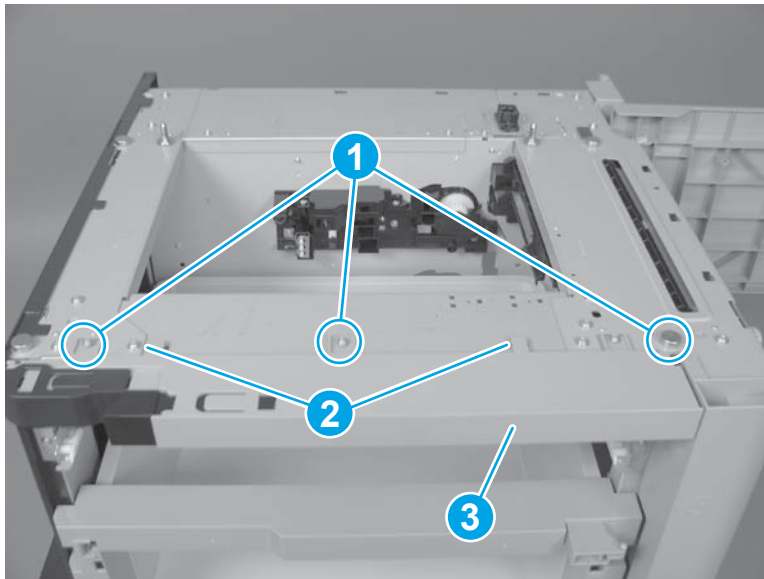
- Stock box door (front door). See [Stock box door \(1x500-sheet paper feeder with cabinet\) on page 286](#).

 **NOTE:** The output accessory must be removed from the product before servicing this assembly.

### Remove the front upper cover (1x500-sheet paper feeder with cabinet)

- ▲ Remove three screws (callout 1), release two tabs (callout 2), and then remove the front upper cover (callout 3).

**Figure 1-423** Remove the front upper cover (1x500-sheet paper feeder with cabinet)



## Right-front cover (1x500-sheet paper feeder with cabinet)

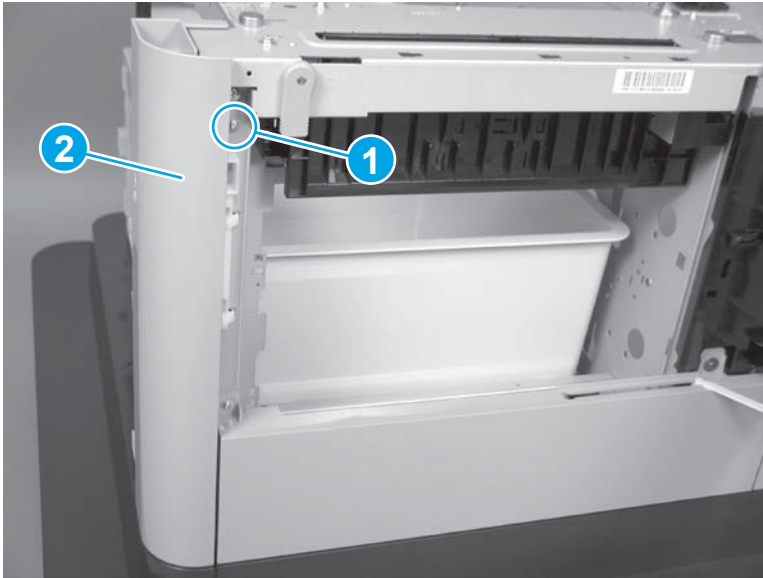
### Before proceeding, remove the following assemblies

- Stock box door (front door). See [Stock box door \(1x500-sheet paper feeder with cabinet\) on page 286](#).
- Front upper cover. See [Front upper cover \(1x500-sheet paper feeder with cabinet\) on page 287](#).

### Remove the right-front cover (1x500-sheet paper feeder with cabinet)

- ▲ Open the right door. Remove one screw (callout 1), and then remove the right-front cover (callout 2).

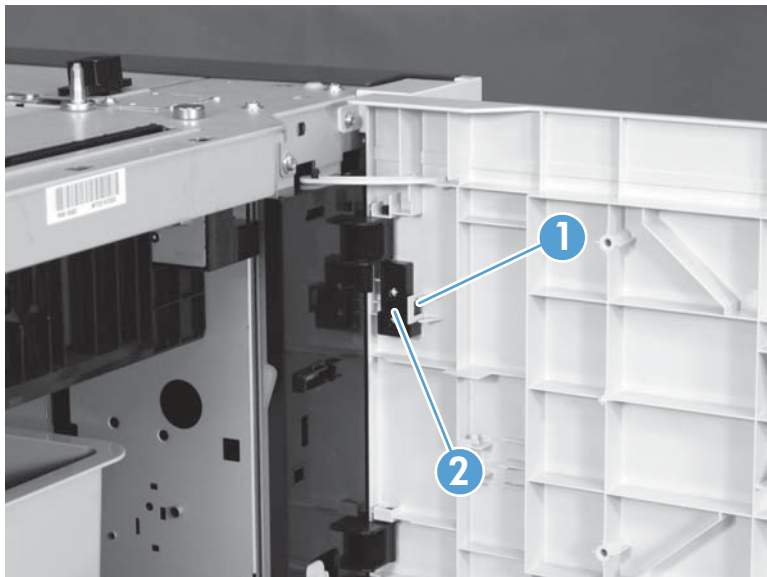
**Figure 1-424** Remove the right-front cover (1x500-sheet paper feeder with cabinet)



## Right door (1x500-sheet paper feeder with cabinet)

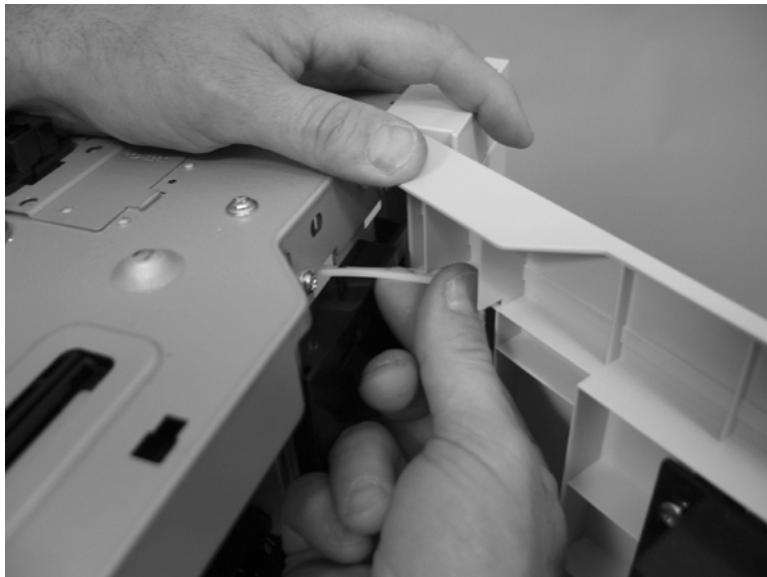
1. Open the right door, release one tab (callout 1), and then remove the stopper (callout 2).

**Figure 1-425** Remove the right door (1x500-sheet paper feeder with cabinet; 1 of 3)



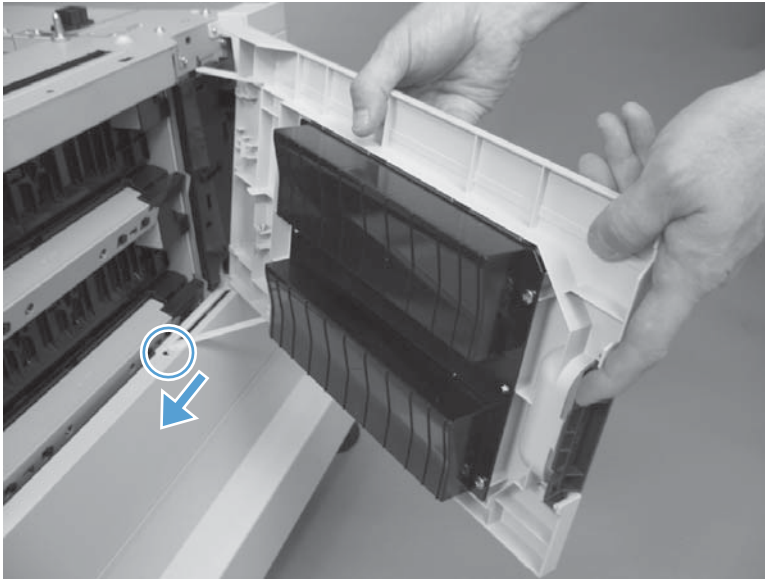
2. Close the right door slightly, and then release the upper link arm.

**Figure 1-426** Remove the right door (1x500-sheet paper feeder with cabinet; 2 of 3)



3. Slide the door to release the lower link arm, and then remove the right door.

**Figure 1-427** Remove the right door (1x500-sheet paper feeder with cabinet; 3 of 3)





## Right center cover (1x500-sheet paper feeder with cabinet)

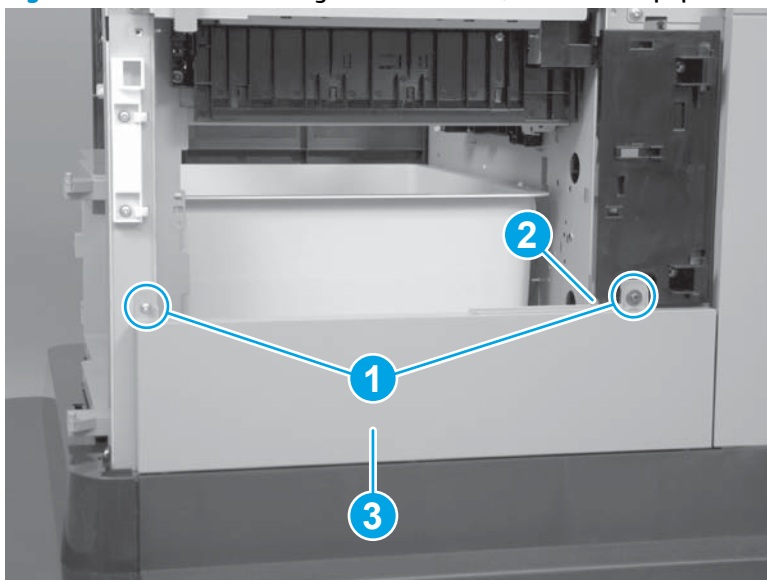
Before proceeding, remove the following assemblies

- Right door. See [Right door \(1x500-sheet paper feeder with cabinet\) on page 289](#).

### Remove the right center cover (1x500-sheet paper feeder with cabinet)

- ▲ Remove two screws (callout 1), release one tab (callout 2), and then remove the right center cover (callout 3).

**Figure 1-428** Remove the right center cover (1x500-sheet paper feeder with cabinet)



## Rear-right cover (1x500-sheet paper feeder with cabinet)

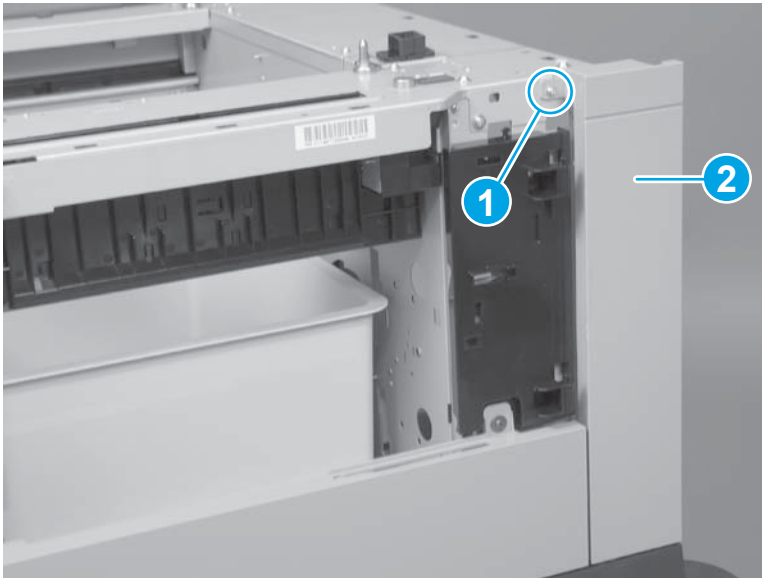
### Before proceeding, remove the following assemblies

- Right door . See [Right door \(1x500-sheet paper feeder with cabinet\) on page 289](#).

### Remove the rear-right cover (1x500-sheet paper feeder with cabinet)

- ▲ Remove one screw (callout 1), and then remove the rear-right cover (callout 2).

**Figure 1-429** Remove the rear-right cover (1x500-sheet paper feeder with cabinet)



## Paper-pickup assembly (1x500-sheet paper feeder with cabinet)

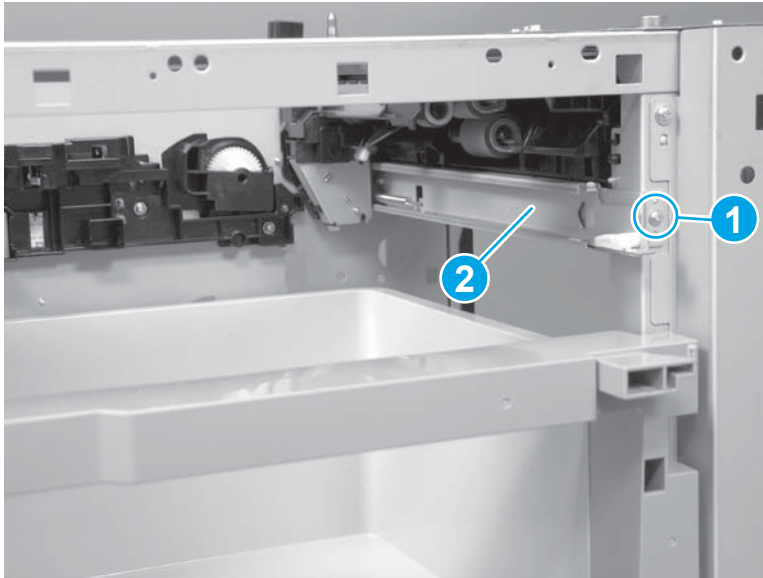
### Before proceeding, remove the following assemblies

- Rear cover. See [Rear cover \(1x500-sheet paper feeder with cabinet\) on page 284](#).
- Stock box door. See [Stock box door \(1x500-sheet paper feeder with cabinet\) on page 286](#)
- Front upper cover. See [Front upper cover \(1x500-sheet paper feeder with cabinet\) on page 287](#).
- Right front cover. See [Right-front cover \(1x500-sheet paper feeder with cabinet\) on page 288](#).

### Remove the paper-pickup assembly (1x500-sheet paper feeder with cabinet)

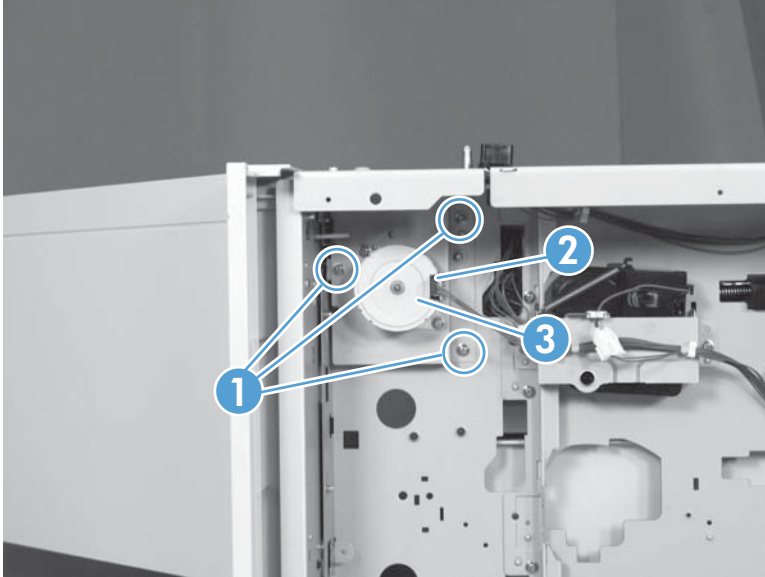
1. Remove one screw (callout 1), and then remove the tray rail (callout 2).

**Figure 1-430** Remove the paper-pickup assembly (1x500-sheet paper feeder with cabinet; 1 of 4)



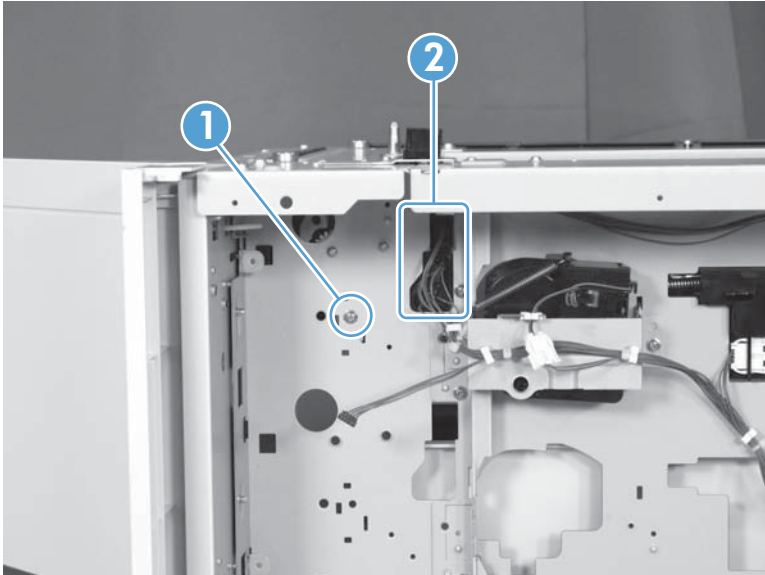
2. Remove three screws (callout 1), disconnect one connector (callout 2), and then remove the motor assembly (callout 3).

**Figure 1-431** Remove the paper-pickup assembly (1x500-sheet paper feeder with cabinet; 2 of 4)



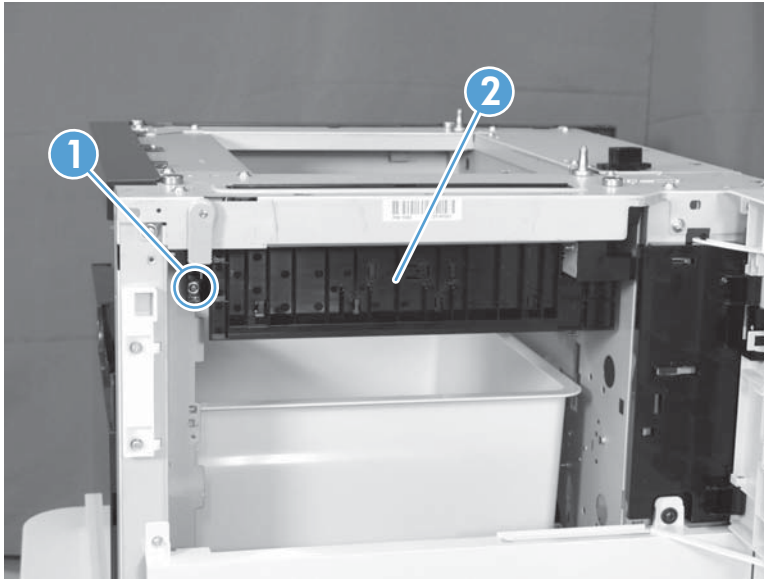
3. Remove one screw (callout 1), and then disconnect three connectors (callout 2).

**Figure 1-432** Remove the paper-pickup assembly (1x500-sheet paper feeder with cabinet; 3 of 4)



4. Remove one screw (callout 1), and then remove the paper-pickup assembly (callout 2).

**Figure 1-433** Remove the paper-pickup assembly (1x500-sheet paper feeder with cabinet; 4 of 4)



## Lifter base assembly (1x500-sheet paper feeder with cabinet)

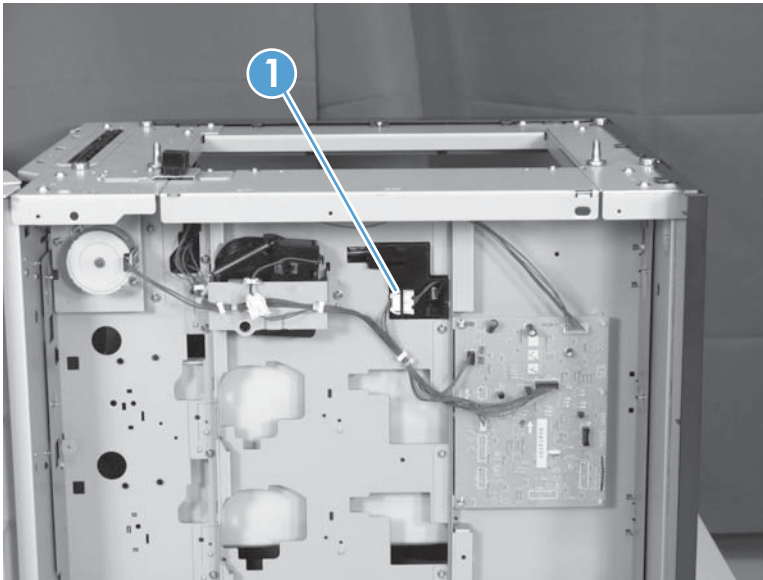
Before proceeding, remove the following assemblies

- Rear cover. See [Rear cover \(1x500-sheet paper feeder with cabinet\) on page 284](#).

### Remove the lifter base assembly (1x500-sheet paper feeder with cabinet)

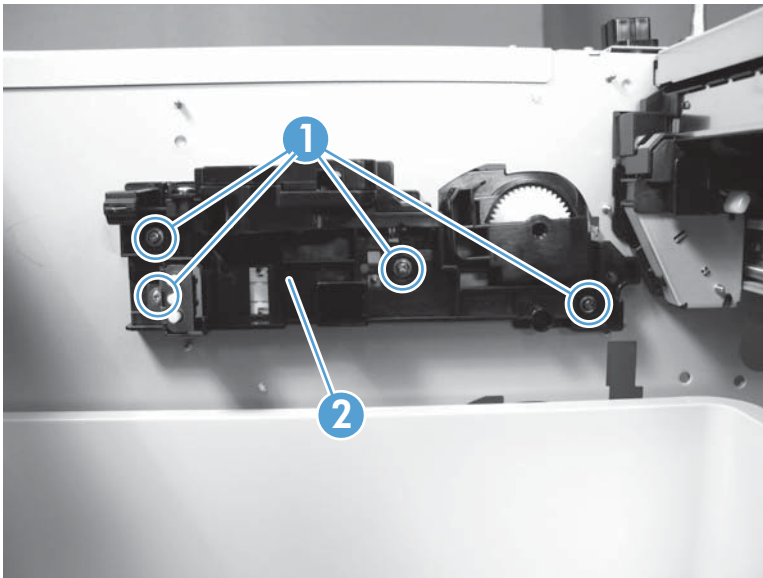
1. Disconnect one connector (callout 1).

**Figure 1-434** Remove the lifter base assembly (1x500-sheet paper feeder with cabinet; 1 of 2)



2. Remove four screws (callout 1), and then remove the lifter assembly (callout 2).

**Figure 1-435** Remove the lifter base assembly (1x500-sheet paper feeder with cabinet; 2 of 2)



## Lifter assembly (1x500-sheet paper feeder with cabinet)

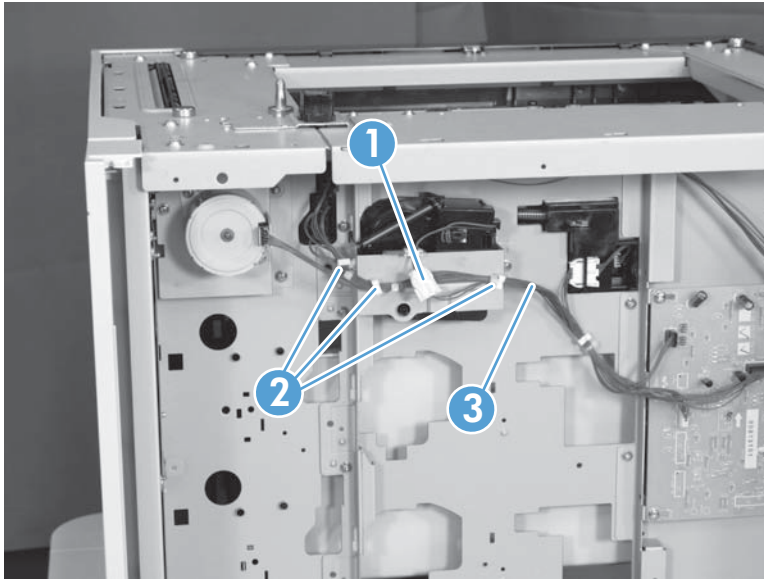
### Before proceeding, remove the following assemblies

- Rear cover. See [Rear cover \(1x500-sheet paper feeder with cabinet\)](#) on page 284.

### Remove the lifter assembly (1x500-sheet paper feeder with cabinet)

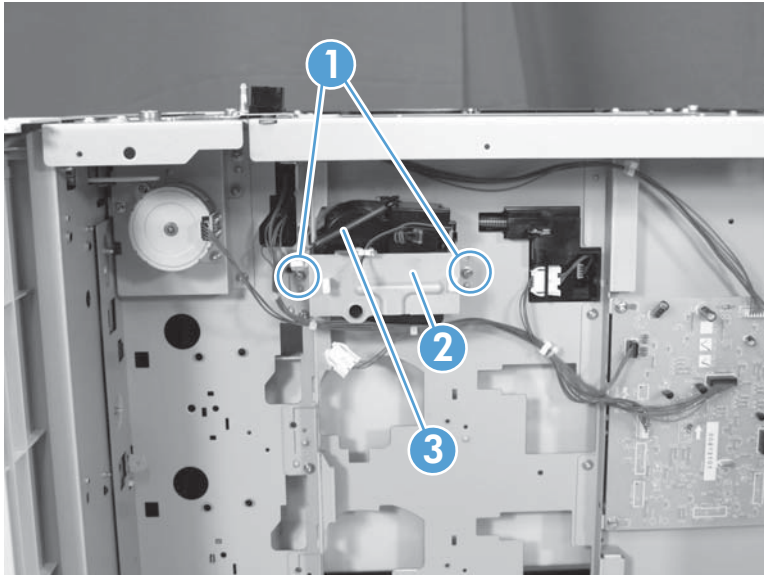
1. Disconnect one connector (callout 1), and then release the wire harnesses (callout 3) from the guides (callout 2).

**Figure 1-436** Remove the lifter assembly (1x500-sheet paper feeder with cabinet; 1 of 2)



2. Remove two screws (callout 1), and then remove the sheet-metal plate (callout 2). Remove one spring (callout 3), and then remove the lifter drive assembly.

**Figure 1-437** Remove the lifter assembly (1x500-sheet paper feeder with cabinet; 2 of 2)





## Pickup motor assembly (1x500-sheet paper feeder with cabinet)

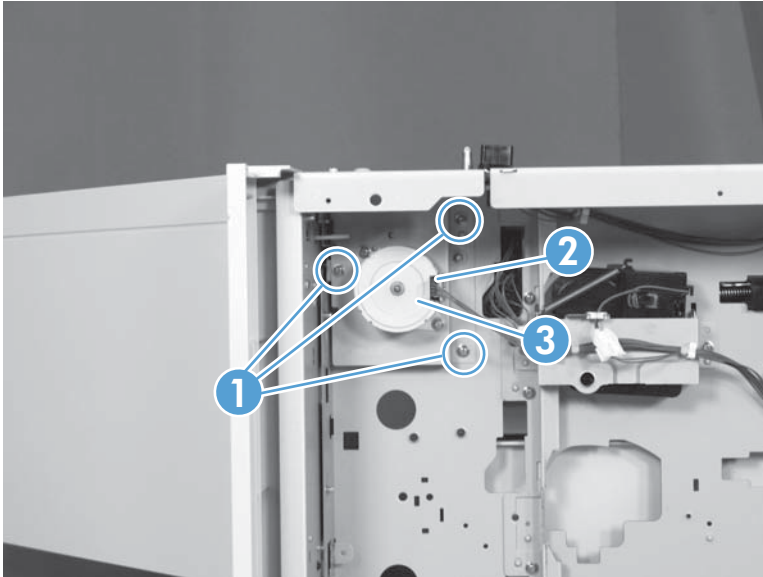
### Before proceeding, remove the following assemblies

- Rear cover (optional paper feeder). See [Rear cover \(1x500-sheet paper feeder with cabinet\) on page 284](#).

### Remove the pickup motor (1x500-sheet paper feeder with cabinet) assembly

- ▲ Remove three screws (callout 1), disconnect one connector (callout 2), and then remove the motor assembly (callout 3).

**Figure 1-438** Remove the pickup motor assembly (1x500-sheet paper feeder with cabinet)



## Feeder PCA (1x500-sheet paper feeder with cabinet)

Before proceeding, remove the following assemblies

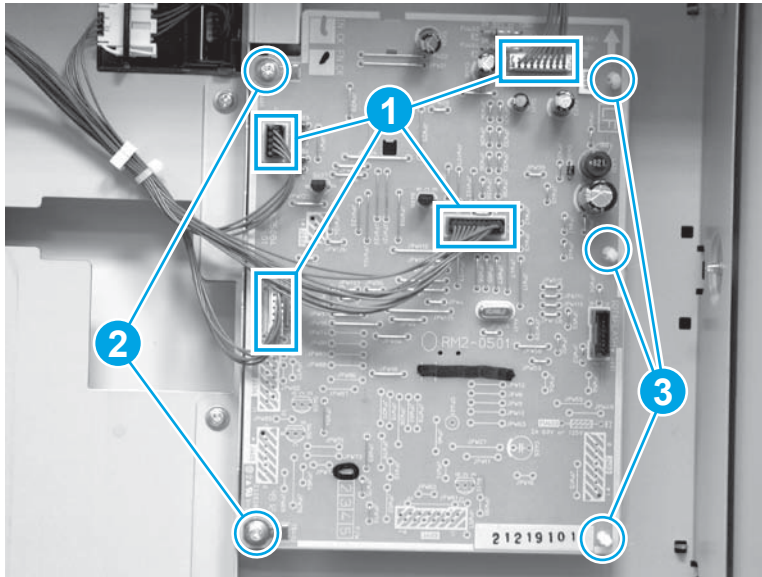
- Rear cover. See [Rear cover \(1x500-sheet paper feeder with cabinet\)](#) on page 284.

### Remove the feeder PCA (1x500-sheet paper feeder with cabinet)

 **CAUTION:**  ESD-sensitive assembly.

- ▲ Disconnect four connectors (callout 1), and remove two screws (callout 2). Release three tabs (callout 3), and then remove the PCA.

**Figure 1-439** Remove the feeder PCA (1x500-sheet paper feeder with cabinet)

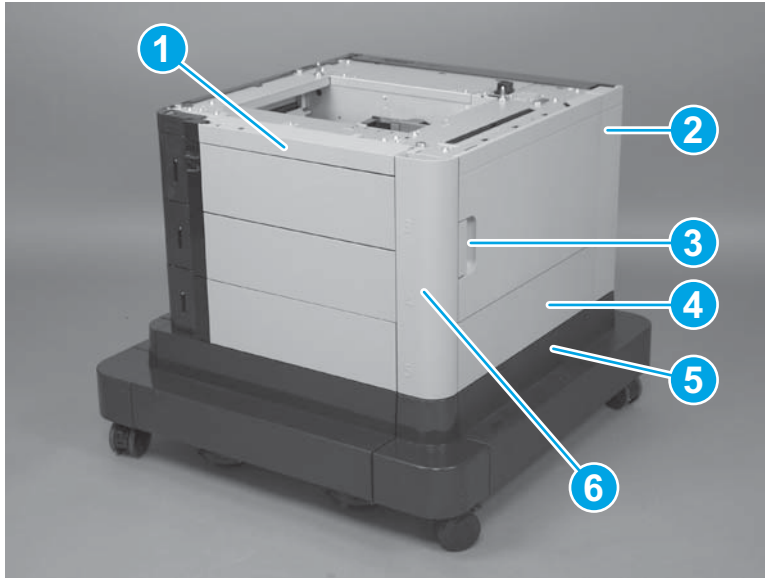


## 2,500-sheet paper feeder HCI



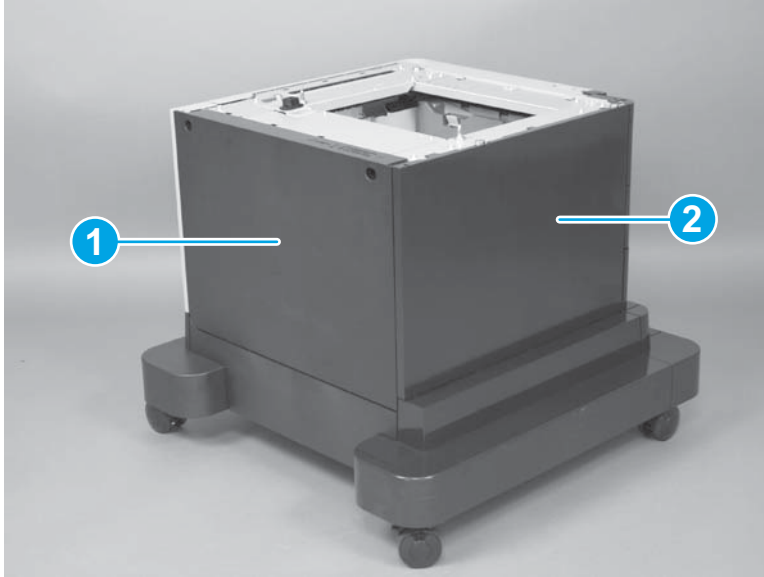
**NOTE:** HP recommends removing the output accessory from the product before servicing.

**Figure 1-440** 2,500-sheet paper feeder HCI covers, front view



1	Front upper cover
2	Right rear cover
3	Right door assembly
4	Right center cover
5	Right lower cover
6	Right front cover

**Figure 1-441** 2,500-sheet paper feeder HCI covers, rear view

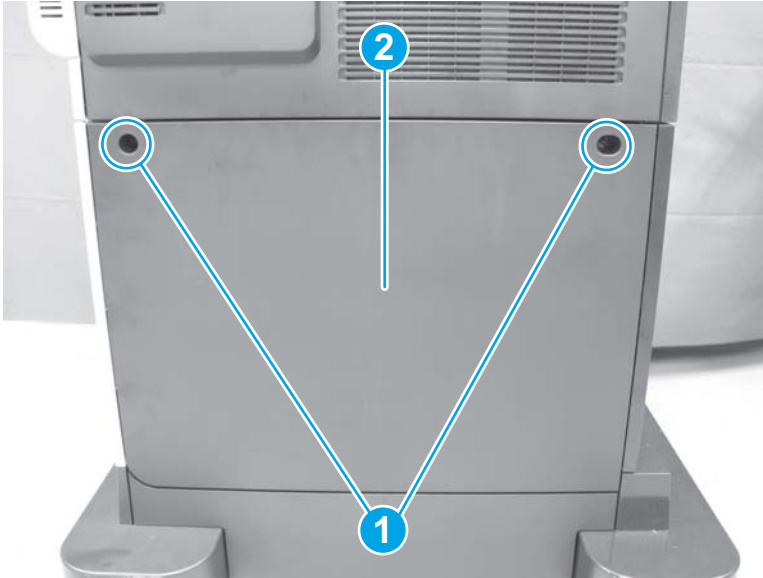


- 
- |   |            |
|---|------------|
| 1 | Rear cover |
| 2 | Left cover |
-

## Rear cover (2,500-sheet paper feeder HCI)

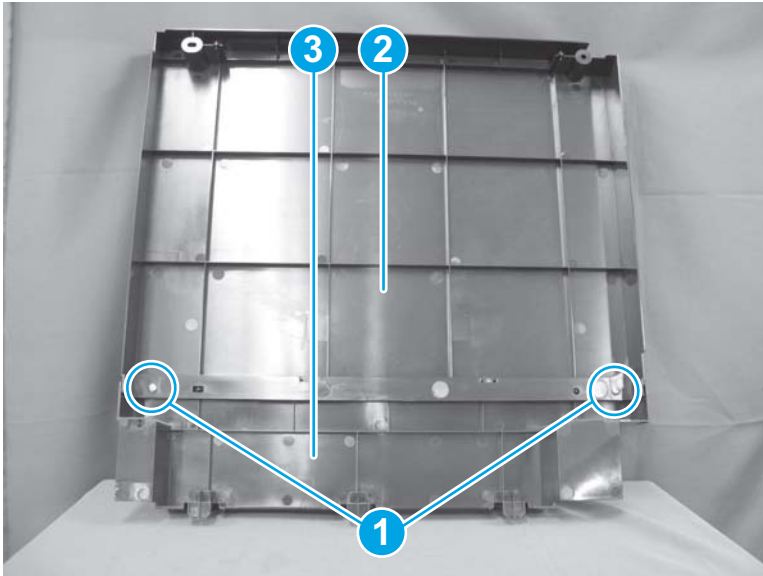
1. Remove two screws (callout 1), and then remove the rear cover assembly (callout 2).

**Figure 1-442** Remove the rear cover (2,500-sheet paper feeder HCI; 1 of 2)




2. To separate the lower rear cover from the rear cover: Remove two screws (callout 1) and remove the rear cover (callout 2) from the lower rear cover (callout 3).

**Figure 1-443** Remove the rear cover (2,500-sheet paper feeder HCI; 2 of 2)

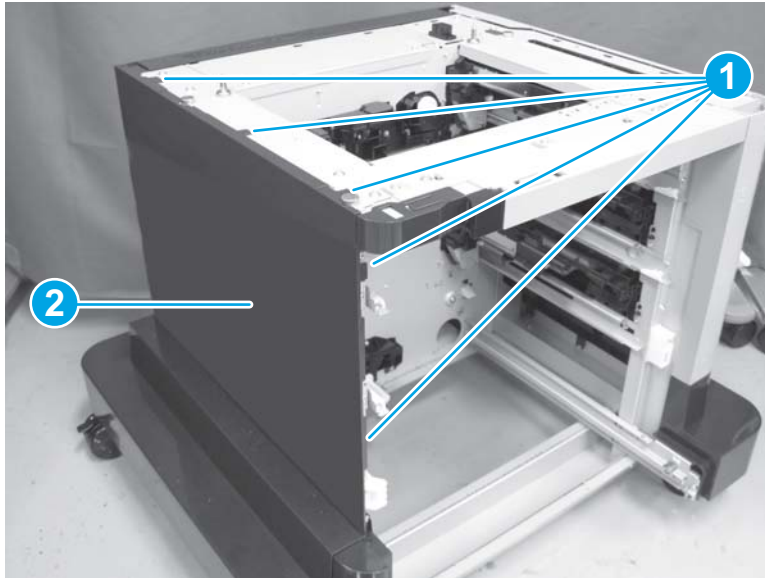


## Left cover (2,500-sheet paper feeder HCI)


 **NOTE:** The output accessory must be removed from the product before servicing this assembly.

- ▲ Release five tabs (callout 1), and then remove the left cover (callout 2).

**Figure 1-444** Remove the left cover (2,500-sheet paper feeder HCI)

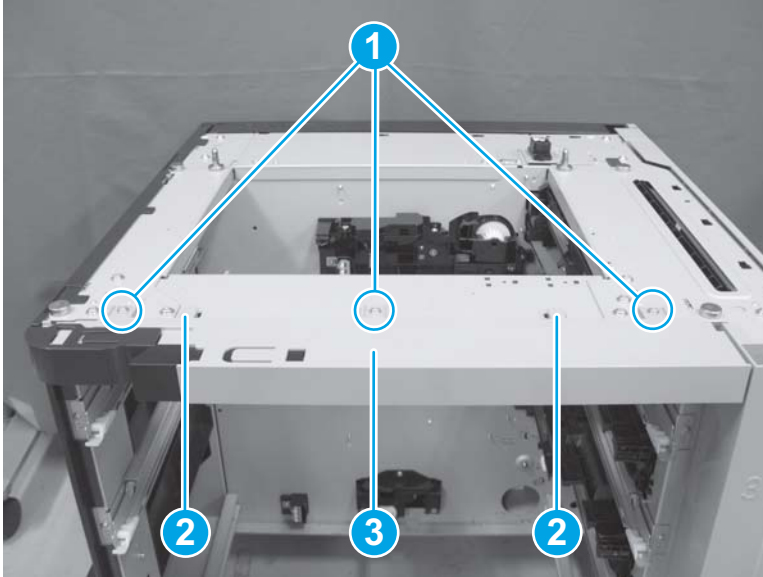


## Front upper cover (2,500-sheet paper feeder HCI)

 **NOTE:** The output accessory must be removed from the product before servicing this assembly.

- ▲ Remove three screws (callout 1), release two tabs (callout 2), and remove the front upper cover (callout 3).

**Figure 1-445** Remove the front upper cover (2,500-sheet paper feeder HCI)





## Right front cover (2,500-sheet paper feeder HCI)

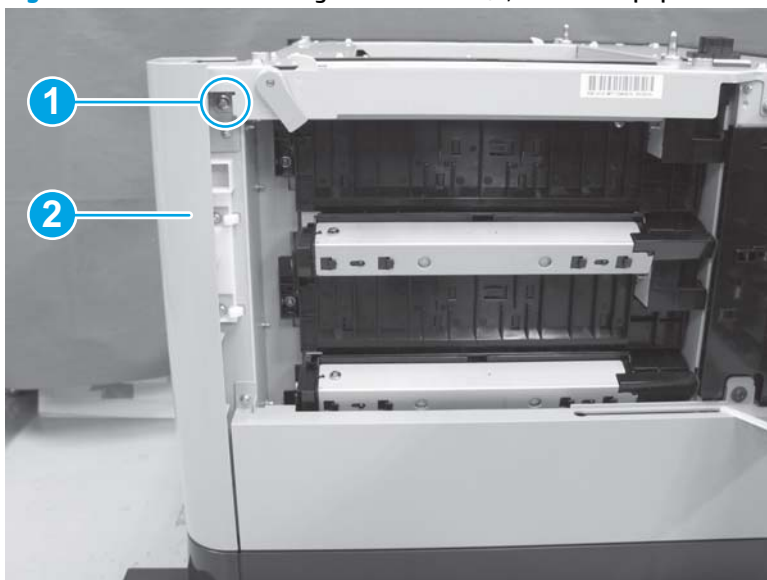
### Before proceeding, remove the following assemblies

- Front upper cover. See [Front upper cover \(2,500-sheet paper feeder HCI\) on page 304](#).

### Remove the right front cover (2,500-sheet paper feeder HCI)

- ▲ Open the right door. Remove one screw (callout 1), and then lift the right front cover (callout 2) to remove it.

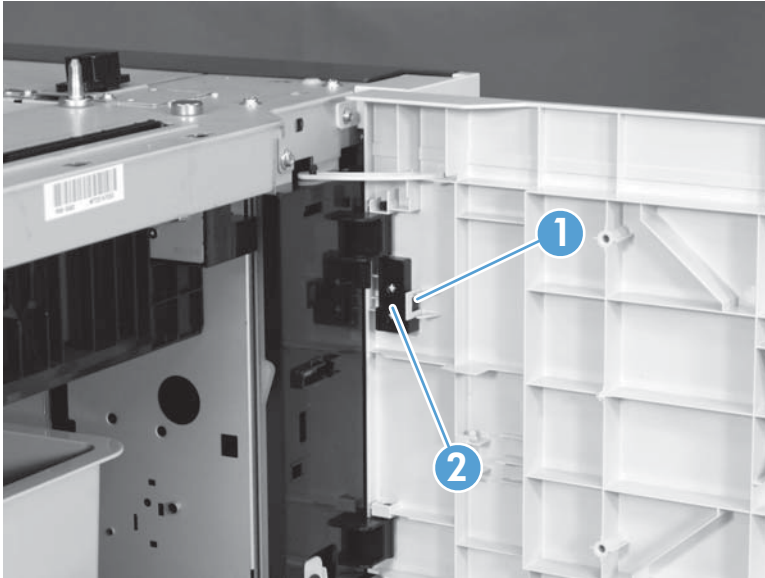
**Figure 1-446** Remove the right front cover (2,500-sheet paper feeder HCI)



## Right door assembly (2,500-sheet paper feeder HCI)

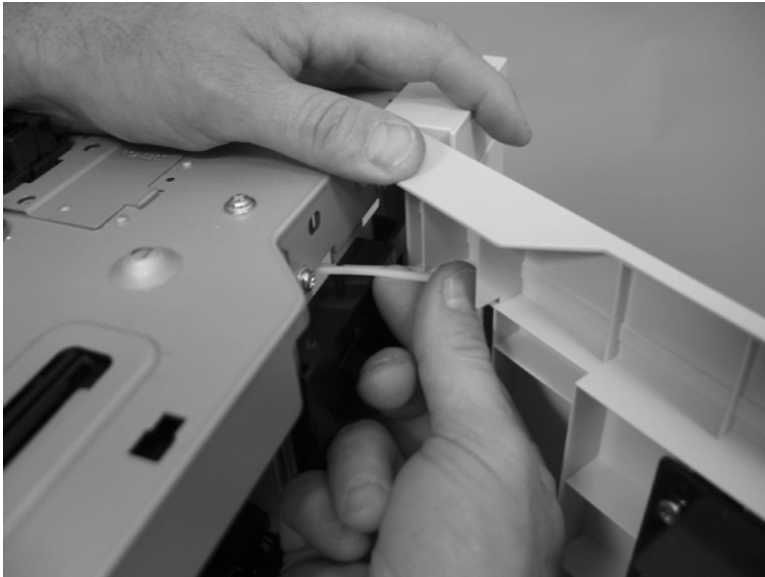
1. Open the right door, release one tab (callout 1), and then remove the stopper (callout 2)

**Figure 1-447** Remove the right door (2,500-sheet paper feeder HCI; 1 of 3)



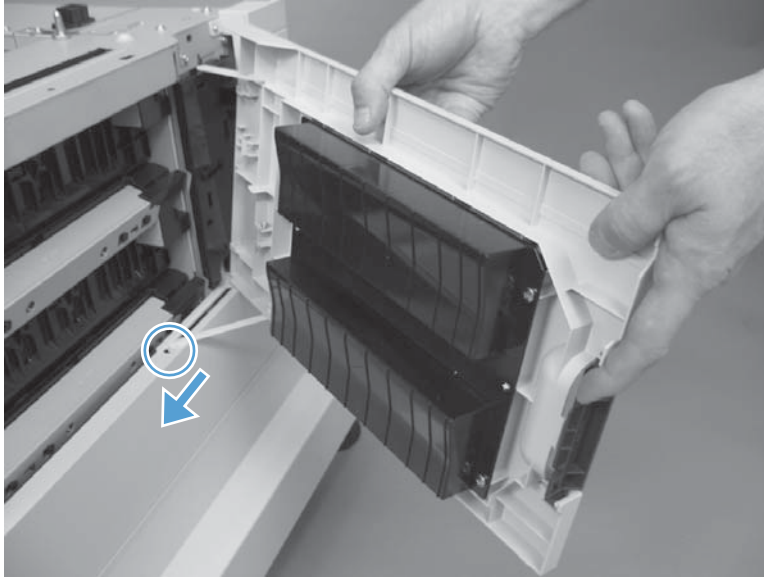
2. Close the right door slightly, and then release the upper link arm.

**Figure 1-448** Remove the right door (2,500-sheet paper feeder HCI; 2 of 3)



3. Slide the door to release the lower link arm, lift the door up to release the hinge pins, and then remove the right door.

**Figure 1-449** Remove the right door (2,500-sheet paper feeder HCI; 3 of 3)



## Right center cover (2,500-sheet paper feeder HCI)

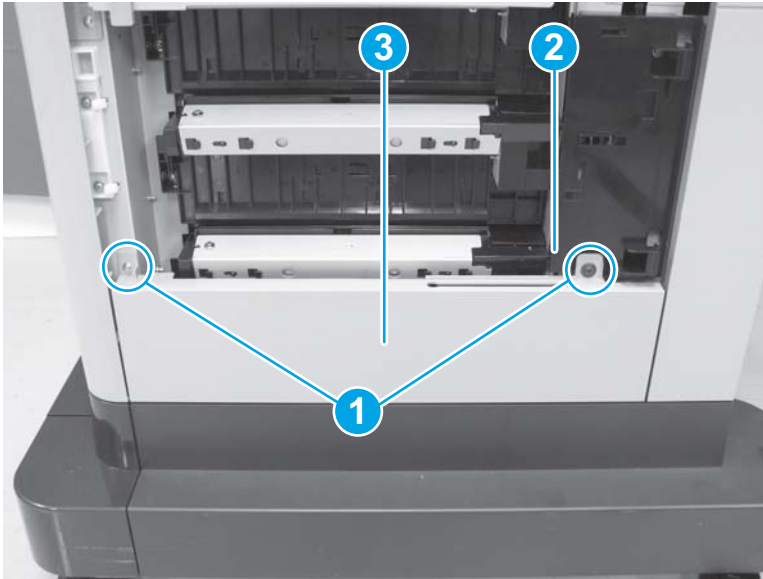
### Before proceeding, remove the following assemblies

- Right door assembly. See [Right door assembly \(2,500-sheet paper feeder HCI\) on page 306](#).

### Remove the right center cover (2,500-sheet paper feeder HCI)

- ▲ Remove two screws (callout 1), release one tab (callout 2), and then remove the right center cover (callout 3).

**Figure 1-450** Remove the right center cover (2,500-sheet paper feeder HCI)



## Right rear cover (2,500-sheet paper feeder HCI)

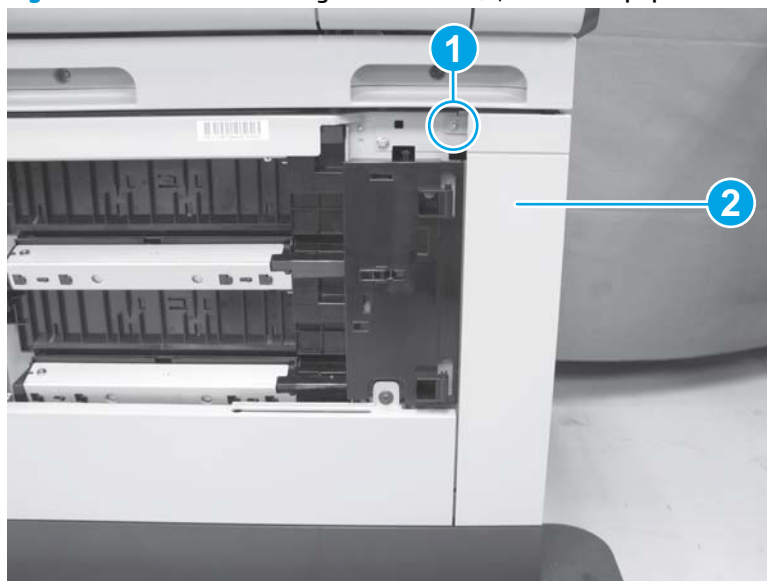
Before proceeding, remove the following assemblies

- Right door assembly. See [Right door assembly \(2,500-sheet paper feeder HCI\) on page 306](#).

### Remove the right rear cover (2,500-sheet paper feeder HCI)

- ▲ Remove one screw (callout 1), and then remove the right rear cover (callout 2).

**Figure 1-451** Remove the right rear cover (2,500-sheet paper feeder HCI)



## Right lower cover (2,500-sheet paper feeder HCI)

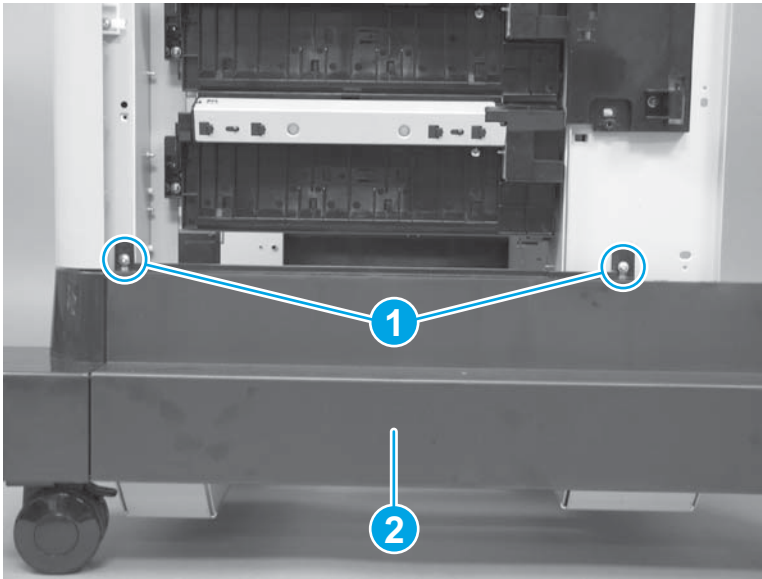
### Before proceeding, remove the following assemblies

- Right door assembly. See [Right door assembly \(2,500-sheet paper feeder HCI\) on page 306](#).
- Right center cover. See [Right center cover \(2,500-sheet paper feeder HCI\) on page 308](#).
- Right rear cover. See [Right rear cover \(2,500-sheet paper feeder HCI\) on page 309](#).

### Remove the right lower cover (2,500-sheet paper feeder HCI)

- ▲ Remove two screws (callout 1), and then remove the right lower cover (callout 2).

**Figure 1-452** Remove the right lower cover (2,500-sheet paper feeder HCI)



## Tray 5 pickup assembly (2,500-sheet paper feeder HCI)

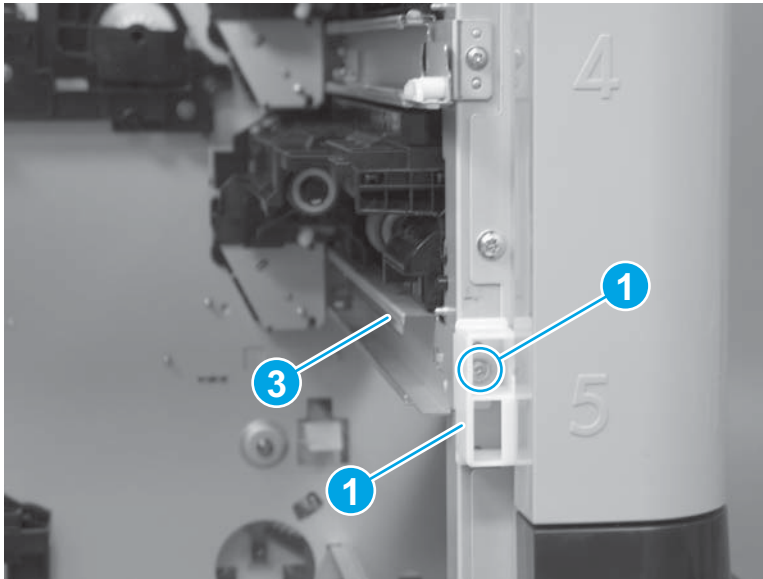
### Before proceeding, remove the following assemblies

- Rear cover. See [Rear cover \(2,500-sheet paper feeder HCI\) on page 302](#).
- Right door. See [Right door assembly \(2,500-sheet paper feeder HCI\) on page 306](#).
- Right center cover. See [Right center cover \(2,500-sheet paper feeder HCI\) on page 308](#).

### Remove the Tray 5 pickup assembly (2,500-sheet paper feeder HCI)

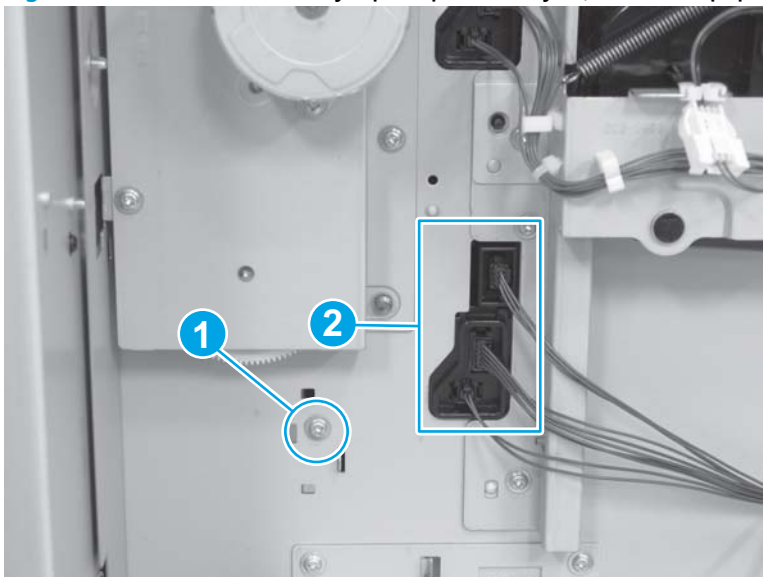
1. Remove one screw (callout 1). Remove the cover (callout 2) and the rail (callout 3).

**Figure 1-453** Remove the Tray 5 pickup assembly (2,500-sheet paper feeder HCI; 1 of 3)



2. On the back of the accessory, remove one screw (callout 1), and disconnect three connectors (callout 2).

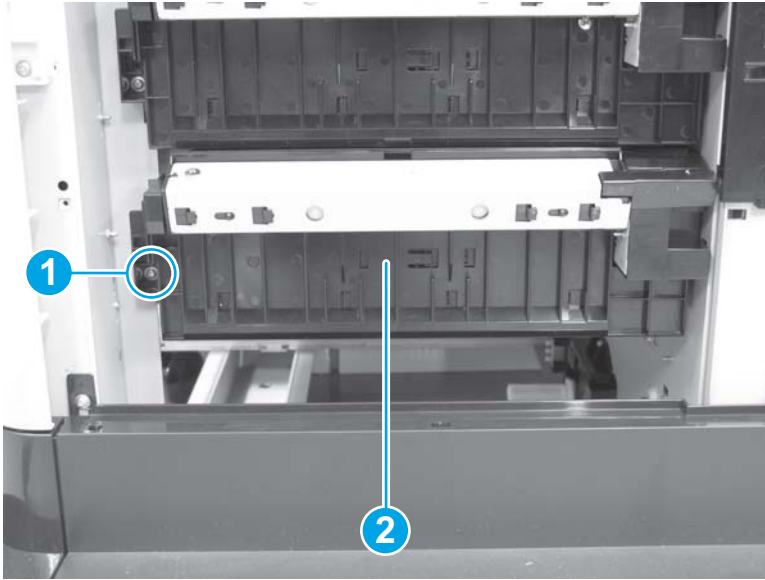
**Figure 1-454** Remove the Tray 5 pickup assembly (2,500-sheet paper feeder HCI; 2 of 3)





3. On the right side, remove one screw (callout 1), and then remove the pickup assembly (callout 2).

**Figure 1-455** Remove the Tray 5 pickup assembly (2,500-sheet paper feeder HCI; 3 of 3)




## Tray 3-4 pickup assemblies (2,500-sheet paper feeder HCI)

### Before proceeding, remove the following assemblies

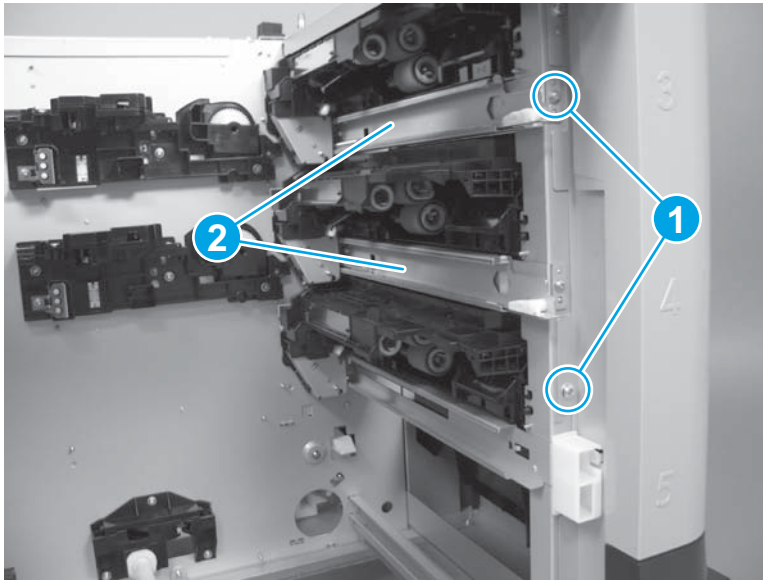
- Rear cover. See [Rear cover \(2,500-sheet paper feeder HCI\) on page 302](#).

### Remove the Tray 3-4 pickup assemblies (2,500-sheet paper feeder HCI)

 **NOTE:** The following procedure shows removing the pickup assemblies for both Tray 3 and Tray 4. It is not necessary to remove or replace both assemblies at the same time, though.

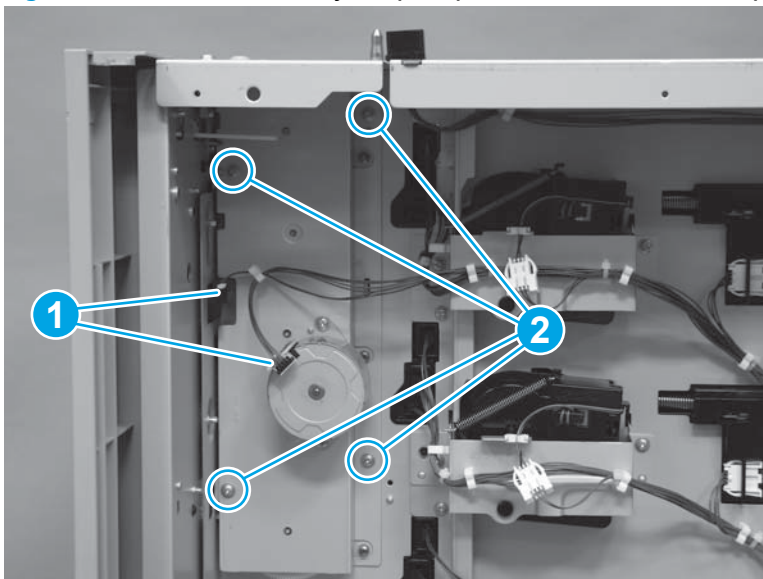
1. Remove two screws (callout 1) and then remove the rails (callout 2).

**Figure 1-456** Remove the Tray 3-4 pickup assemblies (2,500-sheet paper feeder HCI; 1 of 4)



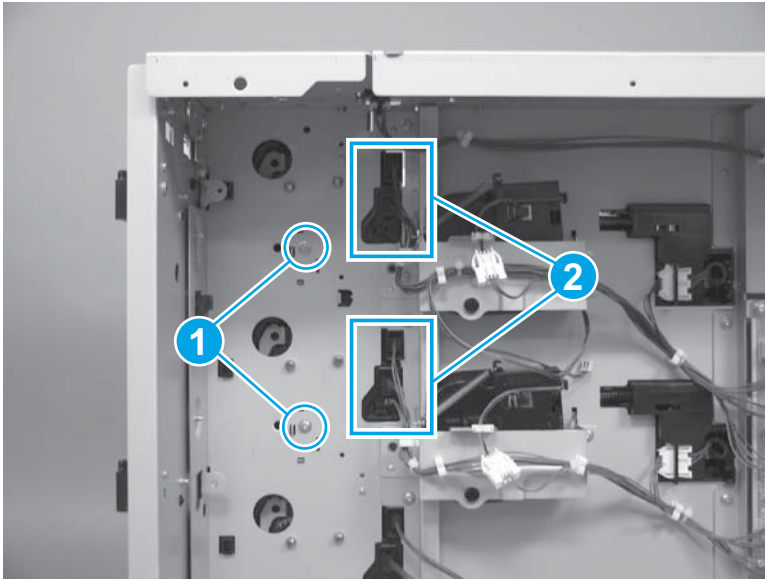
2. Disconnect two connectors (callout 1), remove four screws (callout 2), and then remove the drive assembly.

**Figure 1-457** Remove the Tray 3-4 pickup assemblies (2,500-sheet paper feeder HCI; 2 of 4)



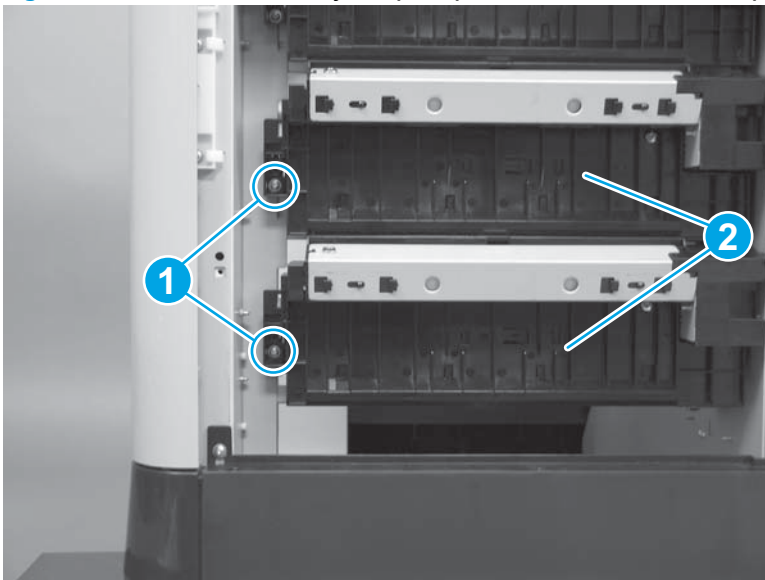
3. Remove two screws (callout 1), and disconnect two sets of three connectors (callout 2).

**Figure 1-458** Remove the Tray 3-4 pickup assemblies (2,500-sheet paper feeder HCI; 3 of 4)



4. Remove two screws (callout 1), and then remove the pickup assemblies (callout 2).

**Figure 1-459** Remove the Tray 3-4 pickup assemblies (2,500-sheet paper feeder HCI; 4 of 4)




## Tray 3-4 lifter base assemblies (2,500-sheet paper feeder HCI)

### Before proceeding, remove the following assemblies

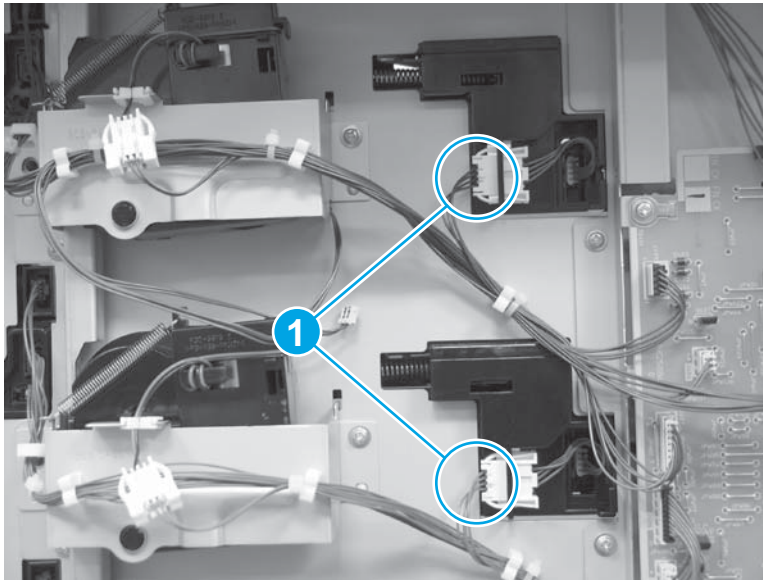
- Rear cover. See [Rear cover \(2,500-sheet paper feeder HCI\) on page 302](#).

### Remove the Tray 3-4 lifter base assemblies (2,500-sheet paper feeder HCI)

 **NOTE:** The following procedure shows removing the lifter base assemblies for both Tray 3 and Tray 4. It is not necessary to remove or replace both assemblies at the same time, though.

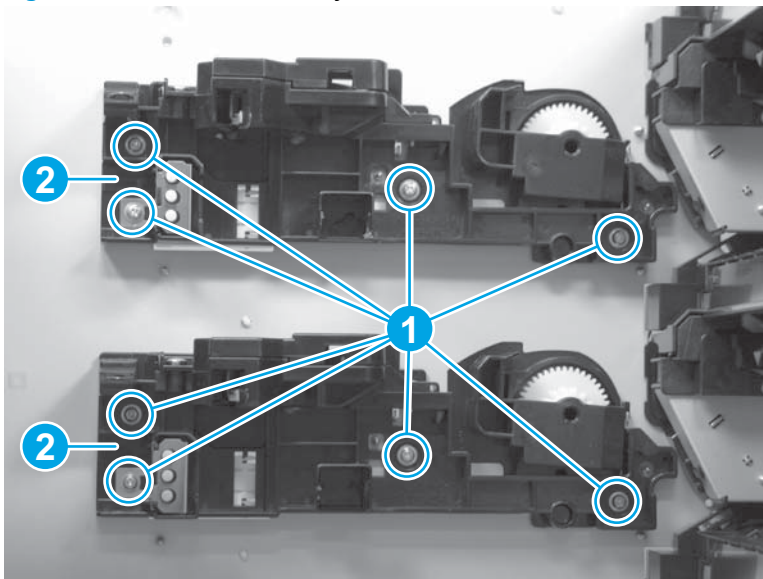
1. Disconnect two connectors (callout 1).

**Figure 1-460** Remove the Tray 3-4 lifter base assemblies (2,500-sheet paper feeder HCI; 1 of 2)



2. Remove eight screws (callout 1), and then remove the lifter base assemblies (callout 2)

**Figure 1-461** Remove the Tray 3-4 lifter base assemblies (2,500-sheet paper feeder HCI; 2 of 2)




## Tray 3-4 lifter assemblies (2,500-sheet paper feeder HCI)

### Before proceeding, remove the following assemblies

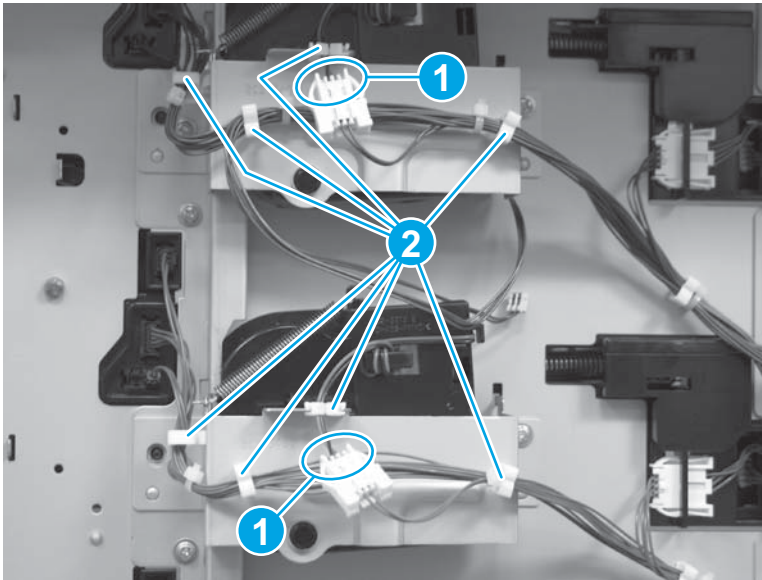
- Rear cover. See [Rear cover \(2,500-sheet paper feeder HCI\)](#) on page 302.

### Remove the Tray 3-4 lifter assemblies (2,500-sheet paper feeder HCI)

 **NOTE:** The following procedure shows removing the lifter assemblies for both Tray 3 and Tray 4. It is not necessary to remove or replace both assemblies at the same time, though.

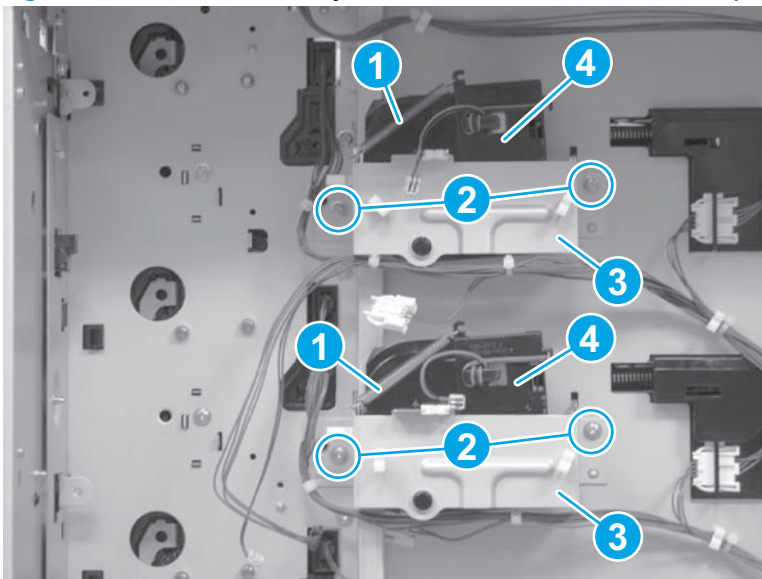
1. Disconnect two connectors (callout 1) and then release the cables from the clamps (callout 2).

**Figure 1-462** Remove the Tray 3-4 lifter assemblies (2,500-sheet paper feeder HCI; 1 of 2)



2. Unhook two springs (callout 1), remove four screws (callout 2), remove the metal plates (callout 3), and then remove the lifter assemblies (callout 4).

**Figure 1-463** Remove the Tray 3-4 lifter assemblies (2,500-sheet paper feeder HCI; 2 of 2)



## Tray 5 lifter drive assembly (2,500-sheet paper feeder HCI)

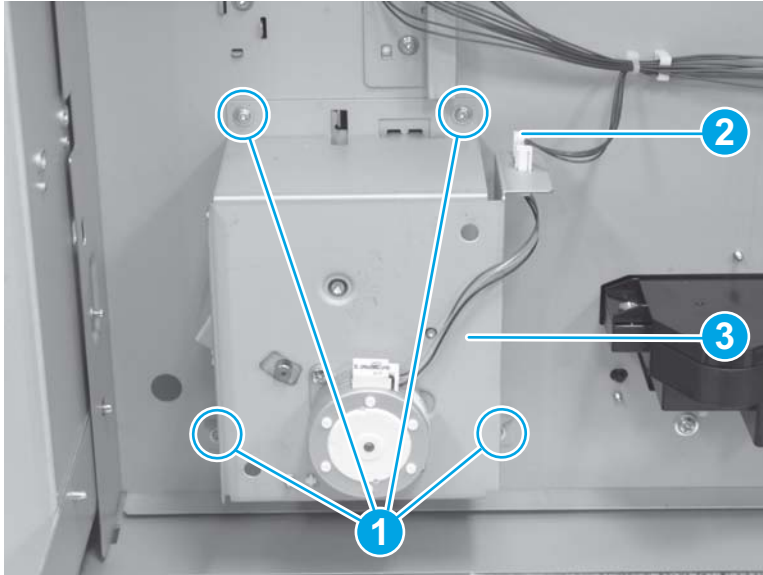
### Before proceeding, remove the following assemblies

- Rear cover. See [Rear cover \(2,500-sheet paper feeder HCI\) on page 302](#).
- Right door. See [Right door assembly \(2,500-sheet paper feeder HCI\) on page 306](#).
- Right center cover. See [Right center cover \(2,500-sheet paper feeder HCI\) on page 308](#).
- Right rear cover. See [Right rear cover \(2,500-sheet paper feeder HCI\) on page 309](#).
- Right lower cover. See [Right lower cover \(2,500-sheet paper feeder HCI\) on page 310](#).

### Remove the Tray 5 lifter drive assembly (2,500-sheet paper feeder HCI)

- ▲ On the back of the accessory, disconnect one connector (callout 1), remove four screws (callout 2), and then remove the Tray 5 lifter drive assembly (callout 3).

**Figure 1-464** Remove the Tray 5 lifter drive assembly (2,500-sheet paper feeder HCI)





## Pickup motor (2,500-sheet paper feeder HCI)

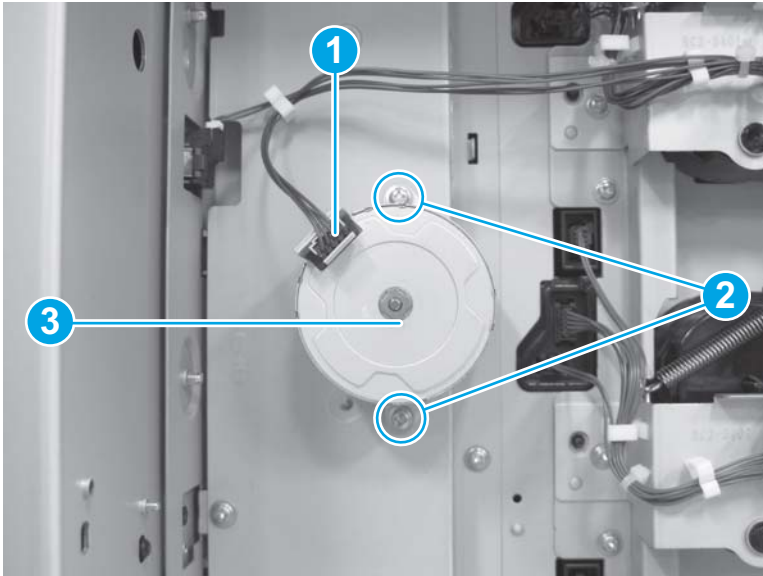
### Before proceeding, remove the following assemblies

- Rear cover. See [Rear cover \(2,500-sheet paper feeder HCI\) on page 302](#).

### Remove the pickup motor (2,500-sheet paper feeder HCI)

- ▲ Disconnect one connector (callout 1), remove two screws (callout 2), and then remove the pickup motor (callout 3).

**Figure 1-465** Remove the pickup motor (2,500-sheet paper feeder HCI)





## HCI PCA (2,500-sheet paper feeder HCI)

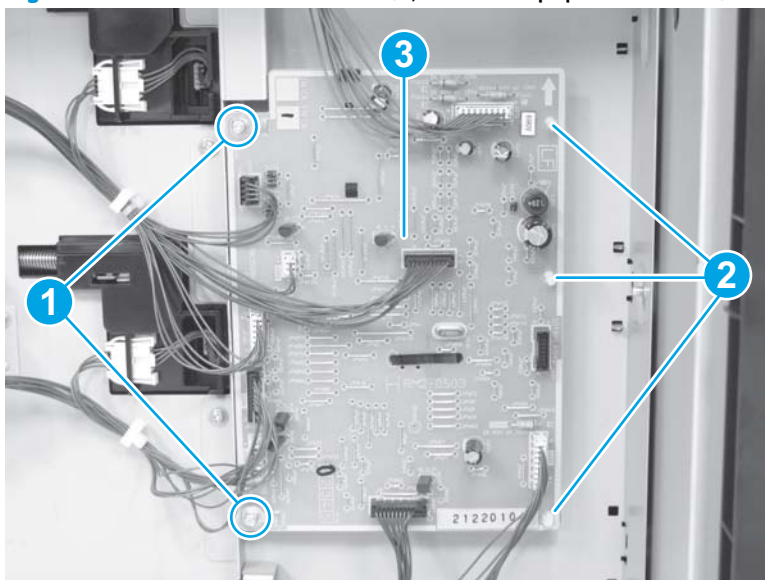
### Before proceeding, remove the following assemblies

- Rear cover. See [Rear cover \(2,500-sheet paper feeder HCI\) on page 302](#).

### Remove the HCI PCA (2,500-sheet paper feeder HCI)

- ▲ Disconnect all the connectors from the HCI HCI PCA. Remove two screws (callout 1), release three tabs (callout 2), and then remove the PCA (callout 3).

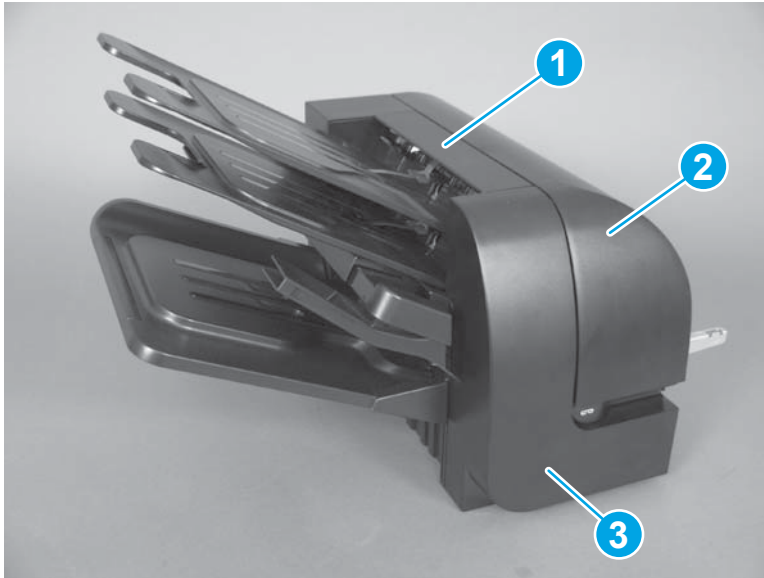
**Figure 1-466** Remove the HCI PCA (2,500-sheet paper feeder HCI)



## Stapling mailbox (M680)

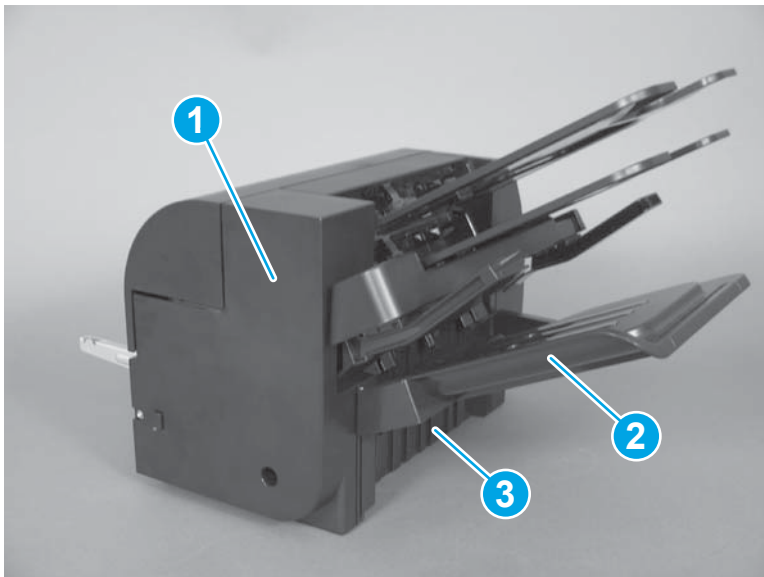
 **NOTE:** HP recommends removing the output accessory from the product before servicing.

**Figure 1-467** Stapling mailbox covers, front view



- |   |            |
|---|------------|
| 1 | Top cover  |
| 2 | Top door   |
| 3 | Front door |

**Figure 1-468** Stapling mailbox covers, rear view

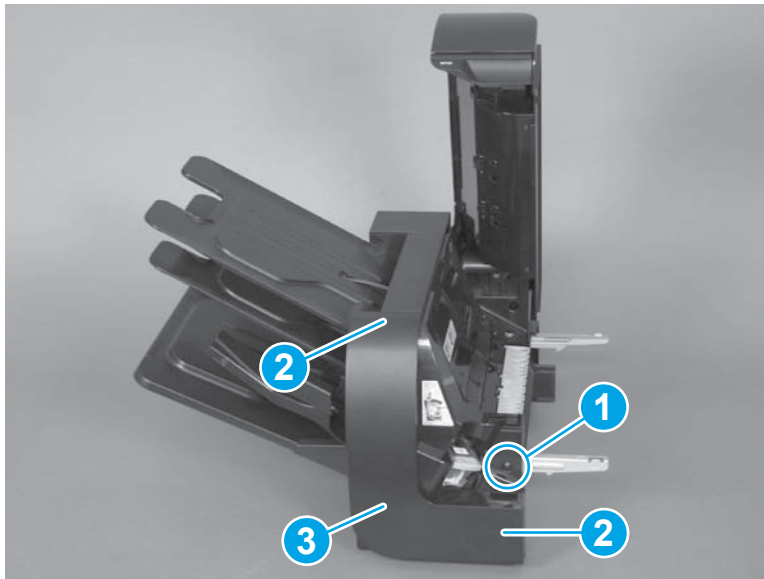


- |   |                |
|---|----------------|
| 1 | Rear cover     |
| 2 | Tray assembly  |
| 3 | Stacking panel |

## Front cover (stapling mailbox)

- ▲ Open the stapling mailbox door, remove one screw (callout 1), release two tabs (callout 2), and then remove the front cover (callout 3).

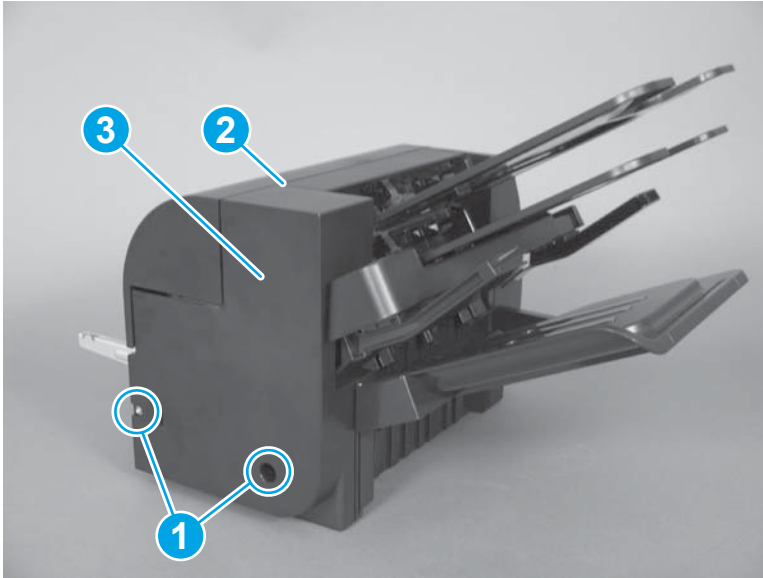
**Figure 1-469** Remove the front cover (stapling mailbox)



## Rear cover (stapling mailbox)

- ▲ Remove two screws (callout 1), release one tab (callout 2), and then remove the rear cover (callout 3).

**Figure 1-470** Remove the rear cover (stapling mailbox)




## Top door (stapling mailbox)

### Before proceeding, remove the following assemblies

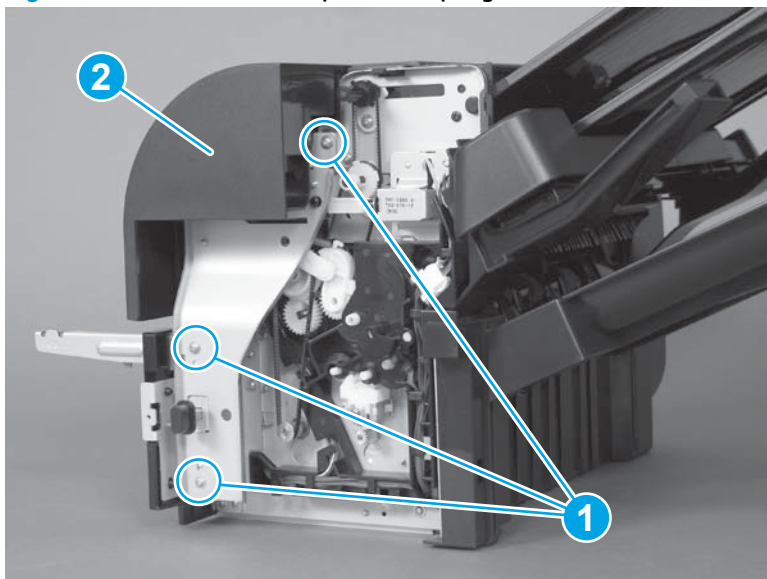
- Rear cover. See [Rear cover \(stapling mailbox\) on page 322](#).

### Remove the stapling mailbox top door

- ▲ Remove three screws (callout 1), and then remove the stapling mailbox door (callout 2).

 **NOTE:** The black-plastic push button (callout 3) can be easily dislodged when the door is removed. Do not lose the push button.

**Figure 1-471** Remove the top door (stapling mailbox)



## Connector holder (stapling mailbox)

### Before proceeding, remove the following assemblies

- Rear cover. See [Rear cover \(stapling mailbox\) on page 322](#).

### Remove the stapling mailbox connector holder

- ▲ Remove one screw, and then remove the holder connector.

**Figure 1-472** Remove the holder connector (stapling mailbox)



## Top cover (stapling mailbox)

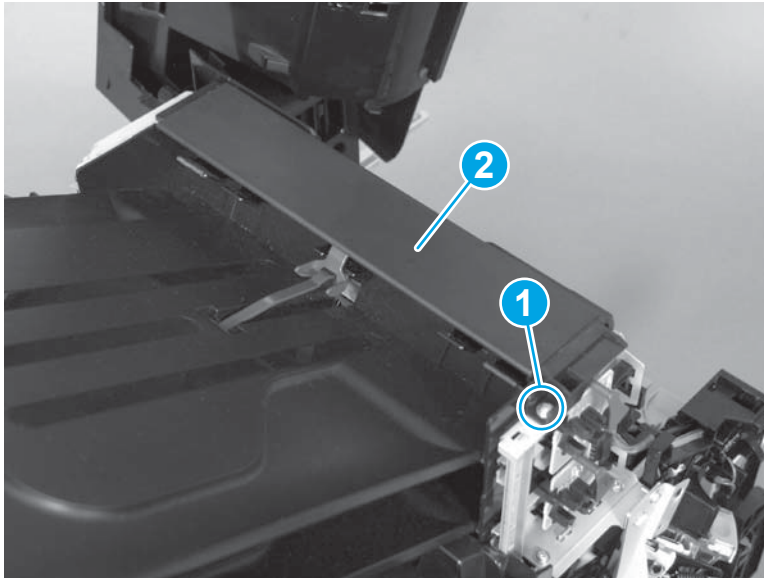
### Before proceeding, remove the following assemblies

- Front cover. See [Front cover \(stapling mailbox\) on page 321](#).
- Rear cover. See [Rear cover \(stapling mailbox\) on page 322](#).

### Remove the stapling mailbox top cover

- ▲ Remove one screw (callout 1), and then remove the top cover (callout 2).

**Figure 1-473** Remove the top cover (stapling mailbox)

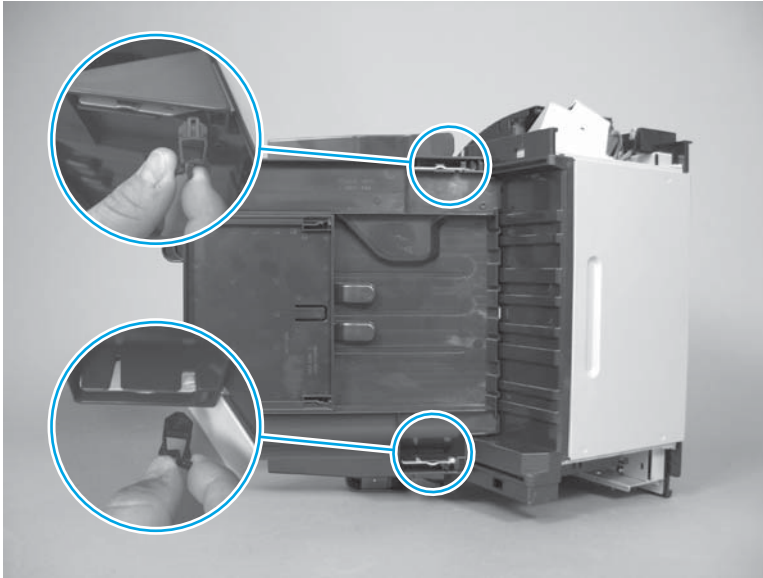





## Output bin 3 (stapling mailbox)

1. Squeeze and pull two stoppers to remove from the output bin.

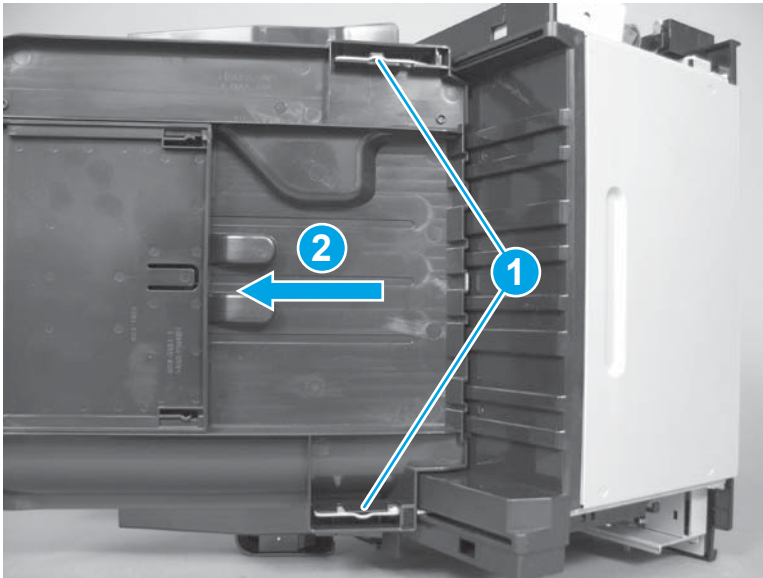
**Figure 1-474** Remove output bin 3 (stapling mailbox; 1 of 2)



 **NOTE:** When reinstalling the output bin, make sure the two stoppers are installed in the correct position.


2. Release two tabs (callout 1) and slide the output bin 3 (callout 2) to remove.

**Figure 1-475** Remove output bin 3 (stapling mailbox; 2 of 2)



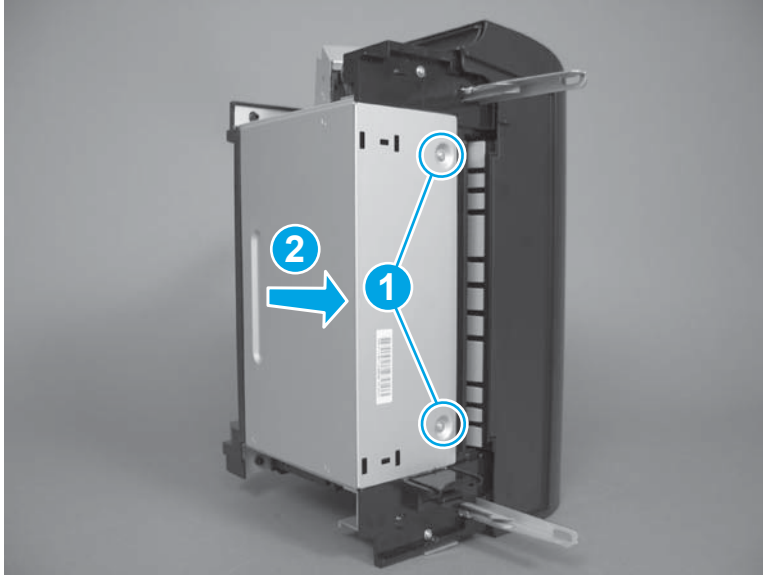
## Output bin 3 driver PCA (stapling mailbox)

 **CAUTION:**  ESD-sensitive assembly.

 **NOTE:** This assembly is also called the MBM PCA.

1. Remove two screws, and slide the PCA cover off to remove it.

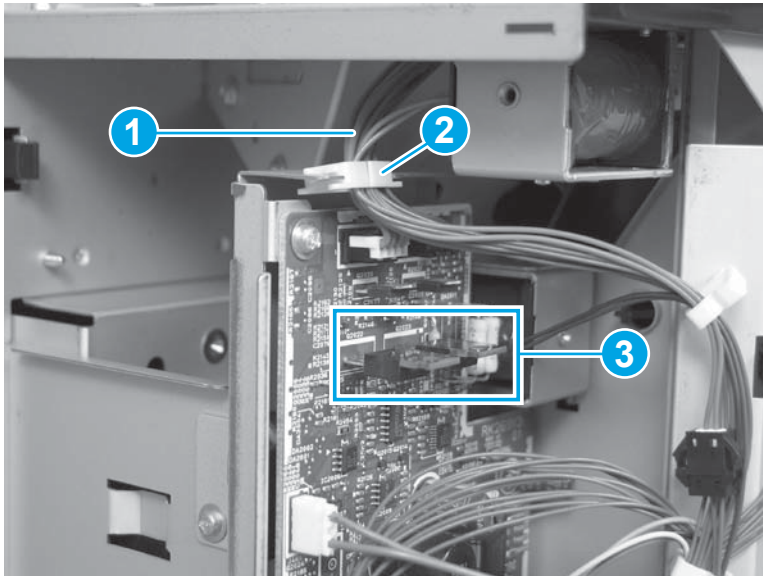
**Figure 1-476** Remove the output bin 3 driver PCA (stapling mailbox; 1 of 3)




2. Release the cables (callout 1) from the cable guide (callout 2).

 **NOTE:** Be careful not to damage components (callout 3) on the PCA.

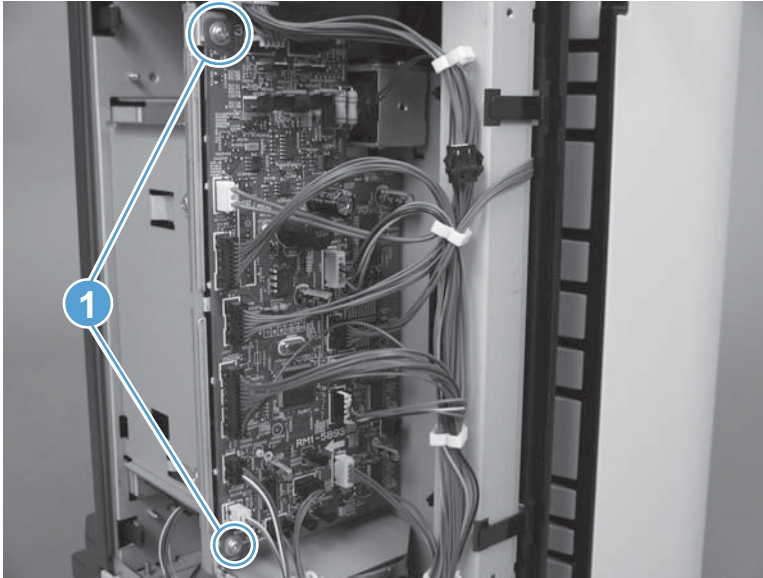
**Figure 1-477** Remove the output bin 3 driver PCA (stapling mailbox; 2 of 3)



3. Remove two screws (callout 1), disconnect all connectors from the PCA, and then remove the PCA.

 **NOTE:** The connectors for J460 and J466 are empty.

**Figure 1-478** Remove the output bin 3 driver PCA (stapling mailbox; 3 of 3)



## Stapler assembly (stapling mailbox)

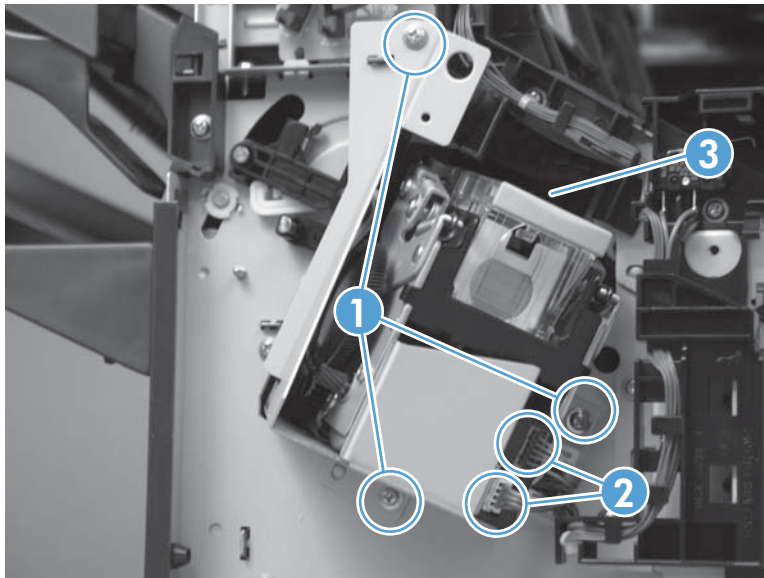
### Before proceeding, remove the following assemblies

- Front cover. See [Front cover \(stapling mailbox\) on page 321](#).

### Remove the stapler assembly

- ▲ Remove three screws (callout 1), disconnect two connectors (callout 2), and then remove the stapler assembly (callout 3).

**Figure 1-479** Remove the stapler assembly (stapling mailbox)



## Stamp solenoid (stapling mailbox)

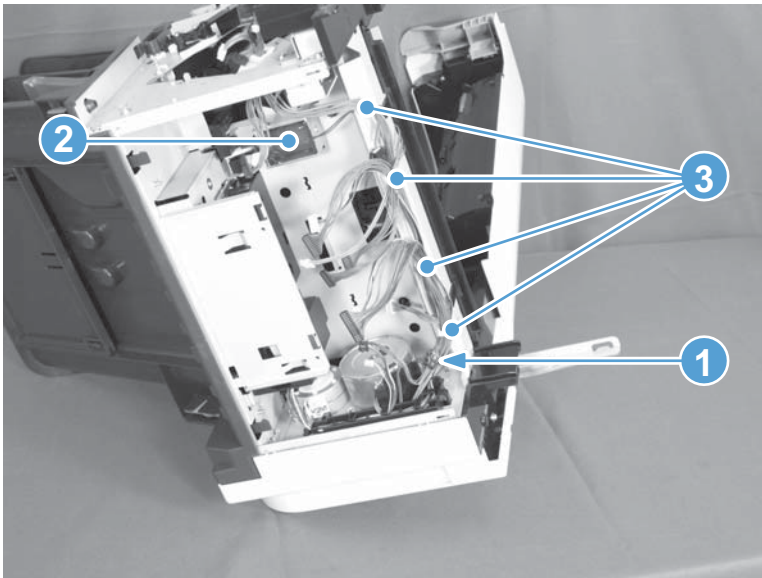
### Before proceeding, remove the following assemblies

- Front cover. See [Front cover \(stapling mailbox\) on page 321](#).
- Controller PCA. See [Output bin 3 driver PCA \(stapling mailbox\) on page 327](#).
- Stapler assembly. See [Stapler assembly \(stapling mailbox\) on page 329](#).

### Remove the stapling mailbox stamp solenoid

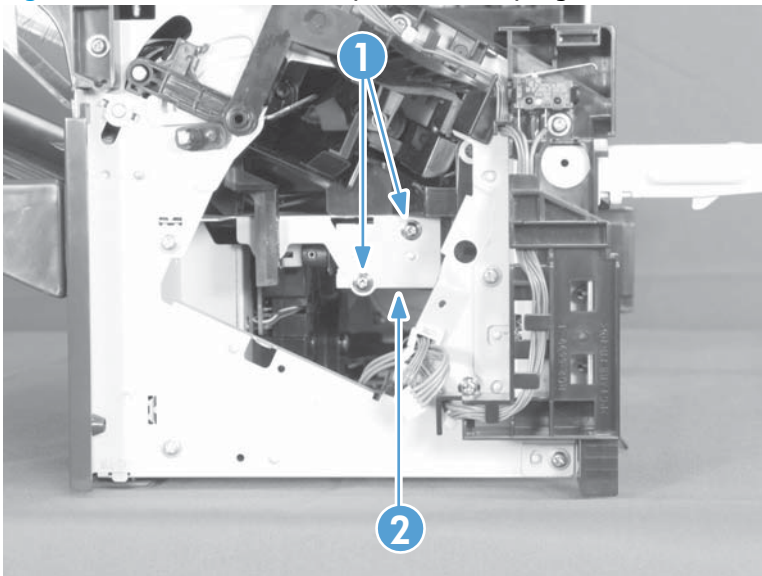
1. Disconnect one connector (callout 1), and then release the cables (callout 2) from the cable guides (callout 3).

**Figure 1-480** Remove the stamp solenoid (stapling mailbox; 1 of 2)



2. Remove two screws (callout 1), and then remove the stamp solenoid (callout 2).

**Figure 1-481** Remove the stamp solenoid (stapling mailbox; 2 of 2)



## Output bin sensor PCA (stapling mailbox)

Before proceeding, remove the following assemblies

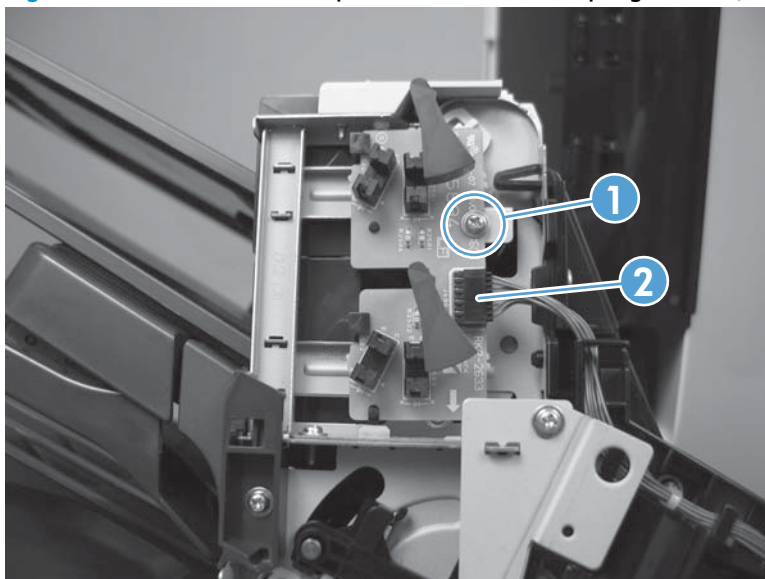
- Front cover. See [Front cover \(stapling mailbox\) on page 321](#).

Remove the stapling mailbox output bin sensor PCA

 **CAUTION:**  ESD-sensitive assembly.

1. Remove one screw (callout 1) and disconnect one connector (callout 2).

**Figure 1-482** Remove the output bin sensor PCA (stapling mailbox; 1 of 2)



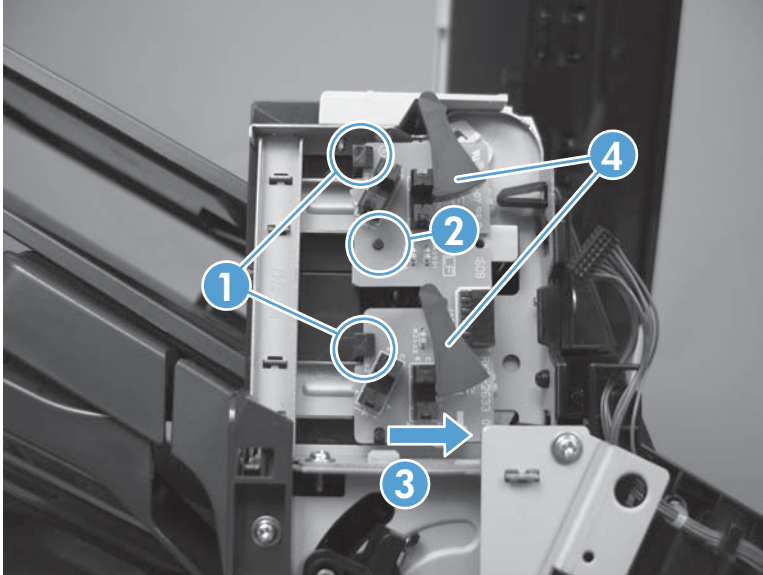


2. Release two tabs (callout 1), clear one post (callout 2), and slide the PCA to remove (callout 3).

**CAUTION:** Be careful not to damage the flags (callout 4) when removing and installing the PCA.

**Reinstallation tip** When reinstalling, make sure the PCA is seated correctly with the tabs (callout 1) and post (callout 2).

**Figure 1-483** Remove the output bin sensor PCA (stapling mailbox; 2 of 2)





## Stacking panel (stapling mailbox)

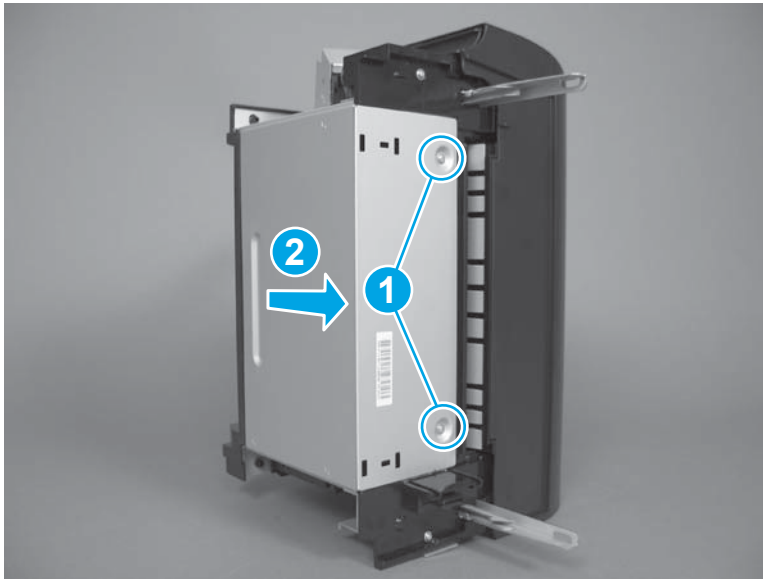
### Before proceeding, remove the following assemblies

- Front cover. See [Front cover \(stapling mailbox\) on page 321](#).
- Rear cover. See [Rear cover \(stapling mailbox\) on page 322](#).
- Output bin 3. See [Output bin 3 \(stapling mailbox\) on page 326](#).

### Remove the stapling mailbox stacking panel

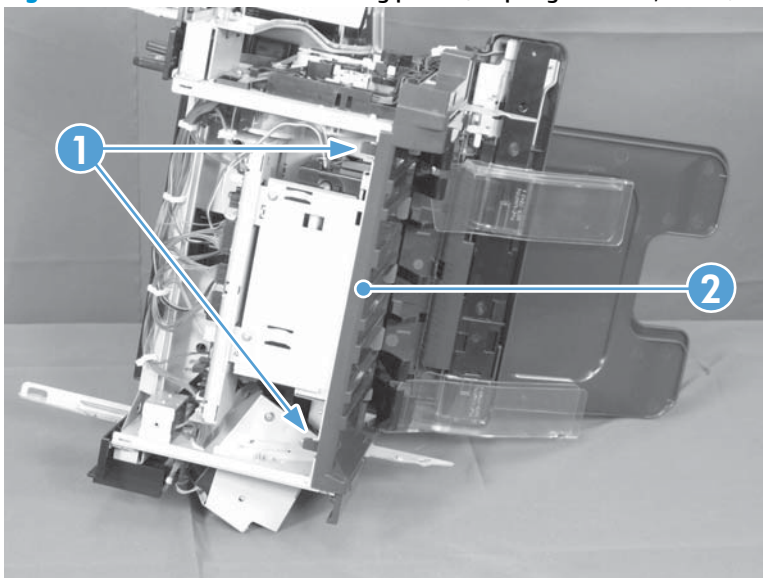
1. Remove two screws (callout 1), and slide the PCA cover (callout 2) to remove it.

**Figure 1-484** Remove the stacking panel (stapling mailbox; 1 of 2)



2. Place the accessory stapler-side down. Release two tabs (callout 1) and then remove the stacking panel (callout 2).

**Figure 1-485** Remove the stacking panel (stapling mailbox; 2 of 2)



## Jogger assembly (stapling mailbox)

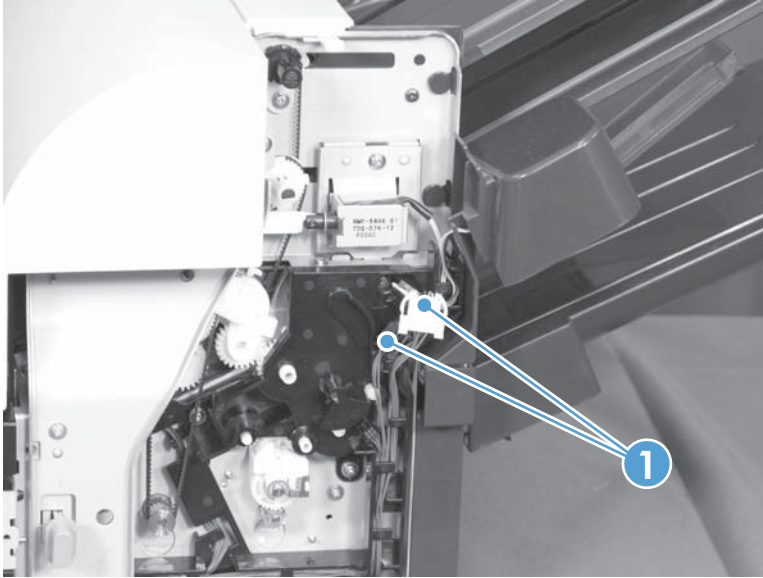
### Before proceeding, remove the following assemblies

- Front cover. See [Front cover \(stapling mailbox\) on page 321](#).
- Rear cover. See [Rear cover \(stapling mailbox\) on page 322](#).

### Remove the stapling mailbox jogger assembly

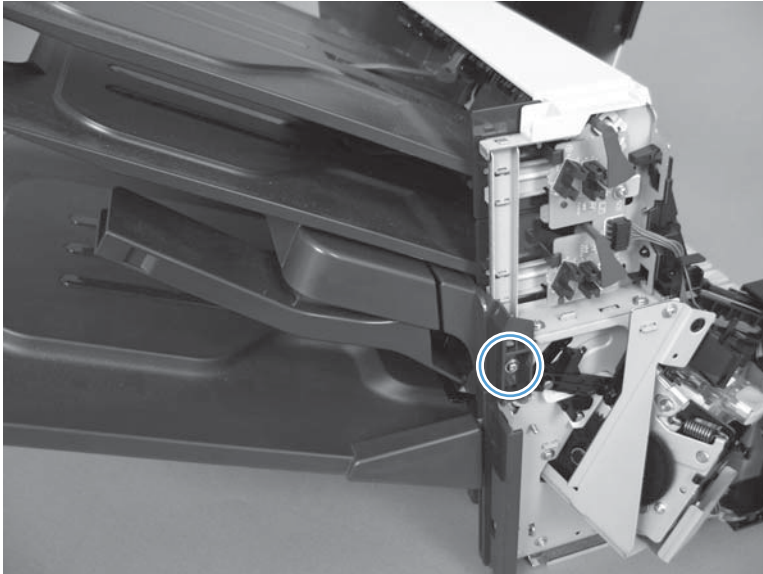
1. Disconnect two connectors (callout 1).

**Figure 1-486** Remove the jogger assembly (stapling mailbox; 1 of 3)



2. Remove one screw.

**Figure 1-487** Remove the jogger assembly (stapling mailbox; 2 of 3)



3. Disengage pin and remove the jogger assembly.

**Figure 1-488** Remove the jogger assembly (stapling mailbox; 3 of 3)



## Flapper guide assembly (stapling mailbox)

### Before proceeding, remove the following assemblies

- Front cover. See [Front cover \(stapling mailbox\) on page 321](#).
- Rear cover. See [Rear cover \(stapling mailbox\) on page 322](#).
- Top door. See [Top door \(stapling mailbox\) on page 323](#).
- Top cover. See [Top cover \(stapling mailbox\) on page 325](#).
- Jogger assembly. See [Jogger assembly \(stapling mailbox\) on page 334](#).

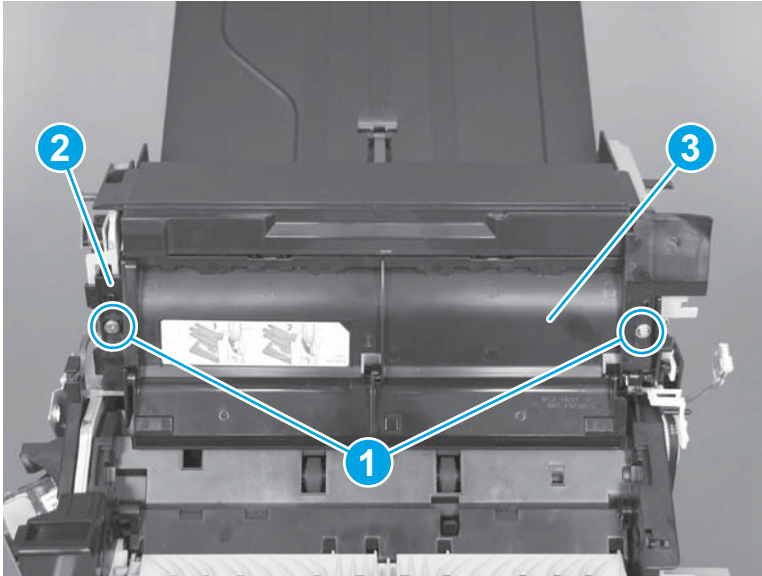
### Remove the flapper guide assembly

- ▲ Remove two screws (callout 1), release one tab (callout 2), and then remove the flapper guide assembly (callout 3).



**NOTE:** Make sure to reinstall the stepped screw on the left side of the assembly.

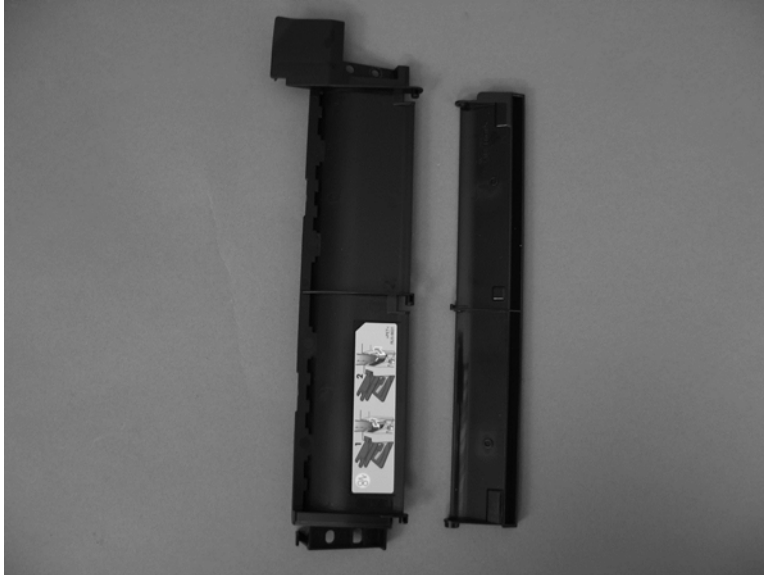
**Figure 1-489** Remove the flapper guide assembly (stapling mailbox)



### Reinstall the stapling mailbox flapper guide assembly

- ▲ When reinstalling the assembly, make sure to correctly reattach the two pieces of the assembly.

**Figure 1-490** Reinstall the flapper guide assembly (stapling mailbox)




## Flapper assembly (stapling mailbox)

### Before proceeding, remove the following assemblies

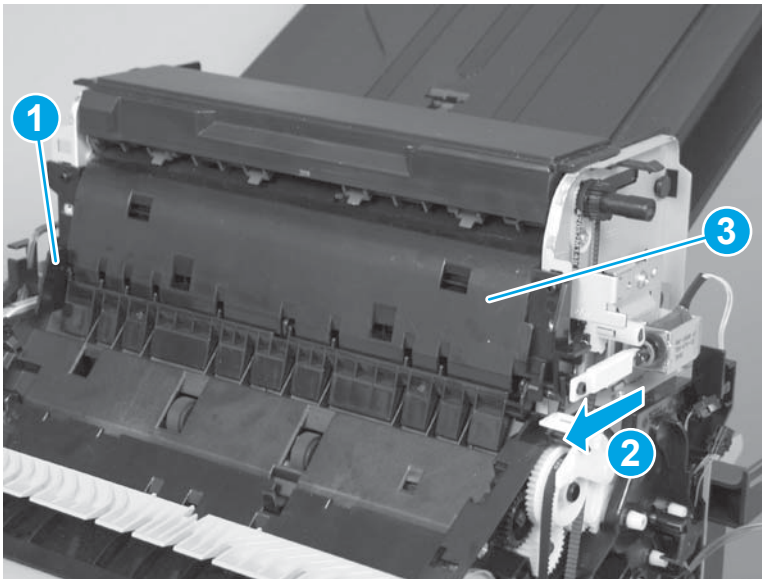
- Front cover. See [Front cover \(stapling mailbox\) on page 321](#).
- Rear cover. See [Rear cover \(stapling mailbox\) on page 322](#).
- Top door. See [Top door \(stapling mailbox\) on page 323](#).
- Top cover. See [Top cover \(stapling mailbox\) on page 325](#).
- Jogger assembly. See [Jogger assembly \(stapling mailbox\) on page 334](#).
- Flapper guide assembly. See [Flapper guide assembly \(stapling mailbox\) on page 336](#).

### Remove the stapling mailbox flapper assembly

- ▲ Release one tab (callout 1), release the solenoid arm (callout 2), and then remove the flapper assembly (callout 3).

 **Reinstallation tip** When reinstalling the assembly, make sure to correctly reattach the solenoid and arm.

**Figure 1-491** Remove the flapper assembly (stapling mailbox)



## Output bin solenoid (stapling mailbox)

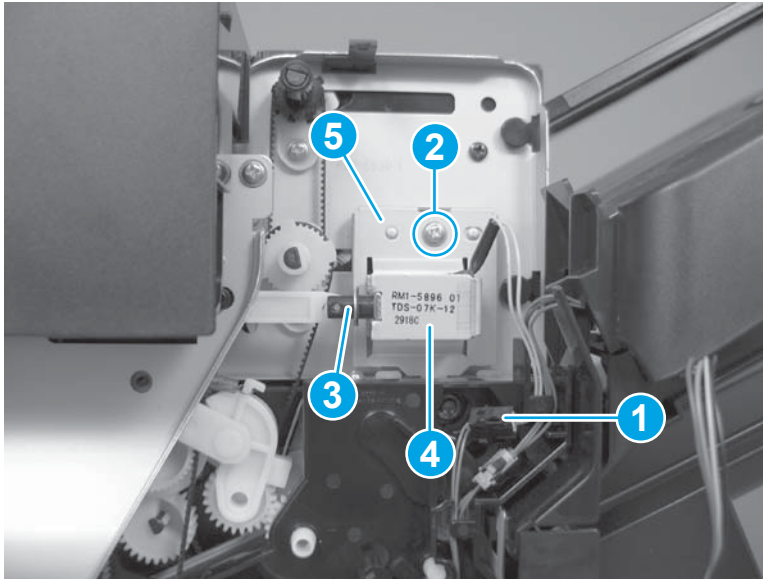
### Before proceeding, remove the following assemblies

- Stapling mailbox rear cover. See [Rear cover \(stapling mailbox\) on page 322](#).
- Stapling mailbox top door. See [Top door \(stapling mailbox\) on page 323](#).

### Remove the stapling mailbox output bin solenoid

- ▲ Disconnect one connector (callout 1), remove one screw (callout 2), disconnect the solenoid arm (callout 3), and then remove the solenoid (callout 4) and bracket (callout 5).

**Figure 1-492** Remove the output bin solenoid (stapling mailbox)





## Output bin assembly (stapling mailbox)

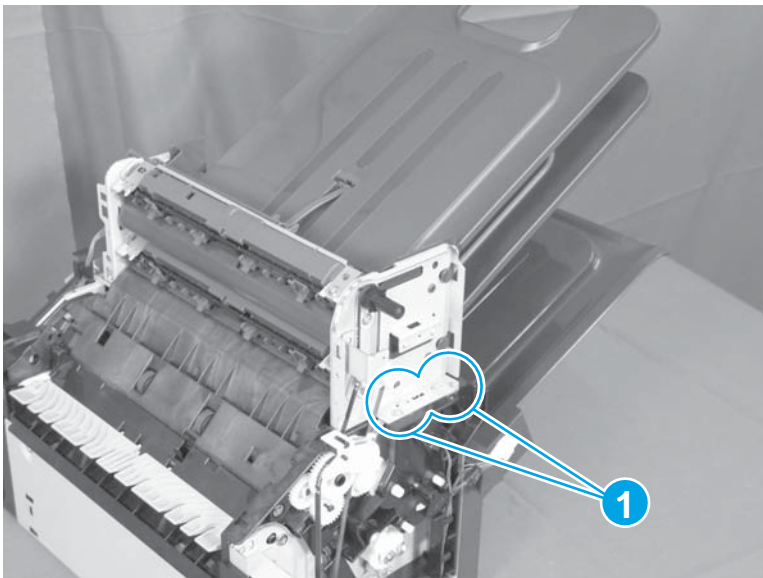
### Before proceeding, remove the following assemblies

- Rear cover. See [Rear cover \(stapling mailbox\) on page 322](#).
- Top door. See [Top door \(stapling mailbox\) on page 323](#).
- Top cover. See [Top cover \(stapling mailbox\) on page 325](#).
- Output bin sensor PCA. See [Output bin sensor PCA \(stapling mailbox\) on page 331](#).
- Jogger assembly. See [Jogger assembly \(stapling mailbox\) on page 334](#).
- Flapper guide assembly. See [Flapper guide assembly \(stapling mailbox\) on page 336](#).
- Flapper assembly. See [Flapper assembly \(stapling mailbox\) on page 338](#).
- Output bin solenoid. See [Output bin solenoid \(stapling mailbox\) on page 339](#).

### Remove the stapling mailbox output bin assembly

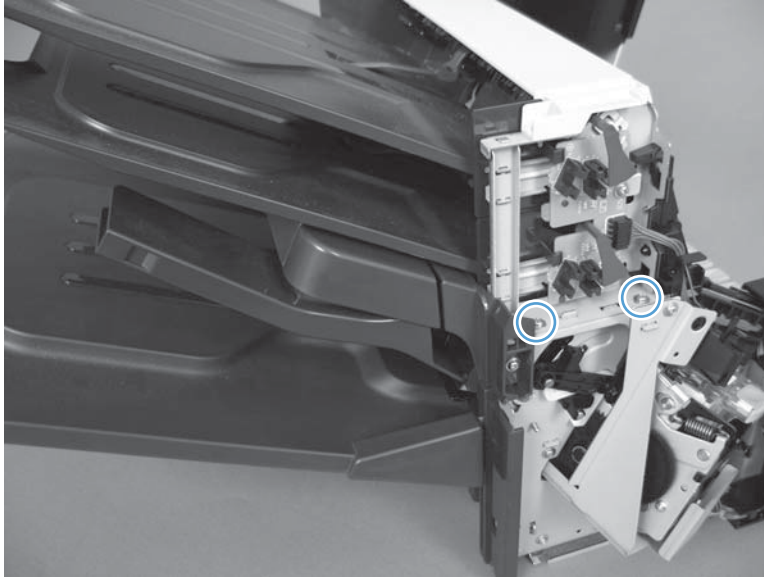
1. Remove two screws (callout 1).

**Figure 1-493** Remove the output bin assembly (stapling mailbox; 1 of 3)



2. Remove two screws.

**Figure 1-494** Remove the output bin assembly (stapling mailbox; 2 of 3)



3. Remove the belt and then remove the assembly.

**Figure 1-495** Remove the output bin assembly (stapling mailbox; 3 of 3)




## Output bin 3 drive assembly (stapling mailbox)

### Before proceeding, remove the following assemblies

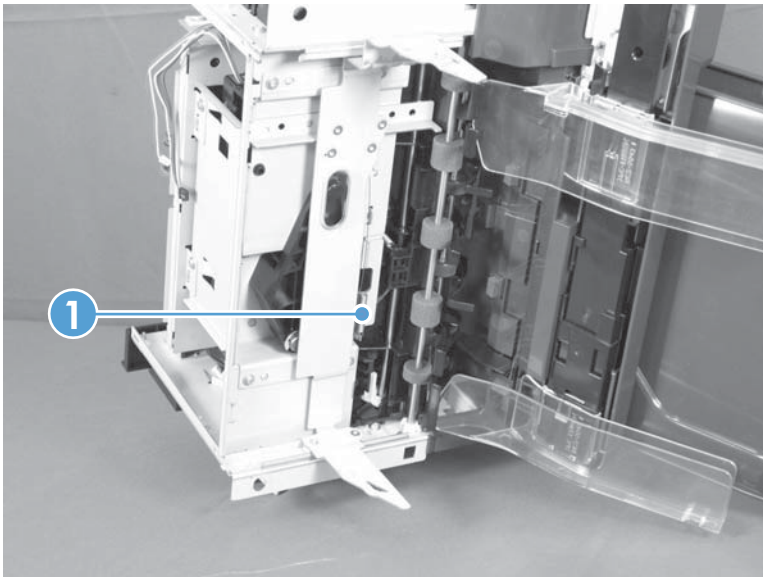
- Front cover. See [Front cover \(stapling mailbox\) on page 321](#).
- Rear cover. See [Rear cover \(stapling mailbox\) on page 322](#).
- Output bin 3. See [Output bin 3 \(stapling mailbox\) on page 326](#).
- Stacking panel. See [Stacking panel \(stapling mailbox\) on page 333](#).

### Remove the output bin 3 drive assembly (stapling mailbox)

1. Release one spring (callout 1).

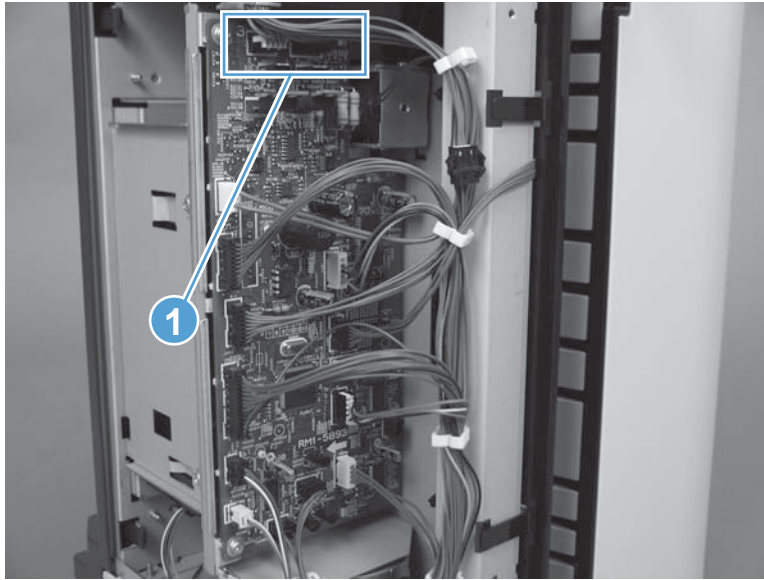
 **NOTE:** If the spring is out of reach, lower the tray support until there is clearance (as shown in the next step).

**Figure 1-496** Remove the output bin 3 drive assembly (stapling mailbox; 1 of 4)



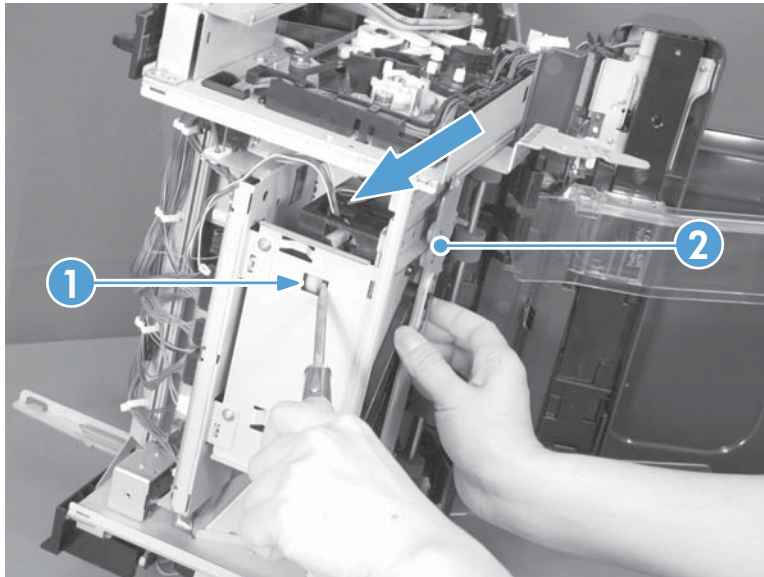
2. Disconnect two connectors.

**Figure 1-497** Remove the output bin 3 drive assembly (stapling mailbox; 2 of 4)



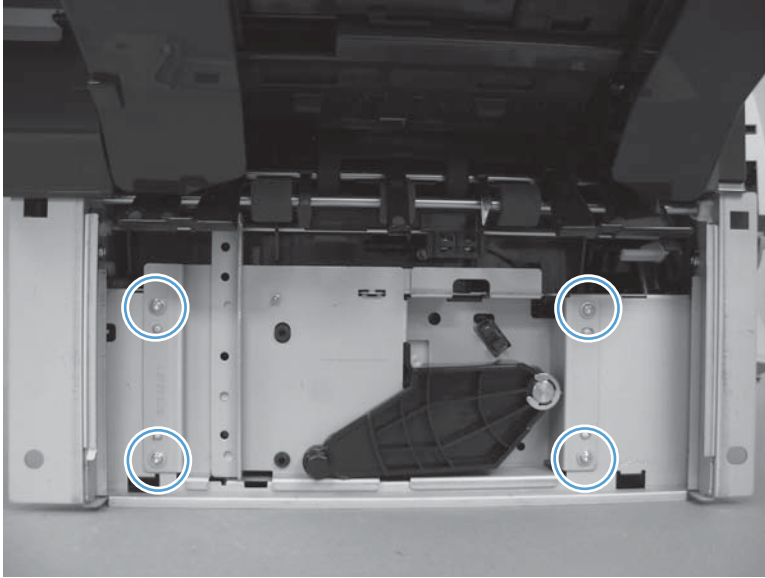
3. Using a screwdriver to disengage the gear (callout 1) and then slide the tray support (callout 2) to remove it.

**Figure 1-498** Remove the output bin 3 drive assembly (stapling mailbox; 3 of 4)



4. Remove four screws and then remove the output bin 3 drive assembly.

**Figure 1-499** Remove the output bin 3 drive assembly (stapling mailbox; 4 of 4)




## Stage-top sub-assembly (stapling mailbox)

### Before proceeding, remove the following assemblies

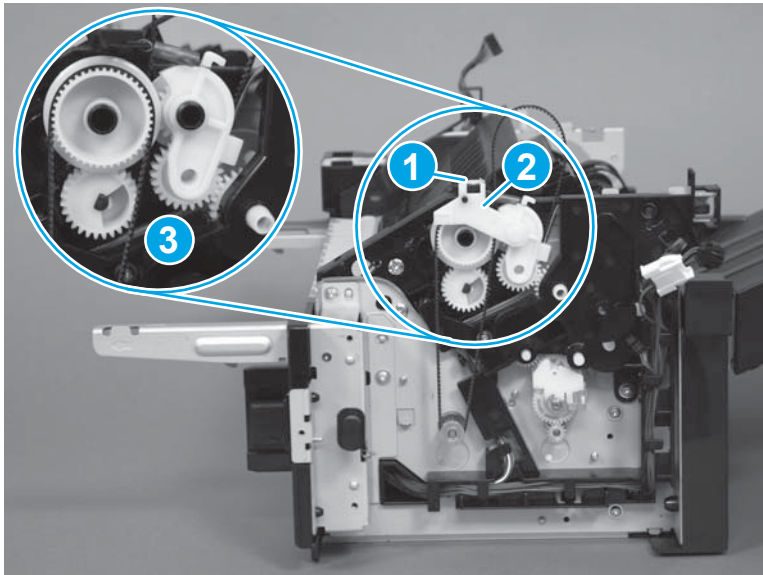
- Front cover. See [Front cover \(stapling mailbox\) on page 321](#).
- Rear cover. See [Rear cover \(stapling mailbox\) on page 322](#).
- Top door. See [Top door \(stapling mailbox\) on page 323](#).
- Top cover. See [Top cover \(stapling mailbox\) on page 325](#).
- Stapler assembly. See [Stapler assembly \(stapling mailbox\) on page 329](#).
- Output bin sensor PCA. See [Output bin sensor PCA \(stapling mailbox\) on page 331](#).
- Jogger assembly. See [Jogger assembly \(stapling mailbox\) on page 334](#).
- Flapper guide assembly. See [Flapper guide assembly \(stapling mailbox\) on page 336](#).
- Flapper assembly. See [Flapper assembly \(stapling mailbox\) on page 338](#).
- Output bin solenoid. See [Output bin solenoid \(stapling mailbox\) on page 339](#).
- Output bin assembly. See [Output bin assembly \(stapling mailbox\) on page 340](#).

### Remove the stage-top sub-assembly (stapling mailbox)

1. Release one tab (callout 1), and then remove the gear stopper (callout 2).

 **Reinstallation tip** When the stopper is removed, the gears (callout 3) are not captive. If the gears are dislodged, use the figure below to reinstall them.

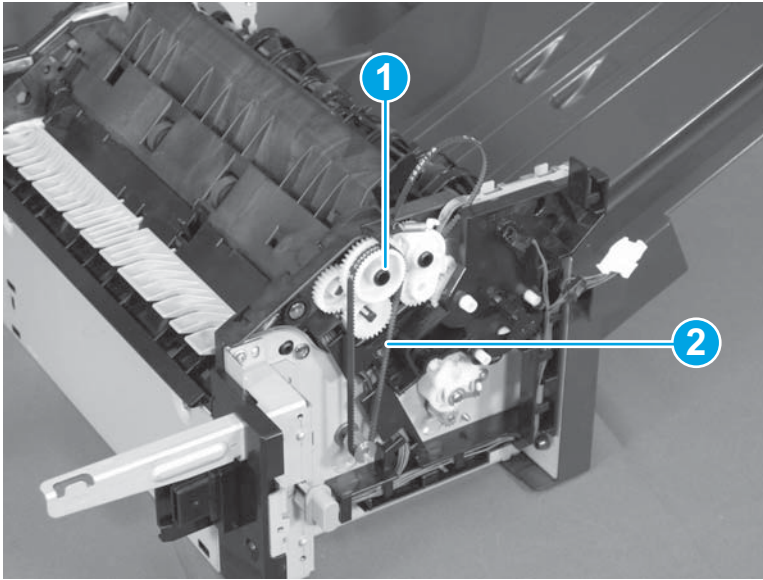
**Figure 1-500** Remove the stage-top sub-assembly (stapling mailbox; 1 of 14)





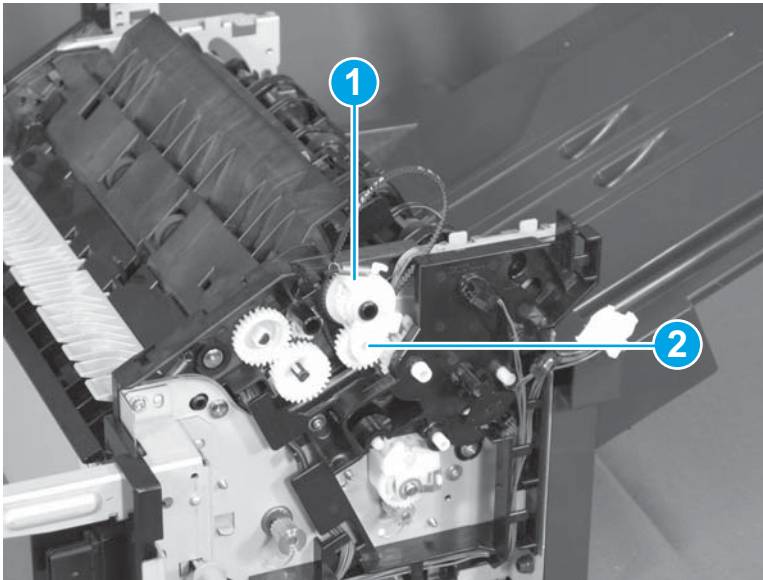
2. Remove one gear (callout 1) and remove one belt (callout 2).

**Figure 1-501** Remove the stage-top sub-assembly (stapling mailbox; 2 of 14)



3. Remove one spring (callout 1) and the swing gear (callout 2).

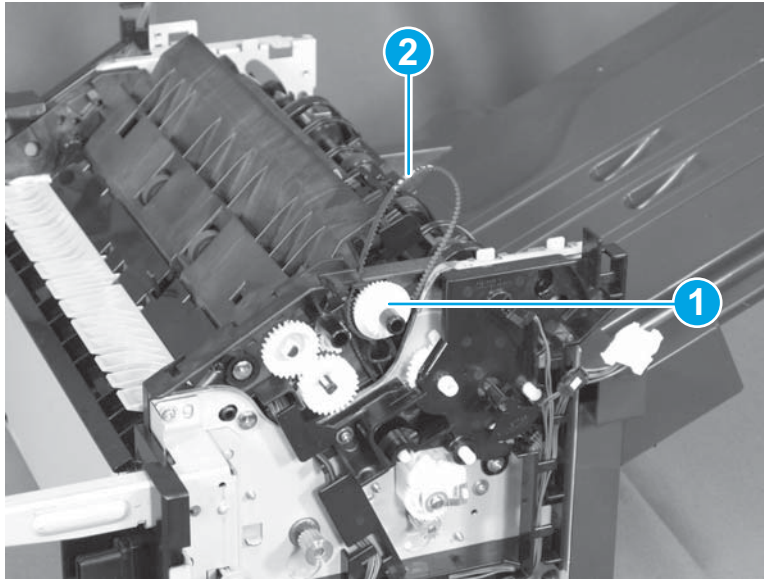
**Figure 1-502** Remove the stage-top sub-assembly (stapling mailbox; 3 of 14)





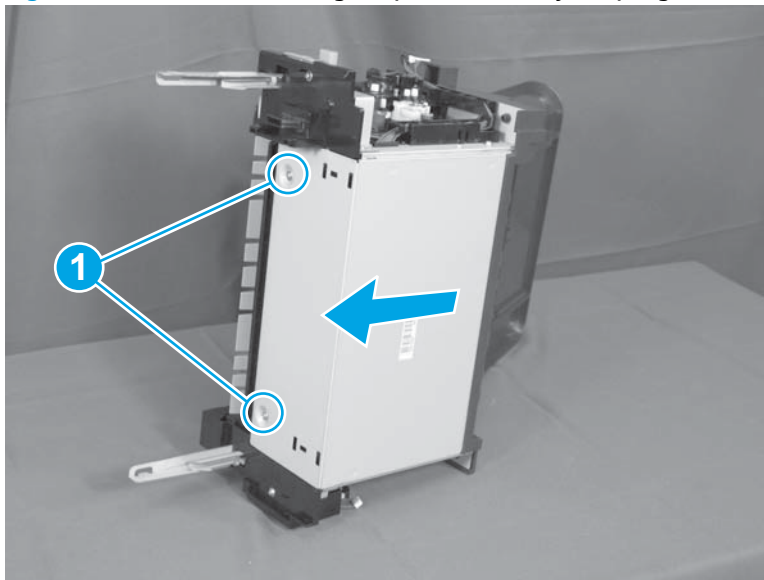
4. Remove one gear (callout 1) and one belt (callout 2).

**Figure 1-503** Remove the stage-top sub-assembly (stapling mailbox; 4 of 14)



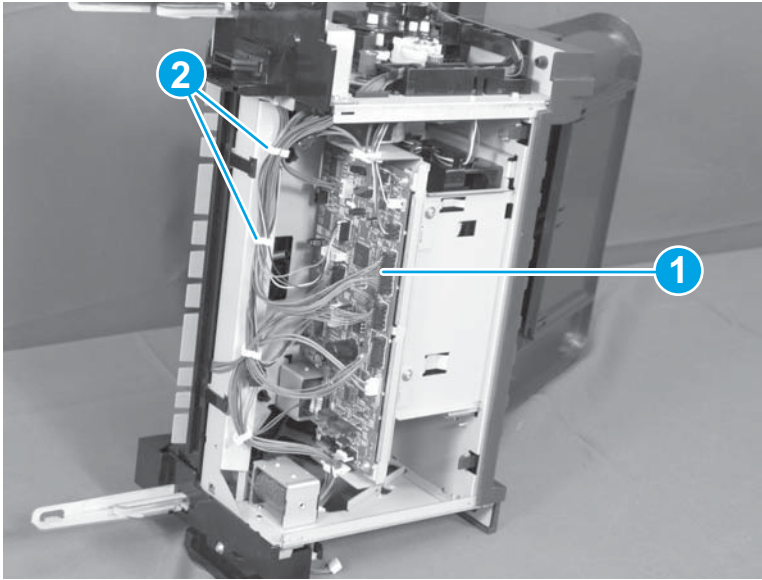
5. Remove two screws (callout 1). Slide the PCA cover in the direction of the arrow to remove it.

**Figure 1-504** Remove the stage-top sub-assembly (stapling mailbox; 5 of 14)



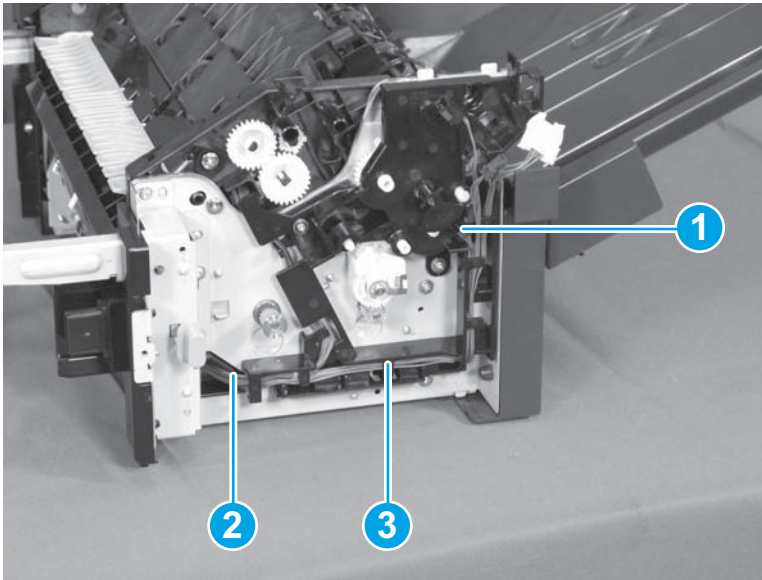
6. Disconnect one connector (callout 1), and then release the wire harness from two retainers (callout 2).

**Figure 1-505** Remove the stage-top sub-assembly (stapling mailbox; 6 of 14)



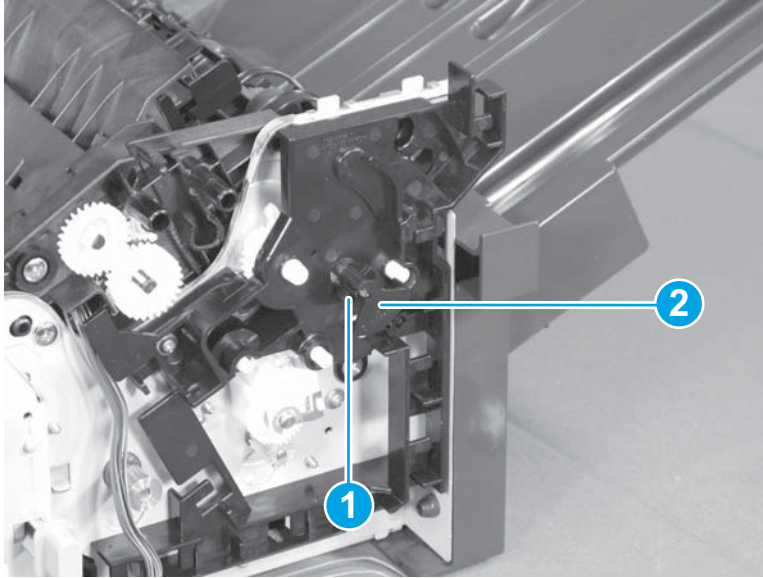
7. Disconnect one connector (callout 1). Release the cables (callout 2) from the guide (callout 3).

**Figure 1-506** Remove the stage-top sub-assembly (stapling mailbox; 7 of 14)





8. Release one tab (callout 1), and remove the sensor flag (callout 2).

**Figure 1-507** Remove the stage-top sub-assembly (stapling mailbox; 8 of 14)

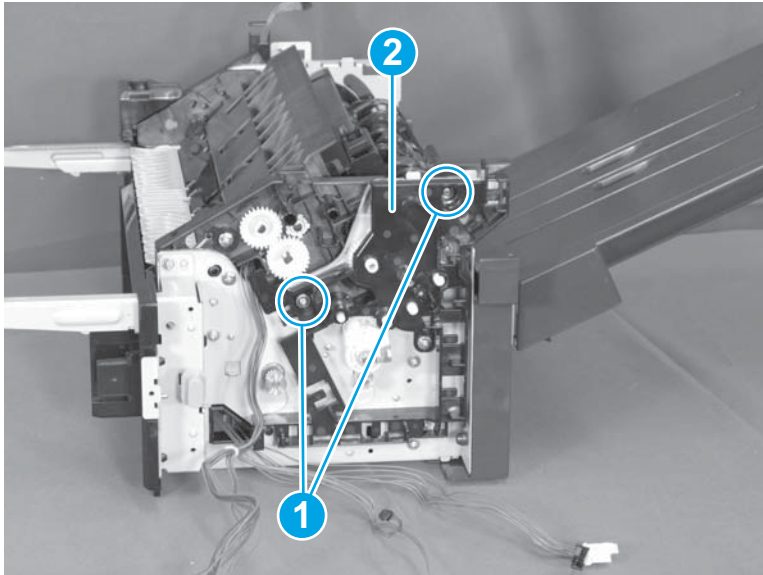


9. Remove two screws (callout 1), and then remove the cable guide and gear cover (callout 2).

 **NOTE:** The gears and belts behind this cover are not captive. If the gears or belts are dislodged when the cover is removed, see [Reinstall the stage-top sub-assembly \(stapling mailbox\) on page 353](#) to replace them.

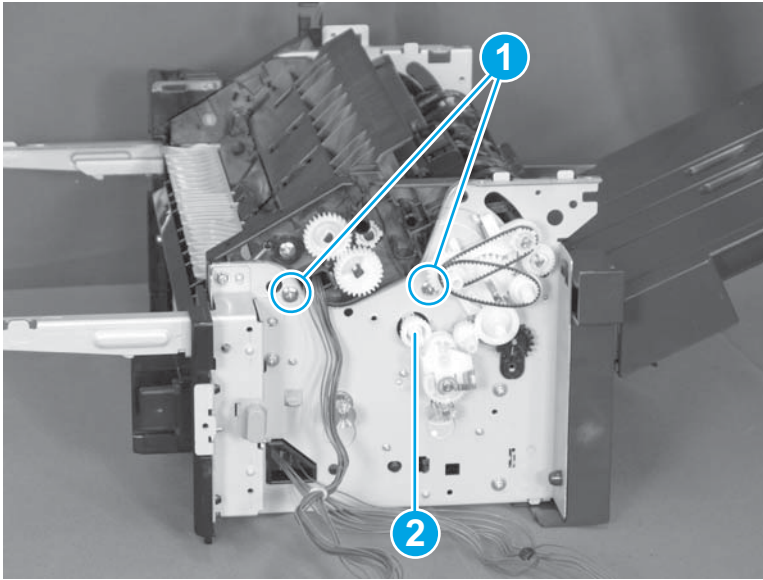
 **TIP:** Position the assembly so that the cover is face up before removing the screws to prevent the gears and belts from falling off when the cover is removed.

**Figure 1-508** Remove the stage-top sub-assembly (stapling mailbox; 9 of 14)



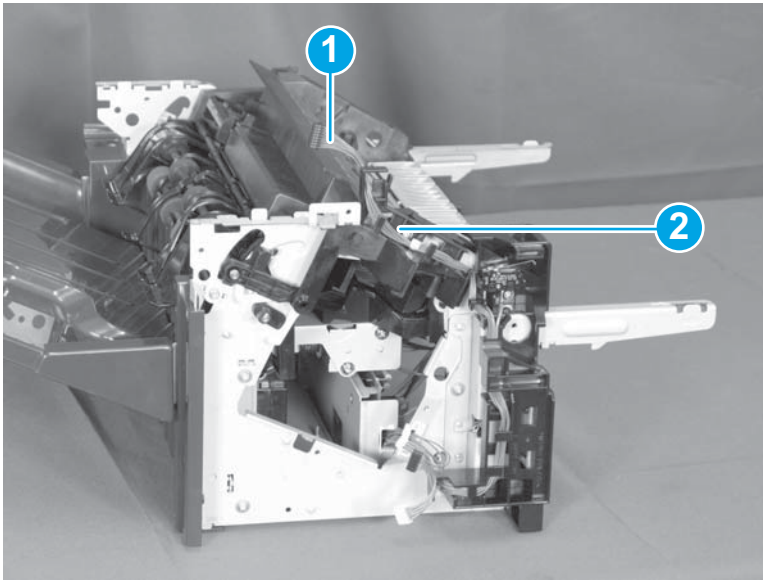
10. Remove two screws (callout 1), and then remove one gear (callout 2).

**Figure 1-509** Remove the stage-top sub-assembly (stapling mailbox; 10 of 14)



11. Release the cables (callout 1) from the cable guide (callout 2).

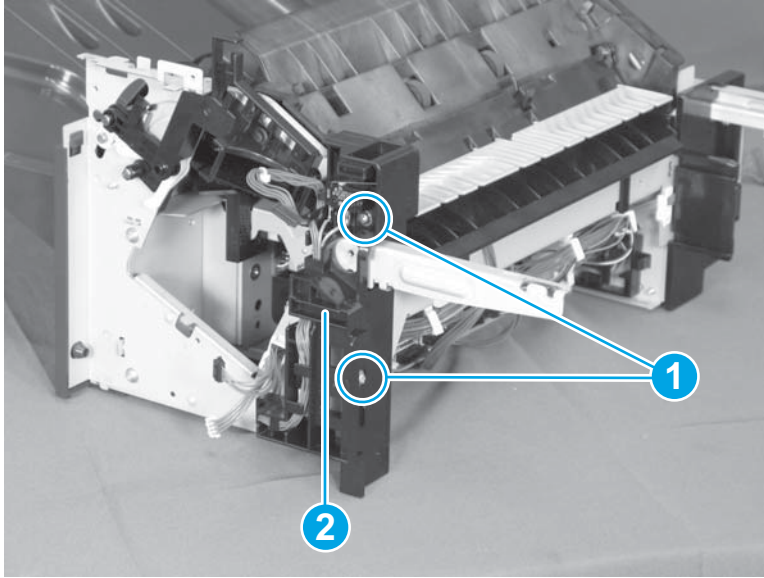
**Figure 1-510** Remove the stage-top sub-assembly (stapling mailbox; 11 of 14)





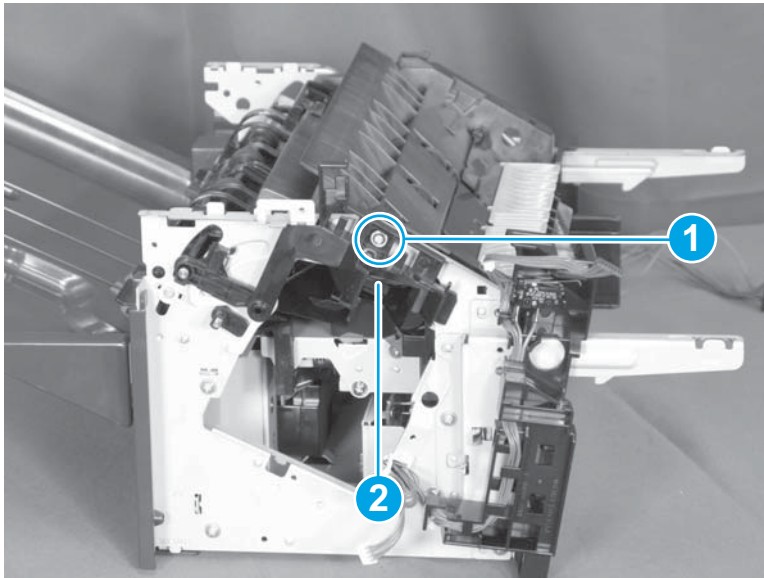
12. Remove two screws (callout 1) and shift the cable guide (callout 2).

**Figure 1-511** Remove the stage-top sub-assembly (stapling mailbox; 12 of 14)



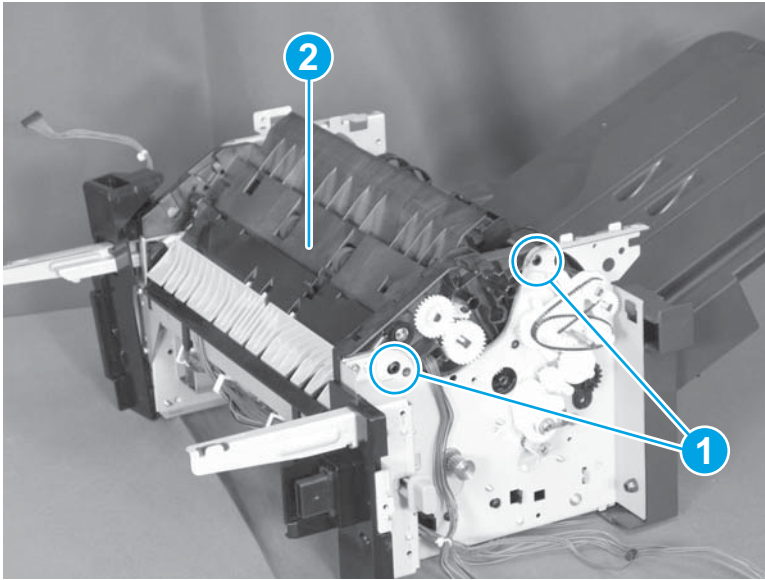
13. Remove one screw (callout 1), and then remove the cable guide (callout 2).

**Figure 1-512** Remove the stage-top sub-assembly (stapling mailbox; 13 of 14)



14. Release two locator pins (callout 1), and then remove the stage-top sub-assembly (callout 2).

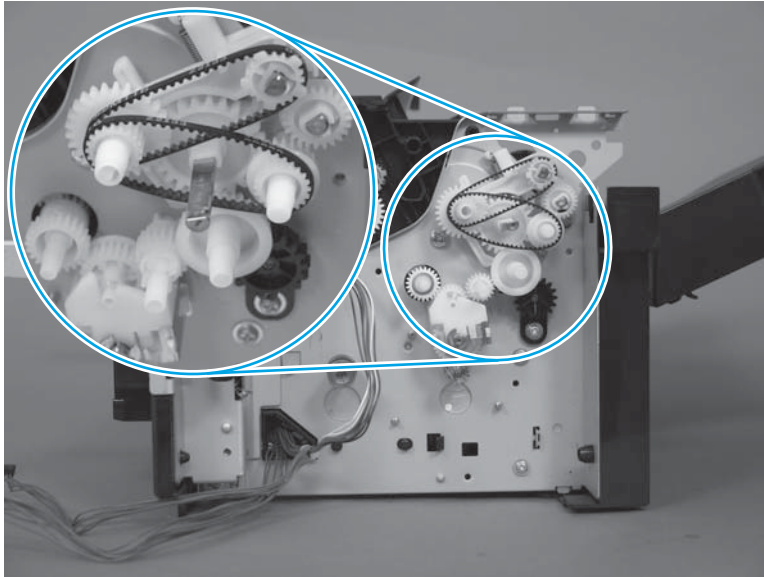
**Figure 1-513** Remove the stage-top sub-assembly (stapling mailbox; 14 of 14)



### Reinstall the stage-top sub-assembly (stapling mailbox)

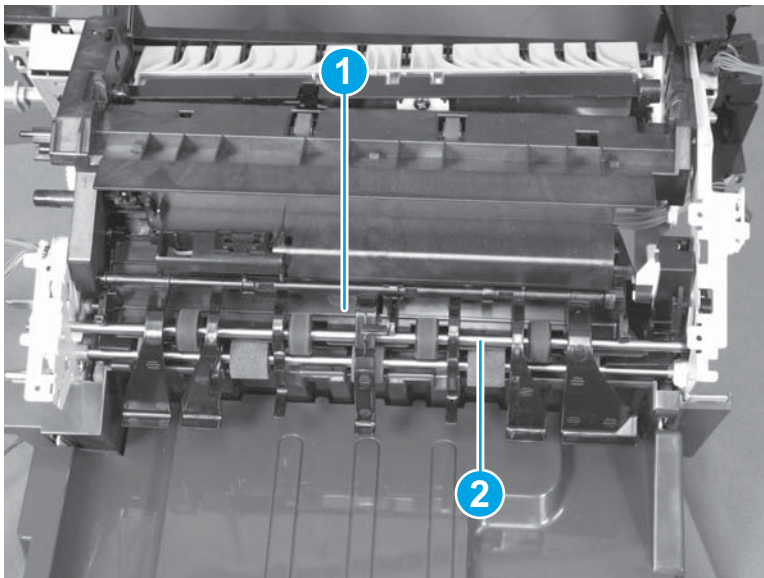
If the gears or belts are dislodged when the gear cover is removed, use the figure below to replace them in the correct positions.

**Figure 1-514** Reinstall the stage-top sub-assembly (stapling mailbox; 1 of 2)



When reinstalling the stage-top sub-assembly, insert the guide (callout 1) on the stage-top sub-assembly under the shaft (callout 2) on the output bin 3 upper delivery roller.

**Figure 1-515** Reinstall the stage-top sub-assembly (stapling mailbox; 2 of 2)





## Stage assembly (stapling mailbox)

### Before proceeding, remove the following assemblies

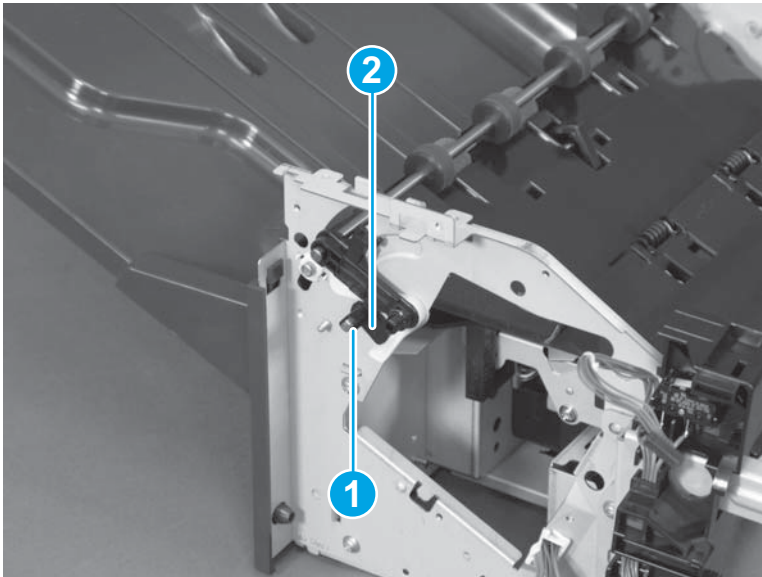
- Front cover. See [Front cover \(stapling mailbox\) on page 321](#).
- Rear cover. See [Rear cover \(stapling mailbox\) on page 322](#).
- Top door. See [Top door \(stapling mailbox\) on page 323](#).
- Top cover. See [Top cover \(stapling mailbox\) on page 325](#).
- Stapler assembly. See [Stapler assembly \(stapling mailbox\) on page 329](#).
- Output bin sensor PCA. See [Output bin sensor PCA \(stapling mailbox\) on page 331](#).
- Jogger assembly. See [Jogger assembly \(stapling mailbox\) on page 334](#).
- Flapper guide assembly. See [Flapper guide assembly \(stapling mailbox\) on page 336](#).
- Flapper assembly. See [Flapper assembly \(stapling mailbox\) on page 338](#).
- Output bin solenoid. See [Output bin solenoid \(stapling mailbox\) on page 339](#).
- Output bin assembly. See [Output bin assembly \(stapling mailbox\) on page 340](#).
- Stage-top sub-assembly. See [Stage-top sub-assembly \(stapling mailbox\) on page 345](#).

### Remove the stage assembly (stapling mailbox)

1. Release one tab (callout 1), and then remove the bushing (callout 2).

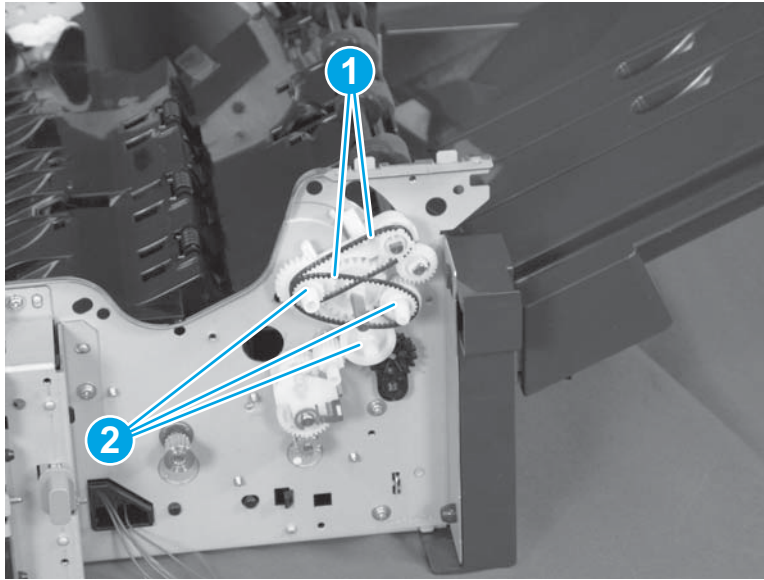
**CAUTION:** The tab (callout 1) is fragile and can be easily broken.

**Figure 1-516** Remove the stage assembly (stapling mailbox; 1 of 7)



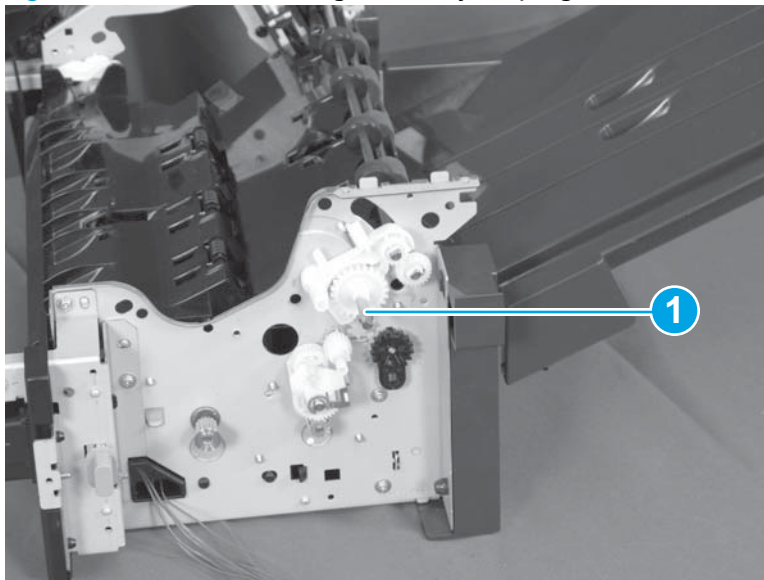
2. Remove two belts (callout 1), and then remove three gears (callout 2).

**Figure 1-517** Remove the stage assembly (stapling mailbox; 2 of 7)



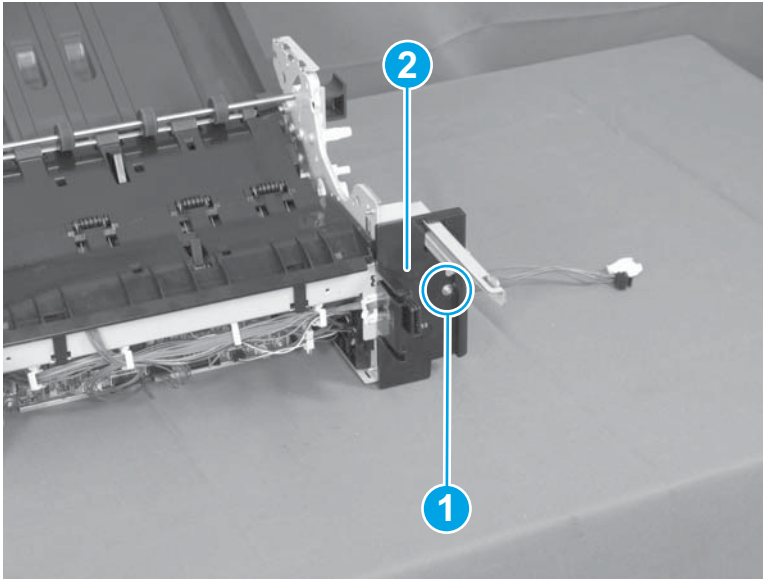
3. Pull out the shaft (callout 1).

**Figure 1-518** Remove the stage assembly (stapling mailbox; 3 of 7)



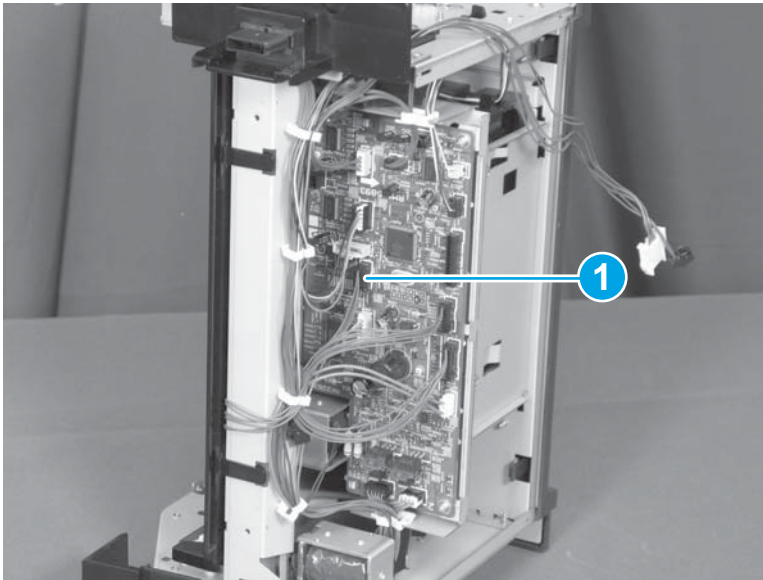
4. Remove one screw (callout 1), and shift the connector unit (callout 2).

**Figure 1-519** Remove the stage assembly (stapling mailbox; 4 of 7)



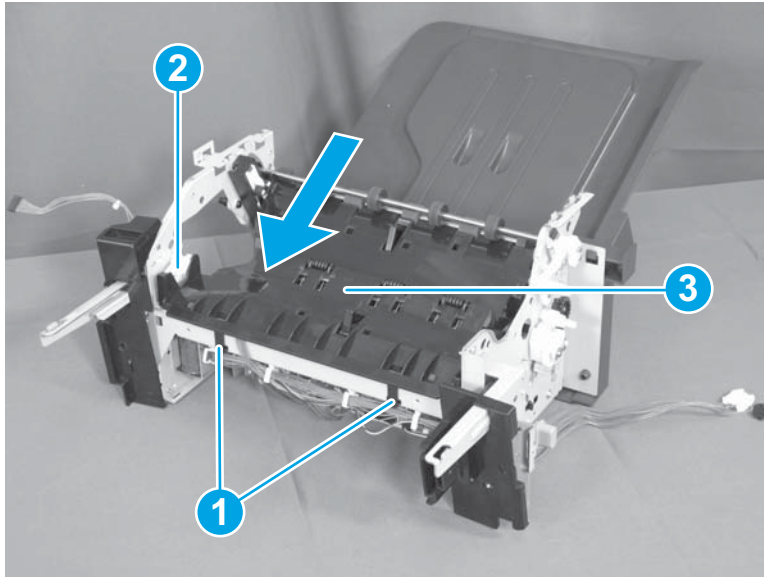
5. Disconnect one connector (callout 1).

**Figure 1-520** Remove the stage assembly (stapling mailbox; 5 of 7)



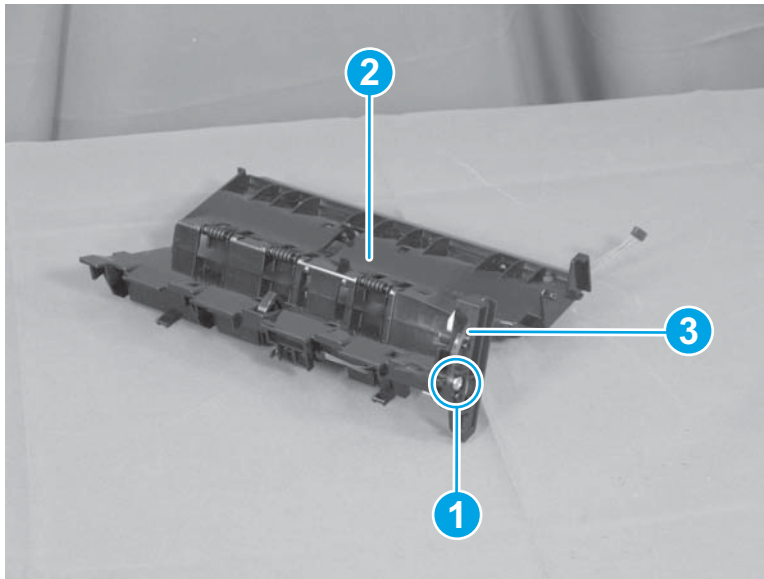
6. Release two tabs (callout 1), and then release the solenoid arm (callout 2). Slide the solenoid arm in the direction of the arrow to remove it.

**Figure 1-521** Remove the stage assembly (stapling mailbox; 6 of 7)



7. Remove one screw (callout 1), and then separate the stage unit (callout 2) from the stamp unit (callout 3).

**Figure 1-522** Remove the stage assembly (stapling mailbox; 7 of 7)



## Entrance solenoid (stapling mailbox)

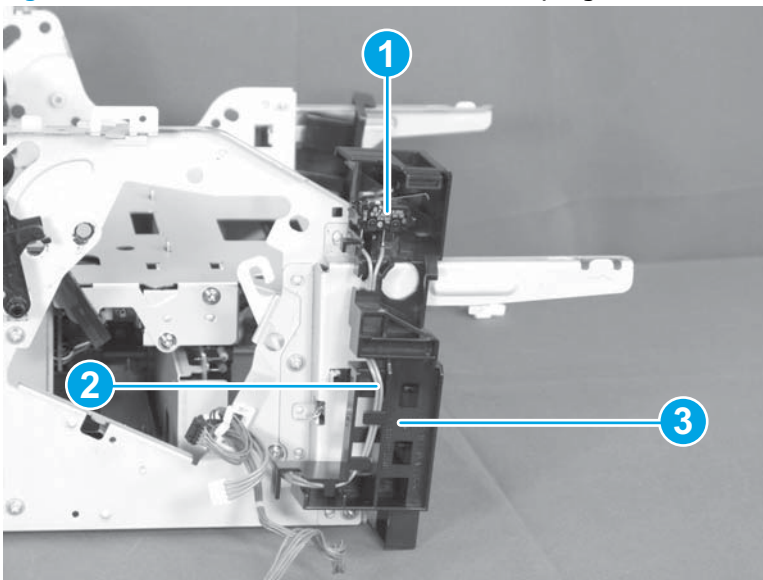
### Before proceeding, remove the following assemblies

- Front cover. See [Front cover \(stapling mailbox\) on page 321](#).
- Rear cover. See [Rear cover \(stapling mailbox\) on page 322](#).
- Top door. See [Top door \(stapling mailbox\) on page 323](#).
- Top cover. See [Top cover \(stapling mailbox\) on page 325](#).
- Stapler assembly. See [Stapler assembly \(stapling mailbox\) on page 329](#).
- Output bin sensor PCA. See [Output bin sensor PCA \(stapling mailbox\) on page 331](#).
- Jogger assembly. See [Jogger assembly \(stapling mailbox\) on page 334](#).
- Flapper guide assembly. See [Flapper guide assembly \(stapling mailbox\) on page 336](#).
- Flapper assembly. See [Flapper assembly \(stapling mailbox\) on page 338](#).
- Output bin solenoid. See [Output bin solenoid \(stapling mailbox\) on page 339](#).
- Output bin assembly. See [Output bin assembly \(stapling mailbox\) on page 340](#).
- Stage-top sub-assembly. See [Stage-top sub-assembly \(stapling mailbox\) on page 345](#).
- Stage assembly. See [Stage assembly \(stapling mailbox\) on page 354](#).

### Remove the entrance solenoid (stapling mailbox)

1. Release two tabs and remove the switch (callout 1). Release the cables (callout 2), and remove the cable guide (callout 3).

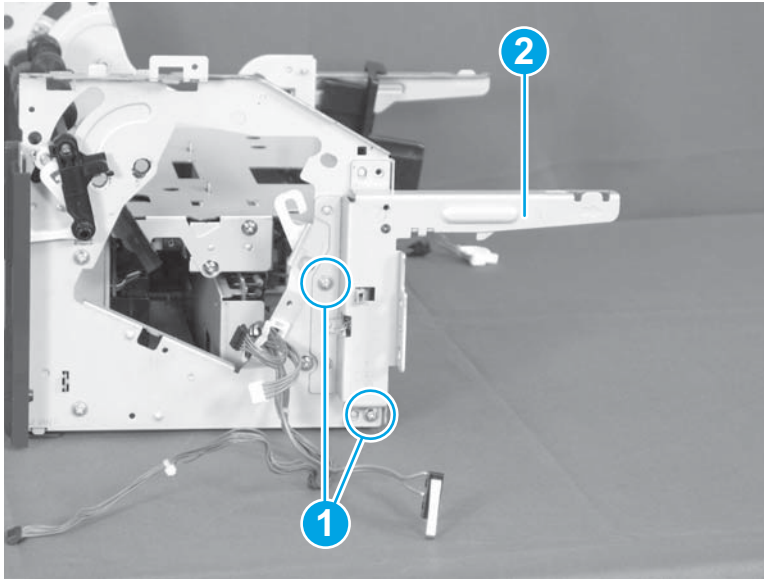
**Figure 1-523** Remove the entrance solenoid (stapling mailbox; 1 of 3)





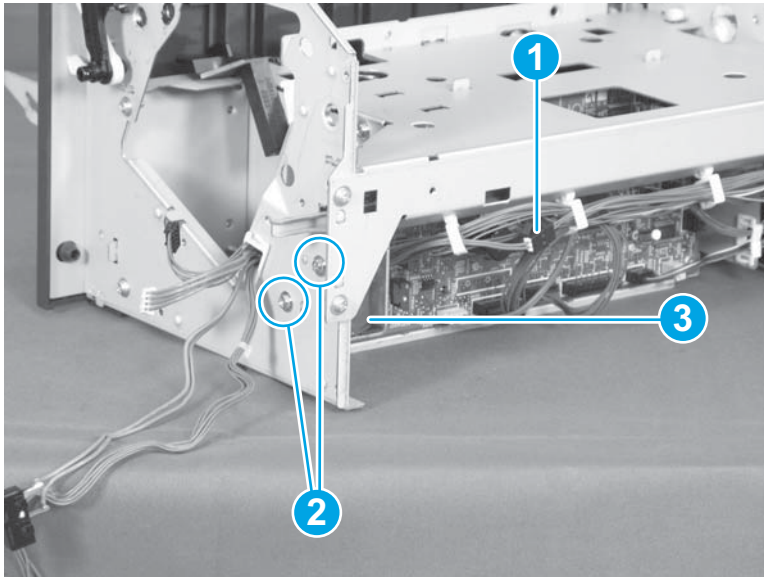
2. Remove two screws (callout 1), and then remove the joint arm (callout 2).

**Figure 1-524** Remove the entrance solenoid (stapling mailbox; 2 of 3)



3. Disconnect one connector (callout 1), remove two screws (callout 2), and remove the entrance solenoid (callout 3).

**Figure 1-525** Remove the entrance solenoid (stapling mailbox; 3 of 3)



## Feed motor (stapling mailbox)

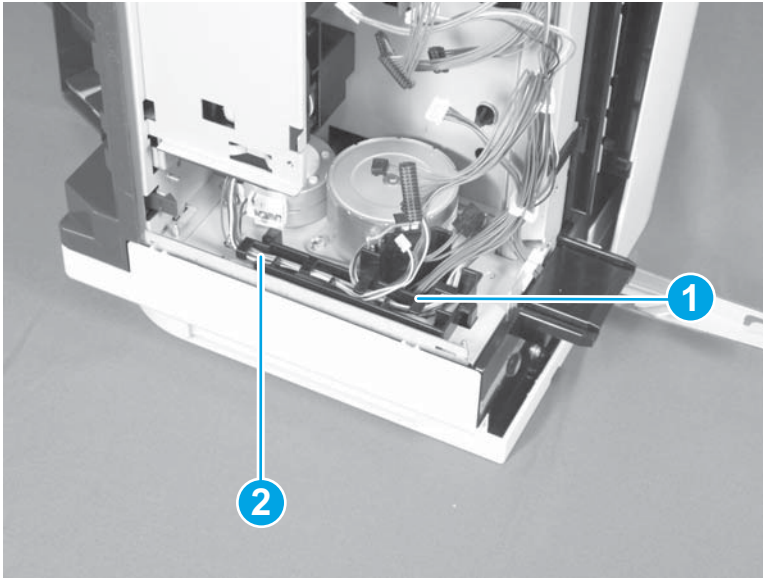
### Before proceeding, remove the following assemblies

- Front cover. See [Front cover \(stapling mailbox\) on page 321](#).
- Controller PCA. See [Output bin 3 driver PCA \(stapling mailbox\) on page 327](#).
- Stapler assembly. See [Stapler assembly \(stapling mailbox\) on page 329](#).
- Stamp solenoid. See [Stamp solenoid \(stapling mailbox\) on page 330](#).

### Remove the feed motor (stapling mailbox)

1. Release the cables (callout 1) from the cable guide (callout 2).

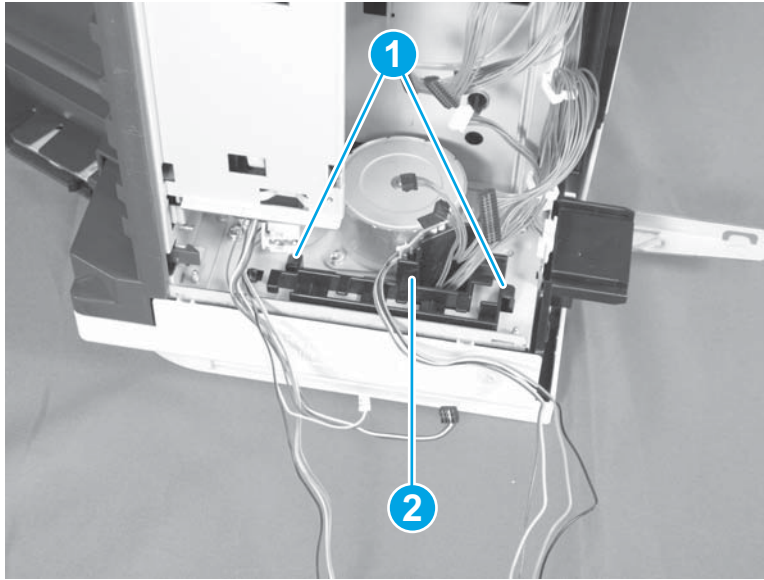
**Figure 1-526** Remove the feed motor (stapling mailbox; 1 of 3)





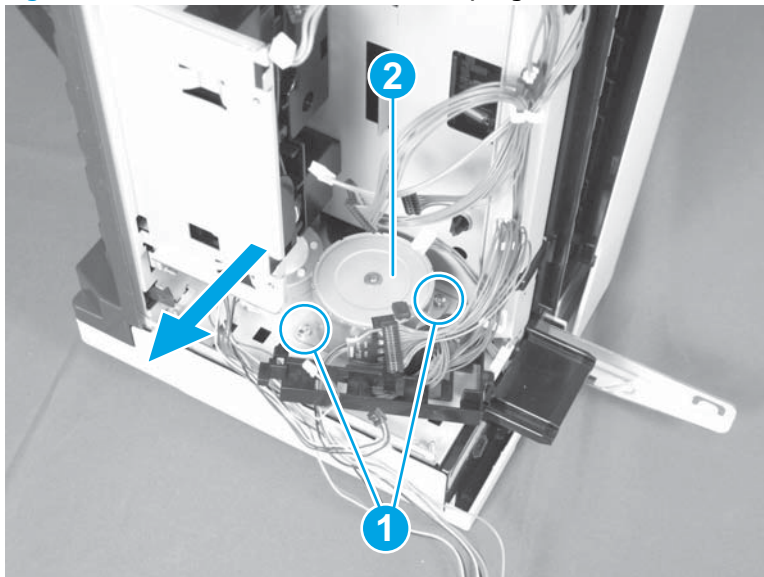
2. Release two tabs (callout 1), and then remove the cable guide (callout 2).

**Figure 1-527** Remove the feed motor (stapling mailbox; 2 of 3)



3. Remove two screws (callout 1). Slide the feed motor (callout 2) in the direction of the arrow to remove it.

**Figure 1-528** Remove the feed motor (stapling mailbox; 3 of 3)



## Paddle motor (stapling mailbox)

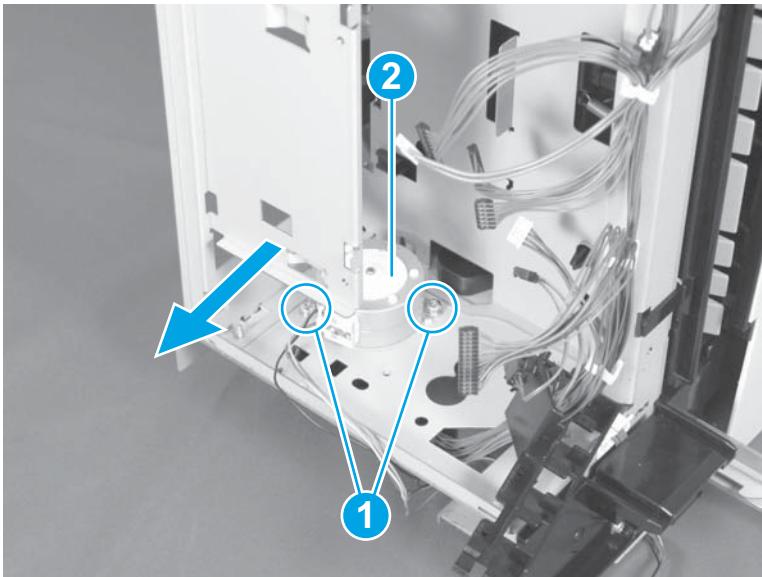
### Before proceeding, remove the following assemblies

- Front cover. See [Front cover \(stapling mailbox\) on page 321](#).
- Rear cover. See [Rear cover \(stapling mailbox\) on page 322](#).
- Output bin 3. See [Output bin 3 \(stapling mailbox\) on page 326](#).
- Controller PCA. See [Output bin 3 driver PCA \(stapling mailbox\) on page 327](#).
- Stapler assembly. See [Stapler assembly \(stapling mailbox\) on page 329](#).
- Stamp solenoid. See [Stamp solenoid \(stapling mailbox\) on page 330](#).
- Stacking panel. See [Stacking panel \(stapling mailbox\) on page 333](#).
- Feed motor. See [Feed motor \(stapling mailbox\) on page 360](#).

### Remove the paddle motor (stapling mailbox)

- ▲ Remove two screws (callout 1). Slide the paddle motor (callout 2) in the direction of the arrow to remove it.

**Figure 1-529** Remove the paddle motor (stapling mailbox)



---

## 2 Parts and diagrams

- [Order parts by authorized service providers](#)
- [How to use the parts lists and diagrams](#)
- [Document feeder and scanner assemblies](#)
- [Document feeder assemblies](#)
- [Scan control board \(SCB\)](#)
- [Covers](#)
- [Right door](#)
- [Control panels](#)
- [Internal assemblies](#)
- [1x500-sheet paper feeder](#)
- [1x500-sheet paper feeder with cabinet](#)
- [2,500-sheet paper feeder HCI](#)
- [Stapling mailbox](#)
- [Alphabetical parts list](#)
- [Numerical parts list](#)

# Order parts by authorized service providers

## Order parts, accessories, and supplies

**Table 2-1 Order parts, accessories, and supplies**

Order supplies and paper	<a href="http://www.hp.com/go/suresupply">www.hp.com/go/suresupply</a>
Order genuine HP parts or accessories	<a href="http://www.hp.com/buy/parts">www.hp.com/buy/parts</a>
Order through service or support providers	Contact an HP-authorized service or support provider.
Order using HP software	For information about using the HP software to order parts, accessories, and supplies, see the product user guide.

## Related documentation and software

**Table 2-2 Related documentation and software**

Item	Description	Part number
<i>HP Color LaserJet Enterprise M651 User Guide</i>	Product user guide	CZ255-90907 (M651)
<i>HP Color LaserJet Enterprise MFP M680 User Guide</i>		CZ248-90907 (M680)
<i>HP Color LaserJet Enterprise M651/MFP M680 Repair Manual</i>	English repair manual	Not applicable
<i>HP Color LaserJet Enterprise M651/MFP M680 Troubleshooting Manual</i>	English troubleshooting manual	Not applicable

## Supplies part numbers

**Table 2-3 Supplies part numbers**

Item	Description	Part number	
HP LaserJet toner cartridges (M651)	Black toner cartridge, high capacity	CF330X (new)	
		CF330-67901 (service)	
	Black toner cartridge	CF320A (new)	
		CF320-67901 (service)	
	Cyan toner cartridge	CF331A (new)	
		CF331-67901 (service)	
	Yellow toner cartridge	CF332A (new)	
		CF332-67901 (service)	
	Magenta toner cartridge	CF333A (new)	
		CF333-67901 (service)	
	HP LaserJet toner cartridges (M680)	Black toner cartridge, high capacity	CF320X (new)
			CF320-67902 (service)
Black toner cartridge		CF320A (new)	
		CF320-67901 (service)	
Cyan toner cartridge		CF321A (new)	
		CF321-67901 (service)	
Yellow toner cartridge		CF322A (new)	
		CF322-67901 (service)	
Magenta toner cartridge		CF323A (new)	
		CF323-67901 (service)	

## Customer self-repair parts

The following customer self-repair parts are available for the product.

Each kit includes parts and installation instructions. The customer self repair (CSR) level indicates the expected difficulty the customer will experience when replacing this part:

- **A:** Easy
- **B:** Difficult

**Table 2-4 Customer self-repair parts**

Item	Description	CSR level	Part number
Control panel replacement kit (M651)	<ul style="list-style-type: none"> <li>• Control panel assembly (M651)</li> </ul>	A	5851-5950
Control panel replacement kit (M680)	<ul style="list-style-type: none"> <li>• Control panel assembly (M680)</li> </ul>	A	5851-5952
Stapling mailbox replacement kit	<ul style="list-style-type: none"> <li>• 900-sheet, 3-bin stapling mailbox</li> </ul>	A	CZ248-67902
Stapler cartridge replacement kit	<ul style="list-style-type: none"> <li>• HP staple cartridge refill</li> </ul>	A	C8085-60541
1x500-sheet paper feeder kit	<ul style="list-style-type: none"> <li>• 500-sheet paper tray</li> </ul>	A	CZ248-67903
1x500-sheet paper feeder with cabinet kit	<ul style="list-style-type: none"> <li>• 500-sheet paper feeder and cabinet</li> </ul>	A	CZ248-67904
2,500-sheet paper feeder HCI	<ul style="list-style-type: none"> <li>• 2,500-sheet feeder accessory</li> </ul>	A	CZ248-67905
HP LaserJet postcard media insert tray	<ul style="list-style-type: none"> <li>• HP LaserJet postcard media insert tray</li> </ul>	A	CC497-67902
Formatter replacement kit (M651)	<ul style="list-style-type: none"> <li>• Formatter PCA</li> <li>• Formatter tray</li> <li>• Disk drive cradle</li> <li>• Screw, M3 x 5.6 MM</li> </ul>	A	CZ255-67901
Formatter replacement kit (China only; M651)	<ul style="list-style-type: none"> <li>• Formatter PCA</li> <li>• Formatter tray</li> <li>• Disk drive cradle</li> <li>• Screw, M3 x 5.6 MM</li> </ul>	A	CZ255-67902
Formatter replacement kit (M680)	<ul style="list-style-type: none"> <li>• Formatter PCA</li> <li>• Formatter tray</li> <li>• Disk drive cradle</li> <li>• Screw, M3 x 5.6 MM</li> </ul>	A	CZ248-67901
Formatter replacement kit (China only; M680)	<ul style="list-style-type: none"> <li>• Formatter PCA</li> <li>• Formatter tray</li> <li>• Disk drive cradle</li> <li>• Screw, M3 x 5.6 MM</li> </ul>	A	CZ248-67906

**Table 2-4 Customer self-repair parts (continued)**

Item	Description	CSR level	Part number
Analog fax accessory kit (M680)	<ul style="list-style-type: none"> <li>HP LaserJet MFP Analog Fax Accessory 500</li> </ul>	A	A2W77-67910
USB wireless print server kit	<ul style="list-style-type: none"> <li>Wireless Print Server</li> </ul>	A	J8026-61001
NFC accessory kit	<ul style="list-style-type: none"> <li>NFC accessory</li> </ul>	A	J8029-61001
Hard disk drive replacement kit	<ul style="list-style-type: none"> <li>320 GB hard drive</li> <li>Rail, disk drive - L/R</li> </ul>	B	CZ248-67907
Hard disk drive replacement kit (government SKU)	<ul style="list-style-type: none"> <li>500 GB FIPS - Gov't SKU #201 hard drive</li> <li>Rail, disk drive - L/R</li> </ul>	B	CZ248-67908
Solid-state memory (SSM) kit (M651)	<ul style="list-style-type: none"> <li>8 GB SSM module</li> <li>SSM retainer bracket</li> </ul>	B	CZ255-67903
1 GB memory DIMM	<ul style="list-style-type: none"> <li>1 GB memory DIMM</li> </ul>	A	A2W77-67912
ADF roller maintenance kit (M680)	<ul style="list-style-type: none"> <li>ADF roller replacement kit</li> </ul>	A	L2725-60002
Maintenance image transfer kit	<ul style="list-style-type: none"> <li>Image transfer kit</li> </ul>	A	CC493-67910
Toner collection unit kit	<ul style="list-style-type: none"> <li>Toner collection unit</li> </ul>	A	CC493-67913
Fuser replacement kit	<ul style="list-style-type: none"> <li>Fuser</li> </ul>	A	CC493-67911 (110V) CC493-67912 (220V)
<b>NOTE:</b> Make sure to order the correct part number for the rated voltage of the product.			
Tray 1 roller kit	<ul style="list-style-type: none"> <li>Tray 1 pickup roller</li> </ul>	A	CC493-67906
Tray 2–5 feed/separation roller kit	<ul style="list-style-type: none"> <li>Paper feed/separation rollers</li> </ul>	A	CC493-67907
Output bin bezel assembly	<ul style="list-style-type: none"> <li>Tray cover</li> </ul>	A	CZ248-67912
Intermediate transfer belt (ITB) service kit	<ul style="list-style-type: none"> <li>Intermediate transfer belt (ITB)</li> <li>Secondary transfer (T2) roller assembly</li> </ul>	A	CC493-67909
Secondary transfer (T2) roller kit	<ul style="list-style-type: none"> <li>Secondary transfer (T2) roller assembly</li> </ul>	A	CC493-67908
ADF white backing kit (M680)	<ul style="list-style-type: none"> <li>ADF white backing</li> <li>Mylar</li> </ul>	A	5851-6084
Backside background selector kit (M680)	<ul style="list-style-type: none"> <li>Backside background selector</li> </ul>	A	5851-5022
Separation pad spring kit	<ul style="list-style-type: none"> <li>Separation pad spring</li> </ul>	A	5851-4879
U.S. English keyboard kit (M680)	<ul style="list-style-type: none"> <li>U.S. English keyboard</li> </ul>	A	5851-5380



**Table 2-4 Customer self-repair parts (continued)**

Item	Description	CSR level	Part number
U.K. English keyboard kit (M680)	<ul style="list-style-type: none"> <li>U.K. English keyboard</li> </ul>	A	5851-5008
Keyboard overlay kit (M680)	<ul style="list-style-type: none"> <li>Keyboard overlay</li> </ul>	A	5851-6019 (FR, IT, RU, DE, ES: UK Kybd) 5851-6020 (FR-CN, ES-LA, ES: US Kybd) 5851-6021 (FR-SW, DE-SW, DA: UK Kybd) 5851-6022 (ZHTW, ZHCN) 5851-6023 (ES, PT) 5851-6024 (JA-KG, JA-KT)

## Service replacement parts

**Table 2-5 Service replacement parts**

Item	Description	Part number
Main drive assembly kit	<ul style="list-style-type: none"> <li>Main drive assembly</li> </ul>	CC493-67915
Laser scanner assembly service kit	<ul style="list-style-type: none"> <li>Laser scanner assembly</li> </ul>	CZ248-67913
Registration assembly service kit	<ul style="list-style-type: none"> <li>Registration assembly</li> </ul>	CZ255-67904
Scan control board (SCB) kit (M680)	<ul style="list-style-type: none"> <li>SCB assembly</li> </ul>	CZ248-67914
Scan control board (SCB) fan assembly kit (M680)	<ul style="list-style-type: none"> <li>SCB cooling fan</li> <li>SCB cooling fan foam</li> </ul>	5851-6083
Image scanner whole unit kit (M680)	<ul style="list-style-type: none"> <li>Image scanner whole unit</li> <li>ADF white backing</li> <li>Mylar</li> </ul>	CZ248-67915
ADF whole unit kit (M680)	<ul style="list-style-type: none"> <li>ADF whole unit</li> <li>ADF white backing</li> </ul>	CZ248-67916
Mylar kit (M680)	<ul style="list-style-type: none"> <li>Mylar separator HR</li> <li>Mylar deskew</li> </ul>	5851-4998

## Accessories

**Table 2-6 Accessories**


Item	Description	Part number
500-sheet paper tray	Input tray accessory	CZ261
500-sheet paper feeder and cabinet	Input tray and storage cabinet accessory	CZ262


**Table 2-6 Accessories (continued)**

Item	Description	Part number
2,500-sheet high-capacity input (HCI) feeder	2,500-sheet feeder accessory	CZ263
Stapling mailbox	900-sheet, 3-bin stapling mailbox accessory	CZ264
HP LaserJet MFP analog fax accessory 500	Analog fax accessory	CC487A
HP LaserJet postcard media insert tray	Tray insert for printing small-size paper	CC497A
HP Jetdirect 2700w USB wireless print server	Accessory for wireless printing	J8026A
HP Jetdirect 2800w NFC/wireless direct accessory	Wireless direct accessory for “touch” printing from mobile devices	J8029A

## How to use the parts lists and diagrams

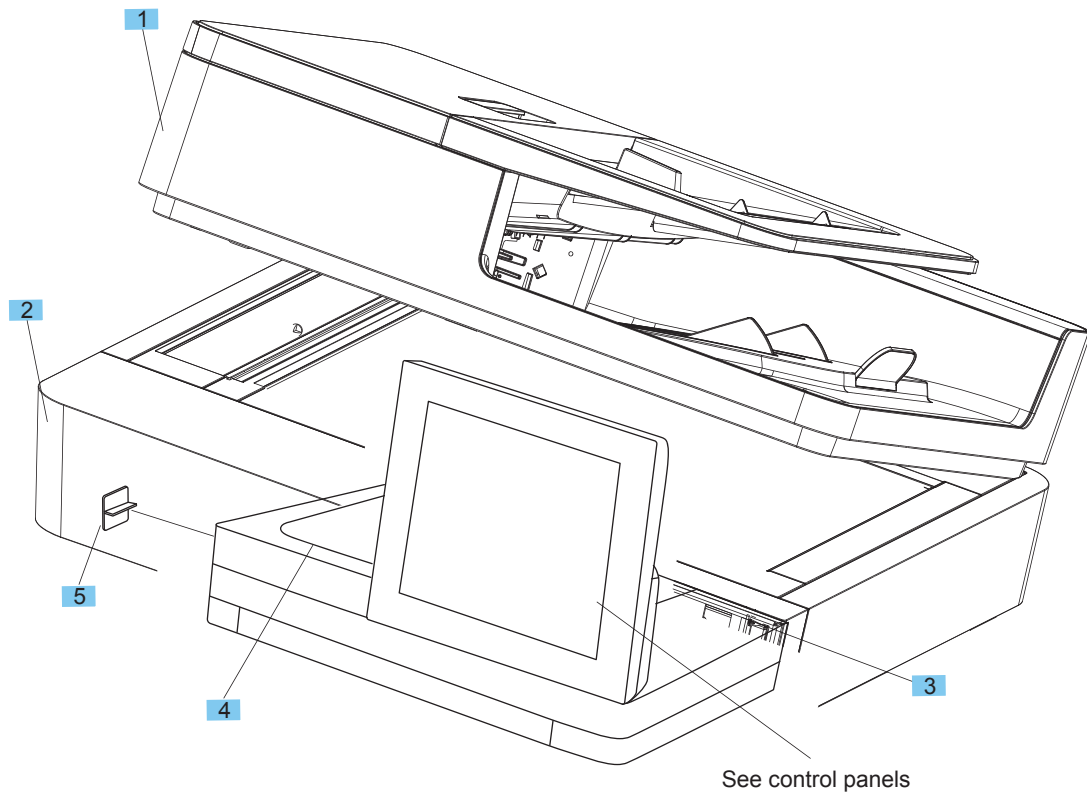
The figures in this chapter show the major subassemblies in the product and their component parts. A parts list table follows each exploded view assembly diagram. Each table lists the item number, the associated part number, and the description of each part. If a part is not listed in the table, then it is not a field replacement unit (FRU).

 **CAUTION:** Be sure to order the correct part. When looking for part numbers for electrical components, pay careful attention to the voltage that is listed in the description column. Doing so will ensure that the part number selected is for the correct model.

 **NOTE:** In this manual, the abbreviation “PCA” stands for “printed circuit-board assembly.” Components described as a PCA might consist of a single circuit board or a circuit board plus other parts, such as cables and sensors.

# Document feeder and scanner assemblies

Figure 2-1 Document feeder and scanner assemblies (M680)



**Table 2-7 Document feeder and scanner assemblies (M680)**

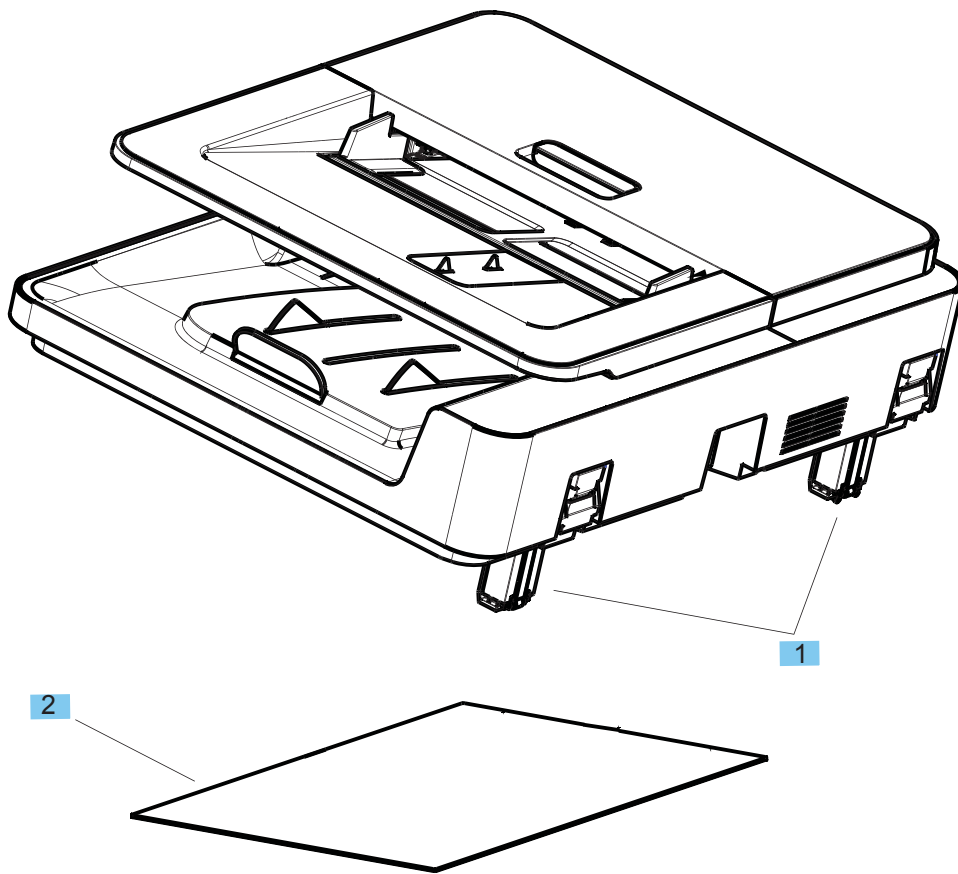
Ref	Description	Part number	Qty
1	Kit, document feeder, complete with white backing (M680) <sup>1</sup>	CZ248-67916	1
2	Kit, image scanner assembly, complete with white backing (M680) <sup>2</sup>	CZ248-67915	1
3	Cover, control panel access (M680)	5042-9118	1
4	Cover, HIP (M680)	5851-5361	1
5	Cover, USB (M680)	5851-5360	1

<sup>1</sup> When the document feeder assembly is replaced, use the [Service](#) menu to set the [Document feeder Kit Interval](#), [ADF Count](#), and [Clean Rollers Count](#) values to zero.

<sup>2</sup> When the image scanner assembly is replaced, use the [Service](#) menu to set the [Flatbed Count](#) value to zero.

# Document feeder assemblies

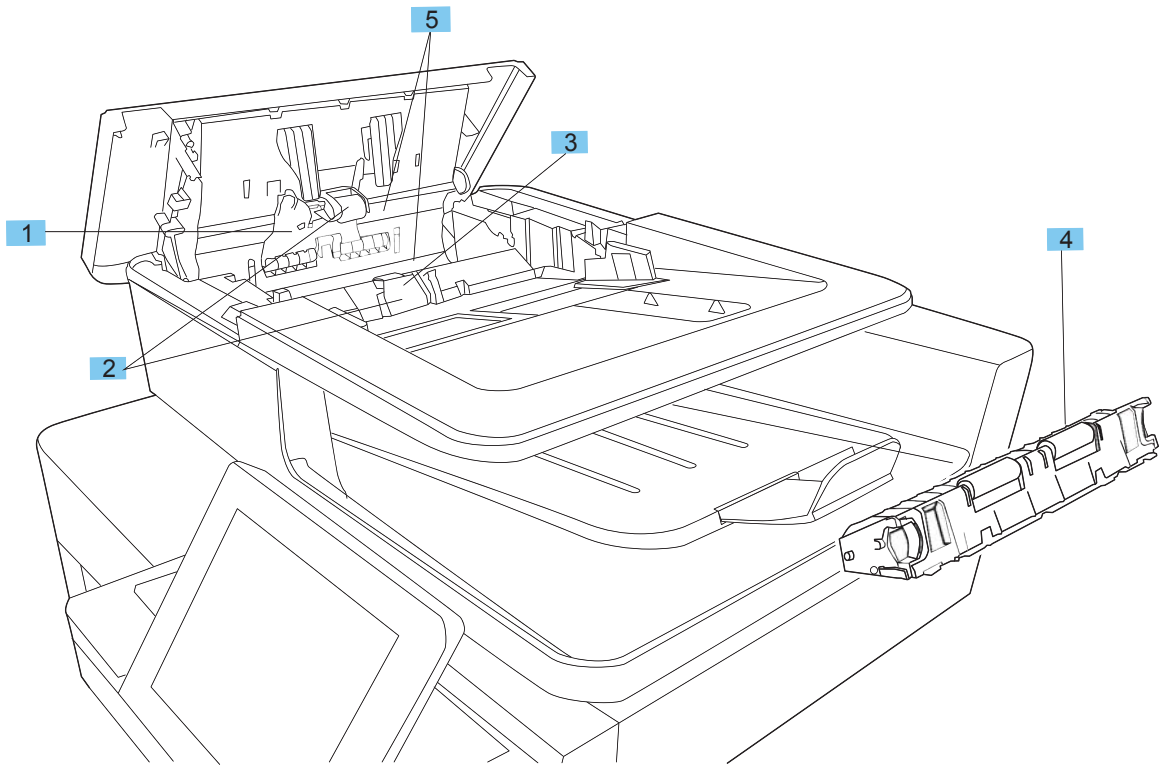
Figure 2-2 Document feeder assemblies (M680, 1 of 2)



**Table 2-8 Document feeder assemblies (M680, 1 of 2)**

<b>Ref</b>	<b>Description</b>	<b>Part number</b>	<b>Qty</b>
1	Assembly, Hinge HR	B4A39-60011	2
2	Kit, ADF white backing (M680)	5851-6084	1

**Figure 2-3** Document feeder assemblies (M680, 2 of 2)



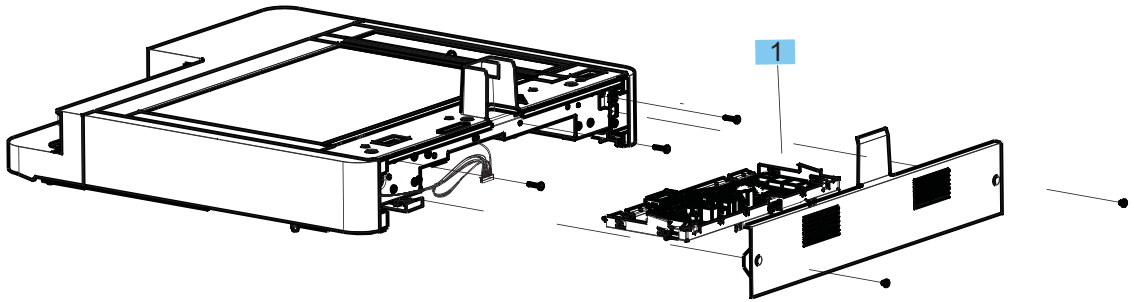


**Table 2-9 Document feeder assemblies (M680, 2 of 2)**

<b>Ref</b>	<b>Description</b>	<b>Part number</b>	<b>Qty</b>
1	Cover, document-feeder roller (M680)	CC355-40013	1
2	Kit, ADF roller maintenance (M680) (includes roller and separation pad)	L2725-60002	1
3	Kit, ADF separation pad spring (M680)	5851-4879	1
4	Kit, background selector for backside scan (M680)	5851-5022	1
5	Kit, document feeder mylar strips (M680)	5851-4998	2

# Scan control board (SCB)

Figure 2-4 Scan control board (SCB; M680)



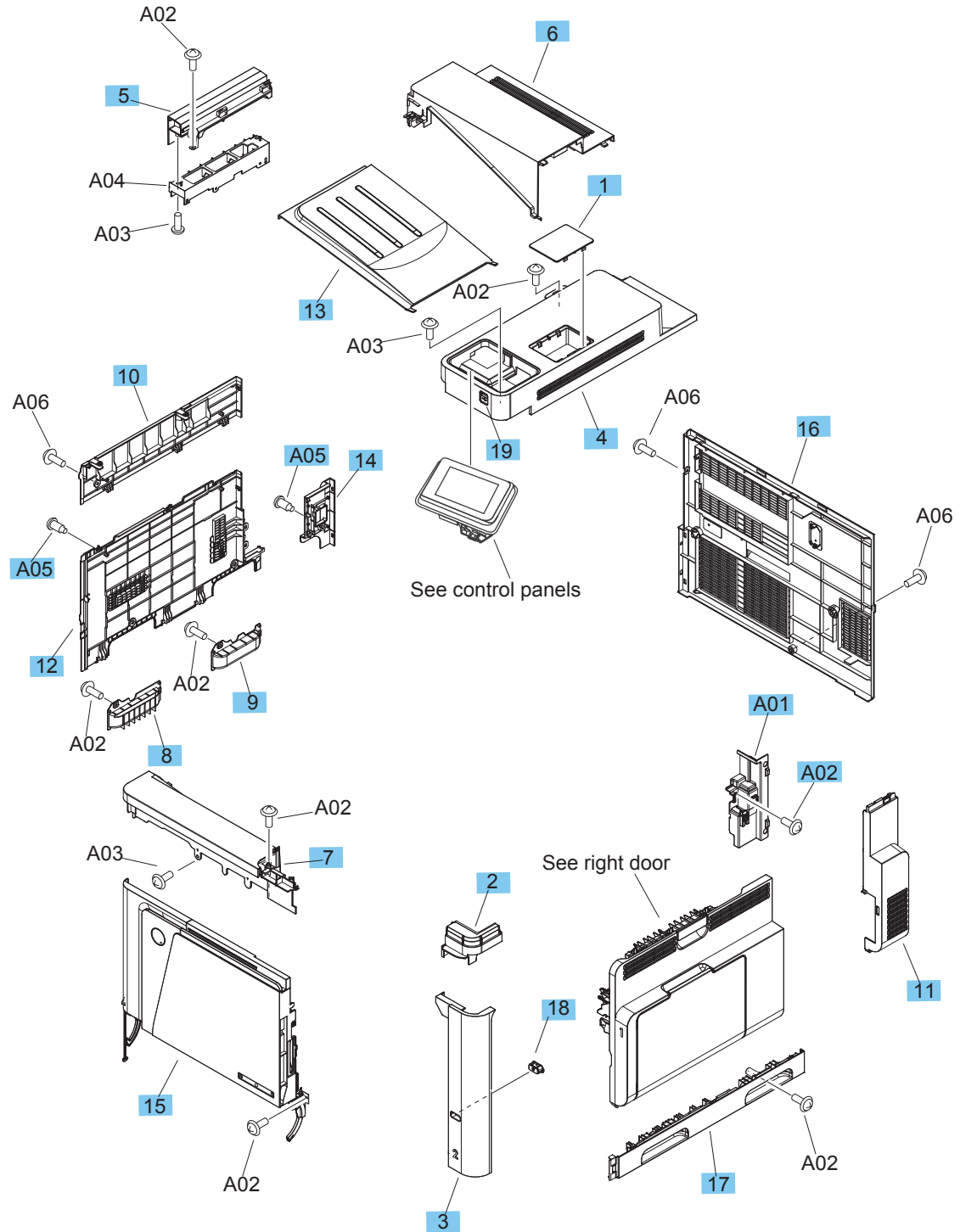
**Table 2-10 Scan control board (SCB; M680)**

<b>Ref</b>	<b>Description</b>	<b>Part number</b>	<b>Qty</b>
1	Scanner control board (M680)	CZ248-67914	1
Not shown	Kit, scanner control board fan assembly (M680)	5851-6083	1

# Covers

## Covers (M651)

Figure 2-5 Covers (M651)

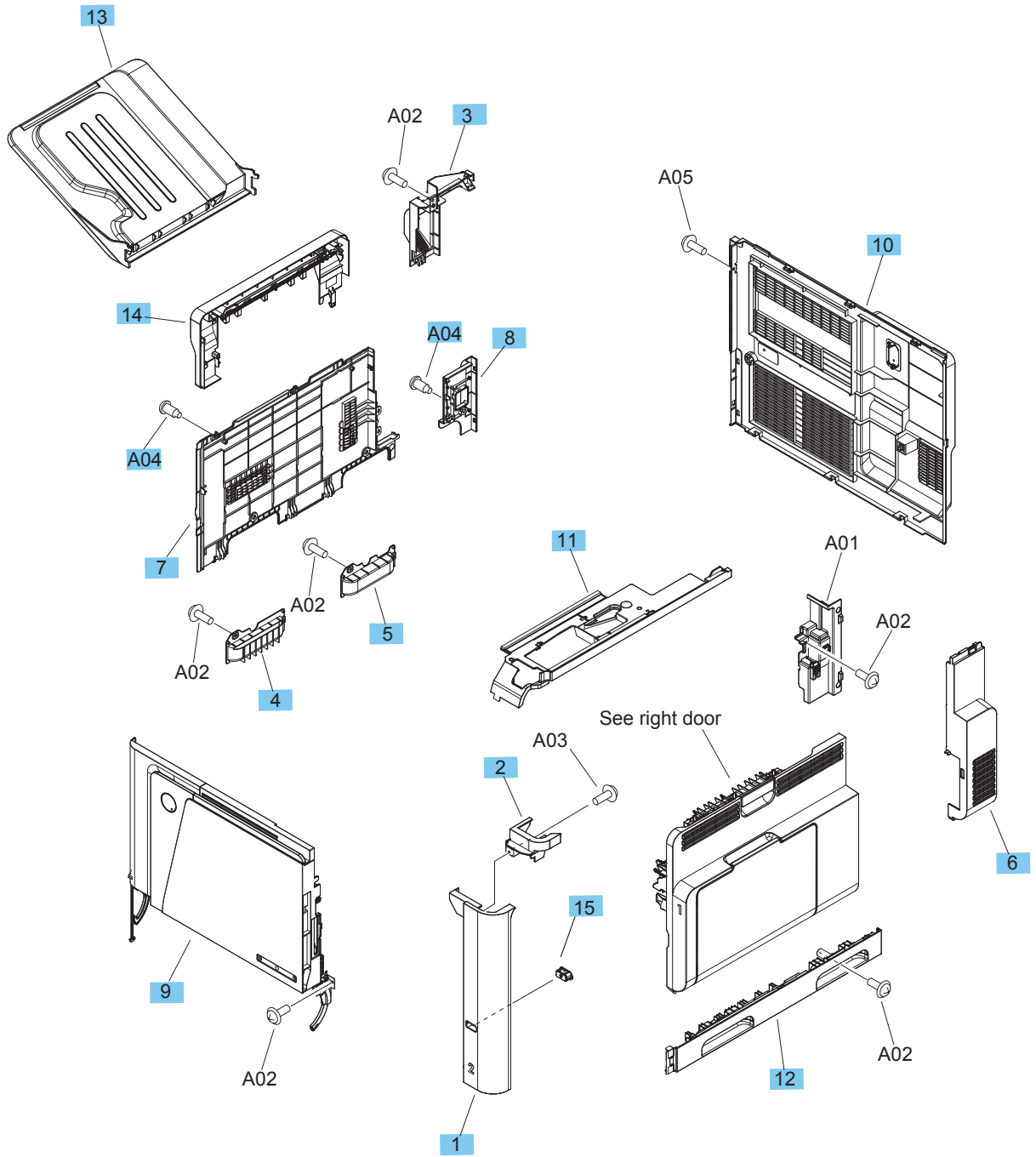


**Table 2-11 Covers (M651)**

<b>Ref</b>	<b>Description</b>	<b>Part number</b>	<b>Qty</b>
1	Cover, HIP (M651)	RC3-3948-000CN	1
2	Cover, right front, upper (M651)	RC3-5550-000CN	1
3	Cover, right front	RC3-5551-000CN	1
4	Cover, upper	RC3-5553-000CN	1
5	Cover, face-down, left	RC3-5555-000CN	1
6	Cover, face-down, rear	RC3-5556-000CN	1
7	Cover, front face-down	RM2-0392-000CN	1
8	Grip, left front	RC3-5625-000CN	1
9	Grip, left rear	RC3-5626-000CN	1
10	Cover, upper left	RC3-5627-000	1
11	Cover, right rear	RC3-5628-000CN	1
12	Cover, left	RC3-5629-000CN	1
13	Tray, face-down	RC3-5631-000CN	1
14	Cover, left rear	RC3-5632-000CN	1
15	Assembly, front door	RM2-0200-000CN	1
16	Cover, rear (M651)	RM2-0202-000CN	1
17	Assembly, right handle cover	RM2-0210-000CN	1
18	Assembly, switch button	RM2-0402-000CN	1
19	Cover, USB	5851-5136	1
A01	Cover, inner	RM1-5520-000CN	1
A02	Screw, D, M3x8	XA9-1671-000CN	1
A05	Screw, stepped	XA9-1671-000CN	2

# Covers (M680)

Figure 2-6 Covers (M680)



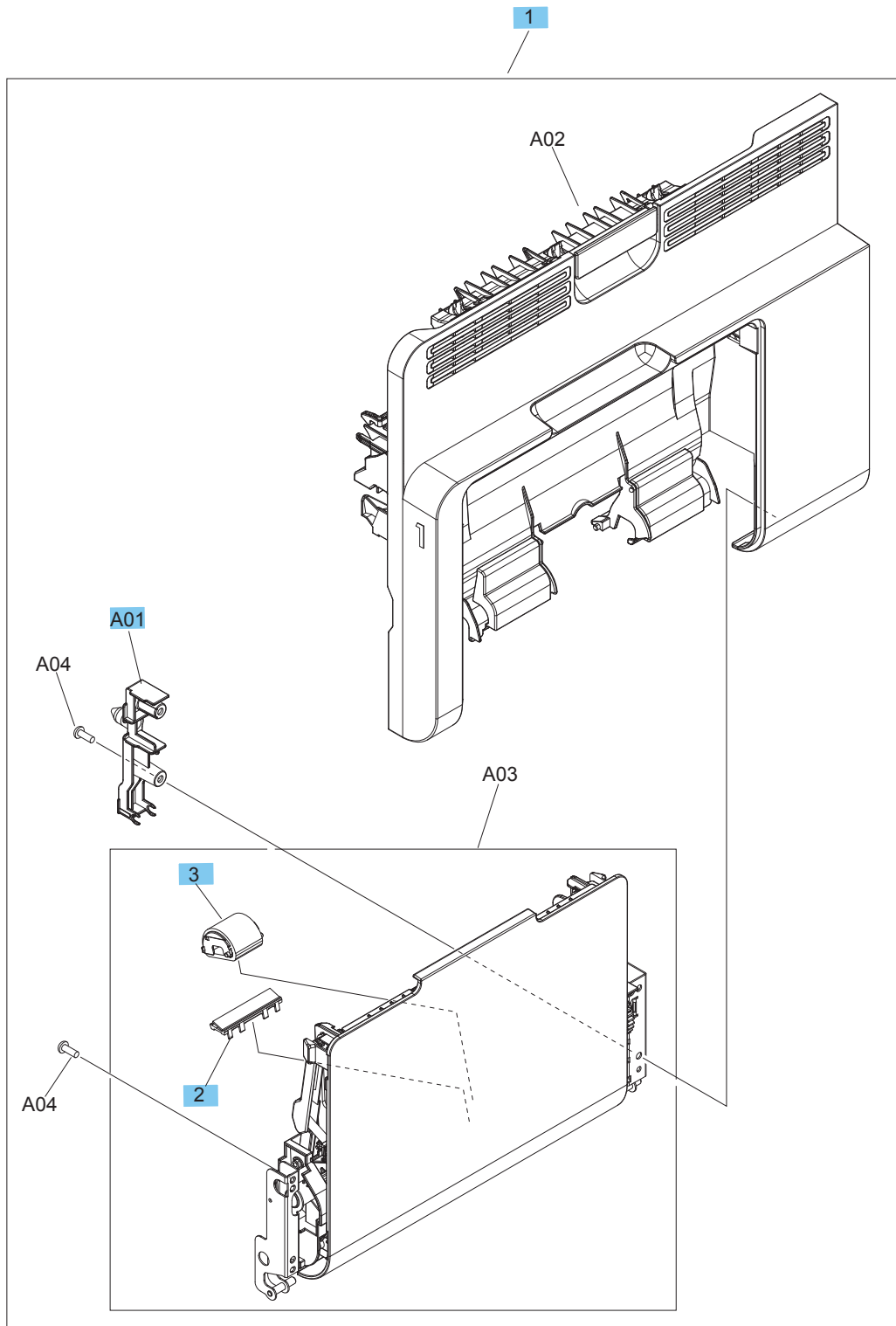
**Table 2-12 Covers (M680)**

<b>Ref</b>	<b>Description</b>	<b>Part number</b>	<b>Qty</b>
1	Cover, right front	RC3-5551-000CN	1
2	Cover, right front, upper (M680)	RC3-5582-000CN	1
3	Cover, fan (M680)	RC3-5593-000CN	1
4	Grip, left front	RC3-5625-000CN	1
5	Grip, left rear	RC3-5626-000CN	1
6	Cover, right rear	RC3-5628-000CN	1
7	Cover, left	RC3-5629-000CN	1
8	Cover, left rear	RC3-5632-000CN	1
9	Assembly, front door	RM2-0200-000CN	1
10	Cover, rear (M680)	RM2-0205-000CN	1
11	Assembly, intermediate cover	RM2-0206-000CN	1
12	Assembly, right handle cover	RM2-0210-000CN	1
13	Bin, standard output	RM2-0214-000CN	1
14	Bezel, output bin (M680)	CZ248-67912	1
15	Assembly, switch button	RM2-0402-000CN	1
A01	Cover, inner	RM1-5520-000CN	1
A02	Screw, D, M3x8	XA9-1671-000CN	1
A04	Screw, stepped	XA9-1671-000CN	2



# Right door

Figure 2-7 Right door

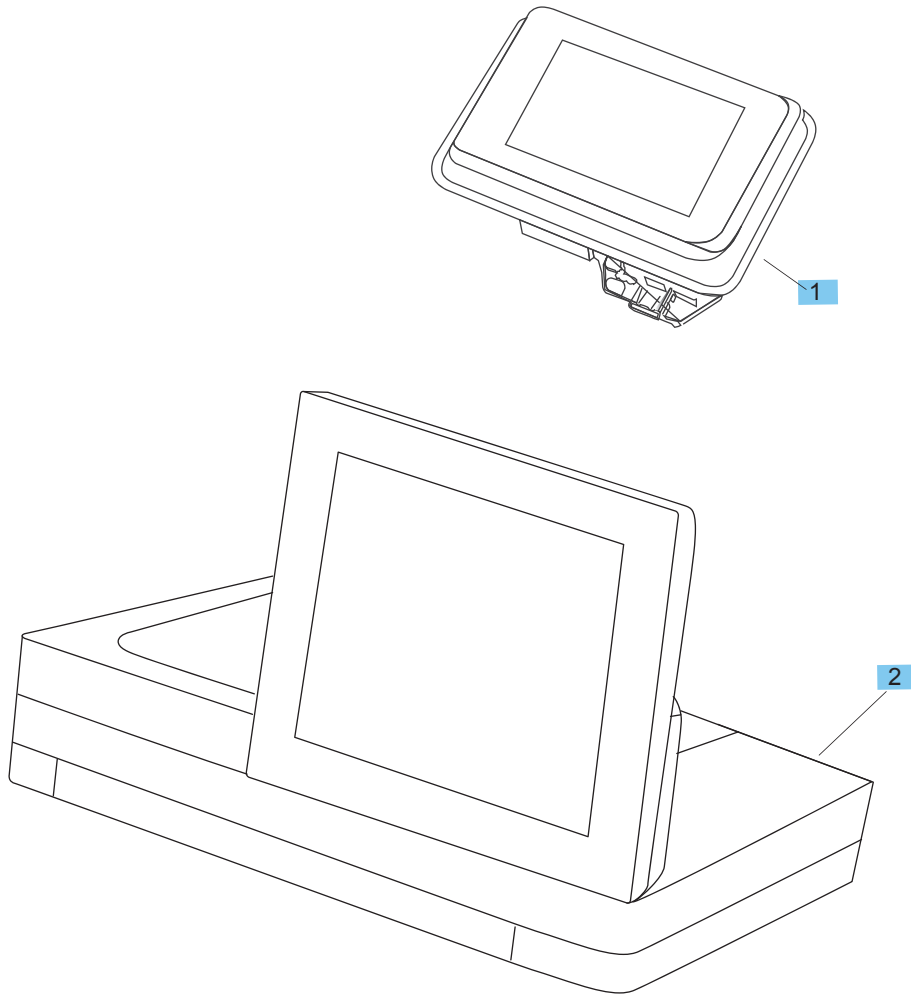


**Table 2-13 Right door**

<b>Ref</b>	<b>Description</b>	<b>Part number</b>	<b>Qty</b>
1	Assembly, right door	RM2-0208-000CN	1
2	Pad, Tray 1 separation	RL1-1937-000CN	1
3	Kit, Tray 1 roller	CC493-67906	1
A01	Cover, M.R. crossmember	RC2-4747-000CN	1

# Control panels

Figure 2-8 Control panels



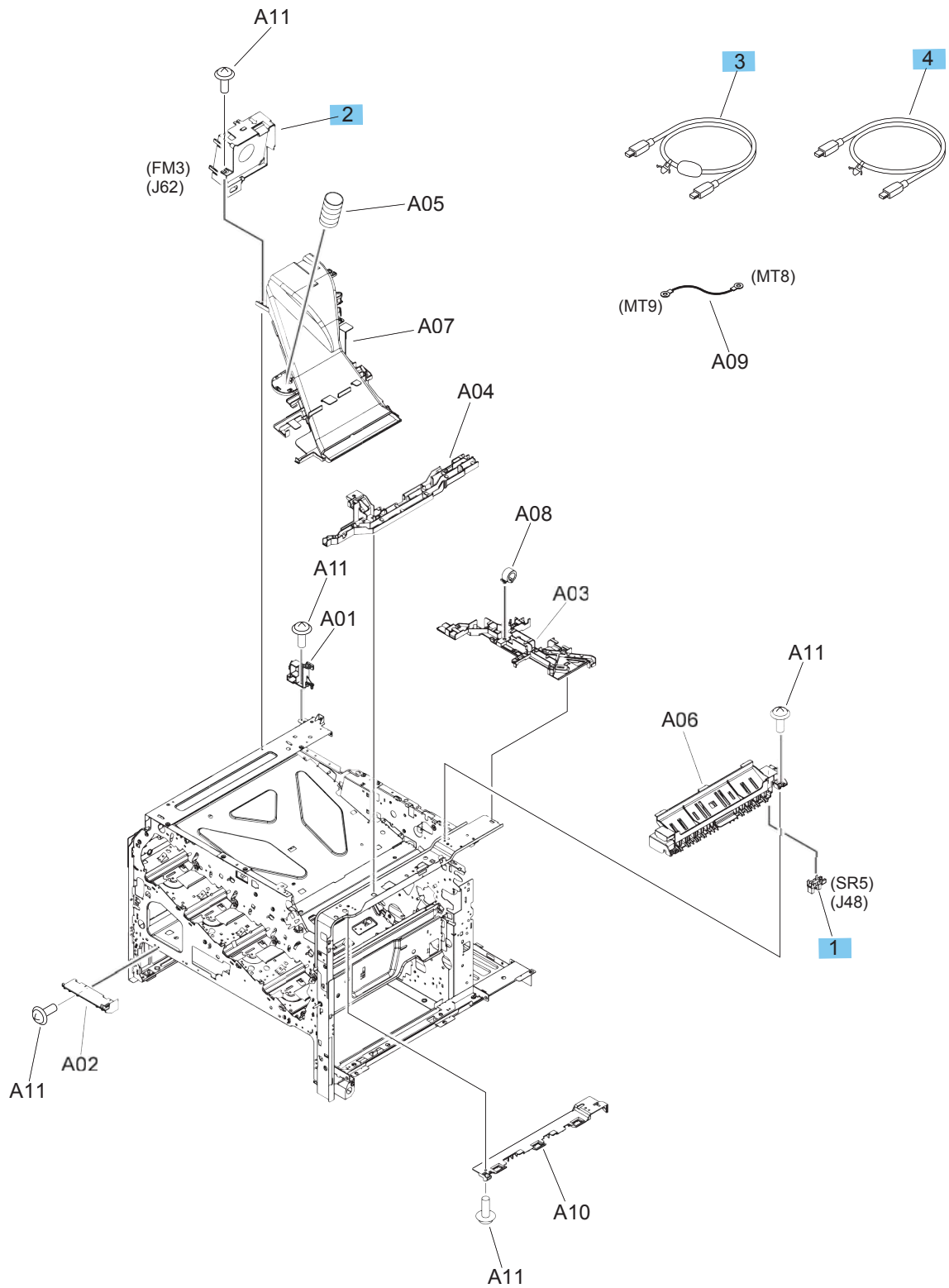
**Table 2-14 Control panels**

<b>Ref</b>	<b>Description</b>	<b>Part number</b>	<b>Qty</b>
1	Kit, control panel (M651)	5851-5950	1
2	Kit, control panel (without keyboard) (M680)	5851-5952	1
Not shown	Kit, U.S. English keyboard (M680)	5851-5380	1
Not shown	Kit, U.K. English keyboard (M680)	5851-5008	1

# Internal assemblies

## Internal assemblies (M651)

Figure 2-9 Internal assemblies (M651)

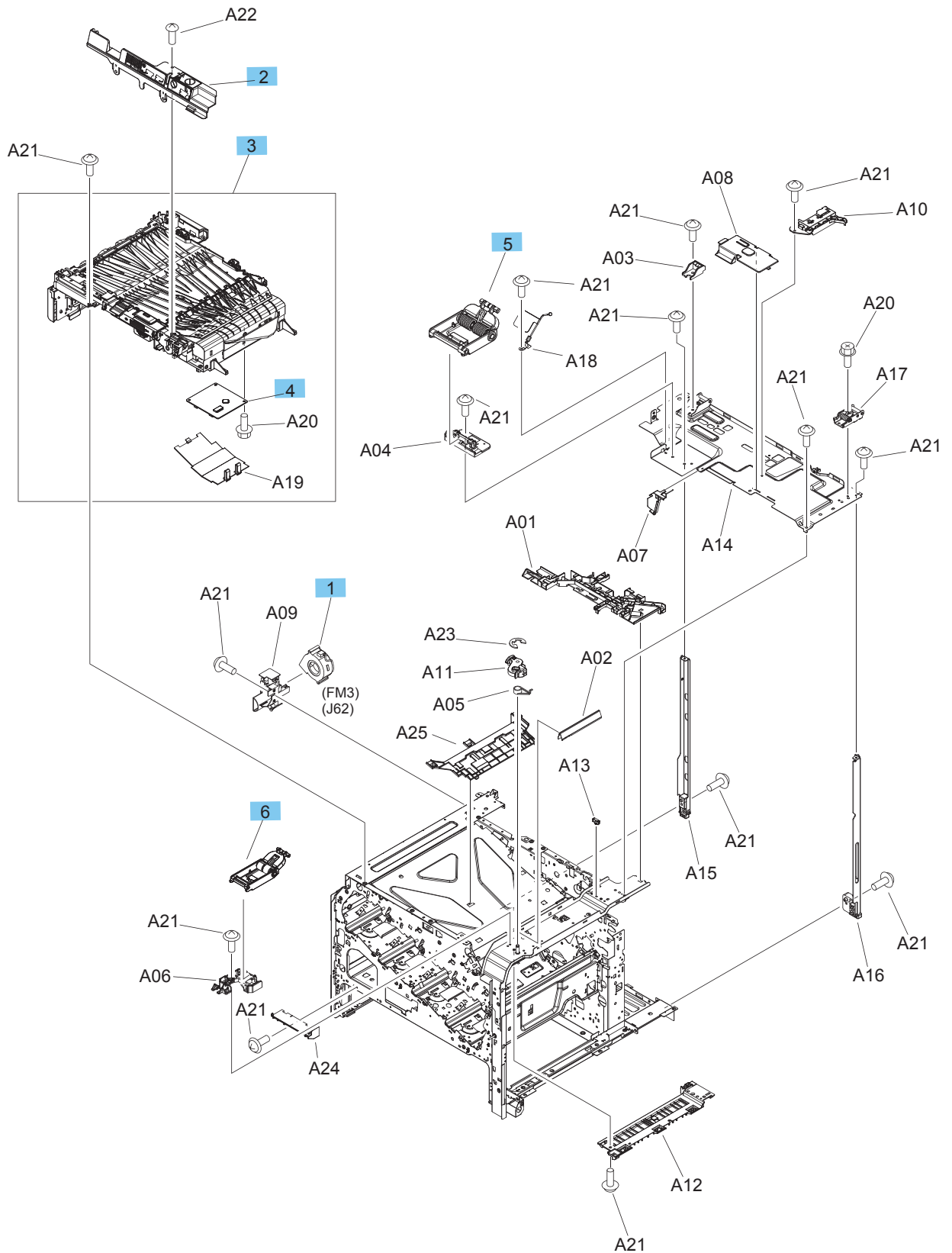


**Table 2-15 Internal assemblies (M651)**

<b>Ref</b>	<b>Description</b>	<b>Part number</b>	<b>Qty</b>
1	Photointerrupter	WG8-5935-000CN	1
2	Assembly, paper-delivery fan (M651)	RM1-5501-000CN	1
3	Cable, USB, IS	RK2-5077-000CN	1
4	Cable, USB, SH	RK2-5078-000CN	1

# Internal assemblies (M680)

Figure 2-10 Internal assemblies (M680)





**Table 2-16 Internal assemblies (M680)**

<b>Ref</b>	<b>Description</b>	<b>Part number</b>	<b>Qty</b>
1	Assembly, paper-delivery fan (M680)	RK2-2575-000CN	1
2	Assembly, IPTU inner cover	RL1-3976-000CN	1
3	Assembly, intermediate paper feed	RM2-0216-000CN	1
4	Assembly, IPTU driver PCA	RM2-0474-000CN	1
5	Assembly, scissors hinge, left	RM1-5616-000	1
6	Assembly, scissors hinge, right	RM2-5771-000CN	1



**Table 2-17 Internal assemblies (1 of 6)**

<b>Ref</b>	<b>Description</b>	<b>Part number</b>	<b>Qty</b>
1	Assembly, shutter	RM1-5488-000CN	2
2	Assembly, shutter	RM1-5489-000CN	2
3	Assembly, toner remain PCA	RM1-5771-000CN	4
4	Assembly, lifter base	RM1-5913-000CN	1

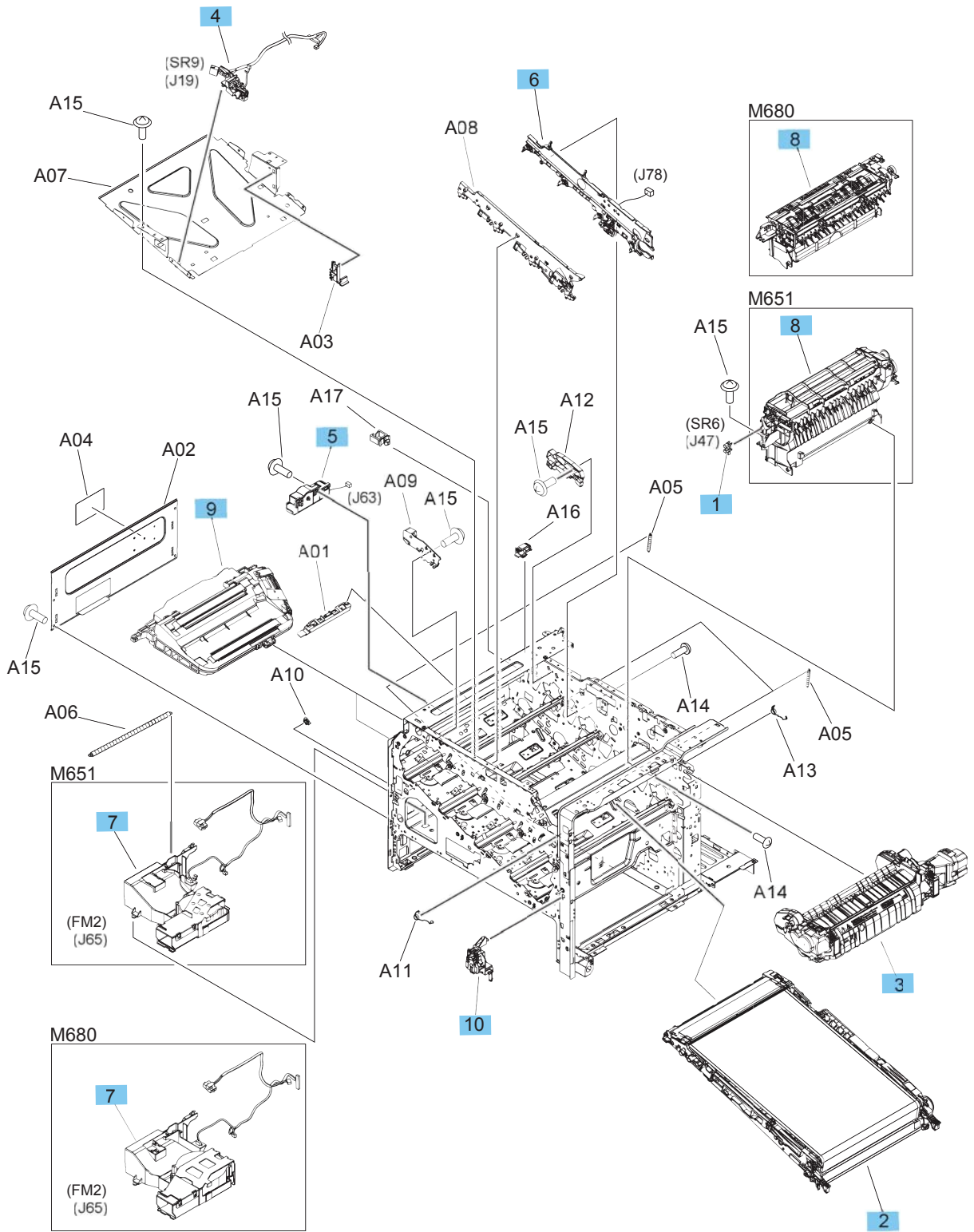


**Table 2-18 Internal assemblies (2 of 6)**

<b>Ref</b>	<b>Description</b>	<b>Part number</b>	<b>Qty</b>
1	Switch, push	WC2-5637-000CN	1
2	Switch	WC4-5303-000CN	2
3	Photointerrupter	WG8-5935-000CN	1
4	Kit, toner collection unit	CC493-67913	1
5	Assembly, front inner cover lower	RM1-5598-000CN	1
6	Assembly, residual-toner transfer	RM2-0399-000CN	1
7	Assembly, front inner cover upper	RM2-0219-000CN	1
8	Tray	RM2-0340-000CN	1
9	Sensor, residual toner full	RM2-0397-000CN	1

## Internal assemblies (3 of 6)

Figure 2-13 Internal assemblies (3 of 6)



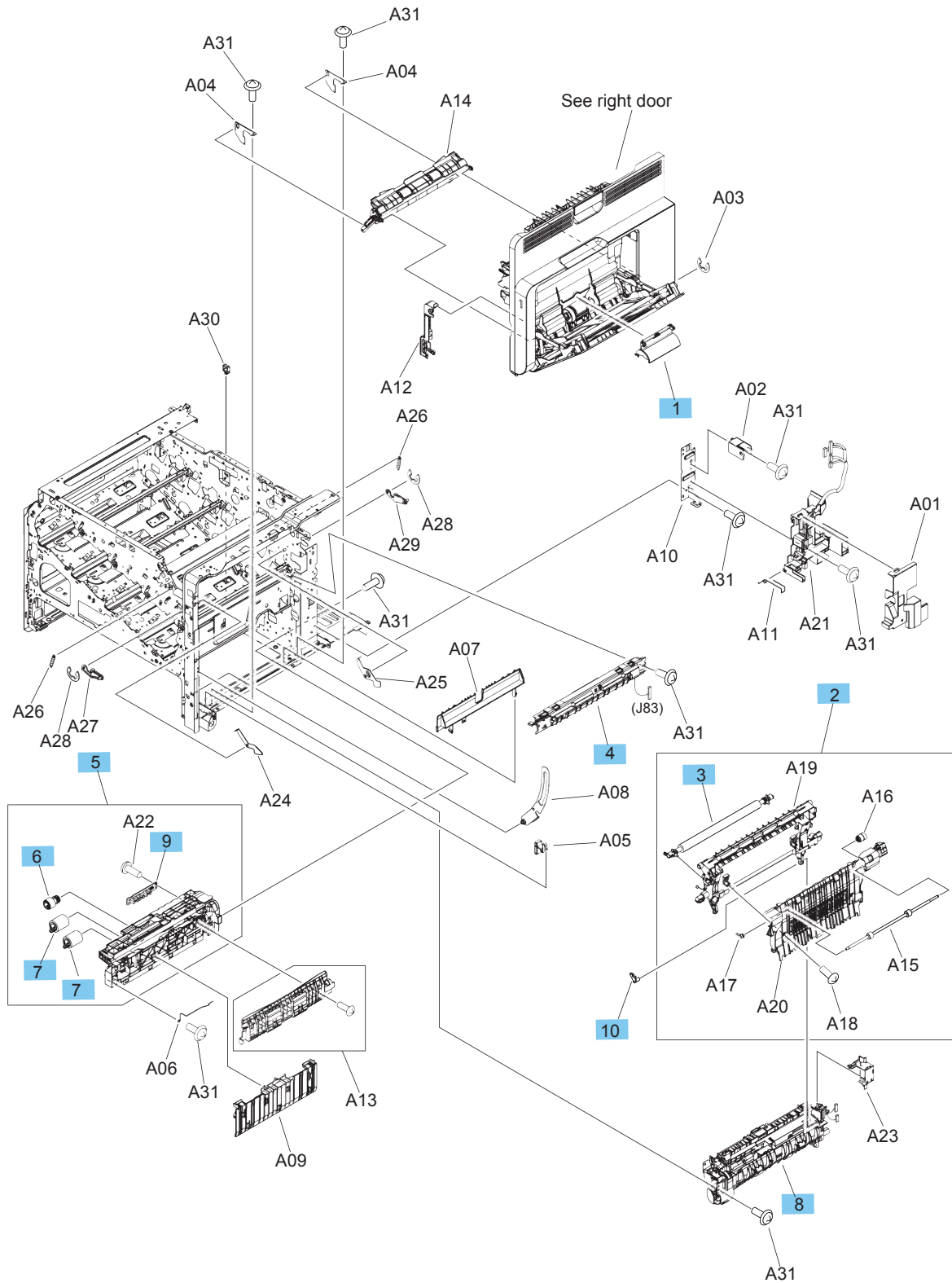
**Table 2-19 Internal assemblies (3 of 6)**

<b>Ref</b>	<b>Description</b>	<b>Part number</b>	<b>Qty</b>
1	Photointerrupter	WG8-5935-000CN	1
2	Kit, intermediate transfer belt (includes secondary transfer roller)	CC493-67909	2
3	Kit, fuser replacement, 110V	CC493-67911	1
3	Kit, fuser replacement, 220V	CC493-67912	1
4	Assembly, position detect	RM1-5604-000CN	1
5	Assembly, residual-toner-feed motor	RM1-5605-010CN	1
6	Assembly, rear pre-exposure	RM2-0500-000CN	1
7	Assembly, cartridge fan (M651)	RM2-0212-000CN	1
7	Assembly, cartridge fan (M680)	RM2-0213-000CN	1
8	Assembly, paper-delivery (M651)	RM2-0223-000CN	1
8	Assembly, paper-delivery (M680)	RM1-5615-000CN	1
9	Kit, laser scanner assembly	CZ248-67913	2
10	Assembly, main switch	RM2-0386-000CN	1



# Internal assemblies (4 of 6)

Figure 2-14 Internal assemblies (4 of 6)

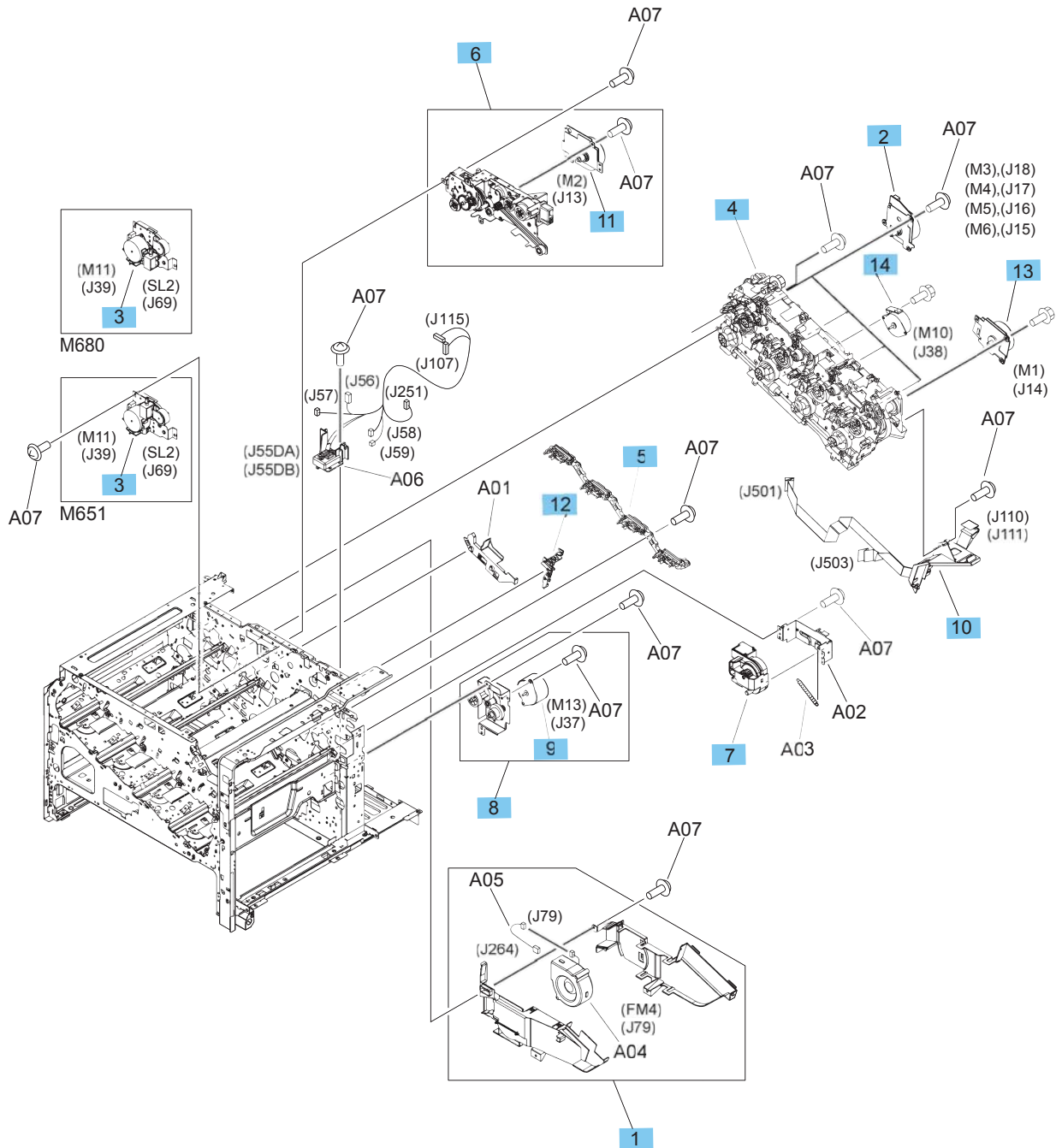


**Table 2-20 Internal assemblies (4 of 6)**

<b>Ref</b>	<b>Description</b>	<b>Part number</b>	<b>Qty</b>
1	Cover, roller	RC3-5630-000CN	1
2	Assembly, secondary transfer	RM1-5564-040CN	1
3	Kit, secondary transfer (T2) roller	CC493-67908	1
4	Assembly, registration density (RD) sensor	RM1-5641-000CN	1
5	Assembly, paper-pickup	RM1-5919-000CN	1
6	Roller, paper pickup	RL1-2099-000CN	1
7	Roller, paper feed/separation  (part of Tray 2-5 feed/separation roller kit)	CC493-67907	2
8	Kit, registration assembly	CZ255-67904	1
9	Assembly, paper sensor PCA	RM1-5853-000CN	1
10	Shaft, support	RC2-4162-000CN	1

## Internal assemblies (5 of 6)

Figure 2-15 Internal assemblies (5 of 6)



**Table 2-21 Internal assemblies (5 of 6)**

<b>Ref</b>	<b>Description</b>	<b>Part number</b>	<b>Qty</b>
1	Assembly, cartridge duct	RM1-5497-010CN	1
2	Motor, main DC	RM1-5521-010CN	4
3	Assembly, duplexing-drive (M651)	RM1-5546-000CN	1
3	Assembly, duplexing drive (M680)	RM1-4973-000CN	1
4	Kit, main drive assembly	CC493-67915	1
5	Assembly, tag holder	RM1-5638-000CN	1
6	Assembly, fuser drive	RM1-5656-000CN	1
7	Assembly, lifter	RM1-5914-000CN	1
8	Assembly, paper-pickup drive	RM2-0385-000CN	1
9	Motor, pickup	RK2-5053-000CN	1
10	Assembly, flexible flat cable	RM2-0393-000CN	1
11	Motor, fuser	RM1-4983-000CN	1
12	Guide, cable	RC2-4468-000CN	1
13	Motor, ITB	RM1-5777-000CN	1
14	Motor, developing disengagement	RK2-2415-000CN	1



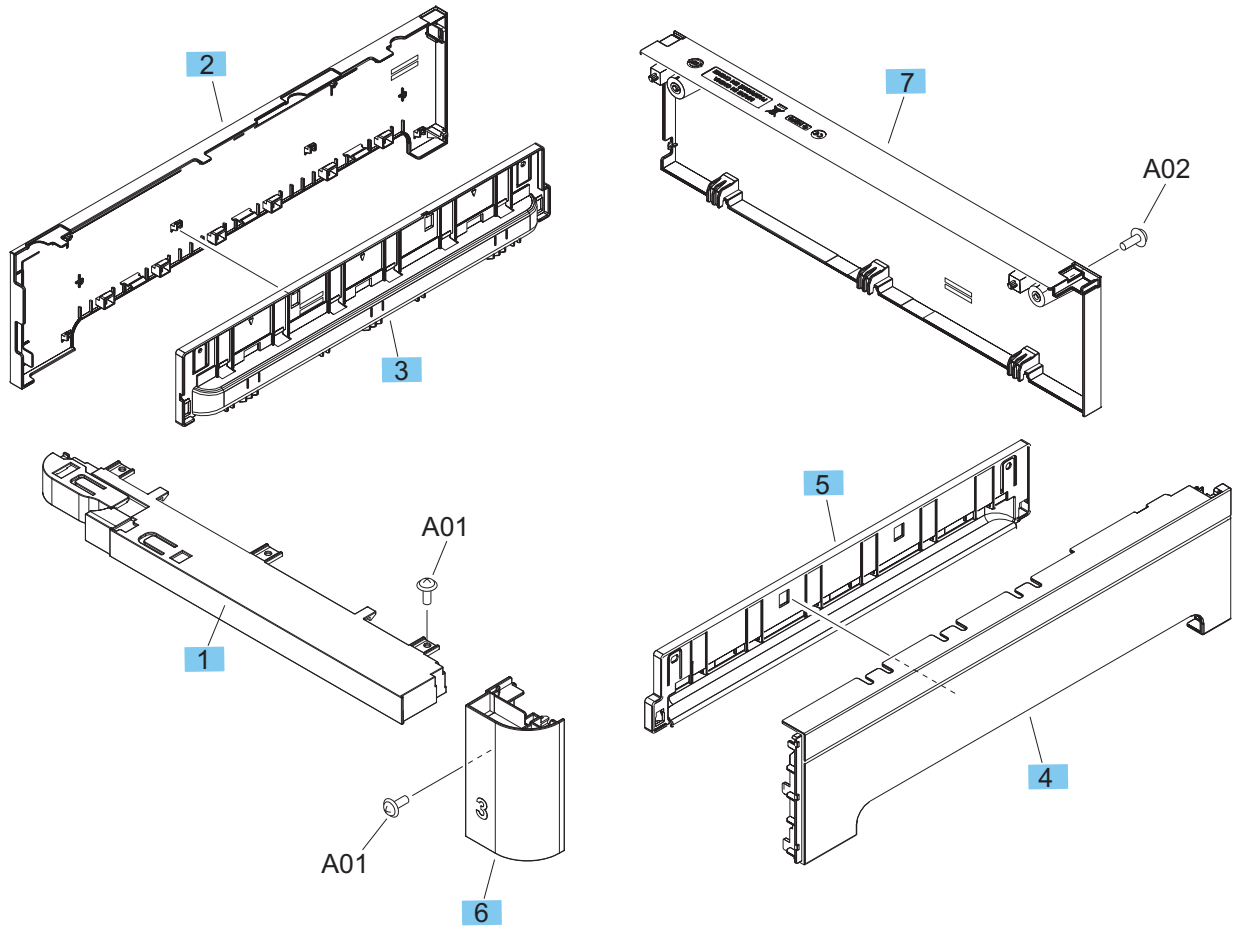
**Table 2-22 Internal assemblies (6 of 6)**

<b>Ref</b>	<b>Description</b>	<b>Part number</b>	<b>Qty</b>
1	Cable, flexible flat, H.V.T.	RK2-5072-000CN	1
2	Switch, push	WC2-5637-000CN	1
3	Fan, power-supply	RK2-2577-000CN	1
4	Assembly, inner connecting PCA (M651)	RM2-0221-000CN	1
4	Assembly, inner connecting PCA (M680)	RM2-0220-000CN	1
5	Assembly, high-voltage power supply PCA, lower	RM2-0460-000CN	1
6	Assembly, `high-voltage power supply PCA, upper	RM2-0462-000CN	1
7	Assembly, low-voltage power supply PCA 110-127V	RM2-0464-000CN	1
7	Assembly, low-voltage power supply PCA 220-240V	RM2-0466-000CN	1
8	Assembly, DC controller PCA	RM2-0498-000CN	1
9	Cable, flexible flat	RK2-5070-000CN	1
Not shown	Kit, formatter replacement (M651)	CZ255-67901	1
Not shown	Kit, formatter replacement (China only; M651)	CZ255-67902	1
Not shown	Kit, formatter replacement (M680)	CZ248-67901	1
Not shown	Kit, formatter replacement (China only; M680)	CZ248-67906	1

# 1x500-sheet paper feeder

## 1x500-sheet paper feeder covers

Figure 2-17 500-sheet paper feeder covers



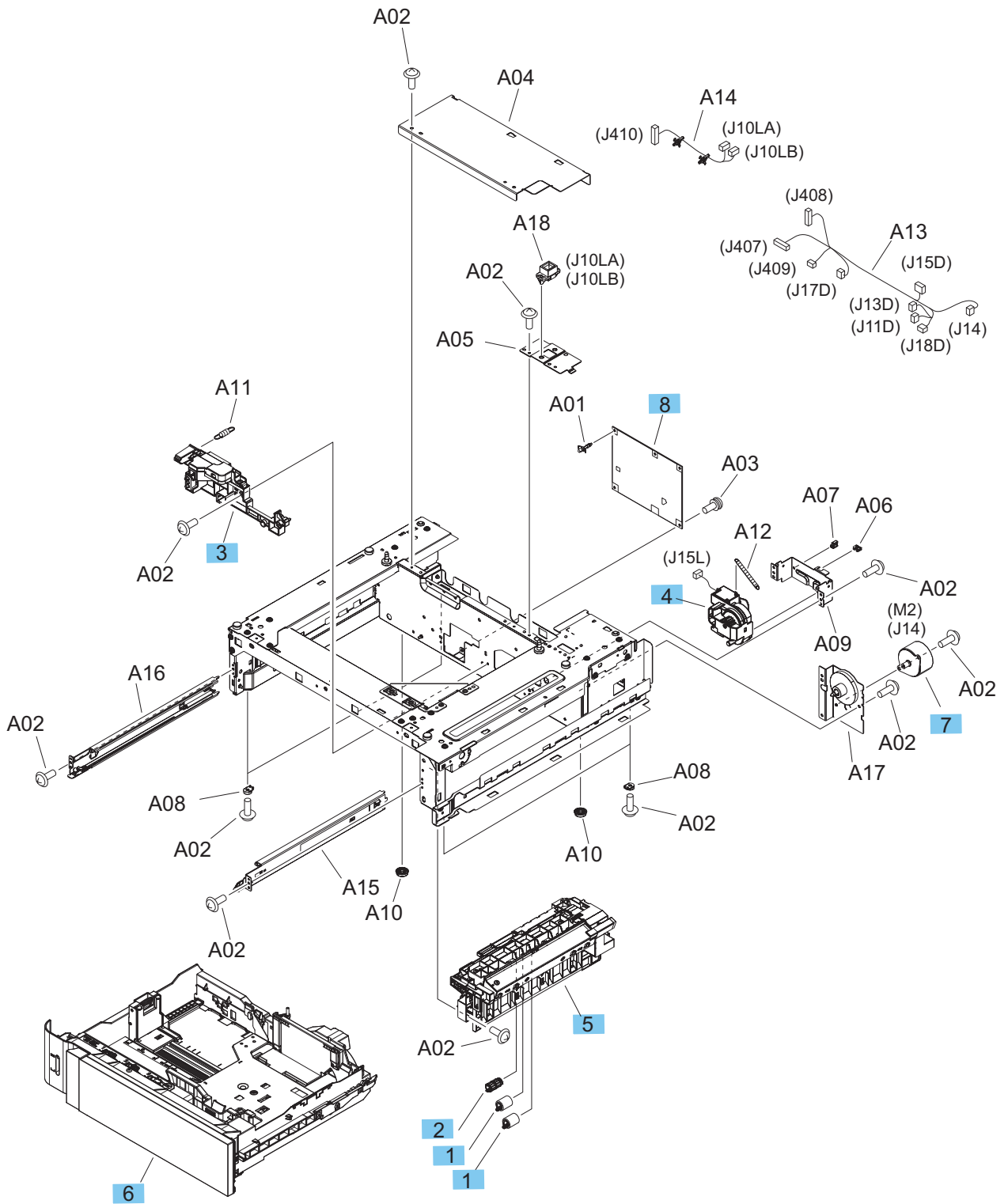


**Table 2-23 1x500-sheet paper feeder covers**

<b>Ref</b>	<b>Description</b>	<b>Part number</b>	<b>Qty</b>
1	Assembly, front upper cover	RM2-0364-000CN	1
2	Cover, left (1x500-sheet paper feeder)	RC3-5530-000CN	1
3	Cover, handle, left	RC3-5531-000CN	1
4	Cover, right	RC3-5532-000CN	1
5	Cover, handle, right	RC3-5533-000CN	1
6	Cover, right front (1x500-sheet paper feeder)	RC3-5522-000CN	1
7	Cover, rear (1x500-sheet paper feeder)	RC3-5534-000CN	1

# 1x500-sheet paper feeder components

Figure 2-18 500-sheet paper feeder components



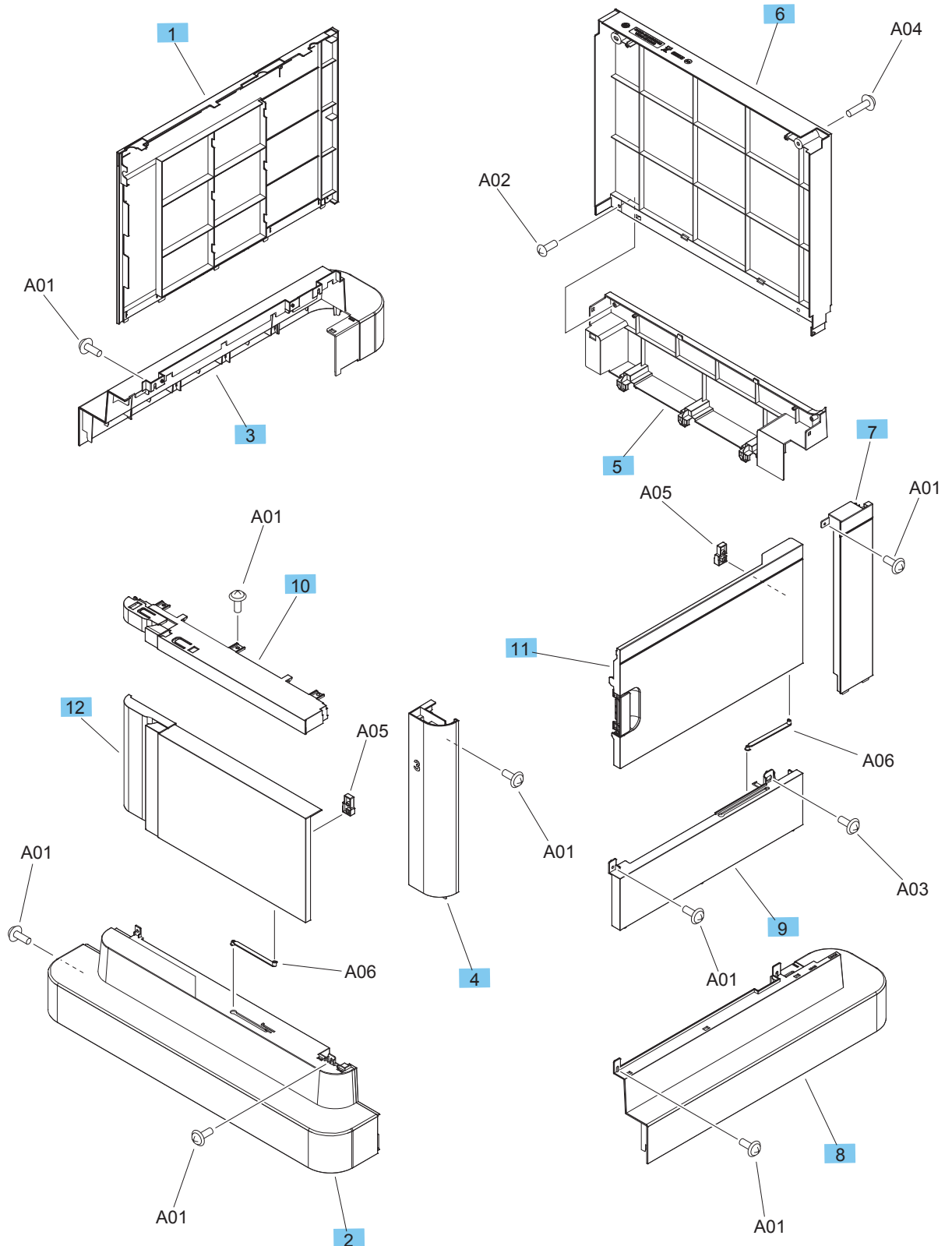
**Table 2-24 1x500-sheet paper feeder components**

<b>Ref</b>	<b>Description</b>	<b>Part number</b>	<b>Qty</b>
1	Roller, paper feed/separation (part of Tray 2-5 feed/separation roller kit)	CC493-67907	2
2	Roller, paper pickup	RL1-2099-000CN	1
3	Assembly, lifter base	RM1-5913-000CN	1
4	Assembly, lifter	RM1-5914-000CN	1
5	Assembly, paper-pickup (1x500-sheet paper feeder)	RM2-0341-000CN	1
6	Tray	RM2-0340-000CN	1
7	Motor, DC	RK2-5085-000CN	1
8	Assembly, feeder PCA	RM2-0501-000CN	1

# 1x500-sheet paper feeder with cabinet

## 1x500-sheet paper feeder with cabinet covers

Figure 2-19 1x500-sheet paper feeder with cabinet covers

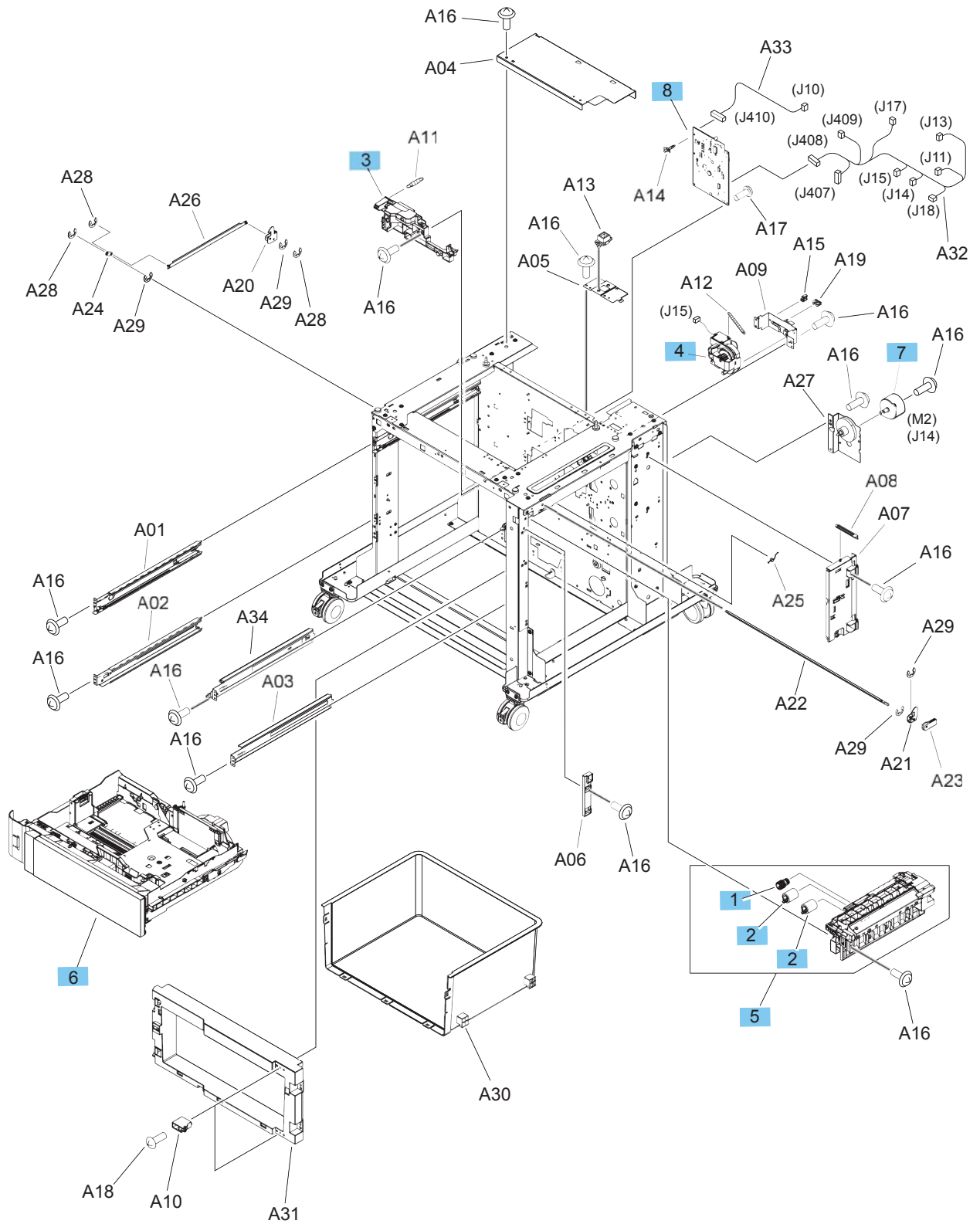


**Table 2-25 1x500-sheet paper feeder with cabinet covers**

<b>Ref</b>	<b>Description</b>	<b>Part number</b>	<b>Qty</b>
1	Cover, left (1x500-sheet paper feeder with cabinet)	RC3-5499-000CN	1
2	Cover, front lower	RC3-5514-000CN	1
3	Cover, left lower	RC3-5515-000CN	1
4	Cover, right front (1x500-sheet paper feeder with cabinet)	RC3-5520-000CN	1
5	Cover, rear lower	RC3-5523-000CN	1
6	Cover, rear (1x500-sheet paper feeder with cabinet)	RC3-5524-000CN	1
7	Cover, right rear (1x500-sheet paper feeder with cabinet)	RC3-5525-000CN	1
8	Cover, right lower	RC3-5526-000CN	1
9	Cover, right center	RC3-5527-000CN	1
10	Assembly, front upper cover	RM2-0364-000CN	1
11	Assembly, right door (1x500-sheet paper feeder with cabinet)	RM2-0368-000CN	1
12	Assembly, stock box door	RM2-0369-000CN	1

# 1x500-sheet paper feeder with cabinet components

Figure 2-20 1x500-sheet paper feeder with cabinet components



**Table 2-26 1x500-sheet paper feeder with cabinet components**

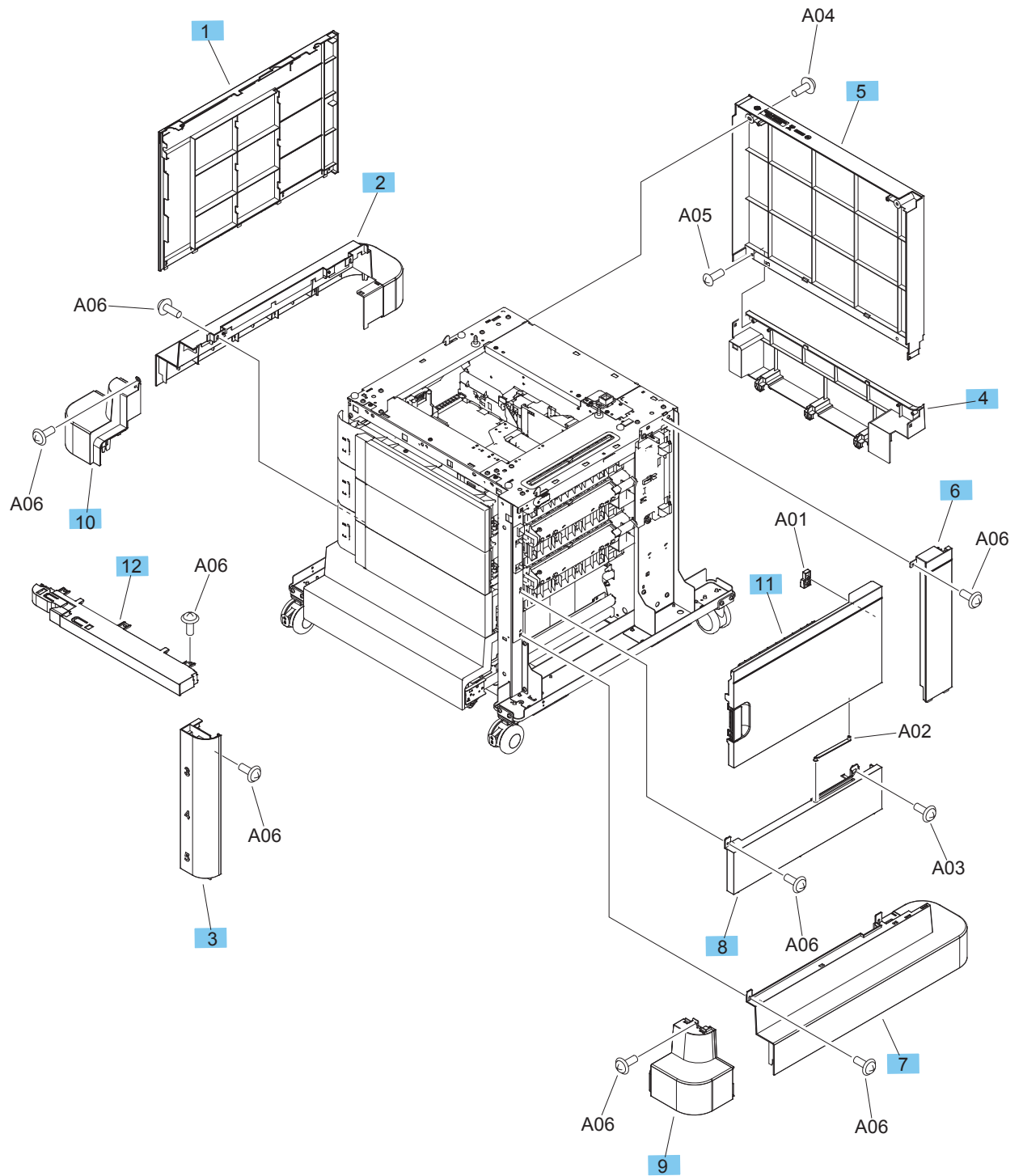
<b>Ref</b>	<b>Description</b>	<b>Part number</b>	<b>Qty</b>
1	Roller, paper pickup	RL1-2099-000CN	1
2	Roller, paper feed/separation (part of Tray 2-5 feed/separation roller kit)	CC493-67907	2
3	Assembly, lifter base	RM1-5913-000CN	1
4	Assembly, lifter	RM1-5914-000CN	1
5	Assembly, paper-pickup (1x500-sheet paper feeder with cabinet)	RM2-0341-000CN	1
6	Tray	RM2-0340-000CN	1
7	Motor, DC	RK2-5085-000CN	1
8	Assembly, feeder PCA	RM2-0501-000CN	1



# 2,500-sheet paper feeder HCI

## 2,500-sheet paper feeder HCI covers

Figure 2-21 2,500-sheet paper feeder HCI covers

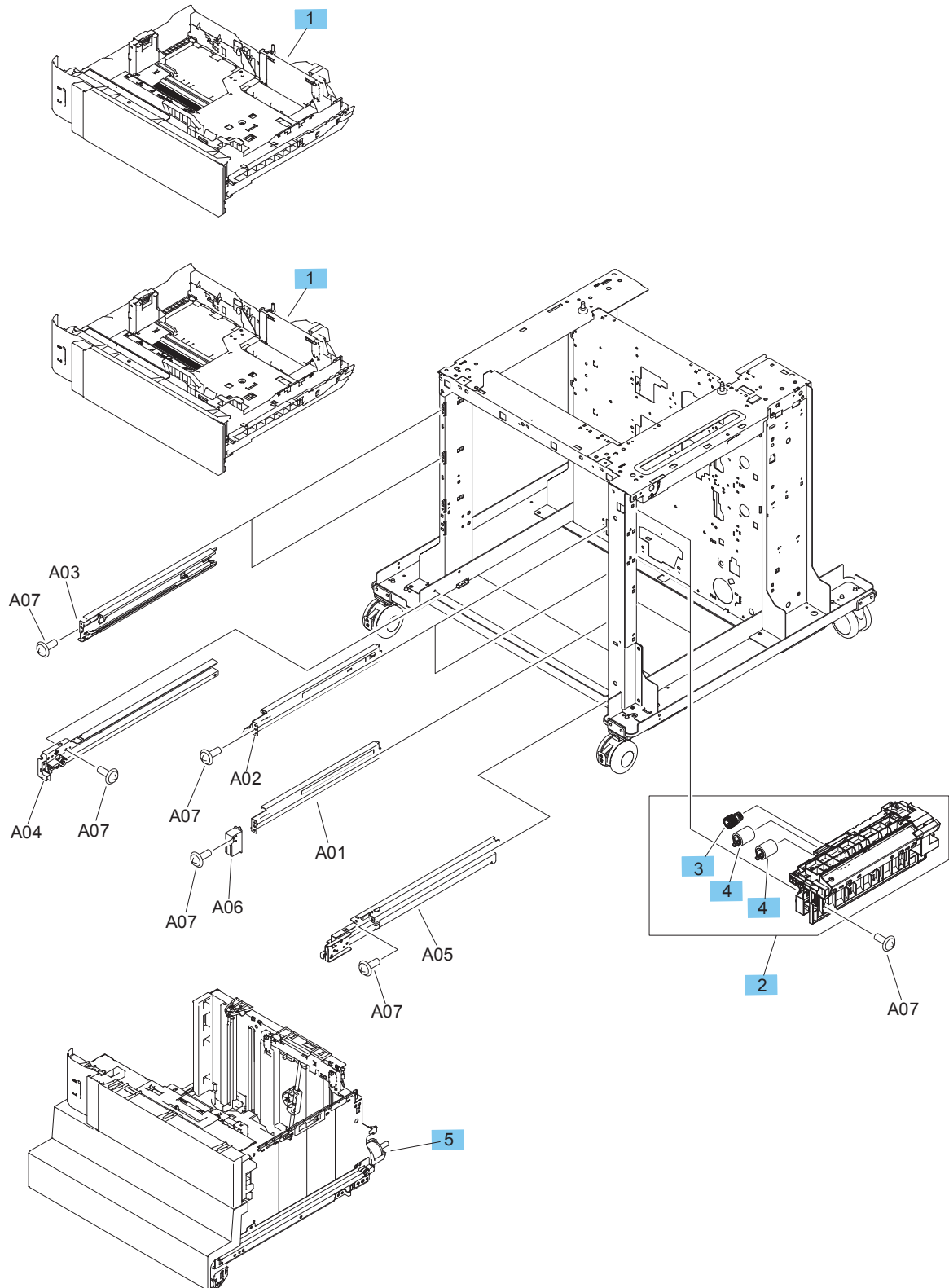


**Table 2-27 2,500-sheet paper feeder HCI covers**

<b>Ref</b>	<b>Description</b>	<b>Part number</b>	<b>Qty</b>
1	Cover, left (2,500-sheet paper feeder HCI)	RC3-5499-000CN	1
2	Cover, left lower	RC3-5515-000CN	1
3	Cover, right front (2,500-sheet paper feeder HCI)	RC3-5521-000CN	1
4	Cover, rear lower	RC3-5523-000CN	1
5	Cover, rear (2,500-sheet paper feeder HCI)	RC3-5524-000CN	1
6	Cover, right rear (2,500-sheet paper feeder HCI)	RC3-5525-000CN	1
7	Cover, right lower	RC3-5526-000CN	1
8	Cover, right center	RC3-5527-000CN	1
9	Cover, front lower right	RC3-5535-000CN	1
10	Cover, front lower left	RC3-5536-000CN	1
11	Assembly, right door (2,500-sheet paper feeder HCI)	RM2-0362-000CN	1
12	Assembly, front upper cover	RM2-0364-000CN	1

## 2,500-sheet paper feeder HCI components (1 of 2)

Figure 2-22 2,500-sheet paper feeder HCI components (1 of 2)

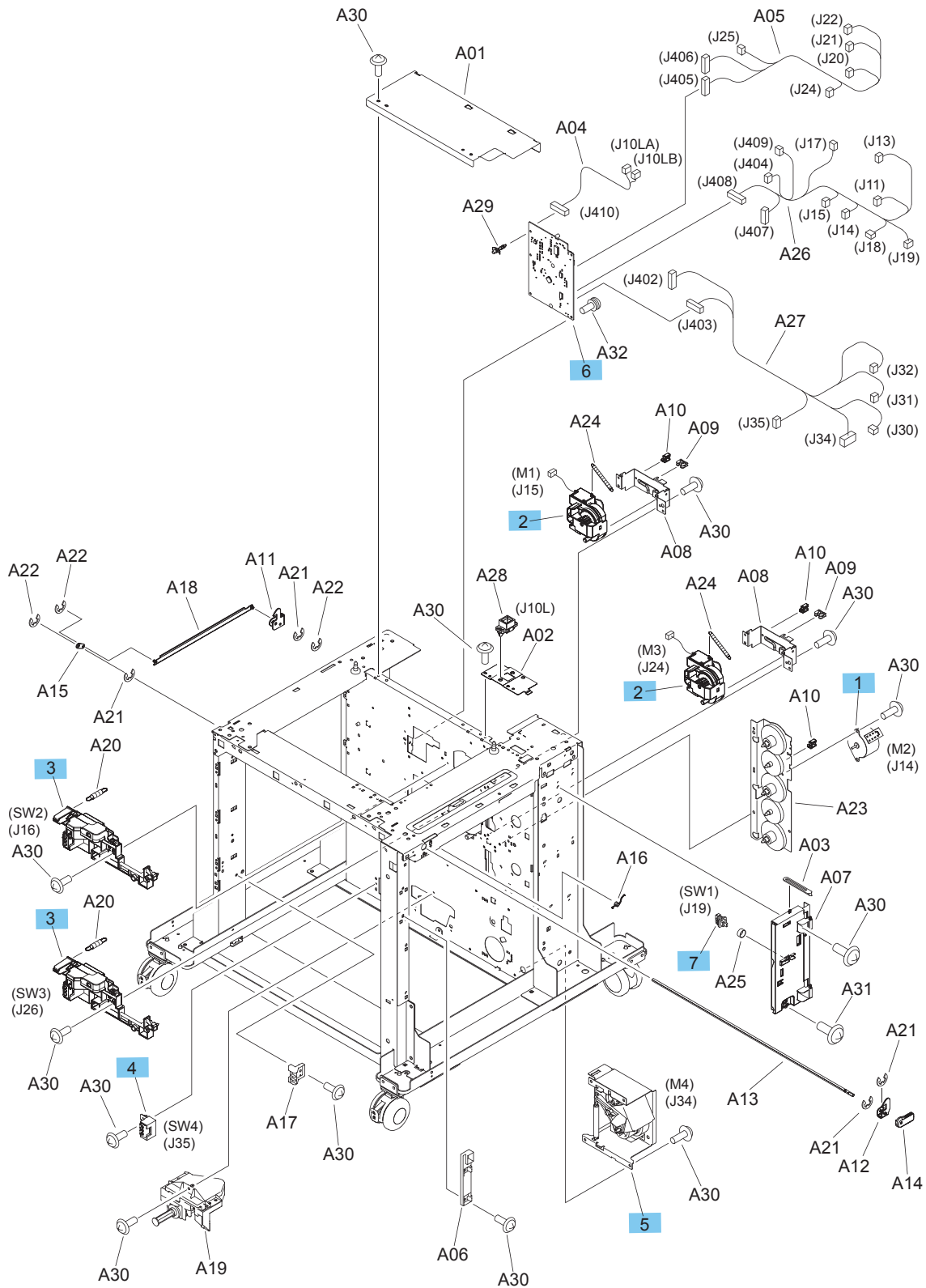


**Table 2-28 2,500-sheet paper feeder HCI components (1 of 2)**

<b>Ref</b>	<b>Description</b>	<b>Part number</b>	<b>Qty</b>
1	Tray	RM2-0340-000CN	2
2	Assembly, paper-pickup (2,500-sheet paper feeder HCI)	RM2-0341-000CN	3
3	Roller, paper pickup	RL1-2099-000CN	3
4	Roller, paper feed/separation (part of Tray 2-5 feed/separation roller kit)	CC493-67907	6
5	Assembly, tray	RM2-0351-000CN	1

## 2,500-sheet paper feeder HCI components (2 of 2)

Figure 2-23 2,500-sheet paper feeder HCI components (2 of 2)



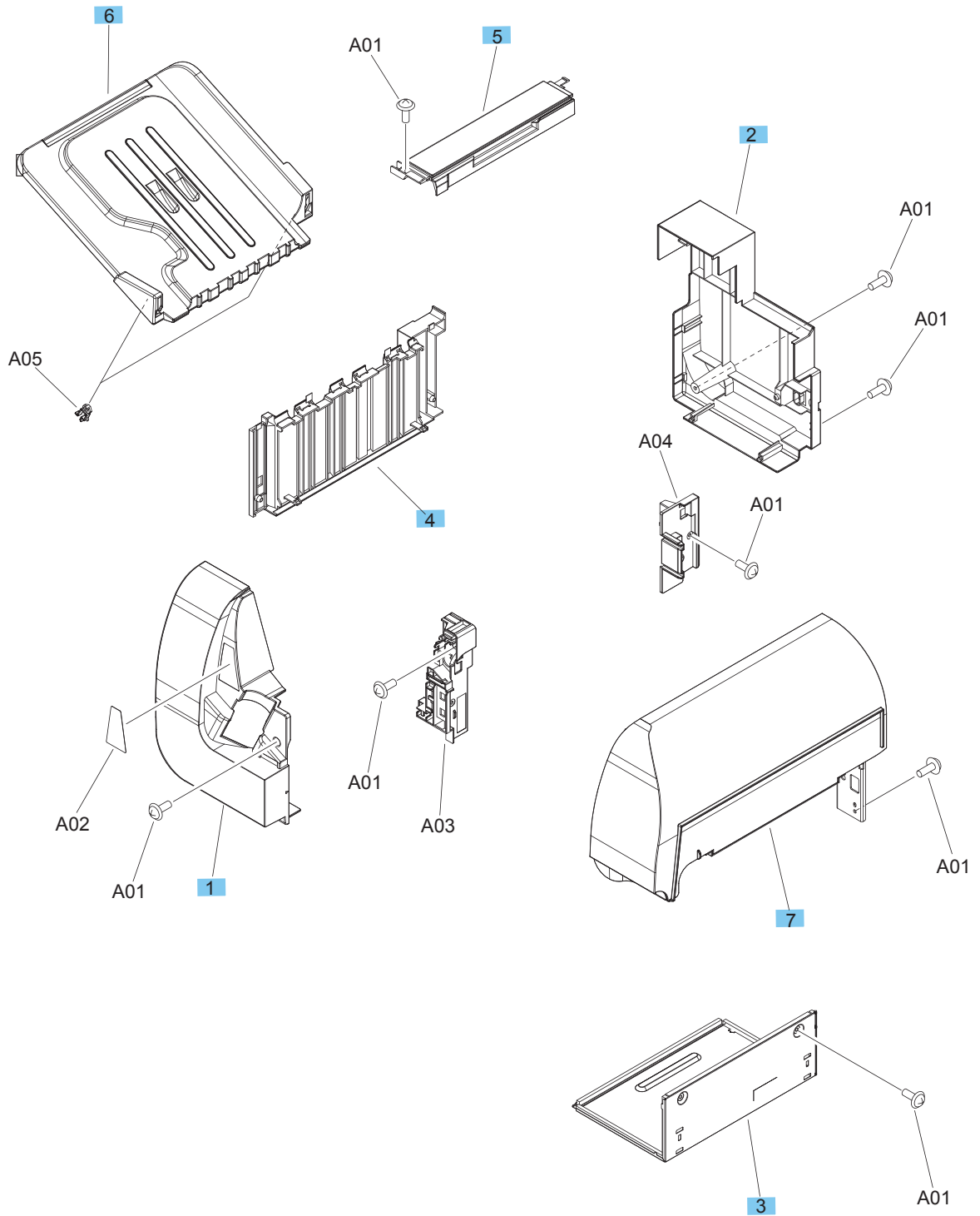
**Table 2-29 2,500-sheet paper feeder HCI components (2 of 2)**

<b>Ref</b>	<b>Description</b>	<b>Part number</b>	<b>Qty</b>
1	Motor, DC	RK2-5085-000CN	1
2	Assembly, lifter	RM1-5914-000CN	2
3	Assembly, lifter base	RM1-5913-000CN	2
4	Assembly, tray size sensor	RM2-0350-000CN	1
5	Assembly, lifter drive	RM2-0346-000CN	1
6	Assembly, HCI PCA	RM2-0371-000CN	1
7	Switch, push	WC2-5637-000CN	1

# Stapling mailbox

## Stapling mailbox covers

Figure 2-24 Stapling mailbox covers



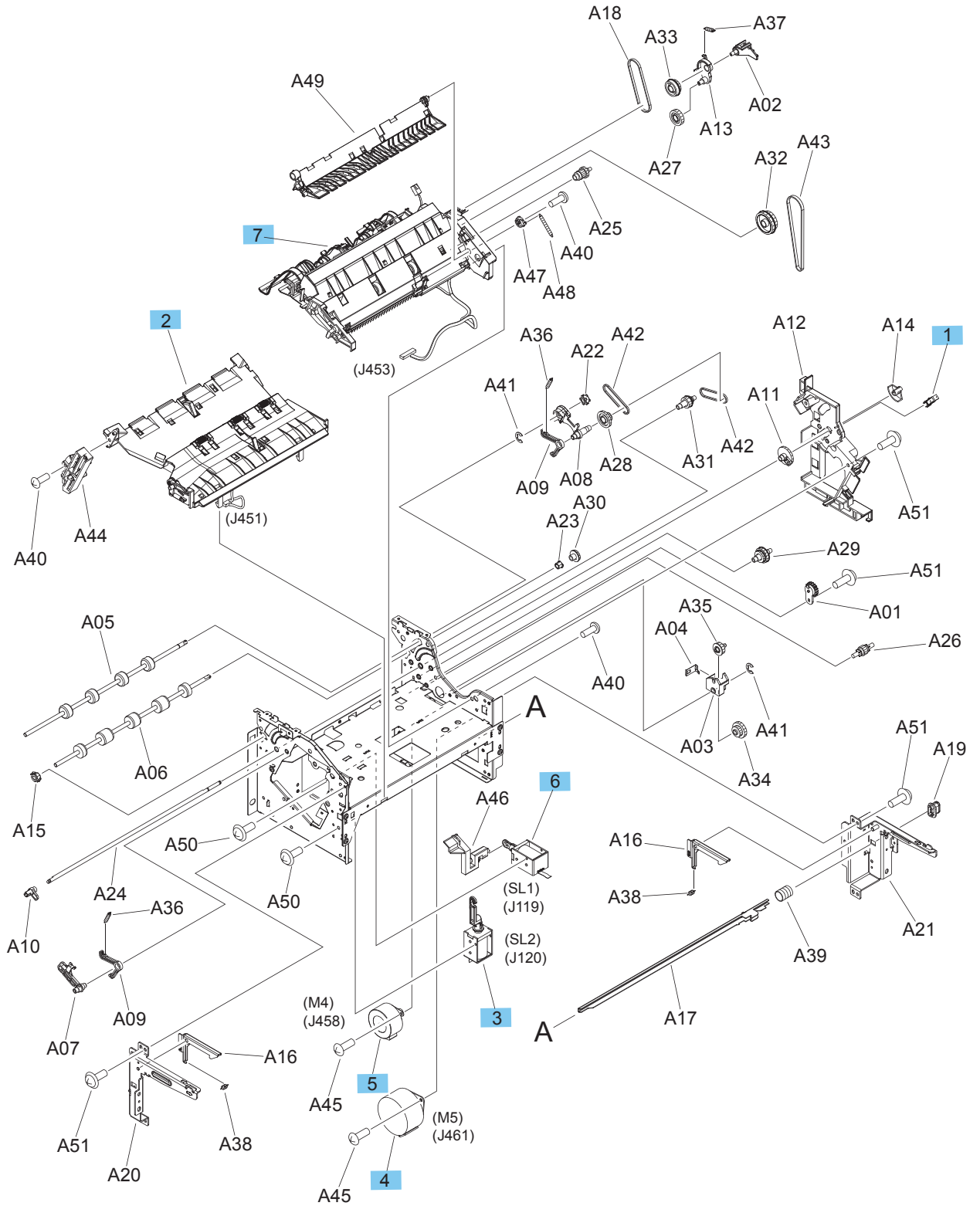


**Table 2-30 Stapling mailbox covers**

<b>Ref</b>	<b>Description</b>	<b>Part number</b>	<b>Qty</b>
1	Cover, front	RC4-1938-000CN	1
2	Cover, rear (stapling mailbox)	RC4-1939-000CN	1
3	Cover, bottom	RL1-2438-000CN	1
4	Panel, stacking	RL2-0501-000CN	1
5	Cover, top	RL2-0502-000CN	1
6	Assembly, output bin	RM2-5240-000CN	1
7	Assembly, top door	RM2-5237-000CN	1

# Stapling mailbox assemblies (1 of 2)

Figure 2-25 Stapling mailbox assemblies (1 of 2)



**Table 2-31 Stapling mailbox assemblies (1 of 2)**

<b>Ref</b>	<b>Description</b>	<b>Part number</b>	<b>Qty</b>
1	Photointerrupter	WG8-5935-000CN	1
2	Assembly, stage	RM1-5159-000CN	1
3	Assembly, entrance solenoid	RM1-6663-000CN	1
4	Motor, feed	RK2-2635-000CN	1
5	Motor, paddle	RK2-2637-000CN	1
6	Assembly, stamp solenoid	RM1-6664-000CN	1
7	Subassembly, stage top	RM1-7437-010CN	1



**Table 2-32 Stapling mailbox assemblies (2 of 2)**

<b>Ref</b>	<b>Description</b>	<b>Part number</b>	<b>Qty</b>
1	Assembly, output bin 3 bin drive	RM1-5156-000CN	1
2	Assembly, stapler	RM1-5166-000CN	1
3	Assembly, output bin sensor PCA	RM1-5894-000CN	1
4	Assembly, bin solenoid	RM1-5896-000CN	1
5	Assembly, jogger	RM2-5235-000CN	1
6	Assembly, output bin 3	RM2-5241-000CN	1
7	Assembly, output bin 3 driver PCA	RM2-5245-000CN	1

# Alphabetical parts list

**Table 2-33 Alphabetical parts list**

<b>Description</b>	<b>Part number</b>	<b>Table and page</b>
Assembly, `high-voltage power supply PCA, upper	RM2-0462-000CN	<a href="#">Internal assemblies (6 of 6) on page 401</a>
Assembly, bin solenoid	RM1-5896-000CN	<a href="#">Stapling mailbox assemblies (2 of 2) on page 421</a>
Assembly, cartridge duct	RM1-5497-010CN	<a href="#">Internal assemblies (5 of 6) on page 399</a>
Assembly, cartridge fan (M651)	RM2-0212-000CN	<a href="#">Internal assemblies (3 of 6) on page 395</a>
Assembly, cartridge fan (M680)	RM2-0213-000CN	<a href="#">Internal assemblies (3 of 6) on page 395</a>
Assembly, DC controller PCA	RM2-0498-000CN	<a href="#">Internal assemblies (6 of 6) on page 401</a>
Assembly, duplexing drive (M680)	RM1-4973-000CN	<a href="#">Internal assemblies (5 of 6) on page 399</a>
Assembly, duplexing-drive (M651)	RM1-5546-000CN	<a href="#">Internal assemblies (5 of 6) on page 399</a>
Assembly, entrance solenoid	RM1-6663-000CN	<a href="#">Stapling mailbox assemblies (1 of 2) on page 419</a>
Assembly, feeder PCA	RM2-0501-000CN	<a href="#">1x500-sheet paper feeder with cabinet components on page 409</a>
Assembly, feeder PCA	RM2-0501-000CN	<a href="#">1x500-sheet paper feeder components on page 405</a>
Assembly, flexible flat cable	RM2-0393-000CN	<a href="#">Internal assemblies (5 of 6) on page 399</a>
Assembly, front door	RM2-0200-000CN	<a href="#">Covers (M651) on page 379</a>
Assembly, front door	RM2-0200-000CN	<a href="#">Covers (M680) on page 381</a>
Assembly, front inner cover lower	RM1-5598-000CN	<a href="#">Internal assemblies (2 of 6) on page 393</a>
Assembly, front inner cover upper	RM2-0219-000CN	<a href="#">Internal assemblies (2 of 6) on page 393</a>
Assembly, front upper cover	RM2-0364-000CN	<a href="#">1x500-sheet paper feeder with cabinet covers on page 407</a>
Assembly, front upper cover	RM2-0364-000CN	<a href="#">1x500-sheet paper feeder covers on page 403</a>
Assembly, front upper cover	RM2-0364-000CN	<a href="#">2,500-sheet paper feeder HCI covers on page 411</a>
Assembly, fuser drive	RM1-5656-000CN	<a href="#">Internal assemblies (5 of 6) on page 399</a>
Assembly, HCI PCA	RM2-0371-000CN	<a href="#">2,500-sheet paper feeder HCI components (2 of 2) on page 415</a>

**Table 2-33 Alphabetical parts list (continued)**

<b>Description</b>	<b>Part number</b>	<b>Table and page</b>
Assembly, high-voltage power supply PCA, lower	RM2-0460-000CN	<a href="#">Internal assemblies (6 of 6) on page 401</a>
Assembly, Hinge HR	B4A39-60011	<a href="#">Document feeder assemblies (M680, 1 of 2) on page 373</a>
Assembly, inner connecting PCA (M651)	RM2-0221-000CN	<a href="#">Internal assemblies (6 of 6) on page 401</a>
Assembly, inner connecting PCA (M680)	RM2-0220-000CN	<a href="#">Internal assemblies (6 of 6) on page 401</a>
Assembly, intermediate cover	RM2-0206-000CN	<a href="#">Covers (M680) on page 381</a>
Assembly, intermediate paper feed	RM2-0216-000CN	<a href="#">Internal assemblies (M680) on page 389</a>
Assembly, IPTU driver PCA	RM2-0474-000CN	<a href="#">Internal assemblies (M680) on page 389</a>
Assembly, IPTU inner cover	RL1-3976-000CN	<a href="#">Internal assemblies (M680) on page 389</a>
Assembly, jogger	RM2-5235-000CN	<a href="#">Stapling mailbox assemblies (2 of 2) on page 421</a>
Assembly, lifter base	RM1-5913-000CN	<a href="#">Internal assemblies (1 of 6) on page 391</a>
Assembly, lifter base	RM1-5913-000CN	<a href="#">1x500-sheet paper feeder with cabinet components on page 409</a>
Assembly, lifter base	RM1-5913-000CN	<a href="#">1x500-sheet paper feeder components on page 405</a>
Assembly, lifter base	RM1-5913-000CN	<a href="#">2,500-sheet paper feeder HCI components (2 of 2) on page 415</a>
Assembly, lifter drive	RM2-0346-000CN	<a href="#">2,500-sheet paper feeder HCI components (2 of 2) on page 415</a>
Assembly, lifter	RM1-5914-000CN	<a href="#">1x500-sheet paper feeder with cabinet components on page 409</a>
Assembly, lifter	RM1-5914-000CN	<a href="#">1x500-sheet paper feeder components on page 405</a>
Assembly, lifter	RM1-5914-000CN	<a href="#">Internal assemblies (5 of 6) on page 399</a>
Assembly, lifter	RM1-5914-000CN	<a href="#">2,500-sheet paper feeder HCI components (2 of 2) on page 415</a>
Assembly, low-voltage power supply PCA 110-127V	RM2-0464-000CN	<a href="#">Internal assemblies (6 of 6) on page 401</a>
Assembly, low-voltage power supply PCA 220-240V	RM2-0466-000CN	<a href="#">Internal assemblies (6 of 6) on page 401</a>
Assembly, main switch	RM2-0386-000CN	<a href="#">Internal assemblies (3 of 6) on page 395</a>



**Table 2-33 Alphabetical parts list (continued)**

<b>Description</b>	<b>Part number</b>	<b>Table and page</b>
Assembly, output bin 3 bin drive	RM1-5156-000CN	<a href="#">Stapling mailbox assemblies (2 of 2) on page 421</a>
Assembly, output bin 3 driver PCA	RM2-5245-000CN	<a href="#">Stapling mailbox assemblies (2 of 2) on page 421</a>
Assembly, output bin 3	RM2-5241-000CN	<a href="#">Stapling mailbox assemblies (2 of 2) on page 421</a>
Assembly, output bin sensor PCA	RM1-5894-000CN	<a href="#">Stapling mailbox assemblies (2 of 2) on page 421</a>
Assembly, output bin	RM2-5240-000CN	<a href="#">Stapling mailbox covers on page 417</a>
Assembly, paper sensor PCA	RM1-5853-000CN	<a href="#">Internal assemblies (4 of 6) on page 397</a>
Assembly, paper-delivery (M651)	RM2-0223-000CN	<a href="#">Internal assemblies (3 of 6) on page 395</a>
Assembly, paper-delivery (M680)	RM1-5615-000CN	<a href="#">Internal assemblies (3 of 6) on page 395</a>
Assembly, paper-delivery fan (M651)	RM1-5501-000CN	<a href="#">Internal assemblies (M651) on page 387</a>
Assembly, paper-delivery fan (M680)	RK2-2575-000CN	<a href="#">Internal assemblies (M680) on page 389</a>
Assembly, paper-pickup (1x500-sheet paper feeder with cabinet)	RM2-0341-000CN	<a href="#">1x500-sheet paper feeder with cabinet components on page 409</a>
Assembly, paper-pickup (1x500-sheet paper feeder)	RM2-0341-000CN	<a href="#">1x500-sheet paper feeder components on page 405</a>
Assembly, paper-pickup (2,500-sheet paper feeder HCI)	RM2-0341-000CN	<a href="#">2,500-sheet paper feeder HCI components (1 of 2) on page 413</a>
Assembly, paper-pickup drive	RM2-0385-000CN	<a href="#">Internal assemblies (5 of 6) on page 399</a>
Assembly, paper-pickup	RM1-5919-000CN	<a href="#">Internal assemblies (4 of 6) on page 397</a>
Assembly, position detect	RM1-5604-000CN	<a href="#">Internal assemblies (3 of 6) on page 395</a>
Assembly, rear pre-exposure	RM2-0500-000CN	<a href="#">Internal assemblies (3 of 6) on page 395</a>
Assembly, registration density (RD) sensor	RM1-5641-000CN	<a href="#">Internal assemblies (4 of 6) on page 397</a>
Assembly, residual-toner transfer	RM2-0399-000CN	<a href="#">Internal assemblies (2 of 6) on page 393</a>
Assembly, residual-toner-feed motor	RM1-5605-010CN	<a href="#">Internal assemblies (3 of 6) on page 395</a>
Assembly, right door	RM2-0208-000CN	<a href="#">Right door on page 383</a>

**Table 2-33 Alphabetical parts list (continued)**

<b>Description</b>	<b>Part number</b>	<b>Table and page</b>
Assembly, right door (1x500-sheet paper feeder with cabinet)	RM2-0368-000CN	<a href="#">1x500-sheet paper feeder with cabinet covers on page 407</a>
Assembly, right door (2,500-sheet paper feeder HCI)	RM2-0362-000CN	<a href="#">2,500-sheet paper feeder HCI covers on page 411</a>
Assembly, right handle cover	RM2-0210-000CN	<a href="#">Covers (M651) on page 379</a>
Assembly, right handle cover	RM2-0210-000CN	<a href="#">Covers (M680) on page 381</a>
Assembly, scissors hinge, left	RM1-5616-000	<a href="#">Internal assemblies (M680) on page 389</a>
Assembly, scissors hinge, right	RM2-5771-000CN	<a href="#">Internal assemblies (M680) on page 389</a>
Assembly, secondary transfer	RM1-5564-040CN	<a href="#">Internal assemblies (4 of 6) on page 397</a>
Assembly, shutter	RM1-5488-000CN	<a href="#">Internal assemblies (1 of 6) on page 391</a>
Assembly, shutter	RM1-5489-000CN	<a href="#">Internal assemblies (1 of 6) on page 391</a>
Assembly, stage	RM1-5159-000CN	<a href="#">Stapling mailbox assemblies (1 of 2) on page 419</a>
Assembly, stamp solenoid	RM1-6664-000CN	<a href="#">Stapling mailbox assemblies (1 of 2) on page 419</a>
Assembly, stapler	RM1-5166-000CN	<a href="#">Stapling mailbox assemblies (2 of 2) on page 421</a>
Assembly, stock box door	RM2-0369-000CN	<a href="#">1x500-sheet paper feeder with cabinet covers on page 407</a>
Assembly, switch button	RM2-0402-000CN	<a href="#">Covers (M651) on page 379</a>
Assembly, switch button	RM2-0402-000CN	<a href="#">Covers (M680) on page 381</a>
Assembly, tag holder	RM1-5638-000CN	<a href="#">Internal assemblies (5 of 6) on page 399</a>
Assembly, toner remain PCA	RM1-5771-000CN	<a href="#">Internal assemblies (1 of 6) on page 391</a>
Assembly, top door	RM2-5237-000CN	<a href="#">Stapling mailbox covers on page 417</a>
Assembly, tray	RM2-0351-000CN	<a href="#">2,500-sheet paper feeder HCI components (1 of 2) on page 413</a>
Assembly, tray size sensor	RM2-0350-000CN	<a href="#">2,500-sheet paper feeder HCI components (2 of 2) on page 415</a>
Bezel, output bin (M680)	CZ248-67912	<a href="#">Covers (M680) on page 381</a>
Bin, standard output	RM2-0214-000CN	<a href="#">Covers (M680) on page 381</a>
Cable, flexible flat	RK2-5070-000CN	<a href="#">Internal assemblies (6 of 6) on page 401</a>
Cable, flexible flat, H.V.T.	RK2-5072-000CN	<a href="#">Internal assemblies (6 of 6) on page 401</a>

**Table 2-33 Alphabetical parts list (continued)**

<b>Description</b>	<b>Part number</b>	<b>Table and page</b>
Cable, USB, IS	RK2-5077-000CN	<a href="#">Internal assemblies (M651) on page 387</a>
Cable, USB, SH	RK2-5078-000CN	<a href="#">Internal assemblies (M651) on page 387</a>
Cover, bottom	RL1-2438-000CN	<a href="#">Stapling mailbox covers on page 417</a>
Cover, control panel access (M680)	5042-9118	<a href="#">Document feeder and scanner assemblies (M680) on page 371</a>
Cover, document-feeder roller (M680)	CC355-40013	<a href="#">Document feeder assemblies (M680, 2 of 2) on page 375</a>
Cover, face-down, left	RC3-5555-000CN	<a href="#">Covers (M651) on page 379</a>
Cover, face-down, rear	RC3-5556-000CN	<a href="#">Covers (M651) on page 379</a>
Cover, fan (M680)	RC3-5593-000CN	<a href="#">Covers (M680) on page 381</a>
Cover, front face-down	RM2-0392-000CN	<a href="#">Covers (M651) on page 379</a>
Cover, front lower	RC3-5514-000CN	<a href="#">1x500-sheet paper feeder with cabinet covers on page 407</a>
Cover, front lower left	RC3-5536-000CN	<a href="#">2,500-sheet paper feeder HCI covers on page 411</a>
Cover, front lower right	RC3-5535-000CN	<a href="#">2,500-sheet paper feeder HCI covers on page 411</a>
Cover, front	RC4-1938-000CN	<a href="#">Stapling mailbox covers on page 417</a>
Cover, handle, left	RC3-5531-000CN	<a href="#">1x500-sheet paper feeder covers on page 403</a>
Cover, handle, right	RC3-5533-000CN	<a href="#">1x500-sheet paper feeder covers on page 403</a>
Cover, HIP (M651)	RC3-3948-000CN	<a href="#">Covers (M651) on page 379</a>
Cover, HIP (M680)	5851-5361	<a href="#">Document feeder and scanner assemblies (M680) on page 371</a>
Cover, inner	RM1-5520-000CN	<a href="#">Covers (M651) on page 379</a>
Cover, inner	RM1-5520-000CN	<a href="#">Covers (M680) on page 381</a>
Cover, left	RC3-5629-000CN	<a href="#">Covers (M680) on page 381</a>
Cover, left (1x500-sheet paper feeder with cabinet)	RC3-5499-000CN	<a href="#">1x500-sheet paper feeder with cabinet covers on page 407</a>
Cover, left (1x500-sheet paper feeder)	RC3-5530-000CN	<a href="#">1x500-sheet paper feeder covers on page 403</a>
Cover, left (2,500-sheet paper feeder HCI)	RC3-5499-000CN	<a href="#">2,500-sheet paper feeder HCI covers on page 411</a>
Cover, left lower	RC3-5515-000CN	<a href="#">1x500-sheet paper feeder with cabinet covers on page 407</a>

**Table 2-33 Alphabetical parts list (continued)**

<b>Description</b>	<b>Part number</b>	<b>Table and page</b>
Cover, left lower	RC3-5515-000CN	<a href="#">2,500-sheet paper feeder HCI covers on page 411</a>
Cover, left rear	RC3-5632-000CN	<a href="#">Covers (M651) on page 379</a>
Cover, left rear	RC3-5632-000CN	<a href="#">Covers (M680) on page 381</a>
Cover, left	RC3-5629-000CN	<a href="#">Covers (M651) on page 379</a>
Cover, M.R. crossmember	RC2-4747-000CN	<a href="#">Right door on page 383</a>
Cover, rear (1x500-sheet paper feeder with cabinet)	RC3-5524-000CN	<a href="#">1x500-sheet paper feeder with cabinet covers on page 407</a>
Cover, rear (1x500-sheet paper feeder)	RC3-5534-000CN	<a href="#">1x500-sheet paper feeder covers on page 403</a>
Cover, rear (2,500-sheet paper feeder HCI)	RC3-5524-000CN	<a href="#">2,500-sheet paper feeder HCI covers on page 411</a>
Cover, rear (M651)	RM2-0202-000CN	<a href="#">Covers (M651) on page 379</a>
Cover, rear (M680)	RM2-0205-000CN	<a href="#">Covers (M680) on page 381</a>
Cover, rear (stapling mailbox)	RC4-1939-000CN	<a href="#">Stapling mailbox covers on page 417</a>
Cover, rear lower	RC3-5523-000CN	<a href="#">1x500-sheet paper feeder with cabinet covers on page 407</a>
Cover, rear lower	RC3-5523-000CN	<a href="#">2,500-sheet paper feeder HCI covers on page 411</a>
Cover, right center	RC3-5527-000CN	<a href="#">1x500-sheet paper feeder with cabinet covers on page 407</a>
Cover, right center	RC3-5527-000CN	<a href="#">2,500-sheet paper feeder HCI covers on page 411</a>
Cover, right front (1x500-sheet paper feeder with cabinet)	RC3-5520-000CN	<a href="#">1x500-sheet paper feeder with cabinet covers on page 407</a>
Cover, right front (1x500-sheet paper feeder)	RC3-5522-000CN	<a href="#">1x500-sheet paper feeder covers on page 403</a>
Cover, right front (2,500-sheet paper feeder HCI)	RC3-5521-000CN	<a href="#">2,500-sheet paper feeder HCI covers on page 411</a>
Cover, right front, upper (M651)	RC3-5550-000CN	<a href="#">Covers (M651) on page 379</a>
Cover, right front, upper (M680)	RC3-5582-000CN	<a href="#">Covers (M680) on page 381</a>
Cover, right front	RC3-5551-000CN	<a href="#">Covers (M651) on page 379</a>
Cover, right front	RC3-5551-000CN	<a href="#">Covers (M680) on page 381</a>
Cover, right lower	RC3-5526-000CN	<a href="#">1x500-sheet paper feeder with cabinet covers on page 407</a>
Cover, right lower	RC3-5526-000CN	<a href="#">2,500-sheet paper feeder HCI covers on page 411</a>
Cover, right rear (1x500-sheet paper feeder with cabinet)	RC3-5525-000CN	<a href="#">1x500-sheet paper feeder with cabinet covers on page 407</a>

**Table 2-33 Alphabetical parts list (continued)**

<b>Description</b>	<b>Part number</b>	<b>Table and page</b>
Cover, right rear (2,500-sheet paper feeder HCI)	RC3-5525-000CN	<a href="#">2,500-sheet paper feeder HCI covers on page 411</a>
Cover, right rear	RC3-5628-000CN	<a href="#">Covers (M651) on page 379</a>
Cover, right rear	RC3-5628-000CN	<a href="#">Covers (M680) on page 381</a>
Cover, right	RC3-5532-000CN	<a href="#">1x500-sheet paper feeder covers on page 403</a>
Cover, roller	RC3-5630-000CN	<a href="#">Internal assemblies (4 of 6) on page 397</a>
Cover, top	RL2-0502-000CN	<a href="#">Stapling mailbox covers on page 417</a>
Cover, upper left	RC3-5627-000	<a href="#">Covers (M651) on page 379</a>
Cover, upper	RC3-5553-000CN	<a href="#">Covers (M651) on page 379</a>
Cover, USB	5851-5136	<a href="#">Covers (M651) on page 379</a>
Cover, USB (M680)	5851-5360	<a href="#">Document feeder and scanner assemblies (M680) on page 371</a>
Fan, power-supply	RK2-2577-000CN	<a href="#">Internal assemblies (6 of 6) on page 401</a>
Grip, left front	RC3-5625-000CN	<a href="#">Covers (M651) on page 379</a>
Grip, left front	RC3-5625-000CN	<a href="#">Covers (M680) on page 381</a>
Grip, left rear	RC3-5626-000CN	<a href="#">Covers (M651) on page 379</a>
Grip, left rear	RC3-5626-000CN	<a href="#">Covers (M680) on page 381</a>
Guide, cable	RC2-4468-000CN	<a href="#">Internal assemblies (5 of 6) on page 399</a>
Kit, ADF roller maintenance (M680) (includes roller and separation pad)	L2725-60002	<a href="#">Document feeder assemblies (M680, 2 of 2) on page 375</a>
Kit, ADF separation pad spring (M680)	5851-4879	<a href="#">Document feeder assemblies (M680, 2 of 2) on page 375</a>
Kit, ADF white backing (M680)	5851-6084	<a href="#">Document feeder assemblies (M680, 1 of 2) on page 373</a>
Kit, background selector for backside scan (M680)	5851-5022	<a href="#">Document feeder assemblies (M680, 2 of 2) on page 375</a>
Kit, control panel (M651)	5851-5950	<a href="#">Control panels on page 385</a>
Kit, control panel (without keyboard) (M680)	5851-5952	<a href="#">Control panels on page 385</a>
Kit, document feeder mylar strips (M680)	5851-4998	<a href="#">Document feeder assemblies (M680, 2 of 2) on page 375</a>
Kit, document feeder, complete with white backing (M680) <sup>1</sup>	CZ248-67916	<a href="#">Document feeder and scanner assemblies (M680) on page 371</a>
Kit, formatter replacement (China only; M651)	CZ255-67902	<a href="#">Internal assemblies (6 of 6) on page 401</a>

**Table 2-33 Alphabetical parts list (continued)**

<b>Description</b>	<b>Part number</b>	<b>Table and page</b>
Kit, formatter replacement (China only; M680)	CZ248-67906	<a href="#">Internal assemblies (6 of 6) on page 401</a>
Kit, formatter replacement (M651)	CZ255-67901	<a href="#">Internal assemblies (6 of 6) on page 401</a>
Kit, formatter replacement (M680)	CZ248-67901	<a href="#">Internal assemblies (6 of 6) on page 401</a>
Kit, fuser replacement, 110V	CC493-67911	<a href="#">Internal assemblies (3 of 6) on page 395</a>
Kit, fuser replacement, 220V	CC493-67912	<a href="#">Internal assemblies (3 of 6) on page 395</a>
Kit, image scanner assembly, complete with white backing (M680) <sup>2</sup>	CZ248-67915	<a href="#">Document feeder and scanner assemblies (M680) on page 371</a>
Kit, intermediate transfer belt (includes secondary transfer roller)	CC493-67909	<a href="#">Internal assemblies (3 of 6) on page 395</a>
Kit, laser scanner assembly	CZ248-67913	<a href="#">Internal assemblies (3 of 6) on page 395</a>
Kit, main drive assembly	CC493-67915	<a href="#">Internal assemblies (5 of 6) on page 399</a>
Kit, registration assembly	CZ255-67904	<a href="#">Internal assemblies (4 of 6) on page 397</a>
Kit, scanner control board fan assembly (M680)	5851-6083	<a href="#">Scan control board (SCB; M680) on page 377</a>
Kit, secondary transfer (T2) roller	CC493-67908	<a href="#">Internal assemblies (4 of 6) on page 397</a>
Kit, toner collection unit	CC493-67913	<a href="#">Internal assemblies (2 of 6) on page 393</a>
Kit, Tray 1 roller	CC493-67906	<a href="#">Right door on page 383</a>
Kit, U.K. English keyboard (M680)	5851-5008	<a href="#">Control panels on page 385</a>
Kit, U.S. English keyboard (M680)	5851-5380	<a href="#">Control panels on page 385</a>
Motor, DC	RK2-5085-000CN	<a href="#">1x500-sheet paper feeder with cabinet components on page 409</a>
Motor, DC	RK2-5085-000CN	<a href="#">1x500-sheet paper feeder components on page 405</a>
Motor, DC	RK2-5085-000CN	<a href="#">2,500-sheet paper feeder HCI components (2 of 2) on page 415</a>
Motor, developing disengagement	RK2-2415-000CN	<a href="#">Internal assemblies (5 of 6) on page 399</a>
Motor, feed	RK2-2635-000CN	<a href="#">Stapling mailbox assemblies (1 of 2) on page 419</a>
Motor, fuser	RM1-4983-000CN	<a href="#">Internal assemblies (5 of 6) on page 399</a>

**Table 2-33 Alphabetical parts list (continued)**

<b>Description</b>	<b>Part number</b>	<b>Table and page</b>
Motor, ITB	RM1-5777-000CN	<a href="#">Internal assemblies (5 of 6) on page 399</a>
Motor, main DC	RM1-5521-010CN	<a href="#">Internal assemblies (5 of 6) on page 399</a>
Motor, paddle	RK2-2637-000CN	<a href="#">Stapling mailbox assemblies (1 of 2) on page 419</a>
Motor, pickup	RK2-5053-000CN	<a href="#">Internal assemblies (5 of 6) on page 399</a>
Pad, Tray 1 separation	RL1-1937-000CN	<a href="#">Right door on page 383</a>
Panel, stacking	RL2-0501-000CN	<a href="#">Stapling mailbox covers on page 417</a>
Photointerrupter	WG8-5935-000CN	<a href="#">Internal assemblies (M651) on page 387</a>
Photointerrupter	WG8-5935-000CN	<a href="#">Internal assemblies (2 of 6) on page 393</a>
Photointerrupter	WG8-5935-000CN	<a href="#">Internal assemblies (3 of 6) on page 395</a>
Photointerrupter	WG8-5935-000CN	<a href="#">Stapling mailbox assemblies (1 of 2) on page 419</a>
Roller, paper feed/separation (part of Tray 2-5 feed/separation roller kit)	CC493-67907	<a href="#">1x500-sheet paper feeder with cabinet components on page 409</a>
Roller, paper feed/separation (part of Tray 2-5 feed/separation roller kit)	CC493-67907	<a href="#">1x500-sheet paper feeder components on page 405</a>
Roller, paper feed/separation (part of Tray 2-5 feed/separation roller kit)	CC493-67907	<a href="#">2,500-sheet paper feeder HCl components (1 of 2) on page 413</a>
Roller, paper feed/separation (part of Tray 2-5 feed/separation roller kit)	CC493-67907	<a href="#">Internal assemblies (4 of 6) on page 397</a>
Roller, paper pickup	RL1-2099-000CN	<a href="#">Internal assemblies (4 of 6) on page 397</a>
Roller, paper pickup	RL1-2099-000CN	<a href="#">1x500-sheet paper feeder components on page 405</a>
Roller, paper pickup	RL1-2099-000CN	<a href="#">1x500-sheet paper feeder with cabinet components on page 409</a>
Roller, paper pickup	RL1-2099-000CN	<a href="#">2,500-sheet paper feeder HCl components (1 of 2) on page 413</a>
Scanner control board (M680)	CZ248-67914	<a href="#">Scan control board (SCB; M680) on page 377</a>
Screw, D, M3x8	XA9-1671-000CN	<a href="#">Covers (M651) on page 379</a>
Screw, D, M3x8	XA9-1671-000CN	<a href="#">Covers (M680) on page 381</a>



**Table 2-33 Alphabetical parts list (continued)**

<b>Description</b>	<b>Part number</b>	<b>Table and page</b>
Screw, stepped	XA9-1671-000CN	<a href="#">Covers (M651) on page 379</a>
Screw, stepped	XA9-1671-000CN	<a href="#">Covers (M680) on page 381</a>
Sensor, residual toner full	RM2-0397-000CN	<a href="#">Internal assemblies (2 of 6) on page 393</a>
Shaft, support	RC2-4162-000CN	<a href="#">Internal assemblies (4 of 6) on page 397</a>
Subassembly, stage top	RM1-7437-010CN	<a href="#">Stapling mailbox assemblies (1 of 2) on page 419</a>
Switch	WC4-5303-000CN	<a href="#">Internal assemblies (2 of 6) on page 393</a>
Switch, push	WC2-5637-000CN	<a href="#">Internal assemblies (2 of 6) on page 393</a>
Switch, push	WC2-5637-000CN	<a href="#">Internal assemblies (6 of 6) on page 401</a>
Switch, push	WC2-5637-000CN	<a href="#">2,500-sheet paper feeder HCI components (2 of 2) on page 415</a>
Tray, face-down	RC3-5631-000CN	<a href="#">Covers (M651) on page 379</a>
Tray	RM2-0340-000CN	<a href="#">1x500-sheet paper feeder with cabinet components on page 409</a>
Tray	RM2-0340-000CN	<a href="#">2,500-sheet paper feeder HCI components (1 of 2) on page 413</a>
Tray	RM2-0340-000CN	<a href="#">1x500-sheet paper feeder components on page 405</a>
Tray	RM2-0340-000CN	<a href="#">Internal assemblies (2 of 6) on page 393</a>

# Numerical parts list

**Table 2-34 Numerical parts list**

Part number	Description	Table and page
5042-9118	Cover, control panel access (M680)	<a href="#">Document feeder and scanner assemblies (M680) on page 371</a>
5851-4879	Kit, ADF separation pad spring (M680)	<a href="#">Document feeder assemblies (M680, 2 of 2) on page 375</a>
5851-4998	Kit, document feeder mylar strips (M680)	<a href="#">Document feeder assemblies (M680, 2 of 2) on page 375</a>
5851-5008	Kit, U.K. English keyboard (M680)	<a href="#">Control panels on page 385</a>
5851-5022	Kit, background selector for backside scan (M680)	<a href="#">Document feeder assemblies (M680, 2 of 2) on page 375</a>
5851-5136	Cover, USB	<a href="#">Covers (M651) on page 379</a>
5851-5360	Cover, USB (M680)	<a href="#">Document feeder and scanner assemblies (M680) on page 371</a>
5851-5361	Cover, HIP (M680)	<a href="#">Document feeder and scanner assemblies (M680) on page 371</a>
5851-5380	Kit, U.S. English keyboard (M680)	<a href="#">Control panels on page 385</a>
5851-5950	Kit, control panel (M651)	<a href="#">Control panels on page 385</a>
5851-5952	Kit, control panel (without keyboard) (M680)	<a href="#">Control panels on page 385</a>
5851-6083	Kit, scanner control board fan assembly (M680)	<a href="#">Scan control board (SCB; M680) on page 377</a>
5851-6084	Kit, ADF white backing (M680)	<a href="#">Document feeder assemblies (M680, 1 of 2) on page 373</a>
B4A39-60011	Assembly, Hinge HR	<a href="#">Document feeder assemblies (M680, 1 of 2) on page 373</a>
CC355-40013	Cover, document-feeder roller (M680)	<a href="#">Document feeder assemblies (M680, 2 of 2) on page 375</a>
CC493-67906	Kit, Tray 1 roller	<a href="#">Right door on page 383</a>
CC493-67907	Roller, paper feed/separation (part of Tray 2-5 feed/separation roller kit)	<a href="#">Internal assemblies (4 of 6) on page 397</a>
CC493-67907	Roller, paper feed/separation (part of Tray 2-5 feed/separation roller kit)	<a href="#">1x500-sheet paper feeder components on page 405</a>
CC493-67907	Roller, paper feed/separation (part of Tray 2-5 feed/separation roller kit)	<a href="#">1x500-sheet paper feeder with cabinet components on page 409</a>
CC493-67907	Roller, paper feed/separation (part of Tray 2-5 feed/separation roller kit)	<a href="#">2,500-sheet paper feeder HCL components (1 of 2) on page 413</a>
CC493-67908	Kit, secondary transfer (T2) roller	<a href="#">Internal assemblies (4 of 6) on page 397</a>

**Table 2-34 Numerical parts list (continued)**

<b>Part number</b>	<b>Description</b>	<b>Table and page</b>
CC493-67909	Kit, intermediate transfer belt (includes secondary transfer roller)	<a href="#">Internal assemblies (3 of 6) on page 395</a>
CC493-67911	Kit, fuser replacement, 110V	<a href="#">Internal assemblies (3 of 6) on page 395</a>
CC493-67912	Kit, fuser replacement, 220V	<a href="#">Internal assemblies (3 of 6) on page 395</a>
CC493-67913	Kit, toner collection unit	<a href="#">Internal assemblies (2 of 6) on page 393</a>
CC493-67915	Kit, main drive assembly	<a href="#">Internal assemblies (5 of 6) on page 399</a>
CZ248-67901	Kit, formatter replacement (M680)	<a href="#">Internal assemblies (6 of 6) on page 401</a>
CZ248-67906	Kit, formatter replacement (China only; M680)	<a href="#">Internal assemblies (6 of 6) on page 401</a>
CZ248-67912	Bezel, output bin (M680)	<a href="#">Covers (M680) on page 381</a>
CZ248-67913	Kit, laser scanner assembly	<a href="#">Internal assemblies (3 of 6) on page 395</a>
CZ248-67914	Scanner control board (M680)	<a href="#">Scan control board (SCB; M680) on page 377</a>
CZ248-67915	Kit, image scanner assembly, complete with white backing (M680) <sup>2</sup>	<a href="#">Document feeder and scanner assemblies (M680) on page 371</a>
CZ248-67916	Kit, document feeder, complete with white backing (M680) <sup>1</sup>	<a href="#">Document feeder and scanner assemblies (M680) on page 371</a>
CZ255-67901	Kit, formatter replacement (M651)	<a href="#">Internal assemblies (6 of 6) on page 401</a>
CZ255-67902	Kit, formatter replacement (China only; M651)	<a href="#">Internal assemblies (6 of 6) on page 401</a>
CZ255-67904	Kit, registration assembly	<a href="#">Internal assemblies (4 of 6) on page 397</a>
L2725-60002	Kit, ADF roller maintenance (M680) (includes roller and separation pad)	<a href="#">Document feeder assemblies (M680, 2 of 2) on page 375</a>
RC2-4162-000CN	Shaft, support	<a href="#">Internal assemblies (4 of 6) on page 397</a>
RC2-4468-000CN	Guide, cable	<a href="#">Internal assemblies (5 of 6) on page 399</a>
RC2-4747-000CN	Cover, M.R. crossmember	<a href="#">Right door on page 383</a>
RC3-3948-000CN	Cover, HIP (M651)	<a href="#">Covers (M651) on page 379</a>
RC3-5499-000CN	Cover, left (1x500-sheet paper feeder with cabinet)	<a href="#">1x500-sheet paper feeder with cabinet covers on page 407</a>
RC3-5499-000CN	Cover, left (2,500-sheet paper feeder HCI)	<a href="#">2,500-sheet paper feeder HCI covers on page 411</a>

**Table 2-34 Numerical parts list (continued)**

<b>Part number</b>	<b>Description</b>	<b>Table and page</b>
RC3-5514-000CN	Cover, front lower	<a href="#">1x500-sheet paper feeder with cabinet covers on page 407</a>
RC3-5515-000CN	Cover, left lower	<a href="#">1x500-sheet paper feeder with cabinet covers on page 407</a>
RC3-5515-000CN	Cover, left lower	<a href="#">2,500-sheet paper feeder HCI covers on page 411</a>
RC3-5520-000CN	Cover, right front (1x500-sheet paper feeder with cabinet)	<a href="#">1x500-sheet paper feeder with cabinet covers on page 407</a>
RC3-5521-000CN	Cover, right front (2,500-sheet paper feeder HCI)	<a href="#">2,500-sheet paper feeder HCI covers on page 411</a>
RC3-5522-000CN	Cover, right front (1x500-sheet paper feeder)	<a href="#">1x500-sheet paper feeder covers on page 403</a>
RC3-5523-000CN	Cover, rear lower	<a href="#">1x500-sheet paper feeder with cabinet covers on page 407</a>
RC3-5523-000CN	Cover, rear lower	<a href="#">2,500-sheet paper feeder HCI covers on page 411</a>
RC3-5524-000CN	Cover, rear (1x500-sheet paper feeder with cabinet)	<a href="#">1x500-sheet paper feeder with cabinet covers on page 407</a>
RC3-5524-000CN	Cover, rear (2,500-sheet paper feeder HCI)	<a href="#">2,500-sheet paper feeder HCI covers on page 411</a>
RC3-5525-000CN	Cover, right rear (1x500-sheet paper feeder with cabinet)	<a href="#">1x500-sheet paper feeder with cabinet covers on page 407</a>
RC3-5525-000CN	Cover, right rear (2,500-sheet paper feeder HCI)	<a href="#">2,500-sheet paper feeder HCI covers on page 411</a>
RC3-5526-000CN	Cover, right lower	<a href="#">1x500-sheet paper feeder with cabinet covers on page 407</a>
RC3-5526-000CN	Cover, right lower	<a href="#">2,500-sheet paper feeder HCI covers on page 411</a>
RC3-5527-000CN	Cover, right center	<a href="#">1x500-sheet paper feeder with cabinet covers on page 407</a>
RC3-5527-000CN	Cover, right center	<a href="#">2,500-sheet paper feeder HCI covers on page 411</a>
RC3-5530-000CN	Cover, left (1x500-sheet paper feeder)	<a href="#">1x500-sheet paper feeder covers on page 403</a>
RC3-5531-000CN	Cover, handle, left	<a href="#">1x500-sheet paper feeder covers on page 403</a>
RC3-5532-000CN	Cover, right	<a href="#">1x500-sheet paper feeder covers on page 403</a>
RC3-5533-000CN	Cover, handle, right	<a href="#">1x500-sheet paper feeder covers on page 403</a>
RC3-5534-000CN	Cover, rear (1x500-sheet paper feeder)	<a href="#">1x500-sheet paper feeder covers on page 403</a>

**Table 2-34 Numerical parts list (continued)**

<b>Part number</b>	<b>Description</b>	<b>Table and page</b>
RC3-5535-000CN	Cover, front lower right	<a href="#">2,500-sheet paper feeder HCI covers on page 411</a>
RC3-5536-000CN	Cover, front lower left	<a href="#">2,500-sheet paper feeder HCI covers on page 411</a>
RC3-5550-000CN	Cover, right front, upper (M651)	<a href="#">Covers (M651) on page 379</a>
RC3-5551-000CN	Cover, right front	<a href="#">Covers (M651) on page 379</a>
RC3-5551-000CN	Cover, right front	<a href="#">Covers (M680) on page 381</a>
RC3-5553-000CN	Cover, upper	<a href="#">Covers (M651) on page 379</a>
RC3-5555-000CN	Cover, face-down, left	<a href="#">Covers (M651) on page 379</a>
RC3-5556-000CN	Cover, face-down, rear	<a href="#">Covers (M651) on page 379</a>
RC3-5582-000CN	Cover, right front, upper (M680)	<a href="#">Covers (M680) on page 381</a>
RC3-5593-000CN	Cover, fan (M680)	<a href="#">Covers (M680) on page 381</a>
RC3-5625-000CN	Grip, left front	<a href="#">Covers (M651) on page 379</a>
RC3-5625-000CN	Grip, left front	<a href="#">Covers (M680) on page 381</a>
RC3-5626-000CN	Grip, left rear	<a href="#">Covers (M651) on page 379</a>
RC3-5626-000CN	Grip, left rear	<a href="#">Covers (M680) on page 381</a>
RC3-5627-000	Cover, upper left	<a href="#">Covers (M651) on page 379</a>
RC3-5628-000CN	Cover, right rear	<a href="#">Covers (M651) on page 379</a>
RC3-5628-000CN	Cover, right rear	<a href="#">Covers (M680) on page 381</a>
RC3-5629-000CN	Cover, left	<a href="#">Covers (M651) on page 379</a>
RC3-5629-000CN	Cover, left	<a href="#">Covers (M680) on page 381</a>
RC3-5630-000CN	Cover, roller	<a href="#">Internal assemblies (4 of 6) on page 397</a>
RC3-5631-000CN	Tray, face-down	<a href="#">Covers (M651) on page 379</a>
RC3-5632-000CN	Cover, left rear	<a href="#">Covers (M651) on page 379</a>
RC3-5632-000CN	Cover, left rear	<a href="#">Covers (M680) on page 381</a>
RC4-1938-000CN	Cover, front	<a href="#">Stapling mailbox covers on page 417</a>
RC4-1939-000CN	Cover, rear (stapling mailbox)	<a href="#">Stapling mailbox covers on page 417</a>
RK2-2415-000CN	Motor, developing disengagement	<a href="#">Internal assemblies (5 of 6) on page 399</a>
RK2-2575-000CN	Assembly, paper-delivery fan (M680)	<a href="#">Internal assemblies (M680) on page 389</a>
RK2-2577-000CN	Fan, power-supply	<a href="#">Internal assemblies (6 of 6) on page 401</a>

**Table 2-34 Numerical parts list (continued)**

<b>Part number</b>	<b>Description</b>	<b>Table and page</b>
RK2-2635-000CN	Motor, feed	<a href="#">Stapling mailbox assemblies (1 of 2) on page 419</a>
RK2-2637-000CN	Motor, paddle	<a href="#">Stapling mailbox assemblies (1 of 2) on page 419</a>
RK2-5053-000CN	Motor, pickup	<a href="#">Internal assemblies (5 of 6) on page 399</a>
RK2-5070-000CN	Cable, flexible flat	<a href="#">Internal assemblies (6 of 6) on page 401</a>
RK2-5072-000CN	Cable, flexible flat, H.V.T.	<a href="#">Internal assemblies (6 of 6) on page 401</a>
RK2-5077-000CN	Cable, USB, IS	<a href="#">Internal assemblies (M651) on page 387</a>
RK2-5078-000CN	Cable, USB, SH	<a href="#">Internal assemblies (M651) on page 387</a>
RK2-5085-000CN	Motor, DC	<a href="#">1x500-sheet paper feeder components on page 405</a>
RK2-5085-000CN	Motor, DC	<a href="#">1x500-sheet paper feeder with cabinet components on page 409</a>
RK2-5085-000CN	Motor, DC	<a href="#">2,500-sheet paper feeder HCl components (2 of 2) on page 415</a>
RL1-1937-000CN	Pad, Tray 1 separation	<a href="#">Right door on page 383</a>
RL1-2099-000CN	Roller, paper pickup	<a href="#">Internal assemblies (4 of 6) on page 397</a>
RL1-2099-000CN	Roller, paper pickup	<a href="#">1x500-sheet paper feeder components on page 405</a>
RL1-2099-000CN	Roller, paper pickup	<a href="#">1x500-sheet paper feeder with cabinet components on page 409</a>
RL1-2099-000CN	Roller, paper pickup	<a href="#">2,500-sheet paper feeder HCl components (1 of 2) on page 413</a>
RL1-2438-000CN	Cover, bottom	<a href="#">Stapling mailbox covers on page 417</a>
RL1-3976-000CN	Assembly, IPTU inner cover	<a href="#">Internal assemblies (M680) on page 389</a>
RL2-0501-000CN	Panel, stacking	<a href="#">Stapling mailbox covers on page 417</a>
RL2-0502-000CN	Cover, top	<a href="#">Stapling mailbox covers on page 417</a>
RM1-4973-000CN	Assembly, duplexing drive (M680)	<a href="#">Internal assemblies (5 of 6) on page 399</a>
RM1-4983-000CN	Motor, fuser	<a href="#">Internal assemblies (5 of 6) on page 399</a>

**Table 2-34 Numerical parts list (continued)**

<b>Part number</b>	<b>Description</b>	<b>Table and page</b>
RM1-5156-000CN	Assembly, output bin 3 bin drive	<a href="#">Stapling mailbox assemblies (2 of 2) on page 421</a>
RM1-5159-000CN	Assembly, stage	<a href="#">Stapling mailbox assemblies (1 of 2) on page 419</a>
RM1-5166-000CN	Assembly, stapler	<a href="#">Stapling mailbox assemblies (2 of 2) on page 421</a>
RM1-5488-000CN	Assembly, shutter	<a href="#">Internal assemblies (1 of 6) on page 391</a>
RM1-5489-000CN	Assembly, shutter	<a href="#">Internal assemblies (1 of 6) on page 391</a>
RM1-5497-010CN	Assembly, cartridge duct	<a href="#">Internal assemblies (5 of 6) on page 399</a>
RM1-5501-000CN	Assembly, paper-delivery fan (M651)	<a href="#">Internal assemblies (M651) on page 387</a>
RM1-5520-000CN	Cover, inner	<a href="#">Covers (M651) on page 379</a>
RM1-5520-000CN	Cover, inner	<a href="#">Covers (M680) on page 381</a>
RM1-5521-010CN	Motor, main DC	<a href="#">Internal assemblies (5 of 6) on page 399</a>
RM1-5546-000CN	Assembly, duplexing-drive (M651)	<a href="#">Internal assemblies (5 of 6) on page 399</a>
RM1-5564-040CN	Assembly, secondary transfer	<a href="#">Internal assemblies (4 of 6) on page 397</a>
RM1-5598-000CN	Assembly, front inner cover lower	<a href="#">Internal assemblies (2 of 6) on page 393</a>
RM1-5604-000CN	Assembly, position detect	<a href="#">Internal assemblies (3 of 6) on page 395</a>
RM1-5605-010CN	Assembly, residual-toner-feed motor	<a href="#">Internal assemblies (3 of 6) on page 395</a>
RM1-5615-000CN	Assembly, paper-delivery (M680)	<a href="#">Internal assemblies (3 of 6) on page 395</a>
RM1-5616-000	Assembly, scissors hinge, left	<a href="#">Internal assemblies (M680) on page 389</a>
RM1-5638-000CN	Assembly, tag holder	<a href="#">Internal assemblies (5 of 6) on page 399</a>
RM1-5641-000CN	Assembly, registration density (RD) sensor	<a href="#">Internal assemblies (4 of 6) on page 397</a>
RM1-5656-000CN	Assembly, fuser drive	<a href="#">Internal assemblies (5 of 6) on page 399</a>
RM1-5771-000CN	Assembly, toner remain PCA	<a href="#">Internal assemblies (1 of 6) on page 391</a>
RM1-5777-000CN	Motor, ITB	<a href="#">Internal assemblies (5 of 6) on page 399</a>

**Table 2-34 Numerical parts list (continued)**

<b>Part number</b>	<b>Description</b>	<b>Table and page</b>
RM1-5853-000CN	Assembly, paper sensor PCA	<a href="#">Internal assemblies (4 of 6) on page 397</a>
RM1-5894-000CN	Assembly, output bin sensor PCA	<a href="#">Stapling mailbox assemblies (2 of 2) on page 421</a>
RM1-5896-000CN	Assembly, bin solenoid	<a href="#">Stapling mailbox assemblies (2 of 2) on page 421</a>
RM1-5913-000CN	Assembly, lifter base	<a href="#">Internal assemblies (1 of 6) on page 391</a>
RM1-5913-000CN	Assembly, lifter base	<a href="#">1x500-sheet paper feeder components on page 405</a>
RM1-5913-000CN	Assembly, lifter base	<a href="#">1x500-sheet paper feeder with cabinet components on page 409</a>
RM1-5913-000CN	Assembly, lifter base	<a href="#">2,500-sheet paper feeder HCl components (2 of 2) on page 415</a>
RM1-5914-000CN	Assembly, lifter	<a href="#">Internal assemblies (5 of 6) on page 399</a>
RM1-5914-000CN	Assembly, lifter	<a href="#">1x500-sheet paper feeder components on page 405</a>
RM1-5914-000CN	Assembly, lifter	<a href="#">1x500-sheet paper feeder with cabinet components on page 409</a>
RM1-5914-000CN	Assembly, lifter	<a href="#">2,500-sheet paper feeder HCl components (2 of 2) on page 415</a>
RM1-5919-000CN	Assembly, paper-pickup	<a href="#">Internal assemblies (4 of 6) on page 397</a>
RM1-6663-000CN	Assembly, entrance solenoid	<a href="#">Stapling mailbox assemblies (1 of 2) on page 419</a>
RM1-6664-000CN	Assembly, stamp solenoid	<a href="#">Stapling mailbox assemblies (1 of 2) on page 419</a>
RM1-7437-010CN	Subassembly, stage top	<a href="#">Stapling mailbox assemblies (1 of 2) on page 419</a>
RM2-0200-000CN	Assembly, front door	<a href="#">Covers (M651) on page 379</a>
RM2-0200-000CN	Assembly, front door	<a href="#">Covers (M680) on page 381</a>
RM2-0202-000CN	Cover, rear (M651)	<a href="#">Covers (M651) on page 379</a>
RM2-0205-000CN	Cover, rear (M680)	<a href="#">Covers (M680) on page 381</a>
RM2-0206-000CN	Assembly, intermediate cover	<a href="#">Covers (M680) on page 381</a>
RM2-0208-000CN	Assembly, right door	<a href="#">Right door on page 383</a>
RM2-0210-000CN	Assembly, right handle cover	<a href="#">Covers (M651) on page 379</a>
RM2-0210-000CN	Assembly, right handle cover	<a href="#">Covers (M680) on page 381</a>
RM2-0212-000CN	Assembly, cartridge fan (M651)	<a href="#">Internal assemblies (3 of 6) on page 395</a>



**Table 2-34 Numerical parts list (continued)**

<b>Part number</b>	<b>Description</b>	<b>Table and page</b>
RM2-0213-000CN	Assembly, cartridge fan (M680)	<a href="#">Internal assemblies (3 of 6) on page 395</a>
RM2-0214-000CN	Bin, standard output	<a href="#">Covers (M680) on page 381</a>
RM2-0216-000CN	Assembly, intermediate paper feed	<a href="#">Internal assemblies (M680) on page 389</a>
RM2-0219-000CN	Assembly, front inner cover upper	<a href="#">Internal assemblies (2 of 6) on page 393</a>
RM2-0220-000CN	Assembly, inner connecting PCA (M680)	<a href="#">Internal assemblies (6 of 6) on page 401</a>
RM2-0221-000CN	Assembly, inner connecting PCA (M651)	<a href="#">Internal assemblies (6 of 6) on page 401</a>
RM2-0223-000CN	Assembly, paper-delivery (M651)	<a href="#">Internal assemblies (3 of 6) on page 395</a>
RM2-0340-000CN	Tray	<a href="#">Internal assemblies (2 of 6) on page 393</a>
RM2-0340-000CN	Tray	<a href="#">1x500-sheet paper feeder components on page 405</a>
RM2-0340-000CN	Tray	<a href="#">1x500-sheet paper feeder with cabinet components on page 409</a>
RM2-0340-000CN	Tray	<a href="#">2,500-sheet paper feeder HCI components (1 of 2) on page 413</a>
RM2-0341-000CN	Assembly, paper-pickup (1x500-sheet paper feeder)	<a href="#">1x500-sheet paper feeder components on page 405</a>
RM2-0341-000CN	Assembly, paper-pickup (1x500-sheet paper feeder with cabinet)	<a href="#">1x500-sheet paper feeder with cabinet components on page 409</a>
RM2-0341-000CN	Assembly, paper-pickup (2,500-sheet paper feeder HCI)	<a href="#">2,500-sheet paper feeder HCI components (1 of 2) on page 413</a>
RM2-0346-000CN	Assembly, lifter drive	<a href="#">2,500-sheet paper feeder HCI components (2 of 2) on page 415</a>
RM2-0350-000CN	Assembly, tray size sensor	<a href="#">2,500-sheet paper feeder HCI components (2 of 2) on page 415</a>
RM2-0351-000CN	Assembly, tray	<a href="#">2,500-sheet paper feeder HCI components (1 of 2) on page 413</a>
RM2-0362-000CN	Assembly, right door (2,500-sheet paper feeder HCI)	<a href="#">2,500-sheet paper feeder HCI covers on page 411</a>
RM2-0364-000CN	Assembly, front upper cover	<a href="#">1x500-sheet paper feeder covers on page 403</a>
RM2-0364-000CN	Assembly, front upper cover	<a href="#">1x500-sheet paper feeder with cabinet covers on page 407</a>
RM2-0364-000CN	Assembly, front upper cover	<a href="#">2,500-sheet paper feeder HCI covers on page 411</a>

**Table 2-34 Numerical parts list (continued)**

<b>Part number</b>	<b>Description</b>	<b>Table and page</b>
RM2-0368-000CN	Assembly, right door (1x500-sheet paper feeder with cabinet)	<a href="#">1x500-sheet paper feeder with cabinet covers on page 407</a>
RM2-0369-000CN	Assembly, stock box door	<a href="#">1x500-sheet paper feeder with cabinet covers on page 407</a>
RM2-0371-000CN	Assembly, HCl PCA	<a href="#">2,500-sheet paper feeder HCl components (2 of 2) on page 415</a>
RM2-0385-000CN	Assembly, paper-pickup drive	<a href="#">Internal assemblies (5 of 6) on page 399</a>
RM2-0386-000CN	Assembly, main switch	<a href="#">Internal assemblies (3 of 6) on page 395</a>
RM2-0392-000CN	Cover, front face-down	<a href="#">Covers (M651) on page 379</a>
RM2-0393-000CN	Assembly, flexible flat cable	<a href="#">Internal assemblies (5 of 6) on page 399</a>
RM2-0397-000CN	Sensor, residual toner full	<a href="#">Internal assemblies (2 of 6) on page 393</a>
RM2-0399-000CN	Assembly, residual-toner transfer	<a href="#">Internal assemblies (2 of 6) on page 393</a>
RM2-0402-000CN	Assembly, switch button	<a href="#">Covers (M651) on page 379</a>
RM2-0402-000CN	Assembly, switch button	<a href="#">Covers (M680) on page 381</a>
RM2-0460-000CN	Assembly, high-voltage power supply PCA, lower	<a href="#">Internal assemblies (6 of 6) on page 401</a>
RM2-0462-000CN	Assembly, high-voltage power supply PCA, upper	<a href="#">Internal assemblies (6 of 6) on page 401</a>
RM2-0464-000CN	Assembly, low-voltage power supply PCA 110-127V	<a href="#">Internal assemblies (6 of 6) on page 401</a>
RM2-0466-000CN	Assembly, low-voltage power supply PCA 220-240V	<a href="#">Internal assemblies (6 of 6) on page 401</a>
RM2-0474-000CN	Assembly, IPTU driver PCA	<a href="#">Internal assemblies (M680) on page 389</a>
RM2-0498-000CN	Assembly, DC controller PCA	<a href="#">Internal assemblies (6 of 6) on page 401</a>
RM2-0500-000CN	Assembly, rear pre-exposure	<a href="#">Internal assemblies (3 of 6) on page 395</a>
RM2-0501-000CN	Assembly, feeder PCA	<a href="#">1x500-sheet paper feeder components on page 405</a>
RM2-0501-000CN	Assembly, feeder PCA	<a href="#">1x500-sheet paper feeder with cabinet components on page 409</a>
RM2-5235-000CN	Assembly, jogger	<a href="#">Stapling mailbox assemblies (2 of 2) on page 421</a>
RM2-5237-000CN	Assembly, top door	<a href="#">Stapling mailbox covers on page 417</a>

**Table 2-34 Numerical parts list (continued)**

<b>Part number</b>	<b>Description</b>	<b>Table and page</b>
RM2-5240-000CN	Assembly, output bin	<a href="#">Stapling mailbox covers on page 417</a>
RM2-5241-000CN	Assembly, output bin 3	<a href="#">Stapling mailbox assemblies (2 of 2) on page 421</a>
RM2-5245-000CN	Assembly, output bin 3 driver PCA	<a href="#">Stapling mailbox assemblies (2 of 2) on page 421</a>
RM2-5771-000CN	Assembly, scissors hinge, right	<a href="#">Internal assemblies (M680) on page 389</a>
WC2-5637-000CN	Switch, push	<a href="#">Internal assemblies (2 of 6) on page 393</a>
WC2-5637-000CN	Switch, push	<a href="#">Internal assemblies (6 of 6) on page 401</a>
WC2-5637-000CN	Switch, push	<a href="#">2,500-sheet paper feeder HCl components (2 of 2) on page 415</a>
WC4-5303-000CN	Switch	<a href="#">Internal assemblies (2 of 6) on page 393</a>
WG8-5935-000CN	Photointerrupter	<a href="#">Internal assemblies (M651) on page 387</a>
WG8-5935-000CN	Photointerrupter	<a href="#">Internal assemblies (2 of 6) on page 393</a>
WG8-5935-000CN	Photointerrupter	<a href="#">Internal assemblies (3 of 6) on page 395</a>
WG8-5935-000CN	Photointerrupter	<a href="#">Stapling mailbox assemblies (1 of 2) on page 419</a>
XA9-1671-000CN	Screw, D, M3x8	<a href="#">Covers (M651) on page 379</a>
XA9-1671-000CN	Screw, stepped	<a href="#">Covers (M651) on page 379</a>
XA9-1671-000CN	Screw, D, M3x8	<a href="#">Covers (M680) on page 381</a>
XA9-1671-000CN	Screw, stepped	<a href="#">Covers (M680) on page 381</a>



# Index

## Symbols/Numerics

- 1x500-sheet input tray
  - part number 368
- 1x500-sheet paper feeder and cabinet
  - part number 368
- 1x500-sheet paper feeder
  - paper-pickup assembly, removing 274
- 2,500-sheet high-capacity input (HCI) feeder
  - part number 368

## A

- accessories
  - ordering 364
  - part number 368
- ADF
  - removing 80
- ADF roller maintenance kit (M680)
  - location 375, 428, 433
  - roller, reinstalling 65, 68
  - roller, removing 63
  - separation pad, reinstalling 68
  - separation pad, removing 66
- ADF white backing (M680)
  - location 373, 428, 432
  - removing 54
  - replacing 55
- after-service checklist 4

## B

- background selector (M680)
  - location 375, 428, 432
  - removing 60
  - replacing 62
- before-service checklist 4
- bezel
  - removing 53

## C

- calibrate scanner 106
- cartridge
  - ordering 365
  - part number 365
- cartridge duct assembly
  - location 399, 422, 437
  - removing 213
- cartridge fan
  - location 395, 422, 438
  - removing 174
- cartridges
  - removing 5
- cassette feed guide
  - reinstalling 151
  - removing 150
- cautions iii
- connector holder (stapling mailbox)
  - removing 324
- control panel (M651)
  - location 378
  - removing 28
- control panel (M680)
  - location 370
  - removing 32
- conventions, document iii
- covers
  - front upper cover (1x500-sheet paper feeder with cabinet), location 407, 422, 439
  - front upper cover (1x500-sheet paper feeder with cabinet), removing 287
  - front upper cover (1x500-sheet paper feeder), location 403, 422, 439
  - front upper cover (1x500-sheet paper feeder), removing 269
  - left cover (1x500-sheet paper feeder with cabinet), location 407, 426, 433
  - left cover (1x500-sheet paper feeder with cabinet), removing 285
  - left cover (1x500-sheet paper feeder), location 403, 426, 434
  - left cover (1x500-sheet paper feeder), removing 271
  - rear cover (1x500-sheet paper feeder with cabinet), location 407, 427, 434
  - rear cover (1x500-sheet paper feeder with cabinet), removing 284
  - rear cover (1x500-sheet paper feeder), location 403, 427, 434
  - rear cover (1x500-sheet paper feeder), removing 270
  - rear-right cover (1x500-sheet paper feeder with cabinet), location 407, 427, 434
  - rear-right cover (1x500-sheet paper feeder with cabinet), removing 292
  - right center cover (1x500-sheet paper feeder with cabinet), location 407, 427, 434
  - right center cover (1x500-sheet paper feeder with cabinet), removing 291
  - right cover (1x500-sheet paper feeder), location 403, 428, 434
  - right cover (1x500-sheet paper feeder), removing 273

- right door (1x500-sheet paper feeder with cabinet), location 407, 425, 440
- right door (1x500-sheet paper feeder with cabinet), removing 289
- right-front cover (1x500-sheet paper feeder with cabinet), location 407, 427, 434
- right-front cover (1x500-sheet paper feeder with cabinet), removing 288
- right-front cover (1x500-sheet paper feeder), location 403, 427, 434
- right-front cover (1x500-sheet paper feeder), removing 272
- stock box door (1x500-sheet paper feeder with cabinet), location 407, 425, 440
- stock box door (1x500-sheet paper feeder with cabinet), removing 286
- customer self-repair parts part numbers 366

## D

- DC controller PCA and tray
  - location 401, 422, 440
  - removing 204
- DC controller PCA assembly
  - location 401, 422, 440
  - removing 198
- DC controller PCA only
  - location 401, 422, 440
  - removing 198
- delivery assembly (M651)
  - location 395, 424, 439
  - reinstalling 184
  - removing 180
- delivery assembly (M680)
  - location 395, 424, 437
  - reinstalling 188
  - removing 186
- developing disengagement motor
  - location 399, 429, 435
- developing-disengagement motor
  - removing 212
- diagrams 363

- DIMM
  - removing and replacing 21
- document conventions iii
- document feeder
  - location 371, 428, 433
  - removing 80
  - replacing 85
- document feeder mylar strip
  - removing 70
- document feeder mylar strip (M680)
  - replacing 71
- document feeder roller cover
  - reinstalling 77
  - removing 73
- document feeder white backing (M680)
  - location 373, 428, 432
  - removing 54
  - replacing 55
- document-feeder eparation pad and holder (M680)
  - replacement 68
- document-feeder hinge assembly
  - removing 89
- document-feeder hinge HR assembly
  - location 373, 423, 432
- document-feeder roller (M680)
  - location 375, 428, 433
  - reinstalling 65
  - removing 63
  - replacement 65
- document-feeder roller cover
  - location 375, 426, 432
  - reinstalling 77
  - removing 73
- document-feeder separation pad and holder (M680)
  - location 375, 428, 433
  - removing 66
- document-feeder separation pad spring (M680)
  - reinstalling 68
- drum motors
  - location 399, 430, 437
  - removing 246
- duplex-drive assembly
  - location 399, 422, 437
  - removing 189

- duplexing-drive assembly
  - location 399, 422, 437
  - removing 189

## E

- electrostatic discharge (ESD) 2
- entrance solenoid (stapling mailbox)
  - location 419, 422, 438
  - removing 358
- environmental sensor
  - removing 174
- ESD electrostatic discharge (ESD) 2
- exhaust fan
  - location 399, 422, 437
  - reinstalling 215
  - removing 213

## F

- face-down rear cover (M651)
  - location 379, 426, 435
  - removing 136
- face-down tray (M651)
  - location 379, 431, 435
  - reinstalling 135
  - removing 134
- fan cover (M680)
  - location 381, 426, 435
  - removing 118
- fans
  - cartridge, removing 174
  - exhaust, location 399, 422, 437
  - exhaust, removing 213
  - paper-delivery (M651), removing 166
  - paper-delivery (M680), removing 168
  - power-supply fan (M651), location 401, 428, 435
  - power-supply fan (M651), removing 190
  - power-supply fan (M680), location 401, 428, 435
  - power-supply fan (M680), removing 192
- fax PCA (M680)
  - removing 12
- feed motor (stapling mailbox)
  - location 419, 429, 436
  - removing 360

- feeder PCA (1x500-sheet paper feeder with cabinet)
  - location 409, 422, 440
  - removing 299
- feeder PCA (1x500-sheet paper feeder)
  - location 405, 422, 440
  - removing 281
- field-replaceable units (FRUs)
  - replacing 2
- flapper assembly (stapling mailbox)
  - removing 338
- flapper guide assembly (stapling mailbox)
  - removing 336
- formatter
  - PCA, removing 9
- front cover (stapling mailbox)
  - location 417, 426, 435
  - removing 321
- front door assembly
  - location 379, 381, 422, 407, 438
  - removing 126
- front face-down cover (M651)
  - location 379, 426, 440
  - removing 143
- front upper cover (1x500-sheet paper feeder with cabinet)
  - location 407, 422, 439
  - removing 287
- front upper cover (1x500-sheet paper feeder)
  - location 403, 422, 439
  - removing 269
- front upper cover (2,500-sheet paper feeder HCI)
  - location 411, 422, 439
  - removing 304
- FRUs (field-replaceable units)
  - replacing 2
- fuser
  - location 395, 429, 433
  - removing 24
- fuser drive assembly
  - location 399, 422, 437
  - reinstalling 266
  - removing 262

- fuser motor
  - location 399, 429, 436
  - removing 248
- H**
- hard disk drive (HDD)
  - removing 13
- HCI PCA (2,500-sheet paper feeder HCI)
  - location 415, 422, 440
  - removing 319
- HDD
  - removing 13
- high-voltage power supply PCA lower assembly
  - location 401, 423, 440
  - removing 207
- high-voltage power supply PCA upper assembly
  - location 401, 422, 440
  - removing 243
- high-voltage power supply upper
  - location 401, 422, 440
  - removing 243
- high-voltage power supply, lower
  - location 401, 423, 440
  - removing 207
- HP Jetdirect 2800w NFC & wireless direct accessory
  - part number 368
- HP LaserJet MFP analog fax accessory 500
  - part number 368
- HP LaserJet postcard media insert tray
  - part number 368
- I**
- image scanner assembly
  - location 371, 429, 433
  - removing 103
- inner connecting PCA assembly (M651)
  - location 401, 423, 439
  - removing 194
- inner connecting PCA assembly (M680)
  - location 401, 423, 439
  - removing 196

- installation 2
  - screws 2
  - See also* replacing parts
- interconnect board (ICB) (M651)
  - location 401, 423, 439
  - removing 194
- interconnect board (ICB) (M680)
  - location 401, 423, 439
  - removing 196
- intermediate cover assembly (M680)
  - location 381, 423, 438
  - removing 145
- intermediate paper feed assembly (M680)
  - location 389, 423, 439
  - removing 147
- intermediate transfer belt (ITB)
  - location 395, 429, 433
  - removing 25
- IPTU (M680)
  - location 389, 423, 439
  - removing 147
- ITB
  - location 395, 429, 433
  - removing 25
- ITB motor
  - location 399, 430, 437
  - removing 250
- J**
- jogger assembly (stapling mailbox)
  - location 421, 423, 440
  - removing 334
- K**
- keyboard assembly (M680z)
  - location 385, 429, 432
  - removing 37
- L**
- laser scanner
  - warnings for servicing 2
- laser/scanner assembly (C/K)
  - location 395, 429, 433
  - removing 237
- laser/scanner assembly (Y/M)
  - location 395, 429, 433
  - removing 233
- left cover
  - location 379, 427, 435
  - removing 120

- left cover (1x500-sheet paper feeder with cabinet)
  - location 407, 426, 433
  - removing 285
- left cover (1x500-sheet paper feeder)
  - location 403, 426, 434
  - removing 271
- left cover (2,500-sheet paper feeder HCI)
  - location 411, 426, 433
  - removing 303
- left rear cover
  - location 381, 427, 435
  - removing 119
- left scissors hinge assembly
  - location 389, 425, 437
- lifter assembly
  - location 399, 423, 438
- lifter assembly (1x500-sheet paper feeder with cabinet)
  - location 409, 423, 438
  - removing 297
- lifter assembly (1x500-sheet paper feeder)
  - location 405, 423, 438
  - removing 279
- lifter base assembly
  - removing 220
- lifter base assembly (1x500-sheet paper feeder with cabinet)
  - location 409, 423, 438
  - removing 296
- lifter base assembly (1x500-sheet paper feeder)
  - location 405, 423, 438
  - removing 277
- lifter-drive assembly
  - removing 217
- low-voltage power supply
  - location 401, 423, 440
  - removing 200
- low-voltage power supply PCA assembly
  - location 401, 423, 440
  - removing 200
- lower rear cover (2,500-sheet paper feeder HCI)
  - removing 302

## M

- main-drive assembly
  - location 399, 429, 433
  - removing 252
- memory DIMM
  - removing and replacing 21
- motors
  - developing disengagement,
    - location 399, 429, 435
  - developing-disengagement,
    - removing 212
  - drum motor, location 399, 430, 437
  - drum motor, removing 246
  - fuser, location 399, 429, 436
  - fuser, removing 248
  - ITB, location 399, 430, 437
  - ITB, removing 250
  - main DC motor assembly,
    - location 399, 430, 437
  - main DC motor assembly,
    - removing 246
  - pickup (1x500-sheet paper feeder with cabinet), location 409, 429, 436
  - pickup (1x500-sheet paper feeder with cabinet), removing 298
  - pickup (1x500-sheet paper feeder), location 405, 429, 436
  - pickup (1x500-sheet paper feeder), removing 280
  - pickup, location 399, 430, 436
  - pickup, removing 216
  - residual-toner-feed, removing 169

## N

- notes iii

## O

- order parts by authorized service providers
  - order parts 364
- ordering
  - product documents 364
  - supplies and accessories 364
  - toner cartridge 365

- output bin
  - location 381, 425, 439
  - removing 52
- output bin 3 (stapling mailbox)
  - location 421, 424, 441
  - removing 326
- output bin 3 assembly
  - removing 326
- output bin 3 drive assembly (stapling mailbox)
  - location 421, 424, 437
  - removing 342
- output bin 3 driver PCA (stapling mailbox)
  - location 421, 424, 441
  - removing 327
- output bin assembly (stapling mailbox)
  - location 417, 424, 441
  - removing 340
- output bin bezel (M680)
  - location 381, 425, 433
  - removing 53
- output bin sensor PCA (stapling mailbox)
  - location 421, 424, 438
  - removing 331
- output bin solenoid (stapling mailbox)
  - location 421, 422, 438
  - removing 339

## P

- paddle motor (stapling mailbox)
  - location 419, 430, 436
  - removing 362
- paper feeder
  - paper-pickup assembly,
    - location 405, 424, 439
- paper pickup assembly
  - removing 226
- paper pickup drive assembly (1x500-sheet paper feeder)
  - removing 280
- paper-delivery assembly (M651)
  - location 395, 424, 439
  - removing 180
- paper-delivery assembly (M680)
  - removing 186



- paper-delivery fan (M651)
    - location 387, 424, 437
    - removing 166
  - paper-delivery fan (M680)
    - location 389, 424, 435
    - removing 168
  - paper-pickup assembly
    - location 397, 424, 438
  - paper-pickup assembly (1x500-sheet paper feeder with cabinet)
    - location 409, 424, 439
    - removing 293
  - paper-pickup assembly (1x500-sheet paper feeder),
    - removing 274
  - paper-pickup drive assembly
    - location 399, 424, 440
    - removing 223
  - part number
    - accessories 368
    - toner cartridge 365
  - part numbers
    - customer self-repair parts 366
    - replacement parts 366
  - parts 363
  - parts lists and diagrams
    - covers 378
    - document feeder and scanner assemblies 370
    - document feeder assemblies 372
    - internal assemblies 386
    - internal assemblies (1 of 6) 390
    - internal assemblies (3 of 8) 392, 394, 396, 398, 400
    - internal assemblies (M651) 386
    - internal assemblies (M680) 388
    - right door 382
    - scan control board (SCB) 376
    - using 369
  - pickup motor
    - location 399, 430, 436
    - removing 216
  - pickup motor (1x500-sheet paper feeder with cabinet)
    - location 409, 429, 436
    - removing 298
  - pickup motor (1x500-sheet paper feeder)
    - location 405, 429, 436
    - removing 280
  - pickup motor (2,500-sheet paper feeder HCI)
    - location 415, 429, 436
    - removing 318
  - pickup motor assembly (1x500-sheet paper feeder)
    - location 405, 429, 436
    - removing 280
  - power-supply fan (M651)
    - location 401, 428, 435
    - removing 190
  - power-supply fan (M680)
    - location 401, 428, 435
    - removing 192
- R**
- rear cover (1x500-sheet paper feeder with cabinet)
    - location 407, 427, 434
    - removing 284
  - rear cover (1x500-sheet paper feeder)
    - location 403, 427, 434
    - removing 270
  - rear cover (2,500-sheet paper feeder HCI)
    - location 411, 427, 434
    - removing 302
  - rear cover (M651)
    - location 379, 427, 438
    - removing 121
  - rear cover (M680)
    - location 381, 427, 438
    - removing 122
  - rear cover (stapling mailbox)
    - location 417, 427, 435
    - removing 322
  - rear-right cover (1x500-sheet paper feeder with cabinet)
    - location 407, 427, 434
    - removing 292
  - registration assembly
    - location 397, 429, 433
    - removing 161
    - resetting counts 165
  - registration density (RD) sensor assembly
    - location 397, 424, 437
    - removing 157
  - related documentation and software
    - order parts 364
  - removal order
    - removing order 4
  - removal strategy
    - removing and replacing 2
  - removing parts
    - after-service checklist 4
    - before-service checklist 4
    - service approach 3
    - tools, required 3
  - repair approach 3
  - replacement parts
    - part numbers 366
  - replacing parts
    - about 2
    - after-service checklist 4
    - before-service checklist 4
    - screws 2
    - service approach 3
    - tools, required 3
  - residual toner full sensor
    - location 393, 431, 440
    - removing 178
  - residual-toner transfer assembly
    - location 393, 424, 440
    - removing 171
  - residual-toner-feed motor
    - location 395, 424, 437
    - removing 169
  - right center cover (1x500-sheet paper feeder with cabinet)
    - location 407, 427, 434
    - removing 291
  - right center cover (2,500-sheet paper feeder HCI)
    - location 411, 377, 434
    - removing 308
  - right cover (1x500-sheet paper feeder)
    - location 403, 428, 434
    - removing 273
  - right door (1x500-sheet paper feeder with cabinet)
    - location 407, 425, 440
    - removing 289

- right door assembly
    - location 378, 380
    - removing 130
  - right door assembly (2,500-sheet paper feeder HCI)
    - location 411, 425, 439
    - removing 306
  - right front cover (2,500-sheet paper feeder HCI)
    - location 411, 427, 434
    - removing 305
  - right lower cover (2,500-sheet paper feeder HCI)
    - location 411, 427, 434
    - removing 310
  - right rear cover (2,500-sheet paper feeder HCI)
    - location 411, 428, 434
    - removing 309
  - right scissors hinge assembly
    - location 389, 425, 441
  - right-front cover
    - location 379, 381, 427, 435
    - removing 124
  - right-front cover (1x500-sheet paper feeder with cabinet)
    - location 407, 427, 434
    - removing 288
  - right-front cover (1x500-sheet paper feeder)
    - location 403, 427, 434
    - removing 272
  - right-front upper cover (M651)
    - location 379, 427, 435
    - removing 143
  - right-rear cover
    - location 379, 381, 428, 435
    - removing 146
  - roller
    - feed and separation roller (1x500-sheet paper deck tray), location 409, 430, 432
    - feed and separation roller (1x500-sheet paper feeder tray), location 405, 430, 432
    - feed and separation roller (2,500-sheet paper feeder trays), location 413, 385, 432
    - feed and separation roller (Tray 2), location 397, 430, 432
    - feed and separation roller (Trays 2–5), removing 45
    - pickup roller (Tray 1), location 383, 429, 432
    - pickup roller (Tray 1), removing 46
    - Tray 1 roller, location 383, 429, 432
- S**
- scanner
    - calibrate 106
  - scanner assembly
    - replacing 106
  - scanner control board
    - location 377, 430, 433
    - removing 93
    - replacing 99
  - scanner control board fan (M680)
    - location 377, 429, 432
    - removing 90
  - scanner rear cover
    - removing 79
  - SCB
    - removing 93
  - SCB fan (M680)
    - location 377, 429, 432
    - removing 90
  - scissor hinge assemblies
    - location 389, 425, 437
    - removing 113
  - screwdrivers, required 3
  - screws
    - installing 2
    - types of 3
  - secondary transfer assembly
    - location 397, 425, 437
    - removing 152
  - secondary transfer roller
    - location 397, 429, 432
    - removing 50
  - sensors
    - environmental, removing 174
    - toner-collection sensor, removing 178
  - service approach 3
  - service replacement parts
    - order parts 368
  - solid state module (SSM)
    - removing 13
- SSM**
- removing 13
- stacking panel (stapling mailbox)
    - location 417, 430, 436
    - removing 333
  - stage assembly (stapling mailbox)
    - location 419, 425, 437
    - removing 354
  - stage-top sub-assembly (stapling mailbox)
    - location 419, 431, 438
    - reinstalling 353
    - removing 345
  - stamp solenoid (stapling mailbox)
    - location 419, 425, 438
    - removing 330
  - standard output bin (M680)
    - location 381, 425, 439
    - removing 52
  - stapler assembly (stapling mailbox)
    - location 421, 425, 437
    - removing 329
  - Stapling mailbox
    - part number 368
  - static, precautions for 2
  - stock box door (1x500-sheet paper feeder with cabinet)
    - front door, location 407, 425, 440
    - front door, removing 286
  - supplies
    - ordering 364
  - supplies part numbers
    - order parts 365
- T**
- tips iii
  - toner cartridge
    - ordering 365
    - part number 365
  - toner cartridges
    - removing 5
  - toner collection unit
    - location 393, 429, 433
    - removing 6
  - tools, required 3
  - top cover (stapling mailbox)
    - location 417, 428, 436
    - removing 325

top door (stapling mailbox)  
location 417, 425, 440  
removing 323

tray  
paper-pickup assembly (1x500-sheet paper feeder), location 405, 424, 439

Tray 1 separation pad  
location 383, 430, 436  
removing 154

Tray 3-4 lifter assemblies (2,500-sheet paper feeder HCI)  
location 415, 423, 438  
removing 316

Tray 3-4 lifter base assemblies (2,500-sheet paper feeder HCI)  
location 415, 423, 438  
removing 315

Tray 3-4 paper-pickup assemblies (2,500-sheet paper feeder HCI)  
location 413, 424, 439

Tray 3-4 pickup assemblies (2,500-sheet paper feeder HCI)  
removing 313

Tray 5 lifter drive assembly (2,500-sheet paper feeder HCI)  
location 415, 423, 439  
removing 317

Tray 5 paper-pickup assembly (2,500-sheet paper feeder HCI)  
location 413, 424, 439

Tray 5 pickup assembly (2,500-sheet paper feeder HCI)  
removing 311

trays  
location, 1x500-sheet paper deck tray 409, 431, 439  
location, 2,500-sheet paper feeder 1x500 trays 413, 431, 439  
location, 500-sheet paper feeder tray 405, 431, 439  
location, Tray 2 393, 431, 439  
removing 8

troubleshooting  
service approach 3

U.S. English keyboard (M680)  
location 385, 429, 432

upper cover (M651)  
location 379, 428, 435  
removing 139

upper left cover (M651)  
location 379, 428, 435  
removing 117

## W

warnings iii

## U

U.K. English keyboard (M680)  
location 385, 429, 432





