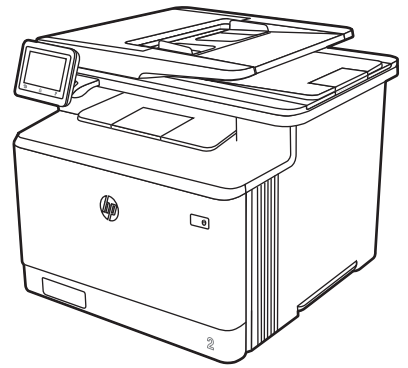
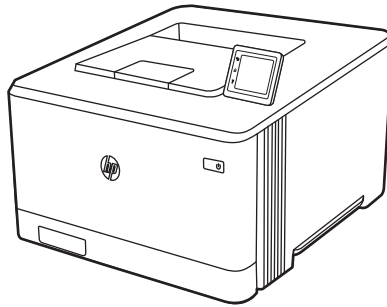
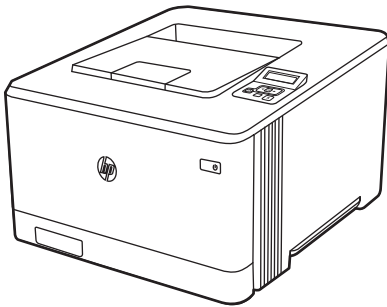




# HP Color LaserJet Pro M454 HP Color LaserJet Pro MFP M479

## Service Manual: Repair



[www.hp.com/videos/LaserJet](http://www.hp.com/videos/LaserJet)  
[www.hp.com/support/colorljM454](http://www.hp.com/support/colorljM454)  
[www.hp.com/support/colorljM479MFP](http://www.hp.com/support/colorljM479MFP)





# HP Color LaserJet Pro M454 and HP Color LaserJet Pro MFP M479

Service Manual: Repair

## Copyright and License

© Copyright 2019 HP Development Company, L.P.

Reproduction, adaptation, or translation without prior written permission is prohibited, except as allowed under the copyright laws.

The information contained herein is subject to change without notice.

The only warranties for HP products and services are set forth in the express warranty statements accompanying such products and services. Nothing herein should be construed as constituting an additional warranty. HP shall not be liable for technical or editorial errors or omissions contained herein.

Edition 1, 6/2019



## Revision history

The information contained herein is subject to change without notice. The only warranties for HP products and services are set forth in the express warranty statements accompanying such products and services. Nothing herein should be construed as constituting an additional warranty. HP shall not be liable for technical or editorial errors or omissions contained herein.


**Table -1** Revision history


Revision number	Revision date	Revision notes
1	6/2019	HP LaserJet Pro M454 HP LaserJet Pro MFP M479 Repair manual initial release





## Conventions used in this guide

---


 **TIP:** Helpful hints or shortcuts.

 **NOTE:** Information that explains a concept or how to complete a task.

 **Reinstallation tip:** Reinstallation helpful hints, shortcuts, or considerations.

 **IMPORTANT:** Information that help the user to avoid potential printer error conditions.

 **CAUTION:** Procedures that the user must follow to avoid losing data or damaging the printer.

 **WARNING!** Procedures that the user must follow to avoid personal injury, catastrophic loss of data, or extensive damage to the printer.

---



## HP service and support

Learn about HP access to additional service and support information.

### Additional service and support for channel partners

Channel partners, go to [partner.hp.com](https://partner.hp.com), and then use the steps below to access the HP Web-based Interactive Search Engine (WISE).

#### Access WISE for Channel partners

1. Select **Services & Support**, and then select **Services Delivery**.
2. Select **Technical Support**, and then select **Technical Documentation**.

### Find information about the following topics

- Service manuals
- Service advisories
- Up-to-date control panel message (CPMD) troubleshooting
- Install and configure
- Printer specifications
- Solutions for printer issues and emerging issues
- Remove and replace part instructions and videos
- Warranty and regulatory information

### Additional service and support for HP internal personnel

HP internal personnel, go to one of the following Web-based Interactive Search Engine (WISE) sites:

#### Americas (AMS)

- <https://support.hp.com/wise/home/ams-en> WISE - English
- <https://support.hp.com/wise/home/ams-es> WISE - Spanish
- <https://support.hp.com/wise/home/ams-pt> WISE - Portuguese
- <https://support.hp.com/wise/home/ams-fr> WISE - French

#### Asia Pacific / Japan (APJ)

- <https://support.hp.com/wise/home/apj-en> WISE - English
- <https://support.hp.com/wise/home/apj-ja> WISE - Japanese
- <https://support.hp.com/wise/home/apj-ko> WISE - Korean
- <https://support.hp.com/wise/home/apj-zh-Hans> WISE - Chinese (simplified)

- [https://support.hp.com/wise/home/apj-zh-HantWISE - Chinese \(traditional\)](https://support.hp.com/wise/home/apj-zh-HantWISE - Chinese (traditional))
- <https://support.hp.com/wise/home/apj-thWISE - Thai>

**Europe / Middle East / Africa (EMEA)**

- <https://support.hp.com/wise/home/emea-enWISE - English>

---

# Table of contents

<b>1 Removal and replacement .....</b>	<b>1</b>
HP service and support .....	2
Additional service and support for channel partners .....	2
Additional service and support for HP internal personnel .....	2
Removal and replacement strategy .....	4
Introduction .....	4
Considerations during removal and replacement .....	4
Electrostatic discharge .....	5
Required tools .....	5
Fasteners used in this printer .....	6
Service approach .....	7
Before performing service .....	7
Repair Mode .....	7
When using toner cartridges multiple times .....	7
Service menu .....	8
After performing service .....	8
Post service tests .....	9
Print-quality test .....	9
Copy-quality test (M479 models) .....	9
Fax-quality test (M479 models) .....	9
Order parts by authorized service providers .....	10
Orderable parts .....	10
Whole unit replacement (WUR) part numbers .....	10
Supplies part numbers .....	11
HP service and support .....	13
Additional service and support for channel partners .....	13
Additional service and support for HP internal personnel .....	14
Removal and replacement procedures .....	15
Customer self-repair (CSR) A parts and assemblies .....	15
Removal and replacement: Toner cartridges .....	16
Removal and replacement: Trays .....	21
Removal and replacement: Tray 2 .....	22

Removal and replacement: Tray 3 .....	24
Field replaceable units (FRUs) .....	26
Removal and replacement: Rollers .....	26
Removal and replacement: Tray 1 pickup roller .....	27
Removal and replacement: Tray 1 separation pad .....	31
Removal and replacement: Tray 2 pickup and feed rollers .....	35
Removal and replacement: Tray 2 separation roller .....	43
Removal and replacement: Tray 3 pickup and feed rollers .....	50
Removal and replacement: Tray 3 separation roller .....	55
Removal and replacement: Secondary transfer roller .....	60
Removal and replacement: External panels, covers, and doors .....	65
Removal and replacement: Right cover (M454 models) .....	66
Removal and replacement: Left cover (M454 models) .....	75
Removal and replacement: Right cover (M479 models) .....	83
Removal and replacement: Left cover (M479 models) .....	94
Removal and replacement: Front door assembly .....	104
Removal and replacement: Duplexer door assembly (duplex models) .....	123
Removal and replacement: Rear top cover (simplex models) .....	146
Removal and replacement: Rear lower cover (simplex models) .....	168
Removal and replacement: Rear door (simplex models) .....	191
Removal and replacement: Top cover (M454 models) .....	213
Removal and replacement: Top cover (M479 models) .....	236
Removal and replacement: Touchscreen control panel (M454dw model) ..	272
Removal and replacement: Touchscreen control panel (M479 models) .....	291
Removal and replacement: Integrated scanner assembly (M479 models) .....	324
Introduction .....	324
Step 1: Remove Tray 2 .....	324
Step 2: Open the front door and rear door or duplexer door .....	325
Step 3: Remove the left cover (M479 models) .....	327
Step 4: Remove the integrated scanner assembly .....	331
Step 5: Unpack the replacement part .....	336
Step 6: Install the integrated scanner assembly .....	336
Removal and replacement: Internal parts and assemblies .....	338
Removal and replacement: Power switch assembly .....	340
Removal and replacement: Toner cartridge tray .....	355
Removal and replacement: Cartridge fan .....	372
Removal and replacement: Power supply fan .....	388
Removal and replacement: Low-voltage power supply (LVPS) .....	405
Removal and replacement: Pickup motor .....	434
Removal and replacement: Driver PCA .....	464
Removal and replacement: Drum motor .....	480



Removal and replacement: Developer motor .....	512
Removal and replacement: Secondary transfer assembly (simplex models) .....	544
Removal and replacement: Secondary transfer assembly (duplex models) .....	550
Removal and replacement: Intermediate transfer belt (ITB) .....	555
Removal and replacement: Registration density sensor .....	588
Removal and replacement: Re-pickup assembly (duplex models) .....	630
Removal and replacement: Engine controller PCA .....	657
Removal and replacement: Lifter drive assembly .....	671
Removal and replacement: Pickup assembly .....	707
Removal and replacement: Front feed guide assembly .....	752
Removal and replacement: Rear feed guide assembly .....	801
Removal and replacement: Registration assembly .....	849
Removal and replacement: Memory PCA .....	899
Removal and replacement: Laser scanner (M454 models) .....	943
Removal and replacement: Laser scanner (M479 models) .....	973
Removal and replacement: Fuser (simplex models) .....	1017
Removal and replacement: Fuser (duplex models) .....	1062
Removal and replacement: Fuser motor .....	1108
Removal and replacement: Duplex drive assembly (duplex models) .....	1126
Removal and replacement: Wireless antenna (M454nw/dw models) .....	1174
Removal and replacement: Wireless antenna (M479 models) .....	1193
Removal and replacement: Wireless PCA (M454nw/dw models) .....	1230
Removal and replacement: Wireless PCA (M479fnw/fdw models) .....	1240
Removal and replacement: Formatter PCA .....	1253
Removal and replacement: Environmental sensor .....	1272
Removal and replacement: Fax PCA (M479 models) .....	1285
Removal and replacement: Walk-up USB port (M454dw model) .....	1306
Removal and replacement: Walk-up USB port (M479 models) .....	1323
Removal and replacement: Drawer connector .....	1353
Removal and replacement: Front door switch .....	1365
Removal and replacement: Accessories .....	1379
550-sheet paper feeder .....	1380

<b>2 Parts and diagrams .....</b>	<b>1553</b>
HP service and support .....	1554
Additional service and support for channel partners .....	1554
Additional service and support for HP internal personnel .....	1554
Assembly locations .....	1556
Base printer, M454 .....	1556

Base printer, M479 .....	1557
550-sheet paper feeder (all models) .....	1558
Order parts, accessories, and supplies .....	1559
Ordering .....	1559
Orderable parts .....	1559
Supplies .....	1559
Accessories .....	1562
Customer self-repair kits .....	1562
How to use the parts lists and diagrams .....	1564
Parts and diagrams: Document feeder and scanner whole units .....	1566
Document feeder and scanner (M479) .....	1566
Parts and diagrams: Covers and control panels .....	1568
M454 covers and control panels .....	1568
M479 covers and control panel .....	1570
Parts and diagrams: Internal components .....	1572
Internal components (1 of 5) .....	1572
Internal components (2 of 5) .....	1574
Internal components (3 of 5) .....	1576
Internal components (4 of 5) .....	1578
Internal components (5 of 5) .....	1580
Parts and diagrams: 550-sheet paper feeder .....	1582
550-sheet paper feeder covers .....	1582
550-sheet paper feeder main body (1 of 2) .....	1584
550-sheet paper feeder main body (2 of 2) .....	1586
Alphabetical parts list .....	1588
Numerical parts list .....	1594
<b>Index .....</b>	<b>1601</b>

---

# List of tables

Table 1-1	Supplies part numbers .....	11
Table 2-1	Base printer, M454 (no optional trays or accessories) .....	1556
Table 2-2	Base printer, M479 (no optional trays or accessories) .....	1557
Table 2-3	550-sheet paper feeder (all models) .....	1558
Table 2-4	Supplies .....	1559
Table 2-5	Accessories .....	1562
Table 2-6	Document feeder and scanner (M479) .....	1567
Table 2-7	M454 covers and control panels, etc. ....	1569
Table 2-8	M479 covers and control panel, etc. ....	1571
Table 2-9	Internal components (1 of 5) .....	1573
Table 2-10	Internal components (2 of 5) .....	1575
Table 2-11	Internal components (3 of 5) .....	1577
Table 2-12	Internal components (4 of 5) .....	1579
Table 2-13	Internal components (5 of 5) .....	1581
Table 2-14	550-sheet paper feeder covers .....	1583
Table 2-15	550-sheet paper feeder main body (1 of 2) .....	1585
Table 2-16	550-sheet paper feeder main body (2 of 2) .....	1587



---

# List of figures

Figure 1-1	Screwdrivers .....	5
Figure 1-8	Remove the tray .....	22
Figure 1-9	Recycle and unpack .....	23
Figure 1-10	Install the tray .....	23
Figure 1-11	Remove the tray .....	24
Figure 1-12	Recycle and unpack .....	25
Figure 1-13	Release the front door .....	28
Figure 1-14	Open the front door .....	28
Figure 1-15	Release two tabs .....	29
Figure 1-16	Remove the pickup roller .....	29
Figure 1-17	Recycle and unpack .....	30
Figure 1-18	Release the front door .....	32
Figure 1-19	Open the front door .....	32
Figure 1-20	Press down and release tabs .....	33
Figure 1-21	Remove the separation pad .....	33
Figure 1-22	Recycle and unpack .....	34
Figure 1-23	Open the front door .....	36
Figure 1-24	Open the cartridge drawer .....	36
Figure 1-25	Remove the toner cartridge .....	37
Figure 1-26	Slide the cartridge tray in .....	37
Figure 1-27	Close the front door .....	38
Figure 1-28	Remove the tray .....	38
Figure 1-29	Release the feed guide .....	39
Figure 1-30	Release the roller holder .....	39
Figure 1-31	Remove the roller case .....	40
Figure 1-32	Locate the rollers .....	40
Figure 1-33	Remove the roller .....	41
Figure 1-34	Recycle and unpack .....	41
Figure 1-35	Position the roller .....	42
Figure 1-36	Install the roller .....	42
Figure 1-37	Open the front door .....	44
Figure 1-38	Open the cartridge drawer .....	44

Figure 1-39	Remove the toner cartridge .....	45
Figure 1-40	Slide the cartridge tray in .....	45
Figure 1-41	Close the front door .....	46
Figure 1-42	Remove the tray .....	46
Figure 1-43	Release the tabs .....	47
Figure 1-44	Remove the cover .....	47
Figure 1-45	Release the separation roller .....	48
Figure 1-46	Remove the separation roller .....	48
Figure 1-47	Recycle and unpack .....	49
Figure 1-48	Install the separation roller .....	49
Figure 1-49	Remove the tray .....	51
Figure 1-50	Release the roller holder .....	51
Figure 1-51	Remove the roller case .....	52
Figure 1-52	Locate the rollers .....	52
Figure 1-53	Remove the roller .....	53
Figure 1-54	Recycle and unpack .....	53
Figure 1-55	Position the roller .....	54
Figure 1-56	Install the roller .....	54
Figure 1-57	Remove the tray .....	56
Figure 1-58	Release the tabs .....	56
Figure 1-59	Remove the cover .....	57
Figure 1-60	Release the separation roller .....	57
Figure 1-61	Remove the separation roller .....	58
Figure 1-62	Recycle and unpack .....	58
Figure 1-63	Install the separation roller .....	59
Figure 1-64	Position the roller cover .....	59
Figure 1-65	Release two tabs .....	61
Figure 1-66	Lift the end of the roller .....	61
Figure 1-67	Remove the stopper .....	62
Figure 1-68	Reattach the stopper spring .....	62
Figure 1-69	Remove the secondary transfer roller .....	63
Figure 1-70	Recycle and unpack .....	63
Figure 1-71	Position the secondary transfer roller .....	64
Figure 1-72	Attach stopper .....	64
Figure 1-73	Remove the tray .....	67
Figure 1-74	Release the front door .....	67
Figure 1-75	Open the front door .....	68
Figure 1-76	Open the duplexer door .....	68
Figure 1-77	Open the rear door .....	69
Figure 1-78	Remove one screw .....	69
Figure 1-79	Remove one screw .....	70

Figure 1-80	Locate the tabs .....	70
Figure 1-81	Release front lower tabs .....	71
Figure 1-82	Release lower rear tab .....	71
Figure 1-83	Release two front tabs .....	72
Figure 1-84	Release upper tabs .....	72
Figure 1-85	Remove the right cover .....	73
Figure 1-86	Recycle and unpack .....	73
Figure 1-87	Remove the tray .....	76
Figure 1-88	Release the front door .....	76
Figure 1-89	Open the front door .....	77
Figure 1-90	Open the duplexer door .....	77
Figure 1-91	Open the rear door .....	78
Figure 1-92	Remove one screw .....	78
Figure 1-93	Release two tabs .....	79
Figure 1-94	Locate the tabs .....	79
Figure 1-95	Release bottom tabs .....	80
Figure 1-96	Release three tabs .....	80
Figure 1-97	Release two tabs .....	81
Figure 1-98	Remove the button .....	81
Figure 1-99	Recycle and unpack .....	82
Figure 1-100	Remove the tray .....	84
Figure 1-101	Release the front door .....	84
Figure 1-102	Open the front door .....	85
Figure 1-103	Open the duplexer door .....	85
Figure 1-104	Open the rear door .....	86
Figure 1-105	Raise the scanner .....	86
Figure 1-106	Remove one screw .....	87
Figure 1-107	Remove one screw .....	87
Figure 1-108	Locate the tabs .....	88
Figure 1-109	Release front lower tabs .....	88
Figure 1-110	Release lower rear tab .....	89
Figure 1-111	Release front upper tabs .....	89
Figure 1-112	Rotate the front of the cover .....	90
Figure 1-113	Release top tabs .....	90
Figure 1-114	Release one tab and one hook .....	91
Figure 1-115	Lower the scanner .....	91
Figure 1-116	Remove the right cover .....	92
Figure 1-117	Recycle and unpack .....	92
Figure 1-118	Install rear tab .....	93
Figure 1-119	Remove the tray .....	95
Figure 1-120	Release the front door .....	95

Figure 1-121	Open the front door .....	96
Figure 1-122	Open the duplexer door .....	96
Figure 1-123	Open the rear door .....	97
Figure 1-124	Raise the scanner .....	97
Figure 1-125	Remove one screw .....	98
Figure 1-126	Release two tabs .....	98
Figure 1-127	Locate the tabs .....	99
Figure 1-128	Release four tabs .....	99
Figure 1-129	Rotate the cover .....	100
Figure 1-130	Release one tab and two hooks .....	100
Figure 1-131	Lower the scanner .....	101
Figure 1-132	Remove the left cover .....	101
Figure 1-133	Release two tabs .....	102
Figure 1-134	Remove the button .....	102
Figure 1-135	Recycle and unpack .....	103
Figure 1-136	Remove the tray .....	105
Figure 1-137	Release the front door .....	105
Figure 1-138	Open the front door .....	106
Figure 1-139	Open the duplexer door .....	106
Figure 1-140	Open the rear door .....	107
Figure 1-141	Remove one screw .....	107
Figure 1-142	Remove one screw .....	108
Figure 1-143	Locate the tabs .....	108
Figure 1-144	Release front lower tabs .....	109
Figure 1-145	Release lower rear tab .....	109
Figure 1-146	Release two front tabs .....	110
Figure 1-147	Release upper tabs .....	110
Figure 1-148	Remove the right cover .....	111
Figure 1-149	Raise the scanner .....	111
Figure 1-150	Remove one screw .....	112
Figure 1-151	Remove one screw .....	112
Figure 1-152	Locate the tabs .....	113
Figure 1-153	Release front lower tabs .....	113
Figure 1-154	Release lower rear tab .....	114
Figure 1-155	Release front upper tabs .....	114
Figure 1-156	Rotate the front of the cover .....	115
Figure 1-157	Release top tabs .....	115
Figure 1-158	Release one tab and one hook .....	116
Figure 1-159	Lower the scanner .....	116
Figure 1-160	Remove the right cover .....	117
Figure 1-161	Remove one screw .....	117



Figure 1-162	Tilt the door up .....	118
Figure 1-163	Release the right hinge cover .....	118
Figure 1-164	Release one tab .....	119
Figure 1-165	Release the left hinge cover .....	119
Figure 1-166	Remove one screw .....	120
Figure 1-167	Release one arm .....	120
Figure 1-168	Remove the front door .....	121
Figure 1-169	Recycle and unpack .....	121
Figure 1-170	Remove the tray .....	124
Figure 1-171	Release the front door .....	124
Figure 1-172	Open the front door .....	125
Figure 1-173	Open the duplexer door .....	125
Figure 1-174	Remove one screw .....	126
Figure 1-175	Remove one screw .....	126
Figure 1-176	Locate the tabs .....	127
Figure 1-177	Release front lower tabs .....	127
Figure 1-178	Release lower rear tab .....	128
Figure 1-179	Release two front tabs .....	128
Figure 1-180	Release upper tabs .....	129
Figure 1-181	Remove the right cover .....	129
Figure 1-182	Raise the scanner .....	130
Figure 1-183	Remove one screw .....	130
Figure 1-184	Remove one screw .....	131
Figure 1-185	Locate the tabs .....	131
Figure 1-186	Release front lower tabs .....	132
Figure 1-187	Release lower rear tab .....	132
Figure 1-188	Release front upper tabs .....	133
Figure 1-189	Rotate the front of the cover .....	133
Figure 1-190	Release top tabs .....	134
Figure 1-191	Release one tab and one hook .....	134
Figure 1-192	Lower the scanner .....	135
Figure 1-193	Remove the right cover .....	135
Figure 1-194	Remove one screw .....	136
Figure 1-195	Release two tabs .....	136
Figure 1-196	Locate the tabs .....	137
Figure 1-197	Release bottom tabs .....	137
Figure 1-198	Release three tabs .....	138
Figure 1-199	Raise the scanner .....	138
Figure 1-200	Remove one screw .....	139
Figure 1-201	Release two tabs .....	139
Figure 1-202	Locate the tabs .....	140

Figure 1-203	Release four tabs .....	140
Figure 1-204	Rotate the cover .....	141
Figure 1-205	Release one tab and two hooks .....	141
Figure 1-206	Lower the scanner .....	142
Figure 1-207	Remove the left cover .....	142
Figure 1-208	Close the secondary transfer assembly .....	143
Figure 1-209	Remove three screws .....	143
Figure 1-210	Release the retention arm .....	144
Figure 1-211	Remove the duplexer door .....	144
Figure 1-212	Recycle and unpack .....	145
Figure 1-213	Position the tab in the slot .....	145
Figure 1-214	Remove the tray .....	147
Figure 1-215	Release the front door .....	147
Figure 1-216	Open the front door .....	148
Figure 1-217	Open the rear door .....	148
Figure 1-218	Remove one screw .....	149
Figure 1-219	Remove one screw .....	149
Figure 1-220	Locate the tabs .....	150
Figure 1-221	Release front lower tabs .....	150
Figure 1-222	Release lower rear tab .....	151
Figure 1-223	Release two front tabs .....	151
Figure 1-224	Release upper tabs .....	152
Figure 1-225	Remove the right cover .....	152
Figure 1-226	Raise the scanner .....	153
Figure 1-227	Remove one screw .....	153
Figure 1-228	Remove one screw .....	154
Figure 1-229	Locate the tabs .....	154
Figure 1-230	Release front lower tabs .....	155
Figure 1-231	Release lower rear tab .....	155
Figure 1-232	Release front upper tabs .....	156
Figure 1-233	Rotate the front of the cover .....	156
Figure 1-234	Release top tabs .....	157
Figure 1-235	Release one tab and one hook .....	157
Figure 1-236	Lower the scanner .....	158
Figure 1-237	Remove the right cover .....	158
Figure 1-238	Remove one screw .....	159
Figure 1-239	Release two tabs .....	159
Figure 1-240	Locate the tabs .....	160
Figure 1-241	Release bottom tabs .....	160
Figure 1-242	Release three tabs .....	161
Figure 1-243	Raise the scanner .....	161

Figure 1-244	Remove one screw .....	162
Figure 1-245	Release two tabs .....	162
Figure 1-246	Locate the tabs .....	163
Figure 1-247	Release four tabs .....	163
Figure 1-248	Rotate the cover .....	164
Figure 1-249	Release one tab and two hooks .....	164
Figure 1-250	Lower the scanner .....	165
Figure 1-251	Remove the left cover .....	165
Figure 1-252	Release six tabs .....	166
Figure 1-253	Remove the rear top cover .....	166
Figure 1-254	Recycle and unpack .....	167
Figure 1-255	Remove the tray .....	169
Figure 1-256	Release the front door .....	169
Figure 1-257	Open the front door .....	170
Figure 1-258	Open the rear door .....	170
Figure 1-259	Remove one screw .....	171
Figure 1-260	Remove one screw .....	171
Figure 1-261	Locate the tabs .....	172
Figure 1-262	Release front lower tabs .....	172
Figure 1-263	Release lower rear tab .....	173
Figure 1-264	Release two front tabs .....	173
Figure 1-265	Release upper tabs .....	174
Figure 1-266	Remove the right cover .....	174
Figure 1-267	Raise the scanner .....	175
Figure 1-268	Remove one screw .....	175
Figure 1-269	Remove one screw .....	176
Figure 1-270	Locate the tabs .....	176
Figure 1-271	Release front lower tabs .....	177
Figure 1-272	Release lower rear tab .....	177
Figure 1-273	Release front upper tabs .....	178
Figure 1-274	Rotate the front of the cover .....	178
Figure 1-275	Release top tabs .....	179
Figure 1-276	Release one tab and one hook .....	179
Figure 1-277	Lower the scanner .....	180
Figure 1-278	Remove the right cover .....	180
Figure 1-279	Remove one screw .....	181
Figure 1-280	Release two tabs .....	181
Figure 1-281	Locate the tabs .....	182
Figure 1-282	Release bottom tabs .....	182
Figure 1-283	Release three tabs .....	183
Figure 1-284	Raise the scanner .....	183

Figure 1-285	Remove one screw .....	184
Figure 1-286	Release two tabs .....	184
Figure 1-287	Locate the tabs .....	185
Figure 1-288	Release four tabs .....	185
Figure 1-289	Rotate the cover .....	186
Figure 1-290	Release one tab and two hooks .....	186
Figure 1-291	Lower the scanner .....	187
Figure 1-292	Remove the left cover .....	187
Figure 1-293	Close the secondary transfer assembly .....	188
Figure 1-294	Remove two screws and release one tab .....	188
Figure 1-295	Remove the rear lower cover .....	189
Figure 1-296	Recycle and unplug .....	189
Figure 1-297	Install the rear lower cover .....	190
Figure 1-298	Remove the tray .....	192
Figure 1-299	Release the front door .....	192
Figure 1-300	Open the front door .....	193
Figure 1-301	Open the rear door .....	193
Figure 1-302	Remove one screw .....	194
Figure 1-303	Remove one screw .....	194
Figure 1-304	Locate the tabs .....	195
Figure 1-305	Release front lower tabs .....	195
Figure 1-306	Release lower rear tab .....	196
Figure 1-307	Release two front tabs .....	196
Figure 1-308	Release upper tabs .....	197
Figure 1-309	Remove the right cover .....	197
Figure 1-310	Raise the scanner .....	198
Figure 1-311	Remove one screw .....	198
Figure 1-312	Remove one screw .....	199
Figure 1-313	Locate the tabs .....	199
Figure 1-314	Release front lower tabs .....	200
Figure 1-315	Release lower rear tab .....	200
Figure 1-316	Release front upper tabs .....	201
Figure 1-317	Rotate the front of the cover .....	201
Figure 1-318	Release top tabs .....	202
Figure 1-319	Release one tab and one hook .....	202
Figure 1-320	Lower the scanner .....	203
Figure 1-321	Remove the right cover .....	203
Figure 1-322	Remove one screw .....	204
Figure 1-323	Release two tabs .....	204
Figure 1-324	Locate the tabs .....	205
Figure 1-325	Release bottom tabs .....	205

Figure 1-326	Release three tabs .....	206
Figure 1-327	Raise the scanner .....	206
Figure 1-328	Remove one screw .....	207
Figure 1-329	Release two tabs .....	207
Figure 1-330	Locate the tabs .....	208
Figure 1-331	Release four tabs .....	208
Figure 1-332	Rotate the cover .....	209
Figure 1-333	Release one tab and two hooks .....	209
Figure 1-334	Lower the scanner .....	210
Figure 1-335	Remove the left cover .....	210
Figure 1-336	Install the rear lower cover .....	211
Figure 1-337	Remove the rear door .....	211
Figure 1-338	Recycle and unpack .....	212
Figure 1-339	Remove the tray .....	214
Figure 1-340	Release the front door .....	215
Figure 1-341	Open the front door .....	215
Figure 1-342	Open the duplexer door .....	216
Figure 1-343	Open the rear door .....	216
Figure 1-344	Remove one screw .....	217
Figure 1-345	Remove one screw .....	217
Figure 1-346	Locate the tabs .....	218
Figure 1-347	Release front lower tabs .....	218
Figure 1-348	Release lower rear tab .....	219
Figure 1-349	Release two front tabs .....	219
Figure 1-350	Release upper tabs .....	220
Figure 1-351	Remove the right cover .....	220
Figure 1-352	Remove one screw .....	221
Figure 1-353	Release two tabs .....	221
Figure 1-354	Locate the tabs .....	222
Figure 1-355	Release bottom tabs .....	222
Figure 1-356	Release three tabs .....	223
Figure 1-357	Release six tabs .....	223
Figure 1-358	Remove the rear top cover .....	224
Figure 1-359	Disconnect one connector .....	224
Figure 1-360	Disconnect one connector .....	225
Figure 1-361	Disconnect the antenna .....	225
Figure 1-362	Remove two screws .....	226
Figure 1-363	Remove the guide .....	226
Figure 1-364	Remove three screws .....	227
Figure 1-365	Remove two screws .....	227
Figure 1-366	Release two tabs .....	228

Figure 1-367	Remove two screws and release one tab .....	228
Figure 1-368	Remove the top cover .....	229
Figure 1-369	Remove three screws and unroute cable .....	229
Figure 1-370	Remove the bracket .....	230
Figure 1-371	Rotate the control panel .....	230
Figure 1-372	Remove the control panel .....	231
Figure 1-373	Recycle and unpack .....	231
Figure 1-374	Remove protective backing from adhesive strip .....	232
Figure 1-375	Install the top adhesive strip .....	232
Figure 1-376	Peel the silver tape up .....	233
Figure 1-377	Remove the protective backing .....	233
Figure 1-378	Press the silver tape .....	234
Figure 1-379	Position the tape .....	234
Figure 1-380	Remove the protective cover .....	235
Figure 1-381	Remove the tray .....	237
Figure 1-382	Release the front door .....	238
Figure 1-383	Open the front door .....	238
Figure 1-384	Open the duplexer door .....	239
Figure 1-385	Open the rear door .....	239
Figure 1-386	Raise the scanner .....	240
Figure 1-387	Remove one screw .....	240
Figure 1-388	Remove one screw .....	241
Figure 1-389	Locate the tabs .....	241
Figure 1-390	Release front lower tabs .....	242
Figure 1-391	Release lower rear tab .....	242
Figure 1-392	Release front upper tabs .....	243
Figure 1-393	Rotate the front of the cover .....	243
Figure 1-394	Release top tabs .....	244
Figure 1-395	Release one tab and one hook .....	244
Figure 1-396	Lower the scanner .....	245
Figure 1-397	Remove the right cover .....	245
Figure 1-398	Raise the scanner .....	246
Figure 1-399	Remove one screw .....	246
Figure 1-400	Release two tabs .....	247
Figure 1-401	Locate the tabs .....	247
Figure 1-402	Release four tabs .....	248
Figure 1-403	Rotate the cover .....	248
Figure 1-404	Release one tab and two hooks .....	249
Figure 1-405	Lower the scanner .....	249
Figure 1-406	Remove the left cover .....	250
Figure 1-407	Release six tabs .....	250

Figure 1-408	Remove the rear top cover .....	251
Figure 1-409	Disconnect the scanner cables .....	251
Figure 1-410	Remove one screw and release the ground wire .....	252
Figure 1-411	Raise the scanner .....	252
Figure 1-412	Release the scanner arm pin .....	253
Figure 1-413	Remove the scanner arm pin. ....	253
Figure 1-414	Release one tab .....	254
Figure 1-415	Remove the scanner cable cover .....	254
Figure 1-416	Release the cables .....	255
Figure 1-417	Remove the scanner assembly .....	255
Figure 1-418	Disconnect one connector .....	256
Figure 1-419	Remove three screws and release one tab .....	256
Figure 1-420	Lift up to remove the fax PCA .....	257
Figure 1-421	Release one tab to remove fax PCA from the plastic holder .....	257
Figure 1-422	Disconnect one connectors and one FFC .....	258
Figure 1-423	Disconnect wireless antenna cable from the wireless PCA .....	258
Figure 1-424	Remove one screw and the sheet metal plate .....	259
Figure 1-425	Lower the support arm and remove one screw .....	259
Figure 1-426	Remove the scanner support arm .....	260
Figure 1-427	Remove three screws .....	260
Figure 1-428	Release the control panel cover .....	261
Figure 1-429	Remove the control panel cover .....	261
Figure 1-430	Release the flat cable .....	262
Figure 1-431	Remove three screws .....	262
Figure 1-432	Remove one screw .....	263
Figure 1-433	Refasten the control panel to the top cover .....	263
Figure 1-434	Release the USB cable .....	264
Figure 1-435	Remove two screws .....	264
Figure 1-436	Release one retainer and three tabs .....	265
Figure 1-437	Remove antenna wire from guide .....	265
Figure 1-438	Remove the top cover .....	266
Figure 1-439	Remove the flat cable from the guides .....	266
Figure 1-440	Remove one screw .....	267
Figure 1-441	Remove the control panel .....	267
Figure 1-442	Release metal tab and lift to remove .....	268
Figure 1-443	Remove USB from printer .....	269
Figure 1-444	Recycle and unpack .....	269
Figure 1-445	Install the flat cable .....	270
Figure 1-446	Install one screw .....	270
Figure 1-447	Route the flat cable .....	271
Figure 1-448	Remove the tray .....	273

Figure 1-449	Release the front door .....	273
Figure 1-450	Open the front door .....	274
Figure 1-451	Open the duplexer door .....	274
Figure 1-452	Open the rear door .....	275
Figure 1-453	Remove one screw .....	275
Figure 1-454	Remove one screw .....	276
Figure 1-455	Locate the tabs .....	276
Figure 1-456	Release front lower tabs .....	277
Figure 1-457	Release lower rear tab .....	277
Figure 1-458	Release two front tabs .....	278
Figure 1-459	Release upper tabs .....	278
Figure 1-460	Remove the right cover .....	279
Figure 1-461	Remove one screw .....	279
Figure 1-462	Release two tabs .....	280
Figure 1-463	Locate the tabs .....	280
Figure 1-464	Release bottom tabs .....	281
Figure 1-465	Release three tabs .....	281
Figure 1-466	Release six tabs .....	282
Figure 1-467	Remove the rear top cover .....	282
Figure 1-468	Disconnect one connector .....	283
Figure 1-469	Disconnect one connector .....	283
Figure 1-470	Disconnect the antenna .....	284
Figure 1-471	Remove two screws .....	284
Figure 1-472	Remove the guide .....	285
Figure 1-473	Remove three screws .....	285
Figure 1-474	Remove two screws .....	286
Figure 1-475	Release two tabs .....	286
Figure 1-476	Remove two screws and release one tab .....	287
Figure 1-477	Remove the top cover .....	287
Figure 1-478	Remove three screws and unroute cable .....	288
Figure 1-479	Remove the bracket .....	288
Figure 1-480	Rotate the control panel .....	289
Figure 1-481	Remove the control panel .....	289
Figure 1-482	Recycle and unpack .....	290
Figure 1-483	Remove the tray .....	292
Figure 1-484	Release the front door .....	292
Figure 1-485	Open the front door .....	293
Figure 1-486	Open the duplexer door .....	293
Figure 1-487	Open the rear door .....	294
Figure 1-488	Raise the scanner .....	294
Figure 1-489	Remove one screw .....	295



Figure 1-490	Remove one screw .....	295
Figure 1-491	Locate the tabs .....	296
Figure 1-492	Release front lower tabs .....	296
Figure 1-493	Release lower rear tab .....	297
Figure 1-494	Release front upper tabs .....	297
Figure 1-495	Rotate the front of the cover .....	298
Figure 1-496	Release top tabs .....	298
Figure 1-497	Release one tab and one hook .....	299
Figure 1-498	Lower the scanner .....	299
Figure 1-499	Remove the right cover .....	300
Figure 1-500	Raise the scanner .....	300
Figure 1-501	Remove one screw .....	301
Figure 1-502	Release two tabs .....	301
Figure 1-503	Locate the tabs .....	302
Figure 1-504	Release four tabs .....	302
Figure 1-505	Rotate the cover .....	303
Figure 1-506	Release one tab and two hooks .....	303
Figure 1-507	Lower the scanner .....	304
Figure 1-508	Remove the left cover .....	304
Figure 1-509	Release six tabs .....	305
Figure 1-510	Remove the rear top cover .....	305
Figure 1-511	Disconnect the scanner cables .....	306
Figure 1-512	Remove one screw and release the ground wire .....	306
Figure 1-513	Raise the scanner .....	307
Figure 1-514	Release the scanner arm pin .....	307
Figure 1-515	Remove the scanner arm pin .....	308
Figure 1-516	Release one tab .....	308
Figure 1-517	Remove the scanner cable cover .....	309
Figure 1-518	Release the cables .....	309
Figure 1-519	Remove the scanner assembly .....	310
Figure 1-520	Disconnect one connector .....	310
Figure 1-521	Remove three screws and release one tab .....	311
Figure 1-522	Lift up to remove the fax PCA .....	311
Figure 1-523	Release one tab to remove fax PCA from the plastic holder .....	312
Figure 1-524	Disconnect one connectors and one FFC .....	312
Figure 1-525	Disconnect wireless antenna cable from the wireless PCA .....	313
Figure 1-526	Remove one screw and the sheet metal plate .....	313
Figure 1-527	Lower the support arm and remove one screw .....	314
Figure 1-528	Remove the scanner support arm .....	314
Figure 1-529	Remove three screws .....	315
Figure 1-530	Release the control panel cover .....	315

Figure 1-531	Remove the control panel cover .....	316
Figure 1-532	Release the flat cable .....	316
Figure 1-533	Remove three screws .....	317
Figure 1-534	Remove one screw .....	317
Figure 1-535	Refasten the control panel to the top cover .....	318
Figure 1-536	Release the USB cable .....	318
Figure 1-537	Remove two screws .....	319
Figure 1-538	Release one retainer and three tabs .....	319
Figure 1-539	Remove antenna wire from guide .....	320
Figure 1-540	Remove the top cover .....	320
Figure 1-541	Remove the flat cable from the guides .....	321
Figure 1-542	Remove one screw .....	321
Figure 1-543	Remove the control panel .....	322
Figure 1-544	Recycle and unpack .....	322
Figure 1-545	Remove the tray .....	325
Figure 1-546	Release the front door .....	325
Figure 1-547	Open the front door .....	326
Figure 1-548	Open the duplexer door .....	326
Figure 1-549	Open the rear door .....	327
Figure 1-550	Raise the scanner .....	327
Figure 1-551	Remove one screw .....	328
Figure 1-552	Release two tabs .....	328
Figure 1-553	Locate the tabs .....	329
Figure 1-554	Release four tabs .....	329
Figure 1-555	Rotate the cover .....	330
Figure 1-556	Release one tab and two hooks .....	330
Figure 1-557	Lower the scanner .....	331
Figure 1-558	Remove the left cover .....	331
Figure 1-559	Disconnect the scanner cables .....	332
Figure 1-560	Remove one screw and release the ground wire .....	332
Figure 1-561	Raise the scanner .....	333
Figure 1-562	Release the scanner arm pin .....	333
Figure 1-563	Remove the scanner arm pin. ....	334
Figure 1-564	Release one tab .....	334
Figure 1-565	Remove the scanner cable cover .....	335
Figure 1-566	Release the cables .....	335
Figure 1-567	Remove the scanner assembly .....	336
Figure 1-568	Recycle and unpack .....	336
Figure 1-569	Remove the tray .....	341
Figure 1-570	Release the front door .....	341
Figure 1-571	Open the front door .....	342

Figure 1-572	Open the duplexer door .....	342
Figure 1-573	Open the rear door .....	343
Figure 1-574	Remove one screw .....	343
Figure 1-575	Remove one screw .....	344
Figure 1-576	Locate the tabs .....	344
Figure 1-577	Release front lower tabs .....	345
Figure 1-578	Release lower rear tab .....	345
Figure 1-579	Release two front tabs .....	346
Figure 1-580	Release upper tabs .....	346
Figure 1-581	Remove the right cover .....	347
Figure 1-582	Raise the scanner .....	347
Figure 1-583	Remove one screw .....	348
Figure 1-584	Remove one screw .....	348
Figure 1-585	Locate the tabs .....	349
Figure 1-586	Release front lower tabs .....	349
Figure 1-587	Release lower rear tab .....	350
Figure 1-588	Release front upper tabs .....	350
Figure 1-589	Rotate the front of the cover .....	351
Figure 1-590	Release top tabs .....	351
Figure 1-591	Release one tab and one hook .....	352
Figure 1-592	Lower the scanner .....	352
Figure 1-593	Remove the right cover .....	353
Figure 1-594	Remove one screw and release three tabs .....	353
Figure 1-595	Disconnect one connector .....	354
Figure 1-596	Recycle and unpack .....	354
Figure 1-597	Remove the tray .....	356
Figure 1-598	Open the front door .....	356
Figure 1-599	Open the cartridge drawer .....	357
Figure 1-600	Remove the toner cartridge .....	357
Figure 1-601	Slide the cartridge tray in .....	358
Figure 1-602	Close the front door .....	358
Figure 1-603	Open the duplexer door .....	359
Figure 1-604	Open the rear door .....	359
Figure 1-605	Remove one screw .....	360
Figure 1-606	Release two tabs .....	360
Figure 1-607	Locate the tabs .....	361
Figure 1-608	Release bottom tabs .....	361
Figure 1-609	Release three tabs .....	362
Figure 1-610	Raise the scanner .....	362
Figure 1-611	Remove one screw .....	363
Figure 1-612	Release two tabs .....	363

Figure 1-613	Locate the tabs .....	364
Figure 1-614	Release four tabs .....	364
Figure 1-615	Rotate the cover .....	365
Figure 1-616	Release one tab and two hooks .....	365
Figure 1-617	Lower the scanner .....	366
Figure 1-618	Remove the left cover .....	366
Figure 1-619	Release the hinge arm .....	367
Figure 1-620	Remove two screws .....	367
Figure 1-621	Remove the cover .....	368
Figure 1-622	Pull the tray slide mechanism out .....	368
Figure 1-623	Rotate the cartridge tray to release one shaft .....	369
Figure 1-624	Remove the cartridge tray .....	369
Figure 1-625	Recycle and unpack .....	370
Figure 1-626	Install the white clip .....	370
Figure 1-627	Install the silver shaft .....	371
Figure 1-628	Remove the tray .....	373
Figure 1-629	Release the front door .....	373
Figure 1-630	Open the front door .....	374
Figure 1-631	Open the duplexer door .....	374
Figure 1-632	Open the rear door .....	375
Figure 1-633	Remove one screw .....	375
Figure 1-634	Remove one screw .....	376
Figure 1-635	Locate the tabs .....	376
Figure 1-636	Release front lower tabs .....	377
Figure 1-637	Release lower rear tab .....	377
Figure 1-638	Release two front tabs .....	378
Figure 1-639	Release upper tabs .....	378
Figure 1-640	Remove the right cover .....	379
Figure 1-641	Raise the scanner .....	379
Figure 1-642	Remove one screw .....	380
Figure 1-643	Remove one screw .....	380
Figure 1-644	Locate the tabs .....	381
Figure 1-645	Release front lower tabs .....	381
Figure 1-646	Release lower rear tab .....	382
Figure 1-647	Release front upper tabs .....	382
Figure 1-648	Rotate the front of the cover .....	383
Figure 1-649	Release top tabs .....	383
Figure 1-650	Release one tab and one hook .....	384
Figure 1-651	Lower the scanner .....	384
Figure 1-652	Remove the right cover .....	385
Figure 1-653	Disconnect one connector and release cables from guides .....	385

Figure 1-654	Release three tabs .....	386
Figure 1-655	Remove the cartridge fan .....	386
Figure 1-656	Recycle and unpack .....	387
Figure 1-657	Install the cartridge fan .....	387
Figure 1-658	Remove the tray .....	389
Figure 1-659	Release the front door .....	389
Figure 1-660	Open the front door .....	390
Figure 1-661	Open the duplexer door .....	390
Figure 1-662	Open the rear door .....	391
Figure 1-663	Remove one screw .....	391
Figure 1-664	Remove one screw .....	392
Figure 1-665	Locate the tabs .....	392
Figure 1-666	Release front lower tabs .....	393
Figure 1-667	Release lower rear tab .....	393
Figure 1-668	Release two front tabs .....	394
Figure 1-669	Release upper tabs .....	394
Figure 1-670	Remove the right cover .....	395
Figure 1-671	Raise the scanner .....	395
Figure 1-672	Remove one screw .....	396
Figure 1-673	Remove one screw .....	396
Figure 1-674	Locate the tabs .....	397
Figure 1-675	Release front lower tabs .....	397
Figure 1-676	Release lower rear tab .....	398
Figure 1-677	Release front upper tabs .....	398
Figure 1-678	Rotate the front of the cover .....	399
Figure 1-679	Release top tabs .....	399
Figure 1-680	Release one tab and one hook .....	400
Figure 1-681	Lower the scanner .....	400
Figure 1-682	Remove the right cover .....	401
Figure 1-683	Disconnect one connector and release cables from guides .....	401
Figure 1-684	Release the spring .....	402
Figure 1-685	Release two tabs .....	402
Figure 1-686	Remove the power supply fan .....	403
Figure 1-687	Recycle and unpack .....	403
Figure 1-688	Install the power supply fan .....	404
Figure 1-689	Remove the tray .....	406
Figure 1-690	Release the front door .....	406
Figure 1-691	Open the front door .....	407
Figure 1-692	Open the duplexer door .....	407
Figure 1-693	Open the rear door .....	408
Figure 1-694	Remove one screw .....	408

Figure 1-695	Remove one screw .....	409
Figure 1-696	Locate the tabs .....	409
Figure 1-697	Release front lower tabs .....	410
Figure 1-698	Release lower rear tab .....	410
Figure 1-699	Release two front tabs .....	411
Figure 1-700	Release upper tabs .....	411
Figure 1-701	Remove the right cover .....	412
Figure 1-702	Raise the scanner .....	412
Figure 1-703	Remove one screw .....	413
Figure 1-704	Remove one screw .....	413
Figure 1-705	Locate the tabs .....	414
Figure 1-706	Release front lower tabs .....	414
Figure 1-707	Release lower rear tab .....	415
Figure 1-708	Release front upper tabs .....	415
Figure 1-709	Rotate the front of the cover .....	416
Figure 1-710	Release top tabs .....	416
Figure 1-711	Release one tab and one hook .....	417
Figure 1-712	Lower the scanner .....	417
Figure 1-713	Remove the right cover .....	418
Figure 1-714	Remove one screw .....	418
Figure 1-715	Release two tabs .....	419
Figure 1-716	Locate the tabs .....	419
Figure 1-717	Release bottom tabs .....	420
Figure 1-718	Release three tabs .....	420
Figure 1-719	Raise the scanner .....	421
Figure 1-720	Remove one screw .....	421
Figure 1-721	Release two tabs .....	422
Figure 1-722	Locate the tabs .....	422
Figure 1-723	Release four tabs .....	423
Figure 1-724	Rotate the cover .....	423
Figure 1-725	Release one tab and two hooks .....	424
Figure 1-726	Lower the scanner .....	424
Figure 1-727	Remove the left cover .....	425
Figure 1-728	Close the secondary transfer assembly .....	425
Figure 1-729	Remove three screws .....	426
Figure 1-730	Release the retention arm .....	426
Figure 1-731	Remove the duplexer door .....	427
Figure 1-732	Remove the rear door .....	427
Figure 1-733	Disconnect one connector and release cables from guides .....	428
Figure 1-734	Remove two screws .....	428
Figure 1-735	Release the hinge arm .....	429

Figure 1-736	Release one tab .....	429
Figure 1-737	Remove the power supply fan and holder .....	430
Figure 1-738	Check the connectors .....	430
Figure 1-739	Disconnect five connectors and remove four screws .....	431
Figure 1-740	Remove two screws and release three tabs .....	431
Figure 1-741	Remove the LVPS .....	432
Figure 1-742	Recycle and unpack .....	432
Figure 1-743	Install the side tabs of the LVPS .....	433
Figure 1-744	Install the back tabs of the LVPS .....	433
Figure 1-745	Remove the tray .....	435
Figure 1-746	Release the front door .....	435
Figure 1-747	Open the front door .....	436
Figure 1-748	Open the duplexer door .....	436
Figure 1-749	Open the rear door .....	437
Figure 1-750	Remove one screw .....	437
Figure 1-751	Remove one screw .....	438
Figure 1-752	Locate the tabs .....	438
Figure 1-753	Release front lower tabs .....	439
Figure 1-754	Release lower rear tab .....	439
Figure 1-755	Release two front tabs .....	440
Figure 1-756	Release upper tabs .....	440
Figure 1-757	Remove the right cover .....	441
Figure 1-758	Raise the scanner .....	441
Figure 1-759	Remove one screw .....	442
Figure 1-760	Remove one screw .....	442
Figure 1-761	Locate the tabs .....	443
Figure 1-762	Release front lower tabs .....	443
Figure 1-763	Release lower rear tab .....	444
Figure 1-764	Release front upper tabs .....	444
Figure 1-765	Rotate the front of the cover .....	445
Figure 1-766	Release top tabs .....	445
Figure 1-767	Release one tab and one hook .....	446
Figure 1-768	Lower the scanner .....	446
Figure 1-769	Remove the right cover .....	447
Figure 1-770	Remove one screw .....	447
Figure 1-771	Release two tabs .....	448
Figure 1-772	Locate the tabs .....	448
Figure 1-773	Release bottom tabs .....	449
Figure 1-774	Release three tabs .....	449
Figure 1-775	Raise the scanner .....	450
Figure 1-776	Remove one screw .....	450

Figure 1-777	Release two tabs .....	451
Figure 1-778	Locate the tabs .....	451
Figure 1-779	Release four tabs .....	452
Figure 1-780	Rotate the cover .....	452
Figure 1-781	Release one tab and two hooks .....	453
Figure 1-782	Lower the scanner .....	453
Figure 1-783	Remove the left cover .....	454
Figure 1-784	Close the secondary transfer assembly .....	454
Figure 1-785	Remove three screws .....	455
Figure 1-786	Release the retention arm .....	455
Figure 1-787	Remove the duplexer door .....	456
Figure 1-788	Remove the rear door .....	456
Figure 1-789	Disconnect one connector and release cables from guides .....	457
Figure 1-790	Remove two screws .....	457
Figure 1-791	Release the hinge arm .....	458
Figure 1-792	Release one tab .....	458
Figure 1-793	Remove the power supply fan and holder .....	459
Figure 1-794	Check the connectors .....	459
Figure 1-795	Disconnect five connectors and remove four screws .....	460
Figure 1-796	Remove two screws and release three tabs .....	460
Figure 1-797	Remove the LVPS .....	461
Figure 1-798	Remove the fan duct .....	461
Figure 1-799	Remove the pickup motor .....	462
Figure 1-800	Recycle and unpack .....	462
Figure 1-801	Remove the tray .....	465
Figure 1-802	Release the front door .....	465
Figure 1-803	Open the front door .....	466
Figure 1-804	Open the duplexer door .....	466
Figure 1-805	Open the rear door .....	467
Figure 1-806	Remove one screw .....	467
Figure 1-807	Remove one screw .....	468
Figure 1-808	Locate the tabs .....	468
Figure 1-809	Release front lower tabs .....	469
Figure 1-810	Release lower rear tab .....	469
Figure 1-811	Release two front tabs .....	470
Figure 1-812	Release upper tabs .....	470
Figure 1-813	Remove the right cover .....	471
Figure 1-814	Raise the scanner .....	471
Figure 1-815	Remove one screw .....	472
Figure 1-816	Remove one screw .....	472
Figure 1-817	Locate the tabs .....	473



Figure 1-818	Release front lower tabs .....	473
Figure 1-819	Release lower rear tab .....	474
Figure 1-820	Release front upper tabs .....	474
Figure 1-821	Rotate the front of the cover .....	475
Figure 1-822	Release top tabs .....	475
Figure 1-823	Release one tab and one hook .....	476
Figure 1-824	Lower the scanner .....	476
Figure 1-825	Remove the right cover .....	477
Figure 1-826	Disconnect one connector .....	477
Figure 1-827	Disconnect all connectors and remove one screw .....	478
Figure 1-828	Remove the driver PCA .....	478
Figure 1-829	Recycle and unpack .....	479
Figure 1-830	Remove the tray .....	481
Figure 1-831	Release the front door .....	481
Figure 1-832	Open the front door .....	482
Figure 1-833	Open the duplexer door .....	482
Figure 1-834	Open the rear door .....	483
Figure 1-835	Remove one screw .....	483
Figure 1-836	Remove one screw .....	484
Figure 1-837	Locate the tabs .....	484
Figure 1-838	Release front lower tabs .....	485
Figure 1-839	Release lower rear tab .....	485
Figure 1-840	Release two front tabs .....	486
Figure 1-841	Release upper tabs .....	486
Figure 1-842	Remove the right cover .....	487
Figure 1-843	Raise the scanner .....	487
Figure 1-844	Remove one screw .....	488
Figure 1-845	Remove one screw .....	488
Figure 1-846	Locate the tabs .....	489
Figure 1-847	Release front lower tabs .....	489
Figure 1-848	Release lower rear tab .....	490
Figure 1-849	Release front upper tabs .....	490
Figure 1-850	Rotate the front of the cover .....	491
Figure 1-851	Release top tabs .....	491
Figure 1-852	Release one tab and one hook .....	492
Figure 1-853	Lower the scanner .....	492
Figure 1-854	Remove the right cover .....	493
Figure 1-855	Remove one screw .....	493
Figure 1-856	Release two tabs .....	494
Figure 1-857	Locate the tabs .....	494
Figure 1-858	Release bottom tabs .....	495

Figure 1-859	Release three tabs .....	495
Figure 1-860	Raise the scanner .....	496
Figure 1-861	Remove one screw .....	496
Figure 1-862	Release two tabs .....	497
Figure 1-863	Locate the tabs .....	497
Figure 1-864	Release four tabs .....	498
Figure 1-865	Rotate the cover .....	498
Figure 1-866	Release one tab and two hooks .....	499
Figure 1-867	Lower the scanner .....	499
Figure 1-868	Remove the left cover .....	500
Figure 1-869	Close the secondary transfer assembly .....	500
Figure 1-870	Remove three screws .....	501
Figure 1-871	Release the retention arm .....	501
Figure 1-872	Remove the duplexer door .....	502
Figure 1-873	Remove the rear door .....	502
Figure 1-874	Disconnect one connector and release cables from guides .....	503
Figure 1-875	Remove two screws .....	503
Figure 1-876	Release the hinge arm .....	504
Figure 1-877	Release one tab .....	504
Figure 1-878	Remove the power supply fan and holder .....	505
Figure 1-879	Check the connectors .....	505
Figure 1-880	Disconnect five connectors and remove four screws .....	506
Figure 1-881	Remove two screws and release three tabs .....	506
Figure 1-882	Remove the LVPS .....	507
Figure 1-883	Disconnect one connector .....	507
Figure 1-884	Disconnect all connectors and remove one screw .....	508
Figure 1-885	Remove the driver PCA .....	508
Figure 1-886	Disconnect one connector and release cables from guides .....	509
Figure 1-887	Release three tabs .....	509
Figure 1-888	Remove the driver PCA holder .....	510
Figure 1-889	Remove the drum motor .....	510
Figure 1-890	Recycle and unpack .....	511
Figure 1-891	Remove the tray .....	513
Figure 1-892	Release the front door .....	513
Figure 1-893	Open the front door .....	514
Figure 1-894	Open the duplexer door .....	514
Figure 1-895	Open the rear door .....	515
Figure 1-896	Remove one screw .....	515
Figure 1-897	Remove one screw .....	516
Figure 1-898	Locate the tabs .....	516
Figure 1-899	Release front lower tabs .....	517

Figure 1-900	Release lower rear tab .....	517
Figure 1-901	Release two front tabs .....	518
Figure 1-902	Release upper tabs .....	518
Figure 1-903	Remove the right cover .....	519
Figure 1-904	Raise the scanner .....	519
Figure 1-905	Remove one screw .....	520
Figure 1-906	Remove one screw .....	520
Figure 1-907	Locate the tabs .....	521
Figure 1-908	Release front lower tabs .....	521
Figure 1-909	Release lower rear tab .....	522
Figure 1-910	Release front upper tabs .....	522
Figure 1-911	Rotate the front of the cover .....	523
Figure 1-912	Release top tabs .....	523
Figure 1-913	Release one tab and one hook .....	524
Figure 1-914	Lower the scanner .....	524
Figure 1-915	Remove the right cover .....	525
Figure 1-916	Remove one screw .....	525
Figure 1-917	Release two tabs .....	526
Figure 1-918	Locate the tabs .....	526
Figure 1-919	Release bottom tabs .....	527
Figure 1-920	Release three tabs .....	527
Figure 1-921	Raise the scanner .....	528
Figure 1-922	Remove one screw .....	528
Figure 1-923	Release two tabs .....	529
Figure 1-924	Locate the tabs .....	529
Figure 1-925	Release four tabs .....	530
Figure 1-926	Rotate the cover .....	530
Figure 1-927	Release one tab and two hooks .....	531
Figure 1-928	Lower the scanner .....	531
Figure 1-929	Remove the left cover .....	532
Figure 1-930	Close the secondary transfer assembly .....	532
Figure 1-931	Remove three screws .....	533
Figure 1-932	Release the retention arm .....	533
Figure 1-933	Remove the duplexer door .....	534
Figure 1-934	Remove the rear door .....	534
Figure 1-935	Disconnect one connector and release cables from guides .....	535
Figure 1-936	Remove two screws .....	535
Figure 1-937	Release the hinge arm .....	536
Figure 1-938	Release one tab .....	536
Figure 1-939	Remove the power supply fan and holder .....	537
Figure 1-940	Check the connectors .....	537

Figure 1-941	Disconnect five connectors and remove four screws .....	538
Figure 1-942	Remove two screws and release three tabs .....	538
Figure 1-943	Remove the LVPS .....	539
Figure 1-944	Disconnect one connector .....	539
Figure 1-945	Disconnect all connectors and remove one screw .....	540
Figure 1-946	Remove the driver PCA .....	540
Figure 1-947	Disconnect one connector and release cables from guides .....	541
Figure 1-948	Release three tabs .....	541
Figure 1-949	Remove the driver PCA holder .....	542
Figure 1-950	Remove the developer motor .....	542
Figure 1-951	Recycle and unpack .....	543
Figure 1-952	Open the rear door .....	545
Figure 1-953	Remove one retainer collar .....	545
Figure 1-954	Slide the assembly left .....	546
Figure 1-955	Remove the secondary transfer assembly .....	546
Figure 1-956	Recycle and unpack .....	547
Figure 1-957	Position the secondary transfer assembly .....	547
Figure 1-958	Slide the assembly right .....	548
Figure 1-959	Install one retainer collar .....	548
Figure 1-960	Close the rear door .....	549
Figure 1-961	Open the duplexer door .....	551
Figure 1-962	Remove one retainer collar .....	551
Figure 1-963	Remove one screw and release the arm .....	552
Figure 1-964	Slide the assembly left .....	552
Figure 1-965	Remove the secondary transfer assembly .....	553
Figure 1-966	Recycle and unpack .....	553
Figure 1-967	Position the secondary transfer assembly .....	554
Figure 1-968	Remove the tray .....	556
Figure 1-969	Release the front door .....	556
Figure 1-970	Open the front door .....	557
Figure 1-971	Open the duplexer door .....	557
Figure 1-972	Open the rear door .....	558
Figure 1-973	Remove one screw .....	558
Figure 1-974	Remove one screw .....	559
Figure 1-975	Locate the tabs .....	559
Figure 1-976	Release front lower tabs .....	560
Figure 1-977	Release lower rear tab .....	560
Figure 1-978	Release two front tabs .....	561
Figure 1-979	Release upper tabs .....	561
Figure 1-980	Remove the right cover .....	562
Figure 1-981	Raise the scanner .....	562

Figure 1-982	Remove one screw .....	563
Figure 1-983	Remove one screw .....	563
Figure 1-984	Locate the tabs .....	564
Figure 1-985	Release front lower tabs .....	564
Figure 1-986	Release lower rear tab .....	565
Figure 1-987	Release front upper tabs .....	565
Figure 1-988	Rotate the front of the cover .....	566
Figure 1-989	Release top tabs .....	566
Figure 1-990	Release one tab and one hook .....	567
Figure 1-991	Lower the scanner .....	567
Figure 1-992	Remove the right cover .....	568
Figure 1-993	Remove one screw .....	568
Figure 1-994	Release two tabs .....	569
Figure 1-995	Locate the tabs .....	569
Figure 1-996	Release bottom tabs .....	570
Figure 1-997	Release three tabs .....	570
Figure 1-998	Raise the scanner .....	571
Figure 1-999	Remove one screw .....	571
Figure 1-1000	Release two tabs .....	572
Figure 1-1001	Locate the tabs .....	572
Figure 1-1002	Release four tabs .....	573
Figure 1-1003	Rotate the cover .....	573
Figure 1-1004	Release one tab and two hooks .....	574
Figure 1-1005	Lower the scanner .....	574
Figure 1-1006	Remove the left cover .....	575
Figure 1-1007	Open the rear door .....	575
Figure 1-1008	Remove one retainer collar .....	576
Figure 1-1009	Slide the assembly left .....	576
Figure 1-1010	Remove the secondary transfer assembly .....	577
Figure 1-1011	Open the duplexer door .....	577
Figure 1-1012	Remove one retainer collar .....	578
Figure 1-1013	Remove one screw and release the arm .....	578
Figure 1-1014	Slide the assembly left .....	579
Figure 1-1015	Remove the secondary transfer assembly .....	579
Figure 1-1016	Slide the cartridge tray out .....	580
Figure 1-1017	Release two levers .....	580
Figure 1-1018	Pull two levers out .....	581
Figure 1-1019	Release one tab .....	581
Figure 1-1020	Remove the cover .....	582
Figure 1-1021	Disconnect two connectors .....	582
Figure 1-1022	Release two tabs .....	583

Figure 1-1023	Remove the fuser cover .....	583
Figure 1-1024	Remove two screws .....	584
Figure 1-1025	Release two tabs .....	584
Figure 1-1026	Slide the ITB out .....	585
Figure 1-1027	Recycle and unpack .....	585
Figure 1-1028	Clean the mylar strips .....	586
Figure 1-1029	Check tabs on the end of the ITB .....	587
Figure 1-1030	Lower both tabs on each side of the ITB to the down position. ....	587
Figure 1-1031	Remove the tray .....	589
Figure 1-1032	Open the front door .....	589
Figure 1-1033	Open the cartridge drawer .....	590
Figure 1-1034	Remove the toner cartridge .....	590
Figure 1-1035	Slide the cartridge tray in .....	591
Figure 1-1036	Close the front door .....	591
Figure 1-1037	Open the duplexer door .....	592
Figure 1-1038	Open the rear door .....	592
Figure 1-1039	Remove one screw .....	593
Figure 1-1040	Remove one screw .....	593
Figure 1-1041	Locate the tabs .....	594
Figure 1-1042	Release front lower tabs .....	594
Figure 1-1043	Release lower rear tab .....	595
Figure 1-1044	Release two front tabs .....	595
Figure 1-1045	Release upper tabs .....	596
Figure 1-1046	Remove the right cover .....	596
Figure 1-1047	Raise the scanner .....	597
Figure 1-1048	Remove one screw .....	597
Figure 1-1049	Remove one screw .....	598
Figure 1-1050	Locate the tabs .....	598
Figure 1-1051	Release front lower tabs .....	599
Figure 1-1052	Release lower rear tab .....	599
Figure 1-1053	Release front upper tabs .....	600
Figure 1-1054	Rotate the front of the cover .....	600
Figure 1-1055	Release top tabs .....	601
Figure 1-1056	Release one tab and one hook .....	601
Figure 1-1057	Lower the scanner .....	602
Figure 1-1058	Remove the right cover .....	602
Figure 1-1059	Remove one screw .....	603
Figure 1-1060	Release two tabs .....	603
Figure 1-1061	Locate the tabs .....	604
Figure 1-1062	Release bottom tabs .....	604
Figure 1-1063	Release three tabs .....	605

Figure 1-1064	Raise the scanner .....	605
Figure 1-1065	Remove one screw .....	606
Figure 1-1066	Release two tabs .....	606
Figure 1-1067	Locate the tabs .....	607
Figure 1-1068	Release four tabs .....	607
Figure 1-1069	Rotate the cover .....	608
Figure 1-1070	Release one tab and two hooks .....	608
Figure 1-1071	Lower the scanner .....	609
Figure 1-1072	Remove the left cover .....	609
Figure 1-1073	Open the rear door .....	610
Figure 1-1074	Remove one retainer collar .....	610
Figure 1-1075	Slide the assembly left .....	611
Figure 1-1076	Remove the secondary transfer assembly .....	611
Figure 1-1077	Open the duplexer door .....	612
Figure 1-1078	Remove one retainer collar .....	612
Figure 1-1079	Remove one screw and release the arm .....	613
Figure 1-1080	Slide the assembly left .....	613
Figure 1-1081	Remove the secondary transfer assembly .....	614
Figure 1-1082	Slide the cartridge tray out .....	614
Figure 1-1083	Release two levers .....	615
Figure 1-1084	Pull two levers out .....	615
Figure 1-1085	Release one tab .....	616
Figure 1-1086	Remove the cover .....	616
Figure 1-1087	Disconnect two connectors .....	617
Figure 1-1088	Release two tabs .....	617
Figure 1-1089	Remove the fuser cover .....	618
Figure 1-1090	Remove two screws .....	618
Figure 1-1091	Release two tabs .....	619
Figure 1-1092	Slide the ITB out .....	619
Figure 1-1093	Release the hinge arm .....	620
Figure 1-1094	Remove two screws .....	620
Figure 1-1095	Remove the cover .....	621
Figure 1-1096	Pull the tray slide mechanism out .....	621
Figure 1-1097	Rotate the cartridge tray to release one shaft .....	622
Figure 1-1098	Remove the cartridge tray .....	622
Figure 1-1099	Location of the registration density sensor .....	623
Figure 1-1100	Disconnect one connector and release cables .....	623
Figure 1-1101	Release one tab .....	624
Figure 1-1102	Slide the sensor and cable guide right .....	624
Figure 1-1103	Release the connector .....	625
Figure 1-1104	Remove the registration density sensor and guide .....	625

Figure 1-1105	Release the cables from the guides .....	626
Figure 1-1106	Remove the cable guide .....	626
Figure 1-1107	Recycle and unpack .....	627
Figure 1-1108	Reinstall spring .....	627
Figure 1-1109	Install the cables in the guides .....	628
Figure 1-1110	Install the connector .....	628
Figure 1-1111	Install the cable guide tabs .....	629
Figure 1-1112	Install two tabs .....	629
Figure 1-1113	Remove the tray .....	631
Figure 1-1114	Open the front door .....	631
Figure 1-1115	Open the cartridge drawer .....	632
Figure 1-1116	Remove the toner cartridge .....	632
Figure 1-1117	Slide the cartridge tray in .....	633
Figure 1-1118	Close the front door .....	633
Figure 1-1119	Open the duplexer door .....	634
Figure 1-1120	Remove one screw .....	634
Figure 1-1121	Remove one screw .....	635
Figure 1-1122	Locate the tabs .....	635
Figure 1-1123	Release front lower tabs .....	636
Figure 1-1124	Release lower rear tab .....	636
Figure 1-1125	Release two front tabs .....	637
Figure 1-1126	Release upper tabs .....	637
Figure 1-1127	Remove the right cover .....	638
Figure 1-1128	Raise the scanner .....	638
Figure 1-1129	Remove one screw .....	639
Figure 1-1130	Remove one screw .....	639
Figure 1-1131	Locate the tabs .....	640
Figure 1-1132	Release front lower tabs .....	640
Figure 1-1133	Release lower rear tab .....	641
Figure 1-1134	Release front upper tabs .....	641
Figure 1-1135	Rotate the front of the cover .....	642
Figure 1-1136	Release top tabs .....	642
Figure 1-1137	Release one tab and one hook .....	643
Figure 1-1138	Lower the scanner .....	643
Figure 1-1139	Remove the right cover .....	644
Figure 1-1140	Remove one screw .....	644
Figure 1-1141	Release two tabs .....	645
Figure 1-1142	Locate the tabs .....	645
Figure 1-1143	Release bottom tabs .....	646
Figure 1-1144	Release three tabs .....	646
Figure 1-1145	Raise the scanner .....	647



Figure 1-1146	Remove one screw .....	647
Figure 1-1147	Release two tabs .....	648
Figure 1-1148	Locate the tabs .....	648
Figure 1-1149	Release four tabs .....	649
Figure 1-1150	Rotate the cover .....	649
Figure 1-1151	Release one tab and two hooks .....	650
Figure 1-1152	Lower the scanner .....	650
Figure 1-1153	Remove the left cover .....	651
Figure 1-1154	Close the secondary transfer assembly .....	651
Figure 1-1155	Remove three screws .....	652
Figure 1-1156	Release the retention arm .....	652
Figure 1-1157	Remove the duplexer door .....	653
Figure 1-1158	Disconnect two connectors and remove cables from guides .....	653
Figure 1-1159	Remove six screws .....	654
Figure 1-1160	Release four tabs .....	654
Figure 1-1161	Remove the re-pickup assembly .....	655
Figure 1-1162	Recycle and unpack .....	655
Figure 1-1163	Position the foot through the opening .....	656
Figure 1-1164	Remove the tray .....	658
Figure 1-1165	Release the front door .....	658
Figure 1-1166	Open the front door .....	659
Figure 1-1167	Open the duplexer door .....	659
Figure 1-1168	Open the rear door .....	660
Figure 1-1169	Remove one screw .....	660
Figure 1-1170	Release two tabs .....	661
Figure 1-1171	Locate the tabs .....	661
Figure 1-1172	Release bottom tabs .....	662
Figure 1-1173	Release three tabs .....	662
Figure 1-1174	Raise the scanner .....	663
Figure 1-1175	Remove one screw .....	663
Figure 1-1176	Release two tabs .....	664
Figure 1-1177	Locate the tabs .....	664
Figure 1-1178	Release four tabs .....	665
Figure 1-1179	Rotate the cover .....	665
Figure 1-1180	Release one tab and two hooks .....	666
Figure 1-1181	Lower the scanner .....	666
Figure 1-1182	Remove the left cover .....	667
Figure 1-1183	Check the cables .....	667
Figure 1-1184	Disconnect all of the connectors .....	668
Figure 1-1185	Remove six screws .....	668
Figure 1-1186	Release four tabs .....	669

Figure 1-1187	Remove the engine controller PCA .....	669
Figure 1-1188	Recycle and unpack .....	670
Figure 1-1189	Remove the tray .....	672
Figure 1-1190	Open the front door .....	672
Figure 1-1191	Open the cartridge drawer .....	673
Figure 1-1192	Remove the toner cartridge .....	673
Figure 1-1193	Slide the cartridge tray in .....	674
Figure 1-1194	Close the front door .....	674
Figure 1-1195	Open the duplexer door .....	675
Figure 1-1196	Open the rear door .....	675
Figure 1-1197	Remove one screw .....	676
Figure 1-1198	Remove one screw .....	676
Figure 1-1199	Locate the tabs .....	677
Figure 1-1200	Release front lower tabs .....	677
Figure 1-1201	Release lower rear tab .....	678
Figure 1-1202	Release two front tabs .....	678
Figure 1-1203	Release upper tabs .....	679
Figure 1-1204	Remove the right cover .....	679
Figure 1-1205	Raise the scanner .....	680
Figure 1-1206	Remove one screw .....	680
Figure 1-1207	Remove one screw .....	681
Figure 1-1208	Locate the tabs .....	681
Figure 1-1209	Release front lower tabs .....	682
Figure 1-1210	Release lower rear tab .....	682
Figure 1-1211	Release front upper tabs .....	683
Figure 1-1212	Rotate the front of the cover .....	683
Figure 1-1213	Release top tabs .....	684
Figure 1-1214	Release one tab and one hook .....	684
Figure 1-1215	Lower the scanner .....	685
Figure 1-1216	Remove the right cover .....	685
Figure 1-1217	Remove one screw .....	686
Figure 1-1218	Release two tabs .....	686
Figure 1-1219	Locate the tabs .....	687
Figure 1-1220	Release bottom tabs .....	687
Figure 1-1221	Release three tabs .....	688
Figure 1-1222	Raise the scanner .....	688
Figure 1-1223	Remove one screw .....	689
Figure 1-1224	Release two tabs .....	689
Figure 1-1225	Locate the tabs .....	690
Figure 1-1226	Release four tabs .....	690
Figure 1-1227	Rotate the cover .....	691

Figure 1-1228	Release one tab and two hooks .....	691
Figure 1-1229	Lower the scanner .....	692
Figure 1-1230	Remove the left cover .....	692
Figure 1-1231	Close the secondary transfer assembly .....	693
Figure 1-1232	Remove three screws .....	693
Figure 1-1233	Release the retention arm .....	694
Figure 1-1234	Remove the duplexer door .....	694
Figure 1-1235	Remove the rear door .....	695
Figure 1-1236	Check the cables .....	695
Figure 1-1237	Disconnect all of the connectors .....	696
Figure 1-1238	Remove six screws .....	696
Figure 1-1239	Release four tabs .....	697
Figure 1-1240	Remove the engine controller PCA .....	697
Figure 1-1241	Disconnect two connectors and remove cables from guides .....	698
Figure 1-1242	Remove six screws .....	698
Figure 1-1243	Release four tabs .....	699
Figure 1-1244	Remove the re-pickup assembly .....	699
Figure 1-1245	Remove four screws and release cables .....	700
Figure 1-1246	Remove one cover .....	700
Figure 1-1247	Remove one screw .....	701
Figure 1-1248	Remove the shaft .....	701
Figure 1-1249	Locate the tray sensor switch .....	702
Figure 1-1250	Release three tabs .....	702
Figure 1-1251	Release the tray sensor switch .....	703
Figure 1-1252	Remove the tray sensor switch .....	703
Figure 1-1253	Remove the lifter drive assembly .....	704
Figure 1-1254	Recycle and unpack .....	704
Figure 1-1255	Install the lifter drive assembly .....	705
Figure 1-1256	Install the tray sensor switch cable .....	705
Figure 1-1257	Install the tray sensor switch .....	706
Figure 1-1258	Remove the tray .....	708
Figure 1-1259	Open the front door .....	709
Figure 1-1260	Open the cartridge drawer .....	709
Figure 1-1261	Remove the toner cartridge .....	710
Figure 1-1262	Slide the cartridge tray in .....	710
Figure 1-1263	Close the front door .....	711
Figure 1-1264	Open the duplexer door .....	711
Figure 1-1265	Open the rear door .....	712
Figure 1-1266	Remove one screw .....	712
Figure 1-1267	Remove one screw .....	713
Figure 1-1268	Locate the tabs .....	713

Figure 1-1269	Release front lower tabs .....	714
Figure 1-1270	Release lower rear tab .....	714
Figure 1-1271	Release two front tabs .....	715
Figure 1-1272	Release upper tabs .....	715
Figure 1-1273	Remove the right cover .....	716
Figure 1-1274	Raise the scanner .....	716
Figure 1-1275	Remove one screw .....	717
Figure 1-1276	Remove one screw .....	717
Figure 1-1277	Locate the tabs .....	718
Figure 1-1278	Release front lower tabs .....	718
Figure 1-1279	Release lower rear tab .....	719
Figure 1-1280	Release front upper tabs .....	719
Figure 1-1281	Rotate the front of the cover .....	720
Figure 1-1282	Release top tabs .....	720
Figure 1-1283	Release one tab and one hook .....	721
Figure 1-1284	Lower the scanner .....	721
Figure 1-1285	Remove the right cover .....	722
Figure 1-1286	Remove one screw .....	722
Figure 1-1287	Release two tabs .....	723
Figure 1-1288	Locate the tabs .....	723
Figure 1-1289	Release bottom tabs .....	724
Figure 1-1290	Release three tabs .....	724
Figure 1-1291	Raise the scanner .....	725
Figure 1-1292	Remove one screw .....	725
Figure 1-1293	Release two tabs .....	726
Figure 1-1294	Locate the tabs .....	726
Figure 1-1295	Release four tabs .....	727
Figure 1-1296	Rotate the cover .....	727
Figure 1-1297	Release one tab and two hooks .....	728
Figure 1-1298	Lower the scanner .....	728
Figure 1-1299	Remove the left cover .....	729
Figure 1-1300	Close the secondary transfer assembly .....	729
Figure 1-1301	Remove three screws .....	730
Figure 1-1302	Release the retention arm .....	730
Figure 1-1303	Remove the duplexer door .....	731
Figure 1-1304	Remove the rear door .....	731
Figure 1-1305	Check the cables .....	732
Figure 1-1306	Disconnect all of the connectors .....	732
Figure 1-1307	Remove six screws .....	733
Figure 1-1308	Release four tabs .....	733
Figure 1-1309	Remove the engine controller PCA .....	734

Figure 1-1310	Disconnect one connector .....	734
Figure 1-1311	Disconnect all connectors and remove one screw .....	735
Figure 1-1312	Remove the driver PCA .....	735
Figure 1-1313	Disconnect one connector and release cables from guides .....	736
Figure 1-1314	Remove two screws .....	736
Figure 1-1315	Release the hinge arm .....	737
Figure 1-1316	Release one tab .....	737
Figure 1-1317	Remove the power supply fan and holder .....	738
Figure 1-1318	Check the connectors .....	738
Figure 1-1319	Disconnect five connectors and remove four screws .....	739
Figure 1-1320	Remove two screws and release three tabs .....	739
Figure 1-1321	Remove the LVPS .....	740
Figure 1-1322	Remove the fan duct .....	740
Figure 1-1323	Remove the pickup motor .....	741
Figure 1-1324	Disconnect two connectors and remove cables from guides .....	741
Figure 1-1325	Remove six screws .....	742
Figure 1-1326	Release four tabs .....	742
Figure 1-1327	Remove the re-pickup assembly .....	743
Figure 1-1328	Remove four screws and release cables .....	743
Figure 1-1329	Remove one cover .....	744
Figure 1-1330	Remove one screw .....	744
Figure 1-1331	Remove the shaft .....	745
Figure 1-1332	Locate the tray sensor switch .....	745
Figure 1-1333	Release three tabs .....	746
Figure 1-1334	Release the tray sensor switch .....	746
Figure 1-1335	Remove the tray sensor switch .....	747
Figure 1-1336	Remove the lifter drive assembly .....	747
Figure 1-1337	Remove three screws .....	748
Figure 1-1338	Release the cables from the cable guides .....	748
Figure 1-1339	Release the cables .....	749
Figure 1-1340	Remove the pickup assembly .....	749
Figure 1-1341	Release the cables .....	750
Figure 1-1342	Recycle and unpack .....	750
Figure 1-1343	Thread the cables .....	751
Figure 1-1344	Install the pickup assembly .....	751
Figure 1-1345	Remove the tray .....	753
Figure 1-1346	Open the front door .....	754
Figure 1-1347	Open the cartridge drawer .....	754
Figure 1-1348	Remove the toner cartridge .....	755
Figure 1-1349	Slide the cartridge tray in .....	755
Figure 1-1350	Close the front door .....	756

Figure 1-1351	Open the duplexer door .....	756
Figure 1-1352	Open the rear door .....	757
Figure 1-1353	Remove one screw .....	757
Figure 1-1354	Remove one screw .....	758
Figure 1-1355	Locate the tabs .....	758
Figure 1-1356	Release front lower tabs .....	759
Figure 1-1357	Release lower rear tab .....	759
Figure 1-1358	Release two front tabs .....	760
Figure 1-1359	Release upper tabs .....	760
Figure 1-1360	Remove the right cover .....	761
Figure 1-1361	Raise the scanner .....	761
Figure 1-1362	Remove one screw .....	762
Figure 1-1363	Remove one screw .....	762
Figure 1-1364	Locate the tabs .....	763
Figure 1-1365	Release front lower tabs .....	763
Figure 1-1366	Release lower rear tab .....	764
Figure 1-1367	Release front upper tabs .....	764
Figure 1-1368	Rotate the front of the cover .....	765
Figure 1-1369	Release top tabs .....	765
Figure 1-1370	Release one tab and one hook .....	766
Figure 1-1371	Lower the scanner .....	766
Figure 1-1372	Remove the right cover .....	767
Figure 1-1373	Remove one screw .....	767
Figure 1-1374	Release two tabs .....	768
Figure 1-1375	Locate the tabs .....	768
Figure 1-1376	Release bottom tabs .....	769
Figure 1-1377	Release three tabs .....	769
Figure 1-1378	Raise the scanner .....	770
Figure 1-1379	Remove one screw .....	770
Figure 1-1380	Release two tabs .....	771
Figure 1-1381	Locate the tabs .....	771
Figure 1-1382	Release four tabs .....	772
Figure 1-1383	Rotate the cover .....	772
Figure 1-1384	Release one tab and two hooks .....	773
Figure 1-1385	Lower the scanner .....	773
Figure 1-1386	Remove the left cover .....	774
Figure 1-1387	Close the secondary transfer assembly .....	774
Figure 1-1388	Remove three screws .....	775
Figure 1-1389	Release the retention arm .....	775
Figure 1-1390	Remove the duplexer door .....	776
Figure 1-1391	Remove the rear door .....	776

Figure 1-1392	Check the cables .....	777
Figure 1-1393	Disconnect all of the connectors .....	777
Figure 1-1394	Remove six screws .....	778
Figure 1-1395	Release four tabs .....	778
Figure 1-1396	Remove the engine controller PCA .....	779
Figure 1-1397	Disconnect one connector .....	779
Figure 1-1398	Disconnect all connectors and remove one screw .....	780
Figure 1-1399	Remove the driver PCA .....	780
Figure 1-1400	Disconnect one connector and release cables from guides .....	781
Figure 1-1401	Remove two screws .....	781
Figure 1-1402	Release the hinge arm .....	782
Figure 1-1403	Release one tab .....	782
Figure 1-1404	Remove the power supply fan and holder .....	783
Figure 1-1405	Check the connectors .....	783
Figure 1-1406	Disconnect five connectors and remove four screws .....	784
Figure 1-1407	Remove two screws and release three tabs .....	784
Figure 1-1408	Remove the LVPS .....	785
Figure 1-1409	Remove the fan duct .....	785
Figure 1-1410	Remove the pickup motor .....	786
Figure 1-1411	Disconnect two connectors and remove cables from guides .....	786
Figure 1-1412	Remove six screws .....	787
Figure 1-1413	Release four tabs .....	787
Figure 1-1414	Remove the re-pickup assembly .....	788
Figure 1-1415	Remove four screws and release cables .....	788
Figure 1-1416	Remove one cover .....	789
Figure 1-1417	Remove one screw .....	789
Figure 1-1418	Remove the shaft .....	790
Figure 1-1419	Locate the tray sensor switch .....	790
Figure 1-1420	Release three tabs .....	791
Figure 1-1421	Release the tray sensor switch .....	791
Figure 1-1422	Remove the tray sensor switch .....	792
Figure 1-1423	Remove the lifter drive assembly .....	792
Figure 1-1424	Remove three screws .....	793
Figure 1-1425	Release the cables from the cable guides .....	793
Figure 1-1426	Release the cables .....	794
Figure 1-1427	Remove the pickup assembly .....	794
Figure 1-1428	Release the cables .....	795
Figure 1-1429	Release the cables .....	795
Figure 1-1430	Release the tray 1 feed guide .....	796
Figure 1-1431	Slide the roller holder .....	796
Figure 1-1432	Remove the pickup and feed rollers .....	797

Figure 1-1433	Remove six screws .....	797
Figure 1-1434	Remove the roller holder .....	798
Figure 1-1435	Remove the front feed guide assembly .....	798
Figure 1-1436	Recycle and unpack .....	799
Figure 1-1437	Position the front feed guide assembly .....	799
Figure 1-1438	Position the flag .....	800
Figure 1-1439	Install the front feed guide assembly .....	800
Figure 1-1440	Remove the tray .....	802
Figure 1-1441	Open the front door .....	803
Figure 1-1442	Open the cartridge drawer .....	803
Figure 1-1443	Remove the toner cartridge .....	804
Figure 1-1444	Slide the cartridge tray in .....	804
Figure 1-1445	Close the front door .....	805
Figure 1-1446	Open the duplexer door .....	805
Figure 1-1447	Open the rear door .....	806
Figure 1-1448	Remove one screw .....	806
Figure 1-1449	Remove one screw .....	807
Figure 1-1450	Locate the tabs .....	807
Figure 1-1451	Release front lower tabs .....	808
Figure 1-1452	Release lower rear tab .....	808
Figure 1-1453	Release two front tabs .....	809
Figure 1-1454	Release upper tabs .....	809
Figure 1-1455	Remove the right cover .....	810
Figure 1-1456	Raise the scanner .....	810
Figure 1-1457	Remove one screw .....	811
Figure 1-1458	Remove one screw .....	811
Figure 1-1459	Locate the tabs .....	812
Figure 1-1460	Release front lower tabs .....	812
Figure 1-1461	Release lower rear tab .....	813
Figure 1-1462	Release front upper tabs .....	813
Figure 1-1463	Rotate the front of the cover .....	814
Figure 1-1464	Release top tabs .....	814
Figure 1-1465	Release one tab and one hook .....	815
Figure 1-1466	Lower the scanner .....	815
Figure 1-1467	Remove the right cover .....	816
Figure 1-1468	Remove one screw .....	816
Figure 1-1469	Release two tabs .....	817
Figure 1-1470	Locate the tabs .....	817
Figure 1-1471	Release bottom tabs .....	818
Figure 1-1472	Release three tabs .....	818
Figure 1-1473	Raise the scanner .....	819



Figure 1-1474	Remove one screw .....	819
Figure 1-1475	Release two tabs .....	820
Figure 1-1476	Locate the tabs .....	820
Figure 1-1477	Release four tabs .....	821
Figure 1-1478	Rotate the cover .....	821
Figure 1-1479	Release one tab and two hooks .....	822
Figure 1-1480	Lower the scanner .....	822
Figure 1-1481	Remove the left cover .....	823
Figure 1-1482	Close the secondary transfer assembly .....	823
Figure 1-1483	Remove three screws .....	824
Figure 1-1484	Release the retention arm .....	824
Figure 1-1485	Remove the duplexer door .....	825
Figure 1-1486	Remove the rear door .....	825
Figure 1-1487	Check the cables .....	826
Figure 1-1488	Disconnect all of the connectors .....	826
Figure 1-1489	Remove six screws .....	827
Figure 1-1490	Release four tabs .....	827
Figure 1-1491	Remove the engine controller PCA .....	828
Figure 1-1492	Disconnect one connector .....	828
Figure 1-1493	Disconnect all connectors and remove one screw .....	829
Figure 1-1494	Remove the driver PCA .....	829
Figure 1-1495	Disconnect one connector and release cables from guides .....	830
Figure 1-1496	Remove two screws .....	830
Figure 1-1497	Release the hinge arm .....	831
Figure 1-1498	Release one tab .....	831
Figure 1-1499	Remove the power supply fan and holder .....	832
Figure 1-1500	Check the connectors .....	832
Figure 1-1501	Disconnect five connectors and remove four screws .....	833
Figure 1-1502	Remove two screws and release three tabs .....	833
Figure 1-1503	Remove the LVPS .....	834
Figure 1-1504	Remove the fan duct .....	834
Figure 1-1505	Remove the pickup motor .....	835
Figure 1-1506	Disconnect two connectors and remove cables from guides .....	835
Figure 1-1507	Remove six screws .....	836
Figure 1-1508	Release four tabs .....	836
Figure 1-1509	Remove the re-pickup assembly .....	837
Figure 1-1510	Remove four screws and release cables .....	837
Figure 1-1511	Remove one cover .....	838
Figure 1-1512	Remove one screw .....	838
Figure 1-1513	Remove the shaft .....	839
Figure 1-1514	Locate the tray sensor switch .....	839

Figure 1-1515	Release three tabs .....	840
Figure 1-1516	Release the tray sensor switch .....	840
Figure 1-1517	Remove the tray sensor switch .....	841
Figure 1-1518	Remove the lifter drive assembly .....	841
Figure 1-1519	Remove three screws .....	842
Figure 1-1520	Release the cables from the cable guides .....	842
Figure 1-1521	Release the cables .....	843
Figure 1-1522	Remove the pickup assembly .....	843
Figure 1-1523	Release the cables .....	844
Figure 1-1524	Release the cables .....	844
Figure 1-1525	Release the tray 1 feed guide .....	845
Figure 1-1526	Slide the roller holder .....	845
Figure 1-1527	Remove the pickup and feed rollers .....	846
Figure 1-1528	Remove six screws .....	846
Figure 1-1529	Remove the roller holder .....	847
Figure 1-1530	Remove the front feed guide assembly .....	847
Figure 1-1531	Remove the rear feed guide assembly .....	848
Figure 1-1532	Recycle and unpack .....	848
Figure 1-1533	Remove the tray .....	850
Figure 1-1534	Open the front door .....	851
Figure 1-1535	Open the cartridge drawer .....	851
Figure 1-1536	Remove the toner cartridge .....	852
Figure 1-1537	Slide the cartridge tray in .....	852
Figure 1-1538	Close the front door .....	853
Figure 1-1539	Open the duplexer door .....	853
Figure 1-1540	Open the rear door .....	854
Figure 1-1541	Remove one screw .....	854
Figure 1-1542	Remove one screw .....	855
Figure 1-1543	Locate the tabs .....	855
Figure 1-1544	Release front lower tabs .....	856
Figure 1-1545	Release lower rear tab .....	856
Figure 1-1546	Release two front tabs .....	857
Figure 1-1547	Release upper tabs .....	857
Figure 1-1548	Remove the right cover .....	858
Figure 1-1549	Raise the scanner .....	858
Figure 1-1550	Remove one screw .....	859
Figure 1-1551	Remove one screw .....	859
Figure 1-1552	Locate the tabs .....	860
Figure 1-1553	Release front lower tabs .....	860
Figure 1-1554	Release lower rear tab .....	861
Figure 1-1555	Release front upper tabs .....	861

Figure 1-1556	Rotate the front of the cover .....	862
Figure 1-1557	Release top tabs .....	862
Figure 1-1558	Release one tab and one hook .....	863
Figure 1-1559	Lower the scanner .....	863
Figure 1-1560	Remove the right cover .....	864
Figure 1-1561	Remove one screw .....	864
Figure 1-1562	Release two tabs .....	865
Figure 1-1563	Locate the tabs .....	865
Figure 1-1564	Release bottom tabs .....	866
Figure 1-1565	Release three tabs .....	866
Figure 1-1566	Raise the scanner .....	867
Figure 1-1567	Remove one screw .....	867
Figure 1-1568	Release two tabs .....	868
Figure 1-1569	Locate the tabs .....	868
Figure 1-1570	Release four tabs .....	869
Figure 1-1571	Rotate the cover .....	869
Figure 1-1572	Release one tab and two hooks .....	870
Figure 1-1573	Lower the scanner .....	870
Figure 1-1574	Remove the left cover .....	871
Figure 1-1575	Close the secondary transfer assembly .....	871
Figure 1-1576	Remove three screws .....	872
Figure 1-1577	Release the retention arm .....	872
Figure 1-1578	Remove the duplexer door .....	873
Figure 1-1579	Remove the rear door .....	873
Figure 1-1580	Check the cables .....	874
Figure 1-1581	Disconnect all of the connectors .....	874
Figure 1-1582	Remove six screws .....	875
Figure 1-1583	Release four tabs .....	875
Figure 1-1584	Remove the engine controller PCA .....	876
Figure 1-1585	Disconnect one connector .....	876
Figure 1-1586	Disconnect all connectors and remove one screw .....	877
Figure 1-1587	Remove the driver PCA .....	877
Figure 1-1588	Disconnect one connector and release cables from guides .....	878
Figure 1-1589	Remove two screws .....	878
Figure 1-1590	Release the hinge arm .....	879
Figure 1-1591	Release one tab .....	879
Figure 1-1592	Remove the power supply fan and holder .....	880
Figure 1-1593	Check the connectors .....	880
Figure 1-1594	Disconnect five connectors and remove four screws .....	881
Figure 1-1595	Remove two screws and release three tabs .....	881
Figure 1-1596	Remove the LVPS .....	882

Figure 1-1597	Remove the fan duct .....	882
Figure 1-1598	Remove the pickup motor .....	883
Figure 1-1599	Disconnect two connectors and remove cables from guides .....	883
Figure 1-1600	Remove six screws .....	884
Figure 1-1601	Release four tabs .....	884
Figure 1-1602	Remove the re-pickup assembly .....	885
Figure 1-1603	Remove four screws and release cables .....	885
Figure 1-1604	Remove one cover .....	886
Figure 1-1605	Remove one screw .....	886
Figure 1-1606	Remove the shaft .....	887
Figure 1-1607	Locate the tray sensor switch .....	887
Figure 1-1608	Release three tabs .....	888
Figure 1-1609	Release the tray sensor switch .....	888
Figure 1-1610	Remove the tray sensor switch .....	889
Figure 1-1611	Remove the lifter drive assembly .....	889
Figure 1-1612	Remove three screws .....	890
Figure 1-1613	Release the cables from the cable guides .....	890
Figure 1-1614	Release the cables .....	891
Figure 1-1615	Remove the pickup assembly .....	891
Figure 1-1616	Release the cables .....	892
Figure 1-1617	Release the cables .....	892
Figure 1-1618	Release the tray 1 feed guide .....	893
Figure 1-1619	Slide the roller holder .....	893
Figure 1-1620	Remove the pickup and feed rollers .....	894
Figure 1-1621	Remove six screws .....	894
Figure 1-1622	Remove the roller holder .....	895
Figure 1-1623	Remove the front feed guide assembly .....	895
Figure 1-1624	Remove the rear feed guide assembly .....	896
Figure 1-1625	Remove two screws .....	896
Figure 1-1626	Release five tabs .....	897
Figure 1-1627	Remove the registration assembly .....	897
Figure 1-1628	Recycle and unpack .....	898
Figure 1-1629	Position the registration assembly .....	898
Figure 1-1630	Remove the tray .....	900
Figure 1-1631	Release the front door .....	900
Figure 1-1632	Open the front door .....	901
Figure 1-1633	Open the duplexer door .....	901
Figure 1-1634	Open the rear door .....	902
Figure 1-1635	Remove one screw .....	902
Figure 1-1636	Remove one screw .....	903
Figure 1-1637	Locate the tabs .....	903

Figure 1-1638	Release front lower tabs .....	904
Figure 1-1639	Release lower rear tab .....	904
Figure 1-1640	Release two front tabs .....	905
Figure 1-1641	Release upper tabs .....	905
Figure 1-1642	Remove the right cover .....	906
Figure 1-1643	Raise the scanner .....	906
Figure 1-1644	Remove one screw .....	907
Figure 1-1645	Remove one screw .....	907
Figure 1-1646	Locate the tabs .....	908
Figure 1-1647	Release front lower tabs .....	908
Figure 1-1648	Release lower rear tab .....	909
Figure 1-1649	Release front upper tabs .....	909
Figure 1-1650	Rotate the front of the cover .....	910
Figure 1-1651	Release top tabs .....	910
Figure 1-1652	Release one tab and one hook .....	911
Figure 1-1653	Lower the scanner .....	911
Figure 1-1654	Remove the right cover .....	912
Figure 1-1655	Remove one screw .....	912
Figure 1-1656	Release two tabs .....	913
Figure 1-1657	Locate the tabs .....	913
Figure 1-1658	Release bottom tabs .....	914
Figure 1-1659	Release three tabs .....	914
Figure 1-1660	Raise the scanner .....	915
Figure 1-1661	Remove one screw .....	915
Figure 1-1662	Release two tabs .....	916
Figure 1-1663	Locate the tabs .....	916
Figure 1-1664	Release four tabs .....	917
Figure 1-1665	Rotate the cover .....	917
Figure 1-1666	Release one tab and two hooks .....	918
Figure 1-1667	Lower the scanner .....	918
Figure 1-1668	Remove the left cover .....	919
Figure 1-1669	Release six tabs .....	919
Figure 1-1670	Remove the rear top cover .....	920
Figure 1-1671	Disconnect the scanner cables .....	920
Figure 1-1672	Remove one screw and release the ground wire .....	921
Figure 1-1673	Raise the scanner .....	921
Figure 1-1674	Release the scanner arm pin .....	922
Figure 1-1675	Remove the scanner arm pin .....	922
Figure 1-1676	Release one tab .....	923
Figure 1-1677	Remove the scanner cable cover .....	923
Figure 1-1678	Release the cables .....	924

Figure 1-1679	Remove the scanner assembly .....	924
Figure 1-1680	Disconnect one connector .....	925
Figure 1-1681	Remove three screws and release one tab .....	925
Figure 1-1682	Lift up to remove the fax PCA .....	926
Figure 1-1683	Release one tab to remove fax PCA from the plastic holder .....	926
Figure 1-1684	Disconnect one connectors and one FFC .....	927
Figure 1-1685	Disconnect wireless antenna cable from the wireless PCA .....	927
Figure 1-1686	Remove one screw and the sheet metal plate .....	928
Figure 1-1687	Lower the support arm and remove one screw .....	928
Figure 1-1688	Remove the scanner support arm .....	929
Figure 1-1689	Remove three screws .....	929
Figure 1-1690	Release the control panel cover .....	930
Figure 1-1691	Remove the control panel cover .....	930
Figure 1-1692	Release the flat cable .....	931
Figure 1-1693	Remove three screws .....	931
Figure 1-1694	Remove one screw .....	932
Figure 1-1695	Refasten the control panel to the top cover .....	932
Figure 1-1696	Release the USB cable .....	933
Figure 1-1697	Remove two screws .....	933
Figure 1-1698	Release one retainer and three tabs .....	934
Figure 1-1699	Remove antenna wire from guide .....	934
Figure 1-1700	Remove the top cover .....	935
Figure 1-1701	Disconnect one connector .....	935
Figure 1-1702	Disconnect one connector .....	936
Figure 1-1703	Disconnect the antenna .....	936
Figure 1-1704	Remove two screws .....	937
Figure 1-1705	Remove the guide .....	937
Figure 1-1706	Remove three screws .....	938
Figure 1-1707	Remove two screws .....	938
Figure 1-1708	Release two tabs .....	939
Figure 1-1709	Remove two screws and release one tab .....	939
Figure 1-1710	Remove the top cover .....	940
Figure 1-1711	Locate the memory PCA .....	940
Figure 1-1712	Remove the memory PCA .....	941
Figure 1-1713	Recycle and unpack .....	941
Figure 1-1714	Remove the tray .....	944
Figure 1-1715	Release the front door .....	944
Figure 1-1716	Open the front door .....	945
Figure 1-1717	Open the duplexer door .....	945
Figure 1-1718	Open the rear door .....	946
Figure 1-1719	Remove one screw .....	946

Figure 1-1720	Remove one screw .....	947
Figure 1-1721	Locate the tabs .....	947
Figure 1-1722	Release front lower tabs .....	948
Figure 1-1723	Release lower rear tab .....	948
Figure 1-1724	Release two front tabs .....	949
Figure 1-1725	Release upper tabs .....	949
Figure 1-1726	Remove the right cover .....	950
Figure 1-1727	Remove one screw .....	950
Figure 1-1728	Release two tabs .....	951
Figure 1-1729	Locate the tabs .....	951
Figure 1-1730	Release bottom tabs .....	952
Figure 1-1731	Release three tabs .....	952
Figure 1-1732	Release six tabs .....	953
Figure 1-1733	Remove the rear top cover .....	953
Figure 1-1734	Disconnect one connector .....	954
Figure 1-1735	Disconnect one connector .....	954
Figure 1-1736	Disconnect the antenna .....	955
Figure 1-1737	Remove two screws .....	955
Figure 1-1738	Remove the guide .....	956
Figure 1-1739	Remove three screws .....	956
Figure 1-1740	Remove two screws .....	957
Figure 1-1741	Release two tabs .....	957
Figure 1-1742	Remove two screws and release one tab .....	958
Figure 1-1743	Remove the top cover .....	958
Figure 1-1744	Locate the memory PCA .....	959
Figure 1-1745	Remove the memory PCA .....	959
Figure 1-1746	Disconnect four connectors .....	960
Figure 1-1747	Lift the flat cable .....	960
Figure 1-1748	Release the cables from the guides .....	961
Figure 1-1749	Remove the bracket .....	961
Figure 1-1750	Remove two screws .....	962
Figure 1-1751	Remove the grounding plate .....	962
Figure 1-1752	Release one tab (callout 1) and lift to remove USB connector (callout 2) .....	963
Figure 1-1753	Remove the USB bracket .....	963
Figure 1-1754	Remove one screw .....	964
Figure 1-1755	Remove the front door switch holder .....	964
Figure 1-1756	Release one tab on the cover .....	965
Figure 1-1757	Remove the cover .....	965
Figure 1-1758	Release one tab .....	966
Figure 1-1759	Remove the cover .....	966
Figure 1-1760	Remove one screw .....	967

Figure 1-1761	Release one tab .....	967
Figure 1-1762	Remove the exhaust duct .....	968
Figure 1-1763	Release three springs .....	969
Figure 1-1764	Lift the duct to release the spring .....	969
Figure 1-1765	Remove the laser scanner .....	970
Figure 1-1766	Recycle and unpack .....	970
Figure 1-1767	Install three tabs .....	971
Figure 1-1768	Install five tabs .....	971
Figure 1-1769	Spring position .....	972
Figure 1-1770	Reposition the spring .....	972
Figure 1-1771	Remove the tray .....	974
Figure 1-1772	Release the front door .....	975
Figure 1-1773	Open the front door .....	975
Figure 1-1774	Open the duplexer door .....	976
Figure 1-1775	Open the rear door .....	976
Figure 1-1776	Raise the scanner .....	977
Figure 1-1777	Remove one screw .....	977
Figure 1-1778	Remove one screw .....	978
Figure 1-1779	Locate the tabs .....	978
Figure 1-1780	Release front lower tabs .....	979
Figure 1-1781	Release lower rear tab .....	979
Figure 1-1782	Release front upper tabs .....	980
Figure 1-1783	Rotate the front of the cover .....	980
Figure 1-1784	Release top tabs .....	981
Figure 1-1785	Release one tab and one hook .....	981
Figure 1-1786	Lower the scanner .....	982
Figure 1-1787	Remove the right cover .....	982
Figure 1-1788	Raise the scanner .....	983
Figure 1-1789	Remove one screw .....	983
Figure 1-1790	Release two tabs .....	984
Figure 1-1791	Locate the tabs .....	984
Figure 1-1792	Release four tabs .....	985
Figure 1-1793	Rotate the cover .....	985
Figure 1-1794	Release one tab and two hooks .....	986
Figure 1-1795	Lower the scanner .....	986
Figure 1-1796	Remove the left cover .....	987
Figure 1-1797	Release six tabs .....	987
Figure 1-1798	Remove the rear top cover .....	988
Figure 1-1799	Disconnect the scanner cables .....	988
Figure 1-1800	Remove one screw and release the ground wire .....	989
Figure 1-1801	Raise the scanner .....	989



Figure 1-1802	Release the scanner arm pin .....	990
Figure 1-1803	Remove the scanner arm pin. ....	990
Figure 1-1804	Release one tab .....	991
Figure 1-1805	Remove the scanner cable cover .....	991
Figure 1-1806	Release the cables .....	992
Figure 1-1807	Remove the scanner assembly .....	992
Figure 1-1808	Disconnect one connector .....	993
Figure 1-1809	Remove three screws and release one tab .....	993
Figure 1-1810	Lift up to remove the fax PCA .....	994
Figure 1-1811	Release one tab to remove fax PCA from the plastic holder .....	994
Figure 1-1812	Disconnect one connectors and one FFC .....	995
Figure 1-1813	Disconnect wireless antenna cable from the wireless PCA .....	995
Figure 1-1814	Remove one screw and the sheet metal plate .....	996
Figure 1-1815	Lower the support arm and remove one screw .....	996
Figure 1-1816	Remove the scanner support arm .....	997
Figure 1-1817	Remove three screws .....	997
Figure 1-1818	Release the control panel cover .....	998
Figure 1-1819	Remove the control panel cover .....	998
Figure 1-1820	Release the flat cable .....	999
Figure 1-1821	Remove three screws .....	999
Figure 1-1822	Remove one screw .....	1000
Figure 1-1823	Refasten the control panel to the top cover .....	1000
Figure 1-1824	Release the USB cable .....	1001
Figure 1-1825	Remove two screws .....	1001
Figure 1-1826	Release one retainer and three tabs .....	1002
Figure 1-1827	Remove antenna wire from guide .....	1002
Figure 1-1828	Remove the top cover .....	1003
Figure 1-1829	Locate the memory PCA .....	1003
Figure 1-1830	Remove the memory PCA .....	1004
Figure 1-1831	Disconnect four connectors .....	1004
Figure 1-1832	Lift the flat cable .....	1005
Figure 1-1833	Release the cables from the guides .....	1005
Figure 1-1834	Remove one screw .....	1006
Figure 1-1835	Remove four screws .....	1006
Figure 1-1836	Release the cables .....	1007
Figure 1-1837	Remove the metal bracket .....	1007
Figure 1-1838	Remove one screw .....	1008
Figure 1-1839	Remove the front door switch holder .....	1008
Figure 1-1840	Release one tab on the cover .....	1009
Figure 1-1841	Remove the cover .....	1009
Figure 1-1842	Release one tab .....	1010

Figure 1-1843	Remove the cover .....	1010
Figure 1-1844	Remove one screw .....	1011
Figure 1-1845	Release one tab .....	1011
Figure 1-1846	Remove the exhaust duct .....	1012
Figure 1-1847	Release three springs .....	1013
Figure 1-1848	Lift the duct to release the spring .....	1013
Figure 1-1849	Remove the laser scanner .....	1014
Figure 1-1850	Recycle and unpack .....	1014
Figure 1-1851	Install three tabs .....	1015
Figure 1-1852	Install five tabs .....	1015
Figure 1-1853	Spring position .....	1016
Figure 1-1854	Reposition the spring .....	1016
Figure 1-1855	Remove the tray .....	1018
Figure 1-1856	Release the front door .....	1019
Figure 1-1857	Open the front door .....	1019
Figure 1-1858	Open the rear door .....	1020
Figure 1-1859	Remove one screw .....	1020
Figure 1-1860	Remove one screw .....	1021
Figure 1-1861	Locate the tabs .....	1021
Figure 1-1862	Release front lower tabs .....	1022
Figure 1-1863	Release lower rear tab .....	1022
Figure 1-1864	Release two front tabs .....	1023
Figure 1-1865	Release upper tabs .....	1023
Figure 1-1866	Remove the right cover .....	1024
Figure 1-1867	Raise the scanner .....	1024
Figure 1-1868	Remove one screw .....	1025
Figure 1-1869	Remove one screw .....	1025
Figure 1-1870	Locate the tabs .....	1026
Figure 1-1871	Release front lower tabs .....	1026
Figure 1-1872	Release lower rear tab .....	1027
Figure 1-1873	Release front upper tabs .....	1027
Figure 1-1874	Rotate the front of the cover .....	1028
Figure 1-1875	Release top tabs .....	1028
Figure 1-1876	Release one tab and one hook .....	1029
Figure 1-1877	Lower the scanner .....	1029
Figure 1-1878	Remove the right cover .....	1030
Figure 1-1879	Remove one screw .....	1030
Figure 1-1880	Release two tabs .....	1031
Figure 1-1881	Locate the tabs .....	1031
Figure 1-1882	Release bottom tabs .....	1032
Figure 1-1883	Release three tabs .....	1032

Figure 1-1884	Raise the scanner .....	1033
Figure 1-1885	Remove one screw .....	1033
Figure 1-1886	Release two tabs .....	1034
Figure 1-1887	Locate the tabs .....	1034
Figure 1-1888	Release four tabs .....	1035
Figure 1-1889	Rotate the cover .....	1035
Figure 1-1890	Release one tab and two hooks .....	1036
Figure 1-1891	Lower the scanner .....	1036
Figure 1-1892	Remove the left cover .....	1037
Figure 1-1893	Release six tabs .....	1037
Figure 1-1894	Remove the rear top cover .....	1038
Figure 1-1895	Disconnect the scanner cables .....	1038
Figure 1-1896	Remove one screw and release the ground wire .....	1039
Figure 1-1897	Raise the scanner .....	1039
Figure 1-1898	Release the scanner arm pin .....	1040
Figure 1-1899	Remove the scanner arm pin. ....	1040
Figure 1-1900	Release one tab .....	1041
Figure 1-1901	Remove the scanner cable cover .....	1041
Figure 1-1902	Release the cables .....	1042
Figure 1-1903	Remove the scanner assembly .....	1042
Figure 1-1904	Disconnect one connector .....	1043
Figure 1-1905	Remove three screws and release one tab .....	1043
Figure 1-1906	Lift up to remove the fax PCA .....	1044
Figure 1-1907	Release one tab to remove fax PCA from the plastic holder .....	1044
Figure 1-1908	Disconnect one connectors and one FFC .....	1045
Figure 1-1909	Disconnect wireless antenna cable from the wireless PCA .....	1045
Figure 1-1910	Remove one screw and the sheet metal plate .....	1046
Figure 1-1911	Lower the support arm and remove one screw .....	1046
Figure 1-1912	Remove the scanner support arm .....	1047
Figure 1-1913	Remove three screws .....	1047
Figure 1-1914	Release the control panel cover .....	1048
Figure 1-1915	Remove the control panel cover .....	1048
Figure 1-1916	Release the flat cable .....	1049
Figure 1-1917	Remove three screws .....	1049
Figure 1-1918	Remove one screw .....	1050
Figure 1-1919	Refasten the control panel to the top cover .....	1050
Figure 1-1920	Release the USB cable .....	1051
Figure 1-1921	Remove two screws .....	1051
Figure 1-1922	Release one retainer and three tabs .....	1052
Figure 1-1923	Remove antenna wire from guide .....	1052
Figure 1-1924	Remove the top cover .....	1053

Figure 1-1925	Disconnect one connector .....	1053
Figure 1-1926	Disconnect one connector .....	1054
Figure 1-1927	Disconnect the antenna .....	1054
Figure 1-1928	Remove two screws .....	1055
Figure 1-1929	Remove the guide .....	1055
Figure 1-1930	Remove three screws .....	1056
Figure 1-1931	Remove two screws .....	1056
Figure 1-1932	Release two tabs .....	1057
Figure 1-1933	Remove two screws and release one tab .....	1057
Figure 1-1934	Remove the top cover .....	1058
Figure 1-1935	Disconnect one connector .....	1058
Figure 1-1936	Disconnect six connectors .....	1059
Figure 1-1937	Disconnect two connectors .....	1059
Figure 1-1938	Remove five screws .....	1060
Figure 1-1939	Remove the fuser .....	1060
Figure 1-1940	Recycle and unpack .....	1061
Figure 1-1941	Remove the tray .....	1063
Figure 1-1942	Release the front door .....	1063
Figure 1-1943	Open the front door .....	1064
Figure 1-1944	Open the duplexer door .....	1064
Figure 1-1945	Remove one screw .....	1065
Figure 1-1946	Remove one screw .....	1065
Figure 1-1947	Locate the tabs .....	1066
Figure 1-1948	Release front lower tabs .....	1066
Figure 1-1949	Release lower rear tab .....	1067
Figure 1-1950	Release two front tabs .....	1067
Figure 1-1951	Release upper tabs .....	1068
Figure 1-1952	Remove the right cover .....	1068
Figure 1-1953	Raise the scanner .....	1069
Figure 1-1954	Remove one screw .....	1069
Figure 1-1955	Remove one screw .....	1070
Figure 1-1956	Locate the tabs .....	1070
Figure 1-1957	Release front lower tabs .....	1071
Figure 1-1958	Release lower rear tab .....	1071
Figure 1-1959	Release front upper tabs .....	1072
Figure 1-1960	Rotate the front of the cover .....	1072
Figure 1-1961	Release top tabs .....	1073
Figure 1-1962	Release one tab and one hook .....	1073
Figure 1-1963	Lower the scanner .....	1074
Figure 1-1964	Remove the right cover .....	1074
Figure 1-1965	Remove one screw .....	1075

Figure 1-1966	Release two tabs .....	1075
Figure 1-1967	Locate the tabs .....	1076
Figure 1-1968	Release bottom tabs .....	1076
Figure 1-1969	Release three tabs .....	1077
Figure 1-1970	Raise the scanner .....	1077
Figure 1-1971	Remove one screw .....	1078
Figure 1-1972	Release two tabs .....	1078
Figure 1-1973	Locate the tabs .....	1079
Figure 1-1974	Release four tabs .....	1079
Figure 1-1975	Rotate the cover .....	1080
Figure 1-1976	Release one tab and two hooks .....	1080
Figure 1-1977	Lower the scanner .....	1081
Figure 1-1978	Remove the left cover .....	1081
Figure 1-1979	Disconnect the scanner cables .....	1082
Figure 1-1980	Remove one screw and release the ground wire .....	1082
Figure 1-1981	Raise the scanner .....	1083
Figure 1-1982	Release the scanner arm pin .....	1083
Figure 1-1983	Remove the scanner arm pin. ....	1084
Figure 1-1984	Release one tab .....	1084
Figure 1-1985	Remove the scanner cable cover .....	1085
Figure 1-1986	Release the cables .....	1085
Figure 1-1987	Remove the scanner assembly .....	1086
Figure 1-1988	Disconnect one connector .....	1086
Figure 1-1989	Remove three screws and release one tab .....	1087
Figure 1-1990	Lift up to remove the fax PCA .....	1087
Figure 1-1991	Release one tab to remove fax PCA from the plastic holder .....	1088
Figure 1-1992	Disconnect one connectors and one FFC .....	1088
Figure 1-1993	Disconnect wireless antenna cable from the wireless PCA .....	1089
Figure 1-1994	Remove one screw and the sheet metal plate .....	1089
Figure 1-1995	Lower the support arm and remove one screw .....	1090
Figure 1-1996	Remove the scanner support arm .....	1090
Figure 1-1997	Remove three screws .....	1091
Figure 1-1998	Release the control panel cover .....	1091
Figure 1-1999	Remove the control panel cover .....	1092
Figure 1-2000	Release the flat cable .....	1092
Figure 1-2001	Remove three screws .....	1093
Figure 1-2002	Remove one screw .....	1093
Figure 1-2003	Refasten the control panel to the top cover .....	1094
Figure 1-2004	Release the USB cable .....	1094
Figure 1-2005	Remove two screws .....	1095
Figure 1-2006	Release one retainer and three tabs .....	1095

Figure 1-2007	Remove antenna wire from guide .....	1096
Figure 1-2008	Remove the top cover .....	1096
Figure 1-2009	Disconnect one connector .....	1097
Figure 1-2010	Disconnect one connector .....	1097
Figure 1-2011	Disconnect the antenna .....	1098
Figure 1-2012	Remove two screws .....	1098
Figure 1-2013	Remove the guide .....	1099
Figure 1-2014	Remove three screws .....	1099
Figure 1-2015	Remove two screws .....	1100
Figure 1-2016	Release two tabs .....	1100
Figure 1-2017	Remove two screws and release one tab .....	1101
Figure 1-2018	Remove the top cover .....	1101
Figure 1-2019	Remove four screws .....	1102
Figure 1-2020	Remove the guide .....	1102
Figure 1-2021	Disconnect one connector .....	1103
Figure 1-2022	Disconnect eight connectors .....	1103
Figure 1-2023	Disconnect two connectors .....	1104
Figure 1-2024	Remove three screws .....	1104
Figure 1-2025	Remove the fuser .....	1105
Figure 1-2026	Recycle and unpack .....	1105
Figure 1-2027	Install the lever through the opening .....	1106
Figure 1-2028	Switchback lever shaft .....	1106
Figure 1-2029	Switchback lever position .....	1107
Figure 1-2030	Remove the tray .....	1109
Figure 1-2031	Release the front door .....	1109
Figure 1-2032	Open the front door .....	1110
Figure 1-2033	Open the duplexer door .....	1110
Figure 1-2034	Open the rear door .....	1111
Figure 1-2035	Remove one screw .....	1111
Figure 1-2036	Remove one screw .....	1112
Figure 1-2037	Locate the tabs .....	1112
Figure 1-2038	Release front lower tabs .....	1113
Figure 1-2039	Release lower rear tab .....	1113
Figure 1-2040	Release two front tabs .....	1114
Figure 1-2041	Release upper tabs .....	1114
Figure 1-2042	Remove the right cover .....	1115
Figure 1-2043	Raise the scanner .....	1115
Figure 1-2044	Remove one screw .....	1116
Figure 1-2045	Remove one screw .....	1116
Figure 1-2046	Locate the tabs .....	1117
Figure 1-2047	Release front lower tabs .....	1117

Figure 1-2048	Release lower rear tab .....	1118
Figure 1-2049	Release front upper tabs .....	1118
Figure 1-2050	Rotate the front of the cover .....	1119
Figure 1-2051	Release top tabs .....	1119
Figure 1-2052	Release one tab and one hook .....	1120
Figure 1-2053	Lower the scanner .....	1120
Figure 1-2054	Remove the right cover .....	1121
Figure 1-2055	Disconnect two connectors .....	1121
Figure 1-2056	Remove two screws .....	1122
Figure 1-2057	Release the retainer arm .....	1122
Figure 1-2058	Disconnect two connectors and remove three screws .....	1123
Figure 1-2059	Remove the fuser power supply .....	1123
Figure 1-2060	Remove the fuser motor .....	1124
Figure 1-2061	Remove the fuser motor .....	1124
Figure 1-2062	Recycle and unpack .....	1125
Figure 1-2063	Remove the tray .....	1127
Figure 1-2064	Release the front door .....	1128
Figure 1-2065	Open the front door .....	1128
Figure 1-2066	Open the duplexer door .....	1129
Figure 1-2067	Remove one screw .....	1129
Figure 1-2068	Remove one screw .....	1130
Figure 1-2069	Locate the tabs .....	1130
Figure 1-2070	Release front lower tabs .....	1131
Figure 1-2071	Release lower rear tab .....	1131
Figure 1-2072	Release two front tabs .....	1132
Figure 1-2073	Release upper tabs .....	1132
Figure 1-2074	Remove the right cover .....	1133
Figure 1-2075	Raise the scanner .....	1133
Figure 1-2076	Remove one screw .....	1134
Figure 1-2077	Remove one screw .....	1134
Figure 1-2078	Locate the tabs .....	1135
Figure 1-2079	Release front lower tabs .....	1135
Figure 1-2080	Release lower rear tab .....	1136
Figure 1-2081	Release front upper tabs .....	1136
Figure 1-2082	Rotate the front of the cover .....	1137
Figure 1-2083	Release top tabs .....	1137
Figure 1-2084	Release one tab and one hook .....	1138
Figure 1-2085	Lower the scanner .....	1138
Figure 1-2086	Remove the right cover .....	1139
Figure 1-2087	Remove one screw .....	1139
Figure 1-2088	Release two tabs .....	1140

Figure 1-2089	Locate the tabs .....	1140
Figure 1-2090	Release bottom tabs .....	1141
Figure 1-2091	Release three tabs .....	1141
Figure 1-2092	Raise the scanner .....	1142
Figure 1-2093	Remove one screw .....	1142
Figure 1-2094	Release two tabs .....	1143
Figure 1-2095	Locate the tabs .....	1143
Figure 1-2096	Release four tabs .....	1144
Figure 1-2097	Rotate the cover .....	1144
Figure 1-2098	Release one tab and two hooks .....	1145
Figure 1-2099	Lower the scanner .....	1145
Figure 1-2100	Remove the left cover .....	1146
Figure 1-2101	Disconnect the scanner cables .....	1146
Figure 1-2102	Remove one screw and release the ground wire .....	1147
Figure 1-2103	Raise the scanner .....	1147
Figure 1-2104	Release the scanner arm pin .....	1148
Figure 1-2105	Remove the scanner arm pin. ....	1148
Figure 1-2106	Release one tab .....	1149
Figure 1-2107	Remove the scanner cable cover .....	1149
Figure 1-2108	Release the cables .....	1150
Figure 1-2109	Remove the scanner assembly .....	1150
Figure 1-2110	Disconnect one connector .....	1151
Figure 1-2111	Remove three screws and release one tab .....	1151
Figure 1-2112	Lift up to remove the fax PCA .....	1152
Figure 1-2113	Release one tab to remove fax PCA from the plastic holder .....	1152
Figure 1-2114	Disconnect one connectors and one FFC .....	1153
Figure 1-2115	Disconnect wireless antenna cable from the wireless PCA .....	1153
Figure 1-2116	Remove one screw and the sheet metal plate .....	1154
Figure 1-2117	Lower the support arm and remove one screw .....	1154
Figure 1-2118	Remove the scanner support arm .....	1155
Figure 1-2119	Remove three screws .....	1155
Figure 1-2120	Release the control panel cover .....	1156
Figure 1-2121	Remove the control panel cover .....	1156
Figure 1-2122	Release the flat cable .....	1157
Figure 1-2123	Remove three screws .....	1157
Figure 1-2124	Remove one screw .....	1158
Figure 1-2125	Refasten the control panel to the top cover .....	1158
Figure 1-2126	Release the USB cable .....	1159
Figure 1-2127	Remove two screws .....	1159
Figure 1-2128	Release one retainer and three tabs .....	1160
Figure 1-2129	Remove antenna wire from guide .....	1160



Figure 1-2130	Remove the top cover .....	1161
Figure 1-2131	Disconnect one connector .....	1161
Figure 1-2132	Disconnect one connector .....	1162
Figure 1-2133	Disconnect the antenna .....	1162
Figure 1-2134	Remove two screws .....	1163
Figure 1-2135	Remove the guide .....	1163
Figure 1-2136	Remove three screws .....	1164
Figure 1-2137	Remove two screws .....	1164
Figure 1-2138	Release two tabs .....	1165
Figure 1-2139	Remove two screws and release one tab .....	1165
Figure 1-2140	Remove the top cover .....	1166
Figure 1-2141	Remove four screws .....	1166
Figure 1-2142	Remove the guide .....	1167
Figure 1-2143	Disconnect one connector .....	1167
Figure 1-2144	Disconnect eight connectors .....	1168
Figure 1-2145	Disconnect two connectors .....	1168
Figure 1-2146	Remove three screws .....	1169
Figure 1-2147	Remove the fuser .....	1169
Figure 1-2148	Disconnect two connectors .....	1170
Figure 1-2149	Remove two screws .....	1170
Figure 1-2150	Release the retainer arm .....	1171
Figure 1-2151	Disconnect two connectors and remove three screws .....	1171
Figure 1-2152	Remove the fuser power supply .....	1172
Figure 1-2153	Release one tab .....	1172
Figure 1-2154	Remove the duplex drive assembly .....	1173
Figure 1-2155	Recycle and unpack .....	1173
Figure 1-2156	Remove the tray .....	1175
Figure 1-2157	Release the front door .....	1175
Figure 1-2158	Open the front door .....	1176
Figure 1-2159	Open the duplexer door .....	1176
Figure 1-2160	Open the rear door .....	1177
Figure 1-2161	Remove one screw .....	1177
Figure 1-2162	Remove one screw .....	1178
Figure 1-2163	Locate the tabs .....	1178
Figure 1-2164	Release front lower tabs .....	1179
Figure 1-2165	Release lower rear tab .....	1179
Figure 1-2166	Release two front tabs .....	1180
Figure 1-2167	Release upper tabs .....	1180
Figure 1-2168	Remove the right cover .....	1181
Figure 1-2169	Remove one screw .....	1181
Figure 1-2170	Release two tabs .....	1182

Figure 1-2171	Locate the tabs .....	1182
Figure 1-2172	Release bottom tabs .....	1183
Figure 1-2173	Release three tabs .....	1183
Figure 1-2174	Release six tabs .....	1184
Figure 1-2175	Remove the rear top cover .....	1184
Figure 1-2176	Disconnect one connector .....	1185
Figure 1-2177	Disconnect one connector .....	1185
Figure 1-2178	Disconnect the antenna .....	1186
Figure 1-2179	Remove two screws .....	1186
Figure 1-2180	Remove the guide .....	1187
Figure 1-2181	Remove three screws .....	1187
Figure 1-2182	Remove two screws .....	1188
Figure 1-2183	Release two tabs .....	1188
Figure 1-2184	Remove two screws and release one tab .....	1189
Figure 1-2185	Remove the top cover .....	1189
Figure 1-2186	Locate the wireless antenna .....	1190
Figure 1-2187	Loosen the tape .....	1190
Figure 1-2188	Remove the antenna .....	1191
Figure 1-2189	Recycle and unpack .....	1191
Figure 1-2190	Remove the tray .....	1194
Figure 1-2191	Release the front door .....	1194
Figure 1-2192	Open the front door .....	1195
Figure 1-2193	Open the duplexer door .....	1195
Figure 1-2194	Open the rear door .....	1196
Figure 1-2195	Raise the scanner .....	1196
Figure 1-2196	Remove one screw .....	1197
Figure 1-2197	Remove one screw .....	1197
Figure 1-2198	Locate the tabs .....	1198
Figure 1-2199	Release front lower tabs .....	1198
Figure 1-2200	Release lower rear tab .....	1199
Figure 1-2201	Release front upper tabs .....	1199
Figure 1-2202	Rotate the front of the cover .....	1200
Figure 1-2203	Release top tabs .....	1200
Figure 1-2204	Release one tab and one hook .....	1201
Figure 1-2205	Lower the scanner .....	1201
Figure 1-2206	Remove the right cover .....	1202
Figure 1-2207	Raise the scanner .....	1202
Figure 1-2208	Remove one screw .....	1203
Figure 1-2209	Release two tabs .....	1203
Figure 1-2210	Locate the tabs .....	1204
Figure 1-2211	Release four tabs .....	1204

Figure 1-2212	Rotate the cover .....	1205
Figure 1-2213	Release one tab and two hooks .....	1205
Figure 1-2214	Lower the scanner .....	1206
Figure 1-2215	Remove the left cover .....	1206
Figure 1-2216	Release six tabs .....	1207
Figure 1-2217	Remove the rear top cover .....	1207
Figure 1-2218	Disconnect the scanner cables .....	1208
Figure 1-2219	Remove one screw and release the ground wire .....	1208
Figure 1-2220	Raise the scanner .....	1209
Figure 1-2221	Release the scanner arm pin .....	1209
Figure 1-2222	Remove the scanner arm pin. ....	1210
Figure 1-2223	Release one tab .....	1210
Figure 1-2224	Remove the scanner cable cover .....	1211
Figure 1-2225	Release the cables .....	1211
Figure 1-2226	Remove the scanner assembly .....	1212
Figure 1-2227	Disconnect one connector .....	1212
Figure 1-2228	Remove three screws and release one tab .....	1213
Figure 1-2229	Lift up to remove the fax PCA .....	1213
Figure 1-2230	Release one tab to remove fax PCA from the plastic holder .....	1214
Figure 1-2231	Disconnect one connectors and one FFC .....	1214
Figure 1-2232	Disconnect wireless antenna cable from the wireless PCA .....	1215
Figure 1-2233	Remove one screw and the sheet metal plate .....	1215
Figure 1-2234	Lower the support arm and remove one screw .....	1216
Figure 1-2235	Remove the scanner support arm .....	1216
Figure 1-2236	Remove three screws .....	1217
Figure 1-2237	Release the control panel cover .....	1217
Figure 1-2238	Remove the control panel cover .....	1218
Figure 1-2239	Release the flat cable .....	1218
Figure 1-2240	Remove three screws .....	1219
Figure 1-2241	Remove one screw .....	1219
Figure 1-2242	Refasten the control panel to the top cover .....	1220
Figure 1-2243	Release the USB cable .....	1220
Figure 1-2244	Remove two screws .....	1221
Figure 1-2245	Release one retainer and three tabs .....	1221
Figure 1-2246	Remove antenna wire from guide .....	1222
Figure 1-2247	Remove the top cover .....	1222
Figure 1-2248	Remove the flat cable from the guides .....	1223
Figure 1-2249	Remove one screw .....	1223
Figure 1-2250	Remove the control panel .....	1224
Figure 1-2251	Release metal tab and lift to remove .....	1225
Figure 1-2252	Remove USB from printer .....	1225

Figure 1-2253	Locate the wireless antenna .....	1226
Figure 1-2254	Loosen the tape .....	1226
Figure 1-2255	Remove the antenna .....	1227
Figure 1-2256	Recycle and unpack .....	1227
Figure 1-2257	Install the flat cable .....	1228
Figure 1-2258	Install one screw .....	1228
Figure 1-2259	Route the flat cable .....	1229
Figure 1-2260	Remove the tray .....	1231
Figure 1-2261	Release the front door .....	1231
Figure 1-2262	Open the front door .....	1232
Figure 1-2263	Open the duplexer door .....	1232
Figure 1-2264	Open the rear door .....	1233
Figure 1-2265	Remove one screw .....	1233
Figure 1-2266	Release two tabs .....	1234
Figure 1-2267	Locate the tabs .....	1234
Figure 1-2268	Release bottom tabs .....	1235
Figure 1-2269	Release three tabs .....	1235
Figure 1-2270	Disconnect all of the connectors) .....	1236
Figure 1-2271	Remove three screws .....	1236
Figure 1-2272	Disconnect the antenna .....	1237
Figure 1-2273	Remove the formatter PCA .....	1237
Figure 1-2274	Release two tabs on wireless PCA then lift up to remove wireless PCA .....	1238
Figure 1-2275	Remove the wireless PCA .....	1238
Figure 1-2276	Recycle and unpack .....	1239
Figure 1-2277	Remove the tray .....	1241
Figure 1-2278	Release the front door .....	1241
Figure 1-2279	Open the front door .....	1242
Figure 1-2280	Open the duplexer door .....	1242
Figure 1-2281	Open the rear door .....	1243
Figure 1-2282	Raise the scanner .....	1243
Figure 1-2283	Remove one screw .....	1244
Figure 1-2284	Release two tabs .....	1244
Figure 1-2285	Locate the tabs .....	1245
Figure 1-2286	Release four tabs .....	1245
Figure 1-2287	Rotate the cover .....	1246
Figure 1-2288	Release one tab and two hooks .....	1246
Figure 1-2289	Lower the scanner .....	1247
Figure 1-2290	Remove the left cover .....	1247
Figure 1-2291	Disconnect all cables from the formatter .....	1248
Figure 1-2292	Disconnect one connector .....	1248
Figure 1-2293	Remove three screws .....	1249

Figure 1-2294	Remove formatter from printer .....	1249
Figure 1-2295	Release two tabs .....	1250
Figure 1-2296	Remove the formatter .....	1250
Figure 1-2297	Release tabs on formatter .....	1251
Figure 1-2298	Slide bracket in the direction of the arrow .....	1251
Figure 1-2299	Recycle and unpack .....	1252
Figure 1-2300	Remove the tray .....	1254
Figure 1-2301	Release the front door .....	1255
Figure 1-2302	Open the front door .....	1255
Figure 1-2303	Open the duplexer door .....	1256
Figure 1-2304	Open the rear door .....	1256
Figure 1-2305	Remove one screw .....	1257
Figure 1-2306	Release two tabs .....	1257
Figure 1-2307	Locate the tabs .....	1258
Figure 1-2308	Release bottom tabs .....	1258
Figure 1-2309	Release three tabs .....	1259
Figure 1-2310	Raise the scanner .....	1259
Figure 1-2311	Remove one screw .....	1260
Figure 1-2312	Release two tabs .....	1260
Figure 1-2313	Locate the tabs .....	1261
Figure 1-2314	Release four tabs .....	1261
Figure 1-2315	Rotate the cover .....	1262
Figure 1-2316	Release one tab and two hooks .....	1262
Figure 1-2317	Lower the scanner .....	1263
Figure 1-2318	Remove the left cover .....	1263
Figure 1-2319	Disconnect all of the connectors) .....	1264
Figure 1-2320	Disconnect all of the connectors) .....	1264
Figure 1-2321	Remove three screws (M479 models) .....	1265
Figure 1-2322	Remove three screws (M454 models) .....	1265
Figure 1-2323	Disconnect the antenna .....	1266
Figure 1-2324	Remove the formatter PCA .....	1266
Figure 1-2325	Remove the wireless PCA .....	1267
Figure 1-2326	Remove the wireless PCA .....	1267
Figure 1-2327	Remove the bracket .....	1268
Figure 1-2328	Remove tabs on the back of the formatter PCA (M479 models only) .....	1268
Figure 1-2329	Remove the bracket .....	1269
Figure 1-2330	Recycle and unpack .....	1269
Figure 1-2331	Install the bracket .....	1270
Figure 1-2332	Install the bracket .....	1270
Figure 1-2333	Remove the tray .....	1273
Figure 1-2334	Release the front door .....	1273

Figure 1-2335	Open the front door .....	1274
Figure 1-2336	Open the duplexer door .....	1274
Figure 1-2337	Open the rear door .....	1275
Figure 1-2338	Remove one screw .....	1275
Figure 1-2339	Release two tabs .....	1276
Figure 1-2340	Locate the tabs .....	1276
Figure 1-2341	Release bottom tabs .....	1277
Figure 1-2342	Release three tabs .....	1277
Figure 1-2343	Raise the scanner .....	1278
Figure 1-2344	Remove one screw .....	1278
Figure 1-2345	Release two tabs .....	1279
Figure 1-2346	Locate the tabs .....	1279
Figure 1-2347	Release four tabs .....	1280
Figure 1-2348	Rotate the cover .....	1280
Figure 1-2349	Release one tab and two hooks .....	1281
Figure 1-2350	Lower the scanner .....	1281
Figure 1-2351	Remove the left cover .....	1282
Figure 1-2352	Disconnect one connector and release two tabs .....	1282
Figure 1-2353	Disconnect one connector and remove the sensor .....	1283
Figure 1-2354	Recycle and unpack .....	1283
Figure 1-2355	Reposition the spring .....	1284
Figure 1-2356	Remove the tray .....	1286
Figure 1-2357	Release the front door .....	1286
Figure 1-2358	Open the front door .....	1287
Figure 1-2359	Open the duplexer door .....	1287
Figure 1-2360	Open the rear door .....	1288
Figure 1-2361	Raise the scanner .....	1288
Figure 1-2362	Remove one screw .....	1289
Figure 1-2363	Remove one screw .....	1289
Figure 1-2364	Locate the tabs .....	1290
Figure 1-2365	Release front lower tabs .....	1290
Figure 1-2366	Release lower rear tab .....	1291
Figure 1-2367	Release front upper tabs .....	1291
Figure 1-2368	Rotate the front of the cover .....	1292
Figure 1-2369	Release top tabs .....	1292
Figure 1-2370	Release one tab and one hook .....	1293
Figure 1-2371	Lower the scanner .....	1293
Figure 1-2372	Remove the right cover .....	1294
Figure 1-2373	Raise the scanner .....	1294
Figure 1-2374	Remove one screw .....	1295
Figure 1-2375	Release two tabs .....	1295

Figure 1-2376	Locate the tabs .....	1296
Figure 1-2377	Release four tabs .....	1296
Figure 1-2378	Rotate the cover .....	1297
Figure 1-2379	Release one tab and two hooks .....	1297
Figure 1-2380	Lower the scanner .....	1298
Figure 1-2381	Remove the left cover .....	1298
Figure 1-2382	Disconnect the scanner cables .....	1299
Figure 1-2383	Remove one screw and release the ground wire .....	1299
Figure 1-2384	Raise the scanner .....	1300
Figure 1-2385	Release the scanner arm pin .....	1300
Figure 1-2386	Remove the scanner arm pin. ....	1301
Figure 1-2387	Release one tab .....	1301
Figure 1-2388	Remove the scanner cable cover .....	1302
Figure 1-2389	Release the cables .....	1302
Figure 1-2390	Remove the scanner assembly .....	1303
Figure 1-2391	Disconnect one connector .....	1303
Figure 1-2392	Remove three screws and release one tab .....	1304
Figure 1-2393	Lift up to remove the fax PCA .....	1304
Figure 1-2394	Release one tab to remove fax PCA from the plastic holder .....	1305
Figure 1-2395	Recycle and unpack .....	1305
Figure 1-2396	Remove the tray .....	1307
Figure 1-2397	Release the front door .....	1307
Figure 1-2398	Open the front door .....	1308
Figure 1-2399	Open the duplexer door .....	1308
Figure 1-2400	Remove one screw .....	1309
Figure 1-2401	Remove one screw .....	1309
Figure 1-2402	Locate the tabs .....	1310
Figure 1-2403	Release front lower tabs .....	1310
Figure 1-2404	Release lower rear tab .....	1311
Figure 1-2405	Release two front tabs .....	1311
Figure 1-2406	Release upper tabs .....	1312
Figure 1-2407	Remove the right cover .....	1312
Figure 1-2408	Remove one screw .....	1313
Figure 1-2409	Release two tabs .....	1313
Figure 1-2410	Locate the tabs .....	1314
Figure 1-2411	Release bottom tabs .....	1314
Figure 1-2412	Release three tabs .....	1315
Figure 1-2413	Disconnect one connector .....	1315
Figure 1-2414	Disconnect one connector .....	1316
Figure 1-2415	Disconnect the antenna .....	1316
Figure 1-2416	Remove two screws .....	1317

Figure 1-2417	Remove the guide .....	1317
Figure 1-2418	Remove three screws .....	1318
Figure 1-2419	Remove two screws .....	1318
Figure 1-2420	Release two tabs .....	1319
Figure 1-2421	Remove two screws and release one tab .....	1319
Figure 1-2422	Remove the top cover .....	1320
Figure 1-2423	Disconnect USB cable from the formatter PCA .....	1320
Figure 1-2424	Release one table and lift to remove USB connector .....	1321
Figure 1-2425	Remove the walk-up USB port .....	1321
Figure 1-2426	Recycle and unpack .....	1322
Figure 1-2427	Remove the tray .....	1324
Figure 1-2428	Release the front door .....	1324
Figure 1-2429	Open the front door .....	1325
Figure 1-2430	Open the duplexer door .....	1325
Figure 1-2431	Open the rear door .....	1326
Figure 1-2432	Raise the scanner .....	1326
Figure 1-2433	Remove one screw .....	1327
Figure 1-2434	Remove one screw .....	1327
Figure 1-2435	Locate the tabs .....	1328
Figure 1-2436	Release front lower tabs .....	1328
Figure 1-2437	Release lower rear tab .....	1329
Figure 1-2438	Release front upper tabs .....	1329
Figure 1-2439	Rotate the front of the cover .....	1330
Figure 1-2440	Release top tabs .....	1330
Figure 1-2441	Release one tab and one hook .....	1331
Figure 1-2442	Lower the scanner .....	1331
Figure 1-2443	Remove the right cover .....	1332
Figure 1-2444	Raise the scanner .....	1332
Figure 1-2445	Remove one screw .....	1333
Figure 1-2446	Release two tabs .....	1333
Figure 1-2447	Locate the tabs .....	1334
Figure 1-2448	Release four tabs .....	1334
Figure 1-2449	Rotate the cover .....	1335
Figure 1-2450	Release one tab and two hooks .....	1335
Figure 1-2451	Lower the scanner .....	1336
Figure 1-2452	Remove the left cover .....	1336
Figure 1-2453	Release six tabs .....	1337
Figure 1-2454	Remove the rear top cover .....	1337
Figure 1-2455	Disconnect the scanner cables .....	1338
Figure 1-2456	Remove one screw and release the ground wire .....	1338
Figure 1-2457	Raise the scanner .....	1339



Figure 1-2458	Release the scanner arm pin .....	1339
Figure 1-2459	Remove the scanner arm pin. ....	1340
Figure 1-2460	Release one tab .....	1340
Figure 1-2461	Remove the scanner cable cover .....	1341
Figure 1-2462	Release the cables .....	1341
Figure 1-2463	Remove the scanner assembly .....	1342
Figure 1-2464	Disconnect one connectors and one FFC .....	1342
Figure 1-2465	Disconnect wireless antenna cable from the wireless PCA .....	1343
Figure 1-2466	Remove one screw and the sheet metal plate .....	1343
Figure 1-2467	Lower the support arm and remove one screw .....	1344
Figure 1-2468	Remove the scanner support arm .....	1344
Figure 1-2469	Remove three screws .....	1345
Figure 1-2470	Release the control panel cover .....	1345
Figure 1-2471	Remove the control panel cover .....	1346
Figure 1-2472	Release the flat cable .....	1346
Figure 1-2473	Remove three screws .....	1347
Figure 1-2474	Remove one screw .....	1347
Figure 1-2475	Refasten the control panel to the top cover .....	1348
Figure 1-2476	Release the USB cable .....	1348
Figure 1-2477	Remove two screws .....	1349
Figure 1-2478	Release one retainer and three tabs .....	1349
Figure 1-2479	Remove antenna wire from guide .....	1350
Figure 1-2480	Remove the top cover .....	1350
Figure 1-2481	Release metal tab and lift to remove .....	1351
Figure 1-2482	Remove USB from printer .....	1352
Figure 1-2483	Recycle and unpack .....	1352
Figure 1-2484	Remove the tray .....	1354
Figure 1-2485	Release the front door .....	1354
Figure 1-2486	Open the front door .....	1355
Figure 1-2487	Open the duplexer door .....	1355
Figure 1-2488	Open the rear door .....	1356
Figure 1-2489	Remove one screw .....	1356
Figure 1-2490	Release two tabs .....	1357
Figure 1-2491	Locate the tabs .....	1357
Figure 1-2492	Release bottom tabs .....	1358
Figure 1-2493	Release three tabs .....	1358
Figure 1-2494	Raise the scanner .....	1359
Figure 1-2495	Remove one screw .....	1359
Figure 1-2496	Release two tabs .....	1360
Figure 1-2497	Locate the tabs .....	1360
Figure 1-2498	Release four tabs .....	1361

Figure 1-2499	Rotate the cover .....	1361
Figure 1-2500	Release one tab and two hooks .....	1362
Figure 1-2501	Lower the scanner .....	1362
Figure 1-2502	Remove the left cover .....	1363
Figure 1-2503	Disconnect one connector and release two tabs .....	1363
Figure 1-2504	Remove the drawer connector .....	1364
Figure 1-2505	Recycle and unpack .....	1364
Figure 1-2506	Remove the tray .....	1366
Figure 1-2507	Release the front door .....	1366
Figure 1-2508	Open the front door .....	1367
Figure 1-2509	Open the duplexer door .....	1367
Figure 1-2510	Open the rear door .....	1368
Figure 1-2511	Remove one screw .....	1368
Figure 1-2512	Remove one screw .....	1369
Figure 1-2513	Locate the tabs .....	1369
Figure 1-2514	Release front lower tabs .....	1370
Figure 1-2515	Release lower rear tab .....	1370
Figure 1-2516	Release two front tabs .....	1371
Figure 1-2517	Release upper tabs .....	1371
Figure 1-2518	Remove the right cover .....	1372
Figure 1-2519	Raise the scanner .....	1372
Figure 1-2520	Remove one screw .....	1373
Figure 1-2521	Release two tabs .....	1373
Figure 1-2522	Locate the tabs .....	1374
Figure 1-2523	Release four tabs .....	1374
Figure 1-2524	Rotate the cover .....	1375
Figure 1-2525	Release one tab and two hooks .....	1375
Figure 1-2526	Lower the scanner .....	1376
Figure 1-2527	Remove the left cover .....	1376
Figure 1-2528	Release two tabs .....	1377
Figure 1-2529	Remove the front door switch .....	1377
Figure 1-2530	Recycle and unpack .....	1378
Figure 1-2531	Remove the tray .....	1382
Figure 1-2532	Remove two screws .....	1382
Figure 1-2533	Release three tabs .....	1383
Figure 1-2534	Release one tab .....	1383
Figure 1-2535	Recycle and unpack .....	1384
Figure 1-2536	Install one tab .....	1384
Figure 1-2537	Install three tabs .....	1385
Figure 1-2538	Remove the tray .....	1387
Figure 1-2539	Remove two screws .....	1387

Figure 1-2540	Release one tab .....	1388
Figure 1-2541	Release four tabs .....	1388
Figure 1-2542	Remove the cover .....	1389
Figure 1-2543	Recycle and unpack .....	1389
Figure 1-2544	Install two tabs .....	1390
Figure 1-2545	Remove the tray .....	1392
Figure 1-2546	Remove two screws .....	1392
Figure 1-2547	Release three tabs .....	1393
Figure 1-2548	Release one tab .....	1393
Figure 1-2549	Remove two screws .....	1394
Figure 1-2550	Release one tab .....	1394
Figure 1-2551	Release four tabs .....	1395
Figure 1-2552	Remove the cover .....	1395
Figure 1-2553	Remove two screws .....	1396
Figure 1-2554	Remove the rear cover .....	1396
Figure 1-2555	Recycle and unpack .....	1397
Figure 1-2556	Remove the tray .....	1399
Figure 1-2557	Remove two screws .....	1399
Figure 1-2558	Release three tabs .....	1400
Figure 1-2559	Release one tab .....	1400
Figure 1-2560	Remove two screws .....	1401
Figure 1-2561	Release one tab .....	1401
Figure 1-2562	Release four tabs .....	1402
Figure 1-2563	Remove the cover .....	1402
Figure 1-2564	Remove two screws .....	1403
Figure 1-2565	Remove the rear cover .....	1403
Figure 1-2566	Remove two screws .....	1404
Figure 1-2567	Remove the PCA cover .....	1404
Figure 1-2568	Remove six screws .....	1405
Figure 1-2569	Release one tab .....	1405
Figure 1-2570	Remove the foot .....	1406
Figure 1-2571	Release two tabs .....	1406
Figure 1-2572	Remove the baseplate .....	1407
Figure 1-2573	Release the cables .....	1407
Figure 1-2574	Remove four screws .....	1408
Figure 1-2575	Remove the feed frame assembly .....	1408
Figure 1-2576	Disconnect connector and remove five screws .....	1409
Figure 1-2577	Locate the switch cable assembly .....	1409
Figure 1-2578	Release the cables from the guides .....	1410
Figure 1-2579	Remove the switch cable assembly and holder .....	1410
Figure 1-2580	Remove the cables from the guides .....	1411

Figure 1-2581	Release two tabs .....	1411
Figure 1-2582	Remove the switch cable assembly .....	1412
Figure 1-2583	Recycle and unpack .....	1412
Figure 1-2584	Position the switch cable assembly .....	1413
Figure 1-2585	Remove the tray .....	1415
Figure 1-2586	Remove two screws .....	1415
Figure 1-2587	Release three tabs .....	1416
Figure 1-2588	Release one tab .....	1416
Figure 1-2589	Remove two screws .....	1417
Figure 1-2590	Release one tab .....	1417
Figure 1-2591	Release four tabs .....	1418
Figure 1-2592	Remove the cover .....	1418
Figure 1-2593	Remove two screws .....	1419
Figure 1-2594	Remove the rear cover .....	1419
Figure 1-2595	Remove two screws .....	1420
Figure 1-2596	Remove the PCA cover .....	1420
Figure 1-2597	Remove six screws .....	1421
Figure 1-2598	Release one tab .....	1421
Figure 1-2599	Remove the foot .....	1422
Figure 1-2600	Release two tabs .....	1422
Figure 1-2601	Remove the baseplate .....	1423
Figure 1-2602	Release the cables .....	1423
Figure 1-2603	Remove four screws .....	1424
Figure 1-2604	Remove the feed frame assembly .....	1424
Figure 1-2605	Disconnect one connector .....	1425
Figure 1-2606	Disconnect one connector .....	1425
Figure 1-2607	Release the cables .....	1426
Figure 1-2608	Release the cables .....	1426
Figure 1-2609	Remove the cables .....	1427
Figure 1-2610	Disconnect connector and remove five screws .....	1427
Figure 1-2611	Remove the shaft .....	1428
Figure 1-2612	Release the tray sensor switch .....	1428
Figure 1-2613	Release the tray sensor switch cables .....	1429
Figure 1-2614	Remove eight screws .....	1429
Figure 1-2615	Remove the cross braces .....	1430
Figure 1-2616	Remove screws and release tabs .....	1430
Figure 1-2617	Remove the tray guide .....	1431
Figure 1-2618	Remove the lifter drive assembly .....	1431
Figure 1-2619	Recycle and unpack .....	1432
Figure 1-2620	Install the lifter drive assembly .....	1432
Figure 1-2621	Remove the tray .....	1434

Figure 1-2622	Remove two screws .....	1434
Figure 1-2623	Release three tabs .....	1435
Figure 1-2624	Release one tab .....	1435
Figure 1-2625	Remove two screws .....	1436
Figure 1-2626	Release one tab .....	1436
Figure 1-2627	Release four tabs .....	1437
Figure 1-2628	Remove the cover .....	1437
Figure 1-2629	Remove two screws .....	1438
Figure 1-2630	Remove the rear cover .....	1438
Figure 1-2631	Remove two screws .....	1439
Figure 1-2632	Remove the PCA cover .....	1439
Figure 1-2633	Remove six screws .....	1440
Figure 1-2634	Release one tab .....	1440
Figure 1-2635	Remove the foot .....	1441
Figure 1-2636	Release two tabs .....	1441
Figure 1-2637	Remove the baseplate .....	1442
Figure 1-2638	Release the cables .....	1442
Figure 1-2639	Remove four screws .....	1443
Figure 1-2640	Remove the feed frame assembly .....	1443
Figure 1-2641	Disconnect one connector .....	1444
Figure 1-2642	Disconnect one connector .....	1444
Figure 1-2643	Release the cables .....	1445
Figure 1-2644	Release the cables .....	1445
Figure 1-2645	Remove the cables .....	1446
Figure 1-2646	Disconnect connector and remove five screws .....	1446
Figure 1-2647	Remove the shaft .....	1447
Figure 1-2648	Release the tray sensor switch .....	1447
Figure 1-2649	Release the tray sensor switch cables .....	1448
Figure 1-2650	Remove eight screws .....	1448
Figure 1-2651	Remove the cross braces .....	1449
Figure 1-2652	Remove screws and release tabs .....	1449
Figure 1-2653	Remove the tray guide .....	1450
Figure 1-2654	Remove the lifter drive assembly .....	1450
Figure 1-2655	Remove the motor .....	1451
Figure 1-2656	Remove screws and release tabs .....	1451
Figure 1-2657	Remove the tray guide .....	1452
Figure 1-2658	Remove three screws .....	1452
Figure 1-2659	Remove the pickup assembly .....	1453
Figure 1-2660	Release the cables .....	1453
Figure 1-2661	Recycle and unpack .....	1454
Figure 1-2662	Install the cables .....	1454

Figure 1-2663	Remove the tray .....	1456
Figure 1-2664	Remove two screws .....	1456
Figure 1-2665	Release three tabs .....	1457
Figure 1-2666	Release one tab .....	1457
Figure 1-2667	Remove two screws .....	1458
Figure 1-2668	Release one tab .....	1458
Figure 1-2669	Release four tabs .....	1459
Figure 1-2670	Remove the cover .....	1459
Figure 1-2671	Remove two screws .....	1460
Figure 1-2672	Remove the rear cover .....	1460
Figure 1-2673	Remove two screws .....	1461
Figure 1-2674	Remove the PCA cover .....	1461
Figure 1-2675	Remove six screws .....	1462
Figure 1-2676	Release one tab .....	1462
Figure 1-2677	Remove the foot .....	1463
Figure 1-2678	Release two tabs .....	1463
Figure 1-2679	Remove the baseplate .....	1464
Figure 1-2680	Release the cables .....	1464
Figure 1-2681	Remove four screws .....	1465
Figure 1-2682	Remove the feed frame assembly .....	1465
Figure 1-2683	Disconnect one connector .....	1466
Figure 1-2684	Disconnect one connector .....	1466
Figure 1-2685	Release the cables .....	1467
Figure 1-2686	Release the cables .....	1467
Figure 1-2687	Remove the cables .....	1468
Figure 1-2688	Disconnect connector and remove five screws .....	1468
Figure 1-2689	Remove the shaft .....	1469
Figure 1-2690	Release the tray sensor switch .....	1469
Figure 1-2691	Release the tray sensor switch cables .....	1470
Figure 1-2692	Remove eight screws .....	1470
Figure 1-2693	Remove the cross braces .....	1471
Figure 1-2694	Remove screws and release tabs .....	1471
Figure 1-2695	Remove the tray guide .....	1472
Figure 1-2696	Remove the lifter drive assembly .....	1472
Figure 1-2697	Remove the motor .....	1473
Figure 1-2698	Remove screws and release tabs .....	1473
Figure 1-2699	Remove the tray guide .....	1474
Figure 1-2700	Remove three screws .....	1474
Figure 1-2701	Remove the pickup assembly .....	1475
Figure 1-2702	Release the cables .....	1475
Figure 1-2703	Disconnect one connector .....	1476

Figure 1-2704	Slide the roller holder .....	1476
Figure 1-2705	Remove the pickup and feed rollers .....	1477
Figure 1-2706	Remove six screws .....	1477
Figure 1-2707	Remove the roller holder .....	1478
Figure 1-2708	Remove the front feed guide assembly .....	1478
Figure 1-2709	Recycle and unpack .....	1479
Figure 1-2710	Install the front feed guide assembly .....	1479
Figure 1-2711	Remove the tray .....	1481
Figure 1-2712	Remove two screws .....	1481
Figure 1-2713	Release three tabs .....	1482
Figure 1-2714	Release one tab .....	1482
Figure 1-2715	Remove two screws .....	1483
Figure 1-2716	Release one tab .....	1483
Figure 1-2717	Release four tabs .....	1484
Figure 1-2718	Remove the cover .....	1484
Figure 1-2719	Remove two screws .....	1485
Figure 1-2720	Remove the rear cover .....	1485
Figure 1-2721	Remove two screws .....	1486
Figure 1-2722	Remove the PCA cover .....	1486
Figure 1-2723	Remove six screws .....	1487
Figure 1-2724	Release one tab .....	1487
Figure 1-2725	Remove the foot .....	1488
Figure 1-2726	Release two tabs .....	1488
Figure 1-2727	Remove the baseplate .....	1489
Figure 1-2728	Release the cables .....	1489
Figure 1-2729	Remove four screws .....	1490
Figure 1-2730	Remove the feed frame assembly .....	1490
Figure 1-2731	Disconnect one connector .....	1491
Figure 1-2732	Disconnect one connector .....	1491
Figure 1-2733	Release the cables .....	1492
Figure 1-2734	Release the cables .....	1492
Figure 1-2735	Remove the cables .....	1493
Figure 1-2736	Disconnect connector and remove five screws .....	1493
Figure 1-2737	Remove the shaft .....	1494
Figure 1-2738	Release the tray sensor switch .....	1494
Figure 1-2739	Release the tray sensor switch cables .....	1495
Figure 1-2740	Remove eight screws .....	1495
Figure 1-2741	Remove the cross braces .....	1496
Figure 1-2742	Remove screws and release tabs .....	1496
Figure 1-2743	Remove the tray guide .....	1497
Figure 1-2744	Remove the lifter drive assembly .....	1497

Figure 1-2745	Remove the motor .....	1498
Figure 1-2746	Remove screws and release tabs .....	1498
Figure 1-2747	Remove the tray guide .....	1499
Figure 1-2748	Remove three screws .....	1499
Figure 1-2749	Remove the pickup assembly .....	1500
Figure 1-2750	Release the cables .....	1500
Figure 1-2751	Disconnect one connector .....	1501
Figure 1-2752	Slide the roller holder .....	1501
Figure 1-2753	Remove the pickup and feed rollers .....	1502
Figure 1-2754	Remove six screws .....	1502
Figure 1-2755	Remove the roller holder .....	1503
Figure 1-2756	Remove the front feed guide assembly .....	1503
Figure 1-2757	Remove the rear feed guide assembly .....	1504
Figure 1-2758	Recycle and unpack .....	1504
Figure 1-2759	Remove the tray .....	1506
Figure 1-2760	Remove two screws .....	1506
Figure 1-2761	Release three tabs .....	1507
Figure 1-2762	Release one tab .....	1507
Figure 1-2763	Remove two screws .....	1508
Figure 1-2764	Release one tab .....	1508
Figure 1-2765	Release four tabs .....	1509
Figure 1-2766	Remove the cover .....	1509
Figure 1-2767	Remove two screws .....	1510
Figure 1-2768	Remove the rear cover .....	1510
Figure 1-2769	Remove two screws .....	1511
Figure 1-2770	Remove the PCA cover .....	1511
Figure 1-2771	Remove six screws .....	1512
Figure 1-2772	Release one tab .....	1512
Figure 1-2773	Remove the foot .....	1513
Figure 1-2774	Release two tabs .....	1513
Figure 1-2775	Remove the baseplate .....	1514
Figure 1-2776	Release the cables .....	1514
Figure 1-2777	Remove four screws .....	1515
Figure 1-2778	Remove the feed frame assembly .....	1515
Figure 1-2779	Disconnect one connector .....	1516
Figure 1-2780	Disconnect one connector .....	1516
Figure 1-2781	Release the cables .....	1517
Figure 1-2782	Release the cables .....	1517
Figure 1-2783	Remove the cables .....	1518
Figure 1-2784	Disconnect connector and remove five screws .....	1518
Figure 1-2785	Remove the shaft .....	1519



Figure 1-2786	Release the tray sensor switch .....	1519
Figure 1-2787	Release the tray sensor switch cables .....	1520
Figure 1-2788	Remove eight screws .....	1520
Figure 1-2789	Remove the cross braces .....	1521
Figure 1-2790	Remove screws and release tabs .....	1521
Figure 1-2791	Remove the tray guide .....	1522
Figure 1-2792	Remove the lifter drive assembly .....	1522
Figure 1-2793	Remove the motor .....	1523
Figure 1-2794	Remove screws and release tabs .....	1523
Figure 1-2795	Remove the tray guide .....	1524
Figure 1-2796	Remove three screws .....	1524
Figure 1-2797	Remove the pickup assembly .....	1525
Figure 1-2798	Release the cables .....	1525
Figure 1-2799	Disconnect one connector .....	1526
Figure 1-2800	Slide the roller holder .....	1526
Figure 1-2801	Remove the pickup and feed rollers .....	1527
Figure 1-2802	Remove six screws .....	1527
Figure 1-2803	Remove the roller holder .....	1528
Figure 1-2804	Remove the front feed guide assembly .....	1528
Figure 1-2805	Remove the rear feed guide assembly .....	1529
Figure 1-2806	Disconnect one connector .....	1529
Figure 1-2807	Remove three screws .....	1530
Figure 1-2808	Remove the front paper feed guide .....	1530
Figure 1-2809	Remove two screws .....	1531
Figure 1-2810	Remove the paper feed assembly .....	1531
Figure 1-2811	Recycle and unpack .....	1532
Figure 1-2812	Install the paper feed assembly .....	1532
Figure 1-2813	Remove the tray .....	1534
Figure 1-2814	Remove two screws .....	1534
Figure 1-2815	Release one tab .....	1535
Figure 1-2816	Release four tabs .....	1535
Figure 1-2817	Remove the cover .....	1536
Figure 1-2818	Remove the pickup motor .....	1536
Figure 1-2819	Recycle and unpack .....	1537
Figure 1-2820	Remove the tray .....	1539
Figure 1-2821	Remove two screws .....	1539
Figure 1-2822	Release three tabs .....	1540
Figure 1-2823	Release one tab .....	1540
Figure 1-2824	Disconnect one connector .....	1541
Figure 1-2825	Remove two screws .....	1541
Figure 1-2826	Release two tabs .....	1542

Figure 1-2827	Remove the cables .....	1542
Figure 1-2828	Disconnect the wire harness .....	1543
Figure 1-2829	Recycle and unpack .....	1543
Figure 1-2830	Remove the tray .....	1546
Figure 1-2831	Remove two screws .....	1546
Figure 1-2832	Release three tabs .....	1547
Figure 1-2833	Release one tab .....	1547
Figure 1-2834	Remove two screws .....	1548
Figure 1-2835	Remove the PCA cover .....	1548
Figure 1-2836	Disconnect all of the connectors .....	1549
Figure 1-2837	Remove four screws .....	1549
Figure 1-2838	Remove the driver PCA .....	1550
Figure 1-2839	Recycle and unpack .....	1550
Figure 1-2840	Position the driver PCA .....	1551
Figure 2-1	Base printer, M454 .....	1556
Figure 2-2	Base printer, M479 .....	1557
Figure 2-3	550-sheet paper feeder (all models) .....	1558
Figure 2-4	Document feeder and scanner (M479) .....	1566
Figure 2-5	M454 covers and control panels .....	1568
Figure 2-6	M479 covers and control panel .....	1570
Figure 2-7	Internal components (1 of 5) .....	1572
Figure 2-8	Internal components (2 of 5) .....	1574
Figure 2-9	Internal components (3 of 5) .....	1576
Figure 2-10	Internal components (4 of 5) .....	1578
Figure 2-11	Internal components (5 of 5) .....	1580
Figure 2-12	550-sheet paper feeder covers .....	1582
Figure 2-13	550-sheet paper feeder main body (1 of 2) .....	1584
Figure 2-14	550-sheet paper feeder main body (2 of 2) .....	1586

---

# 1 Removal and replacement

- [HP service and support](#)
- [Removal and replacement strategy](#)
- [Service approach](#)
- [Order parts by authorized service providers](#)
- [Removal and replacement procedures](#)

# HP service and support

Learn about HP access to additional service and support information.

## Additional service and support for channel partners

Channel partners, go to [partner.hp.com](https://partner.hp.com), and then use the steps below to access the HP Web-based Interactive Search Engine (WISE).

### Access WISE for Channel partners

1. Select **Services & Support**, and then select **Services Delivery**.
2. Select **Technical Support**, and then select **Technical Documentation**.

### Find information about the following topics

- Service manuals
- Service advisories
- Up-to-date control panel message (CPMD) troubleshooting
- Install and configure
- Printer specifications
- Solutions for printer issues and emerging issues
- Remove and replace part instructions and videos
- Warranty and regulatory information

## Additional service and support for HP internal personnel

HP internal personnel, go to one of the following Web-based Interactive Search Engine (WISE) sites:

### Americas (AMS)

- <https://support.hp.com/wise/home/ams-enWISE> - English
- <https://support.hp.com/wise/home/ams-esWISE> - Spanish
- <https://support.hp.com/wise/home/ams-ptWISE> - Portuguese
- <https://support.hp.com/wise/home/ams-frWISE> - French

### Asia Pacific / Japan (APJ)

- <https://support.hp.com/wise/home/apj-enWISE> - English
- <https://support.hp.com/wise/home/apj-jaWISE> - Japanese
- <https://support.hp.com/wise/home/apj-koWISE> - Korean
- <https://support.hp.com/wise/home/apj-zh-HansWISE> - Chinese (simplified)

- [https://support.hp.com/wise/home/apj-zh-HantWISE - Chinese \(traditional\)](https://support.hp.com/wise/home/apj-zh-HantWISE - Chinese (traditional))
- <https://support.hp.com/wise/home/apj-thWISE - Thai>

#### Europe / Middle East / Africa (EMEA)

- <https://support.hp.com/wise/home/emea-enWISE - English>

# Removal and replacement strategy

## Introduction

The printer uses a field repair strategy. Defective parts are diagnosed and replaced at the Field Replaceable Unit (FRU) assembly level. Repair normally begins by using the printer internal diagnostics and the following two-step process:

1. Isolate the problem to the major system (for example, the network or server, or the printer).
2. Troubleshoot the problem by using the procedures in the troubleshooting chapter.

After locating a faulty part, the printer can usually be repaired at the assembly level by replacing FRUs. Some mechanical assemblies might need to be repaired at the subassembly level. HP does not support replacement of components on the printed circuit assemblies.

The user replaces toner cartridges as they are depleted. Additional instructions about other user-replaceable parts are provided in this section.


The printer tracks the amount of use on the customer-replaceable supplies by keeping a page count. The printer prompts the user to replace certain items when a supply is depleted or a specific number of pages has been printed.

Swapping toner cartridges between printers might cause a misrepresentation of supply life values and is not recommended.

## Considerations during removal and replacement


HP does not support repairing individual subassemblies or troubleshooting to the printed-circuit assembly (PCA) component level.

---

 **WARNING!** Never operate or service the printer with the protective cover removed from the laser scanner assembly. The reflected beam, although invisible, can cause damage the eyes.

The sheet-metal parts can have sharp edges. Be careful when handling sheet-metal parts.


Turn the printer off, wait 5 seconds, and then remove the power cord before attempting to service the printer. *If this warning is not followed*, severe injury and damage to the printer can result. The power must be on for certain functional checks during troubleshooting. However, the power cord must be disconnected during parts removal. AC voltage is still present inside the printer when the power switch is in the off position. The power cord must be *disconnected* before servicing the printer.


 **CAUTION:** Incorrectly routed or loose wire harnesses might interfere with other internal components or assemblies and be damaged, pinched, or frayed. Make sure that wire harnesses are correctly routed and retained when installing assemblies.

Do not bend or fold the flat cables during removal or installation.

Do not expose the toner cartridge (or toner cartridges), to strong light even for a short time.


Be careful when using a screwdriver to remove the printer covers. The screwdriver might slip and cause cosmetic damage to the covers.

 **IMPORTANT:** When an assembly is removed that includes a rating plate or tag (or a printer code label), make sure to transfer the plate or tag (or code label) to the replacement assembly.

 **NOTE:** During assembly removal and replacement, or if the printer is moved, remove the toner cartridge or cartridges.



Toner is a non-poisonous substance composed of plastic and a small number of colored components. If toner gets on the skin or clothing, wipe it off with dry tissue paper and wash in cold water. Hot water sets toner and it might be difficult, or impossible, to remove. Toner easily breaks down vinyl materials—avoid letting toner contact with vinyl.

During assembly removal and replacement, or if the printer is moved, remove the tray cassette or cassettes.

 **TIP:** For clarity, some figures in this chapter show assemblies removed that are not required to be removed to service the printer (for example, the scanner and document feeder assemblies). The procedures in this manual are correct for this printer.

---

## Electrostatic discharge


 **CAUTION:**  Some parts are sensitive to electrostatic discharge (ESD). Look for the ESD reminder when removing printer parts. Always perform service work at an ESD-protected workstation or mat. If an ESD workstation or mat is not available, touch the sheet-metal chassis to provide a static ground *before* touching an ESD-sensitive assembly.

Protect the ESD-sensitive assemblies by placing them in ESD pouches when they are out of the printer.

---

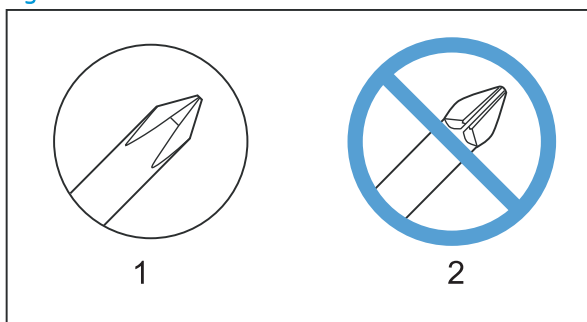
## Required tools

- #2 Phillips screwdriver with a magnetic tip and a 152-mm (6-in) shaft length
- Small, flat-blade screwdriver
- Needle-nose pliers
- ESD strap (if one is available)
- Penlight

 **CAUTION:** Always use a #2 Phillips screwdriver (callout 1). Do not use a Pozidriv screwdriver (callout 2) or any motorized screwdriver. These can damage screws or screw threads.


---


**Figure 1-1** Screwdrivers



## Fasteners used in this printer

---

 **WARNING!** Make sure that assemblies are replaced with the correct screw type. Using the incorrect screw (for example, substituting a long screw for the correct shorter screw) can cause damage to the printer or interfere with printer operation. Do not intermix screws that are removed from one assembly with the screws that are removed from another assembly.

 **NOTE:** To install a screw, first turn it counterclockwise to align it with the existing thread pattern, and then carefully turn it clockwise to tighten. Do not overtighten. If a self-tapping screw-hole becomes stripped, repair the screw-hole or replace the affected assembly.

Always take note of the length, diameter, color, type, and location of each removed screw. Make sure that screws are installed in the original location they were removed from during reinstallation.

---

### Fasteners used in M454 models

- M3x10mm Plastite (metallic)
- M3x8mm Taptite (metallic)
- M3x6mm Taptite (black)

### Fasteners used in M479 models


- M3x10mm Plastite (metallic)
- M3x8mm Taptite (metallic)
- M3x6mm Taptite (black)
- M4x13.3mm Plastite (black chrome)
- M3x14 Taptite (black)
- M3x8mm Plastite (metallic)



# Service approach

## Before performing service

---

 **WARNING!** Turn the printer off, wait 30 seconds, and then remove the power cord before attempting to service the printer. *If this warning is not followed, severe injury and damage to the printer can result.* The power must be on for certain functional checks during troubleshooting. However, the power supply should be disconnected during parts removal.

---

1. Remove all paper.
2. Place the printer on an ESD mat (if available). If an ESD workstation or mat is not available, touch the sheet-metal chassis to provide a static ground *before* touching an ESD-sensitive assembly.
3. Remove the toner cartridge or toner cartridges.
4. Remove the trays.

## Repair Mode

### When using toner cartridges multiple times

---

 **IMPORTANT:** This topic describes how to use toner cartridges in multiple devices for testing or verifying repairs.

---

This applies to the following HP printers:

- HP Color LaserJet Pro M453-M454 series
- HP Color LaserJet Pro MFP M478-M479 series

There are a limited number of times a toner cartridge (or a set of cartridges) can be installed in different printers. For example, if a set of cartridges is repeatedly used to test printers that have been repaired, it is recommended that the printer is first put into **Repair Mode** before installing the test cartridges into the printer. Failing to use **Repair Mode** will cause the test cartridges to be disabled after use in several printers. If the toner cartridge is disabled a supplies error message **10.0X.11** appears on the control-panel display, and the toner cartridge will not be functional.

---

 **NOTE:** **Repair Mode** remains enabled for up to 75 printed pages or until the printer powered is turned off.

---

### Supplies error messages

- **10.00.11:** Black cartridge problem > Bad data from supply
- **10.01.11:** Cyan cartridge problem > Bad data from supply
- **10.02.11:** Magenta cartridge problem > Bad data from supply
- **10.03.11:** Yellow cartridge problem > Bad data from supply


To enter **Repair Mode**, perform the following steps for the type of control panel being used:

### For 2-line control panels

1. While in a Ready state, press the **OK** button to enter the **Main Menu**.
2. Press the **OK** button to enter the **Setup Menu**.

3. Use the left ◀ or the right ▶ buttons to navigate to [Printer Maintenance](#) menu, and then press **OK** button.
4. From the [Printer Maintenance](#) menu, use the left ◀ or the right ▶ to navigate to the [Restore](#) menu, and then press the **OK** button.
5. From the [Restore](#) menu, use the left ◀ or the right ▶ to navigate to the [Repair Mode](#), and then press the **OK** button.
6. Follow the on-screen instructions by pressing the **OK** button, and then immediately install one or more test cartridges.

### For touch screen control panels

1. From the touch screen pull down the dashboard and select the [Setup](#) icon to enter the [Setup](#)  menu.
2. From the [Setup](#) menu, scroll to and then select [Printer Maintenance](#) menu.
3. From the [Printer Maintenance](#) menu, select [Restore](#) .
4. From the [Restore](#) menu, select [Repair Mode](#).
5. A dialog will appear, follow the instructions in the dialog to [Start the Repair Mode](#) touch **OK**, and then immediately install one or more test cartridges into the printer.



**NOTE:** If the [Repair Mode](#) is not present in the [Restore](#) menu, then the firmware must be updated to acquire this functionality. The [Repair Mode](#) setting was not present in the original first release of firmware with these products. The print cartridges do not need to be installed to perform a firmware update.


## Service menu

Use the Service menu to print service-related reports and to run special tests. Customers do not have access to this menu.





**NOTE:** The Service Menu is described in more detail in the Troubleshooting: Service Manual, section Service/Support menu functions under the Problem Solving chapter.

### Two-line control panels

- ▲ From the printer control panel, press the **X** button once, press the , and then press the **X** button twice to gain access to the [Service Menu](#).

### Touchscreen control panels

- ▲ From the Home screen on the printer control panel,  button once, press the **X** button once, and then press the  button twice to gain access to the [Service Menu](#).

## After performing service

1. Reinstall the toner cartridge or toner cartridges.
2. Reinstall the trays.
3. Return all paper to the trays.

4. Plug in the power cable and turn on the printer.
5. Perform print-quality tests by printing from a host computer.

## Post service tests

After service has been completed, perform the following tests to verify that the repair or replacement was successful.

### Print-quality test

1. Verify that you have completed the necessary reassembly steps.
2. Ensure that the input tray contains clean, unmarked paper.
3. With the power cord and interface cables attached, turn on the printer.
4. Verify that the expected start up sounds occur.
5. Print a configuration page, and then verify that the expected printing sounds occur.
6. Print a demo page, and then verify that the print quality is as expected.
7. Send a print job from the host computer, and then verify that the output meets expectations.
8. If necessary, restore any customer-specified settings.
9. Clean the outside of the printer with a damp cloth.

### Copy-quality test (M479 models)

1. Verify that you have completed the necessary reassembly steps.
2. Ensure that the input tray contains clean, unmarked paper.
3. With the power cord attached, turn on the printer.
4. Verify that the expected start up sounds occur.
5. Print a configuration page, and then verify that the expected printing sounds occur.
6. Place the configuration page in the document feeder or on the flatbed glass.
7. Print a copy job, and then verify the results.
8. Clean the outside of the printer with a damp cloth.

### Fax-quality test (M479 models)

1. Place the configuration page in the document feeder.
2. Type a valid fax number, and send the fax job.
3. Verify that the send quality and the receive quality meet expectations.

## Order parts by authorized service providers

Order supplies and paper	<a href="http://www.hp.com/go/suresupply">www.hp.com/go/suresupply</a>
Order genuine HP parts or accessories	<a href="http://www.hp.com/buy/parts">www.hp.com/buy/parts</a>
Order through service or support providers	Contact an HP-authorized service or support provider.
Order using the HP Embedded Web Server (EWS)	To access, in a supported Web browser on your computer, enter the printer IP address or host name in the address/URL field. The EWS contains a link to the HP SureSupply Web site, which provides options for purchasing Original HP supplies.

## Orderable parts

Not all of the assemblies described in this chapter can be ordered. Use the parts chapter in this manual to determine if an assembly is orderable.

## Whole unit replacement (WUR) part numbers

Part number	Description
W1Y43-67001	220V M454nw WUR CN
W1Y43-67002	220V M454nw WUR WW
W1Y43-67003	220V M454nw WUR AP
W1Y43-67004	110V M454nw WUR WW
W1Y44-67001	220V M454dn WUR CN
W1Y44-67002	220V M454dn WUR WW
W1Y44-67003	220V M454dn WUR AP
W1Y44-67004	110V M454dn WUR WW
W1Y45-67001	220V M454dw WUR CN
W1Y45-67002	220V M454dw WUR WW
W1Y45-67003	220V M454dw WUR AP
W1Y45-67004	110V M454dw WUR WW
W1A77-67001	220V M479DW WUR CN/MY
W1A77-67002	220V M479dw WUR EMEA
W1A77-67003	110V M479dw WUR NAR/TW/BR
W1A77-67004	220V M479dw WUR AP/LAR
W1A77-67005	220V M479dw WUR CL/AR
W1A78-67001	220V M479fnw WUR CN/MY
W1A78-67002	220V M479fnw WUR EMEA
W1A78-67003	110V M479fnw WUR NAR/TW

Part number	Description
W1A78-67004	220V M479fnw WUR AP/LAR
W1A78-67005	220V M479fnw WUR CL/AR
W1A78-67006	110V M479fnw WUR BRAZIL
W1A79-67001	220V M479fdn WUR CN/MY
W1A79-67002	220V M479fdn WUR EMEA
W1A79-67003	110V M479fdn WUR TW
W1A80-67001	220V M479fdw WUR CN/MY
W1A80-67002	220V M479fdw WUR EMEA
W1A80-67003	110V M479fdw WUR NAR/TW
W1A80-67004	220V M479fdw WUR AP/LAR
W1A80-67005	220V M479fdw WUR CL/AR
W1A80-67006	110V M479fdw WUR BRAZIL

## Supplies part numbers

Table 1-1 Supplies part numbers

Item	Description	Cartridge number	Aftermarket Part number	Service Part number
<b>Supplies</b>				
HP 414A Black Original LaserJet Toner Cartridge US/ROW	Standard-capacity replacement black toner cartridge	414A	W2020A	W2020-67901
HP 414A Cyan Original LaserJet Toner Cartridge US/ROW	Standard replacement cyan toner cartridge	414A	W2021A	W2021-67901
HP 414A Yellow Original LaserJet Toner Cartridge US/ROW	Standard-capacity replacement yellow toner cartridge	414A	W2022A	W2022-67901
HP 414A Magenta Original LaserJet Toner Cartridge US/ROW	Standard-capacity replacement magenta toner cartridge	414A	W2023A	W2023-67901
HP414X High Capacity Black Original LaserJet Toner Cartridge US/ROW	High capacity replacement black toner cartridge	414X	W2020X	W2020-67902
HP414X High Capacity Cyan Original LaserJet Toner Cartridge US/ROW	High capacity replacement cyan toner cartridge	414X	W2021X	W2021-67902
HP414X High Capacity Yellow Original LaserJet Toner Cartridge US/ROW	High capacity replacement yellow toner cartridge	414X	W2022X	W2022-67902
HP414X High Capacity Magenta Original LaserJet Toner Cartridge US/ROW	High capacity replacement magenta toner cartridge	414X	W2023X	W2023-67902

**Table 1-1 Supplies part numbers (continued)**

Item	Description	Cartridge number	Aftermarket Part number	Service Part number
HP415A Black Original LaserJet Toner Cartridge EMEA	Standard replacement black toner cartridge	415A	W2030A	W2030-67901
HP415A Cyan Original LaserJet Toner Cartridge EMEA	Standard replacement cyan toner cartridge	415A	W2031A	W2031-67901
HP415A Yellow Original LaserJet Toner Cartridge EMEA	Standard replacement yellow toner cartridge	415A	W2032A	W2032-67901
HP415A Magenta Original LaserJet Toner Cartridge EMEA	Standard replacement magenta toner cartridge	415A	W2033A	W2033-67901
HP415X High Capacity Black Original LaserJet Toner Cartridge EMEA	High capacity replacement black toner cartridge	415X	W2030X	W2030-67902
HP415X High Capacity Cyan Original LaserJet Toner Cartridge EMEA	High capacity replacement cyan toner cartridge	415X	W2031X	W2031-67902
HP415X High Capacity Yellow Original LaserJet Toner Cartridge EMEA	High capacity replacement yellow toner cartridge	415X	W2032X	W2032-67902
HP415X High Capacity Magenta Original LaserJet Toner Cartridge EMEA	High capacity replacement magenta toner cartridge	415X	W2033X	W2033-67902
HP416A Black Original LaserJet Toner Cartridge APJ	Standard replacement black toner cartridge	416A	W2040A	W2040-67901
HP416A Cyan Original LaserJet Toner Cartridge APJ	Standard replacement cyan toner cartridge	416A	W2041A	W2041-67901
HP416A Yellow Original LaserJet Toner Cartridge APJ	Standard replacement yellow toner cartridge	416A	W2042A	W2042-67901
HP416A Magenta Original LaserJet Toner Cartridge APJ	Standard replacement magenta toner cartridge	416A	W2043A	W2043-67901
HP416X High Capacity Black Original LaserJet Toner Cartridge APJ	High capacity replacement black toner cartridge	416X	W2040X	W2040-67902
HP416X High Capacity Cyan Original LaserJet Toner Cartridge APJ	High capacity replacement cyan toner cartridge	416X	W2041X	W2041-67902
HP416X High Capacity Yellow Original LaserJet Toner Cartridge APJ	High capacity replacement yellow toner cartridge	416X	W2042X	W2042-67902
HP416X High Capacity Magenta Original LaserJet Toner Cartridge APJ	High capacity replacement magenta toner cartridge	416X	W2043X	W2043-67902
HP414X Black Contract Original LaserJet Toner Cartridge US/ROW	Contact replacement black toner cartridge	414X	W2020XC	W2020-67903
HP414X Cyan Contract Original LaserJet Toner Cartridge US/ROW	Contract replacement cyan toner cartridge	414X	W2021XC	W2021-67903

**Table 1-1 Supplies part numbers (continued)**

Item	Description	Cartridge number	Aftermarket Part number	Service Part number
HP414X Yellow Contract Original LaserJet Toner Cartridge US/ROW	Contract replacement yellow toner cartridge	414X	W2022XC	W2022-67903
HP414X Magenta Contract Original LaserJet Toner Cartridge US/ROW	Contract replacement magenta toner cartridge	414X	W2023XC	W2023-67903
HP415X Black Contract Original LaserJet Toner Cartridge EMEA	Contract replacement black toner cartridge	415X	W2030XC	W2030-67903
HP415X Cyan Contract Original LaserJet Toner Cartridge EMEA	Contract replacement cyan toner cartridge	415X	W2031XC	W2031-67903
HP415X Yellow Contract Original LaserJet Toner Cartridge EMEA	Contract replacement yellow toner cartridge	415X	W2032XC	W2032-67903
HP415X Magenta Contract Original LaserJet Toner Cartridge EMEA	Contract replacement magenta toner cartridge	415X	W2033XC	W2033-67903
HP416X Black Contract Original LaserJet Toner Cartridge APJ	Contract replacement black toner cartridge	416X	W2040XC	W2040-67903
HP416X Cyan Contract Original LaserJet Toner Cartridge APJ	Contract replacement cyan toner cartridge	416X	W2041XC	W2041-67903
HP416X Yellow Contract Original LaserJet Toner Cartridge APJ	Contract replacement yellow toner cartridge	416X	W2042XC	W2042-67903
HP416X Magenta Contract Original LaserJet Toner Cartridge APJ	Contract replacement magenta toner cartridge	416X	W2043XC	W2043-67903
<b>Accessories</b>				
Optional 550-sheet paper feeder	Optional Tray 3		CF404A	CF404-67901
USB 2.0 printer cable	A-to-B cable (2-meter standard)		C6518A	8121-1771

## HP service and support

Learn about HP access to additional service and support information.

### Additional service and support for channel partners

Channel partners, go to [partner.hp.com](http://partner.hp.com), and then use the steps below to access the HP Web-based Interactive Search Engine (WISE).

#### Access WISE for Channel partners

1. Select **Services & Support**, and then select **Services Delivery**.
2. Select **Technical Support**, and then select **Technical Documentation**.

## Find information about the following topics

- Service manuals
- Service advisories
- Up-to-date control panel message (CPMD) troubleshooting
- Install and configure
- Printer specifications
- Solutions for printer issues and emerging issues
- Remove and replace part instructions and videos
- Warranty and regulatory information

## Additional service and support for HP internal personnel

HP internal personnel, go to one of the following Web-based Interactive Search Engine (WISE) sites:

### Americas (AMS)

- <https://support.hp.com/wise/home/ams-enWISE> - English
- <https://support.hp.com/wise/home/ams-esWISE> - Spanish
- <https://support.hp.com/wise/home/ams-ptWISE> - Portuguese
- <https://support.hp.com/wise/home/ams-frWISE> - French

### Asia Pacific / Japan (APJ)

- <https://support.hp.com/wise/home/apj-enWISE> - English
- <https://support.hp.com/wise/home/apj-jaWISE> - Japanese
- <https://support.hp.com/wise/home/apj-koWISE> - Korean
- <https://support.hp.com/wise/home/apj-zh-HansWISE> - Chinese (simplified)
- <https://support.hp.com/wise/home/apj-zh-HantWISE> - Chinese (traditional)
- <https://support.hp.com/wise/home/apj-thWISE> - Thai

### Europe / Middle East / Africa (EMEA)

- <https://support.hp.com/wise/home/emea-enWISE> - English



# Removal and replacement procedures

## Customer self-repair (CSR) A parts and assemblies

- [Removal and replacement: Toner cartridges](#)
- [Removal and replacement: Trays](#)

The CSR level indicates the expected difficulty the customer will experience when removing and replacing an assembly. The CSR A assemblies in this section are easy for the customer to remove and replace.

## Removal and replacement: Toner cartridges

### Introduction

This document provides the procedures to remove and replace the toner cartridges.

[Click here to view a video of this procedure.](#)

### Before performing service

**⚠ CAUTION:** To prevent damage to a toner cartridge, do not expose it to light for more than a few minutes. Cover the green imaging drum if the toner cartridge must be removed from the printer for an extended period of time.

If toner gets on clothing, wipe it off by using a dry cloth and wash the clothes in cold water. Hot water sets toner into fabric.

Use the table below to identify the correct part number for your printer. To order the part, go to [www.hp.com/buy/parts](http://www.hp.com/buy/parts).

Toner cartridge part numbers	
W2020-67901 (US/ROW)	414A Standard-capacity replacement black toner cartridge
W2020-67902 (US/ROW)	414X High-capacity replacement black toner cartridge
W2020-67903 (US/ROW)	414X Contract replacement black toner cartridge
W2021-67901 (US/ROW)	414A Standard-capacity replacement cyan cartridge
W2021-67902 (US/ROW)	414X High-capacity replacement cyan toner cartridge
W2021-67903 (US/ROW)	414X Contract replacement cyan toner cartridge
W2022-67901 (US/ROW)	414A Standard-capacity replacement yellow toner cartridge
W2022-67902 (US/ROW)	414X High-capacity replacement yellow toner cartridge
W2022-67903 (US/ROW)	414X Contract replacement yellow toner cartridge
W2023-67901 (US/ROW)	414A Standard-capacity replacement magenta toner cartridge
W2023-67902 (US/ROW)	414X High-capacity replacement magenta toner cartridge
W2023-67903 (US/ROW)	414X Contract replacement magenta toner cartridge
W2030-67901 (EMEA)	415A Standard-capacity replacement black toner cartridge
W2030-67902 (EMEA)	415X High-capacity replacement black toner cartridge
W2030-67903 (EMEA)	415X Contract replacement black toner cartridge
W2031-67901 (EMEA)	415A Standard-capacity replacement cyan toner cartridge
W2031-67902 (EMEA)	415X High-capacity replacement cyan toner cartridge
W2031-67903 (EMEA)	415X Contract replacement cyan toner cartridge
W2032-67901 (EMEA)	415A Standard-capacity replacement yellow toner cartridge
W2032-67902 (EMEA)	415X High-capacity replacement yellow toner cartridge
W2032-67903 (EMEA)	415X Contract replacement yellow toner cartridge

Toner cartridge part numbers	
W2033-67901 (EMEA)	415A Standard-capacity replacement magenta toner cartridge
W2033-67902 (EMEA)	415X High-capacity replacement magenta toner cartridge
W2033-67903 (EMEA)	415X Contract replacement magenta toner cartridge
W2040-67901 (APJ)	416A Standard-capacity replacement black toner cartridge
W2040-67902 (APJ)	416X High-capacity replacement black toner cartridge
W2040-67903 (APJ)	416X Contract replacement black toner cartridge
W2041-67901 (APJ)	416A Standard-capacity replacement cyan toner cartridge
W2041-67902 (APJ)	416X High-capacity replacement cyan toner cartridge
W2041-67903 (APJ)	416X Contract replacement cyan toner cartridge
W2042-67901 (APJ)	416A Standard-capacity replacement yellow toner cartridge
W2042-67902 (APJ)	416X High-capacity replacement yellow toner cartridge
W2042-67903 (APJ)	416X Contract replacement yellow toner cartridge
W2043-67901 (APJ)	416A Standard-capacity replacement magenta toner cartridge
W2043-67902 (APJ)	416X High-capacity replacement magenta toner cartridge
W2043-67903 (APJ)	416X Contract replacement magenta toner cartridge

### Required tools


No special tools are required to install this part.

### After performing service

Make sure that the cartridge tray and front door are fully closed after replacing a toner cartridge.

### Post service test

The print quality page shows bands of colors that can indicate whether the printer is producing colors correctly.

1. **2-line control panels:** On the printer control panel, press the **OK** button.  
**Touchscreen control panels:** From the Home screen, touch the **Setup**  button.
2. Open the **Reports** menu.
3. Select the **Print Quality Page** menu item.

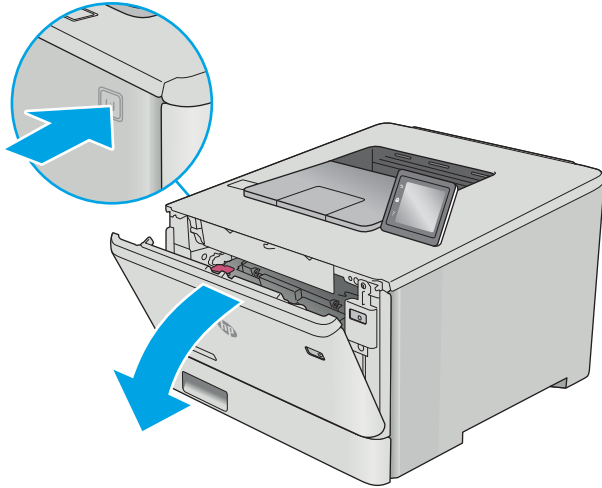
### Step 1: Remove the toner cartridges



**NOTE:** The M454 model is pictured in the figures in this section. The procedure is the same for the M479 model.

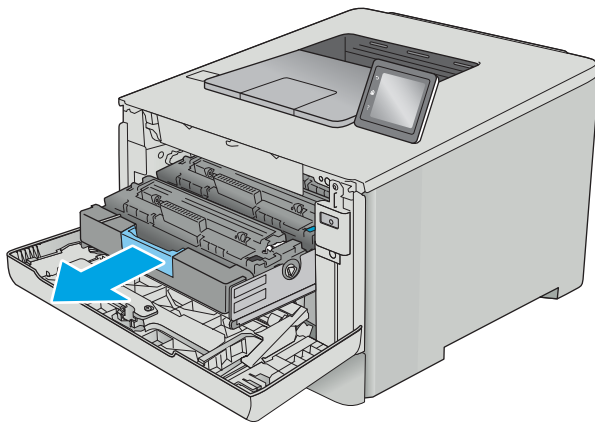
1. Open the front door by pressing the button on the left cover.

Figure 1-2 Open the front door



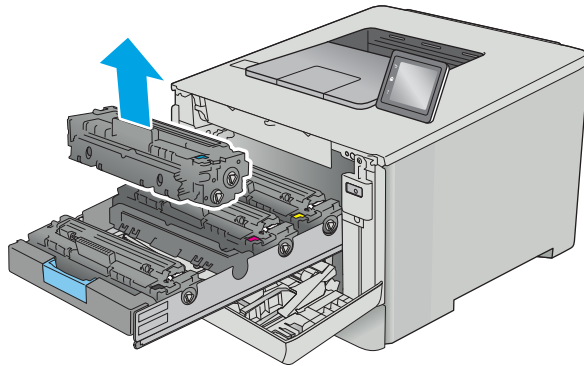
2. Grasp the blue handle on the toner cartridge tray, and then pull out the tray.

Figure 1-3 Open the cartridge drawer



3. Grasp the handle on the toner cartridge, and then pull the toner cartridge straight up to remove it.

Figure 1-4 Remove the toner cartridge



### Step 2: Unpack the replacement part

Remove the new toner cartridge from its protective shell by tearing off the plastic strip and opening the package. Save all packaging for recycling the used toner cartridge.

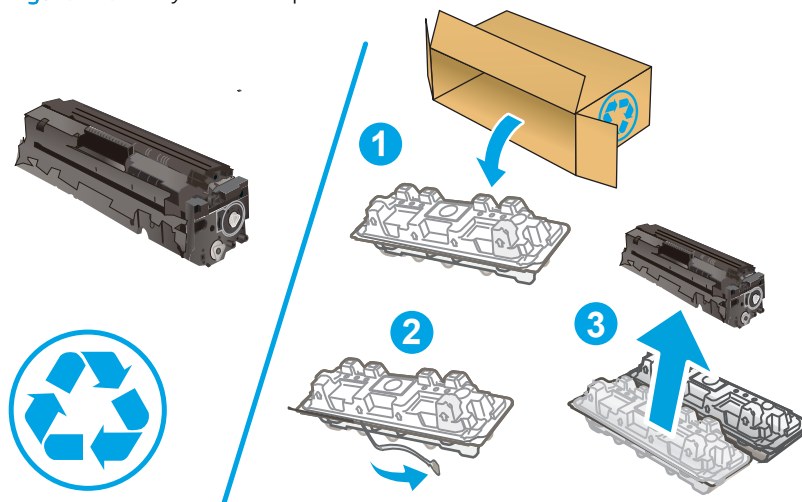
#### [Product return and recycling](#)

**CAUTION:** To prevent damage to a replacement toner cartridge, do not expose it to light for more than a few minutes. Cover the green imaging drum if the toner cartridge must be removed from the printer for an extended period of time.

If toner gets on clothing, wipe it off by using a dry cloth and wash the clothes in cold water. Hot water sets toner into fabric.

**NOTE:** HP recommends responsible disposal of the defective assembly.

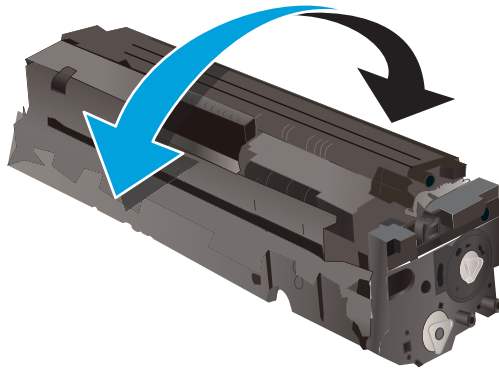
Figure 1-5 Recycle and unpack



### Step 3: Install a toner cartridge

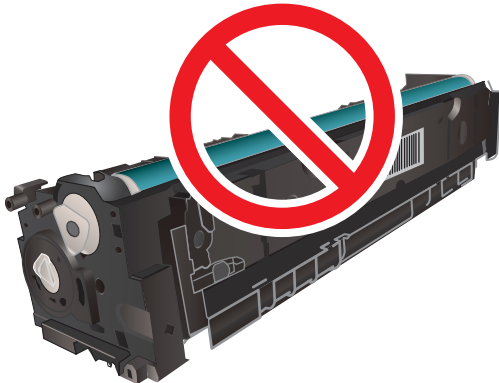
1. Hold both ends of the toner cartridge and rock it 5-6 times.

Figure 1-6 Rock the toner cartridge




2. Do not touch the imaging drum on the bottom of the toner cartridge. Fingerprints on the imaging drum can cause print-quality problems.

Figure 1-7 Do not touch imaging drum



3. To install an assembly, reverse the removal steps.

---

 **NOTE:** When applicable, special installation instructions are provided for an assembly at the end of the removal procedure. Always completely read the removal instructions and follow all special installation instructions.

---

## Removal and replacement: Trays

- [Removal and replacement: Tray 2](#)
- [Removal and replacement: Tray 3](#)

## Removal and replacement: Tray 2

- [Introduction](#)
- [Step 1: Remove Tray 2](#)
- [Step 2: Unpack the replacement part](#)
- [Step 3: Install Tray 2](#)

### Introduction

This document provides the procedures to remove and replace Tray 2.

[Click here to view a video of this procedure.](#)

### Before performing service

Use the table below to identify the correct part number for your printer, and then go to <http://h20141.www2.hp.com/hpparts> to order the part.

Tray 2 part number	
RM2-6377-000CN	Tray 2

### Required tools

No special tools are required to install this part.

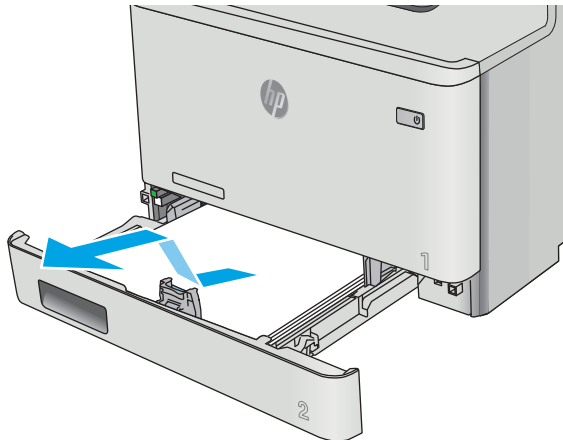
### After performing service

Make sure that Tray 2 is fully closed after replacing it.

### Step 1: Remove Tray 2

- ▲ Pull the tray out until it stops. Lift the front of the tray, and then pull it out of the printer to remove it.

**Figure 1-8** Remove the tray






## Step 2: Unpack the replacement part

Remove the new part from its package. Save all packaging for recycling the used part.

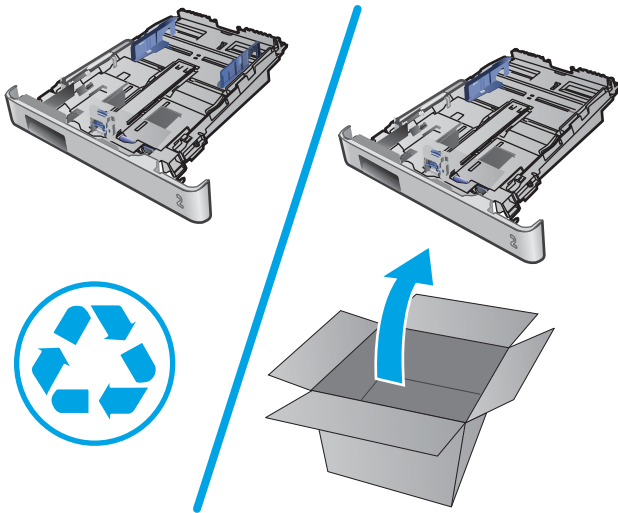
For complete information on HP's recycling programs, go to [Product return and recycling](#).

---

 **NOTE:** HP recommends responsible disposal of the defective part.

---

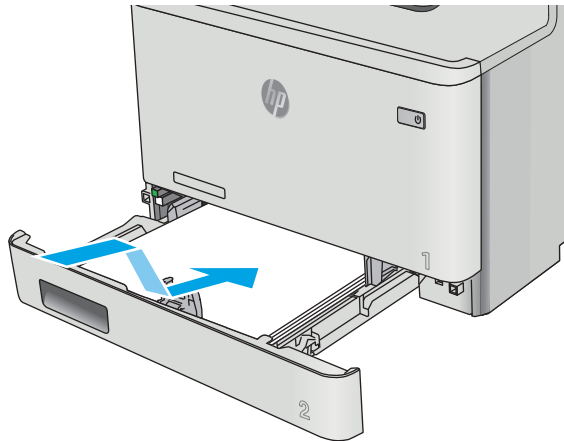
**Figure 1-9** Recycle and unpack



## Step 3: Install Tray 2


- ▲ With the front of the tray slightly lifted, align the sides of the tray with the rails in the printer, and then carefully slide the tray into the printer. As the tray slides into the printer, lower the front of the tray, and then close it.

**Figure 1-10** Install the tray



- ▲ To install an assembly, reverse the removal steps.

---

 **NOTE:** When applicable, special installation instructions are provided for an assembly at the end of the removal procedure. Always completely read the removal instructions and follow all special installation instructions.

---

## Removal and replacement: Tray 3

- [Introduction](#)
- [Step 1: Remove the tray](#)
- [Step 2: Unpack the replacement tray](#)
- [Step 3: Install the tray](#)

### Introduction

This document provides the procedures to remove and replace Tray 3.

[Click here to view a video of this procedure.](#)

### Before performing service

Use the table below to identify the correct part number for your printer, and then go to <http://h20141.www2.hp.com/hpparts> to order the part.

Tray 3 part number	
RM2-6486-000CN	Tray 3

### Required tools

No special tools are required to install this part.

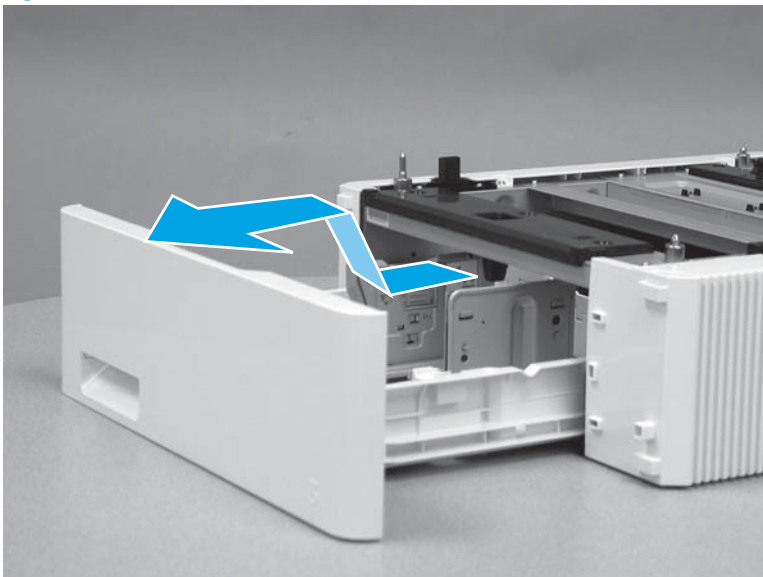
### After performing service

Make sure that Tray 3 is fully closed after replacing it.

### Step 1: Remove the tray

- ▲ Pull the tray out until it stops. Lift the front of the tray, and then pull it out of the printer to remove it.

**Figure 1-11** Remove the tray



## Step 2: Unpack the replacement tray

Remove the new part from its package. Save all packaging for recycling the used part.

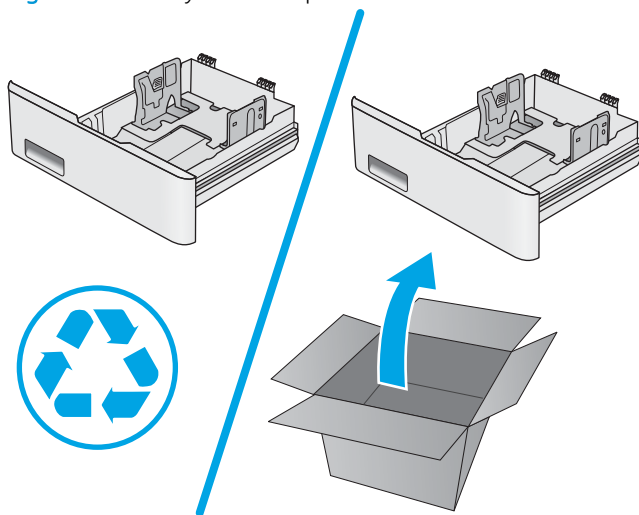
For complete information on HP's recycling programs, go to [Product return and recycling](#).

---

 **NOTE:** HP recommends responsible disposal of the defective part.

---


Figure 1-12 Recycle and unpack



## Step 3: Install the tray

- ▲ To install an assembly, reverse the removal steps.

---

 **NOTE:** When applicable, special installation instructions are provided for an assembly at the end of the removal procedure. Always completely read the removal instructions and follow all special installation instructions.

---

## Field replaceable units (FRUs)

### Removal and replacement: Rollers

- [Removal and replacement: Tray 1 pickup roller](#)
- [Removal and replacement: Tray 1 separation pad](#)
- [Removal and replacement: Tray 2 pickup and feed rollers](#)
- [Removal and replacement: Tray 2 separation roller](#)
- [Removal and replacement: Tray 3 pickup and feed rollers](#)
- [Removal and replacement: Tray 3 separation roller](#)
- [Removal and replacement: Secondary transfer roller](#)

## Removal and replacement: Tray 1 pickup roller

- [Introduction](#)
- [Step 1: Open the front door](#)
- [Step 2: Remove the Tray 1 pickup roller](#)
- [Step 3: Unpack the replacement part](#)
- [Step 4: Install the Tray 1 pickup roller](#)

### Introduction


This document provides the procedures to remove and replace the Tray 1 pickup roller.

[Click here to view a video of this procedure.](#)

### Before you begin

- Turn off the printer.
- Disconnect the power cable.

---

 **WARNING!** To avoid damage to the printer, turn the printer off, wait 30 seconds, and then remove the power cord before attempting to service the printer.

---

- Use the table below to identify the correct part number for your printer. To order the part, go to [www.hp.com/buy/parts](http://www.hp.com/buy/parts) to order the part.

---

Tray 1 pickup roller part number	
----------------------------------	--

---

RL1-2593-000CN
----------------

---

Tray 1 pickup roller
----------------------

---

### Required tools

- Small, flat-blade screwdriver

### After performing service

- Connect the power cable.
- Use the power switch to turn the power on.

### Step 1: Open the front door

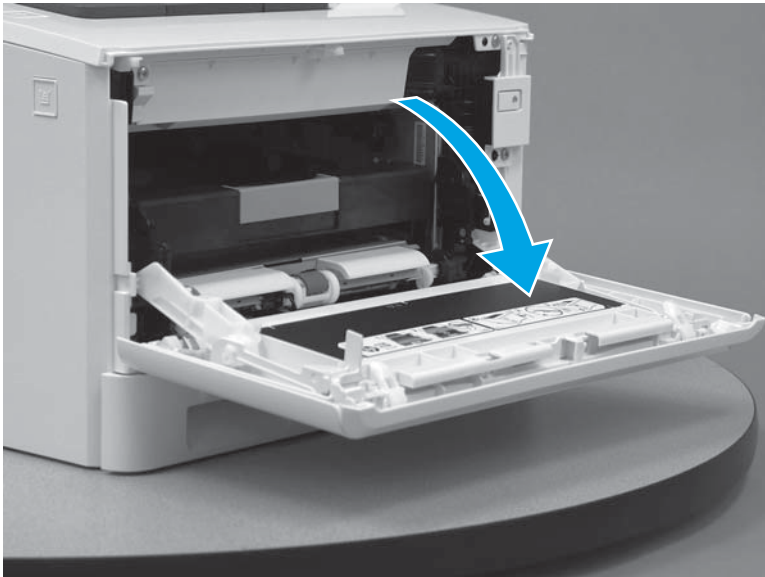
1. Press the button (callout 1) on the left side of the printer to release the front door.

Figure 1-13 Release the front door



2. Open the front door.

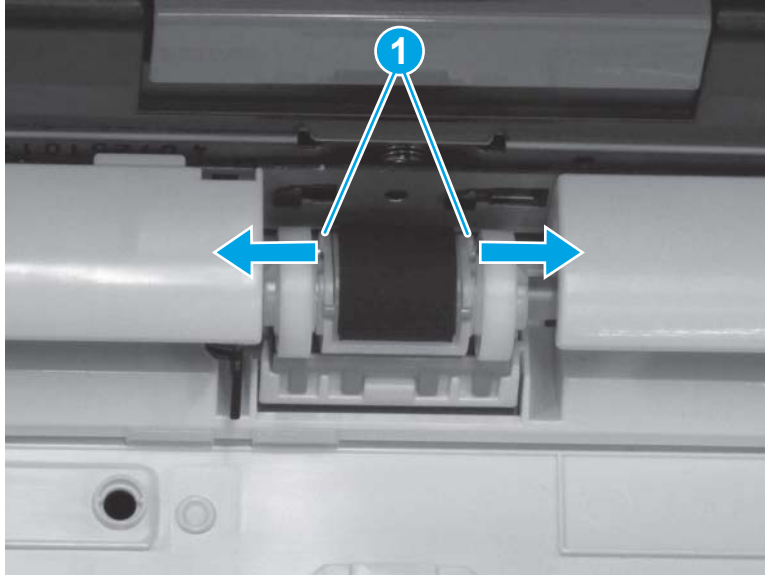
Figure 1-14 Open the front door



### Step 2: Remove the Tray 1 pickup roller

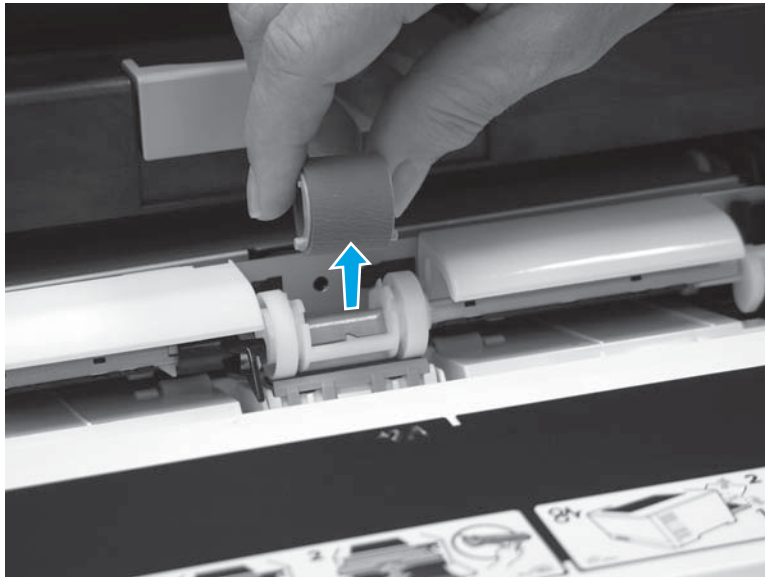
1. Release two tabs (callout 1).

Figure 1-15 Release two tabs



2. Remove the pickup roller.

Figure 1-16 Remove the pickup roller



### Step 3: Unpack the replacement part

Remove the new pickup roller from its package. Save all packaging for recycling the used parts.

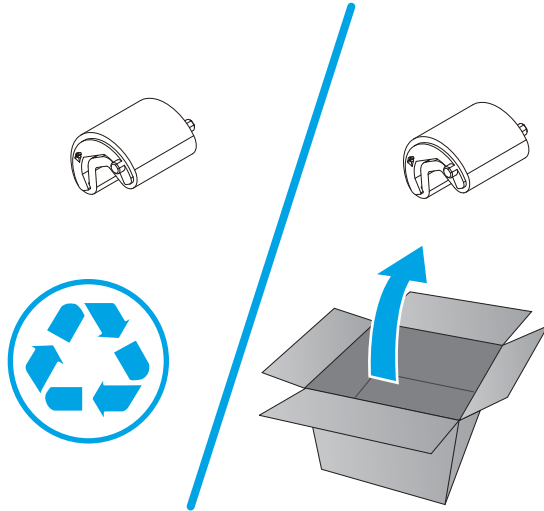
For complete information on HP's recycling programs, go to [Product return and recycling](#).

---

 **NOTE:** HP recommends responsible disposal of the defective assembly.

---


Figure 1-17 Recycle and unpack



#### Step 4: Install the Tray 1 pickup roller

- ▲ To install an assembly, reverse the removal steps.

---

 **NOTE:** When applicable, special installation instructions are provided for an assembly at the end of the removal procedure. Always completely read the removal instructions and follow all special installation instructions.

---



## Removal and replacement: Tray 1 separation pad

- [Introduction](#)
- [Step 1: Open the front door](#)
- [Step 2: Remove the Tray 1 separation pad](#)
- [Step 3: Unpack the replacement part](#)
- [Step 4: Install the Tray 1 separation pad](#)

### Introduction


This document provides the procedures to remove and replace the Tray 1 separation pad.

[Click here to view a video of this procedure.](#)

### Before you begin

- Turn off the printer.
- Disconnect the power cable.

---

 **WARNING!** To avoid damage to the printer, turn the printer off, wait 30 seconds, and then remove the power cord before attempting to service the printer.

---

- Use the table below to identify the correct part number for your printer. To order the part, go to [www.hp.com/buy/parts](http://www.hp.com/buy/parts) to order the part.

---

Tray 1 separation pad part number	
-----------------------------------	--

---

RM2-6406-000CN	Tray 1 separation pad
----------------	-----------------------

---

### Required tools

- Small, flat-blade screwdriver

### After performing service

- Connect the power cable.
- Use the power switch to turn the power on.

### Step 1: Open the front door

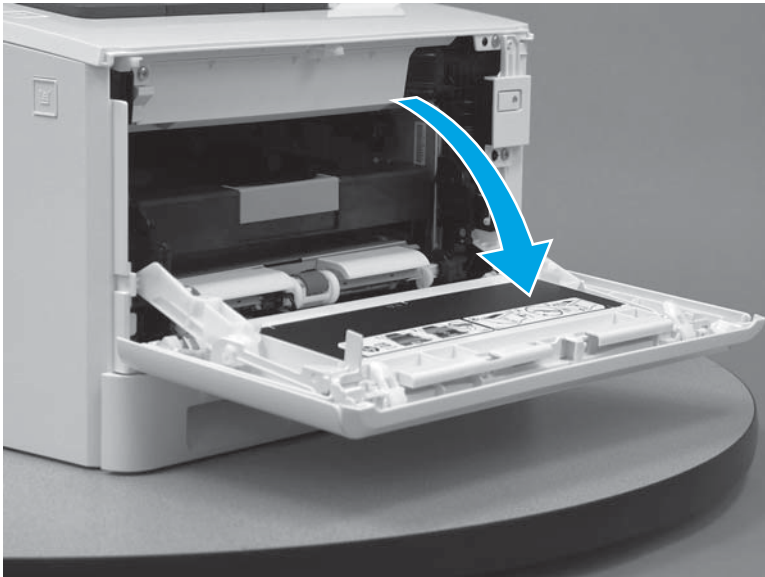
1. Press the button (callout 1) on the left side of the printer to release the front door.

Figure 1-18 Release the front door



2. Open the front door.

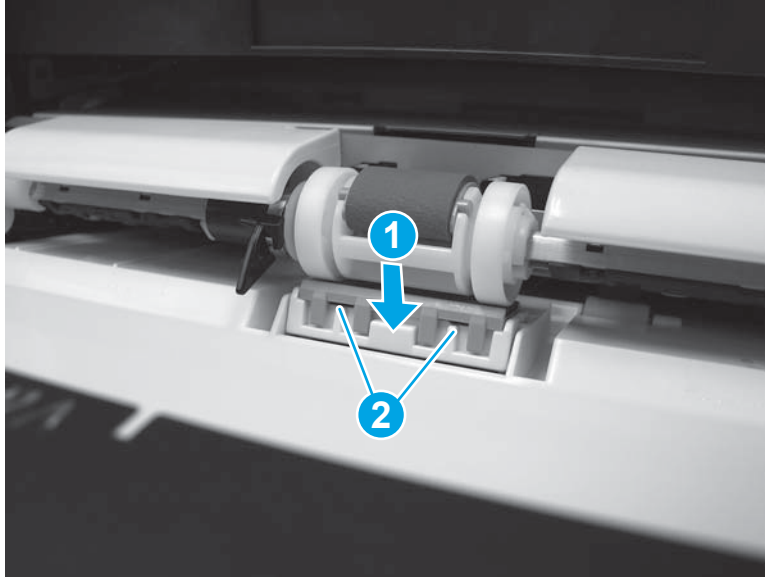
Figure 1-19 Open the front door



### Step 2: Remove the Tray 1 separation pad

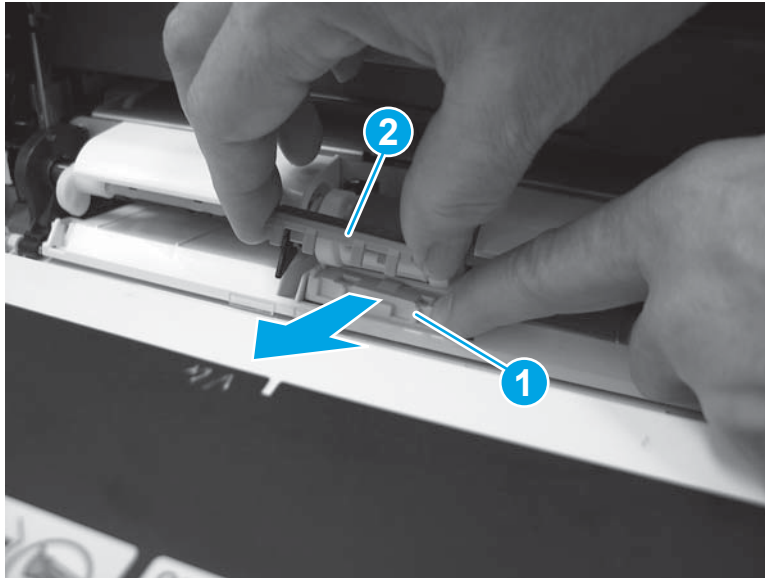
1. Press down on the separation pad holder (callout 1) and release two tabs (callout 2).

Figure 1-20 Press down and release tabs



2. Continue to press down on the separation pad holder (callout 1), and slide the separation pad (callout 2) away from the printer to remove it.

Figure 1-21 Remove the separation pad



### Step 3: Unpack the replacement part

Remove the new separation roller from its package. Save all packaging for recycling the used part.

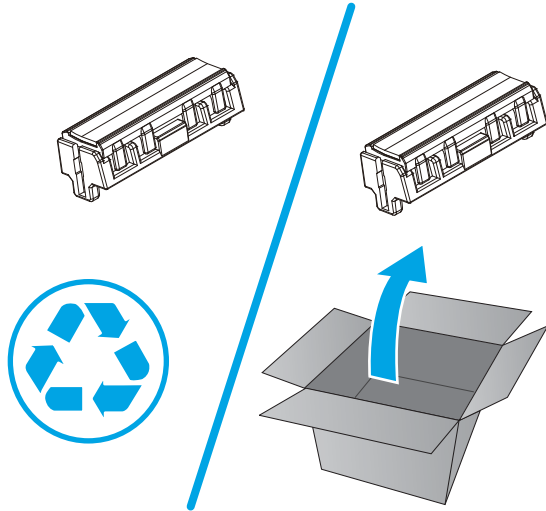
For complete information on HP's recycling programs, go to [Product return and recycling](#)

---

 **NOTE:** HP recommends responsible disposal of the defective assembly.

---


Figure 1-22 Recycle and unpack



#### Step 4: Install the Tray 1 separation pad

- ▲ To install an assembly, reverse the removal steps.

---

 **NOTE:** When applicable, special installation instructions are provided for an assembly at the end of the removal procedure. Always completely read the removal instructions and follow all special installation instructions.

---

## Removal and replacement: Tray 2 pickup and feed rollers

- [Introduction](#)
- [Step 1: Remove the toner cartridges](#)
- [Step 2: Remove Tray 2](#)
- [Step 3: Remove the Tray 2 pickup or feed roller](#)
- [Step 4: Unpack the replacement part](#)
- [Step 5: Install the Tray 2 pickup or feed roller](#)

### Introduction


This document provides the procedures to remove and replace the Tray 2 pickup and feed rollers.

[Click here to view a video of this procedure.](#)

### Before you begin

- Turn off the printer.
- Disconnect the power cable.

---

 **WARNING!** To avoid damage to the printer, turn the printer off, wait 30 seconds, and then remove the power cord before attempting to service the printer.

---

- Use the table below to identify the correct part number for your printer. To order the part, go to [www.hp.com/buy/parts](http://www.hp.com/buy/parts) to order the part.

---

#### Tray 2 pickup and feed rollers part numbers

---

RM2-5576-000CN	Tray 2 pickup roller
RM2-5577-000CN	Tray 2 feed roller

---

### Required tools

- No tools are required to install this part.

### After performing service

- Connect the power cable.
- Use the power switch to turn the power on.

### Step 1: Remove the toner cartridges

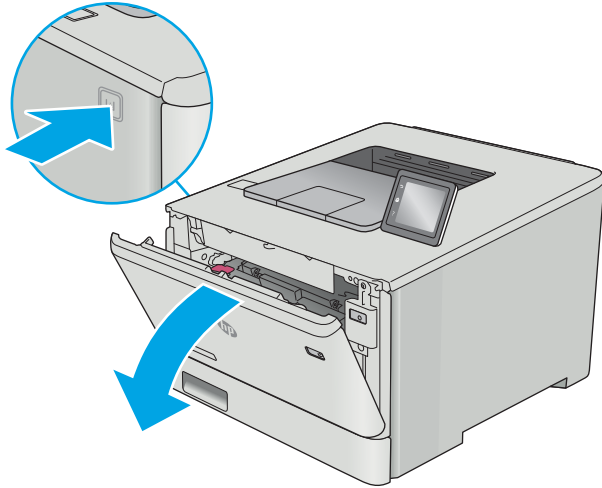
---

 **NOTE:** The M454 model is pictured in the figures in this section. The procedure is the same for the M479 models.

---

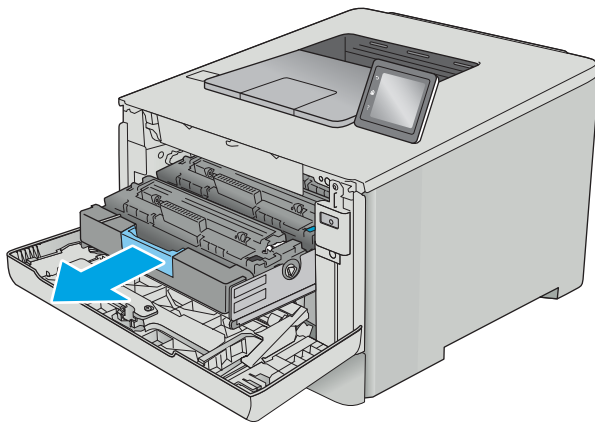
1. Open the front door by pressing the button on the left cover.

Figure 1-23 Open the front door



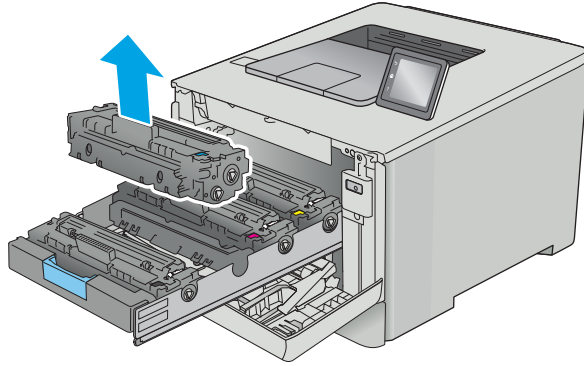
2. Grasp the blue handle on the toner cartridge tray, and then pull out the tray.

Figure 1-24 Open the cartridge drawer



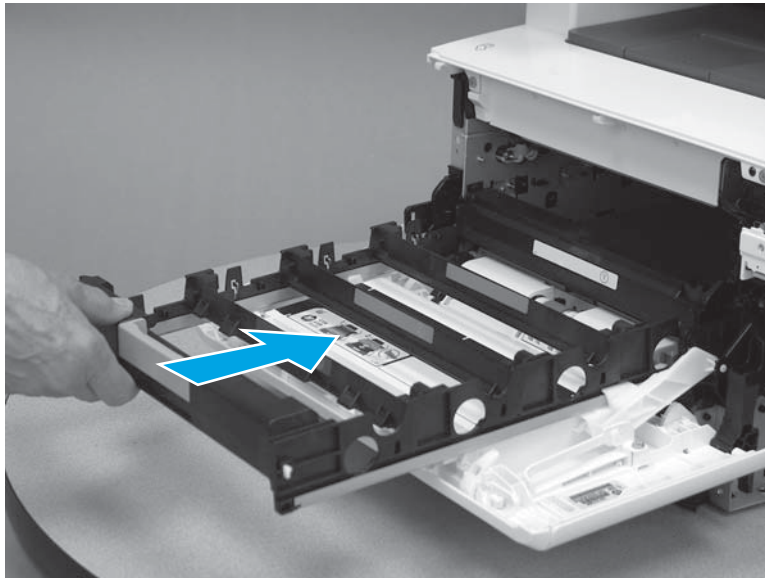
3. Grasp the handle on the toner cartridge, and then pull the toner cartridge straight up to remove it. Repeat this step for each toner cartridge.

Figure 1-25 Remove the toner cartridge



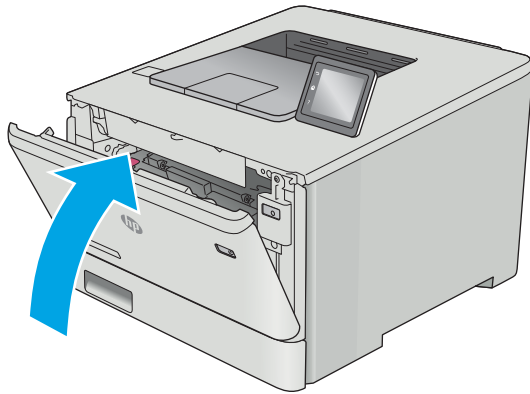
4. Slide the cartridge tray into the printer.

Figure 1-26 Slide the cartridge tray in



5. Close the front door.

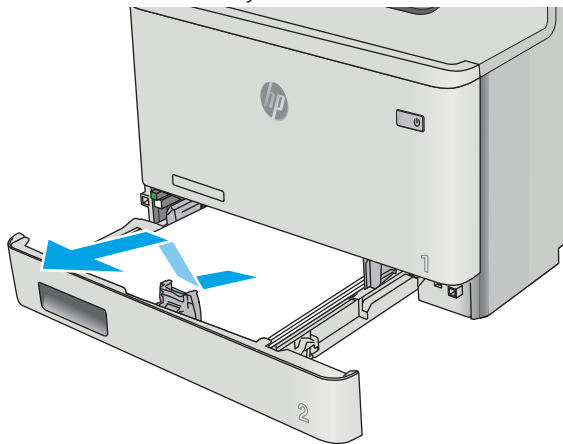
Figure 1-27 Close the front door



### Step 2: Remove Tray 2

- ▲ Pull the tray out until it stops. Lift the front of the tray, and then pull it out of the printer to remove it.

Figure 1-28 Remove the tray

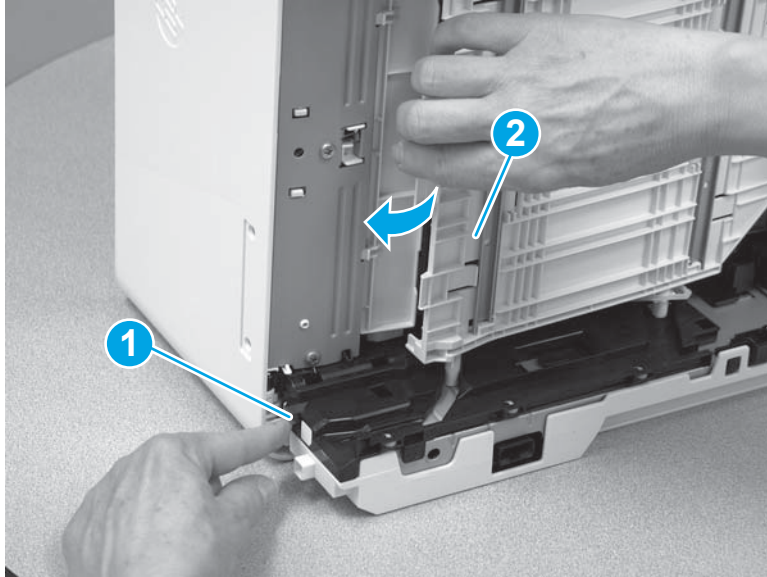


### Step 3: Remove the Tray 2 pickup or feed roller

1. Turn the printer right side up, so that it is resting on the left side. Press the release button (callout 1), and then release the Tray 1 feed guide (callout 2) toward the front of the printer.

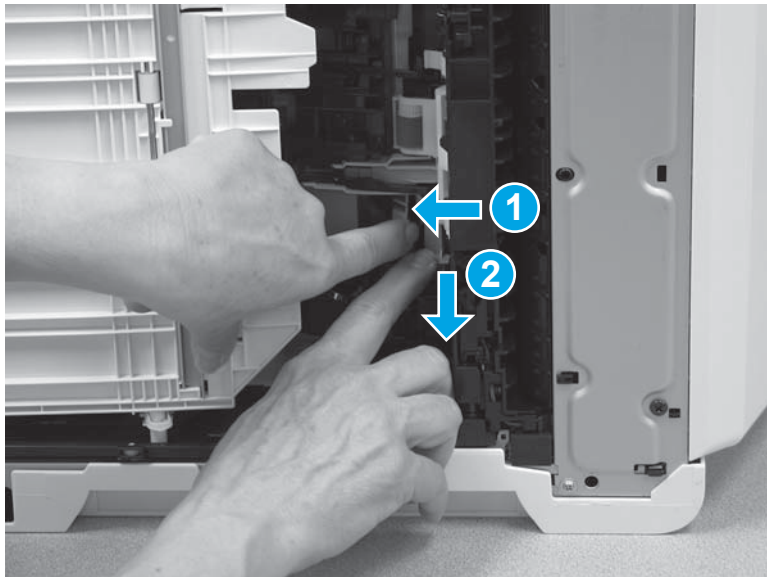


Figure 1-29 Release the feed guide



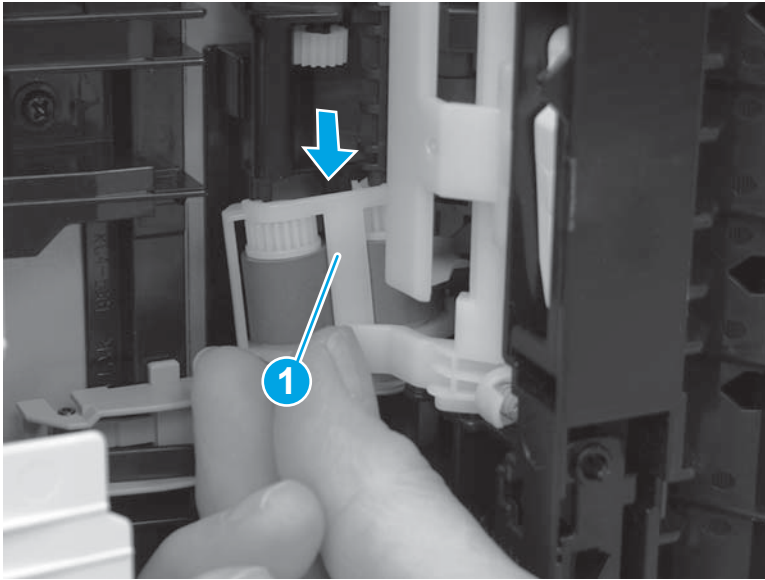
2. On the underside of the printer, press the tab (callout 1) toward the front of the printer, and then slide the roller holder down (callout 2).

Figure 1-30 Release the roller holder



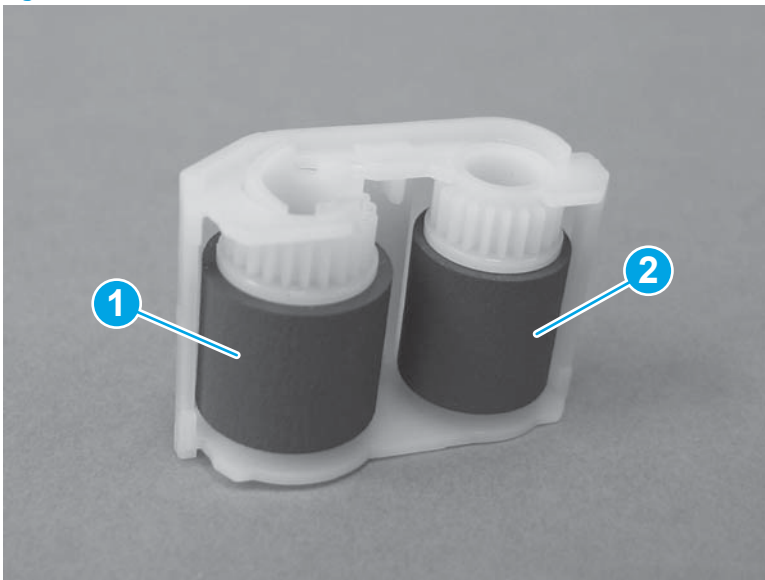
3. Remove the pickup and feed roller case (callout 1).

Figure 1-31 Remove the roller case



4. Locate the feed roller (callout 1) and the pickup roller (callout 2).

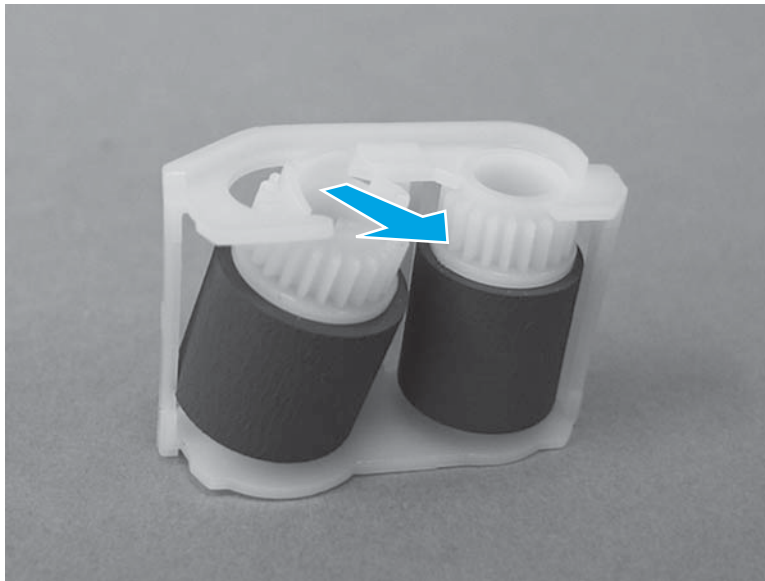
Figure 1-32 Locate the rollers



5. Release the top of the roller and remove it from the case.

 **NOTE:** The feed roller is shown in the figure below. The procedure is the same for the pickup roller.

**Figure 1-33** Remove the roller



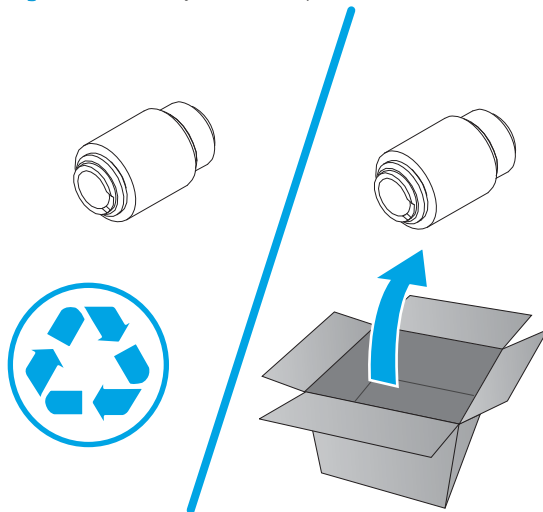
#### Step 4: Unpack the replacement part

Remove the part from its package. Save all packaging for recycling the used part.

For complete information on HP's recycling programs, go to [Product return and recycling](#)

 **NOTE:** HP recommends responsible disposal of the defective part.

**Figure 1-34** Recycle and unpack

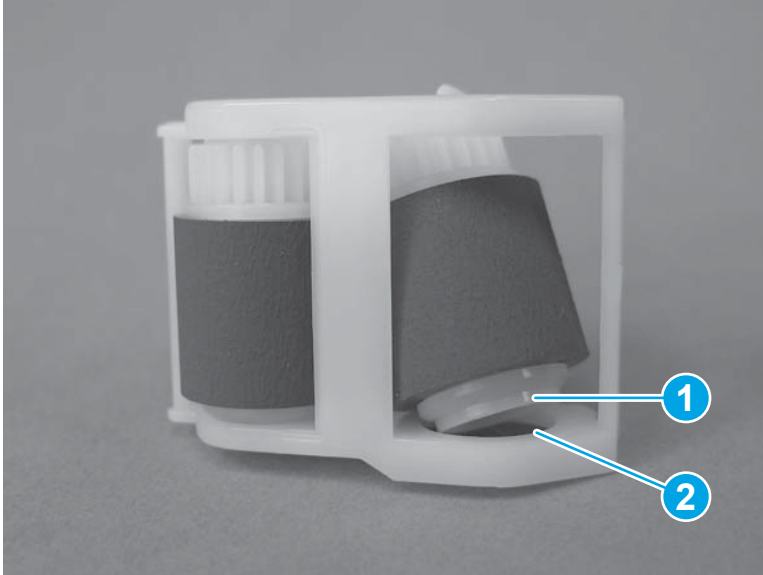


#### Step 5: Install the Tray 2 pickup or feed roller

1. Install the ridge on the bottom of the roller (callout 1) in the hole in the bottom of the case (callout 2).

 **NOTE:** The feed roller is shown in the figure below. The procedure is the same for the pickup roller.

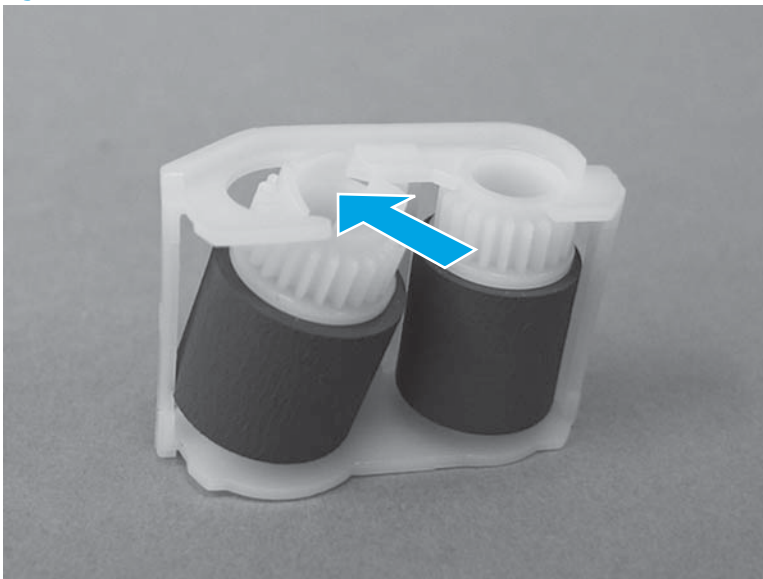
Figure 1-35 Position the roller



2. Rotate the top of the roller into the case. Make sure that the roller snaps into place.

 **NOTE:** The feed roller is shown in the figure below. The procedure is the same for the pickup roller.

Figure 1-36 Install the roller



3. To install an assembly, reverse the removal steps.

 **NOTE:** When applicable, special installation instructions are provided for an assembly at the end of the removal procedure. Always completely read the removal instructions and follow all special installation instructions.

## Removal and replacement: Tray 2 separation roller


- [Introduction](#)
- [Step 1: Remove the toner cartridges](#)
- [Step 2: Remove Tray 2](#)
- [Step 3: Remove the Tray 2 separation roller](#)
- [Step 4: Unpack the replacement part](#)
- [Step 5: Install the Tray 2 separation roller](#)

### Introduction

This document provides the procedures to remove and replace the Tray 2 separation roller.

[Click here to view a video of this procedure.](#)

### Before you begin

- Turn off the printer.
  - Disconnect the power cable.
- 
-  **WARNING!** To avoid damage to the printer, turn the printer off, wait 30 seconds, and then remove the power cord before attempting to service the printer.
- 
- Use the table below to identify the correct part number for your printer. To order the part, go to [www.hp.com/buy/parts](http://www.hp.com/buy/parts) to order the part.

---

Tray 2 separation roller part number	
--------------------------------------	--

---

RM2-5881-000CN
----------------

---

Tray 2 separation roller
--------------------------

---

### Required tools

- Small, flat-blade screwdriver

### After performing service

- Connect the power cable.
- Use the power switch to turn the power on.

### Step 1: Remove the toner cartridges

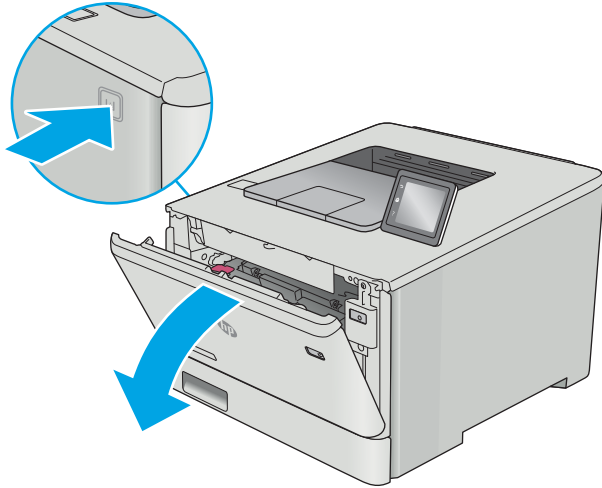
---

 **NOTE:** The M454 model is pictured in the figures in this section. The procedure is the same for the M479 models.

---

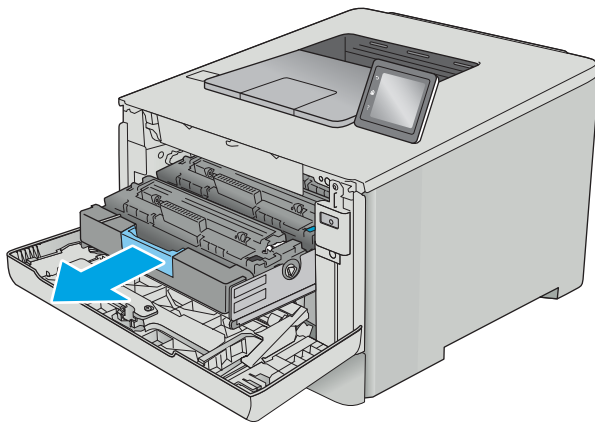
1. Open the front door by pressing the button on the left cover.

Figure 1-37 Open the front door



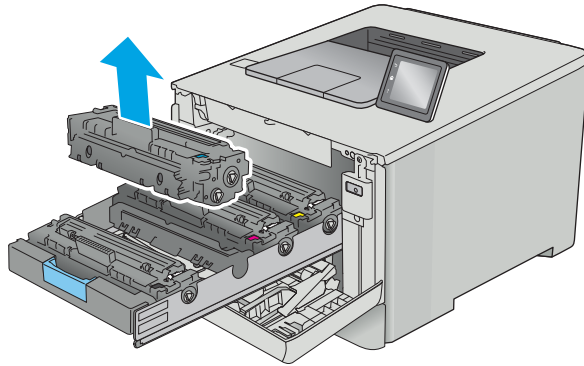
2. Grasp the blue handle on the toner cartridge tray, and then pull out the tray.

Figure 1-38 Open the cartridge drawer



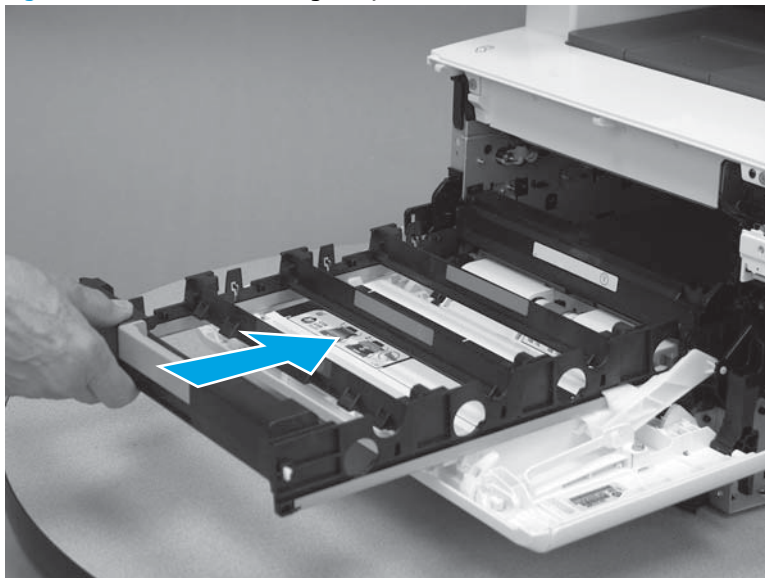
3. Grasp the handle on the toner cartridge, and then pull the toner cartridge straight up to remove it. Repeat this step for each toner cartridge.

Figure 1-39 Remove the toner cartridge



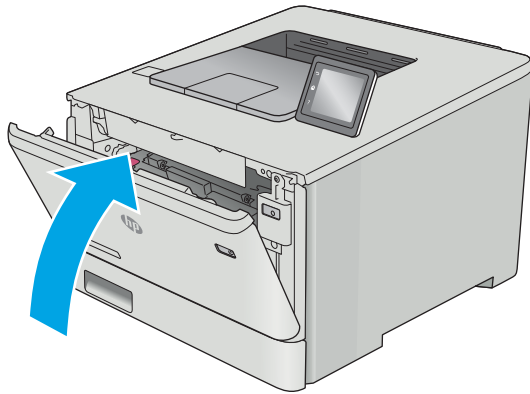
4. Slide the cartridge tray into the printer.

Figure 1-40 Slide the cartridge tray in



5. Close the front door.

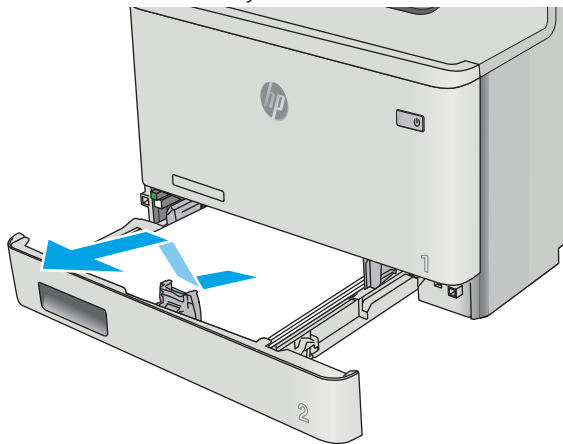
Figure 1-41 Close the front door



### Step 2: Remove Tray 2

- ▲ Pull the tray out until it stops. Lift the front of the tray, and then pull it out of the printer to remove it.

Figure 1-42 Remove the tray

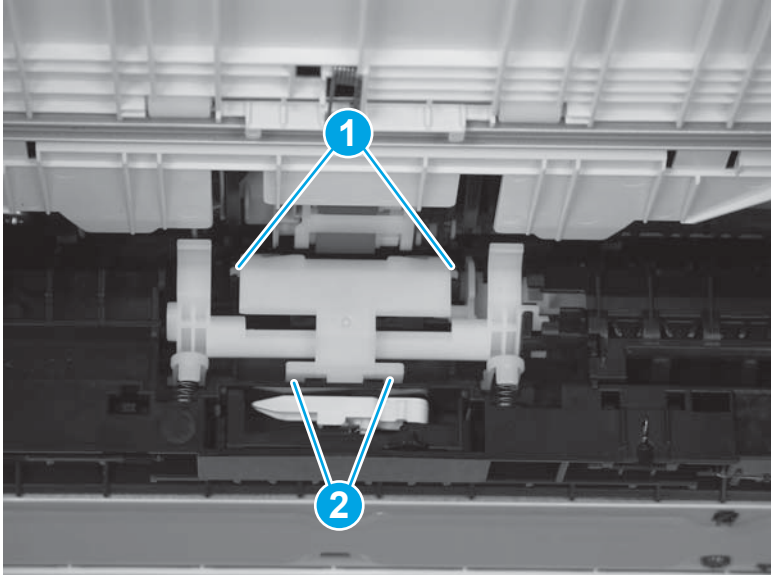


### Step 3: Remove the Tray 2 separation roller

1. Turn the printer front side up, so that it is resting on the rear door or duplexer door. On the underside of the printer, release two hinge tabs (callout 1), and then release two tabs (callout 2).

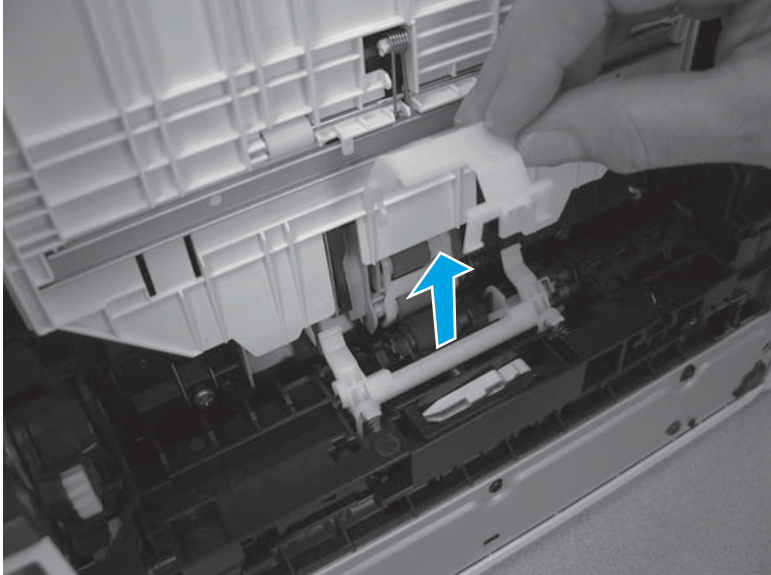


Figure 1-43 Release the tabs



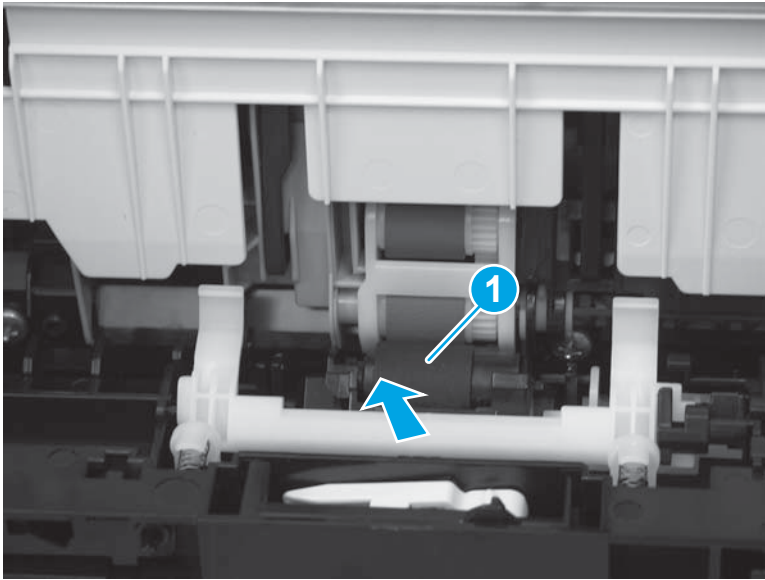
- 2. Lift up to remove the separation roller cover.

Figure 1-44 Remove the cover



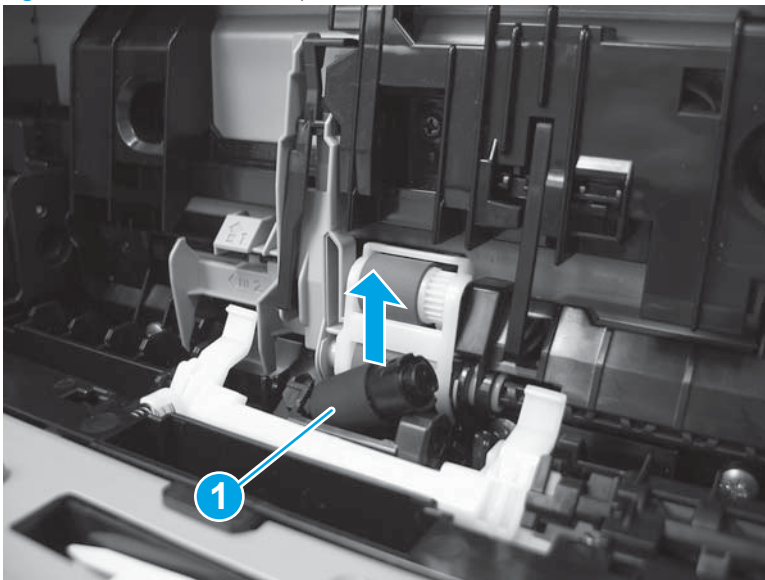
3. Press on the left side of the separation roller (callout 1) to release it.

**Figure 1-45** Release the separation roller



4. Remove the separation roller (callout 1).

**Figure 1-46** Remove the separation roller



#### Step 4: Unpack the replacement part

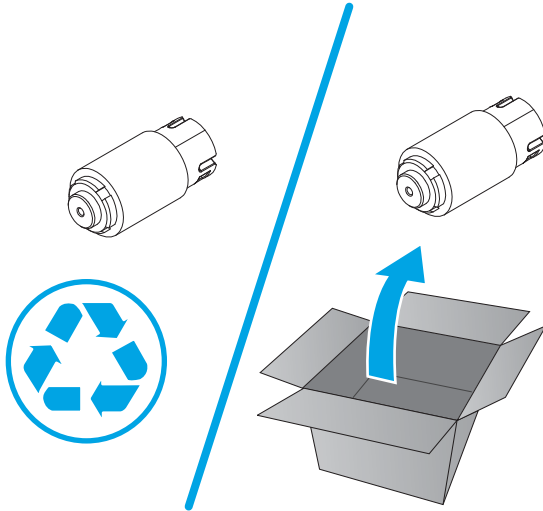
Remove the part from its package. Save all packaging for recycling the used part.

For complete information on HP's recycling programs, go to [Product return and recycling](#).



**NOTE:** HP recommends responsible disposal of the defective assembly.

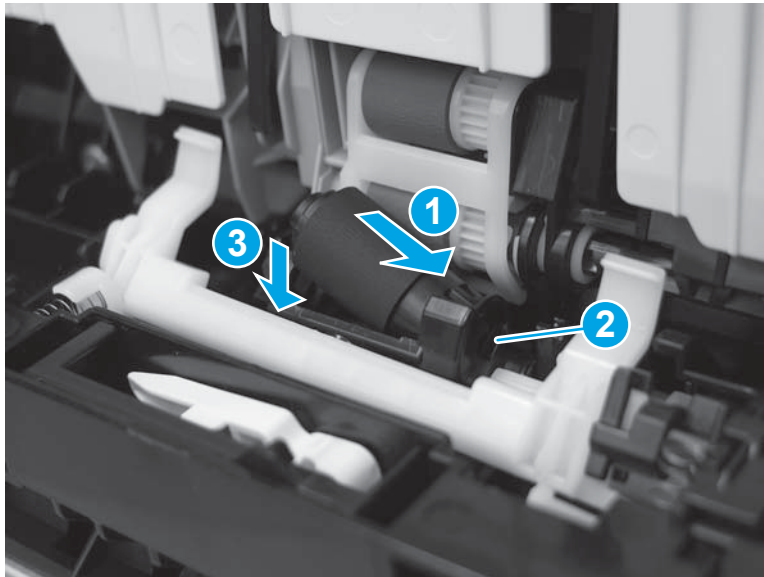
Figure 1-47 Recycle and unpack



### Step 5: Install the Tray 2 separation roller


1. Make sure that the printer is positioned front side up, so that it is resting on the rear door or duplexer. On the underside of the printer, position the end of the roller into the slot in the printer (callout 1). It might be necessary to rotate the roller until it fits correctly into the slot (callout 2). Press down on the left side of the roller (callout 3) until it snaps into place.

Figure 1-48 Install the separation roller



2. To install an assembly, reverse the removal steps.

---

 **NOTE:** When applicable, special installation instructions are provided for an assembly at the end of the removal procedure. Always completely read the removal instructions and follow all special installation instructions.

---

## Removal and replacement: Tray 3 pickup and feed rollers

- [Introduction](#)
- [Step 1: Remove Tray 3](#)
- [Step 2: Remove the Tray 3 pickup or feed roller](#)
- [Step 3: Unpack the replacement part](#)
- [Step 4: Install the Tray 3 paper pickup roller](#)

### Introduction


This document provides the procedures to remove and replace the Tray 3 pickup roller.

[Click here to view a video of this procedure.](#)

### Before you begin

- Turn off the printer.
- Disconnect the power cable.

---

 **WARNING!** To avoid damage to the printer, turn the printer off, wait 30 seconds, and then remove the power cord before attempting to service the printer.

---

- Use the table below to identify the correct part number for your printer. To order the part, go to [www.hp.com/buy/parts](http://www.hp.com/buy/parts) to order the part.

---

#### Tray 3 pickup and feed rollers part numbers

---

RM2-5576-000CN	Tray 3 pickup roller
RM2-5577-000CN	Tray 3 feed roller

---

### Required tools

- No tools are required to install this part.

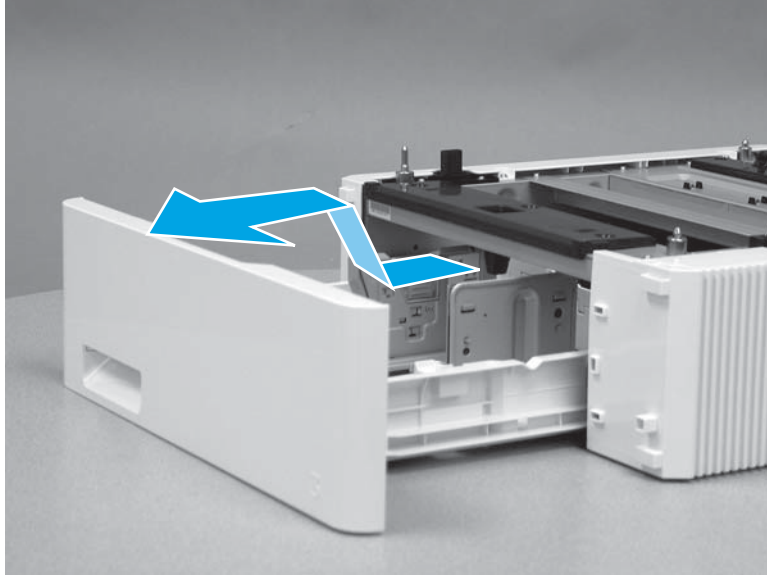
### After performing service

- Connect the power cable.
- Use the power switch to turn the power on.

### Step 1: Remove Tray 3

- ▲ Pull the tray out until it stops. Lift the front of the tray, and then pull it out of the printer to remove it.

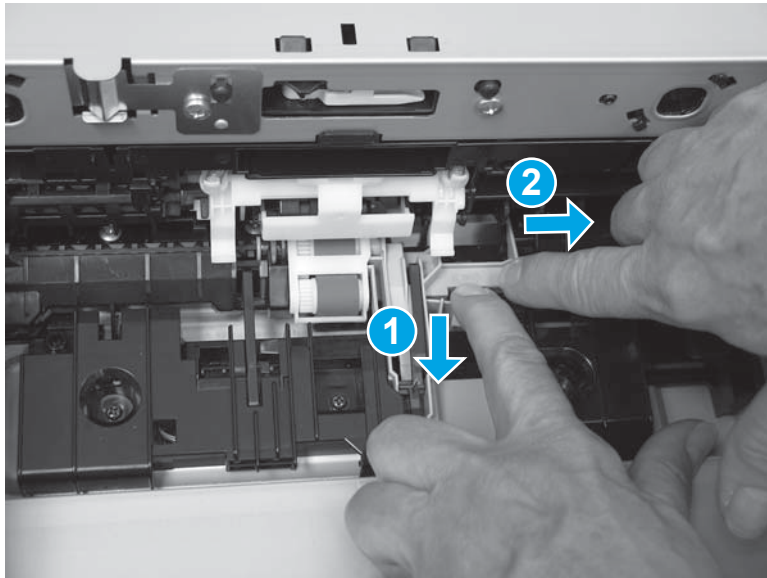
Figure 1-49 Remove the tray



Step 2: Remove the Tray 3 pickup or feed roller

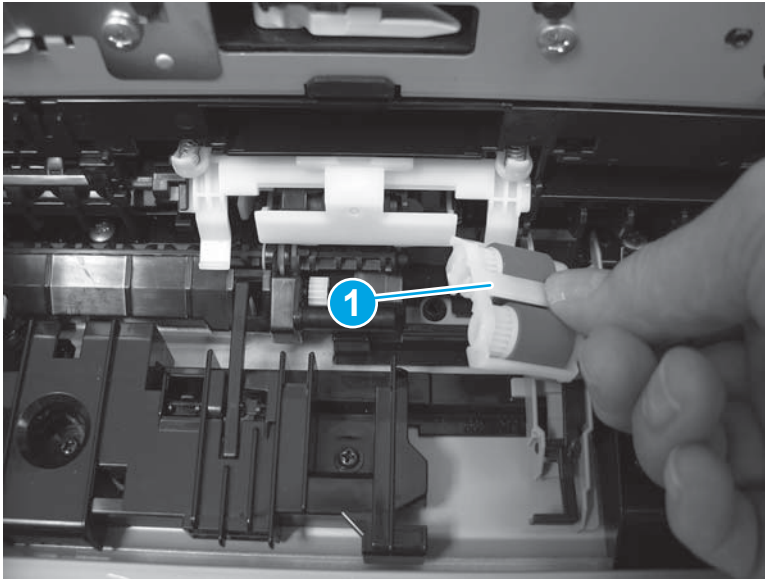
1. Press the tab (callout 1) toward the front of the feeder, and then slide the roller holder to the right (callout 2).

Figure 1-50 Release the roller holder



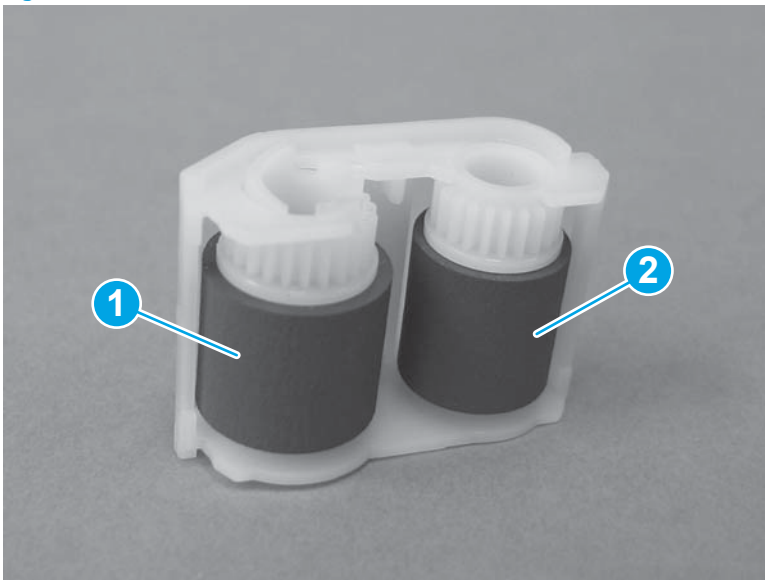
2. Remove the pickup and feed roller case (callout 1).

Figure 1-51 Remove the roller case



3. Locate the feed roller (callout 1) and the pickup roller (callout 2).

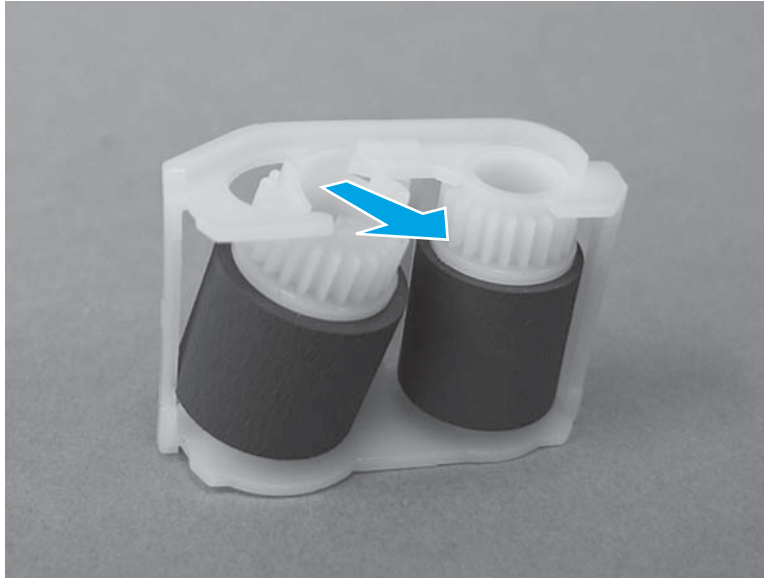
Figure 1-52 Locate the rollers



4. Release the top of the roller and remove it from the case.

 **NOTE:** The feed roller is shown in the figure below. The procedure is the same for the pickup roller.

**Figure 1-53** Remove the roller



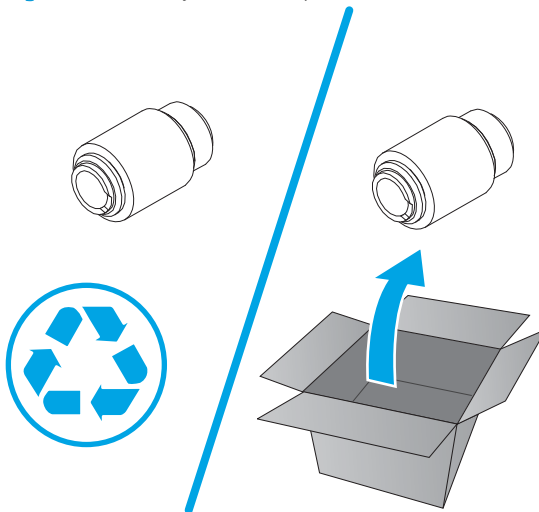
### Step 3: Unpack the replacement part

Remove the new pickup roller from its package. Save all packaging for recycling the used parts.

For complete information on HP's recycling programs, go to [Product return and recycling](#)

 **NOTE:** HP recommends responsible disposal of the defective assembly.

**Figure 1-54** Recycle and unpack



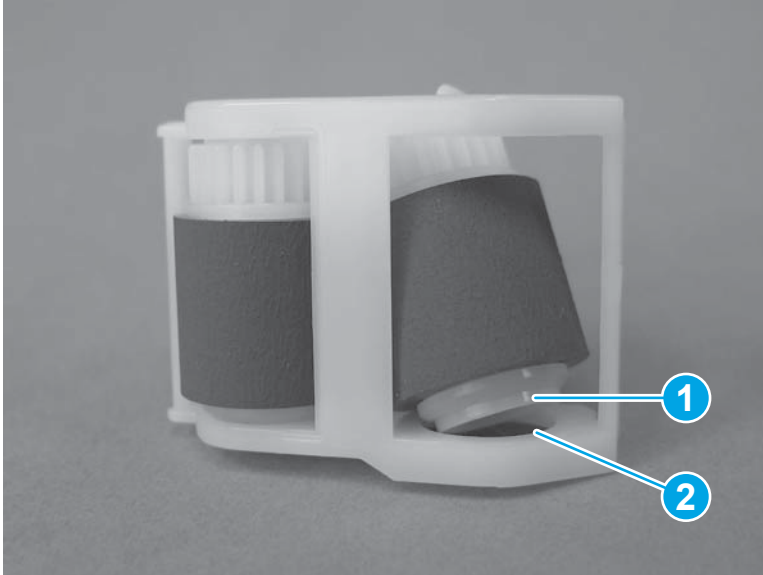
### Step 4: Install the Tray 3 paper pickup roller

1. Install the ridge on the bottom of the roller (callout 1) in the hole in the bottom of the case (callout 2).

 **NOTE:** The feed roller is shown in the figure below. The procedure is the same for the pickup roller.



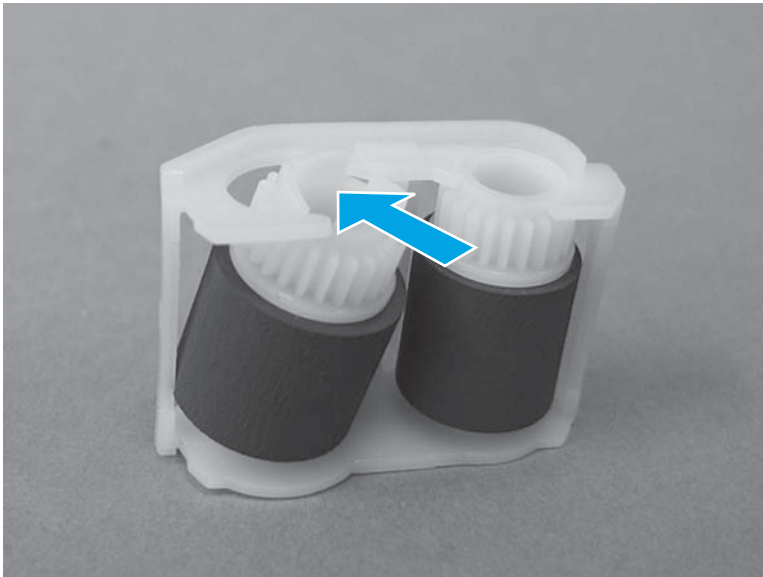
Figure 1-55 Position the roller




2. Rotate the top of the roller into the case. Make sure that the roller snaps into place.

 **NOTE:** The feed roller is shown in the figure below. The procedure is the same for the pickup roller.

Figure 1-56 Install the roller



3. To install an assembly, reverse the removal steps.

 **NOTE:** When applicable, special installation instructions are provided for an assembly at the end of the removal procedure. Always completely read the removal instructions and follow all special installation instructions.



## Removal and replacement: Tray 3 separation roller

- [Introduction](#)
- [Step 1: Remove Tray 3](#)
- [Step 2: Remove the Tray 3 separation roller](#)
- [Step 3: Unpack the replacement part](#)
- [Step 4: Install the Tray 3 separation roller](#)

### Introduction


This document provides the procedures to remove and replace the Tray 3 separation roller.

[Click here to view a video of this procedure.](#)

### Before you begin

- Turn off the printer.
- Disconnect the power cable.

---

 **WARNING!** To avoid damage to the printer, turn the printer off, wait 30 seconds, and then remove the power cord before attempting to service the printer.

---

- Use the table below to identify the correct part number for your printer. To order the part, go to [www.hp.com/buy/parts](http://www.hp.com/buy/parts) to order the part.

---

Tray 3 separation roller kit part number	
--	--

---

RM2-5881-000CN
----------------

---

Tray 3 separation roller
--------------------------

---

### Required tools

- Small, flat-blade screwdriver

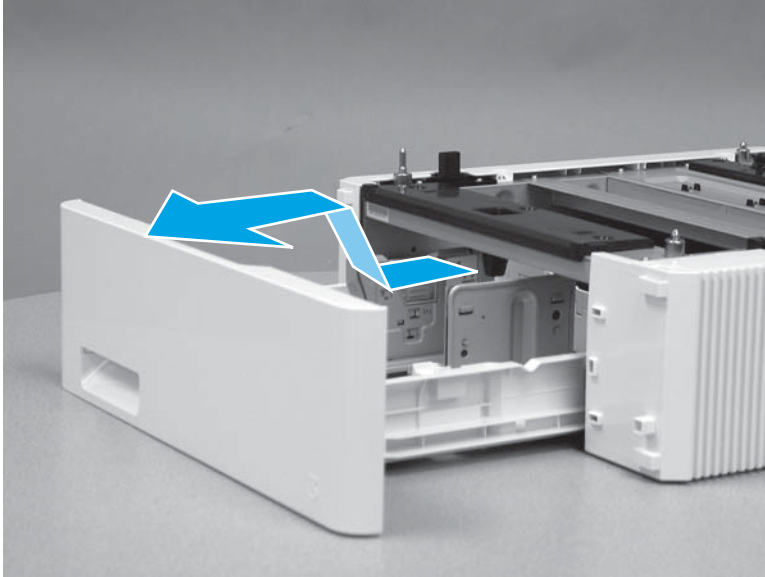
### After performing service

- Connect the power cable.
- Use the power switch to turn the power on.

### Step 1: Remove Tray 3

- ▲ Pull the tray out until it stops. Lift the front of the tray, and then pull it out of the printer to remove it.

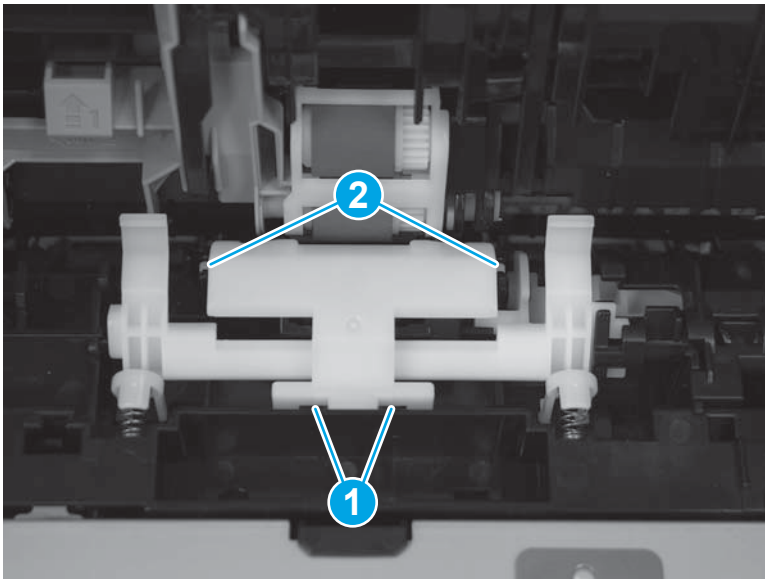
Figure 1-57 Remove the tray



Step 2: Remove the Tray 3 separation roller

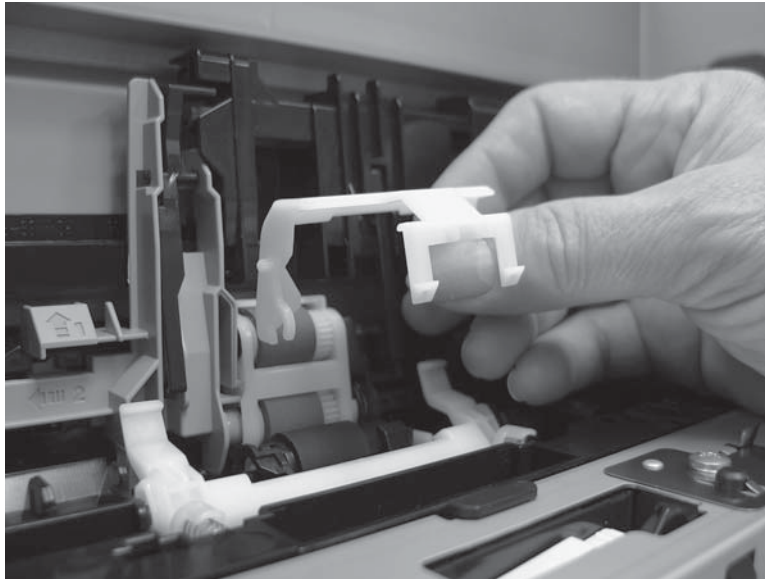
1. Release two tabs (callout 1), and then release two hinge tabs (callout 2).

Figure 1-58 Release the tabs



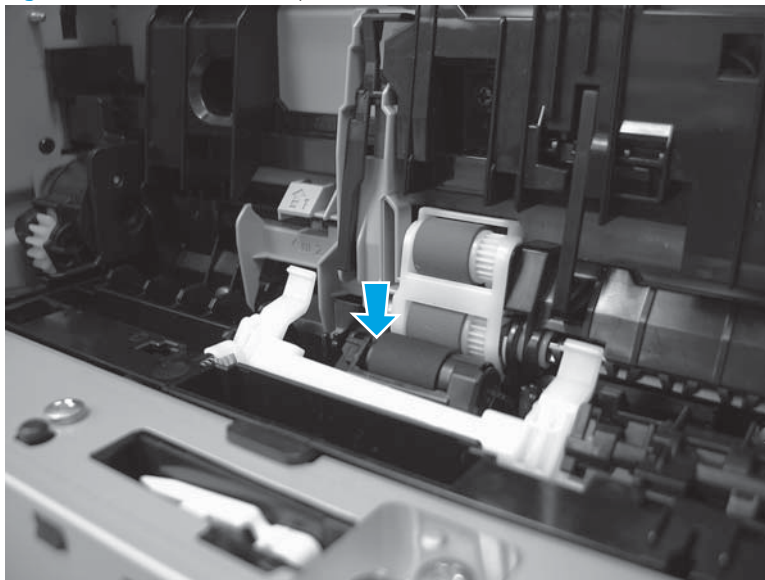
2. Lift up to remove the separation roller cover.

Figure 1-59 Remove the cover



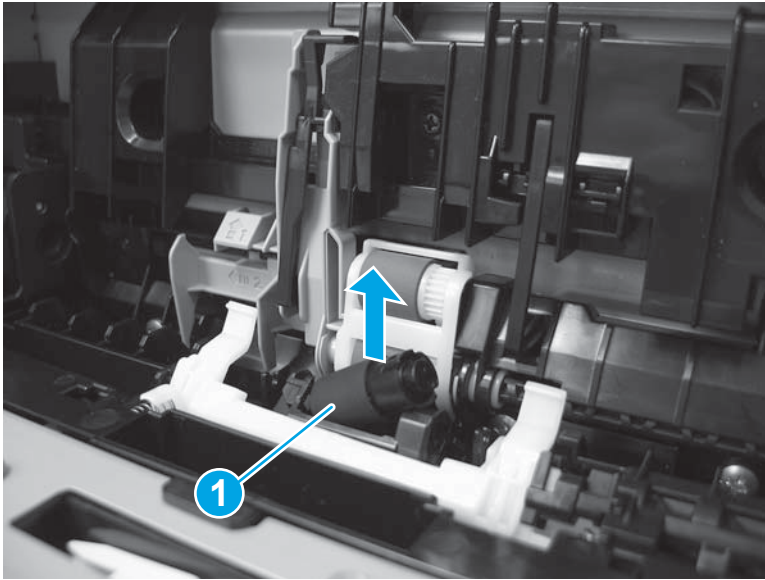
3. Press on the left side of the separation roller to release it.

Figure 1-60 Release the separation roller



4. Remove the separation roller (callout 1).

Figure 1-61 Remove the separation roller



### Step 3: Unpack the replacement part

Remove the new separation roller from its package. Save all packaging for recycling the used part.

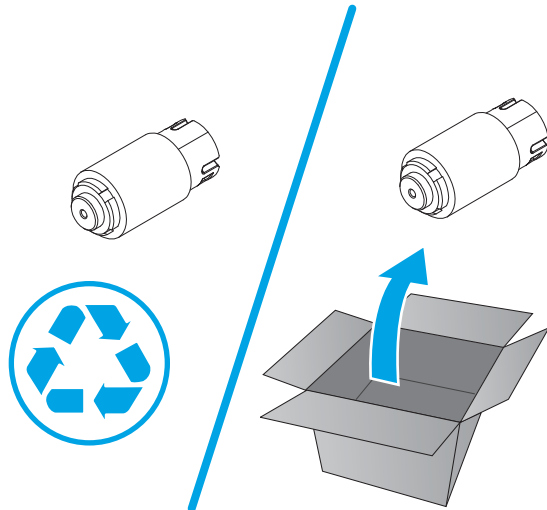
For complete information on HP's recycling programs, go to [Product return and recycling](#).

---

 **NOTE:** HP recommends responsible disposal of the defective assembly.

---

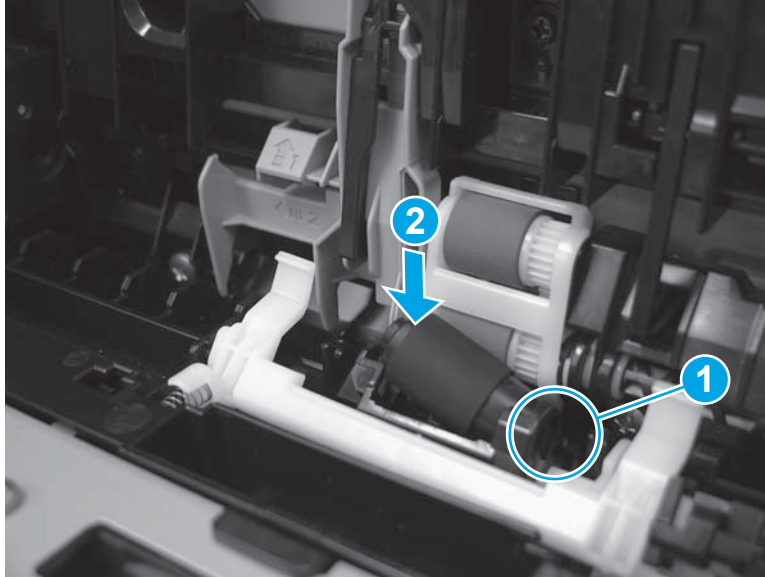
Figure 1-62 Recycle and unpack



### Step 4: Install the Tray 3 separation roller

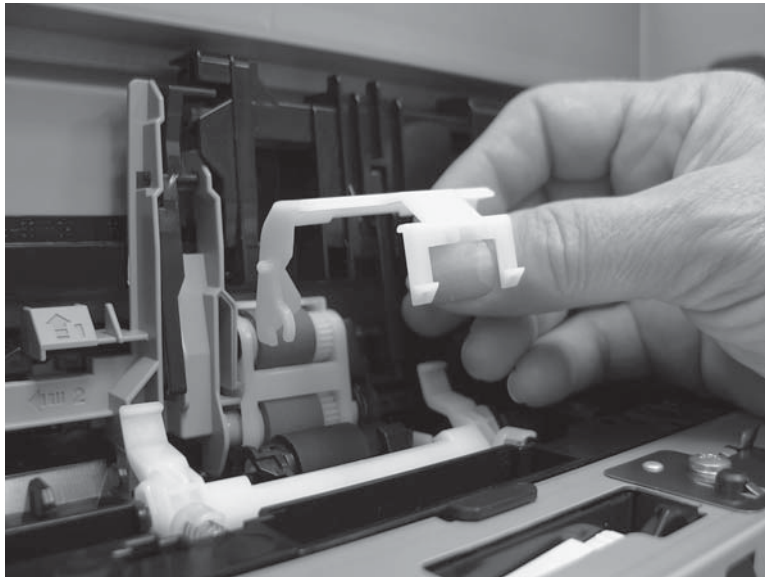
1. Position the end of the roller into the slot in the printer (callout 1). It might be necessary to rotate the roller until it fits correctly into the slot. Press down on the left side of the roller (callout 2) until it snaps into place.

Figure 1-63 Install the separation roller




2. Position the roller cover over the separation roller.

Figure 1-64 Position the roller cover



3. To install an assembly, reverse the removal steps.

---

 **NOTE:** When applicable, special installation instructions are provided for an assembly at the end of the removal procedure. Always completely read the removal instructions and follow all special installation instructions.

---

## Removal and replacement: Secondary transfer roller

- [Introduction](#)
- [Step 1: Remove the secondary transfer roller](#)
- [Step 2:Unpack the replacement part](#)
- [Step 3: Install the secondary transfer roller](#)

### Introduction


This document provides the procedures to remove and replace the secondary transfer roller.

[Click here to view a video of this procedure.](#)

### Before you begin

- Turn off the printer.
- Disconnect the power cable.

---

 **WARNING!** To avoid damage to the printer, turn the printer off, wait 30 seconds, and then remove the power cord before attempting to service the printer.

---

- Use the table below to identify the correct part number for your printer. To order the part, go to [www.hp.com/buy/parts](http://www.hp.com/buy/parts) to order the part.

---

Secondary transfer roller part number	
RM2-6455-000CN	Secondary transfer roller

---

### Required tools

- No tools are required to install this part.

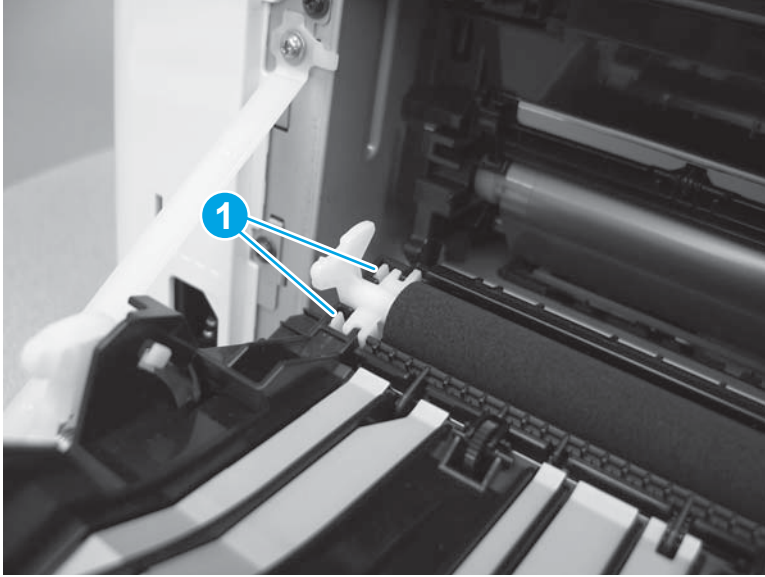
### After performing service

- Connect the power cable.
- Use the power switch to turn the power on.

### Step 1: Remove the secondary transfer roller

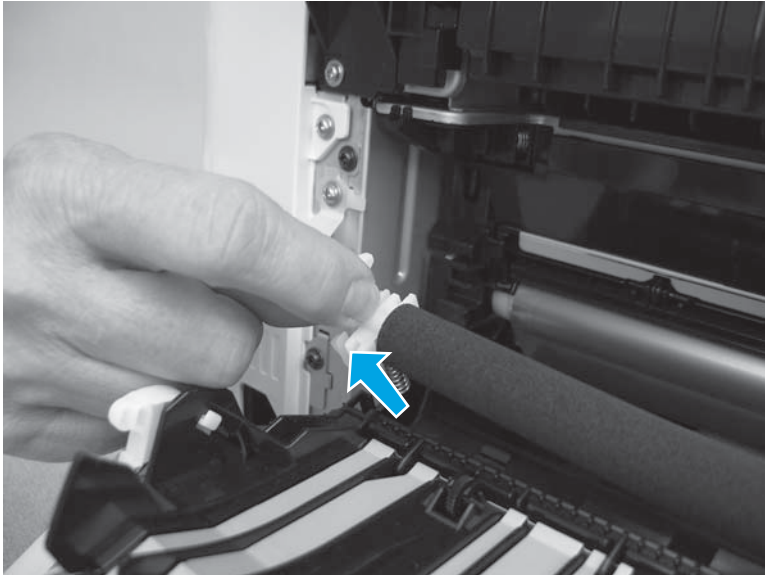
1. For simplex models (M454nw and M479fnw) open the rear cover. For duplex models ( M454dn, M454dw, M479fdn, and M479fdw), open the duplex door assembly. Inside the door assembly, release two tabs (callout 1).

Figure 1-65 Release two tabs



2. Lift up the left end of the roller.

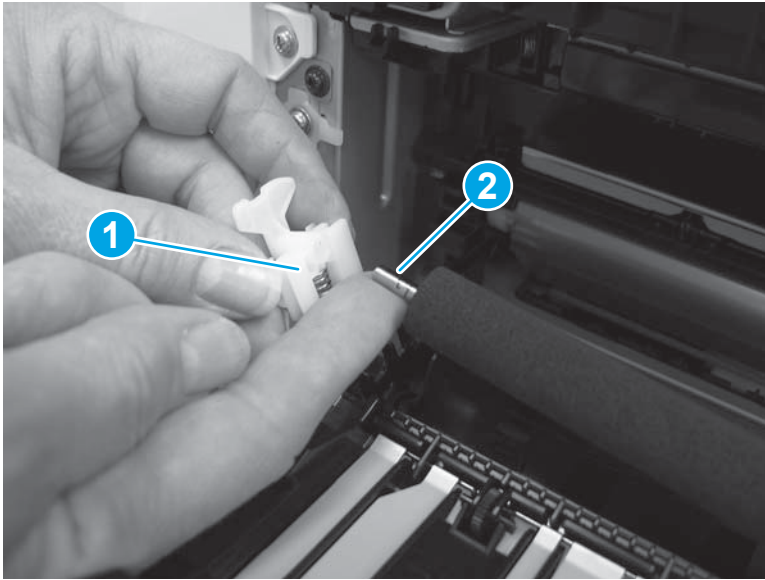
Figure 1-66 Lift the end of the roller





3. Remove the stopper (callout 1) from the end of the roller (callout 2).

Figure 1-67 Remove the stopper




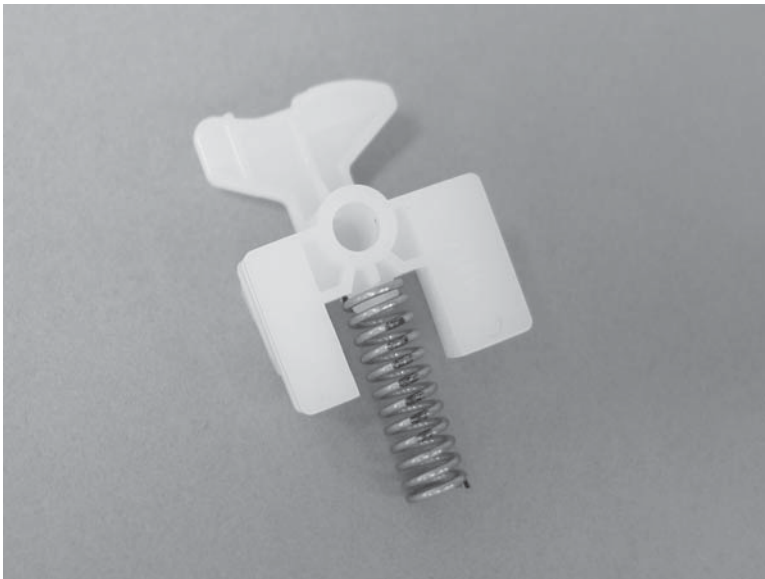
 **NOTE:** If the spring falls off of the stopper, reattach it as shown below.

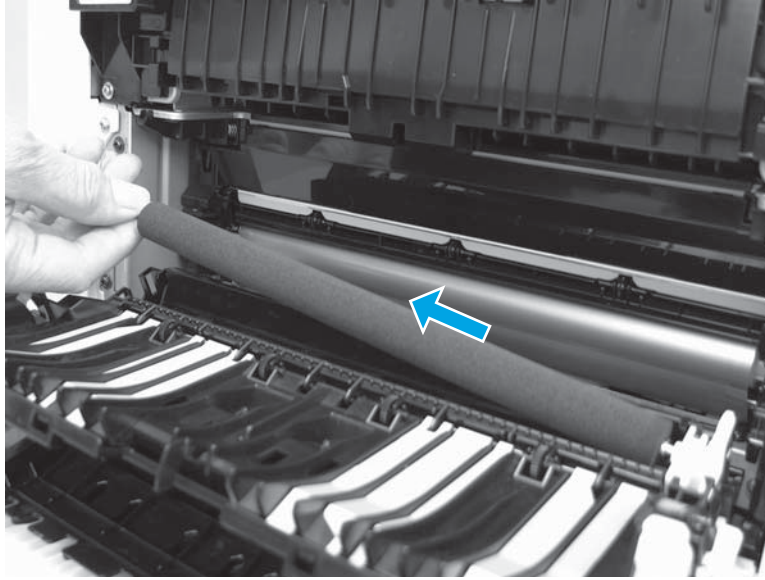
Figure 1-68 Reattach the stopper spring





4. Remove the secondary transfer roller.

Figure 1-69 Remove the secondary transfer roller



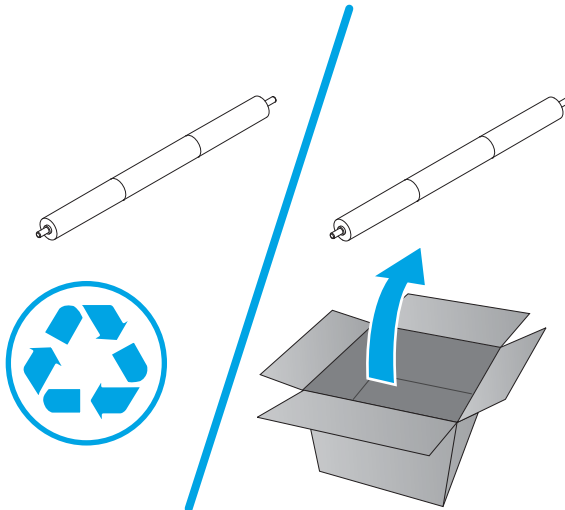
### Step 2: Unpack the replacement part

Remove the new secondary transfer roller from its package. Save all packaging for recycling the used part.

For complete information on HP's recycling programs, go to [Product return and recycling](#).

 **NOTE:** HP recommends responsible disposal of the defective assembly.

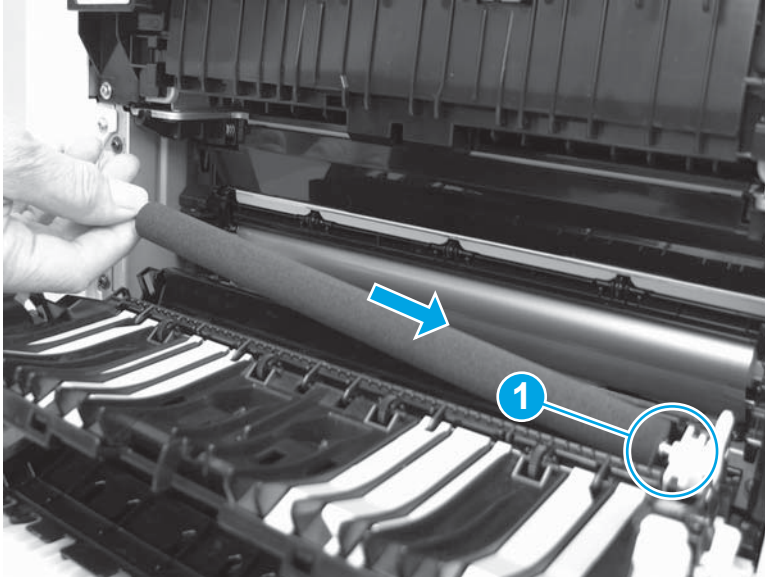
Figure 1-70 Recycle and unpack



### Step 3: Install the secondary transfer roller

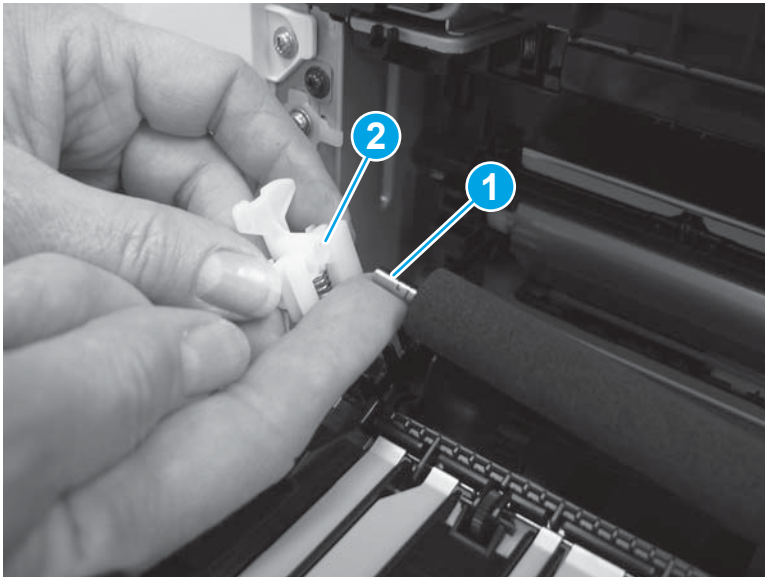
1. Position the end of the secondary transfer roller into the slot in the holder (callout 1).

Figure 1-71 Position the secondary transfer roller




2. Position the metal shaft (callout 1) on the end of the roller into the opening (callout 2) in the stopper.

Figure 1-72 Attach stopper



3. To install an assembly, reverse the removal steps.

---

 **NOTE:** When applicable, special installation instructions are provided for an assembly at the end of the removal procedure. Always completely read the removal instructions and follow all special installation instructions.

---

## Removal and replacement: External panels, covers, and doors

- [Removal and replacement: Right cover \(M454 models\)](#)
- [Removal and replacement: Left cover \(M454 models\)](#)
- [Removal and replacement: Right cover \(M479 models\)](#)
- [Removal and replacement: Left cover \(M479 models\)](#)
- [Removal and replacement: Front door assembly](#)
- [Removal and replacement: Duplexer door assembly \(duplex models\)](#)
- [Removal and replacement: Rear top cover \(simplex models\)](#)
- [Removal and replacement: Rear lower cover \(simplex models\)](#)
- [Removal and replacement: Rear door \(simplex models\)](#)
- [Removal and replacement: Top cover \(M454 models\)](#)
- [Removal and replacement: Top cover \(M479 models\)](#)
- [Removal and replacement: Touchscreen control panel \(M454dw model\)](#)
- [Removal and replacement: Touchscreen control panel \(M479 models\)](#)

## Removal and replacement: Right cover (M454 models)

- [Introduction](#)
- [Step 1: Remove Tray 2](#)
- [Step 2: Open the front door and rear door or duplexer door](#)
- [Step 3: Remove the right cover](#)
- [Step 4: Unpack the replacement part](#)
- [Step 5: Install the right cover](#)

### Introduction


This document provides the procedures to remove and replace the right cover for the M454.

[Click here to view a video of this procedure.](#)

### Before you begin

- Turn off the printer.
- Disconnect the power cable.

---

 **WARNING!** To avoid damage to the printer, turn the printer off, wait 30 seconds, and then remove the power cord before attempting to service the printer.

---

- Use the table below to identify the correct part number for your printer. To order the part, go to [www.hp.com/buy/parts](http://www.hp.com/buy/parts).

---

Right cover part number (M454 models)	
RC4-4853-000CN	Right cover (M454 models)

---

### Required tools

- #2 Phillips screwdriver with a magnetic tip

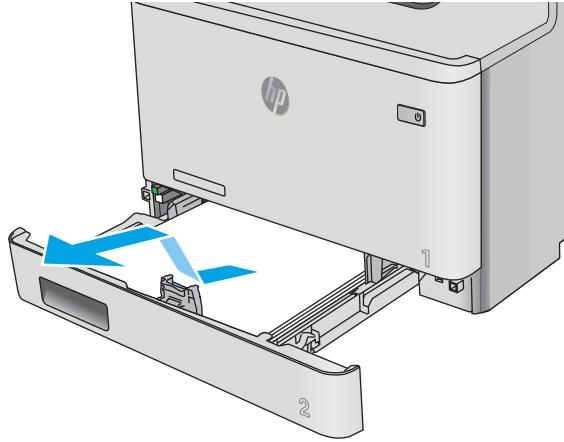
### After performing service

- Connect the power cable.
- Use the power switch to turn the power on.

### Step 1: Remove Tray 2

- ▲ Pull the tray out until it stops. Lift the front of the tray, and then pull it out of the printer to remove it.

Figure 1-73 Remove the tray



**Step 2: Open the front door and rear door or duplexer door**

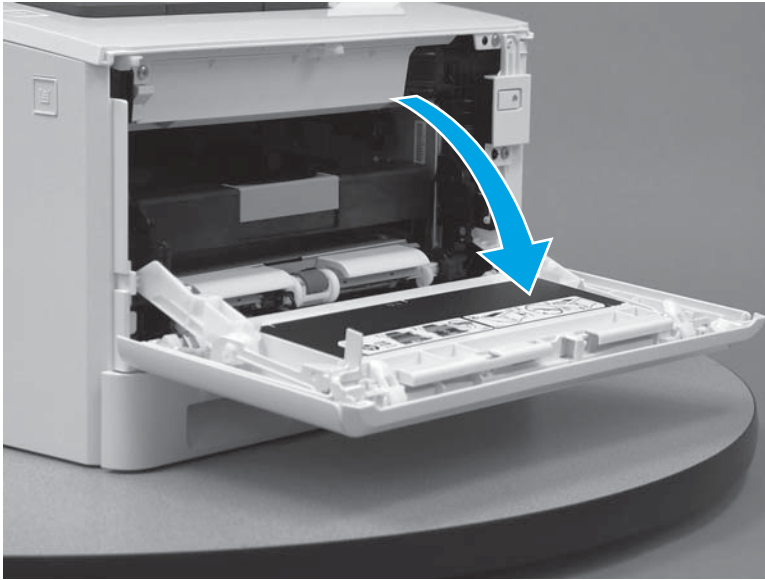
1. Press the button (callout 1) on the left side of the printer to release the front door.

Figure 1-74 Release the front door



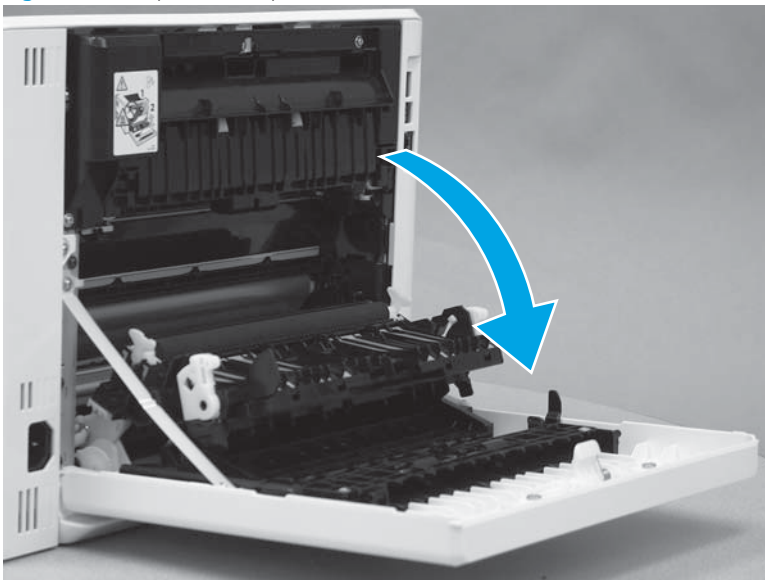
2. Open the front door.

Figure 1-75 Open the front door



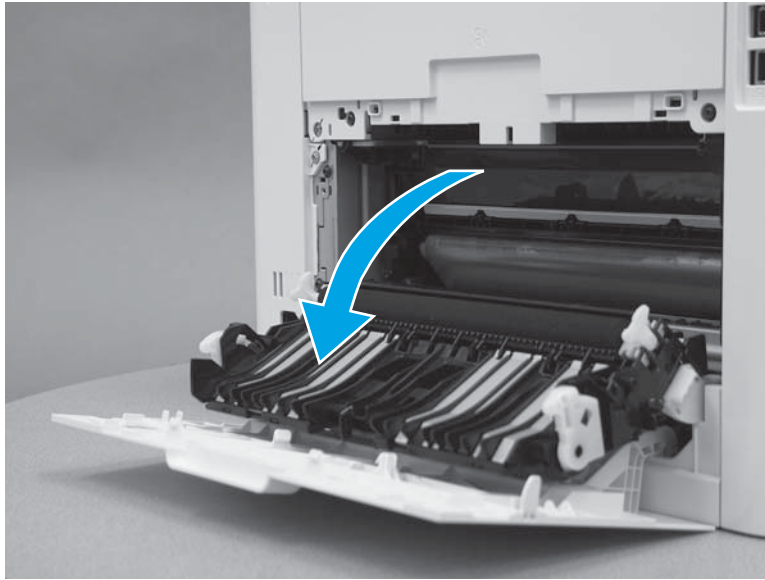
3. Duplex models: Open the duplexer door.

Figure 1-76 Open the duplexer door



4. **Simplex models:** Open the rear door.

Figure 1-77 Open the rear door



### Step 3: Remove the right cover

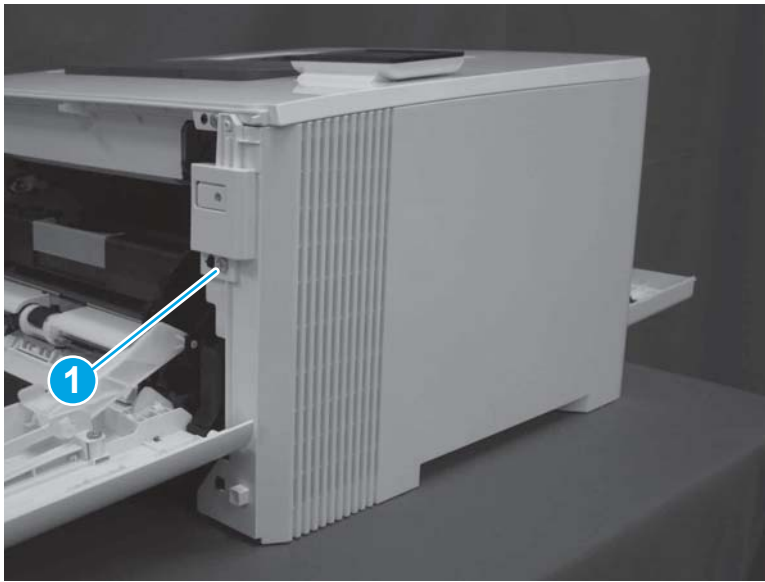
1. At the back of the printer, remove one screw (callout 1).

Figure 1-78 Remove one screw



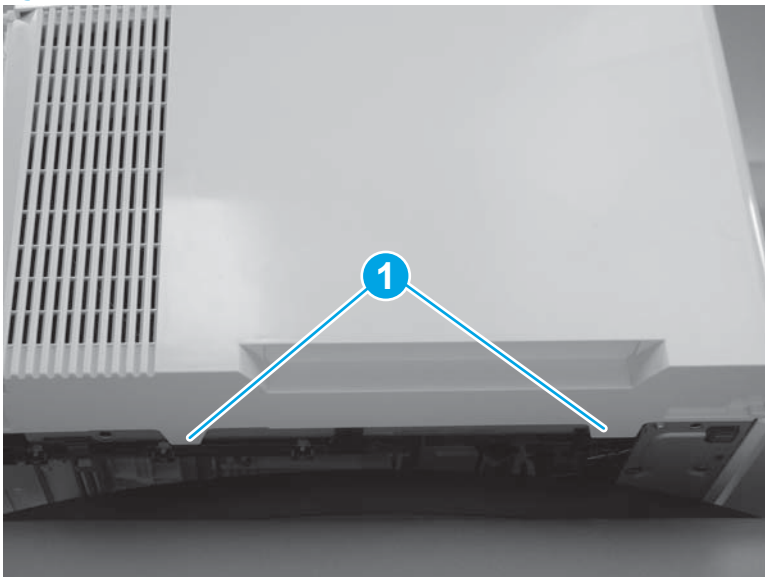
2. At the front of the printer, remove one screw (callout 1).

Figure 1-79 Remove one screw



3. Slide the printer to the edge of a work surface. Note the location of the tabs on the lower edge of the cover (callout 1).

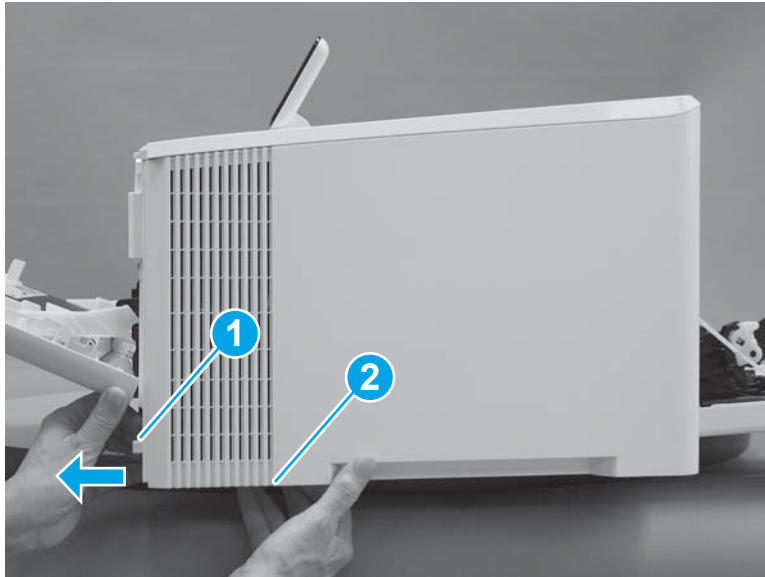
Figure 1-80 Locate the tabs





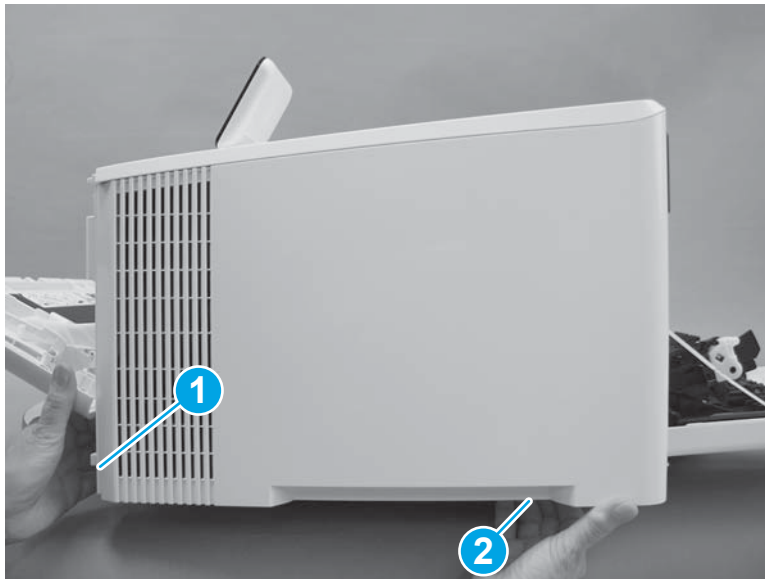
4. Release one tab (callout 1) on the front of the cover by slightly pulling the cover away from the printer. While holding the cover in the released position, release one tab (callout 2) on the bottom of the cover.

Figure 1-81 Release front lower tabs



5. Hold the front tabs in the released position (callout 1), and then release one tab (callout 2) on the bottom of the cover, toward the back of the printer.

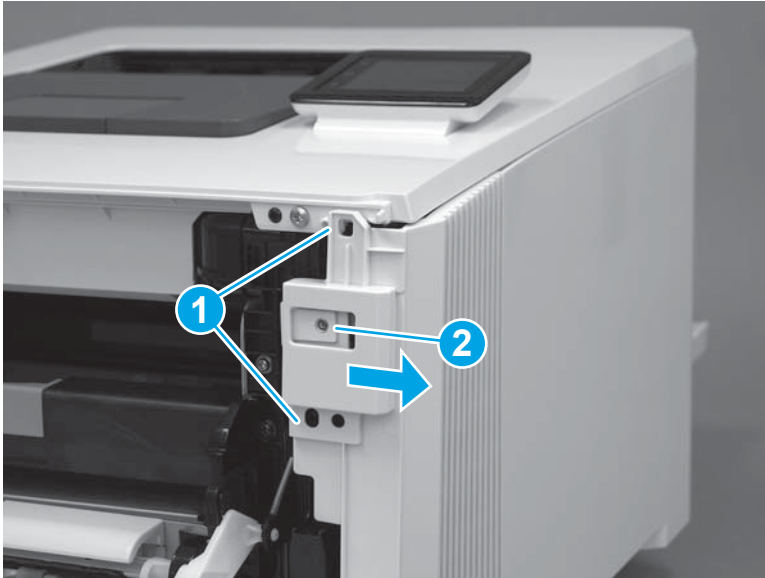
Figure 1-82 Release lower rear tab



6. Release two tabs at the front of the printer (callout 1) by slightly pulling the cover away from the printer.

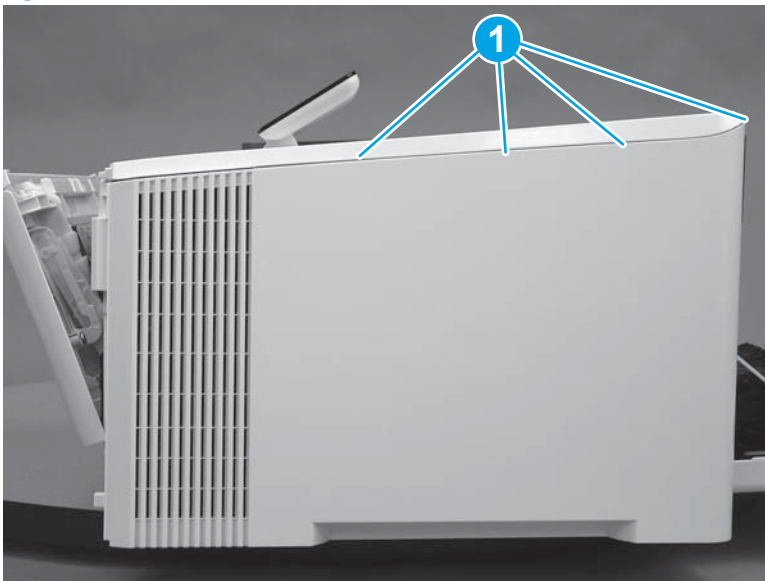
**⚠ CAUTION:** Be careful not to dislodge the power switch (callout 2).

**Figure 1-83** Release two front tabs



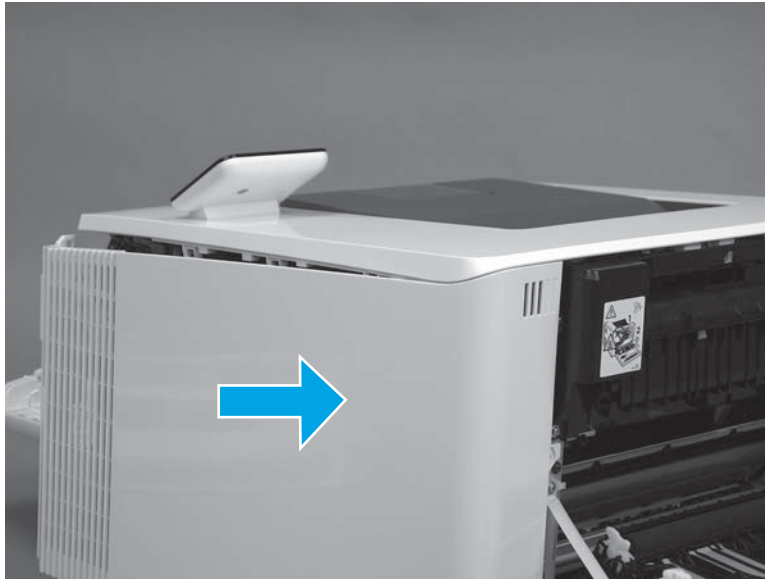
7. Release four tabs on the top of the printer (callout 1).

**Figure 1-84** Release upper tabs



8. Slide the cover toward the back of the printer to remove it.

Figure 1-85 Remove the right cover



#### Step 4: Unpack the replacement part

Remove the new part from its package. Save all packaging for recycling the used part.

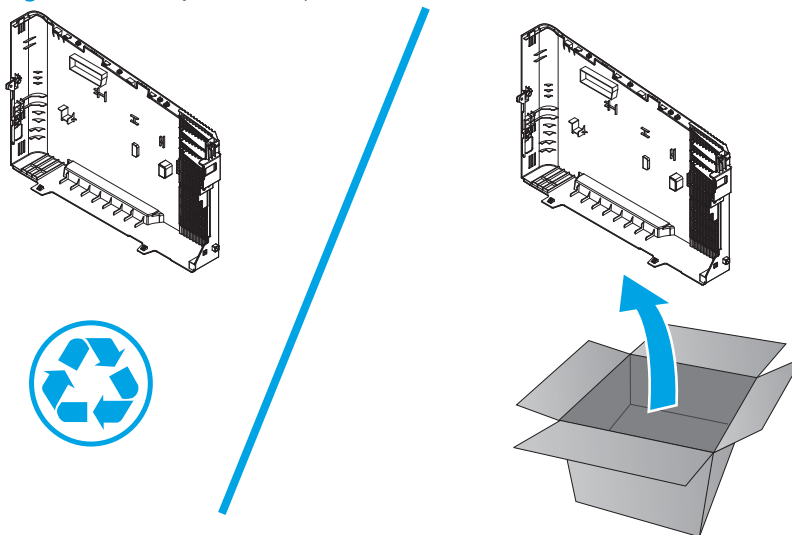
For complete information on HP's recycling programs, go to [Product return and recycling](#).

---

 **NOTE:** HP recommends responsible disposal of the defective part.

---


Figure 1-86 Recycle and unpack



#### Step 5: Install the right cover

- ▲ To install an assembly, reverse the removal steps.

---

 **NOTE:** When applicable, special installation instructions are provided for an assembly at the end of the removal procedure. Always completely read the removal instructions and follow all special installation instructions.

---

## Removal and replacement: Left cover (M454 models)

- [Introduction](#)
- [Step 1: Remove Tray 2](#)
- [Step 2: Open the front door and rear door or duplexer door](#)
- [Step 3: Remove the left cover \(M454 models\)](#)
- [Step 4: Unpack the replacement part](#)
- [Step 5: Install the left cover \(M454 models\)](#)

### Introduction

This document provides the procedures to remove and replace the left cover for the M454.

[Click here to view a video of this procedure.](#)

### Before you begin

- Turn off the printer.
  - Disconnect the power cable.
- ⚠ WARNING!** To avoid damage to the printer, turn the printer off, wait 30 seconds, and then remove the power cord before attempting to service the printer.
- Use the table below to identify the correct part number for your printer. To order the part, go to [www.hp.com/buy/parts](http://www.hp.com/buy/parts).

---

#### Left cover part numbers

---

RC4-4854-000CN	Left cover (M454 models)
----------------	--------------------------

---

### Required tools

- #2 Phillips screwdriver with a magnetic tip

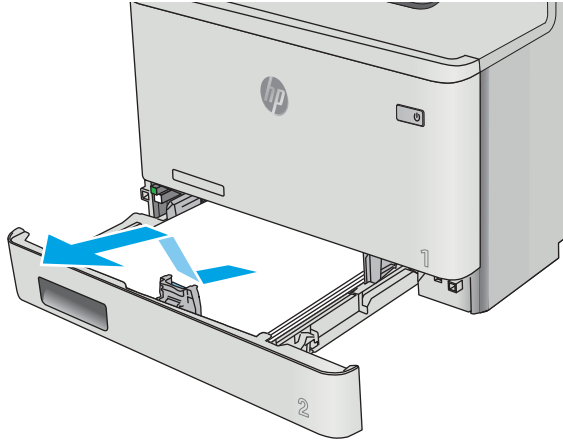
### After performing service

- Connect the power cable.
- Use the power switch to turn the power on.

### Step 1: Remove Tray 2

- ▲ Pull the tray out until it stops. Lift the front of the tray, and then pull it out of the printer to remove it.

Figure 1-87 Remove the tray



Step 2: Open the front door and rear door or duplexer door

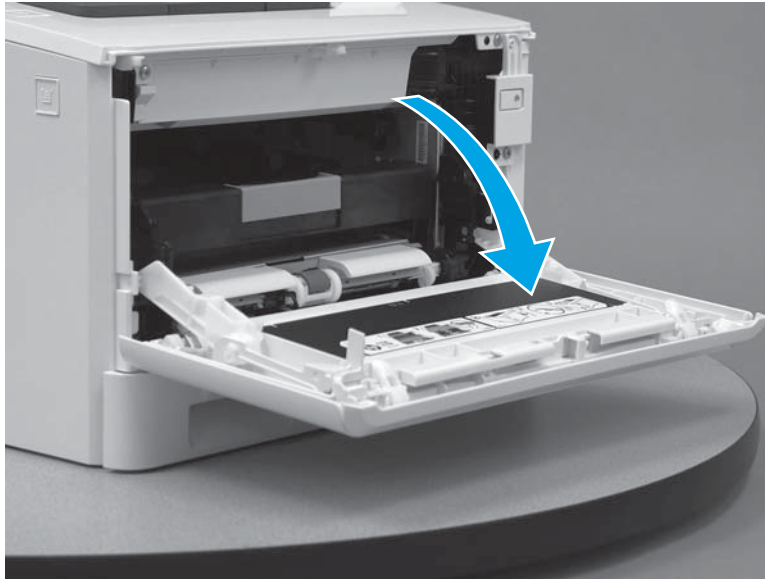
1. Press the button (callout 1) on the left side of the printer to release the front door.

Figure 1-88 Release the front door



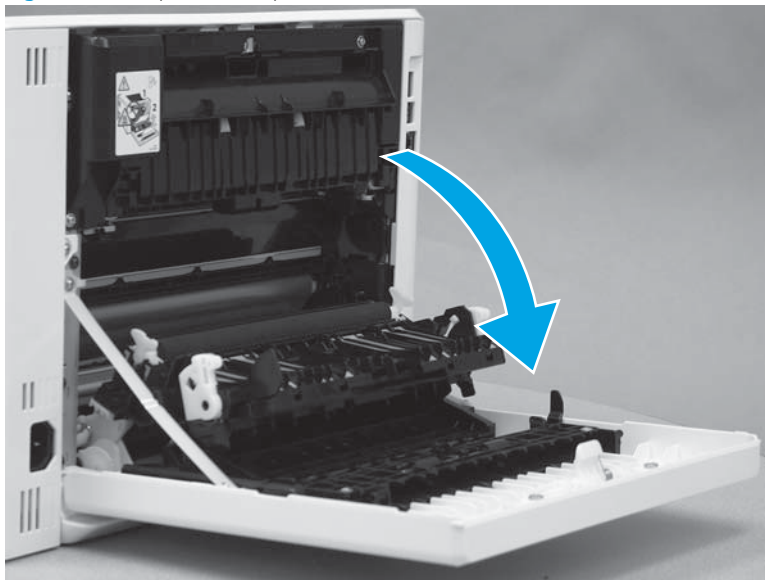
2. Open the front door.

Figure 1-89 Open the front door



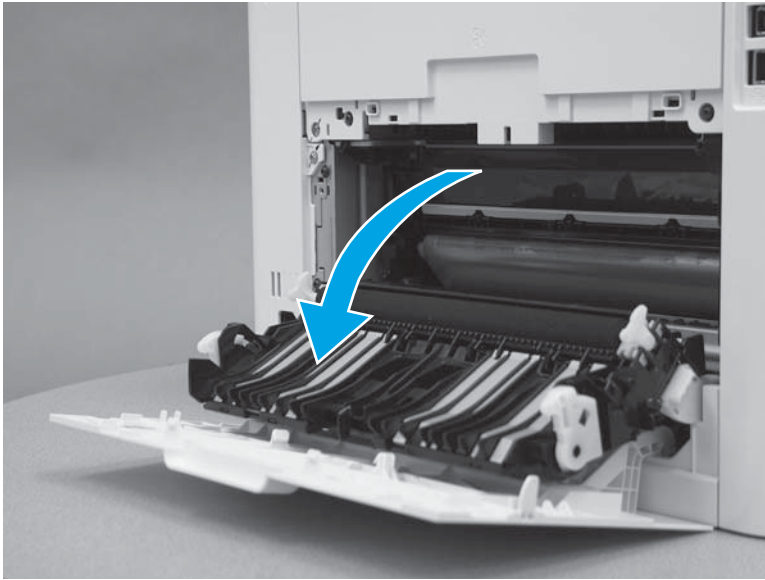
3. Duplex models: Open the duplexer door.

Figure 1-90 Open the duplexer door



4. **Simplex models:** Open the rear door.

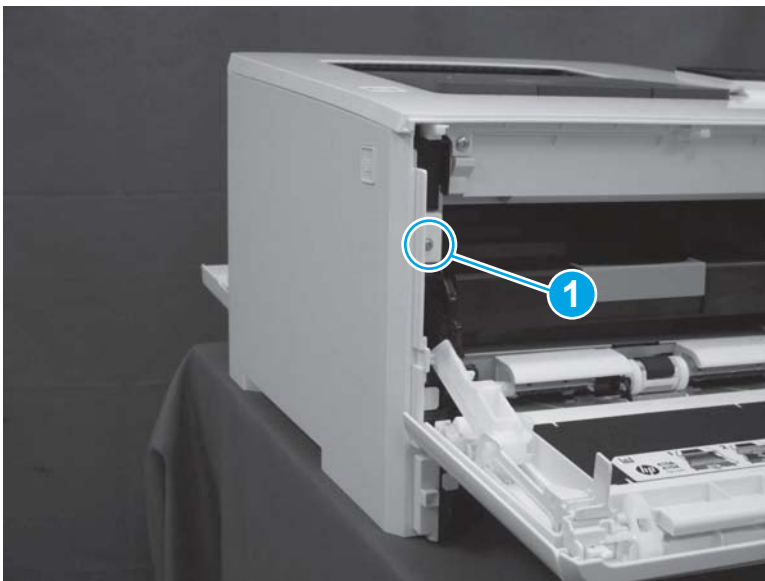
Figure 1-91 Open the rear door



### Step 3: Remove the left cover (M454 models)

1. At the front of the printer, remove one screw (callout 1).

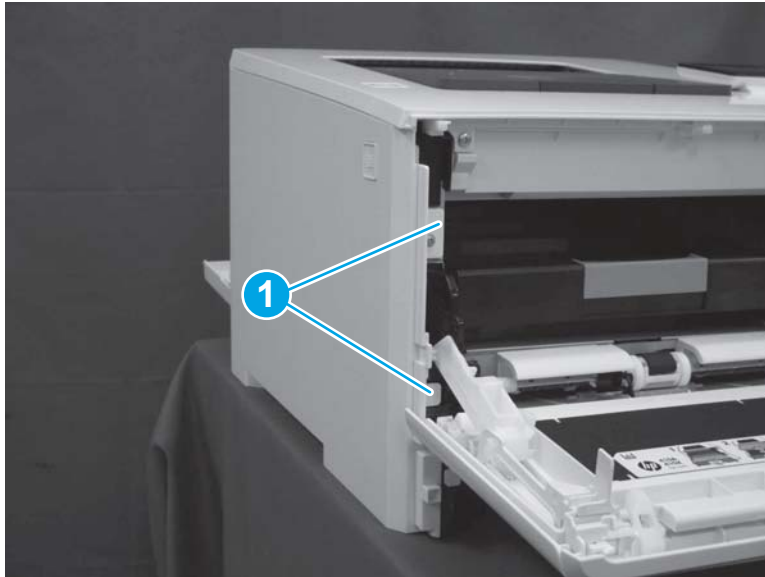
Figure 1-92 Remove one screw





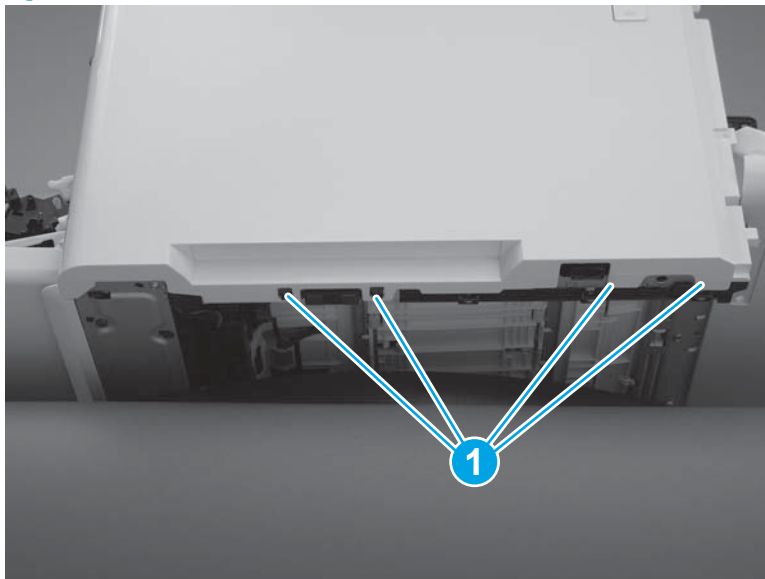
2. Release two tabs (callout 1) at the front of the cover. Hold the cover open to prevent the tabs from reengaging.

Figure 1-93 Release two tabs



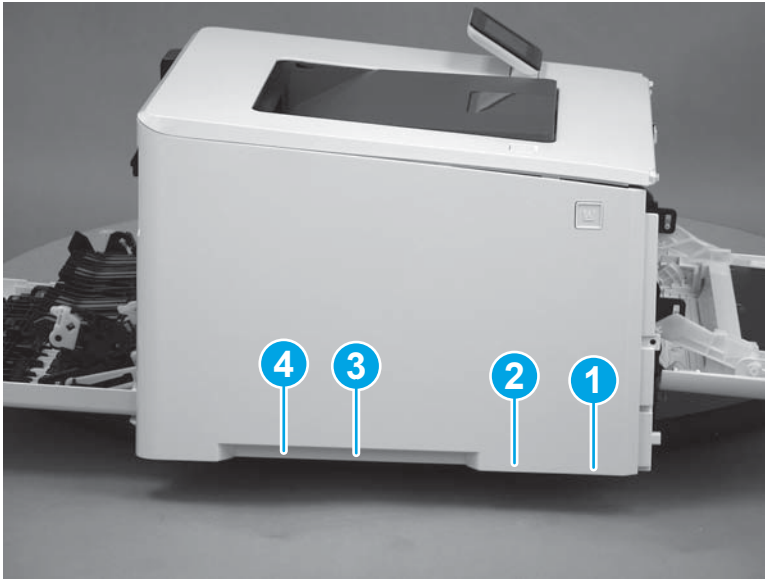
3. Slide the printer to the edge of a work surface. Note the location of the tabs on the lower edge of the cover (callout 1).

Figure 1-94 Locate the tabs



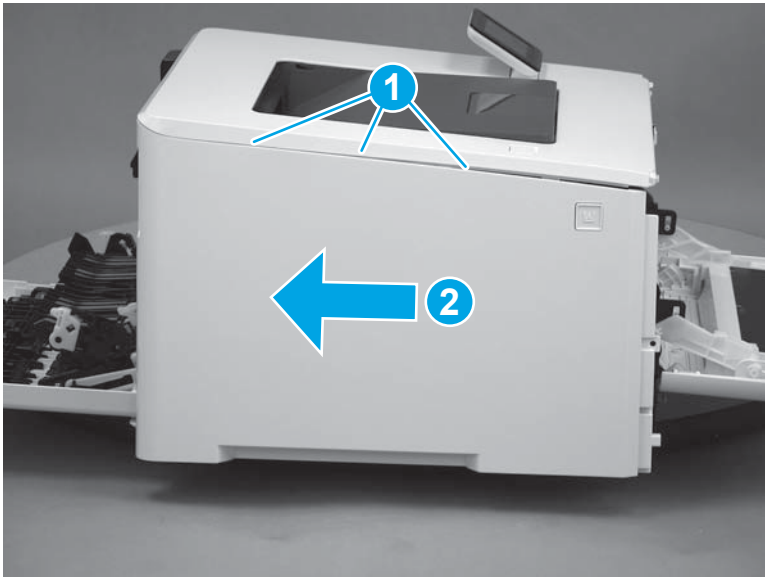
4. Beginning from the front of the cover, release four tabs (callouts 1-4) on the lower edge of the cover.

Figure 1-95 Release bottom tabs



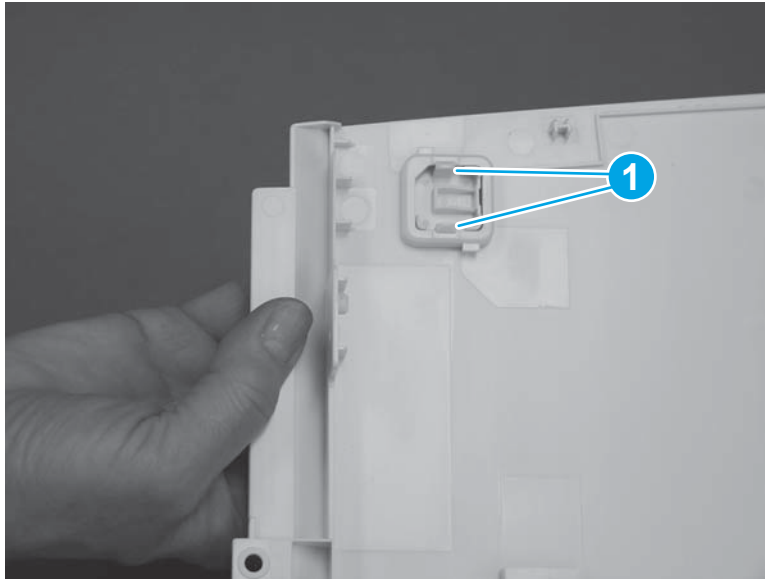
5. Release three tabs at the top of the cover (callout 1), and then slide the cover toward the rear of the printer to remove it.

Figure 1-96 Release three tabs



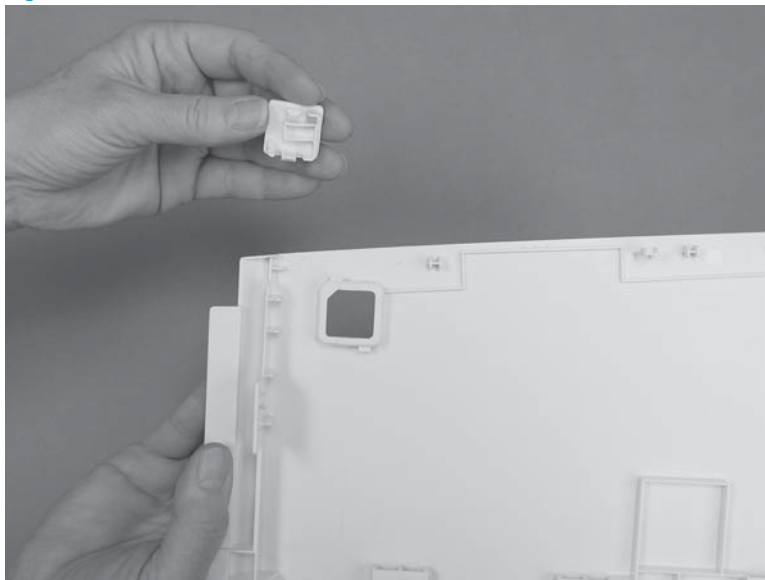
6. On the inside of the left cover, release two tabs (callout 1).

Figure 1-97 Release two tabs



7. Remove the door-release button. Save this button for installation on the replacement left cover.

Figure 1-98 Remove the button



#### Step 4: Unpack the replacement part

Remove the new part from its package. Save all packaging for recycling the used part.

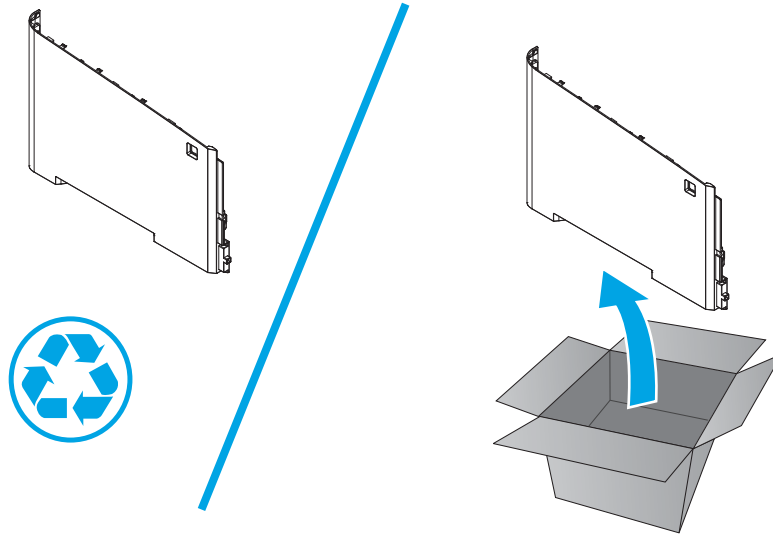
For complete information on HP's recycling programs, go to [Product return and recycling](#).

---

 **NOTE:** HP recommends responsible disposal of the defective part.

---


Figure 1-99 Recycle and unpack



#### Step 5: Install the left cover (M454 models)

- ▲ To install an assembly, reverse the removal steps.

---

 **NOTE:** When applicable, special installation instructions are provided for an assembly at the end of the removal procedure. Always completely read the removal instructions and follow all special installation instructions.

---

## Removal and replacement: Right cover (M479 models)


- [Introduction](#)
- [Step 1: Remove Tray 2](#)
- [Step 2: Open the front door and rear door or duplexer door](#)
- [Step 3: Remove the right cover](#)
- [Step 4: Unpack a replacement right cover](#)
- [Step 5: Install the right cover](#)

### Introduction

This document provides the procedures to remove and replace the right cover for the M479.

[Click here to view a video of this procedure.](#)

### Before you begin

- Turn off the printer.
- Disconnect the power cable.
-  **WARNING!** To avoid damage to the printer, turn the printer off, wait 30 seconds, and then remove the power cord before attempting to service the printer.
- Use the table below to identify the correct part number for your printer. To order the part, go to [www.hp.com/buy/parts](http://www.hp.com/buy/parts).

---

**Right cover part number (M479 models)**

---

RC4-6044-000CN

Right cover (M479 models)

---

### Required tools

- #2 Phillips screwdriver with a magnetic tip

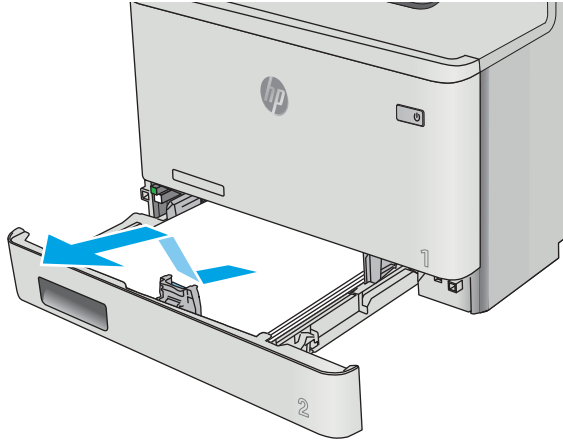
### After performing service

- Connect the power cable.
- Use the power switch to turn the power on.

### Step 1: Remove Tray 2

- ▲ Pull the tray out until it stops. Lift the front of the tray, and then pull it out of the printer to remove it.

Figure 1-100 Remove the tray



Step 2: Open the front door and rear door or duplexer door

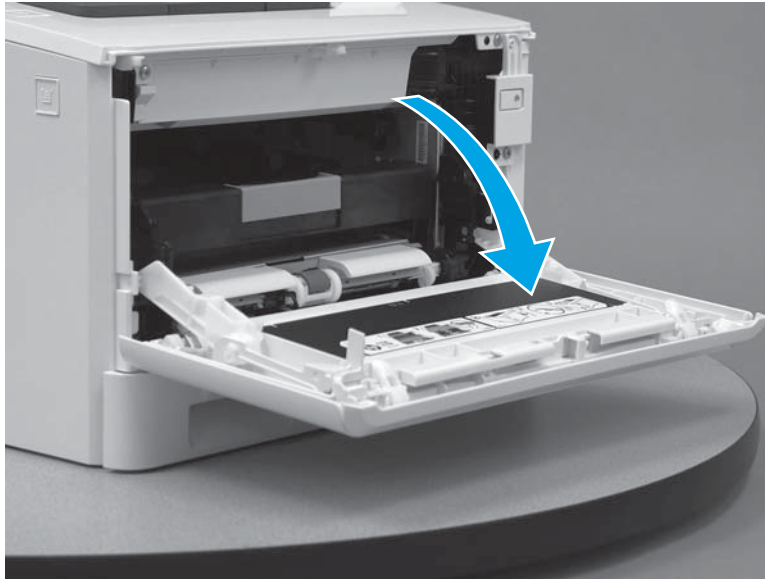
1. Press the button (callout 1) on the left side of the printer to release the front door.

Figure 1-101 Release the front door



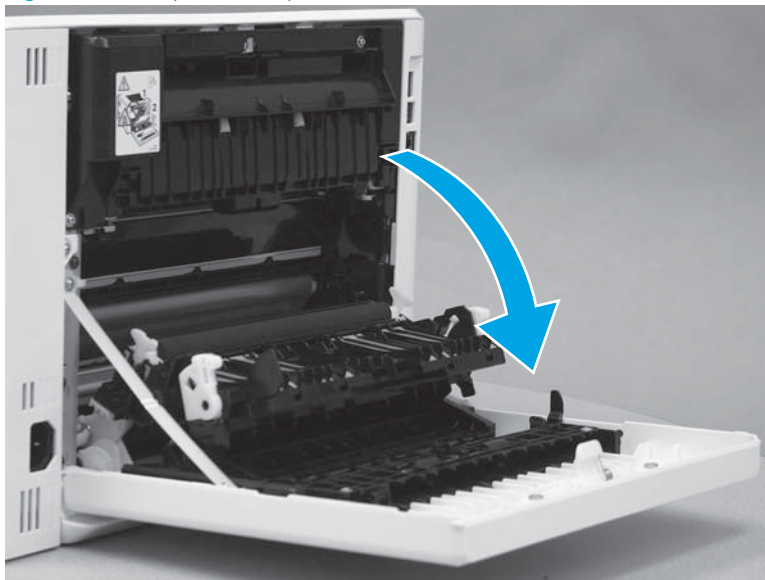
2. Open the front door.

Figure 1-102 Open the front door



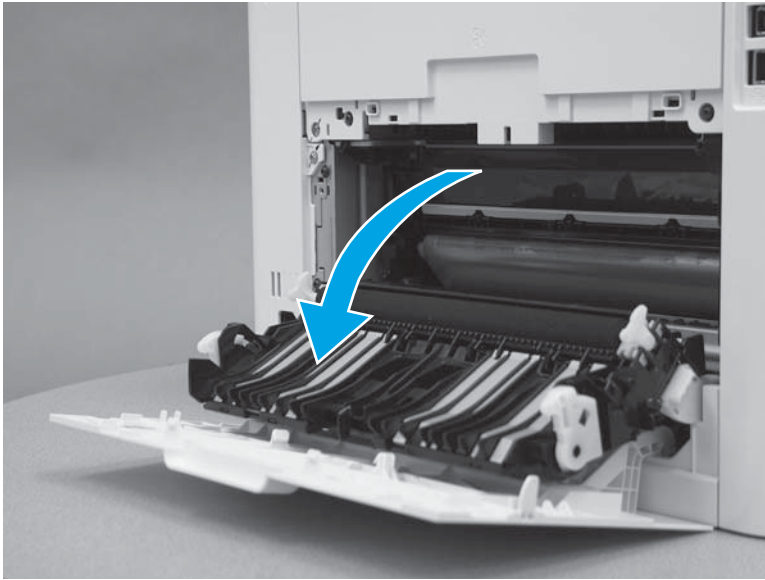
3. Duplex models: Open the duplexer door.

Figure 1-103 Open the duplexer door



4. **Simplex models:** Open the rear door.

Figure 1-104 Open the rear door



### Step 3: Remove the right cover

1. Raise the scanner.

Figure 1-105 Raise the scanner





2. At the back of the printer, remove one screw (callout 1).

Figure 1-106 Remove one screw



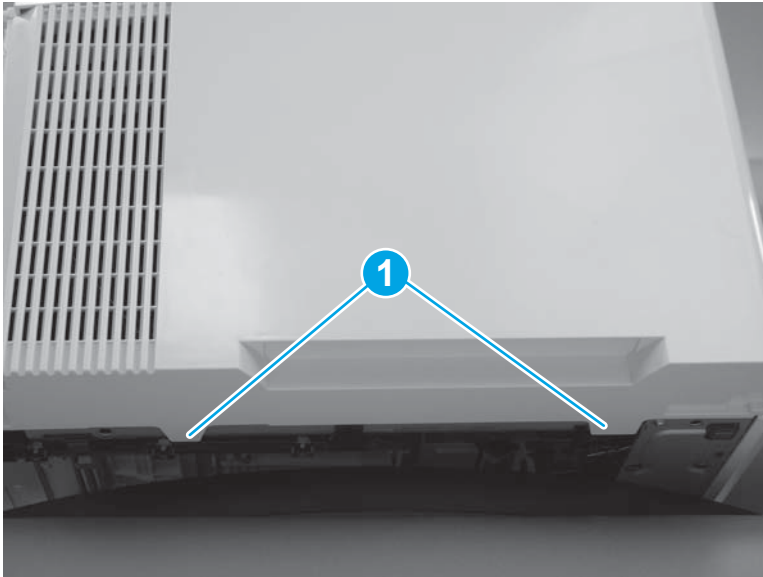
3. At the front of the printer, remove one screw (callout 1).

Figure 1-107 Remove one screw



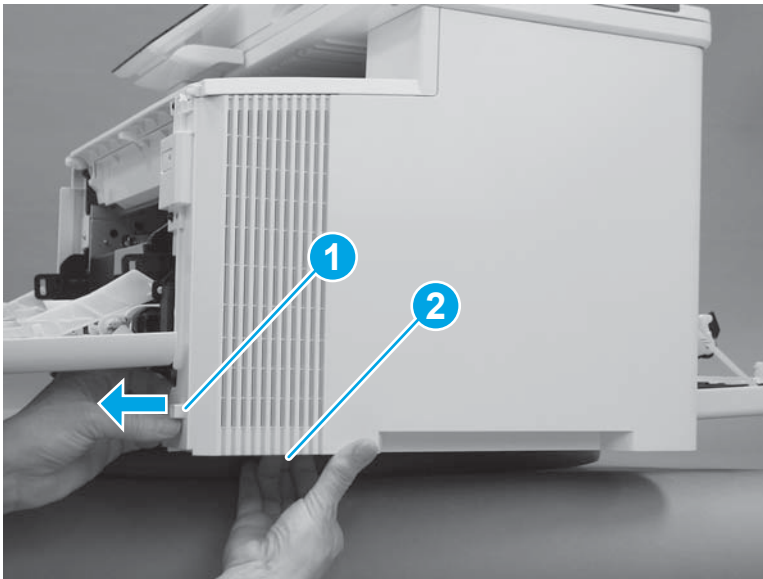
4. Slide the printer to the edge of a work surface. Note the location of the tabs on the lower edge of the cover (callout 1).

**Figure 1-108** Locate the tabs



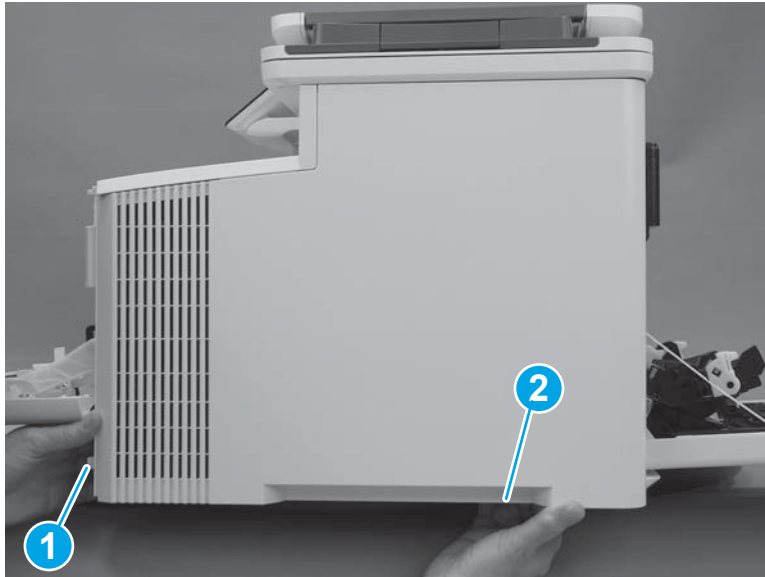
5. Release one tab (callout 1) on the front of the cover by slightly pulling the cover away from the printer. While holding the cover in the released position, release one tab (callout 2) on the lower edge of the cover.

**Figure 1-109** Release front lower tabs



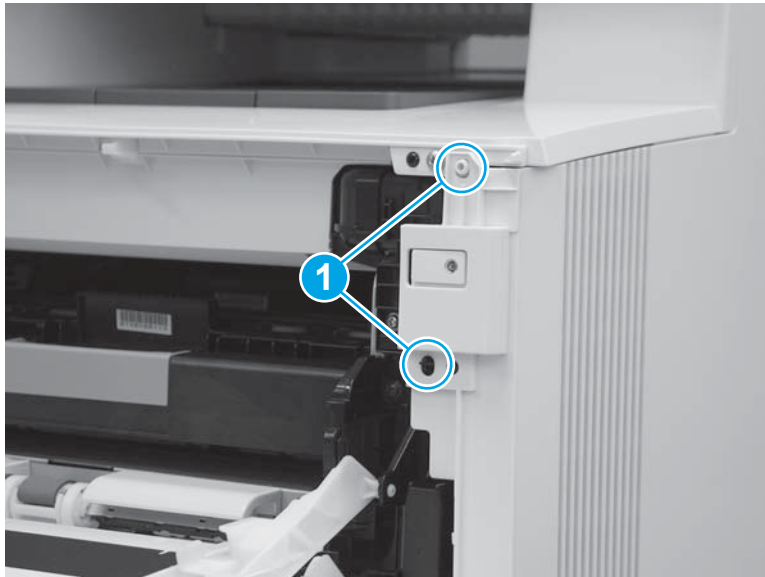
6. Hold the front tabs in the released position (callout 1), and then release one tab (callout 2) on the lower edge of the cover, toward the back of the printer.

Figure 1-110 Release lower rear tab



7. Release two tabs at the front of the printer (callout 1) by slightly pulling the cover away from the printer.

Figure 1-111 Release front upper tabs



8. Rotate the front of the cover away from the printer (callout 1).

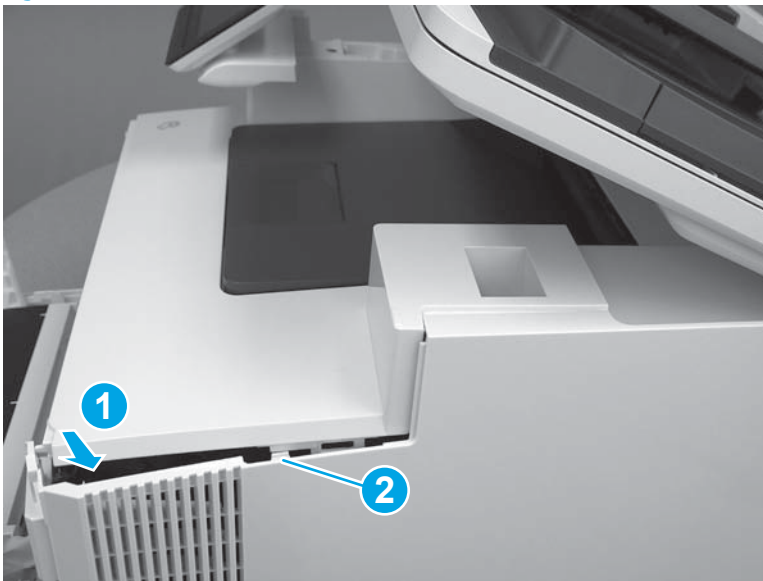
**⚠ CAUTION:** Be careful not to dislodge the power switch (callout 2).

**Figure 1-112** Rotate the front of the cover



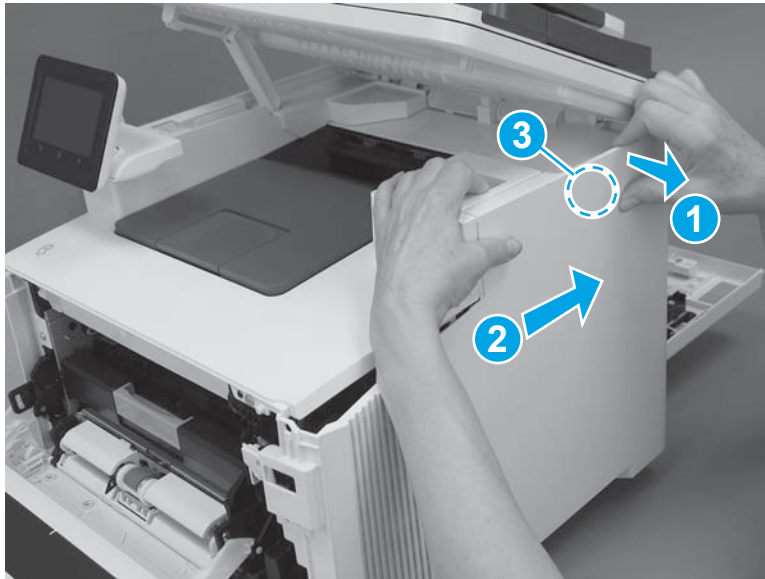
9. Slightly pull the front of the cover away from the printer (callout 1) to release one tab (callout 2).

**Figure 1-113** Release top tabs



10. At the top of the printer, slightly pull the top of the cover away from the printer to release one retention tab (callout 1) on the inside of the cover. While holding the cover away, slide the cover toward the back of the printer (callout 2) to release one hook (callout 3) on the inside of the cover.

Figure 1-114 Release one tab and one hook



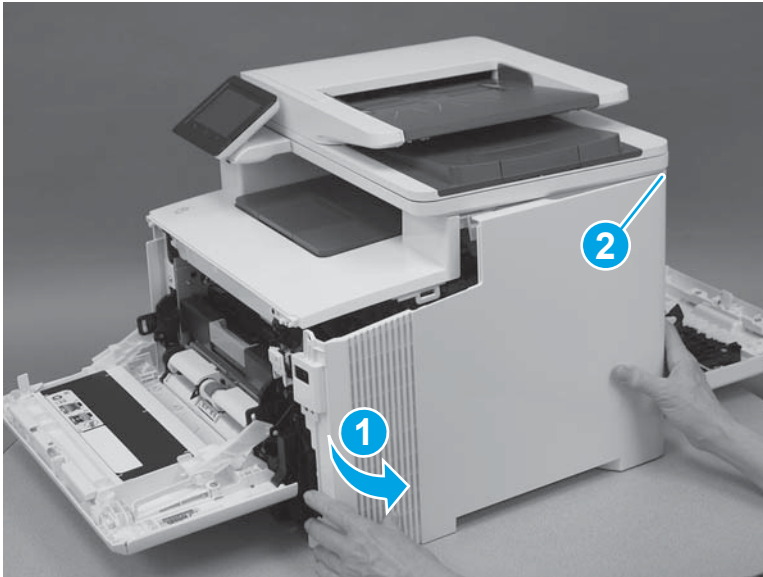
11. Lower the scanner.

Figure 1-115 Lower the scanner



12. Rotate the cover away from the printer (callout 1) to release one tab (callout 2) at the back of the printer, and then remove the cover.

Figure 1-116 Remove the right cover



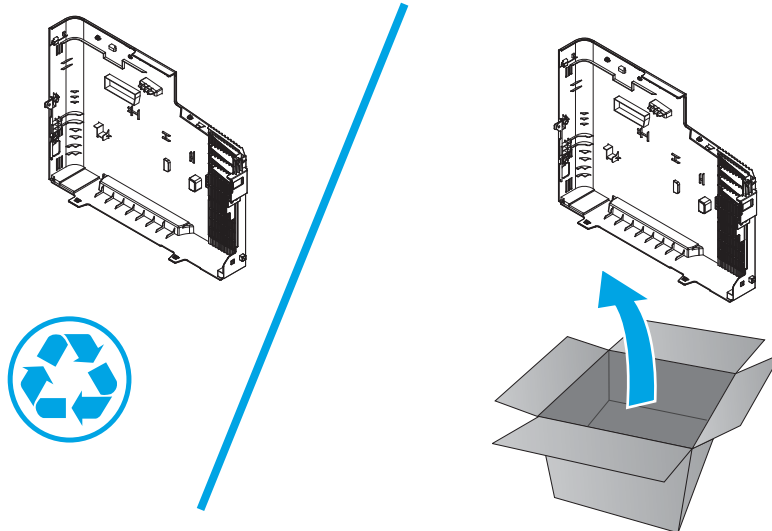
#### Step 4: Unpack a replacement right cover

Remove the new part from its package. Save all packaging for recycling the used part.

For complete information on HP's recycling programs, go to [Product return and recycling](#).

 **NOTE:** HP recommends responsible disposal of the defective part.

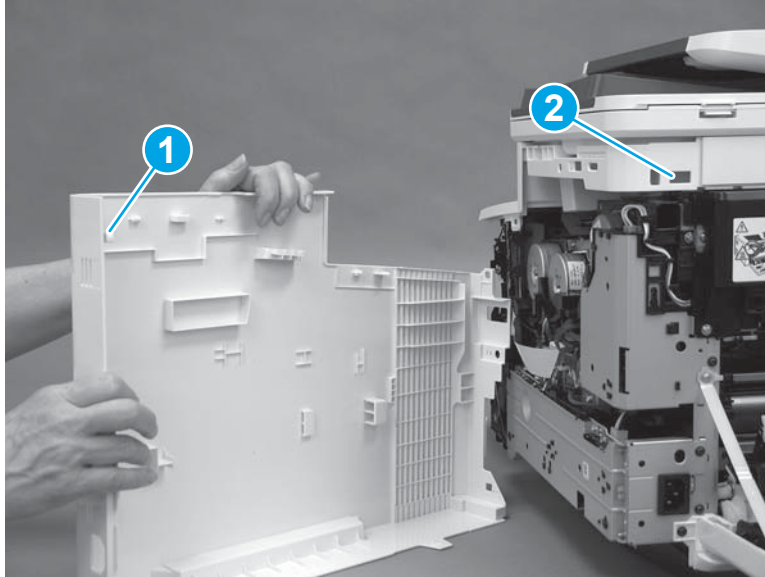
Figure 1-117 Recycle and unpack



#### Step 5: Install the right cover


1. At the back of the printer, install the tab (callout 1) on the cover into the slot (callout 2) on the printer.

Figure 1-118 Install rear tab



2. To install an assembly, reverse the removal steps.

---

 **NOTE:** When applicable, special installation instructions are provided for an assembly at the end of the removal procedure. Always completely read the removal instructions and follow all special installation instructions.

---

## Removal and replacement: Left cover (M479 models)

- [Introduction](#)
- [Step 1: Remove Tray 2](#)
- [Step 2: Open the front door and rear door or duplexer door](#)
- [Step 3: Remove the left cover](#)
- [Step 4: Unpack the replacement part](#)
- [Step 5: Install the left cover](#)

### Introduction


This document provides the procedures to remove and replace the left cover for the M479.

[Click here to view a video of this procedure.](#)

### Before you begin

- Turn off the printer.
- Disconnect the power cable.

---

 **WARNING!** To avoid damage to the printer, turn the printer off, wait 30 seconds, and then remove the power cord before attempting to service the printer.

---

- Use the table below to identify the correct part number for your printer. To order the part, go to [www.hp.com/buy/parts](http://www.hp.com/buy/parts).

---

Left cover part numbers	
RC4-6045-000CN	Left cover (M479 models)

---

### Required tools

- #2 Phillips screwdriver with a magnetic tip

### After performing service

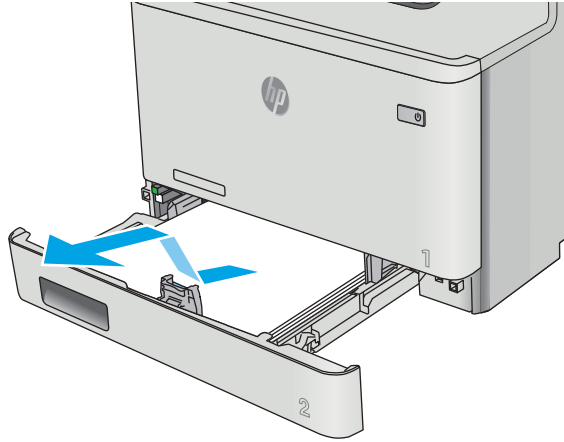
- Connect the power cable.
- Use the power switch to turn the power on.

### Step 1: Remove Tray 2

- ▲ Pull the tray out until it stops. Lift the front of the tray, and then pull it out of the printer to remove it.



Figure 1-119 Remove the tray



**Step 2: Open the front door and rear door or duplexer door**

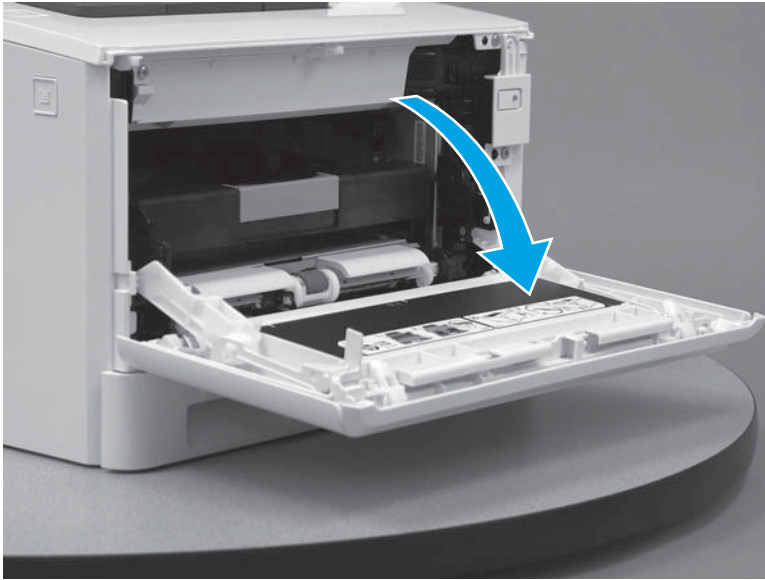
1. Press the button (callout 1) on the left side of the printer to release the front door.

Figure 1-120 Release the front door



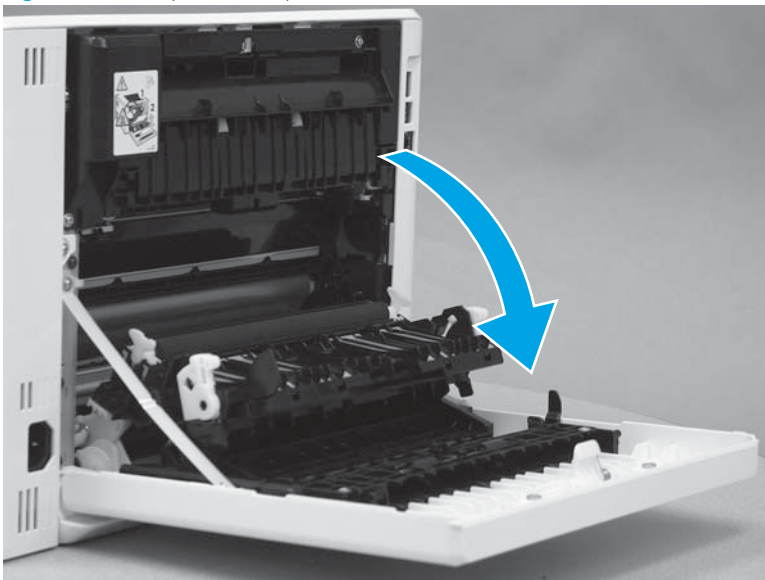
2. Open the front door.

Figure 1-121 Open the front door



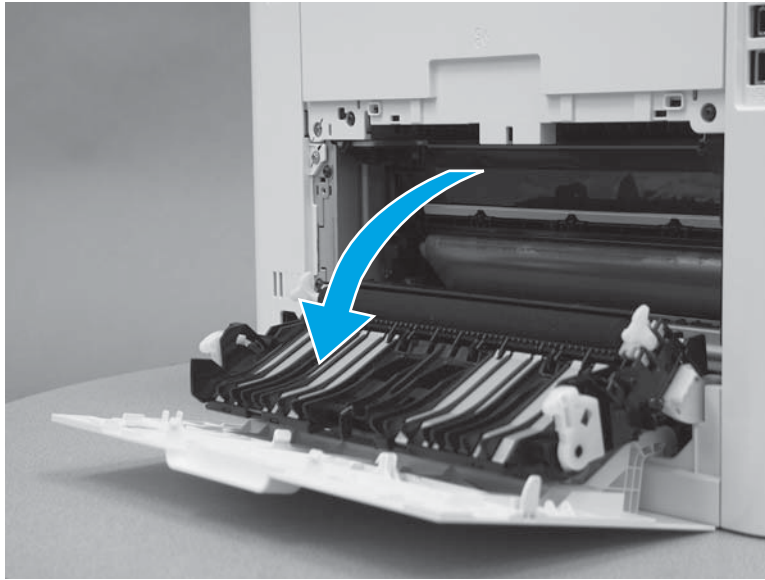
3. Duplex models: Open the duplexer door.

Figure 1-122 Open the duplexer door



4. **Simplex models:** Open the rear door.

Figure 1-123 Open the rear door



### Step 3: Remove the left cover

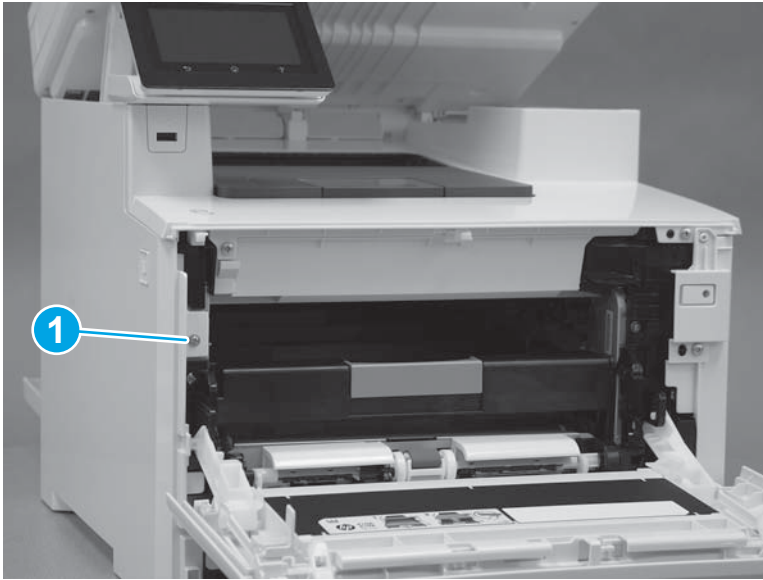
1. Raise the scanner.

Figure 1-124 Raise the scanner



2. At the front of the printer, remove one screw (callout 1).

Figure 1-125 Remove one screw



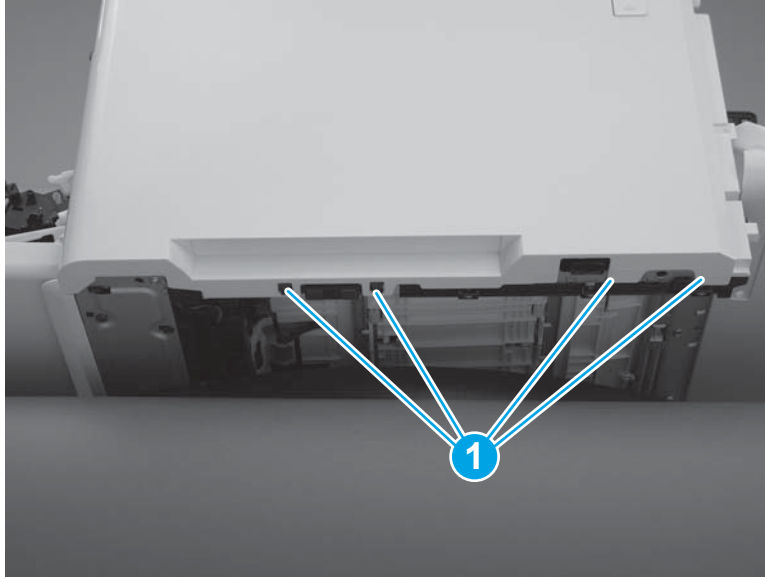
3. Release two tabs (callout 1) at the front of the cover. Hold the cover open to prevent the tabs from re-engaging.

Figure 1-126 Release two tabs



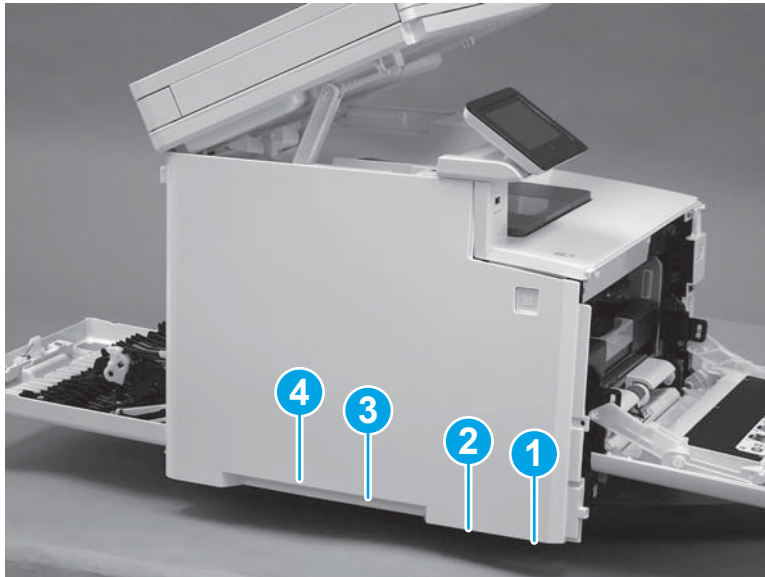
4. Slide the printer to the edge of a work surface. Note the location of the tabs on the lower edge of the cover (callout 1).

Figure 1-127 Locate the tabs



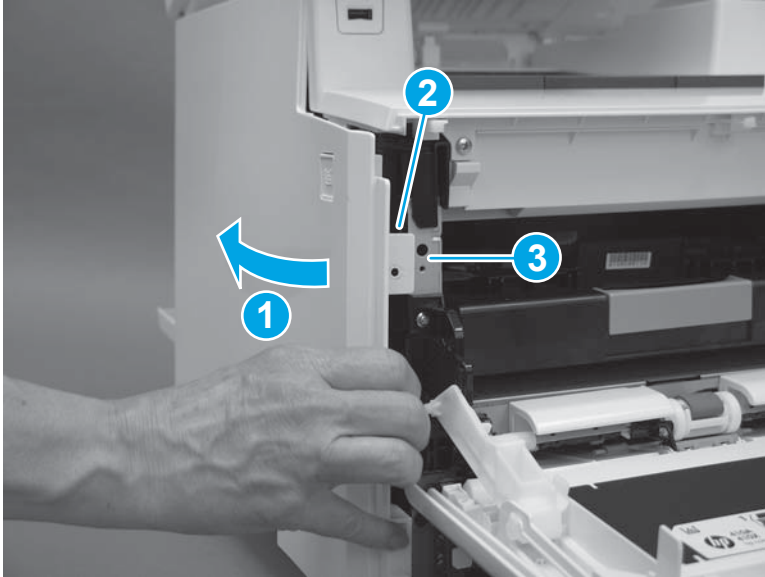
5. Beginning from the front of the cover, release the four tabs (callouts 1-4) on the lower edge of the cover.

Figure 1-128 Release four tabs



6. Rotate the front of the cover away from the printer (callout 1). Make sure that the tab (callout 2) does not get caught on the printer frame (callout 3).

Figure 1-129 Rotate the cover



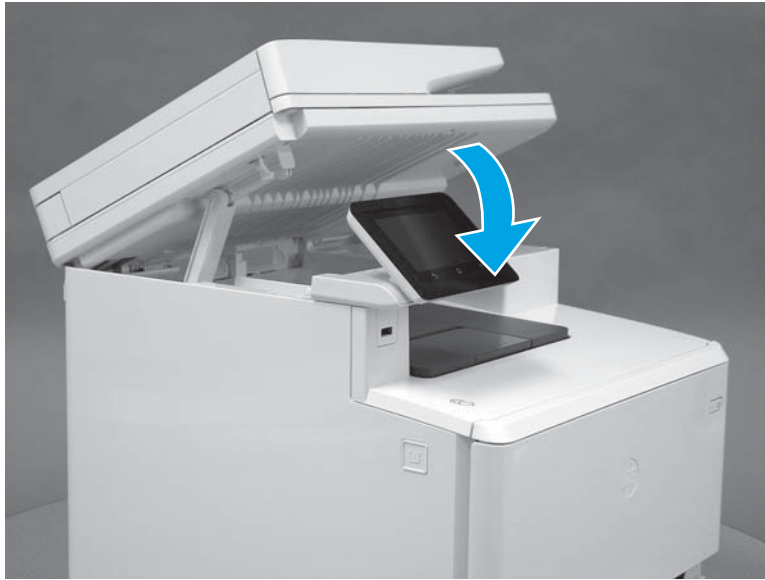
7. At the top of the printer, slightly pull the top of the cover away from the printer to release one retention tab (callout 1) on the inside of the cover. While holding the cover away, slide the cover toward the back of the printer (callout 2) to release two hooks (callout 3) inside the cover.

Figure 1-130 Release one tab and two hooks



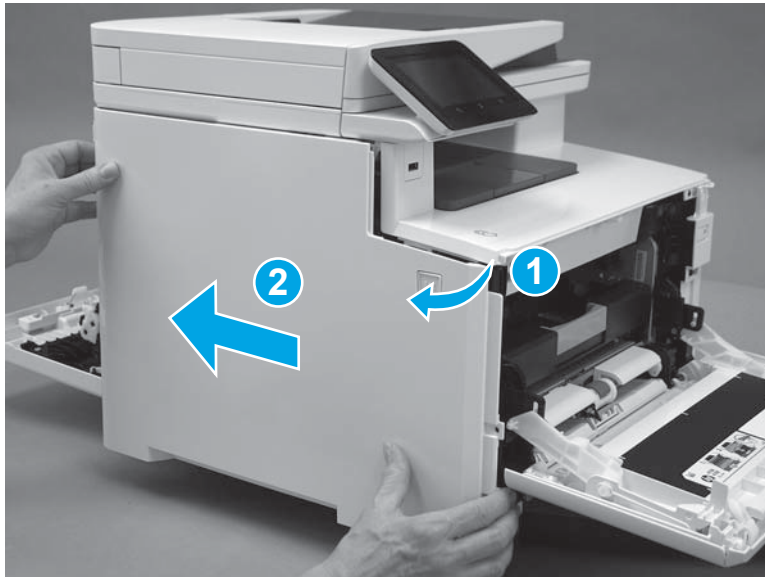
8. Lower the scanner.

Figure 1-131 Lower the scanner



9. Rotate the cover away from the printer (callout 1), and then slide the cover (callout 2) toward the back of the printer to remove it.

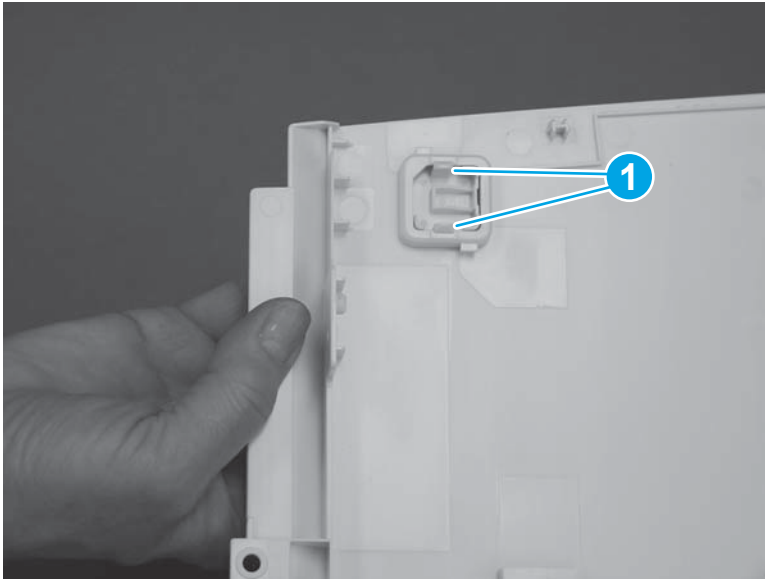
Figure 1-132 Remove the left cover





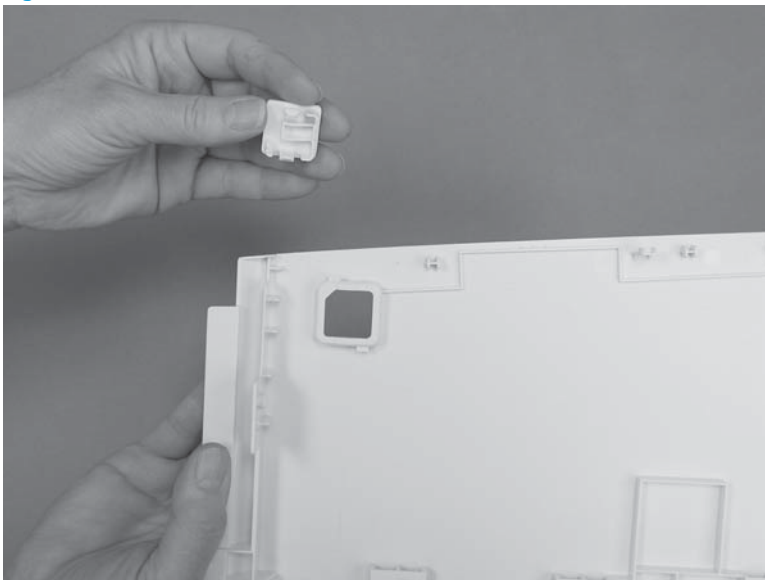
10. On the inside of the left cover, release two tabs (callout 1).

Figure 1-133 Release two tabs



11. Remove the door-release button. Save this button for installation on the replacement left cover.

Figure 1-134 Remove the button



#### Step 4: Unpack the replacement part

Remove the new part from its package. Save all packaging for recycling the used part.

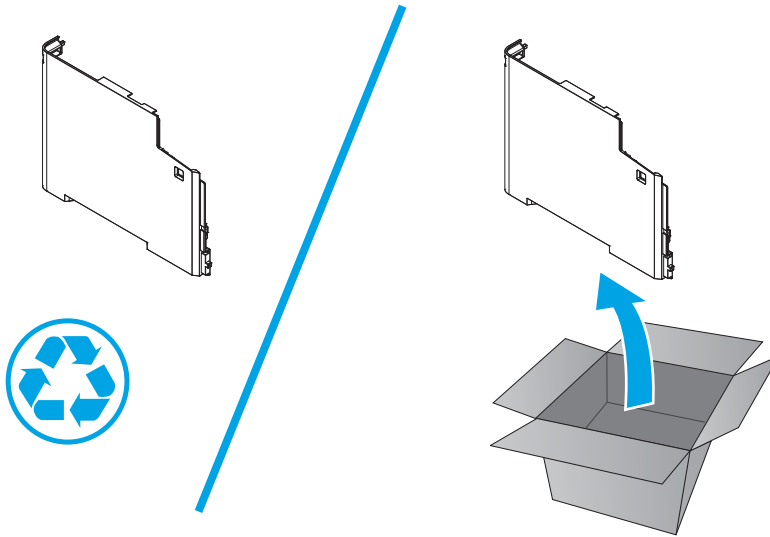
For complete information on HP's recycling programs, go to [Product return and recycling](#).



**NOTE:** HP recommends responsible disposal of the defective part.




Figure 1-135 Recycle and unpack



#### Step 5: Install the left cover

- ▲ To install an assembly, reverse the removal steps.

---

 **NOTE:** When applicable, special installation instructions are provided for an assembly at the end of the removal procedure. Always completely read the removal instructions and follow all special installation instructions.

---

## Removal and replacement: Front door assembly

- [Introduction](#)
- [Step 1: Remove Tray 2](#)
- [Step 2: Open the front door and rear door or duplexer door](#)
- [Step 3: Remove the right cover \(M454 models\)](#)
- [Step 4: Remove the right cover \(M479 models\)](#)
- [Step 5: Remove the front door assembly](#)
- [Step 6: Unpack the replacement part](#)
- [Step 7: Install the front door assembly](#)


### Introduction

This document provides the procedures to remove and replace the front door.

[Click here to view a video of this procedure.](#)

### Before you begin

- Turn off the printer.
- Disconnect the power cable.

 **WARNING!** To avoid damage to the printer, turn the printer off, wait 30 seconds, and then remove the power cord before attempting to service the printer.

- Use the table below to identify the correct part number for your printer. To order the part, go to [www.hp.com/buy/parts](http://www.hp.com/buy/parts).

Front door part numbers	
RM2-1823-000CN	Kit: Front door assembly (M454 models)
7121-8684	27mm two piece chrome gem/jewel
RM2-1824-000CN	Kit: Front door assembly (M479 models)
7121-8684	27mm two piece chrome gem/jewel

### Required tools

- Small flat-blade screwdriver
- #2 Phillips screwdriver with a magnetic tip

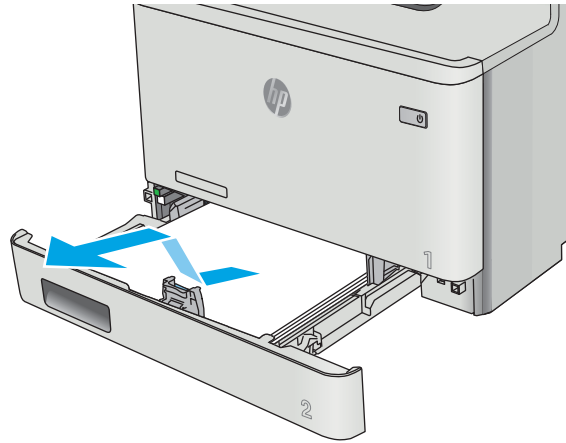
### After performing service

- Connect the power cable.
- Use the power switch to turn the power on.

## Step 1: Remove Tray 2

- ▲ Pull the tray out until it stops. Lift the front of the tray, and then pull it out of the printer to remove it.

Figure 1-136 Remove the tray



## Step 2: Open the front door and rear door or duplexer door

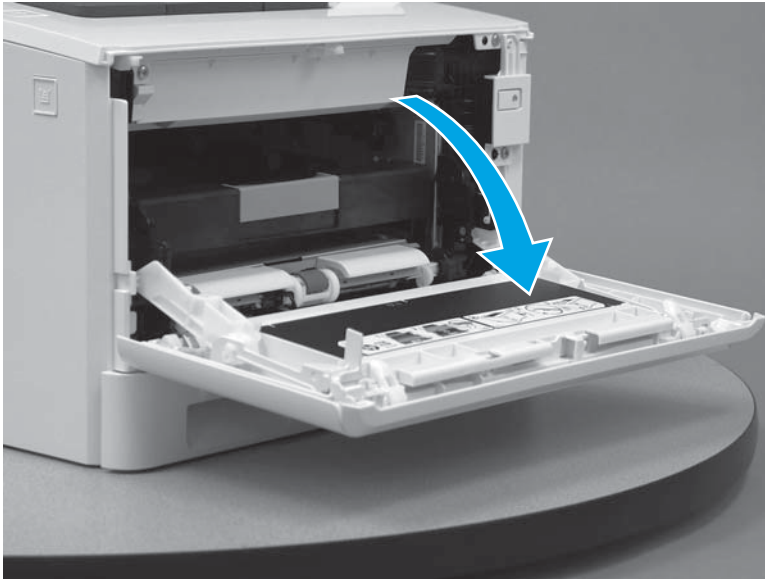
1. Press the button (callout 1) on the left side of the printer to release the front door.

Figure 1-137 Release the front door



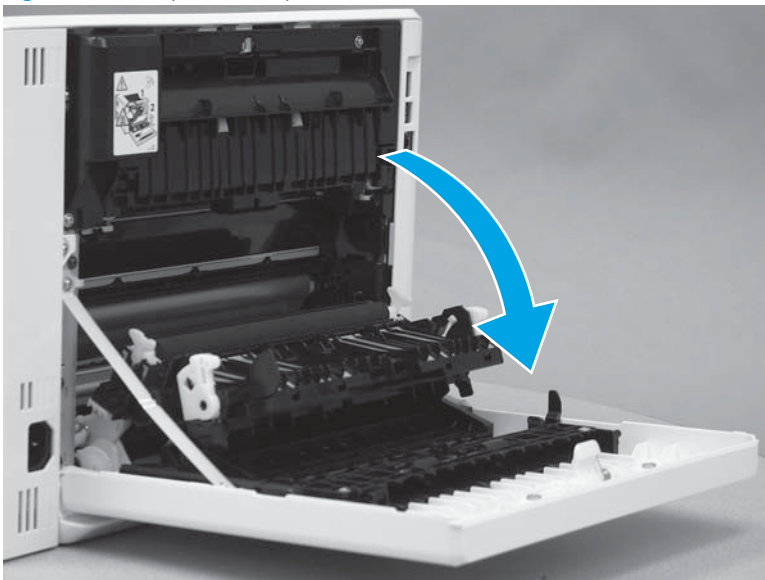
2. Open the front door.

Figure 1-138 Open the front door



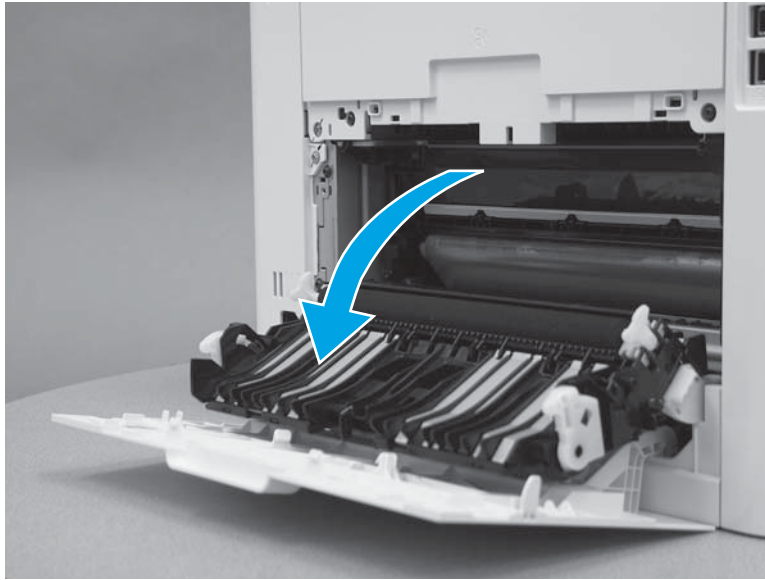
3. Duplex models: Open the duplexer door.

Figure 1-139 Open the duplexer door




4. **Simplex models:** Open the rear door.

Figure 1-140 Open the rear door



### Step 3: Remove the right cover (M454 models)

 **NOTE:** This step is for the M454 models. For the M479 models, skip this step and go to [Step 4: Remove the right cover \(M479 models\) on page 111](#).

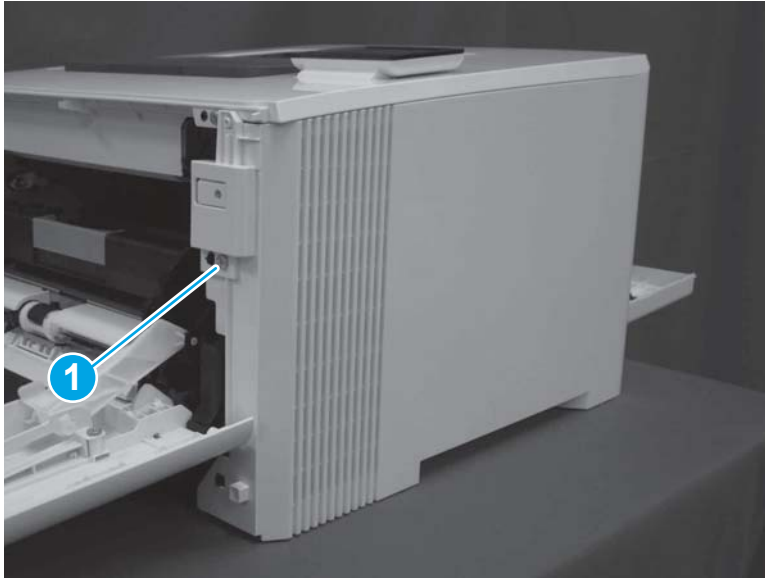
1. At the back of the printer, remove one screw (callout 1).

Figure 1-141 Remove one screw



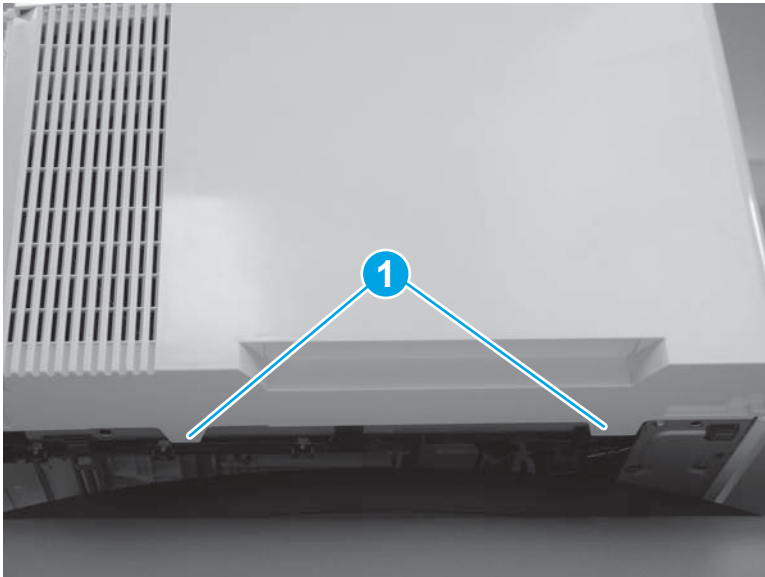
2. At the front of the printer, remove one screw (callout 1).

Figure 1-142 Remove one screw



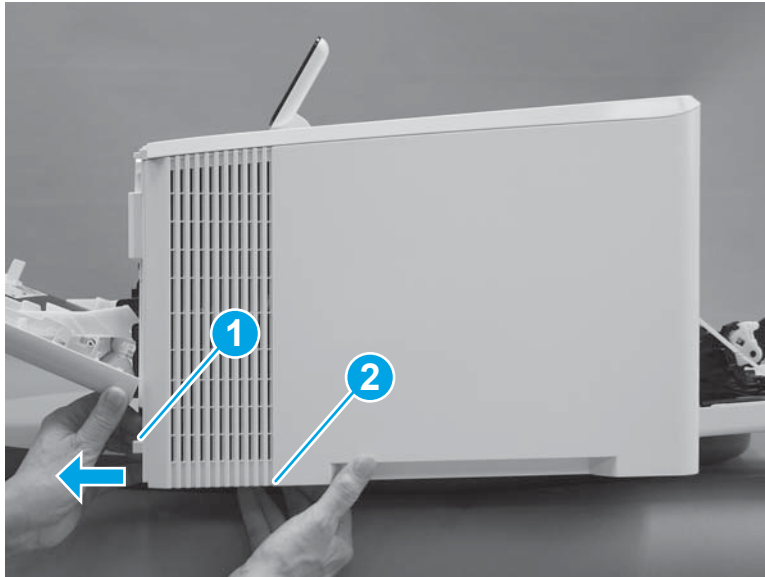
3. Slide the printer to the edge of a work surface. Note the location of the tabs on the lower edge of the cover (callout 1).

Figure 1-143 Locate the tabs



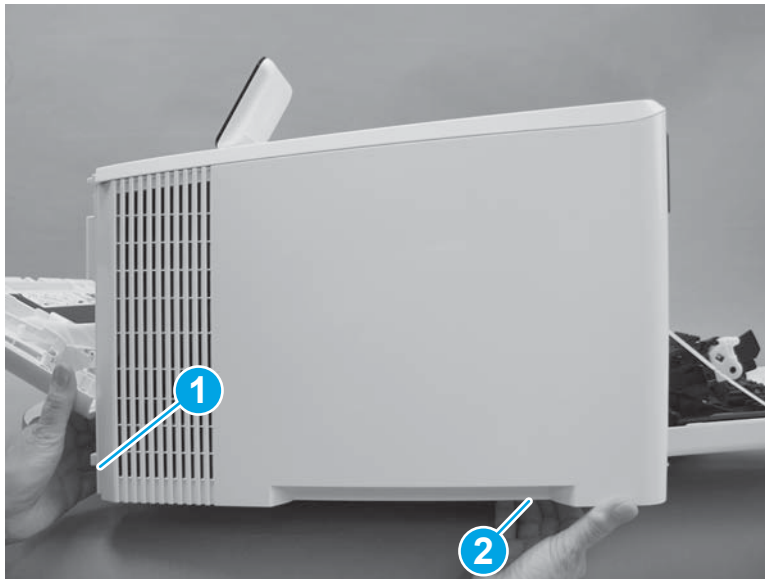
4. Release one tab (callout 1) on the front of the cover by slightly pulling the cover away from the printer. While holding the cover in the released position, release one tab (callout 2) on the bottom of the cover.

Figure 1-144 Release front lower tabs



5. Hold the front tabs in the released position (callout 1), and then release one tab (callout 2) on the bottom of the cover, toward the back of the printer.

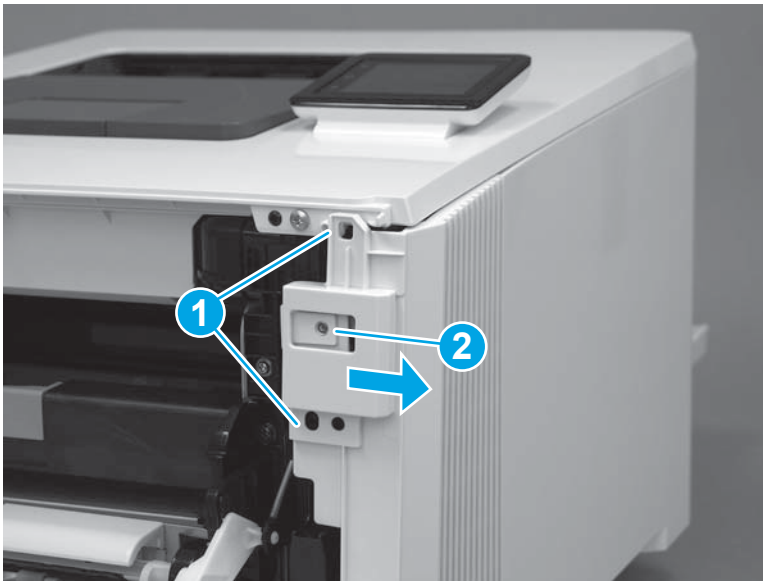
Figure 1-145 Release lower rear tab



6. Release two tabs at the front of the printer (callout 1) by slightly pulling the cover away from the printer.

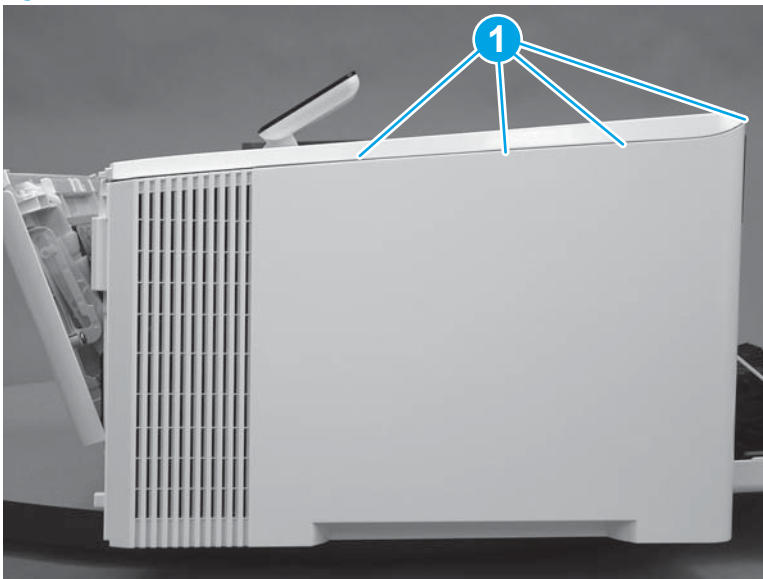
**⚠ CAUTION:** Be careful not to dislodge the power switch (callout 2).

**Figure 1-146** Release two front tabs



7. Release four tabs on the top of the printer (callout 1).

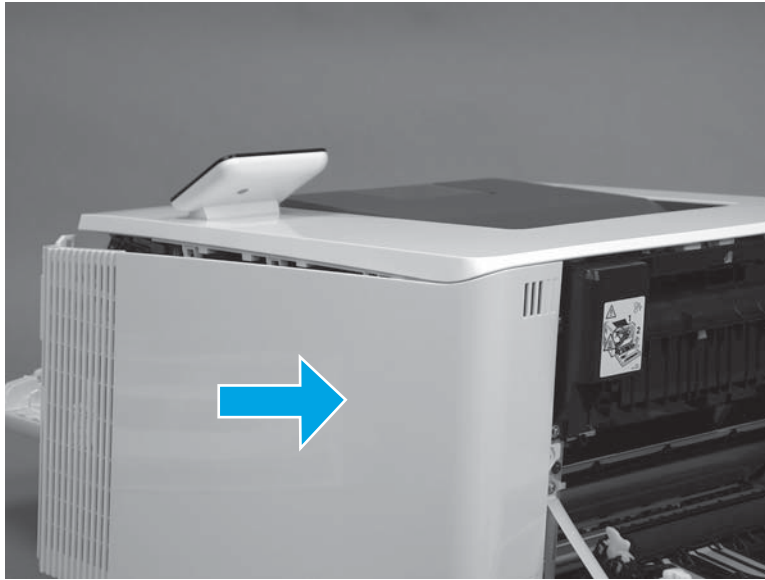
**Figure 1-147** Release upper tabs






8. Slide the cover toward the back of the printer to remove it.

**Figure 1-148** Remove the right cover



#### Step 4: Remove the right cover (M479 models)

 **NOTE:** This step is for the M479 models. For the M454 models, skip this step and go to [Step 5: Remove the front door assembly on page 117](#).

1. Raise the scanner.

**Figure 1-149** Raise the scanner



2. At the back of the printer, remove one screw (callout 1).

Figure 1-150 Remove one screw



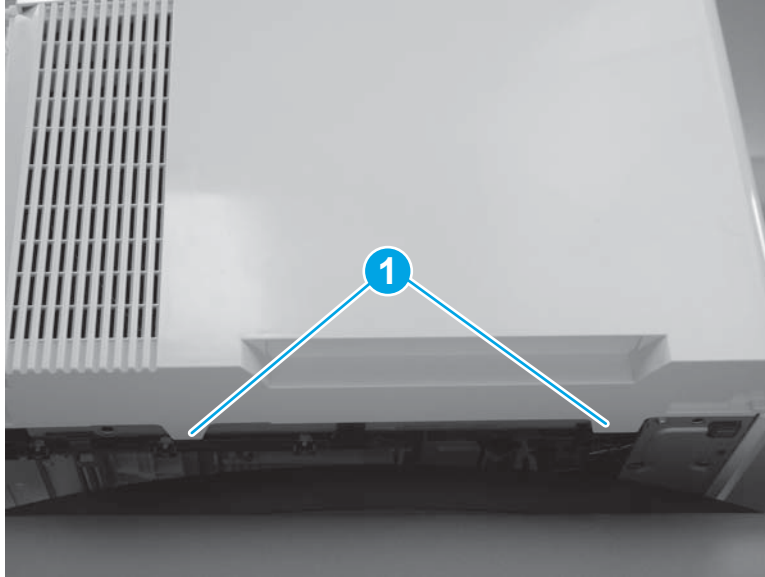
3. At the front of the printer, remove one screw (callout 1).

Figure 1-151 Remove one screw



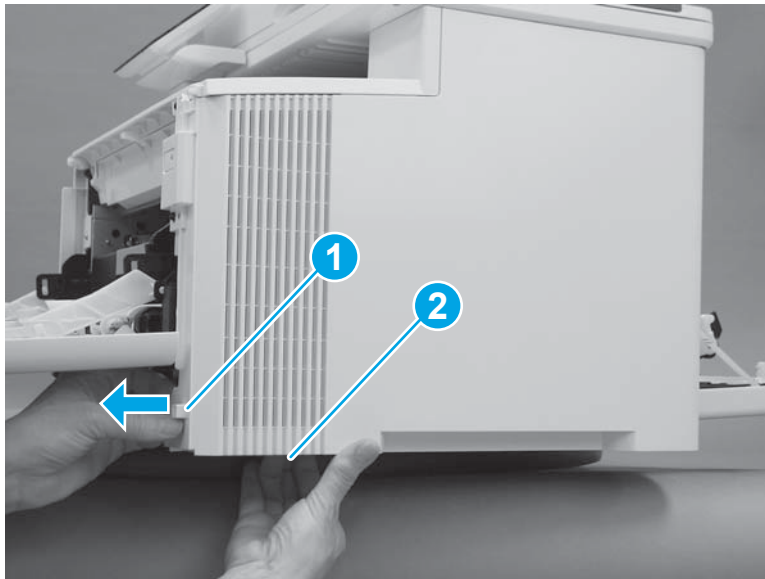
4. Slide the printer to the edge of a work surface. Note the location of the tabs on the lower edge of the cover (callout 1).

Figure 1-152 Locate the tabs



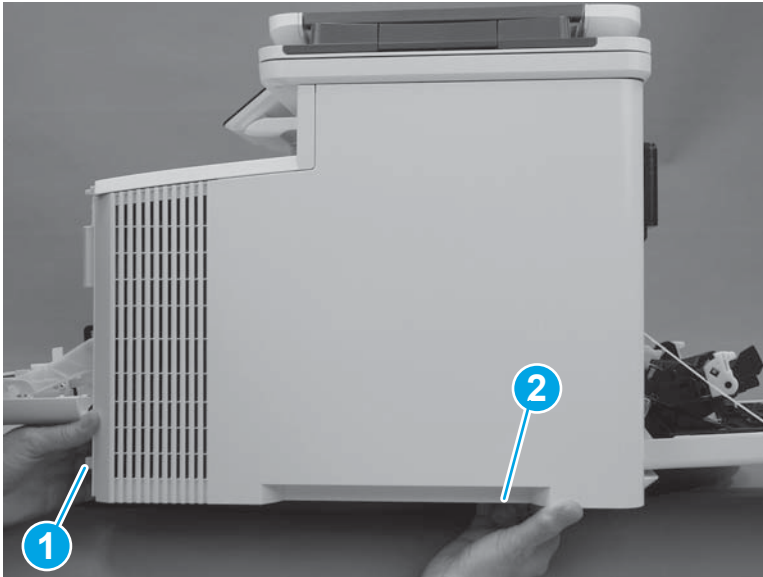
5. Release one tab (callout 1) on the front of the cover by slightly pulling the cover away from the printer. While holding the cover in the released position, release one tab (callout 2) on the lower edge of the cover.

Figure 1-153 Release front lower tabs



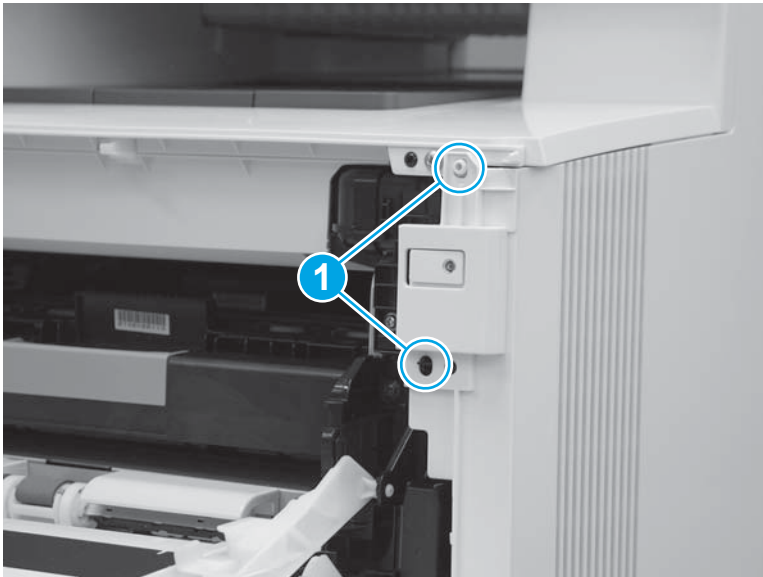
6. Hold the front tabs in the released position (callout 1), and then release one tab (callout 2) on the lower edge of the cover, toward the back of the printer.

Figure 1-154 Release lower rear tab



7. Release two tabs at the front of the printer (callout 1) by slightly pulling the cover away from the printer.

Figure 1-155 Release front upper tabs



8. Rotate the front of the cover away from the printer (callout 1).

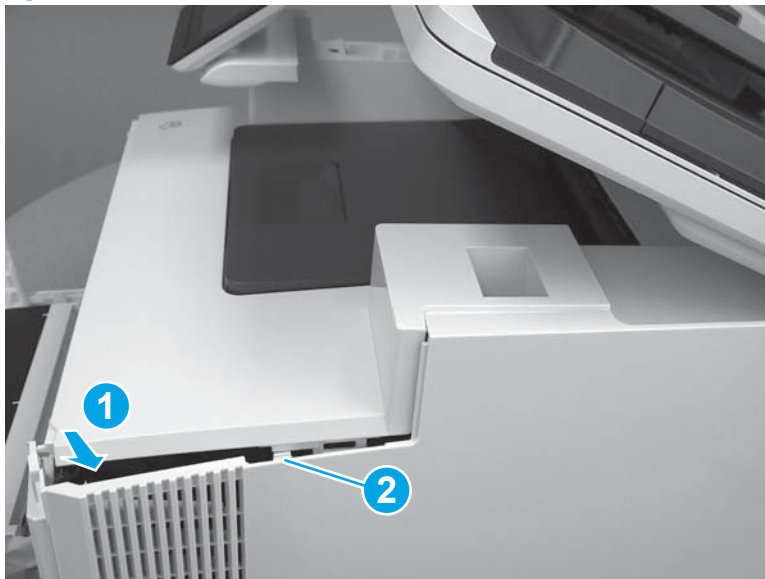
**⚠ CAUTION:** Be careful not to dislodge the power switch (callout 2).

Figure 1-156 Rotate the front of the cover



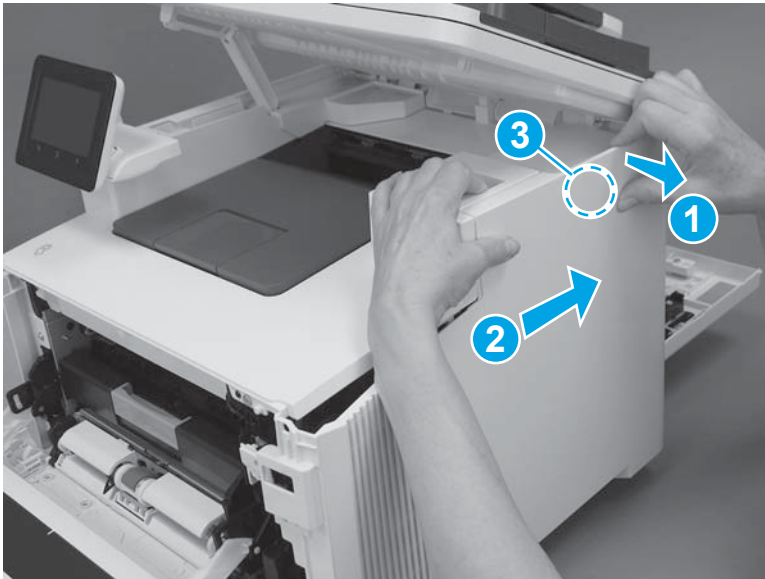
9. Slightly pull the front of the cover away from the printer (callout 1) to release one tab (callout 2).

Figure 1-157 Release top tabs



10. At the top of the printer, slightly pull the top of the cover away from the printer to release one retention tab (callout 1) on the inside of the cover. While holding the cover away, slide the cover toward the back of the printer (callout 2) to release one hook (callout 3) on the inside of the cover.

Figure 1-158 Release one tab and one hook



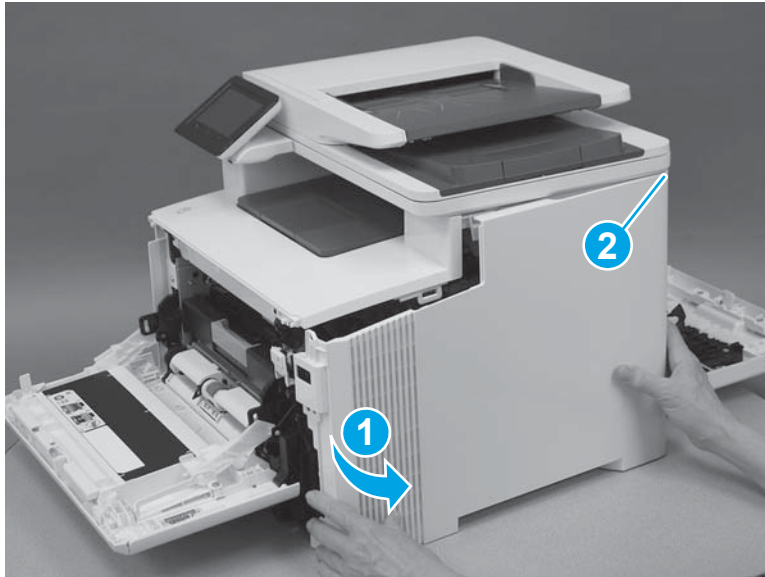
11. Lower the scanner.

Figure 1-159 Lower the scanner



12. Rotate the cover away from the printer (callout 1) to release one tab (callout 2) at the back of the printer, and then remove the cover.

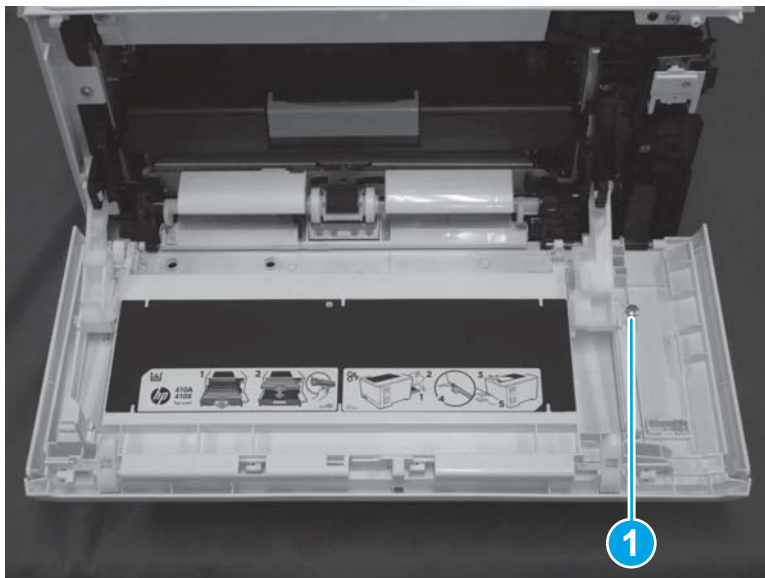
Figure 1-160 Remove the right cover



#### Step 5: Remove the front door assembly

1. Remove one screw (callout 1).

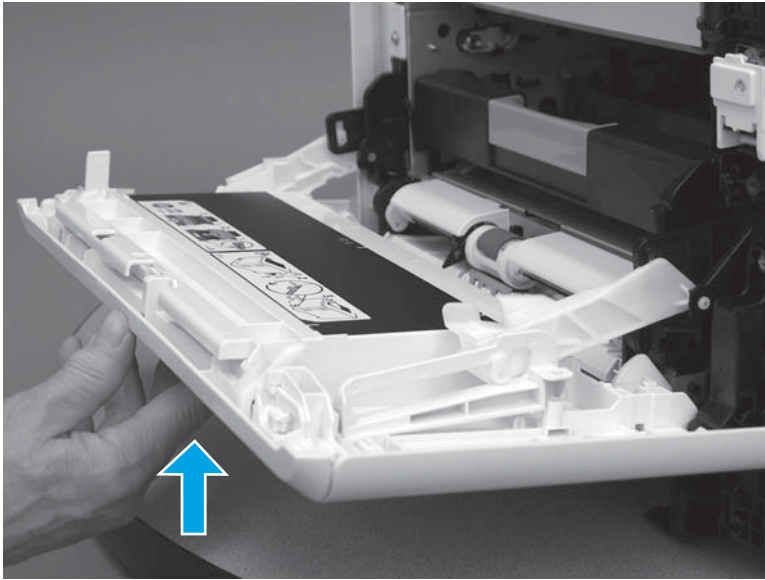
Figure 1-161 Remove one screw





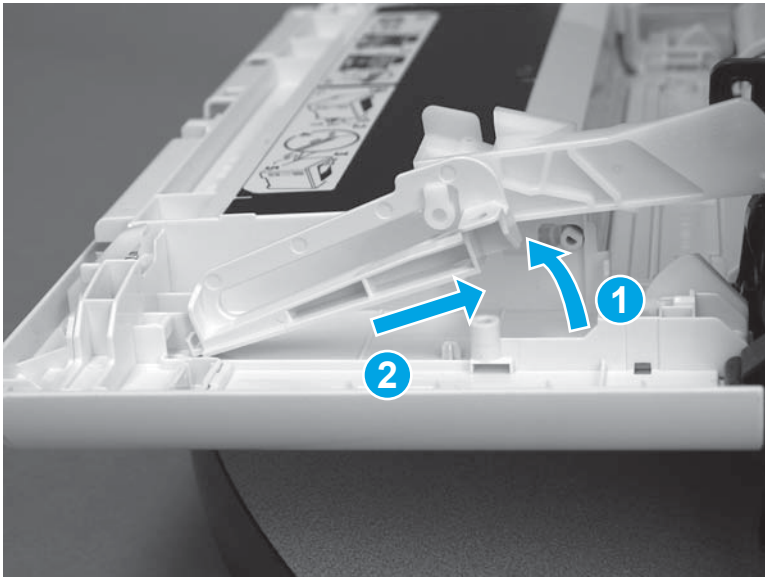
2. Tilt the front door up to about a 45-degree angle.

Figure 1-162 Tilt the door up



3. Lift the end of the right hinge cover up (callout 1), and then slide it away from the door (callout 2) to disconnect it.

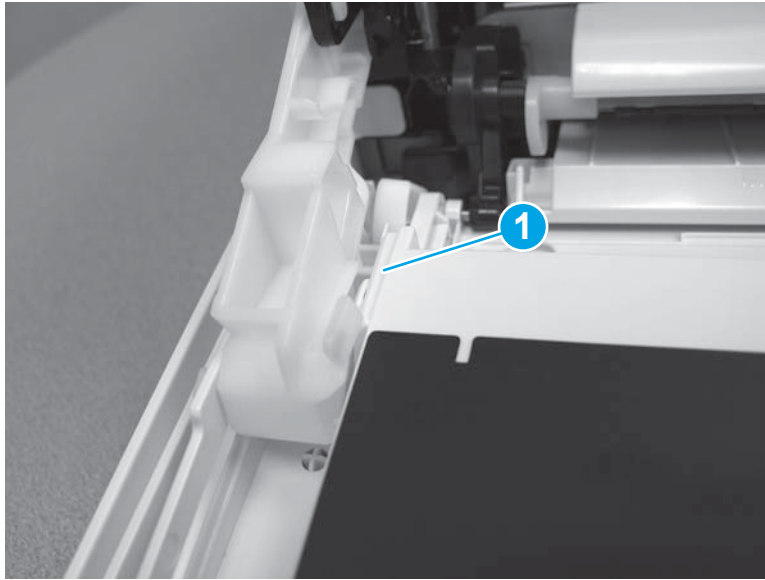
Figure 1-163 Release the right hinge cover





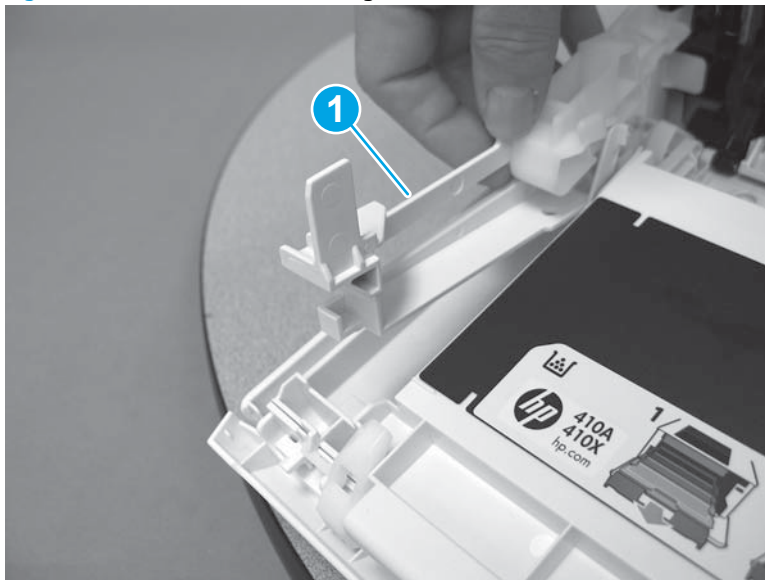
4. On the left side of the door, release one tab (callout 1).

Figure 1-164 Release one tab



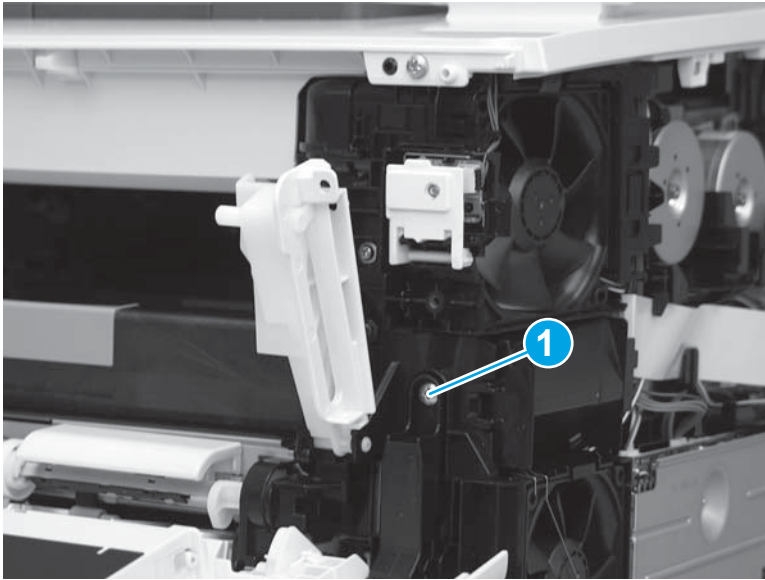
5. Release the left hinge cover (callout 1).

Figure 1-165 Release the left hinge cover



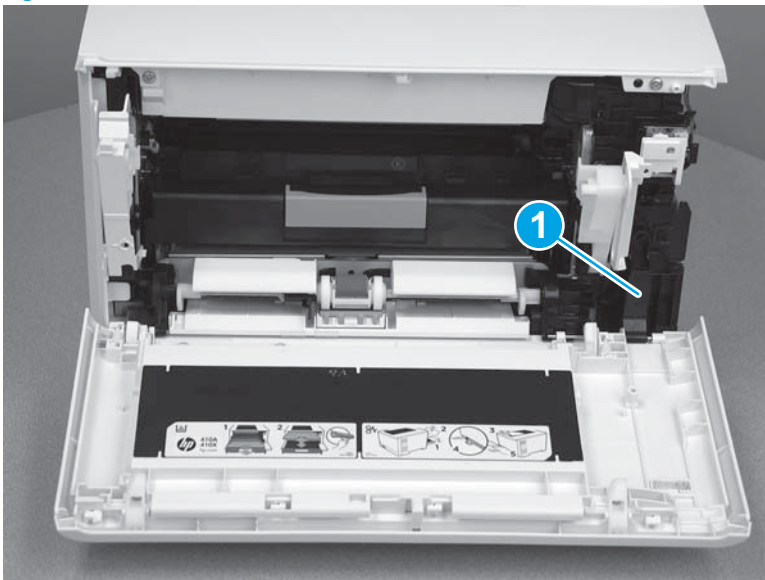
6. Remove one screw (callout 1).

Figure 1-166 Remove one screw



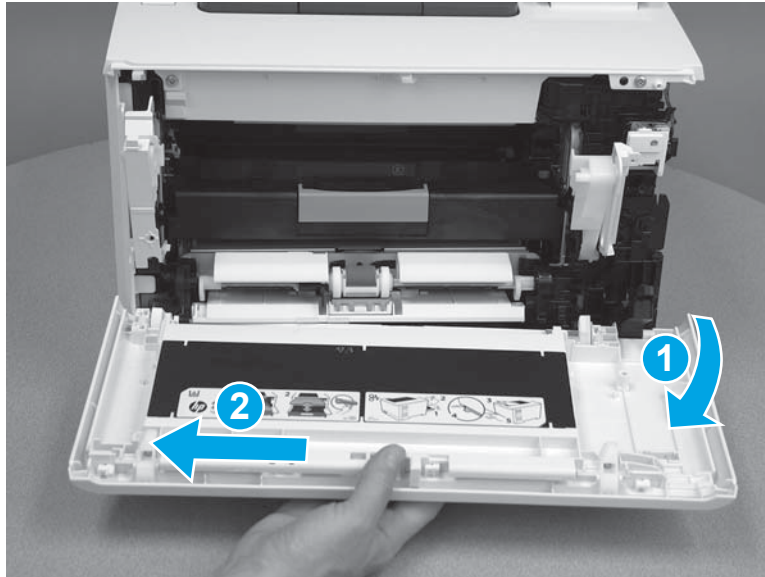
7. Release one arm (callout 1).

Figure 1-167 Release one arm



8. Lift the front door up slightly, swing the right side of the door away from the printer (callout 1), and then slide the door left (callout 2) to remove it.

Figure 1-168 Remove the front door



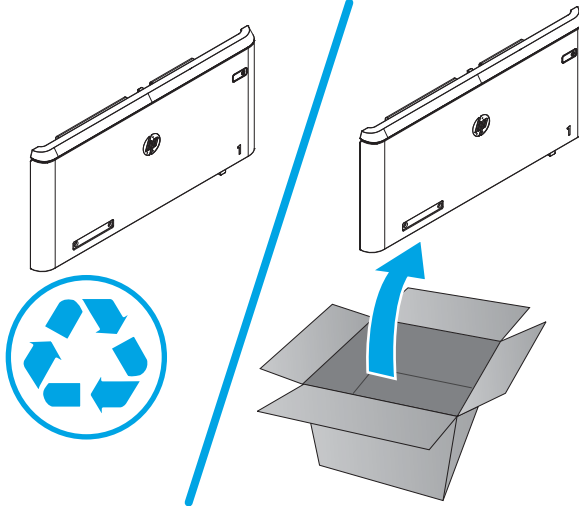
#### Step 6: Unpack the replacement part

Remove the new part from its package. Save all packaging for recycling the used part.

For complete information on HP's recycling programs, go to [Product return and recycling](#).

 **NOTE:** HP recommends responsible disposal of the defective part.


Figure 1-169 Recycle and unpack



#### Step 7: Install the front door assembly

- ▲ To install an assembly, reverse the removal steps.

---

 **NOTE:** When applicable, special installation instructions are provided for an assembly at the end of the removal procedure. Always completely read the removal instructions and follow all special installation instructions.

---

## Removal and replacement: Duplexer door assembly (duplex models)

- [Introduction](#)
- [Step 1: Remove Tray 2](#)
- [Step 2: Open the front door and duplexer door](#)
- [Step 3: Remove the right cover \(M454 models\)](#)
- [Step 4: Remove the right cover \(M479 models\)](#)
- [Step 5: Remove the left cover \(M454 models\)](#)
- [Step 6: Remove the left cover \(M479 models\)](#)
- [Step 7: Remove the duplexer door assembly](#)
- [Step 8: Unpack the replacement part](#)
- [Step 9: Install the duplexer door assembly](#)

### Introduction

This document provides the procedures to remove and replace the duplexer door for duplex models.

[Click here to view a video of this procedure.](#)

### Before you begin

- Turn off the printer.
- Disconnect the power cable.

**⚠ WARNING!** To avoid damage to the printer, turn the printer off, wait 30 seconds, and then remove the power cord before attempting to service the printer.

- Use the table below to identify the correct part number for your printer. To order the part, go to [www.hp.com/buy/parts](http://www.hp.com/buy/parts).

---

Duplexer door part number	
---------------------------	--

RM2-6383-000CN	Duplexer door
----------------	---------------

---

### Required tools

- #2 Phillips screwdriver with a magnetic tip
- Small flat-blade screwdriver

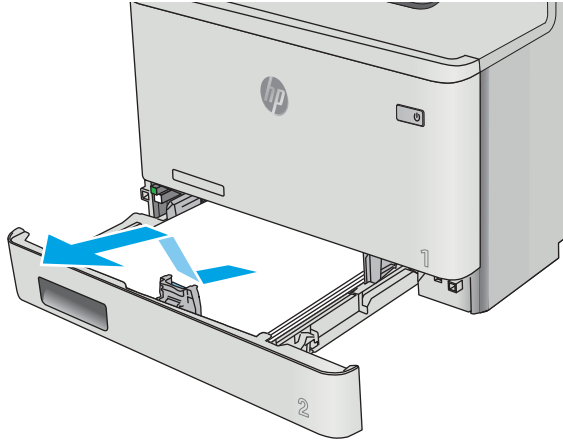
### After performing service

- Connect the power cable.
- Use the power switch to turn the power on.

### Step 1: Remove Tray 2

- ▲ Pull the tray out until it stops. Lift the front of the tray, and then pull it out of the printer to remove it.

Figure 1-170 Remove the tray



Step 2: Open the front door and duplexer door

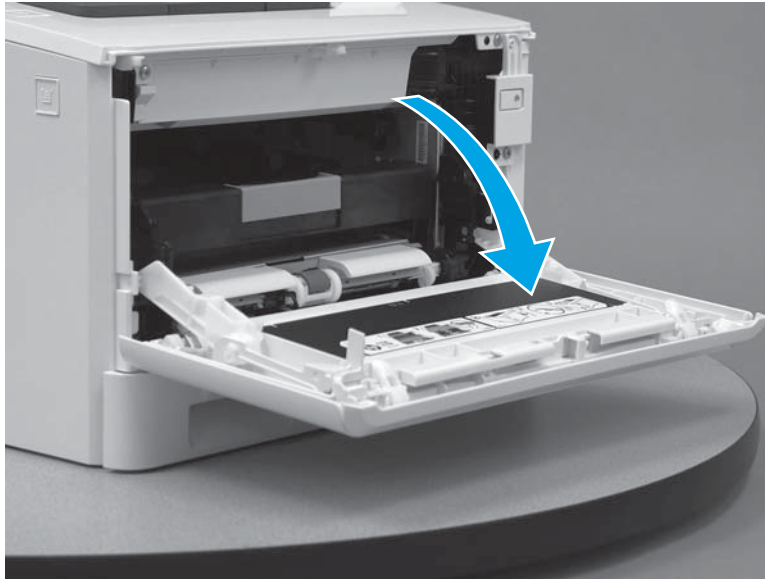
1. Press the button (callout 1) on the left side of the printer to release the front door.

Figure 1-171 Release the front door



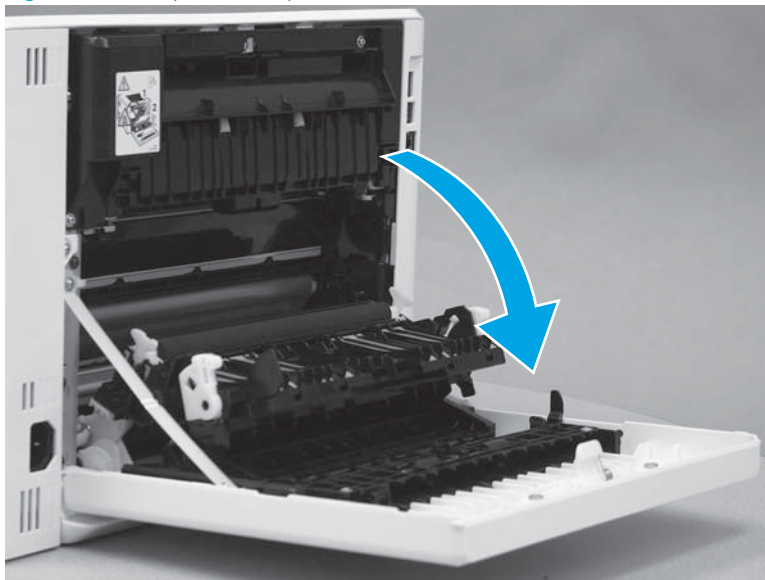
2. Open the front door.

**Figure 1-172** Open the front door




3. Open the duplexer door.

**Figure 1-173** Open the duplexer door



### Step 3: Remove the right cover (M454 models)

 **NOTE:** This step is for the M454 models. For the M479 models, skip this step and go to [Step 4: Remove the right cover \(M479 models\) on page 129](#).

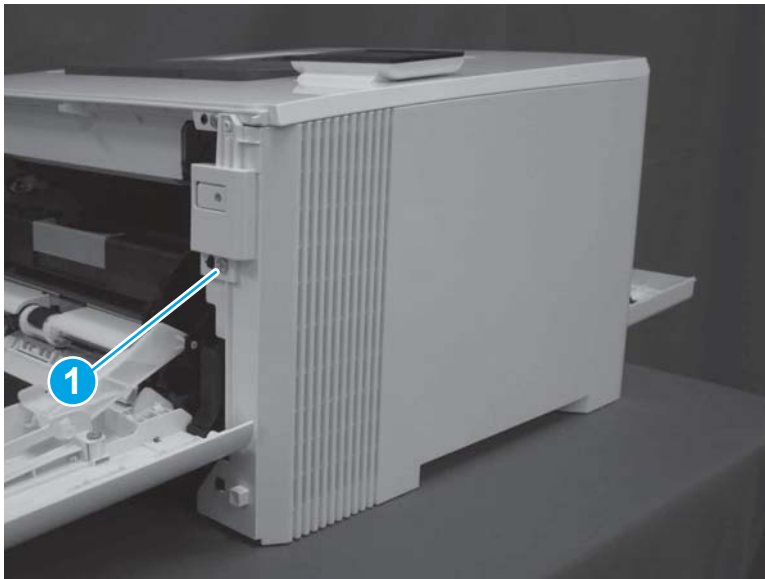
1. At the back of the printer, remove one screw (callout 1).

Figure 1-174 Remove one screw



2. At the front of the printer, remove one screw (callout 1).

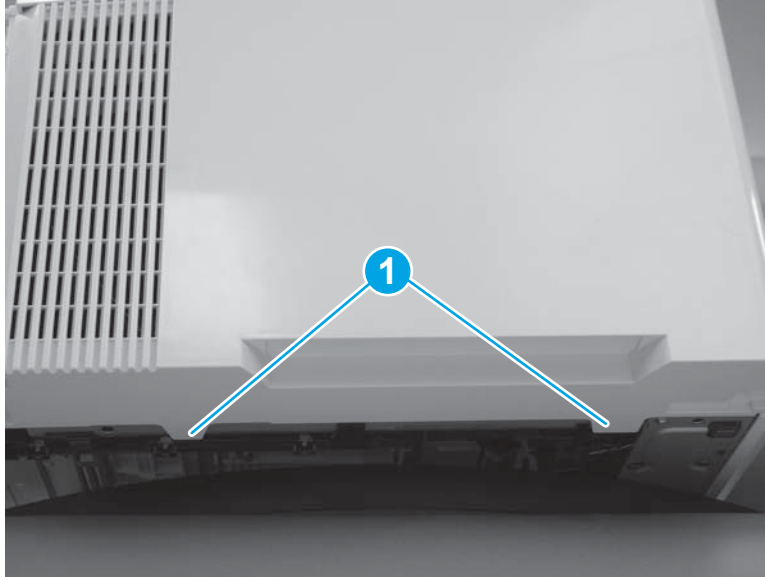
Figure 1-175 Remove one screw





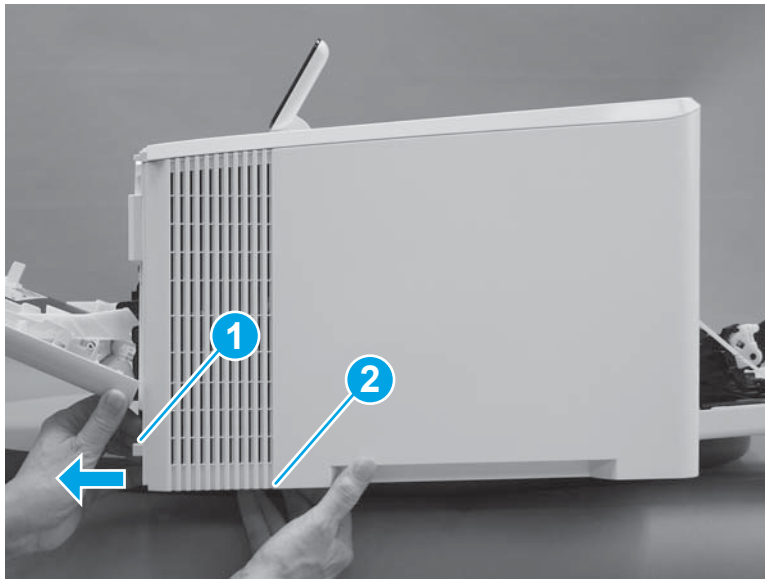
3. Slide the printer to the edge of a work surface. Note the location of the tabs on the lower edge of the cover (callout 1).

Figure 1-176 Locate the tabs



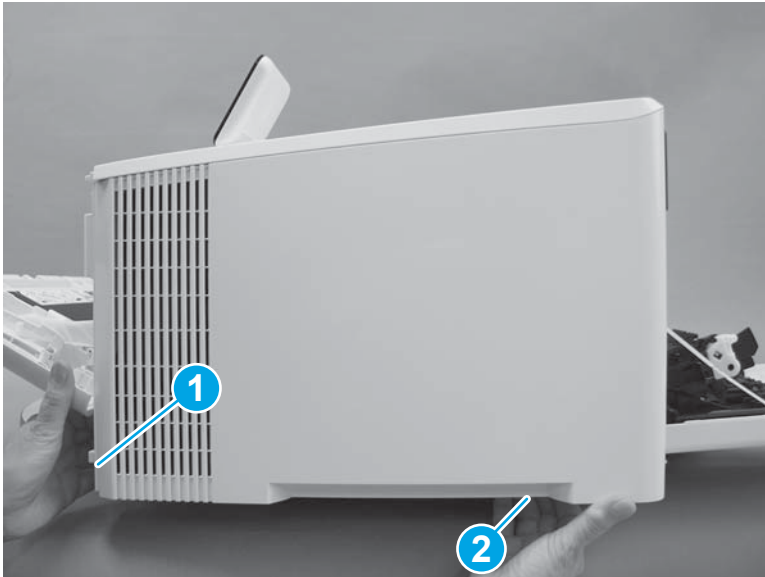
4. Release one tab (callout 1) on the front of the cover by slightly pulling the cover away from the printer. While holding the cover in the released position, release one tab (callout 2) on the bottom of the cover.

Figure 1-177 Release front lower tabs



5. Hold the front tabs in the released position (callout 1), and then release one tab (callout 2) on the bottom of the cover, toward the back of the printer.

Figure 1-178 Release lower rear tab



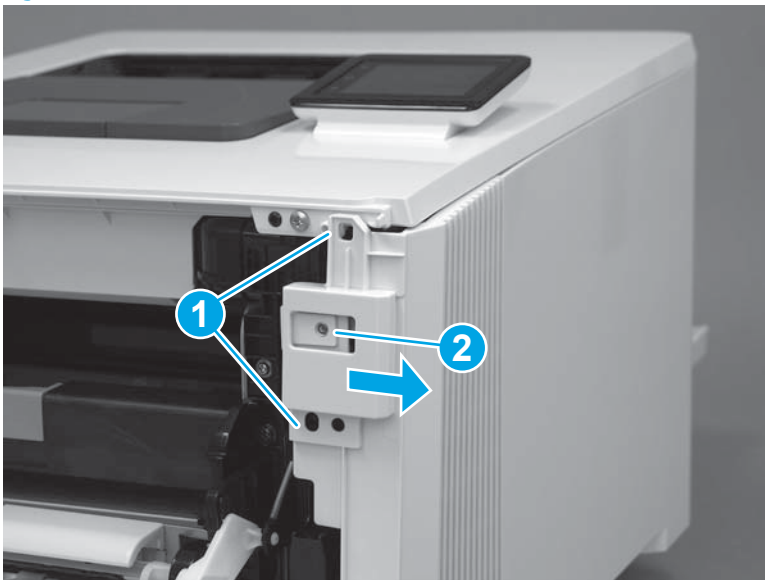
6. Release two tabs at the front of the printer (callout 1) by slightly pulling the cover away from the printer.

---

**⚠ CAUTION:** Be careful not to dislodge the power switch (callout 2).

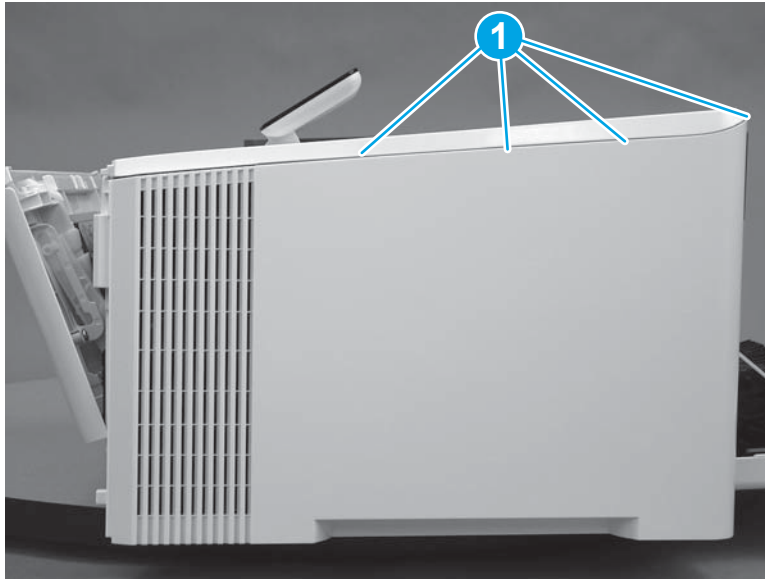
---

Figure 1-179 Release two front tabs



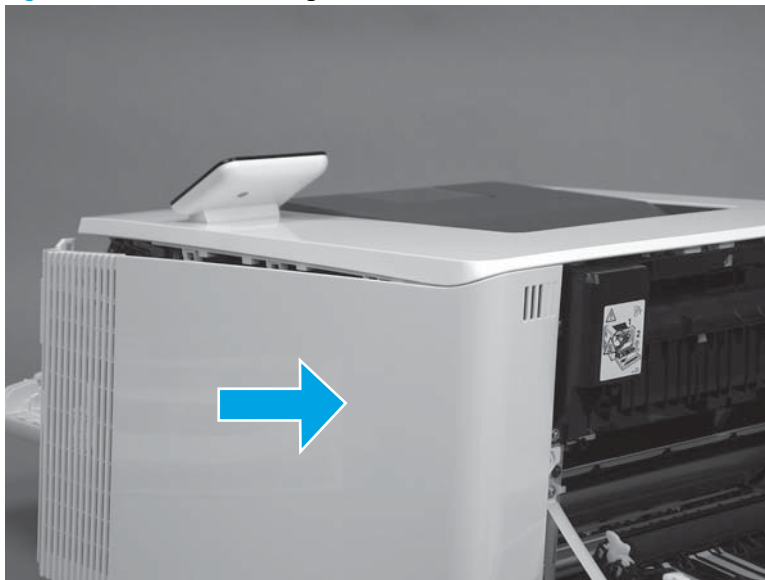
7. Release four tabs on the top of the printer (callout 1).

Figure 1-180 Release upper tabs




8. Slide the cover toward the back of the printer to remove it.

Figure 1-181 Remove the right cover



#### Step 4: Remove the right cover (M479 models)

 **NOTE:** This step is for the M479 models. For the M454 models, skip this step and go to [Step 5: Remove the left cover \(M454 models\) on page 135](#).

1. Raise the scanner.

Figure 1-182 Raise the scanner



2. At the back of the printer, remove one screw (callout 1).

Figure 1-183 Remove one screw



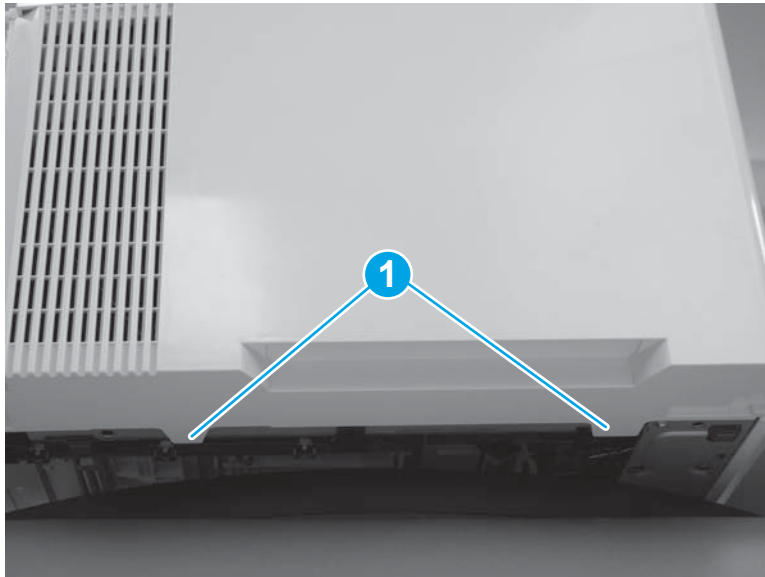
3. At the front of the printer, remove one screw (callout 1).

Figure 1-184 Remove one screw



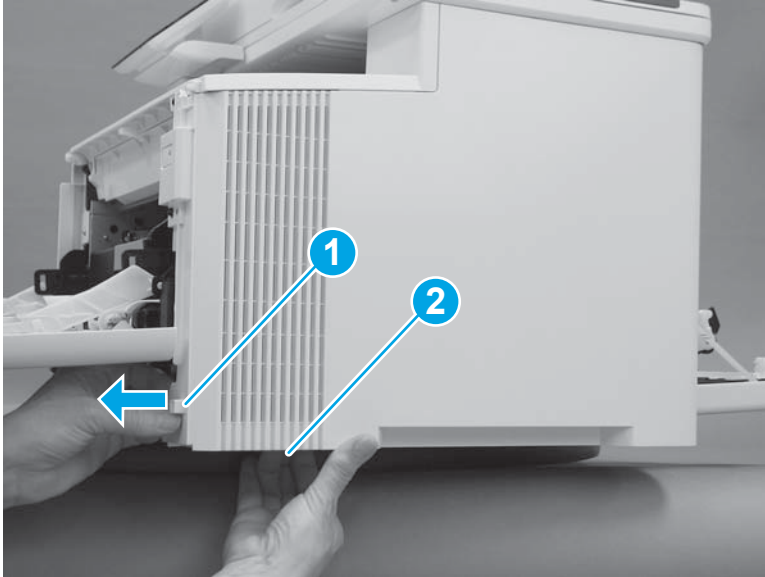
4. Slide the printer to the edge of a work surface. Note the location of the tabs on the lower edge of the cover (callout 1).

Figure 1-185 Locate the tabs



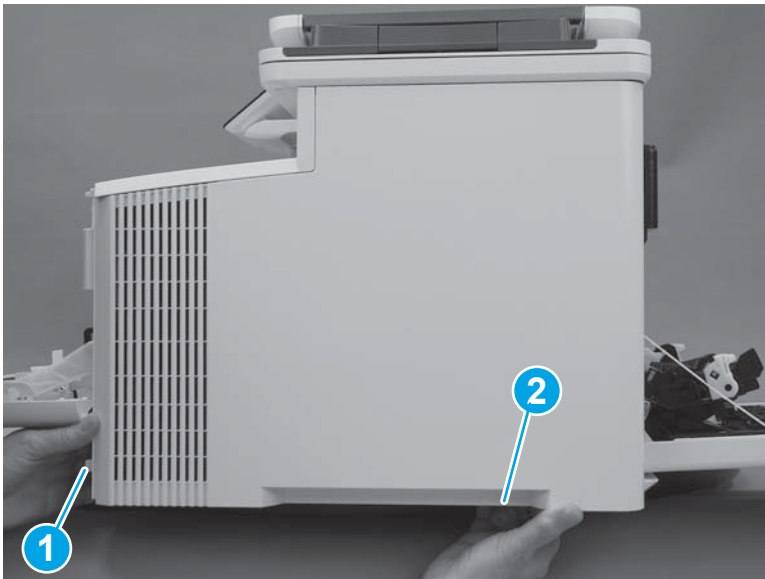
5. Release one tab (callout 1) on the front of the cover by slightly pulling the cover away from the printer. While holding the cover in the released position, release one tab (callout 2) on the lower edge of the cover.

Figure 1-186 Release front lower tabs



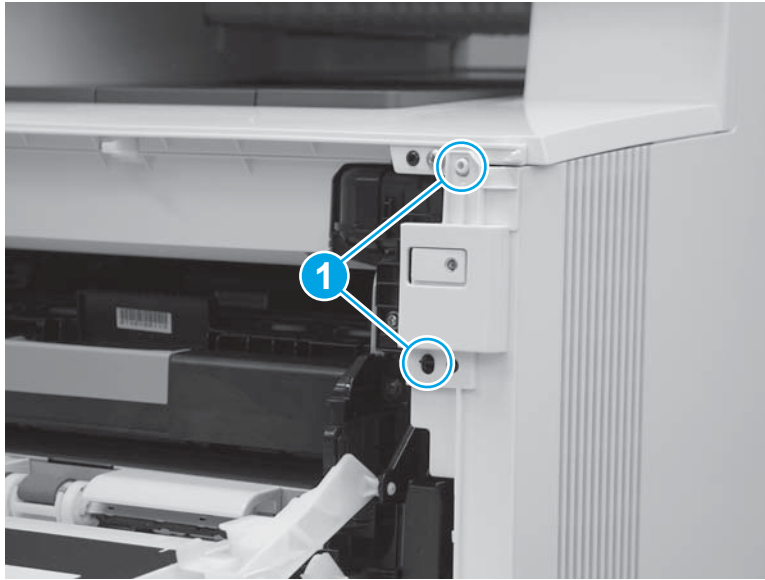
6. Hold the front tabs in the released position (callout 1), and then release one tab (callout 2) on the lower edge of the cover, toward the back of the printer.

Figure 1-187 Release lower rear tab



7. Release two tabs at the front of the printer (callout 1) by slightly pulling the cover away from the printer.

Figure 1-188 Release front upper tabs



8. Rotate the front of the cover away from the printer (callout 1).

---

**⚠ CAUTION:** Be careful not to dislodge the power switch (callout 2).

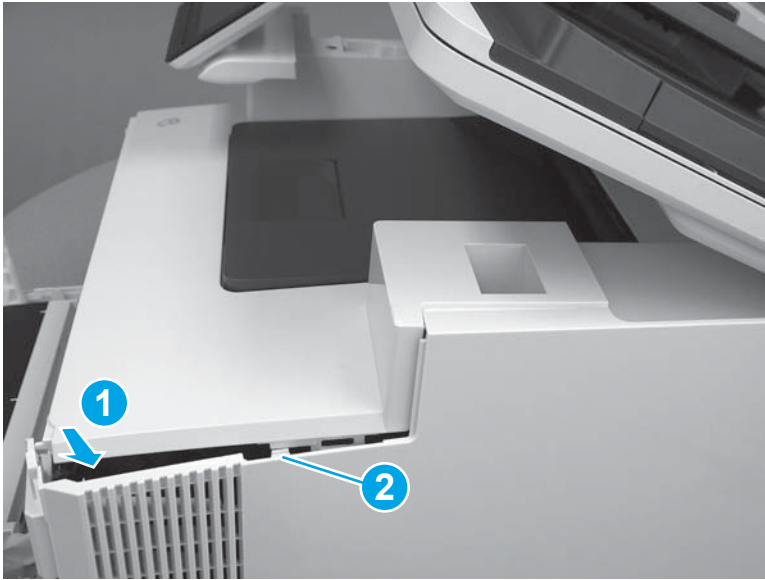
---

Figure 1-189 Rotate the front of the cover



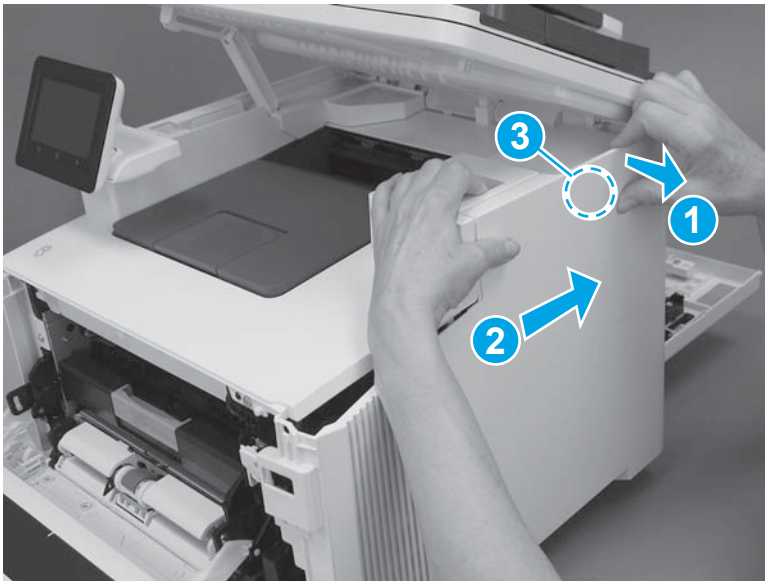
9. Slightly pull the front of the cover away from the printer (callout 1) to release one tab (callout 2).

Figure 1-190 Release top tabs



10. At the top of the printer, slightly pull the top of the cover away from the printer to release one retention tab (callout 1) on the inside of the cover. While holding the cover away, slide the cover toward the back of the printer (callout 2) to release one hook (callout 3) on the inside of the cover.

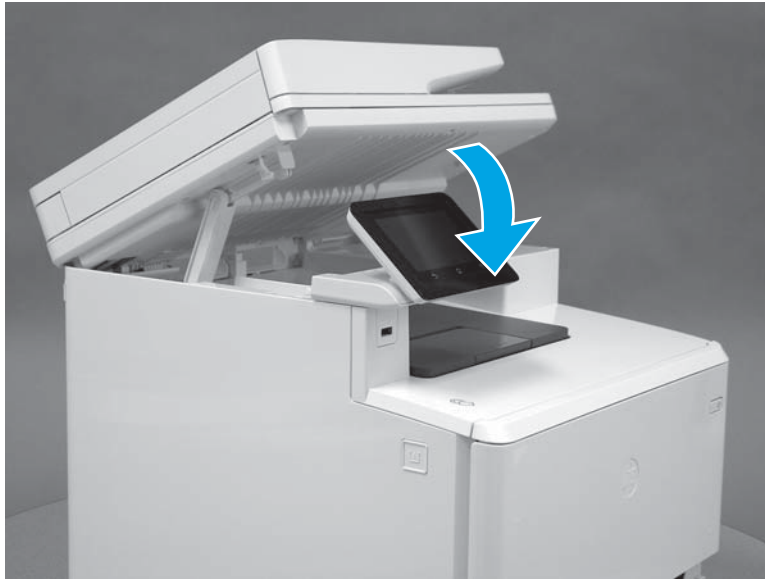
Figure 1-191 Release one tab and one hook





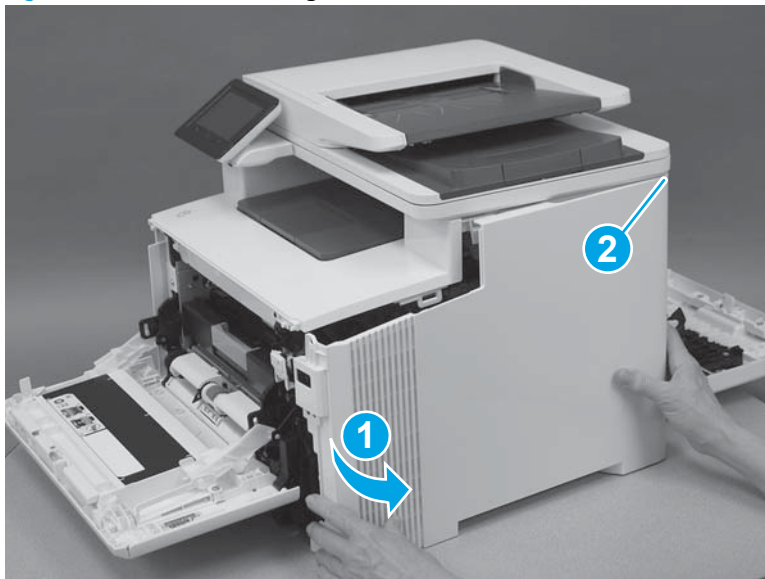
11. Lower the scanner.

Figure 1-192 Lower the scanner




12. Rotate the cover away from the printer (callout 1) to release one tab (callout 2) at the back of the printer, and then remove the cover.

Figure 1-193 Remove the right cover

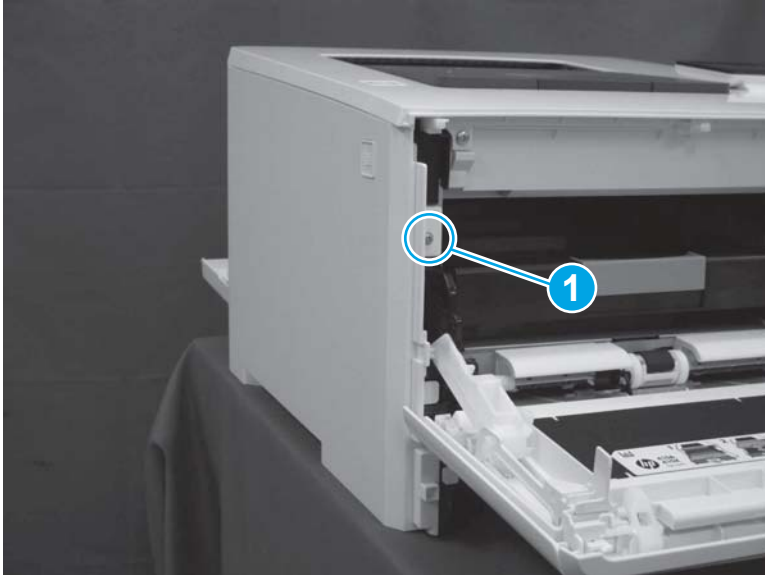


#### Step 5: Remove the left cover (M454 models)

 **NOTE:** This step is for the M454 models. For the M479 models, skip this step and go to [Step 6: Remove the left cover \(M479 models\) on page 138](#).

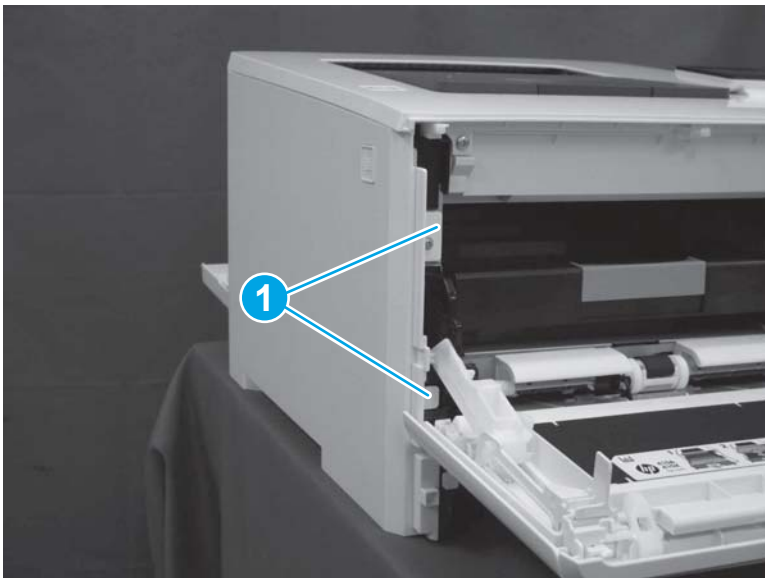
1. At the front of the printer, remove one screw (callout 1).

Figure 1-194 Remove one screw



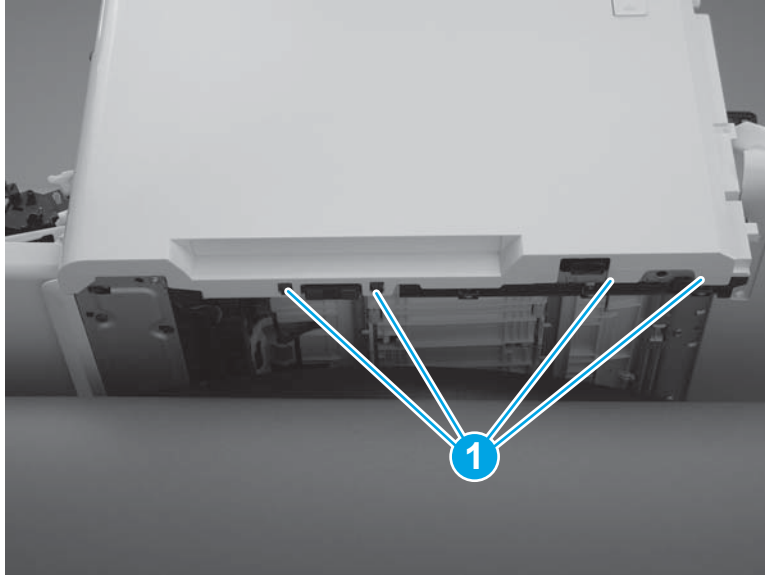
2. Release two tabs (callout 1) at the front of the cover. Hold the cover open to prevent the tabs from reengaging.

Figure 1-195 Release two tabs



3. Slide the printer to the edge of a work surface. Note the location of the tabs on the lower edge of the cover (callout 1).

Figure 1-196 Locate the tabs



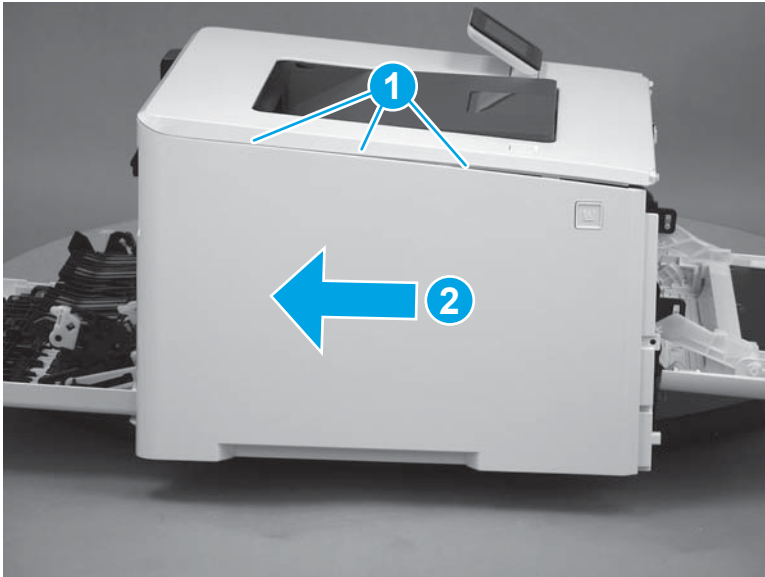
4. Beginning from the front of the cover, release four tabs (callouts 1-4) on the lower edge of the cover.

Figure 1-197 Release bottom tabs




5. Release three tabs at the top of the cover (callout 1), and then slide the cover toward the rear of the printer to remove it.

Figure 1-198 Release three tabs



#### Step 6: Remove the left cover (M479 models)

 **NOTE:** This step is for the M479 models. For the M454 models, skip this step and go to [Step 7: Remove the duplexer door assembly on page 142.](#)

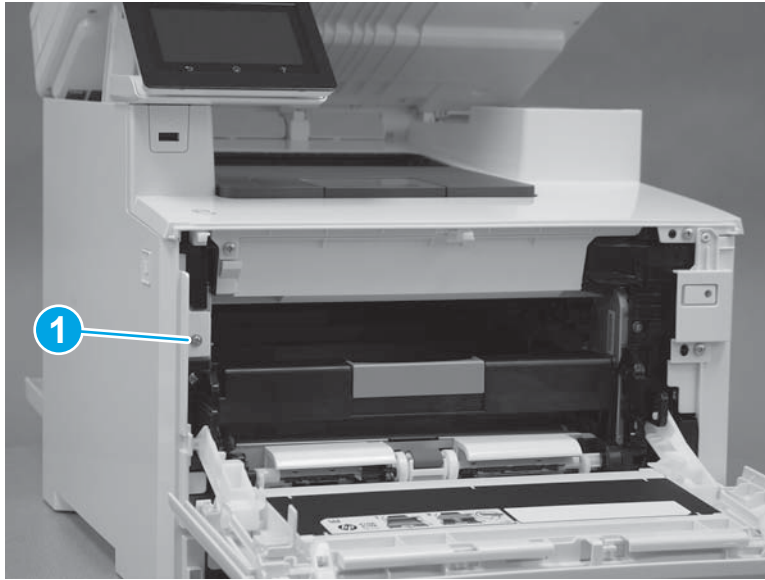
1. Raise the scanner.

Figure 1-199 Raise the scanner



2. At the front of the printer, remove one screw (callout 1).

Figure 1-200 Remove one screw



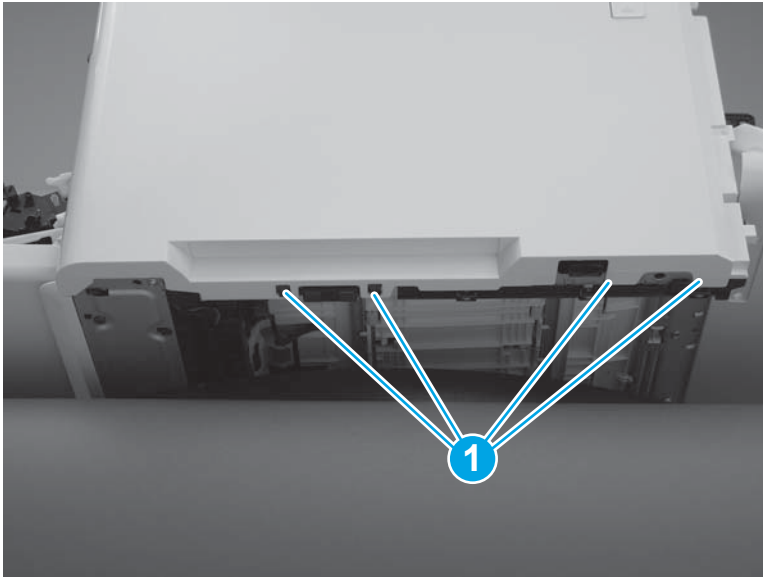
3. Release two tabs (callout 1) at the front of the cover. Hold the cover open to prevent the tabs from re-engaging.

Figure 1-201 Release two tabs



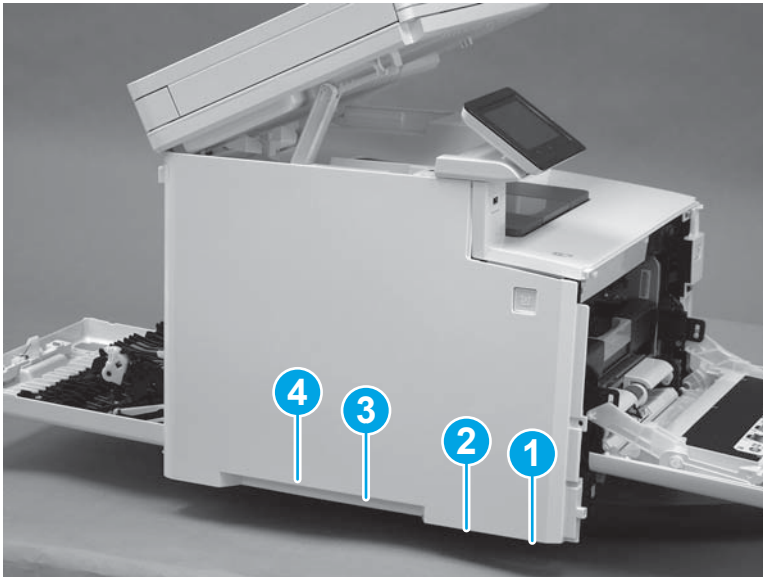
4. Slide the printer to the edge of a work surface. Note the location of the tabs on the lower edge of the cover (callout 1).

Figure 1-202 Locate the tabs



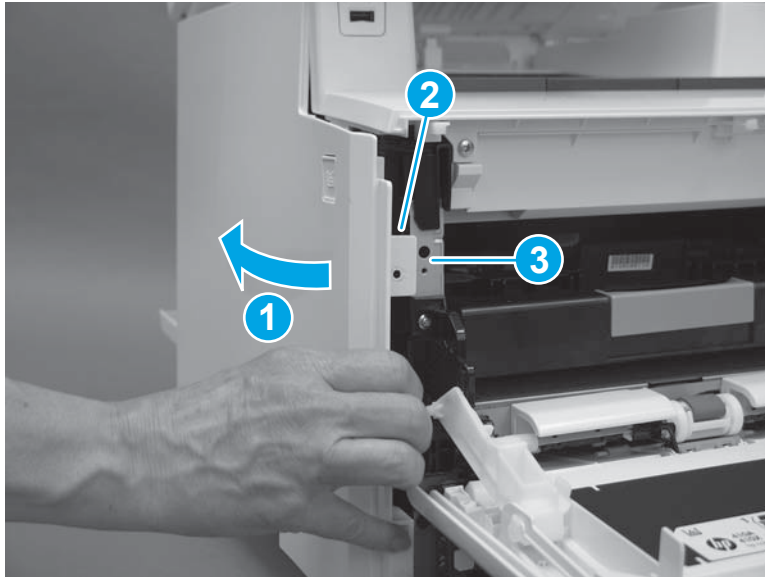
5. Beginning from the front of the cover, release the four tabs (callouts 1-4) on the lower edge of the cover.

Figure 1-203 Release four tabs



6. Rotate the front of the cover away from the printer (callout 1). Make sure that the tab (callout 2) does not get caught on the printer frame (callout 3).

Figure 1-204 Rotate the cover



7. At the top of the printer, slightly pull the top of the cover away from the printer to release one retention tab (callout 1) on the inside of the cover. While holding the cover away, slide the cover toward the back of the printer (callout 2) to release two hooks (callout 3) inside the cover.

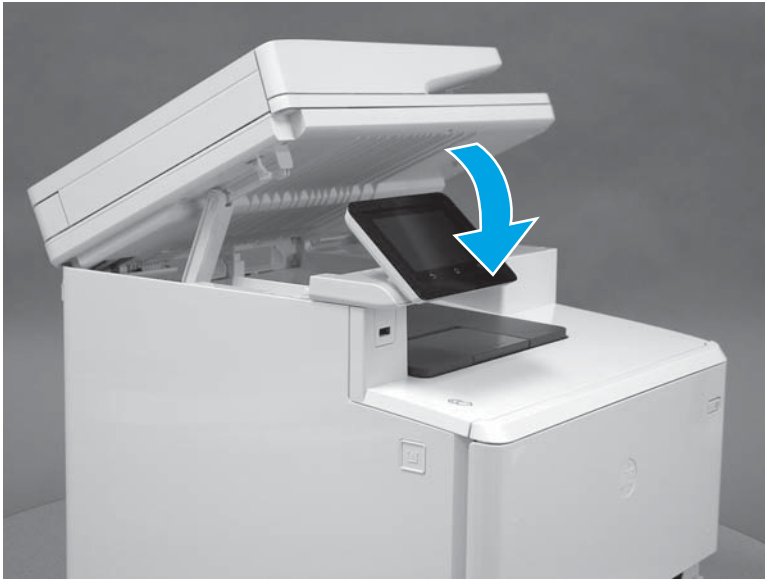
Figure 1-205 Release one tab and two hooks





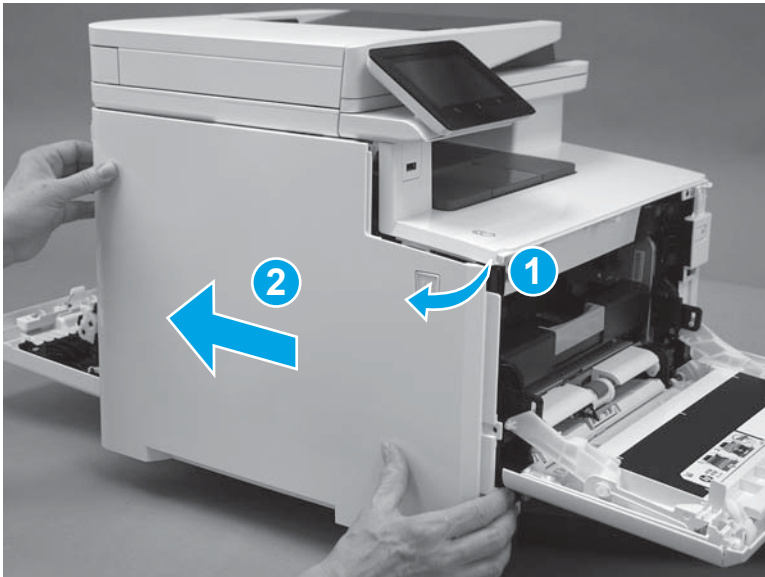
8. Lower the scanner.

Figure 1-206 Lower the scanner



9. Rotate the cover away from the printer (callout 1), and then slide the cover (callout 2) toward the back of the printer to remove it.

Figure 1-207 Remove the left cover

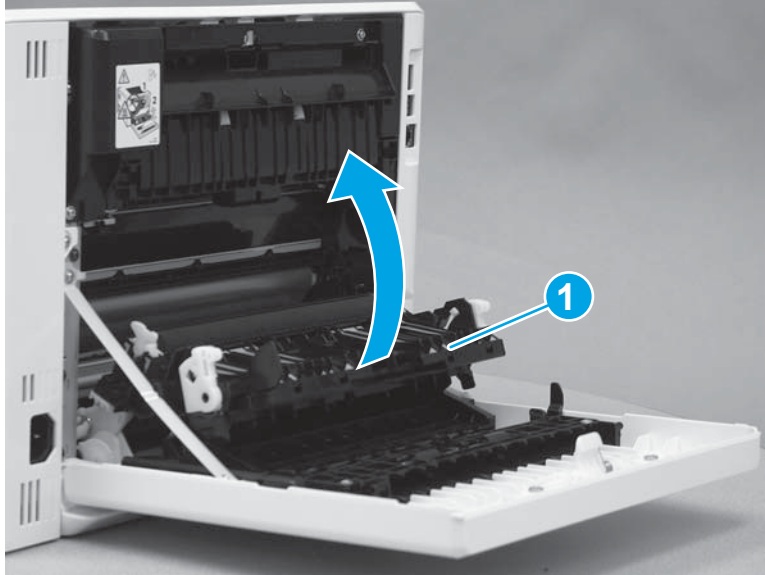


#### Step 7: Remove the duplexer door assembly

1. Rotate the secondary transfer assembly (callout 1) toward the printer to close it.



Figure 1-208 Close the secondary transfer assembly



2. At the back of the printer, remove two screws (callout 1), and then remove one screw (callout 2) that holds the retention arm.


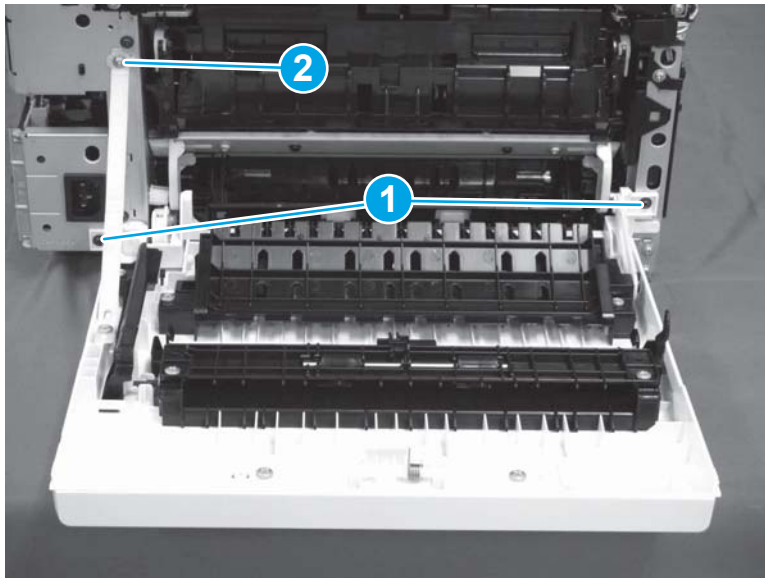
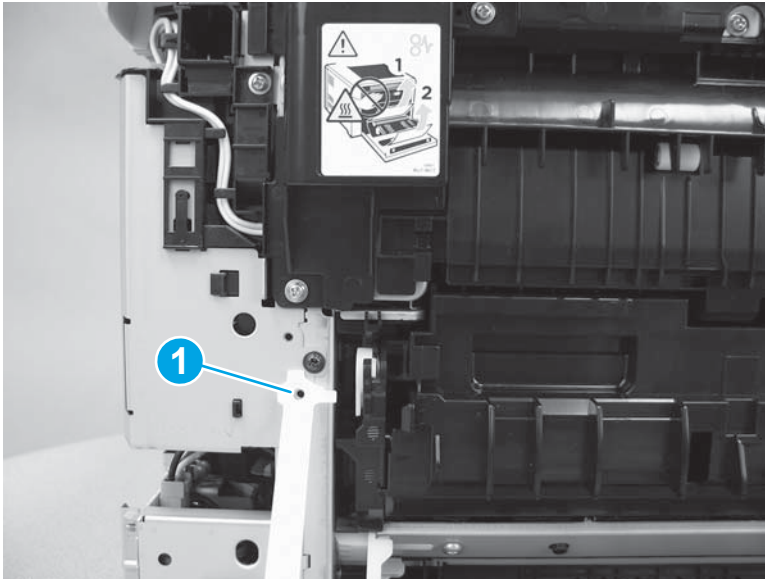
 **Reinstallation tip:** Note that the screw (callout 2) that holds the retention arm is longer than the other two. Make sure this screw is installed in the correct position.

Figure 1-209 Remove three screws



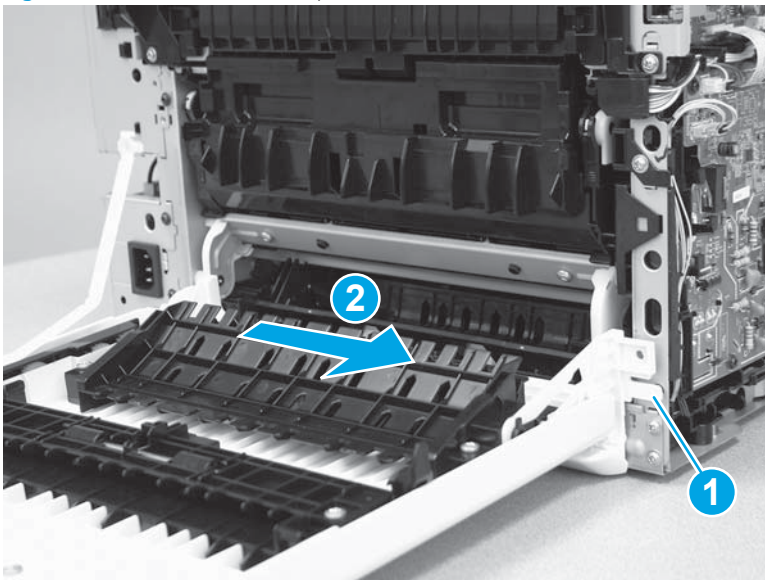
3. Release the retention arm (callout 1).

**Figure 1-210** Release the retention arm



4. Release one tab (callout 1), and then slide the duplexer door (callout 2) to the right to remove it.

**Figure 1-211** Remove the duplexer door



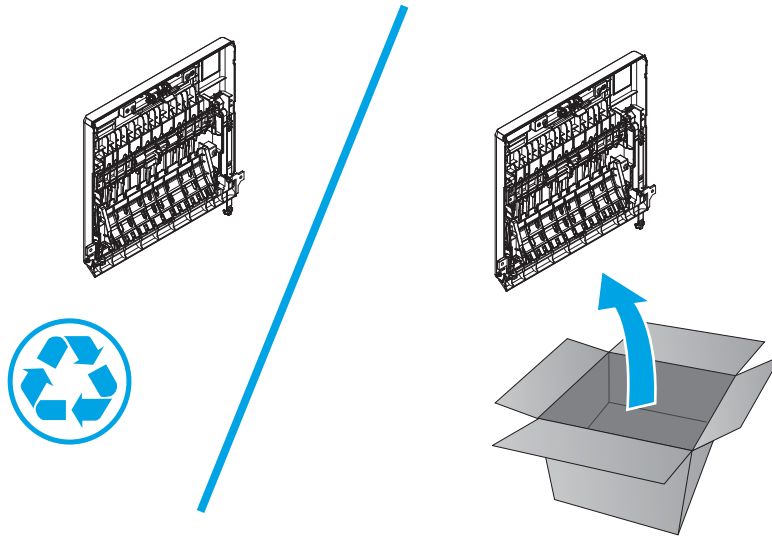
### Step 8: Unpack the replacement part

Remove the new part from its package. Save all packaging for recycling the used part.

For complete information on HP's recycling programs, go to [Product return and recycling](#).

 **NOTE:** HP recommends responsible disposal of the defective part.

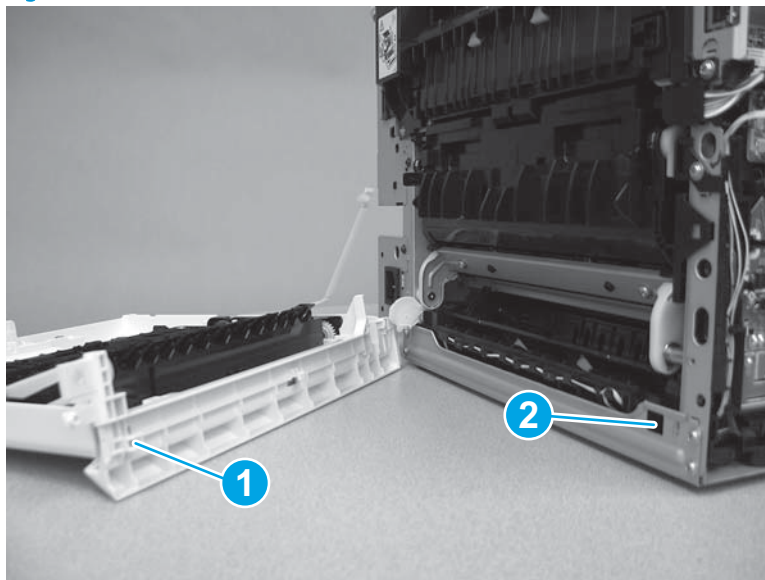
Figure 1-212 Recycle and unpack




### Step 9: Install the duplexer door assembly

1. Position the tab (callout 1) on the door into the slot (callout 2) on the printer.

Figure 1-213 Position the tab in the slot



2. To install an assembly, reverse the removal steps.

 **NOTE:** When applicable, special installation instructions are provided for an assembly at the end of the removal procedure. Always completely read the removal instructions and follow all special installation instructions.

## Removal and replacement: Rear top cover (simplex models)

- [Introduction](#)
- [Step 1: Remove Tray 2](#)
- [Step 2: Open the front door and rear door](#)
- [Step 3: Remove the right cover \(M454 models\)](#)
- [Step 4: Remove the right cover \(M479 models\)](#)
- [Step 5: Remove the left cover \(M454 models\)](#)
- [Step 6: Remove the left cover \(M479 models\)](#)
- [Step 7: Remove the rear top cover \(simplex models only\)](#)
- [Step 8: Unpack the replacement part](#)
- [Step 9: Install the rear top cover](#)


### Introduction

This document provides the procedures to remove and replace the rear top cover for simplex models.

[Click here to view a video of this procedure.](#)

### Before you begin

- Turn off the printer.
- Disconnect the power cable.

 **WARNING!** To avoid damage to the printer, turn the printer off, wait 30 seconds, and then remove the power cord before attempting to service the printer.

- Use the table below to identify the correct part number for your printer. To order the part, go to [www.hp.com/buy/parts](http://www.hp.com/buy/parts).

Rear top cover part number	
RC4-4855-000CN	Rear top cover

### Required tools

- Small, flat-blade screwdriver

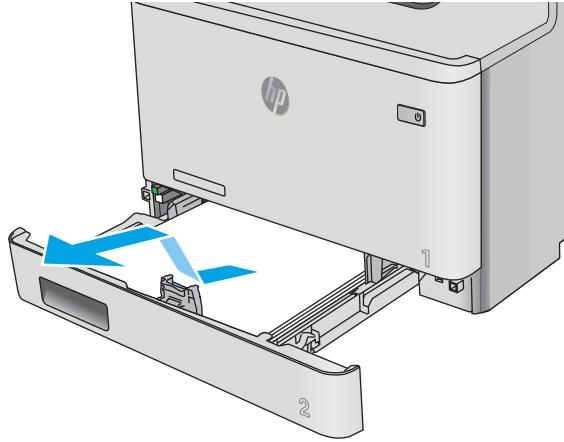
### After performing service

- Connect the power cable.
- Use the power switch to turn the power on.

### Step 1: Remove Tray 2

- ▲ Pull the tray out until it stops. Lift the front of the tray, and then pull it out of the printer to remove it.

Figure 1-214 Remove the tray



**Step 2: Open the front door and rear door**

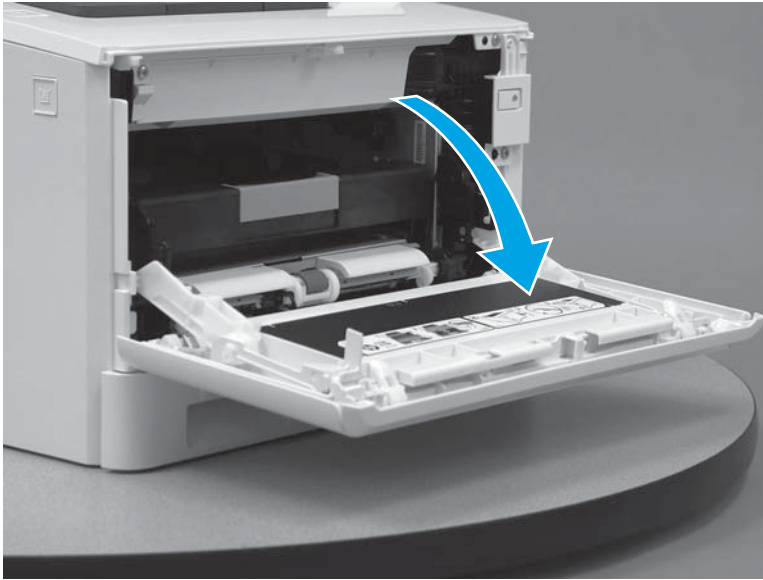
1. Press the button (callout 1) on the left side of the printer to release the front door.

Figure 1-215 Release the front door



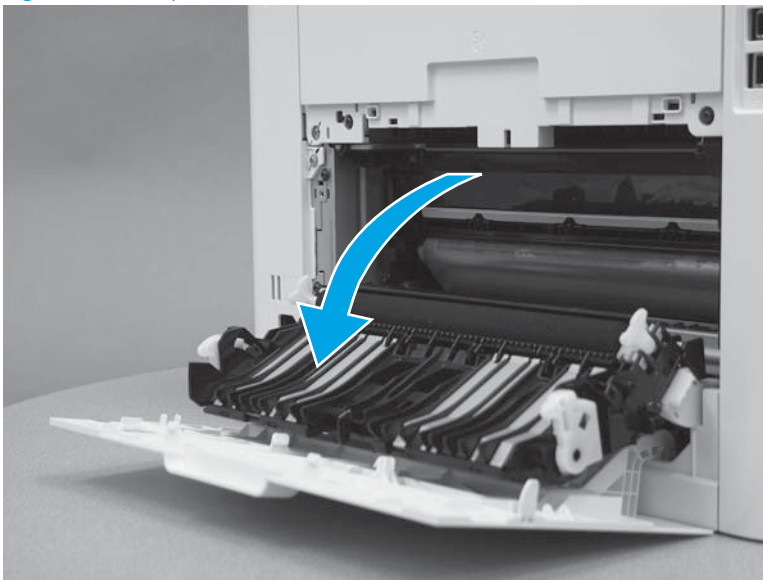
2. Open the front door.

**Figure 1-216** Open the front door




3. Open the rear door.

**Figure 1-217** Open the rear door



### Step 3: Remove the right cover (M454 models)

 **NOTE:** This step is for the M454 models. For the M479 models, skip this step and go to [Step 4: Remove the right cover \(M479 models\) on page 152](#).

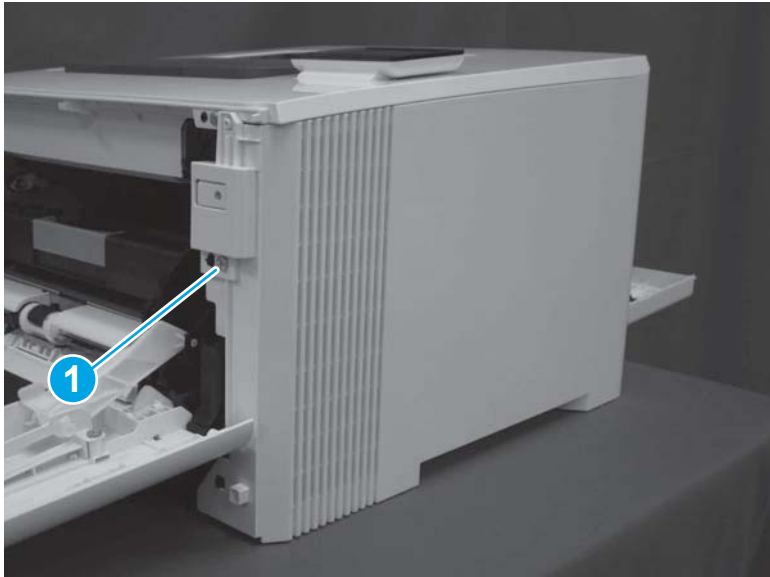
1. At the back of the printer, remove one screw (callout 1).

Figure 1-218 Remove one screw



2. At the front of the printer, remove one screw (callout 1).

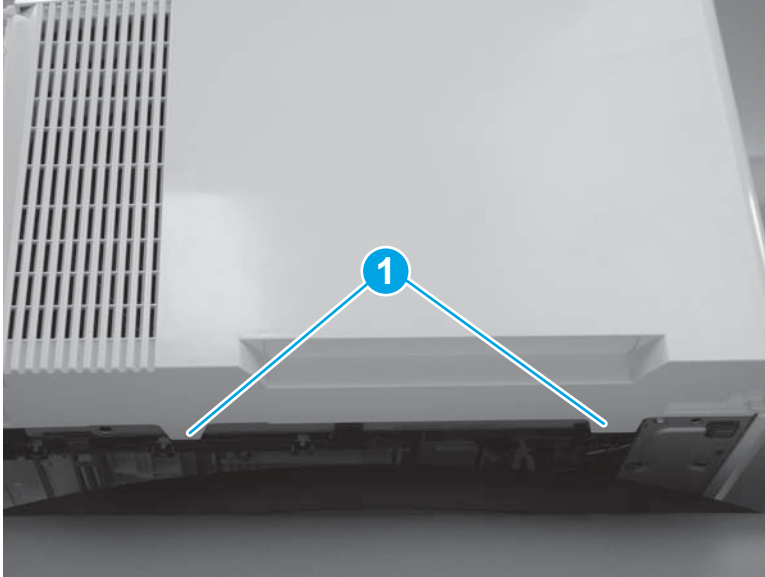
Figure 1-219 Remove one screw





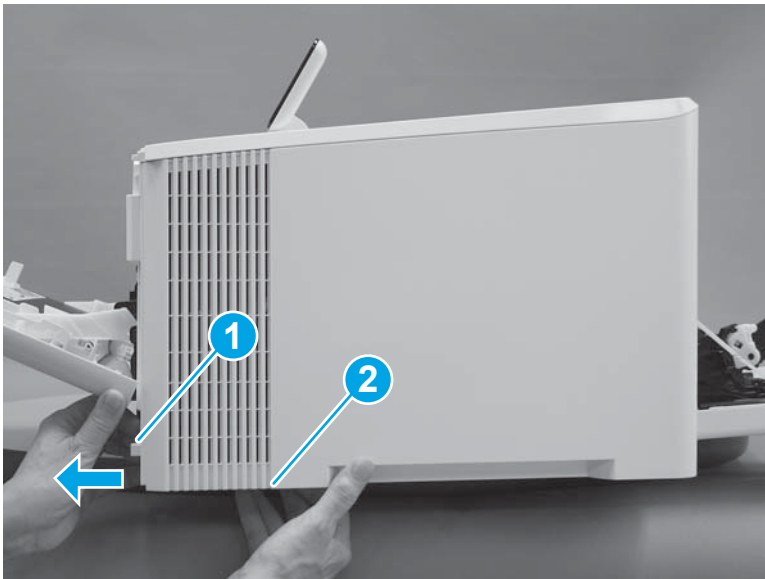
3. Slide the printer to the edge of a work surface. Note the location of the tabs on the lower edge of the cover (callout 1).

Figure 1-220 Locate the tabs



4. Release one tab (callout 1) on the front of the cover by slightly pulling the cover away from the printer. While holding the cover in the released position, release one tab (callout 2) on the bottom of the cover.

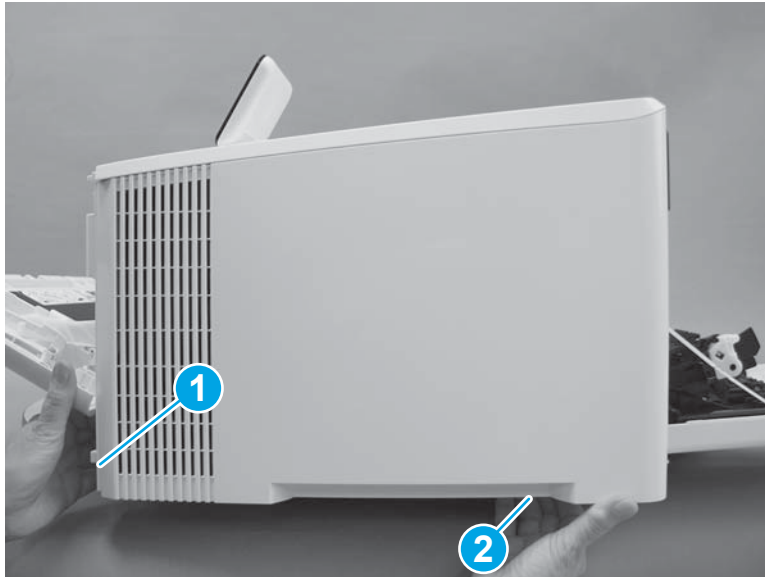
Figure 1-221 Release front lower tabs





5. Hold the front tabs in the released position (callout 1), and then release one tab (callout 2) on the bottom of the cover, toward the back of the printer.

Figure 1-222 Release lower rear tab



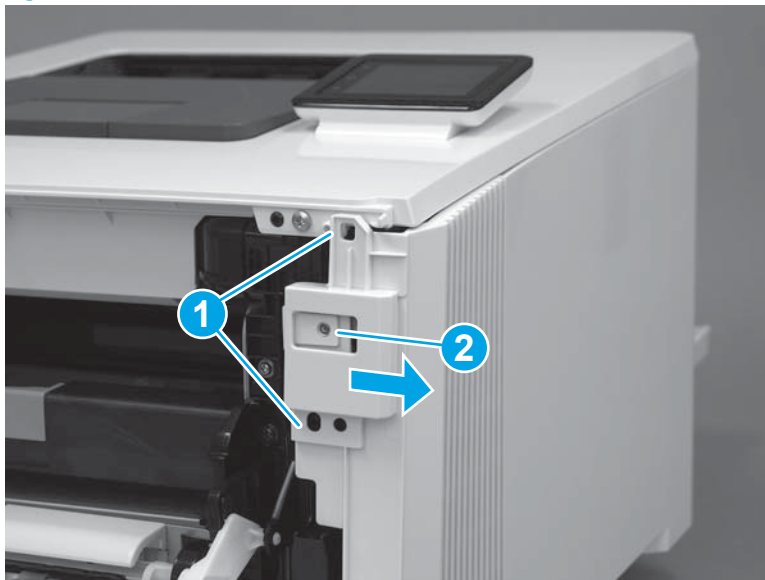
6. Release two tabs at the front of the printer (callout 1) by slightly pulling the cover away from the printer.

---

**⚠ CAUTION:** Be careful not to dislodge the power switch (callout 2).

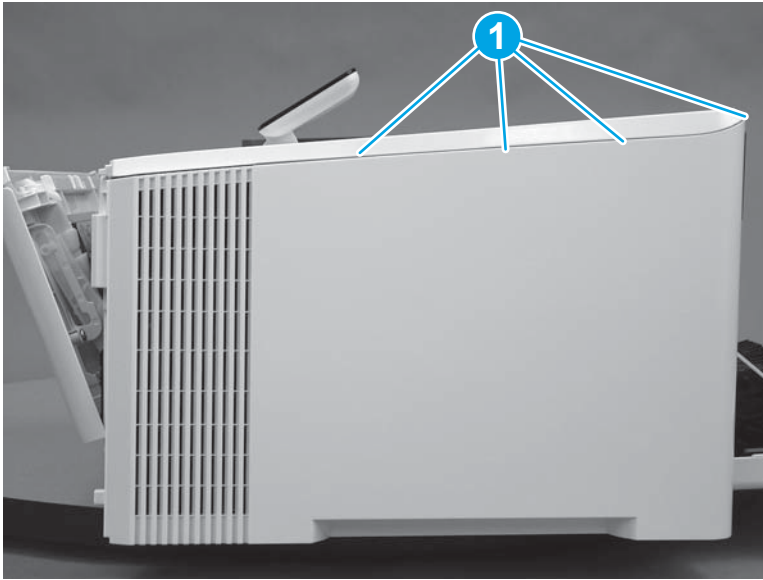
---

Figure 1-223 Release two front tabs



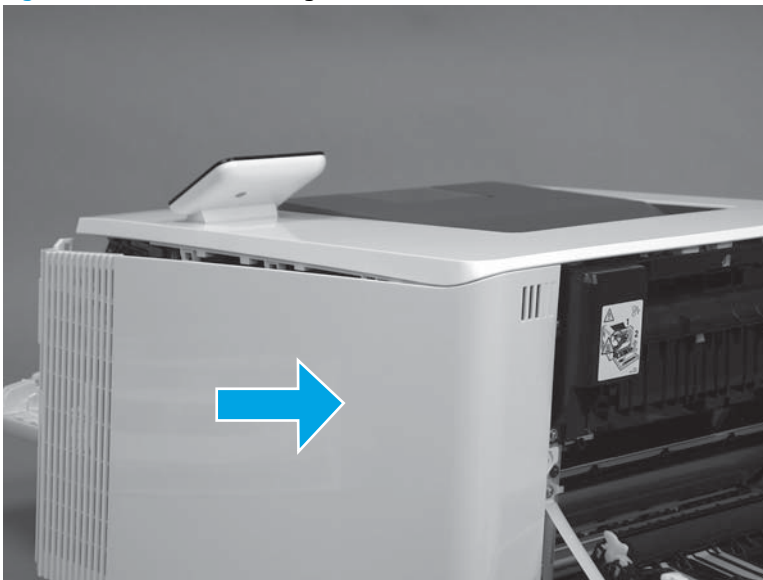
7. Release four tabs on the top of the printer (callout 1).

Figure 1-224 Release upper tabs




8. Slide the cover toward the back of the printer to remove it.

Figure 1-225 Remove the right cover



#### Step 4: Remove the right cover (M479 models)

 **NOTE:** This step is for the M479 models. For the M454 models, skip this step and go to [Step 5: Remove the left cover \(M454 models\) on page 158](#).

1. Raise the scanner.

Figure 1-226 Raise the scanner



2. At the back of the printer, remove one screw (callout 1).

Figure 1-227 Remove one screw



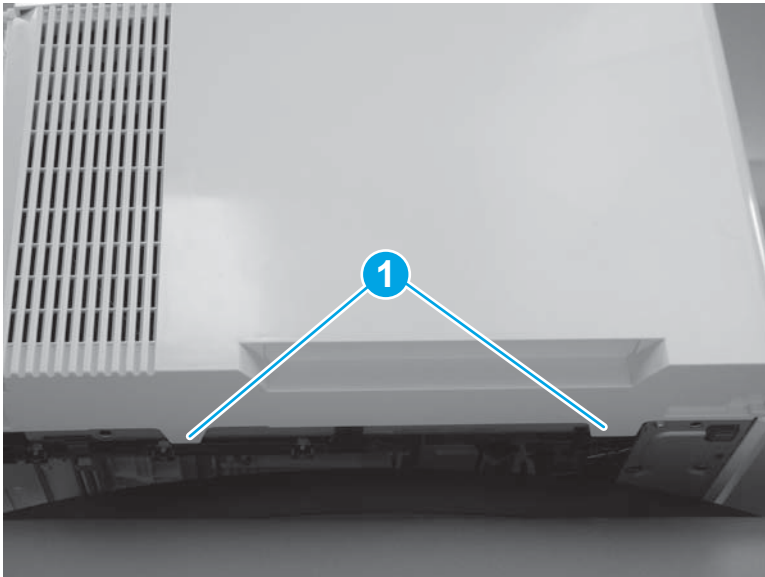
3. At the front of the printer, remove one screw (callout 1).

Figure 1-228 Remove one screw



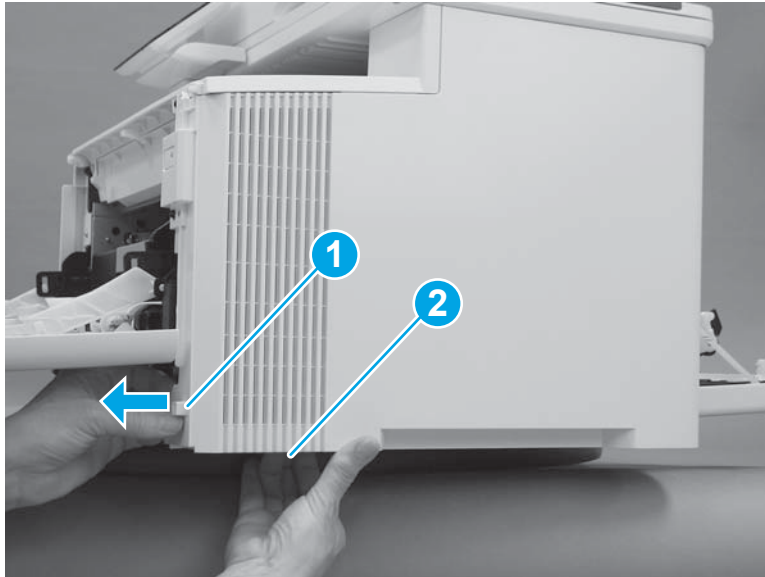
4. Slide the printer to the edge of a work surface. Note the location of the tabs on the lower edge of the cover (callout 1).

Figure 1-229 Locate the tabs



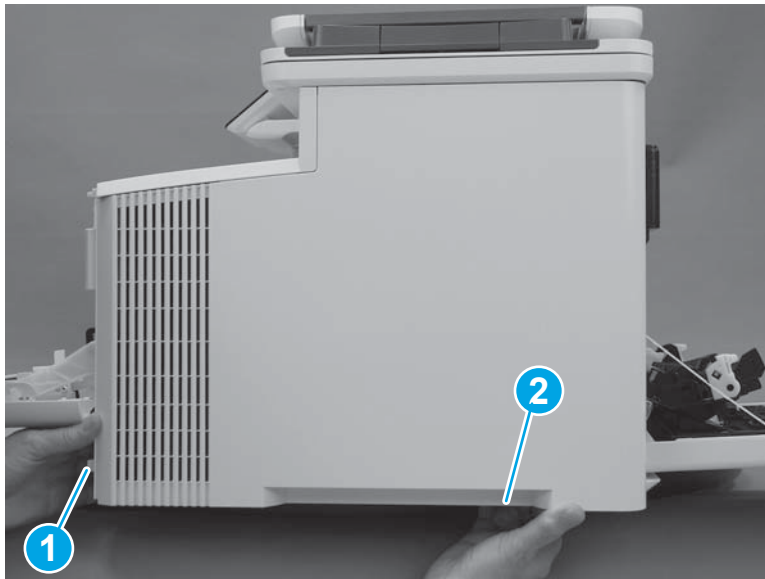
5. Release one tab (callout 1) on the front of the cover by slightly pulling the cover away from the printer. While holding the cover in the released position, release one tab (callout 2) on the lower edge of the cover.

Figure 1-230 Release front lower tabs



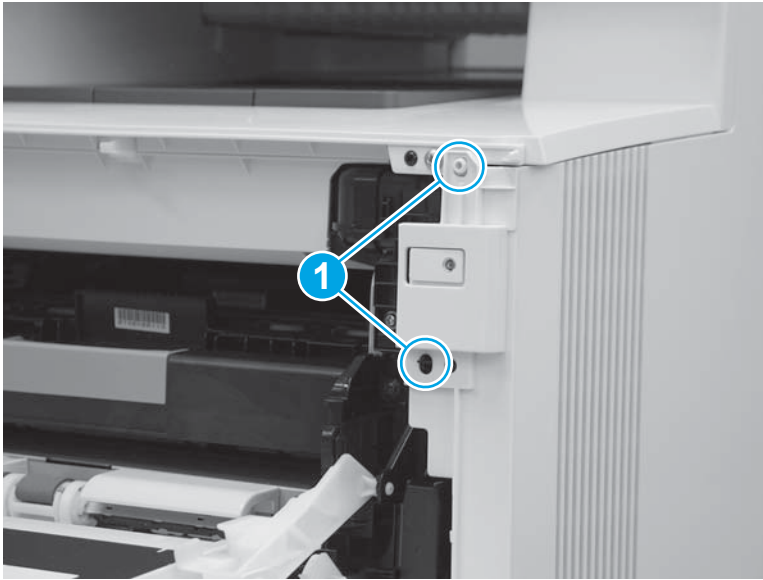
6. Hold the front tabs in the released position (callout 1), and then release one tab (callout 2) on the lower edge of the cover, toward the back of the printer.

Figure 1-231 Release lower rear tab



7. Release two tabs at the front of the printer (callout 1) by slightly pulling the cover away from the printer.

Figure 1-232 Release front upper tabs



8. Rotate the front of the cover away from the printer (callout 1).

---

**⚠ CAUTION:** Be careful not to dislodge the power switch (callout 2).

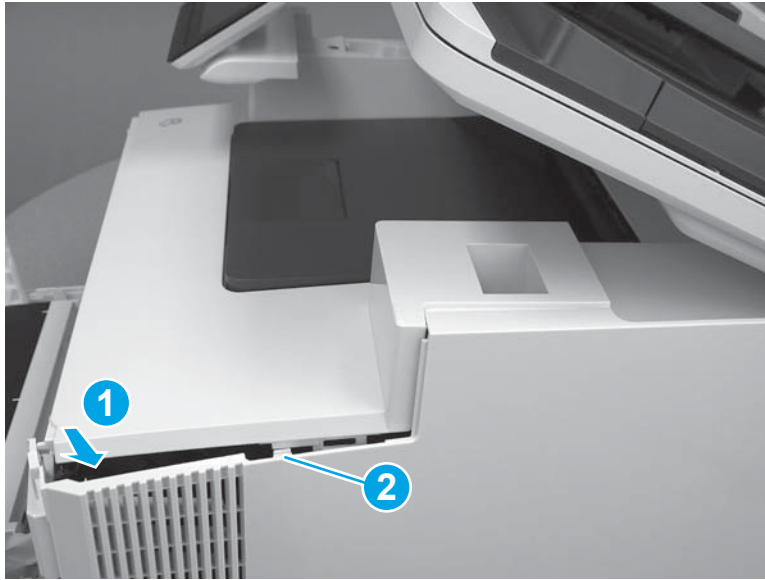
---

Figure 1-233 Rotate the front of the cover



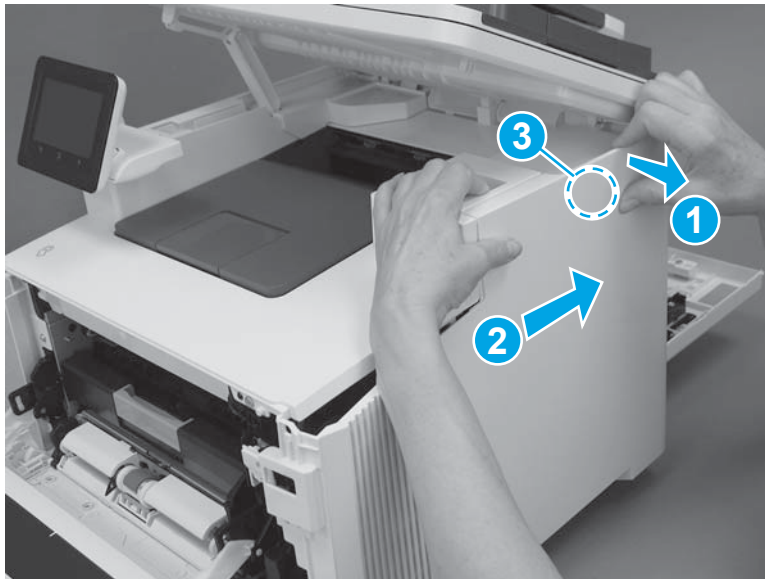
9. Slightly pull the front of the cover away from the printer (callout 1) to release one tab (callout 2).

Figure 1-234 Release top tabs



10. At the top of the printer, slightly pull the top of the cover away from the printer to release one retention tab (callout 1) on the inside of the cover. While holding the cover away, slide the cover toward the back of the printer (callout 2) to release one hook (callout 3) on the inside of the cover.

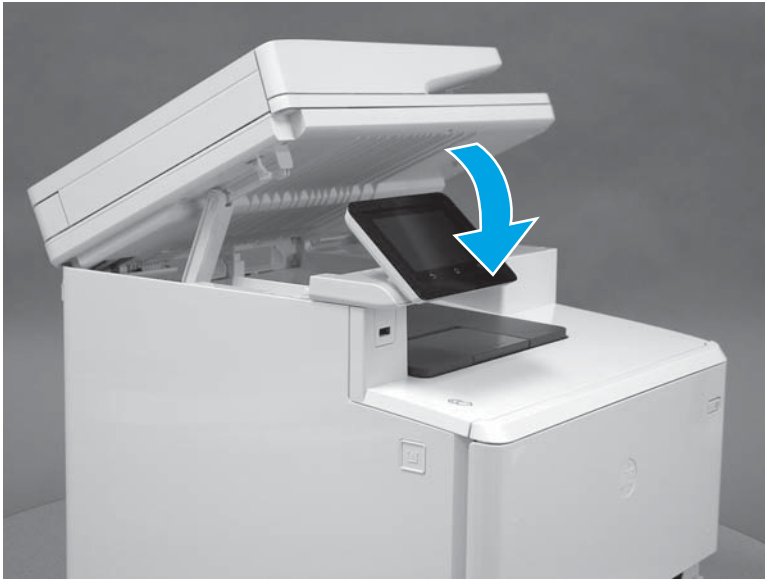
Figure 1-235 Release one tab and one hook





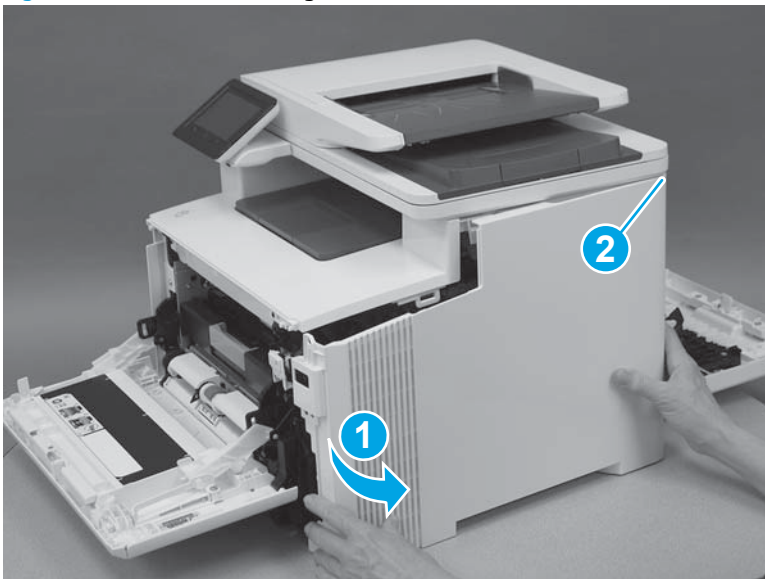
11. Lower the scanner.

Figure 1-236 Lower the scanner




12. Rotate the cover away from the printer (callout 1) to release one tab (callout 2) at the back of the printer, and then remove the cover.

Figure 1-237 Remove the right cover



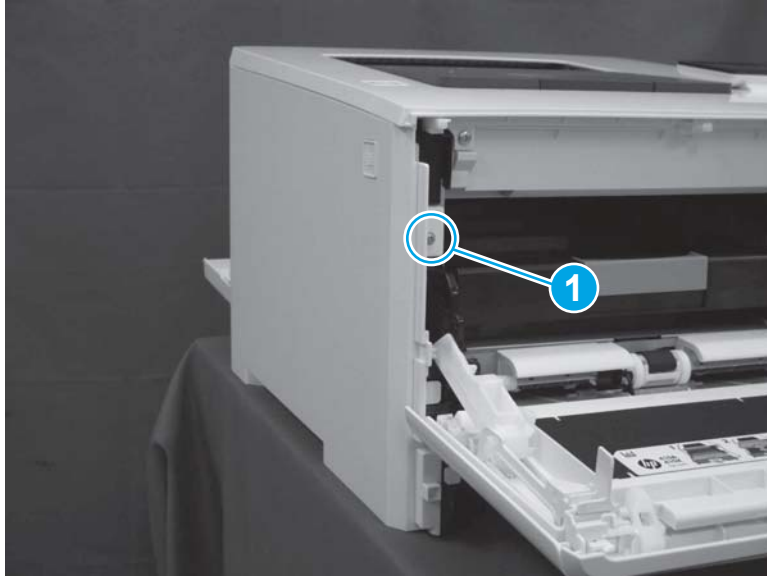
#### Step 5: Remove the left cover (M454 models)

 **NOTE:** This step is for the M454 models. For the M479 models, skip this step and go to [Step 6: Remove the left cover \(M479 models\) on page 161](#).

1. At the front of the printer, remove one screw (callout 1).

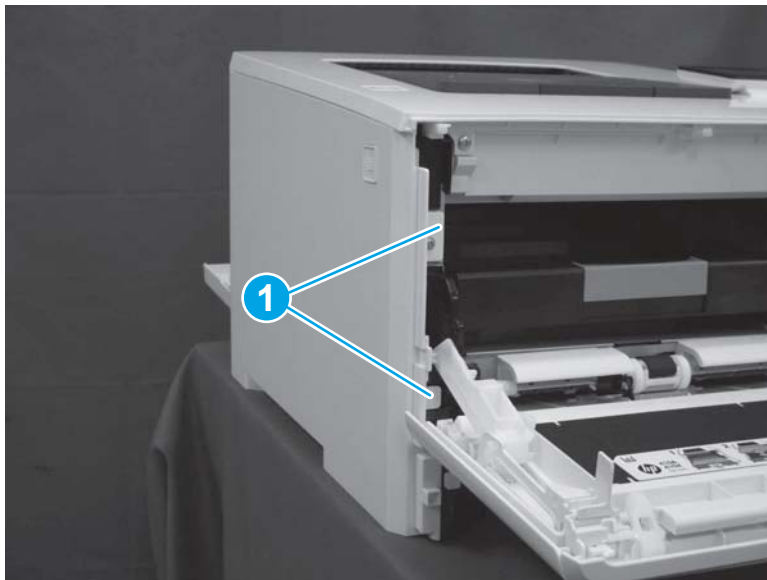


Figure 1-238 Remove one screw



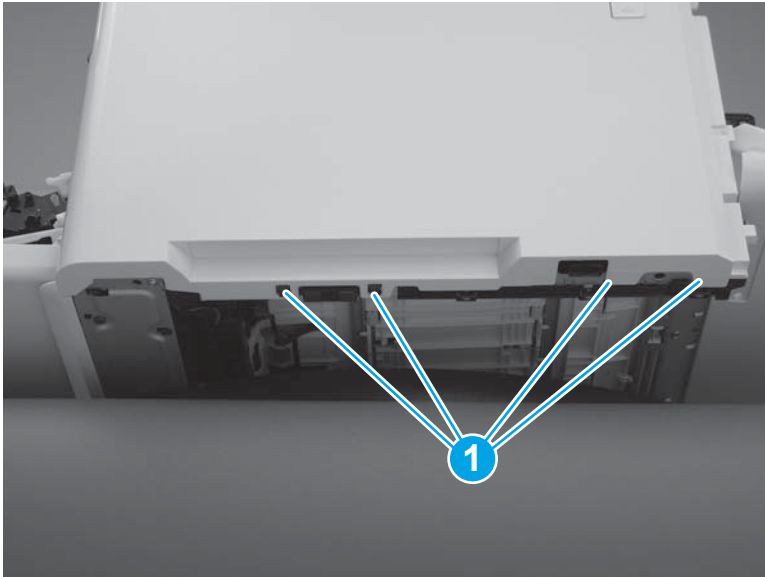
2. Release two tabs (callout 1) at the front of the cover. Hold the cover open to prevent the tabs from reengaging.

Figure 1-239 Release two tabs



3. Slide the printer to the edge of a work surface. Note the location of the tabs on the lower edge of the cover (callout 1).

Figure 1-240 Locate the tabs



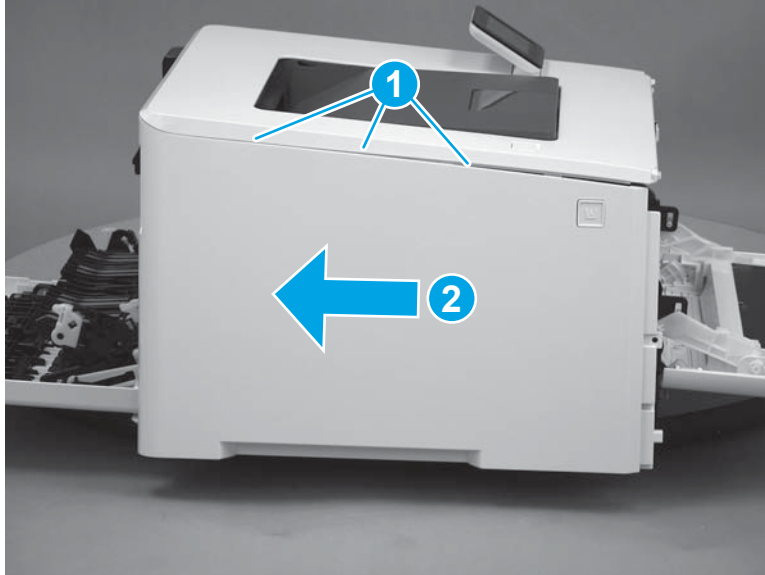
4. Beginning from the front of the cover, release four tabs (callouts 1-4) on the lower edge of the cover.

Figure 1-241 Release bottom tabs




5. Release three tabs at the top of the cover (callout 1), and then slide the cover toward the rear of the printer to remove it.

Figure 1-242 Release three tabs



#### Step 6: Remove the left cover ( M479 models)

 **NOTE:** This step is for the M479 models. For the M454 models, skip this step and go to [Step 7: Remove the rear top cover \(simplex models only\) on page 165.](#)

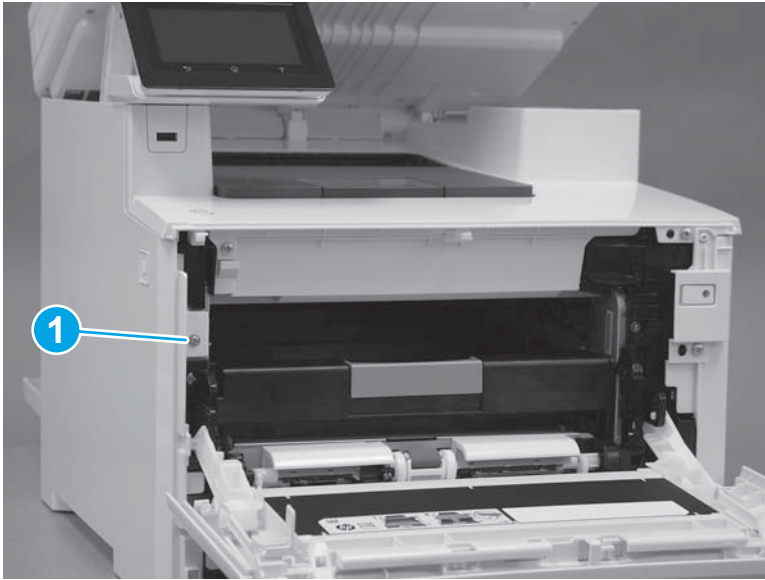
1. Raise the scanner.

Figure 1-243 Raise the scanner



2. At the front of the printer, remove one screw (callout 1).

Figure 1-244 Remove one screw



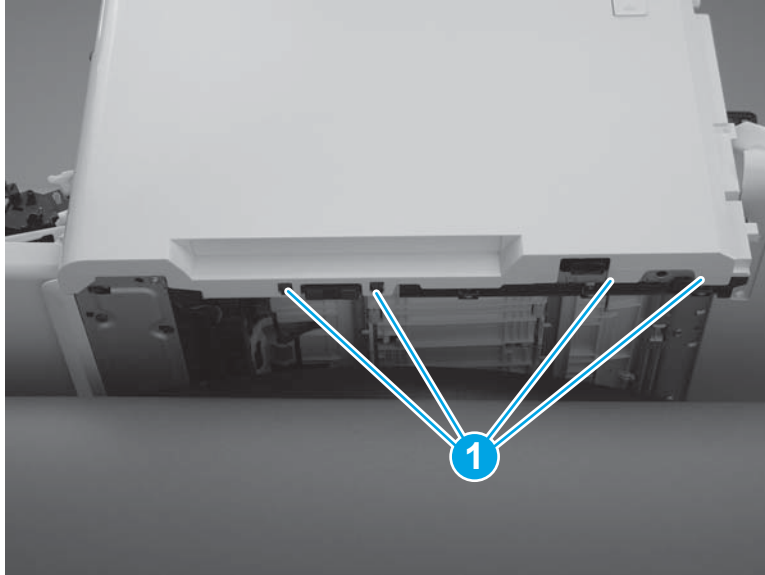
3. Release two tabs (callout 1) at the front of the cover. Hold the cover open to prevent the tabs from re-engaging.

Figure 1-245 Release two tabs



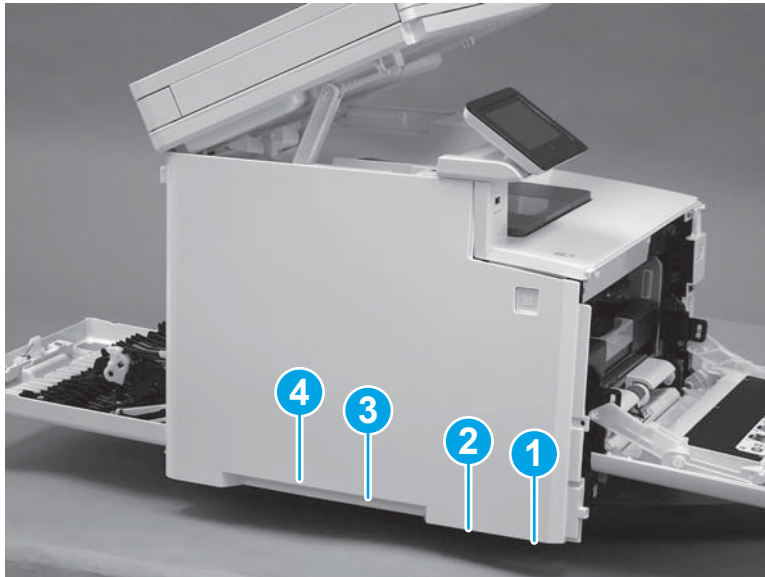
4. Slide the printer to the edge of a work surface. Note the location of the tabs on the lower edge of the cover (callout 1).

Figure 1-246 Locate the tabs



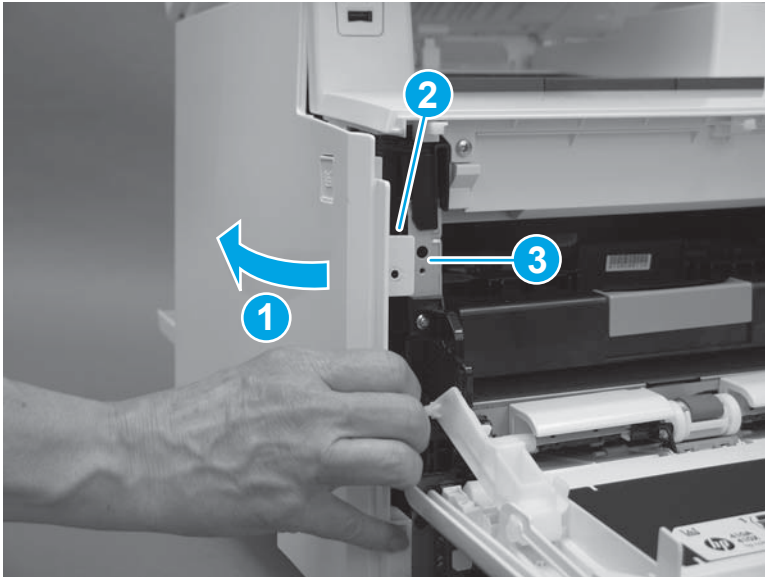
5. Beginning from the front of the cover, release the four tabs (callouts 1-4) on the lower edge of the cover.

Figure 1-247 Release four tabs



6. Rotate the front of the cover away from the printer (callout 1). Make sure that the tab (callout 2) does not get caught on the printer frame (callout 3).

Figure 1-248 Rotate the cover



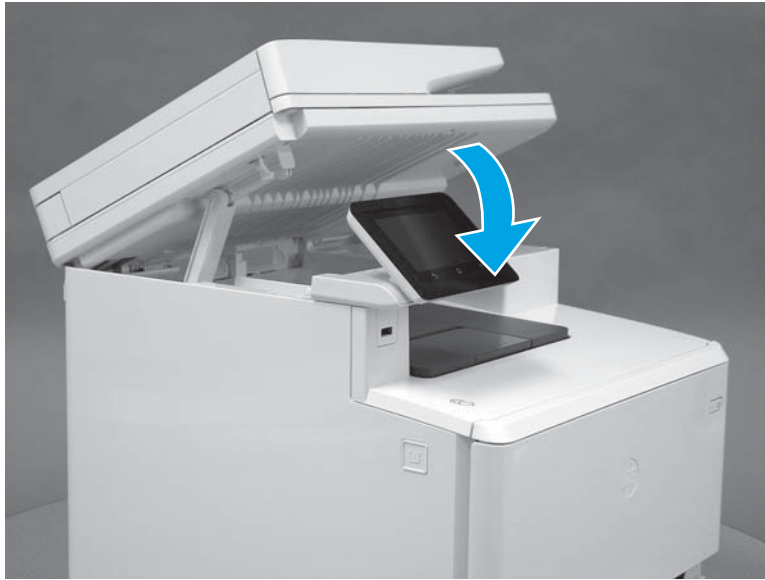
7. At the top of the printer, slightly pull the top of the cover away from the printer to release one retention tab (callout 1) on the inside of the cover. While holding the cover away, slide the cover toward the back of the printer (callout 2) to release two hooks (callout 3) inside the cover.

Figure 1-249 Release one tab and two hooks



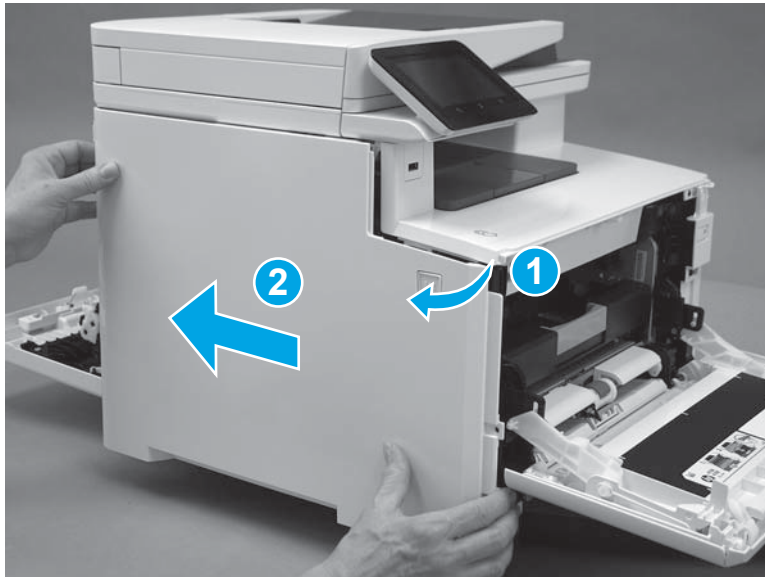
8. Lower the scanner.

Figure 1-250 Lower the scanner



9. Rotate the cover away from the printer (callout 1), and then slide the cover (callout 2) toward the back of the printer to remove it.

Figure 1-251 Remove the left cover

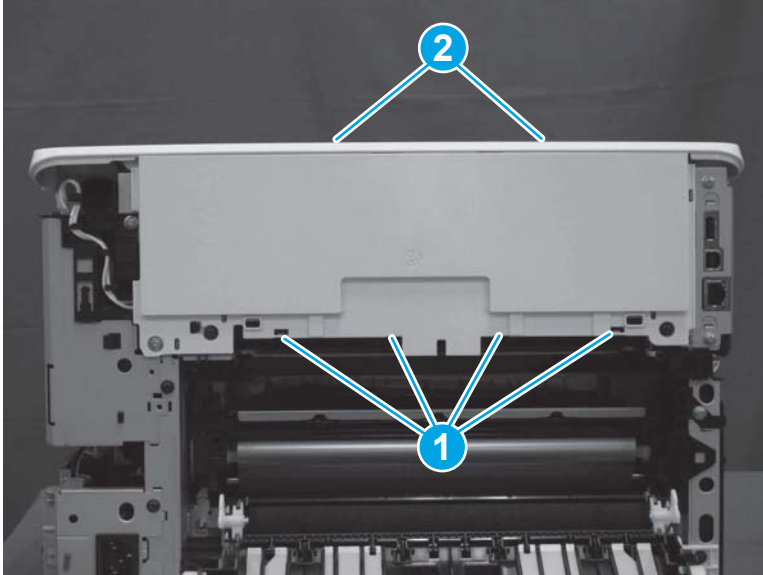


#### Step 7: Remove the rear top cover (simplex models only)

1. At the back of the printer, release four tabs (callout 1) on the bottom of the cover and two tabs (callout 2) on the top of the cover.

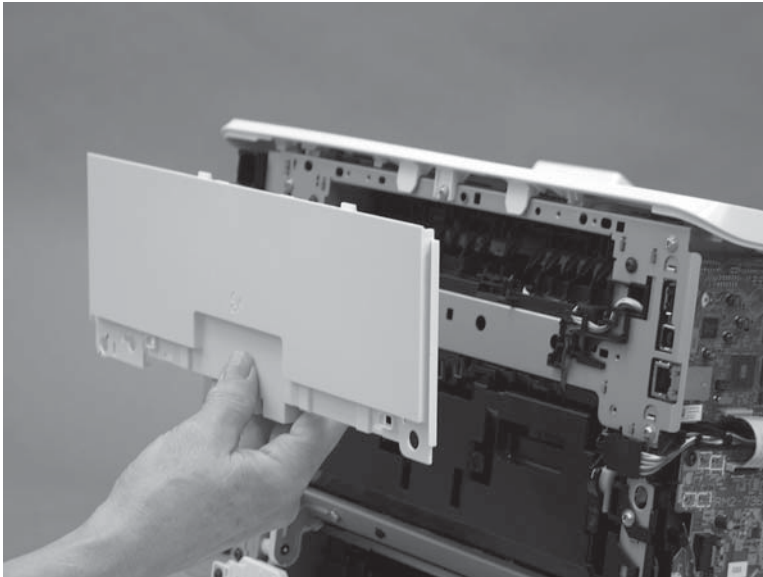


Figure 1-252 Release six tabs



2. Remove the rear top cover.

Figure 1-253 Remove the rear top cover



### Step 8: Unpack the replacement part

Remove the new part from its package. Save all packaging for recycling the used part.

For complete information on HP's recycling programs, go to [Product return and recycling](#).

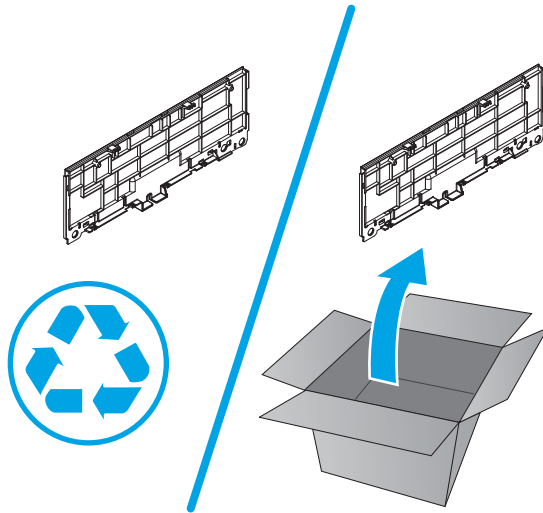
---

 **NOTE:** HP recommends responsible disposal of the defective part.

---




Figure 1-254 Recycle and unpack



### Step 9: Install the rear top cover

- ▲ To install an assembly, reverse the removal steps.

---

 **NOTE:** When applicable, special installation instructions are provided for an assembly at the end of the removal procedure. Always completely read the removal instructions and follow all special installation instructions.

---

## Removal and replacement: Rear lower cover (simplex models)

- [Introduction](#)
- [Step 1: Remove Tray 2](#)
- [Step 2: Open the front door and rear door](#)
- [Step 3: Remove the right cover \(M454 models\)](#)
- [Step 4: Remove the right cover \(M479 models\)](#)
- [Step 5: Remove the left cover \(M454 models\)](#)
- [Step 6: Remove the left cover \(M479 models\)](#)
- [Step 7: Remove the rear lower cover \(simplex models\)](#)
- [Step 8: Unpack the replacement part](#)
- [Step 9: Install the rear lower cover \(simplex models\)](#)

### Introduction


This document provides the procedures to remove and replace the rear lower cover for simplex models.

[Click here to view a video of this procedure.](#)

### Before you begin

- Turn off the printer.
- Disconnect the power cable.

---

 **WARNING!** To avoid damage to the printer, turn the printer off, wait 30 seconds, and then remove the power cord before attempting to service the printer.

---

- Use the table below to identify the correct part number for your printer. To order the part, go to [www.hp.com/buy/parts](http://www.hp.com/buy/parts).

---

Rear lower cover part number	
RC4-5131-000CN	Rear lower cover

---

### Required tools

- #2 Phillips screwdriver with a magnetic tip

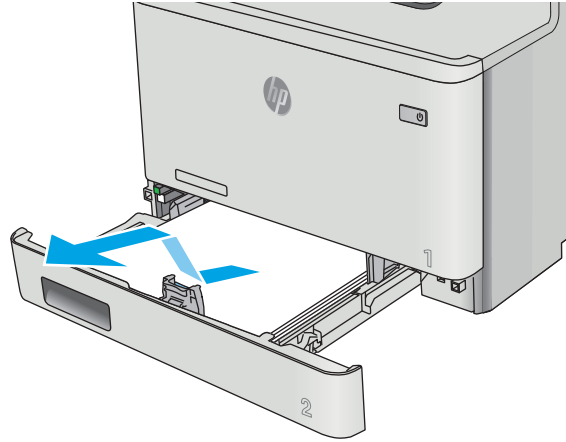
### After performing service

- Connect the power cable.
- Use the power switch to turn the power on.

### Step 1: Remove Tray 2

- ▲ Pull the tray out until it stops. Lift the front of the tray, and then pull it out of the printer to remove it.

Figure 1-255 Remove the tray



**Step 2: Open the front door and rear door**

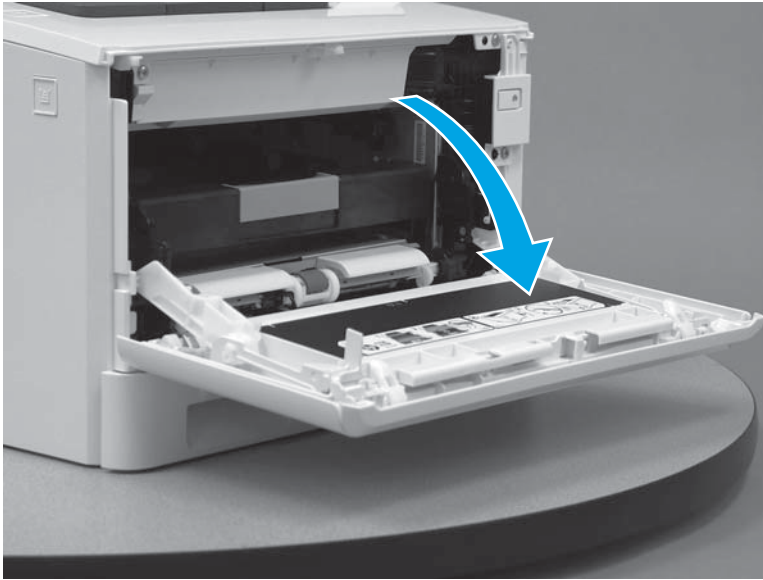
1. Press the button (callout 1) on the left side of the printer to release the front door.

Figure 1-256 Release the front door



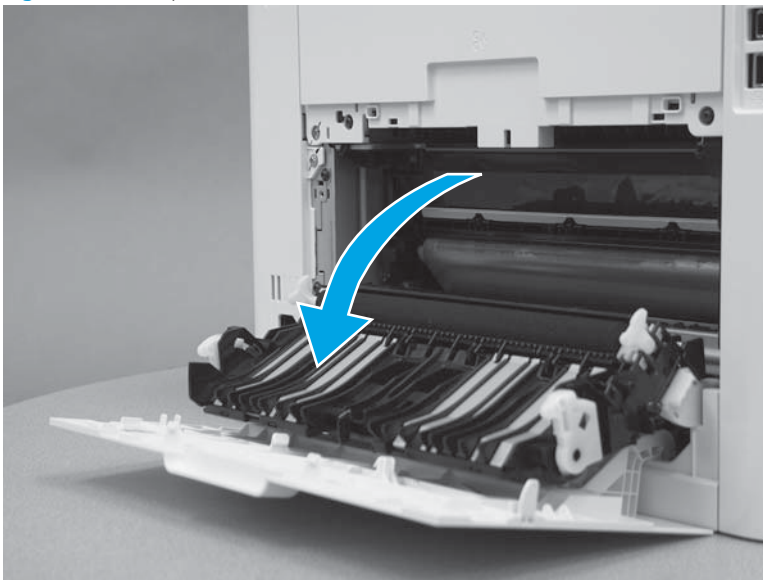
2. Open the front door.

**Figure 1-257** Open the front door




3. Open the rear door.

**Figure 1-258** Open the rear door

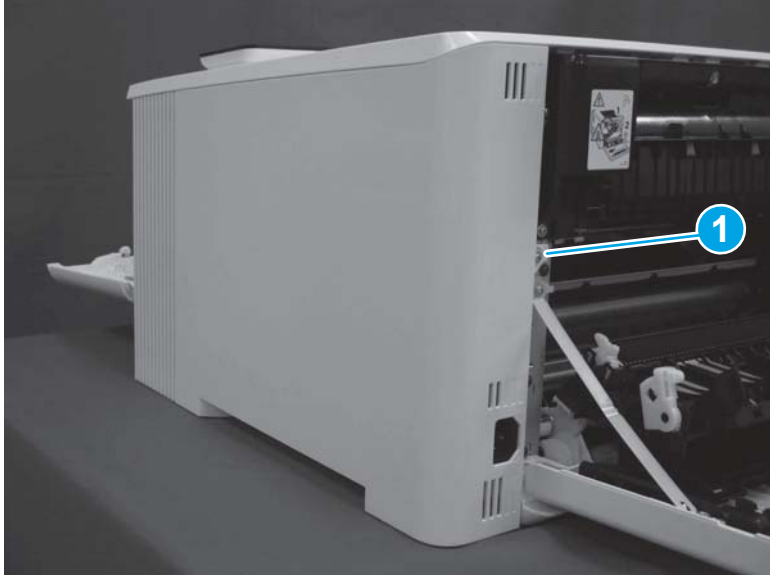


### Step 3: Remove the right cover (M454 models)

 **NOTE:** This step is for the M454 models. For the M479 models, skip this step and go to [Step 4: Remove the right cover \(M479 models\) on page 174](#).

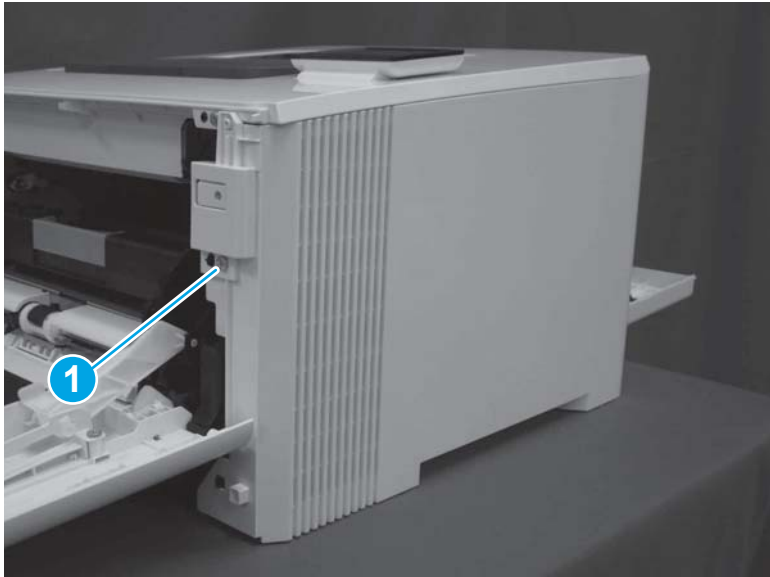
1. At the back of the printer, remove one screw (callout 1).

Figure 1-259 Remove one screw



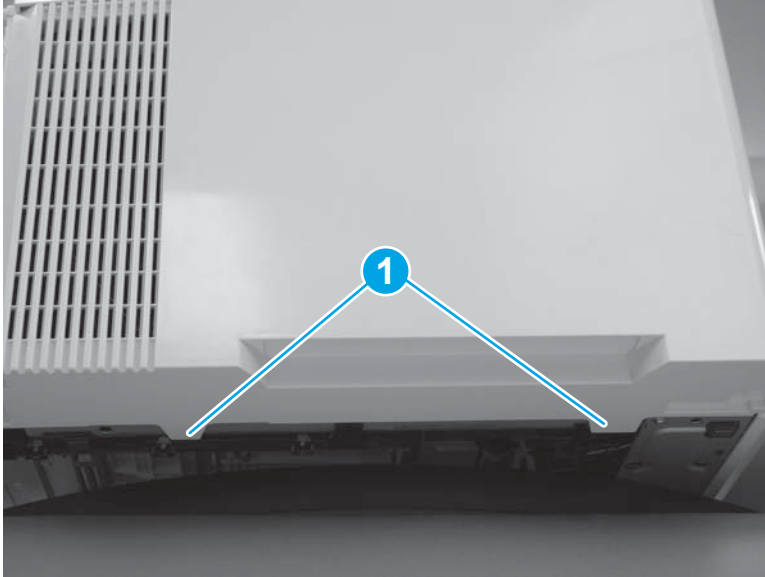
2. At the front of the printer, remove one screw (callout 1).

Figure 1-260 Remove one screw



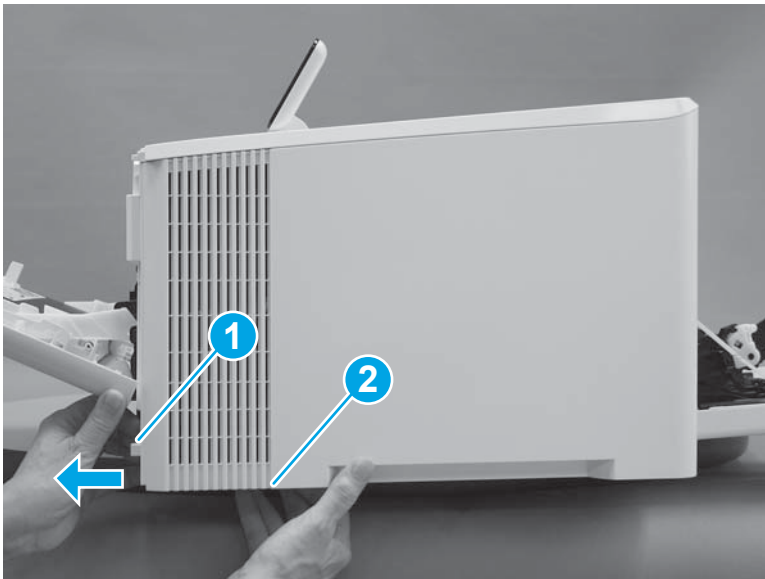
3. Slide the printer to the edge of a work surface. Note the location of the tabs on the lower edge of the cover (callout 1).

Figure 1-261 Locate the tabs



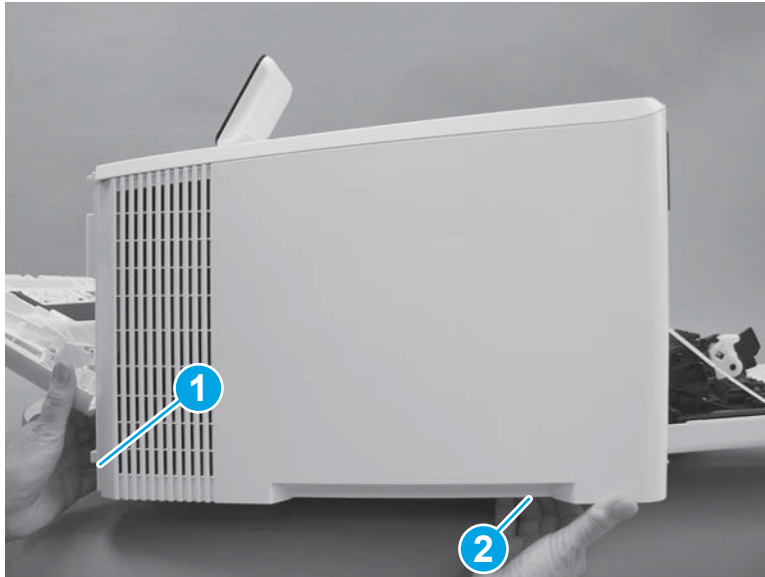
4. Release one tab (callout 1) on the front of the cover by slightly pulling the cover away from the printer. While holding the cover in the released position, release one tab (callout 2) on the bottom of the cover.

Figure 1-262 Release front lower tabs



5. Hold the front tabs in the released position (callout 1), and then release one tab (callout 2) on the bottom of the cover, toward the back of the printer.

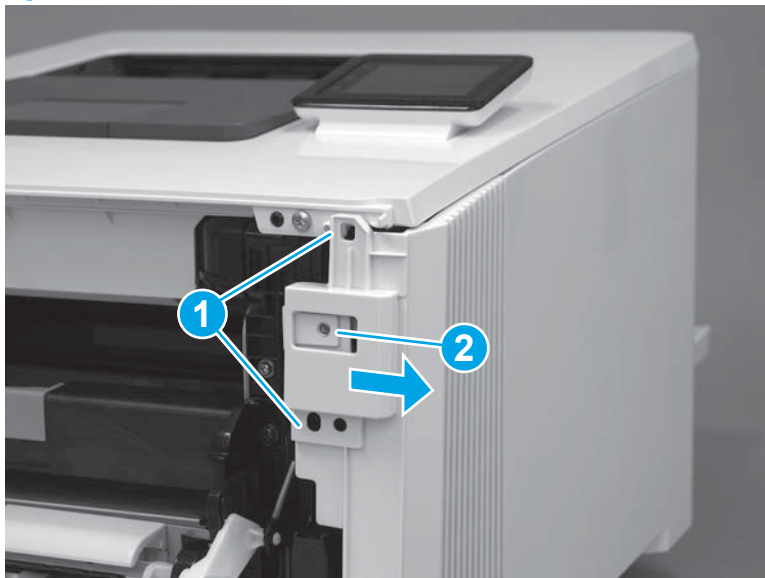
Figure 1-263 Release lower rear tab



6. Release two tabs at the front of the printer (callout 1) by slightly pulling the cover away from the printer.

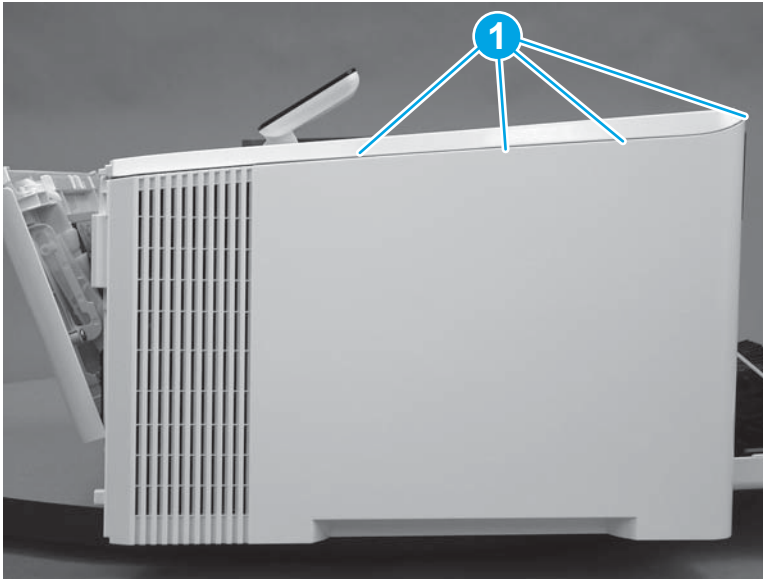
**⚠ CAUTION:** Be careful not to dislodge the power switch (callout 2).

Figure 1-264 Release two front tabs



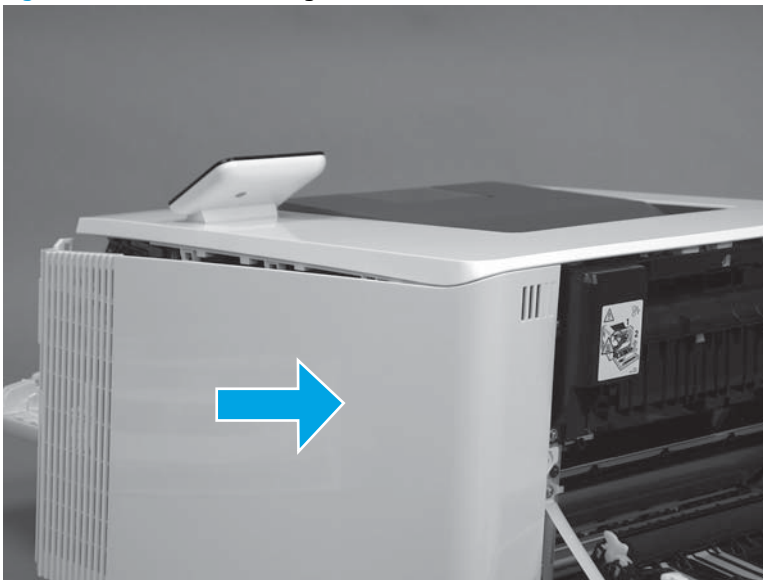
7. Release four tabs on the top of the printer (callout 1).

Figure 1-265 Release upper tabs




8. Slide the cover toward the back of the printer to remove it.

Figure 1-266 Remove the right cover



#### Step 4: Remove the right cover (M479 models)

 **NOTE:** This step is for the M479 models. For the M454 models, skip this step and go to [Step 5: Remove the left cover \(M454 models\) on page 180.](#)

1. Raise the scanner.



Figure 1-267 Raise the scanner



2. At the back of the printer, remove one screw (callout 1).

Figure 1-268 Remove one screw



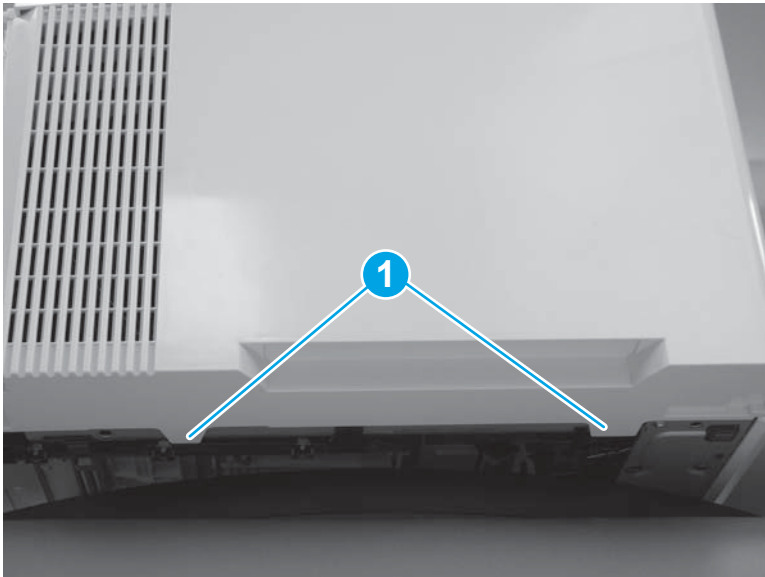
3. At the front of the printer, remove one screw (callout 1).

Figure 1-269 Remove one screw



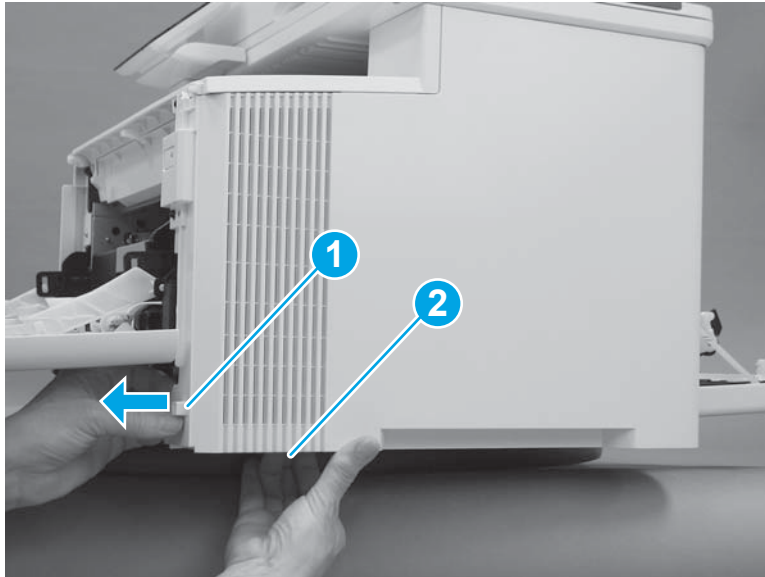
4. Slide the printer to the edge of a work surface. Note the location of the tabs on the lower edge of the cover (callout 1).

Figure 1-270 Locate the tabs



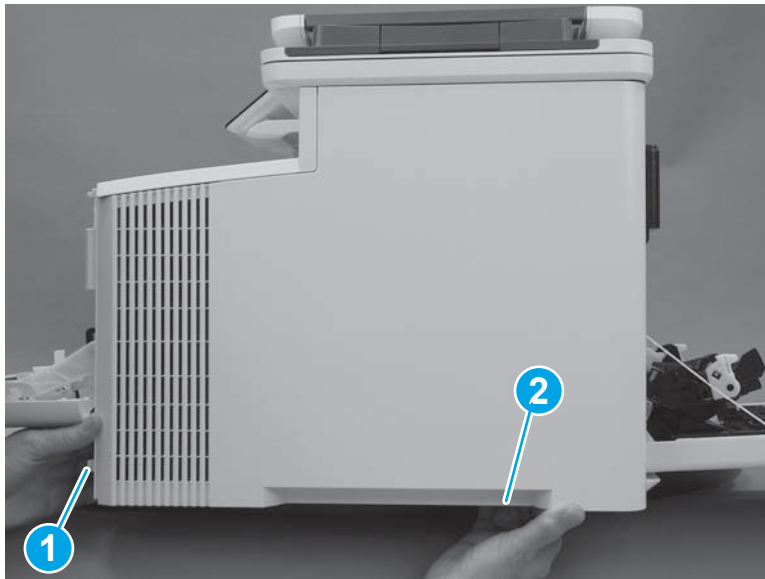
5. Release one tab (callout 1) on the front of the cover by slightly pulling the cover away from the printer. While holding the cover in the released position, release one tab (callout 2) on the lower edge of the cover.

Figure 1-271 Release front lower tabs



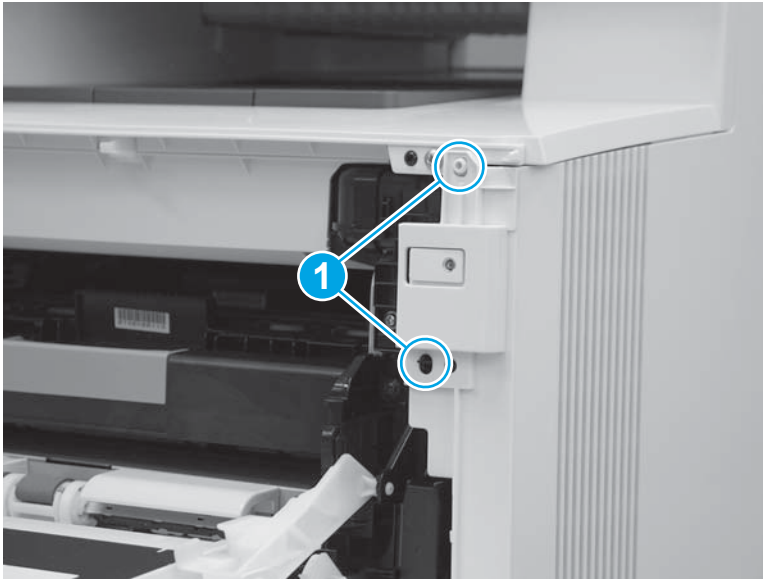
6. Hold the front tabs in the released position (callout 1), and then release one tab (callout 2) on the lower edge of the cover, toward the back of the printer.

Figure 1-272 Release lower rear tab



7. Release two tabs at the front of the printer (callout 1) by slightly pulling the cover away from the printer.

Figure 1-273 Release front upper tabs



8. Rotate the front of the cover away from the printer (callout 1).

---

**⚠ CAUTION:** Be careful not to dislodge the power switch (callout 2).

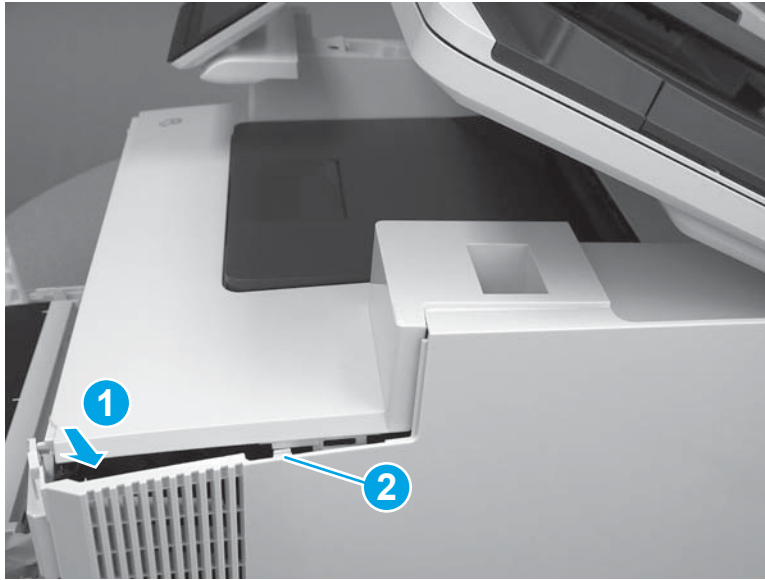
---

Figure 1-274 Rotate the front of the cover



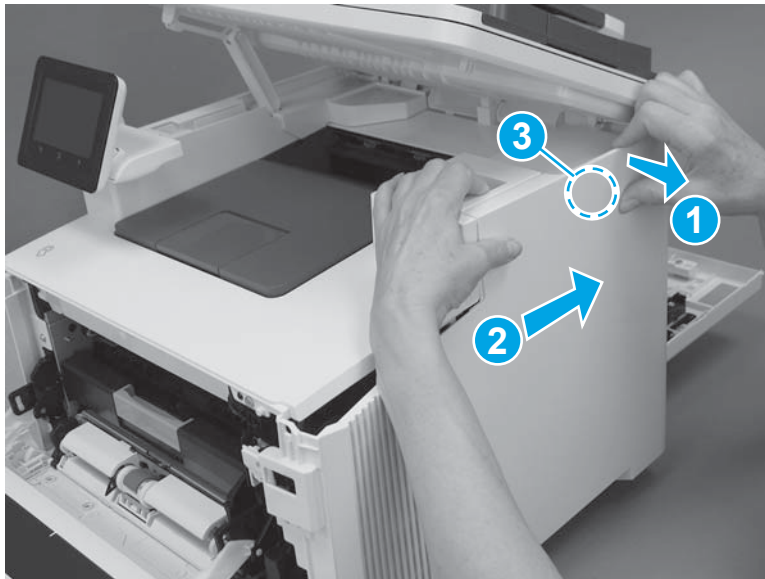
9. Slightly pull the front of the cover away from the printer (callout 1) to release one tab (callout 2).

Figure 1-275 Release top tabs



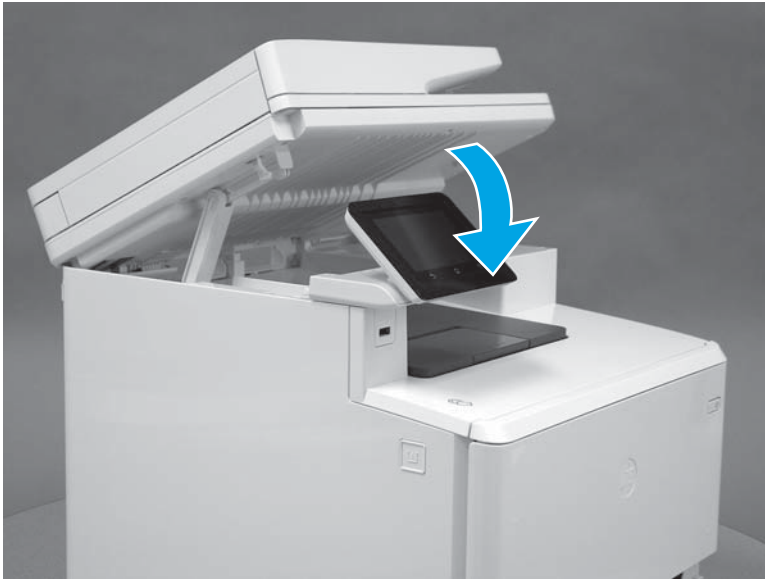
10. At the top of the printer, slightly pull the top of the cover away from the printer to release one retention tab (callout 1) on the inside of the cover. While holding the cover away, slide the cover toward the back of the printer (callout 2) to release one hook (callout 3) on the inside of the cover.

Figure 1-276 Release one tab and one hook



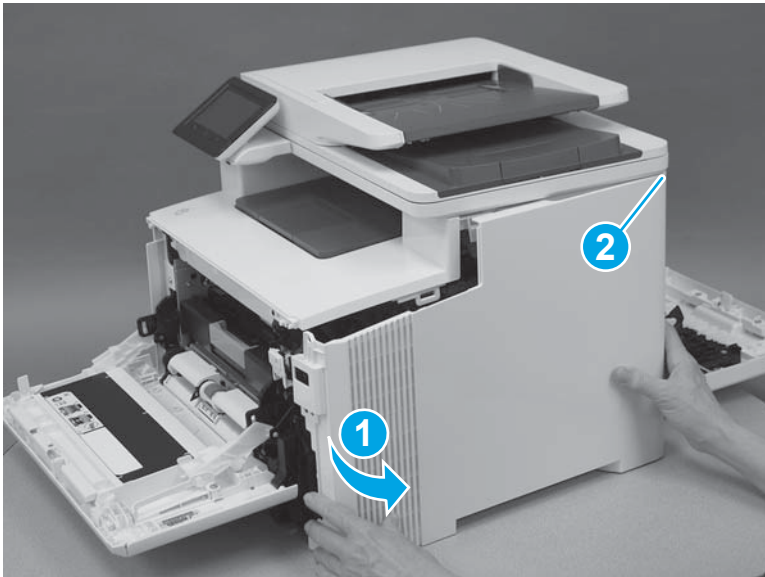
11. Lower the scanner.

Figure 1-277 Lower the scanner




12. Rotate the cover away from the printer (callout 1) to release one tab (callout 2) at the back of the printer, and then remove the cover.

Figure 1-278 Remove the right cover

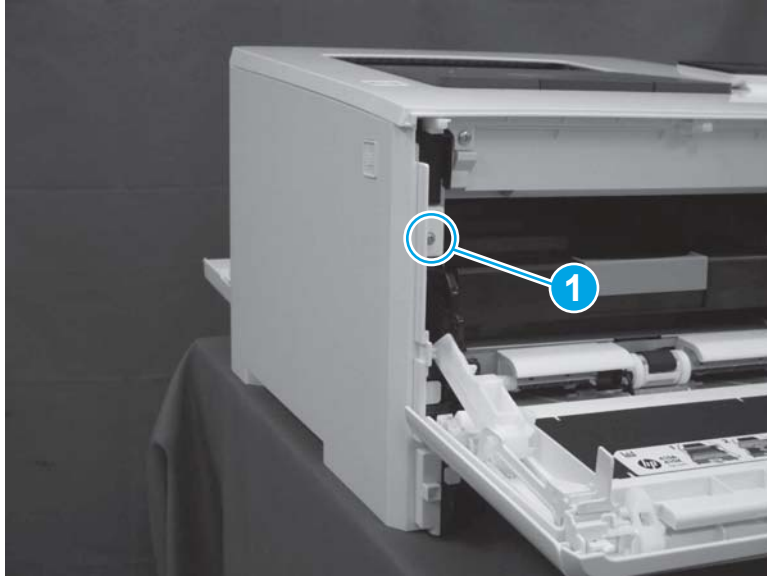


#### Step 5: Remove the left cover (M454 models)

 **NOTE:** This step is for the M454 models. For the M479 models, skip this step and go to [Step 6: Remove the left cover \(M479 models\) on page 183](#).

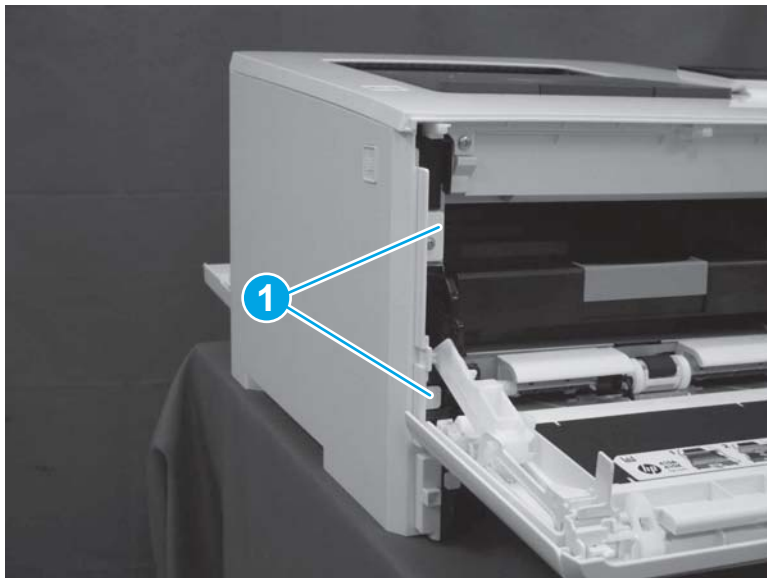
1. At the front of the printer, remove one screw (callout 1).

Figure 1-279 Remove one screw



2. Release two tabs (callout 1) at the front of the cover. Hold the cover open to prevent the tabs from reengaging.

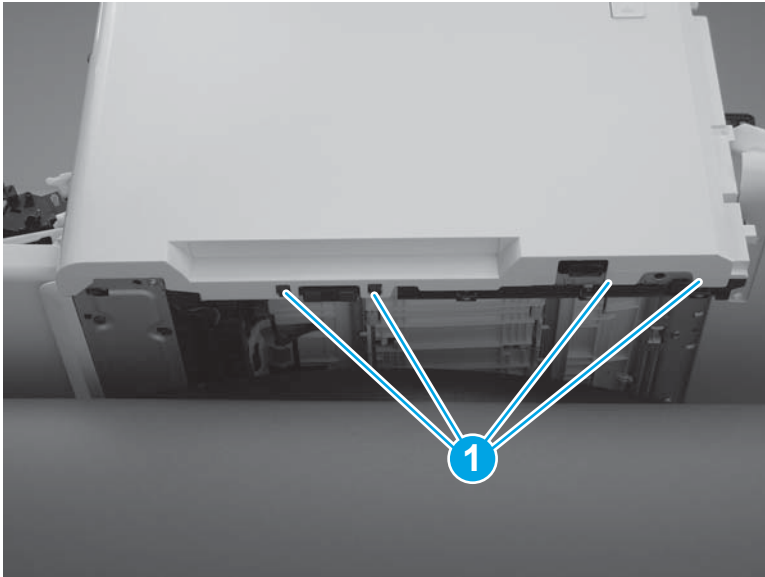
Figure 1-280 Release two tabs





3. Slide the printer to the edge of a work surface. Note the location of the tabs on the lower edge of the cover (callout 1).

Figure 1-281 Locate the tabs



4. Beginning from the front of the cover, release four tabs (callouts 1-4) on the lower edge of the cover.

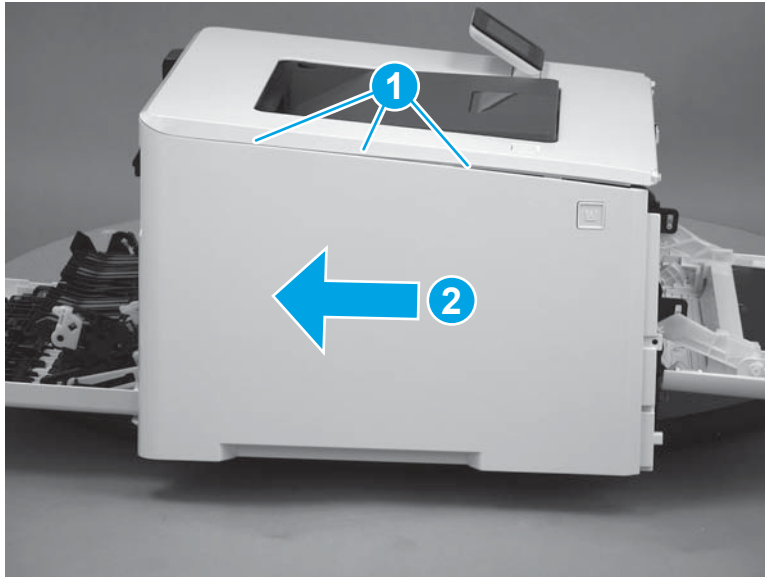
Figure 1-282 Release bottom tabs






5. Release three tabs at the top of the cover (callout 1), and then slide the cover toward the rear of the printer to remove it.

Figure 1-283 Release three tabs



#### Step 6: Remove the left cover (M479 models)

 **NOTE:** This step is for the M479 models. For the M454 models, skip this step and go to [Step 7: Remove the rear lower cover \(simplex models\) on page 187](#).

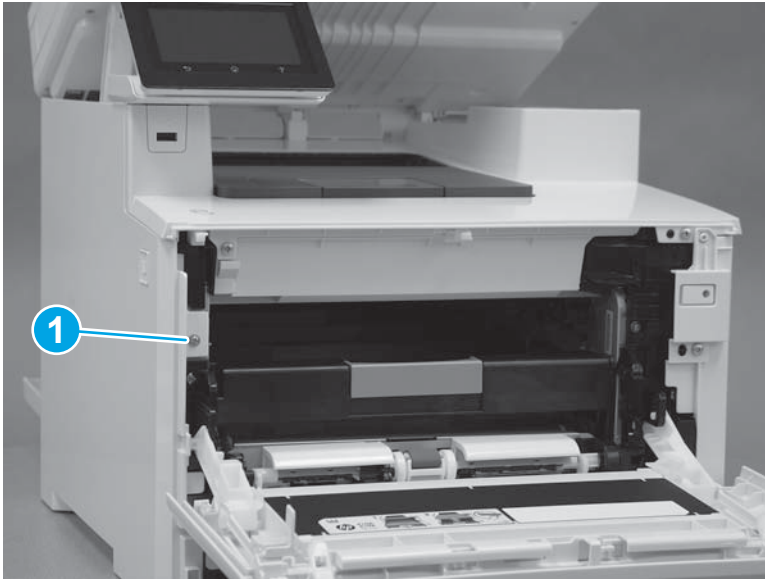
1. Raise the scanner.

Figure 1-284 Raise the scanner



2. At the front of the printer, remove one screw (callout 1).

Figure 1-285 Remove one screw



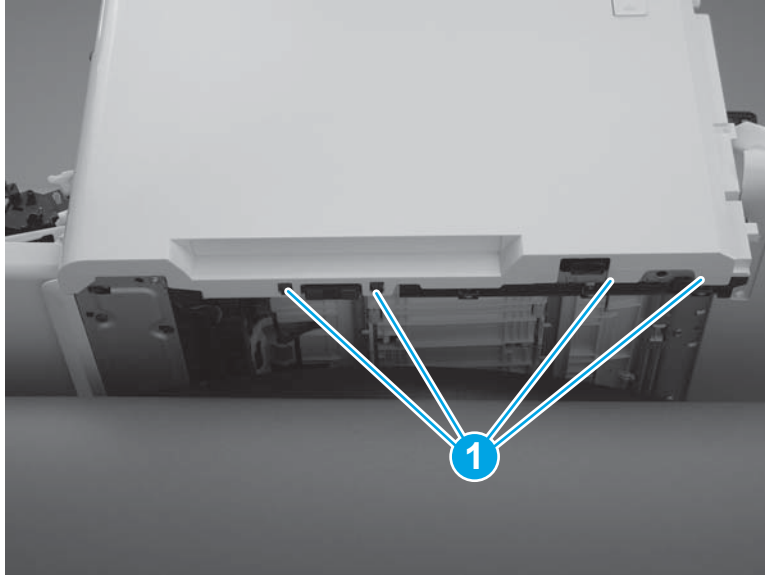
3. Release two tabs (callout 1) at the front of the cover. Hold the cover open to prevent the tabs from re-engaging.

Figure 1-286 Release two tabs



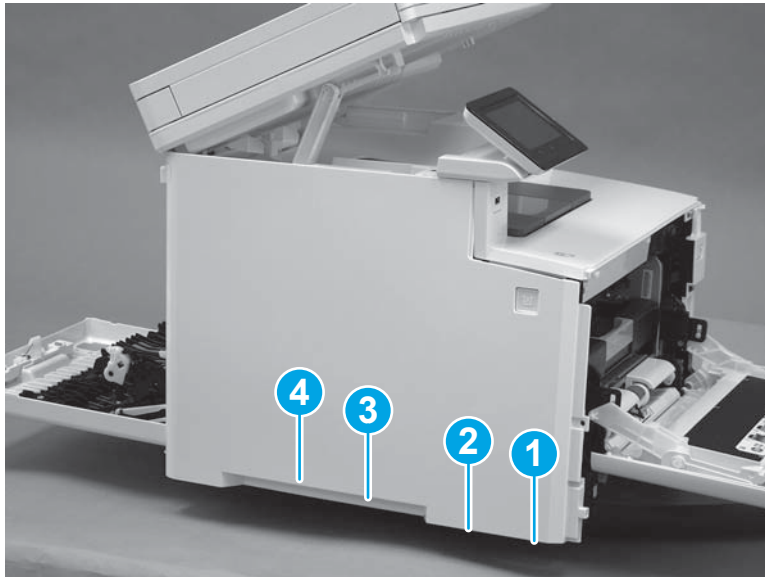
4. Slide the printer to the edge of a work surface. Note the location of the tabs on the lower edge of the cover (callout 1).

Figure 1-287 Locate the tabs



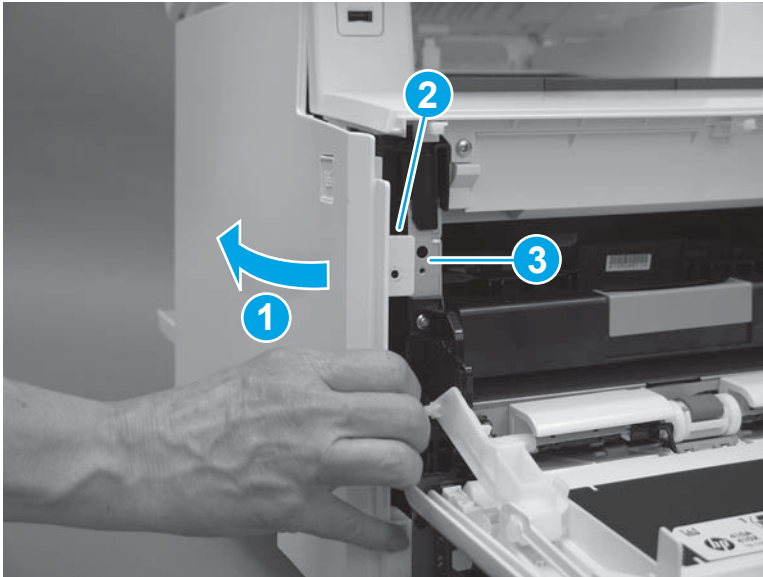
5. Beginning from the front of the cover, release the four tabs (callouts 1-4) on the lower edge of the cover.

Figure 1-288 Release four tabs



6. Rotate the front of the cover away from the printer (callout 1). Make sure that the tab (callout 2) does not get caught on the printer frame (callout 3).

Figure 1-289 Rotate the cover



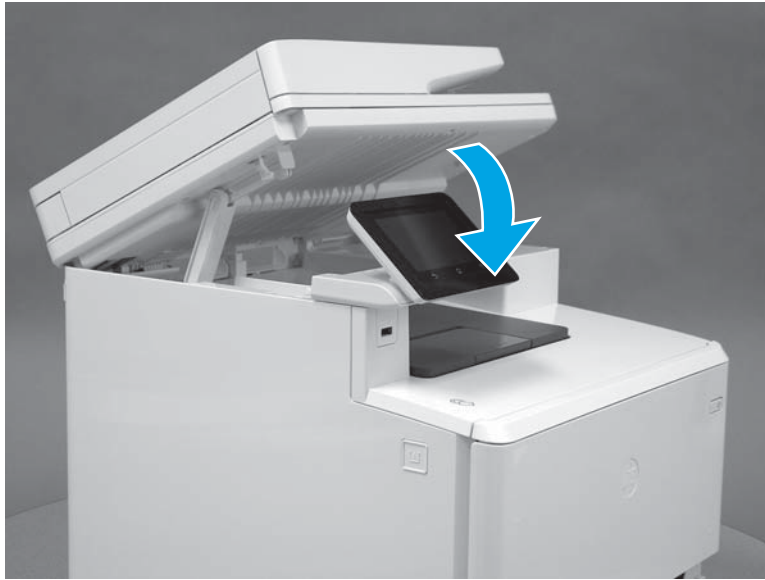
7. At the top of the printer, slightly pull the top of the cover away from the printer to release one retention tab (callout 1) on the inside of the cover. While holding the cover away, slide the cover toward the back of the printer (callout 2) to release two hooks (callout 3) inside the cover.

Figure 1-290 Release one tab and two hooks



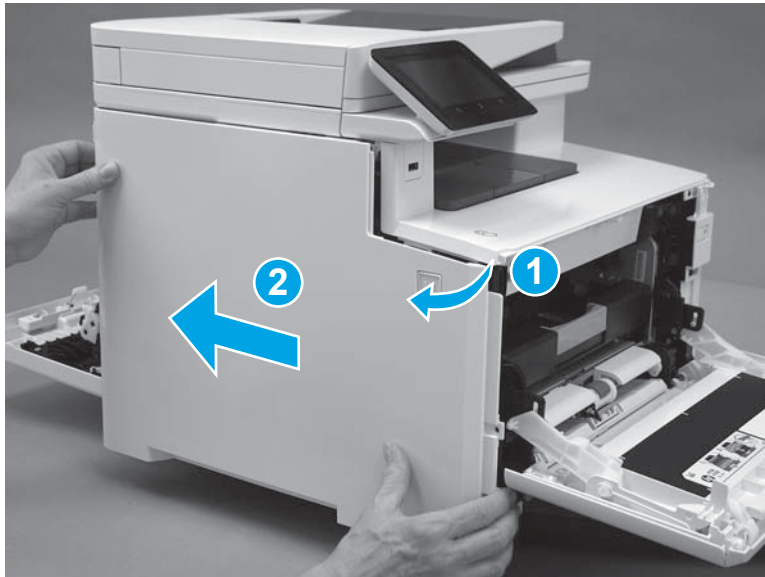
8. Lower the scanner.

Figure 1-291 Lower the scanner



9. Rotate the cover away from the printer (callout 1), and then slide the cover (callout 2) toward the back of the printer to remove it.

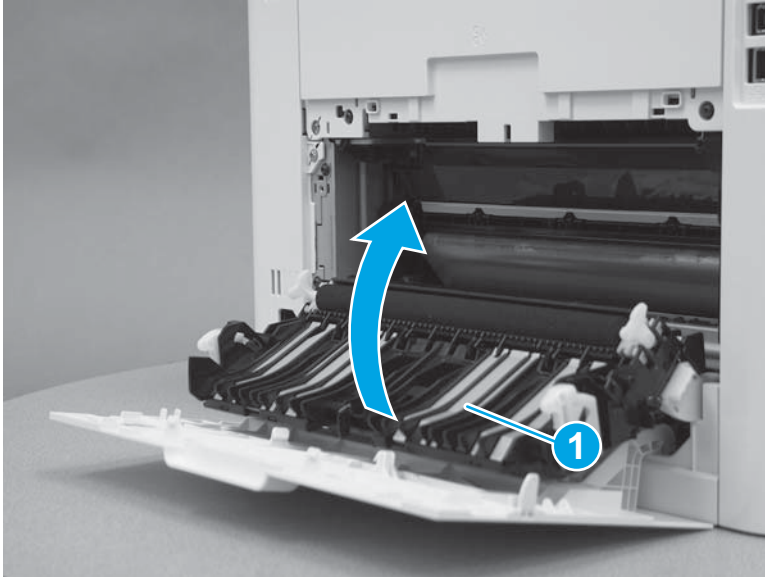
Figure 1-292 Remove the left cover



#### Step 7: Remove the rear lower cover (simplex models)

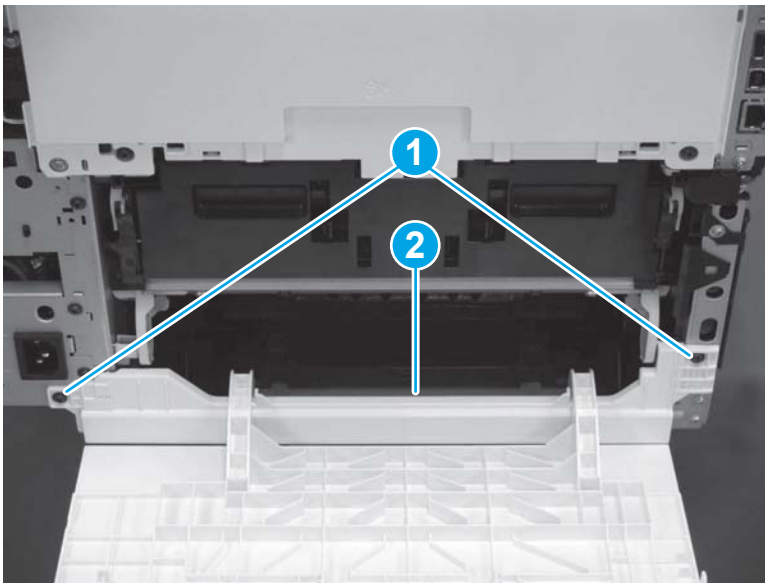
1. Rotate the secondary transfer assembly (callout 1) toward the printer to close it.

Figure 1-293 Close the secondary transfer assembly



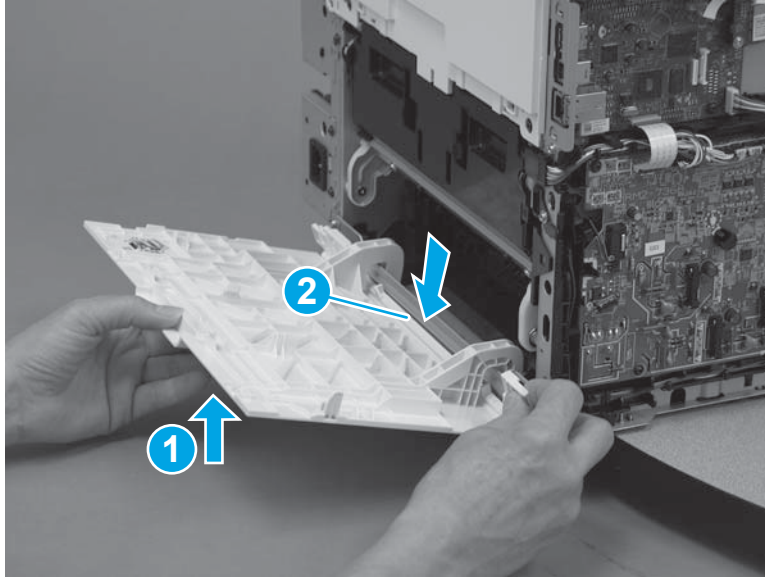
2. Remove two screws (callout 1) and release one tab (callout 2).

Figure 1-294 Remove two screws and release one tab



3. Slide the printer to the edge of a work surface in order to allow removal of the cover. Lift the rear door up (callout 1), and then move the rear lower cover down to remove it (callout 2).

Figure 1-295 Remove the rear lower cover



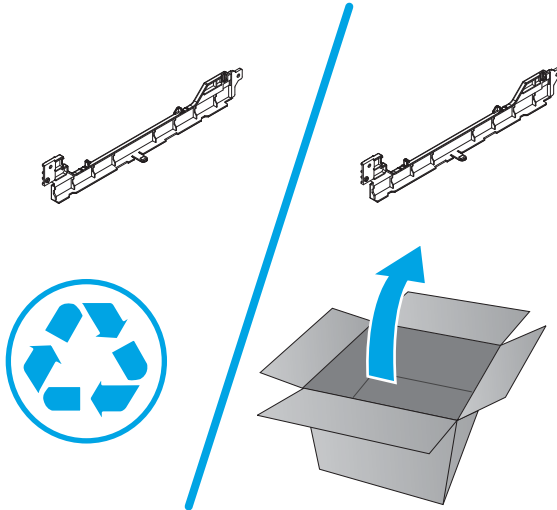
#### Step 8: Unpack the replacement part

Remove the new part from its package. Save all packaging for recycling the used part.

For complete information on HP's recycling programs, go to [Product return and recycling](#).

 **NOTE:** HP recommends responsible disposal of the defective part.

Figure 1-296 Recycle and unpack

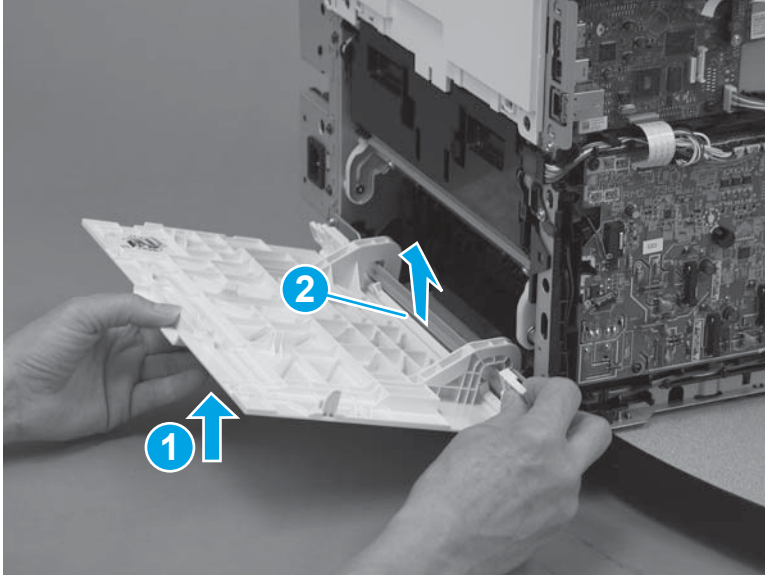


#### Step 9: Install the rear lower cover (simplex models)

1. Slide the printer to the edge of a work surface in order to allow installation of the cover. Lift the rear door up (callout 1), and then move the rear lower cover up to install it (callout 2).




Figure 1-297 Install the rear lower cover



2. To install an assembly, reverse the removal steps.

---

 **NOTE:** When applicable, special installation instructions are provided for an assembly at the end of the removal procedure. Always completely read the removal instructions and follow all special installation instructions.

---



## Removal and replacement: Rear door (simplex models)

- [Introduction](#)
- [Step 1: Remove Tray 2](#)
- [Step 2: Open the front door and rear door](#)
- [Step 3: Remove the right cover \(M454 models\)](#)
- [Step 4: Remove the right cover \(M479 models\)](#)
- [Step 5: Remove the left cover \(M454 models\)](#)
- [Step 6: Remove the left cover \(M479 models\)](#)
- [Step 7: Remove the rear lower cover \(simplex models\)](#)
- [Step 8: Remove the rear door \(simplex models\)](#)
- [Step 9: Unpack the replacement part](#)
- [Step 10: Install the rear door \(simplex models\)](#)

### Introduction

This document provides the procedures to remove and replace the rear door for simplex models.

[Click here to view a video of this procedure.](#)

### Before you begin

- Turn off the printer.
- Disconnect the power cable.

---

**⚠ WARNING!** To avoid damage to the printer, turn the printer off, wait 30 seconds, and then remove the power cord before attempting to service the printer.

---

- Use the table below to identify the correct part number for your printer. To order the part, go to [www.hp.com/buy/parts](http://www.hp.com/buy/parts).

---

Rear door part number	
-----------------------	--

---

RM2-1825-000CN	Rear door (simplex)
----------------	---------------------

---

### Required tools

- #2 Phillips screwdriver with a magnetic tip
- Small flat-blade screwdriver

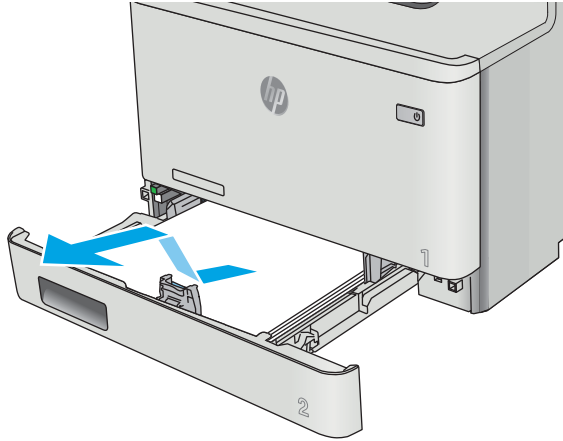
### After performing service

- Connect the power cable.
- Use the power switch to turn the power on.

### Step 1: Remove Tray 2

- ▲ Pull the tray out until it stops. Lift the front of the tray, and then pull it out of the printer to remove it.

Figure 1-298 Remove the tray



### Step 2: Open the front door and rear door

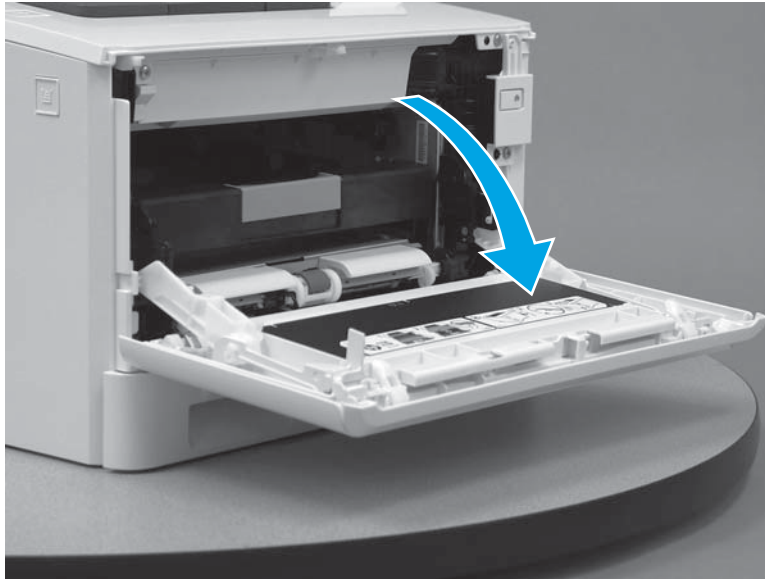
1. Press the button (callout 1) on the left side of the printer to release the front door.

Figure 1-299 Release the front door



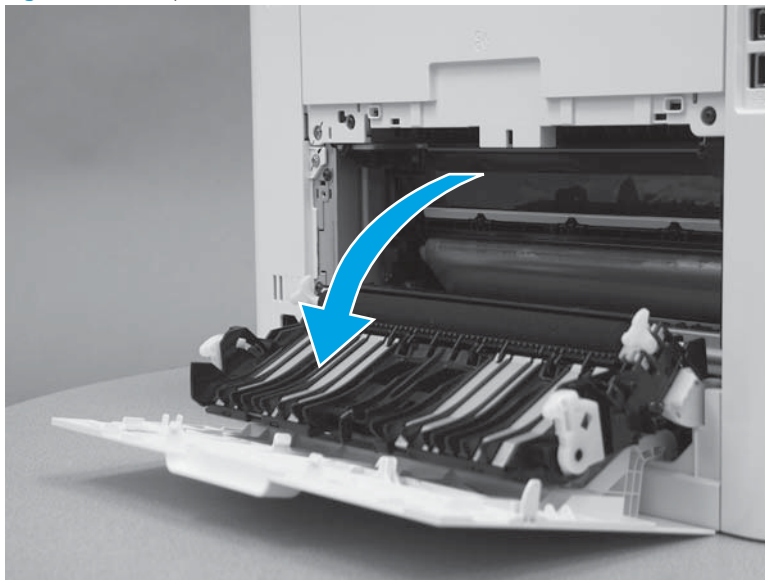
2. Open the front door.

**Figure 1-300** Open the front door




3. Open the rear door.

**Figure 1-301** Open the rear door



### Step 3: Remove the right cover (M454 models)

 **NOTE:** This step is for the M454 models. For the M479 models, skip this step and go to [Step 4: Remove the right cover \(M479 models\) on page 197](#).

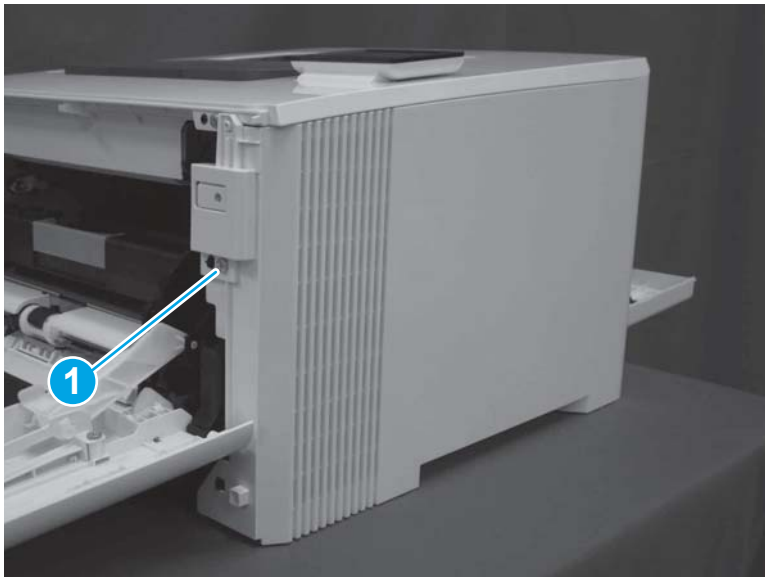
1. At the back of the printer, remove one screw (callout 1).

Figure 1-302 Remove one screw



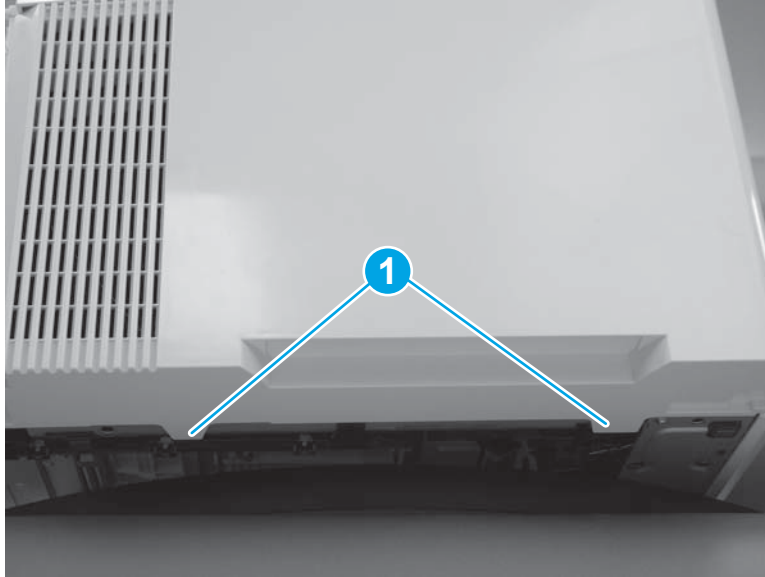
2. At the front of the printer, remove one screw (callout 1).

Figure 1-303 Remove one screw



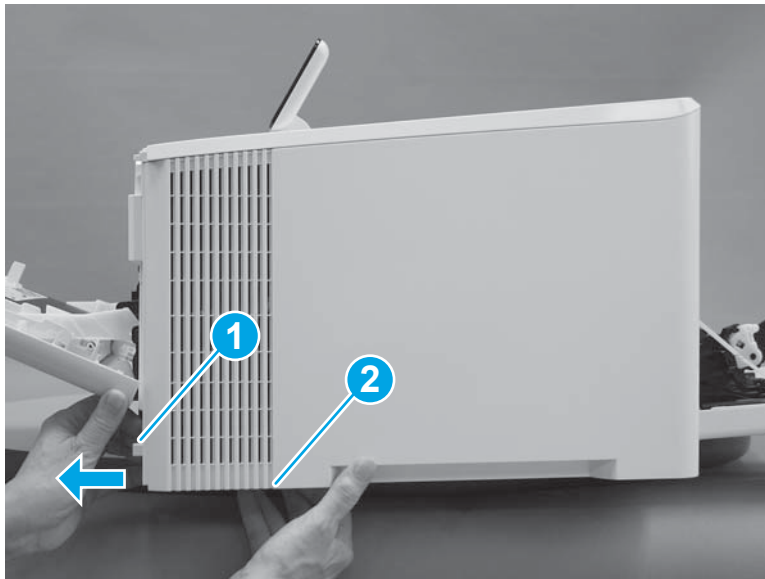
3. Slide the printer to the edge of a work surface. Note the location of the tabs on the lower edge of the cover (callout 1).

Figure 1-304 Locate the tabs



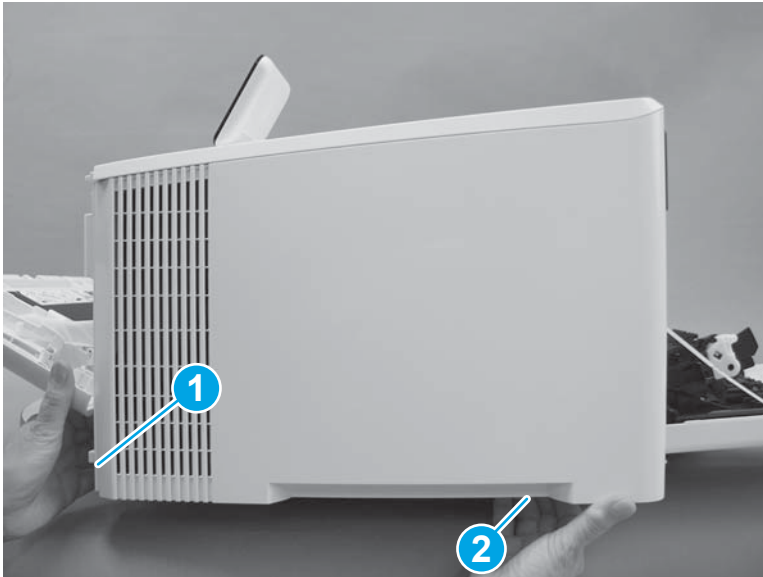
4. Release one tab (callout 1) on the front of the cover by slightly pulling the cover away from the printer. While holding the cover in the released position, release one tab (callout 2) on the bottom of the cover.

Figure 1-305 Release front lower tabs



5. Hold the front tabs in the released position (callout 1), and then release one tab (callout 2) on the bottom of the cover, toward the back of the printer.

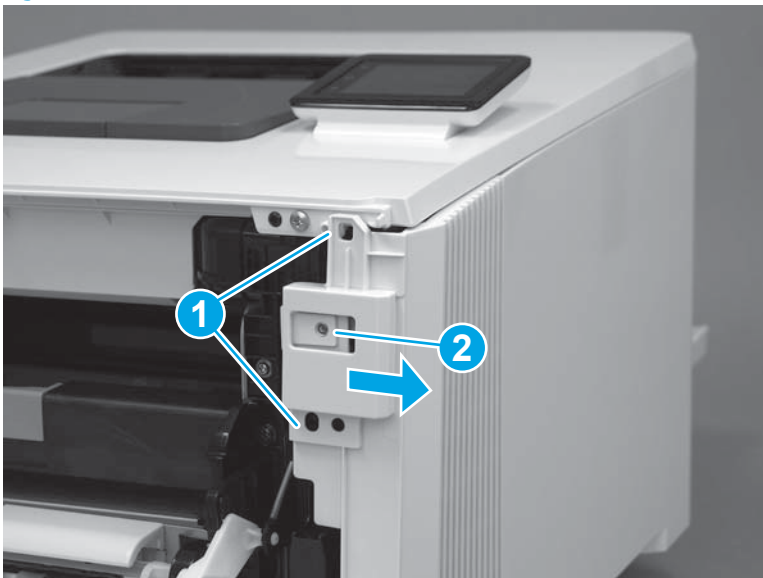
Figure 1-306 Release lower rear tab



6. Release two tabs at the front of the printer (callout 1) by slightly pulling the cover away from the printer.

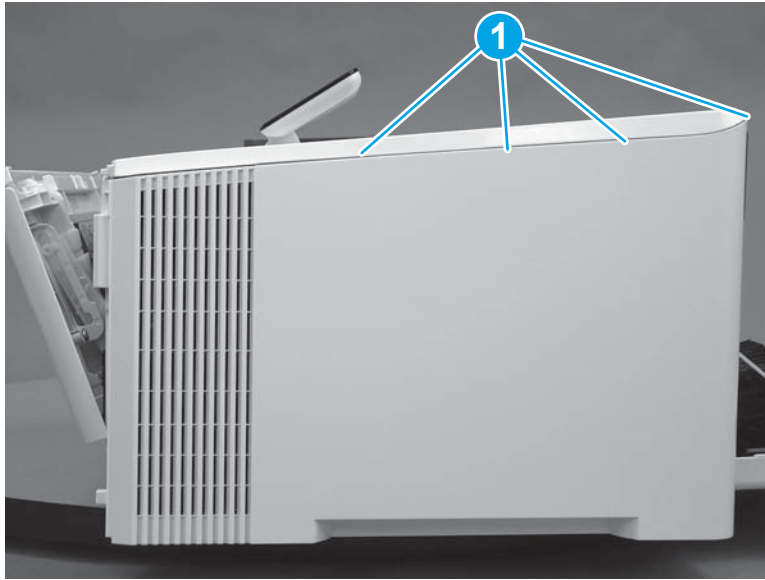
**CAUTION:** Be careful not to dislodge the power switch (callout 2).

Figure 1-307 Release two front tabs



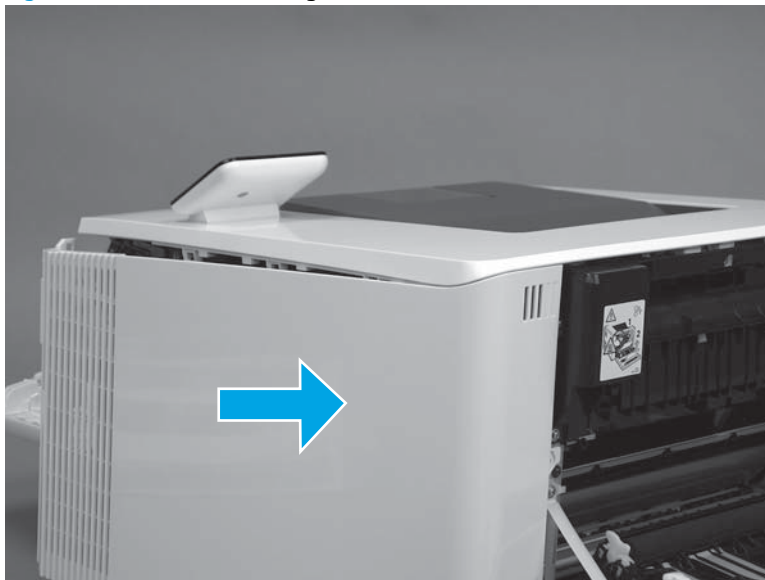
7. Release four tabs on the top of the printer (callout 1).

Figure 1-308 Release upper tabs




8. Slide the cover toward the back of the printer to remove it.

Figure 1-309 Remove the right cover



#### Step 4: Remove the right cover (M479 models)

 **NOTE:** This step is for the M479 models. For the M454 models, skip this step and go to [Step 5: Remove the left cover \(M454 models\) on page 203](#).

1. Raise the scanner.

Figure 1-310 Raise the scanner



2. At the back of the printer, remove one screw (callout 1).

Figure 1-311 Remove one screw





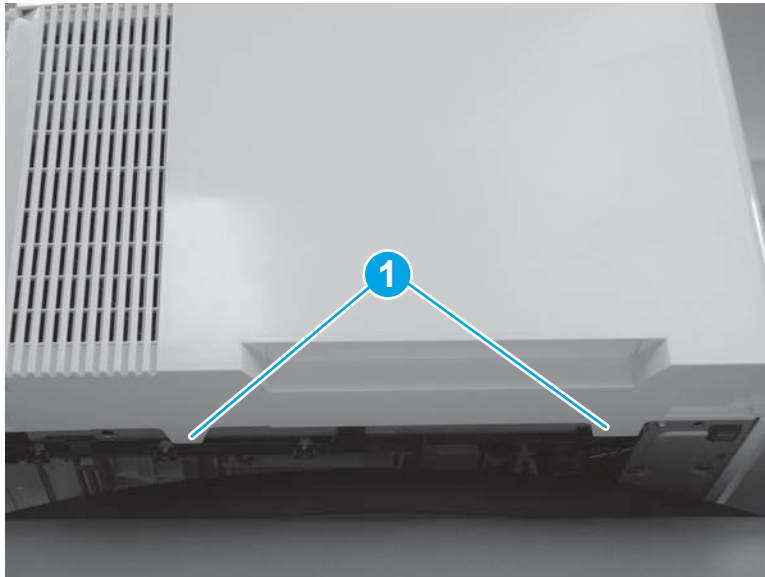
3. At the front of the printer, remove one screw (callout 1).

Figure 1-312 Remove one screw



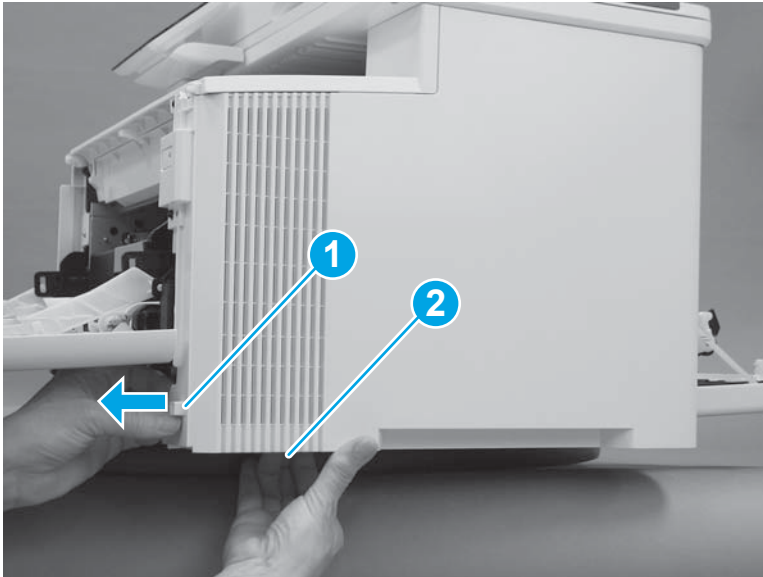
4. Slide the printer to the edge of a work surface. Note the location of the tabs on the lower edge of the cover (callout 1).

Figure 1-313 Locate the tabs



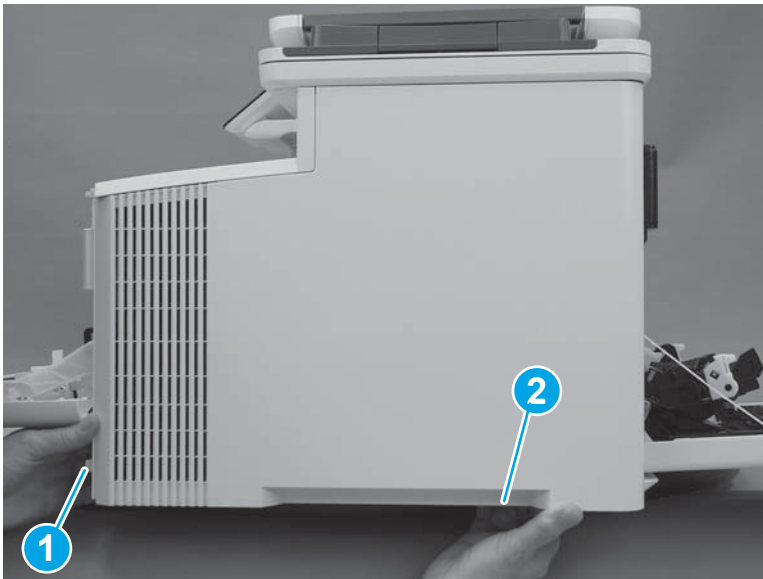
5. Release one tab (callout 1) on the front of the cover by slightly pulling the cover away from the printer. While holding the cover in the released position, release one tab (callout 2) on the lower edge of the cover.

Figure 1-314 Release front lower tabs



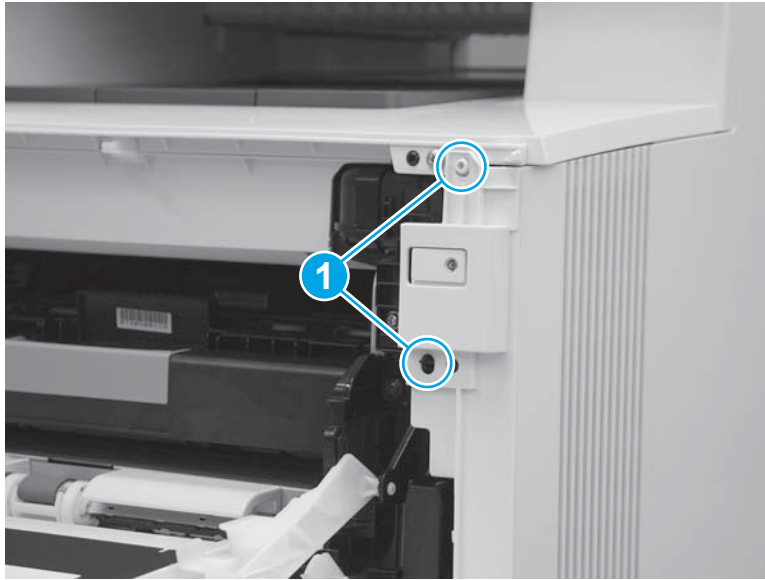
6. Hold the front tabs in the released position (callout 1), and then release one tab (callout 2) on the lower edge of the cover, toward the back of the printer.

Figure 1-315 Release lower rear tab



7. Release two tabs at the front of the printer (callout 1) by slightly pulling the cover away from the printer.

Figure 1-316 Release front upper tabs



8. Rotate the front of the cover away from the printer (callout 1).

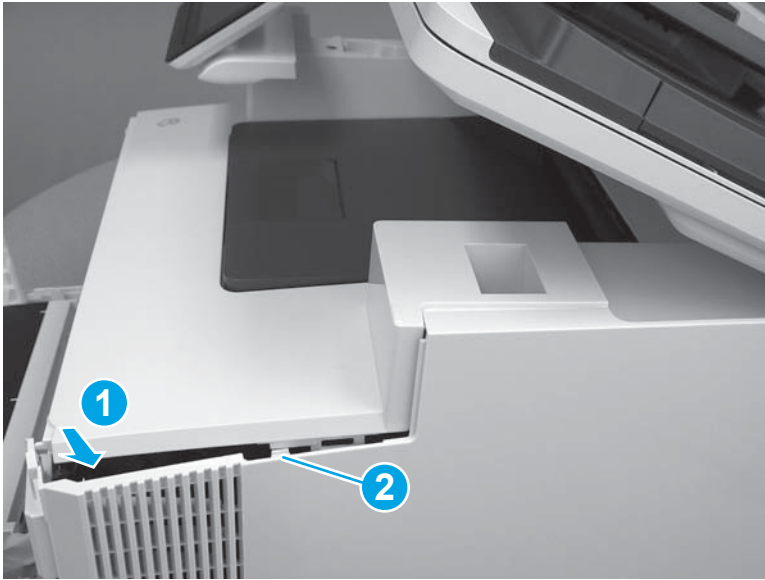
**⚠ CAUTION:** Be careful not to dislodge the power switch (callout 2).

Figure 1-317 Rotate the front of the cover



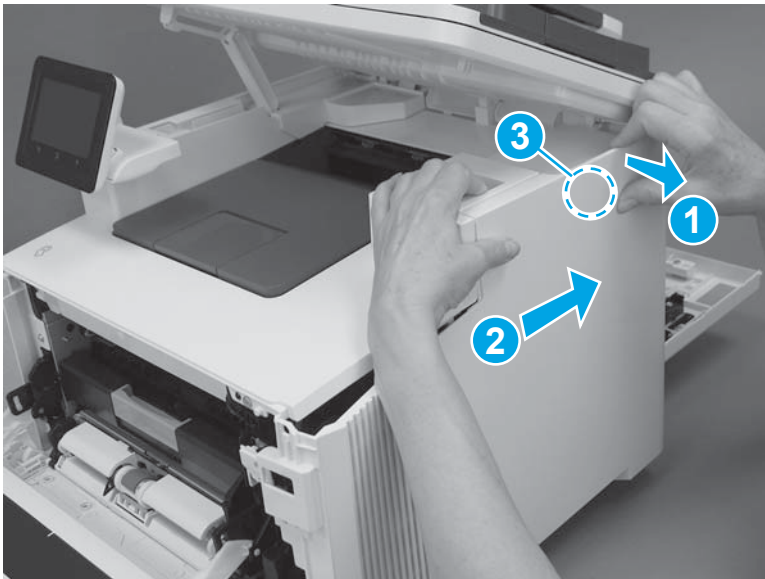
9. Slightly pull the front of the cover away from the printer (callout 1) to release one tab (callout 2).

Figure 1-318 Release top tabs



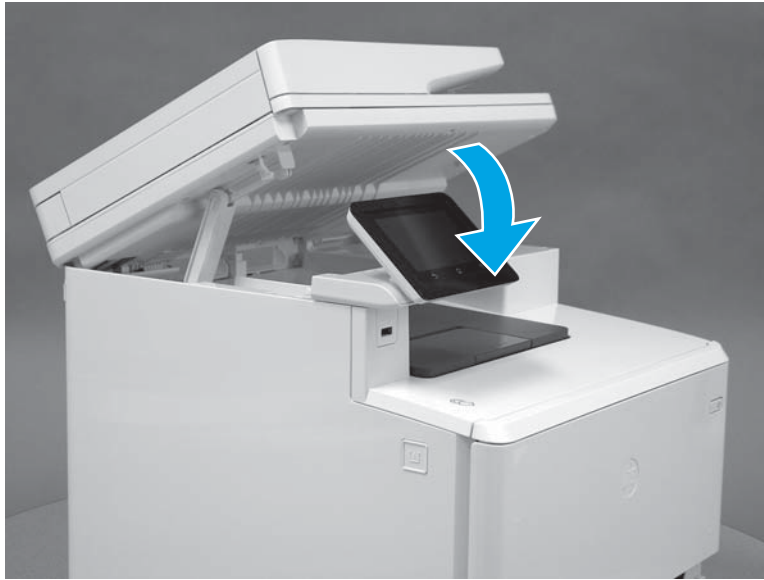
10. At the top of the printer, slightly pull the top of the cover away from the printer to release one retention tab (callout 1) on the inside of the cover. While holding the cover away, slide the cover toward the back of the printer (callout 2) to release one hook (callout 3) on the inside of the cover.

Figure 1-319 Release one tab and one hook



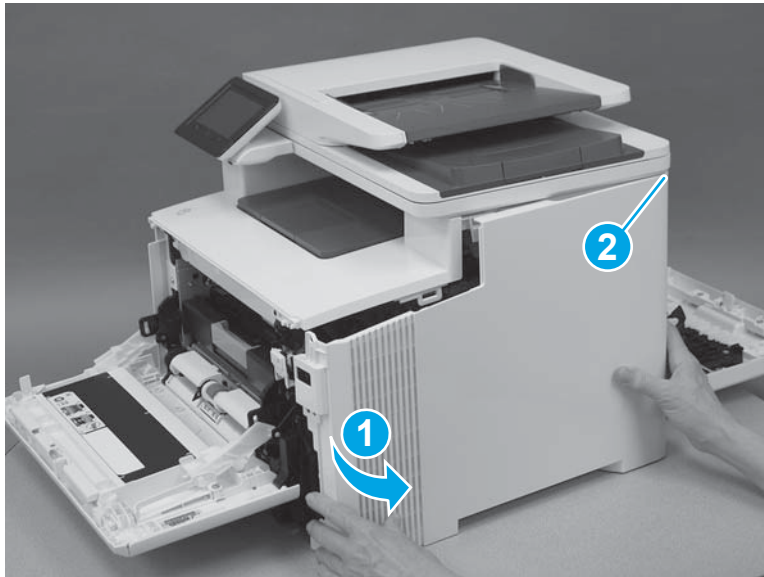
11. Lower the scanner.

Figure 1-320 Lower the scanner




12. Rotate the cover away from the printer (callout 1) to release one tab (callout 2) at the back of the printer, and then remove the cover.

Figure 1-321 Remove the right cover

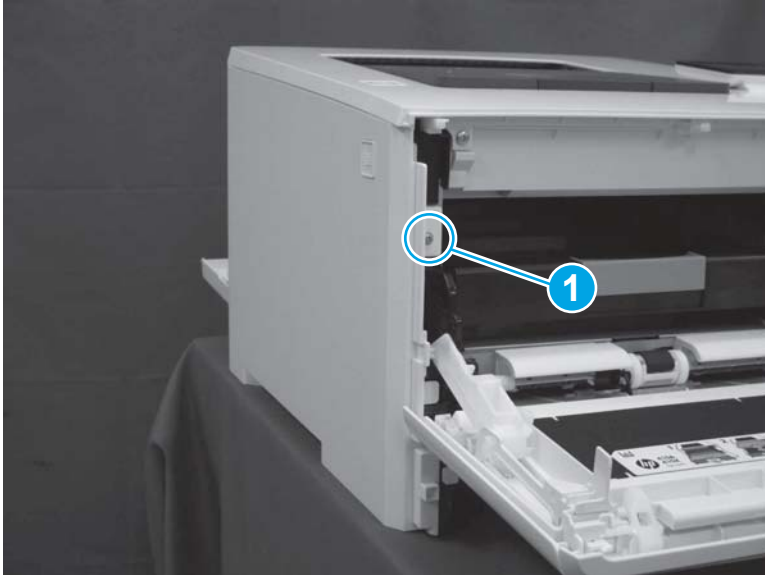


#### Step 5: Remove the left cover (M454 models)

 **NOTE:** This step is for the M454 models. For the M479 models, skip this step and go to [Step 6: Remove the left cover \(M479 models\) on page 206](#).

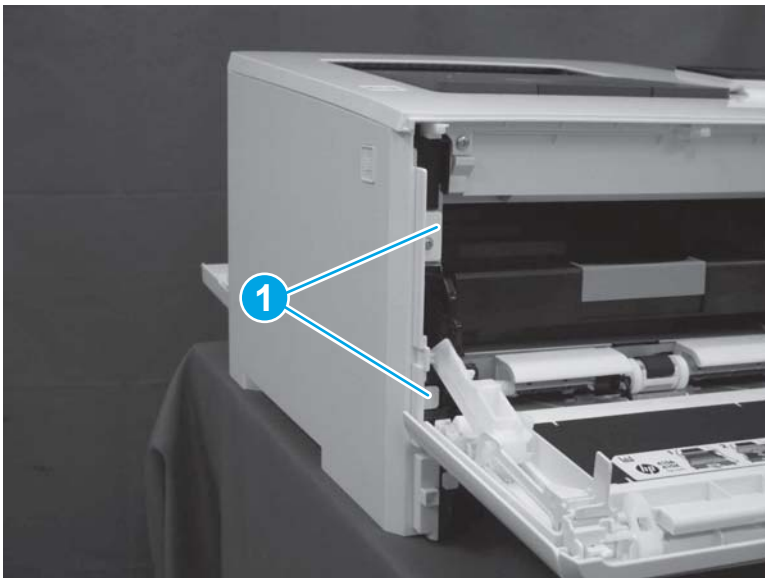
1. At the front of the printer, remove one screw (callout 1).

Figure 1-322 Remove one screw



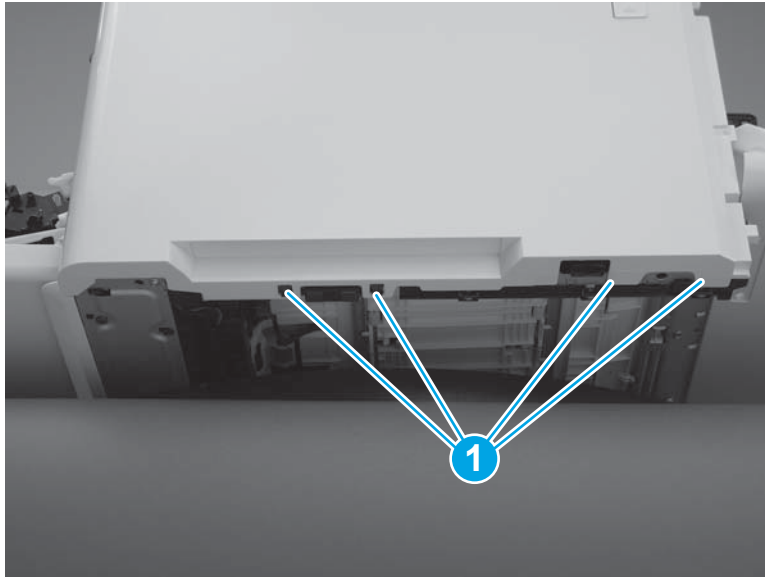
2. Release two tabs (callout 1) at the front of the cover. Hold the cover open to prevent the tabs from reengaging.

Figure 1-323 Release two tabs



3. Slide the printer to the edge of a work surface. Note the location of the tabs on the lower edge of the cover (callout 1).

Figure 1-324 Locate the tabs



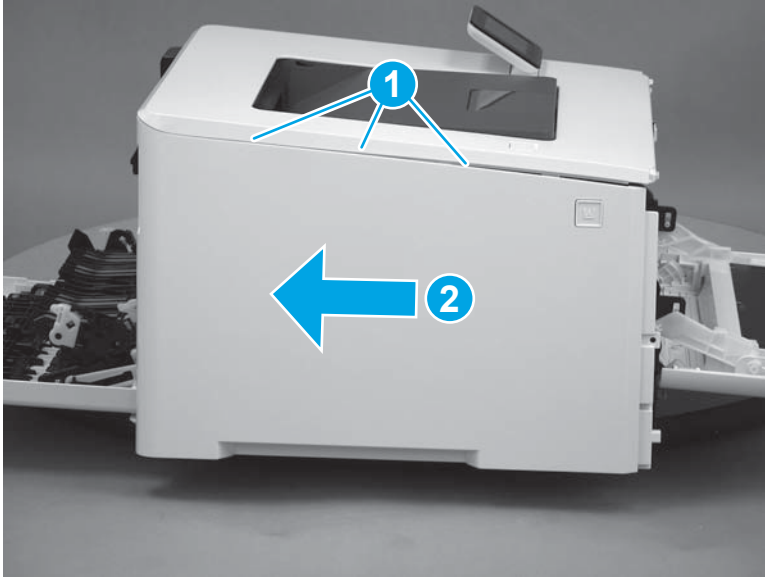
4. Beginning from the front of the cover, release four tabs (callouts 1-4) on the lower edge of the cover.

Figure 1-325 Release bottom tabs




5. Release three tabs at the top of the cover (callout 1), and then slide the cover toward the rear of the printer to remove it.

Figure 1-326 Release three tabs



#### Step 6: Remove the left cover (M479 models)

 **NOTE:** This step is for the M479 models. For the M454 models, skip this step and go to [Step 7: Remove the rear lower cover \(simplex models\) on page 210](#).

1. Raise the scanner.

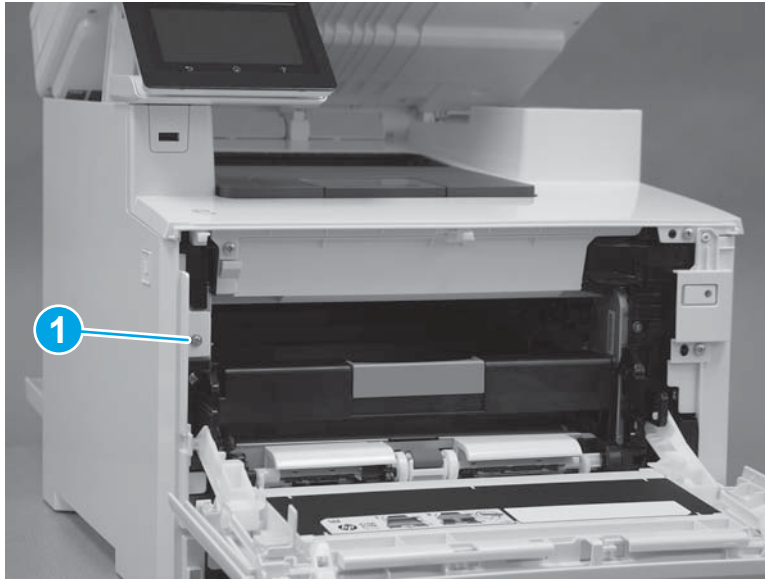
Figure 1-327 Raise the scanner





2. At the front of the printer, remove one screw (callout 1).

Figure 1-328 Remove one screw



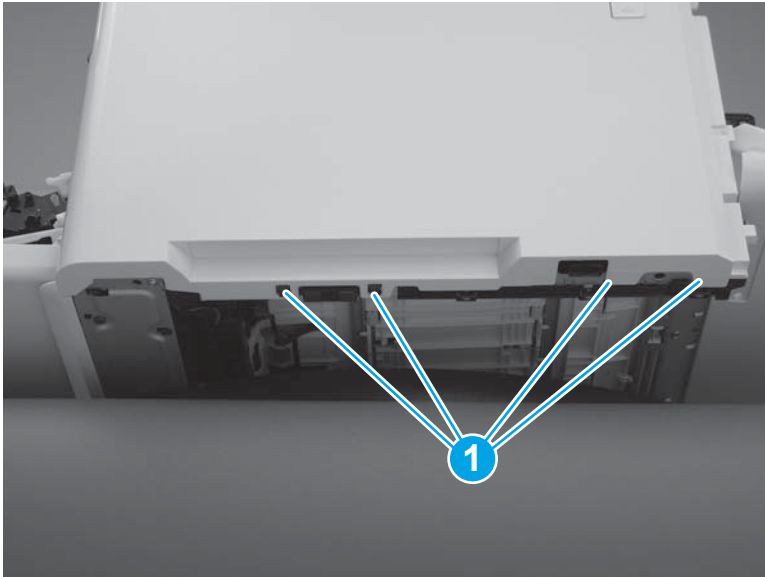
3. Release two tabs (callout 1) at the front of the cover. Hold the cover open to prevent the tabs from re-engaging.

Figure 1-329 Release two tabs



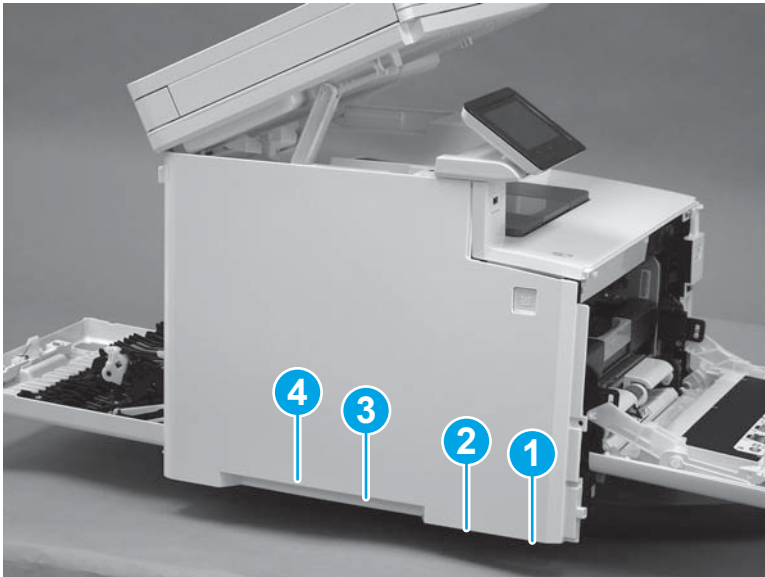
4. Slide the printer to the edge of a work surface. Note the location of the tabs on the lower edge of the cover (callout 1).

Figure 1-330 Locate the tabs



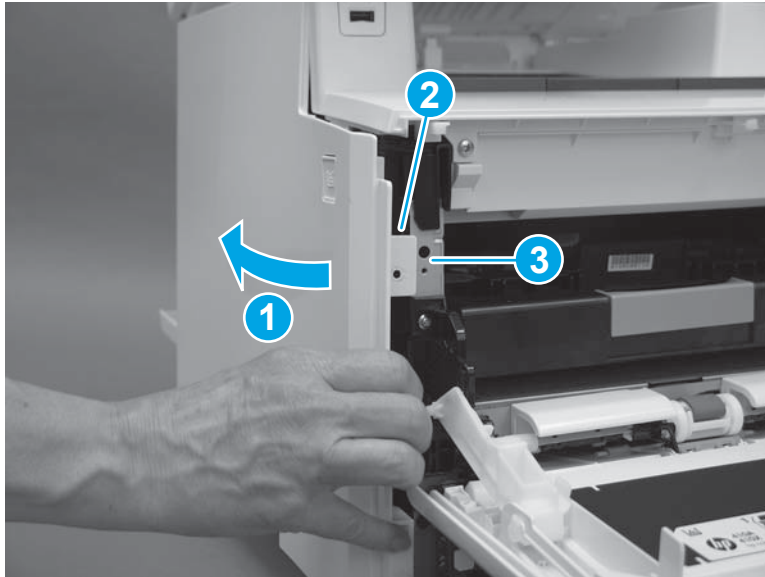
5. Beginning from the front of the cover, release the four tabs (callouts 1-4) on the lower edge of the cover.

Figure 1-331 Release four tabs



6. Rotate the front of the cover away from the printer (callout 1). Make sure that the tab (callout 2) does not get caught on the printer frame (callout 3).

Figure 1-332 Rotate the cover



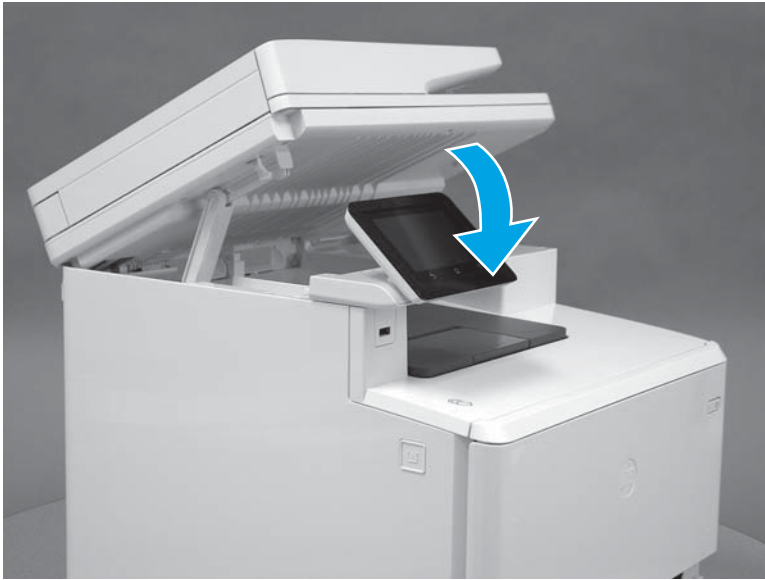
7. At the top of the printer, slightly pull the top of the cover away from the printer to release one retention tab (callout 1) on the inside of the cover. While holding the cover away, slide the cover toward the back of the printer (callout 2) to release two hooks (callout 3) inside the cover.

Figure 1-333 Release one tab and two hooks



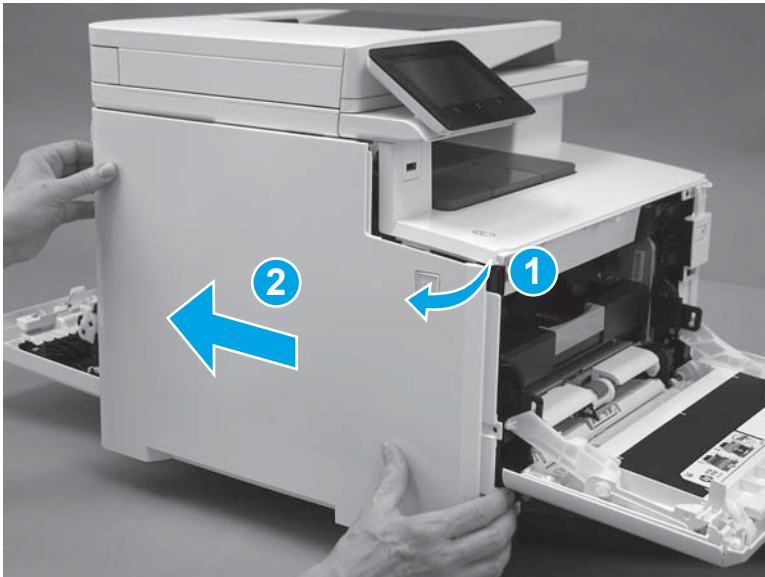
8. Lower the scanner.

Figure 1-334 Lower the scanner



9. Rotate the cover away from the printer (callout 1), and then slide the cover (callout 2) toward the back of the printer to remove it.

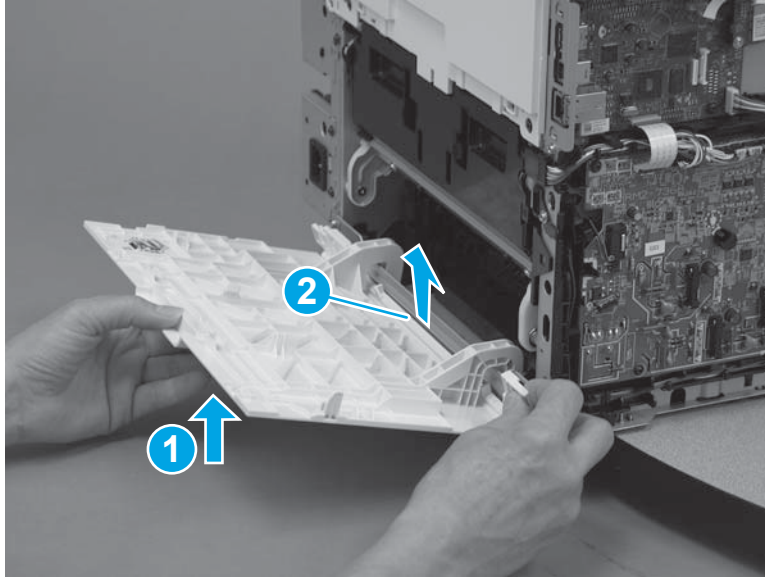
Figure 1-335 Remove the left cover




#### Step 7: Remove the rear lower cover (simplex models)

1. Slide the printer to the edge of a work surface in order to allow installation of the cover. Lift the rear door up (callout 1), and then move the rear lower cover up to install it (callout 2).

Figure 1-336 Install the rear lower cover



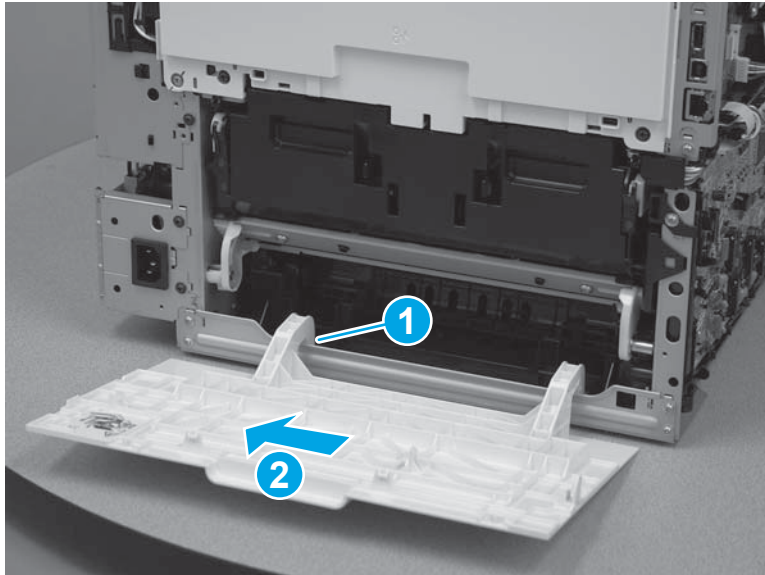
2. To install an assembly, reverse the removal steps.

 **NOTE:** When applicable, special installation instructions are provided for an assembly at the end of the removal procedure. Always completely read the removal instructions and follow all special installation instructions.

#### Step 8: Remove the rear door (simplex models)

- ▲ Slightly flex one hinge arm (callout 1) to release a hinge pin, and then slide the rear door to the left (callout 2) to remove it.

Figure 1-337 Remove the rear door




#### Step 9: Unpack the replacement part

Remove the new part from its package. Save all packaging for recycling the used part.

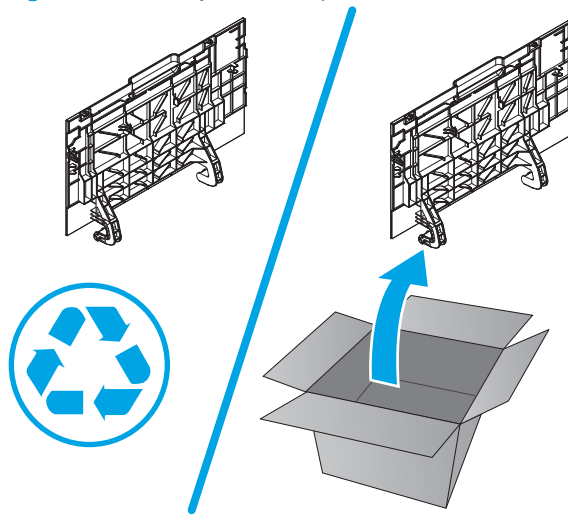
For complete information on HP's recycling programs, go to [Product return and recycling](#).

---

 **NOTE:** HP recommends responsible disposal of the defective part.

---


**Figure 1-338** Recycle and unpack



#### Step 10: Install the rear door (simplex models)

- ▲ To install an assembly, reverse the removal steps.

---

 **NOTE:** When applicable, special installation instructions are provided for an assembly at the end of the removal procedure. Always completely read the removal instructions and follow all special installation instructions.

---

## Removal and replacement: Top cover (M454 models)

- [Introduction](#)
- [Step 1: Remove Tray 2](#)
- [Step 2: Open the front door and rear door or duplexer door](#)
- [Step 3: Remove the right cover \(M454 models\)](#)
- [Step 4: Remove the left cover \(M454 models\)](#)
- [Step 5: Remove the rear top cover \(simplex model\)](#)
- [Step 6: Remove the top cover \(M454 models\)](#)
- [Step 7: Remove the control panel \(M454dw model\)](#)
- [Step 8: Unpack the replacement part](#)
- [Step 9: Install the control panel \(M454dw model\)](#)
- [Step 10: Install the wireless antenna \(M454nw/dw models\)](#)
- [Step 11: Install the top cover \(M454 models\)](#)


### Introduction

This document provides the procedures to remove and replace the top cover for the M454.


[Click here to view a video of this procedure.](#)

### Before you begin

- Turn off the printer.
- Disconnect the power cable.

 **WARNING!** To avoid damage to the printer, turn the printer off, wait 30 seconds, and then remove the power cord before attempting to service the printer.

- Use the table below to identify the correct part number for your printer. To order the part, go to [www.hp.com/buy/parts](http://www.hp.com/buy/parts).

 **IMPORTANT:** **M454nw and M454dw models:** Make sure to order a replacement antenna from the table below when replacing the top cover. This new antenna must be installed on the replacement top cover.

---

#### Top cover part numbers

---

RM2-6433-010CN	Top cover (M454nw)
----------------	--------------------

RM2-6442-000CN	Top cover (M454dn)
----------------	--------------------

RM2-1819-000CN	Top cover (M454dw)
----------------	--------------------

0960-3467	Remote antenna
-----------	----------------

---

## Required tools

- #2 Phillips screwdriver with a magnetic tip
- Small flat-blade screwdriver

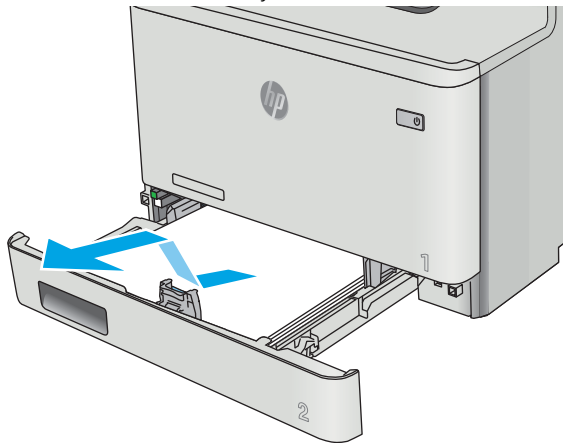
## After performing service

- Connect the power cable.
- Use the power switch to turn the power on.

## Step 1: Remove Tray 2

- ▲ Pull the tray out until it stops. Lift the front of the tray, and then pull it out of the printer to remove it.

Figure 1-339 Remove the tray



## Step 2: Open the front door and rear door or duplexer door

1. Press the button (callout 1) on the left side of the printer to release the front door.

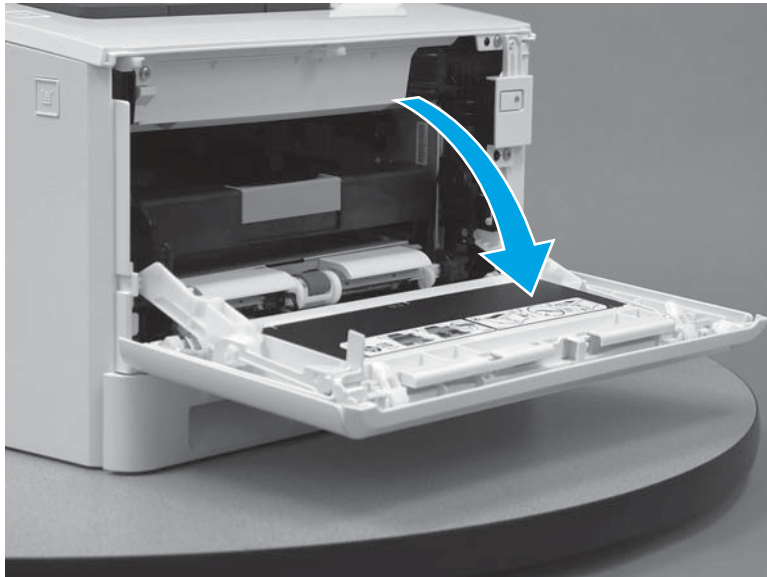


Figure 1-340 Release the front door



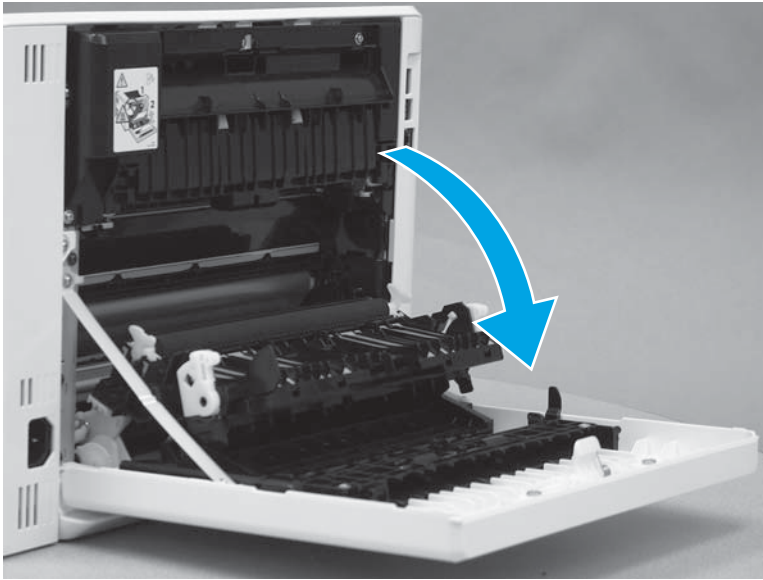
2. Open the front door.

Figure 1-341 Open the front door



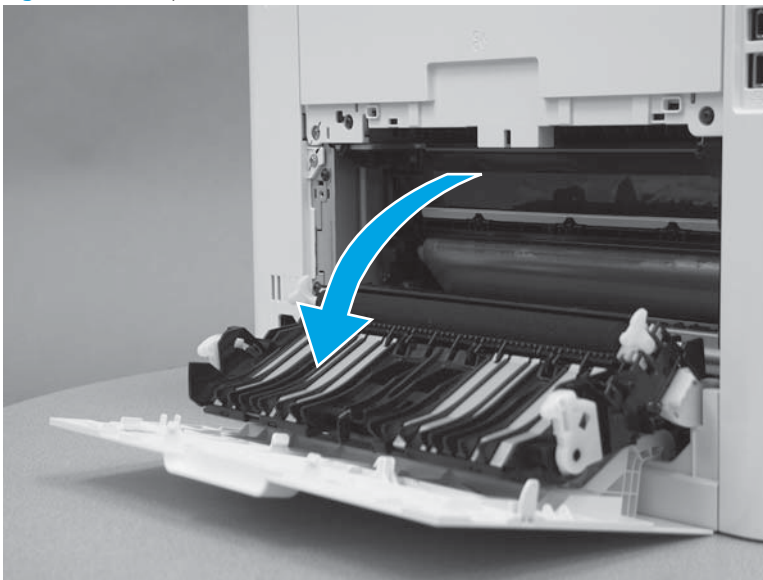
3. **Duplex models:** Open the duplexer door.

**Figure 1-342** Open the duplexer door



4. **Simplex models:** Open the rear door.

**Figure 1-343** Open the rear door



### Step 3: Remove the right cover (M454 models)

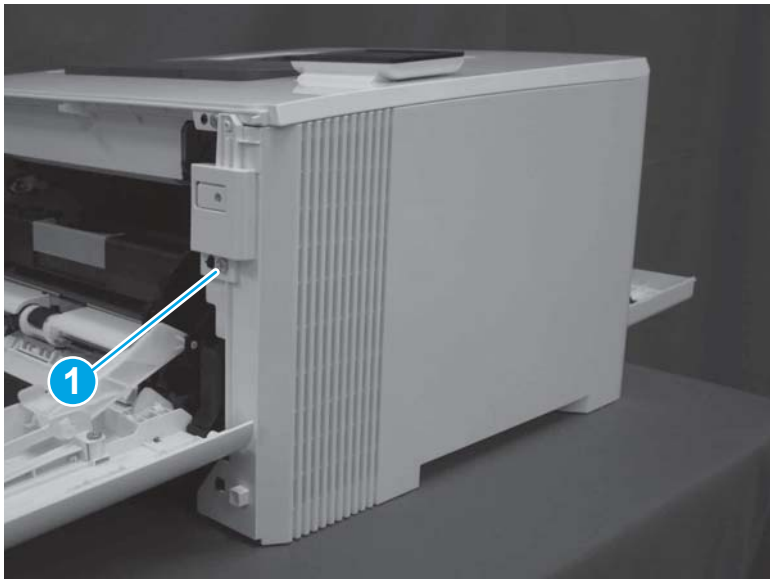
1. At the back of the printer, remove one screw (callout 1).

Figure 1-344 Remove one screw



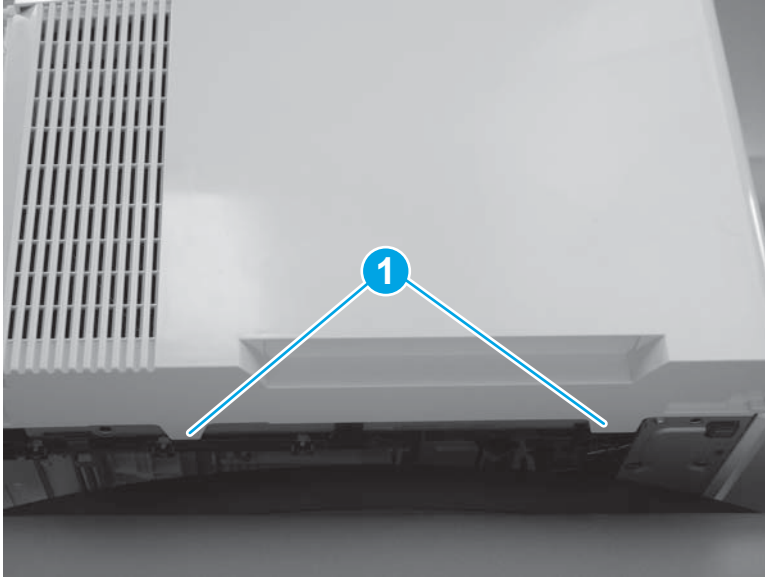
2. At the front of the printer, remove one screw (callout 1).

Figure 1-345 Remove one screw



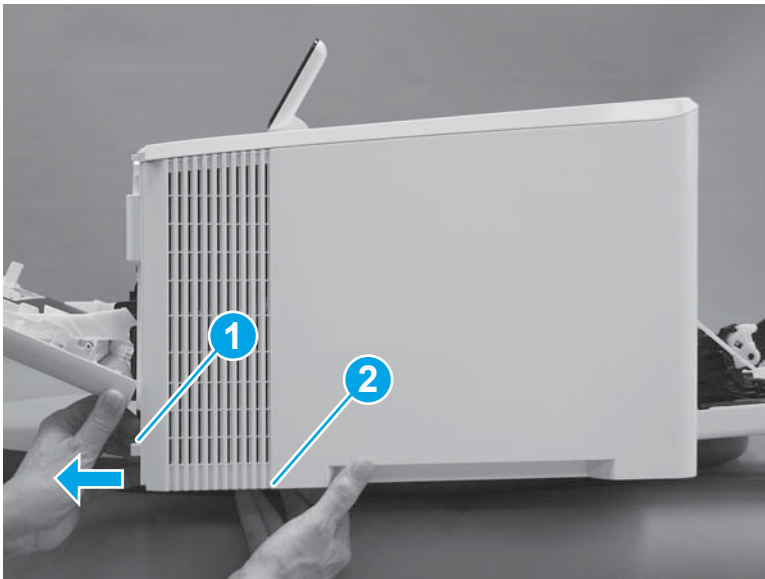
3. Slide the printer to the edge of a work surface. Note the location of the tabs on the lower edge of the cover (callout 1).

Figure 1-346 Locate the tabs



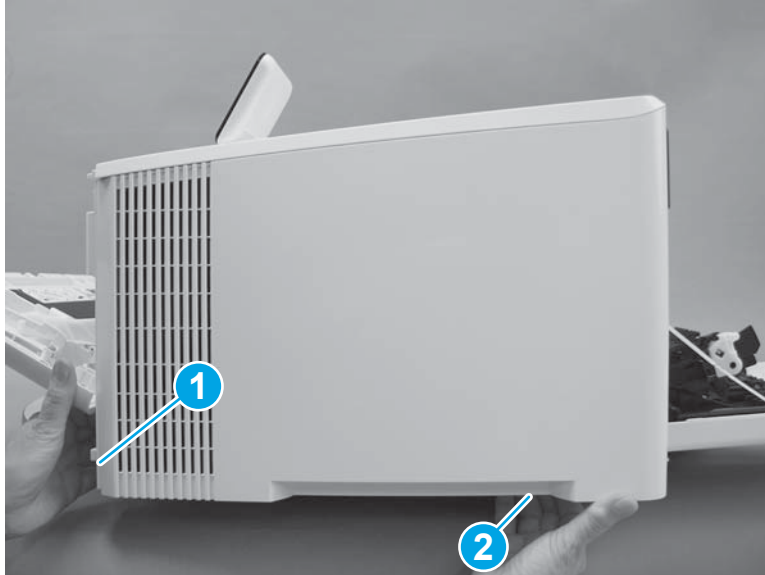
4. Release one tab (callout 1) on the front of the cover by slightly pulling the cover away from the printer. While holding the cover in the released position, release one tab (callout 2) on the bottom of the cover.

Figure 1-347 Release front lower tabs



5. Hold the front tabs in the released position (callout 1), and then release one tab (callout 2) on the bottom of the cover, toward the back of the printer.

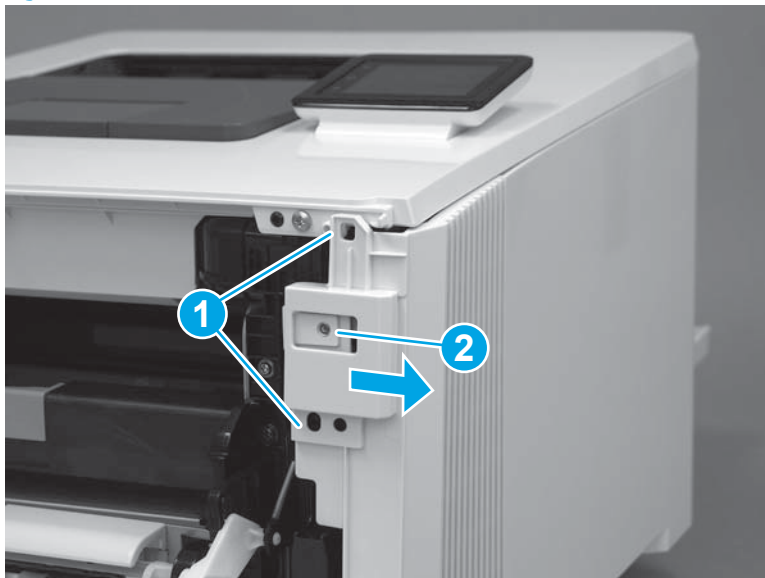
Figure 1-348 Release lower rear tab



6. Release two tabs at the front of the printer (callout 1) by slightly pulling the cover away from the printer.

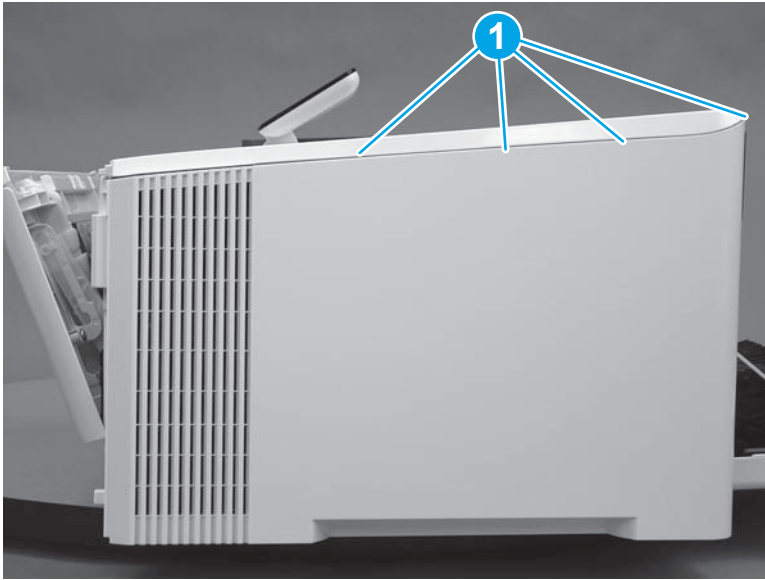
**⚠ CAUTION:** Be careful not to dislodge the power switch (callout 2).

Figure 1-349 Release two front tabs



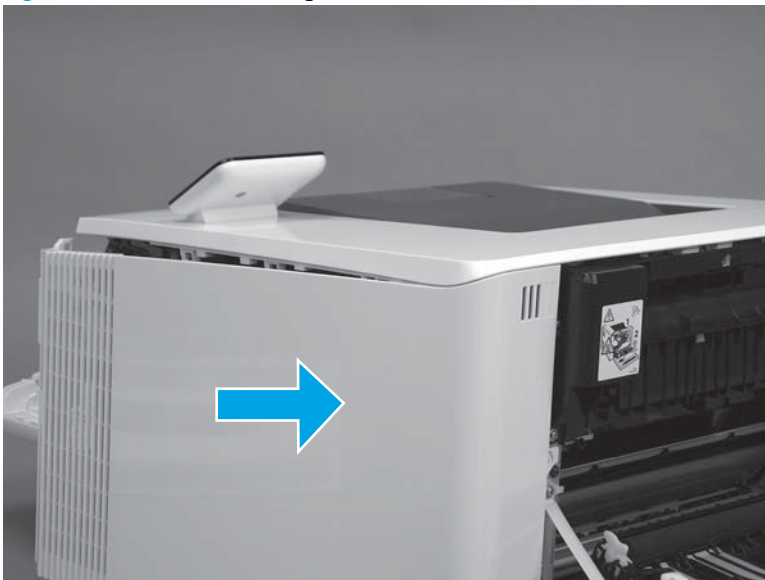
7. Release four tabs on the top of the printer (callout 1).

Figure 1-350 Release upper tabs



8. Slide the cover toward the back of the printer to remove it.

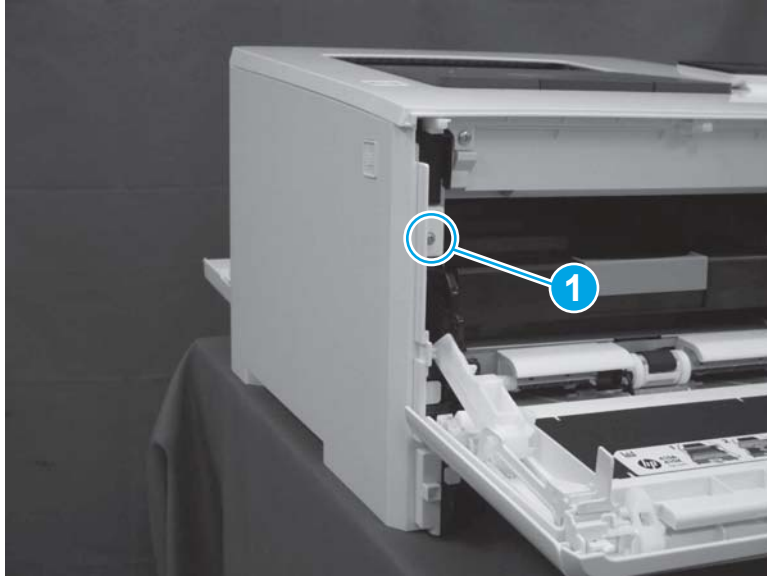
Figure 1-351 Remove the right cover



#### Step 4: Remove the left cover (M454 models)

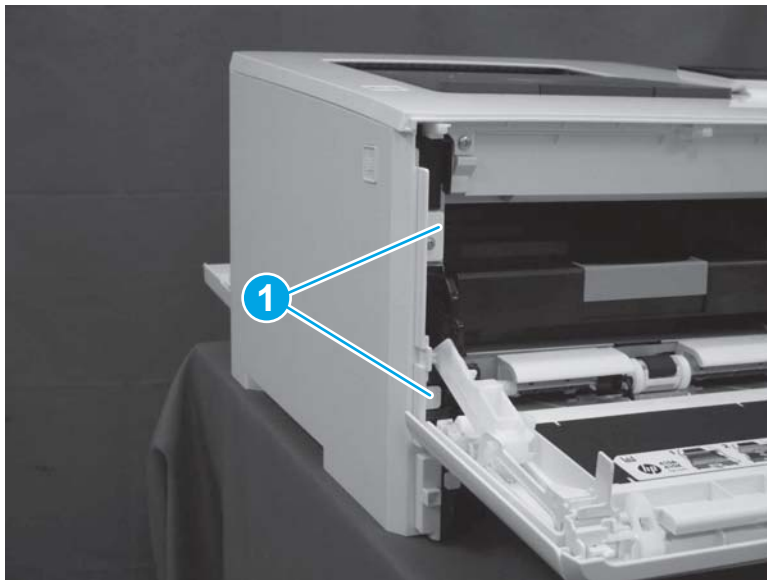
1. At the front of the printer, remove one screw (callout 1).

Figure 1-352 Remove one screw



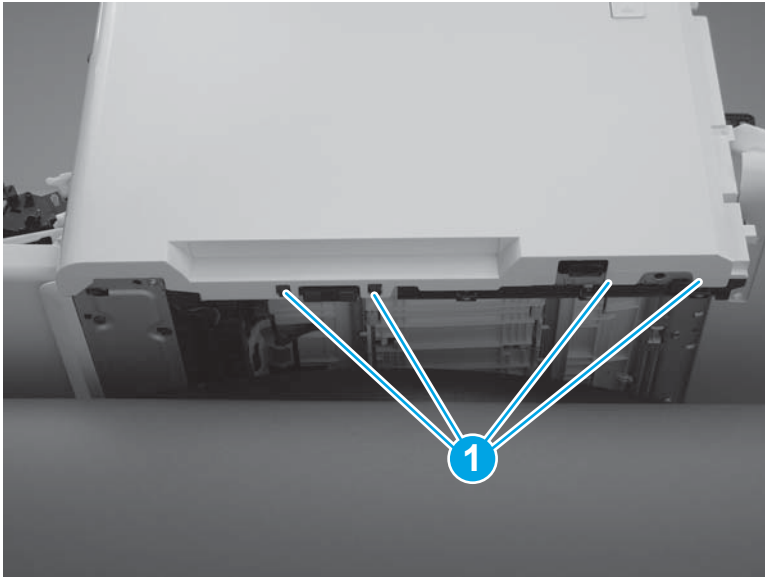
2. Release two tabs (callout 1) at the front of the cover. Hold the cover open to prevent the tabs from reengaging.

Figure 1-353 Release two tabs



3. Slide the printer to the edge of a work surface. Note the location of the tabs on the lower edge of the cover (callout 1).

Figure 1-354 Locate the tabs



4. Beginning from the front of the cover, release four tabs (callouts 1-4) on the lower edge of the cover.

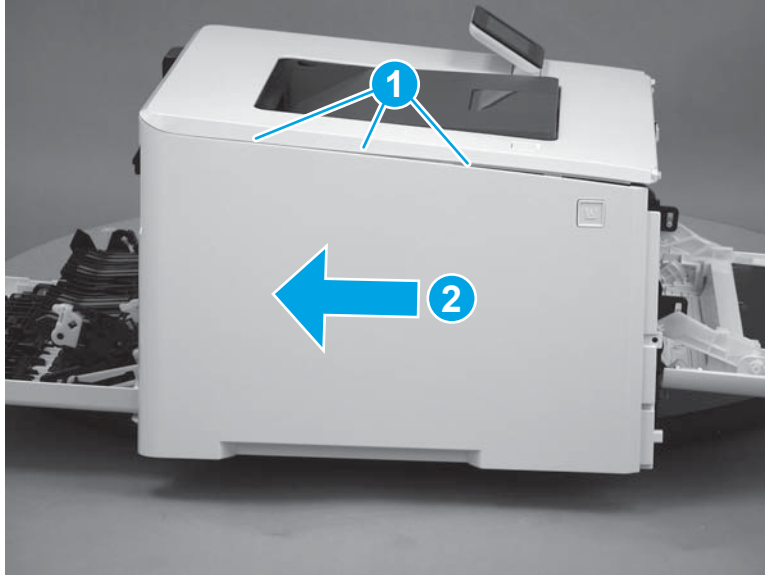
Figure 1-355 Release bottom tabs





5. Release three tabs at the top of the cover (callout 1), and then slide the cover toward the rear of the printer to remove it.

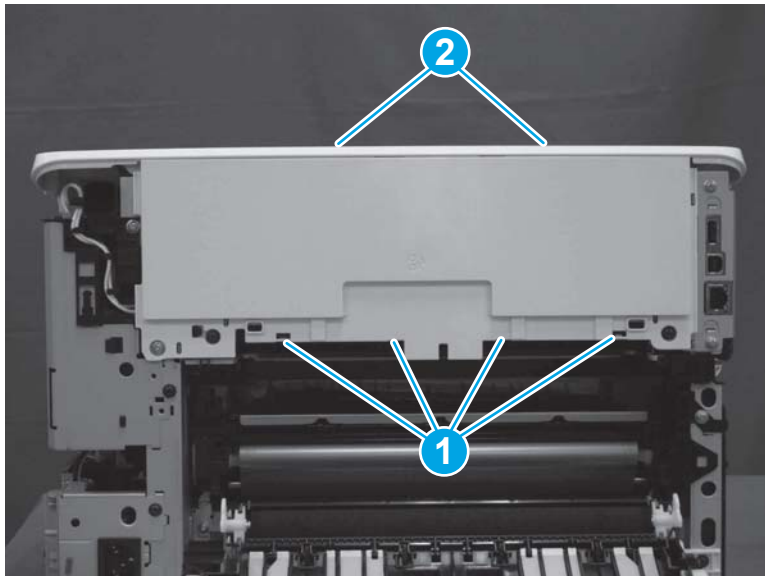
Figure 1-356 Release three tabs



#### Step 5: Remove the rear top cover (simplex model)

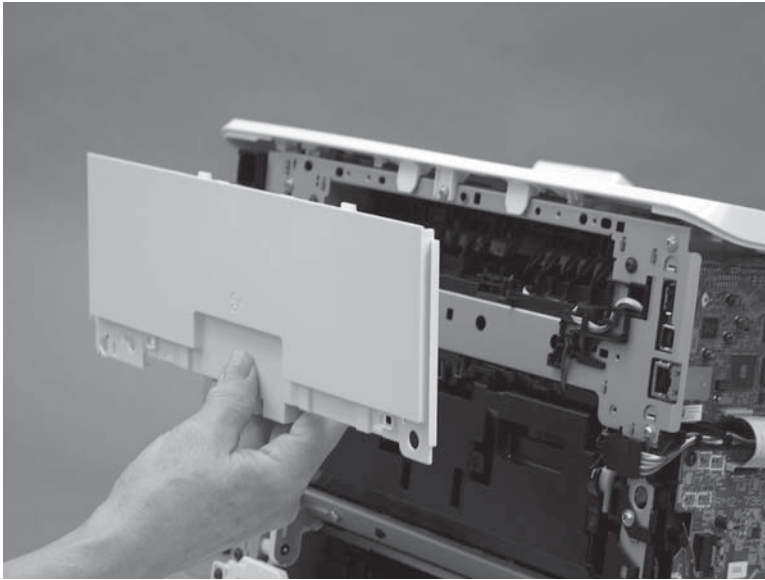
1. At the back of the printer, release four tabs (callout 1) on the bottom of the cover and two tabs (callout 2) on the top of the cover.

Figure 1-357 Release six tabs



2. Remove the rear top cover.

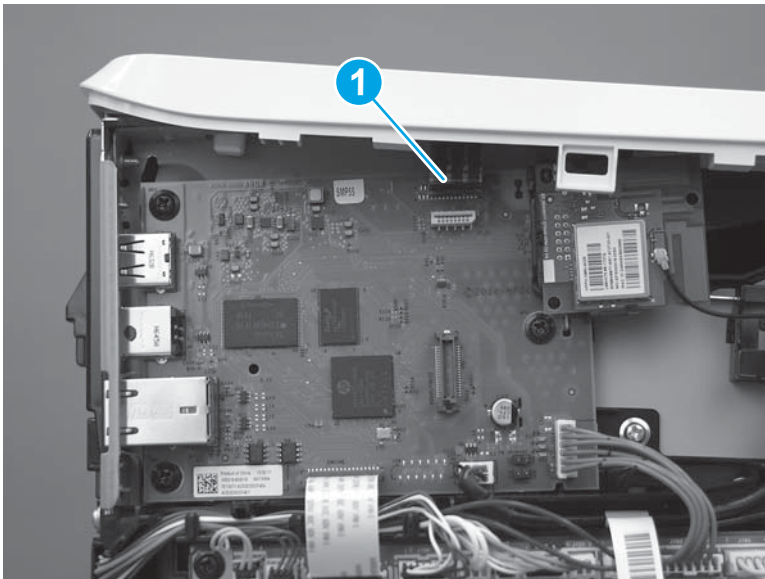
Figure 1-358 Remove the rear top cover



#### Step 6: Remove the top cover (M454 models)

1. **M454dw model only:** On the left side of the printer, on the formatter, disconnect one connector (callout 1).

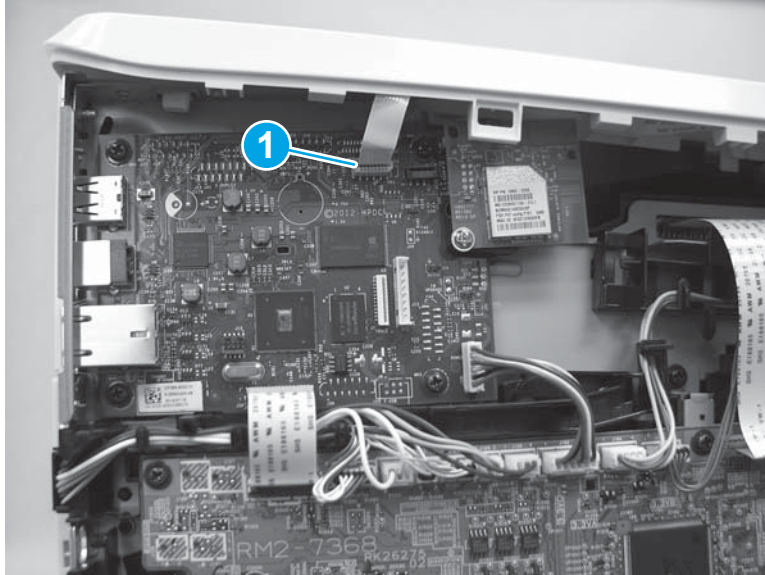
Figure 1-359 Disconnect one connector



2. **M454nw/dn models only:** On the left side of the printer, on the formatter, disconnect one connector (callout 1).

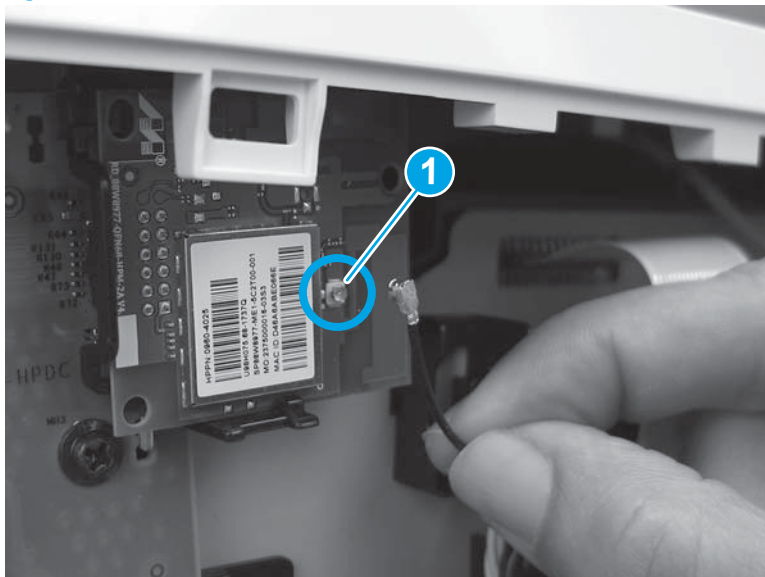
 **NOTE:** The formatter may look slightly different than what is shown below, however the removal procedures are the same.

Figure 1-360 Disconnect one connector



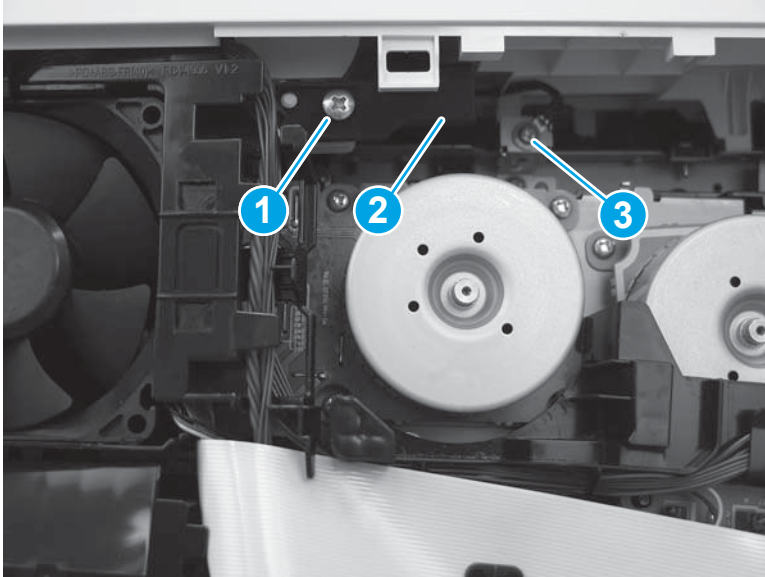
3. **M454nw/dw models only:** Disconnect the antenna (callout 1) from the connector (callout 2) on the wireless PCA.

Figure 1-361 Disconnect the antenna



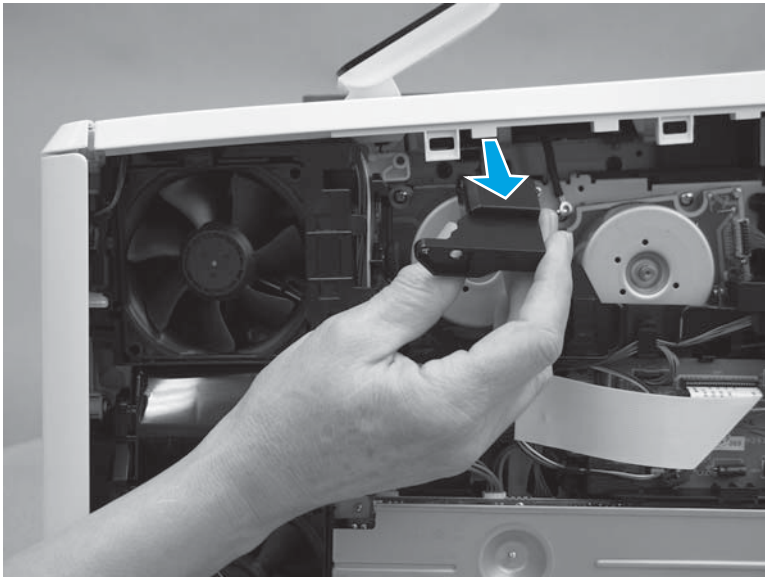
4. **M454dw model only:** Remove one screw (callout 1) and release one ground wire. Remove one screw (callout 2). Note the location (callout 3) of the guide.

Figure 1-362 Remove two screws



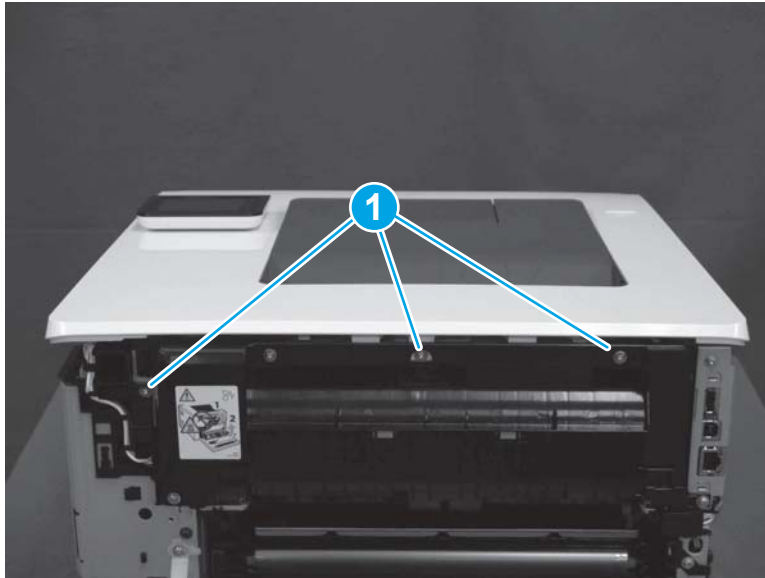
5. **M454dw model only:** Remove the guide.

Figure 1-363 Remove the guide



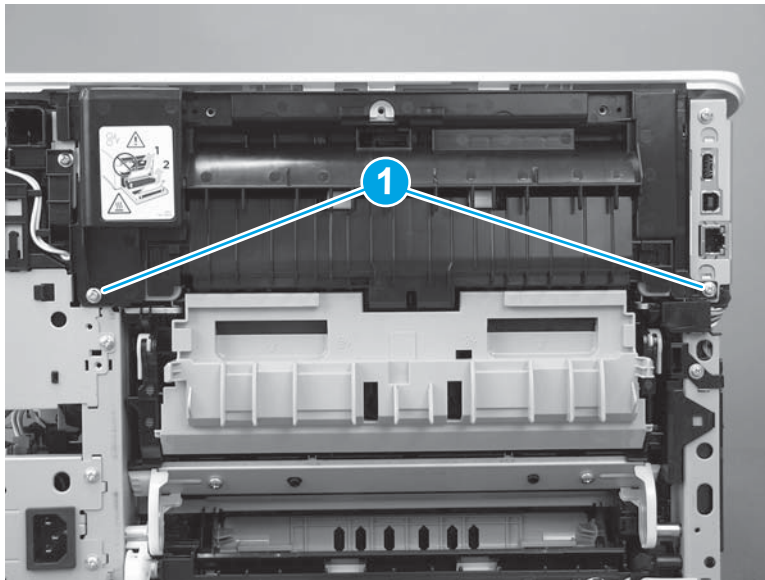
6. **M454dn/dw models only:** At the back of the printer, remove three screws (callout 1).

Figure 1-364 Remove three screws



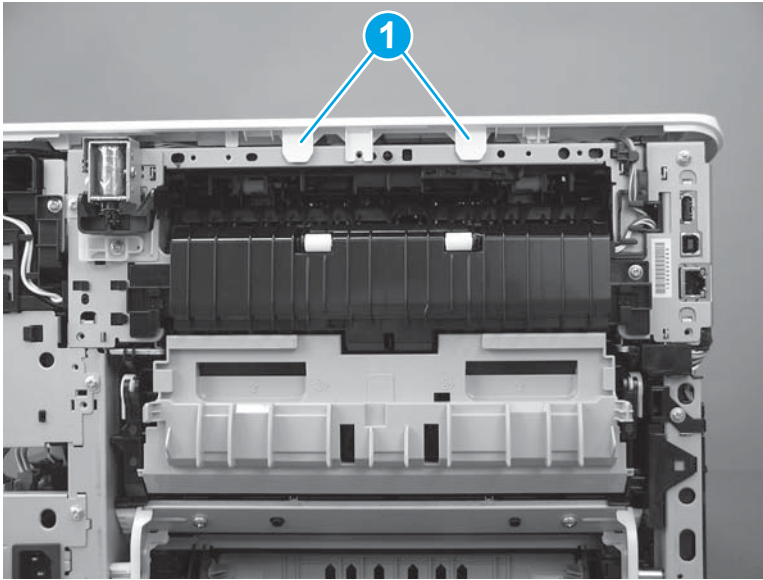
7. **M454dn/dw models only:** Remove two screws (callout 1).

Figure 1-365 Remove two screws



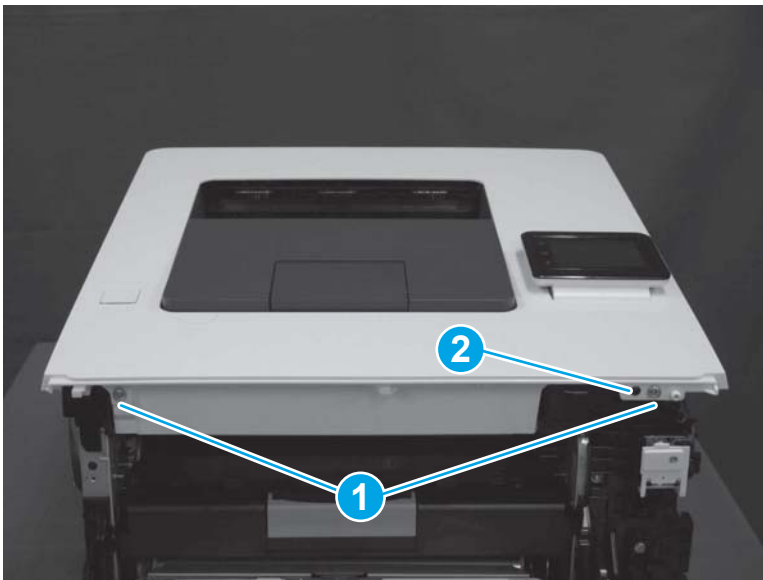
8. **M454nw model only:** At the back of the printer release two tabs (callout 1).

Figure 1-366 Release two tabs



9. At the front of the printer, remove two screws (callout 1), and then release one tab (callout 2).

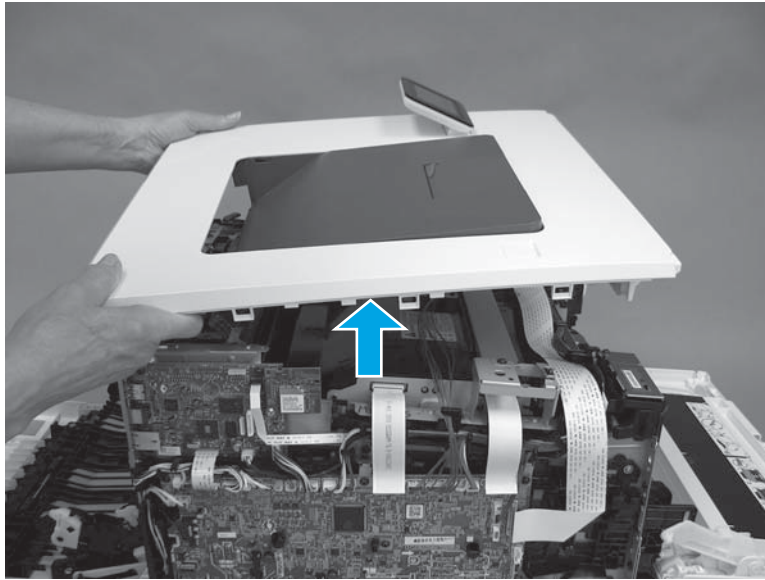
Figure 1-367 Remove two screws and release one tab





10. Remove the top cover.

Figure 1-368 Remove the top cover

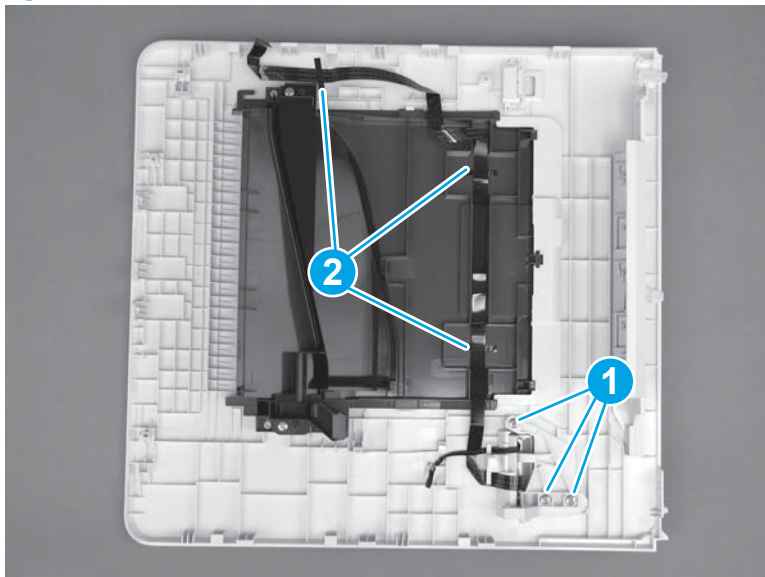


#### Step 7: Remove the control panel (M454dw model)

1. On the underside of the top cover, remove three screws (callout 1), and then carefully unfasten the tape strips (callout 2) to unroute the control-panel flat cable.

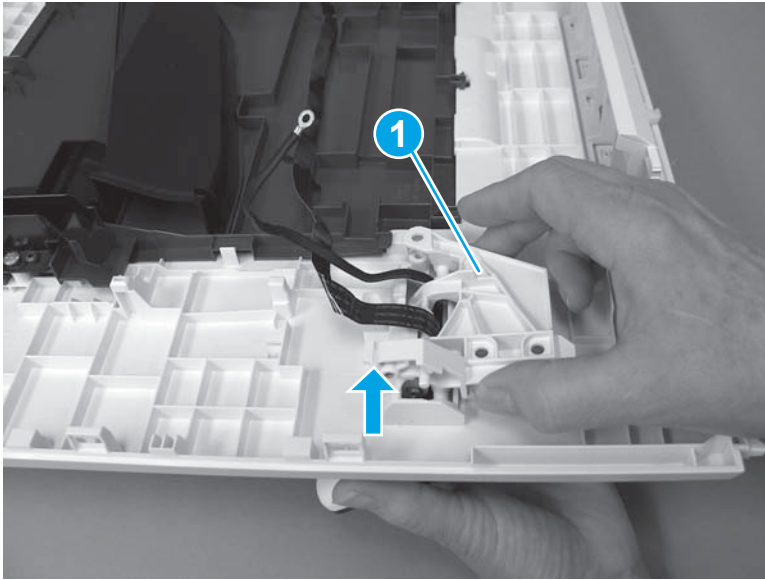
 **TIP:** HP recommends keeping the tape strips for reuse when the control panel is reinstalled.

Figure 1-369 Remove three screws and unroute cable



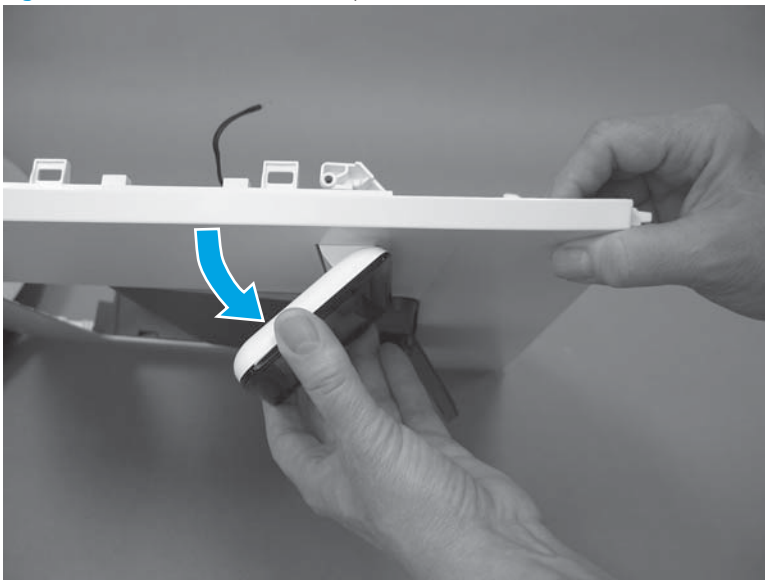
2. Lift up on the bracket (callout 1) to remove it.

Figure 1-370 Remove the bracket



3. Rotate the control panel away from the top cover.

Figure 1-371 Rotate the control panel





4. Pull the control panel away from the top side of the top cover to remove it.

Figure 1-372 Remove the control panel



#### Step 8: Unpack the replacement part

Remove the new part from its package. Save all packaging for recycling the used part.

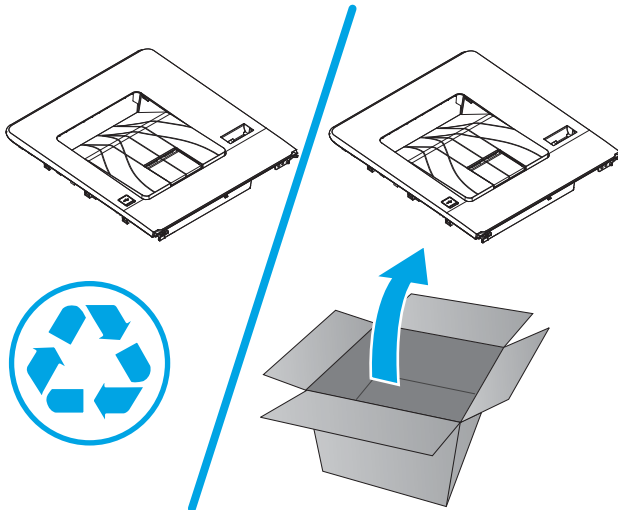
For complete information on HP's recycling programs, go to [Product return and recycling](#).

---

 **NOTE:** HP recommends responsible disposal of the defective part.

---


Figure 1-373 Recycle and unpack



#### Step 9: Install the control panel (M454dw model)

- ▲ To install an assembly, reverse the removal steps.

---

 **NOTE:** When applicable, special installation instructions are provided for an assembly at the end of the removal procedure. Always completely read the removal instructions and follow all special installation instructions.

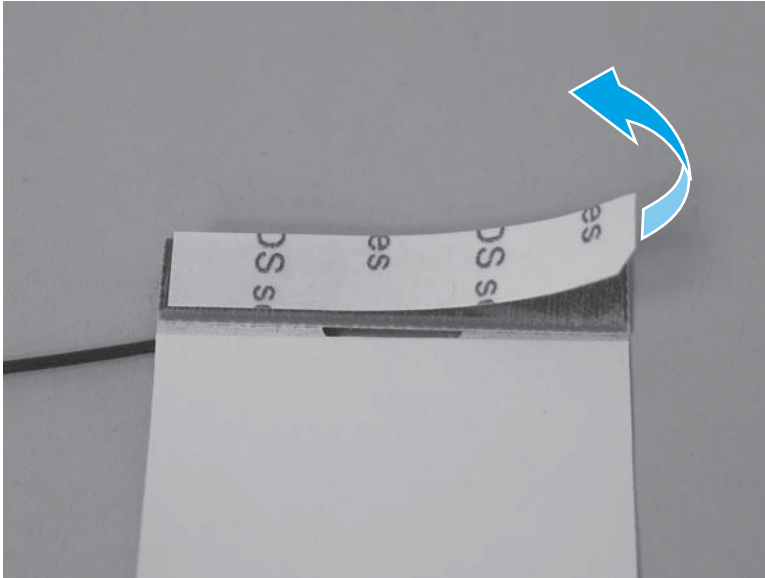
---

## Step 10: Install the wireless antenna (M454nw/dw models)

Unpack the wireless antenna from its packaging and install it following the procedure below.

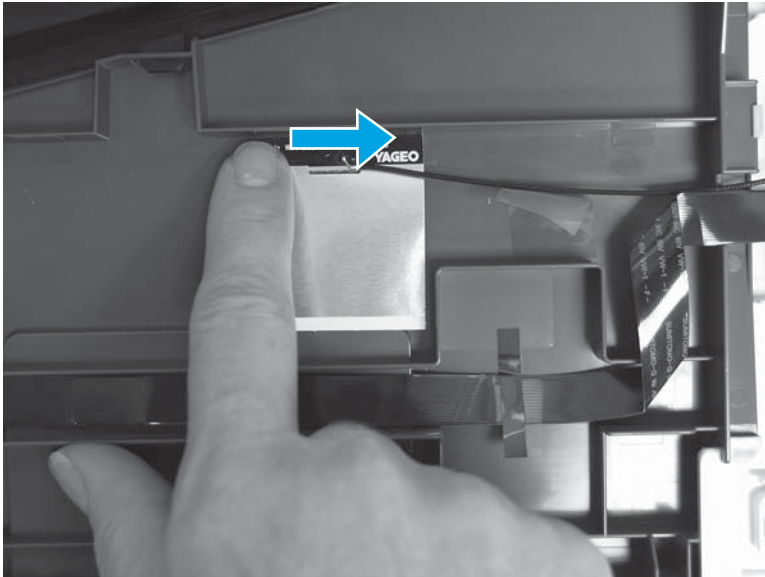
1. On the back of the antenna at the top edge, peel the protective backing off of the adhesive strip.

**Figure 1-374** Remove protective backing from adhesive strip



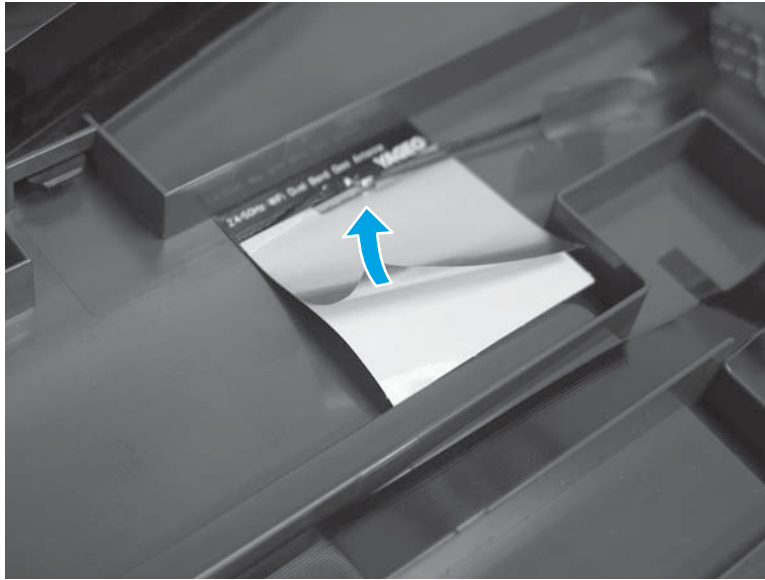
2. Position the antenna on the top cover, and then press along the top edge to make sure that the adhesive strip is securely in place.

**Figure 1-375** Install the top adhesive strip



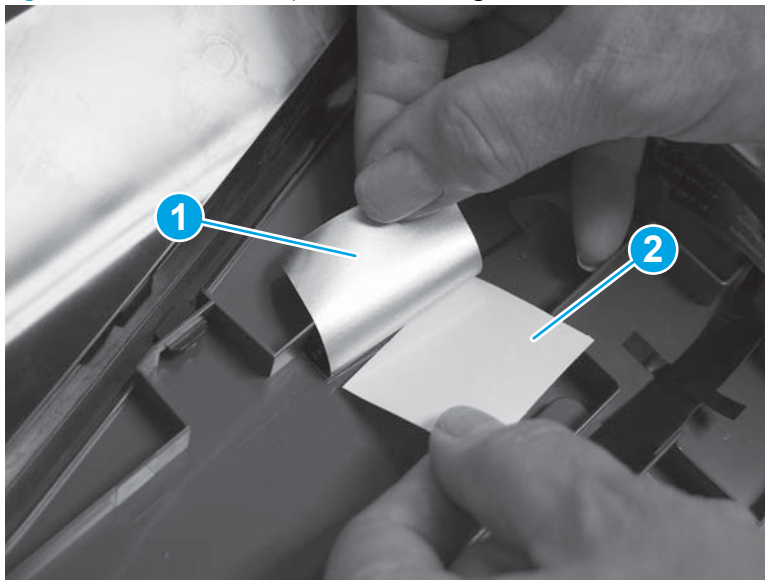
3. Begin peeling the silver tape up and away from the protective backing.

Figure 1-376 Peel the silver tape up



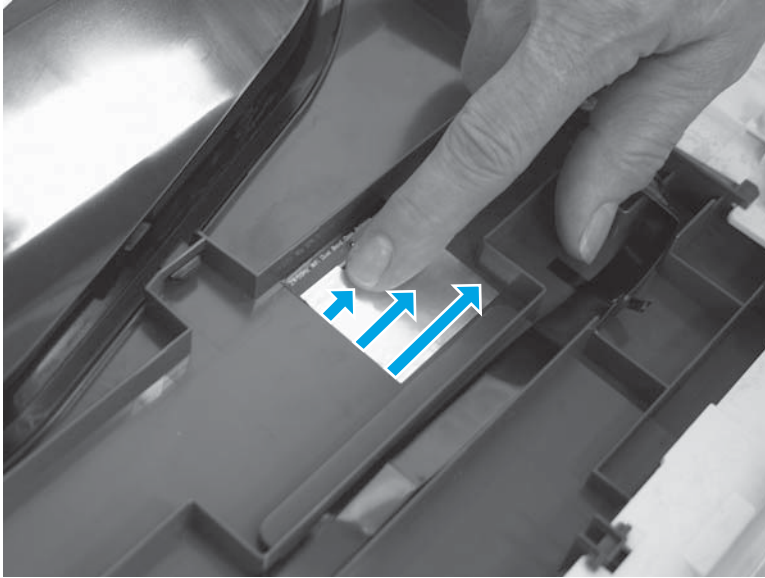
4. Peel the silver tape (callout 1) all the way up, and then remove the protective backing (callout 2).

Figure 1-377 Remove the protective backing



5. Press the entire surface of the silver tape down to make sure it is securely attached to the top cover.

**Figure 1-378** Press the silver tape



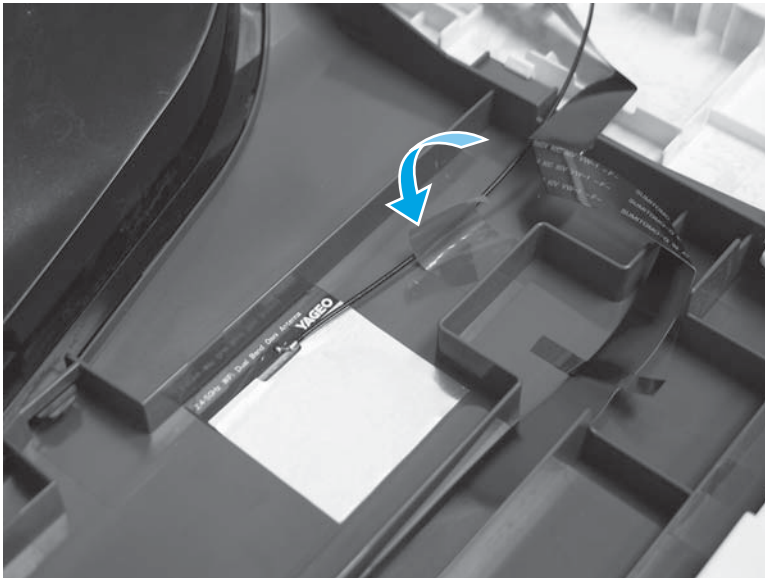
6. Position the tape over the antenna cable to hold it securely against the top cover.

---

 **NOTE:** If the tape is missing, use a small piece of electrical tape to secure the antenna to the top cover at the location shown.

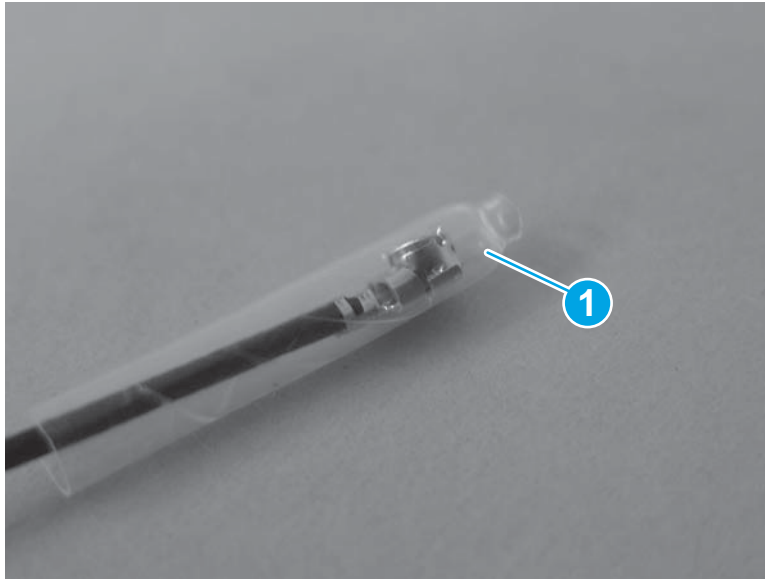
---

**Figure 1-379** Position the tape



7. Remove the protective cover (callout 1) from the end of the antenna cable.


Figure 1-380 Remove the protective cover



#### Step 11: Install the top cover (M454 models)

- ▲ To install an assembly, reverse the removal steps.

---

 **NOTE:** When applicable, special installation instructions are provided for an assembly at the end of the removal procedure. Always completely read the removal instructions and follow all special installation instructions.

---

## Removal and replacement: Top cover (M479 models)

- [Introduction](#)
- [Step 1: Remove Tray 2](#)
- [Step 2: Open the front door and rear door or duplexer door](#)
- [Step 3: Remove the right cover \(M479 models\)](#)
- [Step 4: Remove the left cover \(M479 models\)](#)
- [Step 5: Remove the rear top cover \(simplex model\)](#)
- [Step 6: Remove the image scanner \(M479 models\)](#)
- [Step 7: Remove the fax PCA \(M479 models\)](#)
- [Step 8: Remove the top cover \(M479 models\)](#)
- [Step 9: Remove the control panel \(M479 models\)](#)
- [Step 10: Remove the walk-up USB port \(M479 models\)](#)
- [Step 11: Unpack the replacement part](#)
- [Step 12: Install the walk-up USB port \(M479 models\)](#)
- [Step 13: Install the control panel \(M479 models\)](#)
- [Step 14: Install the top cover \( M479 models\)](#)

### Introduction


This document provides the procedures to remove and replace the top cover for the M479.

[Click here to view a video of this procedure.](#)

### Before you begin

- Turn off the printer.
- Disconnect the power cable.


---

 **WARNING!** To avoid damage to the printer, turn the printer off, wait 30 seconds, and then remove the power cord before attempting to service the printer.

---

- Use the table below to identify the correct part number for your printer. To order the part, go to [www.hp.com/buy/parts](http://www.hp.com/buy/parts).

---

 **IMPORTANT:** **M479 models:** Make sure to order a replacement antenna from the table below when replacing the top cover. This new antenna must be installed on the replacement top cover.

---

Top cover part numbers	
RM2-1815-000CN	Top cover (M479 fdw/fnw/dw)
RM2-1814-000CN	Top cover (M479fdn)
0960-3467	Wireless antenna

## Required tools

- #2 Phillips screwdriver with a magnetic tip
- Small flat-blade screwdriver

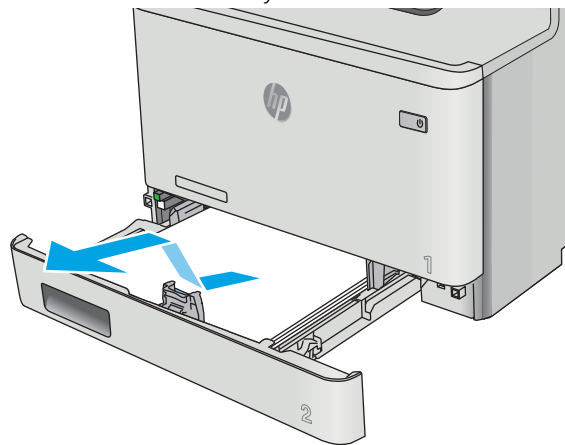
## After performing service

- Connect the power cable.
- Use the power switch to turn the power on.

## Step 1: Remove Tray 2

- ▲ Pull the tray out until it stops. Lift the front of the tray, and then pull it out of the printer to remove it.

Figure 1-381 Remove the tray



## Step 2: Open the front door and rear door or duplexer door

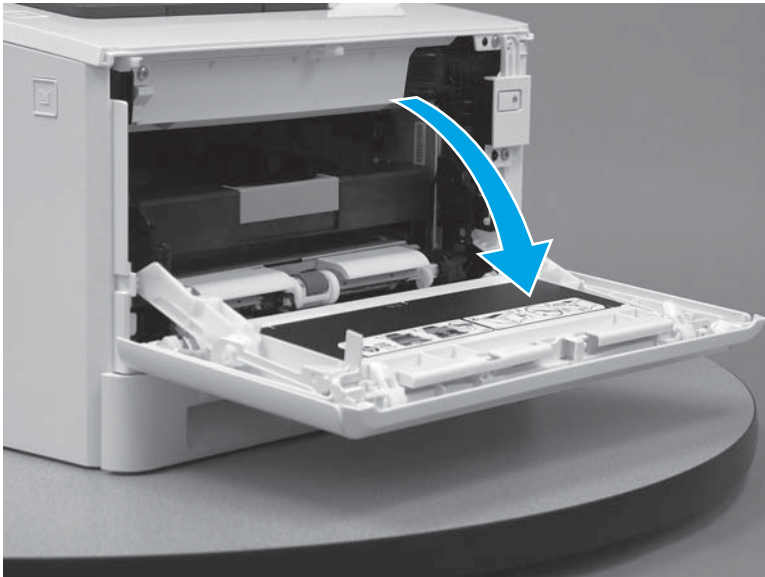
1. Press the button (callout 1) on the left side of the printer to release the front door.

Figure 1-382 Release the front door



2. Open the front door.

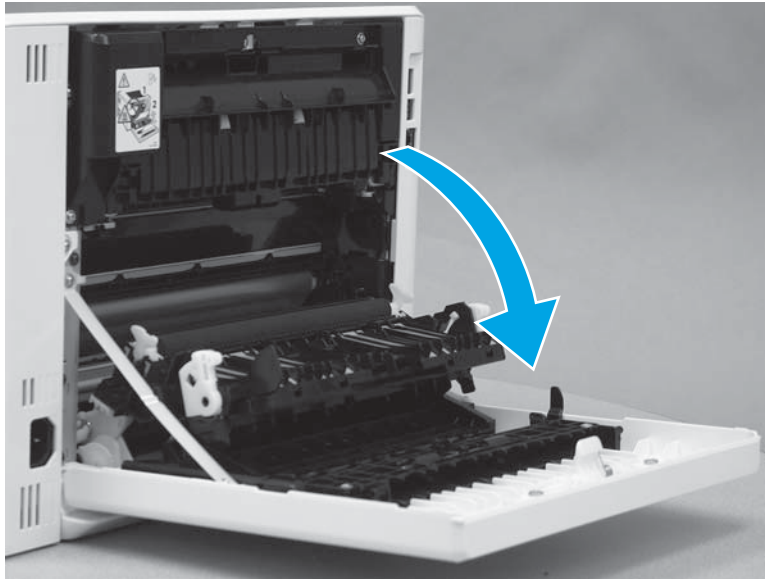
Figure 1-383 Open the front door





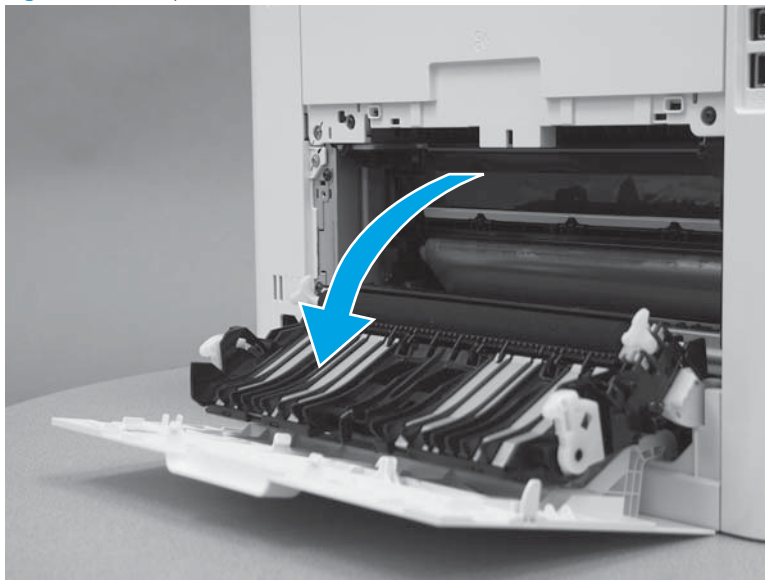
3. **Duplex models:** Open the duplexer door.

**Figure 1-384** Open the duplexer door



4. **Simplex models:** Open the rear door.

**Figure 1-385** Open the rear door



### Step 3: Remove the right cover (M479 models)

1. Raise the scanner.

Figure 1-386 Raise the scanner



2. At the back of the printer, remove one screw (callout 1).

Figure 1-387 Remove one screw



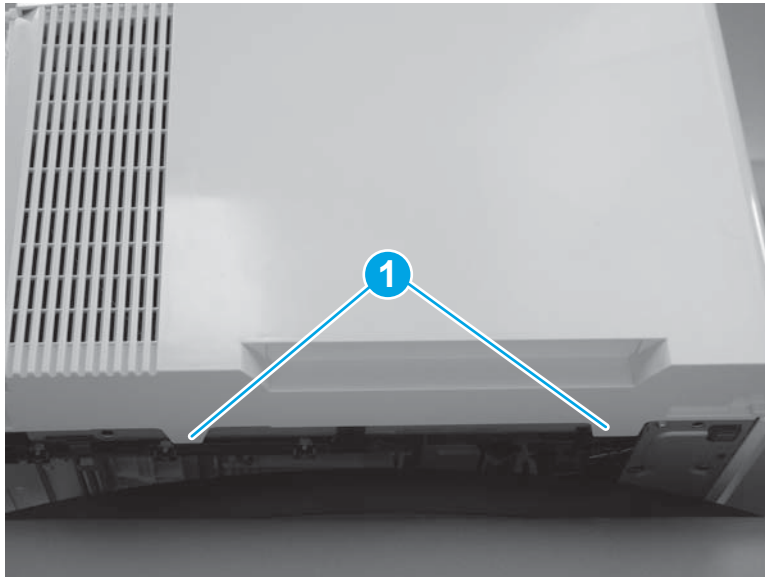
3. At the front of the printer, remove one screw (callout 1).

Figure 1-388 Remove one screw



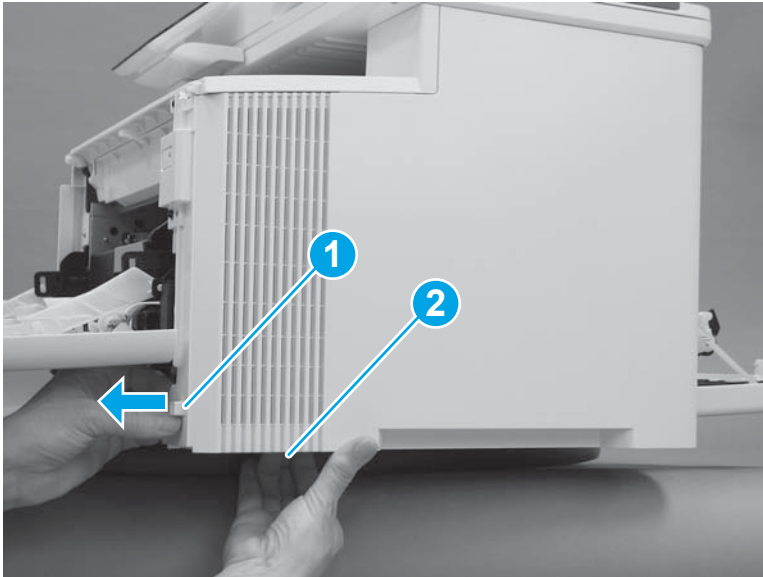
4. Slide the printer to the edge of a work surface. Note the location of the tabs on the lower edge of the cover (callout 1).

Figure 1-389 Locate the tabs



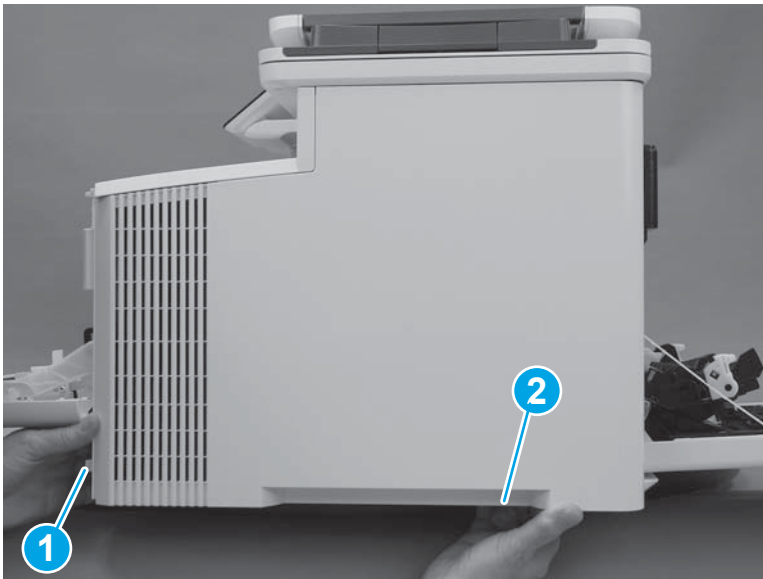
5. Release one tab (callout 1) on the front of the cover by slightly pulling the cover away from the printer. While holding the cover in the released position, release one tab (callout 2) on the lower edge of the cover.

Figure 1-390 Release front lower tabs



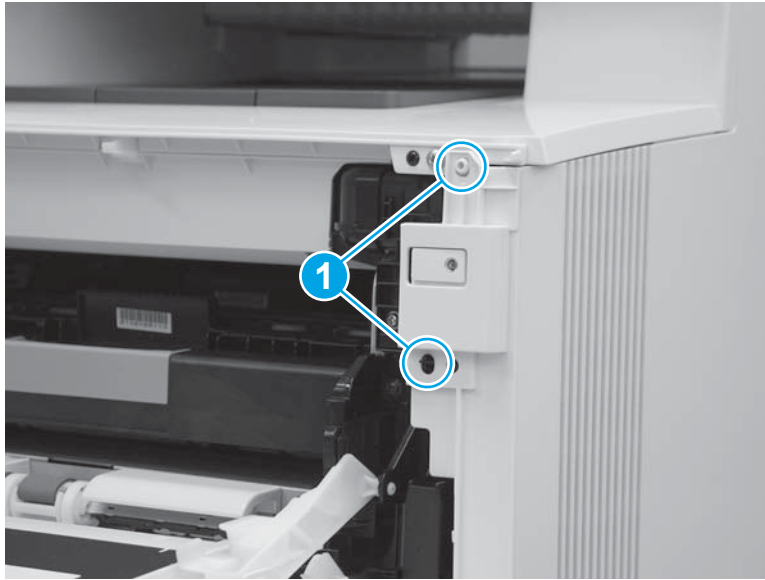
6. Hold the front tabs in the released position (callout 1), and then release one tab (callout 2) on the lower edge of the cover, toward the back of the printer.

Figure 1-391 Release lower rear tab



7. Release two tabs at the front of the printer (callout 1) by slightly pulling the cover away from the printer.

Figure 1-392 Release front upper tabs



8. Rotate the front of the cover away from the printer (callout 1).

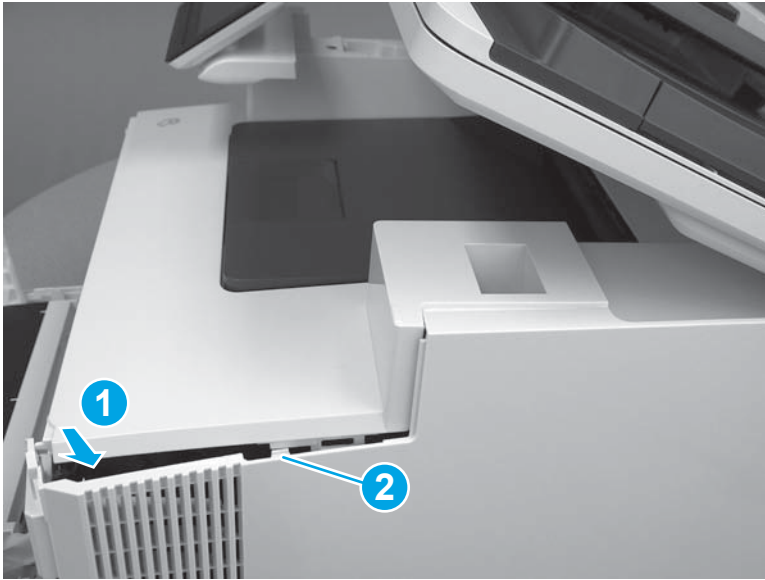
**⚠ CAUTION:** Be careful not to dislodge the power switch (callout 2).

Figure 1-393 Rotate the front of the cover



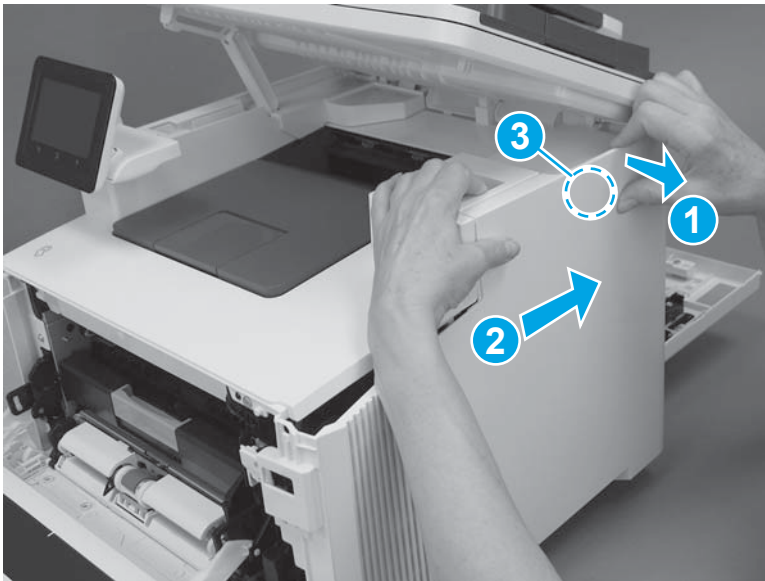
9. Slightly pull the front of the cover away from the printer (callout 1) to release one tab (callout 2).

Figure 1-394 Release top tabs



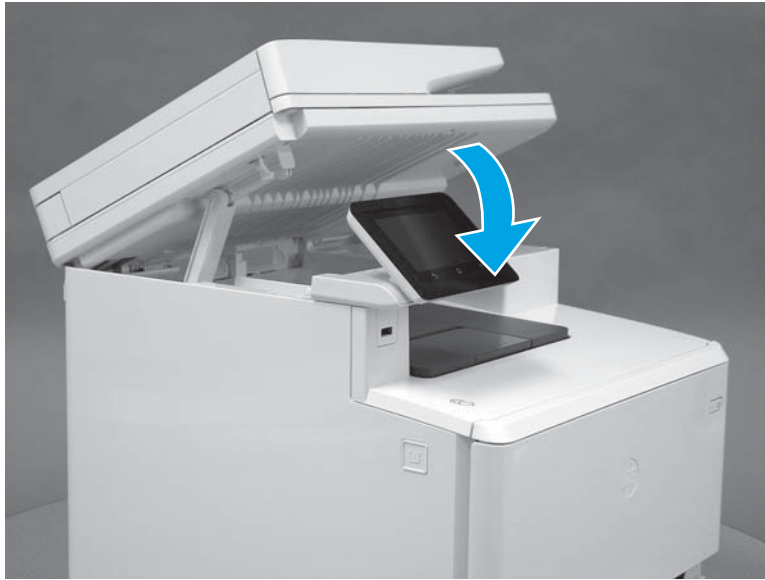
10. At the top of the printer, slightly pull the top of the cover away from the printer to release one retention tab (callout 1) on the inside of the cover. While holding the cover away, slide the cover toward the back of the printer (callout 2) to release one hook (callout 3) on the inside of the cover.

Figure 1-395 Release one tab and one hook



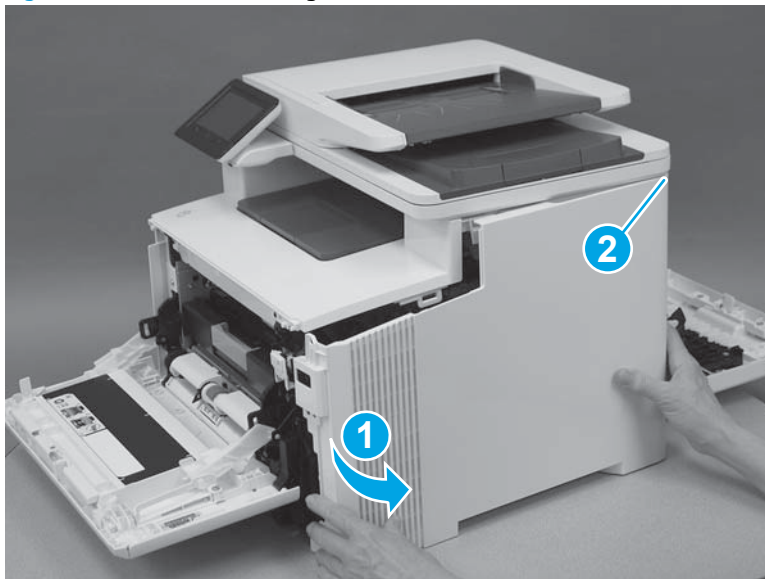
11. Lower the scanner.

Figure 1-396 Lower the scanner



12. Rotate the cover away from the printer (callout 1) to release one tab (callout 2) at the back of the printer, and then remove the cover.

Figure 1-397 Remove the right cover



#### Step 4: Remove the left cover (M479 models)

1. Raise the scanner.

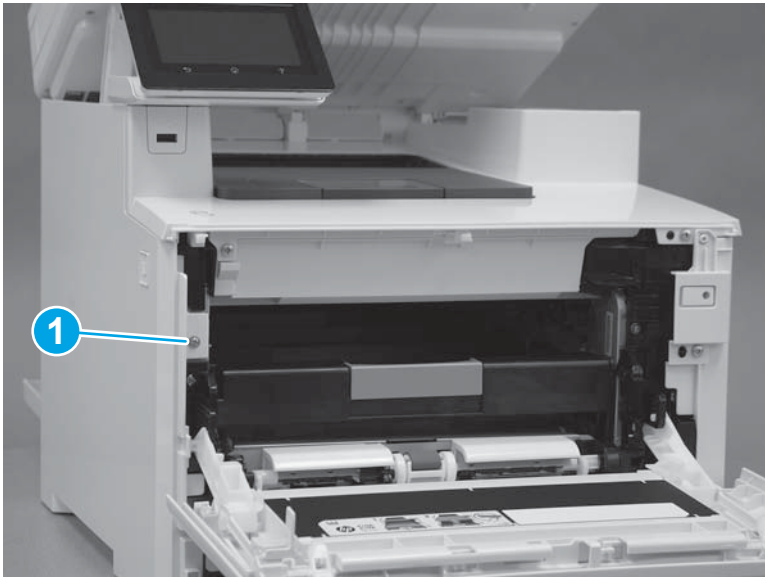


Figure 1-398 Raise the scanner



2. At the front of the printer, remove one screw (callout 1).

Figure 1-399 Remove one screw





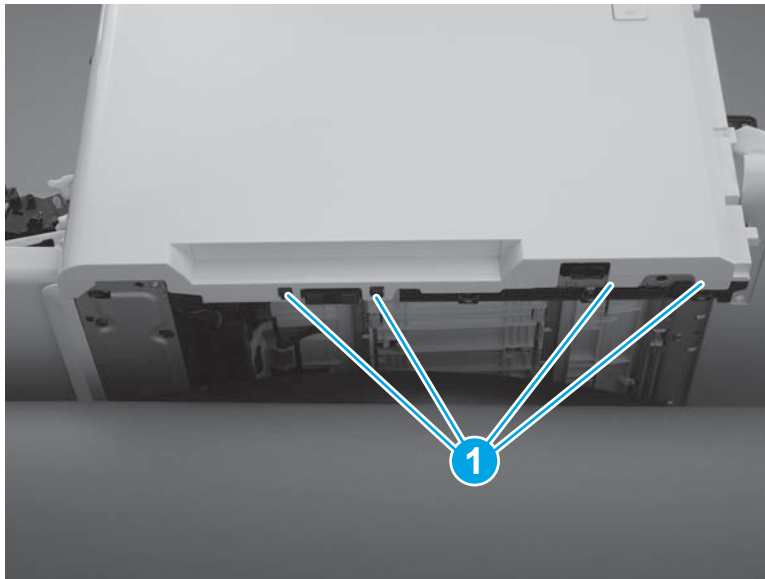
3. Release two tabs (callout 1) at the front of the cover. Hold the cover open to prevent the tabs from re-engaging.

Figure 1-400 Release two tabs



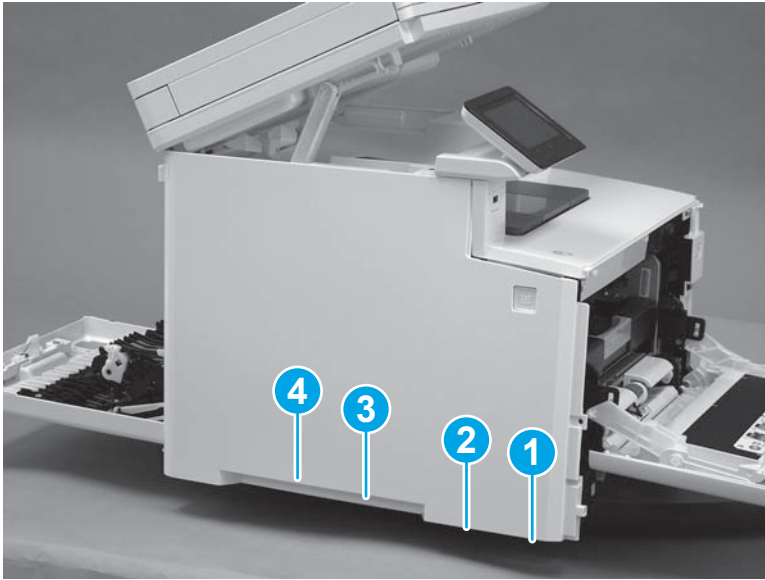
4. Slide the printer to the edge of a work surface. Note the location of the tabs on the lower edge of the cover (callout 1).

Figure 1-401 Locate the tabs



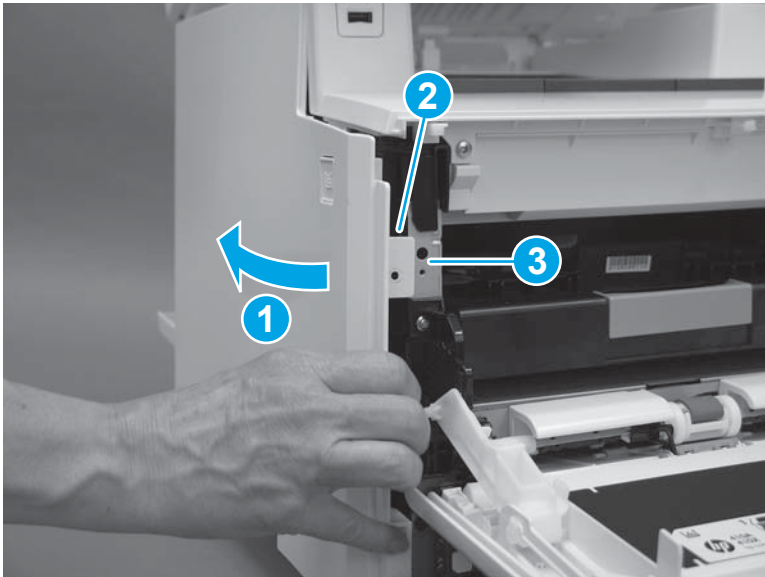
5. Beginning from the front of the cover, release the four tabs (callouts 1-4) on the lower edge of the cover.

Figure 1-402 Release four tabs



6. Rotate the front of the cover away from the printer (callout 1). Make sure that the tab (callout 2) does not get caught on the printer frame (callout 3).

Figure 1-403 Rotate the cover



7. At the top of the printer, slightly pull the top of the cover away from the printer to release one retention tab (callout 1) on the inside of the cover. While holding the cover away, slide the cover toward the back of the printer (callout 2) to release two hooks (callout 3) inside the cover.

Figure 1-404 Release one tab and two hooks



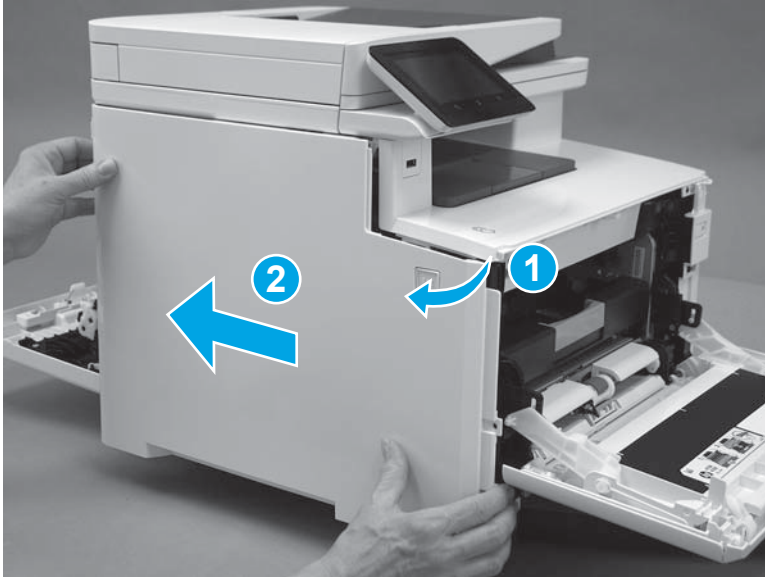
8. Lower the scanner.

Figure 1-405 Lower the scanner



9. Rotate the cover away from the printer (callout 1), and then slide the cover (callout 2) toward the back of the printer to remove it.

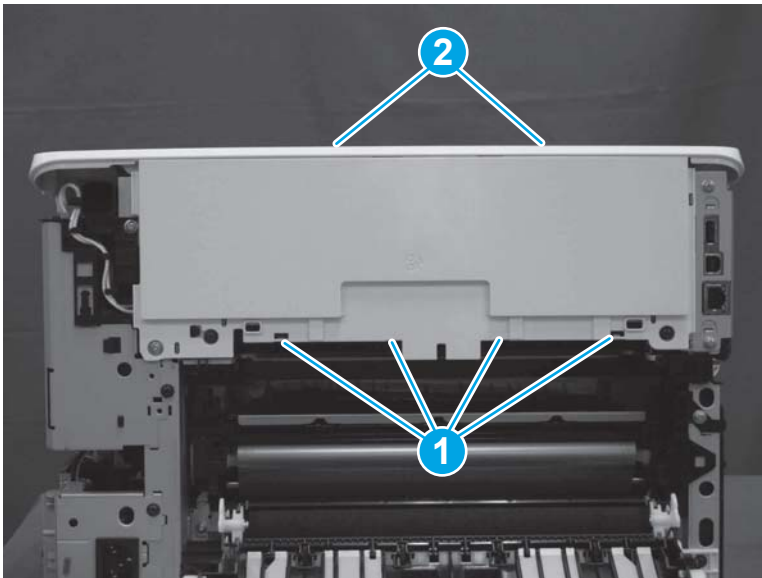
Figure 1-406 Remove the left cover



#### Step 5: Remove the rear top cover (simplex model)

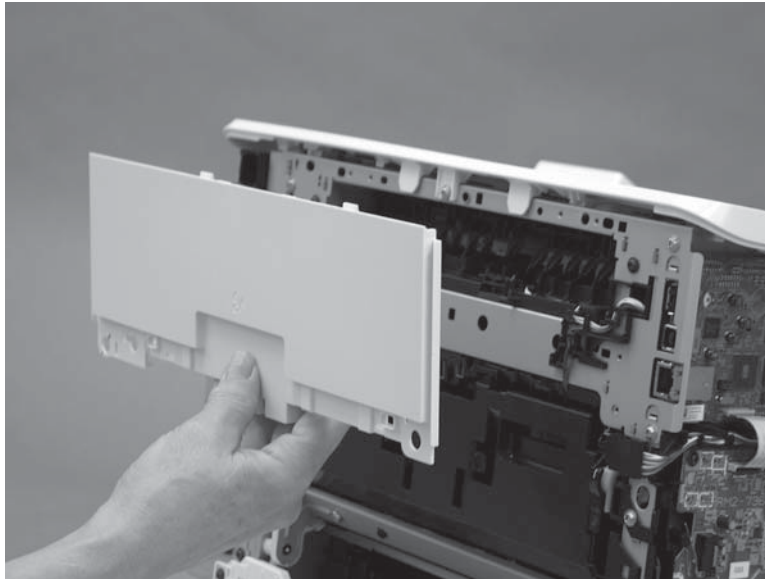
1. At the back of the printer, release four tabs (callout 1) on the bottom of the cover and two tabs (callout 2) on the top of the cover.

Figure 1-407 Release six tabs



2. Remove the rear top cover.

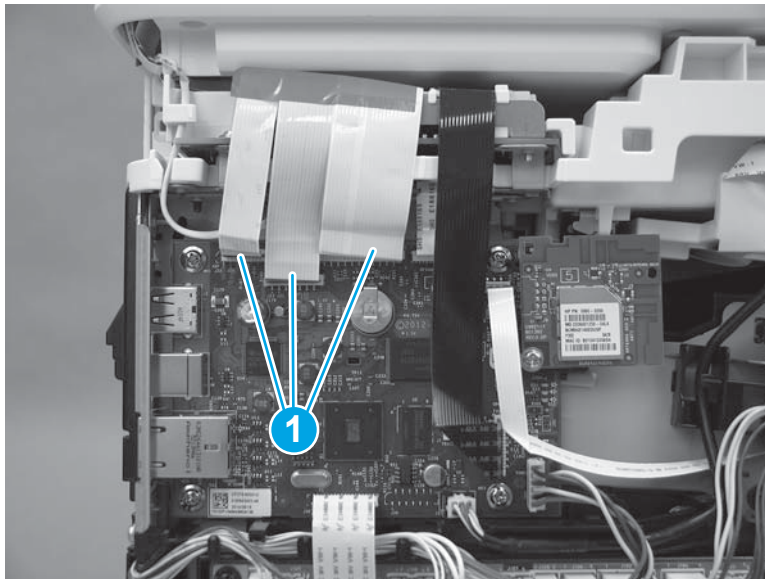
Figure 1-408 Remove the rear top cover



#### Step 6: Remove the image scanner (M479 models)

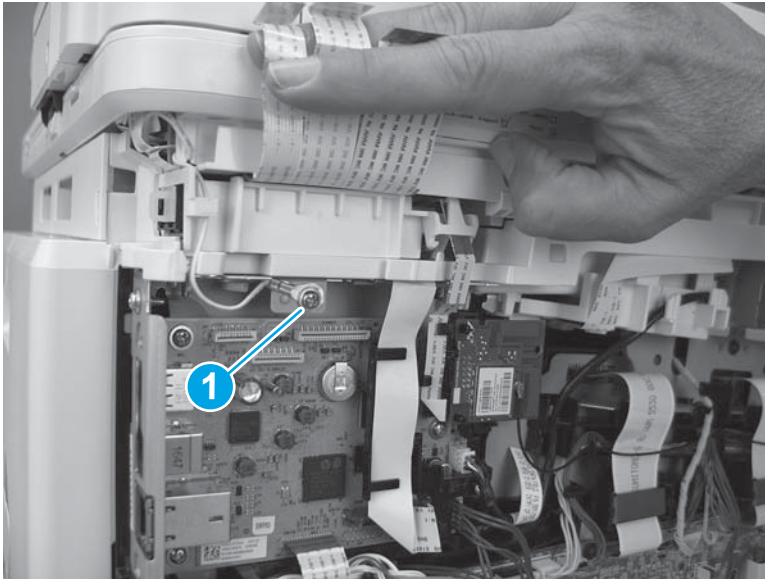
1. On the left side of the printer, disconnect three connectors (callout 1).

Figure 1-409 Disconnect the scanner cables



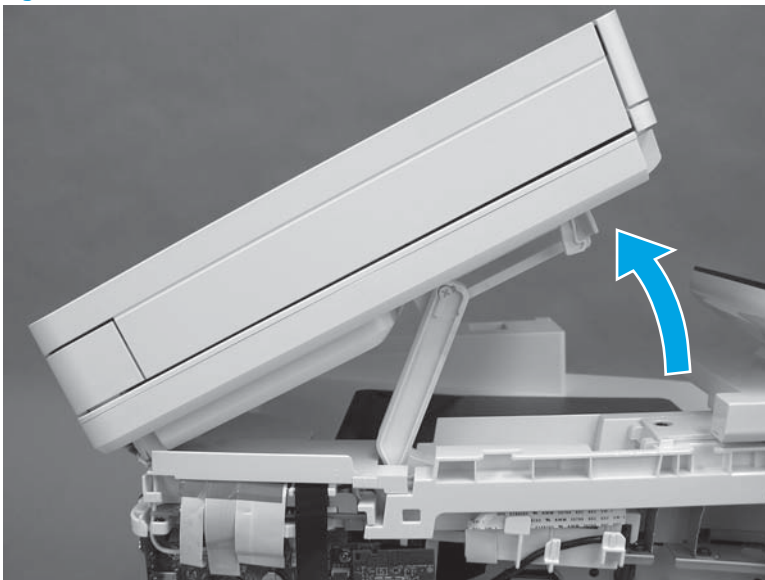
2. Raise the scanner cables up, and then remove one screw (callout 1) to release the ground wire (callout 2).

Figure 1-410 Remove one screw and release the ground wire



3. Raise the scanner.

Figure 1-411 Raise the scanner





4. With the scanner lifted, release the tab (callout 1) on the scanner support arm pin from the slot and rotate the pin in the direction indicated.

Figure 1-412 Release the scanner arm pin



5. Remove the scanner arm pin.

---

**⚠ CAUTION:** Once the scanner arm pin is removed, support the scanner with one hand at all times so that it does not fall backwards off of the printer.

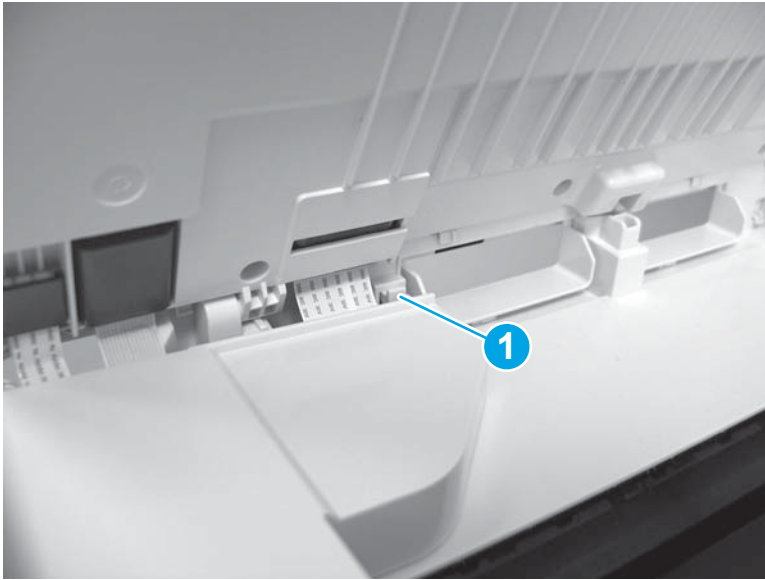
---

Figure 1-413 Remove the scanner arm pin.



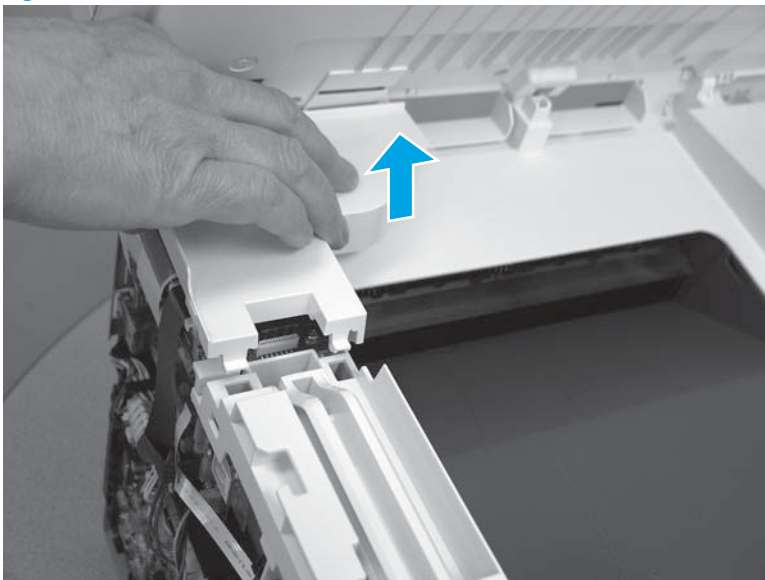
6. On the top of the printer, use a flat-blade screwdriver to release one tab (callout 1).

Figure 1-414 Release one tab



7. Remove the scanner cable cover.

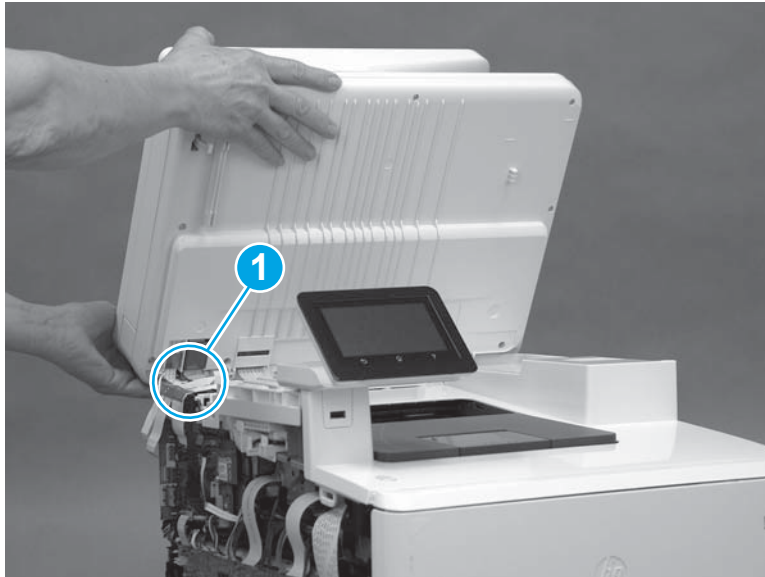
Figure 1-415 Remove the scanner cable cover





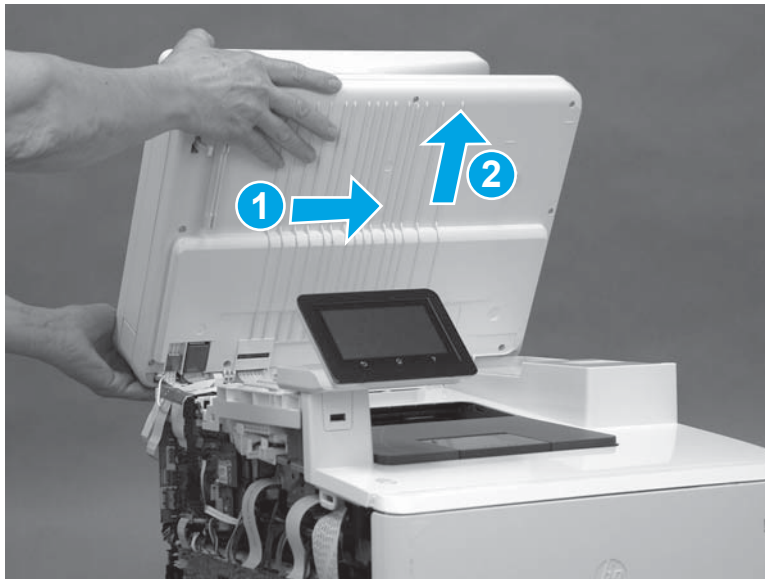
8. The scanner cables (callout 1) are held in place on the top cover with double-sided tape. Carefully release the cables from the top cover.

Figure 1-416 Release the cables



9. Open the scanner assembly fully, slide the assembly toward the right side of the printer, and then lift the assembly off of the printer.

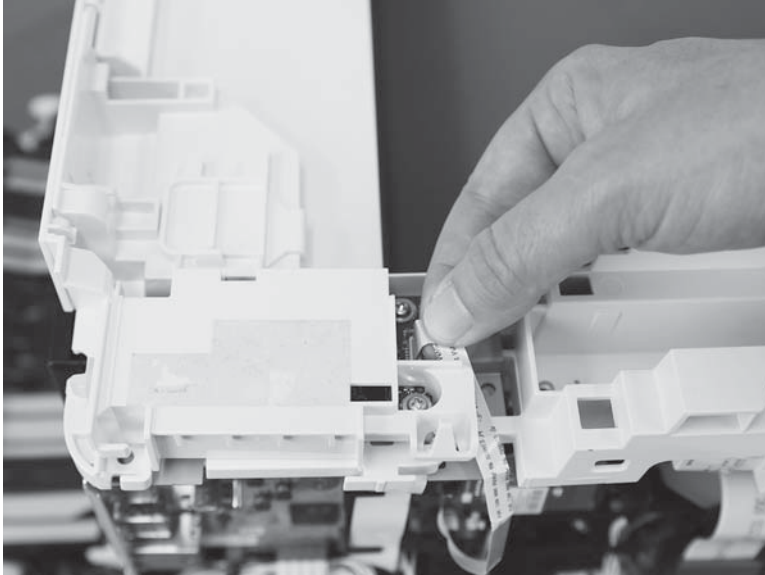
Figure 1-417 Remove the scanner assembly



#### Step 7: Remove the fax PCA (M479 models)

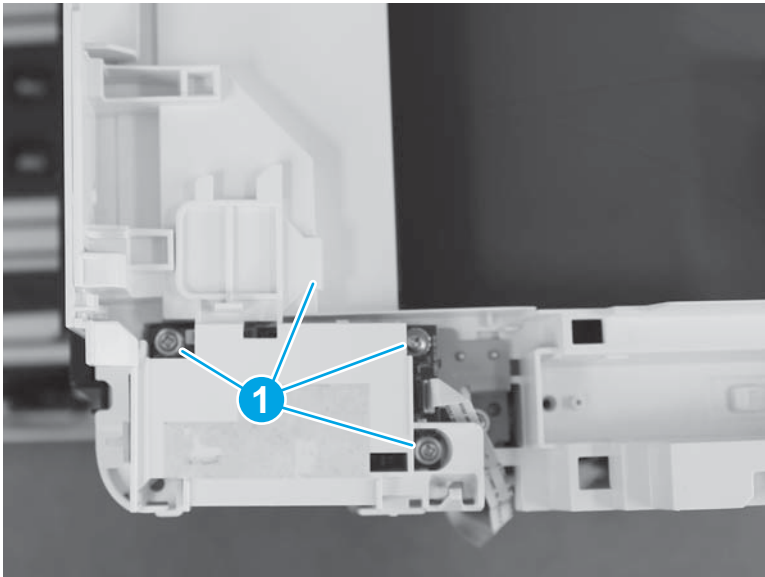
1. Disconnect on FFC cable from fax PCA.

Figure 1-418 Disconnect one connector



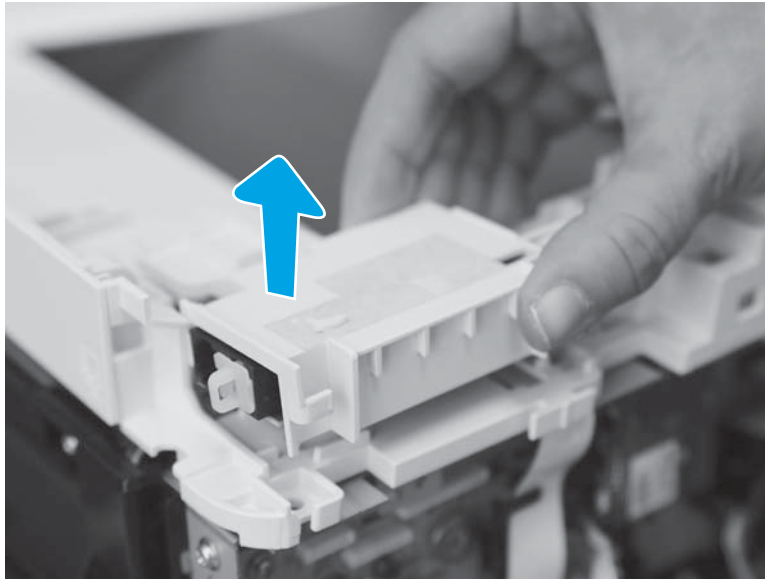
2. Remove three screws and release one tab (callout 1).

Figure 1-419 Remove three screws and release one tab



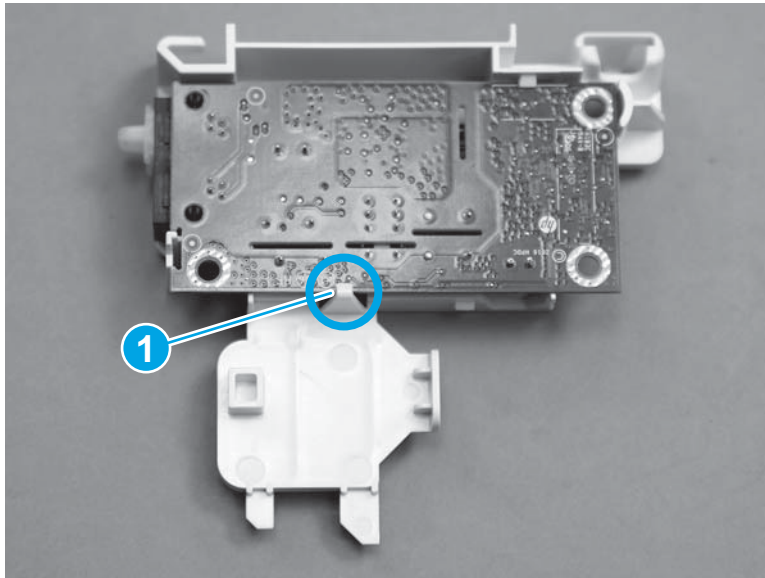
3. Lift up to remove the fax PCA.

Figure 1-420 Lift up to remove the fax PCA



4. Release the tab (callout 1) on the back of the fax PCA to remove the PCA from the plastic holder.

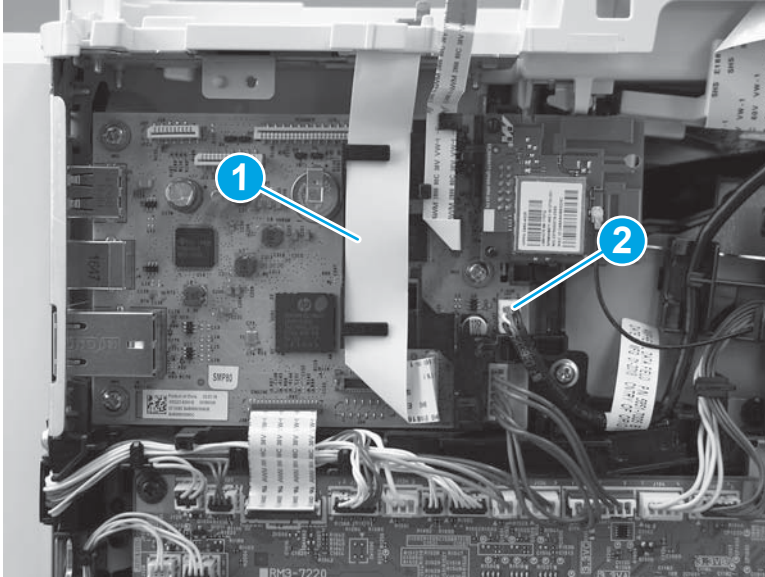
Figure 1-421 Release one tab to remove fax PCA from the plastic holder



#### Step 8: Remove the top cover (M479 models)

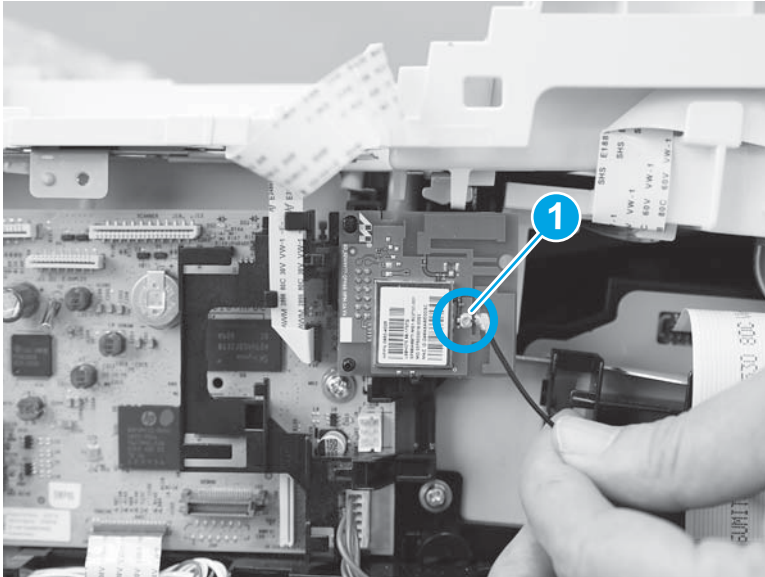
1. Disconnect one connector (callout 2) and one FFC (callout 2).

Figure 1-422 Disconnect one connectors and one FFC



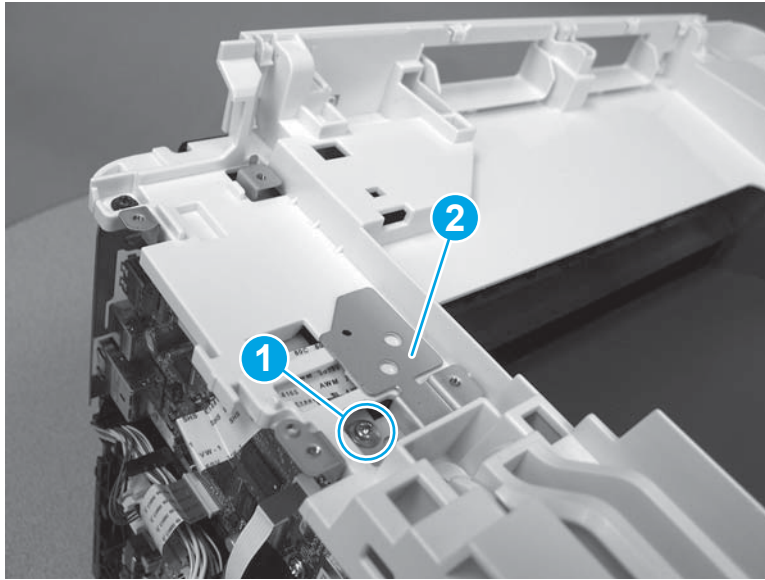
2. Disconnect wireless antenna cable (callout 1) from the wireless PCA.

Figure 1-423 Disconnect wireless antenna cable from the wireless PCA



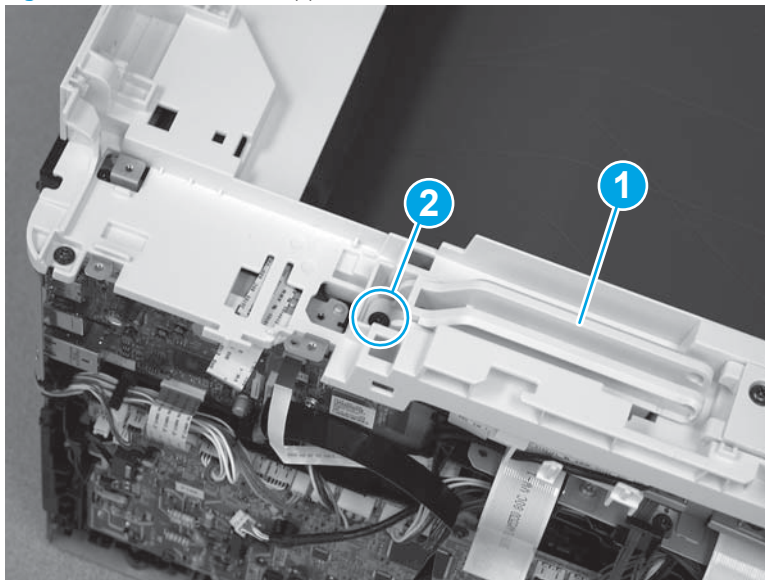
3. On the top cover, remove one screw (callout 1) and the sheet metal plate (callout 2).

Figure 1-424 Remove one screw and the sheet metal plate



4. At the top of the printer, lower the scanner support arm (callout 1), and then remove one screw (callout 2).

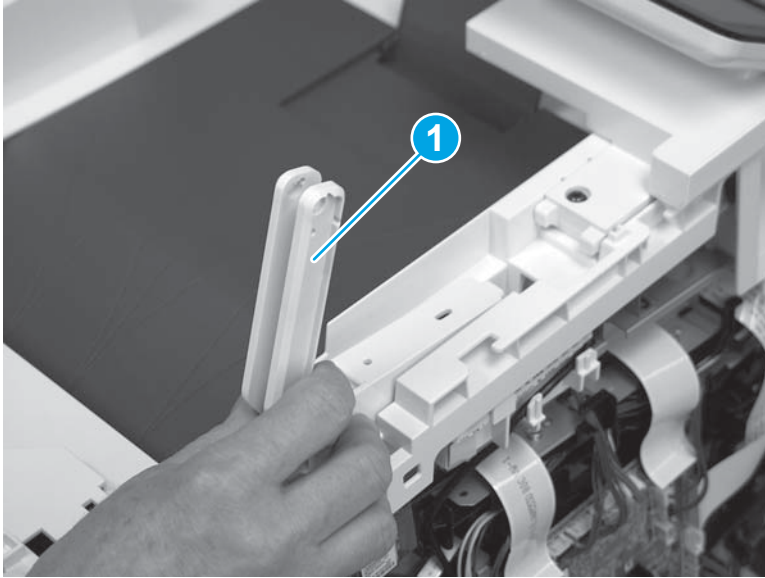
Figure 1-425 Lower the support arm and remove one screw





5. Remove the scanner support arm (callout 1).

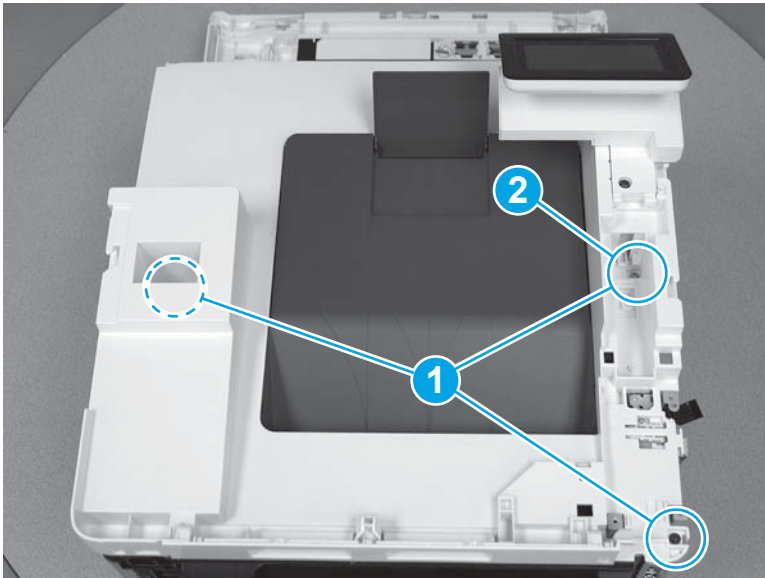
**Figure 1-426** Remove the scanner support arm



6. At the top of the printer, remove three screws (callout 1).

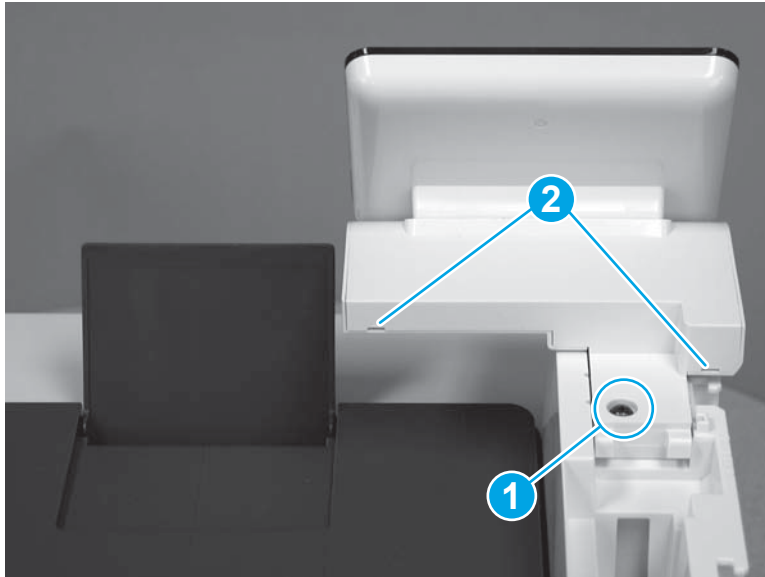
 **Reinstallation tip:** One screw (callout 2) is longer than the other screws. Make sure that this screw is reinstalled in the correct position.

**Figure 1-427** Remove three screws



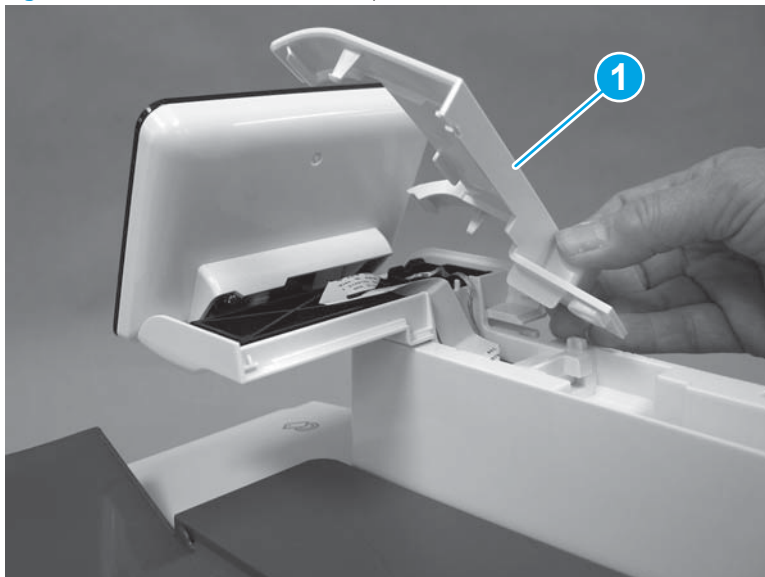
7. Behind the control panel, remove one screw (callout 1), and then use a small flat-blade screwdriver at two pry points (callout 2) to release the control panel cover from the top cover.

Figure 1-428 Release the control panel cover



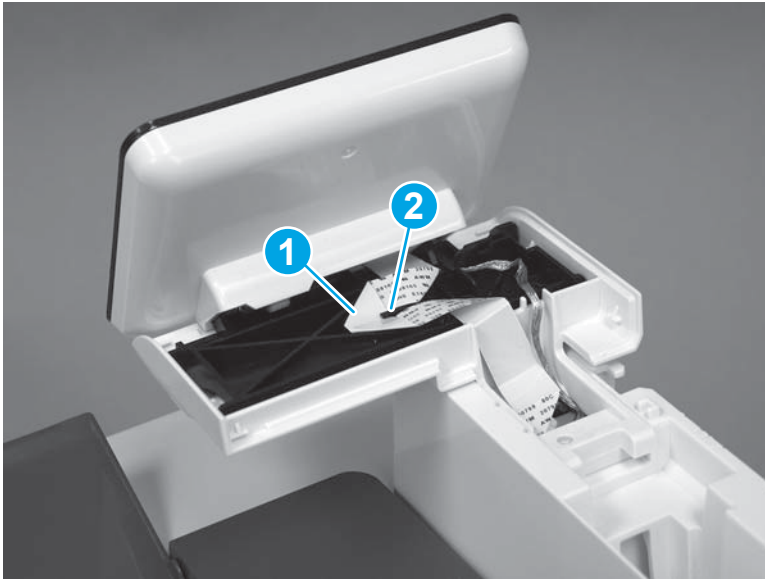
8. Remove the control panel cover (callout 1).

Figure 1-429 Remove the control panel cover



9. Remove the flat cable (callout 1) from the retaining guide (callout 2).

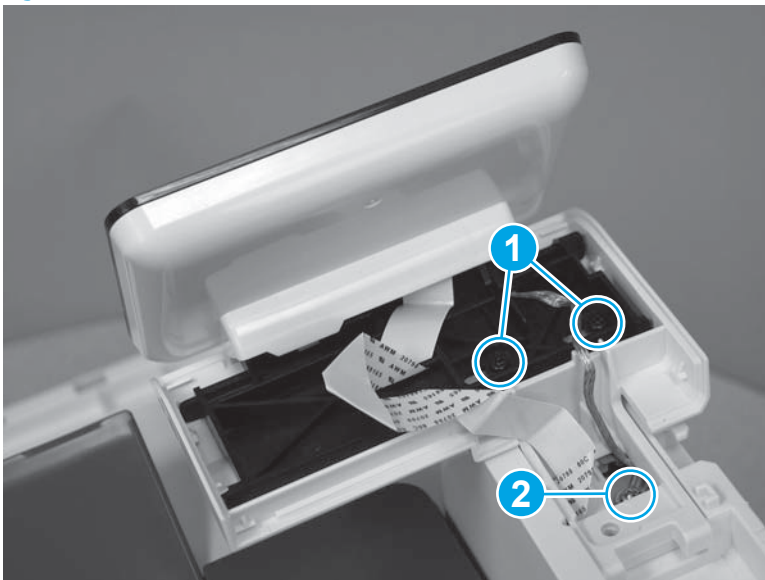
Figure 1-430 Release the flat cable



10. Remove two screws (callout 1), and then remove one screw (callout 2) and release one ground wire.

 **Reinstallation tip:** The two screws toward the front of the control panel (callout 1) are longer than the other screw. Make sure these screws are installed in the correct position when reinstalling the part.

Figure 1-431 Remove three screws

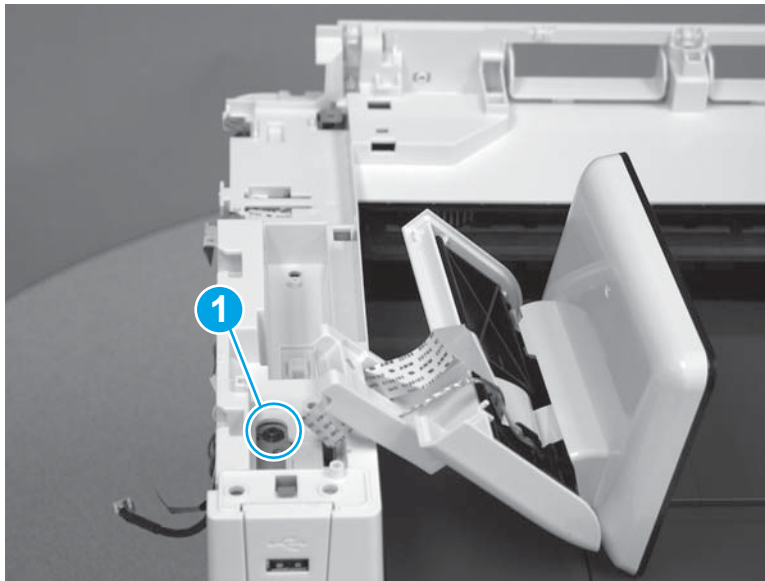




11. Carefully lift the control panel away and rest it on the top cover, and then remove one screw (callout 1).

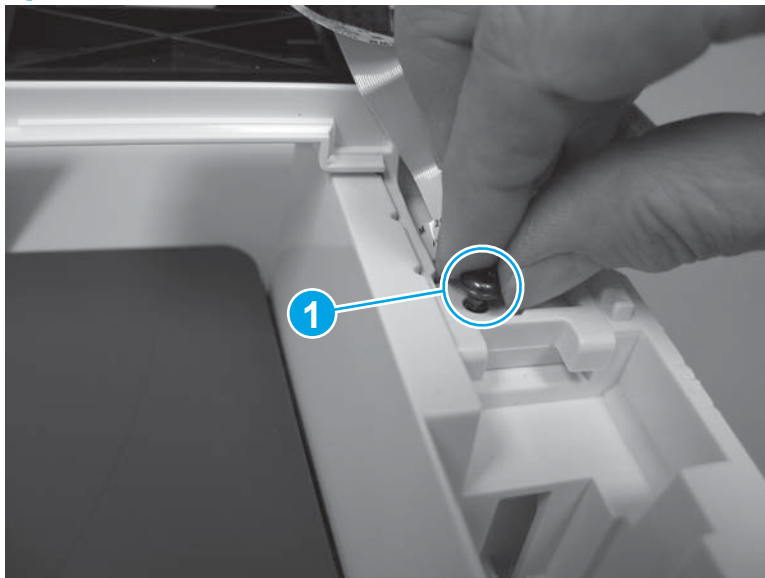
**CAUTION:** The control panel is still attached to the top cover by the flat cable.

Figure 1-432 Remove one screw



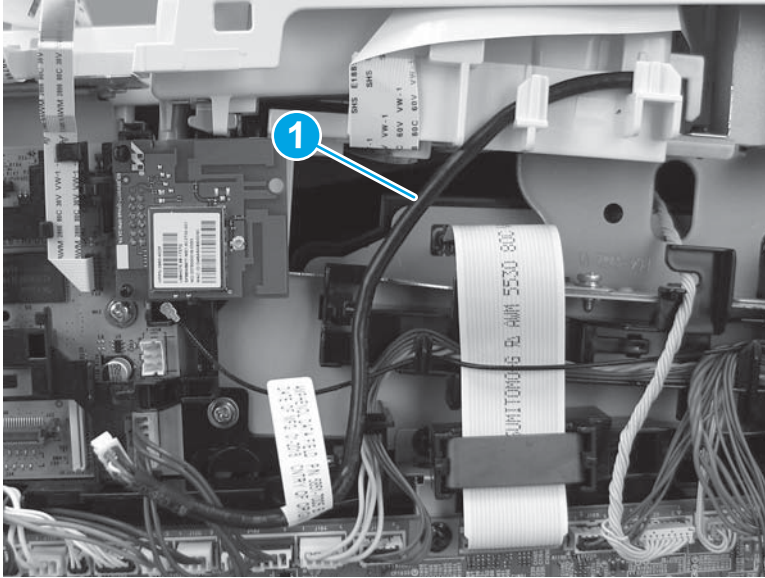
12. Place the control panel back into position. With your hand, refasten the screw (callout 1) that was previously removed from the control panel cover to temporarily reattach the control panel to the top cover. Doing this should protect the flat cable from being damaged.

Figure 1-433 Refasten the control panel to the top cover



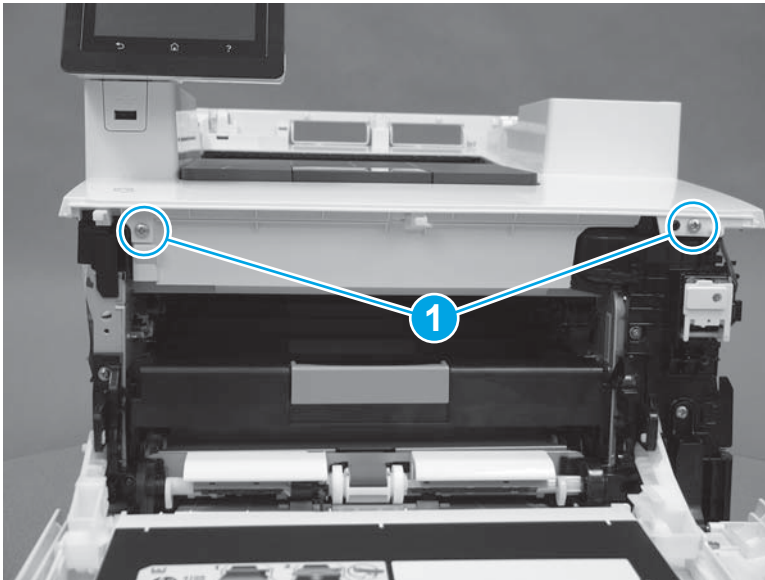
13. Remove the USB cable (callout 1) from the cable guides (callout 2).

Figure 1-434 Release the USB cable



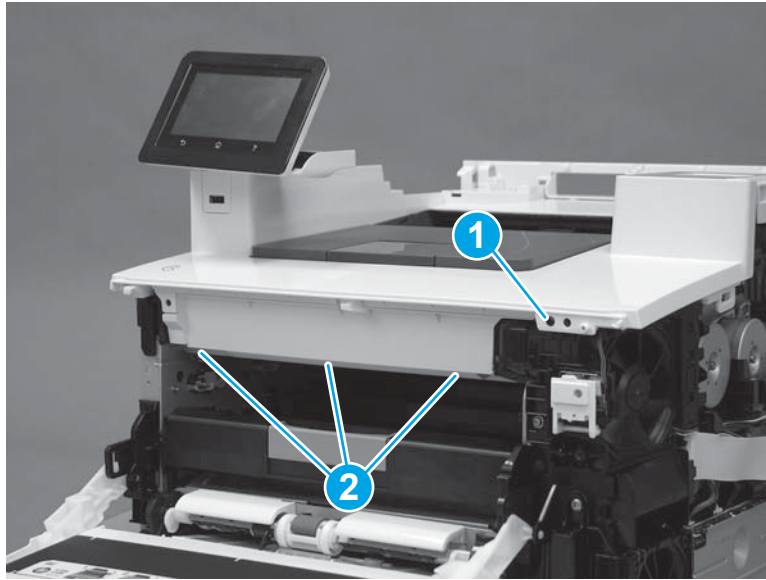
14. At the front of the printer, remove two screws (callout 1).

Figure 1-435 Remove two screws



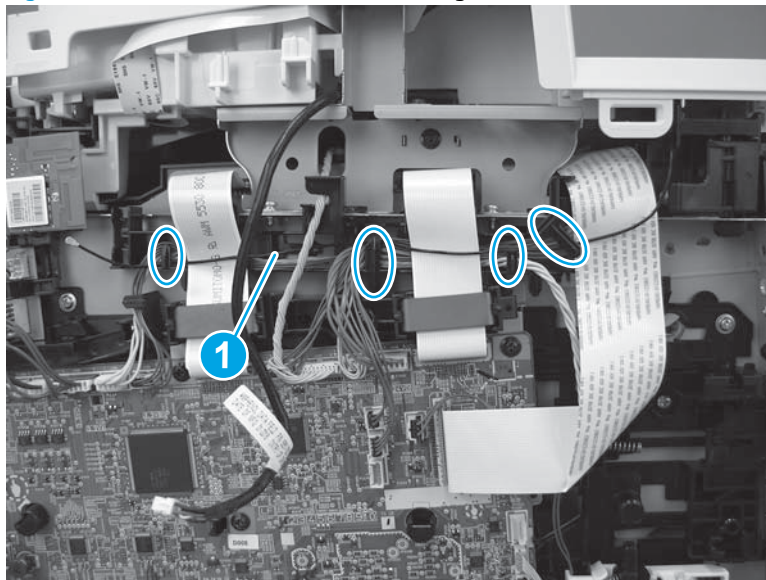
15. Release one retainer (callout 1), and then release three tabs (callout 2).

Figure 1-436 Release one retainer and three tabs



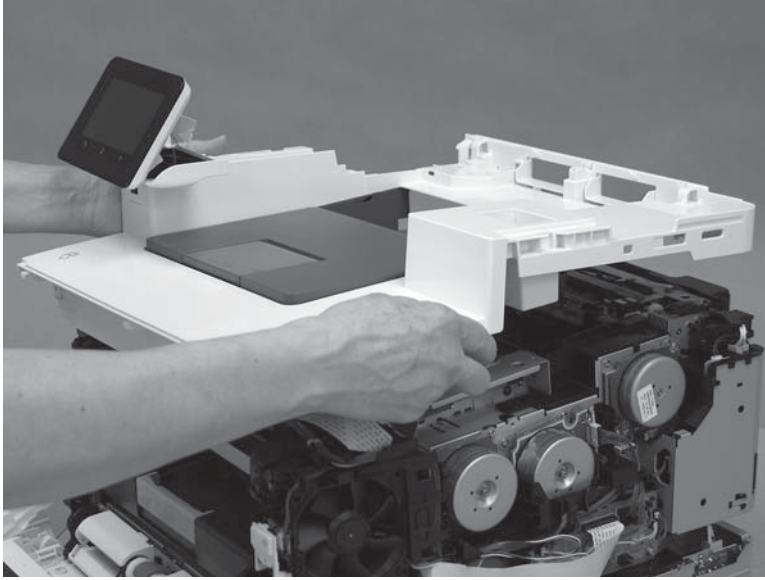
16. Remove the Wi-Fi antenna wire (callout 1) from the guide.

Figure 1-437 Remove antenna wire from guide



17. Remove the top cover.

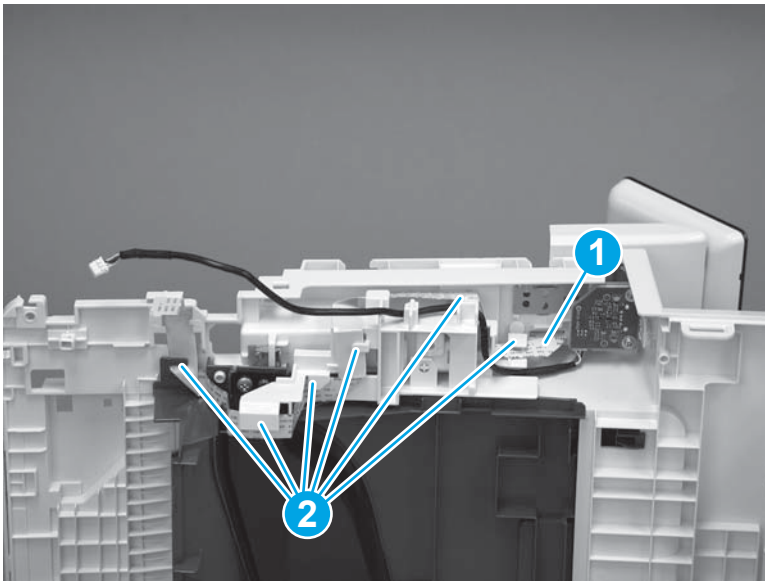
Figure 1-438 Remove the top cover



#### Step 9: Remove the control panel (M479 models)

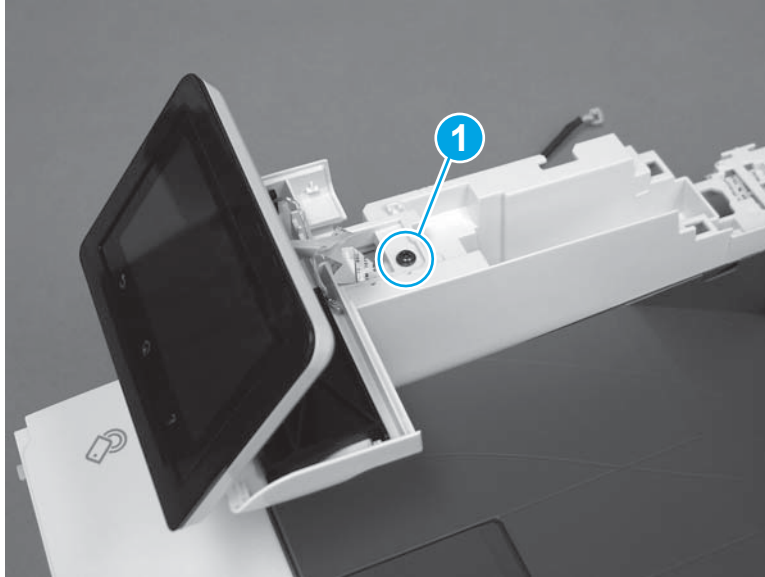
1. Turn the top cover on its side, and then remove the flat cable (callout 1) from the cable guides (callout 2).

Figure 1-439 Remove the flat cable from the guides



2. On the top of the top cover, use your finger to remove the screw (callout 1) that is temporarily holding the control panel to the top cover.

Figure 1-440 Remove one screw



3. Lift the control panel up and completely remove the flat cable (callout 1) from the slot (callout 2) in the top cover.

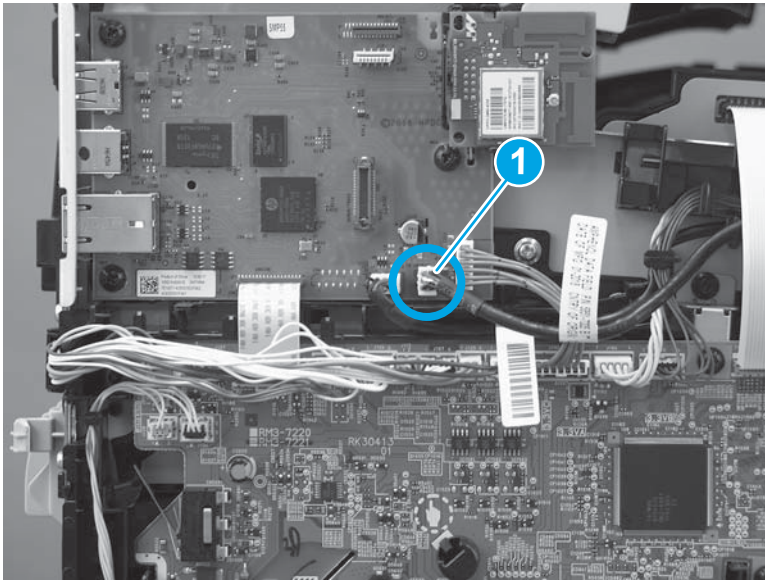
Figure 1-441 Remove the control panel



#### Step 10: Remove the walk-up USB port (M479 models)

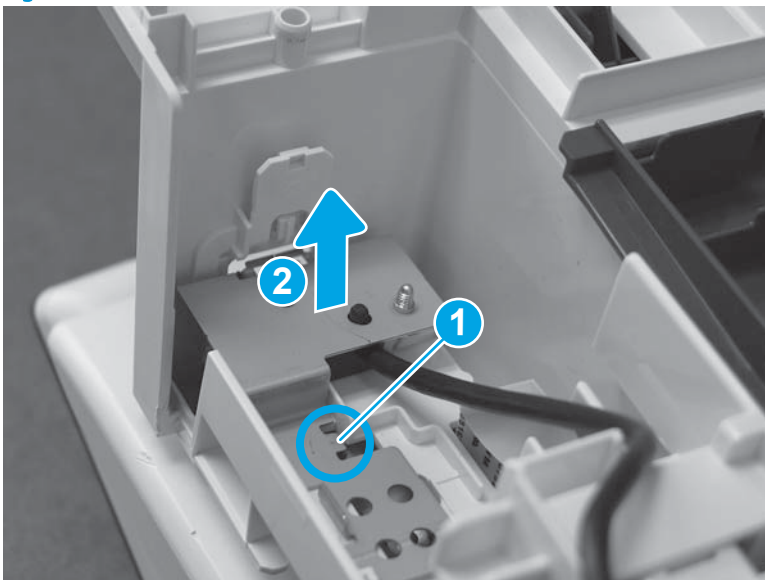
1. Disconnect cable from the formatter PCA (callout 1).





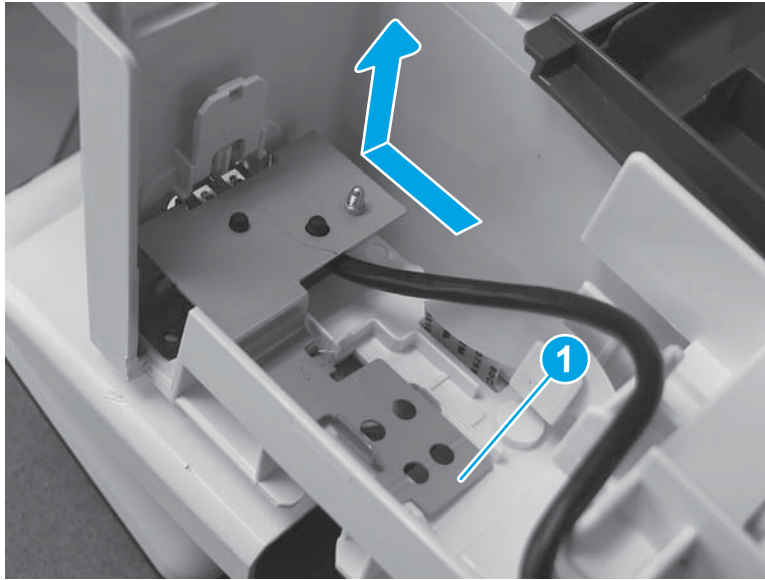
2. Release the metal tab (callout 1), and the lift up on metal bracket to remove USB port (callout 2).

Figure 1-442 Release metal tab and lift to remove



3. Pry up (callout 1) to clear the plastic tabs then slide back and lift up to remove USB from the printer.

Figure 1-443 Remove USB from printer



### Step 11: Unpack the replacement part

Remove the new part from its package. Save all packaging for recycling the used part.

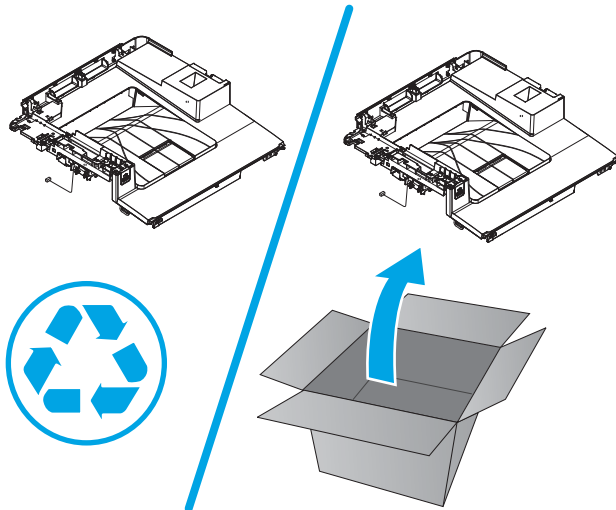
For complete information on HP's recycling programs, go to [Product return and recycling](#).

---

 **NOTE:** HP recommends responsible disposal of the defective part.

---


Figure 1-444 Recycle and unpack



### Step 12: Install the walk-up USB port (M479 models)

- ▲ To install an assembly, reverse the removal steps.

---

 **NOTE:** When applicable, special installation instructions are provided for an assembly at the end of the removal procedure. Always completely read the removal instructions and follow all special installation instructions.

---

### Step 13: Install the control panel (M479 models)

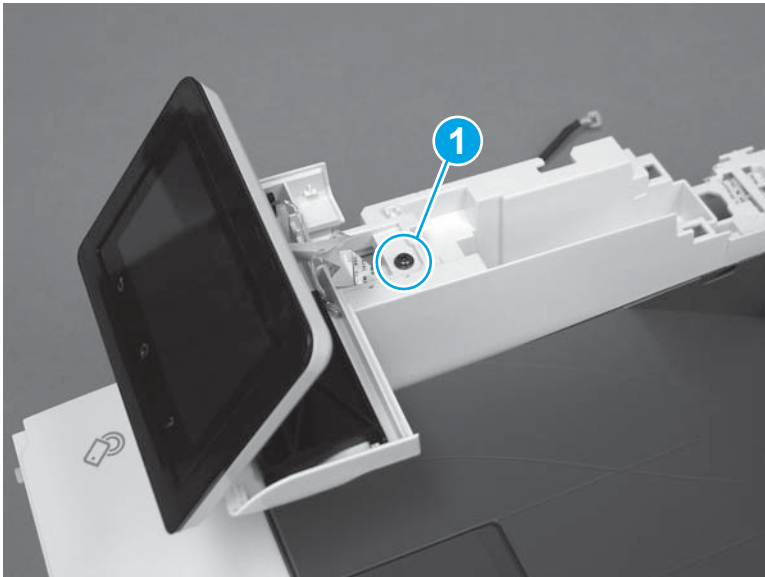
1. Install the flat cable (callout 1) in the slot (callout 2) in the top cover.

Figure 1-445 Install the flat cable



2. On the top of the cover, use your finger to install one screw (callout 1).

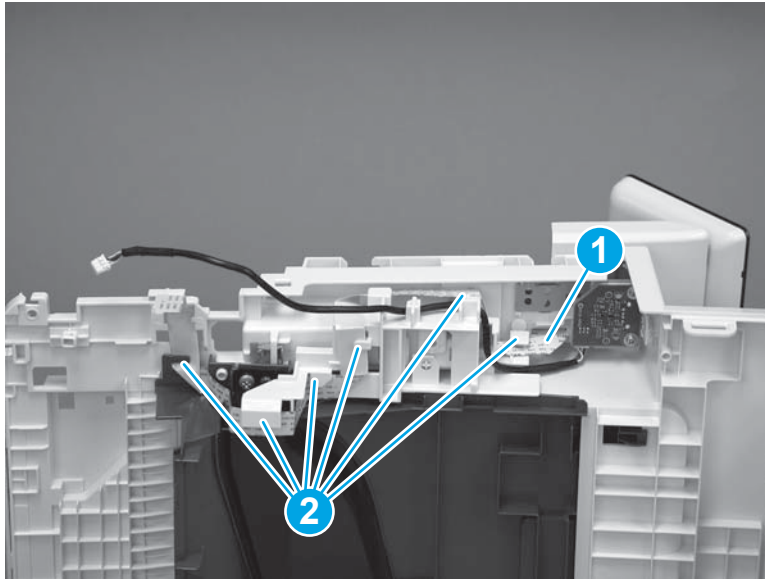
Figure 1-446 Install one screw





3. Turn the top cover on its side, and then route the flat cable (callout 1) through the cable guides (callout 2).


Figure 1-447 Route the flat cable



#### Step 14: Install the top cover ( M479 models)

- ▲ To install an assembly, reverse the removal steps.

---

 **NOTE:** When applicable, special installation instructions are provided for an assembly at the end of the removal procedure. Always completely read the removal instructions and follow all special installation instructions.

---

## Removal and replacement: Touchscreen control panel (M454dw model)

- [Introduction](#)
- [Step 1: Remove Tray 2](#)
- [Step 2: Open the front door and rear door or duplexer door](#)
- [Step 3: Remove the right cover \(M454 models\)](#)
- [Step 4: Remove the left cover \(M454 models\)](#)
- [Step 5: Remove the rear top cover \(simplex model\)](#)
- [Step 6: Remove the top cover \(M454 models\)](#)
- [Step 7: Remove the control panel \(M454dw model\)](#)
- [Step 8: Unpack the replacement part](#)
- [Step 9: Install the control panel \(M454dw model\)](#)

### Introduction


This document provides the procedures to remove and replace the touchscreen control panel for the M454dw.

[Click here to view a video of this procedure.](#)

### Before you begin

- Turn off the printer.
- Disconnect the power cable.

---

 **WARNING!** To avoid damage to the printer, turn the printer off, wait 30 seconds, and then remove the power cord before attempting to service the printer.

---

- Use the table below to identify the correct part number for your printer. To order the part, go to [www.hp.com/buy/parts](http://www.hp.com/buy/parts).

---

Control panel part number	
W1Y45-67903	Control panel (M454dw model)

---

### Required tools

- #2 Phillips screwdriver with a magnetic tip
- Small flat-blade screwdriver

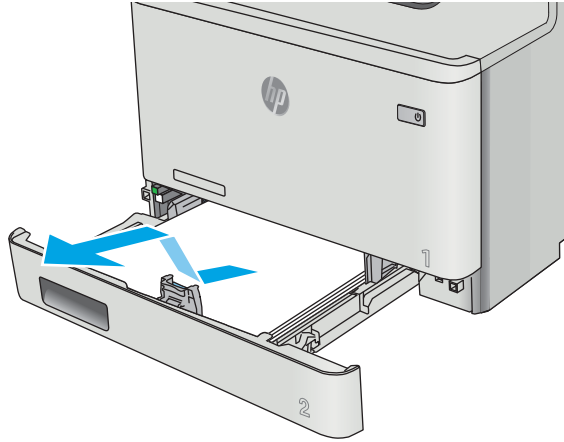
### After performing service

- Connect the power cable.
- Use the power switch to turn the power on.

### Step 1: Remove Tray 2

- ▲ Pull the tray out until it stops. Lift the front of the tray, and then pull it out of the printer to remove it.

Figure 1-448 Remove the tray



**Step 2: Open the front door and rear door or duplexer door**

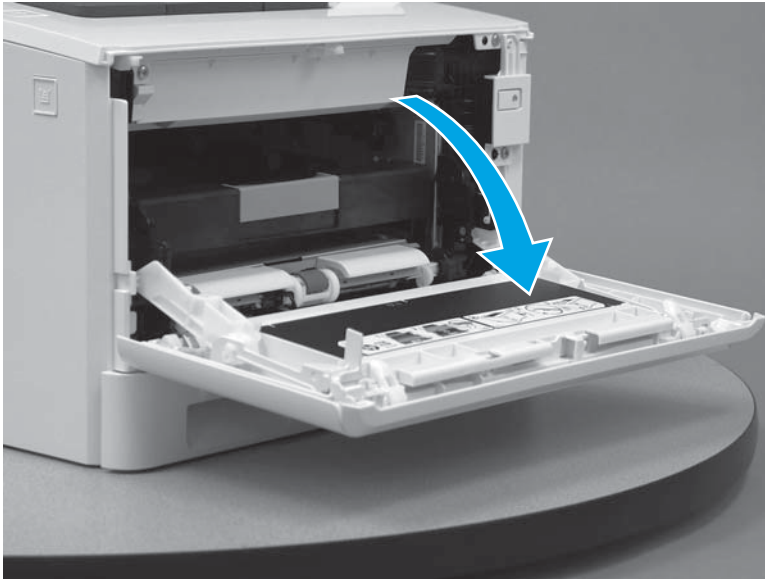
1. Press the button (callout 1) on the left side of the printer to release the front door.

Figure 1-449 Release the front door



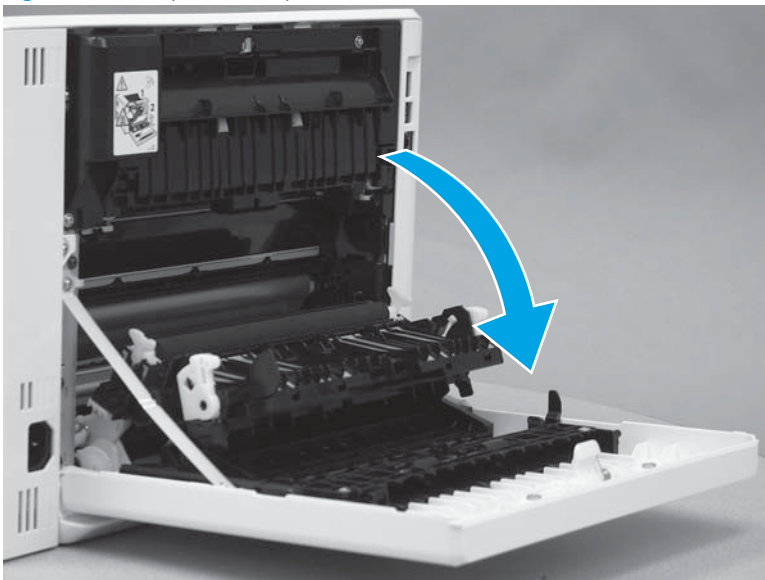
2. Open the front door.

Figure 1-450 Open the front door



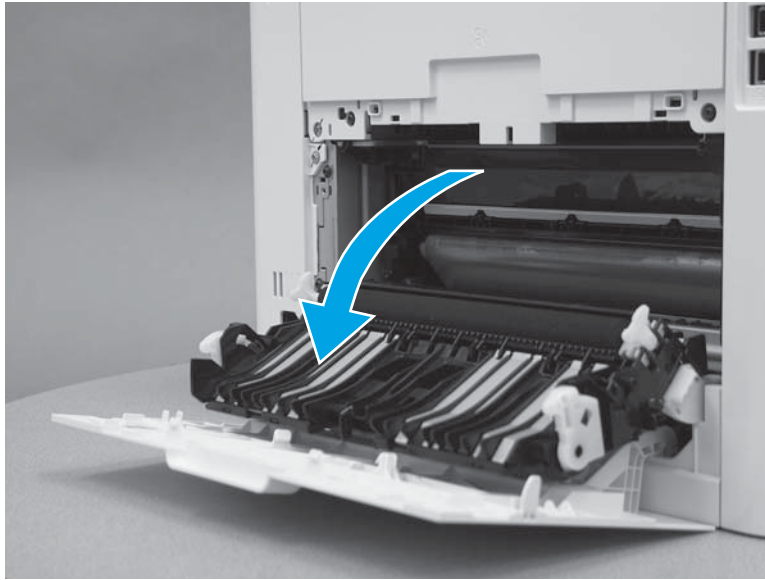
3. Duplex models: Open the duplexer door.

Figure 1-451 Open the duplexer door



4. **Simplex models:** Open the rear door.

Figure 1-452 Open the rear door



### Step 3: Remove the right cover (M454 models)

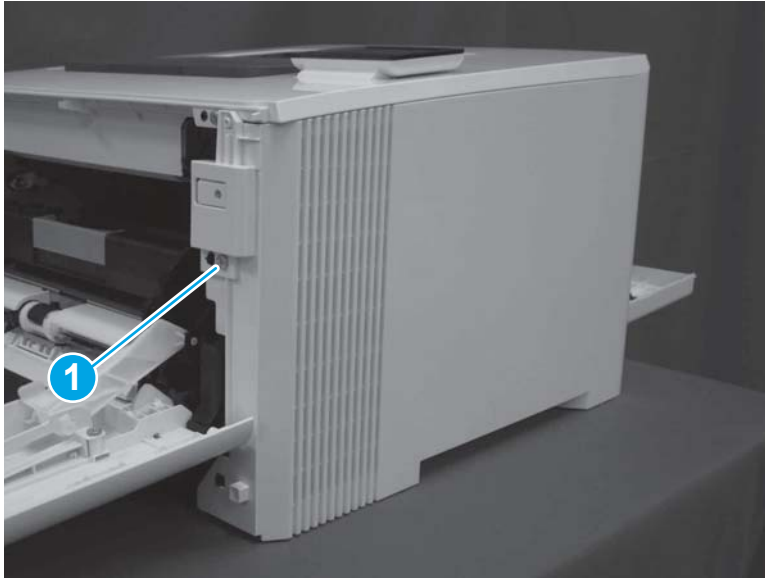
1. At the back of the printer, remove one screw (callout 1).

Figure 1-453 Remove one screw



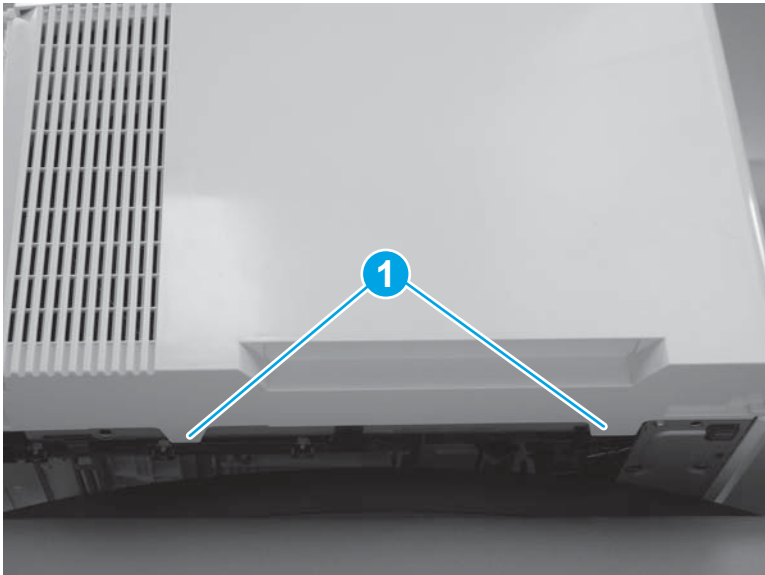
2. At the front of the printer, remove one screw (callout 1).

Figure 1-454 Remove one screw



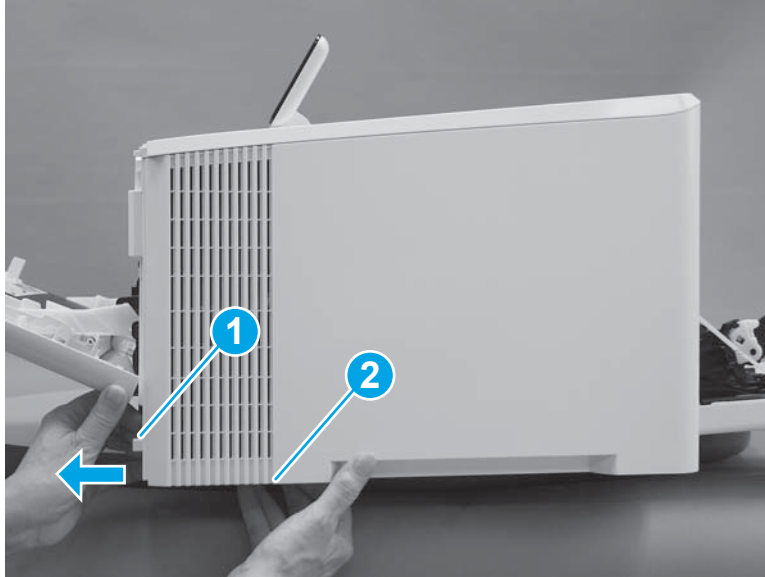
3. Slide the printer to the edge of a work surface. Note the location of the tabs on the lower edge of the cover (callout 1).

Figure 1-455 Locate the tabs



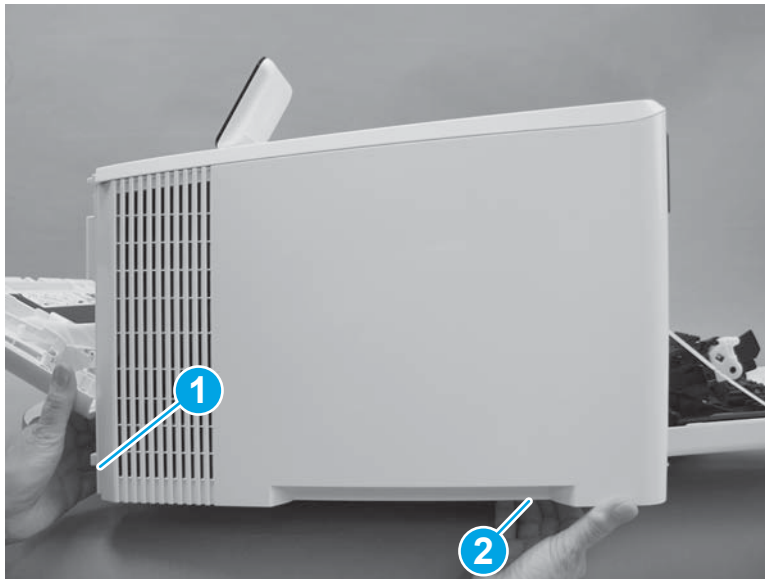
4. Release one tab (callout 1) on the front of the cover by slightly pulling the cover away from the printer. While holding the cover in the released position, release one tab (callout 2) on the bottom of the cover.

Figure 1-456 Release front lower tabs



5. Hold the front tabs in the released position (callout 1), and then release one tab (callout 2) on the bottom of the cover, toward the back of the printer.

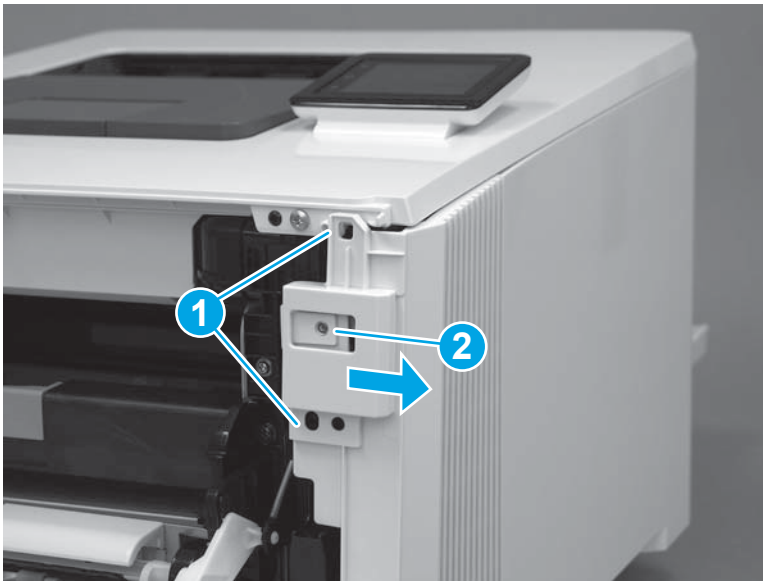
Figure 1-457 Release lower rear tab



6. Release two tabs at the front of the printer (callout 1) by slightly pulling the cover away from the printer.

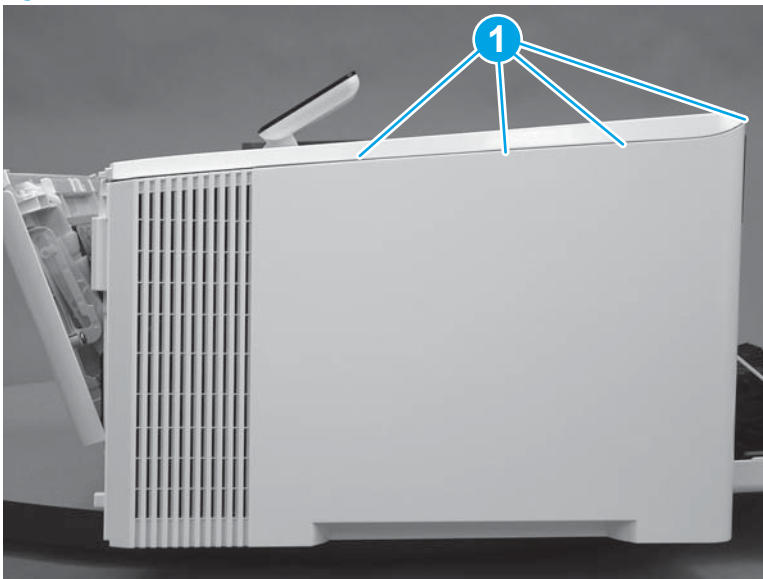
**⚠ CAUTION:** Be careful not to dislodge the power switch (callout 2).

**Figure 1-458** Release two front tabs



7. Release four tabs on the top of the printer (callout 1).

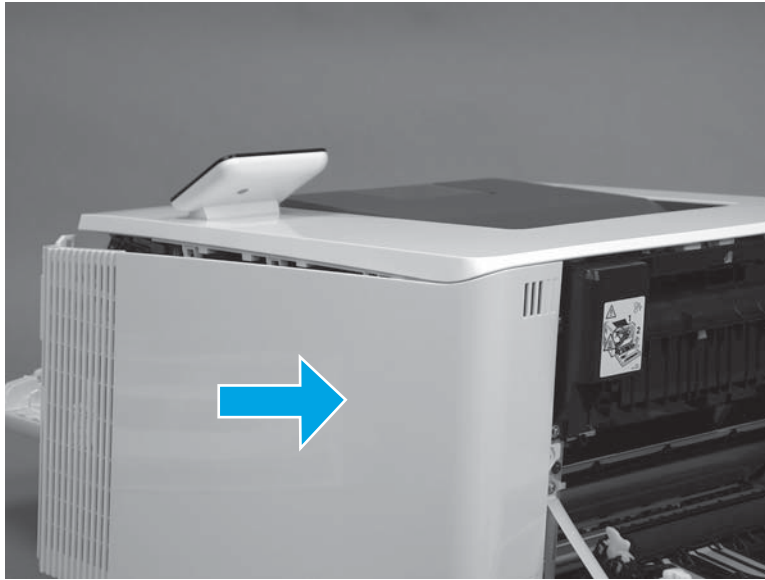
**Figure 1-459** Release upper tabs





8. Slide the cover toward the back of the printer to remove it.

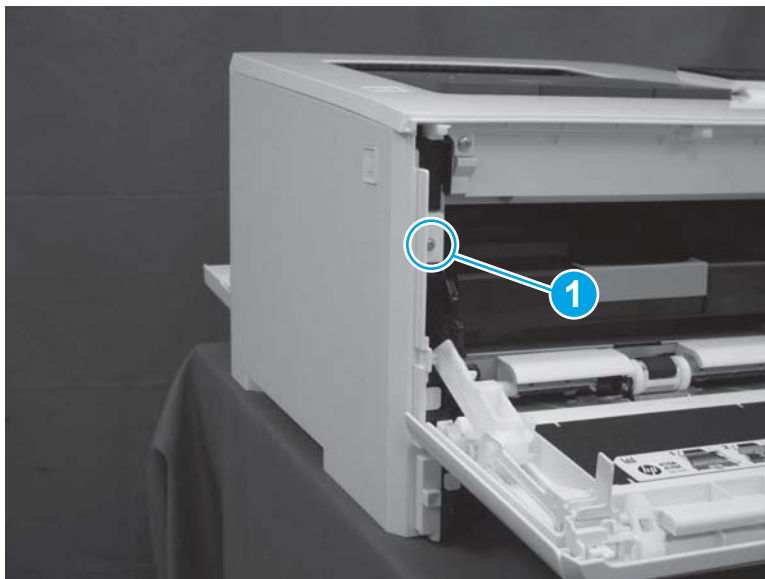
Figure 1-460 Remove the right cover



#### Step 4: Remove the left cover (M454 models)

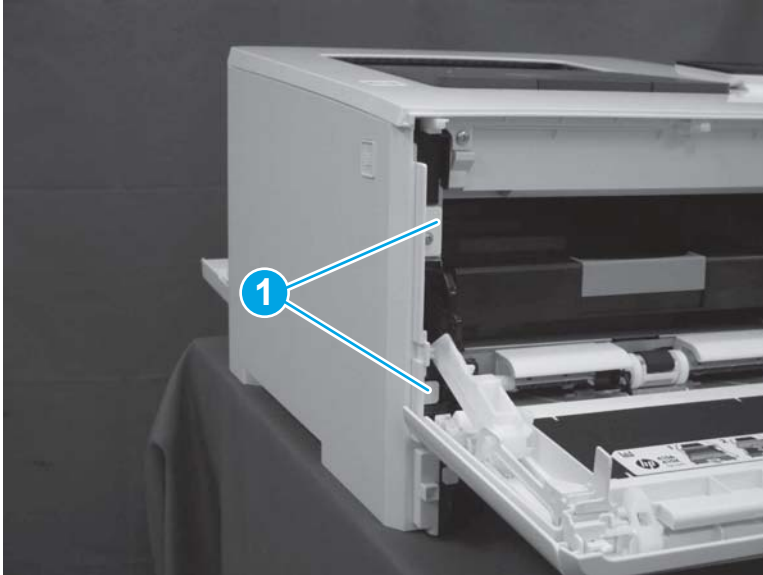
1. At the front of the printer, remove one screw (callout 1).

Figure 1-461 Remove one screw



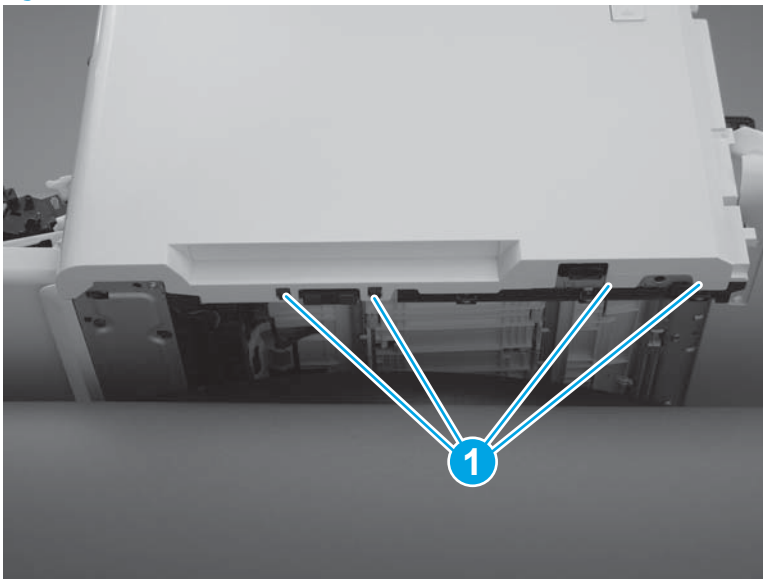
2. Release two tabs (callout 1) at the front of the cover. Hold the cover open to prevent the tabs from reengaging.

Figure 1-462 Release two tabs



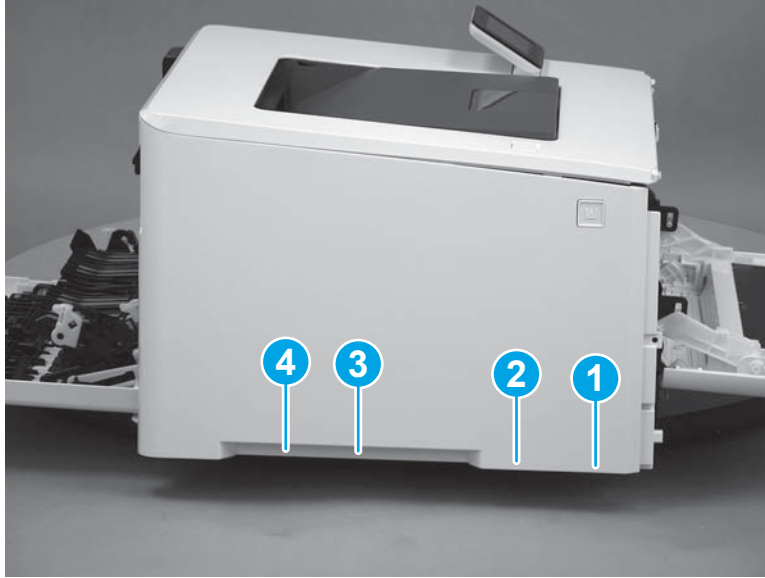
3. Slide the printer to the edge of a work surface. Note the location of the tabs on the lower edge of the cover (callout 1).

Figure 1-463 Locate the tabs



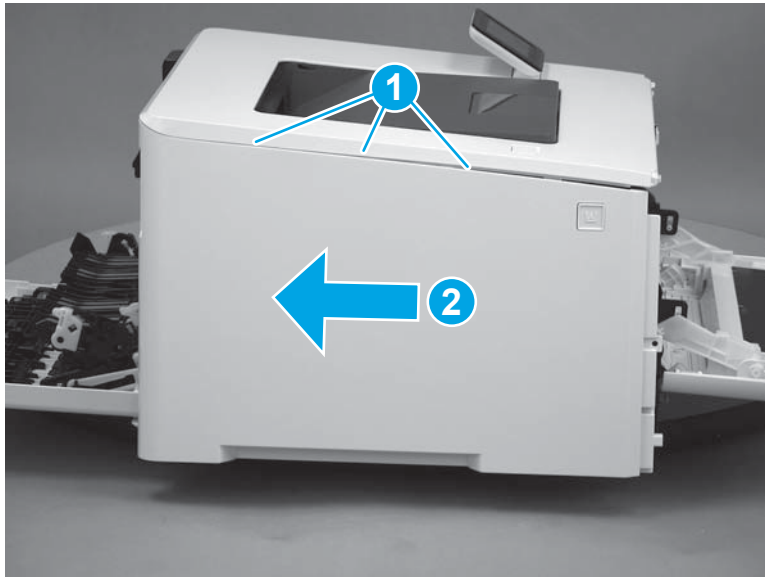
4. Beginning from the front of the cover, release four tabs (callouts 1-4) on the lower edge of the cover.

Figure 1-464 Release bottom tabs



5. Release three tabs at the top of the cover (callout 1), and then slide the cover toward the rear of the printer to remove it.

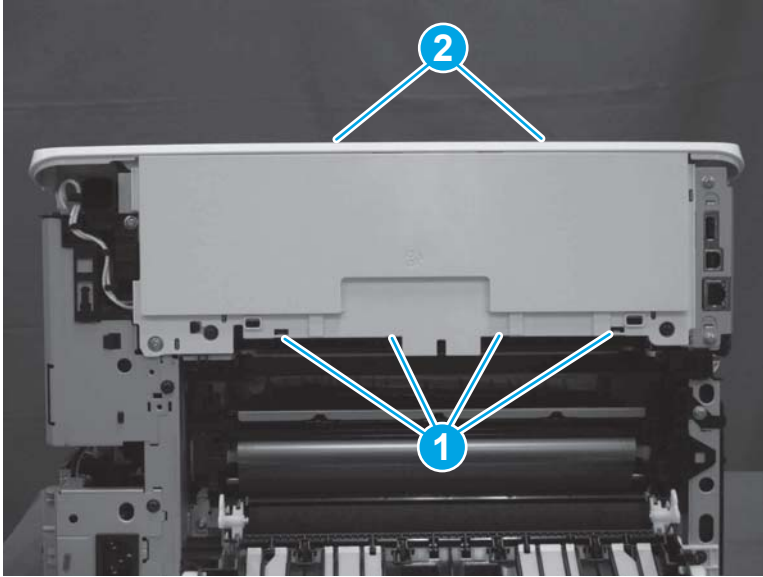
Figure 1-465 Release three tabs



#### Step 5: Remove the rear top cover (simplex model)

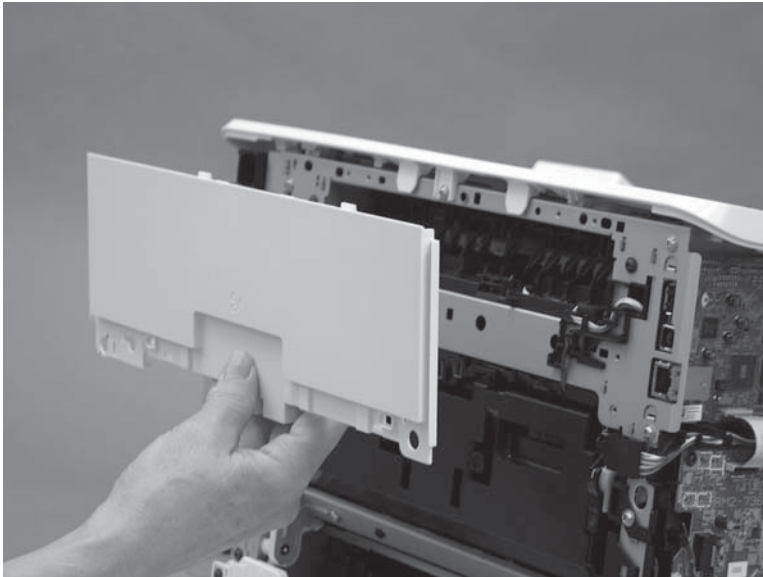
1. At the back of the printer, release four tabs (callout 1) on the bottom of the cover and two tabs (callout 2) on the top of the cover.

Figure 1-466 Release six tabs



2. Remove the rear top cover.

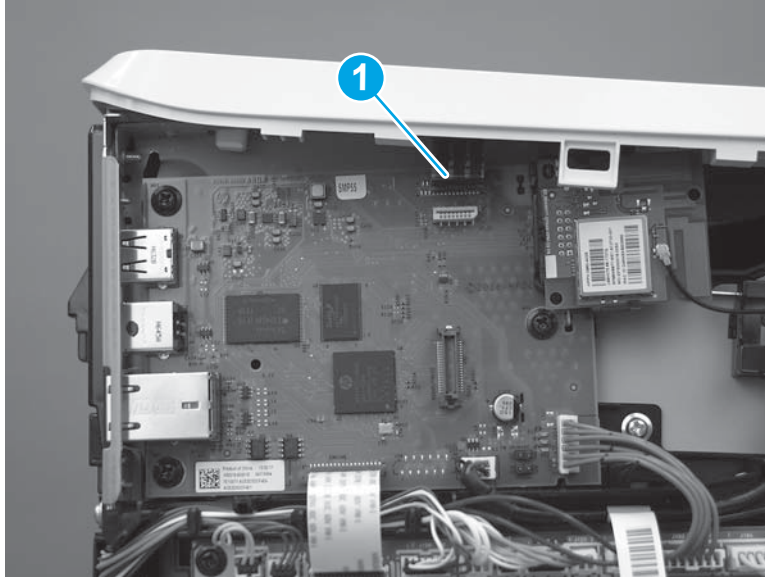
Figure 1-467 Remove the rear top cover



#### Step 6: Remove the top cover (M454 models)

1. **M454dw model only:** On the left side of the printer, on the formatter, disconnect one connector (callout 1).

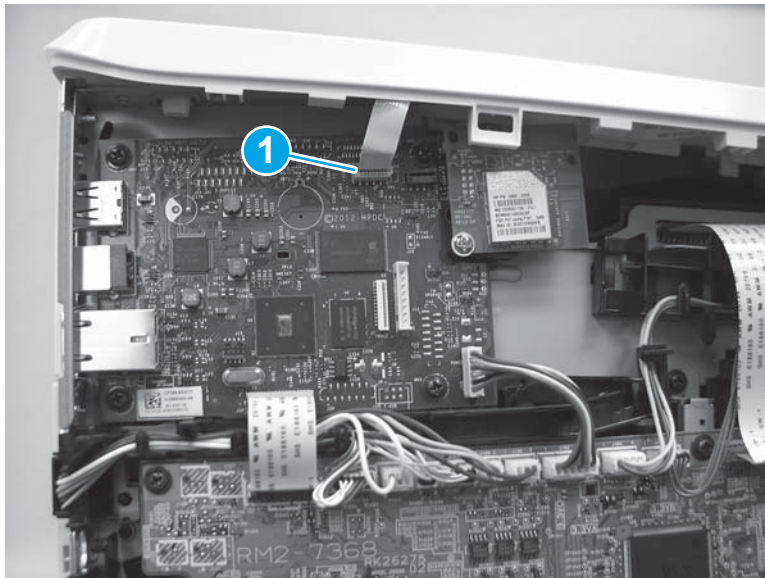
Figure 1-468 Disconnect one connector



2. **M454nw/dn models only:** On the left side of the printer, on the formatter, disconnect one connector (callout 1).

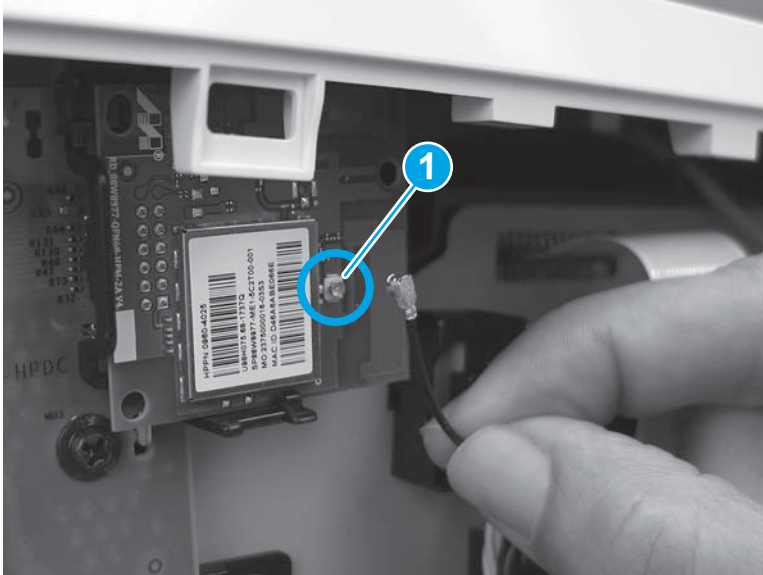
 **NOTE:** The formatter may look slightly different than what is shown below, however the removal procedures are the same.

Figure 1-469 Disconnect one connector



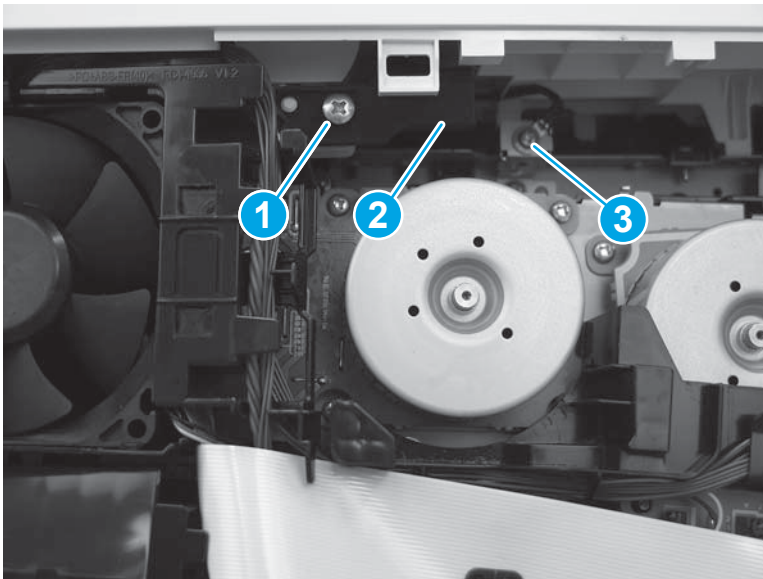
3. **M454nw/dw models only:** Disconnect the antenna (callout 1) from the connector (callout 2) on the wireless PCA.

Figure 1-470 Disconnect the antenna



4. **M454dw model only:** Remove one screw (callout 1) and release one ground wire. Remove one screw (callout 2). Note the location (callout 3) of the guide.

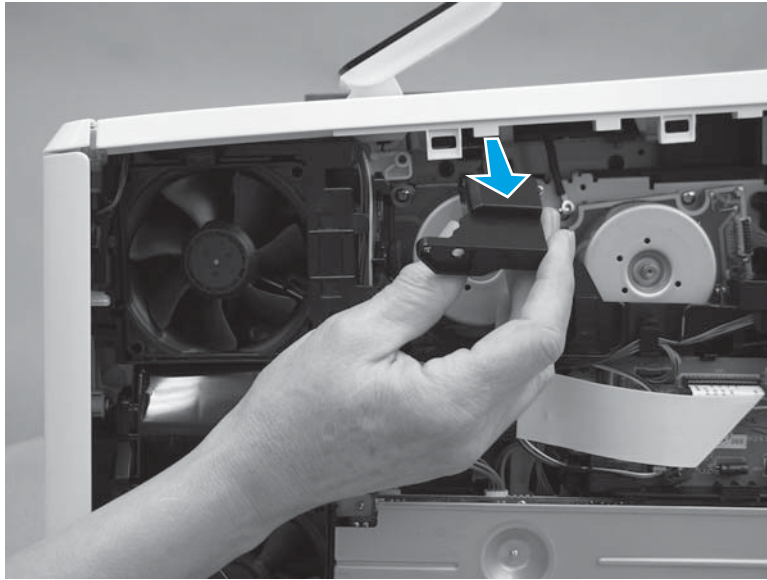
Figure 1-471 Remove two screws





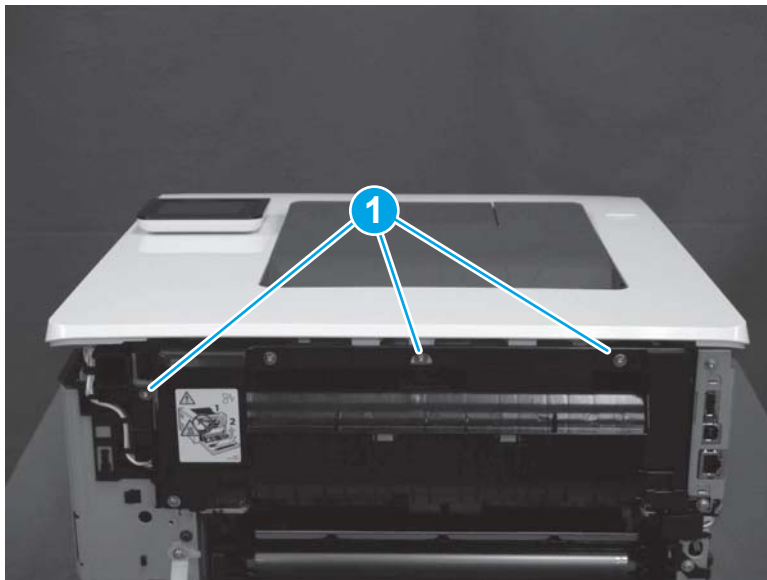
5. **M454dw model only:** Remove the guide.

Figure 1-472 Remove the guide



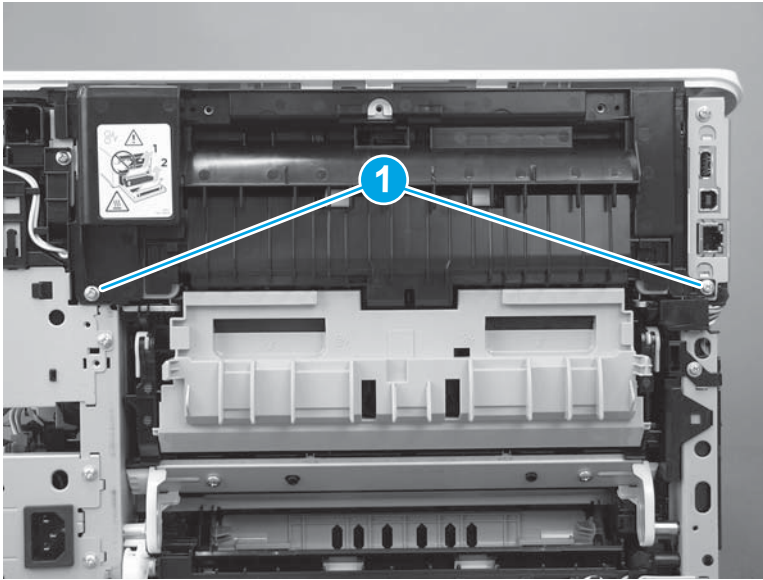
6. **M454dn/dw models only:** At the back of the printer, remove three screws (callout 1).

Figure 1-473 Remove three screws



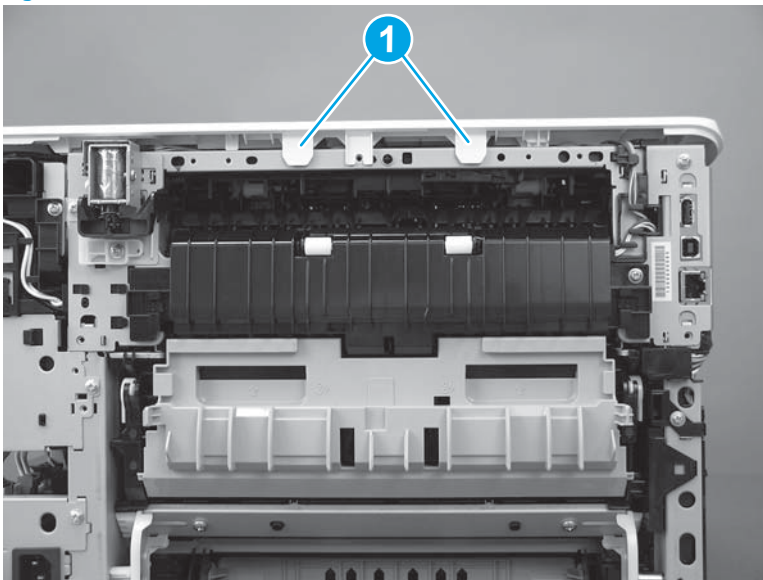
7. **M454dn/dw models only:** Remove two screws (callout 1).

Figure 1-474 Remove two screws



8. **M454nw model only:** At the back of the printer release two tabs (callout 1).

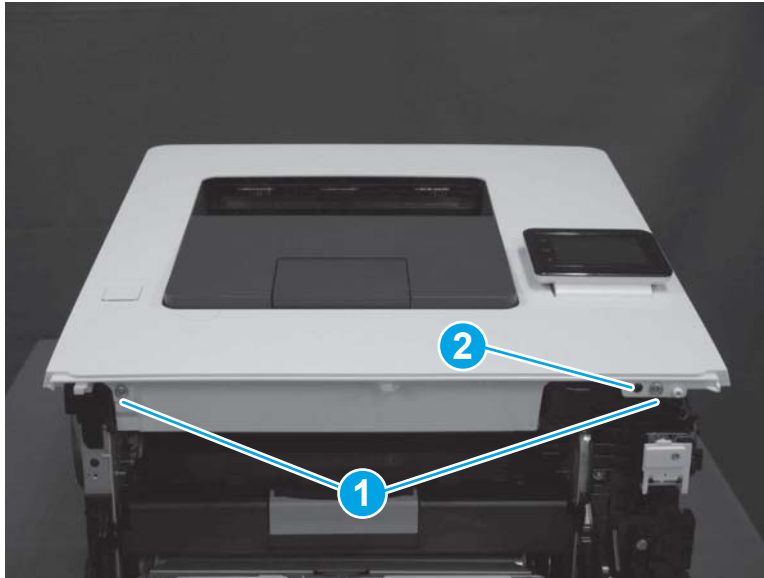
Figure 1-475 Release two tabs





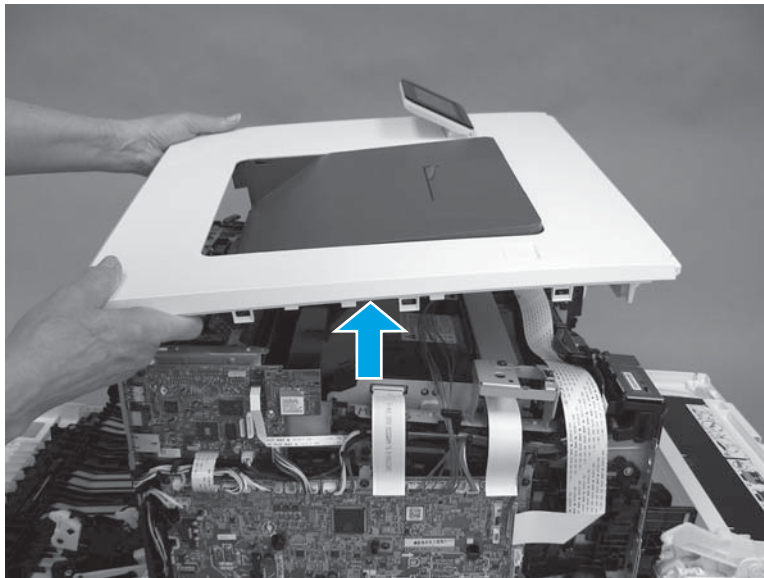
9. At the front of the printer, remove two screws (callout 1), and then release one tab (callout 2).

Figure 1-476 Remove two screws and release one tab



10. Remove the top cover.

Figure 1-477 Remove the top cover



#### Step 7: Remove the control panel (M454dw model)

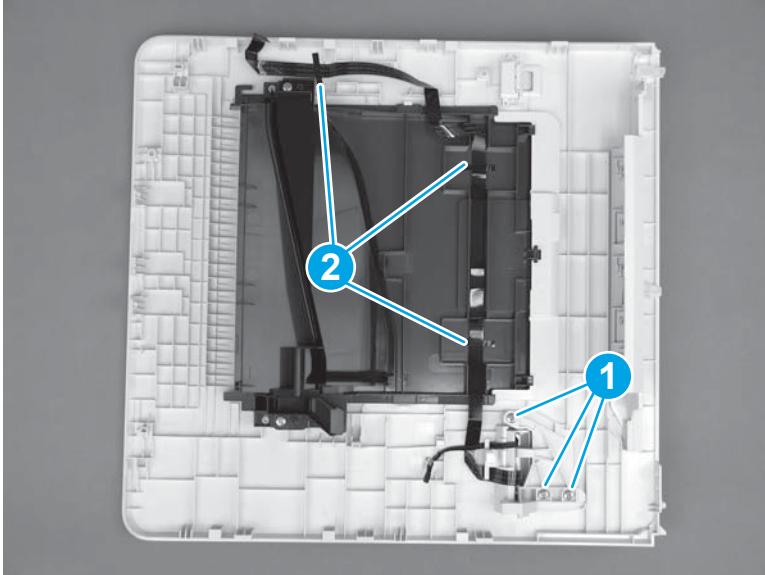
1. On the underside of the top cover, remove three screws (callout 1), and then carefully unfasten the tape strips (callout 2) to unroute the control-panel flat cable.

---

 **TIP:** HP recommends keeping the tape strips for reuse when the control panel is reinstalled.

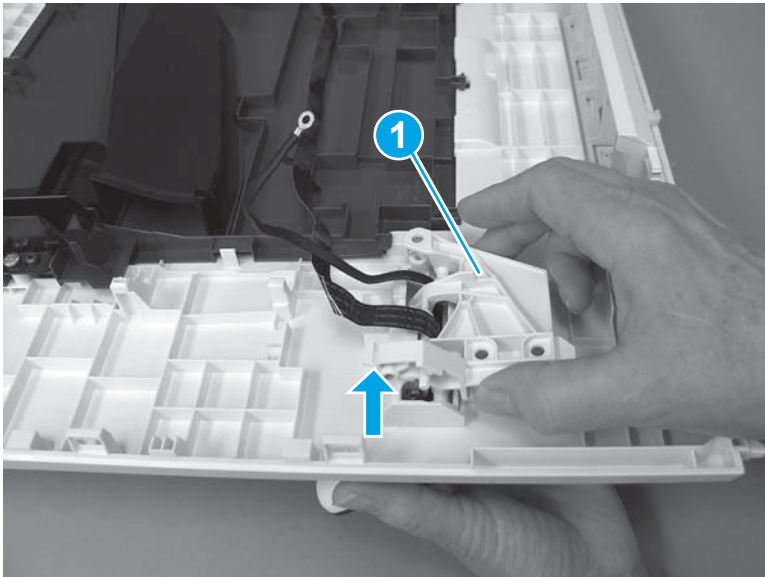
---

Figure 1-478 Remove three screws and unroute cable



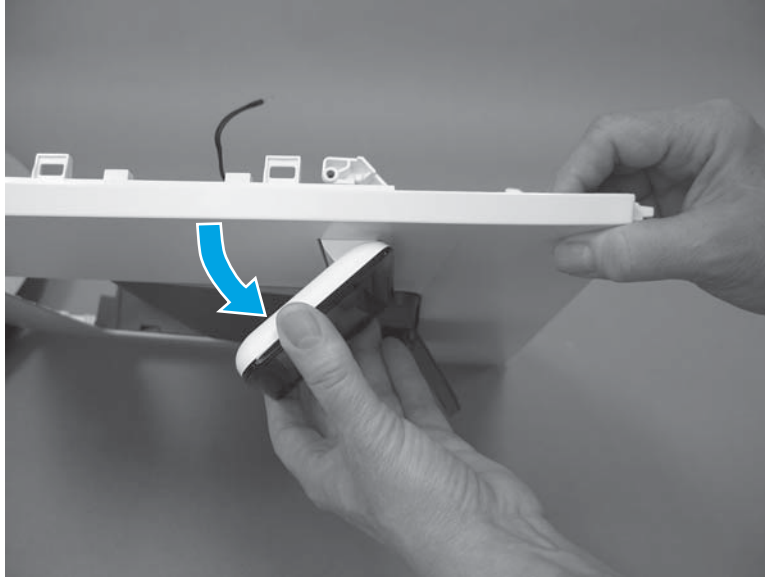
2. Lift up on the bracket (callout 1) to remove it.

Figure 1-479 Remove the bracket



3. Rotate the control panel away from the top cover.

**Figure 1-480** Rotate the control panel



4. Pull the control panel away from the top side of the top cover to remove it.

**Figure 1-481** Remove the control panel



### Step 8: Unpack the replacement part

Remove the new part from its package. Save all packaging for recycling the used part.

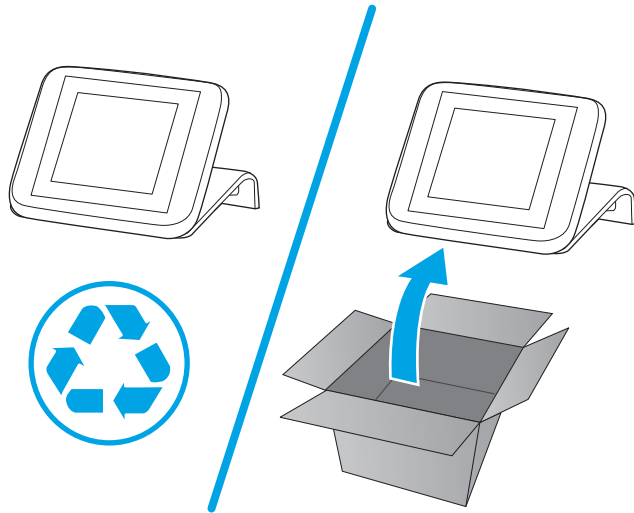
For complete information on HP's recycling programs, go to [Product return and recycling](#).

---

 **NOTE:** HP recommends responsible disposal of the defective part.

---


Figure 1-482 Recycle and unpack



### Step 9: Install the control panel (M454dw model)

- ▲ To install an assembly, reverse the removal steps.

---

 **NOTE:** When applicable, special installation instructions are provided for an assembly at the end of the removal procedure. Always completely read the removal instructions and follow all special installation instructions.

---

## Removal and replacement: Touchscreen control panel (M479 models)

- [Introduction](#)
- [Step 1: Remove Tray 2](#)
- [Step 2: Open the front door and rear door or duplexer door](#)
- [Step 3: Remove the right cover \(M479 models\)](#)
- [Step 4: Remove the left cover \(M479 models\)](#)
- [Step 5: Remove the rear top cover \(simplex model\)](#)
- [Step 6: Remove the image scanner \(M479 models\)](#)
- [Step 7: Remove the fax PCA \(M479 models\)](#)
- [Step 8: Remove the top cover \(M479 models\)](#)
- [Step 9: Remove the control panel \(M479 models\)](#)
- [Step 10: Unpack the replacement part](#)
- [Step 11: Install the control panel \(M479 models\)](#)

### Introduction


This document provides the procedures to remove and replace the control panel for the M479.

[Click here to view a video of this procedure.](#)

### Before you begin

- Turn off the printer.
- Disconnect the power cable.

---

 **WARNING!** To avoid damage to the printer, turn the printer off, wait 30 seconds, and then remove the power cord before attempting to service the printer.

---

- Use the table below to identify the correct part number for your printer. To order the part, go to [www.hp.com/buy/parts](http://www.hp.com/buy/parts).

---

Control panel part number
---------------------------

---

W1A78-67903
-------------

---

Control panel (M479 models)
-----------------------------

---

### Required tools

- #2 Phillips screwdriver with a magnetic tip

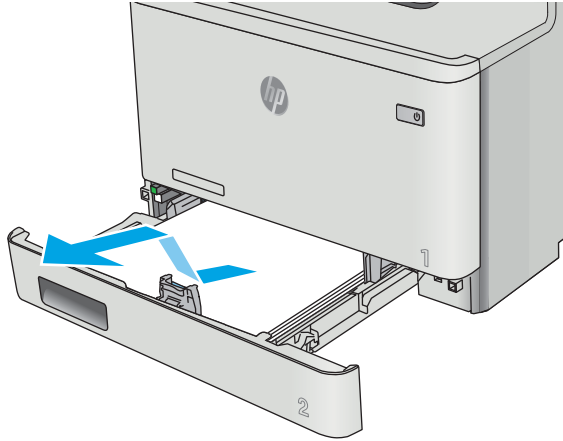
### After performing service

- Connect the power cable.
- Use the power switch to turn the power on.

## Step 1: Remove Tray 2

- ▲ Pull the tray out until it stops. Lift the front of the tray, and then pull it out of the printer to remove it.

Figure 1-483 Remove the tray



## Step 2: Open the front door and rear door or duplexer door

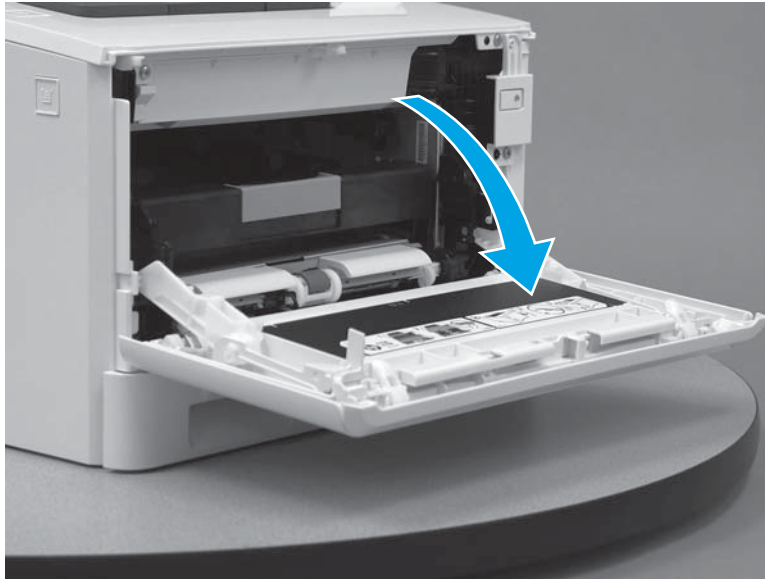
1. Press the button (callout 1) on the left side of the printer to release the front door.

Figure 1-484 Release the front door



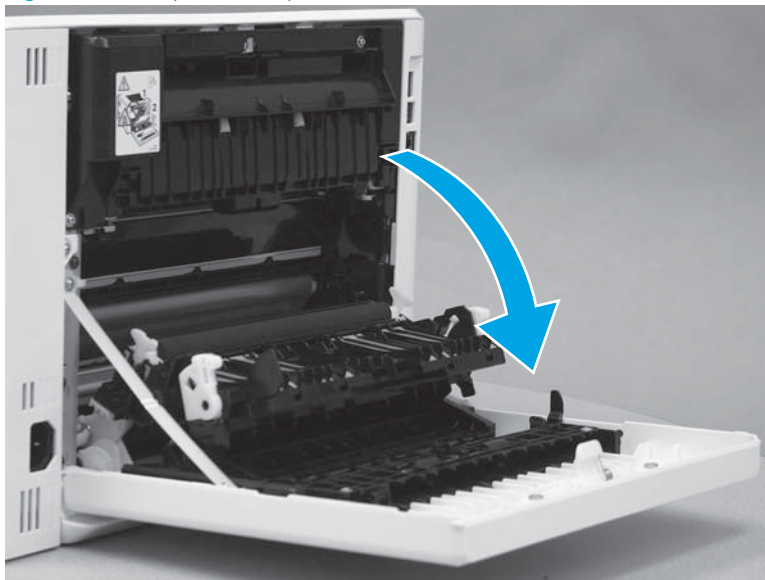
2. Open the front door.

Figure 1-485 Open the front door



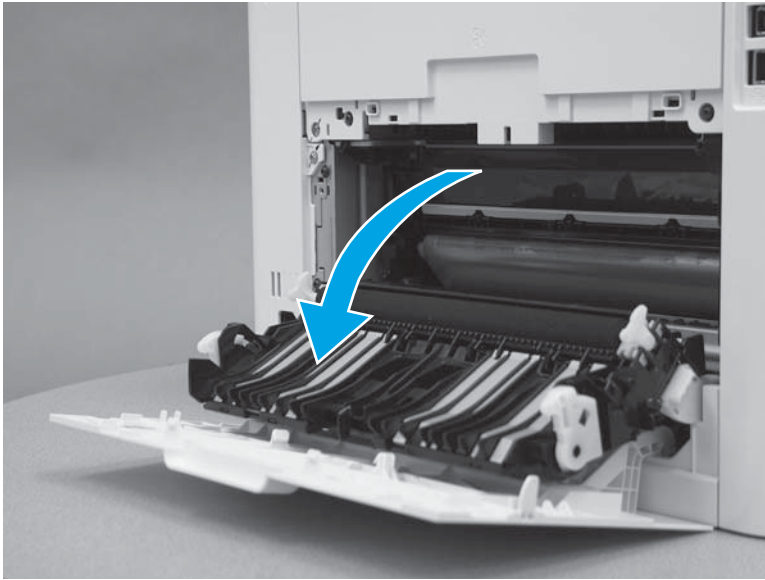
3. Duplex models: Open the duplexer door.

Figure 1-486 Open the duplexer door



4. **Simplex models:** Open the rear door.

**Figure 1-487** Open the rear door



**Step 3: Remove the right cover (M479 models)**

1. Raise the scanner.

**Figure 1-488** Raise the scanner





2. At the back of the printer, remove one screw (callout 1).

Figure 1-489 Remove one screw



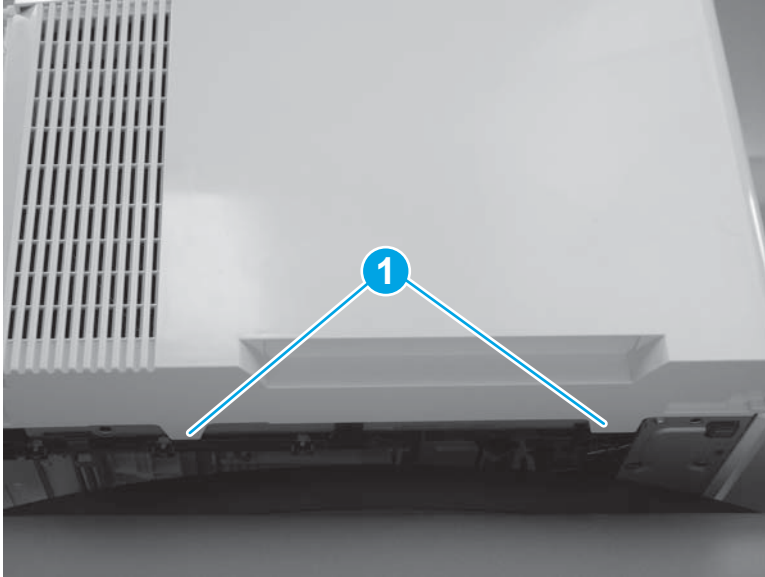
3. At the front of the printer, remove one screw (callout 1).

Figure 1-490 Remove one screw



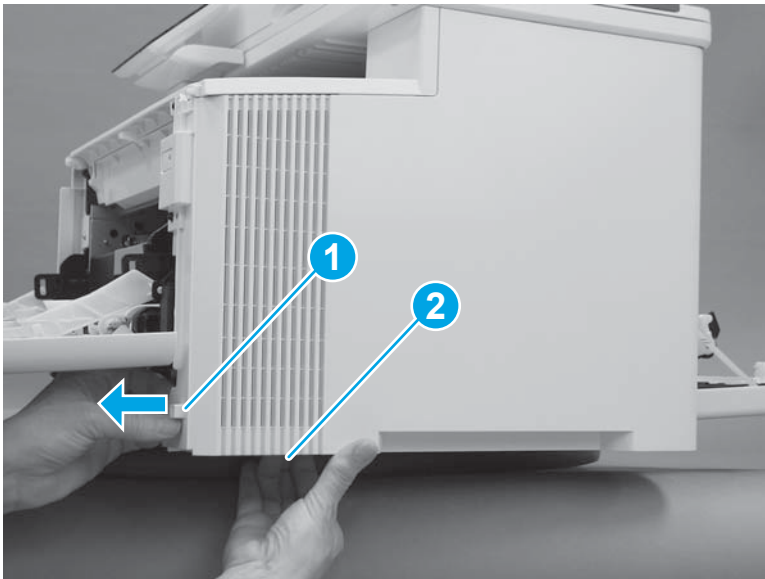
- Slide the printer to the edge of a work surface. Note the location of the tabs on the lower edge of the cover (callout 1).

Figure 1-491 Locate the tabs



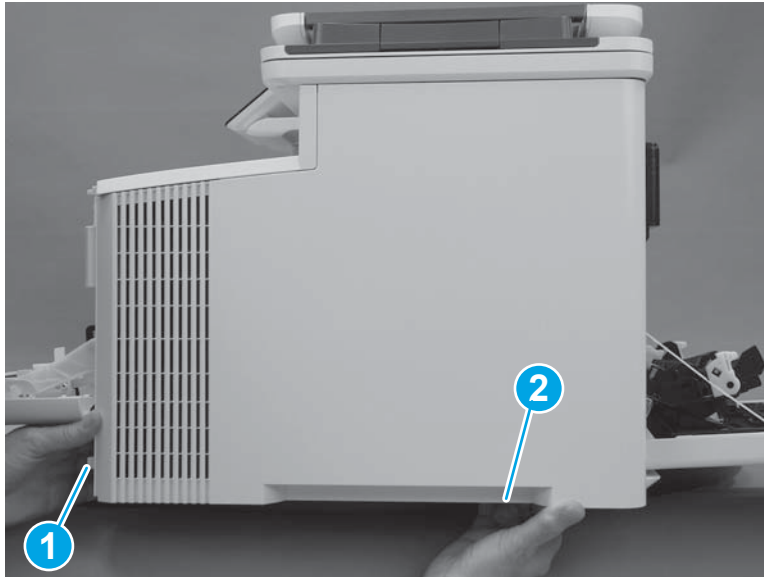
- Release one tab (callout 1) on the front of the cover by slightly pulling the cover away from the printer. While holding the cover in the released position, release one tab (callout 2) on the lower edge of the cover.

Figure 1-492 Release front lower tabs



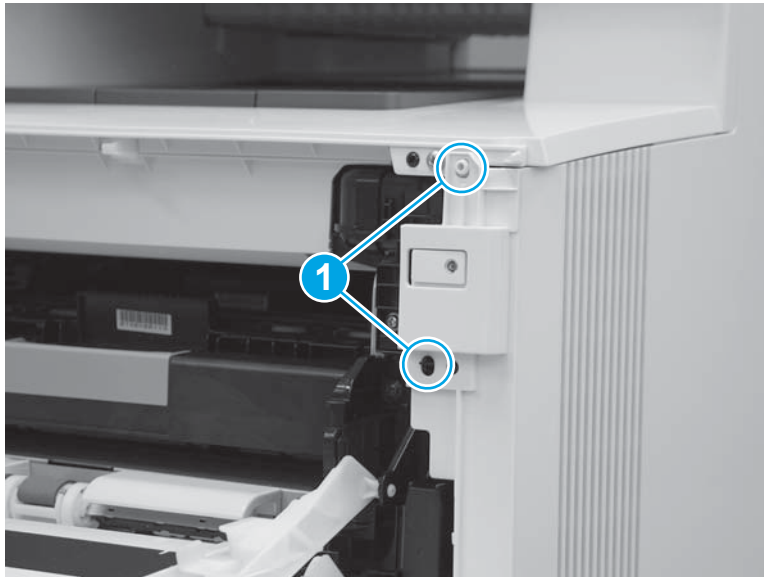
6. Hold the front tabs in the released position (callout 1), and then release one tab (callout 2) on the lower edge of the cover, toward the back of the printer.

Figure 1-493 Release lower rear tab



7. Release two tabs at the front of the printer (callout 1) by slightly pulling the cover away from the printer.

Figure 1-494 Release front upper tabs



8. Rotate the front of the cover away from the printer (callout 1).

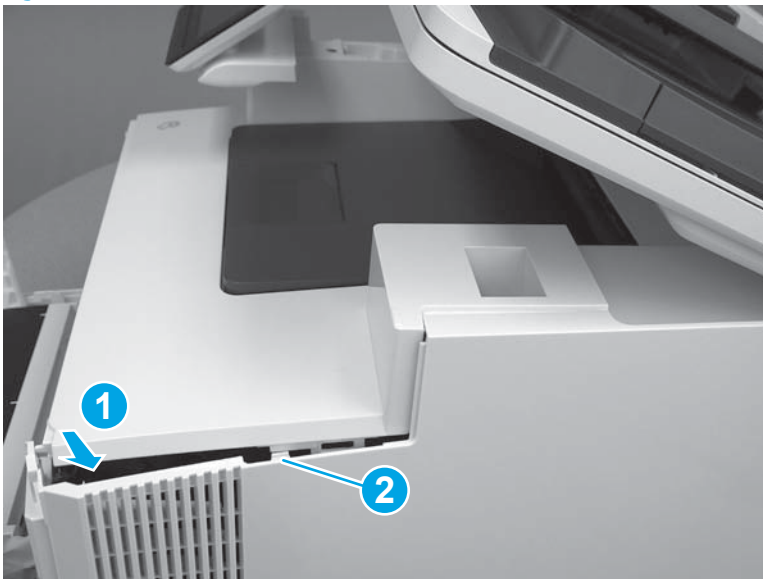
**⚠ CAUTION:** Be careful not to dislodge the power switch (callout 2).

Figure 1-495 Rotate the front of the cover



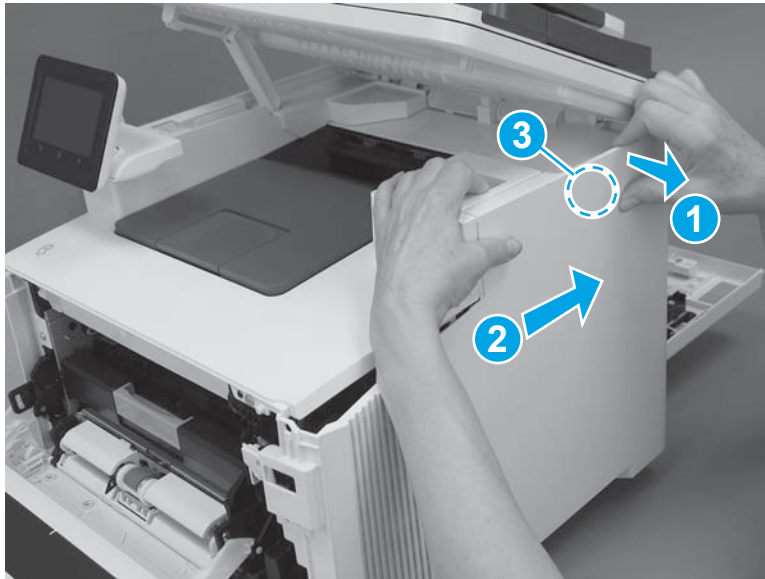
9. Slightly pull the front of the cover away from the printer (callout 1) to release one tab (callout 2).

Figure 1-496 Release top tabs



10. At the top of the printer, slightly pull the top of the cover away from the printer to release one retention tab (callout 1) on the inside of the cover. While holding the cover away, slide the cover toward the back of the printer (callout 2) to release one hook (callout 3) on the inside of the cover.

Figure 1-497 Release one tab and one hook



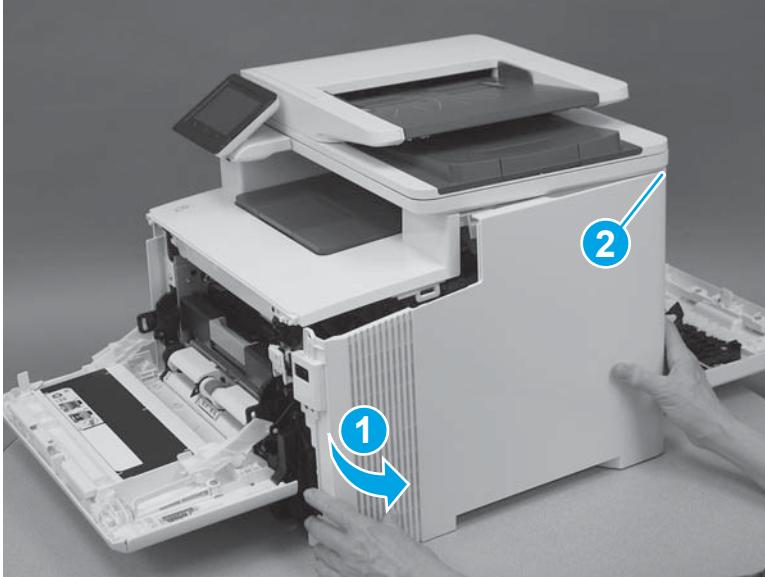
11. Lower the scanner.

Figure 1-498 Lower the scanner



12. Rotate the cover away from the printer (callout 1) to release one tab (callout 2) at the back of the printer, and then remove the cover.

Figure 1-499 Remove the right cover



#### Step 4: Remove the left cover (M479 models)

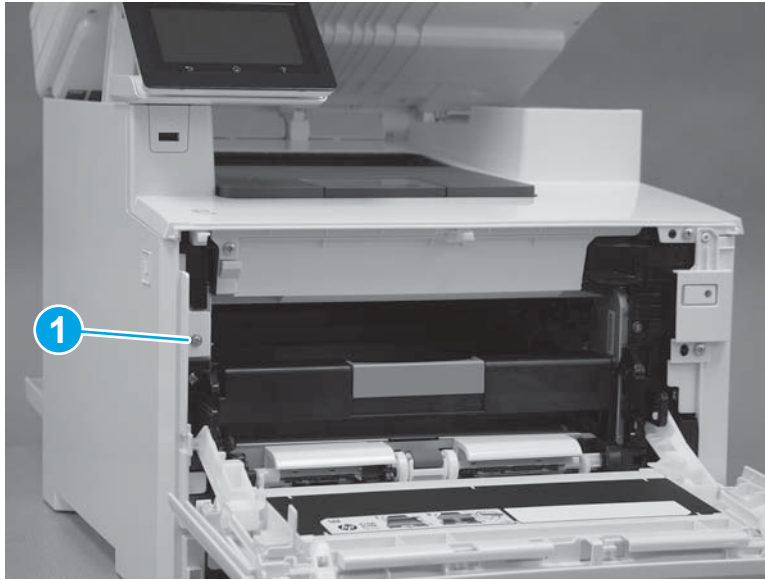
1. Raise the scanner.

Figure 1-500 Raise the scanner



2. At the front of the printer, remove one screw (callout 1).

Figure 1-501 Remove one screw



3. Release two tabs (callout 1) at the front of the cover. Hold the cover open to prevent the tabs from re-engaging.

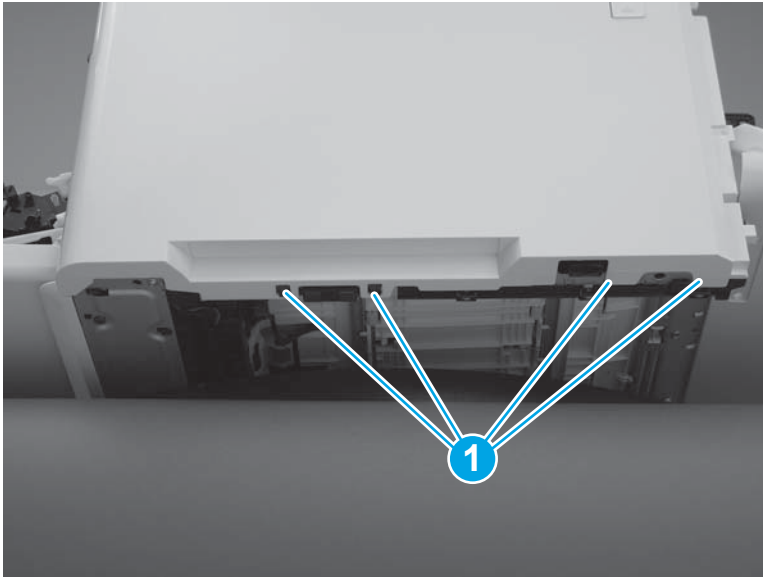
Figure 1-502 Release two tabs





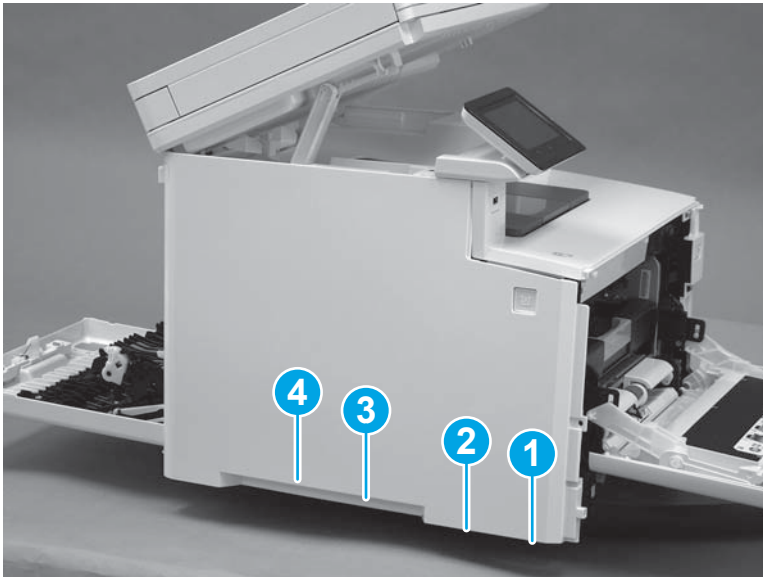
4. Slide the printer to the edge of a work surface. Note the location of the tabs on the lower edge of the cover (callout 1).

Figure 1-503 Locate the tabs



5. Beginning from the front of the cover, release the four tabs (callouts 1-4) on the lower edge of the cover.

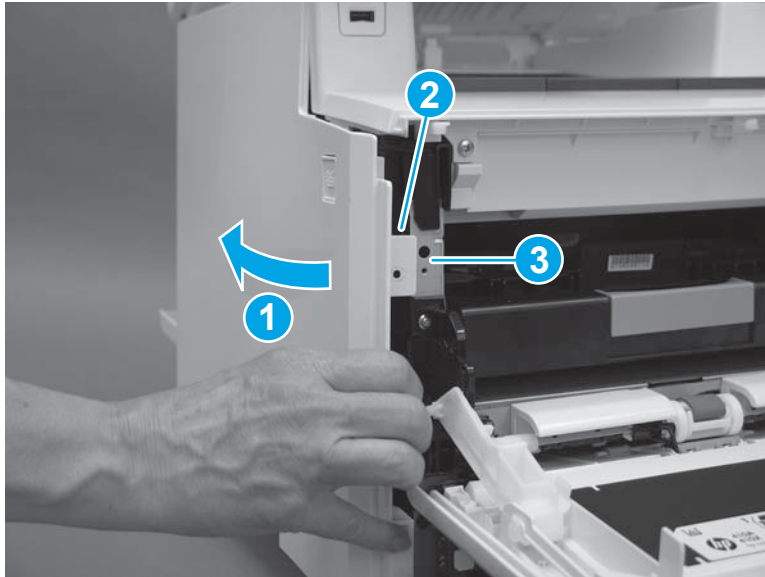
Figure 1-504 Release four tabs





6. Rotate the front of the cover away from the printer (callout 1). Make sure that the tab (callout 2) does not get caught on the printer frame (callout 3).

Figure 1-505 Rotate the cover



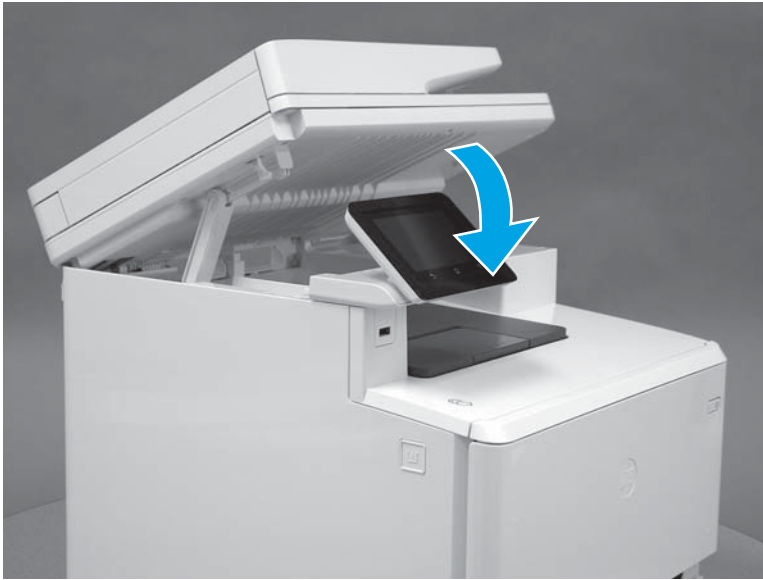
7. At the top of the printer, slightly pull the top of the cover away from the printer to release one retention tab (callout 1) on the inside of the cover. While holding the cover away, slide the cover toward the back of the printer (callout 2) to release two hooks (callout 3) inside the cover.

Figure 1-506 Release one tab and two hooks



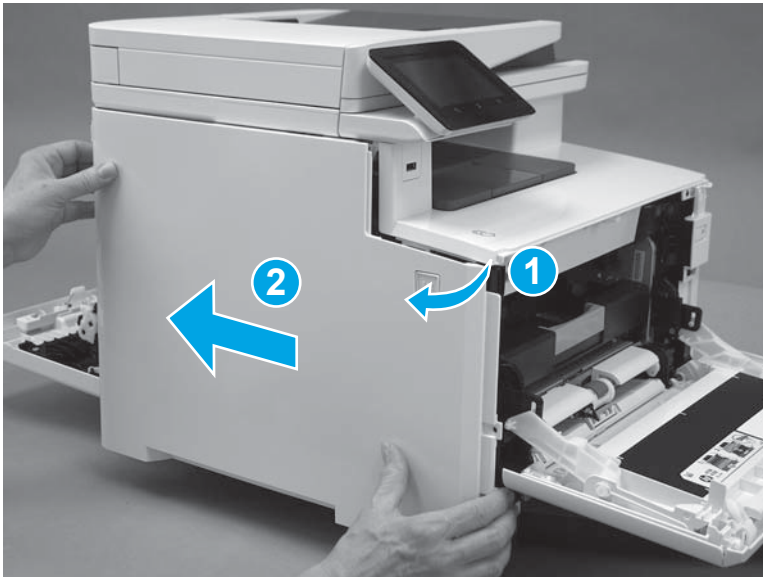
8. Lower the scanner.

Figure 1-507 Lower the scanner



9. Rotate the cover away from the printer (callout 1), and then slide the cover (callout 2) toward the back of the printer to remove it.

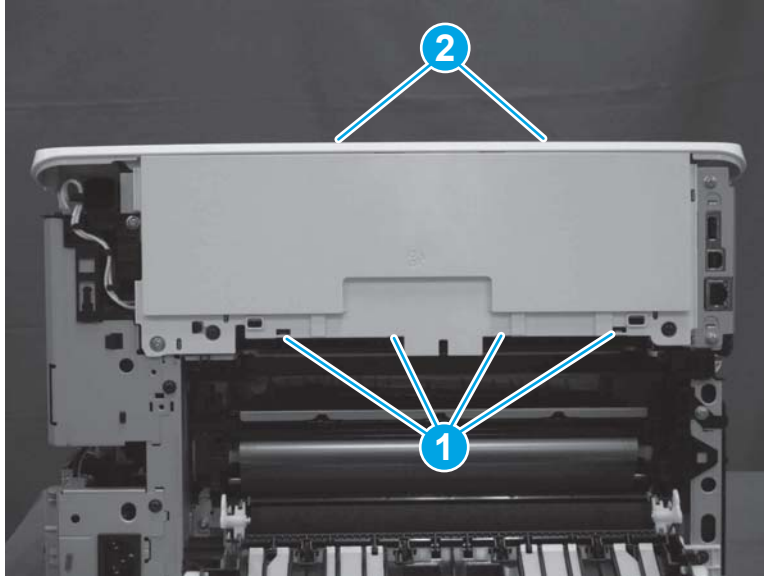
Figure 1-508 Remove the left cover



#### Step 5: Remove the rear top cover (simplex model)

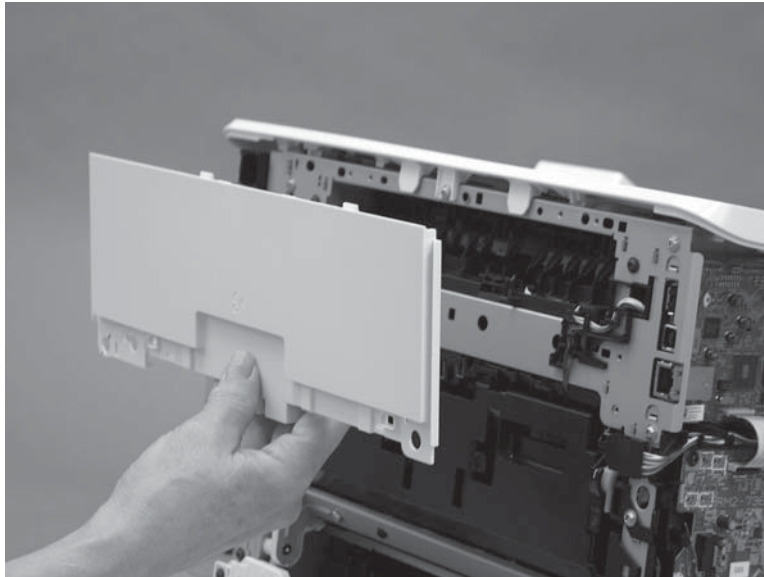
1. At the back of the printer, release four tabs (callout 1) on the bottom of the cover and two tabs (callout 2) on the top of the cover.

Figure 1-509 Release six tabs



2. Remove the rear top cover.

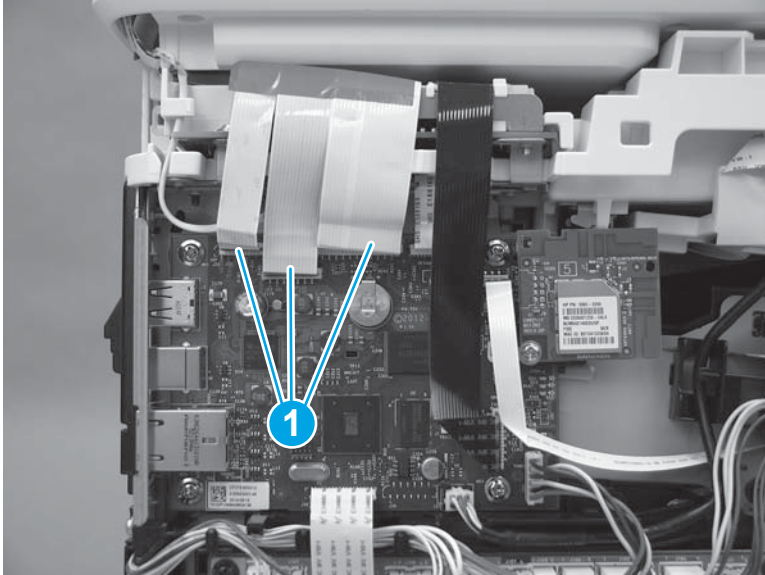
Figure 1-510 Remove the rear top cover



#### Step 6: Remove the image scanner (M479 models)

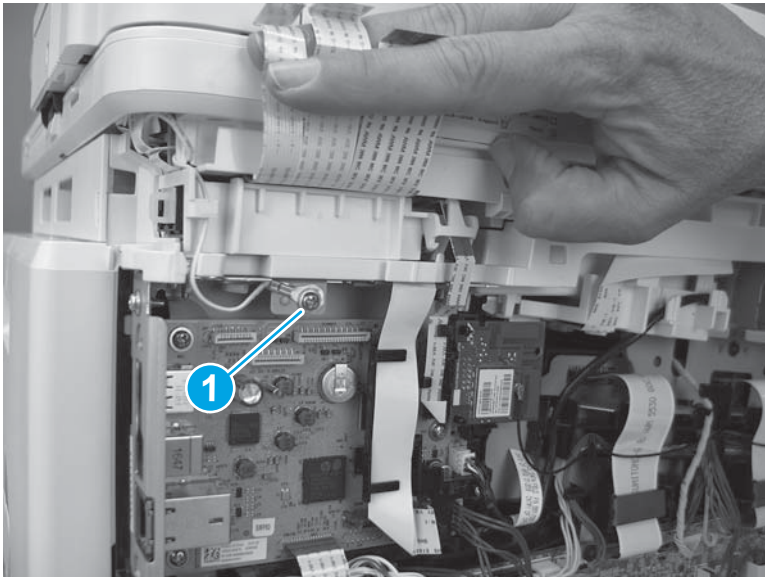
1. On the left side of the printer, disconnect three connectors (callout 1).

Figure 1-511 Disconnect the scanner cables



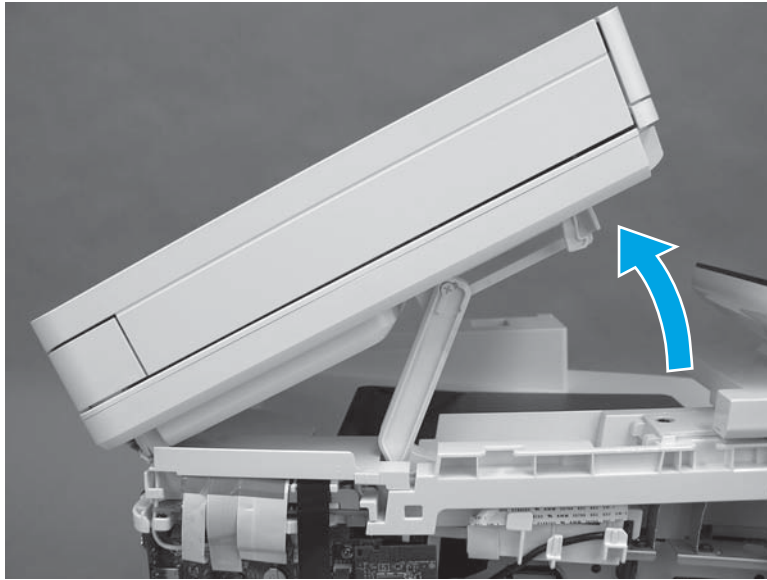
2. Raise the scanner cables up, and then remove one screw (callout 1) to release the ground wire (callout 2).

Figure 1-512 Remove one screw and release the ground wire



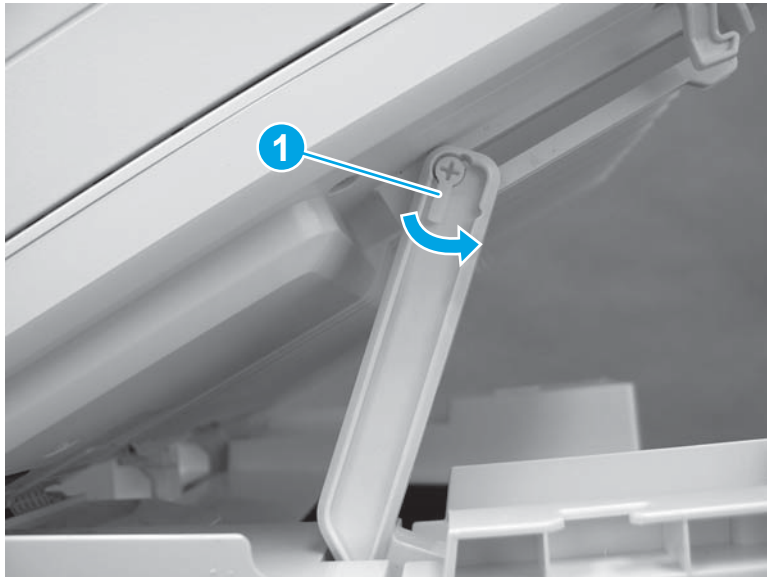
3. Raise the scanner.

Figure 1-513 Raise the scanner



4. With the scanner lifted, release the tab (callout 1) on the scanner support arm pin from the slot and rotate the pin in the direction indicated.

Figure 1-514 Release the scanner arm pin



5. Remove the scanner arm pin.

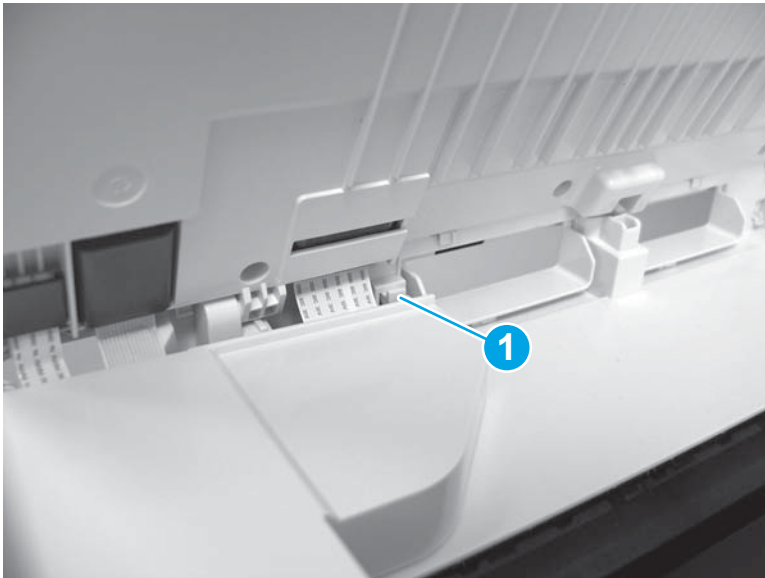
**⚠ CAUTION:** Once the scanner arm pin is removed, support the scanner with one hand at all times so that it does not fall backwards off of the printer.

**Figure 1-515** Remove the scanner arm pin.



6. On the top of the printer, use a flat-blade screwdriver to release one tab (callout 1).

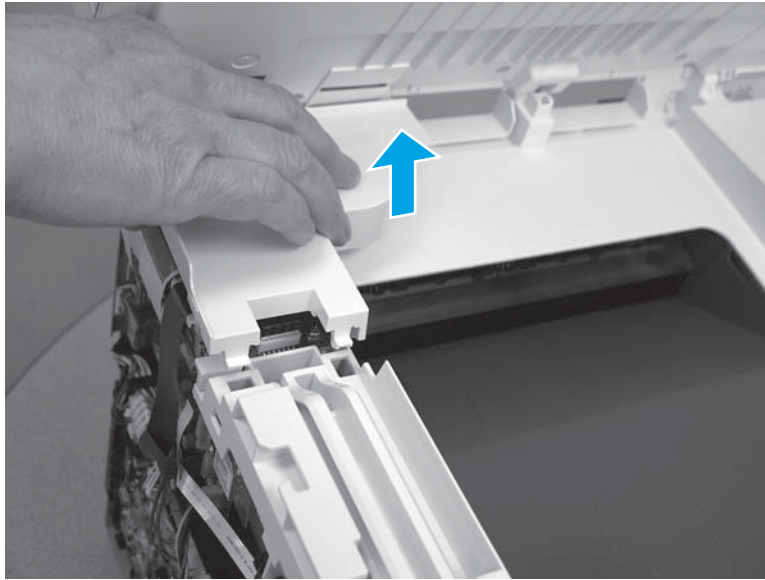
**Figure 1-516** Release one tab





7. Remove the scanner cable cover.

Figure 1-517 Remove the scanner cable cover



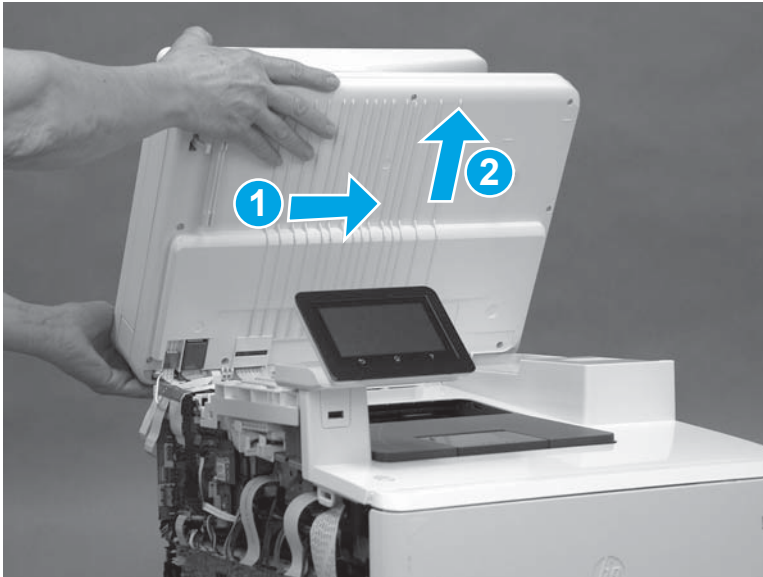
8. The scanner cables (callout 1) are held in place on the top cover with double-sided tape. Carefully release the cables from the top cover.

Figure 1-518 Release the cables



9. Open the scanner assembly fully, slide the assembly toward the right side of the printer, and then lift the assembly off of the printer.

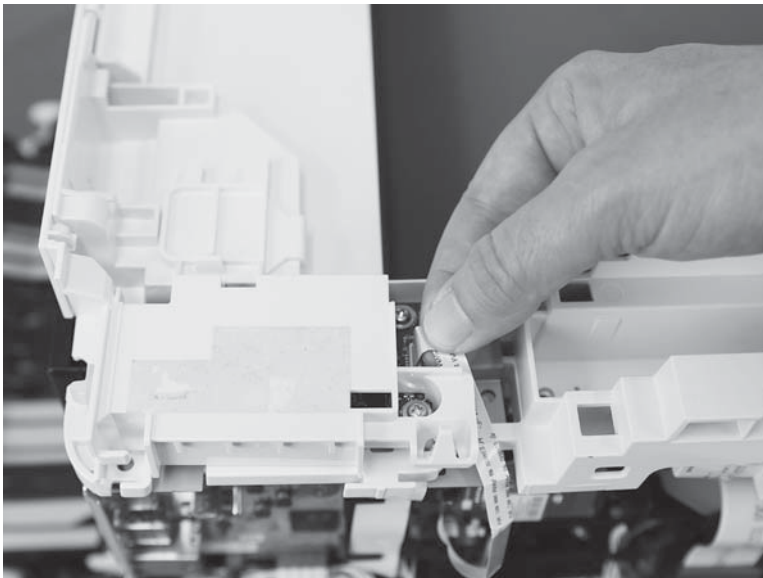
**Figure 1-519** Remove the scanner assembly



#### Step 7: Remove the fax PCA (M479 models)

1. Disconnect on FFC cable from fax PCA.

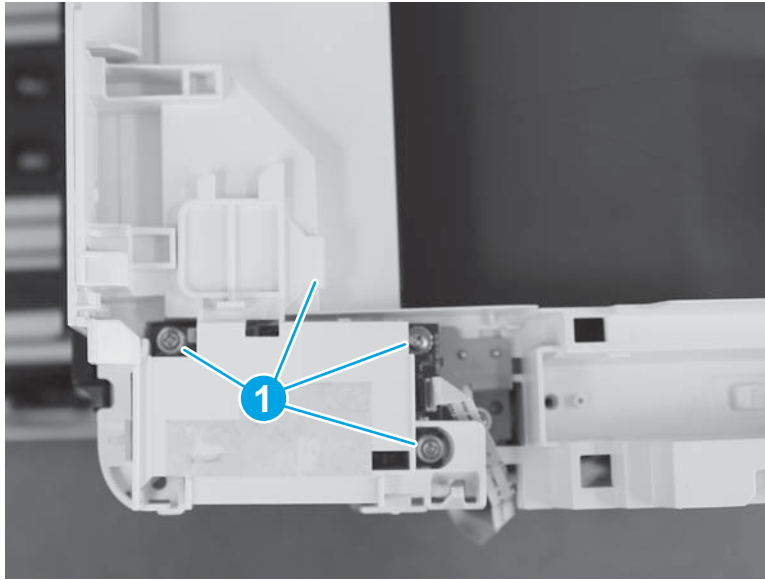
**Figure 1-520** Disconnect one connector





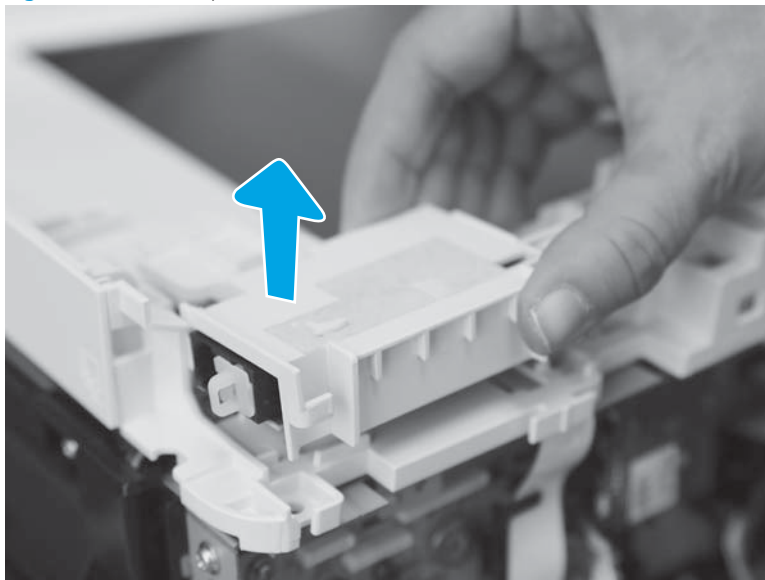
2. Remove three screws and release one tab (callout 1).

Figure 1-521 Remove three screws and release one tab



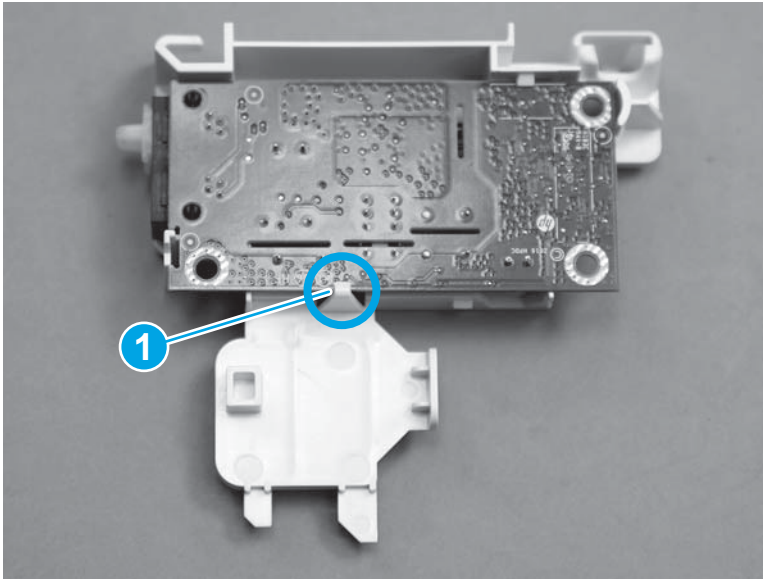
3. Lift up to remove the fax PCA.

Figure 1-522 Lift up to remove the fax PCA



4. Release the tab (callout 1) on the back of the fax PCA to remove the PCA from the plastic holder.

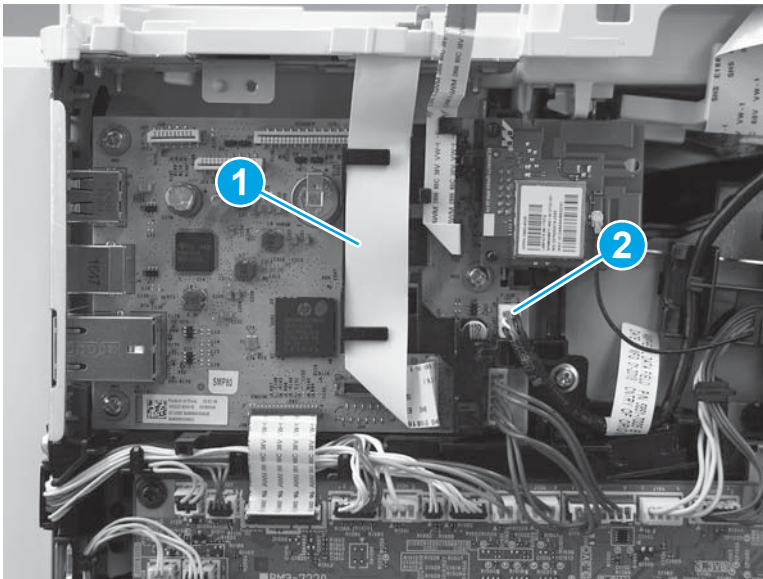
**Figure 1-523** Release one tab to remove fax PCA from the plastic holder



#### Step 8: Remove the top cover (M479 models)

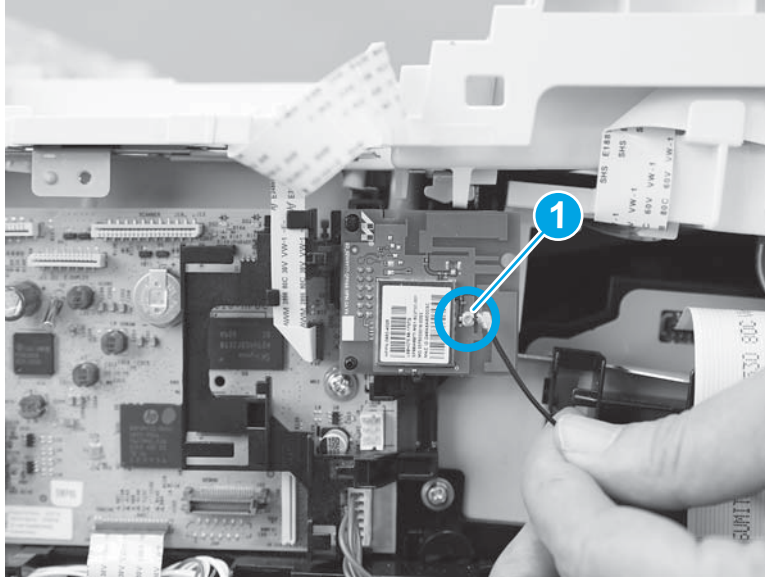
1. Disconnect one connector (callout 2) and one FFC (callout 2).

**Figure 1-524** Disconnect one connectors and one FFC



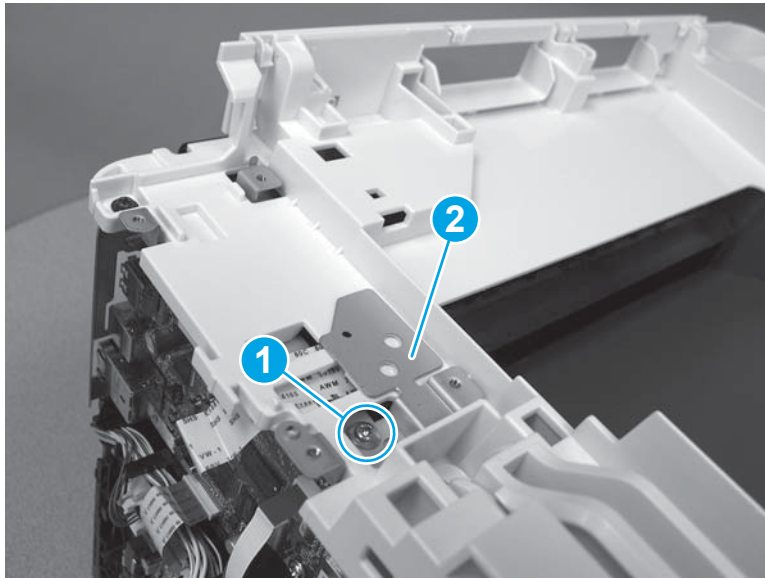
2. Disconnect wireless antenna cable (callout 1) from the wireless PCA.

**Figure 1-525** Disconnect wireless antenna cable from the wireless PCA



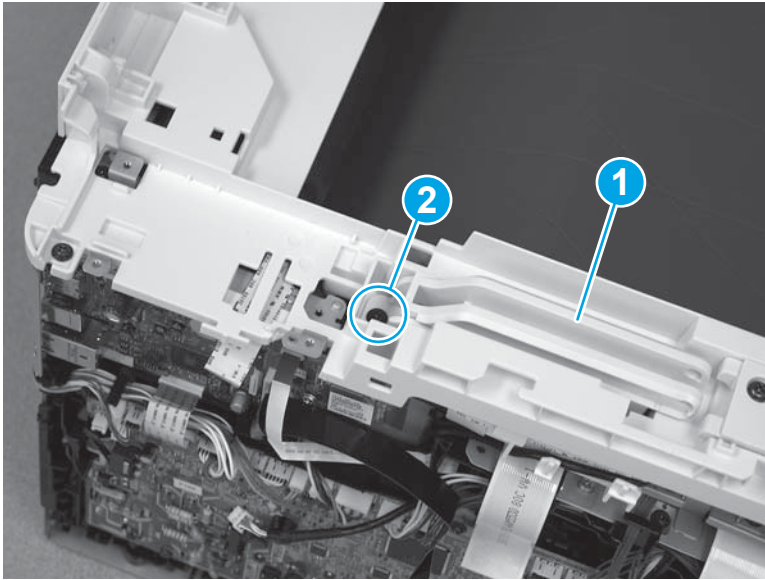
3. On the top cover, remove one screw (callout 1) and the sheet metal plate (callout 2).

**Figure 1-526** Remove one screw and the sheet metal plate



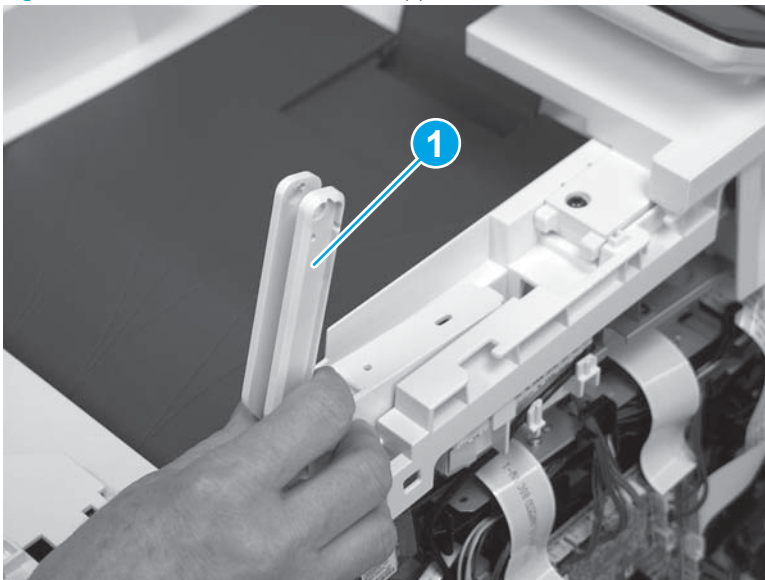
4. At the top of the printer, lower the scanner support arm (callout 1), and then remove one screw (callout 2).

**Figure 1-527** Lower the support arm and remove one screw




5. Remove the scanner support arm (callout 1).

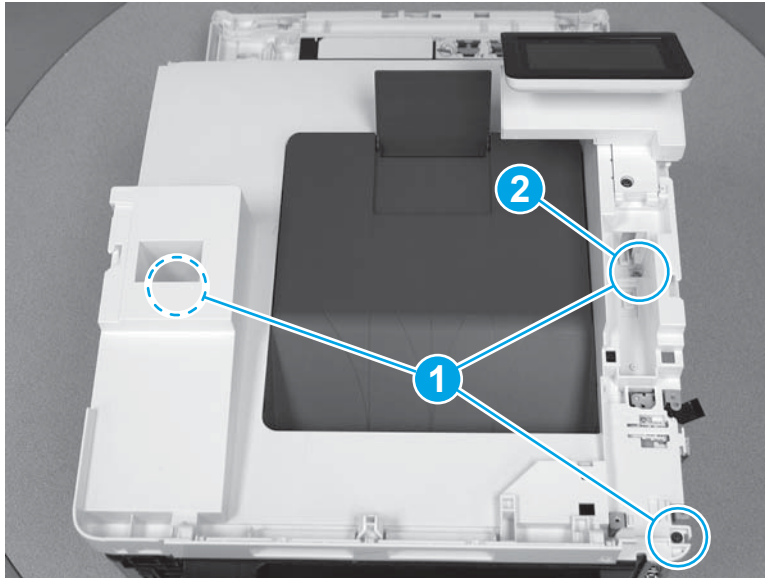
**Figure 1-528** Remove the scanner support arm



6. At the top of the printer, remove three screws (callout 1).

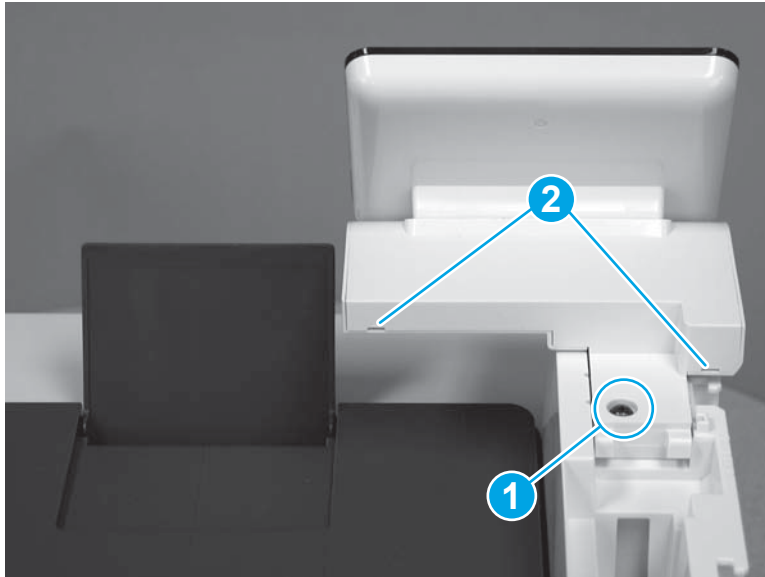
 **Reinstallation tip:** One screw (callout 2) is longer than the other screws. Make sure that this screw is reinstalled in the correct position.

**Figure 1-529** Remove three screws



7. Behind the control panel, remove one screw (callout 1), and then use a small flat-blade screwdriver at two pry points (callout 2) to release the control panel cover from the top cover.

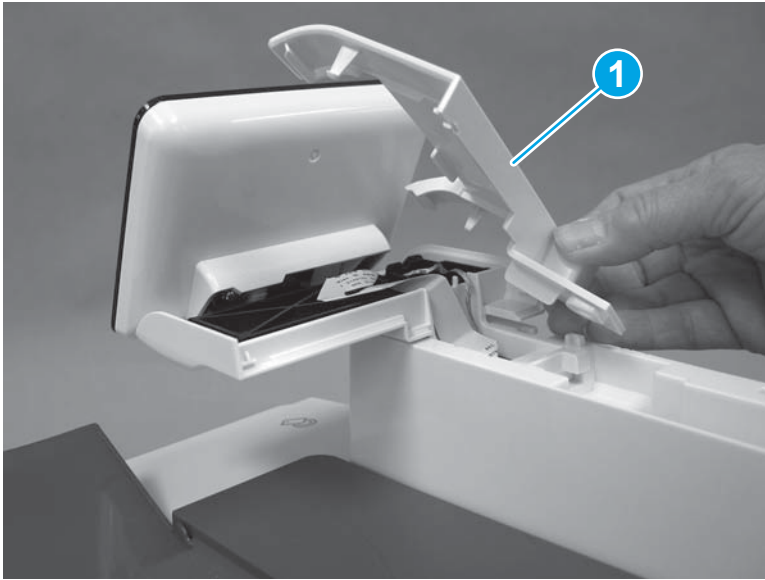
**Figure 1-530** Release the control panel cover





8. Remove the control panel cover (callout 1).

Figure 1-531 Remove the control panel cover



9. Remove the flat cable (callout 1) from the retaining guide (callout 2).

Figure 1-532 Release the flat cable



10. Remove two screws (callout 1), and then remove one screw (callout 2) and release one ground wire.

 **Reinstallation tip:** The two screws toward the front of the control panel (callout 1) are longer than the other screw. Make sure these screws are installed in the correct position when reinstalling the part.

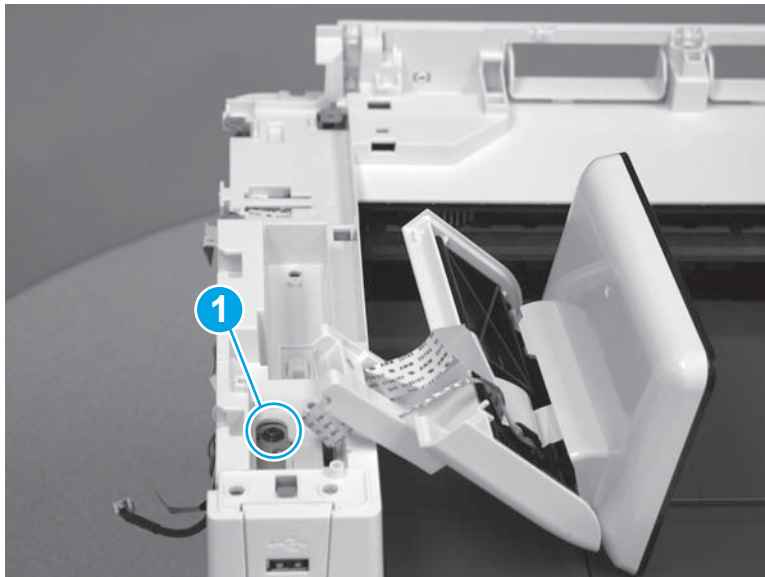
**Figure 1-533** Remove three screws



11. Carefully lift the control panel away and rest it on the top cover, and then remove one screw (callout 1).

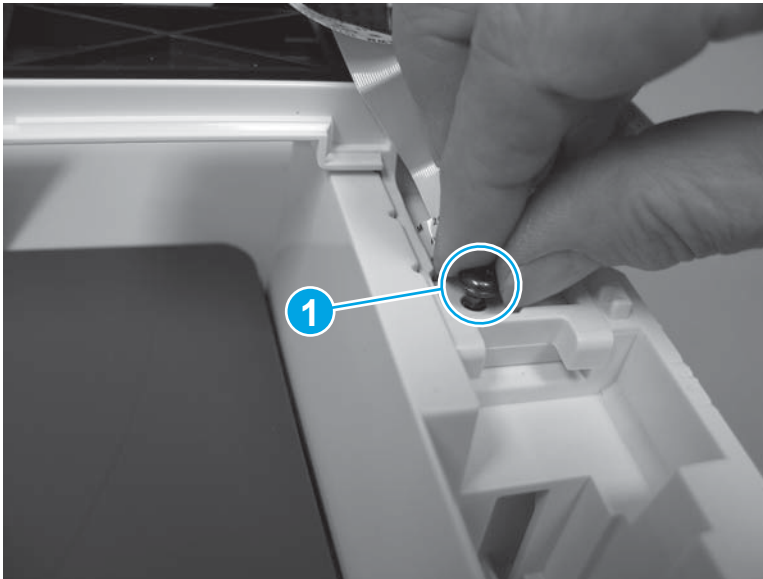
 **CAUTION:** The control panel is still attached to the top cover by the flat cable.

**Figure 1-534** Remove one screw



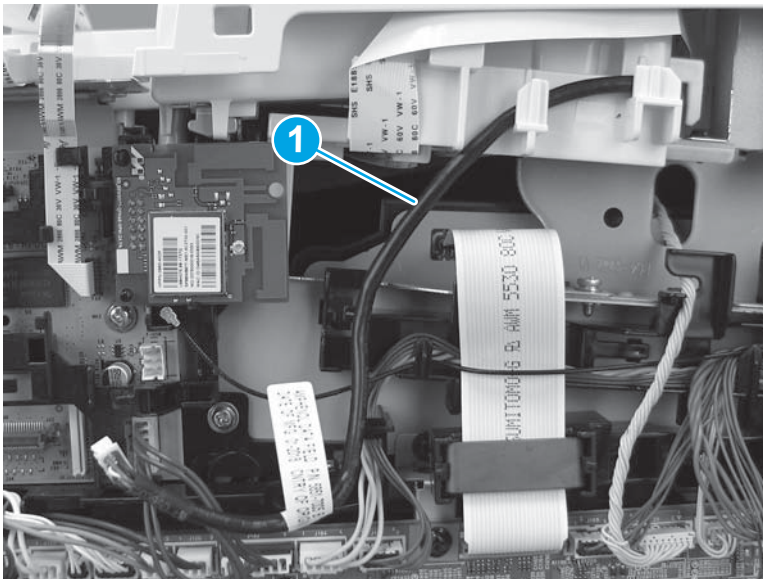
12. Place the control panel back into position. With your hand, refasten the screw (callout 1) that was previously removed from the control panel cover to temporarily reattach the control panel to the top cover. Doing this should protect the flat cable from being damaged.

**Figure 1-535** Refasten the control panel to the top cover



13. Remove the USB cable (callout 1) from the cable guides (callout 2).

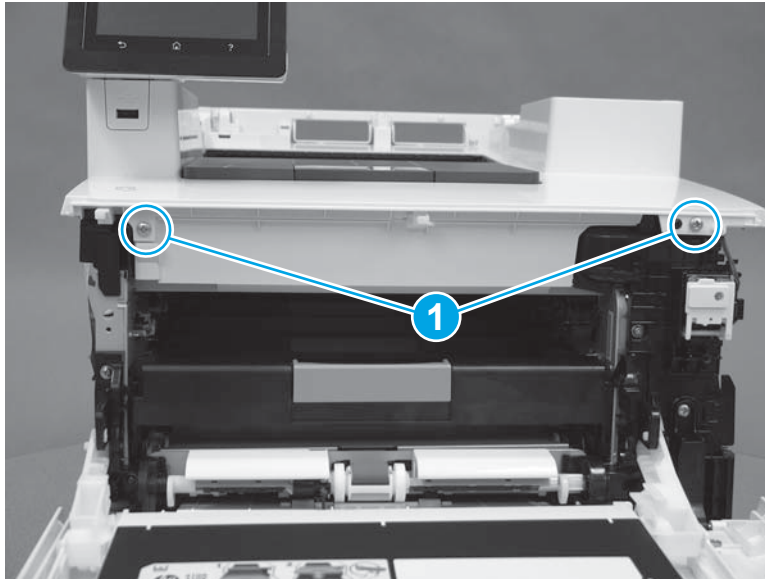
**Figure 1-536** Release the USB cable





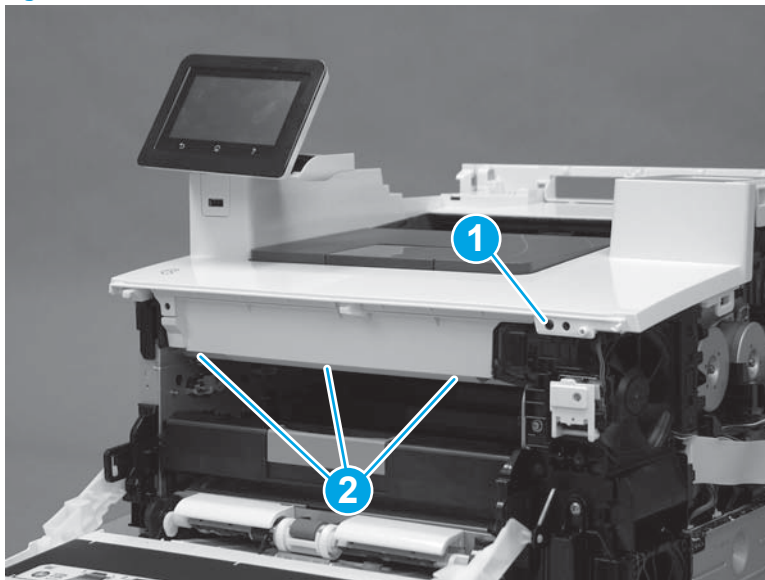
14. At the front of the printer, remove two screws (callout 1).

Figure 1-537 Remove two screws



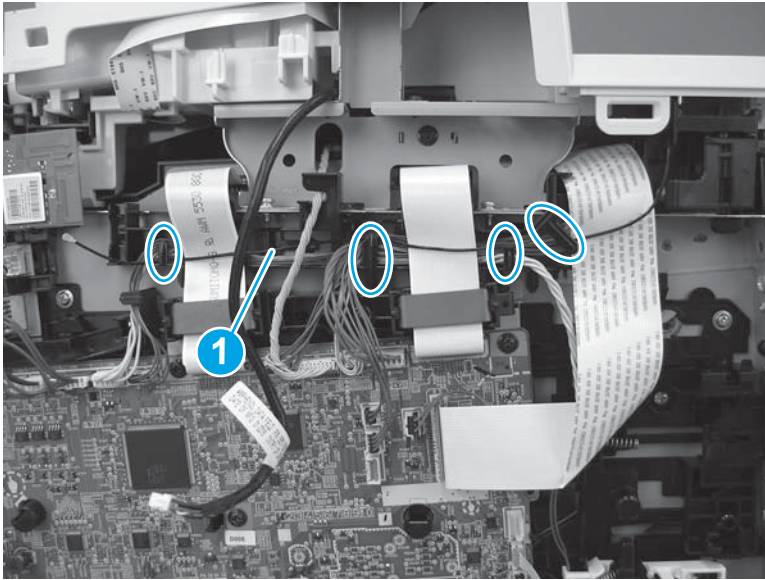
15. Release one retainer (callout 1), and then release three tabs (callout 2).

Figure 1-538 Release one retainer and three tabs



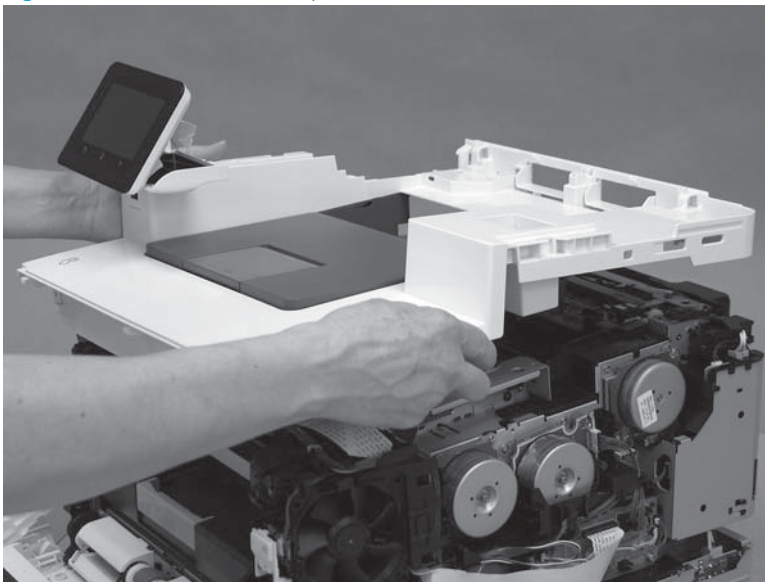
16. Remove the Wi-Fi antenna wire (callout 1) from the guide.

Figure 1-539 Remove antenna wire from guide



17. Remove the top cover.

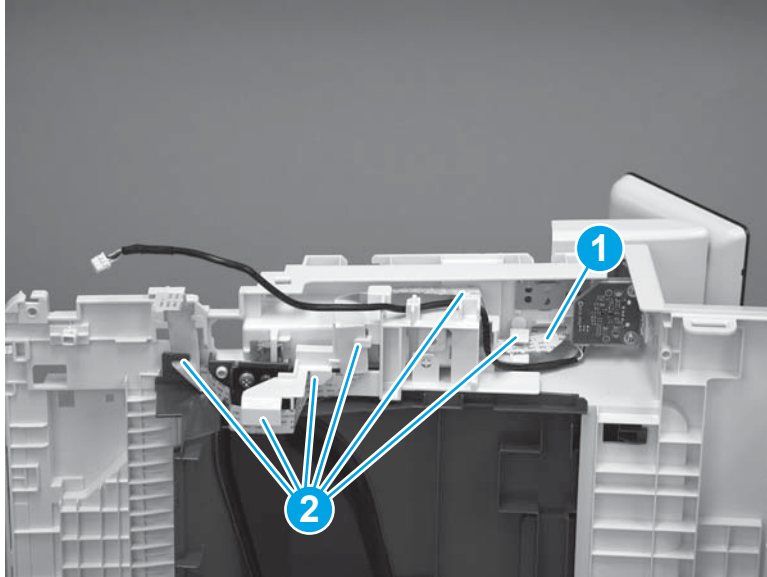
Figure 1-540 Remove the top cover



### Step 9: Remove the control panel (M479 models)

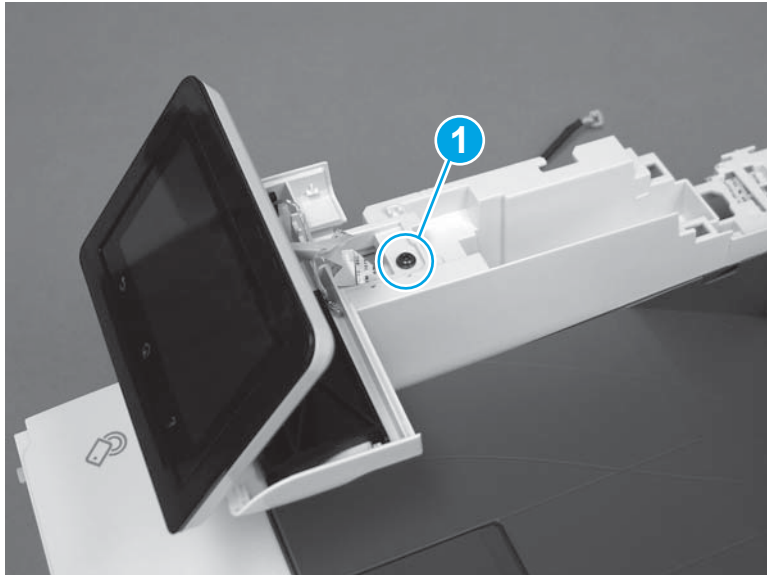
1. Turn the top cover on its side, and then remove the flat cable (callout 1) from the cable guides (callout 2).

Figure 1-541 Remove the flat cable from the guides



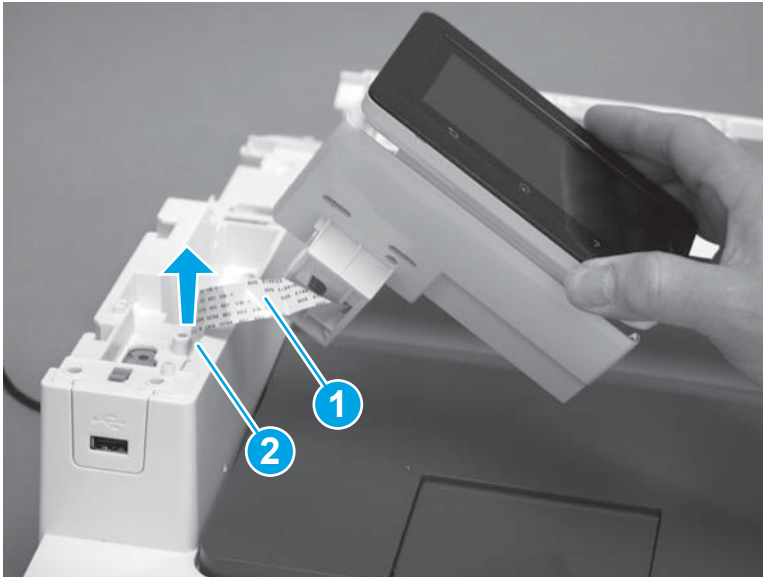
2. On the top of the top cover, use your finger to remove the screw (callout 1) that is temporarily holding the control panel to the top cover.

Figure 1-542 Remove one screw



3. Lift the control panel up and completely remove the flat cable (callout 1) from the slot (callout 2) in the top cover.

Figure 1-543 Remove the control panel



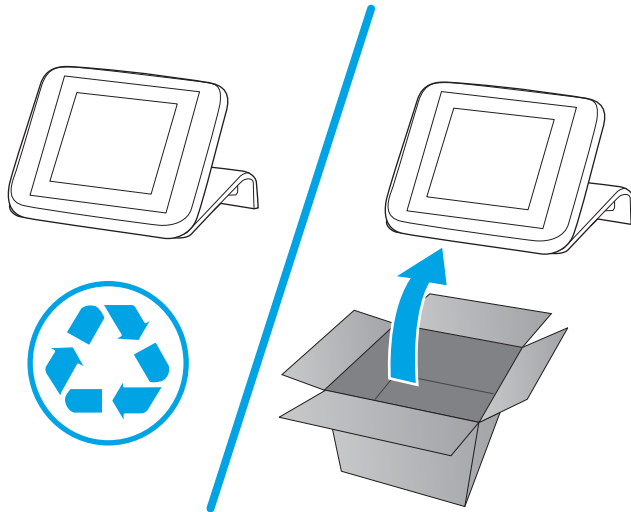
#### Step 10: Unpack the replacement part

Remove the new part from its package. Save all packaging for recycling the used part.

For complete information on HP's recycling programs, go to [Product return and recycling](#).

 **NOTE:** HP recommends responsible disposal of the defective part.


Figure 1-544 Recycle and unpack



#### Step 11: Install the control panel (M479 models)

- ▲ To install an assembly, reverse the removal steps.

---

 **NOTE:** When applicable, special installation instructions are provided for an assembly at the end of the removal procedure. Always completely read the removal instructions and follow all special installation instructions.

---

## Removal and replacement: Integrated scanner assembly (M479 models)

- [Introduction](#)
- [Step 1: Remove Tray 2](#)
- [Step 2: Open the front door and rear door or duplexer door](#)
- [Step 3: Remove the left cover \(M479 models\)](#)
- [Step 4: Remove the integrated scanner assembly](#)
- [Step 5: Unpack the replacement part](#)
- [Step 6: Install the integrated scanner assembly](#)


### Introduction

This document provides the procedures to remove and replace the integrated scanner assembly for the M479.

[Click here to view a video of this procedure.](#)

### Before you begin

- Turn off the printer.
- Disconnect the power cable.

 **WARNING!** To avoid damage to the printer, turn the printer off, wait 30 seconds, and then remove the power cord before attempting to service the printer.

- Use the table below to identify the correct part number for your printer. To order the part, go to [www.hp.com/buy/parts](http://www.hp.com/buy/parts).

Integrated scanner assembly part number	
W1A77-67904	Integrated scanner assembly (ISA simplex)
W1A78-67905	Integrated scanner assembly (ISA duplex)

### Required tools

- #2 Phillips screwdriver with a magnetic tip
- Small flat-blade screwdriver

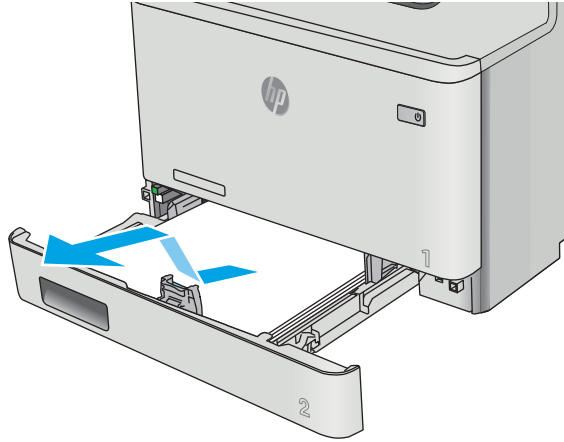
### After performing service

- Connect the power cable.
- Use the power switch to turn the power on.

### Step 1: Remove Tray 2

- ▲ Pull the tray out until it stops. Lift the front of the tray, and then pull it out of the printer to remove it.

Figure 1-545 Remove the tray



**Step 2: Open the front door and rear door or duplexer door**

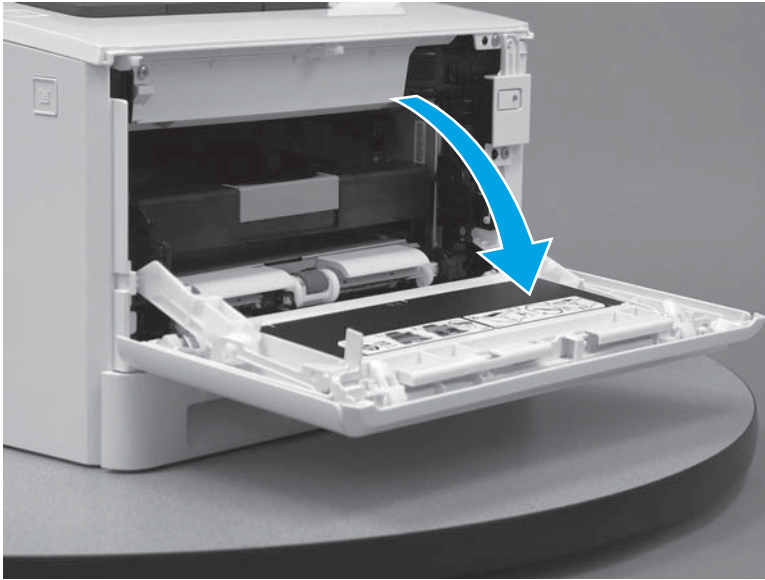
1. Press the button (callout 1) on the left side of the printer to release the front door.

Figure 1-546 Release the front door



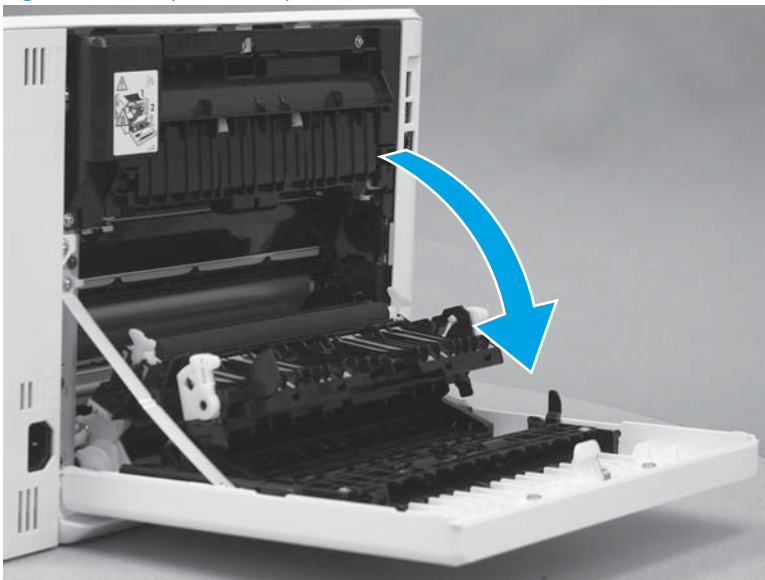
2. Open the front door.

Figure 1-547 Open the front door



3. Duplex models: Open the duplexer door.

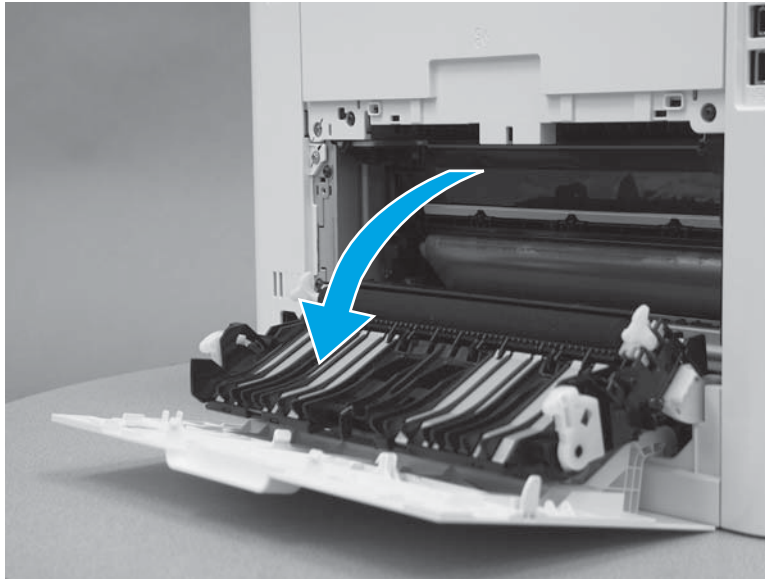
Figure 1-548 Open the duplexer door





4. **Simplex models:** Open the rear door.

Figure 1-549 Open the rear door



### Step 3: Remove the left cover (M479 models)

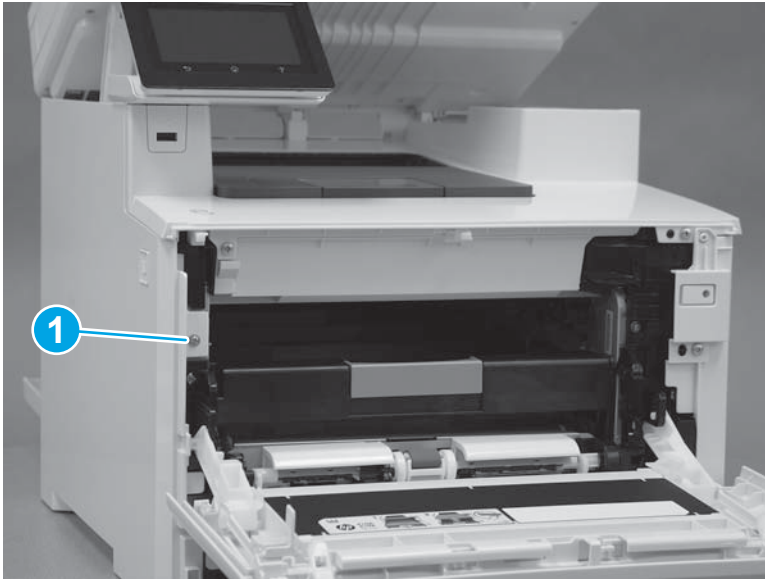
1. Raise the scanner.

Figure 1-550 Raise the scanner



2. At the front of the printer, remove one screw (callout 1).

Figure 1-551 Remove one screw



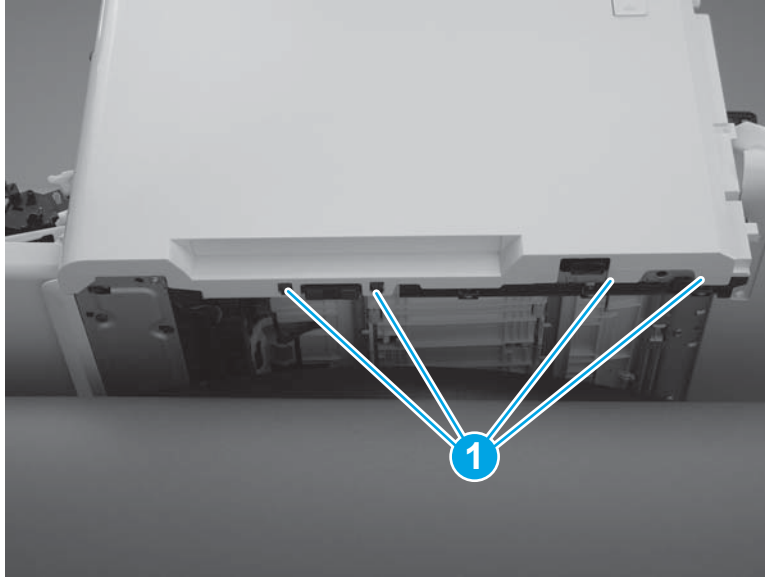
3. Release two tabs (callout 1) at the front of the cover. Hold the cover open to prevent the tabs from re-engaging.

Figure 1-552 Release two tabs



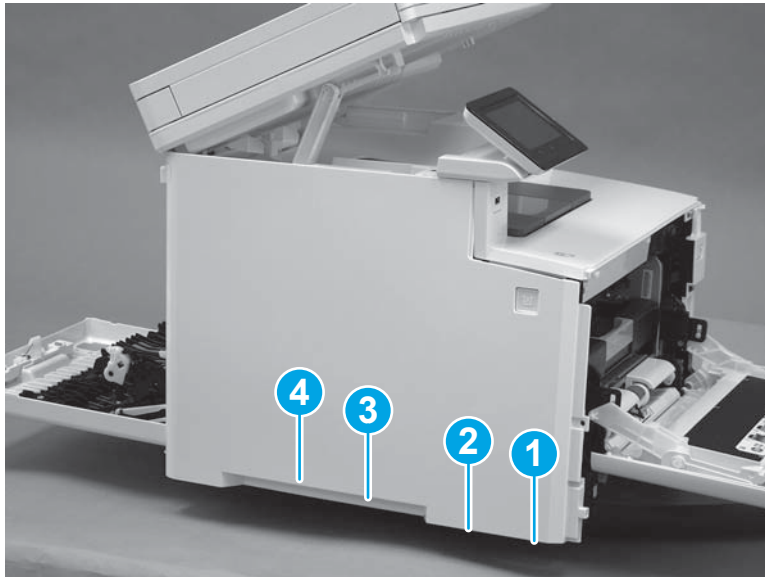
4. Slide the printer to the edge of a work surface. Note the location of the tabs on the lower edge of the cover (callout 1).

Figure 1-553 Locate the tabs



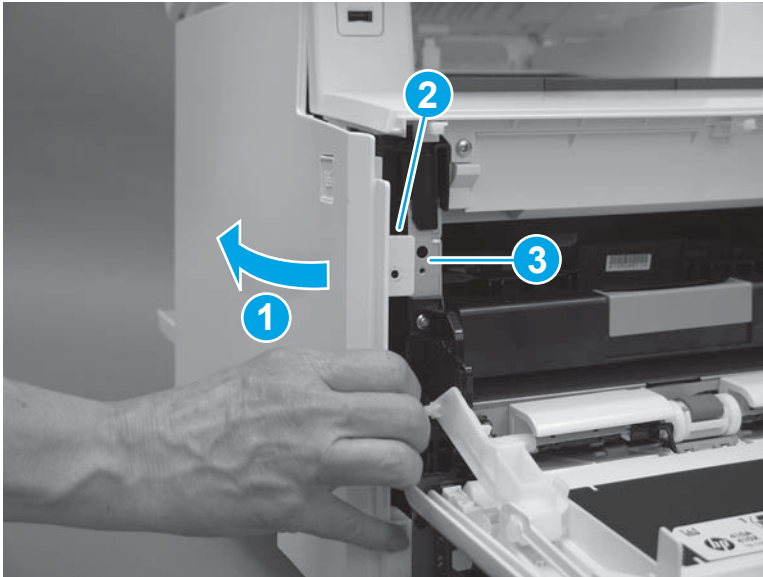
5. Beginning from the front of the cover, release the four tabs (callouts 1-4) on the lower edge of the cover.

Figure 1-554 Release four tabs



6. Rotate the front of the cover away from the printer (callout 1). Make sure that the tab (callout 2) does not get caught on the printer frame (callout 3).

Figure 1-555 Rotate the cover



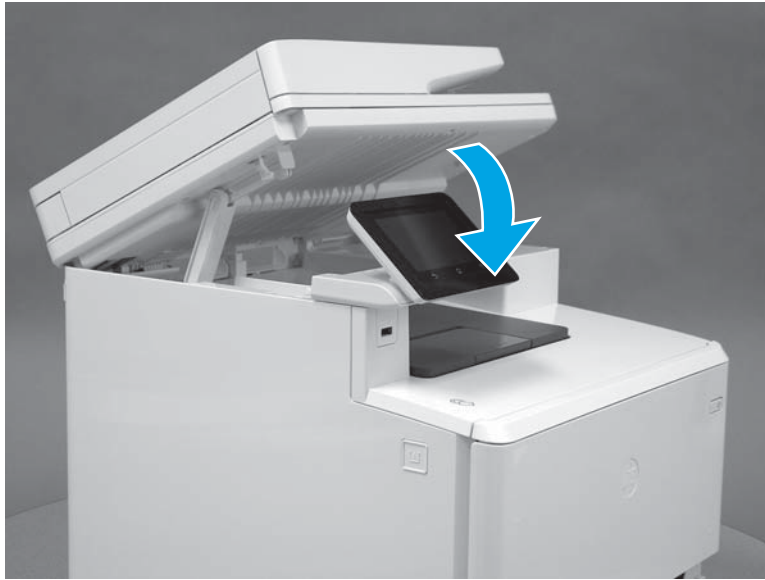
7. At the top of the printer, slightly pull the top of the cover away from the printer to release one retention tab (callout 1) on the inside of the cover. While holding the cover away, slide the cover toward the back of the printer (callout 2) to release two hooks (callout 3) inside the cover.

Figure 1-556 Release one tab and two hooks



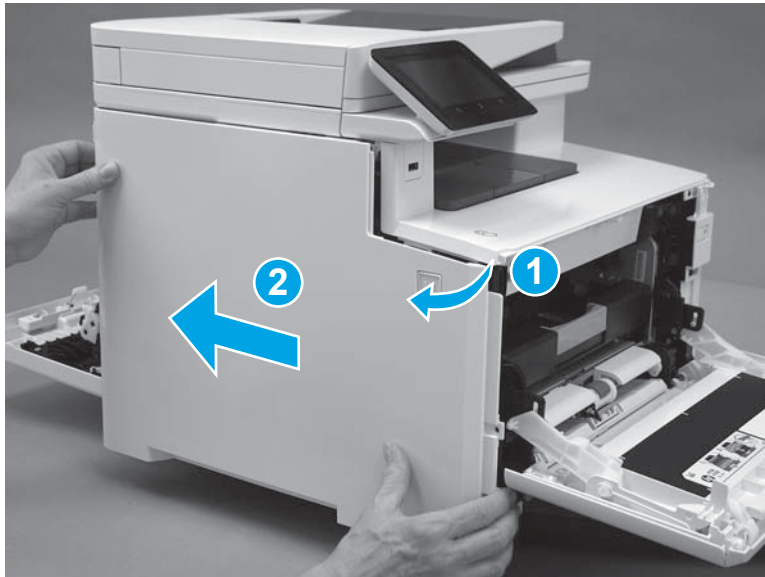
8. Lower the scanner.

Figure 1-557 Lower the scanner



9. Rotate the cover away from the printer (callout 1), and then slide the cover (callout 2) toward the back of the printer to remove it.

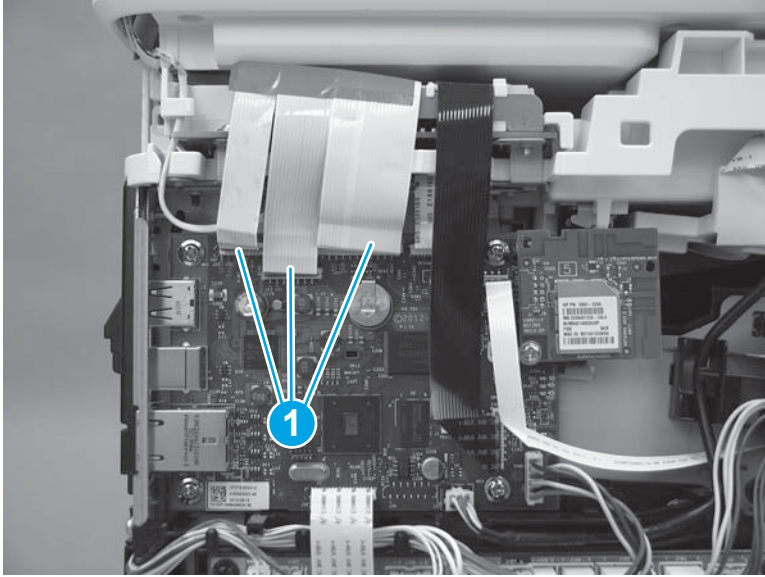
Figure 1-558 Remove the left cover



#### Step 4: Remove the integrated scanner assembly

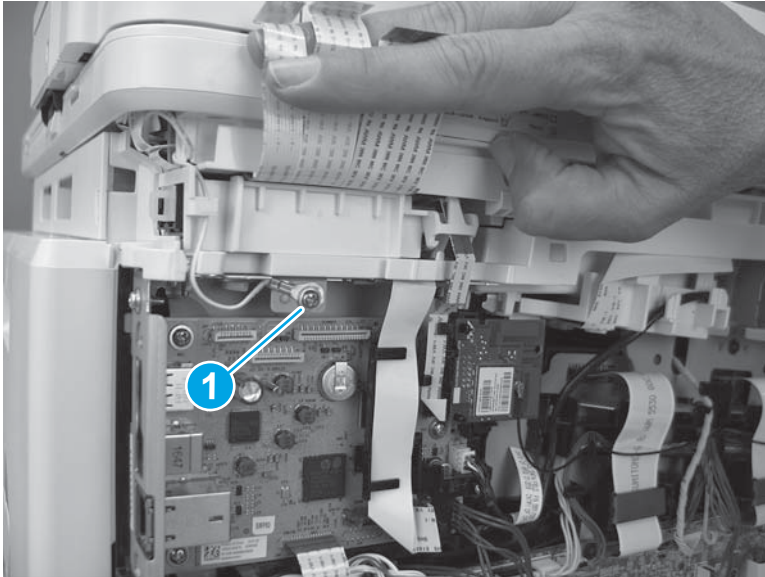
1. On the left side of the printer, disconnect three connectors (callout 1).

Figure 1-559 Disconnect the scanner cables



2. Raise the scanner cables up, and then remove one screw (callout 1) to release the ground wire (callout 2).

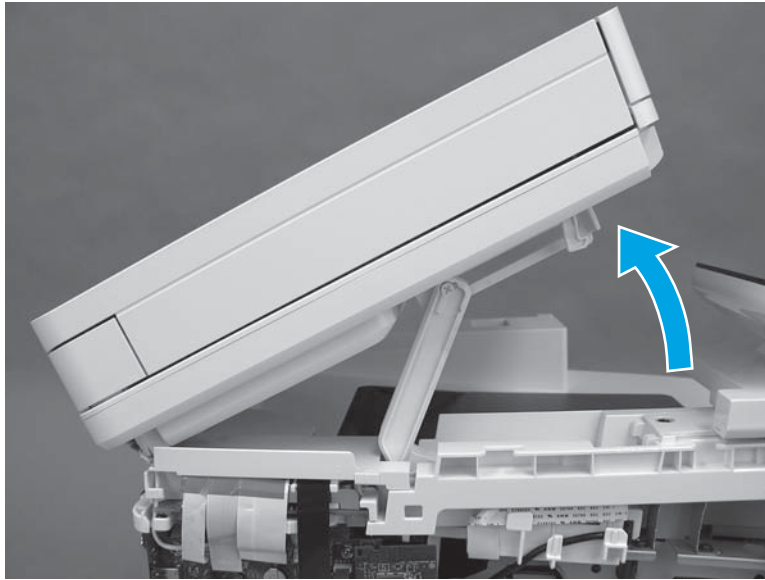
Figure 1-560 Remove one screw and release the ground wire





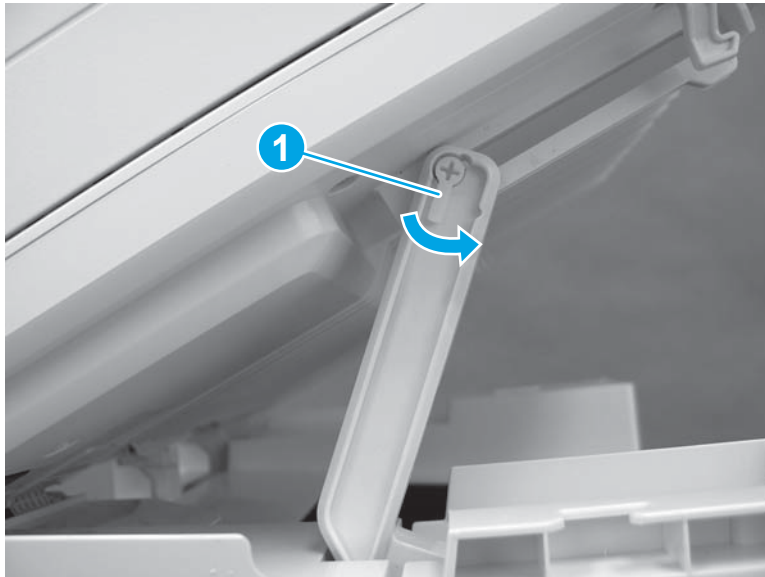
3. Raise the scanner.

Figure 1-561 Raise the scanner



4. With the scanner lifted, release the tab (callout 1) on the scanner support arm pin from the slot and rotate the pin in the direction indicated.

Figure 1-562 Release the scanner arm pin



5. Remove the scanner arm pin.

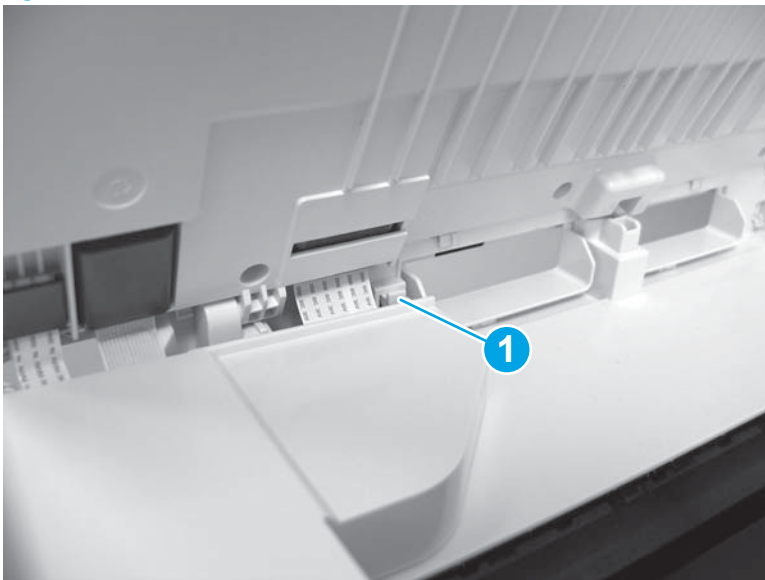
**⚠ CAUTION:** Once the scanner arm pin is removed, support the scanner with one hand at all times so that it does not fall backwards off of the printer.

**Figure 1-563** Remove the scanner arm pin.



6. On the top of the printer, use a flat-blade screwdriver to release one tab (callout 1).

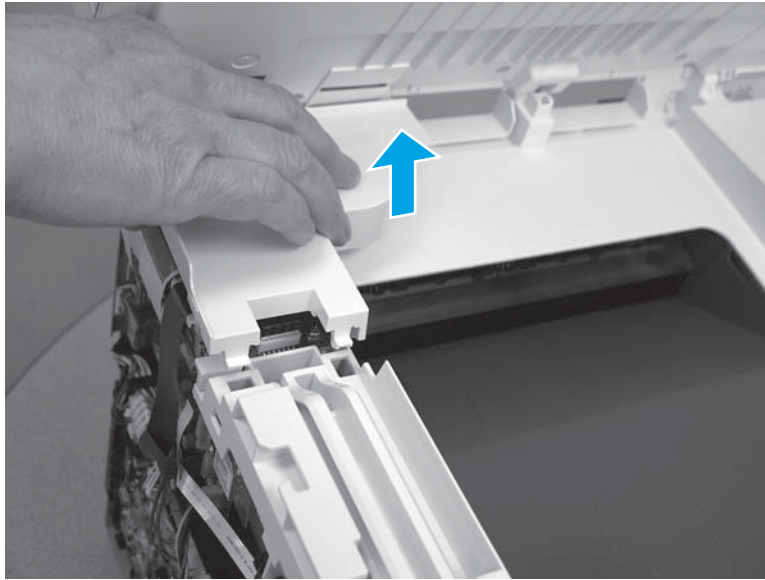
**Figure 1-564** Release one tab





7. Remove the scanner cable cover.

Figure 1-565 Remove the scanner cable cover



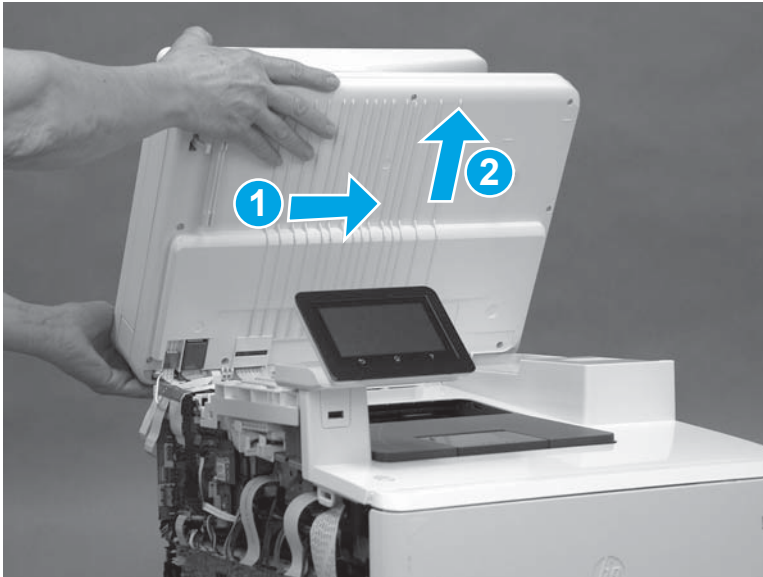
8. The scanner cables (callout 1) are held in place on the top cover with double-sided tape. Carefully release the cables from the top cover.

Figure 1-566 Release the cables



9. Open the scanner assembly fully, slide the assembly toward the right side of the printer, and then lift the assembly off of the printer.

Figure 1-567 Remove the scanner assembly



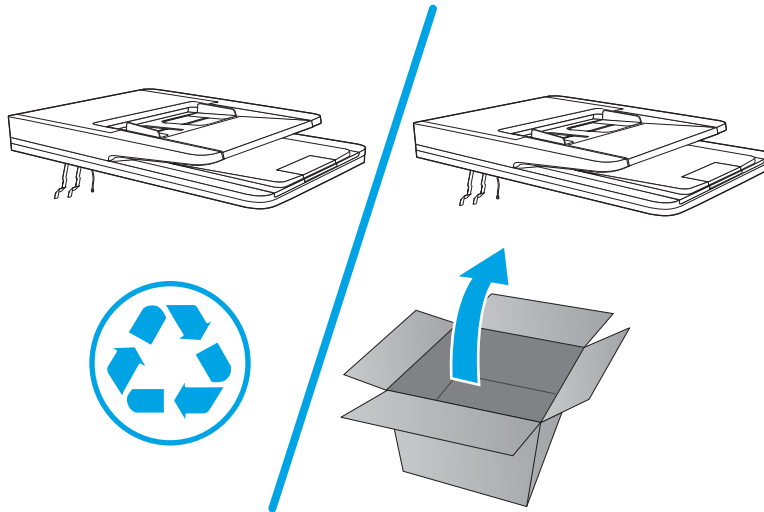
#### Step 5: Unpack the replacement part

Remove the new part from its package. Save all packaging for recycling the used part.

For complete information on HP's recycling programs, go to [Product return and recycling](#).

 **NOTE:** HP recommends responsible disposal of the defective part.


Figure 1-568 Recycle and unpack



#### Step 6: Install the integrated scanner assembly

- ▲ To install an assembly, reverse the removal steps.

---

 **NOTE:** When applicable, special installation instructions are provided for an assembly at the end of the removal procedure. Always completely read the removal instructions and follow all special installation instructions.

---

## Removal and replacement: Internal parts and assemblies

- [Removal and replacement: Power switch assembly](#)
- [Removal and replacement: Toner cartridge tray](#)
- [Removal and replacement: Cartridge fan](#)
- [Removal and replacement: Power supply fan](#)
- [Removal and replacement: Low-voltage power supply \(LVPS\)](#)
- [Removal and replacement: Pickup motor](#)
- [Removal and replacement: Driver PCA](#)
- [Removal and replacement: Drum motor](#)
- [Removal and replacement: Developer motor](#)
- [Removal and replacement: Secondary transfer assembly \(simplex models\)](#)
- [Removal and replacement: Secondary transfer assembly \(duplex models\)](#)
- [Removal and replacement: Intermediate transfer belt \(ITB\)](#)
- [Removal and replacement: Registration density sensor](#)
- [Removal and replacement: Re-pickup assembly \(duplex models\)](#)
- [Removal and replacement: Engine controller PCA](#)
- [Removal and replacement: Lifter drive assembly](#)
- [Removal and replacement: Pickup assembly](#)
- [Removal and replacement: Front feed guide assembly](#)
- [Removal and replacement: Rear feed guide assembly](#)
- [Removal and replacement: Registration assembly](#)
- [Removal and replacement: Memory PCA](#)
- [Removal and replacement: Laser scanner \(M454 models\)](#)
- [Removal and replacement: Laser scanner \(M479 models\)](#)
- [Removal and replacement: Fuser \(simplex models\)](#)
- [Removal and replacement: Fuser \(duplex models\)](#)
- [Removal and replacement: Fuser motor](#)
- [Removal and replacement: Duplex drive assembly \(duplex models\)](#)
- [Removal and replacement: Wireless antenna \(M454nw/dw models\)](#)
- [Removal and replacement: Wireless antenna \(M479 models\)](#)
- [Removal and replacement: Wireless PCA \(M454nw/dw models\)](#)

- [Removal and replacement: Wireless PCA \(M479fnw/fdw models\)](#)
- [Removal and replacement: Formatter PCA](#)
- [Removal and replacement: Environmental sensor](#)
- [Removal and replacement: Fax PCA \(M479 models\)](#)
- [Removal and replacement: Walk-up USB port \(M454dw model\)](#)
- [Removal and replacement: Walk-up USB port \(M479 models\)](#)
- [Removal and replacement: Drawer connector](#)
- [Removal and replacement: Front door switch](#)

## Removal and replacement: Power switch assembly

- [Introduction](#)
- [Step 1: Remove Tray 2](#)
- [Step 2: Open the front door and rear door or duplexer door](#)
- [Step 3: Remove the right cover \(M454 models\)](#)
- [Step 4: Remove the right cover \(M479 models\)](#)
- [Step 5: Remove the power switch assembly](#)
- [Step 6: Unpack the replacement part](#)
- [Step 7: Install the power switch assembly](#)

### Introduction


This document provides the procedures to remove and replace the power switch assembly.

[Click here to view a video of this procedure.](#)

### Before you begin

- Turn off the printer.
- Disconnect the power cable.

---

 **WARNING!** To avoid damage to the printer, turn the printer off, wait 30 seconds, and then remove the power cord before attempting to service the printer.

---

- Use the table below to identify the correct part number for your printer. To order the part, go to [www.hp.com/buy/parts](http://www.hp.com/buy/parts).

---

Power switch assembly part number	
RM2-6373-000CN	Power switch assembly

---

### Required tools

- #2 Phillips screwdriver with a magnetic tip

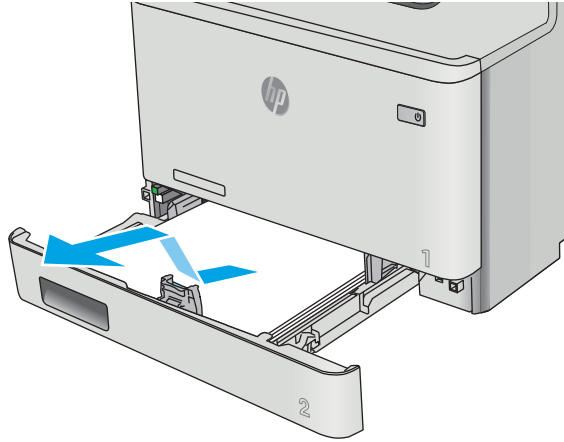
### After performing service

- Connect the power cable.
- Use the power switch to turn the power on.

### Step 1: Remove Tray 2

- ▲ Pull the tray out until it stops. Lift the front of the tray, and then pull it out of the printer to remove it.

Figure 1-569 Remove the tray



**Step 2: Open the front door and rear door or duplexer door**

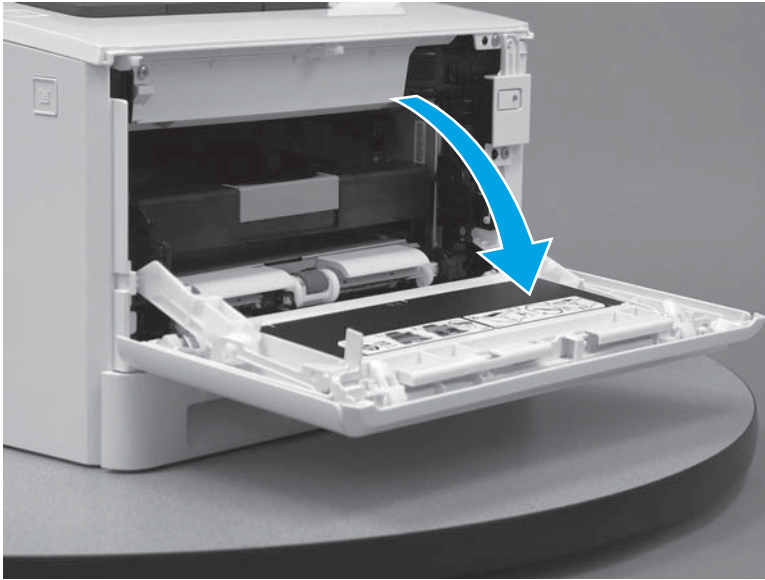
1. Press the button (callout 1) on the left side of the printer to release the front door.

Figure 1-570 Release the front door



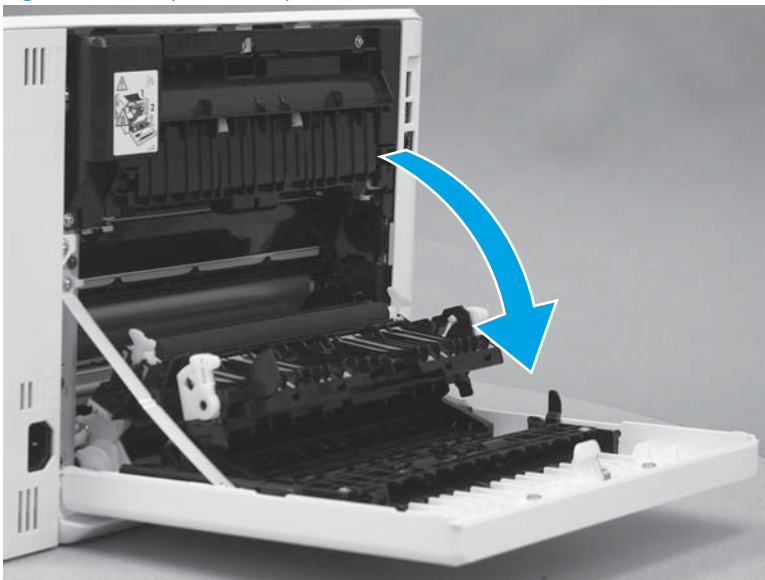
2. Open the front door.

Figure 1-571 Open the front door



3. Duplex models: Open the duplexer door.

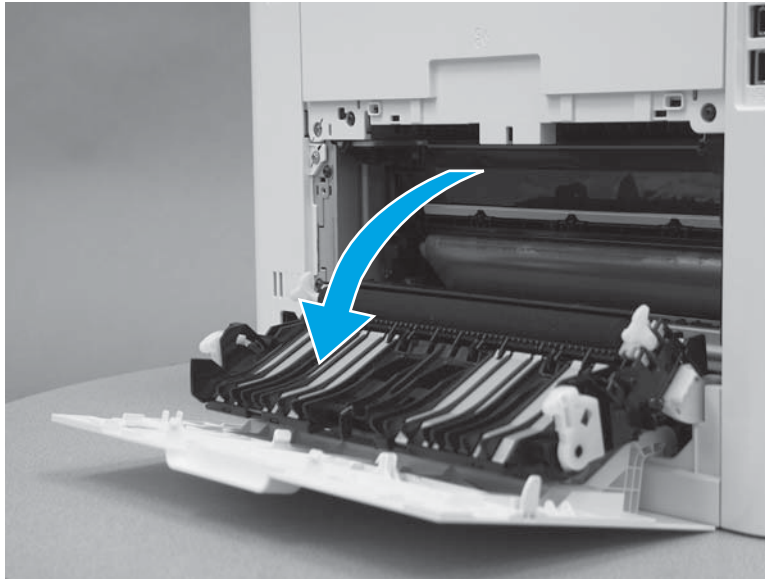
Figure 1-572 Open the duplexer door






4. **Simplex models:** Open the rear door.

**Figure 1-573** Open the rear door



### Step 3: Remove the right cover (M454 models)

 **NOTE:** This step is for the M454 models. For the M479 models, skip this step and go to [Step 4: Remove the right cover \(M479 models\) on page 347](#).

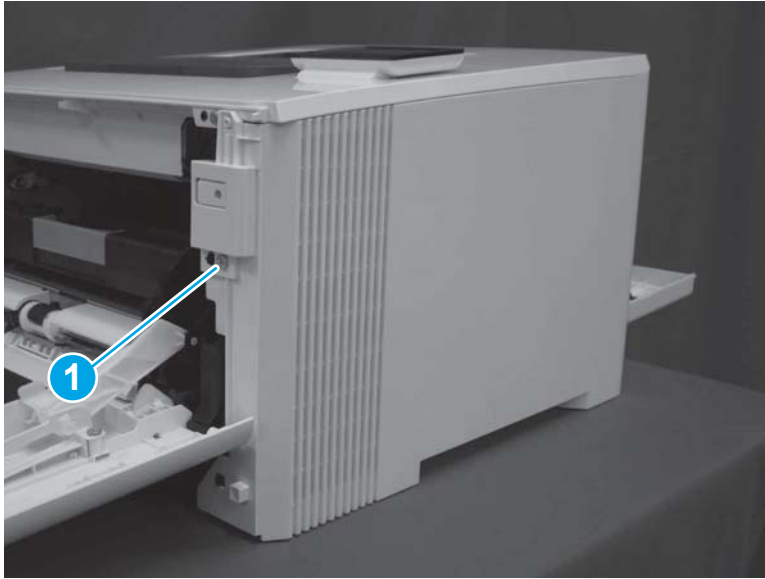
1. At the back of the printer, remove one screw (callout 1).

**Figure 1-574** Remove one screw



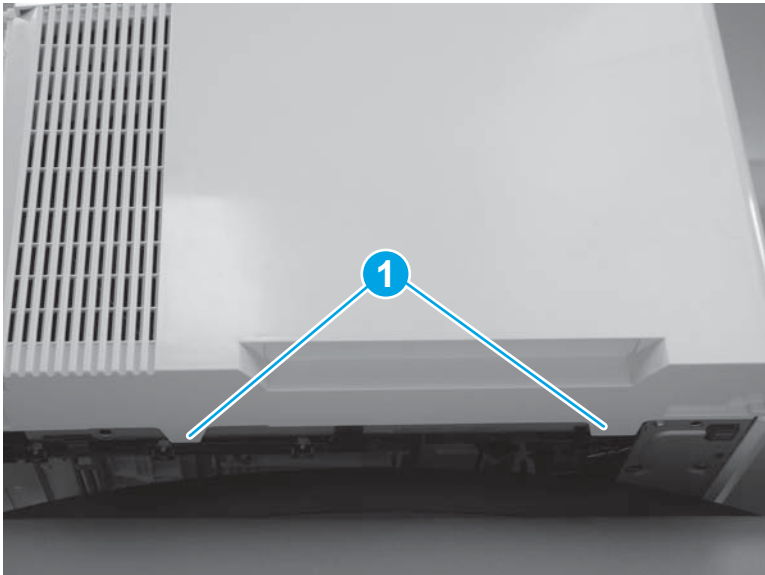
2. At the front of the printer, remove one screw (callout 1).

Figure 1-575 Remove one screw



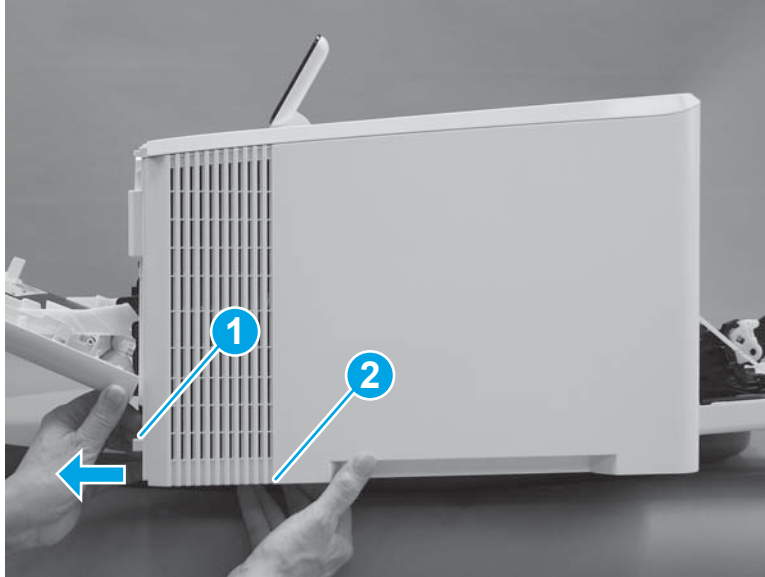
3. Slide the printer to the edge of a work surface. Note the location of the tabs on the lower edge of the cover (callout 1).

Figure 1-576 Locate the tabs



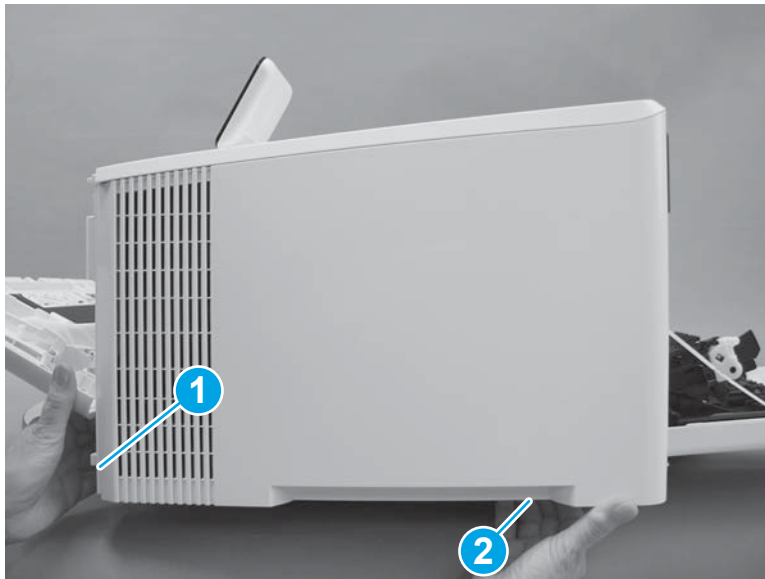
4. Release one tab (callout 1) on the front of the cover by slightly pulling the cover away from the printer. While holding the cover in the released position, release one tab (callout 2) on the bottom of the cover.

Figure 1-577 Release front lower tabs



5. Hold the front tabs in the released position (callout 1), and then release one tab (callout 2) on the bottom of the cover, toward the back of the printer.

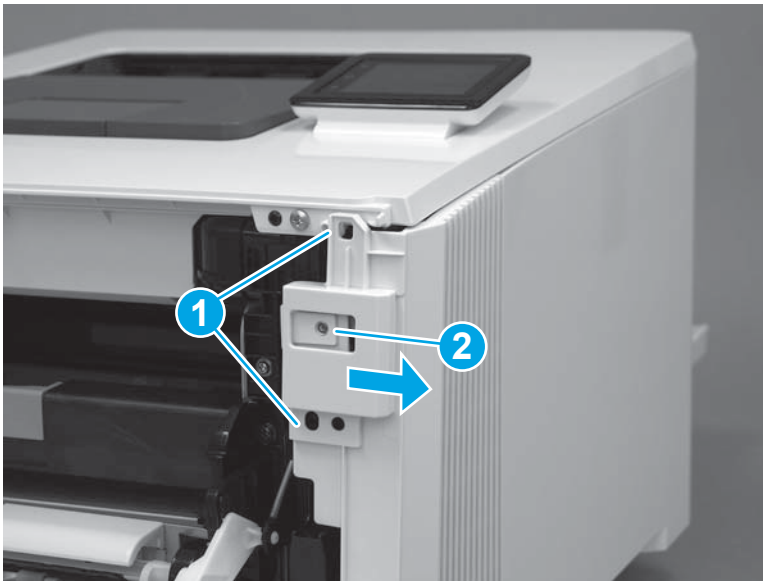
Figure 1-578 Release lower rear tab



6. Release two tabs at the front of the printer (callout 1) by slightly pulling the cover away from the printer.

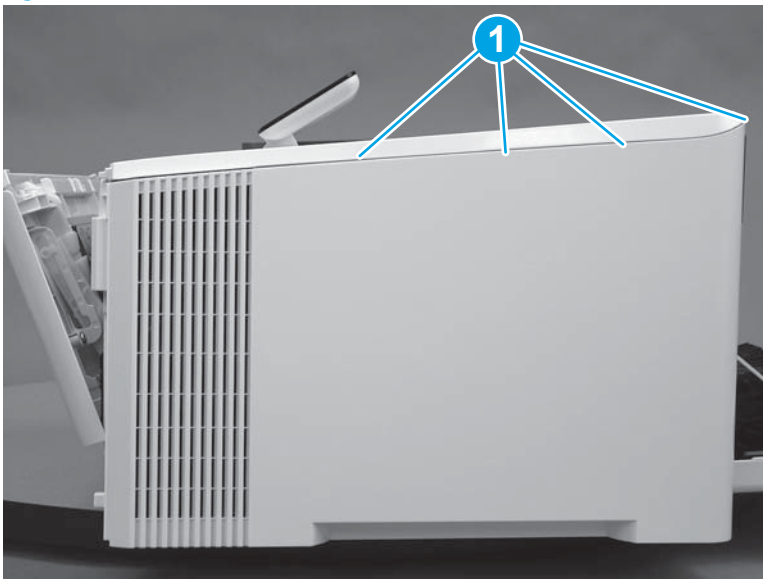
**⚠ CAUTION:** Be careful not to dislodge the power switch (callout 2).

**Figure 1-579** Release two front tabs



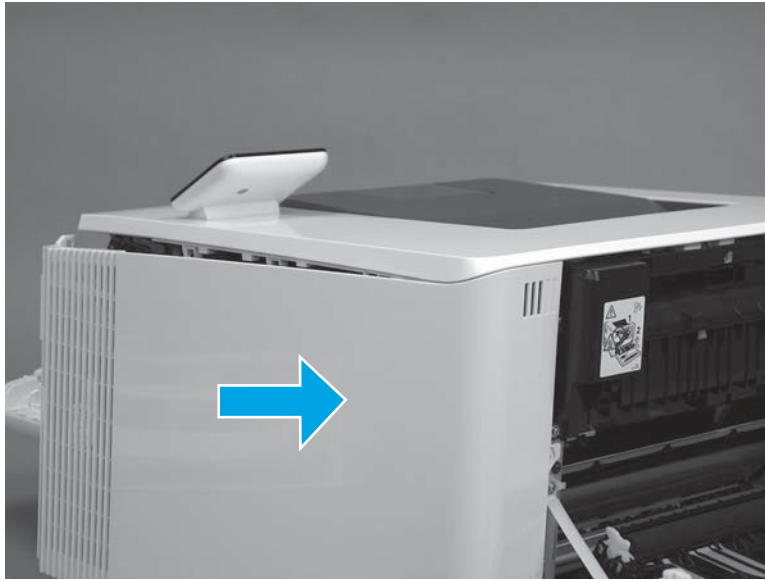
7. Release four tabs on the top of the printer (callout 1).

**Figure 1-580** Release upper tabs




8. Slide the cover toward the back of the printer to remove it.

**Figure 1-581** Remove the right cover



#### Step 4: Remove the right cover (M479 models)

 **NOTE:** This step is for the M479 models. For the M454 models, skip this step and go to [Step 5: Remove the power switch assembly on page 353](#).

1. Raise the scanner.

**Figure 1-582** Raise the scanner



2. At the back of the printer, remove one screw (callout 1).

Figure 1-583 Remove one screw



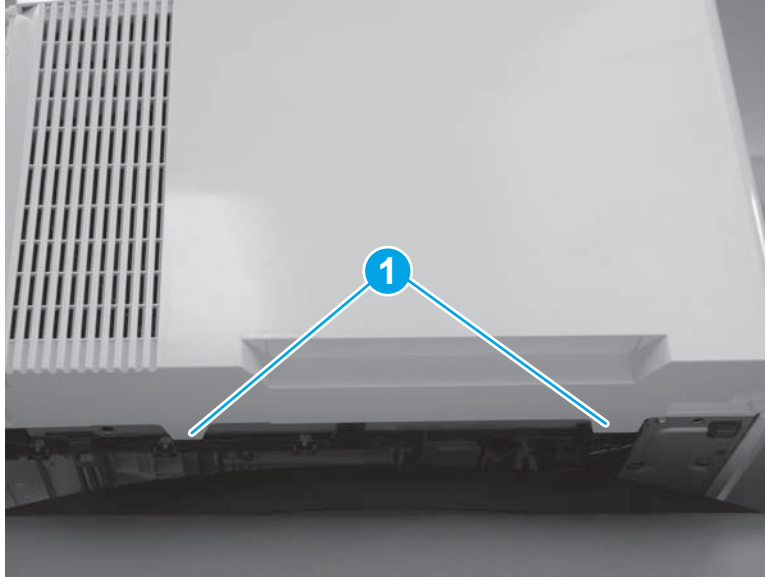
3. At the front of the printer, remove one screw (callout 1).

Figure 1-584 Remove one screw



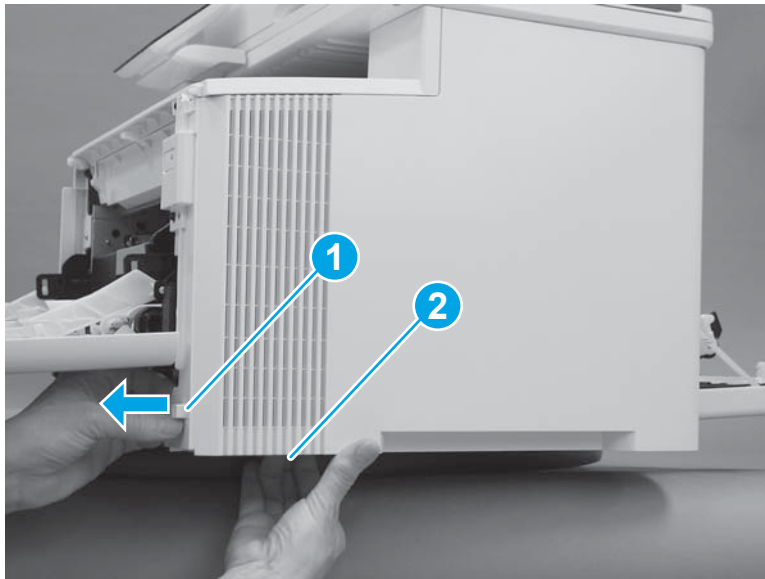
4. Slide the printer to the edge of a work surface. Note the location of the tabs on the lower edge of the cover (callout 1).

Figure 1-585 Locate the tabs



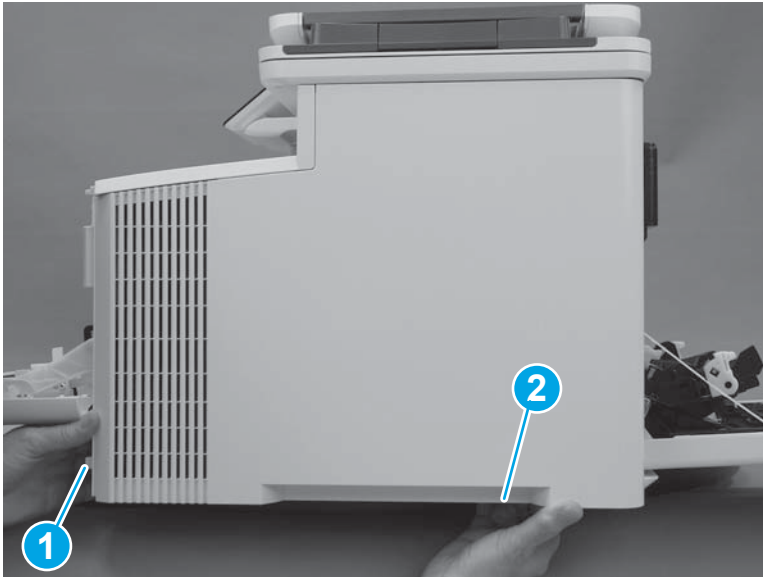
5. Release one tab (callout 1) on the front of the cover by slightly pulling the cover away from the printer. While holding the cover in the released position, release one tab (callout 2) on the lower edge of the cover.

Figure 1-586 Release front lower tabs



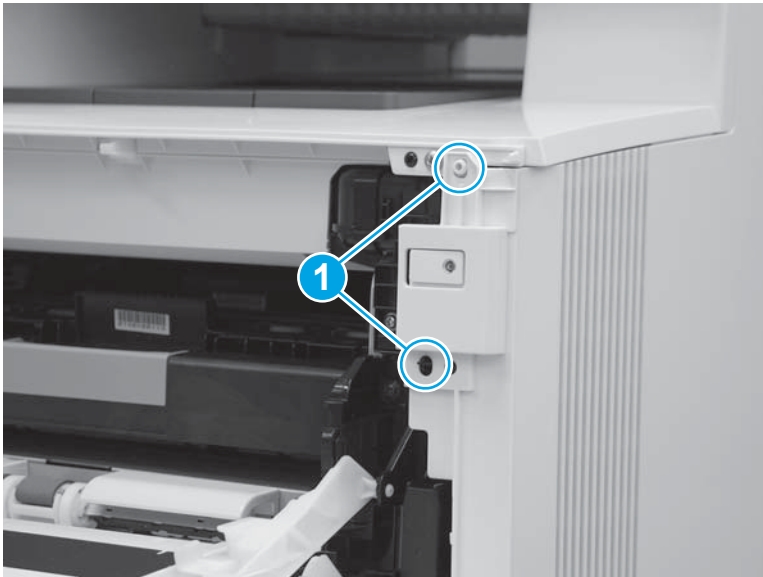
6. Hold the front tabs in the released position (callout 1), and then release one tab (callout 2) on the lower edge of the cover, toward the back of the printer.

Figure 1-587 Release lower rear tab



7. Release two tabs at the front of the printer (callout 1) by slightly pulling the cover away from the printer.

Figure 1-588 Release front upper tabs





8. Rotate the front of the cover away from the printer (callout 1).

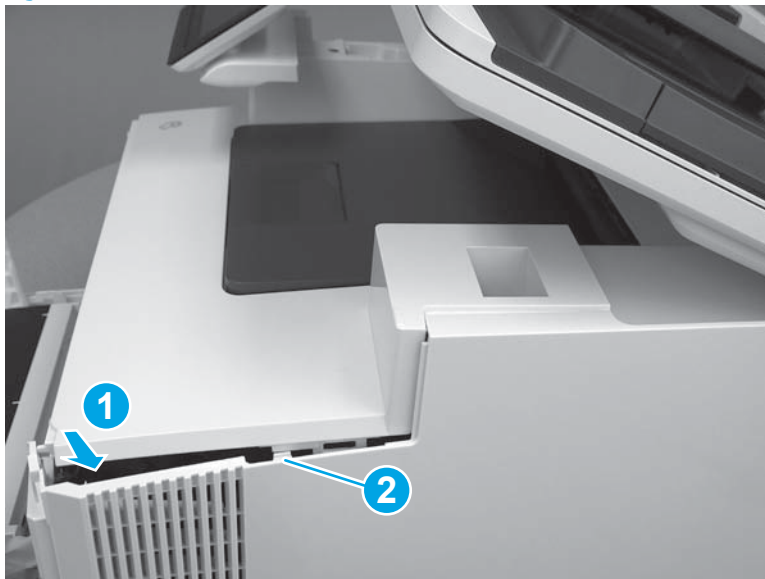
**⚠ CAUTION:** Be careful not to dislodge the power switch (callout 2).

Figure 1-589 Rotate the front of the cover



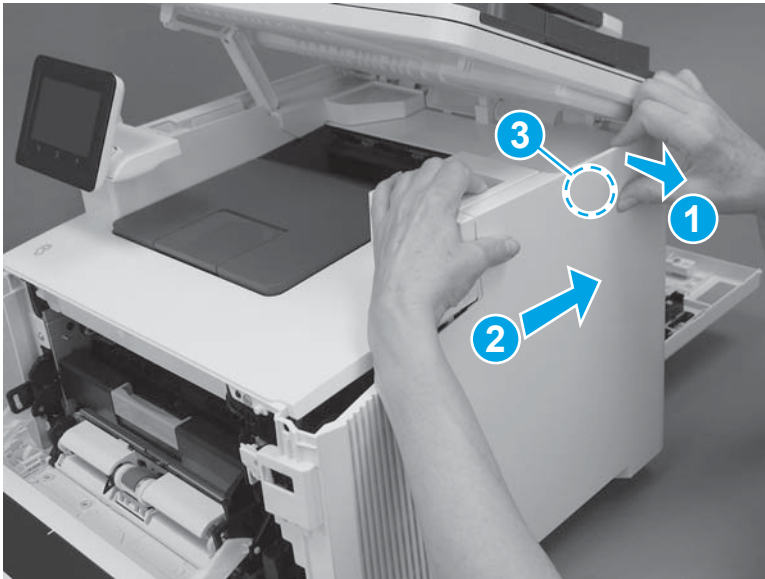
9. Slightly pull the front of the cover away from the printer (callout 1) to release one tab (callout 2).

Figure 1-590 Release top tabs



10. At the top of the printer, slightly pull the top of the cover away from the printer to release one retention tab (callout 1) on the inside of the cover. While holding the cover away, slide the cover toward the back of the printer (callout 2) to release one hook (callout 3) on the inside of the cover.

Figure 1-591 Release one tab and one hook



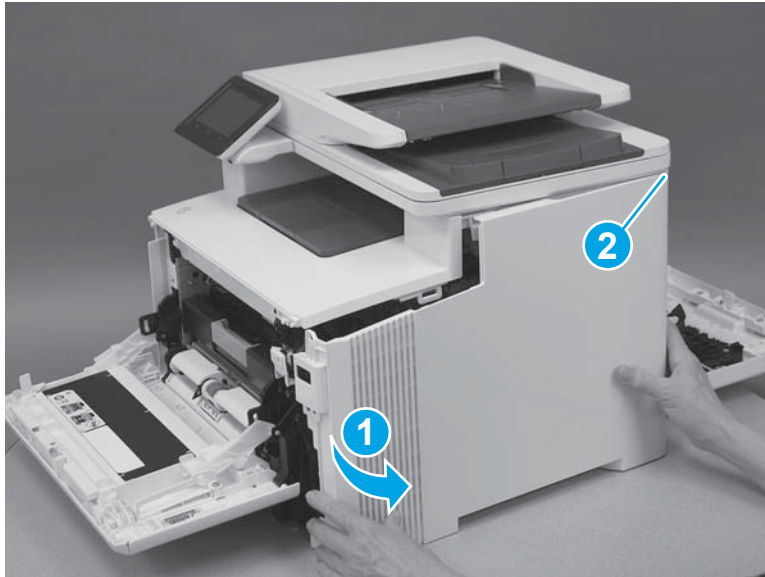
11. Lower the scanner.

Figure 1-592 Lower the scanner



12. Rotate the cover away from the printer (callout 1) to release one tab (callout 2) at the back of the printer, and then remove the cover.

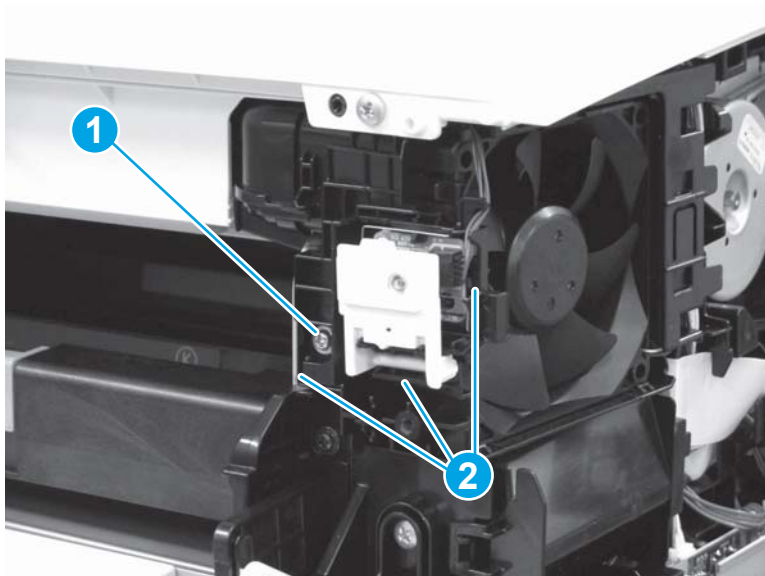
Figure 1-593 Remove the right cover



#### Step 5: Remove the power switch assembly

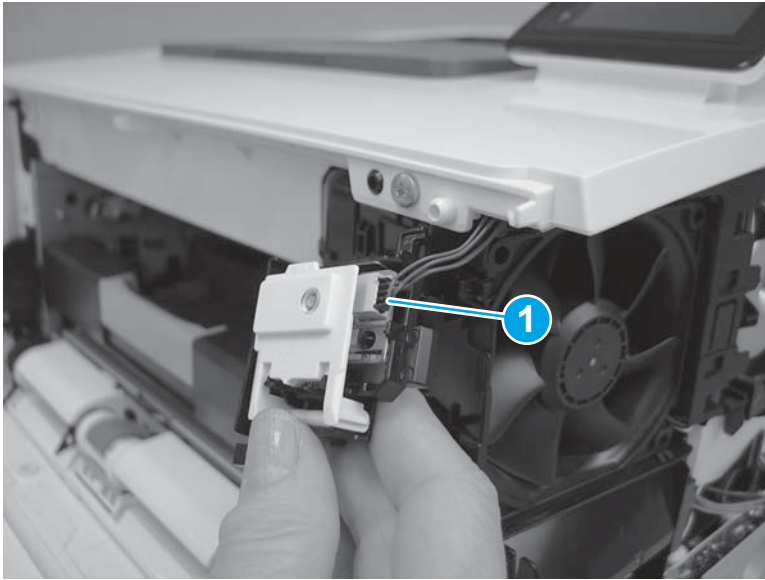
1. On the front of the printer, remove one screw (callout 1), and then release three tabs (callout 2).

Figure 1-594 Remove one screw and release three tabs



2. Disconnect one connector (callout 1).

Figure 1-595 Disconnect one connector



### Step 6: Unpack the replacement part

Remove the new part from its package. Save all packaging for recycling the used part.

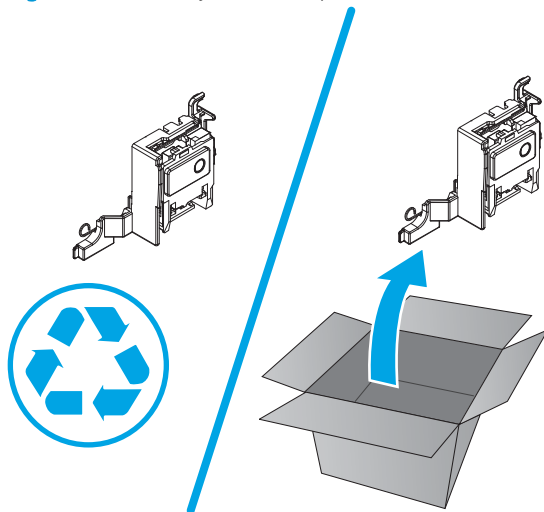
For complete information on HP's recycling programs, go to [Product return and recycling](#).

---

 **NOTE:** HP recommends responsible disposal of the defective part.

---


Figure 1-596 Recycle and unpack



### Step 7: Install the power switch assembly

- ▲ To install an assembly, reverse the removal steps.

---

 **NOTE:** When applicable, special installation instructions are provided for an assembly at the end of the removal procedure. Always completely read the removal instructions and follow all special installation instructions.

---

## Removal and replacement: Toner cartridge tray

- [Introduction](#)
- [Step 1: Remove Tray 2](#)
- [Step 2: Remove the toner cartridges](#)
- [Step 3: Open the rear door or duplexer door](#)
- [Step 4: Remove the left cover \(M454 models\)](#)
- [Step 5: Remove the left cover \( M479 models\)](#)
- [Step 6: Remove the toner cartridge tray](#)
- [Step 7: Unpack the replacement part](#)
- [Step 8: Install the toner cartridge tray](#)

### Introduction


This document provides the procedures to remove and replace the toner cartridge tray.

[Click here to view a video of this procedure.](#)

### Before you begin

- Turn off the printer.
- Disconnect the power cable.

---

 **WARNING!** To avoid damage to the printer, turn the printer off, wait 30 seconds, and then remove the power cord before attempting to service the printer.

---

- Use the table below to identify the correct part number for your printer. To order the part, go to [www.hp.com/buy/parts](http://www.hp.com/buy/parts).

---

Toner cartridge tray part number	
----------------------------------	--

---

RM2-1807-000CN	Toner cartridge tray
----------------	----------------------

---

### Required tools

- #2 Phillips screwdriver with a magnetic tip

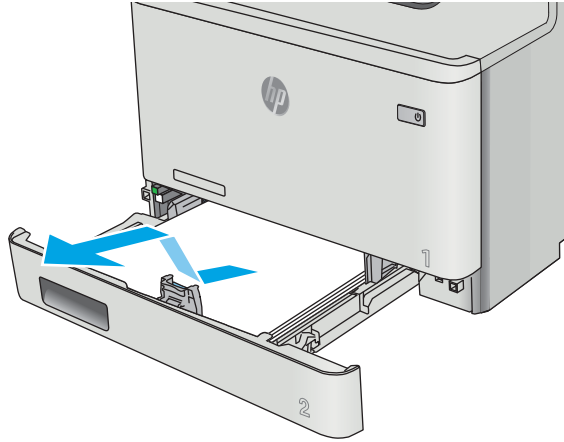
### After performing service

- Connect the power cable.
- Use the power switch to turn the power on.


### Step 1: Remove Tray 2

- ▲ Pull the tray out until it stops. Lift the front of the tray, and then pull it out of the printer to remove it.

Figure 1-597 Remove the tray

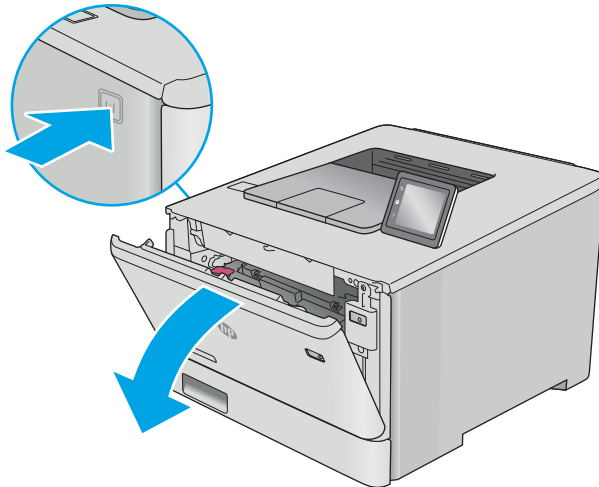


## Step 2: Remove the toner cartridges

 **NOTE:** The M454 model is pictured in the figures in this section. The procedure is the same for the M479 models.

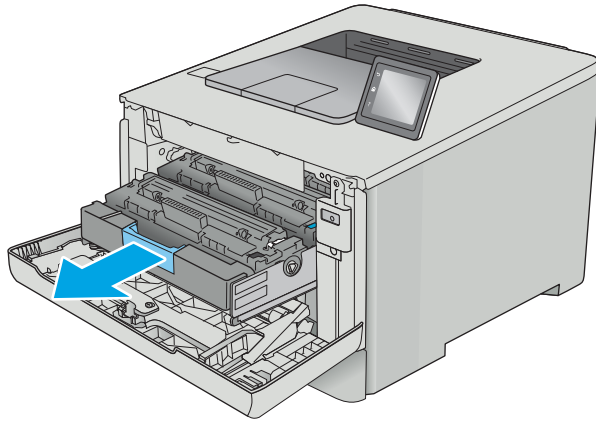
1. Open the front door by pressing the button on the left cover.

Figure 1-598 Open the front door



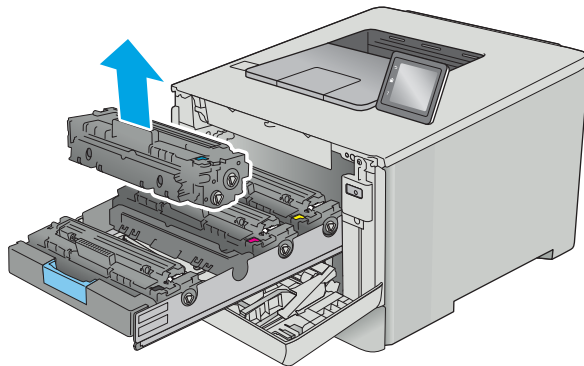
2. Grasp the blue handle on the toner cartridge tray, and then pull out the tray.

Figure 1-599 Open the cartridge drawer



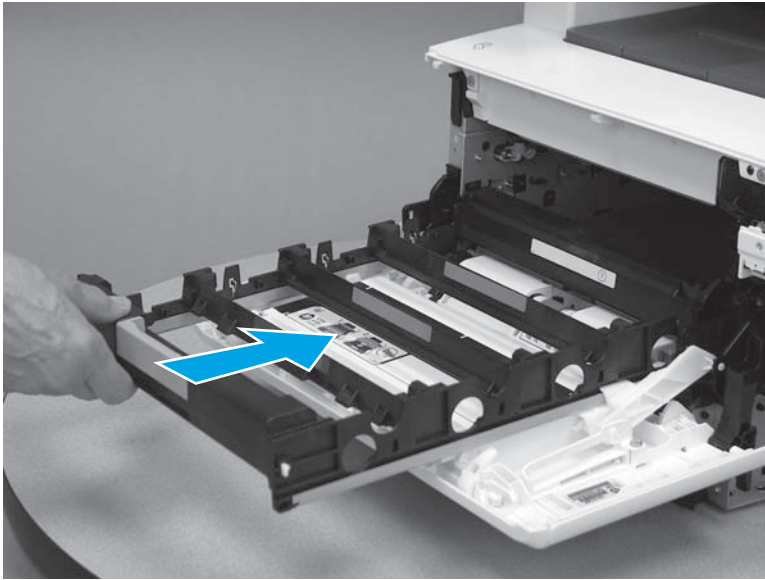
3. Grasp the handle on the toner cartridge, and then pull the toner cartridge straight up to remove it. Repeat this step for each toner cartridge.

Figure 1-600 Remove the toner cartridge



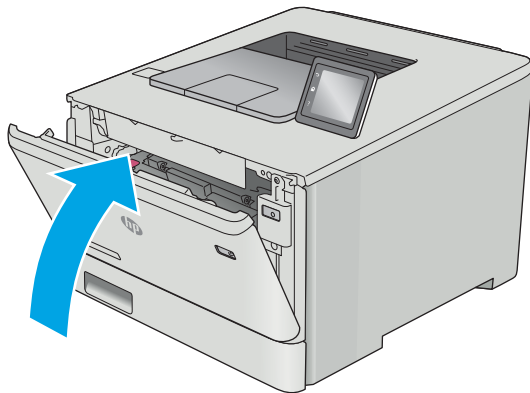
4. Slide the cartridge tray into the printer.

**Figure 1-601** Slide the cartridge tray in



5. Close the front door.

**Figure 1-602** Close the front door

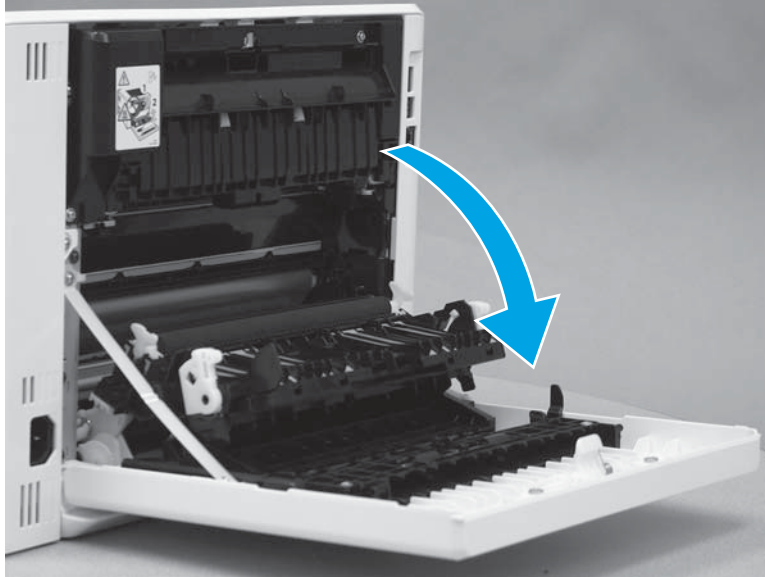


### Step 3: Open the rear door or duplexer door

1. **Duplex models:** Open the duplexer door.

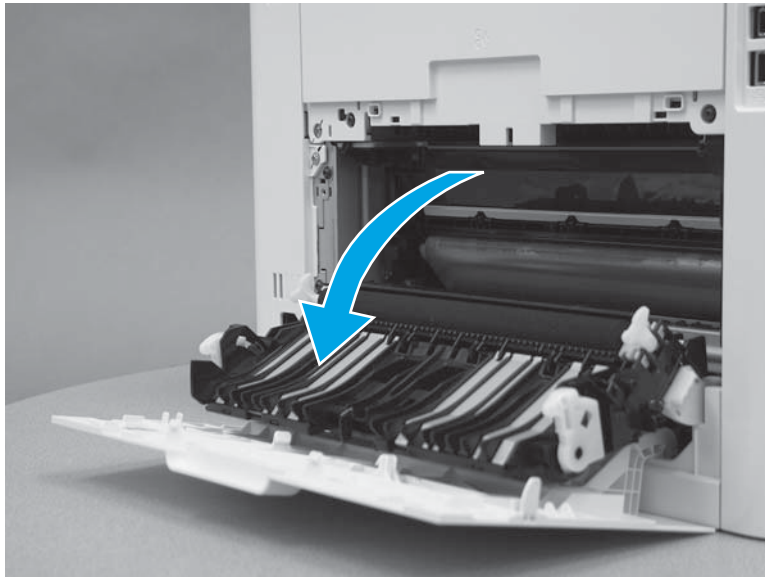


Figure 1-603 Open the duplexer door




2. **Simplex models:** Open the rear door.

Figure 1-604 Open the rear door

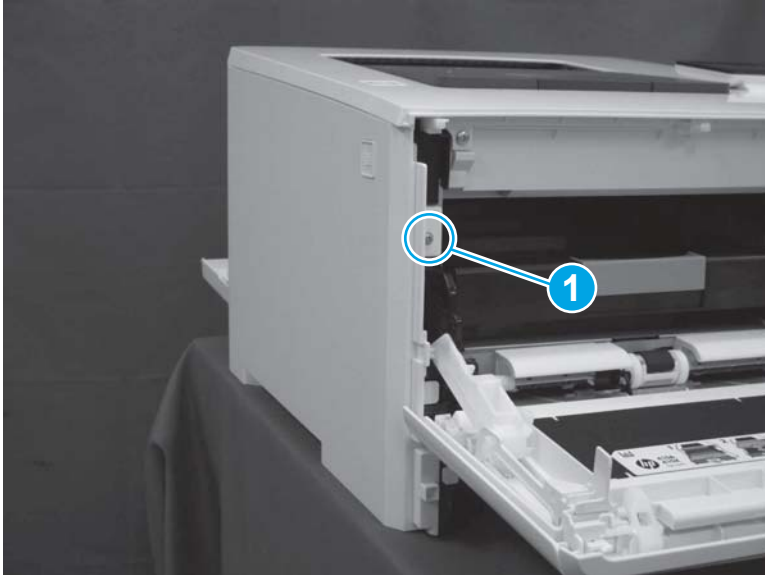


#### Step 4: Remove the left cover (M454 models)

 **NOTE:** This step is for the M454 models. For the M479 models, skip this step and go to [Step 5: Remove the left cover \(M479 models\) on page 362](#).

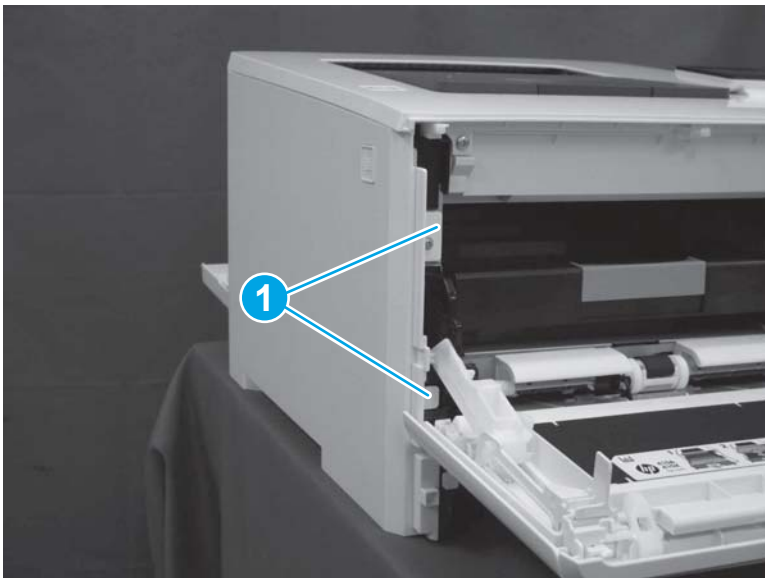
1. At the front of the printer, remove one screw (callout 1).

Figure 1-605 Remove one screw



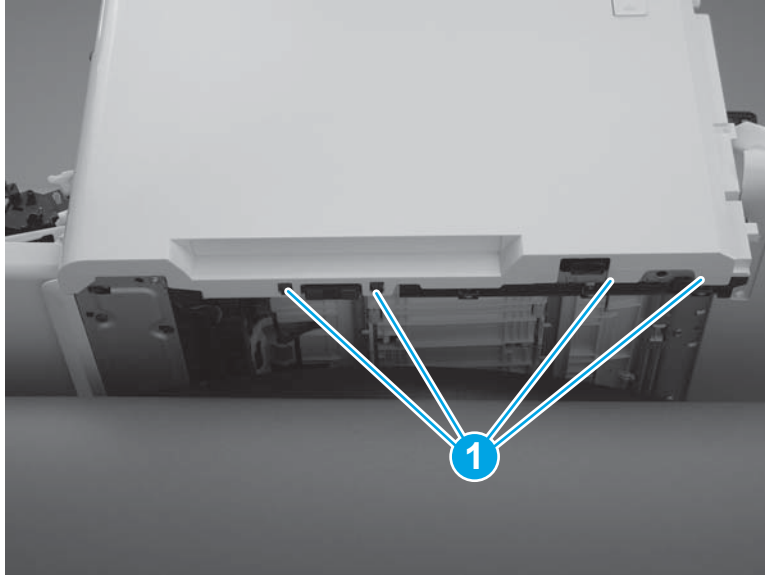
2. Release two tabs (callout 1) at the front of the cover. Hold the cover open to prevent the tabs from reengaging.

Figure 1-606 Release two tabs



3. Slide the printer to the edge of a work surface. Note the location of the tabs on the lower edge of the cover (callout 1).

Figure 1-607 Locate the tabs



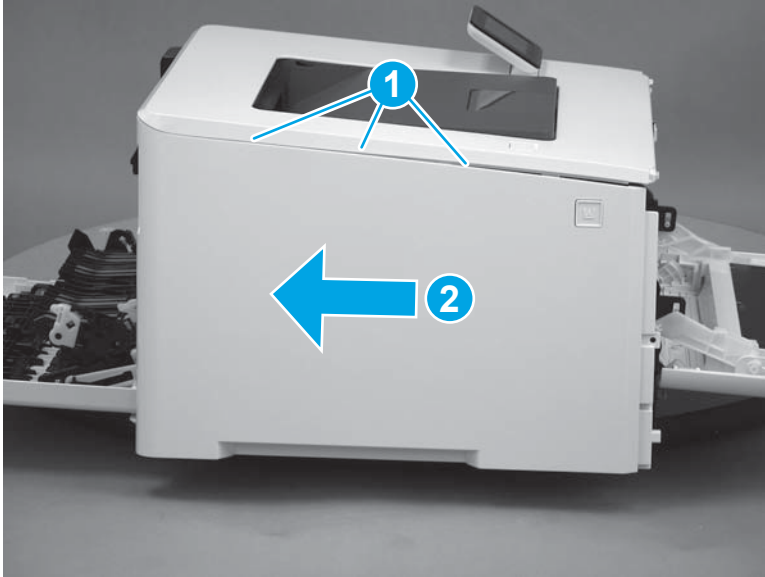
4. Beginning from the front of the cover, release four tabs (callouts 1-4) on the lower edge of the cover.

Figure 1-608 Release bottom tabs




5. Release three tabs at the top of the cover (callout 1), and then slide the cover toward the rear of the printer to remove it.

**Figure 1-609** Release three tabs



#### Step 5: Remove the left cover ( M479 models)

 **NOTE:** This step is for the M479 models. For the M454 models, skip this step and go to [Step 6: Remove the toner cartridge tray on page 366](#).

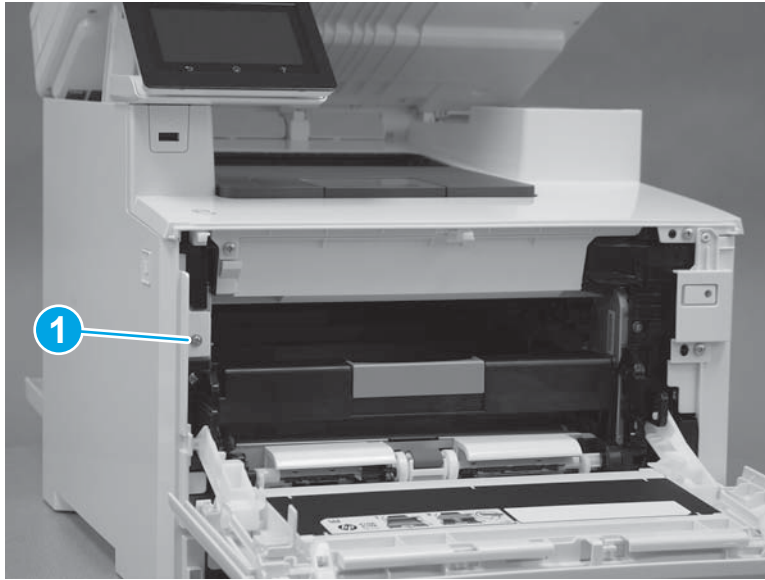
1. Raise the scanner.

**Figure 1-610** Raise the scanner



2. At the front of the printer, remove one screw (callout 1).

Figure 1-611 Remove one screw



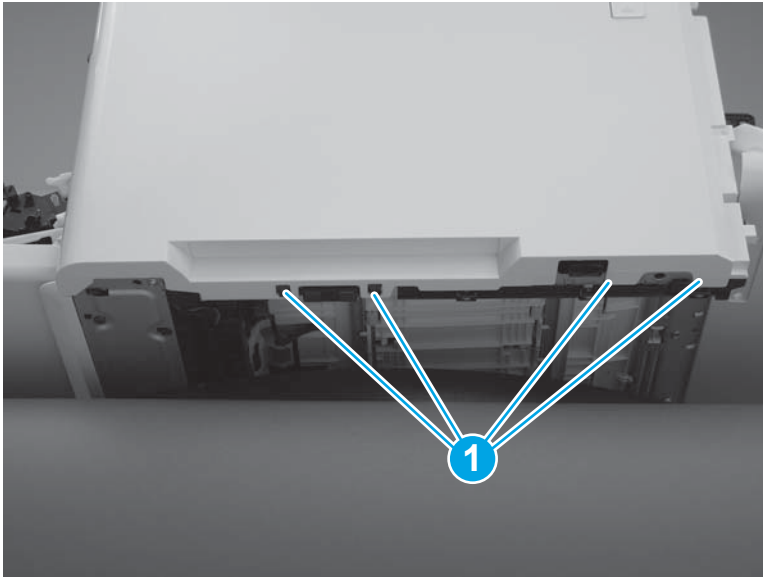
3. Release two tabs (callout 1) at the front of the cover. Hold the cover open to prevent the tabs from re-engaging.

Figure 1-612 Release two tabs



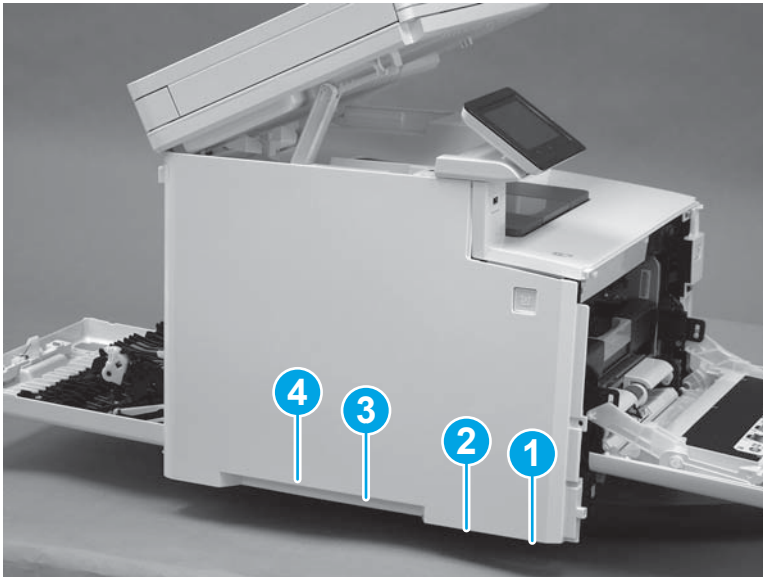
4. Slide the printer to the edge of a work surface. Note the location of the tabs on the lower edge of the cover (callout 1).

Figure 1-613 Locate the tabs



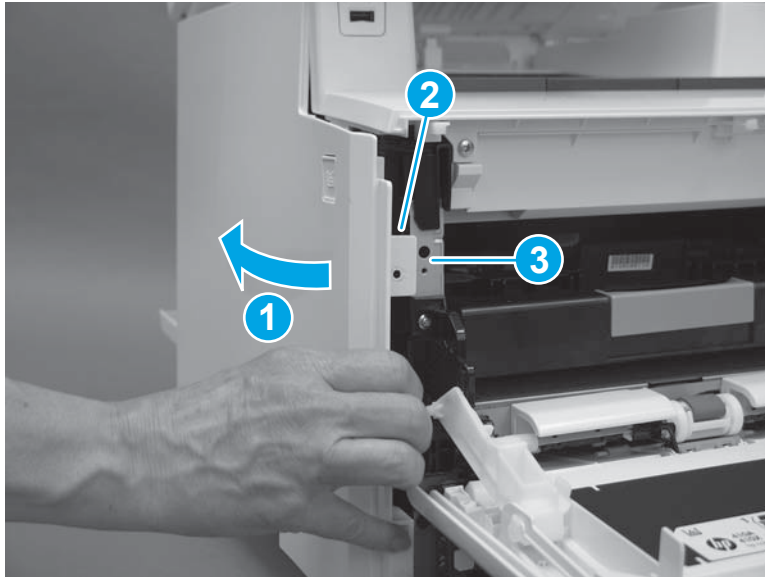
5. Beginning from the front of the cover, release the four tabs (callouts 1-4) on the lower edge of the cover.

Figure 1-614 Release four tabs



6. Rotate the front of the cover away from the printer (callout 1). Make sure that the tab (callout 2) does not get caught on the printer frame (callout 3).

Figure 1-615 Rotate the cover



7. At the top of the printer, slightly pull the top of the cover away from the printer to release one retention tab (callout 1) on the inside of the cover. While holding the cover away, slide the cover toward the back of the printer (callout 2) to release two hooks (callout 3) inside the cover.

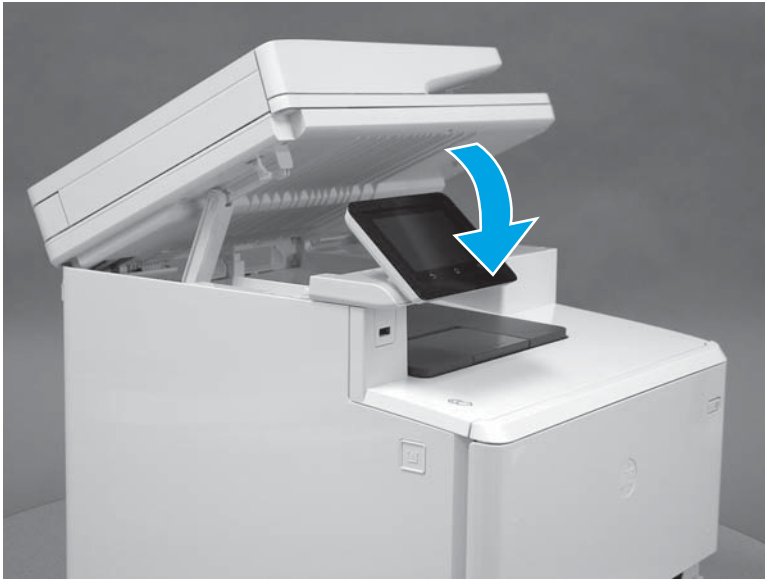
Figure 1-616 Release one tab and two hooks





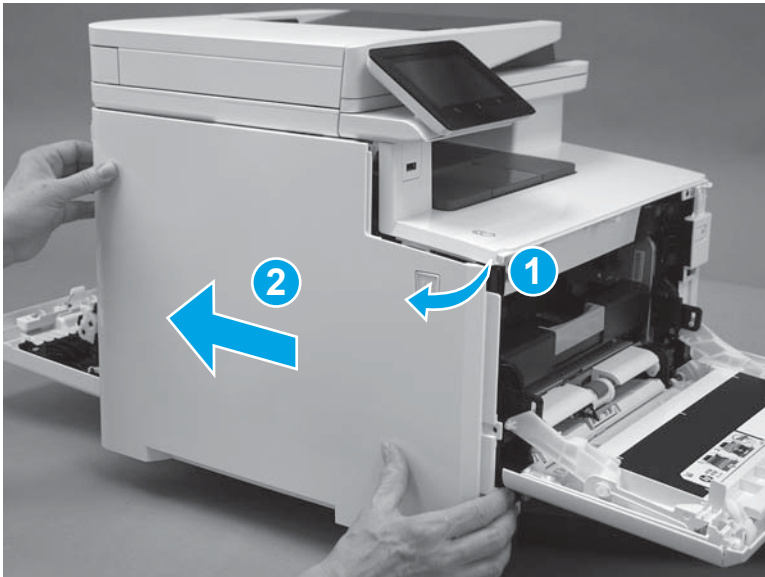
8. Lower the scanner.

Figure 1-617 Lower the scanner



9. Rotate the cover away from the printer (callout 1), and then slide the cover (callout 2) toward the back of the printer to remove it.

Figure 1-618 Remove the left cover

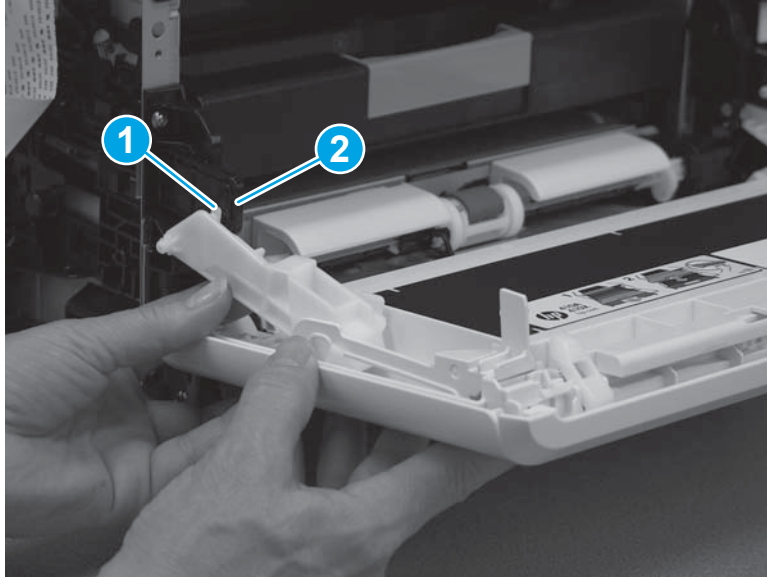


#### Step 6: Remove the toner cartridge tray

1. Release the tab (callout 1) on the front door hinge arm from the slot (callout 2) on the tray slide mechanism.

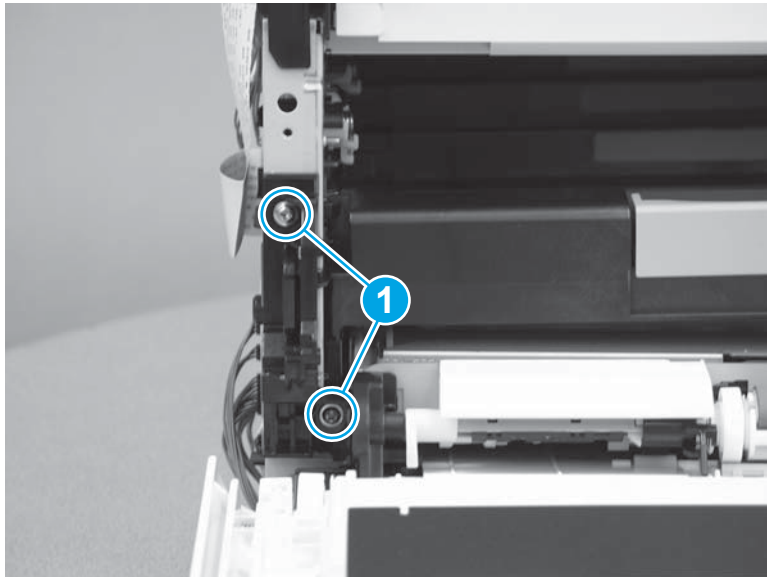


Figure 1-619 Release the hinge arm



2. Remove two screws (callout 1).

Figure 1-620 Remove two screws



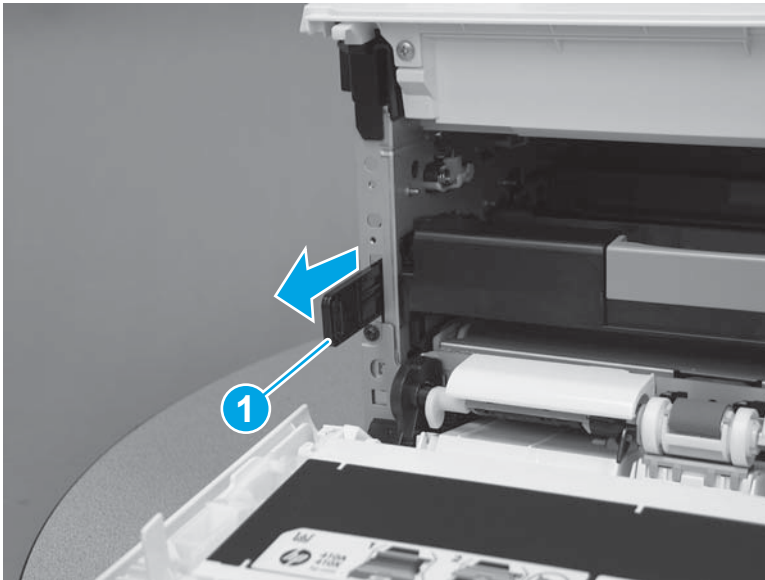
3. Remove the cover (callout 1).

Figure 1-621 Remove the cover



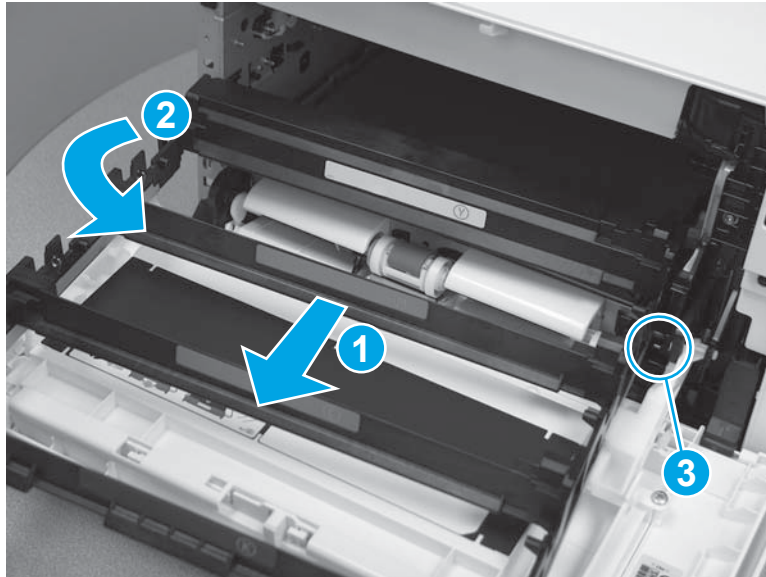
4. Pull the tray slide mechanism (callout 1) out.

Figure 1-622 Pull the tray slide mechanism out



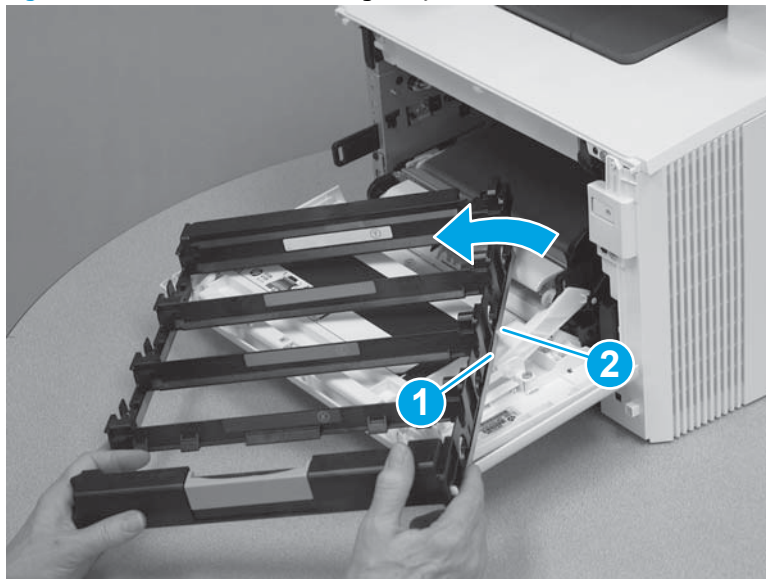
- Slide the cartridge tray out of the printer (callout 1). Rotate the tray counterclockwise (callout 2) to release one silver shaft (callout 3).

**Figure 1-623** Rotate the cartridge tray to release one shaft



- Continue to rotate the tray to release the edge of the tray (callout 1) from the white clip (callout 2).

**Figure 1-624** Remove the cartridge tray



### Step 7: Unpack the replacement part

Remove the new part from its package. Save all packaging for recycling the used part.

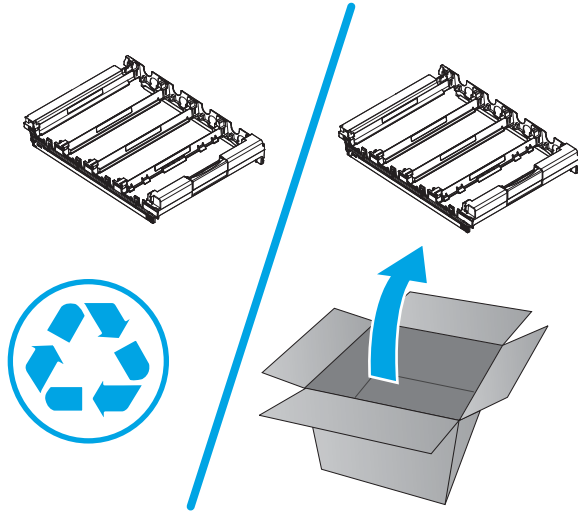
For complete information on HP's recycling programs, go to [Product return and recycling](#).

---

 **NOTE:** HP recommends responsible disposal of the defective part.

---

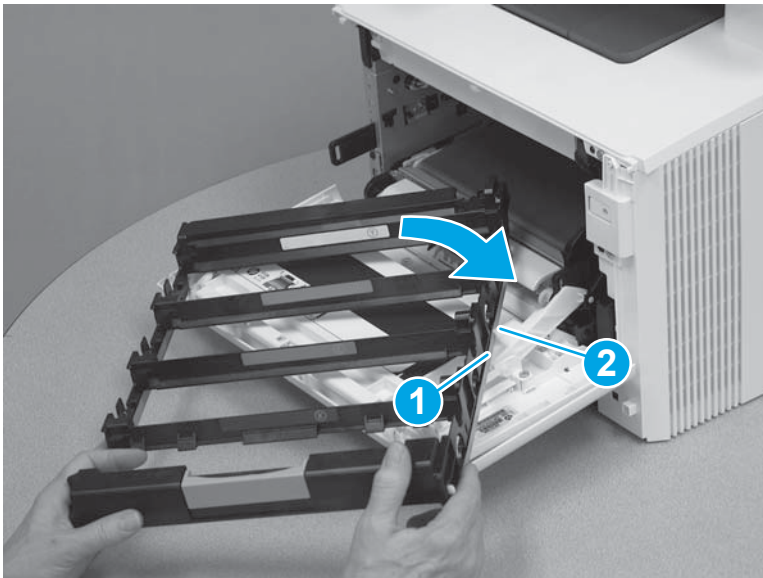
Figure 1-625 Recycle and unpack



### Step 8: Install the toner cartridge tray

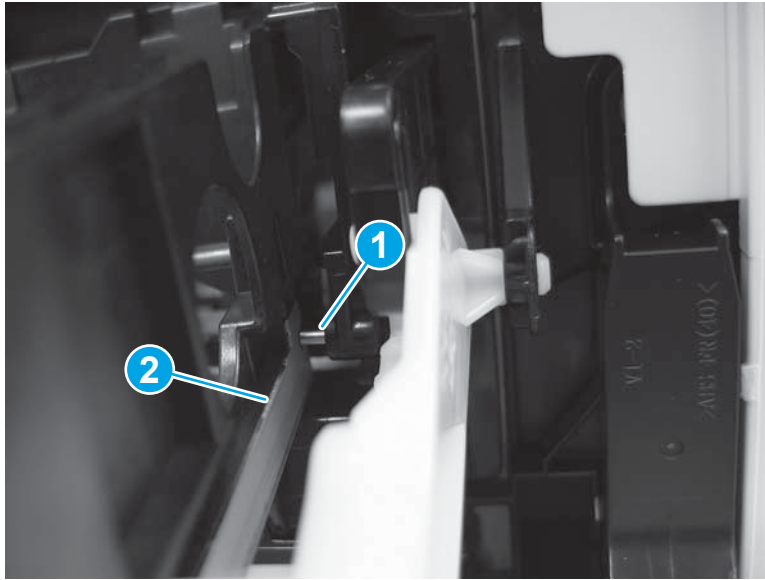
1. Install the edge of the tray (callout 1) into the white clip (callout 2), and then rotate the tray clockwise.

Figure 1-626 Install the white clip




2. Install the silver shaft (callout 1) over the edge of the sheet metal (callout 2) on the cartridge tray.

Figure 1-627 Install the silver shaft



3. To install an assembly, reverse the removal steps.

---

 **NOTE:** When applicable, special installation instructions are provided for an assembly at the end of the removal procedure. Always completely read the removal instructions and follow all special installation instructions.

---

## Removal and replacement: Cartridge fan

- [Introduction](#)
- [Step 1: Remove Tray 2](#)
- [Step 2: Open the front door and rear door or duplexer door](#)
- [Step 3: Remove the right cover \(M454 models\)](#)
- [Step 4: Remove the right cover \(M479 models\)](#)
- [Step 5: Remove the cartridge fan](#)
- [Step 6: Unpack the replacement part](#)
- [Step 7: Install the cartridge fan](#)

### Introduction


This document provides the procedures to remove and replace the cartridge fan.

[Click here to view a video of this procedure.](#)

### Before you begin

- Turn off the printer.
- Disconnect the power cable.

---

 **WARNING!** To avoid damage to the printer, turn the printer off, wait 30 seconds, and then remove the power cord before attempting to service the printer.

---

- Use the table below to identify the correct part number for your printer. To order the part, go to [www.hp.com/buy/parts](http://www.hp.com/buy/parts).

---

Cartridge fan part number	
RK2-6270-000CN	Cartridge fan

---

### Required tools

- #2 Phillips screwdriver with a magnetic tip

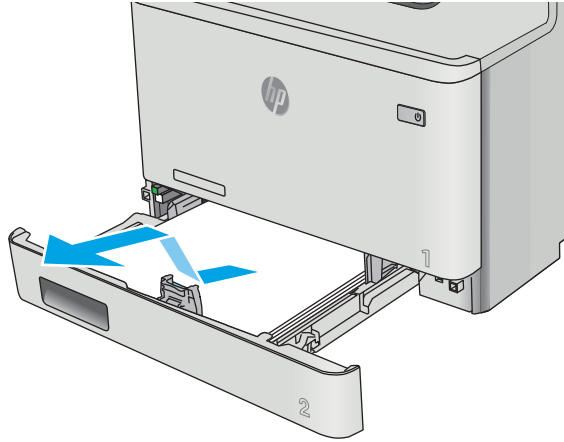
### After performing service

- Connect the power cable.
- Use the power switch to turn the power on.

### Step 1: Remove Tray 2

- ▲ Pull the tray out until it stops. Lift the front of the tray, and then pull it out of the printer to remove it.

Figure 1-628 Remove the tray



**Step 2: Open the front door and rear door or duplexer door**

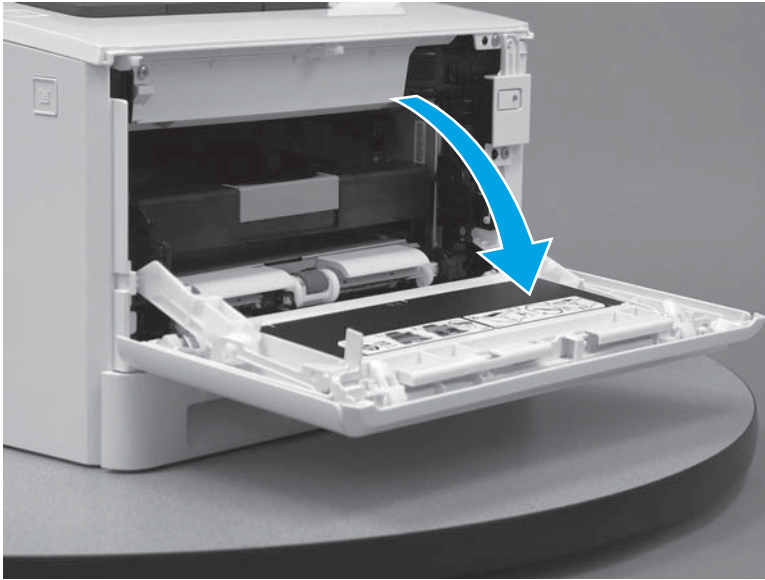
1. Press the button (callout 1) on the left side of the printer to release the front door.

Figure 1-629 Release the front door



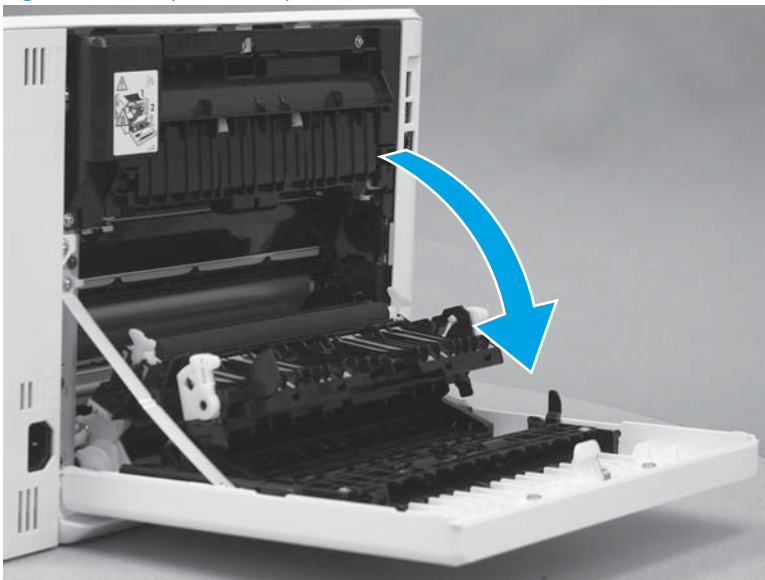
2. Open the front door.

Figure 1-630 Open the front door



3. Duplex models: Open the duplexer door.

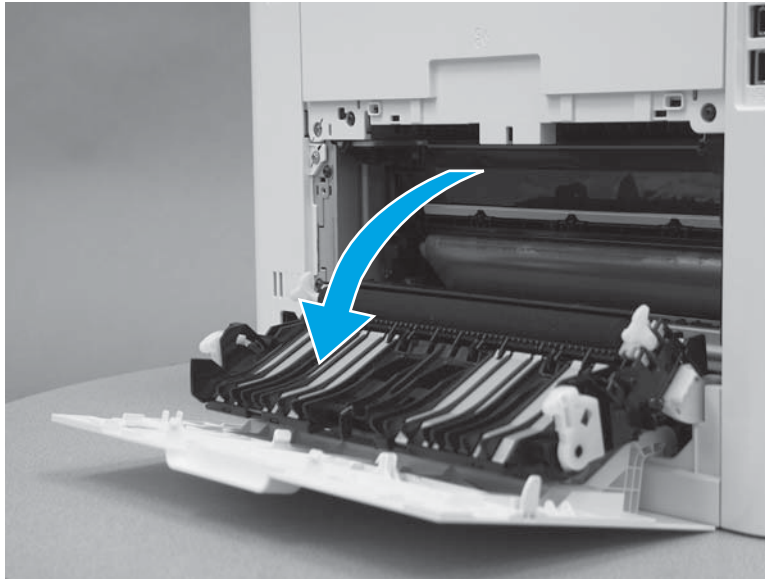
Figure 1-631 Open the duplexer door






4. **Simplex models:** Open the rear door.

Figure 1-632 Open the rear door



### Step 3: Remove the right cover (M454 models)

 **NOTE:** This step is for the M454 models. For the M479 models, skip this step and go to [Step 4: Remove the right cover \(M479 models\) on page 379](#).

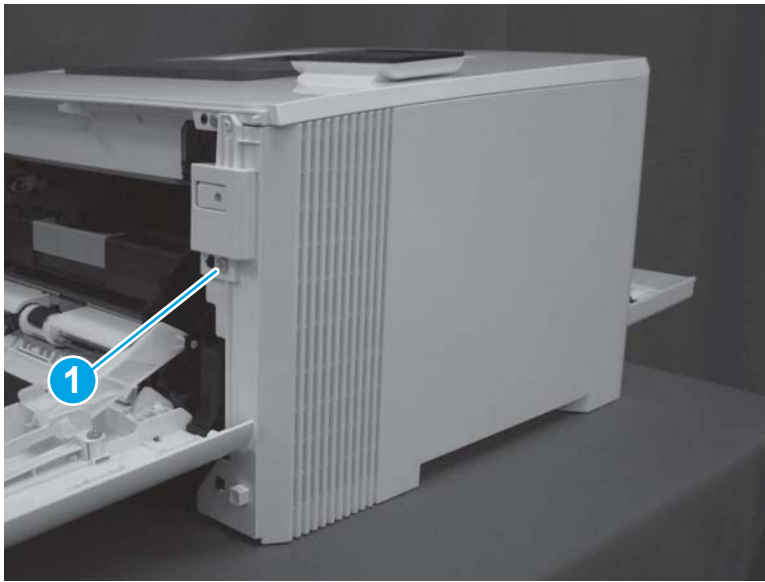
1. At the back of the printer, remove one screw (callout 1).

Figure 1-633 Remove one screw



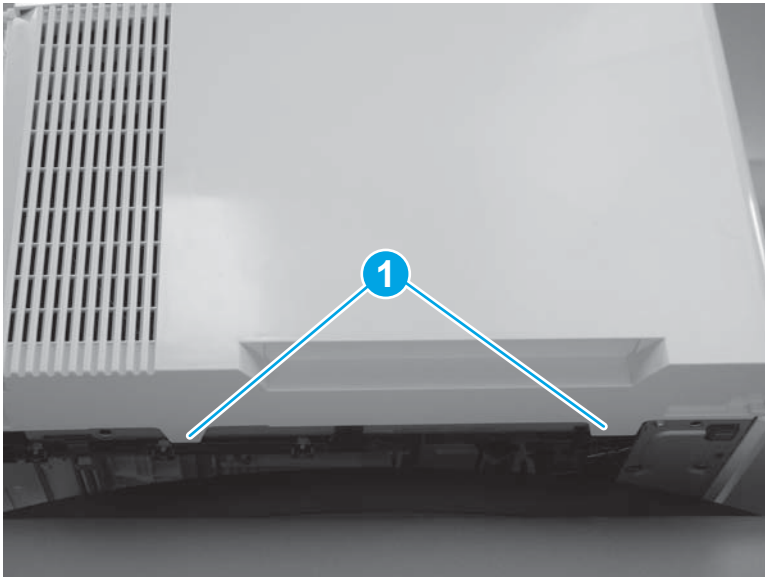
2. At the front of the printer, remove one screw (callout 1).

Figure 1-634 Remove one screw



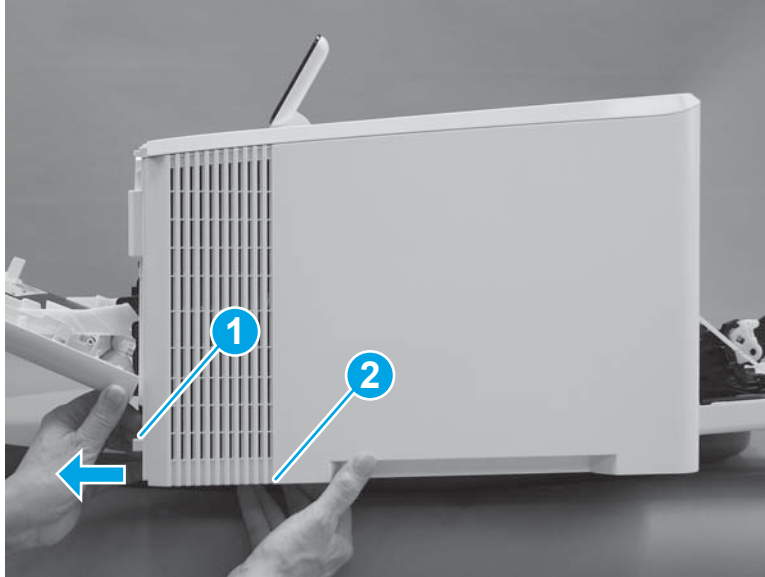
3. Slide the printer to the edge of a work surface. Note the location of the tabs on the lower edge of the cover (callout 1).

Figure 1-635 Locate the tabs



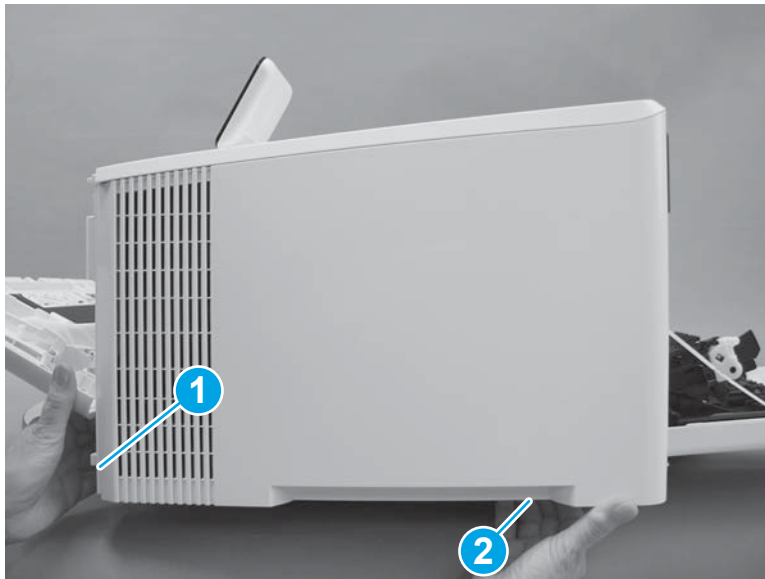
4. Release one tab (callout 1) on the front of the cover by slightly pulling the cover away from the printer. While holding the cover in the released position, release one tab (callout 2) on the bottom of the cover.

Figure 1-636 Release front lower tabs



5. Hold the front tabs in the released position (callout 1), and then release one tab (callout 2) on the bottom of the cover, toward the back of the printer.

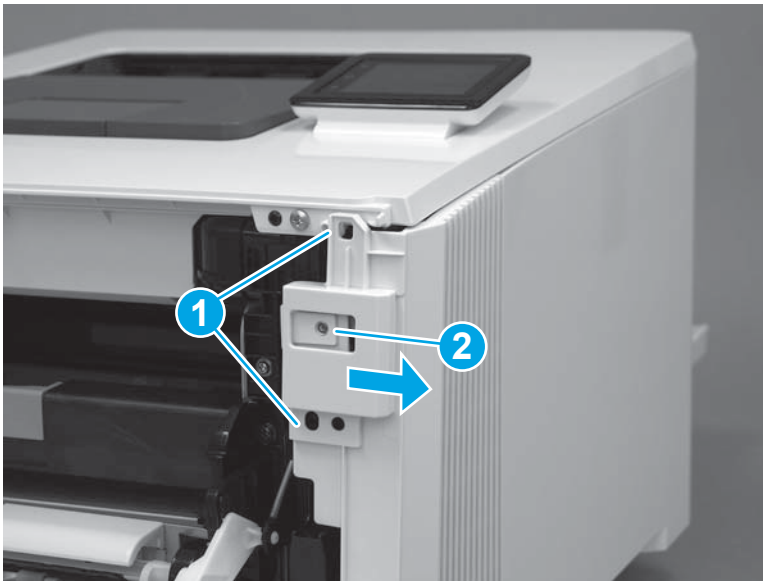
Figure 1-637 Release lower rear tab



6. Release two tabs at the front of the printer (callout 1) by slightly pulling the cover away from the printer.

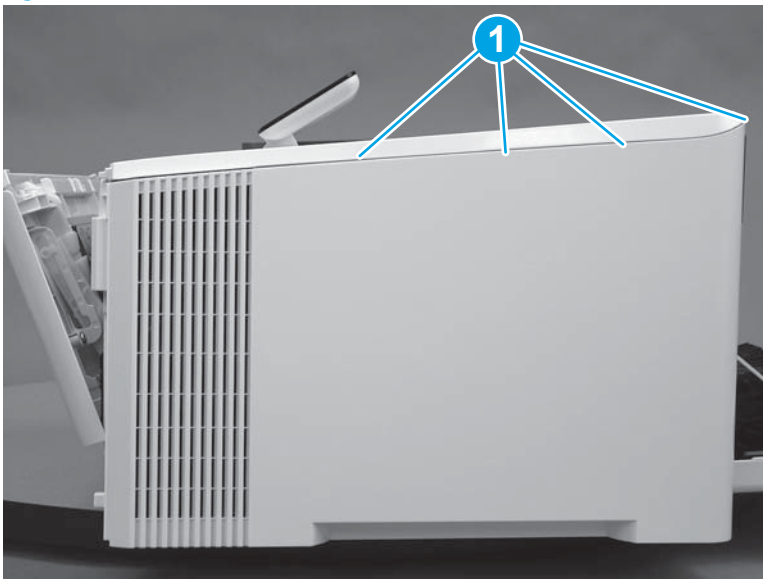
**⚠ CAUTION:** Be careful not to dislodge the power switch (callout 2).

**Figure 1-638** Release two front tabs



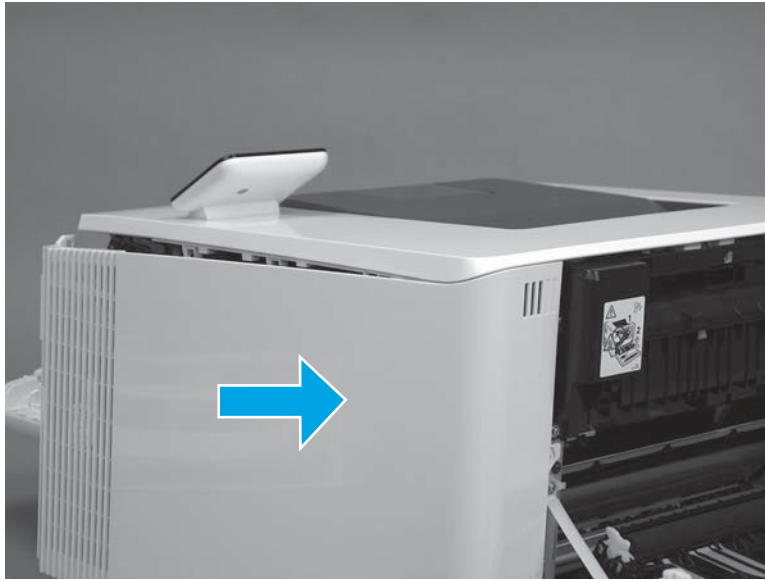
7. Release four tabs on the top of the printer (callout 1).

**Figure 1-639** Release upper tabs




8. Slide the cover toward the back of the printer to remove it.

Figure 1-640 Remove the right cover



#### Step 4: Remove the right cover (M479 models)

 **NOTE:** This step is for the M479 models. For the M454 models, skip this step and go to [Step 5: Remove the cartridge fan on page 385](#).

1. Raise the scanner.

Figure 1-641 Raise the scanner



2. At the back of the printer, remove one screw (callout 1).

Figure 1-642 Remove one screw



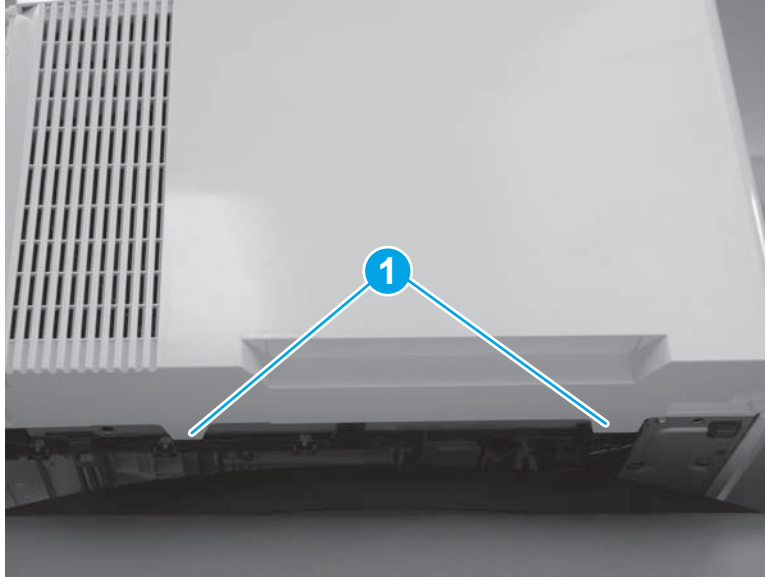
3. At the front of the printer, remove one screw (callout 1).

Figure 1-643 Remove one screw



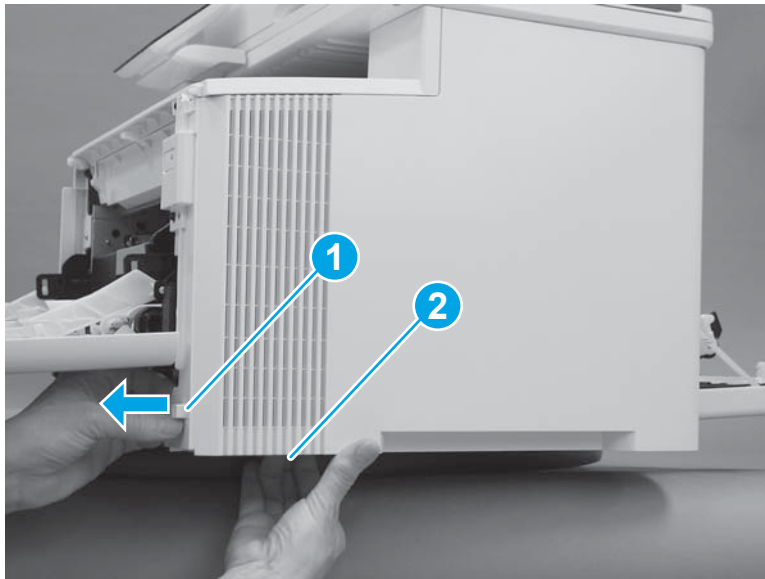
4. Slide the printer to the edge of a work surface. Note the location of the tabs on the lower edge of the cover (callout 1).

Figure 1-644 Locate the tabs



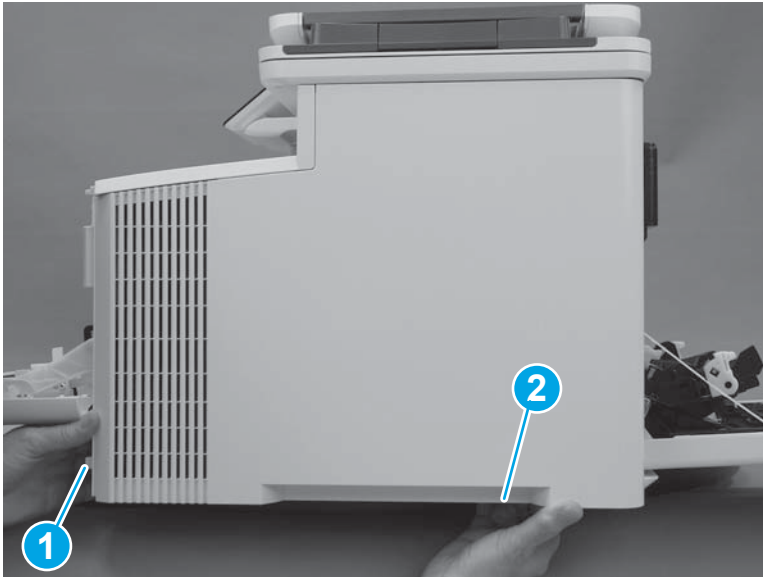
5. Release one tab (callout 1) on the front of the cover by slightly pulling the cover away from the printer. While holding the cover in the released position, release one tab (callout 2) on the lower edge of the cover.

Figure 1-645 Release front lower tabs



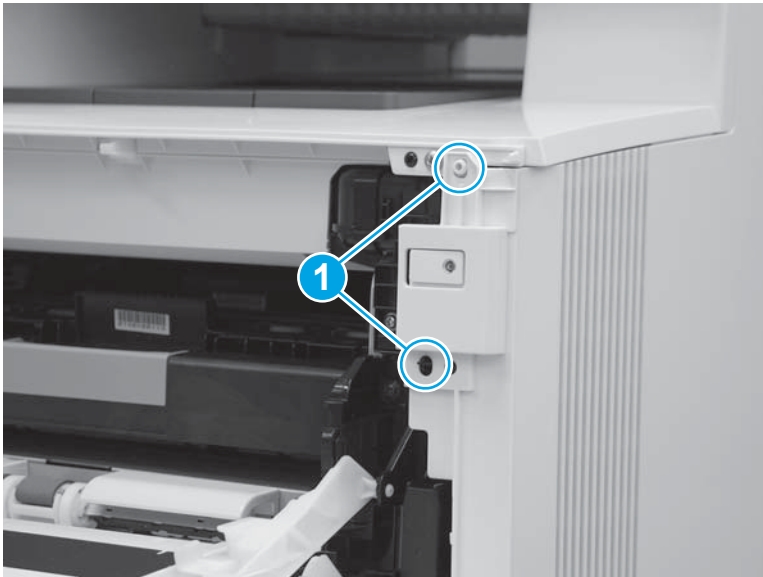
6. Hold the front tabs in the released position (callout 1), and then release one tab (callout 2) on the lower edge of the cover, toward the back of the printer.

Figure 1-646 Release lower rear tab



7. Release two tabs at the front of the printer (callout 1) by slightly pulling the cover away from the printer.

Figure 1-647 Release front upper tabs





8. Rotate the front of the cover away from the printer (callout 1).

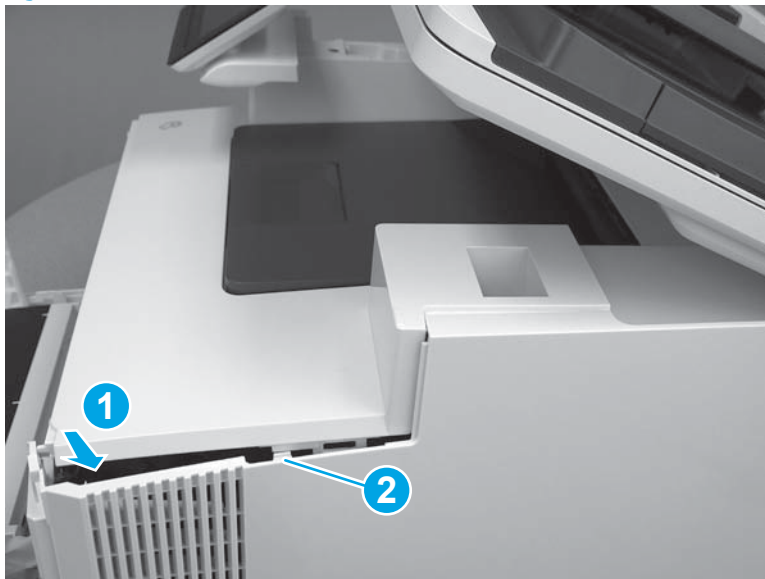
**⚠ CAUTION:** Be careful not to dislodge the power switch (callout 2).

Figure 1-648 Rotate the front of the cover



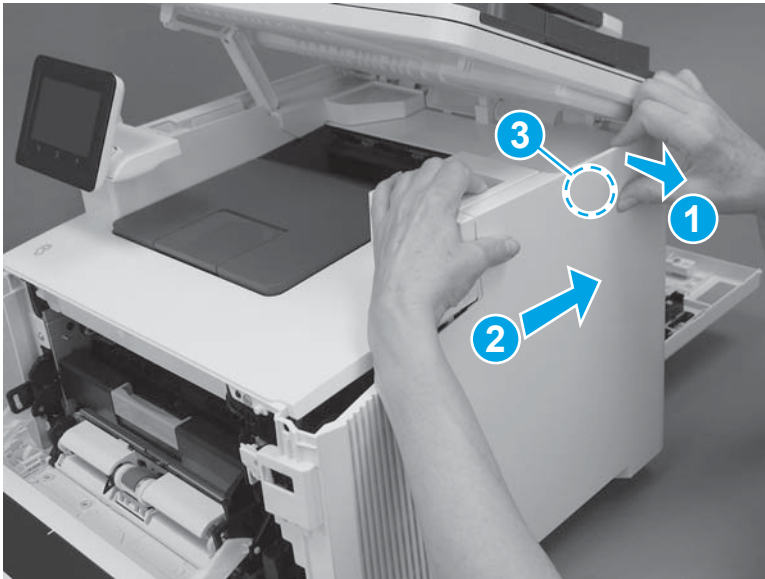
9. Slightly pull the front of the cover away from the printer (callout 1) to release one tab (callout 2).

Figure 1-649 Release top tabs



10. At the top of the printer, slightly pull the top of the cover away from the printer to release one retention tab (callout 1) on the inside of the cover. While holding the cover away, slide the cover toward the back of the printer (callout 2) to release one hook (callout 3) on the inside of the cover.

Figure 1-650 Release one tab and one hook



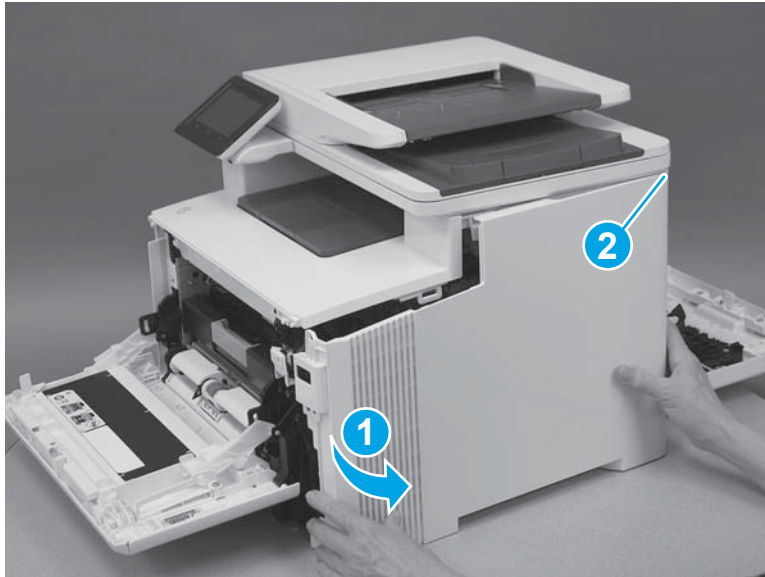
11. Lower the scanner.

Figure 1-651 Lower the scanner



12. Rotate the cover away from the printer (callout 1) to release one tab (callout 2) at the back of the printer, and then remove the cover.

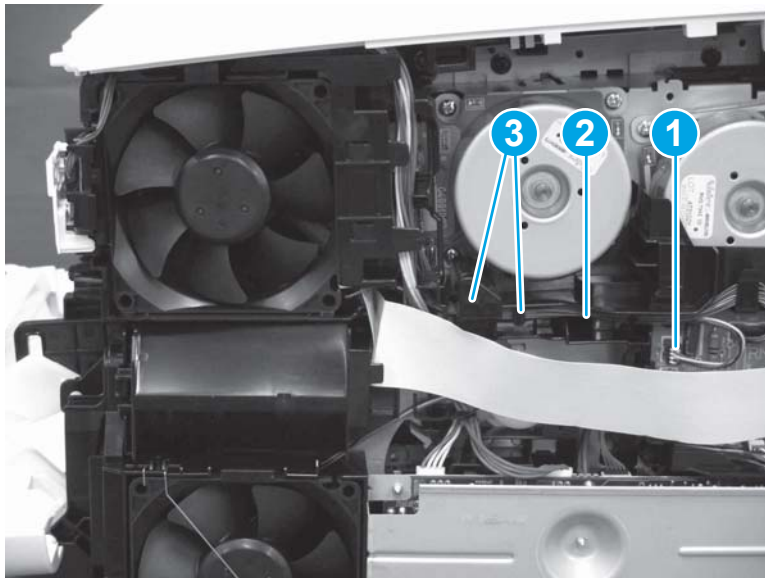
Figure 1-652 Remove the right cover



#### Step 5: Remove the cartridge fan

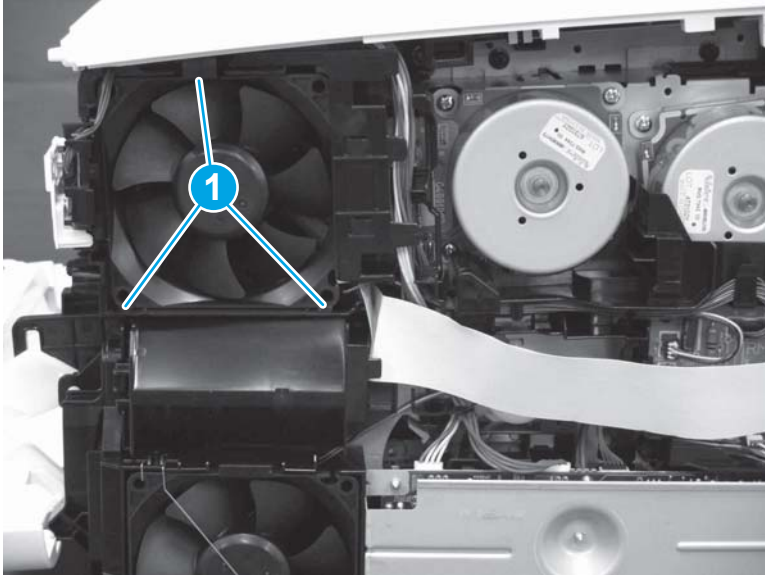
1. Disconnect one connector (callout 1), and then remove the cables (callout 2) from the wire guides (callout 3).

Figure 1-653 Disconnect one connector and release cables from guides



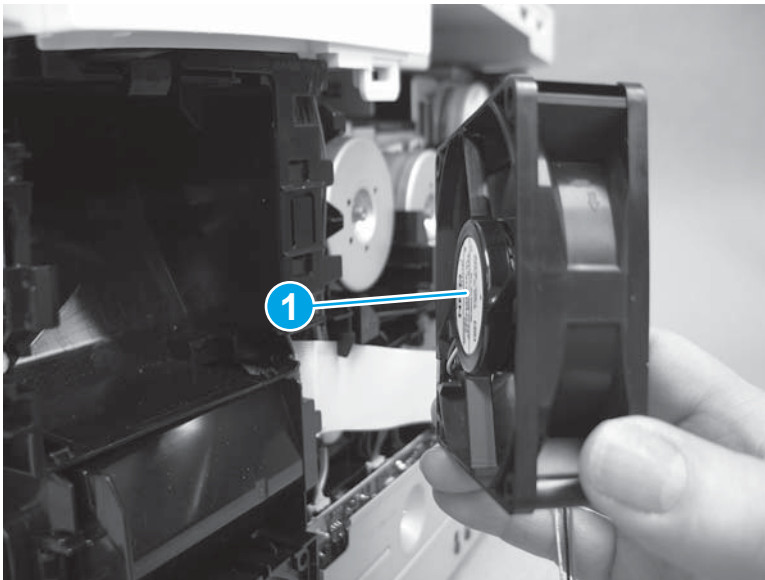
2. Release three tabs (callout 1).

Figure 1-654 Release three tabs



3. Remove the cartridge fan (callout 1).

Figure 1-655 Remove the cartridge fan



### Step 6: Unpack the replacement part

Remove the new part from its package. Save all packaging for recycling the used part.

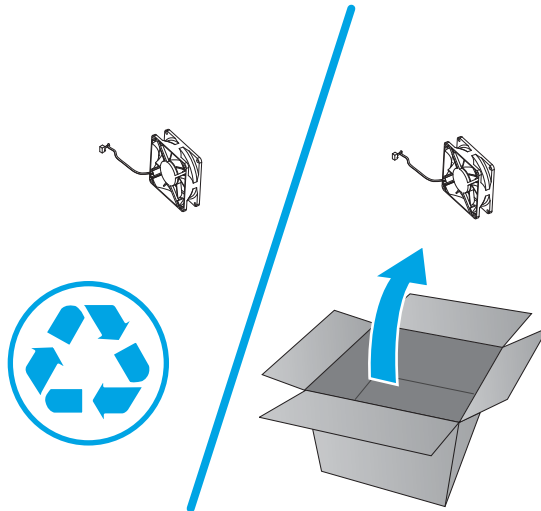
For complete information on HP's recycling programs, go to [Product return and recycling](#).

---

 **NOTE:** HP recommends responsible disposal of the defective part.

---

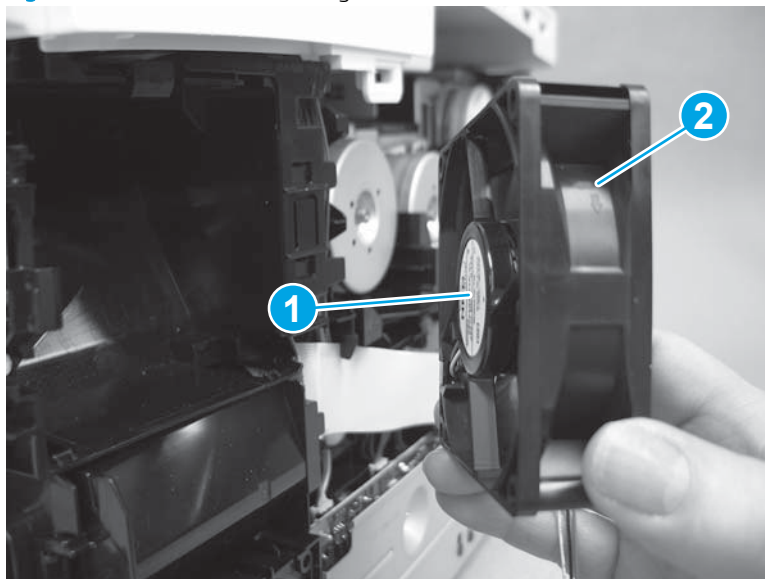
Figure 1-656 Recycle and unpack



### Step 7: Install the cartridge fan


1. Position the cartridge fan so that the white label (callout 1) is facing the printer and the top embossed arrow (callout 2) is pointing into the printer.

Figure 1-657 Install the cartridge fan



2. To install an assembly, reverse the removal steps.

---

 **NOTE:** When applicable, special installation instructions are provided for an assembly at the end of the removal procedure. Always completely read the removal instructions and follow all special installation instructions.

---

## Removal and replacement: Power supply fan

- [Introduction](#)
- [Step 1: Remove Tray 2](#)
- [Step 2: Open the front door and rear door or duplexer door](#)
- [Step 3: Remove the right cover \(M454 models\)](#)
- [Step 4: Remove the right cover \(M479 models\)](#)
- [Step 5: Remove the power supply fan](#)
- [Step 6: Unpack the replacement part](#)
- [Step 7: Install the power supply fan](#)

### Introduction


This document provides the procedures to remove and replace the power supply fan.

[Click here to view a video of this procedure.](#)

### Before you begin

- Turn off the printer.
- Disconnect the power cable.

---

 **WARNING!** To avoid damage to the printer, turn the printer off, wait 30 seconds, and then remove the power cord before attempting to service the printer.

---

- Use the table below to identify the correct part number for your printer. To order the part, go to [www.hp.com/buy/parts](http://www.hp.com/buy/parts).

---

Power supply fan part number	
RK2-6270-000CN	Power supply fan

---

### Required tools

- #2 Phillips screwdriver with a magnetic tip
- Small flat-blade screwdriver

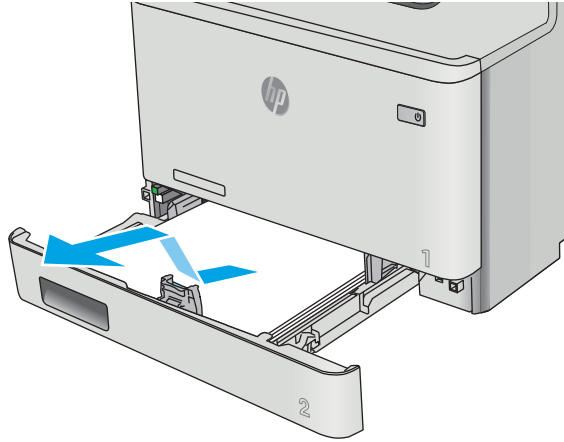
### After performing service

- Connect the power cable.
- Use the power switch to turn the power on.

### Step 1: Remove Tray 2

- ▲ Pull the tray out until it stops. Lift the front of the tray, and then pull it out of the printer to remove it.

Figure 1-658 Remove the tray



**Step 2: Open the front door and rear door or duplexer door**

1. Press the button (callout 1) on the left side of the printer to release the front door.

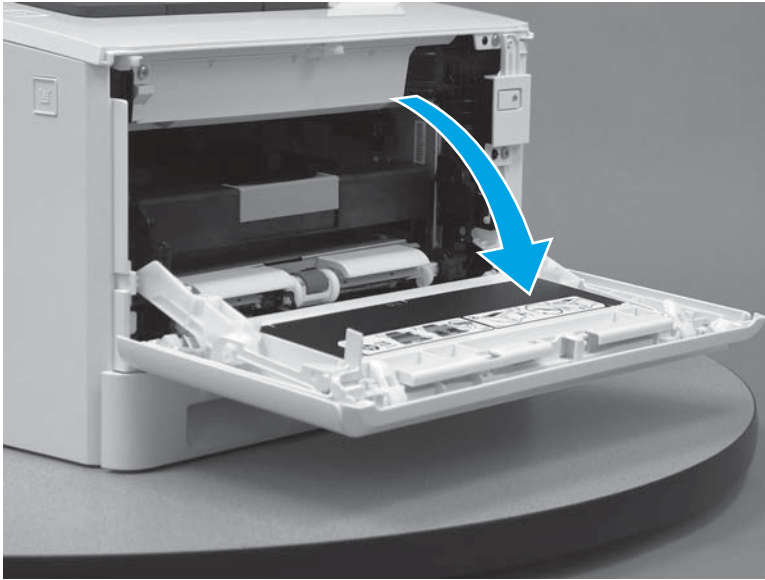
Figure 1-659 Release the front door





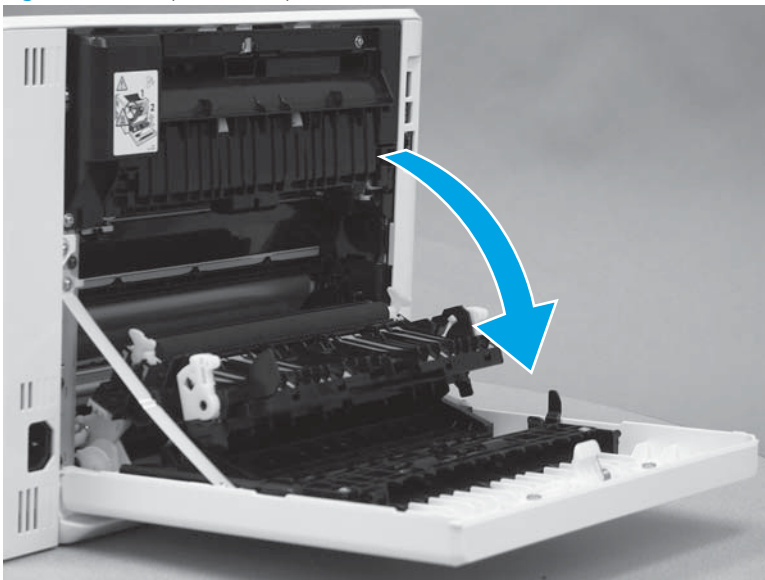
2. Open the front door.

Figure 1-660 Open the front door



3. Duplex models: Open the duplexer door.

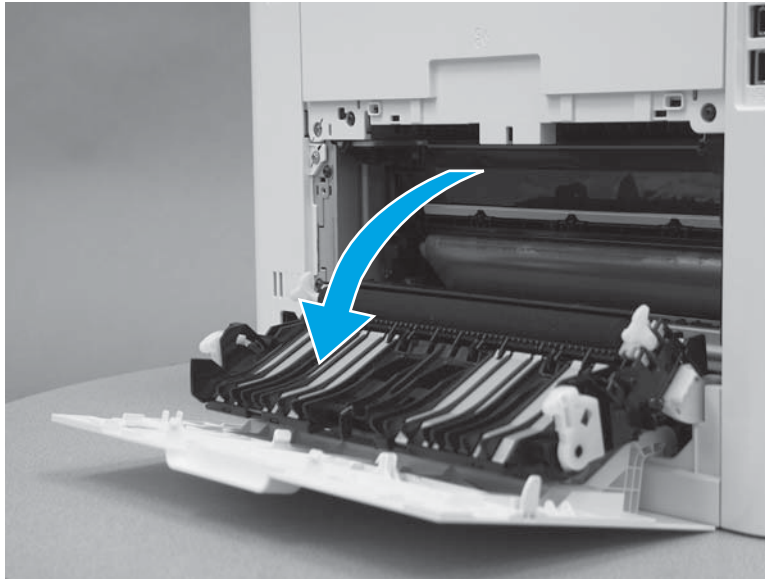
Figure 1-661 Open the duplexer door






4. **Simplex models:** Open the rear door.

**Figure 1-662** Open the rear door



### Step 3: Remove the right cover (M454 models)

 **NOTE:** This step is for the M454 models. For the M479 models, skip this step and go to [Step 4: Remove the right cover \(M479 models\) on page 395](#).

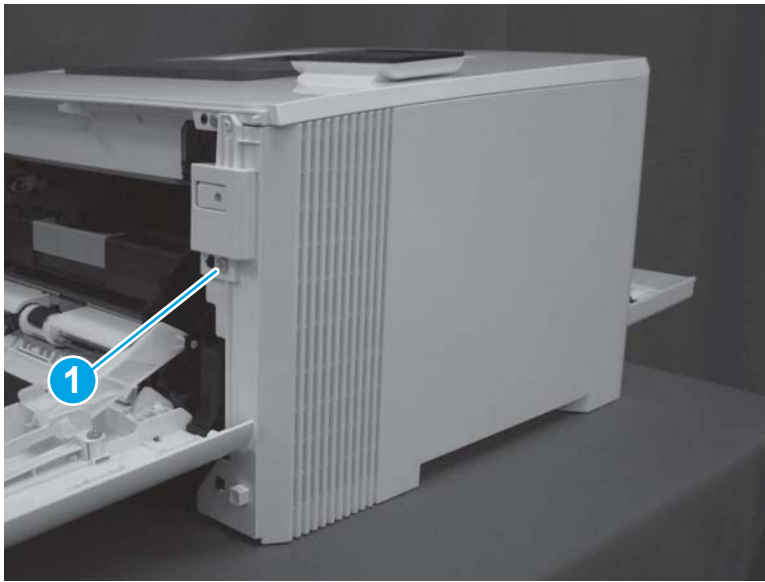
1. At the back of the printer, remove one screw (callout 1).

**Figure 1-663** Remove one screw



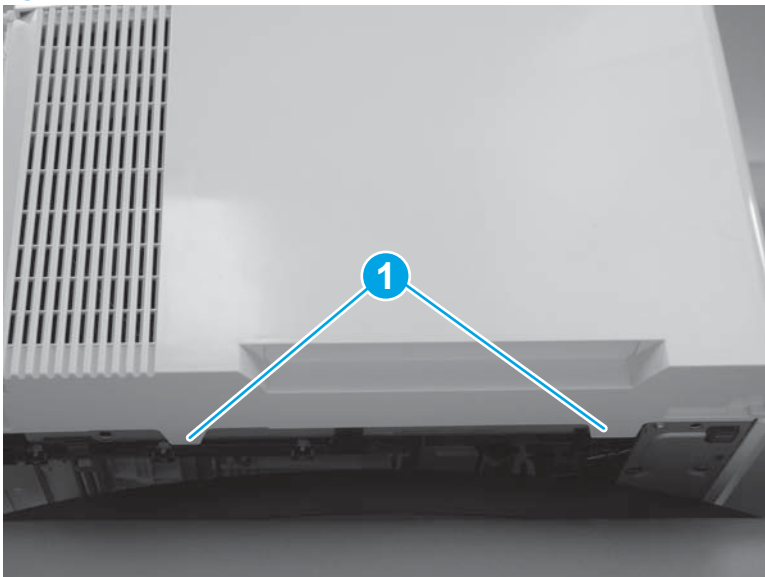
2. At the front of the printer, remove one screw (callout 1).

Figure 1-664 Remove one screw



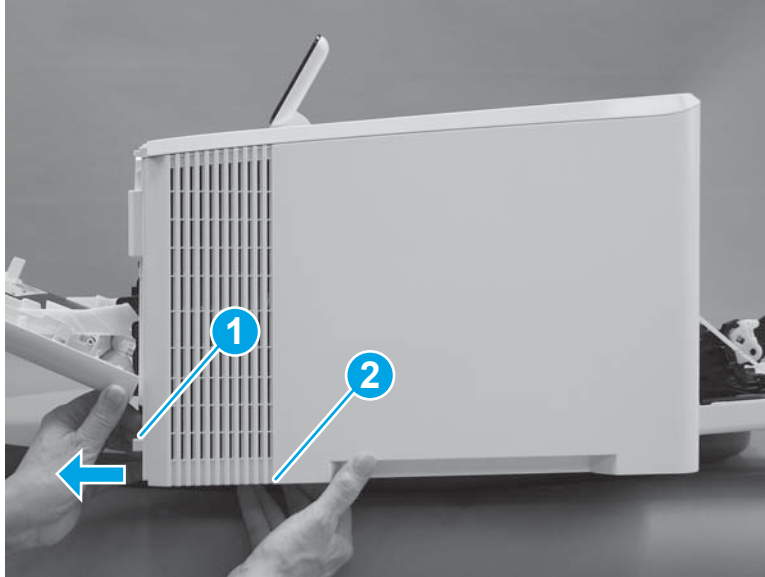
3. Slide the printer to the edge of a work surface. Note the location of the tabs on the lower edge of the cover (callout 1).

Figure 1-665 Locate the tabs



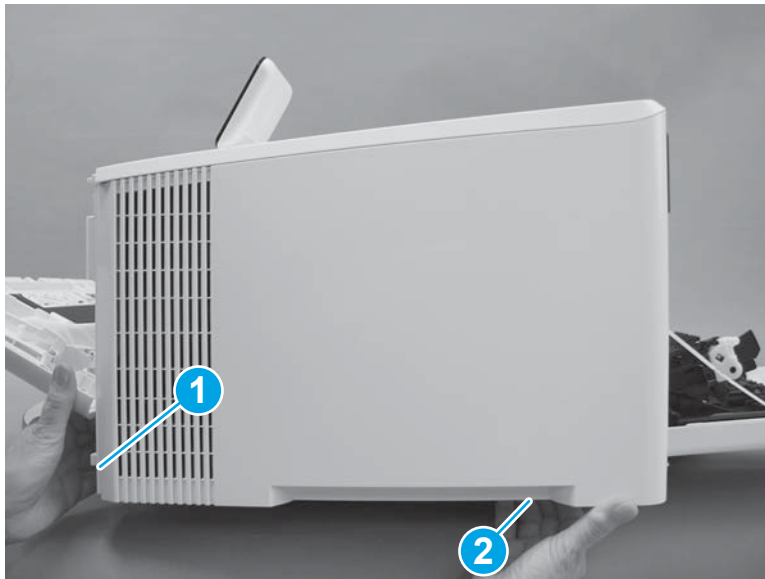
4. Release one tab (callout 1) on the front of the cover by slightly pulling the cover away from the printer. While holding the cover in the released position, release one tab (callout 2) on the bottom of the cover.

Figure 1-666 Release front lower tabs



5. Hold the front tabs in the released position (callout 1), and then release one tab (callout 2) on the bottom of the cover, toward the back of the printer.

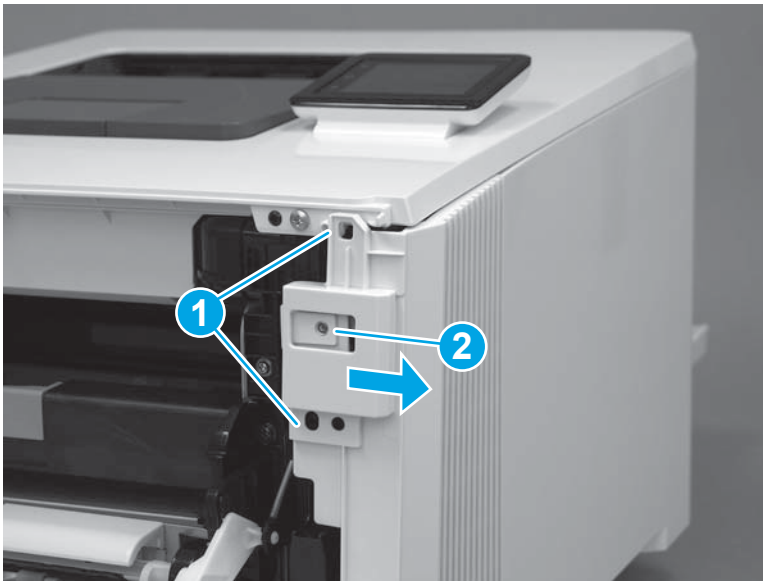
Figure 1-667 Release lower rear tab



6. Release two tabs at the front of the printer (callout 1) by slightly pulling the cover away from the printer.

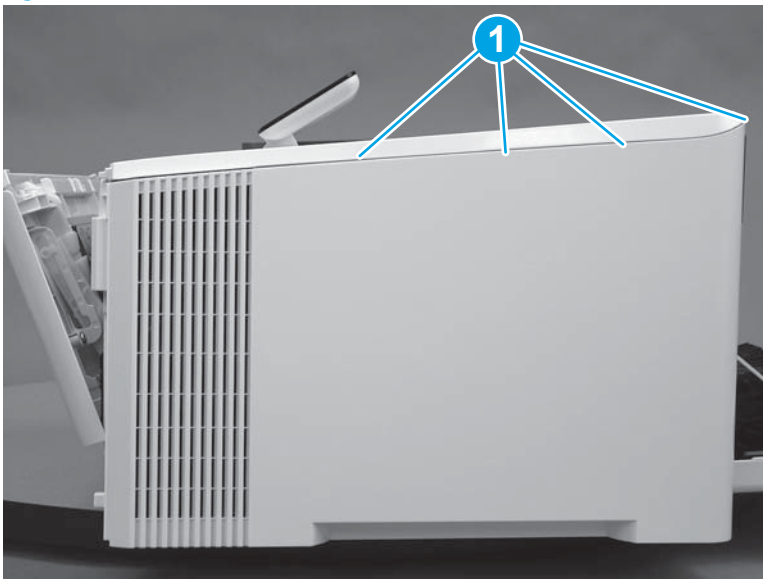
**⚠ CAUTION:** Be careful not to dislodge the power switch (callout 2).

**Figure 1-668** Release two front tabs



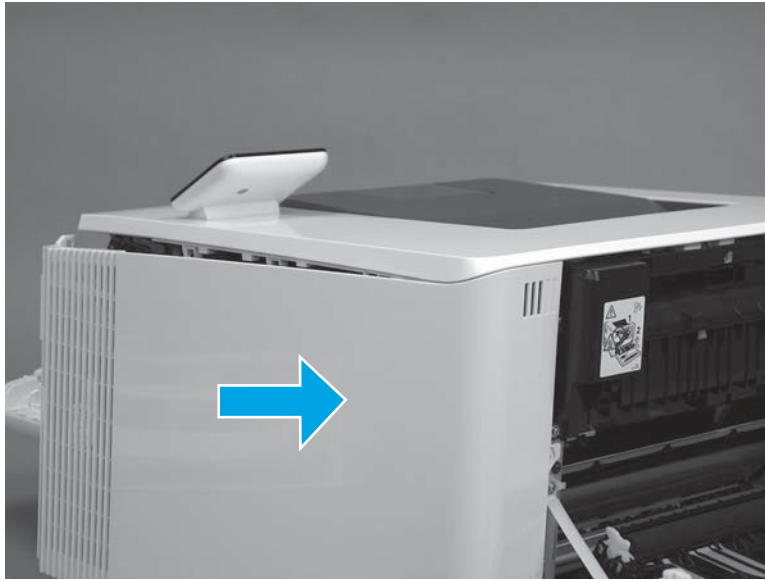
7. Release four tabs on the top of the printer (callout 1).

**Figure 1-669** Release upper tabs




8. Slide the cover toward the back of the printer to remove it.

**Figure 1-670** Remove the right cover



#### Step 4: Remove the right cover (M479 models)

 **NOTE:** This step is for the M479 models. For the M454 models, skip this step and go to [Step 5: Remove the power supply fan on page 401](#).

1. Raise the scanner.

**Figure 1-671** Raise the scanner



2. At the back of the printer, remove one screw (callout 1).

Figure 1-672 Remove one screw



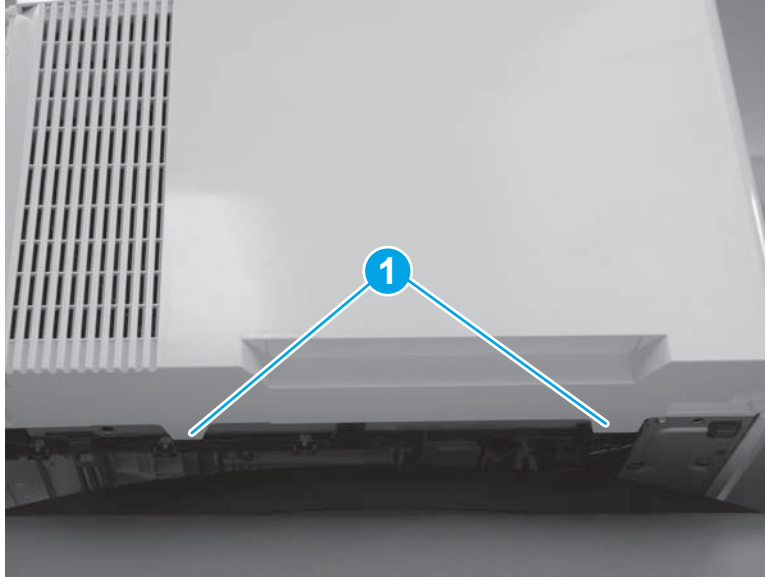
3. At the front of the printer, remove one screw (callout 1).

Figure 1-673 Remove one screw



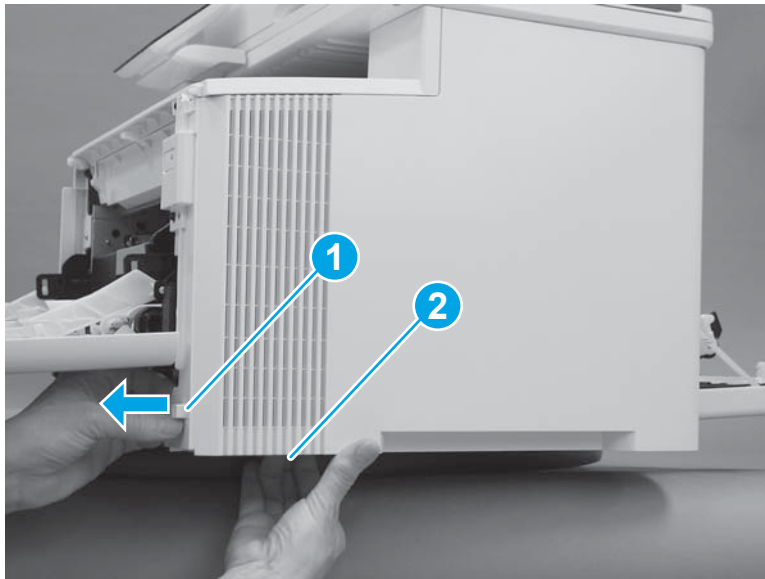
- Slide the printer to the edge of a work surface. Note the location of the tabs on the lower edge of the cover (callout 1).

Figure 1-674 Locate the tabs



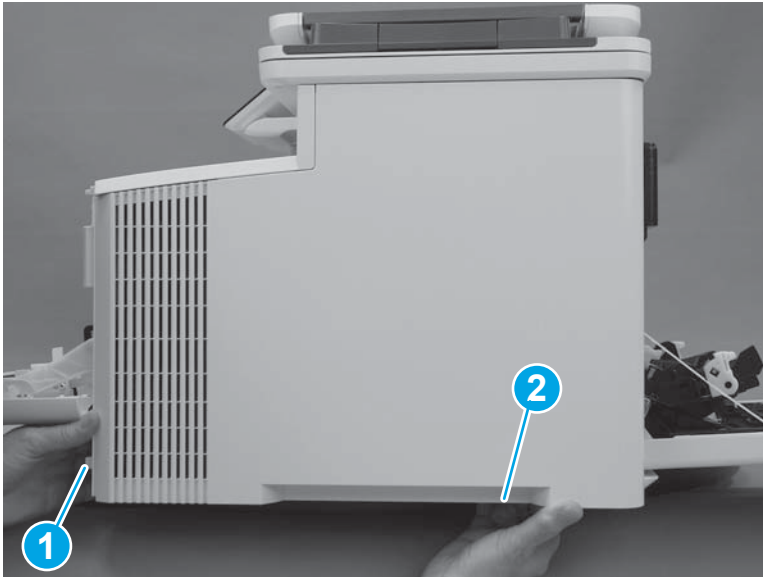
- Release one tab (callout 1) on the front of the cover by slightly pulling the cover away from the printer. While holding the cover in the released position, release one tab (callout 2) on the lower edge of the cover.

Figure 1-675 Release front lower tabs



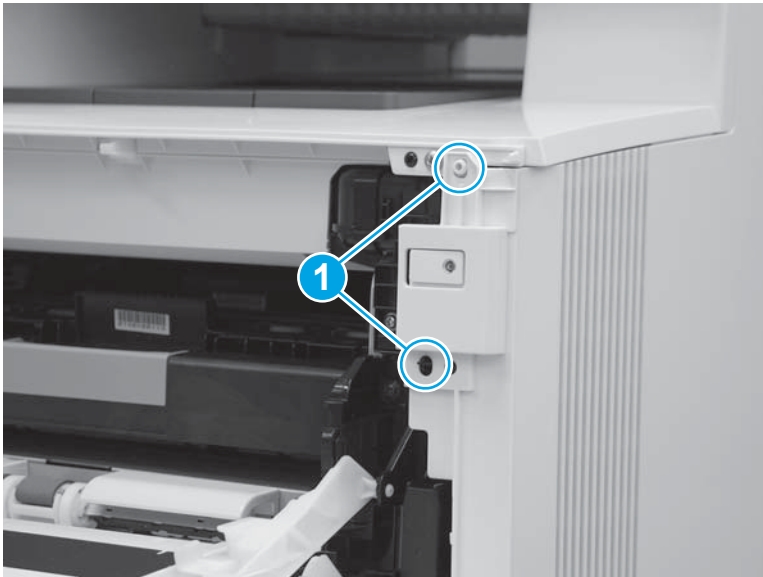
6. Hold the front tabs in the released position (callout 1), and then release one tab (callout 2) on the lower edge of the cover, toward the back of the printer.

Figure 1-676 Release lower rear tab



7. Release two tabs at the front of the printer (callout 1) by slightly pulling the cover away from the printer.

Figure 1-677 Release front upper tabs





8. Rotate the front of the cover away from the printer (callout 1).

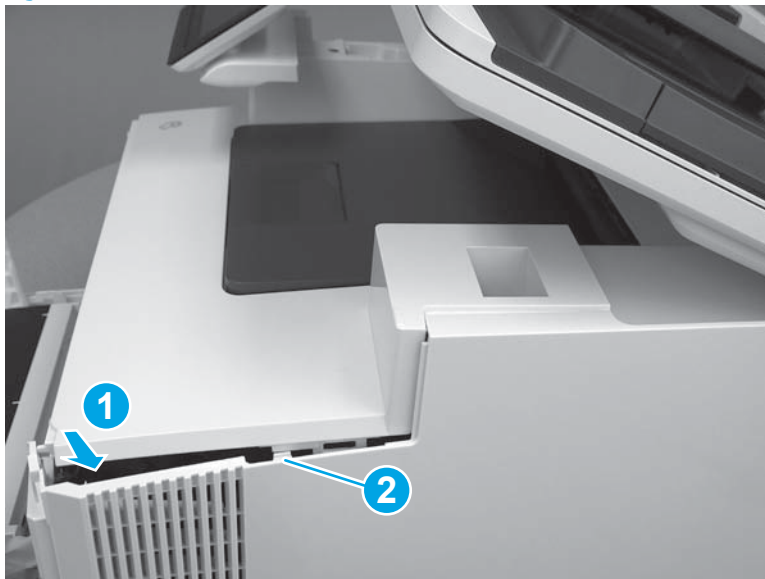
**⚠ CAUTION:** Be careful not to dislodge the power switch (callout 2).

**Figure 1-678** Rotate the front of the cover



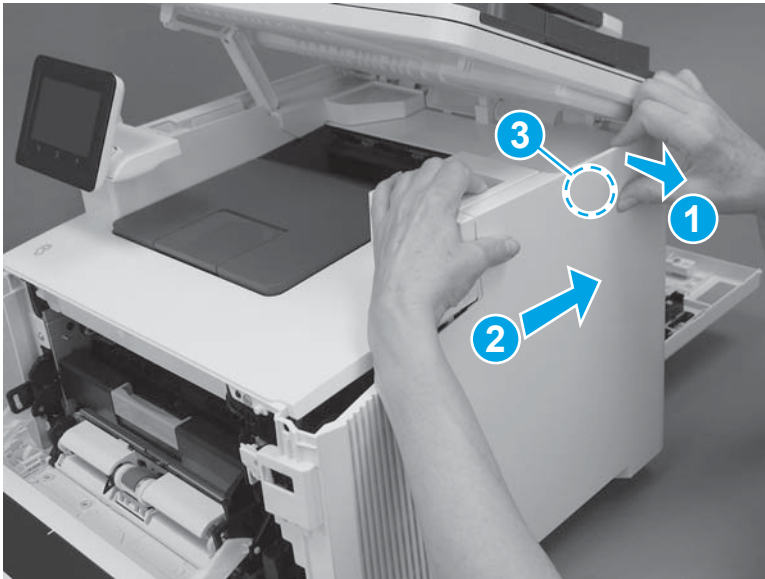
9. Slightly pull the front of the cover away from the printer (callout 1) to release one tab (callout 2).

**Figure 1-679** Release top tabs



10. At the top of the printer, slightly pull the top of the cover away from the printer to release one retention tab (callout 1) on the inside of the cover. While holding the cover away, slide the cover toward the back of the printer (callout 2) to release one hook (callout 3) on the inside of the cover.

Figure 1-680 Release one tab and one hook



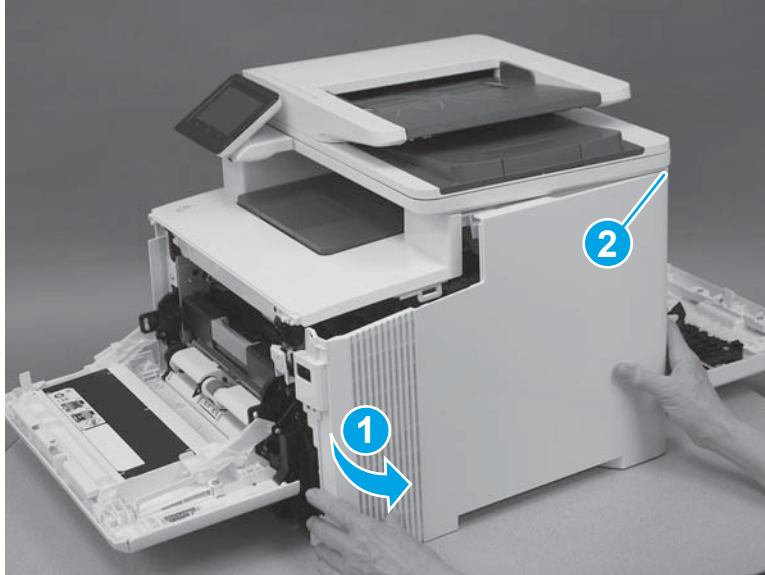
11. Lower the scanner.

Figure 1-681 Lower the scanner



12. Rotate the cover away from the printer (callout 1) to release one tab (callout 2) at the back of the printer, and then remove the cover.

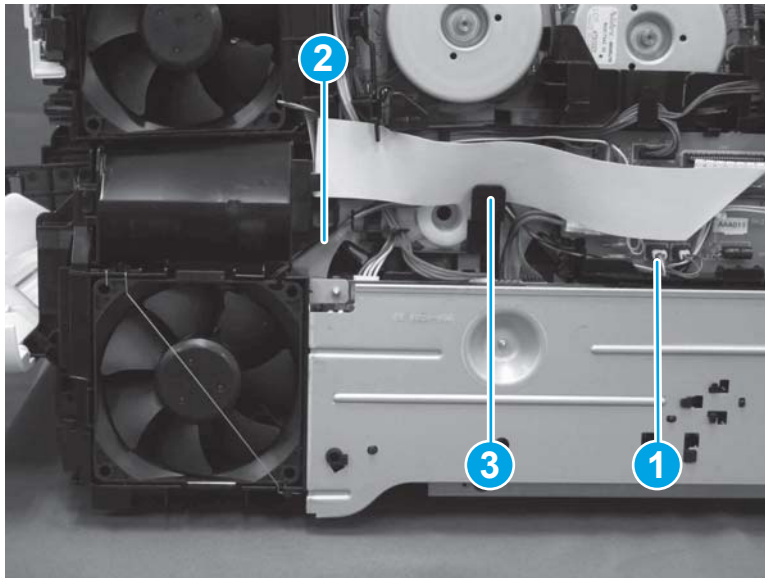
Figure 1-682 Remove the right cover



#### Step 5: Remove the power supply fan

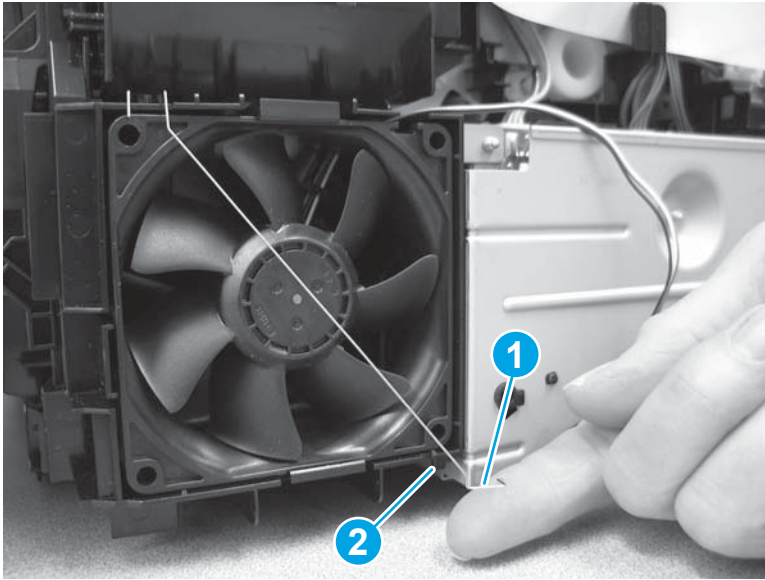
1. Disconnect one connector (callout 1), and then remove the cable (callout 2) from the wire guide (callout 3).

Figure 1-683 Disconnect one connector and release cables from guides



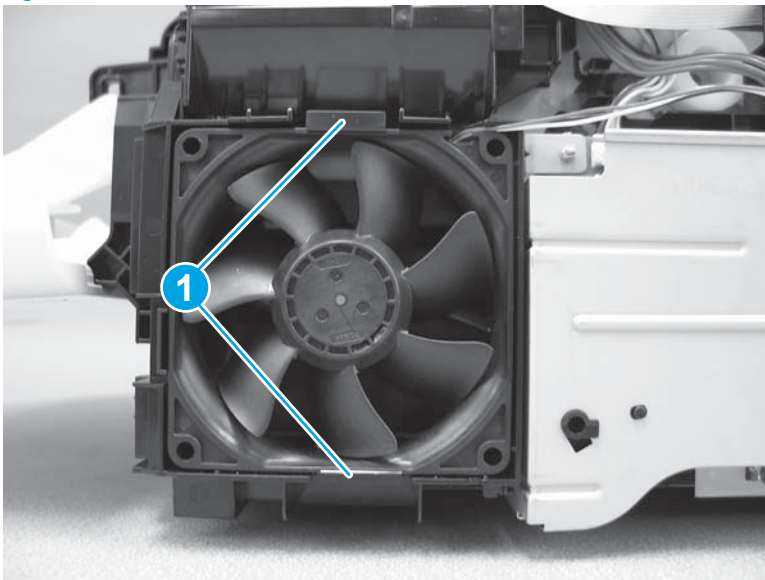
2. Release the spring (callout 1) from the tab (callout 2).

Figure 1-684 Release the spring



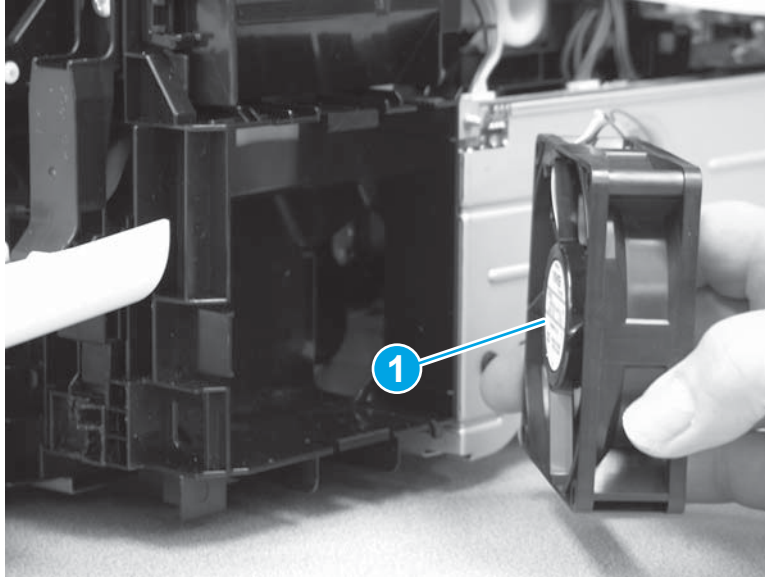
3. Release two tabs (callout 1).

Figure 1-685 Release two tabs



4. Remove the power supply fan (callout 1).

Figure 1-686 Remove the power supply fan



#### Step 6: Unpack the replacement part

Remove the new part from its package. Save all packaging for recycling the used part.

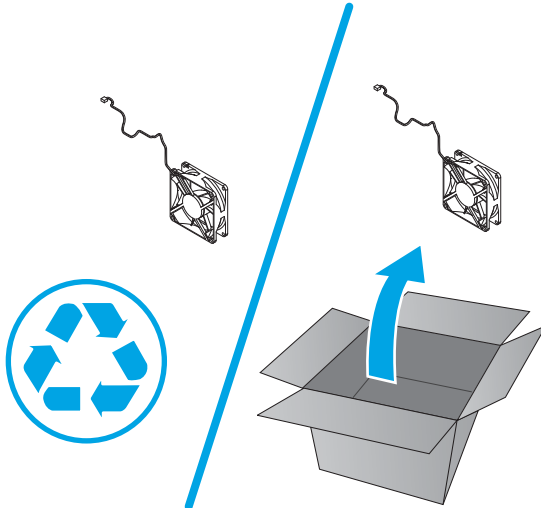
For complete information on HP's recycling programs, go to [Product return and recycling](#).

---

 **NOTE:** HP recommends responsible disposal of the defective part.

---

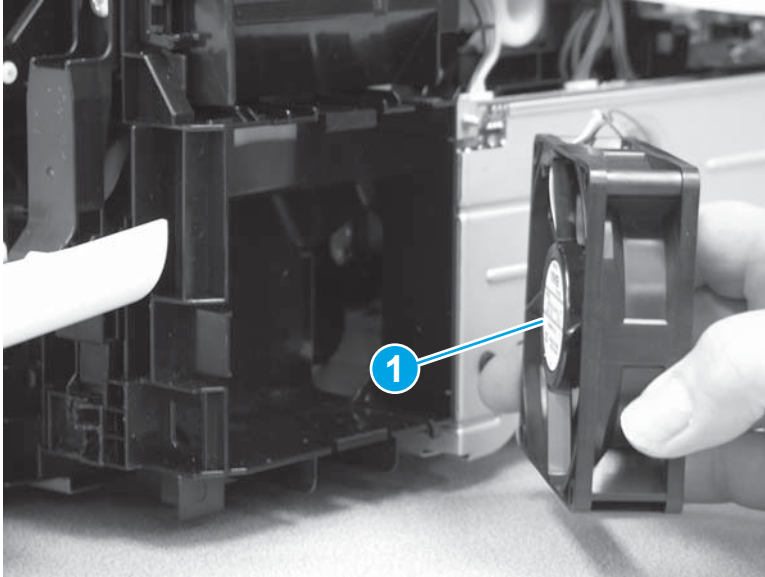
Figure 1-687 Recycle and unpack



#### Step 7: Install the power supply fan


1. Position the power supply fan so that the white label (callout 1) is facing the printer.

Figure 1-688 Install the power supply fan



2. To install an assembly, reverse the removal steps.

---

 **NOTE:** When applicable, special installation instructions are provided for an assembly at the end of the removal procedure. Always completely read the removal instructions and follow all special installation instructions.

---

## Removal and replacement: Low-voltage power supply (LVPS)

- [Introduction](#)
- [Step 1: Remove Tray 2](#)
- [Step 2: Open the front door and rear door or duplexer door](#)
- [Step 3: Remove the right cover \(M454 models\)](#)
- [Step 4: Remove the right cover \(M479 models\)](#)
- [Step 5: Remove the left cover \(M454 models\)](#)
- [Step 6: Remove the left cover \(M479 models\)](#)
- [Step 7: Remove the duplexer door assembly \(duplex models\)](#)
- [Step 8: Remove the rear door \(simplex models\)](#)
- [Step 9: Remove the LVPS](#)
- [Step 10: Unpack the replacement part](#)
- [Step 11: Install the LVPS](#)


### Introduction

This document provides the procedures to remove and replace the low-voltage power supply.

[Click here to view a video of this procedure.](#)

### Before you begin

- Turn off the printer.
- Disconnect the power cable.

 **WARNING!** To avoid damage to the printer, turn the printer off, wait 30 seconds, and then remove the power cord before attempting to service the printer.

- Use the table below to identify the correct part number for your printer. To order the part, go to [www.hp.com/buy/parts](http://www.hp.com/buy/parts).

---

#### Low-voltage power supply part number

---

RM3-7241-000CN	Low-voltage power supply (110V)
----------------	---------------------------------

---

RM3-7242-000CN	Low-voltage power supply (220V)
----------------	---------------------------------

---

### Required tools

- #2 Phillips screwdriver with a magnetic tip
- Small flat-blade screwdriver



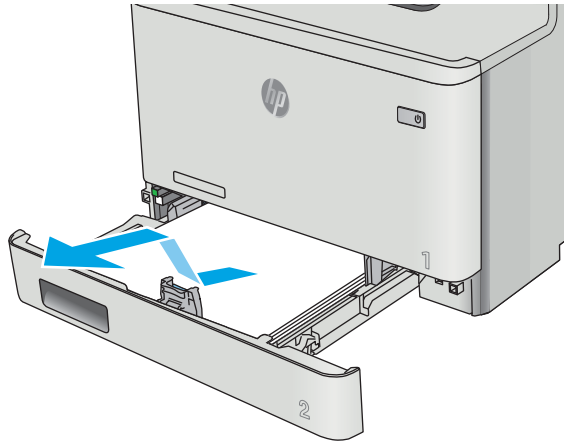
### After performing service

- Connect the power cable.
- Use the power switch to turn the power on.

### Step 1: Remove Tray 2

- ▲ Pull the tray out until it stops. Lift the front of the tray, and then pull it out of the printer to remove it.

Figure 1-689 Remove the tray



### Step 2: Open the front door and rear door or duplexer door

1. Press the button (callout 1) on the left side of the printer to release the front door.

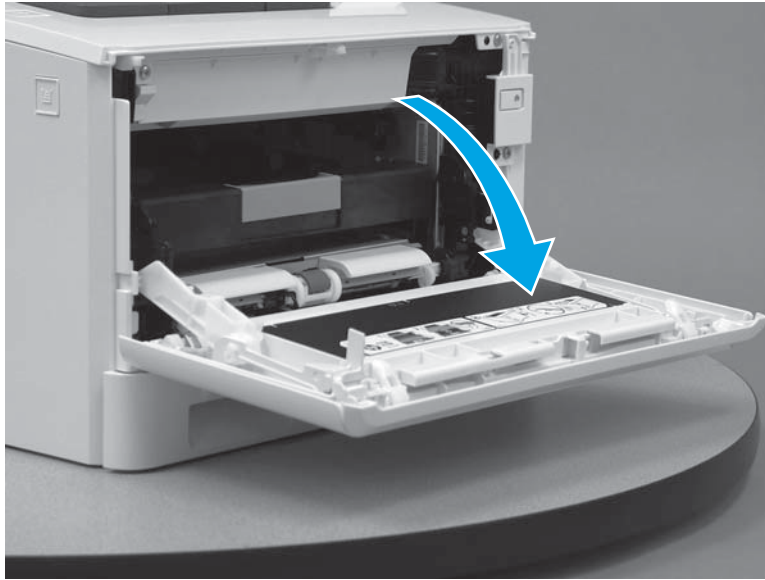
Figure 1-690 Release the front door





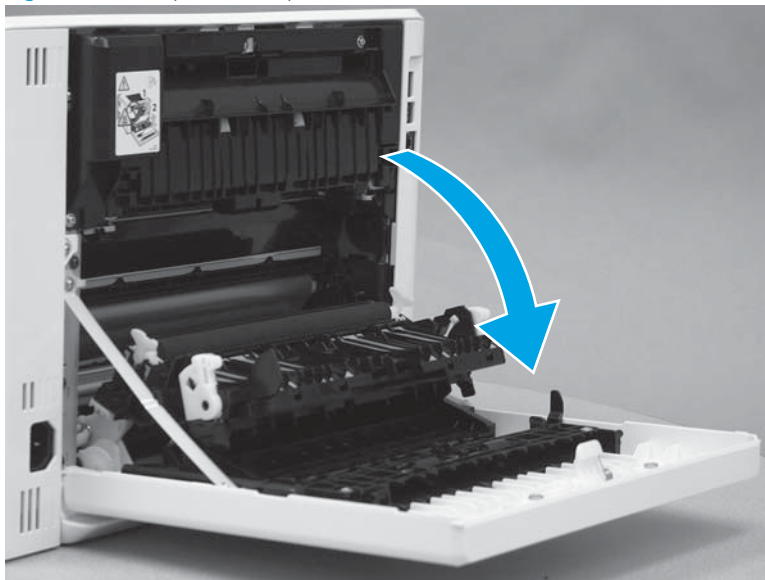
2. Open the front door.

Figure 1-691 Open the front door



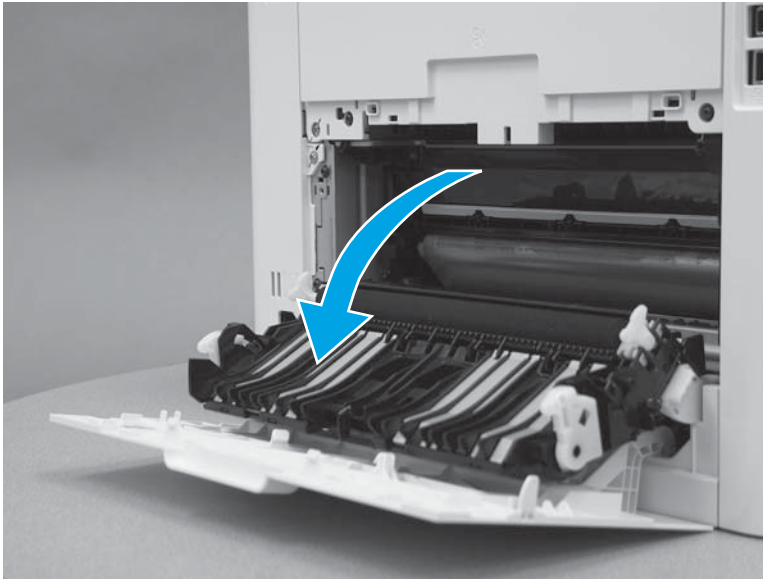
3. Duplex models: Open the duplexer door.

Figure 1-692 Open the duplexer door




4. **Simplex models:** Open the rear door.

Figure 1-693 Open the rear door



### Step 3: Remove the right cover (M454 models)

 **NOTE:** This step is for the M454 models. For the M479 models, skip this step and go to [Step 4: Remove the right cover \(M479 models\) on page 412](#).

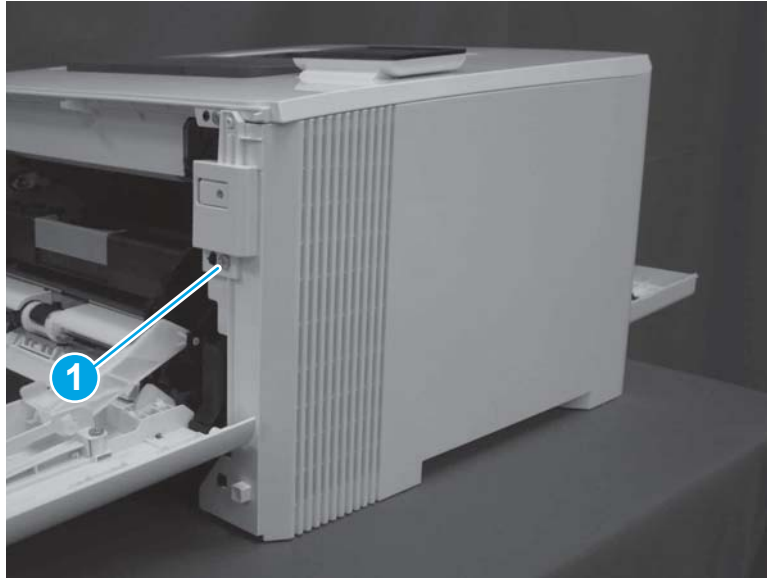
1. At the back of the printer, remove one screw (callout 1).

Figure 1-694 Remove one screw



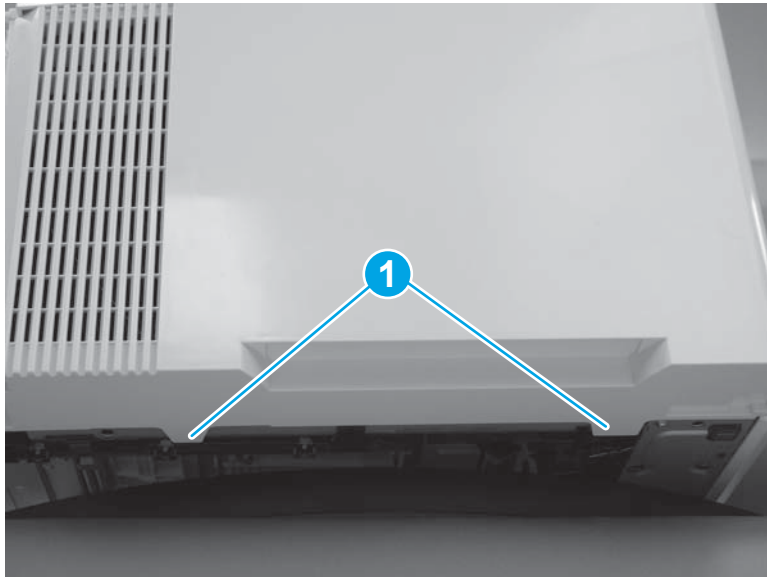
2. At the front of the printer, remove one screw (callout 1).

Figure 1-695 Remove one screw



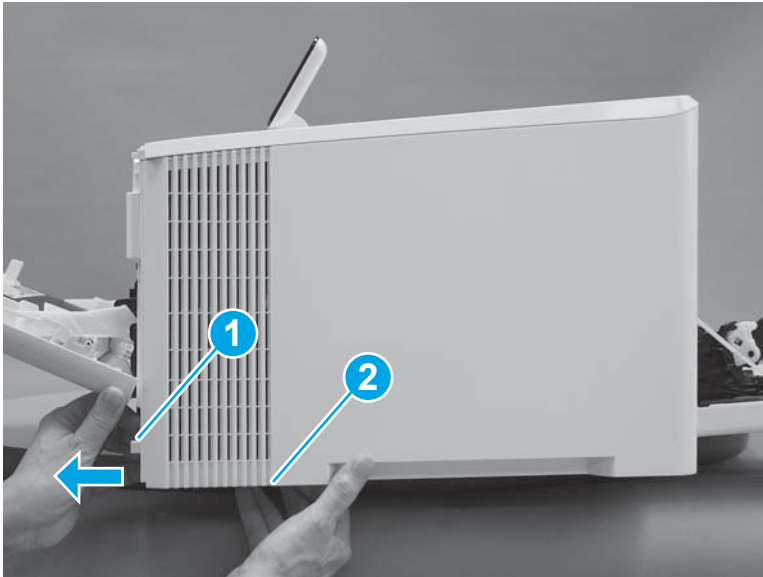
3. Slide the printer to the edge of a work surface. Note the location of the tabs on the lower edge of the cover (callout 1).

Figure 1-696 Locate the tabs



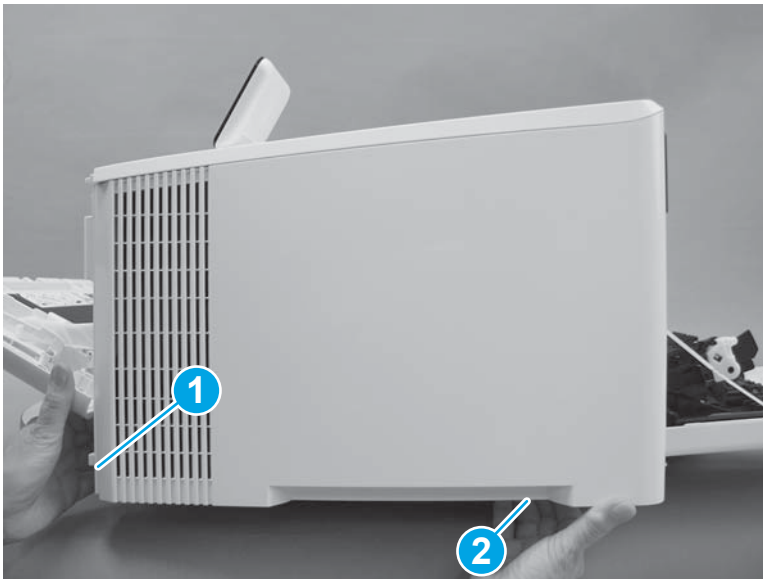
4. Release one tab (callout 1) on the front of the cover by slightly pulling the cover away from the printer. While holding the cover in the released position, release one tab (callout 2) on the bottom of the cover.

Figure 1-697 Release front lower tabs



5. Hold the front tabs in the released position (callout 1), and then release one tab (callout 2) on the bottom of the cover, toward the back of the printer.

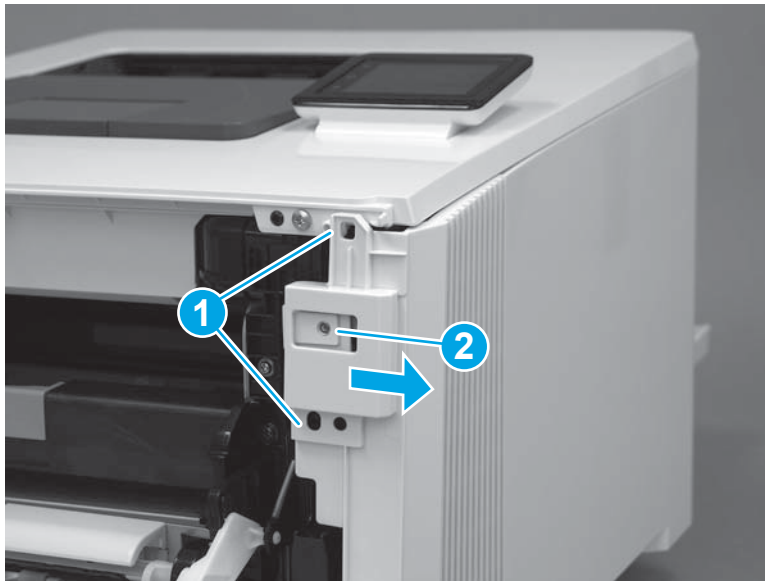
Figure 1-698 Release lower rear tab



6. Release two tabs at the front of the printer (callout 1) by slightly pulling the cover away from the printer.

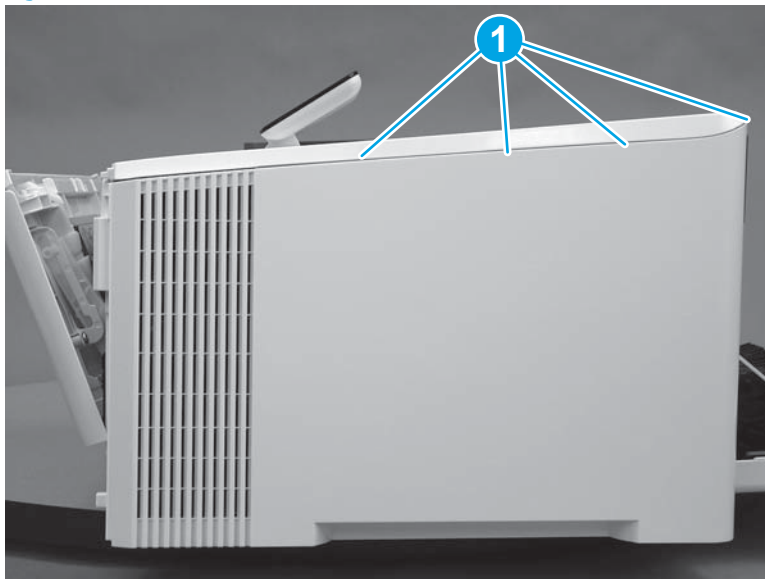
**⚠ CAUTION:** Be careful not to dislodge the power switch (callout 2).

Figure 1-699 Release two front tabs



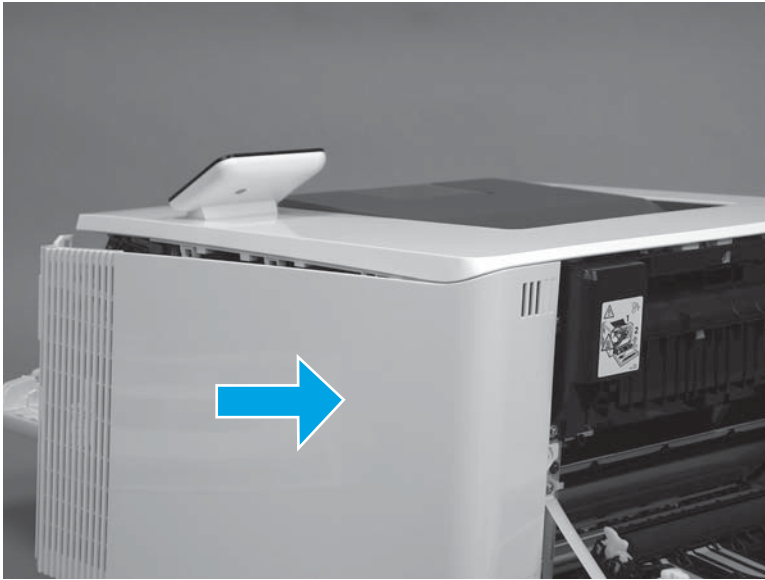
7. Release four tabs on the top of the printer (callout 1).

Figure 1-700 Release upper tabs




8. Slide the cover toward the back of the printer to remove it.

**Figure 1-701** Remove the right cover



#### Step 4: Remove the right cover (M479 models)

 **NOTE:** This step is for the M479 models. For the M454 models, skip this step and go to [Step 5: Remove the left cover \(M454 models\) on page 418](#).

1. Raise the scanner.

**Figure 1-702** Raise the scanner



2. At the back of the printer, remove one screw (callout 1).

Figure 1-703 Remove one screw



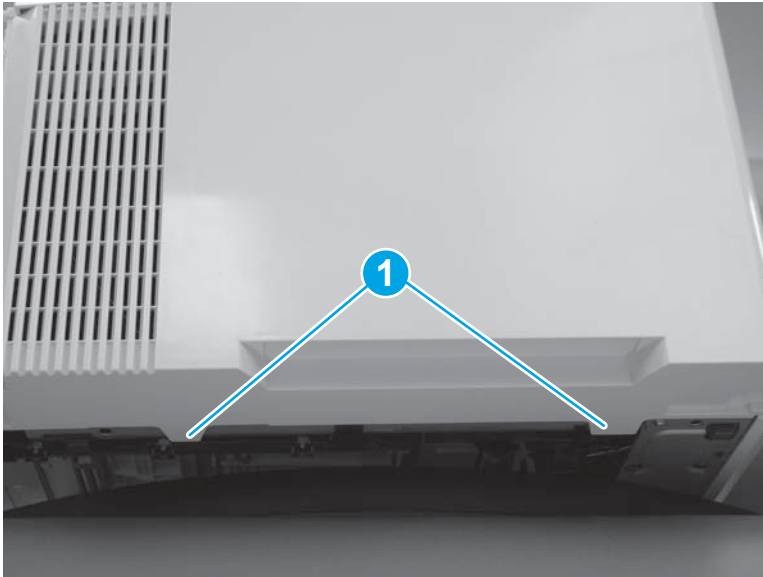
3. At the front of the printer, remove one screw (callout 1).

Figure 1-704 Remove one screw



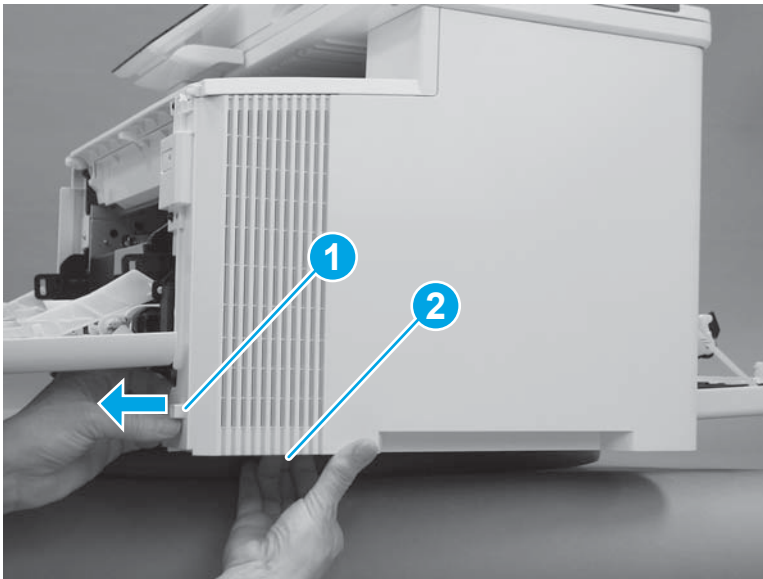
4. Slide the printer to the edge of a work surface. Note the location of the tabs on the lower edge of the cover (callout 1).

Figure 1-705 Locate the tabs



5. Release one tab (callout 1) on the front of the cover by slightly pulling the cover away from the printer. While holding the cover in the released position, release one tab (callout 2) on the lower edge of the cover.

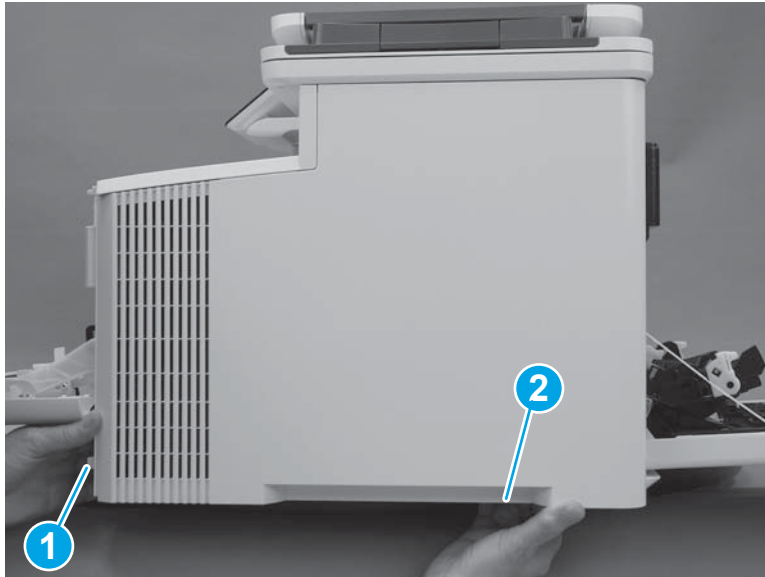
Figure 1-706 Release front lower tabs





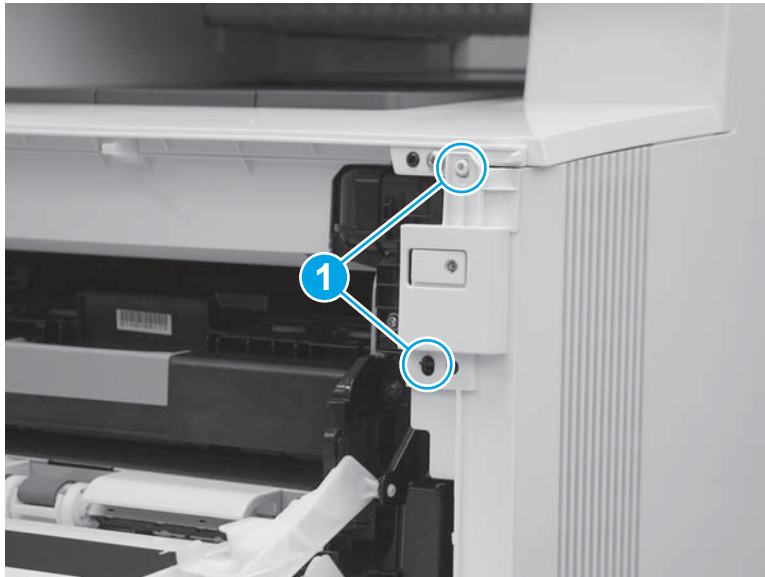
6. Hold the front tabs in the released position (callout 1), and then release one tab (callout 2) on the lower edge of the cover, toward the back of the printer.

Figure 1-707 Release lower rear tab



7. Release two tabs at the front of the printer (callout 1) by slightly pulling the cover away from the printer.

Figure 1-708 Release front upper tabs



8. Rotate the front of the cover away from the printer (callout 1).

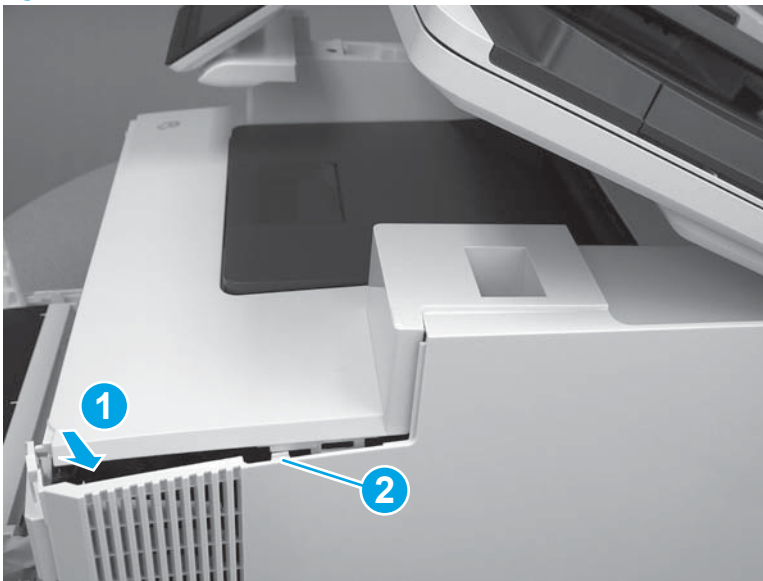
**⚠ CAUTION:** Be careful not to dislodge the power switch (callout 2).

**Figure 1-709** Rotate the front of the cover



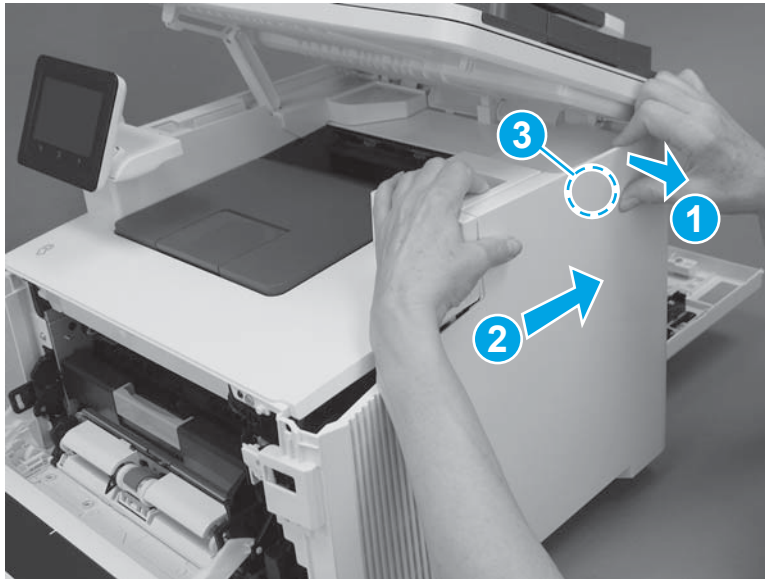
9. Slightly pull the front of the cover away from the printer (callout 1) to release one tab (callout 2).

**Figure 1-710** Release top tabs



10. At the top of the printer, slightly pull the top of the cover away from the printer to release one retention tab (callout 1) on the inside of the cover. While holding the cover away, slide the cover toward the back of the printer (callout 2) to release one hook (callout 3) on the inside of the cover.

Figure 1-711 Release one tab and one hook



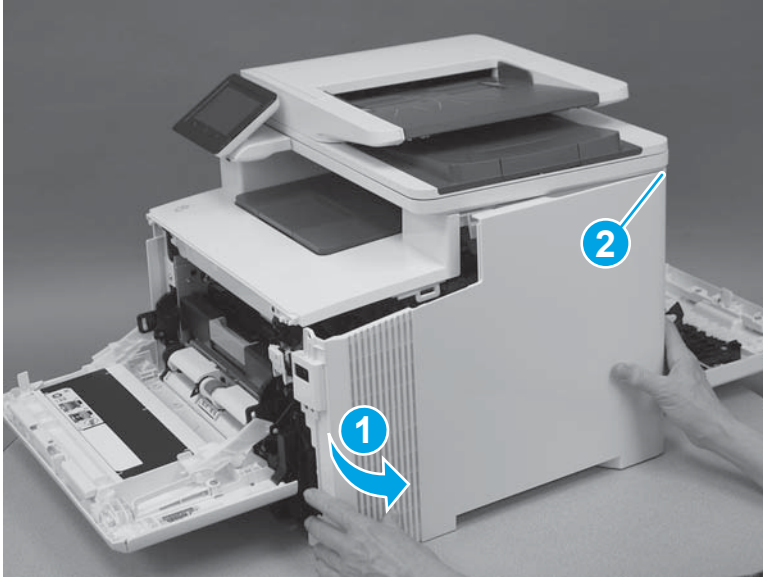
11. Lower the scanner.

Figure 1-712 Lower the scanner




12. Rotate the cover away from the printer (callout 1) to release one tab (callout 2) at the back of the printer, and then remove the cover.

**Figure 1-713** Remove the right cover

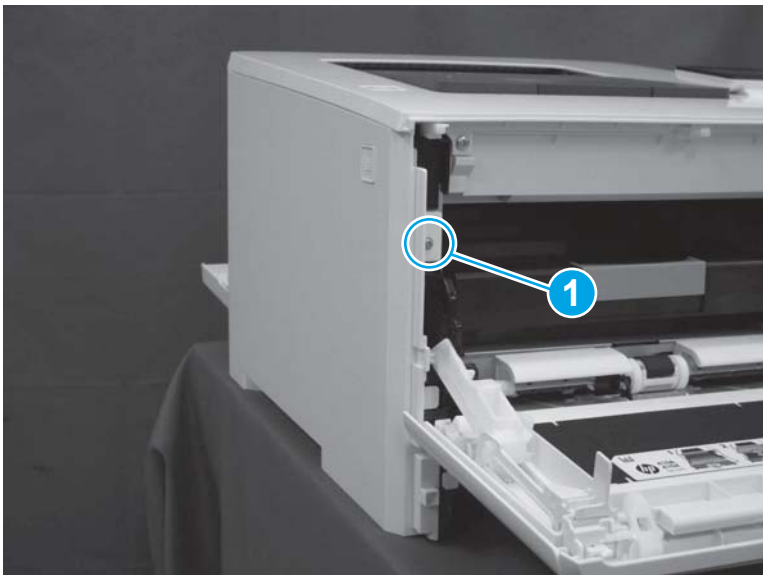


#### Step 5: Remove the left cover (M454 models)

 **NOTE:** This step is for the M454 models. For the M479 models, skip this step and go to [Step 6: Remove the left cover \(M479 models\) on page 420](#).

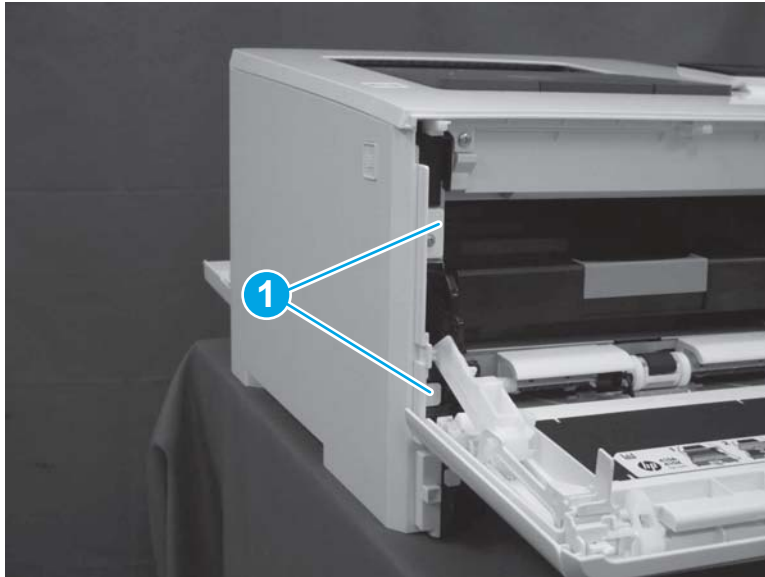
1. At the front of the printer, remove one screw (callout 1).

**Figure 1-714** Remove one screw



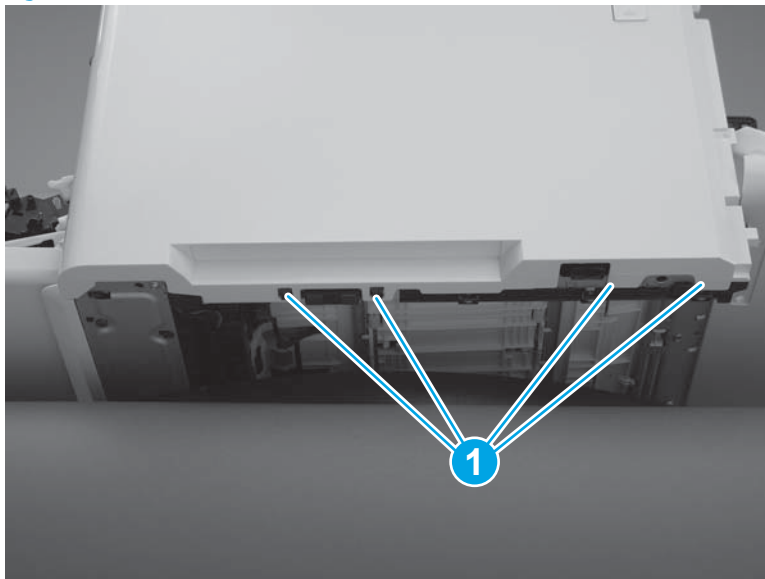
2. Release two tabs (callout 1) at the front of the cover. Hold the cover open to prevent the tabs from reengaging.

Figure 1-715 Release two tabs



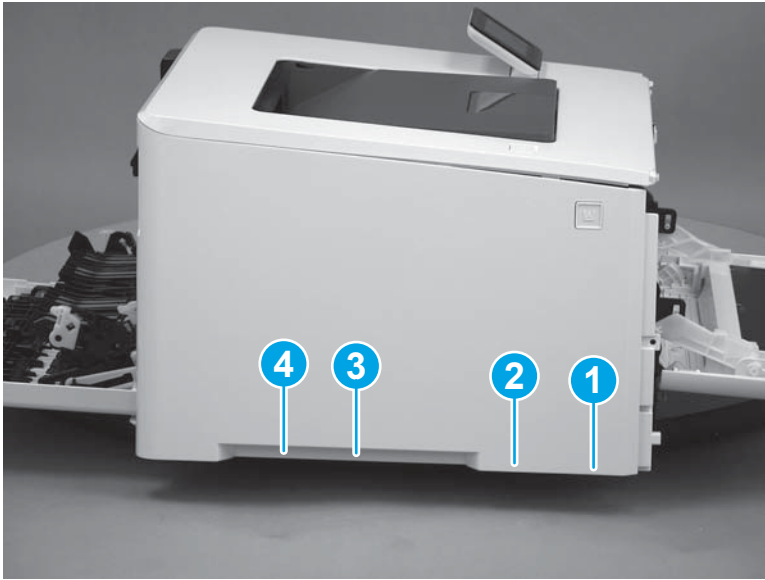
3. Slide the printer to the edge of a work surface. Note the location of the tabs on the lower edge of the cover (callout 1).

Figure 1-716 Locate the tabs



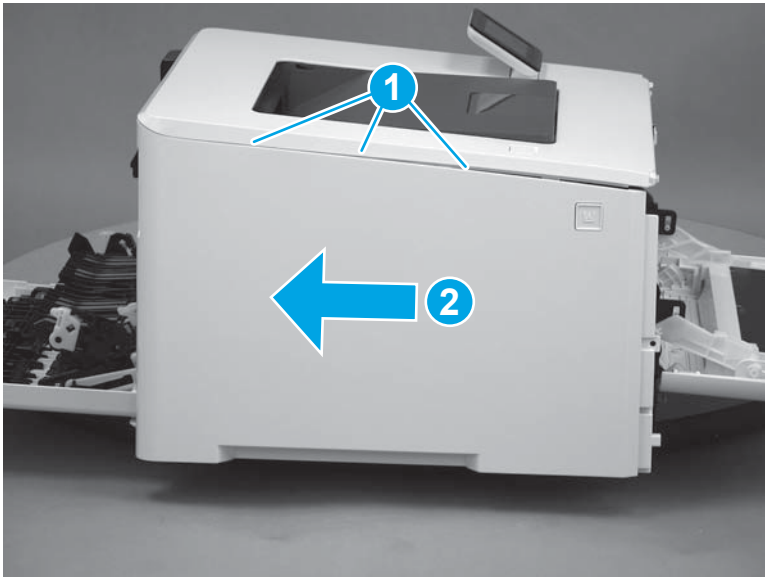
4. Beginning from the front of the cover, release four tabs (callouts 1-4) on the lower edge of the cover.

Figure 1-717 Release bottom tabs




5. Release three tabs at the top of the cover (callout 1), and then slide the cover toward the rear of the printer to remove it.

Figure 1-718 Release three tabs



#### Step 6: Remove the left cover (M479 models)

 **NOTE:** This step is for the M479 models. For the M454 models, skip this step and go to [Step 7: Remove the duplexer door assembly \(duplex models\) on page 425.](#)

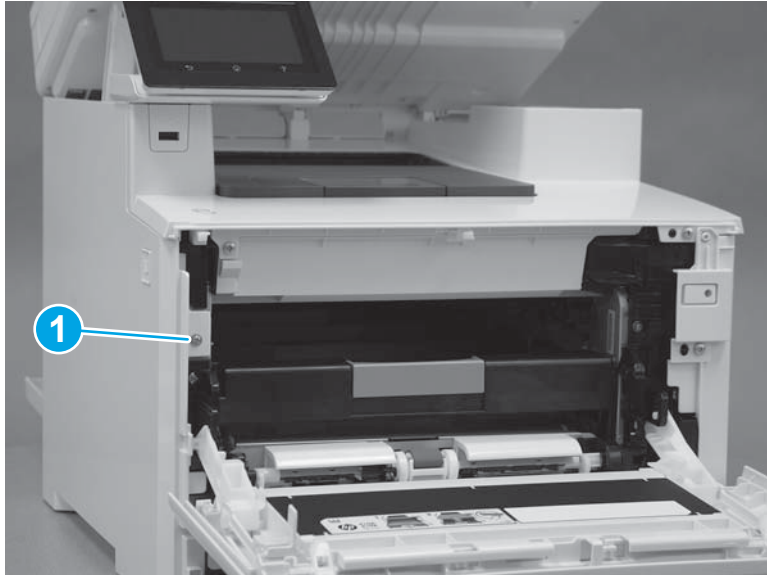
1. Raise the scanner.

Figure 1-719 Raise the scanner



2. At the front of the printer, remove one screw (callout 1).

Figure 1-720 Remove one screw



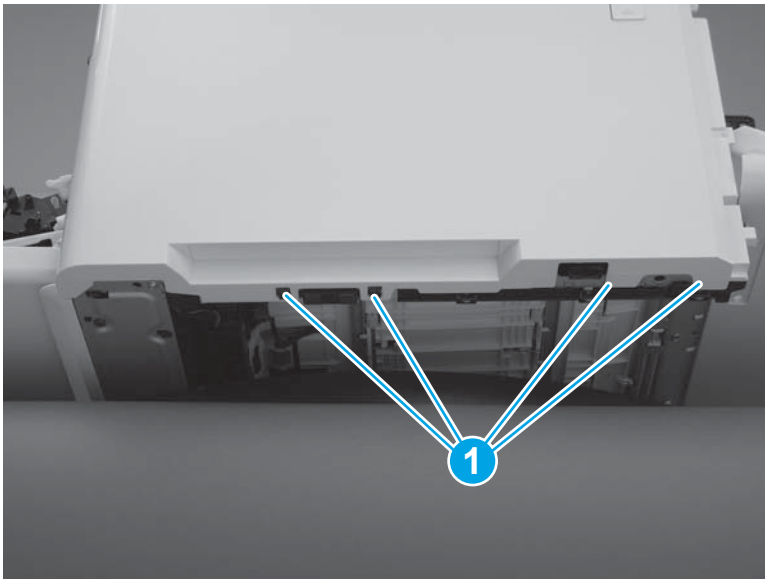
3. Release two tabs (callout 1) at the front of the cover. Hold the cover open to prevent the tabs from re-engaging.

Figure 1-721 Release two tabs



4. Slide the printer to the edge of a work surface. Note the location of the tabs on the lower edge of the cover (callout 1).

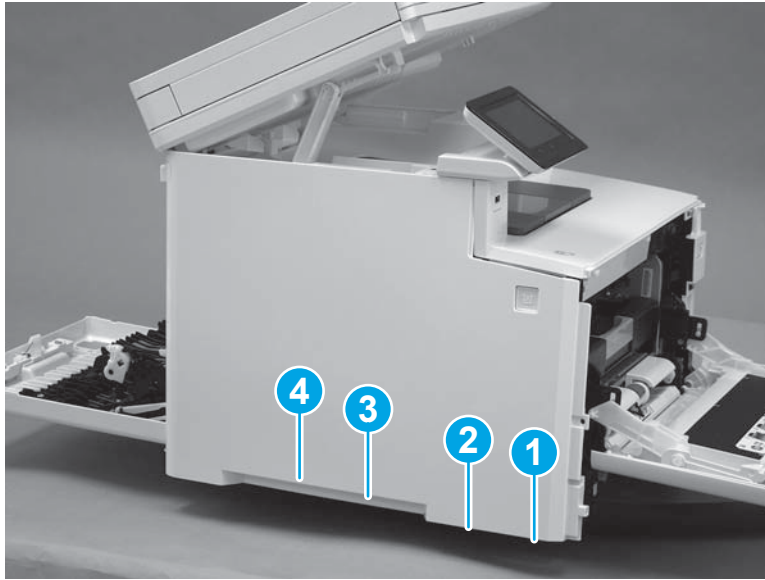
Figure 1-722 Locate the tabs





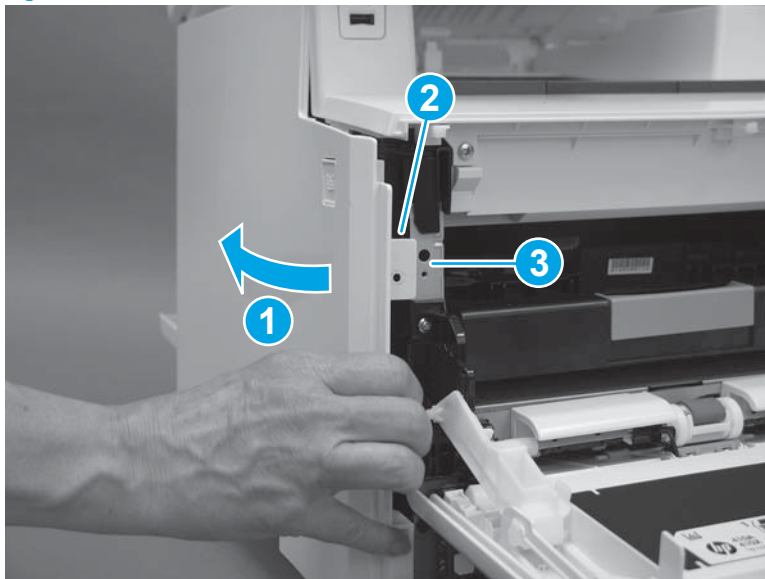
5. Beginning from the front of the cover, release the four tabs (callouts 1-4) on the lower edge of the cover.

Figure 1-723 Release four tabs



6. Rotate the front of the cover away from the printer (callout 1). Make sure that the tab (callout 2) does not get caught on the printer frame (callout 3).

Figure 1-724 Rotate the cover



7. At the top of the printer, slightly pull the top of the cover away from the printer to release one retention tab (callout 1) on the inside of the cover. While holding the cover away, slide the cover toward the back of the printer (callout 2) to release two hooks (callout 3) inside the cover.

Figure 1-725 Release one tab and two hooks



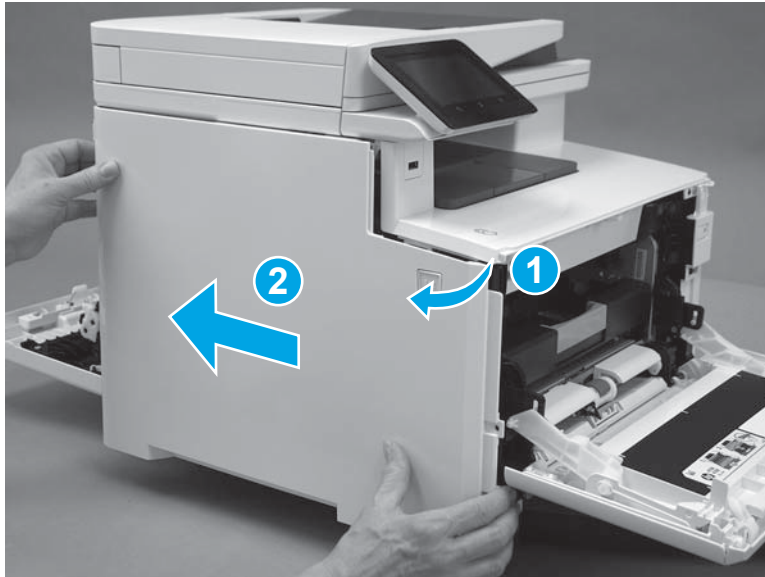
8. Lower the scanner.

Figure 1-726 Lower the scanner




9. Rotate the cover away from the printer (callout 1), and then slide the cover (callout 2) toward the back of the printer to remove it.

Figure 1-727 Remove the left cover

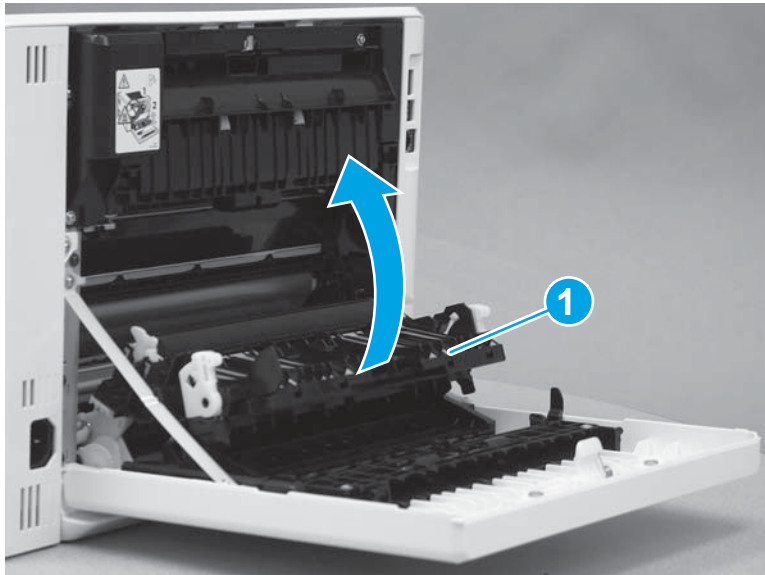


#### Step 7: Remove the duplexer door assembly (duplex models)


 **NOTE:** This step is for duplex models. For simplex models, skip this step and go to [Step 8: Remove the rear door \(simplex models\) on page 427](#).

1. Rotate the secondary transfer assembly (callout 1) toward the printer to close it.

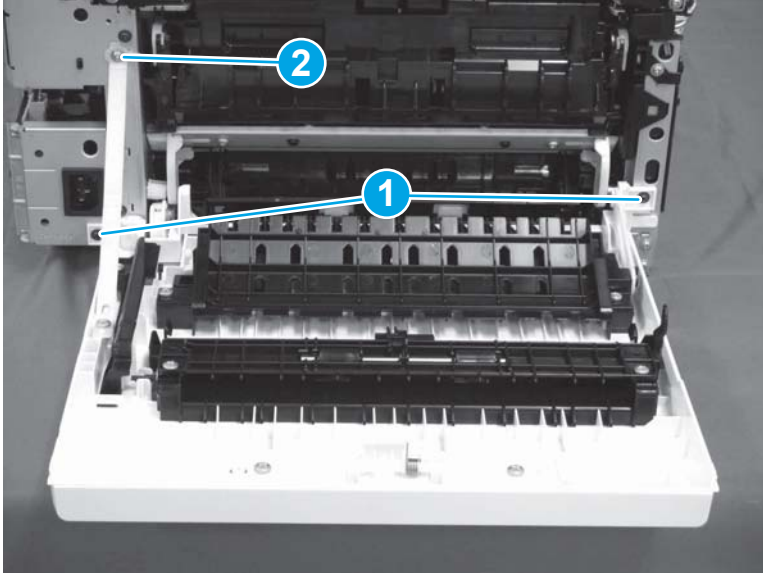
Figure 1-728 Close the secondary transfer assembly



2. At the back of the printer, remove two screws (callout 1), and then remove one screw (callout 2) that holds the retention arm.

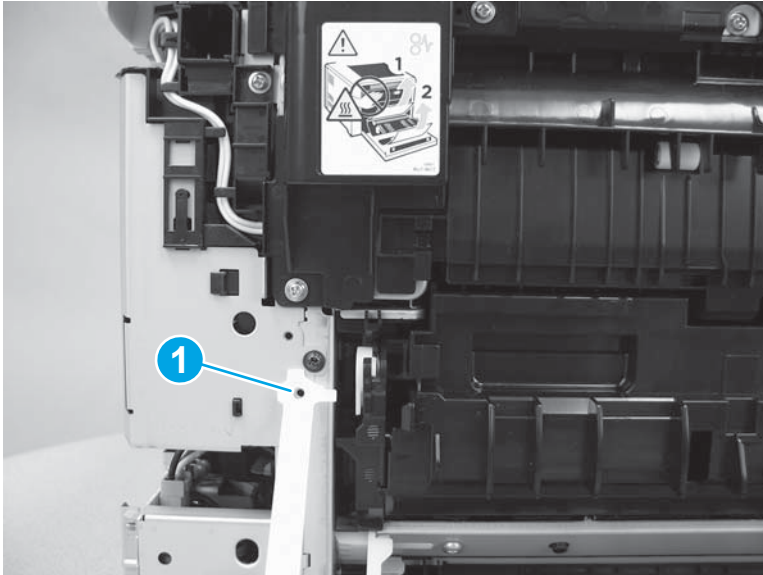
 **Reinstallation tip:** Note that the screw (callout 2) that holds the retention arm is longer than the other two. Make sure this screw is installed in the correct position.

**Figure 1-729** Remove three screws



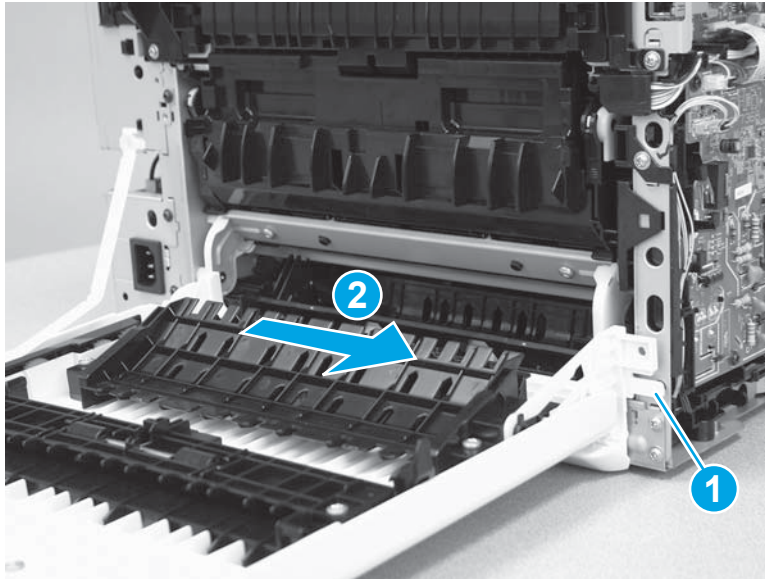
3. Release the retention arm (callout 1).

**Figure 1-730** Release the retention arm




4. Release one tab (callout 1), and then slide the duplexer door (callout 2) to the right to remove it.

Figure 1-731 Remove the duplexer door

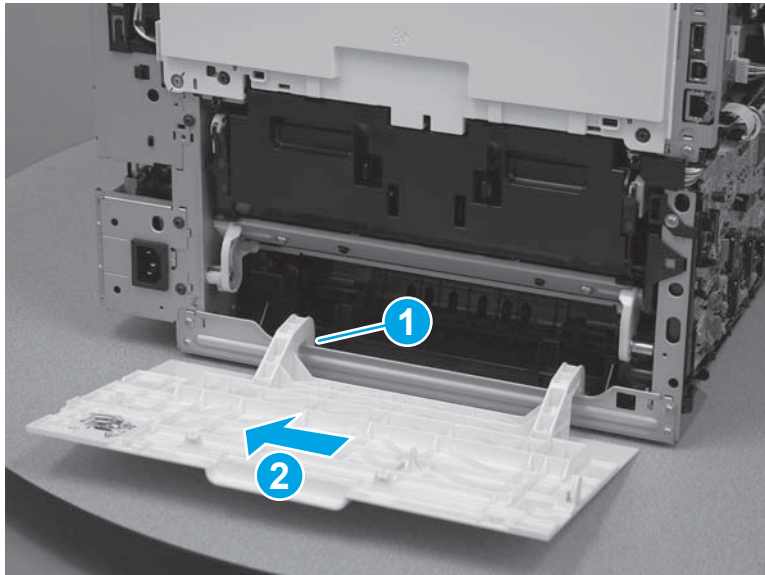


#### Step 8: Remove the rear door (simplex models)

 **NOTE:** This step is for simplex models. For duplex models, skip this step and go to [Step 9: Remove the LVPS on page 427](#).

- ▲ Slightly flex one hinge arm (callout 1) to release a hinge pin, and then slide the rear door to the left (callout 2) to remove it.

Figure 1-732 Remove the rear door

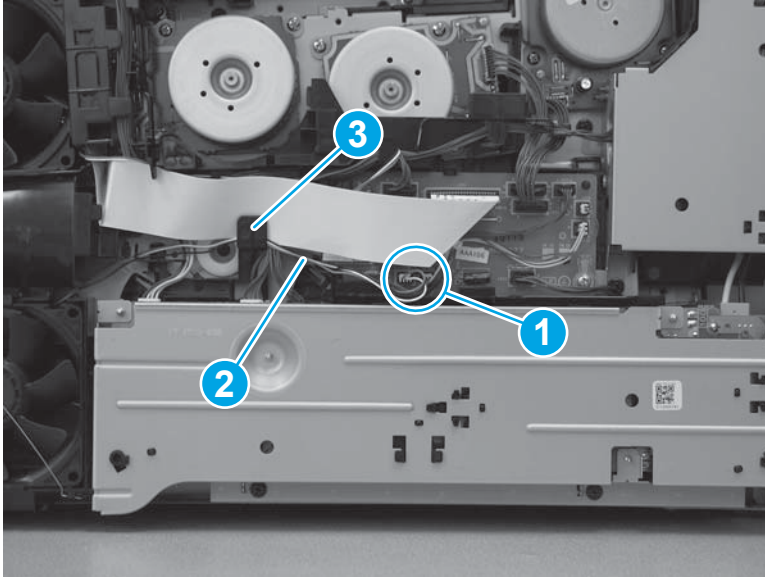


#### Step 9: Remove the LVPS

1. Disconnect one connector (callout 1), and then remove the cable (callout 2) from the wire guide (callout 3).

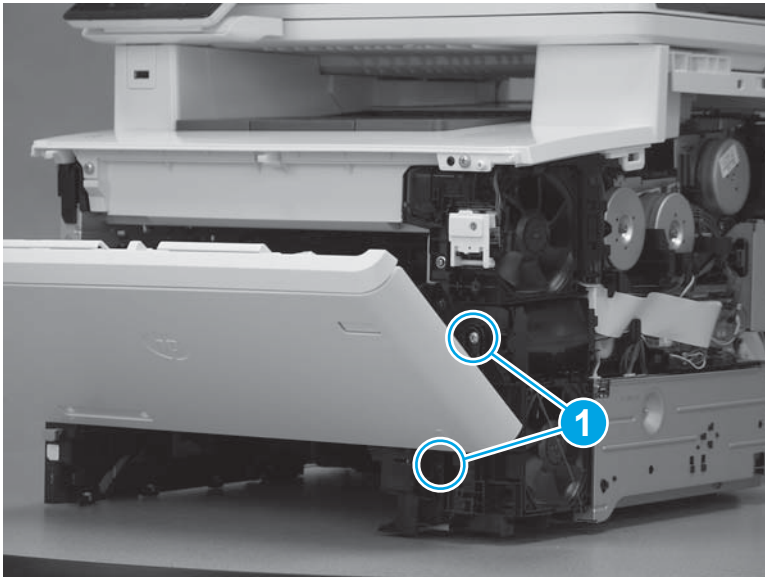


Figure 1-733 Disconnect one connector and release cables from guides



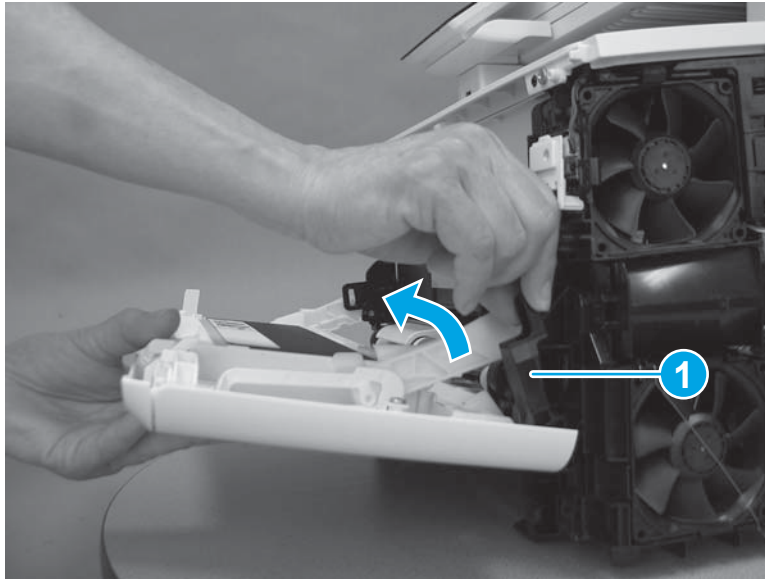
2. Remove two screws (callout 1).

Figure 1-734 Remove two screws



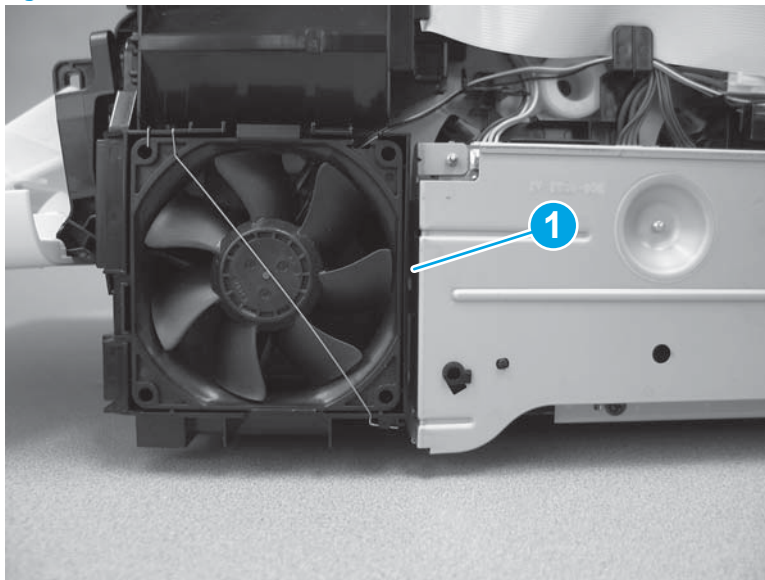
3. Release the hinge arm (callout 1).

Figure 1-735 Release the hinge arm



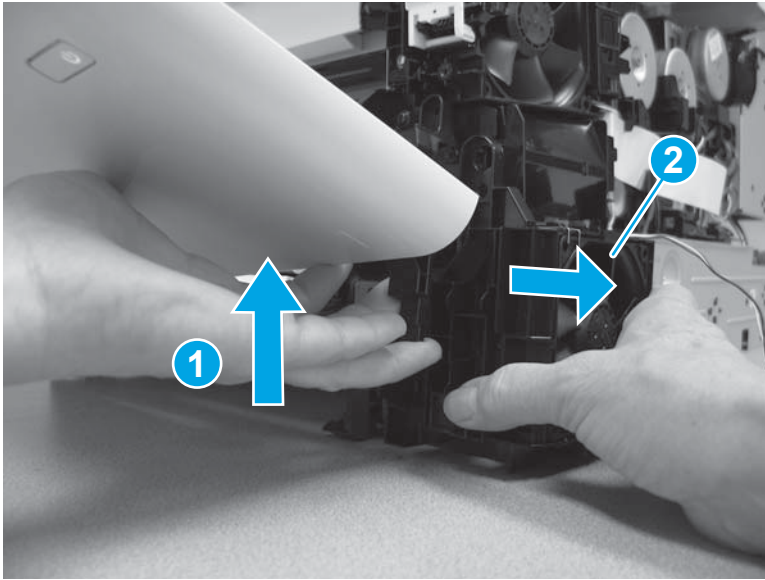
4. Release one tab (callout 1) on the right side of the power supply fan.

Figure 1-736 Release one tab




5. Lift the front door up slightly (callout 1), and then remove the power supply fan and holder (callout 2).

**Figure 1-737** Remove the power supply fan and holder



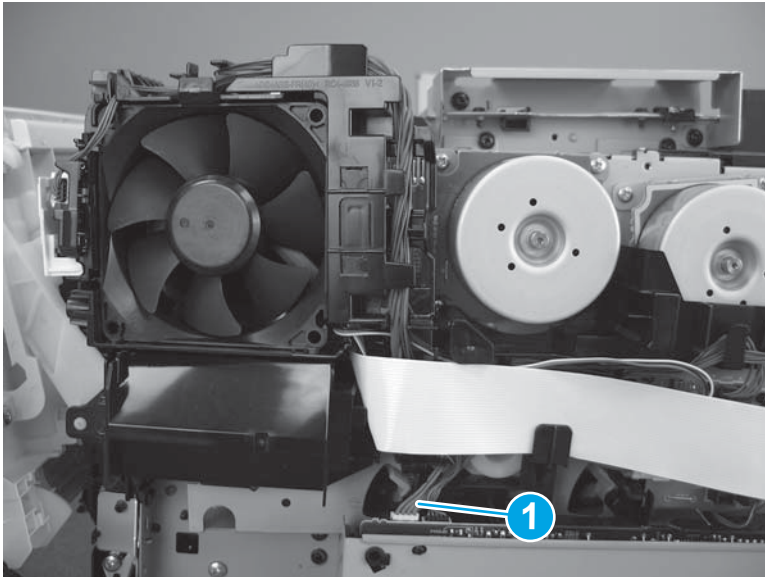
6. Before disconnecting the cables in the next step, make note of the position of two cables (callout 1).

---

 **IMPORTANT:** These cables can be inadvertently switched when reinstalling. The connectors on the cables will fit in either connector on the LVPS. Make sure that these cables are installed in the correct connectors. If the cables are switched, the printer will not power on when reassembled.

---

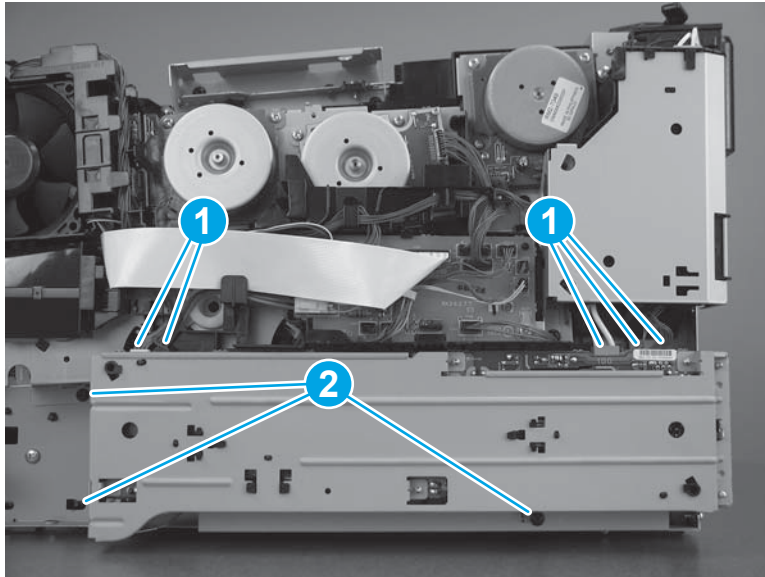
**Figure 1-738** Check the connectors





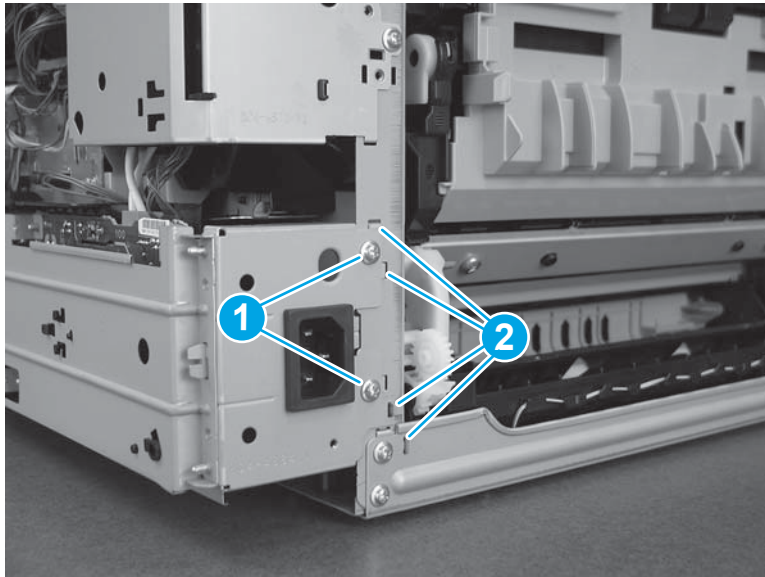
7. Disconnect five connectors (callout 1). Note that one connector (callout 2) has a latch that must be released before disconnecting it. Remove three screws (callout 3).

Figure 1-739 Disconnect five connectors and remove four screws



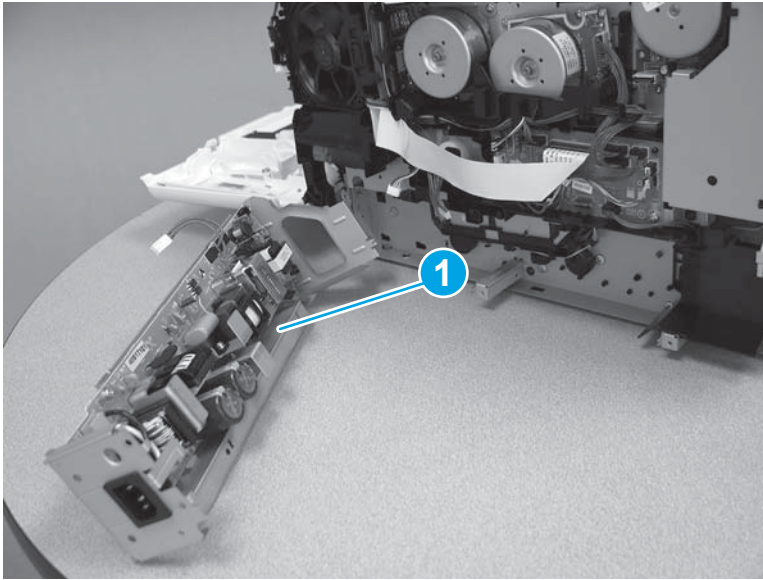
8. Remove two screws from the back (callout 1), and then release four tabs (callout 2).

Figure 1-740 Remove two screws and release three tabs



9. Remove the LVPS (callout 1).

Figure 1-741 Remove the LVPS



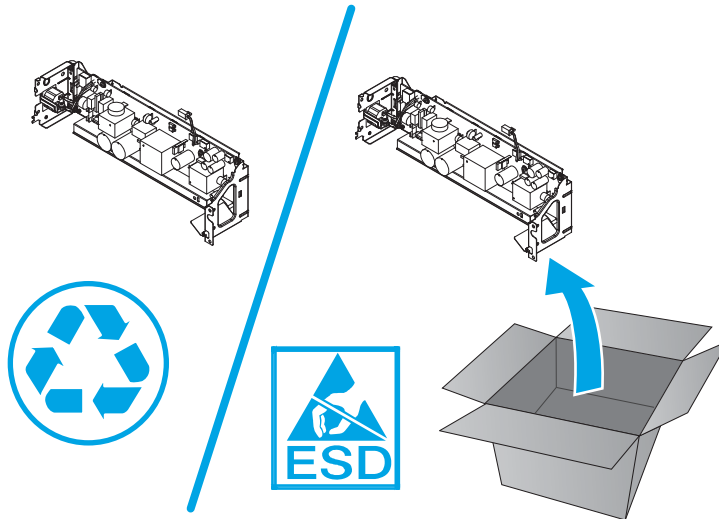
#### Step 10: Unpack the replacement part

Remove the new part from its package. Save all packaging for recycling the used part.

For complete information on HP's recycling programs, go to [Product return and recycling](#).

 **NOTE:** HP recommends responsible disposal of the defective part.

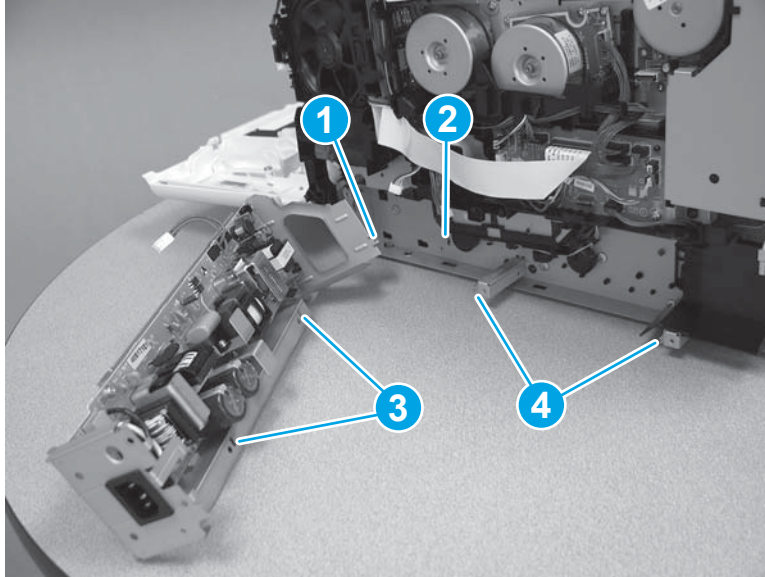
Figure 1-742 Recycle and unpack



#### Step 11: Install the LVPS

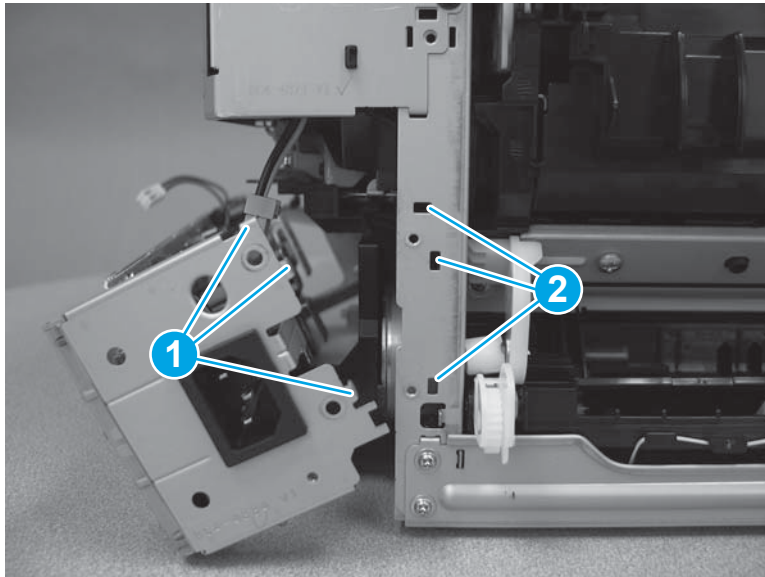
1. Install the tab (callout 1) on the LVPS into the slot (callout 2) in the printer. Install the slots (callout 3) in the LVPS over the tabs (callout 4) on the printer.

Figure 1-743 Install the side tabs of the LVPS




2. At the back of the printer, install the tabs on the LVPS (callout 1) into the slots (callout 2) in the printer.

Figure 1-744 Install the back tabs of the LVPS



3. To install an assembly, reverse the removal steps.

---

 **NOTE:** When applicable, special installation instructions are provided for an assembly at the end of the removal procedure. Always completely read the removal instructions and follow all special installation instructions.

---

## Removal and replacement: Pickup motor

- [Introduction](#)
- [Step 1: Remove Tray 2](#)
- [Step 2: Open the front door and rear door or duplexer door](#)
- [Step 3: Remove the right cover \(M454 models\)](#)
- [Step 4: Remove the right cover \(M479 models\)](#)
- [Step 5: Remove the left cover \(M454 models\)](#)
- [Step 6: Remove the left cover \(M479 models\)](#)
- [Step 7: Remove the duplexer door assembly \(duplex models\)](#)
- [Step 8: Remove the rear door \(simplex models\)](#)
- [Step 9: Remove the low-voltage power supply \(LVPS\)](#)
- [Step 10: Remove the pickup motor](#)
- [Step 11: Unpack the replacement part](#)
- [Step 12: Install the pickup motor](#)

### Introduction


This document provides the procedures to remove and replace the pickup motor.

[Click here to view a video of this procedure.](#)

### Before you begin

- Turn off the printer.
- Disconnect the power cable.

---

 **WARNING!** To avoid damage to the printer, turn the printer off, wait 30 seconds, and then remove the power cord before attempting to service the printer.

---

- Use the table below to identify the correct part number for your printer. To order the part, go to [www.hp.com/buy/parts](http://www.hp.com/buy/parts).

---

Pickup motor part number	
--------------------------	--

---

RM2-7350-000CN	Pickup motor
----------------	--------------

---

### Required tools

- #2 Phillips screwdriver with a magnetic tip
- Small flat-blade screwdriver

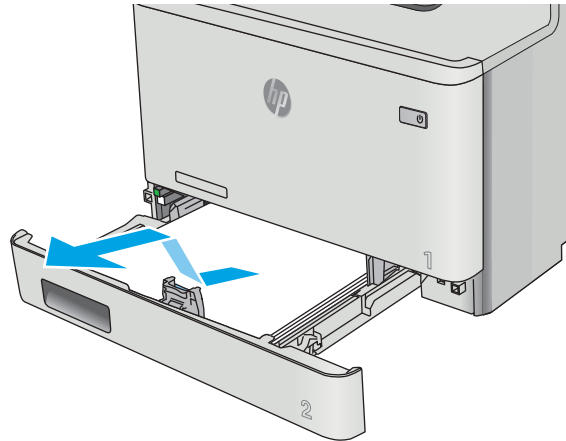
### After performing service

- Connect the power cable.
- Use the power switch to turn the power on.

### Step 1: Remove Tray 2

- ▲ Pull the tray out until it stops. Lift the front of the tray, and then pull it out of the printer to remove it.

Figure 1-745 Remove the tray



### Step 2: Open the front door and rear door or duplexer door

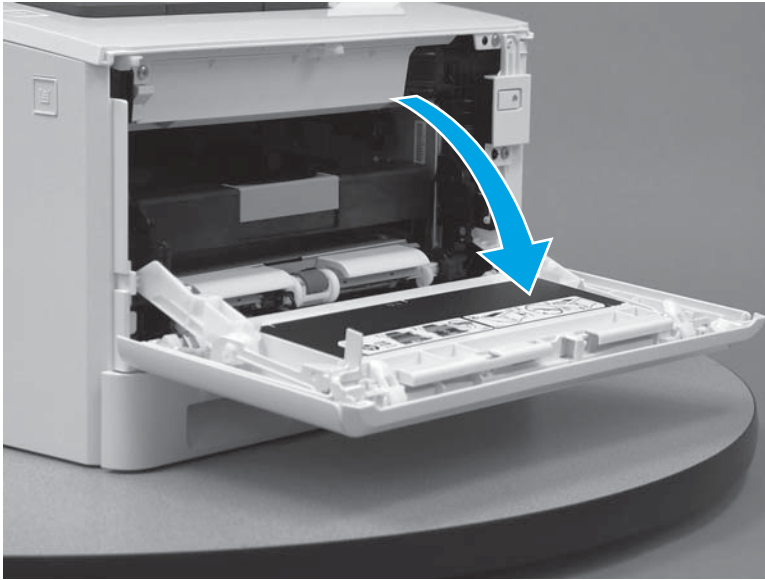
1. Press the button (callout 1) on the left side of the printer to release the front door.

Figure 1-746 Release the front door



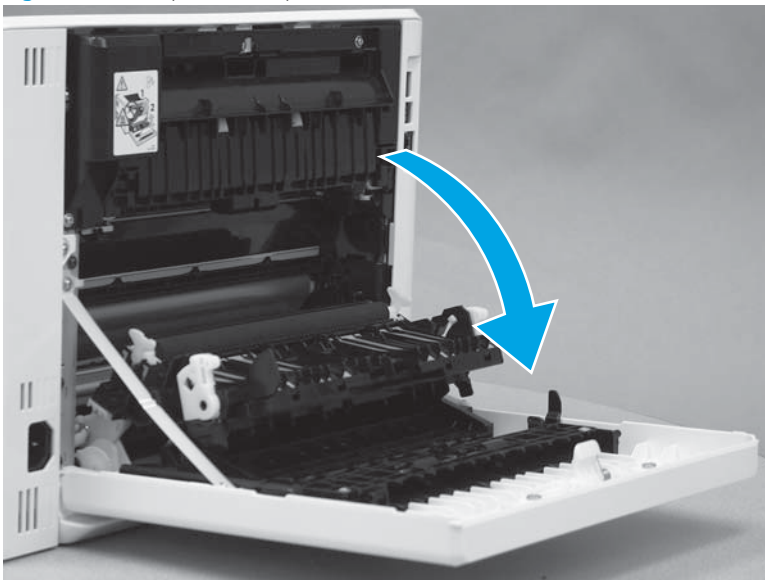
2. Open the front door.

Figure 1-747 Open the front door



3. Duplex models: Open the duplexer door.

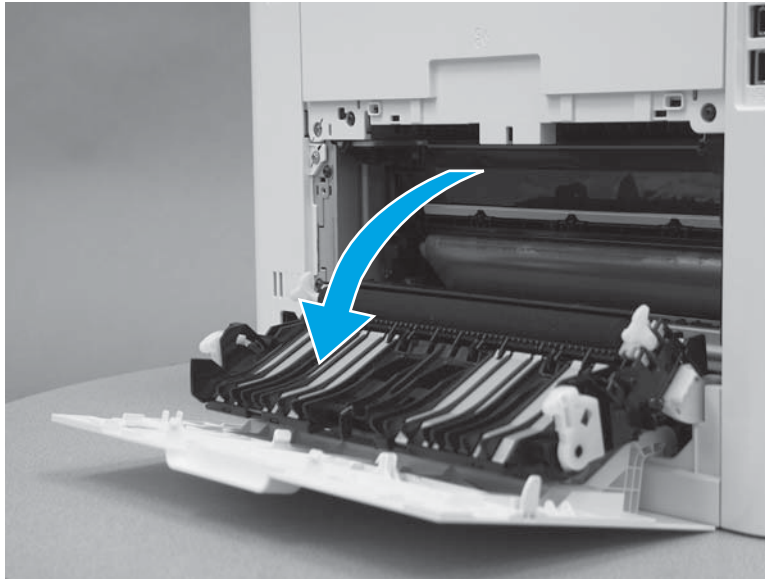
Figure 1-748 Open the duplexer door






4. **Simplex models:** Open the rear door.

Figure 1-749 Open the rear door



### Step 3: Remove the right cover (M454 models)

 **NOTE:** This step is for the M454 models. For the M479 models, skip this step and go to [Step 4: Remove the right cover \(M479 models\) on page 441](#).

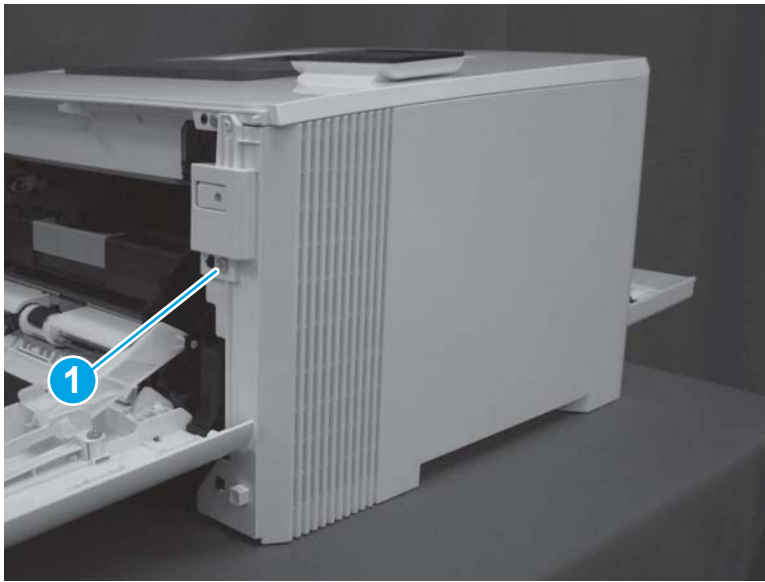
1. At the back of the printer, remove one screw (callout 1).

Figure 1-750 Remove one screw



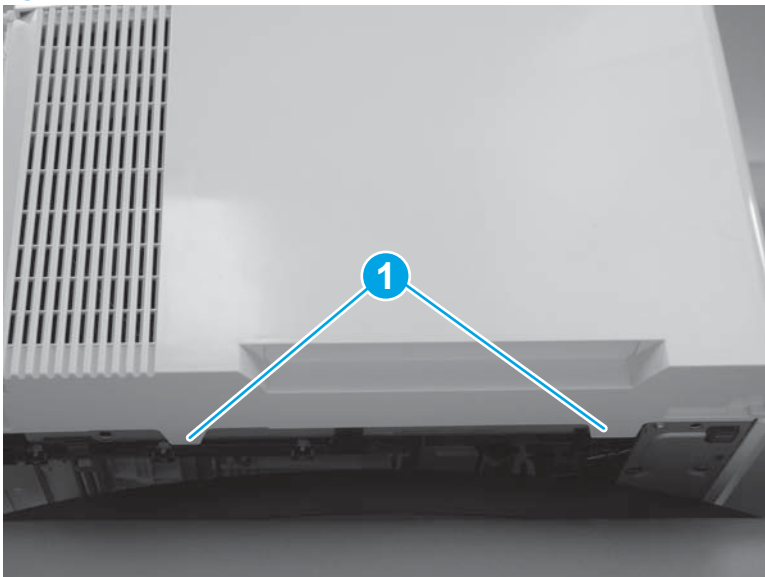
2. At the front of the printer, remove one screw (callout 1).

Figure 1-751 Remove one screw



3. Slide the printer to the edge of a work surface. Note the location of the tabs on the lower edge of the cover (callout 1).

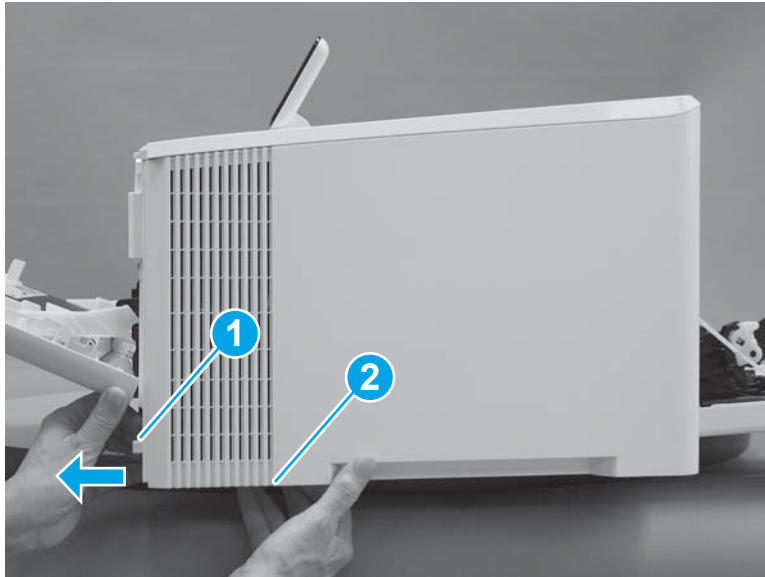
Figure 1-752 Locate the tabs





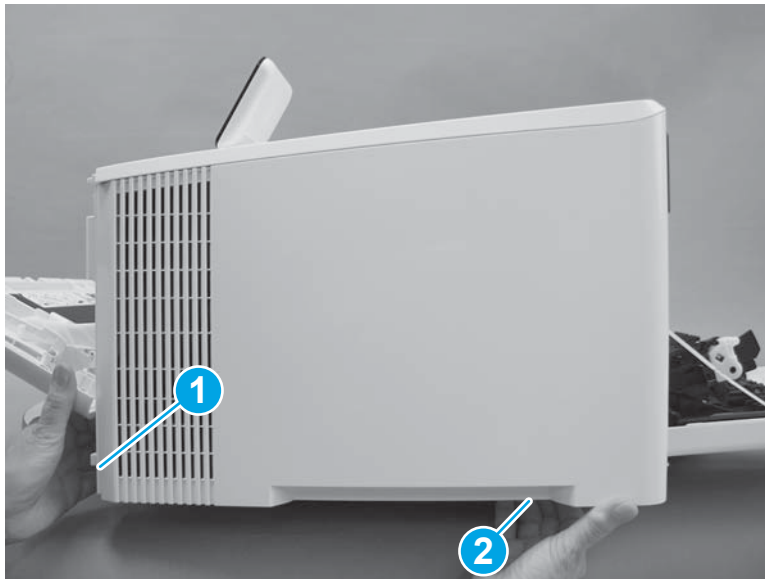
4. Release one tab (callout 1) on the front of the cover by slightly pulling the cover away from the printer. While holding the cover in the released position, release one tab (callout 2) on the bottom of the cover.

Figure 1-753 Release front lower tabs



5. Hold the front tabs in the released position (callout 1), and then release one tab (callout 2) on the bottom of the cover, toward the back of the printer.

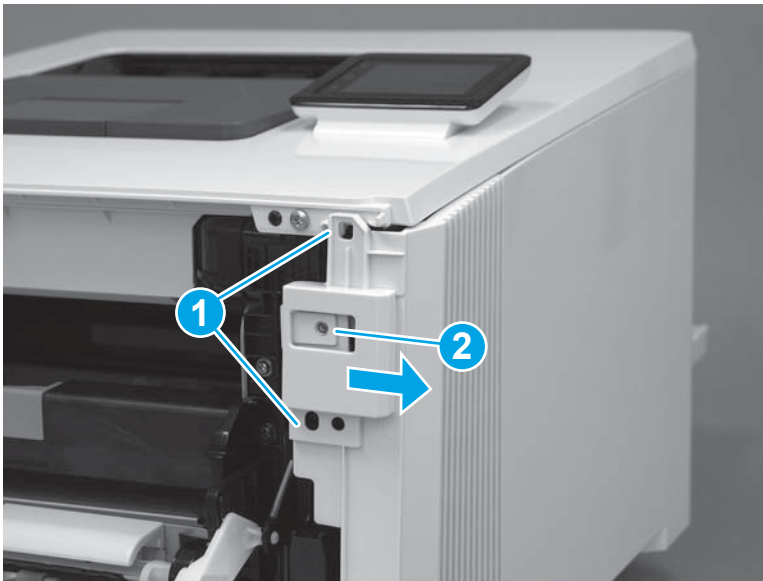
Figure 1-754 Release lower rear tab



6. Release two tabs at the front of the printer (callout 1) by slightly pulling the cover away from the printer.

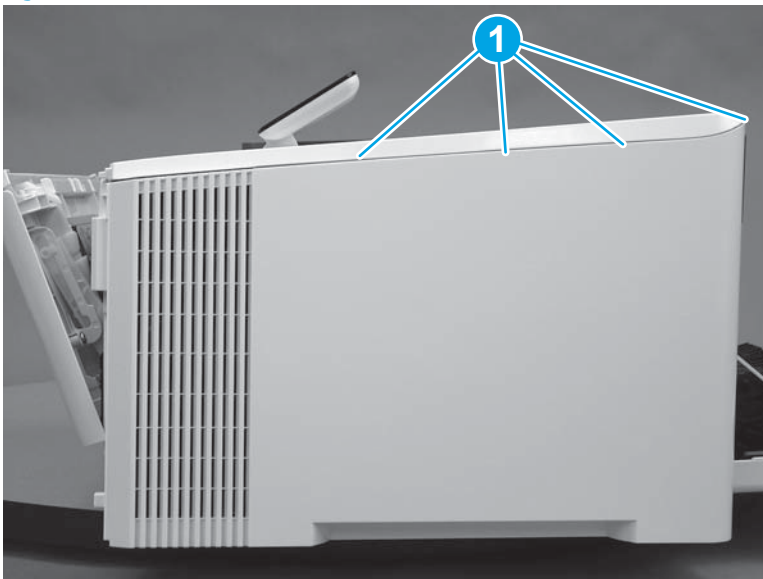
**⚠ CAUTION:** Be careful not to dislodge the power switch (callout 2).

**Figure 1-755** Release two front tabs



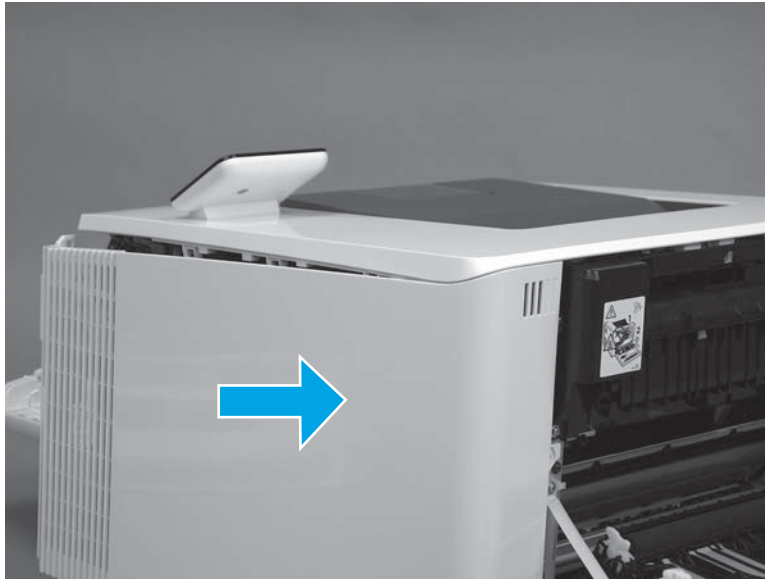
7. Release four tabs on the top of the printer (callout 1).

**Figure 1-756** Release upper tabs




8. Slide the cover toward the back of the printer to remove it.

**Figure 1-757** Remove the right cover



#### Step 4: Remove the right cover (M479 models)

 **NOTE:** This step is for the M479 models. For the M454 models, skip this step and go to [Step 5: Remove the left cover \(M454 models\) on page 447](#).

1. Raise the scanner.

**Figure 1-758** Raise the scanner



2. At the back of the printer, remove one screw (callout 1).

Figure 1-759 Remove one screw



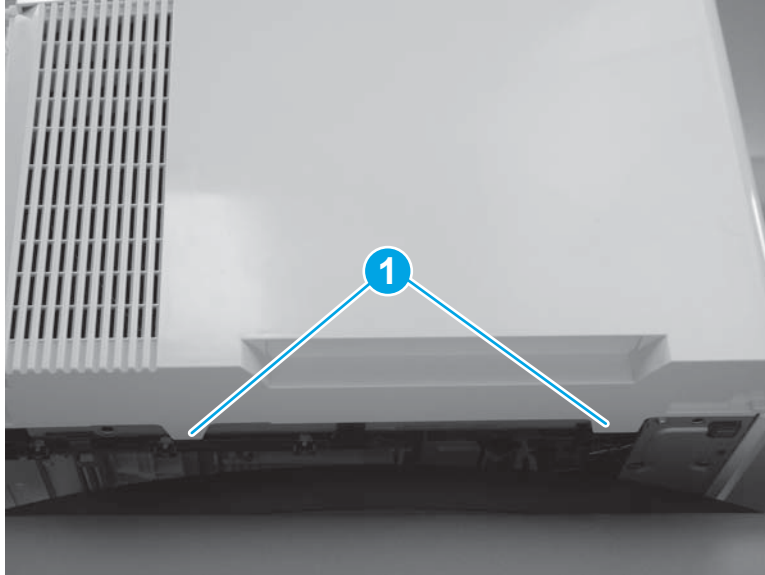
3. At the front of the printer, remove one screw (callout 1).

Figure 1-760 Remove one screw



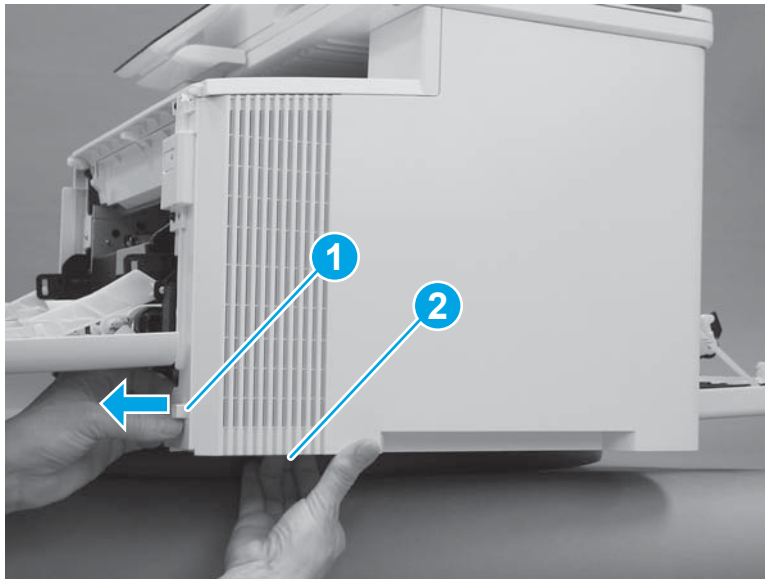
- Slide the printer to the edge of a work surface. Note the location of the tabs on the lower edge of the cover (callout 1).

Figure 1-761 Locate the tabs



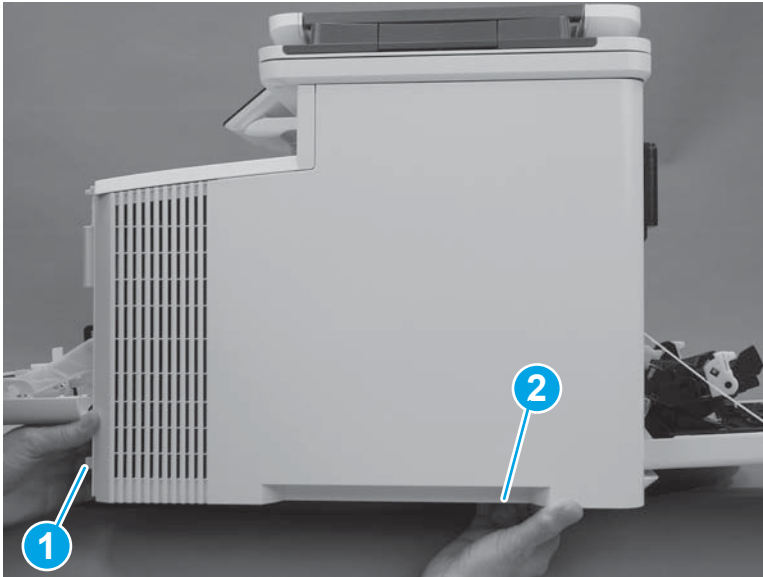
- Release one tab (callout 1) on the front of the cover by slightly pulling the cover away from the printer. While holding the cover in the released position, release one tab (callout 2) on the lower edge of the cover.

Figure 1-762 Release front lower tabs



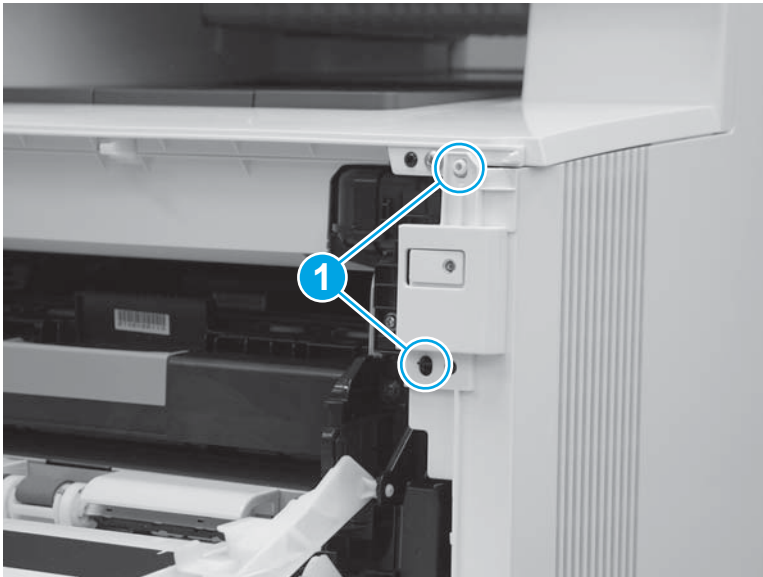
6. Hold the front tabs in the released position (callout 1), and then release one tab (callout 2) on the lower edge of the cover, toward the back of the printer.

Figure 1-763 Release lower rear tab



7. Release two tabs at the front of the printer (callout 1) by slightly pulling the cover away from the printer.

Figure 1-764 Release front upper tabs



8. Rotate the front of the cover away from the printer (callout 1).

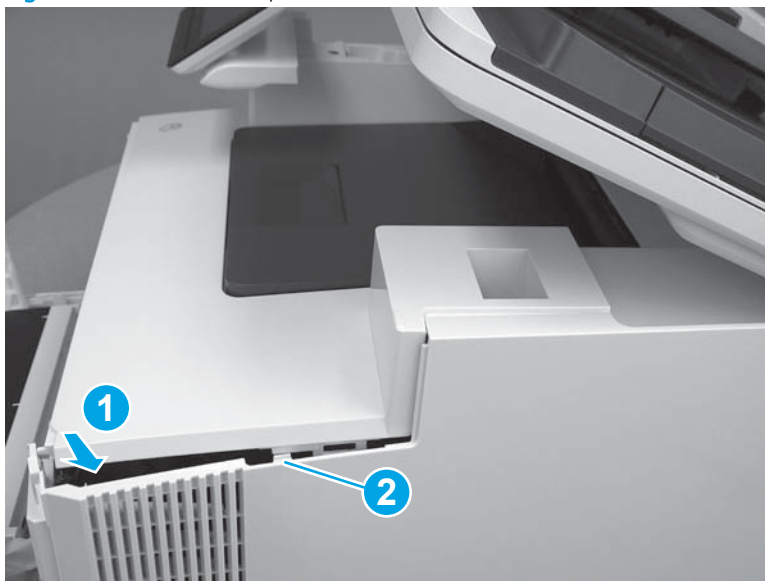
**⚠ CAUTION:** Be careful not to dislodge the power switch (callout 2).

Figure 1-765 Rotate the front of the cover



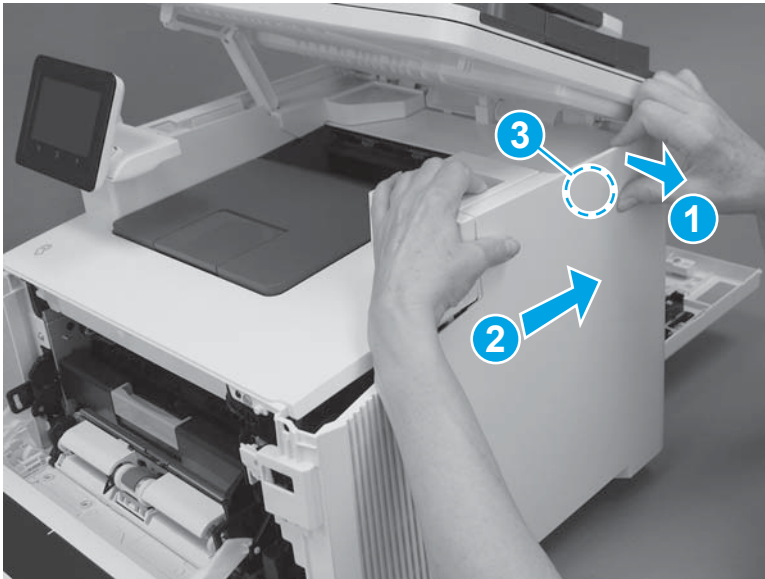
9. Slightly pull the front of the cover away from the printer (callout 1) to release one tab (callout 2).

Figure 1-766 Release top tabs



10. At the top of the printer, slightly pull the top of the cover away from the printer to release one retention tab (callout 1) on the inside of the cover. While holding the cover away, slide the cover toward the back of the printer (callout 2) to release one hook (callout 3) on the inside of the cover.

**Figure 1-767** Release one tab and one hook



11. Lower the scanner.

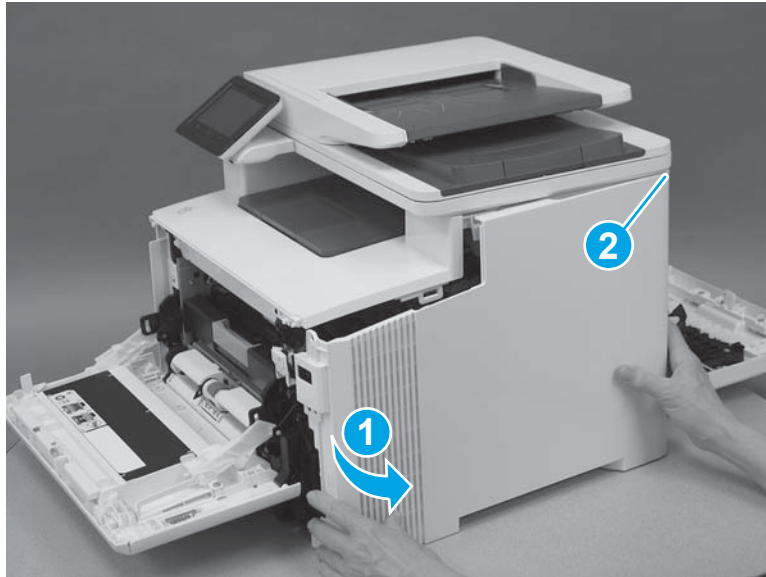
**Figure 1-768** Lower the scanner






12. Rotate the cover away from the printer (callout 1) to release one tab (callout 2) at the back of the printer, and then remove the cover.

Figure 1-769 Remove the right cover

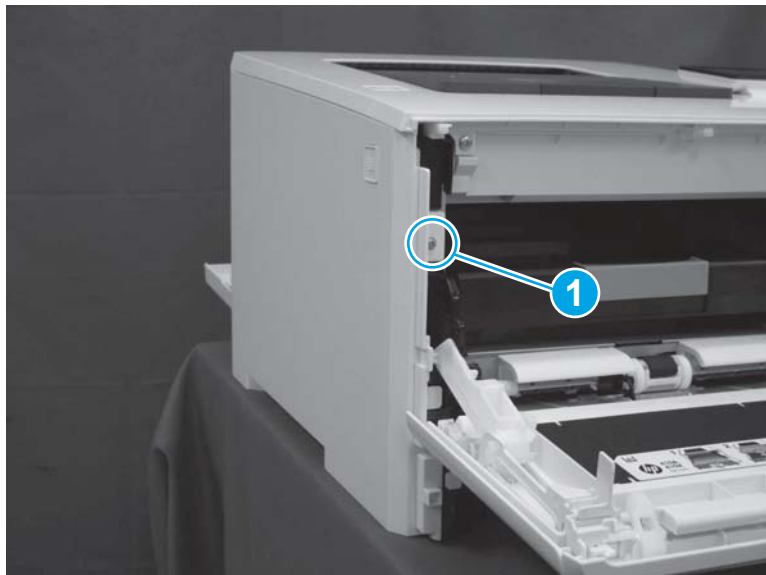


#### Step 5: Remove the left cover (M454 models)

 **NOTE:** This step is for the M454 models. For the M479 models, skip this step and go to [Step 6: Remove the left cover \(M479 models\) on page 449](#).

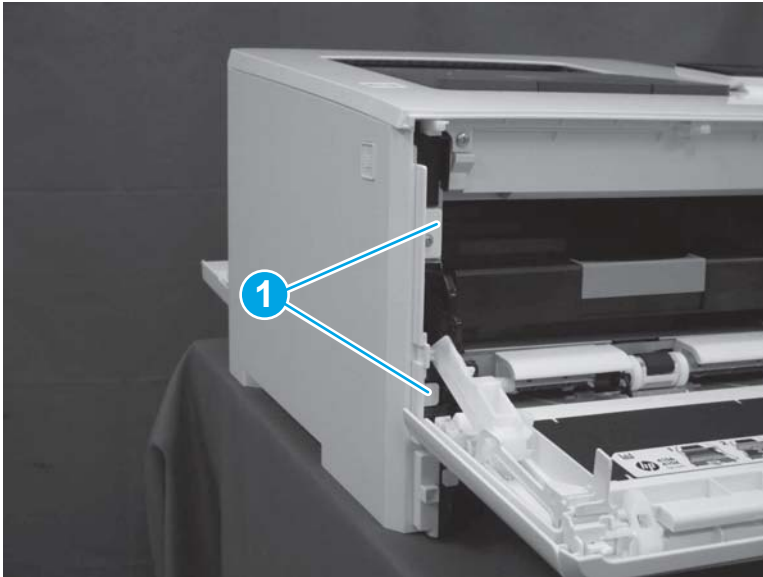
1. At the front of the printer, remove one screw (callout 1).

Figure 1-770 Remove one screw



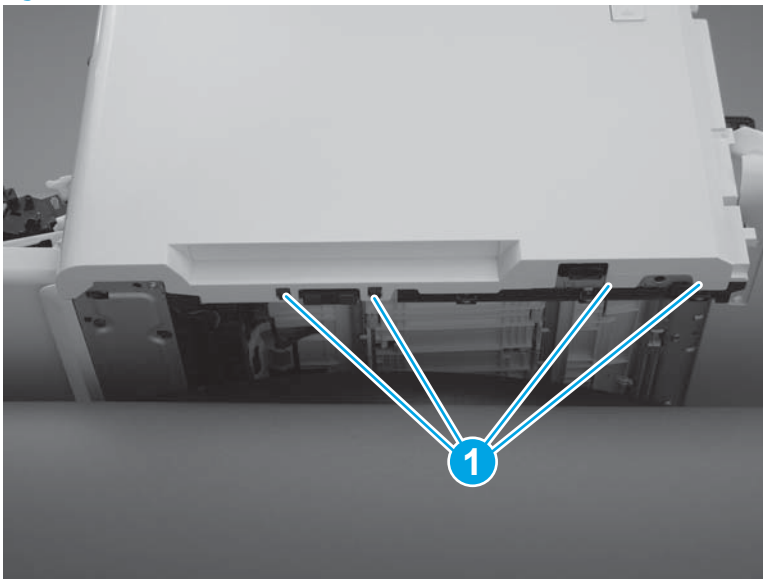
2. Release two tabs (callout 1) at the front of the cover. Hold the cover open to prevent the tabs from reengaging.

Figure 1-771 Release two tabs



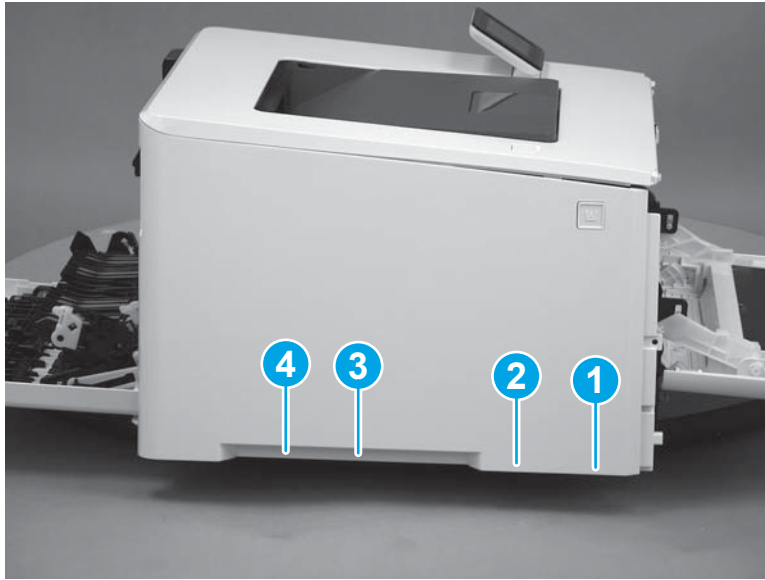
3. Slide the printer to the edge of a work surface. Note the location of the tabs on the lower edge of the cover (callout 1).

Figure 1-772 Locate the tabs



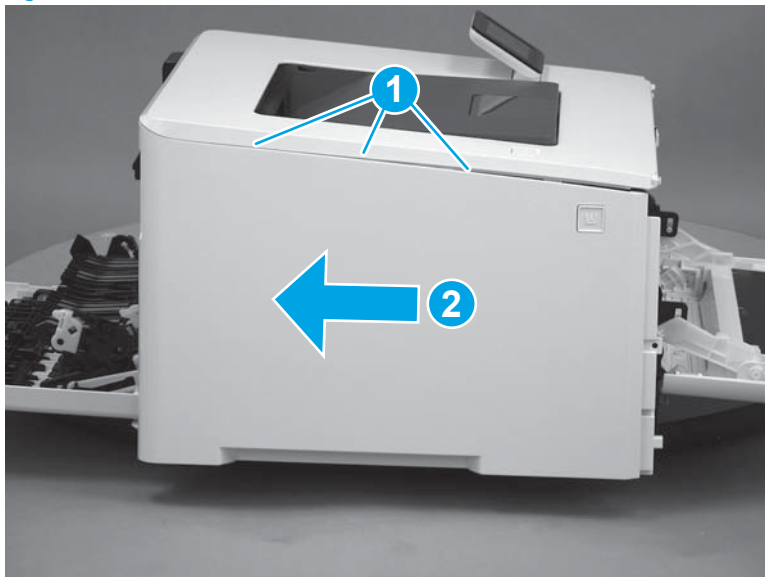
4. Beginning from the front of the cover, release four tabs (callouts 1-4) on the lower edge of the cover.

Figure 1-773 Release bottom tabs




5. Release three tabs at the top of the cover (callout 1), and then slide the cover toward the rear of the printer to remove it.

Figure 1-774 Release three tabs



#### Step 6: Remove the left cover (M479 models)

 **NOTE:** This step is for the M479 models. For the M454 models, skip this step and go to [Step 7: Remove the duplex door assembly \(duplex models\) on page 454.](#)

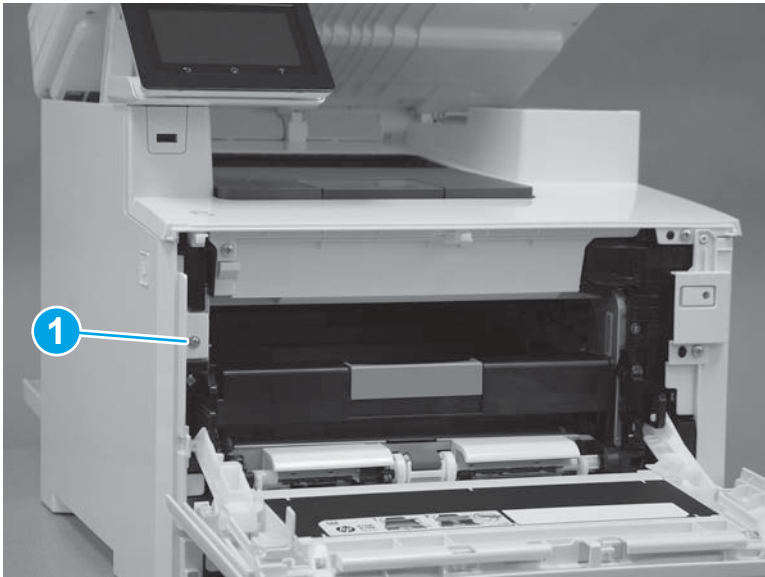
1. Raise the scanner.

Figure 1-775 Raise the scanner



2. At the front of the printer, remove one screw (callout 1).

Figure 1-776 Remove one screw



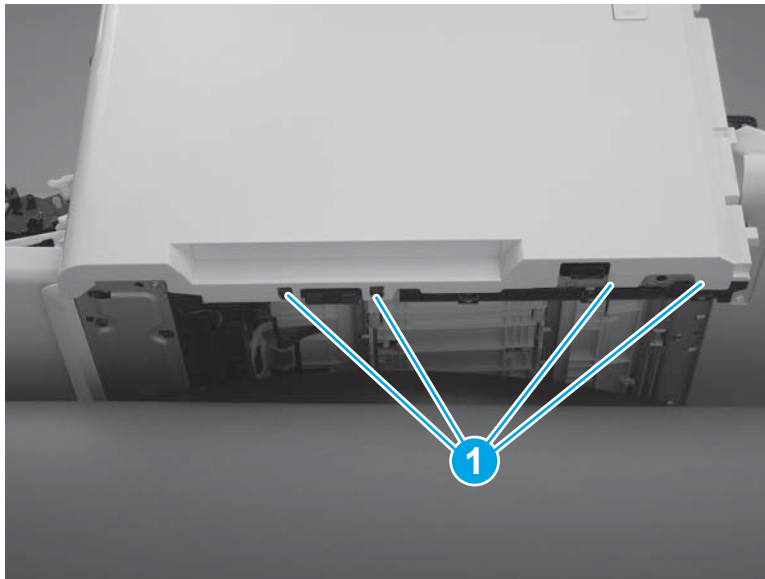
3. Release two tabs (callout 1) at the front of the cover. Hold the cover open to prevent the tabs from re-engaging.

Figure 1-777 Release two tabs



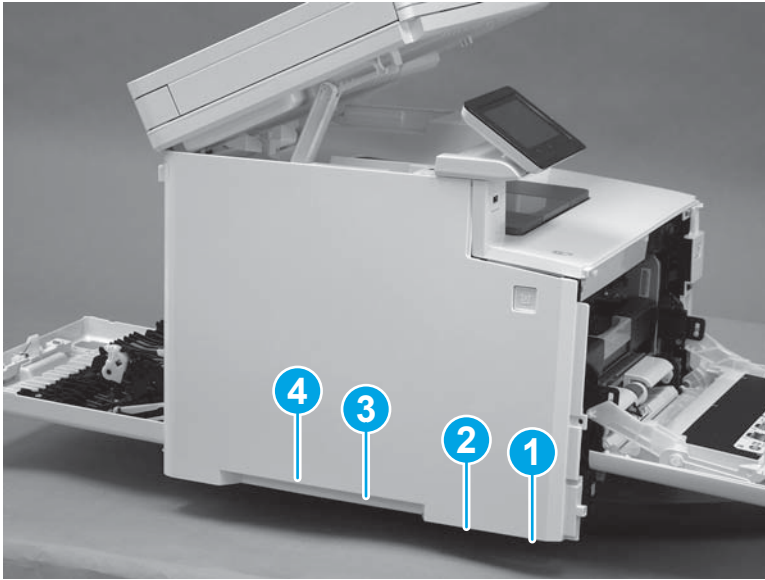
4. Slide the printer to the edge of a work surface. Note the location of the tabs on the lower edge of the cover (callout 1).

Figure 1-778 Locate the tabs



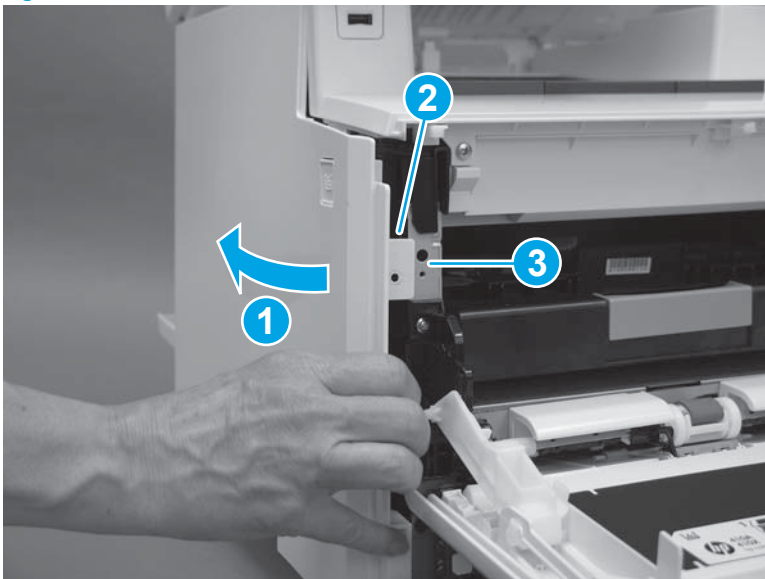
5. Beginning from the front of the cover, release the four tabs (callouts 1-4) on the lower edge of the cover.

Figure 1-779 Release four tabs



6. Rotate the front of the cover away from the printer (callout 1). Make sure that the tab (callout 2) does not get caught on the printer frame (callout 3).

Figure 1-780 Rotate the cover



7. At the top of the printer, slightly pull the top of the cover away from the printer to release one retention tab (callout 1) on the inside of the cover. While holding the cover away, slide the cover toward the back of the printer (callout 2) to release two hooks (callout 3) inside the cover.

Figure 1-781 Release one tab and two hooks



8. Lower the scanner.

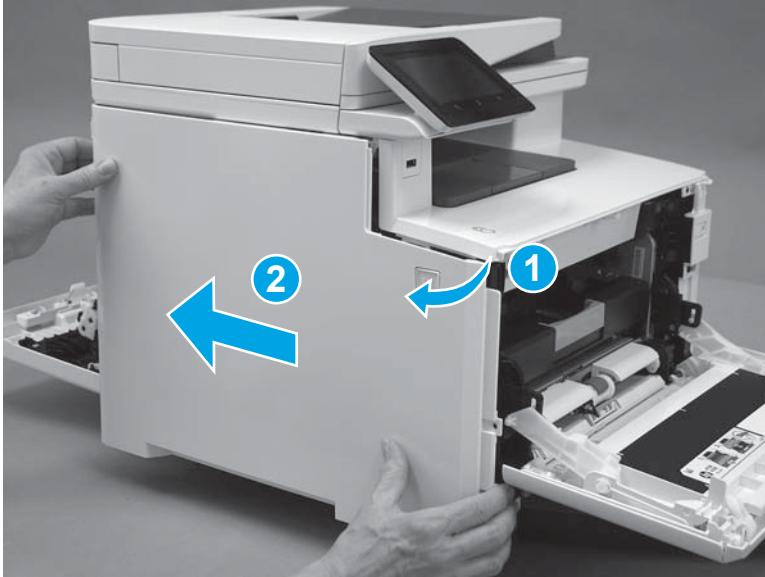
Figure 1-782 Lower the scanner






9. Rotate the cover away from the printer (callout 1), and then slide the cover (callout 2) toward the back of the printer to remove it.

**Figure 1-783** Remove the left cover

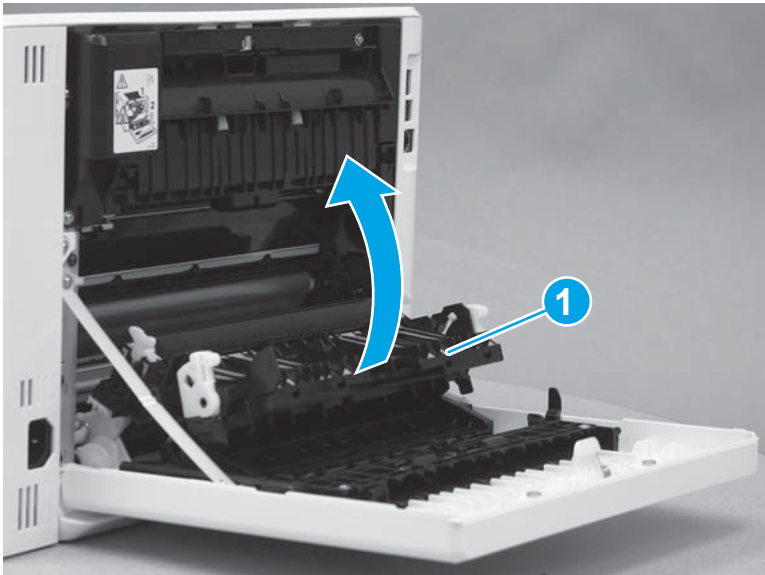


#### Step 7: Remove the duplexer door assembly (duplex models)

 **NOTE:** This step is for duplex models. For simplex models, skip this step and go to [Step 8: Remove the rear door \(simplex models\) on page 456](#).


1. Rotate the secondary transfer assembly (callout 1) toward the printer to close it.

**Figure 1-784** Close the secondary transfer assembly

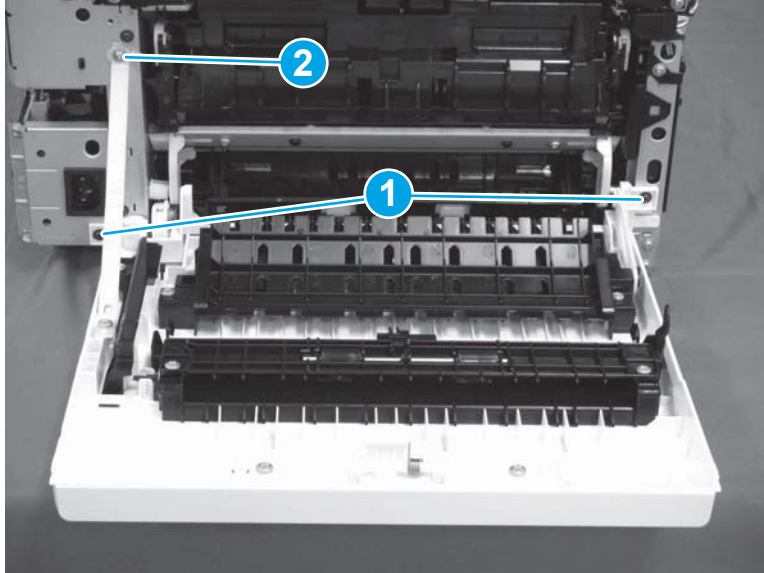




2. At the back of the printer, remove two screws (callout 1), and then remove one screw (callout 2) that holds the retention arm.

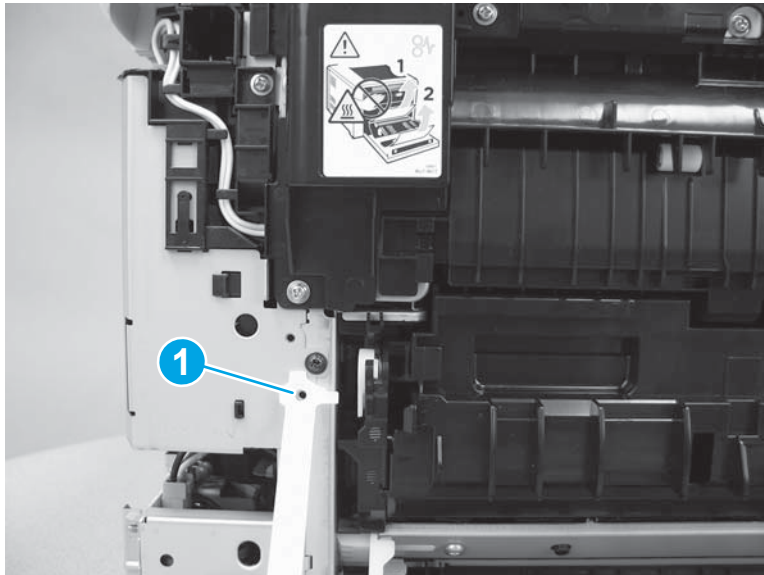
 **Reinstallation tip:** Note that the screw (callout 2) that holds the retention arm is longer than the other two. Make sure this screw is installed in the correct position.

**Figure 1-785** Remove three screws



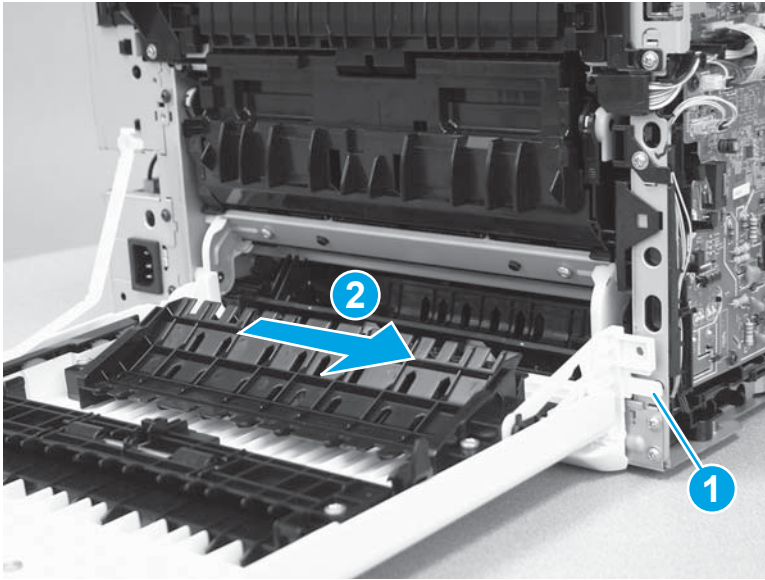
3. Release the retention arm (callout 1).

**Figure 1-786** Release the retention arm



4. Release one tab (callout 1), and then slide the duplexer door (callout 2) to the right to remove it.

**Figure 1-787** Remove the duplexer door



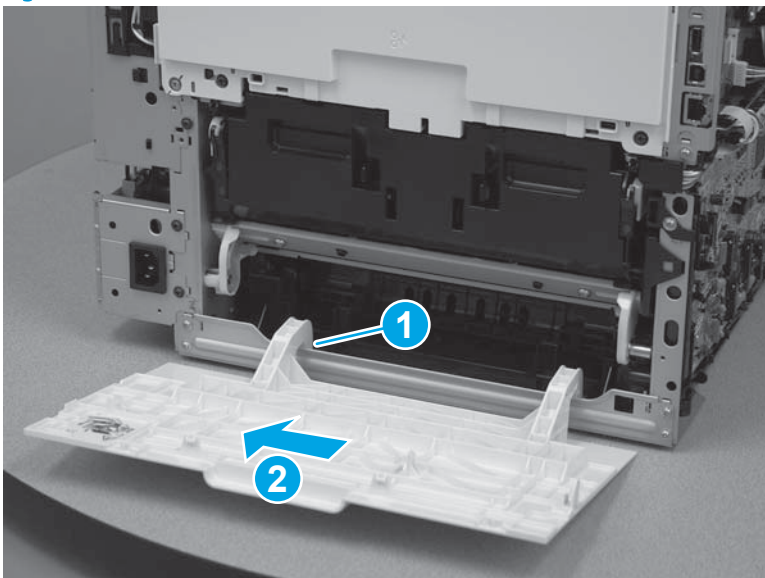
#### Step 8: Remove the rear door (simplex models)



**NOTE:** This step is for simplex models. For duplex models, skip this step and go to [Step 9: Remove the low-voltage power supply \(LVPS\) on page 456](#).

- ▲ Slightly flex one hinge arm (callout 1) to release a hinge pin, and then slide the rear door to the left (callout 2) to remove it.

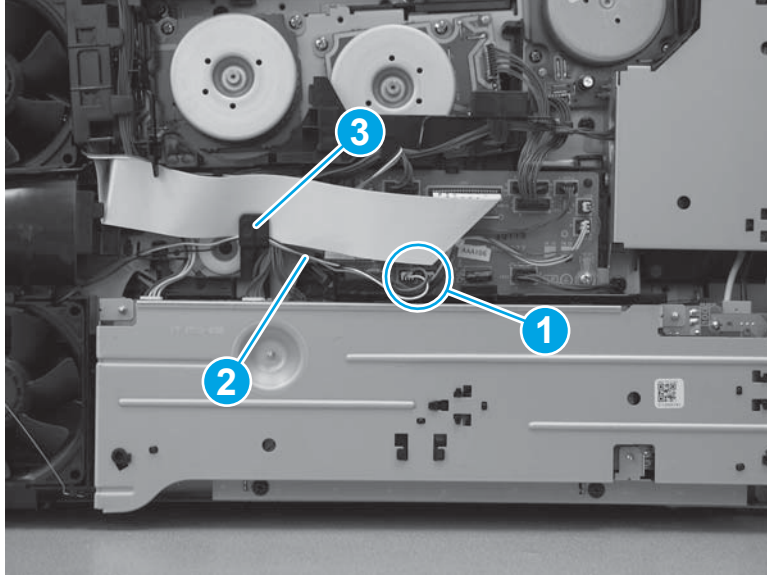
**Figure 1-788** Remove the rear door



#### Step 9: Remove the low-voltage power supply (LVPS)

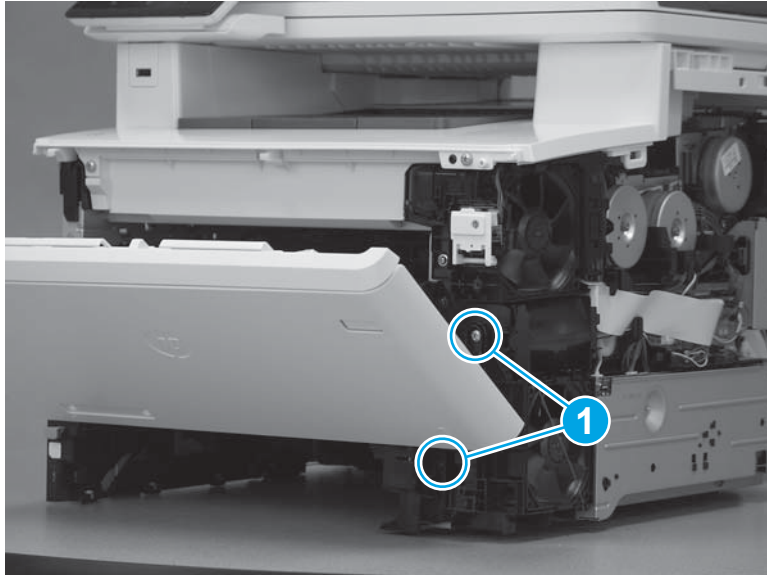
1. Disconnect one connector (callout 1), and then remove the cable (callout 2) from the wire guide (callout 3).

Figure 1-789 Disconnect one connector and release cables from guides



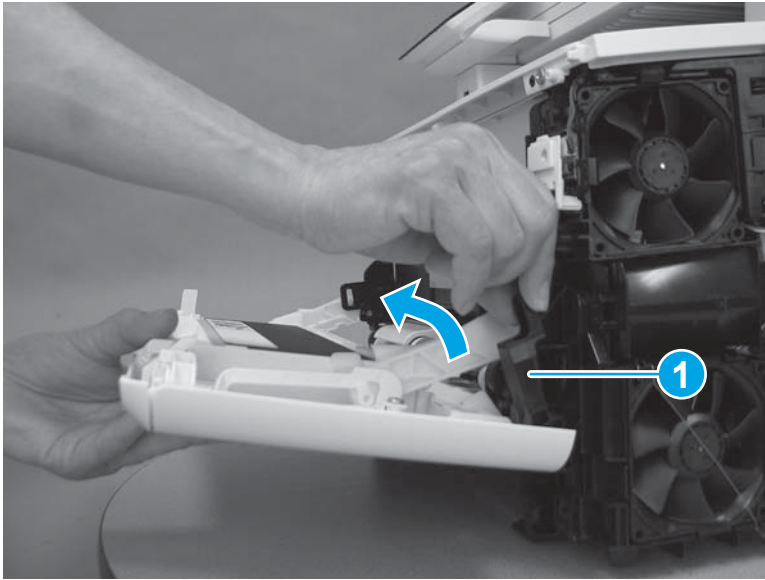
2. Remove two screws (callout 1).

Figure 1-790 Remove two screws



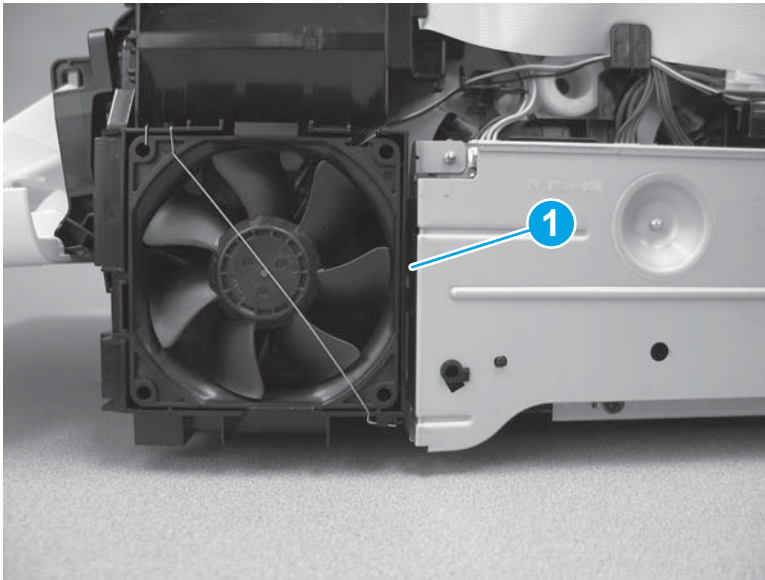
3. Release the hinge arm (callout 1).

Figure 1-791 Release the hinge arm



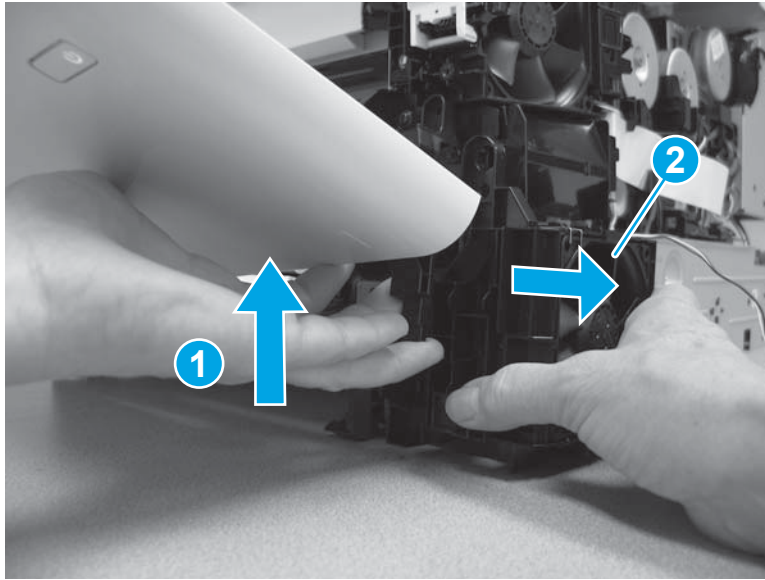
4. Release one tab (callout 1) on the right side of the power supply fan.

Figure 1-792 Release one tab



5. Lift the front door up slightly (callout 1), and then remove the power supply fan and holder (callout 2).

Figure 1-793 Remove the power supply fan and holder



6. Before disconnecting the cables in the next step, make note of the position of two cables (callout 1).


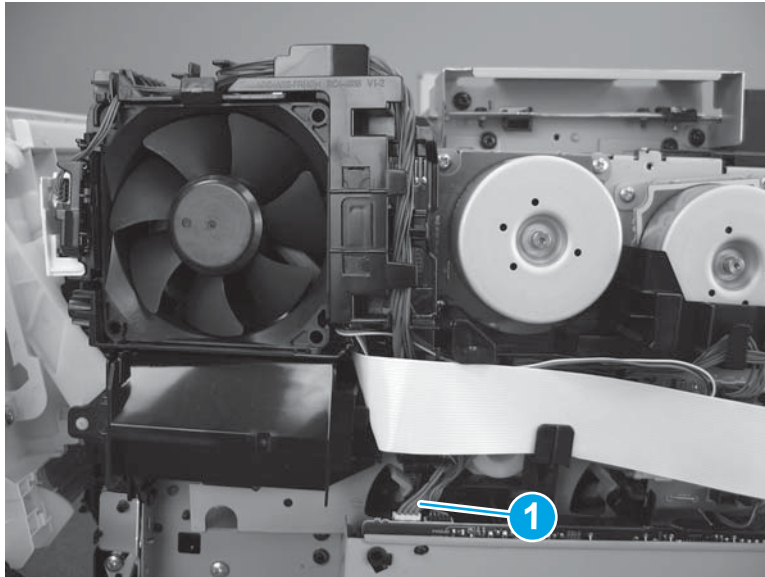
 **IMPORTANT:** These cables can be inadvertently switched when reinstalling. The connectors on the cables will fit in either connector on the LVPS. Make sure that these cables are installed in the correct connectors. If the cables are switched, the printer will not power on when reassembled.

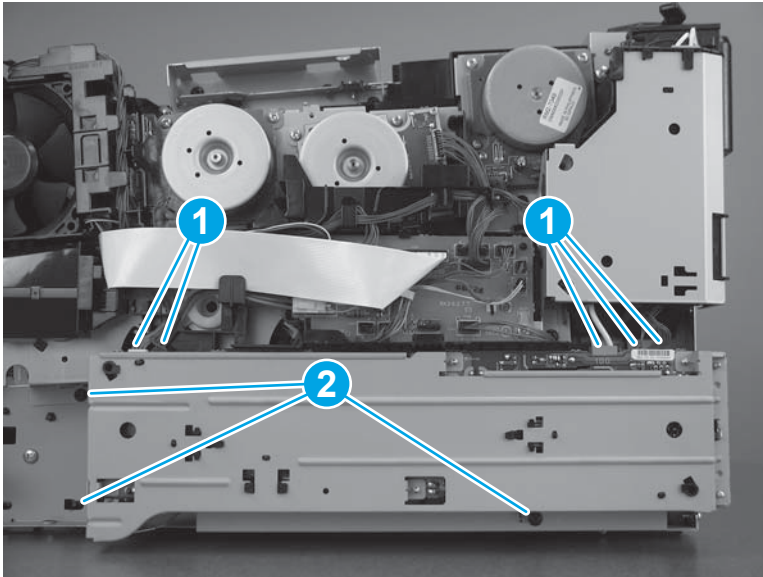
Figure 1-794 Check the connectors





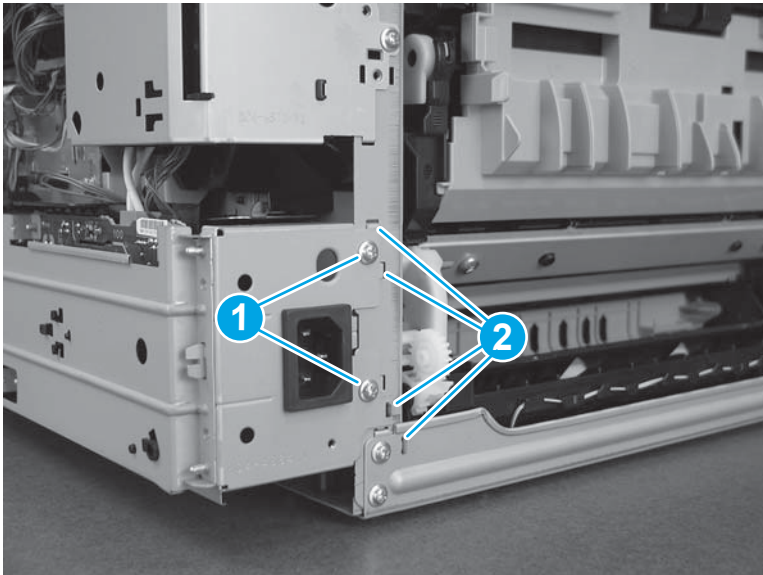
7. Disconnect five connectors (callout 1). Note that one connector (callout 2) has a latch that must be released before disconnecting it. Remove three screws (callout 3).

**Figure 1-795** Disconnect five connectors and remove four screws



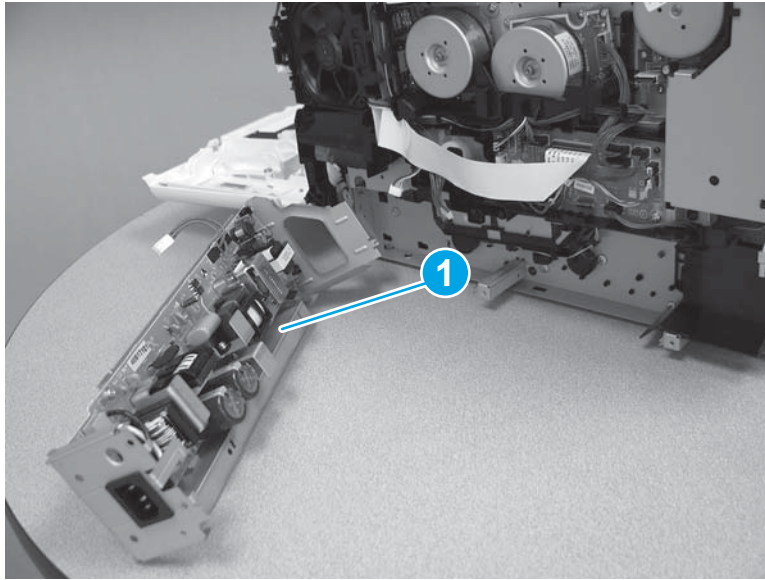
8. Remove two screws from the back (callout 1), and then release four tabs (callout 2).

**Figure 1-796** Remove two screws and release three tabs



9. Remove the LVPS (callout 1).

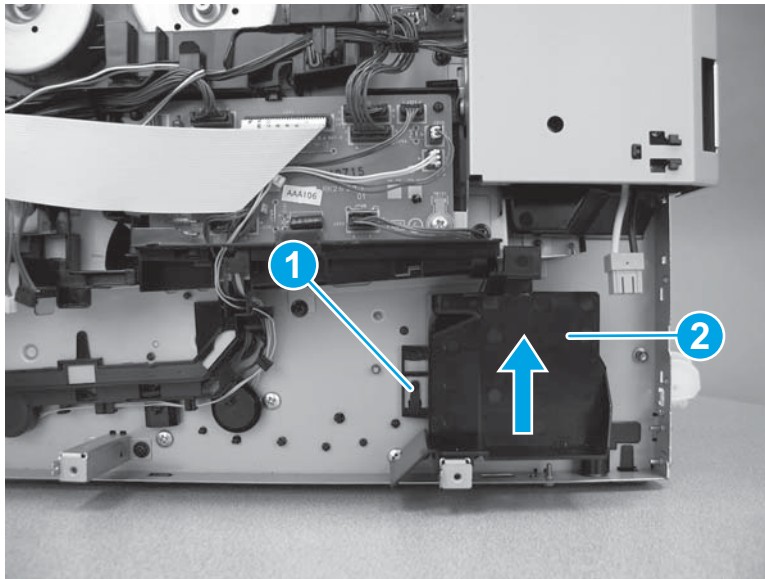
Figure 1-797 Remove the LVPS



#### Step 10: Remove the pickup motor

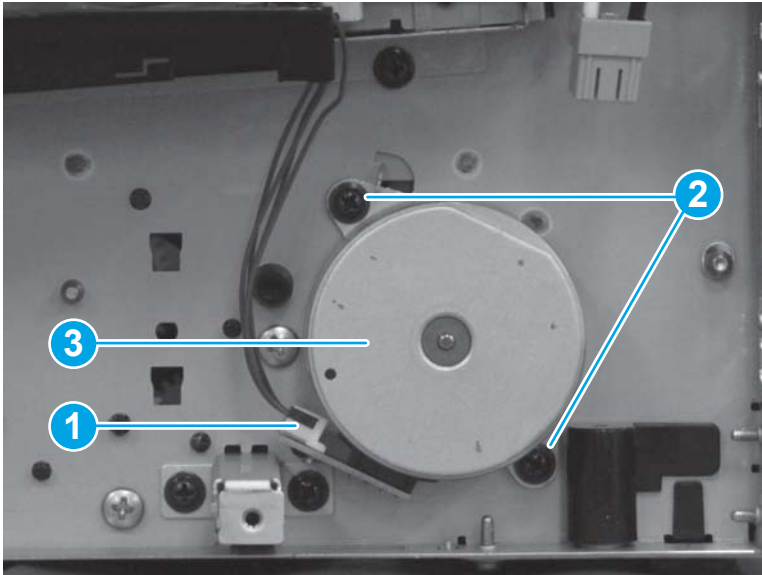
1. Release one tab (callout 1), and then slide the fan duct (callout 2) up to remove it.

Figure 1-798 Remove the fan duct



2. Disconnect one connector (callout 1), remove two screws (callout 2), and then remove the pickup motor (callout 3).

Figure 1-799 Remove the pickup motor



### Step 11: Unpack the replacement part

Remove the new part from its package. Save all packaging for recycling the used part.

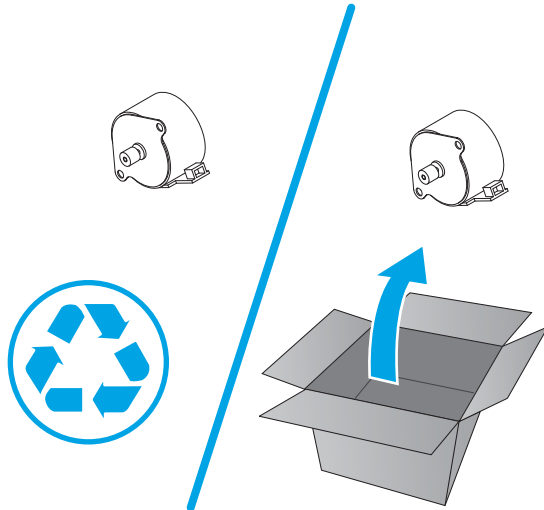
For complete information on HP's recycling programs, go to [Product return and recycling](#).

---

 **NOTE:** HP recommends responsible disposal of the defective part.

---

Figure 1-800 Recycle and unpack




### Step 12: Install the pickup motor

- ▲ To install an assembly, reverse the removal steps.



---

 **NOTE:** When applicable, special installation instructions are provided for an assembly at the end of the removal procedure. Always completely read the removal instructions and follow all special installation instructions.

---

## Removal and replacement: Driver PCA

- [Introduction](#)
- [Step 1: Remove Tray 2](#)
- [Step 2: Open the front door and rear door or duplexer door](#)
- [Step 3: Remove the right cover \(M454 models\)](#)
- [Step 4: Remove the right cover \(M479 models\)](#)
- [Step 5: Remove the driver PCA](#)
- [Step 6: Unpack the replacement part](#)
- [Step 7: Install the driver PCA](#)

### Introduction


This document provides the procedures to remove and replace the driver PCA.

[Click here to view a video of this procedure.](#)

### Before you begin

- Turn off the printer.
- Disconnect the power cable.

---

 **WARNING!** To avoid damage to the printer, turn the printer off, wait 30 seconds, and then remove the power cord before attempting to service the printer.

---

- Use the table below to identify the correct part number for your printer. To order the part, go to [www.hp.com/buy/parts](http://www.hp.com/buy/parts).

---

Driver PCA part number	
RM2-7369-000CN	Driver PCA

---

### Required tools

- #2 Phillips screwdriver with a magnetic tip

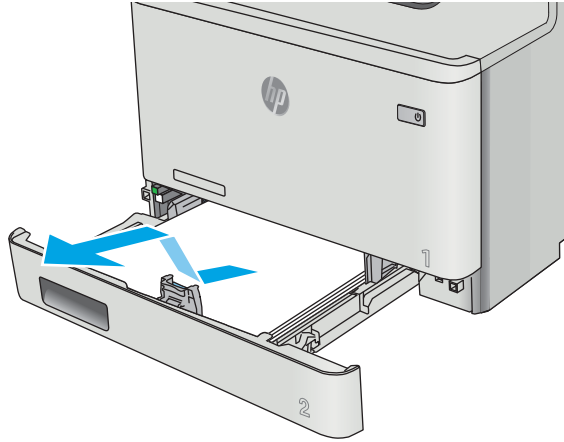
### After performing service

- Connect the power cable.
- Use the power switch to turn the power on.

### Step 1: Remove Tray 2

- ▲ Pull the tray out until it stops. Lift the front of the tray, and then pull it out of the printer to remove it.

Figure 1-801 Remove the tray



**Step 2: Open the front door and rear door or duplexer door**

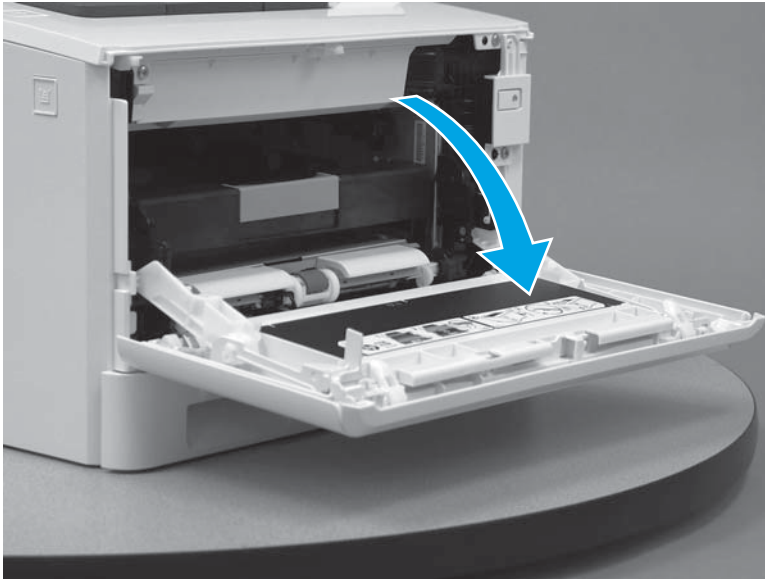
1. Press the button (callout 1) on the left side of the printer to release the front door.

Figure 1-802 Release the front door



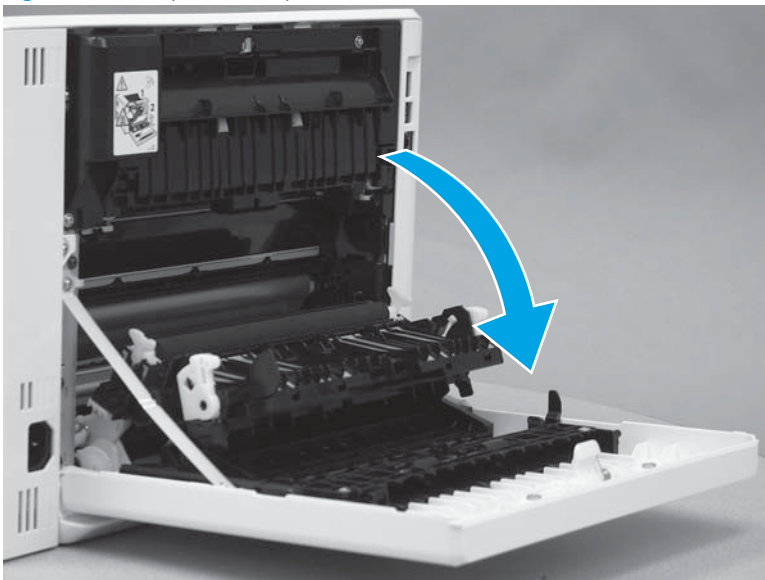
2. Open the front door.

**Figure 1-803** Open the front door



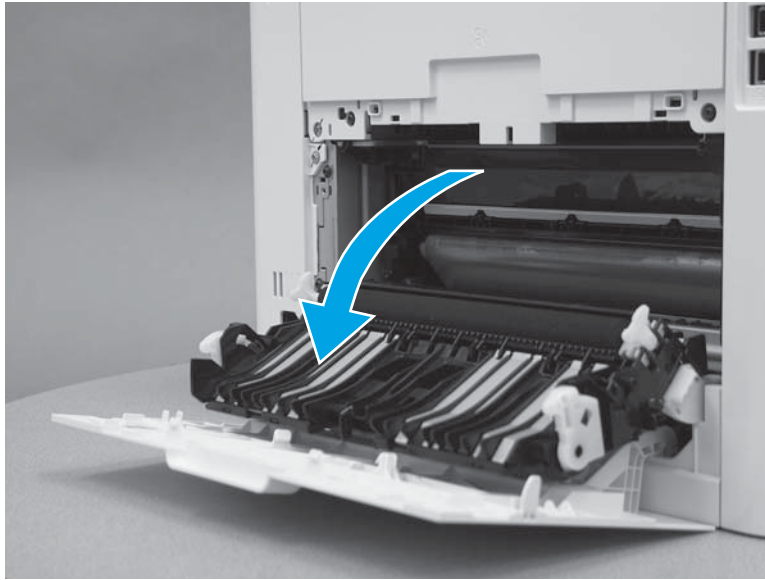
3. Duplex models: Open the duplexer door.

**Figure 1-804** Open the duplexer door




4. **Simplex models:** Open the rear door.

Figure 1-805 Open the rear door



### Step 3: Remove the right cover (M454 models)

 **NOTE:** This step is for the M454 models. For the M479 models, skip this step and go to [Step 4: Remove the right cover \(M479 models\) on page 471](#).

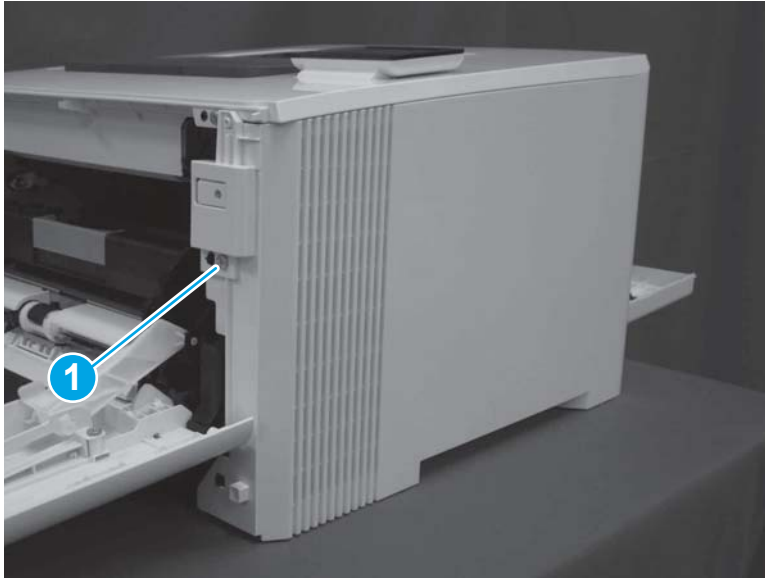
1. At the back of the printer, remove one screw (callout 1).

Figure 1-806 Remove one screw



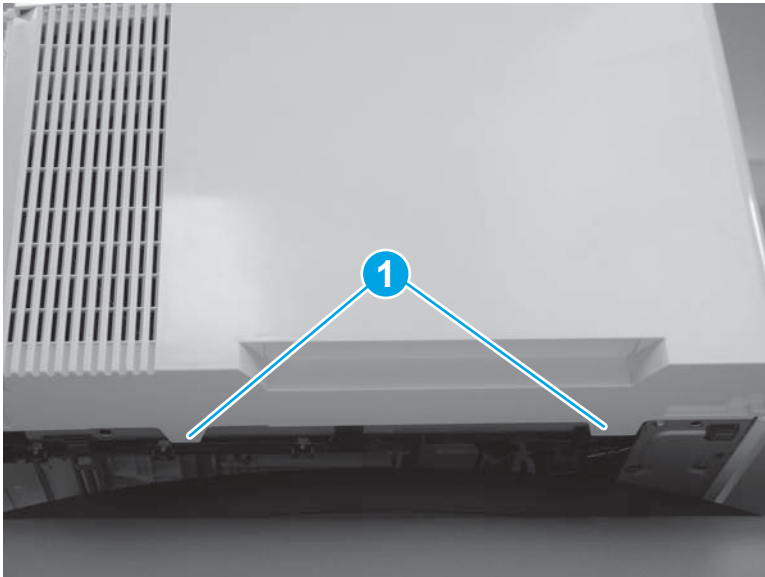
2. At the front of the printer, remove one screw (callout 1).

Figure 1-807 Remove one screw



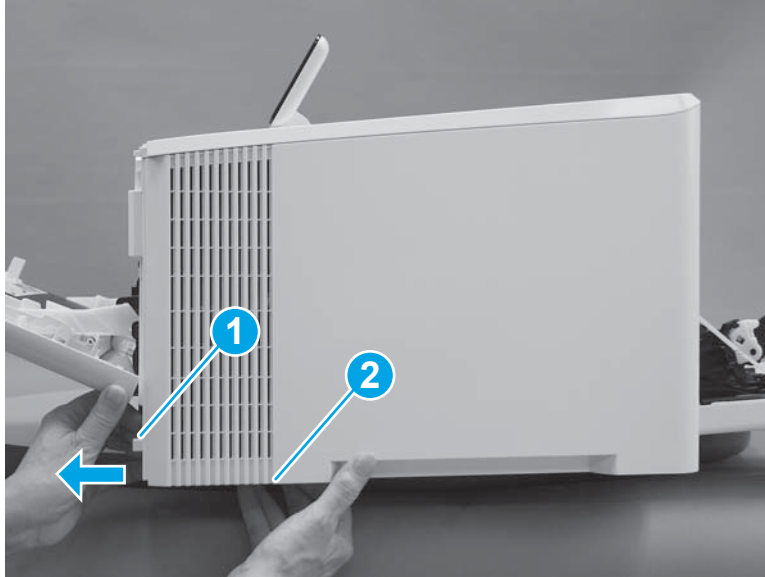
3. Slide the printer to the edge of a work surface. Note the location of the tabs on the lower edge of the cover (callout 1).

Figure 1-808 Locate the tabs



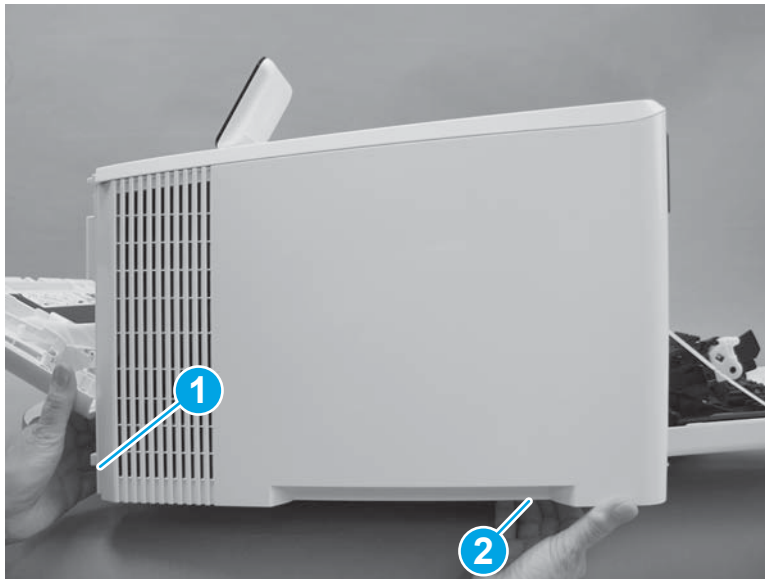
4. Release one tab (callout 1) on the front of the cover by slightly pulling the cover away from the printer. While holding the cover in the released position, release one tab (callout 2) on the bottom of the cover.

Figure 1-809 Release front lower tabs



5. Hold the front tabs in the released position (callout 1), and then release one tab (callout 2) on the bottom of the cover, toward the back of the printer.

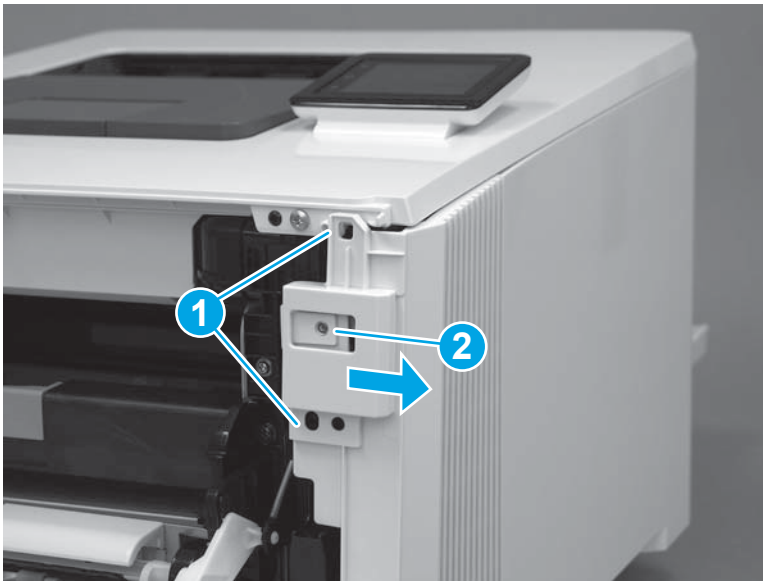
Figure 1-810 Release lower rear tab



6. Release two tabs at the front of the printer (callout 1) by slightly pulling the cover away from the printer.

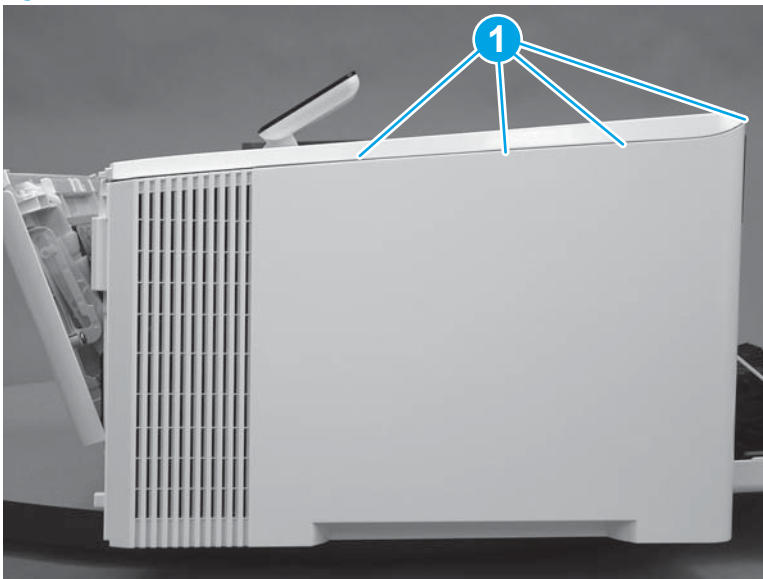
**⚠ CAUTION:** Be careful not to dislodge the power switch (callout 2).

**Figure 1-811** Release two front tabs



7. Release four tabs on the top of the printer (callout 1).

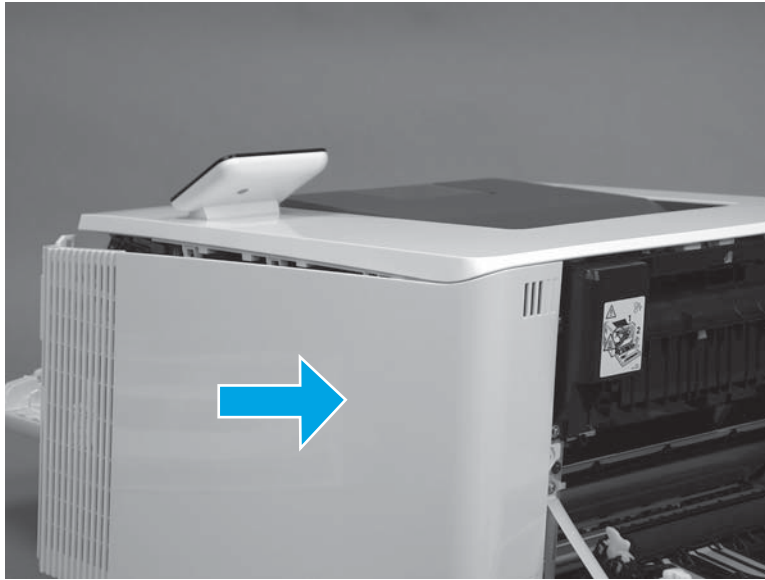
**Figure 1-812** Release upper tabs






8. Slide the cover toward the back of the printer to remove it.

**Figure 1-813** Remove the right cover



#### Step 4: Remove the right cover (M479 models)

 **NOTE:** This step is for the M479 models. For the M454 models, skip this step and go to [Step 5: Remove the driver PCA on page 477](#).

1. Raise the scanner.

**Figure 1-814** Raise the scanner



2. At the back of the printer, remove one screw (callout 1).

Figure 1-815 Remove one screw



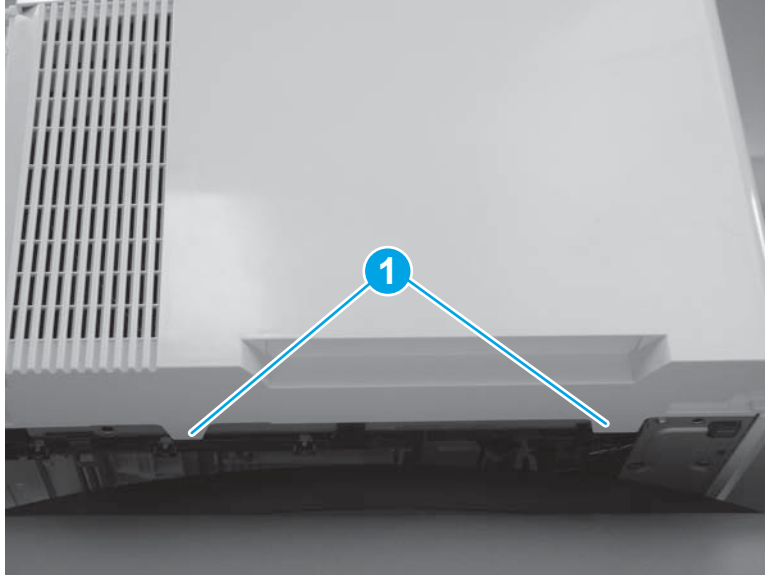
3. At the front of the printer, remove one screw (callout 1).

Figure 1-816 Remove one screw



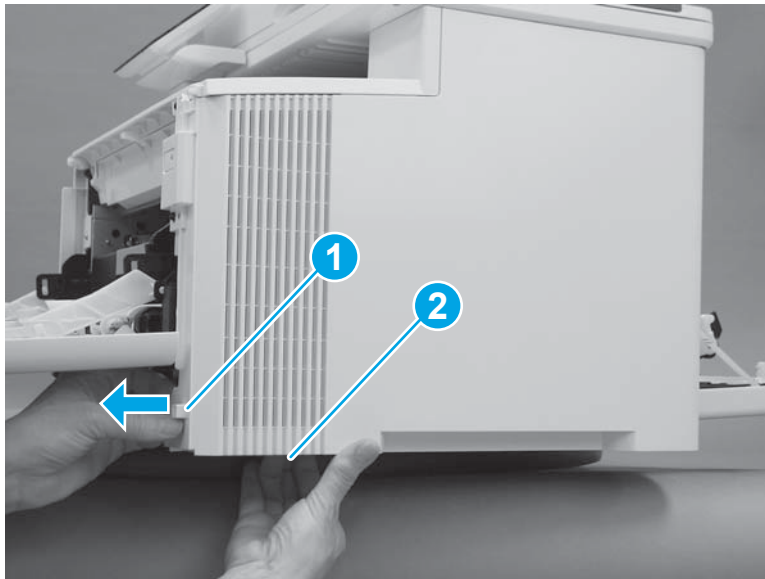
4. Slide the printer to the edge of a work surface. Note the location of the tabs on the lower edge of the cover (callout 1).

Figure 1-817 Locate the tabs



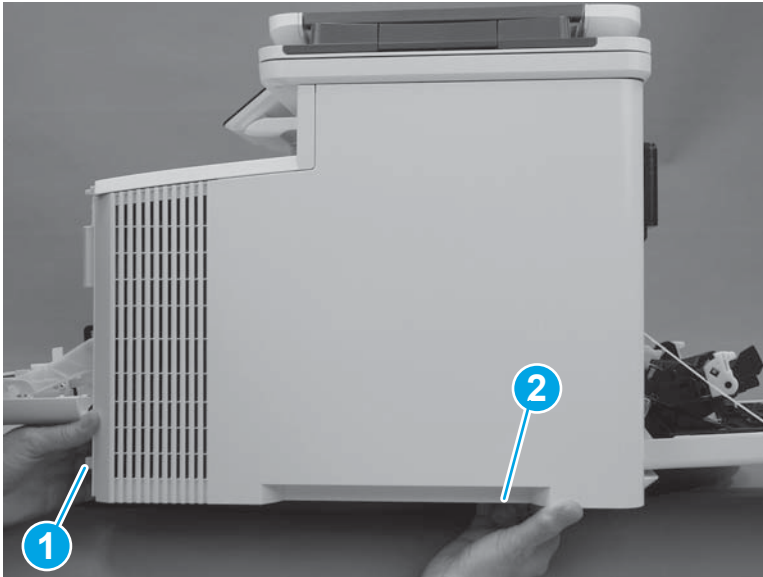
5. Release one tab (callout 1) on the front of the cover by slightly pulling the cover away from the printer. While holding the cover in the released position, release one tab (callout 2) on the lower edge of the cover.

Figure 1-818 Release front lower tabs



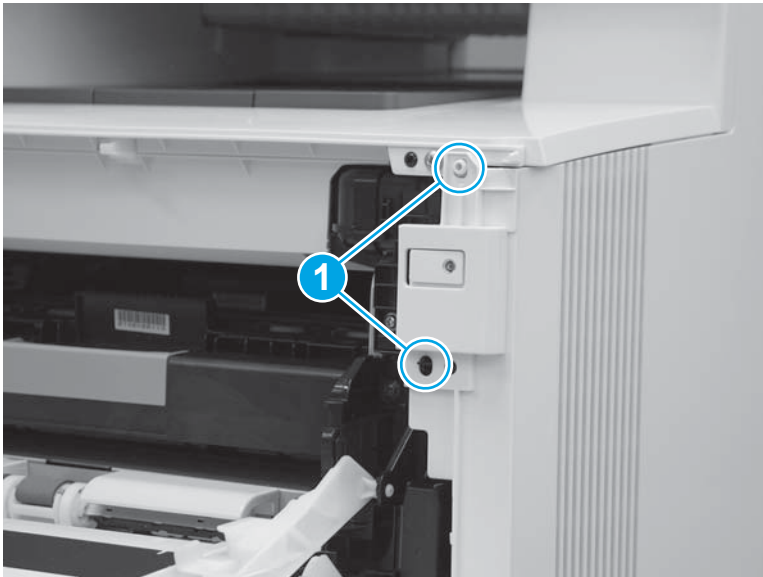
6. Hold the front tabs in the released position (callout 1), and then release one tab (callout 2) on the lower edge of the cover, toward the back of the printer.

Figure 1-819 Release lower rear tab



7. Release two tabs at the front of the printer (callout 1) by slightly pulling the cover away from the printer.

Figure 1-820 Release front upper tabs



8. Rotate the front of the cover away from the printer (callout 1).

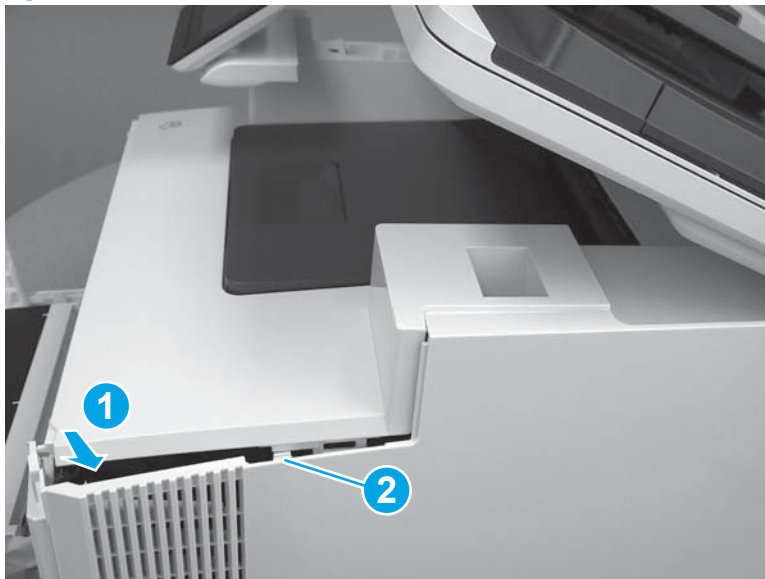
**⚠ CAUTION:** Be careful not to dislodge the power switch (callout 2).

Figure 1-821 Rotate the front of the cover



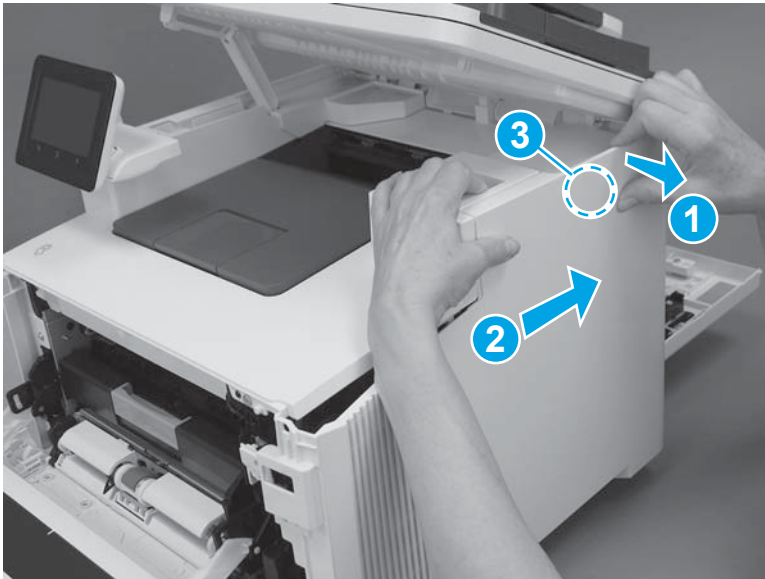
9. Slightly pull the front of the cover away from the printer (callout 1) to release one tab (callout 2).

Figure 1-822 Release top tabs



10. At the top of the printer, slightly pull the top of the cover away from the printer to release one retention tab (callout 1) on the inside of the cover. While holding the cover away, slide the cover toward the back of the printer (callout 2) to release one hook (callout 3) on the inside of the cover.

Figure 1-823 Release one tab and one hook



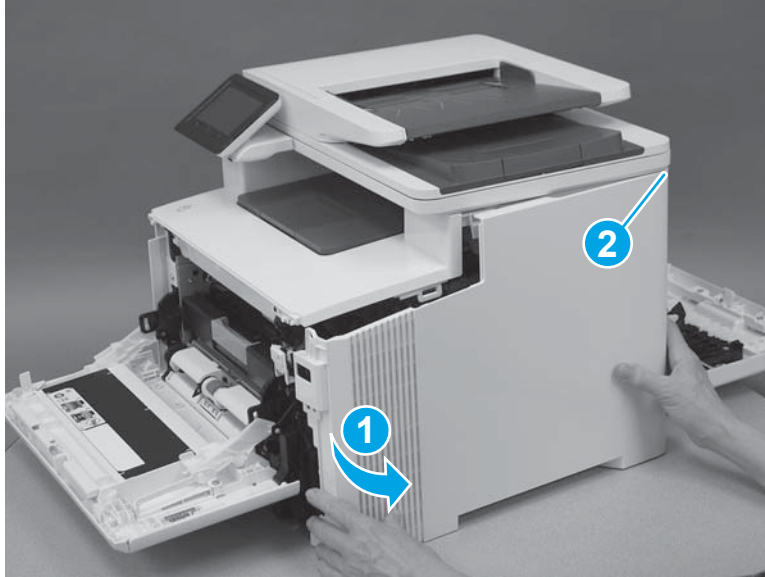
11. Lower the scanner.

Figure 1-824 Lower the scanner



12. Rotate the cover away from the printer (callout 1) to release one tab (callout 2) at the back of the printer, and then remove the cover.

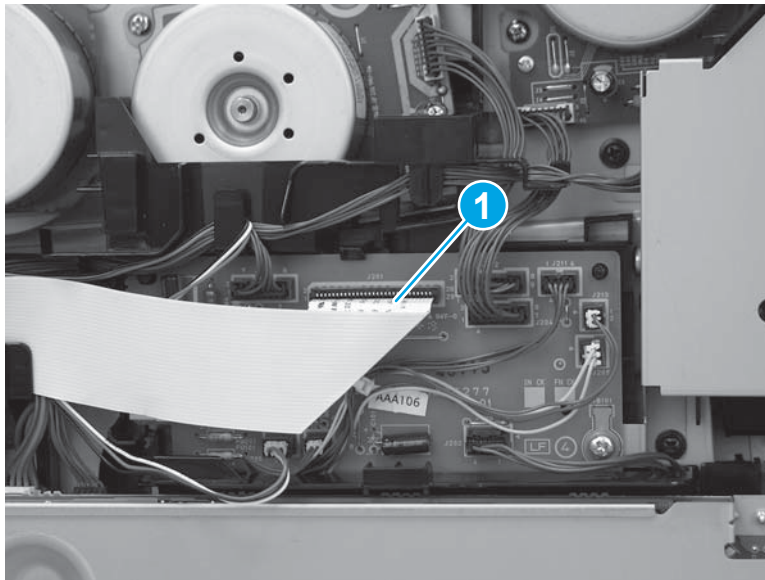
Figure 1-825 Remove the right cover



#### Step 5: Remove the driver PCA

1. Disconnect one connector (callout 1).

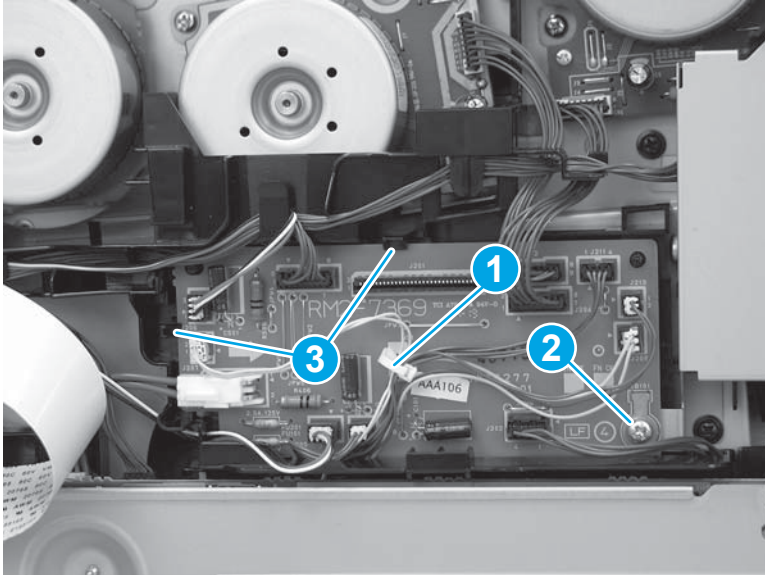
Figure 1-826 Disconnect one connector





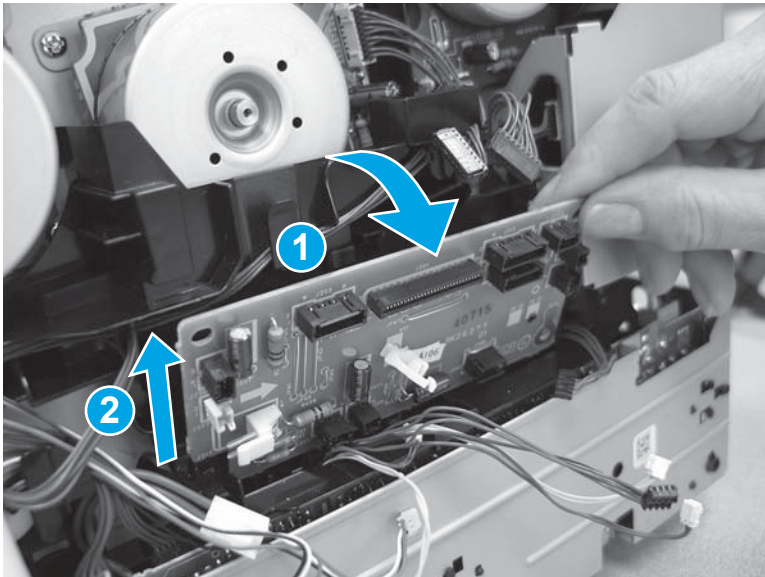
2. Release one retainer (callout 1), disconnect all of the connectors on the driver PCA, remove one screw (callout 2), and then release two tabs (callout 3).

**Figure 1-827** Disconnect all connectors and remove one screw



3. Rotate the top of the driver PCA away from the printer (callout 1), and then lift up (callout 2) to remove it.

**Figure 1-828** Remove the driver PCA



### Step 6: Unpack the replacement part

Remove the new part from its package. Save all packaging for recycling the used part.

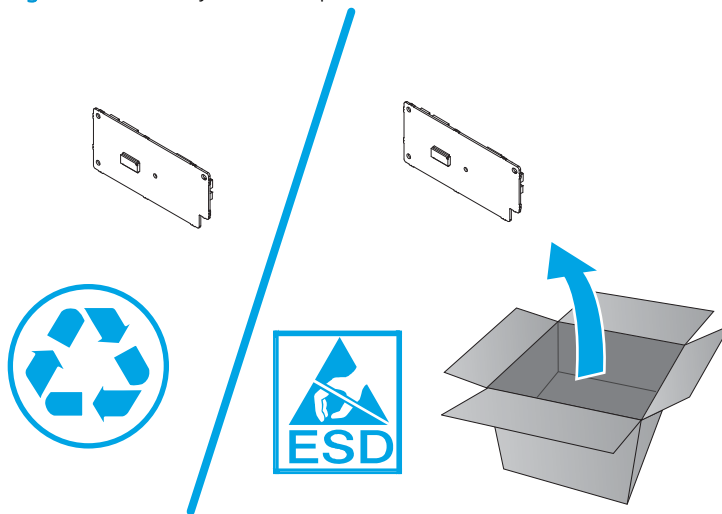
For complete information on HP's recycling programs, go to [Product return and recycling](#).



**NOTE:** HP recommends responsible disposal of the defective part.




Figure 1-829 Recycle and unpack



### Step 7: Install the driver PCA

- ▲ To install an assembly, reverse the removal steps.

---

 **NOTE:** When applicable, special installation instructions are provided for an assembly at the end of the removal procedure. Always completely read the removal instructions and follow all special installation instructions.

---

## Removal and replacement: Drum motor

- [Introduction](#)
- [Step 1: Remove Tray 2](#)
- [Step 2: Open the front door and rear door or duplexer door](#)
- [Step 3: Remove the right cover \(M454 models\)](#)
- [Step 4: Remove the right cover \(M479 models\)](#)
- [Step 5: Remove the left cover \(M454 models\)](#)
- [Step 6: Remove the left cover \(M479 models\)](#)
- [Step 7: Remove the duplexer door assembly \(duplex models\)](#)
- [Step 8: Remove the rear door \(simplex models\)](#)
- [Step 9: Remove the low-voltage power supply \(LVPS\)](#)
- [Step 10: Remove the driver PCA](#)
- [Step 11: Remove the driver PCA holder](#)
- [Step 12: Remove the drum motor](#)
- [Step 13: Unpack the replacement part](#)
- [Step 14: Install the drum motor](#)

### Introduction


This document provides the procedures to remove and replace the drum motor.

[Click here to view a video of this procedure.](#)

### Before you begin

- Turn off the printer.
- Disconnect the power cable.

---

 **WARNING!** To avoid damage to the printer, turn the printer off, wait 30 seconds, and then remove the power cord before attempting to service the printer.

---

- Use the table below to identify the correct part number for your printer. To order the part, go to [www.hp.com/buy/parts](http://www.hp.com/buy/parts).

---

Drum motor part number	
RM2-7342-000CN	Drum motor

---

### Required tools

- #2 Phillips screwdriver with a magnetic tip
- Small flat-blade screwdriver

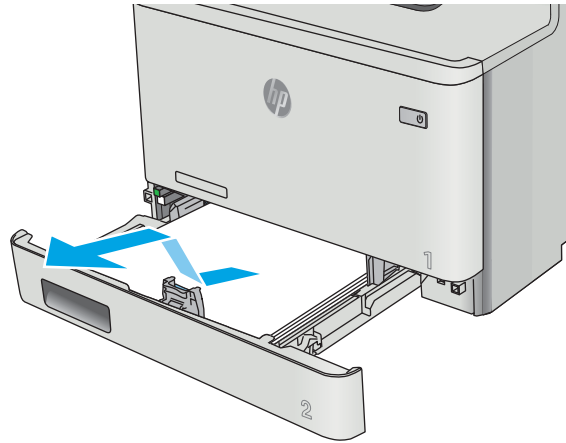
### After performing service

- Connect the power cable.
- Use the power switch to turn the power on.

### Step 1: Remove Tray 2

- ▲ Pull the tray out until it stops. Lift the front of the tray, and then pull it out of the printer to remove it.

Figure 1-830 Remove the tray



### Step 2: Open the front door and rear door or duplexer door

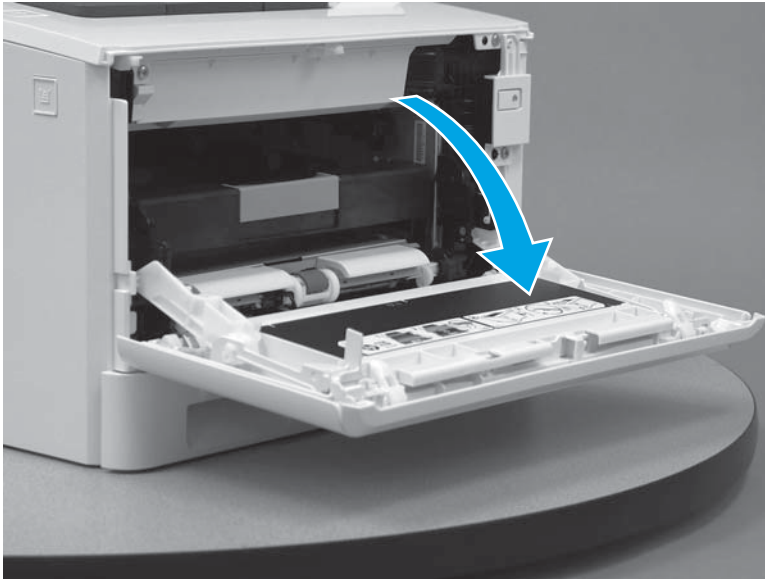
1. Press the button (callout 1) on the left side of the printer to release the front door.

Figure 1-831 Release the front door



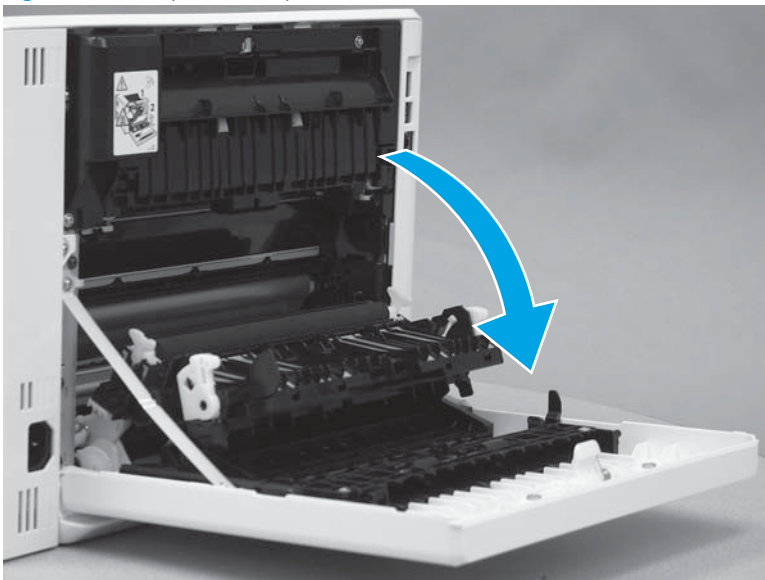
2. Open the front door.

Figure 1-832 Open the front door



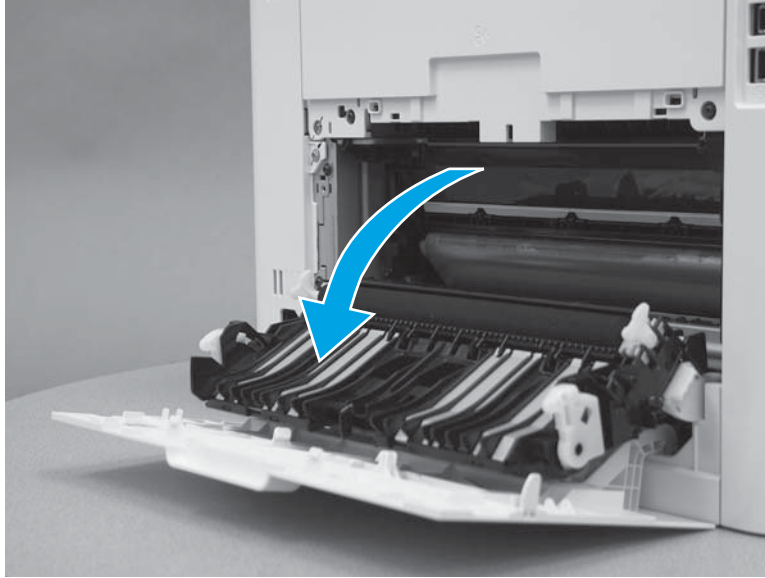
3. Duplex models: Open the duplexer door.

Figure 1-833 Open the duplexer door




4. **Simplex models:** Open the rear door.

Figure 1-834 Open the rear door



### Step 3: Remove the right cover (M454 models)

 **NOTE:** This step is for the M454 models. For the M479 models, skip this step and go to [Step 4: Remove the right cover \(M479 models\) on page 487](#).

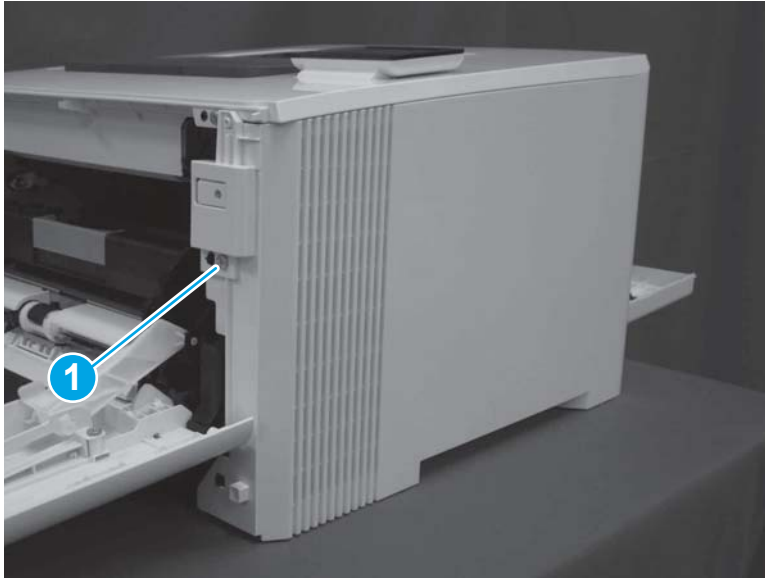
1. At the back of the printer, remove one screw (callout 1).

Figure 1-835 Remove one screw



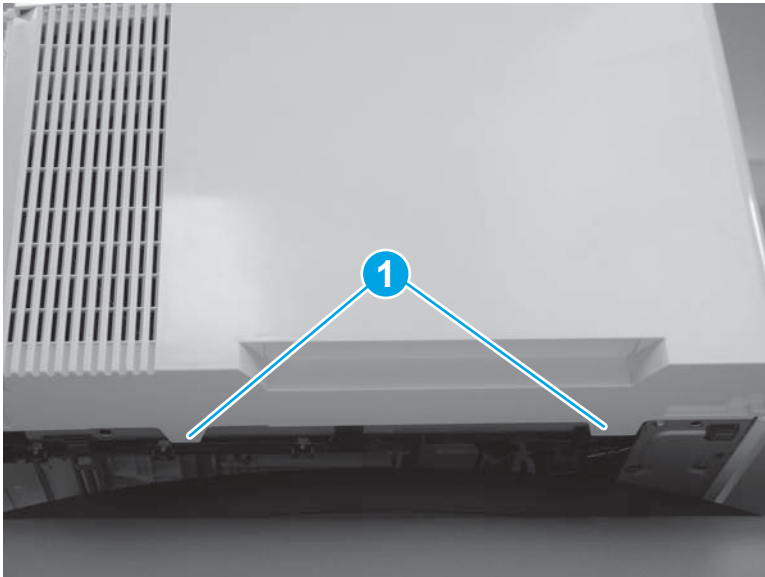
2. At the front of the printer, remove one screw (callout 1).

Figure 1-836 Remove one screw



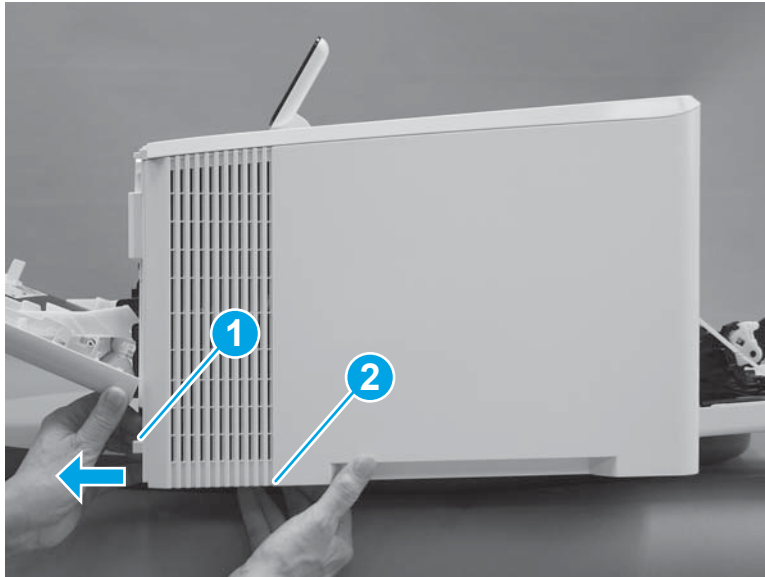
3. Slide the printer to the edge of a work surface. Note the location of the tabs on the lower edge of the cover (callout 1).

Figure 1-837 Locate the tabs



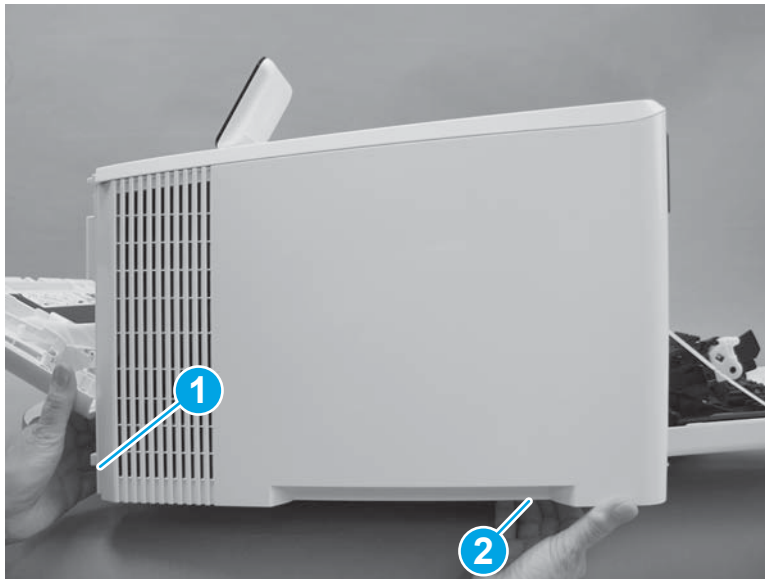
4. Release one tab (callout 1) on the front of the cover by slightly pulling the cover away from the printer. While holding the cover in the released position, release one tab (callout 2) on the bottom of the cover.

Figure 1-838 Release front lower tabs



5. Hold the front tabs in the released position (callout 1), and then release one tab (callout 2) on the bottom of the cover, toward the back of the printer.

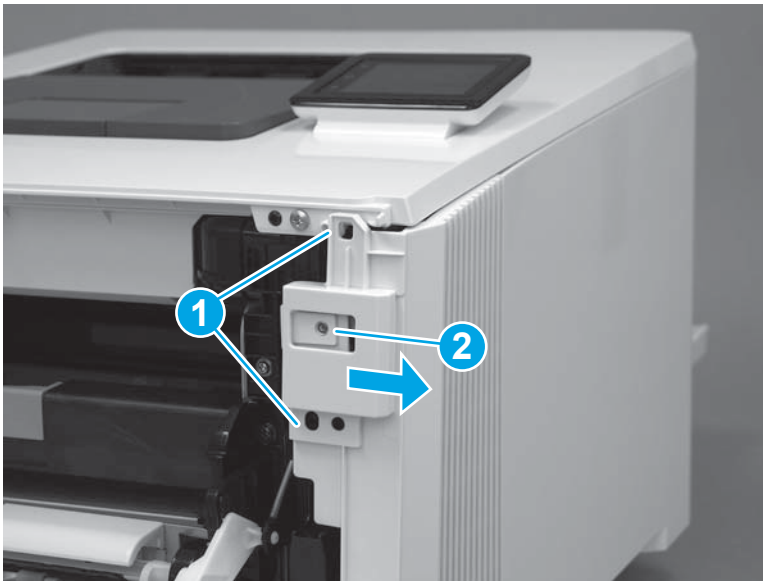
Figure 1-839 Release lower rear tab



6. Release two tabs at the front of the printer (callout 1) by slightly pulling the cover away from the printer.

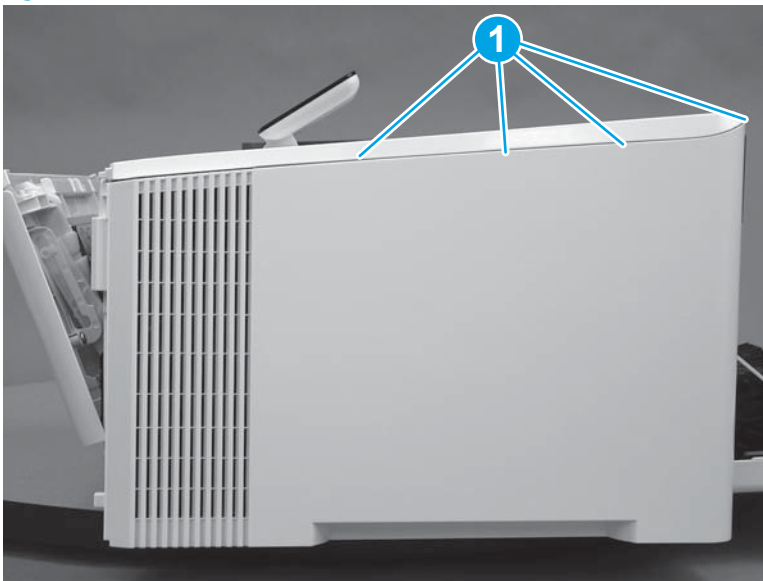
**⚠ CAUTION:** Be careful not to dislodge the power switch (callout 2).

Figure 1-840 Release two front tabs



7. Release four tabs on the top of the printer (callout 1).

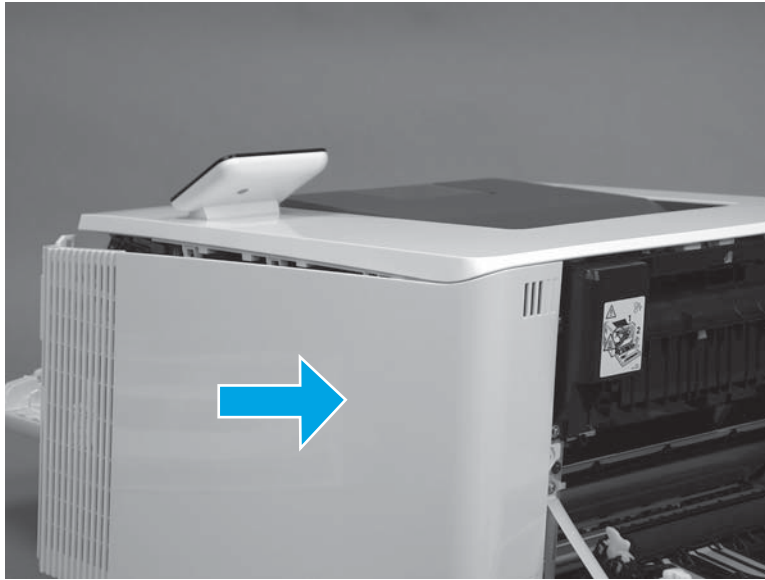
Figure 1-841 Release upper tabs






8. Slide the cover toward the back of the printer to remove it.

**Figure 1-842** Remove the right cover



#### Step 4: Remove the right cover (M479 models)

 **NOTE:** This step is for the M479 models. For the M454 models, skip this step and go to [Step 5: Remove the left cover \(M454 models\) on page 493](#).

1. Raise the scanner.

**Figure 1-843** Raise the scanner



2. At the back of the printer, remove one screw (callout 1).

Figure 1-844 Remove one screw



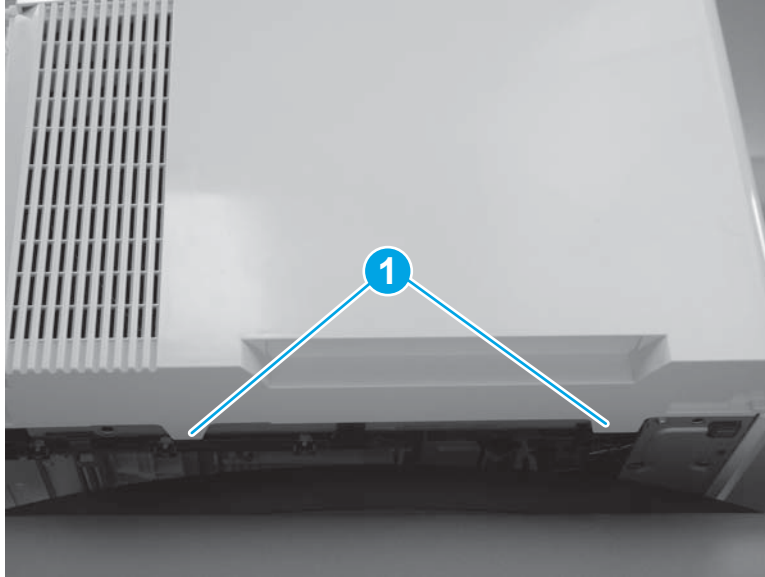
3. At the front of the printer, remove one screw (callout 1).

Figure 1-845 Remove one screw



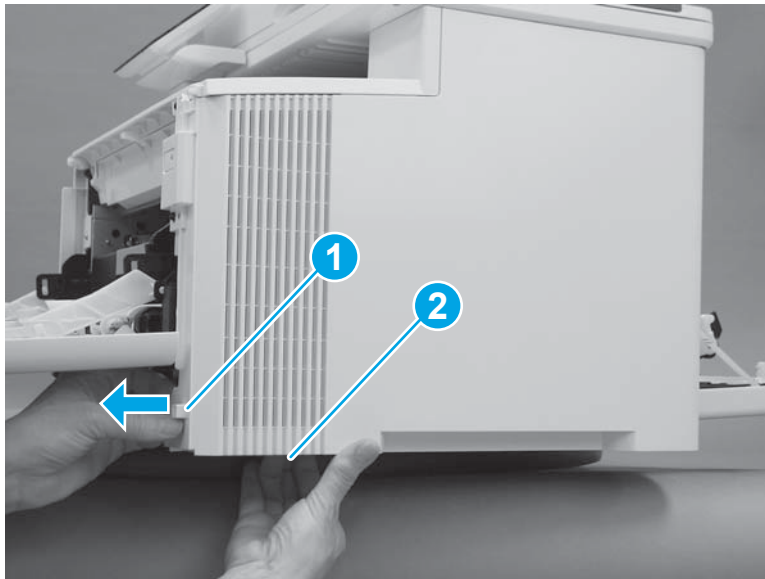
4. Slide the printer to the edge of a work surface. Note the location of the tabs on the lower edge of the cover (callout 1).

Figure 1-846 Locate the tabs



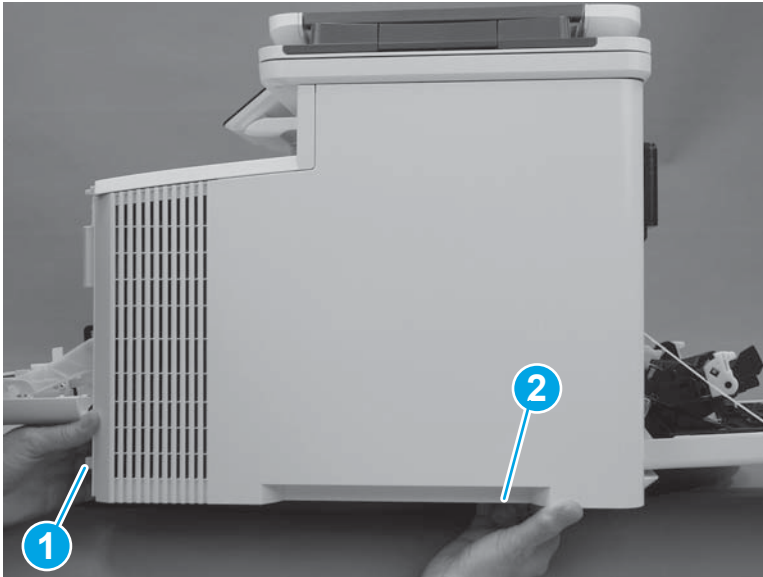
5. Release one tab (callout 1) on the front of the cover by slightly pulling the cover away from the printer. While holding the cover in the released position, release one tab (callout 2) on the lower edge of the cover.

Figure 1-847 Release front lower tabs



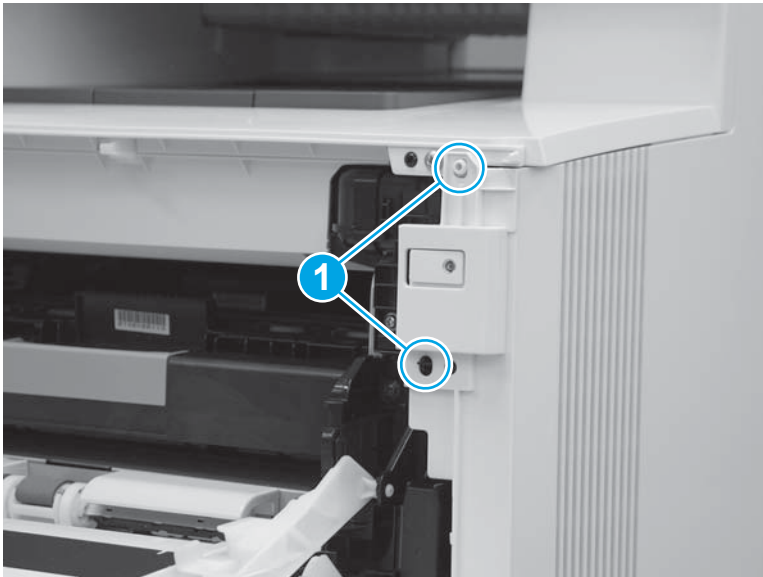
6. Hold the front tabs in the released position (callout 1), and then release one tab (callout 2) on the lower edge of the cover, toward the back of the printer.

Figure 1-848 Release lower rear tab



7. Release two tabs at the front of the printer (callout 1) by slightly pulling the cover away from the printer.

Figure 1-849 Release front upper tabs



8. Rotate the front of the cover away from the printer (callout 1).

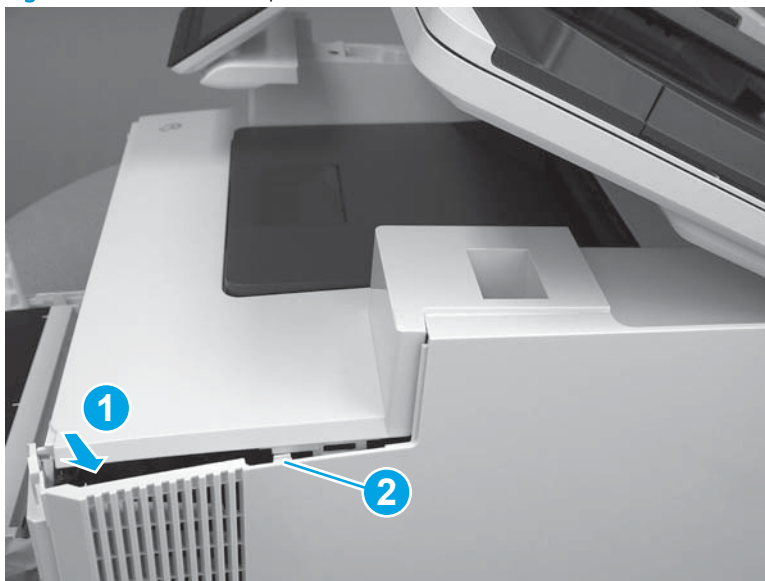
**⚠ CAUTION:** Be careful not to dislodge the power switch (callout 2).

Figure 1-850 Rotate the front of the cover



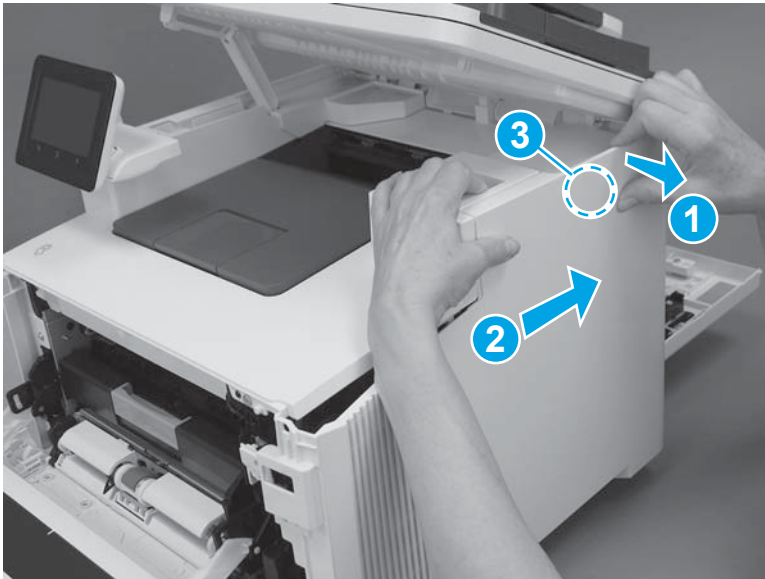
9. Slightly pull the front of the cover away from the printer (callout 1) to release one tab (callout 2).

Figure 1-851 Release top tabs



10. At the top of the printer, slightly pull the top of the cover away from the printer to release one retention tab (callout 1) on the inside of the cover. While holding the cover away, slide the cover toward the back of the printer (callout 2) to release one hook (callout 3) on the inside of the cover.

Figure 1-852 Release one tab and one hook



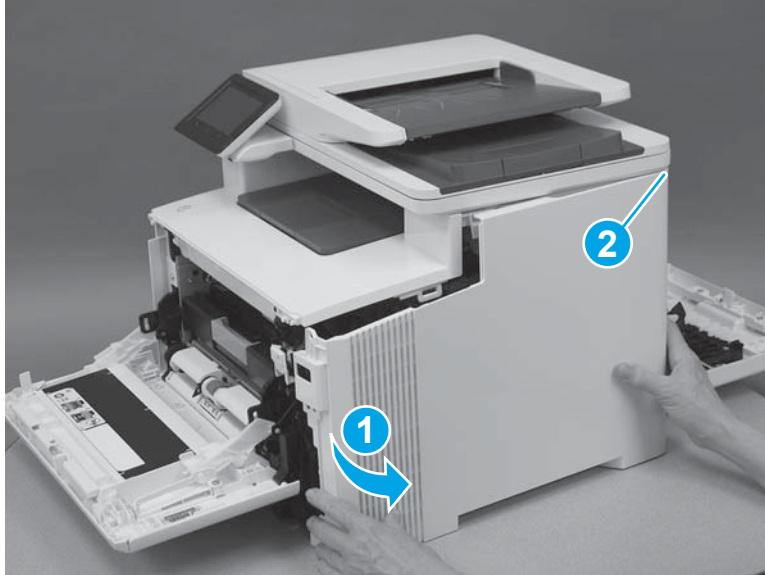
11. Lower the scanner.

Figure 1-853 Lower the scanner




12. Rotate the cover away from the printer (callout 1) to release one tab (callout 2) at the back of the printer, and then remove the cover.

Figure 1-854 Remove the right cover

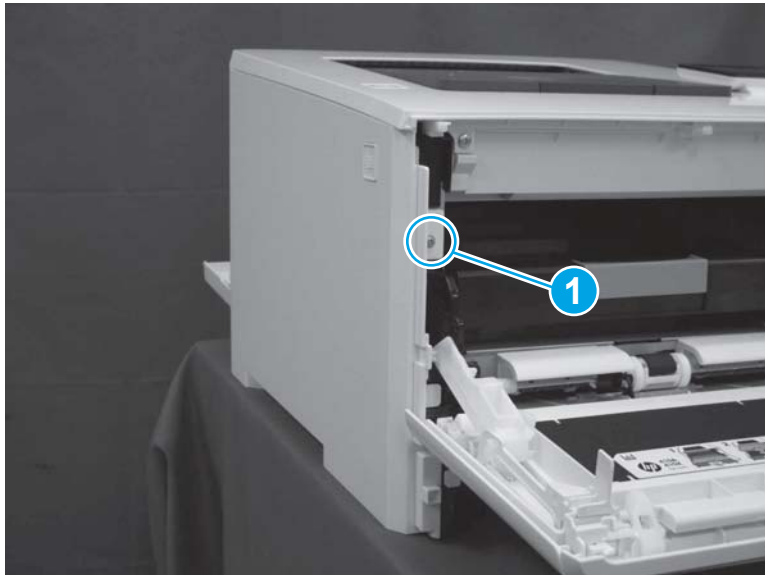


#### Step 5: Remove the left cover (M454 models)

 **NOTE:** This step is for the M454 models. For the M479 models, skip this step and go to [Step 6: Remove the left cover \(M479 models\) on page 495](#).

1. At the front of the printer, remove one screw (callout 1).

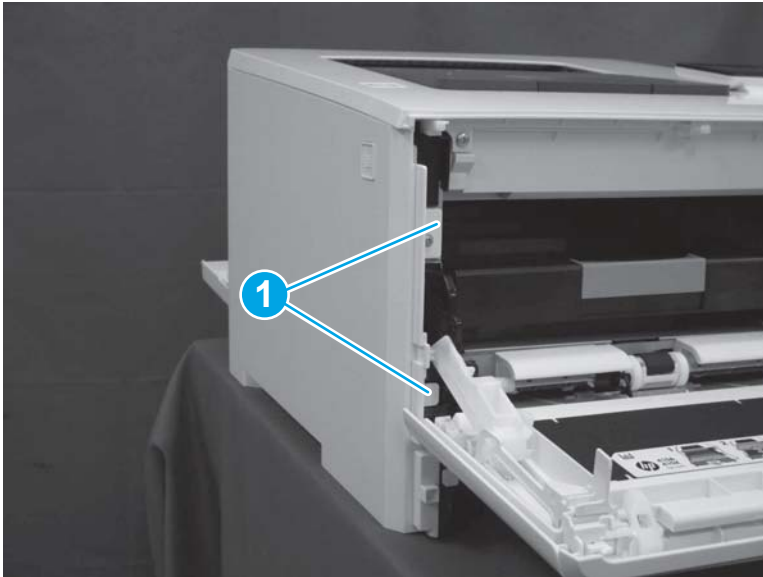
Figure 1-855 Remove one screw





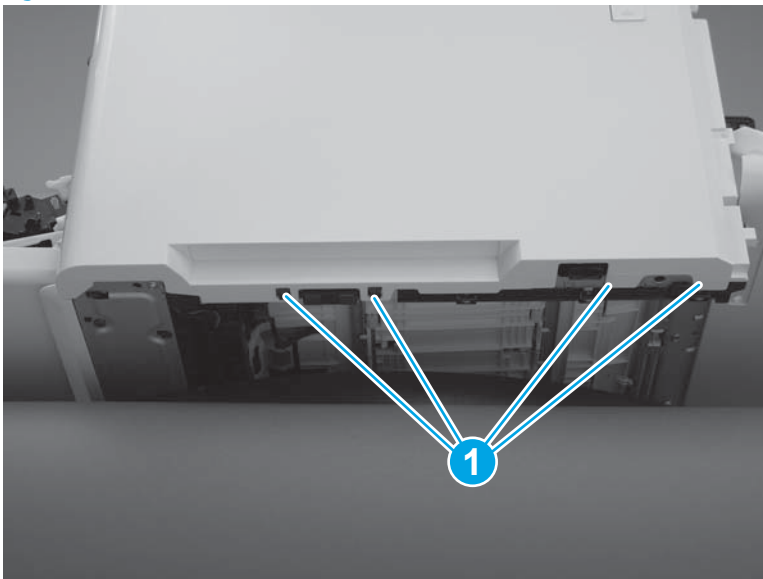
2. Release two tabs (callout 1) at the front of the cover. Hold the cover open to prevent the tabs from reengaging.

Figure 1-856 Release two tabs



3. Slide the printer to the edge of a work surface. Note the location of the tabs on the lower edge of the cover (callout 1).

Figure 1-857 Locate the tabs





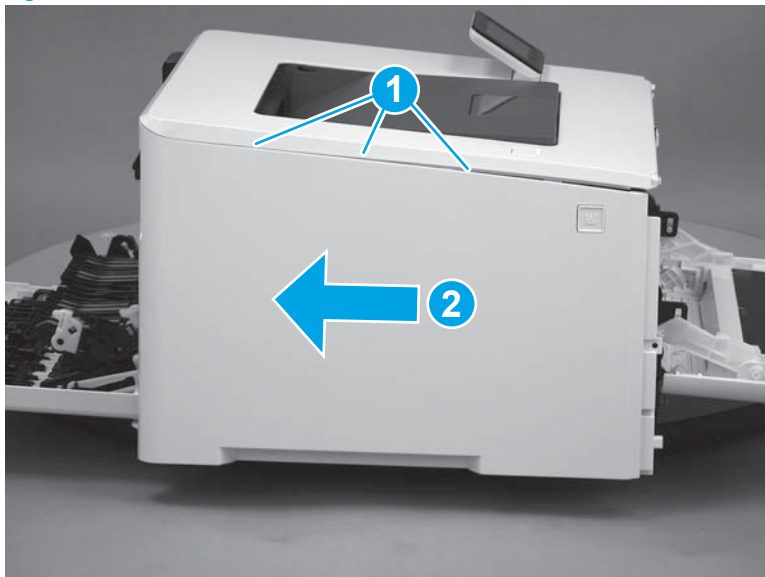
4. Beginning from the front of the cover, release four tabs (callouts 1-4) on the lower edge of the cover.

Figure 1-858 Release bottom tabs




5. Release three tabs at the top of the cover (callout 1), and then slide the cover toward the rear of the printer to remove it.

Figure 1-859 Release three tabs



#### Step 6: Remove the left cover (M479 models)

 **NOTE:** This step is for the M479 models. For the M454 models, skip this step and go to [Step 7: Remove the duplex door assembly \(duplex models\) on page 500.](#)

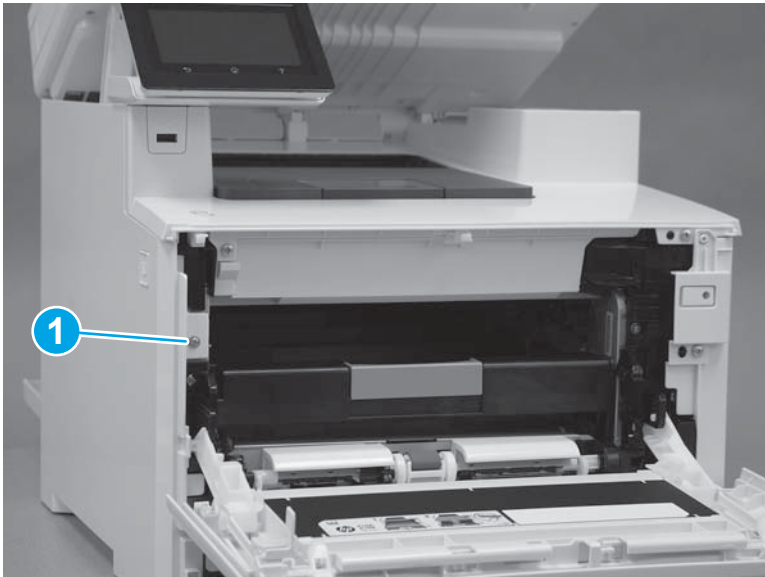
1. Raise the scanner.

Figure 1-860 Raise the scanner



2. At the front of the printer, remove one screw (callout 1).

Figure 1-861 Remove one screw



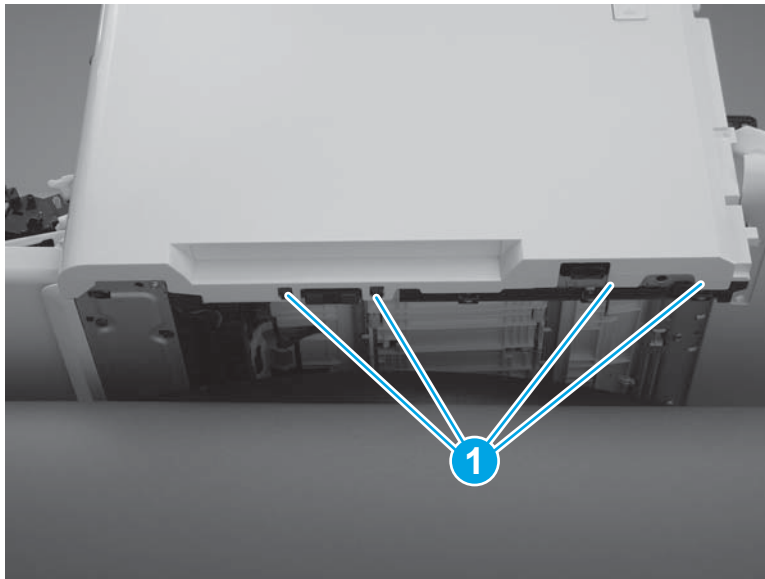
3. Release two tabs (callout 1) at the front of the cover. Hold the cover open to prevent the tabs from re-engaging.

Figure 1-862 Release two tabs



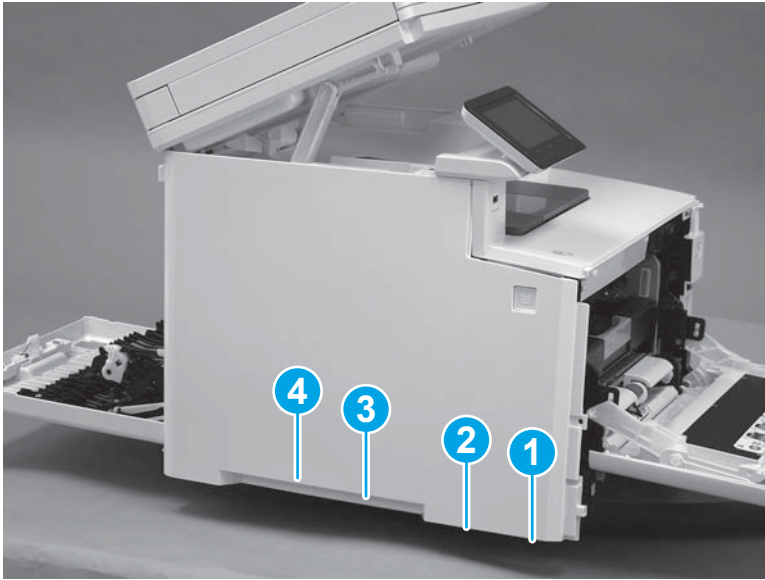
4. Slide the printer to the edge of a work surface. Note the location of the tabs on the lower edge of the cover (callout 1).

Figure 1-863 Locate the tabs



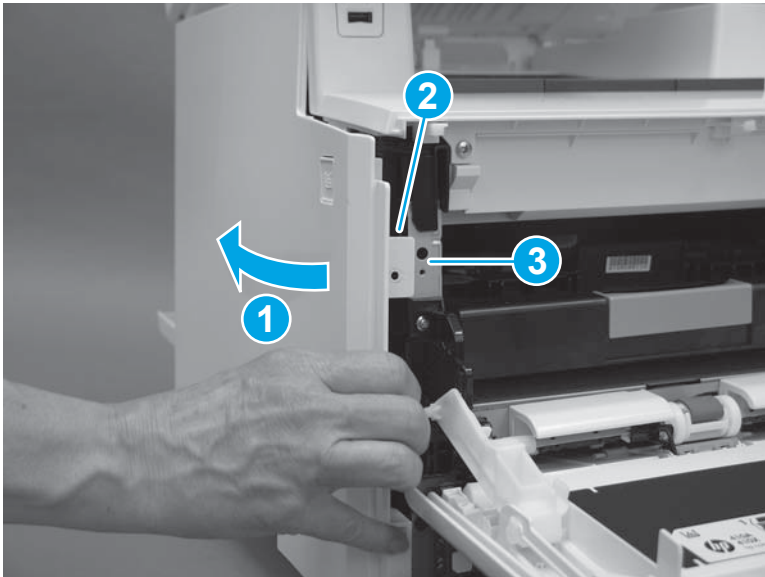
5. Beginning from the front of the cover, release the four tabs (callouts 1-4) on the lower edge of the cover.

Figure 1-864 Release four tabs



6. Rotate the front of the cover away from the printer (callout 1). Make sure that the tab (callout 2) does not get caught on the printer frame (callout 3).

Figure 1-865 Rotate the cover



7. At the top of the printer, slightly pull the top of the cover away from the printer to release one retention tab (callout 1) on the inside of the cover. While holding the cover away, slide the cover toward the back of the printer (callout 2) to release two hooks (callout 3) inside the cover.

Figure 1-866 Release one tab and two hooks



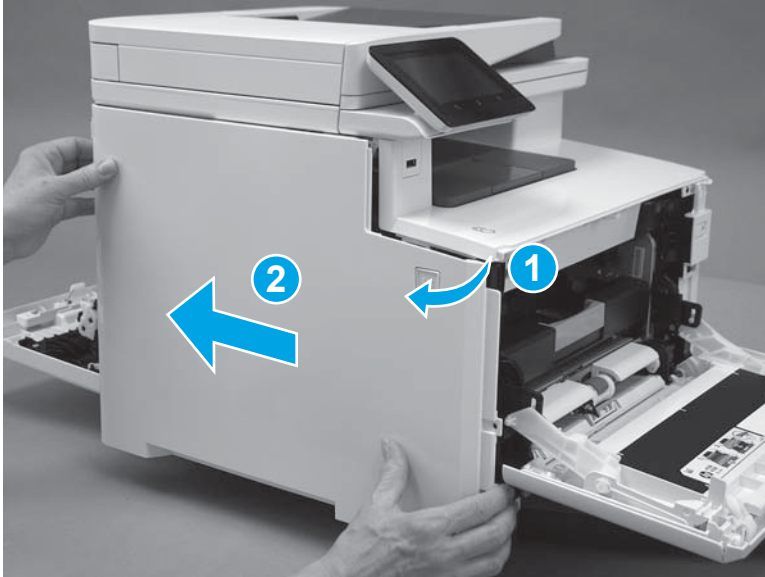
8. Lower the scanner.

Figure 1-867 Lower the scanner




9. Rotate the cover away from the printer (callout 1), and then slide the cover (callout 2) toward the back of the printer to remove it.

Figure 1-868 Remove the left cover

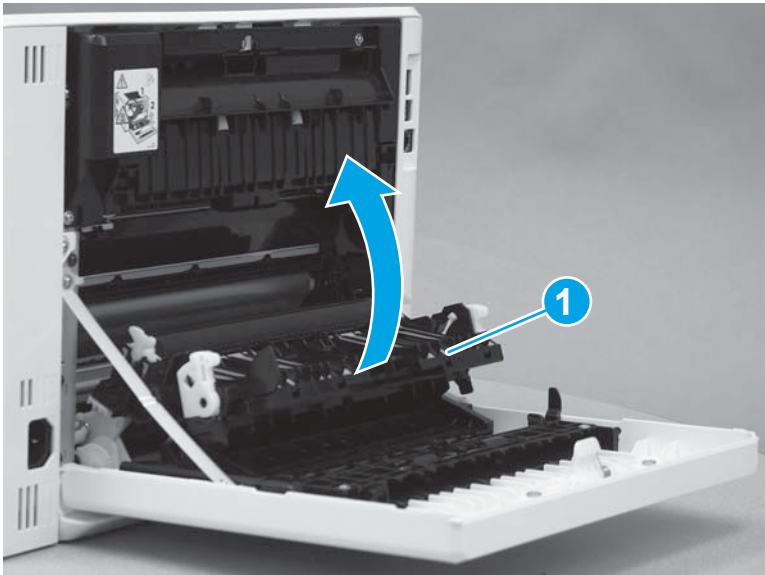


#### Step 7: Remove the duplexer door assembly (duplex models)


 **NOTE:** This step is for duplex models. For simplex models, skip this step and go to [Step 8: Remove the rear door \(simplex models\) on page 502](#).

1. Rotate the secondary transfer assembly (callout 1) toward the printer to close it.

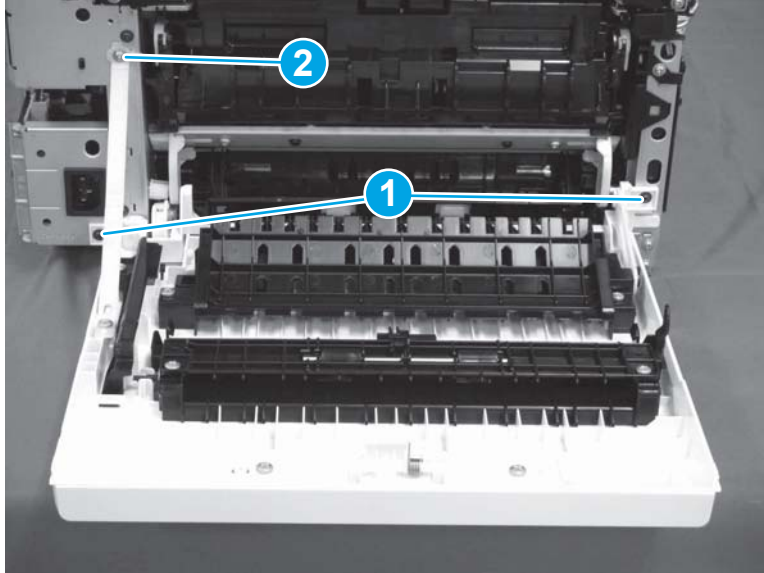
Figure 1-869 Close the secondary transfer assembly



2. At the back of the printer, remove two screws (callout 1), and then remove one screw (callout 2) that holds the retention arm.

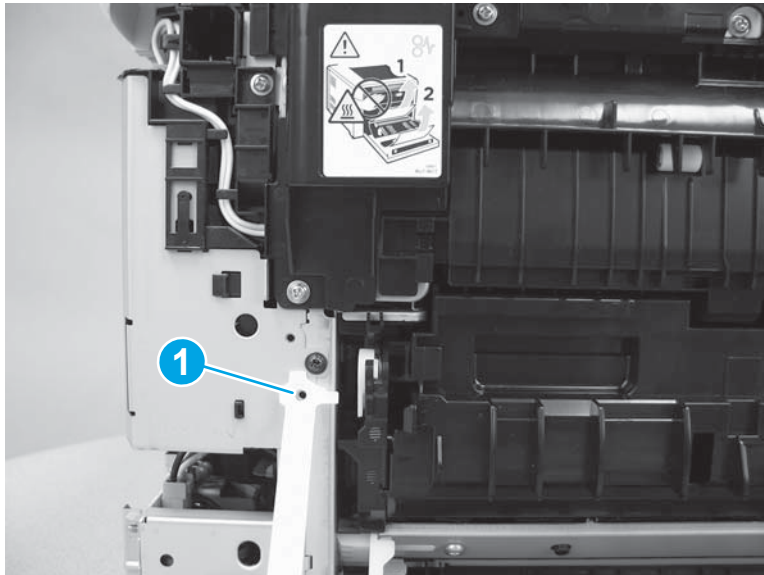
 **Reinstallation tip:** Note that the screw (callout 2) that holds the retention arm is longer than the other two. Make sure this screw is installed in the correct position.

**Figure 1-870** Remove three screws



3. Release the retention arm (callout 1).

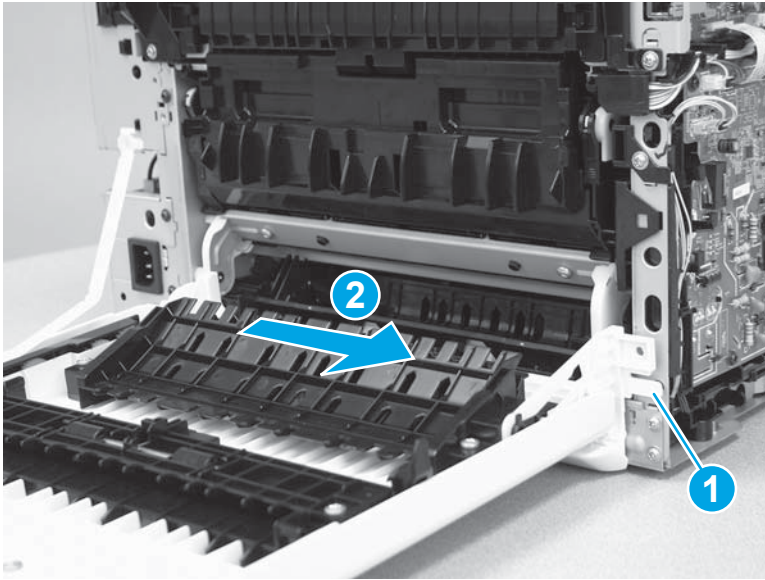
**Figure 1-871** Release the retention arm





4. Release one tab (callout 1), and then slide the duplexer door (callout 2) to the right to remove it.

Figure 1-872 Remove the duplexer door



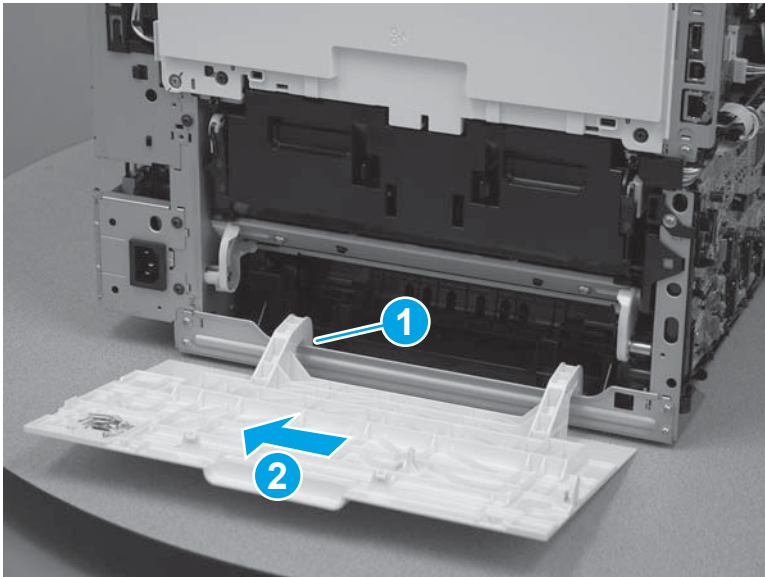
#### Step 8: Remove the rear door (simplex models)



**NOTE:** This step is for simplex models. For duplex models, skip this step and go to [Step 9: Remove the low-voltage power supply \(LVPS\) on page 502](#).

- ▲ Slightly flex one hinge arm (callout 1) to release a hinge pin, and then slide the rear door to the left (callout 2) to remove it.

Figure 1-873 Remove the rear door

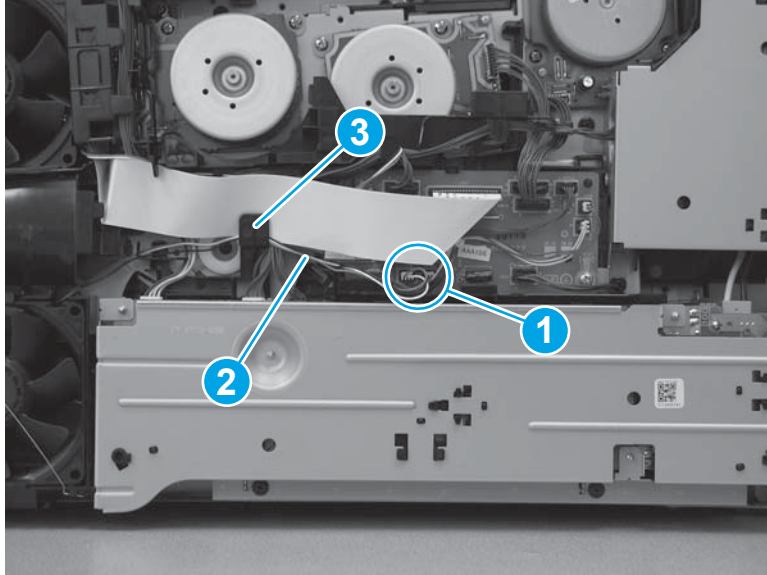


#### Step 9: Remove the low-voltage power supply (LVPS)

1. Disconnect one connector (callout 1), and then remove the cable (callout 2) from the wire guide (callout 3).

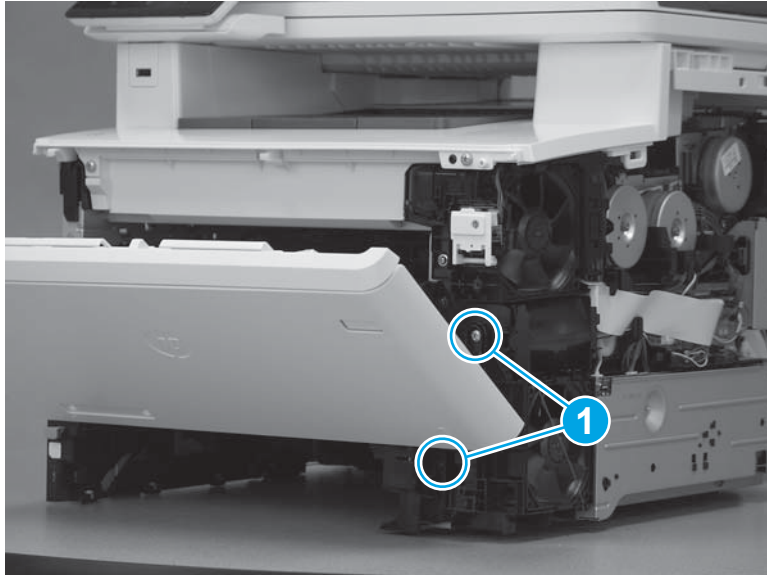


Figure 1-874 Disconnect one connector and release cables from guides



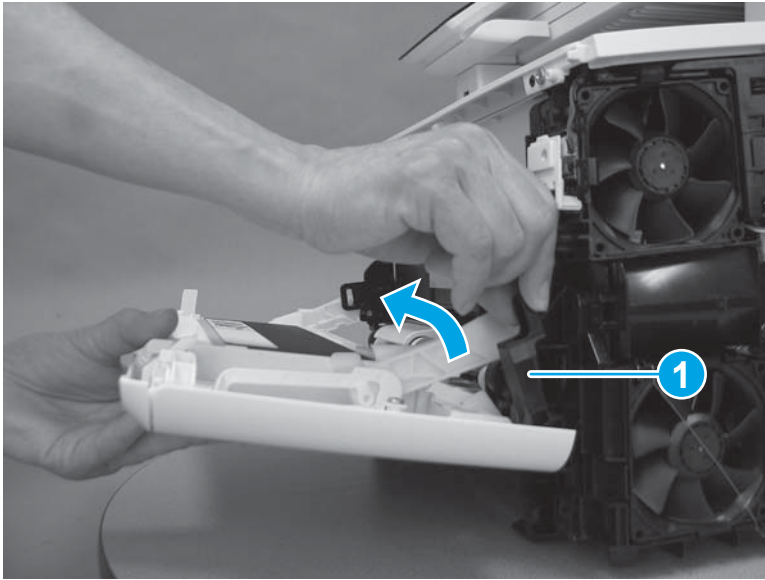
2. Remove two screws (callout 1).

Figure 1-875 Remove two screws



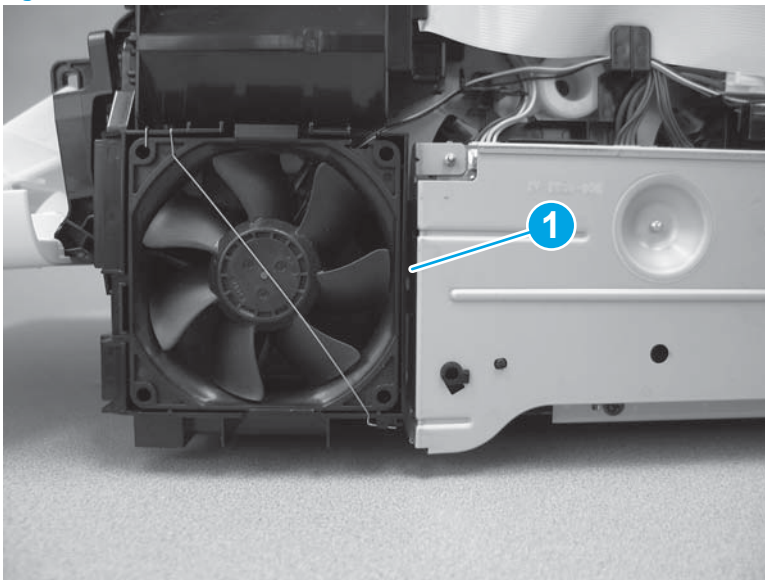
3. Release the hinge arm (callout 1).

Figure 1-876 Release the hinge arm



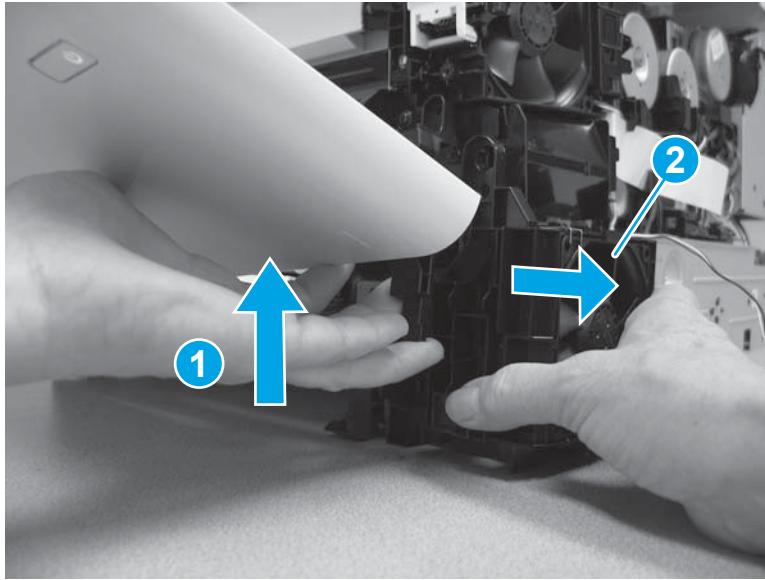
4. Release one tab (callout 1) on the right side of the power supply fan.

Figure 1-877 Release one tab



- Lift the front door up slightly (callout 1), and then remove the power supply fan and holder (callout 2).

Figure 1-878 Remove the power supply fan and holder



- Before disconnecting the cables in the next step, make note of the position of two cables (callout 1).


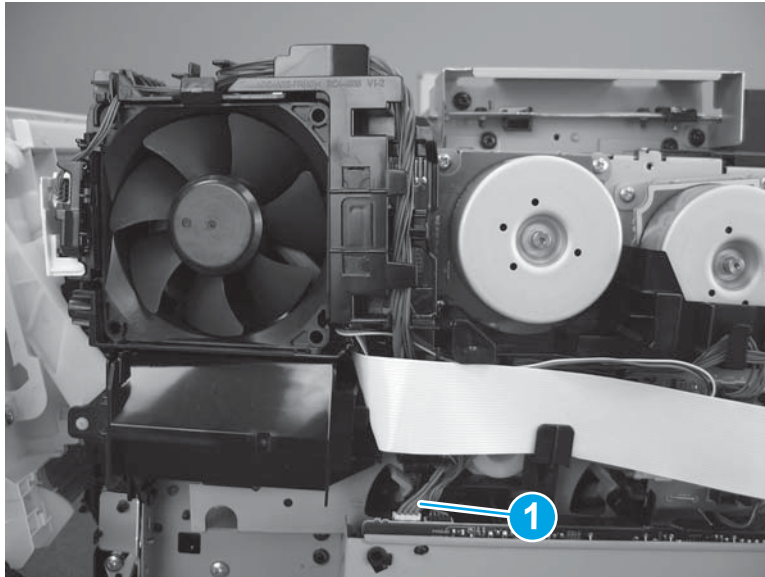
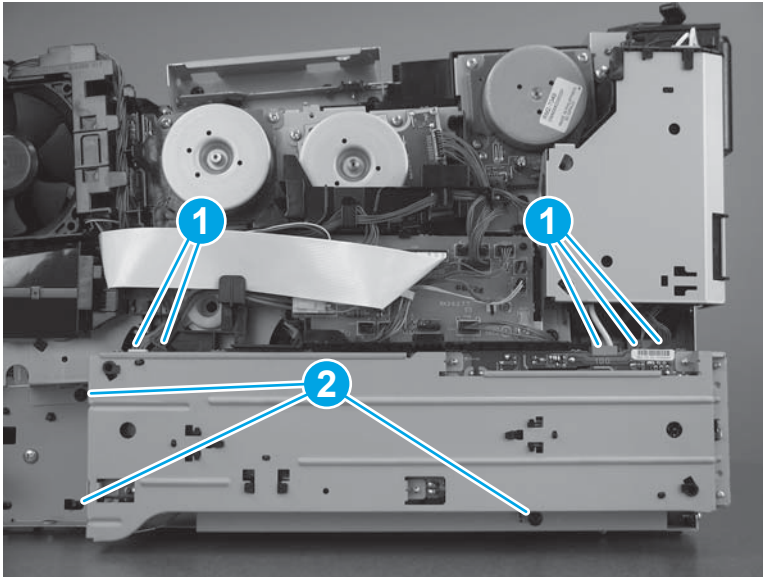
 **IMPORTANT:** These cables can be inadvertently switched when reinstalling. The connectors on the cables will fit in either connector on the LVPS. Make sure that these cables are installed in the correct connectors. If the cables are switched, the printer will not power on when reassembled.

Figure 1-879 Check the connectors



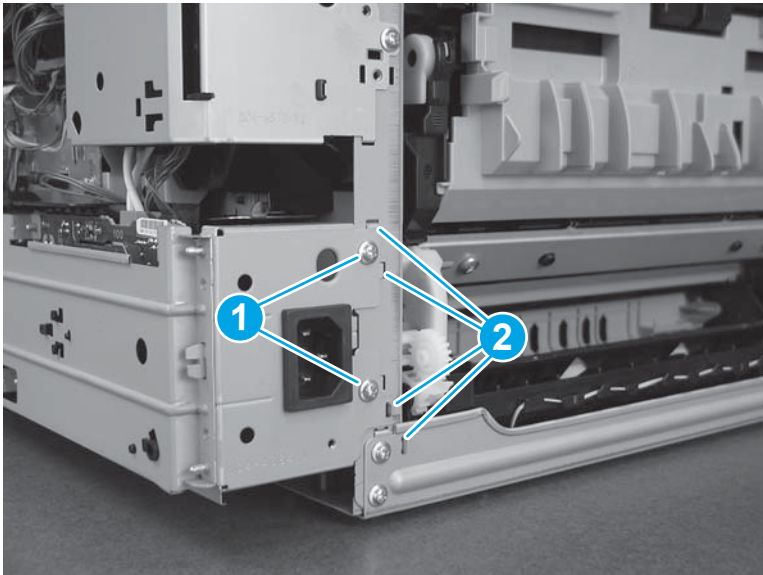
7. Disconnect five connectors (callout 1). Note that one connector (callout 2) has a latch that must be released before disconnecting it. Remove three screws (callout 3).

**Figure 1-880** Disconnect five connectors and remove four screws



8. Remove two screws from the back (callout 1), and then release four tabs (callout 2).

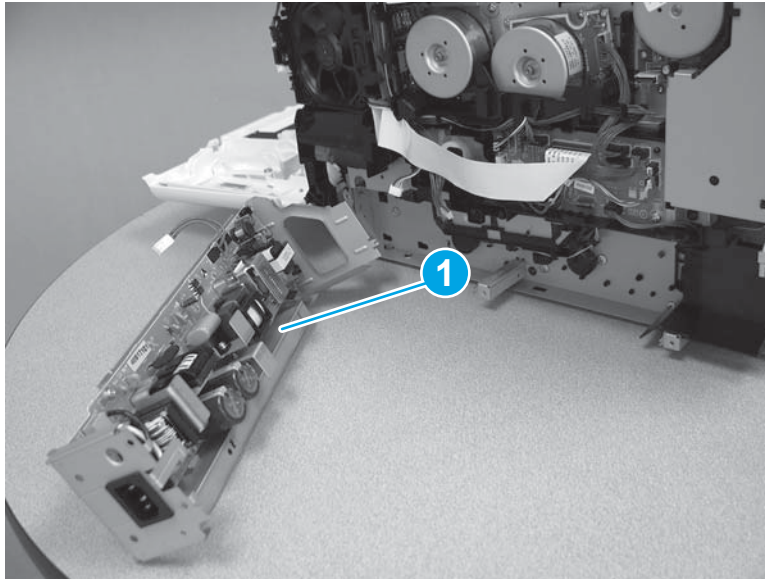
**Figure 1-881** Remove two screws and release three tabs





9. Remove the LVPS (callout 1).

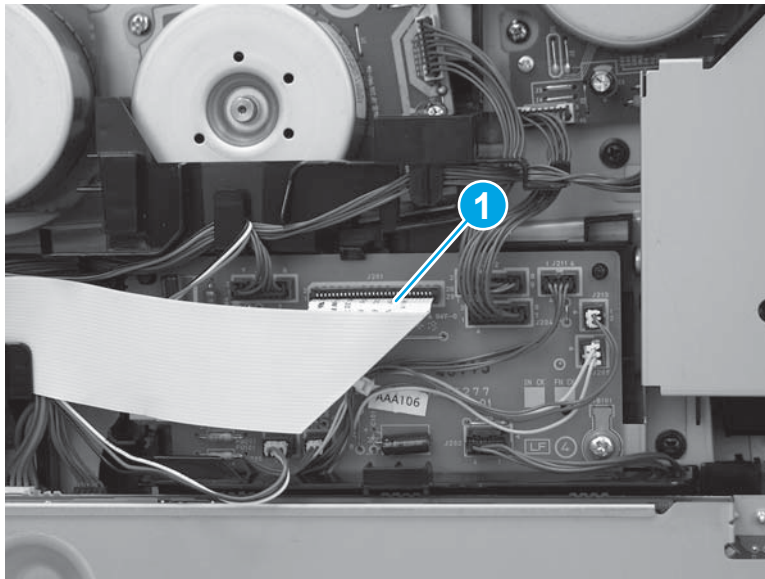
Figure 1-882 Remove the LVPS



#### Step 10: Remove the driver PCA

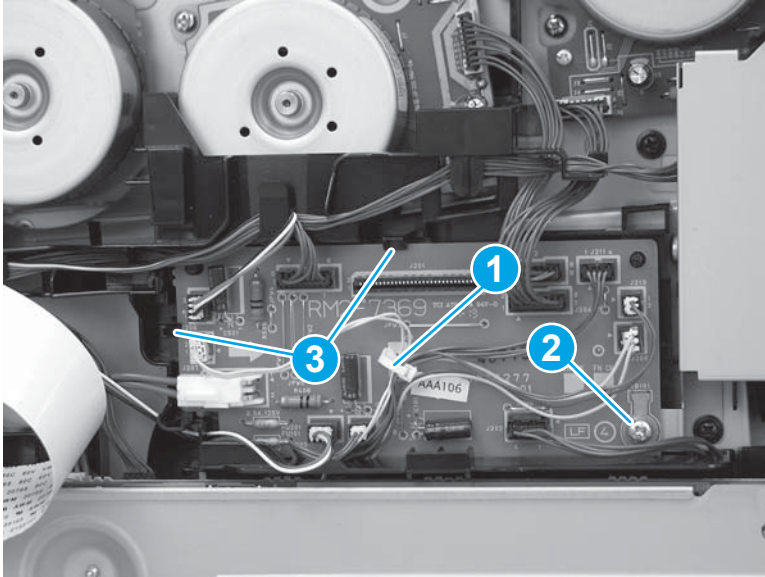
1. Disconnect one connector (callout 1).

Figure 1-883 Disconnect one connector



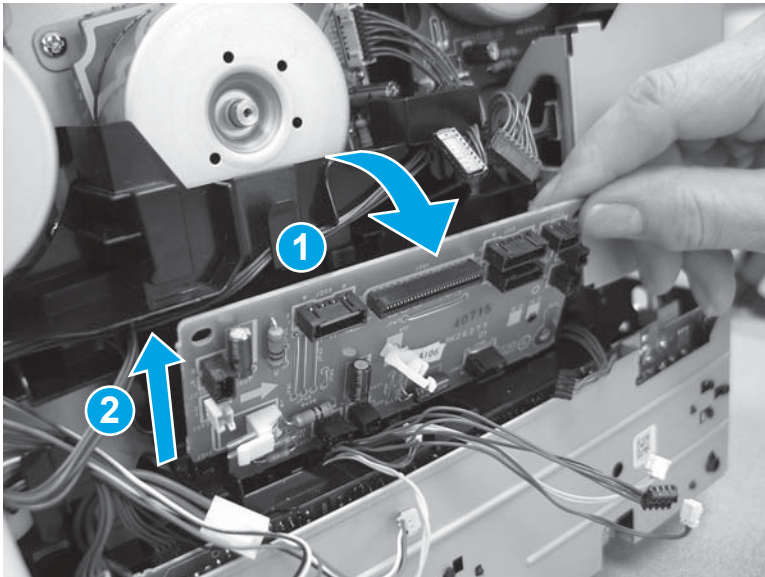
2. Release one retainer (callout 1), disconnect all of the connectors on the driver PCA, remove one screw (callout 2), and then release two tabs (callout 3).

**Figure 1-884** Disconnect all connectors and remove one screw



3. Rotate the top of the driver PCA away from the printer (callout 1), and then lift up (callout 2) to remove it.

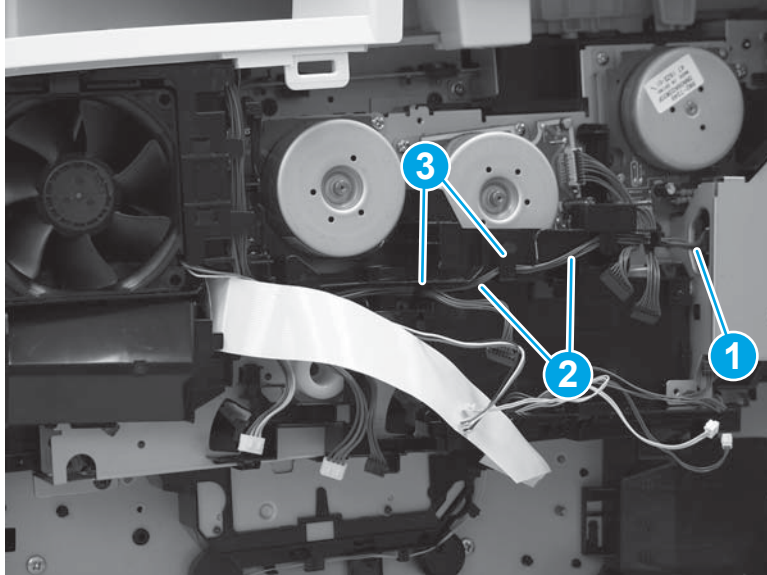
**Figure 1-885** Remove the driver PCA



### Step 11: Remove the driver PCA holder

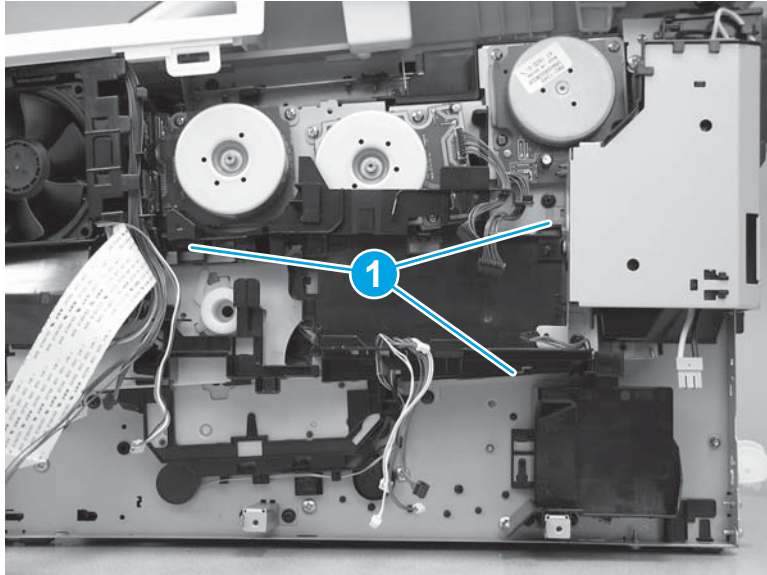
1. Disconnect one connector (callout 1), and then release the cables (callout 2) from the guides (callout 3).

Figure 1-886 Disconnect one connector and release cables from guides



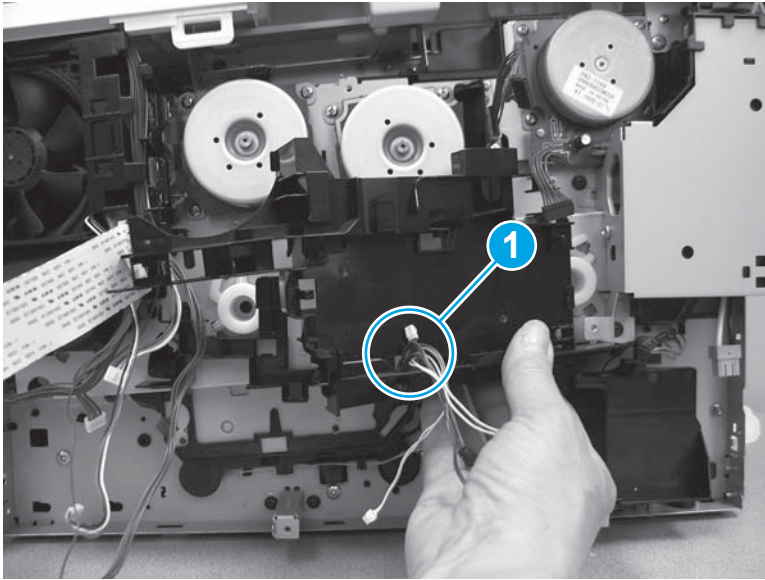
2. Release three tabs (callout 1).

Figure 1-887 Release three tabs



3. Release the cables from the driver PCA holder (callout 1), and then remove the driver PCA holder.

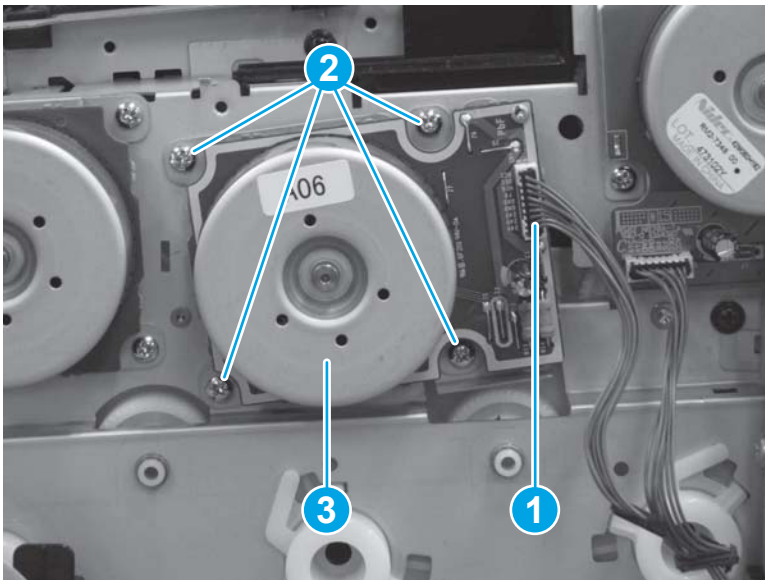
Figure 1-888 Remove the driver PCA holder



### Step 12: Remove the drum motor

- ▲ Disconnect one connector (callout 1), remove four screws (callout 2), and then remove the drum motor (callout 3).

Figure 1-889 Remove the drum motor



### Step 13: Unpack the replacement part

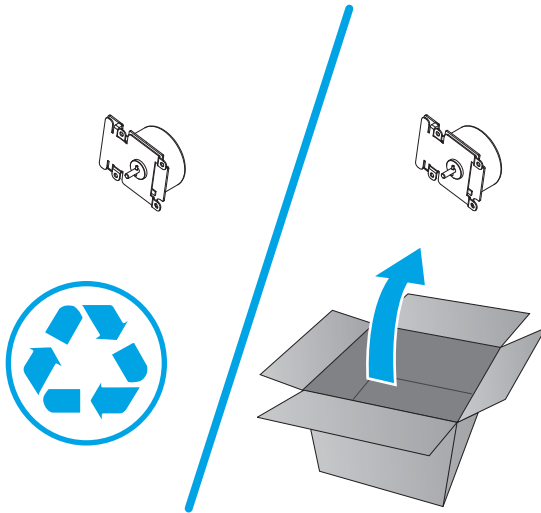
Remove the new part from its package. Save all packaging for recycling the used part.

For complete information on HP's recycling programs, go to [Product return and recycling](#).

 **NOTE:** HP recommends responsible disposal of the defective part.



Figure 1-890 Recycle and unpack



#### Step 14: Install the drum motor

- ▲ To install an assembly, reverse the removal steps.



**NOTE:** When applicable, special installation instructions are provided for an assembly at the end of the removal procedure. Always completely read the removal instructions and follow all special installation instructions.

## Removal and replacement: Developer motor

- [Introduction](#)
- [Step 1: Remove Tray 2](#)
- [Step 2: Open the front door and rear door or duplexer door](#)
- [Step 3: Remove the right cover \(M454 models\)](#)
- [Step 4: Remove the right cover \(M479 models\)](#)
- [Step 5: Remove the left cover \(M454 models\)](#)
- [Step 6: Remove the left cover \(M479 models\)](#)
- [Step 7: Remove the duplexer door assembly](#)
- [Step 8: Remove the rear door \(simplex models\)](#)
- [Step 9: Remove the low-voltage power supply \(LVPS\)](#)
- [Step 10: Remove the driver PCA](#)
- [Step 11: Remove the driver PCA holder](#)
- [Step 12: Remove the developer motor](#)
- [Step 13: Unpack the replacement part](#)
- [Step 14: Install the developer motor](#)

### Introduction


This document provides the procedures to remove and replace the developer motor.

[Click here to view a video of this procedure.](#)

### Before you begin

- Turn off the printer.
- Disconnect the power cable.

---

 **WARNING!** To avoid damage to the printer, turn the printer off, wait 30 seconds, and then remove the power cord before attempting to service the printer.

---

- Use the table below to identify the correct part number for your printer. To order the part, go to [www.hp.com/buy/parts](http://www.hp.com/buy/parts).

---

Developer motor part number	
RM2-7344-000CN	Developer motor

---

### Required tools

- #2 Phillips screwdriver with a magnetic tip
- Small flat-blade screwdriver

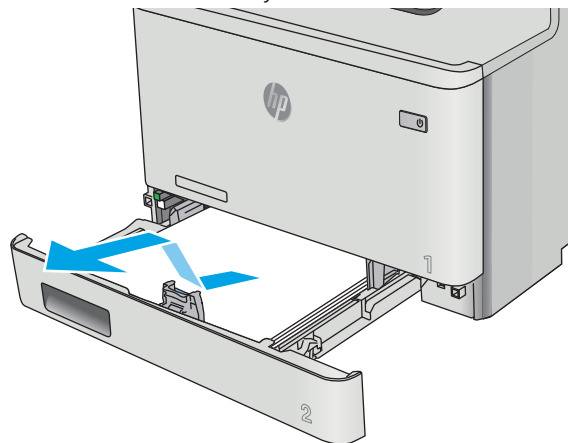
### After performing service

- Connect the power cable.
- Use the power switch to turn the power on.

### Step 1: Remove Tray 2

- ▲ Pull the tray out until it stops. Lift the front of the tray, and then pull it out of the printer to remove it.

Figure 1-891 Remove the tray



### Step 2: Open the front door and rear door or duplexer door

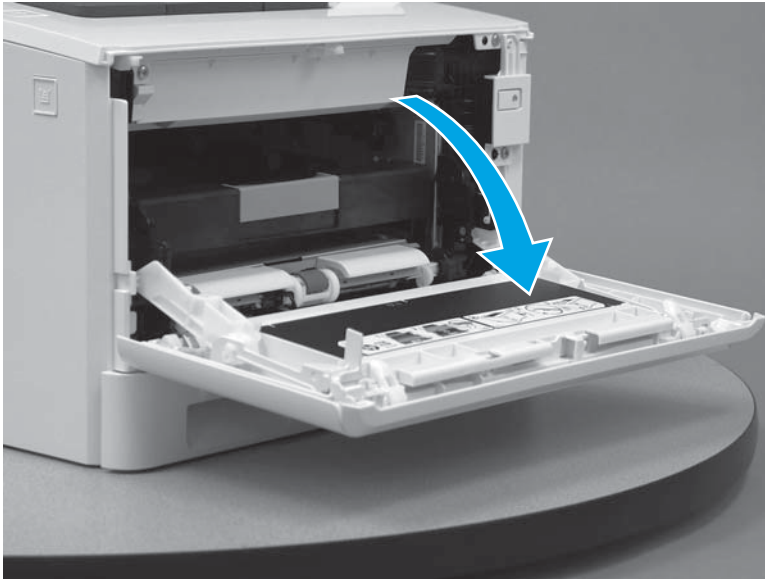
1. Press the button (callout 1) on the left side of the printer to release the front door.

Figure 1-892 Release the front door



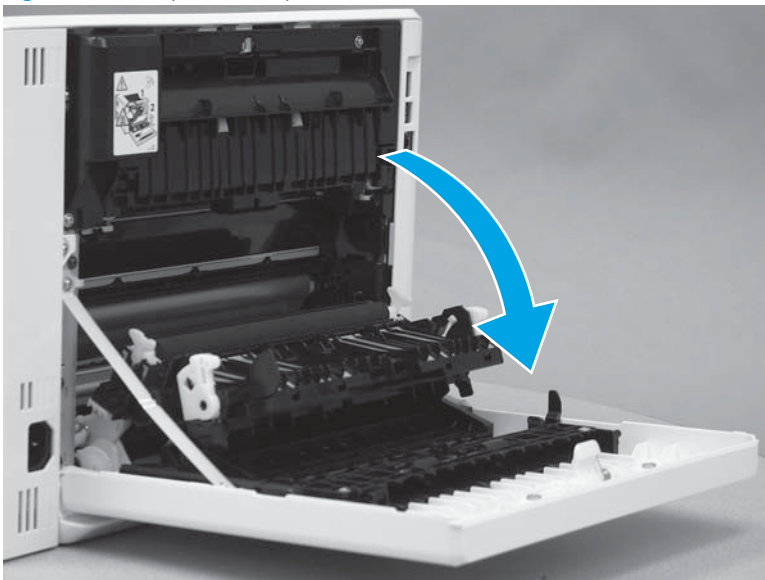
2. Open the front door.

Figure 1-893 Open the front door



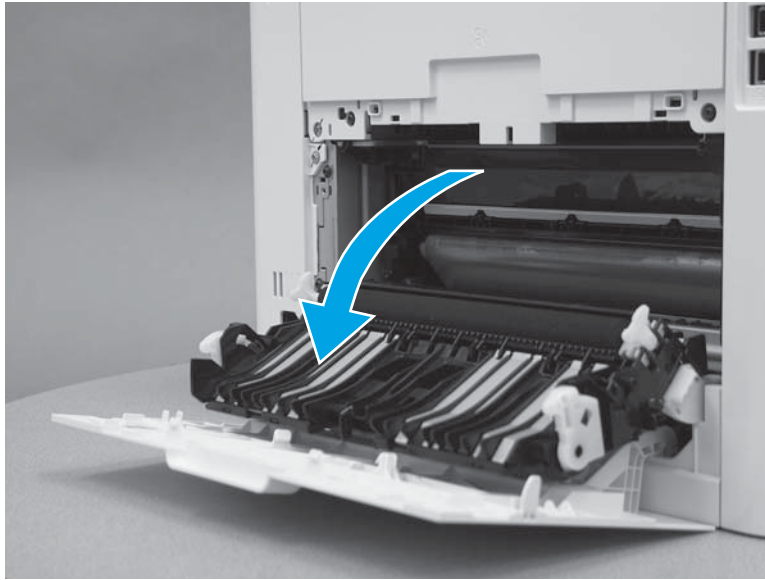
3. Duplex models: Open the duplexer door.

Figure 1-894 Open the duplexer door




4. **Simplex models:** Open the rear door.

Figure 1-895 Open the rear door



### Step 3: Remove the right cover (M454 models)

 **NOTE:** This step is for the M454 models. For the M479 models, skip this step and go to [Step 4: Remove the right cover \(M479 models\) on page 519](#).

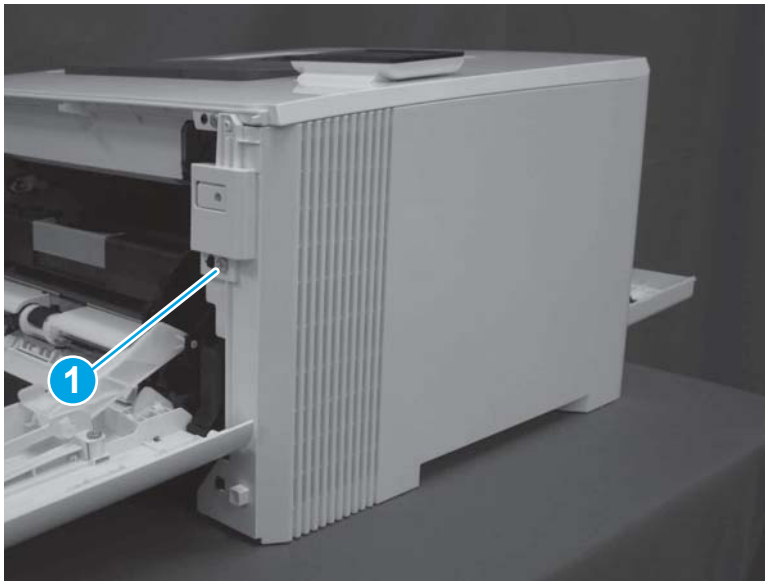
1. At the back of the printer, remove one screw (callout 1).

Figure 1-896 Remove one screw



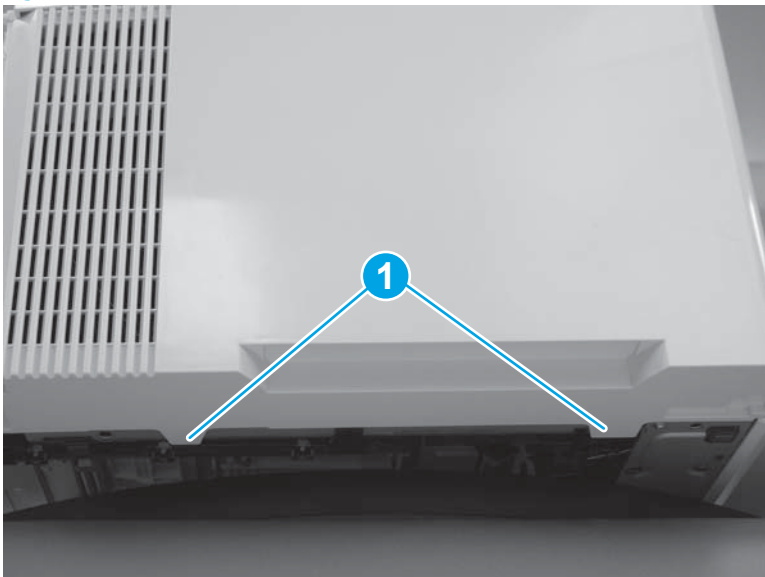
2. At the front of the printer, remove one screw (callout 1).

Figure 1-897 Remove one screw



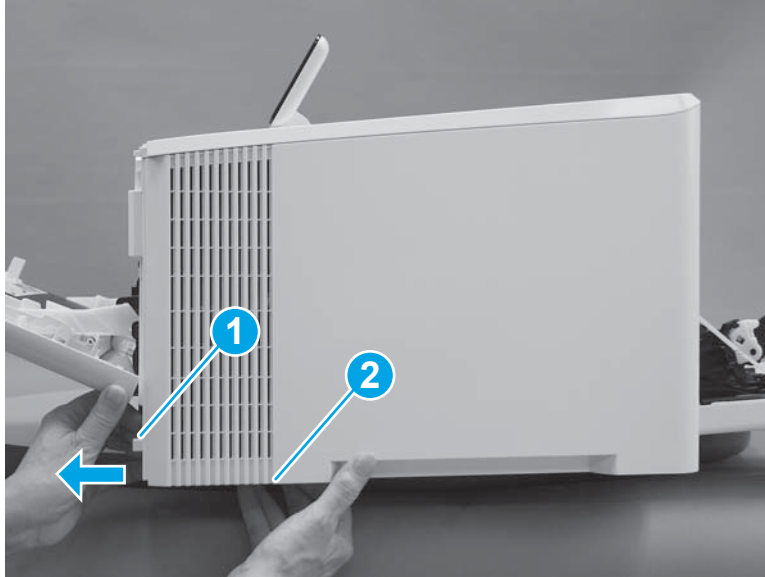
3. Slide the printer to the edge of a work surface. Note the location of the tabs on the lower edge of the cover (callout 1).

Figure 1-898 Locate the tabs



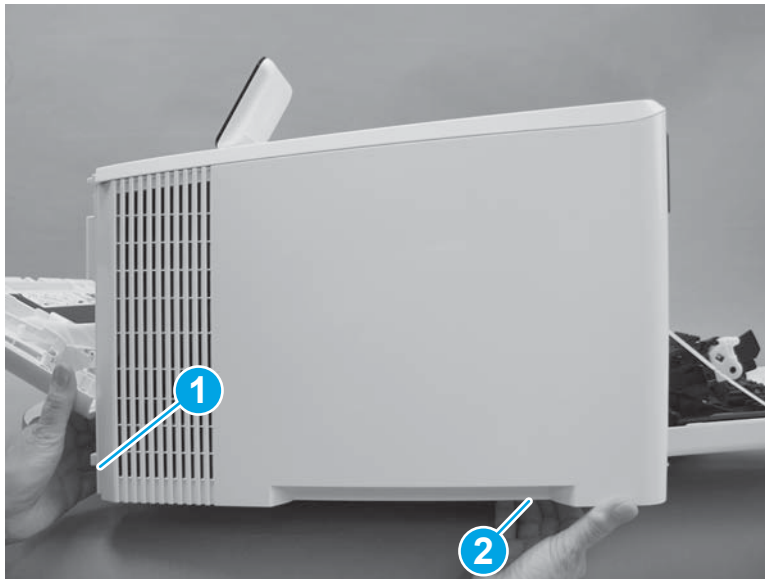
4. Release one tab (callout 1) on the front of the cover by slightly pulling the cover away from the printer. While holding the cover in the released position, release one tab (callout 2) on the bottom of the cover.

Figure 1-899 Release front lower tabs



5. Hold the front tabs in the released position (callout 1), and then release one tab (callout 2) on the bottom of the cover, toward the back of the printer.

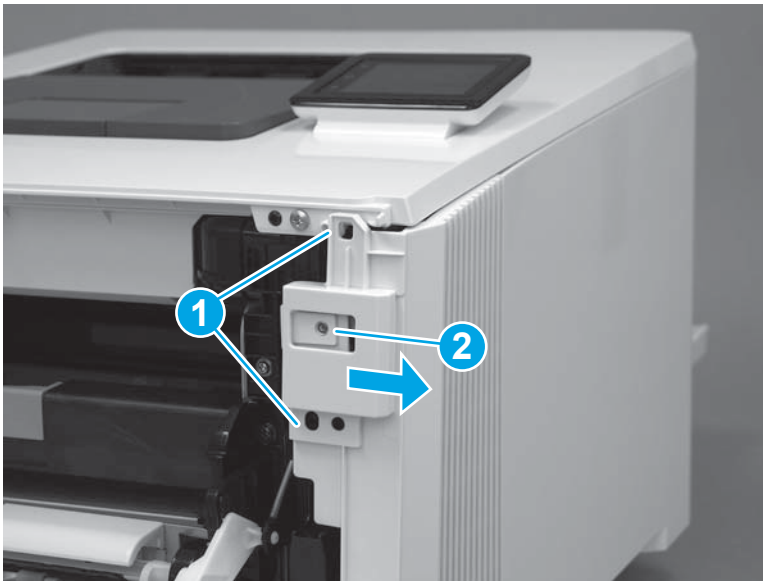
Figure 1-900 Release lower rear tab



6. Release two tabs at the front of the printer (callout 1) by slightly pulling the cover away from the printer.

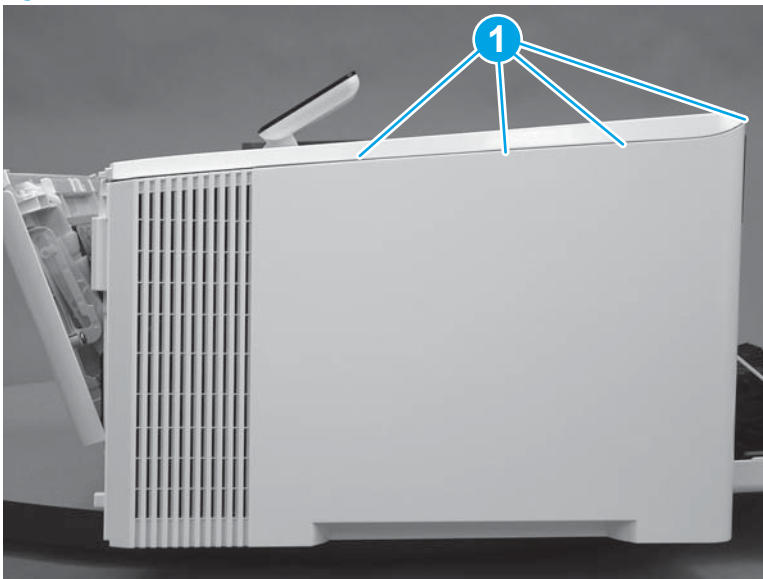
**⚠ CAUTION:** Be careful not to dislodge the power switch (callout 2).

**Figure 1-901** Release two front tabs



7. Release four tabs on the top of the printer (callout 1).

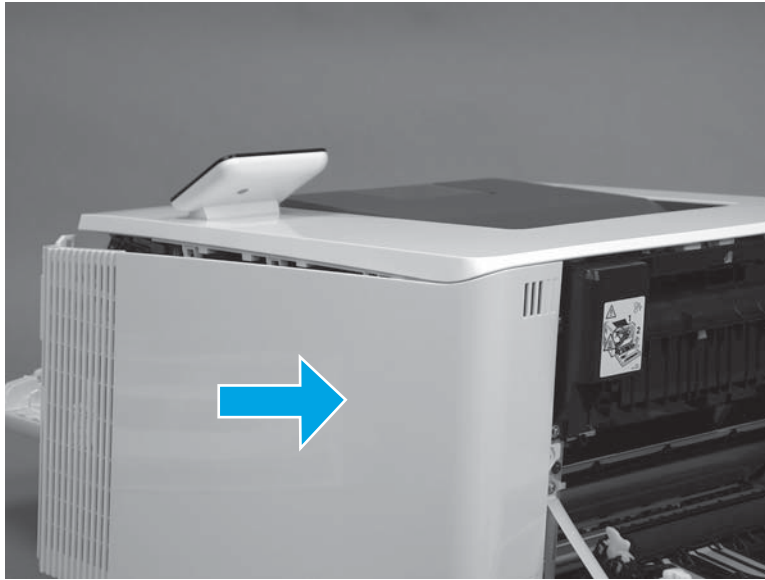
**Figure 1-902** Release upper tabs






8. Slide the cover toward the back of the printer to remove it.

**Figure 1-903** Remove the right cover



#### Step 4: Remove the right cover (M479 models)

 **NOTE:** This step is for the M479 models. For the M454 models, skip this step and go to [Step 5: Remove the left cover \(M454 models\) on page 525](#).

1. Raise the scanner.

**Figure 1-904** Raise the scanner



2. At the back of the printer, remove one screw (callout 1).

Figure 1-905 Remove one screw



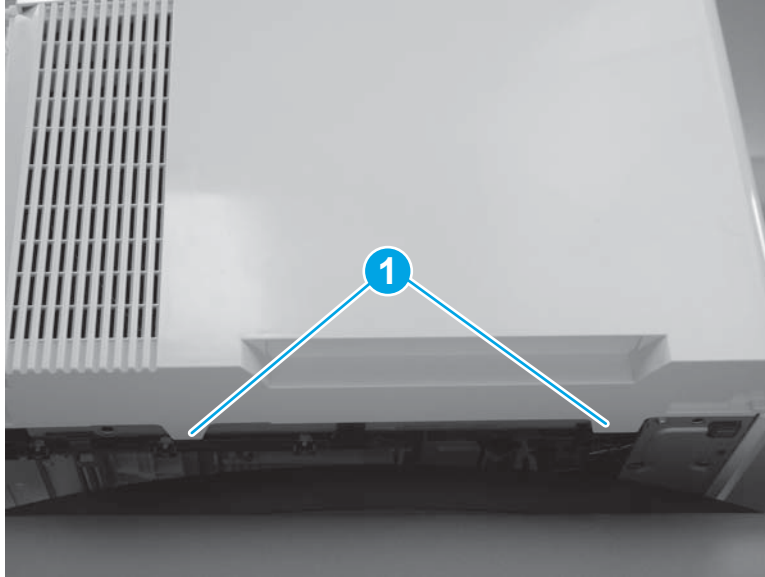
3. At the front of the printer, remove one screw (callout 1).

Figure 1-906 Remove one screw



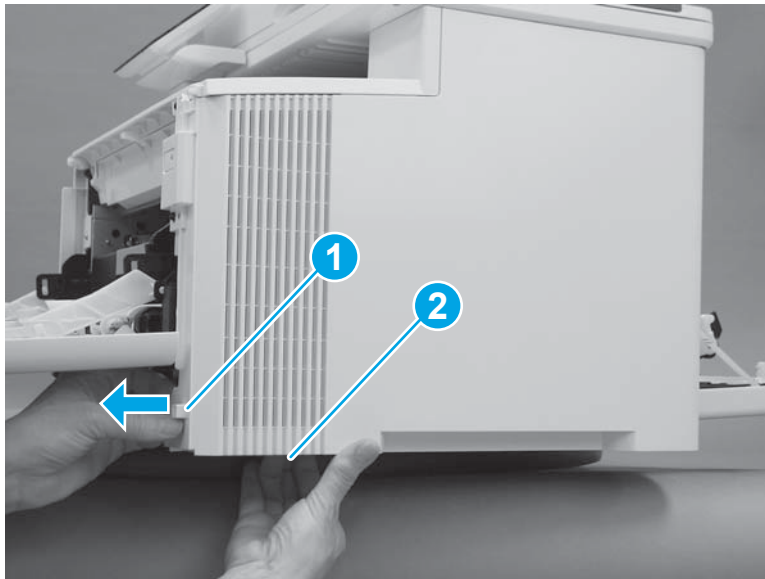
4. Slide the printer to the edge of a work surface. Note the location of the tabs on the lower edge of the cover (callout 1).

Figure 1-907 Locate the tabs



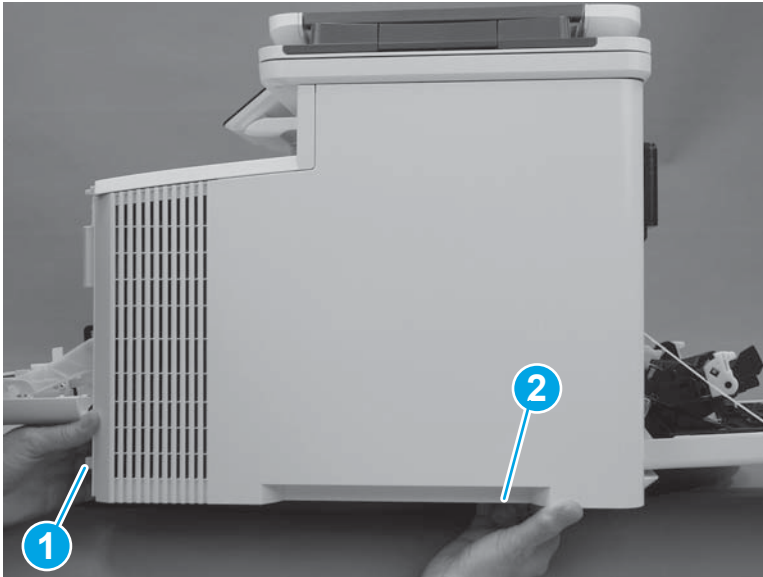
5. Release one tab (callout 1) on the front of the cover by slightly pulling the cover away from the printer. While holding the cover in the released position, release one tab (callout 2) on the lower edge of the cover.

Figure 1-908 Release front lower tabs



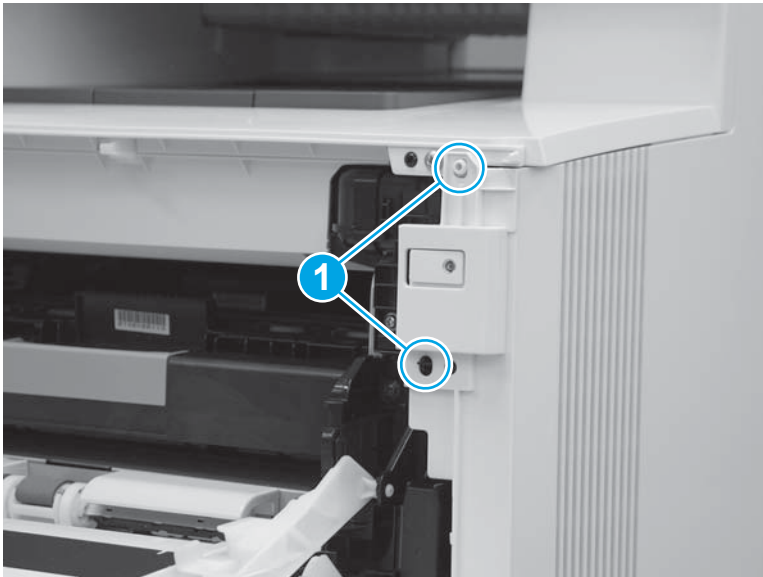
6. Hold the front tabs in the released position (callout 1), and then release one tab (callout 2) on the lower edge of the cover, toward the back of the printer.

Figure 1-909 Release lower rear tab



7. Release two tabs at the front of the printer (callout 1) by slightly pulling the cover away from the printer.

Figure 1-910 Release front upper tabs



8. Rotate the front of the cover away from the printer (callout 1).

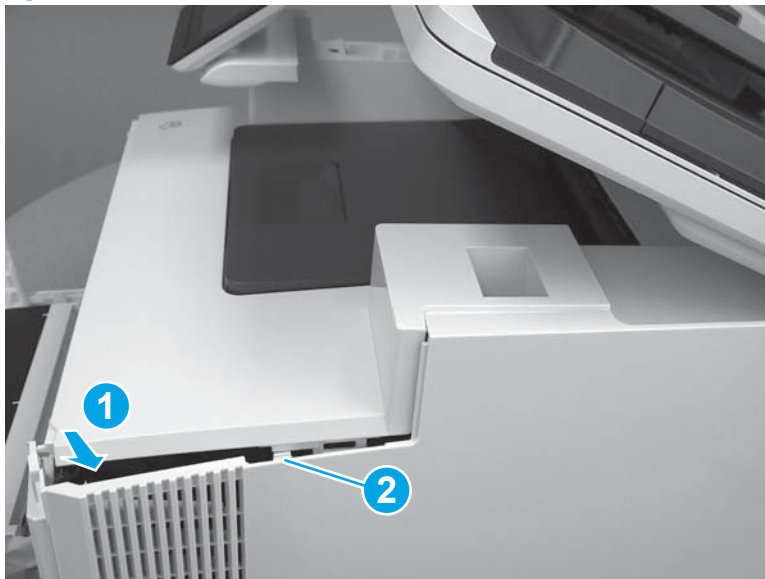
**⚠ CAUTION:** Be careful not to dislodge the power switch (callout 2).

Figure 1-911 Rotate the front of the cover



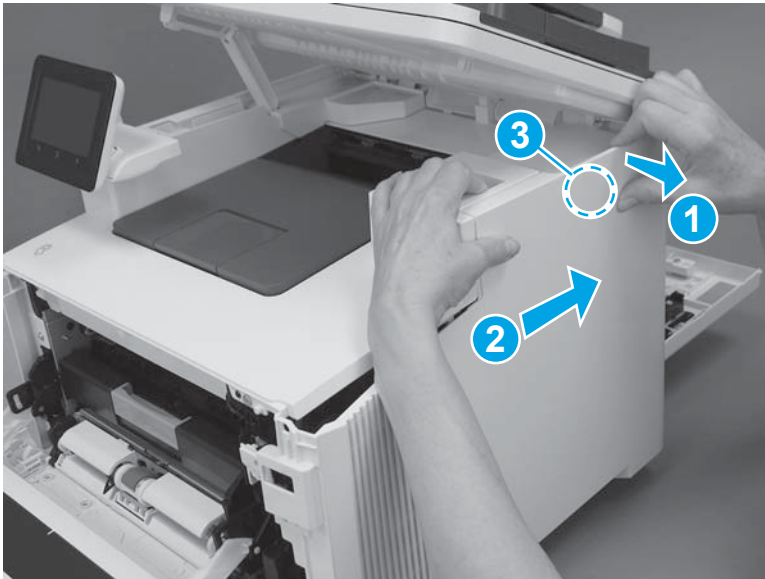
9. Slightly pull the front of the cover away from the printer (callout 1) to release one tab (callout 2).

Figure 1-912 Release top tabs



10. At the top of the printer, slightly pull the top of the cover away from the printer to release one retention tab (callout 1) on the inside of the cover. While holding the cover away, slide the cover toward the back of the printer (callout 2) to release one hook (callout 3) on the inside of the cover.

Figure 1-913 Release one tab and one hook



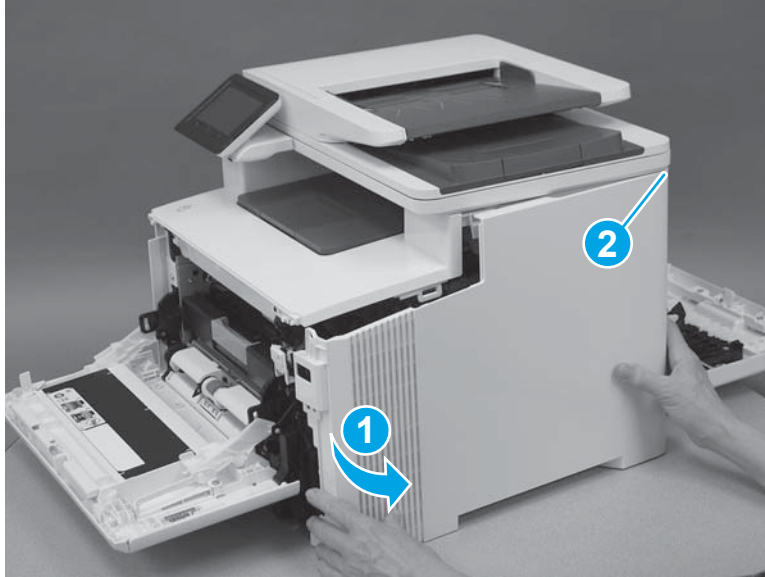
11. Lower the scanner.

Figure 1-914 Lower the scanner




12. Rotate the cover away from the printer (callout 1) to release one tab (callout 2) at the back of the printer, and then remove the cover.

Figure 1-915 Remove the right cover

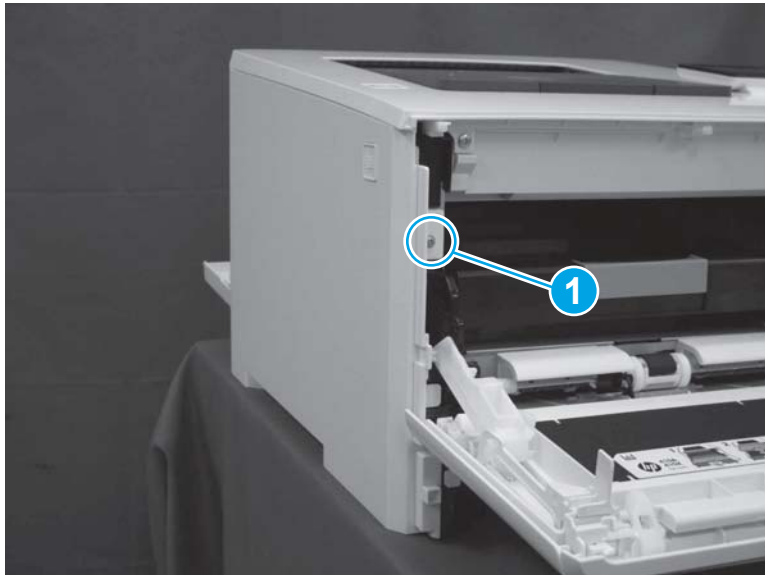


#### Step 5: Remove the left cover (M454 models)

 **NOTE:** This step is for the M454 models. For the M479 models, skip this step and go to [Step 6: Remove the left cover \(M479 models\) on page 527](#).

1. At the front of the printer, remove one screw (callout 1).

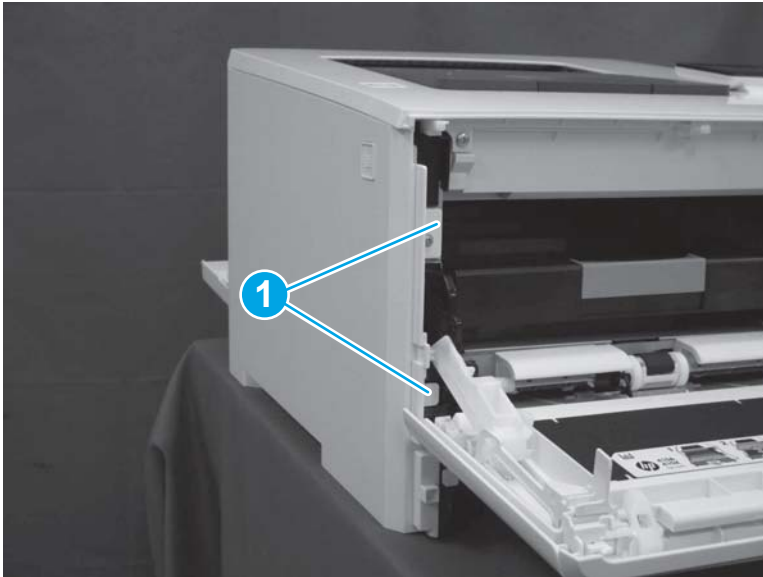
Figure 1-916 Remove one screw





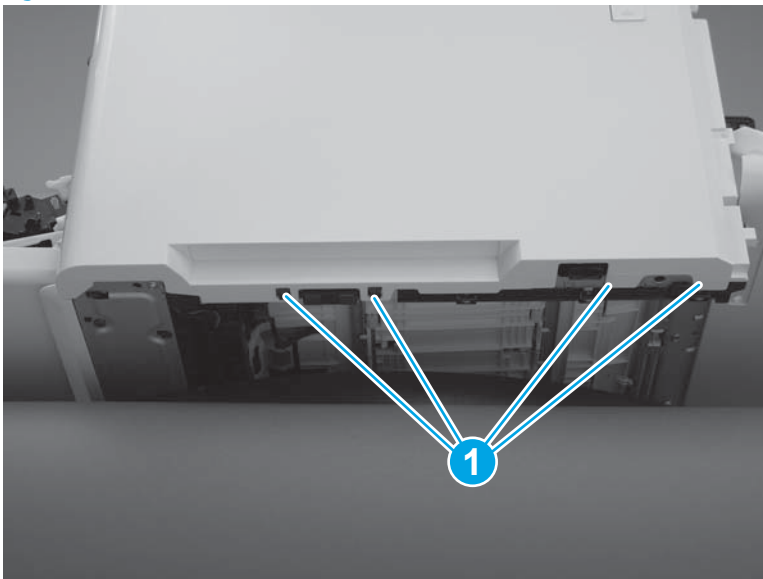
2. Release two tabs (callout 1) at the front of the cover. Hold the cover open to prevent the tabs from reengaging.

Figure 1-917 Release two tabs



3. Slide the printer to the edge of a work surface. Note the location of the tabs on the lower edge of the cover (callout 1).

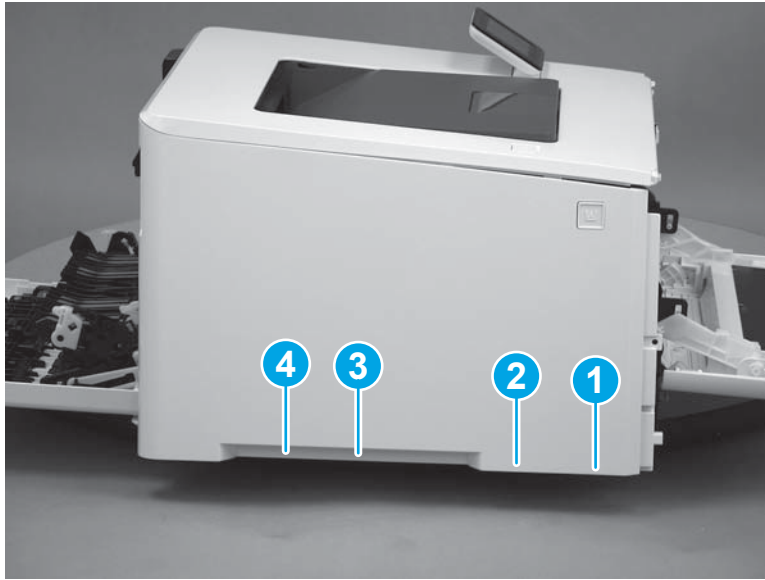
Figure 1-918 Locate the tabs





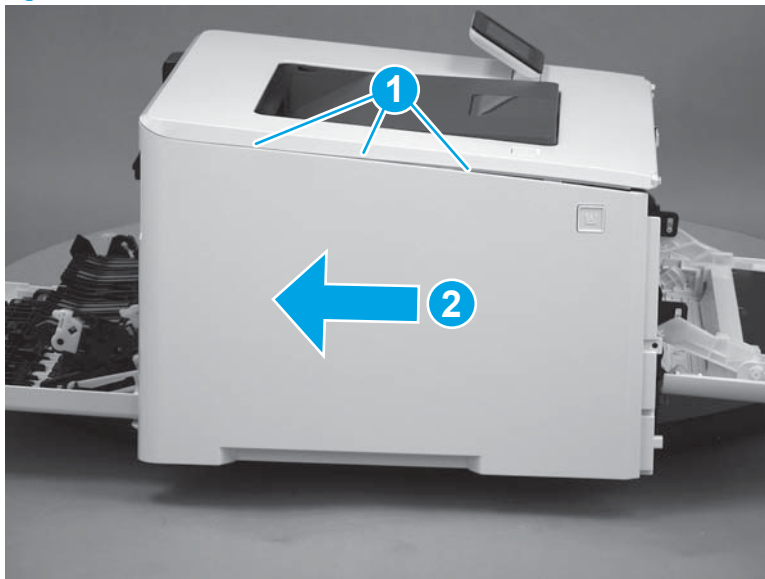
4. Beginning from the front of the cover, release four tabs (callouts 1-4) on the lower edge of the cover.

Figure 1-919 Release bottom tabs




5. Release three tabs at the top of the cover (callout 1), and then slide the cover toward the rear of the printer to remove it.

Figure 1-920 Release three tabs



#### Step 6: Remove the left cover (M479 models)

 **NOTE:** This step is for the M479 models. For the M454 models, skip this step and go to [Step 7: Remove the duplexer door assembly on page 532.](#)

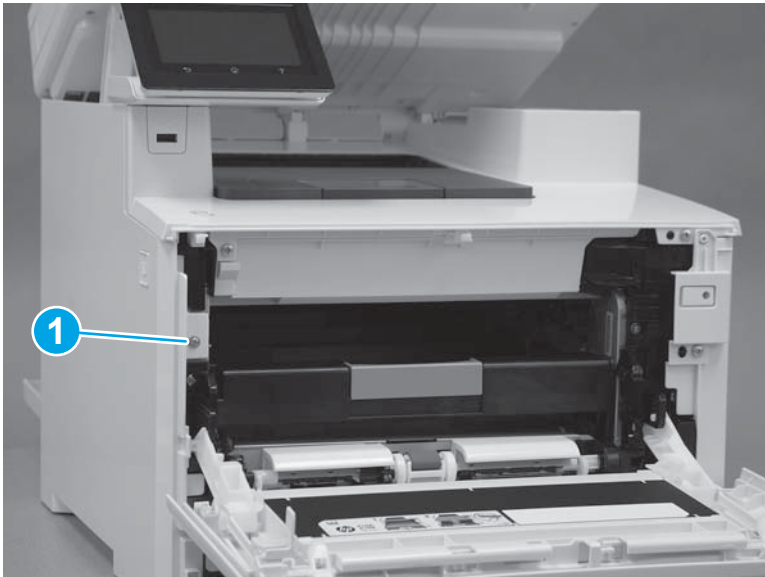
1. Raise the scanner.

Figure 1-921 Raise the scanner



2. At the front of the printer, remove one screw (callout 1).

Figure 1-922 Remove one screw



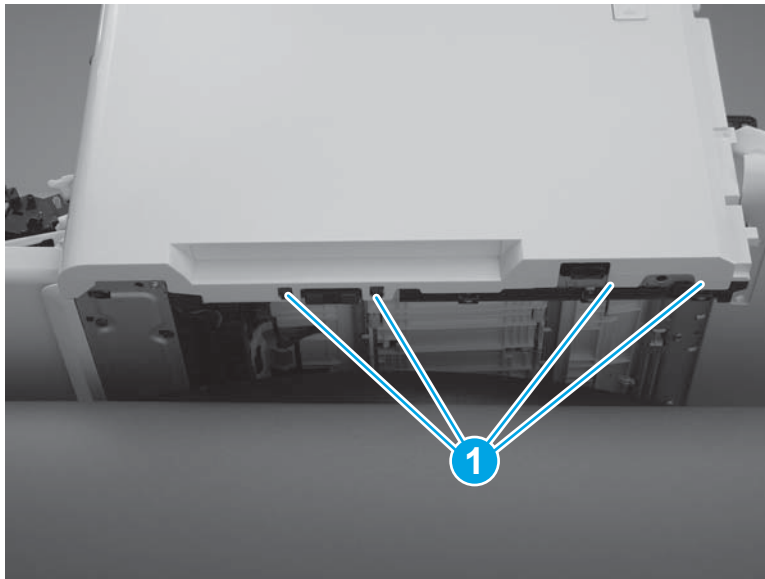
3. Release two tabs (callout 1) at the front of the cover. Hold the cover open to prevent the tabs from re-engaging.

Figure 1-923 Release two tabs



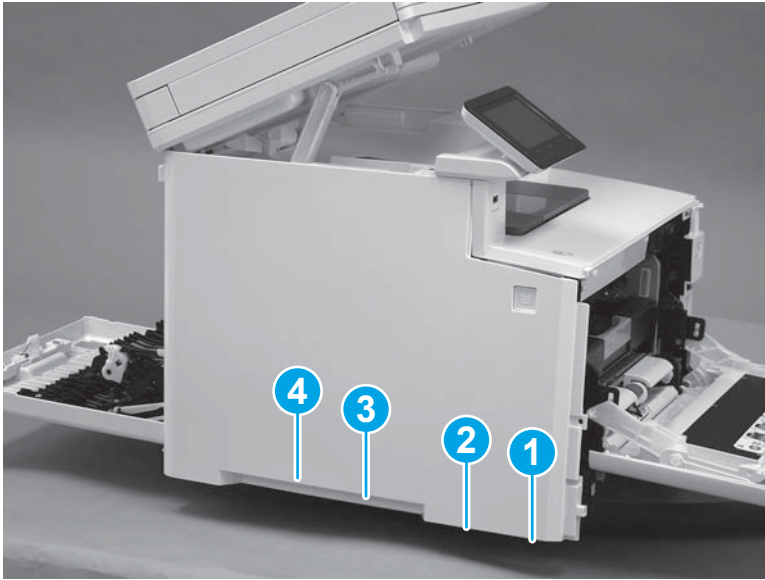
4. Slide the printer to the edge of a work surface. Note the location of the tabs on the lower edge of the cover (callout 1).

Figure 1-924 Locate the tabs



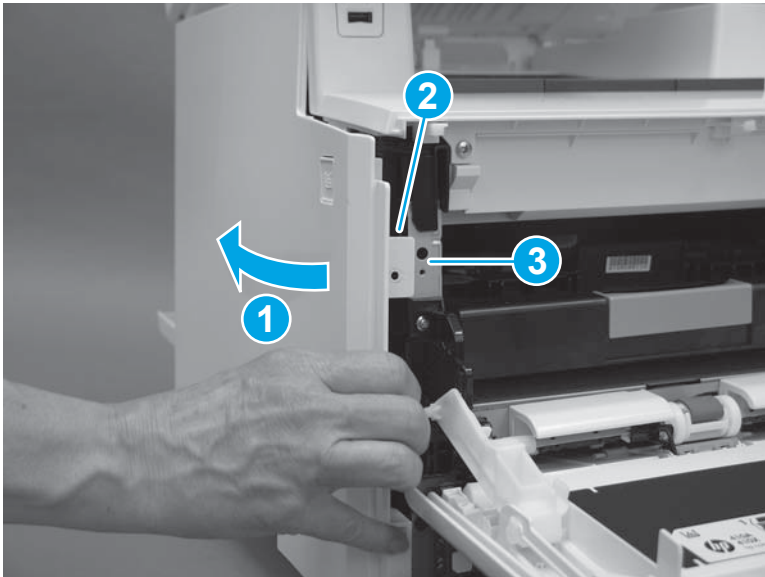
5. Beginning from the front of the cover, release the four tabs (callouts 1-4) on the lower edge of the cover.

Figure 1-925 Release four tabs



6. Rotate the front of the cover away from the printer (callout 1). Make sure that the tab (callout 2) does not get caught on the printer frame (callout 3).

Figure 1-926 Rotate the cover



7. At the top of the printer, slightly pull the top of the cover away from the printer to release one retention tab (callout 1) on the inside of the cover. While holding the cover away, slide the cover toward the back of the printer (callout 2) to release two hooks (callout 3) inside the cover.

Figure 1-927 Release one tab and two hooks



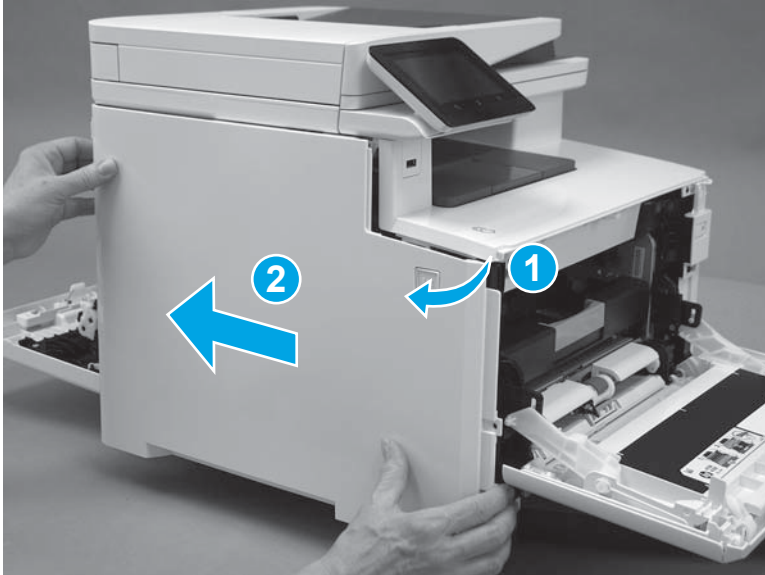
8. Lower the scanner.

Figure 1-928 Lower the scanner




9. Rotate the cover away from the printer (callout 1), and then slide the cover (callout 2) toward the back of the printer to remove it.

**Figure 1-929** Remove the left cover

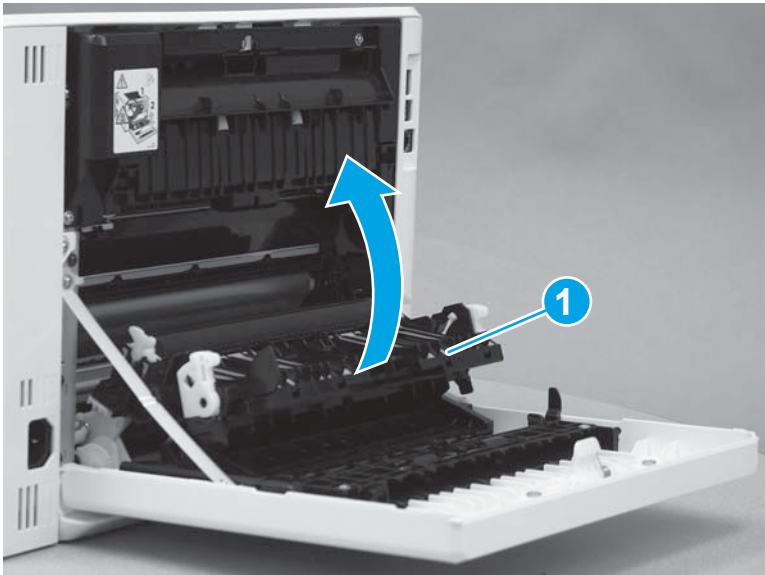


#### Step 7: Remove the duplexer door assembly


 **NOTE:** This step is for duplex models. For simplex models, skip this step and go to [Step 8: Remove the rear door \(simplex models\) on page 534](#).

1. Rotate the secondary transfer assembly (callout 1) toward the printer to close it.

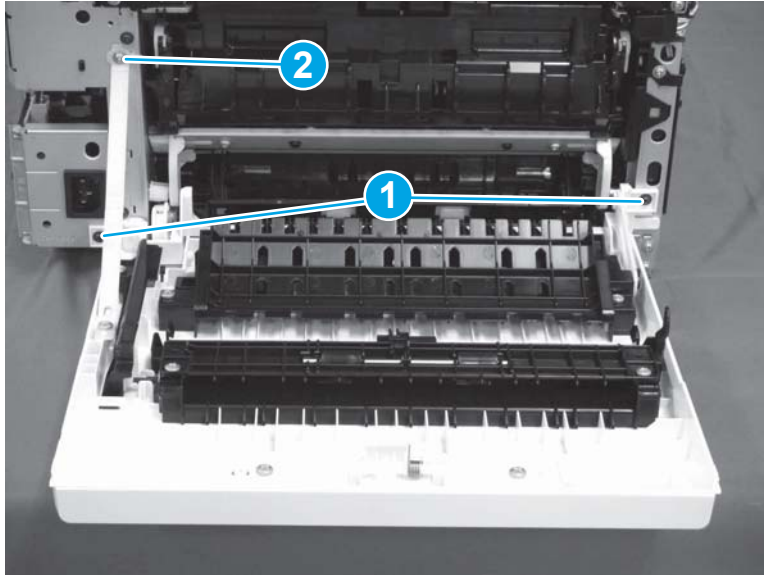
**Figure 1-930** Close the secondary transfer assembly



2. At the back of the printer, remove two screws (callout 1), and then remove one screw (callout 2) that holds the retention arm.

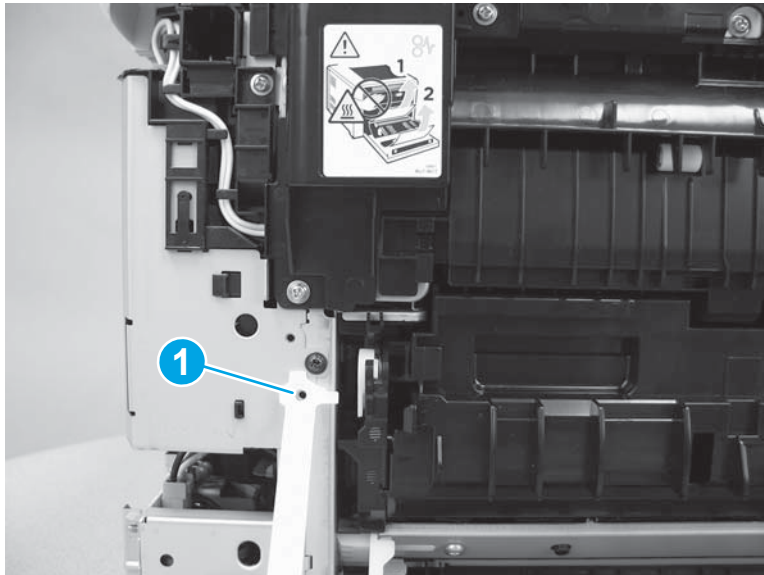
 **Reinstallation tip:** Note that the screw (callout 2) that holds the retention arm is longer than the other two. Make sure this screw is installed in the correct position.

**Figure 1-931** Remove three screws



3. Release the retention arm (callout 1).

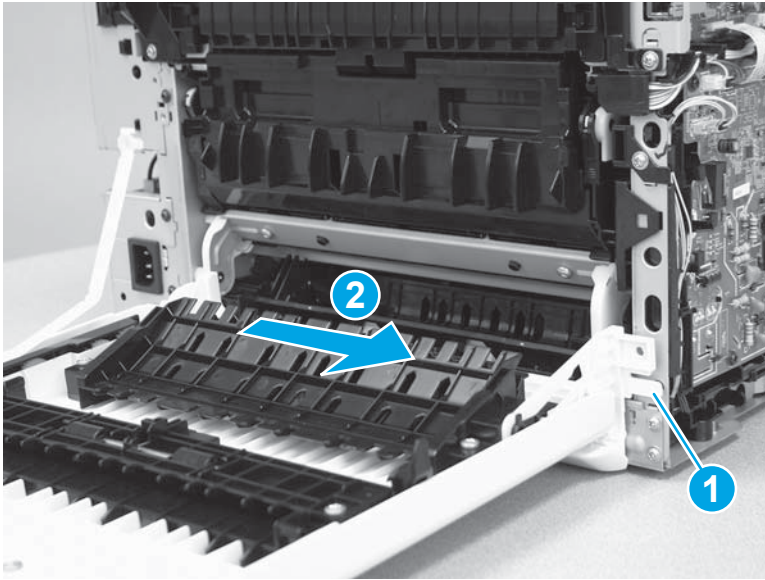
**Figure 1-932** Release the retention arm





4. Release one tab (callout 1), and then slide the duplexer door (callout 2) to the right to remove it.

Figure 1-933 Remove the duplexer door



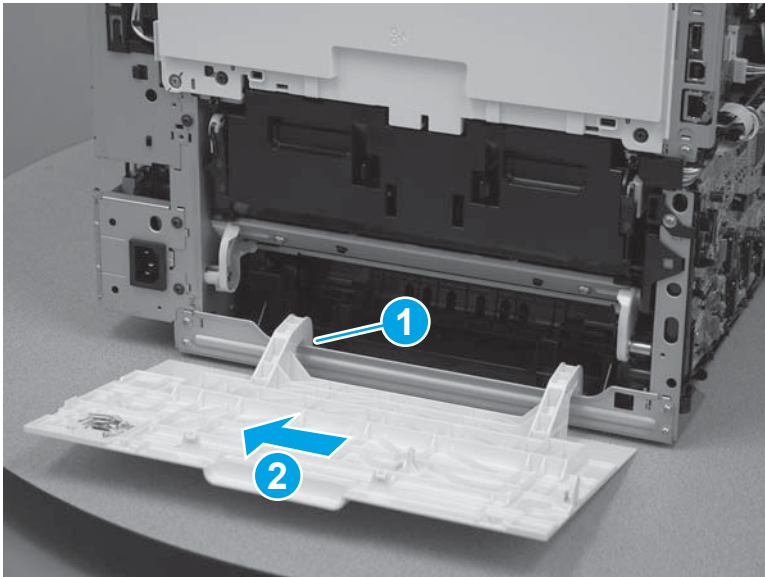
#### Step 8: Remove the rear door (simplex models)



**NOTE:** This step is for simplex models. For duplex models, skip this step and go to [Step 9: Remove the low-voltage power supply \(LVPS\) on page 534](#).

- ▲ Slightly flex one hinge arm (callout 1) to release a hinge pin, and then slide the rear door to the left (callout 2) to remove it.

Figure 1-934 Remove the rear door

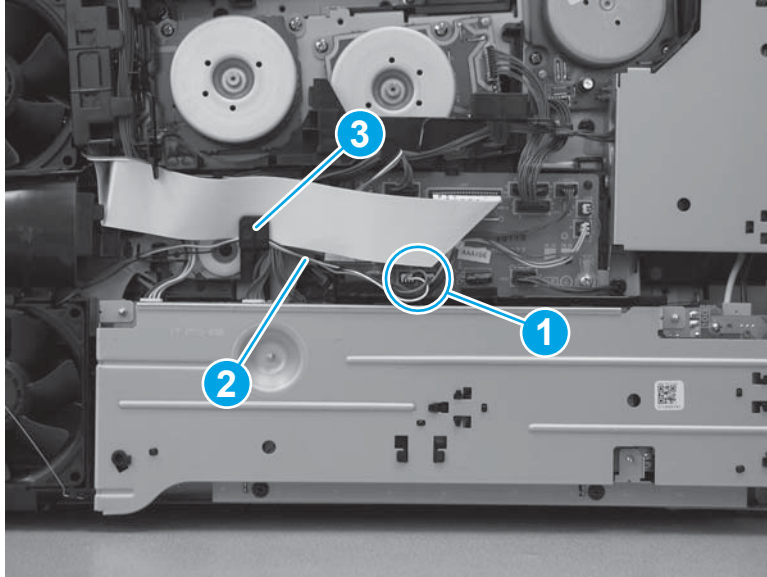


#### Step 9: Remove the low-voltage power supply (LVPS)

1. Disconnect one connector (callout 1), and then remove the cable (callout 2) from the wire guide (callout 3).

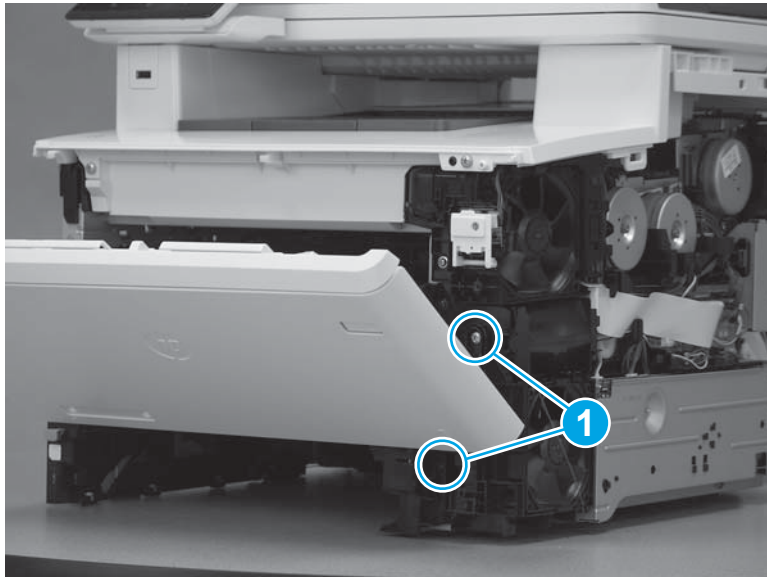


Figure 1-935 Disconnect one connector and release cables from guides



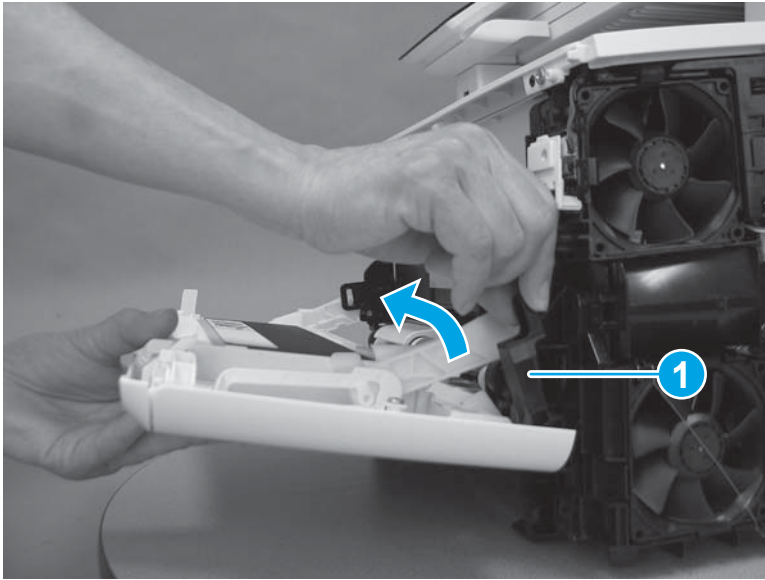
2. Remove two screws (callout 1).

Figure 1-936 Remove two screws



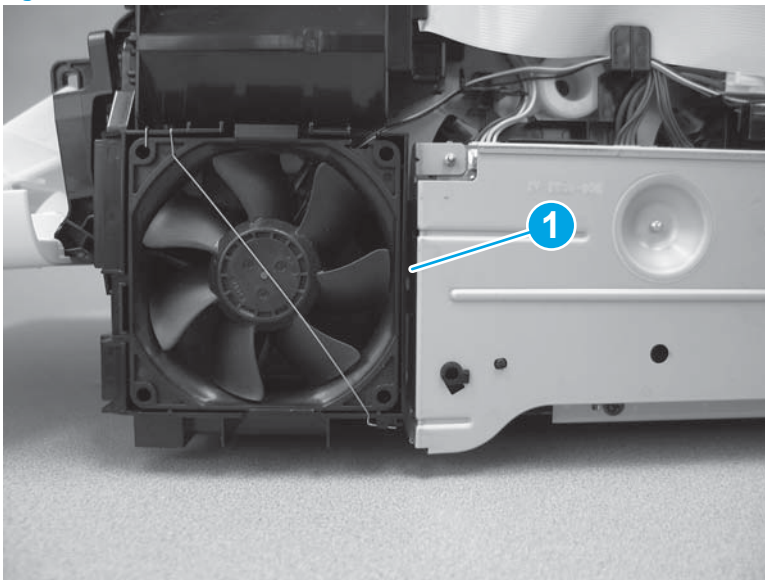
3. Release the hinge arm (callout 1).

Figure 1-937 Release the hinge arm



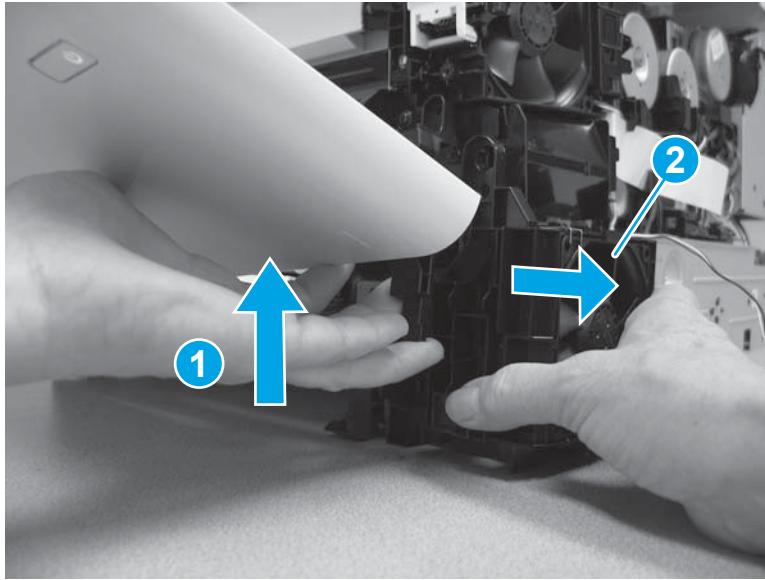
4. Release one tab (callout 1) on the right side of the power supply fan.

Figure 1-938 Release one tab



- Lift the front door up slightly (callout 1), and then remove the power supply fan and holder (callout 2).

Figure 1-939 Remove the power supply fan and holder



- Before disconnecting the cables in the next step, make note of the position of two cables (callout 1).


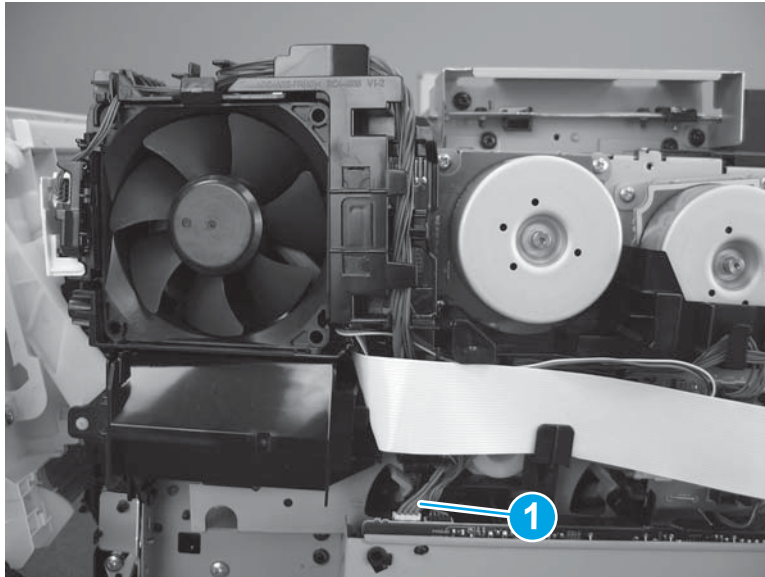
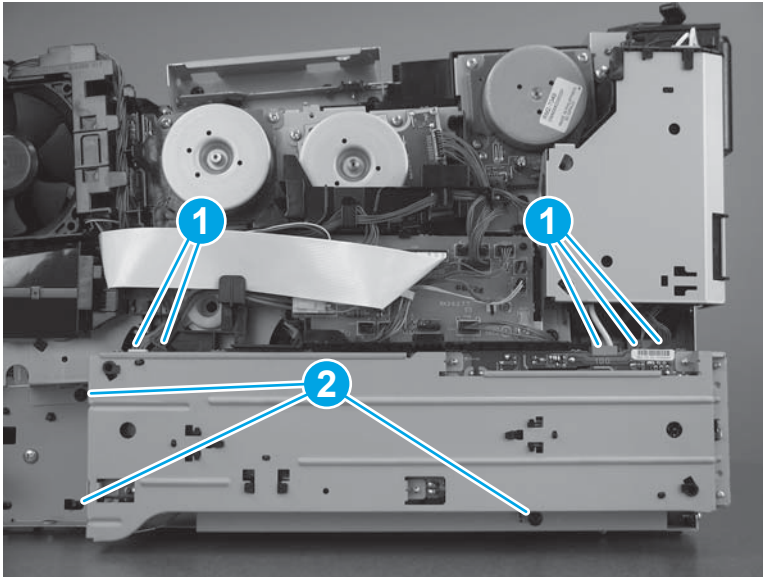
 **IMPORTANT:** These cables can be inadvertently switched when reinstalling. The connectors on the cables will fit in either connector on the LVPS. Make sure that these cables are installed in the correct connectors. If the cables are switched, the printer will not power on when reassembled.

Figure 1-940 Check the connectors



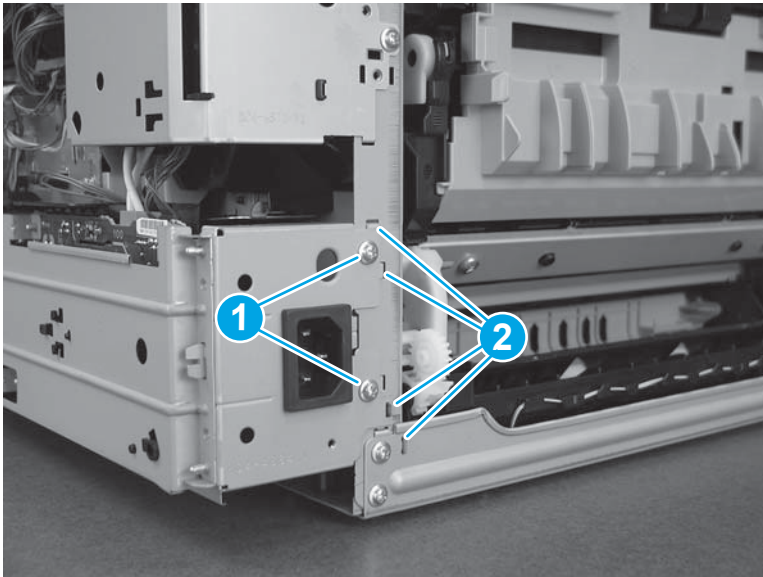
7. Disconnect five connectors (callout 1). Note that one connector (callout 2) has a latch that must be released before disconnecting it. Remove three screws (callout 3).

**Figure 1-941** Disconnect five connectors and remove four screws



8. Remove two screws from the back (callout 1), and then release four tabs (callout 2).

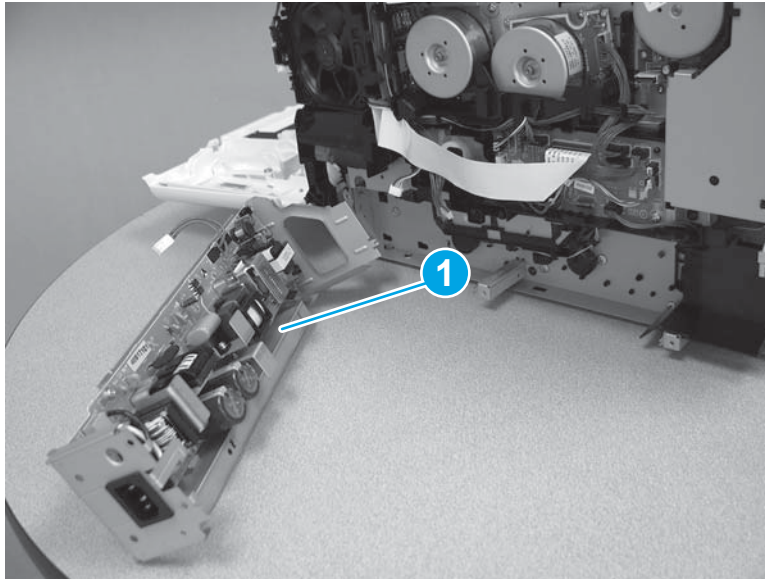
**Figure 1-942** Remove two screws and release three tabs





9. Remove the LVPS (callout 1).

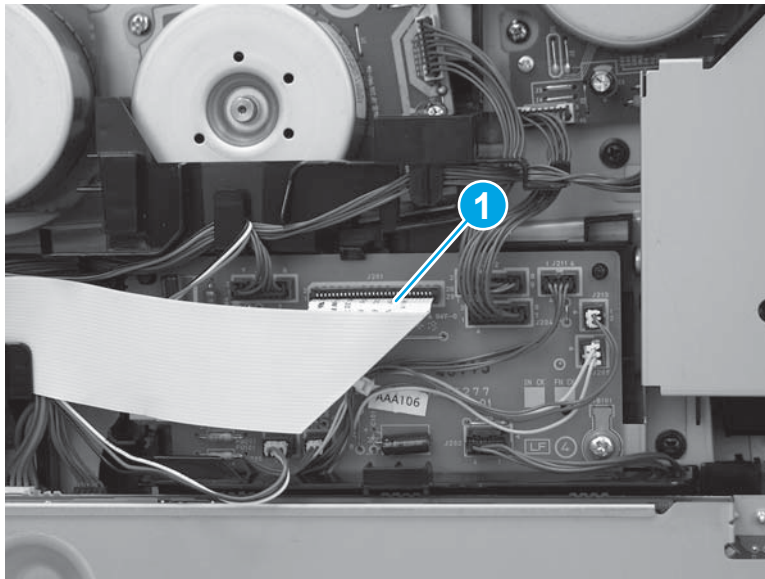
Figure 1-943 Remove the LVPS



#### Step 10: Remove the driver PCA

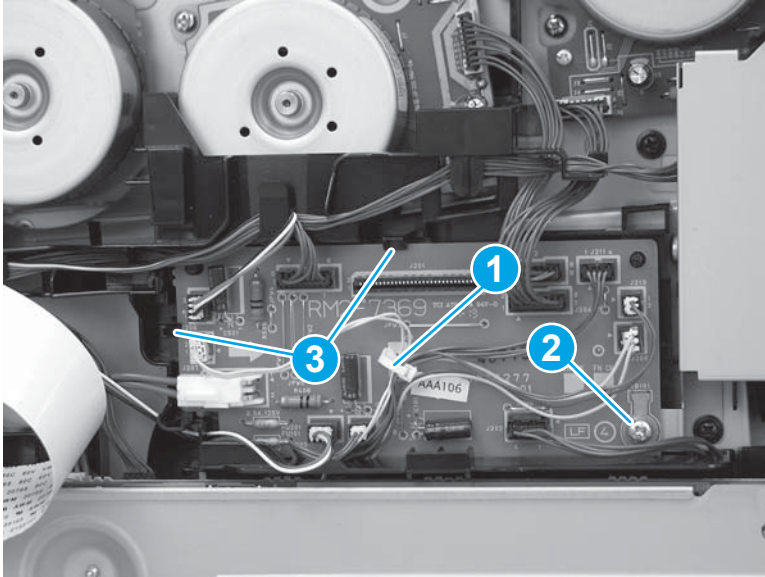
1. Disconnect one connector (callout 1).

Figure 1-944 Disconnect one connector



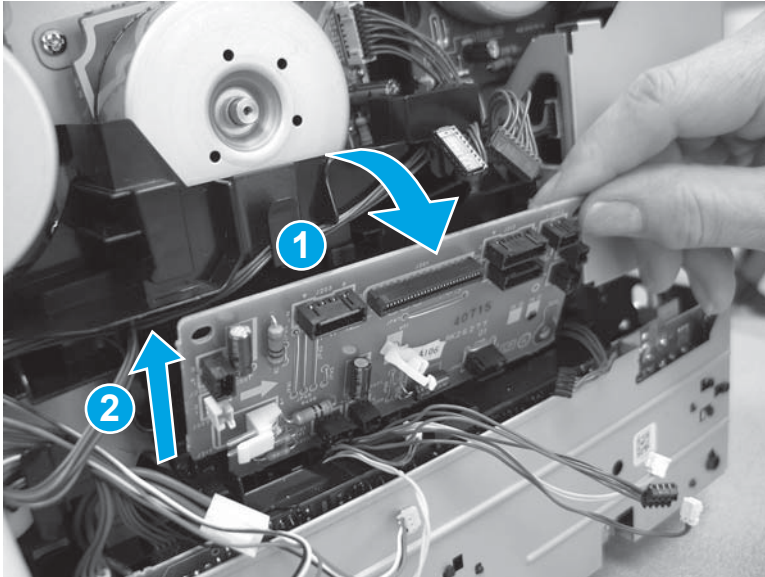
2. Release one retainer (callout 1), disconnect all of the connectors on the driver PCA, remove one screw (callout 2), and then release two tabs (callout 3).

Figure 1-945 Disconnect all connectors and remove one screw



3. Rotate the top of the driver PCA away from the printer (callout 1), and then lift up (callout 2) to remove it.

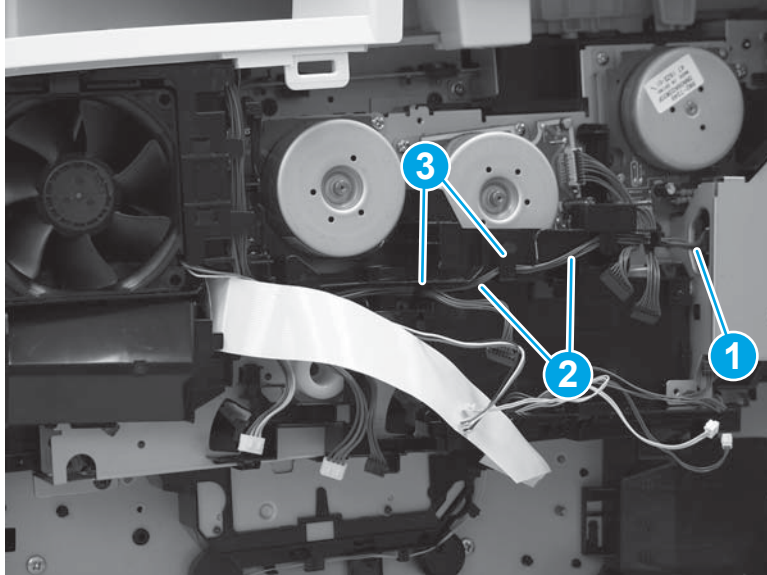
Figure 1-946 Remove the driver PCA



### Step 11: Remove the driver PCA holder

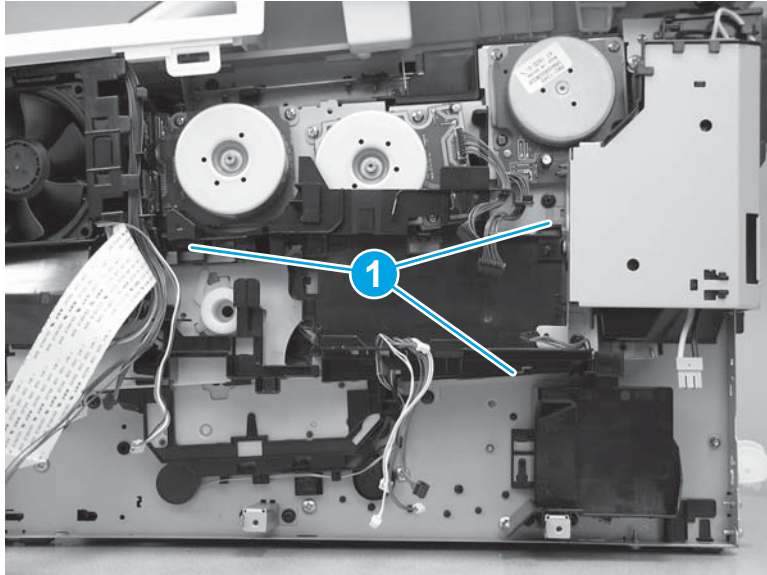
1. Disconnect one connector (callout 1), and then release the cables (callout 2) from the guides (callout 3).

Figure 1-947 Disconnect one connector and release cables from guides



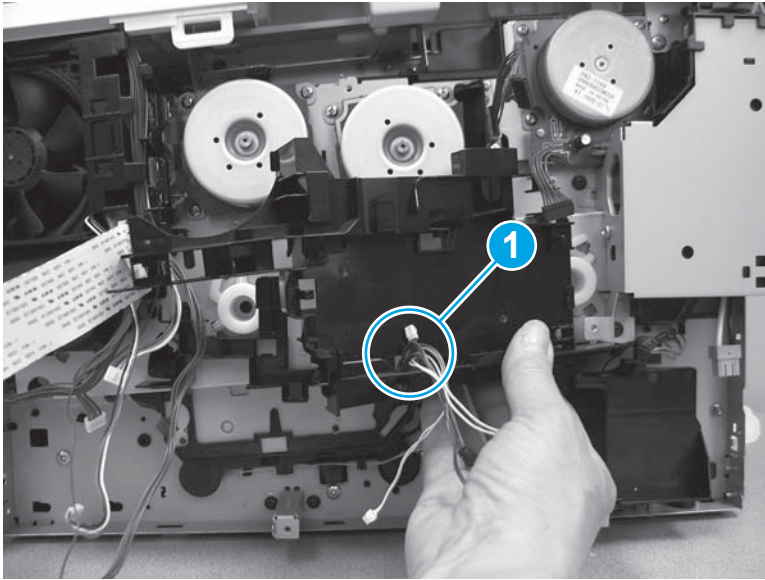
2. Release three tabs (callout 1).

Figure 1-948 Release three tabs



3. Release the cables from the driver PCA holder (callout 1), and then remove the driver PCA holder.

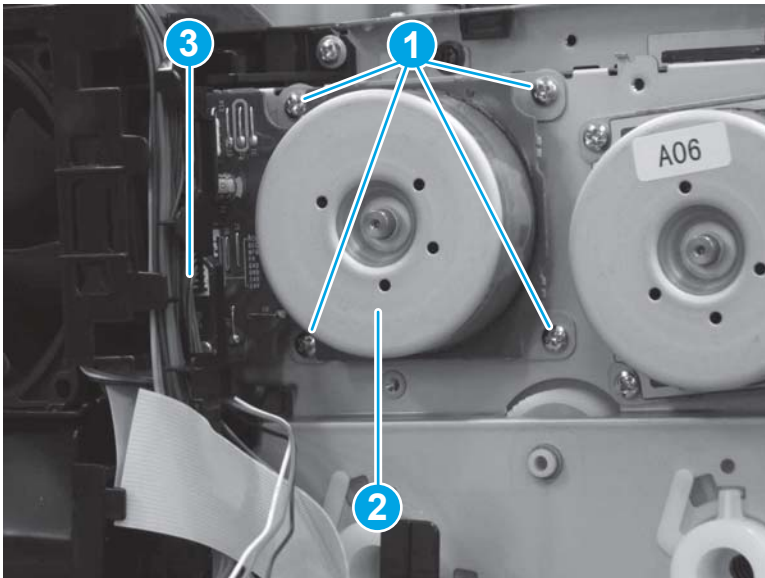
Figure 1-949 Remove the driver PCA holder



#### Step 12: Remove the developer motor

- ▲ Remove four screws (callout 1), lift the developer motor away from the printer slightly (callout 2), and then disconnect one connector (callout 3).

Figure 1-950 Remove the developer motor



#### Step 13: Unpack the replacement part

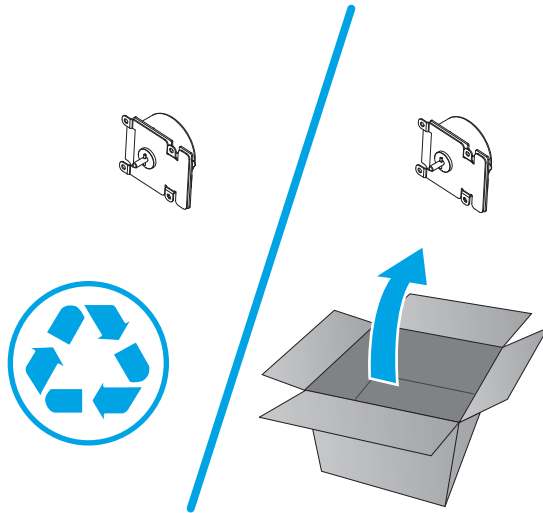
Remove the new part from its package. Save all packaging for recycling the used part.

For complete information on HP's recycling programs, go to [Product return and recycling](#).

 **NOTE:** HP recommends responsible disposal of the defective part.




Figure 1-951 Recycle and unpack



#### Step 14: Install the developer motor

- ▲ To install an assembly, reverse the removal steps.

---

 **NOTE:** When applicable, special installation instructions are provided for an assembly at the end of the removal procedure. Always completely read the removal instructions and follow all special installation instructions.

---

## Removal and replacement: Secondary transfer assembly (simplex models)

- [Introduction](#)
- [Step 1: Remove the secondary transfer assembly](#)
- [Step 2: Unpack the replacement part](#)
- [Step 3: Install the secondary transfer assembly](#)

### Introduction


This document provides the procedures to remove and replace the secondary transfer assembly for simplex models.

[Click here to view a video of this procedure.](#)

### Before you begin

- Turn off the printer.
- Disconnect the power cable.

---

 **WARNING!** To avoid damage to the printer, turn the printer off, wait 30 seconds, and then remove the power cord before attempting to service the printer.

---

- Use the table below to identify the correct part number for your printer. To order the part, go to [www.hp.com/buy/parts](http://www.hp.com/buy/parts).

---

Secondary transfer assembly part number	
RM2-6430-000CN	Secondary transfer assembly (simplex models)

---

### Required tools

- #2 Phillips screwdriver with a magnetic tip
- Small flat-blade screwdriver

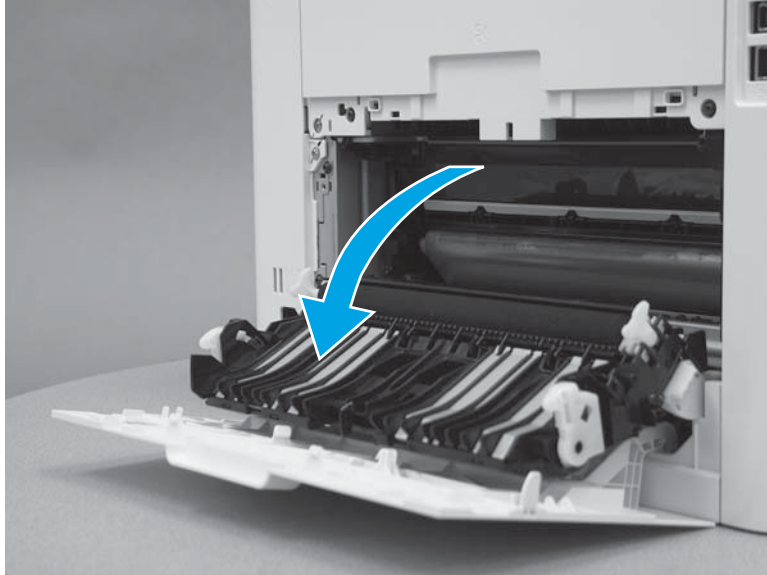
### After performing service

- Connect the power cable.
- Use the power switch to turn the power on.

### Step 1: Remove the secondary transfer assembly

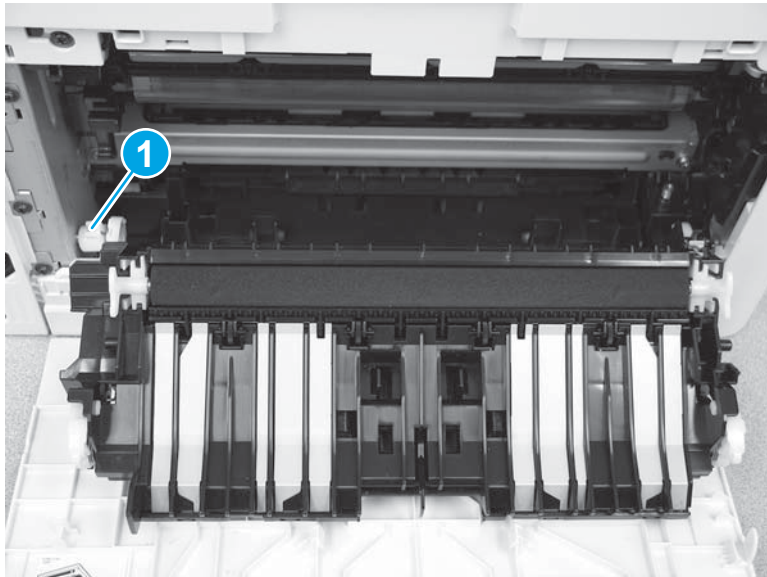
1. Open the rear door.

Figure 1-952 Open the rear door



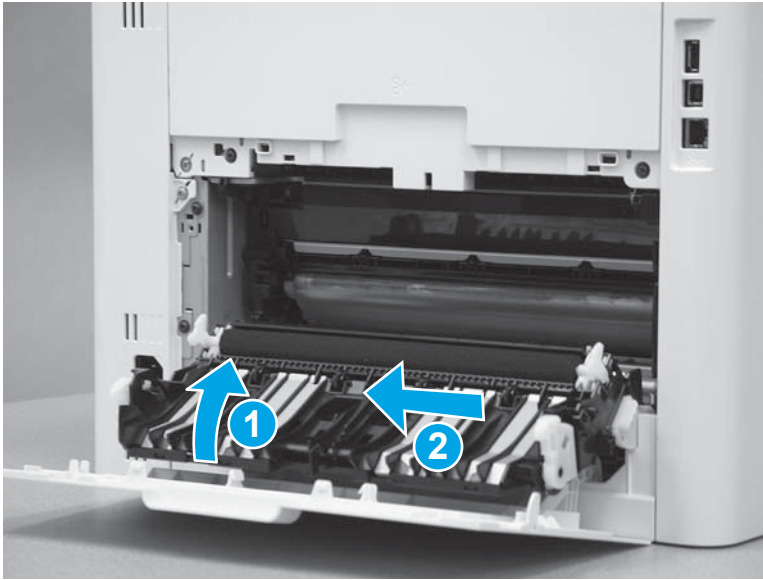
2. Remove one retainer collar (callout 1).

Figure 1-953 Remove one retainer collar



3. Lift the assembly up slightly (callout 1), and then slide it to the left (callout 2).

Figure 1-954 Slide the assembly left



4. Rotate the right side of the assembly away from the printer to remove it.

Figure 1-955 Remove the secondary transfer assembly



### Step 2: Unpack the replacement part

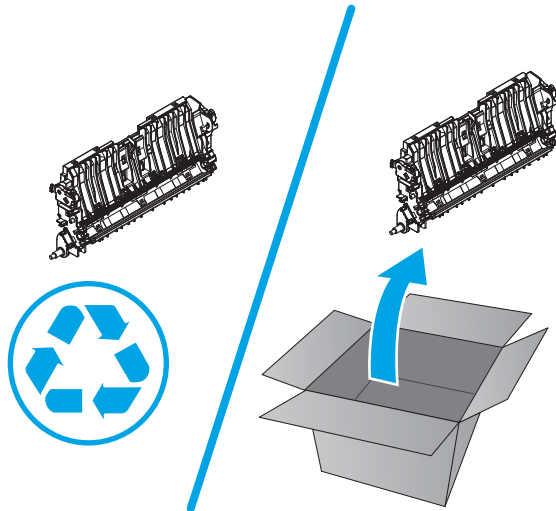
Remove the new part from its package. Save all packaging for recycling the used part.

For complete information on HP's recycling programs, go to [Product return and recycling](#).



**NOTE:** HP recommends responsible disposal of the defective part.

Figure 1-956 Recycle and unpack

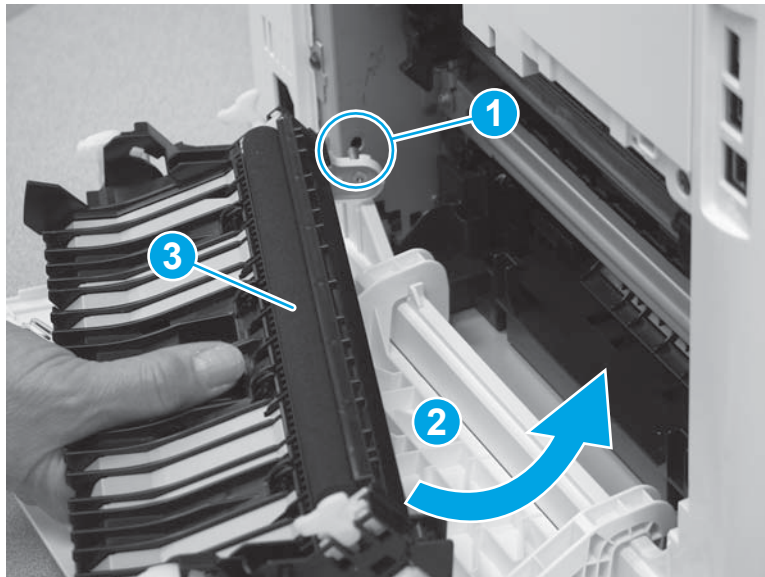


### Step 3: Install the secondary transfer assembly

1. Install the shaft on the secondary transfer assembly into the hole in the printer (callout 1), and then rotate the right side of the assembly toward the printer to install it (callout 2).

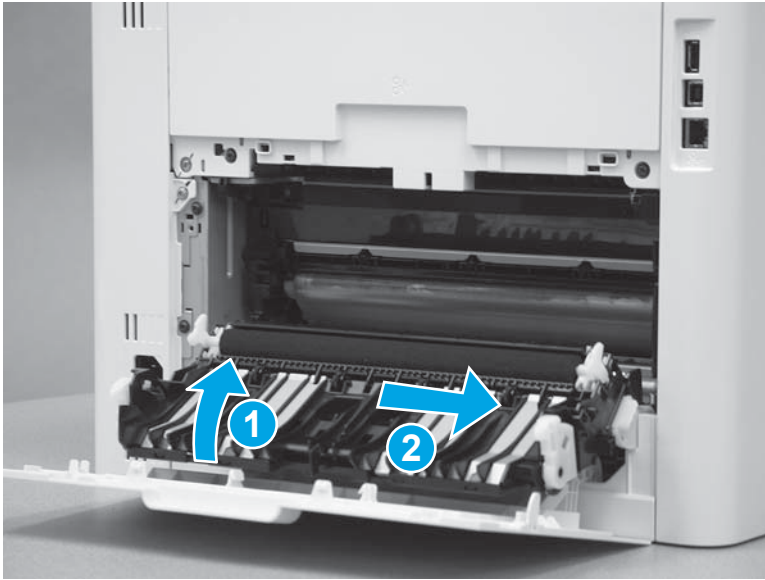
**⚠ CAUTION:** Do not touch or damage the secondary transfer roller (callout 3).

Figure 1-957 Position the secondary transfer assembly



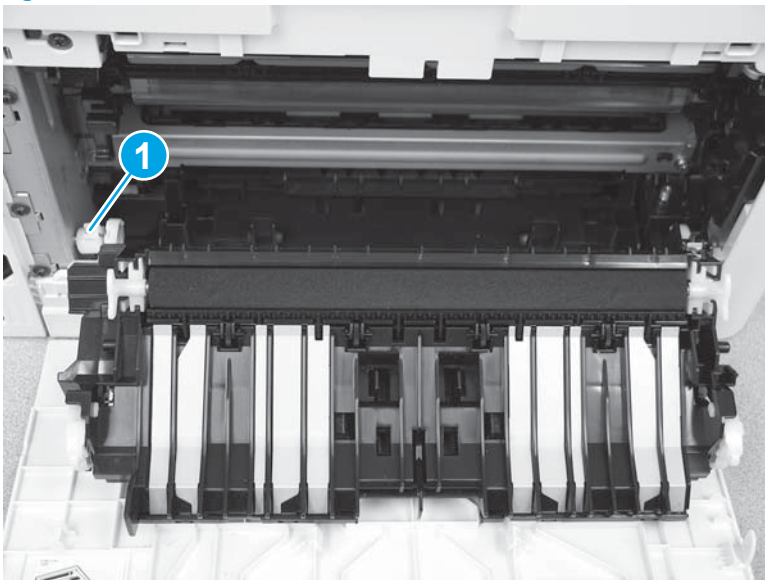
2. Lift the assembly up slightly (callout 1), and then slide it to the right (callout 2).

Figure 1-958 Slide the assembly right



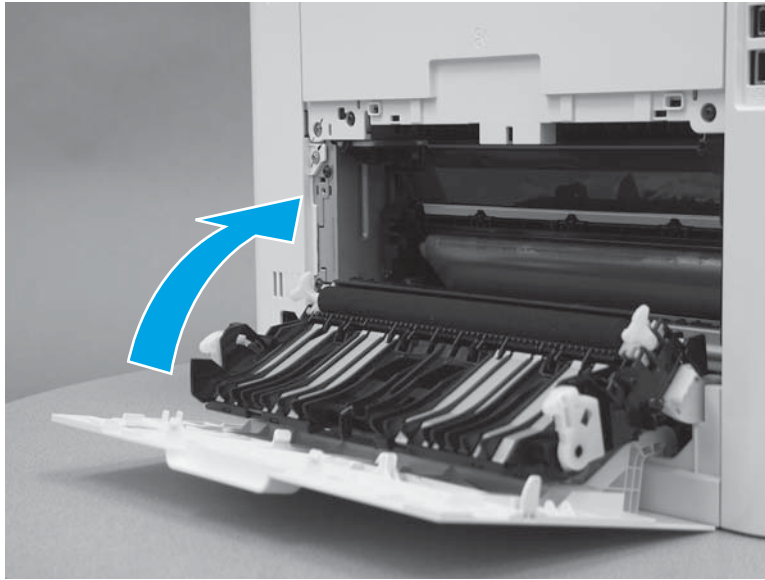
3. Install one retainer collar (callout 1).

Figure 1-959 Install one retainer collar



4. Close the rear door.

Figure 1-960 Close the rear door



## Removal and replacement: Secondary transfer assembly (duplex models)

- [Introduction](#)
- [Step 1: Remove the secondary transfer assembly](#)
- [Step 2: Unpack the replacement part](#)
- [Step 3: Install the secondary transfer assembly](#)

### Introduction


This document provides the procedures to remove and replace the secondary transfer assembly for duplex models.

[Click here to view a video of this procedure.](#)

### Before you begin

- Turn off the printer.
- Disconnect the power cable.

---

 **WARNING!** To avoid damage to the printer, turn the printer off, wait 30 seconds, and then remove the power cord before attempting to service the printer.

---

- Use the table below to identify the correct part number for your printer. To order the part, go to [www.hp.com/buy/parts](http://www.hp.com/buy/parts).

---

Secondary transfer assembly part number	
RM2-6397-000CN	Secondary transfer assembly (duplex models)

---

### Required tools

- #2 Phillips screwdriver with a magnetic tip
- Small flat-blade screwdriver

### After performing service

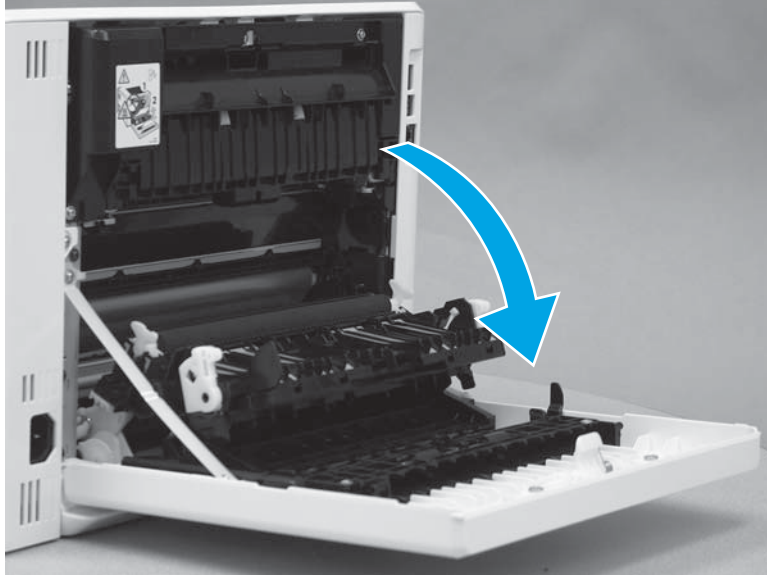
- Connect the power cable.
- Use the power switch to turn the power on.

### Step 1: Remove the secondary transfer assembly

1. Open the duplexer door.

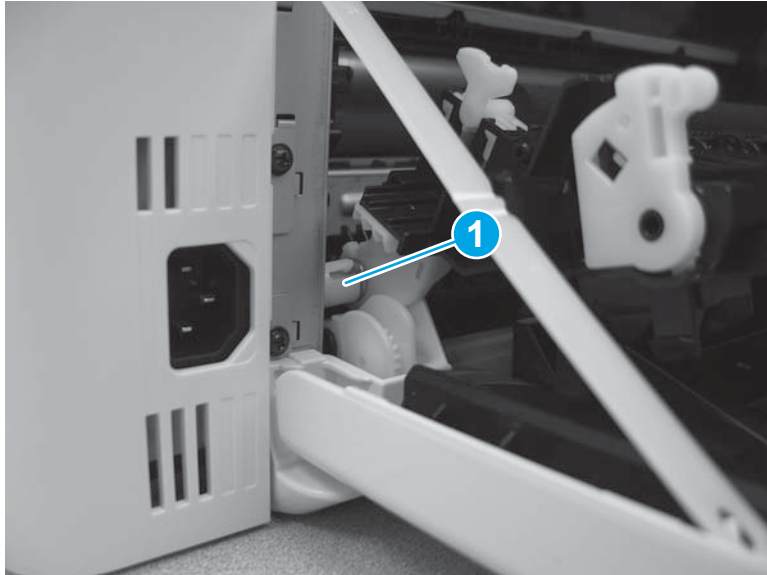


Figure 1-961 Open the duplexer door



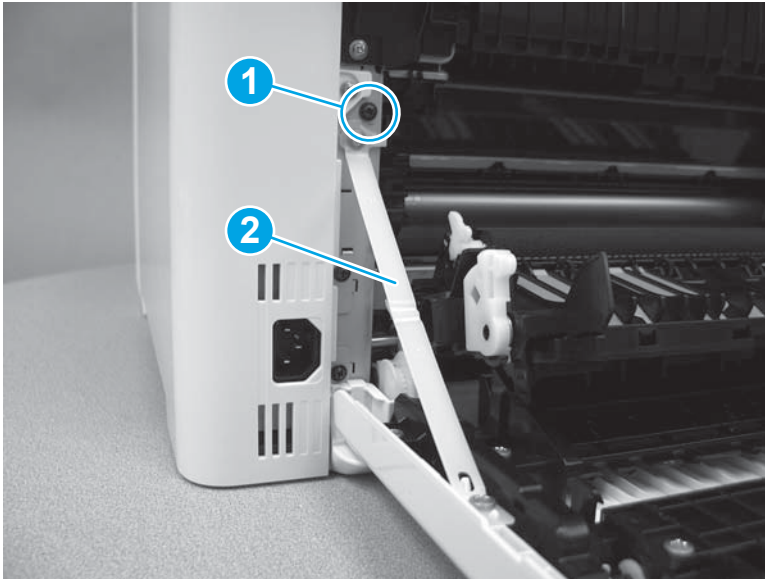
2. Remove one retainer collar (callout 1).

Figure 1-962 Remove one retainer collar



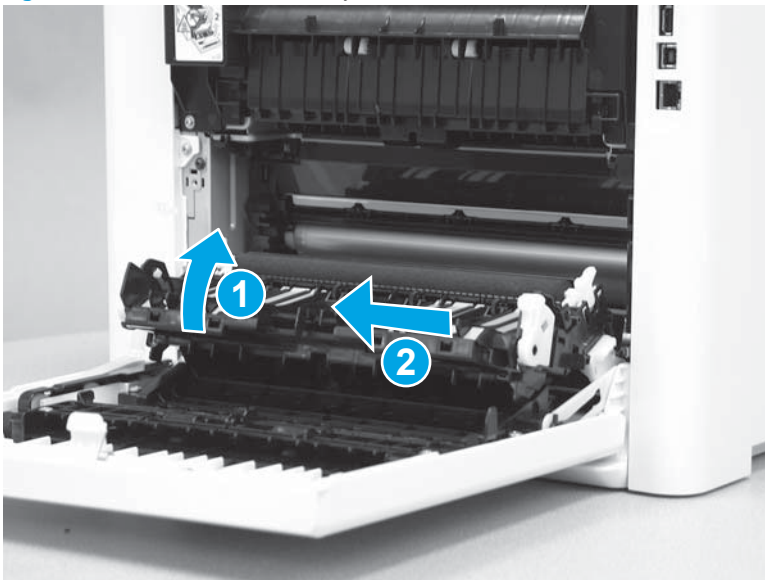
3. Remove one screw (callout 1), and then release the retaining arm (callout 2).

Figure 1-963 Remove one screw and release the arm



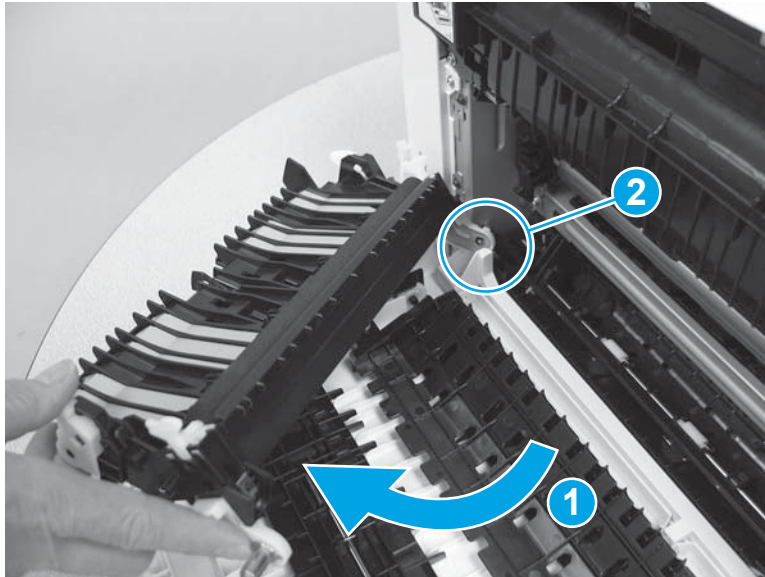
4. Lift the assembly up slightly (callout 1), and then slide it to the left (callout 2).

Figure 1-964 Slide the assembly left



5. Rotate the right side of the assembly away from the printer (callout 1) so that the left side of the assembly rotates free of the plastic tab (callout 2). Remove the assembly.

Figure 1-965 Remove the secondary transfer assembly



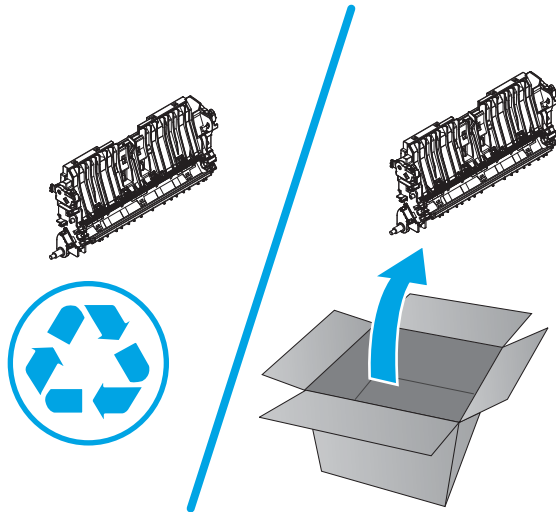
### Step 2: Unpack the replacement part

Remove the new part from its package. Save all packaging for recycling the used part.

For complete information on HP's recycling programs, go to [Product return and recycling](#).

 **NOTE:** HP recommends responsible disposal of the defective part.

Figure 1-966 Recycle and unpack



### Step 3: Install the secondary transfer assembly

1. Install the left edge of the secondary transfer assembly behind the plastic tab (callout 1), and then rotate the right side of the assembly toward the printer to install it (callout 2).


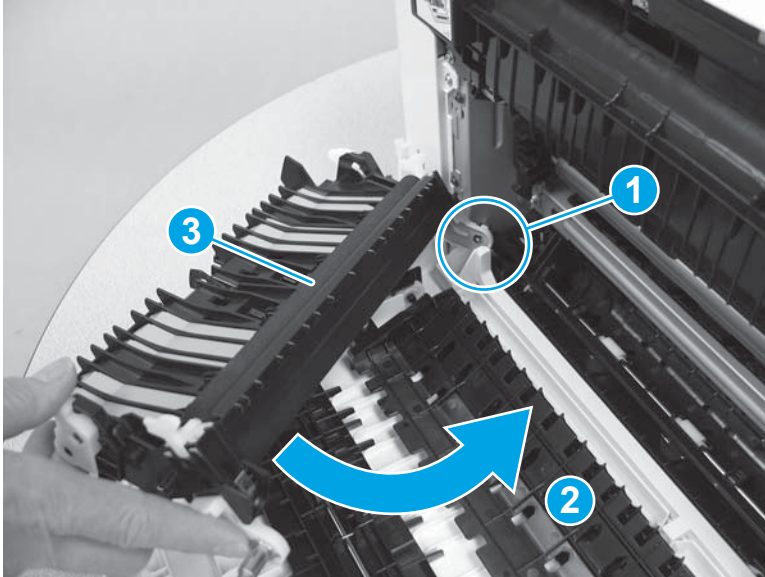

 **CAUTION:** Do not touch or damage the secondary transfer roller (callout 3).

Figure 1-967 Position the secondary transfer assembly



2. To install an assembly, reverse the removal steps.

---

 **NOTE:** When applicable, special installation instructions are provided for an assembly at the end of the removal procedure. Always completely read the removal instructions and follow all special installation instructions.

---

## Removal and replacement: Intermediate transfer belt (ITB)

- [Introduction](#)
- [Step 1: Remove Tray 2](#)
- [Step 2: Open the front door and rear door or duplexer door](#)
- [Step 3: Remove the right cover \(M454 models\)](#)
- [Step 4: Remove the right cover \(M479 models\)](#)
- [Step 5: Remove the left cover \(M454 models\)](#)
- [Step 6: Remove the left cover \(M479 models\)](#)
- [Step 7: Remove the secondary transfer assembly \(simplex models\)](#)
- [Step 8: Remove the secondary transfer assembly \(duplex models\)](#)
- [Step 9: Remove the ITB](#)
- [Step 10: Unpack the replacement part](#)
- [Step 11: Install the ITB](#)

### Introduction

This document provides the procedures to remove and replace the intermediate transfer belt.

[Click here to view a video of this procedure.](#)

### Before you begin

- Turn off the printer.
- Disconnect the power cable.

**⚠ WARNING!** To avoid damage to the printer, turn the printer off, wait 30 seconds, and then remove the power cord before attempting to service the printer.

- Use the table below to identify the correct part number for your printer. To order the part, go to [www.hp.com/buy/parts](http://www.hp.com/buy/parts).

---

Intermediate transfer belt part number	
--	--

RM2-6454-000CN	Intermediate transfer belt
----------------	----------------------------

### Required tools

- #2 Phillips screwdriver with a magnetic tip
- Small flat-blade screwdriver

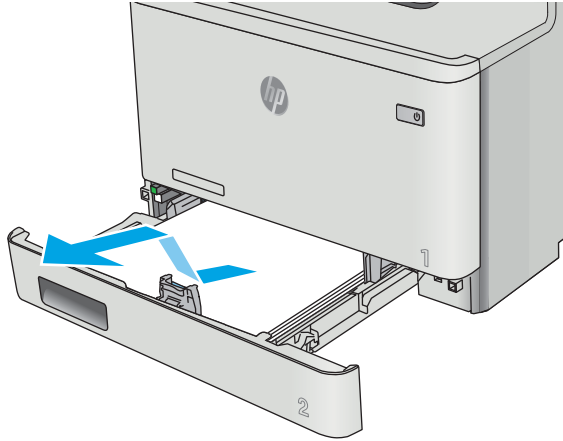
### After performing service

- Connect the power cable.
- Use the power switch to turn the power on.

### Step 1: Remove Tray 2

- ▲ Pull the tray out until it stops. Lift the front of the tray, and then pull it out of the printer to remove it.

Figure 1-968 Remove the tray



### Step 2: Open the front door and rear door or duplexer door

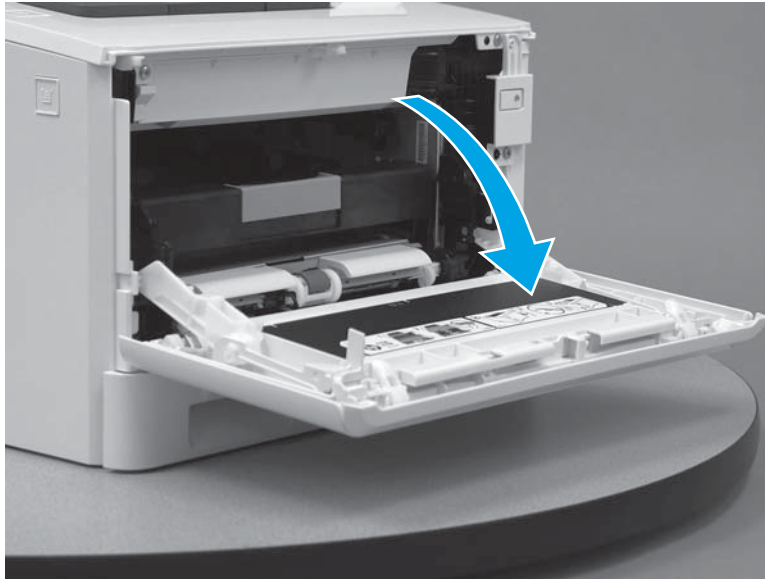
1. Press the button (callout 1) on the left side of the printer to release the front door.

Figure 1-969 Release the front door



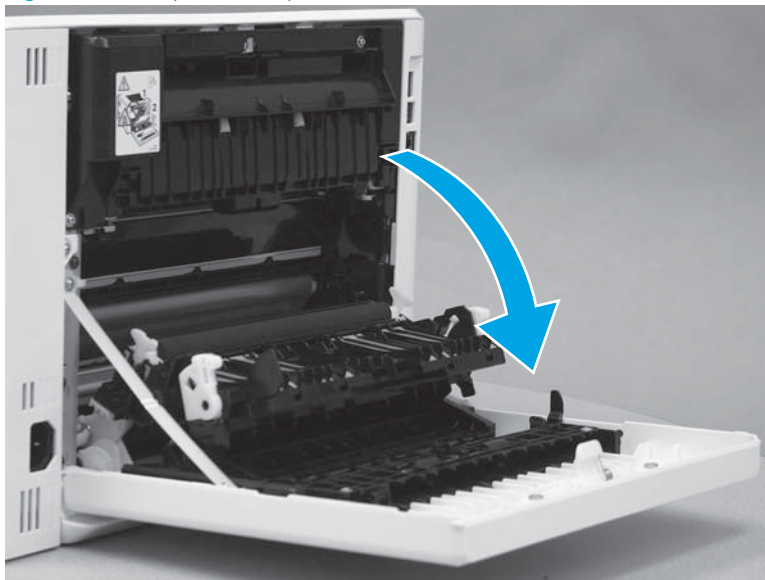
2. Open the front door.

Figure 1-970 Open the front door



3. Duplex models: Open the duplexer door.

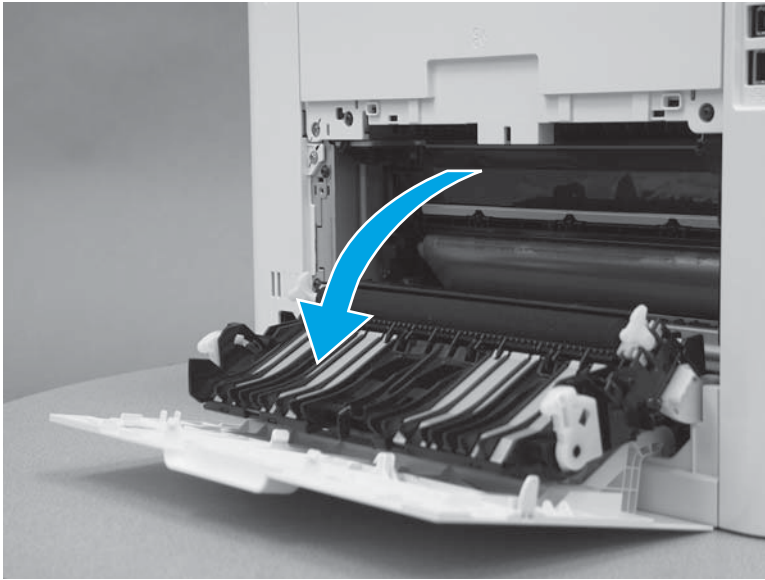
Figure 1-971 Open the duplexer door






4. **Simplex models:** Open the rear door.

Figure 1-972 Open the rear door



### Step 3: Remove the right cover (M454 models)

 **NOTE:** This step is for the M454 models. For the M479 models, skip this step and go to [Step 4: Remove the right cover \(M479 models\) on page 562](#).

1. At the back of the printer, remove one screw (callout 1).

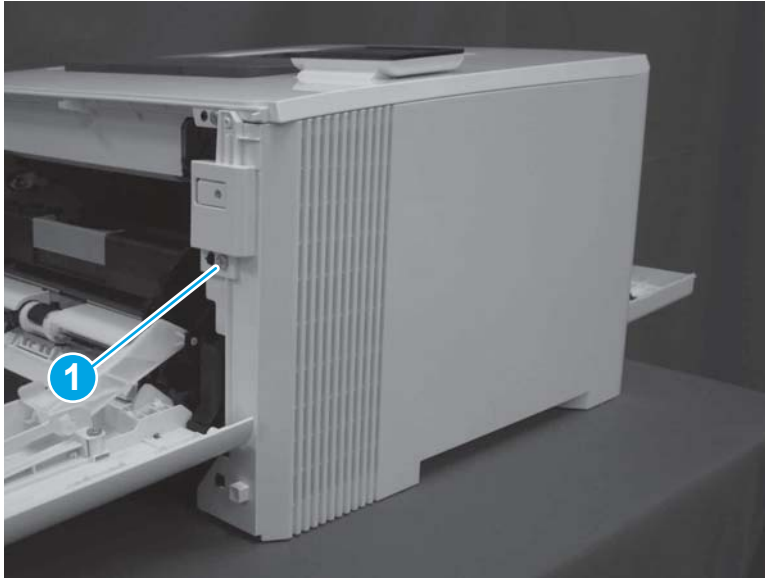
Figure 1-973 Remove one screw





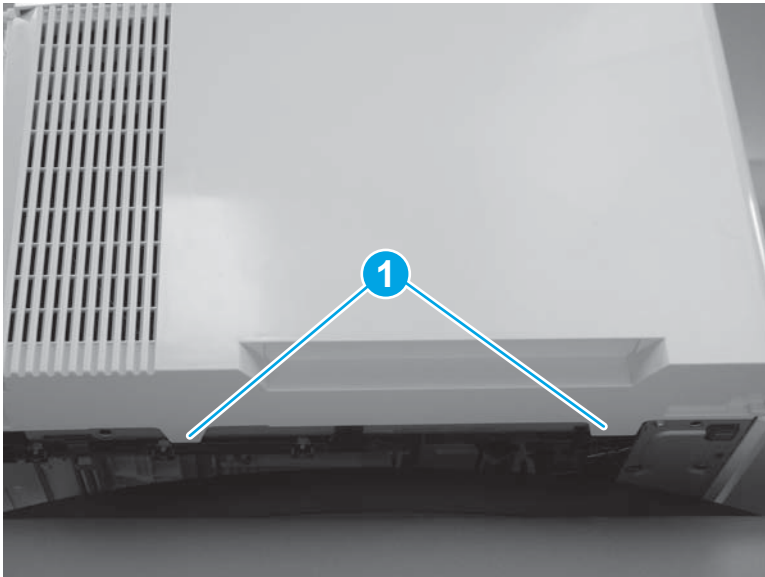
2. At the front of the printer, remove one screw (callout 1).

Figure 1-974 Remove one screw



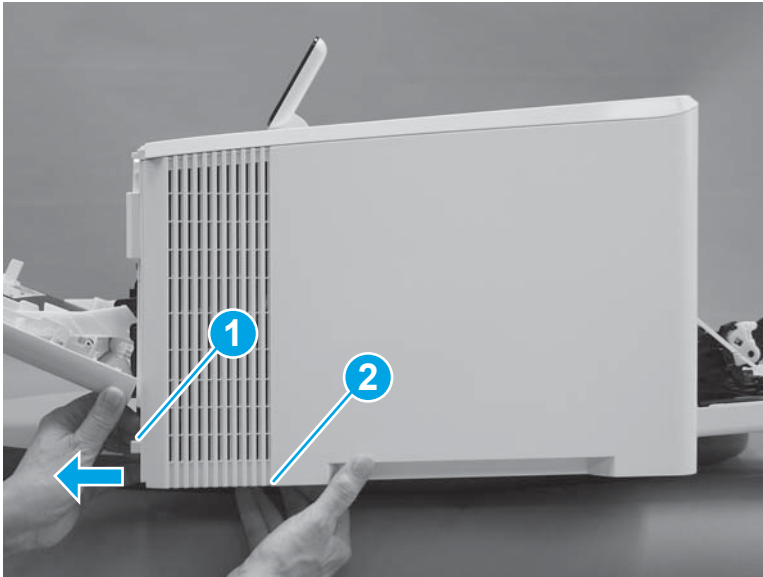
3. Slide the printer to the edge of a work surface. Note the location of the tabs on the lower edge of the cover (callout 1).

Figure 1-975 Locate the tabs



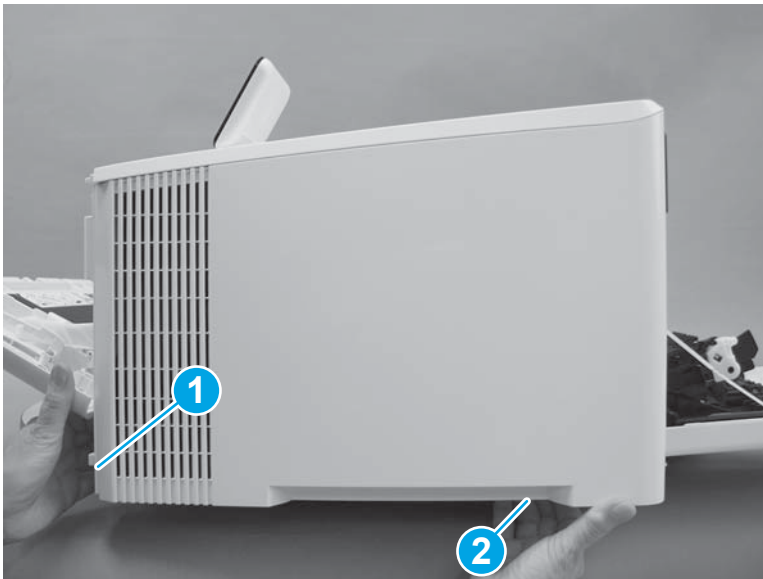
4. Release one tab (callout 1) on the front of the cover by slightly pulling the cover away from the printer. While holding the cover in the released position, release one tab (callout 2) on the bottom of the cover.

Figure 1-976 Release front lower tabs



5. Hold the front tabs in the released position (callout 1), and then release one tab (callout 2) on the bottom of the cover, toward the back of the printer.

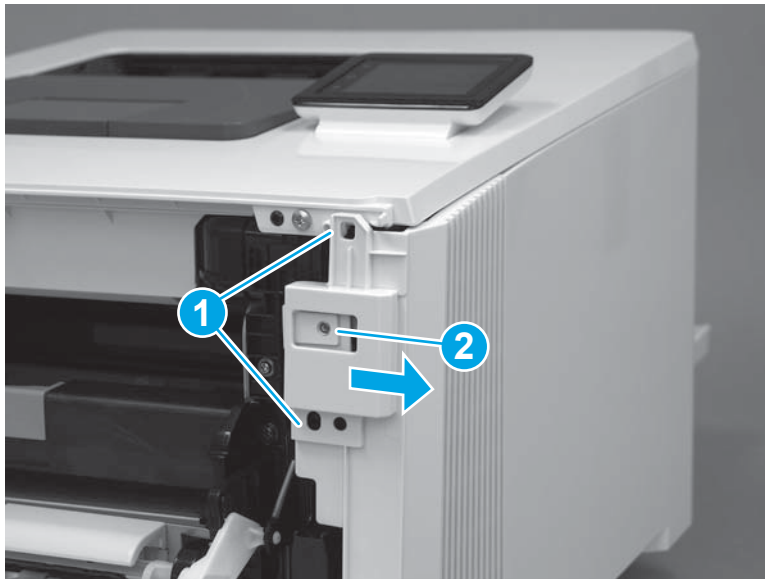
Figure 1-977 Release lower rear tab



6. Release two tabs at the front of the printer (callout 1) by slightly pulling the cover away from the printer.

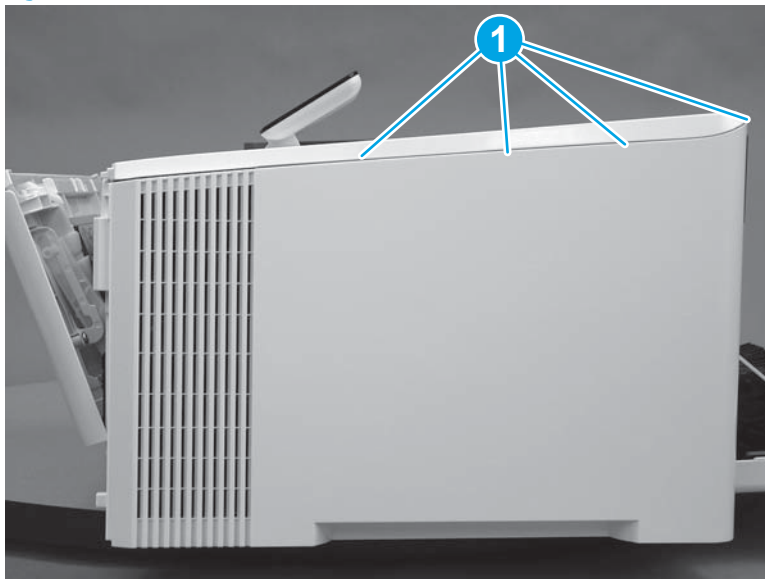
**⚠ CAUTION:** Be careful not to dislodge the power switch (callout 2).

Figure 1-978 Release two front tabs



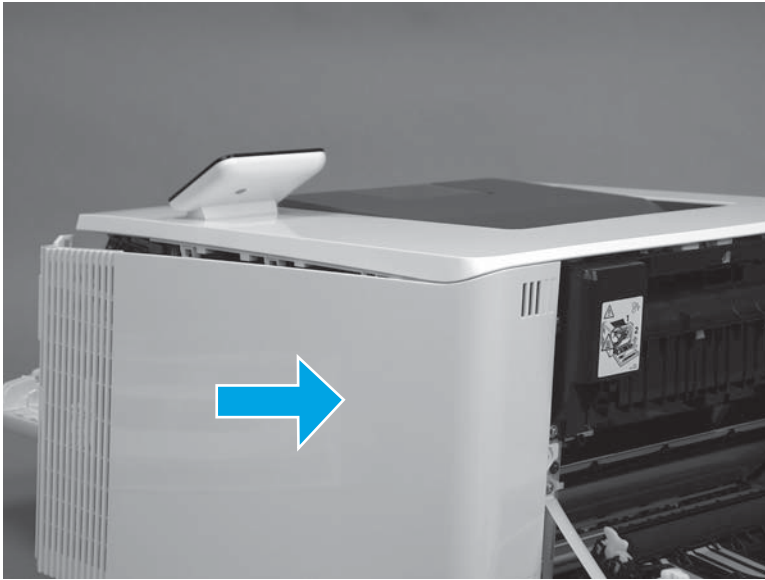
7. Release four tabs on the top of the printer (callout 1).

Figure 1-979 Release upper tabs




8. Slide the cover toward the back of the printer to remove it.

**Figure 1-980** Remove the right cover



#### Step 4: Remove the right cover (M479 models)

 **NOTE:** This step is for the M479 models. For the M454 models, skip this step and go to [Step 5: Remove the left cover \(M454 models\) on page 568](#).

1. Raise the scanner.

**Figure 1-981** Raise the scanner



2. At the back of the printer, remove one screw (callout 1).

Figure 1-982 Remove one screw



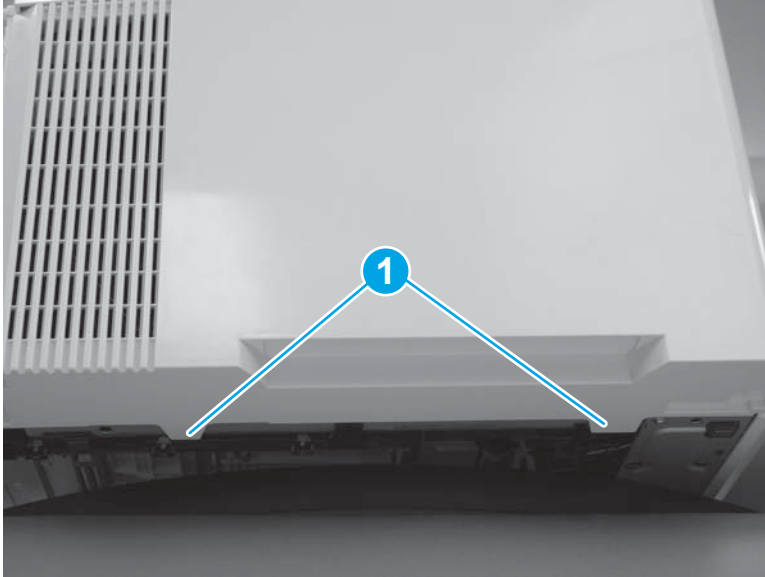
3. At the front of the printer, remove one screw (callout 1).

Figure 1-983 Remove one screw



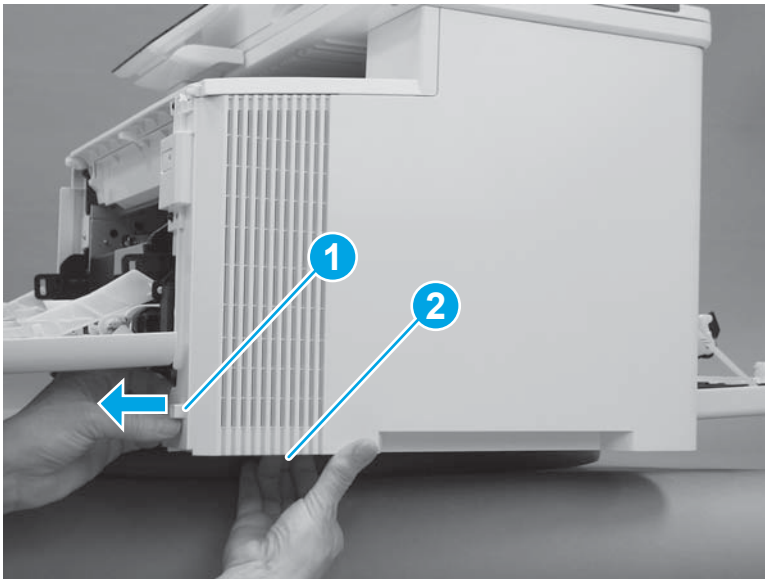
4. Slide the printer to the edge of a work surface. Note the location of the tabs on the lower edge of the cover (callout 1).

Figure 1-984 Locate the tabs



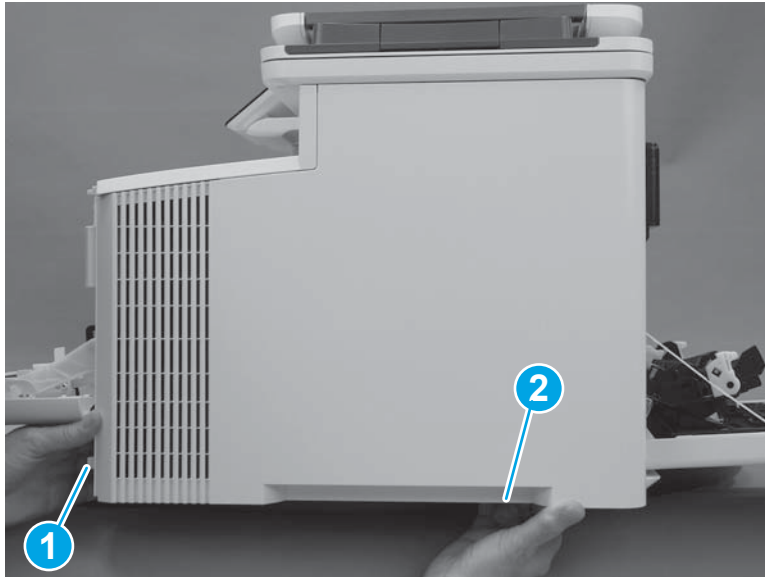
5. Release one tab (callout 1) on the front of the cover by slightly pulling the cover away from the printer. While holding the cover in the released position, release one tab (callout 2) on the lower edge of the cover.

Figure 1-985 Release front lower tabs



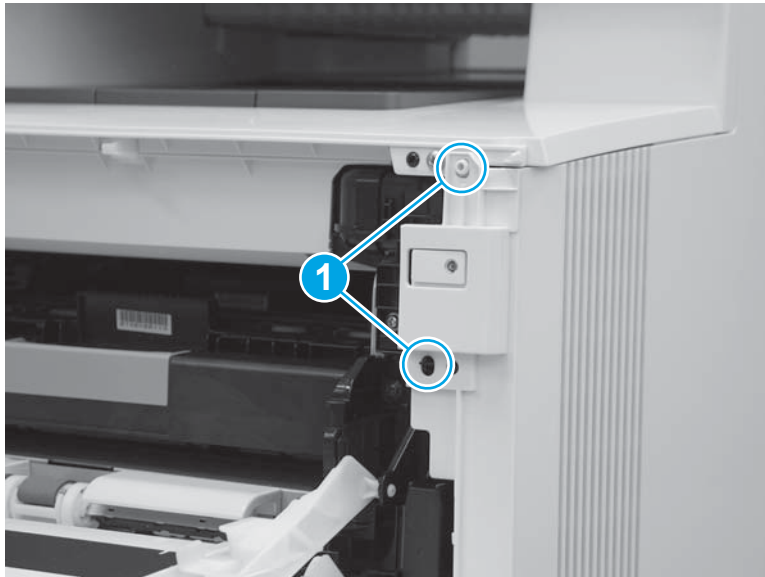
6. Hold the front tabs in the released position (callout 1), and then release one tab (callout 2) on the lower edge of the cover, toward the back of the printer.

Figure 1-986 Release lower rear tab



7. Release two tabs at the front of the printer (callout 1) by slightly pulling the cover away from the printer.

Figure 1-987 Release front upper tabs



8. Rotate the front of the cover away from the printer (callout 1).

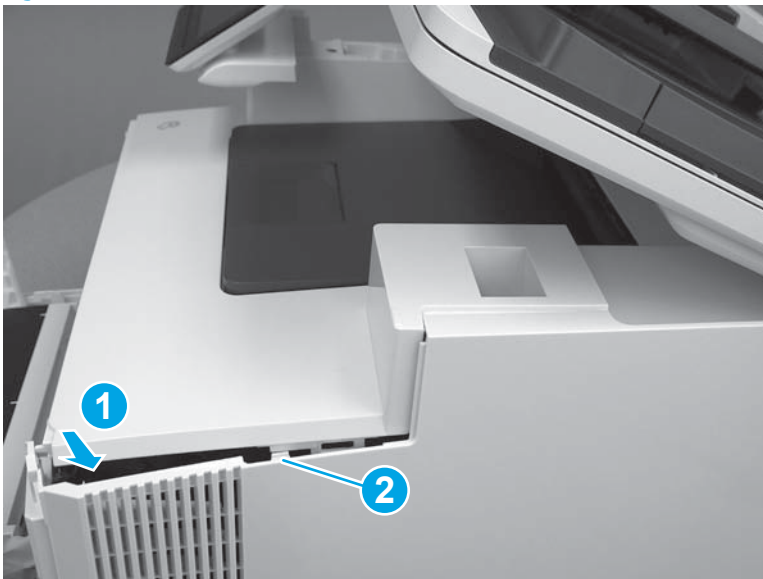
**⚠ CAUTION:** Be careful not to dislodge the power switch (callout 2).

**Figure 1-988** Rotate the front of the cover



9. Slightly pull the front of the cover away from the printer (callout 1) to release one tab (callout 2).

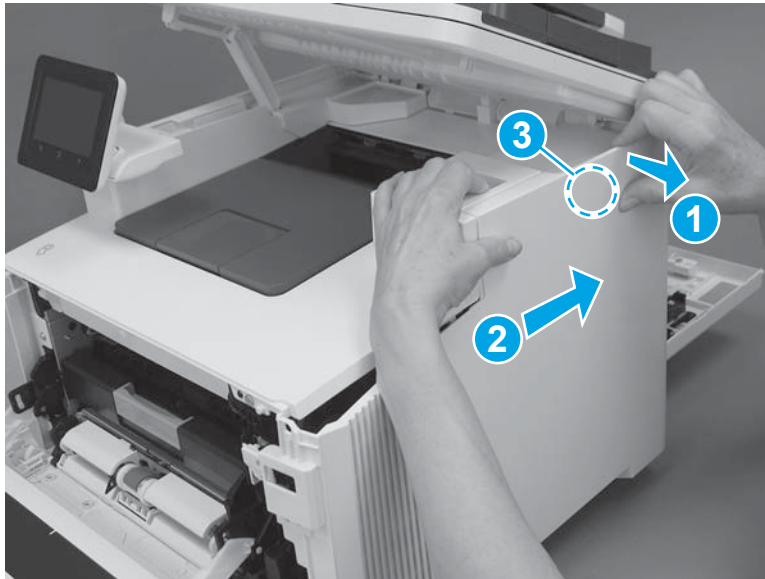
**Figure 1-989** Release top tabs





10. At the top of the printer, slightly pull the top of the cover away from the printer to release one retention tab (callout 1) on the inside of the cover. While holding the cover away, slide the cover toward the back of the printer (callout 2) to release one hook (callout 3) on the inside of the cover.

Figure 1-990 Release one tab and one hook



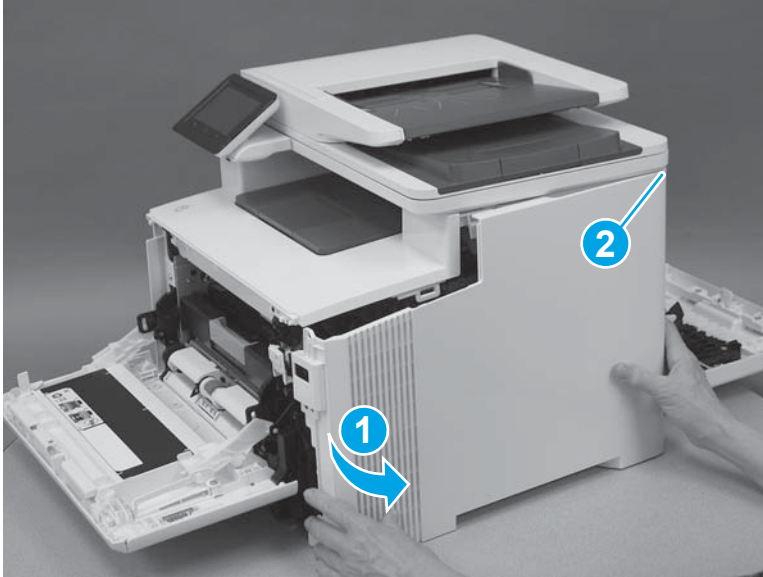
11. Lower the scanner.

Figure 1-991 Lower the scanner




12. Rotate the cover away from the printer (callout 1) to release one tab (callout 2) at the back of the printer, and then remove the cover.

Figure 1-992 Remove the right cover

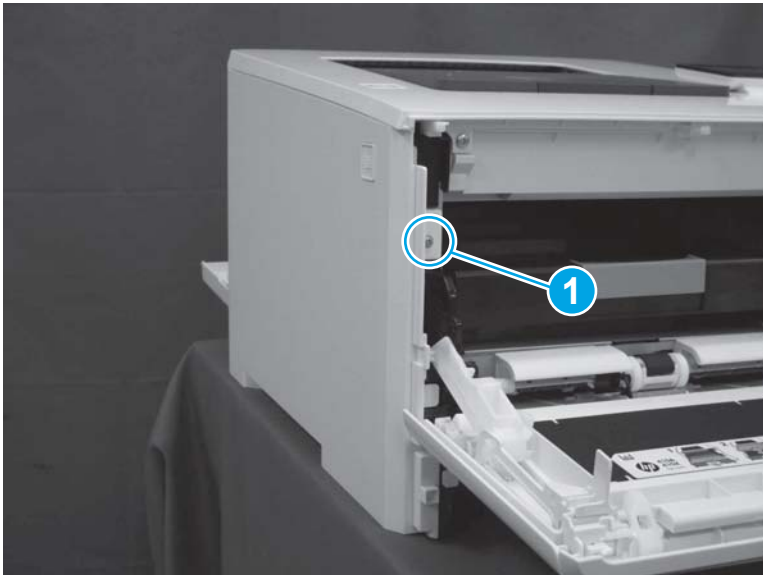


#### Step 5: Remove the left cover (M454 models)

 **NOTE:** This step is for the M454 models. For the M479 models, skip this step and go to [Step 6: Remove the left cover \(M479 models\) on page 570](#).

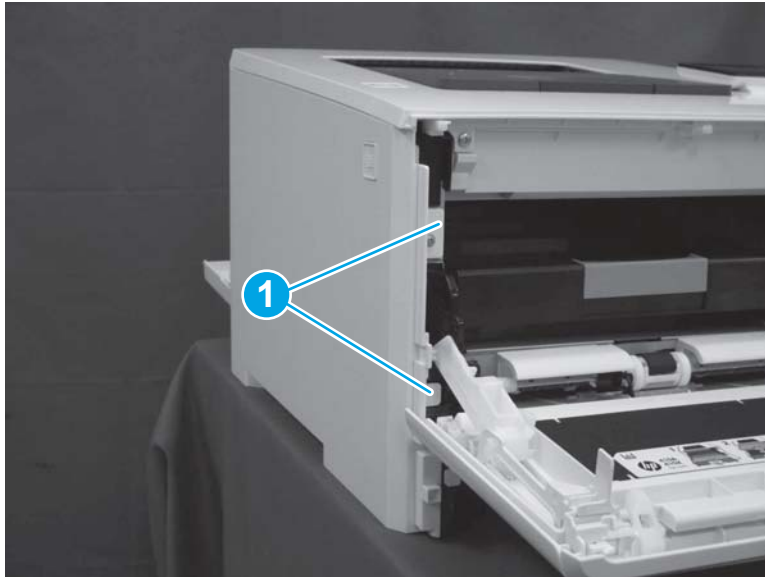
1. At the front of the printer, remove one screw (callout 1).

Figure 1-993 Remove one screw



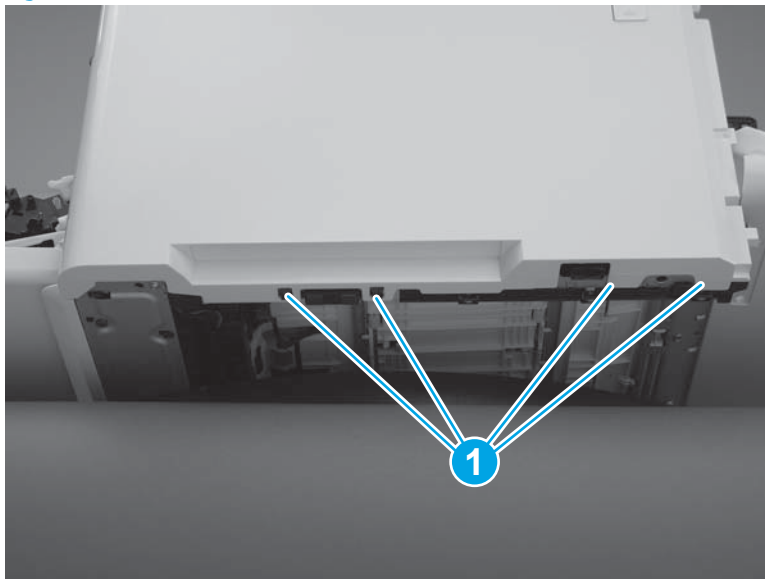
2. Release two tabs (callout 1) at the front of the cover. Hold the cover open to prevent the tabs from reengaging.

Figure 1-994 Release two tabs



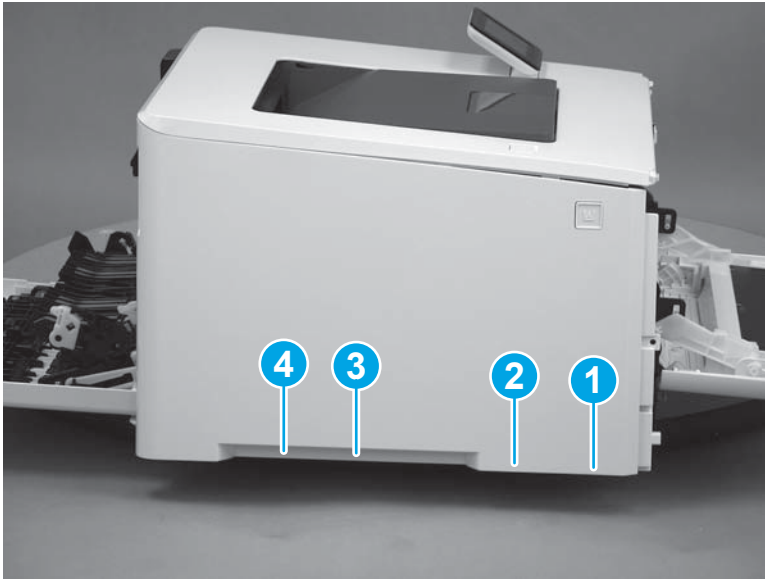
3. Slide the printer to the edge of a work surface. Note the location of the tabs on the lower edge of the cover (callout 1).

Figure 1-995 Locate the tabs



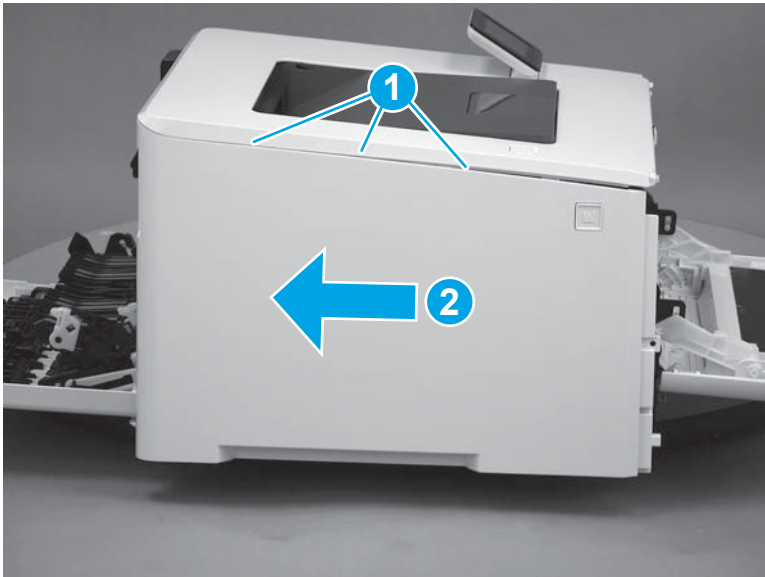
4. Beginning from the front of the cover, release four tabs (callouts 1-4) on the lower edge of the cover.

Figure 1-996 Release bottom tabs




5. Release three tabs at the top of the cover (callout 1), and then slide the cover toward the rear of the printer to remove it.

Figure 1-997 Release three tabs



#### Step 6: Remove the left cover (M479 models)

 **NOTE:** This step is for the M479 models. For the M454 models, skip this step and go to [Step 7: Remove the secondary transfer assembly \(simplex models\) on page 575.](#)

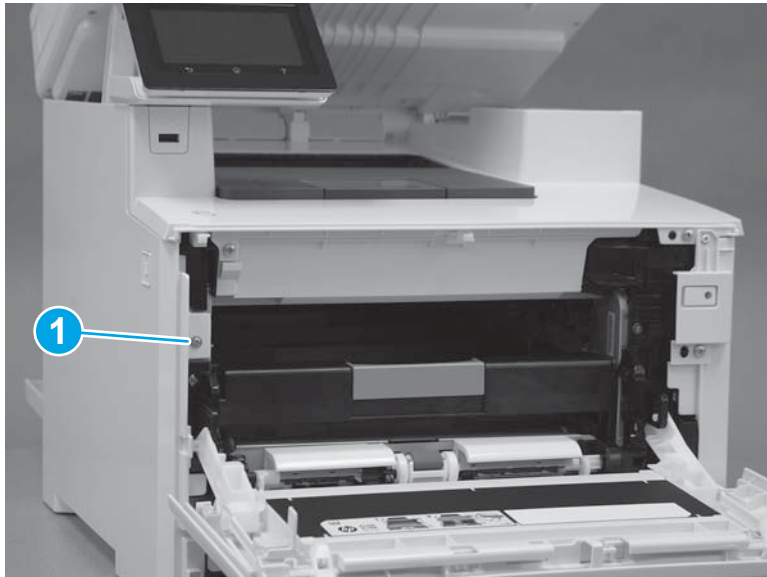
1. Raise the scanner.

Figure 1-998 Raise the scanner



2. At the front of the printer, remove one screw (callout 1).

Figure 1-999 Remove one screw



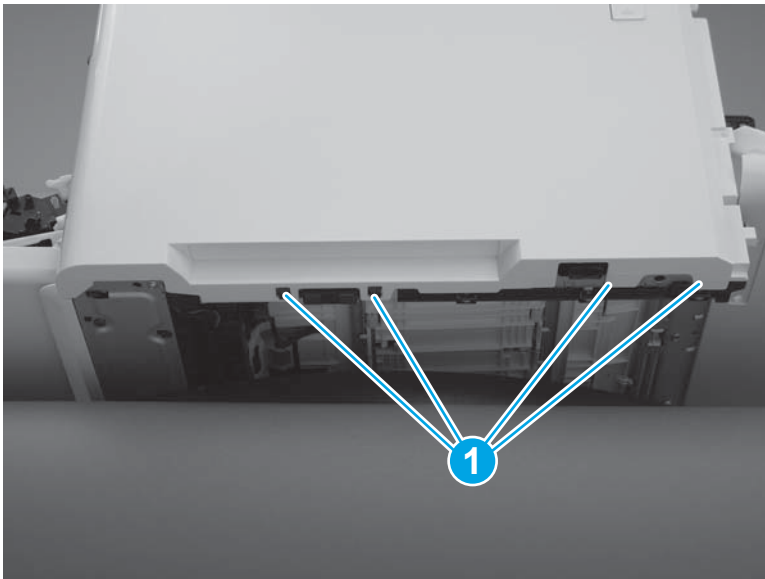
3. Release two tabs (callout 1) at the front of the cover. Hold the cover open to prevent the tabs from re-engaging.

Figure 1-1000 Release two tabs



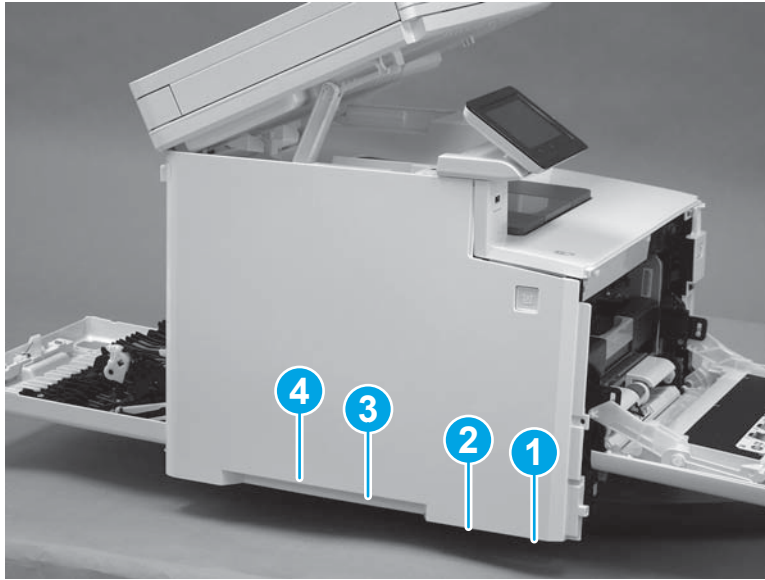
4. Slide the printer to the edge of a work surface. Note the location of the tabs on the lower edge of the cover (callout 1).

Figure 1-1001 Locate the tabs



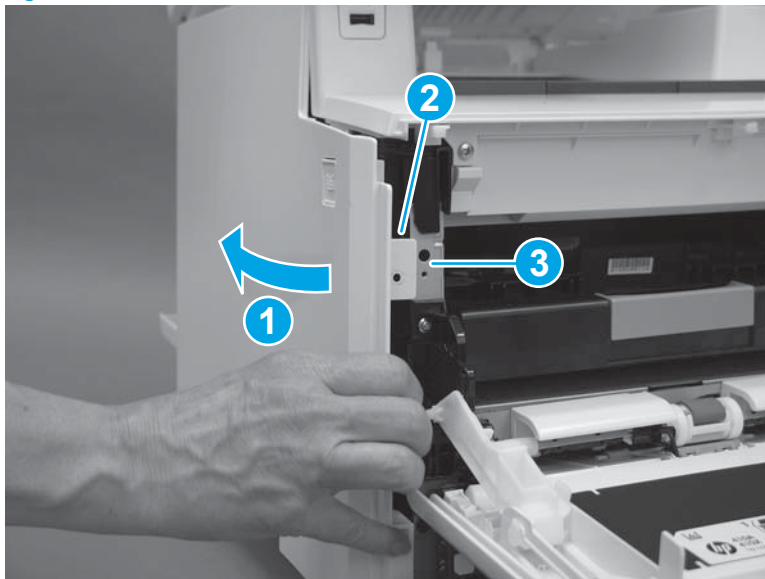
5. Beginning from the front of the cover, release the four tabs (callouts 1-4) on the lower edge of the cover.

Figure 1-1002 Release four tabs



6. Rotate the front of the cover away from the printer (callout 1). Make sure that the tab (callout 2) does not get caught on the printer frame (callout 3).

Figure 1-1003 Rotate the cover





7. At the top of the printer, slightly pull the top of the cover away from the printer to release one retention tab (callout 1) on the inside of the cover. While holding the cover away, slide the cover toward the back of the printer (callout 2) to release two hooks (callout 3) inside the cover.

Figure 1-1004 Release one tab and two hooks



8. Lower the scanner.

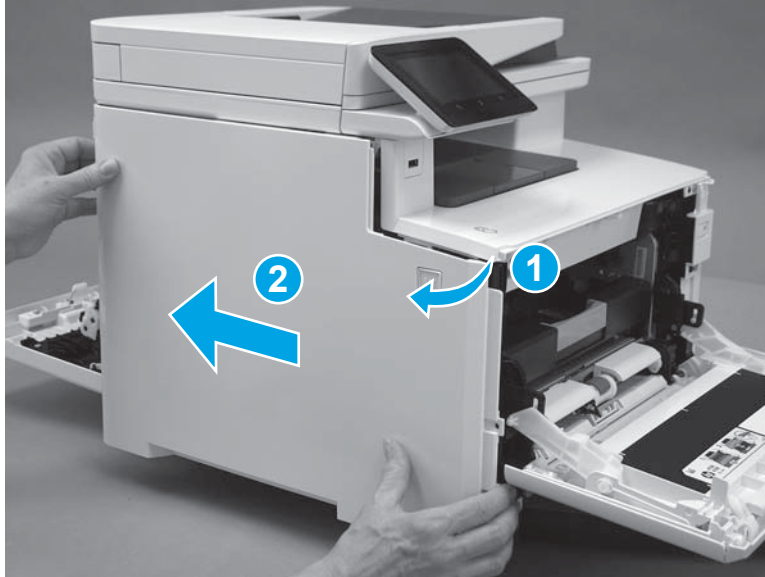
Figure 1-1005 Lower the scanner






9. Rotate the cover away from the printer (callout 1), and then slide the cover (callout 2) toward the back of the printer to remove it.

Figure 1-1006 Remove the left cover

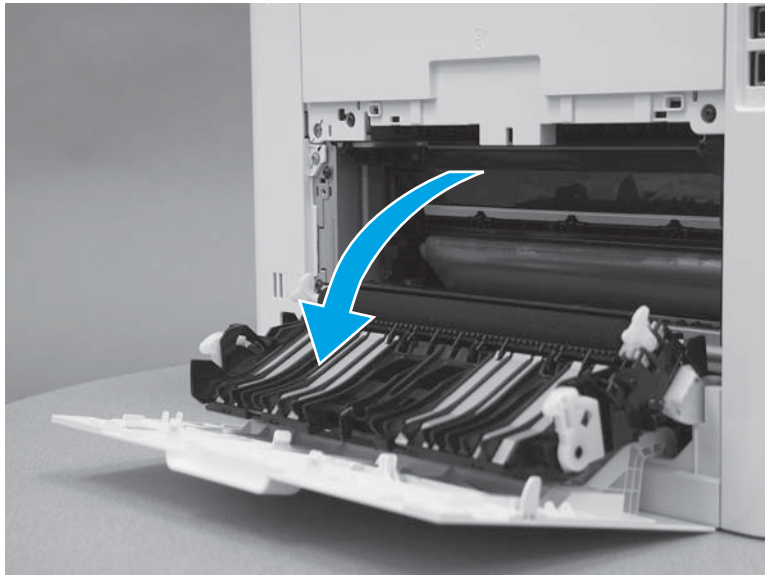


#### Step 7: Remove the secondary transfer assembly (simplex models)

 **NOTE:** This step is for simplex models. For duplex models, skip this step and go to [Step 8: Remove the secondary transfer assembly \(duplex models\) on page 577](#).

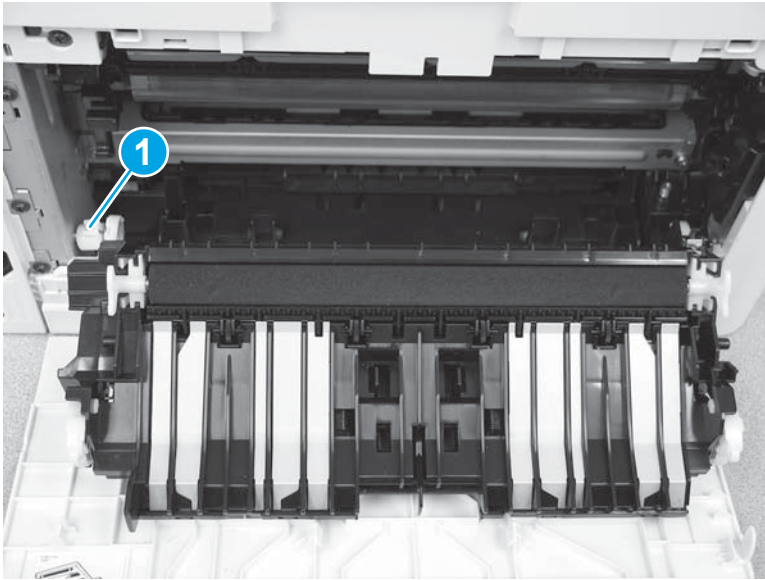
1. Open the rear door.

Figure 1-1007 Open the rear door



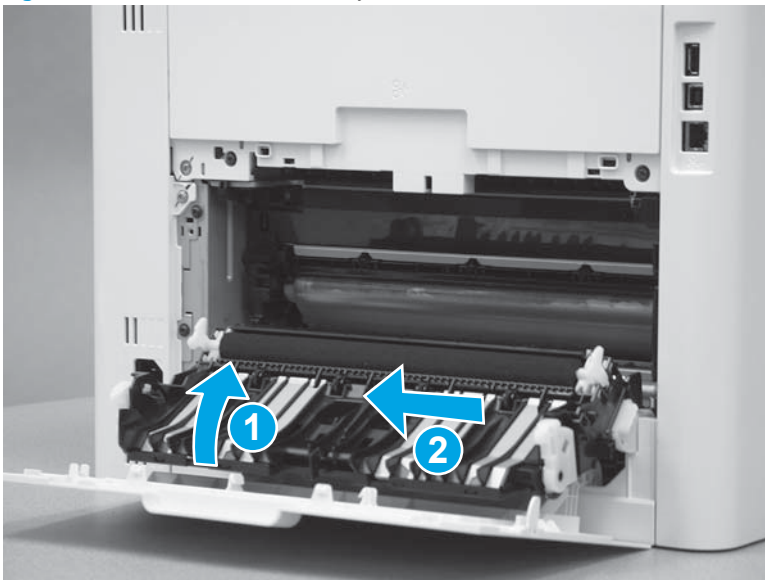
2. Remove one retainer collar (callout 1).

Figure 1-1008 Remove one retainer collar



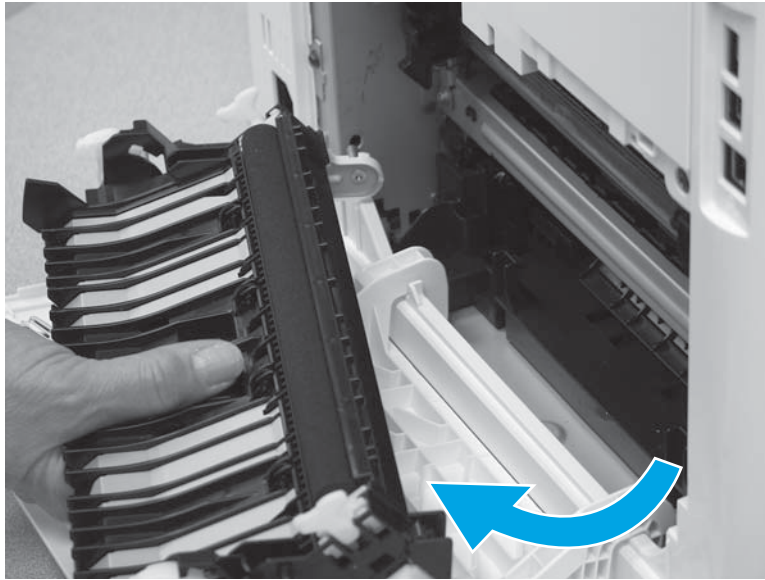
3. Lift the assembly up slightly (callout 1), and then slide it to the left (callout 2).

Figure 1-1009 Slide the assembly left




4. Rotate the right side of the assembly away from the printer to remove it.

**Figure 1-1010** Remove the secondary transfer assembly

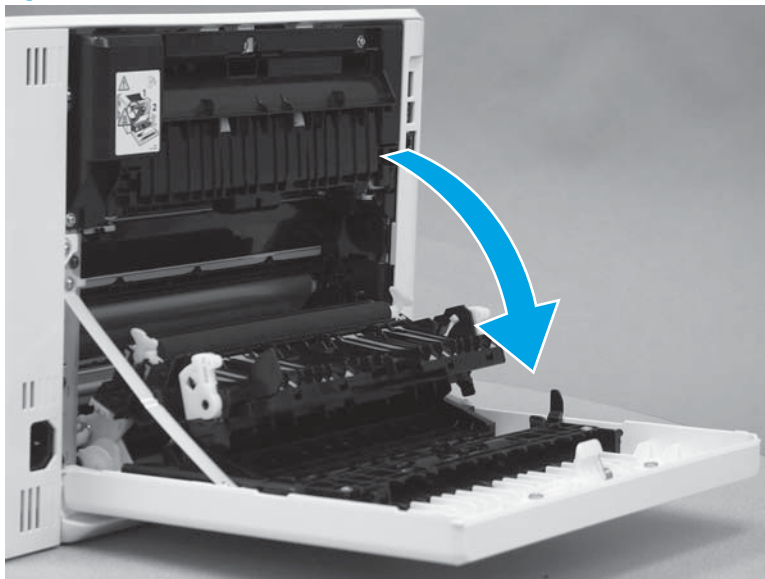


#### Step 8: Remove the secondary transfer assembly (duplex models)

 **NOTE:** This step is for duplex models. For simplex models, skip this step and go to [Step 9: Remove the ITB on page 579](#).

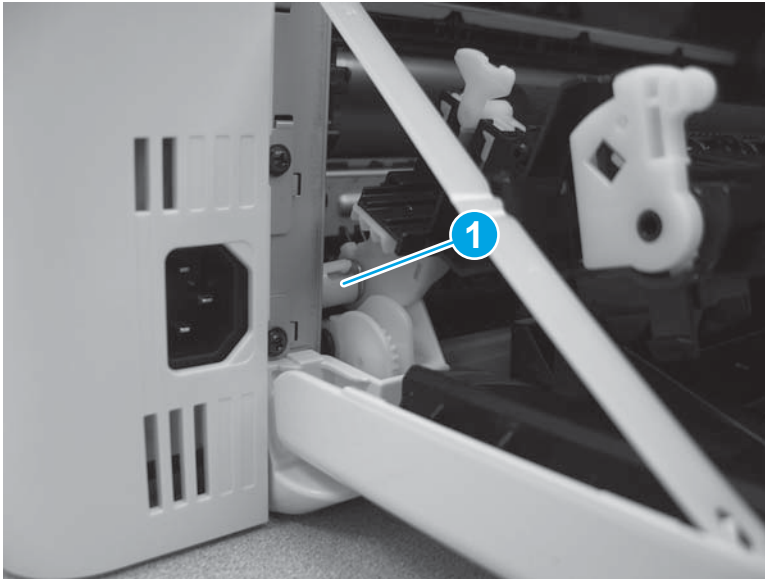
1. Open the duplexer door.

**Figure 1-1011** Open the duplexer door



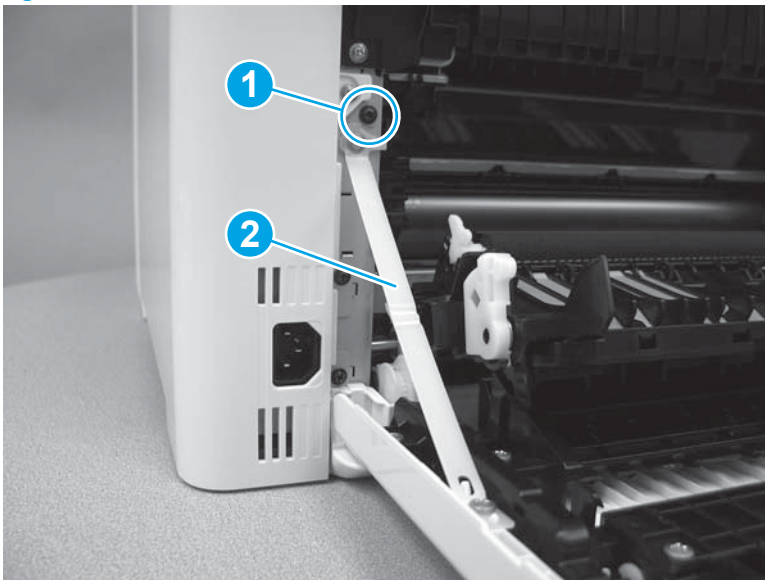
2. Remove one retainer collar (callout 1).

Figure 1-1012 Remove one retainer collar



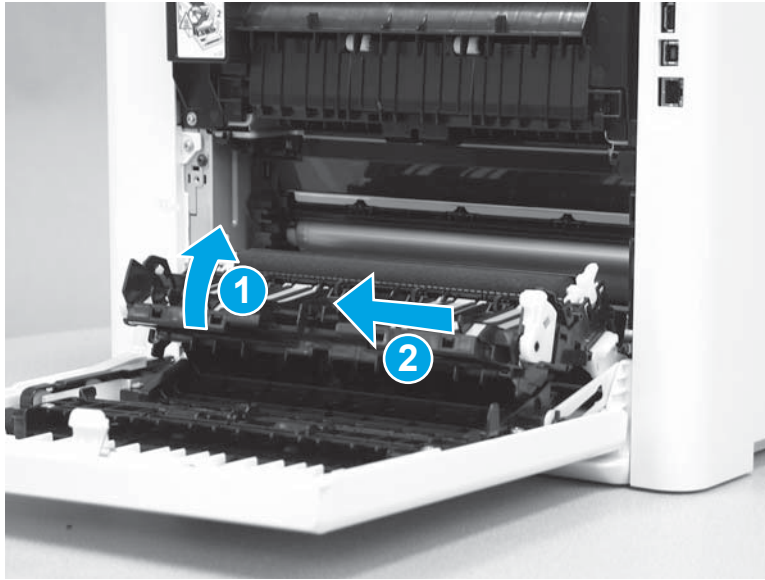
3. Remove one screw (callout 1), and then release the retaining arm (callout 2).

Figure 1-1013 Remove one screw and release the arm



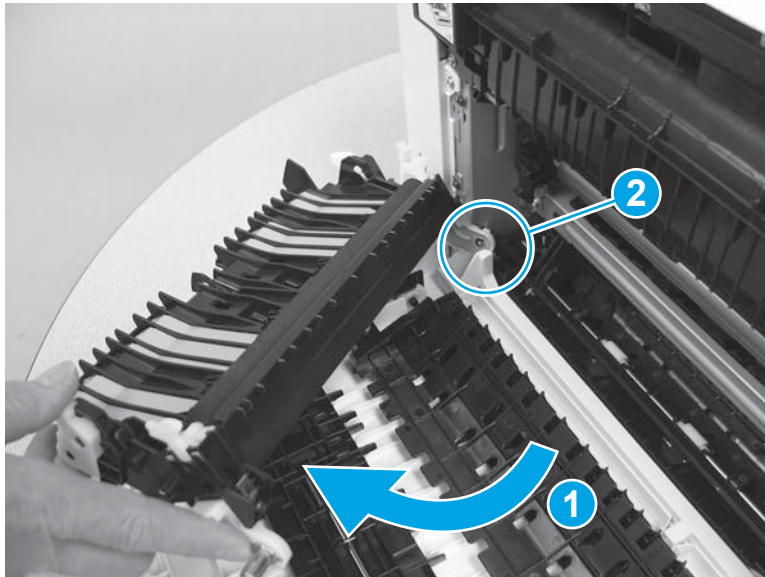
4. Lift the assembly up slightly (callout 1), and then slide it to the left (callout 2).

Figure 1-1014 Slide the assembly left



5. Rotate the right side of the assembly away from the printer (callout 1) so that the left side of the assembly rotates free of the plastic tab (callout 2). Remove the assembly.

Figure 1-1015 Remove the secondary transfer assembly

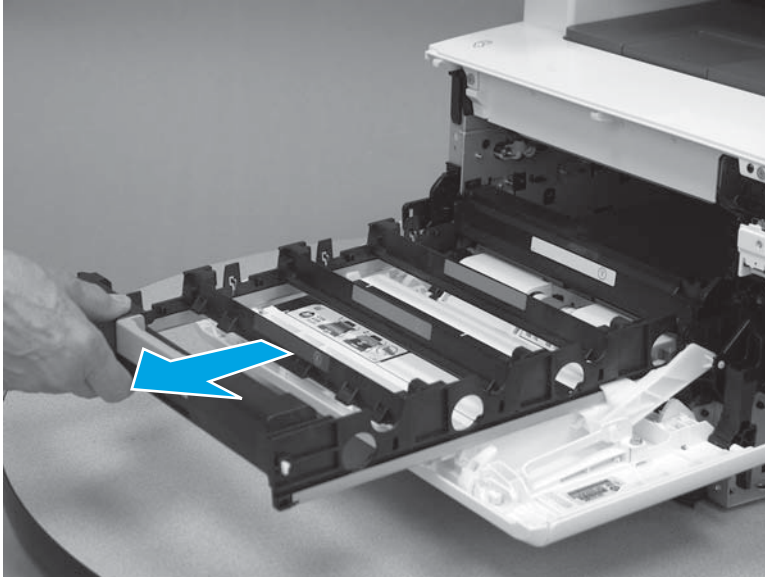


### Step 9: Remove the ITB

1. Slide the cartridge tray out of the printer.

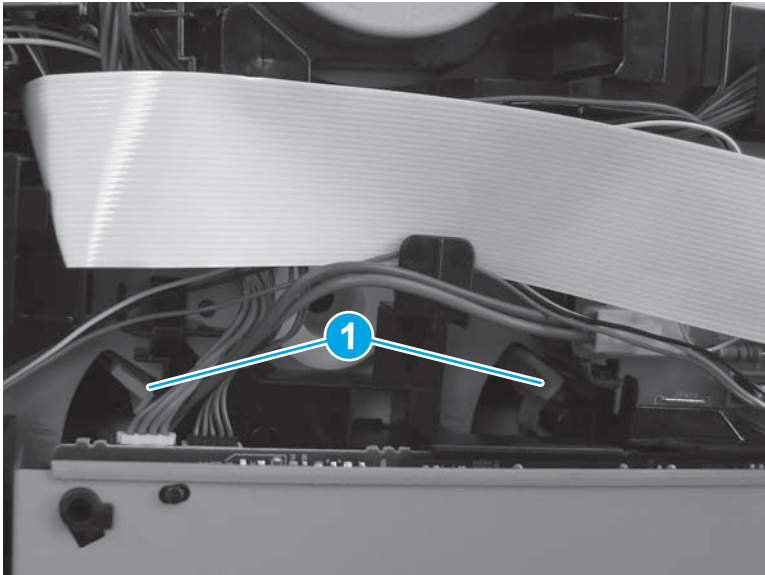


Figure 1-1016 Slide the cartridge tray out



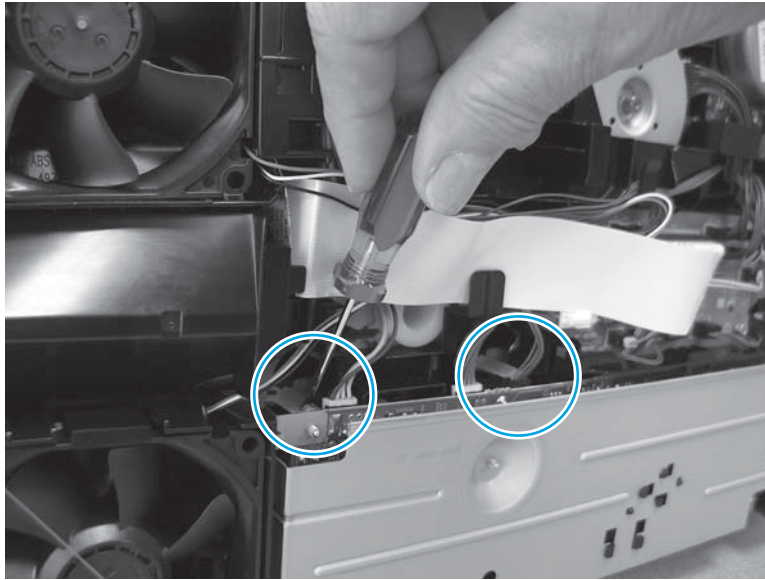
2. Locate two levers (callout 1) above the low-voltage power supply, and then rotate them down to release them.

Figure 1-1017 Release two levers



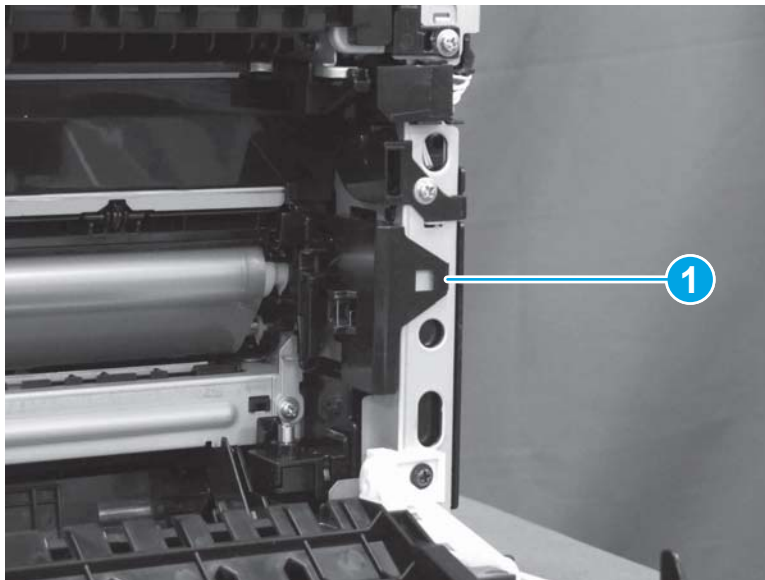
3. Use a small flat-blade screwdriver to pull the levers away from the printer until they stop.

**Figure 1-1018** Pull two levers out



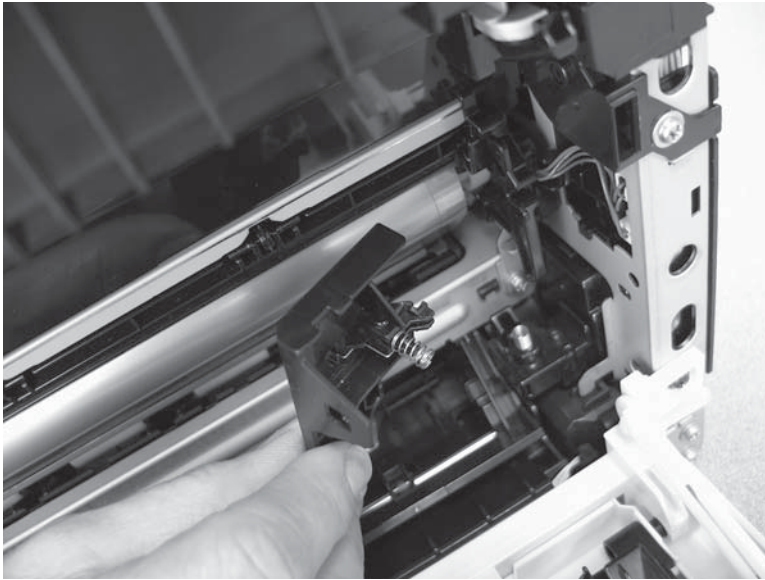
4. Release one tab (callout 1).

**Figure 1-1019** Release one tab



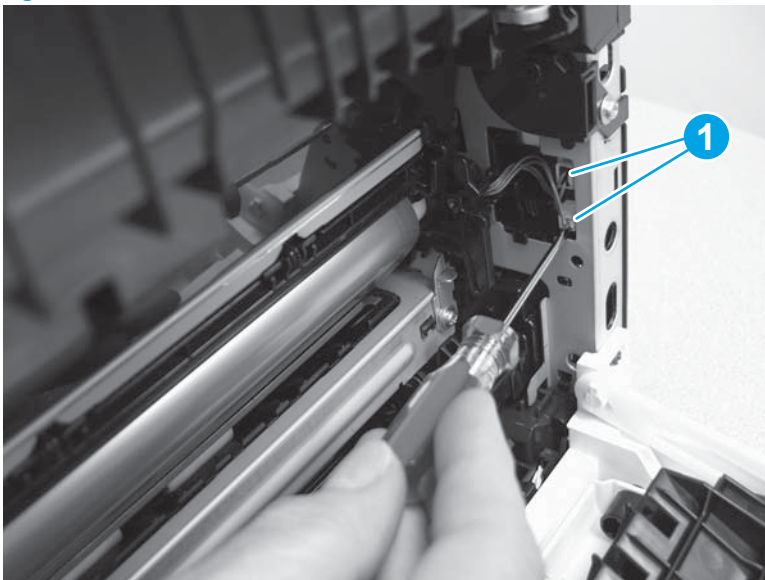
5. Remove the cover.

Figure 1-1020 Remove the cover.



6. Use a small flat-blade screwdriver to release the retainers and remove two connectors (callout 1).

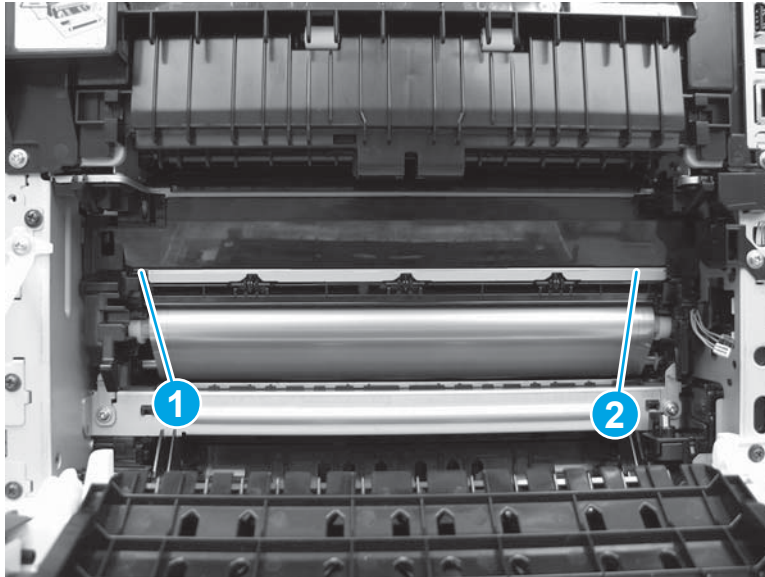
Figure 1-1021 Disconnect two connectors





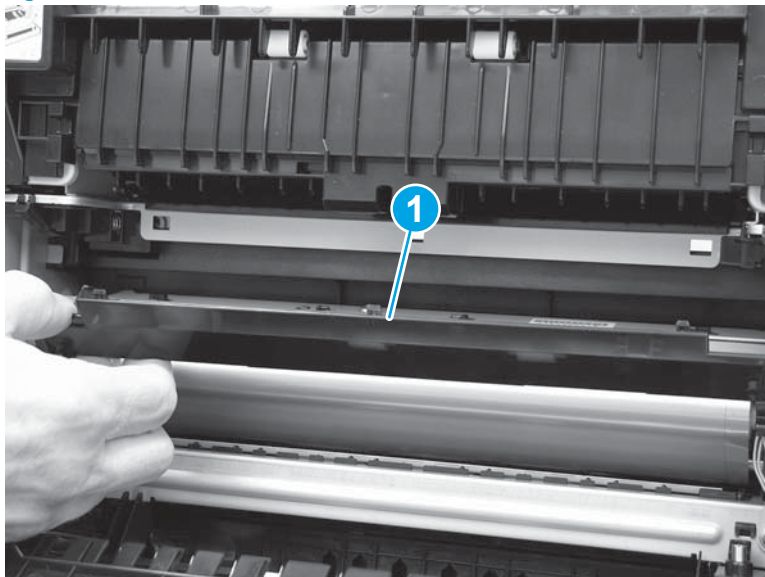
7. Release one tab (callout 1) on the left side of the fuser cover, and then release one tab (callout 2) on the right side.

Figure 1-1022 Release two tabs



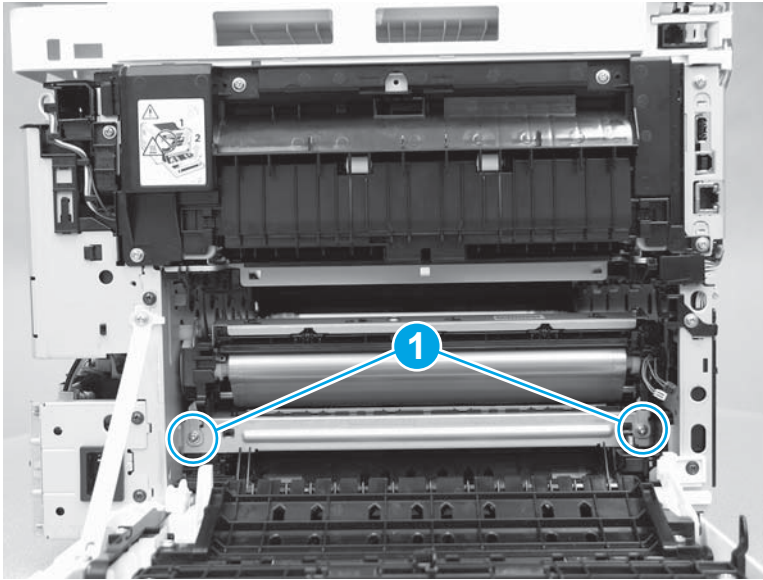
8. Remove the fuser cover (callout 1).

Figure 1-1023 Remove the fuser cover



9. Remove two screws (callout 1).

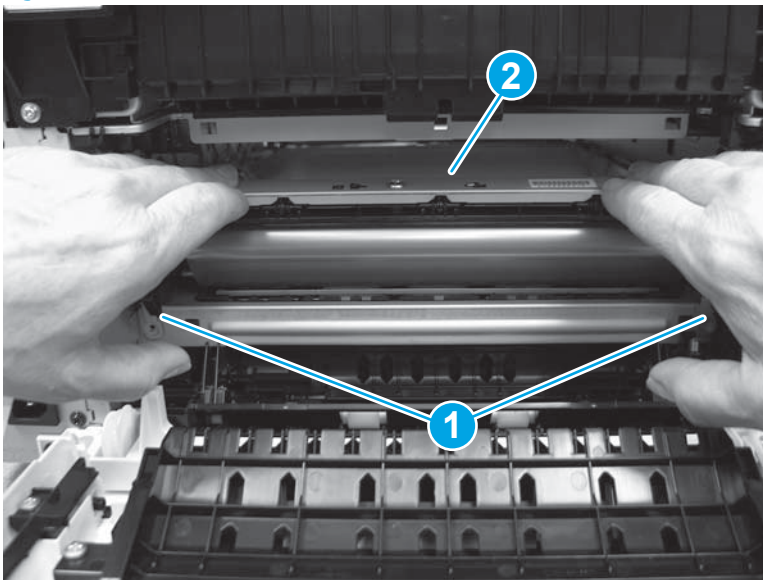
Figure 1-1024 Remove two screws



10. Press up on two tabs with thumbs (callout 1) and position fingers on the sheet metal on the top of the ITB (callout 2).

**⚠ CAUTION:** Do not touch the silver surface of the ITB. Skin oils on the ITB will cause print-quality problems.

Figure 1-1025 Release two tabs



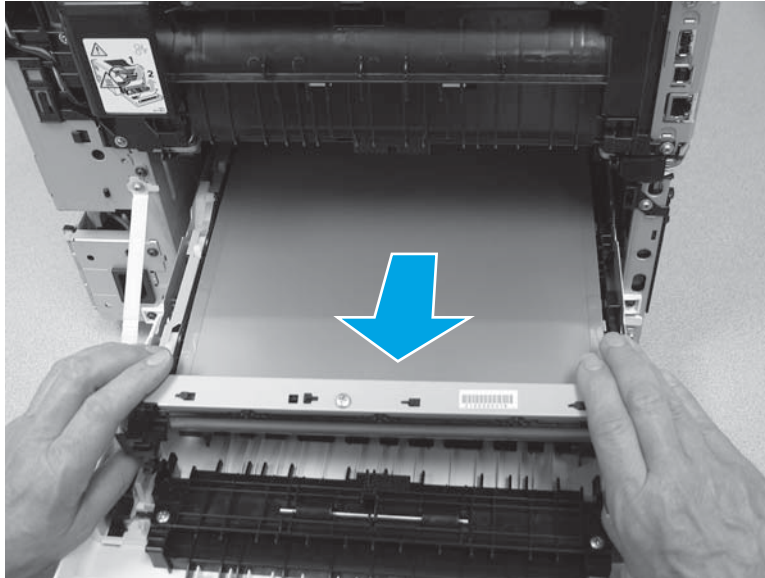
11. Slide the ITB out of the printer.

---

**CAUTION:** Do not tamper with any of the white fittings on the side of the ITB.

---

Figure 1-1026 Slide the ITB out



### Step 10: Unpack the replacement part

Remove the new part from its package. Save all packaging for recycling the used part.

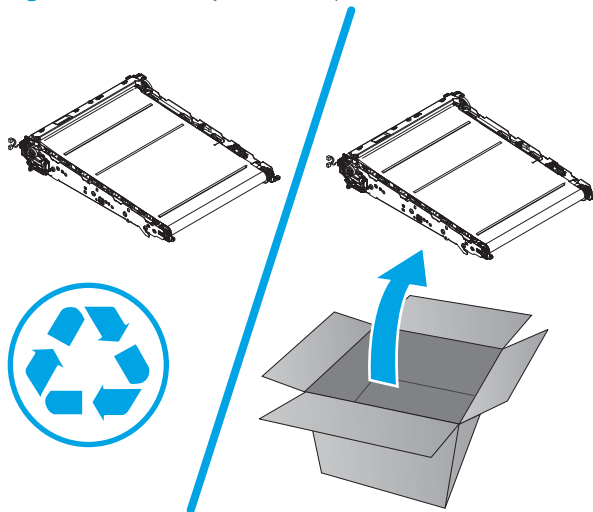
For complete information on HP's recycling programs, go to [Product return and recycling](#).

---

**NOTE:** HP recommends responsible disposal of the defective part.

---

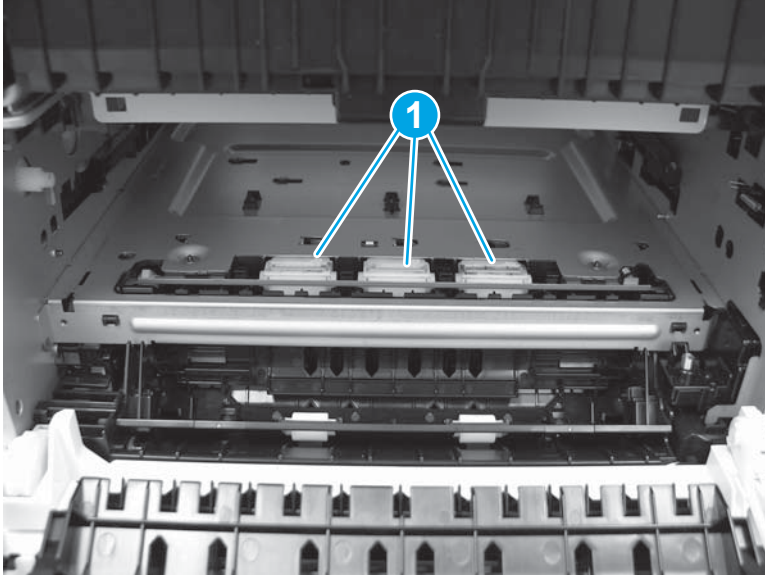
Figure 1-1027 Recycle and unpack



### Step 11: Install the ITB

1. Use a soft, lint-free cloth to remove any paper dust from the mylar strips (callout 1) under the ITB.

Figure 1-1028 Clean the mylar strips



2. Verify that the tabs on the end of the ITB are in the position shown.

**Figure 1-1029** Check tabs on the end of the ITB




**Figure 1-1030** Lower both tabs on each side of the ITB to the down position.



3. To install an assembly, reverse the removal steps.

---

 **NOTE:** When applicable, special installation instructions are provided for an assembly at the end of the removal procedure. Always completely read the removal instructions and follow all special installation instructions.

---

## Removal and replacement: Registration density sensor

- [Introduction](#)
- [Step 1: Remove Tray 2](#)
- [Step 2: Remove the toner cartridges](#)
- [Step 3: Open the rear door or duplexer door](#)
- [Step 4: Remove the right cover \(M454 models\)](#)
- [Step 5: Remove the right cover \(M479 models\)](#)
- [Step 6: Remove the left cover \(M454 models\)](#)
- [Step 7: Remove the left cover \(M479 models\)](#)
- [Step 8: Remove the secondary transfer assembly \(simplex models\)](#)
- [Step 9: Remove the secondary transfer assembly \(duplex models\)](#)
- [Step 10: Remove the intermediate transfer belt \(ITB\)](#)
- [Step 11: Remove the toner cartridge tray](#)
- [Step 12: Remove the registration density sensor](#)
- [Step 13: Unpack the replacement part](#)
- [Step 14: Install the registration density sensor](#)

### Introduction


This document provides the procedures to remove and replace the registration density sensor.

[Click here to view a video of this procedure.](#)

### Before you begin

- Turn off the printer.
- Disconnect the power cable.

---

 **WARNING!** To avoid damage to the printer, turn the printer off, wait 30 seconds, and then remove the power cord before attempting to service the printer.

---

- Use the table below to identify the correct part number for your printer. To order the part, go to [www.hp.com/buy/parts](http://www.hp.com/buy/parts).

---

Registration density sensor part number	
RM2-7399-000CN	Registration density sensor

---

### Required tools

- #2 Phillips screwdriver with a magnetic tip
- Small flat-blade screwdriver

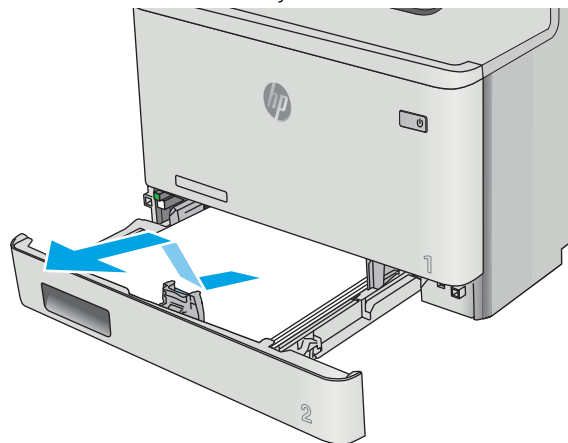
## After performing service

- Connect the power cable.
- Use the power switch to turn the power on.


### Step 1: Remove Tray 2

- ▲ Pull the tray out until it stops. Lift the front of the tray, and then pull it out of the printer to remove it.

Figure 1-1031 Remove the tray

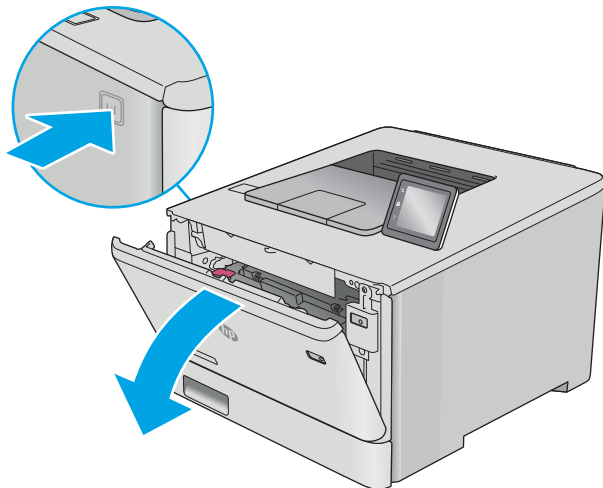


### Step 2: Remove the toner cartridges

 **NOTE:** The M454 model is pictured in the figures in this section. The procedure is the same for the M479 models.

1. Open the front door by pressing the button on the left cover.

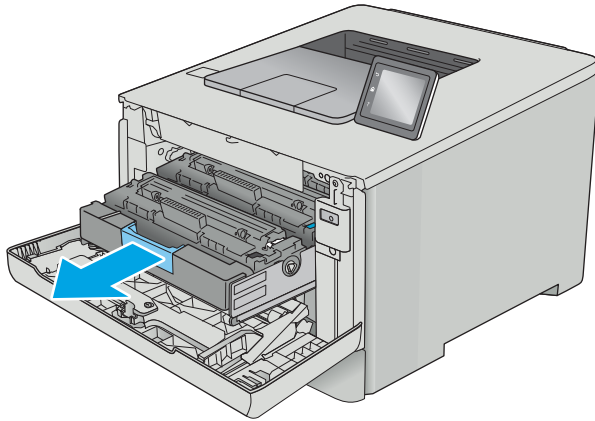
Figure 1-1032 Open the front door





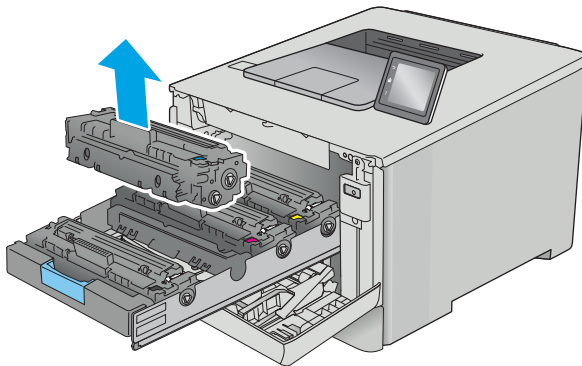
2. Grasp the blue handle on the toner cartridge tray, and then pull out the tray.

**Figure 1-1033** Open the cartridge drawer



3. Grasp the handle on the toner cartridge, and then pull the toner cartridge straight up to remove it. Repeat this step for each toner cartridge.

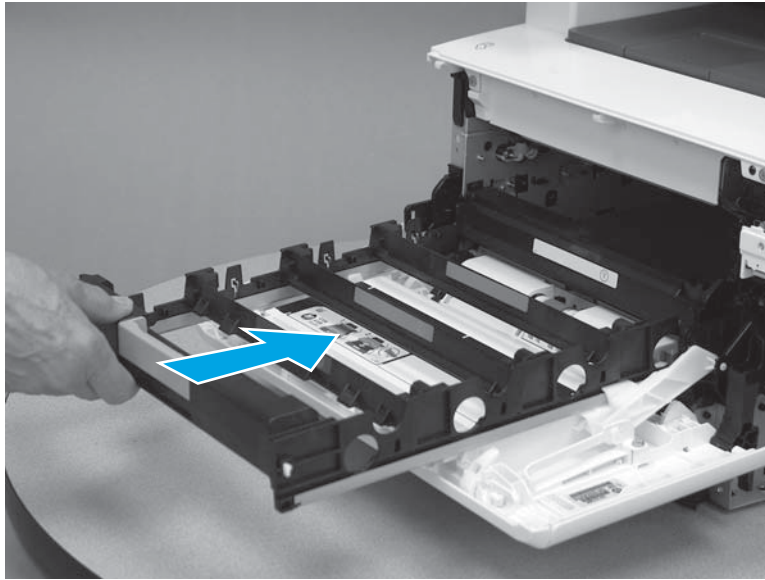
**Figure 1-1034** Remove the toner cartridge





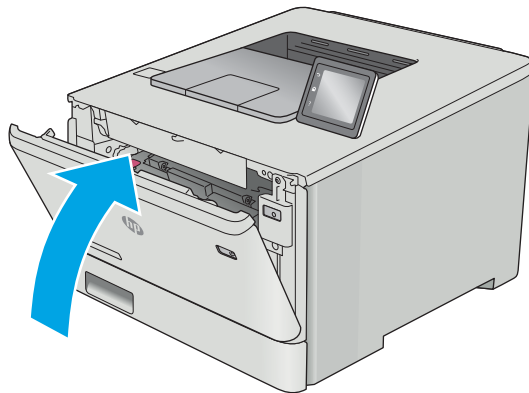
4. Slide the cartridge tray into the printer.

Figure 1-1035 Slide the cartridge tray in



5. Close the front door.

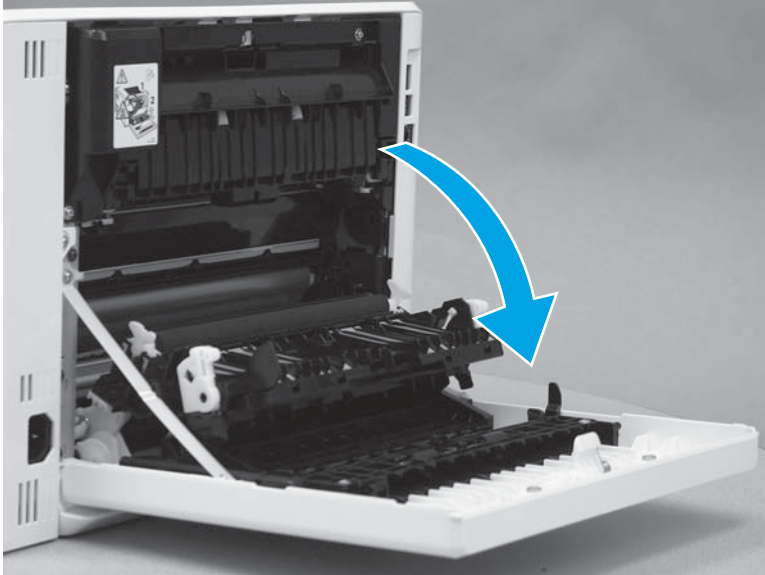
Figure 1-1036 Close the front door



### Step 3: Open the rear door or duplexer door

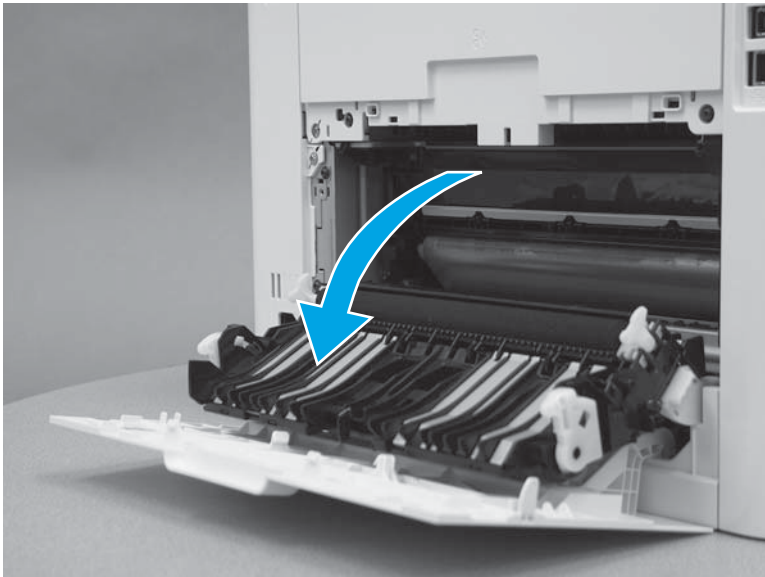
1. **Duplex models:** Open the duplexer door.

Figure 1-1037 Open the duplexer door




2. **Simplex models:** Open the rear door.

Figure 1-1038 Open the rear door



#### Step 4: Remove the right cover (M454 models)

 **NOTE:** This step is for the M454 models. For the M479 models, skip this step and go to [Step 5: Remove the right cover \(M479 models\) on page 596](#).

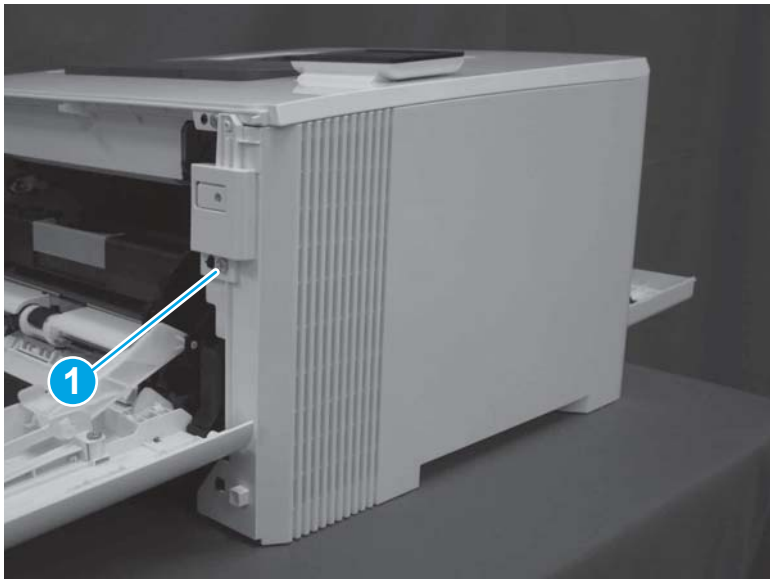
1. At the back of the printer, remove one screw (callout 1).

Figure 1-1039 Remove one screw



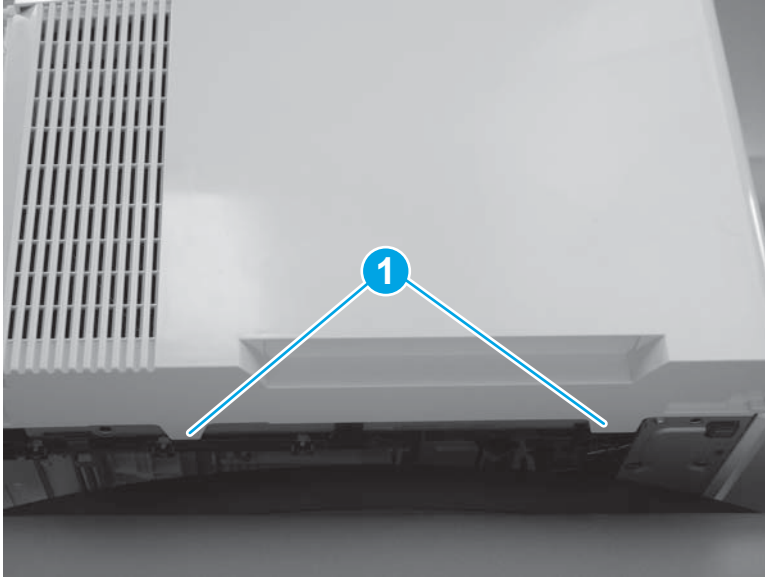
2. At the front of the printer, remove one screw (callout 1).

Figure 1-1040 Remove one screw



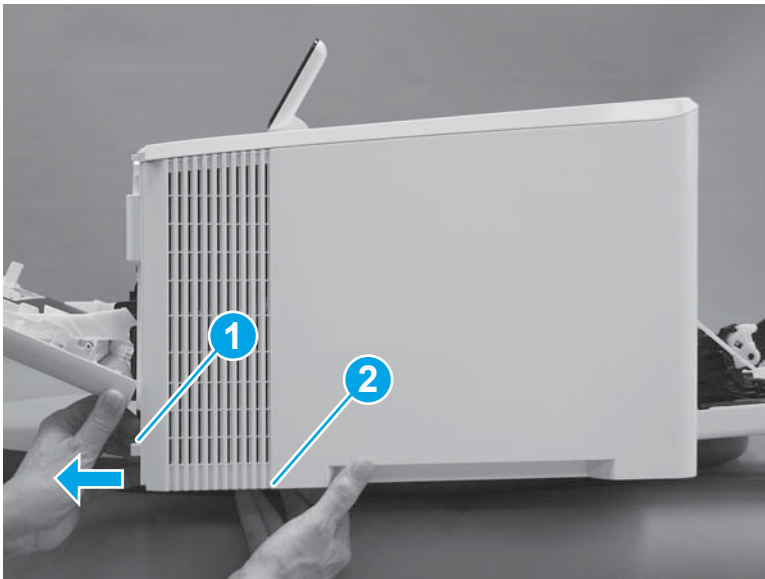
3. Slide the printer to the edge of a work surface. Note the location of the tabs on the lower edge of the cover (callout 1).

Figure 1-1041 Locate the tabs



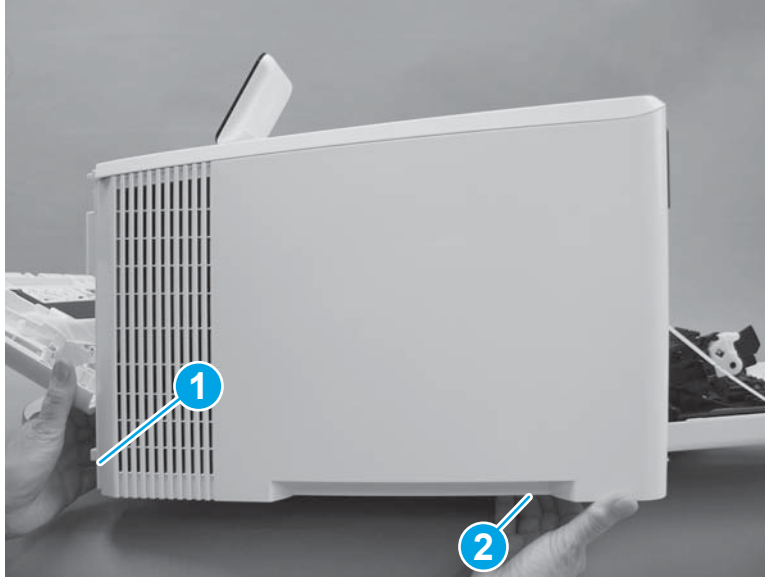
4. Release one tab (callout 1) on the front of the cover by slightly pulling the cover away from the printer. While holding the cover in the released position, release one tab (callout 2) on the bottom of the cover.

Figure 1-1042 Release front lower tabs



5. Hold the front tabs in the released position (callout 1), and then release one tab (callout 2) on the bottom of the cover, toward the back of the printer.

Figure 1-1043 Release lower rear tab



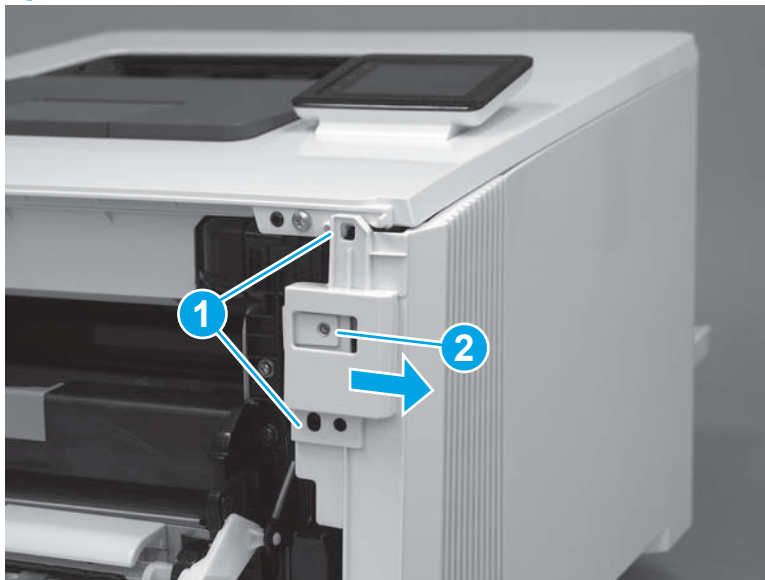
6. Release two tabs at the front of the printer (callout 1) by slightly pulling the cover away from the printer.

---

**⚠ CAUTION:** Be careful not to dislodge the power switch (callout 2).

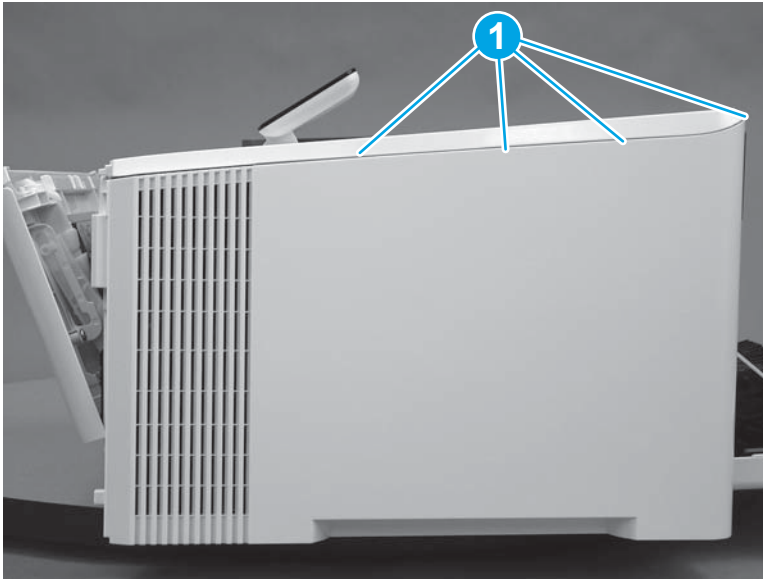
---

Figure 1-1044 Release two front tabs



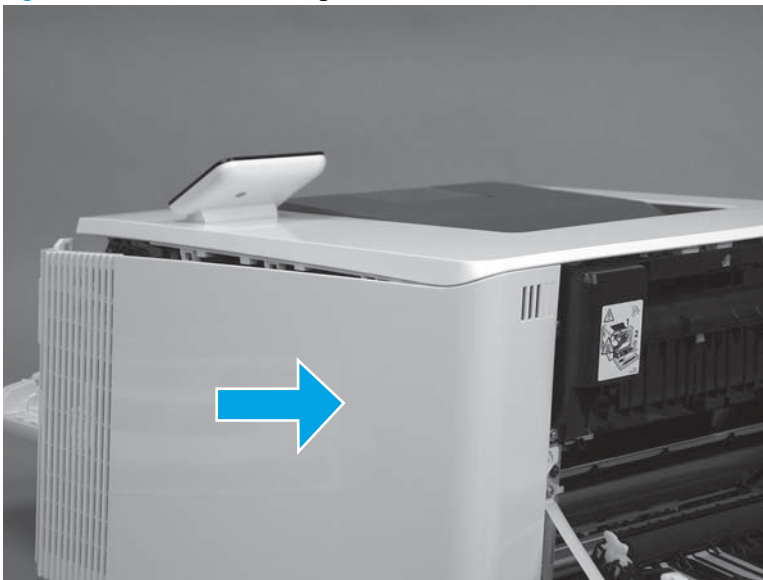
7. Release four tabs on the top of the printer (callout 1).

Figure 1-1045 Release upper tabs




8. Slide the cover toward the back of the printer to remove it.

Figure 1-1046 Remove the right cover



#### Step 5: Remove the right cover (M479 models)

 **NOTE:** This step is for the M479 models. For the M454 models, skip this step and go to [Step 6: Remove the left cover \(M454 models\) on page 602](#).

1. Raise the scanner.

Figure 1-1047 Raise the scanner



2. At the back of the printer, remove one screw (callout 1).

Figure 1-1048 Remove one screw



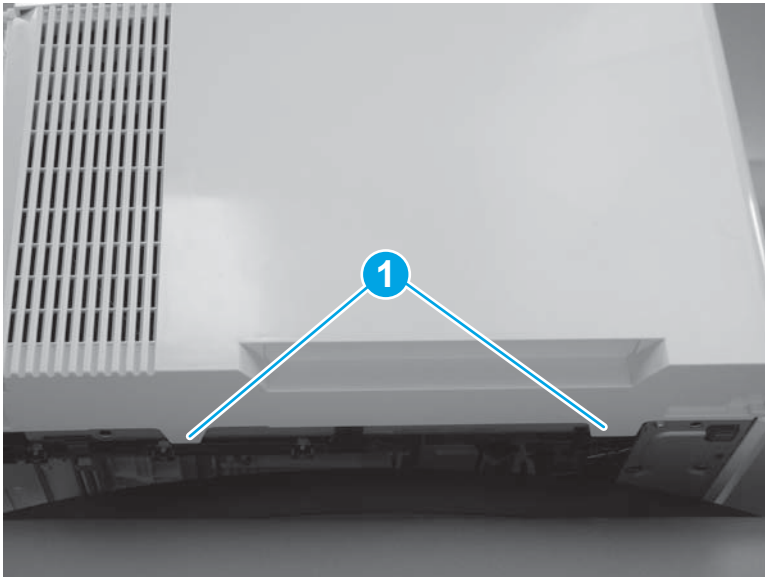
3. At the front of the printer, remove one screw (callout 1).

Figure 1-1049 Remove one screw



4. Slide the printer to the edge of a work surface. Note the location of the tabs on the lower edge of the cover (callout 1).

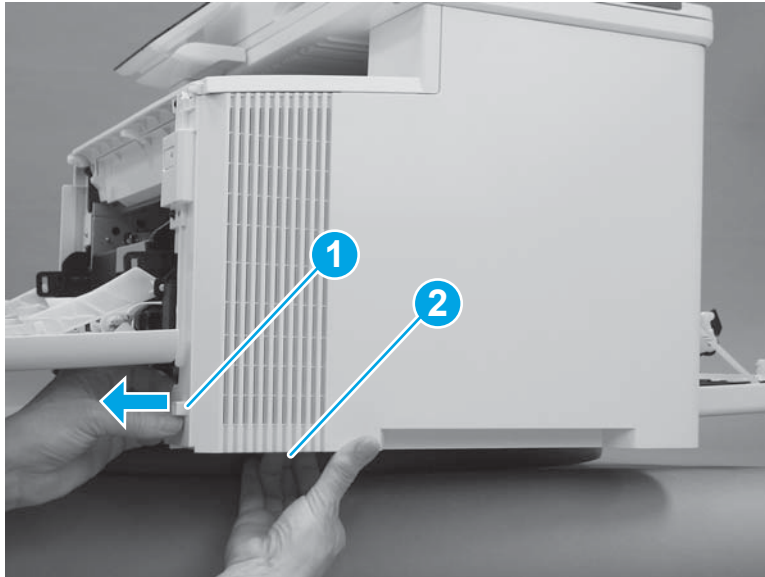
Figure 1-1050 Locate the tabs





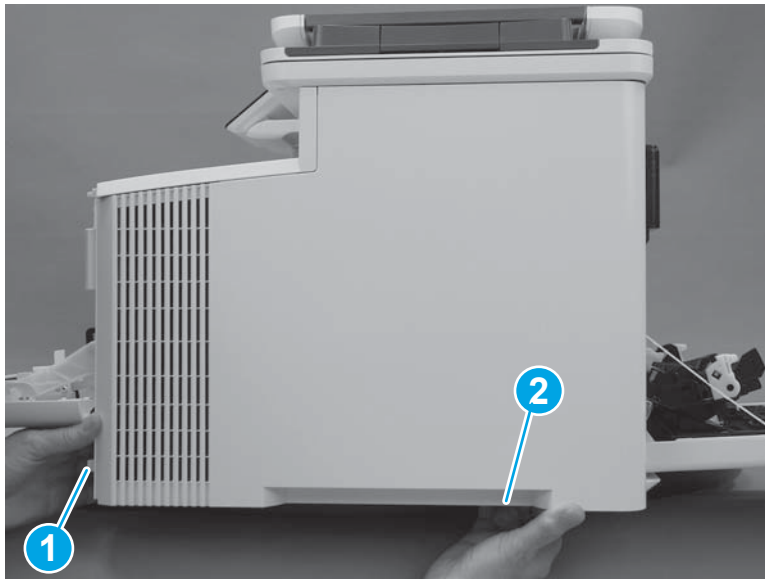
5. Release one tab (callout 1) on the front of the cover by slightly pulling the cover away from the printer. While holding the cover in the released position, release one tab (callout 2) on the lower edge of the cover.

Figure 1-1051 Release front lower tabs



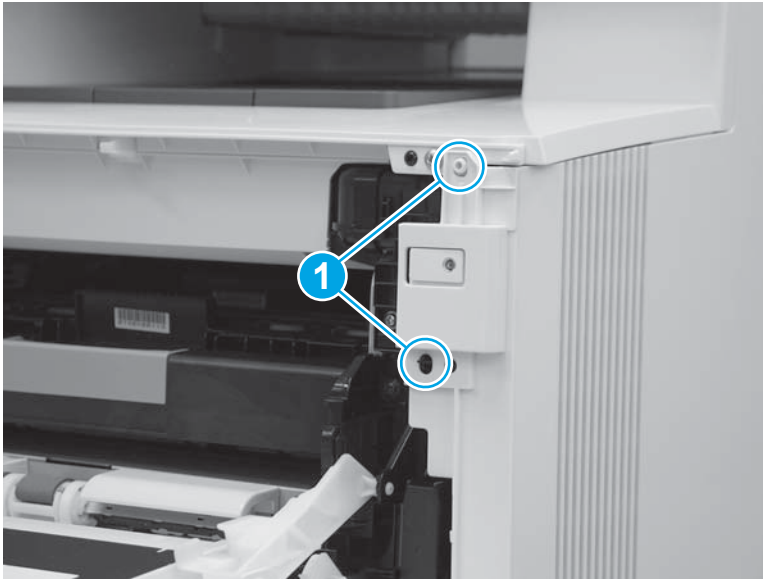
6. Hold the front tabs in the released position (callout 1), and then release one tab (callout 2) on the lower edge of the cover, toward the back of the printer.

Figure 1-1052 Release lower rear tab



7. Release two tabs at the front of the printer (callout 1) by slightly pulling the cover away from the printer.

Figure 1-1053 Release front upper tabs



8. Rotate the front of the cover away from the printer (callout 1).

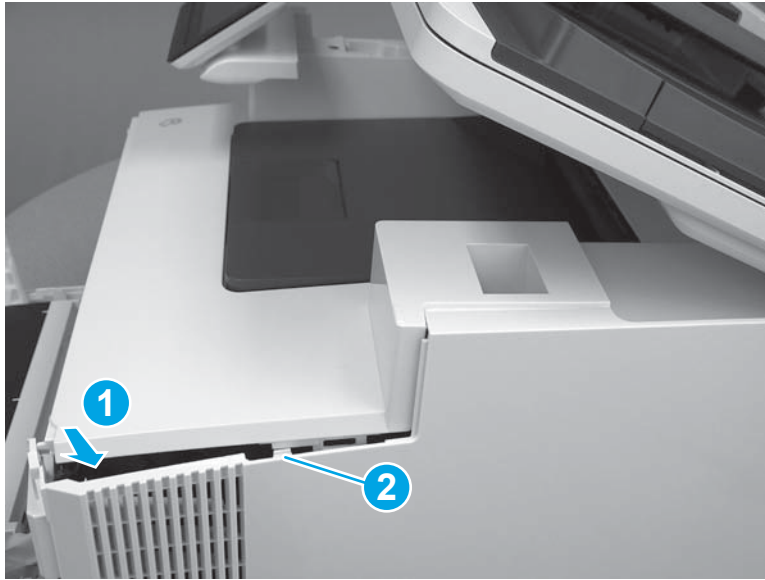
**⚠ CAUTION:** Be careful not to dislodge the power switch (callout 2).

Figure 1-1054 Rotate the front of the cover



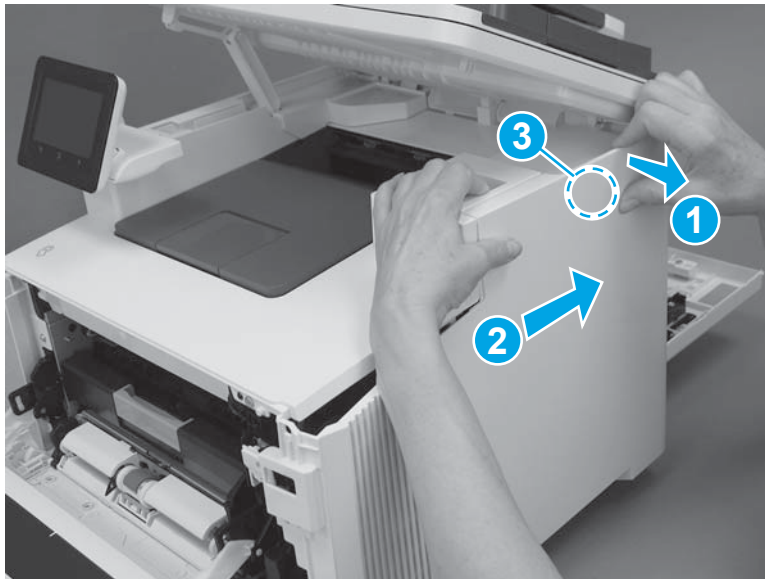
9. Slightly pull the front of the cover away from the printer (callout 1) to release one tab (callout 2).

Figure 1-1055 Release top tabs



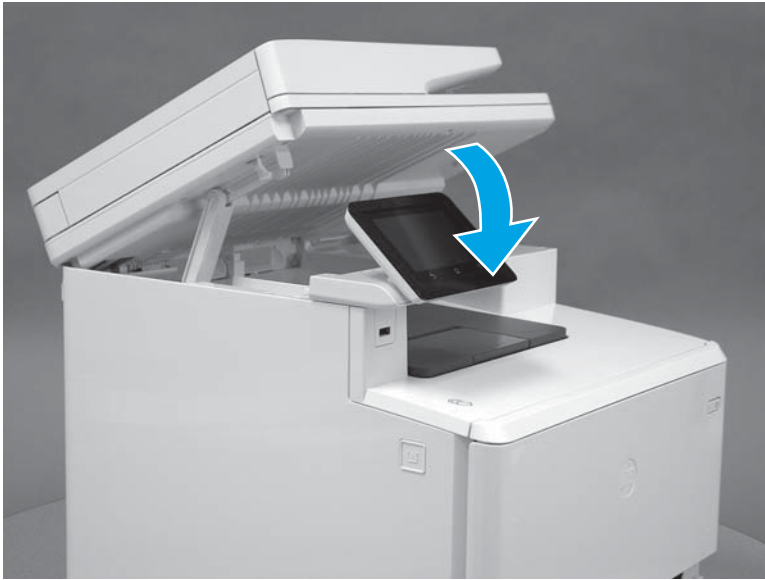
10. At the top of the printer, slightly pull the top of the cover away from the printer to release one retention tab (callout 1) on the inside of the cover. While holding the cover away, slide the cover toward the back of the printer (callout 2) to release one hook (callout 3) on the inside of the cover.

Figure 1-1056 Release one tab and one hook



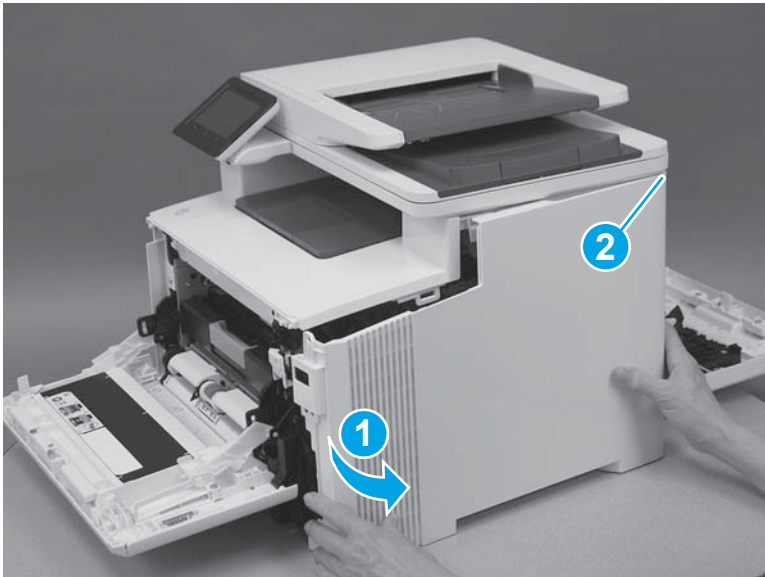
11. Lower the scanner.

Figure 1-1057 Lower the scanner




12. Rotate the cover away from the printer (callout 1) to release one tab (callout 2) at the back of the printer, and then remove the cover.

Figure 1-1058 Remove the right cover

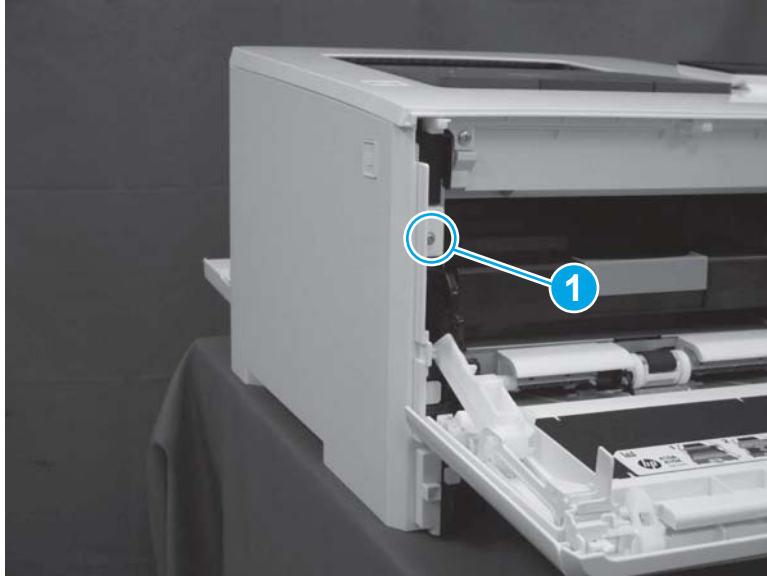


#### Step 6: Remove the left cover (M454 models)

 **NOTE:** This step is for the M454 models. For the M479 models, skip this step and go to [Step 7: Remove the left cover \(M479 models\) on page 605](#).

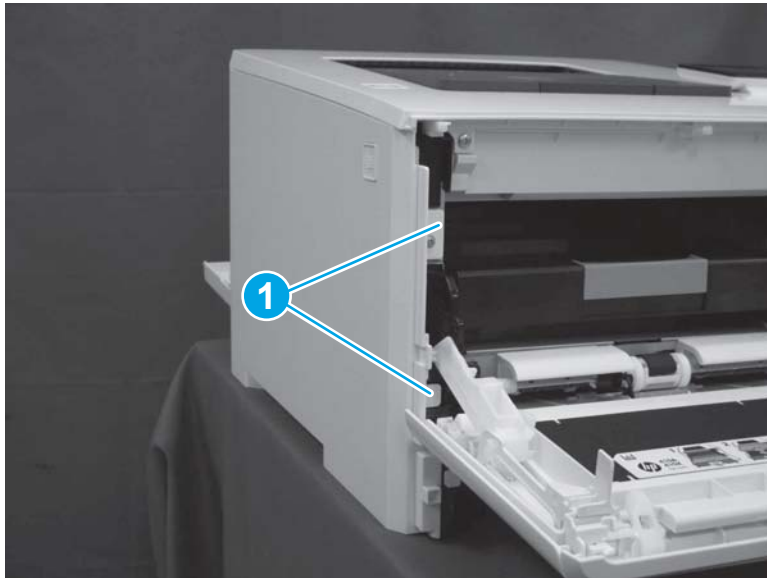
1. At the front of the printer, remove one screw (callout 1).

Figure 1-1059 Remove one screw



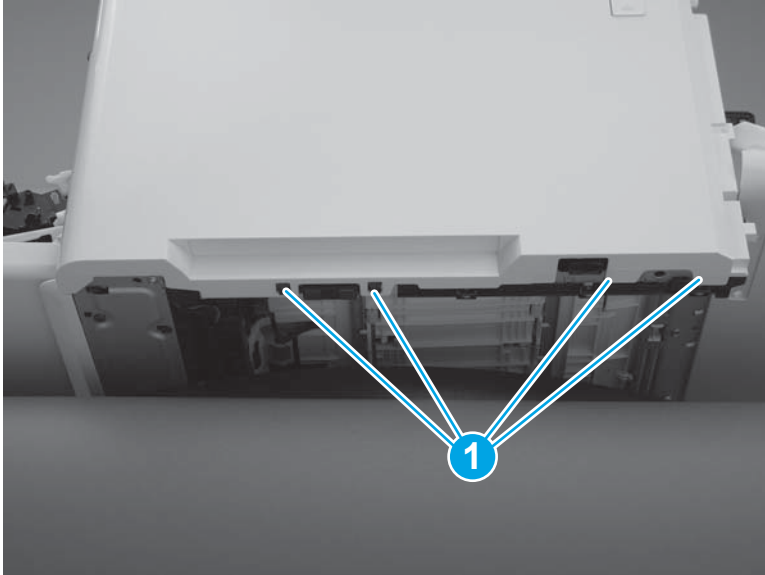
2. Release two tabs (callout 1) at the front of the cover. Hold the cover open to prevent the tabs from reengaging.

Figure 1-1060 Release two tabs



3. Slide the printer to the edge of a work surface. Note the location of the tabs on the lower edge of the cover (callout 1).

Figure 1-1061 Locate the tabs



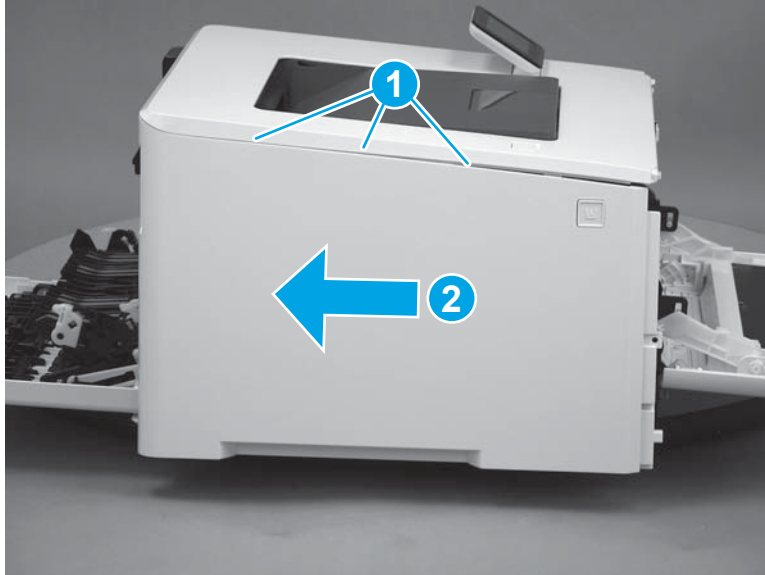
4. Beginning from the front of the cover, release four tabs (callouts 1-4) on the lower edge of the cover.

Figure 1-1062 Release bottom tabs




5. Release three tabs at the top of the cover (callout 1), and then slide the cover toward the rear of the printer to remove it.

Figure 1-1063 Release three tabs



#### Step 7: Remove the left cover (M479 models)

 **NOTE:** This step is for the M479 models. For the M454 models, skip this step and go to [Step 8: Remove the secondary transfer assembly \(simplex models\) on page 609](#).

1. Raise the scanner.

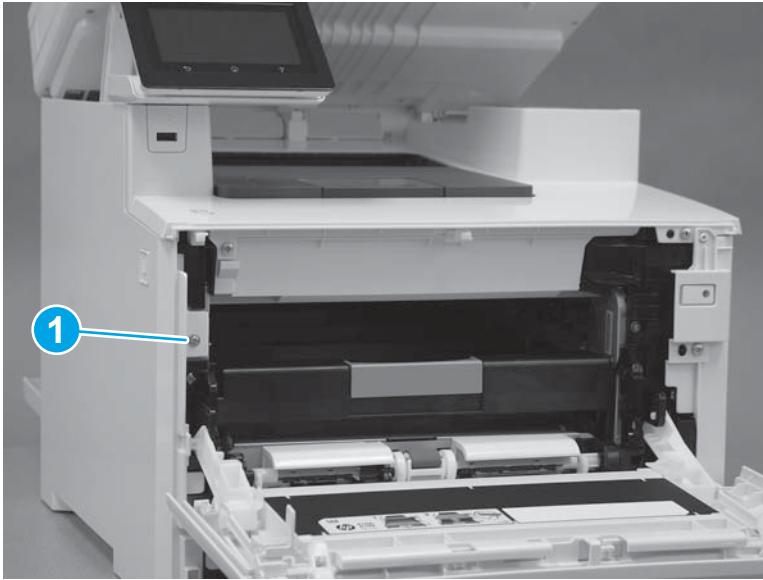
Figure 1-1064 Raise the scanner





2. At the front of the printer, remove one screw (callout 1).

Figure 1-1065 Remove one screw



3. Release two tabs (callout 1) at the front of the cover. Hold the cover open to prevent the tabs from re-engaging.

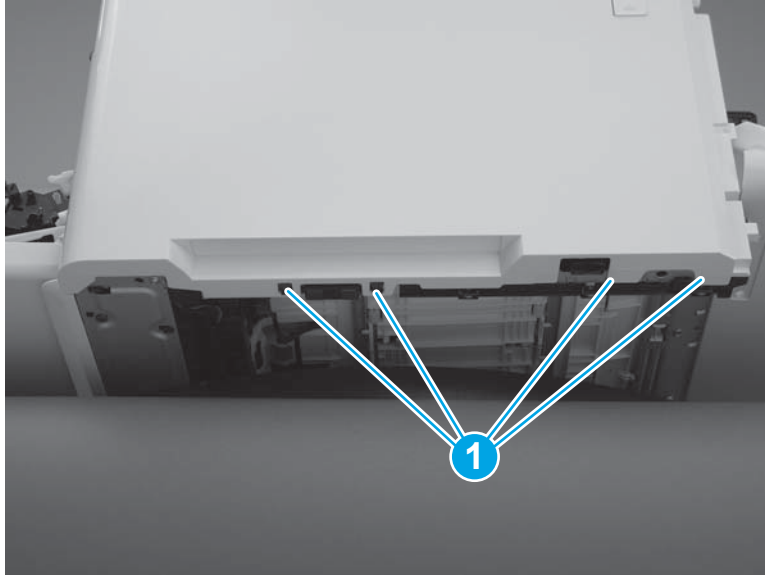
Figure 1-1066 Release two tabs





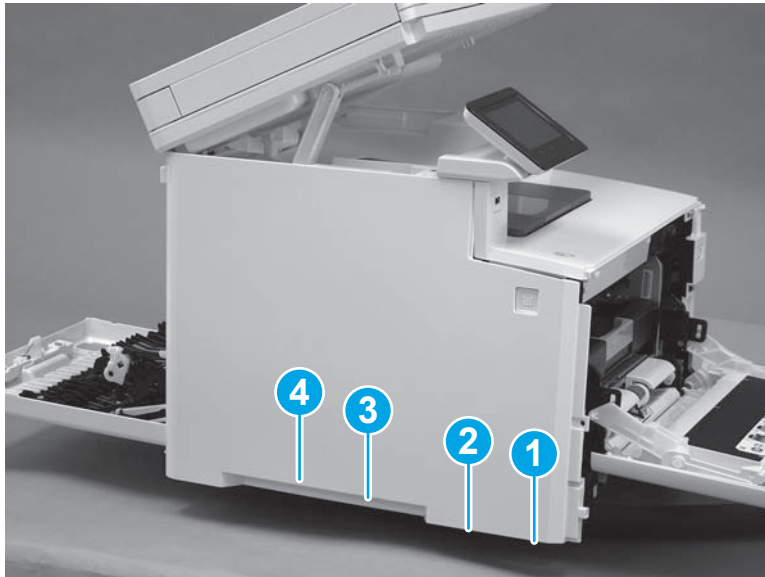
4. Slide the printer to the edge of a work surface. Note the location of the tabs on the lower edge of the cover (callout 1).

Figure 1-1067 Locate the tabs



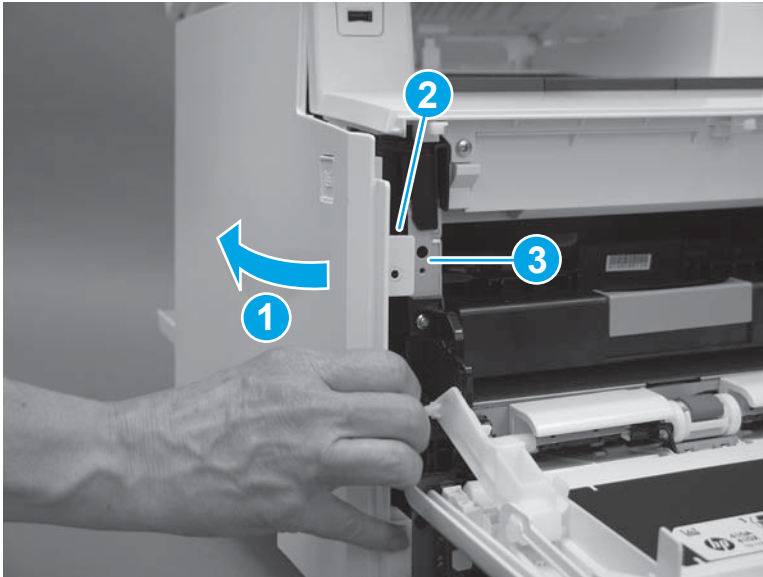
5. Beginning from the front of the cover, release the four tabs (callouts 1-4) on the lower edge of the cover.

Figure 1-1068 Release four tabs



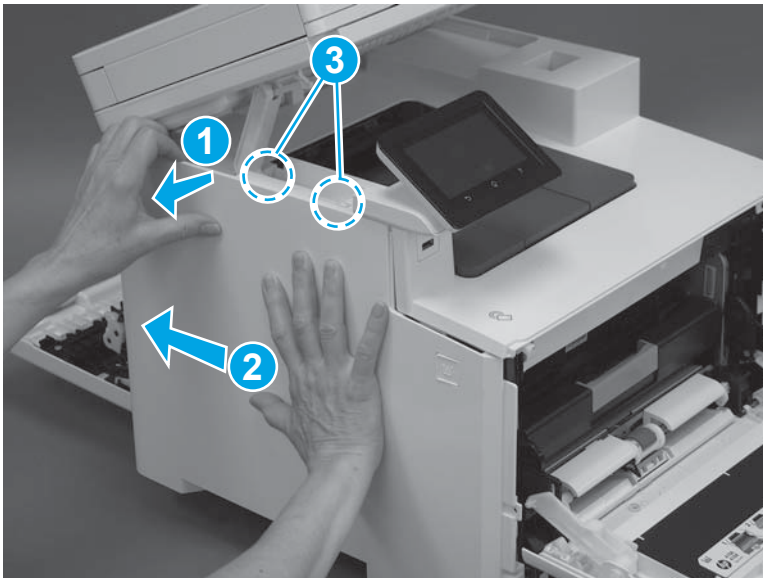
6. Rotate the front of the cover away from the printer (callout 1). Make sure that the tab (callout 2) does not get caught on the printer frame (callout 3).

Figure 1-1069 Rotate the cover



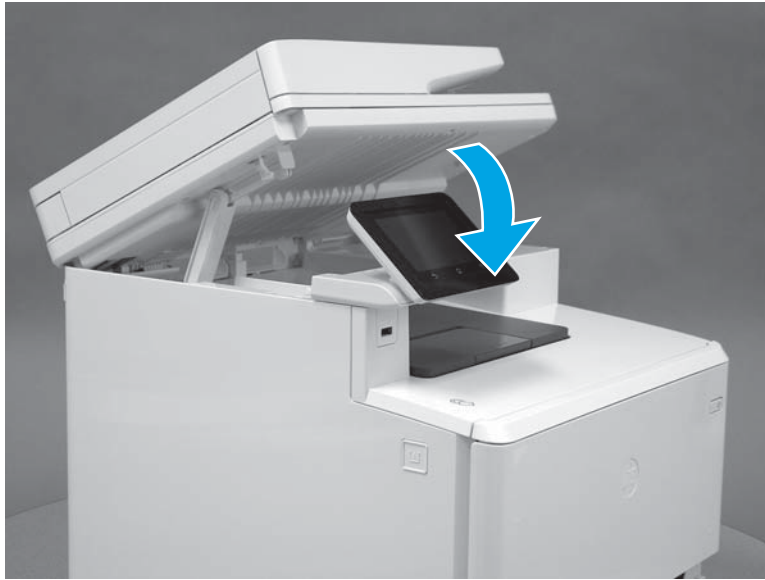
7. At the top of the printer, slightly pull the top of the cover away from the printer to release one retention tab (callout 1) on the inside of the cover. While holding the cover away, slide the cover toward the back of the printer (callout 2) to release two hooks (callout 3) inside the cover.

Figure 1-1070 Release one tab and two hooks



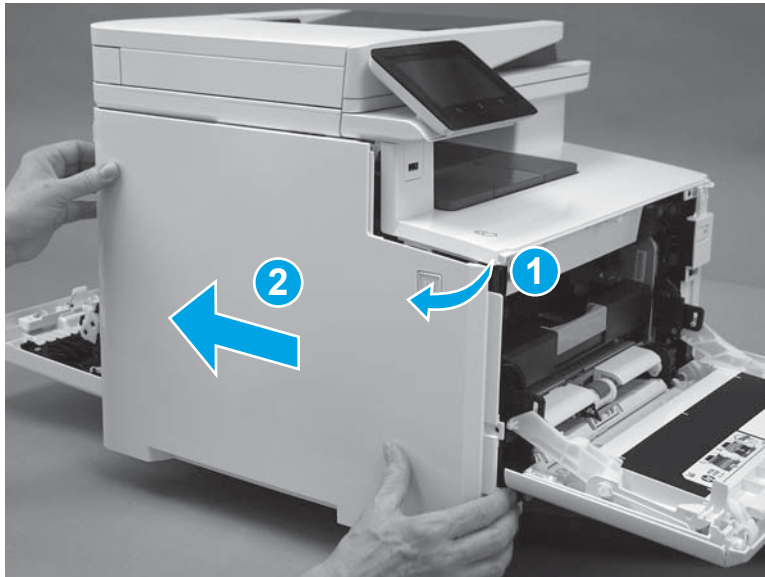
8. Lower the scanner.

Figure 1-1071 Lower the scanner




9. Rotate the cover away from the printer (callout 1), and then slide the cover (callout 2) toward the back of the printer to remove it.

Figure 1-1072 Remove the left cover

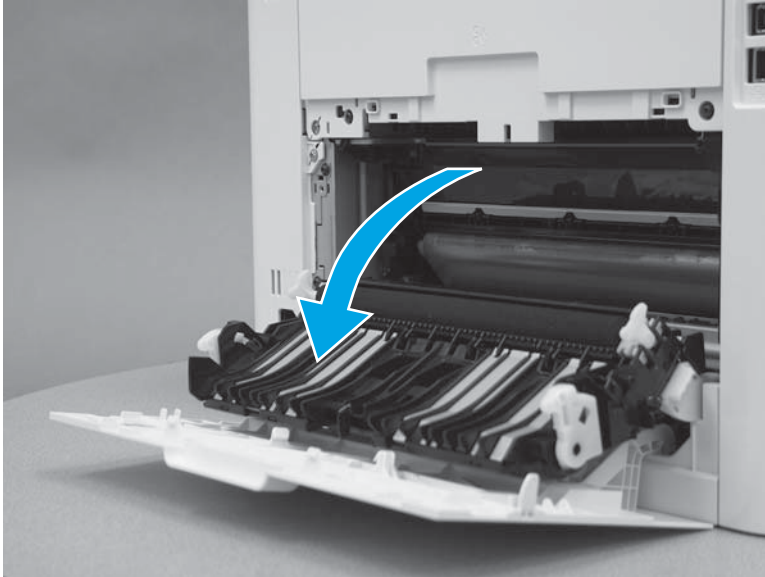


#### Step 8: Remove the secondary transfer assembly (simplex models)

 **NOTE:** This step is for simplex models. For duplex models, skip this step and go to [Step 9: Remove the secondary transfer assembly \(duplex models\) on page 611](#).

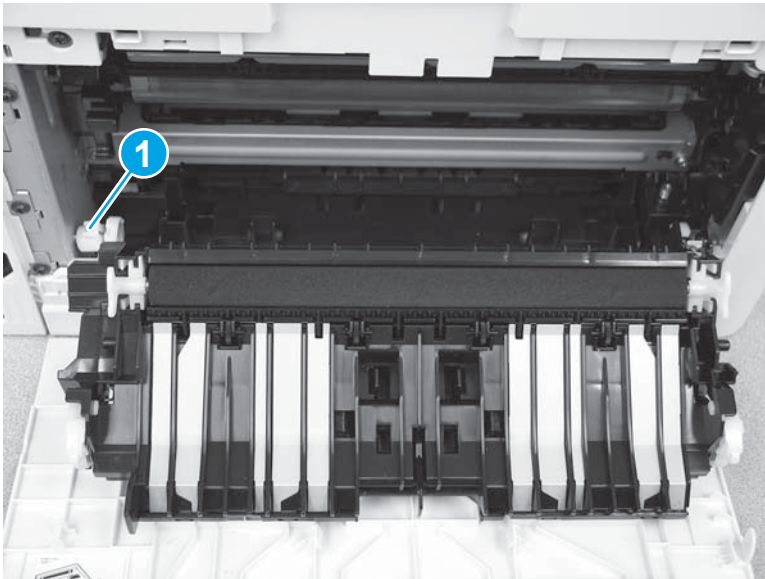
1. Open the rear door.

Figure 1-1073 Open the rear door



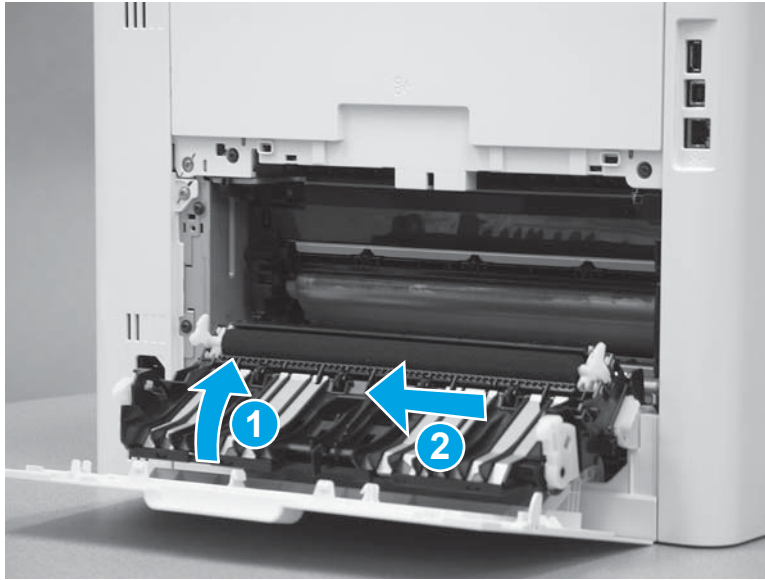
2. Remove one retainer collar (callout 1).

Figure 1-1074 Remove one retainer collar



3. Lift the assembly up slightly (callout 1), and then slide it to the left (callout 2).

Figure 1-1075 Slide the assembly left



4. Rotate the right side of the assembly away from the printer to remove it.

Figure 1-1076 Remove the secondary transfer assembly

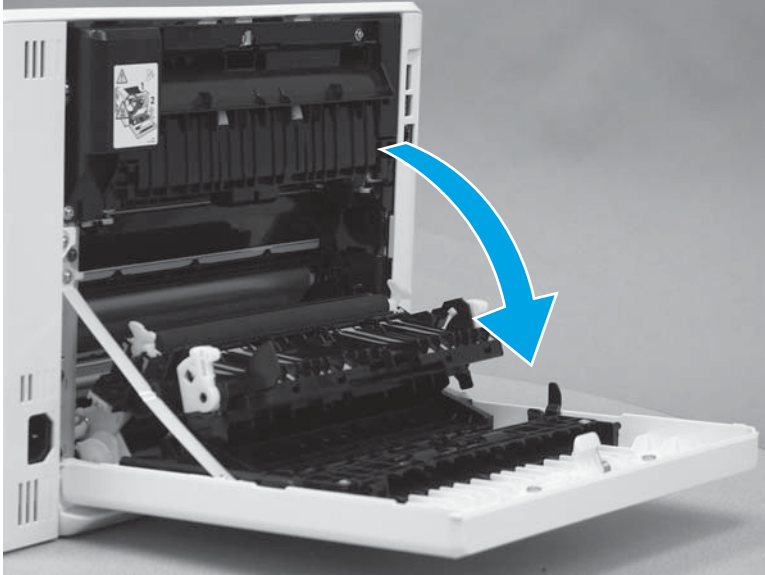


#### Step 9: Remove the secondary transfer assembly (duplex models)

 **NOTE:** This step is for duplex models. For simplex models, skip this step and go to [Step 10: Remove the intermediate transfer belt \(ITB\) on page 614.](#)

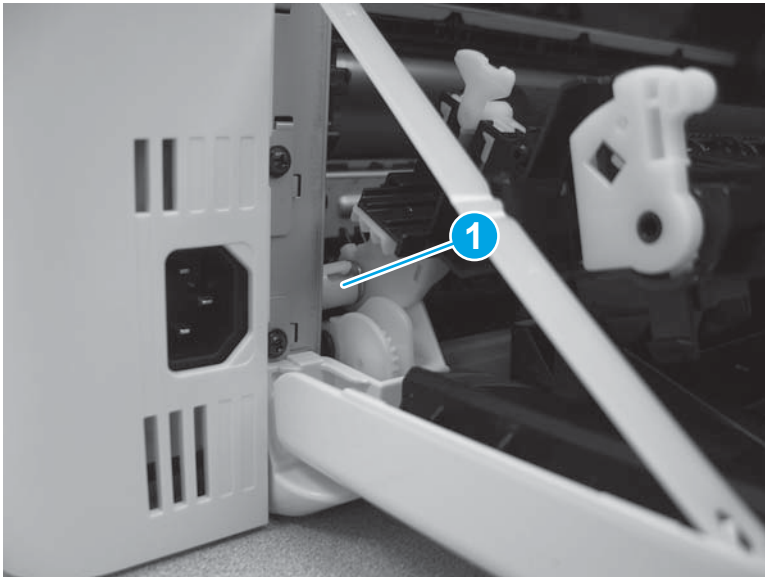
1. Open the duplexer door.

Figure 1-1077 Open the duplexer door



2. Remove one retainer collar (callout 1).

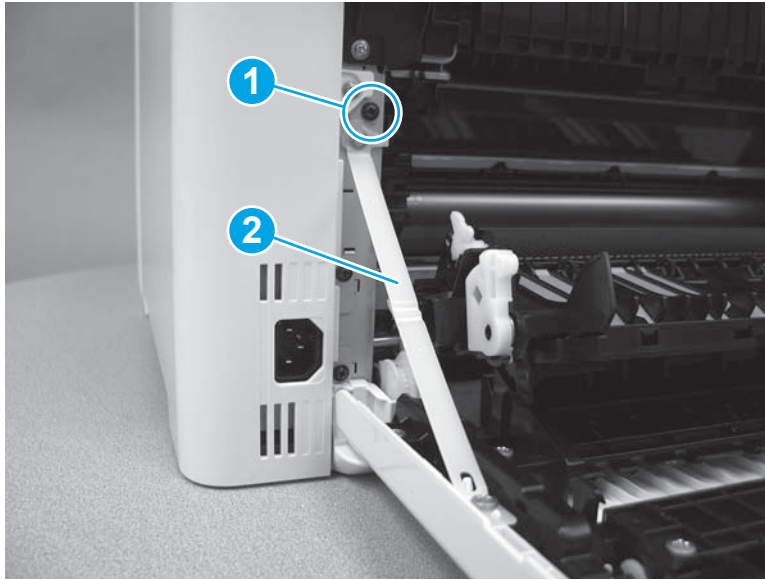
Figure 1-1078 Remove one retainer collar





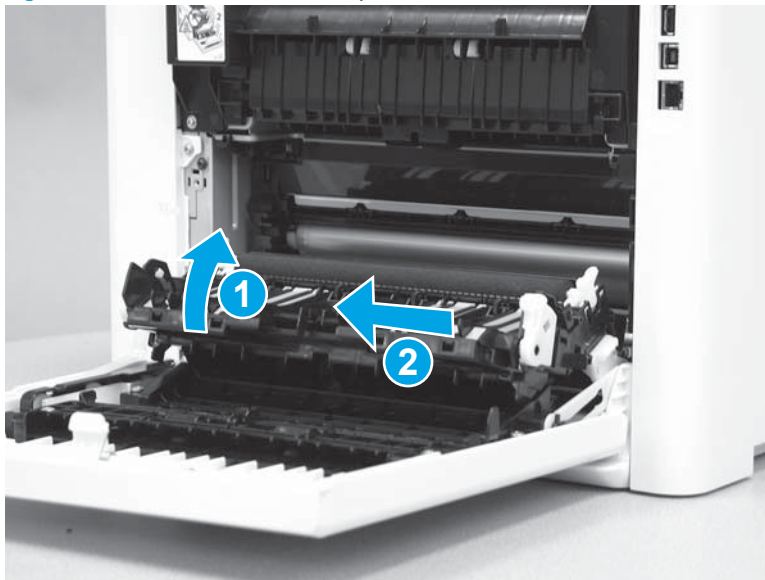
3. Remove one screw (callout 1), and then release the retaining arm (callout 2).

Figure 1-1079 Remove one screw and release the arm



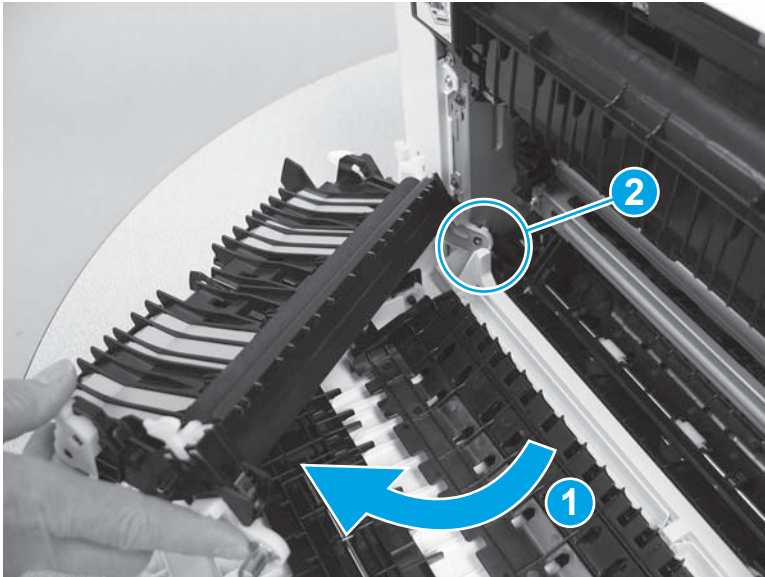
4. Lift the assembly up slightly (callout 1), and then slide it to the left (callout 2).

Figure 1-1080 Slide the assembly left



5. Rotate the right side of the assembly away from the printer (callout 1) so that the left side of the assembly rotates free of the plastic tab (callout 2). Remove the assembly.

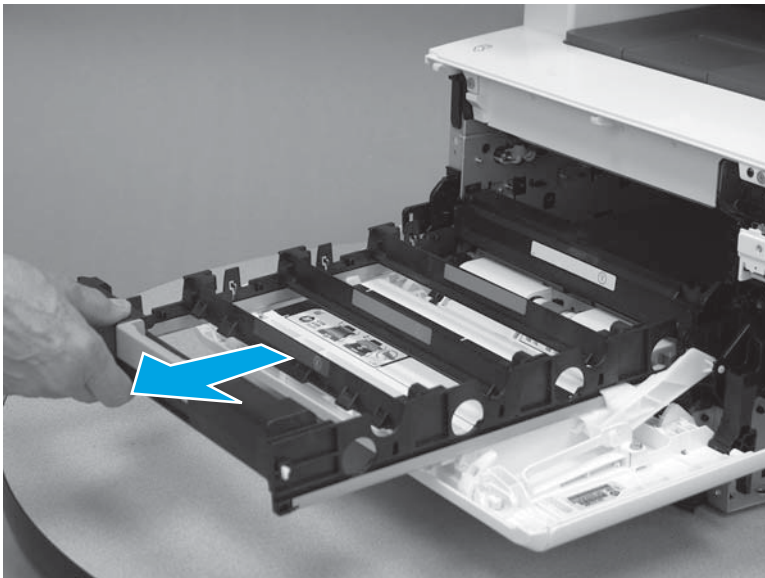
Figure 1-1081 Remove the secondary transfer assembly



#### Step 10: Remove the intermediate transfer belt (ITB)

1. Slide the cartridge tray out of the printer.

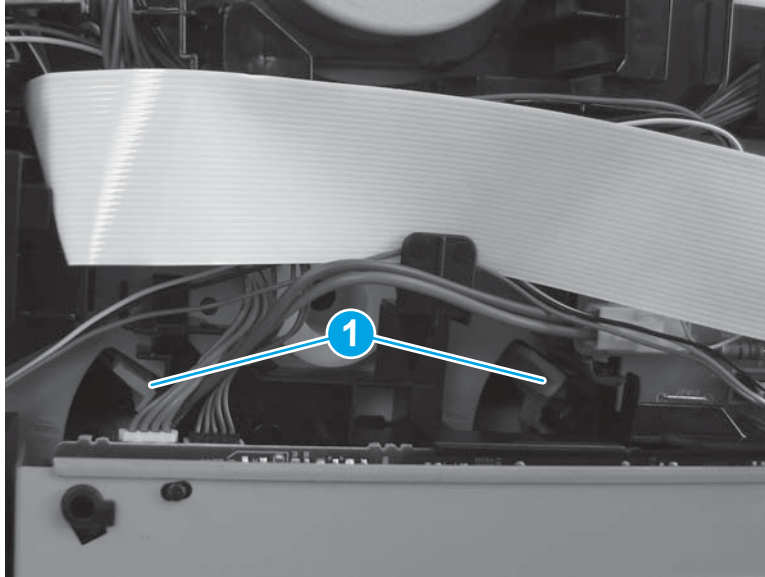
Figure 1-1082 Slide the cartridge tray out





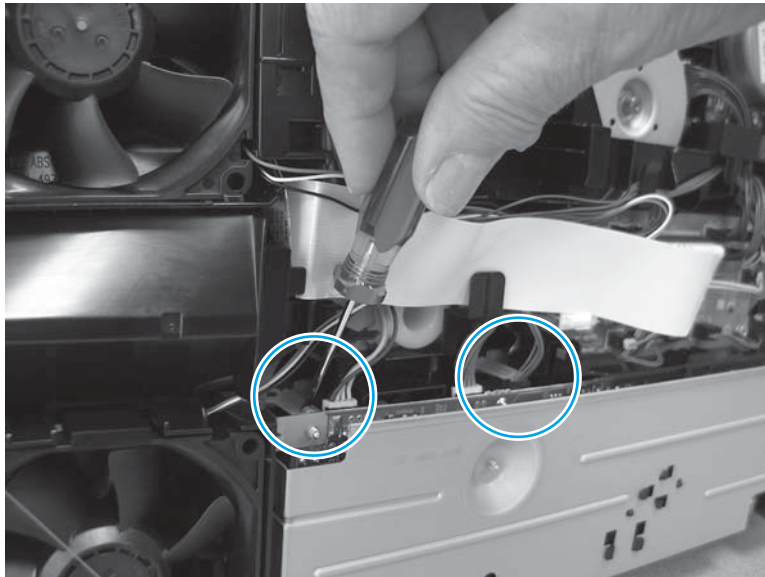
2. Locate two levers (callout 1) above the low-voltage power supply, and then rotate them down to release them.

Figure 1-1083 Release two levers



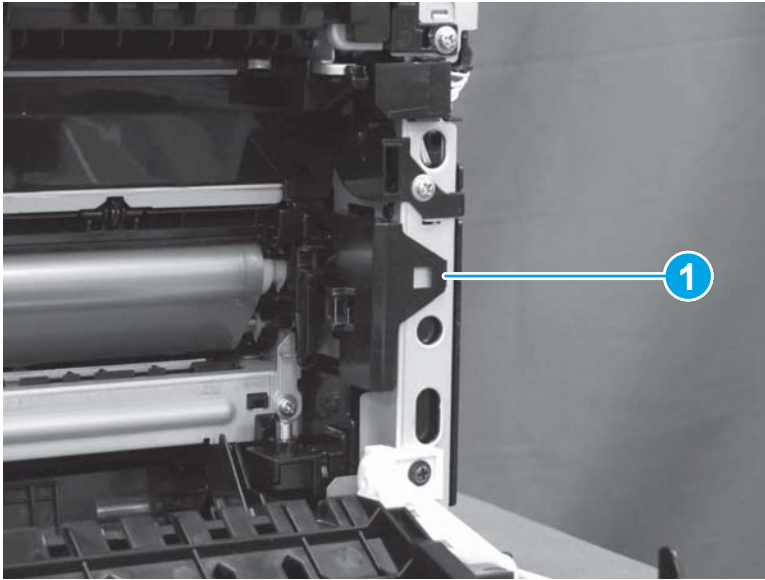
3. Use a small flat-blade screwdriver to pull the levers away from the printer until they stop.

Figure 1-1084 Pull two levers out



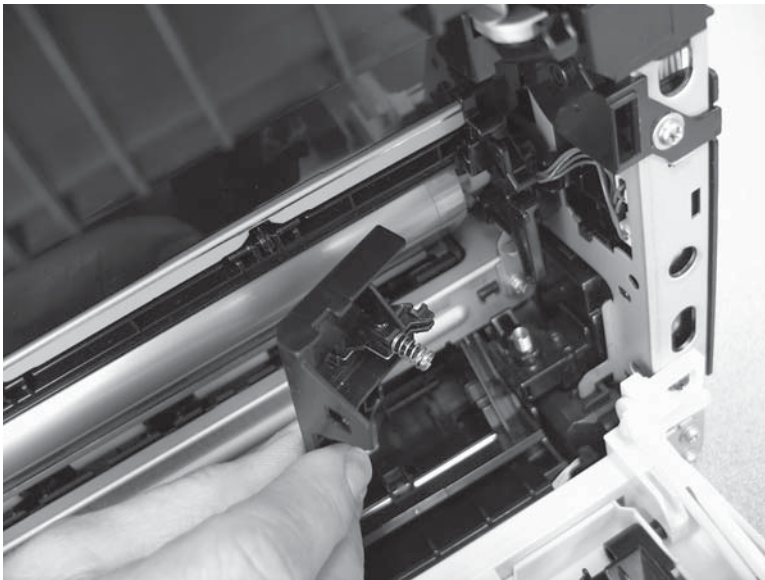
4. Release one tab (callout 1).

Figure 1-1085 Release one tab



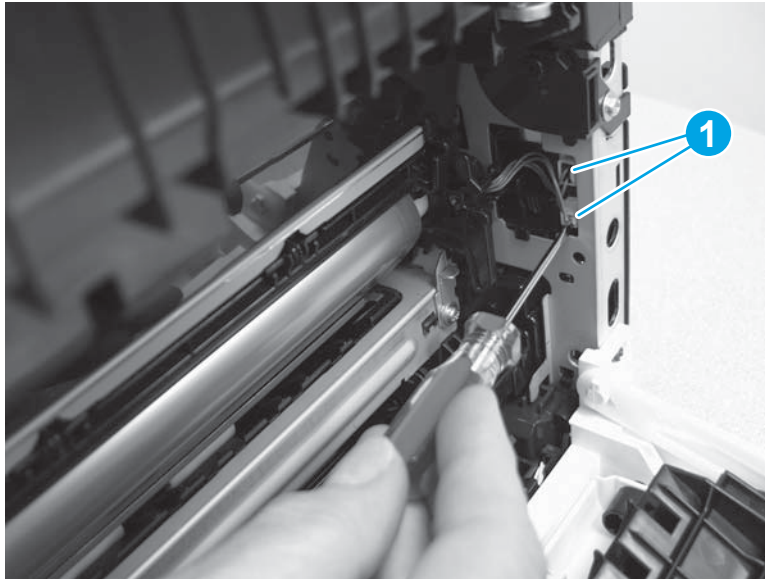
5. Remove the cover.

Figure 1-1086 Remove the cover.



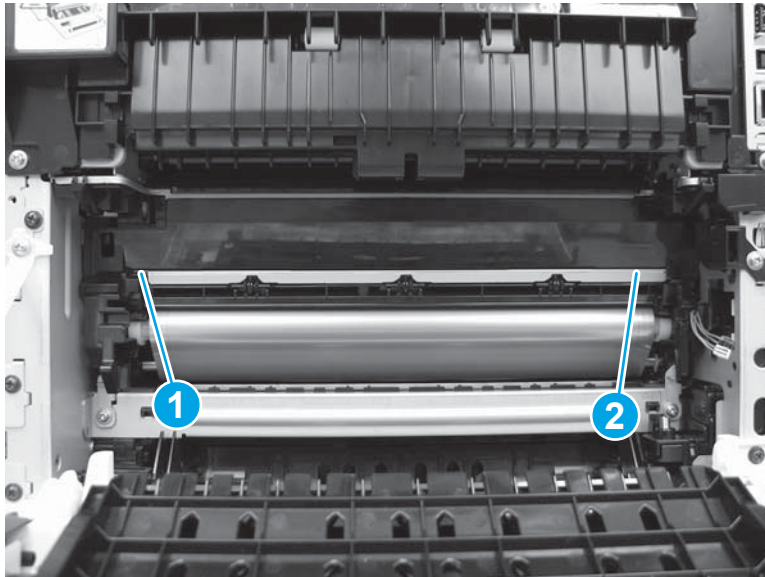
6. Use a small flat-blade screwdriver to release the retainers and remove two connectors (callout 1).

Figure 1-1087 Disconnect two connectors



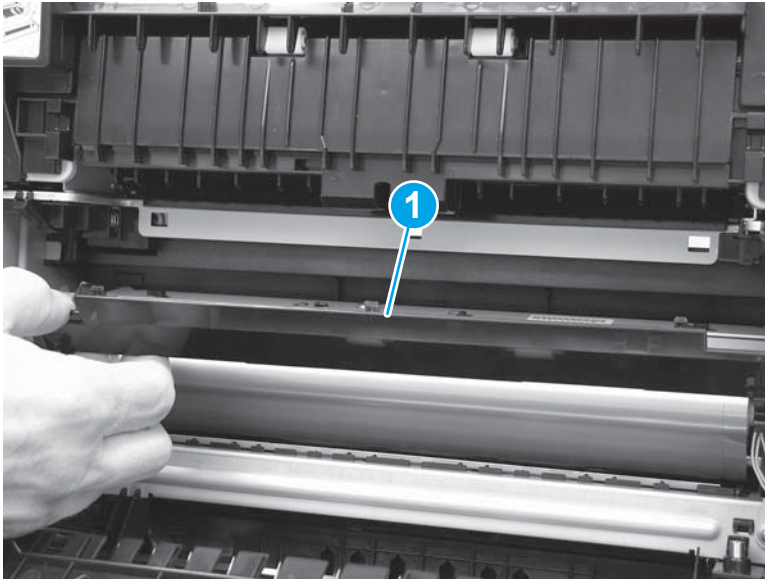
7. Release one tab (callout 1) on the left side of the fuser cover, and then release one tab (callout 2) on the right side.

Figure 1-1088 Release two tabs



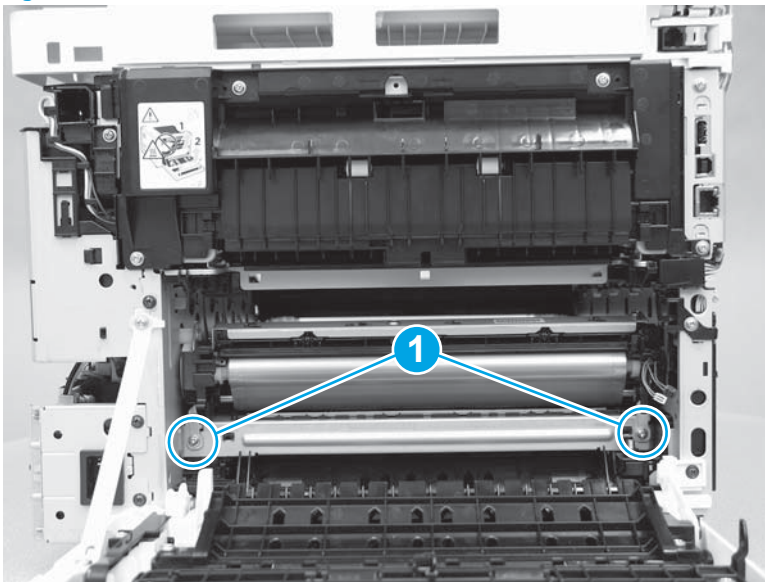
8. Remove the fuser cover (callout 1).

Figure 1-1089 Remove the fuser cover



9. Remove two screws (callout 1).

Figure 1-1090 Remove two screws

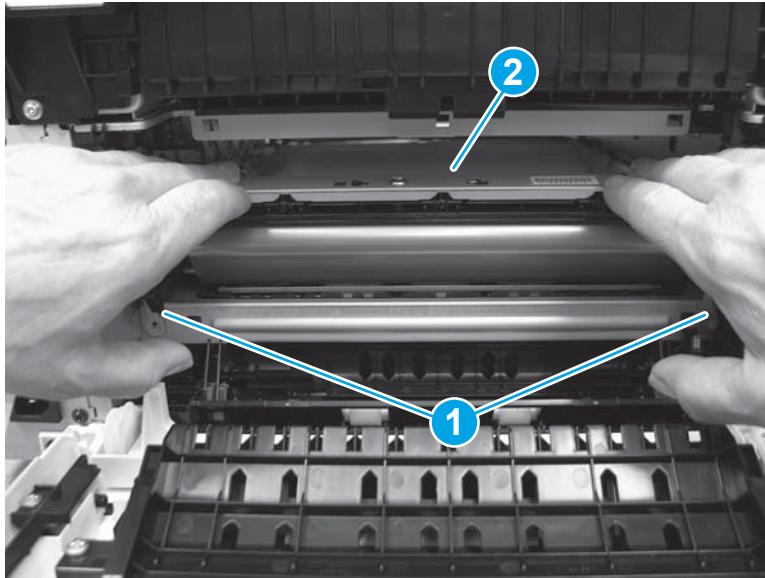




10. Press up on two tabs with thumbs (callout 1) and position fingers on the sheet metal on the top of the ITB (callout 2).

**CAUTION:** Do not touch the silver surface of the ITB. Skin oils on the ITB will cause print-quality problems.

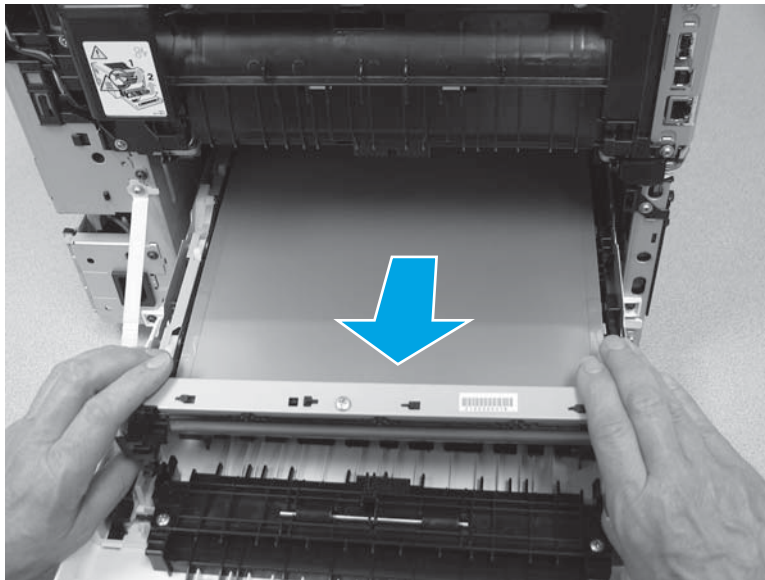
Figure 1-1091 Release two tabs



11. Slide the ITB out of the printer.

**CAUTION:** Do not tamper with any of the white fittings on the side of the ITB.

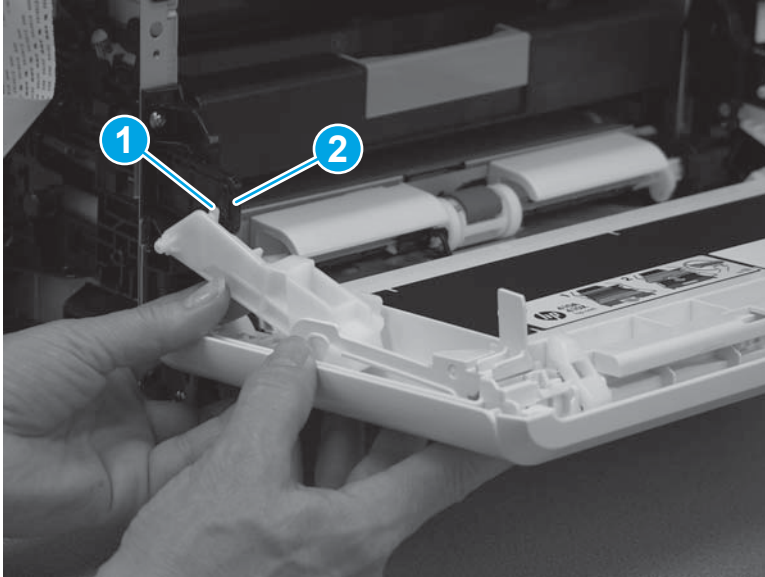
Figure 1-1092 Slide the ITB out



### Step 11: Remove the toner cartridge tray

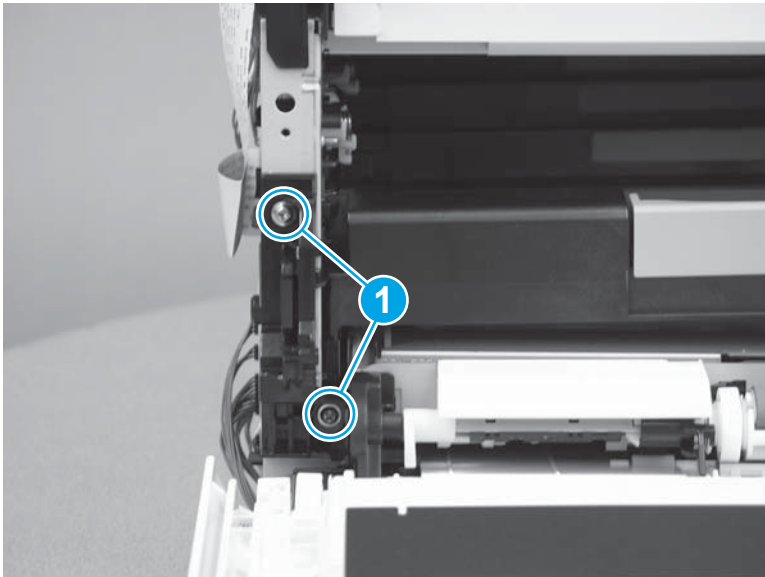
1. Release the tab (callout 1) on the front door hinge arm from the slot (callout 2) on the tray slide mechanism.

Figure 1-1093 Release the hinge arm



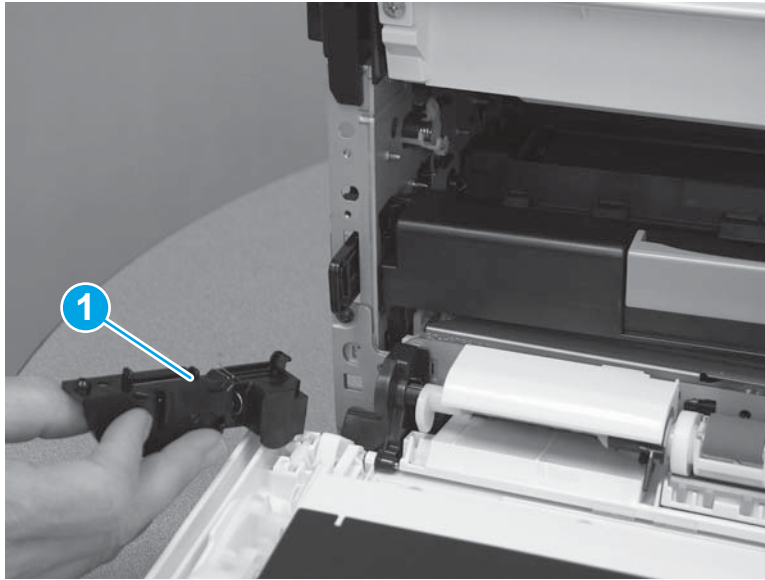
2. Remove two screws (callout 1).

Figure 1-1094 Remove two screws



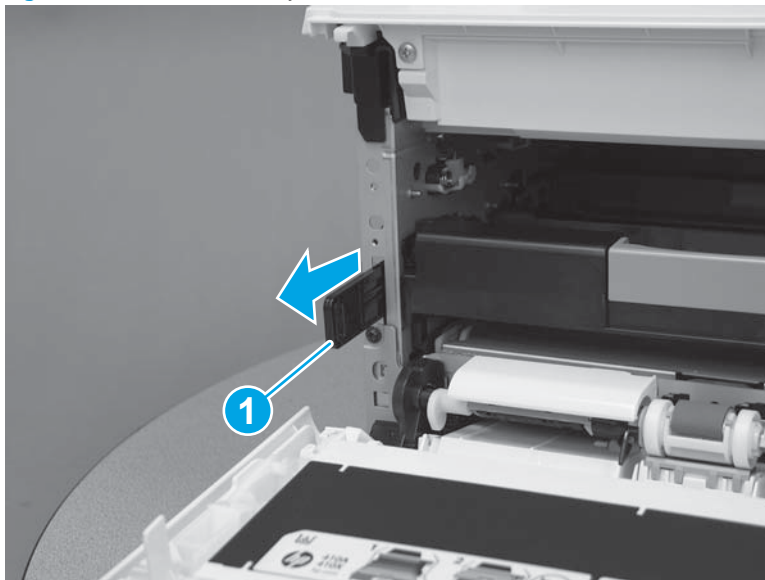
3. Remove the cover (callout 1).

Figure 1-1095 Remove the cover



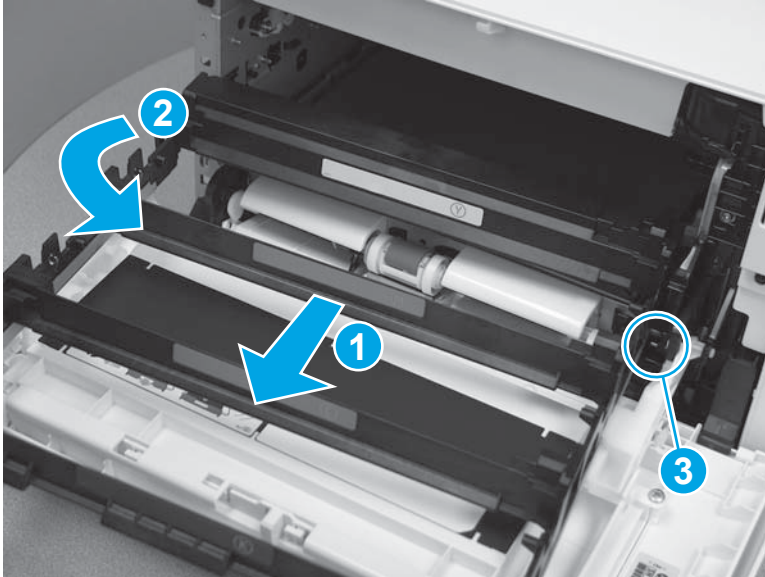
4. Pull the tray slide mechanism (callout 1) out.

Figure 1-1096 Pull the tray slide mechanism out



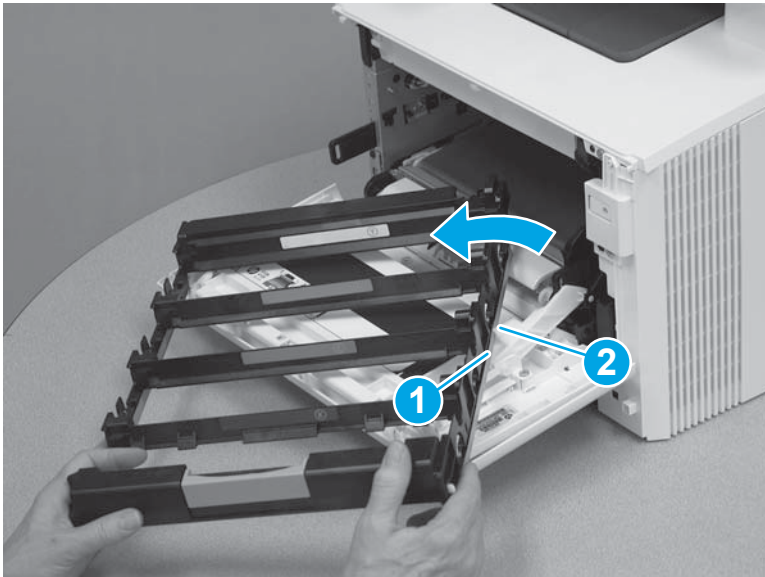
5. Slide the cartridge tray out of the printer (callout 1). Rotate the tray counterclockwise (callout 2) to release one silver shaft (callout 3).

**Figure 1-1097** Rotate the cartridge tray to release one shaft



6. Continue to rotate the tray to release the edge of the tray (callout 1) from the white clip (callout 2).

**Figure 1-1098** Remove the cartridge tray

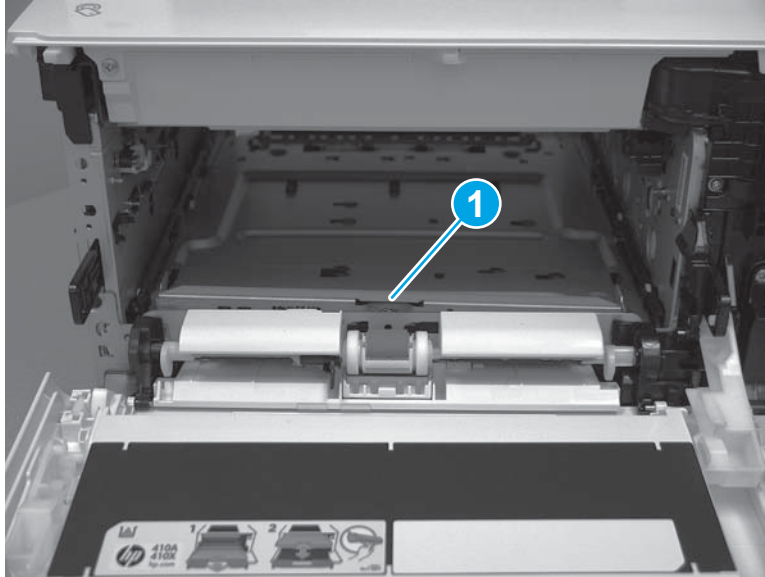


#### Step 12: Remove the registration density sensor

1. The registration density sensor (callout 1) is located behind the Tray 1 pickup and feed rollers.

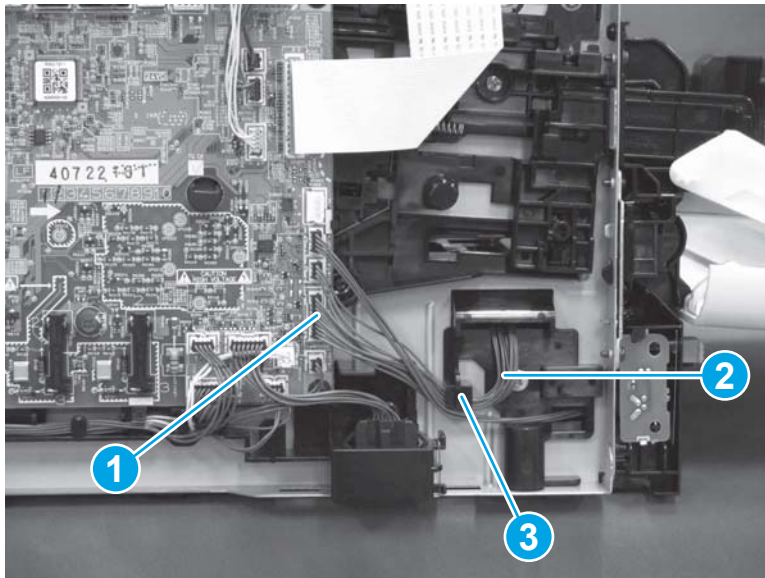


Figure 1-1099 Location of the registration density sensor



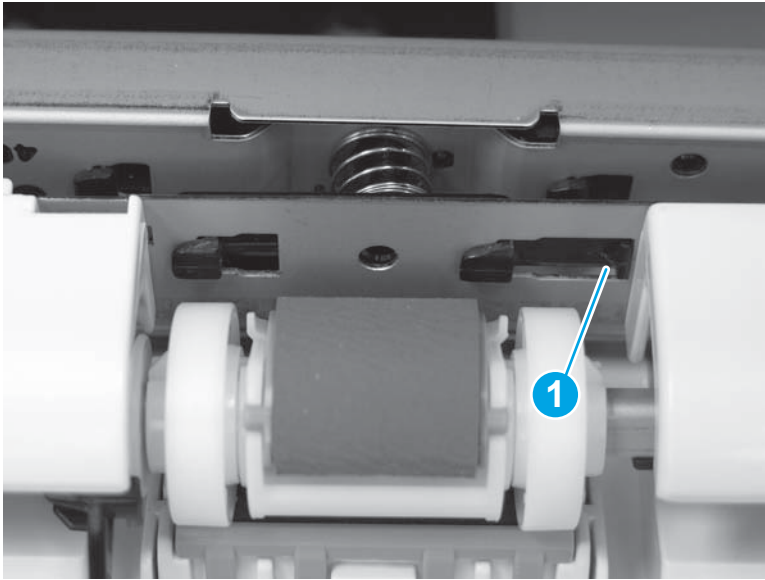
2. On the left side of the printer, disconnect one connector (callout 1), and then release the cables (callout 2) from the guide (callout 3).

Figure 1-1100 Disconnect one connector and release cables



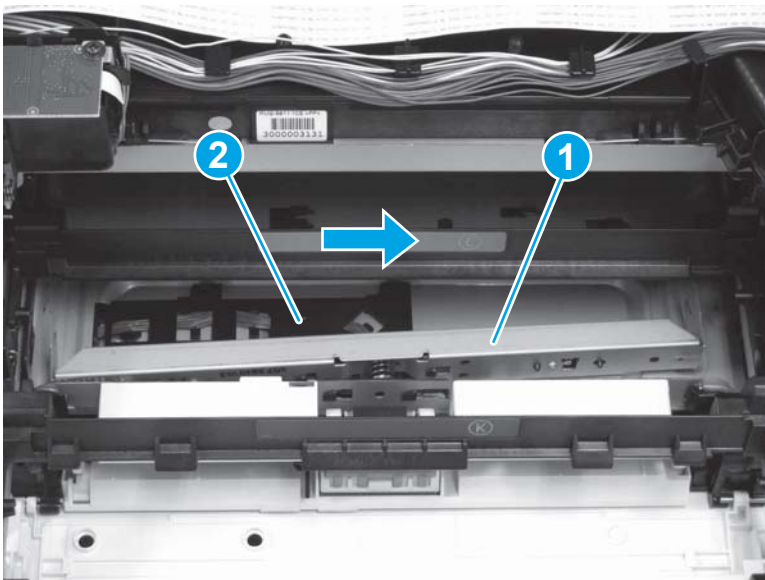
3. Release one tab (callout 1).

Figure 1-1101 Release one tab



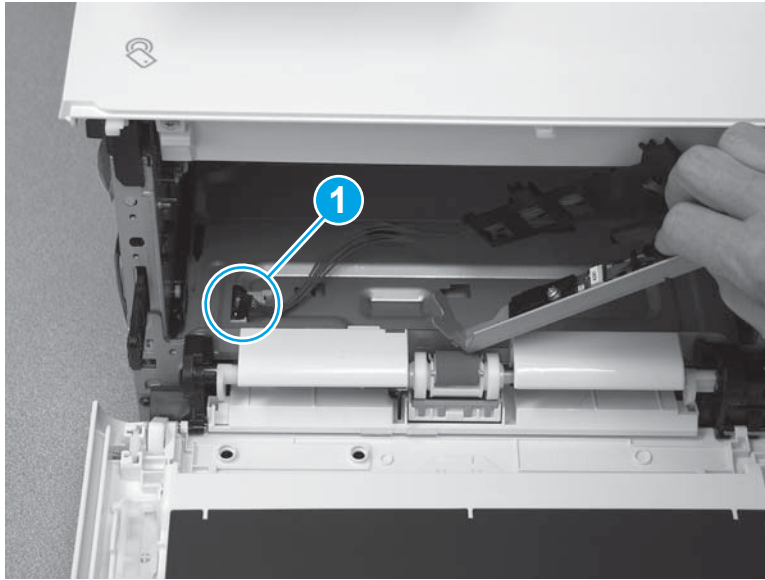
4. Slide the registration density sensor (callout 1) and the cable guide (callout 2) to the right to release them.

Figure 1-1102 Slide the sensor and cable guide right



5. Release the connector through the opening in the sheet metal (callout 1).

Figure 1-1103 Release the connector



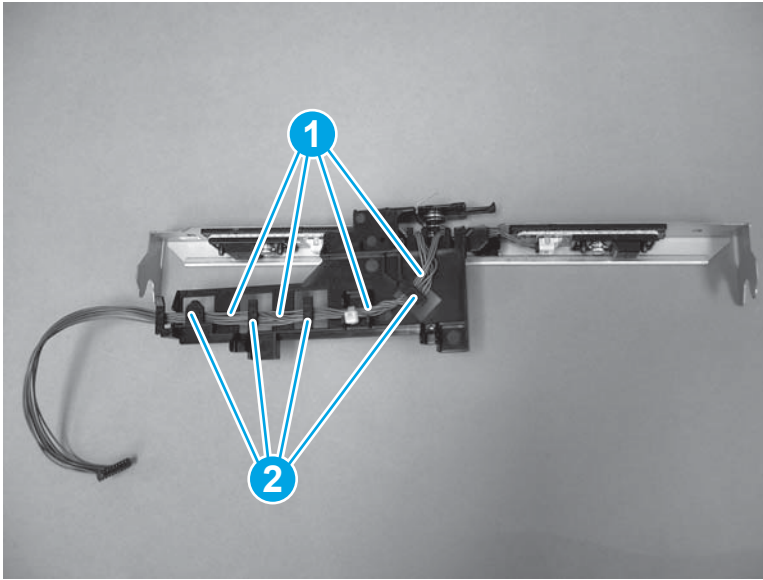
6. Remove the registration density sensor and cable guide.

Figure 1-1104 Remove the registration density sensor and guide



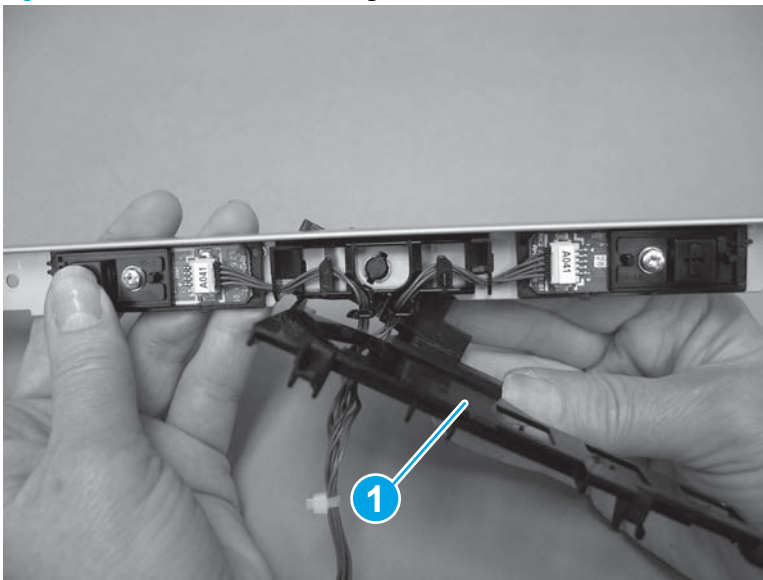
7. Release the cables (callout 1) from the guides (callout 2).

**Figure 1-1105** Release the cables from the guides



8. Remove the cable guide (callout 1).

**Figure 1-1106** Remove the cable guide



### Step 13: Unpack the replacement part

Remove the new part from its package. Save all packaging for recycling the used part.

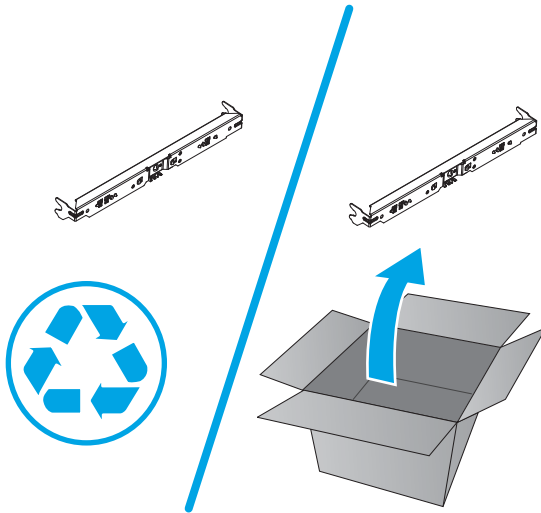
For complete information on HP's recycling programs, go to [Product return and recycling](#).

---

 **NOTE:** HP recommends responsible disposal of the defective part.

---

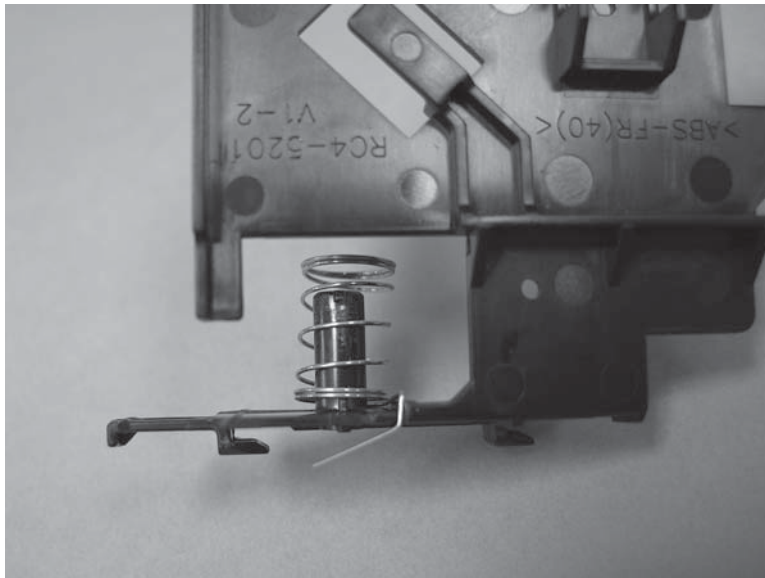
Figure 1-1107 Recycle and unpack



#### Step 14: Install the registration density sensor

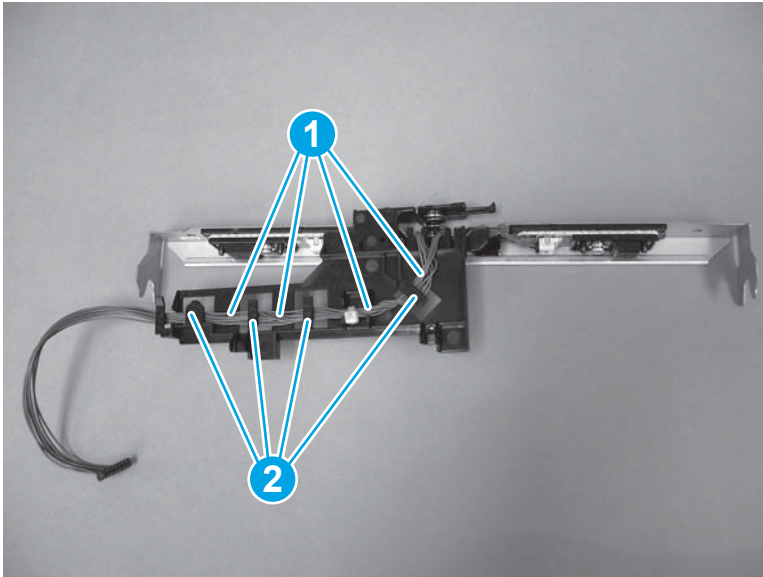
1. If the spring on the registration density sensor becomes dislodged, reinstall it as shown below.

Figure 1-1108 Reinstall spring



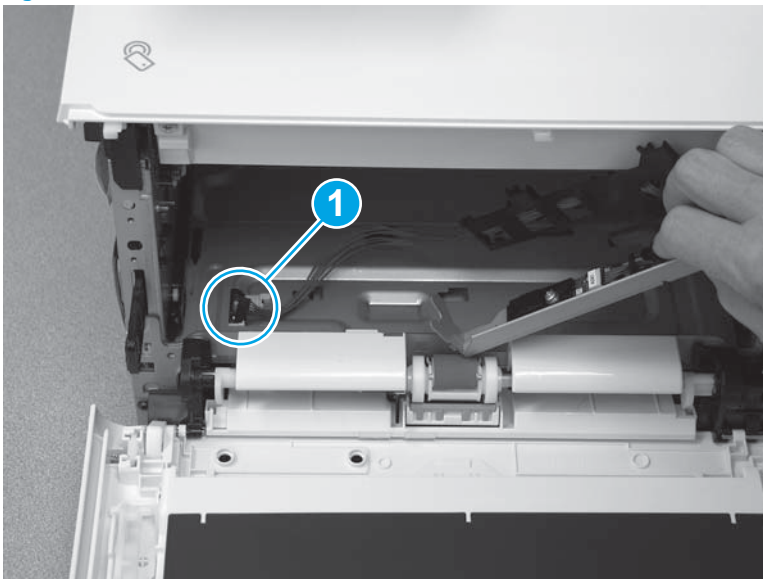
2. Position the cable guide on the replacement registration density sensor, and then install the cables (callout 1) into the guides (callout 2).

**Figure 1-1109** Install the cables in the guides



3. Install the connector through the opening in the sheet metal (callout 1).

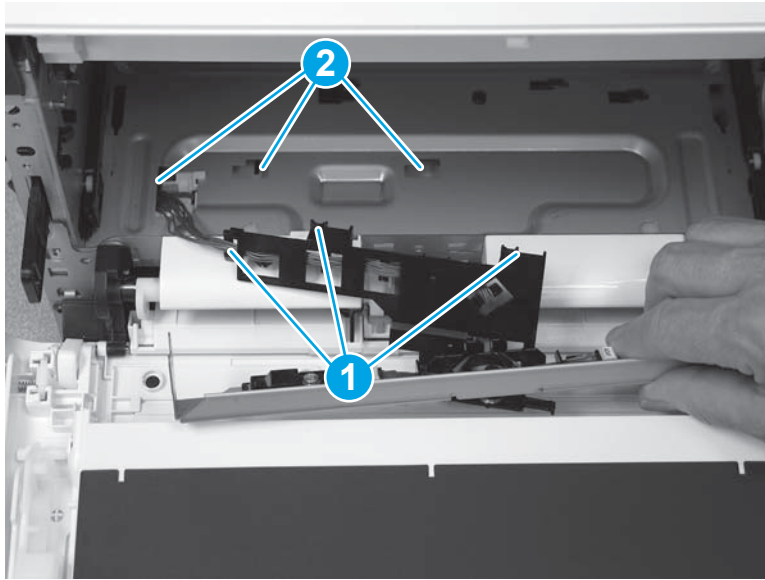
**Figure 1-1110** Install the connector





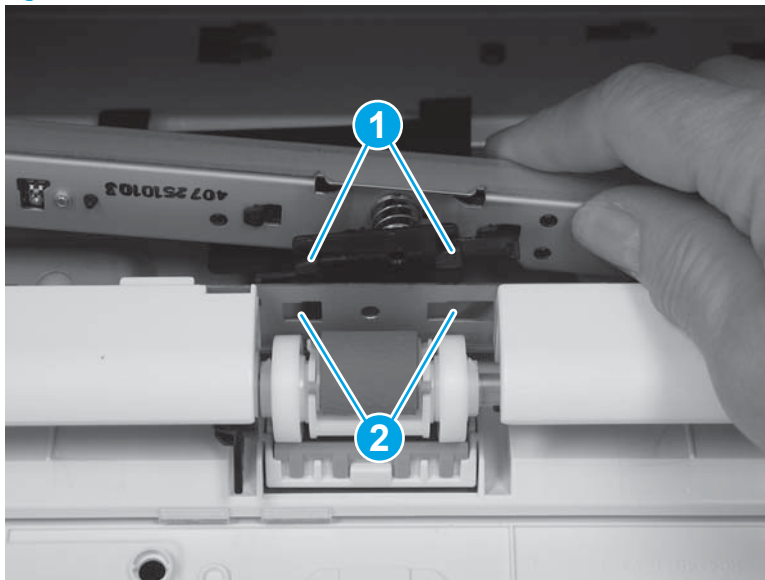
4. Install the tabs (callout 1) on the cable guide into the slots (callout 2) in the printer.

Figure 1-1111 Install the cable guide tabs




5. Install the tabs (callout 1) on the registration density sensor into the slots (callout 2) in the printer.

Figure 1-1112 Install two tabs



6. To install an assembly, reverse the removal steps.

---

 **NOTE:** When applicable, special installation instructions are provided for an assembly at the end of the removal procedure. Always completely read the removal instructions and follow all special installation instructions.

---

## Removal and replacement: Re-pickup assembly (duplex models)

- [Introduction](#)
- [Step 1: Remove Tray 2](#)
- [Step 2: Remove the toner cartridges](#)
- [Step 3: Open the duplexer door](#)
- [Step 4: Remove the right cover \(M454 models\)](#)
- [Step 5: Remove the right cover \(M479 models\)](#)
- [Step 6: Remove the left cover \(M454 models\)](#)
- [Step 7: Remove the left cover \(M479 models\)](#)
- [Step 8: Remove the duplexer door \(duplex models\)](#)
- [Step 9: Remove the re-pickup assembly](#)
- [Step 10: Unpack the replacement part](#)
- [Step 11: Install the re-pickup assembly](#)

### Introduction


This document provides the procedures to remove and replace the re-pickup assembly for duplex models.

[Click here to view a video of this procedure.](#)

### Before you begin

- Turn off the printer.
- Disconnect the power cable.

---

 **WARNING!** To avoid damage to the printer, turn the printer off, wait 30 seconds, and then remove the power cord before attempting to service the printer.

---

- Use the table below to identify the correct part number for your printer. To order the part, go to [www.hp.com/buy/parts](http://www.hp.com/buy/parts).

---

Re-pickup assembly part number	
RM2-6387-000CN	Re-pickup assembly

---

### Required tools

- #2 Phillips screwdriver with a magnetic tip
- Small flat-blade screwdriver

### After performing service

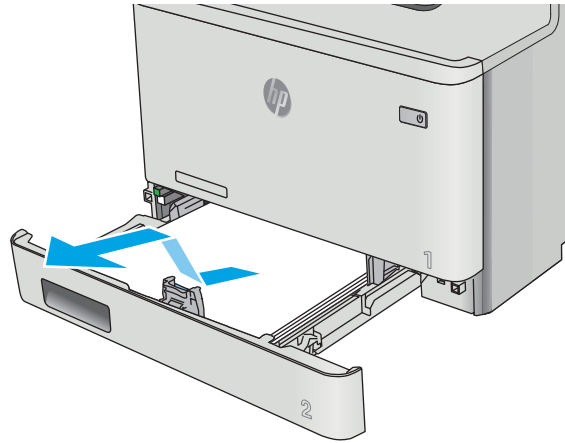
- Connect the power cable.
- Use the power switch to turn the power on.



## Step 1: Remove Tray 2

- ▲ Pull the tray out until it stops. Lift the front of the tray, and then pull it out of the printer to remove it.

Figure 1-1113 Remove the tray

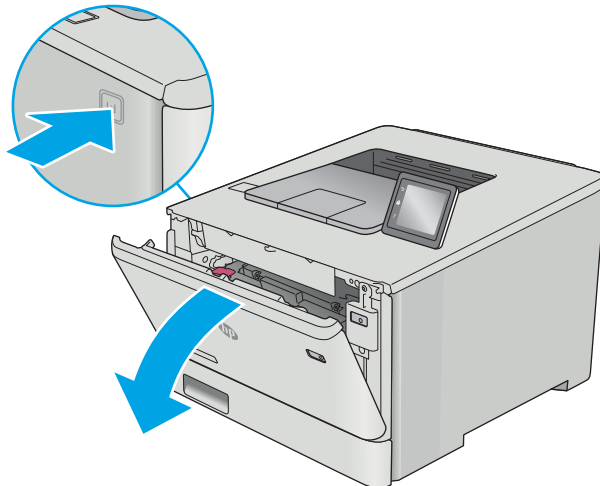


## Step 2: Remove the toner cartridges

 **NOTE:** The M454 model is pictured in the figures in this section. The procedure is the same for the M479 models.

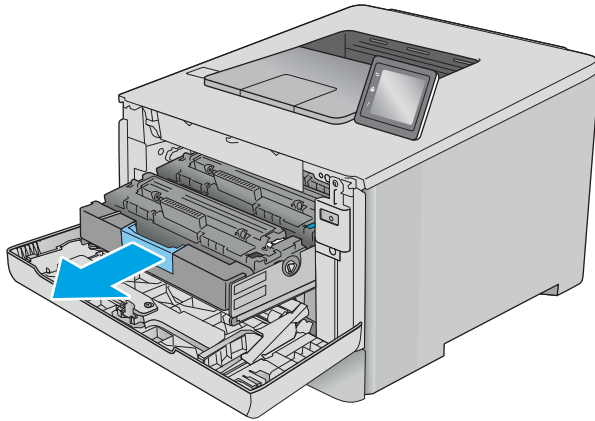
1. Open the front door by pressing the button on the left cover.

Figure 1-1114 Open the front door



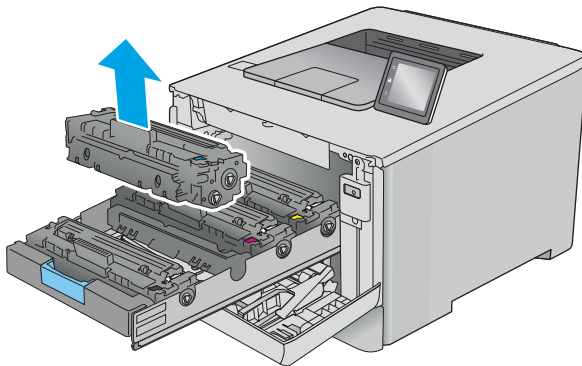
2. Grasp the blue handle on the toner cartridge tray, and then pull out the tray.

Figure 1-1115 Open the cartridge drawer



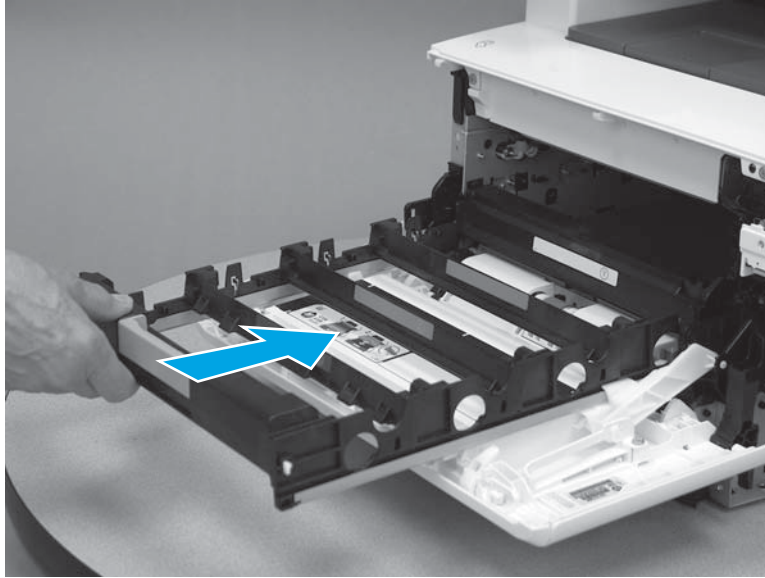
3. Grasp the handle on the toner cartridge, and then pull the toner cartridge straight up to remove it. Repeat this step for each toner cartridge.

Figure 1-1116 Remove the toner cartridge



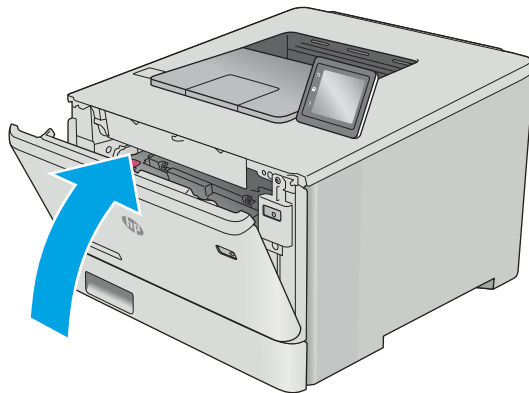
4. Slide the cartridge tray into the printer.

Figure 1-1117 Slide the cartridge tray in



5. Close the front door.

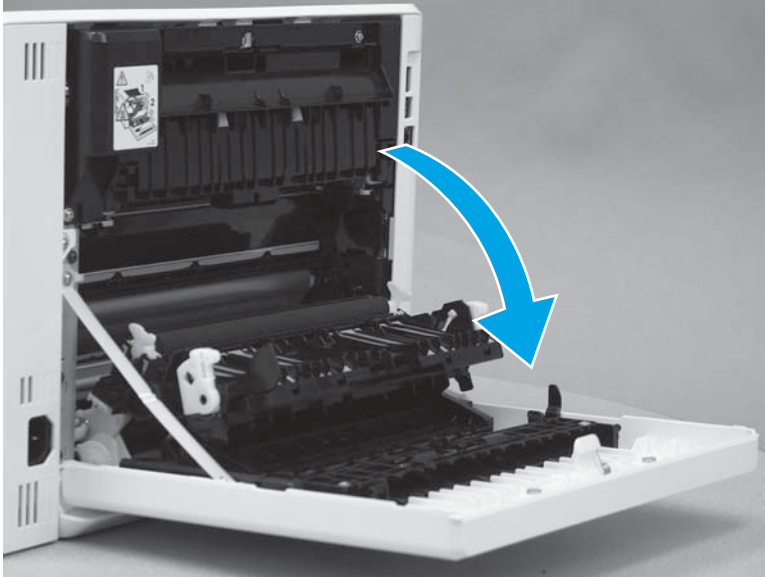
Figure 1-1118 Close the front door




### Step 3: Open the duplexer door

- ▲ Open the duplexer door.

Figure 1-1119 Open the duplexer door



Step 4: Remove the right cover (M454 models)

 **NOTE:** This step is for the M454 models. For the M479 models, skip this step and go to [Step 5: Remove the right cover \(M479 models\) on page 638](#).

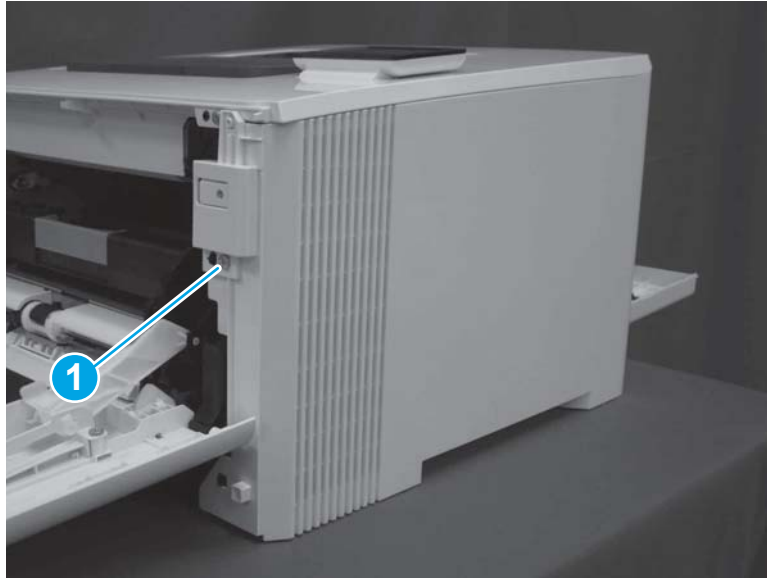
1. At the back of the printer, remove one screw (callout 1).

Figure 1-1120 Remove one screw



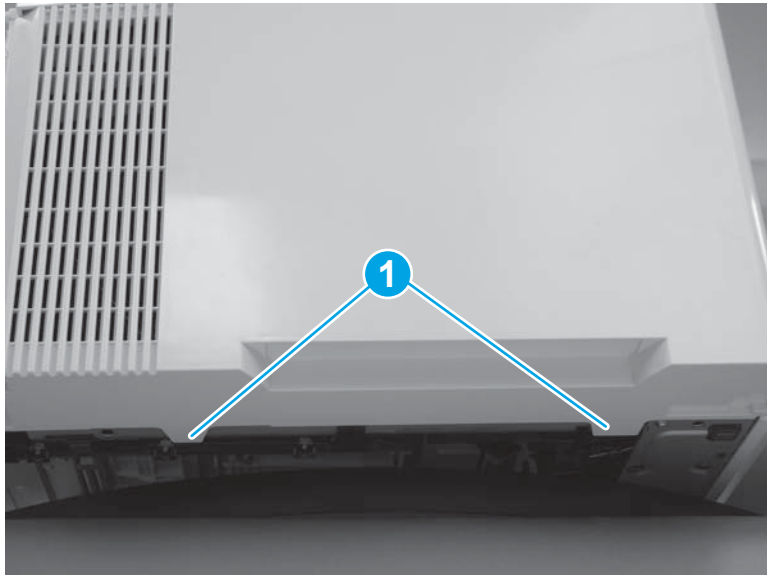
2. At the front of the printer, remove one screw (callout 1).

Figure 1-1121 Remove one screw



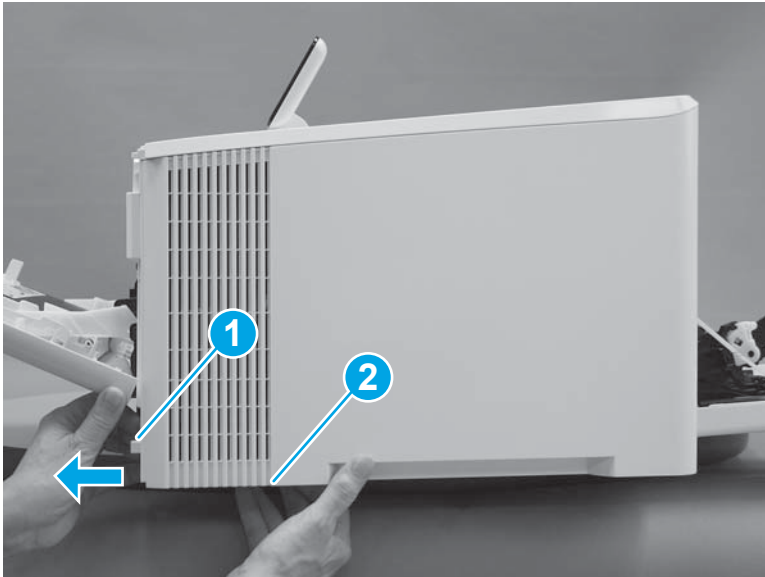
3. Slide the printer to the edge of a work surface. Note the location of the tabs on the lower edge of the cover (callout 1).

Figure 1-1122 Locate the tabs



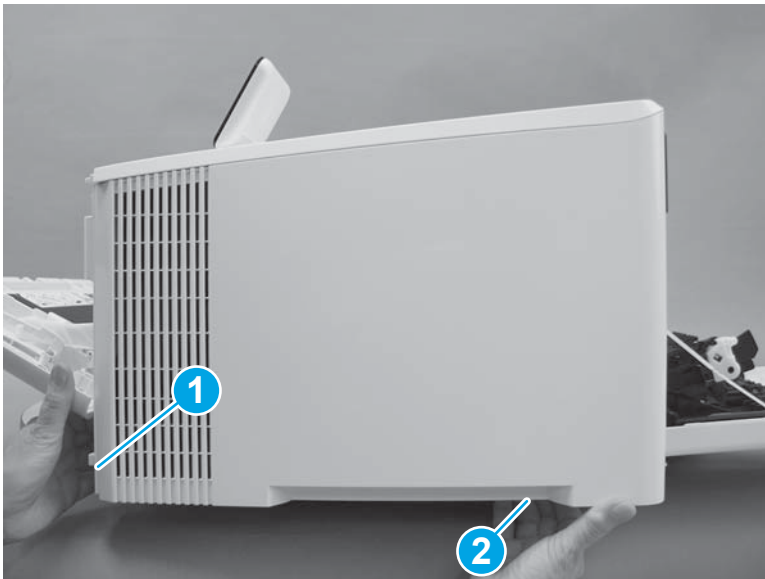
4. Release one tab (callout 1) on the front of the cover by slightly pulling the cover away from the printer. While holding the cover in the released position, release one tab (callout 2) on the bottom of the cover.

Figure 1-1123 Release front lower tabs



5. Hold the front tabs in the released position (callout 1), and then release one tab (callout 2) on the bottom of the cover, toward the back of the printer.

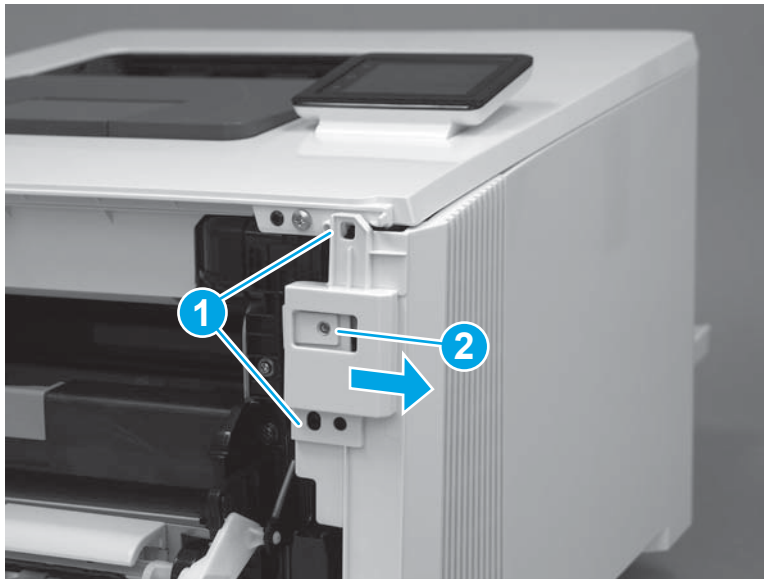
Figure 1-1124 Release lower rear tab



6. Release two tabs at the front of the printer (callout 1) by slightly pulling the cover away from the printer.

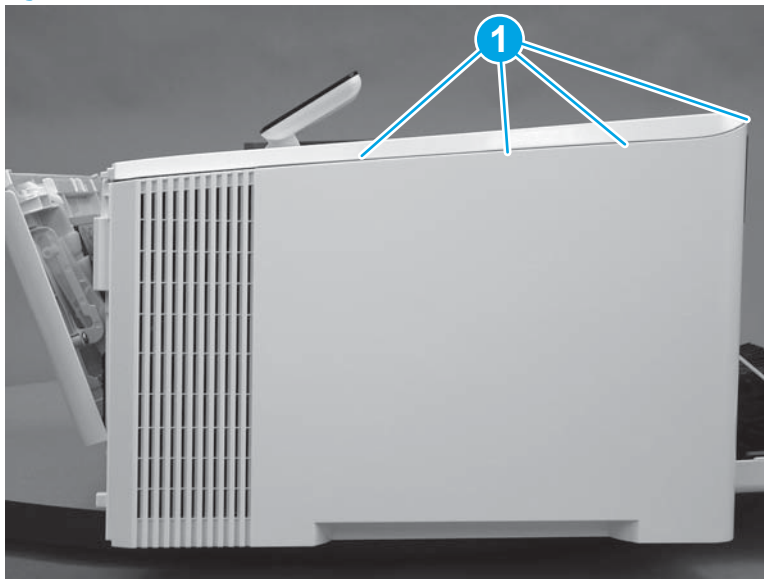
**⚠ CAUTION:** Be careful not to dislodge the power switch (callout 2).

Figure 1-1125 Release two front tabs



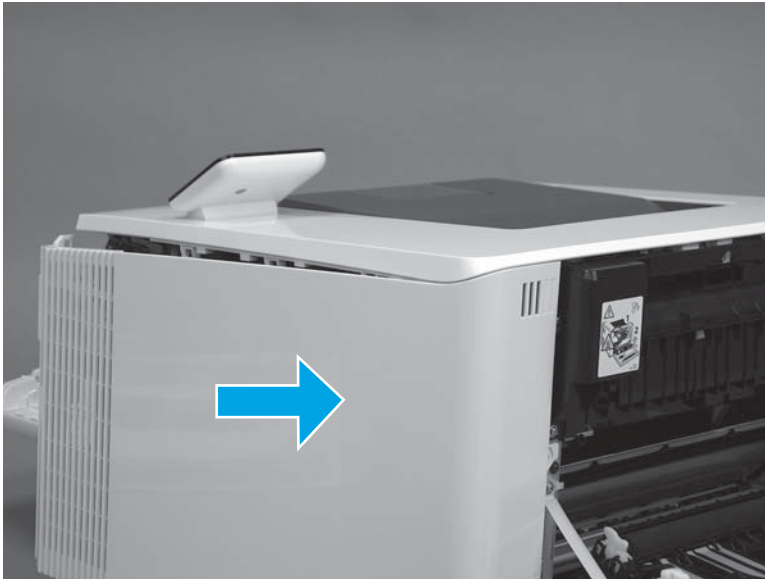
7. Release four tabs on the top of the printer (callout 1).

Figure 1-1126 Release upper tabs




8. Slide the cover toward the back of the printer to remove it.

**Figure 1-1127** Remove the right cover



#### Step 5: Remove the right cover (M479 models)

 **NOTE:** This step is for the M479 models. For the M454 models, skip this step and go to [Step 6: Remove the left cover \(M454 models\) on page 644](#).

1. Raise the scanner.

**Figure 1-1128** Raise the scanner





2. At the back of the printer, remove one screw (callout 1).

Figure 1-1129 Remove one screw



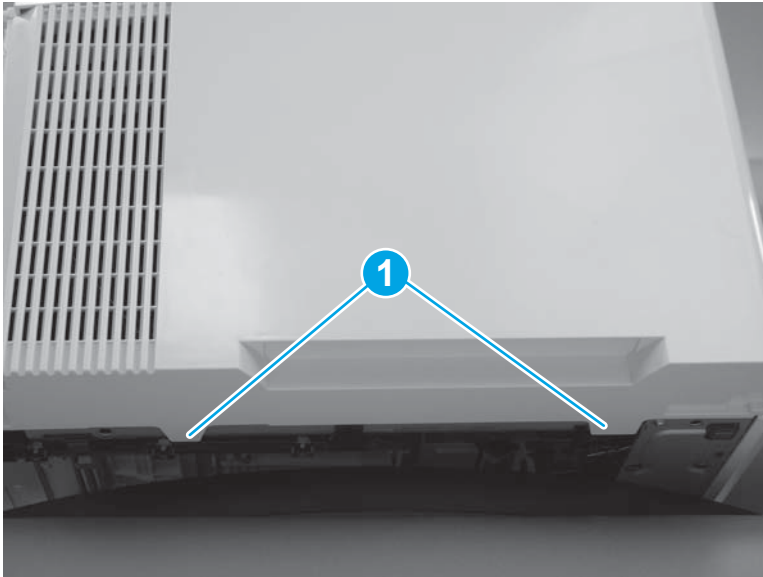
3. At the front of the printer, remove one screw (callout 1).

Figure 1-1130 Remove one screw



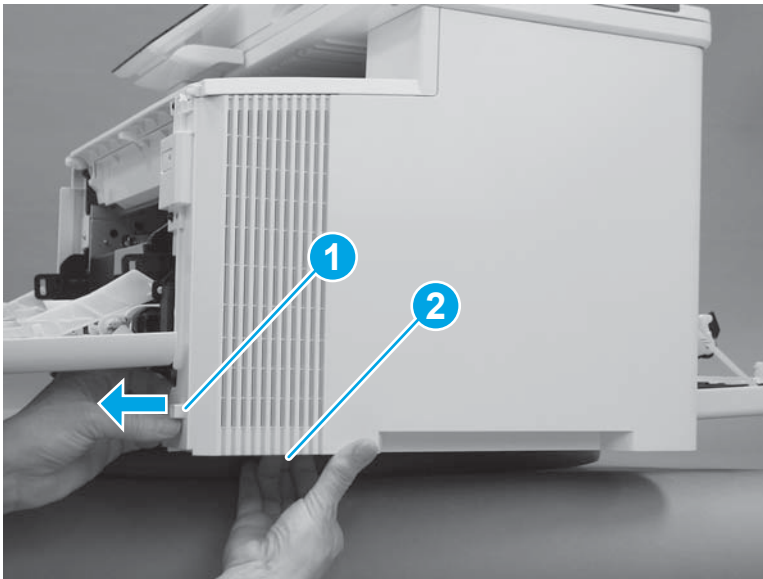
4. Slide the printer to the edge of a work surface. Note the location of the tabs on the lower edge of the cover (callout 1).

Figure 1-1131 Locate the tabs



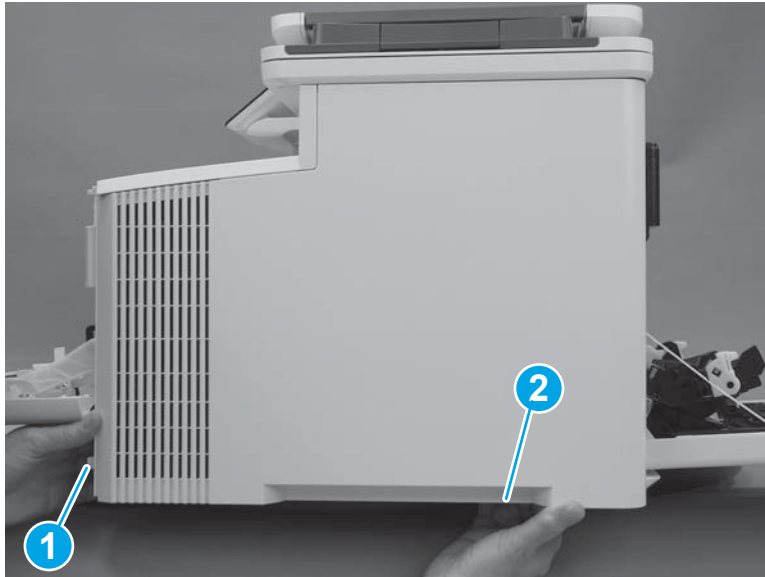
5. Release one tab (callout 1) on the front of the cover by slightly pulling the cover away from the printer. While holding the cover in the released position, release one tab (callout 2) on the lower edge of the cover.

Figure 1-1132 Release front lower tabs



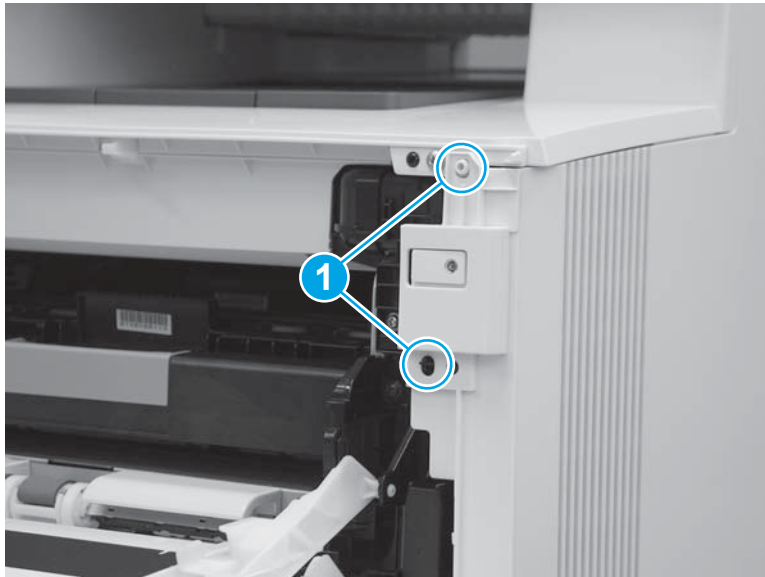
6. Hold the front tabs in the released position (callout 1), and then release one tab (callout 2) on the lower edge of the cover, toward the back of the printer.

Figure 1-1133 Release lower rear tab



7. Release two tabs at the front of the printer (callout 1) by slightly pulling the cover away from the printer.

Figure 1-1134 Release front upper tabs



8. Rotate the front of the cover away from the printer (callout 1).

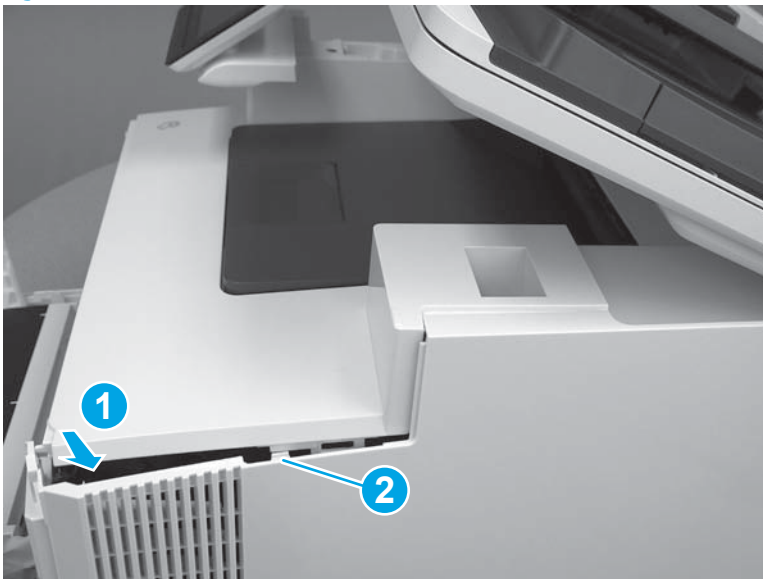
**⚠ CAUTION:** Be careful not to dislodge the power switch (callout 2).

**Figure 1-1135** Rotate the front of the cover



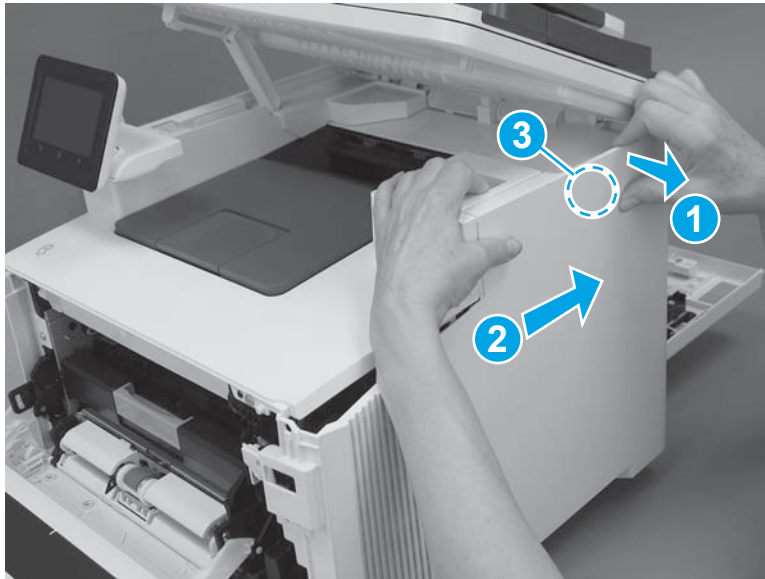
9. Slightly pull the front of the cover away from the printer (callout 1) to release one tab (callout 2).

**Figure 1-1136** Release top tabs



10. At the top of the printer, slightly pull the top of the cover away from the printer to release one retention tab (callout 1) on the inside of the cover. While holding the cover away, slide the cover toward the back of the printer (callout 2) to release one hook (callout 3) on the inside of the cover.

Figure 1-1137 Release one tab and one hook



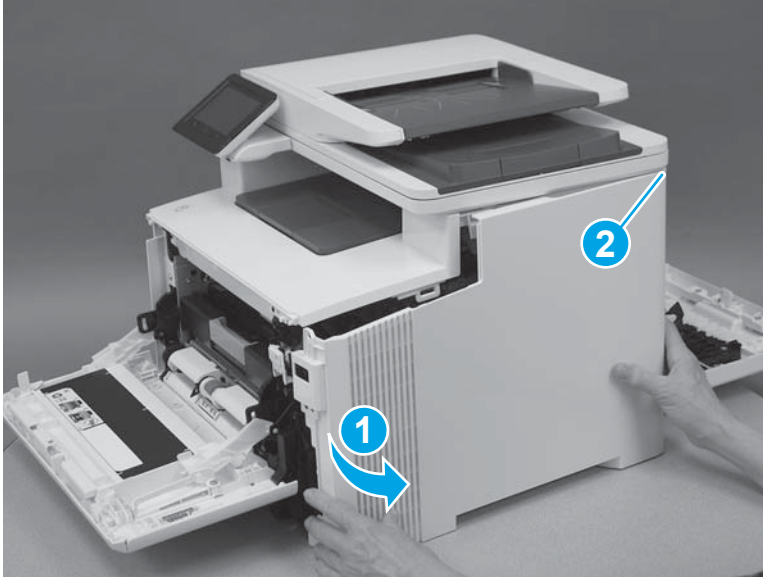
11. Lower the scanner.

Figure 1-1138 Lower the scanner




12. Rotate the cover away from the printer (callout 1) to release one tab (callout 2) at the back of the printer, and then remove the cover.

Figure 1-1139 Remove the right cover

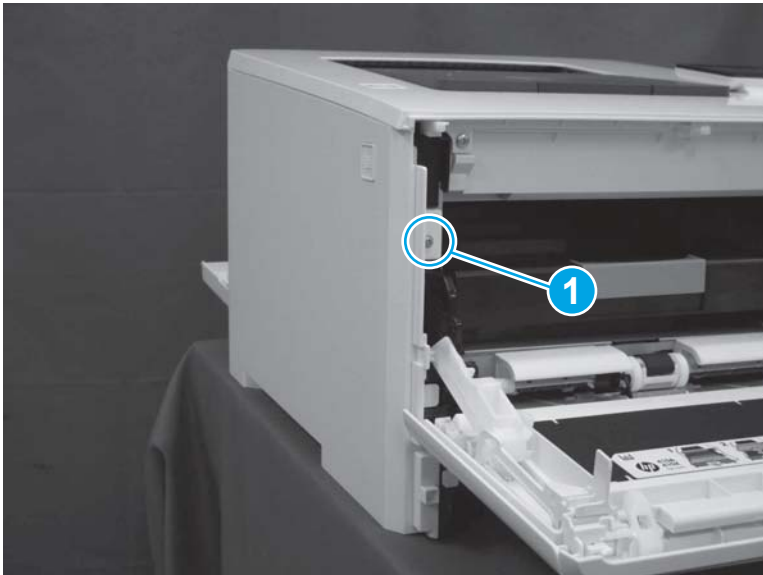


#### Step 6: Remove the left cover (M454 models)

 **NOTE:** This step is for the M454 models. For the M479 models, skip this step and go to [Step 7: Remove the left cover \(M479 models\) on page 646](#).

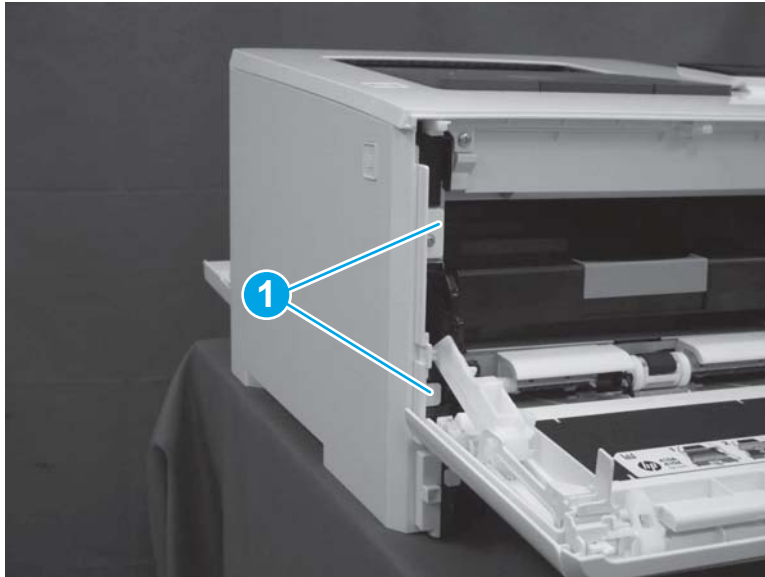
1. At the front of the printer, remove one screw (callout 1).

Figure 1-1140 Remove one screw



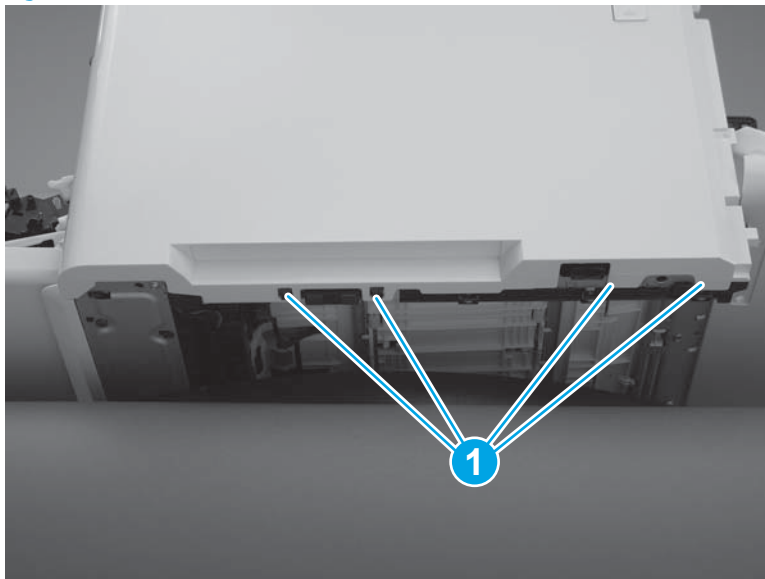
2. Release two tabs (callout 1) at the front of the cover. Hold the cover open to prevent the tabs from reengaging.

Figure 1-1141 Release two tabs



3. Slide the printer to the edge of a work surface. Note the location of the tabs on the lower edge of the cover (callout 1).

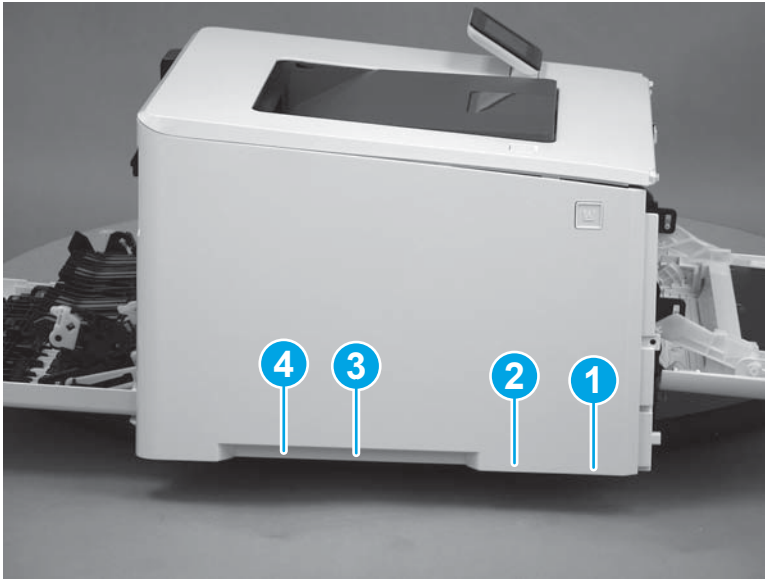
Figure 1-1142 Locate the tabs





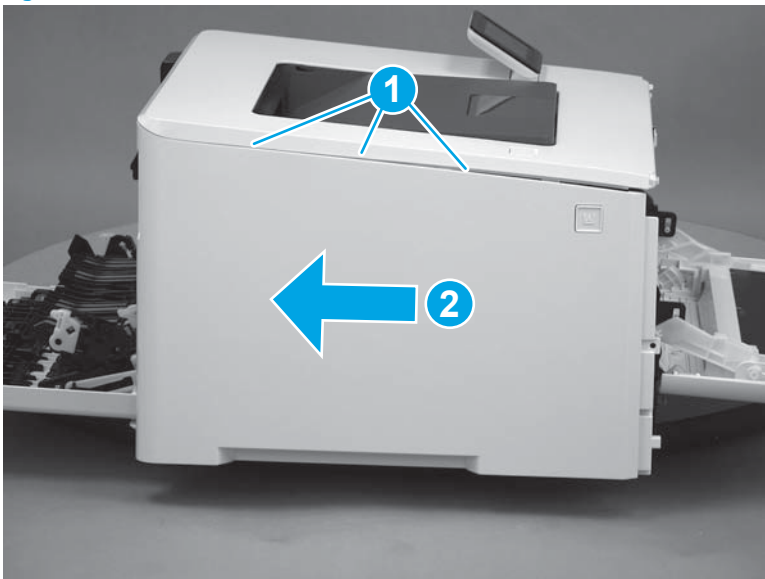
4. Beginning from the front of the cover, release four tabs (callouts 1-4) on the lower edge of the cover.

Figure 1-1143 Release bottom tabs




5. Release three tabs at the top of the cover (callout 1), and then slide the cover toward the rear of the printer to remove it.

Figure 1-1144 Release three tabs



#### Step 7: Remove the left cover ( M479 models)

 **NOTE:** This step is for the M479 models. For the M454 models, skip this step and go to [Step 8: Remove the duplexer door \(duplex models\) on page 651.](#)

1. Raise the scanner.

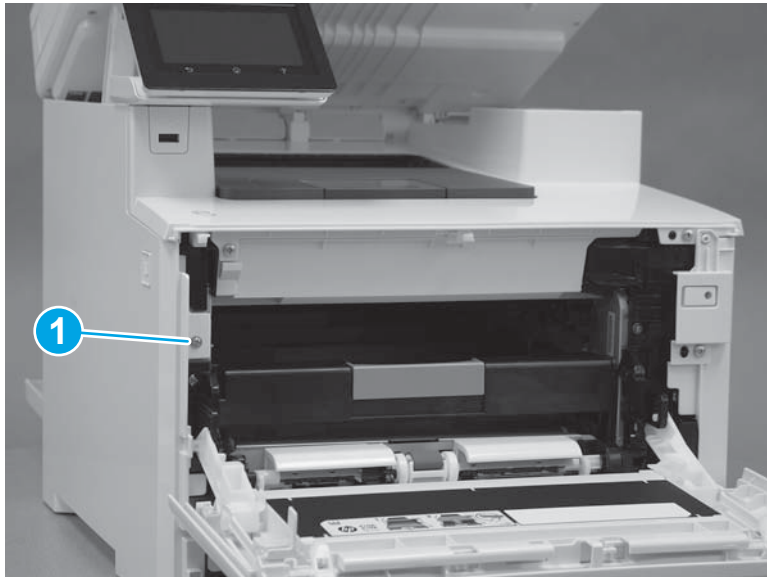


Figure 1-1145 Raise the scanner



2. At the front of the printer, remove one screw (callout 1).

Figure 1-1146 Remove one screw



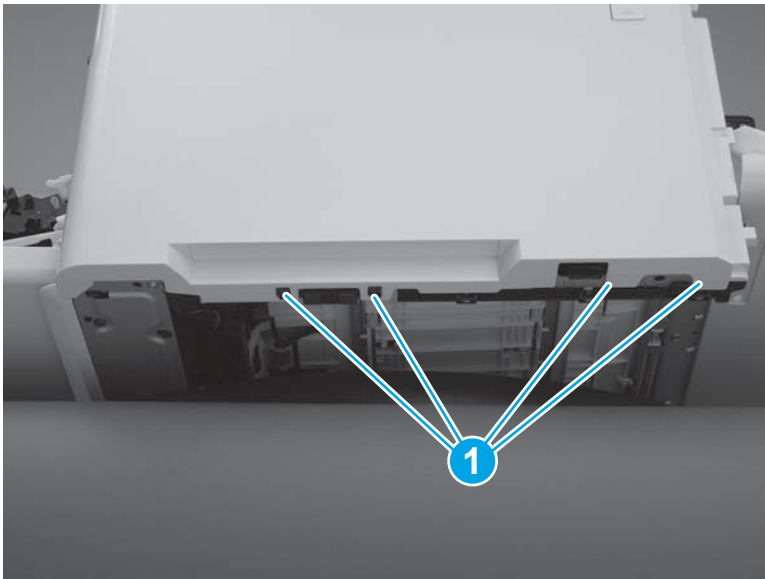
3. Release two tabs (callout 1) at the front of the cover. Hold the cover open to prevent the tabs from re-engaging.

Figure 1-1147 Release two tabs



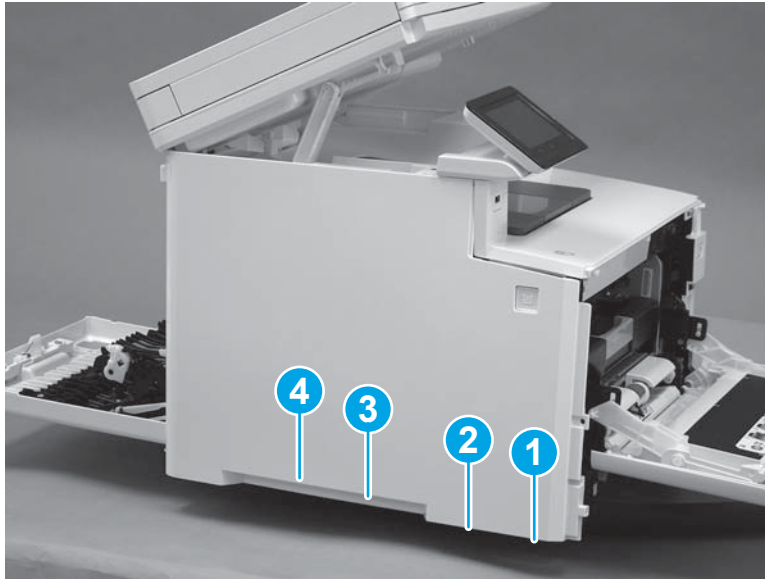
4. Slide the printer to the edge of a work surface. Note the location of the tabs on the lower edge of the cover (callout 1).

Figure 1-1148 Locate the tabs



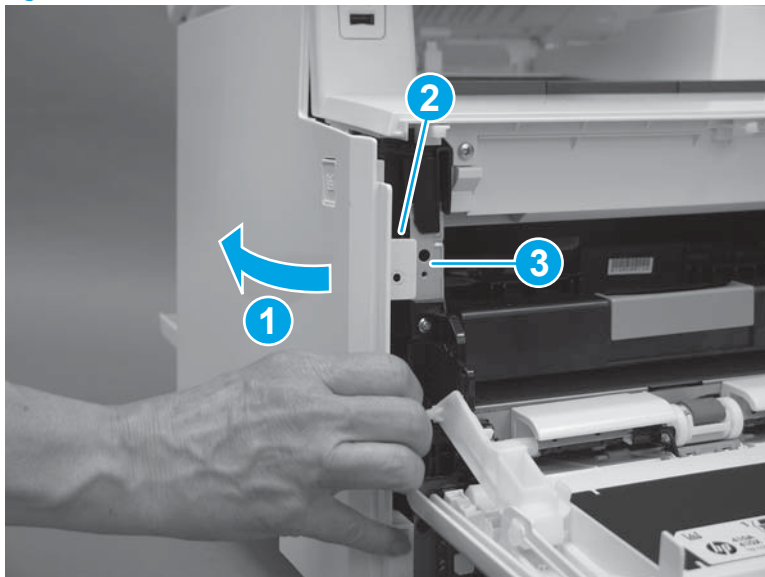
5. Beginning from the front of the cover, release the four tabs (callouts 1-4) on the lower edge of the cover.

Figure 1-1149 Release four tabs



6. Rotate the front of the cover away from the printer (callout 1). Make sure that the tab (callout 2) does not get caught on the printer frame (callout 3).

Figure 1-1150 Rotate the cover



7. At the top of the printer, slightly pull the top of the cover away from the printer to release one retention tab (callout 1) on the inside of the cover. While holding the cover away, slide the cover toward the back of the printer (callout 2) to release two hooks (callout 3) inside the cover.

Figure 1-1151 Release one tab and two hooks



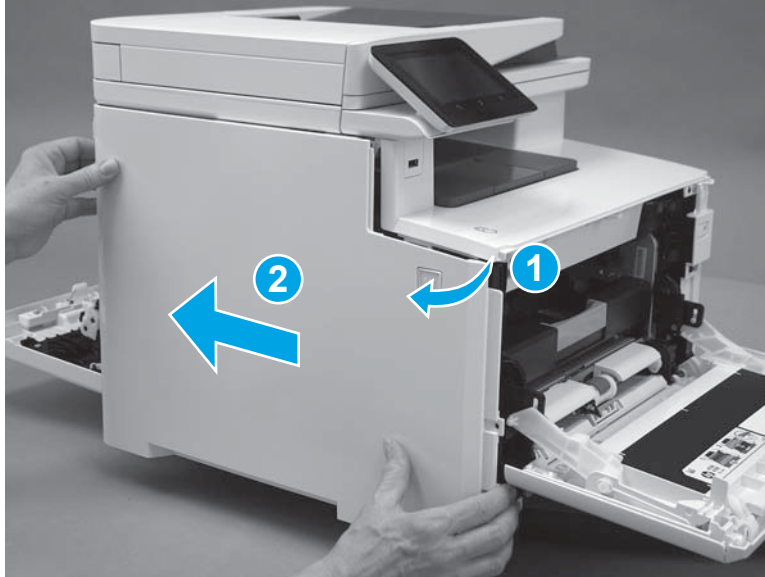
8. Lower the scanner.

Figure 1-1152 Lower the scanner



9. Rotate the cover away from the printer (callout 1), and then slide the cover (callout 2) toward the back of the printer to remove it.

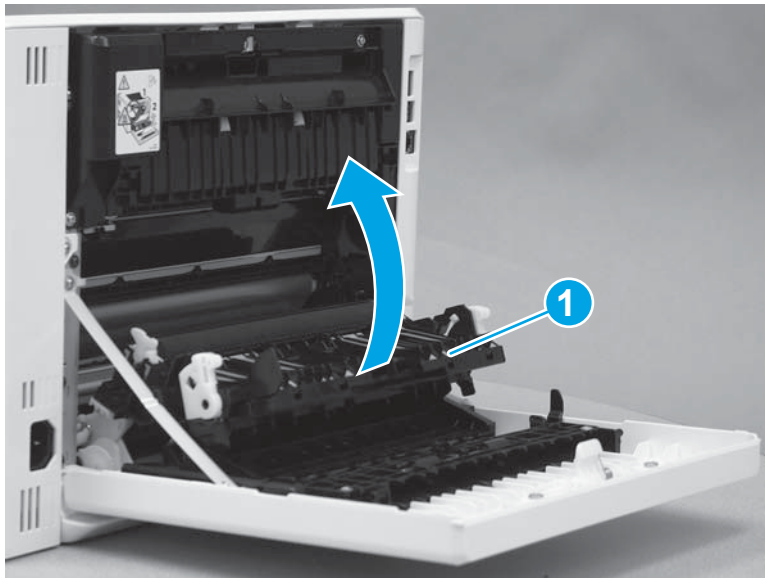
Figure 1-1153 Remove the left cover




#### Step 8: Remove the duplexer door (duplex models)

1. Rotate the secondary transfer assembly (callout 1) toward the printer to close it.

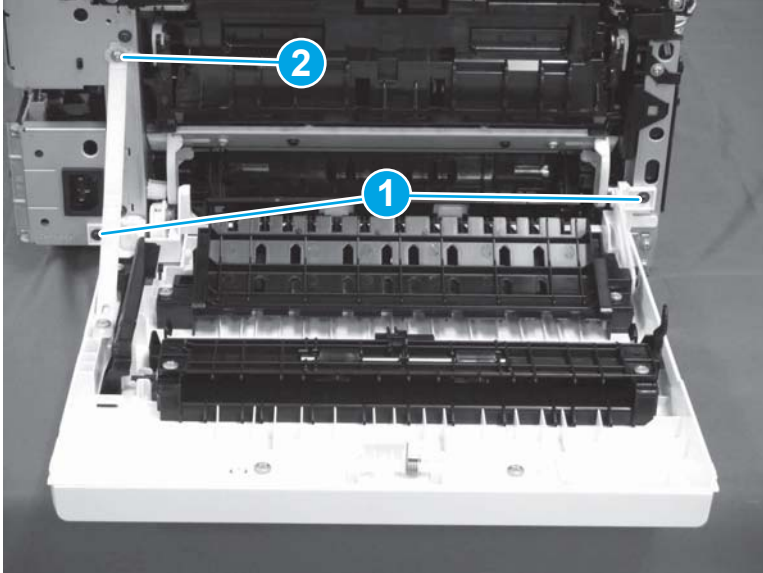
Figure 1-1154 Close the secondary transfer assembly



2. At the back of the printer, remove two screws (callout 1), and then remove one screw (callout 2) that holds the retention arm.

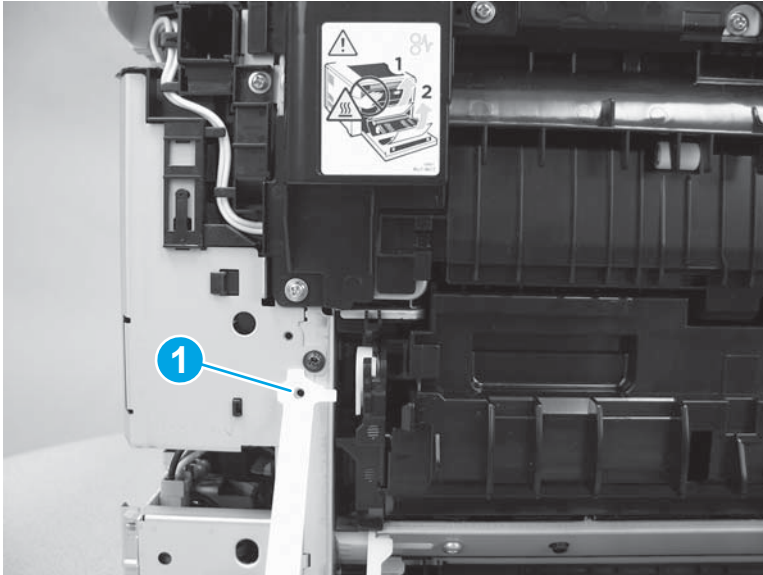
 **Reinstallation tip:** Note that the screw (callout 2) that holds the retention arm is longer than the other two. Make sure this screw is installed in the correct position.

**Figure 1-1155** Remove three screws



3. Release the retention arm (callout 1).

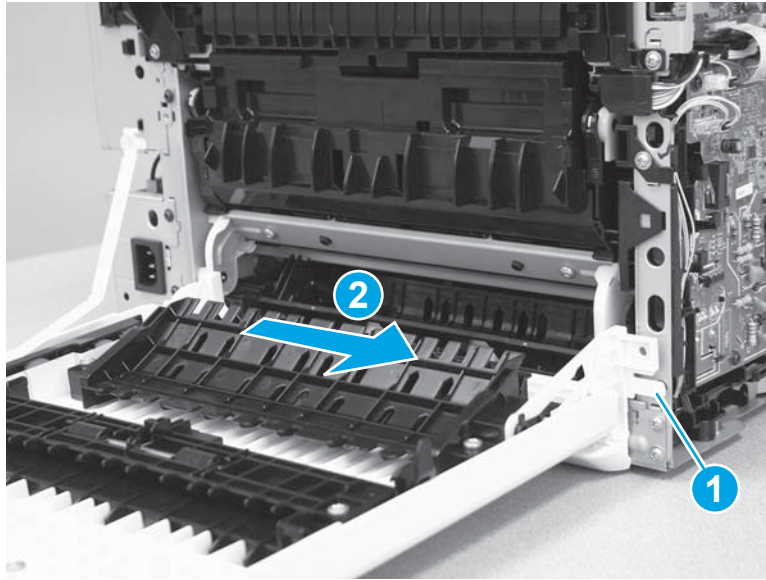
**Figure 1-1156** Release the retention arm





4. Release one tab (callout 1), and then slide the duplexer door (callout 2) to the right to remove it.

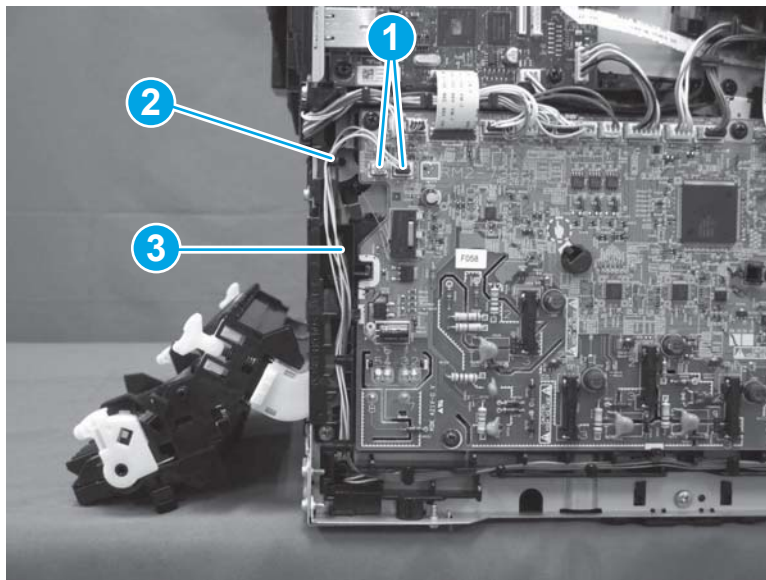
Figure 1-1157 Remove the duplexer door



#### Step 9: Remove the re-pickup assembly

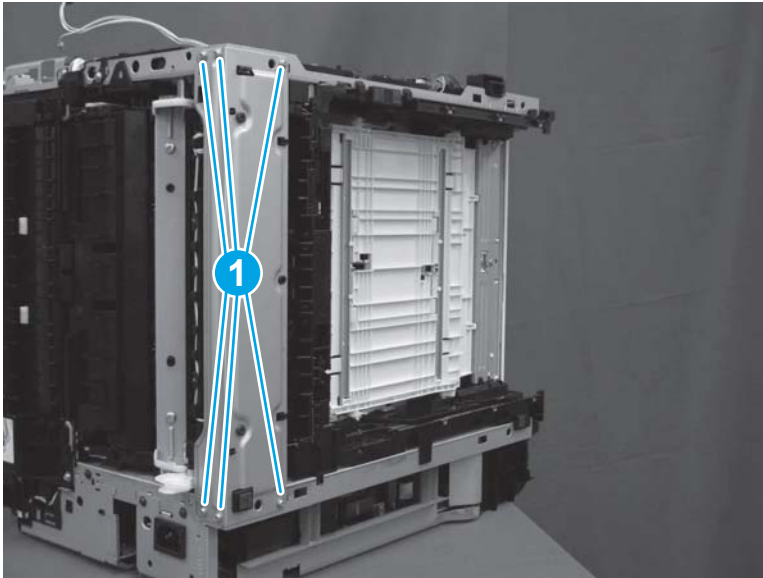
1. On the left side of the printer, disconnect two connectors (callout 1), and then remove the cables (callout 2) from the guides (callout 3).

Figure 1-1158 Disconnect two connectors and remove cables from guides



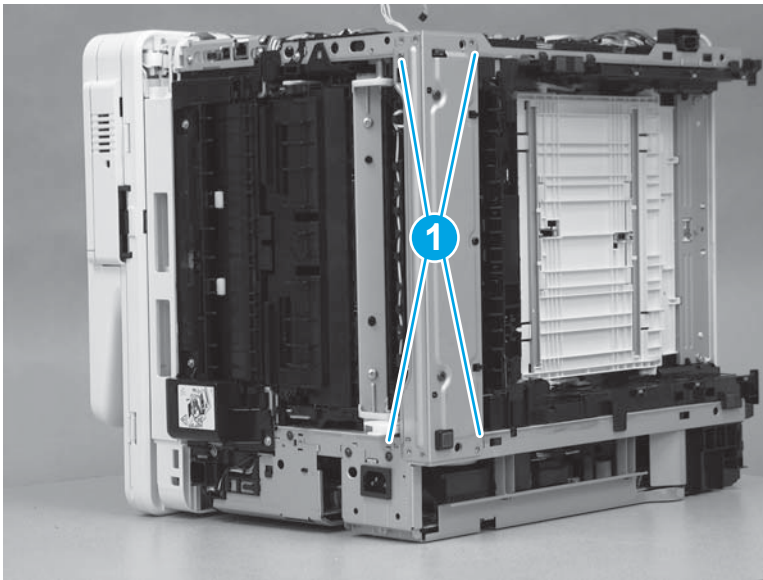
2. Lay the printer on the right side so that the left side is facing up. Remove six screws (callout 1).

Figure 1-1159 Remove six screws



3. Release four tabs (callout 1).

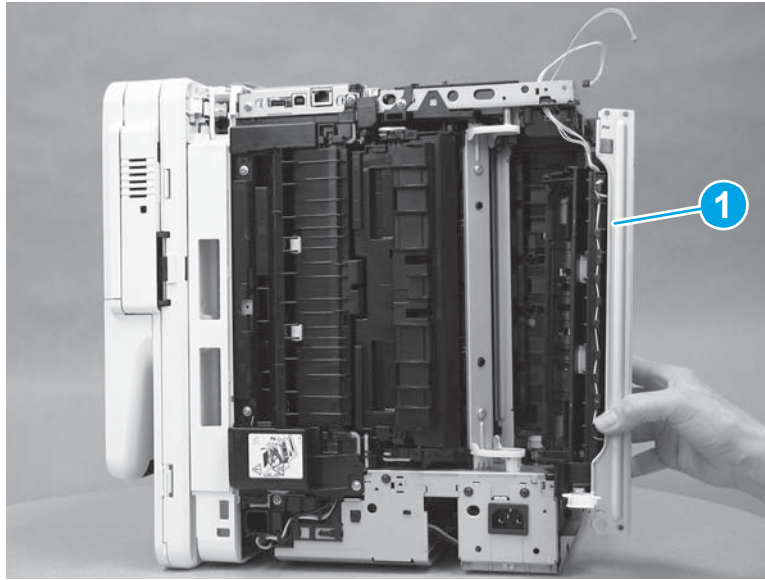
Figure 1-1160 Release four tabs





4. Remove the re-pickup assembly (callout 1).

Figure 1-1161 Remove the re-pickup assembly



#### Step 10: Unpack the replacement part

Remove the new part from its package. Save all packaging for recycling the used part.

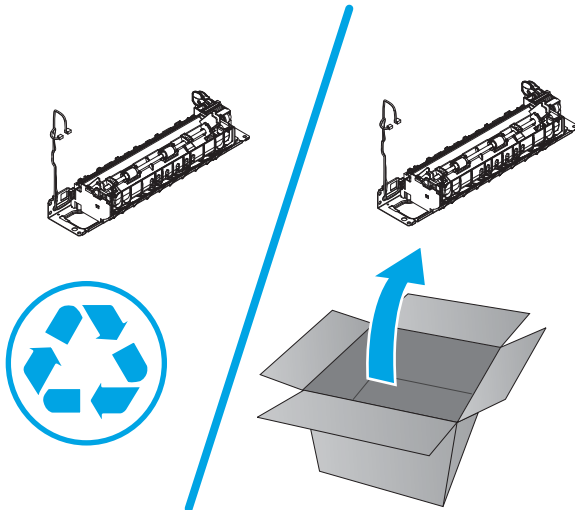
For complete information on HP's recycling programs, go to [Product return and recycling](#).

---

 **NOTE:** HP recommends responsible disposal of the defective part.

---

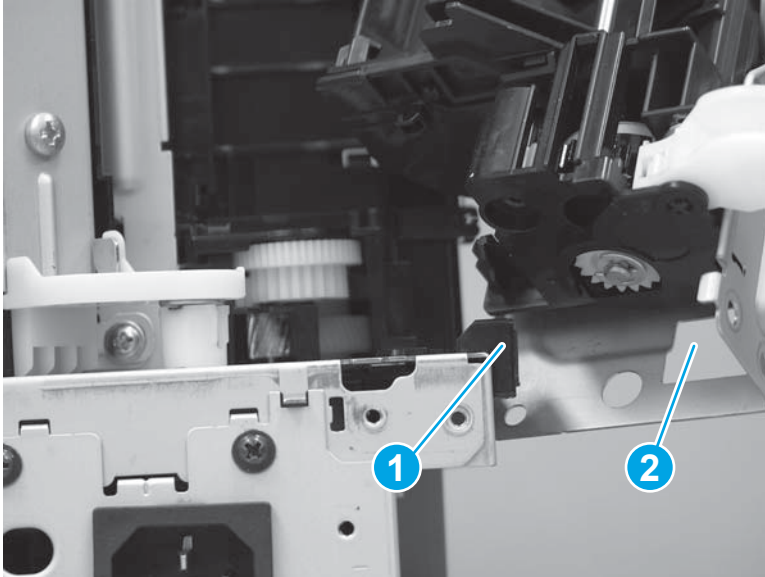
Figure 1-1162 Recycle and unpack



#### Step 11: Install the re-pickup assembly


1. Position the foot on the printer (callout 1) through the opening (callout 2) on the re-pickup drive assembly.

Figure 1-1163 Position the foot through the opening



2. To install an assembly, reverse the removal steps.

---

 **NOTE:** When applicable, special installation instructions are provided for an assembly at the end of the removal procedure. Always completely read the removal instructions and follow all special installation instructions.

---

## Removal and replacement: Engine controller PCA

- [Introduction](#)
- [Step 1: Remove Tray 2](#)
- [Step 2: Open the front door and rear door or duplexer door](#)
- [Step 3: Remove the left cover \(M454 models\)](#)
- [Step 4: Remove the left cover \(M479 models\)](#)
- [Step 5: Remove the engine controller PCA](#)
- [Step 6: Unpack the replacement part](#)
- [Step 7: Install the engine controller PCA](#)

### Introduction


This document provides the procedures to remove and replace the engine controller PCA.

[Click here to view a video of this procedure.](#)

### Before you begin

- Turn off the printer.
- Disconnect the power cable.

---

 **WARNING!** To avoid damage to the printer, turn the printer off, wait 30 seconds, and then remove the power cord before attempting to service the printer.

---

- Use the table below to identify the correct part number for your printer. To order the part, go to [www.hp.com/buy/parts](http://www.hp.com/buy/parts).

Engine controller PCA part number	
RM3-7239-000CN	Engine controller PCA (simplex models)
RM3-7238-000CN	Engine controller PCA (duplex models)

### Required tools

- #2 Phillips screwdriver with a magnetic tip

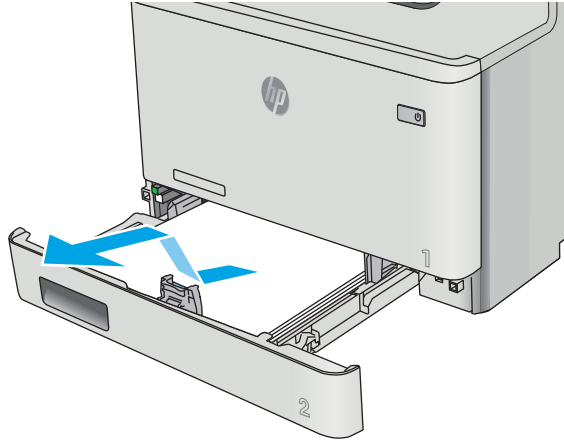
### After performing service

- Connect the power cable.
- Use the power switch to turn the power on.

### Step 1: Remove Tray 2

- ▲ Pull the tray out until it stops. Lift the front of the tray, and then pull it out of the printer to remove it.

Figure 1-1164 Remove the tray



Step 2: Open the front door and rear door or duplexer door

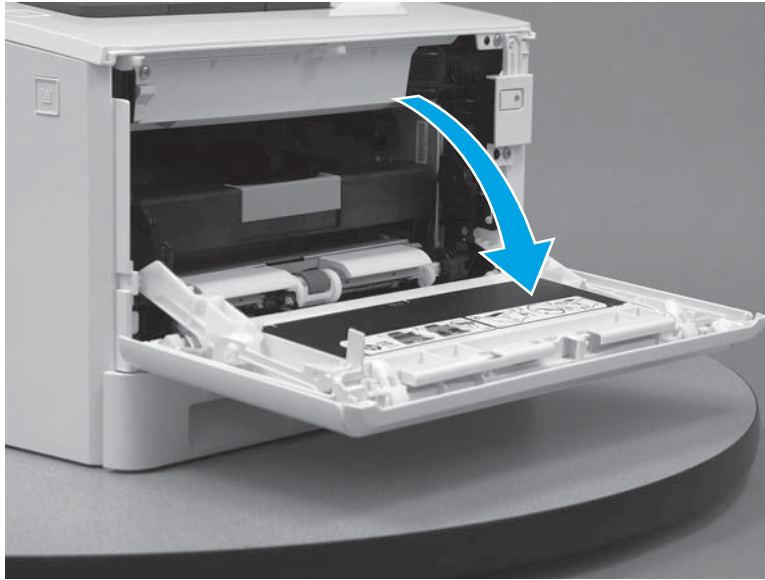
1. Press the button (callout 1) on the left side of the printer to release the front door.

Figure 1-1165 Release the front door



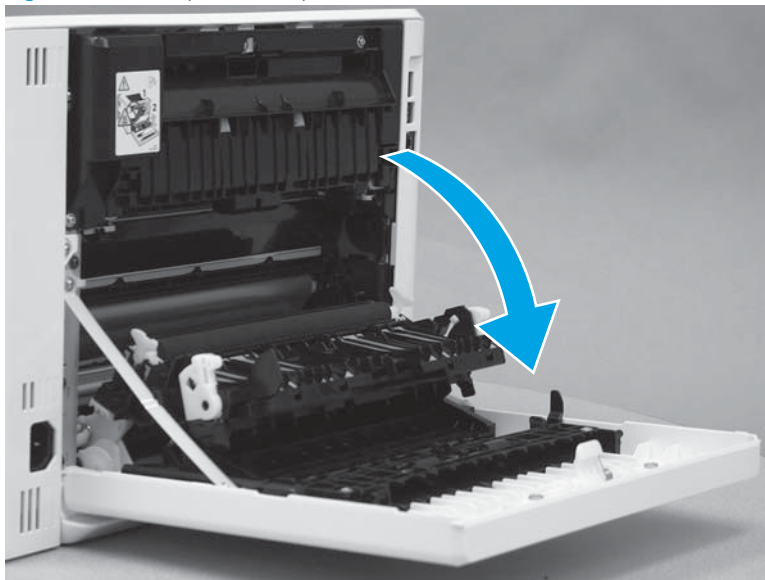
2. Open the front door.

Figure 1-1166 Open the front door



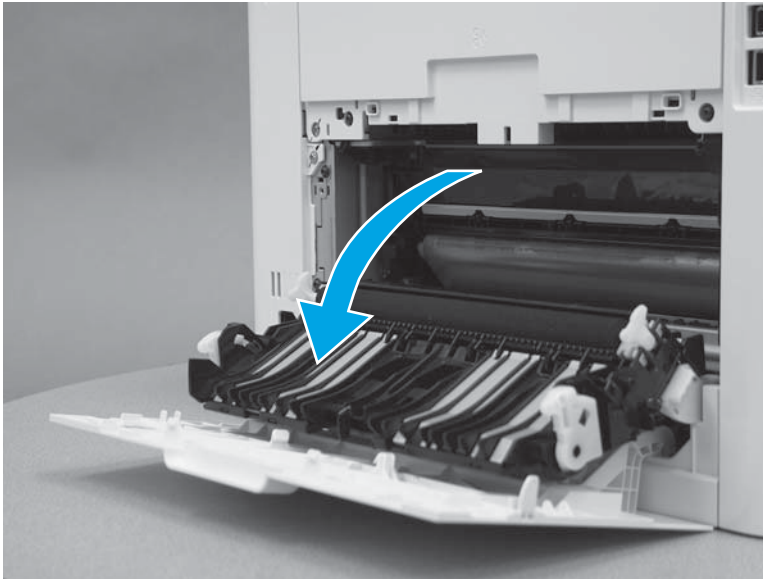
3. Duplex models: Open the duplexer door.

Figure 1-1167 Open the duplexer door




4. **Simplex models:** Open the rear door.

**Figure 1-1168** Open the rear door

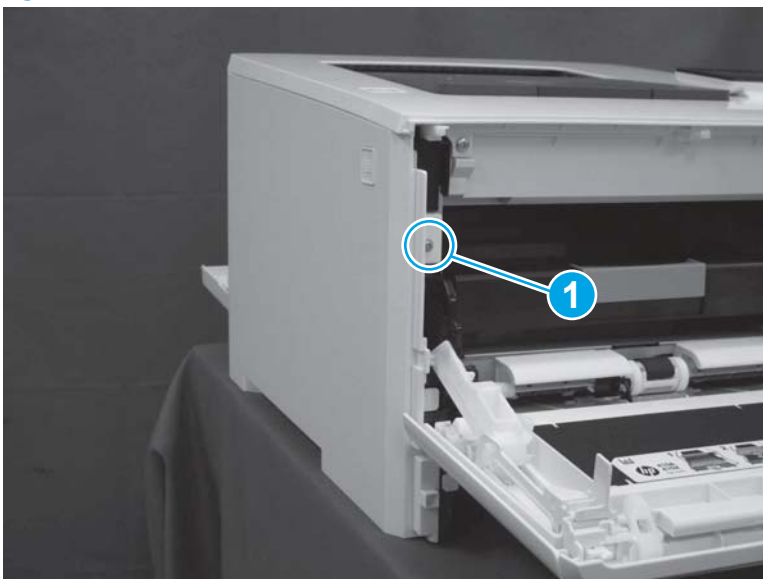


### Step 3: Remove the left cover (M454 models)

 **NOTE:** This step is for the M454 models. For the M479 models, skip this step and go to [Step 4: Remove the left cover \(M479 models\) on page 662](#).

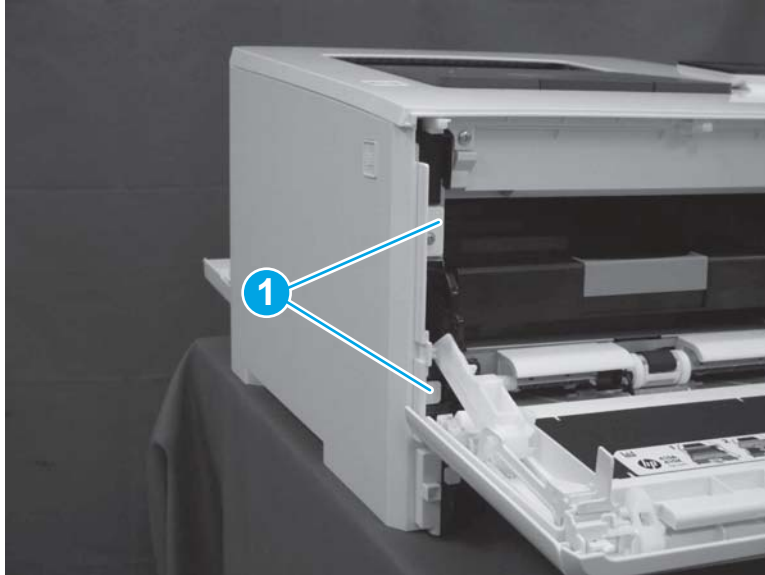
1. At the front of the printer, remove one screw (callout 1).

**Figure 1-1169** Remove one screw



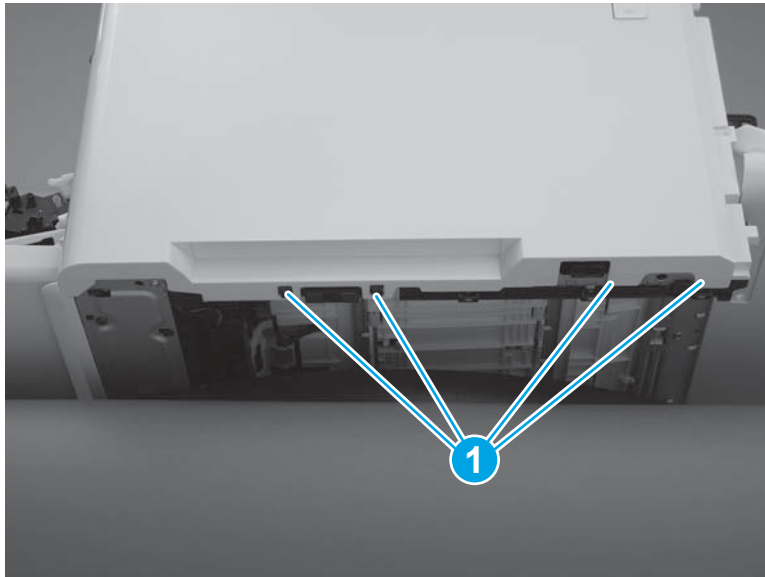
2. Release two tabs (callout 1) at the front of the cover. Hold the cover open to prevent the tabs from reengaging.

Figure 1-1170 Release two tabs



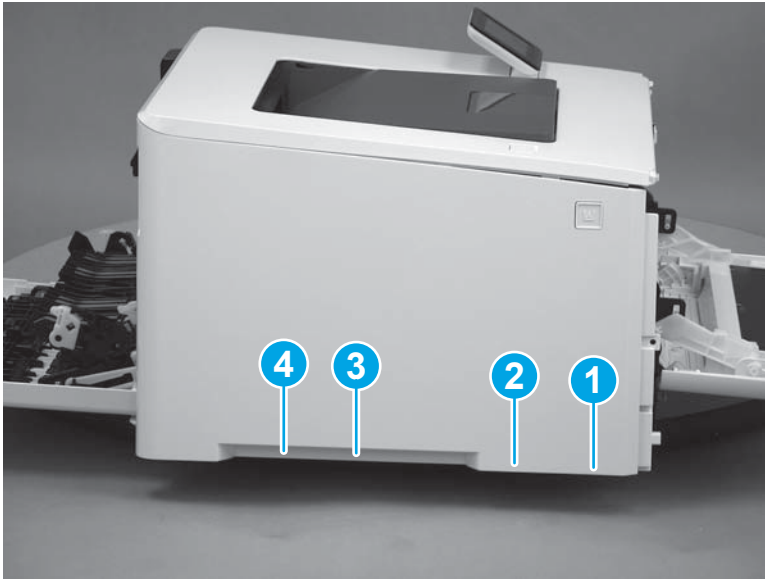
3. Slide the printer to the edge of a work surface. Note the location of the tabs on the lower edge of the cover (callout 1).

Figure 1-1171 Locate the tabs



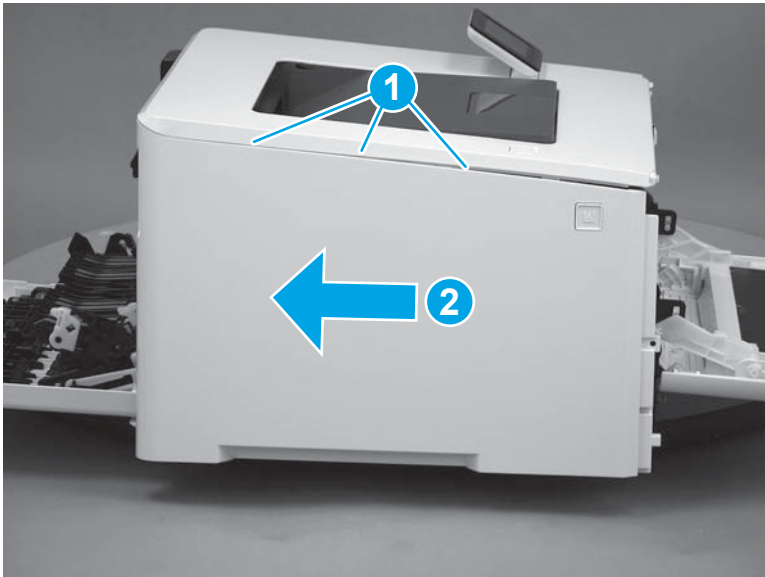
4. Beginning from the front of the cover, release four tabs (callouts 1-4) on the lower edge of the cover.

Figure 1-1172 Release bottom tabs




5. Release three tabs at the top of the cover (callout 1), and then slide the cover toward the rear of the printer to remove it.

Figure 1-1173 Release three tabs



#### Step 4: Remove the left cover (M479 models)

 **NOTE:** This step is for the M479 models. For the M454 models, skip this step and go to [Step 5: Remove the engine controller PCA on page 667](#).

1. Raise the scanner.

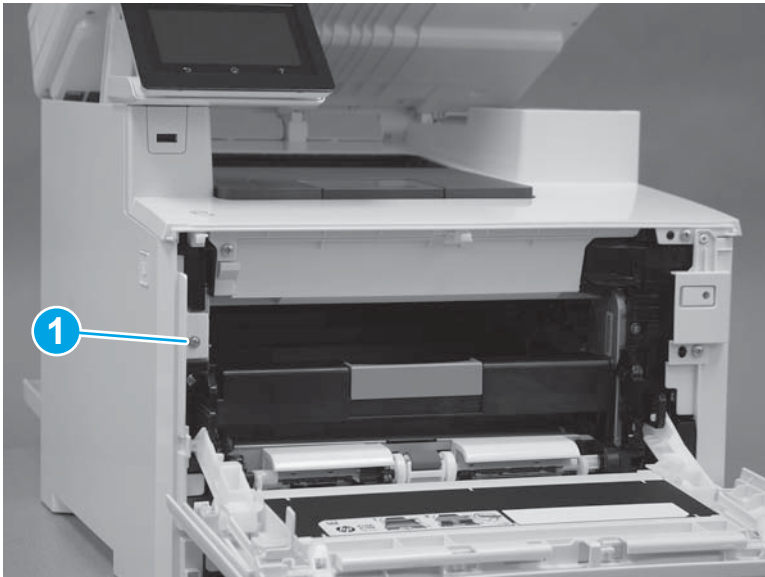


Figure 1-1174 Raise the scanner



2. At the front of the printer, remove one screw (callout 1).

Figure 1-1175 Remove one screw



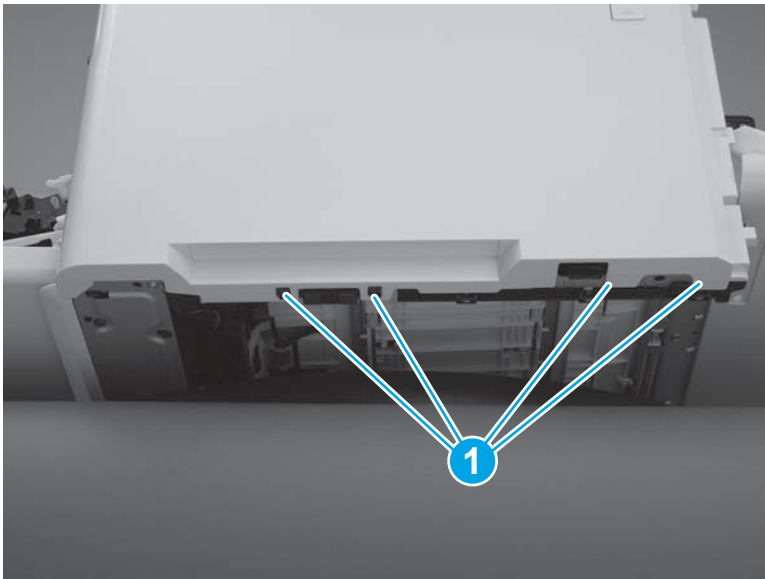
3. Release two tabs (callout 1) at the front of the cover. Hold the cover open to prevent the tabs from re-engaging.

Figure 1-1176 Release two tabs



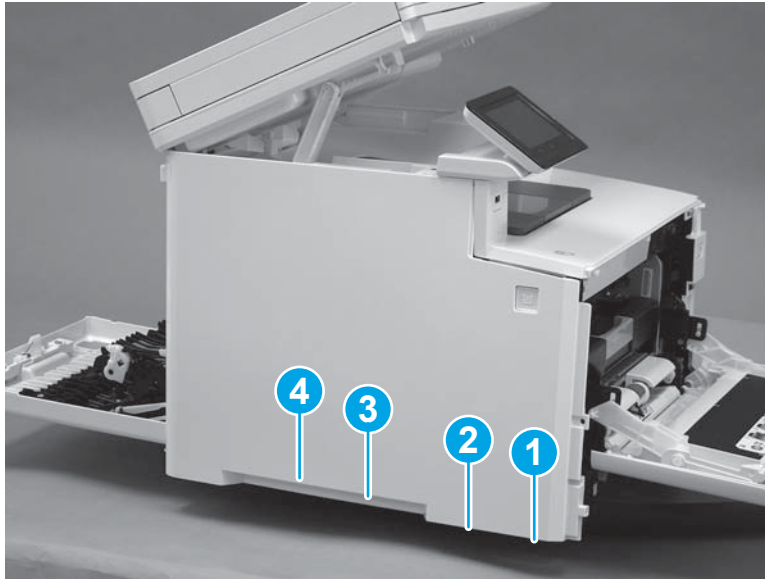
4. Slide the printer to the edge of a work surface. Note the location of the tabs on the lower edge of the cover (callout 1).

Figure 1-1177 Locate the tabs



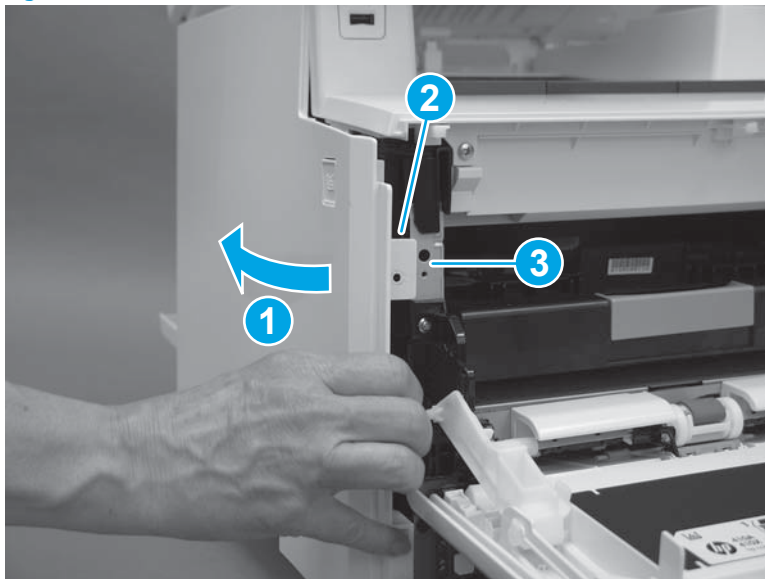
5. Beginning from the front of the cover, release the four tabs (callouts 1-4) on the lower edge of the cover.

Figure 1-1178 Release four tabs



6. Rotate the front of the cover away from the printer (callout 1). Make sure that the tab (callout 2) does not get caught on the printer frame (callout 3).

Figure 1-1179 Rotate the cover



7. At the top of the printer, slightly pull the top of the cover away from the printer to release one retention tab (callout 1) on the inside of the cover. While holding the cover away, slide the cover toward the back of the printer (callout 2) to release two hooks (callout 3) inside the cover.

Figure 1-1180 Release one tab and two hooks



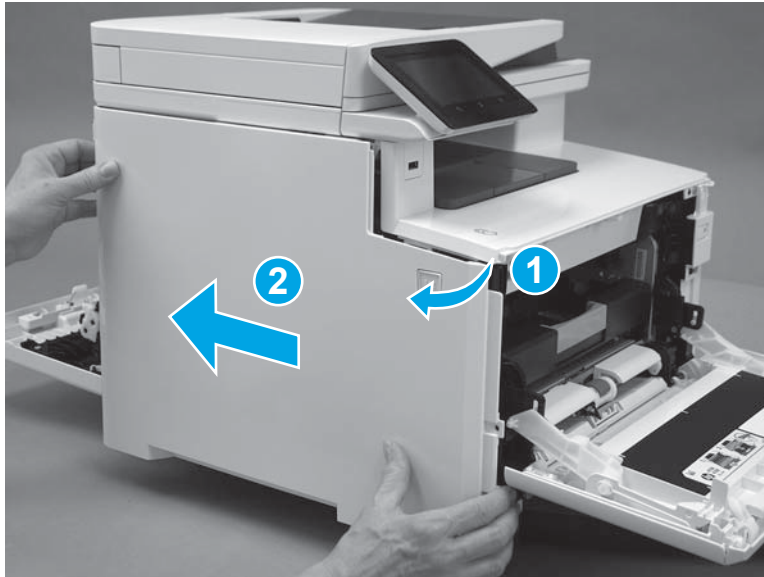
8. Lower the scanner.

Figure 1-1181 Lower the scanner



9. Rotate the cover away from the printer (callout 1), and then slide the cover (callout 2) toward the back of the printer to remove it.

Figure 1-1182 Remove the left cover



#### Step 5: Remove the engine controller PCA

1. **Duplex printers only:** Before disconnecting the connectors in the next step, make note of the position of two of the cables (callout 1).


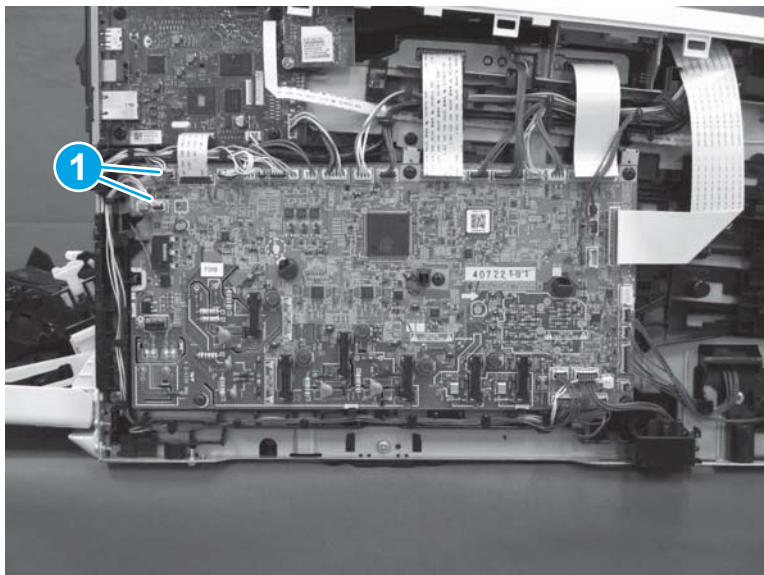
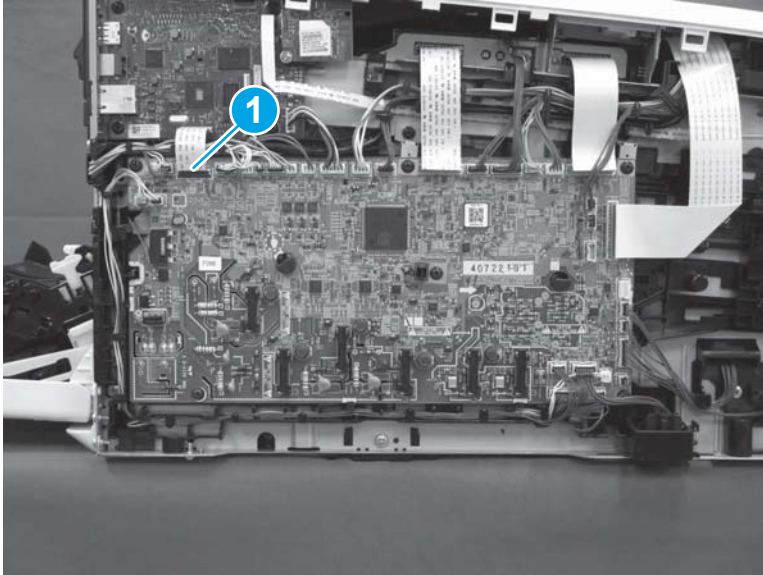
 **IMPORTANT:** These cables can be inadvertently switched when reinstalling. The connectors on the cables will fit in either connector on the engine controller PCA. Make sure that these cables are installed in the correct connectors. If the cables are switched, the printer will experience a repeatable jam when printing duplex jobs. Upper cable is purple in color while the lower one is yellow.

Figure 1-1183 Check the cables



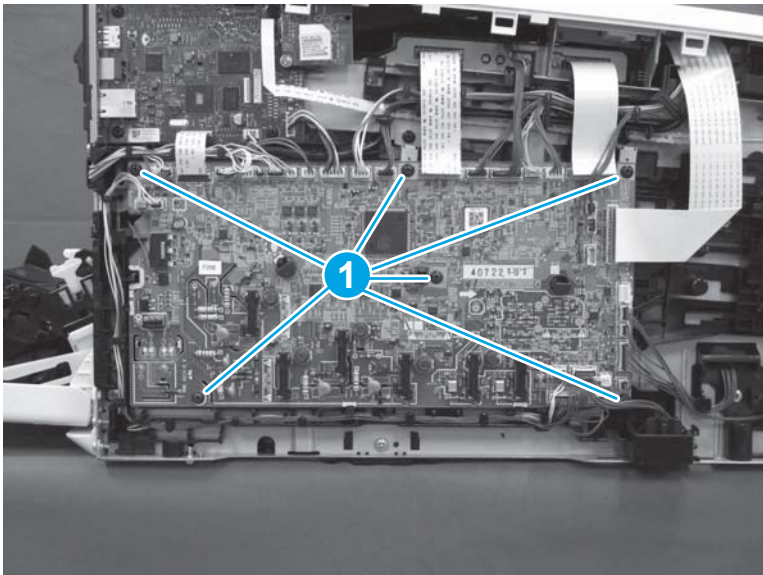
2. Disconnect all of the connectors on the engine controller PCA. Note that one connector (callout 1) is a zero-insertion force (ZIF) connector. Lift the latch on the connector before removing the flat cable.

Figure 1-1184 Disconnect all of the connectors



3. Remove six screws (callout 1).

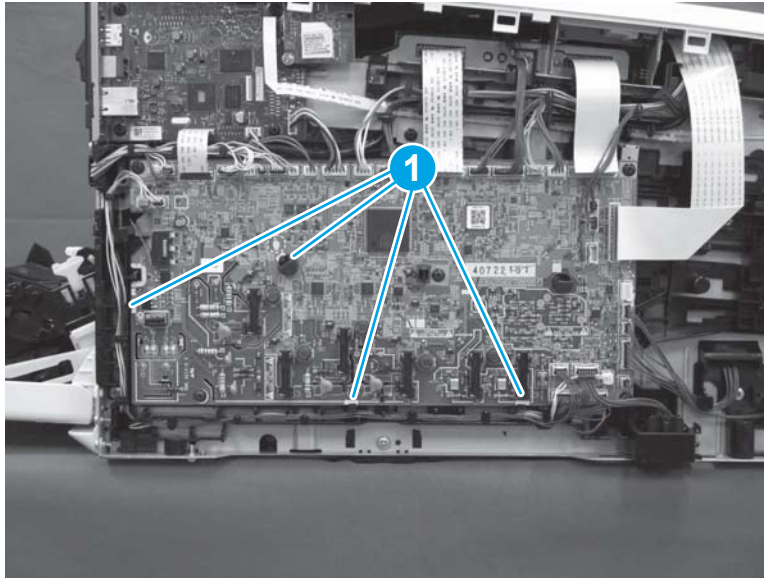
Figure 1-1185 Remove six screws





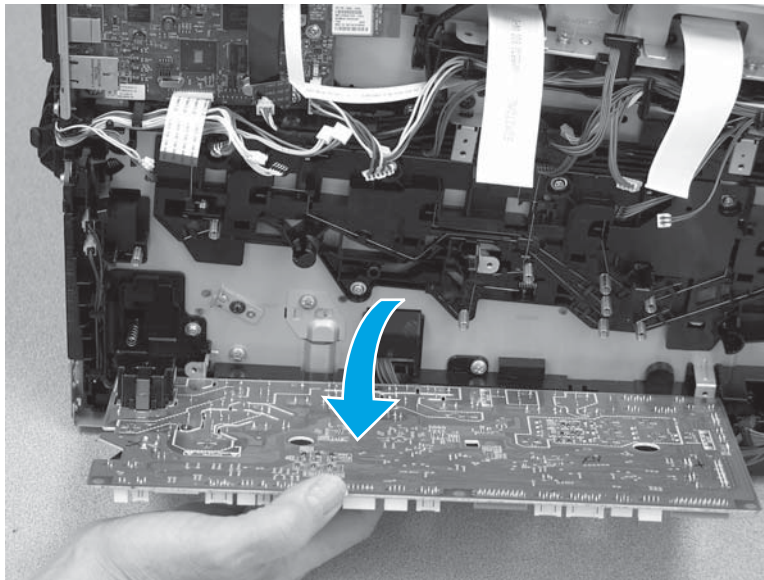
4. Release four tabs (callout 1).

Figure 1-1186 Release four tabs



5. Remove the engine controller PCA.

Figure 1-1187 Remove the engine controller PCA



### Step 6: Unpack the replacement part

Remove the new part from its package. Save all packaging for recycling the used part.

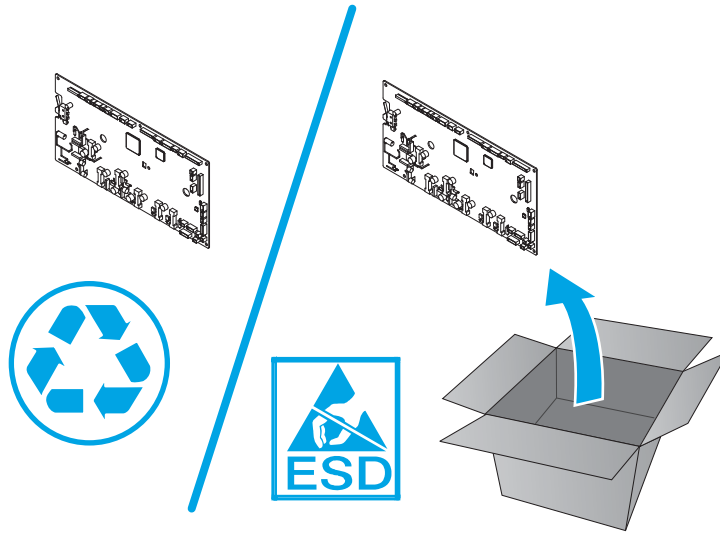
For complete information on HP's recycling programs, go to [Product return and recycling](#).

---

 **NOTE:** HP recommends responsible disposal of the defective part.

---


Figure 1-1188 Recycle and unpack



### Step 7: Install the engine controller PCA

- ▲ To install an assembly, reverse the removal steps.

---

 **NOTE:** When applicable, special installation instructions are provided for an assembly at the end of the removal procedure. Always completely read the removal instructions and follow all special installation instructions.

---



## Removal and replacement: Lifter drive assembly

- [Introduction](#)
- [Step 1: Remove Tray 2](#)
- [Step 2: Remove the toner cartridges](#)
- [Step 3: Open the rear door or duplexer door](#)
- [Step 4: Remove the right cover \(M454 models\)](#)
- [Step 5: Remove the right cover \(M479 models\)](#)
- [Step 6: Remove the left cover \(M454 models\)](#)
- [Step 7: Remove the left cover \(M479 models\)](#)
- [Step 8: Remove the duplexer door assembly \(duplex models\)](#)
- [Step 9: Remove the rear door \(simplex models\)](#)
- [Step 10: Remove the engine controller PCA](#)
- [Step 11: Remove the re-pickup assembly \(duplex models\)](#)
- [Step 12: Remove the lifter drive assembly](#)
- [Step 13: Unpack the replacement part](#)
- [Step 14: Install the lifter drive assembly](#)

### Introduction


This document provides the procedures to remove and replace the lifter drive assembly.

[Click here to view a video of this procedure.](#)

### Before you begin

- Turn off the printer.
- Disconnect the power cable.

---

 **WARNING!** To avoid damage to the printer, turn the printer off, wait 30 seconds, and then remove the power cord before attempting to service the printer.

---

- Use the table below to identify the correct part number for your printer. To order the part, go to [www.hp.com/buy/parts](http://www.hp.com/buy/parts).

---

Lifter drive assembly part number	
-----------------------------------	--

---

RM2-6370-000CN
----------------

---

Lifter drive assembly
-----------------------

---

### Required tools

- #2 Phillips screwdriver with a magnetic tip
- Small flat-blade screwdriver

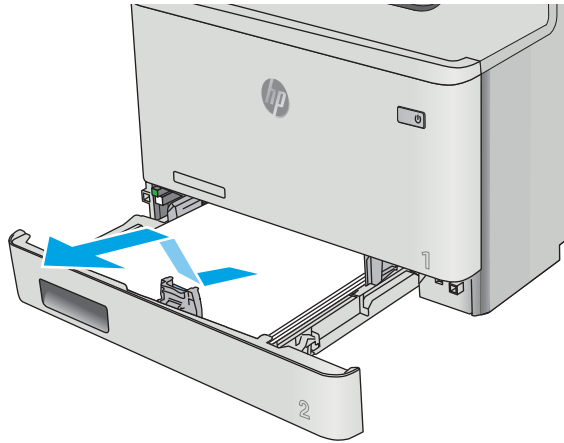
## After performing service

- Connect the power cable.
- Use the power switch to turn the power on.


### Step 1: Remove Tray 2

- ▲ Pull the tray out until it stops. Lift the front of the tray, and then pull it out of the printer to remove it.

Figure 1-1189 Remove the tray

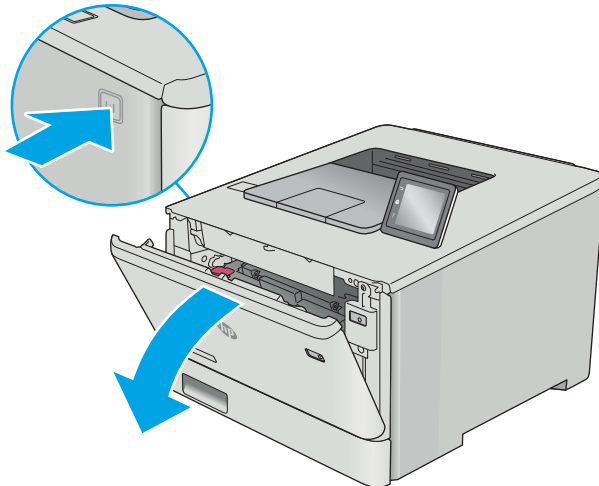


### Step 2: Remove the toner cartridges

 **NOTE:** The M454 model is pictured in the figures in this section. The procedure is the same for the M479 models.

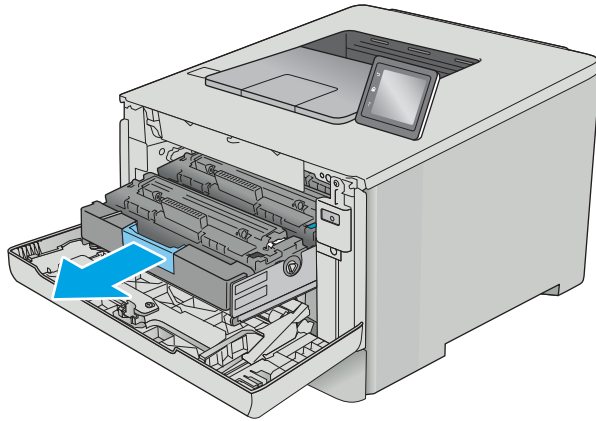
1. Open the front door by pressing the button on the left cover.

Figure 1-1190 Open the front door



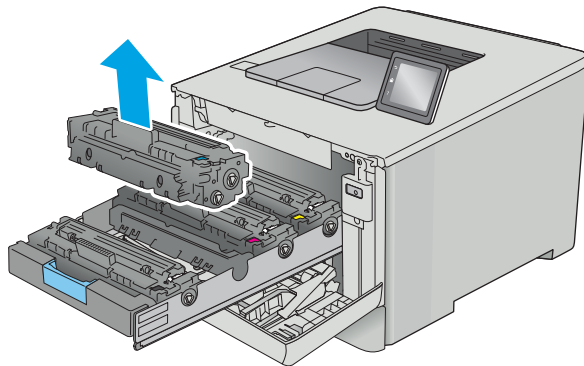
2. Grasp the blue handle on the toner cartridge tray, and then pull out the tray.

Figure 1-1191 Open the cartridge drawer



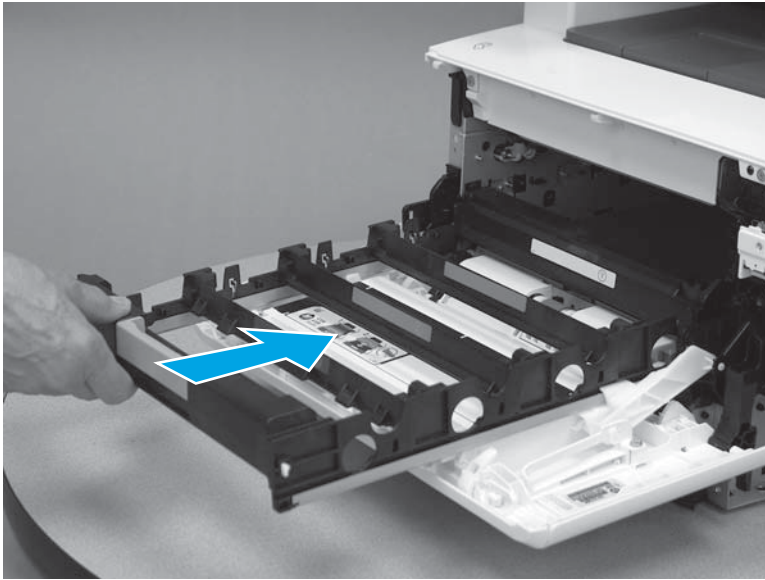
3. Grasp the handle on the toner cartridge, and then pull the toner cartridge straight up to remove it. Repeat this step for each toner cartridge.

Figure 1-1192 Remove the toner cartridge



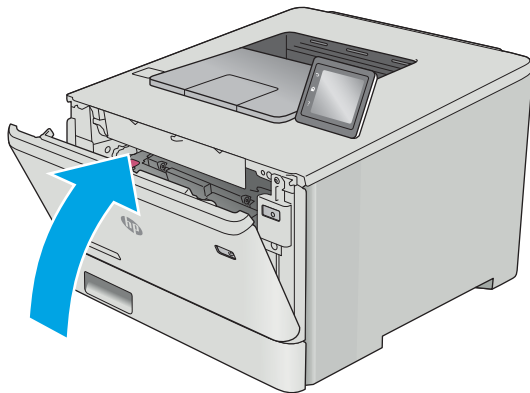
4. Slide the cartridge tray into the printer.

Figure 1-1193 Slide the cartridge tray in



5. Close the front door.

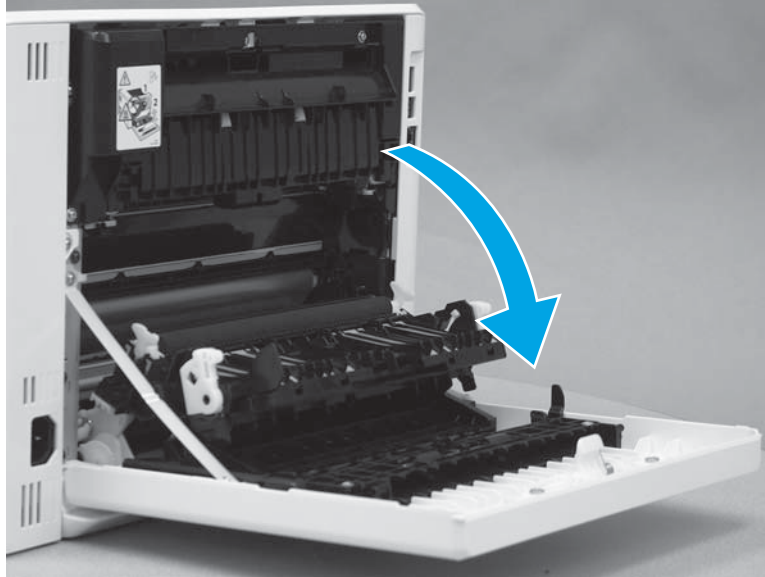
Figure 1-1194 Close the front door



### Step 3: Open the rear door or duplexer door

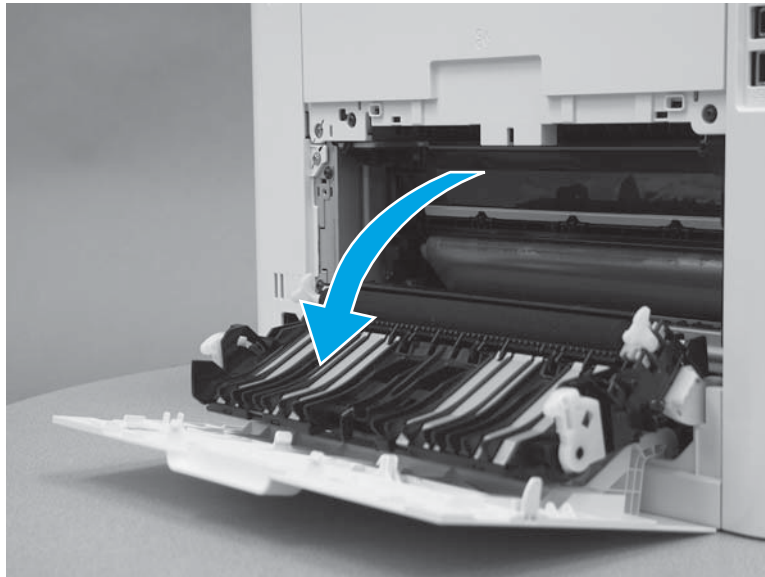
1. **Duplex models:** Open the duplexer door.

Figure 1-1195 Open the duplexer door




2. **Simplex models:** Open the rear door.

Figure 1-1196 Open the rear door



#### Step 4: Remove the right cover (M454 models)

---

 **NOTE:** This step is for the M454 models. For the M479 models, skip this step and go to [Step 5: Remove the right cover \(M479 models\) on page 679](#).

---

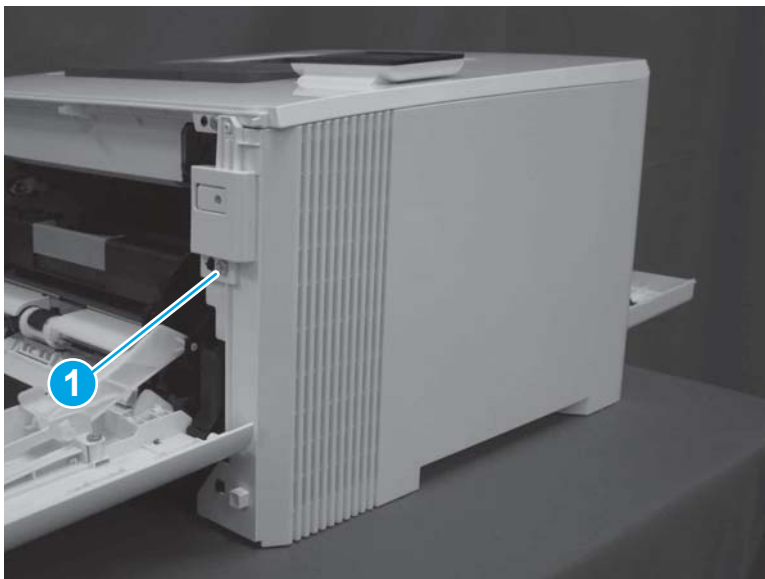
1. At the back of the printer, remove one screw (callout 1).

Figure 1-1197 Remove one screw



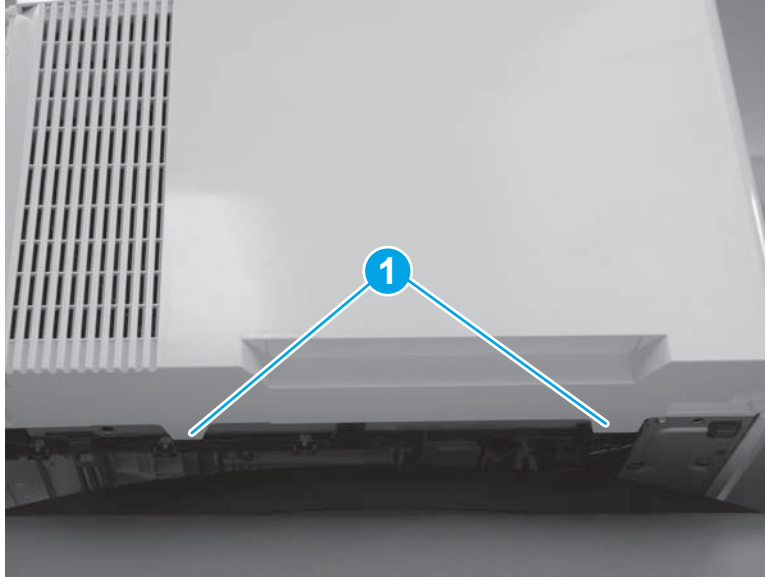
2. At the front of the printer, remove one screw (callout 1).

Figure 1-1198 Remove one screw



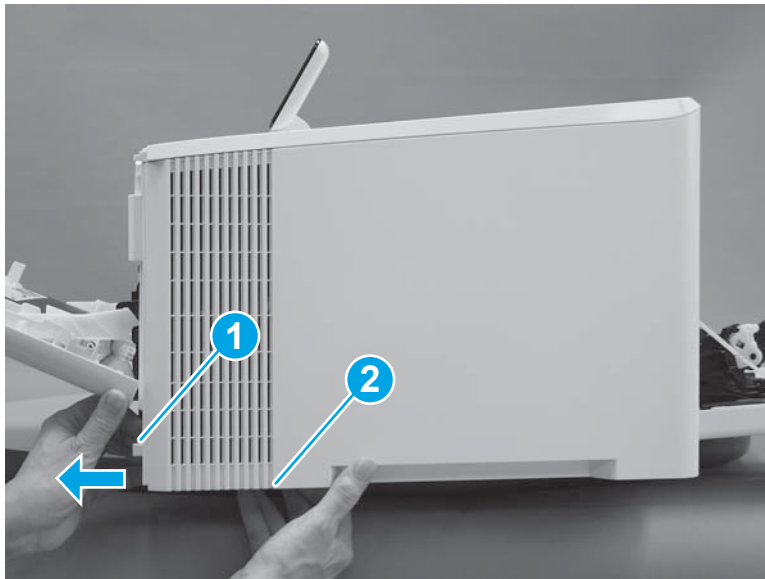
3. Slide the printer to the edge of a work surface. Note the location of the tabs on the lower edge of the cover (callout 1).

Figure 1-1199 Locate the tabs



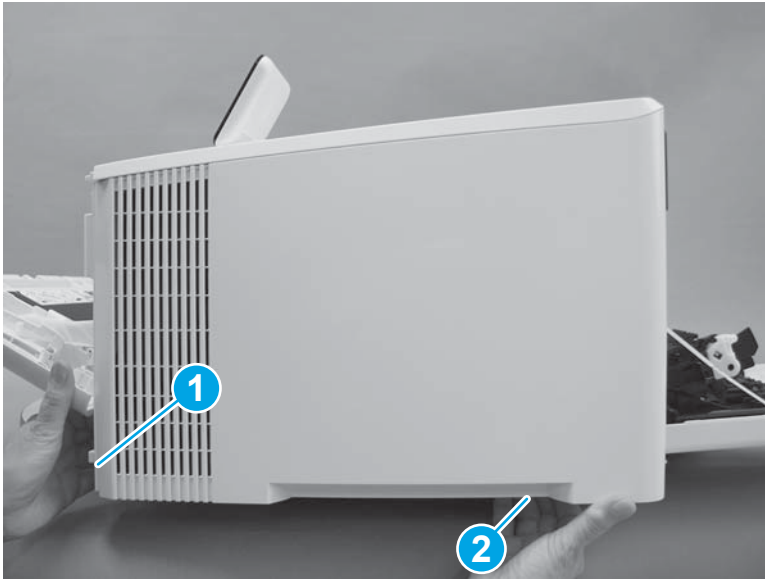
4. Release one tab (callout 1) on the front of the cover by slightly pulling the cover away from the printer. While holding the cover in the released position, release one tab (callout 2) on the bottom of the cover.

Figure 1-1200 Release front lower tabs



5. Hold the front tabs in the released position (callout 1), and then release one tab (callout 2) on the bottom of the cover, toward the back of the printer.

Figure 1-1201 Release lower rear tab



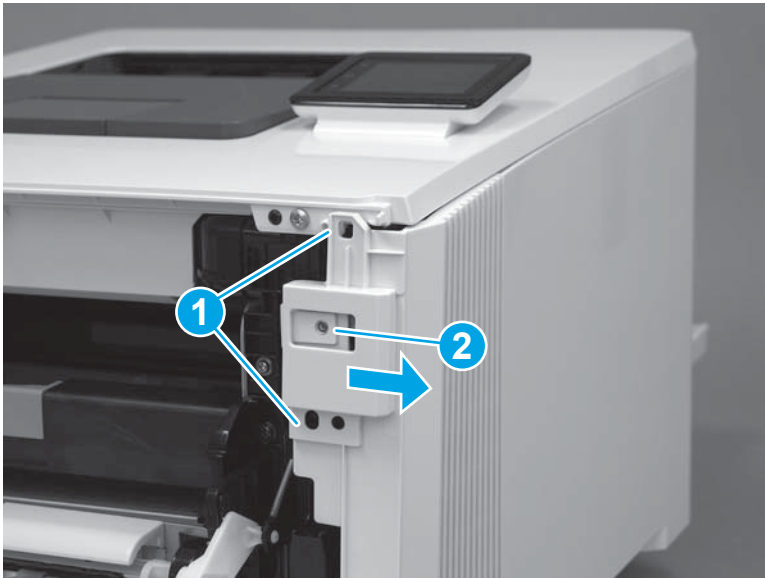
6. Release two tabs at the front of the printer (callout 1) by slightly pulling the cover away from the printer.

---

**⚠ CAUTION:** Be careful not to dislodge the power switch (callout 2).

---

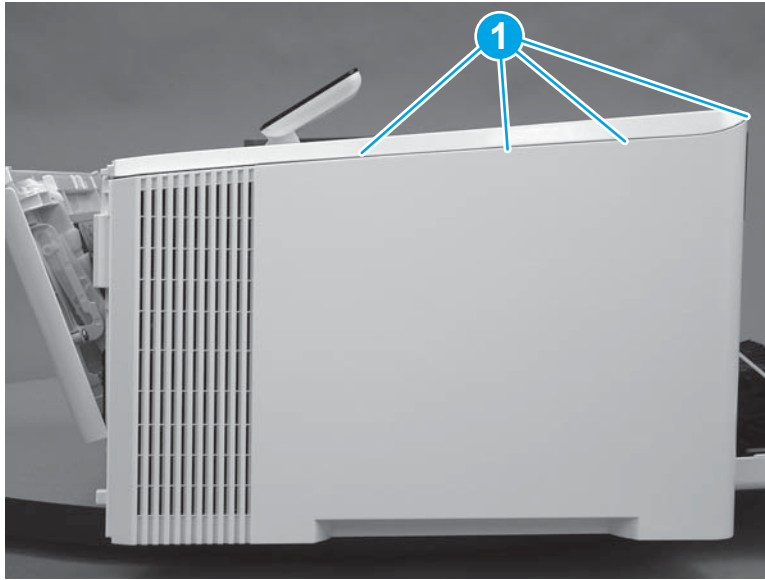
Figure 1-1202 Release two front tabs





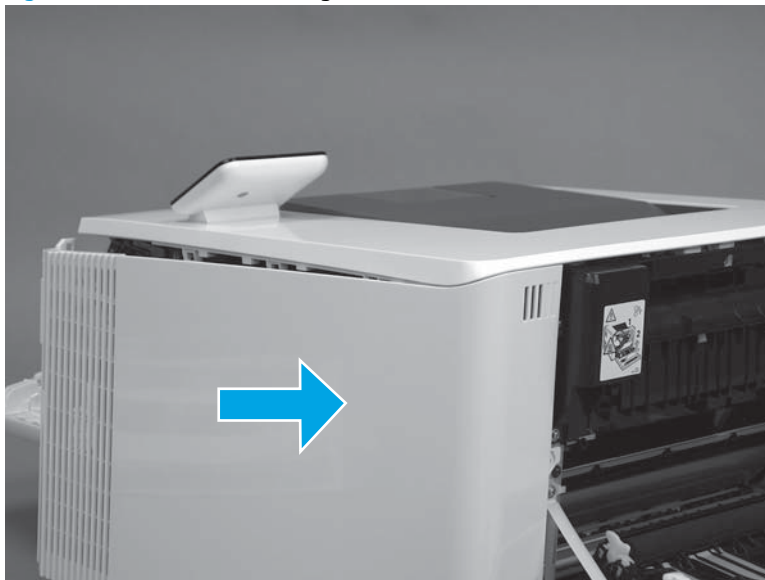
7. Release four tabs on the top of the printer (callout 1).

**Figure 1-1203** Release upper tabs




8. Slide the cover toward the back of the printer to remove it.

**Figure 1-1204** Remove the right cover



#### Step 5: Remove the right cover ( M479 models)

 **NOTE:** This step is for the M479 models. For the M454 models, skip this step and go to [Step 6: Remove the left cover \(M454 models\) on page 685](#).

1. Raise the scanner.

Figure 1-1205 Raise the scanner



2. At the back of the printer, remove one screw (callout 1).

Figure 1-1206 Remove one screw



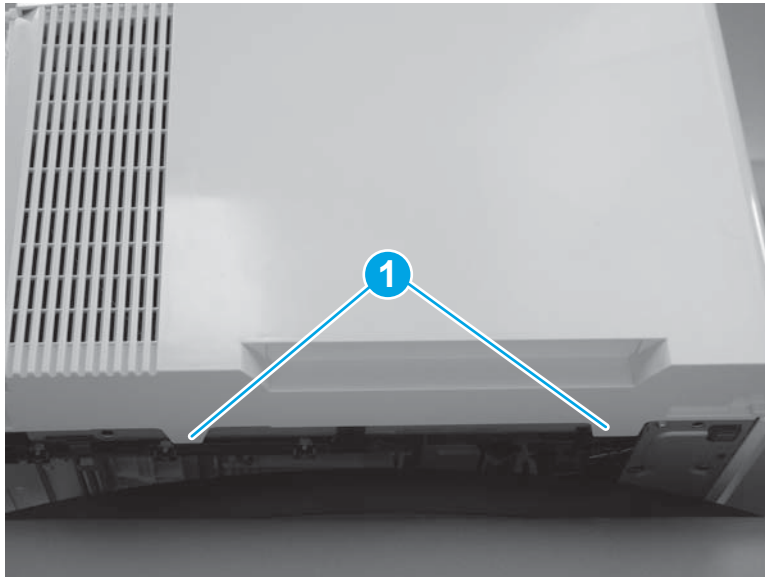
3. At the front of the printer, remove one screw (callout 1).

Figure 1-1207 Remove one screw



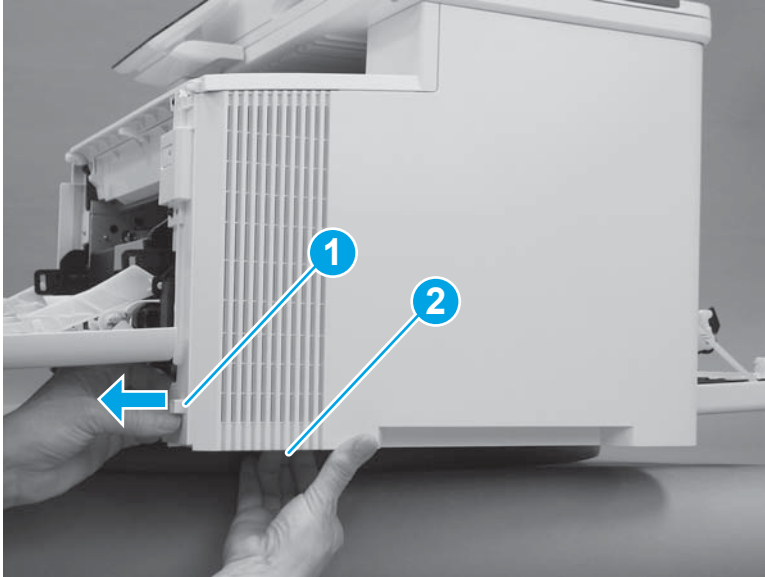
4. Slide the printer to the edge of a work surface. Note the location of the tabs on the lower edge of the cover (callout 1).

Figure 1-1208 Locate the tabs



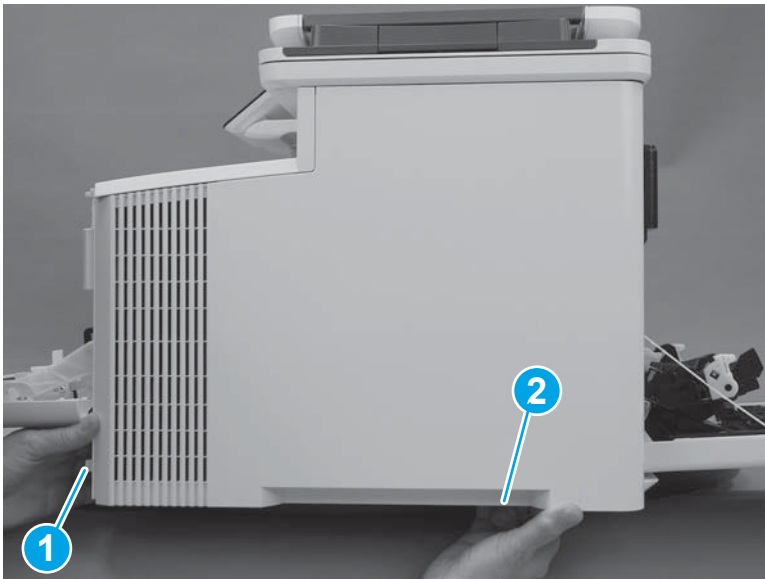
5. Release one tab (callout 1) on the front of the cover by slightly pulling the cover away from the printer. While holding the cover in the released position, release one tab (callout 2) on the lower edge of the cover.

Figure 1-1209 Release front lower tabs



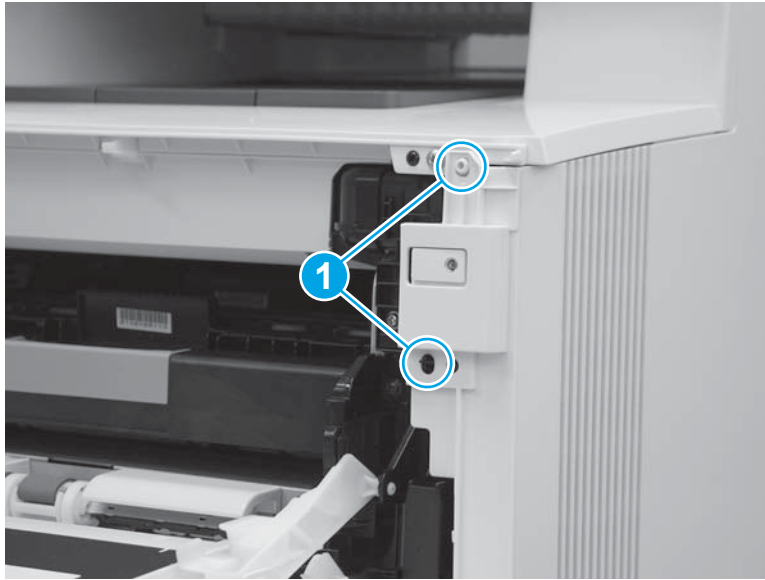
6. Hold the front tabs in the released position (callout 1), and then release one tab (callout 2) on the lower edge of the cover, toward the back of the printer.

Figure 1-1210 Release lower rear tab



7. Release two tabs at the front of the printer (callout 1) by slightly pulling the cover away from the printer.

Figure 1-1211 Release front upper tabs



8. Rotate the front of the cover away from the printer (callout 1).

---

**⚠ CAUTION:** Be careful not to dislodge the power switch (callout 2).

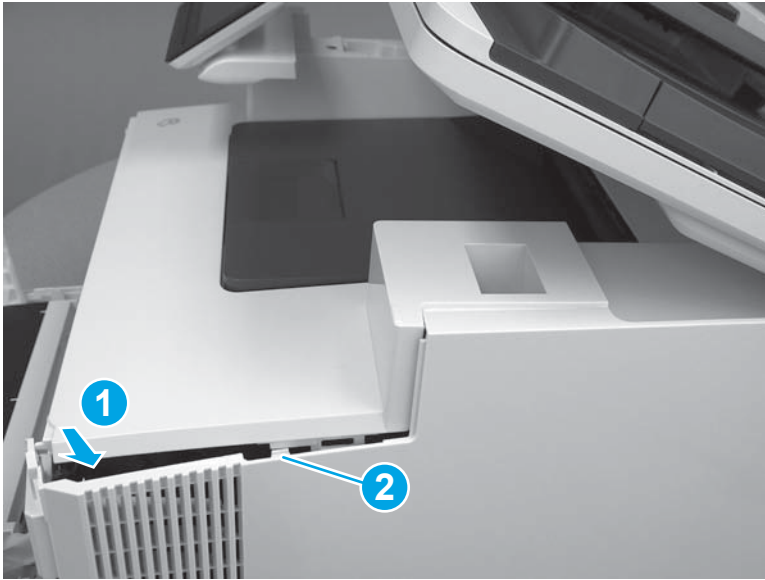
---

Figure 1-1212 Rotate the front of the cover



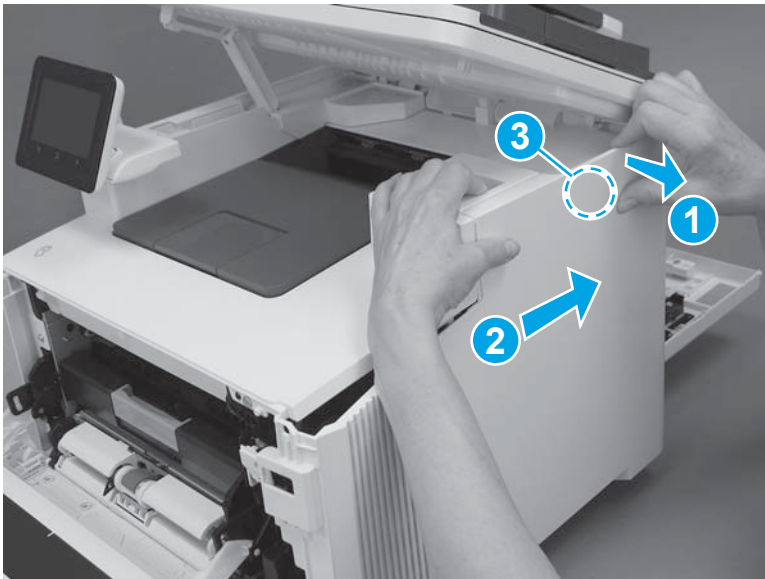
9. Slightly pull the front of the cover away from the printer (callout 1) to release one tab (callout 2).

Figure 1-1213 Release top tabs



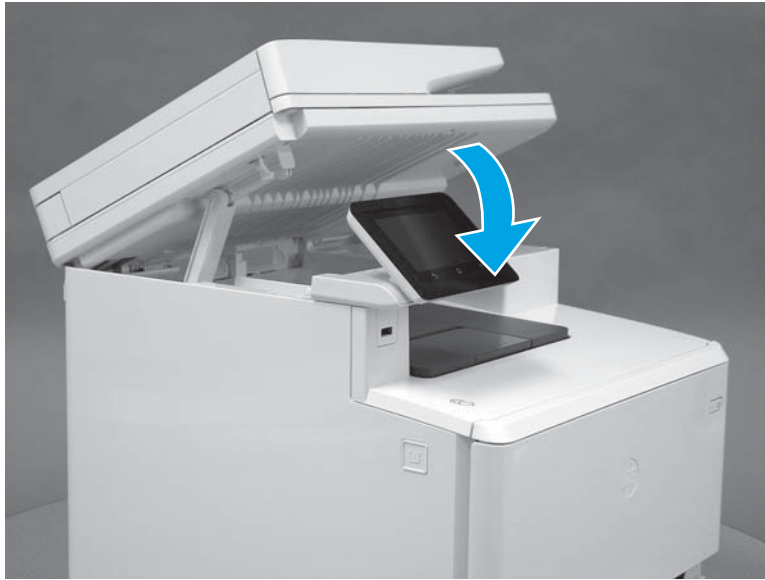
10. At the top of the printer, slightly pull the top of the cover away from the printer to release one retention tab (callout 1) on the inside of the cover. While holding the cover away, slide the cover toward the back of the printer (callout 2) to release one hook (callout 3) on the inside of the cover.

Figure 1-1214 Release one tab and one hook



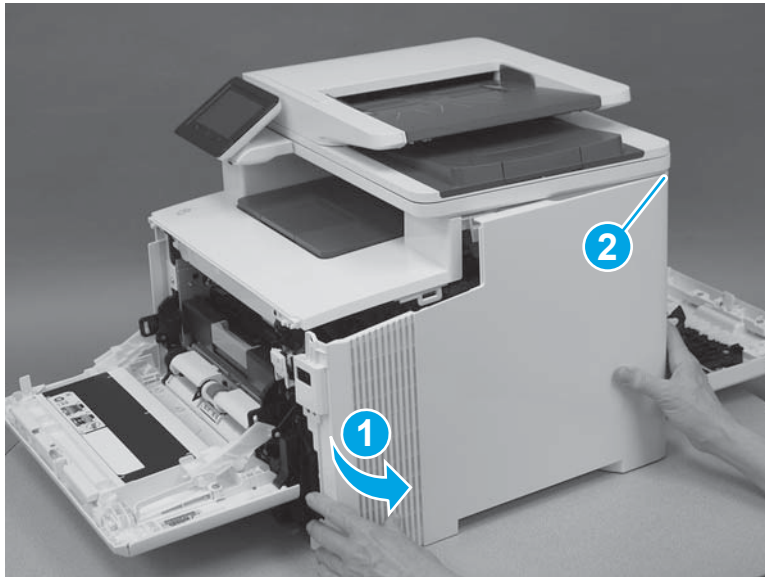
11. Lower the scanner.

Figure 1-1215 Lower the scanner




12. Rotate the cover away from the printer (callout 1) to release one tab (callout 2) at the back of the printer, and then remove the cover.

Figure 1-1216 Remove the right cover



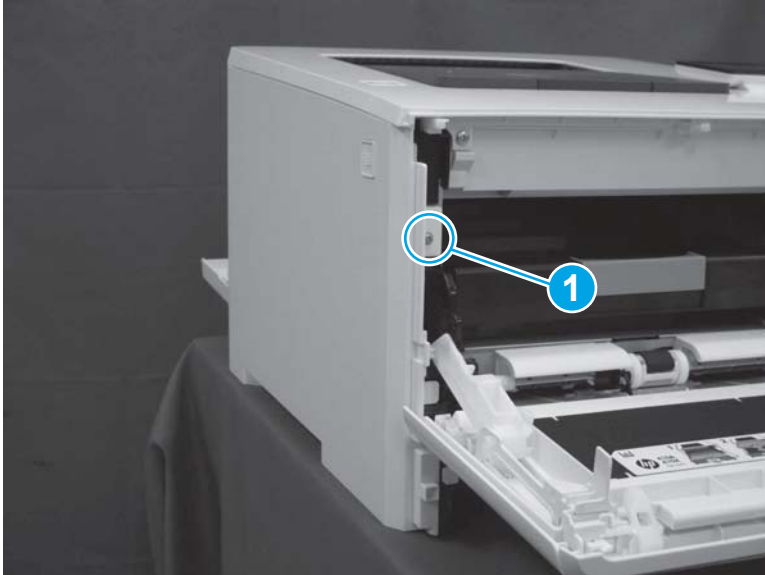
#### Step 6: Remove the left cover (M454 models)

 **NOTE:** This step is for the M454 models. For the M479 models, skip this step and go to [Step 7: Remove the left cover \(M479 models\) on page 688](#).

1. At the front of the printer, remove one screw (callout 1).

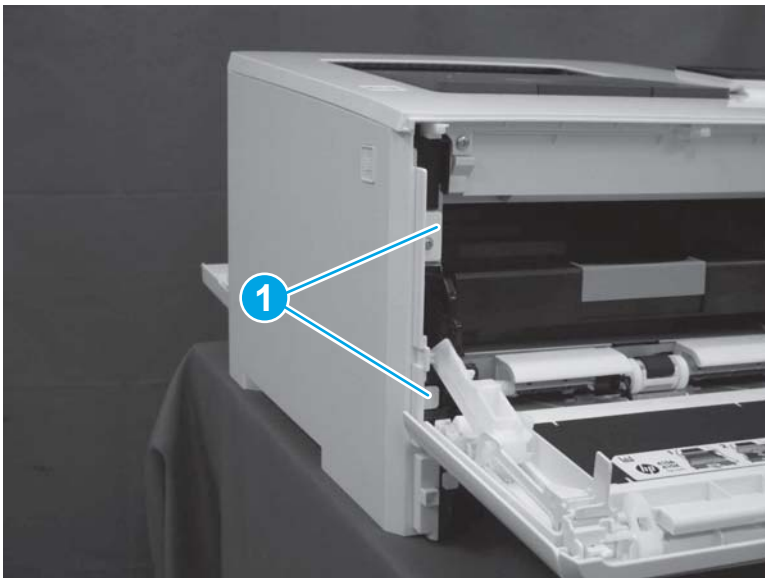


Figure 1-1217 Remove one screw



2. Release two tabs (callout 1) at the front of the cover. Hold the cover open to prevent the tabs from reengaging.

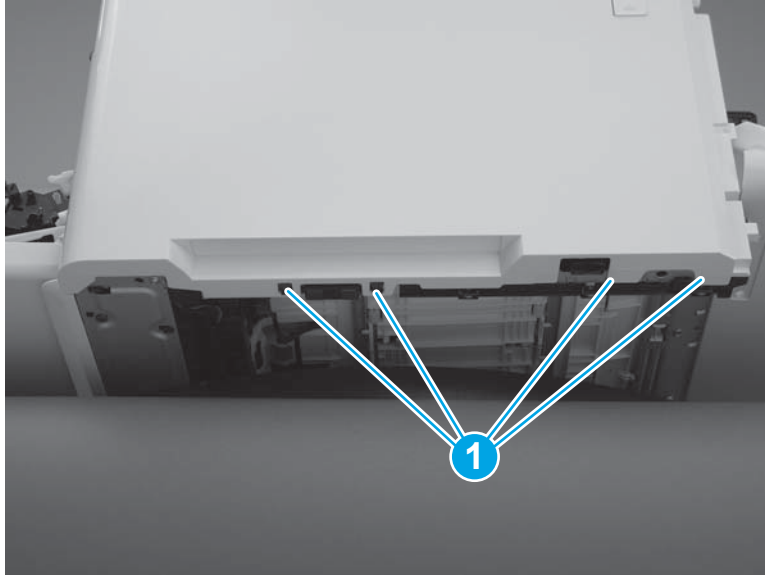
Figure 1-1218 Release two tabs





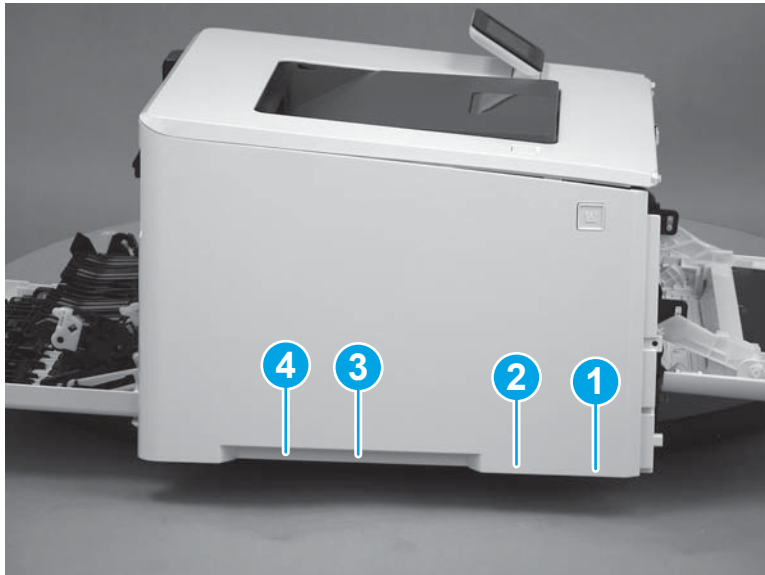
3. Slide the printer to the edge of a work surface. Note the location of the tabs on the lower edge of the cover (callout 1).

Figure 1-1219 Locate the tabs



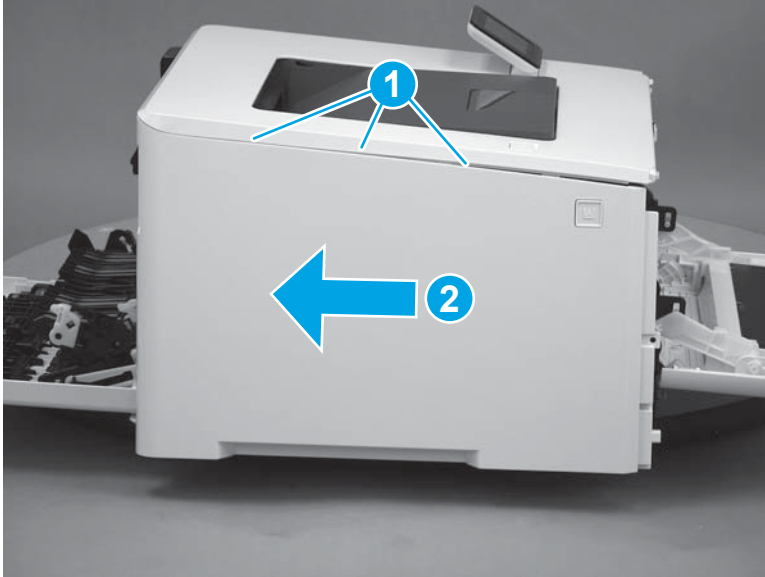
4. Beginning from the front of the cover, release four tabs (callouts 1-4) on the lower edge of the cover.

Figure 1-1220 Release bottom tabs




5. Release three tabs at the top of the cover (callout 1), and then slide the cover toward the rear of the printer to remove it.

Figure 1-1221 Release three tabs



#### Step 7: Remove the left cover (M479 models)

 **NOTE:** This step is for the M479 models. For the M454 models, skip this step and go to [Step 8: Remove the duplexer door assembly \(duplex models\) on page 692](#).

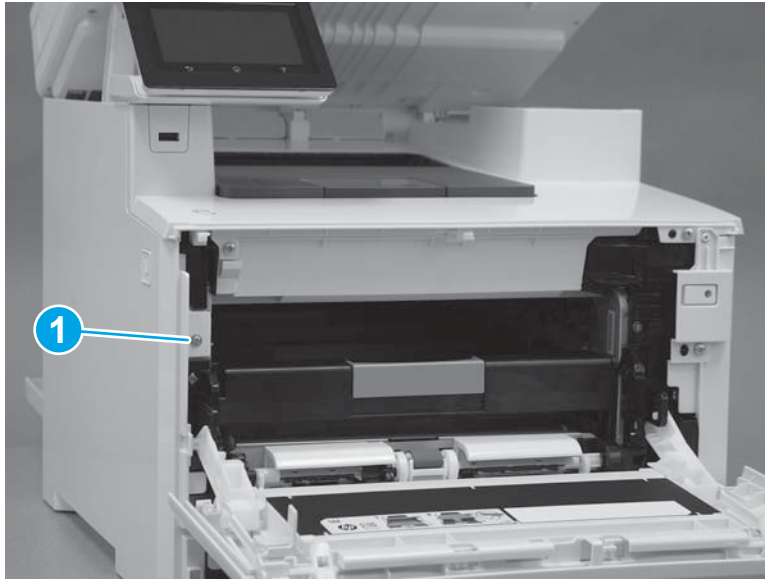
1. Raise the scanner.

Figure 1-1222 Raise the scanner



2. At the front of the printer, remove one screw (callout 1).

Figure 1-1223 Remove one screw



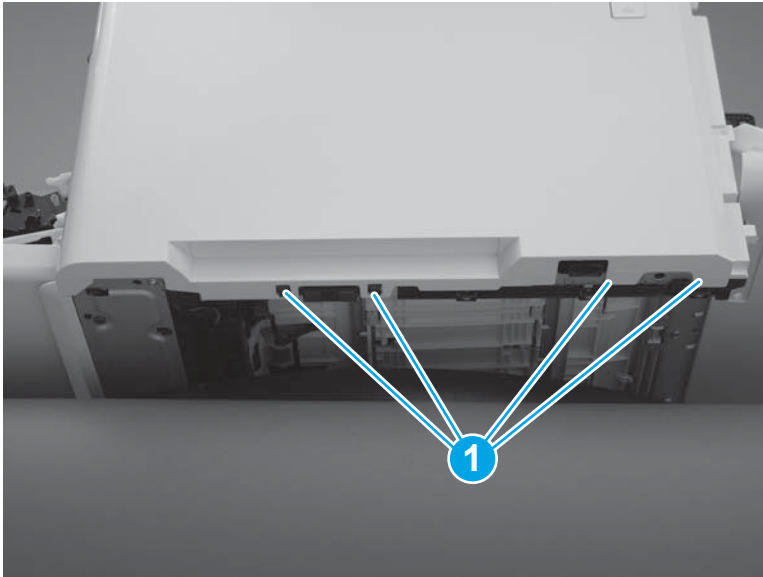
3. Release two tabs (callout 1) at the front of the cover. Hold the cover open to prevent the tabs from re-engaging.

Figure 1-1224 Release two tabs



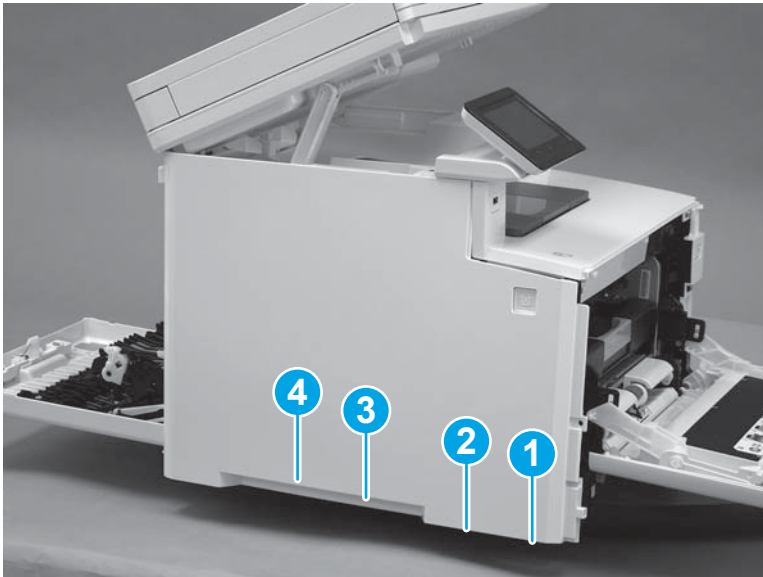
4. Slide the printer to the edge of a work surface. Note the location of the tabs on the lower edge of the cover (callout 1).

Figure 1-1225 Locate the tabs



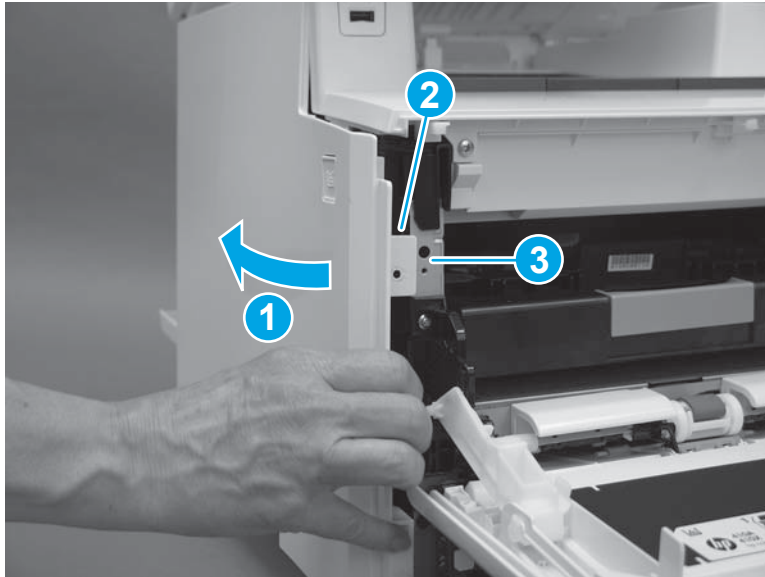
5. Beginning from the front of the cover, release the four tabs (callouts 1-4) on the lower edge of the cover.

Figure 1-1226 Release four tabs



6. Rotate the front of the cover away from the printer (callout 1). Make sure that the tab (callout 2) does not get caught on the printer frame (callout 3).

Figure 1-1227 Rotate the cover



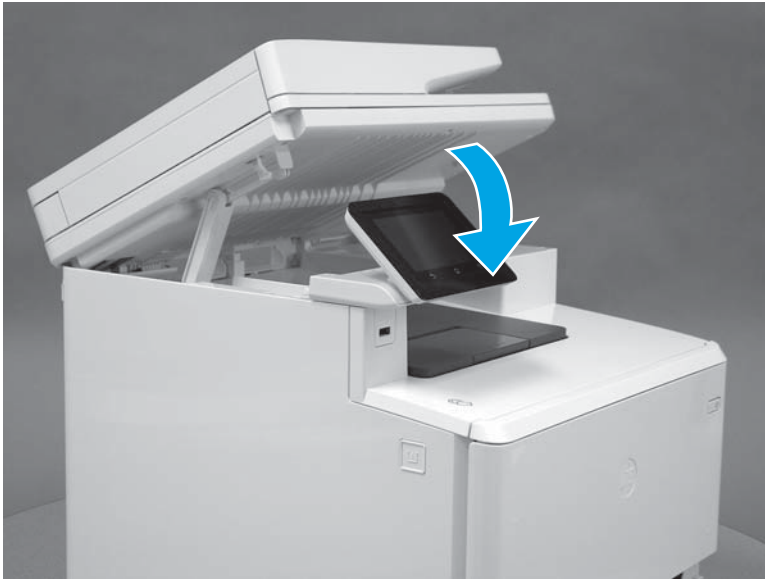
7. At the top of the printer, slightly pull the top of the cover away from the printer to release one retention tab (callout 1) on the inside of the cover. While holding the cover away, slide the cover toward the back of the printer (callout 2) to release two hooks (callout 3) inside the cover.

Figure 1-1228 Release one tab and two hooks



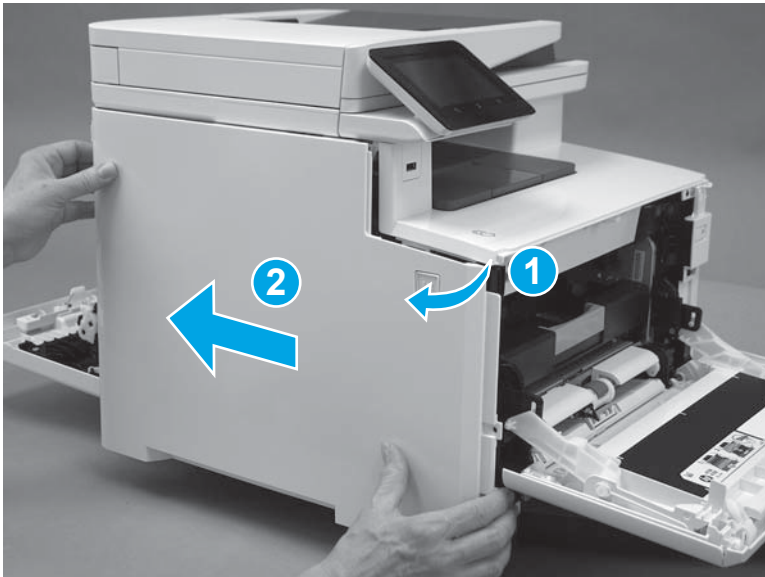
8. Lower the scanner.

Figure 1-1229 Lower the scanner




9. Rotate the cover away from the printer (callout 1), and then slide the cover (callout 2) toward the back of the printer to remove it.

Figure 1-1230 Remove the left cover

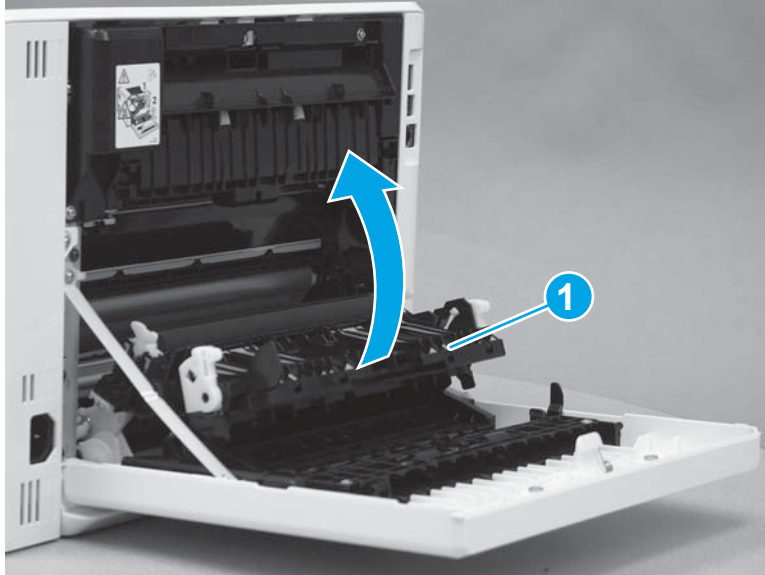


#### Step 8: Remove the duplexer door assembly (duplex models)

 **NOTE:** This step is for duplex models. For simplex models, skip this step and go to [Step 9: Remove the rear door \(simplex models\) on page 694](#).

1. Rotate the secondary transfer assembly (callout 1) toward the printer to close it.

Figure 1-1231 Close the secondary transfer assembly



2. At the back of the printer, remove two screws (callout 1), and then remove one screw (callout 2) that holds the retention arm.


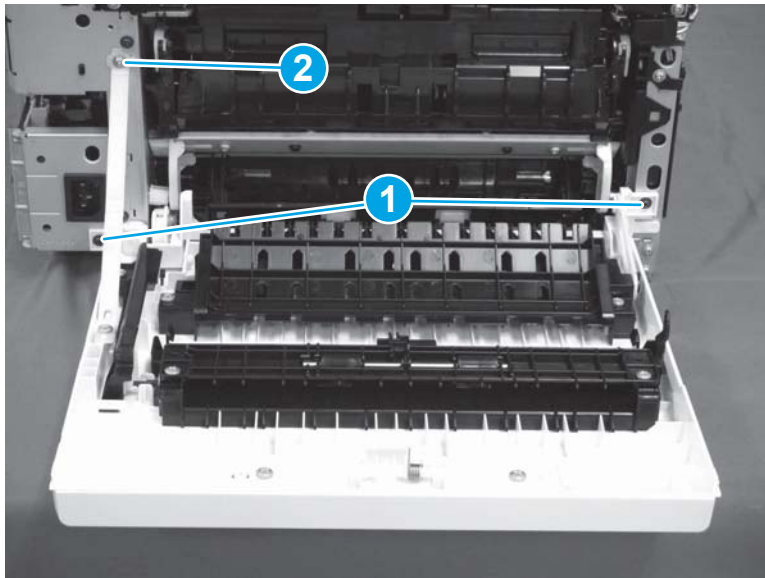
 **Reinstallation tip:** Note that the screw (callout 2) that holds the retention arm is longer than the other two. Make sure this screw is installed in the correct position.

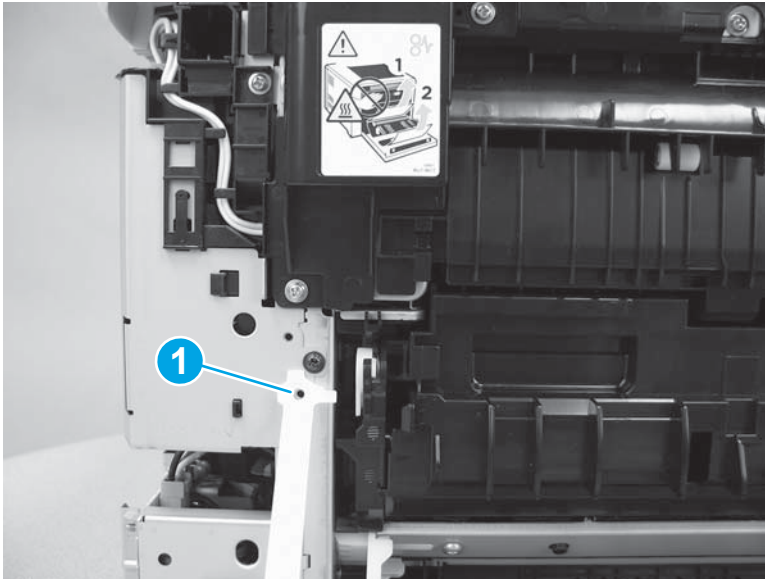
Figure 1-1232 Remove three screws





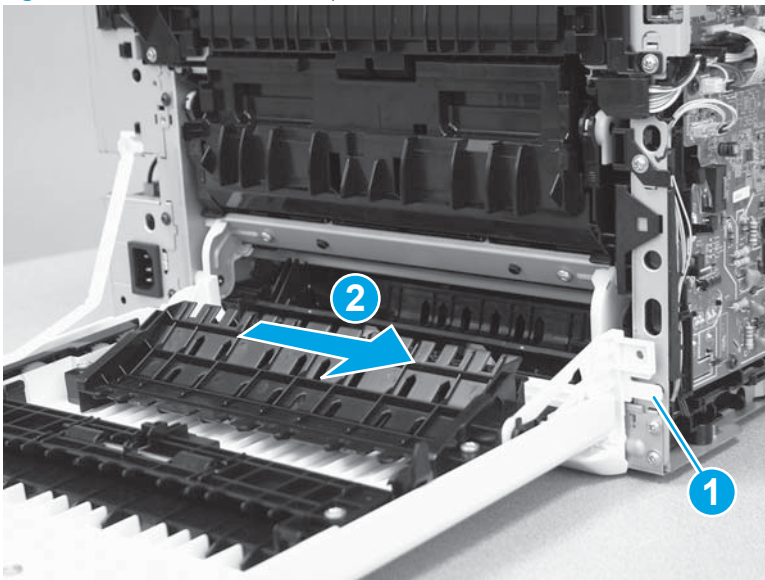
3. Release the retention arm (callout 1).

Figure 1-1233 Release the retention arm




4. Release one tab (callout 1), and then slide the duplexer door (callout 2) to the right to remove it.

Figure 1-1234 Remove the duplexer door



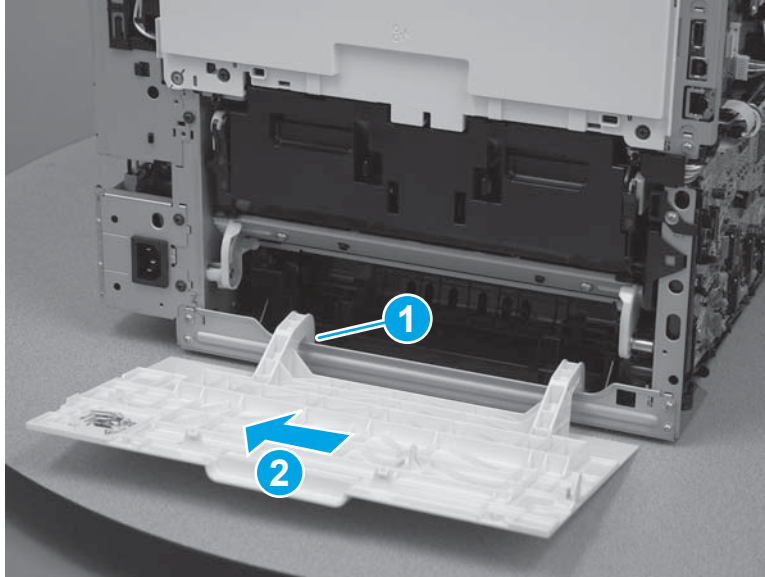
### Step 9: Remove the rear door (simplex models)

 **NOTE:** This step is for simplex models. For duplex models, skip this step and go to [Step 10: Remove the engine controller PCA on page 695](#).

- ▲ Slightly flex one hinge arm (callout 1) to release a hinge pin, and then slide the rear door to the left (callout 2) to remove it.



Figure 1-1235 Remove the rear door



#### Step 10: Remove the engine controller PCA

1. **Duplex printers only:** Before disconnecting the connectors in the next step, make note of the position of two of the cables (callout 1).


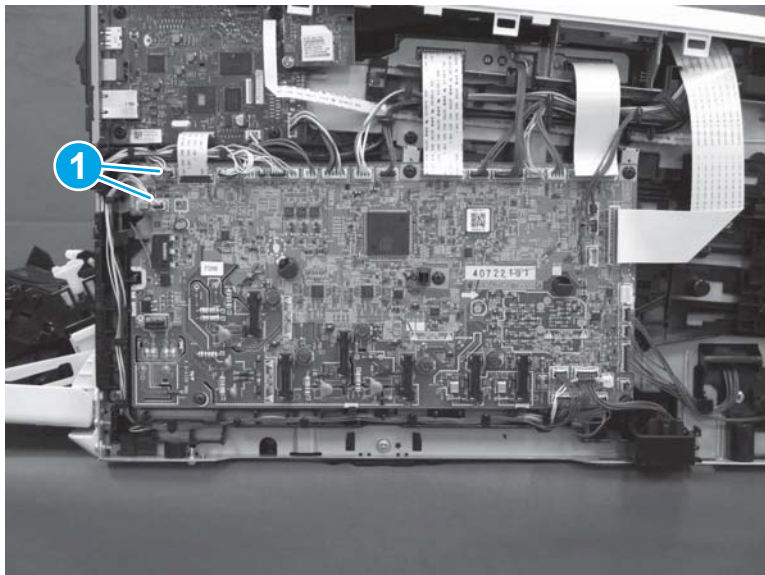
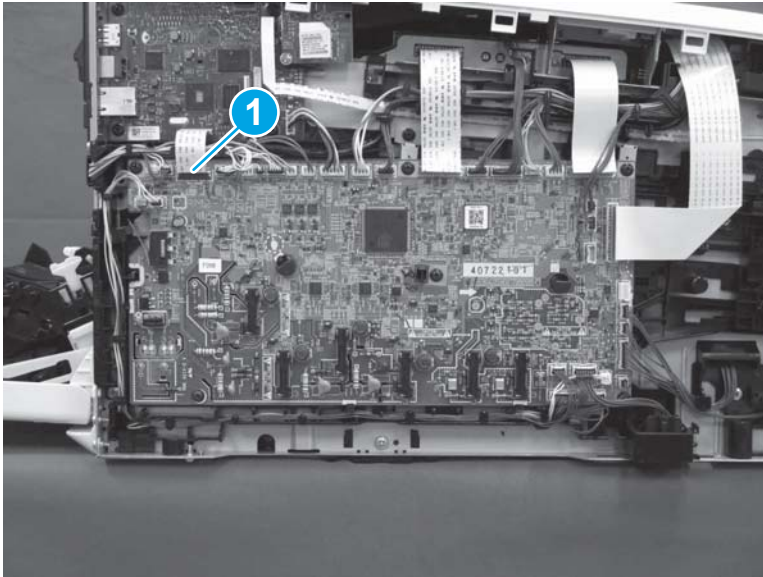
 **IMPORTANT:** These cables can be inadvertently switched when reinstalling. The connectors on the cables will fit in either connector on the engine controller PCA. Make sure that these cables are installed in the correct connectors. If the cables are switched, the printer will experience a repeatable jam when printing duplex jobs. Upper cable is purple in color while the lower one is yellow.

Figure 1-1236 Check the cables



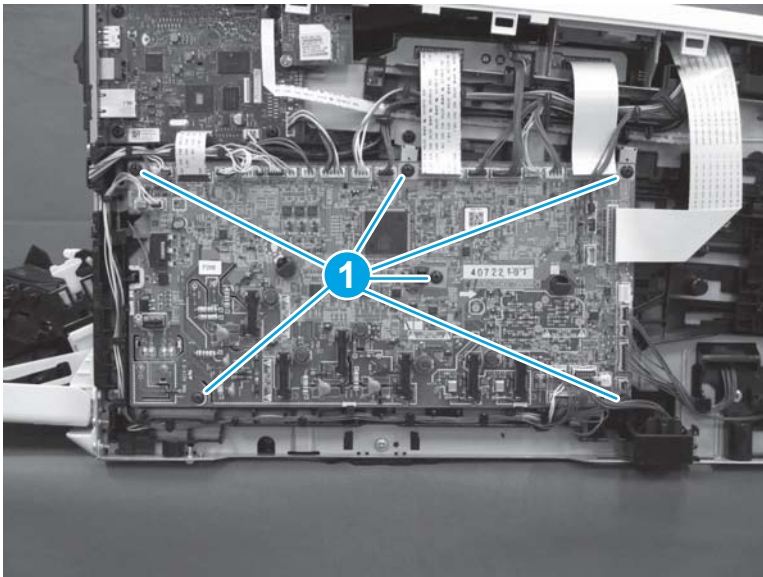
2. Disconnect all of the connectors on the engine controller PCA. Note that one connector (callout 1) is a zero-insertion force (ZIF) connector. Lift the latch on the connector before removing the flat cable.

**Figure 1-1237** Disconnect all of the connectors



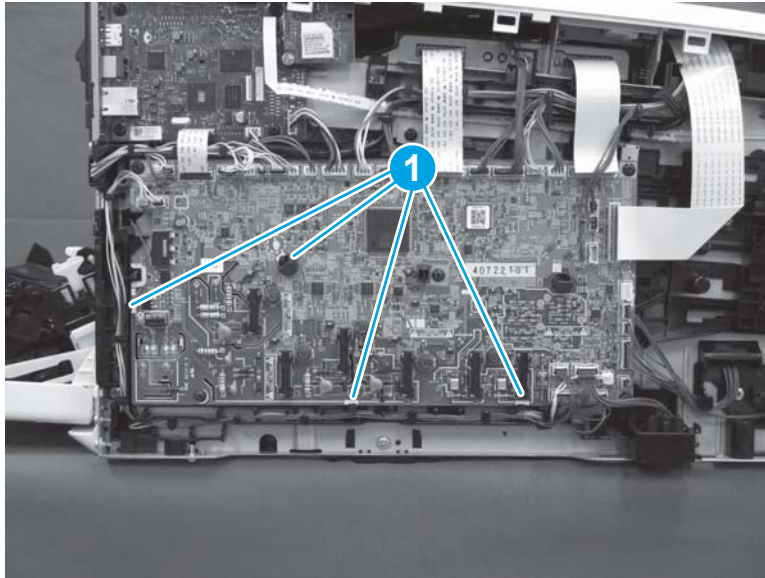
3. Remove six screws (callout 1).

**Figure 1-1238** Remove six screws



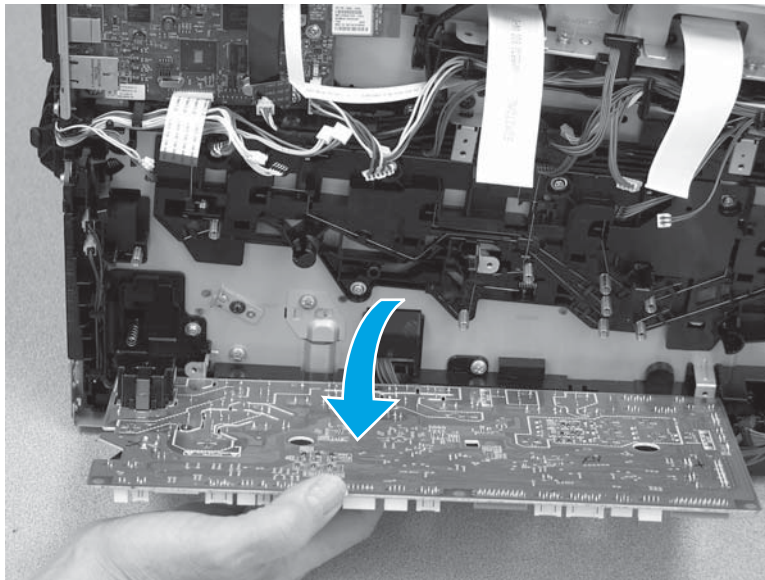
4. Release four tabs (callout 1).

Figure 1-1239 Release four tabs



5. Remove the engine controller PCA.

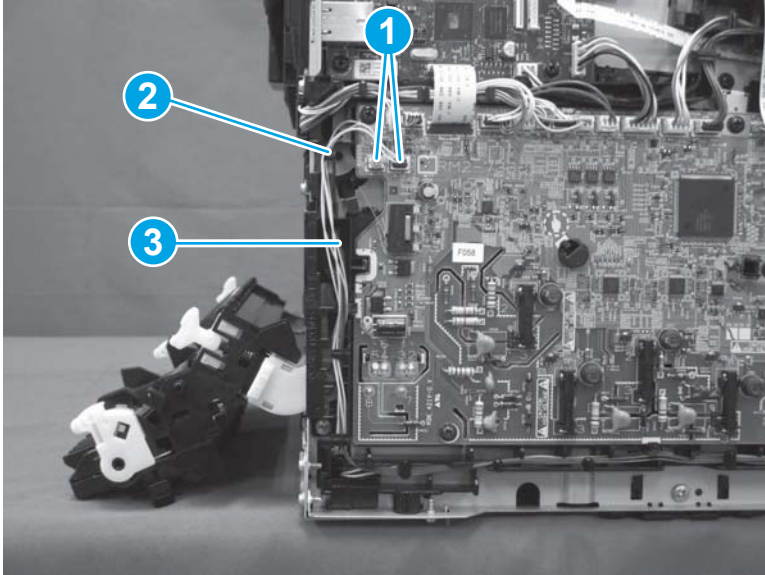
Figure 1-1240 Remove the engine controller PCA



### Step 11: Remove the re-pickup assembly (duplex models)

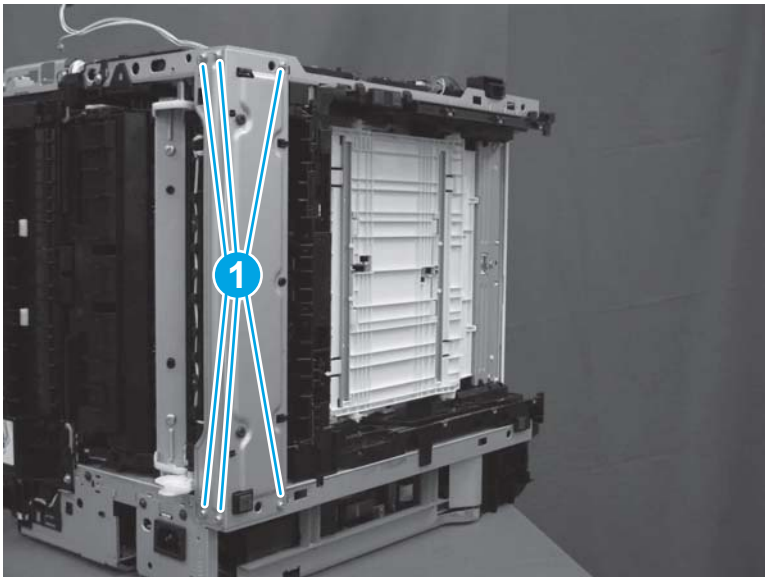
1. On the left side of the printer, disconnect two connectors (callout 1), and then remove the cables (callout 2) from the guides (callout 3).

Figure 1-1241 Disconnect two connectors and remove cables from guides



2. Lay the printer on the right side so that the left side is facing up. Remove six screws (callout 1).

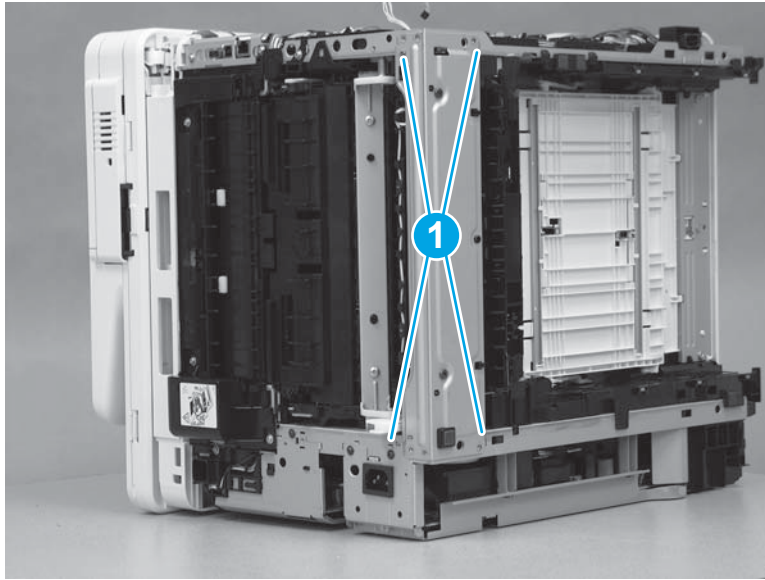
Figure 1-1242 Remove six screws





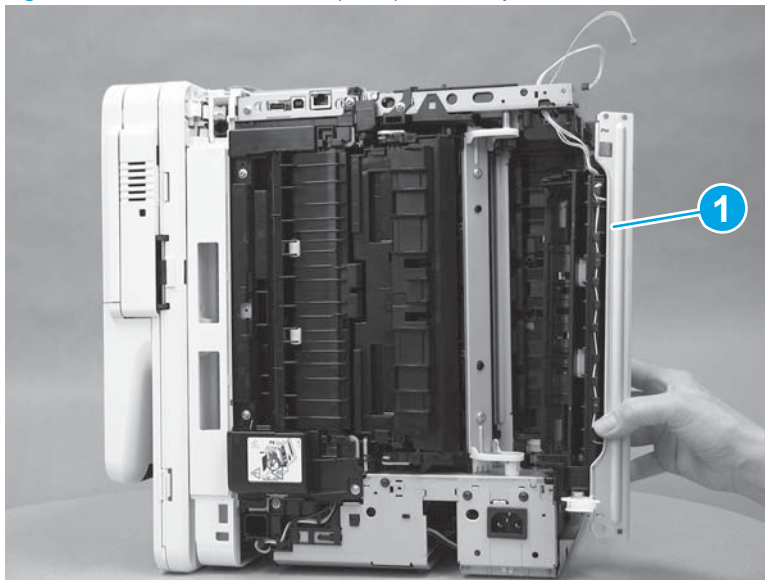
3. Release four tabs (callout 1).

Figure 1-1243 Release four tabs



4. Remove the re-pickup assembly (callout 1).

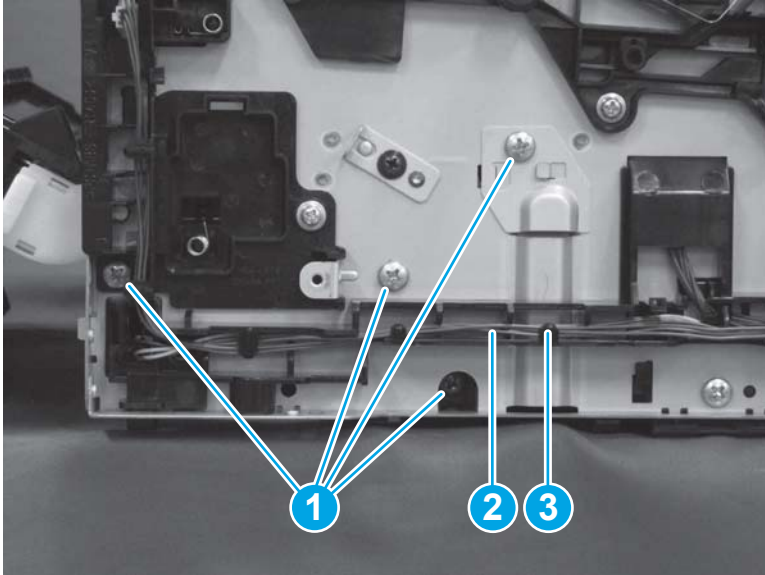
Figure 1-1244 Remove the re-pickup assembly



### Step 12: Remove the lifter drive assembly

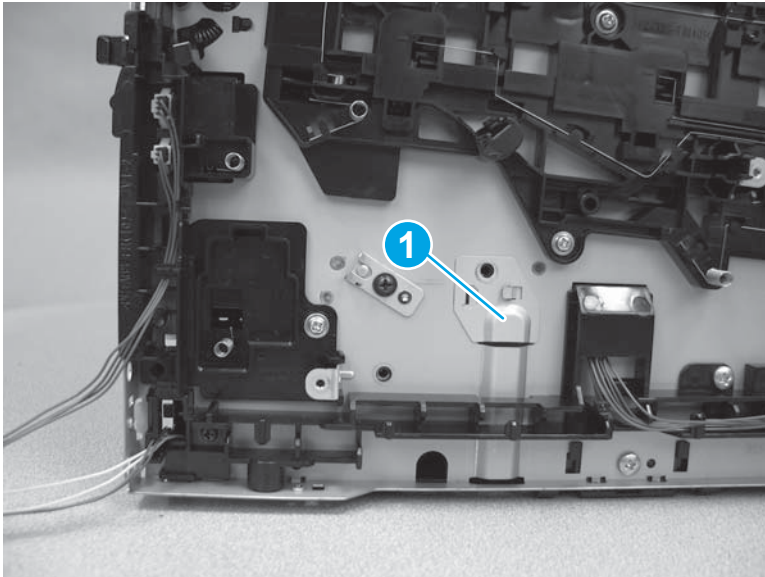
1. Remove four screws (callout 1), and then release the cables (callout 2) from the guides (callout 3).

Figure 1-1245 Remove four screws and release cables



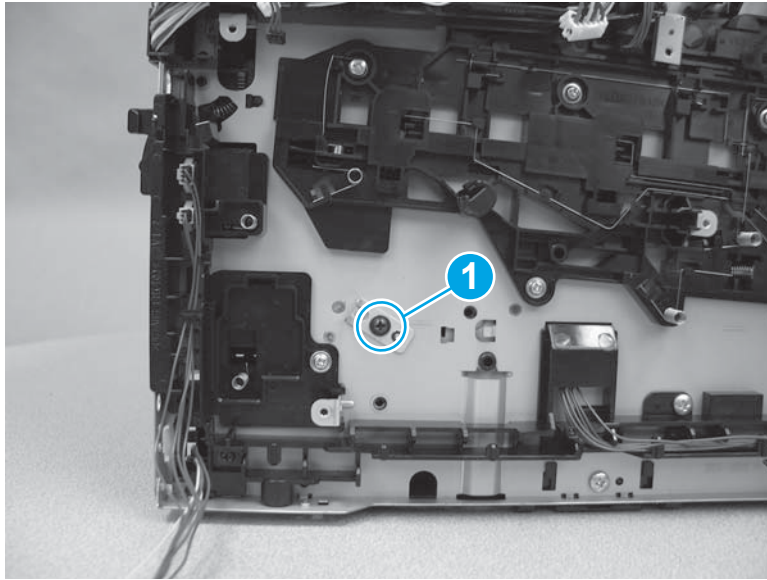
2. Remove one cover (callout 1).

Figure 1-1246 Remove one cover



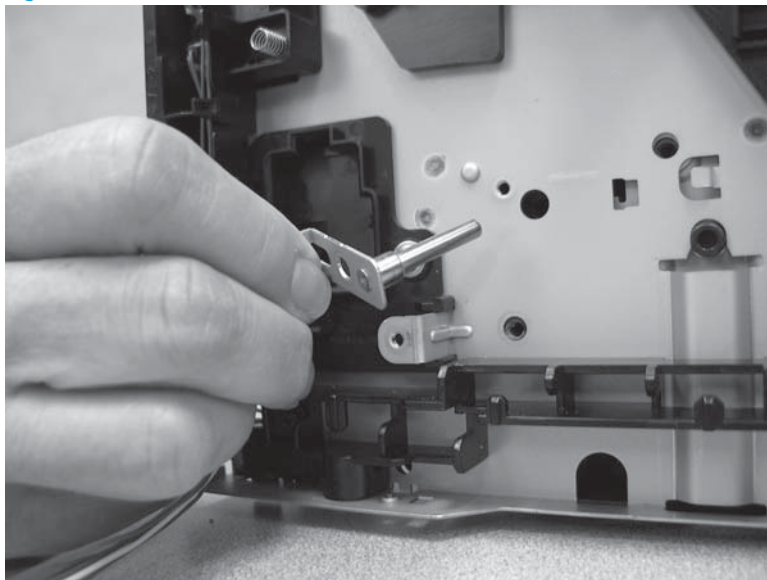
3. Remove one screw (callout 1).

Figure 1-1247 Remove one screw



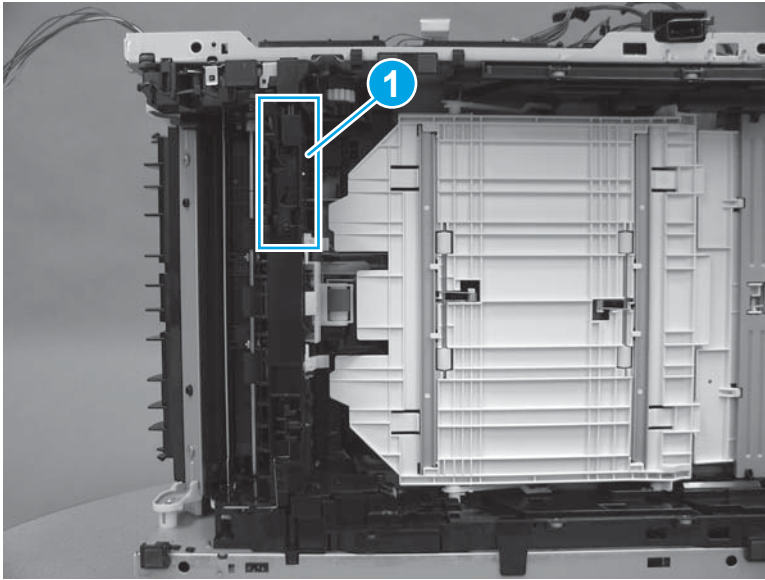
4. Remove the shaft.

Figure 1-1248 Remove the shaft



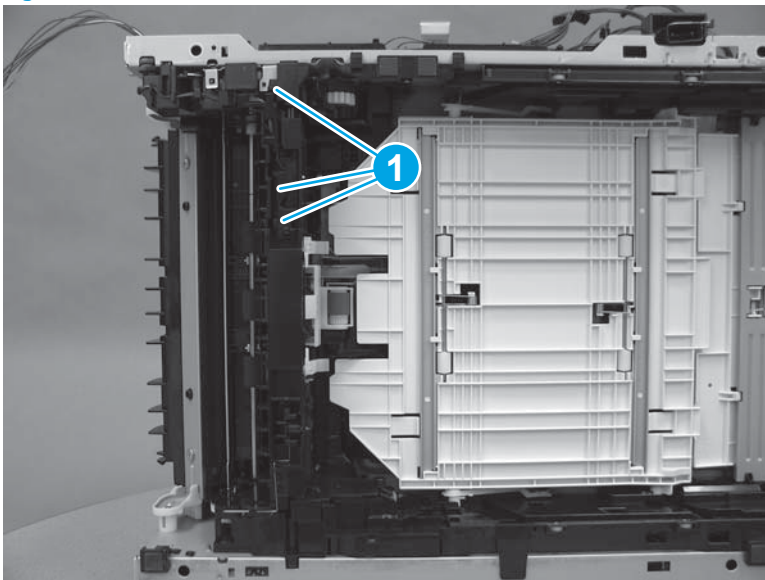
5. Lay the printer on the right side so that the left side is facing up. Locate the tray sensor switch (callout 1).

Figure 1-1249 Locate the tray sensor switch



6. Release three tabs (callout 1).

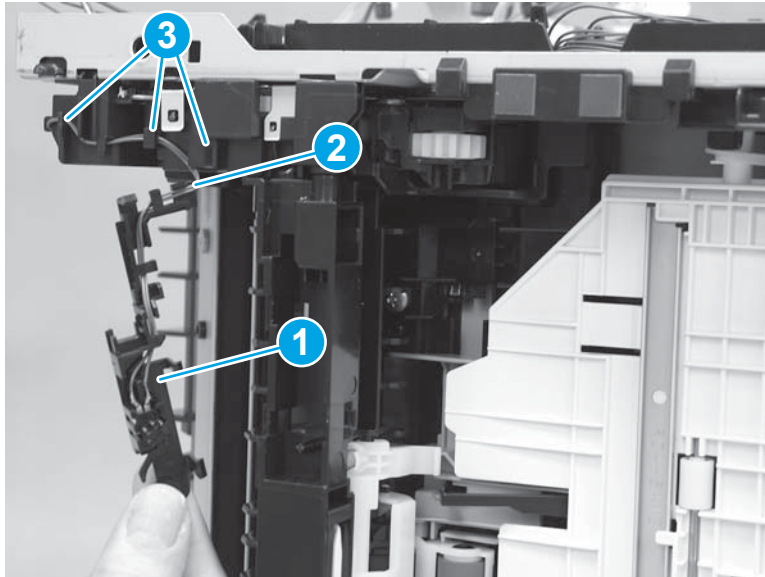
Figure 1-1250 Release three tabs





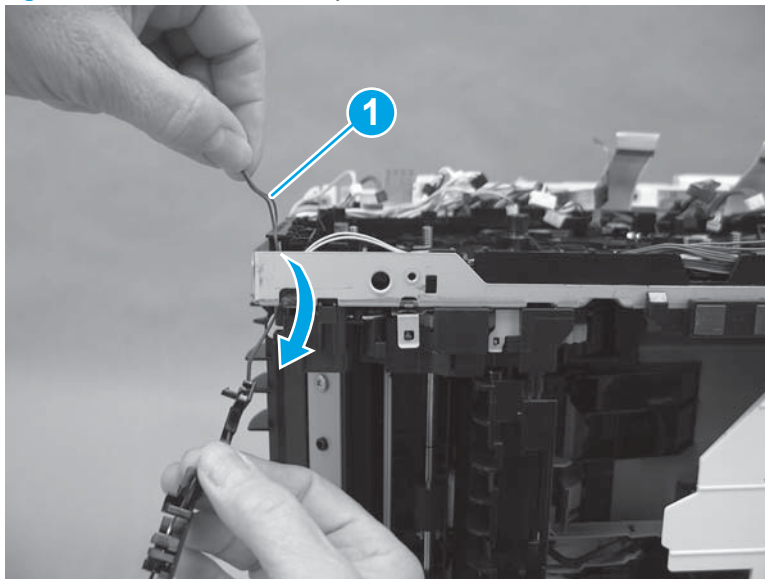
7. Release the tray sensor switch (callout 1), and then remove the cables (callout 2) from the guides (callout 3).

Figure 1-1251 Release the tray sensor switch



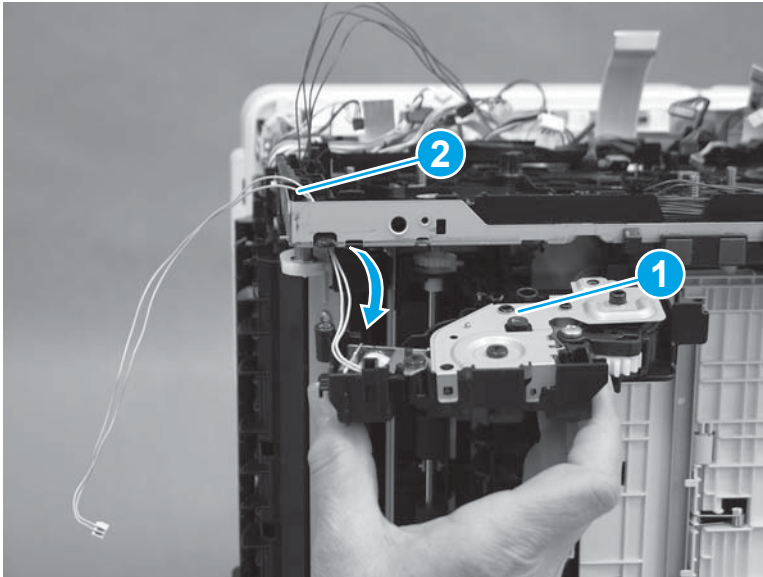
8. Remove the tray sensor switch by releasing the cables (callout 1) through the printer frame.

Figure 1-1252 Remove the tray sensor switch



9. Remove the lifter drive assembly (callout 1), and then release the cables (callout 2) through the printer frame.

Figure 1-1253 Remove the lifter drive assembly



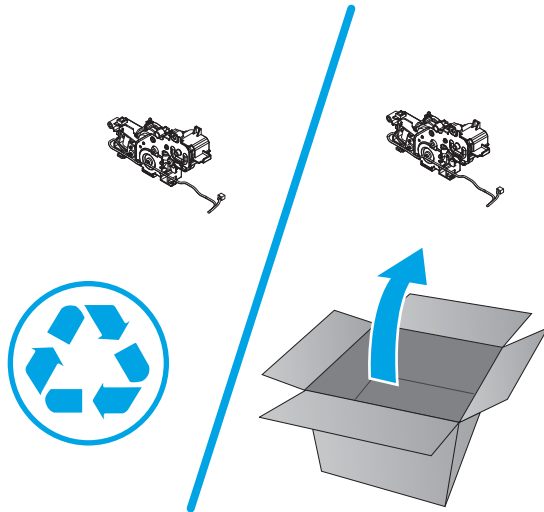
### Step 13: Unpack the replacement part

Remove the new part from its package. Save all packaging for recycling the used part.

For complete information on HP's recycling programs, go to [Product return and recycling](#).

 **NOTE:** HP recommends responsible disposal of the defective part.

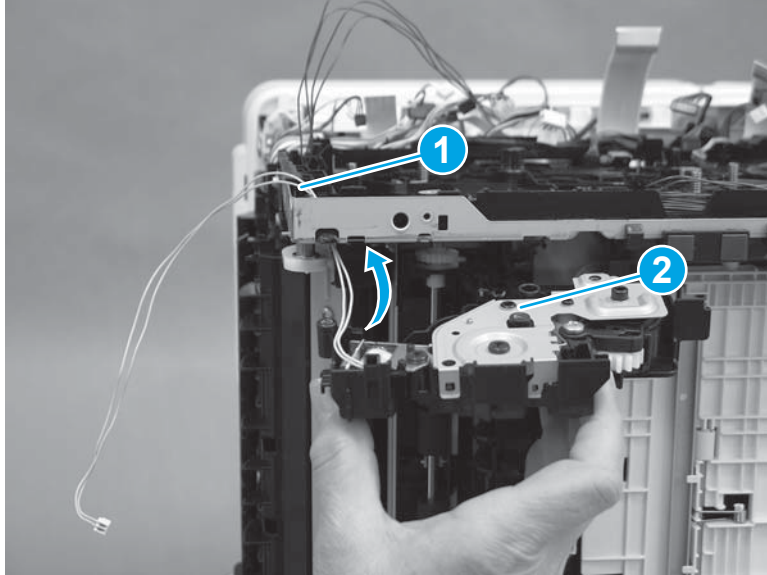
Figure 1-1254 Recycle and unpack



### Step 14: Install the lifter drive assembly

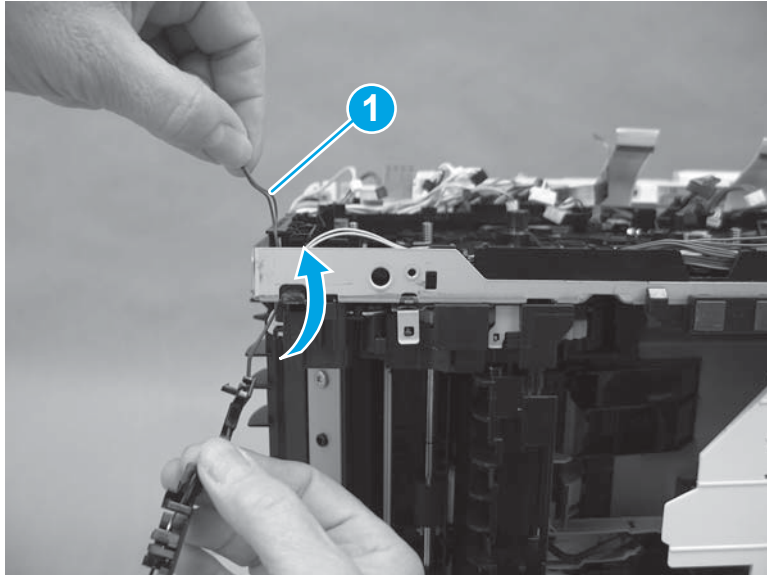
1. Install the cables (callout 1) on the lifter drive assembly up through the printer frame, and then install the lifter drive assembly (callout 2).

Figure 1-1255 Install the lifter drive assembly



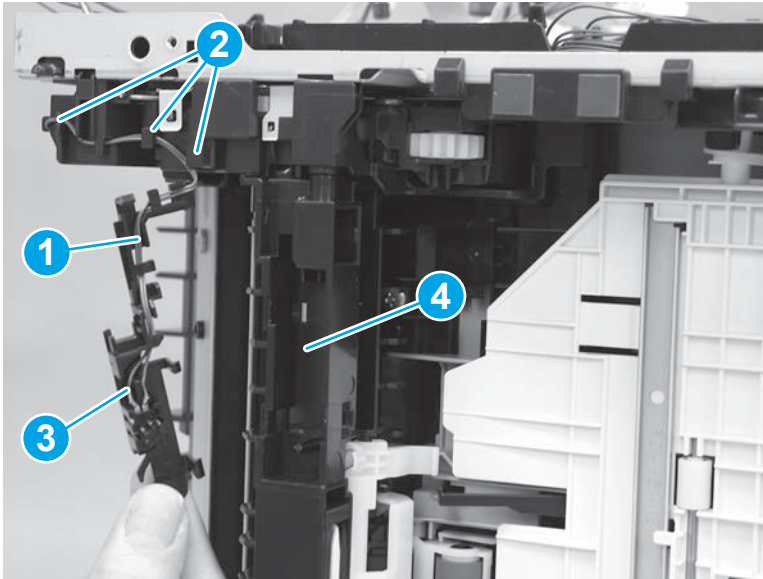
2. Install the cables (callout 1) on the tray sensor switch up through the printer frame.

Figure 1-1256 Install the tray sensor switch cable




3. Install the cables (callout 1) in the cable guide (callout 2), and then install the tray sensor switch (callout 3) on the lifter drive assembly (callout 4).

Figure 1-1257 Install the tray sensor switch



4. To install an assembly, reverse the removal steps.

---

 **NOTE:** When applicable, special installation instructions are provided for an assembly at the end of the removal procedure. Always completely read the removal instructions and follow all special installation instructions.

---

## Removal and replacement: Pickup assembly

- [Introduction](#)
- [Step 1: Remove Tray 2](#)
- [Step 2: Remove the toner cartridges](#)
- [Step 3: Open the rear door or duplexer door](#)
- [Step 4: Remove the right cover \(M454 models\)](#)
- [Step 5: Remove the right cover \(M479 models\)](#)
- [Step 6: Remove the left cover \(M454 models\)](#)
- [Step 7: Remove the left cover \(M479 models\)](#)
- [Step 8: Remove the duplexer door assembly \(duplex models\)](#)
- [Step 9: Remove the rear door \(simplex models\)](#)
- [Step 10: Remove the engine controller PCA](#)
- [Step 11: Remove the driver PCA](#)
- [Step 12: Remove the low-voltage power supply](#)
- [Step 13: Remove the pickup motor](#)
- [Step 14: Remove the re-pickup assembly \(duplex models\)](#)
- [Step 15: Remove the lifter drive assembly](#)
- [Step 16: Remove the pickup assembly](#)
- [Step 17: Unpack the replacement part](#)
- [Step 18: Install the pickup assembly](#)

### Introduction


This document provides the procedures to remove and replace the pickup assembly.

[Click here to view a video of this procedure.](#)

### Before you begin

- Turn off the printer.
- Disconnect the power cable.

---

 **WARNING!** To avoid damage to the printer, turn the printer off, wait 30 seconds, and then remove the power cord before attempting to service the printer.

---

- Use the table below to identify the correct part number for your printer. To order the part, go to [www.hp.com/buy/parts](http://www.hp.com/buy/parts).

---

Pickup assembly part number

---

RM2-6372-000CN

Pickup assembly

---

### Required tools

- #2 Phillips screwdriver with a magnetic tip
- Small flat-blade screwdriver

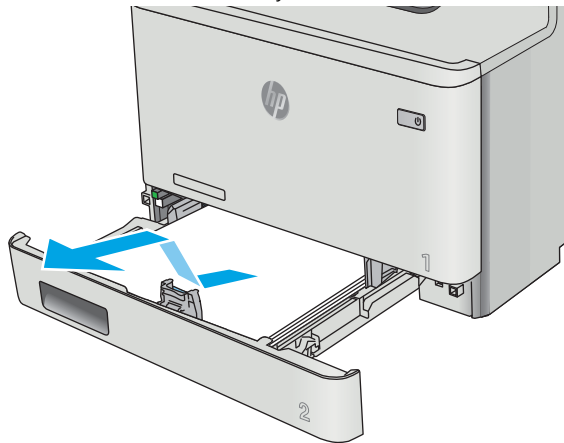
### After performing service

- Connect the power cable.
- Use the power switch to turn the power on.

### Step 1: Remove Tray 2

- ▲ Pull the tray out until it stops. Lift the front of the tray, and then pull it out of the printer to remove it.

Figure 1-1258 Remove the tray



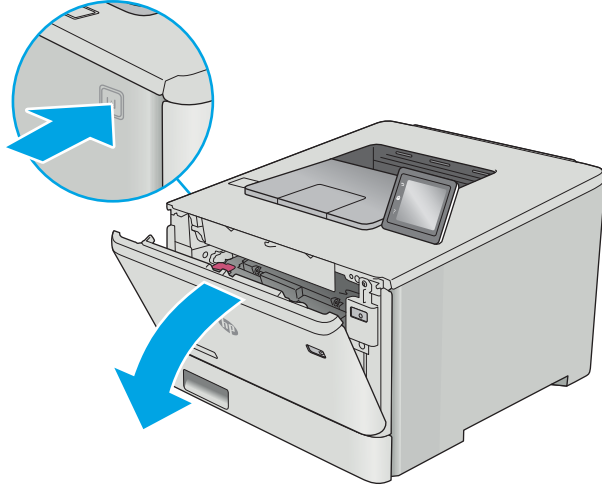
### Step 2: Remove the toner cartridges



**NOTE:** The M454 model is pictured in the figures in this section. The procedure is the same for the M479 models.

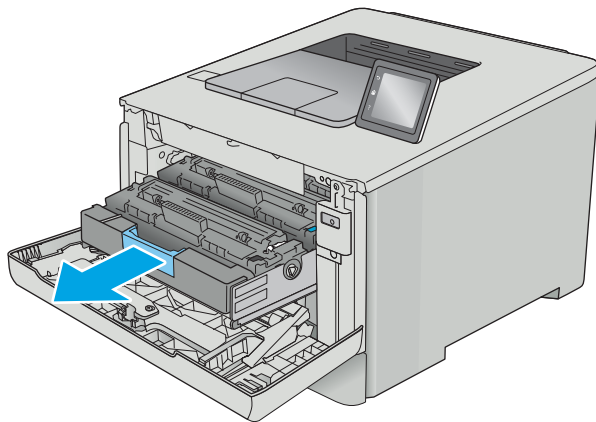
1. Open the front door by pressing the button on the left cover.

Figure 1-1259 Open the front door



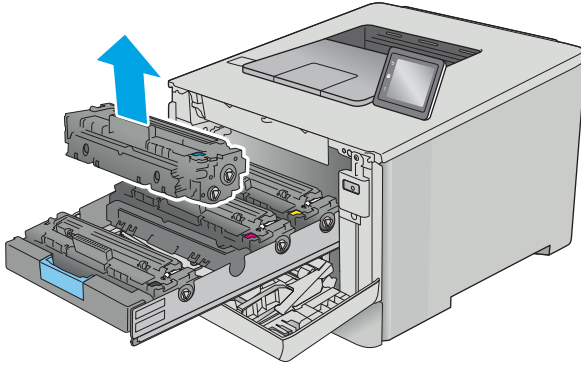
2. Grasp the blue handle on the toner cartridge tray, and then pull out the tray.

Figure 1-1260 Open the cartridge drawer



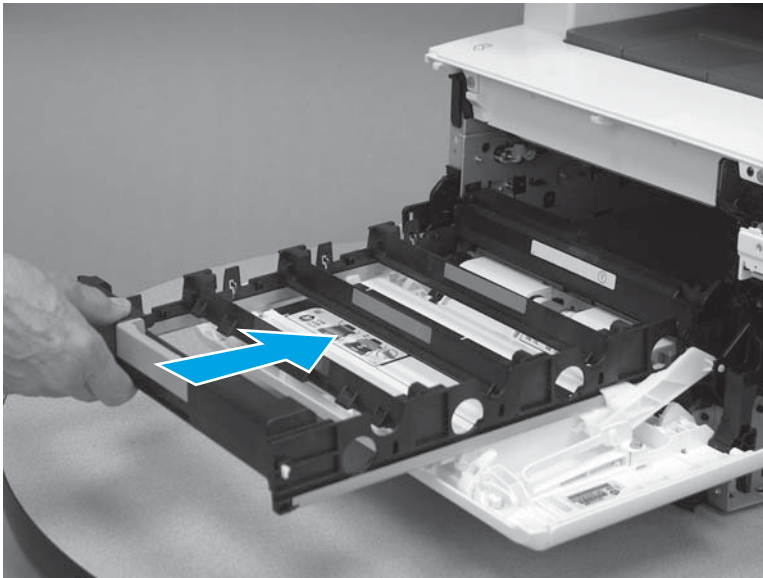
3. Grasp the handle on the toner cartridge, and then pull the toner cartridge straight up to remove it. Repeat this step for each toner cartridge.

Figure 1-1261 Remove the toner cartridge



4. Slide the cartridge tray into the printer.

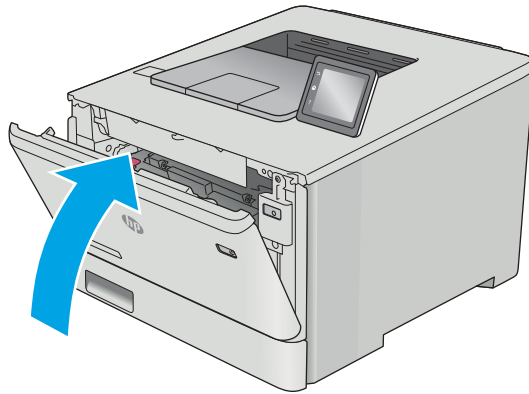
Figure 1-1262 Slide the cartridge tray in





5. Close the front door.

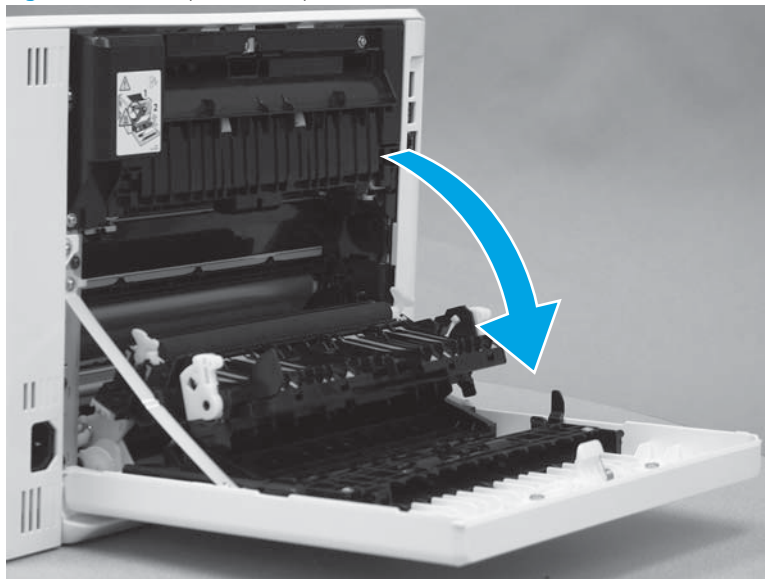
Figure 1-1263 Close the front door



### Step 3: Open the rear door or duplexer door

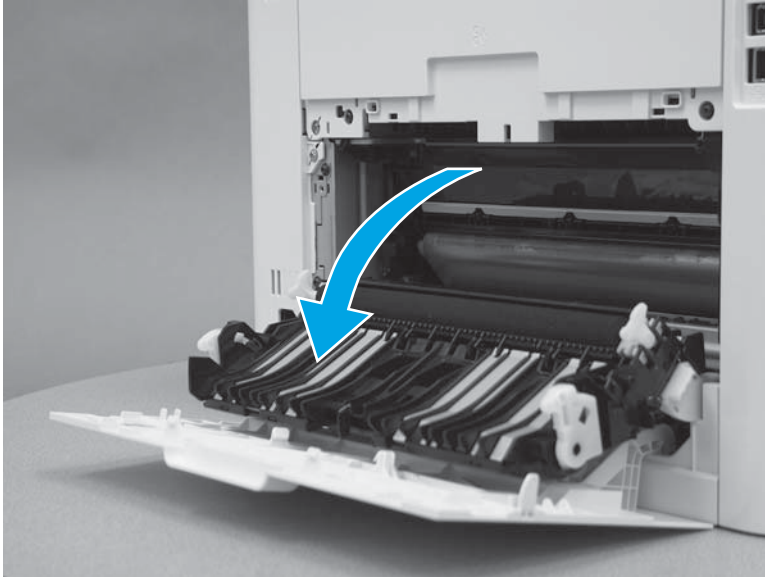
1. **Duplex models:** Open the duplexer door.

Figure 1-1264 Open the duplexer door




2. **Simplex models:** Open the rear door.

**Figure 1-1265** Open the rear door



#### Step 4: Remove the right cover (M454 models)

 **NOTE:** This step is for the M454 models. For the M479 models, skip this step and go to [Step 5: Remove the right cover \(M479 models\) on page 716](#).

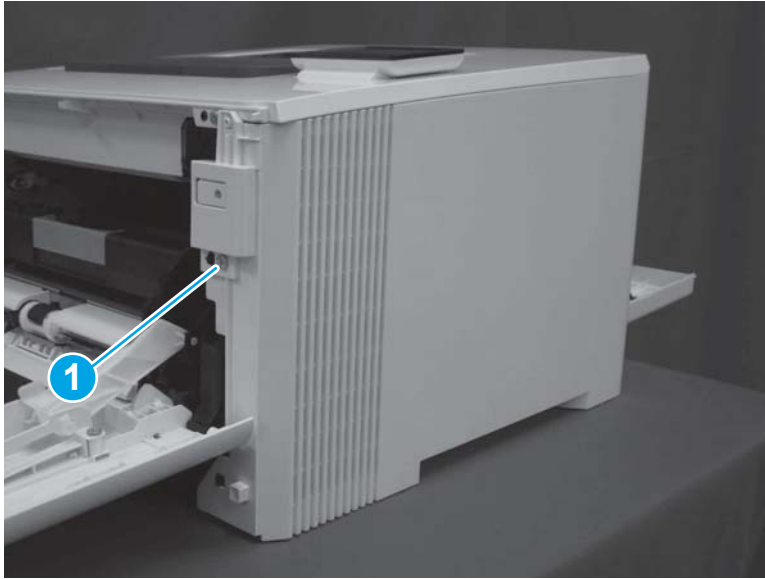
1. At the back of the printer, remove one screw (callout 1).

**Figure 1-1266** Remove one screw



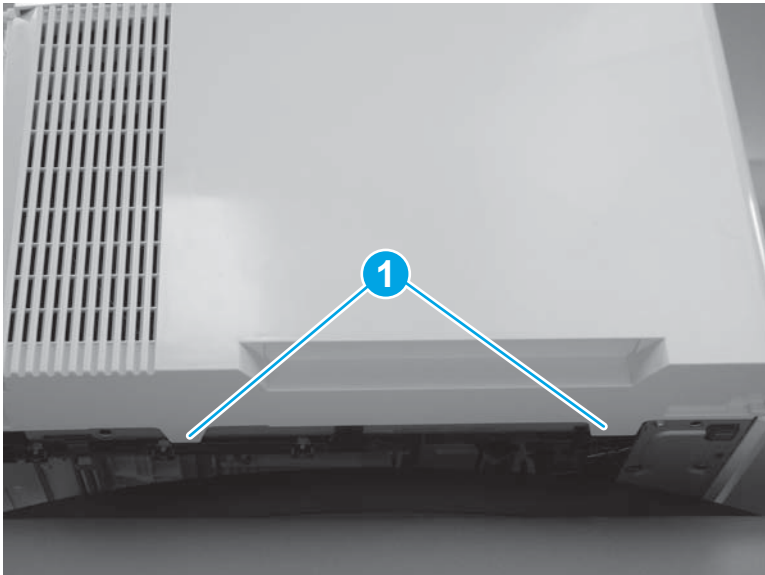
2. At the front of the printer, remove one screw (callout 1).

Figure 1-1267 Remove one screw



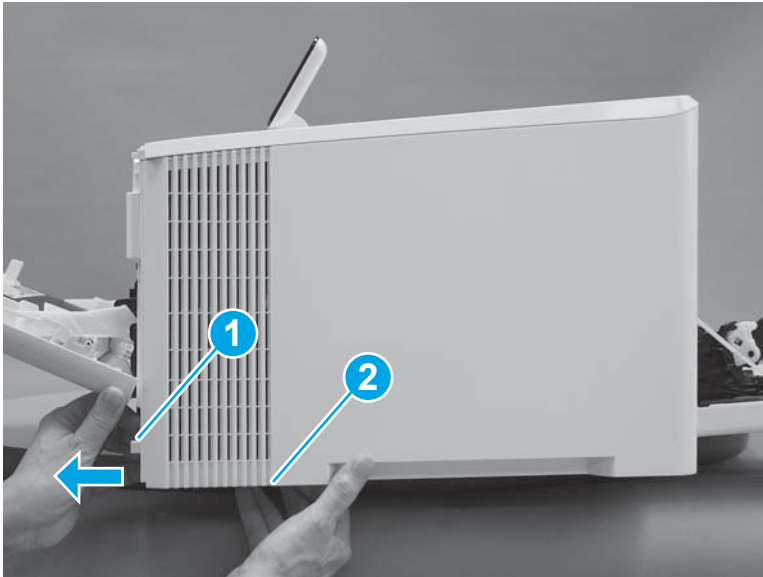
3. Slide the printer to the edge of a work surface. Note the location of the tabs on the lower edge of the cover (callout 1).

Figure 1-1268 Locate the tabs



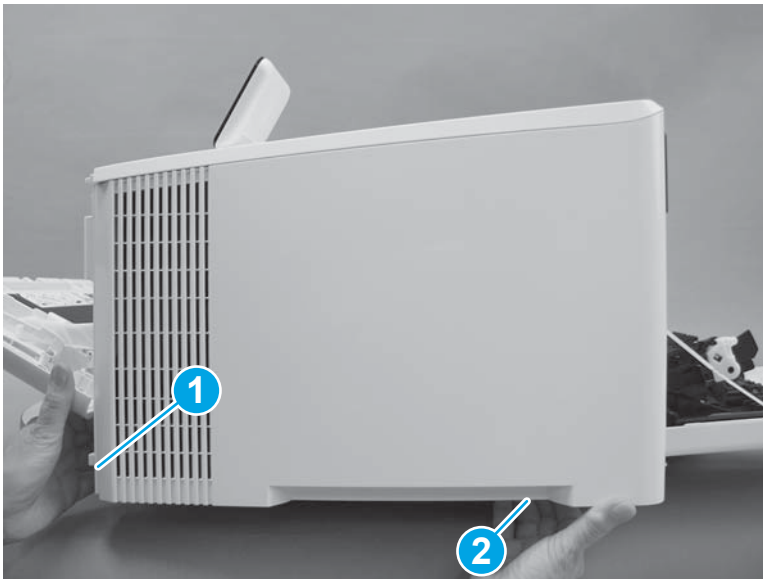
4. Release one tab (callout 1) on the front of the cover by slightly pulling the cover away from the printer. While holding the cover in the released position, release one tab (callout 2) on the bottom of the cover.

Figure 1-1269 Release front lower tabs



5. Hold the front tabs in the released position (callout 1), and then release one tab (callout 2) on the bottom of the cover, toward the back of the printer.

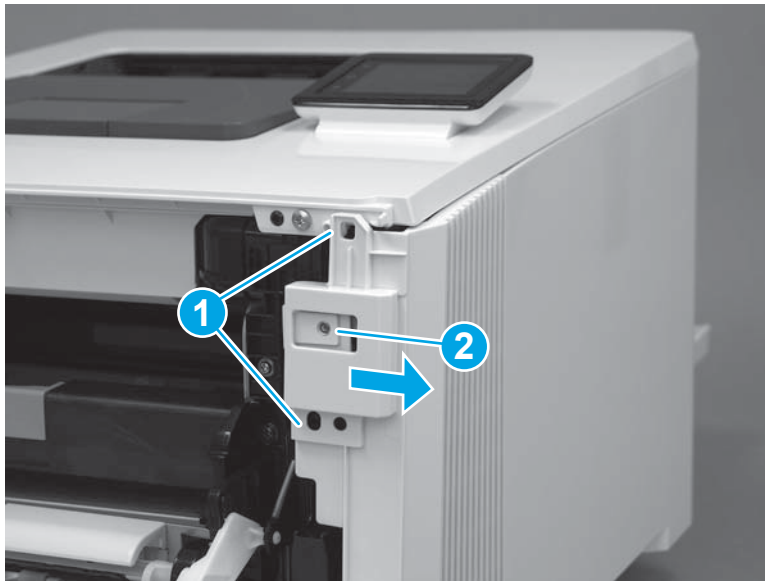
Figure 1-1270 Release lower rear tab



6. Release two tabs at the front of the printer (callout 1) by slightly pulling the cover away from the printer.

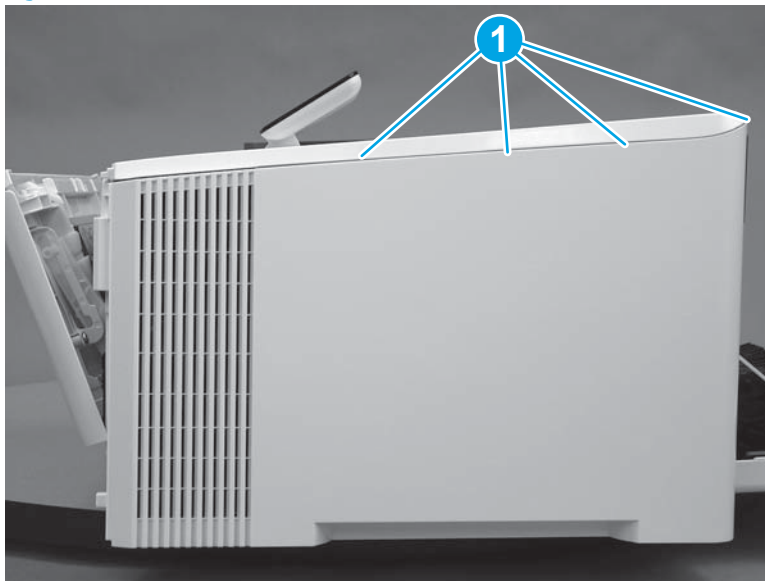
**⚠ CAUTION:** Be careful not to dislodge the power switch (callout 2).

Figure 1-1271 Release two front tabs



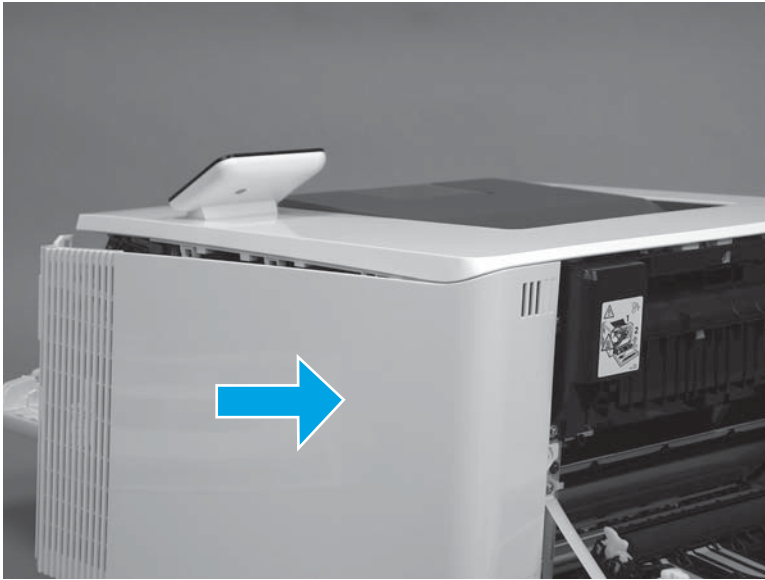
7. Release four tabs on the top of the printer (callout 1).

Figure 1-1272 Release upper tabs




8. Slide the cover toward the back of the printer to remove it.

**Figure 1-1273** Remove the right cover



#### Step 5: Remove the right cover (M479 models)

 **NOTE:** This step is for the M479 models. For the M454 models, skip this step and go to [Step 6: Remove the left cover \(M454 models\) on page 722](#).

1. Raise the scanner.

**Figure 1-1274** Raise the scanner



2. At the back of the printer, remove one screw (callout 1).

Figure 1-1275 Remove one screw



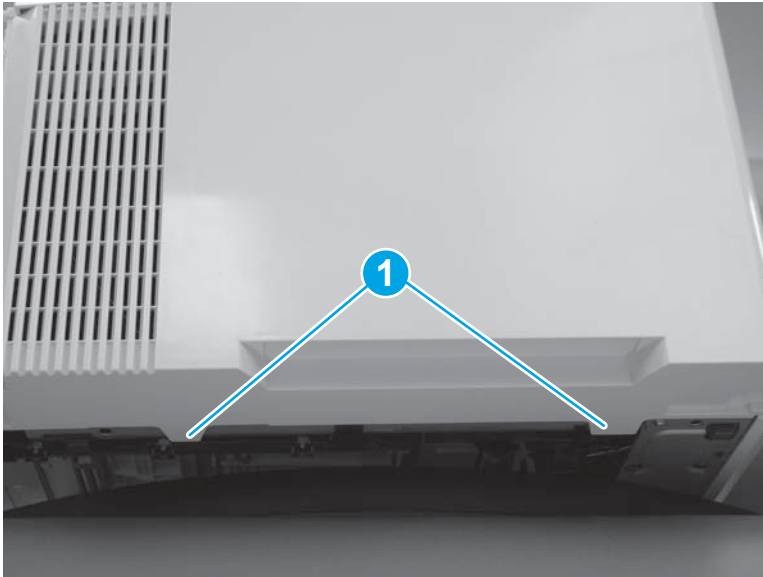
3. At the front of the printer, remove one screw (callout 1).

Figure 1-1276 Remove one screw



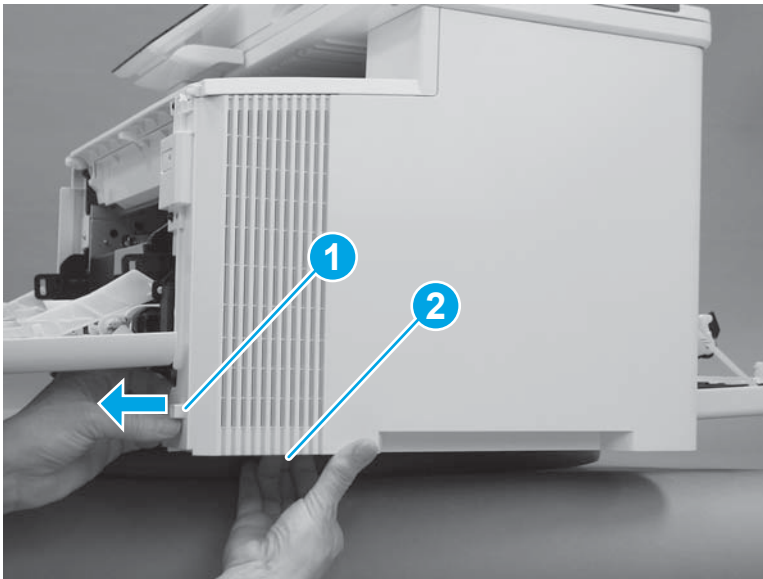
4. Slide the printer to the edge of a work surface. Note the location of the tabs on the lower edge of the cover (callout 1).

Figure 1-1277 Locate the tabs



5. Release one tab (callout 1) on the front of the cover by slightly pulling the cover away from the printer. While holding the cover in the released position, release one tab (callout 2) on the lower edge of the cover.

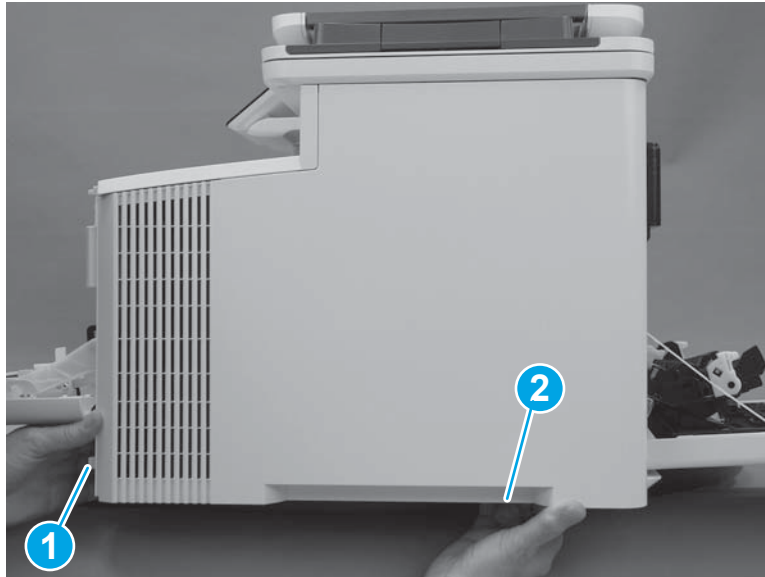
Figure 1-1278 Release front lower tabs





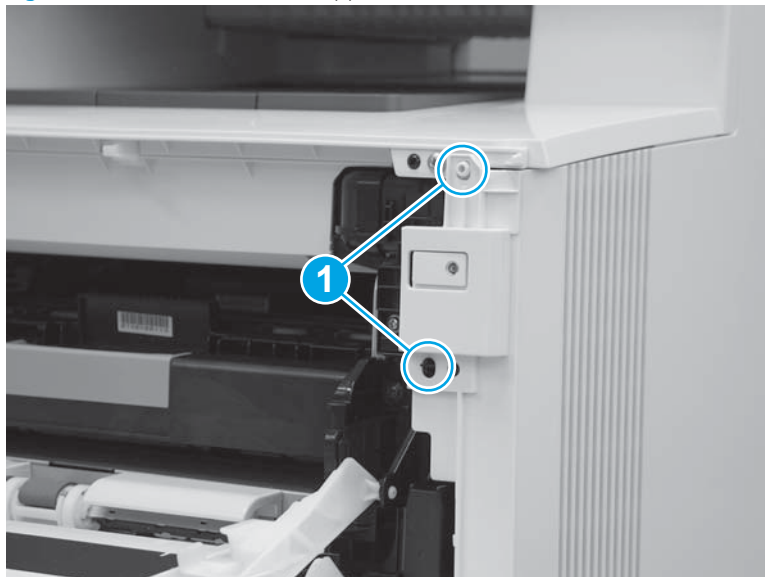
6. Hold the front tabs in the released position (callout 1), and then release one tab (callout 2) on the lower edge of the cover, toward the back of the printer.

Figure 1-1279 Release lower rear tab



7. Release two tabs at the front of the printer (callout 1) by slightly pulling the cover away from the printer.

Figure 1-1280 Release front upper tabs



8. Rotate the front of the cover away from the printer (callout 1).

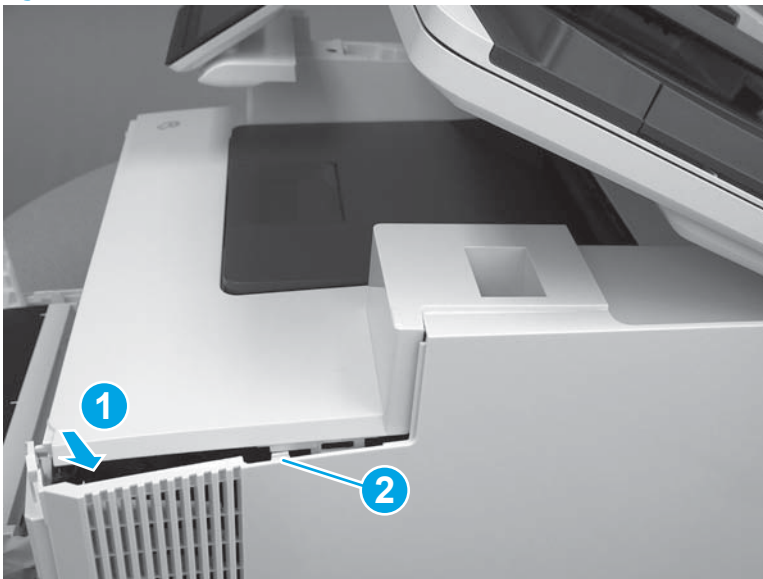
**⚠ CAUTION:** Be careful not to dislodge the power switch (callout 2).

**Figure 1-1281** Rotate the front of the cover



9. Slightly pull the front of the cover away from the printer (callout 1) to release one tab (callout 2).

**Figure 1-1282** Release top tabs



10. At the top of the printer, slightly pull the top of the cover away from the printer to release one retention tab (callout 1) on the inside of the cover. While holding the cover away, slide the cover toward the back of the printer (callout 2) to release one hook (callout 3) on the inside of the cover.

Figure 1-1283 Release one tab and one hook



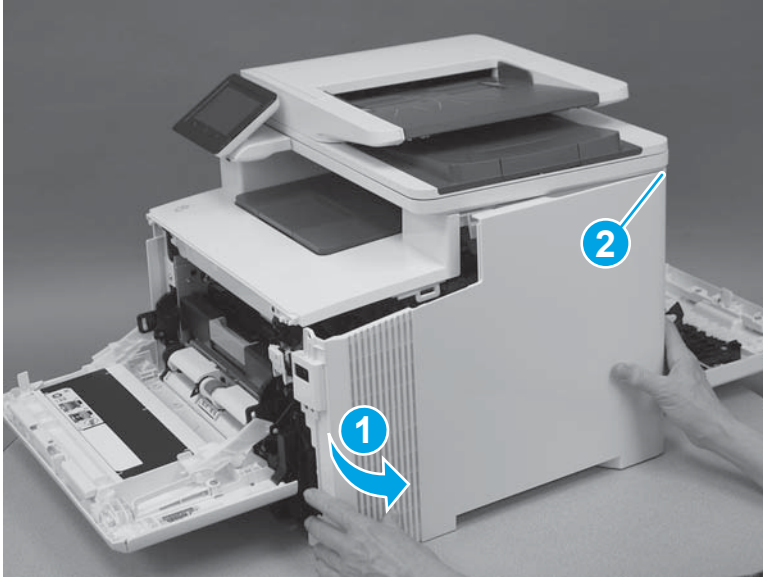
11. Lower the scanner.

Figure 1-1284 Lower the scanner




12. Rotate the cover away from the printer (callout 1) to release one tab (callout 2) at the back of the printer, and then remove the cover.

Figure 1-1285 Remove the right cover

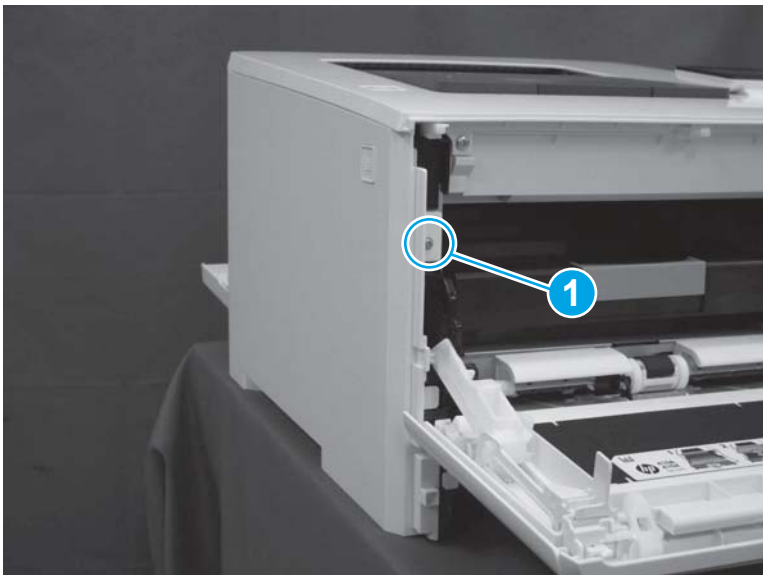


#### Step 6: Remove the left cover (M454 models)

 **NOTE:** This step is for the M454 models. For the M479 models, skip this step and go to [Step 7: Remove the left cover \(M479 models\) on page 724](#).

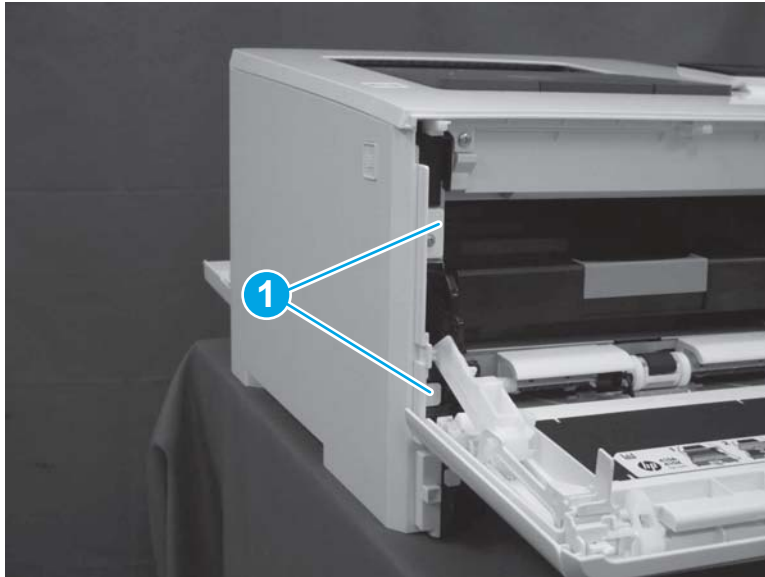
1. At the front of the printer, remove one screw (callout 1).

Figure 1-1286 Remove one screw



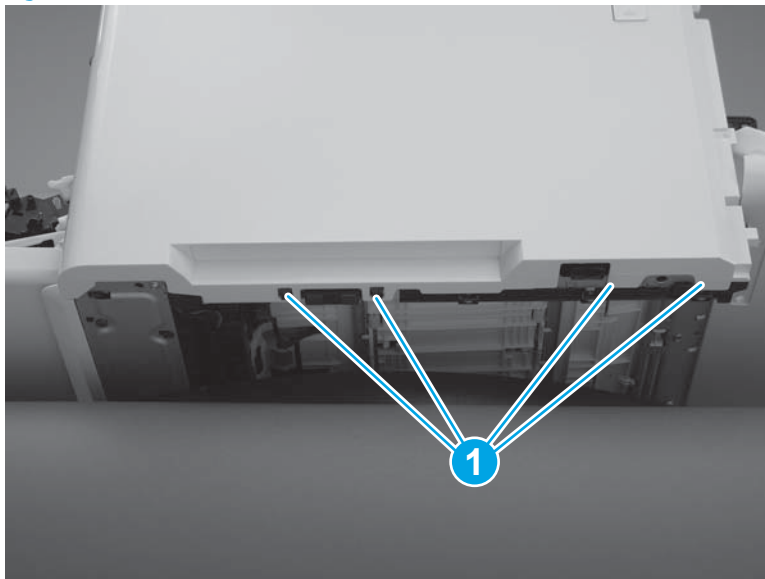
2. Release two tabs (callout 1) at the front of the cover. Hold the cover open to prevent the tabs from reengaging.

Figure 1-1287 Release two tabs



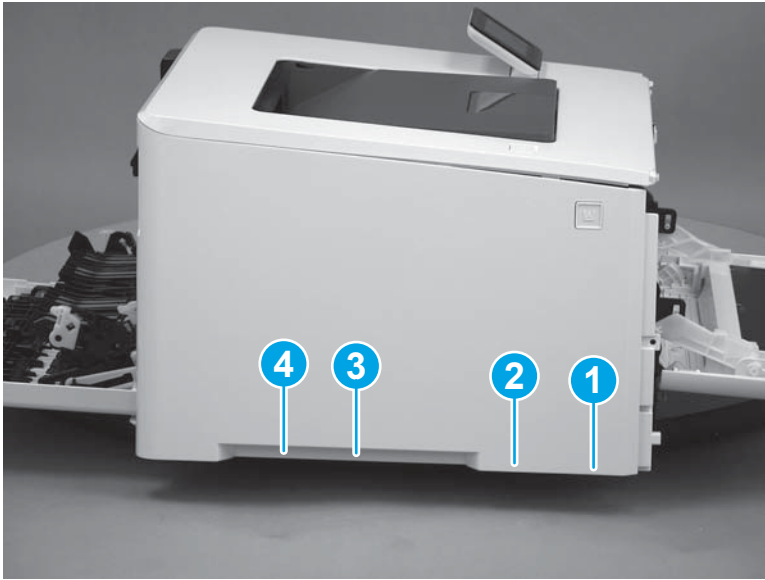
3. Slide the printer to the edge of a work surface. Note the location of the tabs on the lower edge of the cover (callout 1).

Figure 1-1288 Locate the tabs



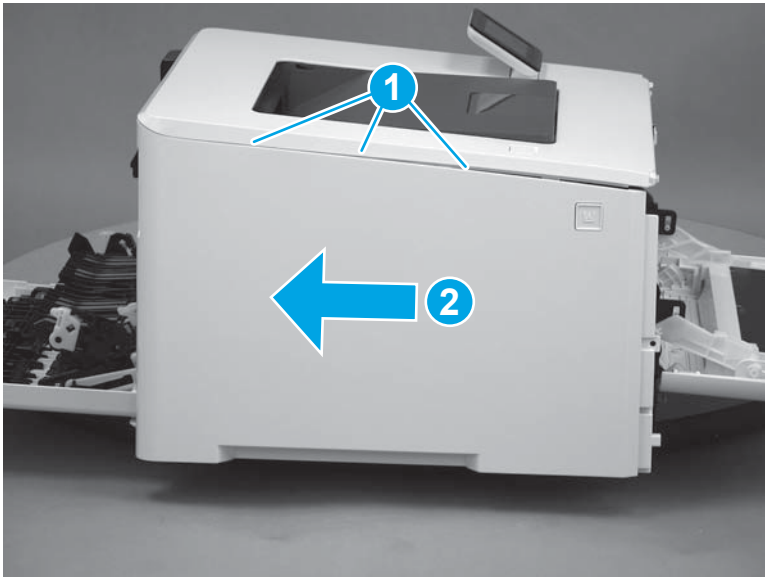
4. Beginning from the front of the cover, release four tabs (callouts 1-4) on the lower edge of the cover.

Figure 1-1289 Release bottom tabs




5. Release three tabs at the top of the cover (callout 1), and then slide the cover toward the rear of the printer to remove it.

Figure 1-1290 Release three tabs



#### Step 7: Remove the left cover (M479 models)

 **NOTE:** This step is for the M479 models. For the M454 models, skip this step and go to [Step 8: Remove the duplexer door assembly \(duplex models\) on page 729.](#)

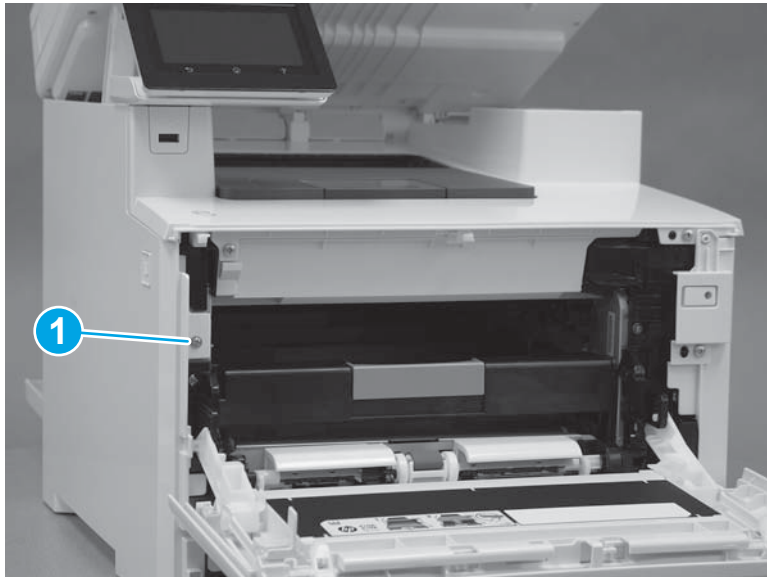
1. Raise the scanner.

Figure 1-1291 Raise the scanner



2. At the front of the printer, remove one screw (callout 1).

Figure 1-1292 Remove one screw



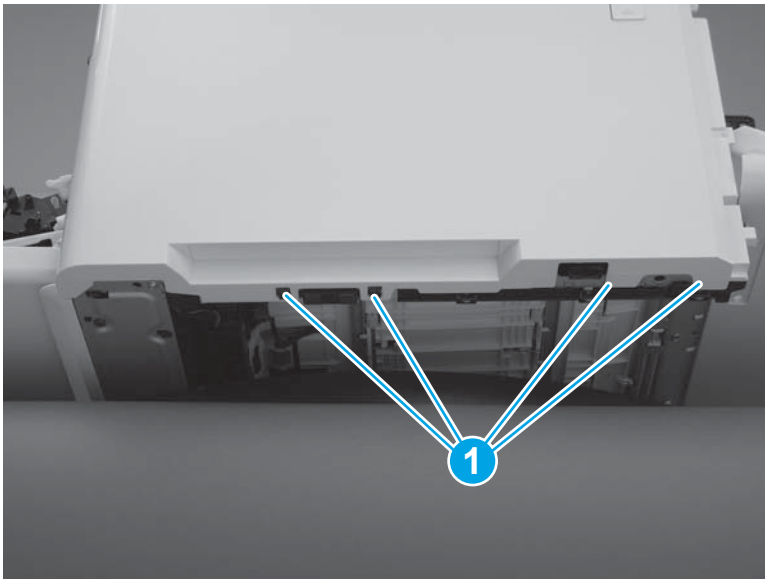
3. Release two tabs (callout 1) at the front of the cover. Hold the cover open to prevent the tabs from re-engaging.

Figure 1-1293 Release two tabs



4. Slide the printer to the edge of a work surface. Note the location of the tabs on the lower edge of the cover (callout 1).

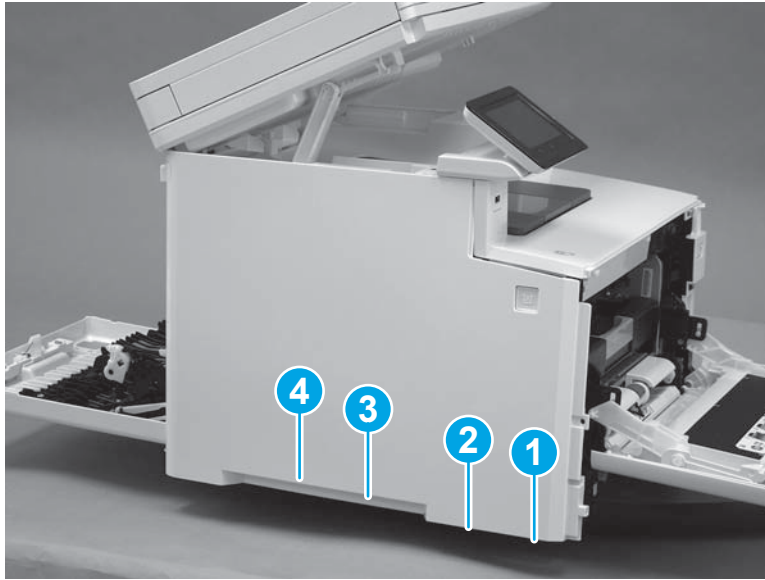
Figure 1-1294 Locate the tabs





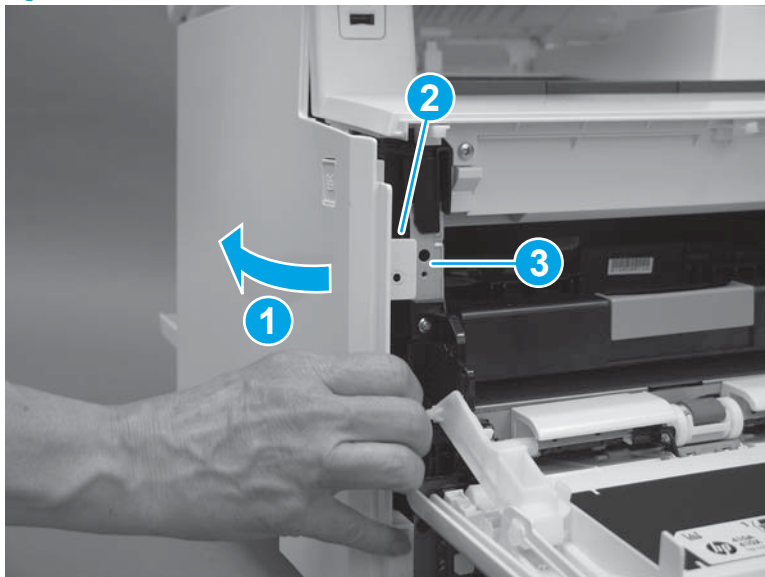
5. Beginning from the front of the cover, release the four tabs (callouts 1-4) on the lower edge of the cover.

Figure 1-1295 Release four tabs



6. Rotate the front of the cover away from the printer (callout 1). Make sure that the tab (callout 2) does not get caught on the printer frame (callout 3).

Figure 1-1296 Rotate the cover



7. At the top of the printer, slightly pull the top of the cover away from the printer to release one retention tab (callout 1) on the inside of the cover. While holding the cover away, slide the cover toward the back of the printer (callout 2) to release two hooks (callout 3) inside the cover.

Figure 1-1297 Release one tab and two hooks



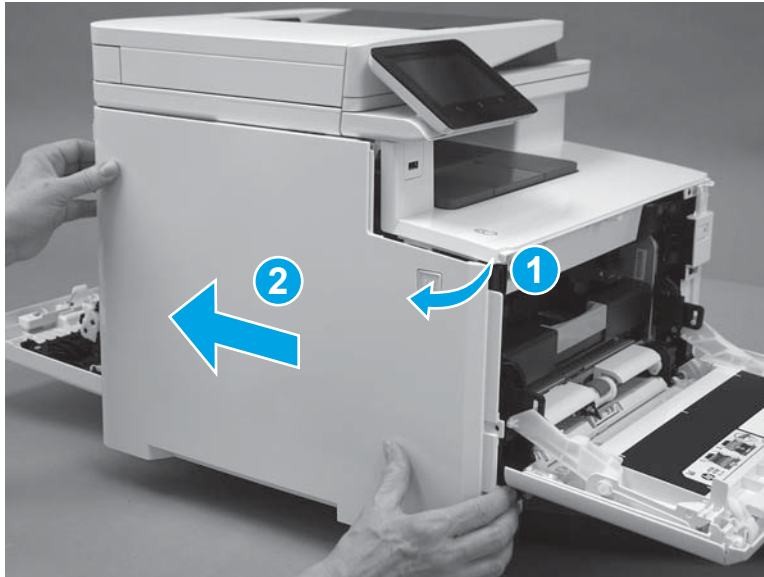
8. Lower the scanner.

Figure 1-1298 Lower the scanner




9. Rotate the cover away from the printer (callout 1), and then slide the cover (callout 2) toward the back of the printer to remove it.

Figure 1-1299 Remove the left cover

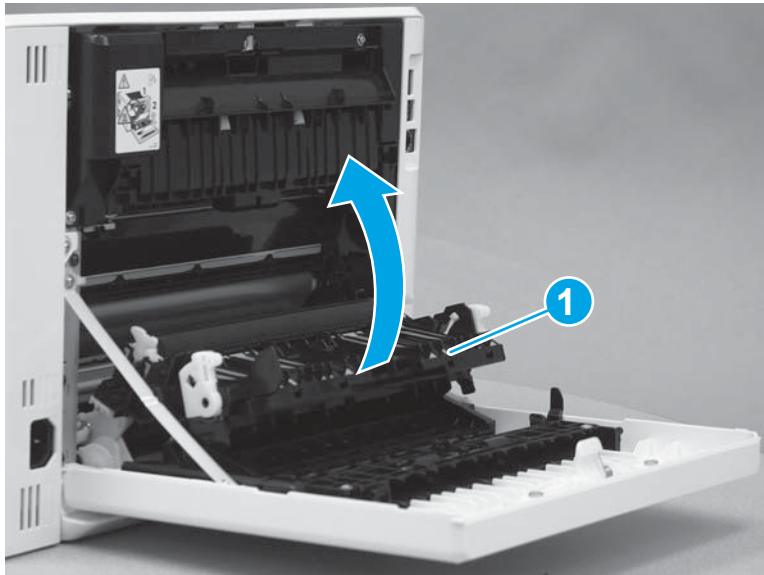


#### Step 8: Remove the duplexer door assembly (duplex models)


 **NOTE:** This step is for duplex models. For simplex models, skip this step and go to [Step 9: Remove the rear door \(simplex models\) on page 731](#).

1. Rotate the secondary transfer assembly (callout 1) toward the printer to close it.

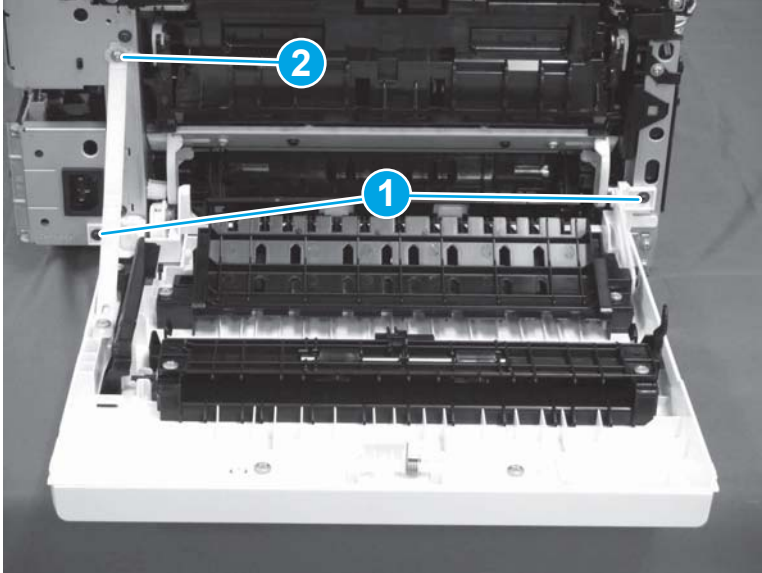
Figure 1-1300 Close the secondary transfer assembly



2. At the back of the printer, remove two screws (callout 1), and then remove one screw (callout 2) that holds the retention arm.

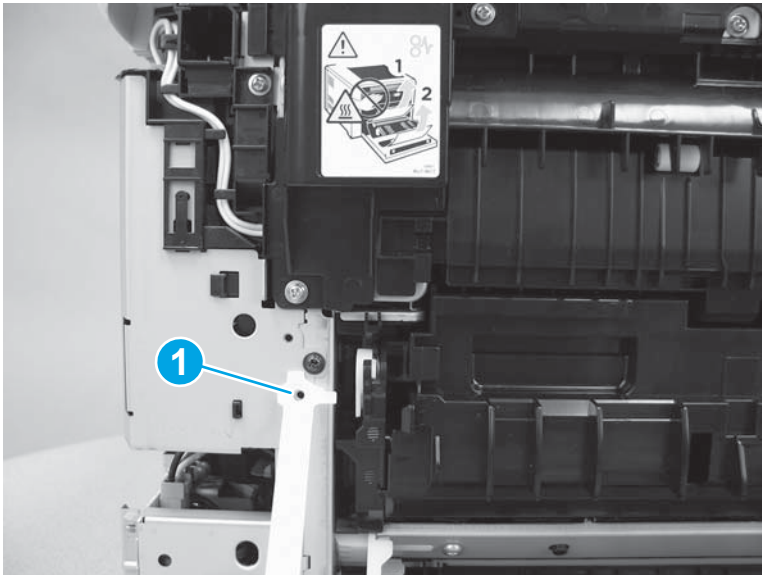
 **Reinstallation tip:** Note that the screw (callout 2) that holds the retention arm is longer than the other two. Make sure this screw is installed in the correct position.

**Figure 1-1301** Remove three screws



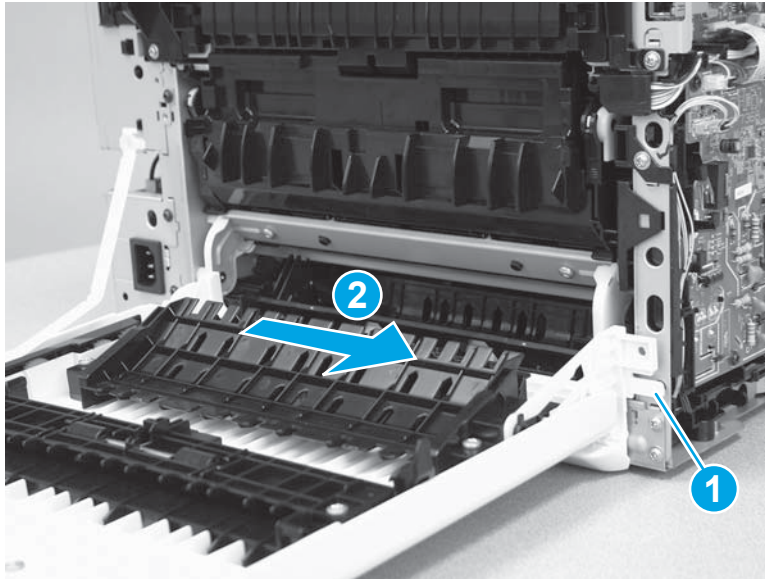
3. Release the retention arm (callout 1).

**Figure 1-1302** Release the retention arm




4. Release one tab (callout 1), and then slide the duplexer door (callout 2) to the right to remove it.

Figure 1-1303 Remove the duplexer door

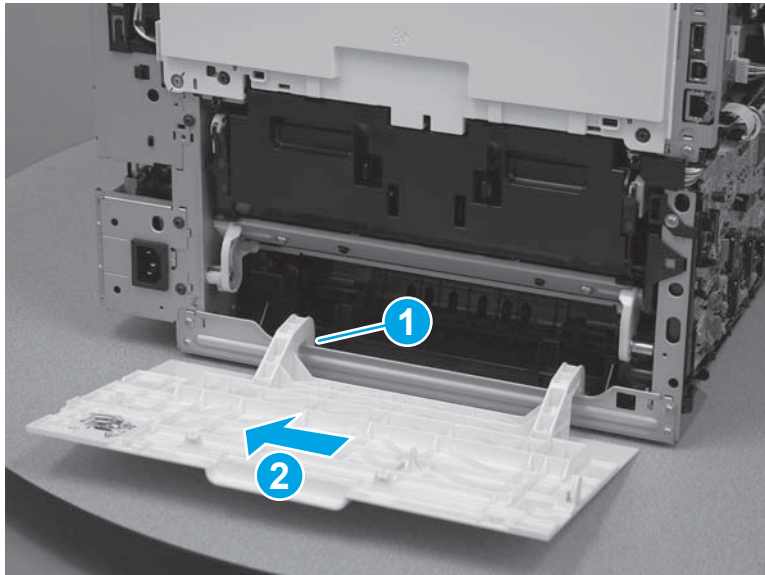


#### Step 9: Remove the rear door (simplex models)

 **NOTE:** This step is for simplex models. For duplex models, skip this step and go to [Step 10: Remove the engine controller PCA on page 731](#).

- ▲ Slightly flex one hinge arm (callout 1) to release a hinge pin, and then slide the rear door to the left (callout 2) to remove it.

Figure 1-1304 Remove the rear door



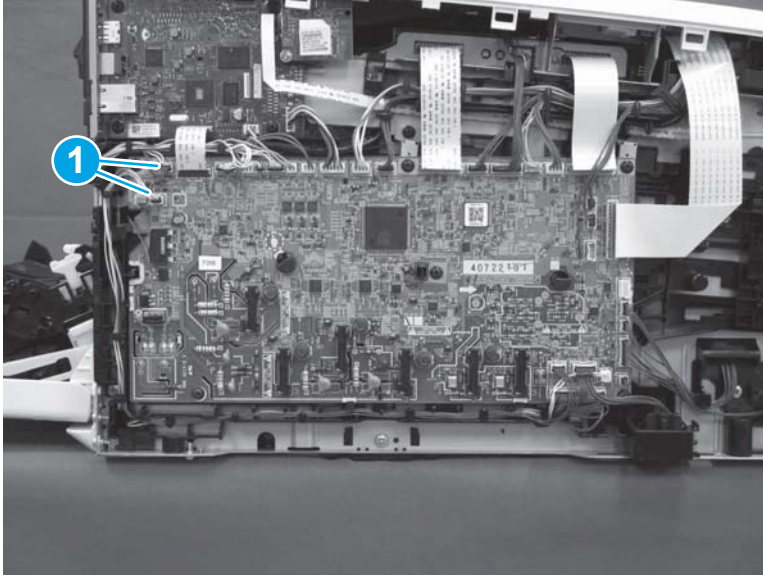
#### Step 10: Remove the engine controller PCA

1. **Duplex printers only:** Before disconnecting the connectors in the next step, make note of the position of two of the cables (callout 1).



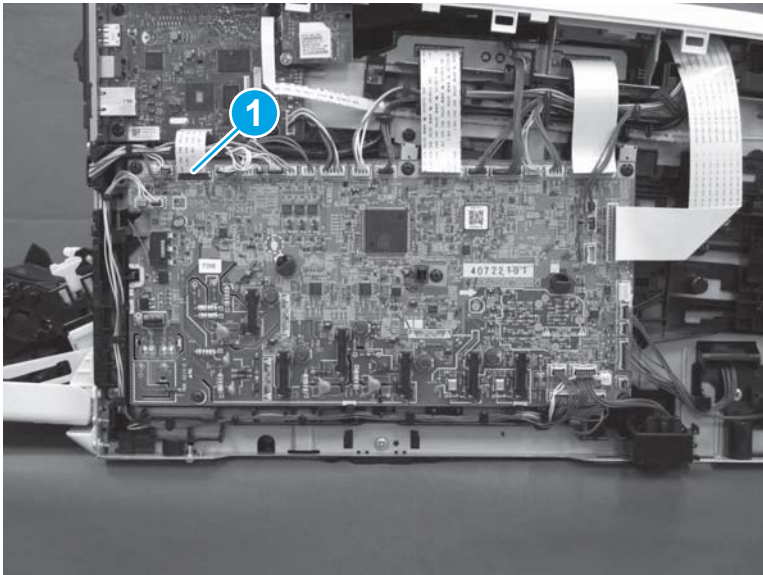
**IMPORTANT:** These cables can be inadvertently switched when reinstalling. The connectors on the cables will fit in either connector on the engine controller PCA. Make sure that these cables are installed in the correct connectors. If the cables are switched, the printer will experience a repeatable jam when printing duplex jobs. Upper cable is purple in color while the lower one is yellow.

**Figure 1-1305** Check the cables



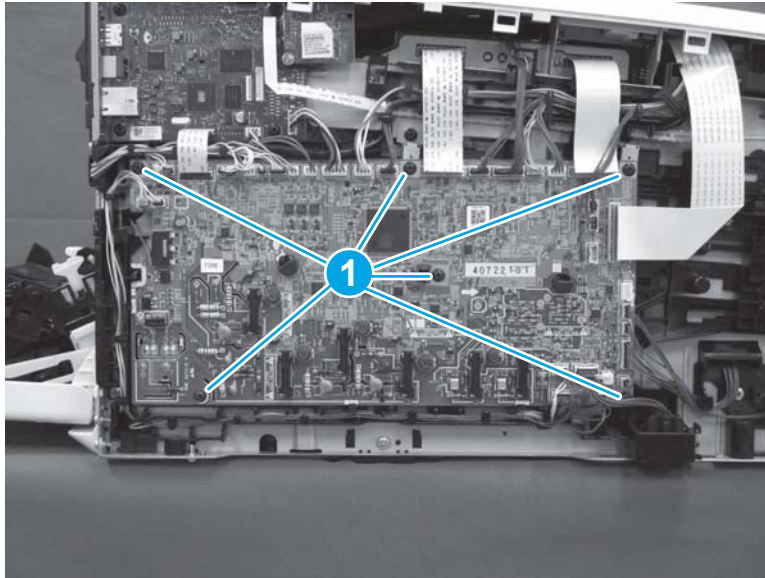
2. Disconnect all of the connectors on the engine controller PCA. Note that one connector (callout 1) is a zero-insertion force (ZIF) connector. Lift the latch on the connector before removing the flat cable.

**Figure 1-1306** Disconnect all of the connectors



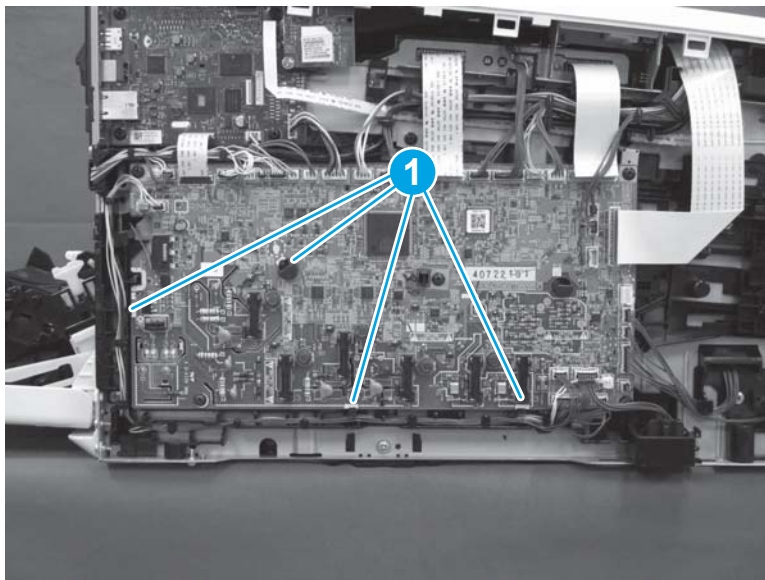
3. Remove six screws (callout 1).

Figure 1-1307 Remove six screws



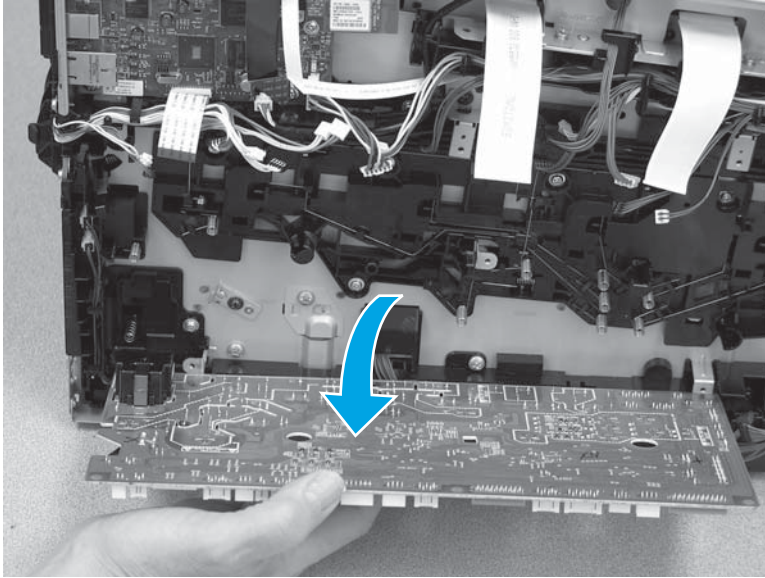
4. Release four tabs (callout 1).

Figure 1-1308 Release four tabs



5. Remove the engine controller PCA.

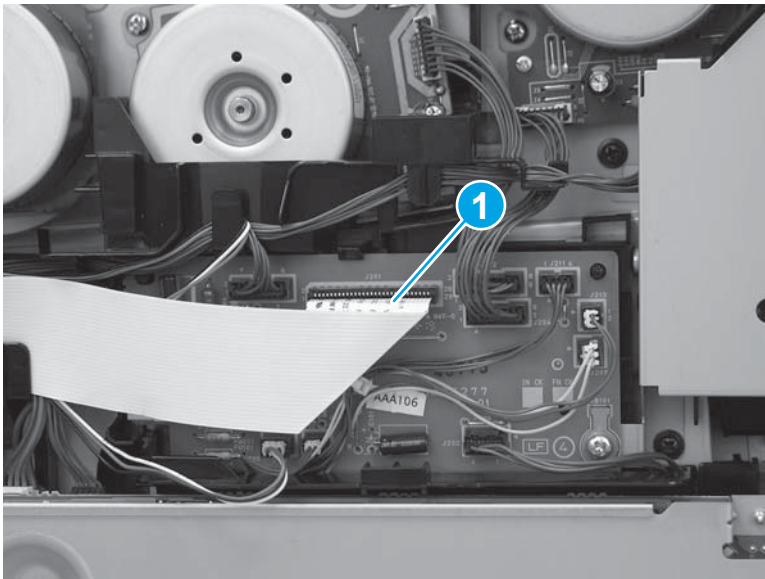
Figure 1-1309 Remove the engine controller PCA



#### Step 11: Remove the driver PCA

1. Disconnect one connector (callout 1).

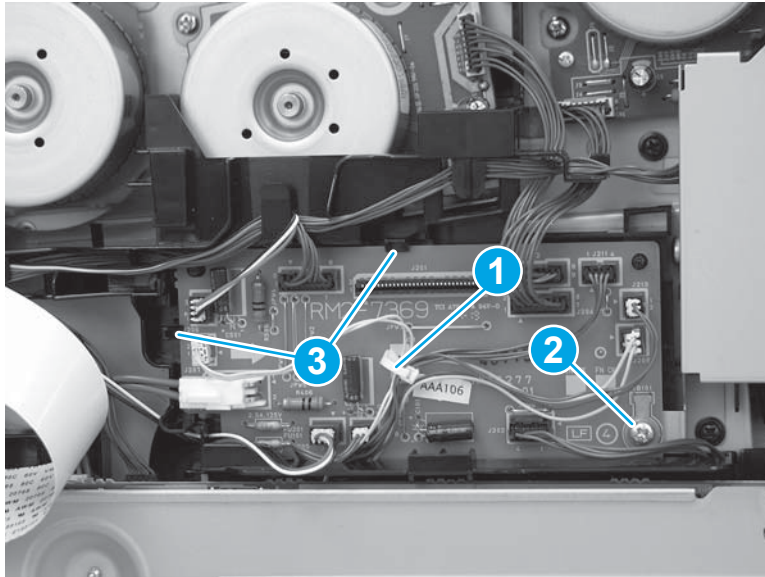
Figure 1-1310 Disconnect one connector





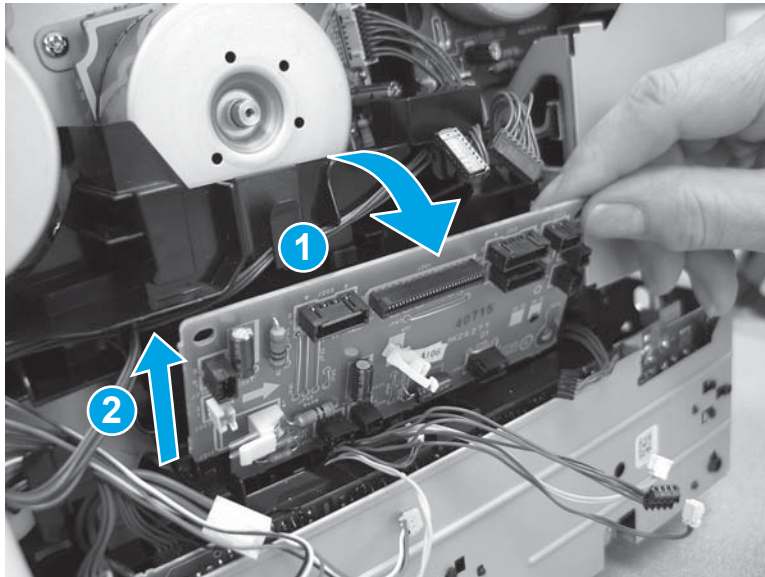
2. Release one retainer (callout 1), disconnect all of the connectors on the driver PCA, remove one screw (callout 2), and then release two tabs (callout 3).

Figure 1-1311 Disconnect all connectors and remove one screw



3. Rotate the top of the driver PCA away from the printer (callout 1), and then lift up (callout 2) to remove it.

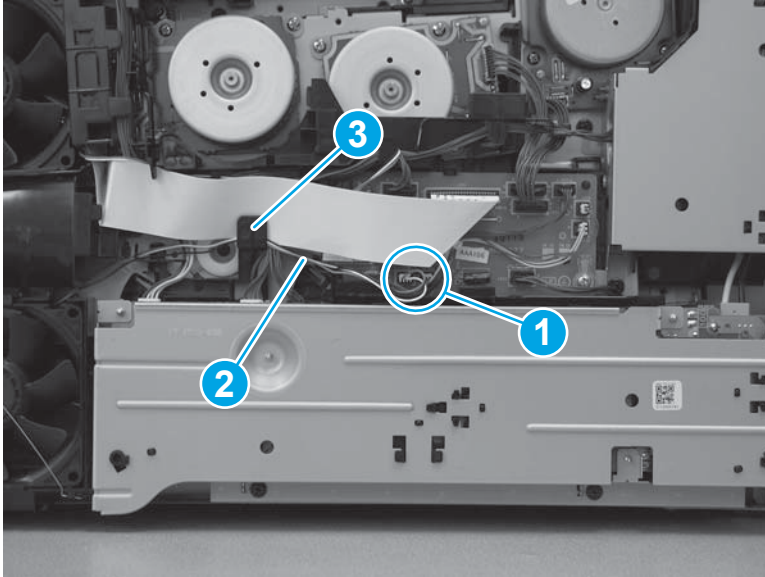
Figure 1-1312 Remove the driver PCA



#### Step 12: Remove the low-voltage power supply

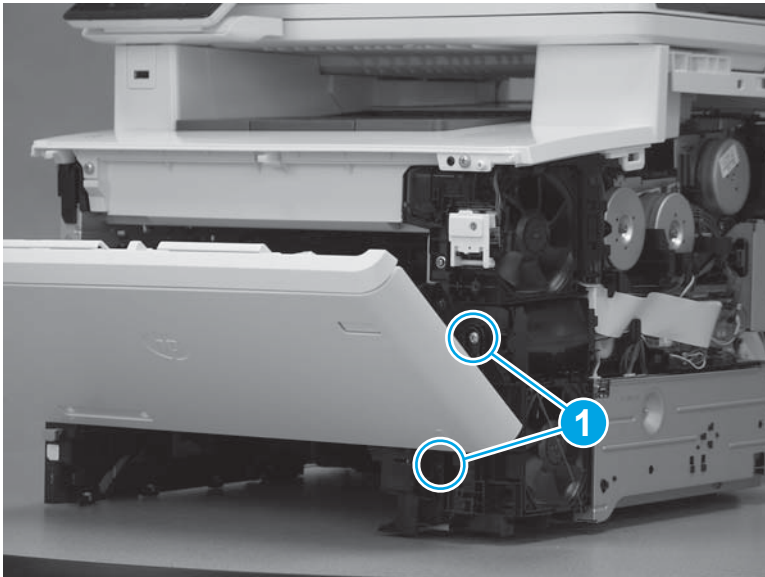
1. Disconnect one connector (callout 1), and then remove the cable (callout 2) from the wire guide (callout 3).

Figure 1-1313 Disconnect one connector and release cables from guides



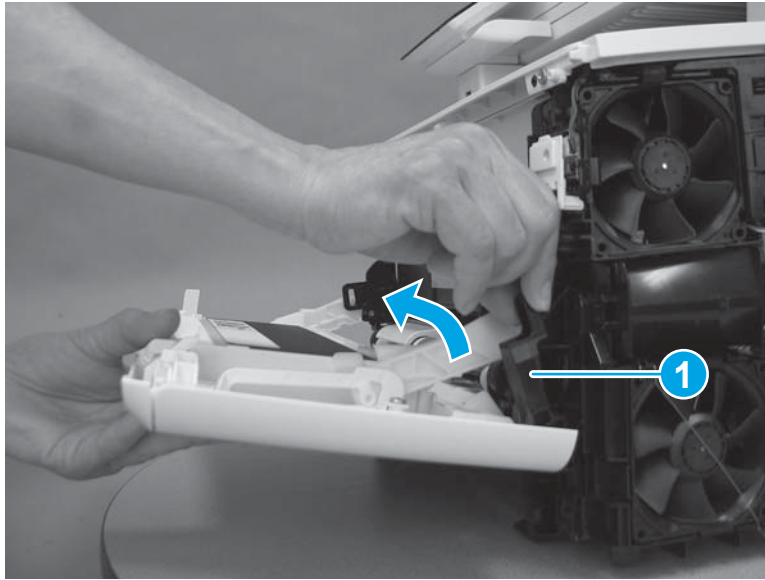
2. Remove two screws (callout 1).

Figure 1-1314 Remove two screws



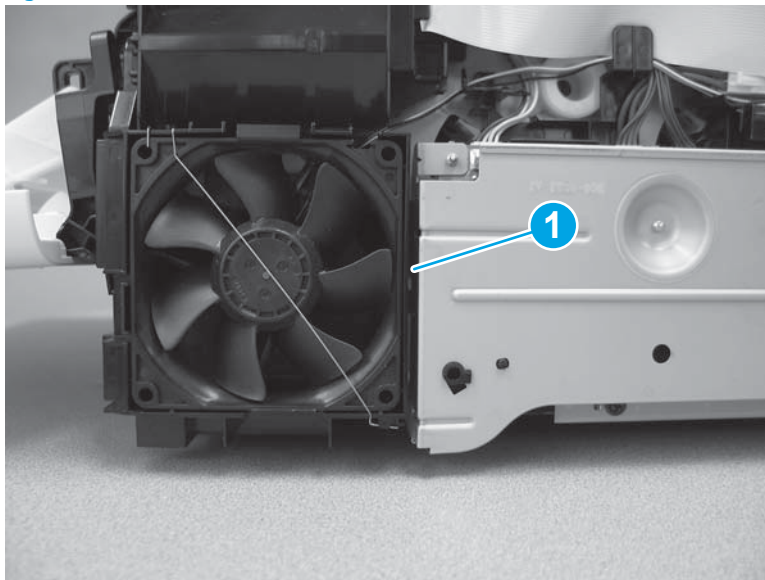
3. Release the hinge arm (callout 1).

Figure 1-1315 Release the hinge arm



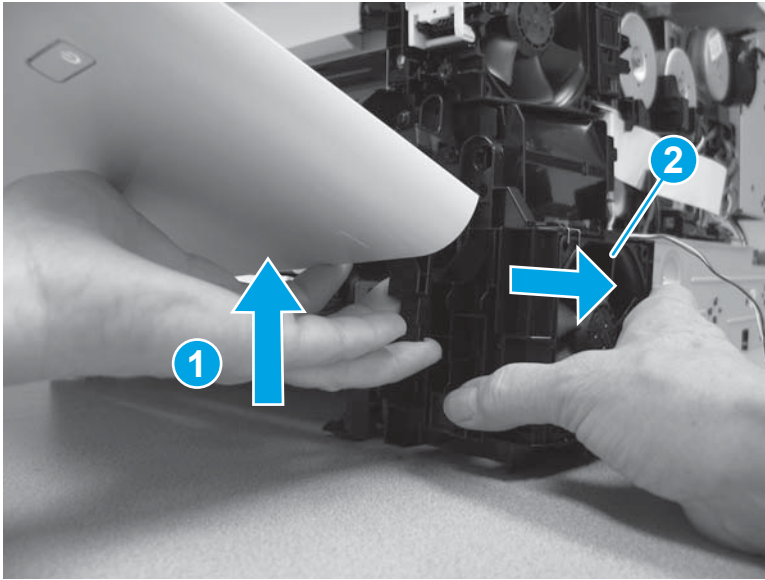
4. Release one tab (callout 1) on the right side of the power supply fan.

Figure 1-1316 Release one tab




5. Lift the front door up slightly (callout 1), and then remove the power supply fan and holder (callout 2).

Figure 1-1317 Remove the power supply fan and holder



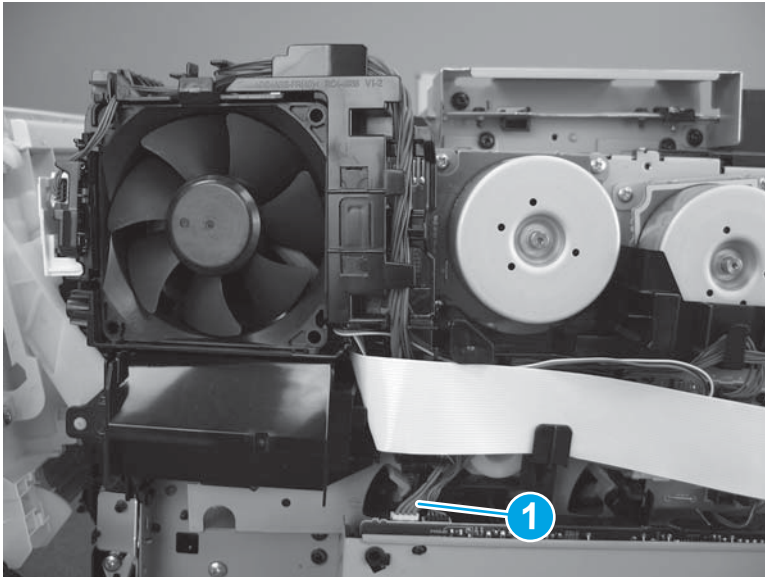
6. Before disconnecting the cables in the next step, make note of the position of two cables (callout 1).

---

 **IMPORTANT:** These cables can be inadvertently switched when reinstalling. The connectors on the cables will fit in either connector on the LVPS. Make sure that these cables are installed in the correct connectors. If the cables are switched, the printer will not power on when reassembled.

---

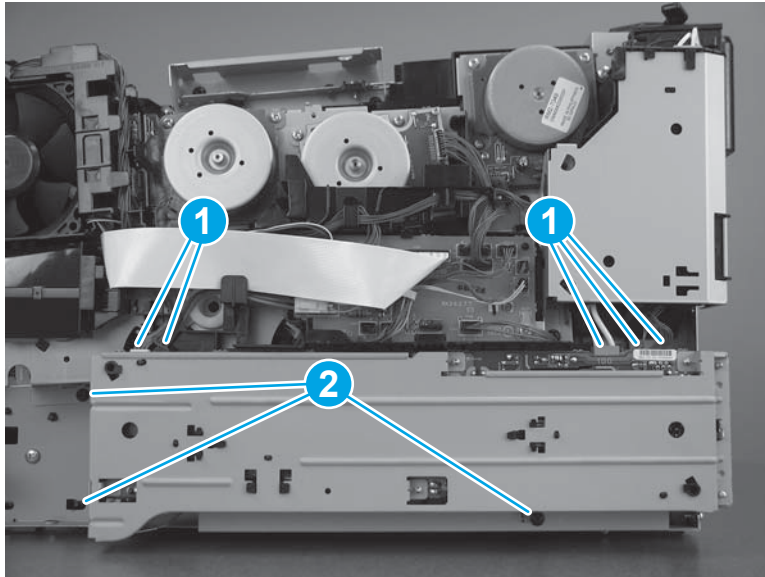
Figure 1-1318 Check the connectors





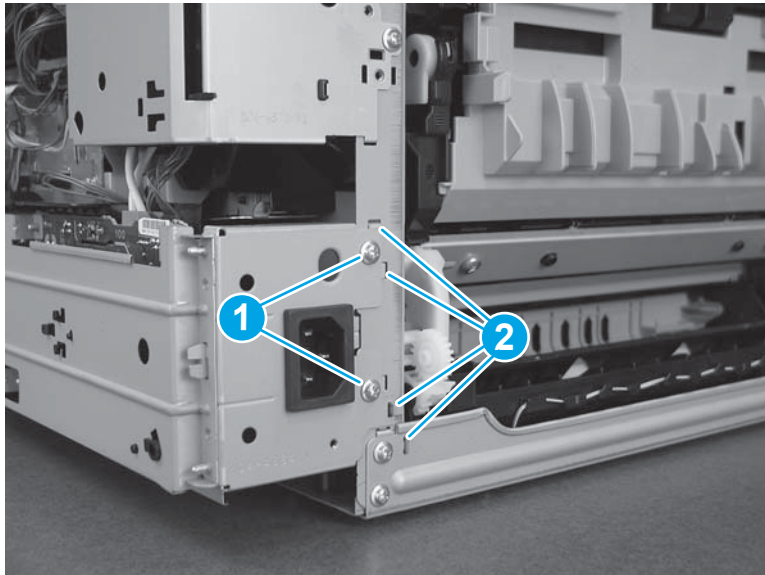
7. Disconnect five connectors (callout 1). Note that one connector (callout 2) has a latch that must be released before disconnecting it. Remove three screws (callout 3).

Figure 1-1319 Disconnect five connectors and remove four screws



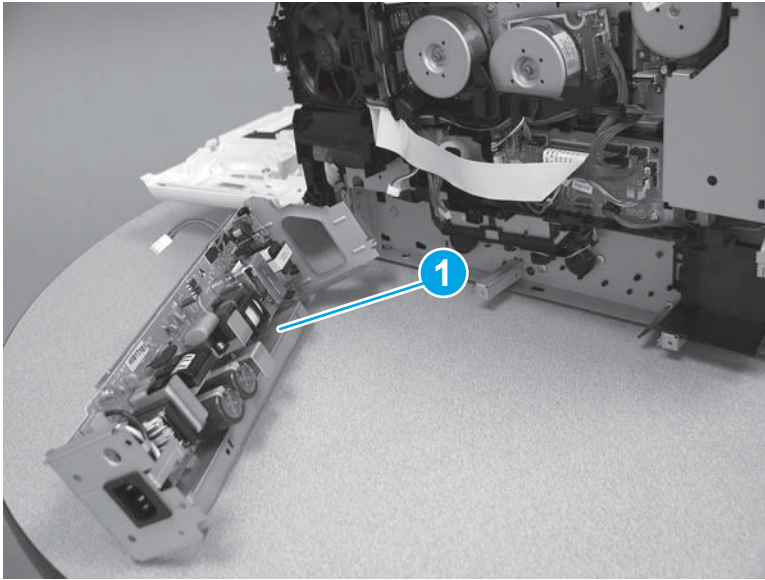
8. Remove two screws from the back (callout 1), and then release four tabs (callout 2).

Figure 1-1320 Remove two screws and release three tabs



9. Remove the LVPS (callout 1).

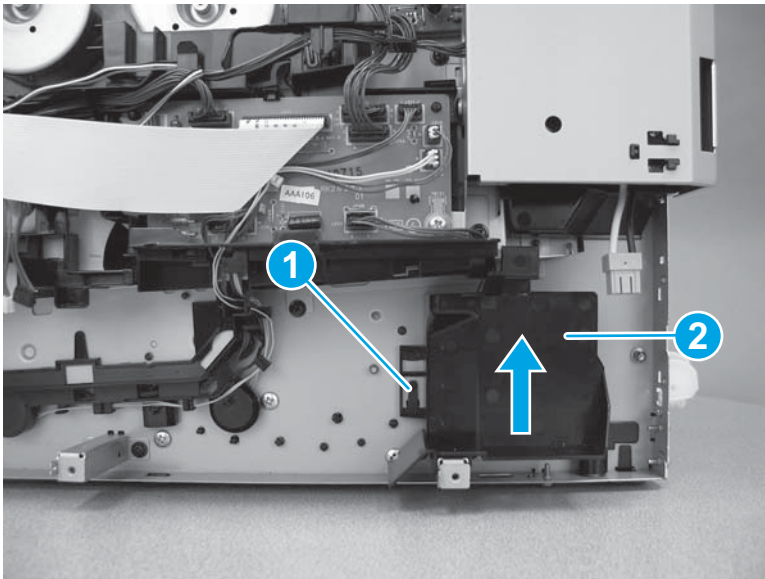
Figure 1-1321 Remove the LVPS



### Step 13: Remove the pickup motor

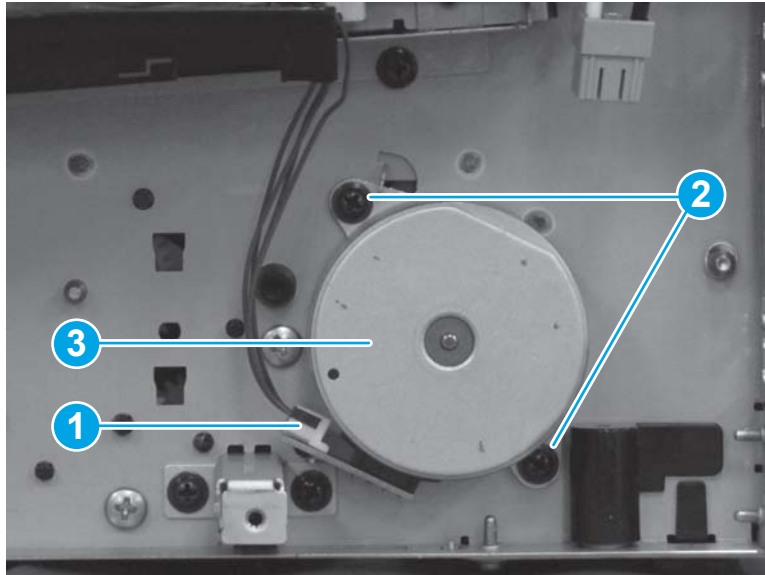
1. Release one tab (callout 1), and then slide the fan duct (callout 2) up to remove it.

Figure 1-1322 Remove the fan duct



2. Disconnect one connector (callout 1), remove two screws (callout 2), and then remove the pickup motor (callout 3).

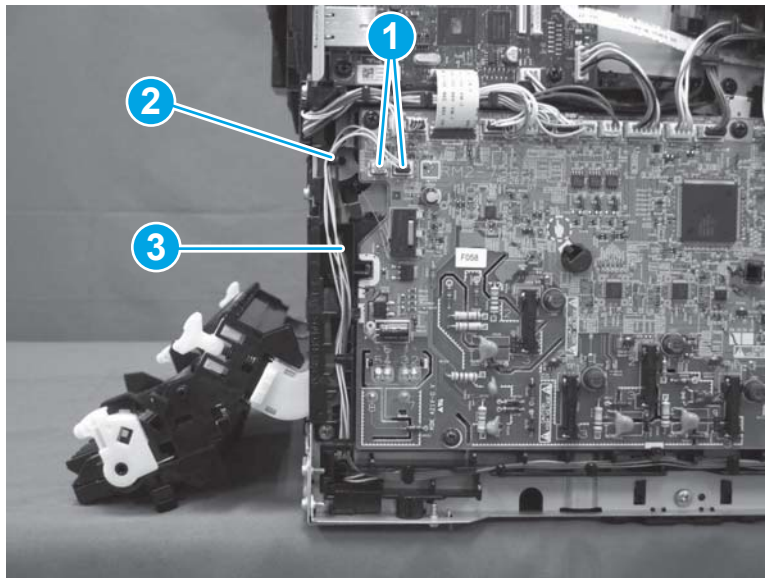
Figure 1-1323 Remove the pickup motor



#### Step 14: Remove the re-pickup assembly (duplex models)

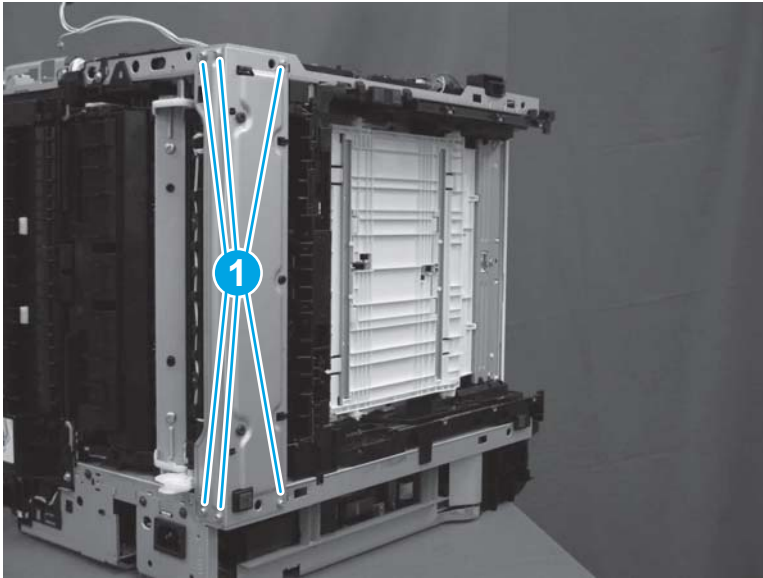
1. On the left side of the printer, disconnect two connectors (callout 1), and then remove the cables (callout 2) from the guides (callout 3).

Figure 1-1324 Disconnect two connectors and remove cables from guides



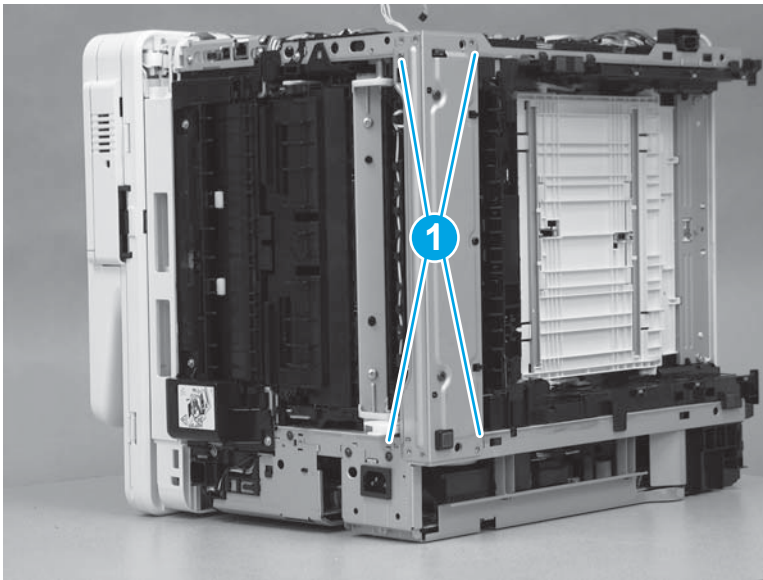
2. Lay the printer on the right side so that the left side is facing up. Remove six screws (callout 1).

Figure 1-1325 Remove six screws



3. Release four tabs (callout 1).

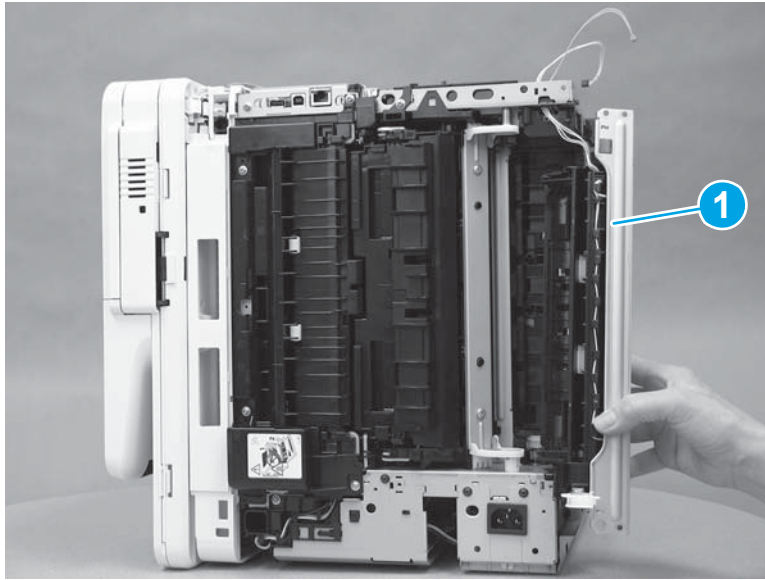
Figure 1-1326 Release four tabs





4. Remove the re-pickup assembly (callout 1).

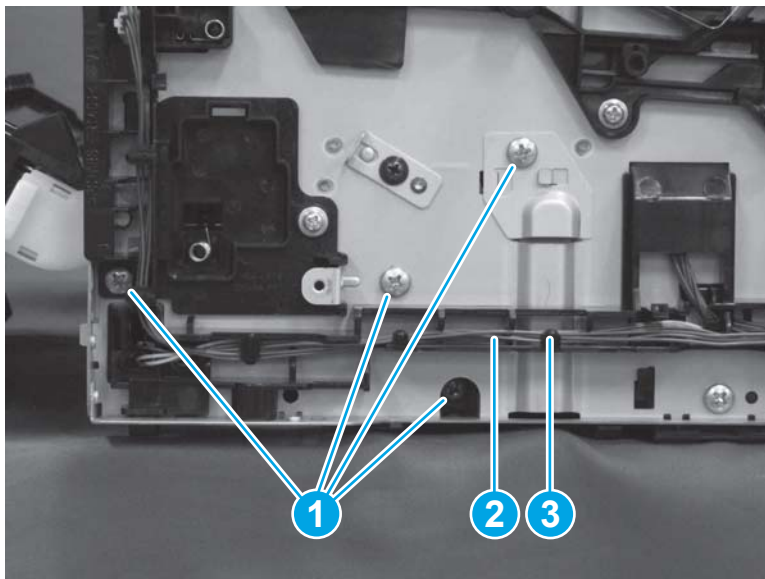
Figure 1-1327 Remove the re-pickup assembly



#### Step 15: Remove the lifter drive assembly

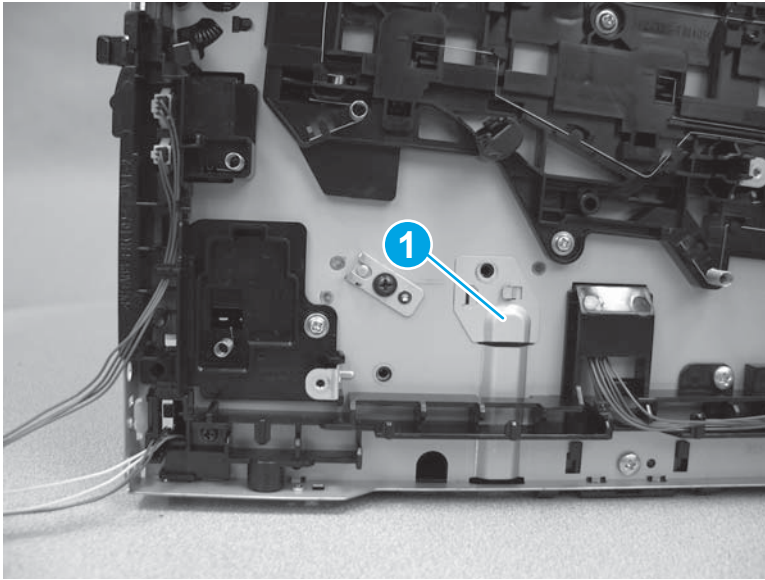
1. Remove four screws (callout 1), and then release the cables (callout 2) from the guides (callout 3).

Figure 1-1328 Remove four screws and release cables



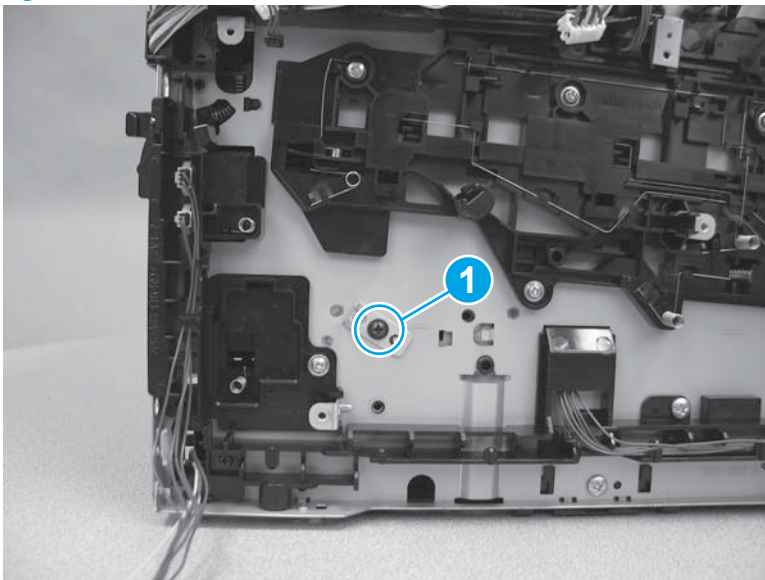
2. Remove one cover (callout 1).

Figure 1-1329 Remove one cover



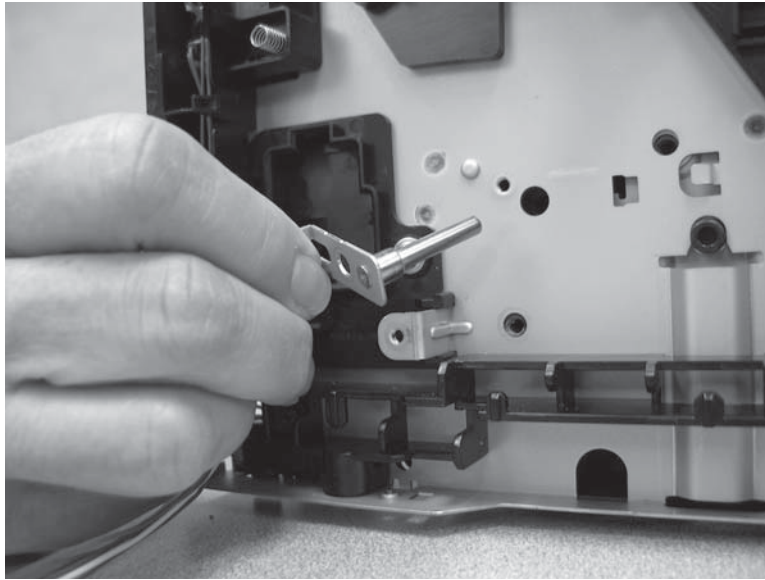
3. Remove one screw (callout 1).

Figure 1-1330 Remove one screw



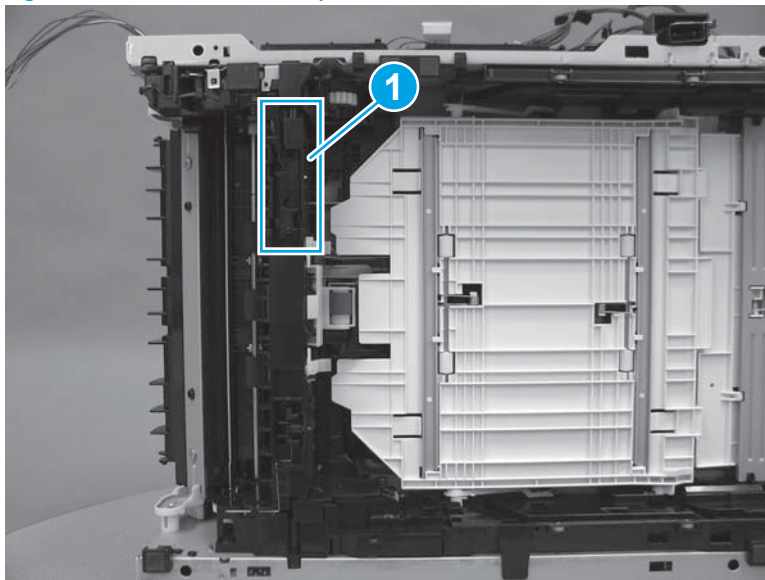
4. Remove the shaft.

Figure 1-1331 Remove the shaft



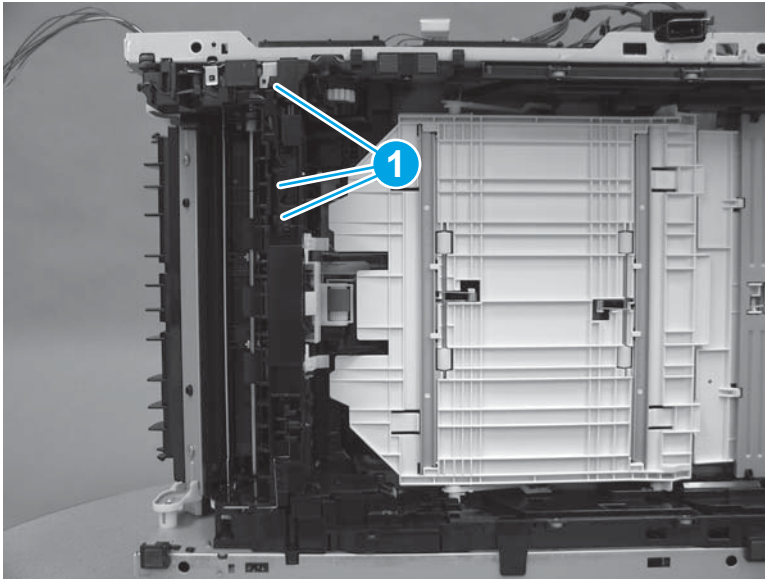
5. Lay the printer on the right side so that the left side is facing up. Locate the tray sensor switch (callout 1).

Figure 1-1332 Locate the tray sensor switch



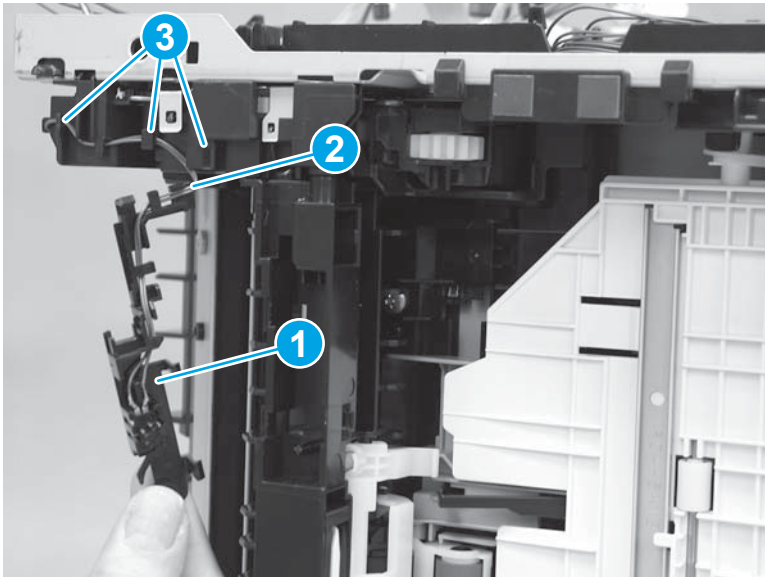
6. Release three tabs (callout 1).

Figure 1-1333 Release three tabs



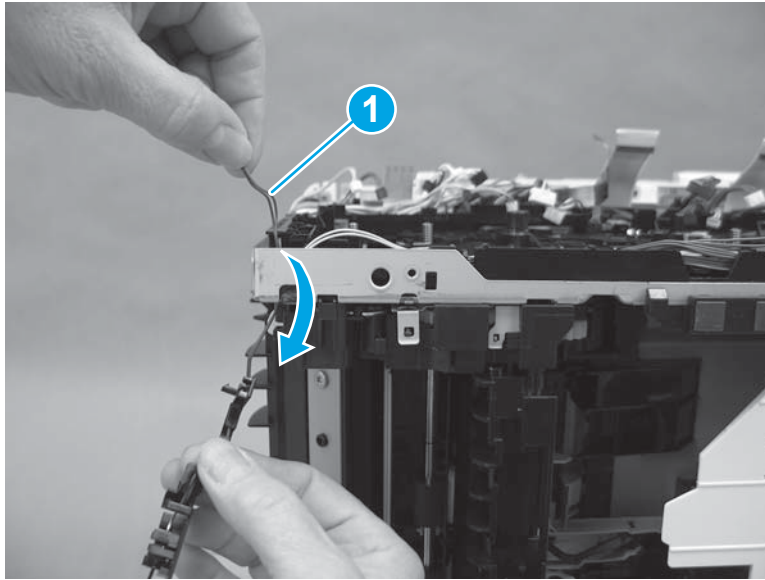
7. Release the tray sensor switch (callout 1), and then remove the cables (callout 2) from the guides (callout 3).

Figure 1-1334 Release the tray sensor switch



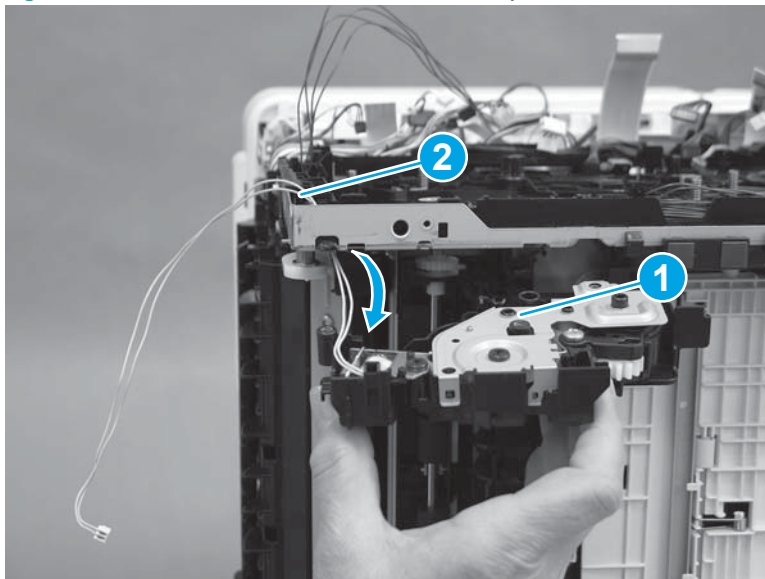
8. Remove the tray sensor switch by releasing the cables (callout 1) through the printer frame.

Figure 1-1335 Remove the tray sensor switch



9. Remove the lifter drive assembly (callout 1), and then release the cables (callout 2) through the printer frame.

Figure 1-1336 Remove the lifter drive assembly

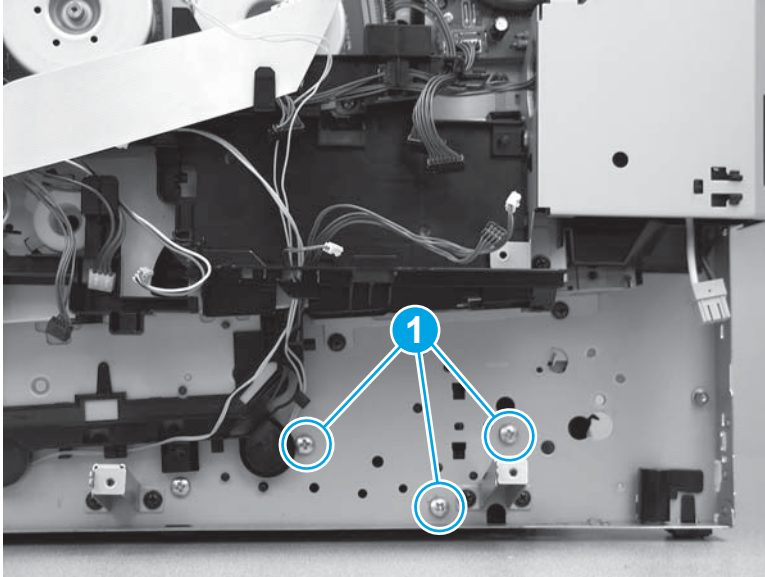


#### Step 16: Remove the pickup assembly

1. Remove three screws (callout 1).

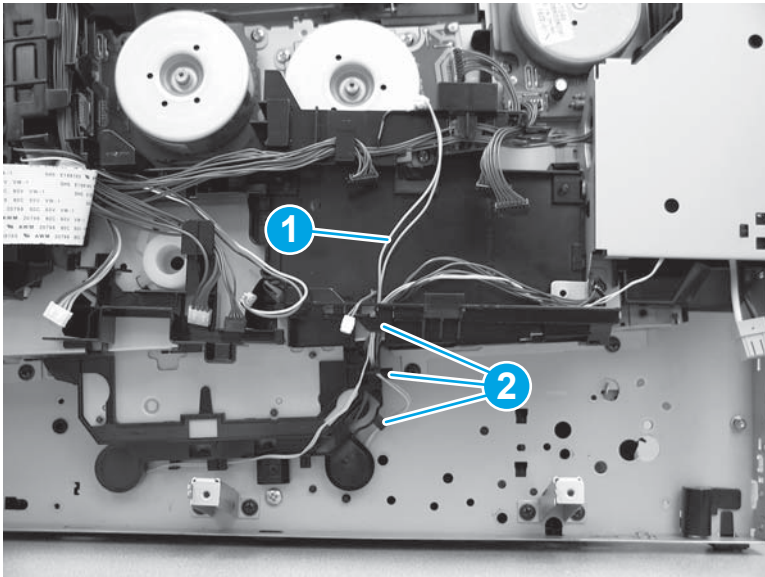


Figure 1-1337 Remove three screws



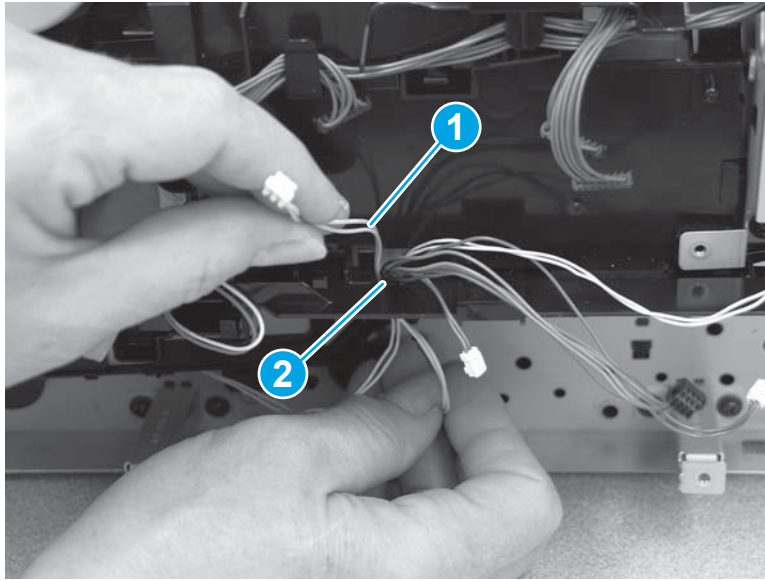
2. Release the cables (callout 1) from the cable guides (callout 2).

Figure 1-1338 Release the cables from the cable guides



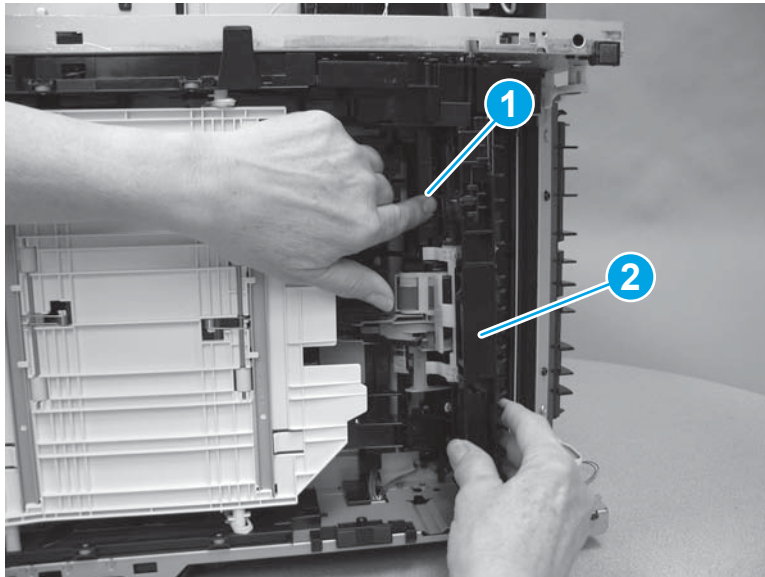
3. Thread the cables (callout 1) through the opening in the driver PCA holder (callout 2).

Figure 1-1339 Release the cables



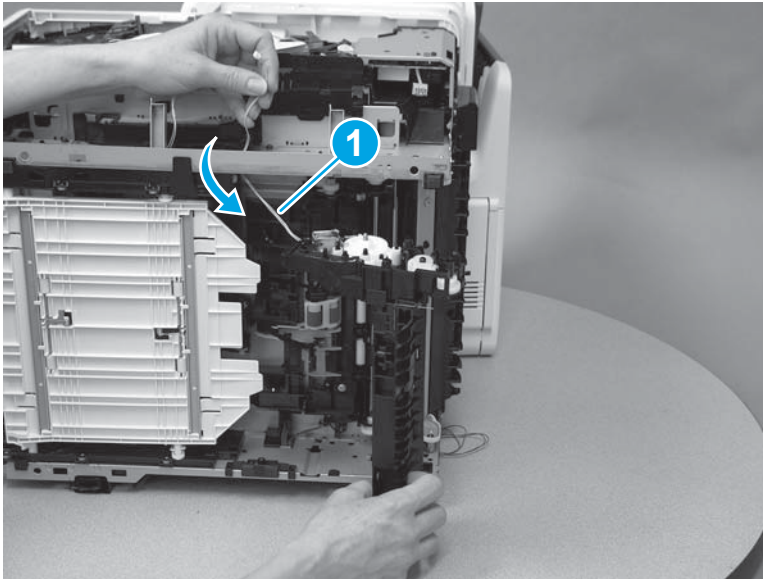
4. Lay the printer on the right side so that the left side is facing up. Press the pickup and feed roller holder (callout 1) toward the printer, and then remove the pickup assembly (callout 2).

Figure 1-1340 Remove the pickup assembly



5. Release the cables (callout 1) through the printer frame.

Figure 1-1341 Release the cables



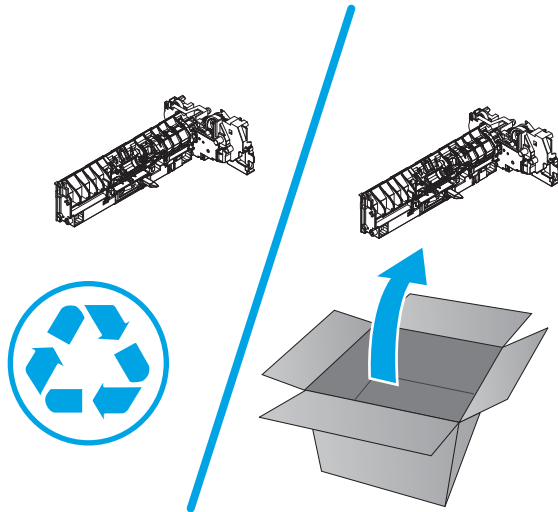
### Step 17: Unpack the replacement part

Remove the new part from its package. Save all packaging for recycling the used part.

For complete information on HP's recycling programs, go to [Product return and recycling](#).

 **NOTE:** HP recommends responsible disposal of the defective part.

Figure 1-1342 Recycle and unpack

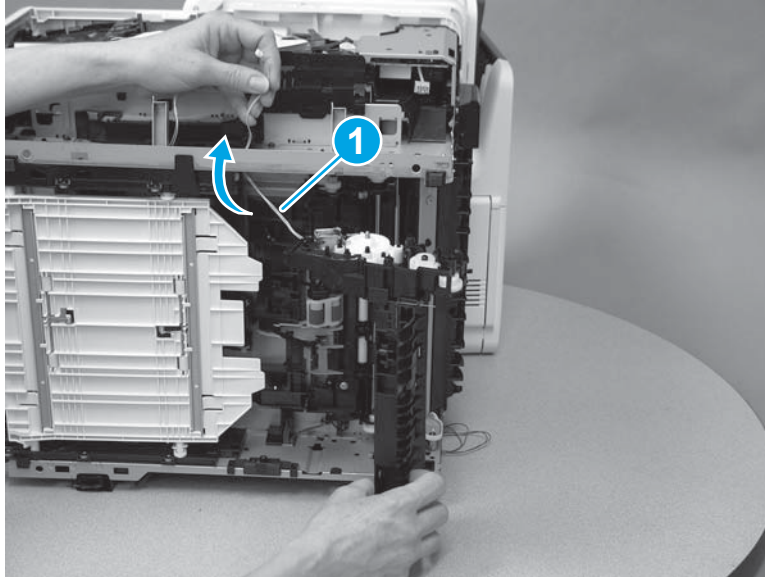


### Step 18: Install the pickup assembly

1. Thread the cables (callout 1) through the printer frame.

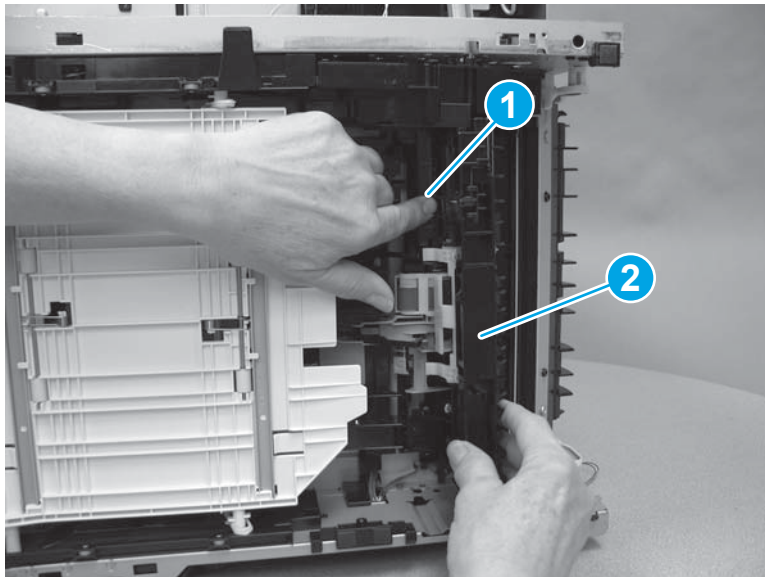


Figure 1-1343 Thread the cables




2. Press the pickup and feed roller holder (callout 1) toward the printer, and then install the pickup assembly (callout 2).

Figure 1-1344 Install the pickup assembly



3. To install an assembly, reverse the removal steps.

---

 **NOTE:** When applicable, special installation instructions are provided for an assembly at the end of the removal procedure. Always completely read the removal instructions and follow all special installation instructions.

---

## Removal and replacement: Front feed guide assembly

- [Introduction](#)
- [Step 1: Remove Tray 2](#)
- [Step 2: Remove the toner cartridges](#)
- [Step 3: Open the rear door or duplexer door](#)
- [Step 4: Remove the right cover \(M454 models\)](#)
- [Step 5: Remove the right cover \(M479 models\)](#)
- [Step 6: Remove the left cover \(M454 models\)](#)
- [Step 7: Remove the left cover \(M479 models\)](#)
- [Step 8: Remove the duplexer door assembly \(duplex models\)](#)
- [Step 9: Remove the rear door \(simplex models\)](#)
- [Step 10: Remove the engine controller PCA](#)
- [Step 11: Remove the driver PCA](#)
- [Step 12: Remove the low-voltage power supply](#)
- [Step 13: Remove the pickup motor](#)
- [Step 14: Remove the re-pickup assembly \(duplex models\)](#)
- [Step 15: Remove the lifter drive assembly](#)
- [Step 16: Remove the pickup assembly](#)
- [Step 17: Remove the front feed guide assembly](#)
- [Step 18: Unpack the replacement part](#)
- [Step 19: Install the front feed guide assembly](#)

### Introduction


This document provides the procedures to remove and replace the front feed guide assembly.

[Click here to view a video of this procedure.](#)

### Before you begin

- Turn off the printer.
- Disconnect the power cable.

---

 **WARNING!** To avoid damage to the printer, turn the printer off, wait 30 seconds, and then remove the power cord before attempting to service the printer.

---

- Use the table below to identify the correct part number for your printer. To order the part, go to [www.hp.com/buy/parts](http://www.hp.com/buy/parts).

---

Front feed guide assembly part number

---

RM2-6368-000CN

Front feed guide assembly

---

### Required tools

- #2 Phillips screwdriver with a magnetic tip
- Small flat-blade screwdriver

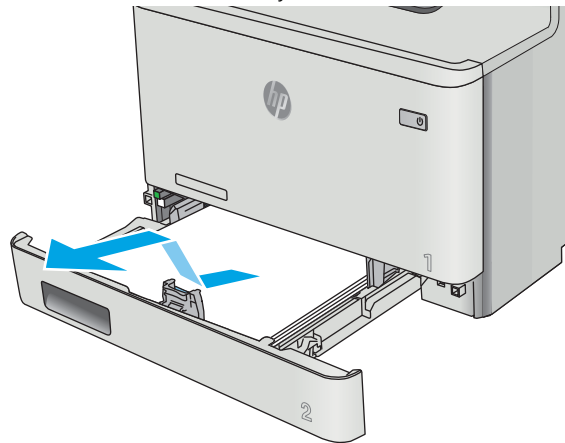
### After performing service

- Connect the power cable.
- Use the power switch to turn the power on.

### Step 1: Remove Tray 2

- ▲ Pull the tray out until it stops. Lift the front of the tray, and then pull it out of the printer to remove it.

Figure 1-1345 Remove the tray



### Step 2: Remove the toner cartridges

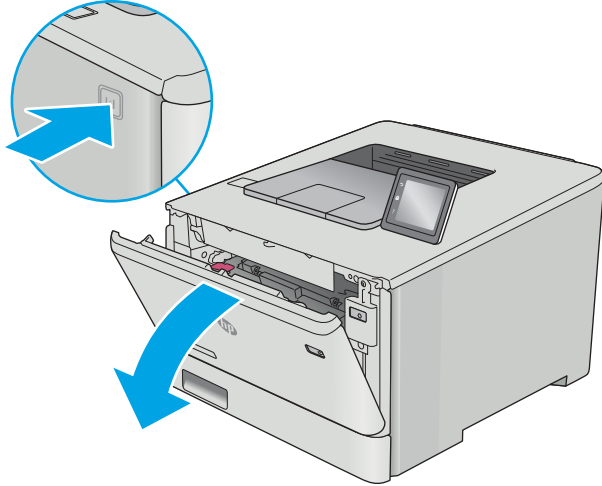
---

 **NOTE:** The M454 model is pictured in the figures in this section. The procedure is the same for the M479 models.

---

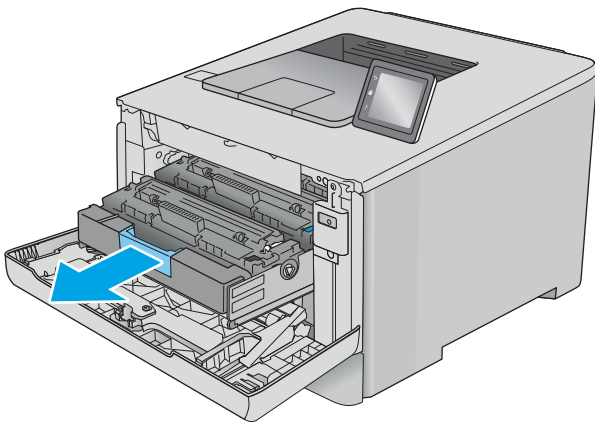
1. Open the front door by pressing the button on the left cover.

Figure 1-1346 Open the front door



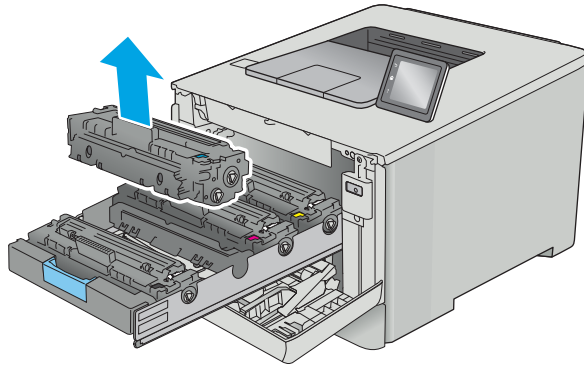
2. Grasp the blue handle on the toner cartridge tray, and then pull out the tray.

Figure 1-1347 Open the cartridge drawer



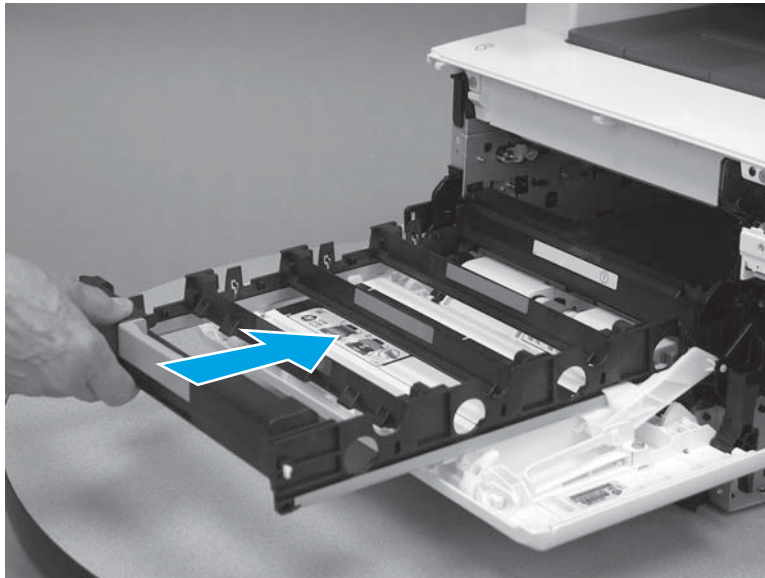
3. Grasp the handle on the toner cartridge, and then pull the toner cartridge straight up to remove it. Repeat this step for each toner cartridge.

Figure 1-1348 Remove the toner cartridge



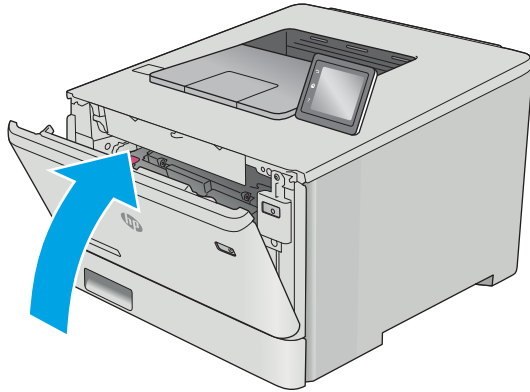
4. Slide the cartridge tray into the printer.

Figure 1-1349 Slide the cartridge tray in



5. Close the front door.

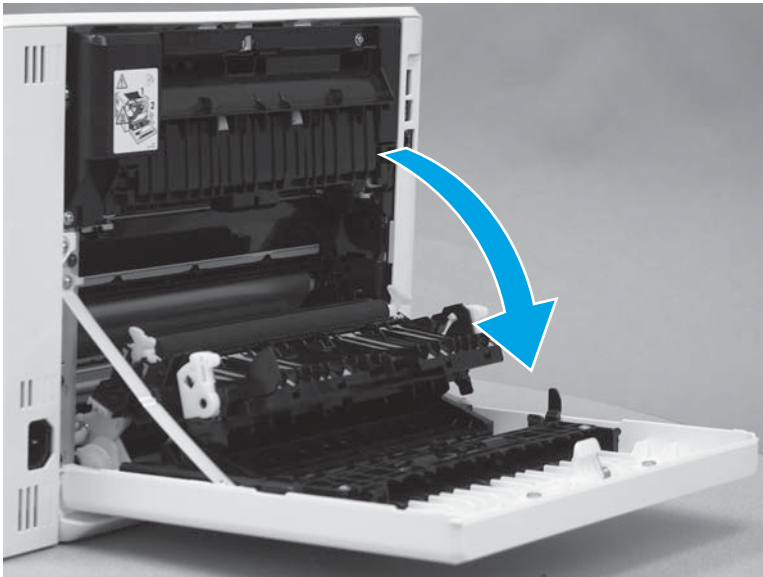
Figure 1-1350 Close the front door



### Step 3: Open the rear door or duplexer door

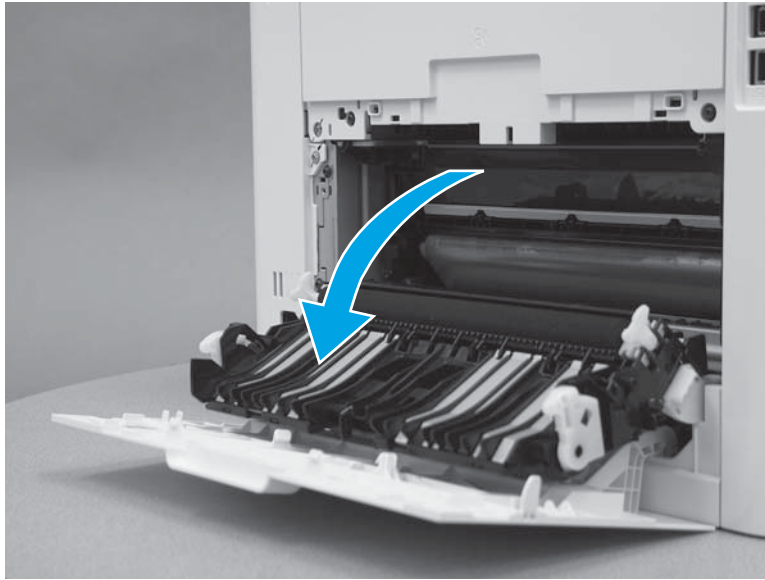
1. **Duplex models:** Open the duplexer door.

Figure 1-1351 Open the duplexer door




2. **Simplex models:** Open the rear door.

**Figure 1-1352** Open the rear door



#### Step 4: Remove the right cover (M454 models)

 **NOTE:** This step is for the M454 models. For the M479 models, skip this step and go to [Step 5: Remove the right cover \(M479 models\) on page 761](#).

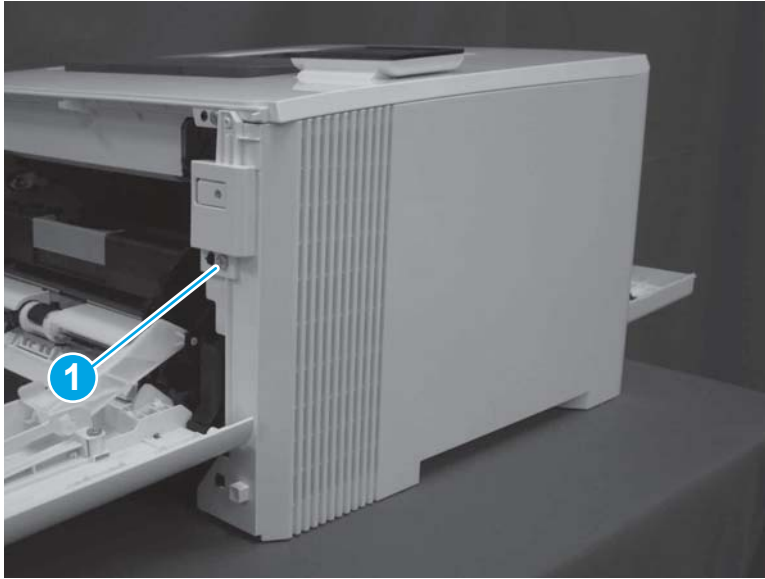
1. At the back of the printer, remove one screw (callout 1).

**Figure 1-1353** Remove one screw



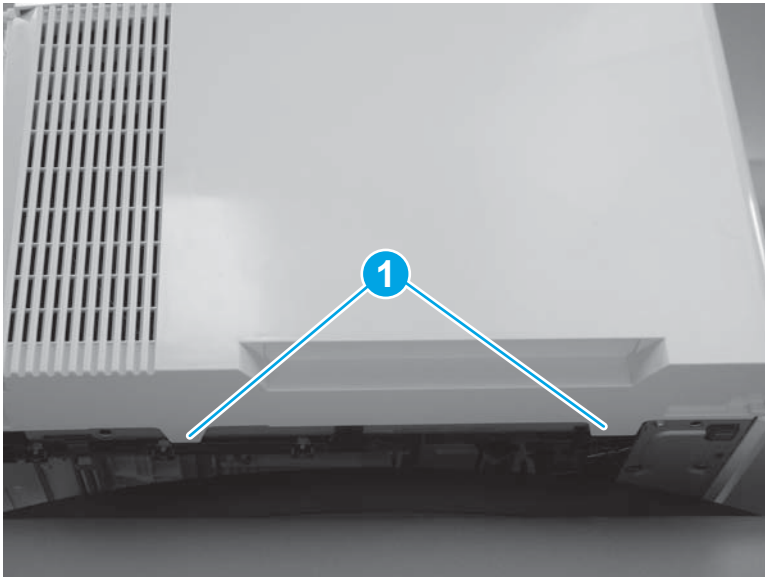
2. At the front of the printer, remove one screw (callout 1).

Figure 1-1354 Remove one screw



3. Slide the printer to the edge of a work surface. Note the location of the tabs on the lower edge of the cover (callout 1).

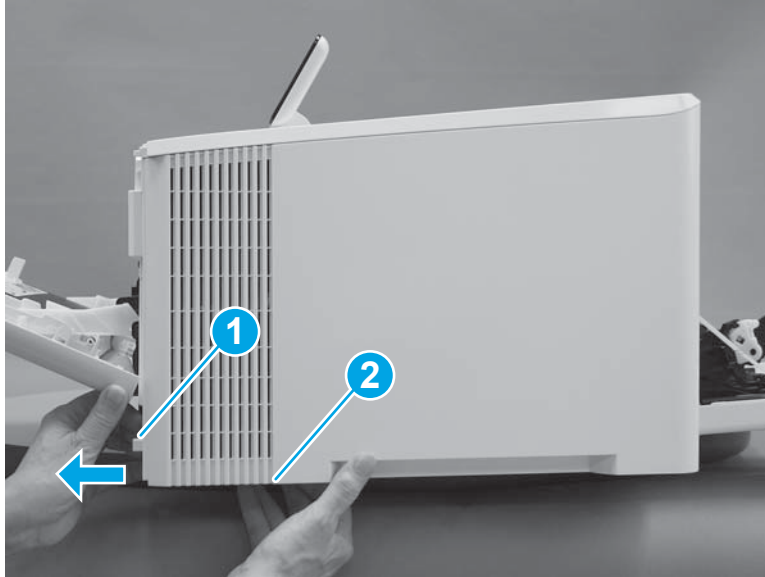
Figure 1-1355 Locate the tabs





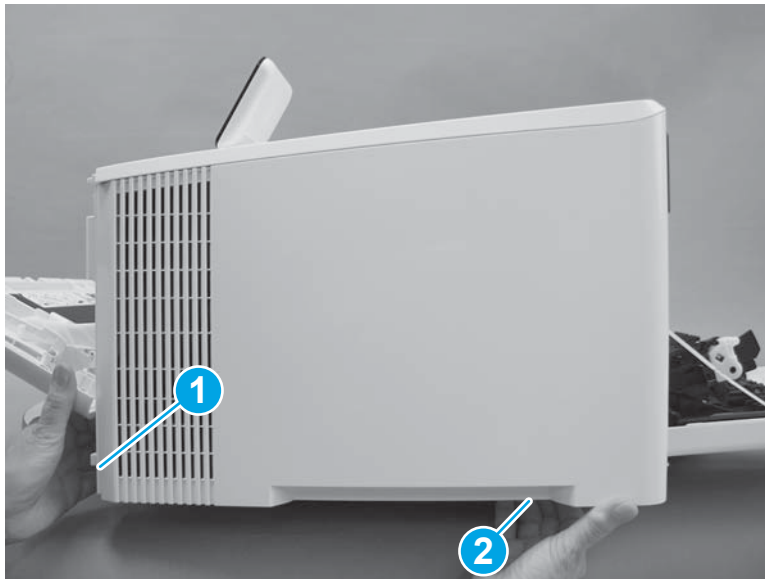
4. Release one tab (callout 1) on the front of the cover by slightly pulling the cover away from the printer. While holding the cover in the released position, release one tab (callout 2) on the bottom of the cover.

Figure 1-1356 Release front lower tabs



5. Hold the front tabs in the released position (callout 1), and then release one tab (callout 2) on the bottom of the cover, toward the back of the printer.

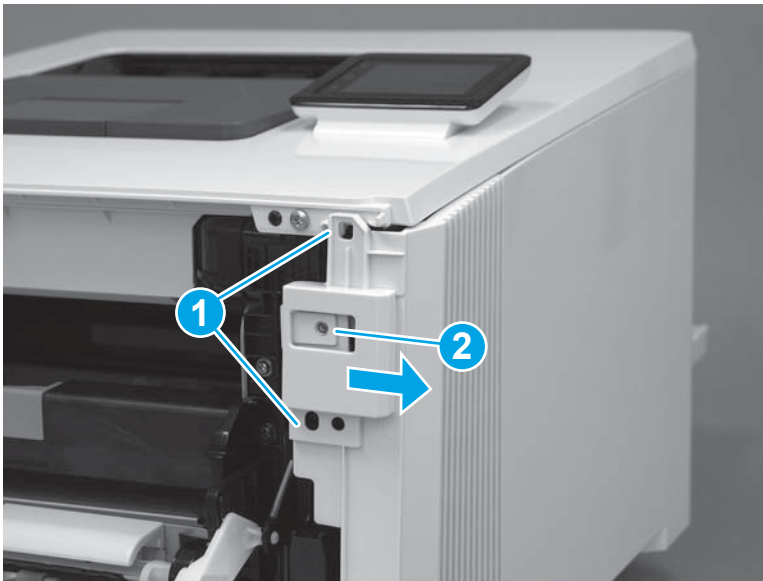
Figure 1-1357 Release lower rear tab



6. Release two tabs at the front of the printer (callout 1) by slightly pulling the cover away from the printer.

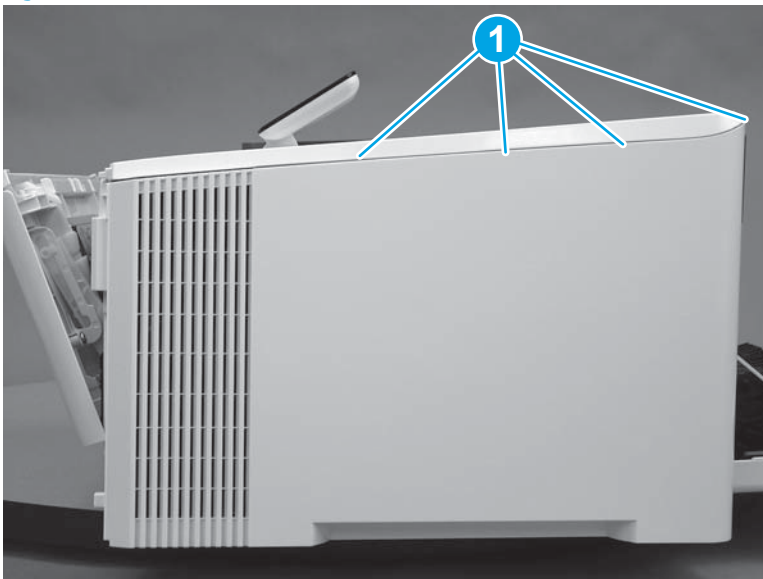
**⚠ CAUTION:** Be careful not to dislodge the power switch (callout 2).

Figure 1-1358 Release two front tabs



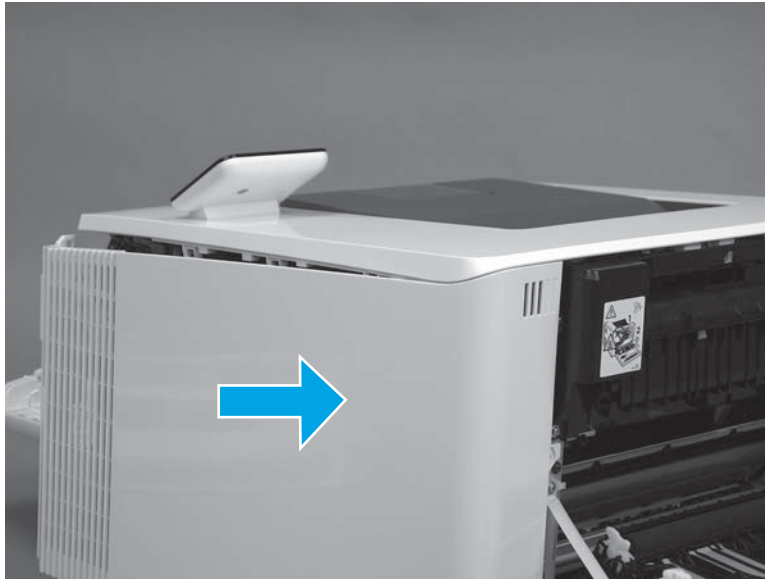
7. Release four tabs on the top of the printer (callout 1).

Figure 1-1359 Release upper tabs




8. Slide the cover toward the back of the printer to remove it.

**Figure 1-1360** Remove the right cover



#### Step 5: Remove the right cover (M479 models)

 **NOTE:** This step is for the M479 models. For the M454 models, skip this step and go to [Step 6: Remove the left cover \(M454 models\) on page 767](#).

1. Raise the scanner.

**Figure 1-1361** Raise the scanner



2. At the back of the printer, remove one screw (callout 1).

Figure 1-1362 Remove one screw



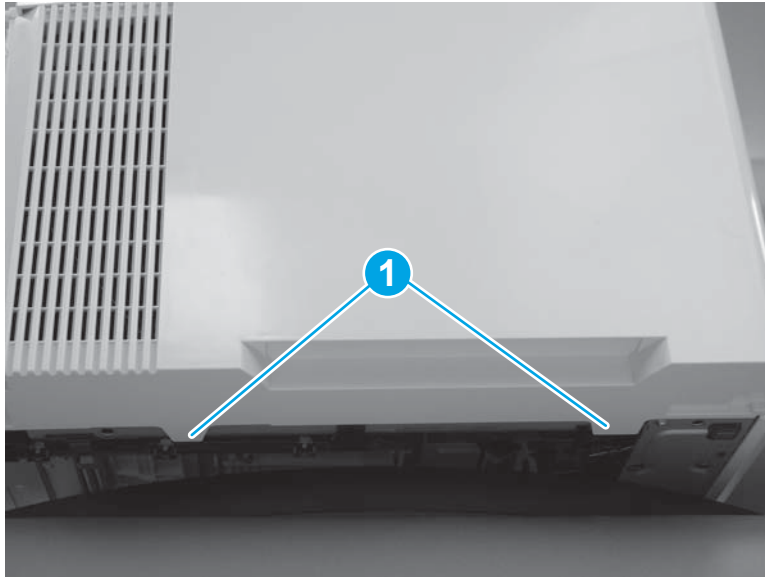
3. At the front of the printer, remove one screw (callout 1).

Figure 1-1363 Remove one screw



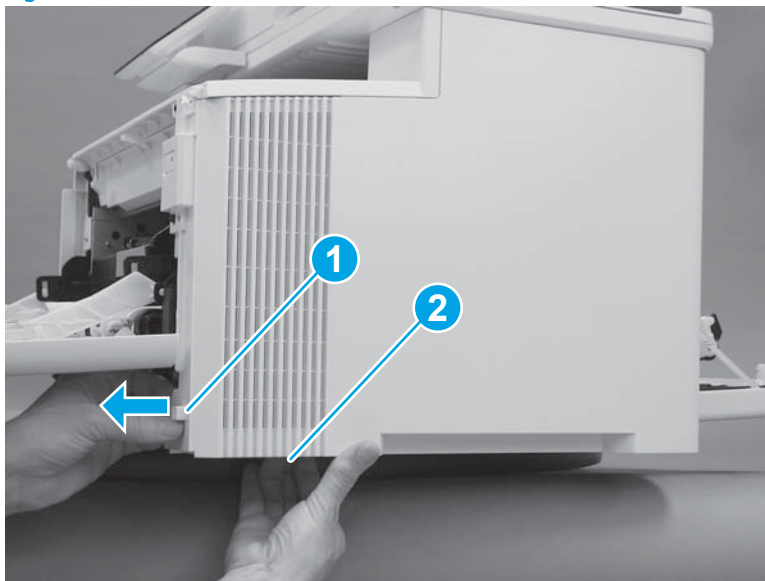
4. Slide the printer to the edge of a work surface. Note the location of the tabs on the lower edge of the cover (callout 1).

Figure 1-1364 Locate the tabs



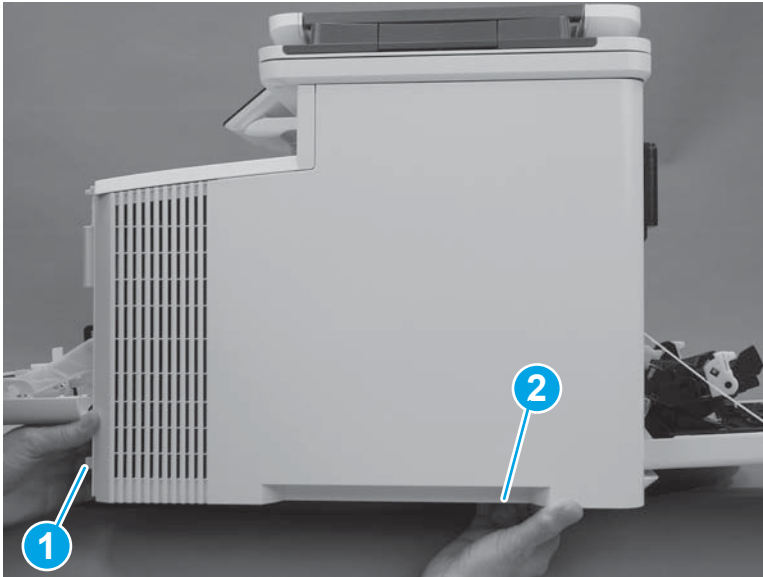
5. Release one tab (callout 1) on the front of the cover by slightly pulling the cover away from the printer. While holding the cover in the released position, release one tab (callout 2) on the lower edge of the cover.

Figure 1-1365 Release front lower tabs



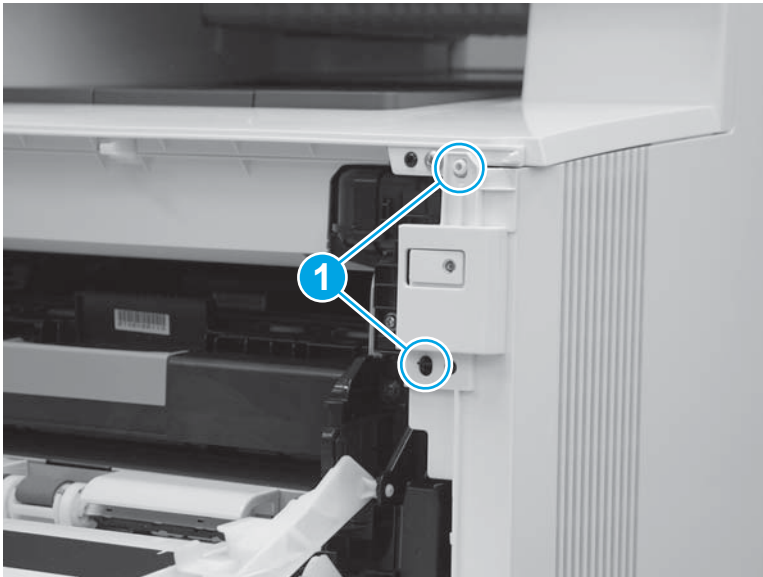
6. Hold the front tabs in the released position (callout 1), and then release one tab (callout 2) on the lower edge of the cover, toward the back of the printer.

Figure 1-1366 Release lower rear tab



7. Release two tabs at the front of the printer (callout 1) by slightly pulling the cover away from the printer.

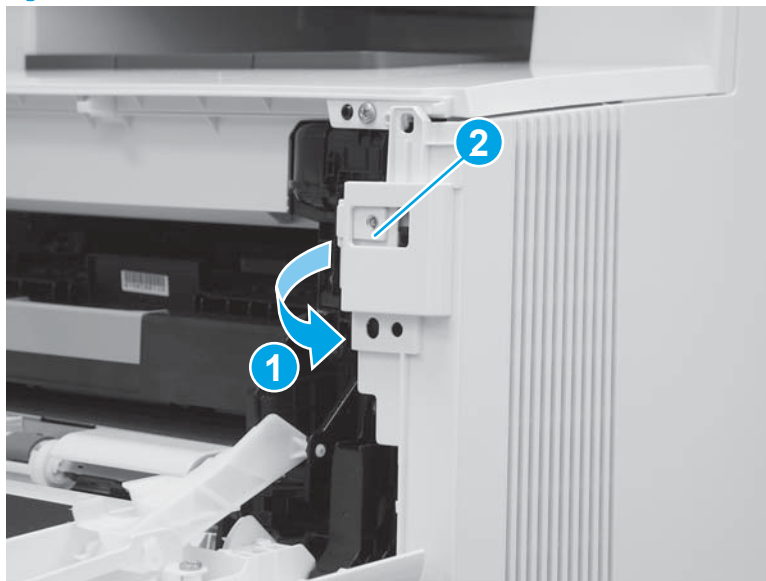
Figure 1-1367 Release front upper tabs



8. Rotate the front of the cover away from the printer (callout 1).

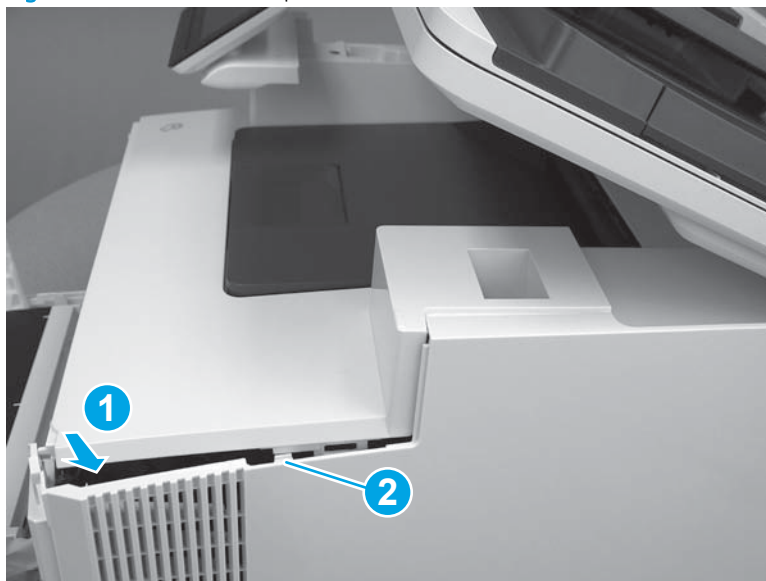
**⚠ CAUTION:** Be careful not to dislodge the power switch (callout 2).

**Figure 1-1368** Rotate the front of the cover



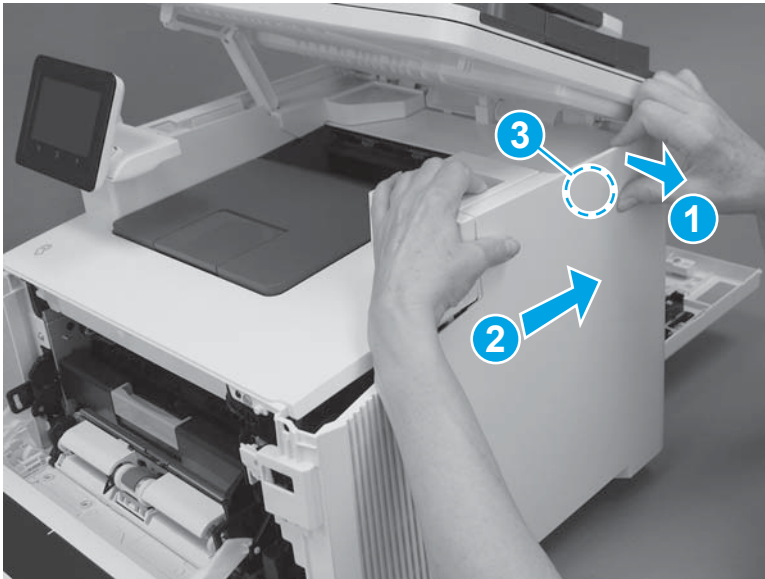
9. Slightly pull the front of the cover away from the printer (callout 1) to release one tab (callout 2).

**Figure 1-1369** Release top tabs



10. At the top of the printer, slightly pull the top of the cover away from the printer to release one retention tab (callout 1) on the inside of the cover. While holding the cover away, slide the cover toward the back of the printer (callout 2) to release one hook (callout 3) on the inside of the cover.

Figure 1-1370 Release one tab and one hook



11. Lower the scanner.

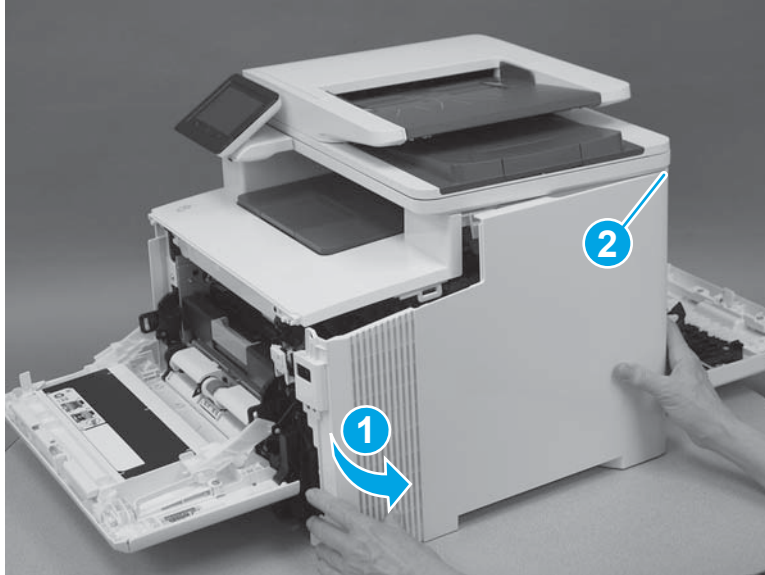
Figure 1-1371 Lower the scanner






12. Rotate the cover away from the printer (callout 1) to release one tab (callout 2) at the back of the printer, and then remove the cover.

Figure 1-1372 Remove the right cover

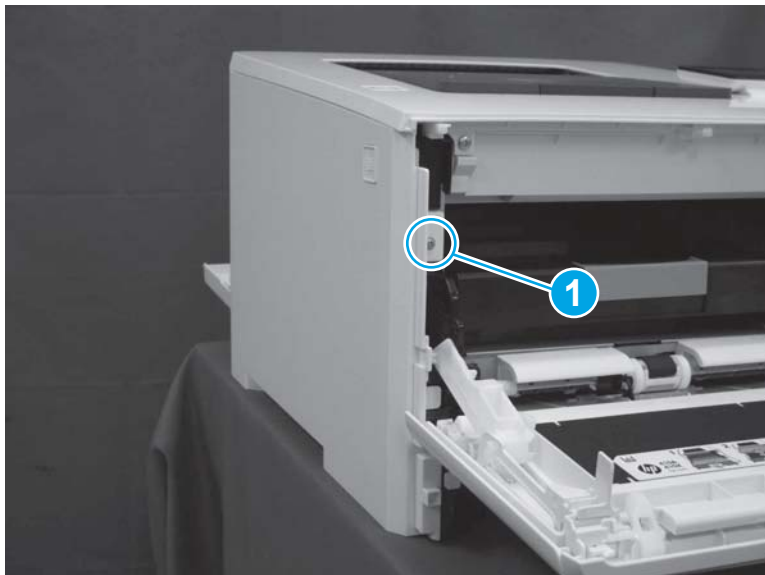


#### Step 6: Remove the left cover (M454 models)

 **NOTE:** This step is for the M454 models. For the M479 models, skip this step and go to [Step 7: Remove the left cover \(M479 models\) on page 769](#).

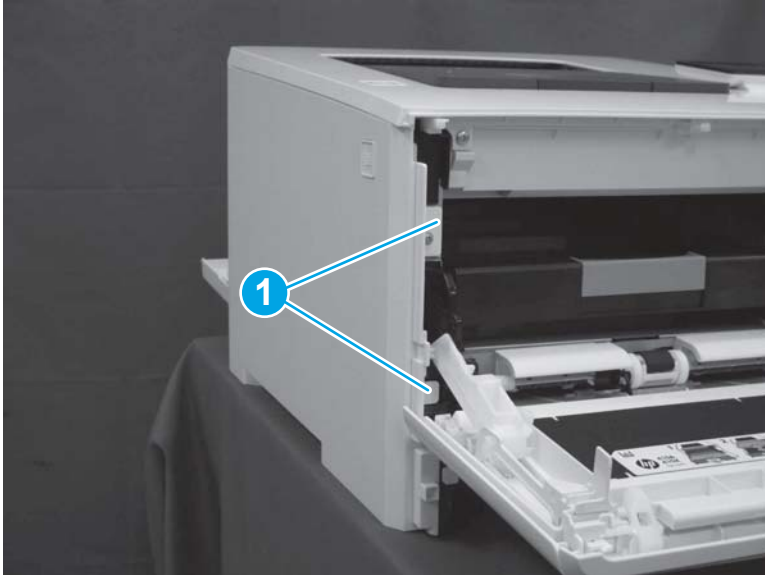
1. At the front of the printer, remove one screw (callout 1).

Figure 1-1373 Remove one screw



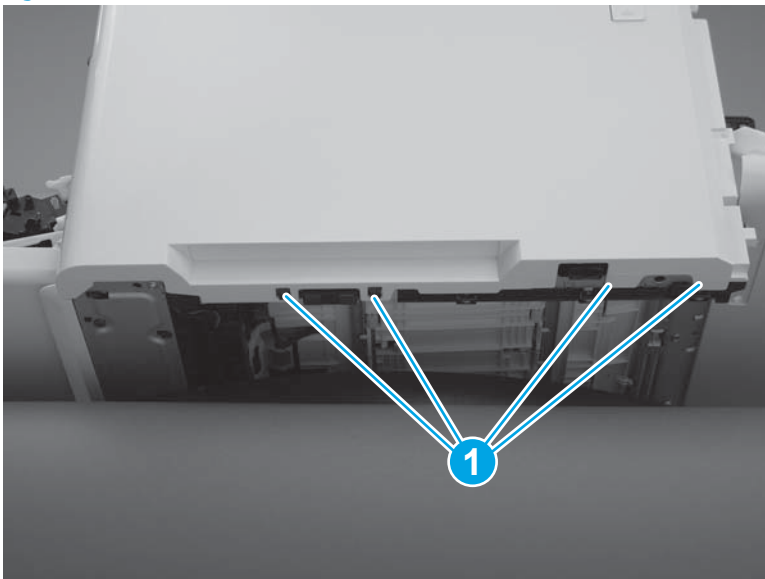
2. Release two tabs (callout 1) at the front of the cover. Hold the cover open to prevent the tabs from reengaging.

Figure 1-1374 Release two tabs



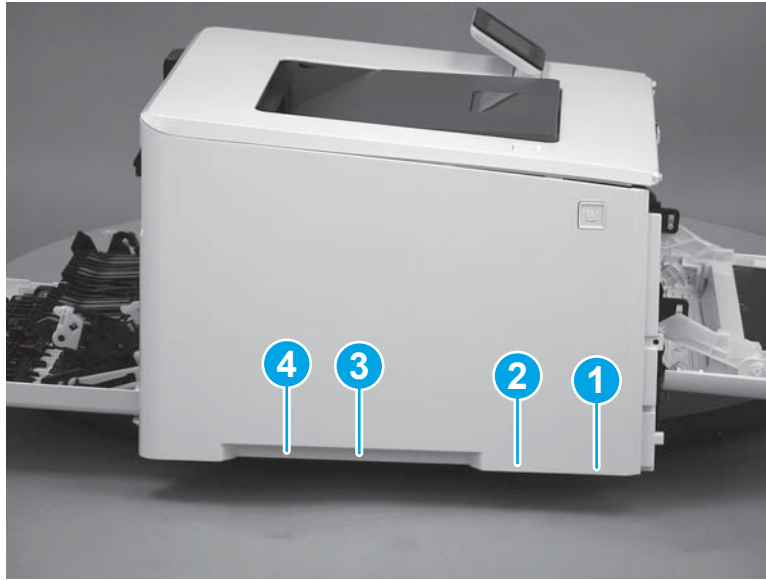
3. Slide the printer to the edge of a work surface. Note the location of the tabs on the lower edge of the cover (callout 1).

Figure 1-1375 Locate the tabs



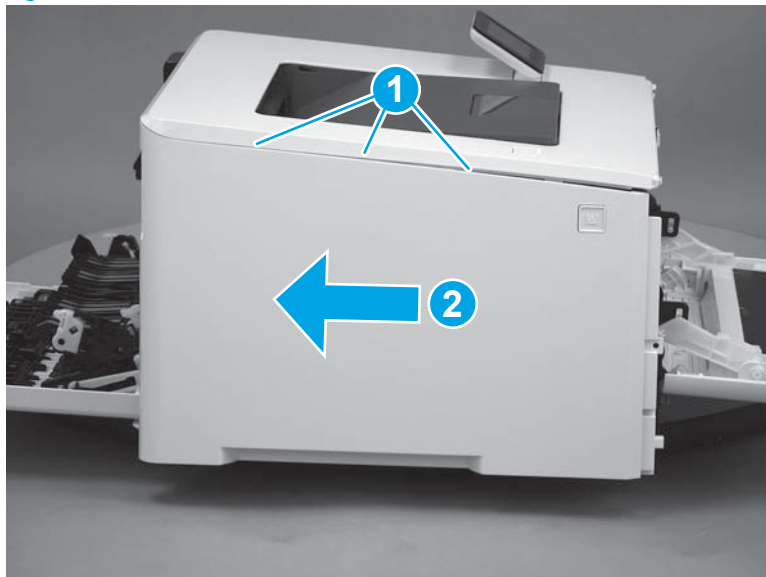
4. Beginning from the front of the cover, release four tabs (callouts 1-4) on the lower edge of the cover.

Figure 1-1376 Release bottom tabs




5. Release three tabs at the top of the cover (callout 1), and then slide the cover toward the rear of the printer to remove it.

Figure 1-1377 Release three tabs



#### Step 7: Remove the left cover (M479 models)

 **NOTE:** This step is for the M479 models. For the M454 models, skip this step and go to [Step 8: Remove the duplex door assembly \(duplex models\) on page 774.](#)

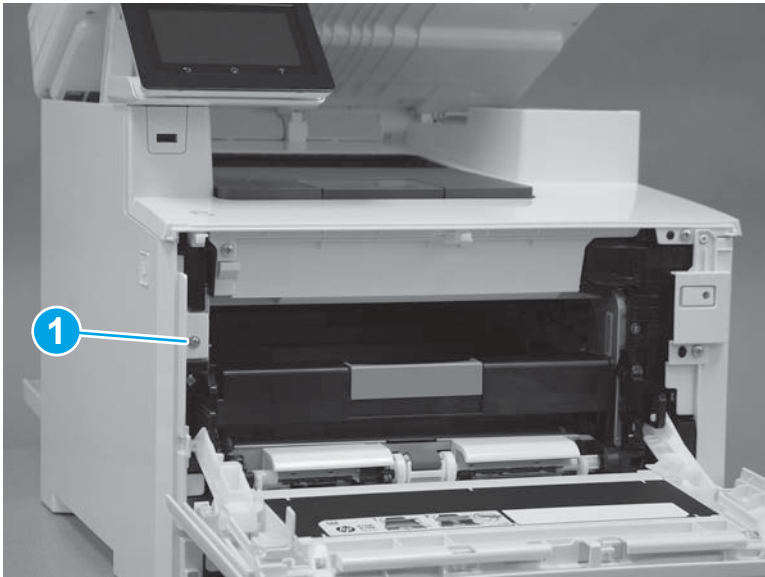
1. Raise the scanner.

Figure 1-1378 Raise the scanner



2. At the front of the printer, remove one screw (callout 1).

Figure 1-1379 Remove one screw



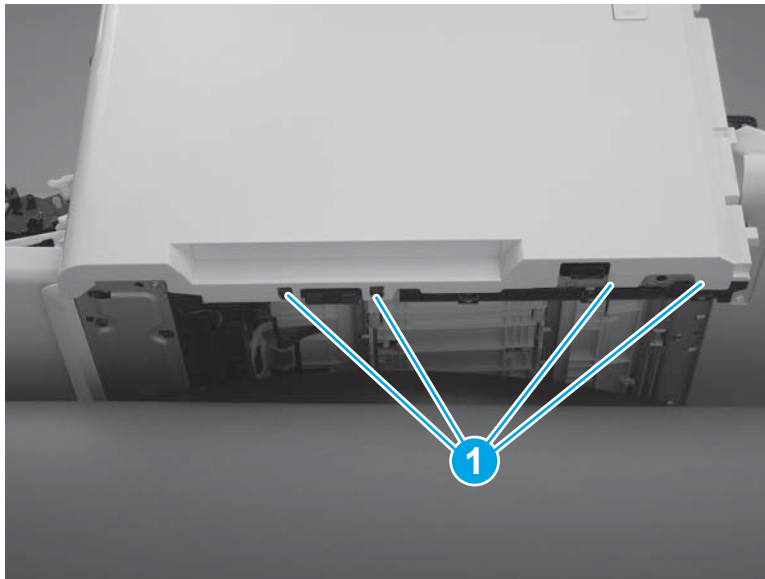
3. Release two tabs (callout 1) at the front of the cover. Hold the cover open to prevent the tabs from re-engaging.

Figure 1-1380 Release two tabs



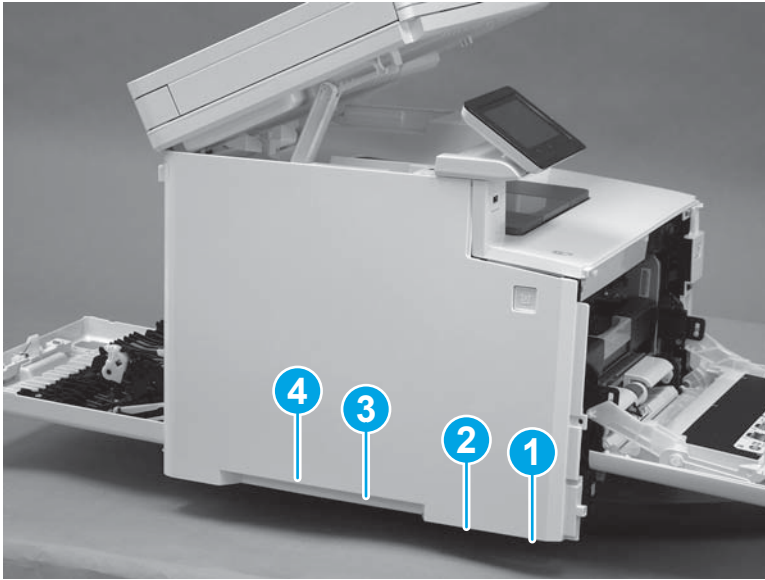
4. Slide the printer to the edge of a work surface. Note the location of the tabs on the lower edge of the cover (callout 1).

Figure 1-1381 Locate the tabs



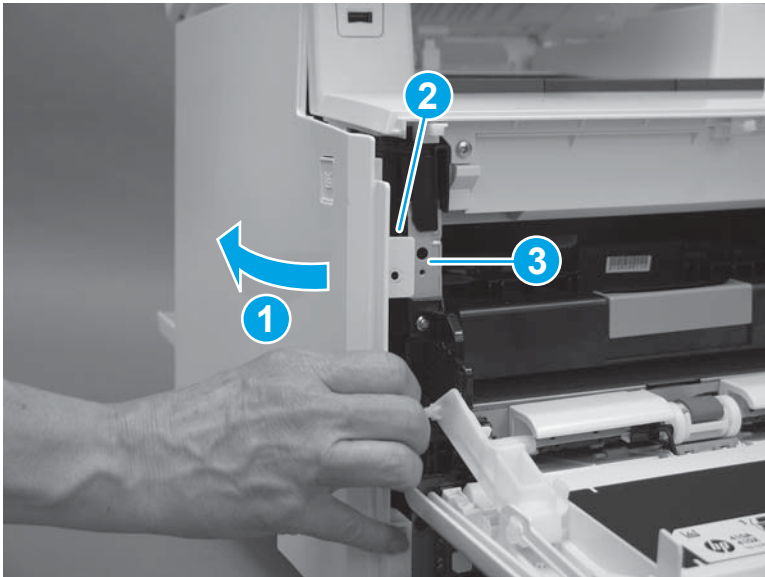
5. Beginning from the front of the cover, release the four tabs (callouts 1-4) on the lower edge of the cover.

Figure 1-1382 Release four tabs



6. Rotate the front of the cover away from the printer (callout 1). Make sure that the tab (callout 2) does not get caught on the printer frame (callout 3).

Figure 1-1383 Rotate the cover



7. At the top of the printer, slightly pull the top of the cover away from the printer to release one retention tab (callout 1) on the inside of the cover. While holding the cover away, slide the cover toward the back of the printer (callout 2) to release two hooks (callout 3) inside the cover.

Figure 1-1384 Release one tab and two hooks



8. Lower the scanner.

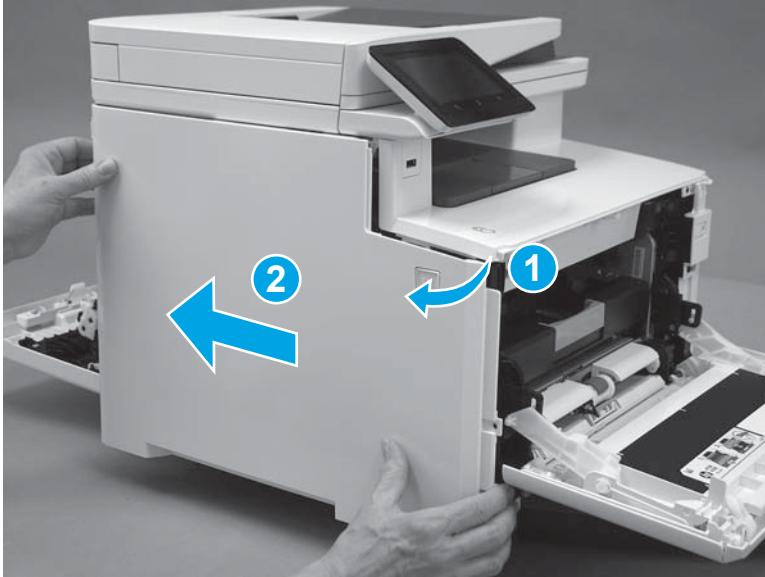
Figure 1-1385 Lower the scanner






9. Rotate the cover away from the printer (callout 1), and then slide the cover (callout 2) toward the back of the printer to remove it.

Figure 1-1386 Remove the left cover

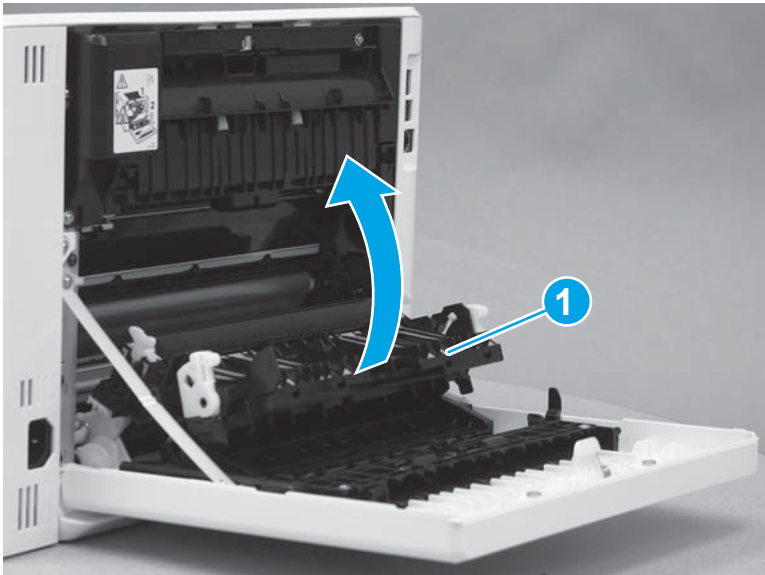


#### Step 8: Remove the duplexer door assembly (duplex models)

 **NOTE:** This step is for duplex models. For simplex models, skip this step and go to [Step 9: Remove the rear door \(simplex models\) on page 776](#).


1. Rotate the secondary transfer assembly (callout 1) toward the printer to close it.

Figure 1-1387 Close the secondary transfer assembly

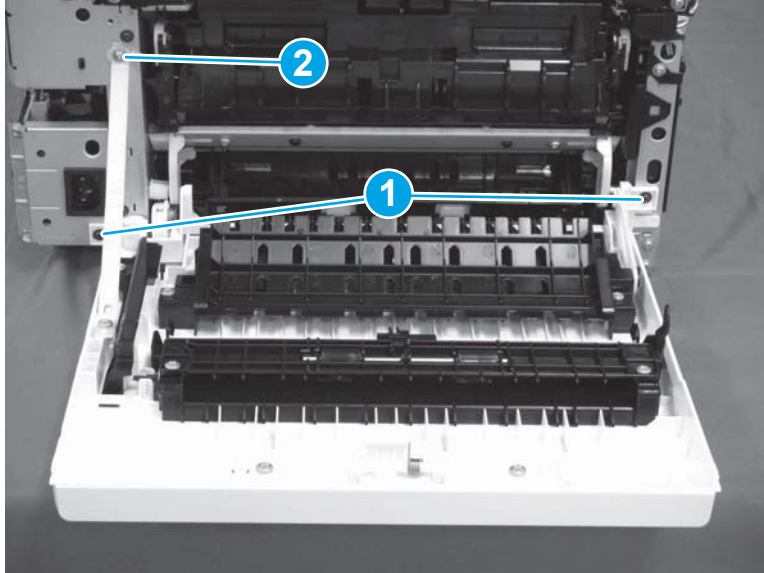




2. At the back of the printer, remove two screws (callout 1), and then remove one screw (callout 2) that holds the retention arm.

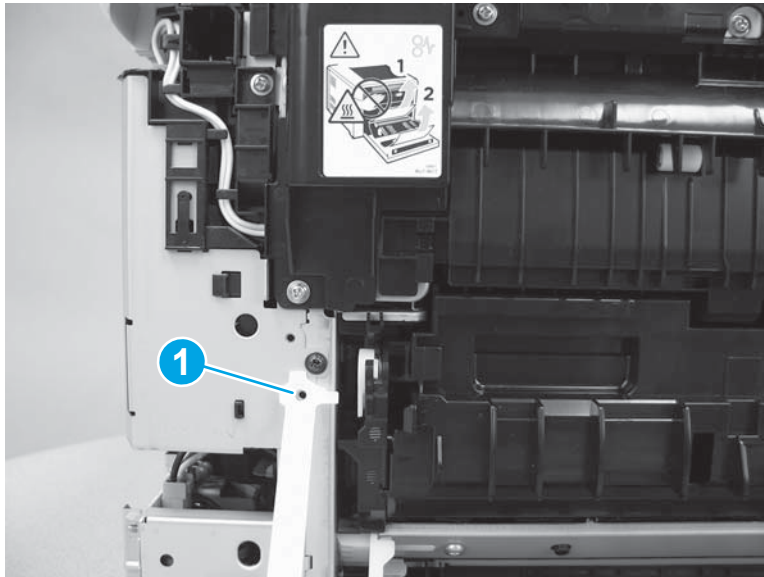
 **Reinstallation tip:** Note that the screw (callout 2) that holds the retention arm is longer than the other two. Make sure this screw is installed in the correct position.

**Figure 1-1388** Remove three screws



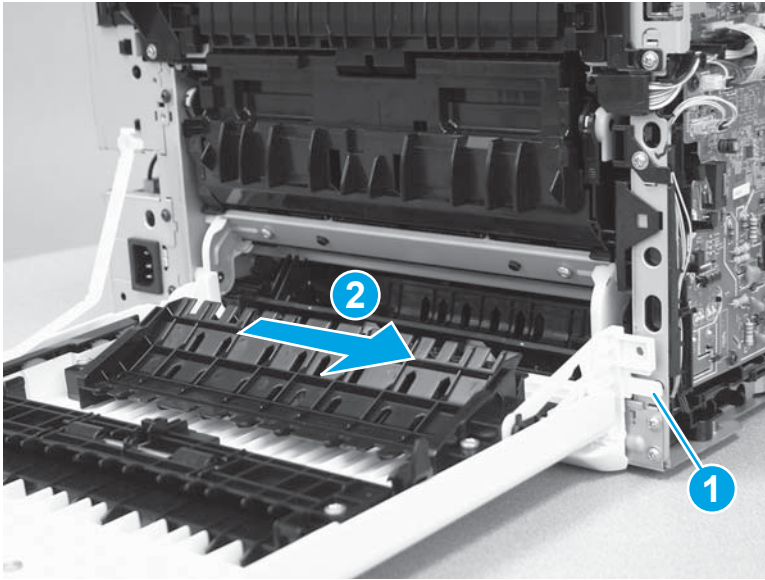
3. Release the retention arm (callout 1).

**Figure 1-1389** Release the retention arm




4. Release one tab (callout 1), and then slide the duplexer door (callout 2) to the right to remove it.

Figure 1-1390 Remove the duplexer door

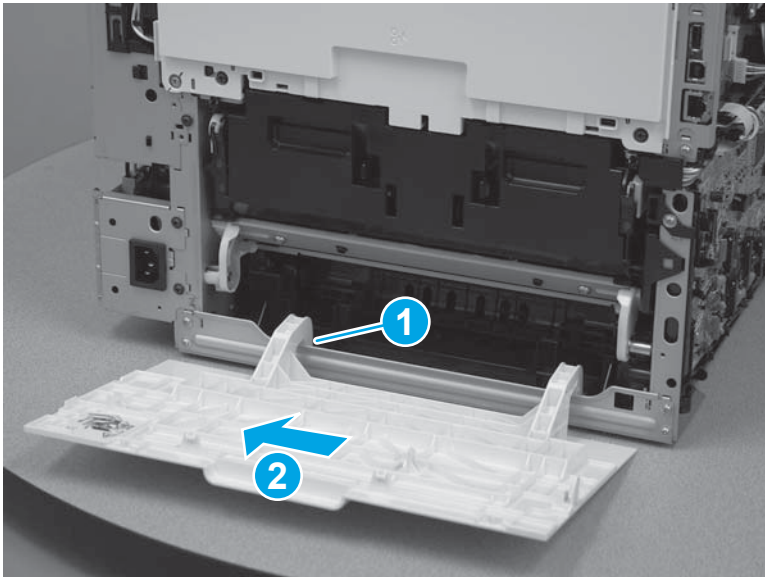


#### Step 9: Remove the rear door (simplex models)

 **NOTE:** This step is for simplex models. For duplex models, skip this step and go to [Step 10: Remove the engine controller PCA on page 776](#).


- ▲ Slightly flex one hinge arm (callout 1) to release a hinge pin, and then slide the rear door to the left (callout 2) to remove it.

Figure 1-1391 Remove the rear door

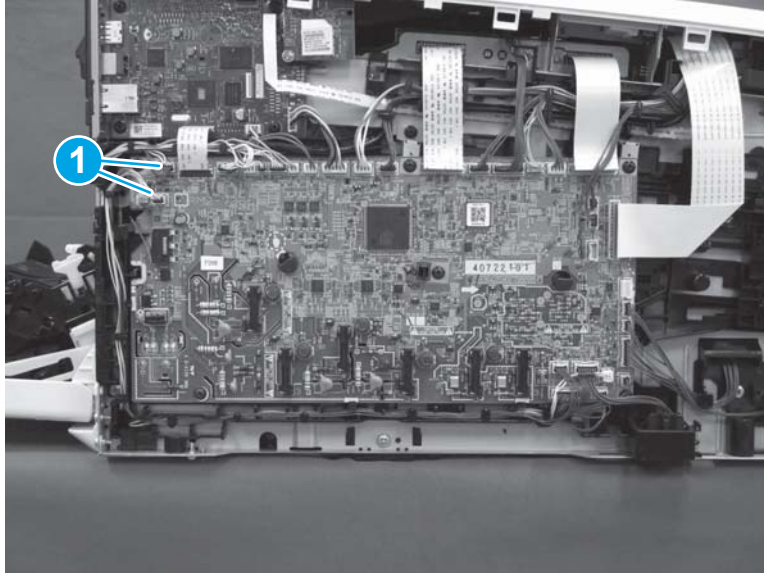


#### Step 10: Remove the engine controller PCA

1. **Duplex printers only:** Before disconnecting the connectors in the next step, make note of the position of two of the cables (callout 1).

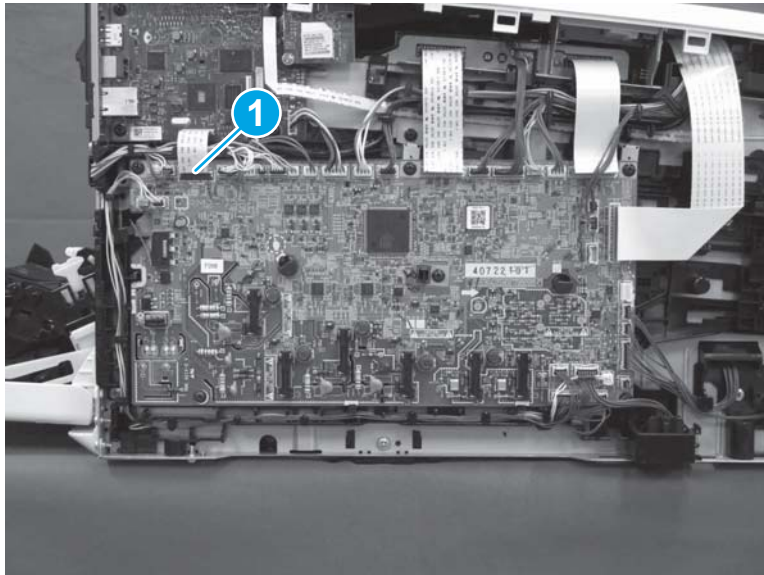
 **IMPORTANT:** These cables can be inadvertently switched when reinstalling. The connectors on the cables will fit in either connector on the engine controller PCA. Make sure that these cables are installed in the correct connectors. If the cables are switched, the printer will experience a repeatable jam when printing duplex jobs. Upper cable is purple in color while the lower one is yellow.

**Figure 1-1392** Check the cables



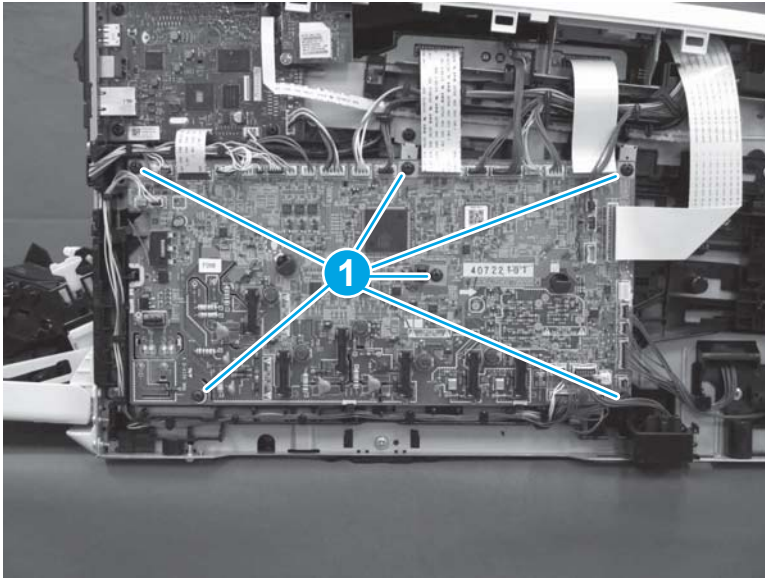
2. Disconnect all of the connectors on the engine controller PCA. Note that one connector (callout 1) is a zero-insertion force (ZIF) connector. Lift the latch on the connector before removing the flat cable.

**Figure 1-1393** Disconnect all of the connectors



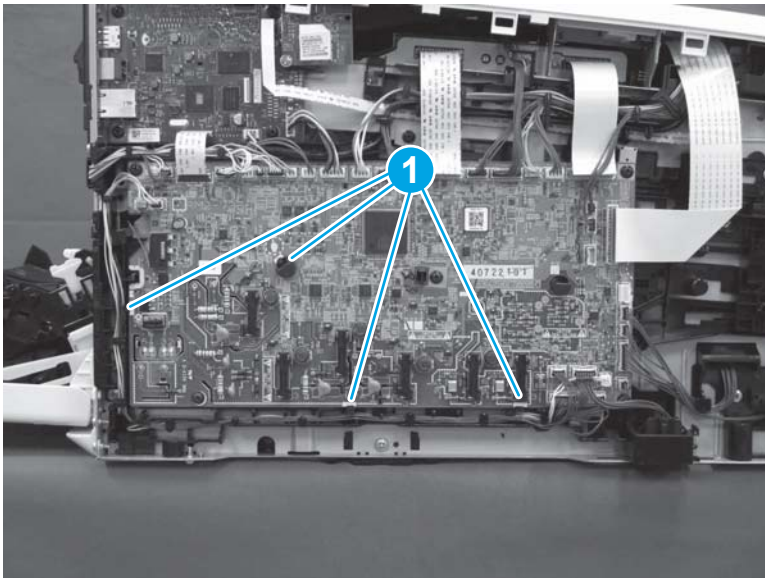
3. Remove six screws (callout 1).

Figure 1-1394 Remove six screws



4. Release four tabs (callout 1).

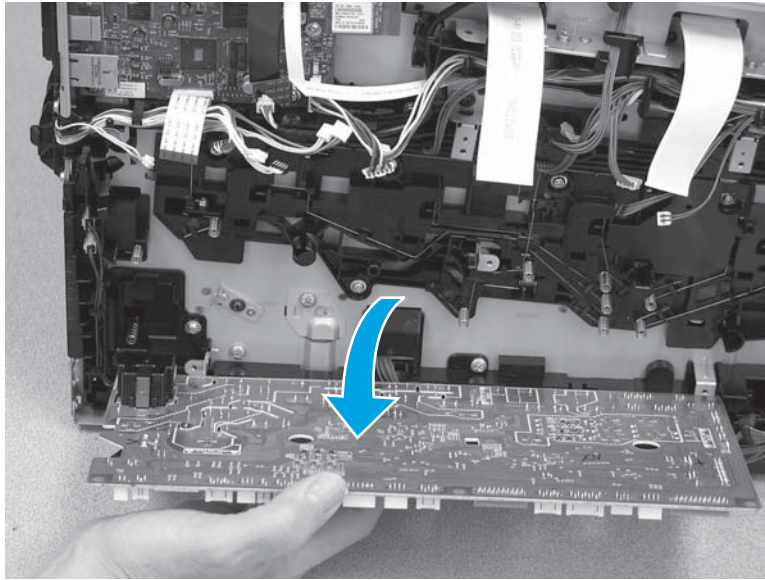
Figure 1-1395 Release four tabs





5. Remove the engine controller PCA.

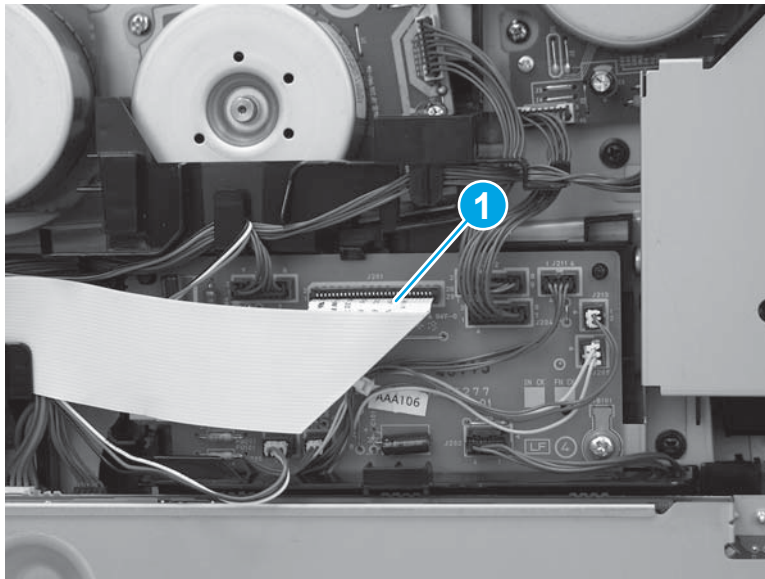
Figure 1-1396 Remove the engine controller PCA



#### Step 11: Remove the driver PCA

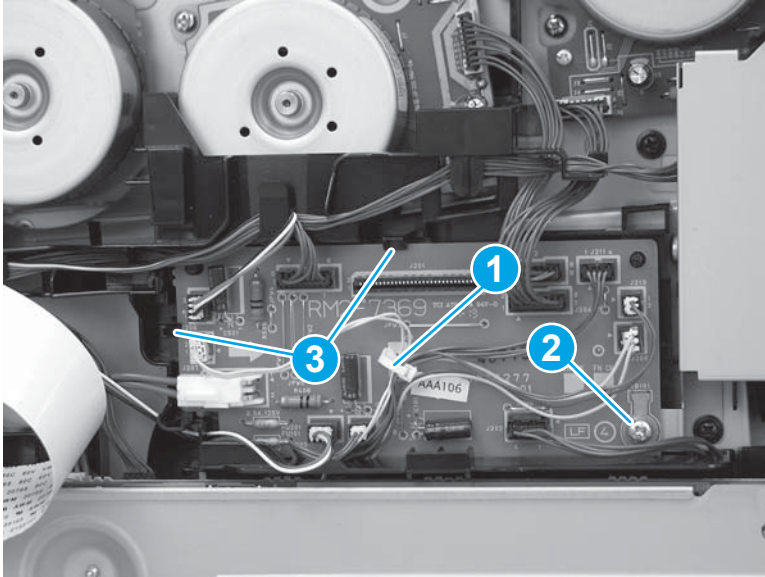
1. Disconnect one connector (callout 1).

Figure 1-1397 Disconnect one connector



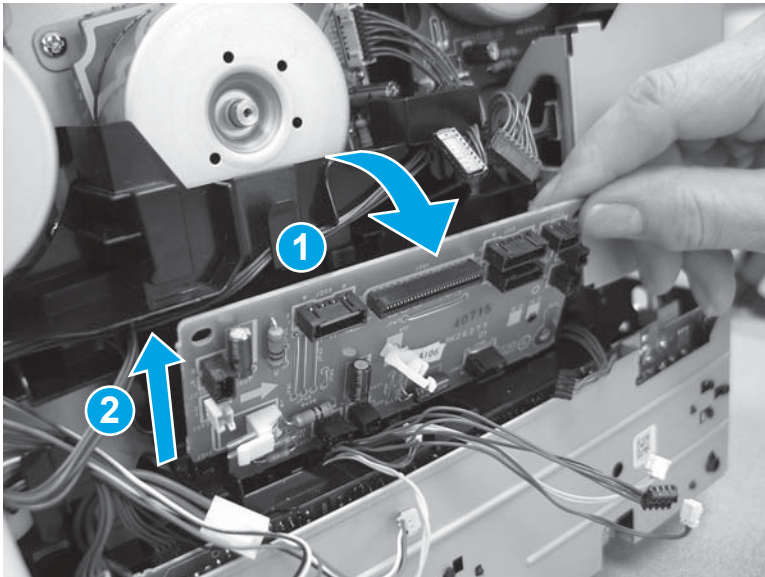
2. Release one retainer (callout 1), disconnect all of the connectors on the driver PCA, remove one screw (callout 2), and then release two tabs (callout 3).

Figure 1-1398 Disconnect all connectors and remove one screw



3. Rotate the top of the driver PCA away from the printer (callout 1), and then lift up (callout 2) to remove it.

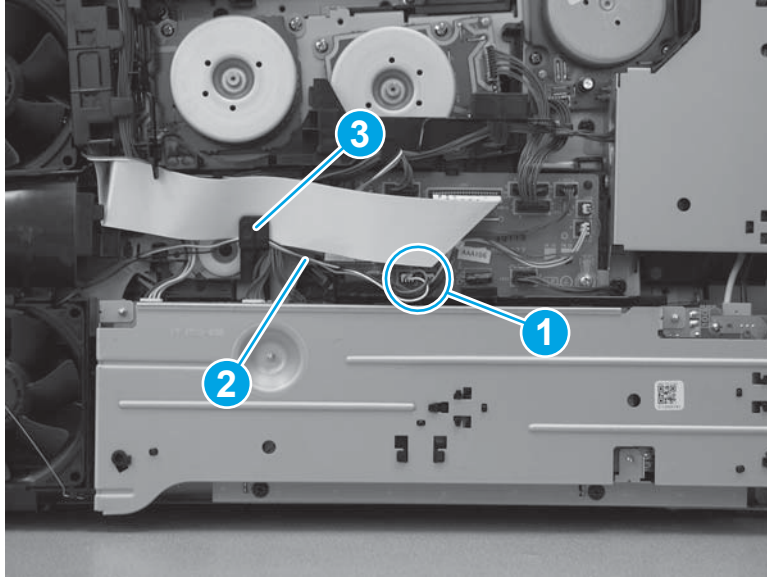
Figure 1-1399 Remove the driver PCA



### Step 12: Remove the low-voltage power supply

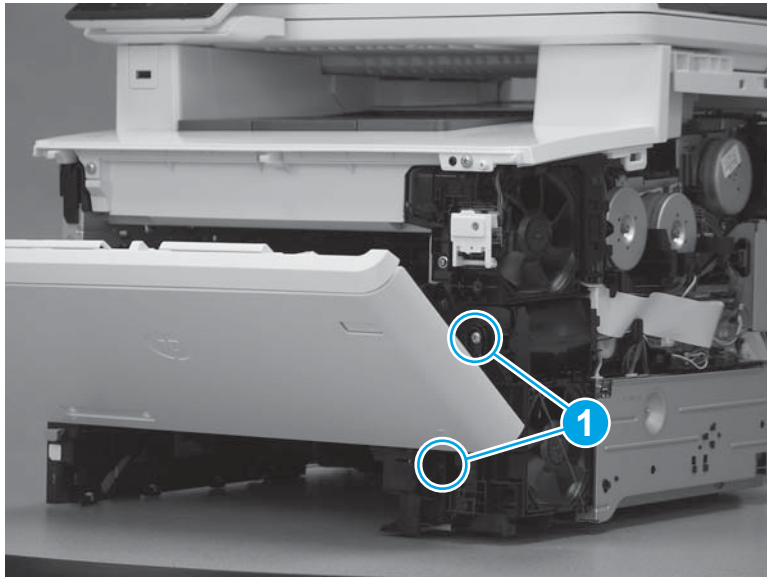
1. Disconnect one connector (callout 1), and then remove the cable (callout 2) from the wire guide (callout 3).

Figure 1-1400 Disconnect one connector and release cables from guides



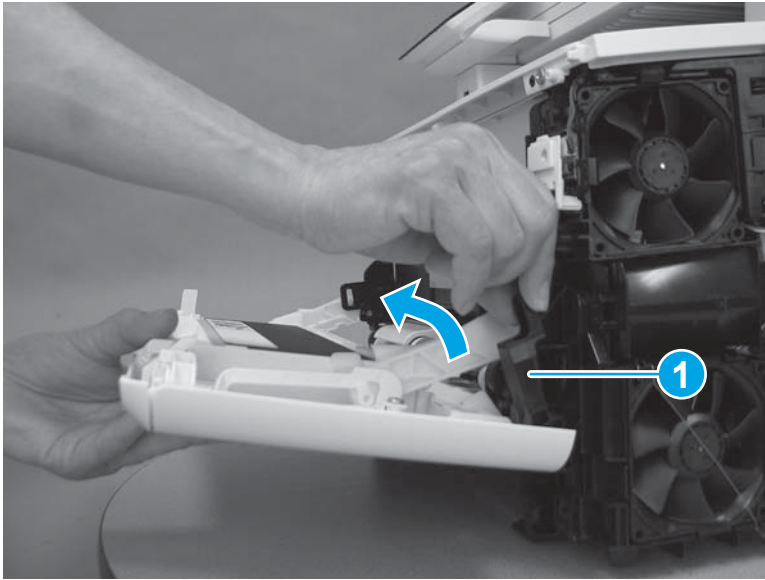
2. Remove two screws (callout 1).

Figure 1-1401 Remove two screws



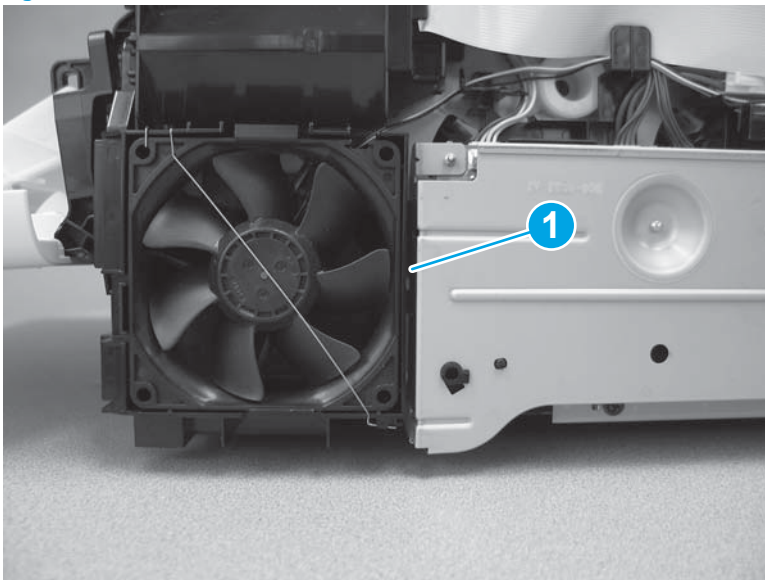
3. Release the hinge arm (callout 1).

Figure 1-1402 Release the hinge arm



4. Release one tab (callout 1) on the right side of the power supply fan.

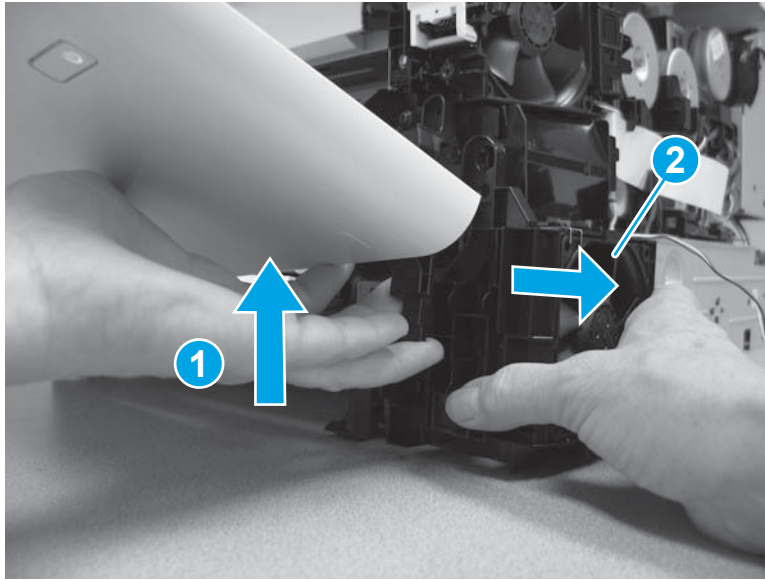
Figure 1-1403 Release one tab





- Lift the front door up slightly (callout 1), and then remove the power supply fan and holder (callout 2).

Figure 1-1404 Remove the power supply fan and holder



- Before disconnecting the cables in the next step, make note of the position of two cables (callout 1).


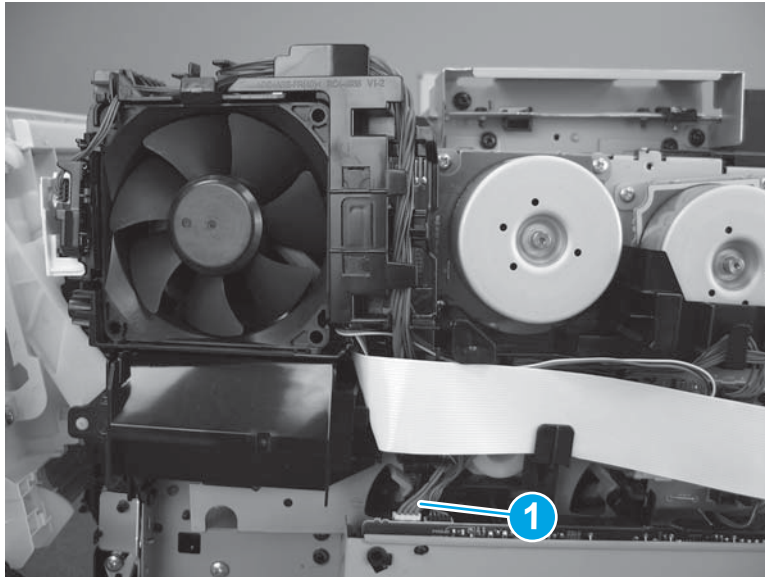
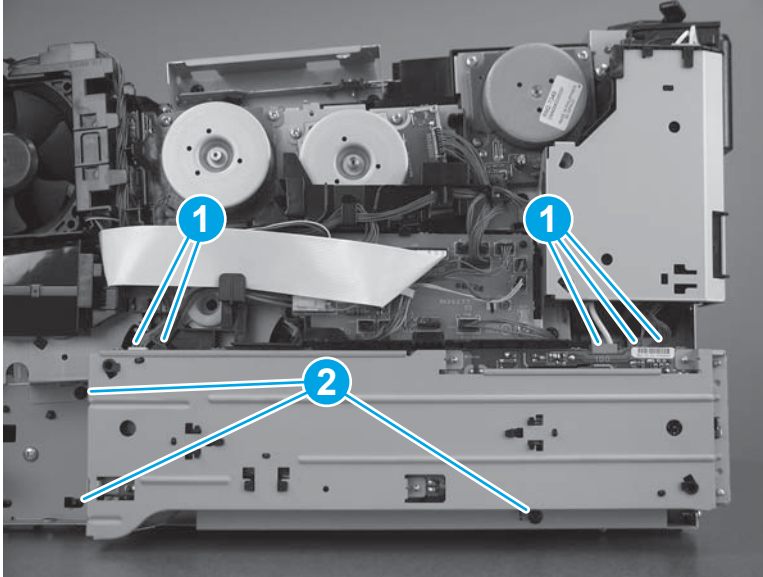
 **IMPORTANT:** These cables can be inadvertently switched when reinstalling. The connectors on the cables will fit in either connector on the LVPS. Make sure that these cables are installed in the correct connectors. If the cables are switched, the printer will not power on when reassembled.

Figure 1-1405 Check the connectors



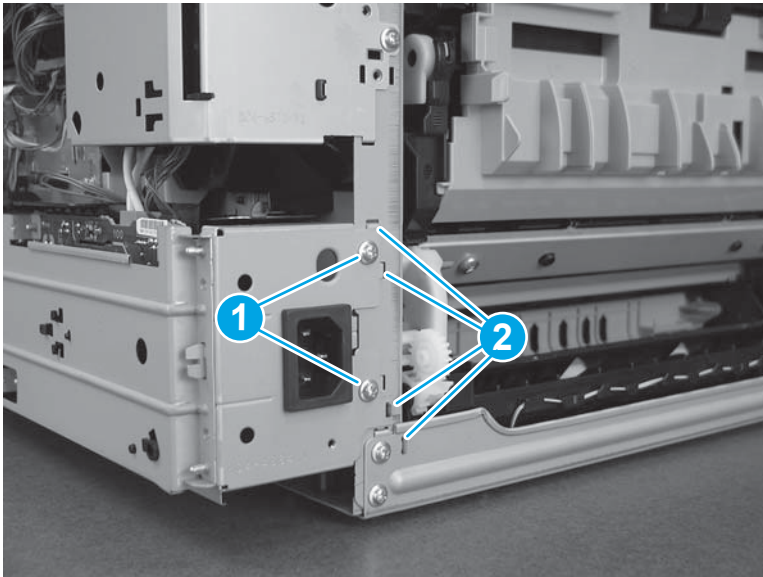
7. Disconnect five connectors (callout 1). Note that one connector (callout 2) has a latch that must be released before disconnecting it. Remove three screws (callout 3).

Figure 1-1406 Disconnect five connectors and remove four screws



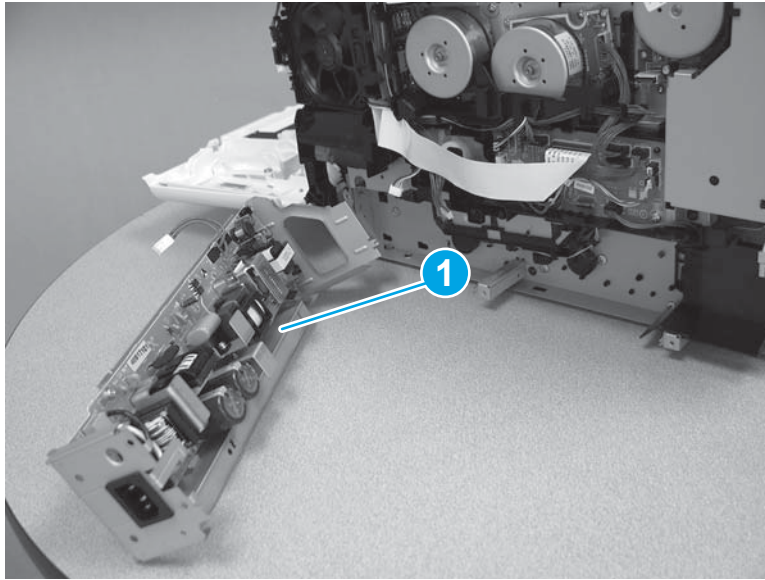
8. Remove two screws from the back (callout 1), and then release four tabs (callout 2).

Figure 1-1407 Remove two screws and release three tabs



9. Remove the LVPS (callout 1).

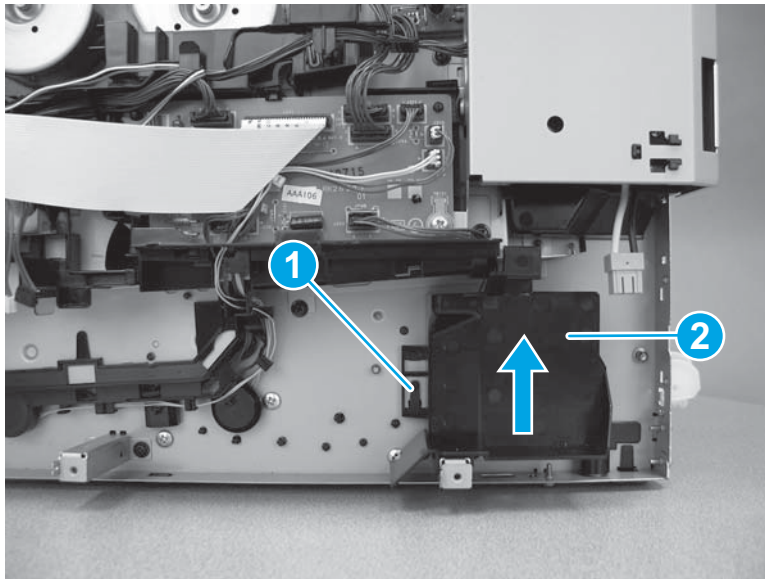
Figure 1-1408 Remove the LVPS



### Step 13: Remove the pickup motor

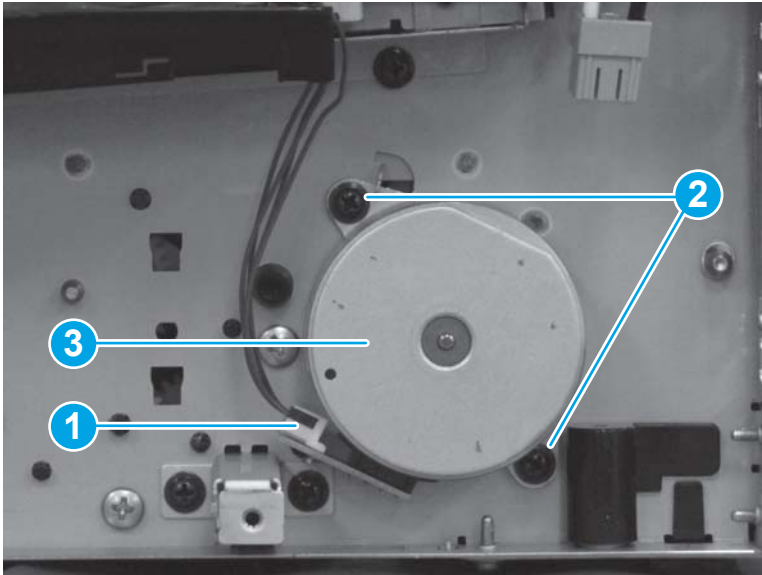
1. Release one tab (callout 1), and then slide the fan duct (callout 2) up to remove it.

Figure 1-1409 Remove the fan duct



2. Disconnect one connector (callout 1), remove two screws (callout 2), and then remove the pickup motor (callout 3).

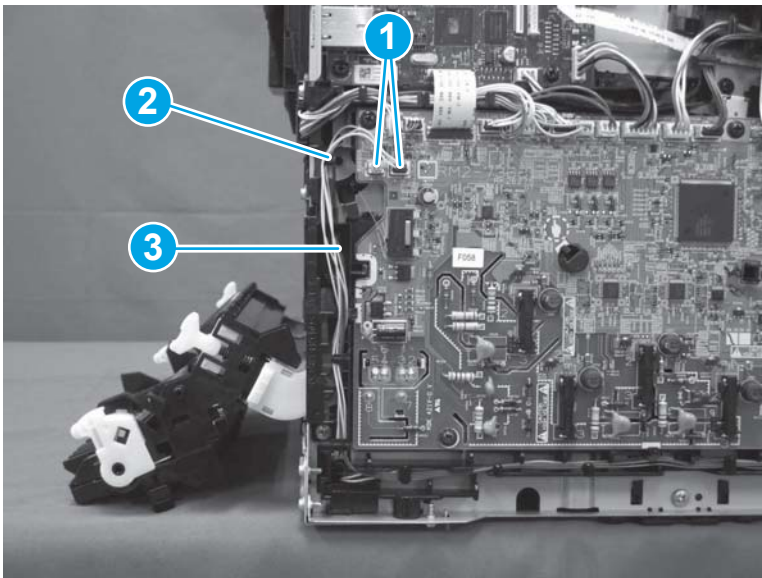
Figure 1-1410 Remove the pickup motor



#### Step 14: Remove the re-pickup assembly (duplex models)

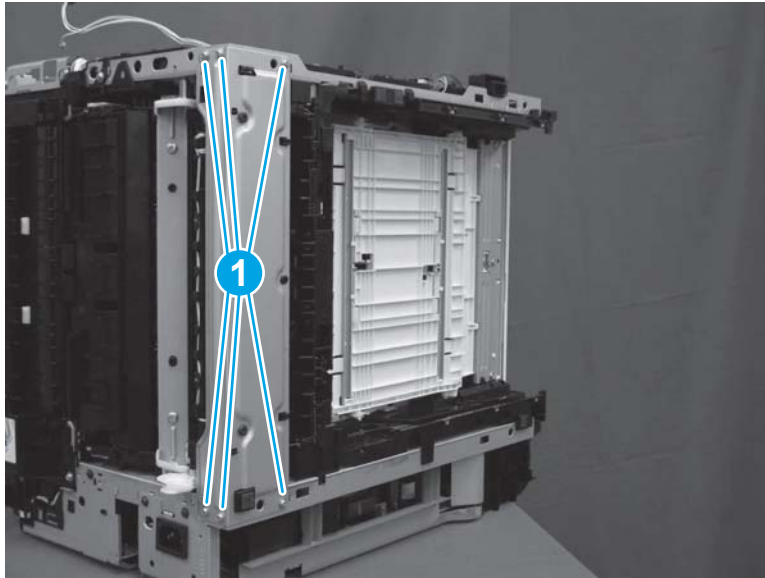
1. On the left side of the printer, disconnect two connectors (callout 1), and then remove the cables (callout 2) from the guides (callout 3).

Figure 1-1411 Disconnect two connectors and remove cables from guides



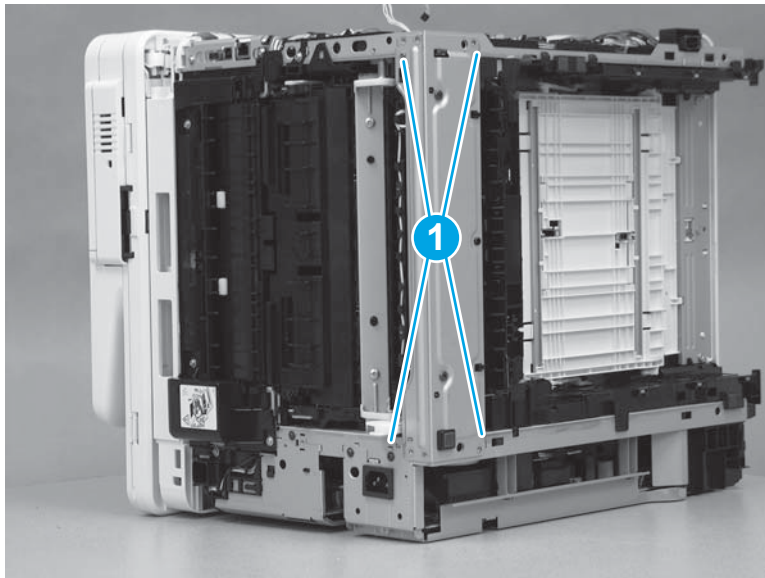
2. Lay the printer on the right side so that the left side is facing up. Remove six screws (callout 1).

Figure 1-1412 Remove six screws



3. Release four tabs (callout 1).

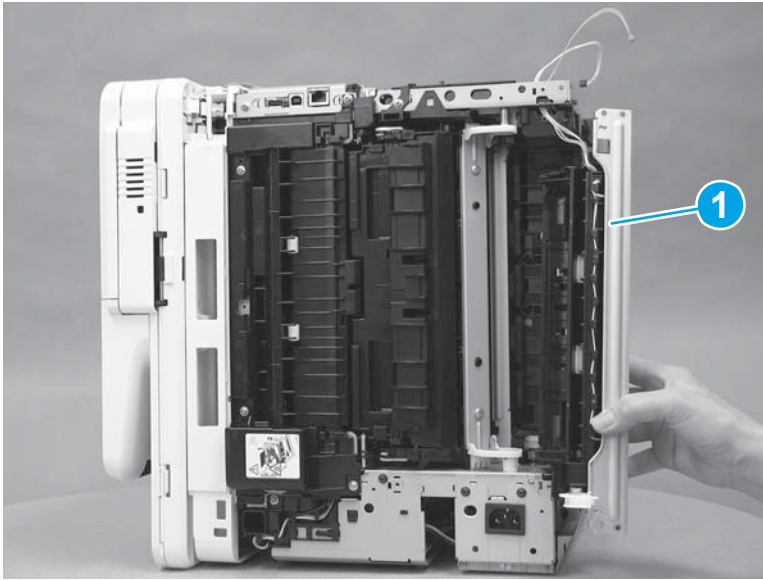
Figure 1-1413 Release four tabs





4. Remove the re-pickup assembly (callout 1).

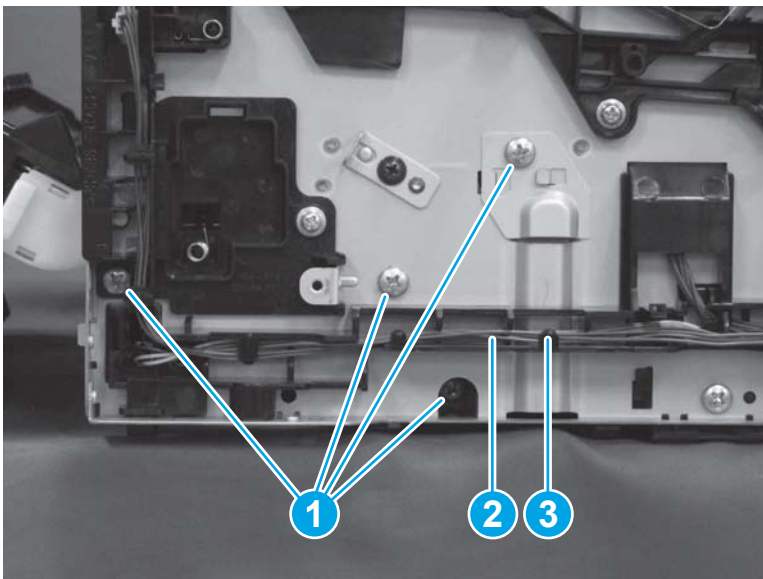
Figure 1-1414 Remove the re-pickup assembly



#### Step 15: Remove the lifter drive assembly

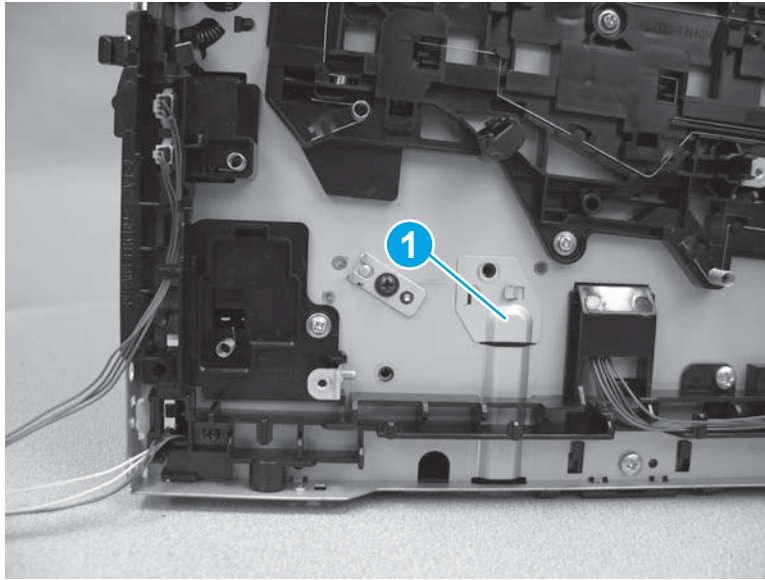
1. Remove four screws (callout 1), and then release the cables (callout 2) from the guides (callout 3).

Figure 1-1415 Remove four screws and release cables



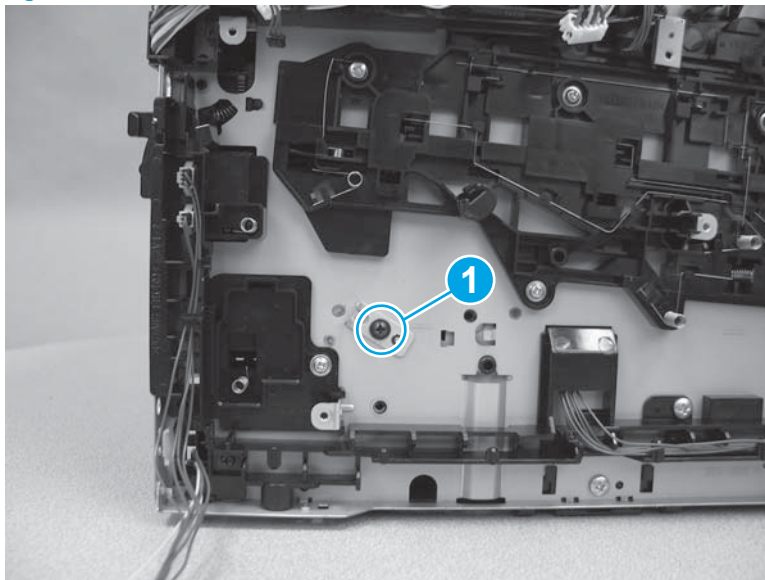
2. Remove one cover (callout 1).

Figure 1-1416 Remove one cover



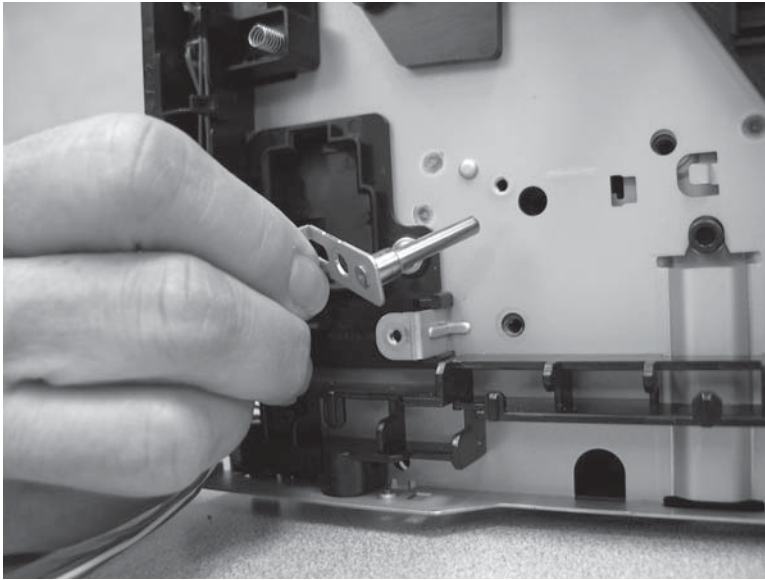
3. Remove one screw (callout 1).

Figure 1-1417 Remove one screw



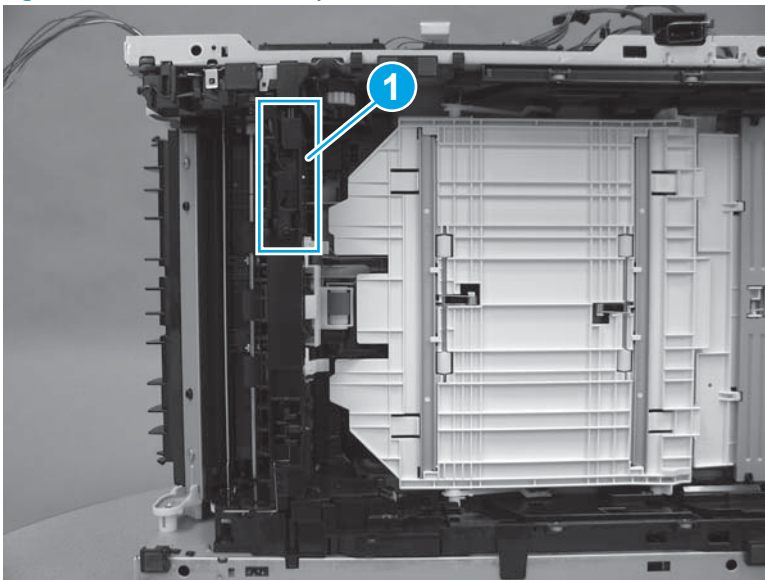
4. Remove the shaft.

Figure 1-1418 Remove the shaft



5. Lay the printer on the right side so that the left side is facing up. Locate the tray sensor switch (callout 1).

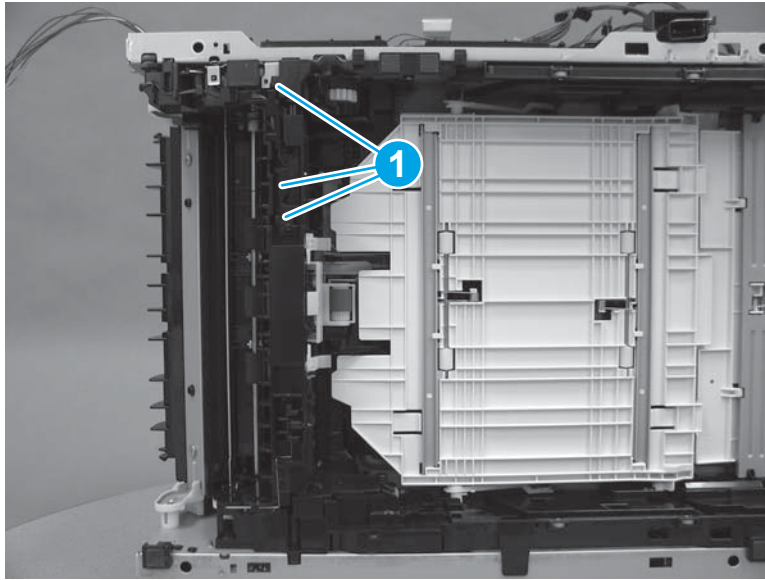
Figure 1-1419 Locate the tray sensor switch





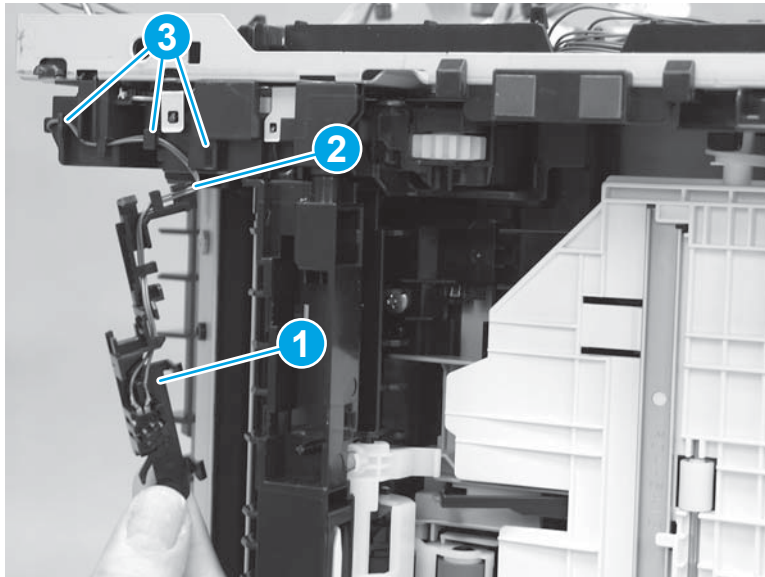
6. Release three tabs (callout 1).

Figure 1-1420 Release three tabs



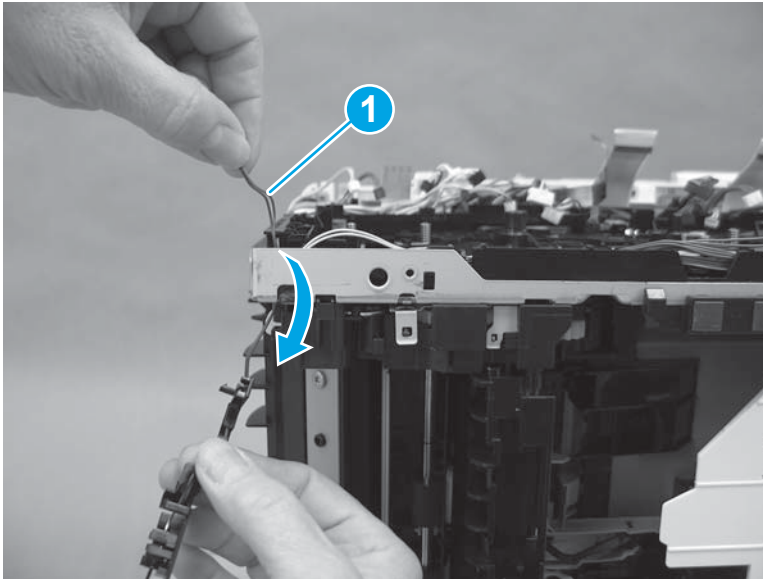
7. Release the tray sensor switch (callout 1), and then remove the cables (callout 2) from the guides (callout 3).

Figure 1-1421 Release the tray sensor switch



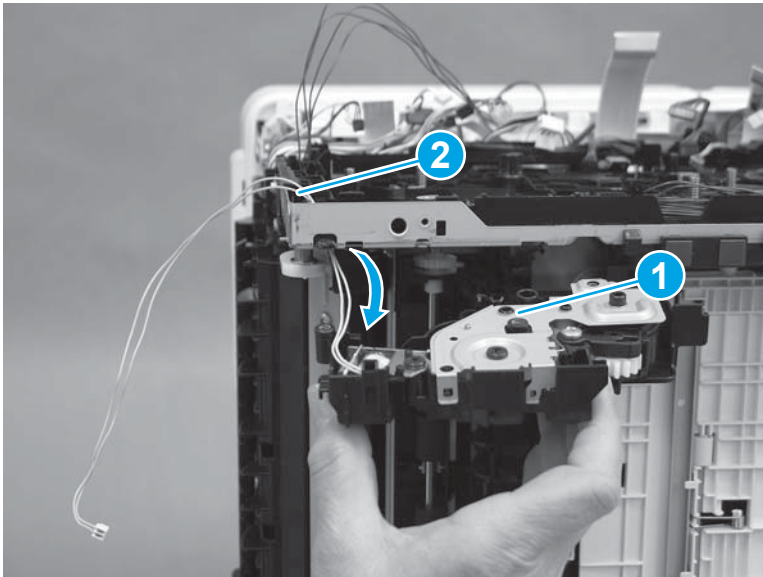
8. Remove the tray sensor switch by releasing the cables (callout 1) through the printer frame.

Figure 1-1422 Remove the tray sensor switch



9. Remove the lifter drive assembly (callout 1), and then release the cables (callout 2) through the printer frame.

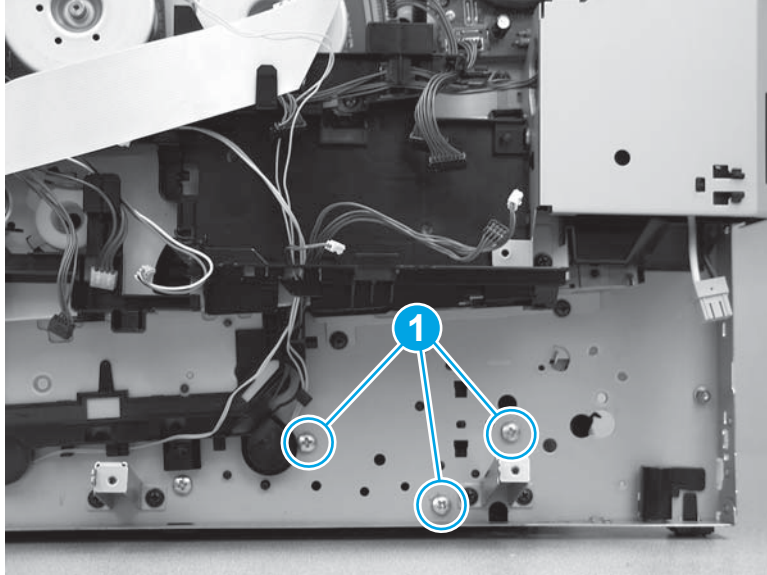
Figure 1-1423 Remove the lifter drive assembly



#### Step 16: Remove the pickup assembly

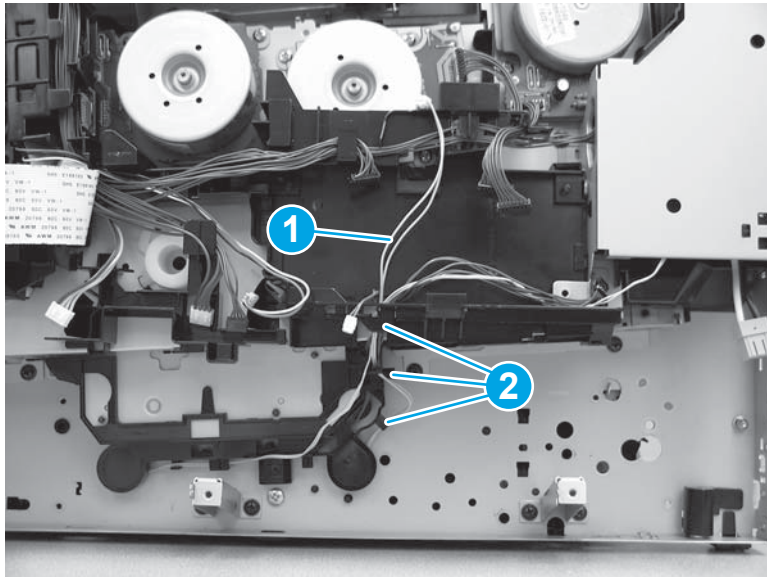
1. Remove three screws (callout 1).

Figure 1-1424 Remove three screws



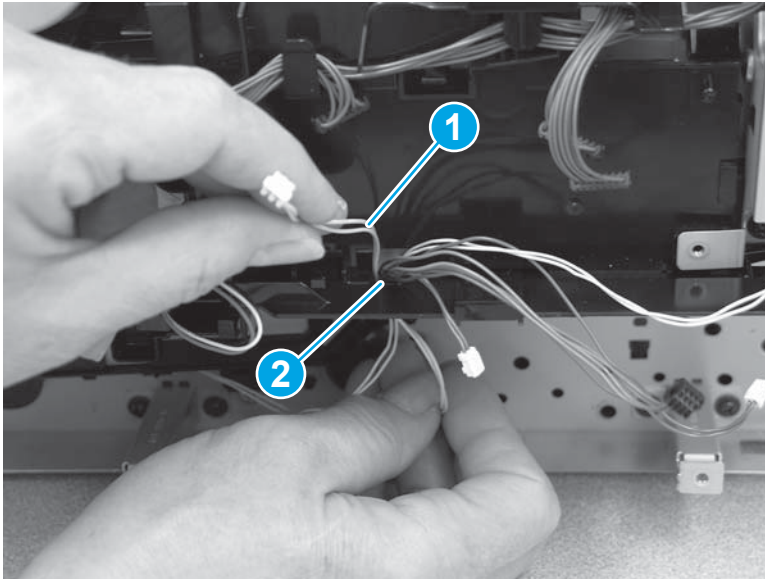
2. Release the cables (callout 1) from the cable guides (callout 2).

Figure 1-1425 Release the cables from the cable guides



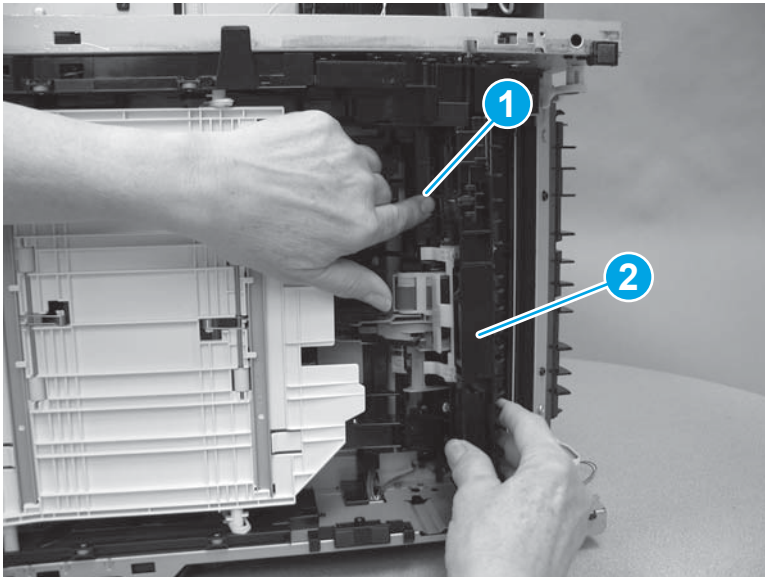
3. Thread the cables (callout 1) through the opening in the driver PCA holder (callout 2).

Figure 1-1426 Release the cables



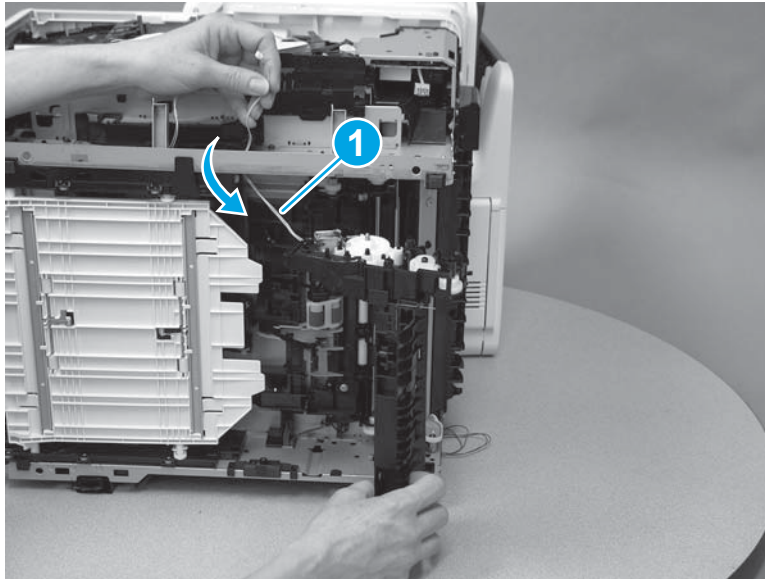
4. Lay the printer on the right side so that the left side is facing up. Press the pickup and feed roller holder (callout 1) toward the printer, and then remove the pickup assembly (callout 2).

Figure 1-1427 Remove the pickup assembly



5. Release the cables (callout 1) through the printer frame.

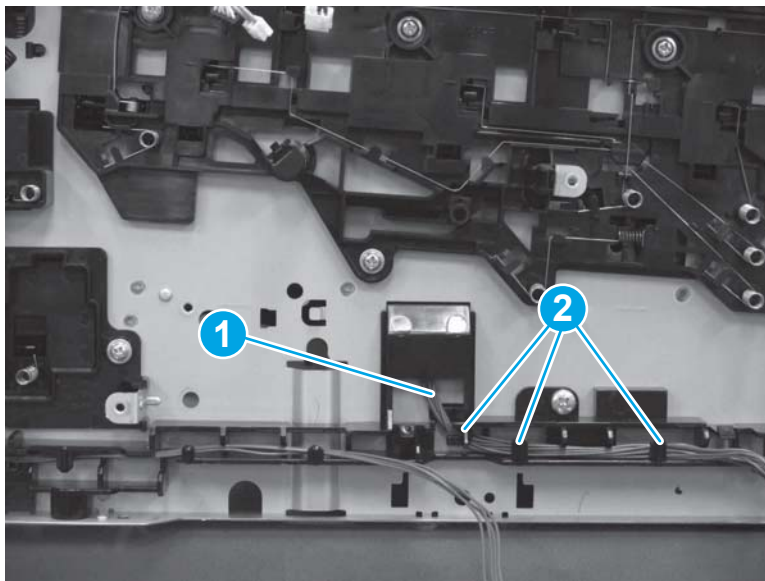
Figure 1-1428 Release the cables



#### Step 17: Remove the front feed guide assembly

1. Release the cables (callout 1) from the cable guide (callout 2).

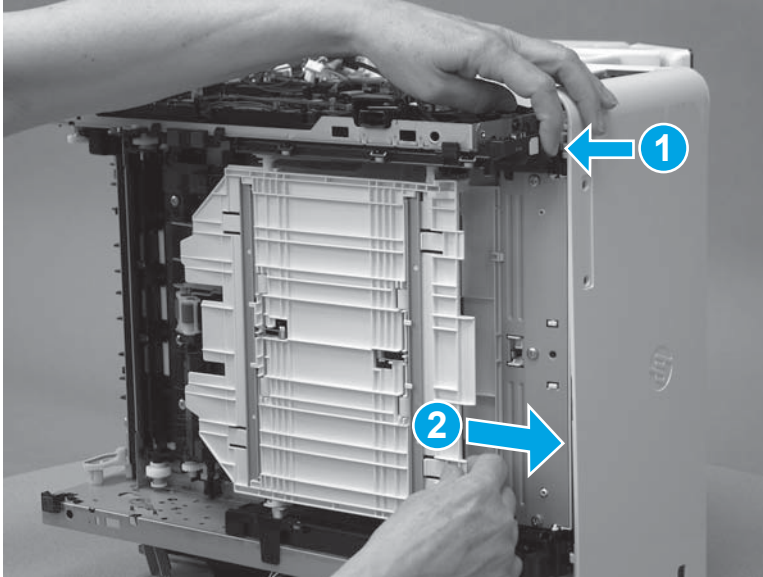
Figure 1-1429 Release the cables





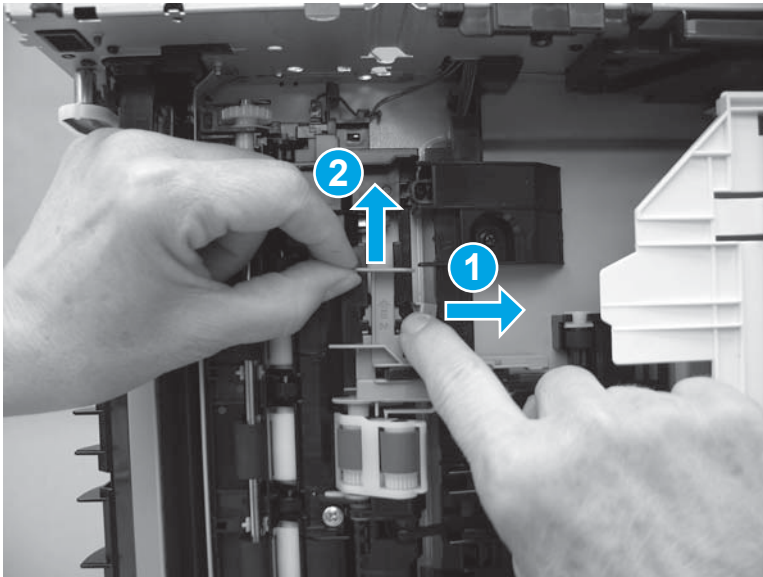
2. Lay the printer on the right side so that the left side is facing up. Press the tray 1 feed guide release button (callout 1), and then release the tray 1 feed guide toward the front of the printer (callout 2).

Figure 1-1430 Release the tray 1 feed guide



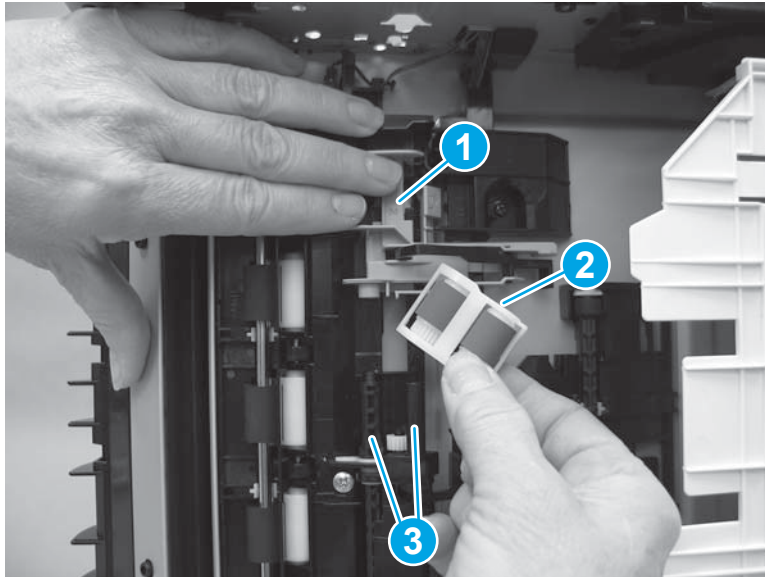
3. Press the lever (callout 1) on the roller holder, and then slide the roller holder up (callout 2).

Figure 1-1431 Slide the roller holder



4. Hold the roller holder up (callout 1), and then lift the pickup and feed roller case (callout 2) up off of the shafts (callout 3).

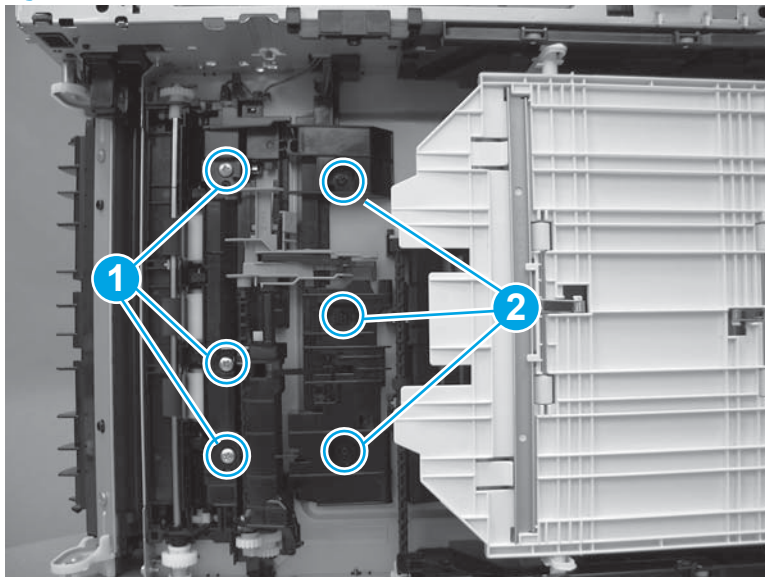
Figure 1-1432 Remove the pickup and feed rollers



5. Remove three screws (callout 1) on the rear feed guide assembly, and then remove three screws (callout 2) on the front feed guide assembly.

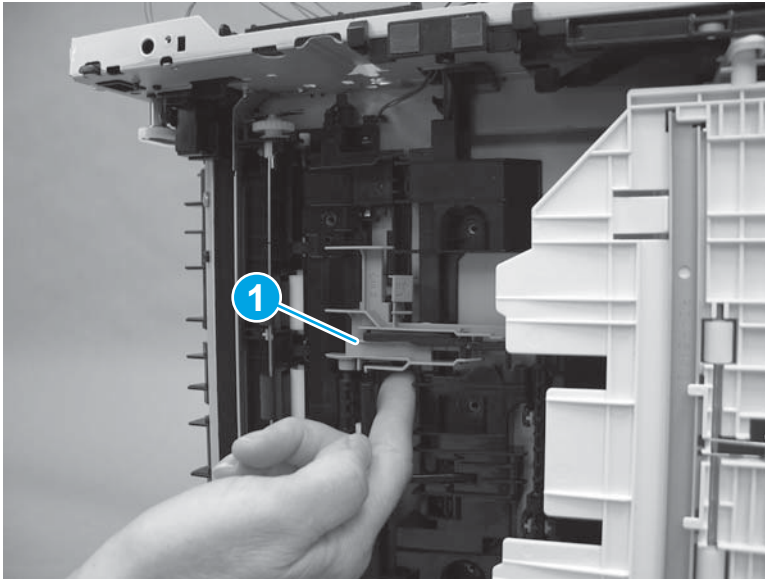
 **Reinstallation tip:** The three screws (callout 1) on the rear feed guide assembly are larger than the screws on the front feed guide assembly.

Figure 1-1433 Remove six screws



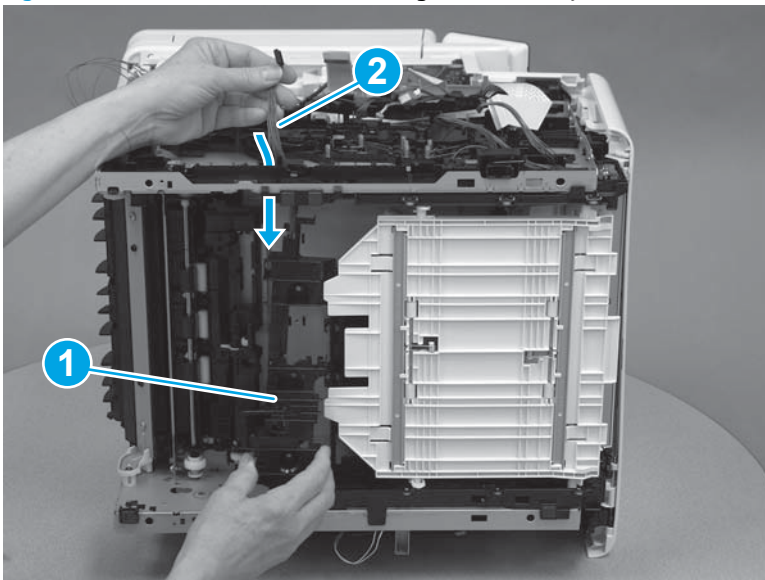
6. Remove the roller holder (callout 1).

Figure 1-1434 Remove the roller holder



7. Remove the front feed guide assembly (callout 1). Release the cables (callout 2) through the printer frame.

Figure 1-1435 Remove the front feed guide assembly



### Step 18: Unpack the replacement part

Remove the new part from its package. Save all packaging for recycling the used part.

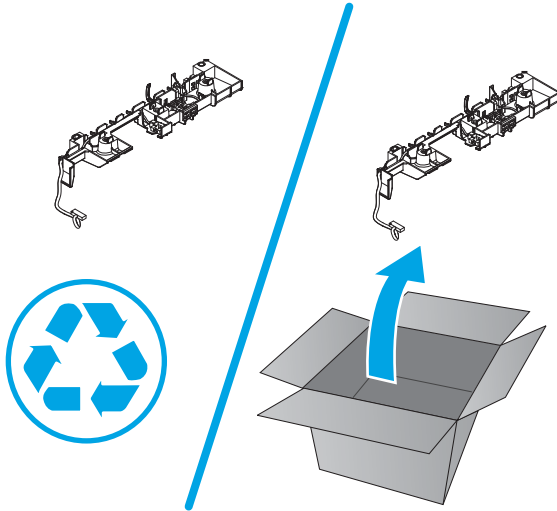
For complete information on HP's recycling programs, go to [Product return and recycling](#).



**NOTE:** HP recommends responsible disposal of the defective part.



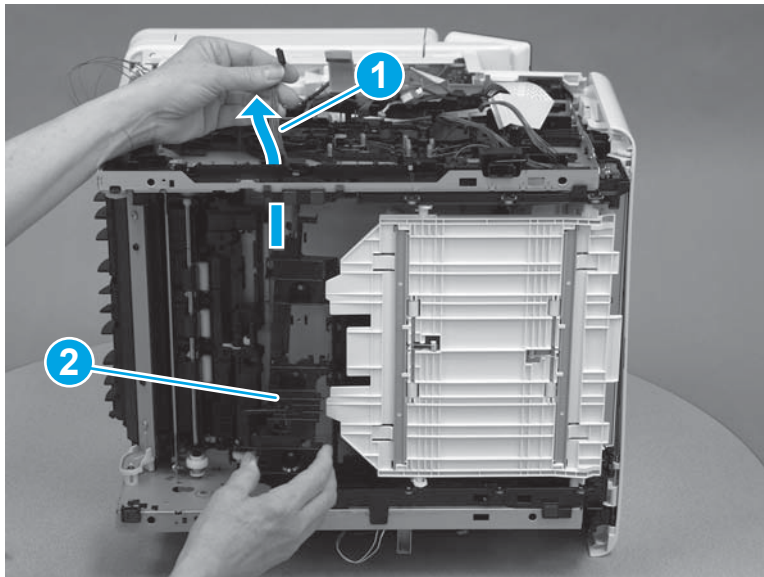
Figure 1-1436 Recycle and unpack



Step 19: Install the front feed guide assembly

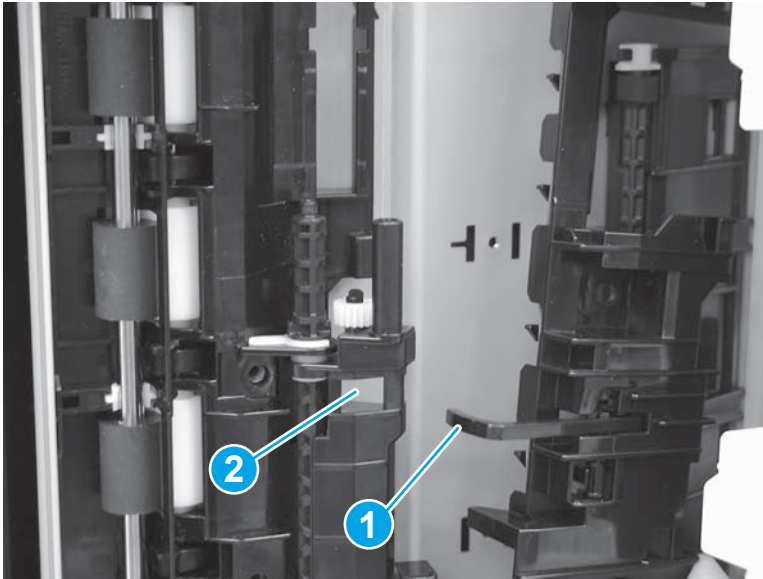
1. Thread the cables (callout 1) on the front feed guide assembly up through the printer frame, and then move the front feed guide assembly (callout 2) into position.

Figure 1-1437 Position the front feed guide assembly



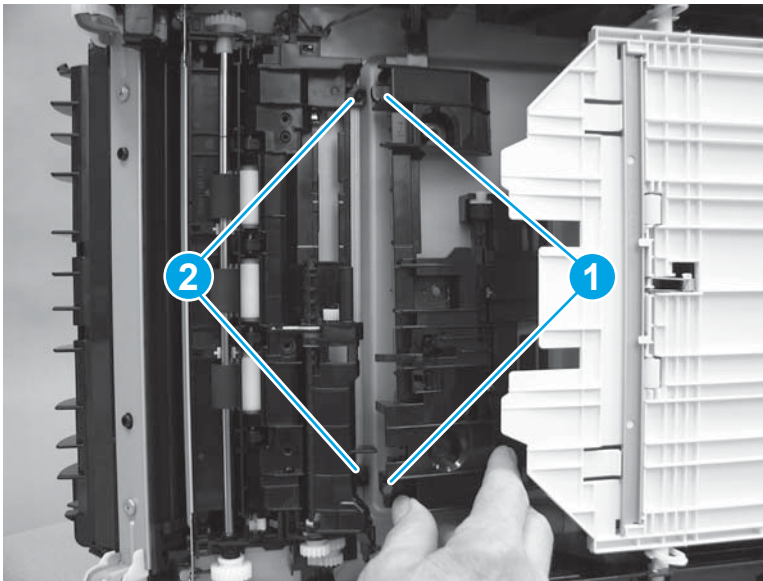
2. Make sure that the flag (callout 1) on the front feed guide assembly fits in the opening (callout 2) in the rear feed guide assembly.

Figure 1-1438 Position the flag




3. Install the holes on the front feed guide assembly (callout 1) over the tabs (callout 2) on the rear feed guide assembly.

Figure 1-1439 Install the front feed guide assembly



4. To install an assembly, reverse the removal steps.

---

 **NOTE:** When applicable, special installation instructions are provided for an assembly at the end of the removal procedure. Always completely read the removal instructions and follow all special installation instructions.

---

## Removal and replacement: Rear feed guide assembly

- [Introduction](#)
- [Step 1: Remove Tray 2](#)
- [Step 2: Remove the toner cartridges](#)
- [Step 3: Open the rear door or duplexer door](#)
- [Step 4: Remove the right cover \(M454 models\)](#)
- [Step 5: Remove the right cover \(M479 models\)](#)
- [Step 6: Remove the left cover \(M454 models\)](#)
- [Step 7: Remove the left cover \(M479 models\)](#)
- [Step 8: Remove the duplexer door assembly \(duplex models\)](#)
- [Step 9: Remove the rear door \(simplex models\)](#)
- [Step 10: Remove the engine controller PCA](#)
- [Step 11: Remove the driver PCA](#)
- [Step 12: Remove the low-voltage power supply](#)
- [Step 13: Remove the pickup motor](#)
- [Step 14: Remove the re-pickup assembly \(duplex models\)](#)
- [Step 15: Remove the lifter drive assembly](#)
- [Step 16: Remove the pickup assembly](#)
- [Step 17: Remove the front feed guide assembly](#)
- [Step 18: Remove the rear feed guide assembly](#)
- [Step 19: Unpack the replacement part](#)
- [Step 20: Install the rear feed guide assembly](#)

### Introduction


This document provides the procedures to remove and replace the rear feed guide assembly.

[Click here to view a video of this procedure.](#)

### Before you begin

- Turn off the printer.
- Disconnect the power cable.

---

 **WARNING!** To avoid damage to the printer, turn the printer off, wait 30 seconds, and then remove the power cord before attempting to service the printer.

---

- Use the table below to identify the correct part number for your printer. To order the part, go to [www.hp.com/buy/parts](http://www.hp.com/buy/parts).

---

Rear feed guide assembly part number

---

RM2-6366-000CN

Rear feed guide assembly

---

### Required tools

- #2 Phillips screwdriver with a magnetic tip
- Small flat-blade screwdriver

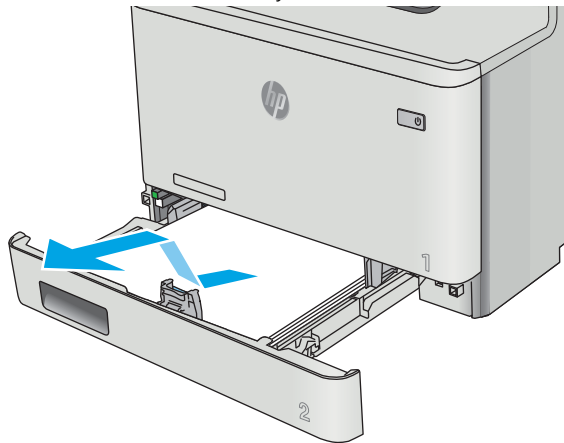
### After performing service

- Connect the power cable.
- Use the power switch to turn the power on.

### Step 1: Remove Tray 2

- ▲ Pull the tray out until it stops. Lift the front of the tray, and then pull it out of the printer to remove it.

Figure 1-1440 Remove the tray



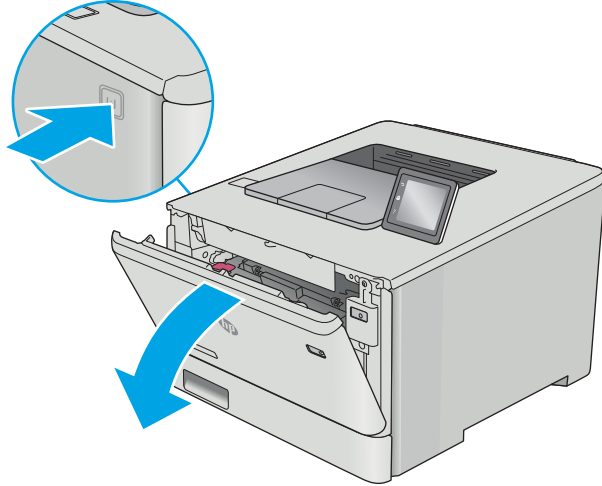
### Step 2: Remove the toner cartridges



**NOTE:** The M454 model is pictured in the figures in this section. The procedure is the same for the M479 models.

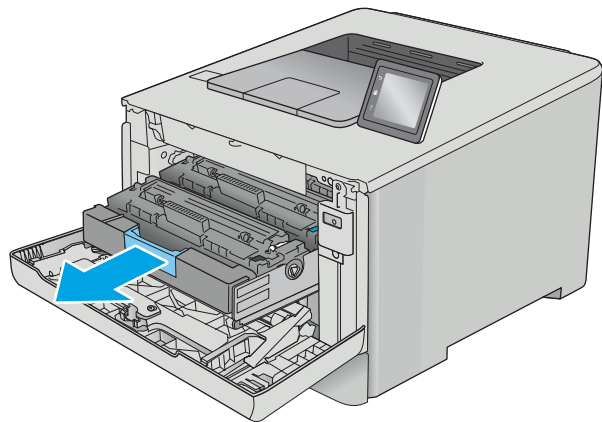
1. Open the front door by pressing the button on the left cover.

Figure 1-1441 Open the front door



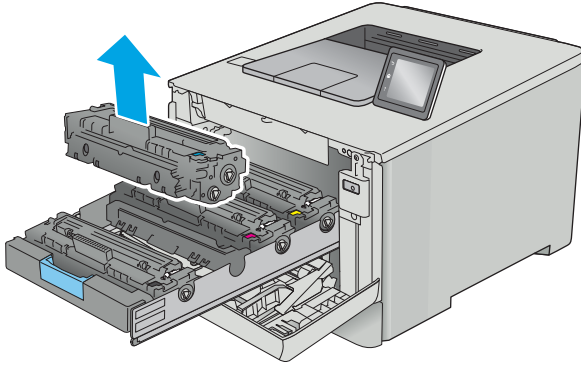
2. Grasp the blue handle on the toner cartridge tray, and then pull out the tray.

Figure 1-1442 Open the cartridge drawer



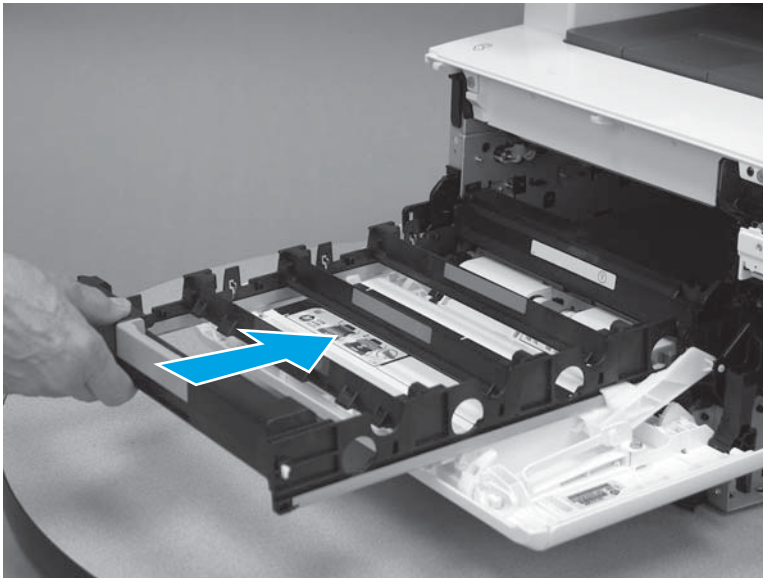
3. Grasp the handle on the toner cartridge, and then pull the toner cartridge straight up to remove it. Repeat this step for each toner cartridge.

Figure 1-1443 Remove the toner cartridge



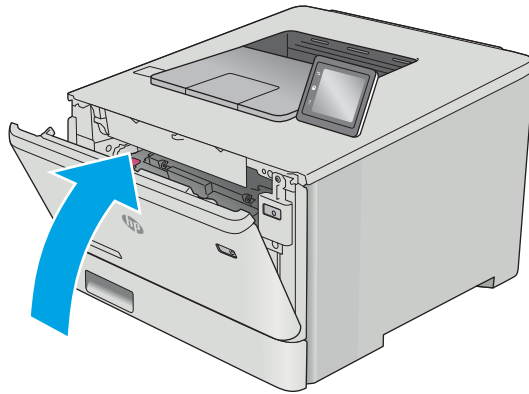
4. Slide the cartridge tray into the printer.

Figure 1-1444 Slide the cartridge tray in



5. Close the front door.

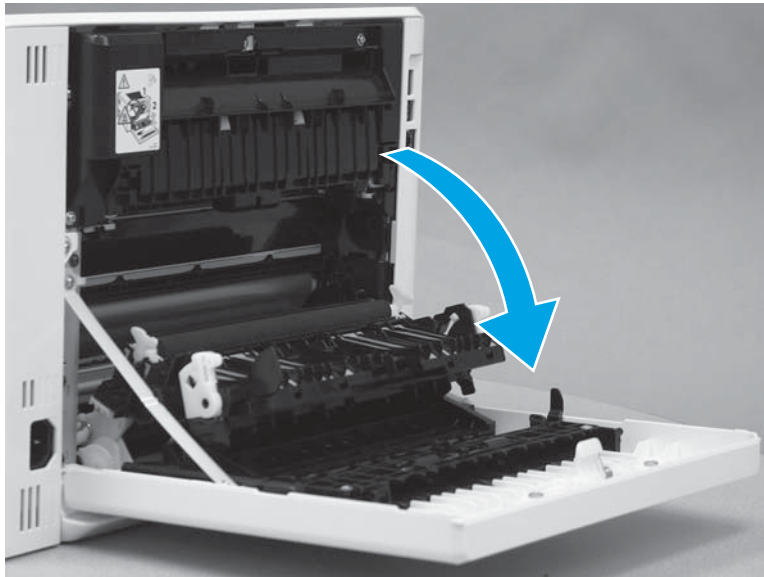
Figure 1-1445 Close the front door



### Step 3: Open the rear door or duplexer door

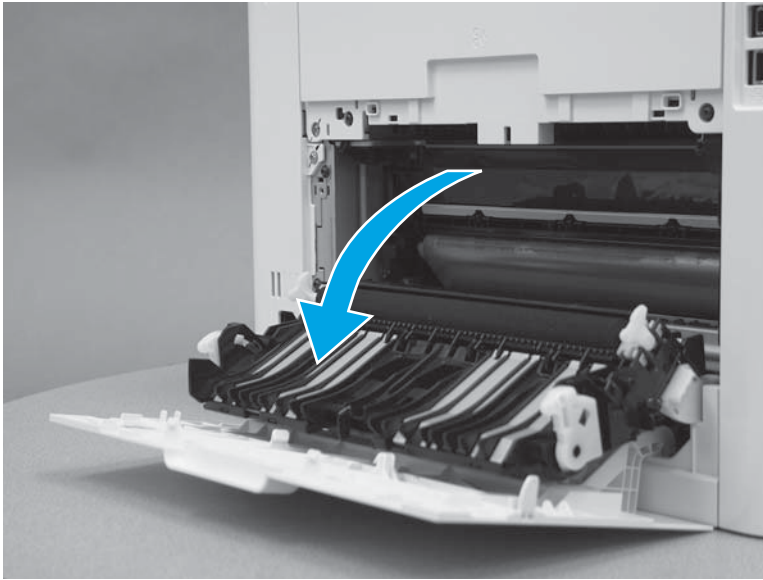
1. **Duplex models:** Open the duplexer door.

Figure 1-1446 Open the duplexer door




2. **Simplex models:** Open the rear door.

Figure 1-1447 Open the rear door



#### Step 4: Remove the right cover (M454 models)

 **NOTE:** This step is for the M454 models. For the M479 models, skip this step and go to [Step 5: Remove the right cover \(M479 models\) on page 810](#).

1. At the back of the printer, remove one screw (callout 1).

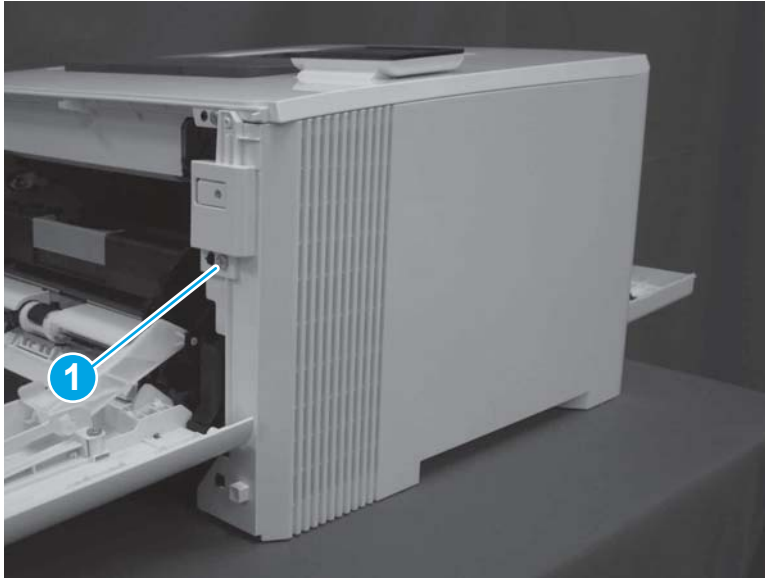
Figure 1-1448 Remove one screw





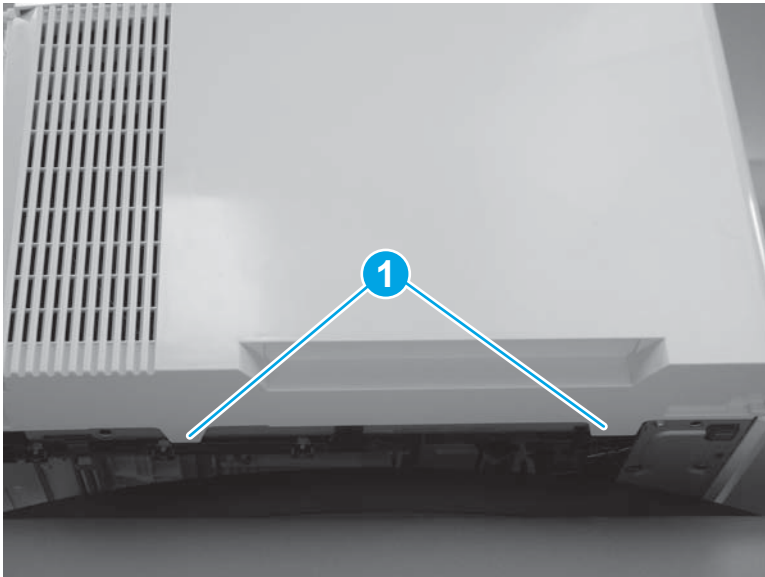
2. At the front of the printer, remove one screw (callout 1).

Figure 1-1449 Remove one screw



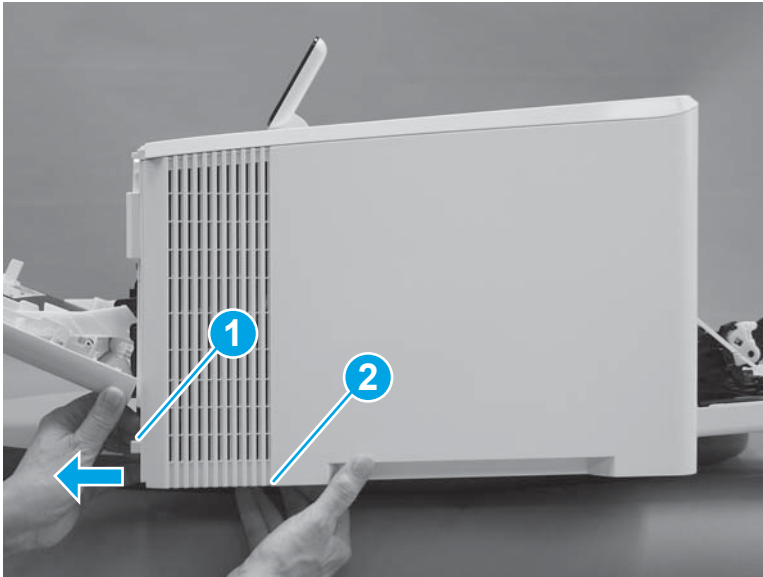
3. Slide the printer to the edge of a work surface. Note the location of the tabs on the lower edge of the cover (callout 1).

Figure 1-1450 Locate the tabs



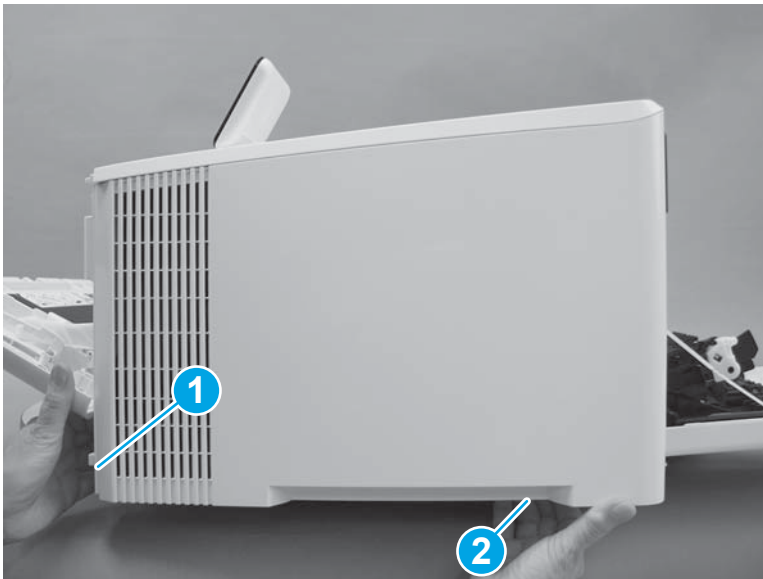
4. Release one tab (callout 1) on the front of the cover by slightly pulling the cover away from the printer. While holding the cover in the released position, release one tab (callout 2) on the bottom of the cover.

Figure 1-1451 Release front lower tabs



5. Hold the front tabs in the released position (callout 1), and then release one tab (callout 2) on the bottom of the cover, toward the back of the printer.

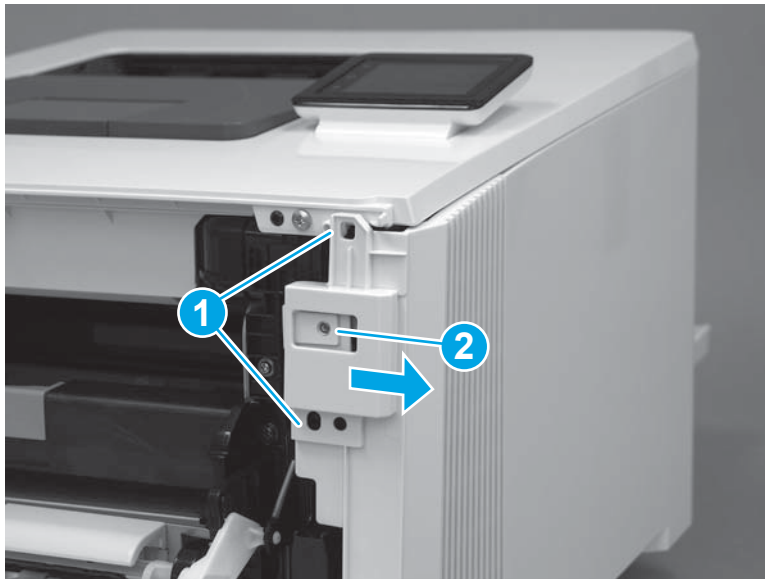
Figure 1-1452 Release lower rear tab



6. Release two tabs at the front of the printer (callout 1) by slightly pulling the cover away from the printer.

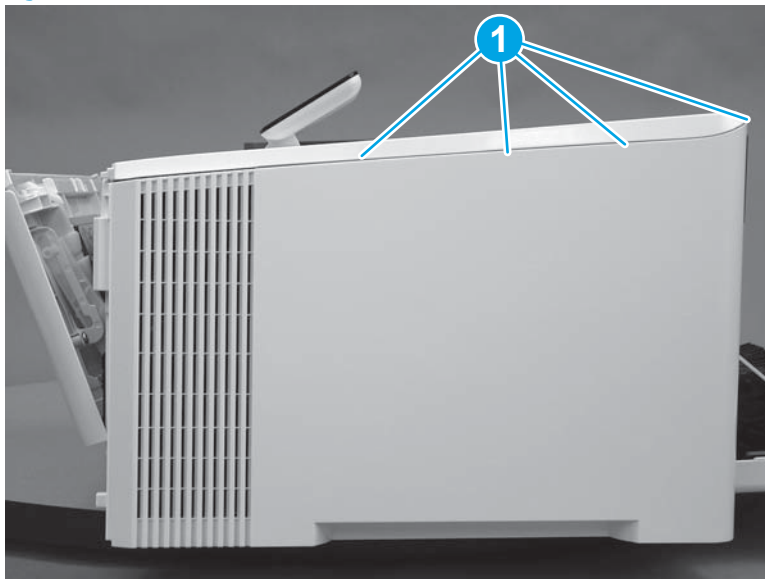
**⚠ CAUTION:** Be careful not to dislodge the power switch (callout 2).

Figure 1-1453 Release two front tabs



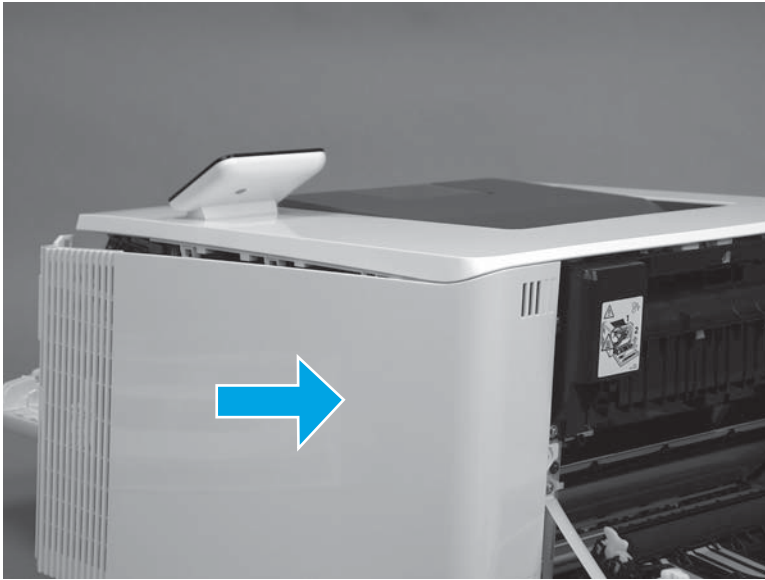
7. Release four tabs on the top of the printer (callout 1).

Figure 1-1454 Release upper tabs




8. Slide the cover toward the back of the printer to remove it.

Figure 1-1455 Remove the right cover



#### Step 5: Remove the right cover (M479 models)

 **NOTE:** This step is for the M479 models. For the M454 models, skip this step and go to [Step 6: Remove the left cover \(M454 models\) on page 816](#).

1. Raise the scanner.

Figure 1-1456 Raise the scanner



2. At the back of the printer, remove one screw (callout 1).

Figure 1-1457 Remove one screw



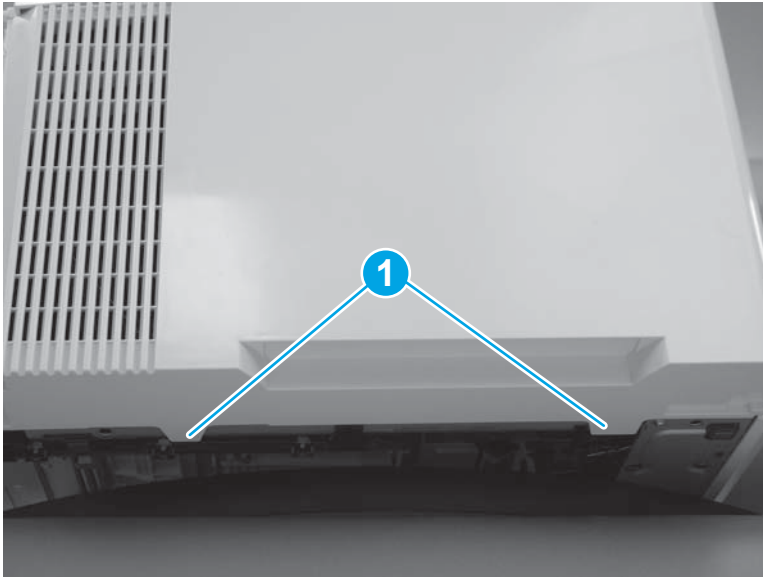
3. At the front of the printer, remove one screw (callout 1).

Figure 1-1458 Remove one screw



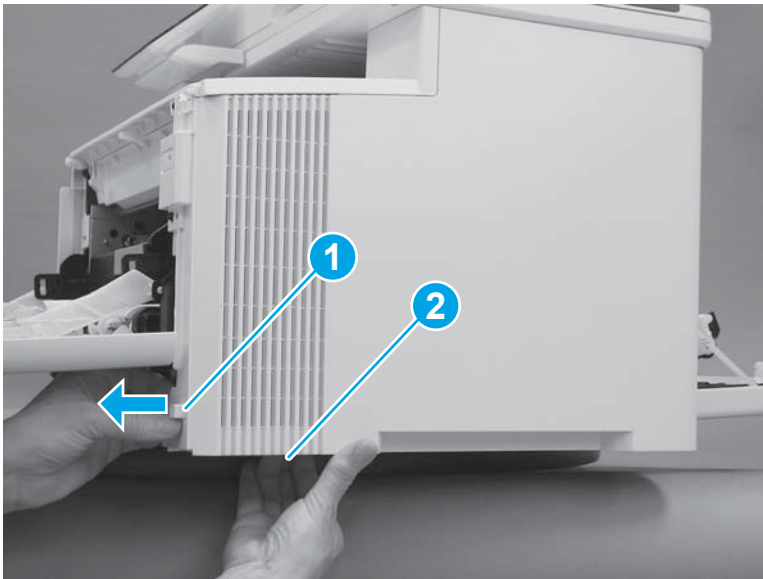
- Slide the printer to the edge of a work surface. Note the location of the tabs on the lower edge of the cover (callout 1).

Figure 1-1459 Locate the tabs



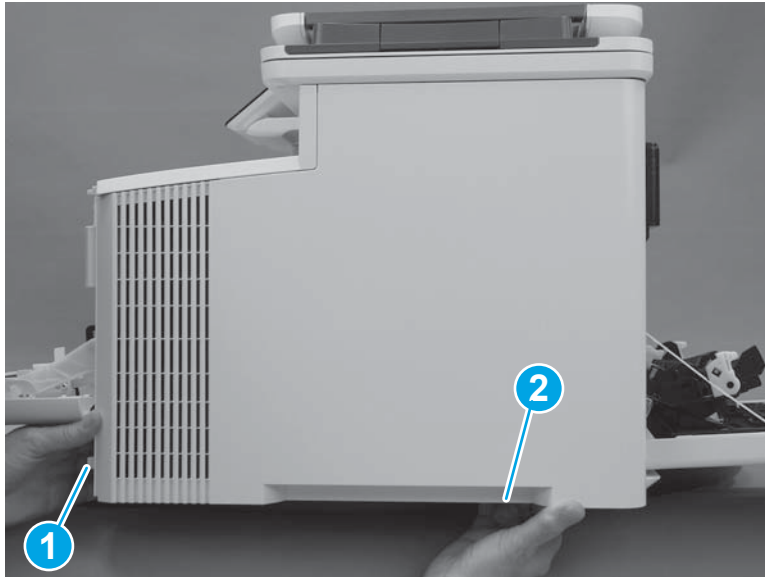
- Release one tab (callout 1) on the front of the cover by slightly pulling the cover away from the printer. While holding the cover in the released position, release one tab (callout 2) on the lower edge of the cover.

Figure 1-1460 Release front lower tabs



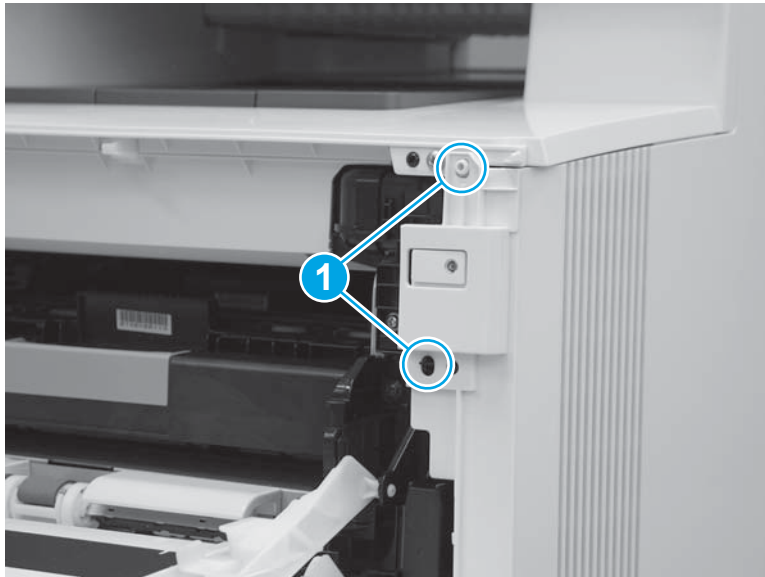
6. Hold the front tabs in the released position (callout 1), and then release one tab (callout 2) on the lower edge of the cover, toward the back of the printer.

Figure 1-1461 Release lower rear tab



7. Release two tabs at the front of the printer (callout 1) by slightly pulling the cover away from the printer.

Figure 1-1462 Release front upper tabs



8. Rotate the front of the cover away from the printer (callout 1).

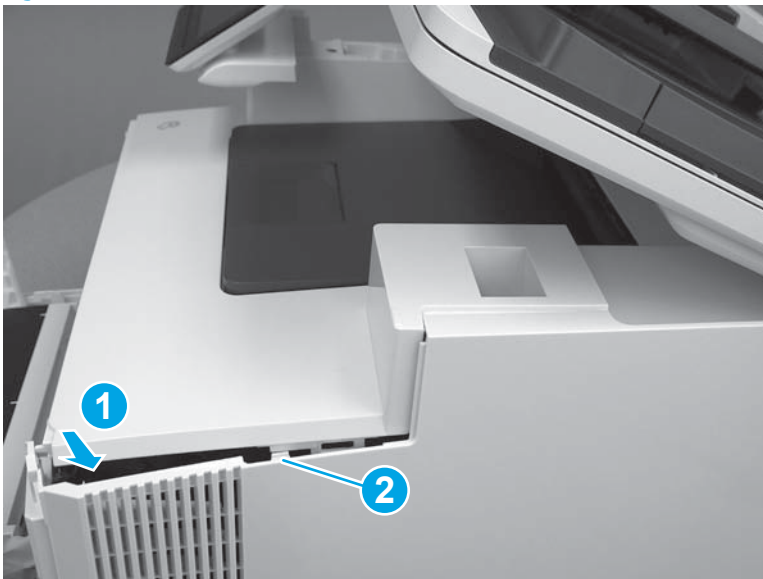
**⚠ CAUTION:** Be careful not to dislodge the power switch (callout 2).

**Figure 1-1463** Rotate the front of the cover



9. Slightly pull the front of the cover away from the printer (callout 1) to release one tab (callout 2).

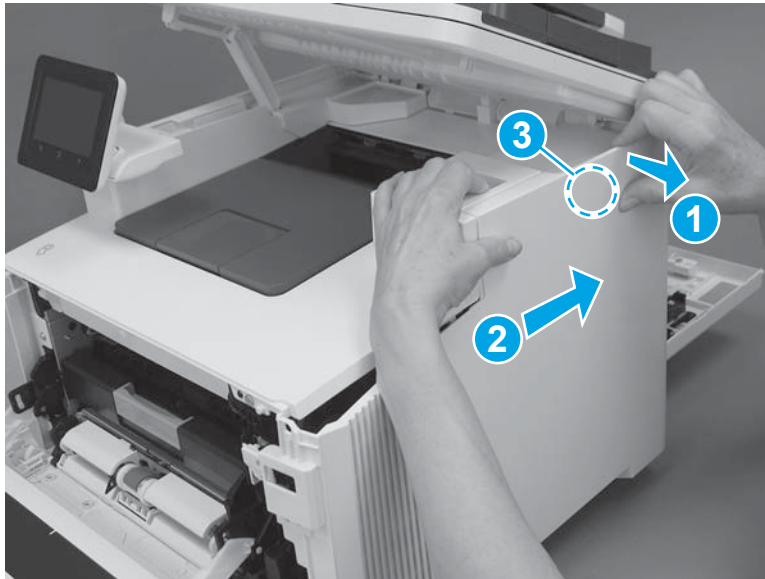
**Figure 1-1464** Release top tabs





10. At the top of the printer, slightly pull the top of the cover away from the printer to release one retention tab (callout 1) on the inside of the cover. While holding the cover away, slide the cover toward the back of the printer (callout 2) to release one hook (callout 3) on the inside of the cover.

Figure 1-1465 Release one tab and one hook



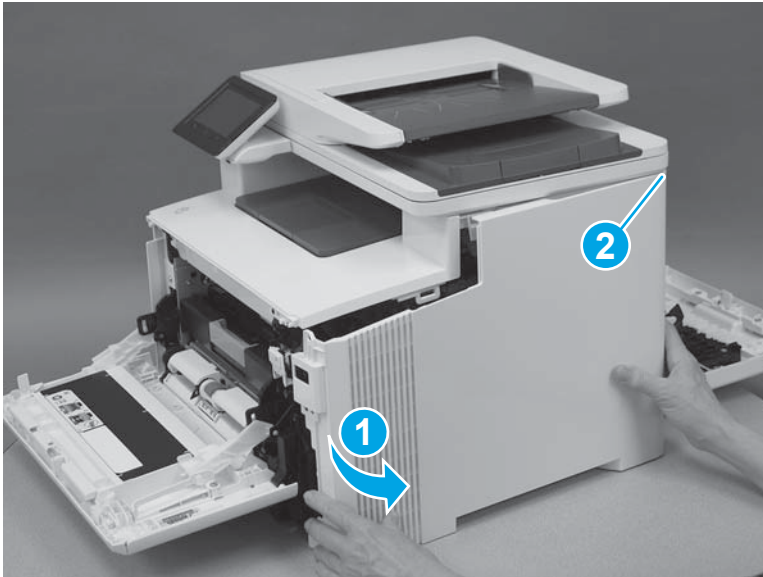
11. Lower the scanner.

Figure 1-1466 Lower the scanner




12. Rotate the cover away from the printer (callout 1) to release one tab (callout 2) at the back of the printer, and then remove the cover.

Figure 1-1467 Remove the right cover

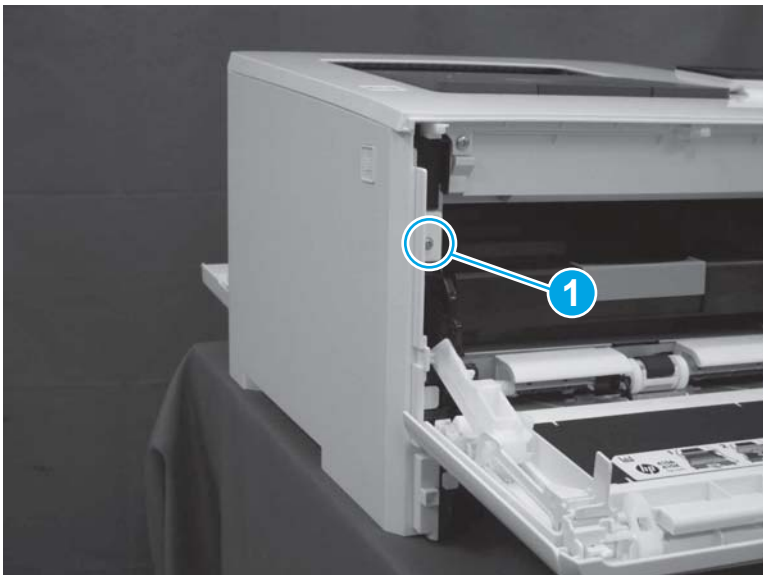


#### Step 6: Remove the left cover (M454 models)

 **NOTE:** This step is for the M454 models. For the M479 models, skip this step and go to [Step 7: Remove the left cover \(M479 models\) on page 818](#).

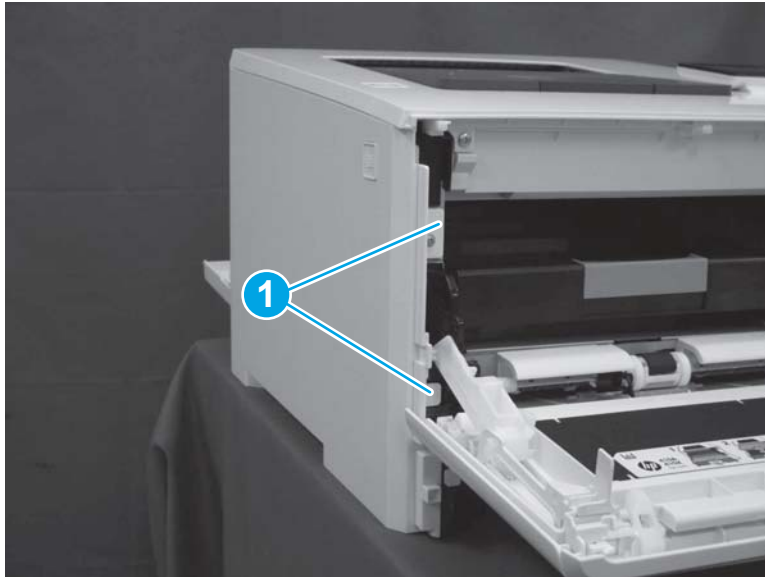
1. At the front of the printer, remove one screw (callout 1).

Figure 1-1468 Remove one screw



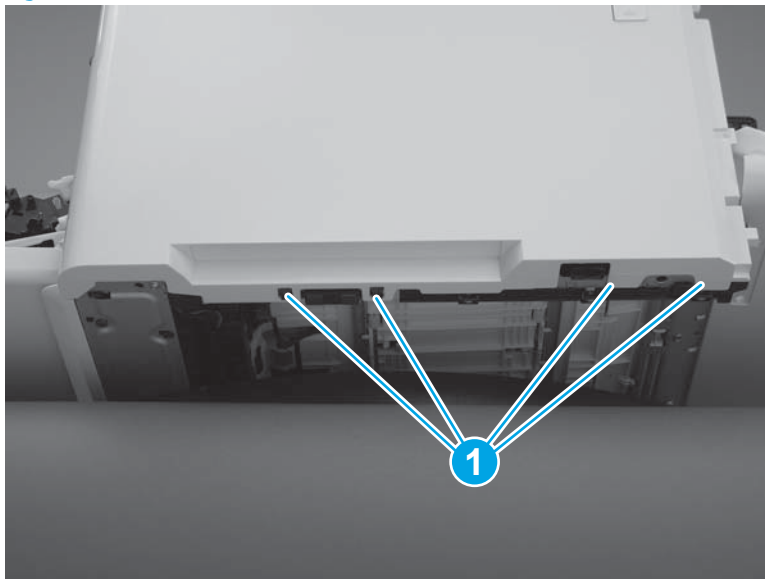
2. Release two tabs (callout 1) at the front of the cover. Hold the cover open to prevent the tabs from reengaging.

Figure 1-1469 Release two tabs



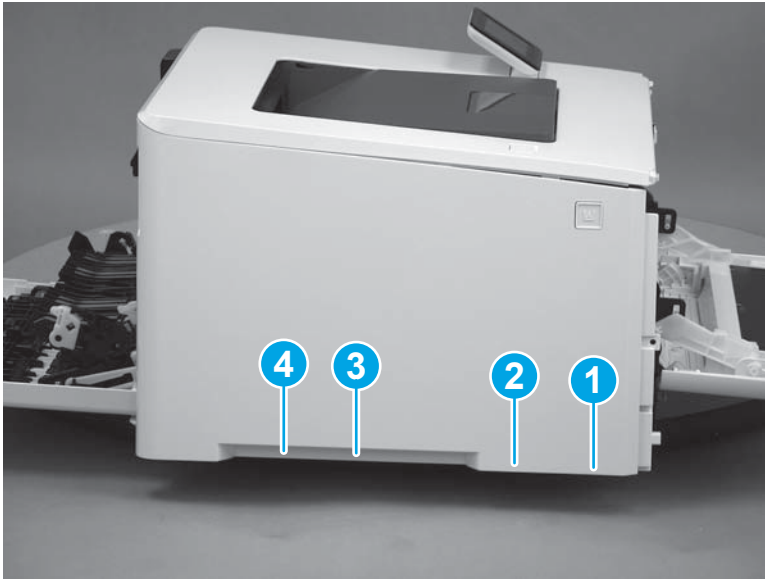
3. Slide the printer to the edge of a work surface. Note the location of the tabs on the lower edge of the cover (callout 1).

Figure 1-1470 Locate the tabs



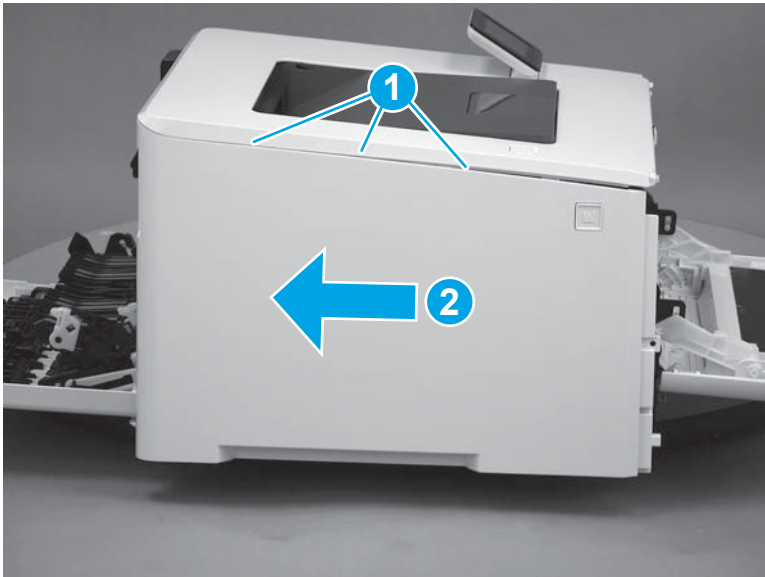
4. Beginning from the front of the cover, release four tabs (callouts 1-4) on the lower edge of the cover.

Figure 1-1471 Release bottom tabs




5. Release three tabs at the top of the cover (callout 1), and then slide the cover toward the rear of the printer to remove it.

Figure 1-1472 Release three tabs



#### Step 7: Remove the left cover (M479 models)

 **NOTE:** This step is for the M479 models. For the M454 models, skip this step and go to [Step 8: Remove the duplexer door assembly \(duplex models\) on page 823.](#)

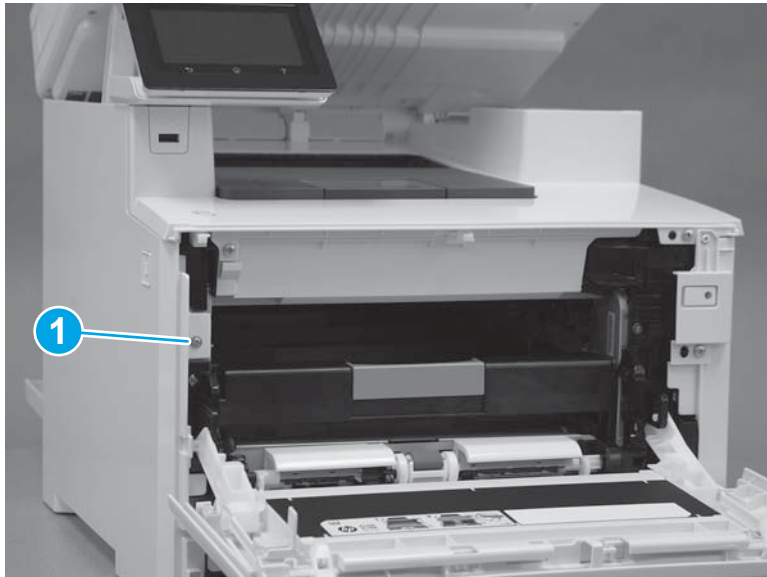
1. Raise the scanner.

Figure 1-1473 Raise the scanner



2. At the front of the printer, remove one screw (callout 1).

Figure 1-1474 Remove one screw



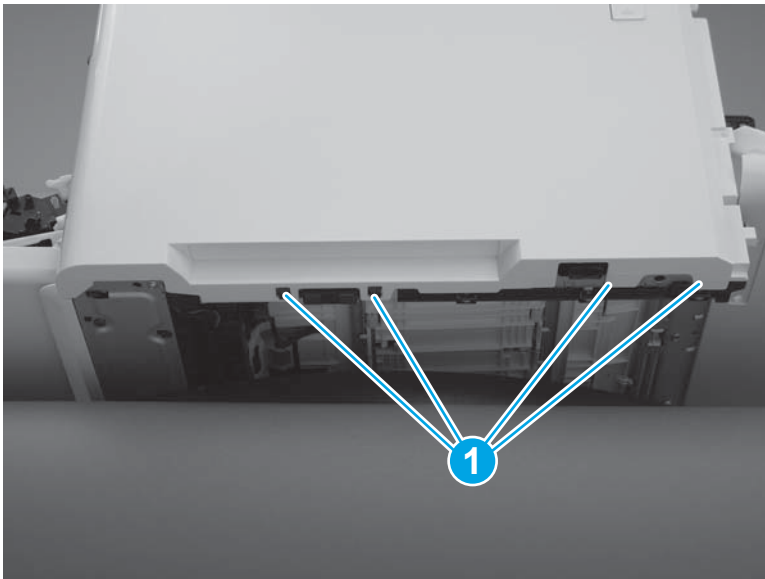
3. Release two tabs (callout 1) at the front of the cover. Hold the cover open to prevent the tabs from re-engaging.

Figure 1-1475 Release two tabs



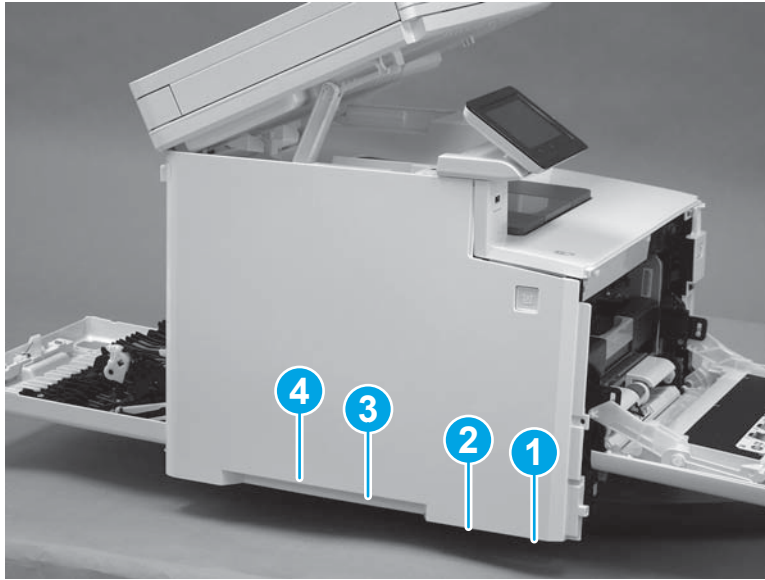
4. Slide the printer to the edge of a work surface. Note the location of the tabs on the lower edge of the cover (callout 1).

Figure 1-1476 Locate the tabs



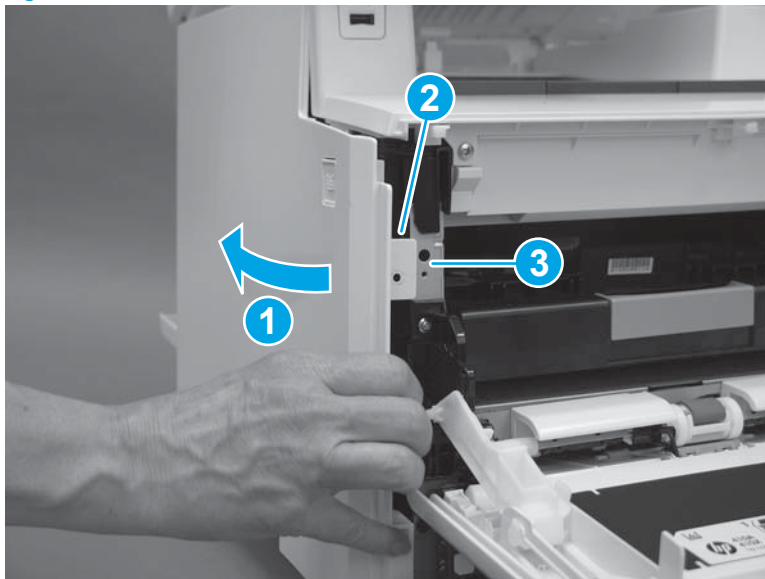
5. Beginning from the front of the cover, release the four tabs (callouts 1-4) on the lower edge of the cover.

Figure 1-1477 Release four tabs



6. Rotate the front of the cover away from the printer (callout 1). Make sure that the tab (callout 2) does not get caught on the printer frame (callout 3).

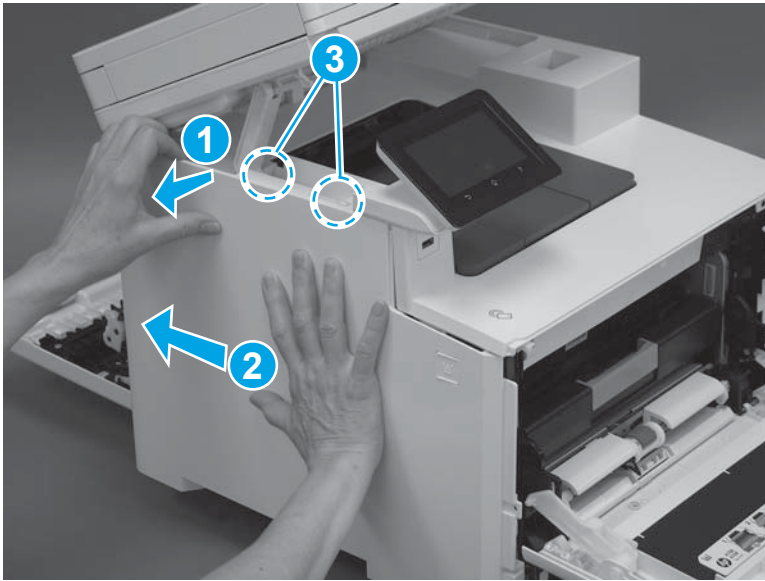
Figure 1-1478 Rotate the cover





7. At the top of the printer, slightly pull the top of the cover away from the printer to release one retention tab (callout 1) on the inside of the cover. While holding the cover away, slide the cover toward the back of the printer (callout 2) to release two hooks (callout 3) inside the cover.

Figure 1-1479 Release one tab and two hooks



8. Lower the scanner.

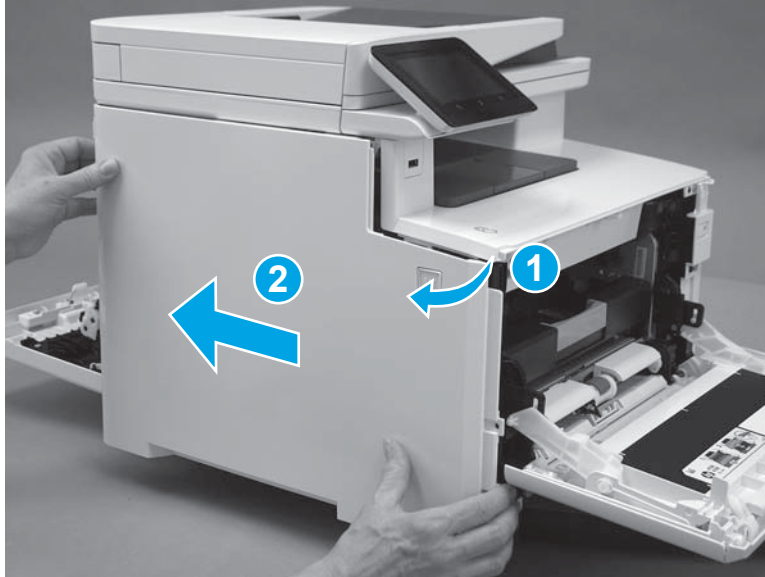
Figure 1-1480 Lower the scanner






9. Rotate the cover away from the printer (callout 1), and then slide the cover (callout 2) toward the back of the printer to remove it.

Figure 1-1481 Remove the left cover

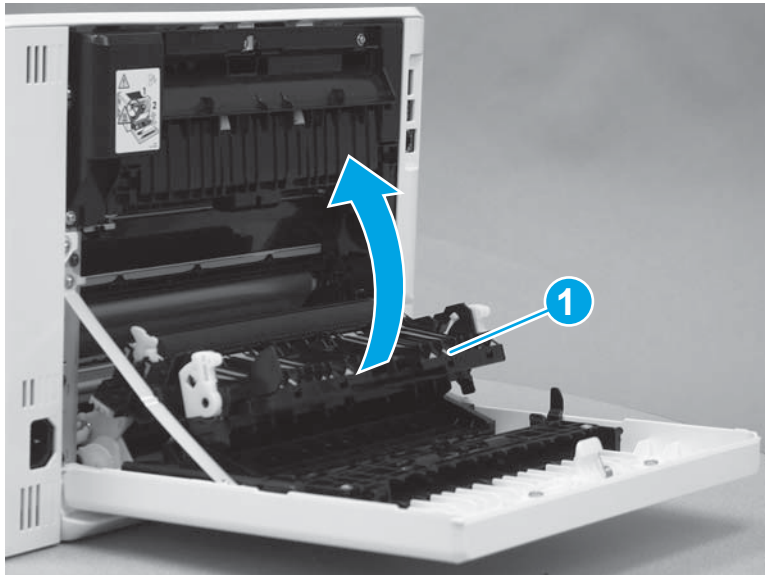


#### Step 8: Remove the duplexer door assembly (duplex models)


 **NOTE:** This step is for duplex models. For simplex models, skip this step and go to [Step 9: Remove the rear door \(simplex models\) on page 825](#).

1. Rotate the secondary transfer assembly (callout 1) toward the printer to close it.

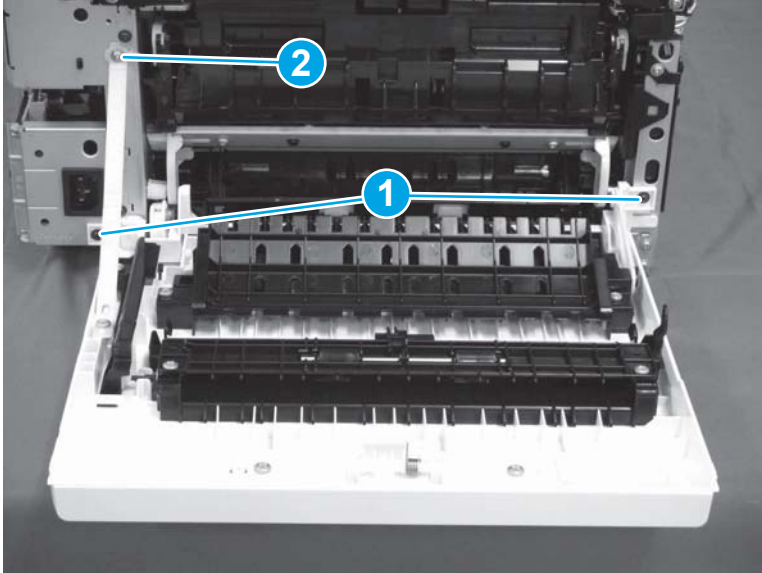
Figure 1-1482 Close the secondary transfer assembly



2. At the back of the printer, remove two screws (callout 1), and then remove one screw (callout 2) that holds the retention arm.

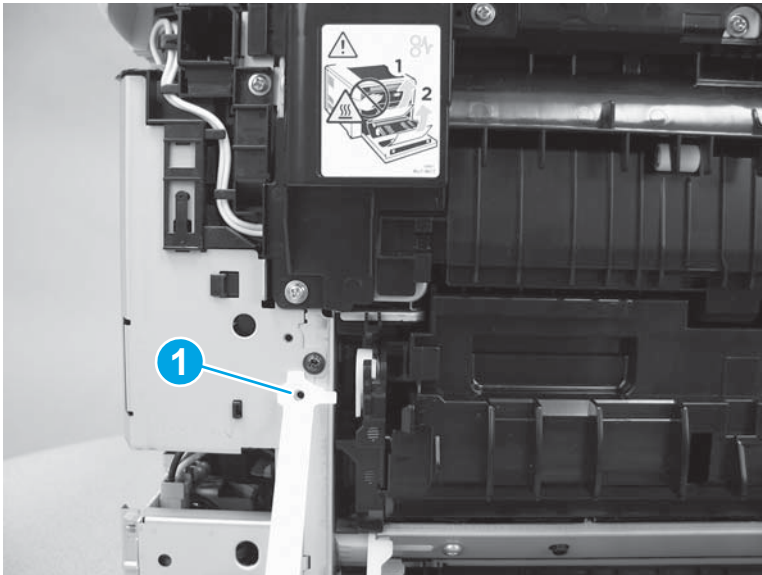
 **Reinstallation tip:** Note that the screw (callout 2) that holds the retention arm is longer than the other two. Make sure this screw is installed in the correct position.

**Figure 1-1483** Remove three screws



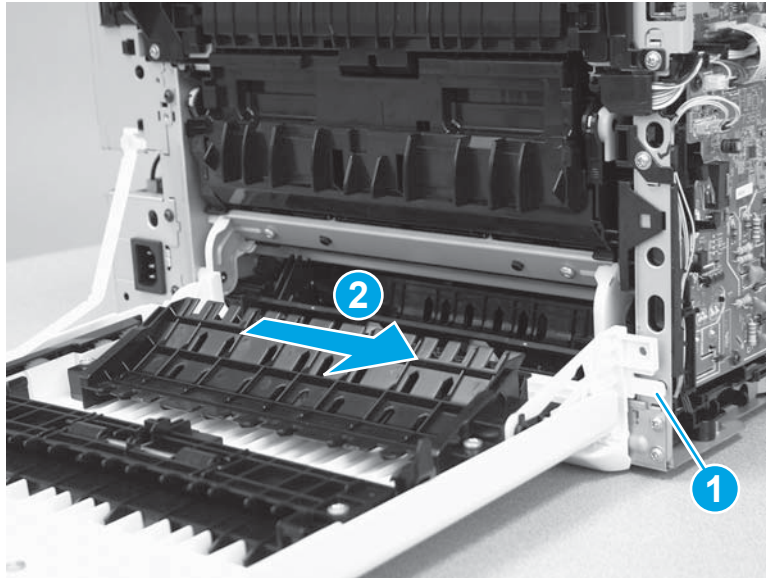
3. Release the retention arm (callout 1).

**Figure 1-1484** Release the retention arm




4. Release one tab (callout 1), and then slide the duplexer door (callout 2) to the right to remove it.

Figure 1-1485 Remove the duplexer door

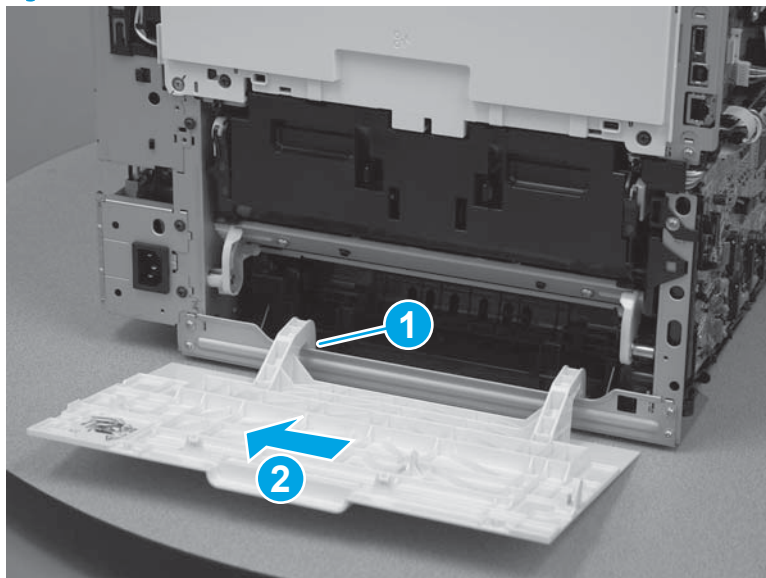


#### Step 9: Remove the rear door (simplex models)

 **NOTE:** This step is for simplex models. For duplex models, skip this step and go to [Step 10: Remove the engine controller PCA on page 825](#).

- ▲ Slightly flex one hinge arm (callout 1) to release a hinge pin, and then slide the rear door to the left (callout 2) to remove it.

Figure 1-1486 Remove the rear door

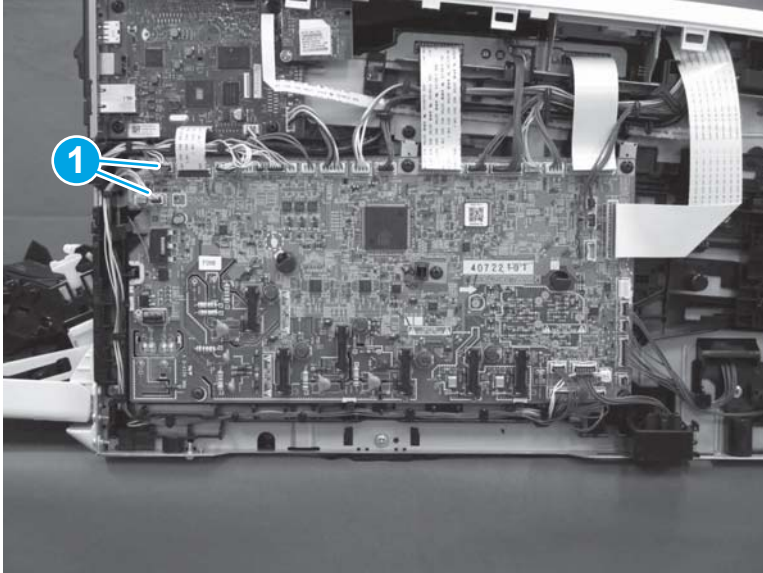


#### Step 10: Remove the engine controller PCA

1. **Duplex printers only:** Before disconnecting the connectors in the next step, make note of the position of two of the cables (callout 1).

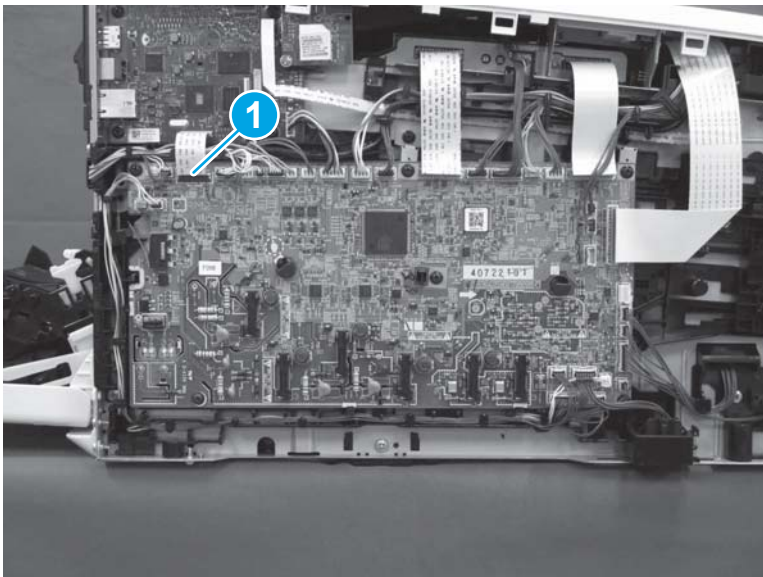
**IMPORTANT:** These cables can be inadvertently switched when reinstalling. The connectors on the cables will fit in either connector on the engine controller PCA. Make sure that these cables are installed in the correct connectors. If the cables are switched, the printer will experience a repeatable jam when printing duplex jobs. Upper cable is purple in color while the lower one is yellow.

**Figure 1-1487** Check the cables



2. Disconnect all of the connectors on the engine controller PCA. Note that one connector (callout 1) is a zero-insertion force (ZIF) connector. Lift the latch on the connector before removing the flat cable.

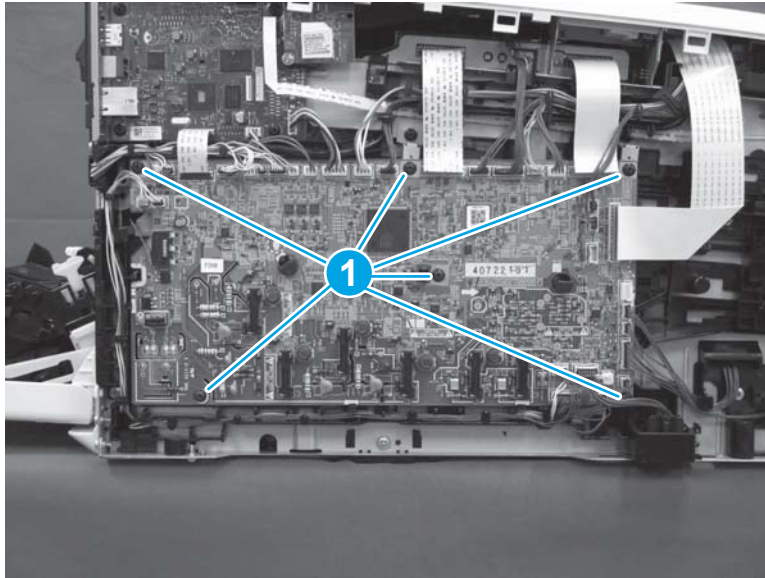
**Figure 1-1488** Disconnect all of the connectors





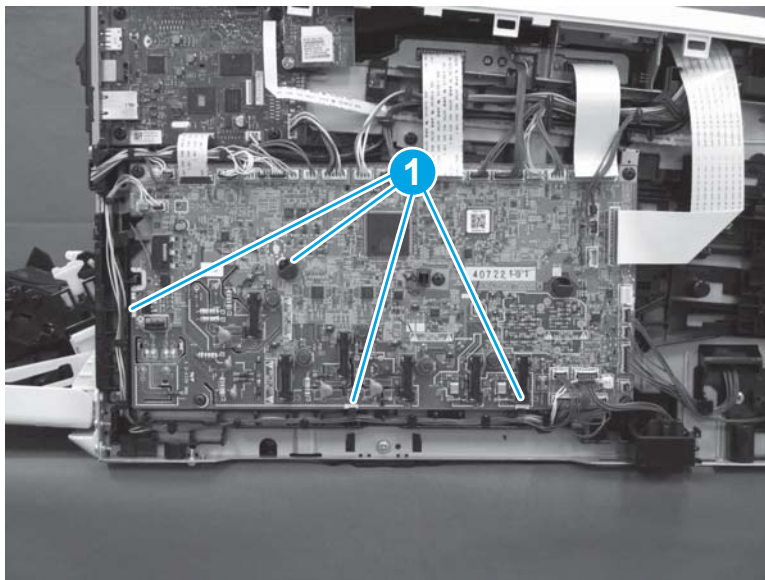
3. Remove six screws (callout 1).

Figure 1-1489 Remove six screws



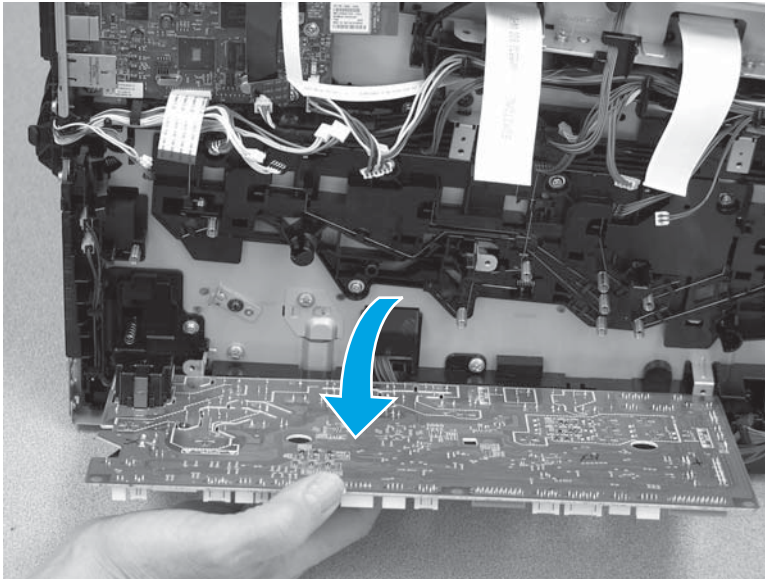
4. Release four tabs (callout 1).

Figure 1-1490 Release four tabs



5. Remove the engine controller PCA.

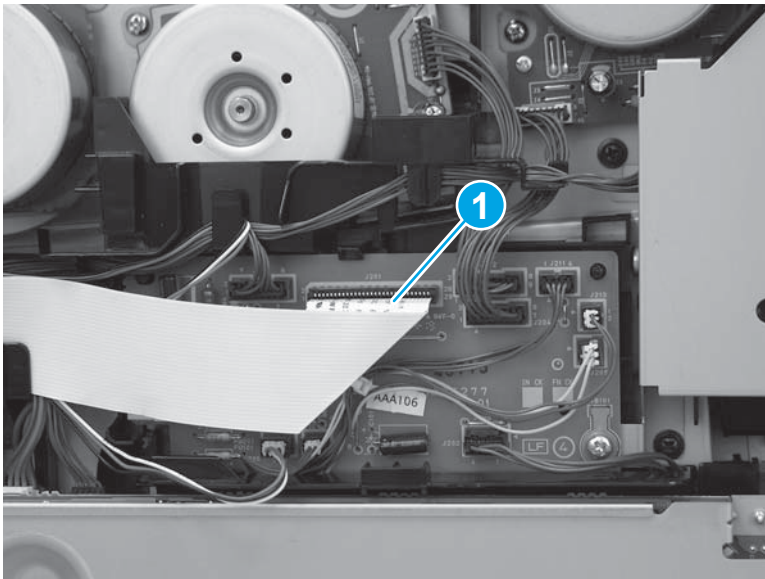
Figure 1-1491 Remove the engine controller PCA



#### Step 11: Remove the driver PCA

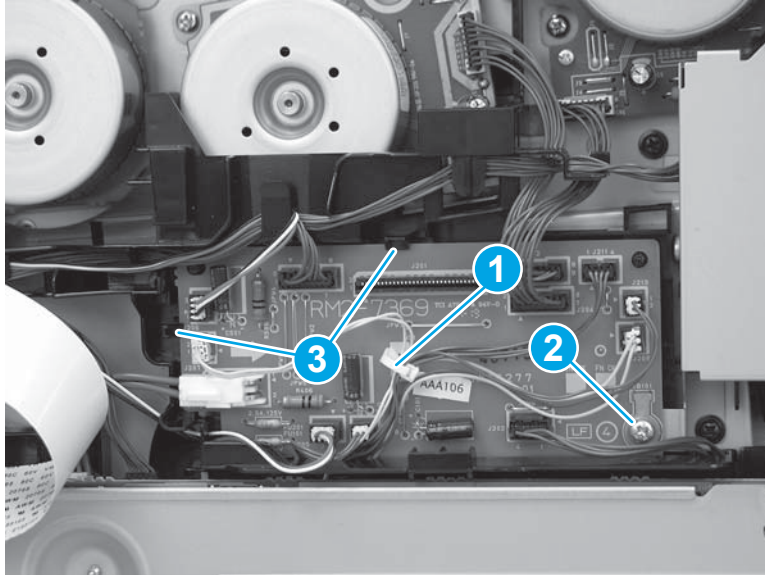
1. Disconnect one connector (callout 1).

Figure 1-1492 Disconnect one connector



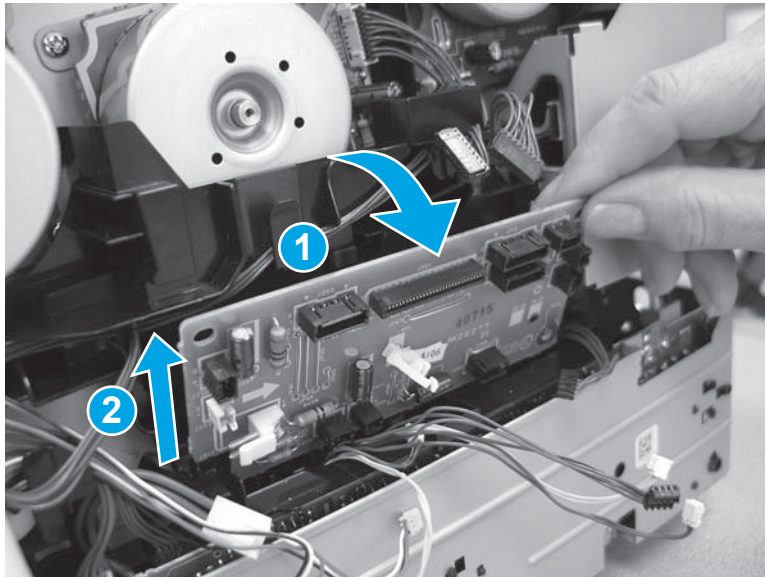
2. Release one retainer (callout 1), disconnect all of the connectors on the driver PCA, remove one screw (callout 2), and then release two tabs (callout 3).

Figure 1-1493 Disconnect all connectors and remove one screw



3. Rotate the top of the driver PCA away from the printer (callout 1), and then lift up (callout 2) to remove it.

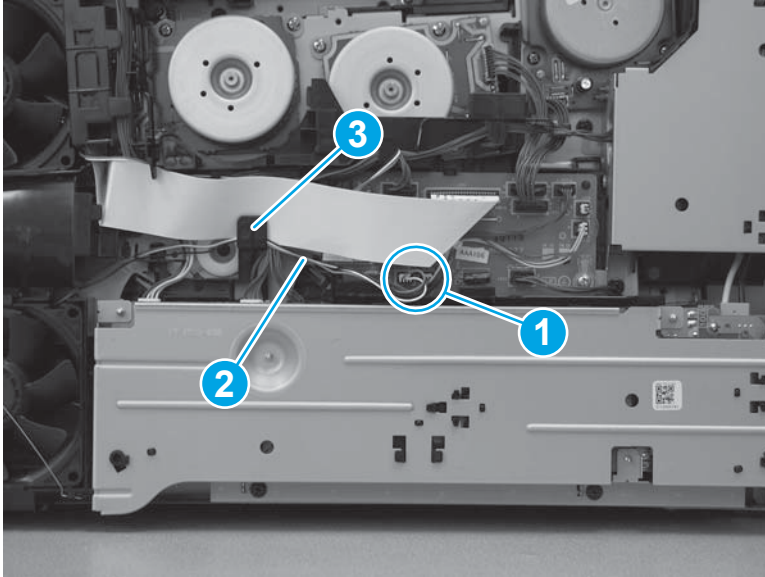
Figure 1-1494 Remove the driver PCA



### Step 12: Remove the low-voltage power supply

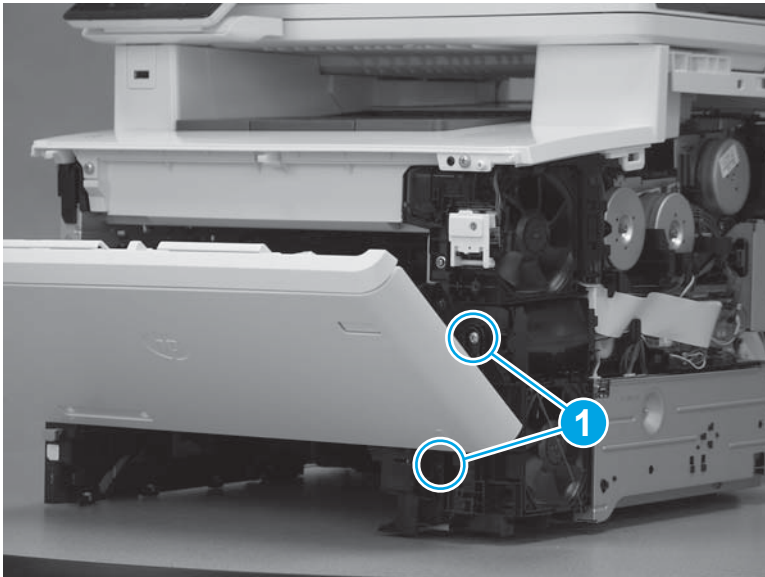
1. Disconnect one connector (callout 1), and then remove the cable (callout 2) from the wire guide (callout 3).

Figure 1-1495 Disconnect one connector and release cables from guides



2. Remove two screws (callout 1).

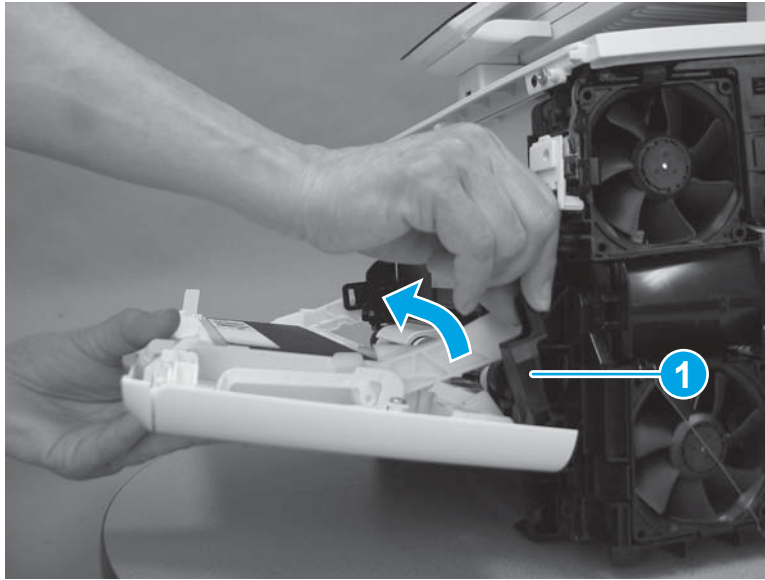
Figure 1-1496 Remove two screws





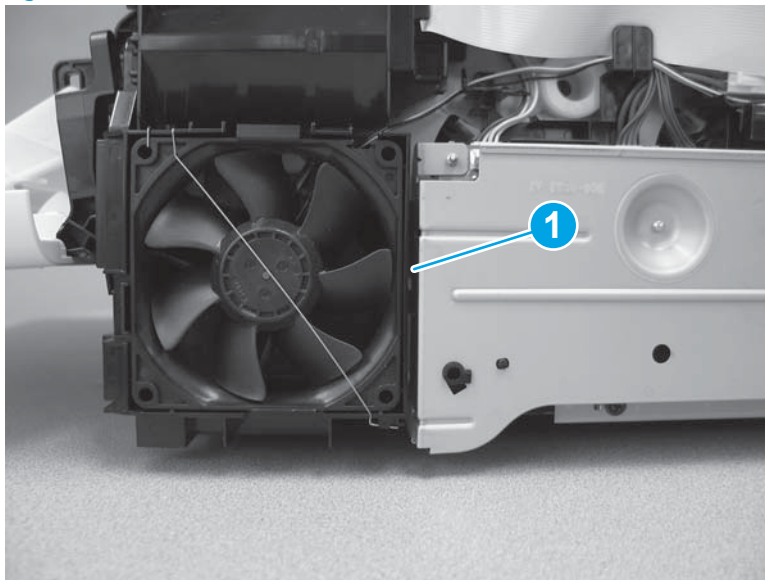
3. Release the hinge arm (callout 1).

Figure 1-1497 Release the hinge arm



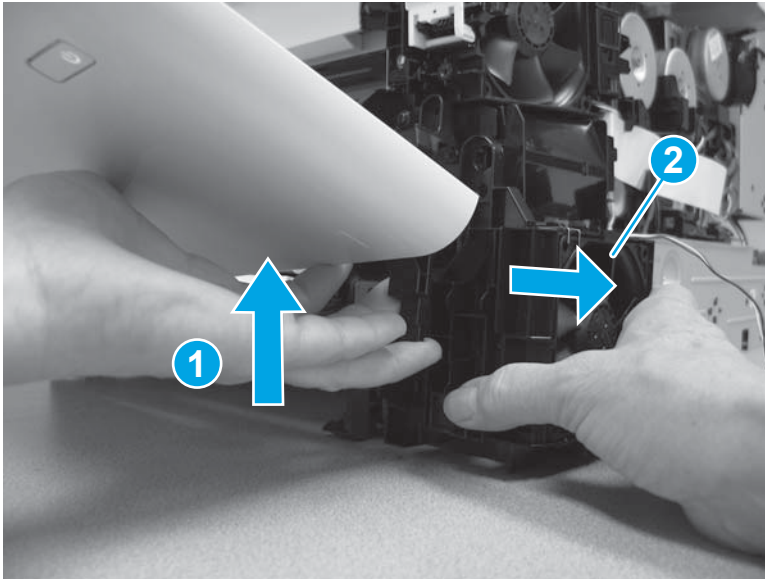
4. Release one tab (callout 1) on the right side of the power supply fan.

Figure 1-1498 Release one tab




5. Lift the front door up slightly (callout 1), and then remove the power supply fan and holder (callout 2).

Figure 1-1499 Remove the power supply fan and holder



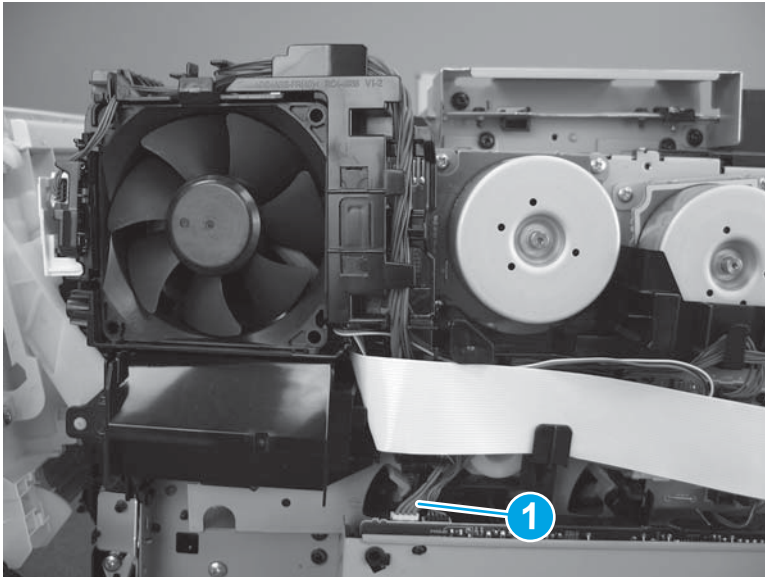
6. Before disconnecting the cables in the next step, make note of the position of two cables (callout 1).

---

 **IMPORTANT:** These cables can be inadvertently switched when reinstalling. The connectors on the cables will fit in either connector on the LVPS. Make sure that these cables are installed in the correct connectors. If the cables are switched, the printer will not power on when reassembled.

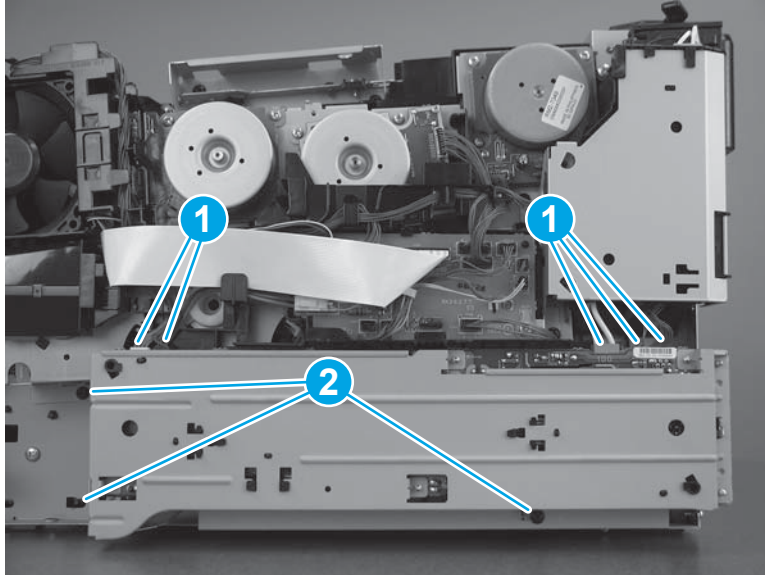
---

Figure 1-1500 Check the connectors



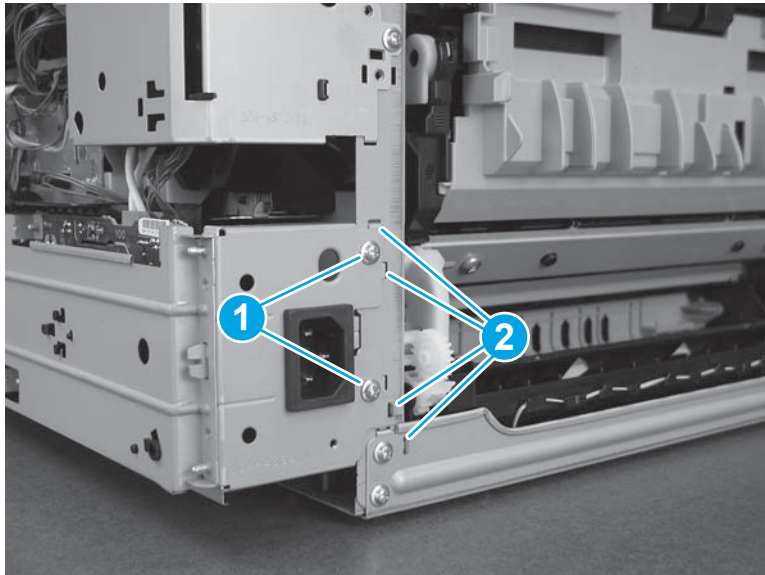
7. Disconnect five connectors (callout 1). Note that one connector (callout 2) has a latch that must be released before disconnecting it. Remove three screws (callout 3).

Figure 1-1501 Disconnect five connectors and remove four screws



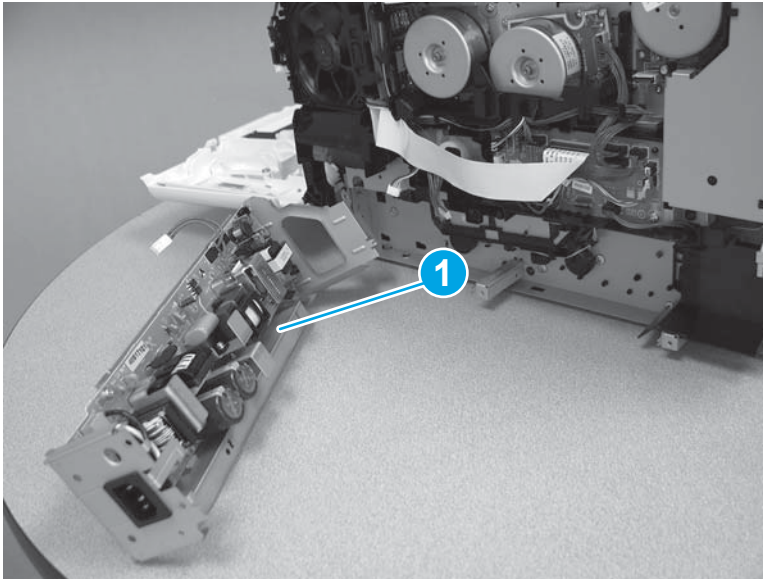
8. Remove two screws from the back (callout 1), and then release four tabs (callout 2).

Figure 1-1502 Remove two screws and release three tabs



9. Remove the LVPS (callout 1).

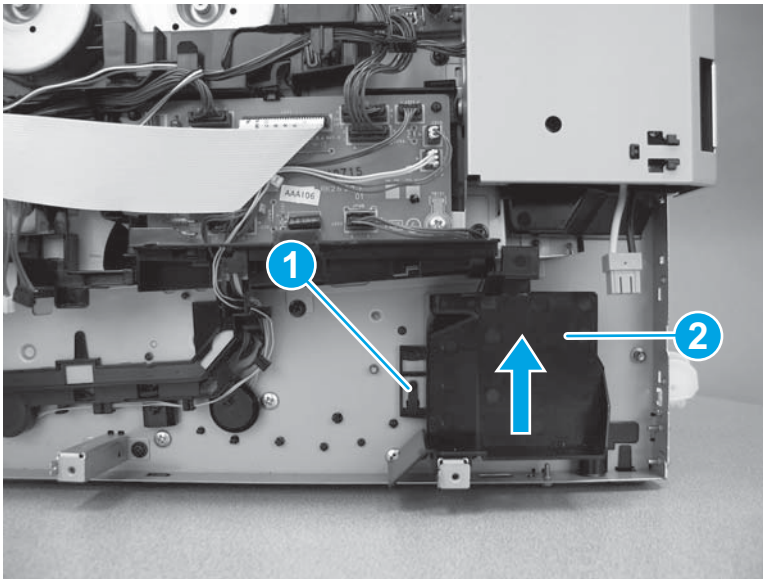
Figure 1-1503 Remove the LVPS



### Step 13: Remove the pickup motor

1. Release one tab (callout 1), and then slide the fan duct (callout 2) up to remove it.

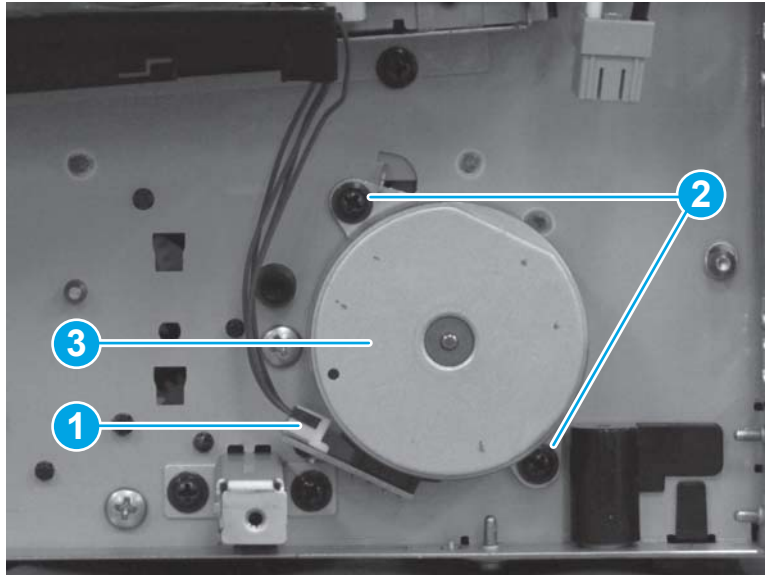
Figure 1-1504 Remove the fan duct





2. Disconnect one connector (callout 1), remove two screws (callout 2), and then remove the pickup motor (callout 3).

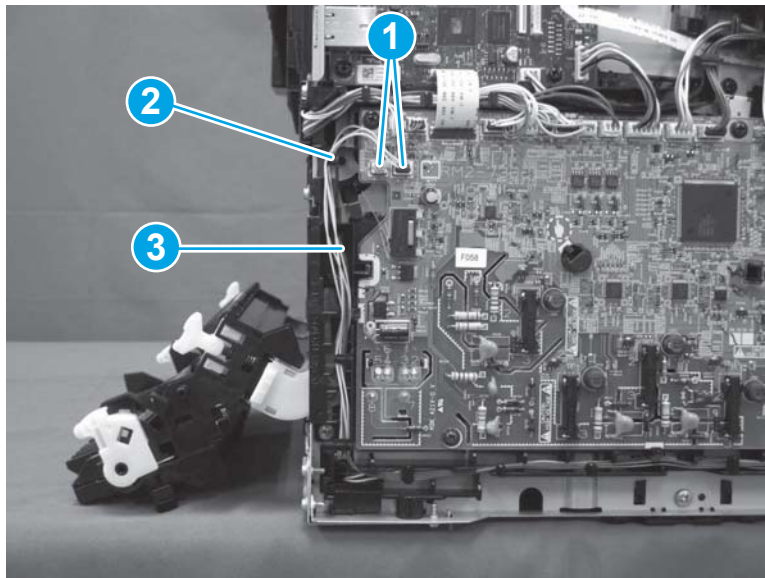
Figure 1-1505 Remove the pickup motor



#### Step 14: Remove the re-pickup assembly (duplex models)

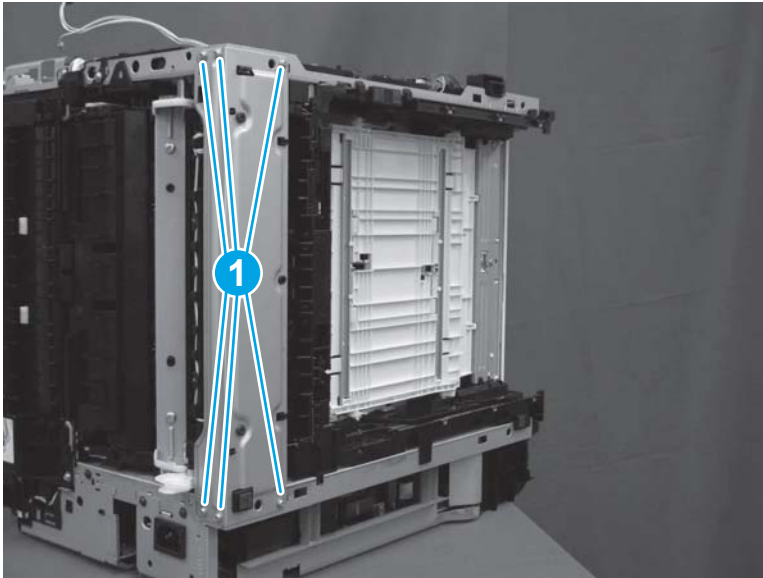
1. On the left side of the printer, disconnect two connectors (callout 1), and then remove the cables (callout 2) from the guides (callout 3).

Figure 1-1506 Disconnect two connectors and remove cables from guides



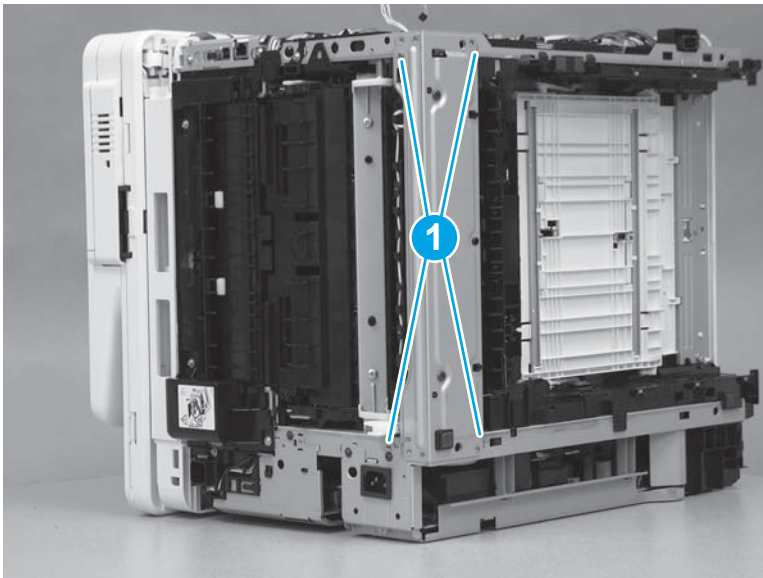
2. Lay the printer on the right side so that the left side is facing up. Remove six screws (callout 1).

Figure 1-1507 Remove six screws



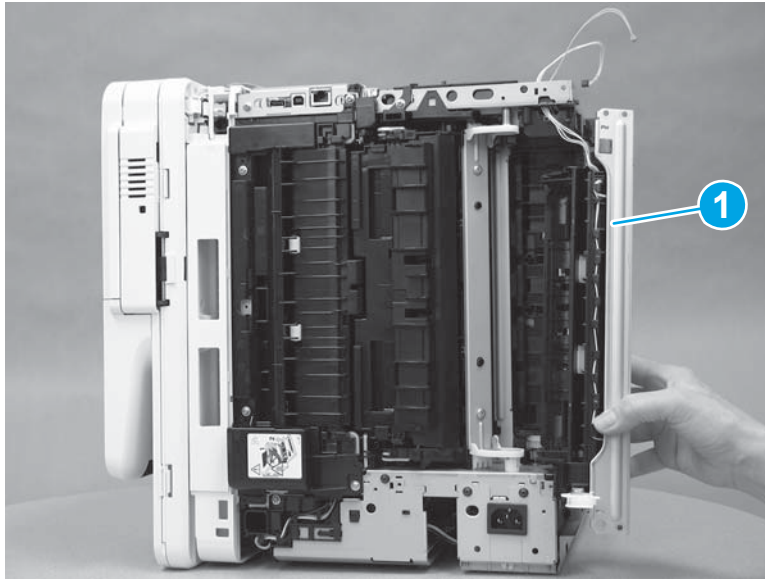
3. Release four tabs (callout 1).

Figure 1-1508 Release four tabs



4. Remove the re-pickup assembly (callout 1).

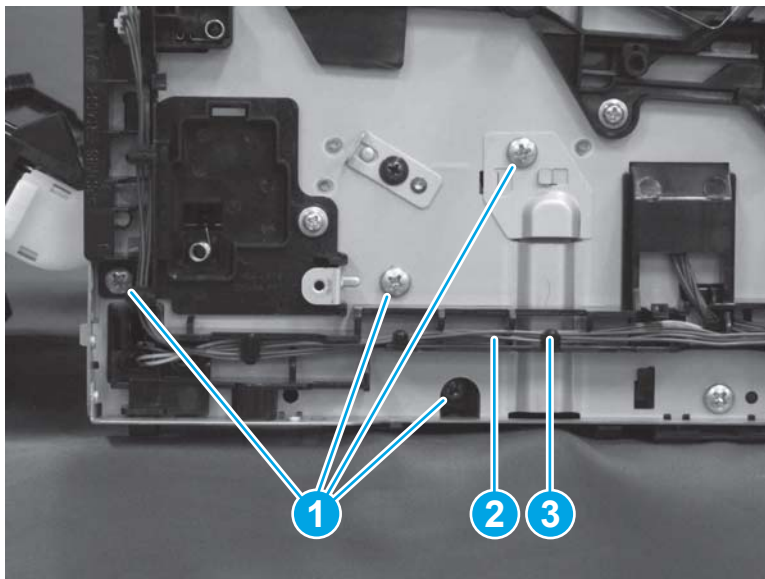
Figure 1-1509 Remove the re-pickup assembly



#### Step 15: Remove the lifter drive assembly

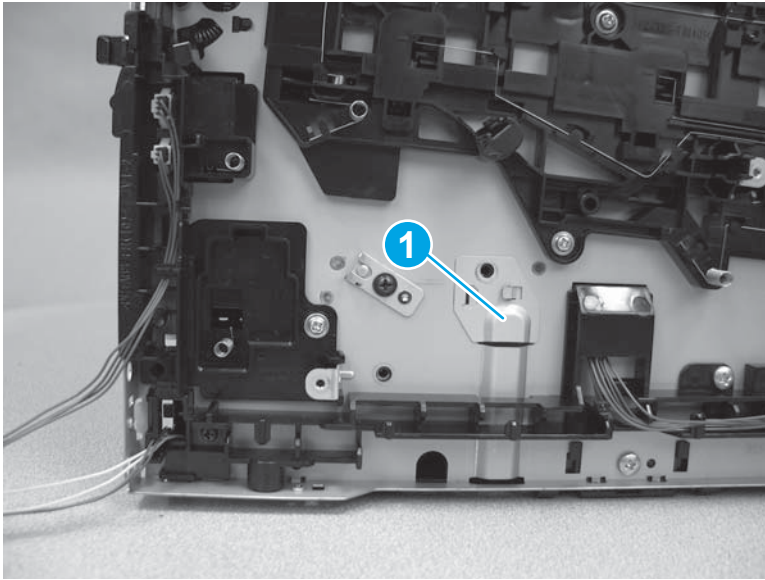
1. Remove four screws (callout 1), and then release the cables (callout 2) from the guides (callout 3).

Figure 1-1510 Remove four screws and release cables



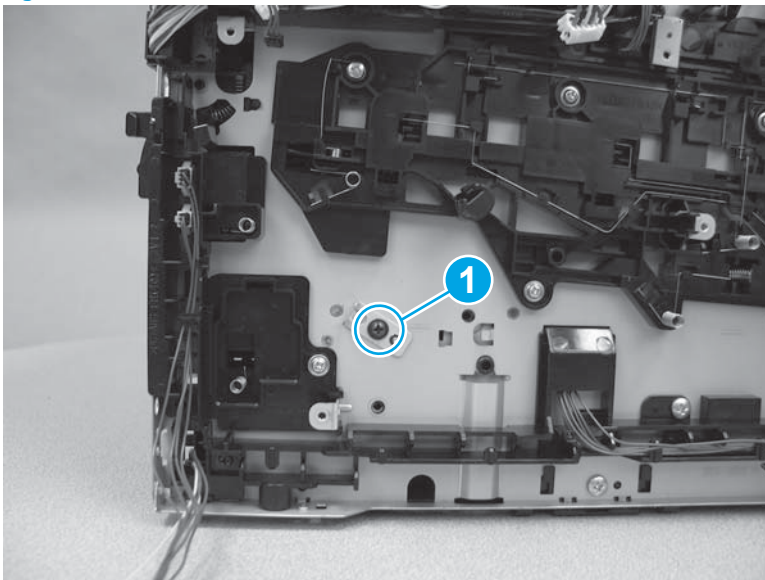
2. Remove one cover (callout 1).

Figure 1-1511 Remove one cover



3. Remove one screw (callout 1).

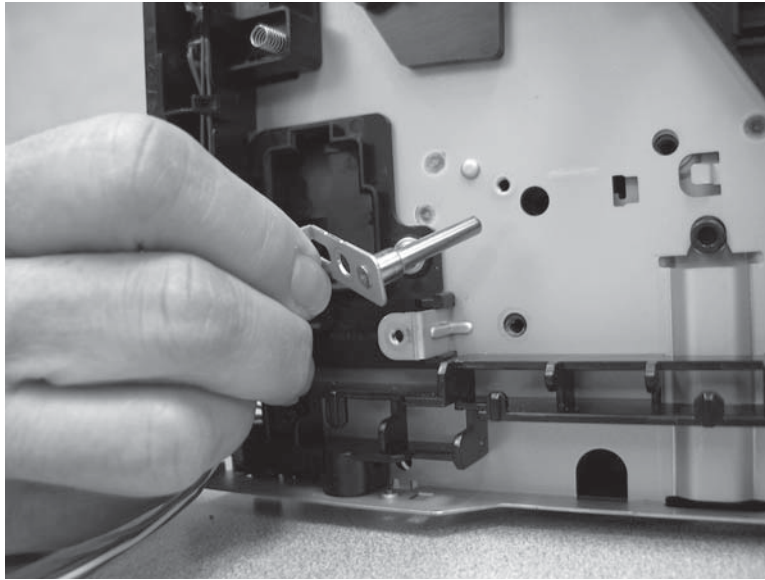
Figure 1-1512 Remove one screw





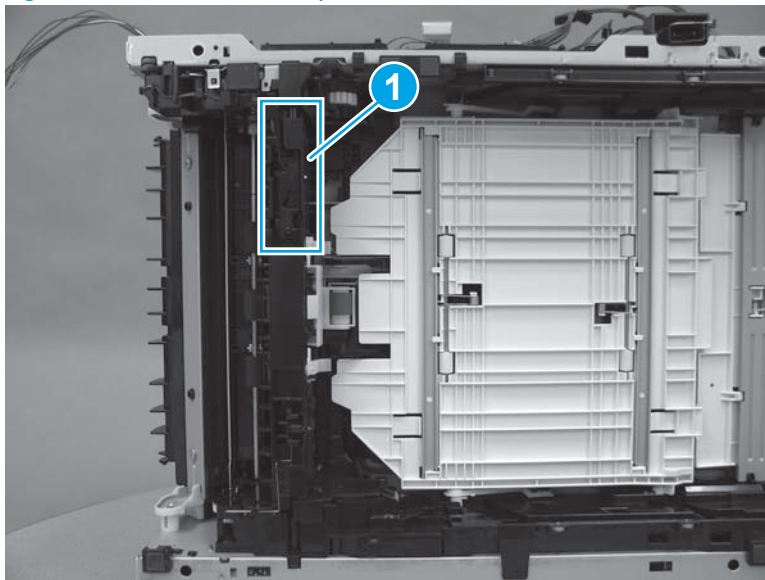
4. Remove the shaft.

Figure 1-1513 Remove the shaft



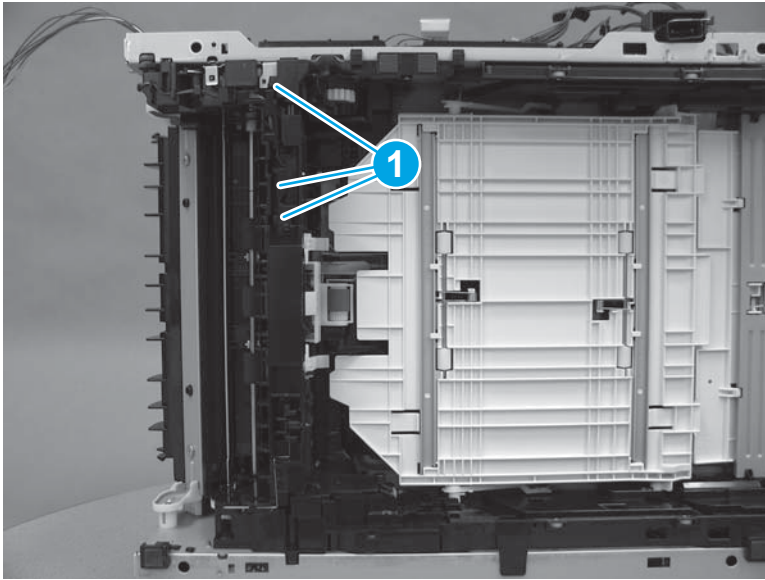
5. Lay the printer on the right side so that the left side is facing up. Locate the tray sensor switch (callout 1).

Figure 1-1514 Locate the tray sensor switch



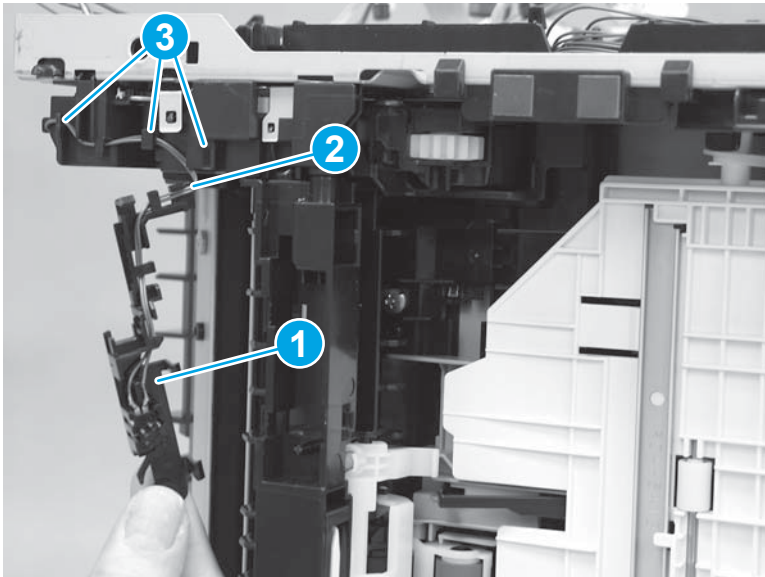
6. Release three tabs (callout 1).

Figure 1-1515 Release three tabs



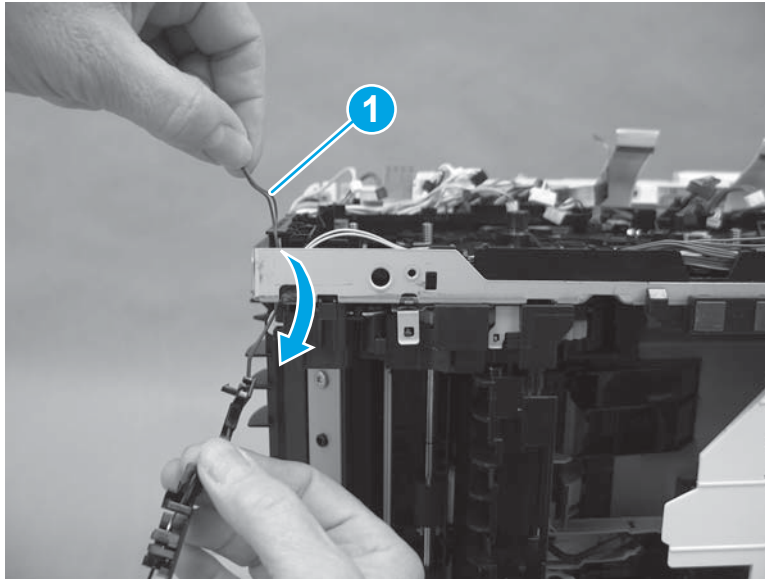
7. Release the tray sensor switch (callout 1), and then remove the cables (callout 2) from the guides (callout 3).

Figure 1-1516 Release the tray sensor switch



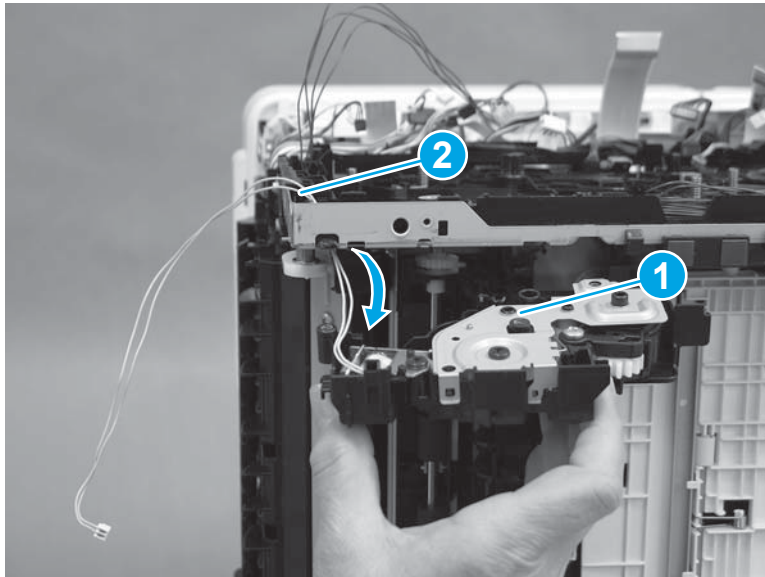
8. Remove the tray sensor switch by releasing the cables (callout 1) through the printer frame.

Figure 1-1517 Remove the tray sensor switch



9. Remove the lifter drive assembly (callout 1), and then release the cables (callout 2) through the printer frame.

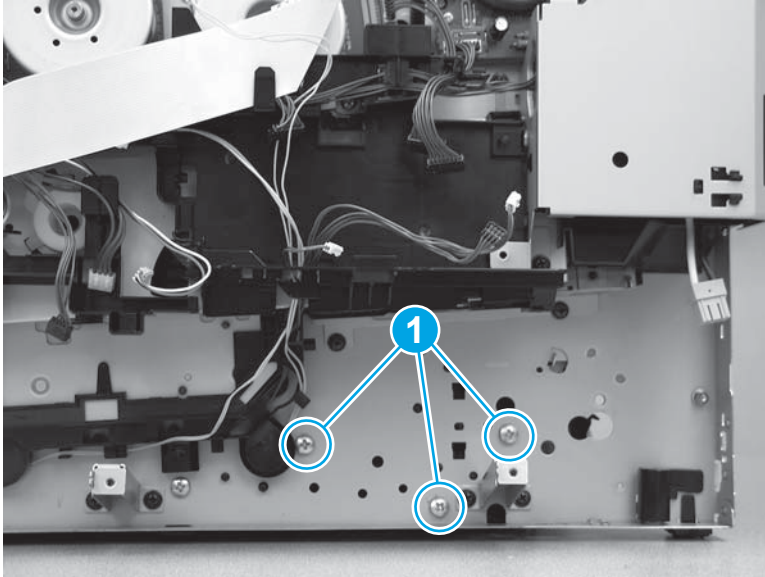
Figure 1-1518 Remove the lifter drive assembly



### Step 16: Remove the pickup assembly

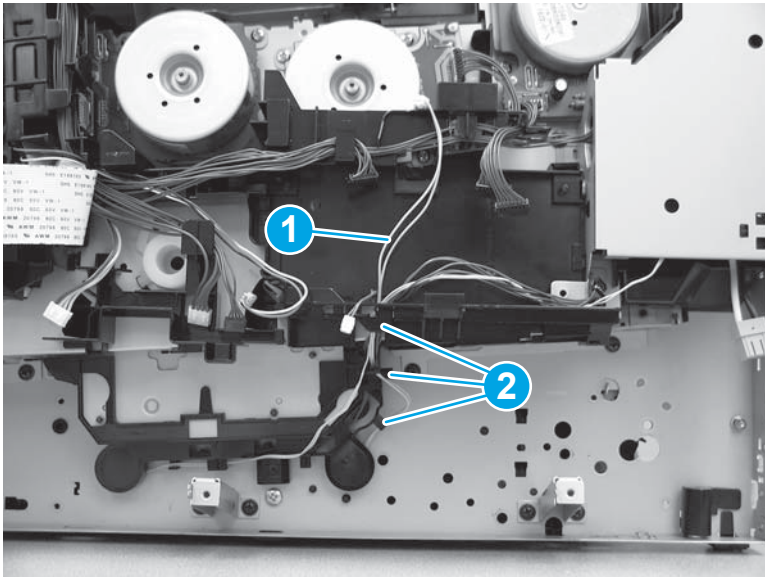
1. Remove three screws (callout 1).

Figure 1-1519 Remove three screws



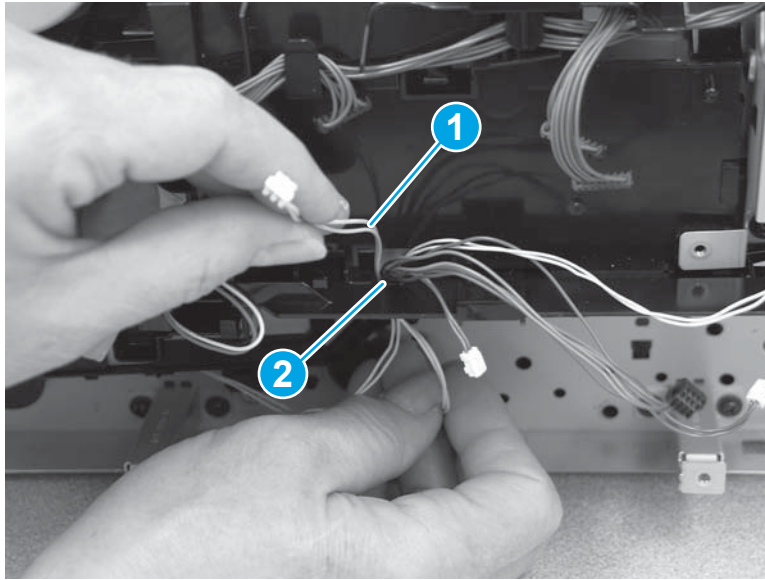
2. Release the cables (callout 1) from the cable guides (callout 2).

Figure 1-1520 Release the cables from the cable guides



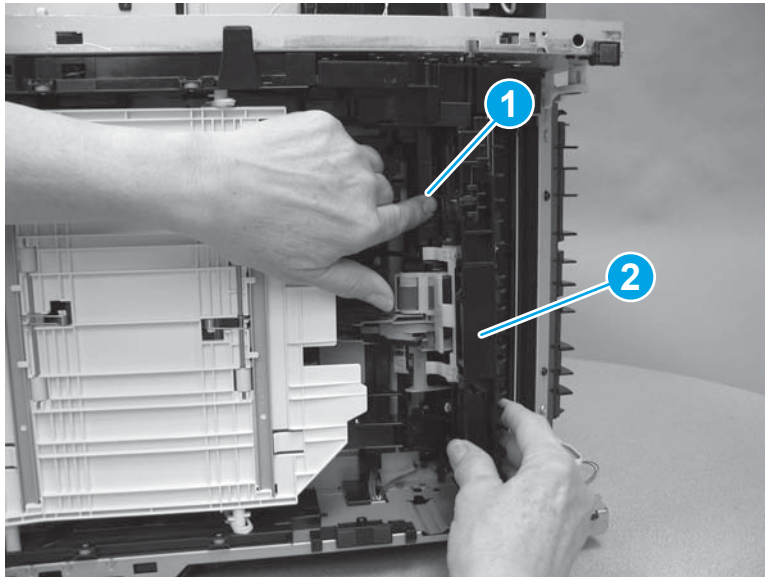
3. Thread the cables (callout 1) through the opening in the driver PCA holder (callout 2).

Figure 1-1521 Release the cables



4. Lay the printer on the right side so that the left side is facing up. Press the pickup and feed roller holder (callout 1) toward the printer, and then remove the pickup assembly (callout 2).

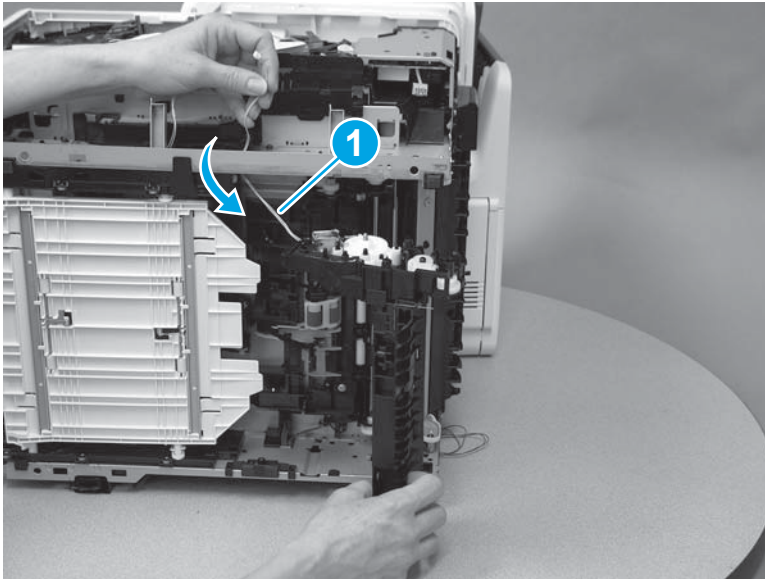
Figure 1-1522 Remove the pickup assembly





5. Release the cables (callout 1) through the printer frame.

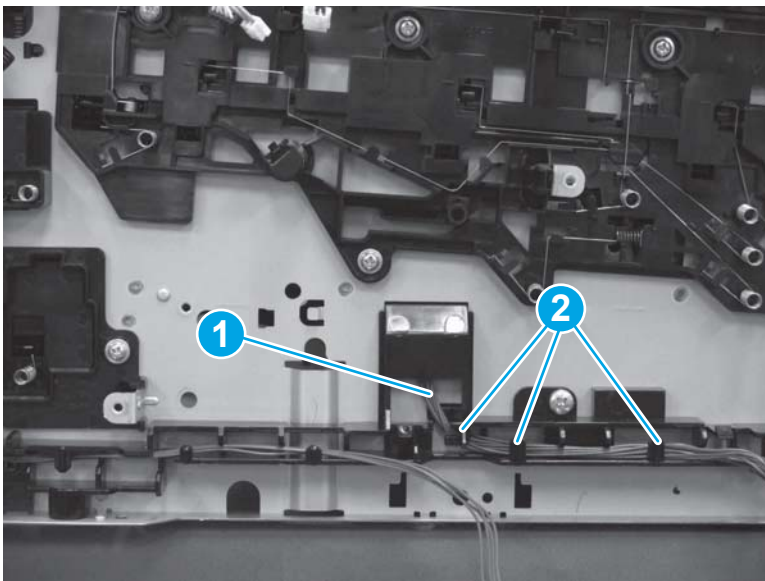
Figure 1-1523 Release the cables



#### Step 17: Remove the front feed guide assembly

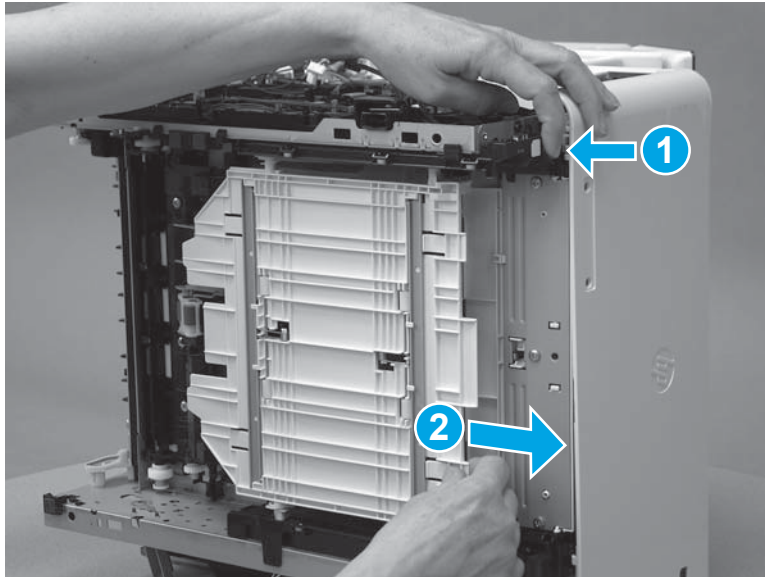
1. Release the cables (callout 1) from the cable guide (callout 2).

Figure 1-1524 Release the cables



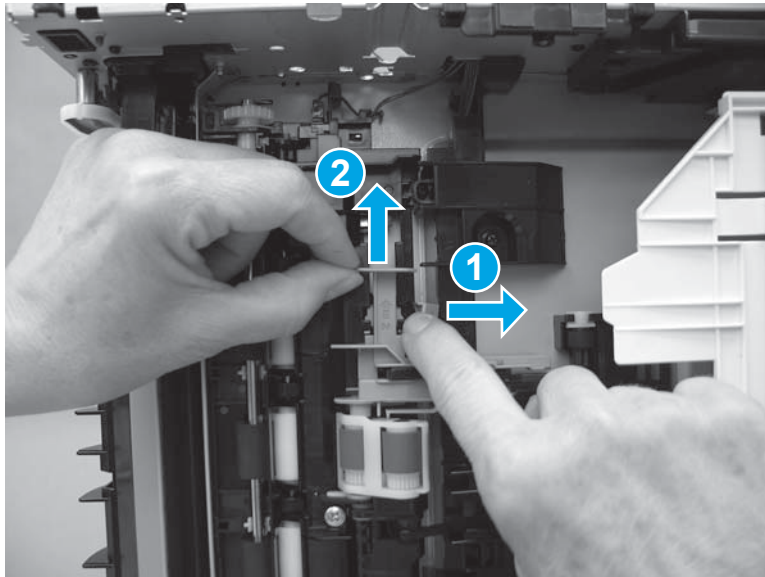
2. Lay the printer on the right side so that the left side is facing up. Press the tray 1 feed guide release button (callout 1), and then release the tray 1 feed guide toward the front of the printer (callout 2).

Figure 1-1525 Release the tray 1 feed guide



3. Press the lever (callout 1) on the roller holder, and then slide the roller holder up (callout 2).

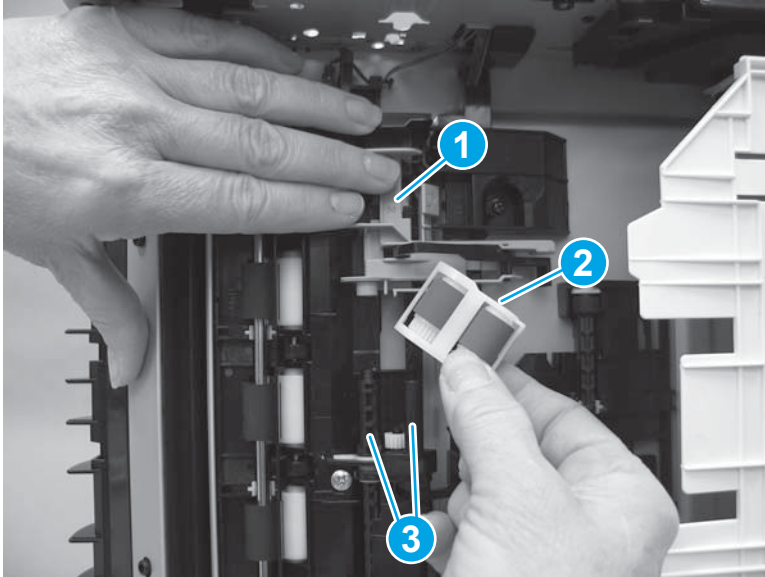
Figure 1-1526 Slide the roller holder





4. Hold the roller holder up (callout 1), and then lift the pickup and feed roller case (callout 2) up off of the shafts (callout 3).

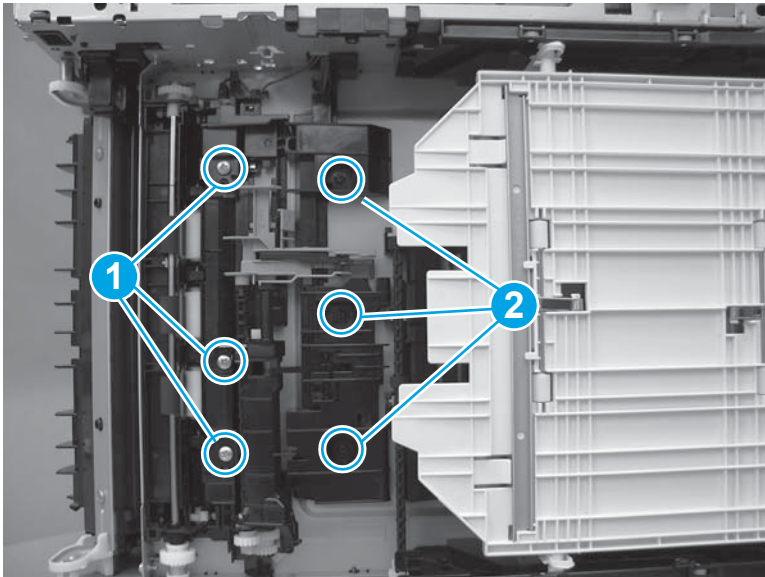
Figure 1-1527 Remove the pickup and feed rollers



5. Remove three screws (callout 1) on the rear feed guide assembly, and then remove three screws (callout 2) on the front feed guide assembly.

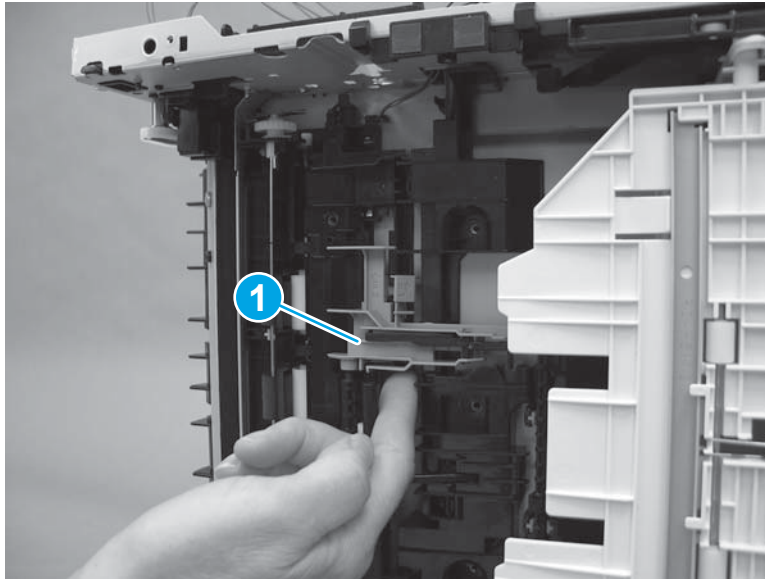
 **Reinstallation tip:** The three screws (callout 1) on the rear feed guide assembly are larger than the screws on the front feed guide assembly.

Figure 1-1528 Remove six screws



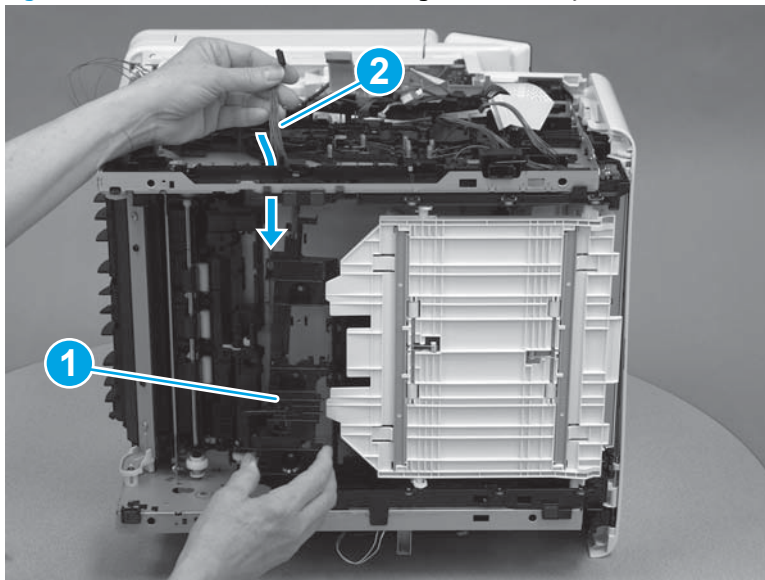
6. Remove the roller holder (callout 1).

Figure 1-1529 Remove the roller holder



7. Remove the front feed guide assembly (callout 1). Release the cables (callout 2) through the printer frame.

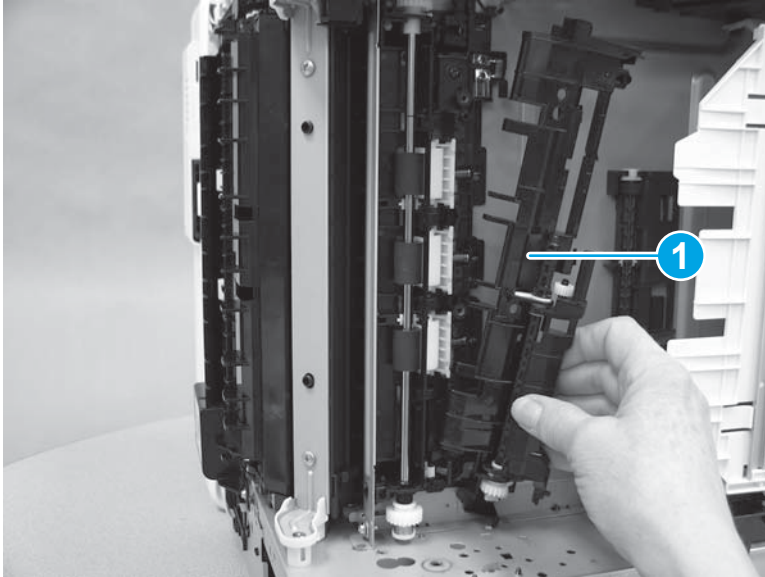
Figure 1-1530 Remove the front feed guide assembly



### Step 18: Remove the rear feed guide assembly

- ▲ Remove the rear feed guide assembly (callout 1).

Figure 1-1531 Remove the rear feed guide assembly



### Step 19: Unpack the replacement part

Remove the new part from its package. Save all packaging for recycling the used part.

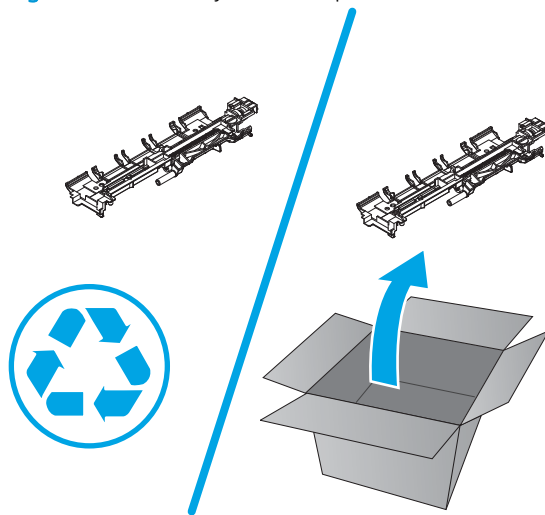
For complete information on HP's recycling programs, go to [Product return and recycling](#).

---

 **NOTE:** HP recommends responsible disposal of the defective part.

---


Figure 1-1532 Recycle and unpack



### Step 20: Install the rear feed guide assembly

▲ To install an assembly, reverse the removal steps.

---

 **NOTE:** When applicable, special installation instructions are provided for an assembly at the end of the removal procedure. Always completely read the removal instructions and follow all special installation instructions.

---

## Removal and replacement: Registration assembly

- [Introduction](#)
- [Step 1: Remove Tray 2](#)
- [Step 2: Remove the toner cartridges](#)
- [Step 3: Open the rear door or duplexer door](#)
- [Step 4: Remove the right cover \(M454 models\)](#)
- [Step 5: Remove the right cover \(M479 models\)](#)
- [Step 6: Remove the left cover \(M454 models\)](#)
- [Step 7: Remove the left cover \(M479 models\)](#)
- [Step 8: Remove the duplexer door assembly \(duplex models\)](#)
- [Step 9: Remove the rear door \(simplex models\)](#)
- [Step 10: Remove the engine controller PCA](#)
- [Step 11: Remove the driver PCA](#)
- [Step 12: Remove the low-voltage power supply](#)
- [Step 13: Remove the pickup motor](#)
- [Step 14: Remove the re-pickup assembly \(duplex models\)](#)
- [Step 15: Remove the lifter drive assembly](#)
- [Step 16: Remove the pickup assembly](#)
- [Step 17: Remove the front feed guide assembly](#)
- [Step 18: Remove the rear feed guide assembly](#)
- [Step 19: Remove the registration assembly](#)
- [Step 20: Unpack the replacement part](#)
- [Step 21: Install the registration assembly](#)

### Introduction


This document provides the procedures to remove and replace the registration assembly.

[Click here to view a video of this procedure.](#)

### Before you begin

- Turn off the printer.
- Disconnect the power cable.

---

 **WARNING!** To avoid damage to the printer, turn the printer off, wait 30 seconds, and then remove the power cord before attempting to service the printer.

---

- Use the table below to identify the correct part number for your printer. To order the part, go to [www.hp.com/buy/parts](http://www.hp.com/buy/parts).

---

Registration assembly part number	
RM2-6374-000CN	Registration assembly

---

### Required tools

- #2 Phillips screwdriver with a magnetic tip
- Small flat-blade screwdriver

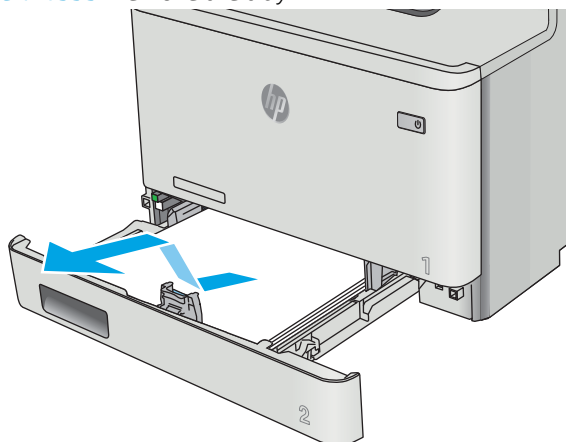
### After performing service

- Connect the power cable.
- Use the power switch to turn the power on.

### Step 1: Remove Tray 2

- ▲ Pull the tray out until it stops. Lift the front of the tray, and then pull it out of the printer to remove it.

Figure 1-1533 Remove the tray



### Step 2: Remove the toner cartridges

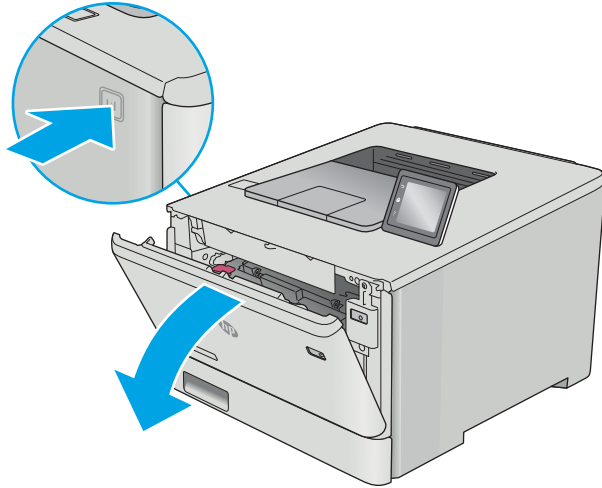
---

 **NOTE:** The M454 model is pictured in the figures in this section. The procedure is the same for the M479 models.

---

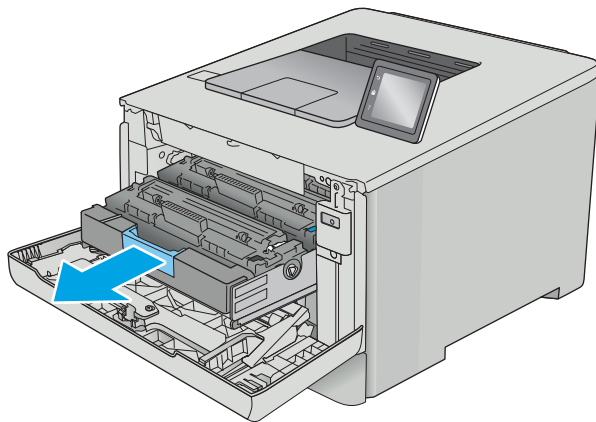
1. Open the front door by pressing the button on the left cover.

Figure 1-1534 Open the front door



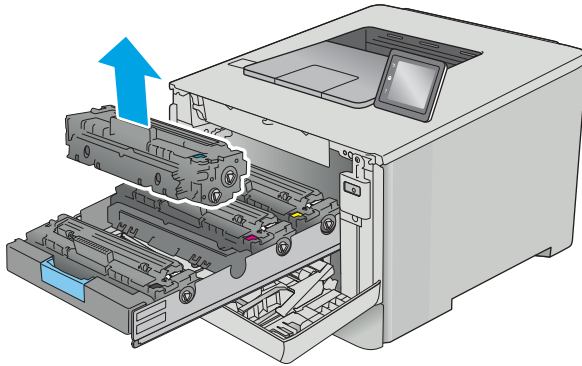
2. Grasp the blue handle on the toner cartridge tray, and then pull out the tray.

Figure 1-1535 Open the cartridge drawer



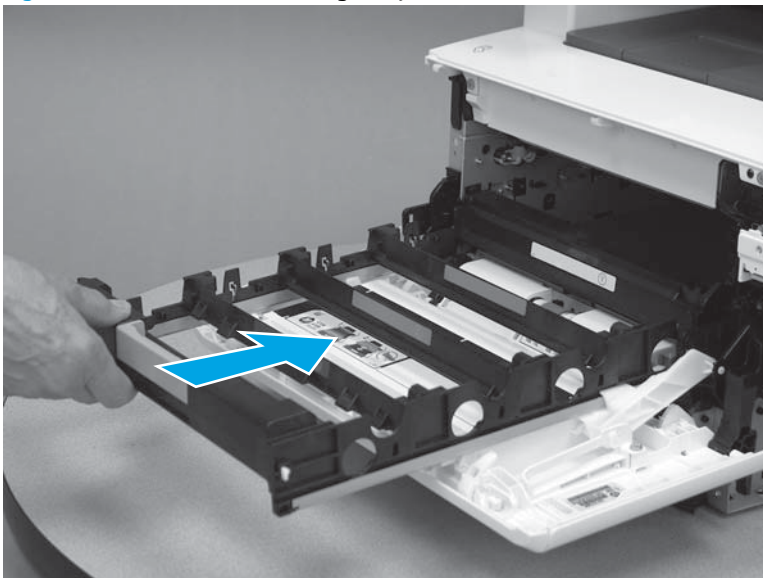
3. Grasp the handle on the toner cartridge, and then pull the toner cartridge straight up to remove it. Repeat this step for each toner cartridge.

**Figure 1-1536** Remove the toner cartridge



4. Slide the cartridge tray into the printer.

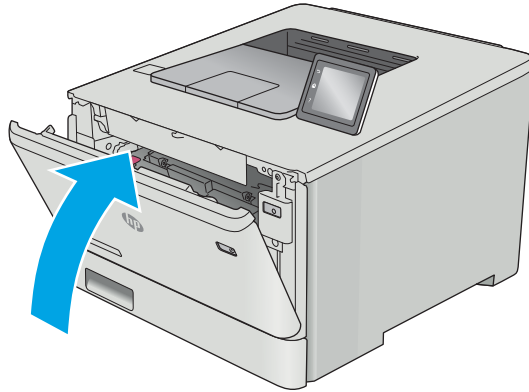
**Figure 1-1537** Slide the cartridge tray in





5. Close the front door.

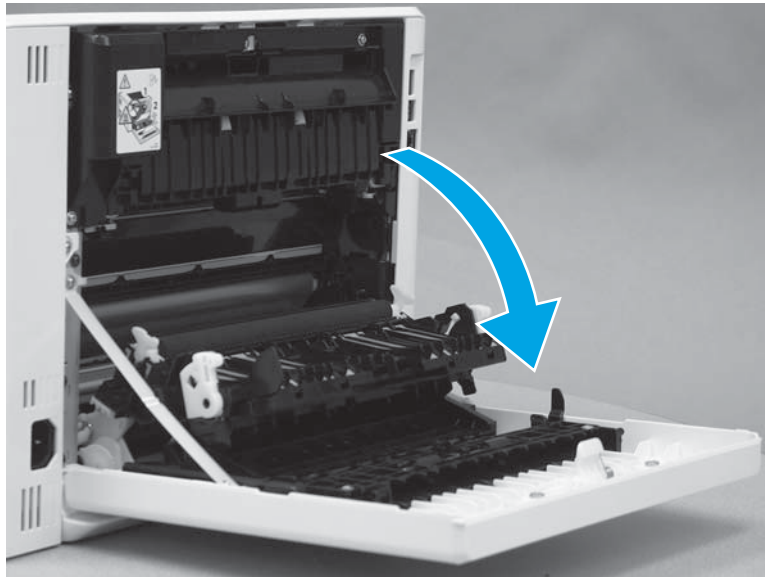
Figure 1-1538 Close the front door



### Step 3: Open the rear door or duplexer door

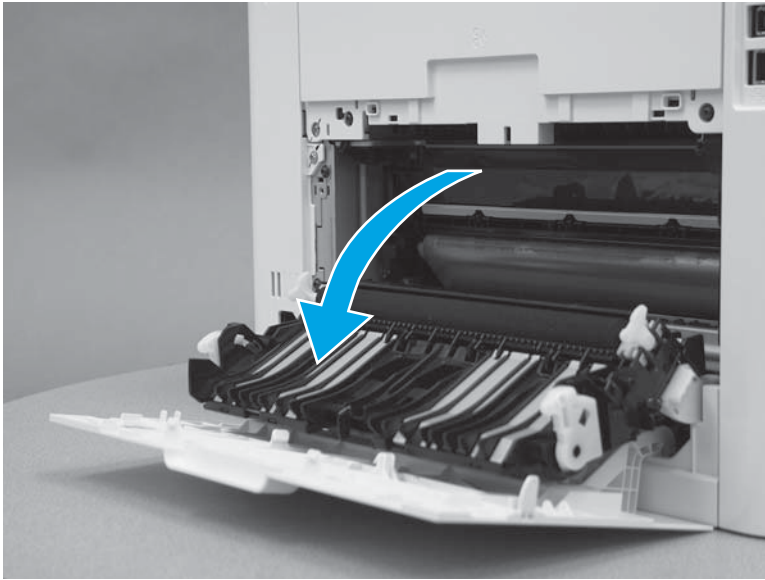
1. **Duplex models:** Open the duplexer door.

Figure 1-1539 Open the duplexer door




2. **Simplex models:** Open the rear door.

**Figure 1-1540** Open the rear door



#### Step 4: Remove the right cover (M454 models)

 **NOTE:** This step is for the M454 models. For the M479 models, skip this step and go to [Step 5: Remove the right cover \(M479 models\) on page 858](#).

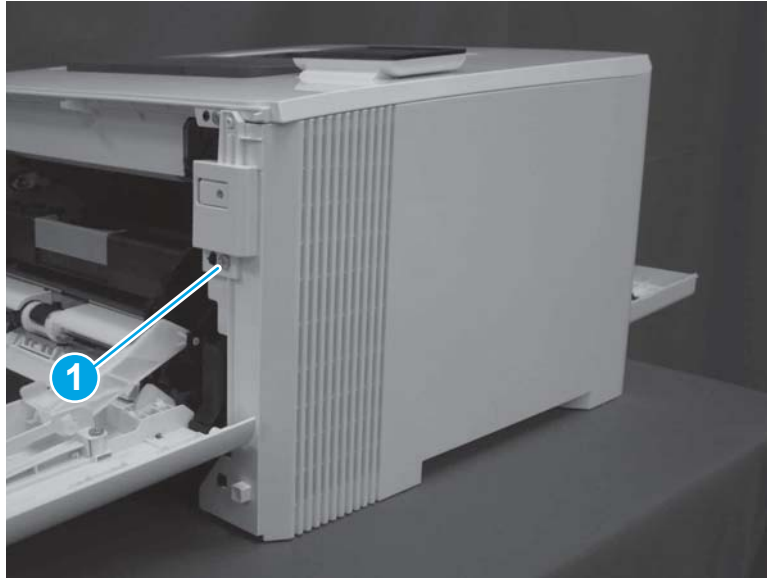
1. At the back of the printer, remove one screw (callout 1).

**Figure 1-1541** Remove one screw



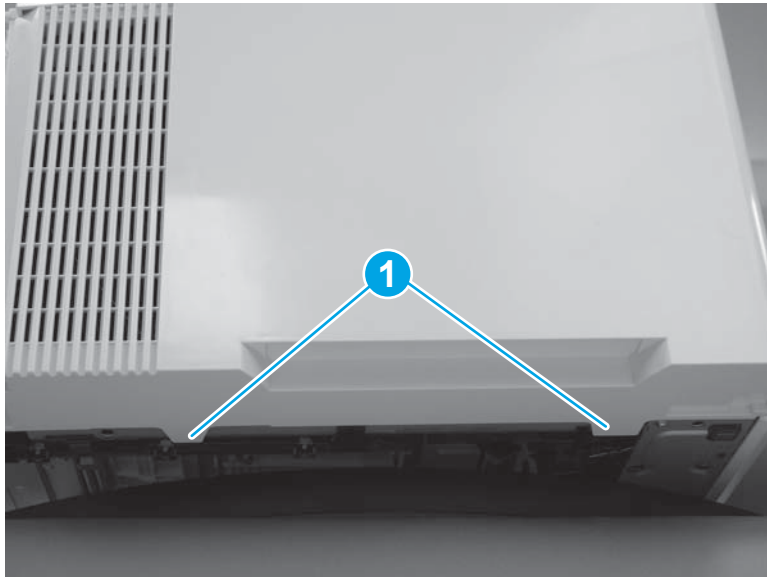
2. At the front of the printer, remove one screw (callout 1).

Figure 1-1542 Remove one screw



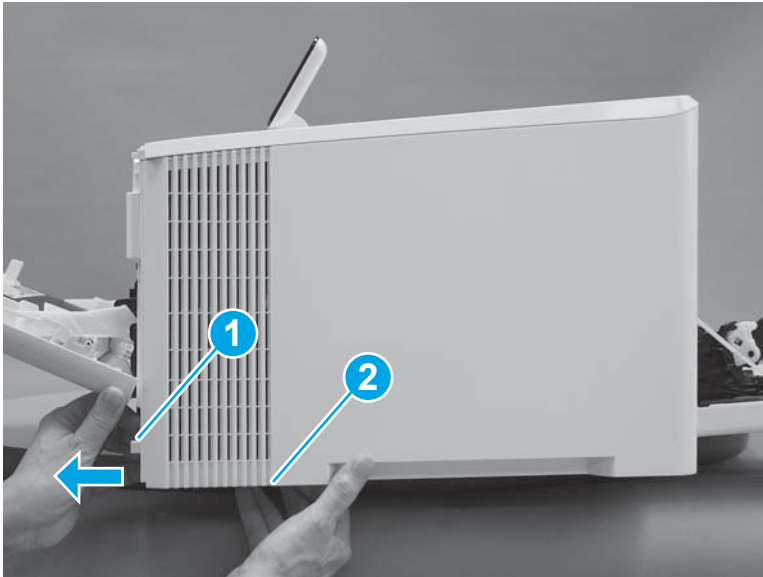
3. Slide the printer to the edge of a work surface. Note the location of the tabs on the lower edge of the cover (callout 1).

Figure 1-1543 Locate the tabs



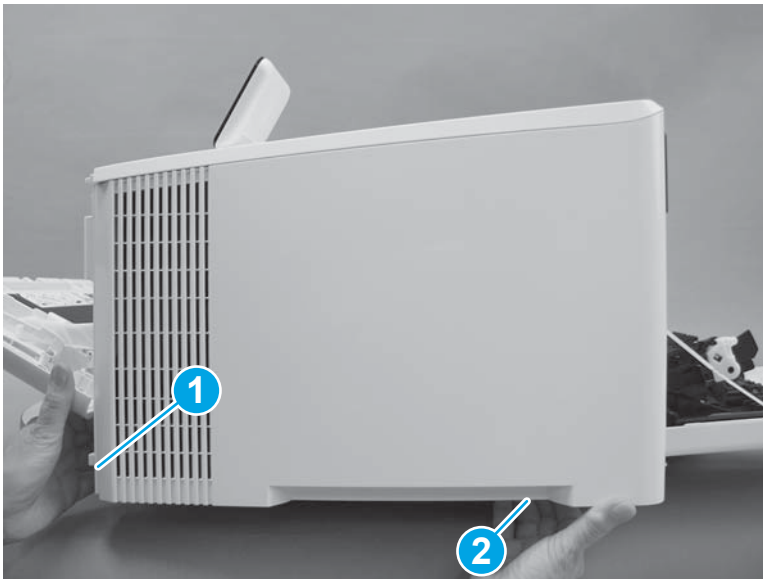
4. Release one tab (callout 1) on the front of the cover by slightly pulling the cover away from the printer. While holding the cover in the released position, release one tab (callout 2) on the bottom of the cover.

Figure 1-1544 Release front lower tabs



5. Hold the front tabs in the released position (callout 1), and then release one tab (callout 2) on the bottom of the cover, toward the back of the printer.

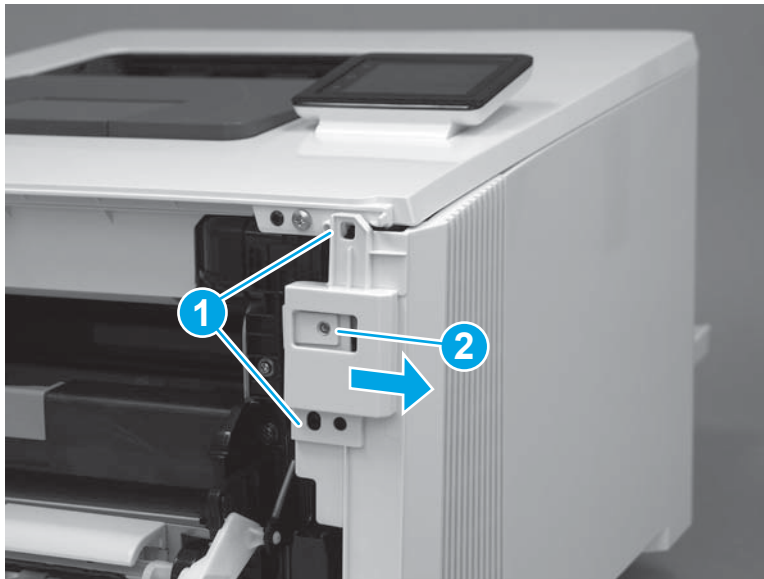
Figure 1-1545 Release lower rear tab



6. Release two tabs at the front of the printer (callout 1) by slightly pulling the cover away from the printer.

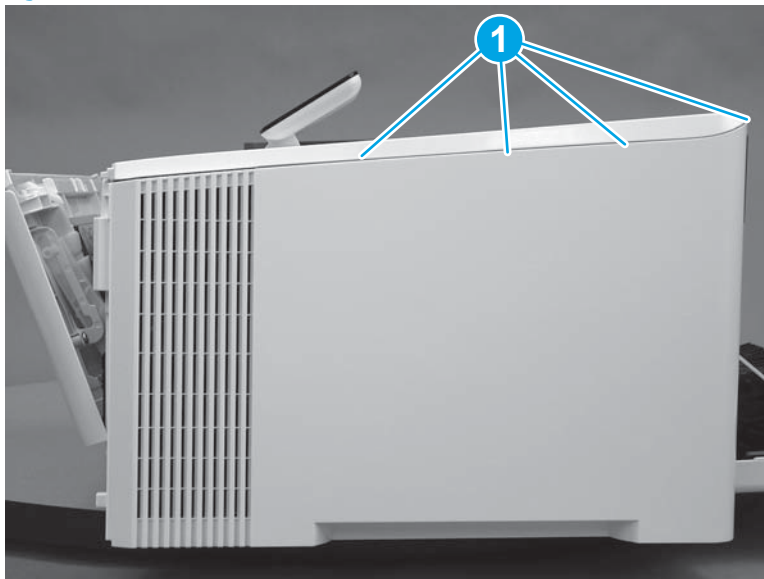
**⚠ CAUTION:** Be careful not to dislodge the power switch (callout 2).

Figure 1-1546 Release two front tabs



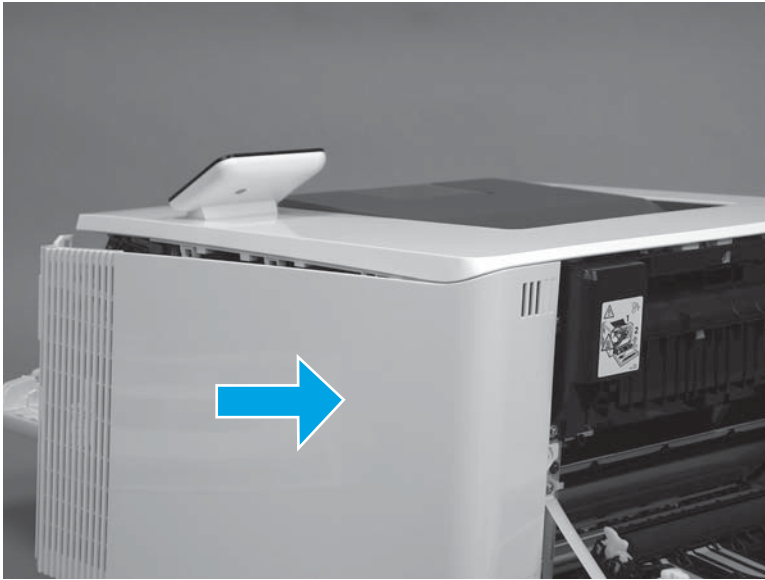
7. Release four tabs on the top of the printer (callout 1).

Figure 1-1547 Release upper tabs




8. Slide the cover toward the back of the printer to remove it.

**Figure 1-1548** Remove the right cover



#### Step 5: Remove the right cover (M479 models)

 **NOTE:** This step is for the M479 models. For the M454 models, skip this step and go to [Step 6: Remove the left cover \(M454 models\) on page 864](#).

1. Raise the scanner.

**Figure 1-1549** Raise the scanner



2. At the back of the printer, remove one screw (callout 1).

Figure 1-1550 Remove one screw



3. At the front of the printer, remove one screw (callout 1).

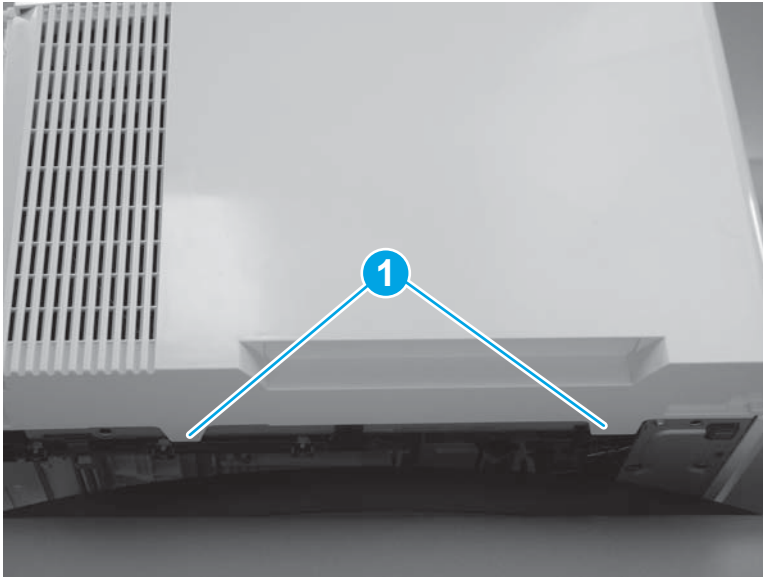
Figure 1-1551 Remove one screw





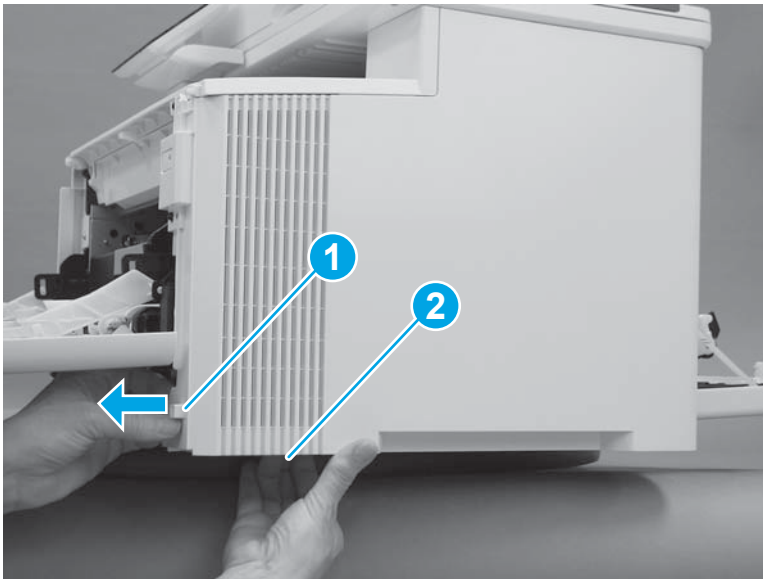
4. Slide the printer to the edge of a work surface. Note the location of the tabs on the lower edge of the cover (callout 1).

Figure 1-1552 Locate the tabs



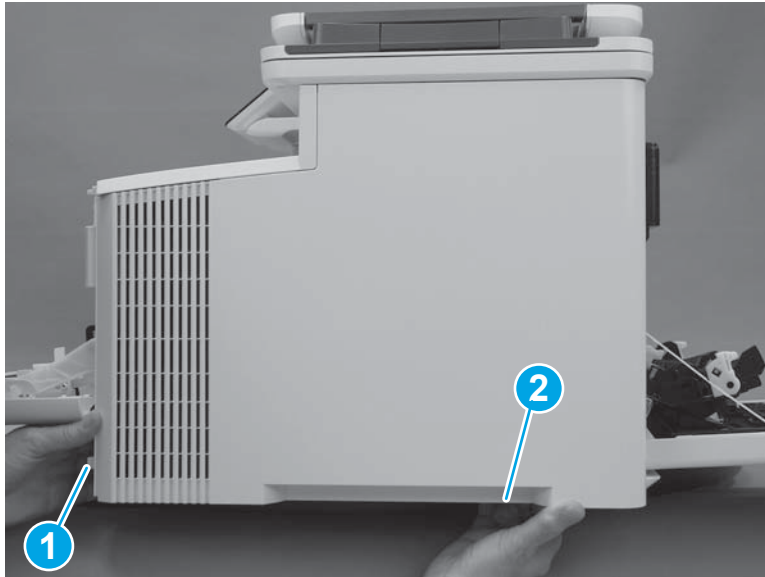
5. Release one tab (callout 1) on the front of the cover by slightly pulling the cover away from the printer. While holding the cover in the released position, release one tab (callout 2) on the lower edge of the cover.

Figure 1-1553 Release front lower tabs



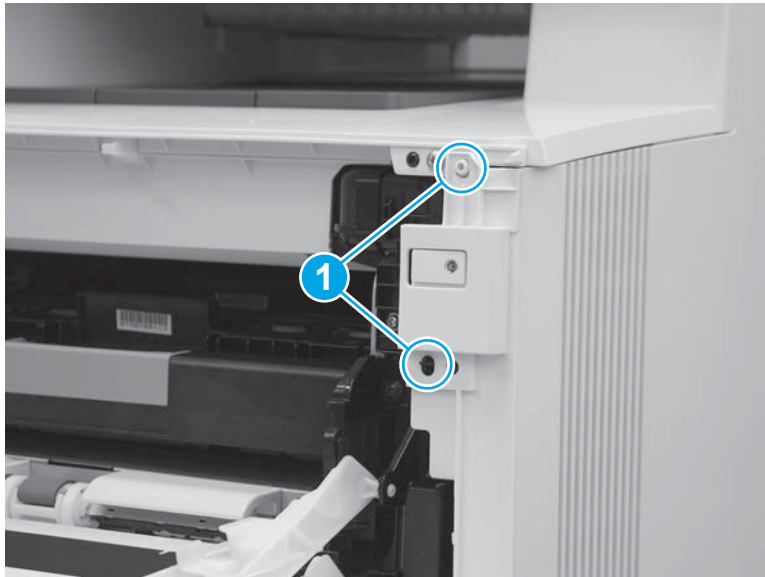
6. Hold the front tabs in the released position (callout 1), and then release one tab (callout 2) on the lower edge of the cover, toward the back of the printer.

Figure 1-1554 Release lower rear tab



7. Release two tabs at the front of the printer (callout 1) by slightly pulling the cover away from the printer.

Figure 1-1555 Release front upper tabs



8. Rotate the front of the cover away from the printer (callout 1).

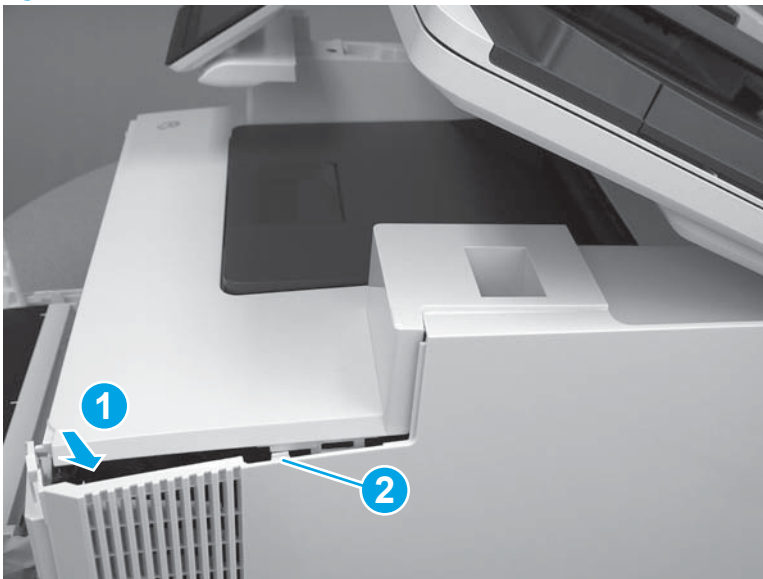
**⚠ CAUTION:** Be careful not to dislodge the power switch (callout 2).

**Figure 1-1556** Rotate the front of the cover



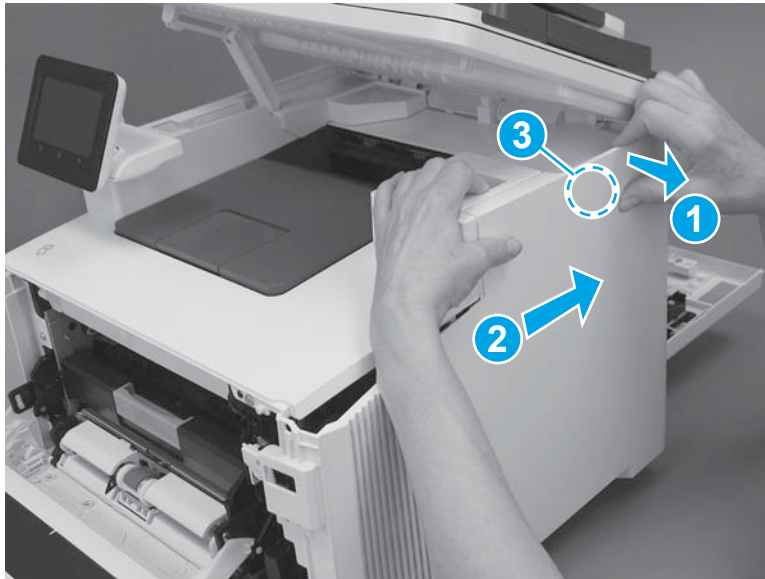
9. Slightly pull the front of the cover away from the printer (callout 1) to release one tab (callout 2).

**Figure 1-1557** Release top tabs



10. At the top of the printer, slightly pull the top of the cover away from the printer to release one retention tab (callout 1) on the inside of the cover. While holding the cover away, slide the cover toward the back of the printer (callout 2) to release one hook (callout 3) on the inside of the cover.

Figure 1-1558 Release one tab and one hook



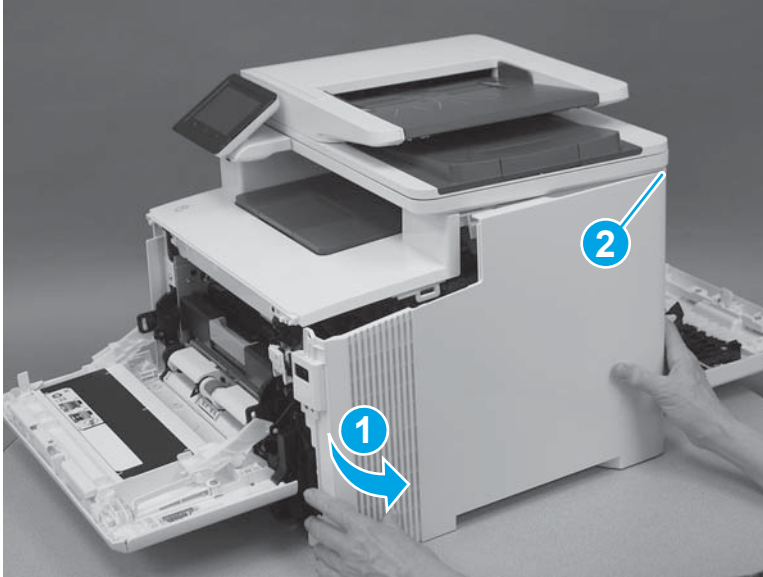
11. Lower the scanner.

Figure 1-1559 Lower the scanner




12. Rotate the cover away from the printer (callout 1) to release one tab (callout 2) at the back of the printer, and then remove the cover.

Figure 1-1560 Remove the right cover

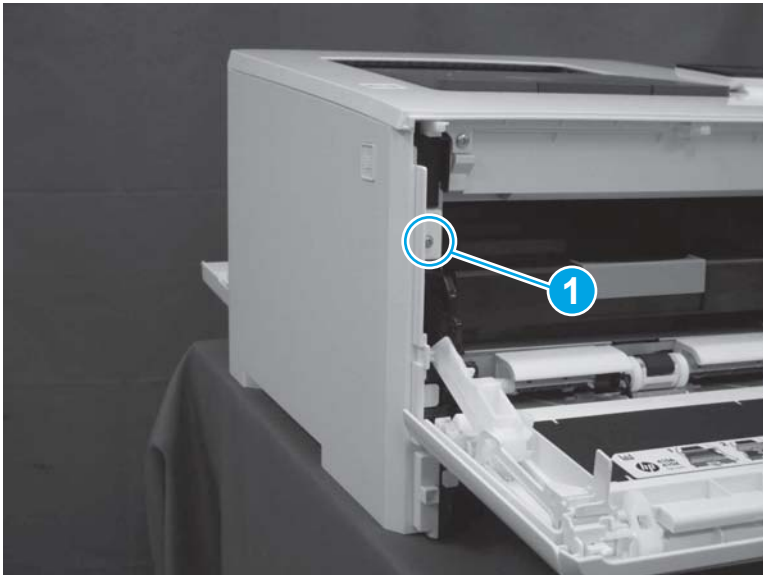


#### Step 6: Remove the left cover (M454 models)

 **NOTE:** This step is for the M454 models. For the M479 models, skip this step and go to [Step 7: Remove the left cover \(M479 models\) on page 866](#).

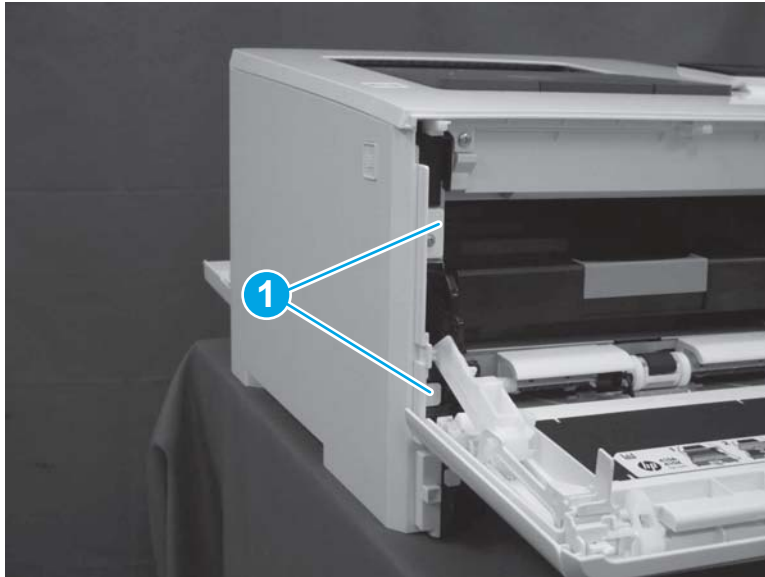
1. At the front of the printer, remove one screw (callout 1).

Figure 1-1561 Remove one screw



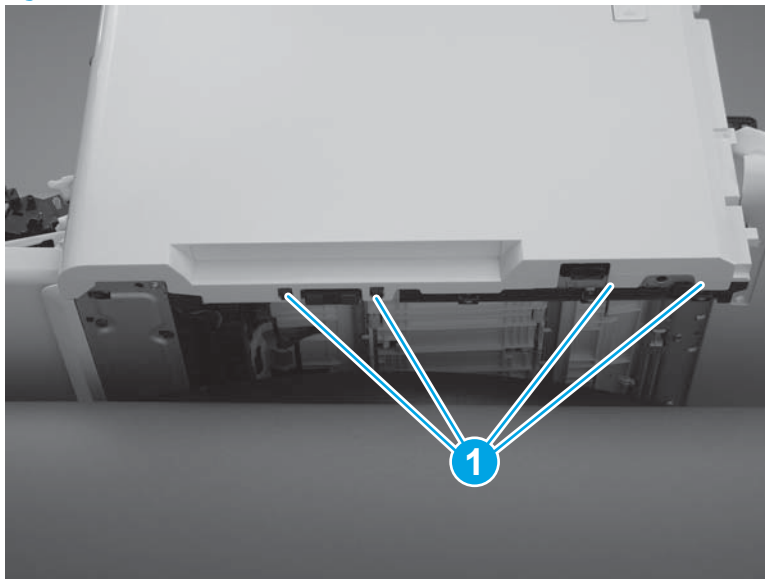
2. Release two tabs (callout 1) at the front of the cover. Hold the cover open to prevent the tabs from reengaging.

Figure 1-1562 Release two tabs



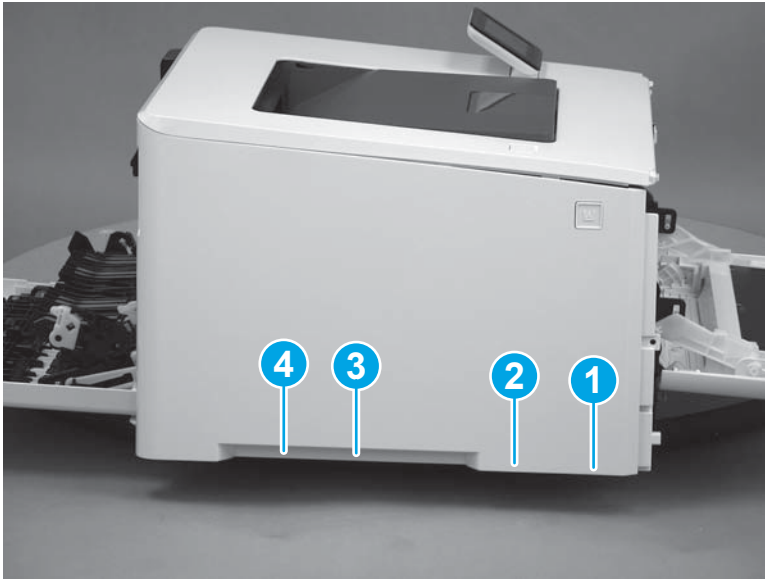
3. Slide the printer to the edge of a work surface. Note the location of the tabs on the lower edge of the cover (callout 1).

Figure 1-1563 Locate the tabs



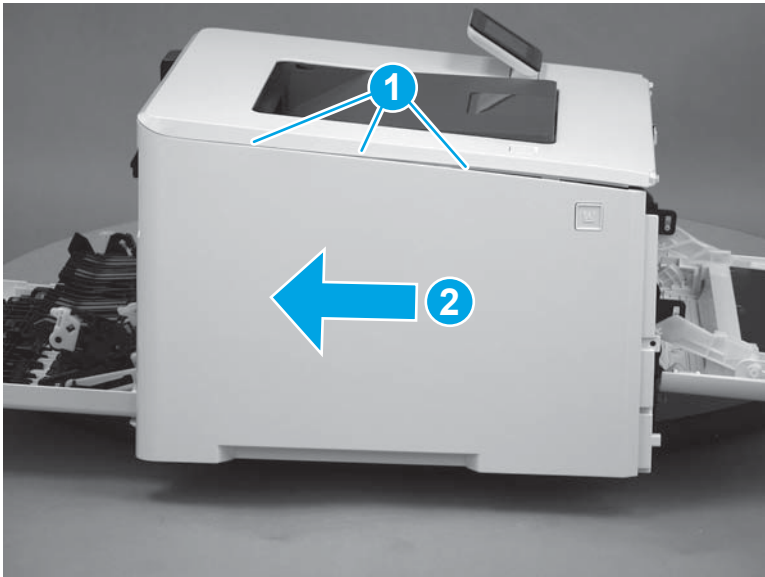
4. Beginning from the front of the cover, release four tabs (callouts 1-4) on the lower edge of the cover.

Figure 1-1564 Release bottom tabs




5. Release three tabs at the top of the cover (callout 1), and then slide the cover toward the rear of the printer to remove it.

Figure 1-1565 Release three tabs



#### Step 7: Remove the left cover (M479 models)

 **NOTE:** This step is for the M479 models. For the M454 models, skip this step and go to [Step 8: Remove the duplexer door assembly \(duplex models\) on page 871.](#)

1. Raise the scanner.

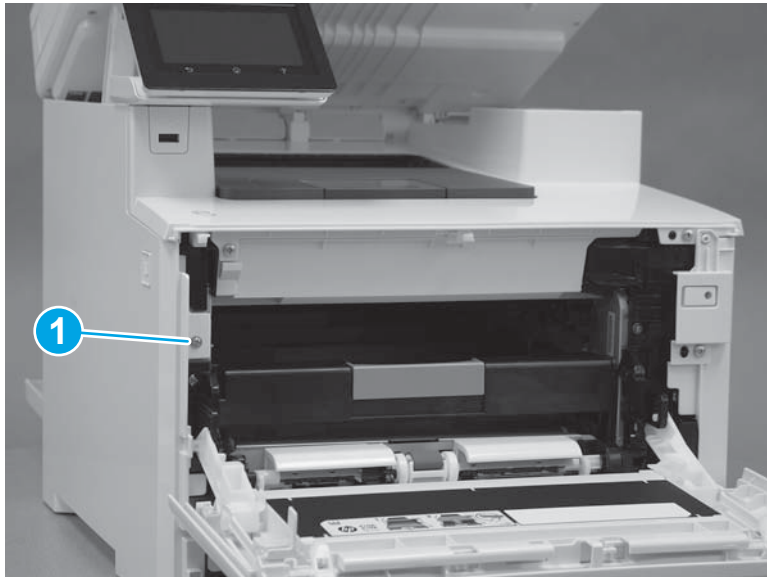


Figure 1-1566 Raise the scanner



2. At the front of the printer, remove one screw (callout 1).

Figure 1-1567 Remove one screw



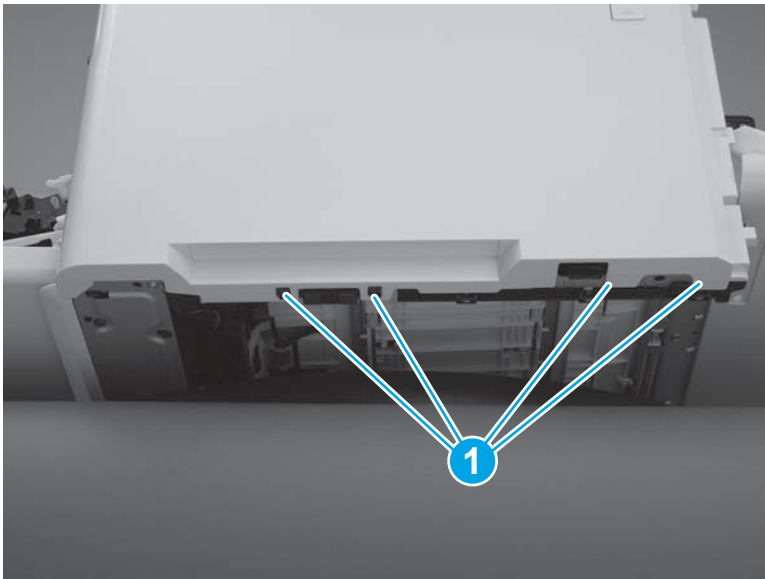
3. Release two tabs (callout 1) at the front of the cover. Hold the cover open to prevent the tabs from re-engaging.

Figure 1-1568 Release two tabs



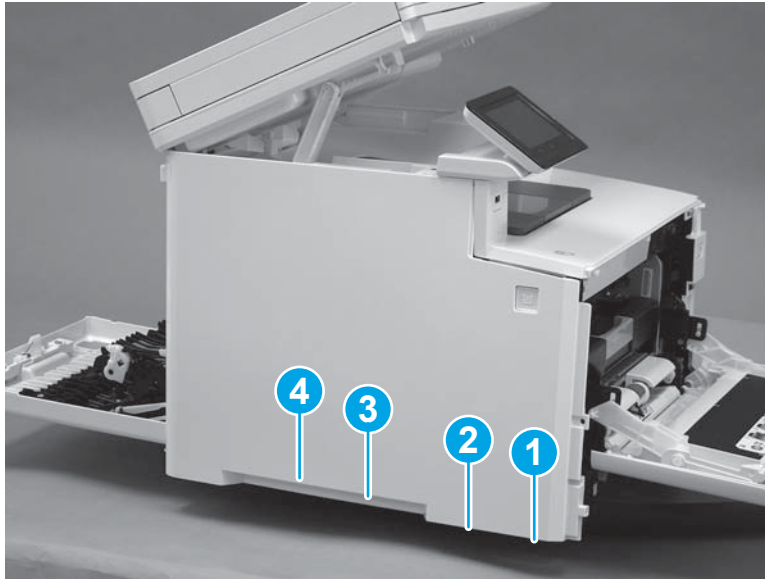
4. Slide the printer to the edge of a work surface. Note the location of the tabs on the lower edge of the cover (callout 1).

Figure 1-1569 Locate the tabs



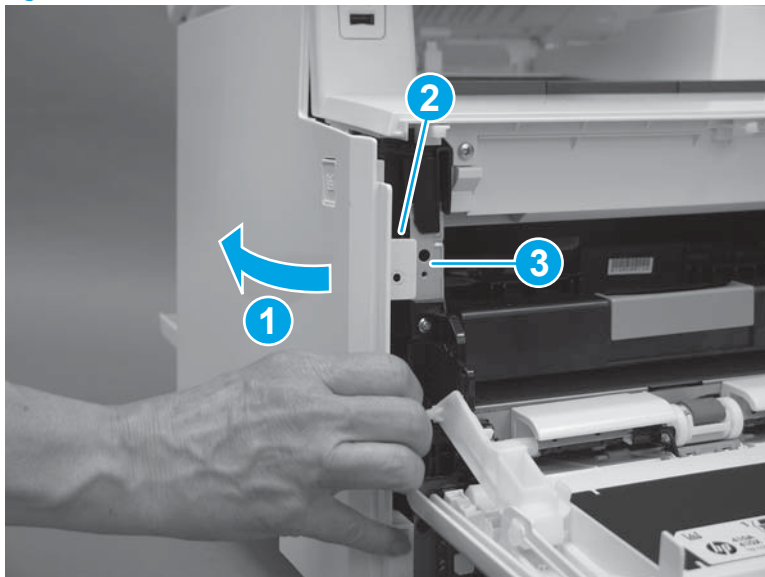
5. Beginning from the front of the cover, release the four tabs (callouts 1-4) on the lower edge of the cover.

Figure 1-1570 Release four tabs



6. Rotate the front of the cover away from the printer (callout 1). Make sure that the tab (callout 2) does not get caught on the printer frame (callout 3).

Figure 1-1571 Rotate the cover



7. At the top of the printer, slightly pull the top of the cover away from the printer to release one retention tab (callout 1) on the inside of the cover. While holding the cover away, slide the cover toward the back of the printer (callout 2) to release two hooks (callout 3) inside the cover.

Figure 1-1572 Release one tab and two hooks



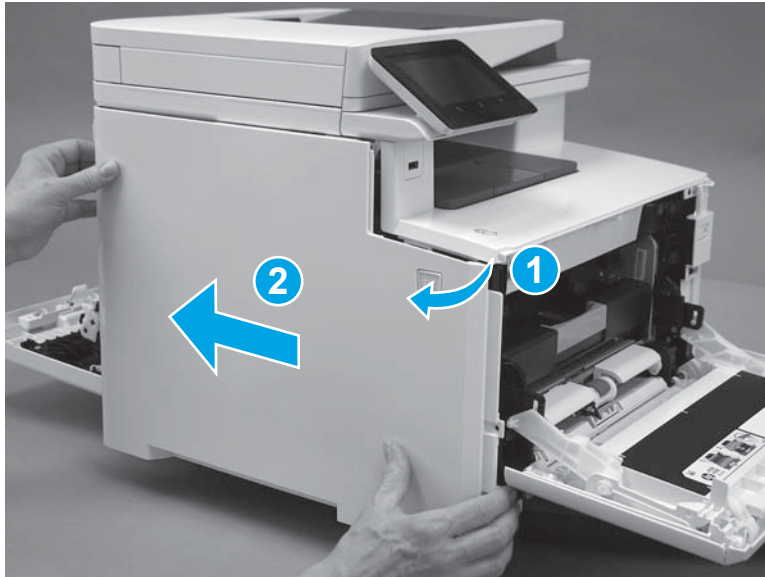
8. Lower the scanner.

Figure 1-1573 Lower the scanner




9. Rotate the cover away from the printer (callout 1), and then slide the cover (callout 2) toward the back of the printer to remove it.

Figure 1-1574 Remove the left cover

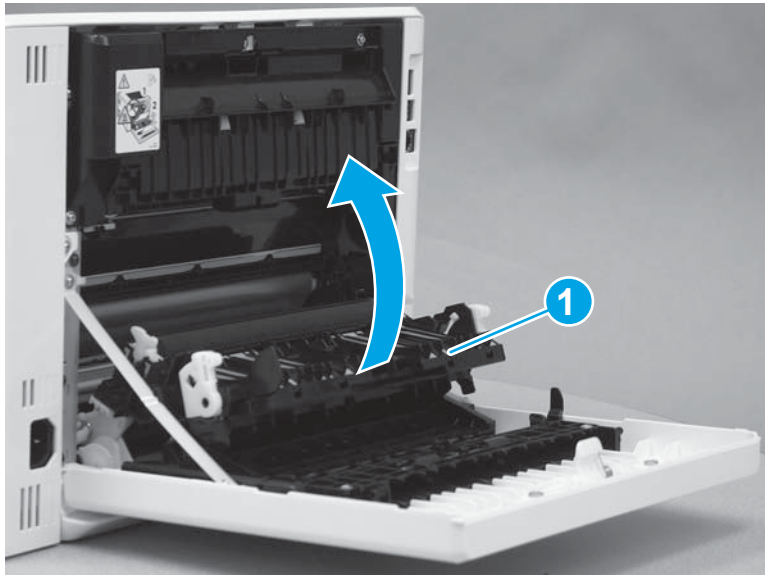


#### Step 8: Remove the duplexer door assembly (duplex models)


 **NOTE:** This step is for duplex models. For simplex models, skip this step and go to [Step 9: Remove the rear door \(simplex models\) on page 873](#).

1. Rotate the secondary transfer assembly (callout 1) toward the printer to close it.

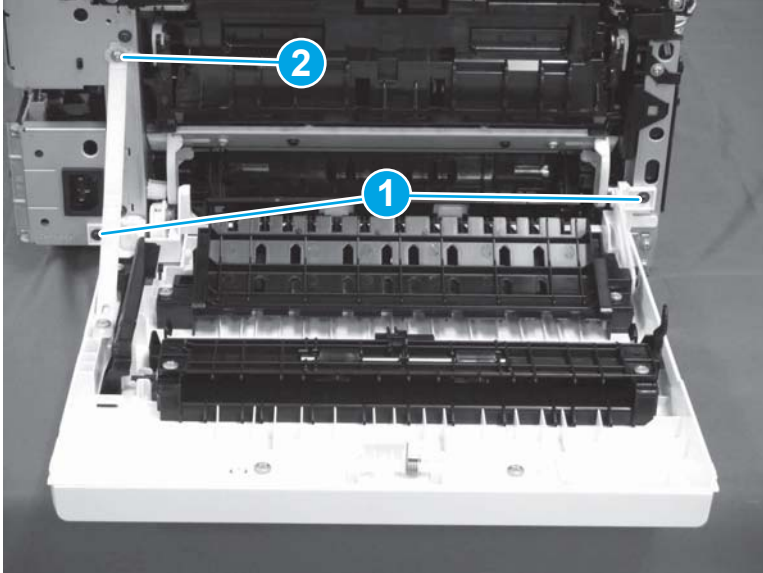
Figure 1-1575 Close the secondary transfer assembly



2. At the back of the printer, remove two screws (callout 1), and then remove one screw (callout 2) that holds the retention arm.

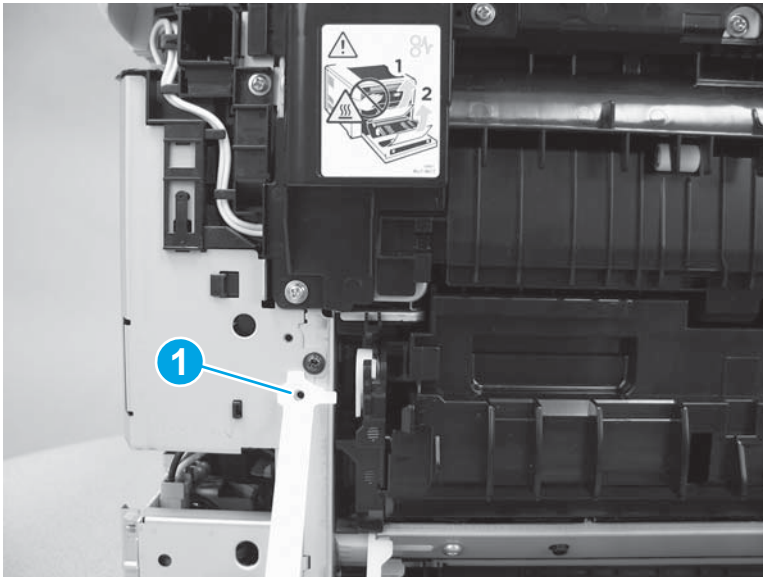
 **Reinstallation tip:** Note that the screw (callout 2) that holds the retention arm is longer than the other two. Make sure this screw is installed in the correct position.

**Figure 1-1576** Remove three screws



3. Release the retention arm (callout 1).

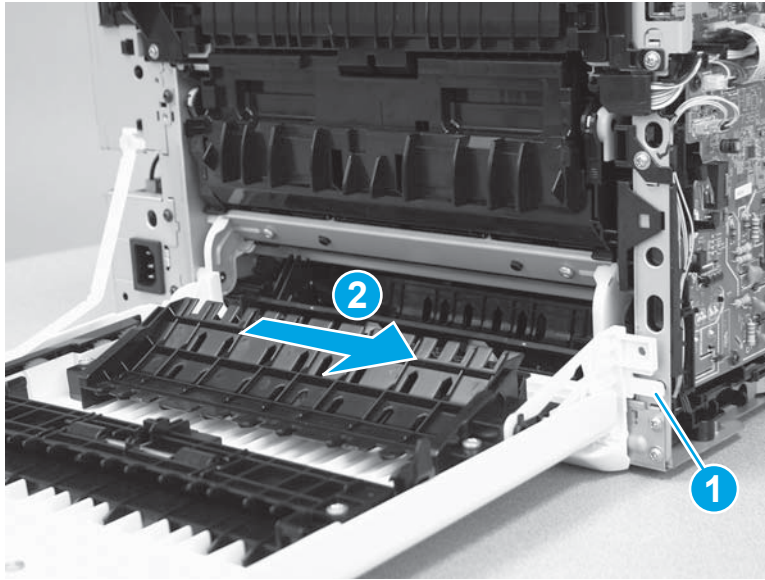
**Figure 1-1577** Release the retention arm






4. Release one tab (callout 1), and then slide the duplexer door (callout 2) to the right to remove it.

Figure 1-1578 Remove the duplexer door

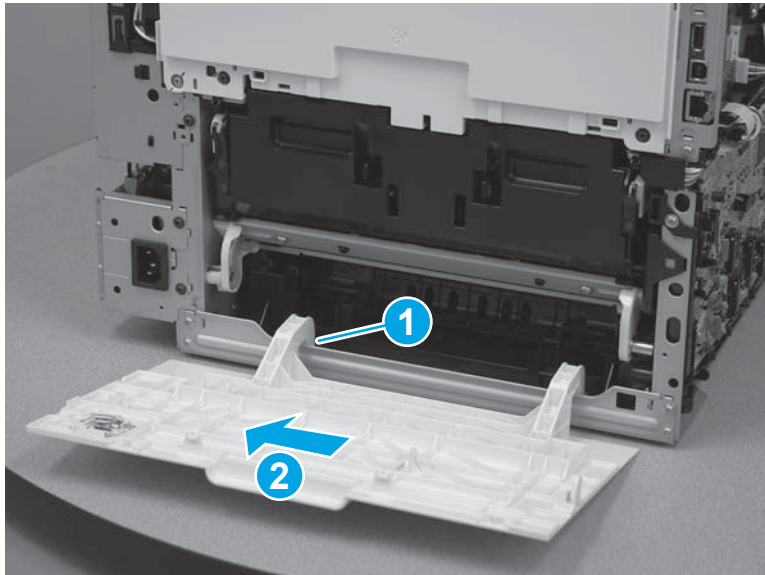


#### Step 9: Remove the rear door (simplex models)

 **NOTE:** This step is for simplex models. For duplex models, skip this step and go to [Step 10: Remove the engine controller PCA on page 873](#).

- ▲ Slightly flex one hinge arm (callout 1) to release a hinge pin, and then slide the rear door to the left (callout 2) to remove it.


Figure 1-1579 Remove the rear door



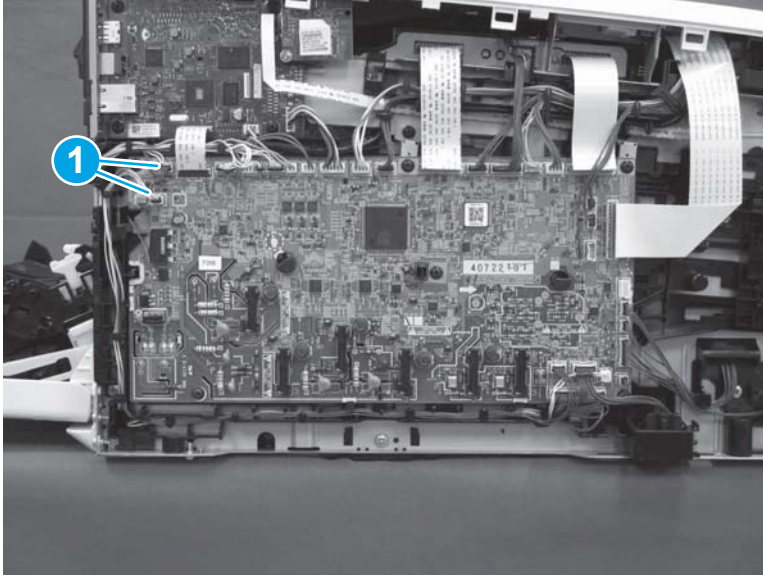
#### Step 10: Remove the engine controller PCA

1. **Duplex printers only:** Before disconnecting the connectors in the next step, make note of the position of two of the cables (callout 1).



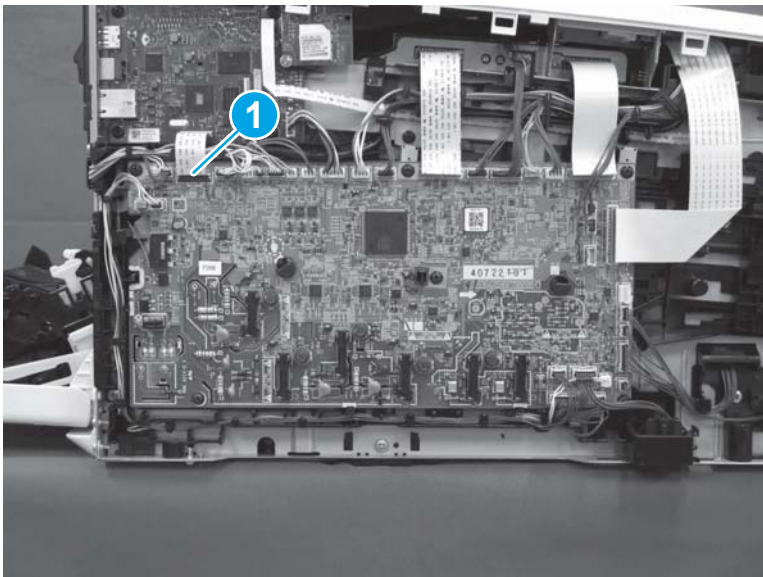
 **IMPORTANT:** These cables can be inadvertently switched when reinstalling. The connectors on the cables will fit in either connector on the engine controller PCA. Make sure that these cables are installed in the correct connectors. If the cables are switched, the printer will experience a repeatable jam when printing duplex jobs. Upper cable is purple in color while the lower one is yellow.

**Figure 1-1580** Check the cables



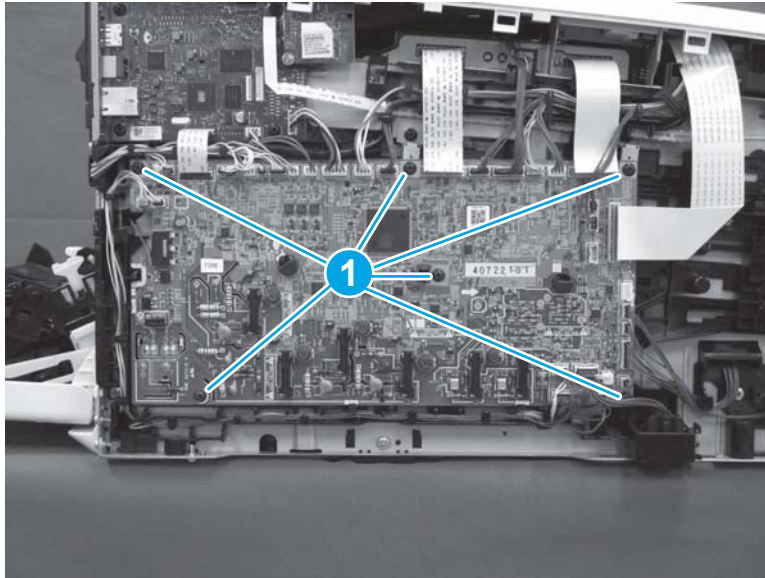
2. Disconnect all of the connectors on the engine controller PCA. Note that one connector (callout 1) is a zero-insertion force (ZIF) connector. Lift the latch on the connector before removing the flat cable.

**Figure 1-1581** Disconnect all of the connectors



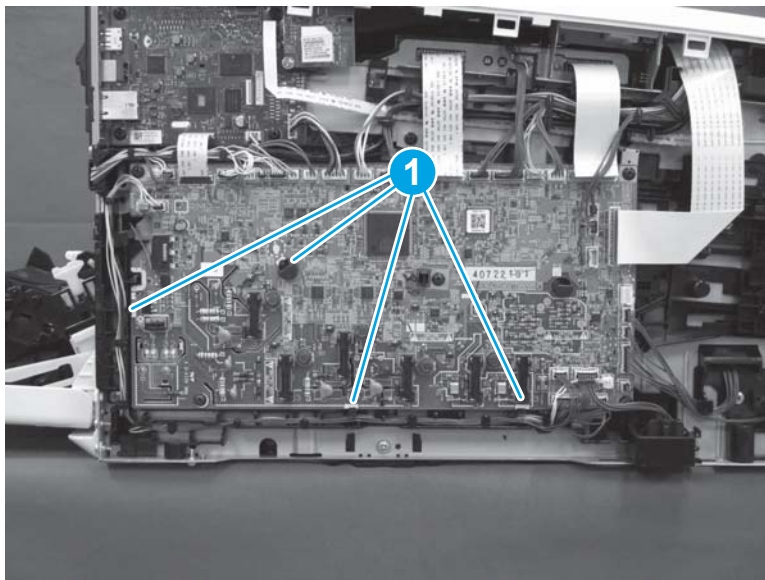
3. Remove six screws (callout 1).

Figure 1-1582 Remove six screws



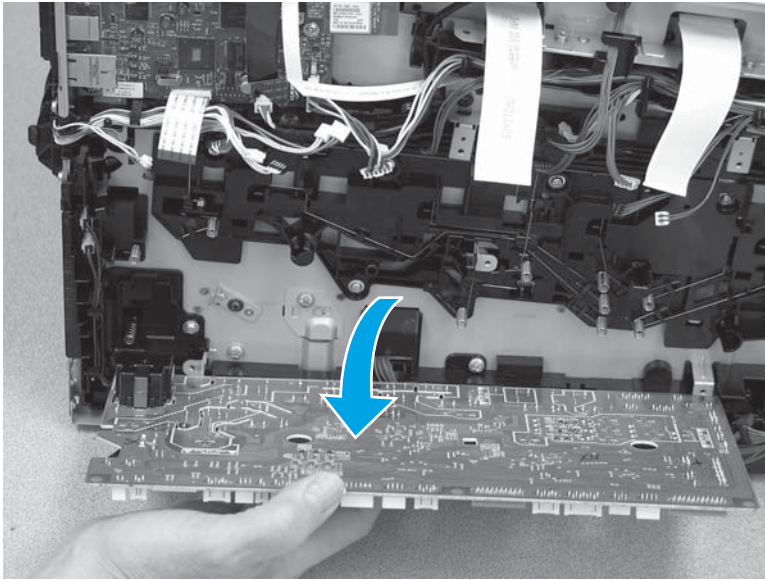
4. Release four tabs (callout 1).

Figure 1-1583 Release four tabs



5. Remove the engine controller PCA.

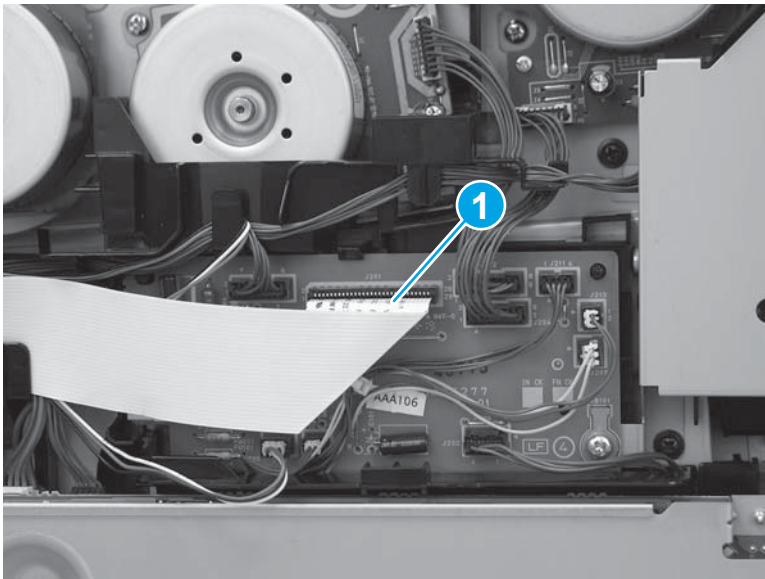
Figure 1-1584 Remove the engine controller PCA



#### Step 11: Remove the driver PCA

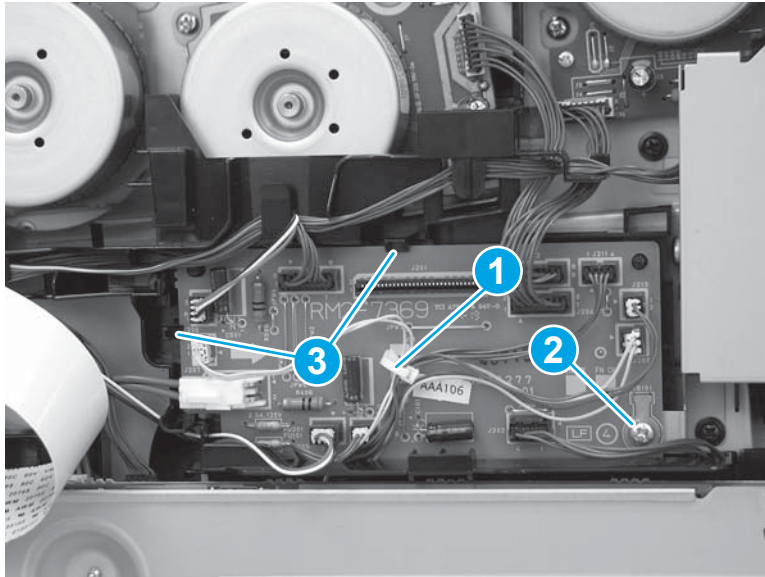
1. Disconnect one connector (callout 1).

Figure 1-1585 Disconnect one connector



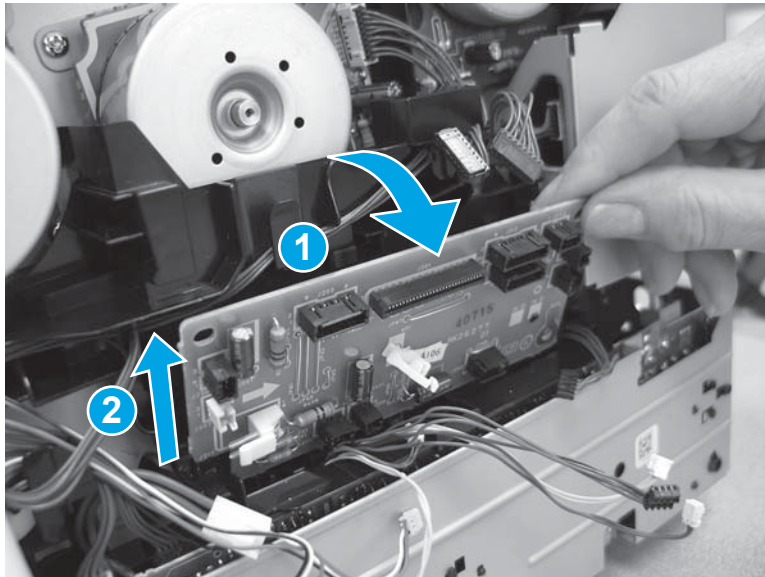
2. Release one retainer (callout 1), disconnect all of the connectors on the driver PCA, remove one screw (callout 2), and then release two tabs (callout 3).

Figure 1-1586 Disconnect all connectors and remove one screw



3. Rotate the top of the driver PCA away from the printer (callout 1), and then lift up (callout 2) to remove it.

Figure 1-1587 Remove the driver PCA

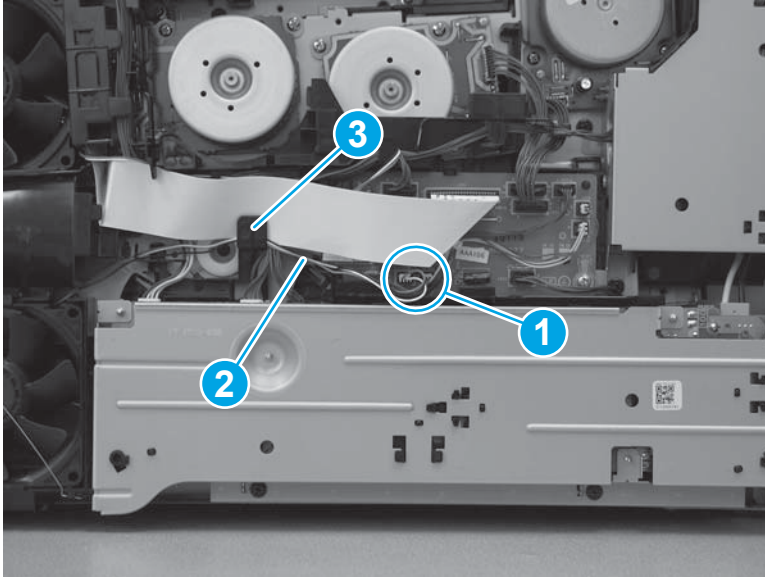


### Step 12: Remove the low-voltage power supply

1. Disconnect one connector (callout 1), and then remove the cable (callout 2) from the wire guide (callout 3).

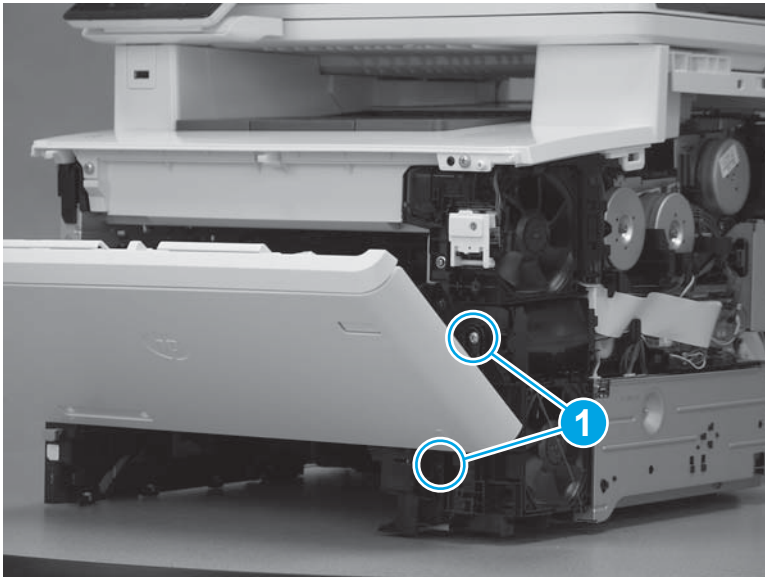


Figure 1-1588 Disconnect one connector and release cables from guides



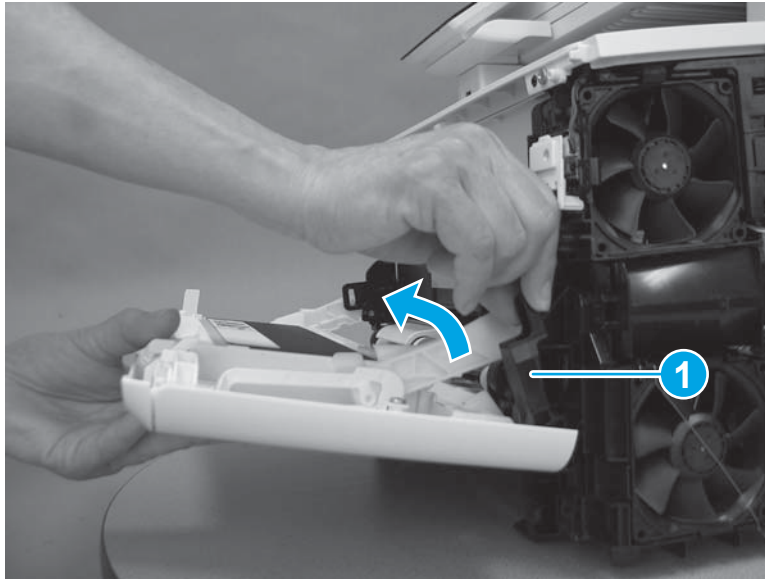
2. Remove two screws (callout 1).

Figure 1-1589 Remove two screws



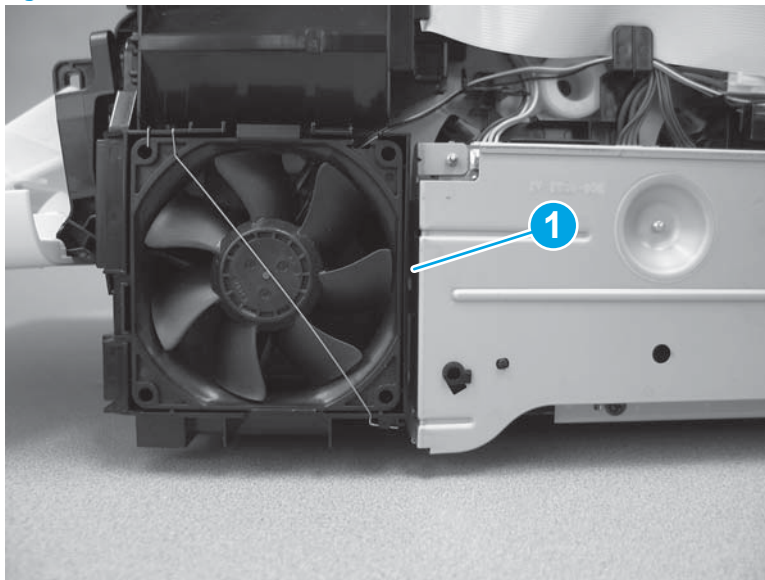
3. Release the hinge arm (callout 1).

Figure 1-1590 Release the hinge arm



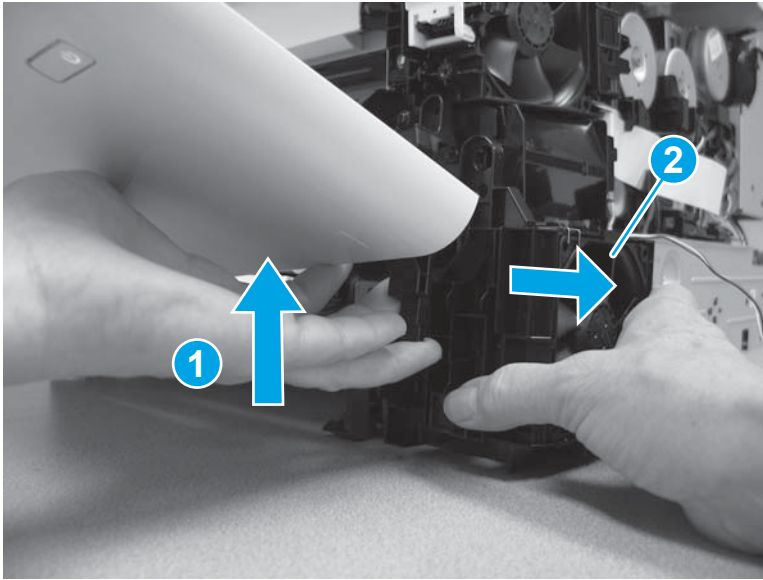
4. Release one tab (callout 1) on the right side of the power supply fan.

Figure 1-1591 Release one tab




- Lift the front door up slightly (callout 1), and then remove the power supply fan and holder (callout 2).

Figure 1-1592 Remove the power supply fan and holder



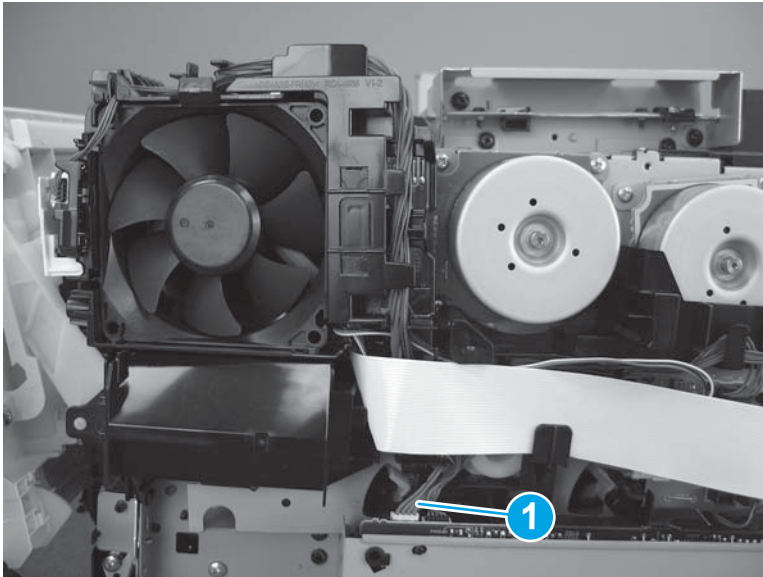
- Before disconnecting the cables in the next step, make note of the position of two cables (callout 1).

---

 **IMPORTANT:** These cables can be inadvertently switched when reinstalling. The connectors on the cables will fit in either connector on the LVPS. Make sure that these cables are installed in the correct connectors. If the cables are switched, the printer will not power on when reassembled.

---

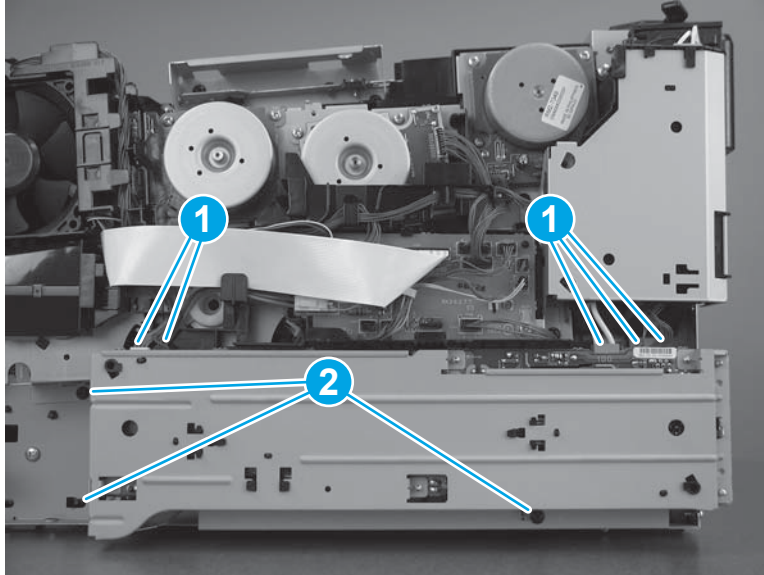
Figure 1-1593 Check the connectors





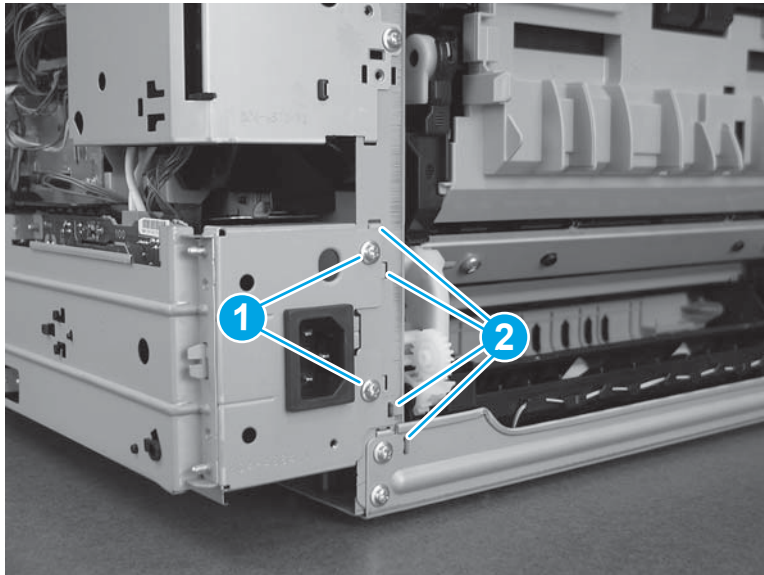
7. Disconnect five connectors (callout 1). Note that one connector (callout 2) has a latch that must be released before disconnecting it. Remove three screws (callout 3).

Figure 1-1594 Disconnect five connectors and remove four screws



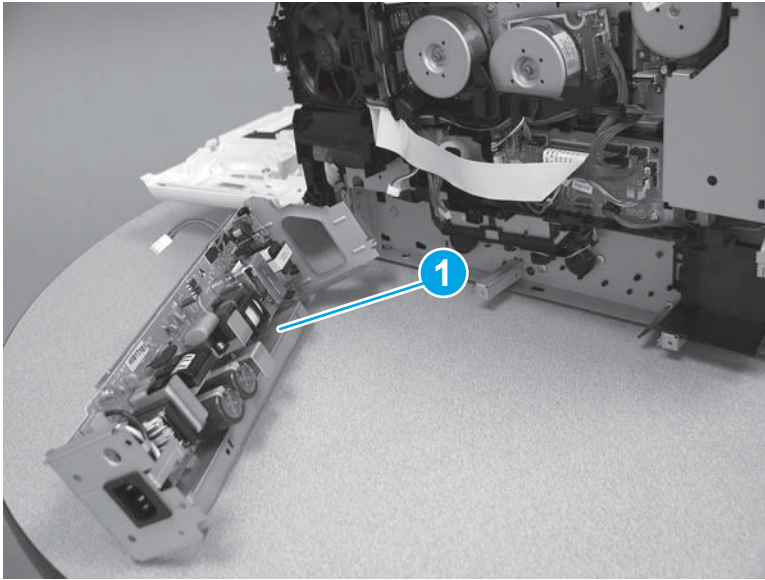
8. Remove two screws from the back (callout 1), and then release four tabs (callout 2).

Figure 1-1595 Remove two screws and release three tabs



9. Remove the LVPS (callout 1).

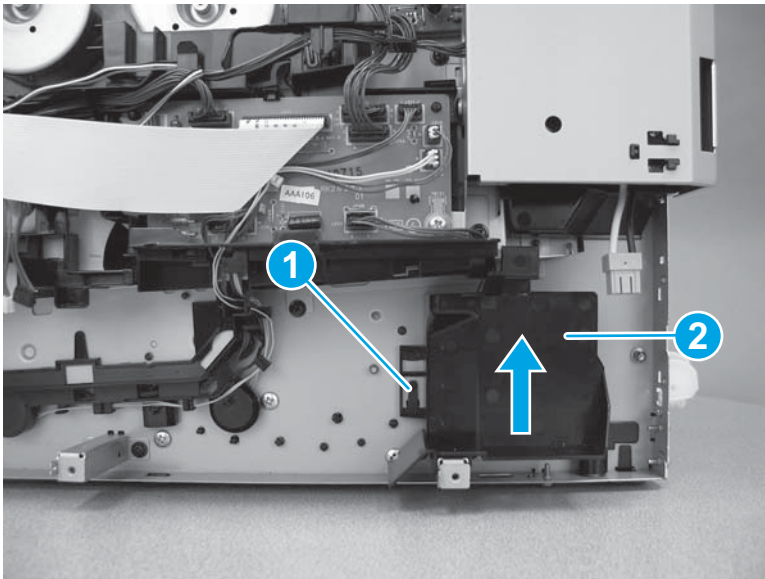
Figure 1-1596 Remove the LVPS



### Step 13: Remove the pickup motor

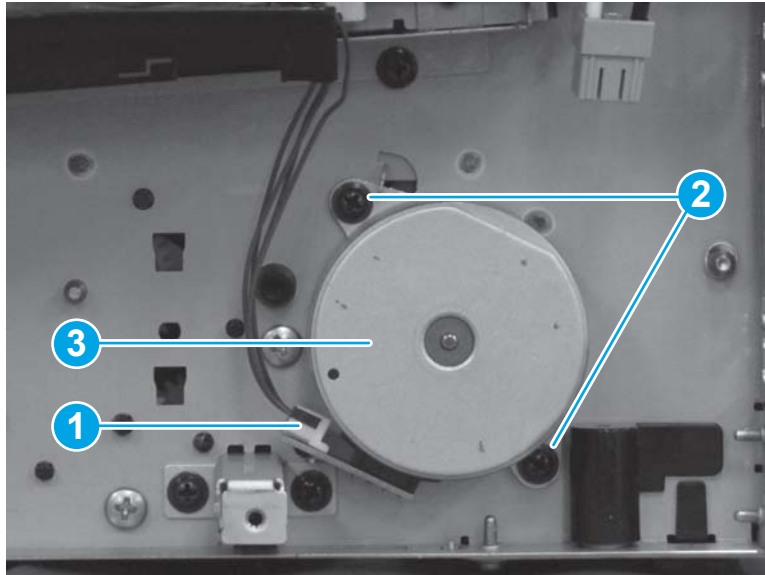
1. Release one tab (callout 1), and then slide the fan duct (callout 2) up to remove it.

Figure 1-1597 Remove the fan duct



2. Disconnect one connector (callout 1), remove two screws (callout 2), and then remove the pickup motor (callout 3).

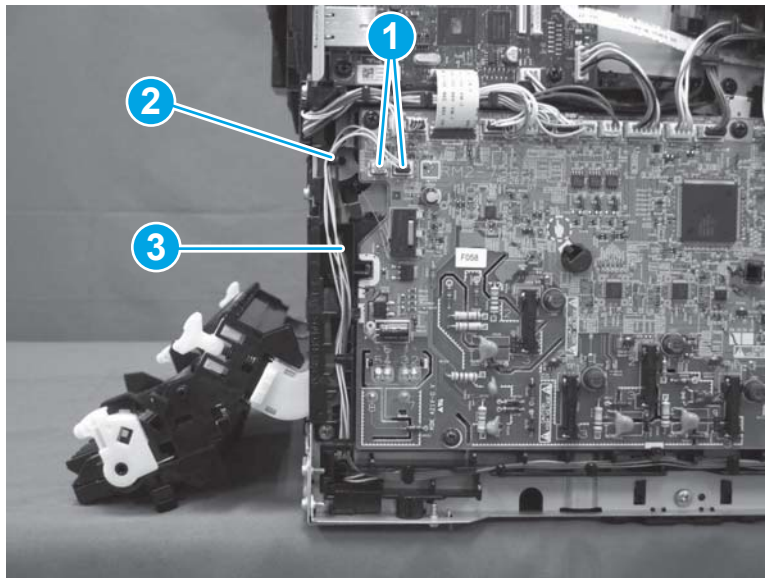
Figure 1-1598 Remove the pickup motor



#### Step 14: Remove the re-pickup assembly (duplex models)

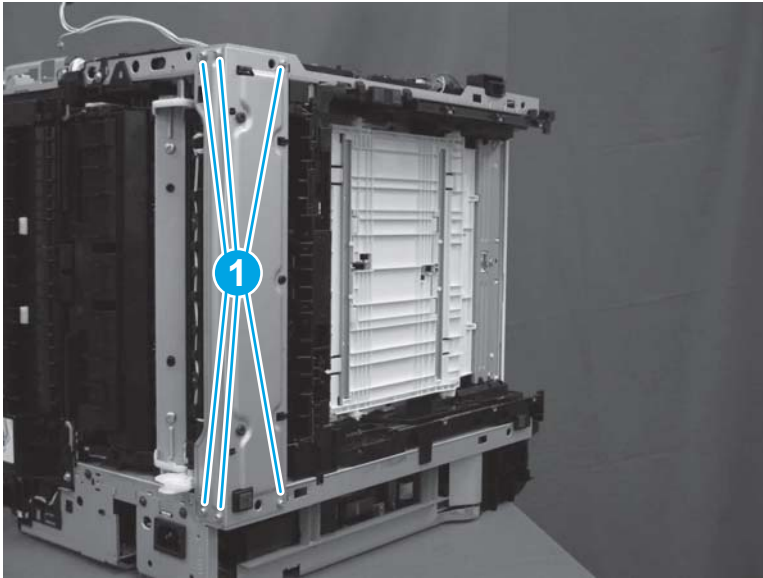
1. On the left side of the printer, disconnect two connectors (callout 1), and then remove the cables (callout 2) from the guides (callout 3).

Figure 1-1599 Disconnect two connectors and remove cables from guides



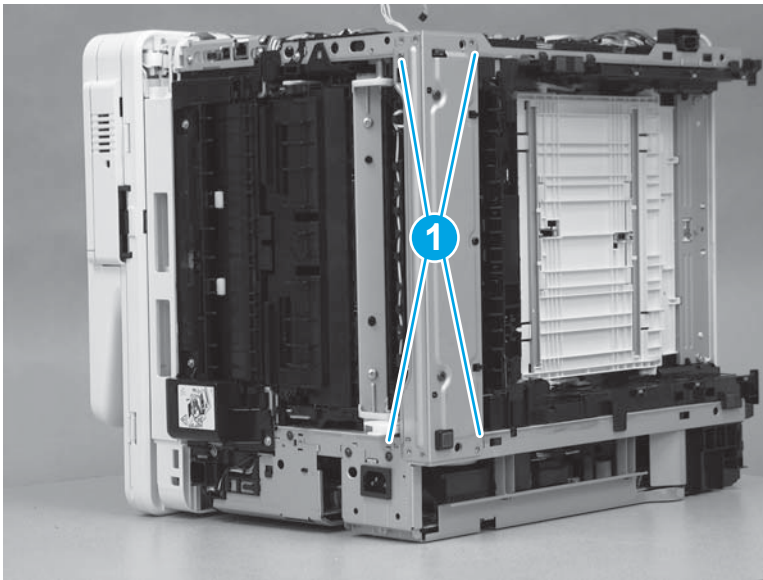
2. Lay the printer on the right side so that the left side is facing up. Remove six screws (callout 1).

Figure 1-1600 Remove six screws



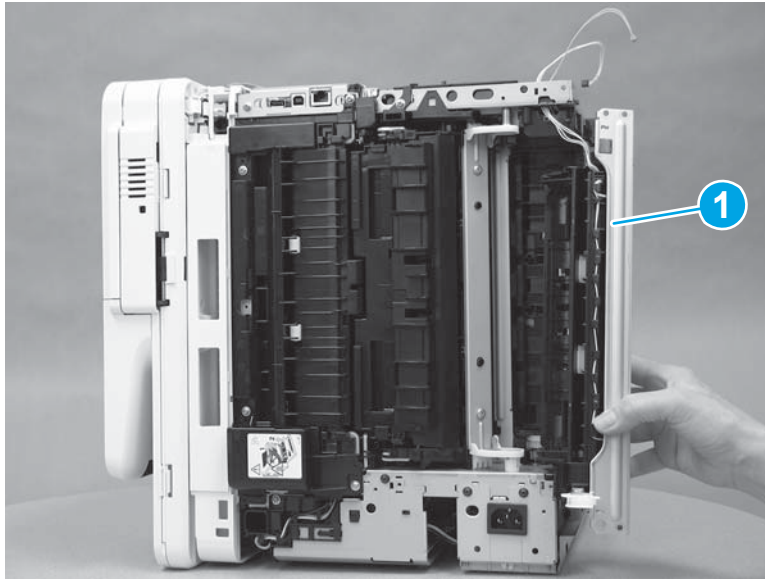
3. Release four tabs (callout 1).

Figure 1-1601 Release four tabs



4. Remove the re-pickup assembly (callout 1).

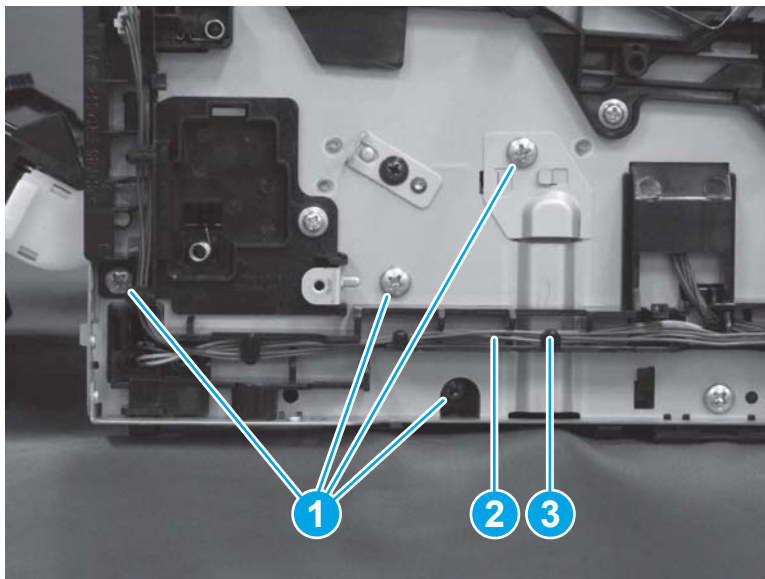
Figure 1-1602 Remove the re-pickup assembly



#### Step 15: Remove the lifter drive assembly

1. Remove four screws (callout 1), and then release the cables (callout 2) from the guides (callout 3).

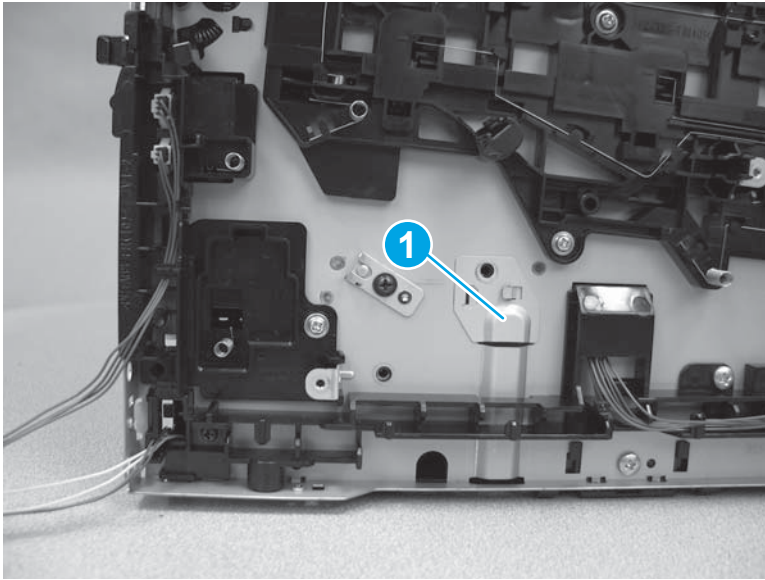
Figure 1-1603 Remove four screws and release cables





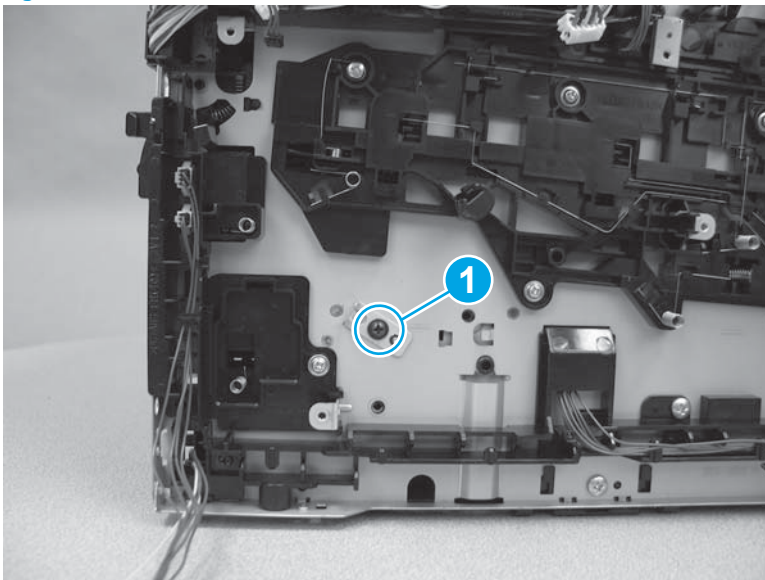
2. Remove one cover (callout 1).

Figure 1-1604 Remove one cover



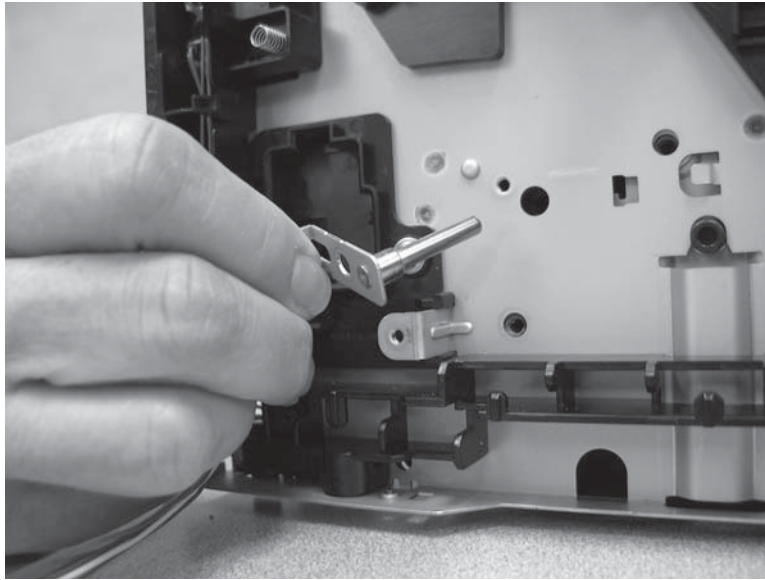
3. Remove one screw (callout 1).

Figure 1-1605 Remove one screw



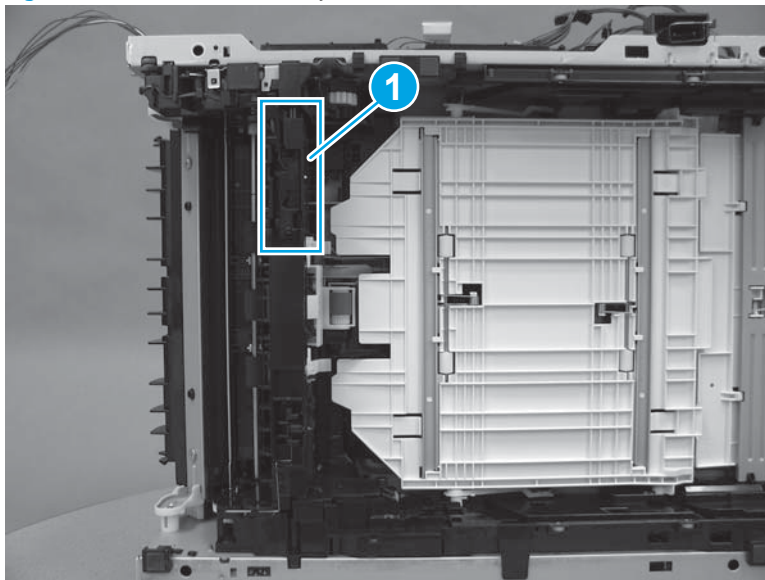
4. Remove the shaft.

Figure 1-1606 Remove the shaft



5. Lay the printer on the right side so that the left side is facing up. Locate the tray sensor switch (callout 1).

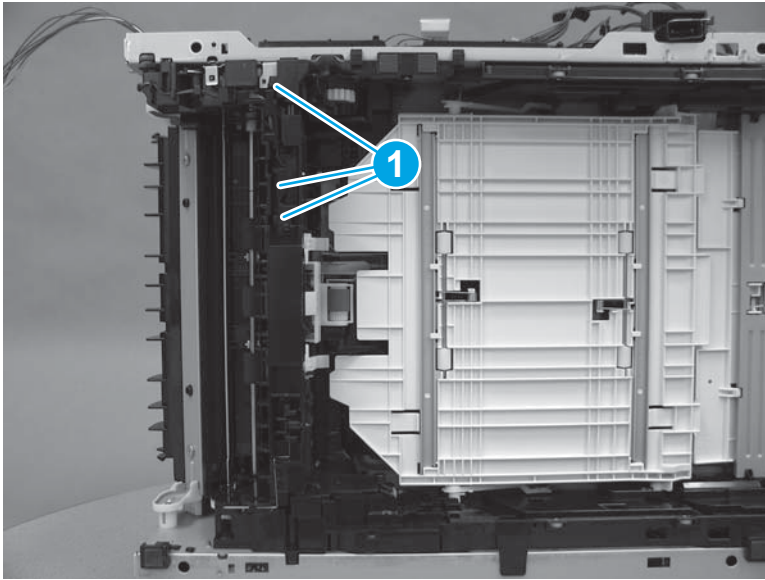
Figure 1-1607 Locate the tray sensor switch





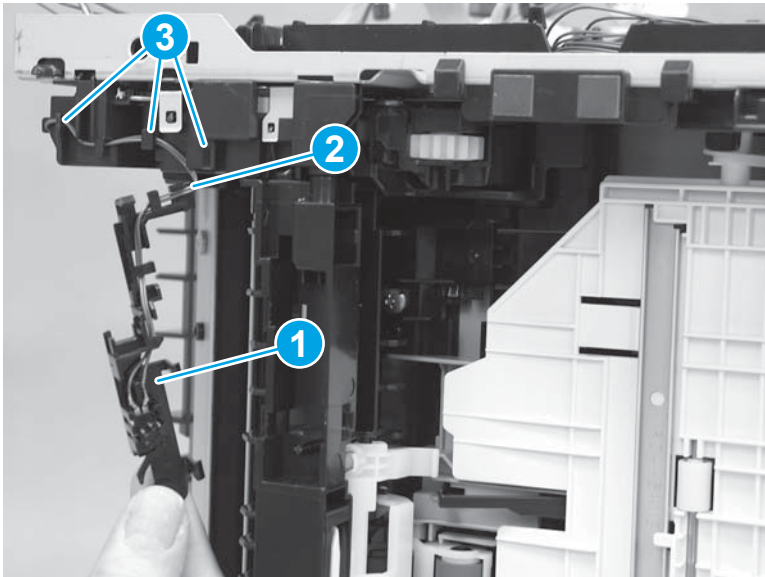
6. Release three tabs (callout 1).

Figure 1-1608 Release three tabs



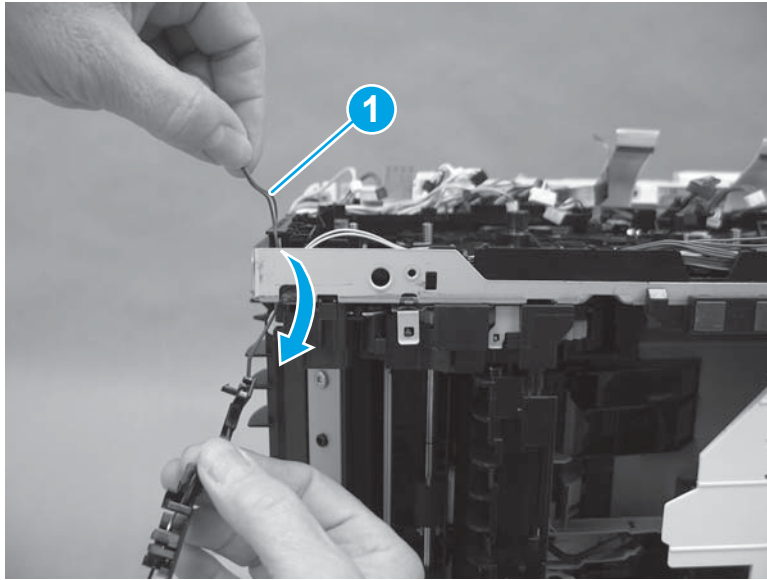
7. Release the tray sensor switch (callout 1), and then remove the cables (callout 2) from the guides (callout 3).

Figure 1-1609 Release the tray sensor switch



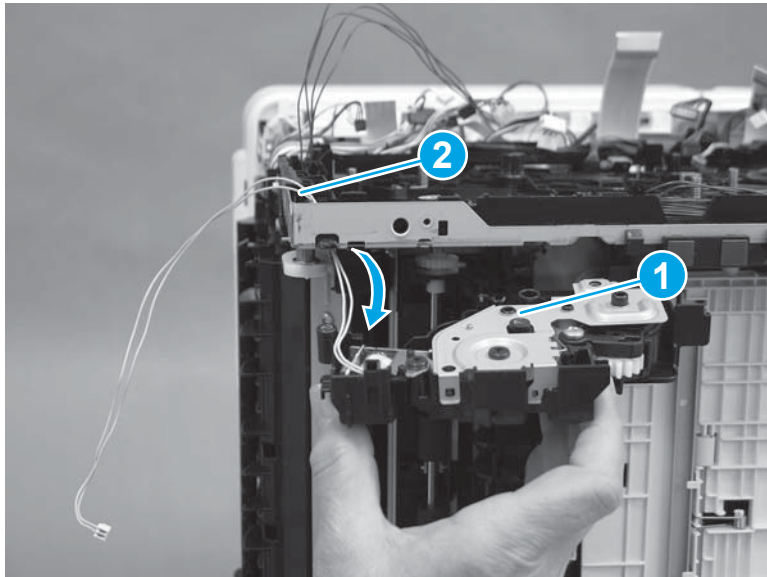
8. Remove the tray sensor switch by releasing the cables (callout 1) through the printer frame.

Figure 1-1610 Remove the tray sensor switch



9. Remove the lifter drive assembly (callout 1), and then release the cables (callout 2) through the printer frame.

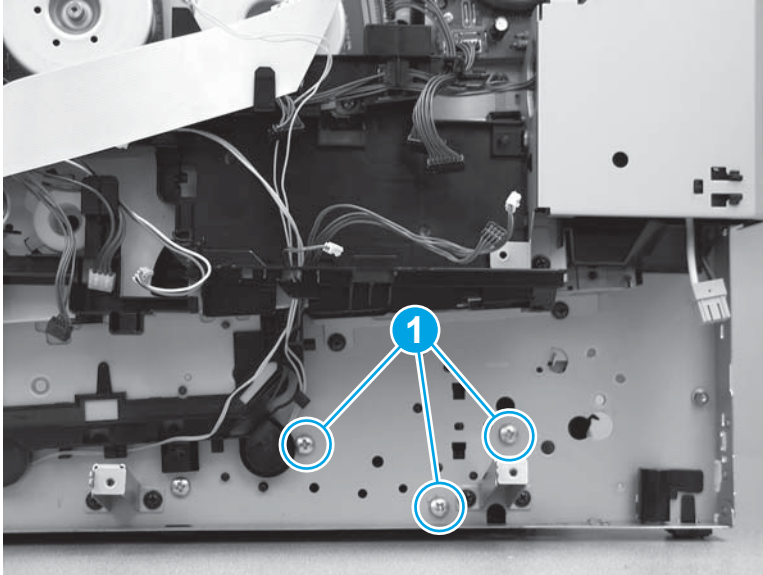
Figure 1-1611 Remove the lifter drive assembly



#### Step 16: Remove the pickup assembly

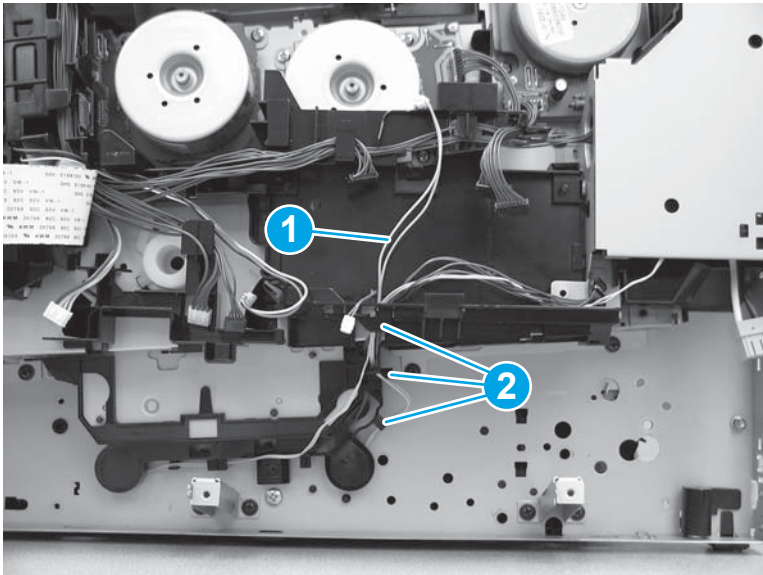
1. Remove three screws (callout 1).

Figure 1-1612 Remove three screws



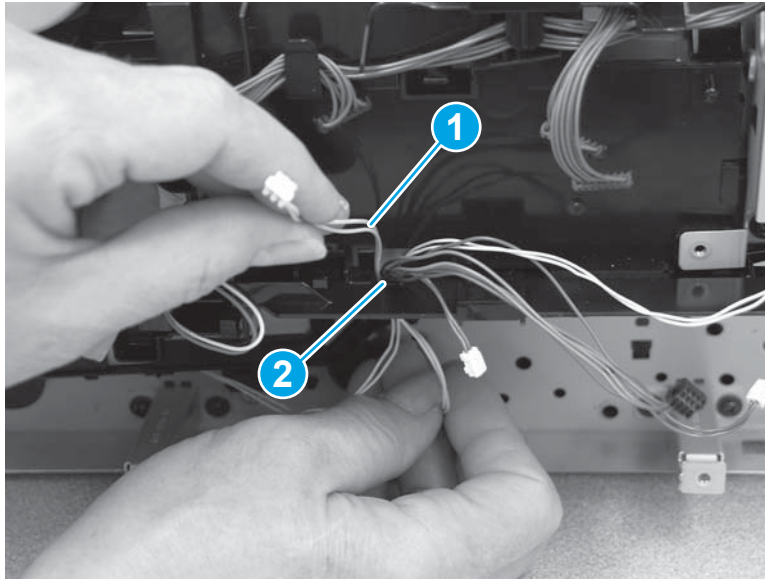
2. Release the cables (callout 1) from the cable guides (callout 2).

Figure 1-1613 Release the cables from the cable guides



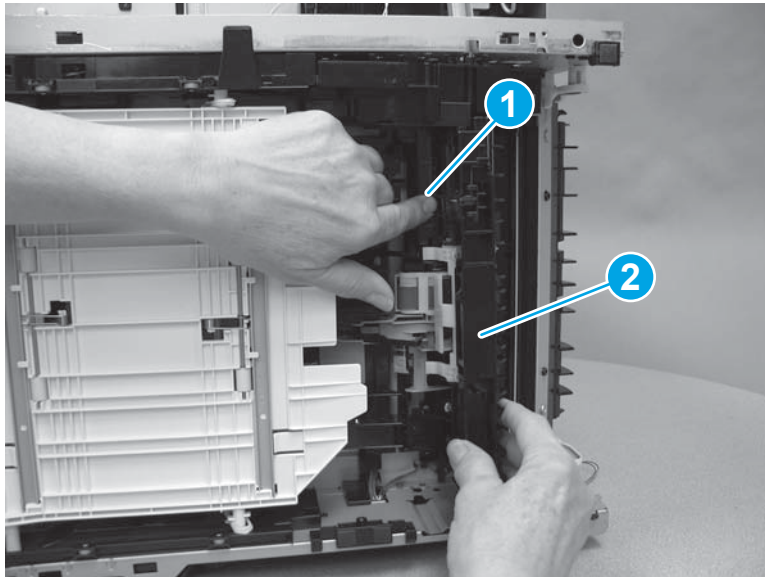
3. Thread the cables (callout 1) through the opening in the driver PCA holder (callout 2).

Figure 1-1614 Release the cables



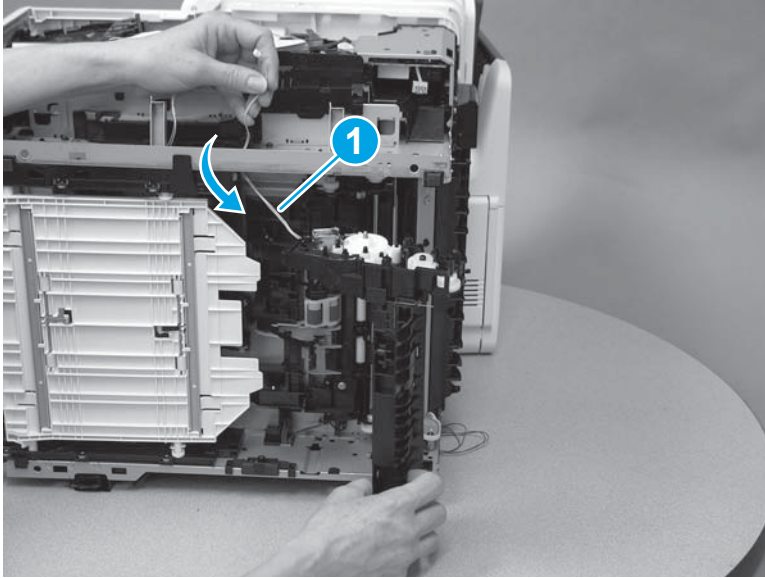
4. Lay the printer on the right side so that the left side is facing up. Press the pickup and feed roller holder (callout 1) toward the printer, and then remove the pickup assembly (callout 2).

Figure 1-1615 Remove the pickup assembly



5. Release the cables (callout 1) through the printer frame.

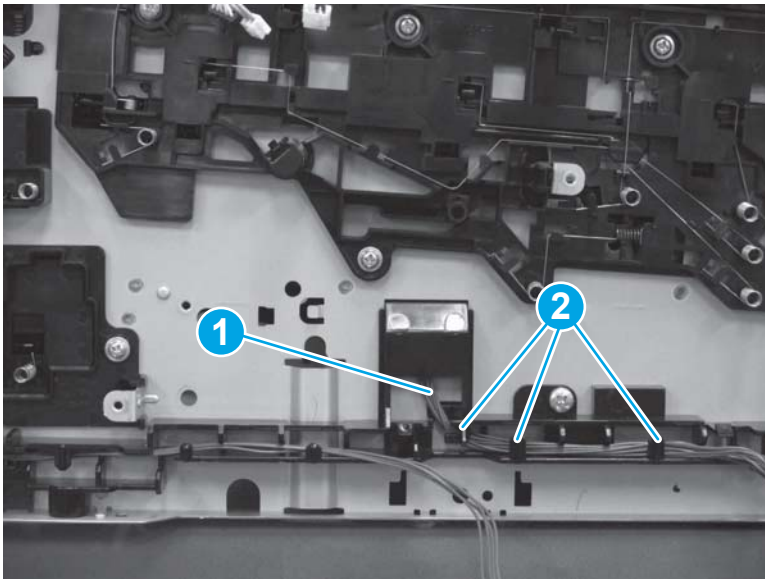
Figure 1-1616 Release the cables



#### Step 17: Remove the front feed guide assembly

1. Release the cables (callout 1) from the cable guide (callout 2).

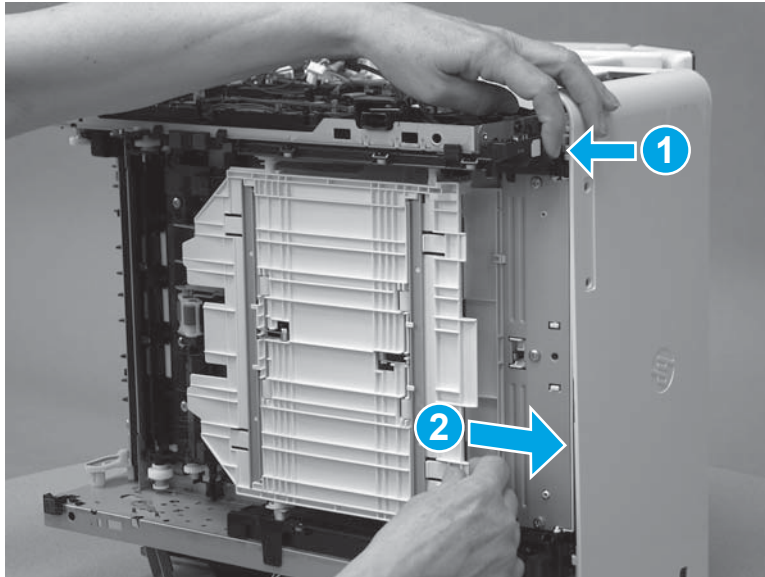
Figure 1-1617 Release the cables





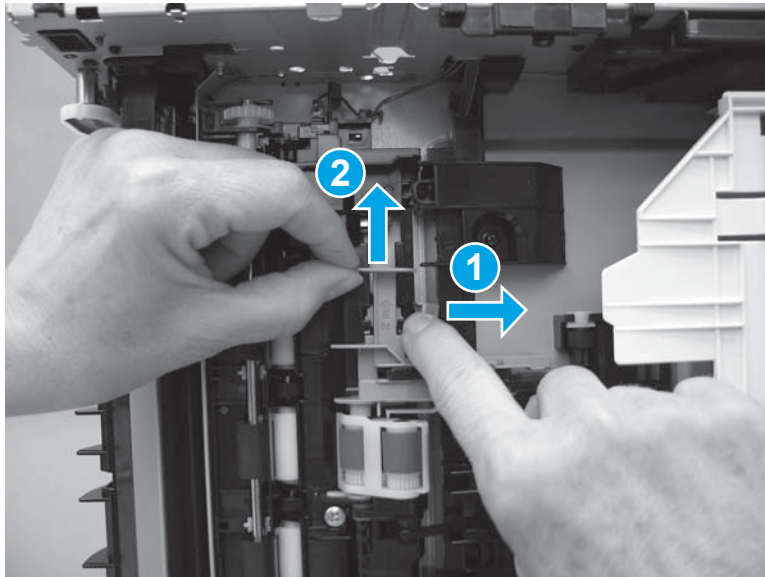
2. Lay the printer on the right side so that the left side is facing up. Press the tray 1 feed guide release button (callout 1), and then release the tray 1 feed guide toward the front of the printer (callout 2).

**Figure 1-1618** Release the tray 1 feed guide



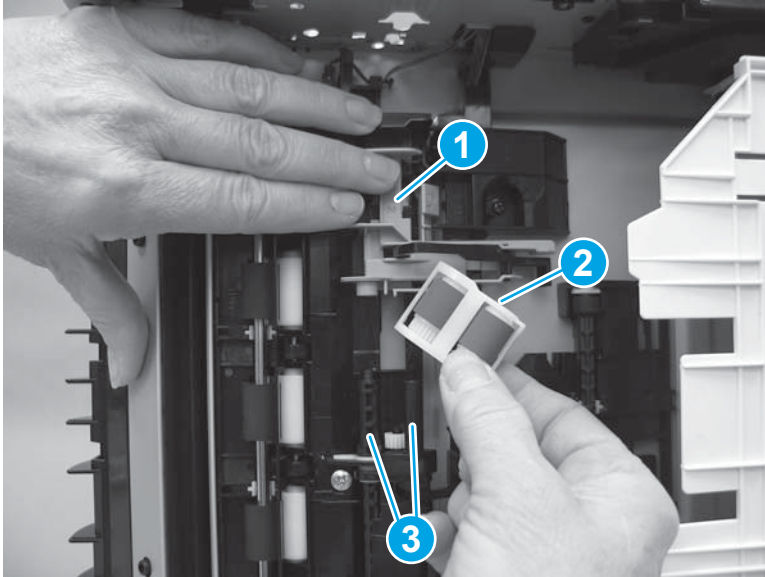
3. Press the lever (callout 1) on the roller holder, and then slide the roller holder up (callout 2).

**Figure 1-1619** Slide the roller holder



4. Hold the roller holder up (callout 1), and then lift the pickup and feed roller case (callout 2) up off of the shafts (callout 3).

Figure 1-1620 Remove the pickup and feed rollers



5. Remove three screws (callout 1) on the rear feed guide assembly, and then remove three screws (callout 2) on the front feed guide assembly.


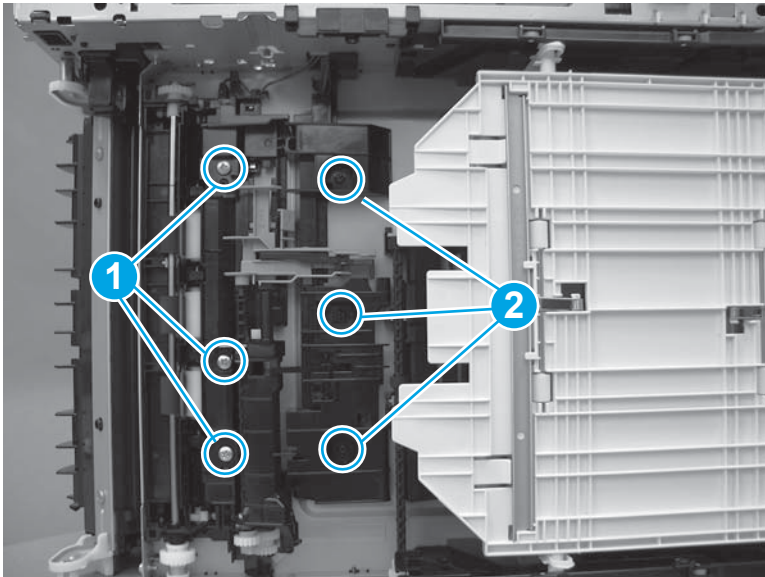
 **Reinstallation tip:** The three screws (callout 1) on the rear feed guide assembly are larger than the screws on the front feed guide assembly.

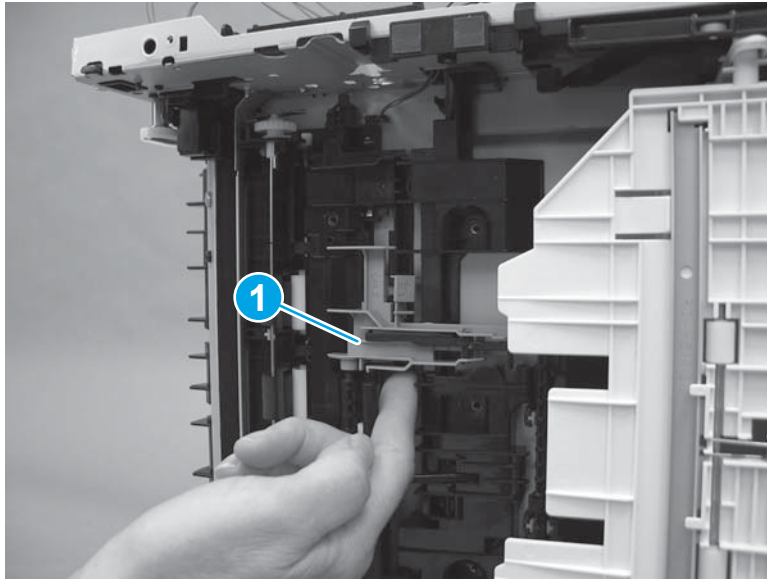
Figure 1-1621 Remove six screws





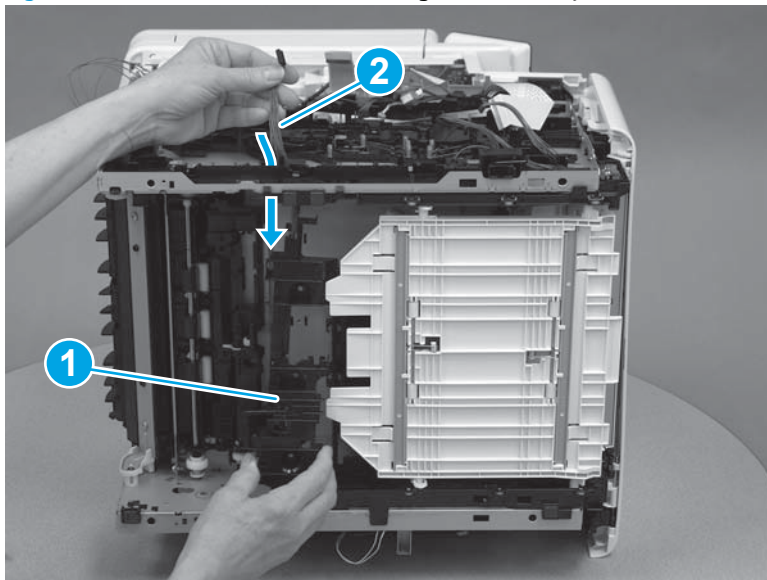
6. Remove the roller holder (callout 1).

Figure 1-1622 Remove the roller holder



7. Remove the front feed guide assembly (callout 1). Release the cables (callout 2) through the printer frame.

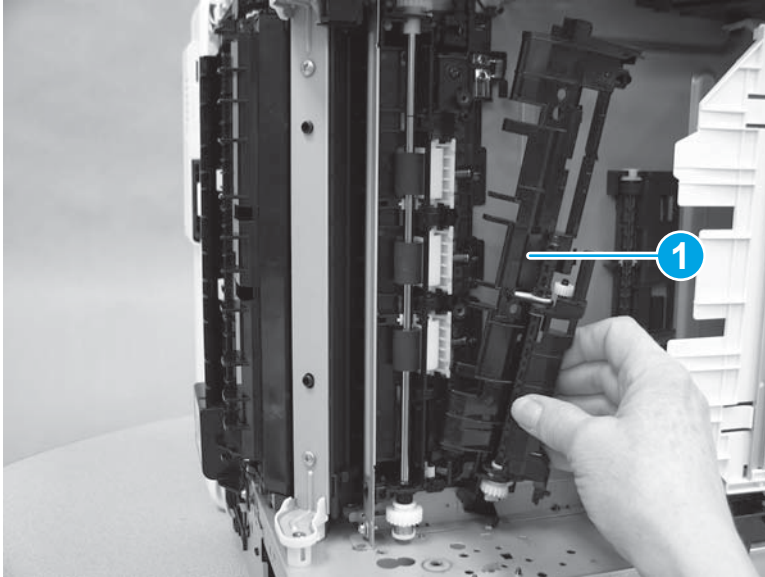
Figure 1-1623 Remove the front feed guide assembly



### Step 18: Remove the rear feed guide assembly

- ▲ Remove the rear feed guide assembly (callout 1).

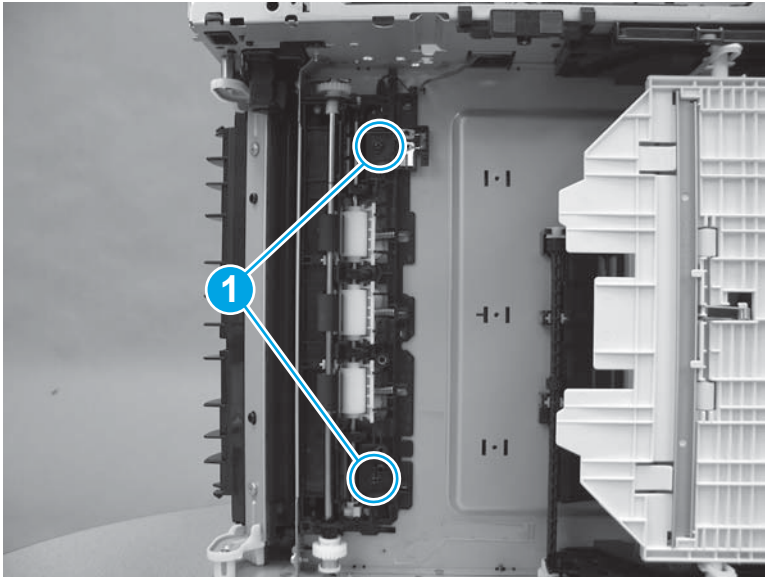
Figure 1-1624 Remove the rear feed guide assembly



Step 19: Remove the registration assembly

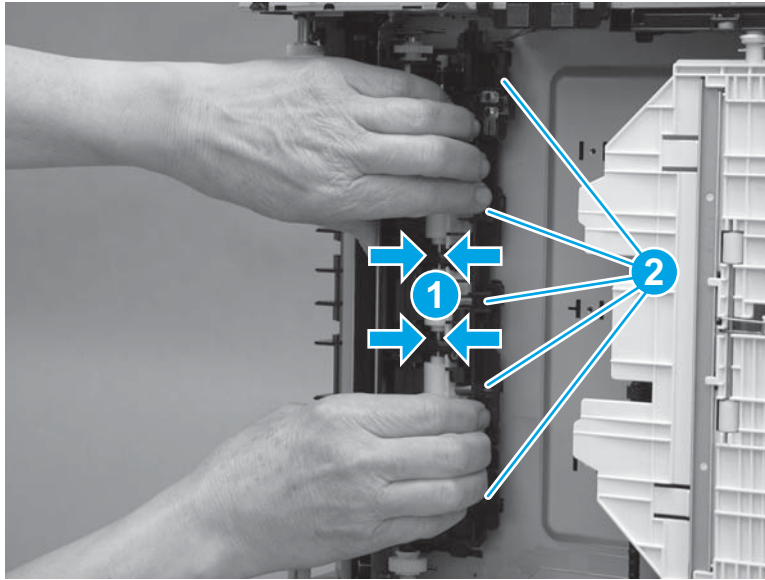
1. Remove two screws (callout 1).

Figure 1-1625 Remove two screws



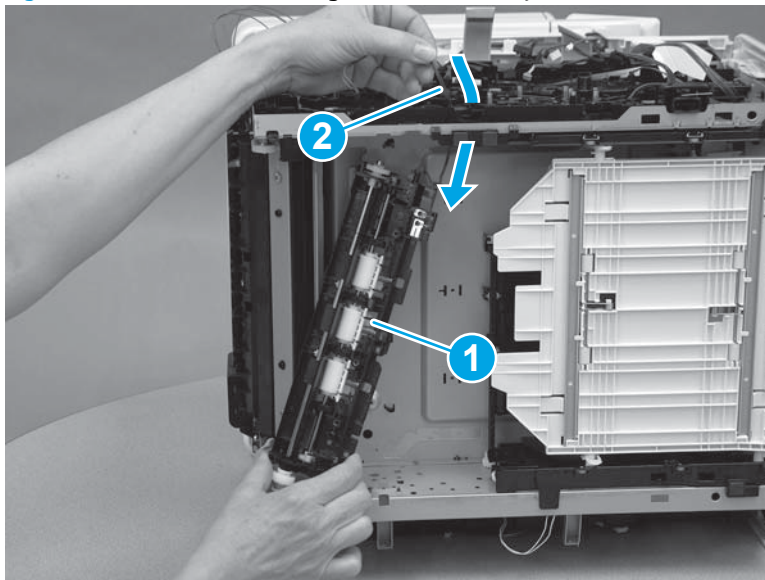
2. Squeeze the registration assembly (callout 1) to release five tabs (callout 2).

Figure 1-1626 Release five tabs



3. Remove the registration assembly (callout 1). Release the cables (callout 2) through the printer frame.

Figure 1-1627 Remove the registration assembly



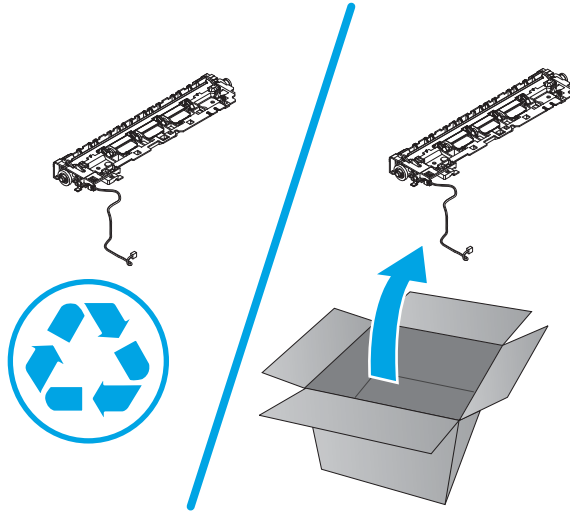
### Step 20: Unpack the replacement part

Remove the new part from its package. Save all packaging for recycling the used part.

For complete information on HP's recycling programs, go to [Product return and recycling](#).

 **NOTE:** HP recommends responsible disposal of the defective part.

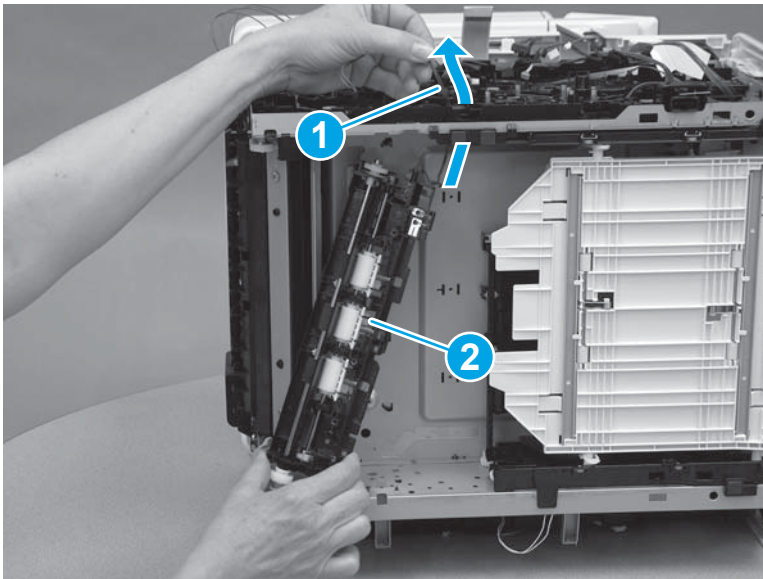
Figure 1-1628 Recycle and unpack



### Step 21: Install the registration assembly


1. Thread the cables (callout 1) on the registration assembly up through the printer frame, and then move the registration assembly (callout 2) into position.

Figure 1-1629 Position the registration assembly



2. To install an assembly, reverse the removal steps.

---

 **NOTE:** When applicable, special installation instructions are provided for an assembly at the end of the removal procedure. Always completely read the removal instructions and follow all special installation instructions.

---

## Removal and replacement: Memory PCA

- [Introduction](#)
- [Step 1: Remove Tray 2](#)
- [Step 2: Open the front door and rear door or duplexer door](#)
- [Step 3: Remove the right cover \(M454 models\)](#)
- [Step 4: Remove the right cover \(M479 models\)](#)
- [Step 5: Remove the left cover \(M454 models\)](#)
- [Step 6: Remove the left cover \(M479 models\)](#)
- [Step 7: Remove the rear top cover \(simplex models\)](#)
- [Step 8: Remove the integrated scanner assembly \(M479 models\)](#)
- [Step 9: Remove the fax PCA \(M479 models\)](#)
- [Step 10: Remove the top cover \(M479 models\)](#)
- [Step 11: Remove the top cover \(M454 models\)](#)
- [Step 12: Remove the memory PCA](#)
- [Step 13: Unpack the replacement part](#)
- [Step 14: Install the memory PCA](#)

### Introduction


This document provides the procedures to remove and replace the memory PCA.

[Click here to view a video of this procedure.](#)

### Before you begin

- Turn off the printer.
- Disconnect the power cable.

---

 **WARNING!** To avoid damage to the printer, turn the printer off, wait 30 seconds, and then remove the power cord before attempting to service the printer.

---

- Use the table below to identify the correct part number for your printer. To order the part, go to [www.hp.com/buy/parts](http://www.hp.com/buy/parts).

---

Memory PCA part number
------------------------

---

RM3-7245-000CN
----------------

---

Memory PCA
------------

---

### Required tools

- #2 Phillips screwdriver with a magnetic tip
- Small flat-blade screwdriver

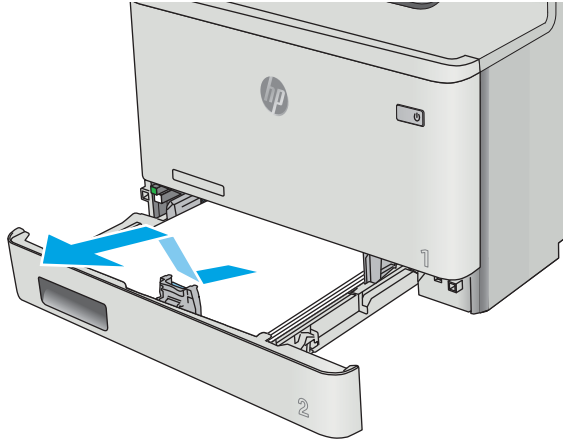
### After performing service

- Connect the power cable.
- Use the power switch to turn the power on.

### Step 1: Remove Tray 2

- ▲ Pull the tray out until it stops. Lift the front of the tray, and then pull it out of the printer to remove it.

Figure 1-1630 Remove the tray



### Step 2: Open the front door and rear door or duplexer door

1. Press the button (callout 1) on the left side of the printer to release the front door.

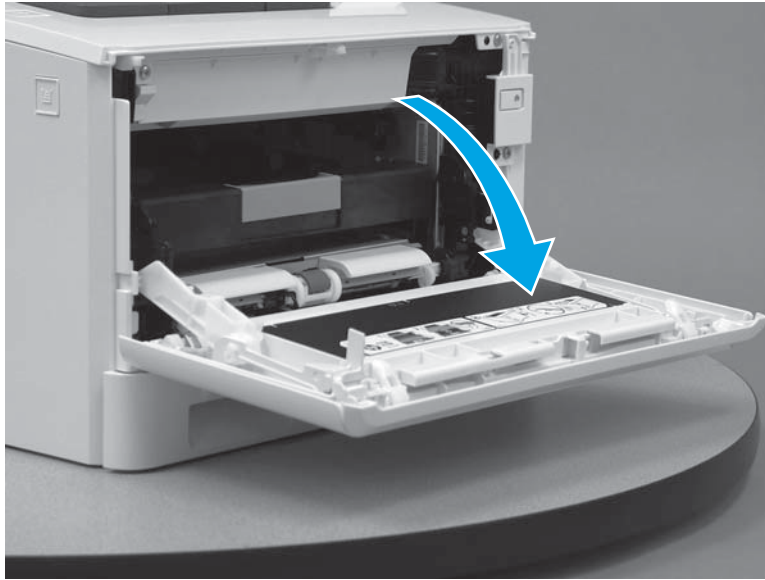
Figure 1-1631 Release the front door





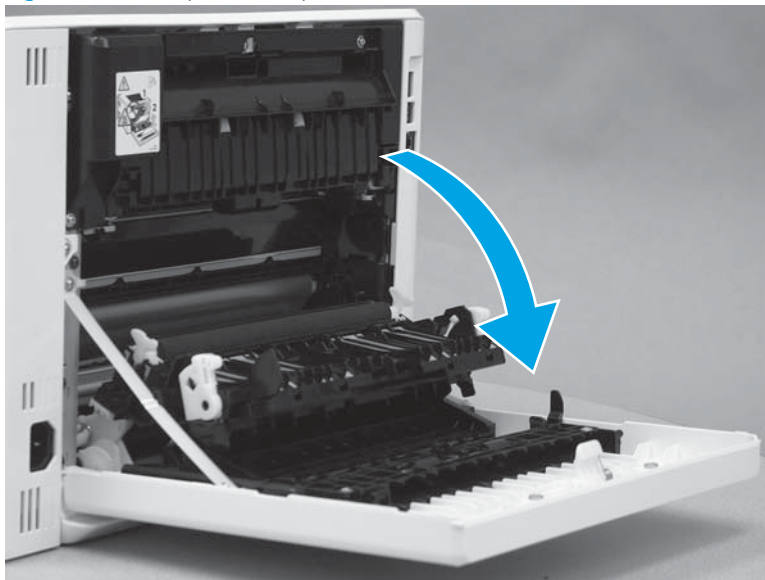
2. Open the front door.

Figure 1-1632 Open the front door



3. Duplex models: Open the duplexer door.

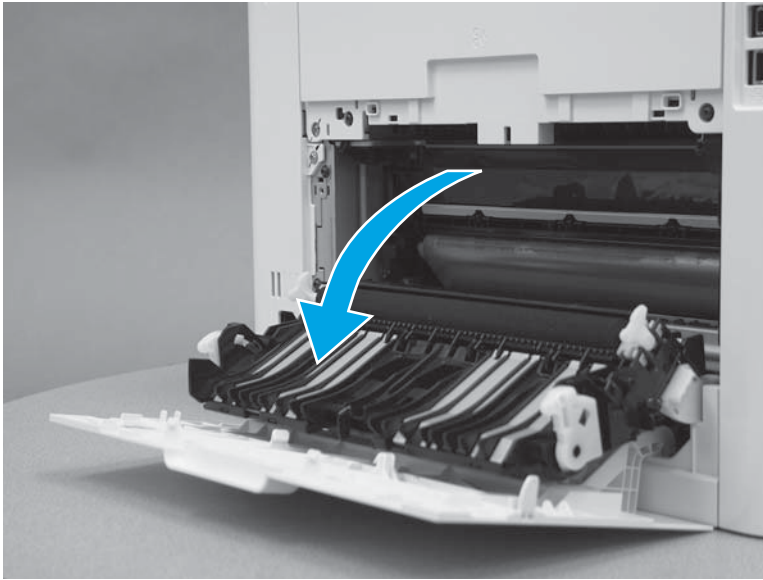
Figure 1-1633 Open the duplexer door






4. **Simplex models:** Open the rear door.

Figure 1-1634 Open the rear door



### Step 3: Remove the right cover (M454 models)

 **NOTE:** This step is for the M454 models. For the M479 models, skip this step and go to [Step 4: Remove the right cover \(M479 models\) on page 906](#).

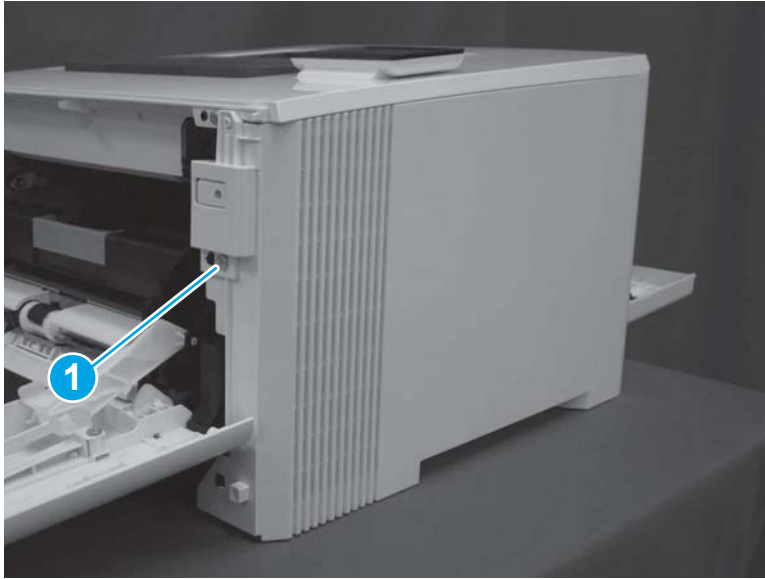
1. At the back of the printer, remove one screw (callout 1).

Figure 1-1635 Remove one screw



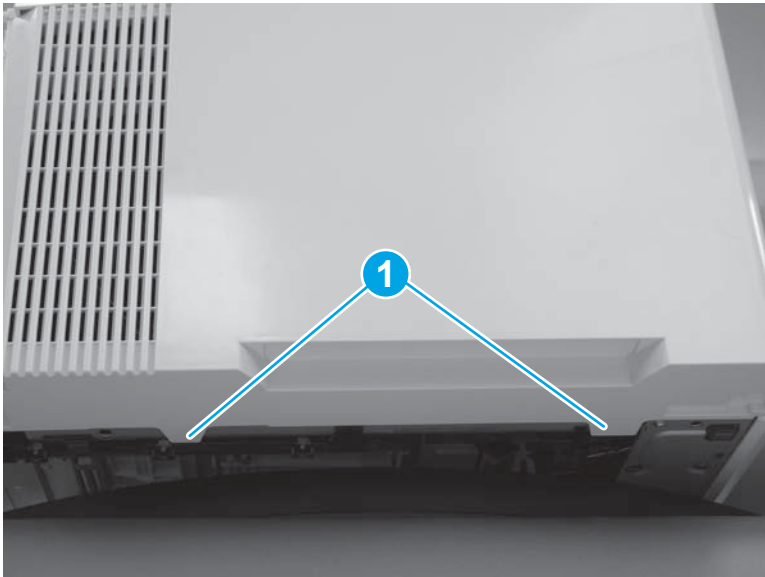
2. At the front of the printer, remove one screw (callout 1).

Figure 1-1636 Remove one screw



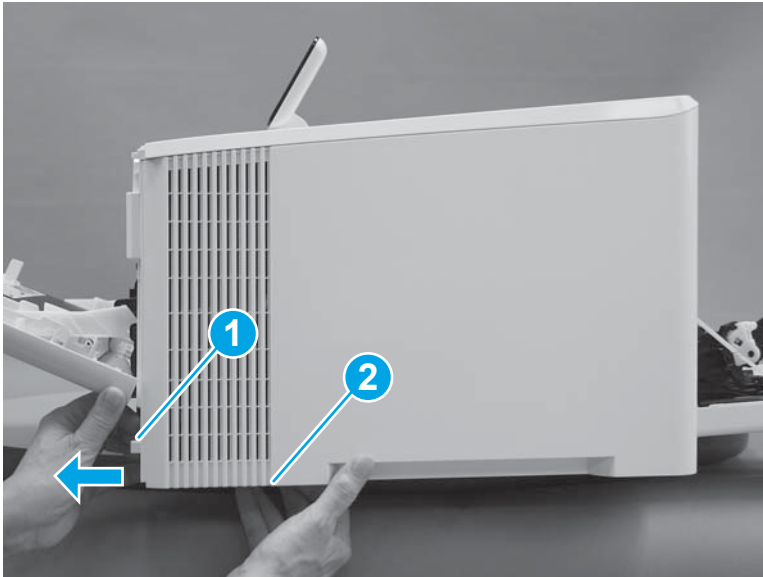
3. Slide the printer to the edge of a work surface. Note the location of the tabs on the lower edge of the cover (callout 1).

Figure 1-1637 Locate the tabs



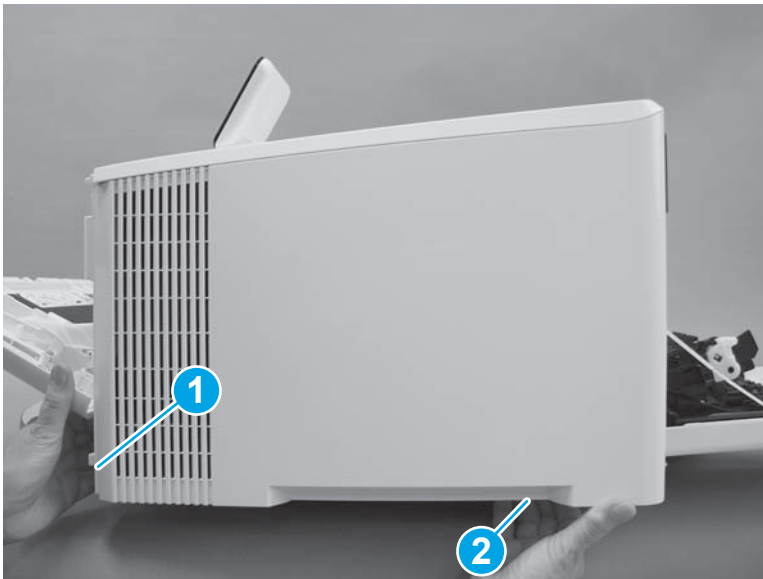
4. Release one tab (callout 1) on the front of the cover by slightly pulling the cover away from the printer. While holding the cover in the released position, release one tab (callout 2) on the bottom of the cover.

Figure 1-1638 Release front lower tabs



5. Hold the front tabs in the released position (callout 1), and then release one tab (callout 2) on the bottom of the cover, toward the back of the printer.

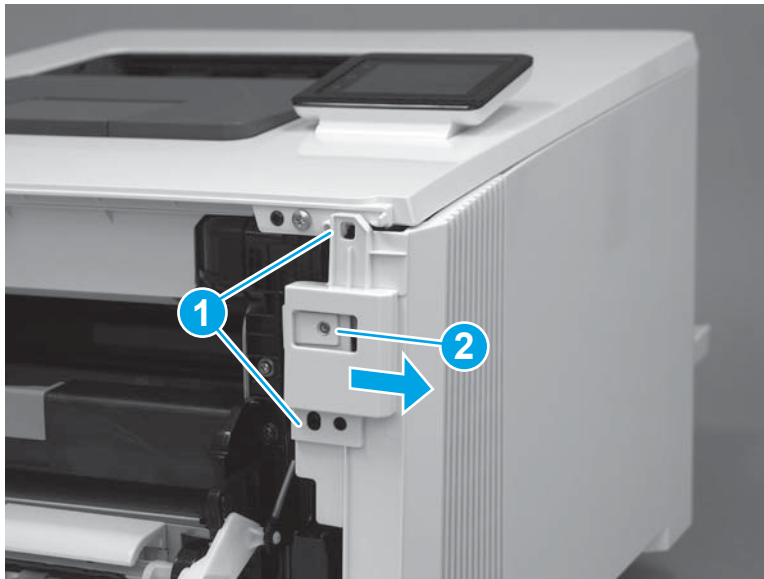
Figure 1-1639 Release lower rear tab



6. Release two tabs at the front of the printer (callout 1) by slightly pulling the cover away from the printer.

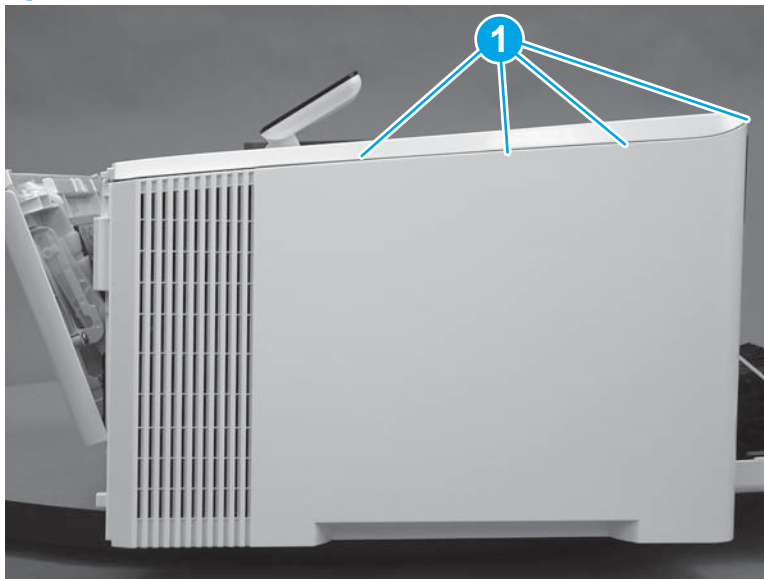
**⚠ CAUTION:** Be careful not to dislodge the power switch (callout 2).

Figure 1-1640 Release two front tabs



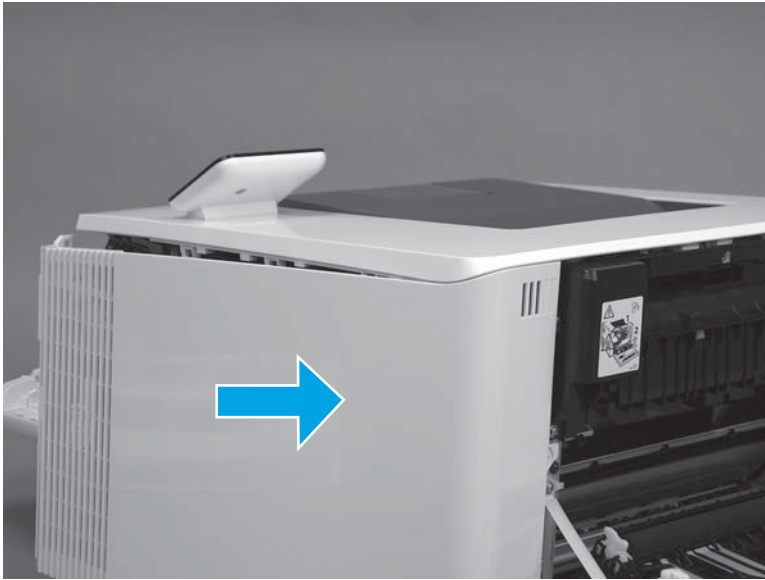
7. Release four tabs on the top of the printer (callout 1).

Figure 1-1641 Release upper tabs




8. Slide the cover toward the back of the printer to remove it.

**Figure 1-1642** Remove the right cover



#### Step 4: Remove the right cover (M479 models)

 **NOTE:** This step is for the M479 models. For the M454 models, skip this step and go to [Step 5: Remove the left cover \(M454 models\) on page 912](#).

1. Raise the scanner.

**Figure 1-1643** Raise the scanner



2. At the back of the printer, remove one screw (callout 1).

Figure 1-1644 Remove one screw



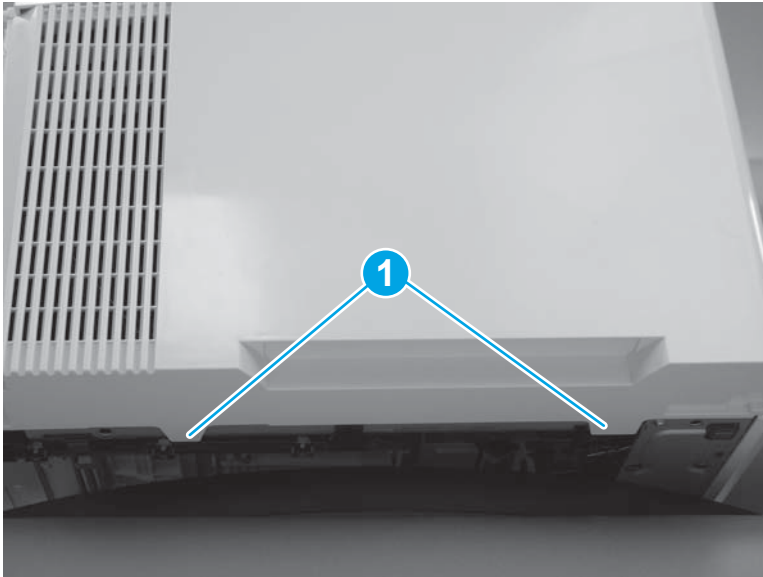
3. At the front of the printer, remove one screw (callout 1).

Figure 1-1645 Remove one screw



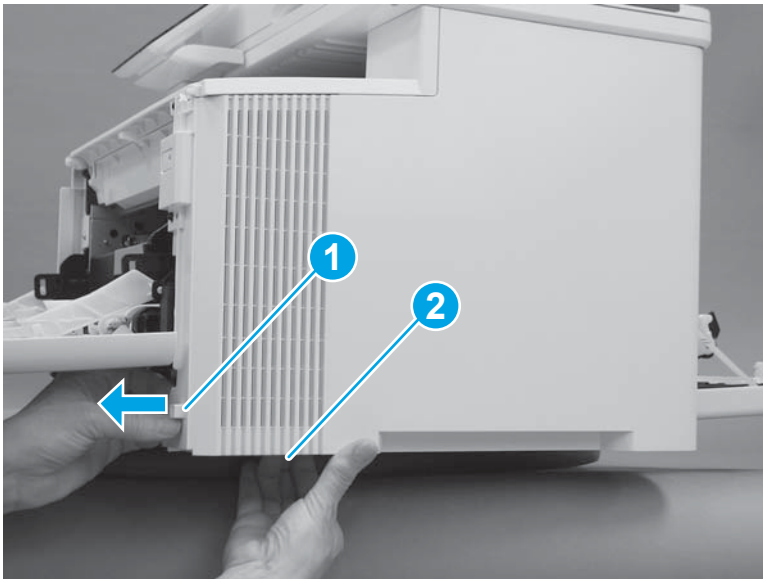
- Slide the printer to the edge of a work surface. Note the location of the tabs on the lower edge of the cover (callout 1).

Figure 1-1646 Locate the tabs



- Release one tab (callout 1) on the front of the cover by slightly pulling the cover away from the printer. While holding the cover in the released position, release one tab (callout 2) on the lower edge of the cover.

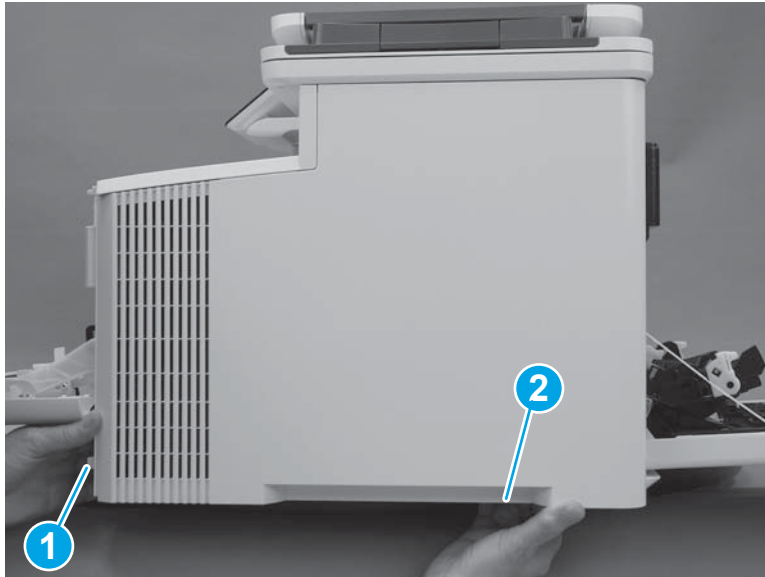
Figure 1-1647 Release front lower tabs





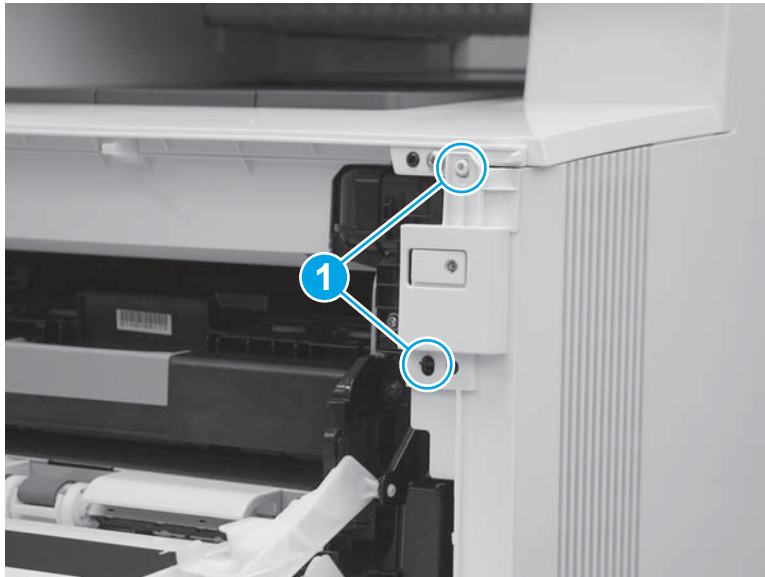
6. Hold the front tabs in the released position (callout 1), and then release one tab (callout 2) on the lower edge of the cover, toward the back of the printer.

Figure 1-1648 Release lower rear tab



7. Release two tabs at the front of the printer (callout 1) by slightly pulling the cover away from the printer.

Figure 1-1649 Release front upper tabs



8. Rotate the front of the cover away from the printer (callout 1).

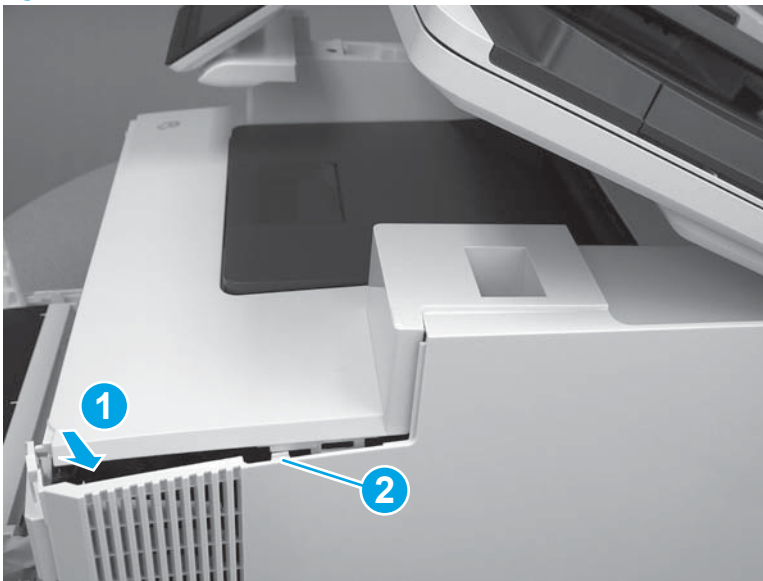
**⚠ CAUTION:** Be careful not to dislodge the power switch (callout 2).

**Figure 1-1650** Rotate the front of the cover



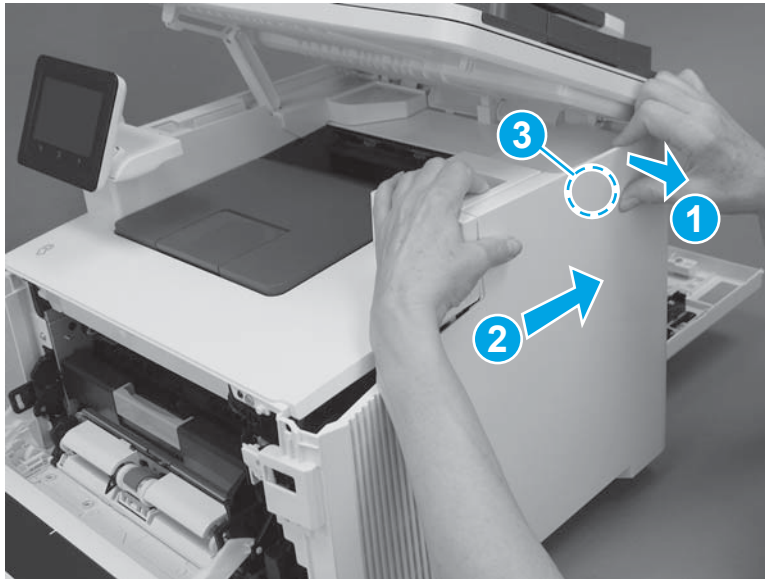
9. Slightly pull the front of the cover away from the printer (callout 1) to release one tab (callout 2).

**Figure 1-1651** Release top tabs



10. At the top of the printer, slightly pull the top of the cover away from the printer to release one retention tab (callout 1) on the inside of the cover. While holding the cover away, slide the cover toward the back of the printer (callout 2) to release one hook (callout 3) on the inside of the cover.

Figure 1-1652 Release one tab and one hook



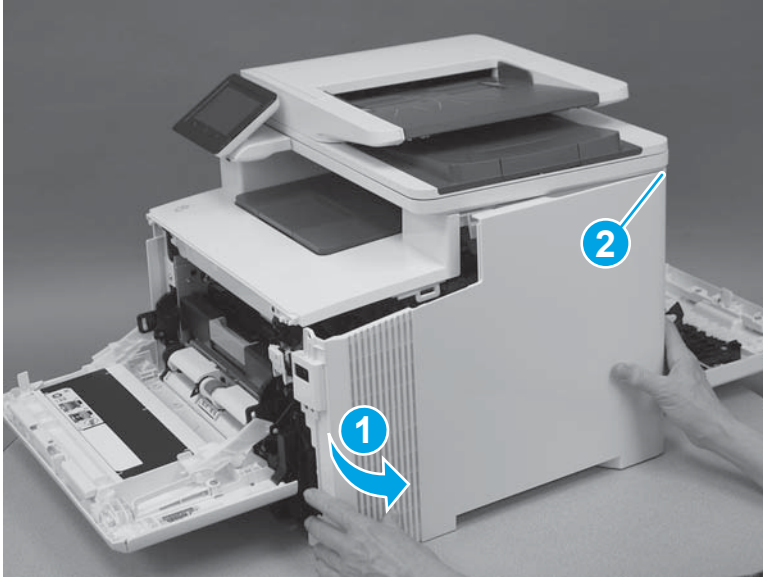
11. Lower the scanner.

Figure 1-1653 Lower the scanner




12. Rotate the cover away from the printer (callout 1) to release one tab (callout 2) at the back of the printer, and then remove the cover.

**Figure 1-1654** Remove the right cover

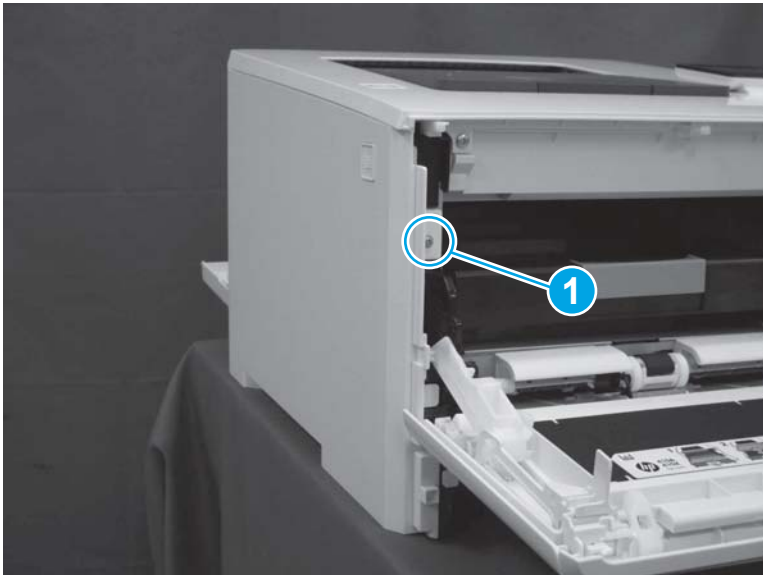


#### Step 5: Remove the left cover (M454 models)

 **NOTE:** This step is for the M454 models. For the M479 models, skip this step and go to [Step 6: Remove the left cover \(M479 models\) on page 914](#).

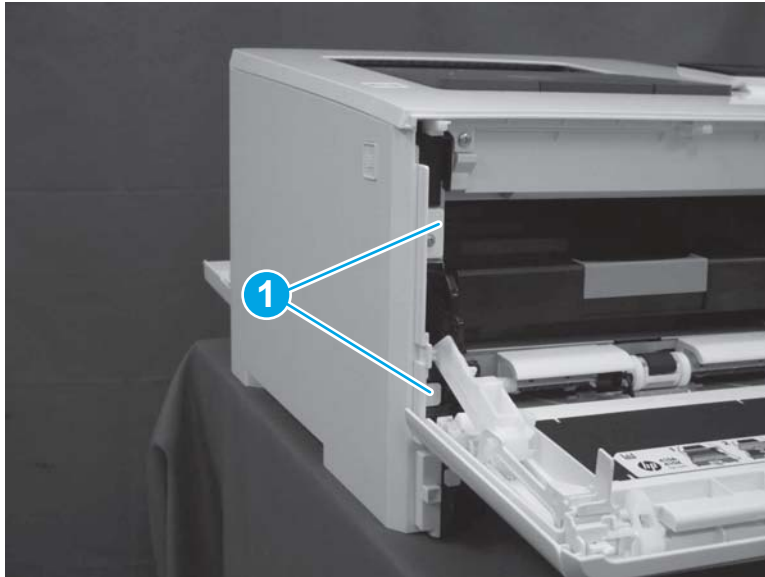
1. At the front of the printer, remove one screw (callout 1).

**Figure 1-1655** Remove one screw



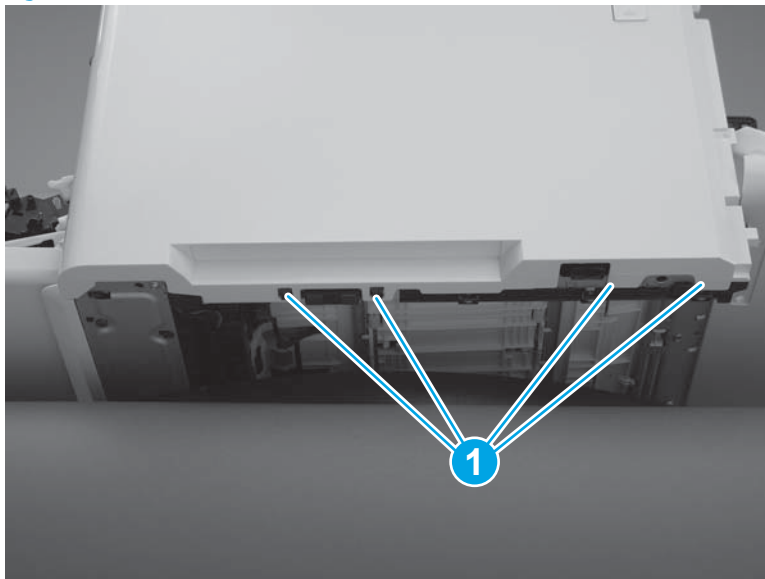
2. Release two tabs (callout 1) at the front of the cover. Hold the cover open to prevent the tabs from reengaging.

Figure 1-1656 Release two tabs



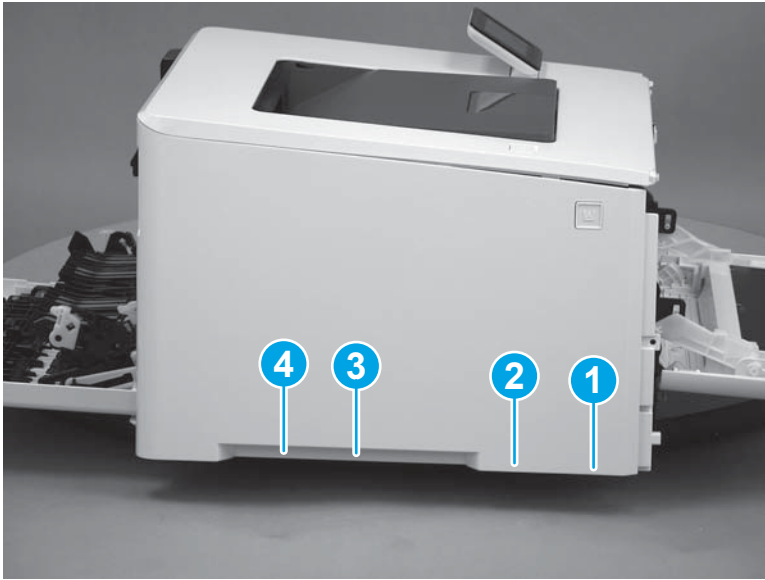
3. Slide the printer to the edge of a work surface. Note the location of the tabs on the lower edge of the cover (callout 1).

Figure 1-1657 Locate the tabs



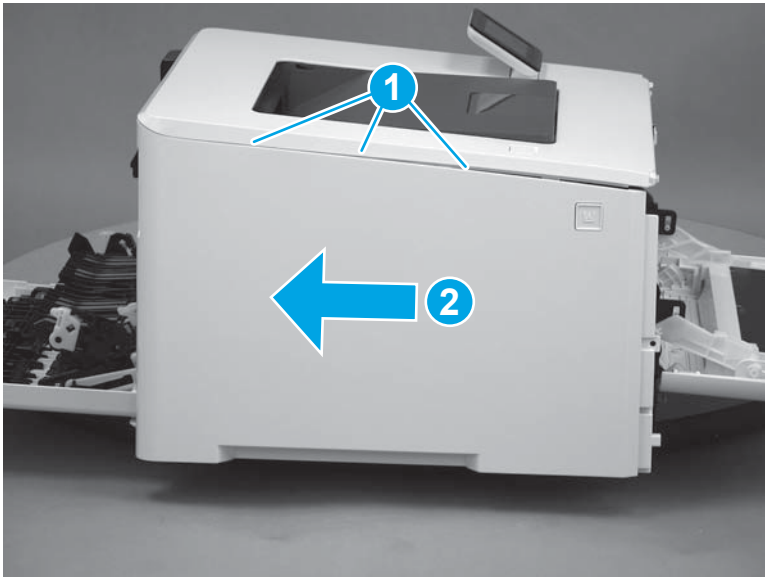
4. Beginning from the front of the cover, release four tabs (callouts 1-4) on the lower edge of the cover.

Figure 1-1658 Release bottom tabs




5. Release three tabs at the top of the cover (callout 1), and then slide the cover toward the rear of the printer to remove it.

Figure 1-1659 Release three tabs



#### Step 6: Remove the left cover (M479 models)

 **NOTE:** This step is for the M479 models. For the M454 models, skip this step and go to [Step 7: Remove the rear top cover \(Simplex models\) on page 919](#).

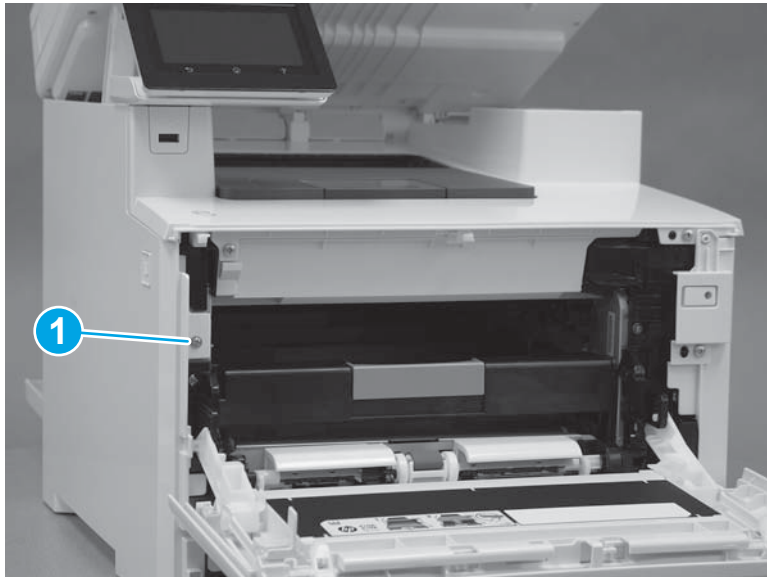
1. Raise the scanner.

Figure 1-1660 Raise the scanner



2. At the front of the printer, remove one screw (callout 1).

Figure 1-1661 Remove one screw





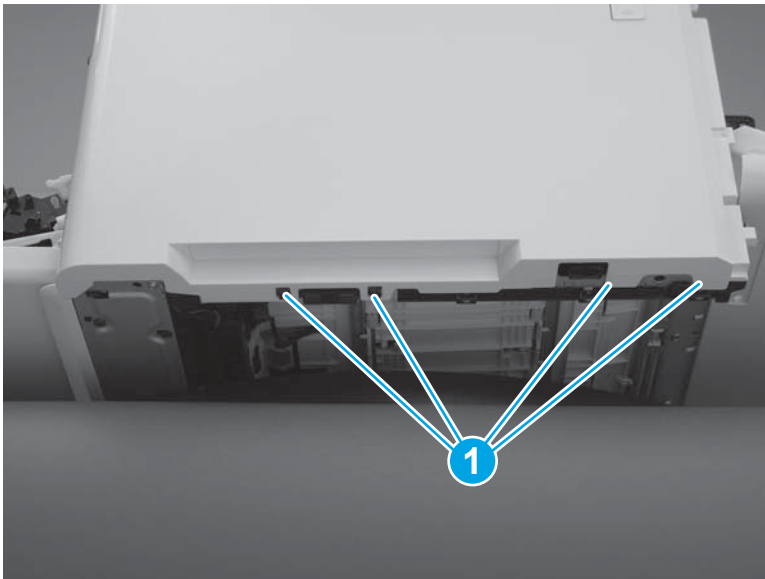
3. Release two tabs (callout 1) at the front of the cover. Hold the cover open to prevent the tabs from re-engaging.

Figure 1-1662 Release two tabs



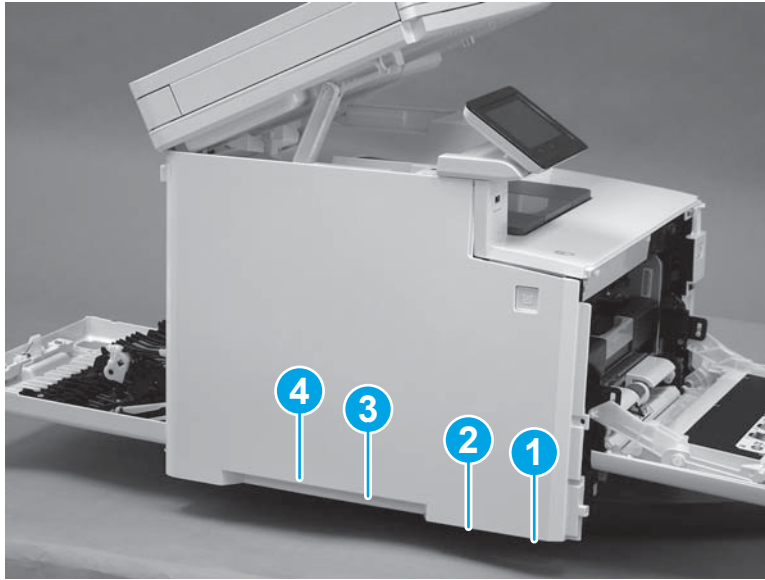
4. Slide the printer to the edge of a work surface. Note the location of the tabs on the lower edge of the cover (callout 1).

Figure 1-1663 Locate the tabs



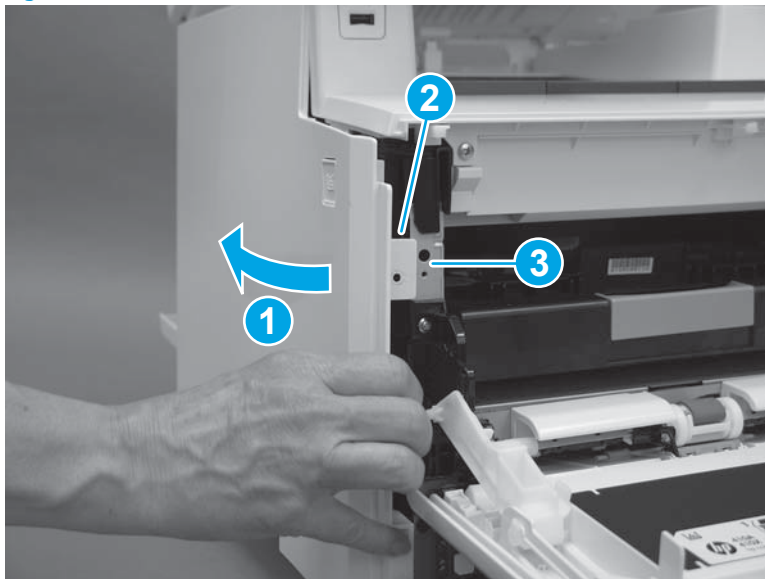
5. Beginning from the front of the cover, release the four tabs (callouts 1-4) on the lower edge of the cover.

Figure 1-1664 Release four tabs



6. Rotate the front of the cover away from the printer (callout 1). Make sure that the tab (callout 2) does not get caught on the printer frame (callout 3).

Figure 1-1665 Rotate the cover



7. At the top of the printer, slightly pull the top of the cover away from the printer to release one retention tab (callout 1) on the inside of the cover. While holding the cover away, slide the cover toward the back of the printer (callout 2) to release two hooks (callout 3) inside the cover.

Figure 1-1666 Release one tab and two hooks



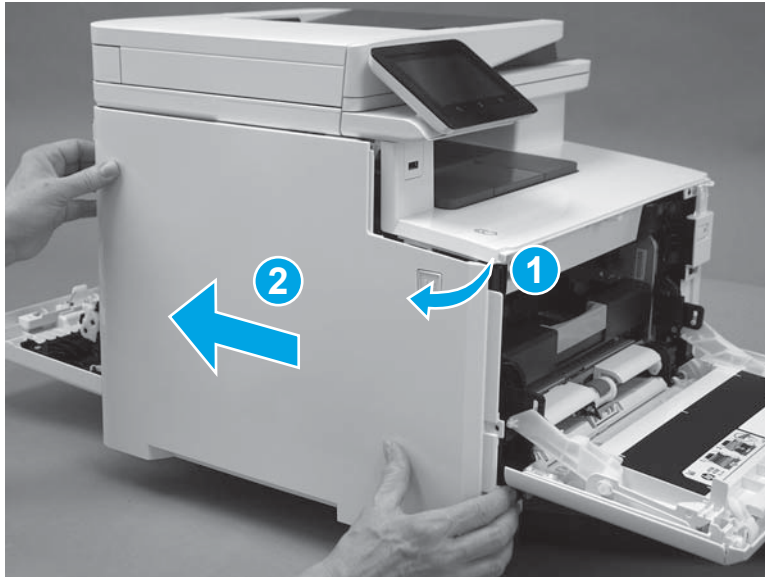
8. Lower the scanner.

Figure 1-1667 Lower the scanner




9. Rotate the cover away from the printer (callout 1), and then slide the cover (callout 2) toward the back of the printer to remove it.

Figure 1-1668 Remove the left cover

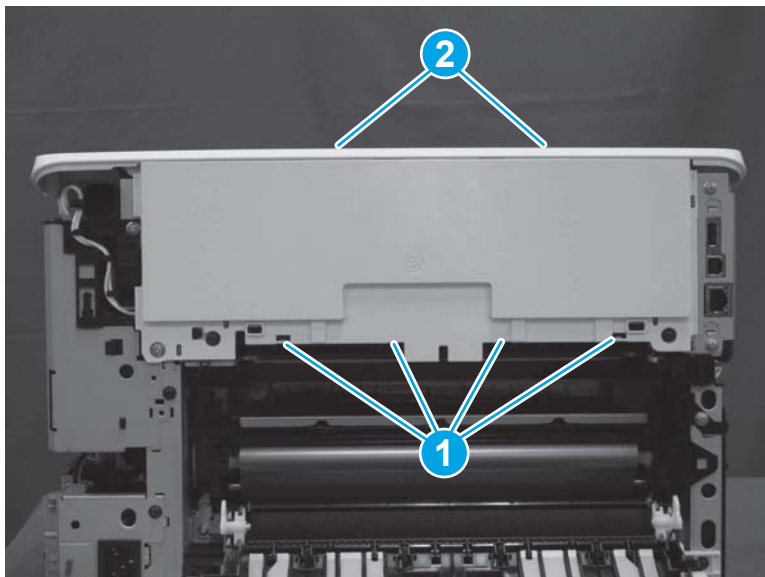


#### Step 7: Remove the rear top cover (simplex models)

 **NOTE:** This step is for simplex models. For duplex models, skip this step and go to [Step 8: Remove the integrated scanner assembly \(M479 models\) on page 920](#).

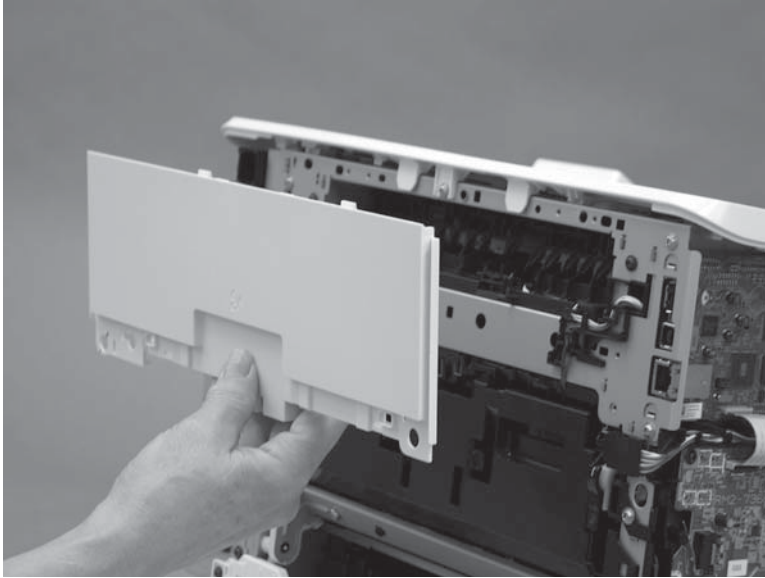
1. At the back of the printer, release four tabs (callout 1) on the bottom of the cover and two tabs (callout 2) on the top of the cover.

Figure 1-1669 Release six tabs




2. Remove the rear top cover.

Figure 1-1670 Remove the rear top cover

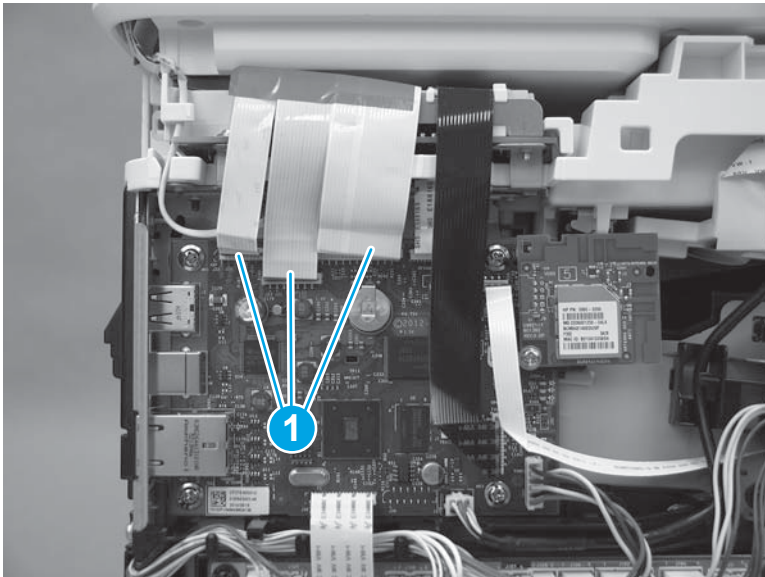


#### Step 8: Remove the integrated scanner assembly (M479 models)

 **NOTE:** This step is for the M479 models. For the M454 models, skip this step and go to [Step 11: Remove the top cover \(M454 models\) on page 935](#).

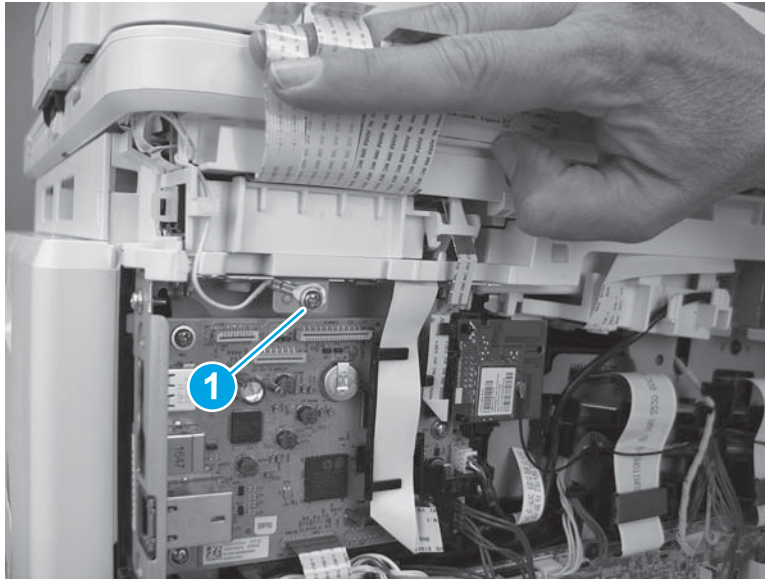
1. On the left side of the printer, disconnect three connectors (callout 1).

Figure 1-1671 Disconnect the scanner cables



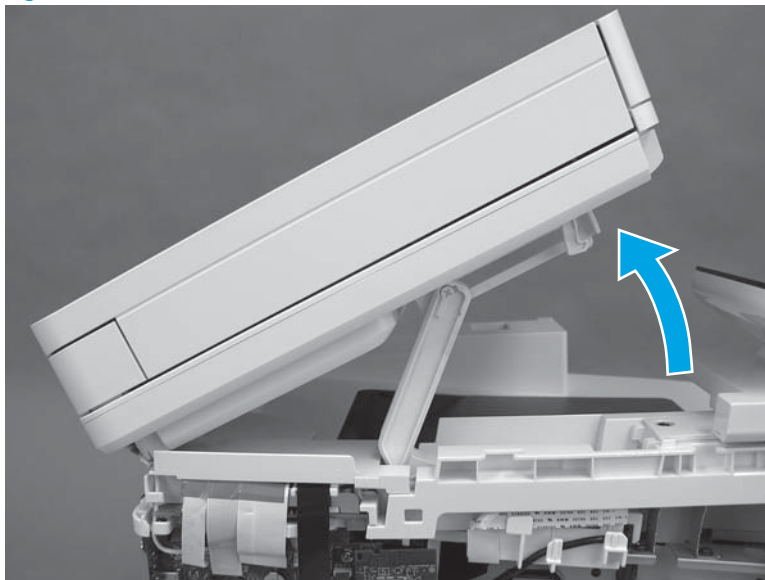
2. Raise the scanner cables up, and then remove one screw (callout 1) to release the ground wire (callout 2).

Figure 1-1672 Remove one screw and release the ground wire



3. Raise the scanner.

Figure 1-1673 Raise the scanner





4. With the scanner lifted, release the tab (callout 1) on the scanner support arm pin from the slot and rotate the pin in the direction indicated.

Figure 1-1674 Release the scanner arm pin



5. Remove the scanner arm pin.

---

**⚠ CAUTION:** Once the scanner arm pin is removed, support the scanner with one hand at all times so that it does not fall backwards off of the printer.

---

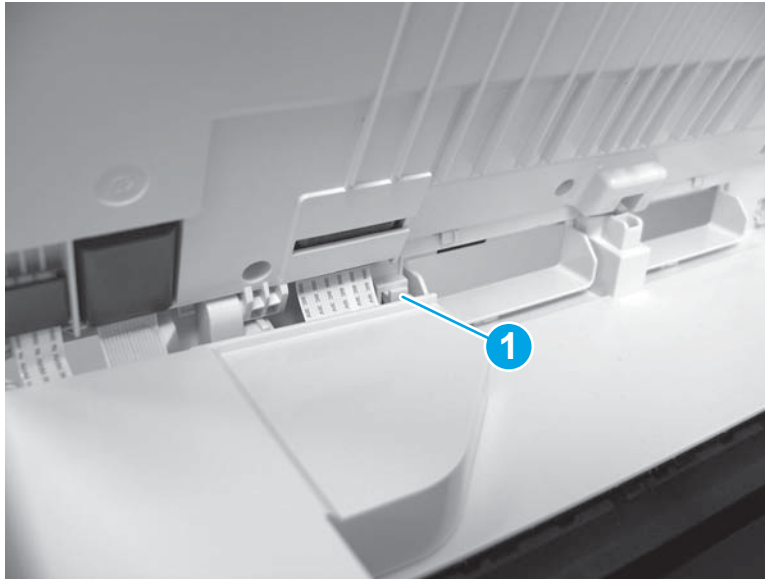
Figure 1-1675 Remove the scanner arm pin.





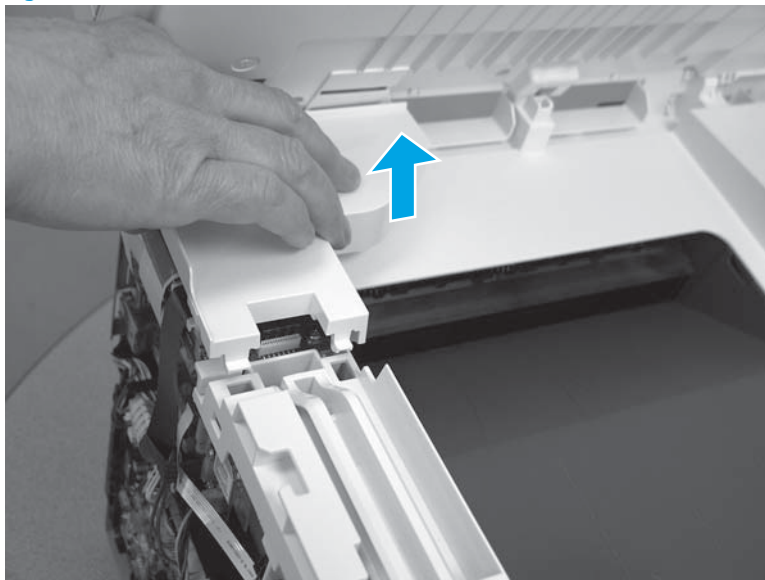
6. On the top of the printer, use a flat-blade screwdriver to release one tab (callout 1).

Figure 1-1676 Release one tab



7. Remove the scanner cable cover.

Figure 1-1677 Remove the scanner cable cover



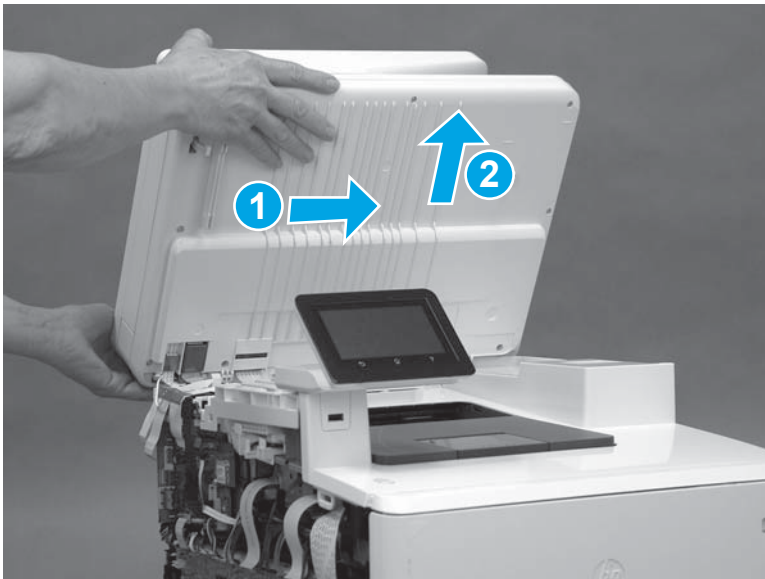
8. The scanner cables (callout 1) are held in place on the top cover with double-sided tape. Carefully release the cables from the top cover.

Figure 1-1678 Release the cables



9. Open the scanner assembly fully, slide the assembly toward the right side of the printer, and then lift the assembly off of the printer.

Figure 1-1679 Remove the scanner assembly

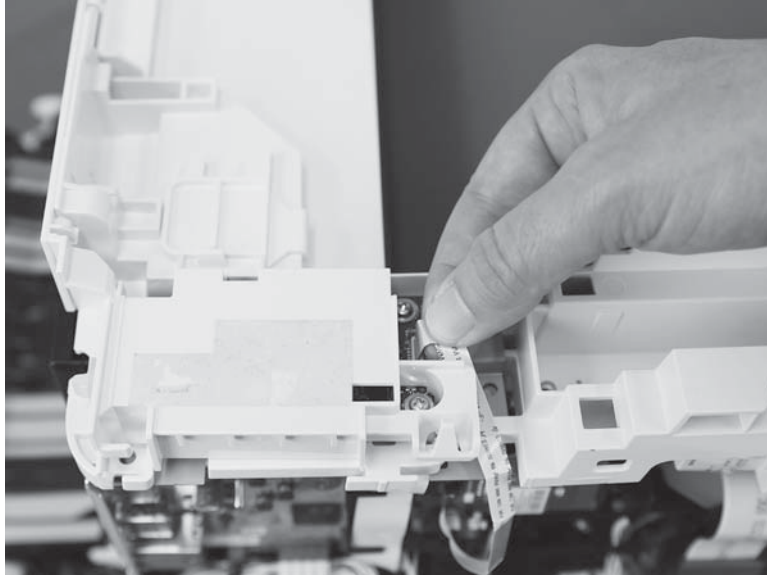


#### Step 9: Remove the fax PCA (M479 models)

 **NOTE:** This step is for M479 fax models only. Skip this step for non-fax models.

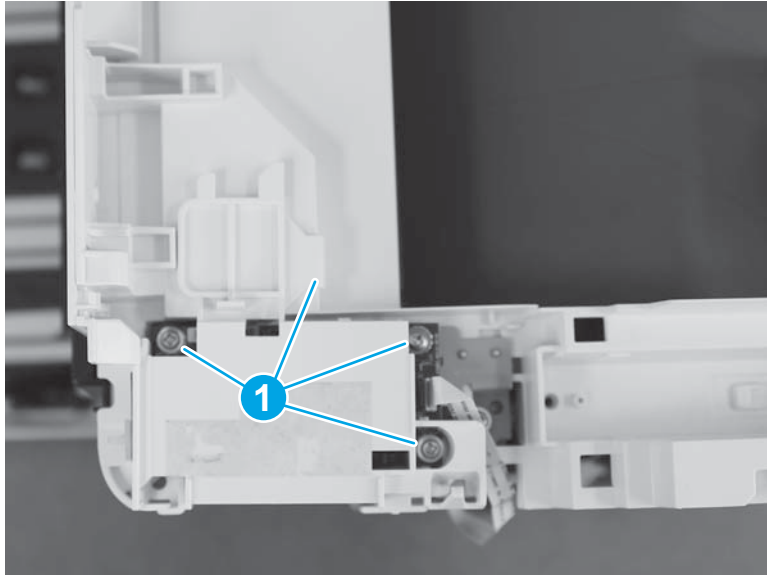
1. Disconnect on FFC cable from fax PCA.

Figure 1-1680 Disconnect one connector



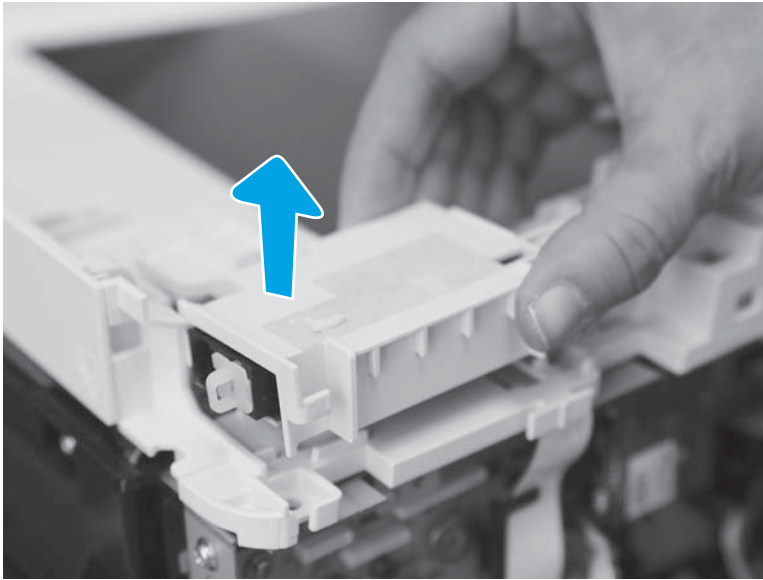
2. Remove three screws and release one tab (callout 1).

Figure 1-1681 Remove three screws and release one tab



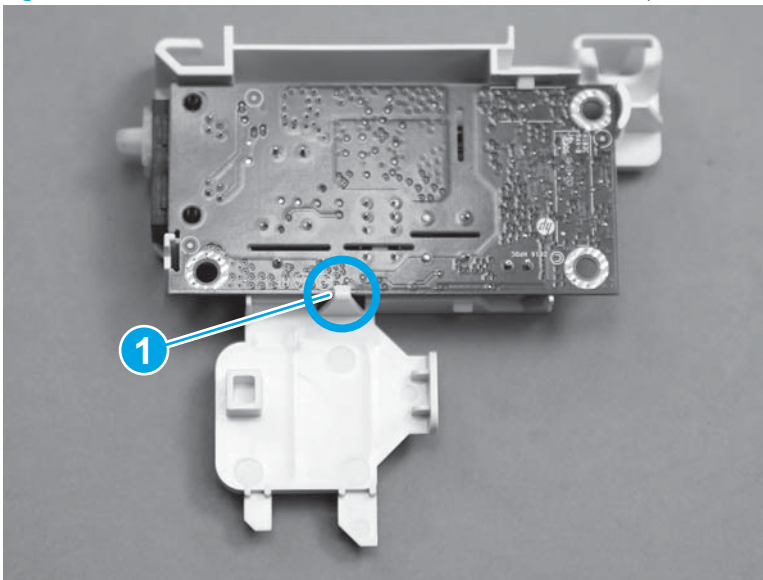
3. Lift up to remove the fax PCA.

**Figure 1-1682** Lift up to remove the fax PCA




4. Release the tab (callout 1) on the back of the fax PCA to remove the PCA from the plastic holder.

**Figure 1-1683** Release one tab to remove fax PCA from the plastic holder

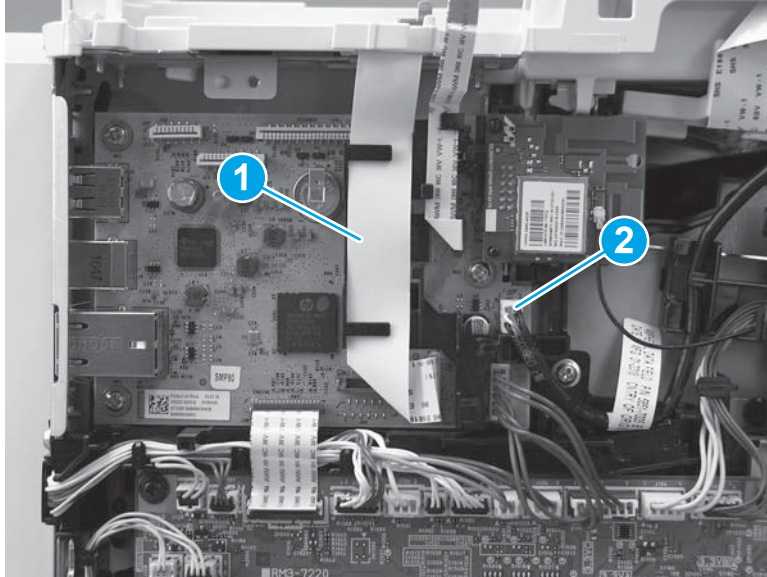


#### Step 10: Remove the top cover (M479 models)

 **NOTE:** This step is for the M479 models. For the M454 models, skip this step and go to [Step 11: Remove the top cover \(M454 models\) on page 935](#).

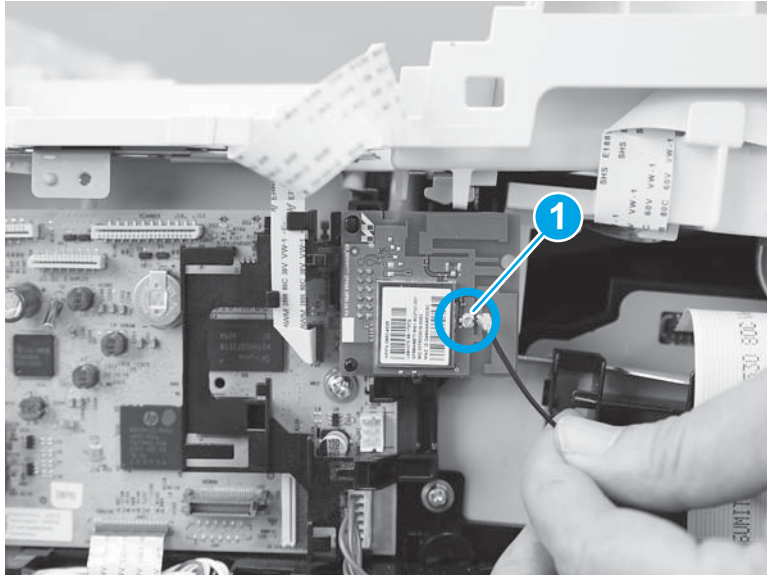
1. Disconnect one connector (callout 2) and one FFC (callout 2).

Figure 1-1684 Disconnect one connectors and one FFC



2. Disconnect wireless antenna cable (callout 1) from the wireless PCA.

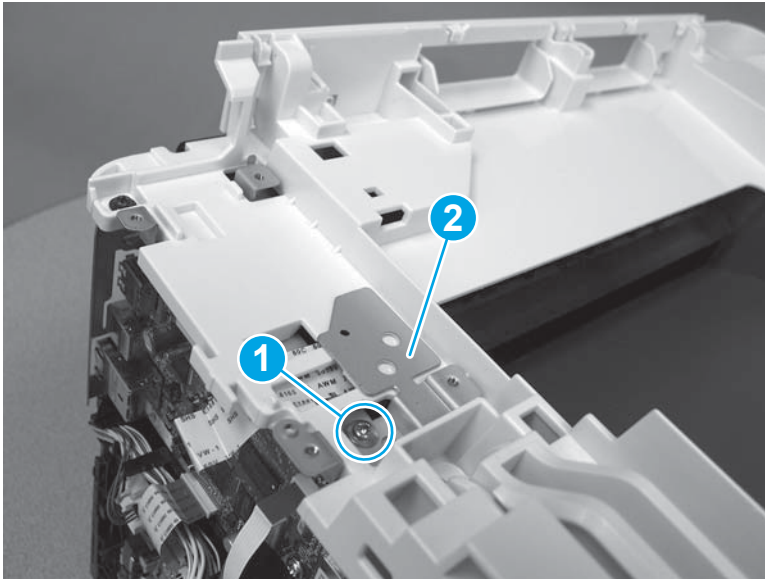
Figure 1-1685 Disconnect wireless antenna cable from the wireless PCA





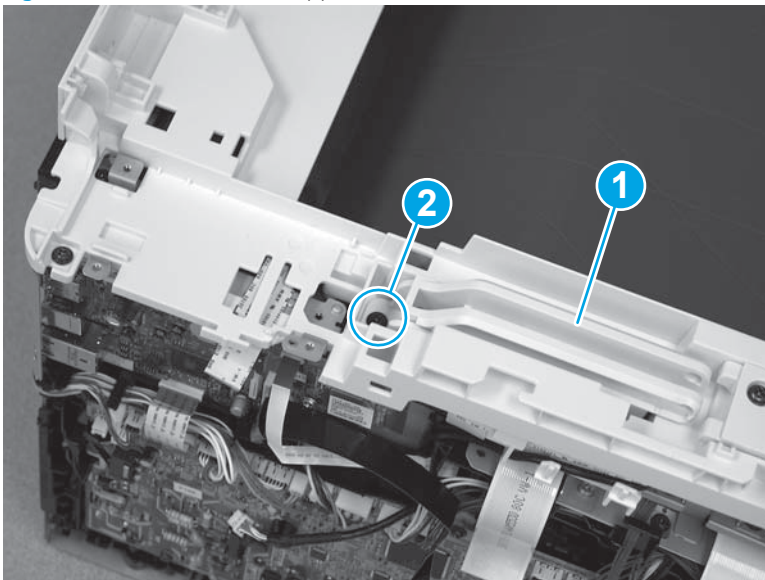
3. On the top cover, remove one screw (callout 1) and the sheet metal plate (callout 2).

Figure 1-1686 Remove one screw and the sheet metal plate



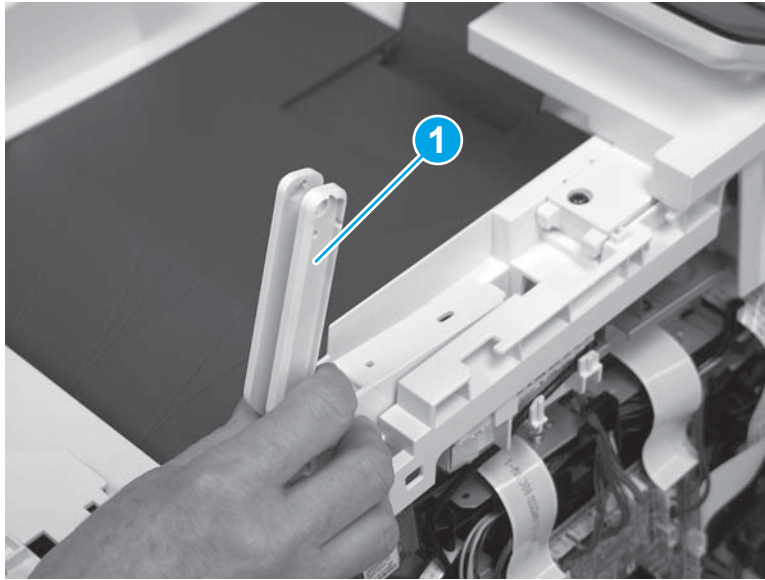
4. At the top of the printer, lower the scanner support arm (callout 1), and then remove one screw (callout 2).

Figure 1-1687 Lower the support arm and remove one screw



5. Remove the scanner support arm (callout 1).

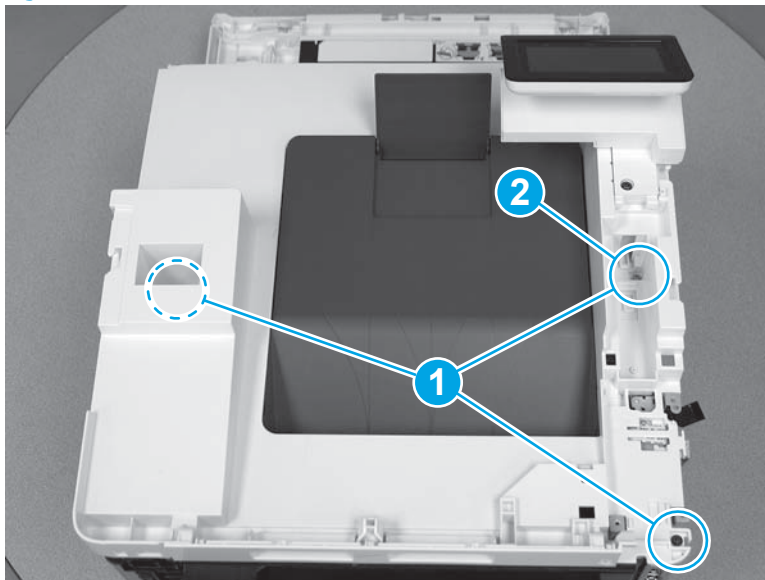
Figure 1-1688 Remove the scanner support arm



6. At the top of the printer, remove three screws (callout 1).

 **Reinstallation tip:** One screw (callout 2) is longer than the other screws. Make sure that this screw is reinstalled in the correct position.

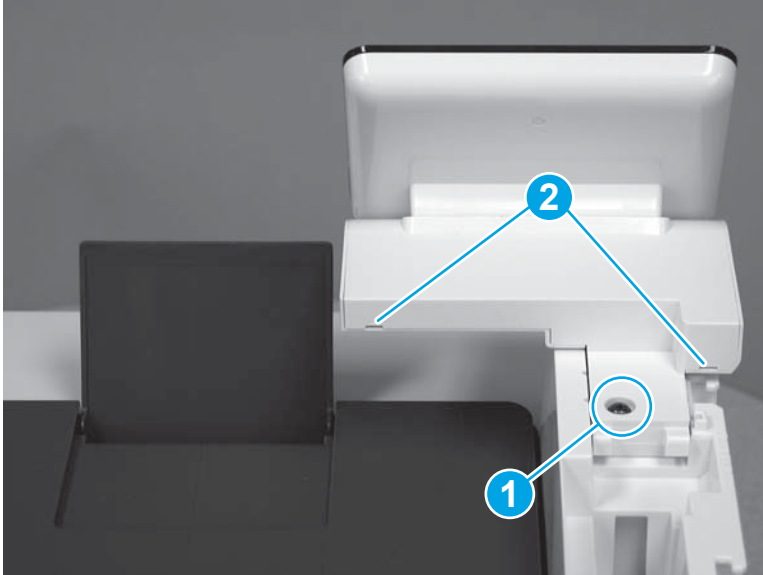
Figure 1-1689 Remove three screws





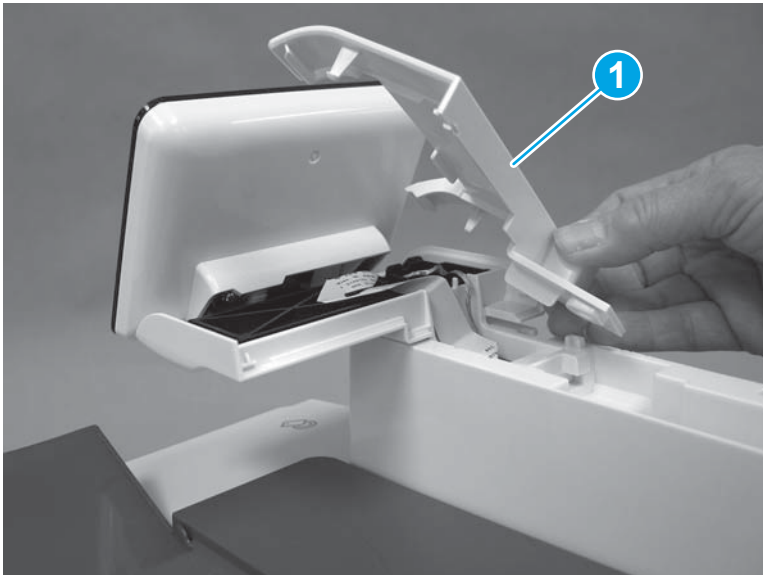
7. Behind the control panel, remove one screw (callout 1), and then use a small flat-blade screwdriver at two pry points (callout 2) to release the control panel cover from the top cover.

Figure 1-1690 Release the control panel cover



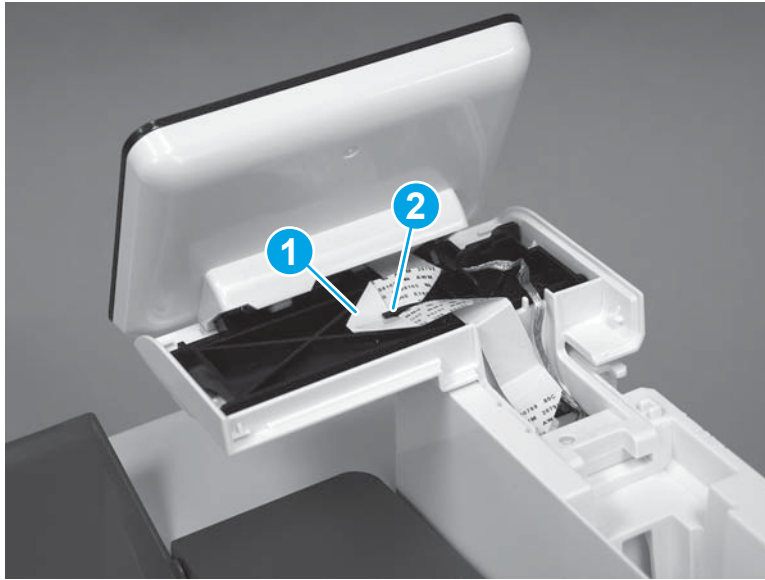
8. Remove the control panel cover (callout 1).

Figure 1-1691 Remove the control panel cover



9. Remove the flat cable (callout 1) from the retaining guide (callout 2).

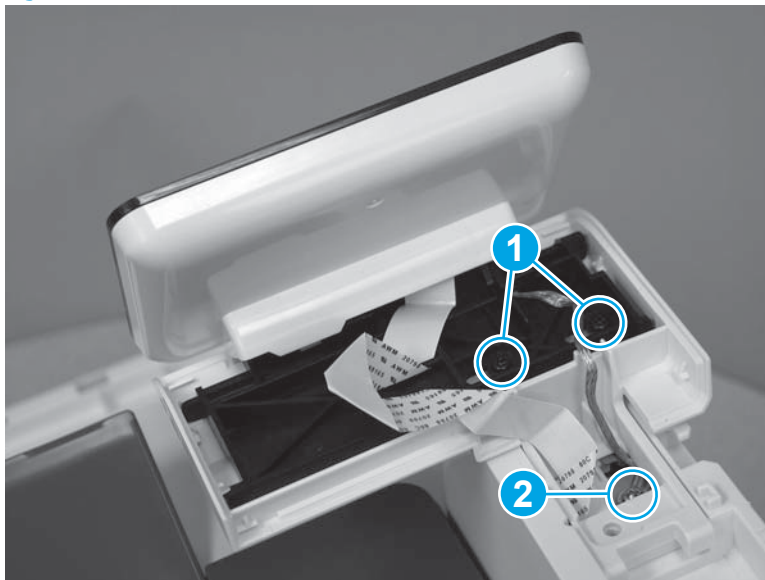
Figure 1-1692 Release the flat cable



10. Remove two screws (callout 1), and then remove one screw (callout 2) and release one ground wire.

 **Reinstallation tip:** The two screws toward the front of the control panel (callout 1) are longer than the other screw. Make sure these screws are installed in the correct position when reinstalling the part.

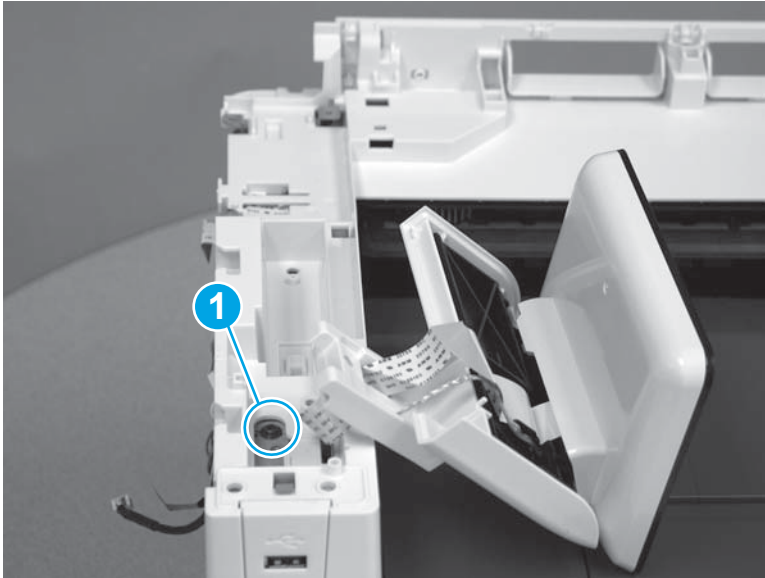
Figure 1-1693 Remove three screws



11. Carefully lift the control panel away and rest it on the top cover, and then remove one screw (callout 1).

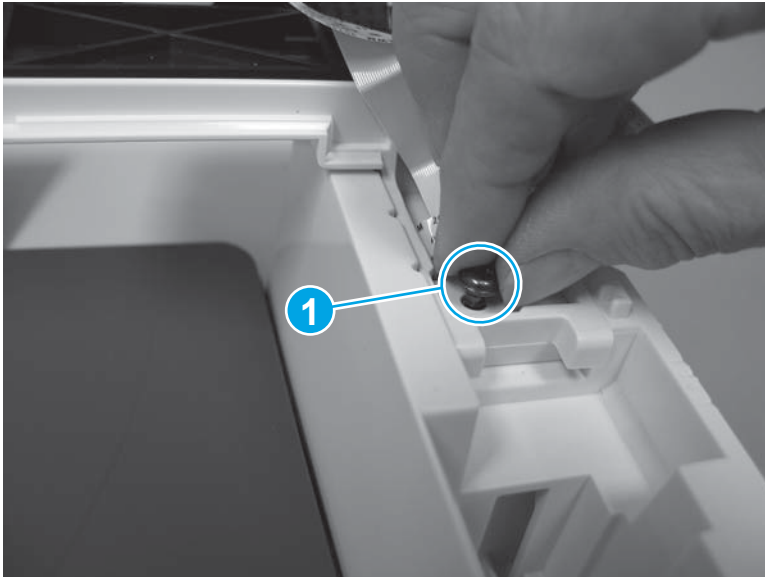
**⚠ CAUTION:** The control panel is still attached to the top cover by the flat cable.

Figure 1-1694 Remove one screw



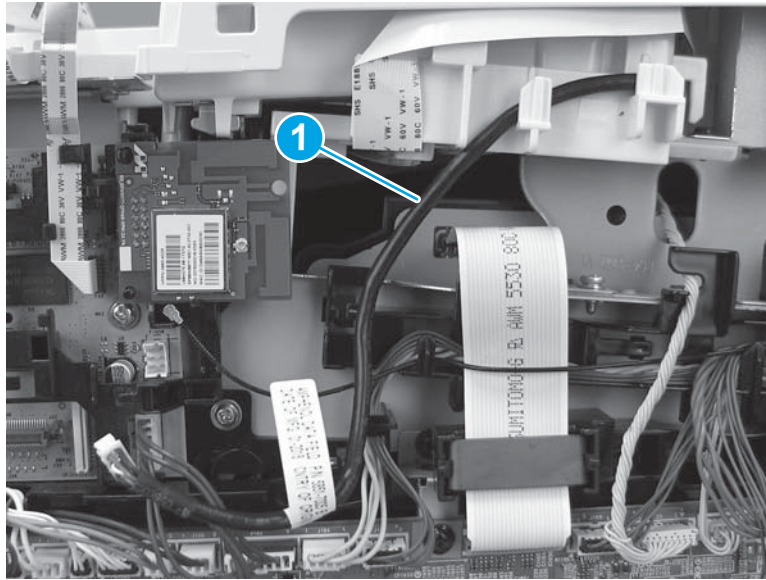
12. Place the control panel back into position. With your hand, refasten the screw (callout 1) that was previously removed from the control panel cover to temporarily reattach the control panel to the top cover. Doing this should protect the flat cable from being damaged.

Figure 1-1695 Refasten the control panel to the top cover



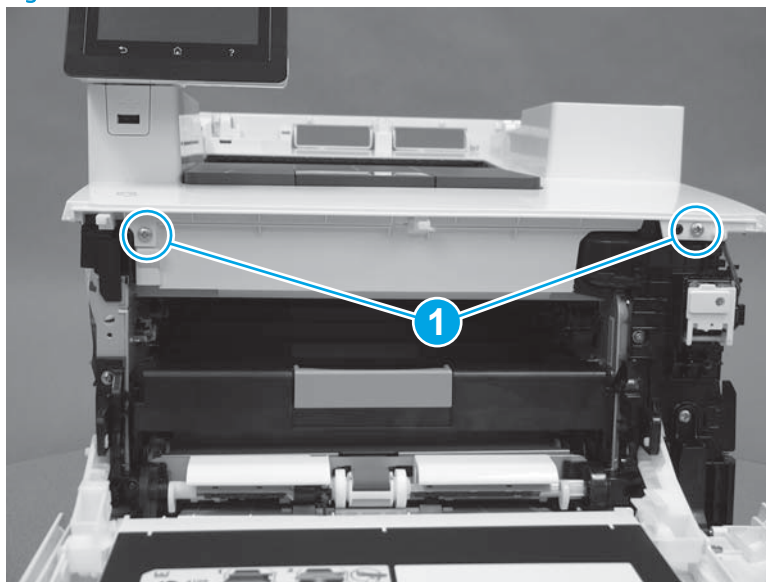
13. Remove the USB cable (callout 1) from the cable guides (callout 2).

Figure 1-1696 Release the USB cable



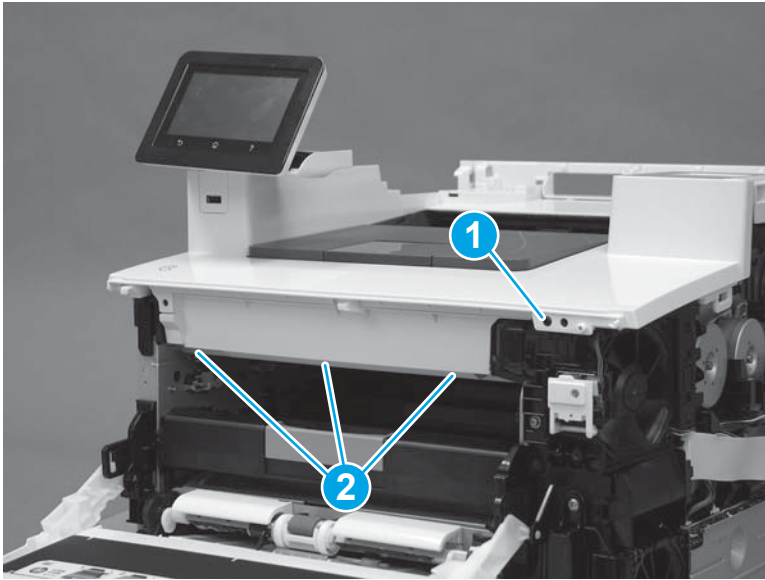
14. At the front of the printer, remove two screws (callout 1).

Figure 1-1697 Remove two screws



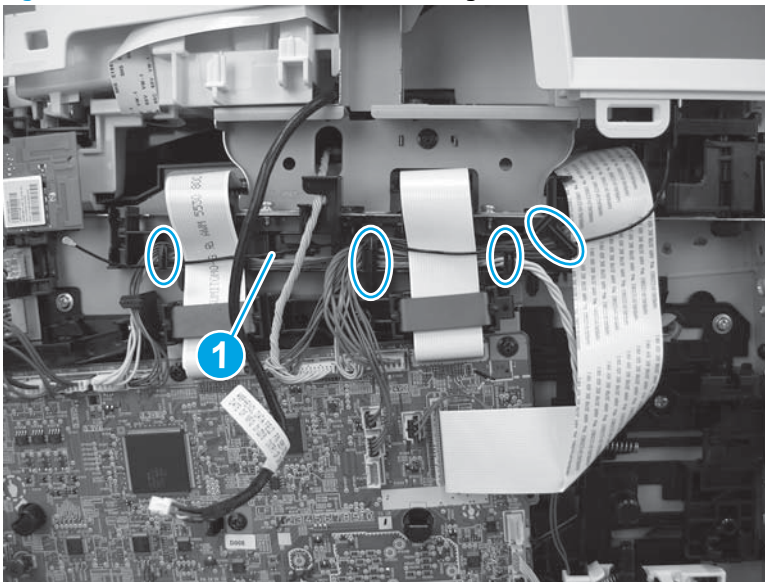
15. Release one retainer (callout 1), and then release three tabs (callout 2).

Figure 1-1698 Release one retainer and three tabs



16. Remove the Wi-Fi antenna wire (callout 1) from the guide.

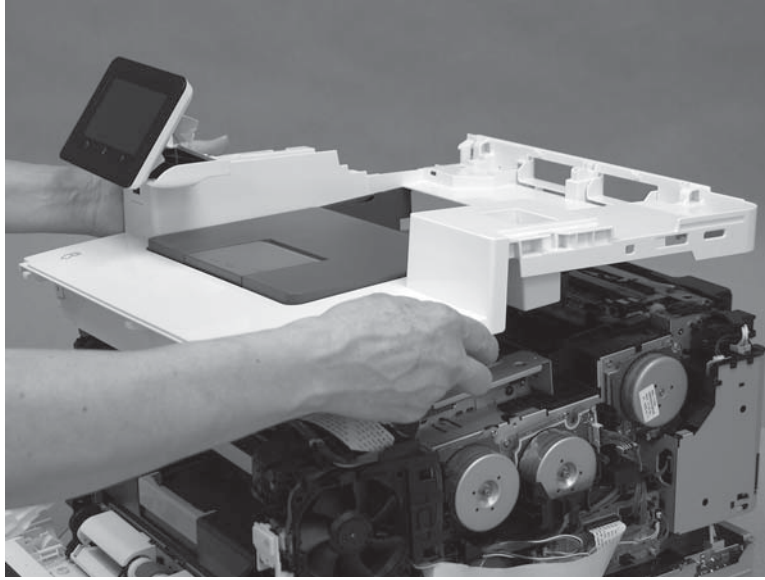
Figure 1-1699 Remove antenna wire from guide






17. Remove the top cover.

Figure 1-1700 Remove the top cover

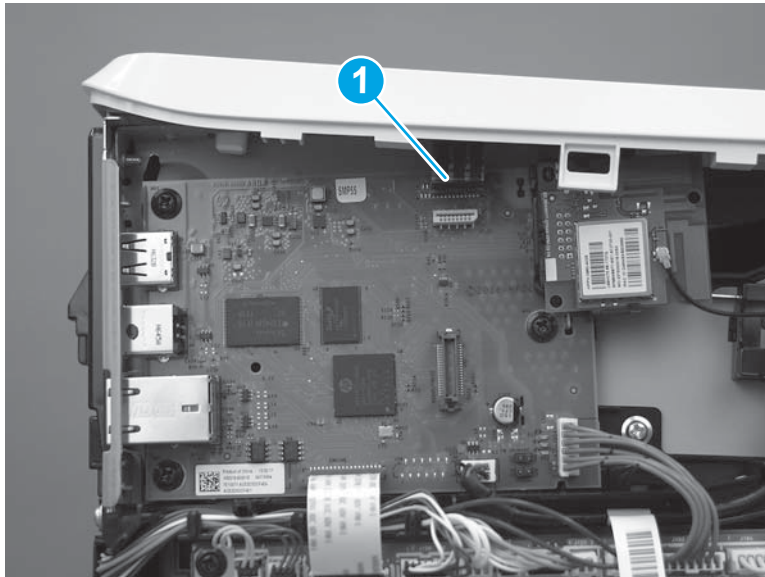


#### Step 11: Remove the top cover (M454 models)


 **NOTE:** This step is for the M454 models. For the M479 models, skip this step and go to [Step 12: Remove the memory PCA on page 940](#).

1. **M454dw model only:** On the left side of the printer, on the formatter, disconnect one connector (callout 1).

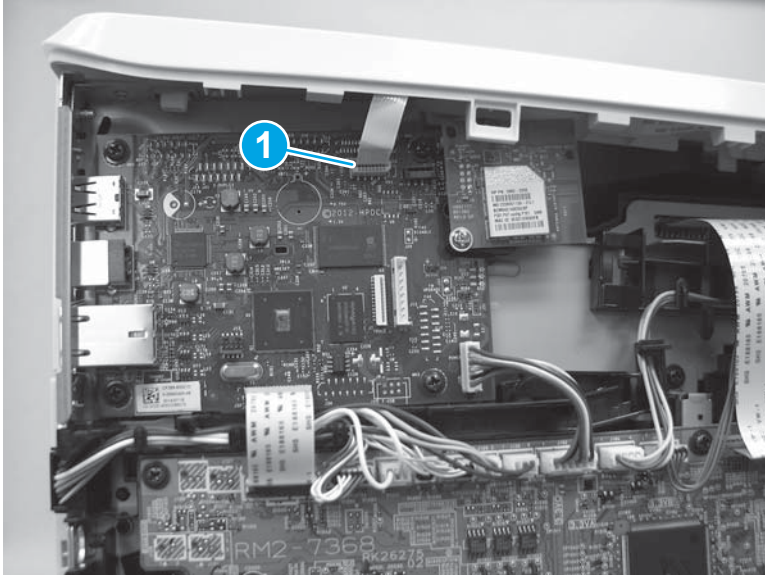
Figure 1-1701 Disconnect one connector



2. **M454nw/dn models only:** On the left side of the printer, on the formatter, disconnect one connector (callout 1).

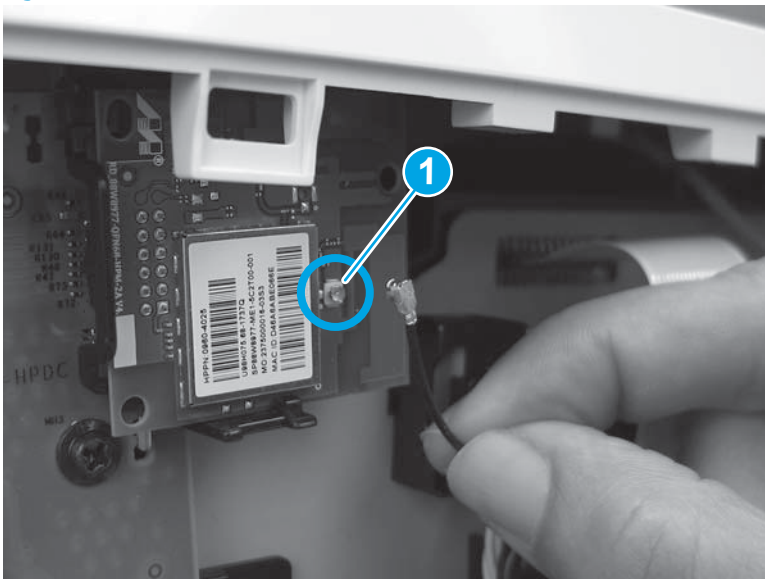
 **NOTE:** The formatter may look slightly different than what is shown below, however the removal procedures are the same.

**Figure 1-1702** Disconnect one connector



3. **M454nw/dw models only:** Disconnect the antenna (callout 1) from the connector (callout 2) on the wireless PCA.

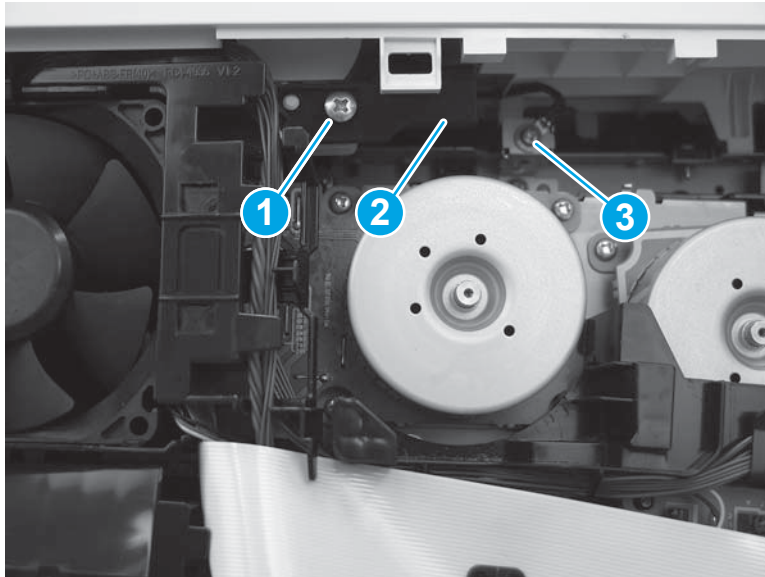
**Figure 1-1703** Disconnect the antenna





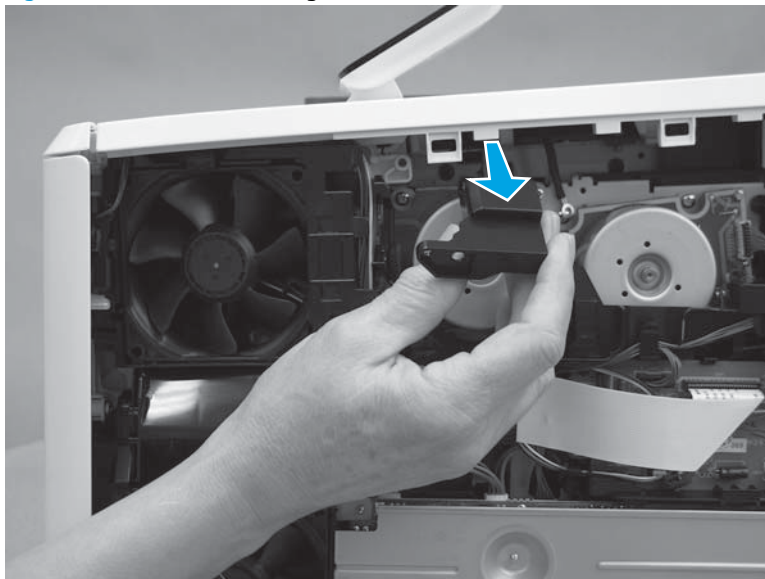
4. **M454dw model only:** Remove one screw (callout 1) and release one ground wire. Remove one screw (callout 2). Note the location (callout 3) of the guide.

Figure 1-1704 Remove two screws



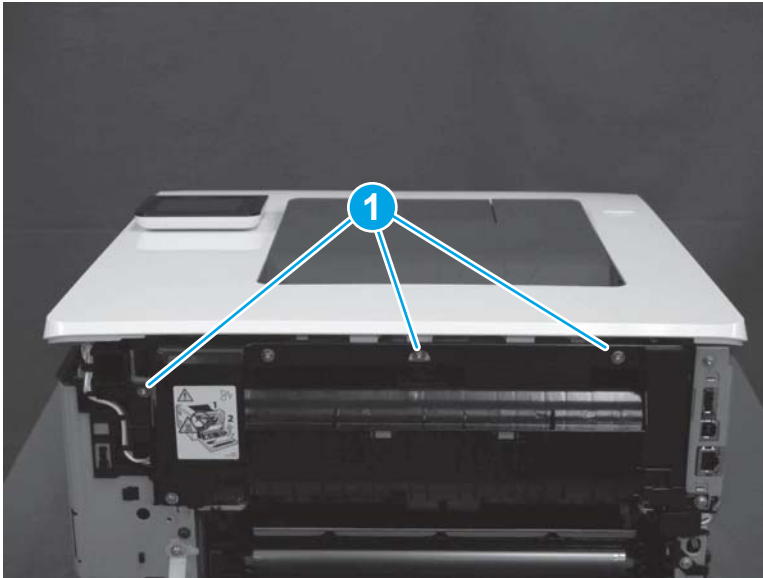
5. **M454dw model only:** Remove the guide.

Figure 1-1705 Remove the guide



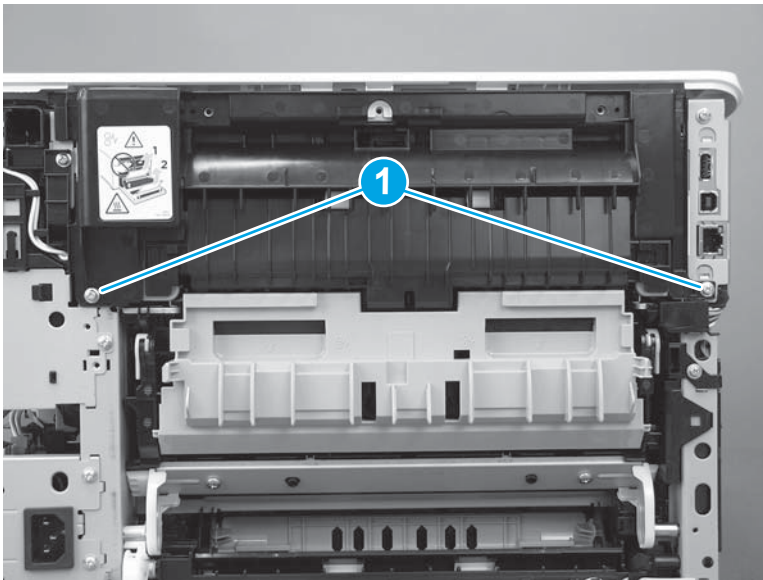
6. **M454dn/dw models only:** At the back of the printer, remove three screws (callout 1).

Figure 1-1706 Remove three screws



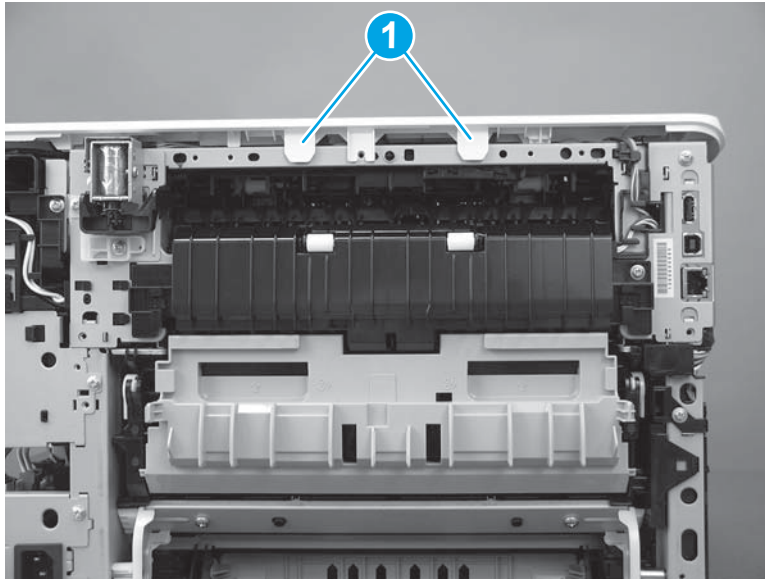
7. **M454dn/dw models only:** Remove two screws (callout 1).

Figure 1-1707 Remove two screws



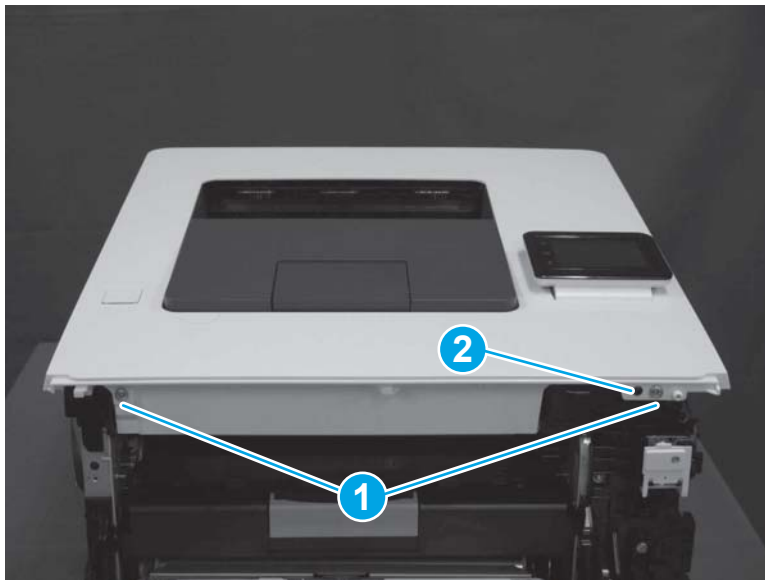
8. **M454nw model only:** At the back of the printer release two tabs (callout 1).

Figure 1-1708 Release two tabs



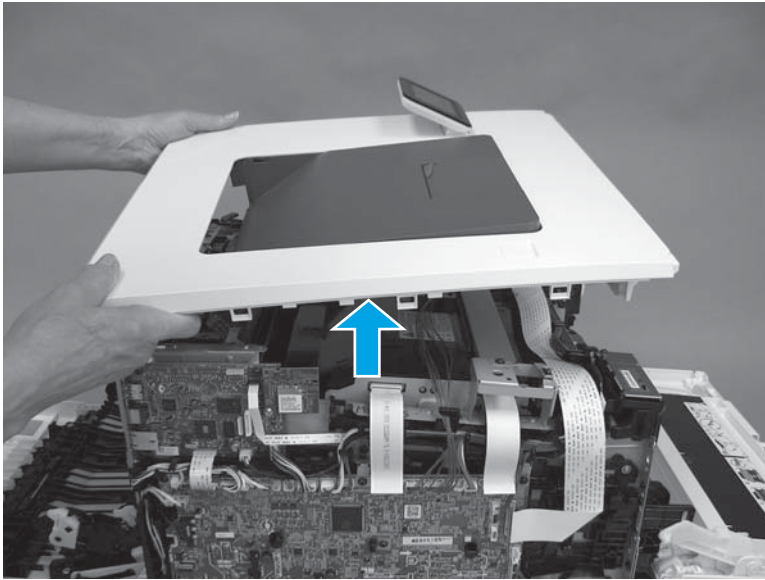
9. At the front of the printer, remove two screws (callout 1), and then release one tab (callout 2).

Figure 1-1709 Remove two screws and release one tab



10. Remove the top cover.

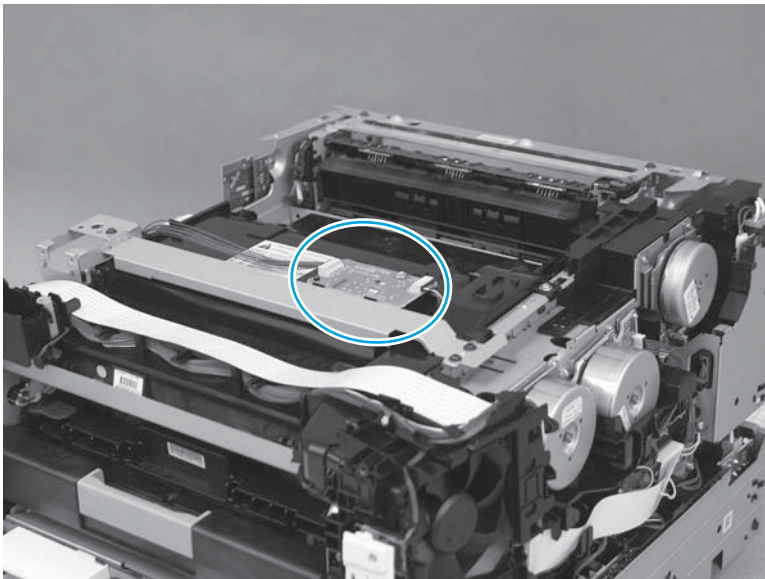
Figure 1-1710 Remove the top cover



#### Step 12: Remove the memory PCA

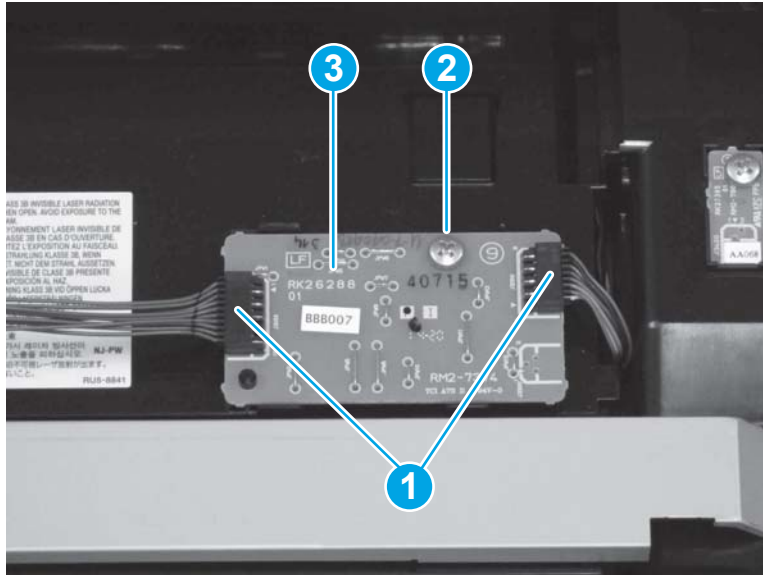
1. Locate the memory PCA on the top of the printer.

Figure 1-1711 Locate the memory PCA



2. Disconnect two connectors (callout 1), remove one screw (callout 2), and then remove the memory PCA (callout 3).

Figure 1-1712 Remove the memory PCA



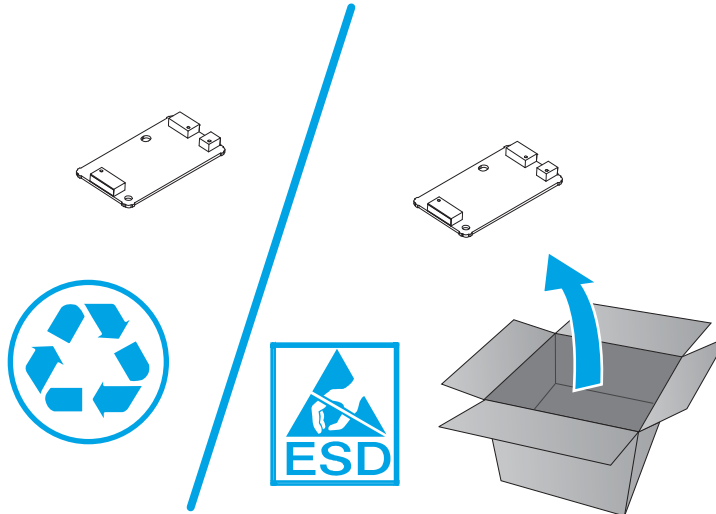
### Step 13: Unpack the replacement part

Remove the new part from its package. Save all packaging for recycling the used part.

For complete information on HP's recycling programs, go to [Product return and recycling](#).

 **NOTE:** HP recommends responsible disposal of the defective part.


Figure 1-1713 Recycle and unpack



### Step 14: Install the memory PCA

- ▲ To install an assembly, reverse the removal steps.

---

 **NOTE:** When applicable, special installation instructions are provided for an assembly at the end of the removal procedure. Always completely read the removal instructions and follow all special installation instructions.

---

## Removal and replacement: Laser scanner (M454 models)

- [Introduction](#)
- [Step 1: Remove Tray 2](#)
- [Step 2: Open the front door and rear door or duplexer door](#)
- [Step 3: Remove the right cover \(M454 models\)](#)
- [Step 4: Remove the left cover \(M454 models\)](#)
- [Step 5: Remove the rear top cover \(simplex model\)](#)
- [Step 6: Remove the top cover \(M454 models\)](#)
- [Step 7: Remove the memory PCA](#)
- [Step 9: Remove the laser scanner \(M454 models\)](#)
- [Step 10: Unpack the replacement part](#)
- [Step 11: Install the laser scanner \(M454 models\)](#)

### Introduction

This document provides the procedures to remove and replace the laser scanner for the M454.

[Click here to view a video of this procedure.](#)



**NOTE:** The removal and replacement of the laser scanner is time-consuming and should be performed in a clean environment to avoid introducing contaminants into the laser imaging system. For these reasons, HP recommends replacing this part at an authorized repair center.

### Before you begin

- Turn off the printer.
- Disconnect the power cable.

**⚠ WARNING!** To avoid damage to the printer, turn the printer off, wait 30 seconds, and then remove the power cord before attempting to service the printer.

- Use the table below to identify the correct part number for your printer. To order the part, go to [www.hp.com/buy/parts](http://www.hp.com/buy/parts).

---

Laser scanner part number	
---------------------------	--

RM2-5612-000CN	Laser scanner
----------------	---------------

---

### Required tools

- #2 Phillips screwdriver with a magnetic tip
- Small flat-blade screwdriver
- Needle-nose pliers



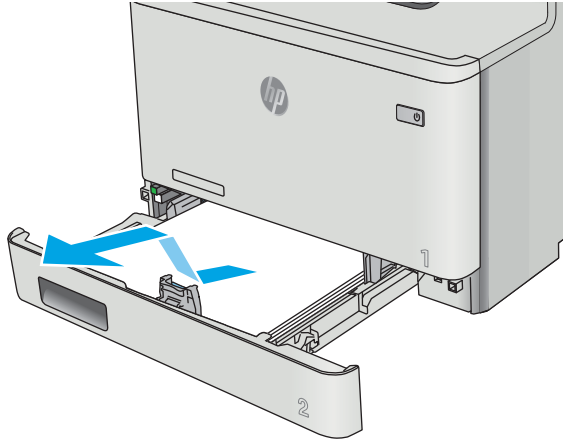
### After performing service

- Connect the power cable.
- Use the power switch to turn the power on.

### Step 1: Remove Tray 2

- ▲ Pull the tray out until it stops. Lift the front of the tray, and then pull it out of the printer to remove it.

Figure 1-1714 Remove the tray



### Step 2: Open the front door and rear door or duplexer door

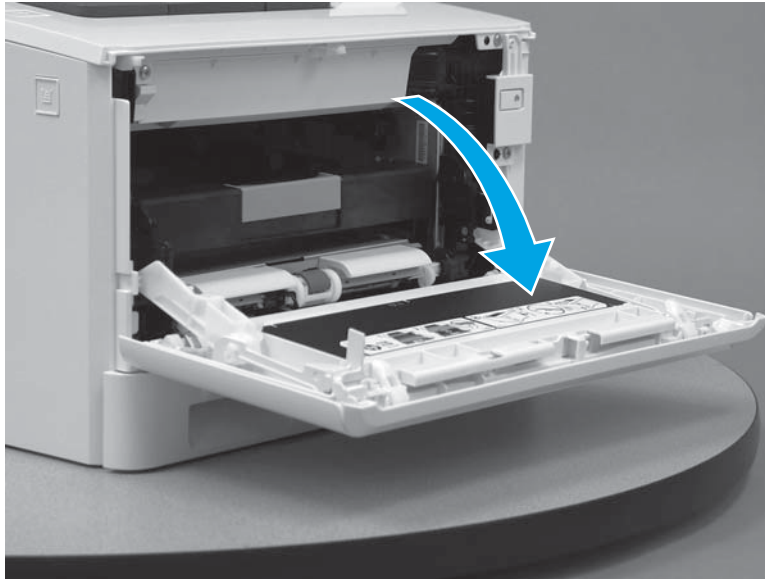
1. Press the button (callout 1) on the left side of the printer to release the front door.

Figure 1-1715 Release the front door



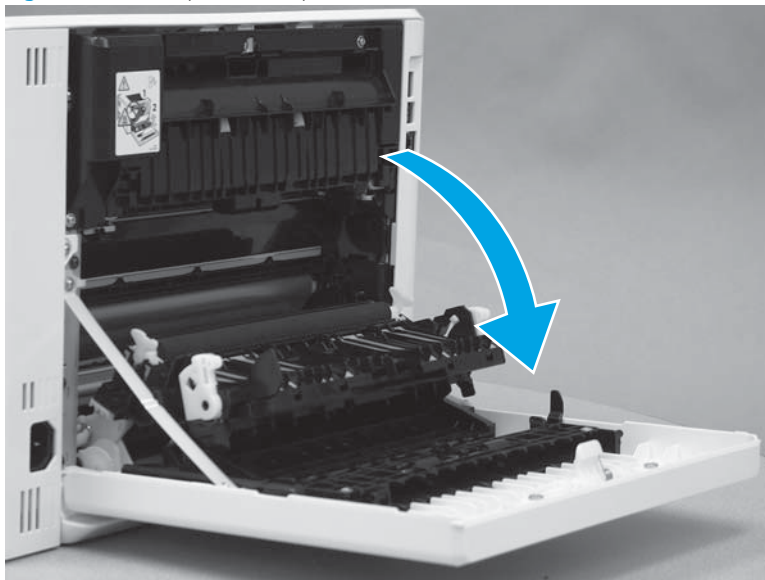
2. Open the front door.

Figure 1-1716 Open the front door



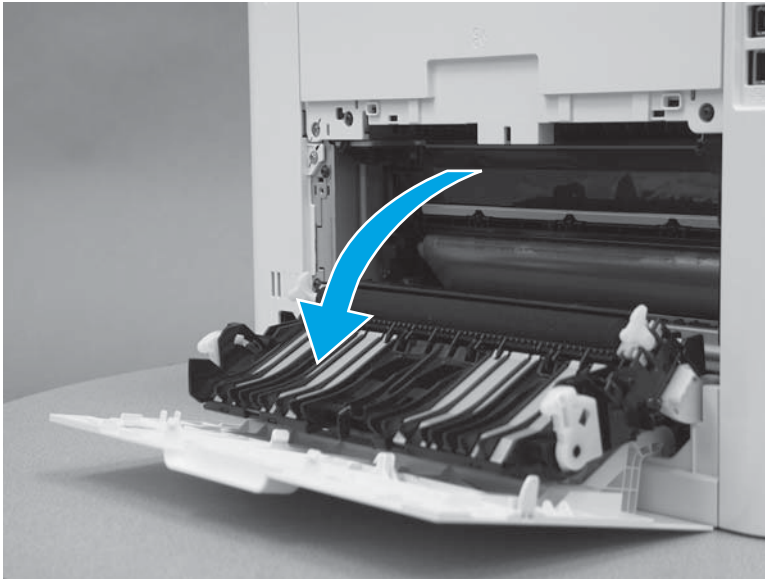
3. Duplex models: Open the duplexer door.

Figure 1-1717 Open the duplexer door



4. **Simplex models:** Open the rear door.

Figure 1-1718 Open the rear door



### Step 3: Remove the right cover (M454 models)

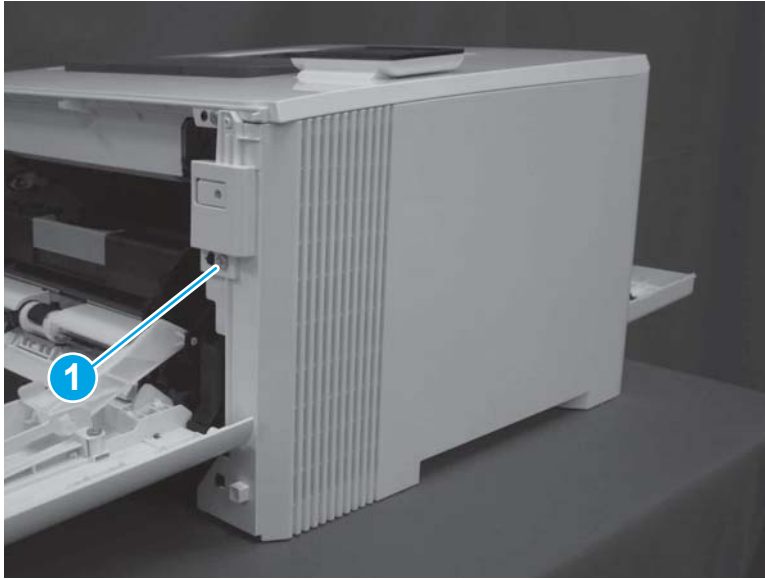
1. At the back of the printer, remove one screw (callout 1).

Figure 1-1719 Remove one screw



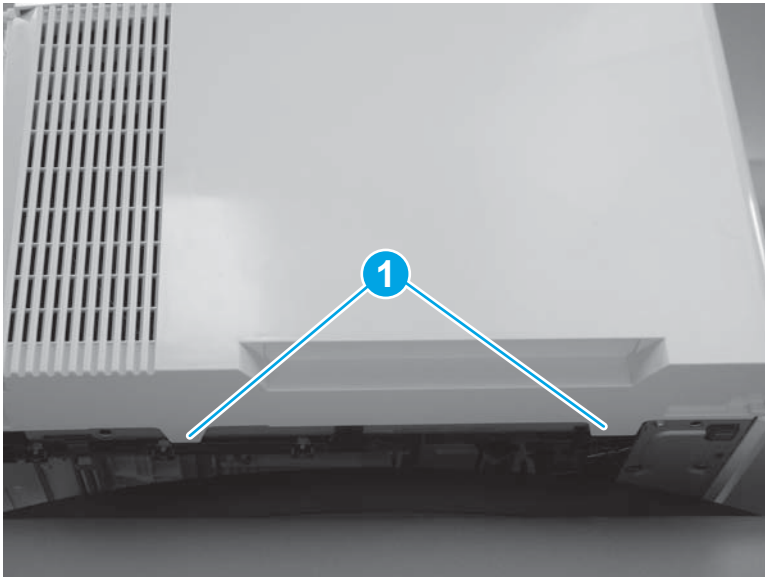
2. At the front of the printer, remove one screw (callout 1).

Figure 1-1720 Remove one screw



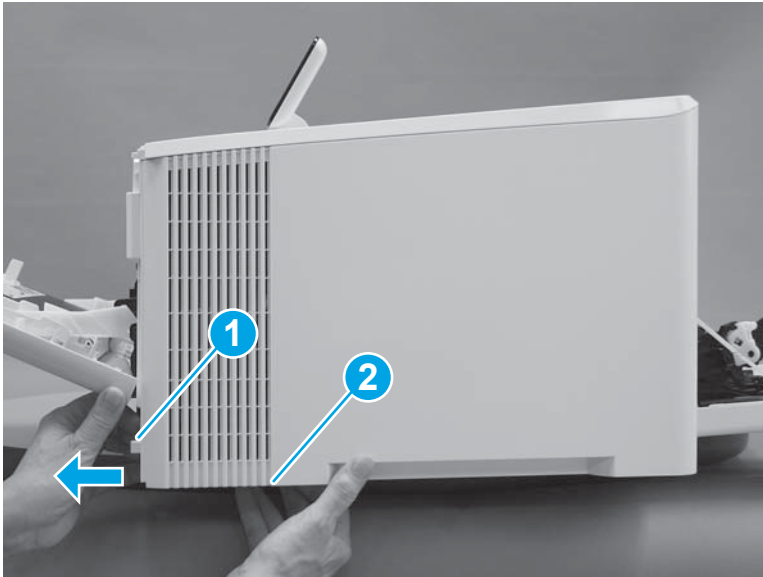
3. Slide the printer to the edge of a work surface. Note the location of the tabs on the lower edge of the cover (callout 1).

Figure 1-1721 Locate the tabs



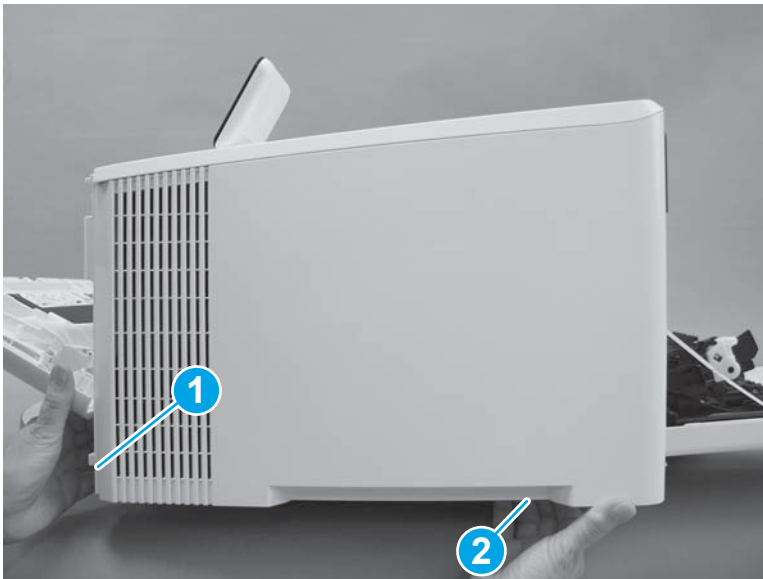
4. Release one tab (callout 1) on the front of the cover by slightly pulling the cover away from the printer. While holding the cover in the released position, release one tab (callout 2) on the bottom of the cover.

Figure 1-1722 Release front lower tabs



5. Hold the front tabs in the released position (callout 1), and then release one tab (callout 2) on the bottom of the cover, toward the back of the printer.

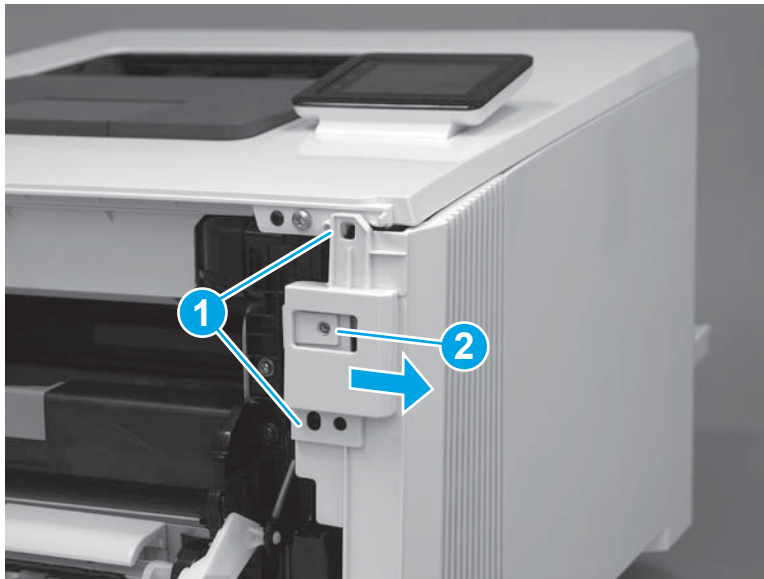
Figure 1-1723 Release lower rear tab



6. Release two tabs at the front of the printer (callout 1) by slightly pulling the cover away from the printer.

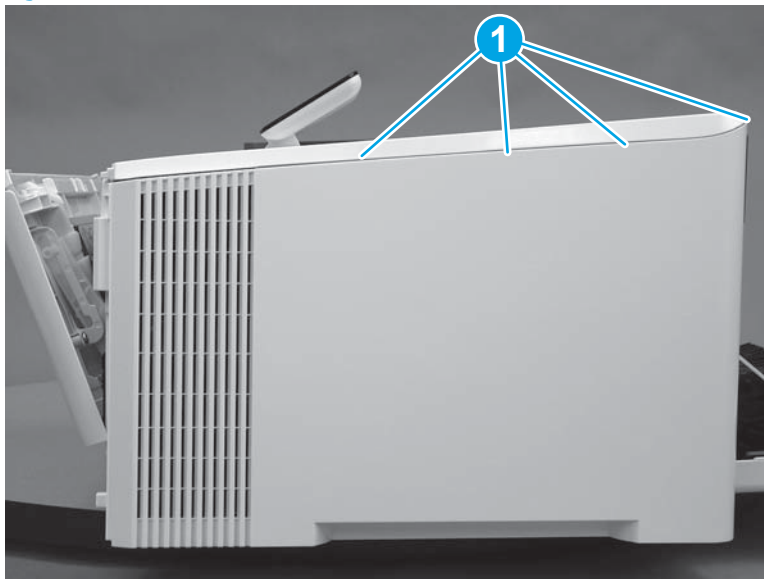
**⚠ CAUTION:** Be careful not to dislodge the power switch (callout 2).

Figure 1-1724 Release two front tabs



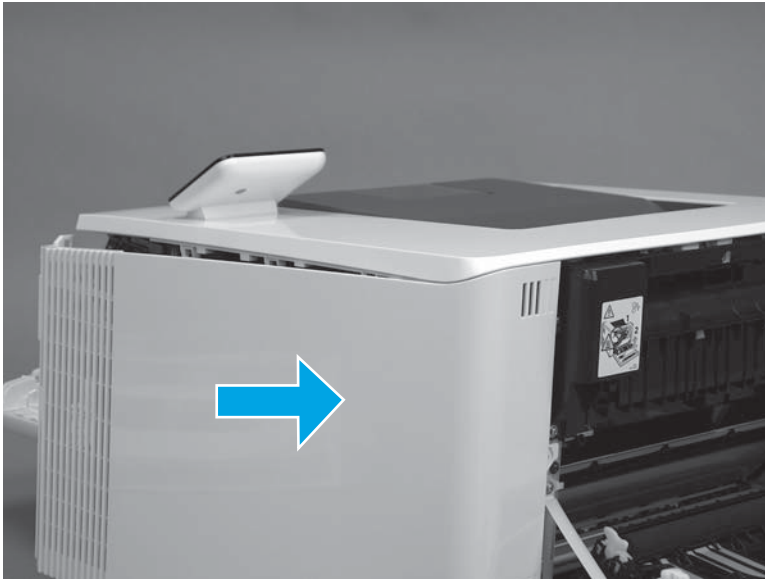
7. Release four tabs on the top of the printer (callout 1).

Figure 1-1725 Release upper tabs



8. Slide the cover toward the back of the printer to remove it.

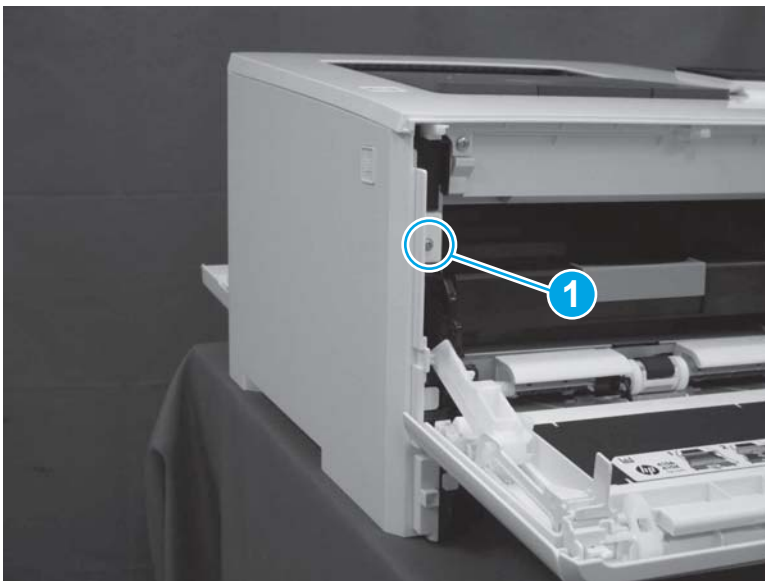
Figure 1-1726 Remove the right cover



#### Step 4: Remove the left cover (M454 models)

1. At the front of the printer, remove one screw (callout 1).

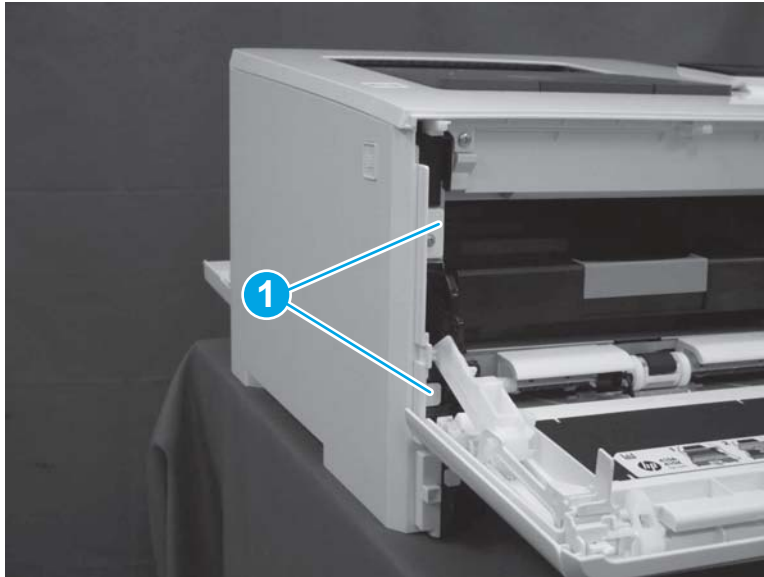
Figure 1-1727 Remove one screw





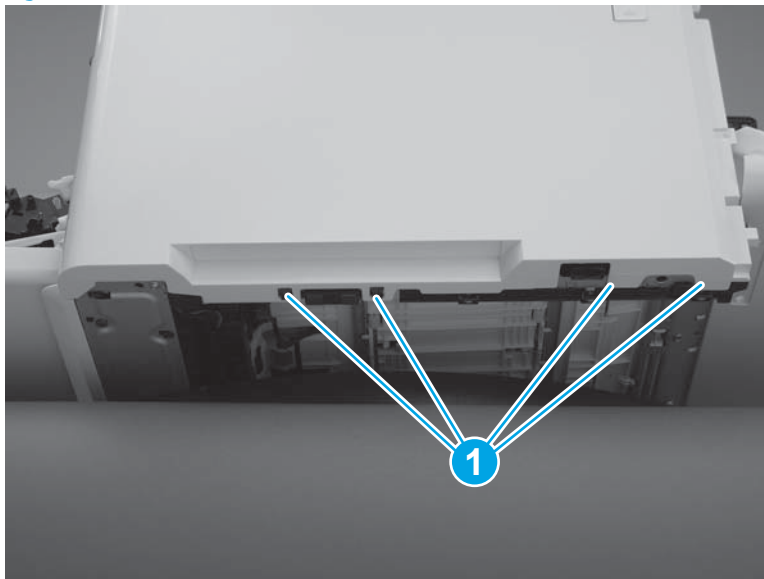
2. Release two tabs (callout 1) at the front of the cover. Hold the cover open to prevent the tabs from reengaging.

Figure 1-1728 Release two tabs



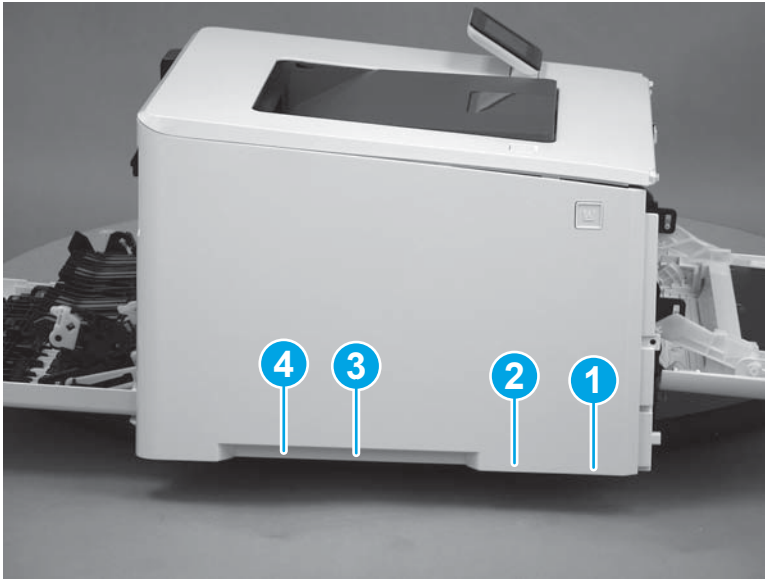
3. Slide the printer to the edge of a work surface. Note the location of the tabs on the lower edge of the cover (callout 1).

Figure 1-1729 Locate the tabs



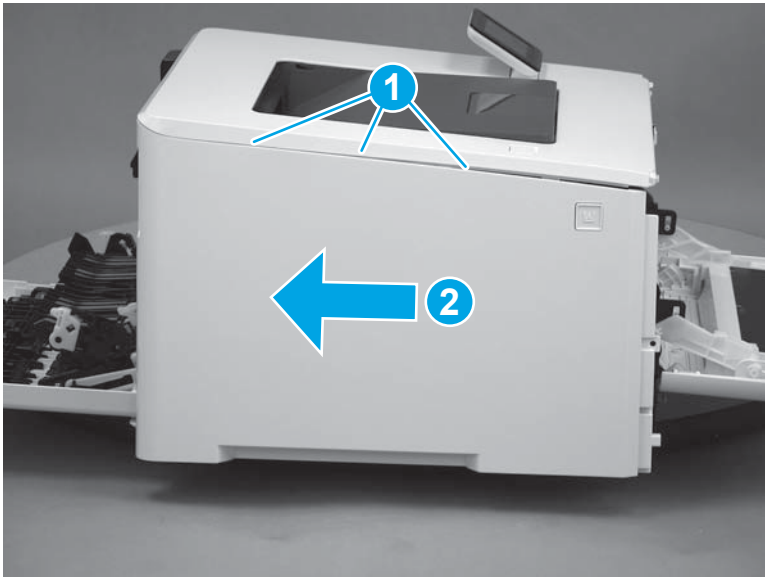
4. Beginning from the front of the cover, release four tabs (callouts 1-4) on the lower edge of the cover.

Figure 1-1730 Release bottom tabs




5. Release three tabs at the top of the cover (callout 1), and then slide the cover toward the rear of the printer to remove it.

Figure 1-1731 Release three tabs

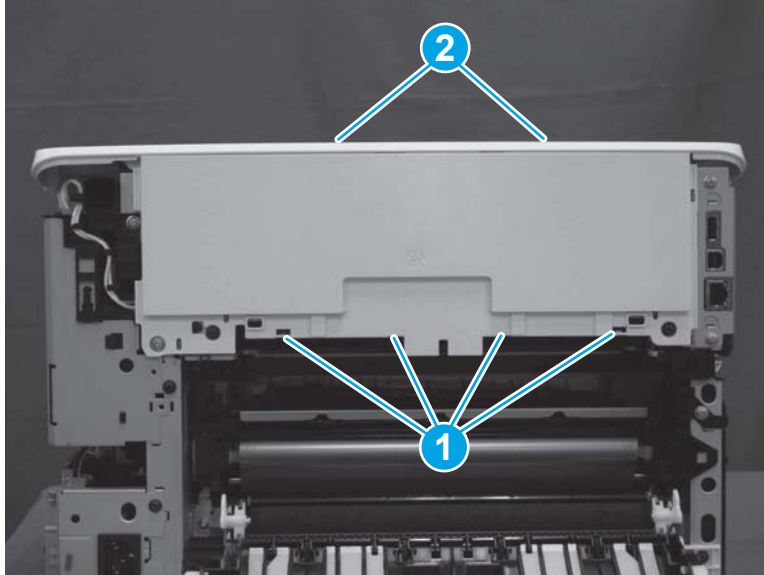


#### Step 5: Remove the rear top cover (simplex model)

 **NOTE:** This step is for simplex models. For duplex models, skip this step and go to [Step 6: Remove the top cover \(M454 models\) on page 953](#).

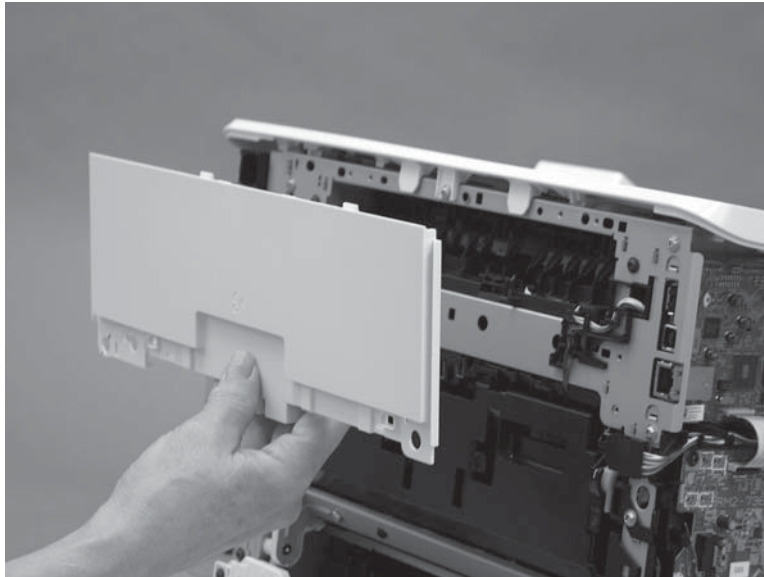
1. At the back of the printer, release four tabs (callout 1) on the bottom of the cover and two tabs (callout 2) on the top of the cover.

Figure 1-1732 Release six tabs



2. Remove the rear top cover.

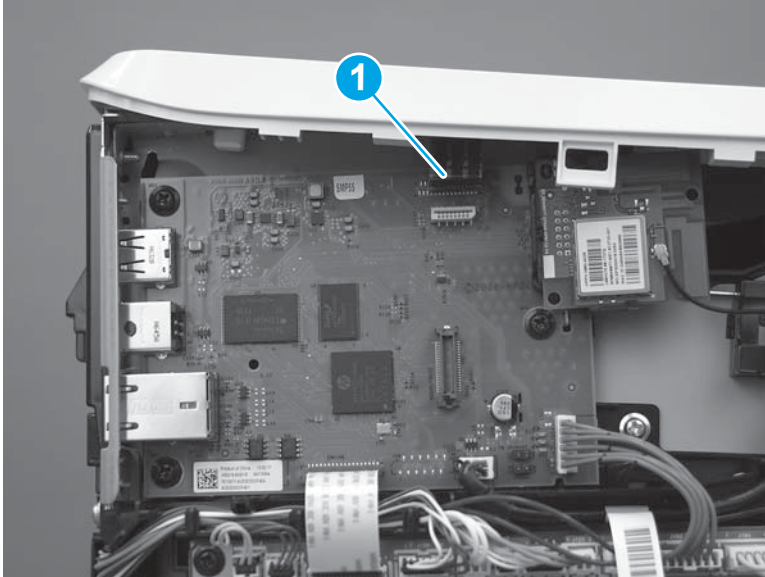
Figure 1-1733 Remove the rear top cover



#### Step 6: Remove the top cover (M454 models)

1. **M454dw model only:** On the left side of the printer, on the formatter, disconnect one connector (callout 1).

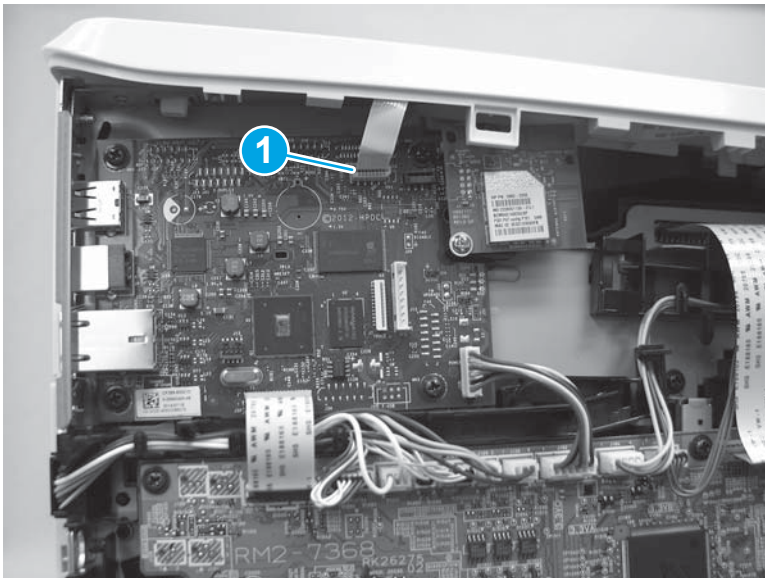
Figure 1-1734 Disconnect one connector



2. **M454nw/dn models only:** On the left side of the printer, on the formatter, disconnect one connector (callout 1).

 **NOTE:** The formatter may look slightly different than what is shown below, however the removal procedures are the same.

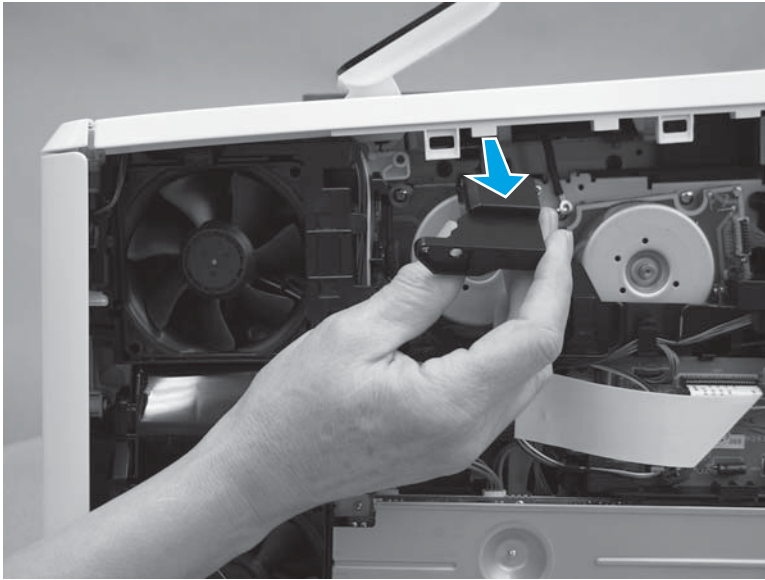
Figure 1-1735 Disconnect one connector





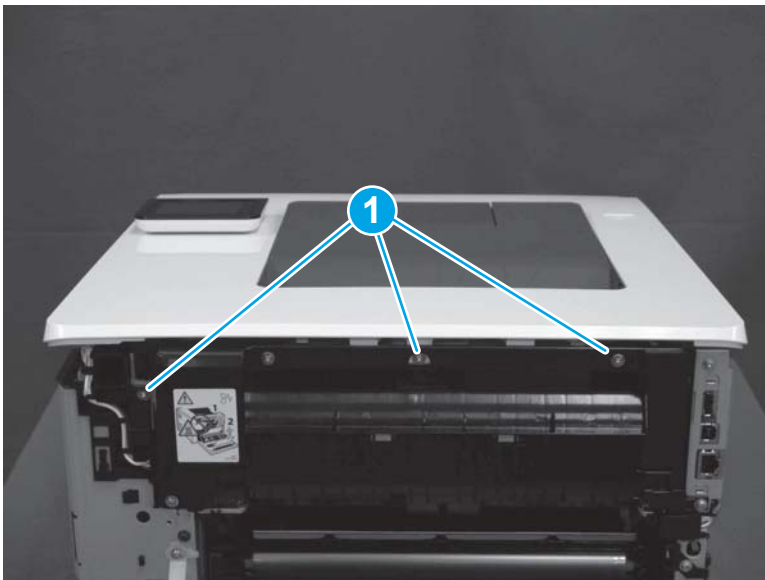
5. **M454dw model only:** Remove the guide.

Figure 1-1738 Remove the guide



6. **M454dn/dw models only:** At the back of the printer, remove three screws (callout 1).

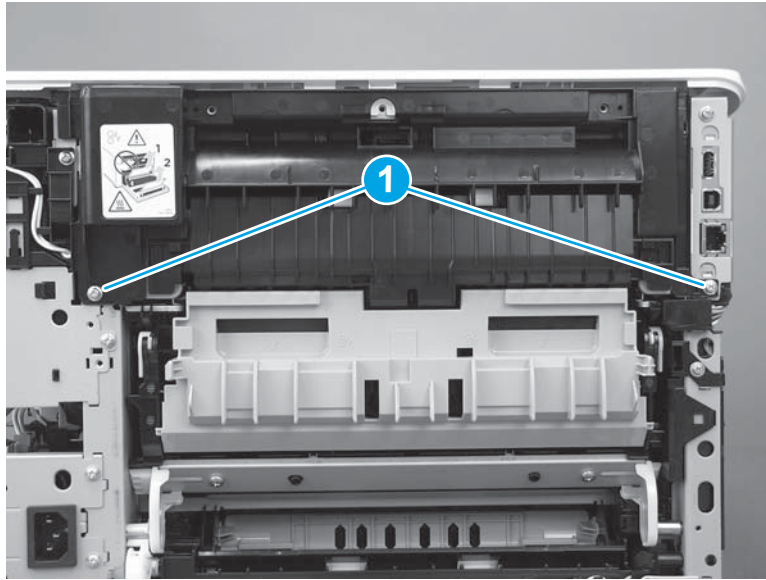
Figure 1-1739 Remove three screws





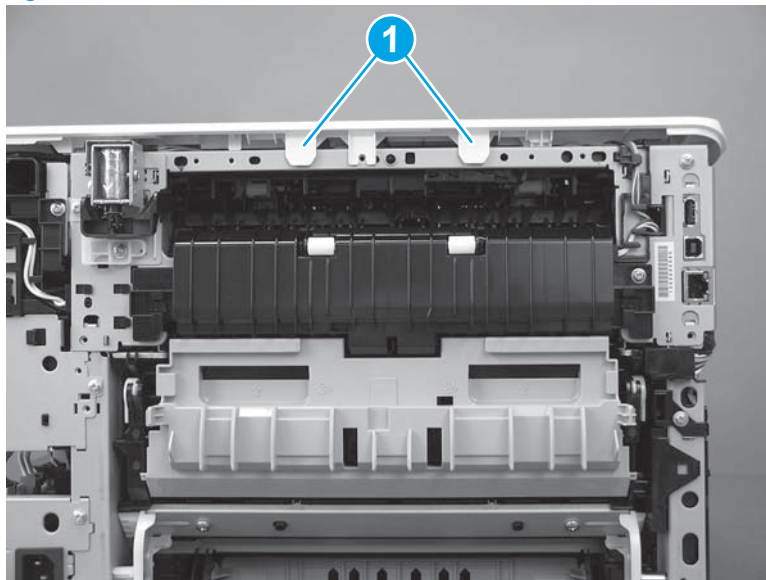
7. **M454dn/dw models only:** Remove two screws (callout 1).

Figure 1-1740 Remove two screws



8. **M454nw model only:** At the back of the printer release two tabs (callout 1).

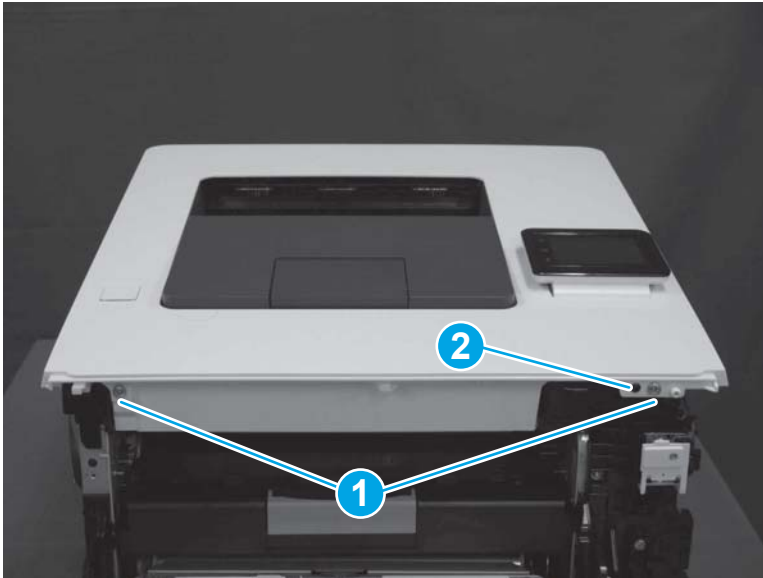
Figure 1-1741 Release two tabs





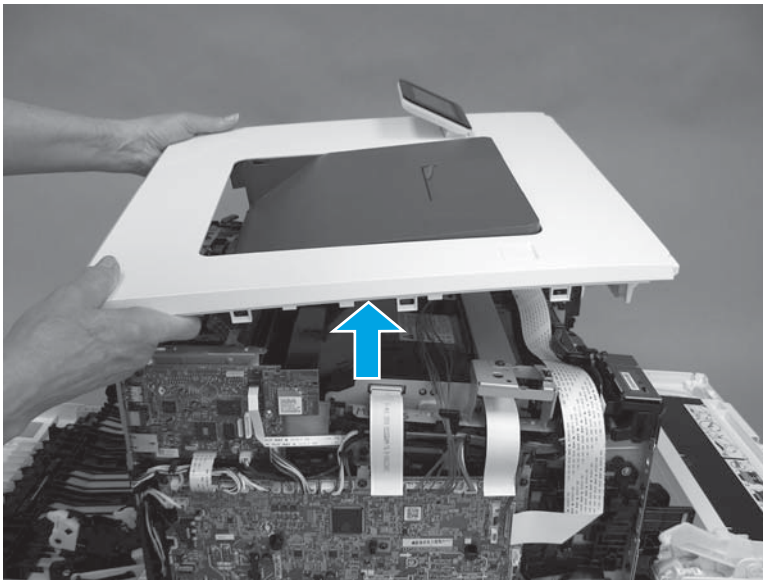
9. At the front of the printer, remove two screws (callout 1), and then release one tab (callout 2).

Figure 1-1742 Remove two screws and release one tab



10. Remove the top cover.

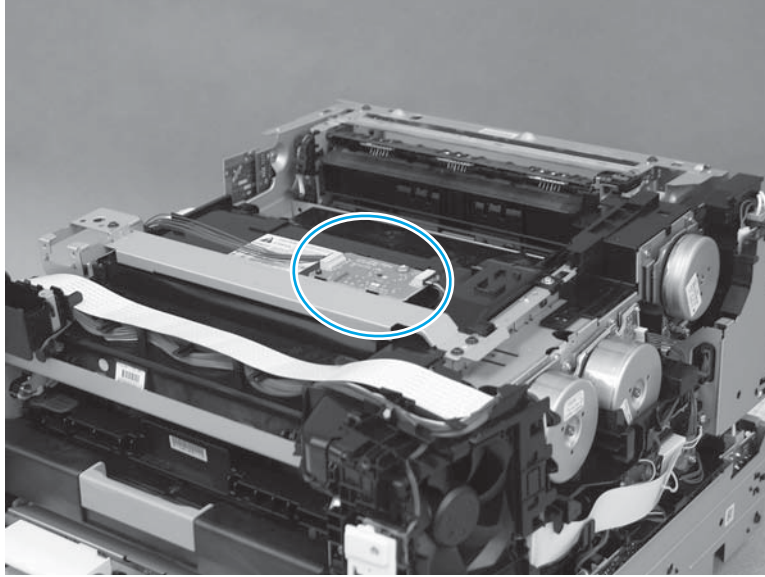
Figure 1-1743 Remove the top cover



#### Step 7: Remove the memory PCA

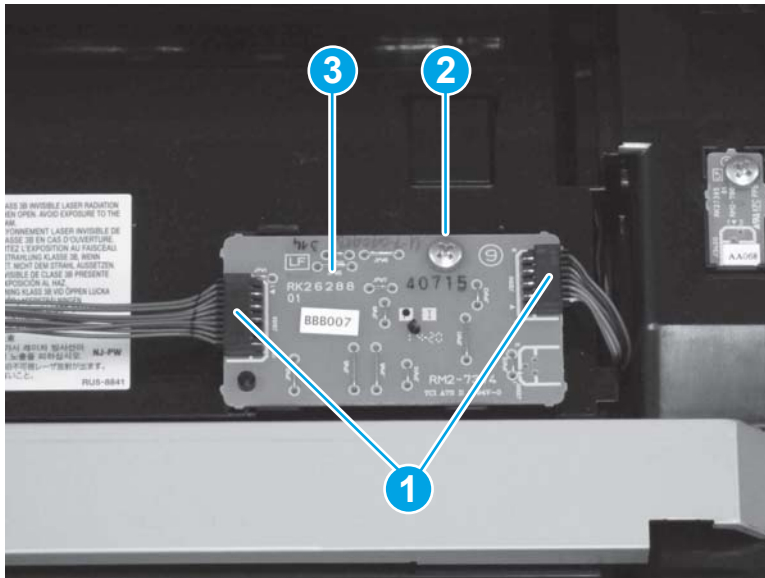
1. Locate the memory PCA on the top of the printer.

Figure 1-1744 Locate the memory PCA



2. Disconnect two connectors (callout 1), remove one screw (callout 2), and then remove the memory PCA (callout 3).

Figure 1-1745 Remove the memory PCA



### Step 9: Remove the laser scanner (M454 models)

1. On the left side of the printer, on the formatter PCA, disconnect four connectors (callout 1).


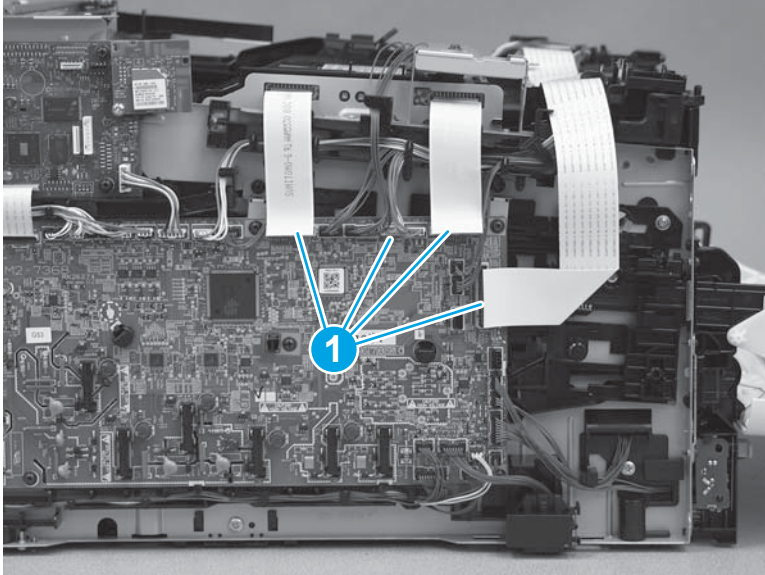
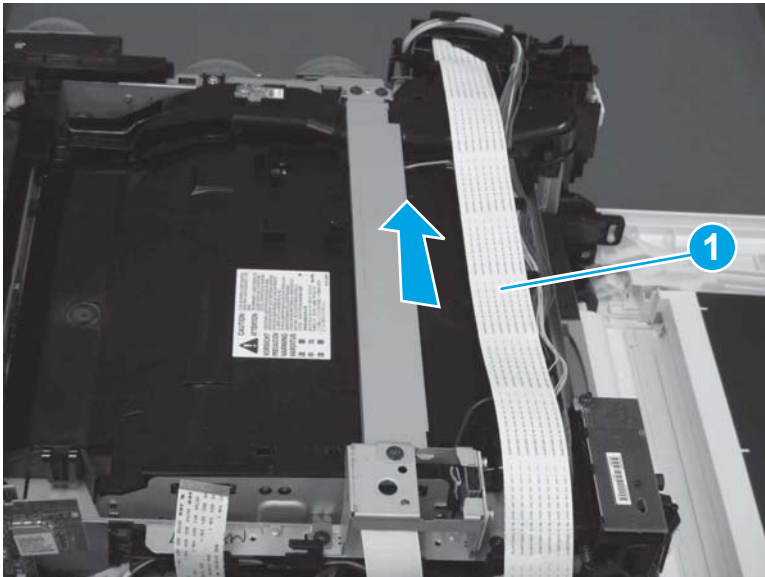
 **NOTE:** Formatter and main PCA boards may look different than what is shown below, however, the procedures are the same.

Figure 1-1746 Disconnect four connectors



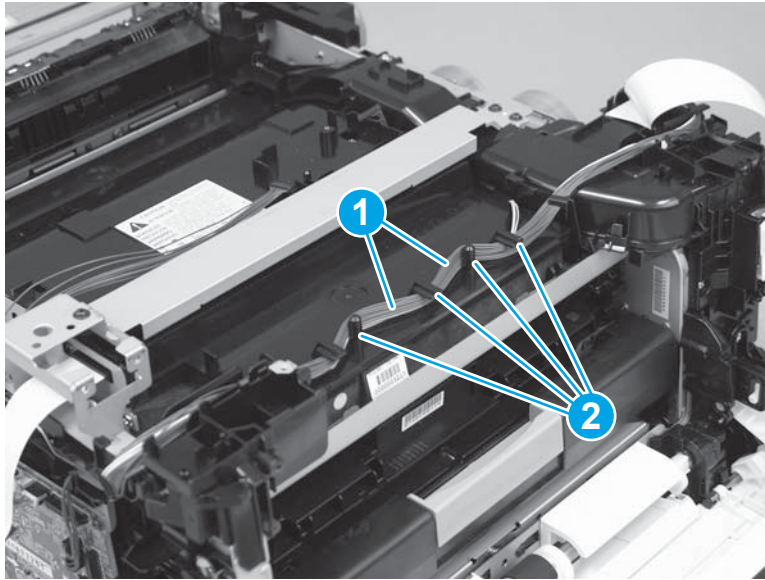
2. Lift the flat cable (callout 1) over to the right side of the printer to allow access to the cables under it.

Figure 1-1747 Lift the flat cable



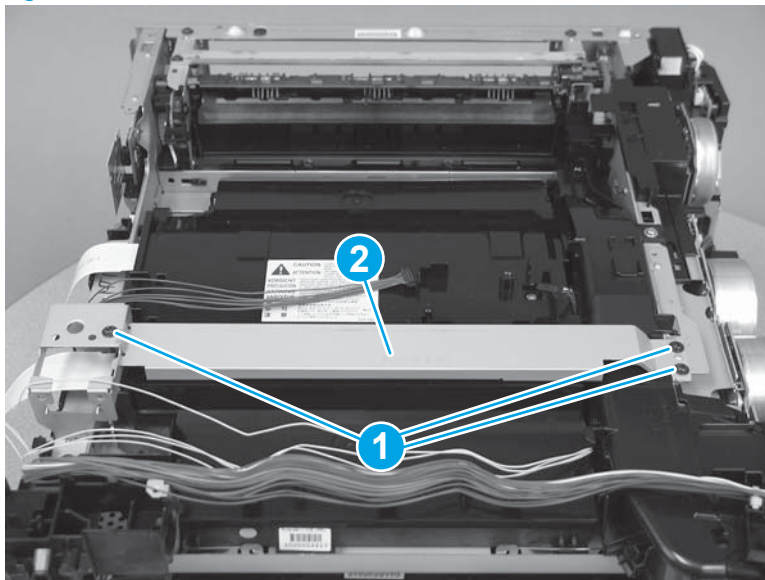
3. Release all of the cables (callout 1) from the cable guides (callout 2).

Figure 1-1748 Release the cables from the guides



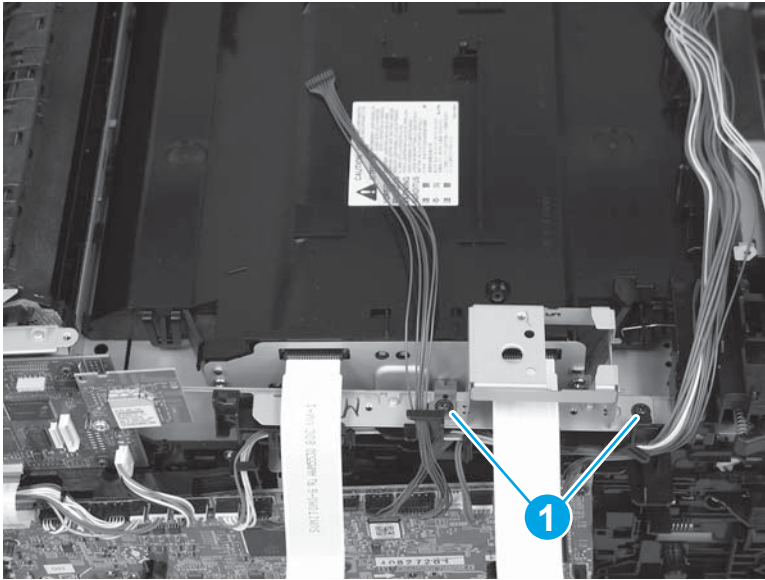
4. Remove three screws (callout 1), and then remove the metal bracket (callout 2).

Figure 1-1749 Remove the bracket



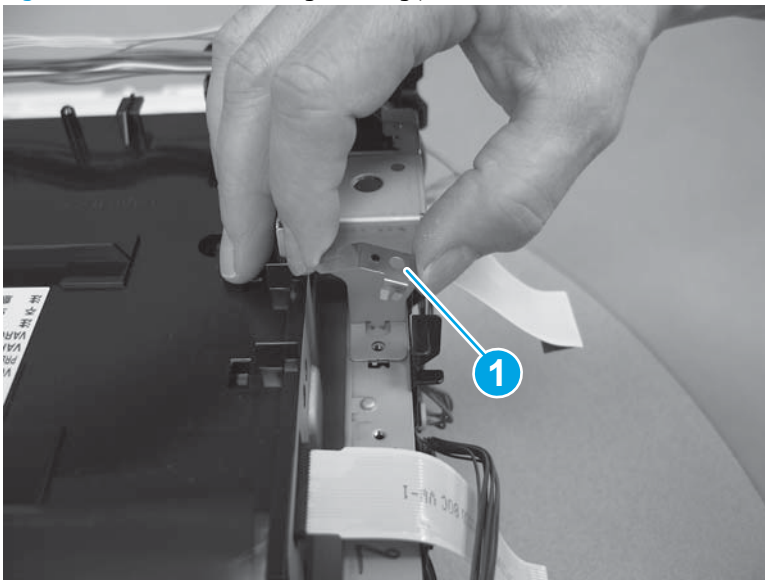
5. Remove two screws (callout 1).

Figure 1-1750 Remove two screws



6. Remove the grounding plate (callout 1).

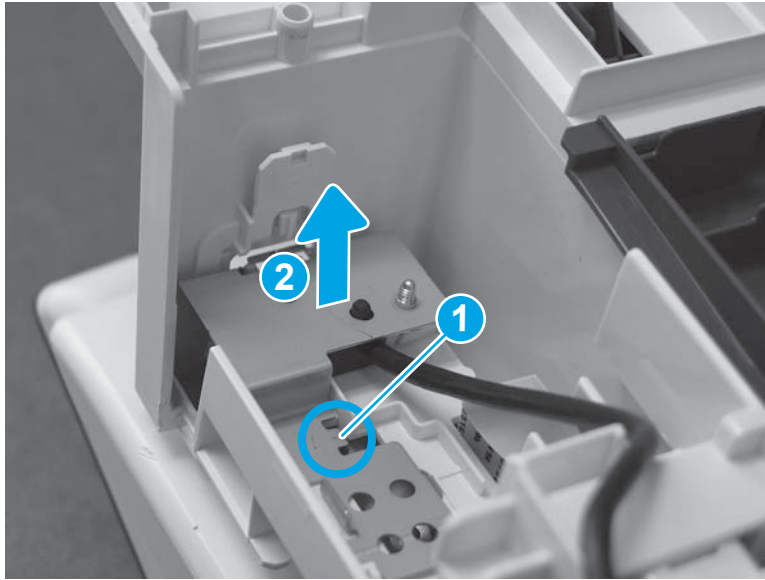
Figure 1-1751 Remove the grounding plate






7. **M454dw only:** Release one tab (callout 1) and slide back and lift to remove USB connector (callout 2)

**Figure 1-1752** Release one tab (callout 1) and lift to remove USB connector (callout 2)



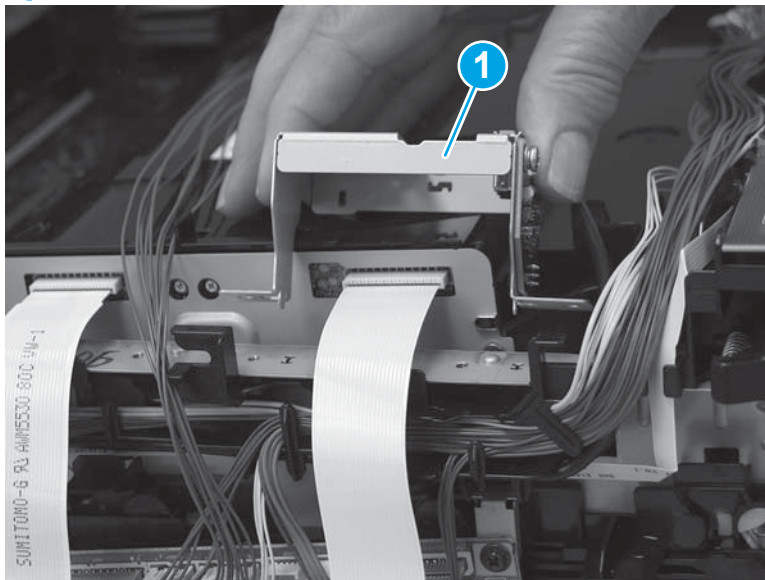
8. Remove the USB bracket (callout 1).

---

 **NOTE:** The M454dw model is shown in the figure below. The walk-up USB port is attached to the USB bracket for this model only.

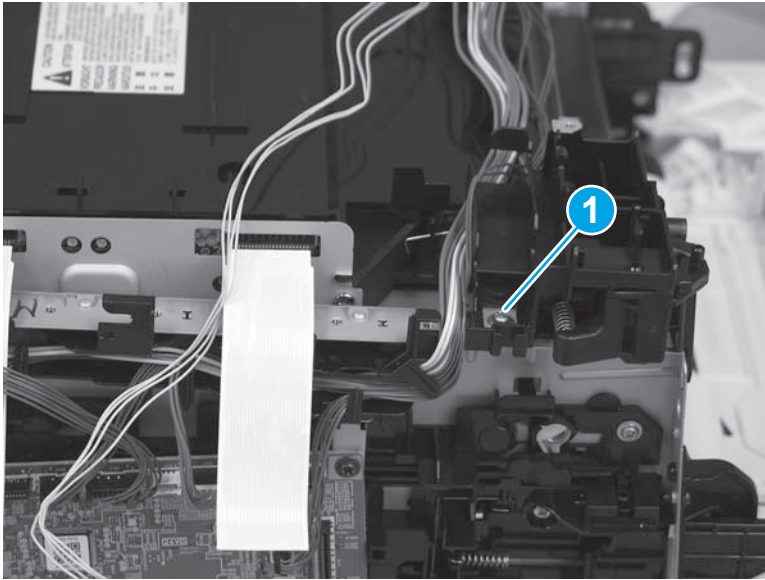
---

**Figure 1-1753** Remove the USB bracket



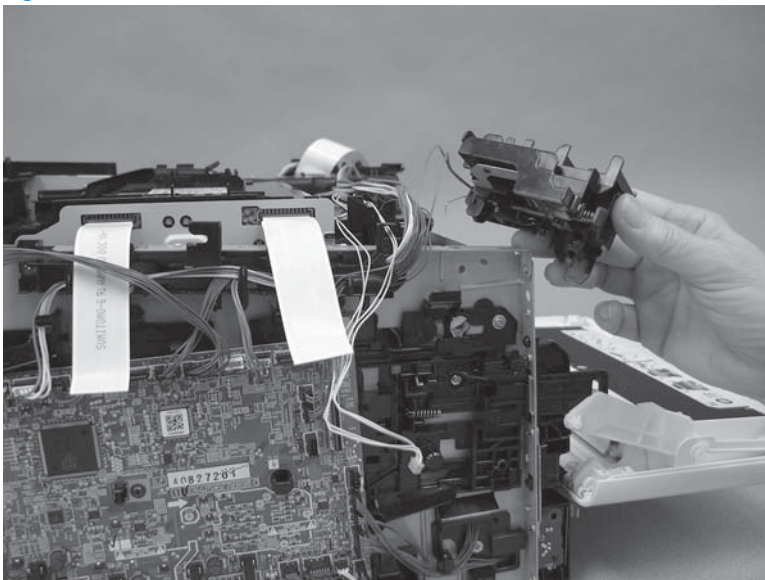
9. Remove one screw (callout 1).

Figure 1-1754 Remove one screw



10. Remove the front door switch holder.

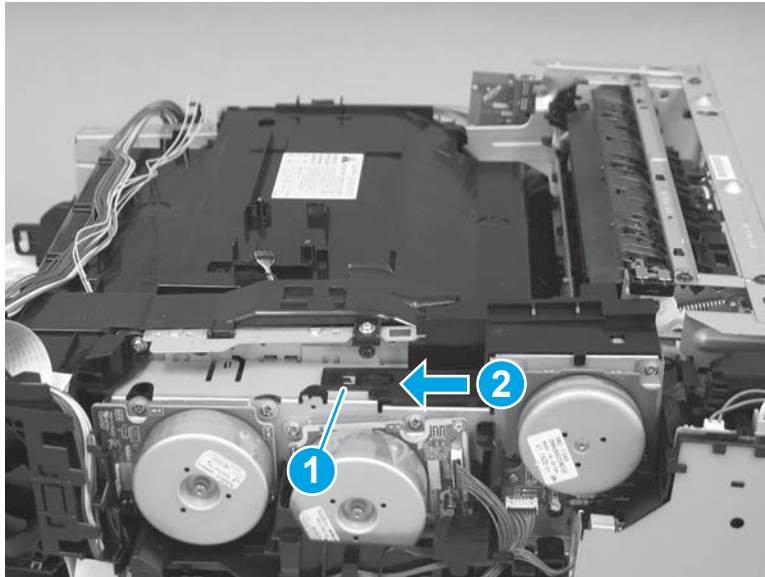
Figure 1-1755 Remove the front door switch holder





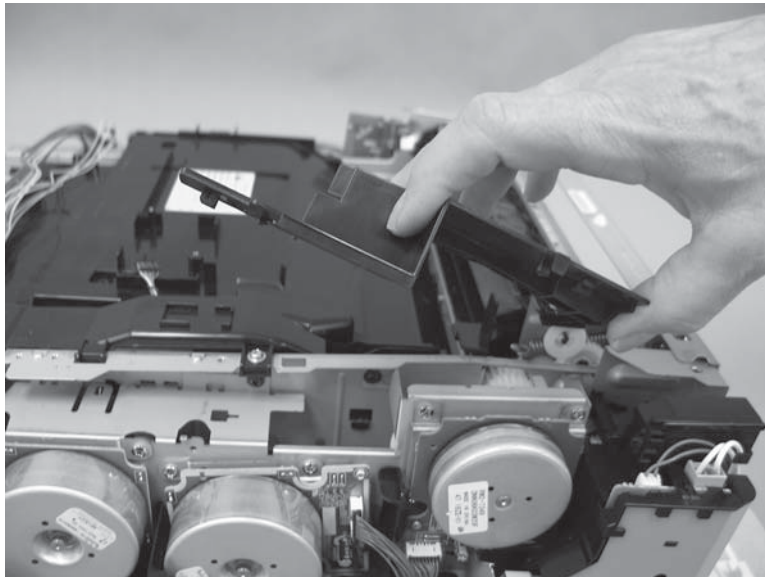
11. On the right side of the printer, toward the back, release one tab (callout 1) and then slide (callout 2) the black cover toward the front of the printer.

Figure 1-1756 Release one tab on the cover



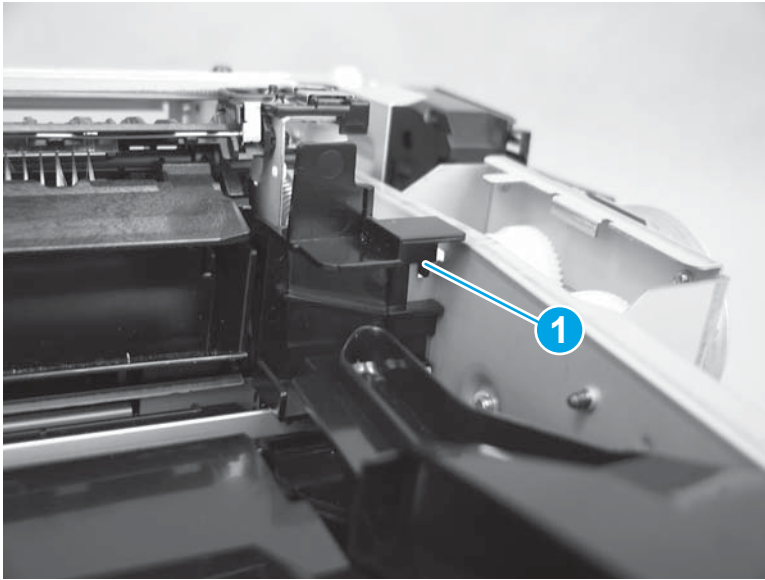
12. Remove the cover.

Figure 1-1757 Remove the cover



13. Release one tab (callout 1).

Figure 1-1758 Release one tab



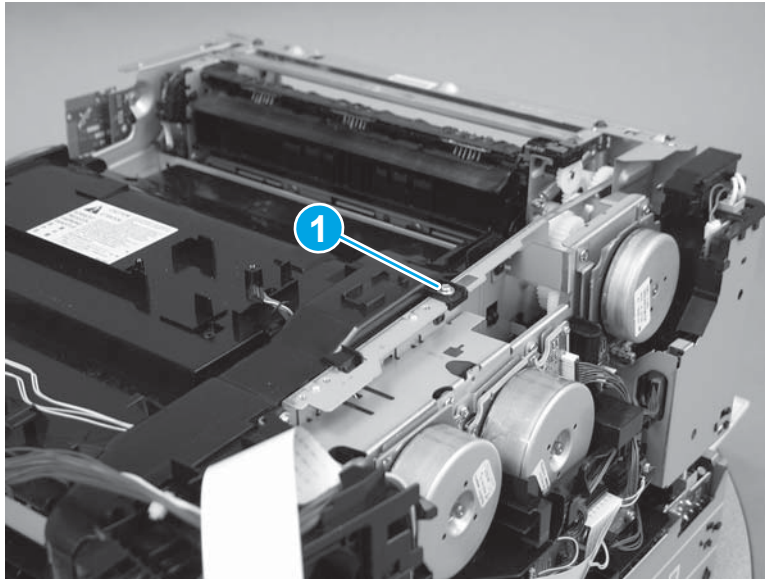
14. Remove the cover.

Figure 1-1759 Remove the cover



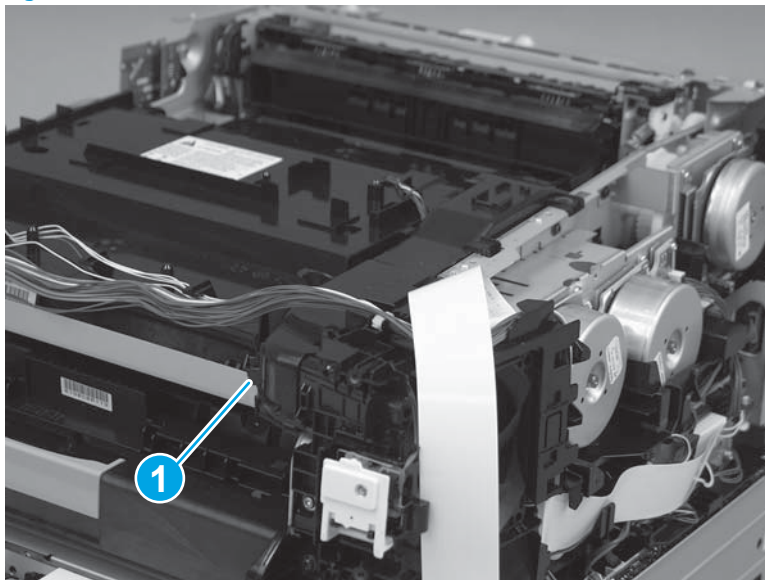
15. Remove one screw (callout 1).

Figure 1-1760 Remove one screw



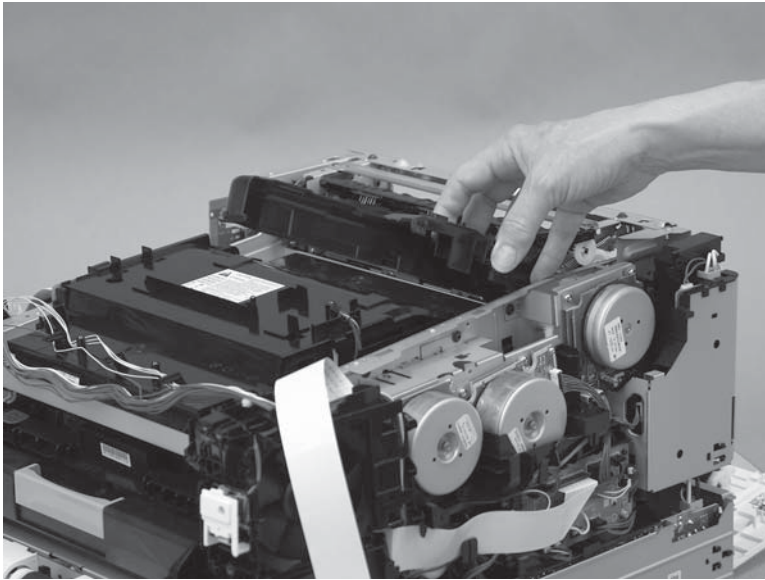
16. Release one tab (callout 1).

Figure 1-1761 Release one tab



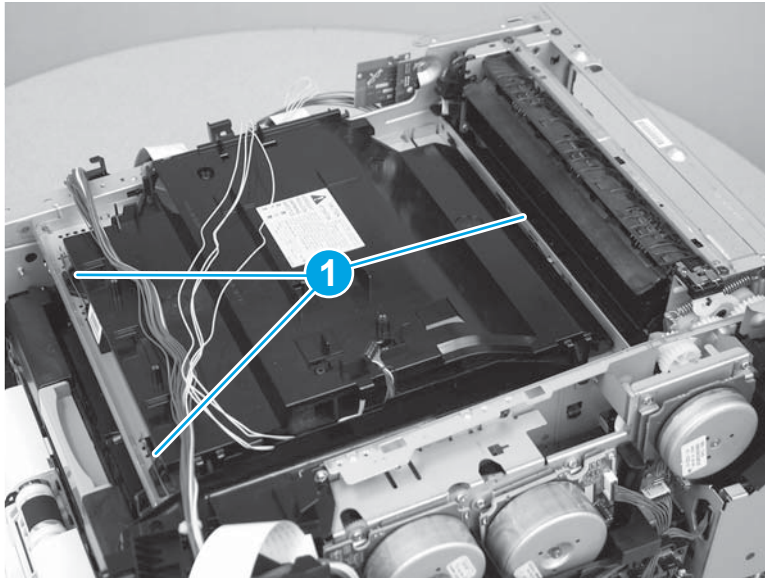
17. Remove the exhaust duct.

Figure 1-1762 Remove the exhaust duct



18. Use needle-nose pliers to release three springs (callout 1).

Figure 1-1763 Release three springs




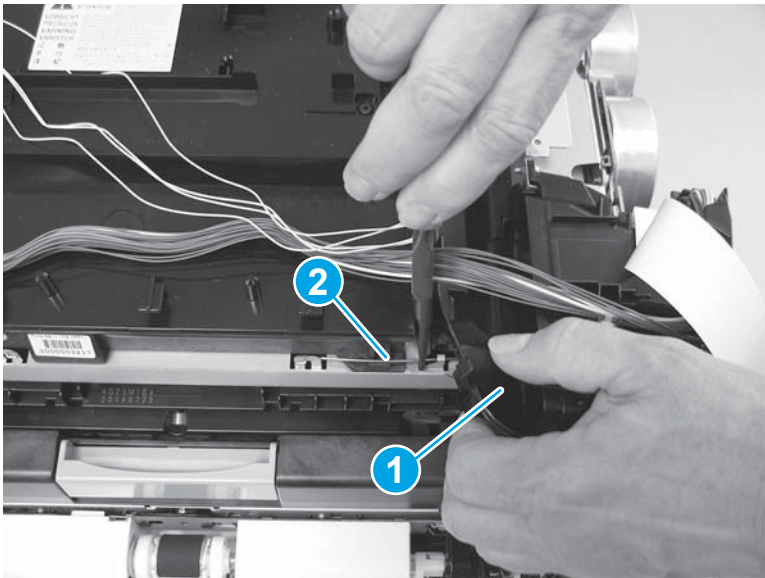
 **TIP:** Lift up the edge of the duct (callout 1) to release the right front spring (callout 2).

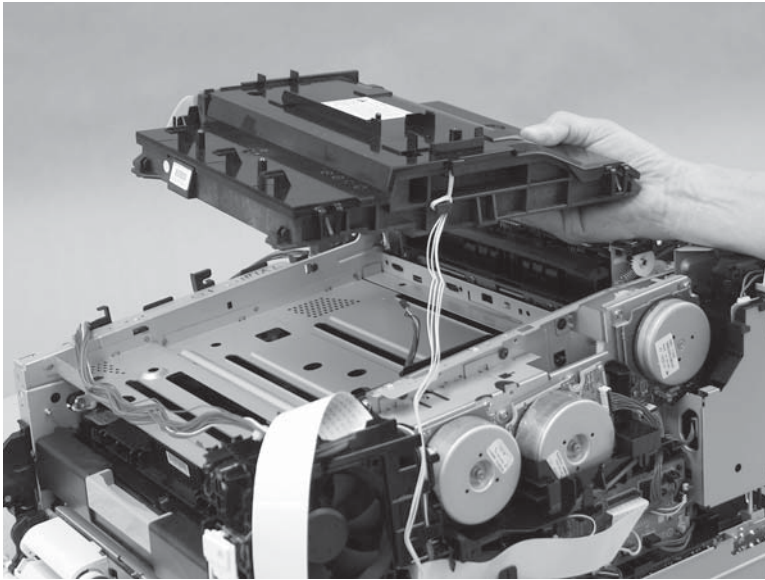
Figure 1-1764 Lift the duct to release the spring





19. Remove the laser scanner.

Figure 1-1765 Remove the laser scanner



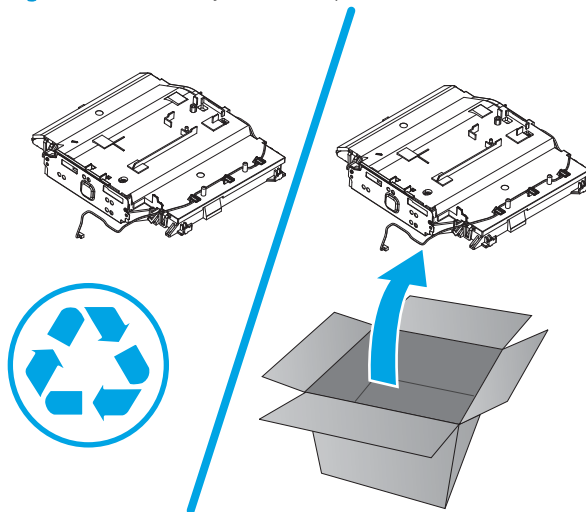
#### Step 10: Unpack the replacement part

Remove the new part from its package. Save all packaging for recycling the used part.

For complete information on HP's recycling programs, go to [Product return and recycling](#).

 **NOTE:** HP recommends responsible disposal of the defective part.

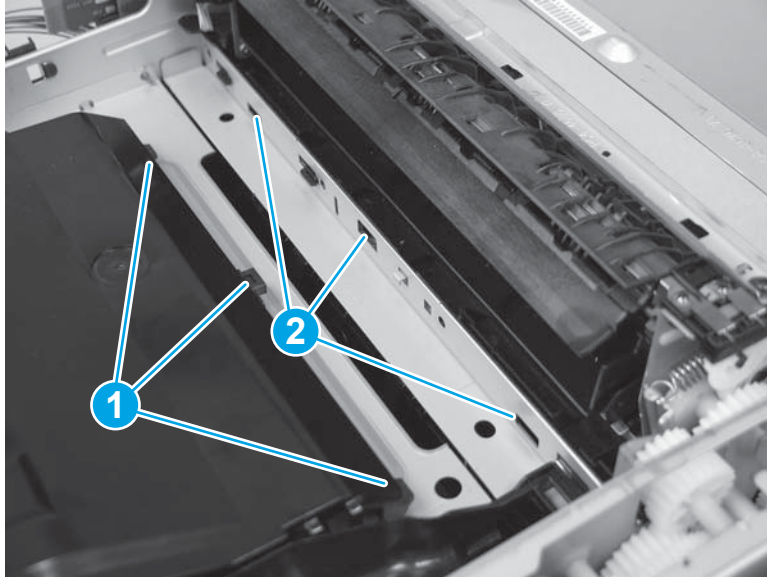
Figure 1-1766 Recycle and unpack



#### Step 11: Install the laser scanner (M454 models)

1. Install three tabs (callout 1) on back of the laser scanner into the slots (callout 2) in the printer frame.

Figure 1-1767 Install three tabs



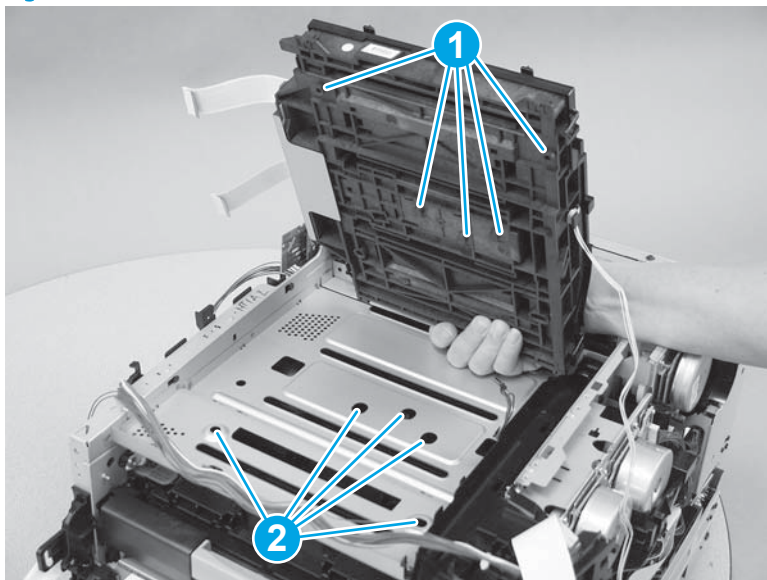
2. Install the five tabs (callout 1) on the bottom of the laser scanner into the holes (callout 2) in the top of the printer.

---

 **TIP:** Check the tabs by feeling along the underside of the sheet metal and verifying they are all fully installed.

---

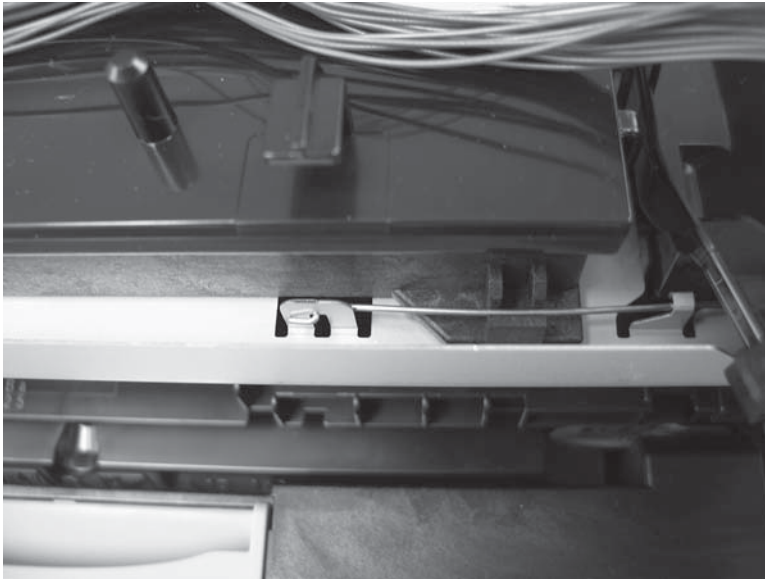
Figure 1-1768 Install five tabs





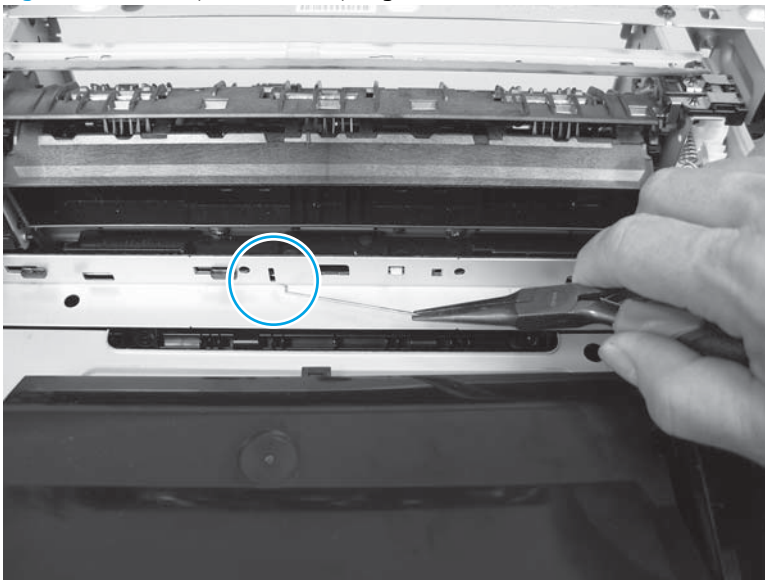
3. Before installing the springs in the next step, note the proper position of the springs when installed.

**Figure 1-1769** Spring position



4. If the rear spring becomes dislodged from the printer frame, reposition it as shown below.

**Figure 1-1770** Reposition the spring



5. To install an assembly, reverse the removal steps.



**NOTE:** When applicable, special installation instructions are provided for an assembly at the end of the removal procedure. Always completely read the removal instructions and follow all special installation instructions.

## Removal and replacement: Laser scanner (M479 models)

- [Introduction](#)
- [Step 1: Remove Tray 2](#)
- [Step 2: Open the front door and rear door or duplexer door](#)
- [Step 3: Remove the right cover \(M479 models\)](#)
- [Step 4: Remove the left cover \(M479 models\)](#)
- [Step 5: Remove the rear top cover \(simplex model\)](#)
- [Step 6: Remove the integrated scanner assembly \(M479 models\)](#)
- [Step 7: Remove the fax PCA \(M479 models\)](#)
- [Step 8: Remove the top cover \(M479 models\)](#)
- [Step 9: Remove the memory PCA](#)
- [Step 11: Remove the laser scanner \(M479 models\)](#)
- [Step 12: Unpack the replacement part](#)
- [Step 13: Install the laser scanner \(M479 models\)](#)

### Introduction

This document provides the procedures to remove and replace the laser scanner for the M479.

[Click here to view a video of this procedure.](#)



**NOTE:** The removal and replacement of the laser scanner is time-consuming and should be performed in a clean environment to avoid introducing contaminants into the laser imaging system. For these reasons, HP recommends replacing this part at an authorized repair center.

### Before you begin

- Turn off the printer.
- Disconnect the power cable.

**⚠ WARNING!** To avoid damage to the printer, turn the printer off, wait 30 seconds, and then remove the power cord before attempting to service the printer.

- Use the table below to identify the correct part number for your printer. To order the part, go to [www.hp.com/buy/parts](http://www.hp.com/buy/parts).

---

**Laser scanner part number**

---

**RM2-5612-000CN**Laser scanner

---

## Required tools

- #2 Phillips screwdriver with a magnetic tip
- Small flat-blade screwdriver
- Needle-nose pliers

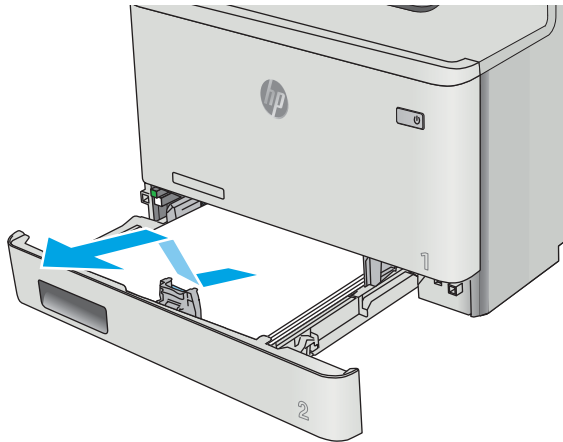
## After performing service

- Connect the power cable.
- Use the power switch to turn the power on.

## Step 1: Remove Tray 2

- ▲ Pull the tray out until it stops. Lift the front of the tray, and then pull it out of the printer to remove it.

Figure 1-1771 Remove the tray



## Step 2: Open the front door and rear door or duplexer door

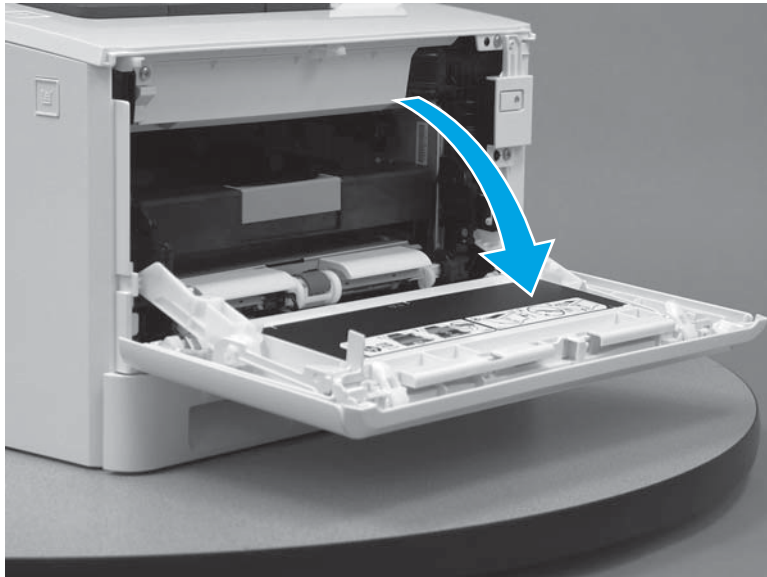
1. Press the button (callout 1) on the left side of the printer to release the front door.

Figure 1-1772 Release the front door



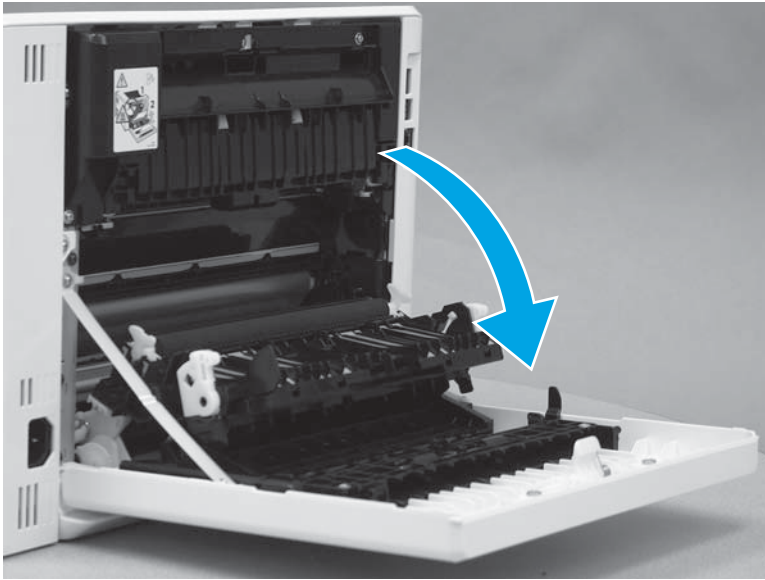
2. Open the front door.

Figure 1-1773 Open the front door



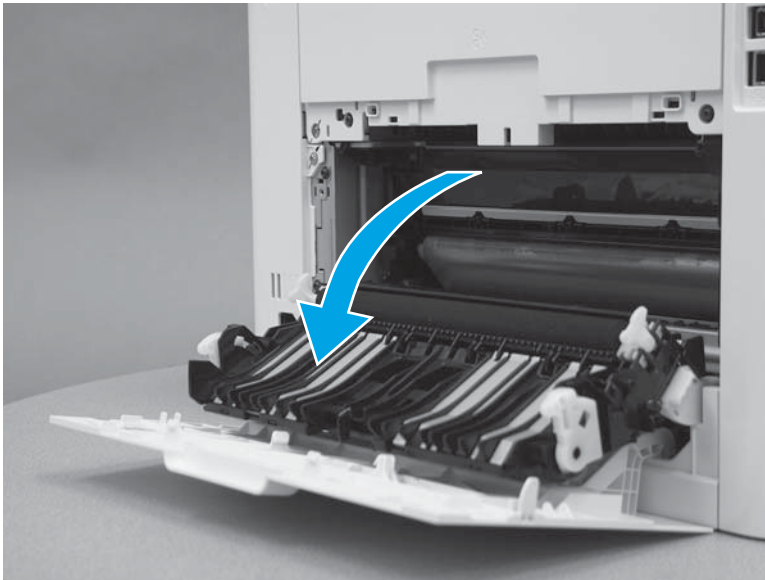
3. **Duplex models:** Open the duplexer door.

Figure 1-1774 Open the duplexer door



4. **Simplex models:** Open the rear door.

Figure 1-1775 Open the rear door



### Step 3: Remove the right cover (M479 models)

1. Raise the scanner.

Figure 1-1776 Raise the scanner



2. At the back of the printer, remove one screw (callout 1).

Figure 1-1777 Remove one screw



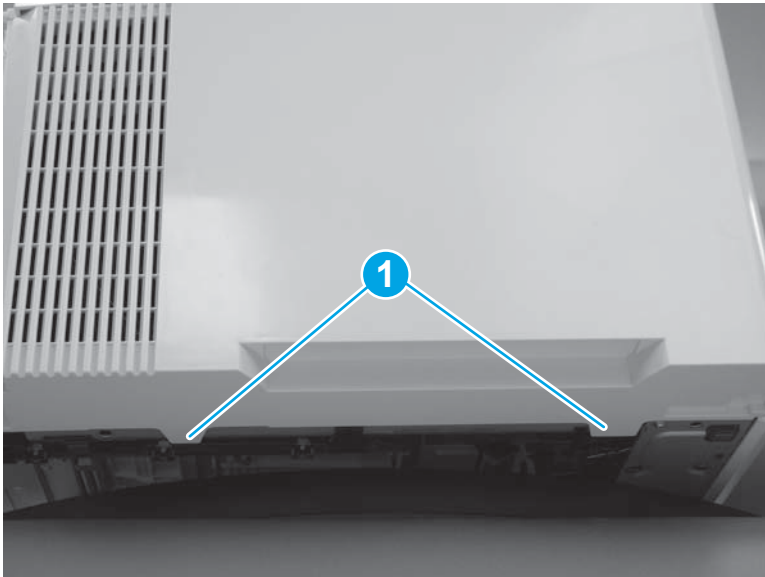
3. At the front of the printer, remove one screw (callout 1).

Figure 1-1778 Remove one screw



4. Slide the printer to the edge of a work surface. Note the location of the tabs on the lower edge of the cover (callout 1).

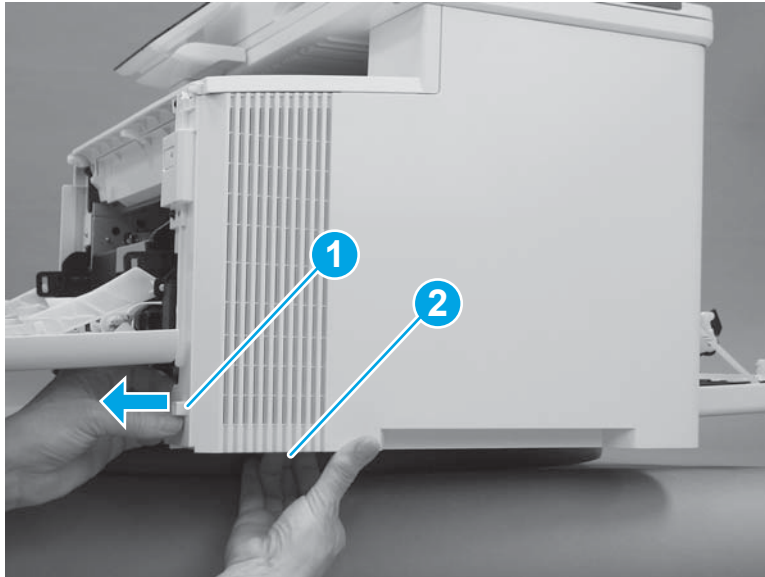
Figure 1-1779 Locate the tabs





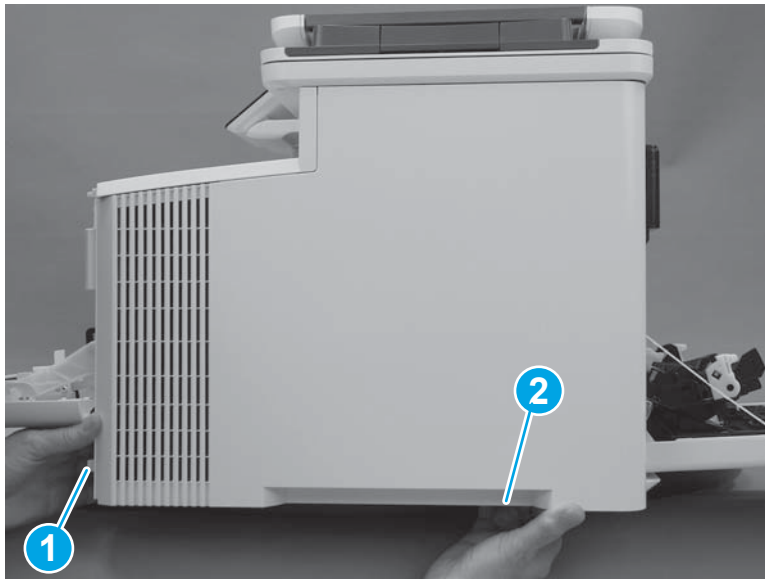
5. Release one tab (callout 1) on the front of the cover by slightly pulling the cover away from the printer. While holding the cover in the released position, release one tab (callout 2) on the lower edge of the cover.

Figure 1-1780 Release front lower tabs



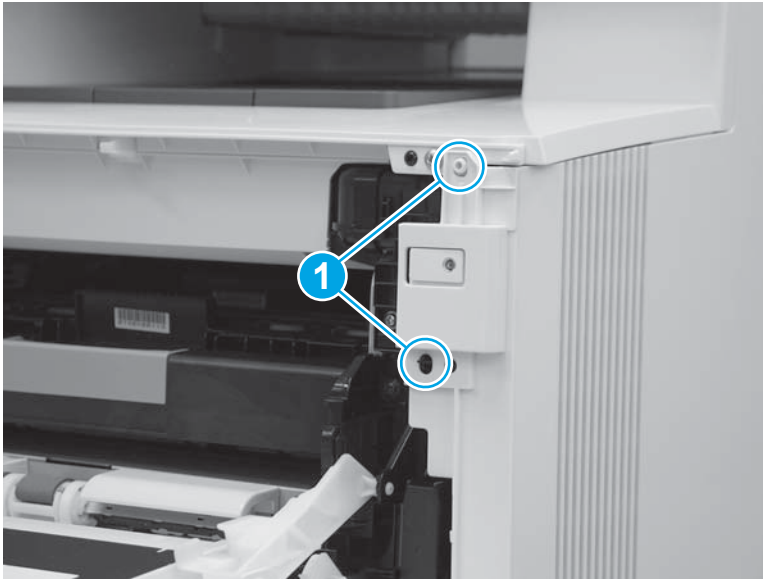
6. Hold the front tabs in the released position (callout 1), and then release one tab (callout 2) on the lower edge of the cover, toward the back of the printer.

Figure 1-1781 Release lower rear tab



7. Release two tabs at the front of the printer (callout 1) by slightly pulling the cover away from the printer.

Figure 1-1782 Release front upper tabs



8. Rotate the front of the cover away from the printer (callout 1).

---

**⚠ CAUTION:** Be careful not to dislodge the power switch (callout 2).

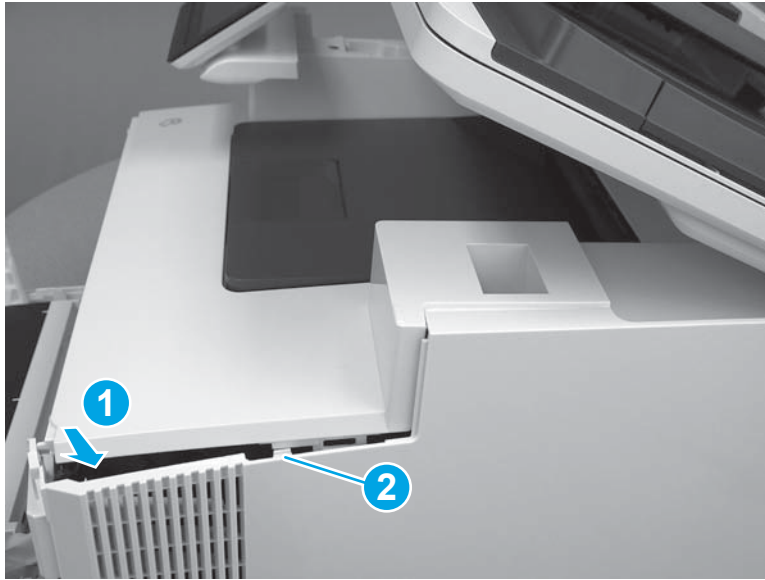
---

Figure 1-1783 Rotate the front of the cover



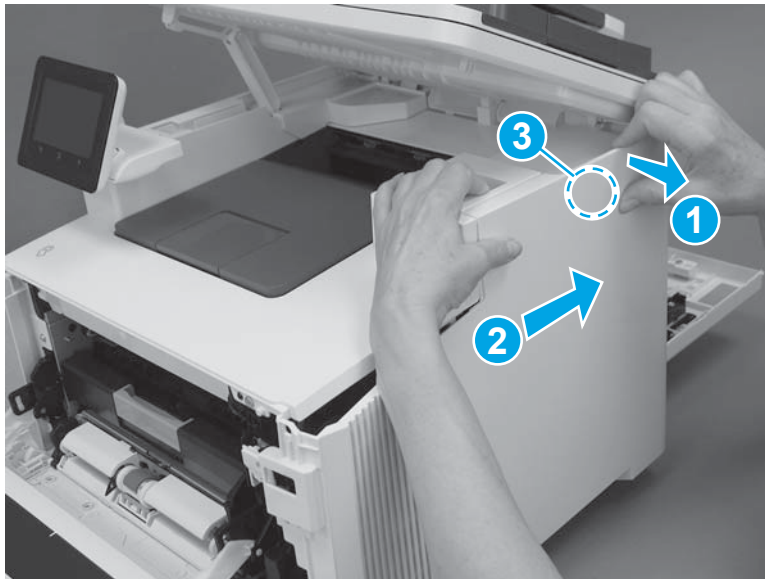
9. Slightly pull the front of the cover away from the printer (callout 1) to release one tab (callout 2).

Figure 1-1784 Release top tabs



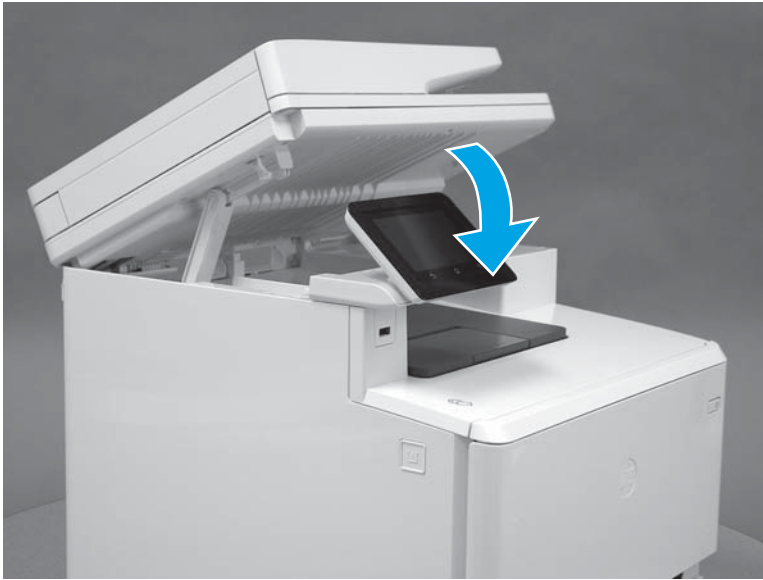
10. At the top of the printer, slightly pull the top of the cover away from the printer to release one retention tab (callout 1) on the inside of the cover. While holding the cover away, slide the cover toward the back of the printer (callout 2) to release one hook (callout 3) on the inside of the cover.

Figure 1-1785 Release one tab and one hook



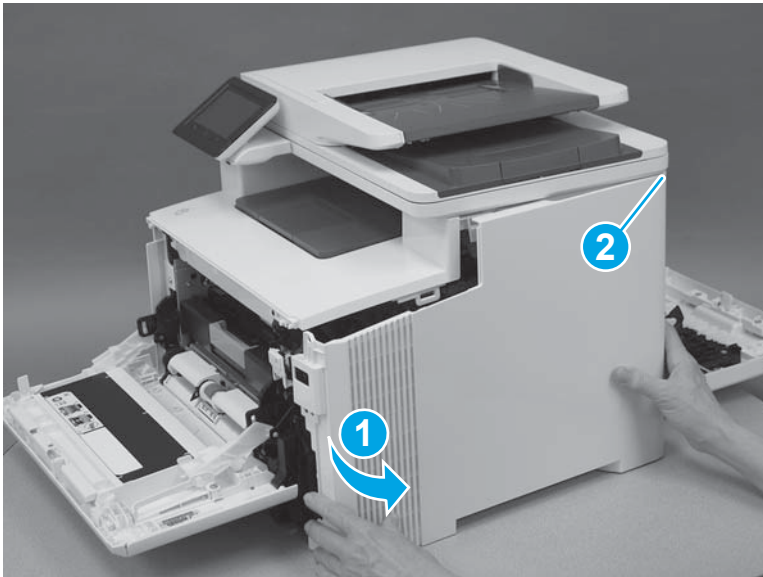
11. Lower the scanner.

Figure 1-1786 Lower the scanner



12. Rotate the cover away from the printer (callout 1) to release one tab (callout 2) at the back of the printer, and then remove the cover.

Figure 1-1787 Remove the right cover



#### Step 4: Remove the left cover (M479 models)

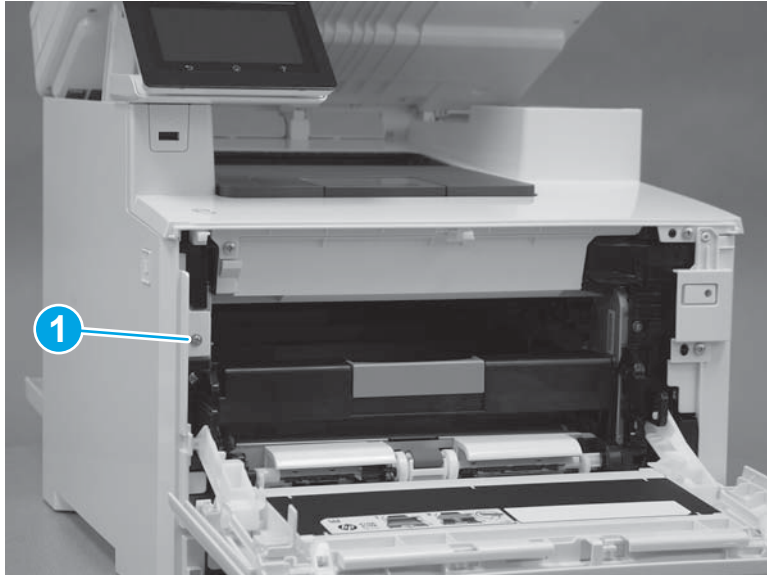
1. Raise the scanner.

Figure 1-1788 Raise the scanner



2. At the front of the printer, remove one screw (callout 1).

Figure 1-1789 Remove one screw



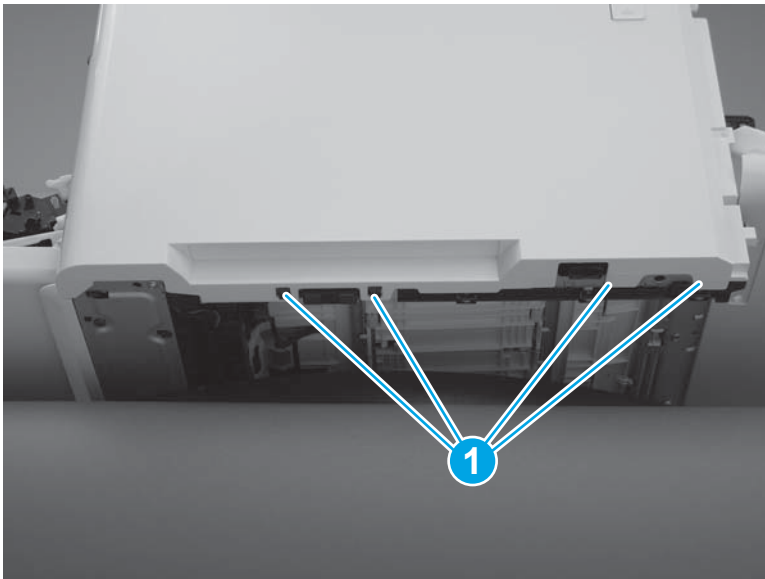
3. Release two tabs (callout 1) at the front of the cover. Hold the cover open to prevent the tabs from re-engaging.

Figure 1-1790 Release two tabs



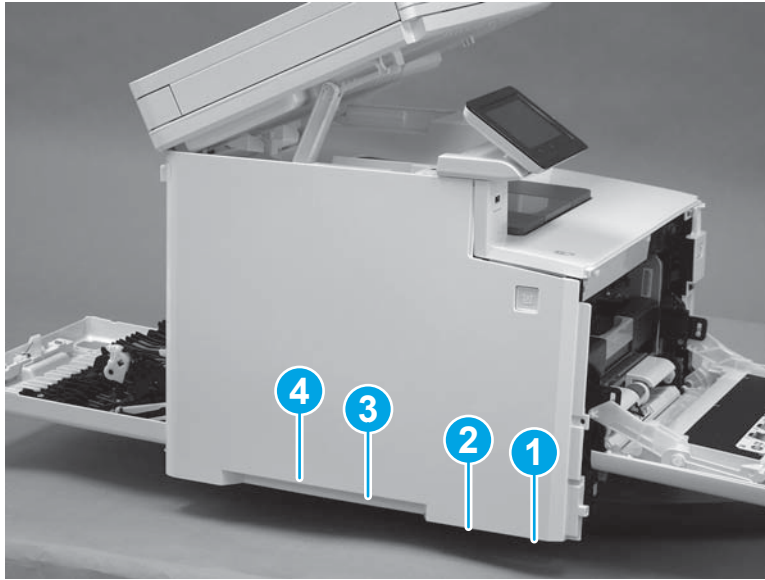
4. Slide the printer to the edge of a work surface. Note the location of the tabs on the lower edge of the cover (callout 1).

Figure 1-1791 Locate the tabs



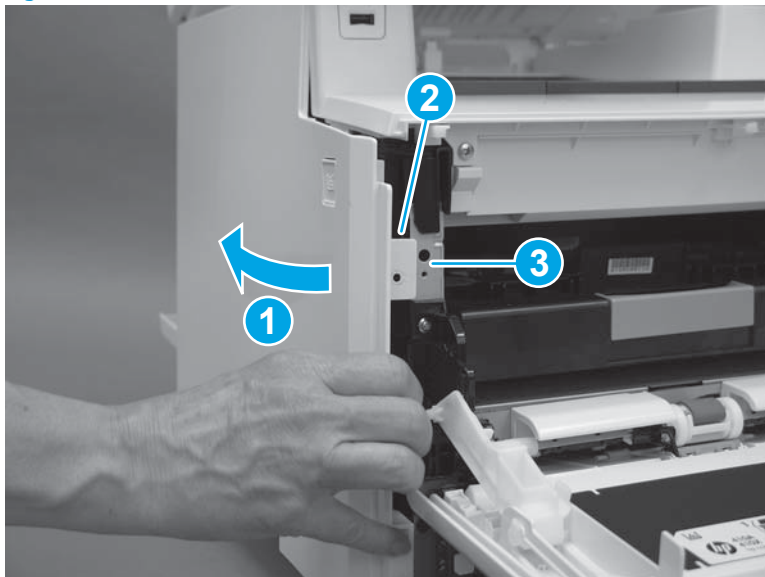
5. Beginning from the front of the cover, release the four tabs (callouts 1-4) on the lower edge of the cover.

Figure 1-1792 Release four tabs



6. Rotate the front of the cover away from the printer (callout 1). Make sure that the tab (callout 2) does not get caught on the printer frame (callout 3).

Figure 1-1793 Rotate the cover





7. At the top of the printer, slightly pull the top of the cover away from the printer to release one retention tab (callout 1) on the inside of the cover. While holding the cover away, slide the cover toward the back of the printer (callout 2) to release two hooks (callout 3) inside the cover.

Figure 1-1794 Release one tab and two hooks



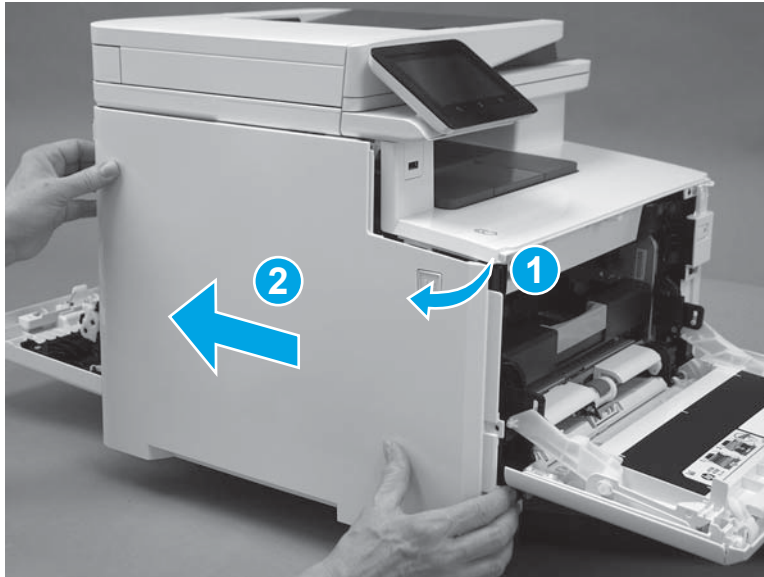
8. Lower the scanner.

Figure 1-1795 Lower the scanner




9. Rotate the cover away from the printer (callout 1), and then slide the cover (callout 2) toward the back of the printer to remove it.

Figure 1-1796 Remove the left cover

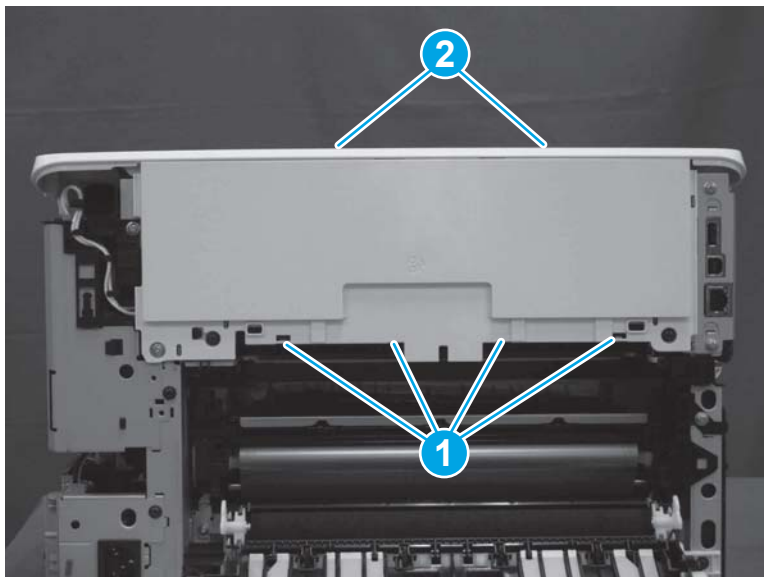


#### Step 5: Remove the rear top cover (simplex model)

 **NOTE:** This step is for simplex models. For duplex models, skip this step and go to [Step 6: Remove the integrated scanner assembly \(M479 models\) on page 988](#).

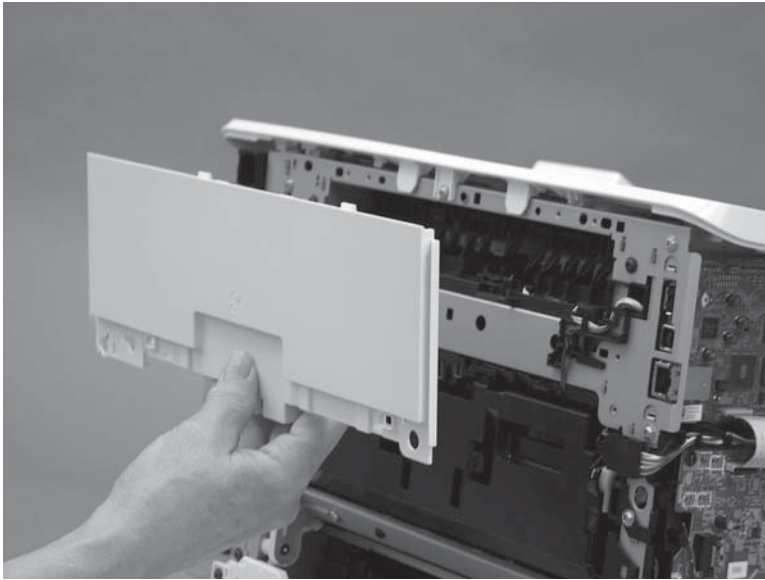
1. At the back of the printer, release four tabs (callout 1) on the bottom of the cover and two tabs (callout 2) on the top of the cover.

Figure 1-1797 Release six tabs



2. Remove the rear top cover.

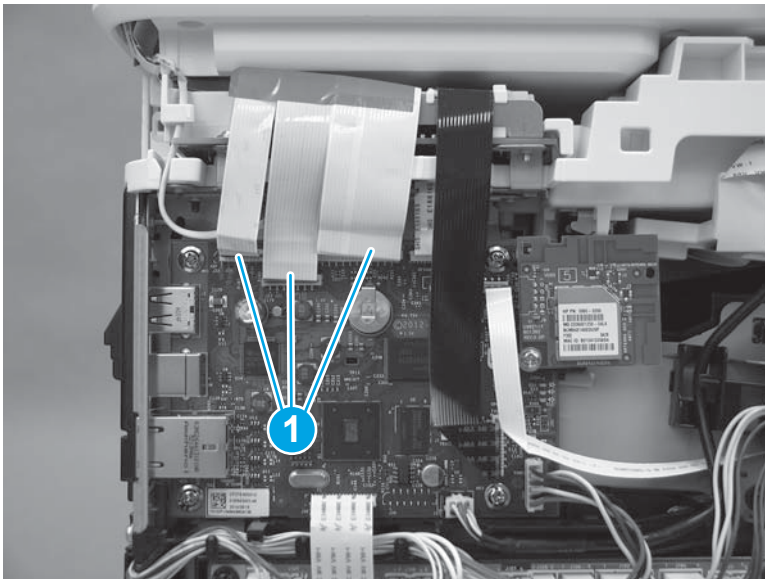
Figure 1-1798 Remove the rear top cover



#### Step 6: Remove the integrated scanner assembly (M479 models)

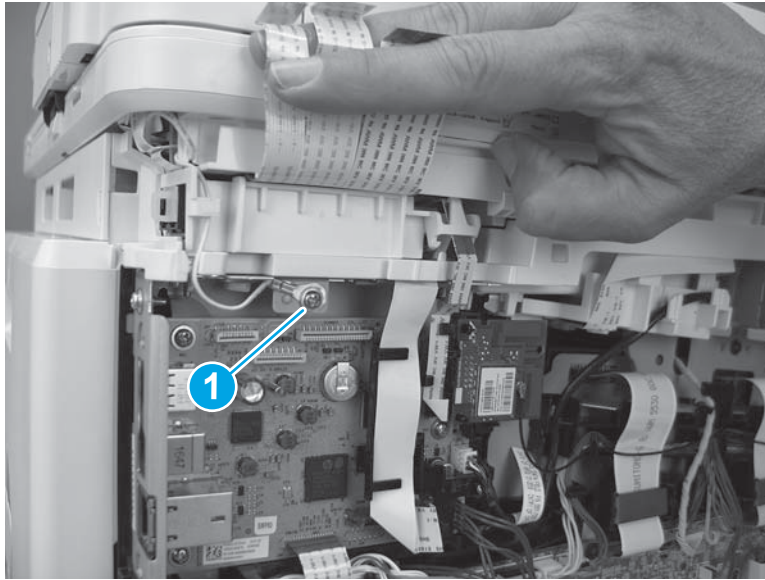
1. On the left side of the printer, disconnect three connectors (callout 1).

Figure 1-1799 Disconnect the scanner cables



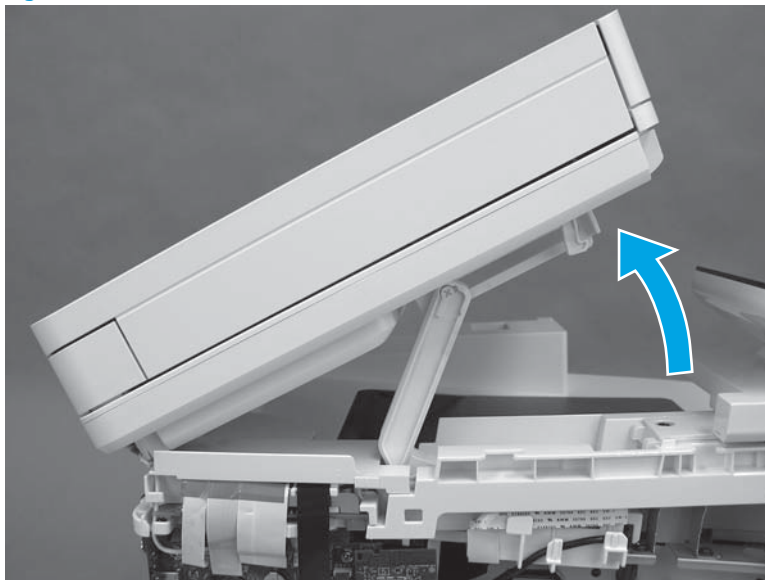
2. Raise the scanner cables up, and then remove one screw (callout 1) to release the ground wire (callout 2).

Figure 1-1800 Remove one screw and release the ground wire



3. Raise the scanner.

Figure 1-1801 Raise the scanner



4. With the scanner lifted, release the tab (callout 1) on the scanner support arm pin from the slot and rotate the pin in the direction indicated.

Figure 1-1802 Release the scanner arm pin



5. Remove the scanner arm pin.

---

**CAUTION:** Once the scanner arm pin is removed, support the scanner with one hand at all times so that it does not fall backwards off of the printer.

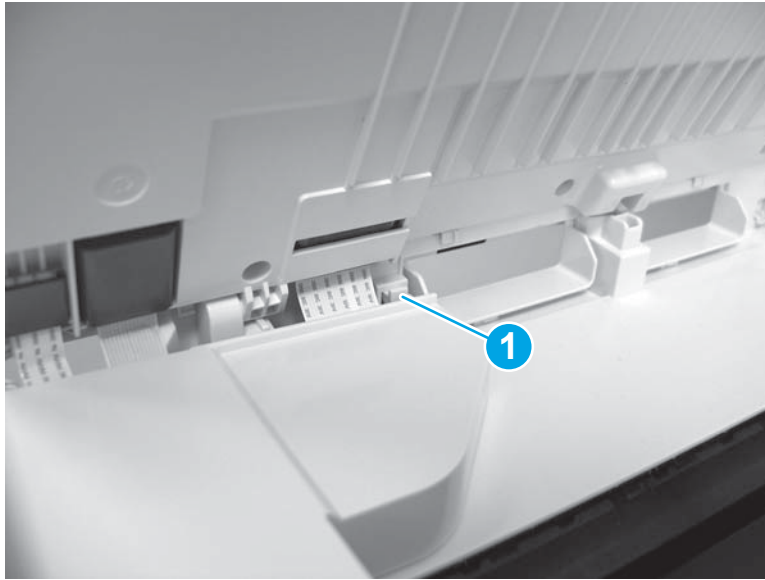
---

Figure 1-1803 Remove the scanner arm pin.



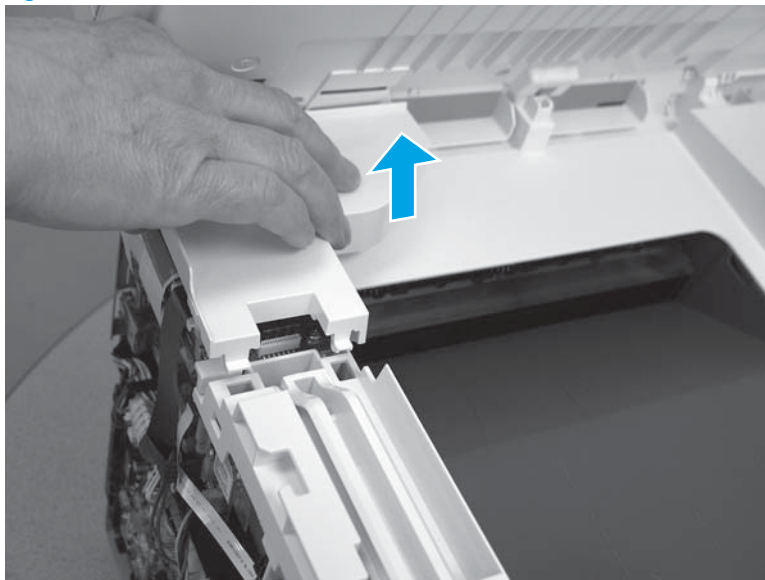
6. On the top of the printer, use a flat-blade screwdriver to release one tab (callout 1).

Figure 1-1804 Release one tab



7. Remove the scanner cable cover.

Figure 1-1805 Remove the scanner cable cover





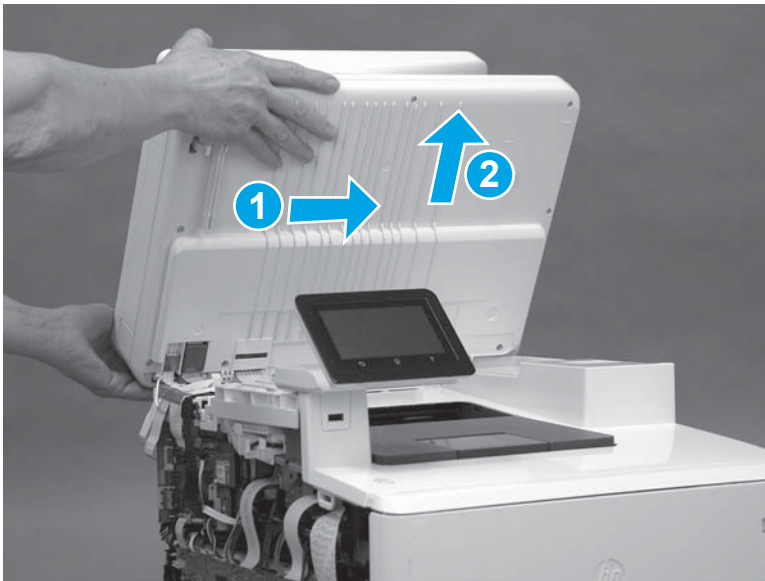
8. The scanner cables (callout 1) are held in place on the top cover with double-sided tape. Carefully release the cables from the top cover.

Figure 1-1806 Release the cables



9. Open the scanner assembly fully, slide the assembly toward the right side of the printer, and then lift the assembly off of the printer.

Figure 1-1807 Remove the scanner assembly



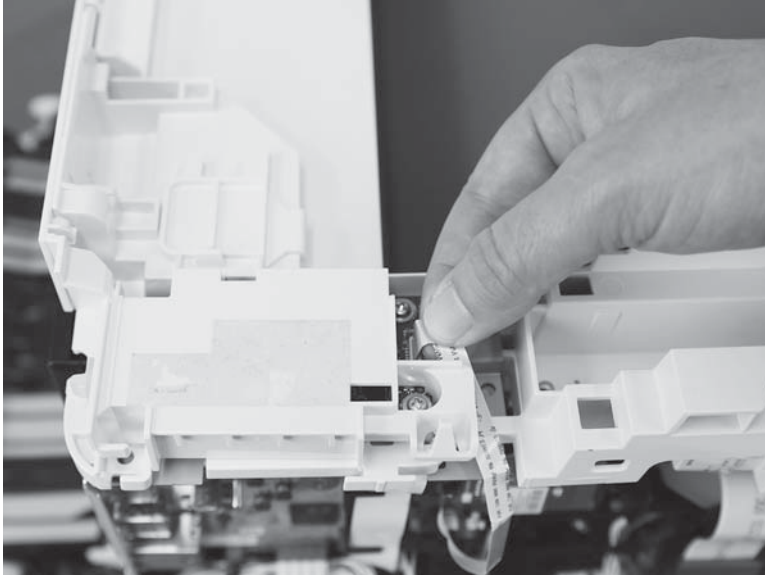
#### Step 7: Remove the fax PCA (M479 models)

 **NOTE:** This step is for M479 fax models only. Skip this step for non-fax models.

1. Disconnect on FFC cable from fax PCA.

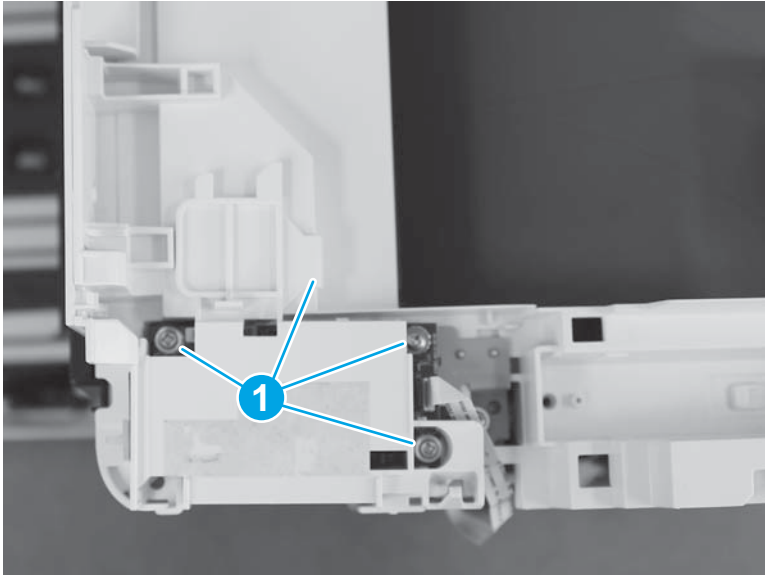


Figure 1-1808 Disconnect one connector



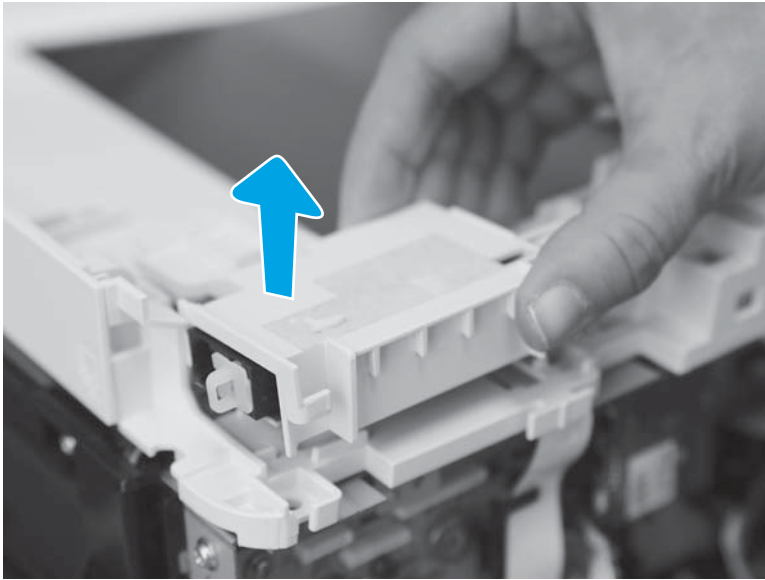
2. Remove three screws and release one tab (callout 1).

Figure 1-1809 Remove three screws and release one tab



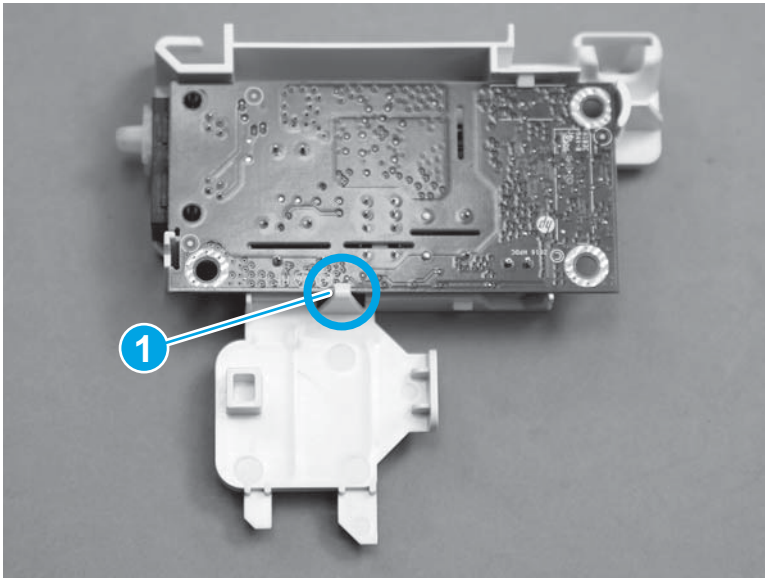
3. Lift up to remove the fax PCA.

Figure 1-1810 Lift up to remove the fax PCA



4. Release the tab (callout 1) on the back of the fax PCA to remove the PCA from the plastic holder.

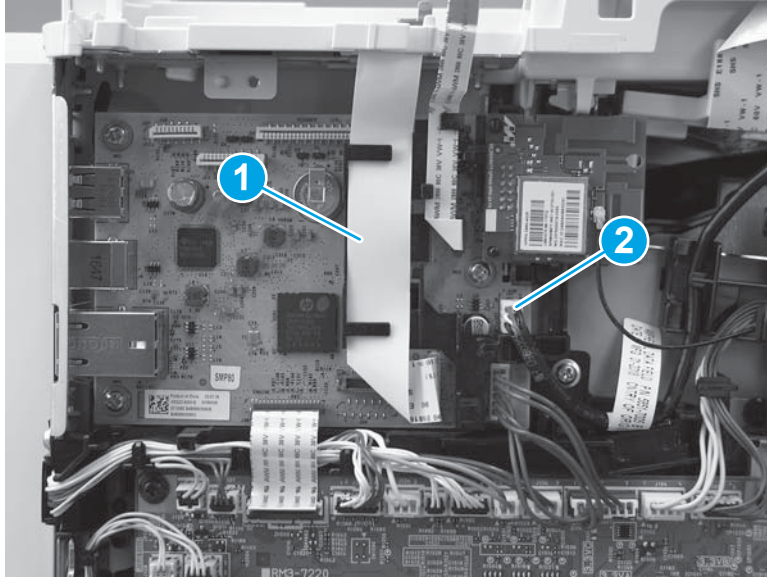
Figure 1-1811 Release one tab to remove fax PCA from the plastic holder



#### Step 8: Remove the top cover (M479 models)

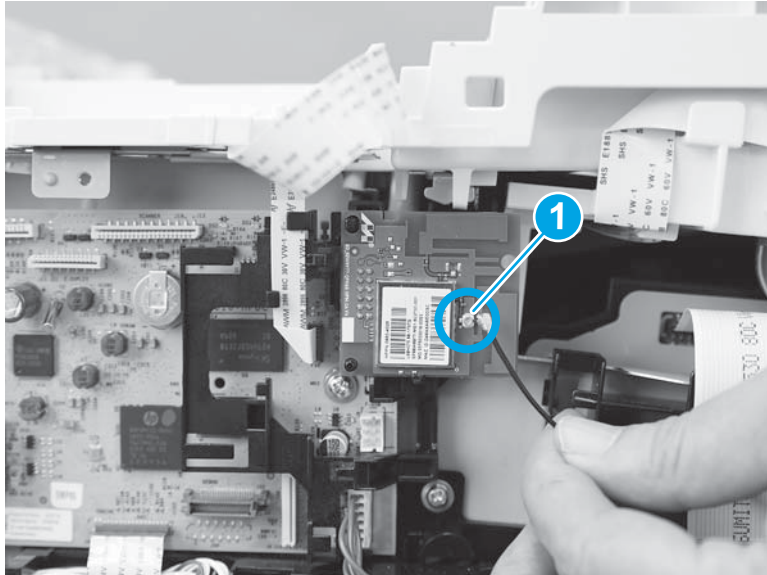
1. Disconnect one connector (callout 2) and one FFC (callout 2).

Figure 1-1812 Disconnect one connectors and one FFC



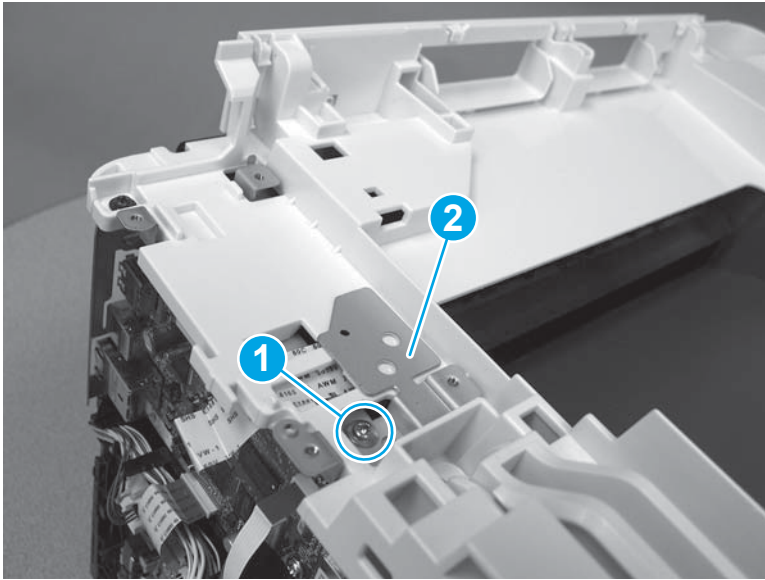
2. Disconnect wireless antenna cable (callout 1) from the wireless PCA.

Figure 1-1813 Disconnect wireless antenna cable from the wireless PCA



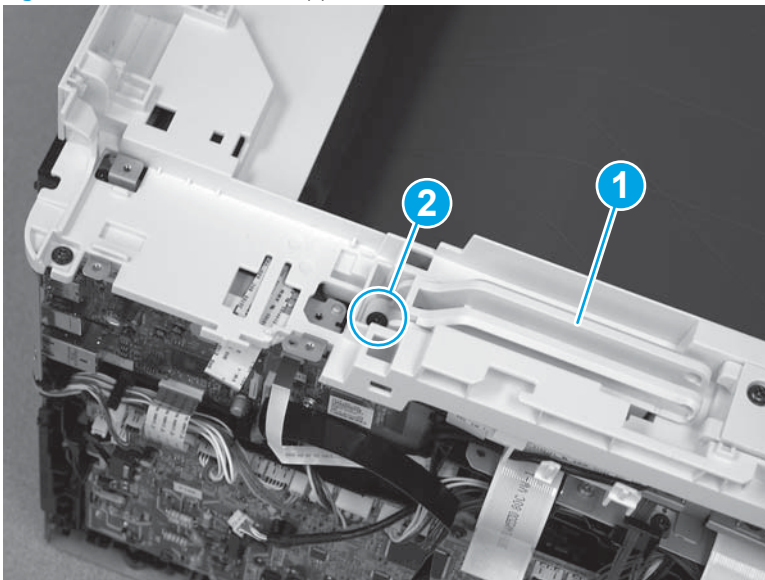
3. On the top cover, remove one screw (callout 1) and the sheet metal plate (callout 2).

Figure 1-1814 Remove one screw and the sheet metal plate



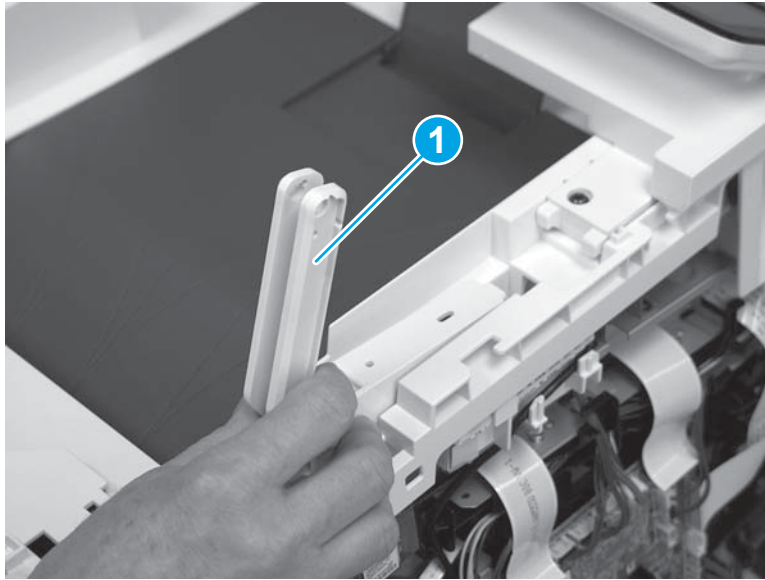
4. At the top of the printer, lower the scanner support arm (callout 1), and then remove one screw (callout 2).

Figure 1-1815 Lower the support arm and remove one screw



5. Remove the scanner support arm (callout 1).

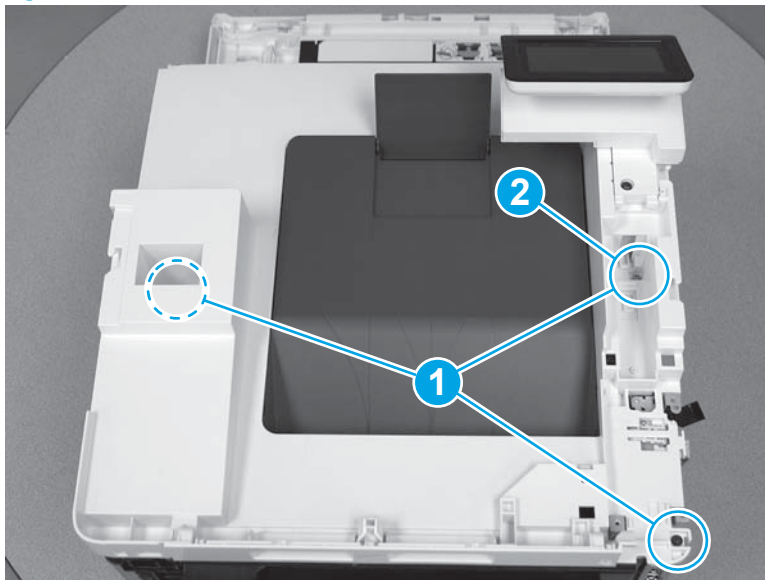
Figure 1-1816 Remove the scanner support arm



6. At the top of the printer, remove three screws (callout 1).

 **Reinstallation tip:** One screw (callout 2) is longer than the other screws. Make sure that this screw is reinstalled in the correct position.

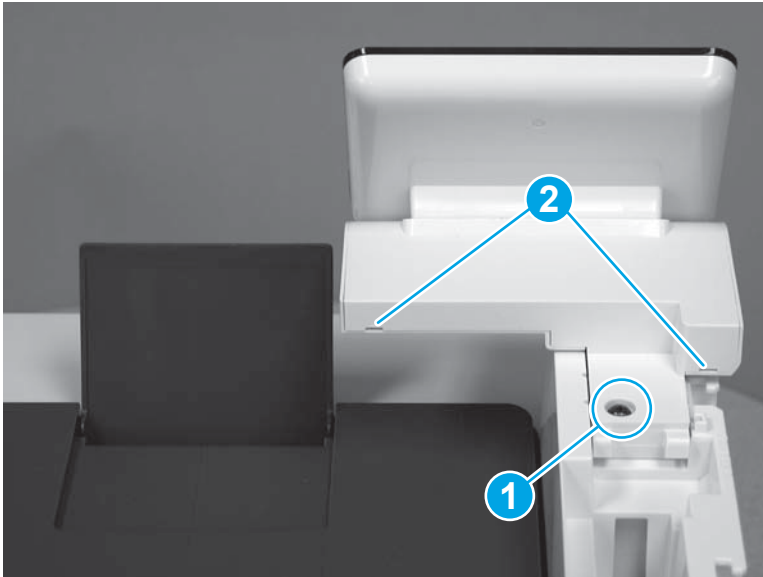
Figure 1-1817 Remove three screws





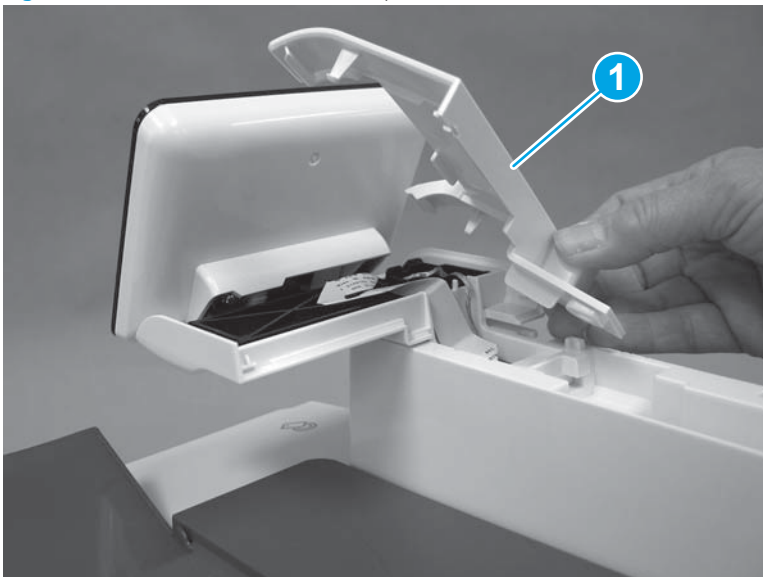
7. Behind the control panel, remove one screw (callout 1), and then use a small flat-blade screwdriver at two pry points (callout 2) to release the control panel cover from the top cover.

**Figure 1-1818** Release the control panel cover



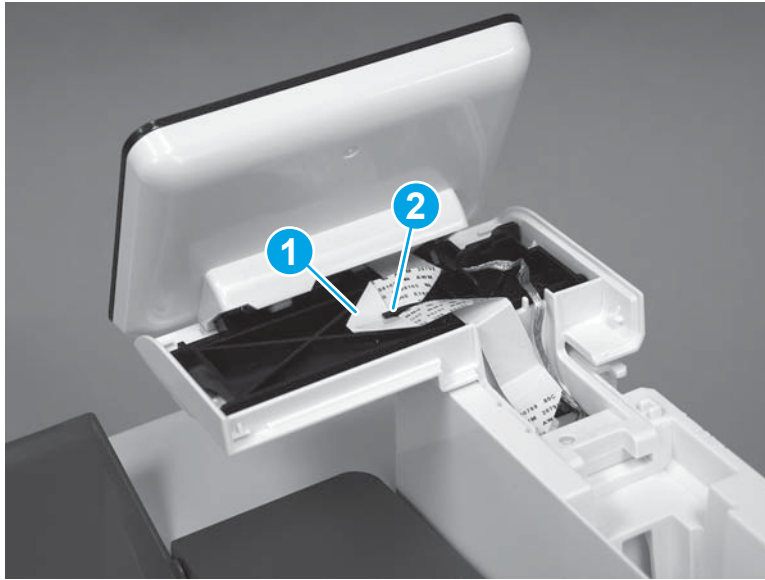
8. Remove the control panel cover (callout 1).

**Figure 1-1819** Remove the control panel cover



9. Remove the flat cable (callout 1) from the retaining guide (callout 2).

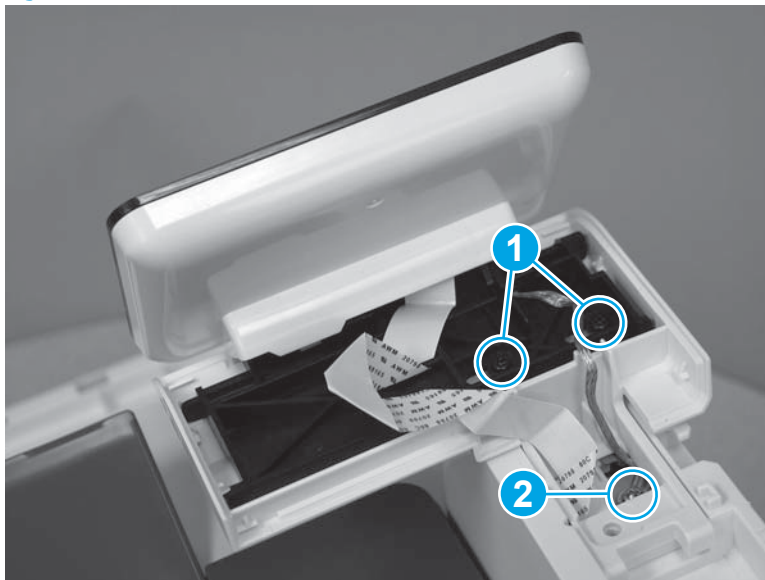
Figure 1-1820 Release the flat cable



10. Remove two screws (callout 1), and then remove one screw (callout 2) and release one ground wire.

 **Reinstallation tip:** The two screws toward the front of the control panel (callout 1) are longer than the other screw. Make sure these screws are installed in the correct position when reinstalling the part.

Figure 1-1821 Remove three screws

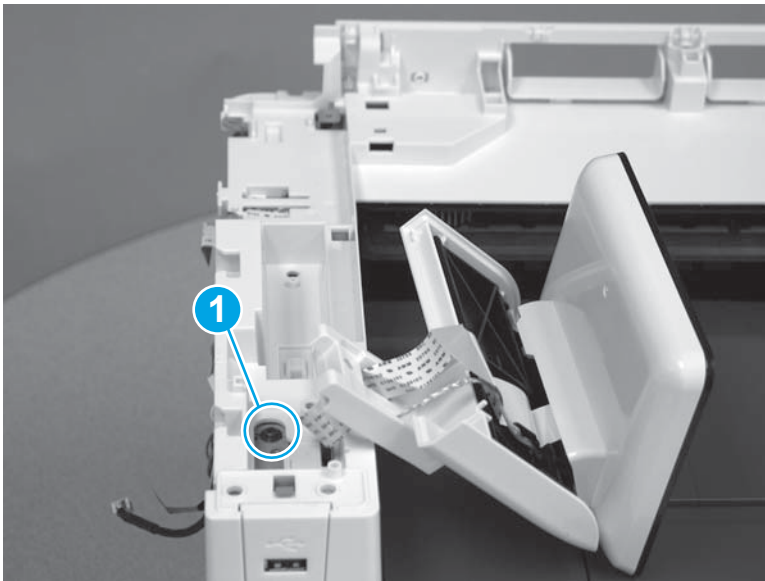




11. Carefully lift the control panel away and rest it on the top cover, and then remove one screw (callout 1).

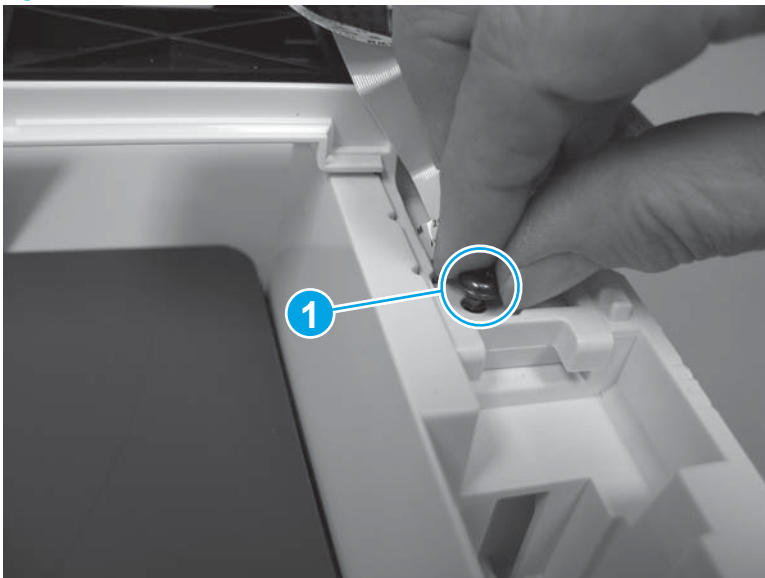
**⚠ CAUTION:** The control panel is still attached to the top cover by the flat cable.

Figure 1-1822 Remove one screw



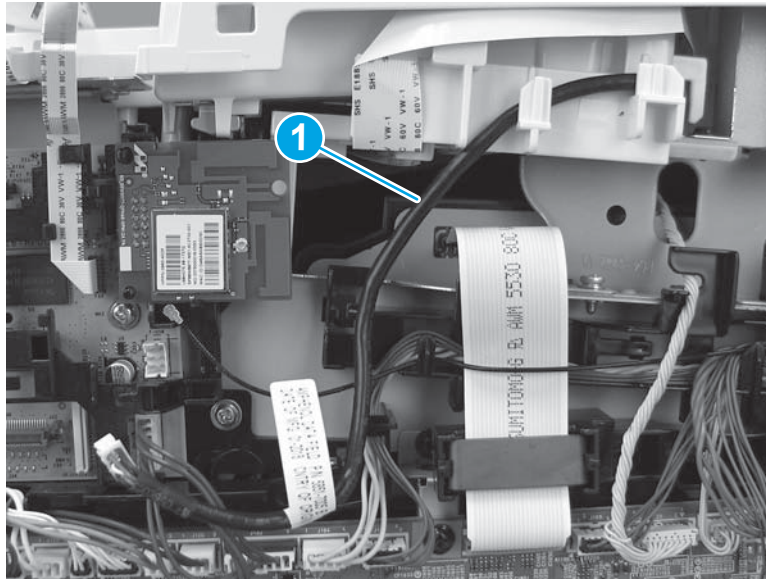
12. Place the control panel back into position. With your hand, refasten the screw (callout 1) that was previously removed from the control panel cover to temporarily reattach the control panel to the top cover. Doing this should protect the flat cable from being damaged.

Figure 1-1823 Refasten the control panel to the top cover



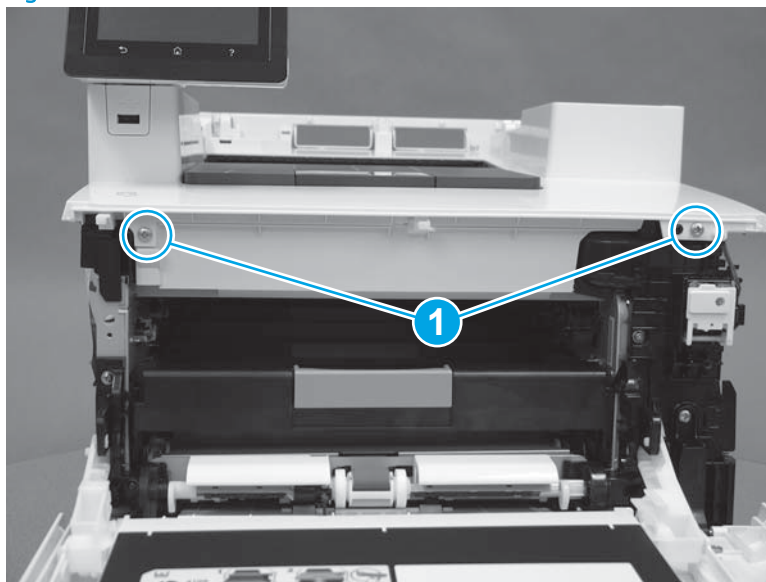
13. Remove the USB cable (callout 1) from the cable guides (callout 2).

Figure 1-1824 Release the USB cable



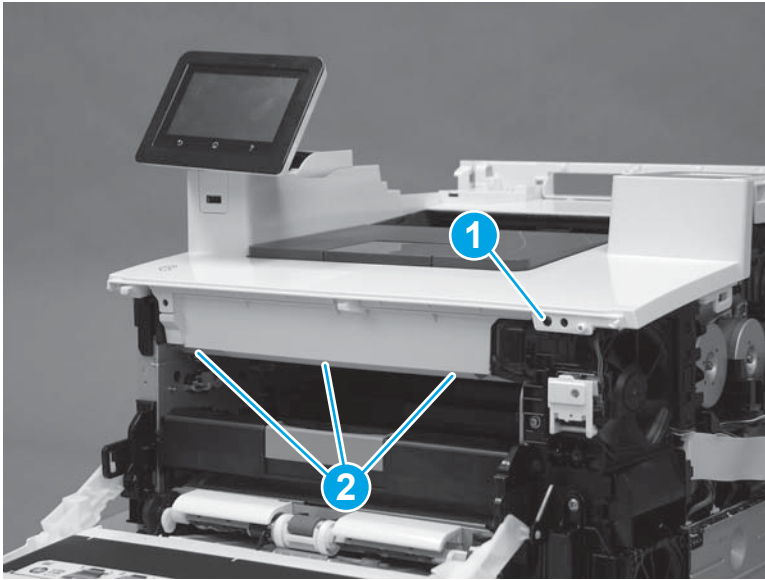
14. At the front of the printer, remove two screws (callout 1).

Figure 1-1825 Remove two screws



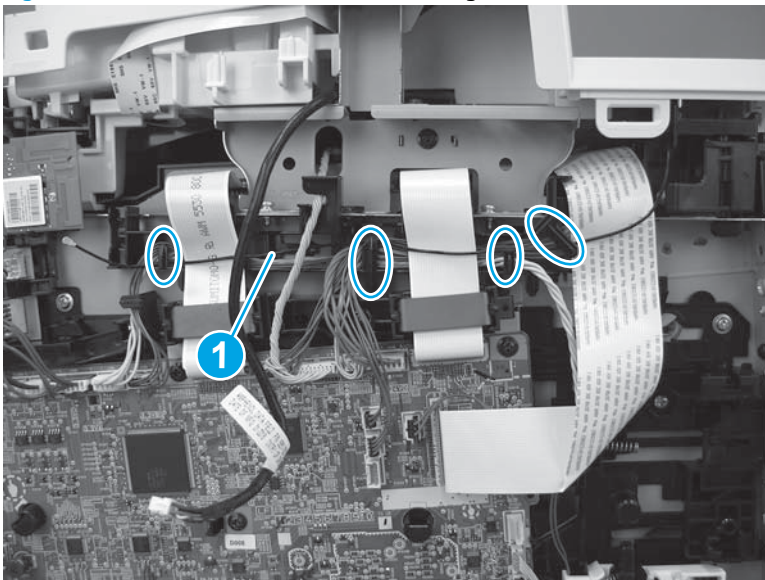
15. Release one retainer (callout 1), and then release three tabs (callout 2).

Figure 1-1826 Release one retainer and three tabs



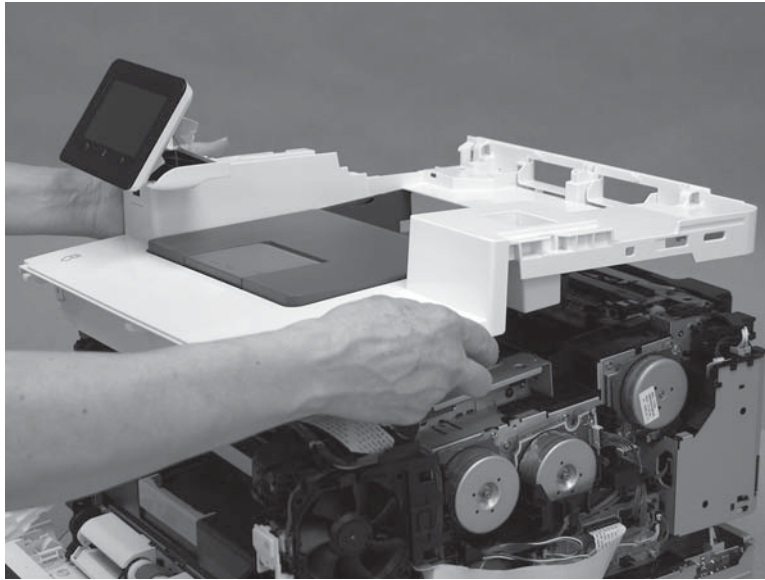
16. Remove the Wi-Fi antenna wire (callout 1) from the guide.

Figure 1-1827 Remove antenna wire from guide



17. Remove the top cover.

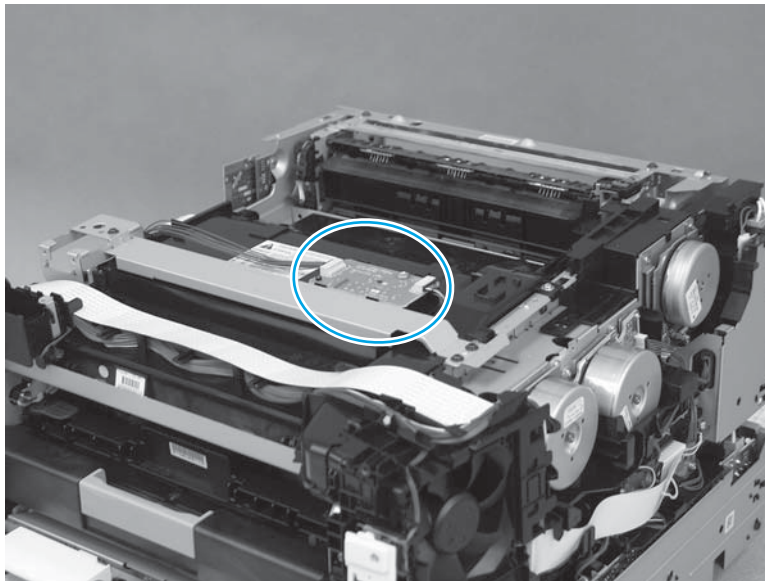
Figure 1-1828 Remove the top cover



#### Step 9: Remove the memory PCA

1. Locate the memory PCA on the top of the printer.

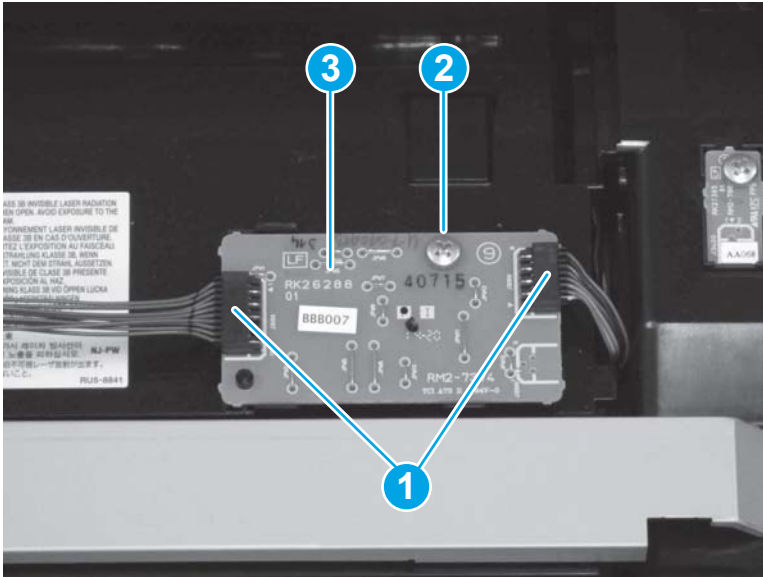
Figure 1-1829 Locate the memory PCA





2. Disconnect two connectors (callout 1), remove one screw (callout 2), and then remove the memory PCA (callout 3).

Figure 1-1830 Remove the memory PCA

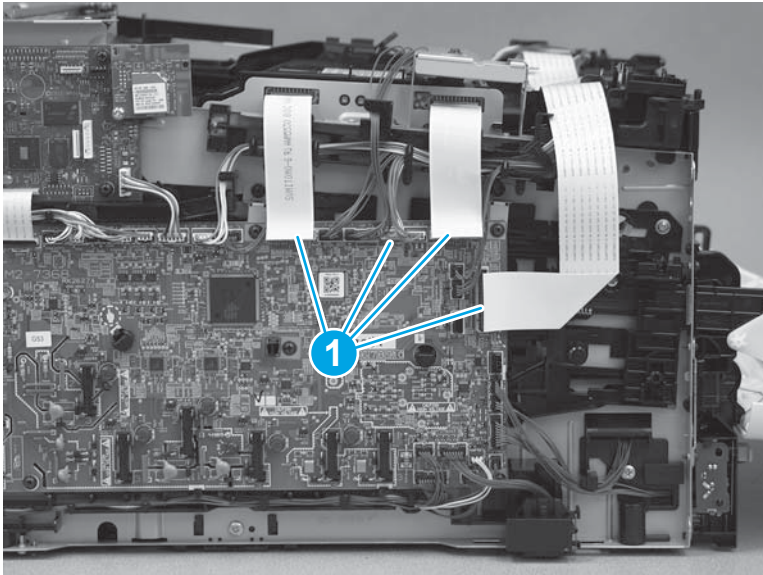


#### Step 11: Remove the laser scanner (M479 models)

1. On the left side of the printer, on the formatter PCA, disconnect four connectors (callout 1).

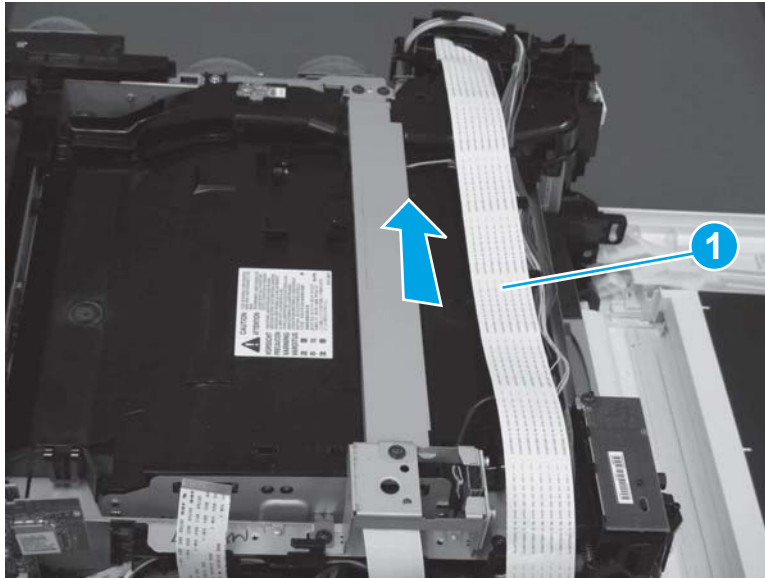
 **NOTE:** Formatter and main PCA appear different than shown below, however, the procedures are the same.

Figure 1-1831 Disconnect four connectors



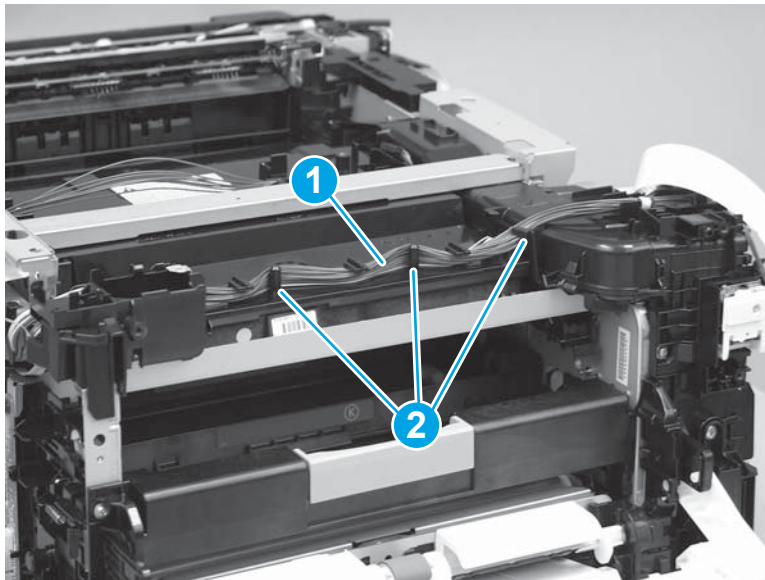
2. Lift the flat cable (callout 1) over to the right side of the printer to allow access to the cables under it.

Figure 1-1832 Lift the flat cable



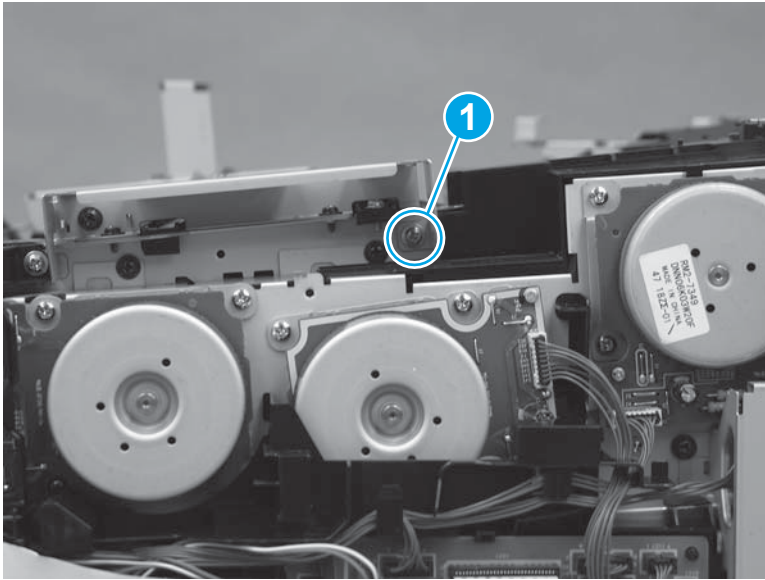
3. Release all of the cables (callout 1) from the cable guides (callout 2).

Figure 1-1833 Release the cables from the guides




4. On the right side of the printer, remove one screw (callout 1).

Figure 1-1834 Remove one screw



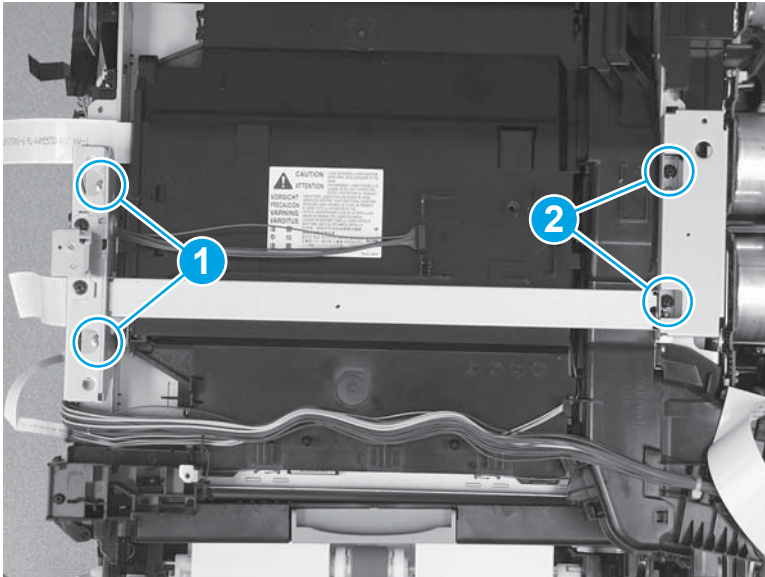
5. On the left side of the printer on top, remove two screws (callout 1). On the right side of the printer on top, remove two screws (callout 2).

---

 **Reinstallation tip:** The screws on the left (callout 1) are a different type of screw than the screws on the right. When reinstalling the screws, make sure they are in the correct position.

---

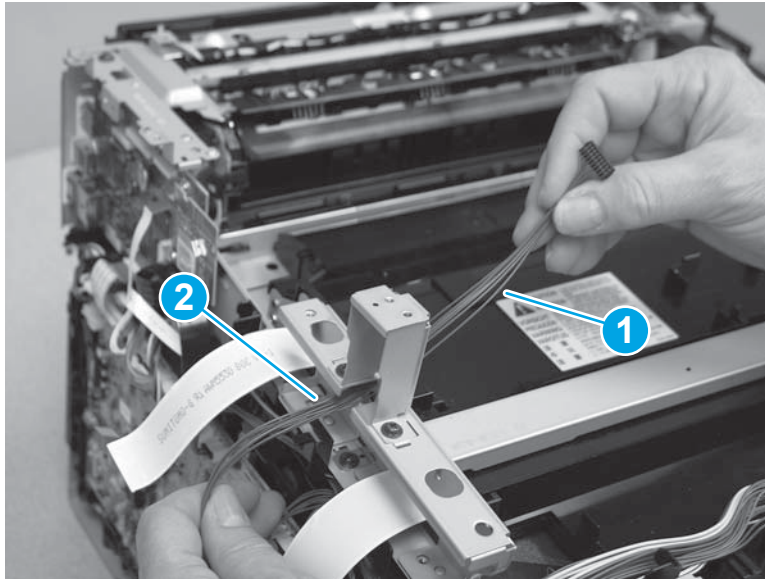
Figure 1-1835 Remove four screws





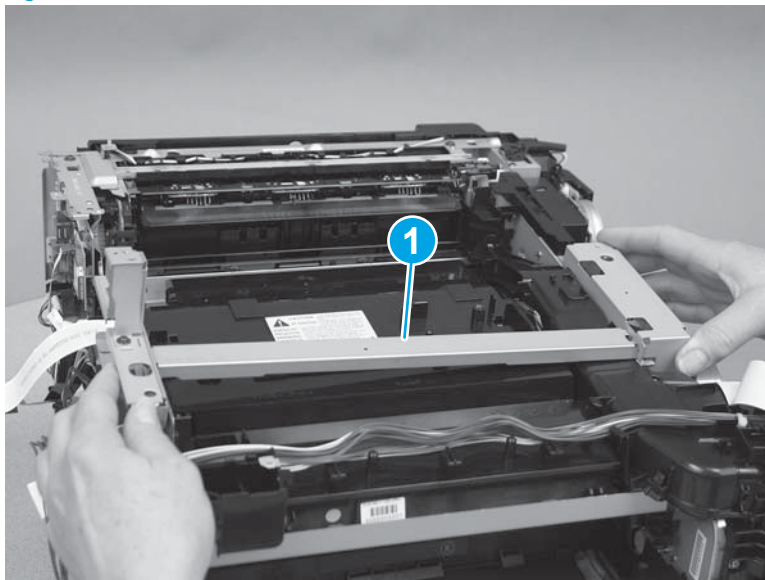
6. Release the cables (callout 1) through the opening in the bracket (callout 2).

Figure 1-1836 Release the cables



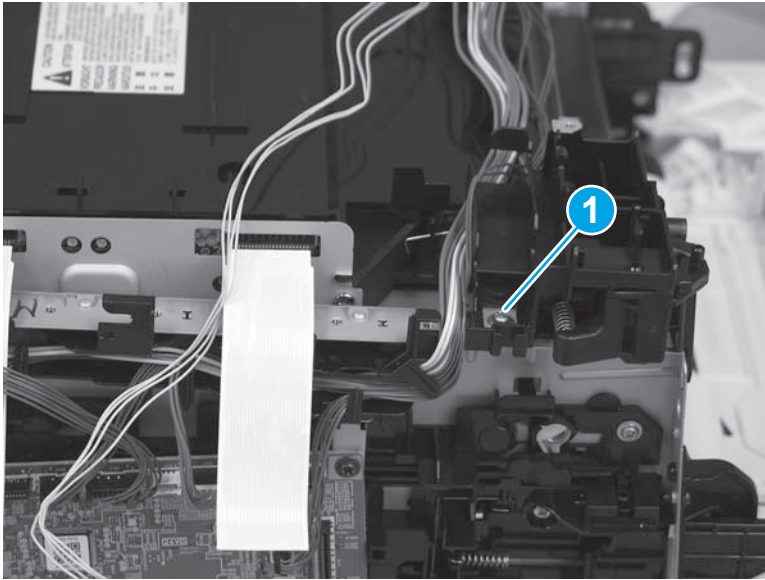
7. Remove the metal bracket (callout 1).

Figure 1-1837 Remove the metal bracket



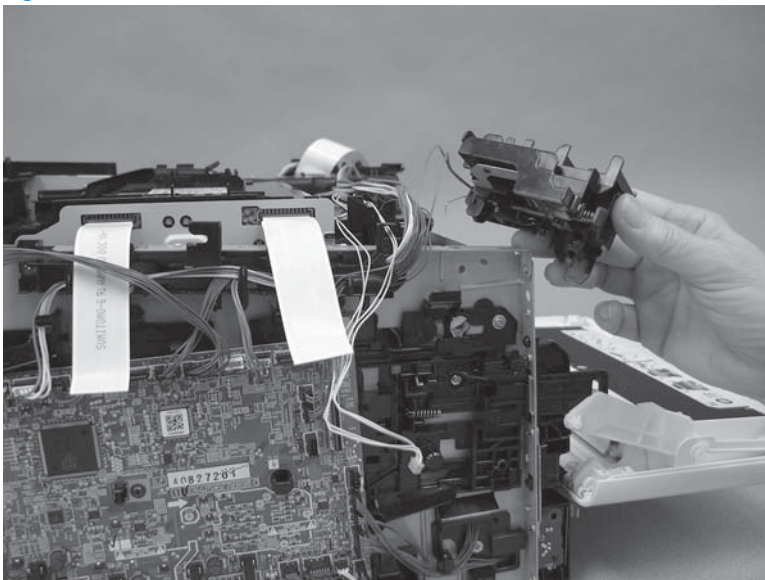
8. Remove one screw (callout 1).

Figure 1-1838 Remove one screw



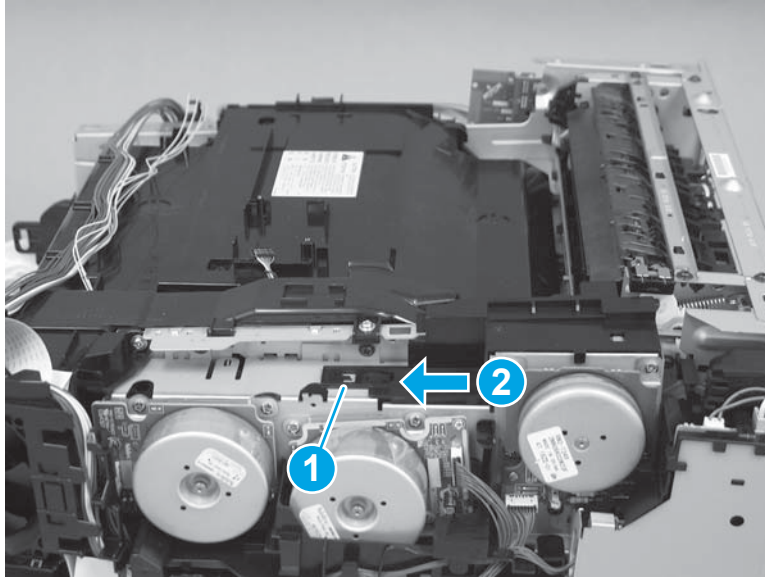
9. Remove the front door switch holder.

Figure 1-1839 Remove the front door switch holder



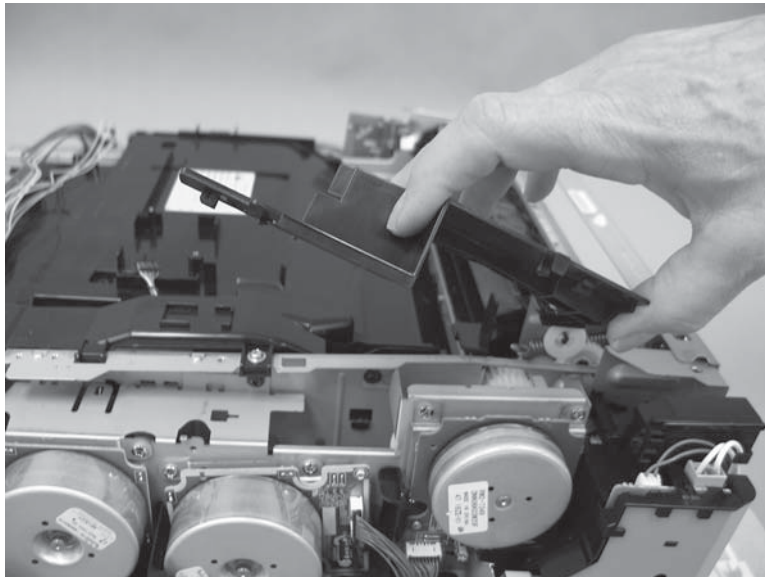
10. On the right side of the printer, toward the back, release one tab (callout 1) and then slide (callout 2) the black cover toward the front of the printer.

Figure 1-1840 Release one tab on the cover



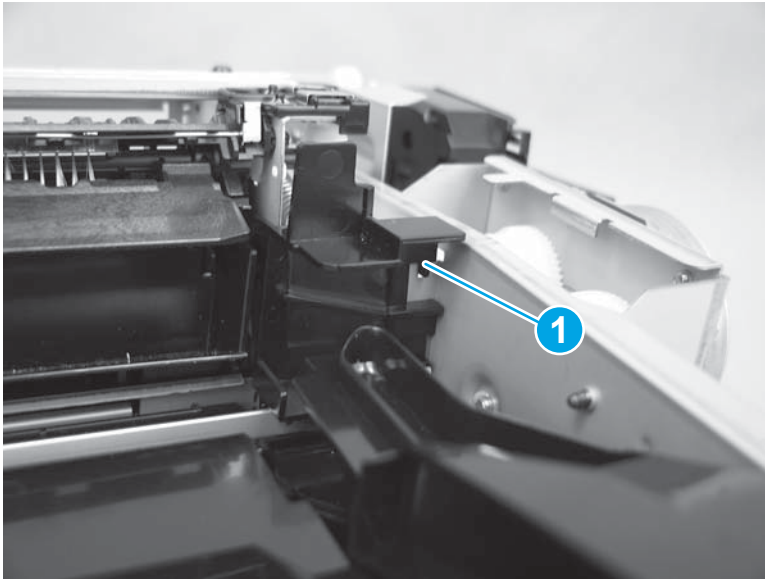
11. Remove the cover.

Figure 1-1841 Remove the cover



12. Release one tab (callout 1).

Figure 1-1842 Release one tab



13. Remove the cover.

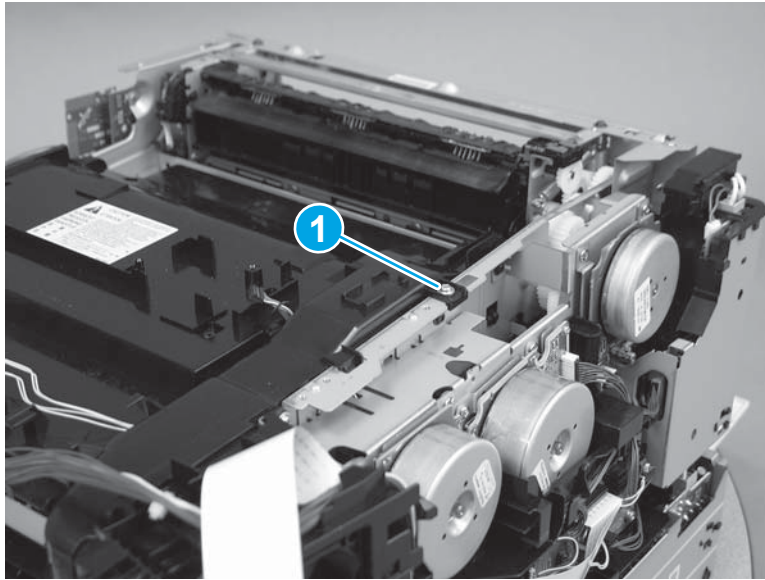
Figure 1-1843 Remove the cover





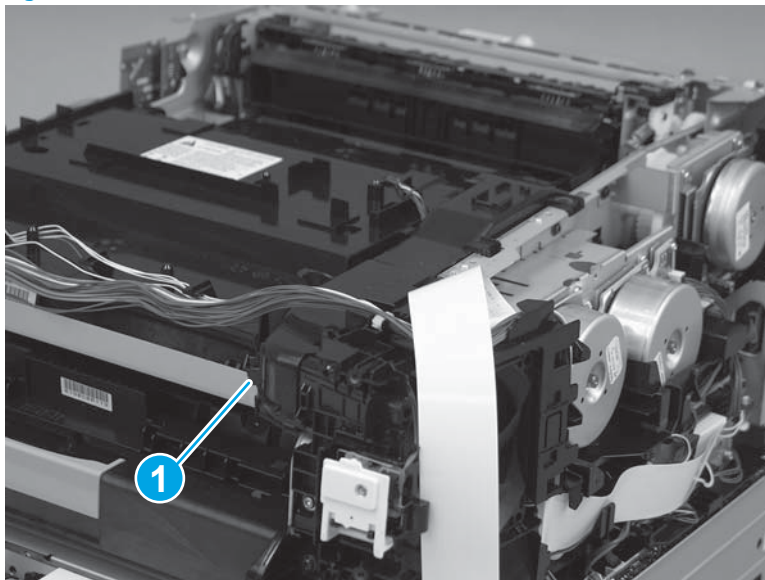
14. Remove one screw (callout 1).

Figure 1-1844 Remove one screw



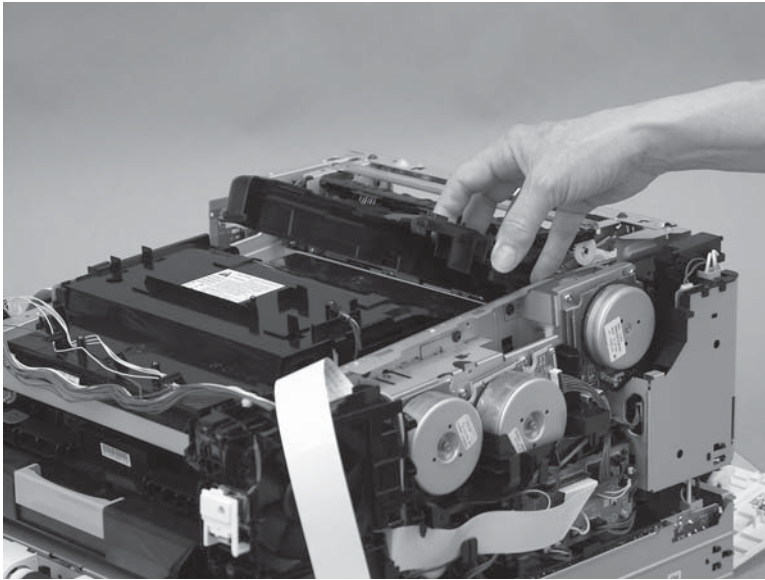
15. Release one tab (callout 1).

Figure 1-1845 Release one tab



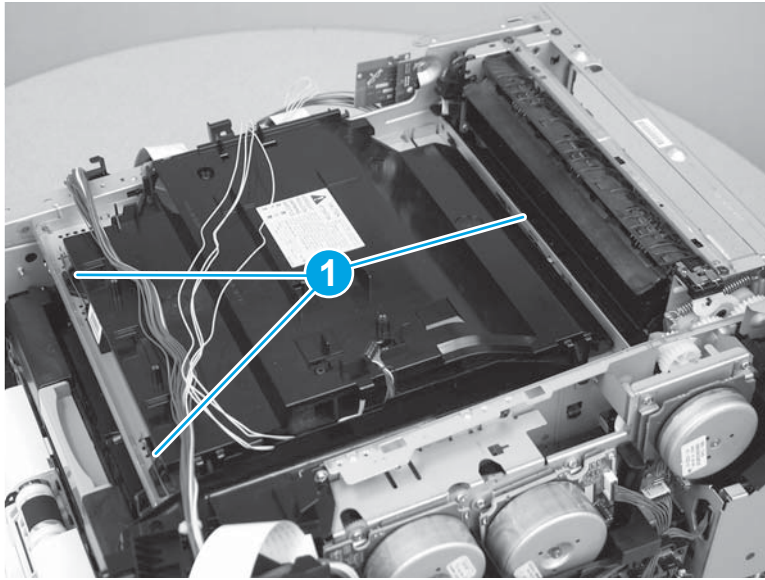
16. Remove the exhaust duct.

Figure 1-1846 Remove the exhaust duct



17. Use needle-nose pliers to release three springs (callout 1).

Figure 1-1847 Release three springs




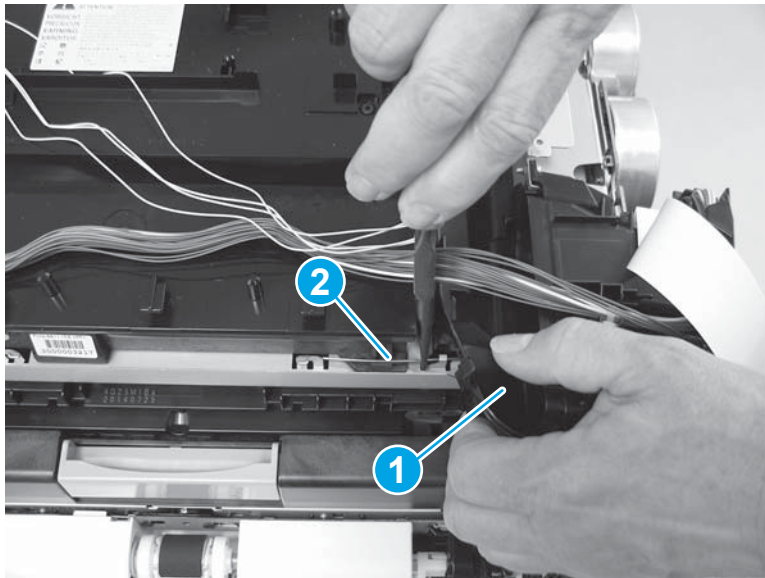
 **TIP:** Lift up the edge of the duct (callout 1) to release the right front spring (callout 2).

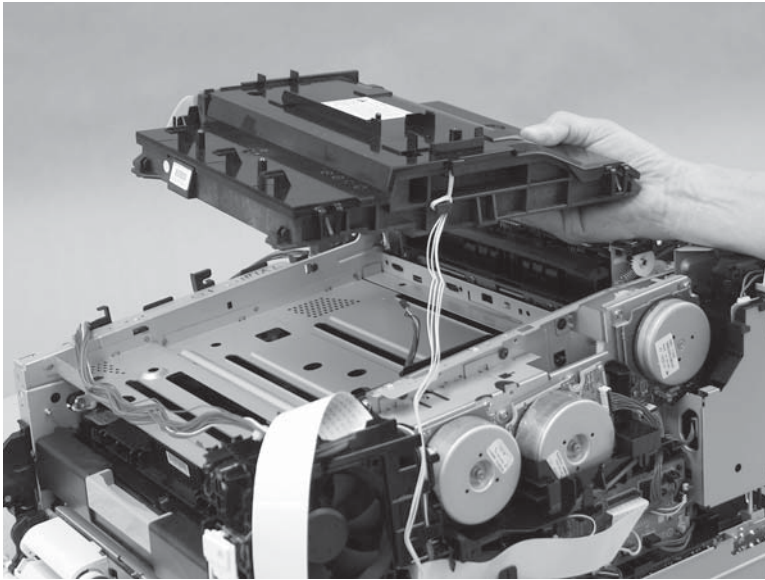
Figure 1-1848 Lift the duct to release the spring





18. Remove the laser scanner.

Figure 1-1849 Remove the laser scanner



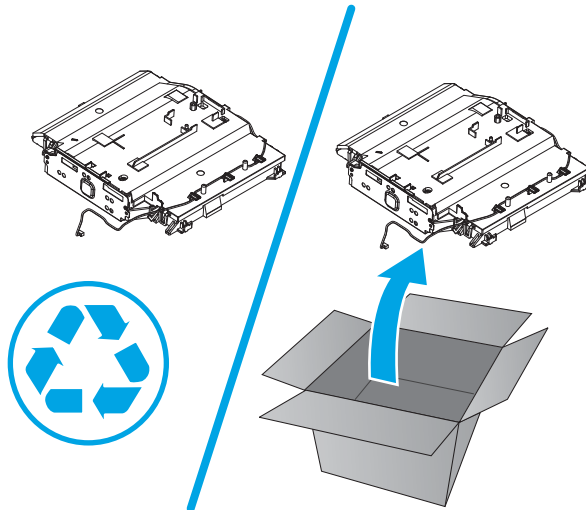
### Step 12: Unpack the replacement part

Remove the new part from its package. Save all packaging for recycling the used part.

For complete information on HP's recycling programs, go to [Product return and recycling](#).

 **NOTE:** HP recommends responsible disposal of the defective part.

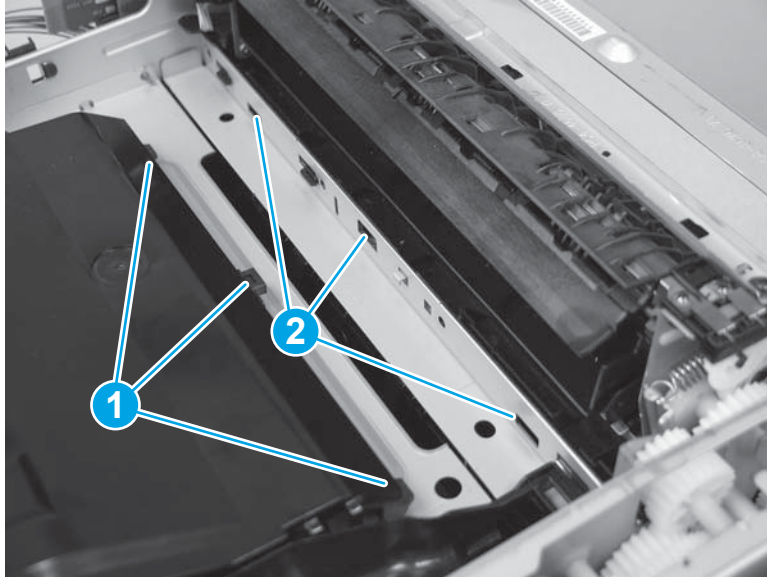
Figure 1-1850 Recycle and unpack



### Step 13: Install the laser scanner (M479 models)

1. Install three tabs (callout 1) on back of the laser scanner into the slots (callout 2) in the printer frame.

Figure 1-1851 Install three tabs



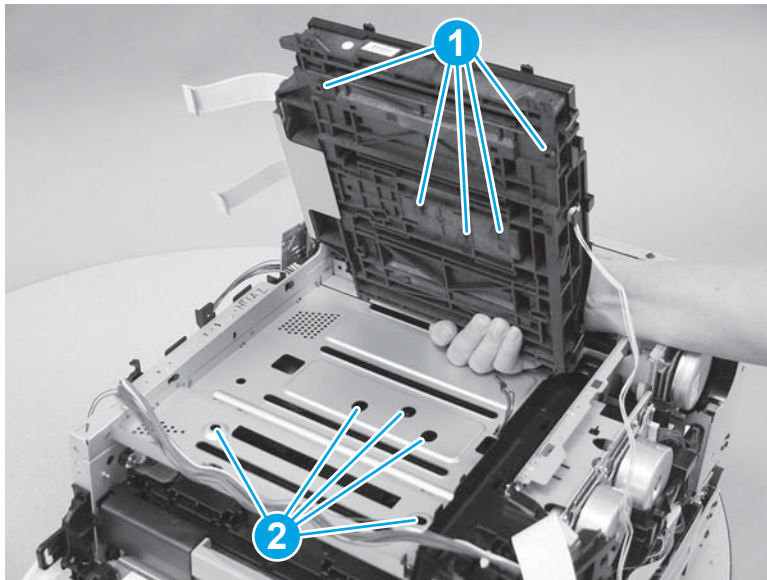
2. Install the five tabs (callout 1) on the bottom of the laser scanner into the holes (callout 2) in the top of the printer.

---

 **TIP:** Check the tabs by feeling along the underside of the sheet metal and verifying they are all fully installed.

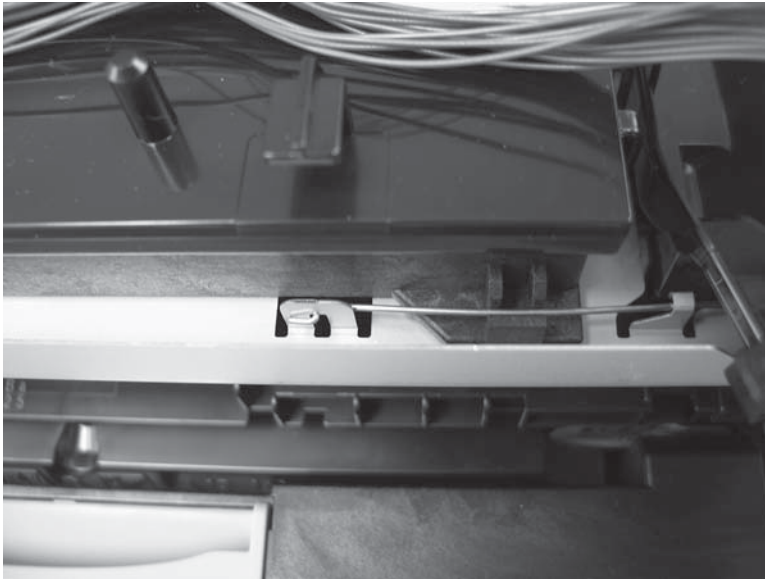
---

Figure 1-1852 Install five tabs



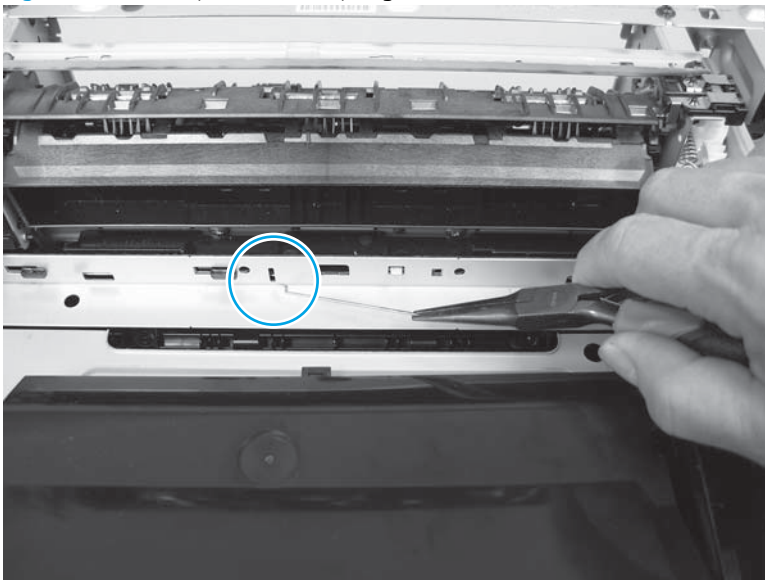
3. Before installing the springs in the next step, note the proper position of the springs when installed.

**Figure 1-1853** Spring position



4. If the rear spring becomes dislodged from the printer frame, reposition it as shown below.

**Figure 1-1854** Reposition the spring



5. To install an assembly, reverse the removal steps.



**NOTE:** When applicable, special installation instructions are provided for an assembly at the end of the removal procedure. Always completely read the removal instructions and follow all special installation instructions.

## Removal and replacement: Fuser (simplex models)

- [Introduction](#)
- [Step 1: Remove Tray 2](#)
- [Step 2: Open the front door and rear door](#)
- [Step 3: Remove the right cover \(M454 models\)](#)
- [Step 4: Remove the right cover \(M479 models\)](#)
- [Step 5: Remove the left cover \(M454 models\)](#)
- [Step 6: Remove the left cover \(M479 models\)](#)
- [Step 7: Remove the rear top cover \(simplex models\)](#)
- [Step 8: Remove the integrated scanner assembly \(M479 models\)](#)
- [Step 9: Remove the fax PCA \(M479 models\)](#)
- [Step 10: Remove the top cover \(M479 models\)](#)
- [Step 11: Remove the top cover \(M454 models\)](#)
- [Step 12: Remove the fuser \(simplex models\)](#)
- [Step 13: Unpack the replacement part](#)
- [Step 14: Install the fuser \(simplex models\)](#)

### Introduction


This document provides the procedures to remove and replace the fuser for simplex models.

[Click here to view a video of this procedure.](#)

### Before you begin

- Turn off the printer.
- Disconnect the power cable.

---

 **WARNING!** To avoid damage to the printer, turn the printer off, wait 30 seconds, and then remove the power cord before attempting to service the printer.

---

- Use the table below to identify the correct part number for your printer. To order the part, go to [www.hp.com/buy/parts](http://www.hp.com/buy/parts).

Fuser part number	
RM2-6431-000CN	Fuser (110V simplex)
RM2-6436-000CN	Fuser (220V simplex)

## Required tools

- #2 Phillips screwdriver with a magnetic tip
- Small flat-blade screwdriver

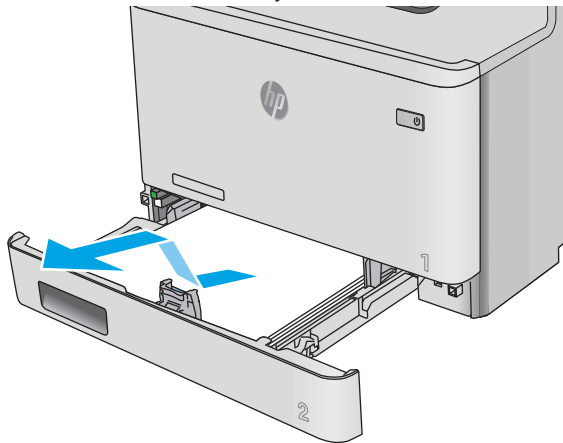
## After performing service

- Connect the power cable.
- Use the power switch to turn the power on.

## Step 1: Remove Tray 2

- ▲ Pull the tray out until it stops. Lift the front of the tray, and then pull it out of the printer to remove it.

Figure 1-1855 Remove the tray



## Step 2: Open the front door and rear door

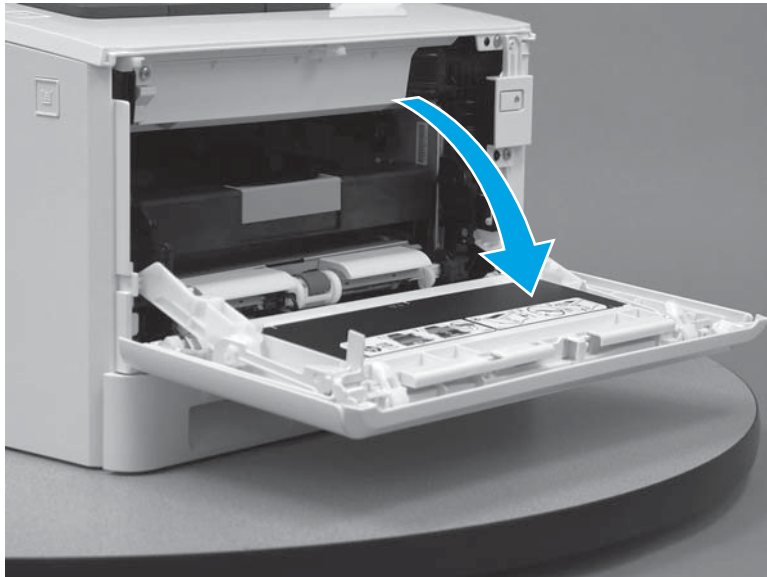
1. Press the button (callout 1) on the left side of the printer to release the front door.

Figure 1-1856 Release the front door



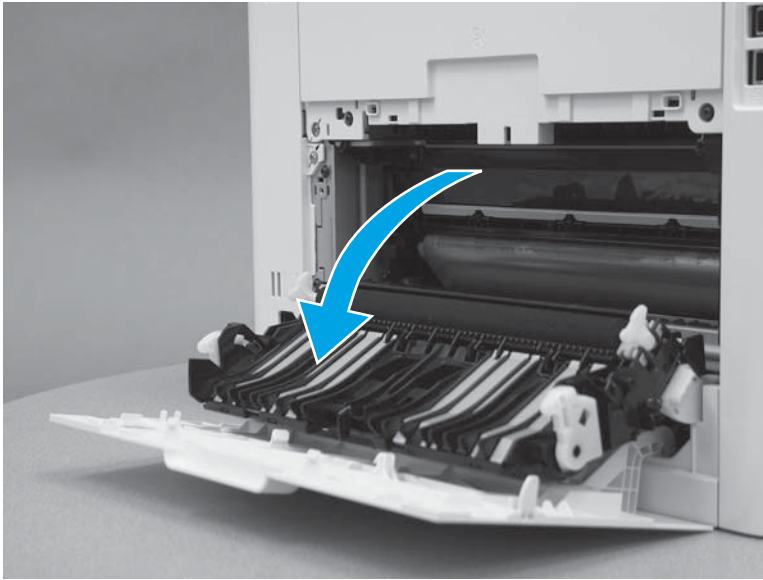
2. Open the front door.

Figure 1-1857 Open the front door




3. Open the rear door.

Figure 1-1858 Open the rear door



### Step 3: Remove the right cover (M454 models)

 **NOTE:** This step is for the M454 models. For the M479 models, skip this step and go to [Step 4: Remove the right cover \(M479 models\) on page 1024](#).

1. At the back of the printer, remove one screw (callout 1).

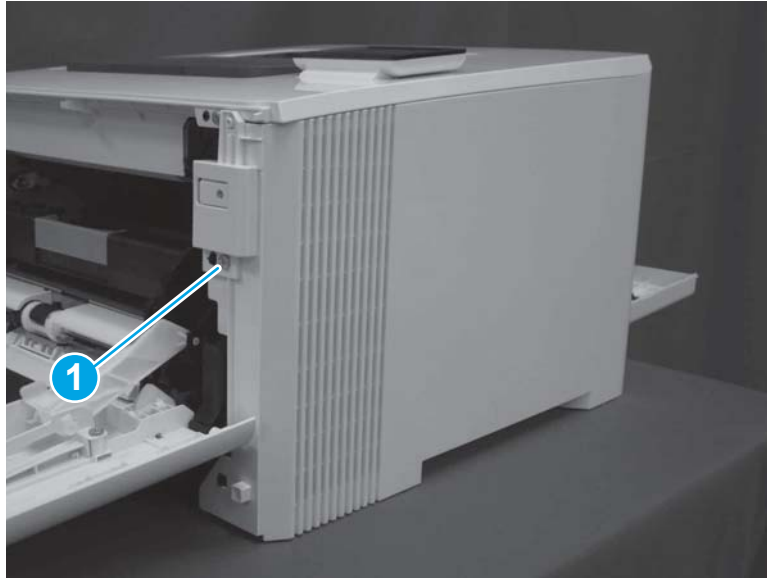
Figure 1-1859 Remove one screw





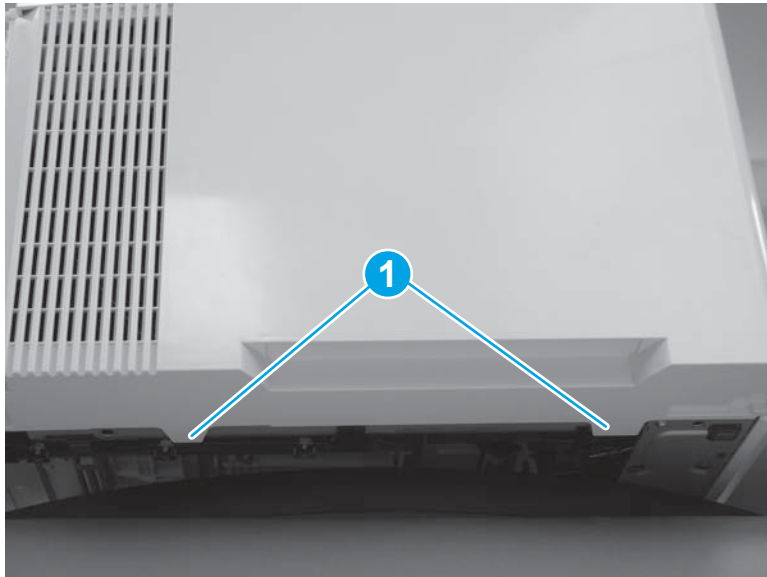
2. At the front of the printer, remove one screw (callout 1).

Figure 1-1860 Remove one screw



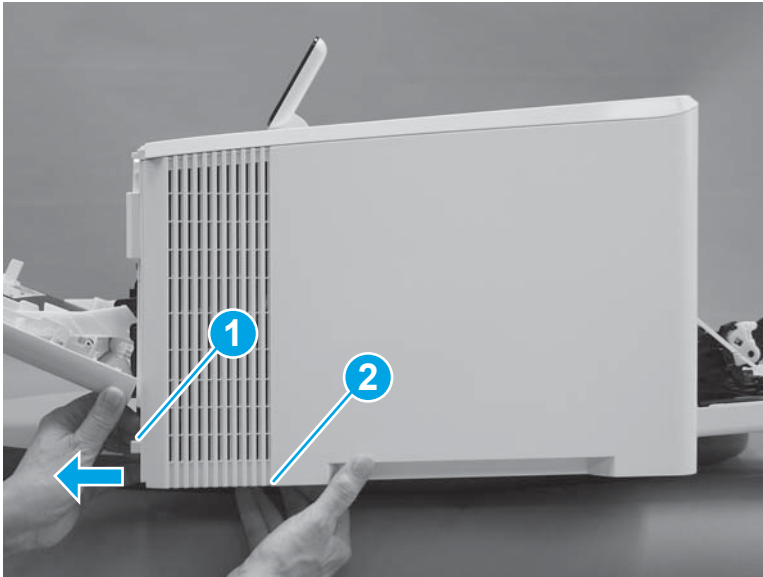
3. Slide the printer to the edge of a work surface. Note the location of the tabs on the lower edge of the cover (callout 1).

Figure 1-1861 Locate the tabs



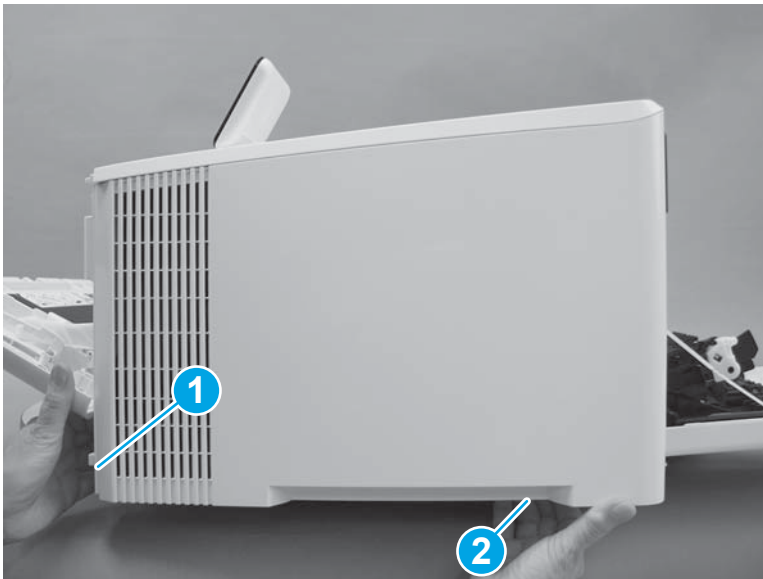
4. Release one tab (callout 1) on the front of the cover by slightly pulling the cover away from the printer. While holding the cover in the released position, release one tab (callout 2) on the bottom of the cover.

Figure 1-1862 Release front lower tabs



5. Hold the front tabs in the released position (callout 1), and then release one tab (callout 2) on the bottom of the cover, toward the back of the printer.

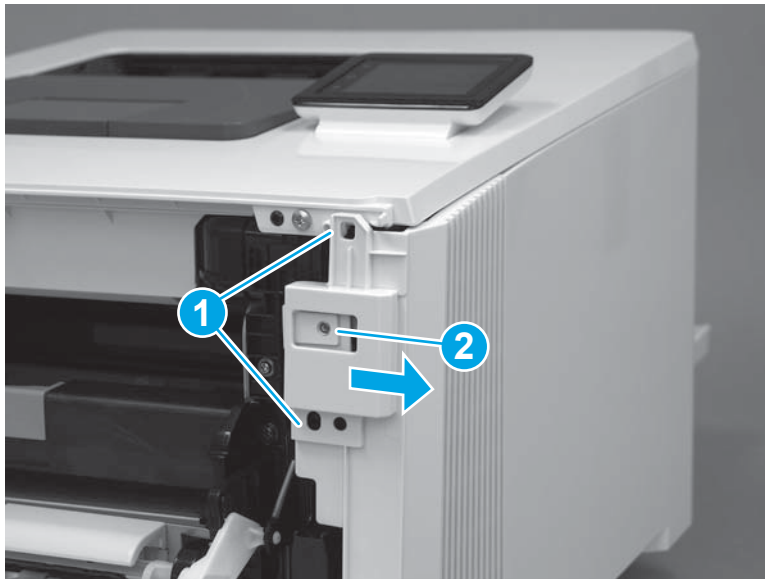
Figure 1-1863 Release lower rear tab



6. Release two tabs at the front of the printer (callout 1) by slightly pulling the cover away from the printer.

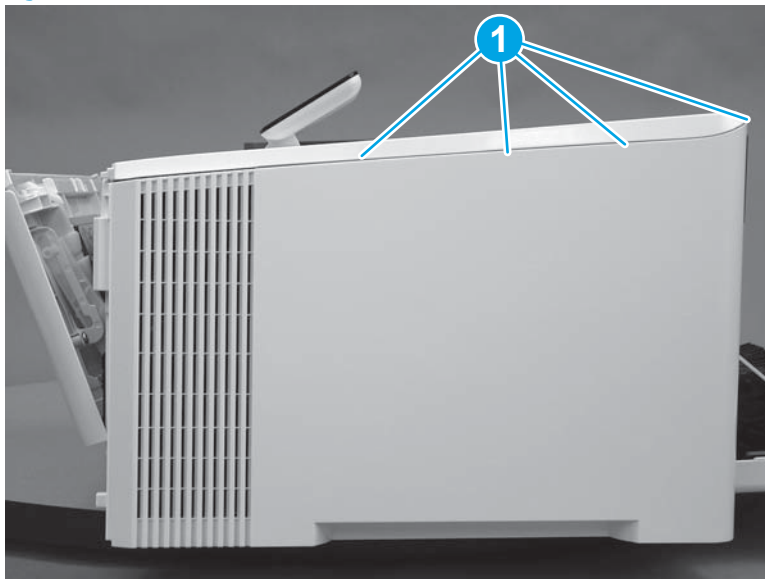
**⚠ CAUTION:** Be careful not to dislodge the power switch (callout 2).

Figure 1-1864 Release two front tabs



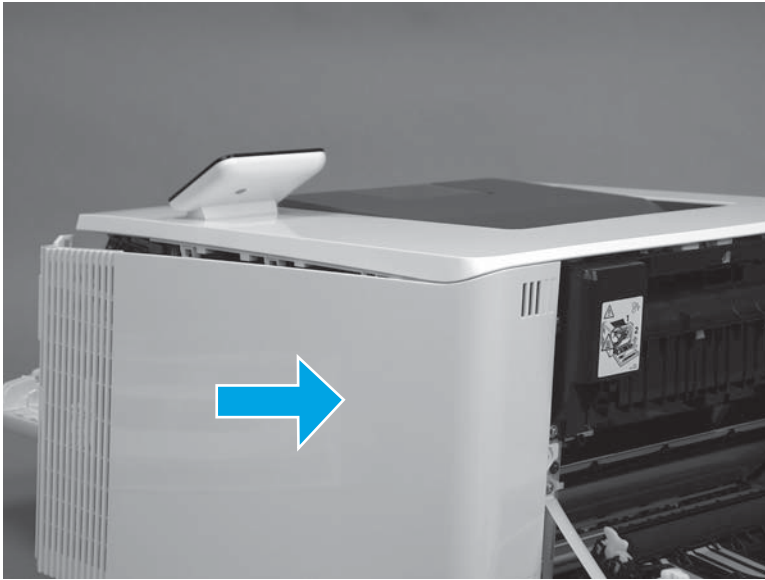
7. Release four tabs on the top of the printer (callout 1).

Figure 1-1865 Release upper tabs




8. Slide the cover toward the back of the printer to remove it.

**Figure 1-1866** Remove the right cover



#### Step 4: Remove the right cover (M479 models)

 **NOTE:** This step is for the M479 models. For the M454 models, skip this step and go to [Step 5: Remove the left cover \(M454 models\) on page 1030](#).

1. Raise the scanner.

**Figure 1-1867** Raise the scanner



2. At the back of the printer, remove one screw (callout 1).

Figure 1-1868 Remove one screw



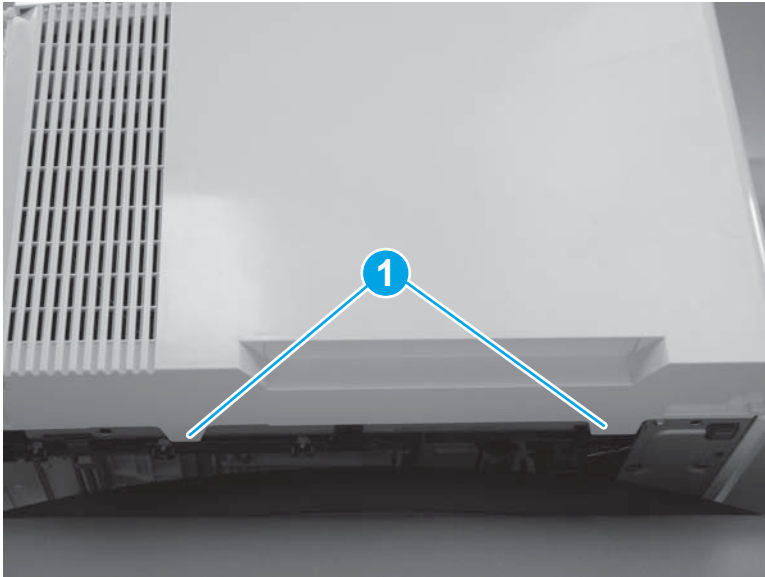
3. At the front of the printer, remove one screw (callout 1).

Figure 1-1869 Remove one screw



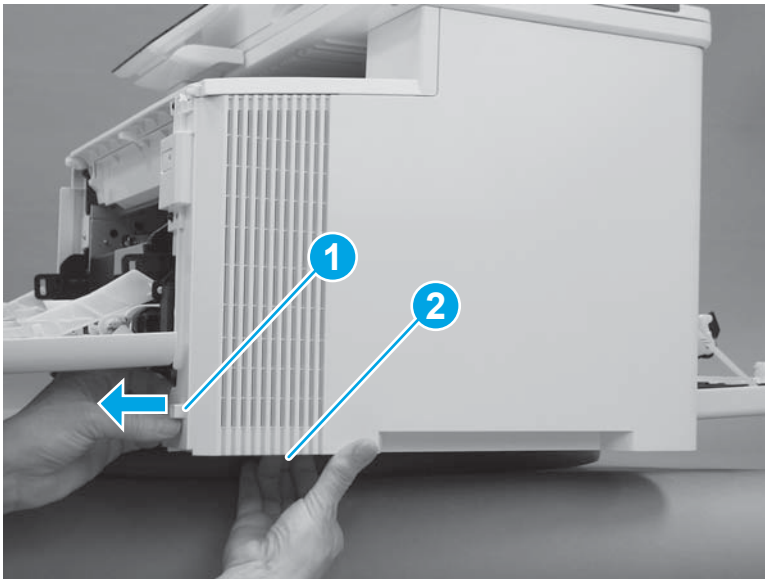
- Slide the printer to the edge of a work surface. Note the location of the tabs on the lower edge of the cover (callout 1).

Figure 1-1870 Locate the tabs



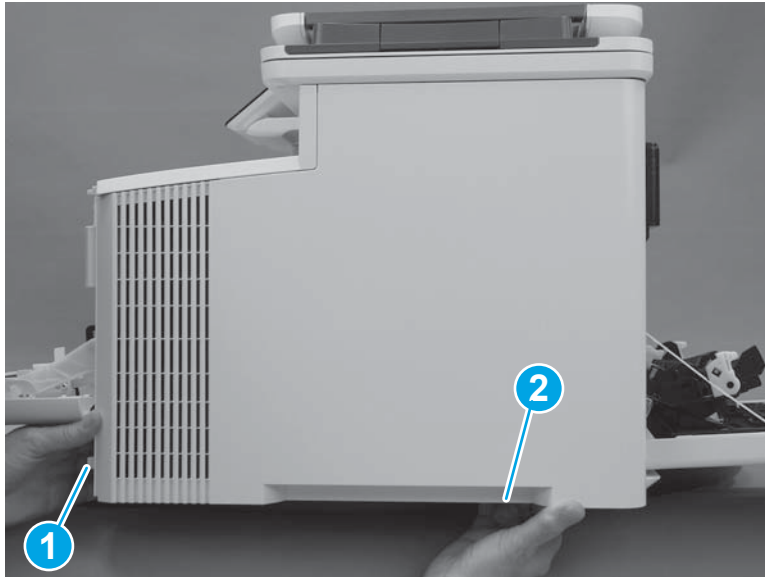
- Release one tab (callout 1) on the front of the cover by slightly pulling the cover away from the printer. While holding the cover in the released position, release one tab (callout 2) on the lower edge of the cover.

Figure 1-1871 Release front lower tabs



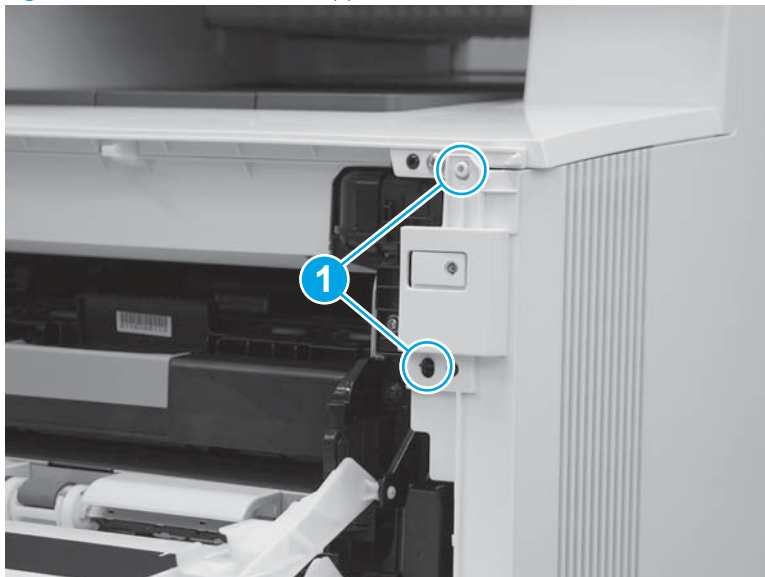
6. Hold the front tabs in the released position (callout 1), and then release one tab (callout 2) on the lower edge of the cover, toward the back of the printer.

Figure 1-1872 Release lower rear tab



7. Release two tabs at the front of the printer (callout 1) by slightly pulling the cover away from the printer.

Figure 1-1873 Release front upper tabs





8. Rotate the front of the cover away from the printer (callout 1).

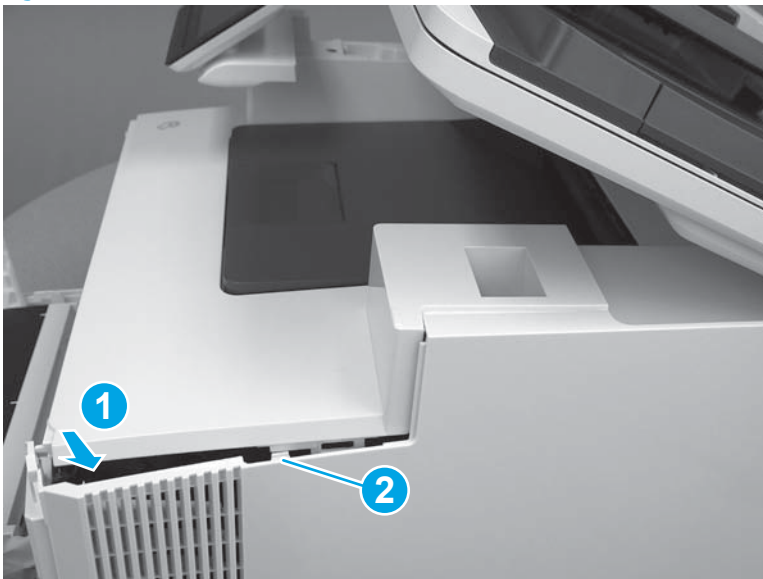
**⚠ CAUTION:** Be careful not to dislodge the power switch (callout 2).

**Figure 1-1874** Rotate the front of the cover



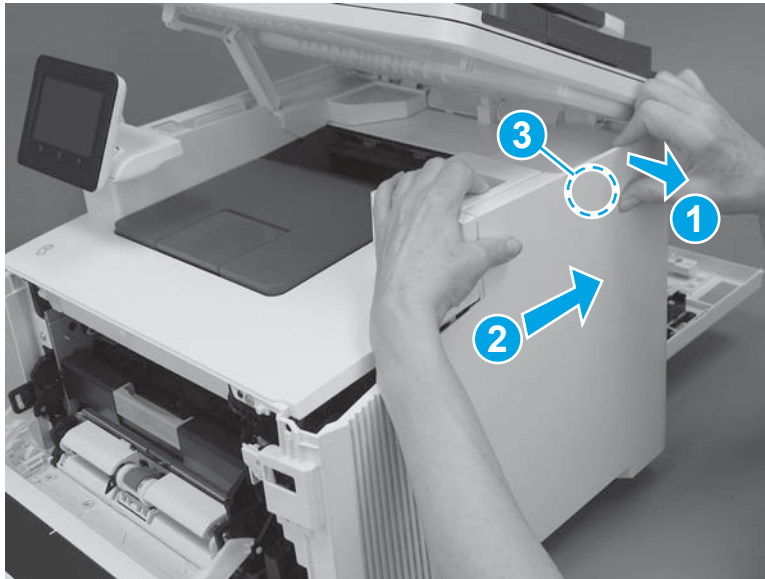
9. Slightly pull the front of the cover away from the printer (callout 1) to release one tab (callout 2).

**Figure 1-1875** Release top tabs



10. At the top of the printer, slightly pull the top of the cover away from the printer to release one retention tab (callout 1) on the inside of the cover. While holding the cover away, slide the cover toward the back of the printer (callout 2) to release one hook (callout 3) on the inside of the cover.

Figure 1-1876 Release one tab and one hook



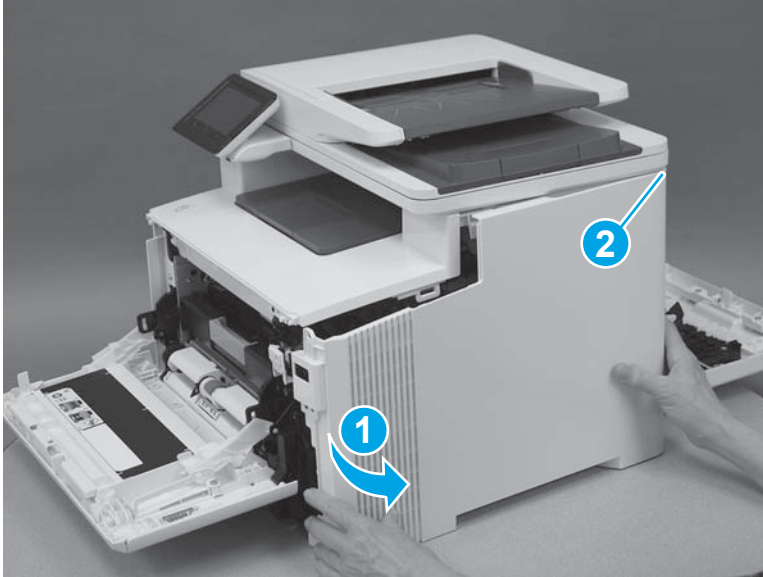
11. Lower the scanner.

Figure 1-1877 Lower the scanner




12. Rotate the cover away from the printer (callout 1) to release one tab (callout 2) at the back of the printer, and then remove the cover.

Figure 1-1878 Remove the right cover

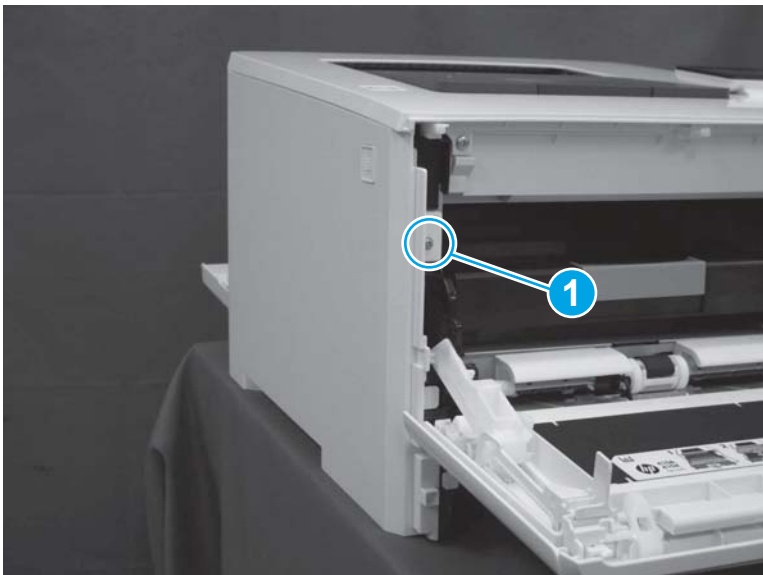


#### Step 5: Remove the left cover (M454 models)

 **NOTE:** This step is for the M454 models. For the M479 models, skip this step and go to [Step 6: Remove the left cover \(M479 models\) on page 1032](#).

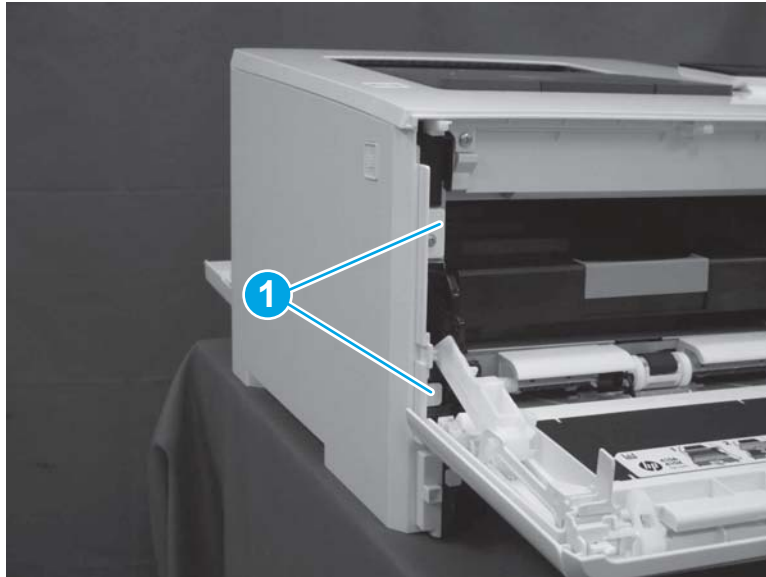
1. At the front of the printer, remove one screw (callout 1).

Figure 1-1879 Remove one screw



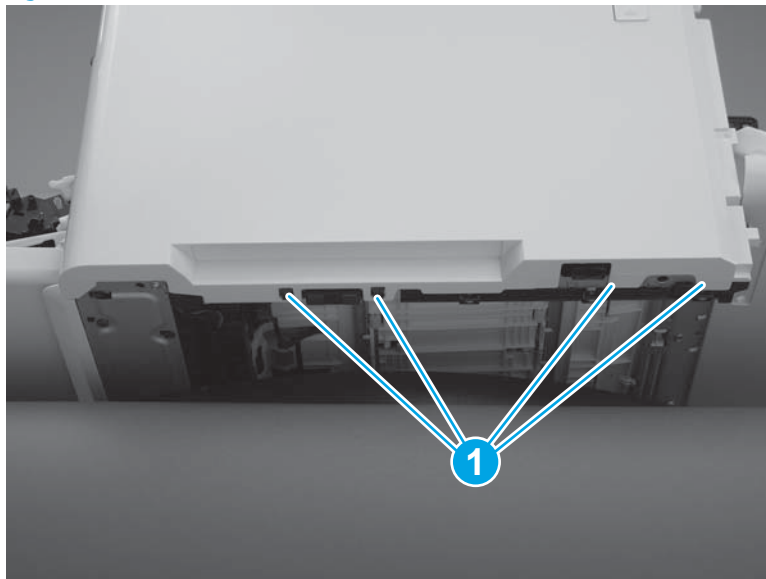
2. Release two tabs (callout 1) at the front of the cover. Hold the cover open to prevent the tabs from reengaging.

Figure 1-1880 Release two tabs



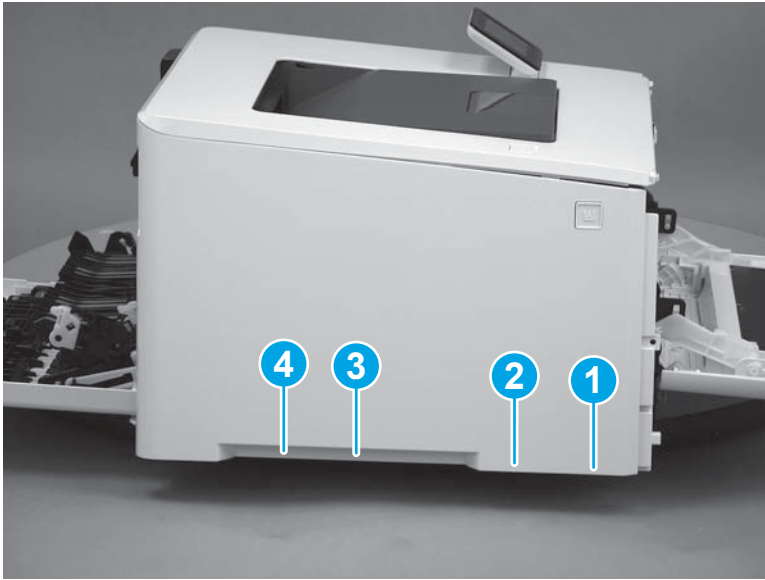
3. Slide the printer to the edge of a work surface. Note the location of the tabs on the lower edge of the cover (callout 1).

Figure 1-1881 Locate the tabs



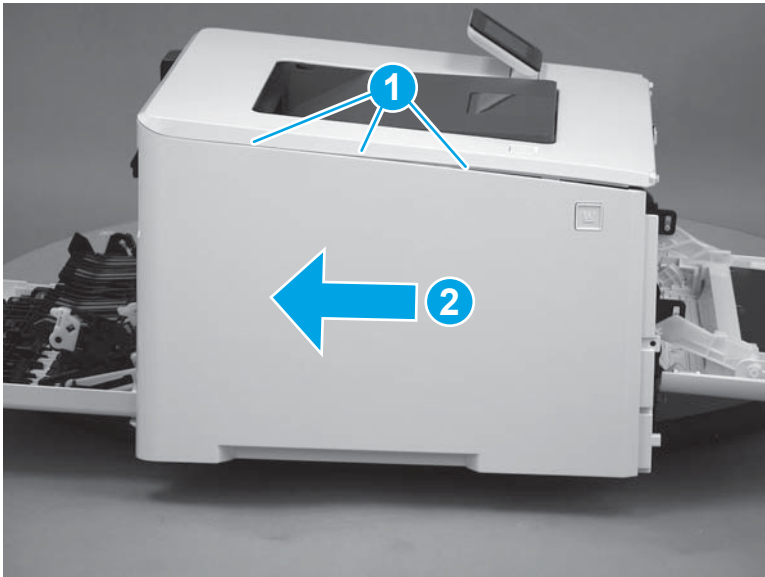
4. Beginning from the front of the cover, release four tabs (callouts 1-4) on the lower edge of the cover.

Figure 1-1882 Release bottom tabs




5. Release three tabs at the top of the cover (callout 1), and then slide the cover toward the rear of the printer to remove it.

Figure 1-1883 Release three tabs



#### Step 6: Remove the left cover (M479 models)

---

 **NOTE:** This step is for the M479 models. For the M454 models, skip this step and go to [Step 7: Remove the rear top cover \(Simplex models\) on page 1037](#).

---

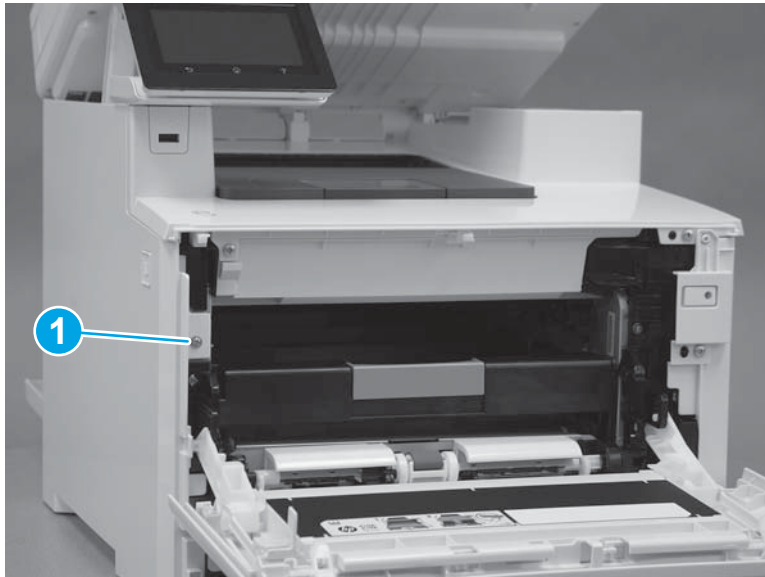
1. Raise the scanner.

Figure 1-1884 Raise the scanner



2. At the front of the printer, remove one screw (callout 1).

Figure 1-1885 Remove one screw



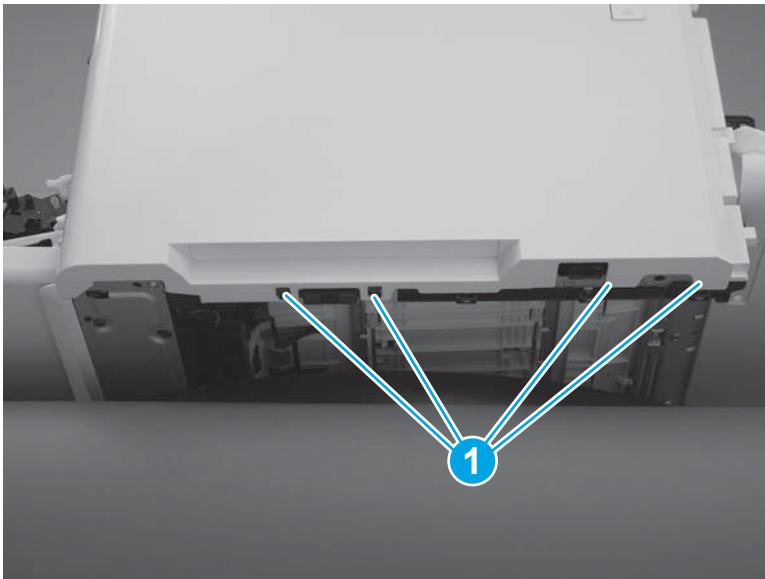
3. Release two tabs (callout 1) at the front of the cover. Hold the cover open to prevent the tabs from re-engaging.

Figure 1-1886 Release two tabs



4. Slide the printer to the edge of a work surface. Note the location of the tabs on the lower edge of the cover (callout 1).

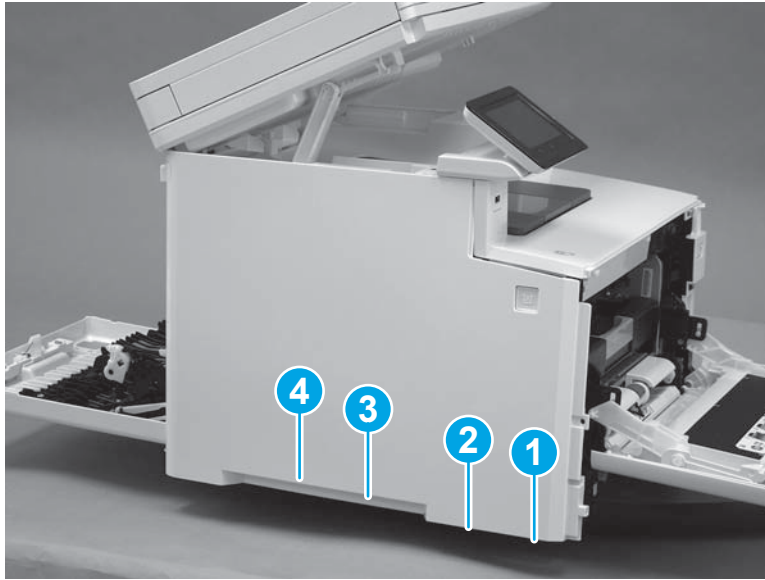
Figure 1-1887 Locate the tabs





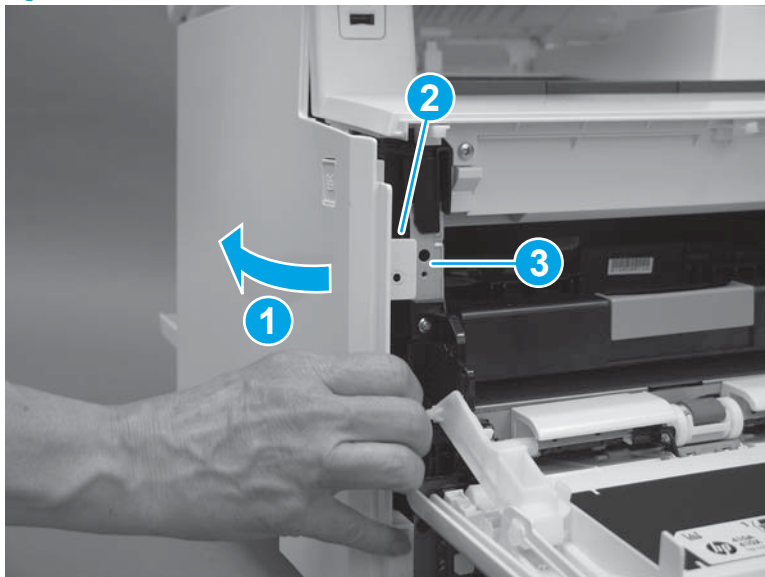
5. Beginning from the front of the cover, release the four tabs (callouts 1-4) on the lower edge of the cover.

Figure 1-1888 Release four tabs



6. Rotate the front of the cover away from the printer (callout 1). Make sure that the tab (callout 2) does not get caught on the printer frame (callout 3).

Figure 1-1889 Rotate the cover



7. At the top of the printer, slightly pull the top of the cover away from the printer to release one retention tab (callout 1) on the inside of the cover. While holding the cover away, slide the cover toward the back of the printer (callout 2) to release two hooks (callout 3) inside the cover.

Figure 1-1890 Release one tab and two hooks



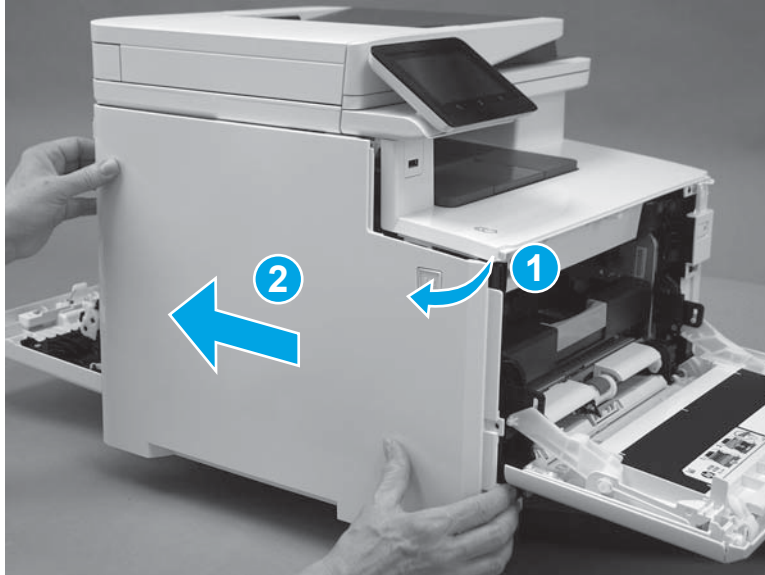
8. Lower the scanner.

Figure 1-1891 Lower the scanner



9. Rotate the cover away from the printer (callout 1), and then slide the cover (callout 2) toward the back of the printer to remove it.

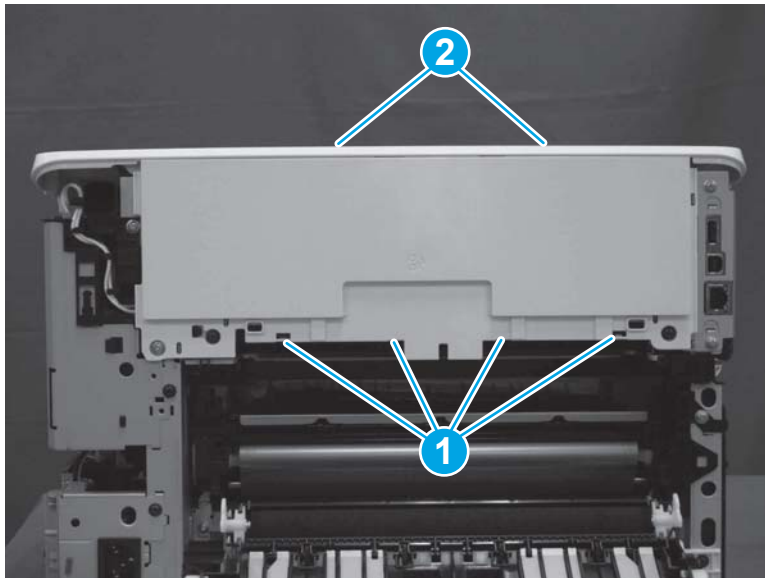
Figure 1-1892 Remove the left cover



#### Step 7: Remove the rear top cover (simplex models)

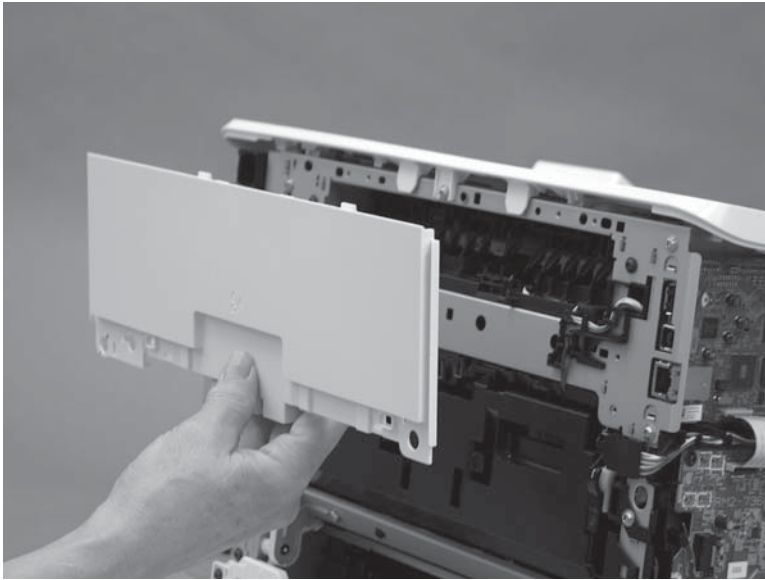
1. At the back of the printer, release four tabs (callout 1) on the bottom of the cover and two tabs (callout 2) on the top of the cover.

Figure 1-1893 Release six tabs




2. Remove the rear top cover.

Figure 1-1894 Remove the rear top cover

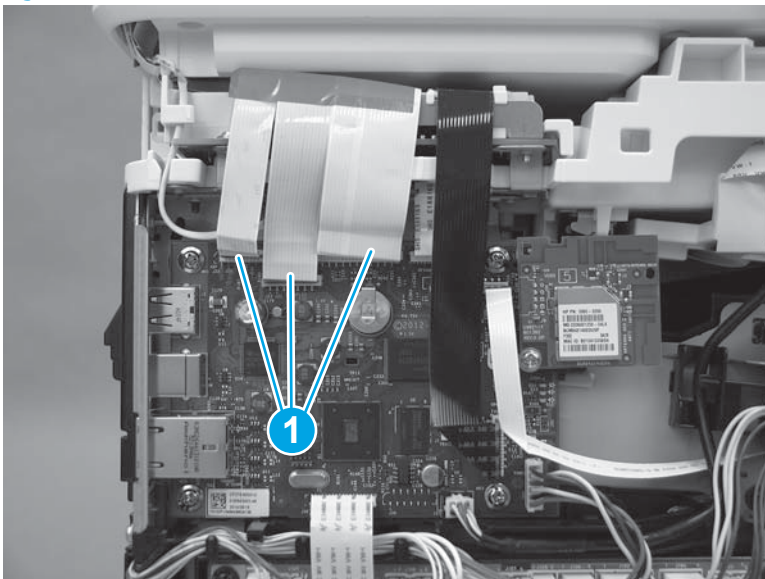


#### Step 8: Remove the integrated scanner assembly (M479 models)

 **NOTE:** This step is for the M479 models. For the M454 models, skip this step and go to [Step 11: Remove the top cover \(M454 models\) on page 1053](#).

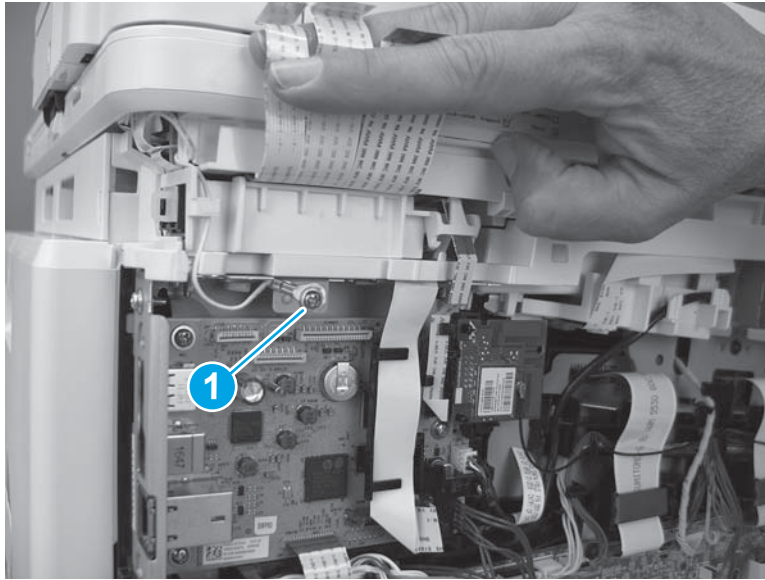
1. On the left side of the printer, disconnect three connectors (callout 1).

Figure 1-1895 Disconnect the scanner cables



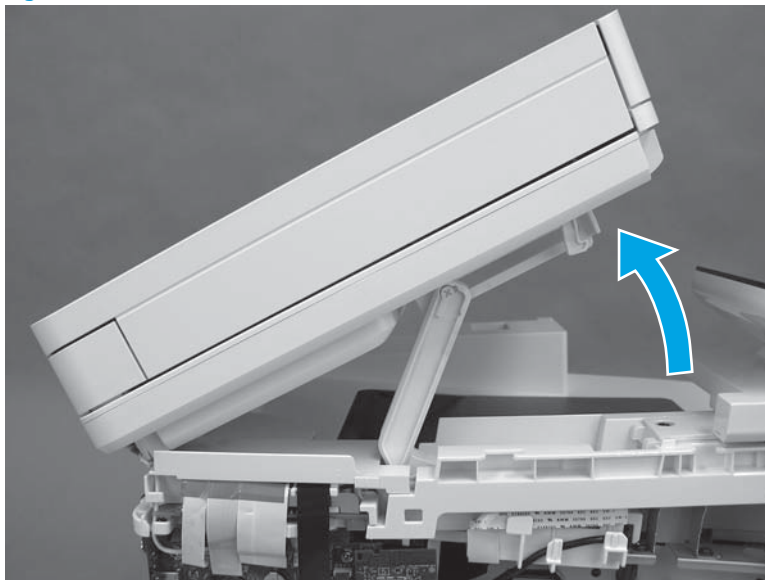
2. Raise the scanner cables up, and then remove one screw (callout 1) to release the ground wire (callout 2).

Figure 1-1896 Remove one screw and release the ground wire



3. Raise the scanner.

Figure 1-1897 Raise the scanner



4. With the scanner lifted, release the tab (callout 1) on the scanner support arm pin from the slot and rotate the pin in the direction indicated.

Figure 1-1898 Release the scanner arm pin



5. Remove the scanner arm pin.

---

**CAUTION:** Once the scanner arm pin is removed, support the scanner with one hand at all times so that it does not fall backwards off of the printer.

---

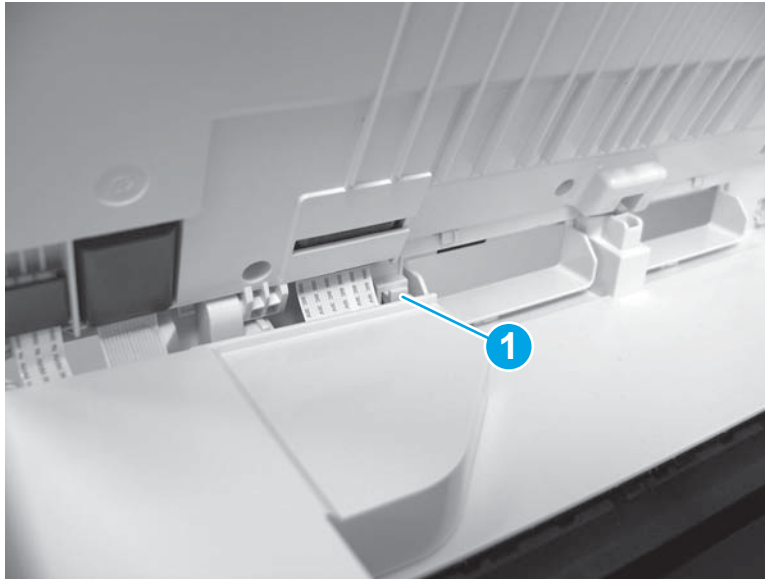
Figure 1-1899 Remove the scanner arm pin.





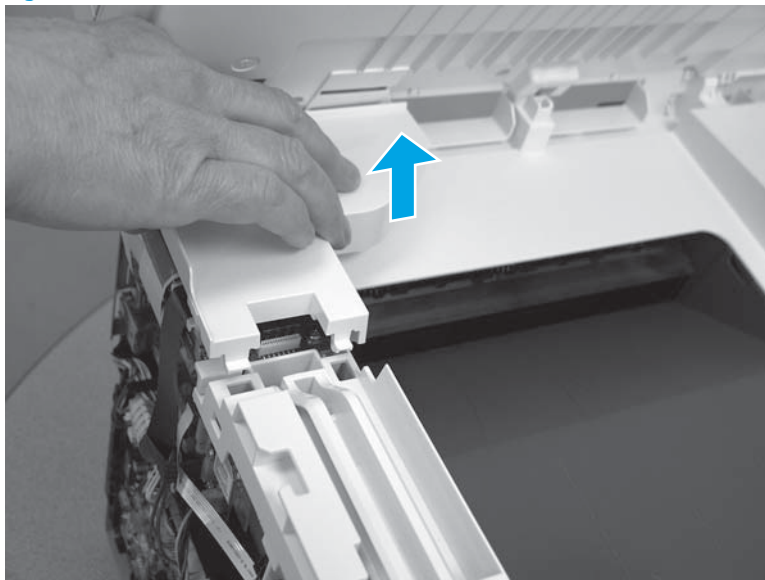
6. On the top of the printer, use a flat-blade screwdriver to release one tab (callout 1).

Figure 1-1900 Release one tab



7. Remove the scanner cable cover.

Figure 1-1901 Remove the scanner cable cover





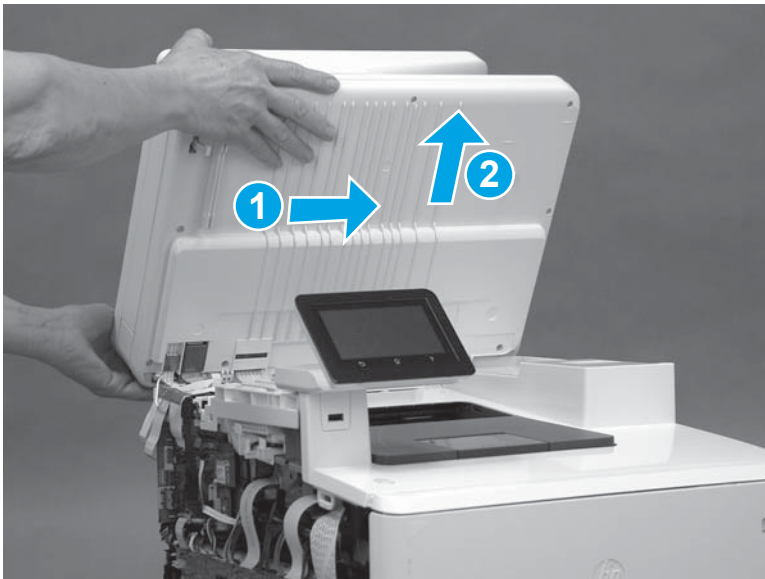
8. The scanner cables (callout 1) are held in place on the top cover with double-sided tape. Carefully release the cables from the top cover.

Figure 1-1902 Release the cables



9. Open the scanner assembly fully, slide the assembly toward the right side of the printer, and then lift the assembly off of the printer.

Figure 1-1903 Remove the scanner assembly

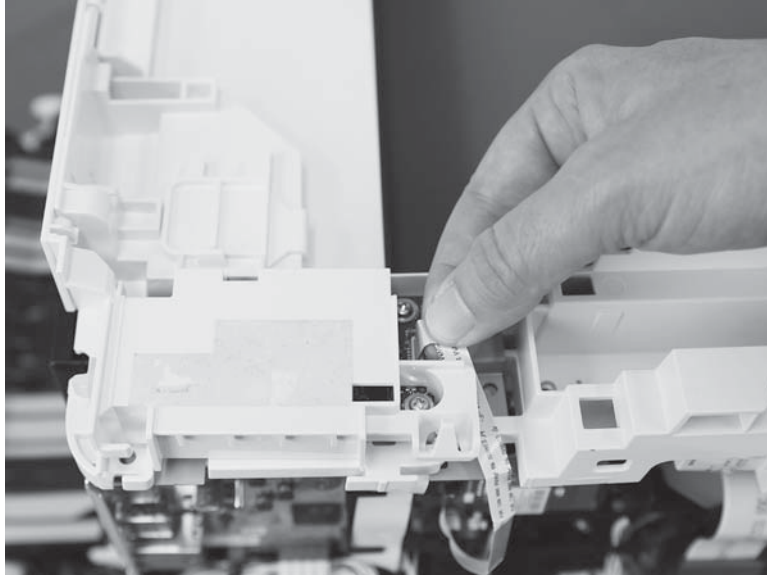


#### Step 9: Remove the fax PCA (M479 models)

 **NOTE:** This step is for M479 fax models only. Skip this step for non-fax models.

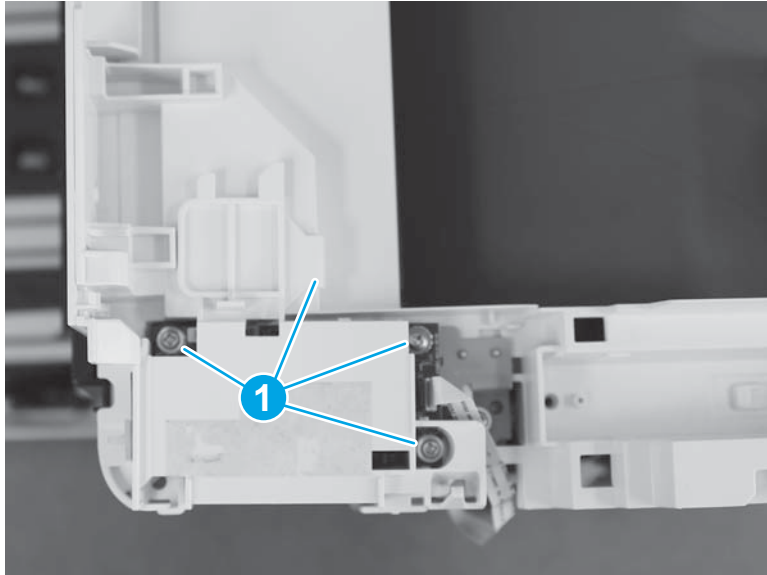
1. Disconnect on FFC cable from fax PCA.

Figure 1-1904 Disconnect one connector



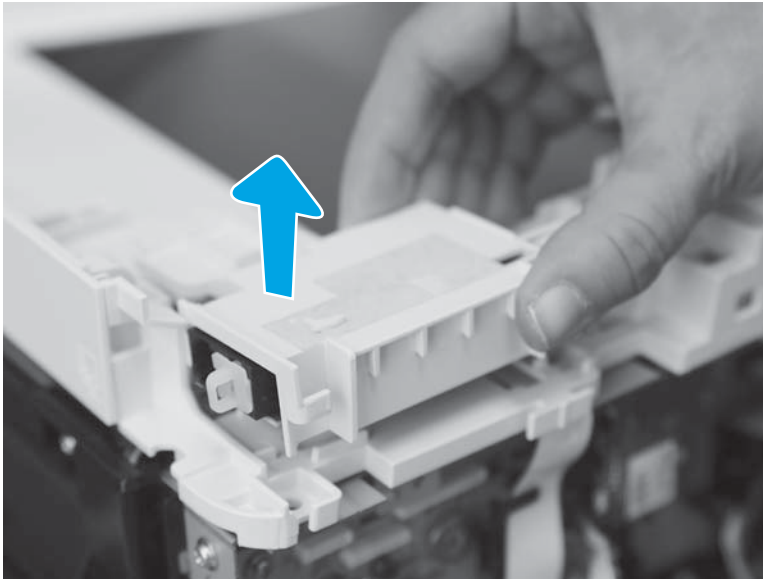
2. Remove three screws and release one tab (callout 1).

Figure 1-1905 Remove three screws and release one tab



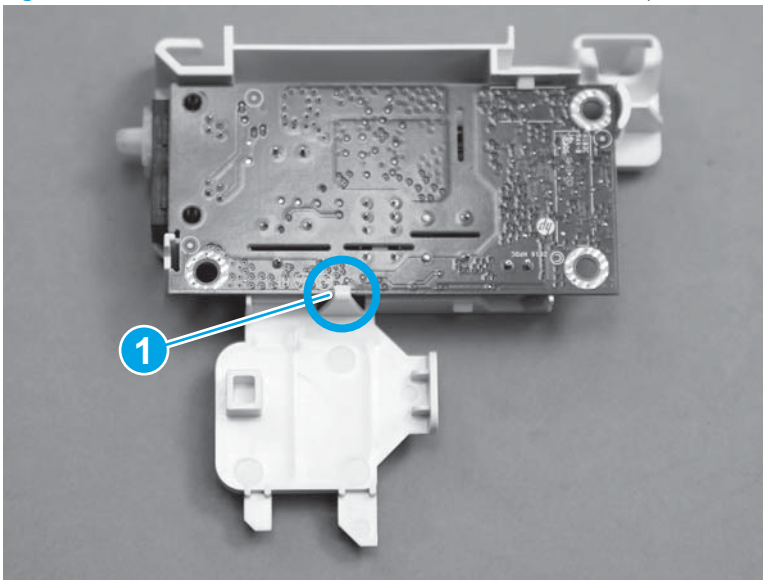
3. Lift up to remove the fax PCA.

**Figure 1-1906** Lift up to remove the fax PCA




4. Release the tab (callout 1) on the back of the fax PCA to remove the PCA from the plastic holder.

**Figure 1-1907** Release one tab to remove fax PCA from the plastic holder

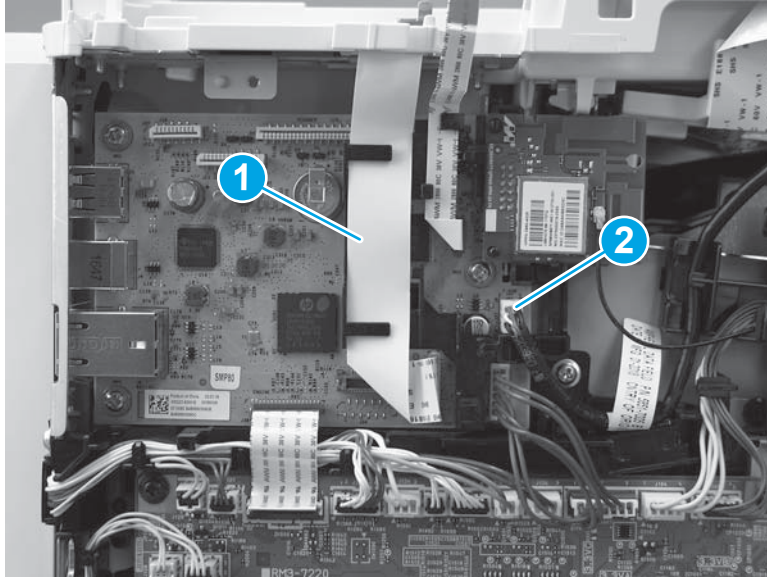


#### Step 10: Remove the top cover (M479 models)

 **NOTE:** This step is for the M479 models. For the M454 models, skip this step and go to [Step 11: Remove the top cover \(M454 models\) on page 1053](#).

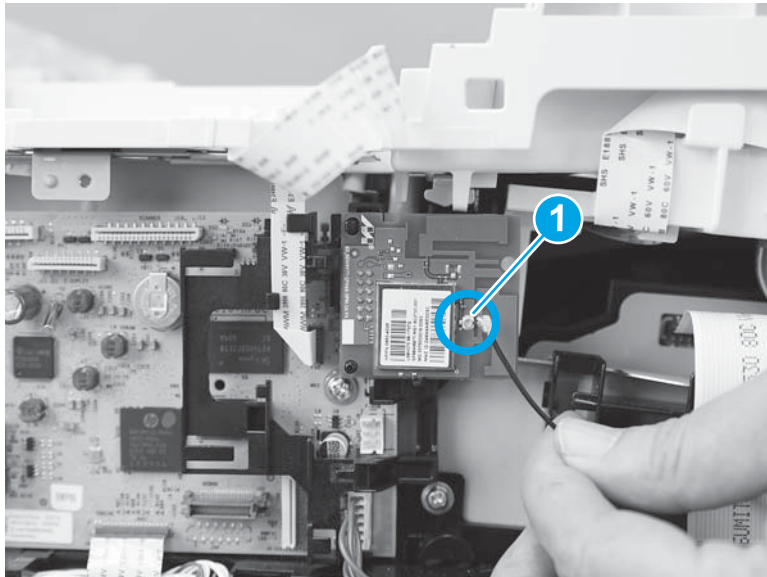
1. Disconnect one connector (callout 2) and one FFC (callout 2).

Figure 1-1908 Disconnect one connectors and one FFC



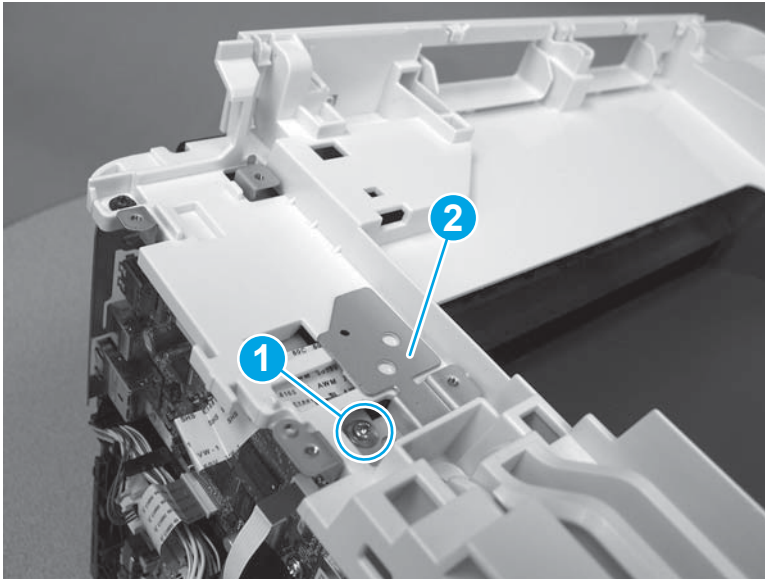
2. Disconnect wireless antenna cable (callout 1) from the wireless PCA.

Figure 1-1909 Disconnect wireless antenna cable from the wireless PCA



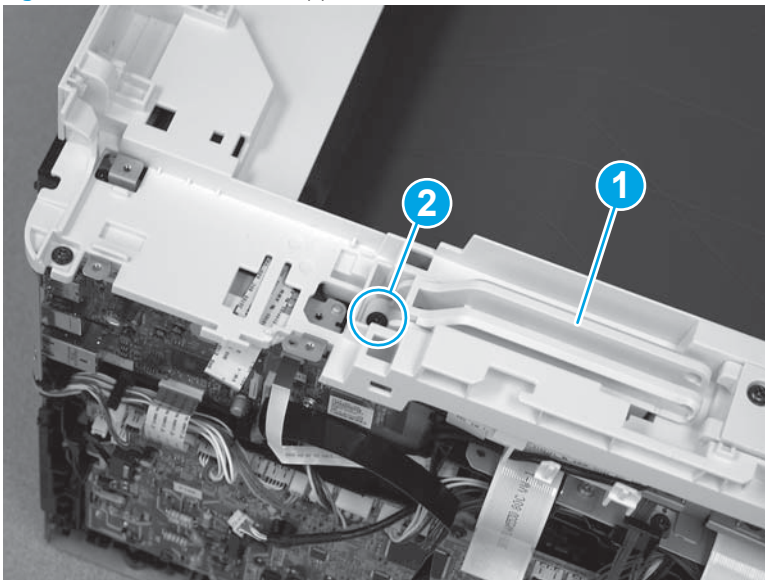
3. On the top cover, remove one screw (callout 1) and the sheet metal plate (callout 2).

Figure 1-1910 Remove one screw and the sheet metal plate



4. At the top of the printer, lower the scanner support arm (callout 1), and then remove one screw (callout 2).

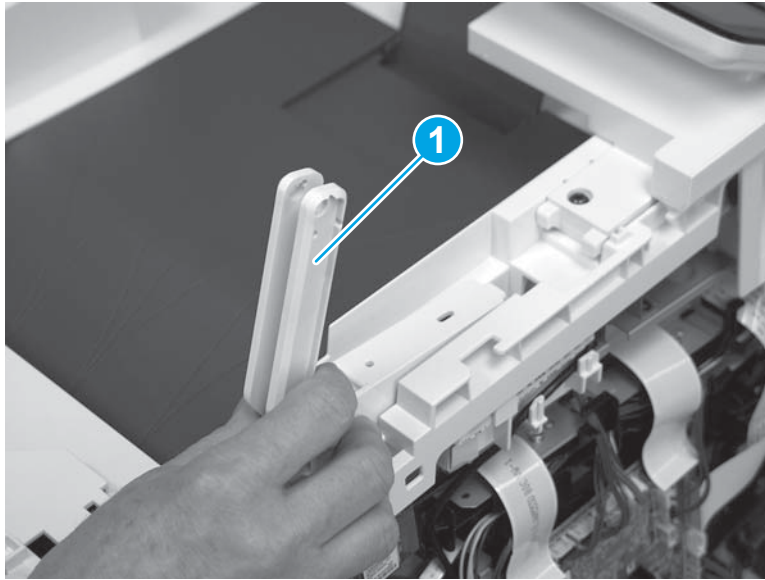
Figure 1-1911 Lower the support arm and remove one screw





5. Remove the scanner support arm (callout 1).

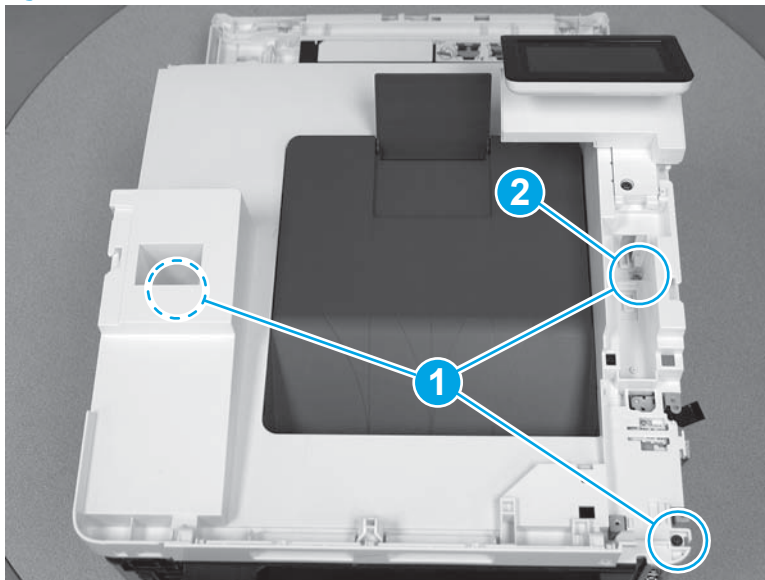
Figure 1-1912 Remove the scanner support arm



6. At the top of the printer, remove three screws (callout 1).

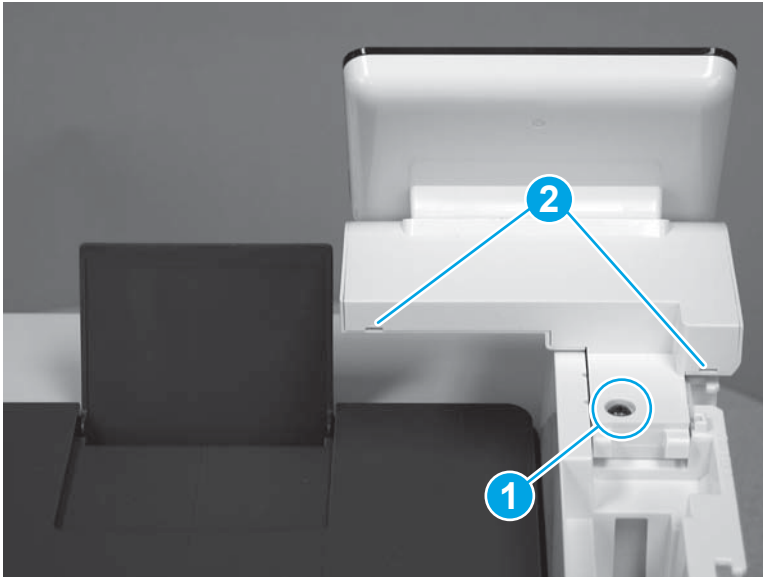
 **Reinstallation tip:** One screw (callout 2) is longer than the other screws. Make sure that this screw is reinstalled in the correct position.

Figure 1-1913 Remove three screws



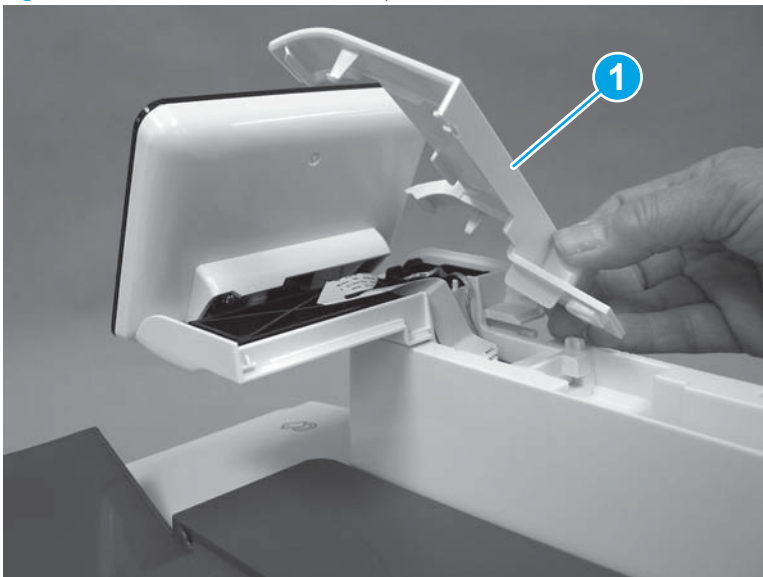
7. Behind the control panel, remove one screw (callout 1), and then use a small flat-blade screwdriver at two pry points (callout 2) to release the control panel cover from the top cover.

**Figure 1-1914** Release the control panel cover



8. Remove the control panel cover (callout 1).

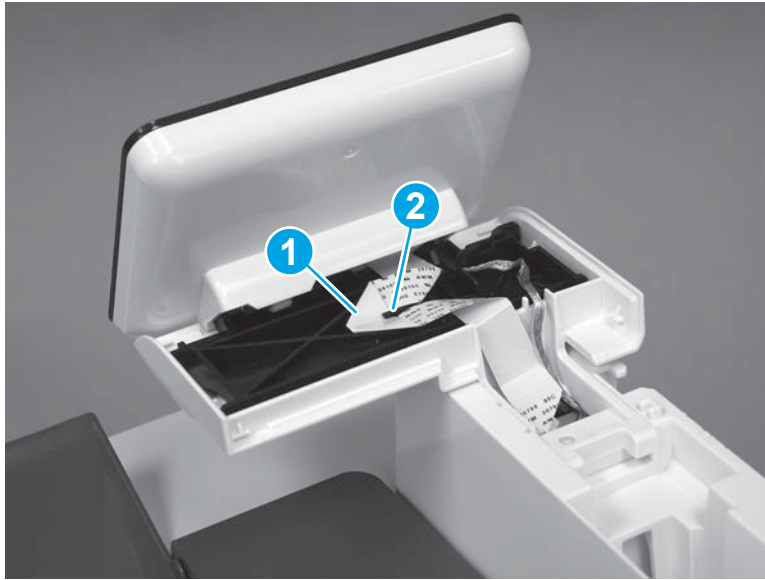
**Figure 1-1915** Remove the control panel cover





9. Remove the flat cable (callout 1) from the retaining guide (callout 2).

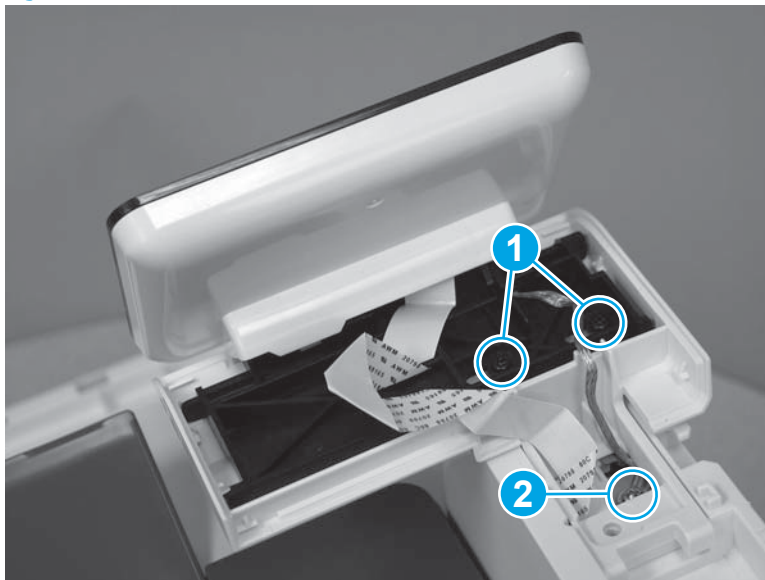
Figure 1-1916 Release the flat cable



10. Remove two screws (callout 1), and then remove one screw (callout 2) and release one ground wire.

 **Reinstallation tip:** The two screws toward the front of the control panel (callout 1) are longer than the other screw. Make sure these screws are installed in the correct position when reinstalling the part.

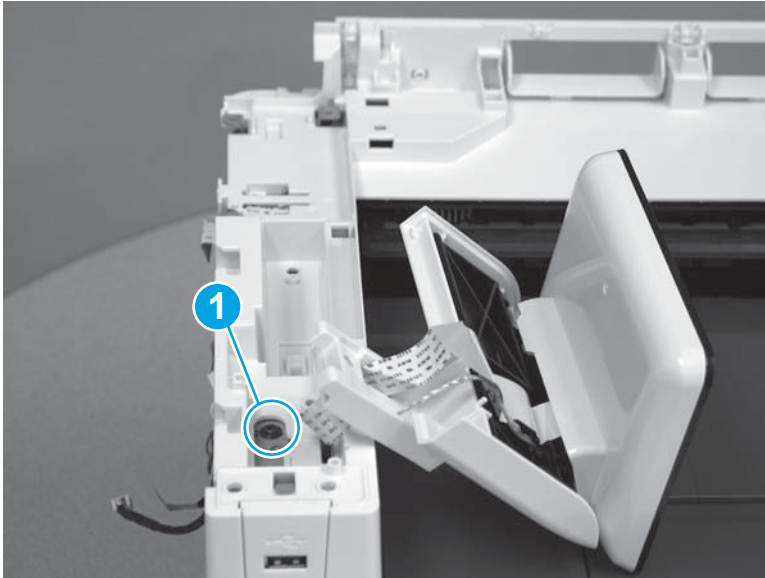
Figure 1-1917 Remove three screws



11. Carefully lift the control panel away and rest it on the top cover, and then remove one screw (callout 1).

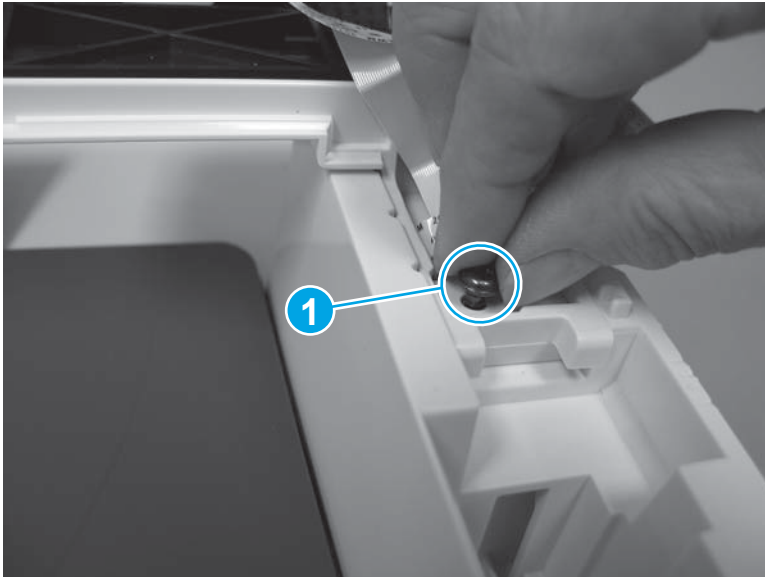
**⚠ CAUTION:** The control panel is still attached to the top cover by the flat cable.

**Figure 1-1918** Remove one screw



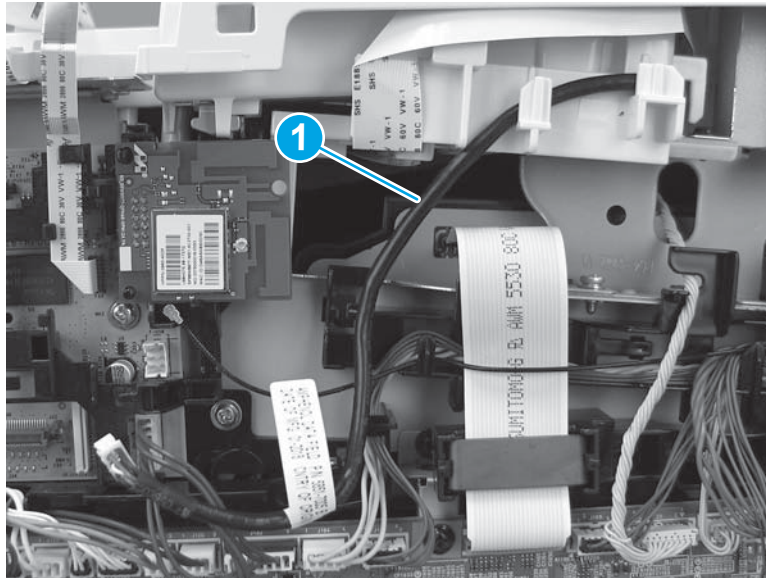
12. Place the control panel back into position. With your hand, refasten the screw (callout 1) that was previously removed from the control panel cover to temporarily reattach the control panel to the top cover. Doing this should protect the flat cable from being damaged.

**Figure 1-1919** Refasten the control panel to the top cover



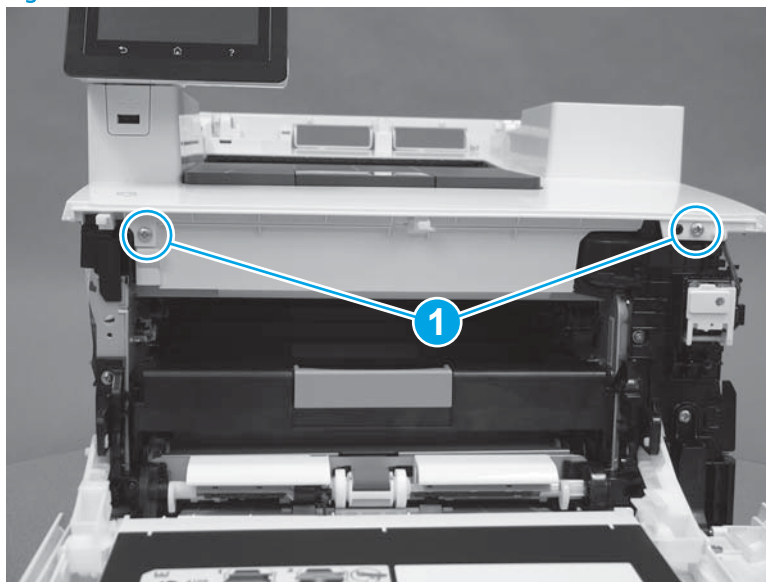
13. Remove the USB cable (callout 1) from the cable guides (callout 2).

Figure 1-1920 Release the USB cable



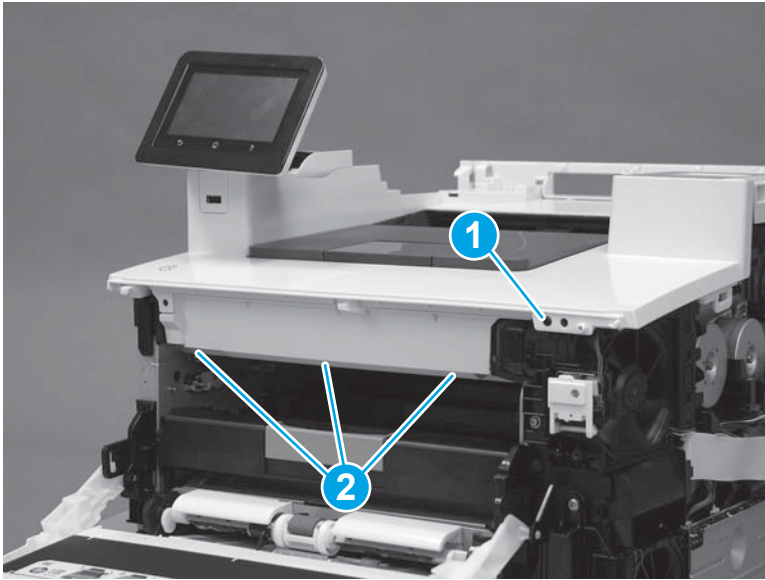
14. At the front of the printer, remove two screws (callout 1).

Figure 1-1921 Remove two screws



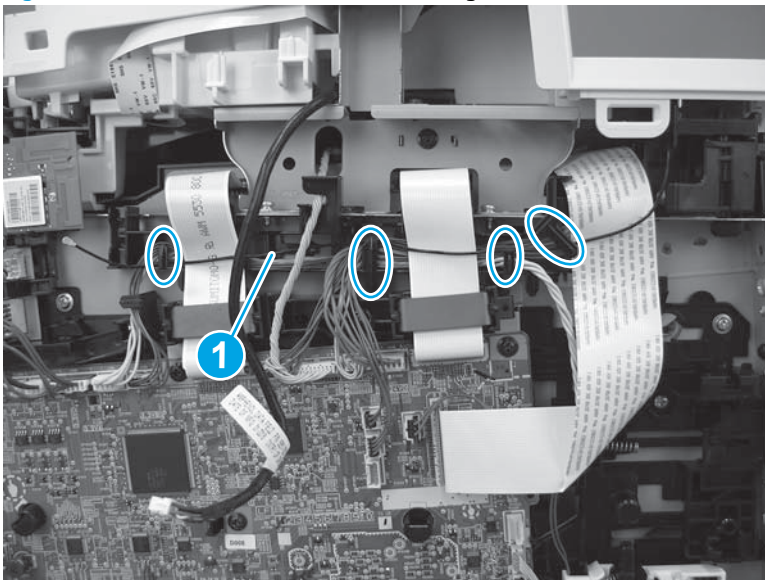
15. Release one retainer (callout 1), and then release three tabs (callout 2).

Figure 1-1922 Release one retainer and three tabs



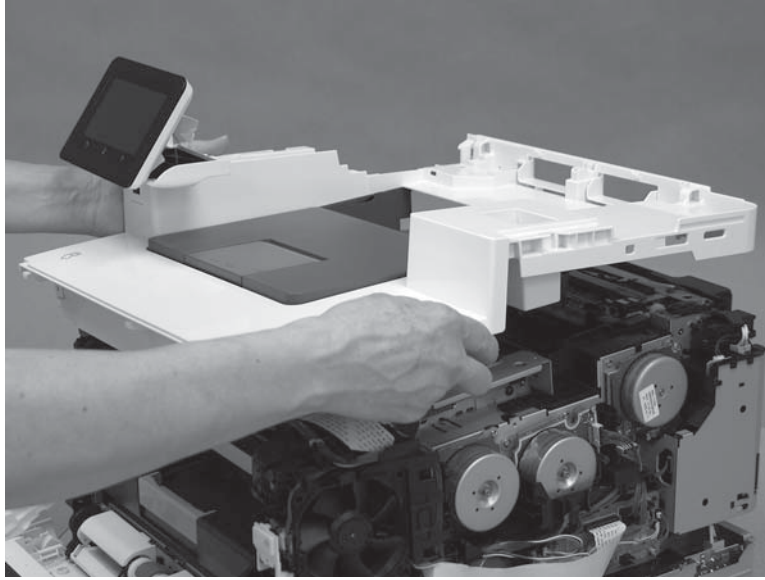
16. Remove the Wi-Fi antenna wire (callout 1) from the guide.

Figure 1-1923 Remove antenna wire from guide




17. Remove the top cover.

Figure 1-1924 Remove the top cover

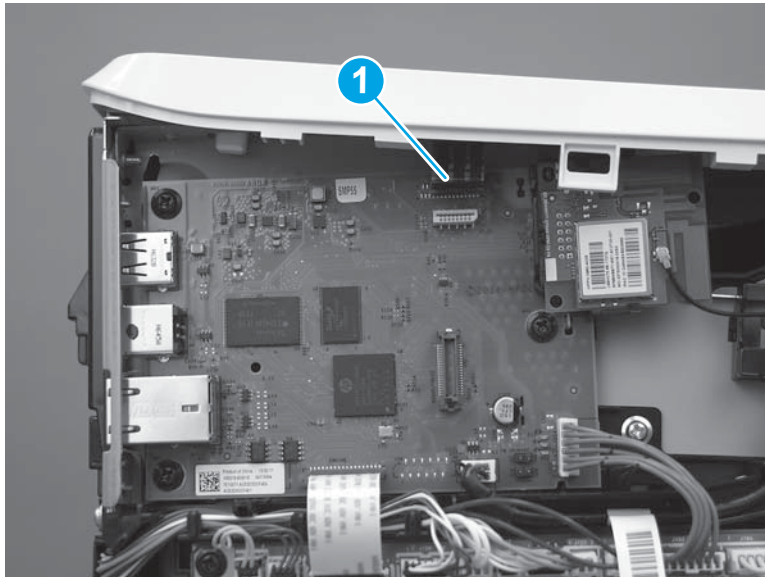


#### Step 11: Remove the top cover (M454 models)

 **NOTE:** This step is for the M454 models. For the M479 models, skip this step and go to [Step 12: Remove the fuser \(simplex models\) on page 1058](#).

1. **M454dw model only:** On the left side of the printer, on the formatter, disconnect one connector (callout 1).

Figure 1-1925 Disconnect one connector





2. **M454nw/dn models only:** On the left side of the printer, on the formatter, disconnect one connector (callout 1).


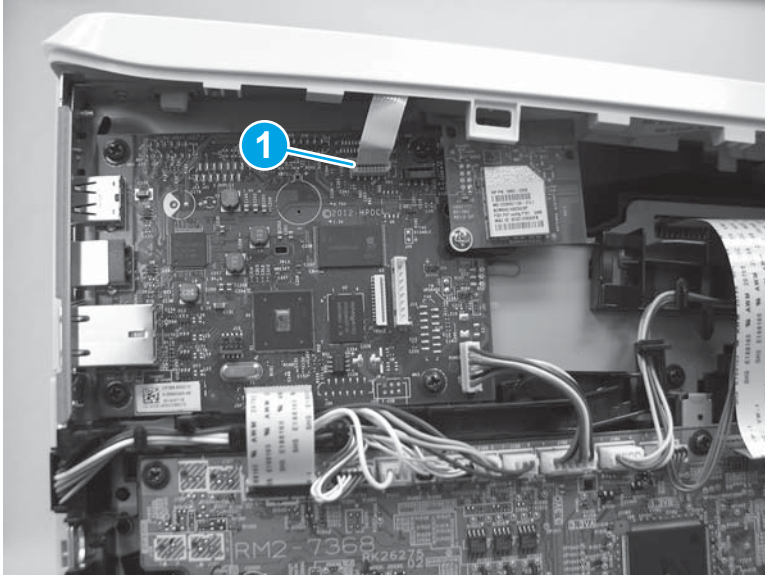
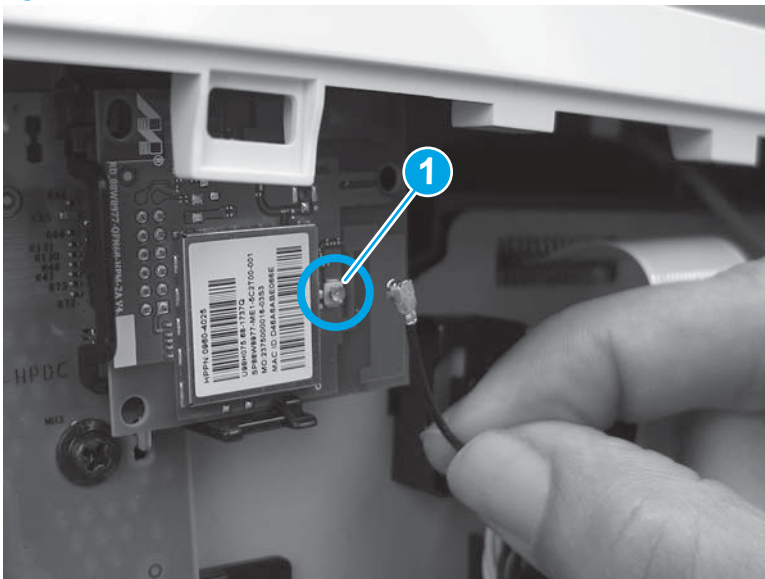
 **NOTE:** The formatter may look slightly different than what is shown below, however the removal procedures are the same.

Figure 1-1926 Disconnect one connector



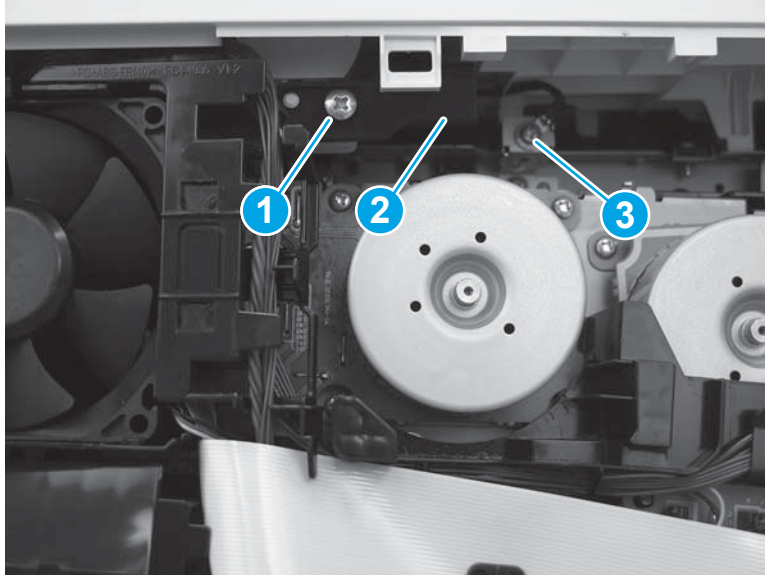
3. **M454nw/dw models only:** Disconnect the antenna (callout 1) from the connector (callout 2) on the wireless PCA.

Figure 1-1927 Disconnect the antenna



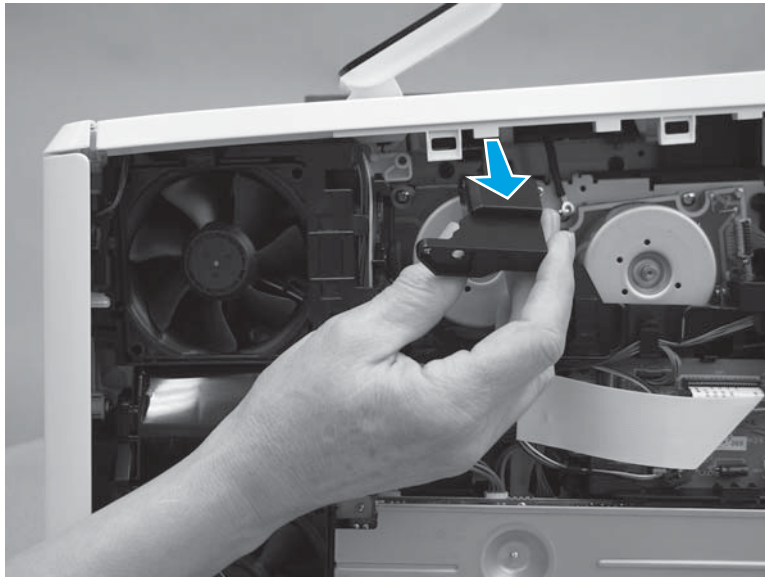
4. **M454dw model only:** Remove one screw (callout 1) and release one ground wire. Remove one screw (callout 2). Note the location (callout 3) of the guide.

Figure 1-1928 Remove two screws



5. **M454dw model only:** Remove the guide.

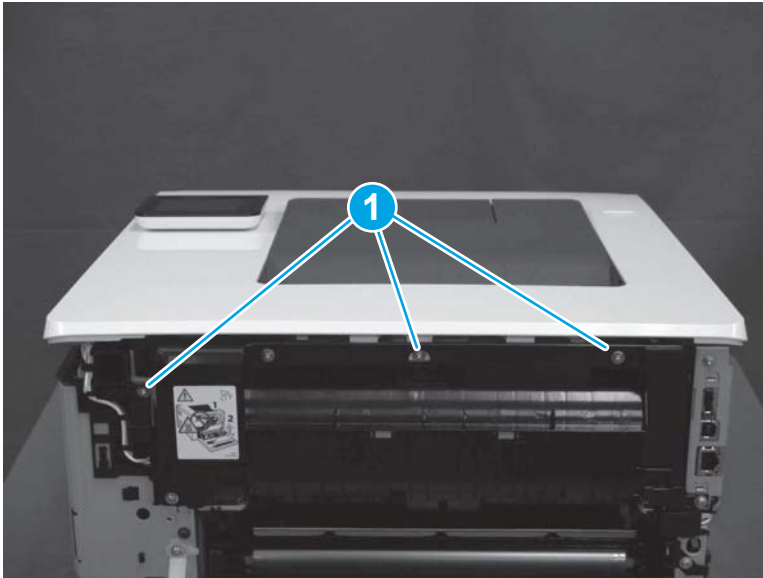
Figure 1-1929 Remove the guide





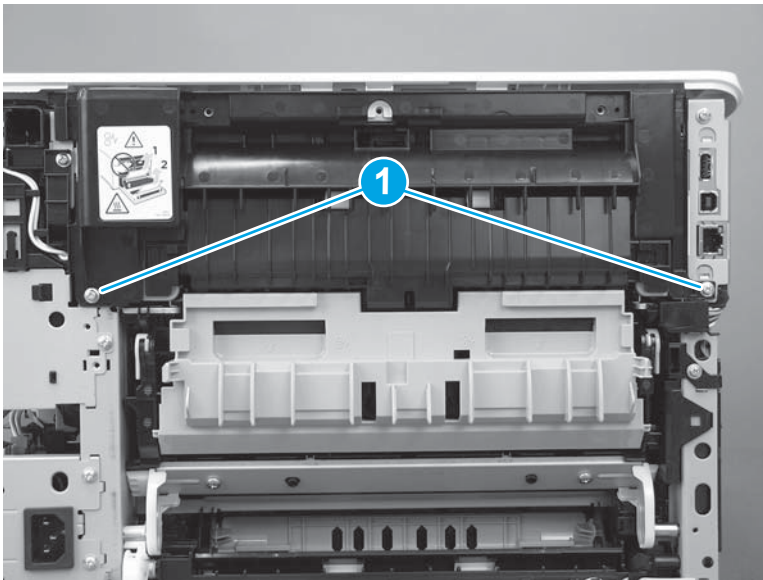
6. **M454dn/dw models only:** At the back of the printer, remove three screws (callout 1).

Figure 1-1930 Remove three screws



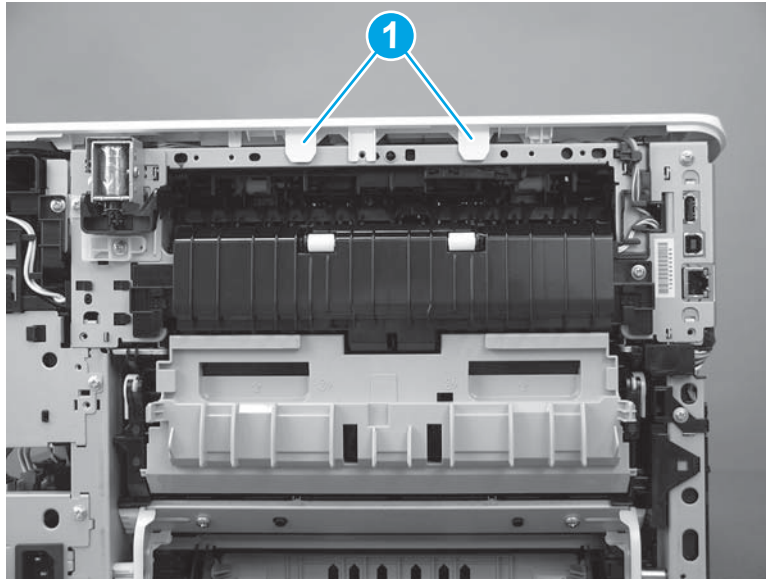
7. **M454dn/dw models only:** Remove two screws (callout 1).

Figure 1-1931 Remove two screws



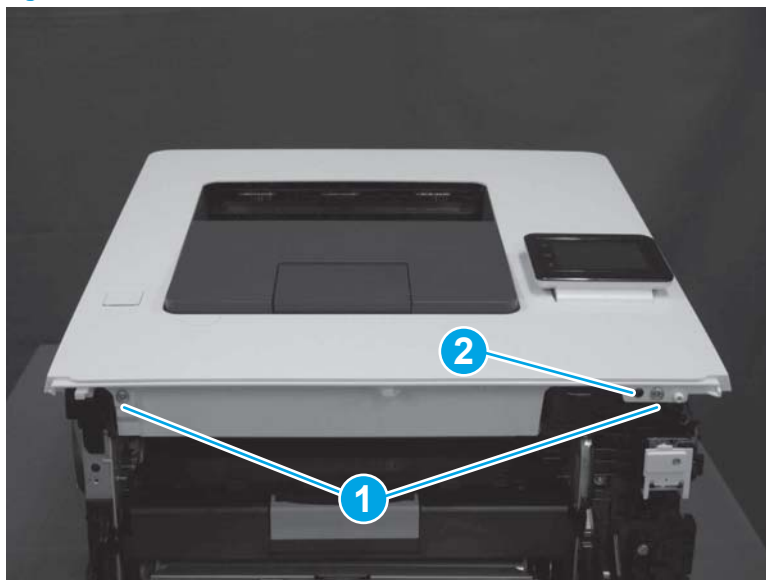
8. **M454nw model only:** At the back of the printer release two tabs (callout 1).

Figure 1-1932 Release two tabs



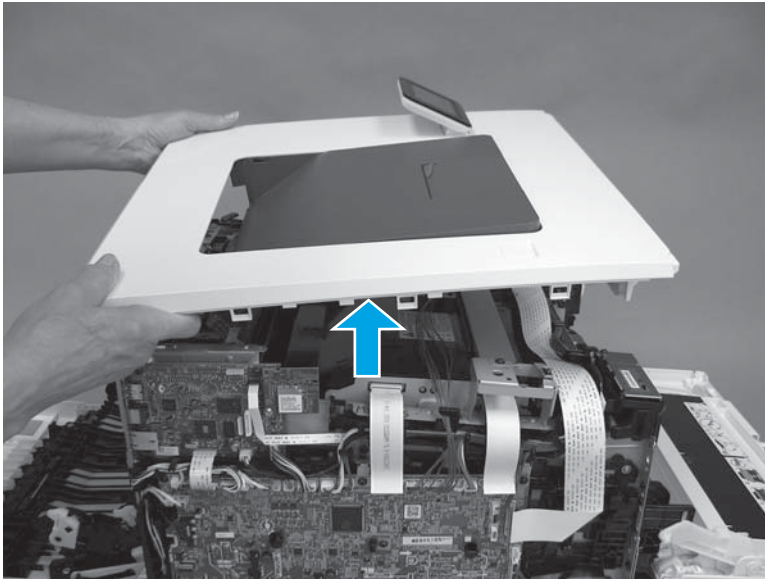
9. At the front of the printer, remove two screws (callout 1), and then release one tab (callout 2).

Figure 1-1933 Remove two screws and release one tab



10. Remove the top cover.

Figure 1-1934 Remove the top cover



#### Step 12: Remove the fuser (simplex models)

1. Disconnect one connector (callout 1) on the engine controller PCA.


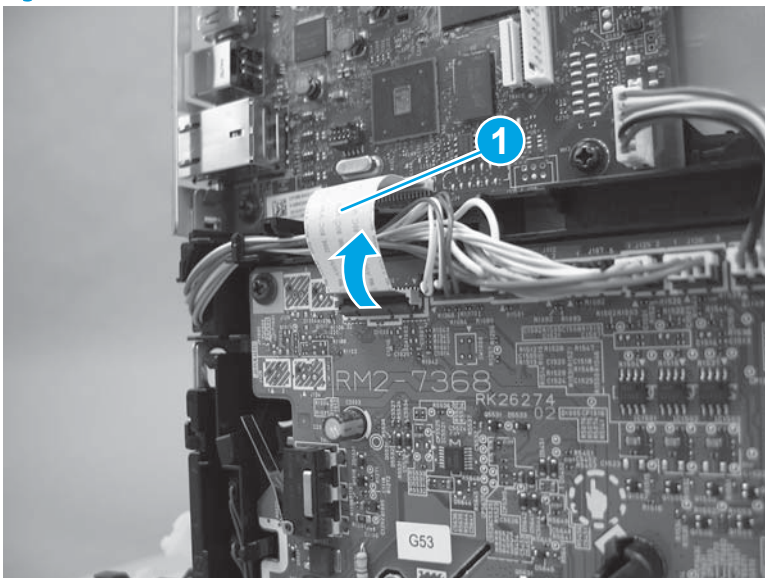
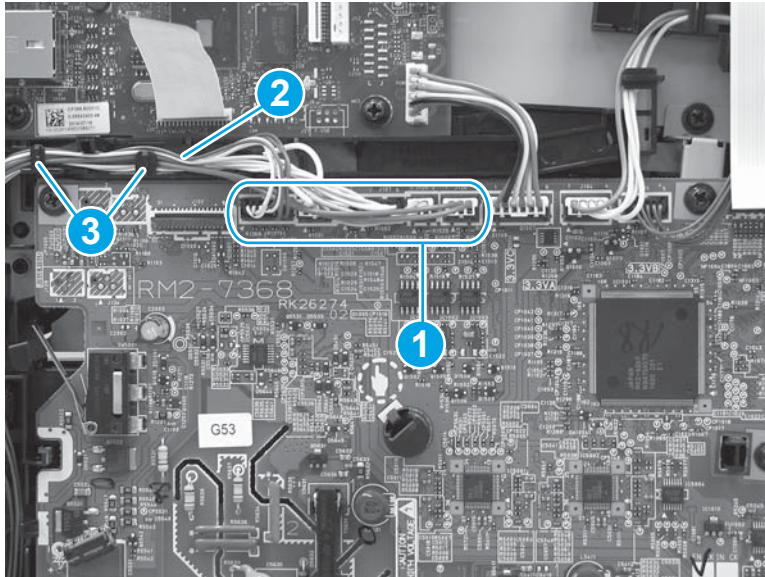
 **NOTE:** This connector is a zero-insertion force (ZIF) connector. Lift the latch on the connector before removing the flat cable. Formatter PCA may appear different than what is shown below, however, the procedures are the same.

Figure 1-1935 Disconnect one connector



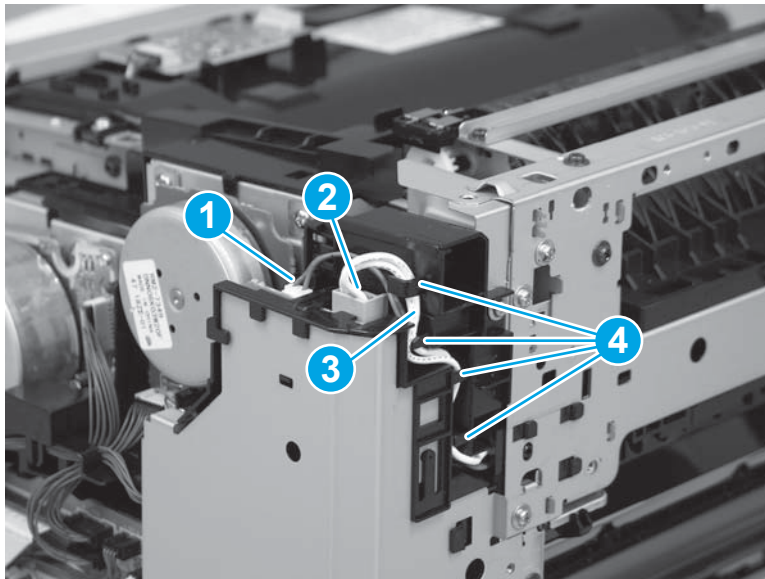
2. Disconnect six connectors on the engine controller PCA (callout 1), and then remove the cables (callout 2) from the guides (callout 3).

Figure 1-1936 Disconnect six connectors



3. Disconnect one connector (callout 1). Release the connector latch, and then disconnect one connector (callout 2). Remove the cables (callout 3) from the guides (callout 4).

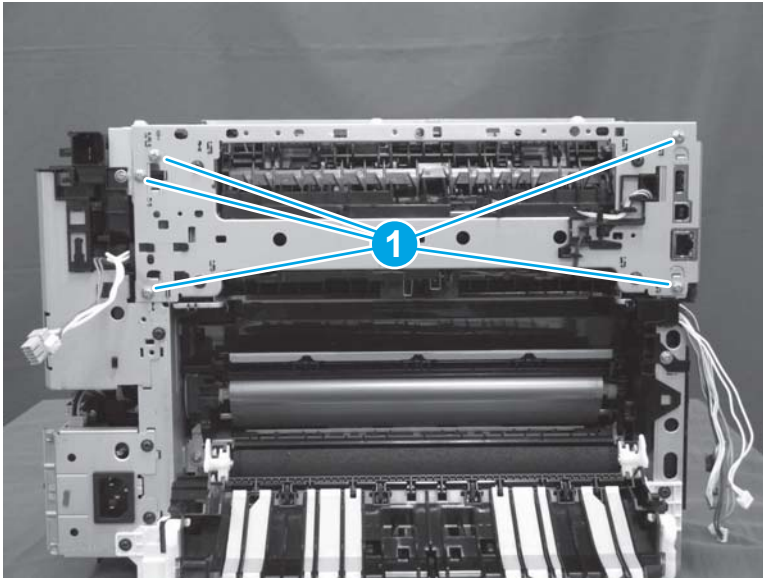
Figure 1-1937 Disconnect two connectors





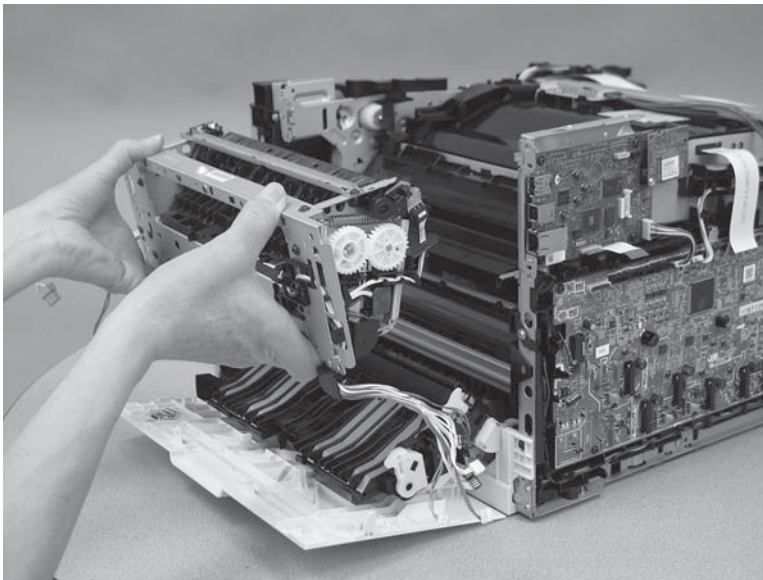
4. Remove five screws.

Figure 1-1938 Remove five screws



5. Remove the fuser.

Figure 1-1939 Remove the fuser



### Step 13: Unpack the replacement part

Remove the new part from its package. Save all packaging for recycling the used part.

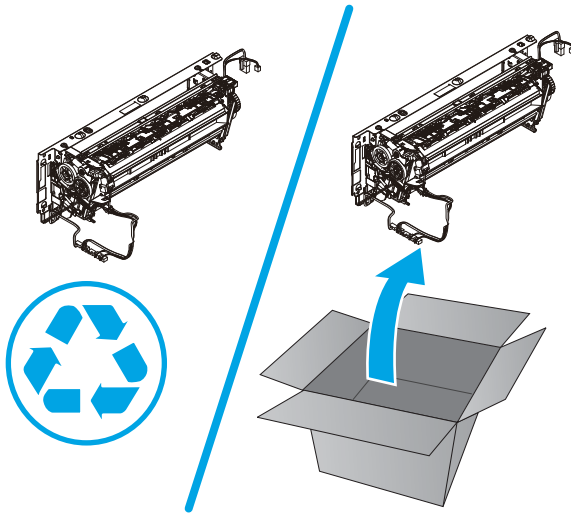
For complete information on HP's recycling programs, go to [Product return and recycling](#).

---

 **NOTE:** HP recommends responsible disposal of the defective part.

---


Figure 1-1940 Recycle and unpack



#### Step 14: Install the fuser (simplex models)

- ▲ To install an assembly, reverse the removal steps.

---

 **NOTE:** When applicable, special installation instructions are provided for an assembly at the end of the removal procedure. Always completely read the removal instructions and follow all special installation instructions.

---

## Removal and replacement: Fuser (duplex models)

- [Introduction](#)
- [Step 1: Remove Tray 2](#)
- [Step 2: Open the front door and duplexer door](#)
- [Step 3: Remove the right cover \(M454 models\)](#)
- [Step 4: Remove the right cover \(M479 models\)](#)
- [Step 5: Remove the left cover \(M454 models\)](#)
- [Step 6: Remove the left cover \(M479 models\)](#)
- [Step 7: Remove the integrated scanner assembly \(M479 models\)](#)
- [Step 8: Remove the fax PCA \(M479 models\)](#)
- [Step 9: Remove the top cover \(M479 models\)](#)
- [Step 10: Remove the top cover \(M454 models\)](#)
- [Step 11: Remove the fuser \(duplex models\)](#)
- [Step 12: Unpack the replacement part](#)
- [Step 13: Install the fuser \(duplex models\)](#)


### Introduction

This document provides the procedures to remove and replace the fuser for duplex models.

[Click here to view a video of this procedure.](#)

### Before you begin

- Turn off the printer.
- Disconnect the power cable.

 **WARNING!** To avoid damage to the printer, turn the printer off, wait 30 seconds, and then remove the power cord before attempting to service the printer.

- Use the table below to identify the correct part number for your printer. To order the part, go to [www.hp.com/buy/parts](http://www.hp.com/buy/parts).

Fuser part number	
RM2-6460-000CN	Fuser (110V duplex)
RM2-6461-000CN	Fuser (220V duplex)

### Required tools

- #2 Phillips screwdriver with a magnetic tip
- Small flat-blade screwdriver



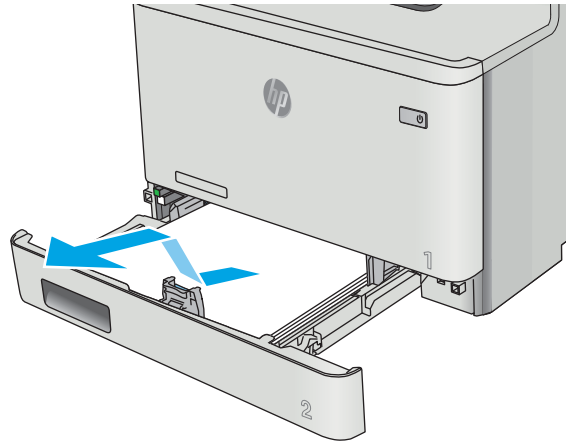
### After performing service

- Connect the power cable.
- Use the power switch to turn the power on.

### Step 1: Remove Tray 2

- ▲ Pull the tray out until it stops. Lift the front of the tray, and then pull it out of the printer to remove it.

Figure 1-1941 Remove the tray



### Step 2: Open the front door and duplexer door

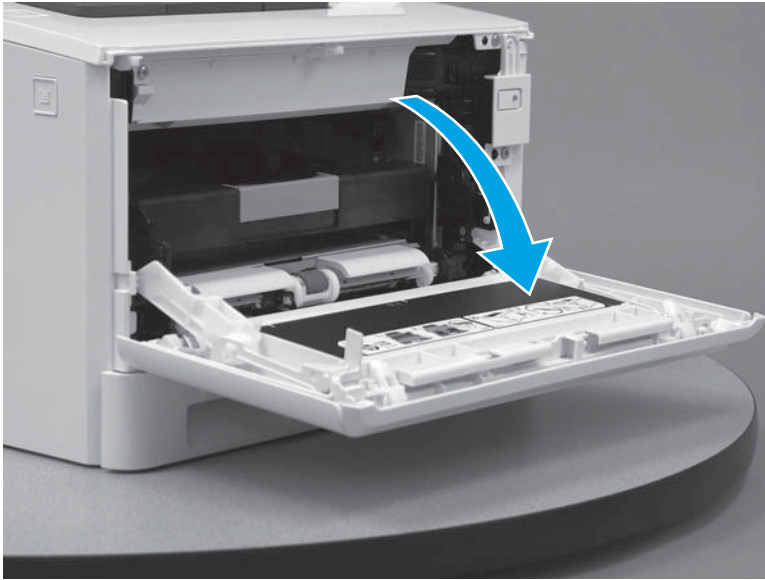
1. Press the button (callout 1) on the left side of the printer to release the front door.

Figure 1-1942 Release the front door



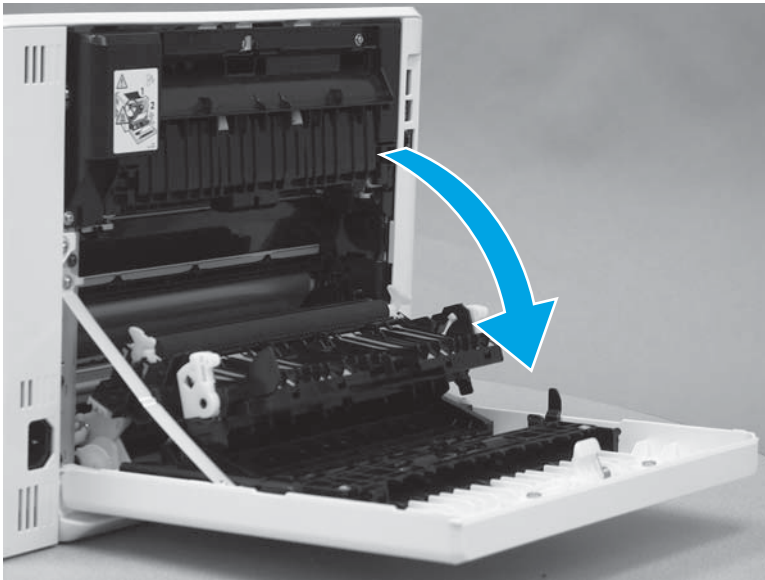
2. Open the front door.

Figure 1-1943 Open the front door




3. Open the duplexer door.

Figure 1-1944 Open the duplexer door



### Step 3: Remove the right cover (M454 models)

 **NOTE:** This step is for the M454 models. For the M479 models, skip this step and go to [Step 4: Remove the right cover \(M479 models\) on page 1068.](#)

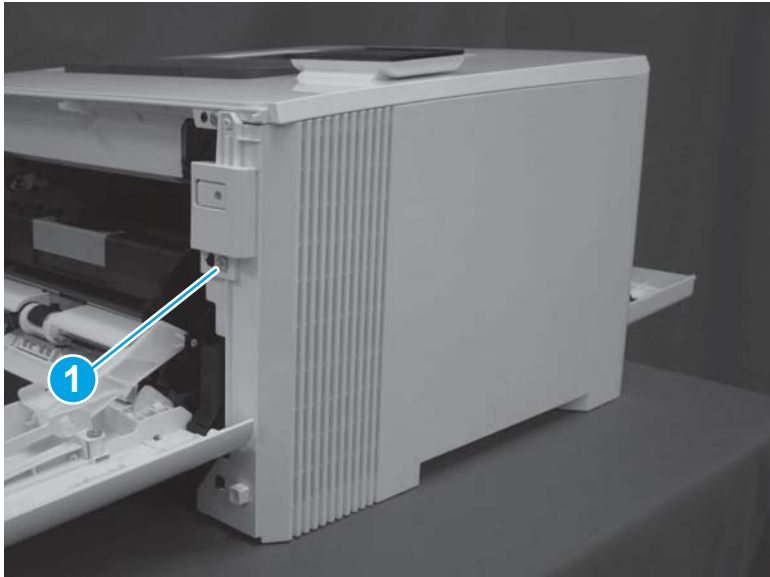
1. At the back of the printer, remove one screw (callout 1).

Figure 1-1945 Remove one screw



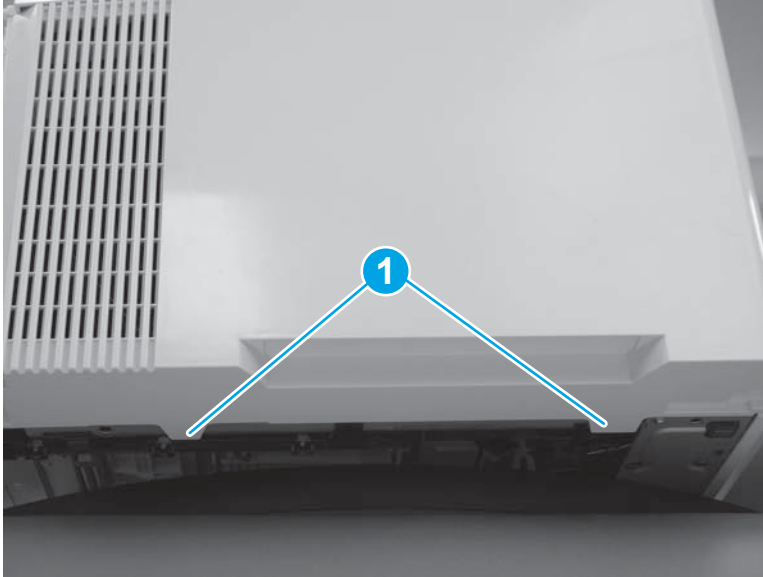
2. At the front of the printer, remove one screw (callout 1).

Figure 1-1946 Remove one screw



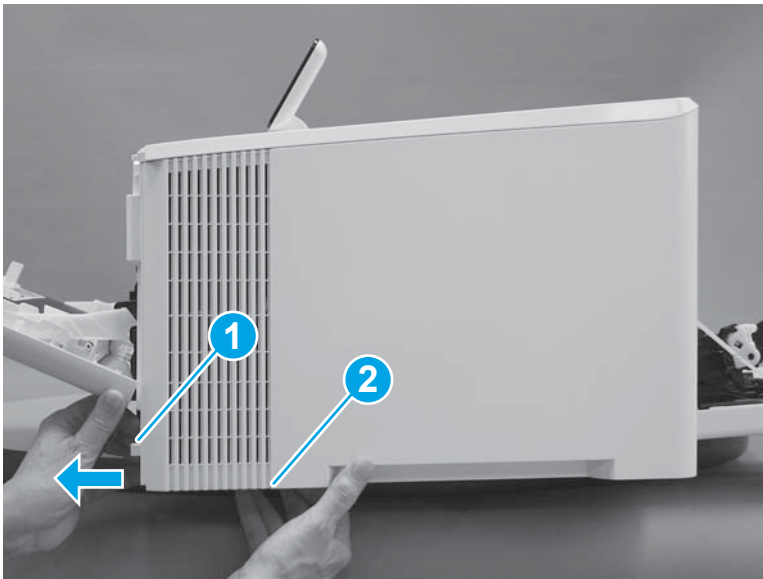
3. Slide the printer to the edge of a work surface. Note the location of the tabs on the lower edge of the cover (callout 1).

Figure 1-1947 Locate the tabs



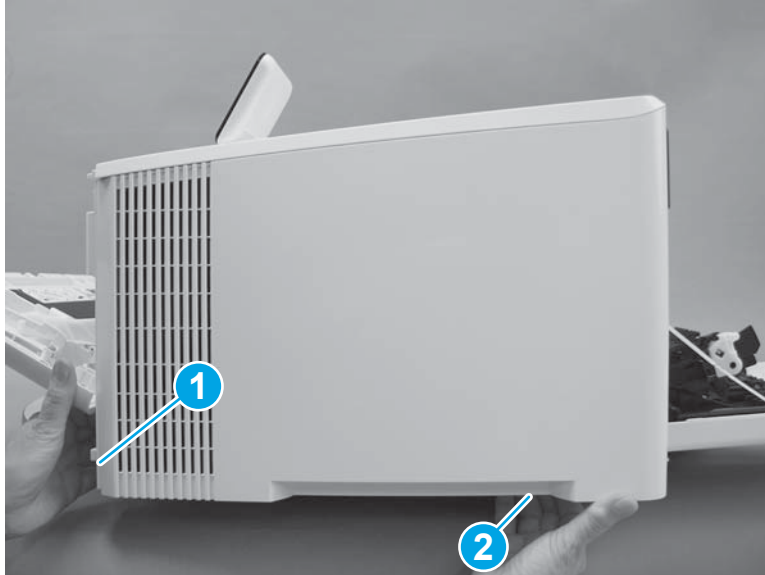
4. Release one tab (callout 1) on the front of the cover by slightly pulling the cover away from the printer. While holding the cover in the released position, release one tab (callout 2) on the bottom of the cover.

Figure 1-1948 Release front lower tabs



5. Hold the front tabs in the released position (callout 1), and then release one tab (callout 2) on the bottom of the cover, toward the back of the printer.

Figure 1-1949 Release lower rear tab



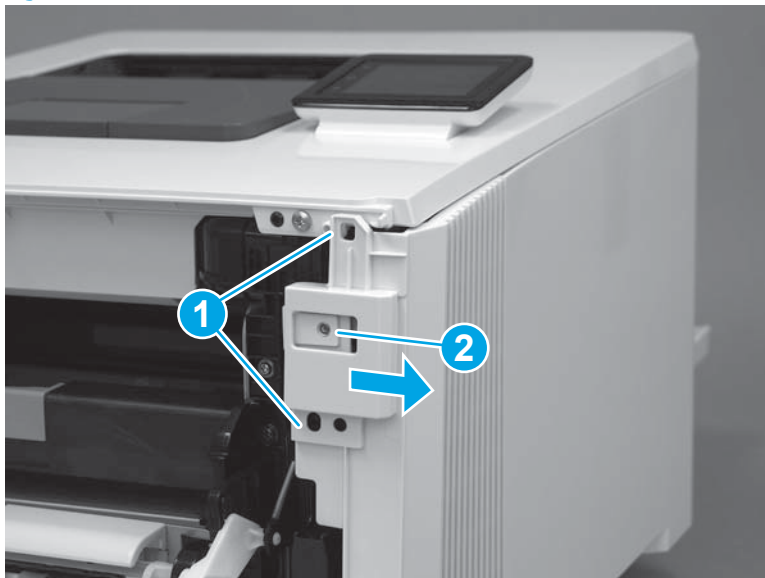
6. Release two tabs at the front of the printer (callout 1) by slightly pulling the cover away from the printer.

---

**⚠ CAUTION:** Be careful not to dislodge the power switch (callout 2).

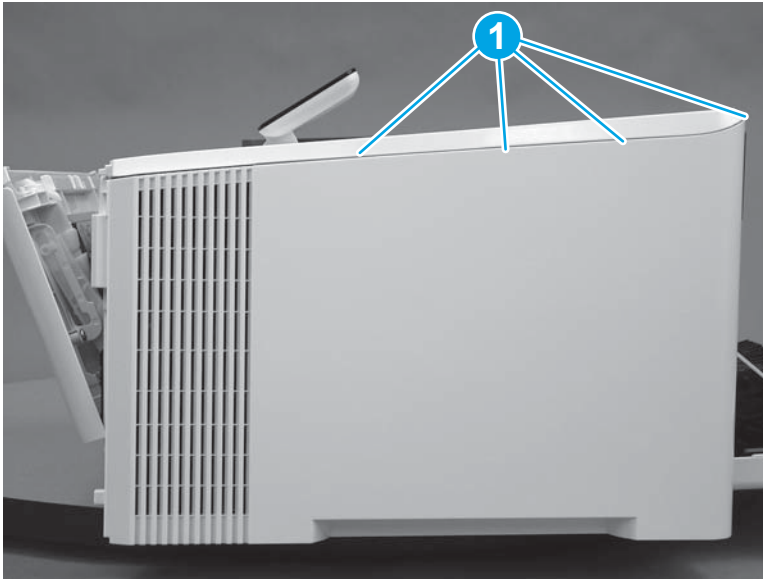
---

Figure 1-1950 Release two front tabs



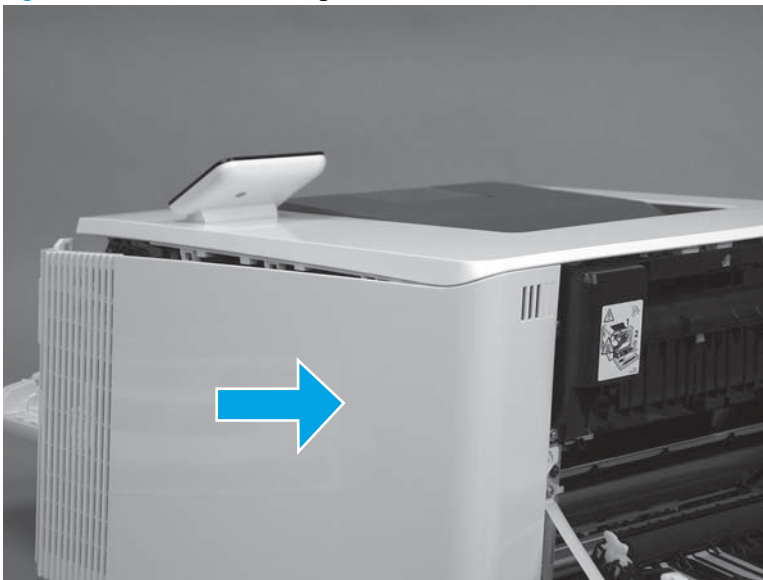
7. Release four tabs on the top of the printer (callout 1).

Figure 1-1951 Release upper tabs




8. Slide the cover toward the back of the printer to remove it.

Figure 1-1952 Remove the right cover



#### Step 4: Remove the right cover (M479 models)

 **NOTE:** This step is for the M479 models. For the M454 models, skip this step and go to [Step 5: Remove the left cover \(M454 models\) on page 1074](#).

1. Raise the scanner.

Figure 1-1953 Raise the scanner



2. At the back of the printer, remove one screw (callout 1).

Figure 1-1954 Remove one screw





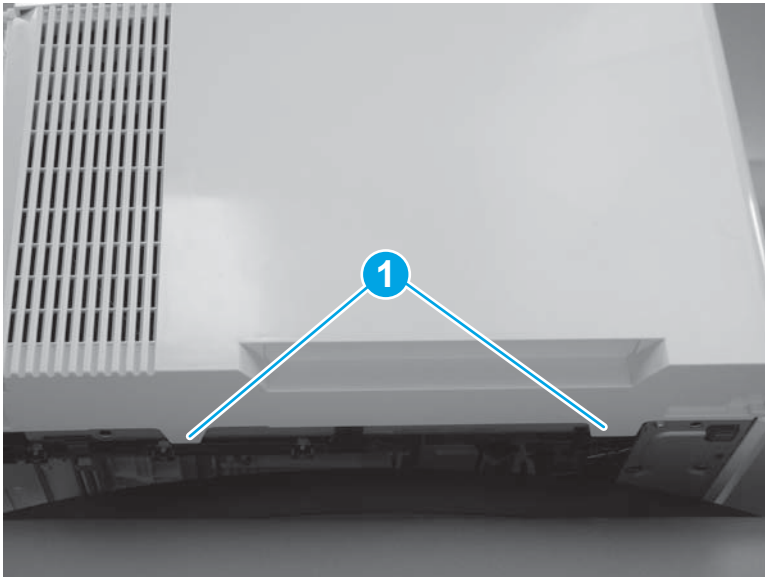
3. At the front of the printer, remove one screw (callout 1).

Figure 1-1955 Remove one screw



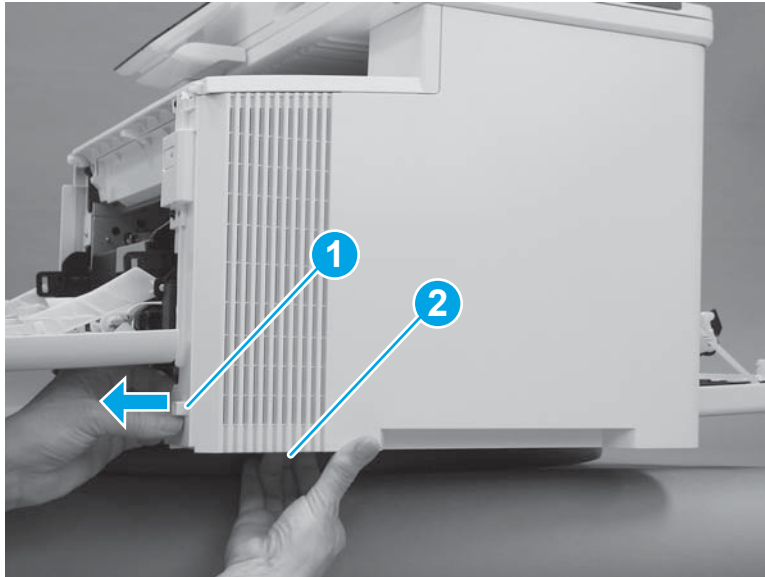
4. Slide the printer to the edge of a work surface. Note the location of the tabs on the lower edge of the cover (callout 1).

Figure 1-1956 Locate the tabs



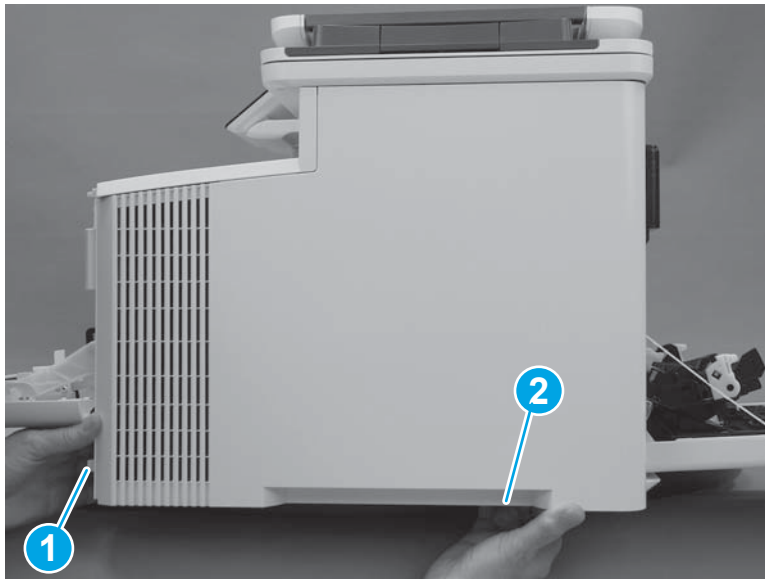
5. Release one tab (callout 1) on the front of the cover by slightly pulling the cover away from the printer. While holding the cover in the released position, release one tab (callout 2) on the lower edge of the cover.

Figure 1-1957 Release front lower tabs



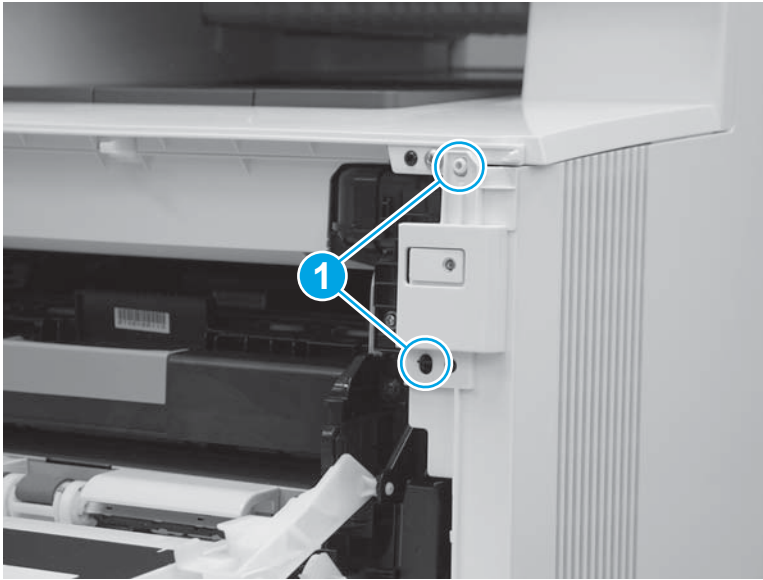
6. Hold the front tabs in the released position (callout 1), and then release one tab (callout 2) on the lower edge of the cover, toward the back of the printer.

Figure 1-1958 Release lower rear tab



7. Release two tabs at the front of the printer (callout 1) by slightly pulling the cover away from the printer.

Figure 1-1959 Release front upper tabs



8. Rotate the front of the cover away from the printer (callout 1).

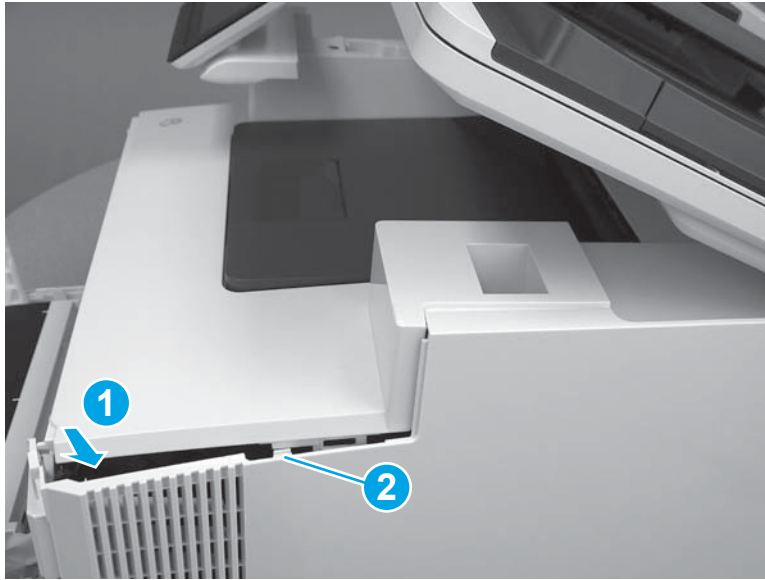
**⚠ CAUTION:** Be careful not to dislodge the power switch (callout 2).

Figure 1-1960 Rotate the front of the cover



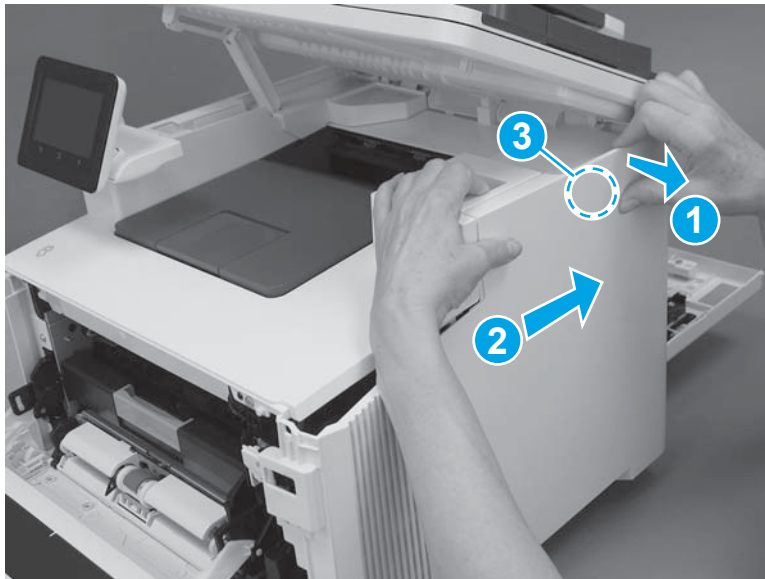
9. Slightly pull the front of the cover away from the printer (callout 1) to release one tab (callout 2).

Figure 1-1961 Release top tabs



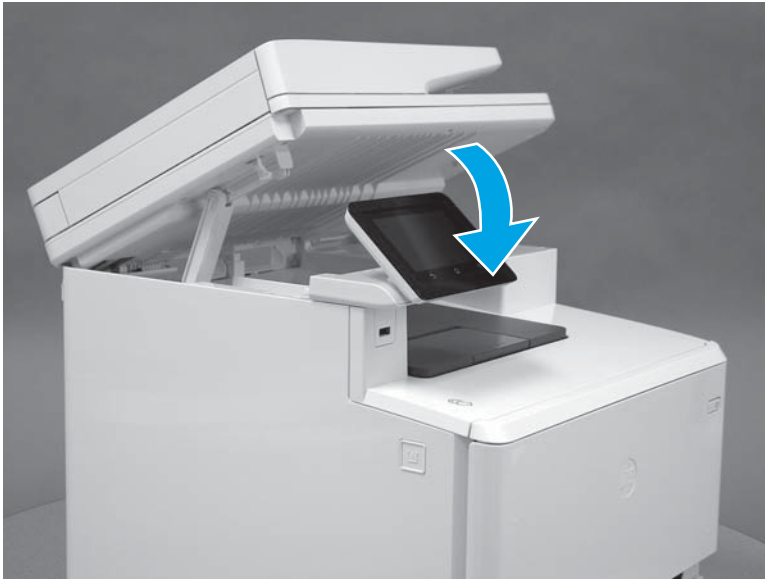
10. At the top of the printer, slightly pull the top of the cover away from the printer to release one retention tab (callout 1) on the inside of the cover. While holding the cover away, slide the cover toward the back of the printer (callout 2) to release one hook (callout 3) on the inside of the cover.

Figure 1-1962 Release one tab and one hook



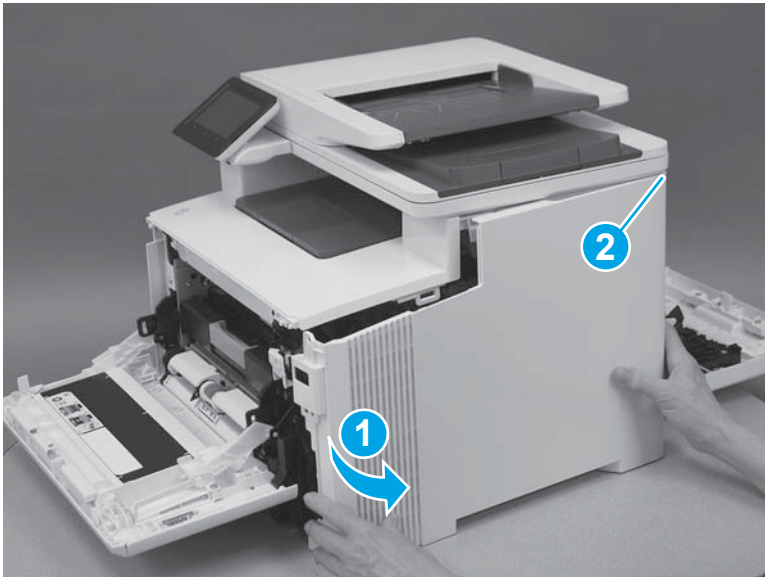
11. Lower the scanner.

Figure 1-1963 Lower the scanner




12. Rotate the cover away from the printer (callout 1) to release one tab (callout 2) at the back of the printer, and then remove the cover.

Figure 1-1964 Remove the right cover

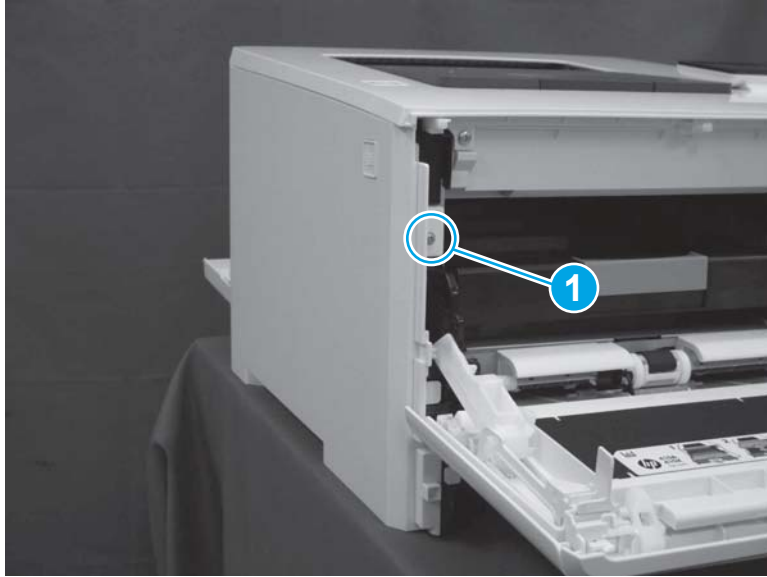


#### Step 5: Remove the left cover (M454 models)

 **NOTE:** This step is for the M454 models. For the M479 models, skip this step and go to [Step 6: Remove the left cover \(M479 models\) on page 1077](#).

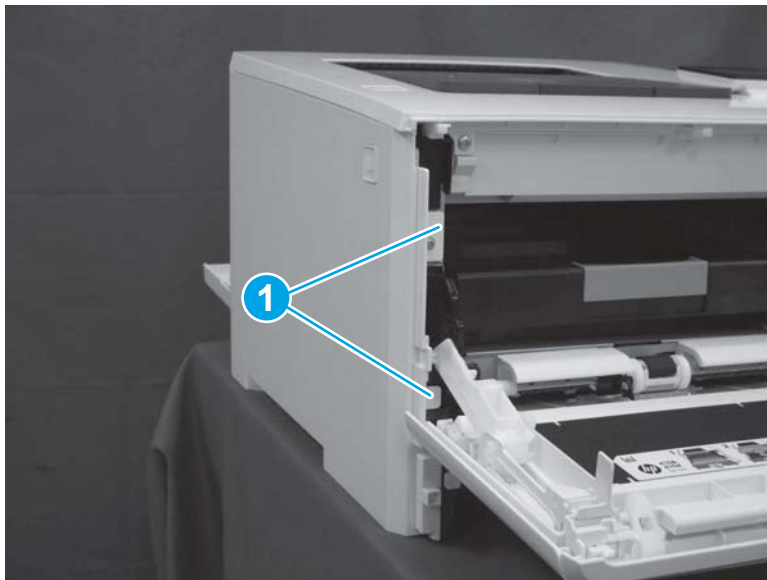
1. At the front of the printer, remove one screw (callout 1).

Figure 1-1965 Remove one screw



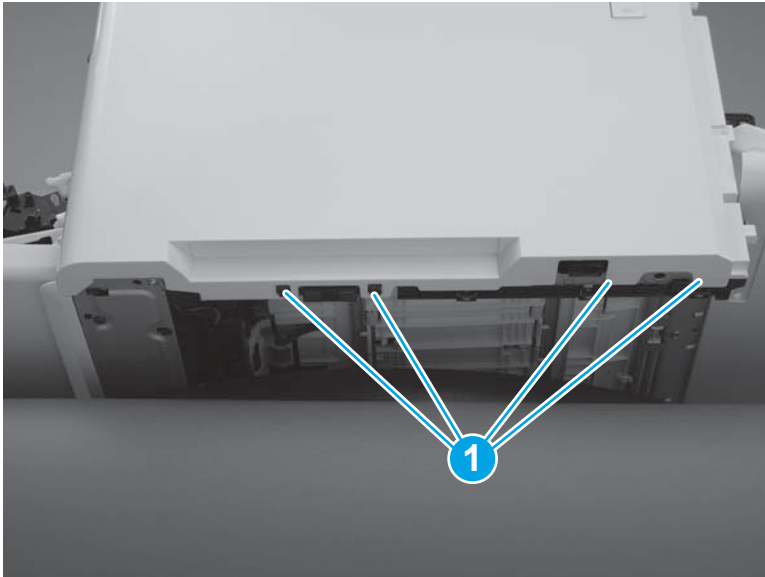
2. Release two tabs (callout 1) at the front of the cover. Hold the cover open to prevent the tabs from reengaging.

Figure 1-1966 Release two tabs



3. Slide the printer to the edge of a work surface. Note the location of the tabs on the lower edge of the cover (callout 1).

Figure 1-1967 Locate the tabs



4. Beginning from the front of the cover, release four tabs (callouts 1-4) on the lower edge of the cover.

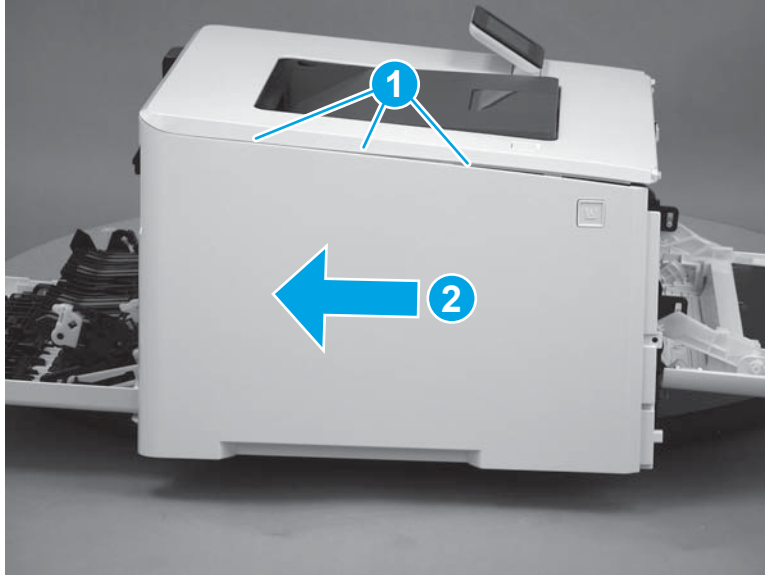
Figure 1-1968 Release bottom tabs






5. Release three tabs at the top of the cover (callout 1), and then slide the cover toward the rear of the printer to remove it.

Figure 1-1969 Release three tabs



#### Step 6: Remove the left cover (M479 models)

 **NOTE:** This step is for the M479 models. For the M454 models, skip this step and go to [Step 10: Remove the top cover \(M454 models\) on page 1096](#).

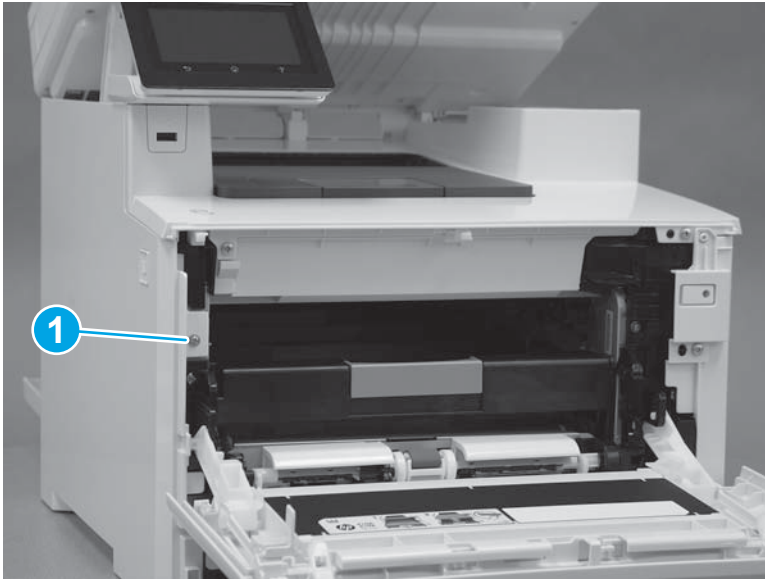
1. Raise the scanner.

Figure 1-1970 Raise the scanner



2. At the front of the printer, remove one screw (callout 1).

Figure 1-1971 Remove one screw



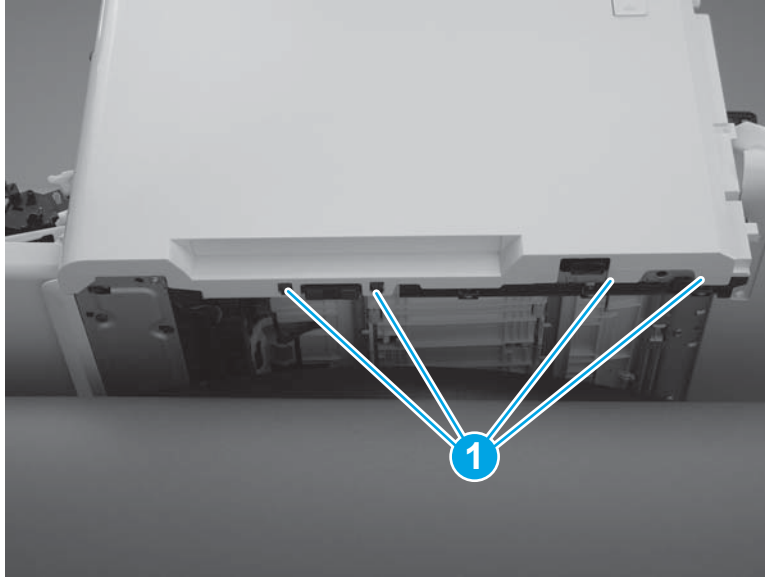
3. Release two tabs (callout 1) at the front of the cover. Hold the cover open to prevent the tabs from re-engaging.

Figure 1-1972 Release two tabs



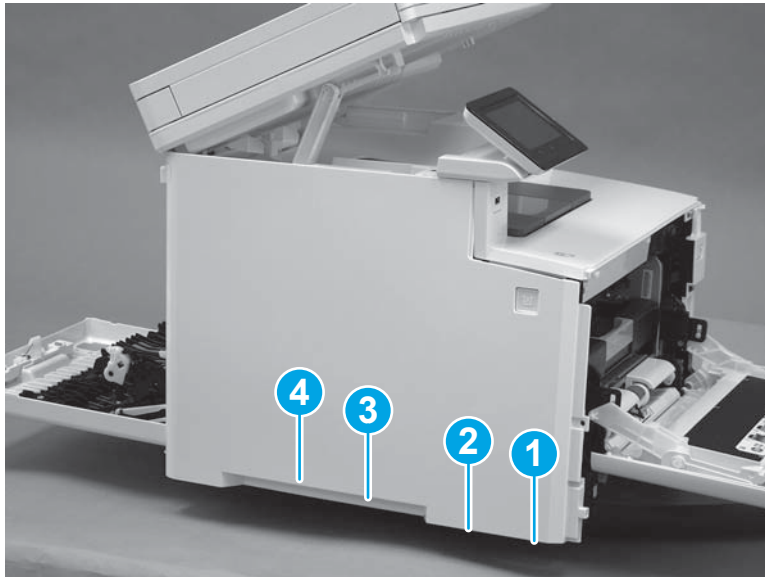
4. Slide the printer to the edge of a work surface. Note the location of the tabs on the lower edge of the cover (callout 1).

Figure 1-1973 Locate the tabs



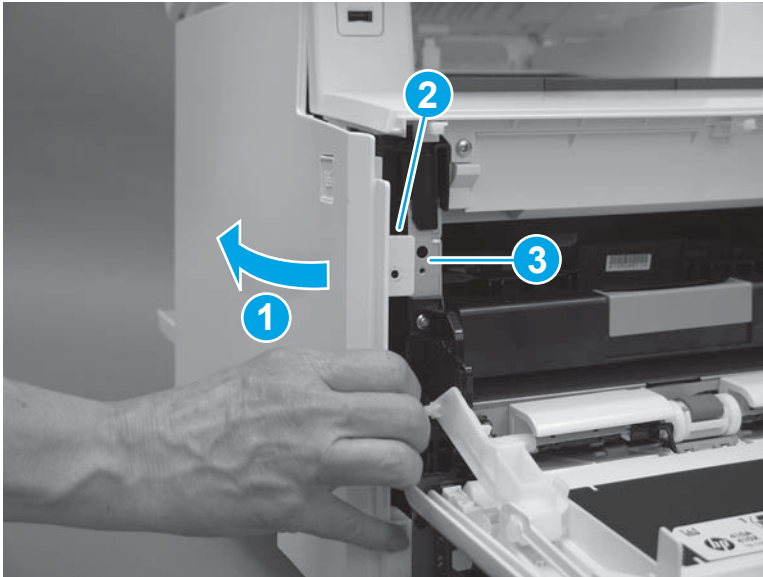
5. Beginning from the front of the cover, release the four tabs (callouts 1-4) on the lower edge of the cover.

Figure 1-1974 Release four tabs



6. Rotate the front of the cover away from the printer (callout 1). Make sure that the tab (callout 2) does not get caught on the printer frame (callout 3).

Figure 1-1975 Rotate the cover



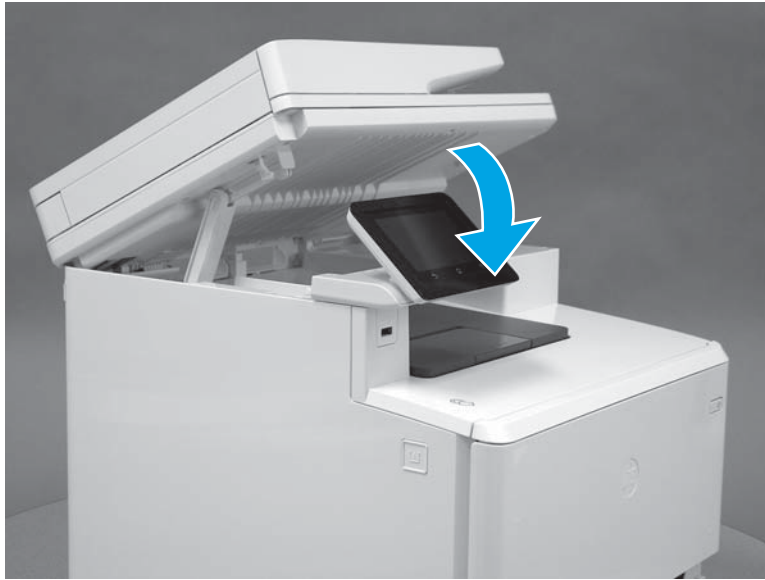
7. At the top of the printer, slightly pull the top of the cover away from the printer to release one retention tab (callout 1) on the inside of the cover. While holding the cover away, slide the cover toward the back of the printer (callout 2) to release two hooks (callout 3) inside the cover.

Figure 1-1976 Release one tab and two hooks



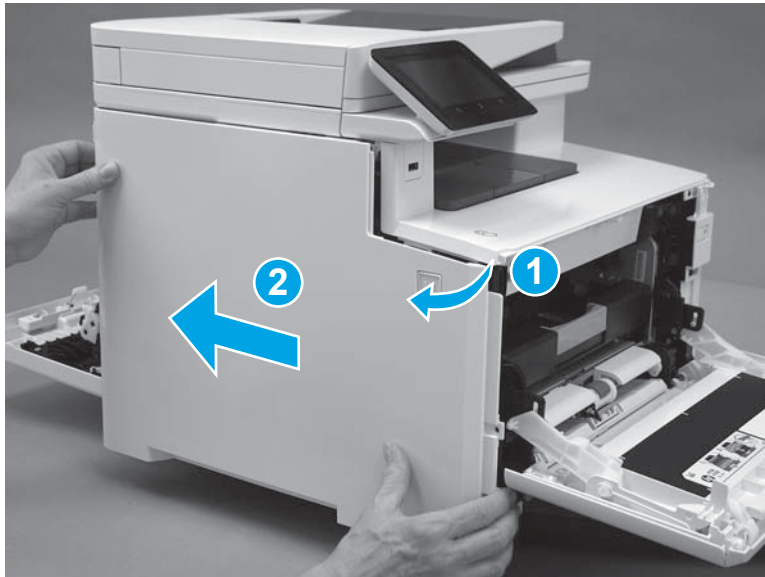
8. Lower the scanner.

Figure 1-1977 Lower the scanner




9. Rotate the cover away from the printer (callout 1), and then slide the cover (callout 2) toward the back of the printer to remove it.

Figure 1-1978 Remove the left cover

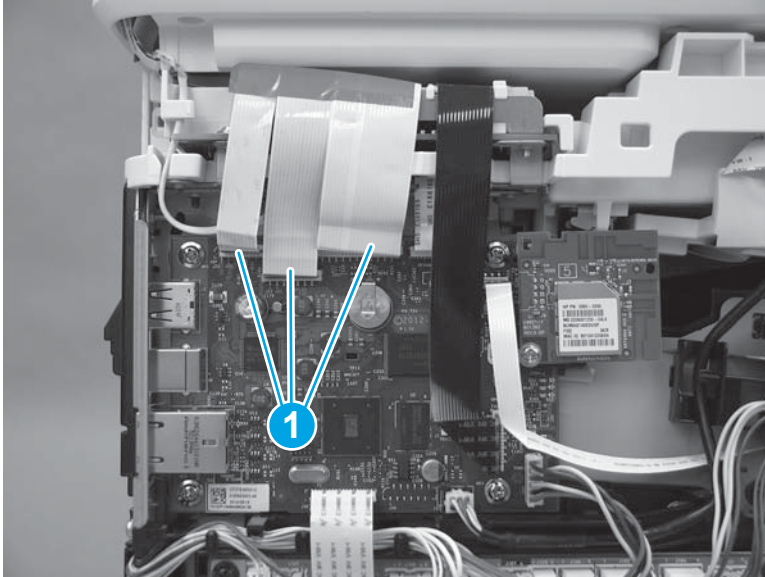


#### Step 7: Remove the integrated scanner assembly (M479 models)

 **NOTE:** This step is for the M479 models. For the M454 models, skip this step and go to [Step 10: Remove the top cover \(M454 models\) on page 1096](#).

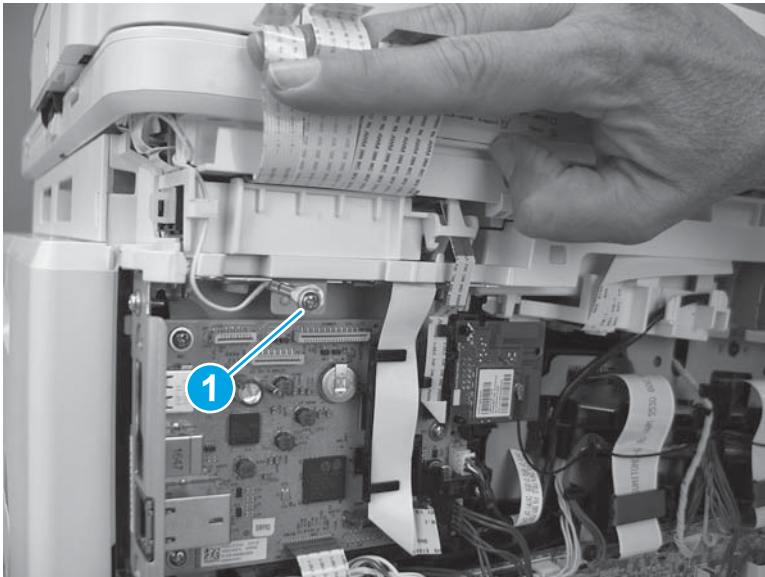
1. On the left side of the printer, disconnect three connectors (callout 1).

Figure 1-1979 Disconnect the scanner cables



2. Raise the scanner cables up, and then remove one screw (callout 1) to release the ground wire (callout 2).

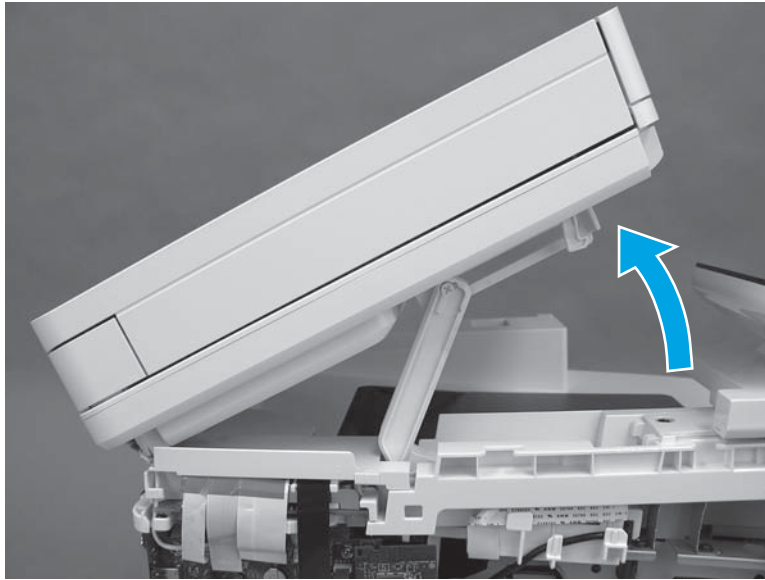
Figure 1-1980 Remove one screw and release the ground wire





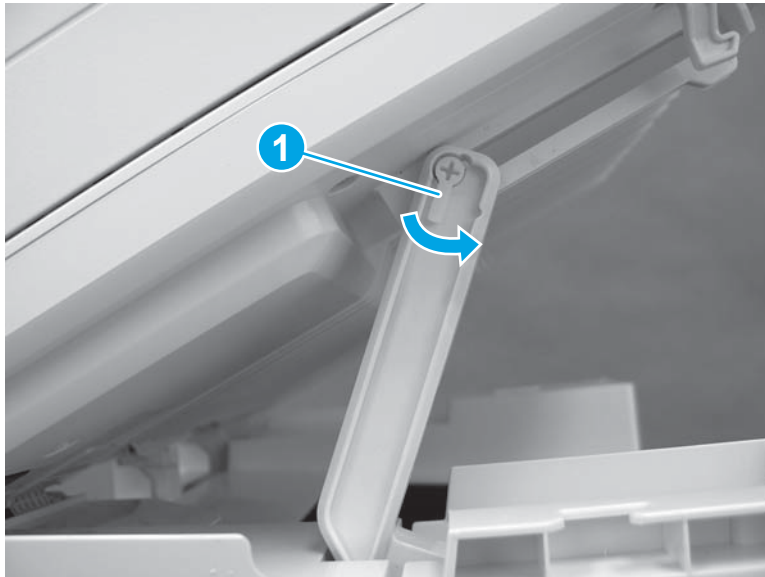
3. Raise the scanner.

Figure 1-1981 Raise the scanner



4. With the scanner lifted, release the tab (callout 1) on the scanner support arm pin from the slot and rotate the pin in the direction indicated.

Figure 1-1982 Release the scanner arm pin





5. Remove the scanner arm pin.

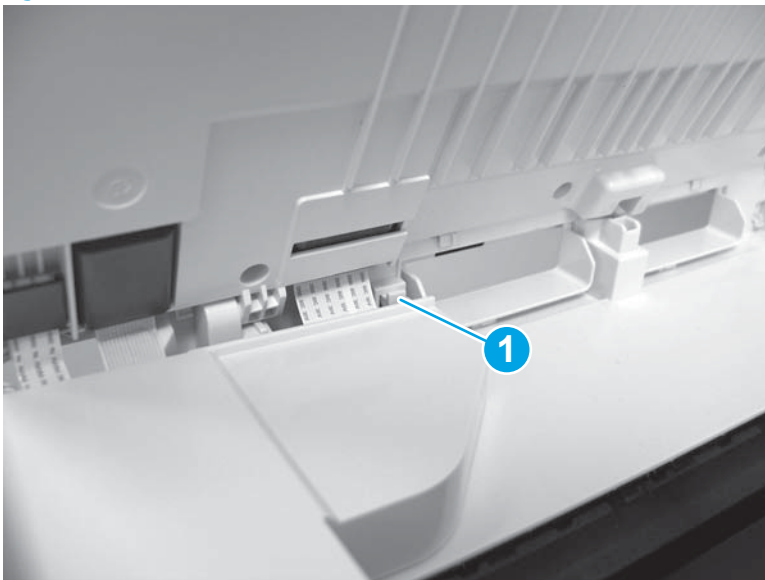
**⚠ CAUTION:** Once the scanner arm pin is removed, support the scanner with one hand at all times so that it does not fall backwards off of the printer.

**Figure 1-1983** Remove the scanner arm pin.



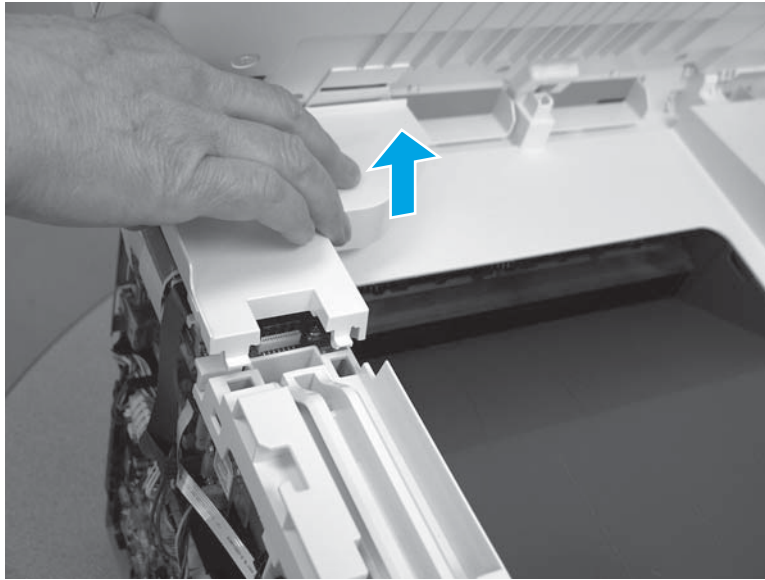
6. On the top of the printer, use a flat-blade screwdriver to release one tab (callout 1).

**Figure 1-1984** Release one tab



7. Remove the scanner cable cover.

**Figure 1-1985** Remove the scanner cable cover



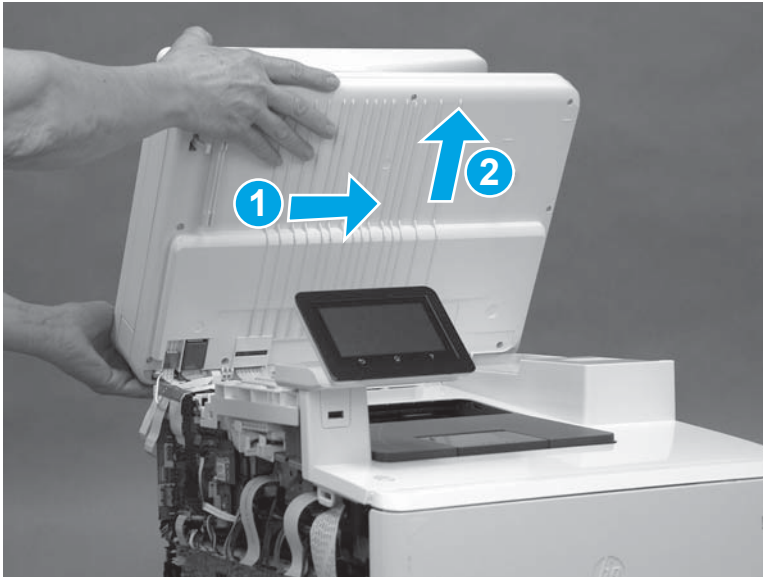
8. The scanner cables (callout 1) are held in place on the top cover with double-sided tape. Carefully release the cables from the top cover.

**Figure 1-1986** Release the cables



9. Open the scanner assembly fully, slide the assembly toward the right side of the printer, and then lift the assembly off of the printer.

**Figure 1-1987** Remove the scanner assembly

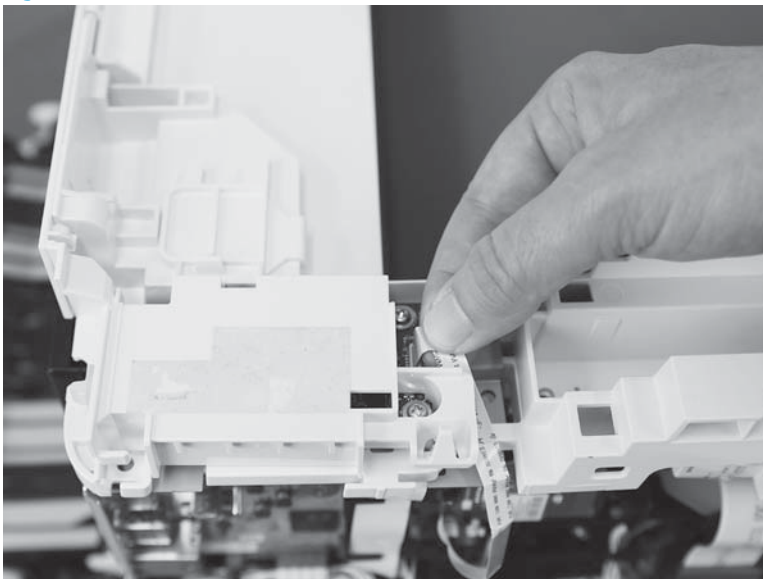


#### Step 8: Remove the fax PCA (M479 models)

 **NOTE:** This step is for M479 fax models only. Skip this step for non-fax models.

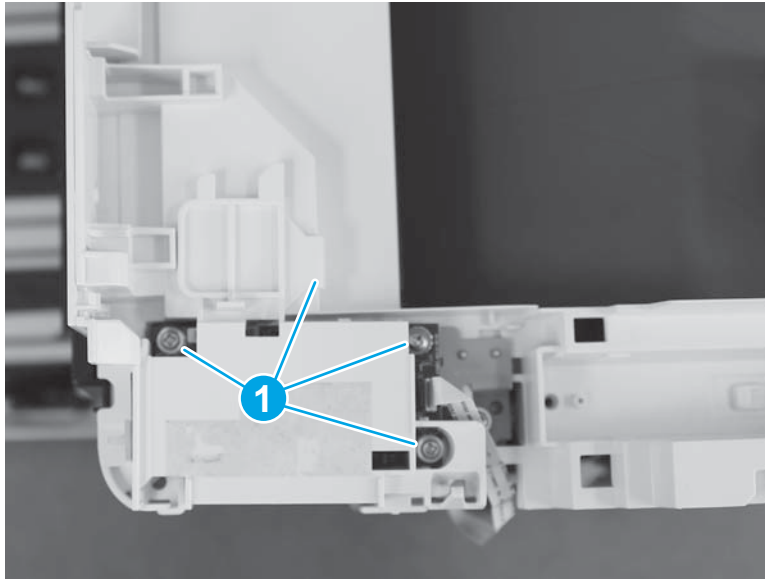
1. Disconnect on FFC cable from fax PCA.

**Figure 1-1988** Disconnect one connector



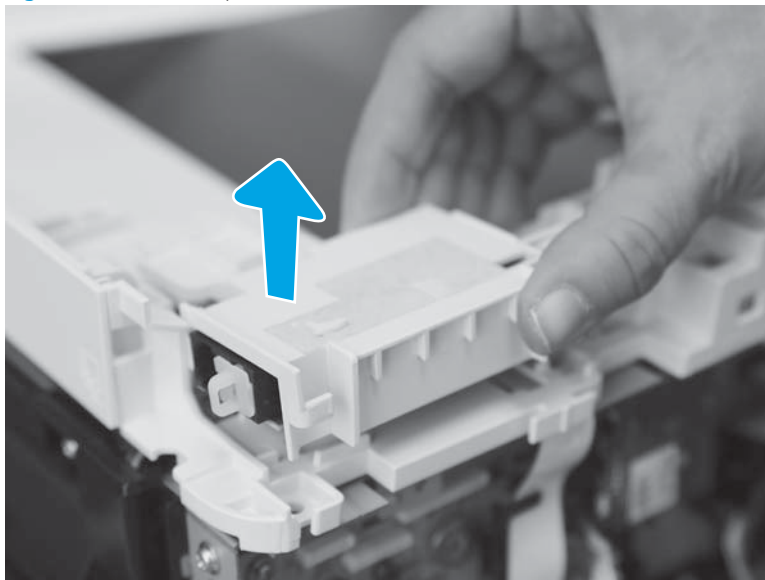
2. Remove three screws and release one tab (callout 1).

Figure 1-1989 Remove three screws and release one tab



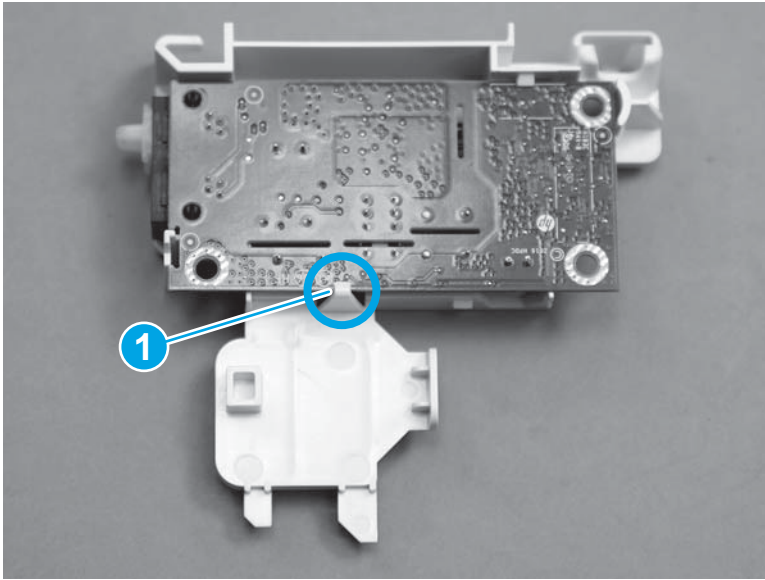
3. Lift up to remove the fax PCA.

Figure 1-1990 Lift up to remove the fax PCA



4. Release the tab (callout 1) on the back of the fax PCA to remove the PCA from the plastic holder.

**Figure 1-1991** Release one tab to remove fax PCA from the plastic holder



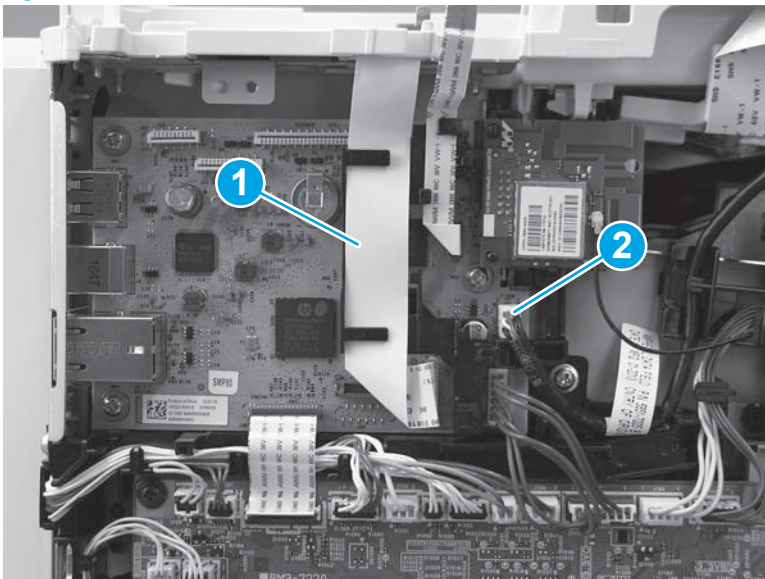
#### Step 9: Remove the top cover (M479 models)



**NOTE:** This step is for the M479 models. For the M454 models, skip this step and go to [Step 10: Remove the top cover \(M454 models\) on page 1096](#).

1. Disconnect one connector (callout 2) and one FFC (callout 2).

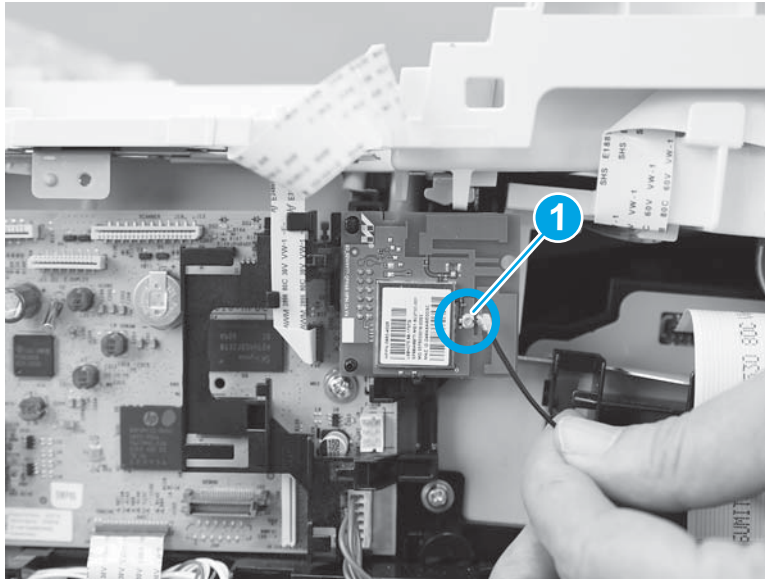
**Figure 1-1992** Disconnect one connectors and one FFC





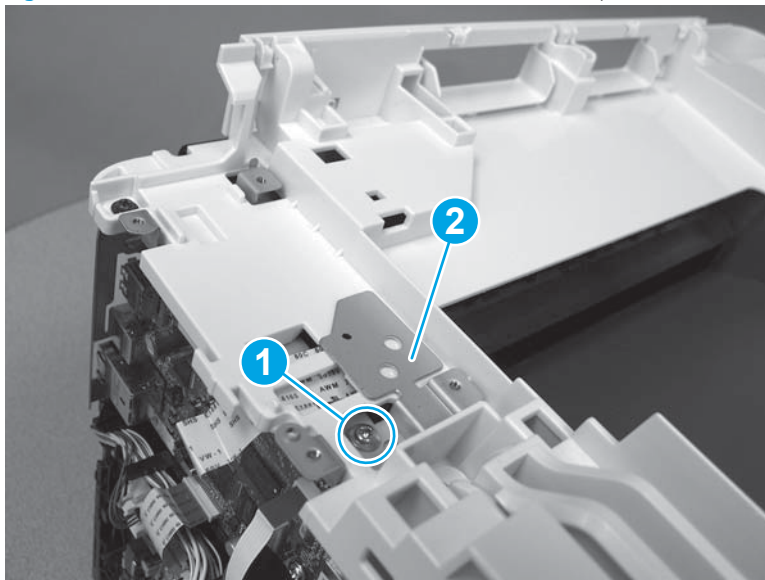
2. Disconnect wireless antenna cable (callout 1) from the wireless PCA.

**Figure 1-1993** Disconnect wireless antenna cable from the wireless PCA



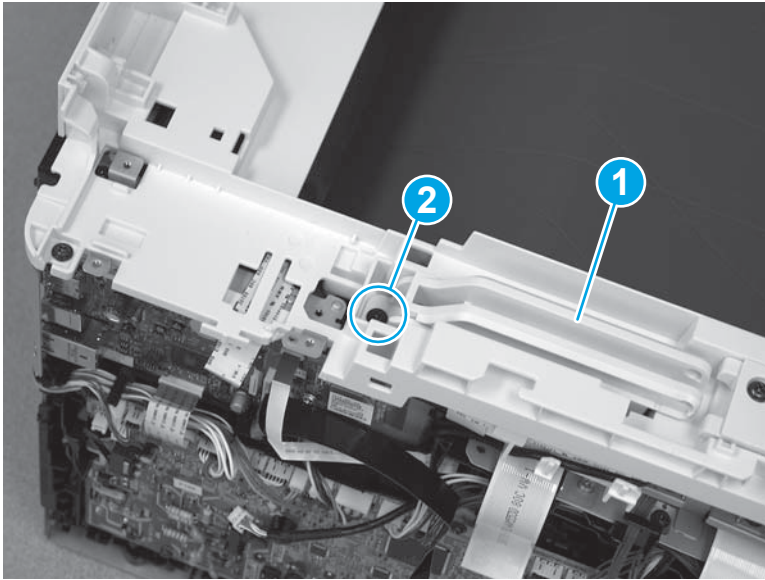
3. On the top cover, remove one screw (callout 1) and the sheet metal plate (callout 2).

**Figure 1-1994** Remove one screw and the sheet metal plate



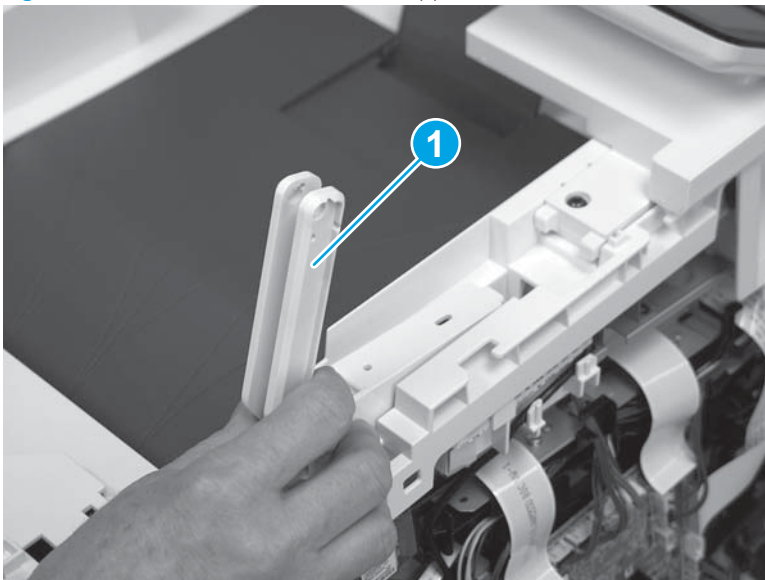
4. At the top of the printer, lower the scanner support arm (callout 1), and then remove one screw (callout 2).

**Figure 1-1995** Lower the support arm and remove one screw



5. Remove the scanner support arm (callout 1).

**Figure 1-1996** Remove the scanner support arm

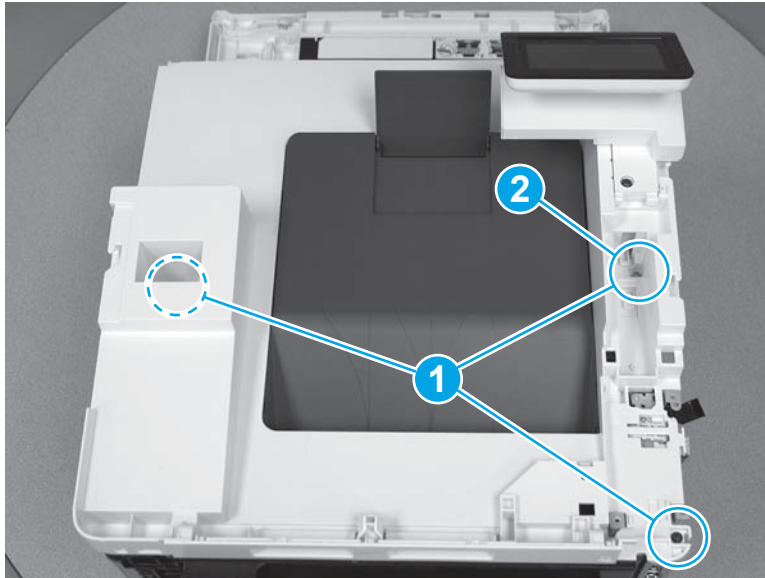




6. At the top of the printer, remove three screws (callout 1).

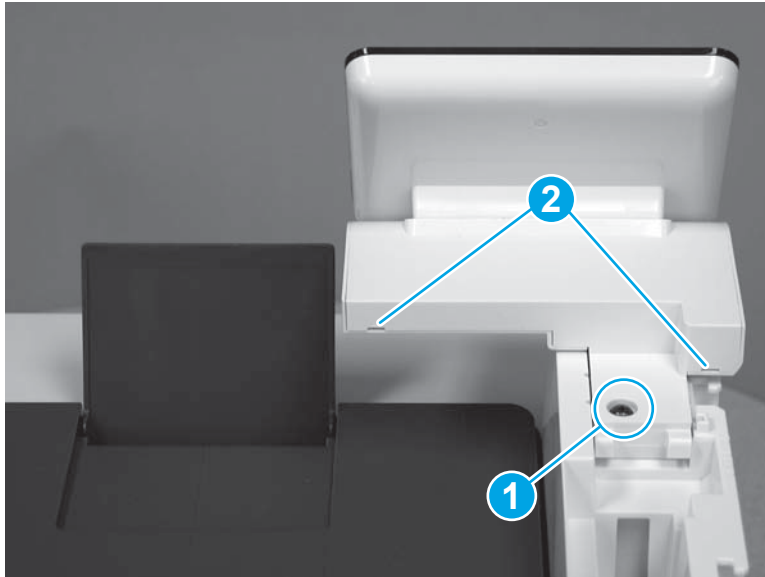
 **Reinstallation tip:** One screw (callout 2) is longer than the other screws. Make sure that this screw is reinstalled in the correct position.

**Figure 1-1997** Remove three screws



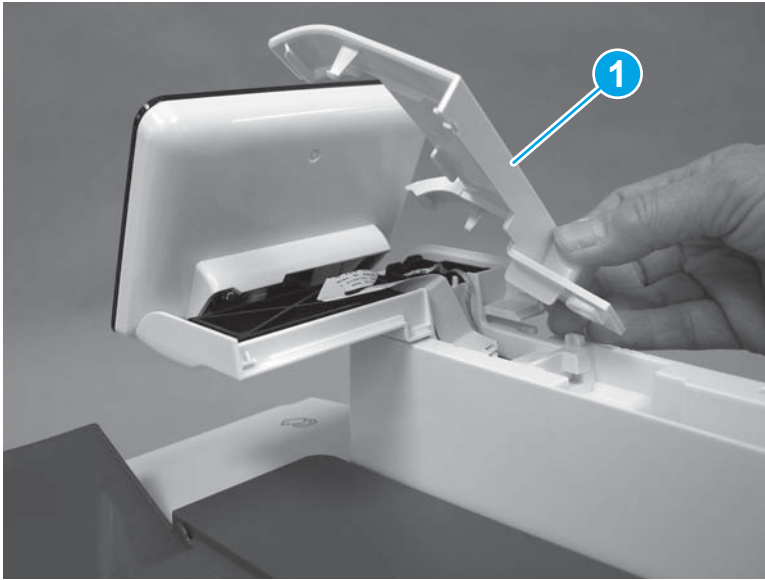
7. Behind the control panel, remove one screw (callout 1), and then use a small flat-blade screwdriver at two pry points (callout 2) to release the control panel cover from the top cover.

**Figure 1-1998** Release the control panel cover



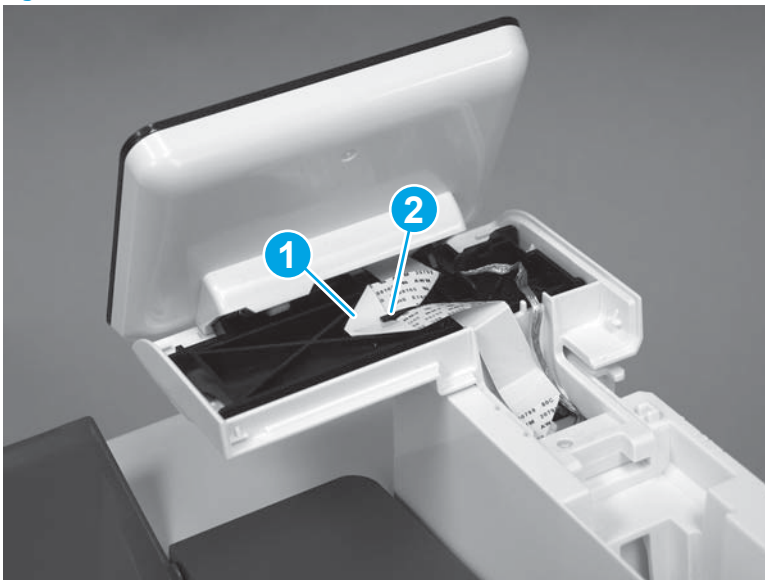
8. Remove the control panel cover (callout 1).

Figure 1-1999 Remove the control panel cover



9. Remove the flat cable (callout 1) from the retaining guide (callout 2).

Figure 1-2000 Release the flat cable



10. Remove two screws (callout 1), and then remove one screw (callout 2) and release one ground wire.

 **Reinstallation tip:** The two screws toward the front of the control panel (callout 1) are longer than the other screw. Make sure these screws are installed in the correct position when reinstalling the part.

Figure 1-2001 Remove three screws



11. Carefully lift the control panel away and rest it on the top cover, and then remove one screw (callout 1).


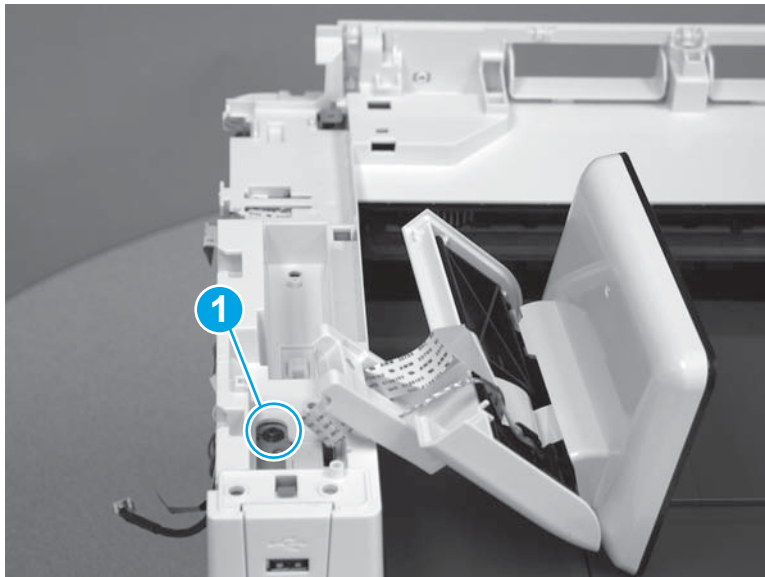
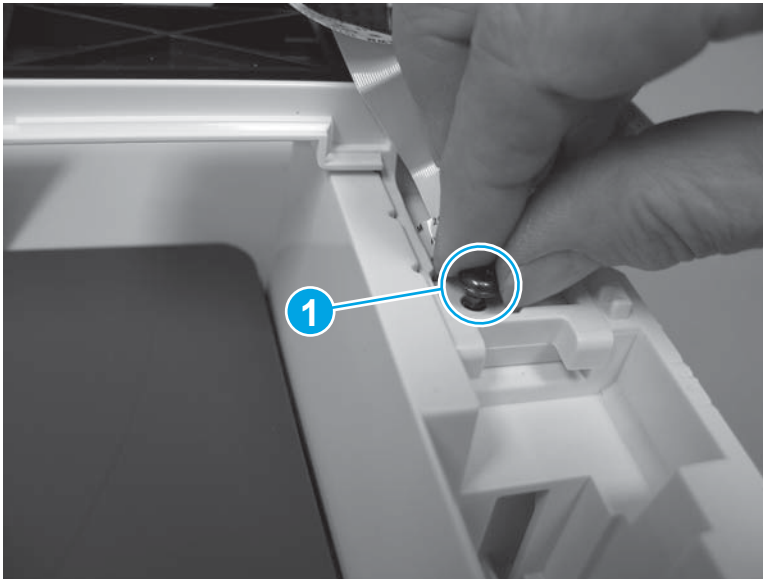
 **CAUTION:** The control panel is still attached to the top cover by the flat cable.

Figure 1-2002 Remove one screw



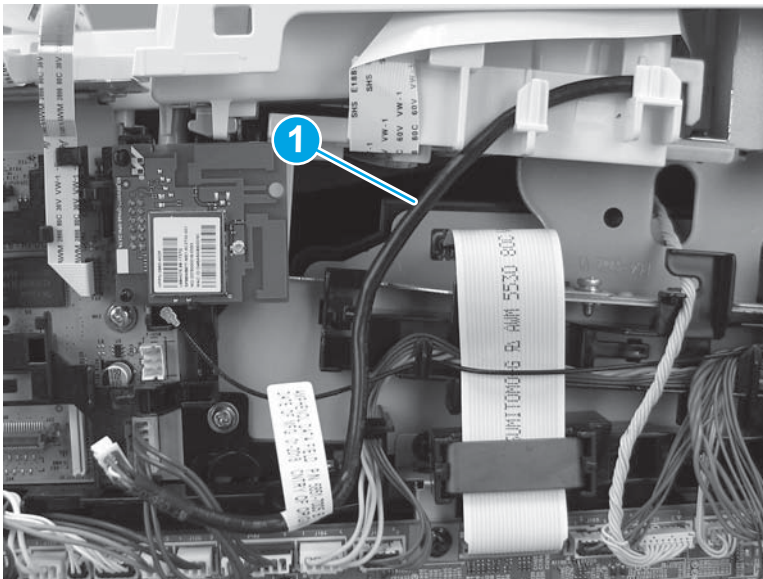
12. Place the control panel back into position. With your hand, refasten the screw (callout 1) that was previously removed from the control panel cover to temporarily reattach the control panel to the top cover. Doing this should protect the flat cable from being damaged.

**Figure 1-2003** Refasten the control panel to the top cover



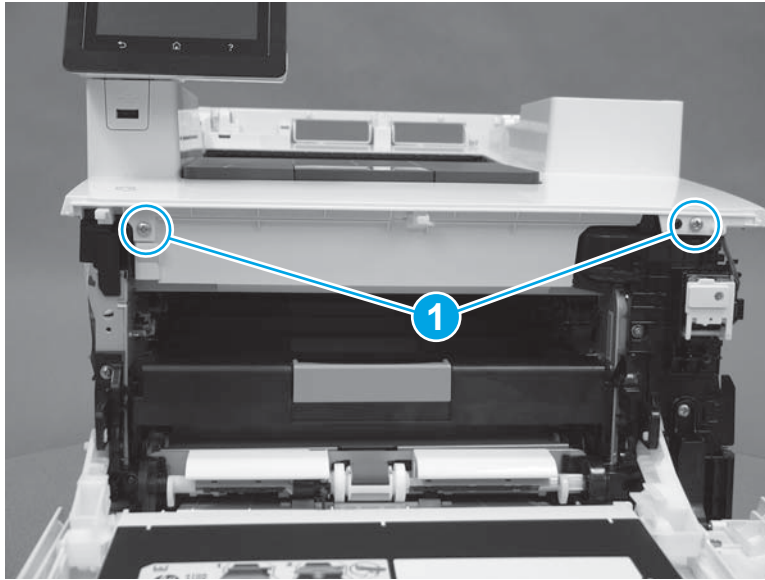
13. Remove the USB cable (callout 1) from the cable guides (callout 2).

**Figure 1-2004** Release the USB cable



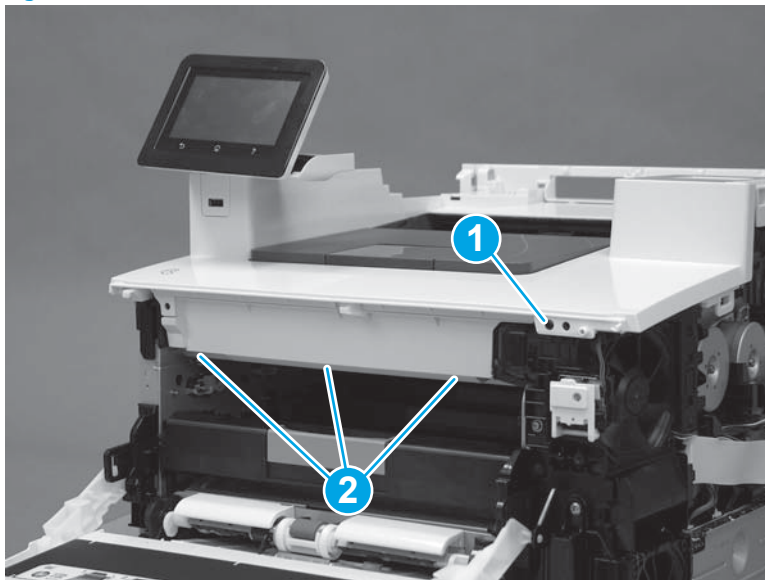
14. At the front of the printer, remove two screws (callout 1).

Figure 1-2005 Remove two screws



15. Release one retainer (callout 1), and then release three tabs (callout 2).

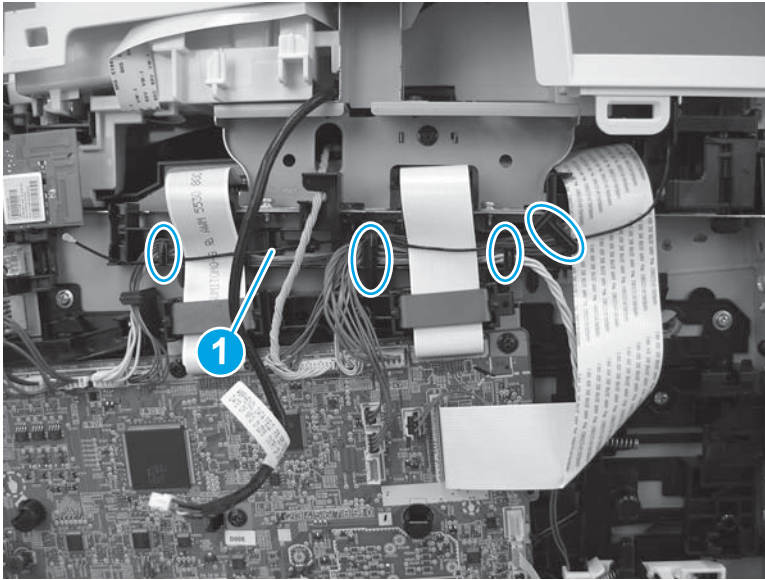
Figure 1-2006 Release one retainer and three tabs





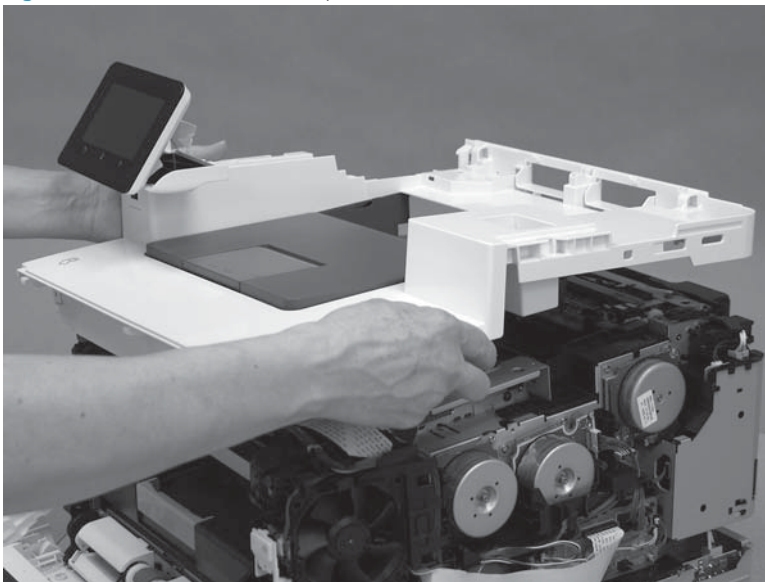
16. Remove the Wi-Fi antenna wire (callout 1) from the guide.

**Figure 1-2007** Remove antenna wire from guide




17. Remove the top cover.

**Figure 1-2008** Remove the top cover

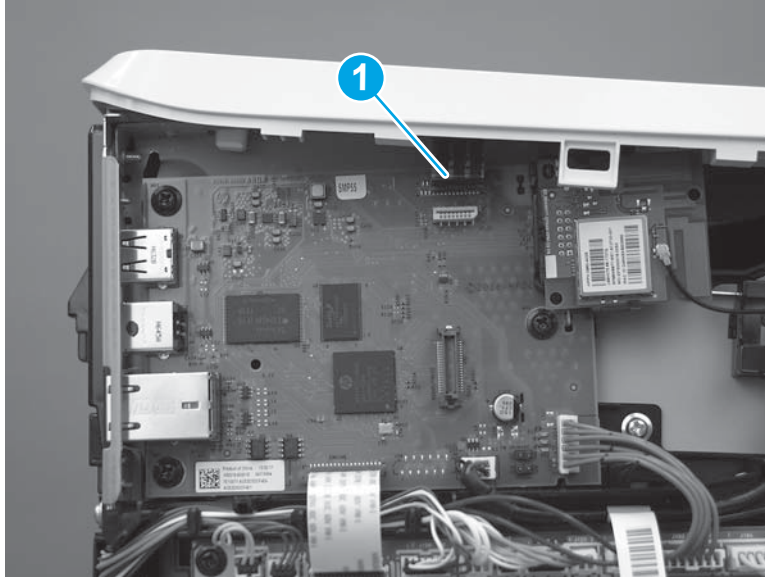


#### Step 10: Remove the top cover (M454 models)

 **NOTE:** This step is for the M454 models. For the M479 models, skip this step and go to [Step 11: Remove the fuser \(duplex models\) on page 1101](#).

1. **M454dw model only:** On the left side of the printer, on the formatter, disconnect one connector (callout 1).

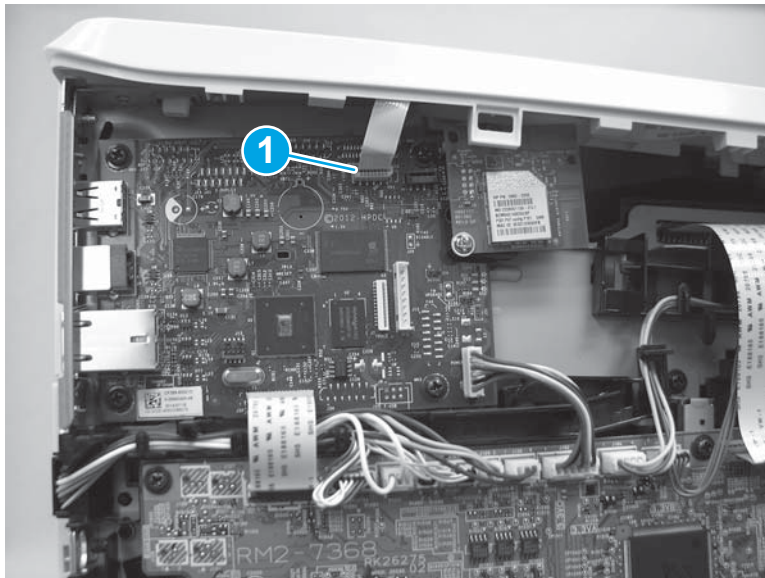
Figure 1-2009 Disconnect one connector



2. **M454nw/dn models only:** On the left side of the printer, on the formatter, disconnect one connector (callout 1).

 **NOTE:** The formatter may look slightly different than what is shown below, however the removal procedures are the same.

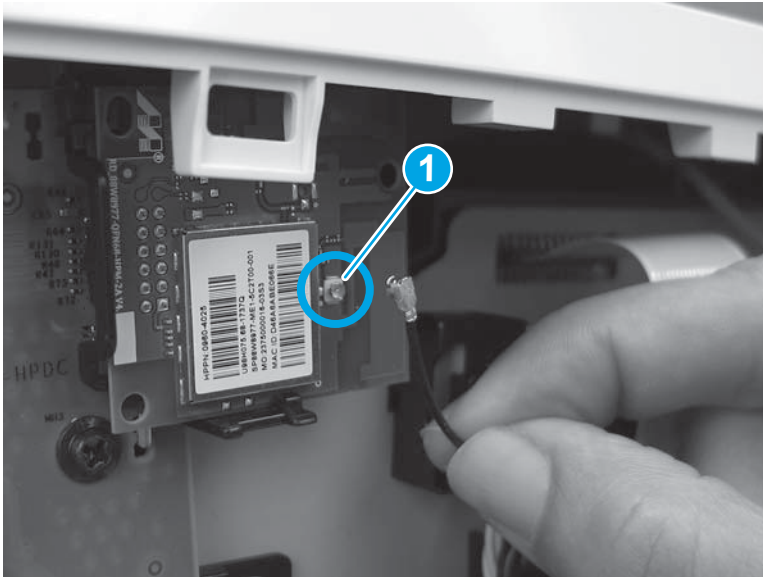
Figure 1-2010 Disconnect one connector





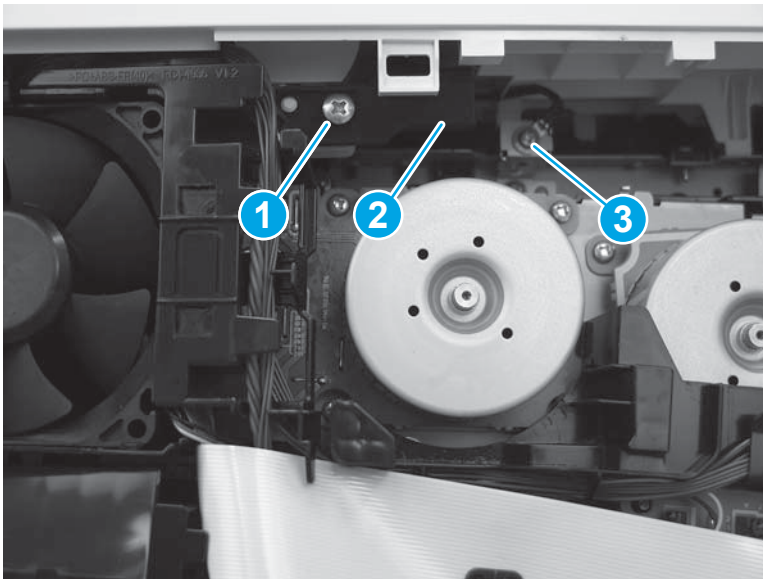
3. **M454nw/dw models only:** Disconnect the antenna (callout 1) from the connector (callout 2) on the wireless PCA.

Figure 1-2011 Disconnect the antenna



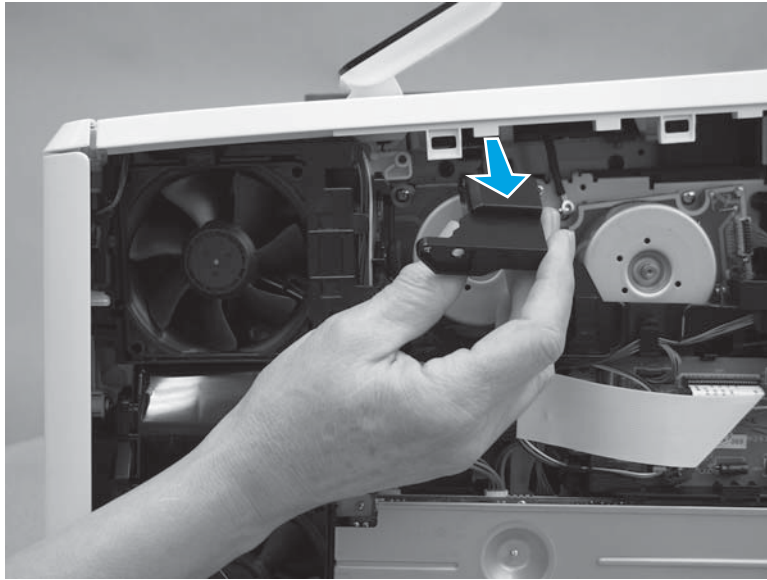
4. **M454dw model only:** Remove one screw (callout 1) and release one ground wire. Remove one screw (callout 2). Note the location (callout 3) of the guide.

Figure 1-2012 Remove two screws



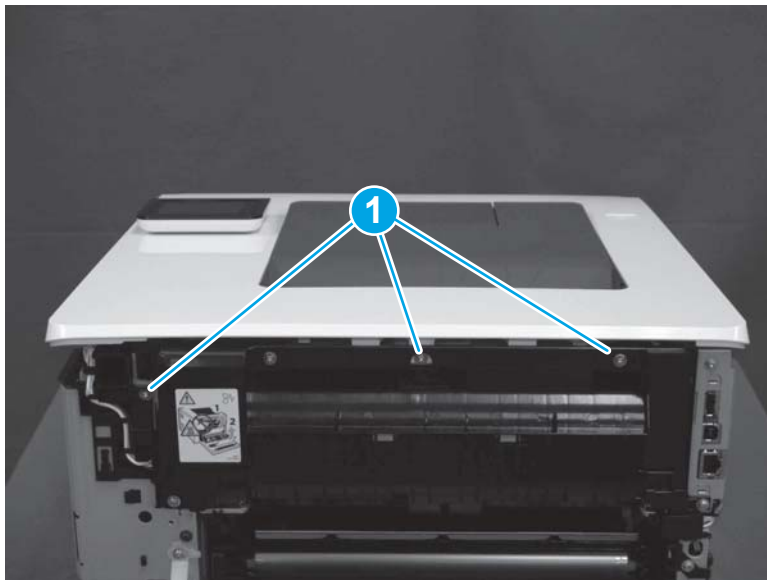
5. **M454dw model only:** Remove the guide.

Figure 1-2013 Remove the guide



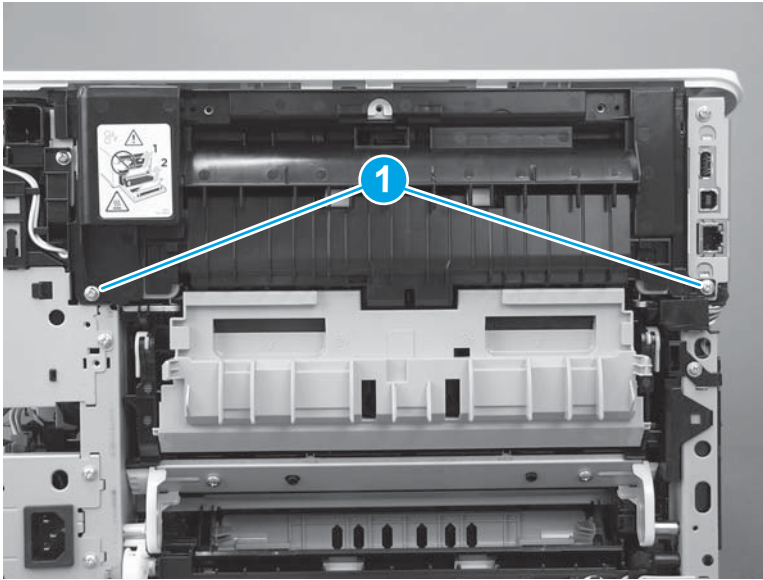
6. **M454dn/dw models only:** At the back of the printer, remove three screws (callout 1).

Figure 1-2014 Remove three screws



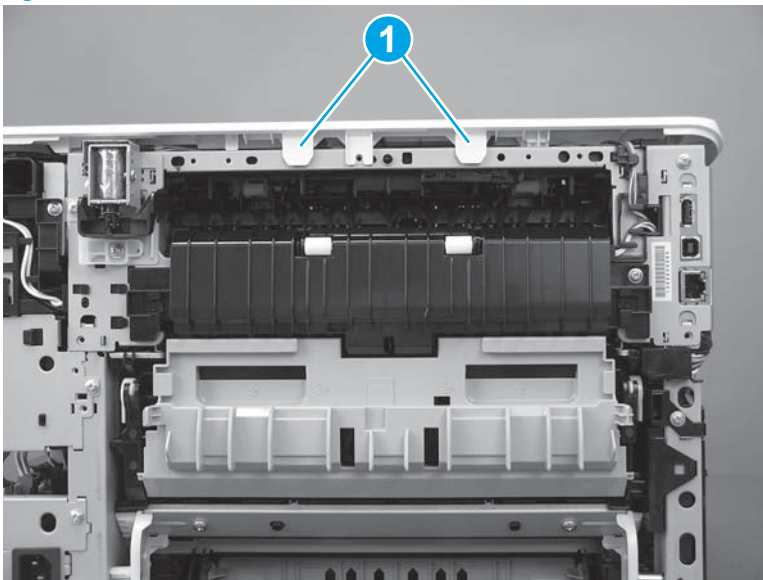
7. **M454dn/dw models only:** Remove two screws (callout 1).

Figure 1-2015 Remove two screws



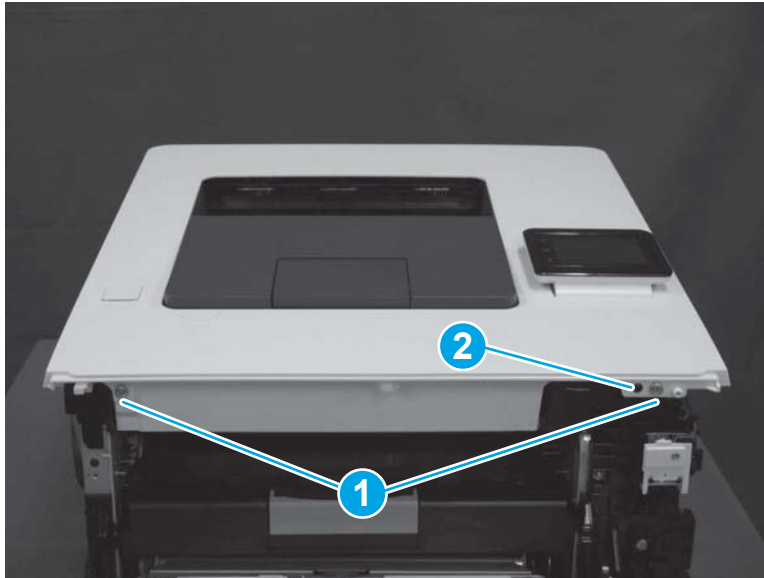
8. **M454nw model only:** At the back of the printer release two tabs (callout 1).

Figure 1-2016 Release two tabs



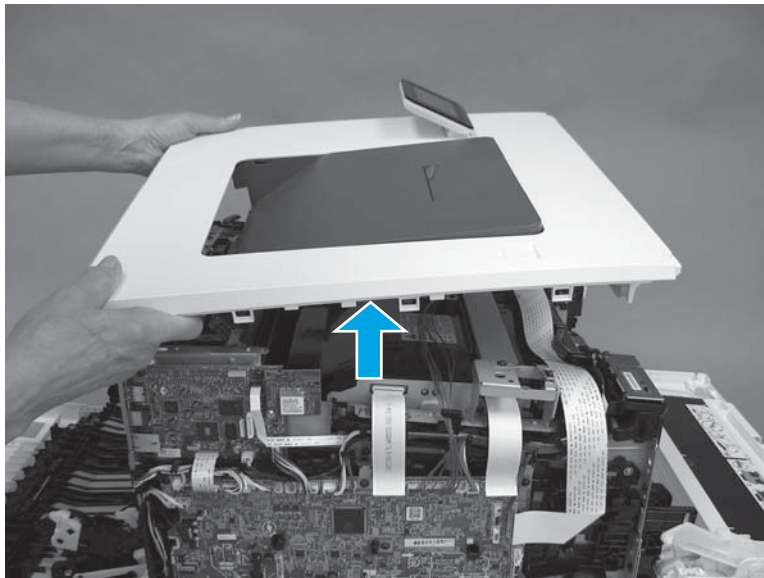
9. At the front of the printer, remove two screws (callout 1), and then release one tab (callout 2).

Figure 1-2017 Remove two screws and release one tab



10. Remove the top cover.

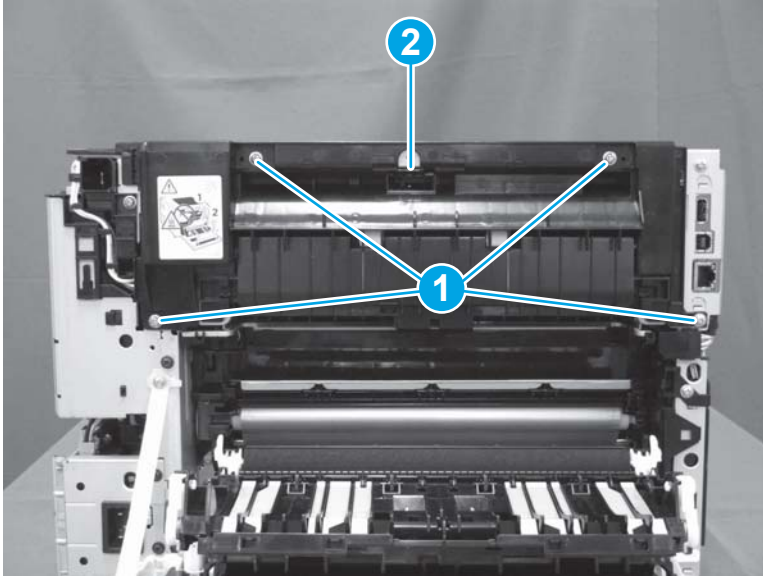
Figure 1-2018 Remove the top cover



#### Step 11: Remove the fuser (duplex models)

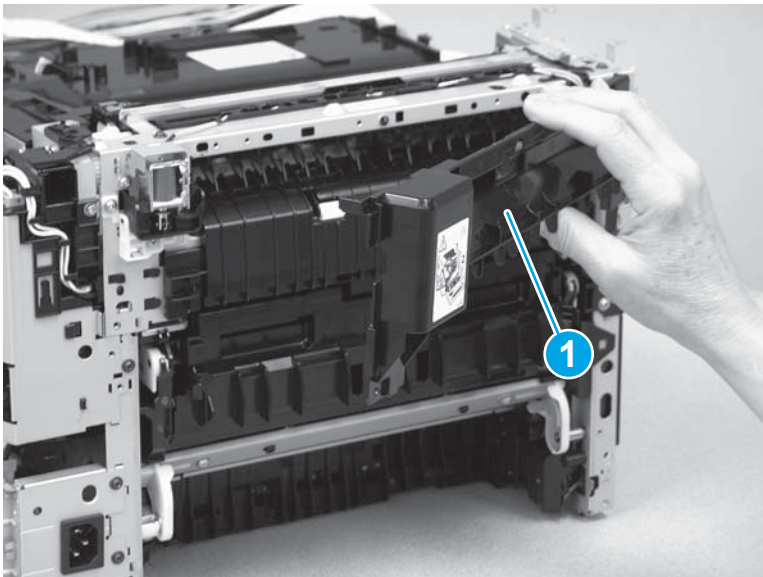
1. Remove four screws (callout 1), and then release one tab (callout 2).

Figure 1-2019 Remove four screws



2. Remove the guide (callout 1).

Figure 1-2020 Remove the guide





3. Disconnect one connector (callout 1) on the engine controller PCA.


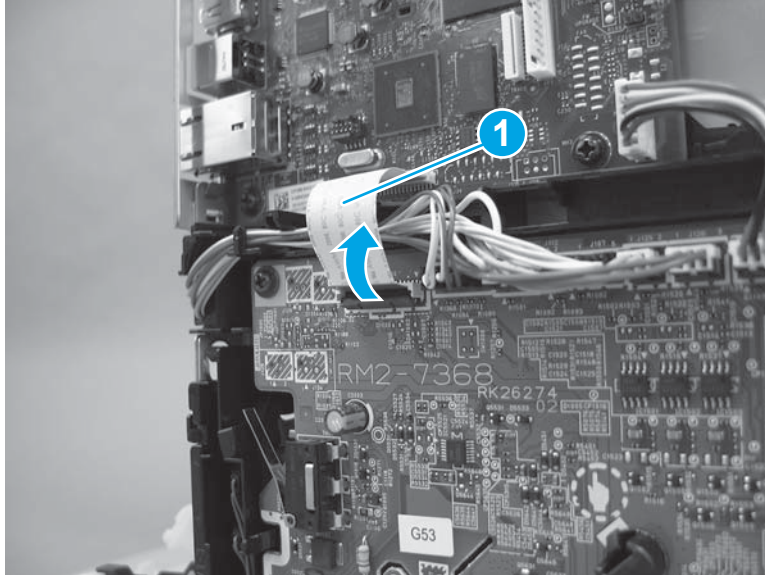
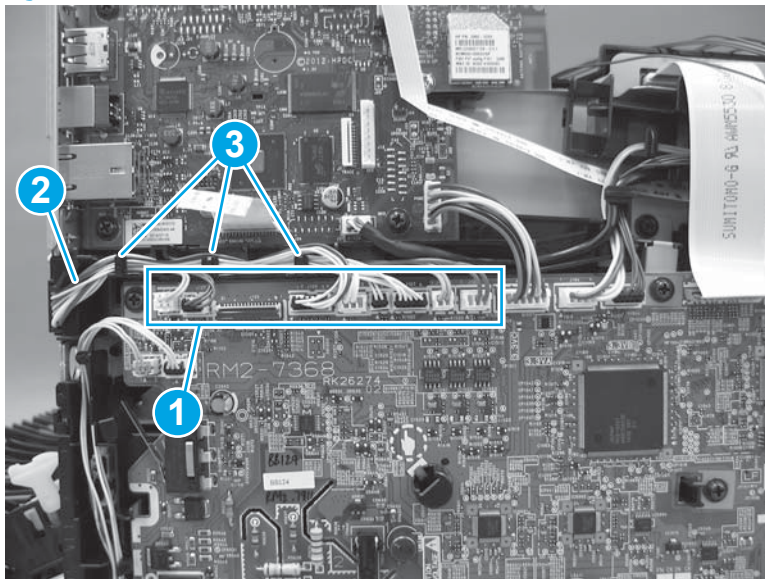
 **NOTE:** This connector is a zero-insertion force (ZIF) connector. Lift the latch on the connector before removing the flat cable. Formatter PCA may appear differently than what is shown below, however, the procedures are the same.

Figure 1-2021 Disconnect one connector



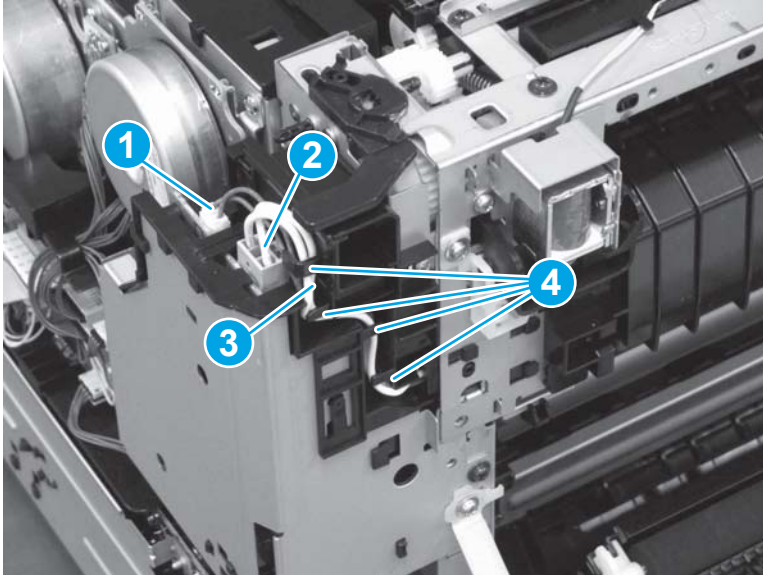
4. Disconnect eight connectors on the engine controller PCA (callout 1), and then remove the cables (callout 2) from the guides (callout 3).

Figure 1-2022 Disconnect eight connectors



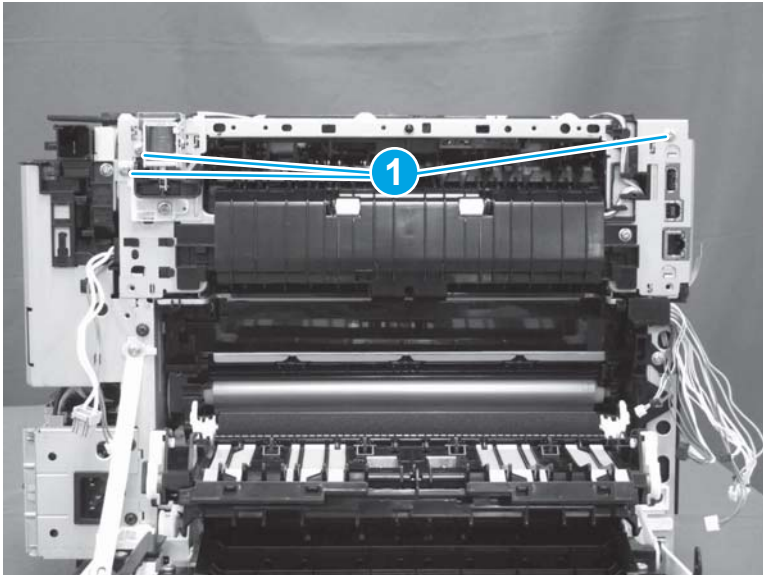
5. Disconnect one connector (callout 1). Release the connector latch, and then disconnect one connector (callout 2). Remove the cables (callout 3) from the guides (callout 4).

Figure 1-2023 Disconnect two connectors



6. Remove three screws.

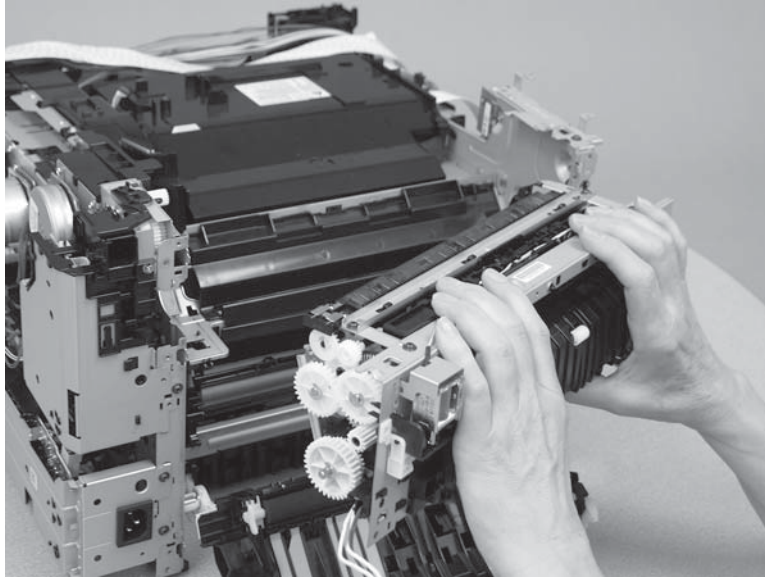
Figure 1-2024 Remove three screws





7. Remove the fuser.

Figure 1-2025 Remove the fuser



### Step 12: Unpack the replacement part

Remove the new part from its package. Save all packaging for recycling the used part.

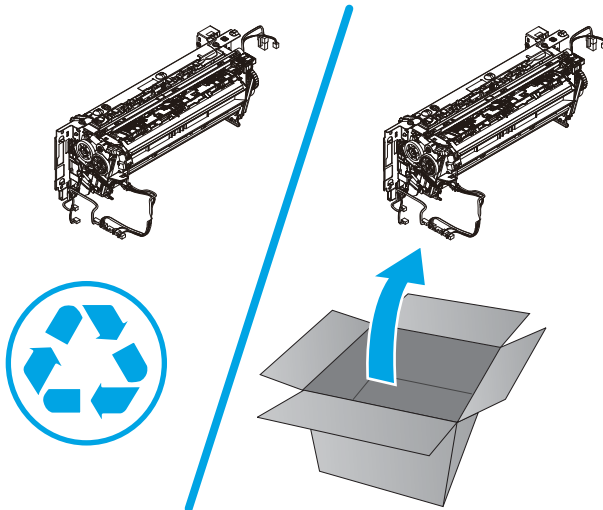
For complete information on HP's recycling programs, go to [Product return and recycling](#).

---

 **NOTE:** HP recommends responsible disposal of the defective part.

---

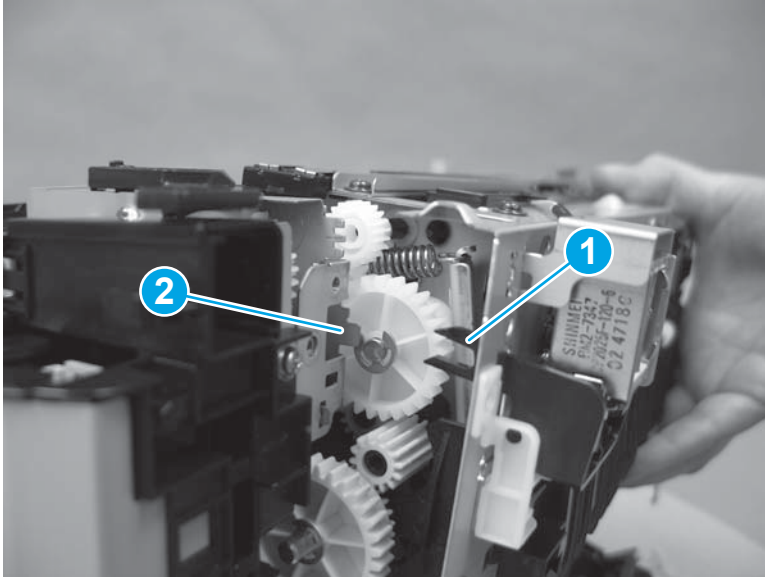
Figure 1-2026 Recycle and unpack



### Step 13: Install the fuser (duplex models)

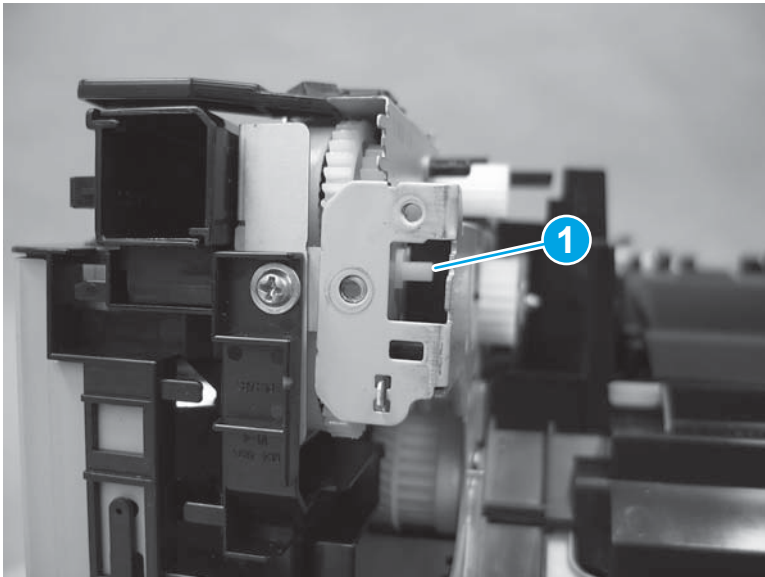
1. Position the fuser on the printer. When installing the fuser, make sure that the switchback lever (callout 1) is installed completely through the opening (callout 2) in the printer frame.

Figure 1-2027 Install the lever through the opening



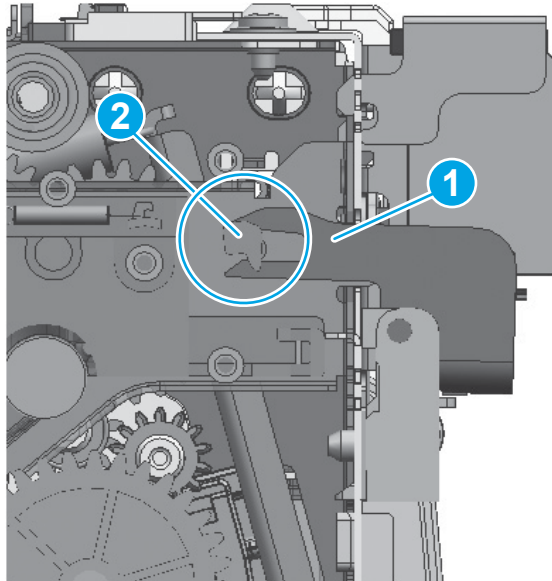
2. The fingers on the switchback lever will fit around the shaft (callout 1) inside the printer.

Figure 1-2028 Switchback lever shaft




3. The figure below shows a cross section view of the proper position of the switchback lever (callout 1) around the shaft (callout 2).

Figure 1-2029 Switchback lever position



4. To install an assembly, reverse the removal steps.

---

 **NOTE:** When applicable, special installation instructions are provided for an assembly at the end of the removal procedure. Always completely read the removal instructions and follow all special installation instructions.

---

## Removal and replacement: Fuser motor

- [Introduction](#)
- [Step 1: Remove Tray 2](#)
- [Step 2: Open the front door and rear door or duplexer door](#)
- [Step 3: Remove the right cover \(M454 models\)](#)
- [Step 4: Remove the right cover \(M479 models\)](#)
- [Step 5: Remove the cable holder assembly](#)
- [Step 6: Remove the fuser motor](#)
- [Step 7: Unpack the replacement part](#)
- [Step 8: Install the fuser motor](#)

### Introduction


This document provides the procedures to remove and replace the fuser motor.

[Click here to view a video of this procedure.](#)

### Before you begin

- Turn off the printer.
- Disconnect the power cable.

---

 **WARNING!** To avoid damage to the printer, turn the printer off, wait 30 seconds, and then remove the power cord before attempting to service the printer.

---

- Use the table below to identify the correct part number for your printer. To order the part, go to [www.hp.com/buy/parts](http://www.hp.com/buy/parts).

---

Fuser motor part number	
RM2-7349-000CN	Fuser motor

---

### Required tools

- #2 Phillips screwdriver with a magnetic tip

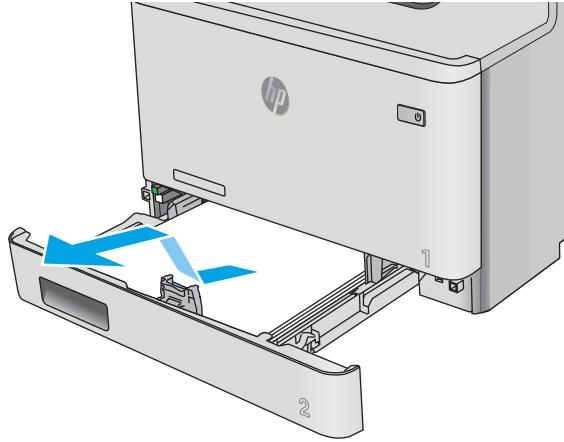
### After performing service

- Connect the power cable.
- Use the power switch to turn the power on.

### Step 1: Remove Tray 2

- ▲ Pull the tray out until it stops. Lift the front of the tray, and then pull it out of the printer to remove it.

Figure 1-2030 Remove the tray



**Step 2: Open the front door and rear door or duplexer door**

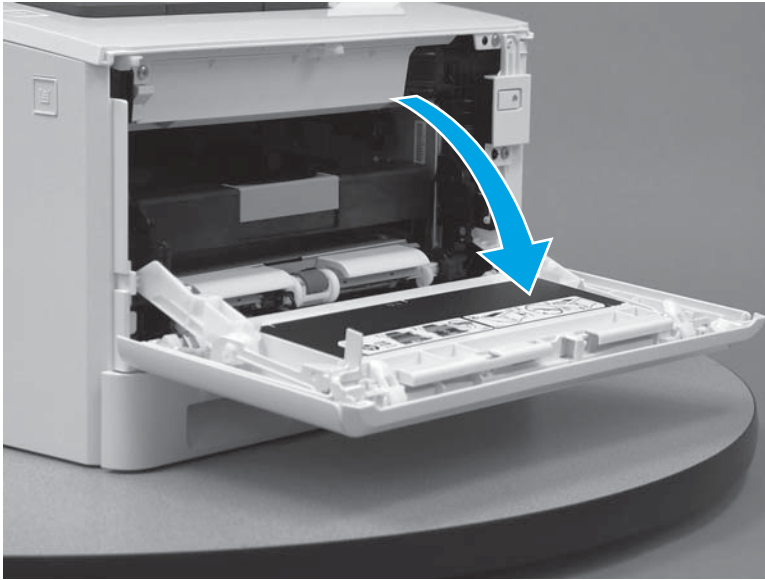
1. Press the button (callout 1) on the left side of the printer to release the front door.

Figure 1-2031 Release the front door



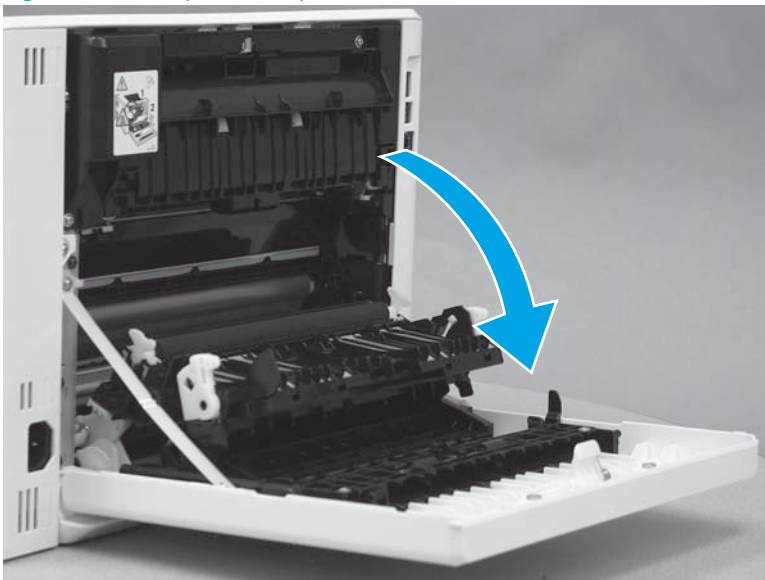
2. Open the front door.

Figure 1-2032 Open the front door



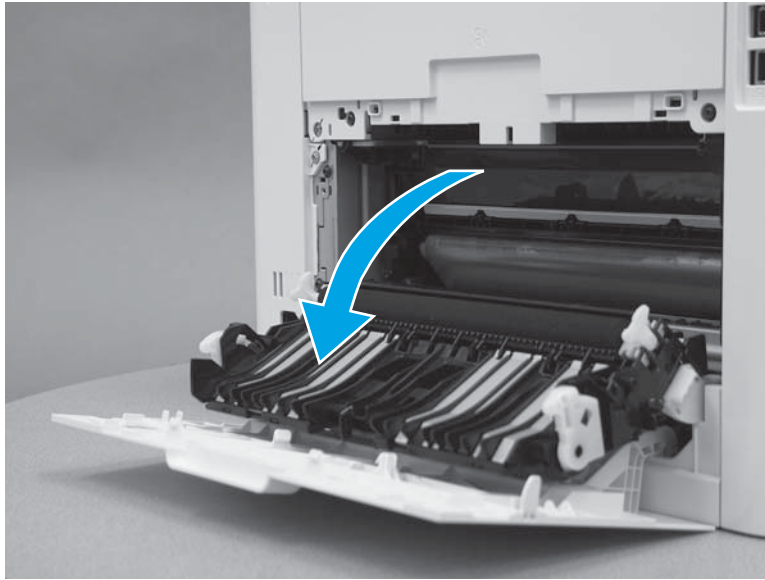
3. Duplex models: Open the duplexer door.

Figure 1-2033 Open the duplexer door




4. **Simplex models:** Open the rear door.

Figure 1-2034 Open the rear door



### Step 3: Remove the right cover (M454 models)

 **NOTE:** This step is for the M454 models. For the M479 models, skip this step and go to [Step 4: Remove the right cover \(M479 models\) on page 1115](#).

1. At the back of the printer, remove one screw (callout 1).

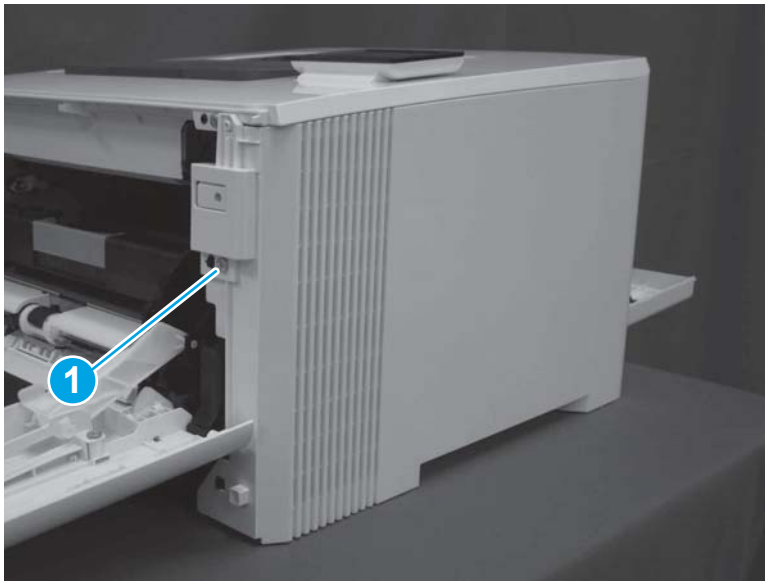
Figure 1-2035 Remove one screw





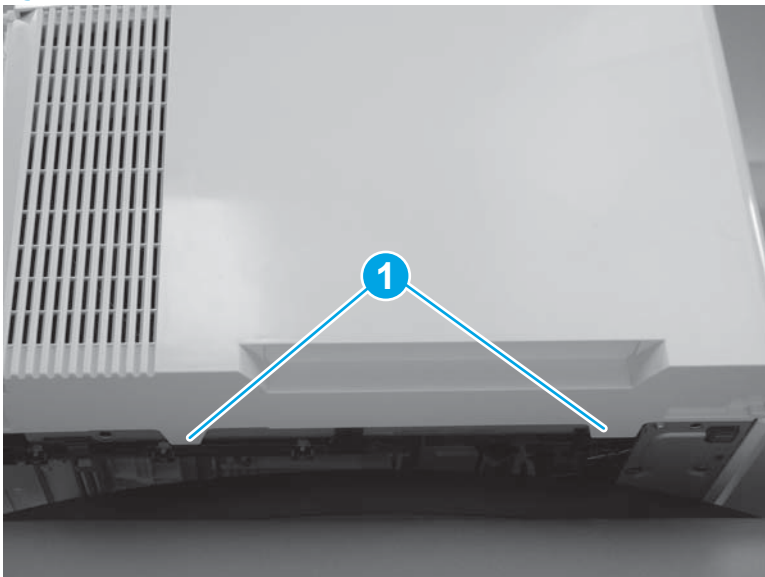
2. At the front of the printer, remove one screw (callout 1).

Figure 1-2036 Remove one screw



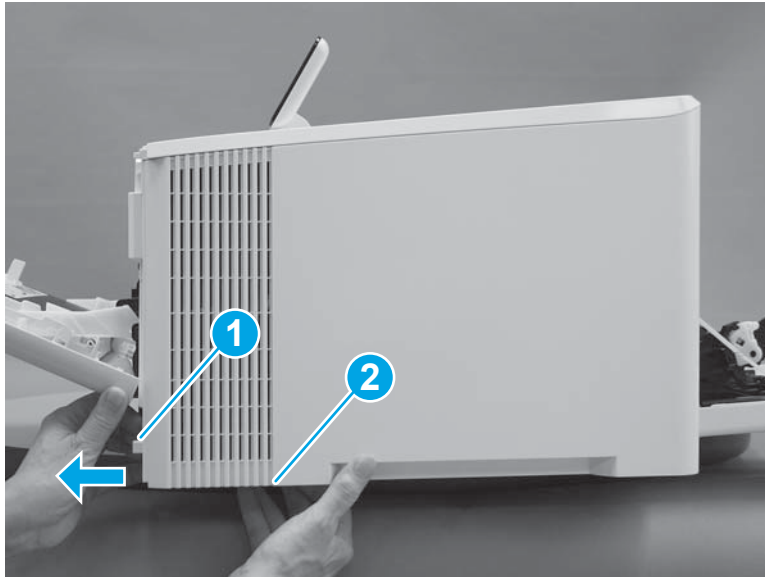
3. Slide the printer to the edge of a work surface. Note the location of the tabs on the lower edge of the cover (callout 1).

Figure 1-2037 Locate the tabs



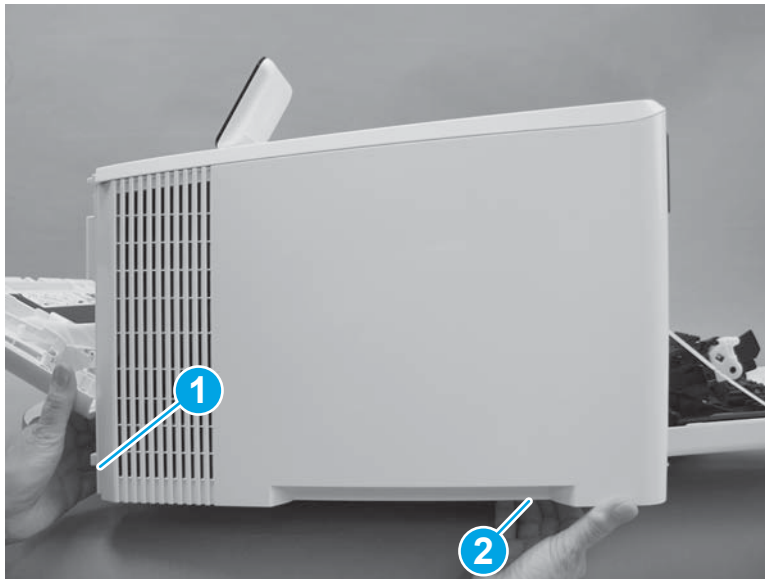
4. Release one tab (callout 1) on the front of the cover by slightly pulling the cover away from the printer. While holding the cover in the released position, release one tab (callout 2) on the bottom of the cover.

Figure 1-2038 Release front lower tabs



5. Hold the front tabs in the released position (callout 1), and then release one tab (callout 2) on the bottom of the cover, toward the back of the printer.

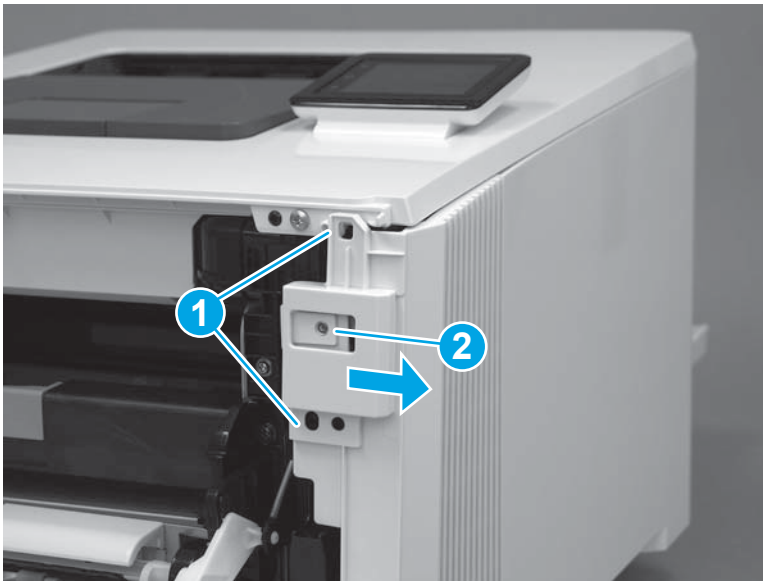
Figure 1-2039 Release lower rear tab



6. Release two tabs at the front of the printer (callout 1) by slightly pulling the cover away from the printer.

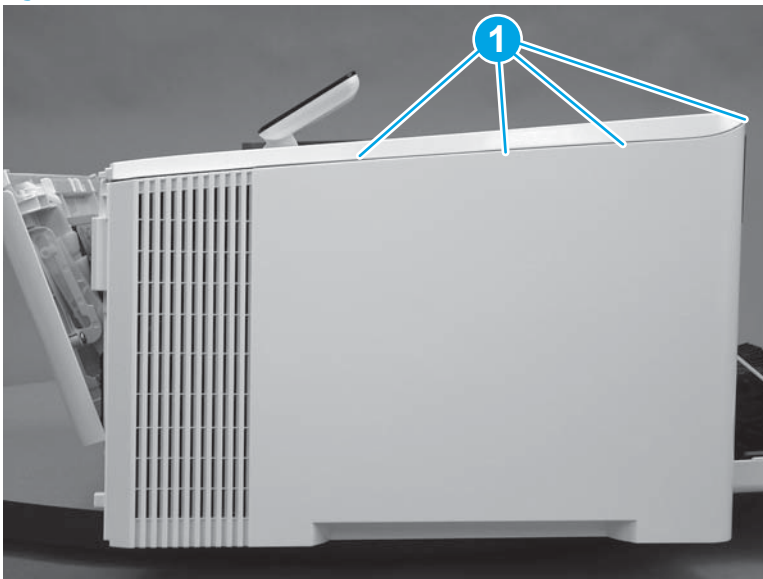
**⚠ CAUTION:** Be careful not to dislodge the power switch (callout 2).

Figure 1-2040 Release two front tabs



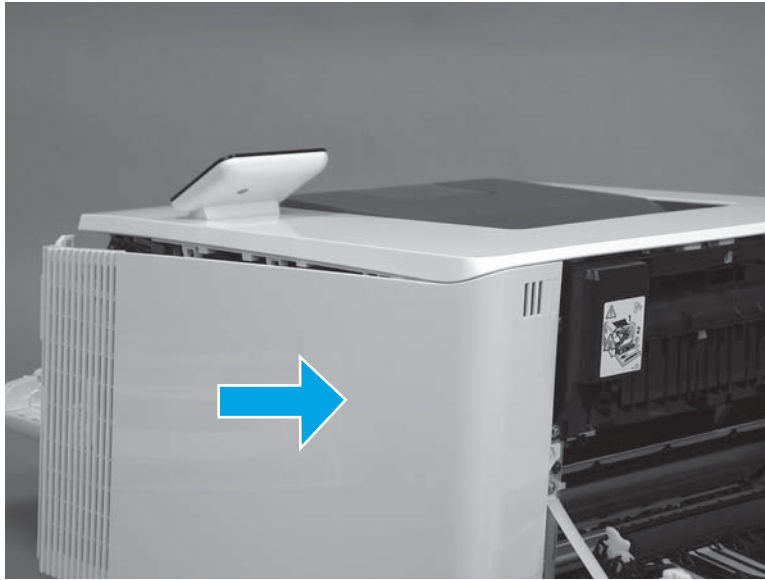
7. Release four tabs on the top of the printer (callout 1).

Figure 1-2041 Release upper tabs




8. Slide the cover toward the back of the printer to remove it.

Figure 1-2042 Remove the right cover



#### Step 4: Remove the right cover (M479 models)

 **NOTE:** This step is for the M479 models. For the M454 models, skip this step and go to [Step 5: Remove the cable holder assembly on page 1121](#).

1. Raise the scanner.

Figure 1-2043 Raise the scanner



2. At the back of the printer, remove one screw (callout 1).

Figure 1-2044 Remove one screw



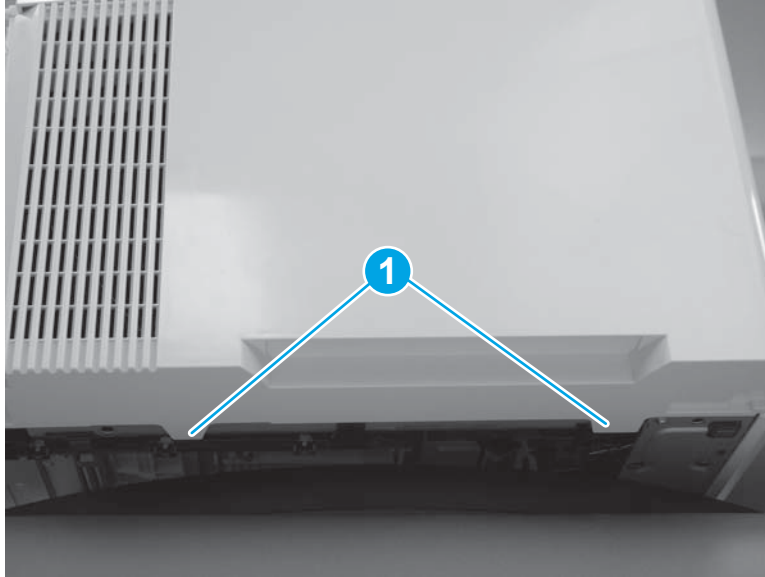
3. At the front of the printer, remove one screw (callout 1).

Figure 1-2045 Remove one screw



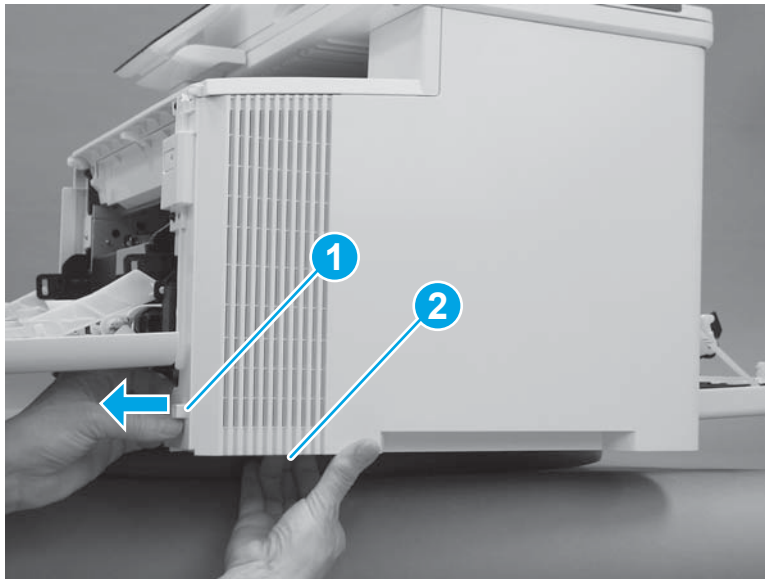
4. Slide the printer to the edge of a work surface. Note the location of the tabs on the lower edge of the cover (callout 1).

Figure 1-2046 Locate the tabs



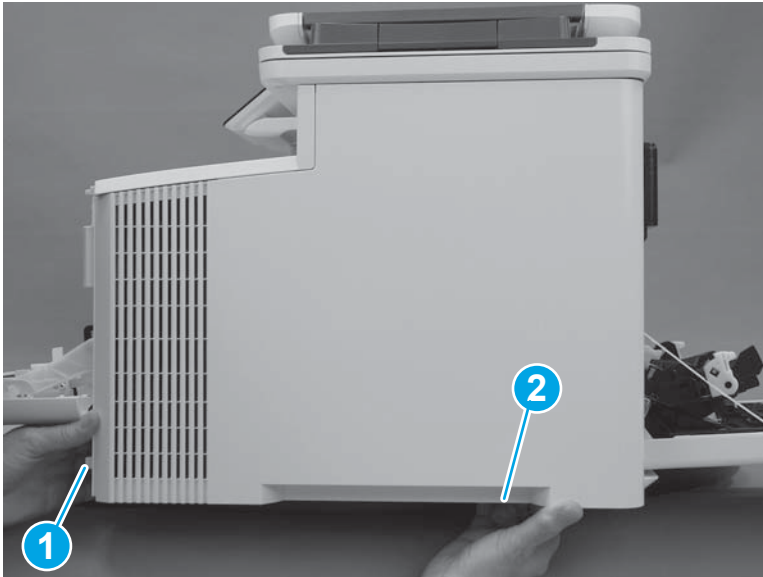
5. Release one tab (callout 1) on the front of the cover by slightly pulling the cover away from the printer. While holding the cover in the released position, release one tab (callout 2) on the lower edge of the cover.

Figure 1-2047 Release front lower tabs



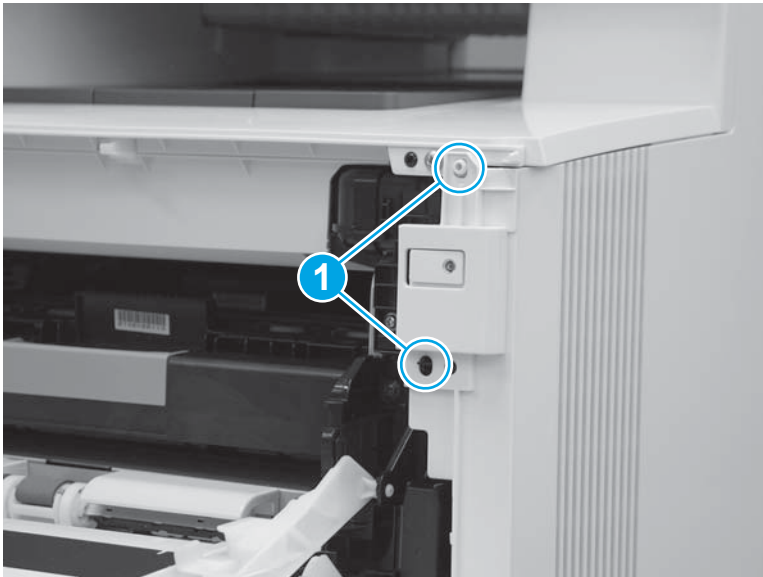
6. Hold the front tabs in the released position (callout 1), and then release one tab (callout 2) on the lower edge of the cover, toward the back of the printer.

Figure 1-2048 Release lower rear tab



7. Release two tabs at the front of the printer (callout 1) by slightly pulling the cover away from the printer.

Figure 1-2049 Release front upper tabs





8. Rotate the front of the cover away from the printer (callout 1).

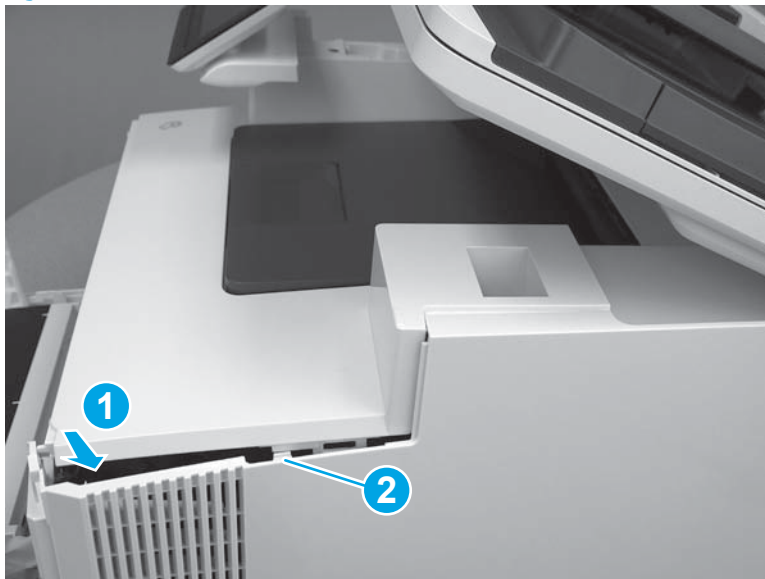
**⚠ CAUTION:** Be careful not to dislodge the power switch (callout 2).

Figure 1-2050 Rotate the front of the cover



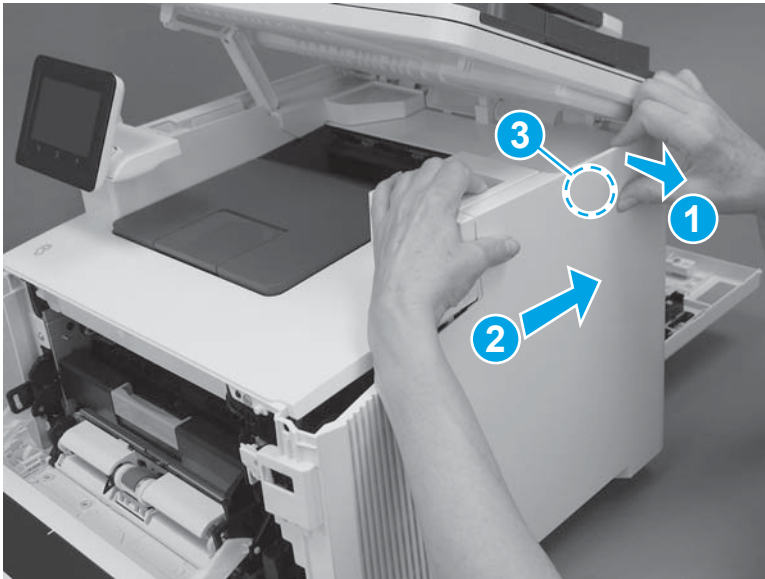
9. Slightly pull the front of the cover away from the printer (callout 1) to release one tab (callout 2).

Figure 1-2051 Release top tabs



10. At the top of the printer, slightly pull the top of the cover away from the printer to release one retention tab (callout 1) on the inside of the cover. While holding the cover away, slide the cover toward the back of the printer (callout 2) to release one hook (callout 3) on the inside of the cover.

Figure 1-2052 Release one tab and one hook



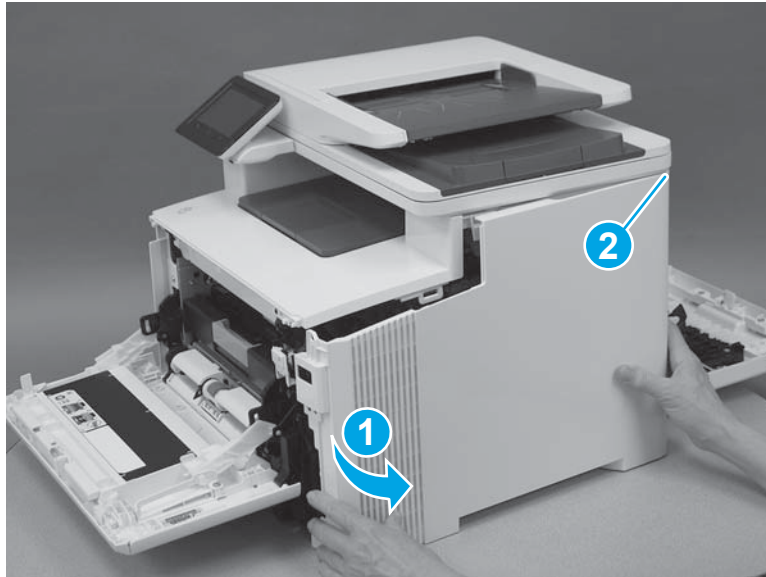
11. Lower the scanner.

Figure 1-2053 Lower the scanner



12. Rotate the cover away from the printer (callout 1) to release one tab (callout 2) at the back of the printer, and then remove the cover.

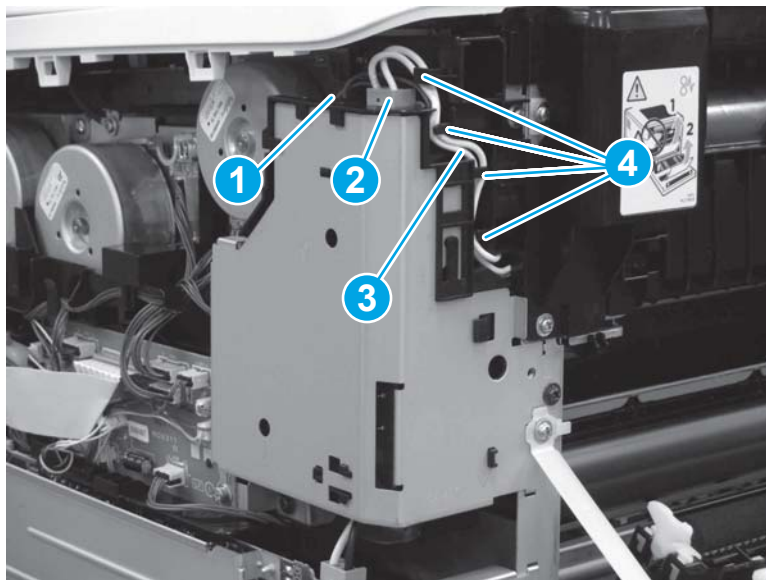
Figure 1-2054 Remove the right cover




#### Step 5: Remove the cable holder assembly

1. Disconnect one connector (callout 1). Release the connector latch, and then disconnect one connector (callout 2). Remove the cables (callout 3) from the guides (callout 4).

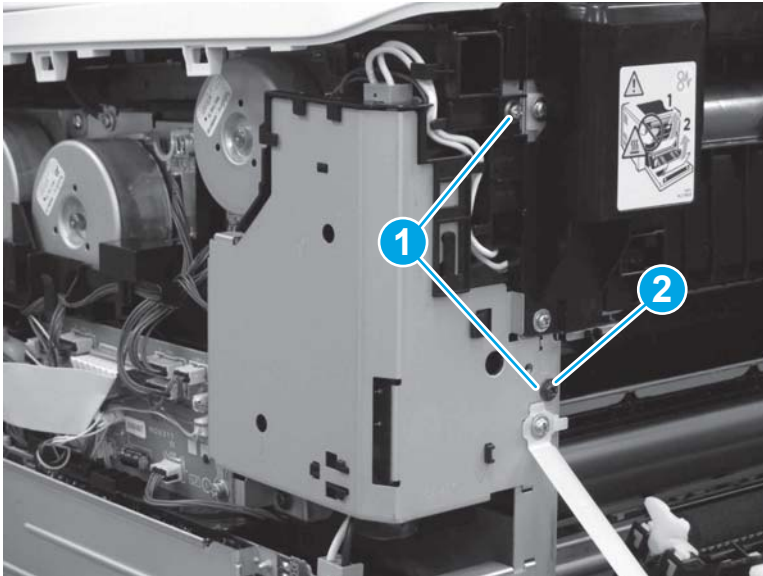
Figure 1-2055 Disconnect two connectors



2. Remove two screws (callout 1).

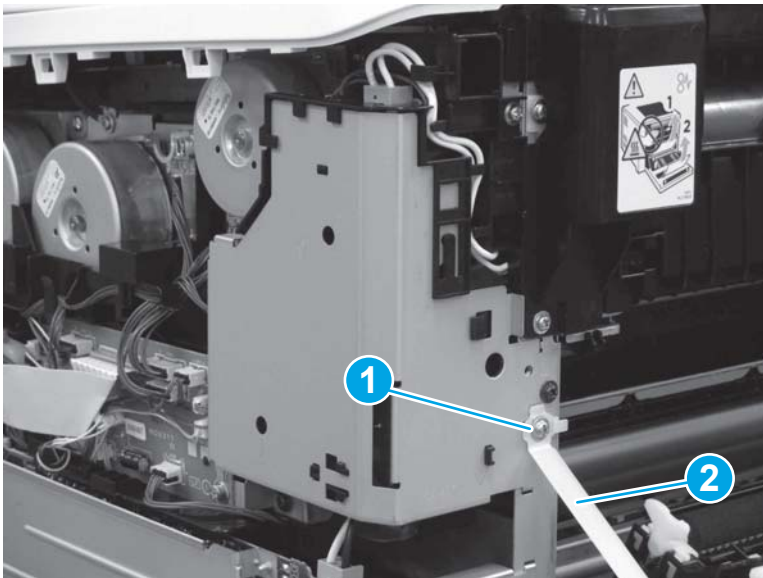
 **Reinstallation tip:** The lower screw (callout 2) is shorter than the other screw. Make sure that this screw is reinstalled in the correct position.

**Figure 1-2056** Remove two screws




3. **Duplex models only:** Remove one screw (callout 1), and then release the retainer arm (callout 2).

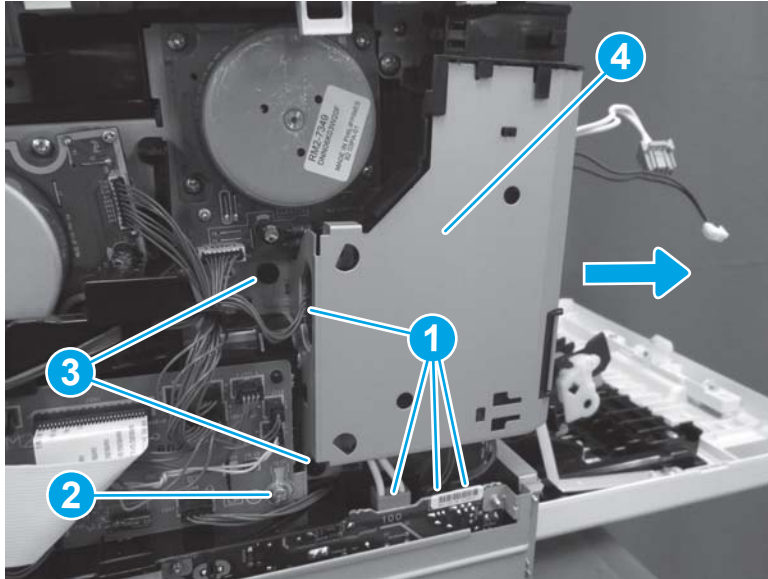
**Figure 1-2057** Release the retainer arm



4. Disconnect four connectors (callout 1). Release the connector latch, and then disconnect one connector (callout 2). Remove two screws (callout 3), and then remove cable holder assembly (callout 4).

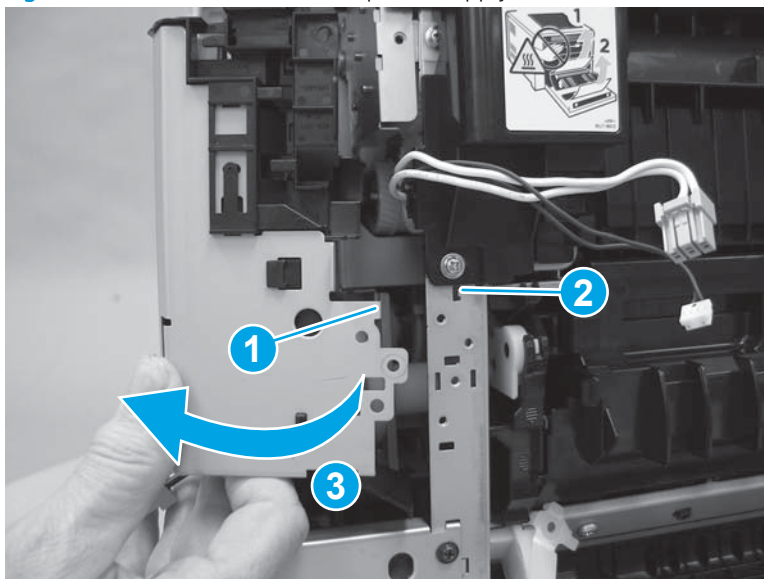
 **Reinstallation tip:** The screw on the driver PCA (callout 4) is different from the other screws. Make sure that this screw is reinstalled in the correct position.

**Figure 1-2058** Disconnect two connectors and remove three screws



5. Release one tab (callout 1) on the back of the fuser power supply from the slot (callout 2) in the printer frame. Rotate the fuser power supply away from the printer to remove it (callout 3).

**Figure 1-2059** Remove the fuser power supply

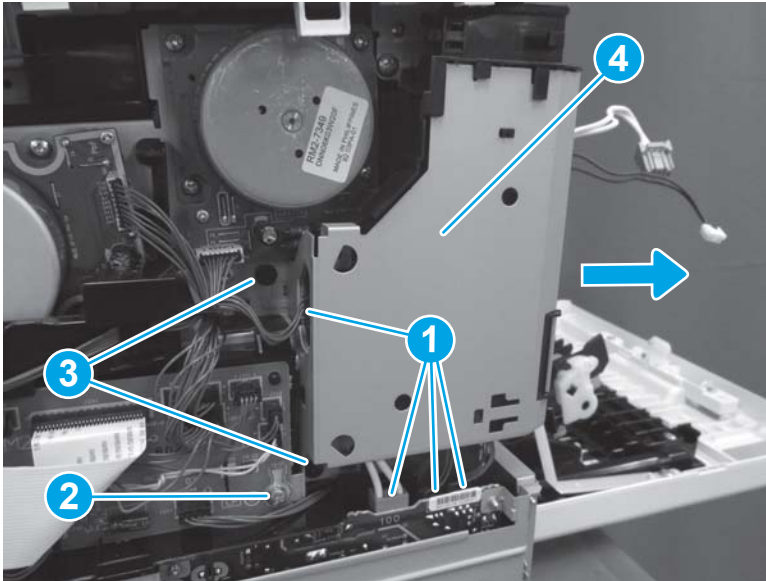


#### Step 6: Remove the fuser motor

1. Disconnect four connectors (callout 1). Release the connector latch, and then disconnect one connector (callout 2). Remove two screws (callout 3), and then remove cable holder assembly (callout 4).

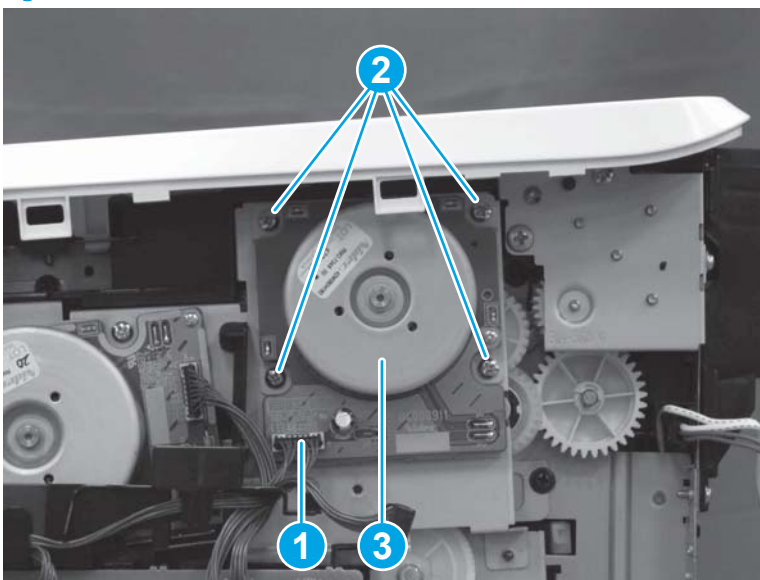


Figure 1-2060 Remove the fuser motor



2. Disconnect one connector (callout 1), remove four screws (callout 2), and then remove the fuser motor (callout 3).

Figure 1-2061 Remove the fuser motor



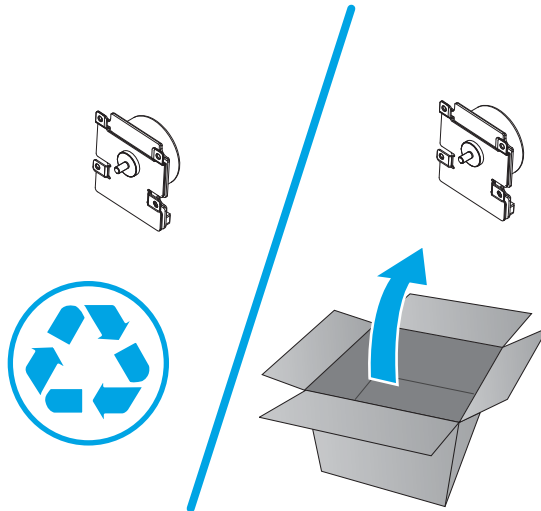
### Step 7: Unpack the replacement part

Remove the new part from its package. Save all packaging for recycling the used part.

For complete information on HP's recycling programs, go to [Product return and recycling](#).

 **NOTE:** HP recommends responsible disposal of the defective part.


Figure 1-2062 Recycle and unpack



### Step 8: Install the fuser motor

- ▲ To install an assembly, reverse the removal steps.

---

 **NOTE:** When applicable, special installation instructions are provided for an assembly at the end of the removal procedure. Always completely read the removal instructions and follow all special installation instructions.

---



## Removal and replacement: Duplex drive assembly (duplex models)

- [Introduction](#)
- [Step 1: Remove Tray 2](#)
- [Step 2: Open the front door and duplexer door](#)
- [Step 3: Remove the right cover \(M454 models\)](#)
- [Step 4: Remove the right cover \(M479 models\)](#)
- [Step 5: Remove the left cover \(M454 models\)](#)
- [Step 6: Remove the left cover \(M479 models\)](#)
- [Step 7: Remove the integrated scanner assembly \(M479 models\)](#)
- [Step 8: Remove the fax PCA \(M479 models\)](#)
- [Step 9: Remove the top cover \(M479 models\)](#)
- [Step 10: Remove the top cover \(M454 models\)](#)
- [Step 11: Remove the fuser \(duplex models\)](#)
- [Step 12: Remove the cable holder assembly](#)
- [Step 13: Remove the duplex drive assembly](#)
- [Step 14: Unpack the replacement part](#)
- [Step 15: Install the duplex drive assembly](#)

### Introduction


This document provides the procedures to remove and replace the duplex drive assembly for duplex models.

[Click here to view a video of this procedure.](#)

### Before you begin

- Turn off the printer.
- Disconnect the power cable.

---

 **WARNING!** To avoid damage to the printer, turn the printer off, wait 30 seconds, and then remove the power cord before attempting to service the printer.

---

- Use the table below to identify the correct part number for your printer. To order the part, go to [www.hp.com/buy/parts](http://www.hp.com/buy/parts).

---

Duplex drive assembly part number	
RM2-6389-000CN	Duplex drive assembly

---

## Required tools

- #2 Phillips screwdriver with a magnetic tip
- Small flat-blade screwdriver

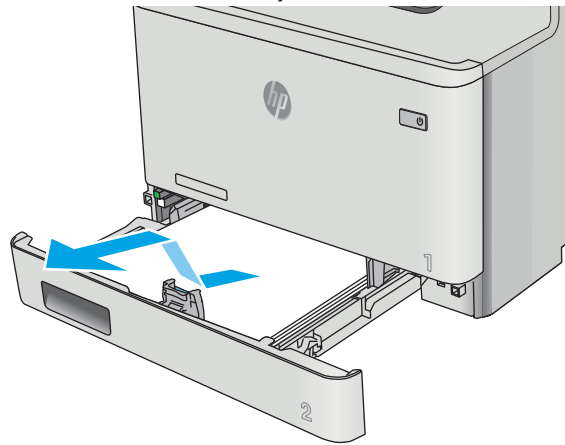
## After performing service

- Connect the power cable.
- Use the power switch to turn the power on.

## Step 1: Remove Tray 2

- ▲ Pull the tray out until it stops. Lift the front of the tray, and then pull it out of the printer to remove it.

Figure 1-2063 Remove the tray



## Step 2: Open the front door and duplexer door

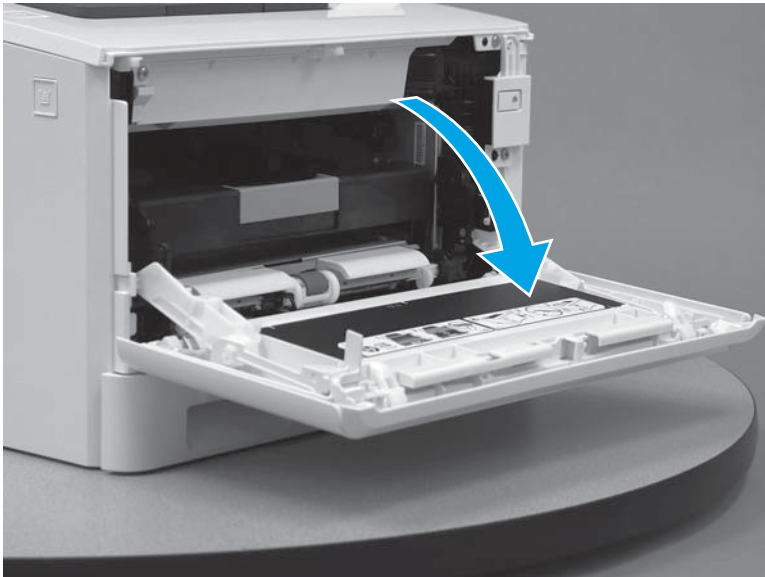
1. Press the button (callout 1) on the left side of the printer to release the front door.

Figure 1-2064 Release the front door



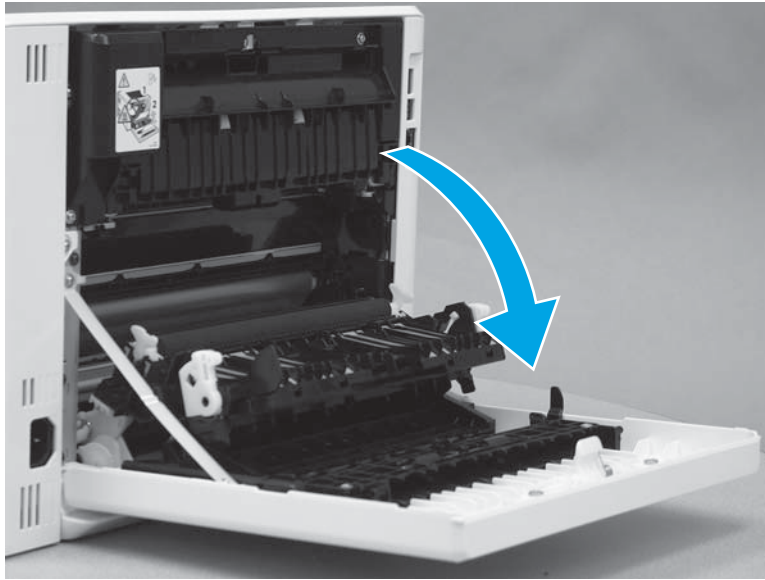
2. Open the front door.

Figure 1-2065 Open the front door




3. Open the duplexer door.

Figure 1-2066 Open the duplexer door



### Step 3: Remove the right cover (M454 models)

 **NOTE:** This step is for the M454 models. For the M479 models, skip this step and go to [Step 4: Remove the right cover \(M479 models\) on page 1133](#).

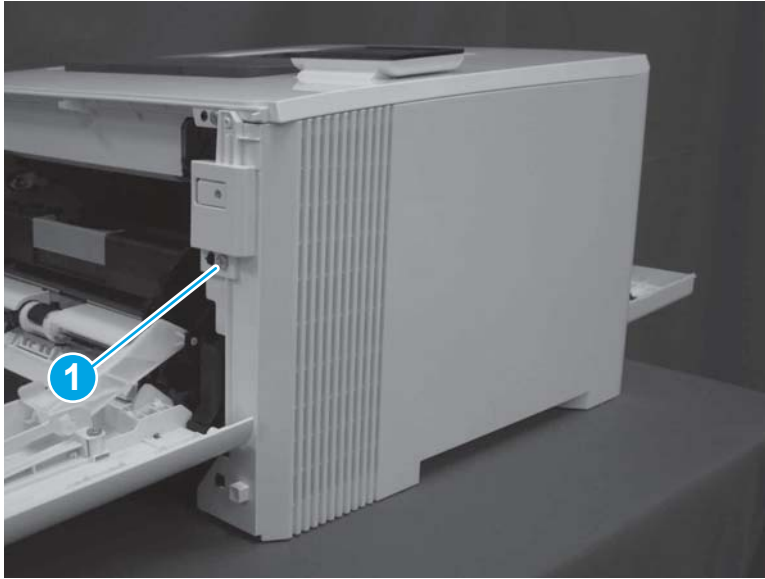
1. At the back of the printer, remove one screw (callout 1).

Figure 1-2067 Remove one screw



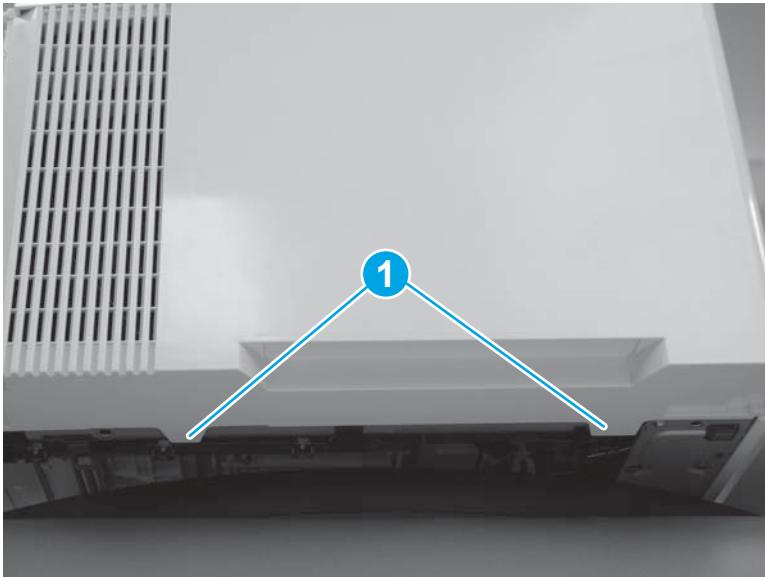
2. At the front of the printer, remove one screw (callout 1).

Figure 1-2068 Remove one screw



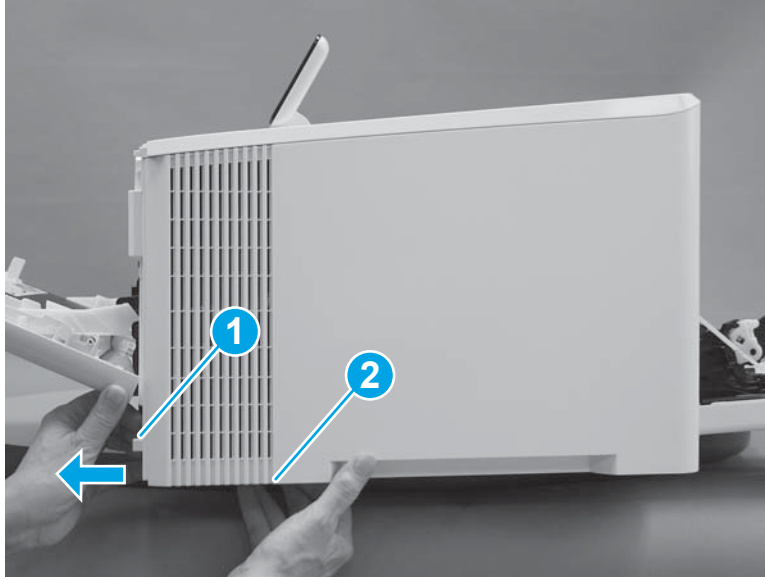
3. Slide the printer to the edge of a work surface. Note the location of the tabs on the lower edge of the cover (callout 1).

Figure 1-2069 Locate the tabs



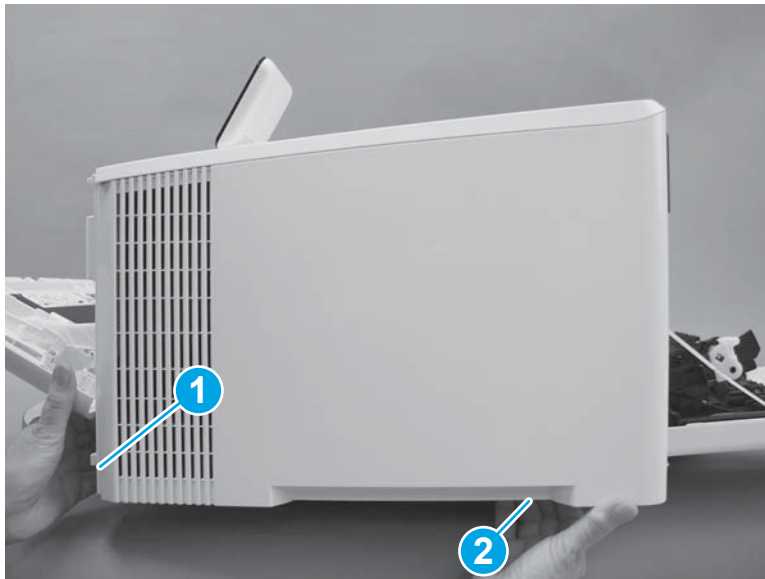
4. Release one tab (callout 1) on the front of the cover by slightly pulling the cover away from the printer. While holding the cover in the released position, release one tab (callout 2) on the bottom of the cover.

Figure 1-2070 Release front lower tabs



5. Hold the front tabs in the released position (callout 1), and then release one tab (callout 2) on the bottom of the cover, toward the back of the printer.

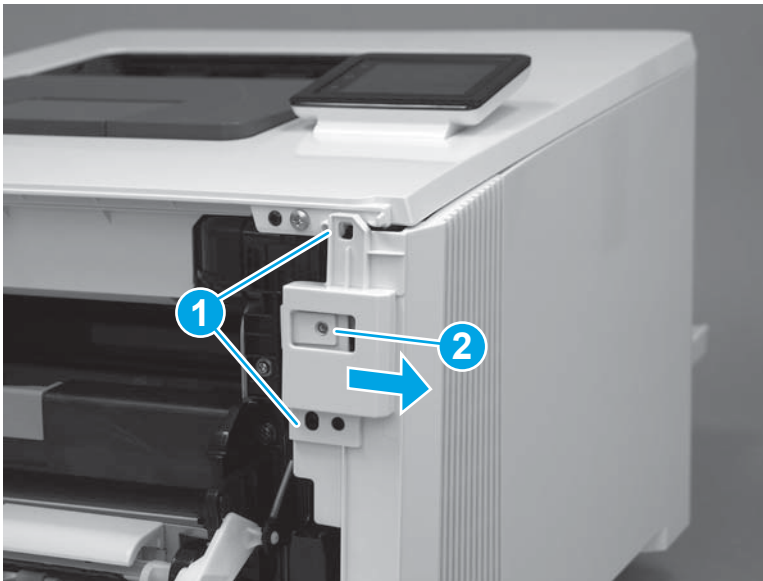
Figure 1-2071 Release lower rear tab



6. Release two tabs at the front of the printer (callout 1) by slightly pulling the cover away from the printer.

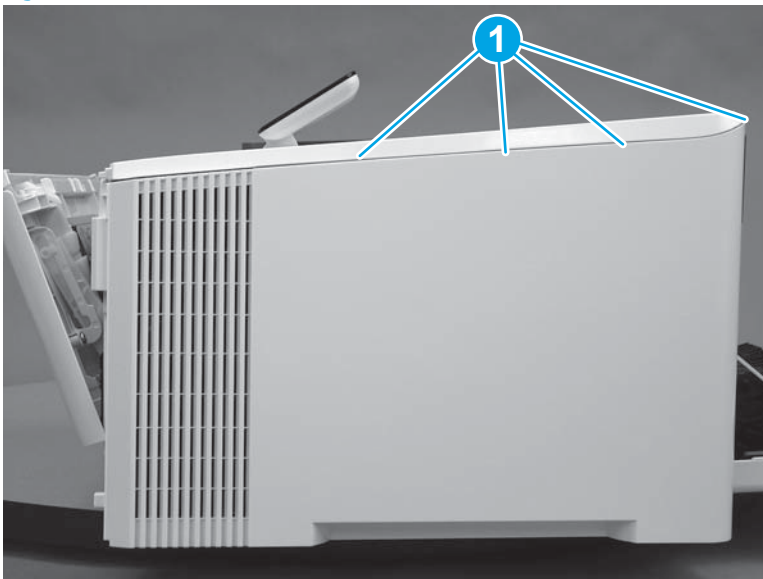
**⚠ CAUTION:** Be careful not to dislodge the power switch (callout 2).

Figure 1-2072 Release two front tabs



7. Release four tabs on the top of the printer (callout 1).

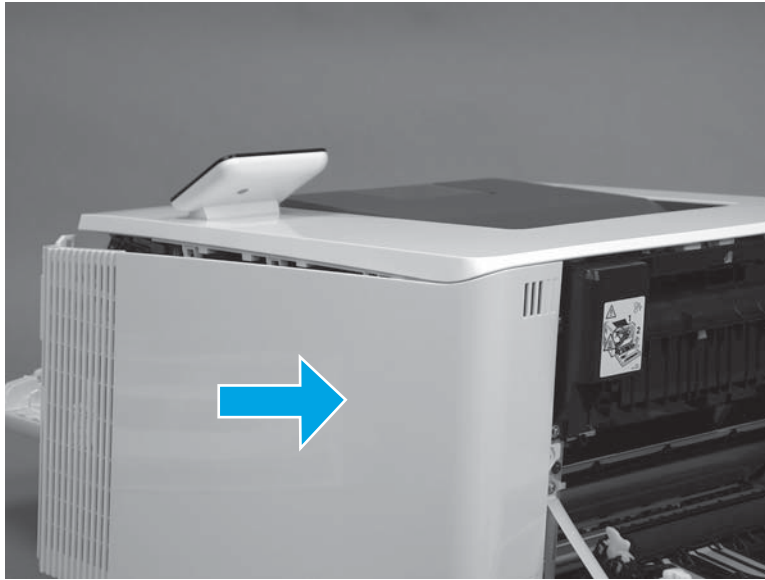
Figure 1-2073 Release upper tabs






8. Slide the cover toward the back of the printer to remove it.

Figure 1-2074 Remove the right cover



#### Step 4: Remove the right cover (M479 models)

 **NOTE:** This step is for the M479 models. For the M454 models, skip this step and go to [Step 5: Remove the left cover \(M454 models\) on page 1139](#).

1. Raise the scanner.

Figure 1-2075 Raise the scanner



2. At the back of the printer, remove one screw (callout 1).

Figure 1-2076 Remove one screw



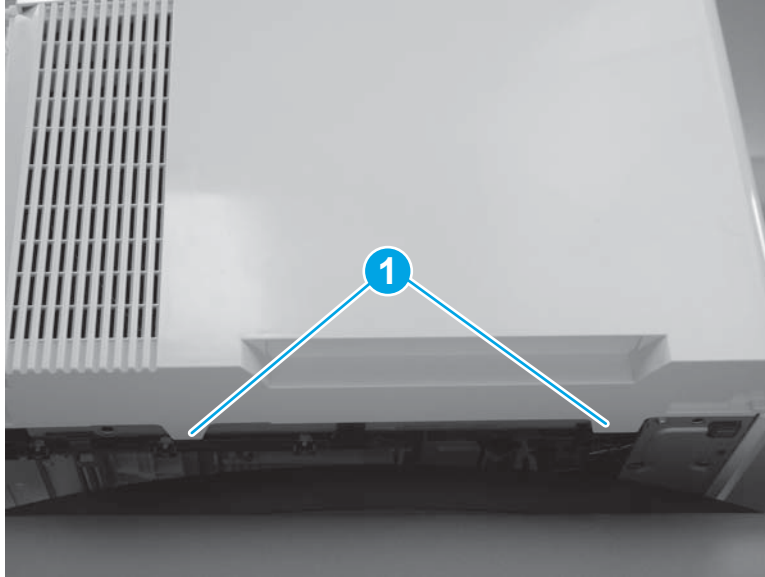
3. At the front of the printer, remove one screw (callout 1).

Figure 1-2077 Remove one screw



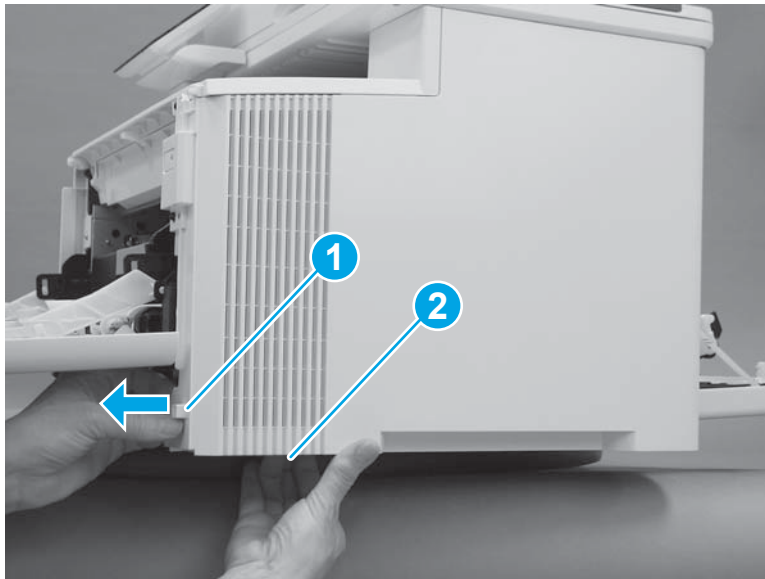
4. Slide the printer to the edge of a work surface. Note the location of the tabs on the lower edge of the cover (callout 1).

Figure 1-2078 Locate the tabs



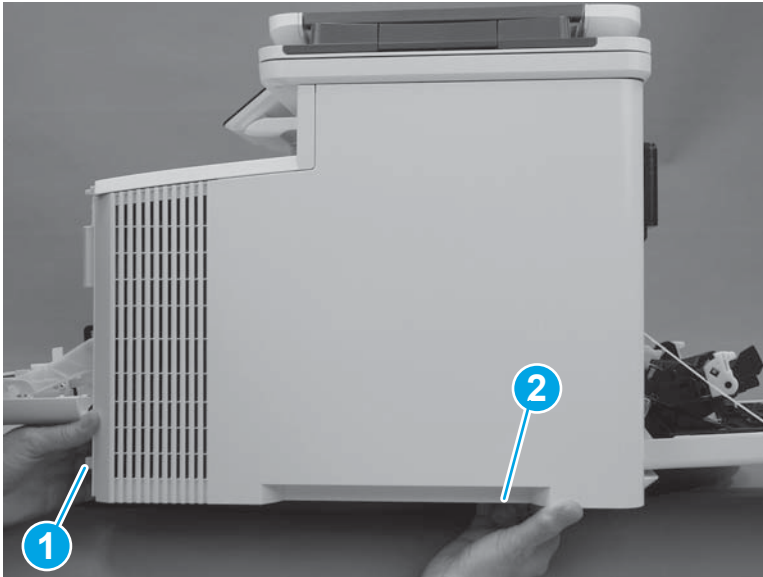
5. Release one tab (callout 1) on the front of the cover by slightly pulling the cover away from the printer. While holding the cover in the released position, release one tab (callout 2) on the lower edge of the cover.

Figure 1-2079 Release front lower tabs



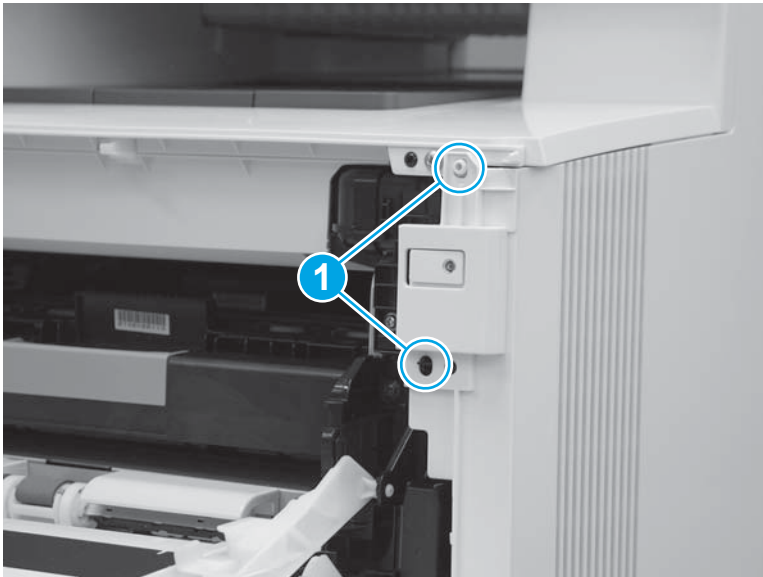
6. Hold the front tabs in the released position (callout 1), and then release one tab (callout 2) on the lower edge of the cover, toward the back of the printer.

Figure 1-2080 Release lower rear tab



7. Release two tabs at the front of the printer (callout 1) by slightly pulling the cover away from the printer.

Figure 1-2081 Release front upper tabs



8. Rotate the front of the cover away from the printer (callout 1).

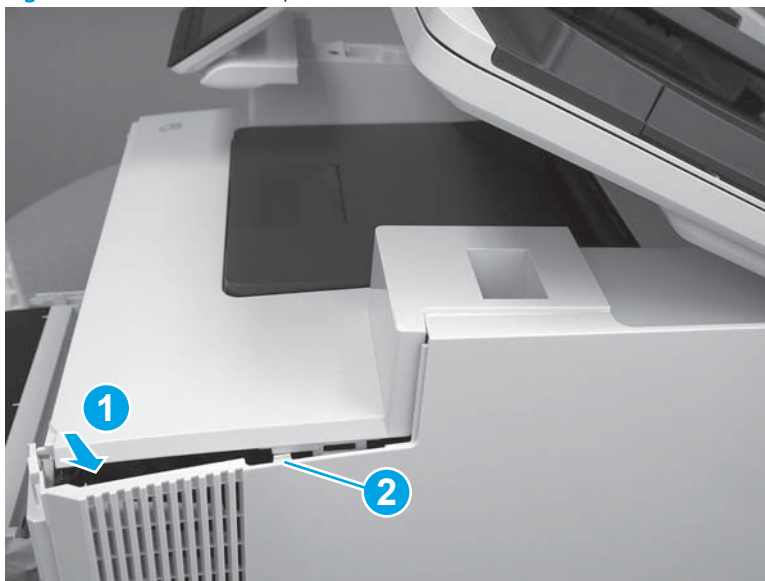
**⚠ CAUTION:** Be careful not to dislodge the power switch (callout 2).

Figure 1-2082 Rotate the front of the cover



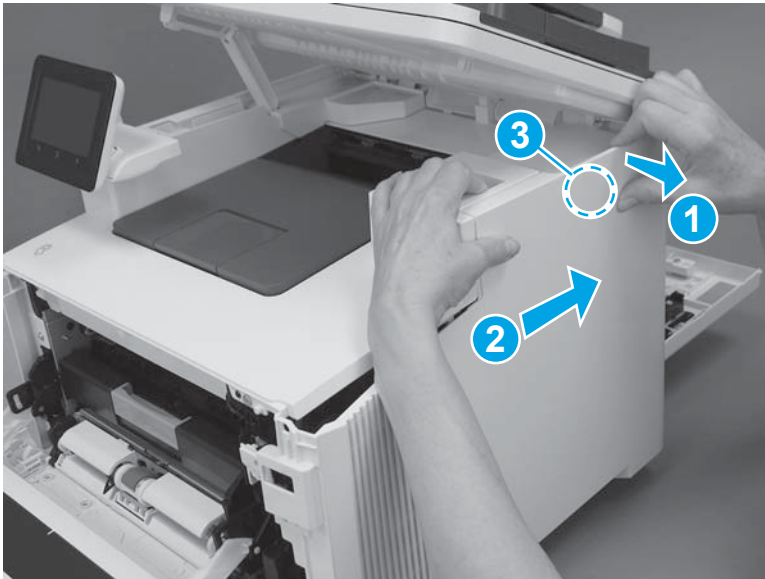
9. Slightly pull the front of the cover away from the printer (callout 1) to release one tab (callout 2).

Figure 1-2083 Release top tabs



10. At the top of the printer, slightly pull the top of the cover away from the printer to release one retention tab (callout 1) on the inside of the cover. While holding the cover away, slide the cover toward the back of the printer (callout 2) to release one hook (callout 3) on the inside of the cover.

Figure 1-2084 Release one tab and one hook



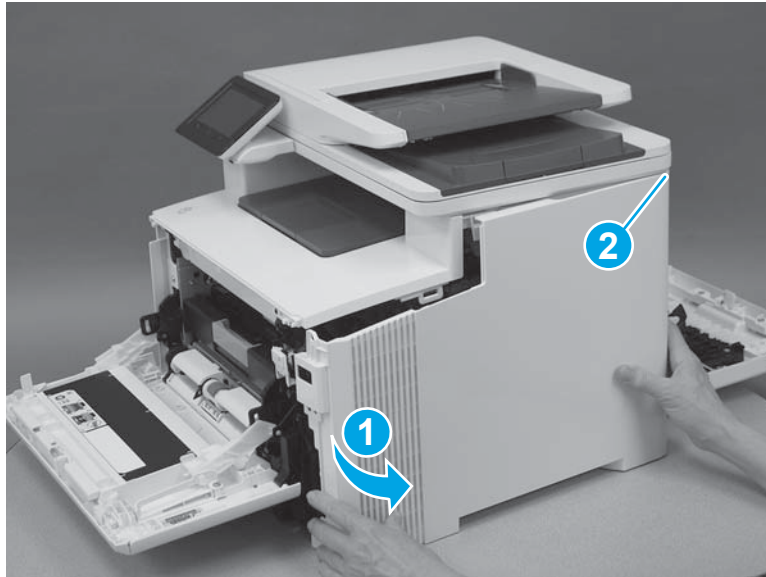
11. Lower the scanner.

Figure 1-2085 Lower the scanner




12. Rotate the cover away from the printer (callout 1) to release one tab (callout 2) at the back of the printer, and then remove the cover.

Figure 1-2086 Remove the right cover

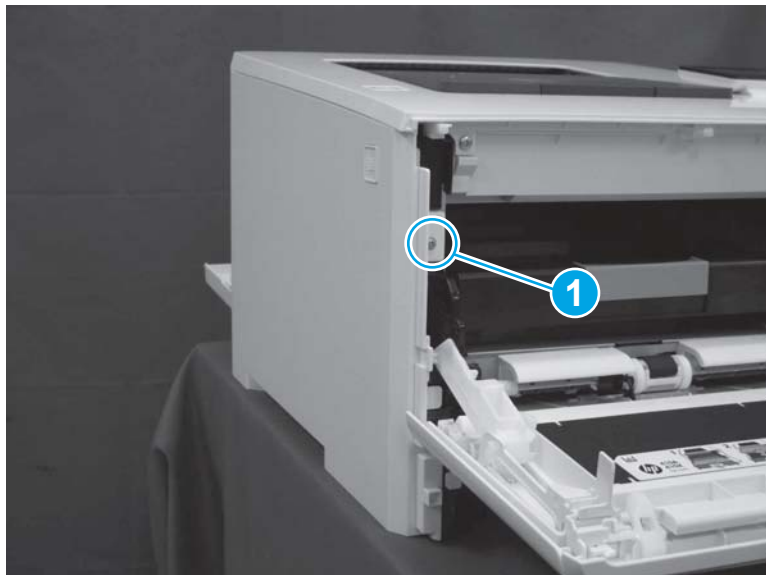


#### Step 5: Remove the left cover (M454 models)

 **NOTE:** This step is for the M454 models. For the M479 models, skip this step and go to [Step 6: Remove the left cover \(M479 models\) on page 1141](#).

1. At the front of the printer, remove one screw (callout 1).

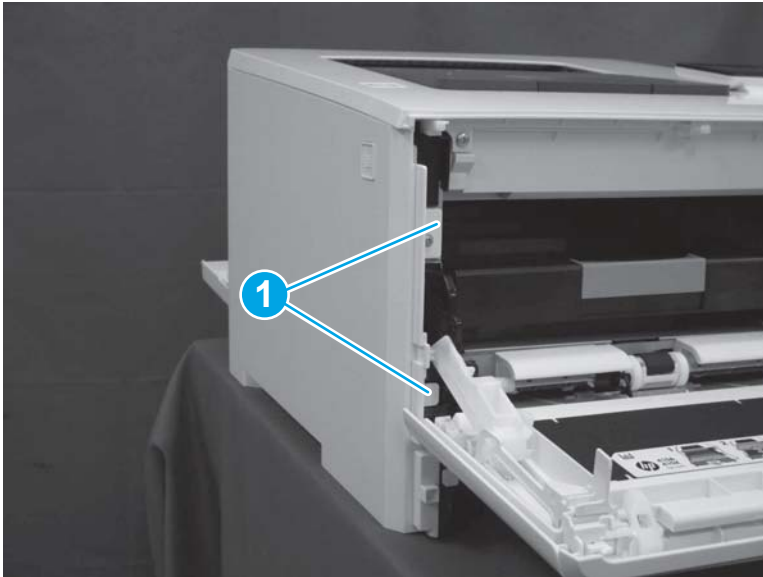
Figure 1-2087 Remove one screw





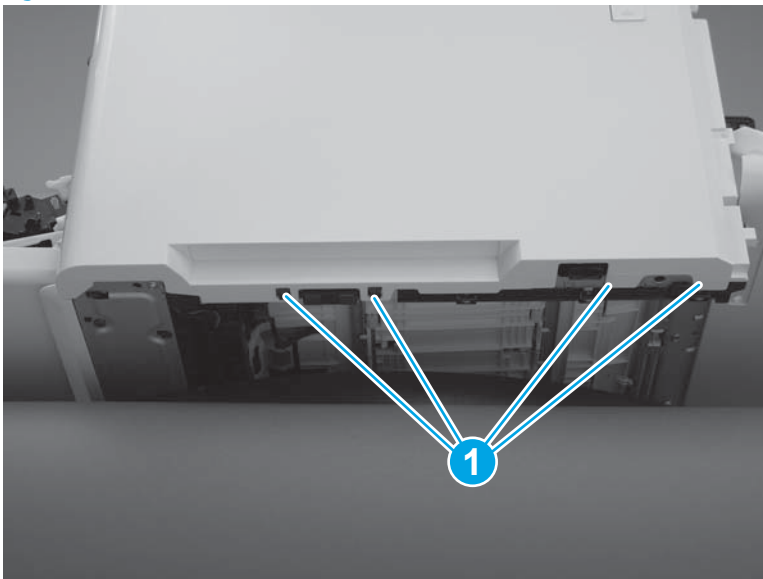
2. Release two tabs (callout 1) at the front of the cover. Hold the cover open to prevent the tabs from reengaging.

Figure 1-2088 Release two tabs



3. Slide the printer to the edge of a work surface. Note the location of the tabs on the lower edge of the cover (callout 1).

Figure 1-2089 Locate the tabs



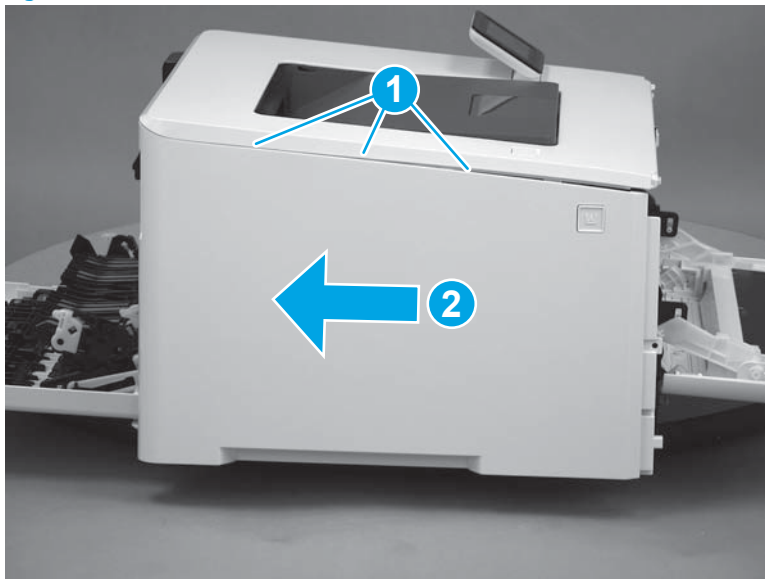
4. Beginning from the front of the cover, release four tabs (callouts 1-4) on the lower edge of the cover.

Figure 1-2090 Release bottom tabs




5. Release three tabs at the top of the cover (callout 1), and then slide the cover toward the rear of the printer to remove it.

Figure 1-2091 Release three tabs



#### Step 6: Remove the left cover (M479 models)

 **NOTE:** This step is for the M479 models. For the M454 models, skip this step and go to [Step 10: Remove the top cover \(M454 models\) on page 1161](#).

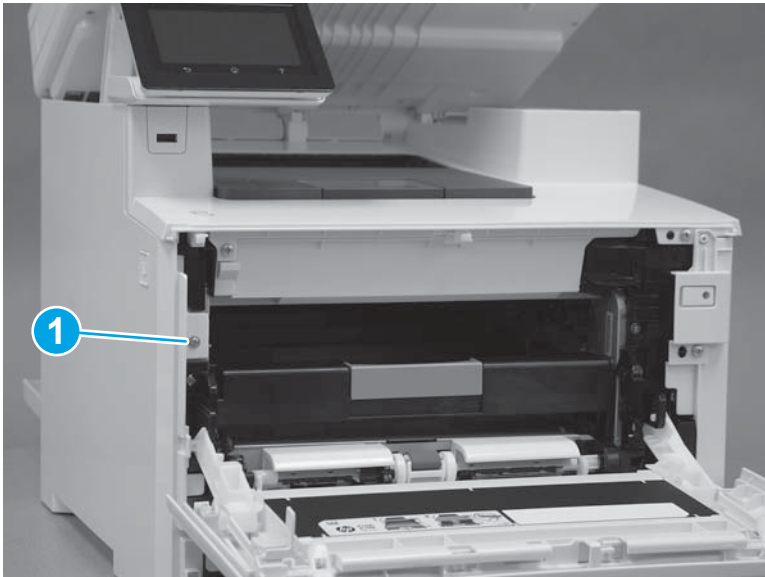
1. Raise the scanner.

Figure 1-2092 Raise the scanner



2. At the front of the printer, remove one screw (callout 1).

Figure 1-2093 Remove one screw



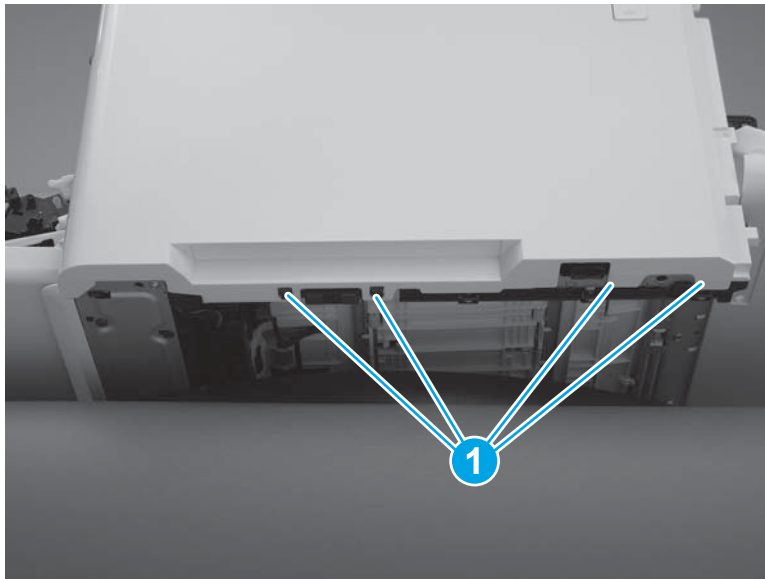
3. Release two tabs (callout 1) at the front of the cover. Hold the cover open to prevent the tabs from re-engaging.

Figure 1-2094 Release two tabs



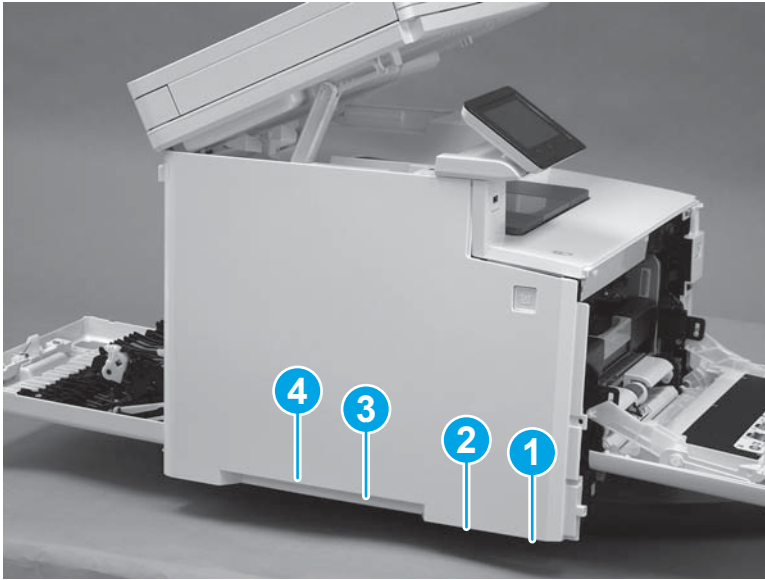
4. Slide the printer to the edge of a work surface. Note the location of the tabs on the lower edge of the cover (callout 1).

Figure 1-2095 Locate the tabs



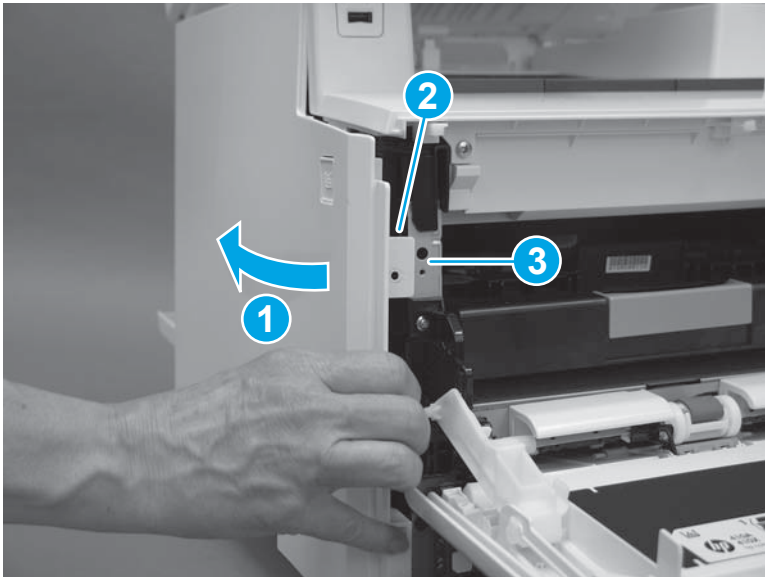
5. Beginning from the front of the cover, release the four tabs (callouts 1-4) on the lower edge of the cover.

Figure 1-2096 Release four tabs



6. Rotate the front of the cover away from the printer (callout 1). Make sure that the tab (callout 2) does not get caught on the printer frame (callout 3).

Figure 1-2097 Rotate the cover



7. At the top of the printer, slightly pull the top of the cover away from the printer to release one retention tab (callout 1) on the inside of the cover. While holding the cover away, slide the cover toward the back of the printer (callout 2) to release two hooks (callout 3) inside the cover.

Figure 1-2098 Release one tab and two hooks



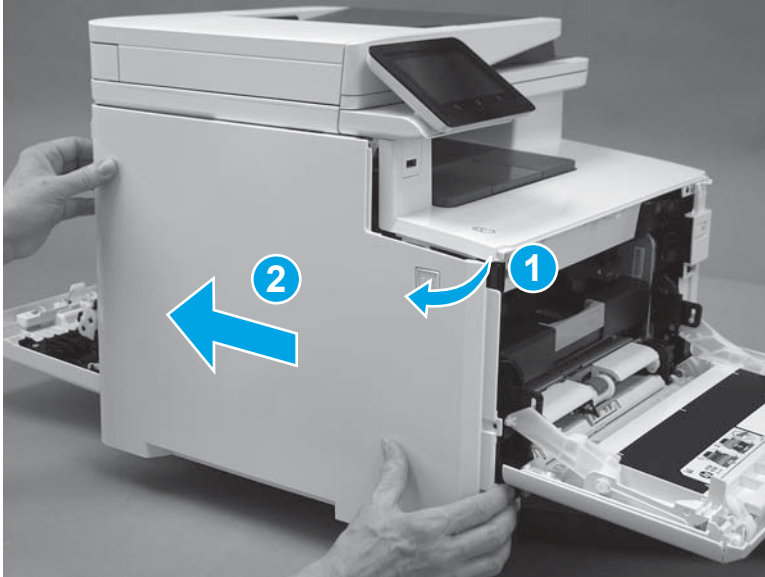
8. Lower the scanner.

Figure 1-2099 Lower the scanner




9. Rotate the cover away from the printer (callout 1), and then slide the cover (callout 2) toward the back of the printer to remove it.

Figure 1-2100 Remove the left cover

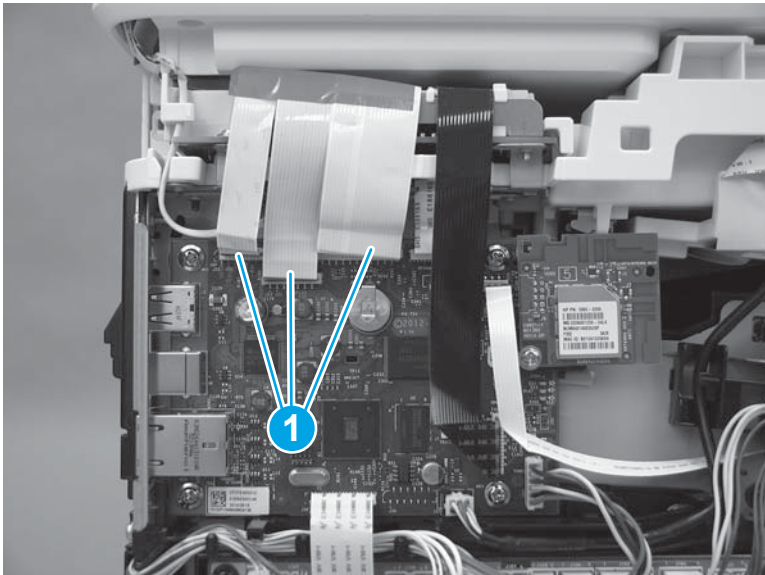


#### Step 7: Remove the integrated scanner assembly (M479 models)

 **NOTE:** This step is for the M479 models. For the M454 models, skip this step and go to [Step 10: Remove the top cover \(M454 models\) on page 1161](#).

1. On the left side of the printer, disconnect three connectors (callout 1).

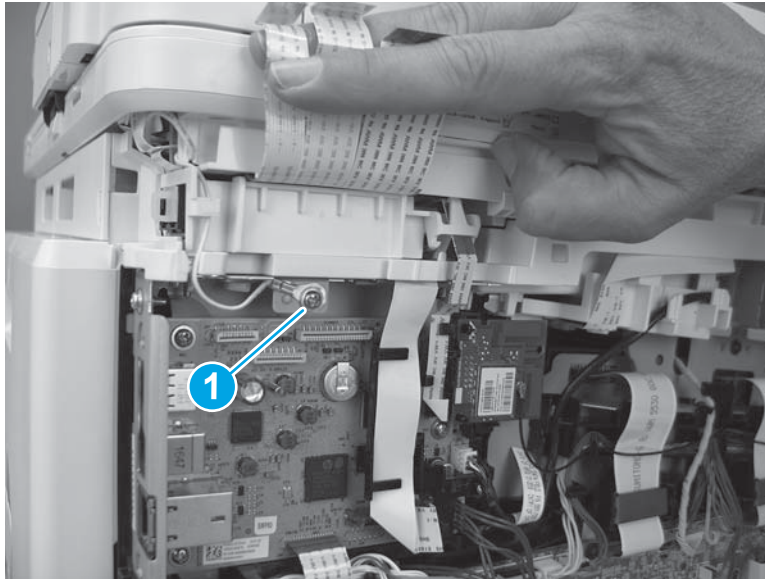
Figure 1-2101 Disconnect the scanner cables





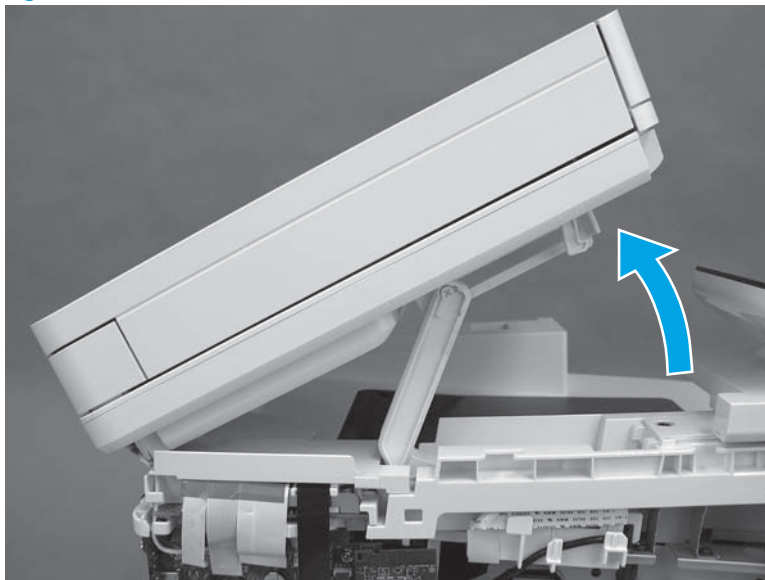
2. Raise the scanner cables up, and then remove one screw (callout 1) to release the ground wire (callout 2).

Figure 1-2102 Remove one screw and release the ground wire



3. Raise the scanner.

Figure 1-2103 Raise the scanner



4. With the scanner lifted, release the tab (callout 1) on the scanner support arm pin from the slot and rotate the pin in the direction indicated.

Figure 1-2104 Release the scanner arm pin



5. Remove the scanner arm pin.

---

**⚠ CAUTION:** Once the scanner arm pin is removed, support the scanner with one hand at all times so that it does not fall backwards off of the printer.

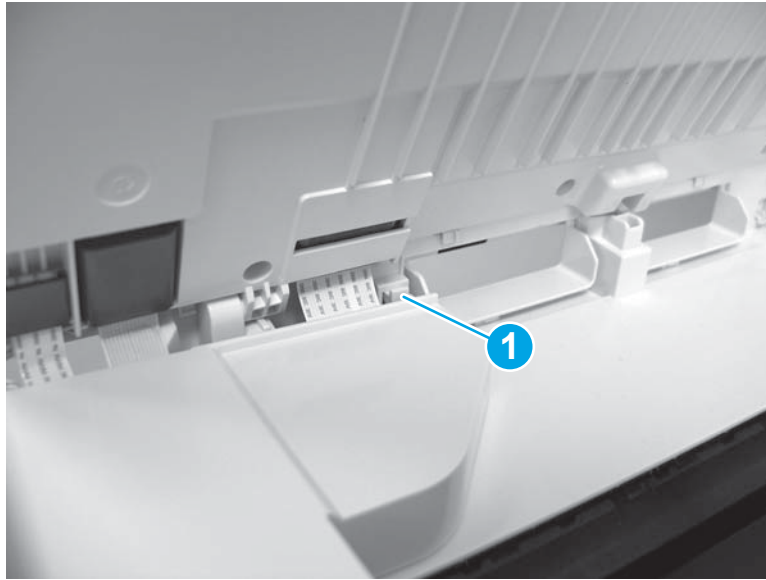
---

Figure 1-2105 Remove the scanner arm pin.



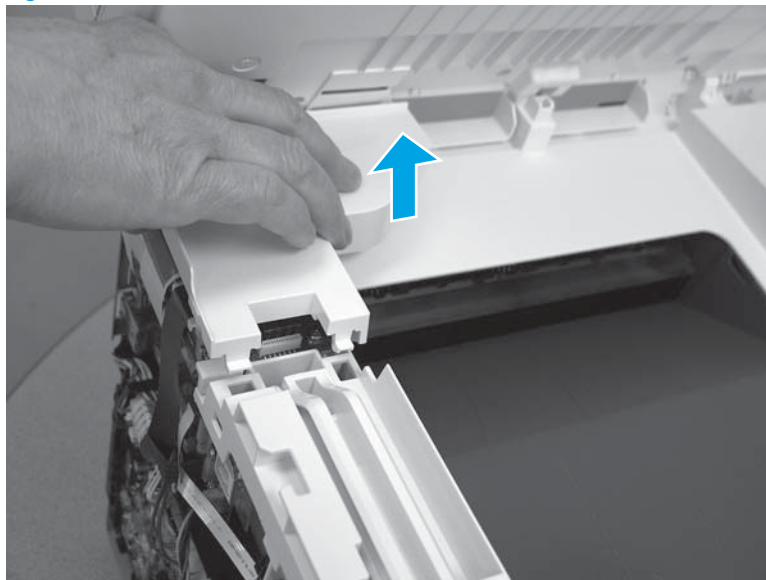
6. On the top of the printer, use a flat-blade screwdriver to release one tab (callout 1).

Figure 1-2106 Release one tab



7. Remove the scanner cable cover.

Figure 1-2107 Remove the scanner cable cover



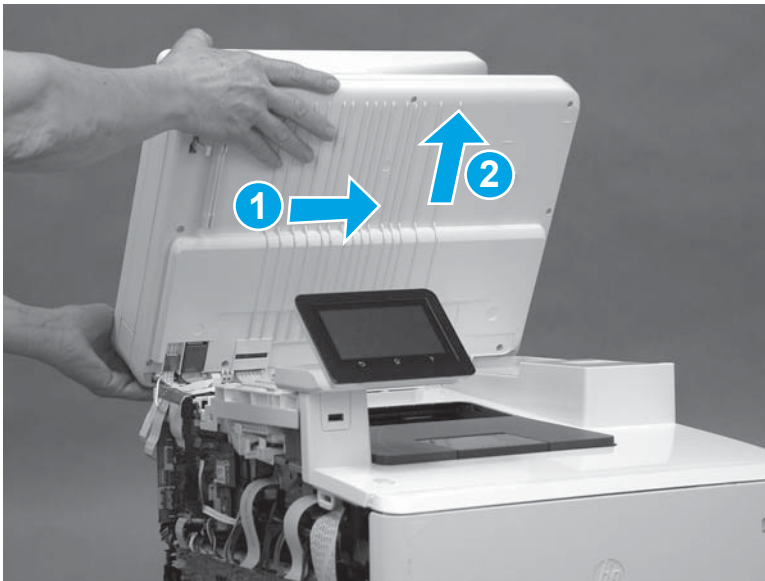
8. The scanner cables (callout 1) are held in place on the top cover with double-sided tape. Carefully release the cables from the top cover.

Figure 1-2108 Release the cables



9. Open the scanner assembly fully, slide the assembly toward the right side of the printer, and then lift the assembly off of the printer.

Figure 1-2109 Remove the scanner assembly

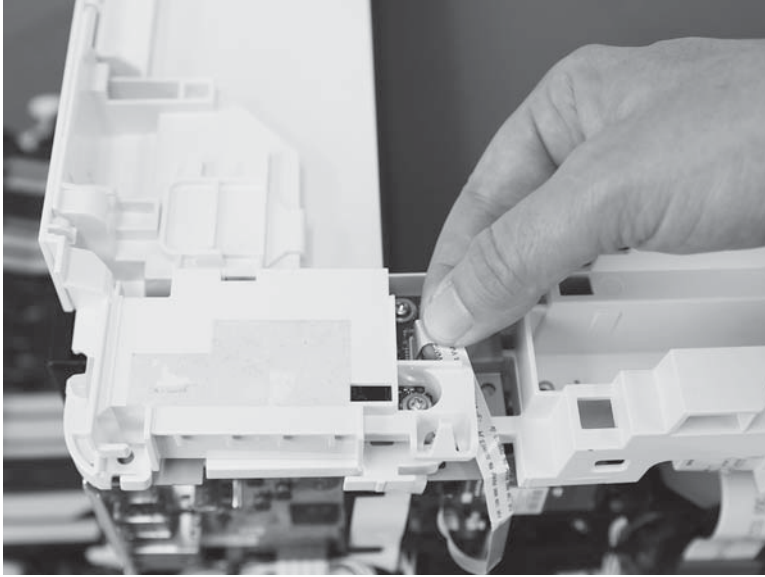


#### Step 8: Remove the fax PCA (M479 models)

 **NOTE:** This step is for M479 fax models only. Skip this step for non-fax models.

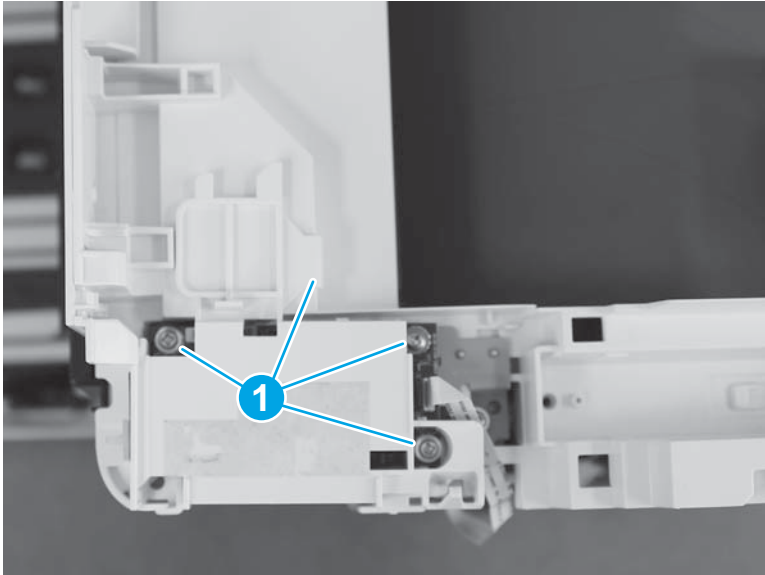
1. Disconnect on FFC cable from fax PCA.

Figure 1-2110 Disconnect one connector



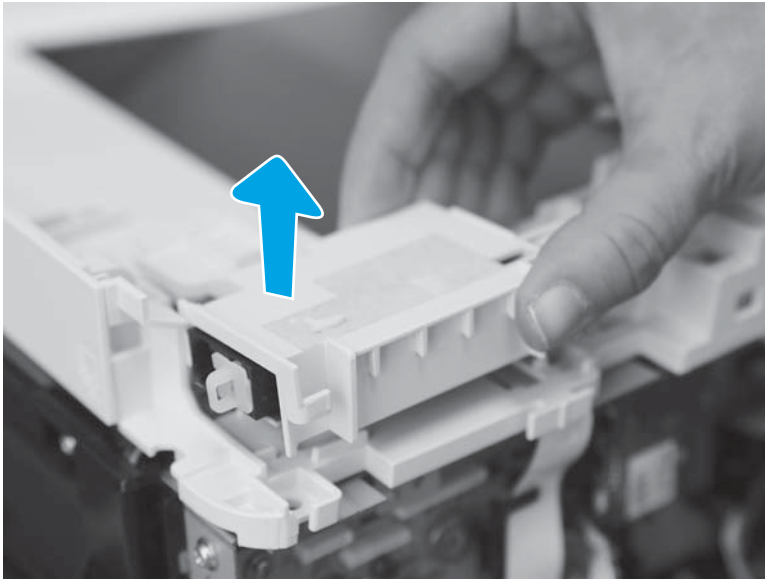
2. Remove three screws and release one tab (callout 1).

Figure 1-2111 Remove three screws and release one tab



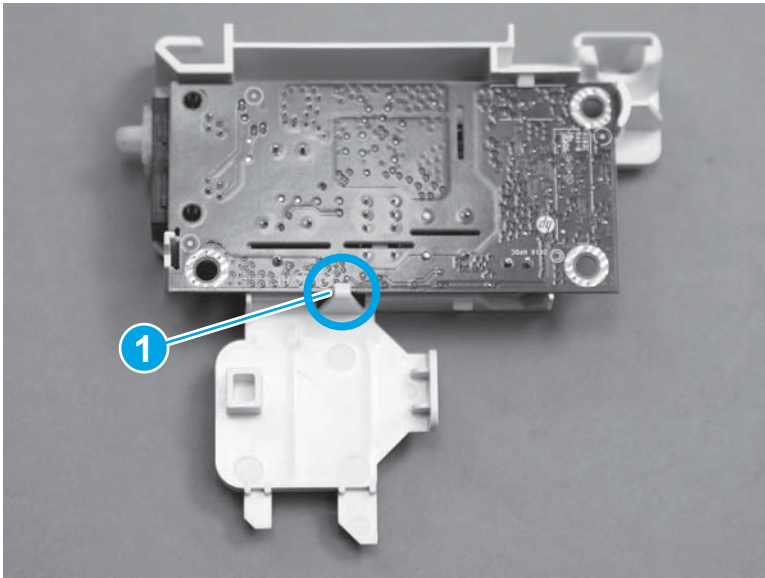
3. Lift up to remove the fax PCA.

Figure 1-2112 Lift up to remove the fax PCA




4. Release the tab (callout 1) on the back of the fax PCA to remove the PCA from the plastic holder.

Figure 1-2113 Release one tab to remove fax PCA from the plastic holder



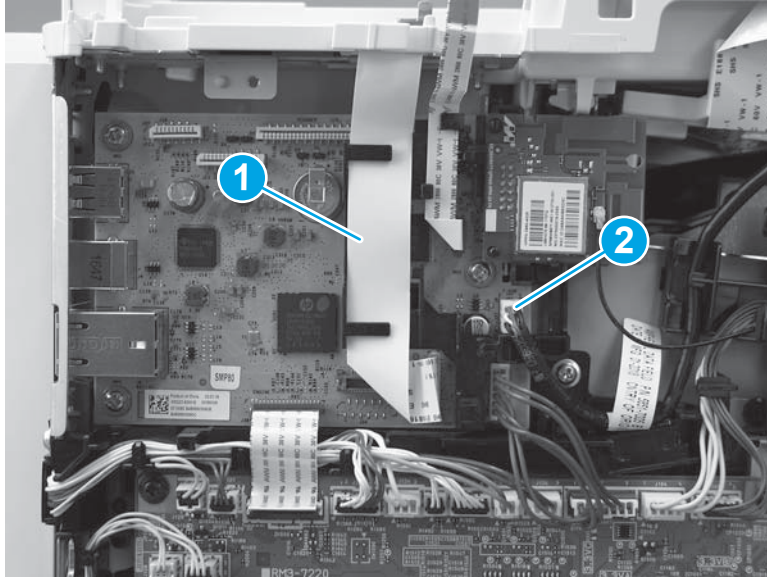
### Step 9: Remove the top cover (M479 models)

 **NOTE:** This step is for the M479 models. For the M454 models, skip this step and go to [Step 10: Remove the top cover \(M454 models\) on page 1161.](#)

1. Disconnect one connector (callout 2) and one FFC (callout 2).

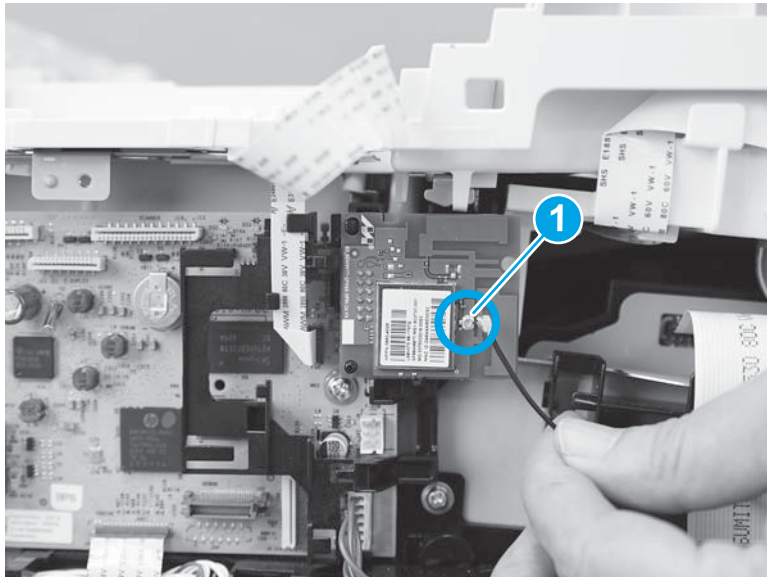


Figure 1-2114 Disconnect one connectors and one FFC



2. Disconnect wireless antenna cable (callout 1) from the wireless PCA.

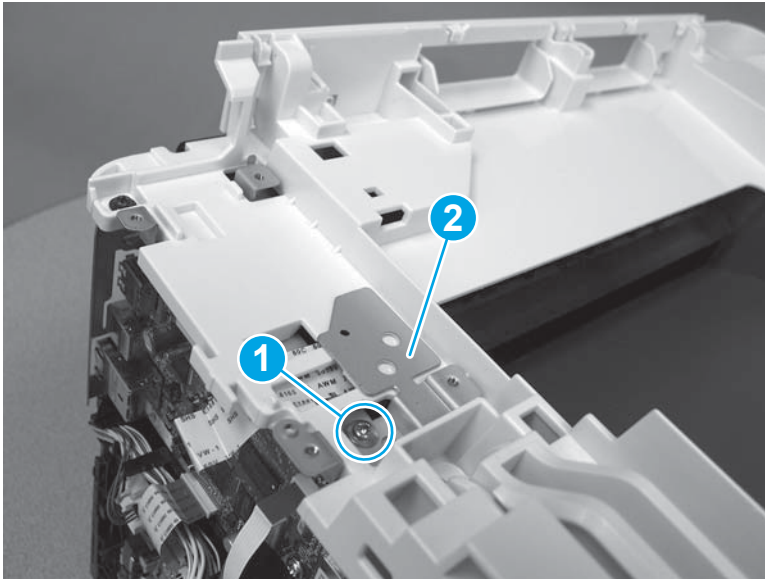
Figure 1-2115 Disconnect wireless antenna cable from the wireless PCA





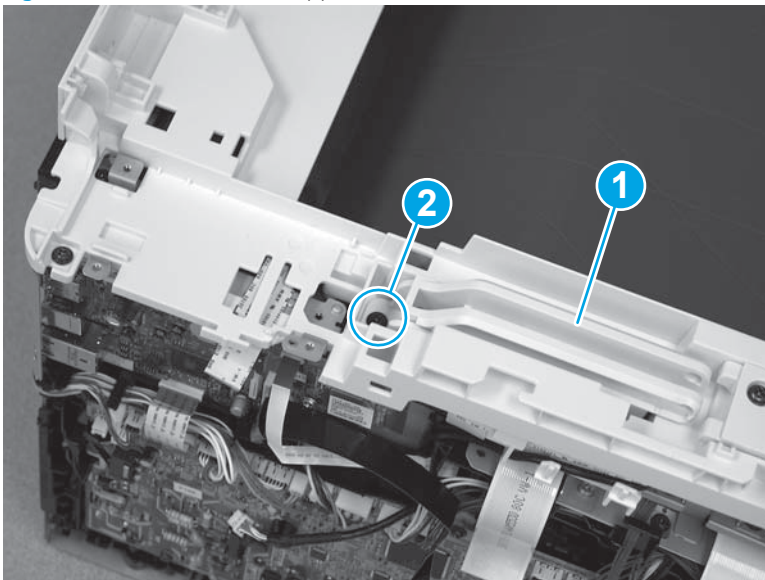
3. On the top cover, remove one screw (callout 1) and the sheet metal plate (callout 2).

Figure 1-2116 Remove one screw and the sheet metal plate



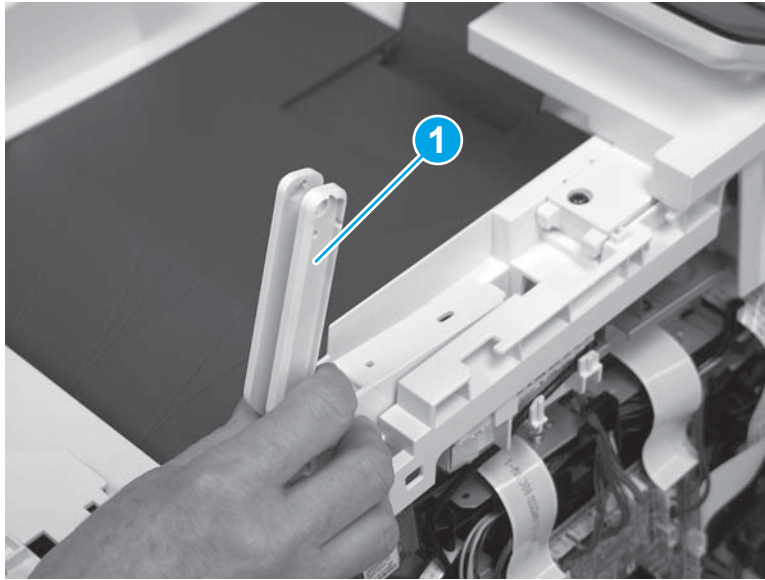
4. At the top of the printer, lower the scanner support arm (callout 1), and then remove one screw (callout 2).

Figure 1-2117 Lower the support arm and remove one screw



5. Remove the scanner support arm (callout 1).

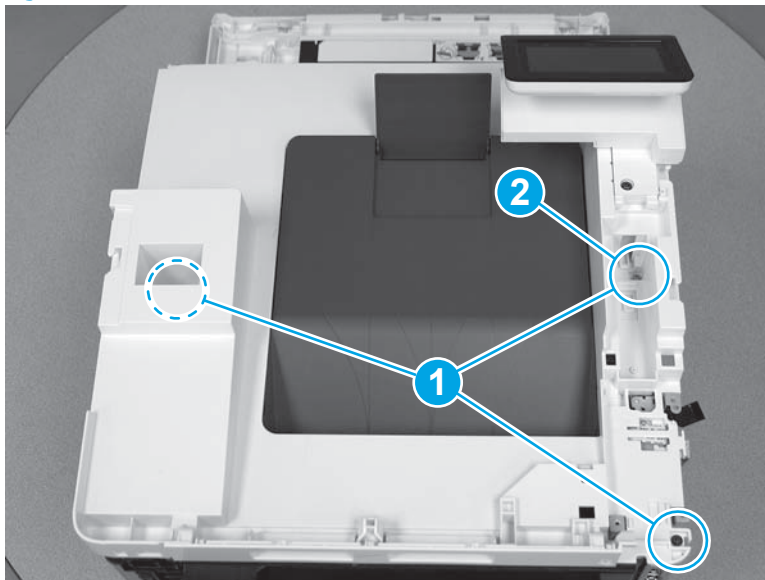
Figure 1-2118 Remove the scanner support arm



6. At the top of the printer, remove three screws (callout 1).

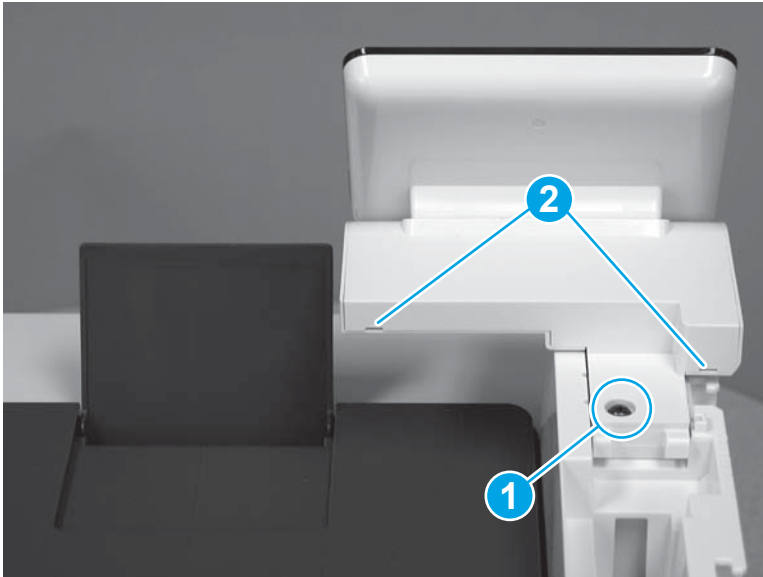
 **Reinstallation tip:** One screw (callout 2) is longer than the other screws. Make sure that this screw is reinstalled in the correct position.

Figure 1-2119 Remove three screws



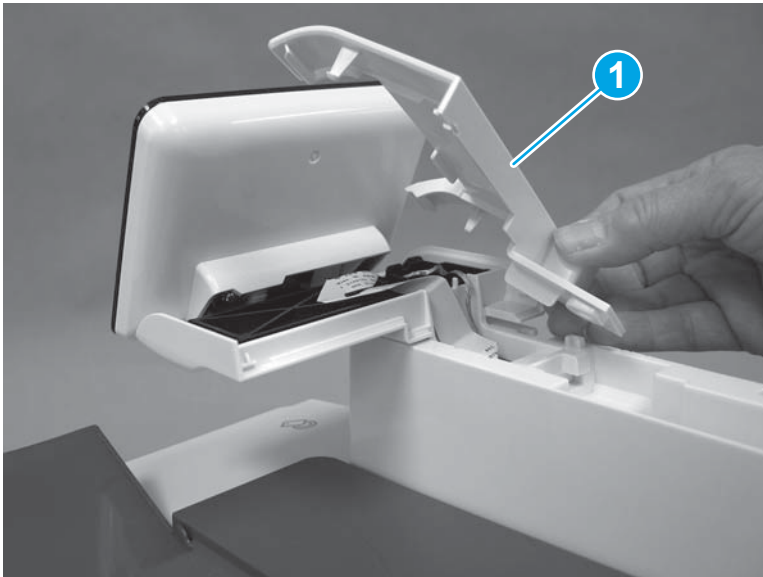
7. Behind the control panel, remove one screw (callout 1), and then use a small flat-blade screwdriver at two pry points (callout 2) to release the control panel cover from the top cover.

Figure 1-2120 Release the control panel cover



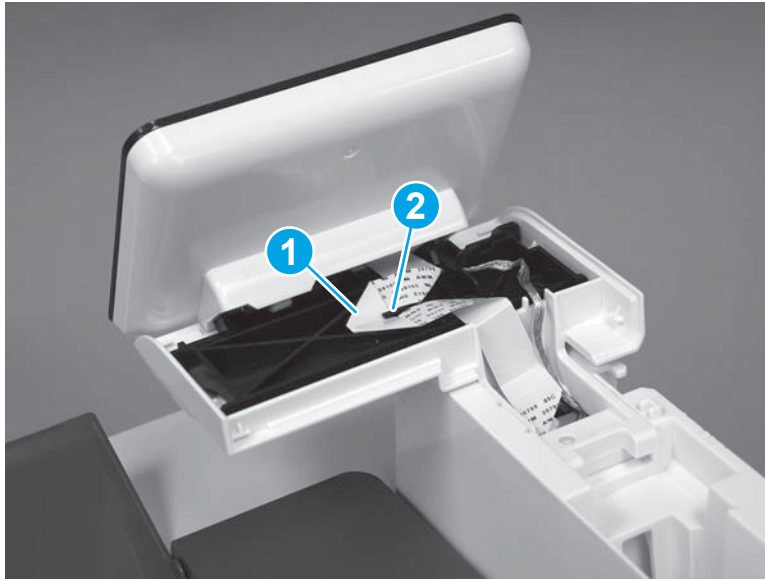
8. Remove the control panel cover (callout 1).

Figure 1-2121 Remove the control panel cover



9. Remove the flat cable (callout 1) from the retaining guide (callout 2).

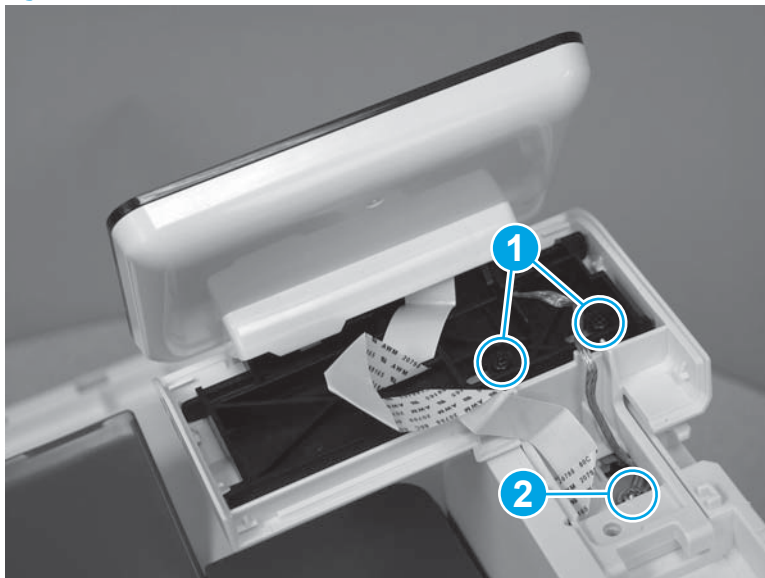
Figure 1-2122 Release the flat cable



10. Remove two screws (callout 1), and then remove one screw (callout 2) and release one ground wire.

 **Reinstallation tip:** The two screws toward the front of the control panel (callout 1) are longer than the other screw. Make sure these screws are installed in the correct position when reinstalling the part.

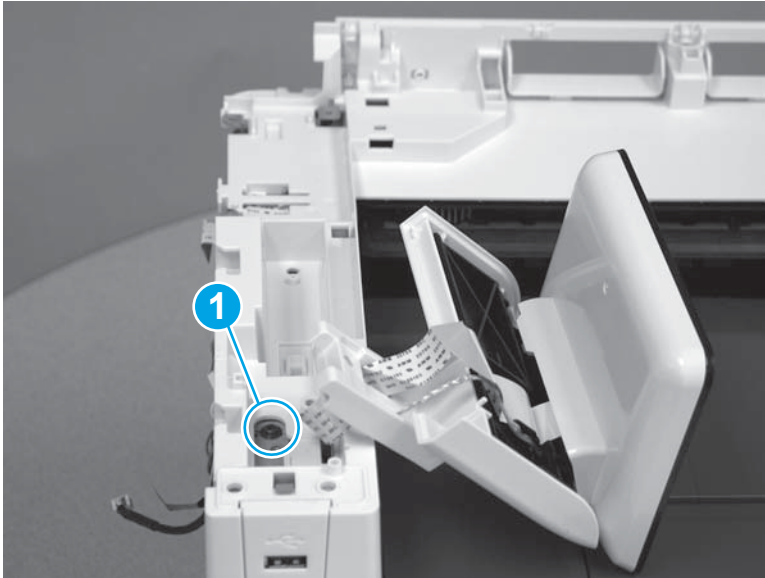
Figure 1-2123 Remove three screws



11. Carefully lift the control panel away and rest it on the top cover, and then remove one screw (callout 1).

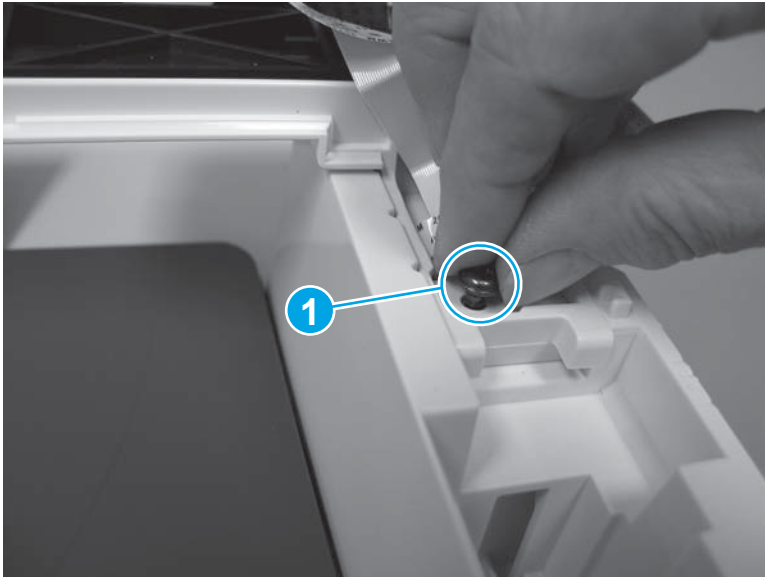
**⚠ CAUTION:** The control panel is still attached to the top cover by the flat cable.

Figure 1-2124 Remove one screw



12. Place the control panel back into position. With your hand, refasten the screw (callout 1) that was previously removed from the control panel cover to temporarily reattach the control panel to the top cover. Doing this should protect the flat cable from being damaged.

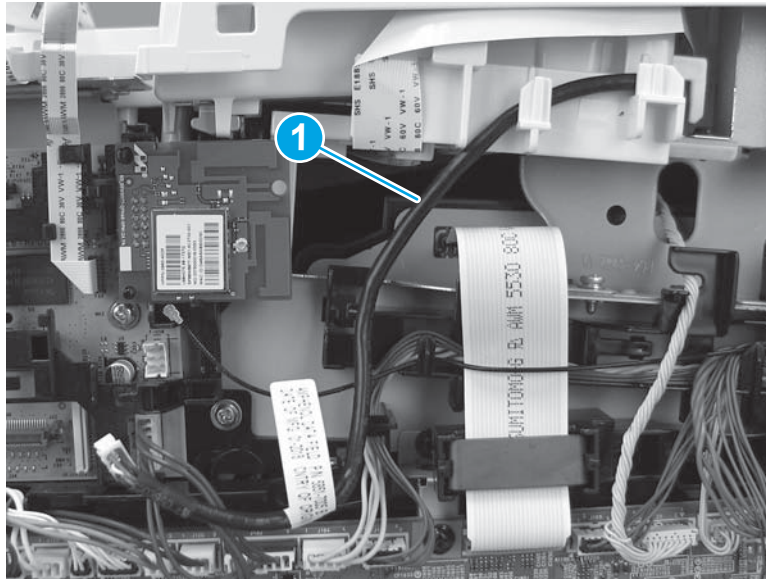
Figure 1-2125 Refasten the control panel to the top cover





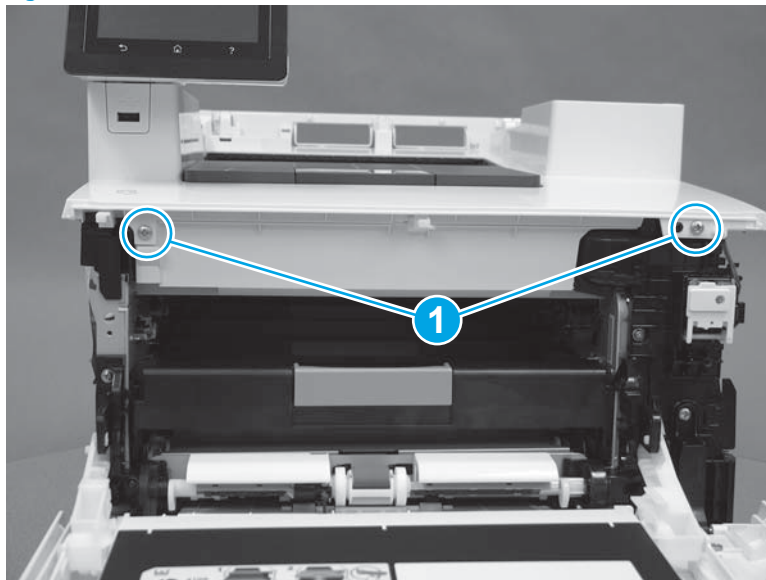
13. Remove the USB cable (callout 1) from the cable guides (callout 2).

Figure 1-2126 Release the USB cable



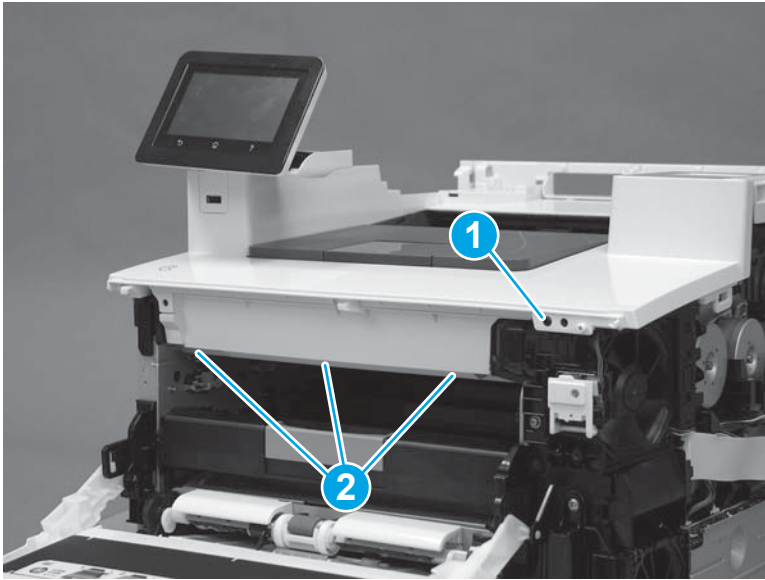
14. At the front of the printer, remove two screws (callout 1).

Figure 1-2127 Remove two screws



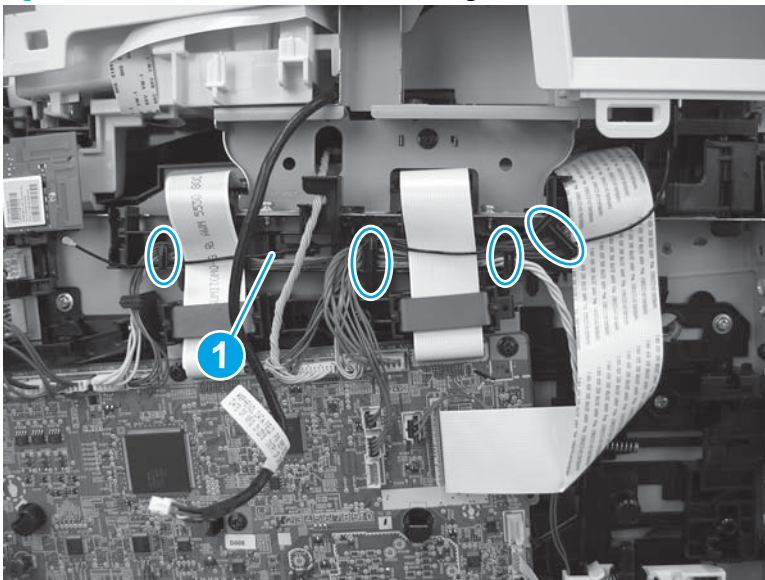
15. Release one retainer (callout 1), and then release three tabs (callout 2).

Figure 1-2128 Release one retainer and three tabs



16. Remove the Wi-Fi antenna wire (callout 1) from the guide.

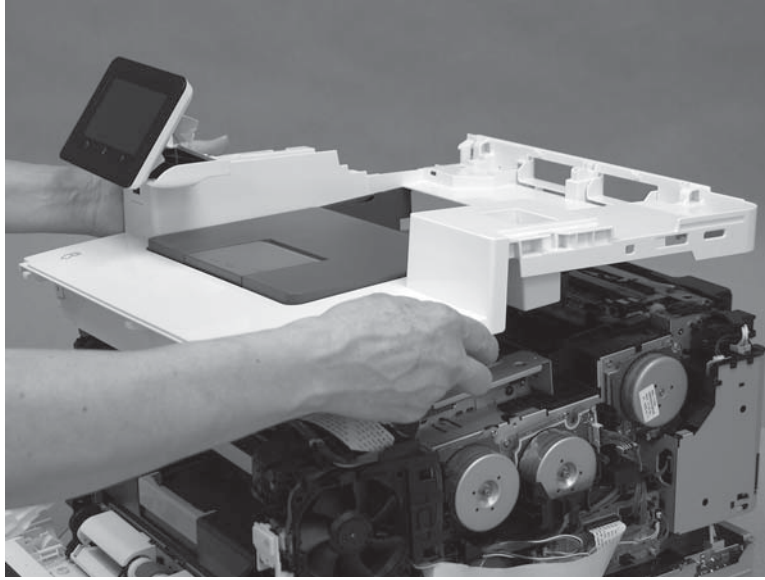
Figure 1-2129 Remove antenna wire from guide






17. Remove the top cover.

Figure 1-2130 Remove the top cover

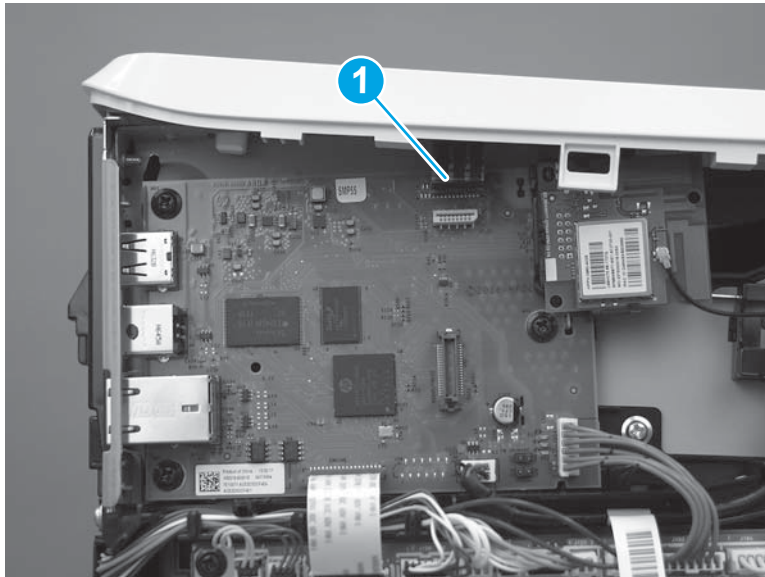


#### Step 10: Remove the top cover (M454 models)

 **NOTE:** This step is for the M454 models. For the M479 models, skip this step and go to [Step 11: Remove the fuser \(duplex models\) on page 1166](#).

1. **M454dw model only:** On the left side of the printer, on the formatter, disconnect one connector (callout 1).

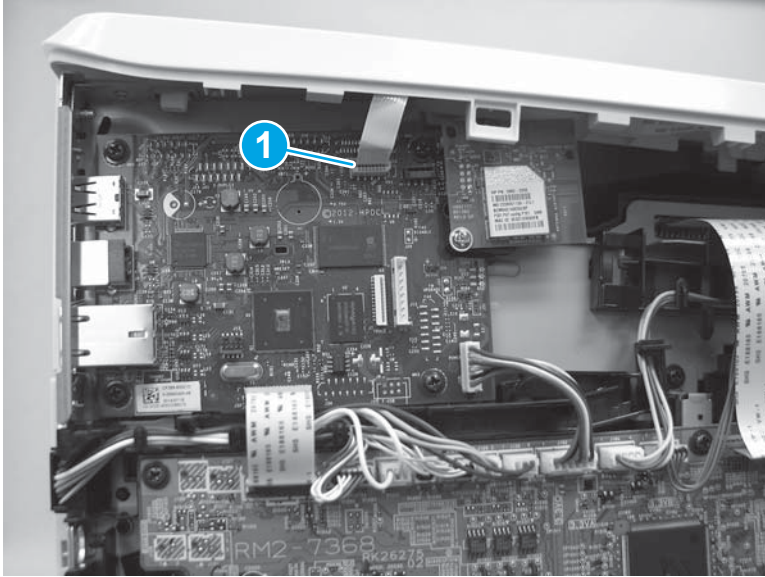
Figure 1-2131 Disconnect one connector



2. **M454nw/dn models only:** On the left side of the printer, on the formatter, disconnect one connector (callout 1).

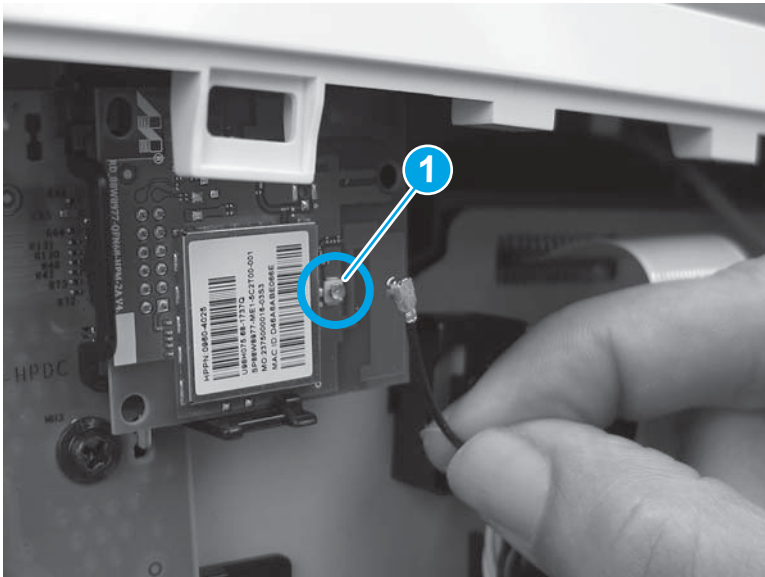
 **NOTE:** The formatter may look slightly different than what is shown below, however the removal procedures are the same.

Figure 1-2132 Disconnect one connector



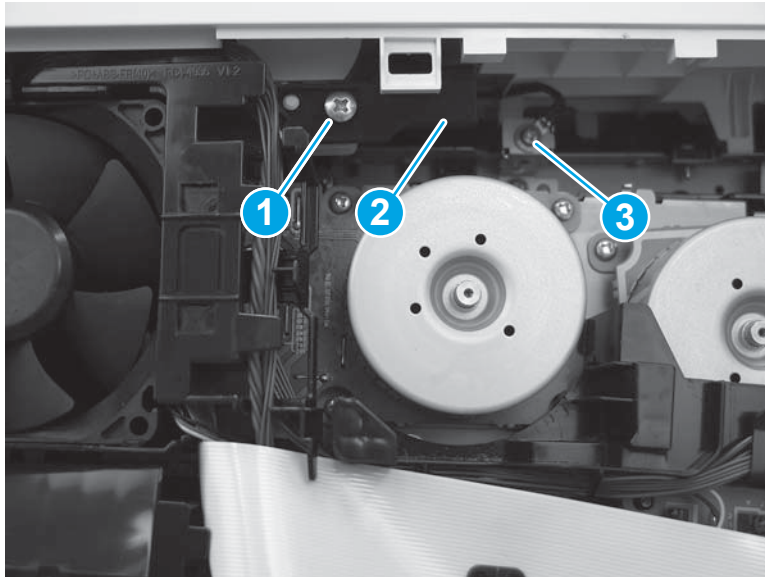
3. **M454nw/dw models only:** Disconnect the antenna (callout 1) from the connector (callout 2) on the wireless PCA.

Figure 1-2133 Disconnect the antenna



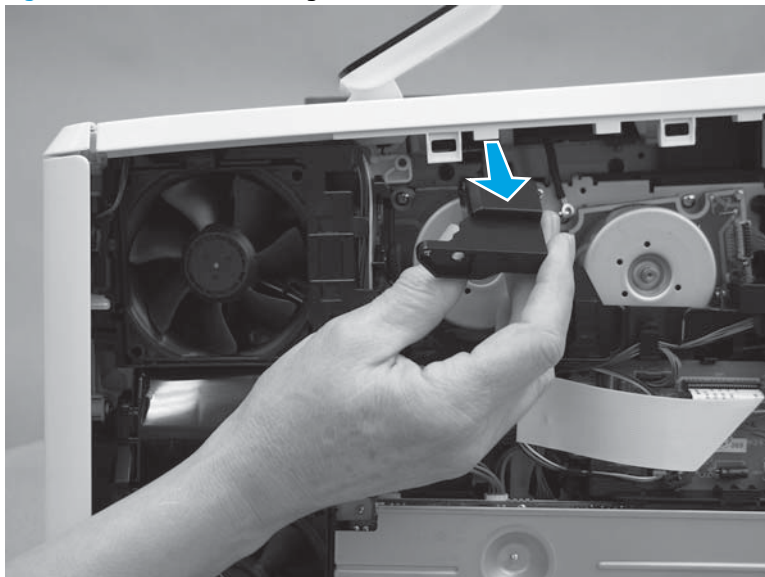
4. **M454dw model only:** Remove one screw (callout 1) and release one ground wire. Remove one screw (callout 2). Note the location (callout 3) of the guide.

Figure 1-2134 Remove two screws



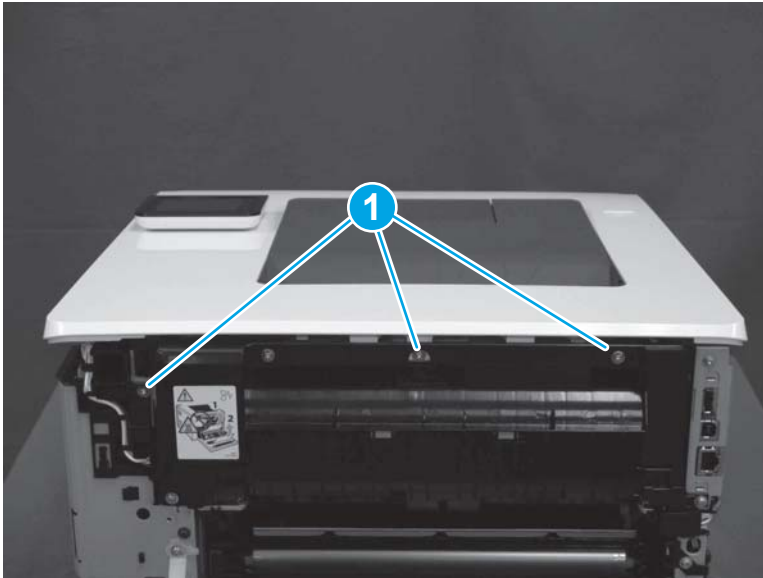
5. **M454dw model only:** Remove the guide.

Figure 1-2135 Remove the guide



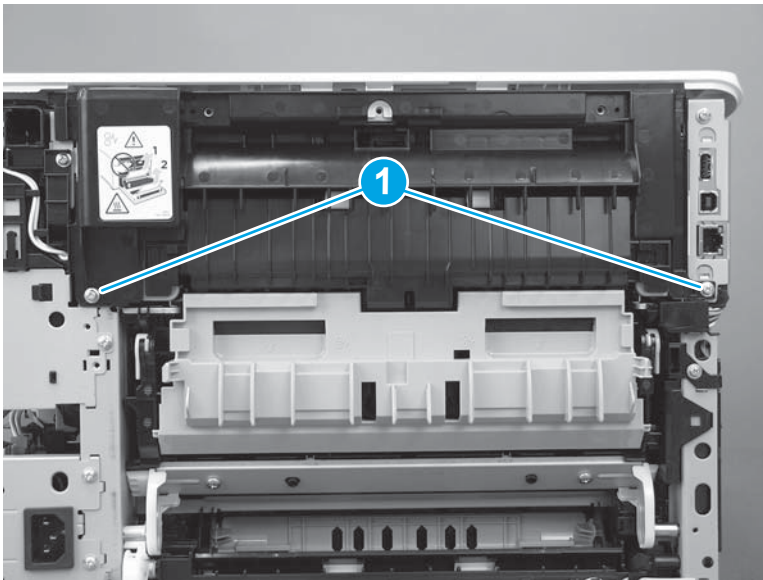
6. **M454dn/dw models only:** At the back of the printer, remove three screws (callout 1).

Figure 1-2136 Remove three screws



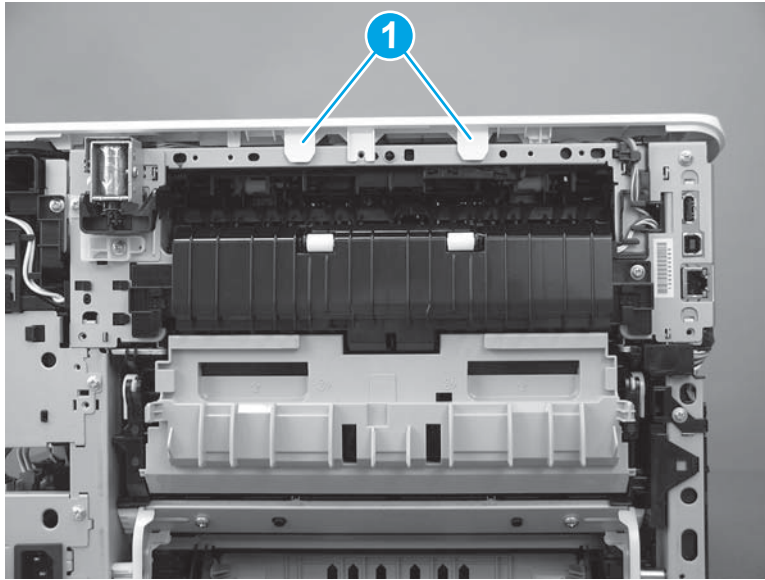
7. **M454dn/dw models only:** Remove two screws (callout 1).

Figure 1-2137 Remove two screws



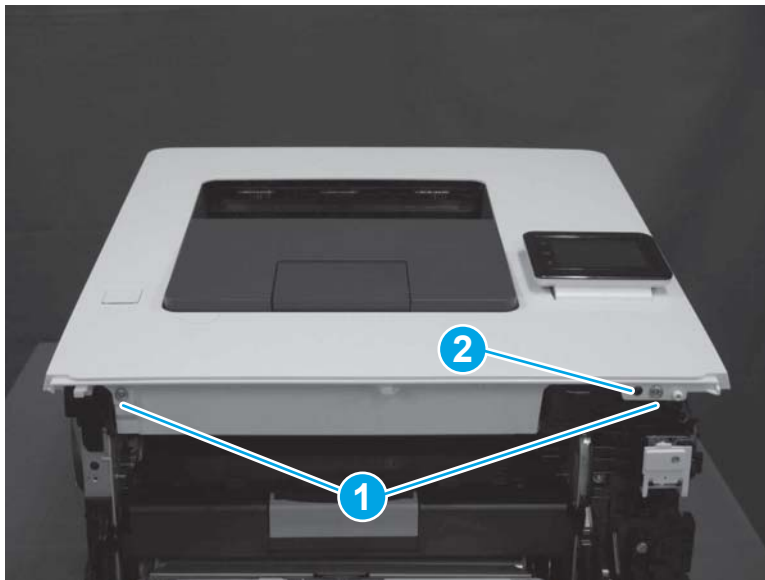
8. **M454nw model only:** At the back of the printer release two tabs (callout 1).

Figure 1-2138 Release two tabs



9. At the front of the printer, remove two screws (callout 1), and then release one tab (callout 2).

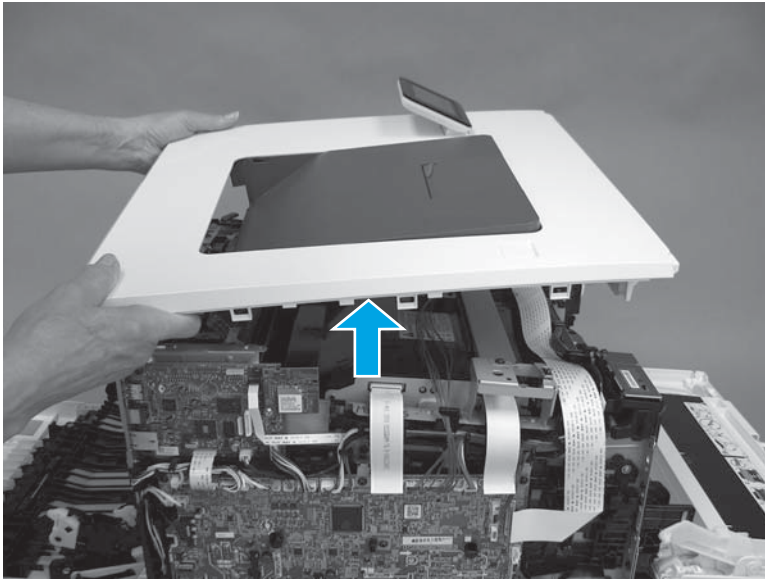
Figure 1-2139 Remove two screws and release one tab





10. Remove the top cover.

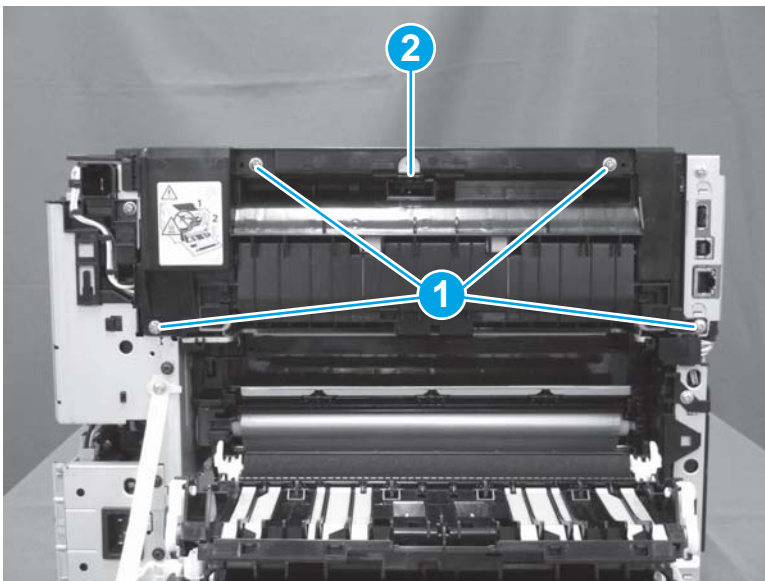
Figure 1-2140 Remove the top cover



#### Step 11: Remove the fuser (duplex models)

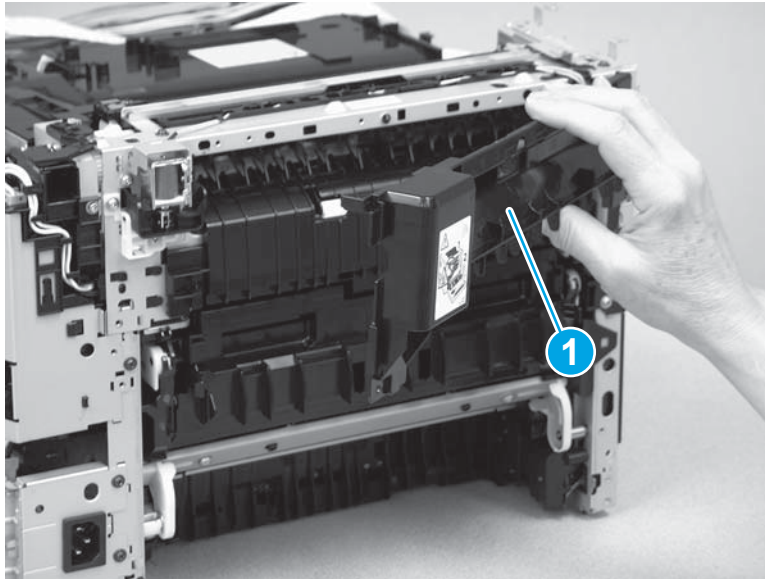
1. Remove four screws (callout 1), and then release one tab (callout 2).

Figure 1-2141 Remove four screws



2. Remove the guide (callout 1).

Figure 1-2142 Remove the guide



3. Disconnect one connector (callout 1) on the engine controller PCA.


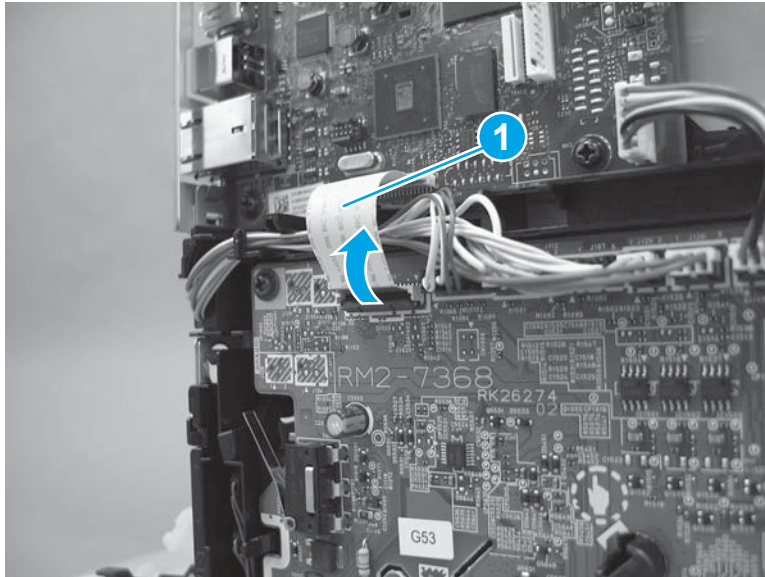
 **NOTE:** This connector is a zero-insertion force (ZIF) connector. Lift the latch on the connector before removing the flat cable. Formatter PCA may appear differently than what is shown below, however, the procedures are the same.

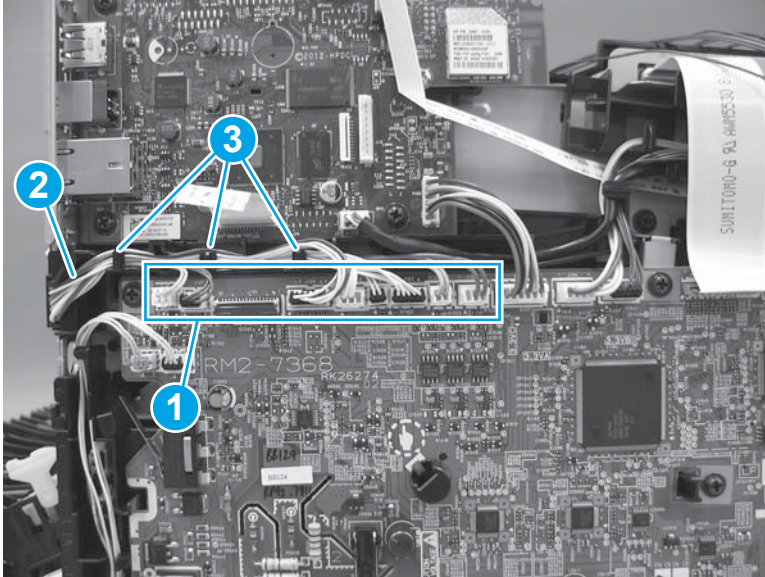
Figure 1-2143 Disconnect one connector





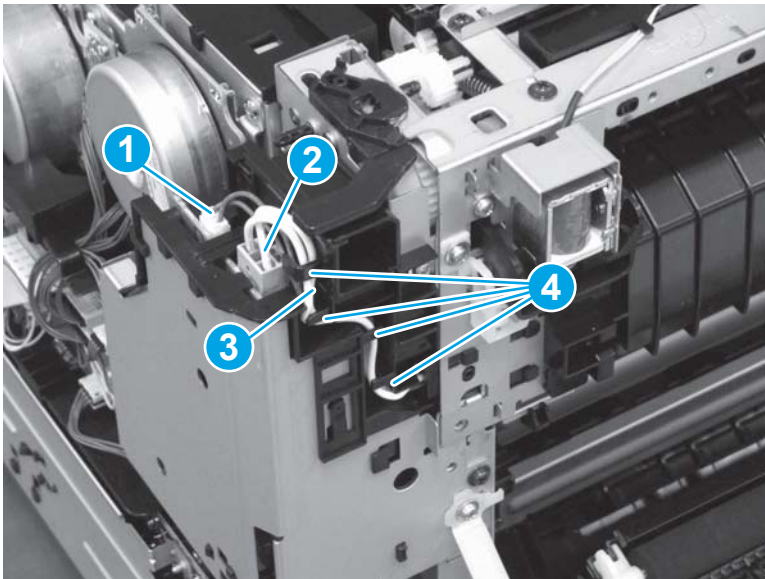
4. Disconnect eight connectors on the engine controller PCA (callout 1), and then remove the cables (callout 2) from the guides (callout 3).

Figure 1-2144 Disconnect eight connectors



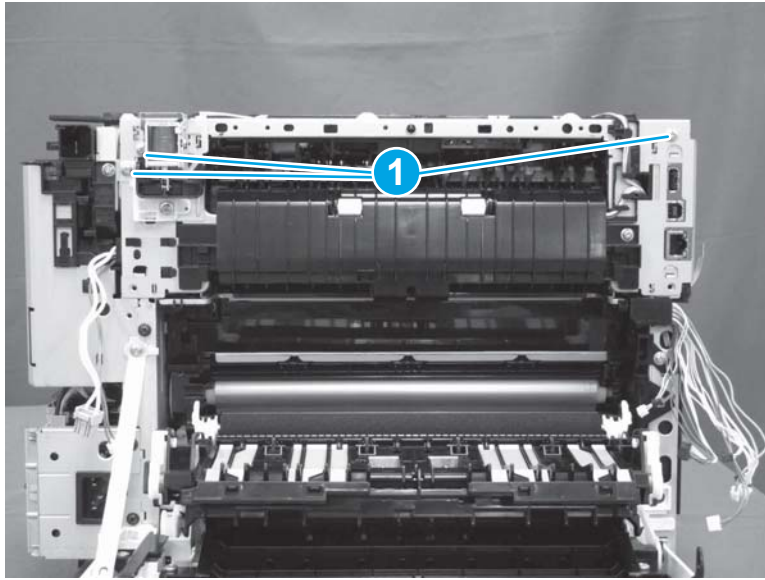
5. Disconnect one connector (callout 1). Release the connector latch, and then disconnect one connector (callout 2). Remove the cables (callout 3) from the guides (callout 4).

Figure 1-2145 Disconnect two connectors



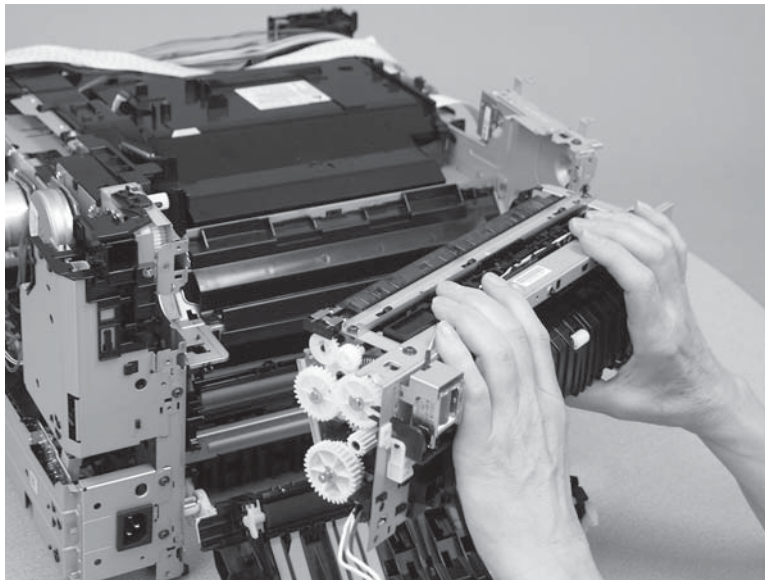
6. Remove three screws.

Figure 1-2146 Remove three screws



7. Remove the fuser.

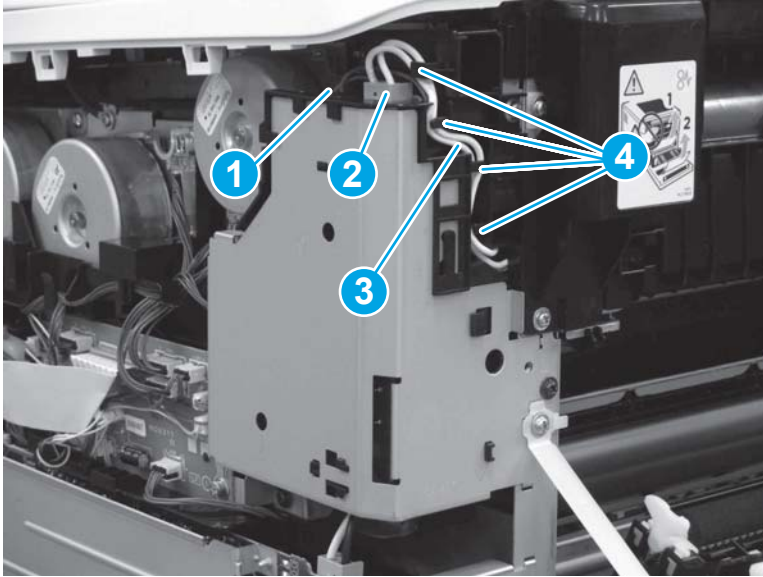
Figure 1-2147 Remove the fuser



### Step 12: Remove the cable holder assembly

1. Disconnect one connector (callout 1). Release the connector latch, and then disconnect one connector (callout 2). Remove the cables (callout 3) from the guides (callout 4).

Figure 1-2148 Disconnect two connectors



2. Remove two screws (callout 1).


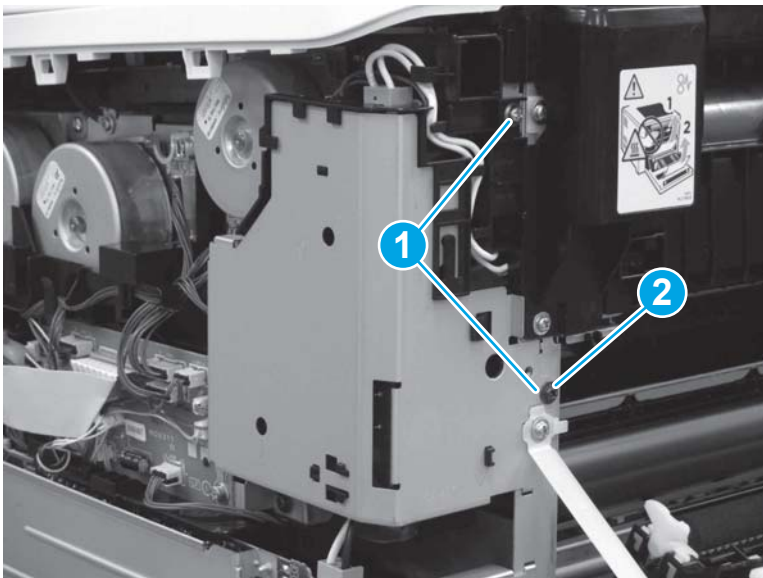
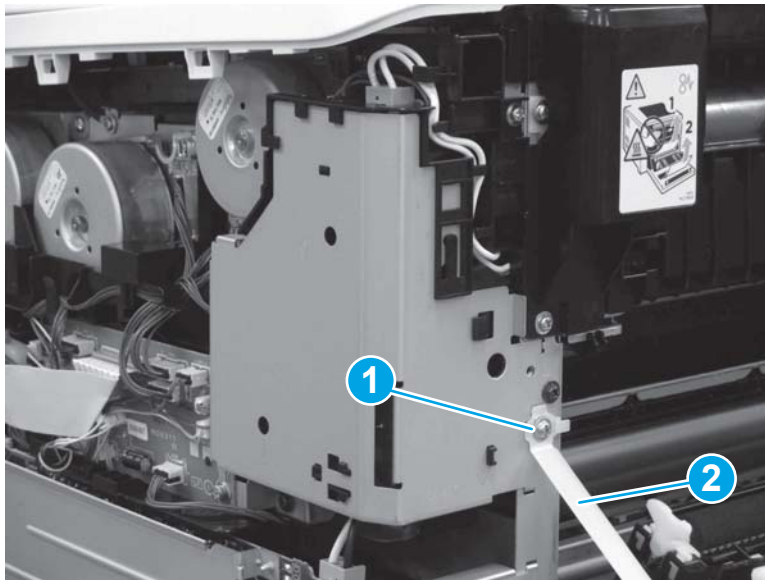
 **Reinstallation tip:** The lower screw (callout 2) is shorter than the other screw. Make sure that this screw is reinstalled in the correct position.

Figure 1-2149 Remove two screws



3. **Duplex models only:** Remove one screw (callout 1), and then release the retainer arm (callout 2).

Figure 1-2150 Release the retainer arm



4. Disconnect four connectors (callout 1). Release the connector latch, and then disconnect one connector (callout 2). Remove two screws (callout 3), and then remove cable holder assembly (callout 4).


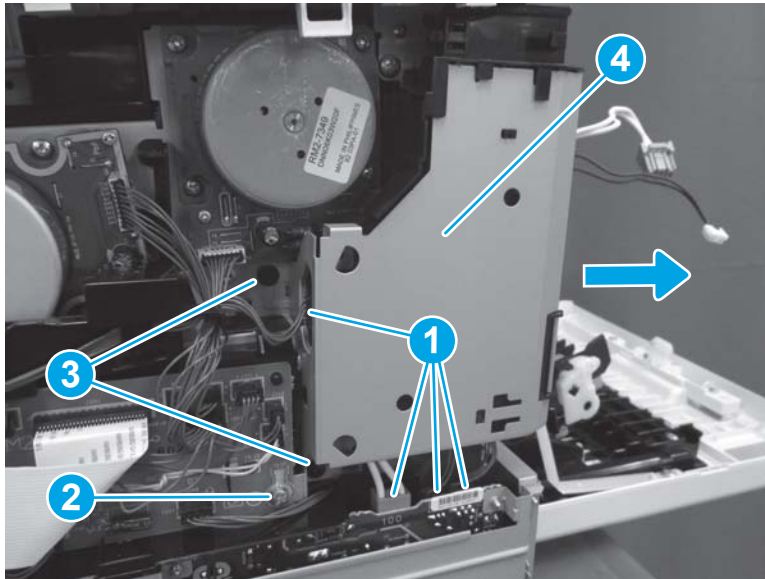
 **Reinstallation tip:** The screw on the driver PCA (callout 4) is different from the other screws. Make sure that this screw is reinstalled in the correct position.

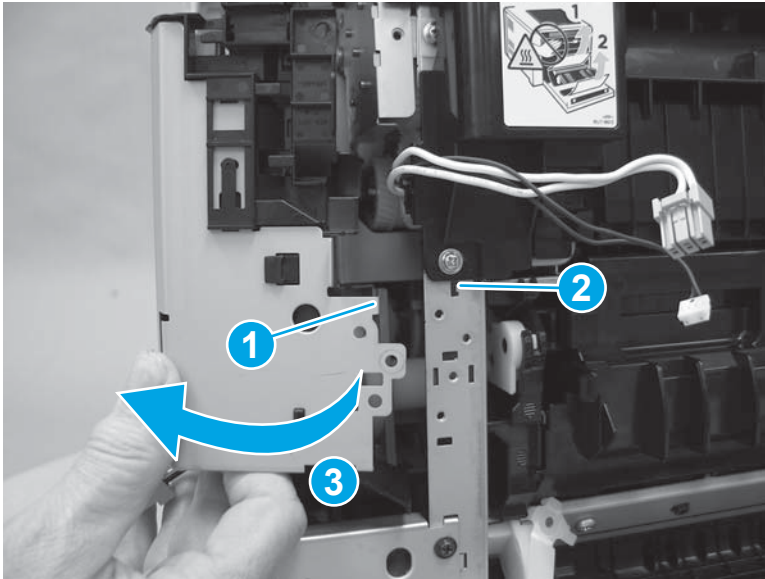
Figure 1-2151 Disconnect two connectors and remove three screws





5. Release one tab (callout 1) on the back of the fuser power supply from the slot (callout 2) in the printer frame. Rotate the fuser power supply away from the printer to remove it (callout 3).

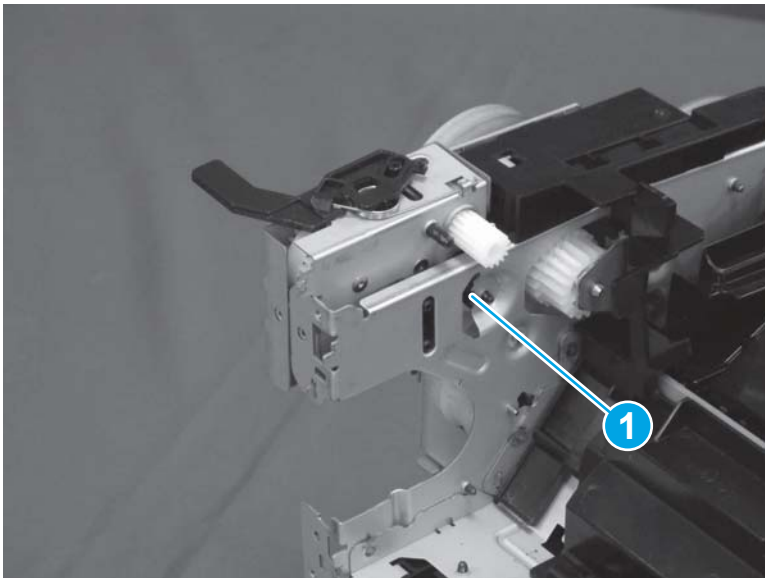
Figure 1-2152 Remove the fuser power supply



### Step 13: Remove the duplex drive assembly

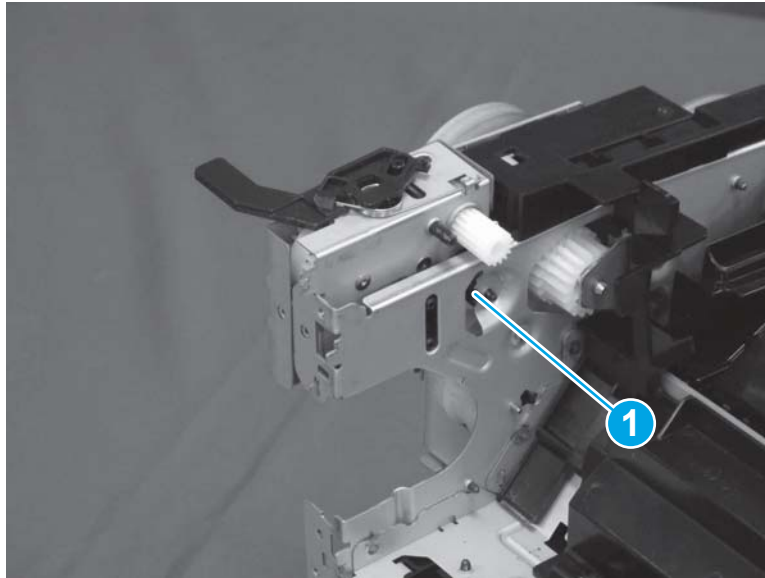
1. Release one tab (callout 1).

Figure 1-2153 Release one tab



2. Rotate the duplex drive assembly (callout 1) away from the printer to remove it.

Figure 1-2154 Remove the duplex drive assembly



#### Step 14: Unpack the replacement part

Remove the new part from its package. Save all packaging for recycling the used part.

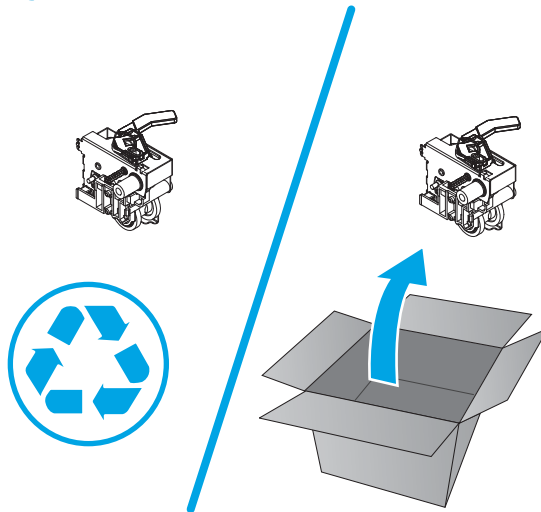
For complete information on HP's recycling programs, go to [Product return and recycling](#).

---

 **NOTE:** HP recommends responsible disposal of the defective part.

---


Figure 1-2155 Recycle and unpack



#### Step 15: Install the duplex drive assembly

- ▲ To install an assembly, reverse the removal steps.

---

 **NOTE:** When applicable, special installation instructions are provided for an assembly at the end of the removal procedure. Always completely read the removal instructions and follow all special installation instructions.

---

## Removal and replacement: Wireless antenna (M454nw/dw models)

- [Introduction](#)
- [Step 1: Remove Tray 2](#)
- [Step 2: Open the front door and rear door or duplexer door](#)
- [Step 3: Remove the right cover \(M454 models\)](#)
- [Step 4: Remove the left cover \(M454 models\)](#)
- [Step 5: Remove the rear top cover \(simplex model\)](#)
- [Step 6: Remove the top cover \(M454 models\)](#)
- [Step 7: Remove the wireless antenna \(M454nw/dw models\)](#)
- [Step 8: Unpack the replacement part](#)
- [Step 9: Install the wireless antenna \(M454nw/dw models\)](#)

### Introduction


This document provides the procedures to remove and replace the wireless antenna for the M454nw and M454dw.

[Click here to view a video of this procedure.](#)

### Before you begin

- Turn off the printer.
- Disconnect the power cable.

---

 **WARNING!** To avoid damage to the printer, turn the printer off, wait 30 seconds, and then remove the power cord before attempting to service the printer.

---

- Use the table below to identify the correct part number for your printer. To order the part, go to [www.hp.com/buy/parts](http://www.hp.com/buy/parts).

---

Wireless antenna part number	
0960-3467	Wireless antenna (M454nw/dw models)

---

### Required tools

- #2 Phillips screwdriver with a magnetic tip
- Small flat-blade screwdriver

### After performing service

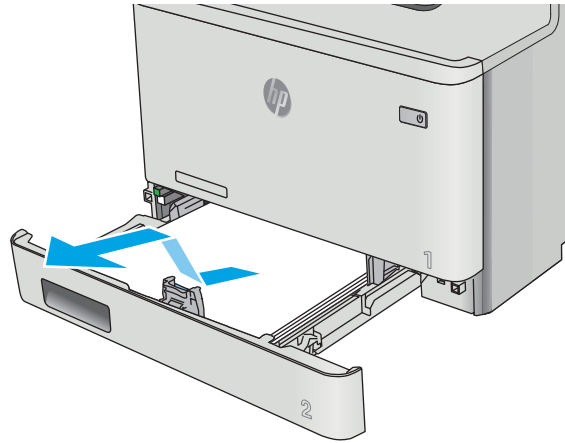
- Connect the power cable.
- Use the power switch to turn the power on.



## Step 1: Remove Tray 2

- ▲ Pull the tray out until it stops. Lift the front of the tray, and then pull it out of the printer to remove it.

Figure 1-2156 Remove the tray



## Step 2: Open the front door and rear door or duplexer door

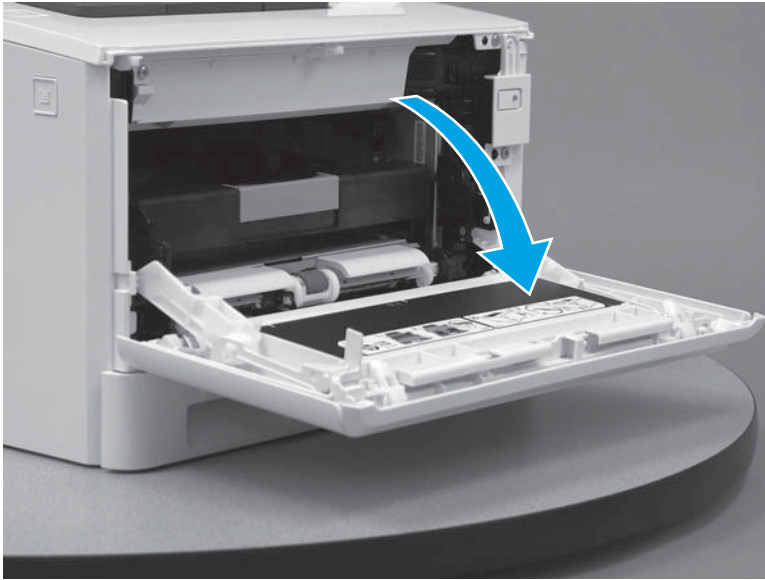
1. Press the button (callout 1) on the left side of the printer to release the front door.

Figure 1-2157 Release the front door



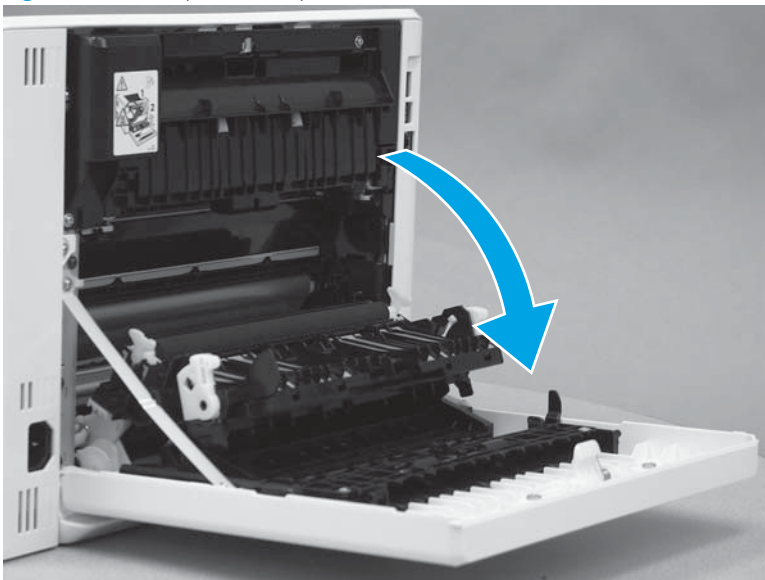
2. Open the front door.

Figure 1-2158 Open the front door



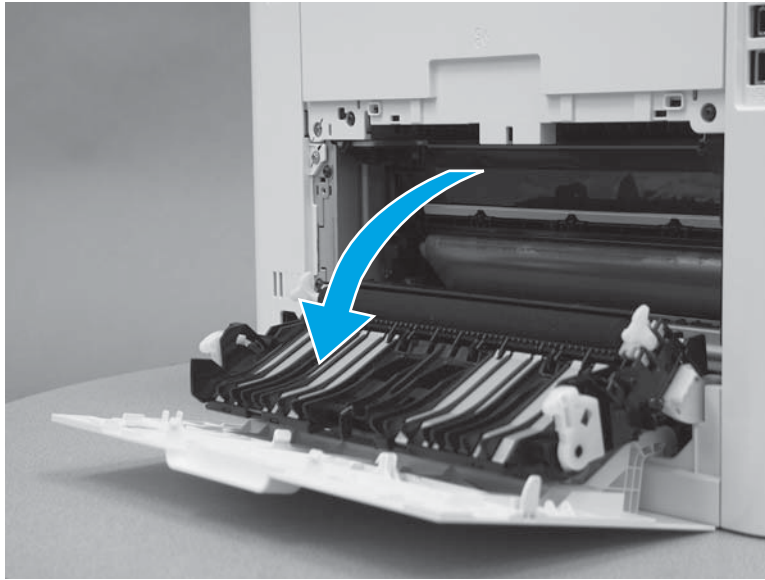
3. Duplex models: Open the duplexer door.

Figure 1-2159 Open the duplexer door



4. **Simplex models:** Open the rear door.

Figure 1-2160 Open the rear door



### Step 3: Remove the right cover (M454 models)

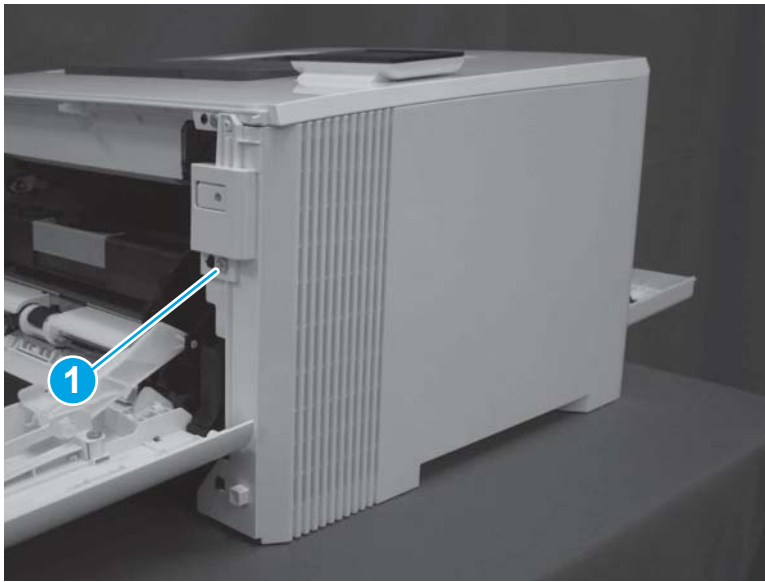
1. At the back of the printer, remove one screw (callout 1).

Figure 1-2161 Remove one screw



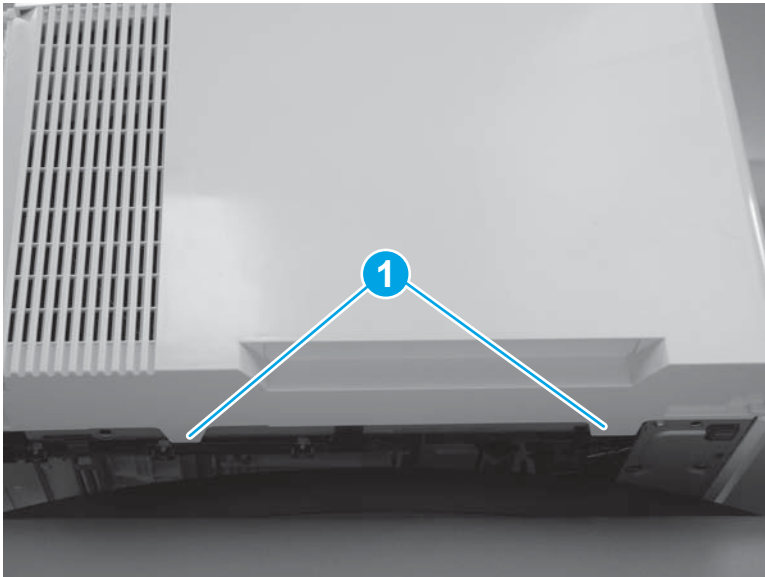
2. At the front of the printer, remove one screw (callout 1).

Figure 1-2162 Remove one screw



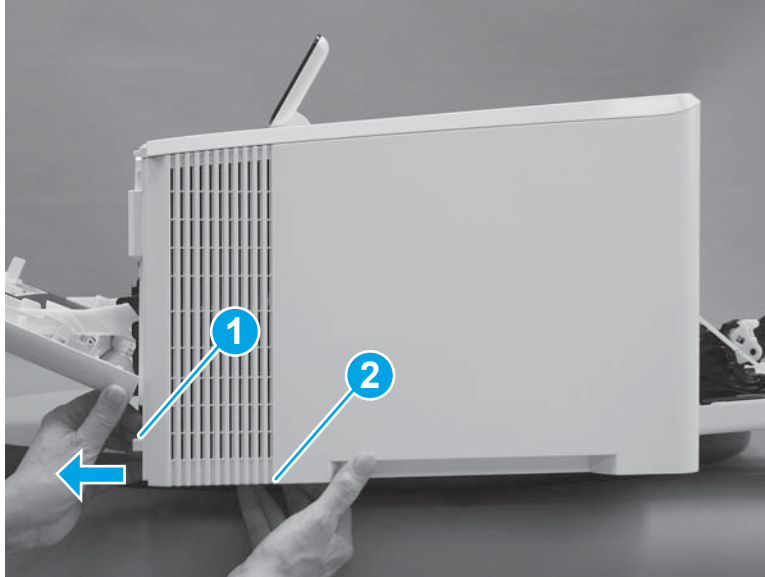
3. Slide the printer to the edge of a work surface. Note the location of the tabs on the lower edge of the cover (callout 1).

Figure 1-2163 Locate the tabs



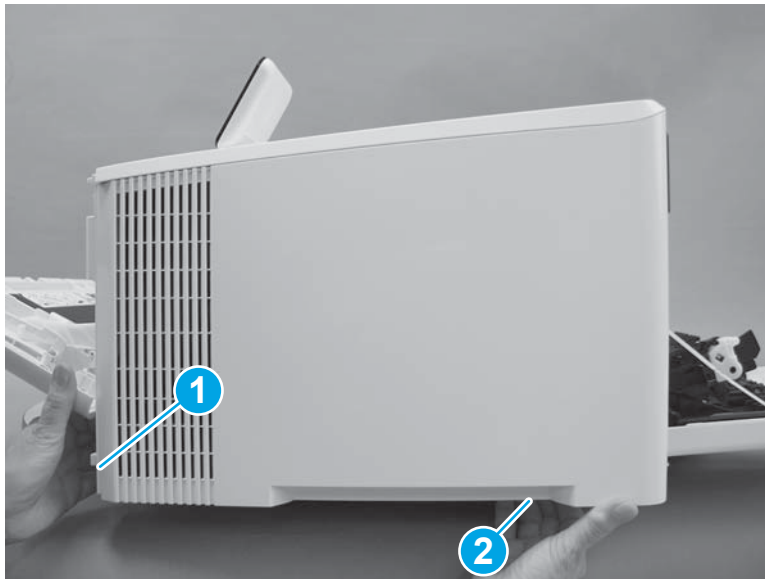
4. Release one tab (callout 1) on the front of the cover by slightly pulling the cover away from the printer. While holding the cover in the released position, release one tab (callout 2) on the bottom of the cover.

Figure 1-2164 Release front lower tabs



5. Hold the front tabs in the released position (callout 1), and then release one tab (callout 2) on the bottom of the cover, toward the back of the printer.

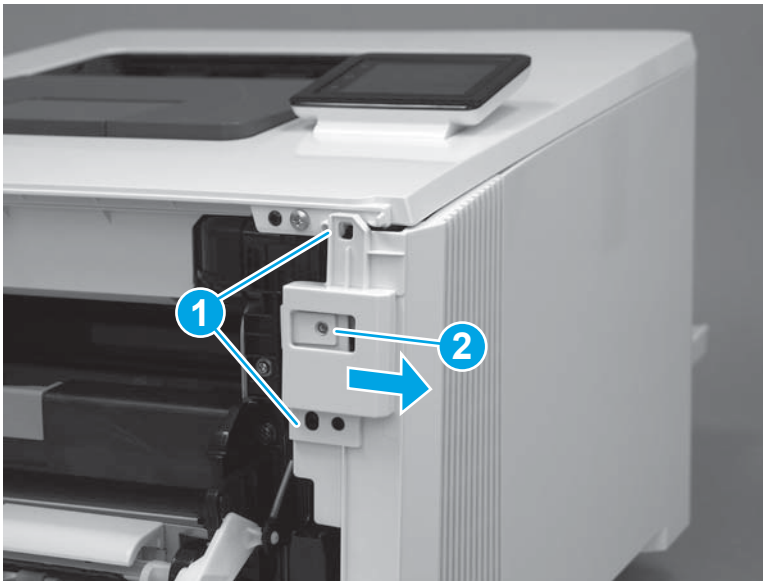
Figure 1-2165 Release lower rear tab



6. Release two tabs at the front of the printer (callout 1) by slightly pulling the cover away from the printer.

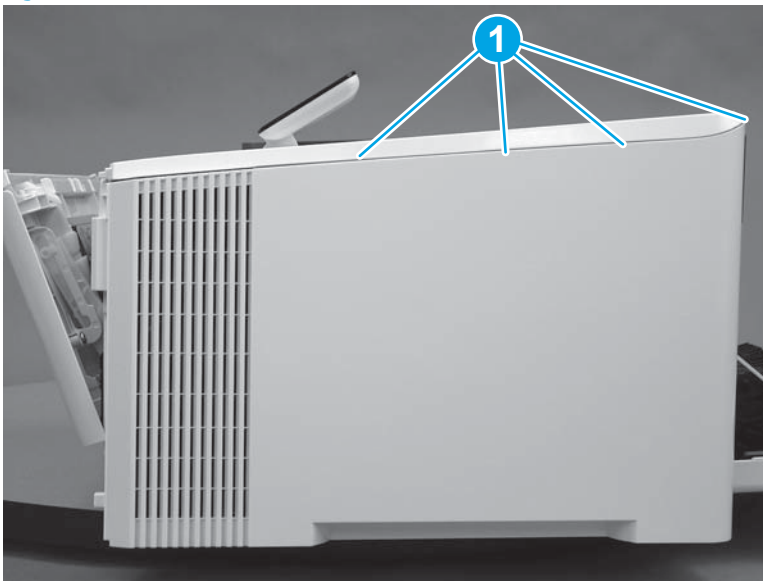
**⚠ CAUTION:** Be careful not to dislodge the power switch (callout 2).

Figure 1-2166 Release two front tabs



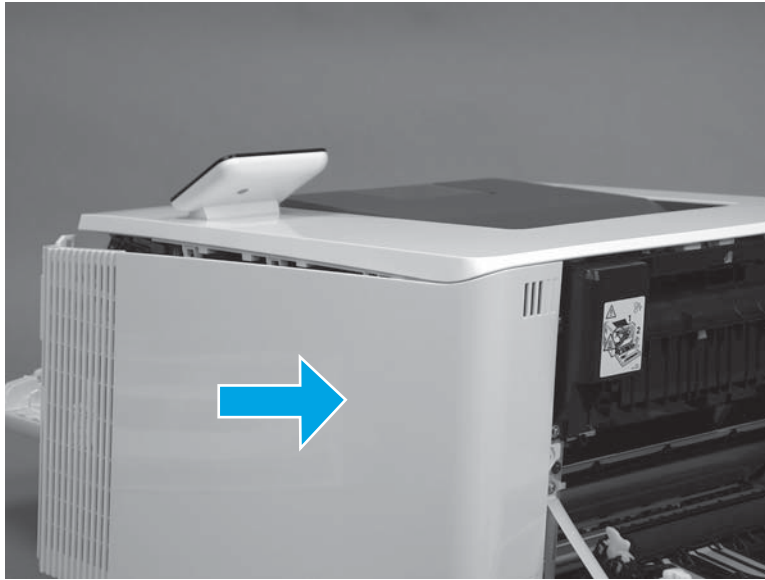
7. Release four tabs on the top of the printer (callout 1).

Figure 1-2167 Release upper tabs



8. Slide the cover toward the back of the printer to remove it.

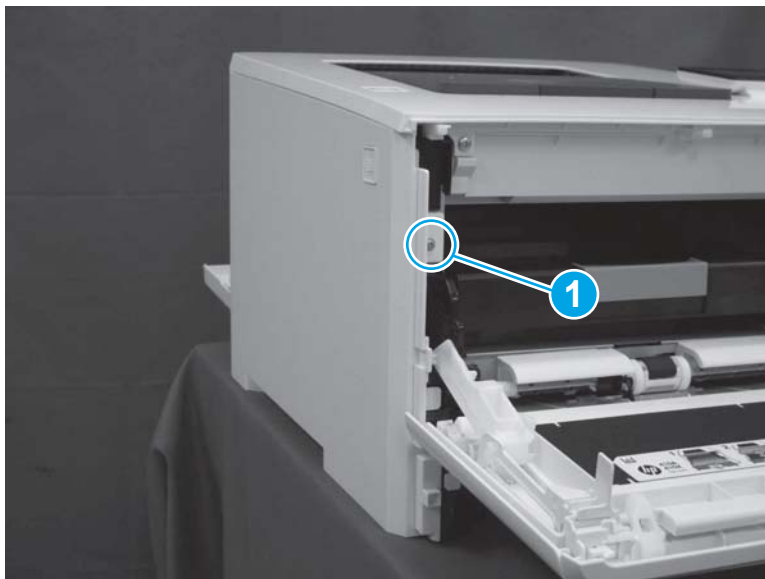
Figure 1-2168 Remove the right cover



#### Step 4: Remove the left cover (M454 models)

1. At the front of the printer, remove one screw (callout 1).

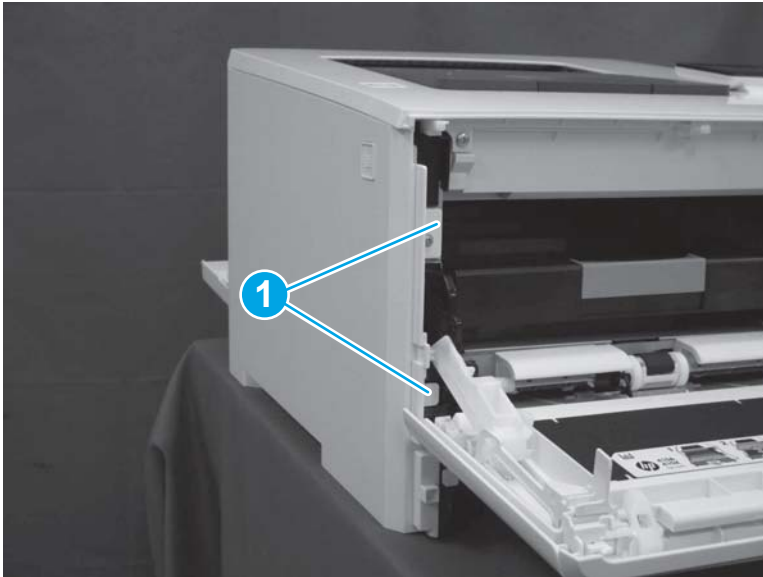
Figure 1-2169 Remove one screw





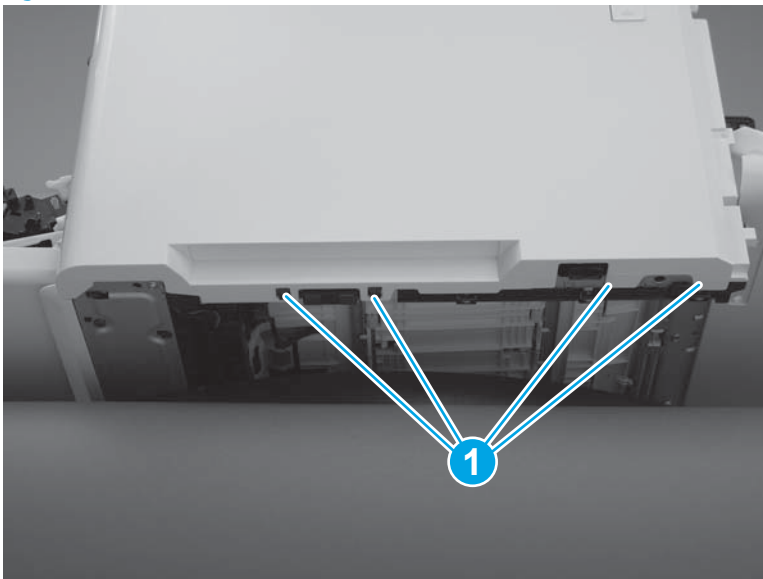
2. Release two tabs (callout 1) at the front of the cover. Hold the cover open to prevent the tabs from reengaging.

Figure 1-2170 Release two tabs



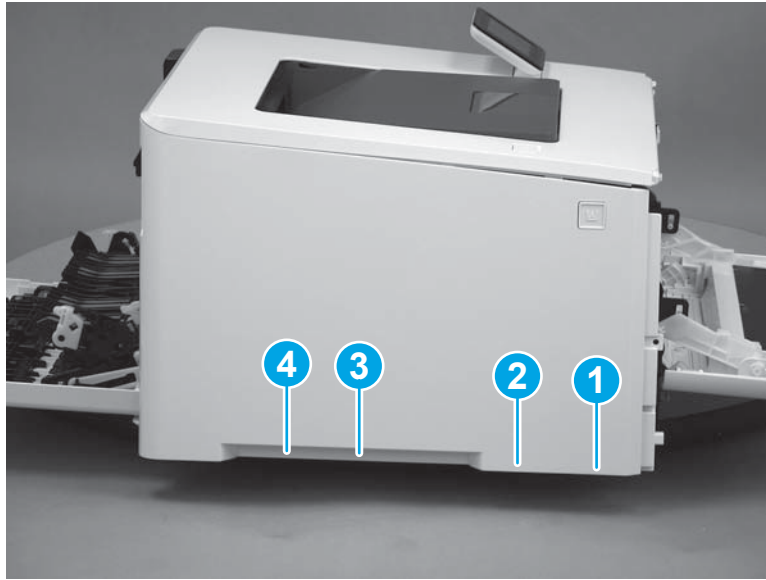
3. Slide the printer to the edge of a work surface. Note the location of the tabs on the lower edge of the cover (callout 1).

Figure 1-2171 Locate the tabs



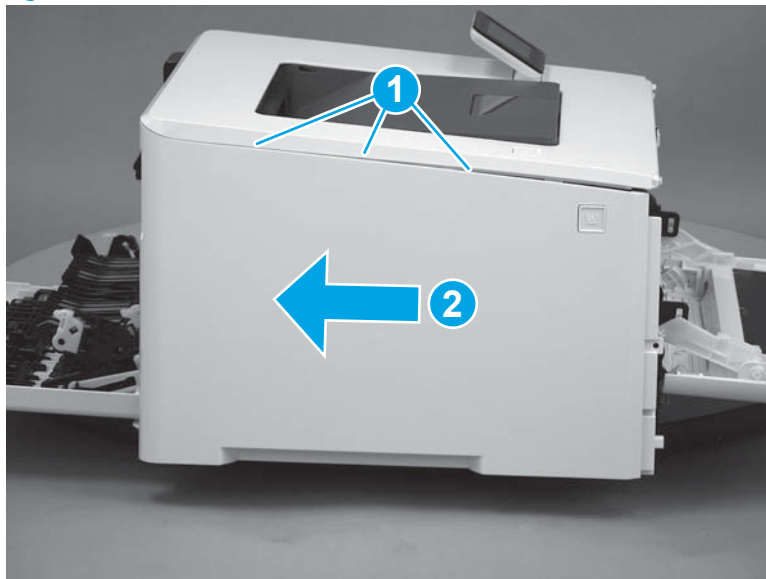
4. Beginning from the front of the cover, release four tabs (callouts 1-4) on the lower edge of the cover.

Figure 1-2172 Release bottom tabs



5. Release three tabs at the top of the cover (callout 1), and then slide the cover toward the rear of the printer to remove it.

Figure 1-2173 Release three tabs

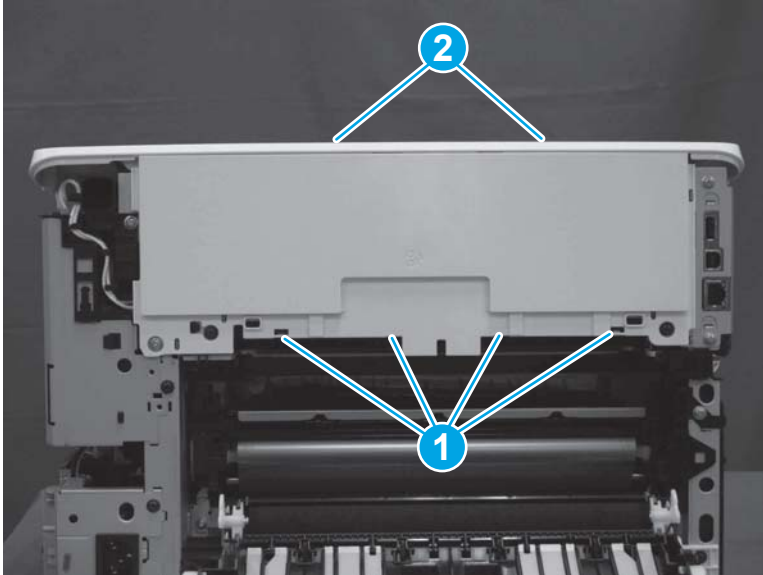


#### Step 5: Remove the rear top cover (simplex model)

 **NOTE:** This step is for simplex models. For duplex models, skip this step and go to [Step 6: Remove the top cover \(M454 models\) on page 1184](#).

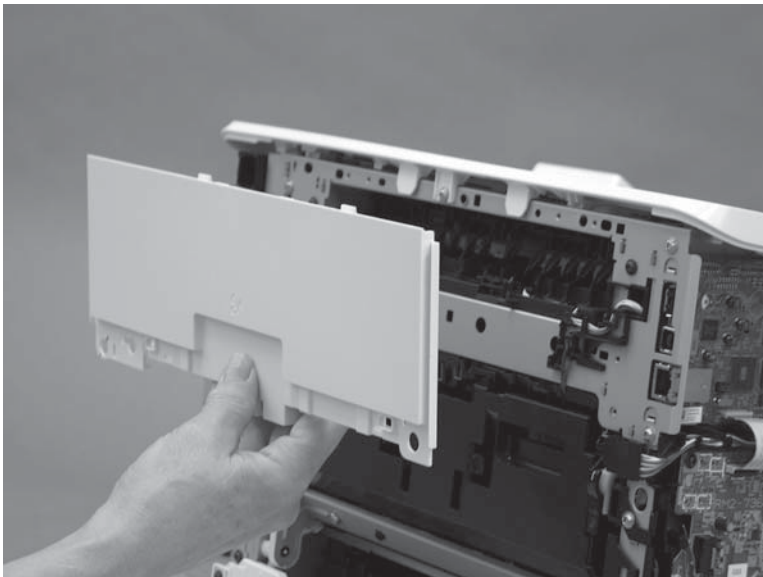
1. At the back of the printer, release four tabs (callout 1) on the bottom of the cover and two tabs (callout 2) on the top of the cover.

Figure 1-2174 Release six tabs



2. Remove the rear top cover.

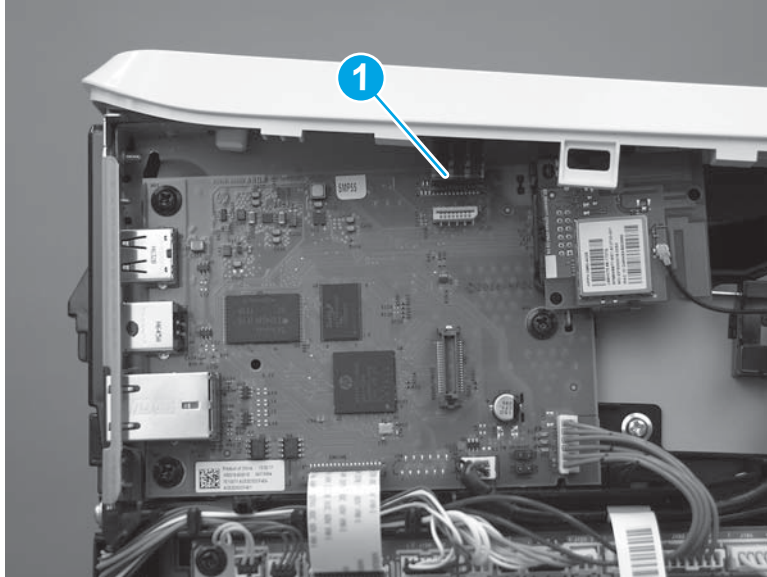
Figure 1-2175 Remove the rear top cover



#### Step 6: Remove the top cover (M454 models)

1. **M454dw model only:** On the left side of the printer, on the formatter, disconnect one connector (callout 1).

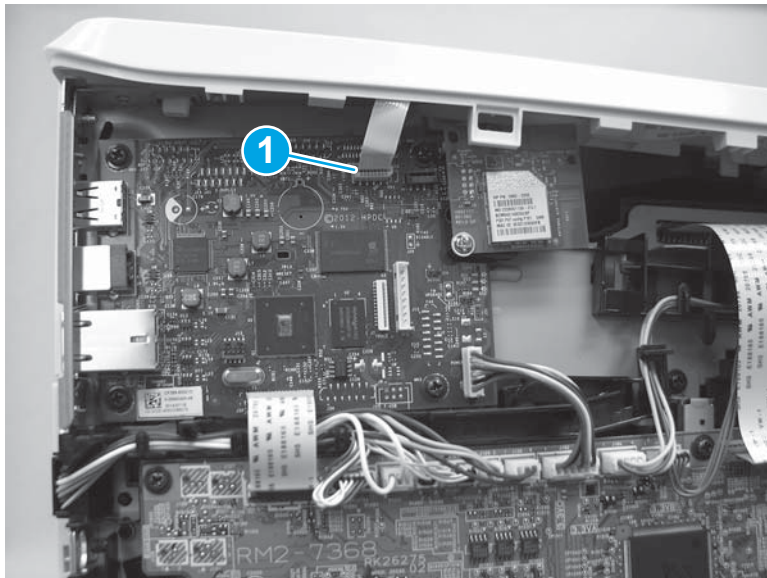
Figure 1-2176 Disconnect one connector



2. **M454nw/dn models only:** On the left side of the printer, on the formatter, disconnect one connector (callout 1).

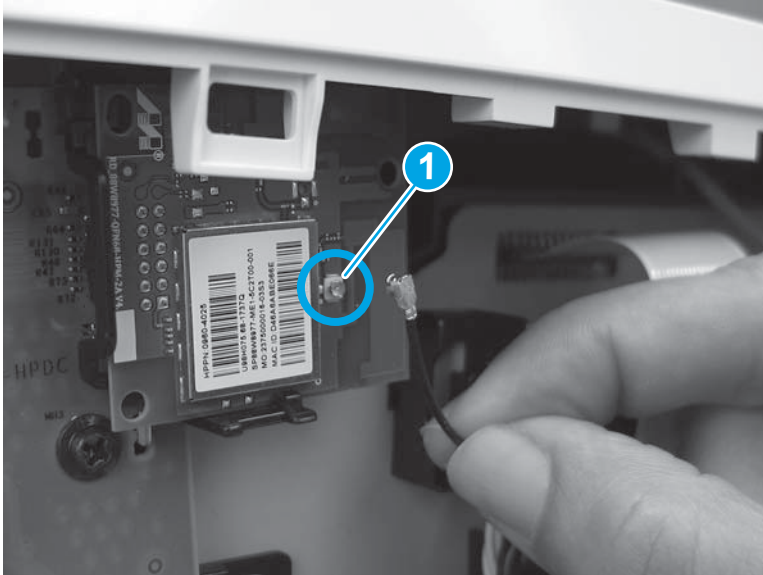
 **NOTE:** The formatter may look slightly different than what is shown below, however the removal procedures are the same.

Figure 1-2177 Disconnect one connector



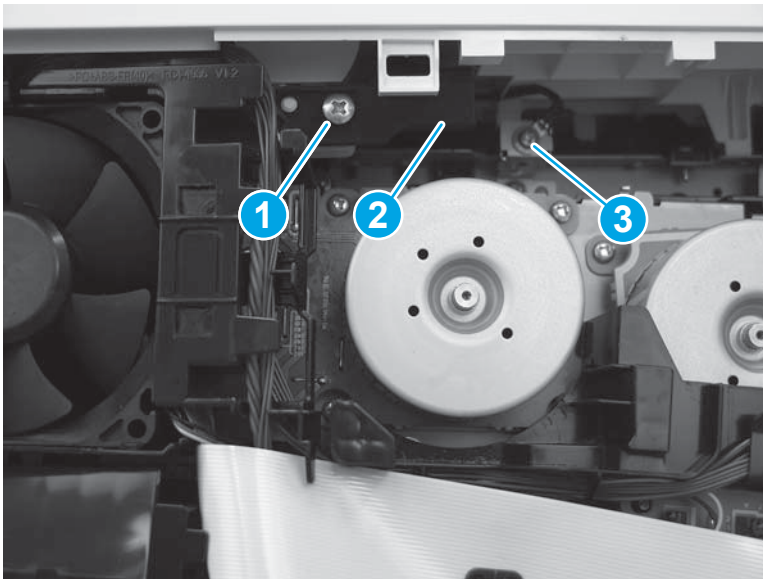
3. **M454nw/dw models only:** Disconnect the antenna (callout 1) from the connector (callout 2) on the wireless PCA.

Figure 1-2178 Disconnect the antenna



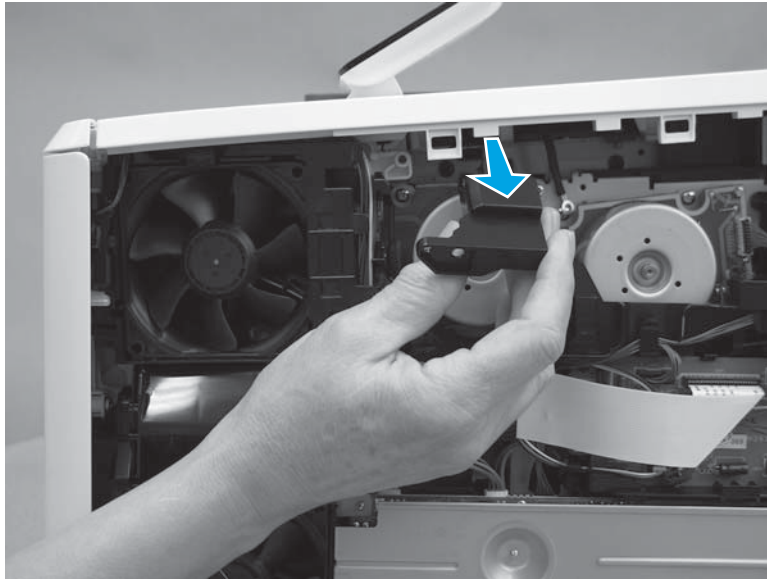
4. **M454dw model only:** Remove one screw (callout 1) and release one ground wire. Remove one screw (callout 2). Note the location (callout 3) of the guide.

Figure 1-2179 Remove two screws



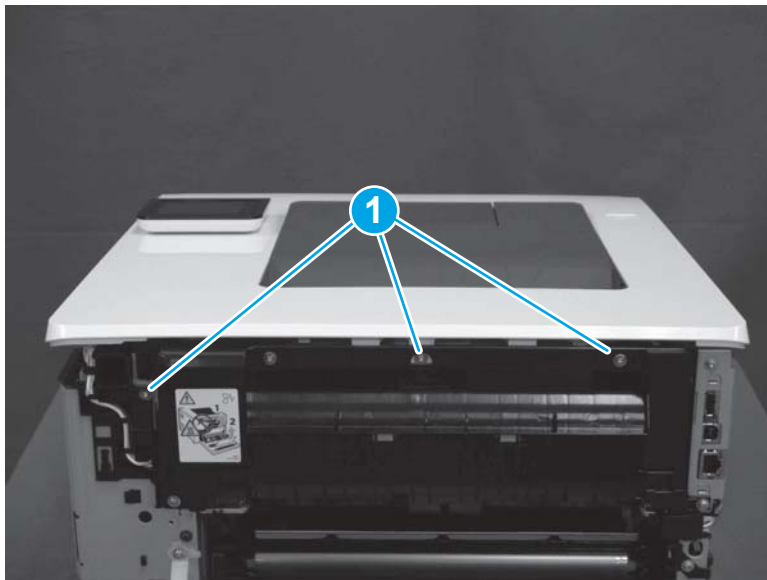
5. **M454dw model only:** Remove the guide.

Figure 1-2180 Remove the guide



6. **M454dn/dw models only:** At the back of the printer, remove three screws (callout 1).

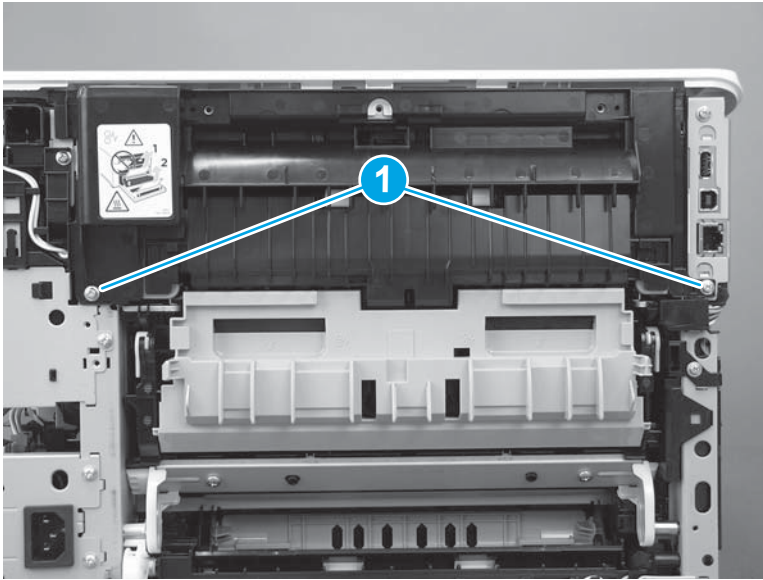
Figure 1-2181 Remove three screws





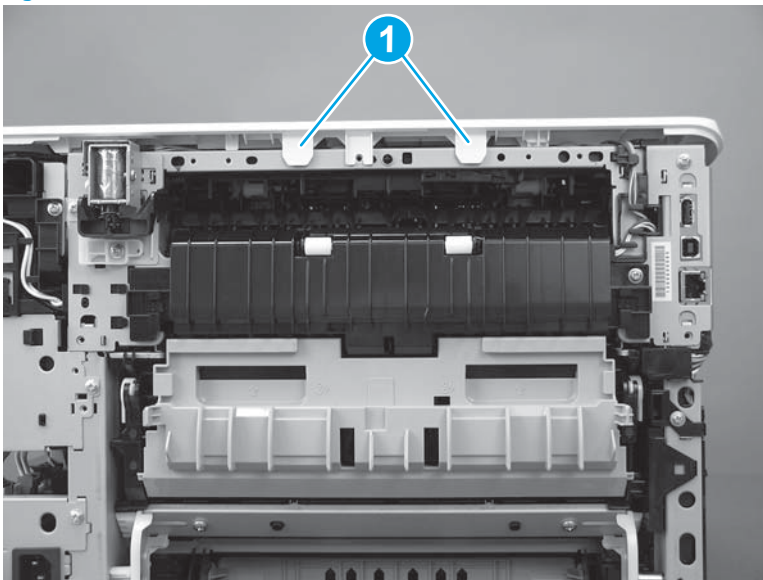
7. **M454dn/dw models only:** Remove two screws (callout 1).

Figure 1-2182 Remove two screws



8. **M454nw model only:** At the back of the printer release two tabs (callout 1).

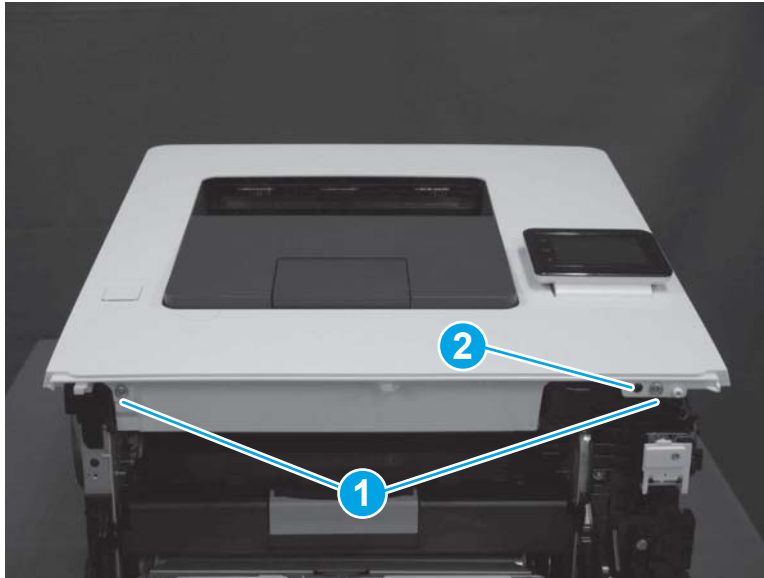
Figure 1-2183 Release two tabs





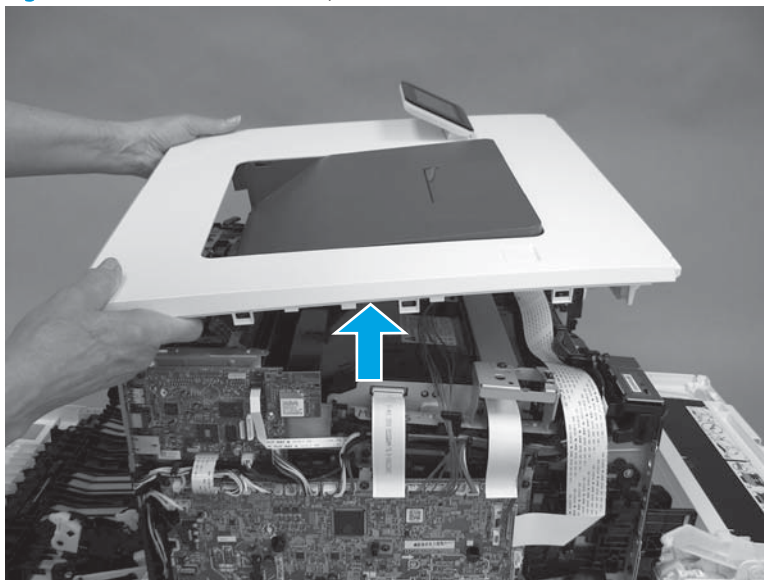
9. At the front of the printer, remove two screws (callout 1), and then release one tab (callout 2).

Figure 1-2184 Remove two screws and release one tab



10. Remove the top cover.

Figure 1-2185 Remove the top cover



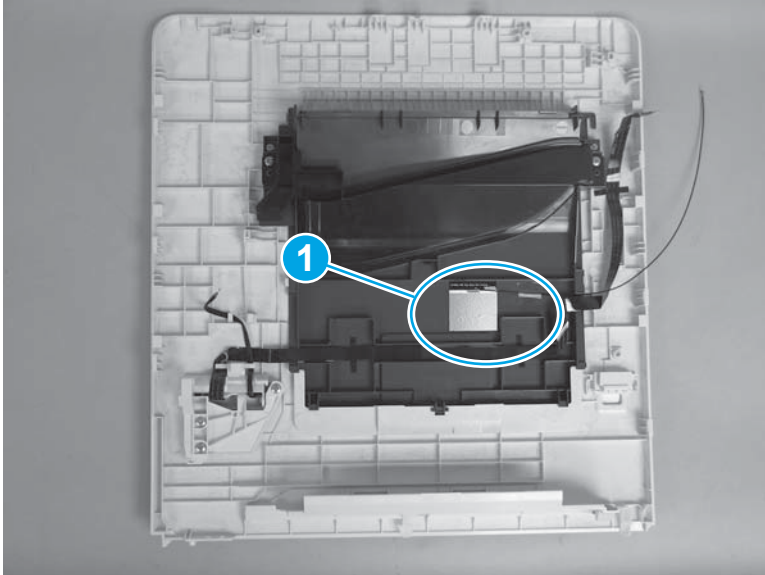
#### Step 7: Remove the wireless antenna (M454nw/dw models)

1. On the underside of the top cover, locate the wireless antenna (callout 1).



**NOTE:** The M454dw model is shown in the figures below. The procedure is also correct for the M454nw model.

Figure 1-2186 Locate the wireless antenna



2. Loosen one edge of the tape holding down the antenna cable (callout 1).


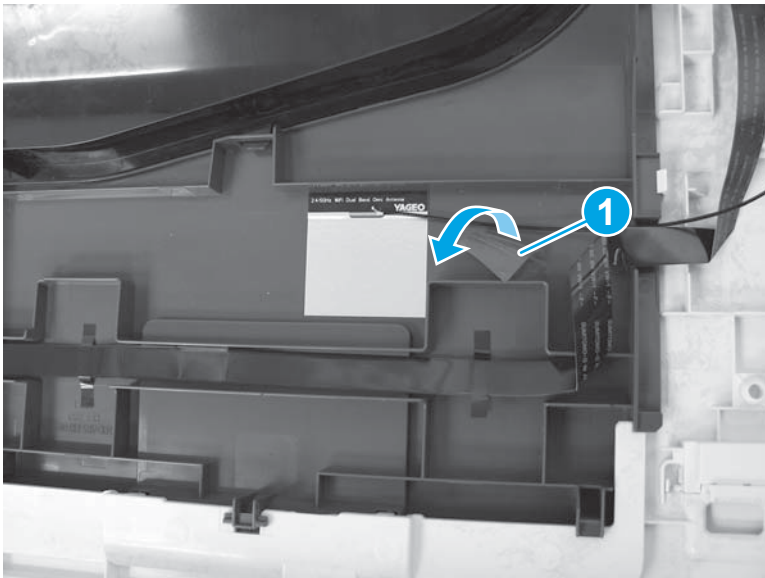
 **NOTE:** Do not completely remove the tape. It will be used to secure the cable on the replacement antenna.

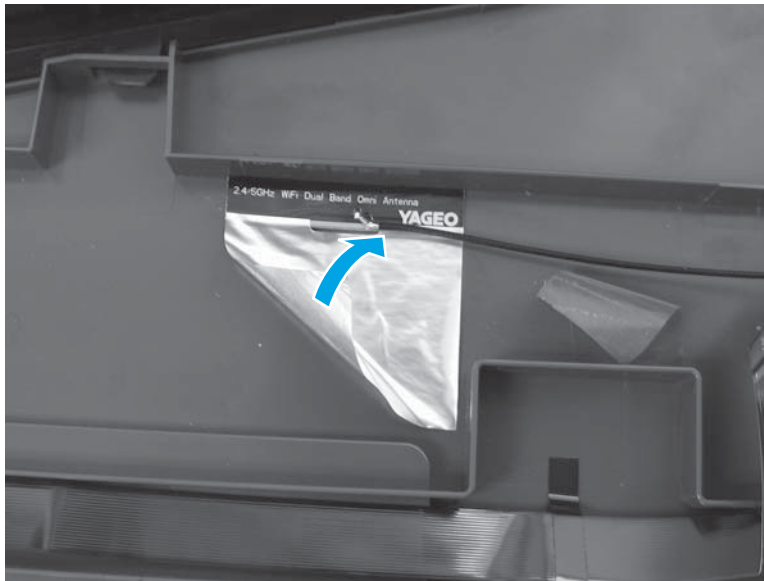
Figure 1-2187 Loosen the tape



- Lift the edge of the silver tape, and then peel the antenna off of the top cover.

 **NOTE:** Remove any adhesive residue that remains on the top cover after removing the antenna.

**Figure 1-2188** Remove the antenna



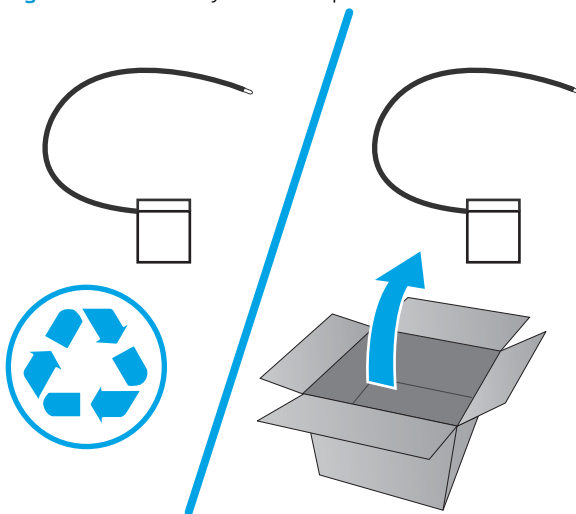
### Step 8: Unpack the replacement part

Remove the new part from its package. Save all packaging for recycling the used part.

For complete information on HP's recycling programs, go to [Product return and recycling](#).

 **NOTE:** HP recommends responsible disposal of the defective part.


**Figure 1-2189** Recycle and unpack



### Step 9: Install the wireless antenna (M454nw/dw models)

- ▲ To install an assembly, reverse the removal steps.

---

 **NOTE:** When applicable, special installation instructions are provided for an assembly at the end of the removal procedure. Always completely read the removal instructions and follow all special installation instructions.

---

## Removal and replacement: Wireless antenna (M479 models)

- [Introduction](#)
- [Step 1: Remove Tray 2](#)
- [Step 2: Open the front door and rear door or duplexer door](#)
- [Step 3: Remove the right cover \(M479 models\)](#)
- [Step 4: Remove the left cover \(M479 models\)](#)
- [Step 5: Remove the rear top cover \(simplex model\)](#)
- [Step 6: Remove the image scanner \(M479 models\)](#)
- [Step 7: Remove the fax PCA \(M479 models\)](#)
- [Step 8: Remove the top cover \(M479 models\)](#)
- [Step 9: Remove the control panel \(M479 models\)](#)
- [Step 10: Remove the walk-up USB port \(M479 models\)](#)
- [Step 11: Remove the wireless antenna \(M479dw/fnw/fdw models\)](#)
- [Step 8: Unpack the replacement part](#)
- [Step 12: Install the walk-up USB port \(M479 models\)](#)
- [Step 13: Install the control panel \(M479 models\)](#)
- [Step 14: Install the top cover \( M479 models\)](#)
- [Step 15: Install the wireless antenna \(M479fnw/dw/fdw models\)](#)

### Introduction


This document provides the procedures to remove and replace the wireless antenna for the M479 models.

[Click here to view a video of this procedure.](#)

### Before you begin

- Turn off the printer.
- Disconnect the power cable.

---

 **WARNING!** To avoid damage to the printer, turn the printer off, wait 30 seconds, and then remove the power cord before attempting to service the printer.

---

- Use the table below to identify the correct part number for your printer. To order the part, go to [www.hp.com/buy/parts](http://www.hp.com/buy/parts).

---

#### Wireless antenna part numbers

---

0960-3467

Wireless antenna (M454/M479 models)

---

## Required tools

- #2 Phillips screwdriver with a magnetic tip

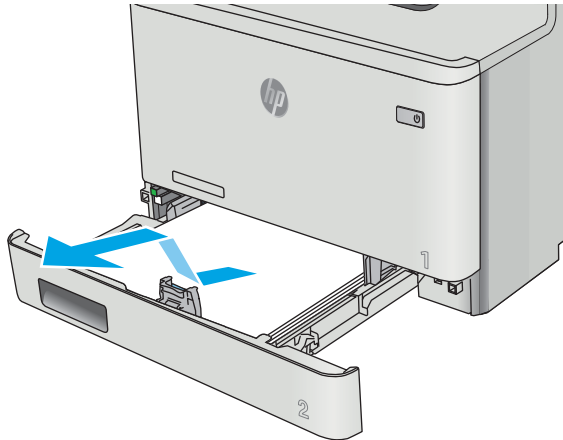
## After performing service

- Connect the power cable.
- Use the power switch to turn the power on.

## Step 1: Remove Tray 2

- ▲ Pull the tray out until it stops. Lift the front of the tray, and then pull it out of the printer to remove it.

Figure 1-2190 Remove the tray



## Step 2: Open the front door and rear door or duplexer door

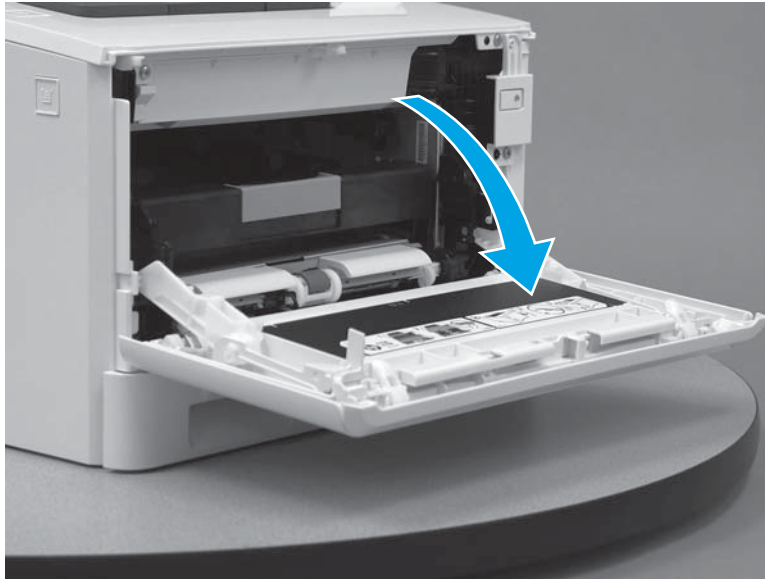
1. Press the button (callout 1) on the left side of the printer to release the front door.

Figure 1-2191 Release the front door



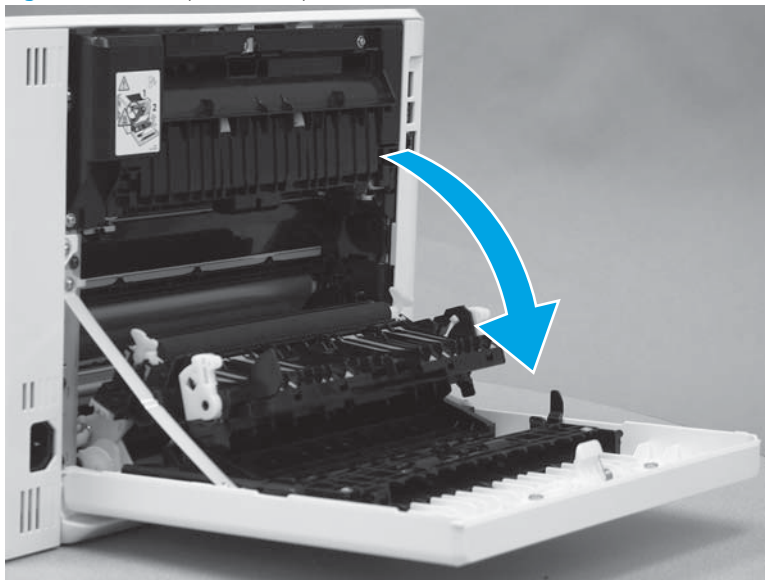
2. Open the front door.

Figure 1-2192 Open the front door



3. Duplex models: Open the duplexer door.

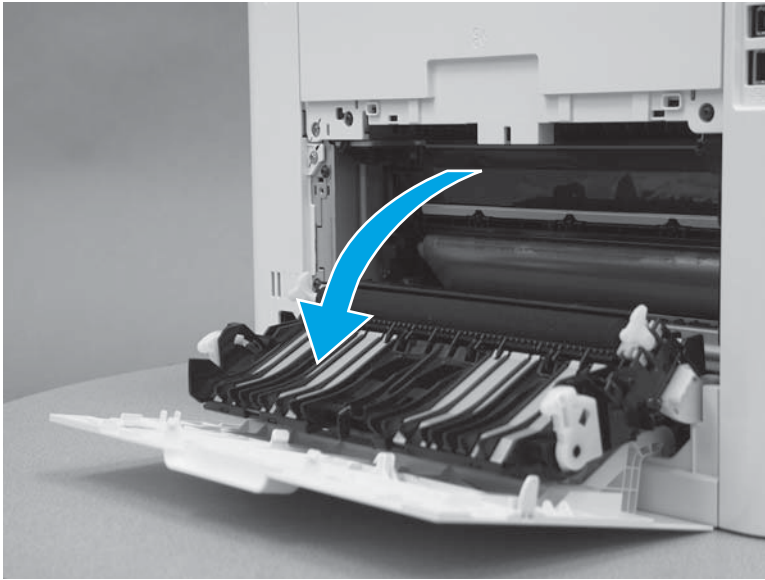
Figure 1-2193 Open the duplexer door





4. **Simplex models:** Open the rear door.

Figure 1-2194 Open the rear door



### Step 3: Remove the right cover (M479 models)

1. Raise the scanner.

Figure 1-2195 Raise the scanner



2. At the back of the printer, remove one screw (callout 1).

Figure 1-2196 Remove one screw



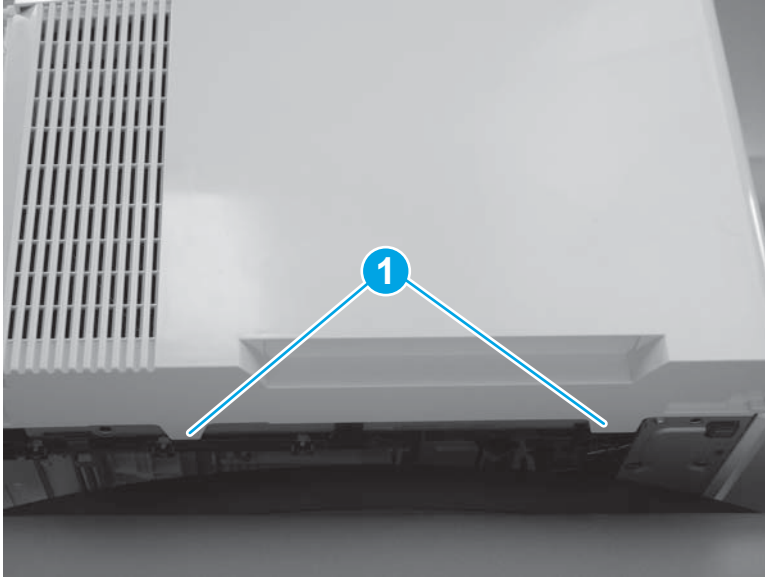
3. At the front of the printer, remove one screw (callout 1).

Figure 1-2197 Remove one screw



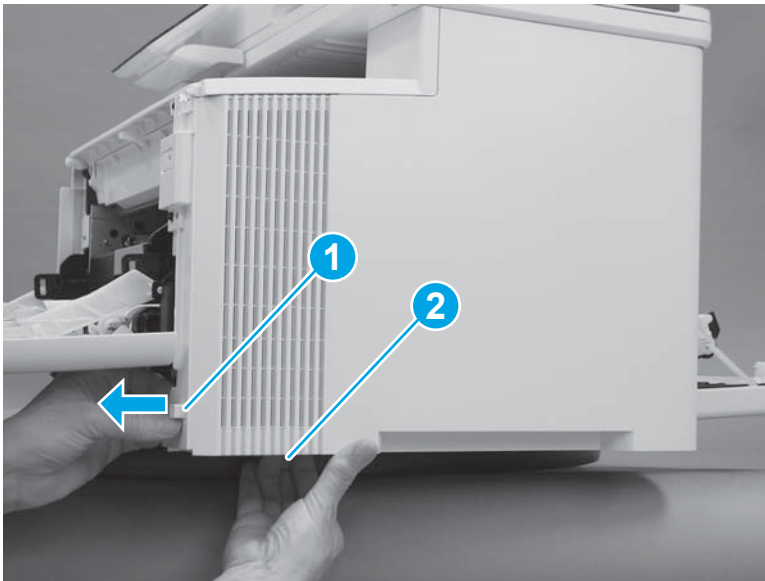
4. Slide the printer to the edge of a work surface. Note the location of the tabs on the lower edge of the cover (callout 1).

Figure 1-2198 Locate the tabs



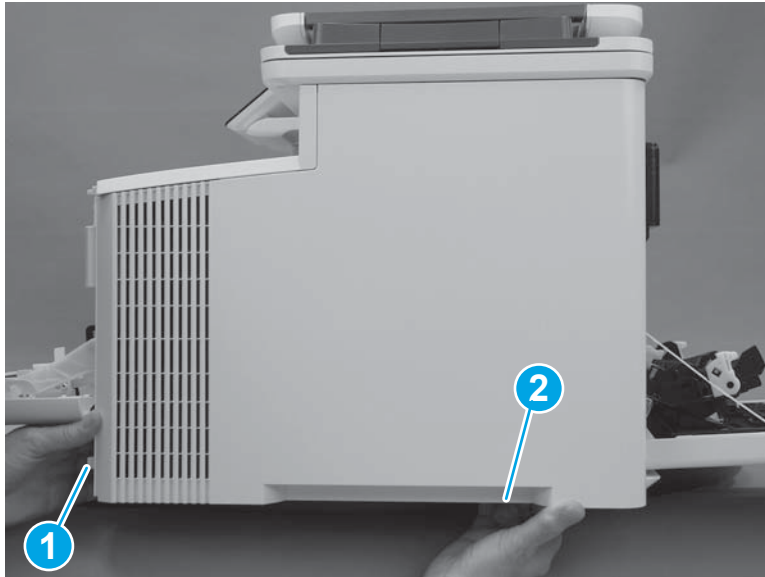
5. Release one tab (callout 1) on the front of the cover by slightly pulling the cover away from the printer. While holding the cover in the released position, release one tab (callout 2) on the lower edge of the cover.

Figure 1-2199 Release front lower tabs



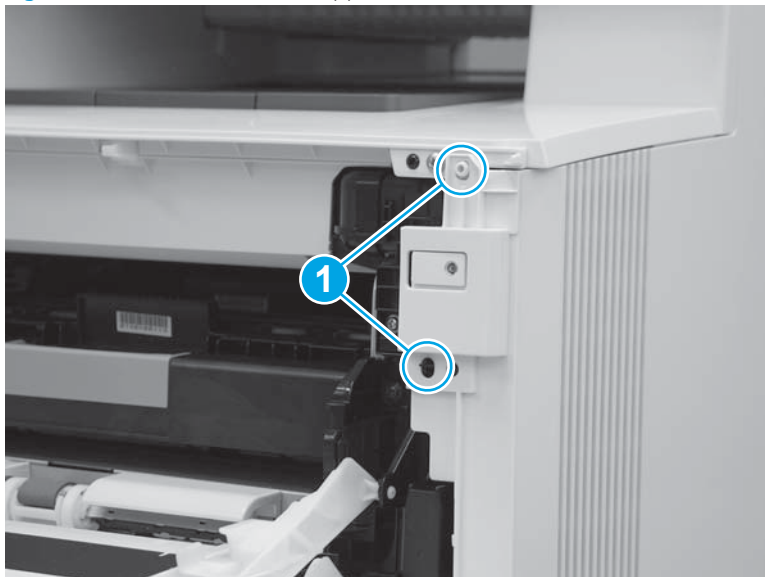
6. Hold the front tabs in the released position (callout 1), and then release one tab (callout 2) on the lower edge of the cover, toward the back of the printer.

Figure 1-2200 Release lower rear tab



7. Release two tabs at the front of the printer (callout 1) by slightly pulling the cover away from the printer.

Figure 1-2201 Release front upper tabs



8. Rotate the front of the cover away from the printer (callout 1).

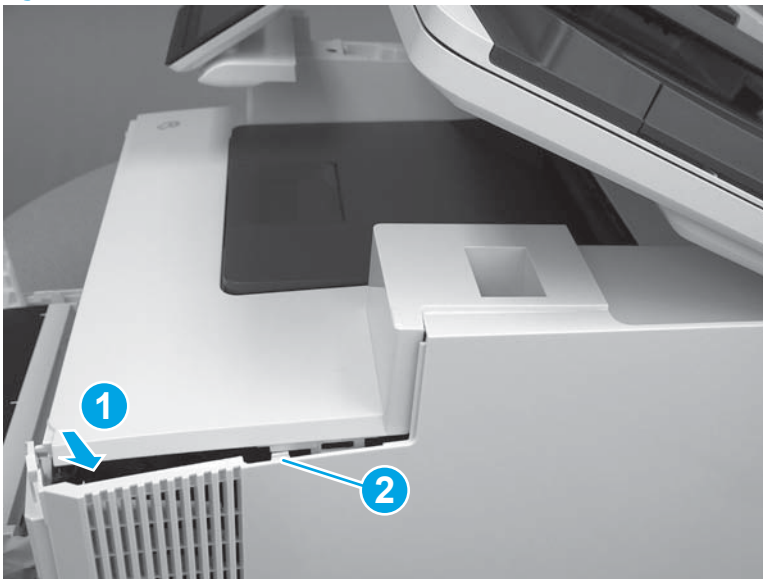
**⚠ CAUTION:** Be careful not to dislodge the power switch (callout 2).

**Figure 1-2202** Rotate the front of the cover



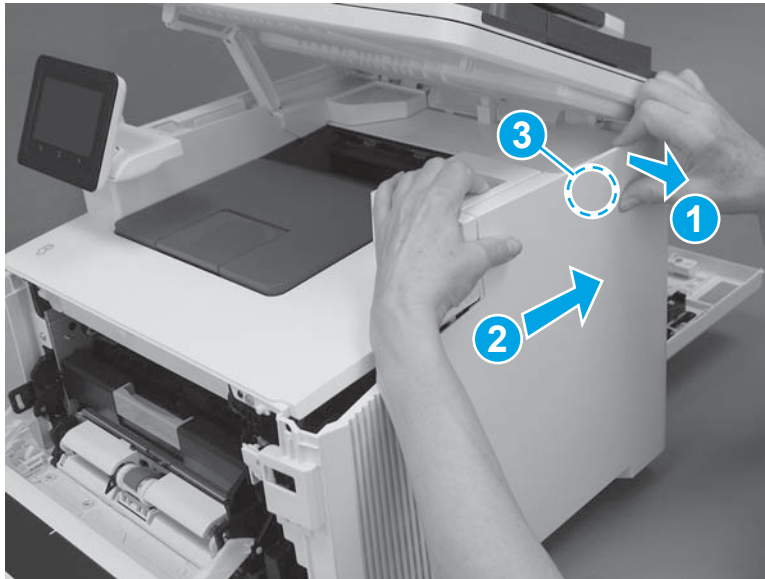
9. Slightly pull the front of the cover away from the printer (callout 1) to release one tab (callout 2).

**Figure 1-2203** Release top tabs



10. At the top of the printer, slightly pull the top of the cover away from the printer to release one retention tab (callout 1) on the inside of the cover. While holding the cover away, slide the cover toward the back of the printer (callout 2) to release one hook (callout 3) on the inside of the cover.

Figure 1-2204 Release one tab and one hook



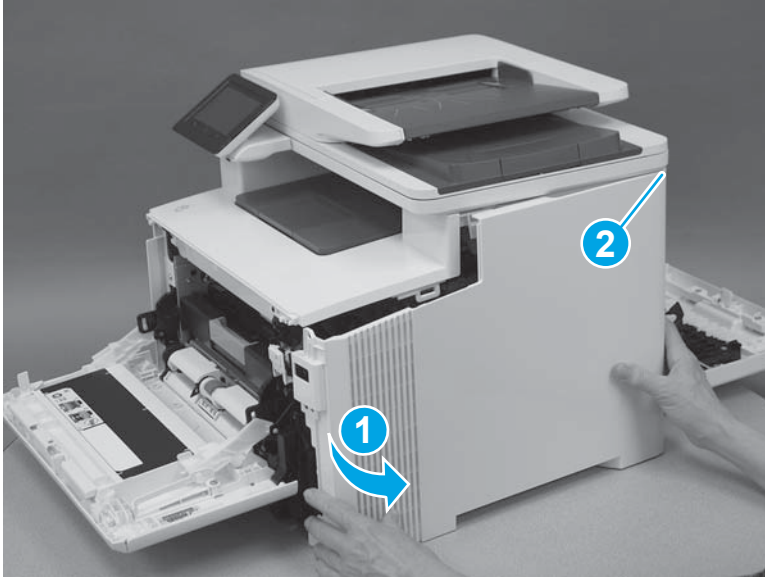
11. Lower the scanner.

Figure 1-2205 Lower the scanner



12. Rotate the cover away from the printer (callout 1) to release one tab (callout 2) at the back of the printer, and then remove the cover.

Figure 1-2206 Remove the right cover



#### Step 4: Remove the left cover (M479 models)

1. Raise the scanner.

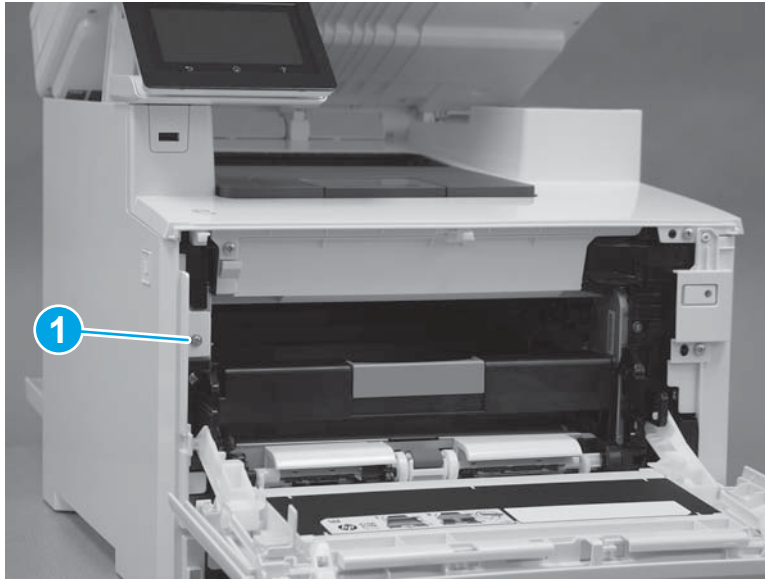
Figure 1-2207 Raise the scanner





2. At the front of the printer, remove one screw (callout 1).

Figure 1-2208 Remove one screw



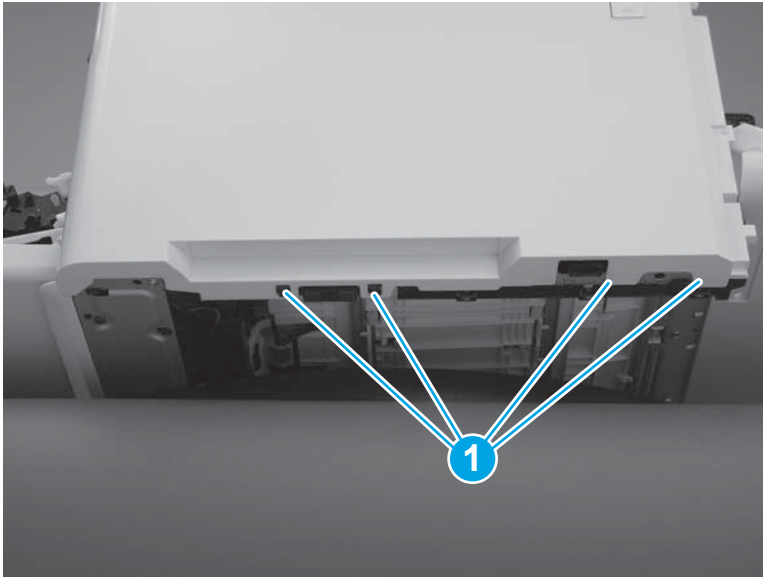
3. Release two tabs (callout 1) at the front of the cover. Hold the cover open to prevent the tabs from re-engaging.

Figure 1-2209 Release two tabs



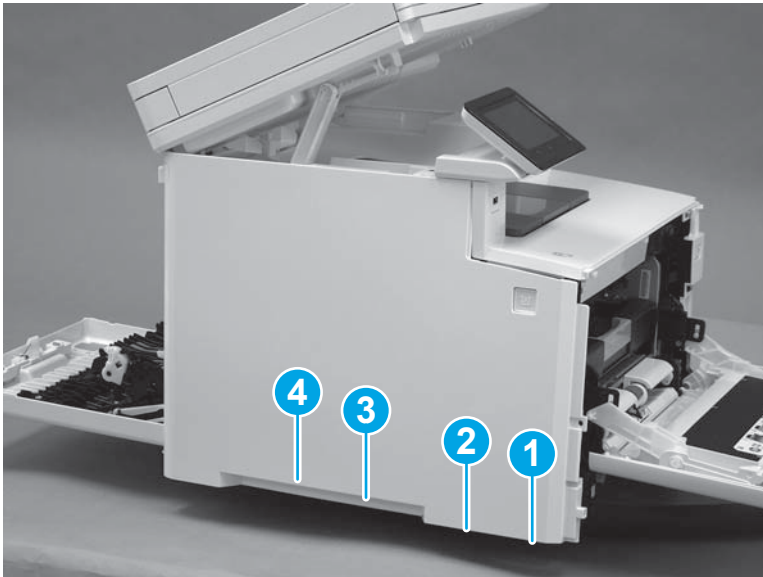
4. Slide the printer to the edge of a work surface. Note the location of the tabs on the lower edge of the cover (callout 1).

Figure 1-2210 Locate the tabs



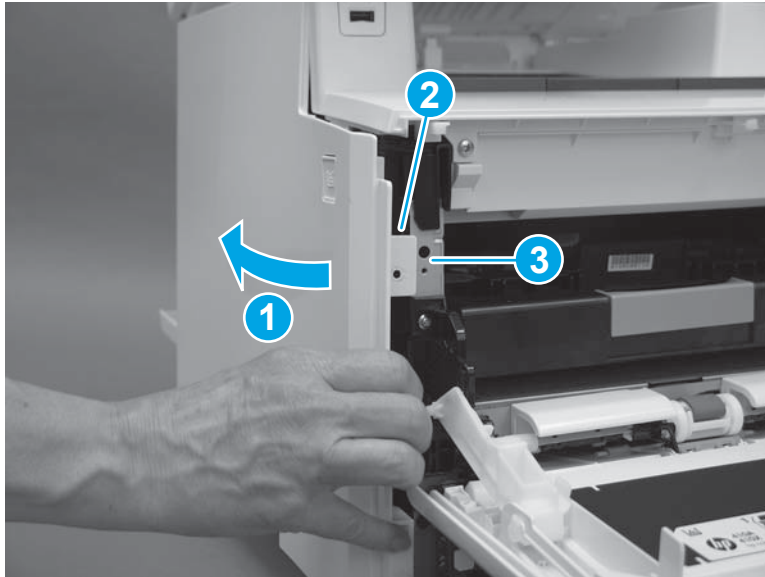
5. Beginning from the front of the cover, release the four tabs (callouts 1-4) on the lower edge of the cover.

Figure 1-2211 Release four tabs



6. Rotate the front of the cover away from the printer (callout 1). Make sure that the tab (callout 2) does not get caught on the printer frame (callout 3).

Figure 1-2212 Rotate the cover



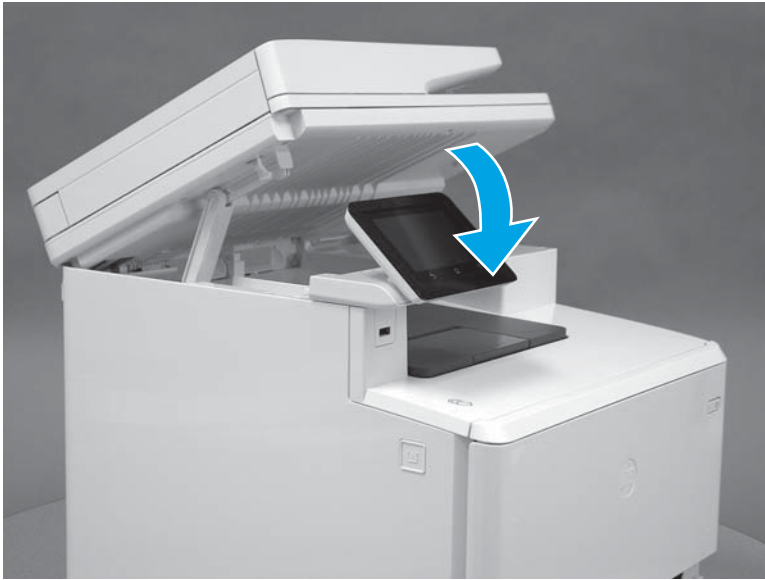
7. At the top of the printer, slightly pull the top of the cover away from the printer to release one retention tab (callout 1) on the inside of the cover. While holding the cover away, slide the cover toward the back of the printer (callout 2) to release two hooks (callout 3) inside the cover.

Figure 1-2213 Release one tab and two hooks



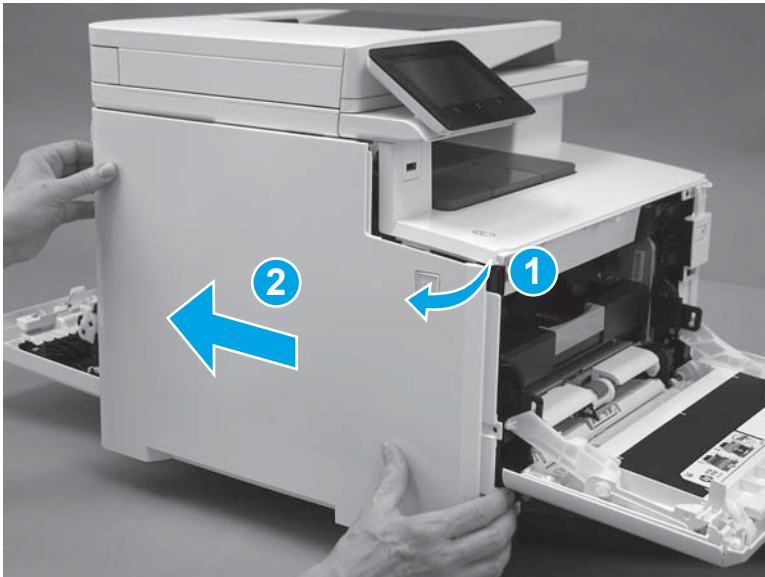
8. Lower the scanner.

Figure 1-2214 Lower the scanner



9. Rotate the cover away from the printer (callout 1), and then slide the cover (callout 2) toward the back of the printer to remove it.

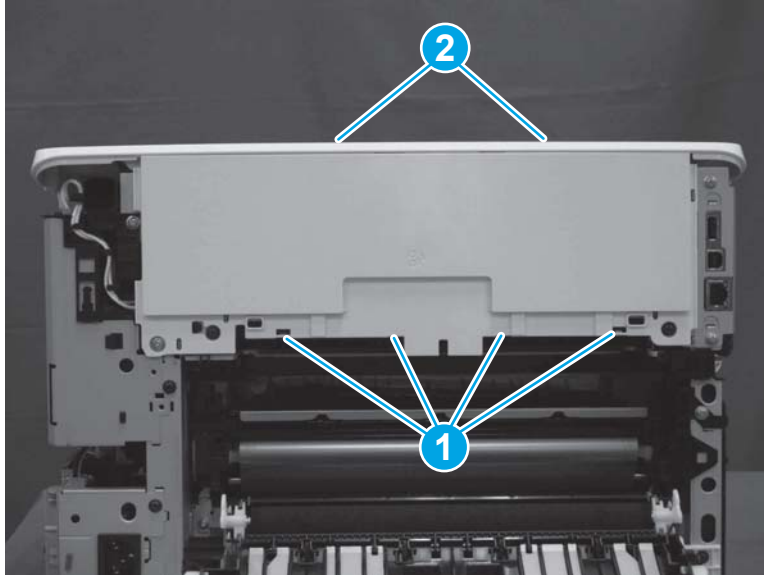
Figure 1-2215 Remove the left cover



#### Step 5: Remove the rear top cover (simplex model)

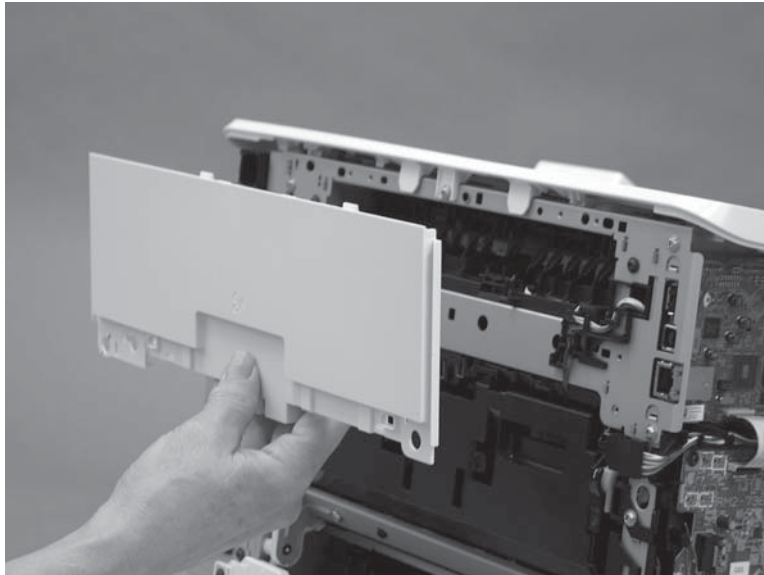
1. At the back of the printer, release four tabs (callout 1) on the bottom of the cover and two tabs (callout 2) on the top of the cover.

Figure 1-2216 Release six tabs



2. Remove the rear top cover.

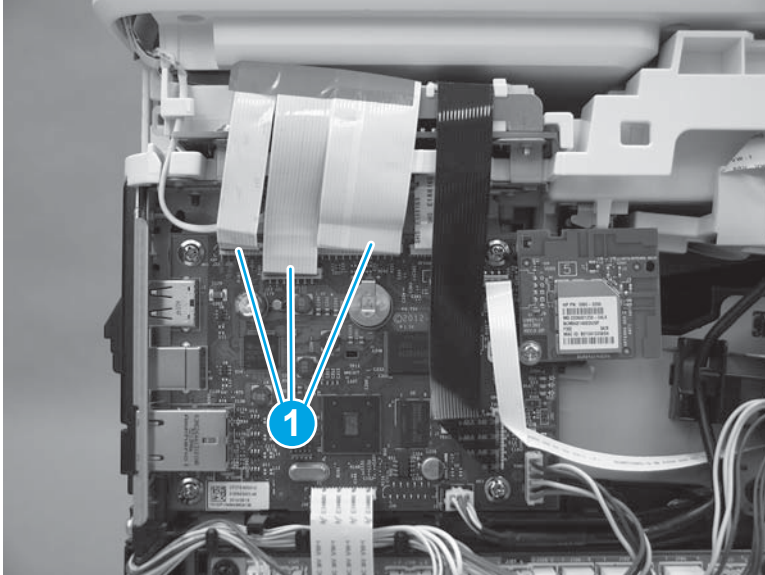
Figure 1-2217 Remove the rear top cover



#### Step 6: Remove the image scanner (M479 models)

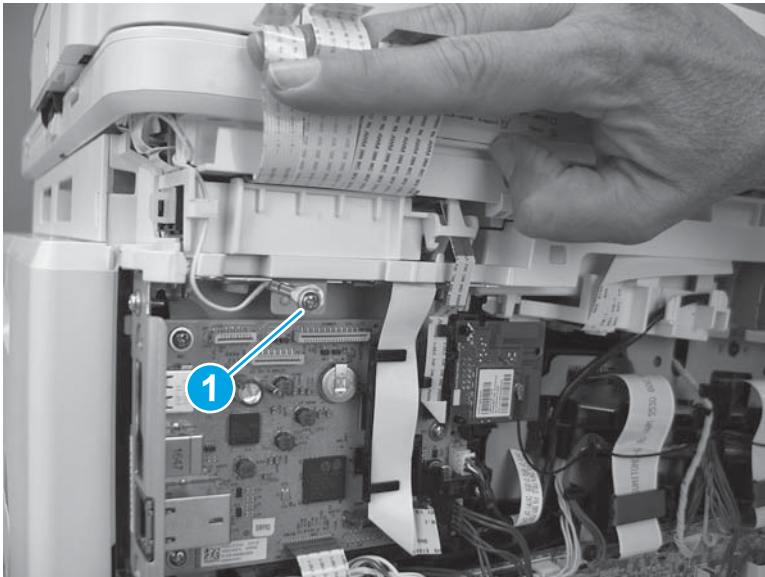
1. On the left side of the printer, disconnect three connectors (callout 1).

Figure 1-2218 Disconnect the scanner cables



2. Raise the scanner cables up, and then remove one screw (callout 1) to release the ground wire (callout 2).

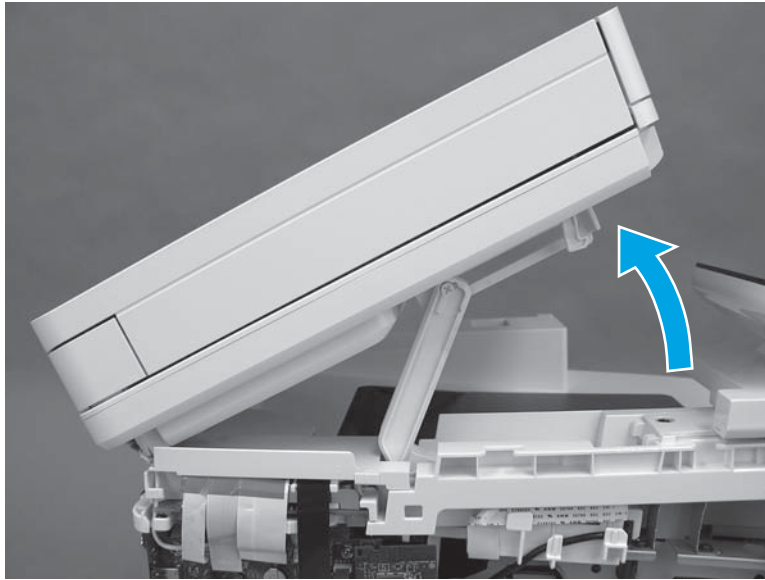
Figure 1-2219 Remove one screw and release the ground wire





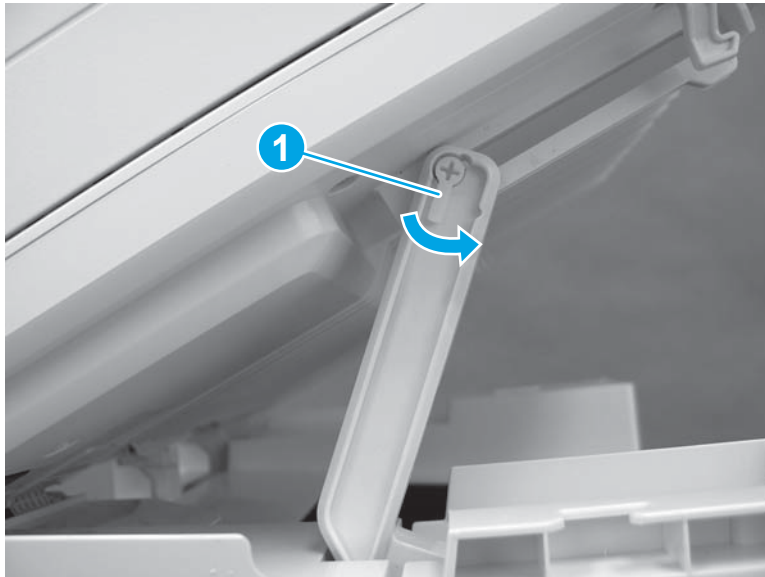
3. Raise the scanner.

Figure 1-2220 Raise the scanner



4. With the scanner lifted, release the tab (callout 1) on the scanner support arm pin from the slot and rotate the pin in the direction indicated.

Figure 1-2221 Release the scanner arm pin





5. Remove the scanner arm pin.

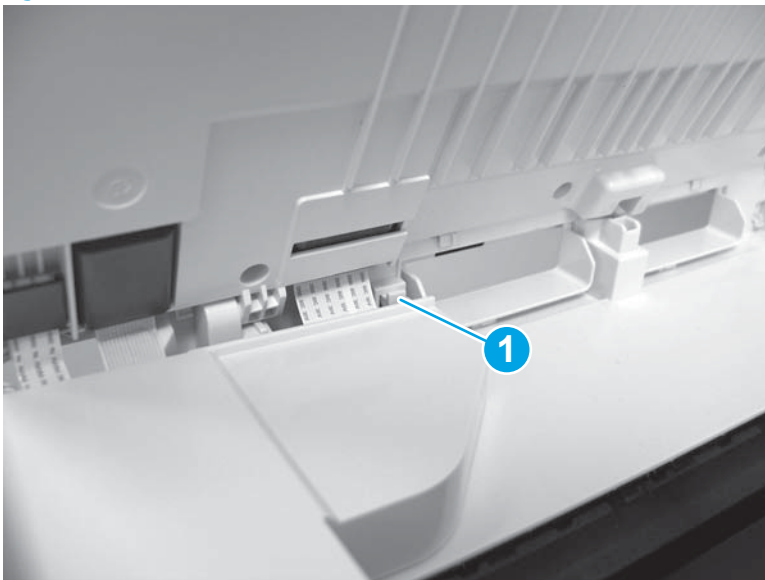
**⚠ CAUTION:** Once the scanner arm pin is removed, support the scanner with one hand at all times so that it does not fall backwards off of the printer.

Figure 1-2222 Remove the scanner arm pin.



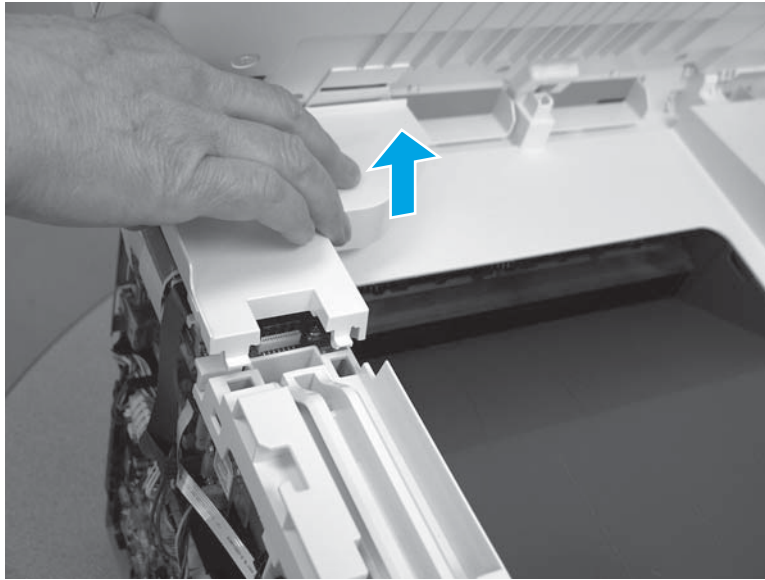
6. On the top of the printer, use a flat-blade screwdriver to release one tab (callout 1).

Figure 1-2223 Release one tab



7. Remove the scanner cable cover.

Figure 1-2224 Remove the scanner cable cover



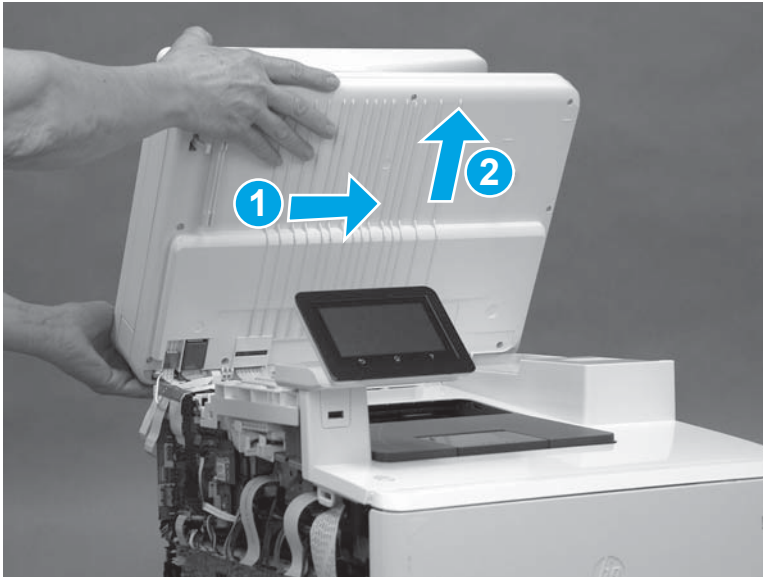
8. The scanner cables (callout 1) are held in place on the top cover with double-sided tape. Carefully release the cables from the top cover.

Figure 1-2225 Release the cables



9. Open the scanner assembly fully, slide the assembly toward the right side of the printer, and then lift the assembly off of the printer.

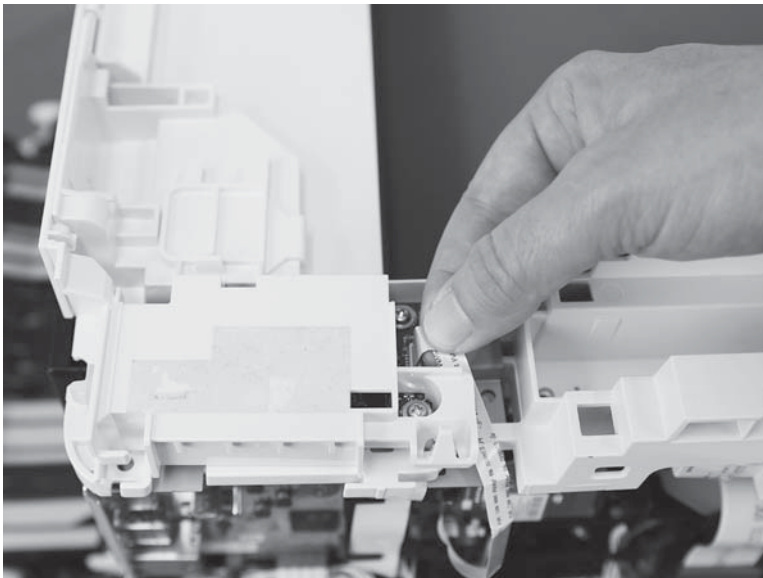
Figure 1-2226 Remove the scanner assembly



#### Step 7: Remove the fax PCA (M479 models)

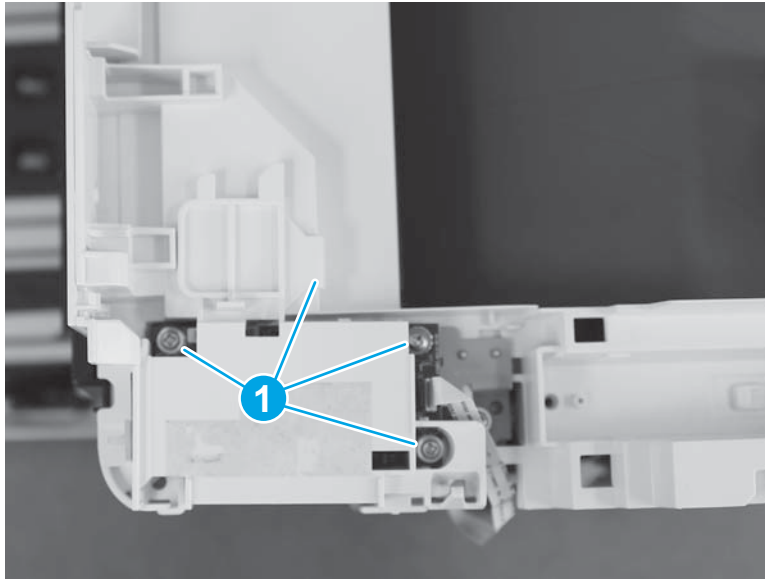
1. Disconnect on FFC cable from fax PCA.

Figure 1-2227 Disconnect one connector



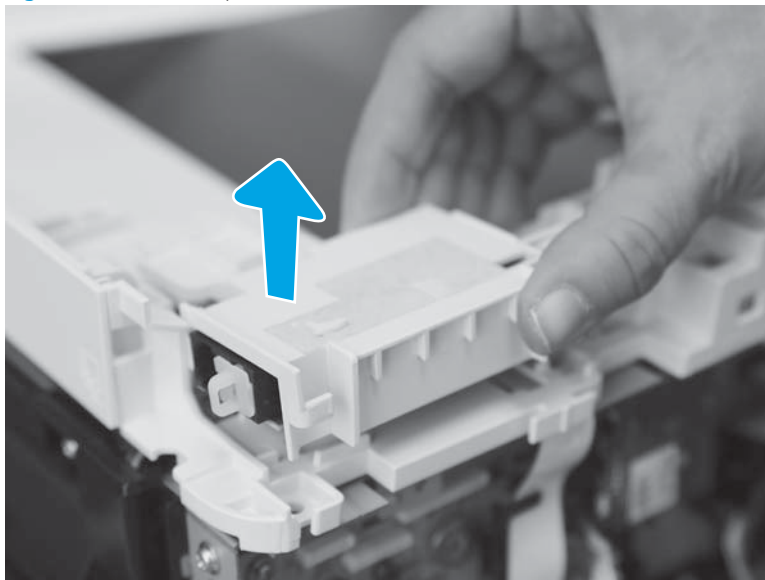
2. Remove three screws and release one tab (callout 1).

Figure 1-2228 Remove three screws and release one tab



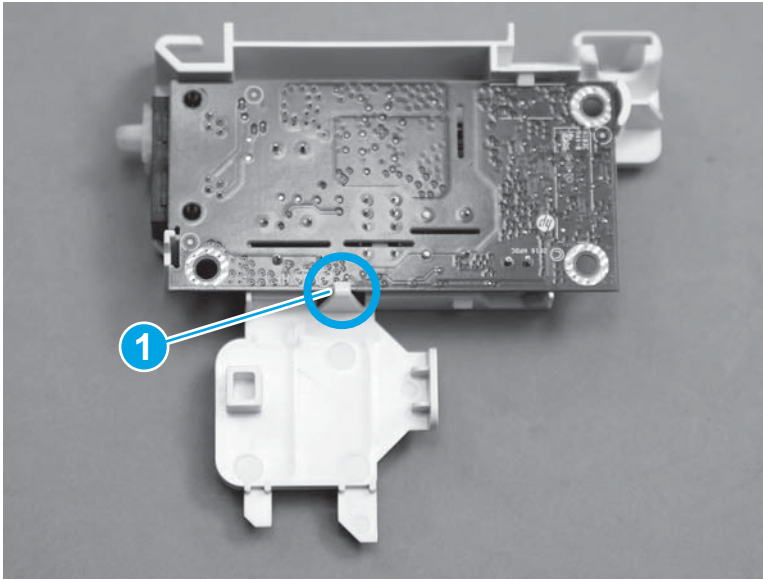
3. Lift up to remove the fax PCA.

Figure 1-2229 Lift up to remove the fax PCA



4. Release the tab (callout 1) on the back of the fax PCA to remove the PCA from the plastic holder.

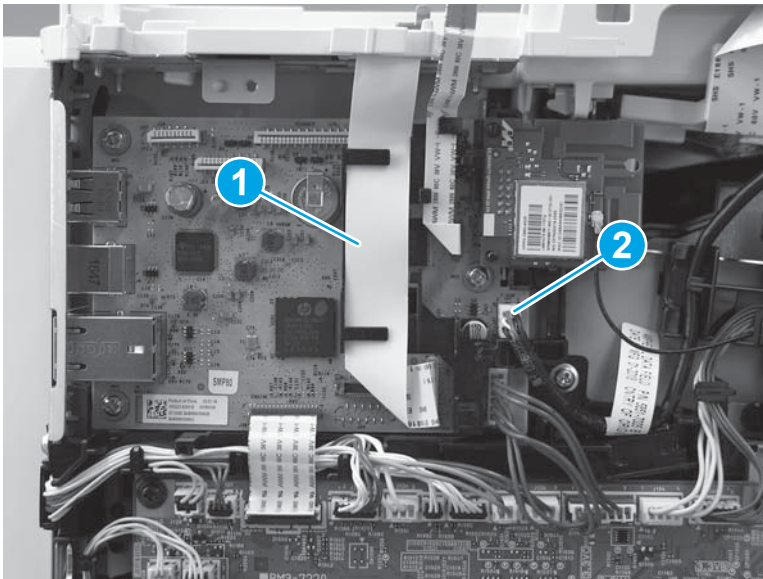
Figure 1-2230 Release one tab to remove fax PCA from the plastic holder



#### Step 8: Remove the top cover (M479 models)

1. Disconnect one connector (callout 2) and one FFC (callout 2).

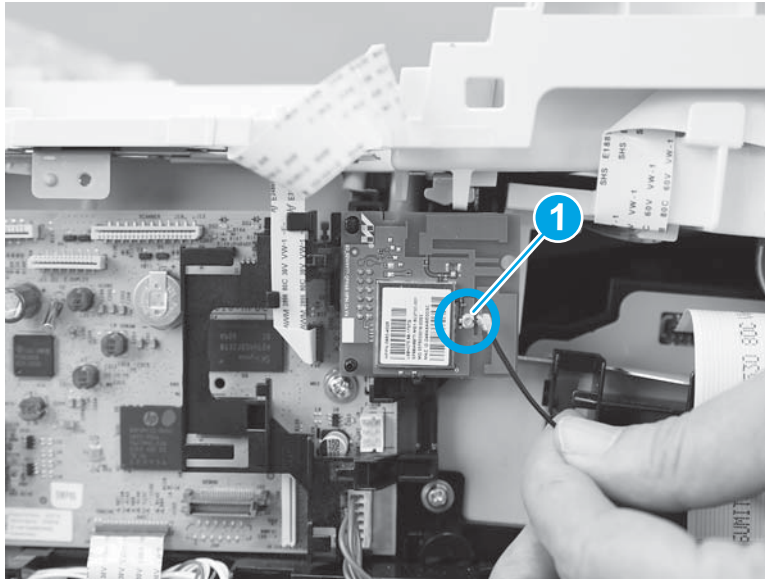
Figure 1-2231 Disconnect one connectors and one FFC





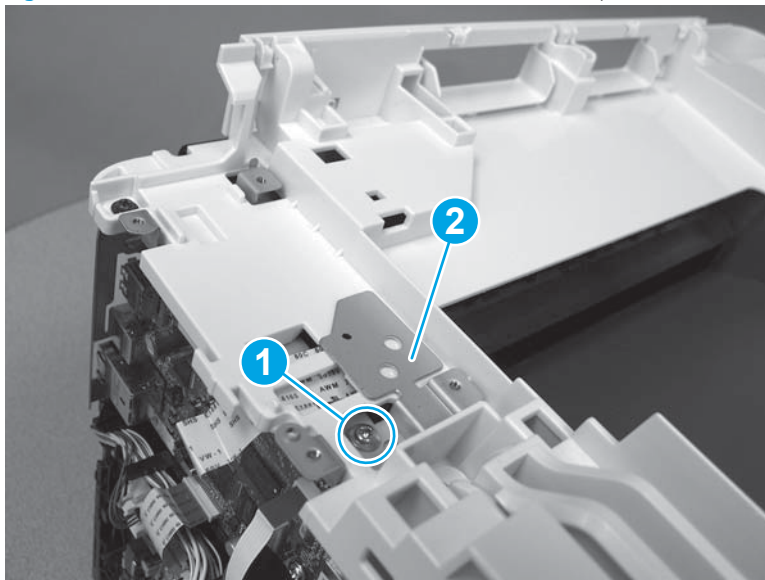
2. Disconnect wireless antenna cable (callout 1) from the wireless PCA.

**Figure 1-2232** Disconnect wireless antenna cable from the wireless PCA



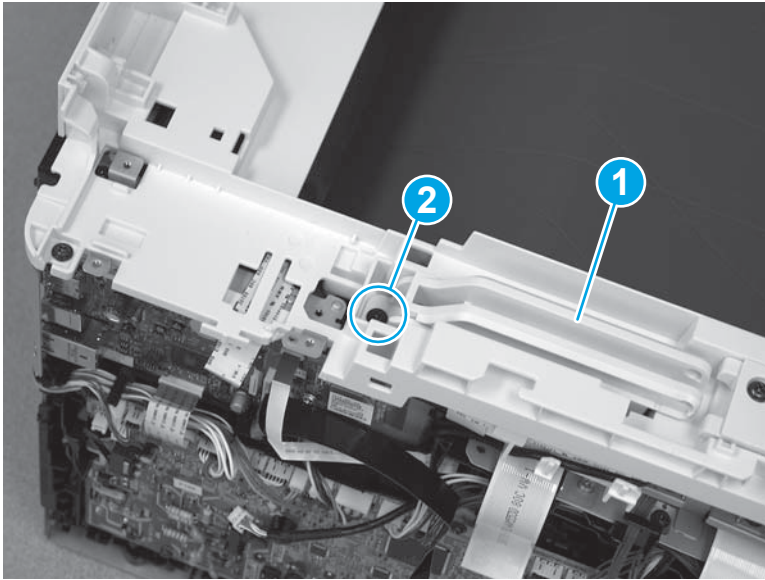
3. On the top cover, remove one screw (callout 1) and the sheet metal plate (callout 2).

**Figure 1-2233** Remove one screw and the sheet metal plate



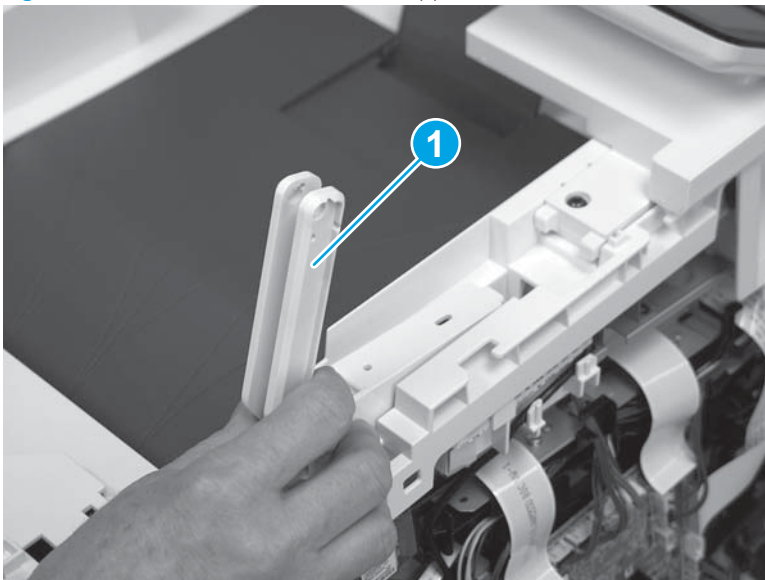
4. At the top of the printer, lower the scanner support arm (callout 1), and then remove one screw (callout 2).

Figure 1-2234 Lower the support arm and remove one screw




5. Remove the scanner support arm (callout 1).

Figure 1-2235 Remove the scanner support arm

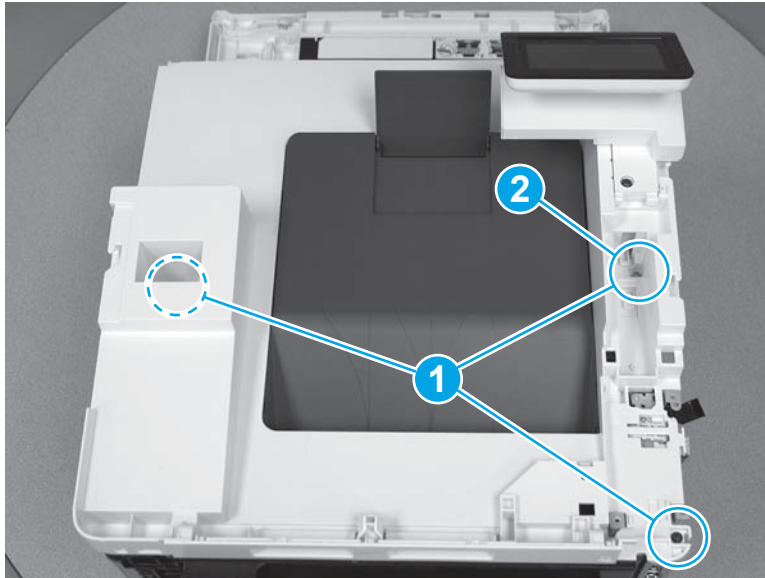




- At the top of the printer, remove three screws (callout 1).

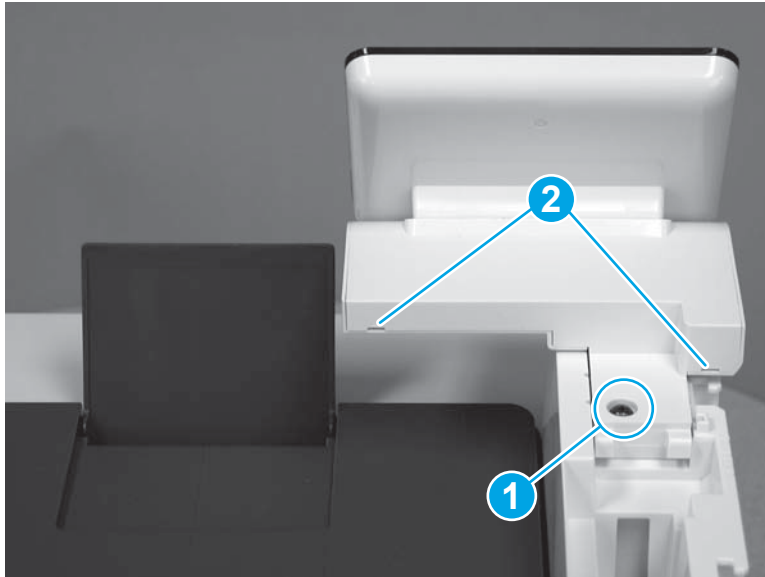
 **Reinstallation tip:** One screw (callout 2) is longer than the other screws. Make sure that this screw is reinstalled in the correct position.

**Figure 1-2236** Remove three screws



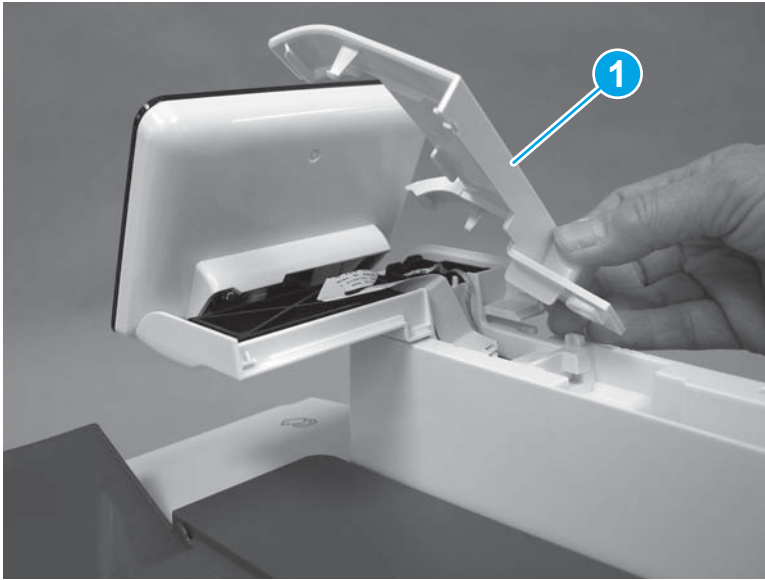
- Behind the control panel, remove one screw (callout 1), and then use a small flat-blade screwdriver at two pry points (callout 2) to release the control panel cover from the top cover.

**Figure 1-2237** Release the control panel cover



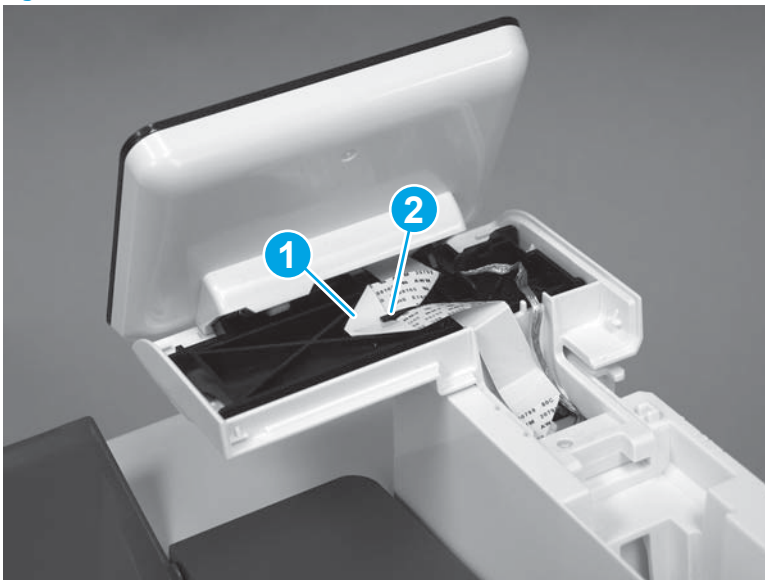
8. Remove the control panel cover (callout 1).

Figure 1-2238 Remove the control panel cover



9. Remove the flat cable (callout 1) from the retaining guide (callout 2).

Figure 1-2239 Release the flat cable



10. Remove two screws (callout 1), and then remove one screw (callout 2) and release one ground wire.


 **Reinstallation tip:** The two screws toward the front of the control panel (callout 1) are longer than the other screw. Make sure these screws are installed in the correct position when reinstalling the part.

Figure 1-2240 Remove three screws



11. Carefully lift the control panel away and rest it on the top cover, and then remove one screw (callout 1).


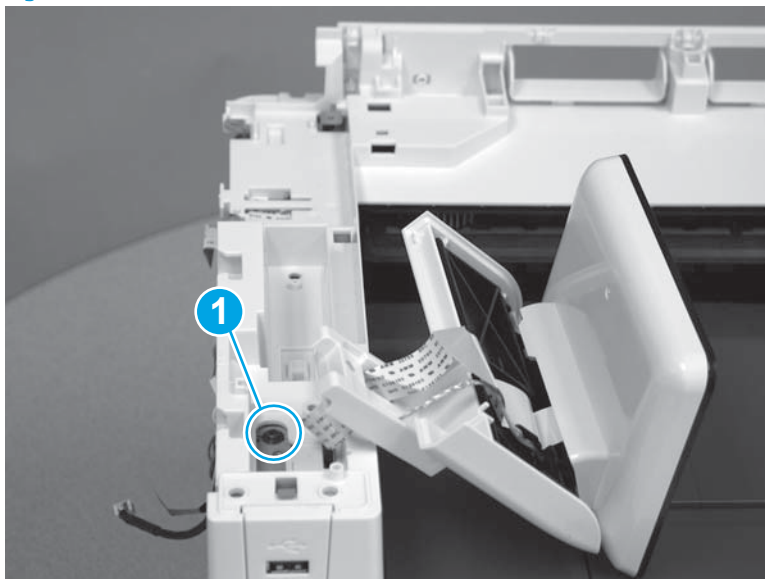
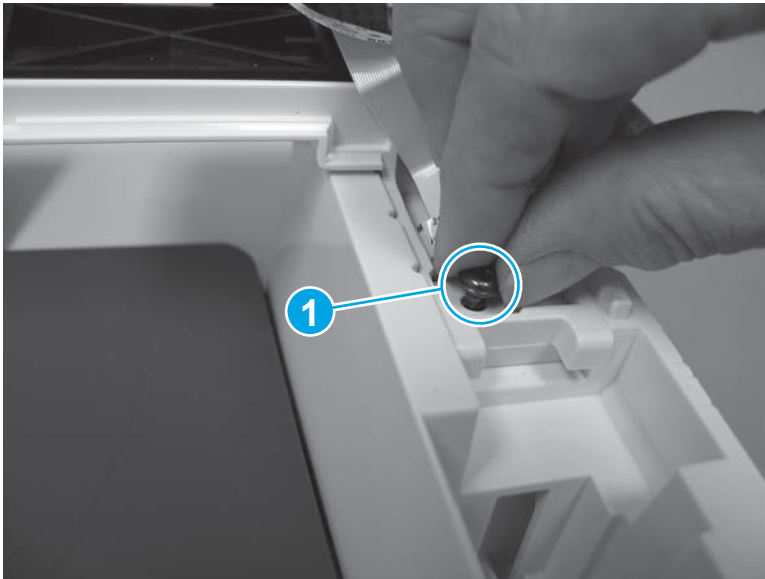
 **CAUTION:** The control panel is still attached to the top cover by the flat cable.

Figure 1-2241 Remove one screw



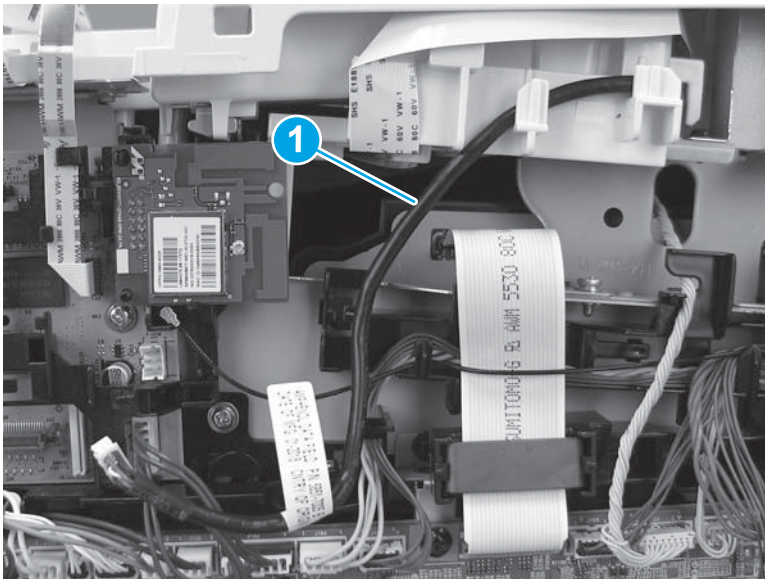
12. Place the control panel back into position. With your hand, refasten the screw (callout 1) that was previously removed from the control panel cover to temporarily reattach the control panel to the top cover. Doing this should protect the flat cable from being damaged.

**Figure 1-2242** Refasten the control panel to the top cover



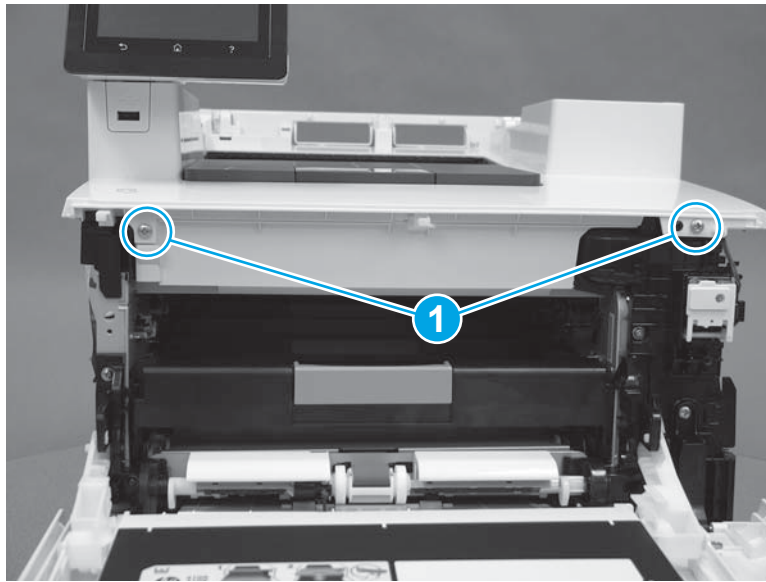
13. Remove the USB cable (callout 1) from the cable guides (callout 2).

**Figure 1-2243** Release the USB cable



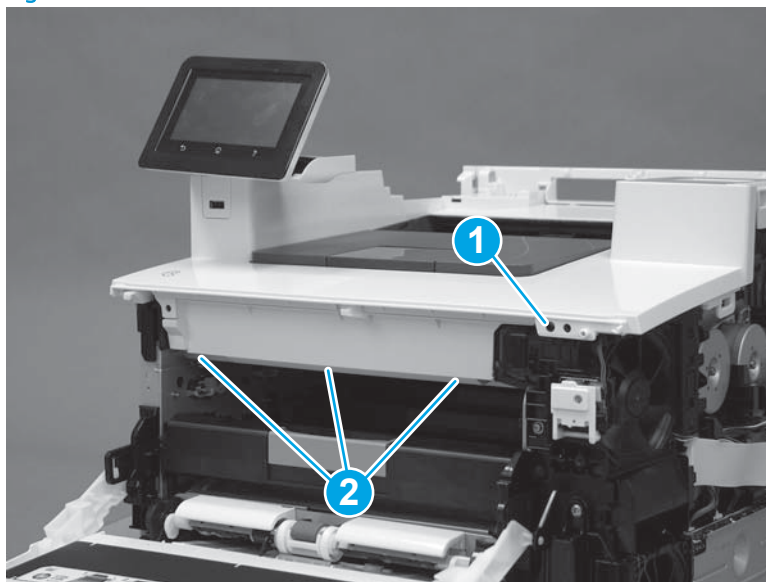
14. At the front of the printer, remove two screws (callout 1).

Figure 1-2244 Remove two screws



15. Release one retainer (callout 1), and then release three tabs (callout 2).

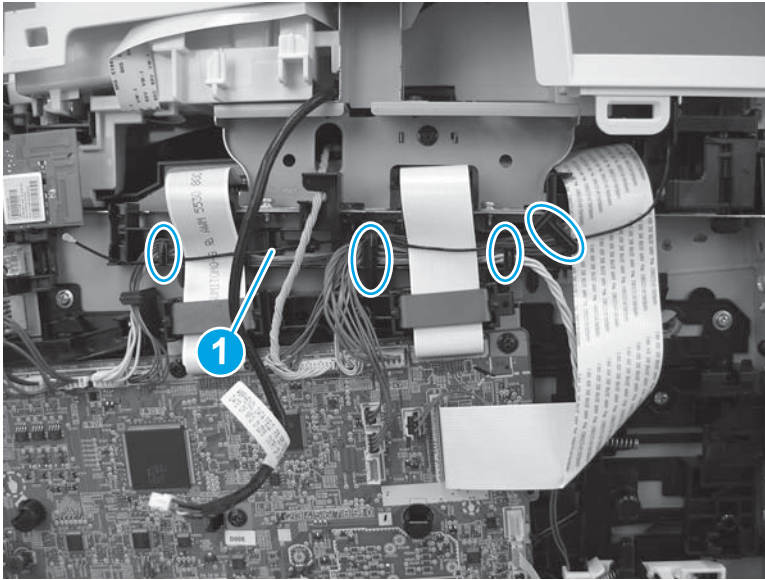
Figure 1-2245 Release one retainer and three tabs





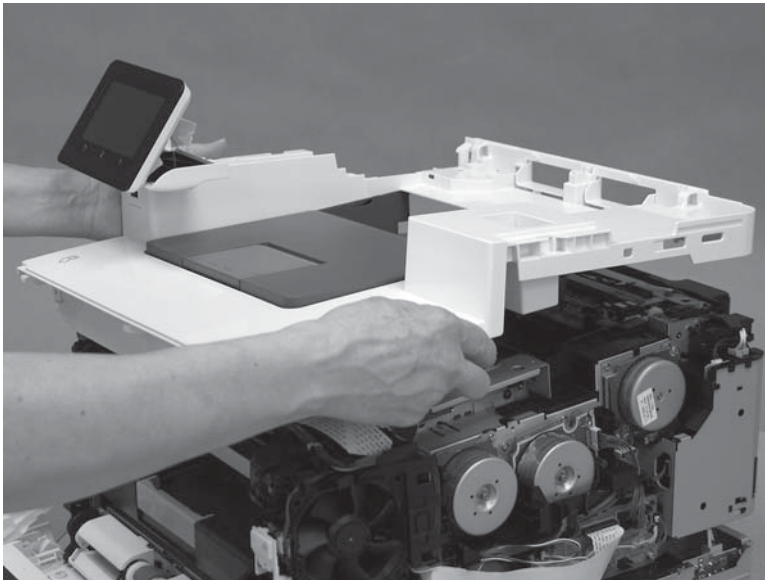
16. Remove the Wi-Fi antenna wire (callout 1) from the guide.

Figure 1-2246 Remove antenna wire from guide



17. Remove the top cover.

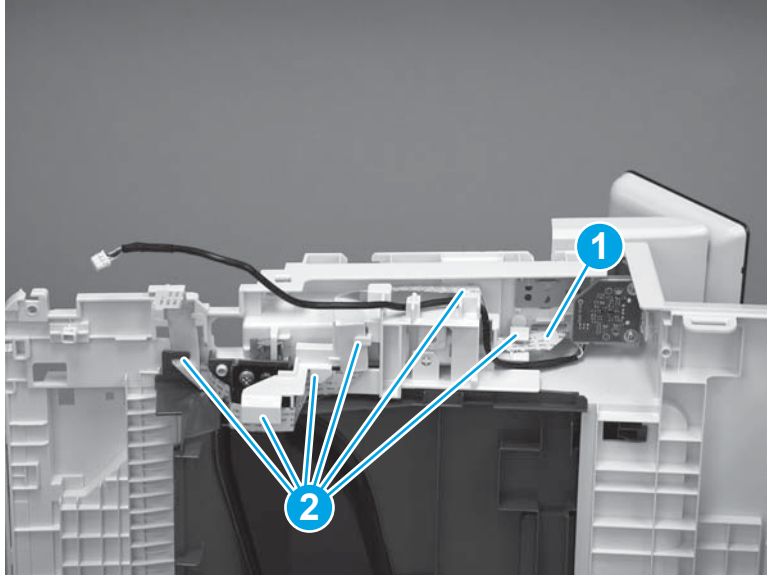
Figure 1-2247 Remove the top cover



### Step 9: Remove the control panel (M479 models)

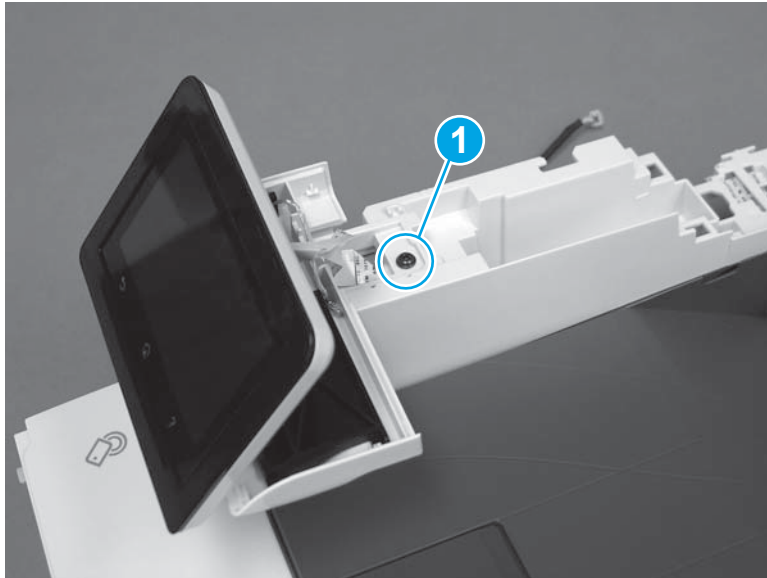
1. Turn the top cover on its side, and then remove the flat cable (callout 1) from the cable guides (callout 2).

Figure 1-2248 Remove the flat cable from the guides



2. On the top of the top cover, use your finger to remove the screw (callout 1) that is temporarily holding the control panel to the top cover.

Figure 1-2249 Remove one screw





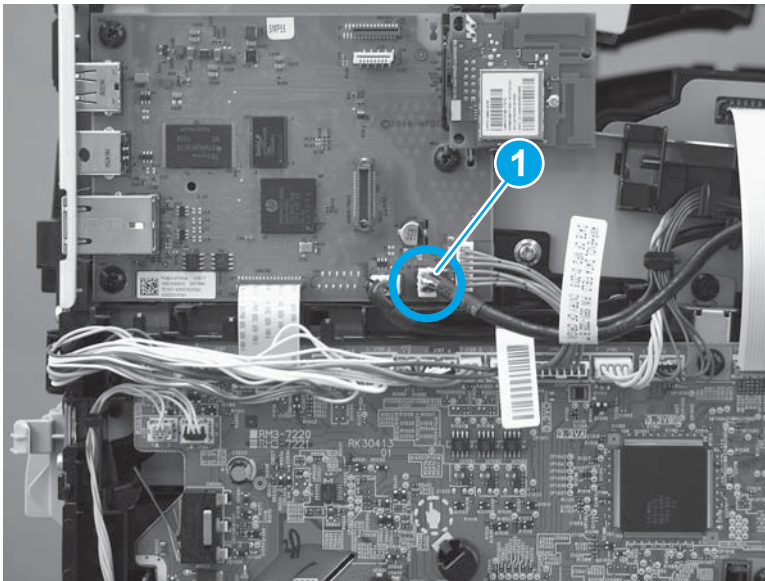
3. Lift the control panel up and completely remove the flat cable (callout 1) from the slot (callout 2) in the top cover.

Figure 1-2250 Remove the control panel



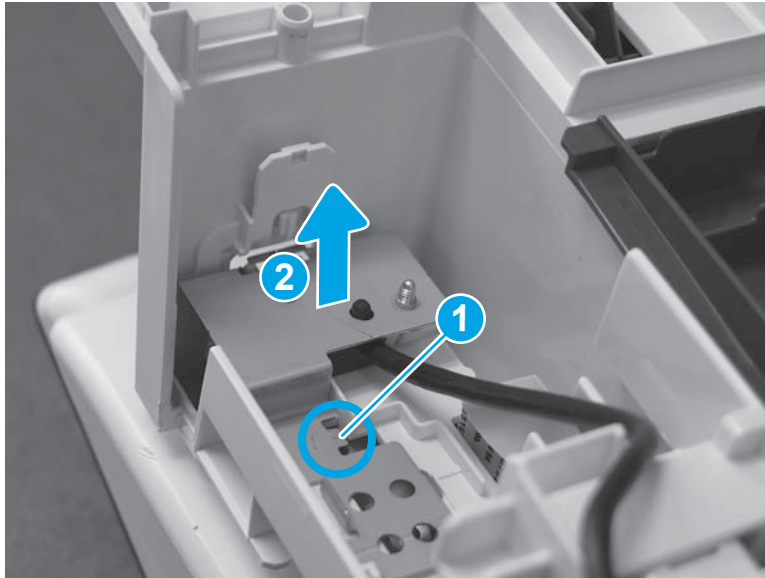
#### Step 10: Remove the walk-up USB port (M479 models)

1. Disconnect cable from the formatter PCA (callout 1).



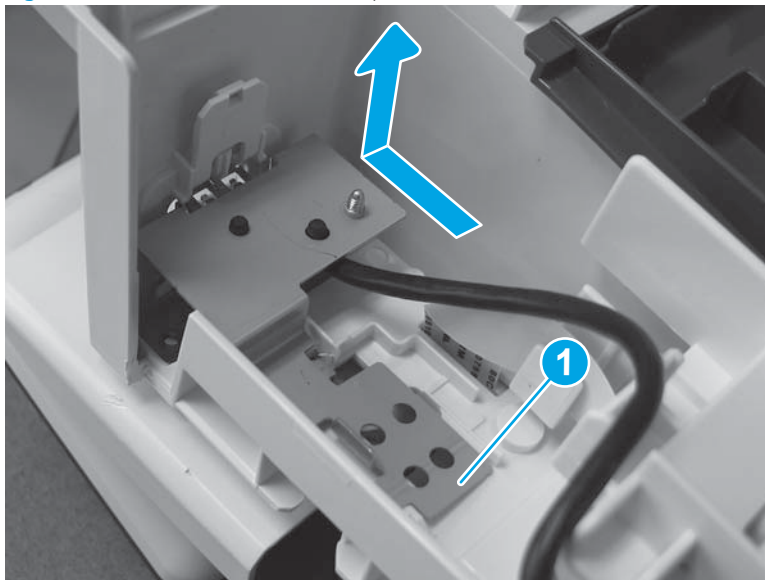
2. Release the metal tab (callout 1), and the lift up on metal bracket to remove USB port (callout 2).

Figure 1-2251 Release metal tab and lift to remove



3. Pry up (callout 1) to clear the plastic tabs then slide back and lift up to remove USB from the printer.

Figure 1-2252 Remove USB from printer

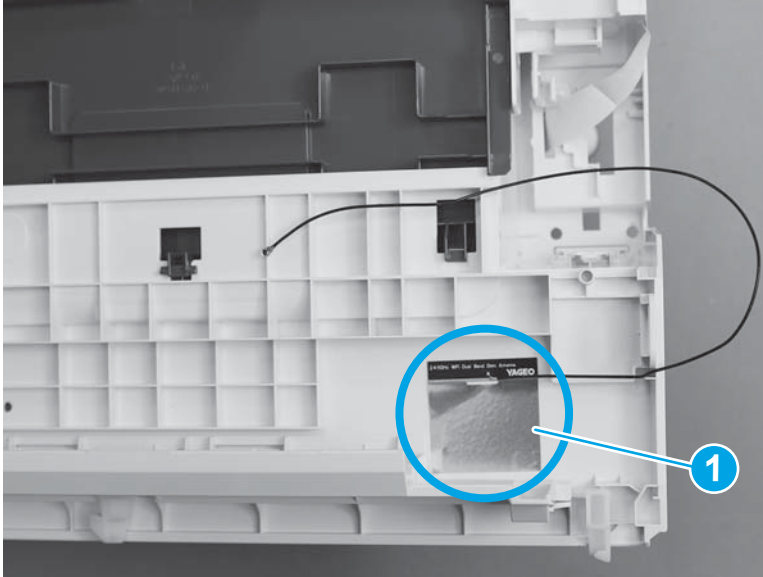


### Step 11: Remove the wireless antenna (M479dw/fnw/fdw models)

1. On the underside of the top cover, locate the wireless antenna (callout 1).

 **NOTE:** The M479dw model is shown in the figures below. The procedure is also correct for the M479fnw and M479fdw models.


Figure 1-2253 Locate the wireless antenna



2. Loosen one edge of the tape holding down the antenna cable (callout 1).

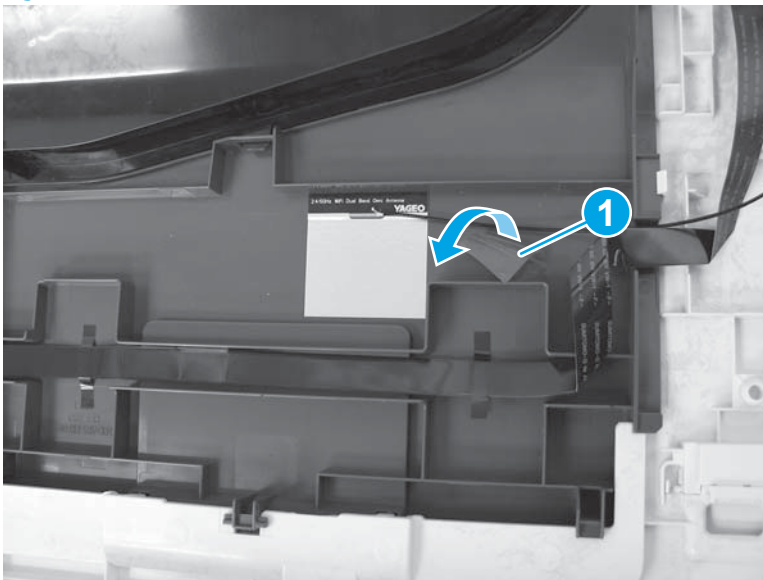
---

 **NOTE:** The following images may appear slightly different however, the procedures are the same.

 **NOTE:** Do not completely remove the tape. It will be used to secure the cable on the replacement antenna.

---

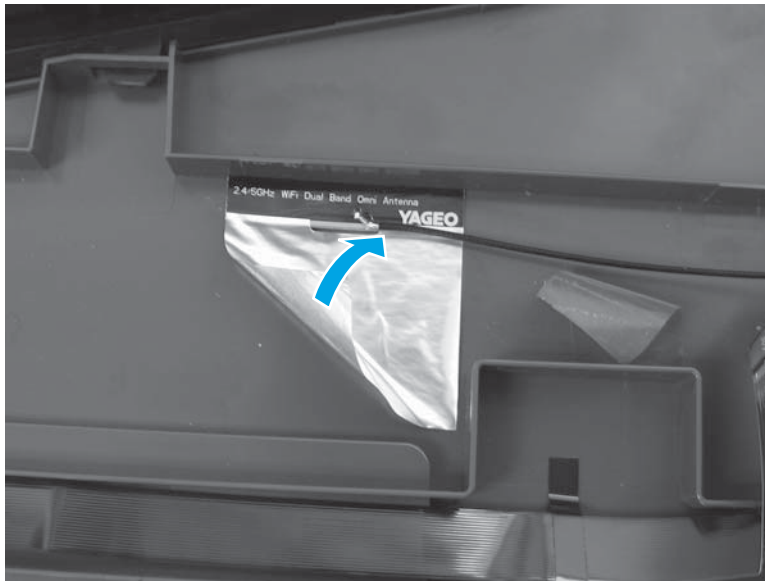
Figure 1-2254 Loosen the tape



- Lift the edge of the silver tape, and then peel the antenna off of the top cover.

 **NOTE:** Remove any adhesive residue that remains on the top cover after removing the antenna.

**Figure 1-2255** Remove the antenna



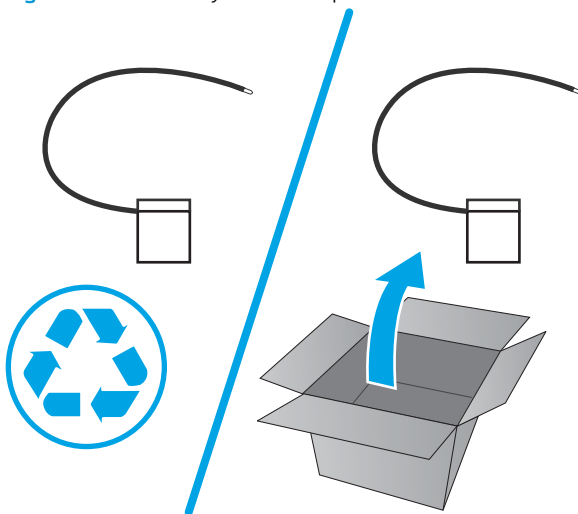
### Step 8: Unpack the replacement part

Remove the new part from its package. Save all packaging for recycling the used part.

For complete information on HP's recycling programs, go to [Product return and recycling](#).

 **NOTE:** HP recommends responsible disposal of the defective part.


**Figure 1-2256** Recycle and unpack



### Step 12: Install the walk-up USB port (M479 models)

- ▲ To install an assembly, reverse the removal steps.

---

 **NOTE:** When applicable, special installation instructions are provided for an assembly at the end of the removal procedure. Always completely read the removal instructions and follow all special installation instructions.

---

### Step 13: Install the control panel (M479 models)

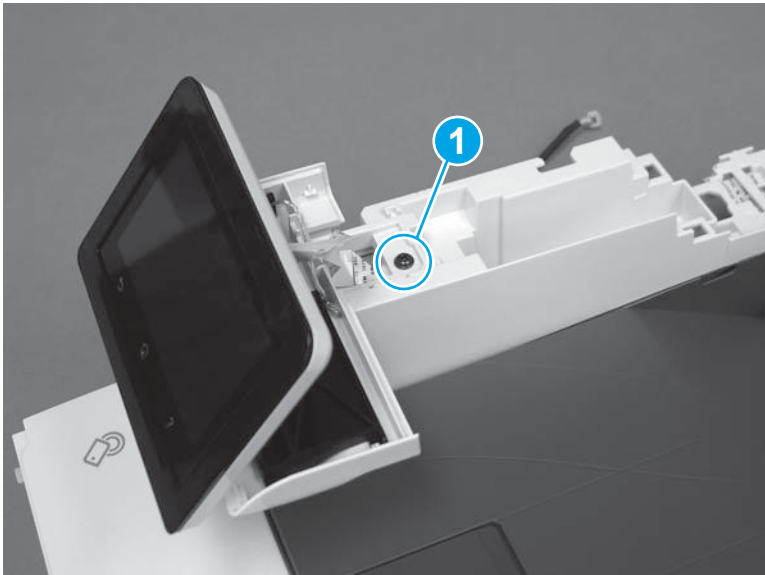
1. Install the flat cable (callout 1) in the slot (callout 2) in the top cover.

Figure 1-2257 Install the flat cable



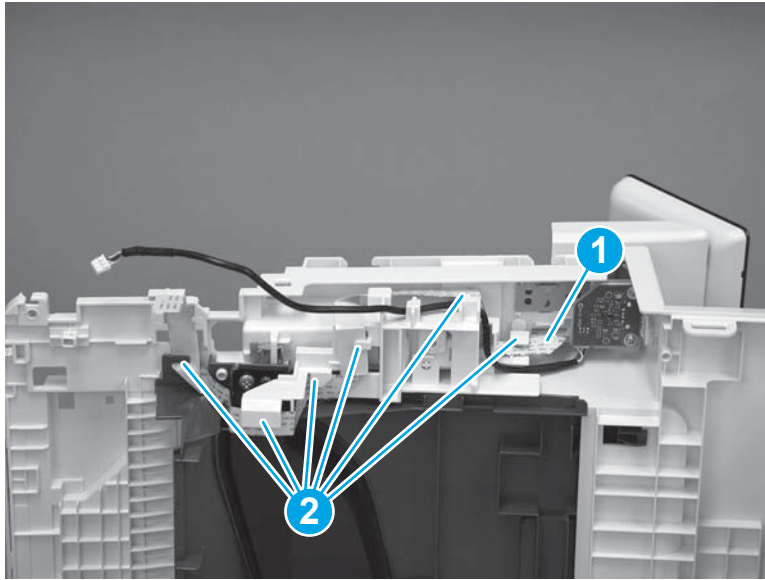
2. On the top of the cover, use your finger to install one screw (callout 1).

Figure 1-2258 Install one screw




3. Turn the top cover on its side, and then route the flat cable (callout 1) through the cable guides (callout 2).

Figure 1-2259 Route the flat cable




#### Step 14: Install the top cover ( M479 models)

- ▲ To install an assembly, reverse the removal steps.

 **NOTE:** When applicable, special installation instructions are provided for an assembly at the end of the removal procedure. Always completely read the removal instructions and follow all special installation instructions.

#### Step 15: Install the wireless antenna (M479fnw/dw/fdw models)

- ▲ To install an assembly, reverse the removal steps.

 **NOTE:** When applicable, special installation instructions are provided for an assembly at the end of the removal procedure. Always completely read the removal instructions and follow all special installation instructions.

## Removal and replacement: Wireless PCA (M454nw/dw models)

- [Introduction](#)
- [Step 1: Remove Tray 2](#)
- [Step 2: Open the front door and rear door or duplexer door](#)
- [Step 3: Remove the left cover \(M454 models\)](#)
- [Step 4: Remove the formatter PCA](#)
- [Step 5: Remove the wireless PCA \(M454nw/dw models\)](#)
- [Step 6: Unpack the replacement part](#)
- [Step 7: Install the wireless PCA \(M454nw/dw models\)](#)

### Introduction


This document provides the procedures to remove and replace the wireless PCA for the M454nw/dw models.

[Click here to view a video of this procedure.](#)

### Before you begin

- Turn off the printer.
- Disconnect the power cable.

---

 **WARNING!** To avoid damage to the printer, turn the printer off, wait 30 seconds, and then remove the power cord before attempting to service the printer.

---

- Use the table below to identify the correct part number for your printer. To order the part, go to [www.hp.com/buy/parts](http://www.hp.com/buy/parts).

---

#### Wireless antenna part numbers

---

0960-4025

Wireless PCA (M454nw/dw models)

---

### Required tools

- #2 Phillips screwdriver with a magnetic tip

### After performing service

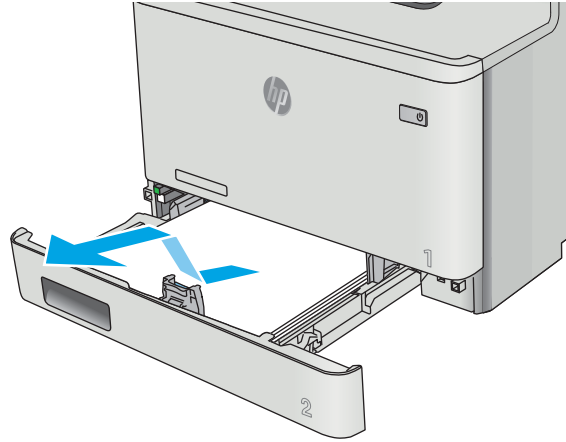
- Connect the power cable.
- Use the power switch to turn the power on.

### Step 1: Remove Tray 2

- ▲ Pull the tray out until it stops. Lift the front of the tray, and then pull it out of the printer to remove it.



Figure 1-2260 Remove the tray



**Step 2: Open the front door and rear door or duplexer door**

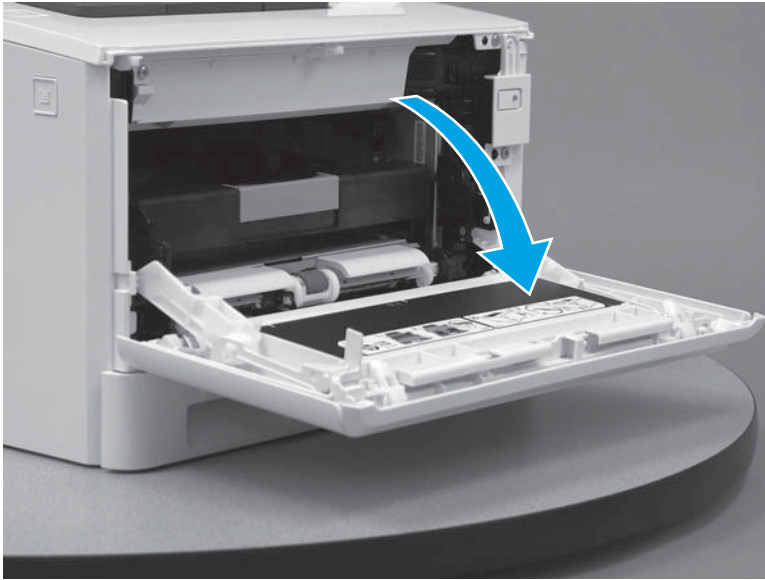
1. Press the button (callout 1) on the left side of the printer to release the front door.

Figure 1-2261 Release the front door



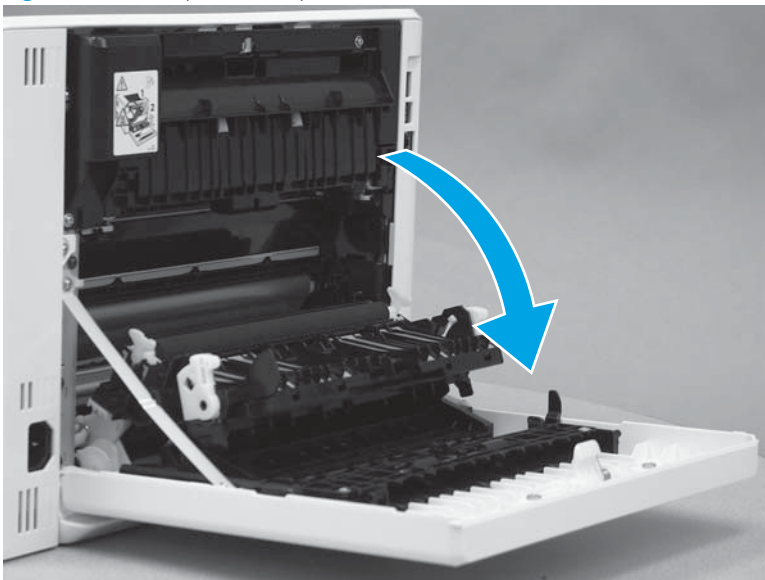
2. Open the front door.

Figure 1-2262 Open the front door



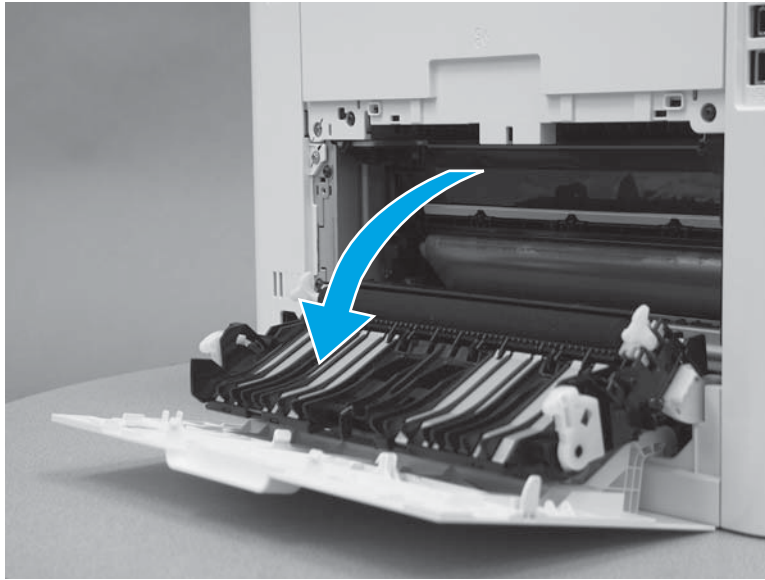
3. Duplex models: Open the duplexer door.

Figure 1-2263 Open the duplexer door



4. **Simplex models:** Open the rear door.

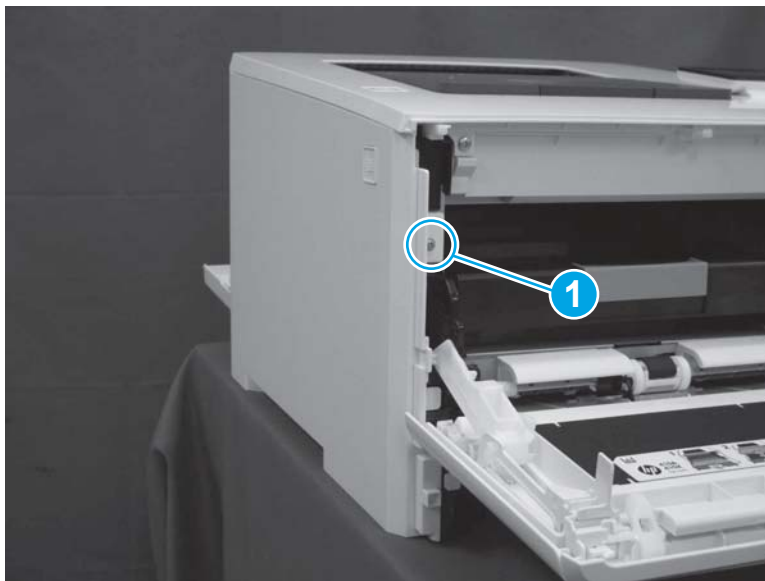
Figure 1-2264 Open the rear door



### Step 3: Remove the left cover (M454 models)

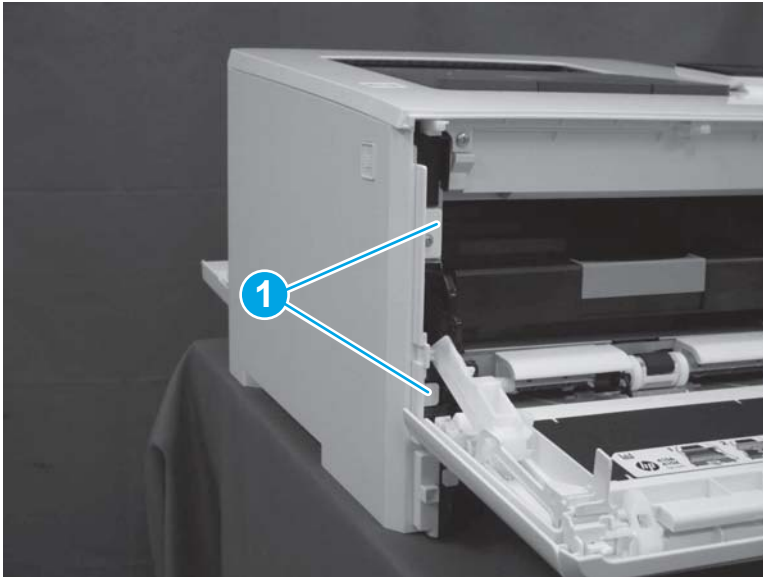
1. At the front of the printer, remove one screw (callout 1).

Figure 1-2265 Remove one screw



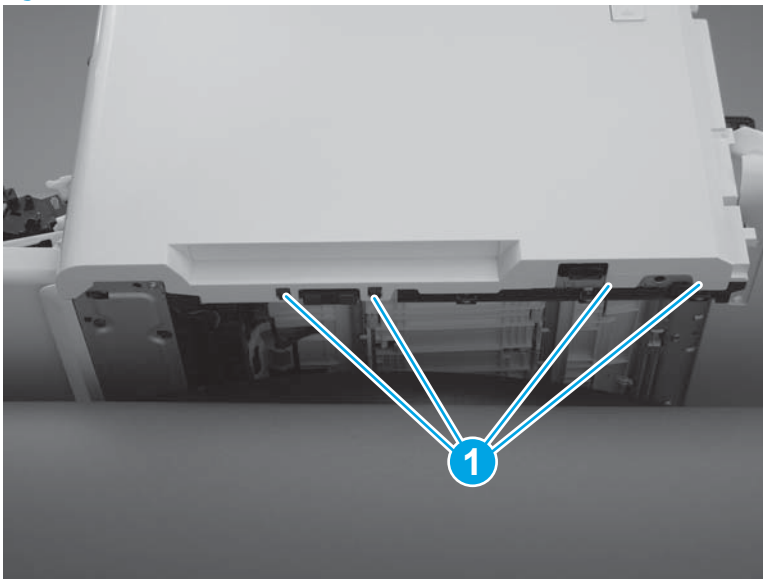
2. Release two tabs (callout 1) at the front of the cover. Hold the cover open to prevent the tabs from reengaging.

Figure 1-2266 Release two tabs



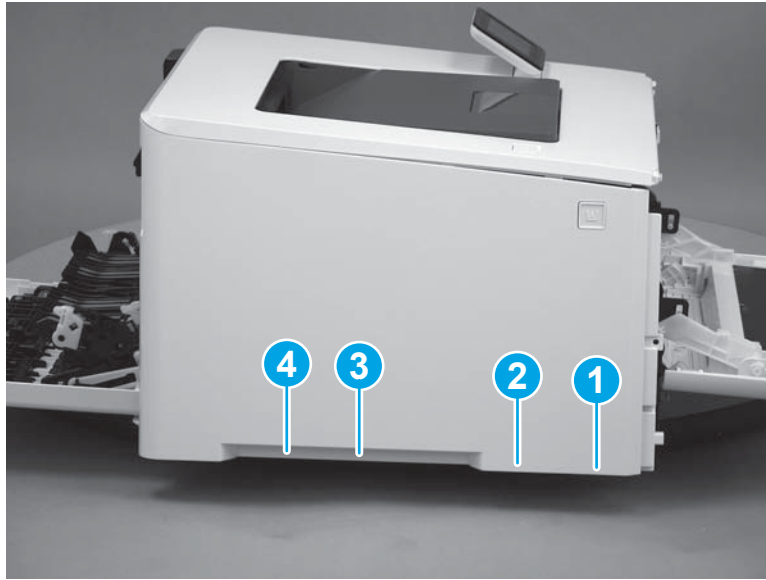
3. Slide the printer to the edge of a work surface. Note the location of the tabs on the lower edge of the cover (callout 1).

Figure 1-2267 Locate the tabs



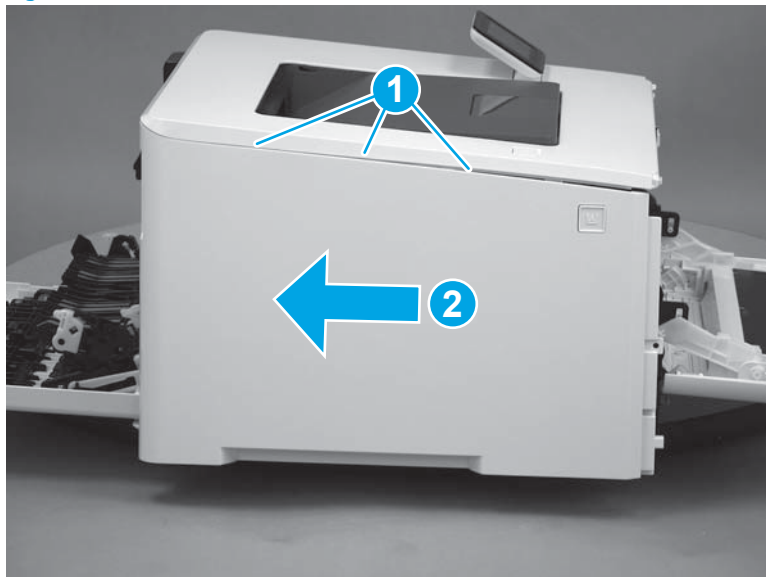
4. Beginning from the front of the cover, release four tabs (callouts 1-4) on the lower edge of the cover.

Figure 1-2268 Release bottom tabs



5. Release three tabs at the top of the cover (callout 1), and then slide the cover toward the rear of the printer to remove it.

Figure 1-2269 Release three tabs

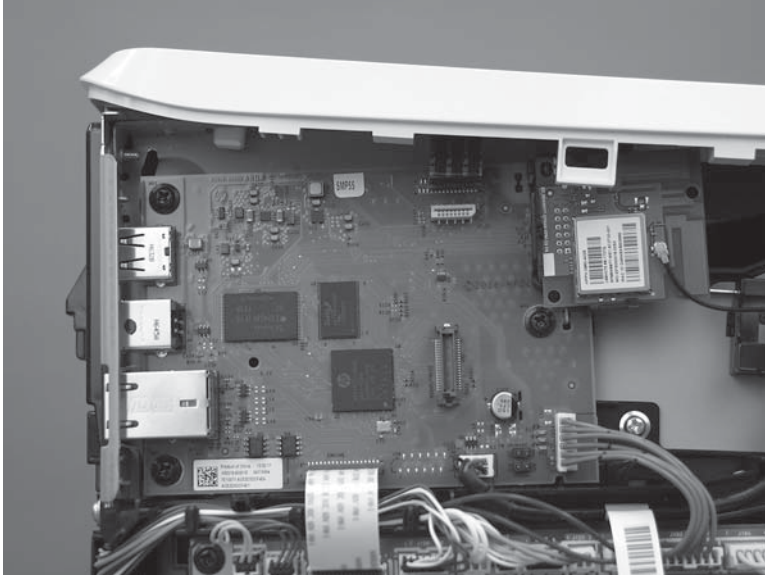


#### Step 4: Remove the formatter PCA

 **NOTE:** The M454dw model is shown in the figures below. The formatter PCA on other models might look differently and have a different number of connections. However, the procedure is correct for all models.

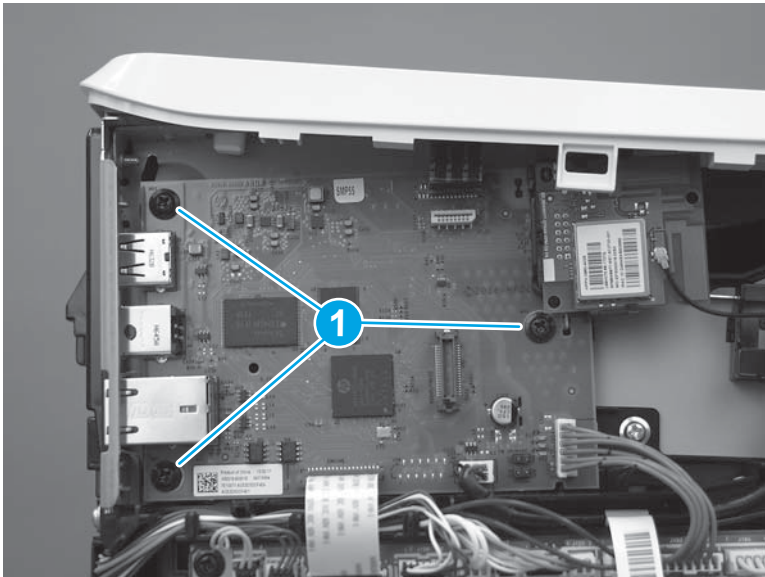
1. Disconnect all of the connectors on the formatter PCA.

Figure 1-2270 Disconnect all of the connectors)



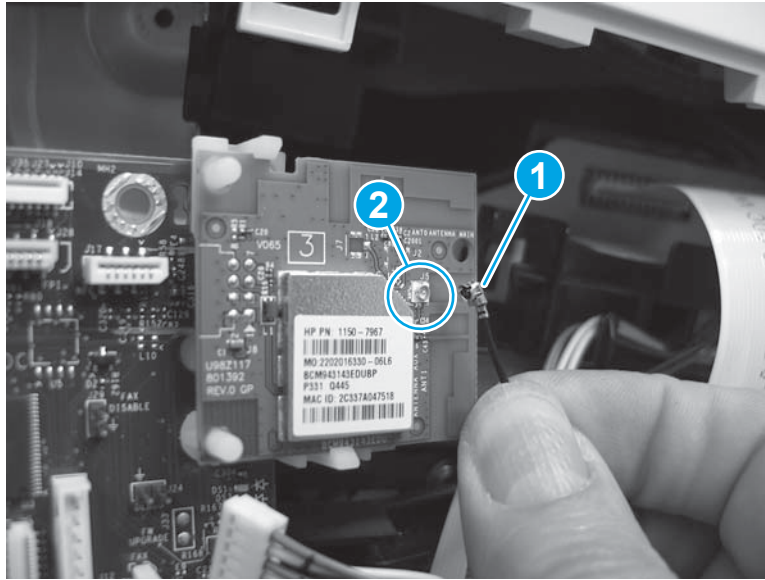
2. Remove three screws (callout 1).

Figure 1-2271 Remove three screws



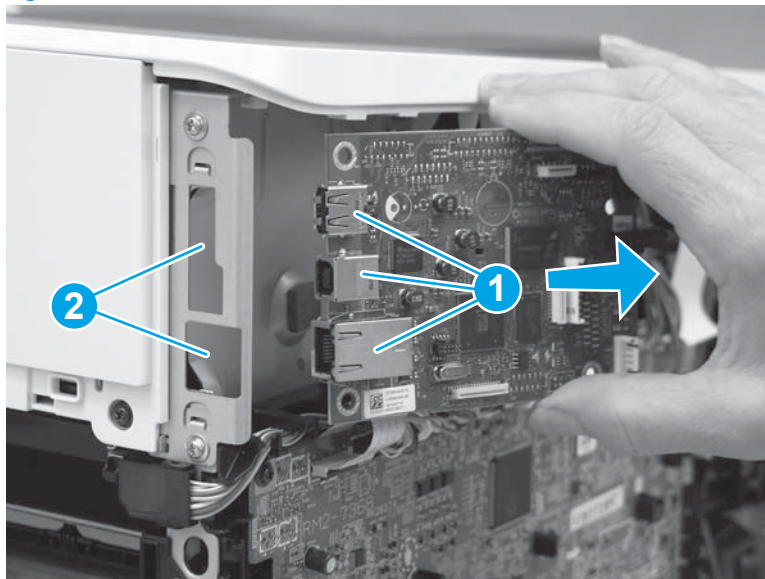
3. Disconnect the antenna (callout 1) from the connector (callout 2).

Figure 1-2272 Disconnect the antenna



4. Slide the formatter PCA to the right to release the ports (callout 1) from the openings in the printer frame (callout 2), and then remove the formatter PCA.

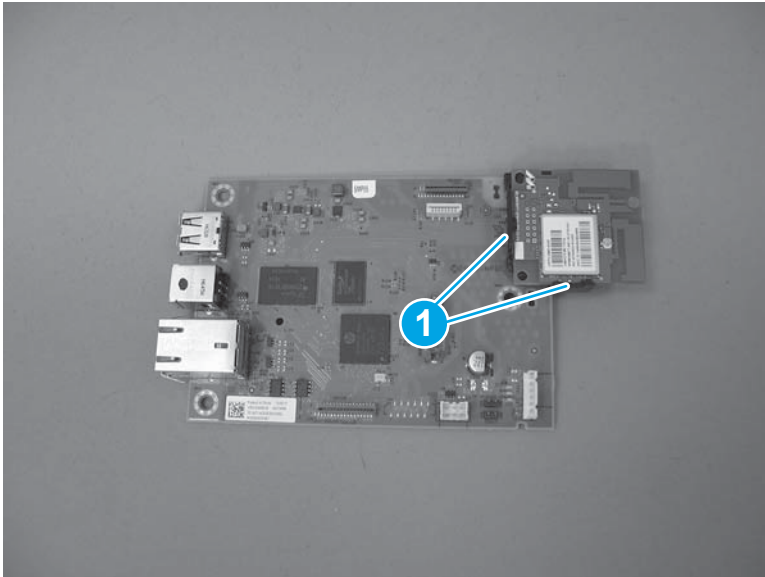
Figure 1-2273 Remove the formatter PCA





5. Lay formatter PCA on flat surface, and then release two tabs (callout 1) on wireless PCA. Lift up to remove wireless PCA.

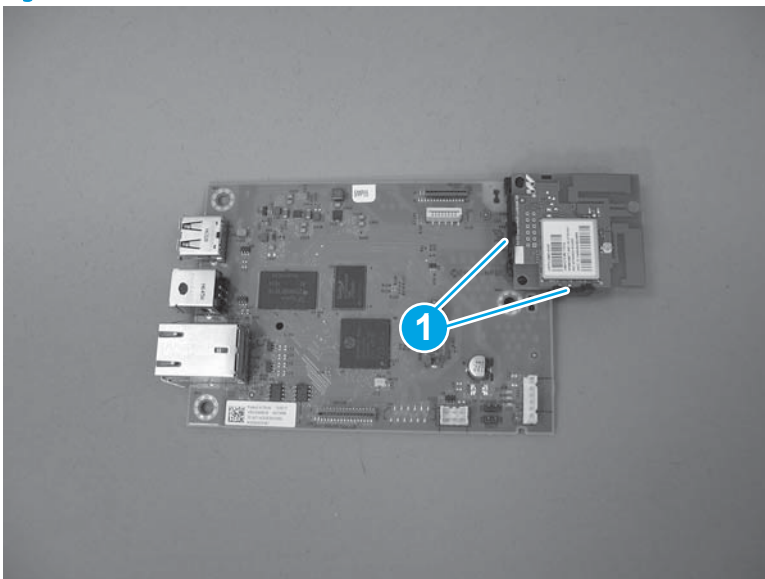
**Figure 1-2274** Release two tabs on wireless PCA then lift up to remove wireless PCA



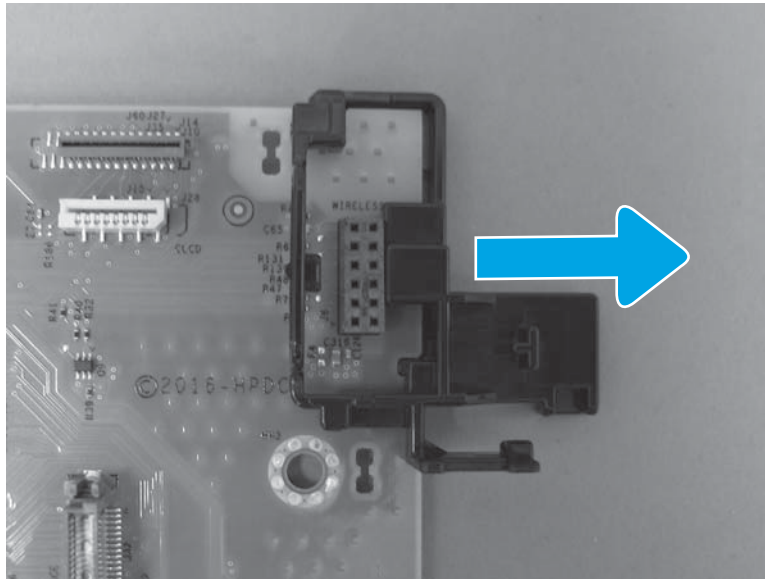
#### Step 5: Remove the wireless PCA (M454nw/dw models)

1. Lay the formatter PCA on a flat surface. Release two tabs (callout 1), and then lift the wireless PCA up (callout 2) to release it from the bracket and disconnect it from the formatter PCA. Lift up on the wireless PCA to disconnect it from the formatter PCA.

**Figure 1-2275** Remove the wireless PCA



- Slide the wireless PCA in the direction of the arrow to remove it from the formatter PCA.



### Step 6: Unpack the replacement part

Remove the new part from its package. Save all packaging for recycling the used part.

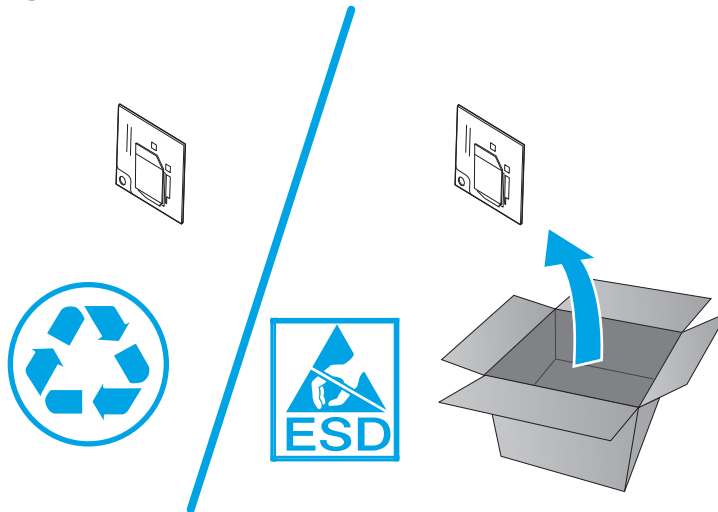
For complete information on HP's recycling programs, go to [Product return and recycling](#).

---

 **NOTE:** HP recommends responsible disposal of the defective part.

---


Figure 1-2276 Recycle and unpack



### Step 7: Install the wireless PCA (M454nw/dw models)

- ▲ To install an assembly, reverse the removal steps.

---

 **NOTE:** When applicable, special installation instructions are provided for an assembly at the end of the removal procedure. Always completely read the removal instructions and follow all special installation instructions.

---

## Removal and replacement: Wireless PCA (M479fnw/fdw models)

- [Introduction](#)
- [Step 1: Remove Tray 2](#)
- [Step 2: Open the front door and rear door or duplexer door](#)
- [Step 3: Remove the left cover \(M479 models\)](#)
- [Step 4: Remove the wireless PCA \(M479fnw/fdw models\)](#)
- [Step 5: Unpack the replacement part](#)
- [Step 6: Install the wireless PCA \(M479fnw/fdw models\)](#)

### Introduction


This document provides the procedures to remove and replace the wireless PCA for the M479fnw and M479fdw.

[Click here to view a video of this procedure.](#)

### Before you begin

- Turn off the printer.
- Disconnect the power cable.

---

 **WARNING!** To avoid damage to the printer, turn the printer off, wait 30 seconds, and then remove the power cord before attempting to service the printer.

---

- Use the table below to identify the correct part number for your printer. To order the part, go to [www.hp.com/buy/parts](http://www.hp.com/buy/parts).

---

#### Wireless PCA part numbers

---

0960-4025

Wireless PCA (M479fnw/fdw)

---

### Required tools

- #2 Phillips screwdriver with a magnetic tip

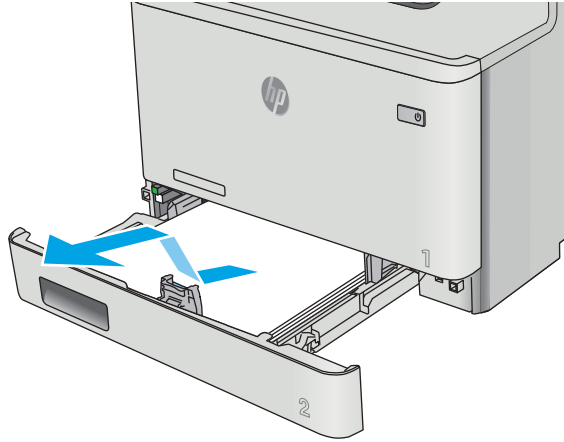
### After performing service

- Connect the power cable.
- Use the power switch to turn the power on.

### Step 1: Remove Tray 2

- ▲ Pull the tray out until it stops. Lift the front of the tray, and then pull it out of the printer to remove it.

Figure 1-2277 Remove the tray



**Step 2: Open the front door and rear door or duplexer door**

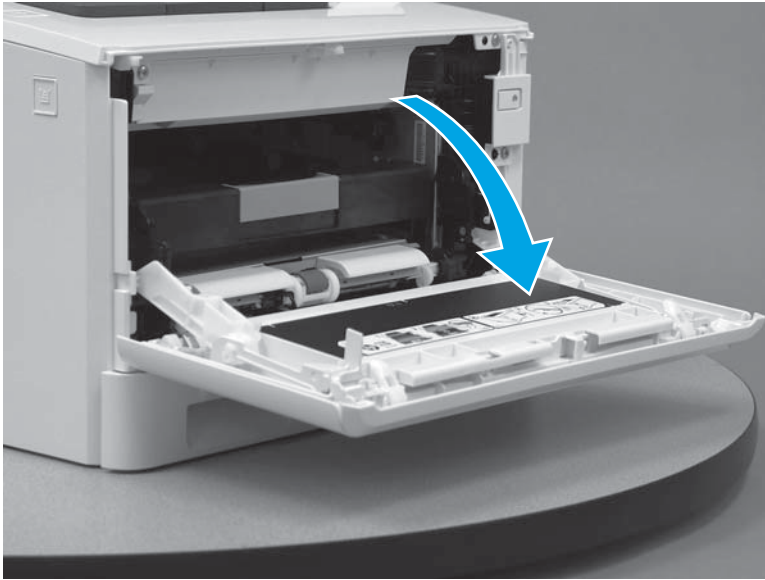
1. Press the button (callout 1) on the left side of the printer to release the front door.

Figure 1-2278 Release the front door



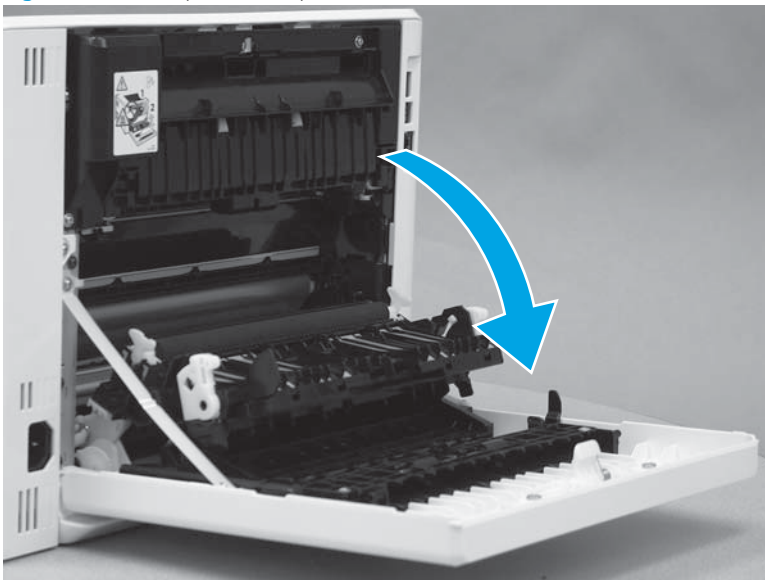
2. Open the front door.

Figure 1-2279 Open the front door



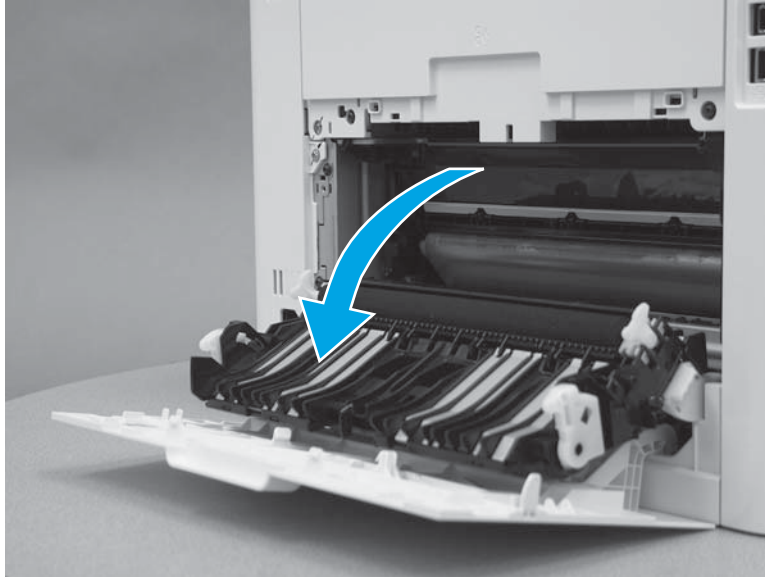
3. Duplex models: Open the duplexer door.

Figure 1-2280 Open the duplexer door



4. **Simplex models:** Open the rear door.

Figure 1-2281 Open the rear door



### Step 3: Remove the left cover (M479 models)

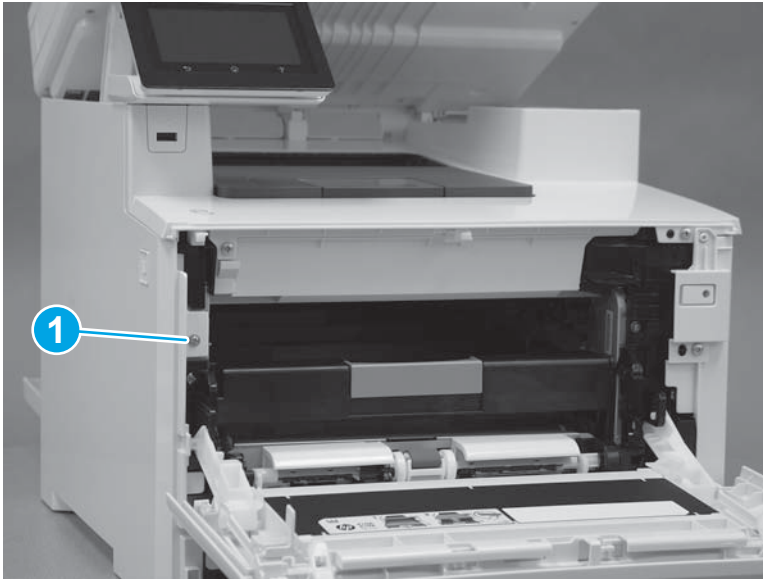
1. Raise the scanner.

Figure 1-2282 Raise the scanner



2. At the front of the printer, remove one screw (callout 1).

Figure 1-2283 Remove one screw



3. Release two tabs (callout 1) at the front of the cover. Hold the cover open to prevent the tabs from re-engaging.

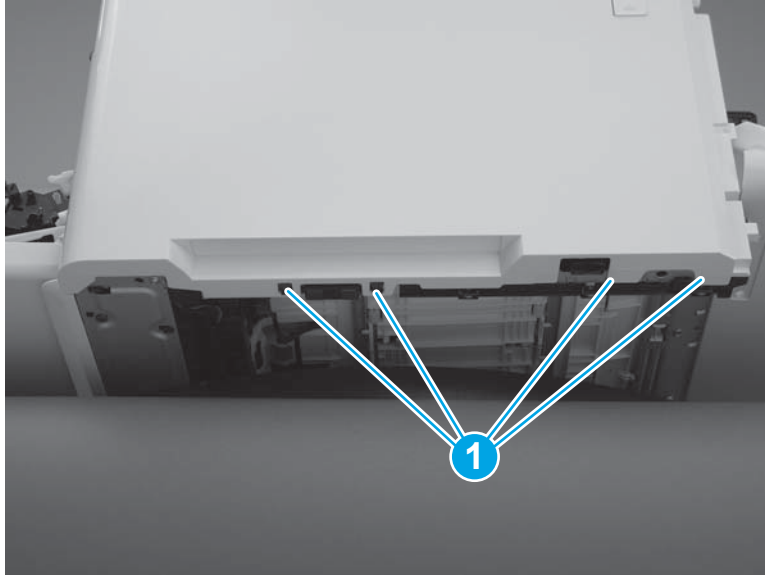
Figure 1-2284 Release two tabs





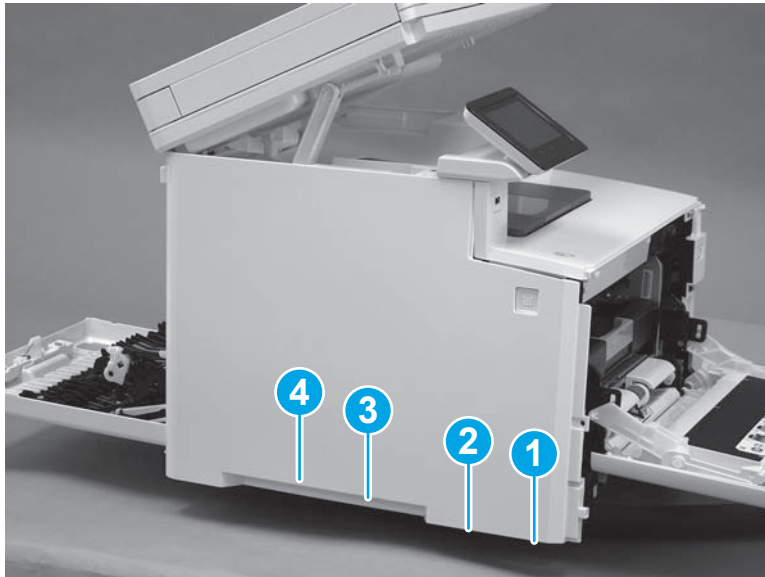
4. Slide the printer to the edge of a work surface. Note the location of the tabs on the lower edge of the cover (callout 1).

Figure 1-2285 Locate the tabs



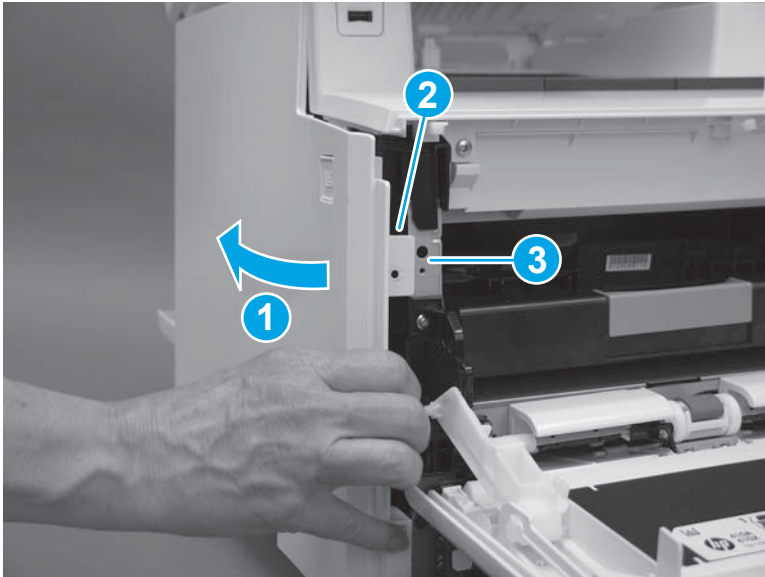
5. Beginning from the front of the cover, release the four tabs (callouts 1-4) on the lower edge of the cover.

Figure 1-2286 Release four tabs



6. Rotate the front of the cover away from the printer (callout 1). Make sure that the tab (callout 2) does not get caught on the printer frame (callout 3).

Figure 1-2287 Rotate the cover



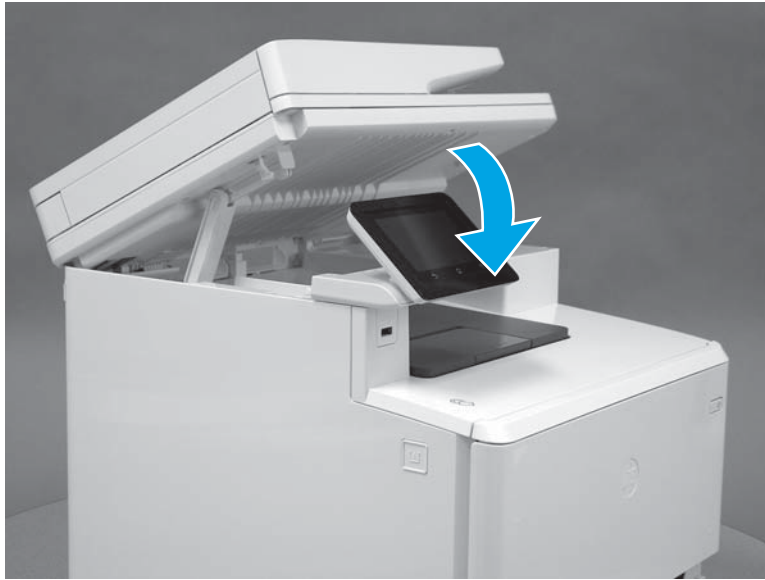
7. At the top of the printer, slightly pull the top of the cover away from the printer to release one retention tab (callout 1) on the inside of the cover. While holding the cover away, slide the cover toward the back of the printer (callout 2) to release two hooks (callout 3) inside the cover.

Figure 1-2288 Release one tab and two hooks



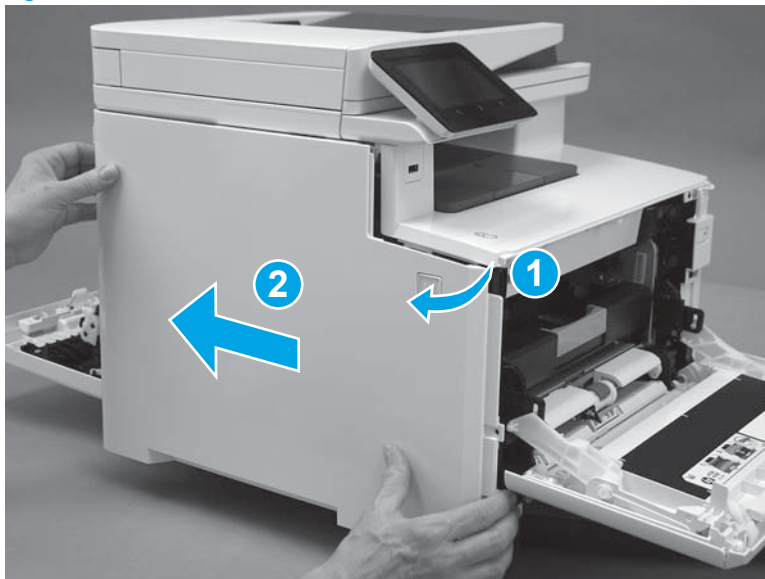
8. Lower the scanner.

Figure 1-2289 Lower the scanner



9. Rotate the cover away from the printer (callout 1), and then slide the cover (callout 2) toward the back of the printer to remove it.

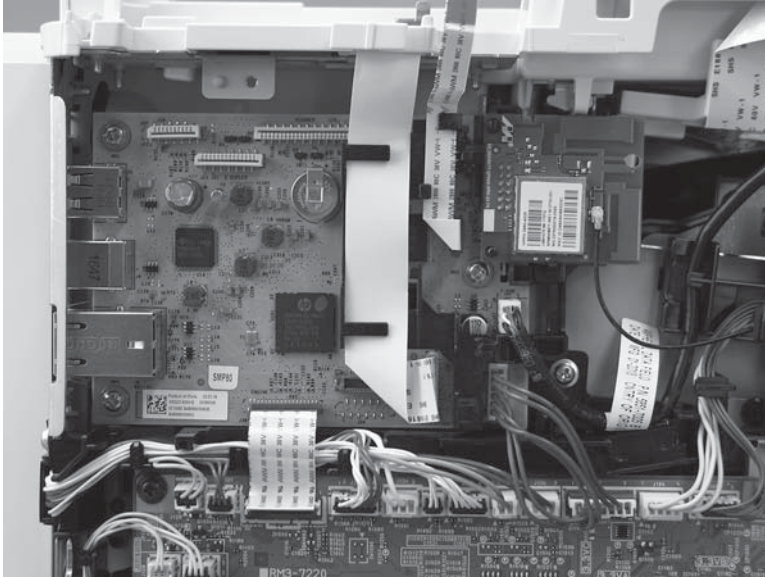
Figure 1-2290 Remove the left cover



#### Step 4: Remove the wireless PCA (M479fnw/fdw models)

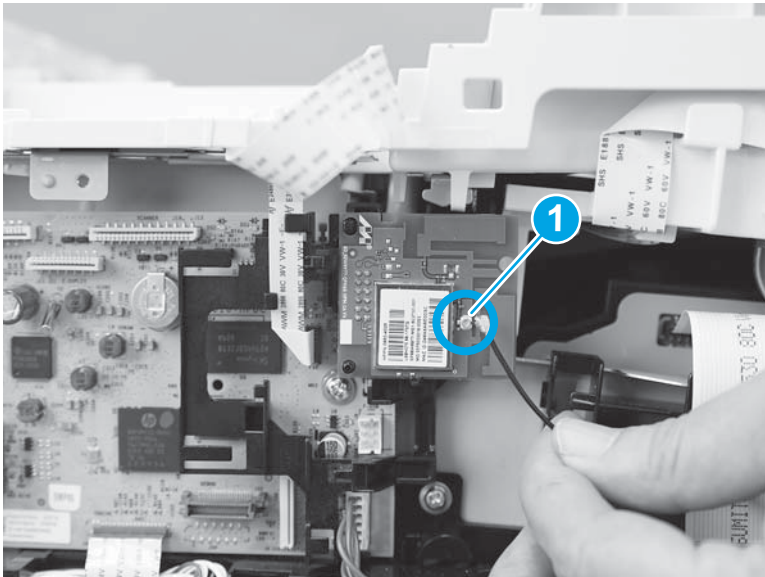
1. Disconnect all cables from the formatter.

Figure 1-2291 Disconnect all cables from the formatter



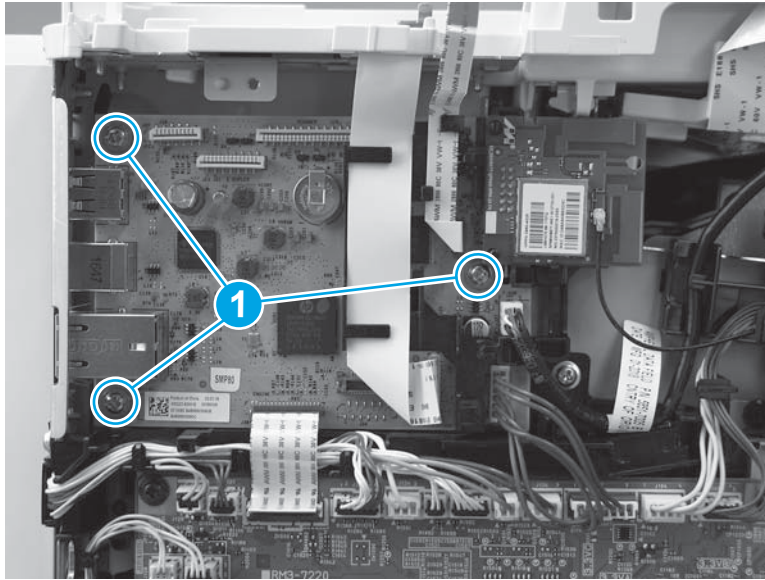
2. Disconnect one connector on the wireless PCA (callout 1).

Figure 1-2292 Disconnect one connector



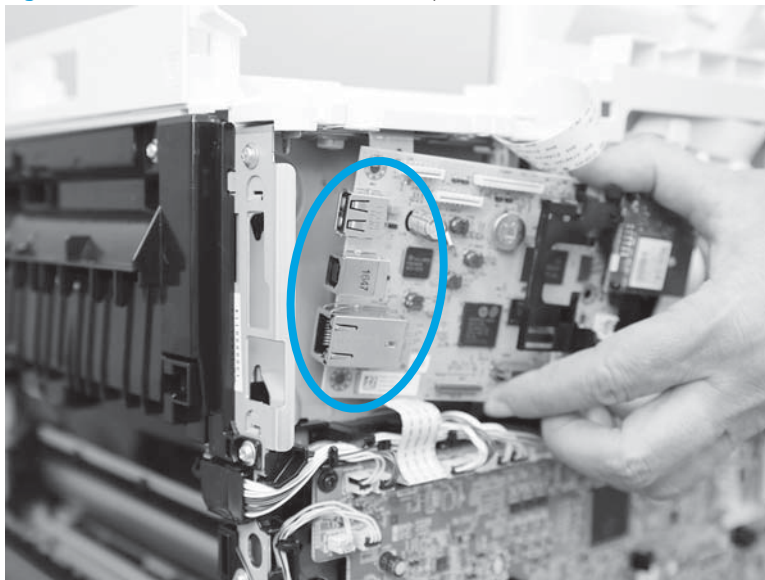
3. Remove three screws (callout 1).

Figure 1-2293 Remove three screws



4. Remove formatter clearing the I/O ports from printer frame.

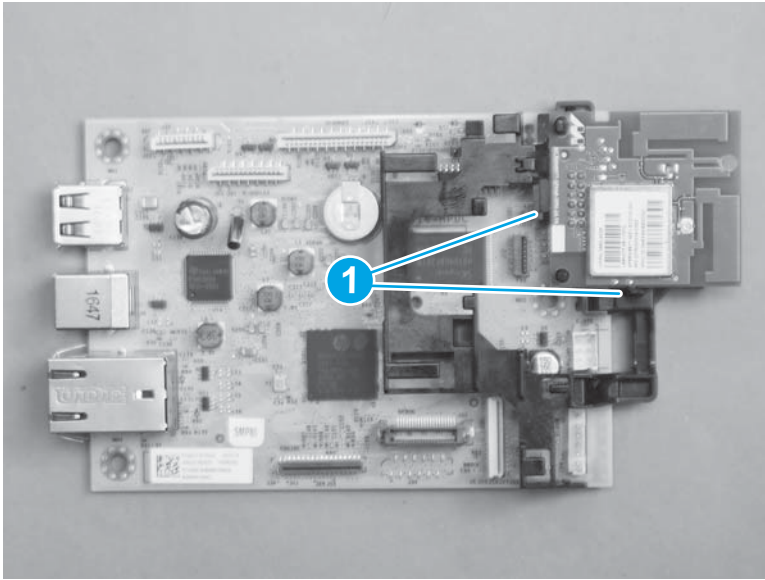
Figure 1-2294 Remove formatter from printer





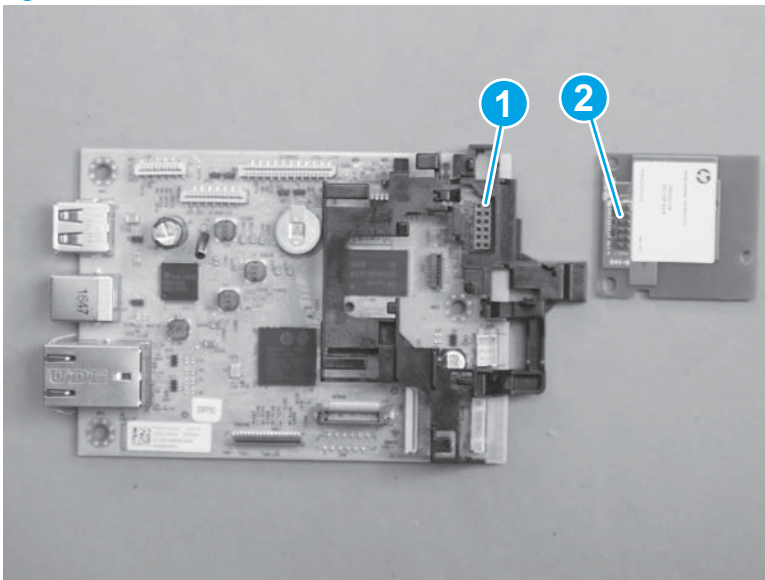
5. Lay formatter on a flat surface. Release two tabs on the wireless PCA.

Figure 1-2295 Release two tabs



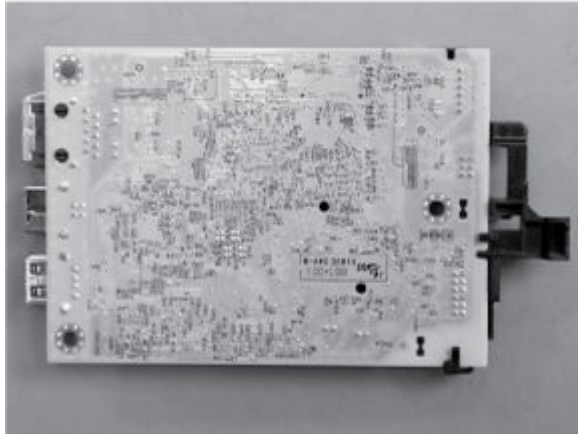
6. Lift up to remove the wireless PCA from the formatter PCA.

Figure 1-2296 Remove the formatter



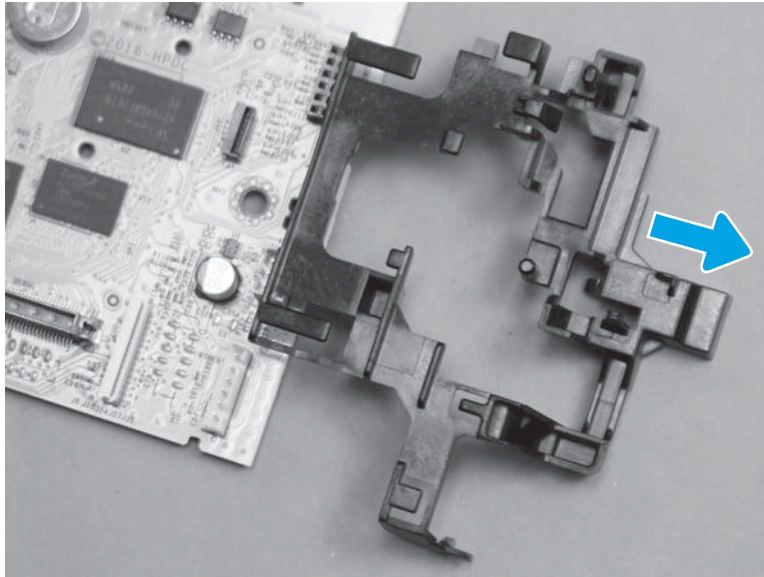
7. Release tabs on the back of the formatter.

Figure 1-2297 Release tabs on formatter



8. Remove the bracket by sliding in the direction of the arrow to remove bracket from the formatter PCA.

Figure 1-2298 Slide bracket in the direction of the arrow



### Step 5: Unpack the replacement part

Remove the new part from its package. Save all packaging for recycling the used part.

For complete information on HP's recycling programs, go to [Product return and recycling](#).

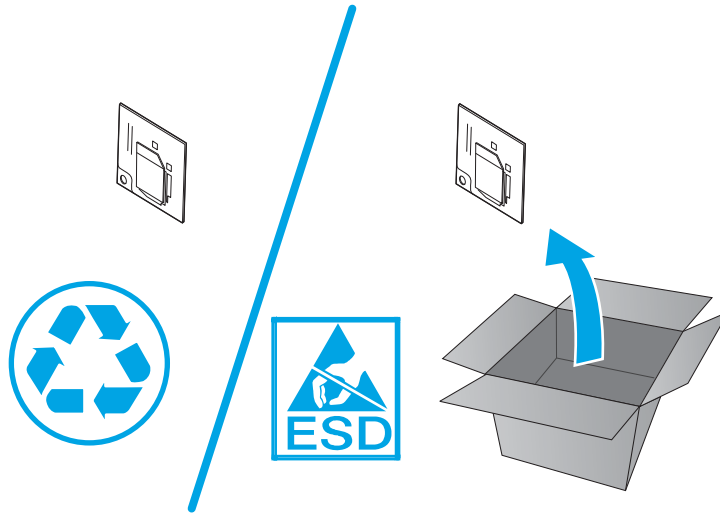
---

 **NOTE:** HP recommends responsible disposal of the defective part.

---




Figure 1-2299 Recycle and unpack



#### Step 6: Install the wireless PCA (M479fnw/fdw models)

- ▲ To install an assembly, reverse the removal steps.

---

 **NOTE:** When applicable, special installation instructions are provided for an assembly at the end of the removal procedure. Always completely read the removal instructions and follow all special installation instructions.

---

## Removal and replacement: Formatter PCA

- [Introduction](#)
- [Step 1: Remove Tray 2](#)
- [Step 2: Open the front door and rear door or duplexer door](#)
- [Step 3: Remove the left cover \(M454 models\)](#)
- [Step 4: Remove the left cover \(M479 models\)](#)
- [Step 5: Remove the formatter PCA](#)
- [Step 6: Unpack the replacement part](#)
- [Step 7: Install the formatter PCA](#)

### Introduction

This document provides the procedures to remove and replace the formatter PCA.


For M454 Models: [Click here to view a video of this procedure.](#)

For M479 models: [Click here to view a video of this procedure.](#)

### Before you begin

- Turn off the printer.
- Disconnect the power cable.

---

 **WARNING!** To avoid damage to the printer, turn the printer off, wait 30 seconds, and then remove the power cord before attempting to service the printer.

---

- Use the table below to identify the correct part number for your printer. To order the part, go to [www.hp.com/buy/parts](http://www.hp.com/buy/parts).

---

#### Formatter PCA part number

---

W1Y43-67901	Formatter PCA (M454nw)
W1Y43-67902	Formatter PCA (M454nw; China only)
W1Y44-67901	Formatter PCA (M454dn)
W1Y44-67902	Formatter PCA (M454dn; China only)
W1Y45-67901	Formatter PCA (M454dw)
W1Y45-67902	Formatter PCA (M454dw; China only)
W1A77-67901	Formatter PCA (M479dw)
W1A77-67902	Formatter PCA (M479dw; China only)
W1A78-67901	Formatter PCA (M479fnw)
W1A78-67902	Formatter PCA (M479fnw; China only)

---

Formatter PCA part number	
W1A79-67901	Formatter PCA (M479fdn)
W1A79-67902	Formatter PCA (M479fdn; China only)
W1A80-67901	Formatter PCA (M479fdw)
W1A80-67902	Formatter PCA (M479fdw; China only)

### Required tools

- #2 Phillips screwdriver with a magnetic tip

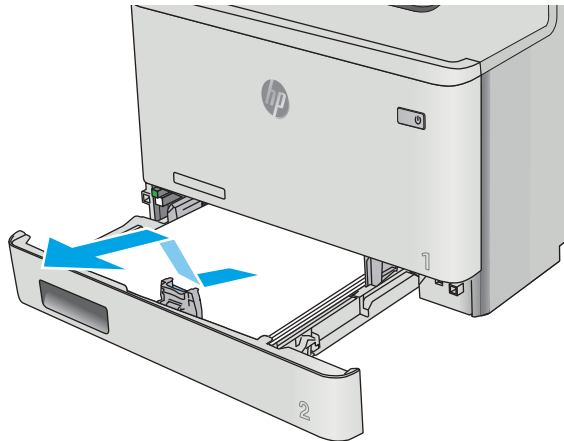
### After performing service

- Connect the power cable.
- Use the power switch to turn the power on.

### Step 1: Remove Tray 2

- ▲ Pull the tray out until it stops. Lift the front of the tray, and then pull it out of the printer to remove it.

Figure 1-2300 Remove the tray



### Step 2: Open the front door and rear door or duplexer door

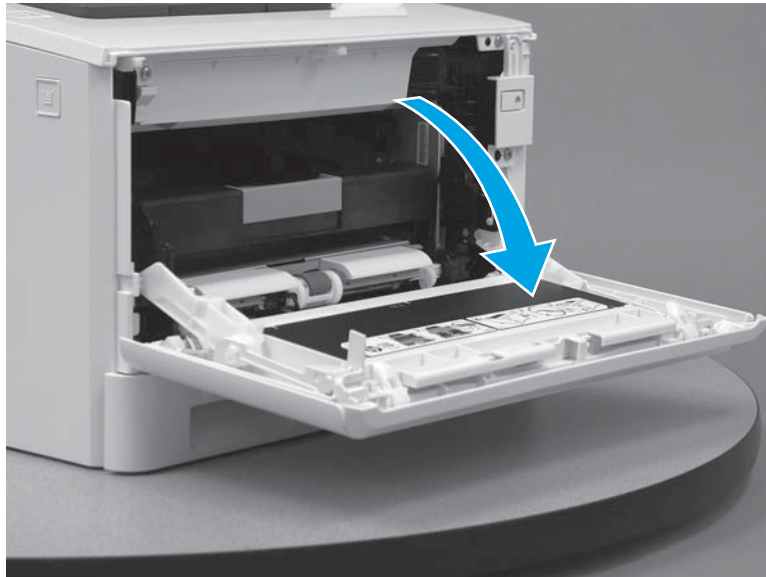
1. Press the button (callout 1) on the left side of the printer to release the front door.

Figure 1-2301 Release the front door



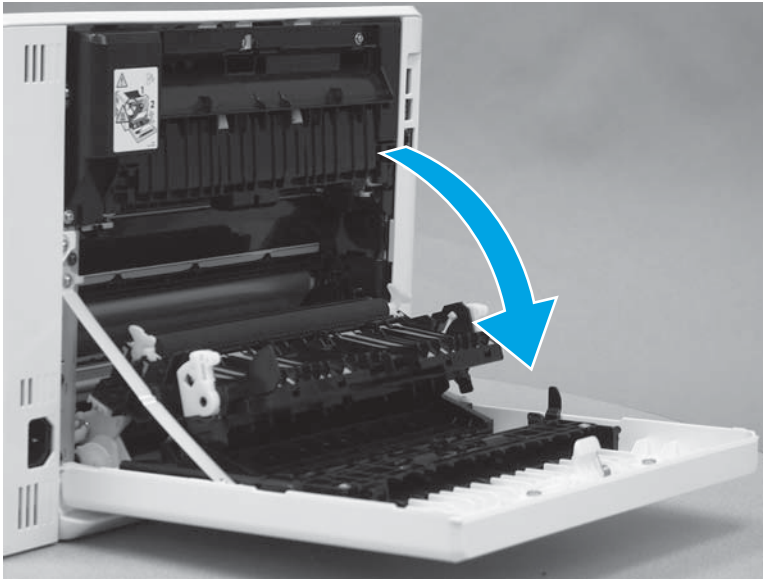
2. Open the front door.

Figure 1-2302 Open the front door



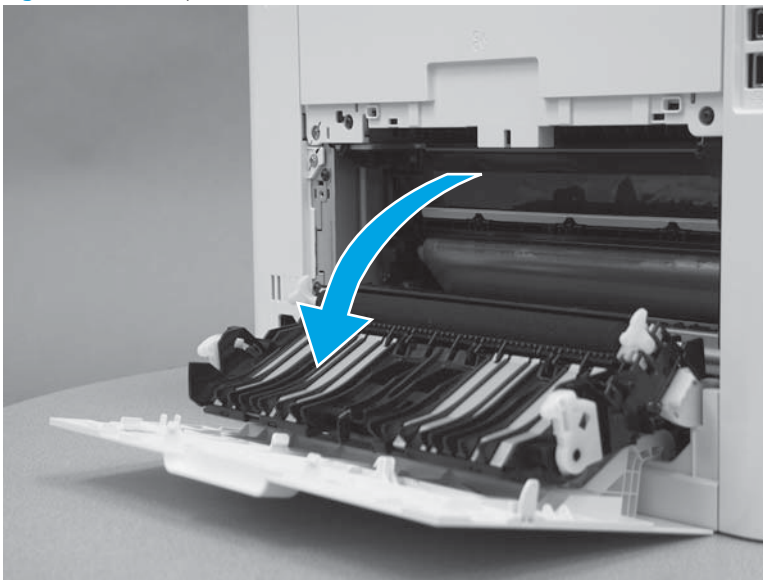
3. **Duplex models:** Open the duplexer door.

**Figure 1-2303** Open the duplexer door




4. **Simplex models:** Open the rear door.

**Figure 1-2304** Open the rear door

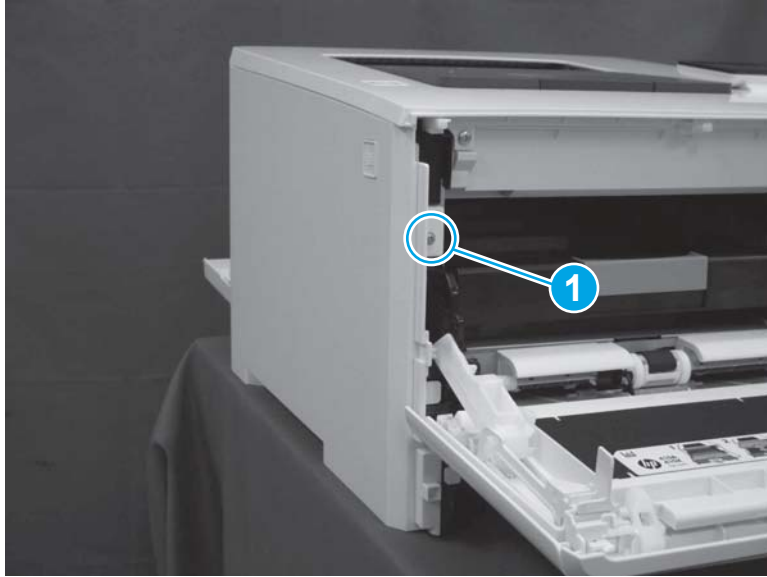


### Step 3: Remove the left cover (M454 models)

 **NOTE:** This step is for the M454 models. For the M479 models, skip this step and go to [Step 4: Remove the left cover \(M479 models\) on page 1259](#).

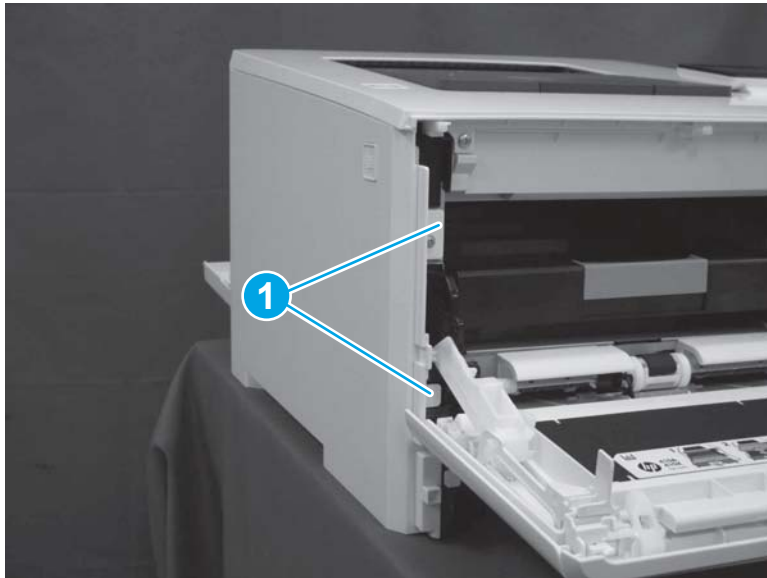
1. At the front of the printer, remove one screw (callout 1).

Figure 1-2305 Remove one screw



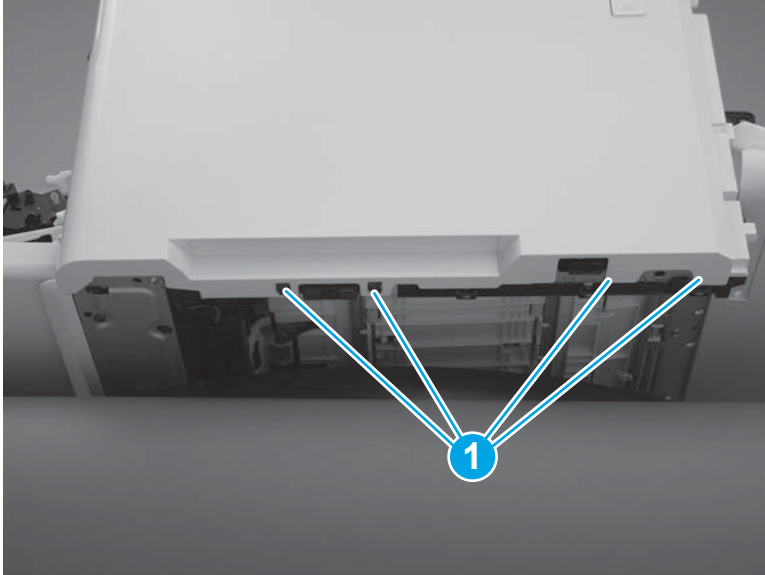
2. Release two tabs (callout 1) at the front of the cover. Hold the cover open to prevent the tabs from reengaging.

Figure 1-2306 Release two tabs



3. Slide the printer to the edge of a work surface. Note the location of the tabs on the lower edge of the cover (callout 1).

Figure 1-2307 Locate the tabs



4. Beginning from the front of the cover, release four tabs (callouts 1-4) on the lower edge of the cover.

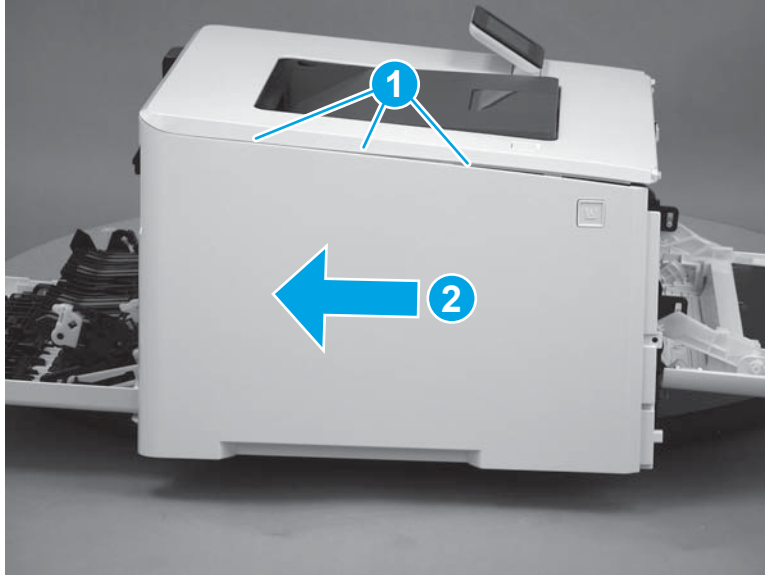
Figure 1-2308 Release bottom tabs






5. Release three tabs at the top of the cover (callout 1), and then slide the cover toward the rear of the printer to remove it.

Figure 1-2309 Release three tabs



#### Step 4: Remove the left cover (M479 models)

 **NOTE:** This step is for the M479 models. For the M454 models, skip this step and go to [Step 5: Remove the formatter PCA on page 1263](#).

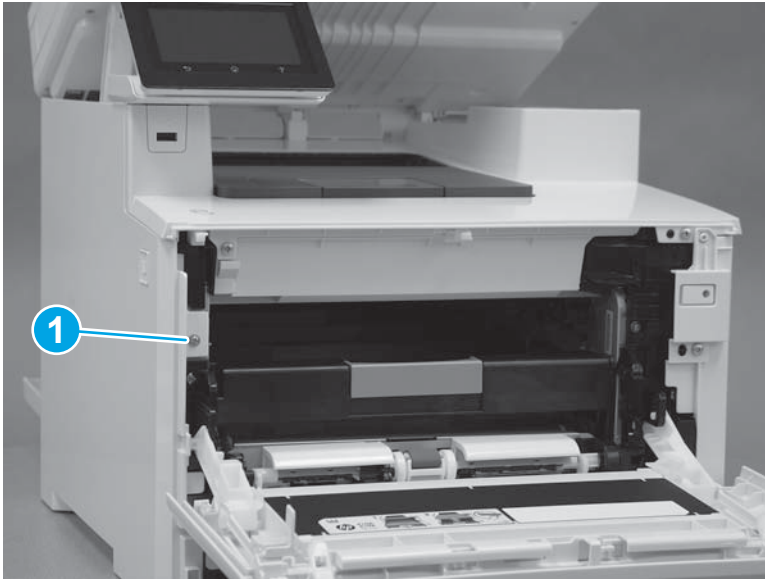
1. Raise the scanner.

Figure 1-2310 Raise the scanner



2. At the front of the printer, remove one screw (callout 1).

Figure 1-2311 Remove one screw



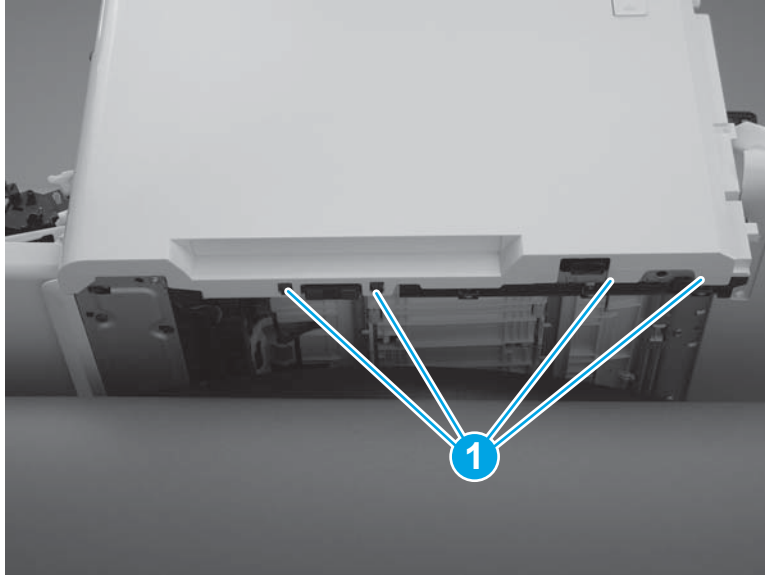
3. Release two tabs (callout 1) at the front of the cover. Hold the cover open to prevent the tabs from re-engaging.

Figure 1-2312 Release two tabs



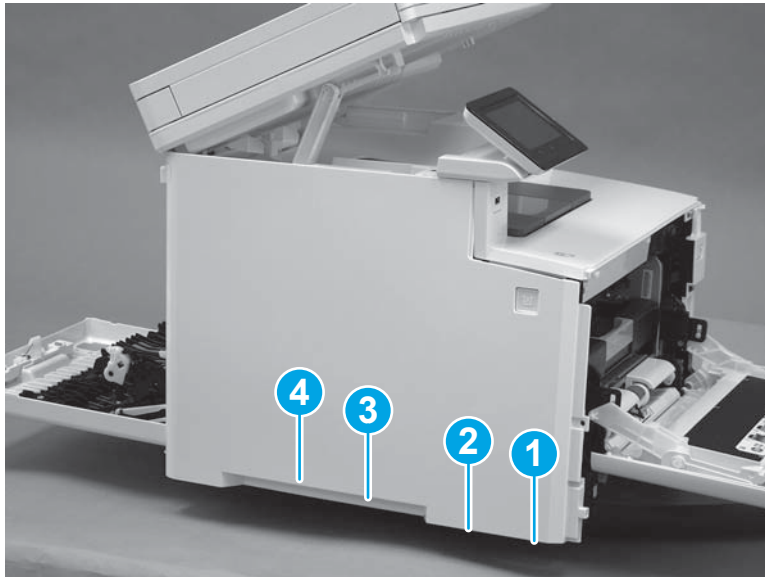
4. Slide the printer to the edge of a work surface. Note the location of the tabs on the lower edge of the cover (callout 1).

Figure 1-2313 Locate the tabs



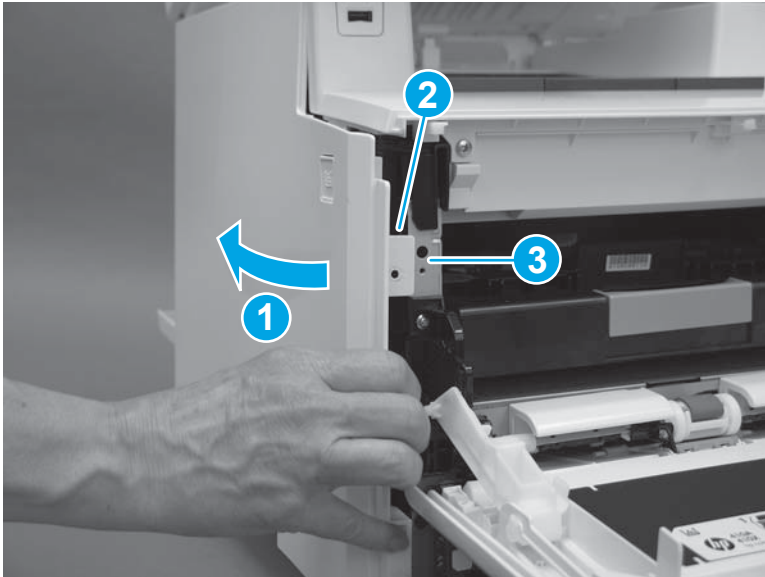
5. Beginning from the front of the cover, release the four tabs (callouts 1-4) on the lower edge of the cover.

Figure 1-2314 Release four tabs



6. Rotate the front of the cover away from the printer (callout 1). Make sure that the tab (callout 2) does not get caught on the printer frame (callout 3).

Figure 1-2315 Rotate the cover



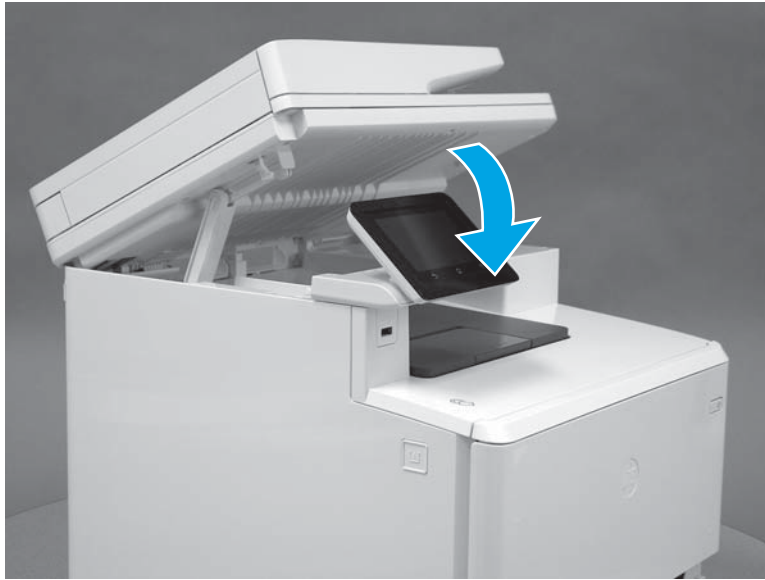
7. At the top of the printer, slightly pull the top of the cover away from the printer to release one retention tab (callout 1) on the inside of the cover. While holding the cover away, slide the cover toward the back of the printer (callout 2) to release two hooks (callout 3) inside the cover.

Figure 1-2316 Release one tab and two hooks



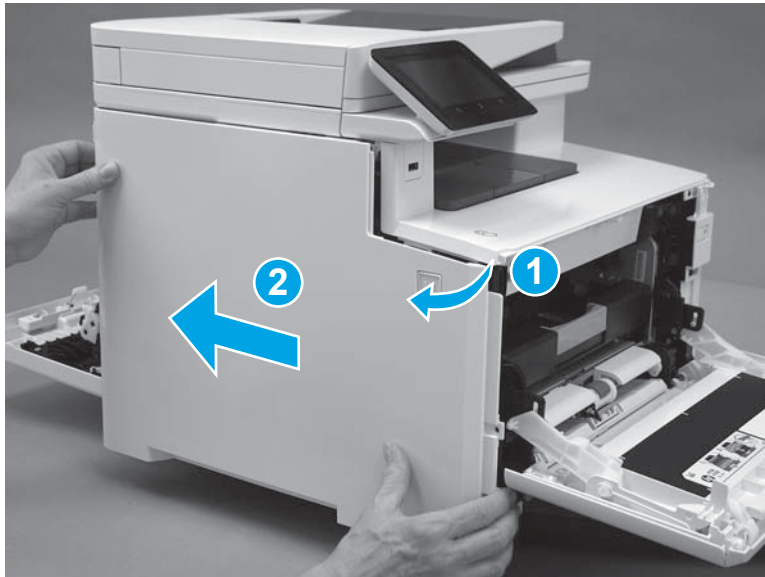
8. Lower the scanner.

Figure 1-2317 Lower the scanner



9. Rotate the cover away from the printer (callout 1), and then slide the cover (callout 2) toward the back of the printer to remove it.

Figure 1-2318 Remove the left cover

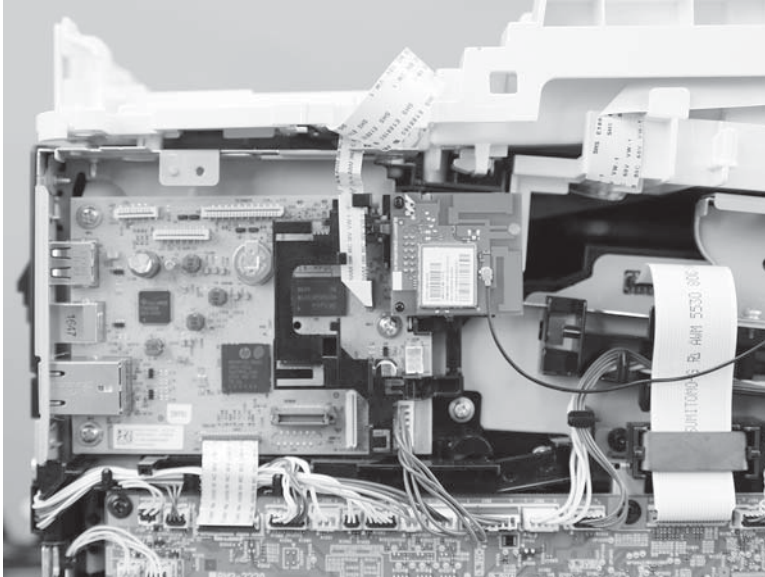


#### Step 5: Remove the formatter PCA

 **NOTE:** The M454dw model is shown in the figures below. The formatter PCA on other models might look differently and have a different number of connections. However, the procedure is correct for all models.

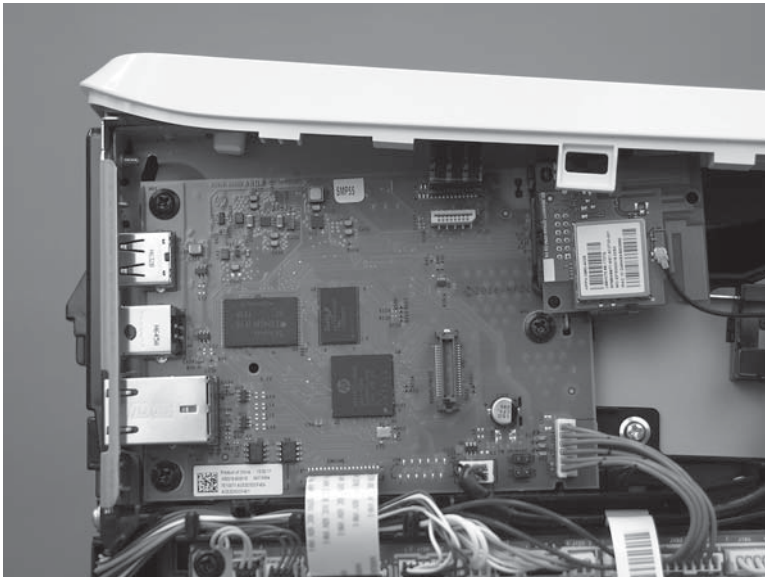
1. Disconnect all of the connectors on the formatter PCA for M479 models.

Figure 1-2319 Disconnect all of the connectors)



2. Disconnect all of the connectors on the formatter PCA for M454 models.

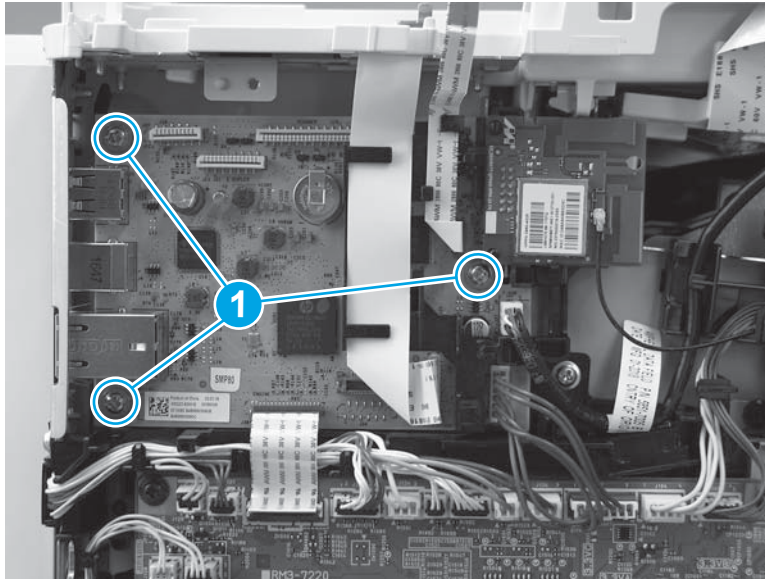
Figure 1-2320 Disconnect all of the connectors)





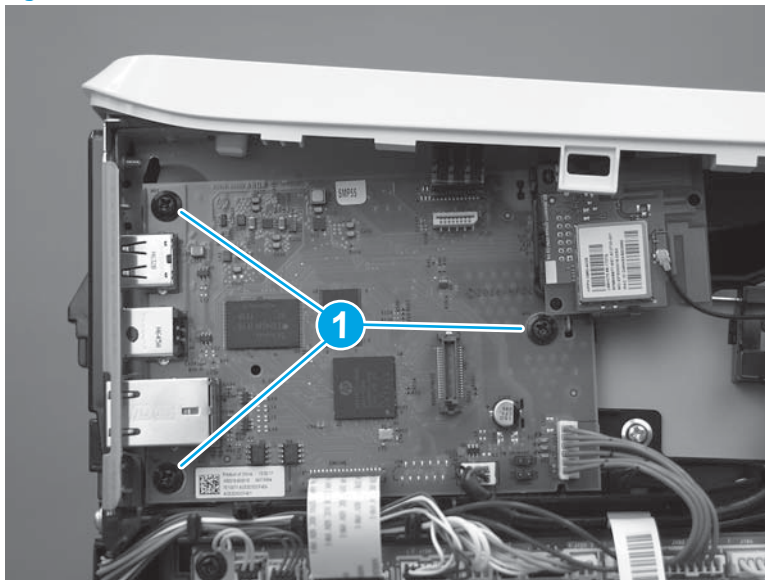
3. Remove three screws (callout 1) (M479).

Figure 1-2321 Remove three screws (M479 models)




4. Remove three screws (M454 models).

Figure 1-2322 Remove three screws (M454 models)

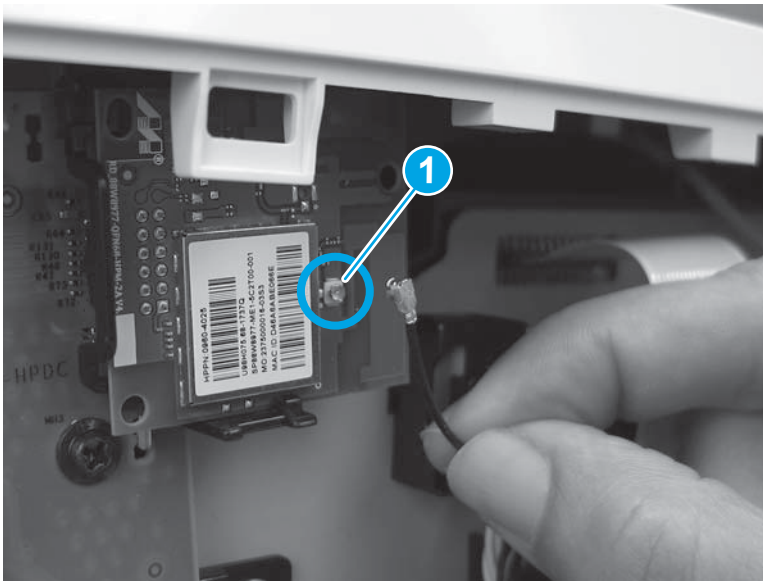





5. **M454nw and M454dw only:** Disconnect the antenna (callout 1) from the connector.

 **NOTE:** The image shown below is for the M454 models. For the M479, the procedure is the same.

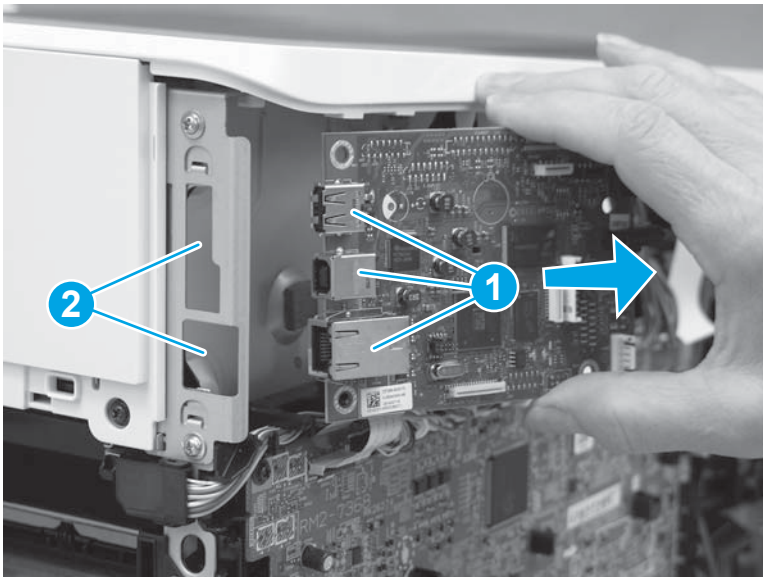
**Figure 1-2323** Disconnect the antenna



6. Slide the formatter PCA to the right to release the ports (callout 1) from the openings in the printer frame (callout 2), and then remove the formatter PCA.

 **NOTE:** The formatter PCA may look slightly different than what is shown below, however, the procedures are the same.

**Figure 1-2324** Remove the formatter PCA



7. **M454nw and M454dw only:** Lay the formatter PCA on a flat surface. Release two tabs (callout 1), and then lift the wireless PCA up to release it from the bracket and disconnect it from the formatter PCA.


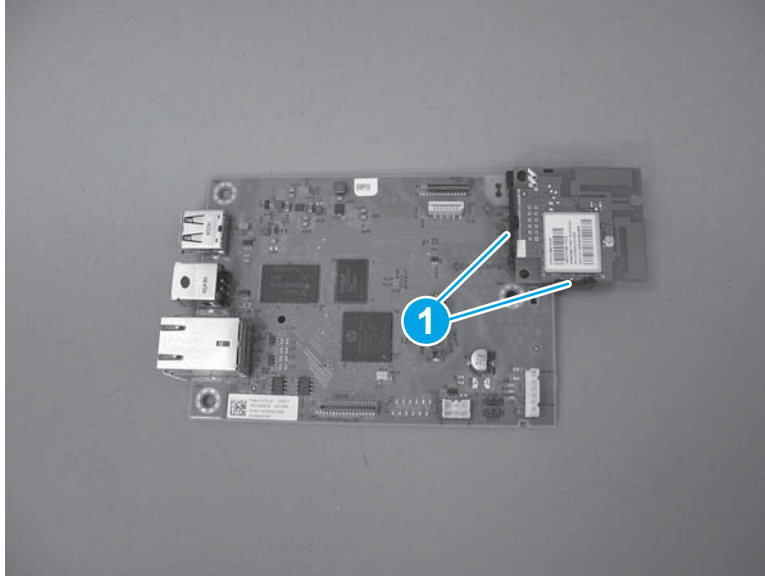
 **NOTE:** Set the wireless PCA aside to be installed on the replacement formatter PCA.

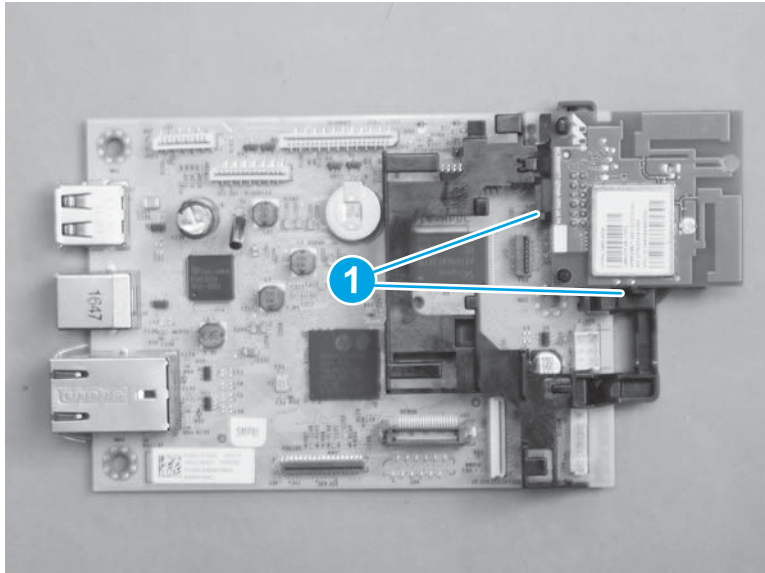
Figure 1-2325 Remove the wireless PCA



8. **M479dw, M479fnw and M479fdw only:** Press down to release two tabs (callout 1) on the side of the wireless PCA while lifting up to release PCA from bracket.

 **NOTE:** Set the bracket aside to be installed on the replacement formatter PCA.

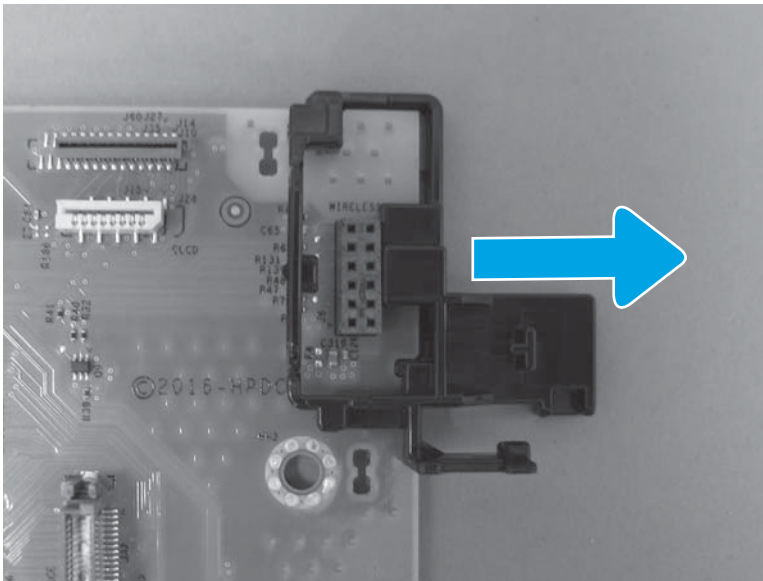
Figure 1-2326 Remove the wireless PCA



9. **M454nw and M454dw only:** Slide the bracket to the right to remove from formatter PCA.

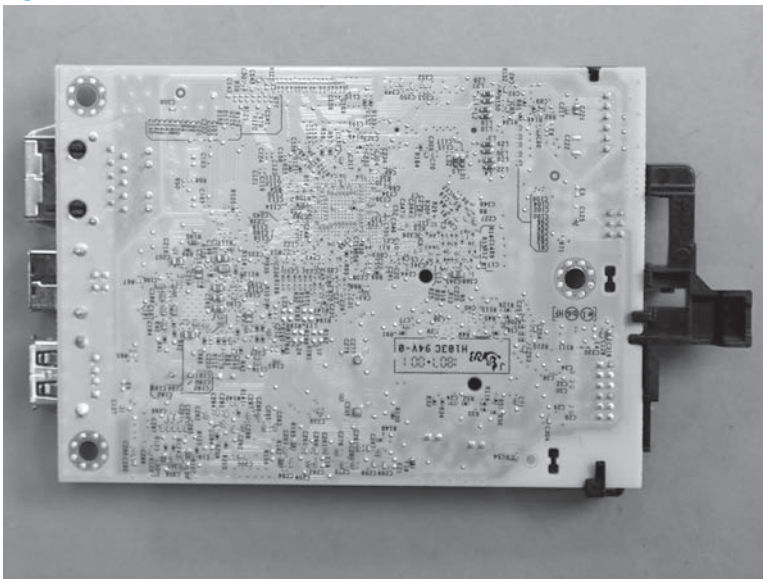
 **NOTE:** Set the bracket aside to be installed on the replacement formatter PCA.

**Figure 1-2327** Remove the bracket



10. **M479dw, M479fnw and M479fdw only** Remove tabs on the back of the formatter PCA.

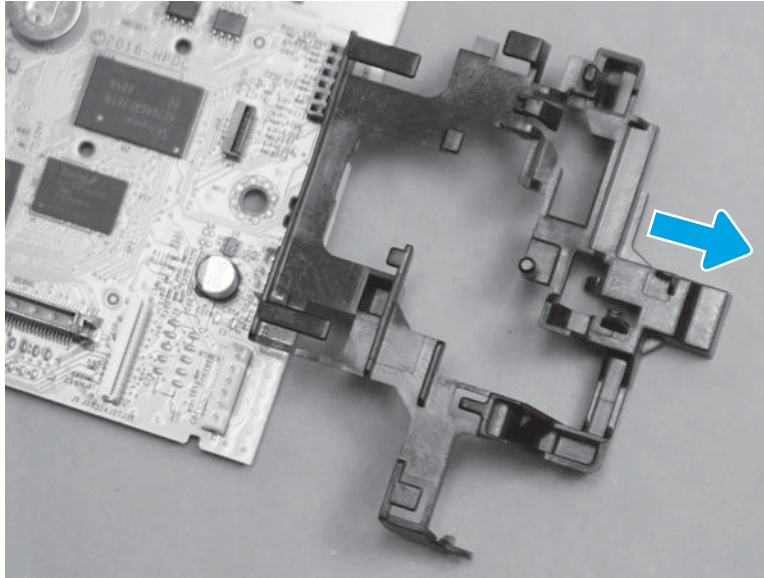
**Figure 1-2328** Remove tabs on the back of the formatter PCA (M479 models only)



11. **M479dw, M479fnw and M479fdw only:** Slide the bracket to the right to remove from formatter PCA.

 **NOTE:** Set the bracket aside to be installed on the replacement formatter PCA.

Figure 1-2329 Remove the bracket



12.

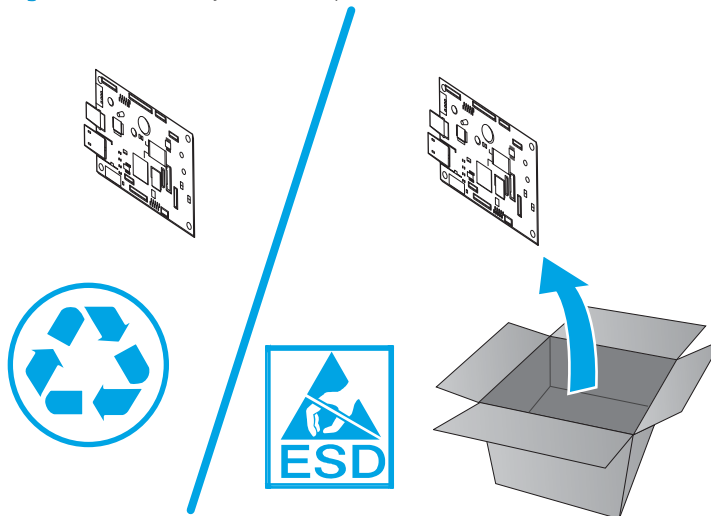
#### Step 6: Unpack the replacement part

Remove the new part from its package. Save all packaging for recycling the used part.

For complete information on HP's recycling programs, go to [Product return and recycling](#).

 **NOTE:** HP recommends responsible disposal of the defective part.

Figure 1-2330 Recycle and unpack

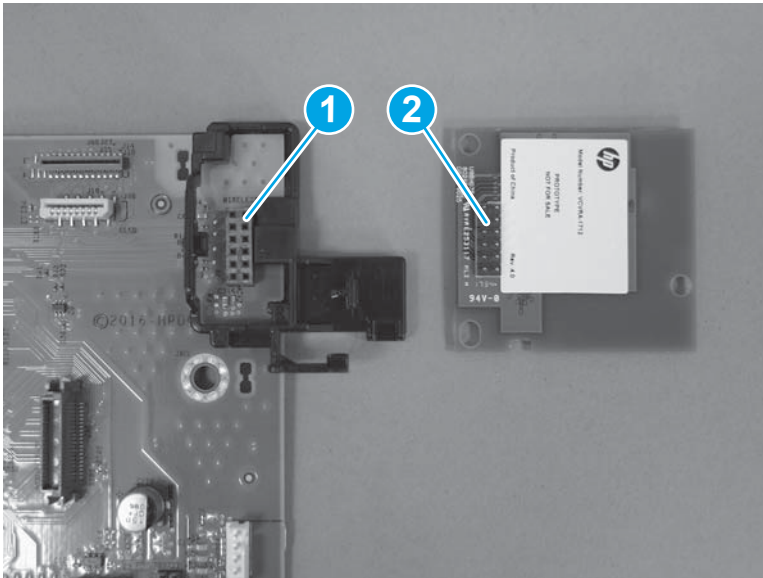


## Step 7: Install the formatter PCA

 **NOTE:** The M454dw model is shown in the figures below. The formatter PCA on other models might look differently and have a different number of connections. However, the procedure is correct for all models.

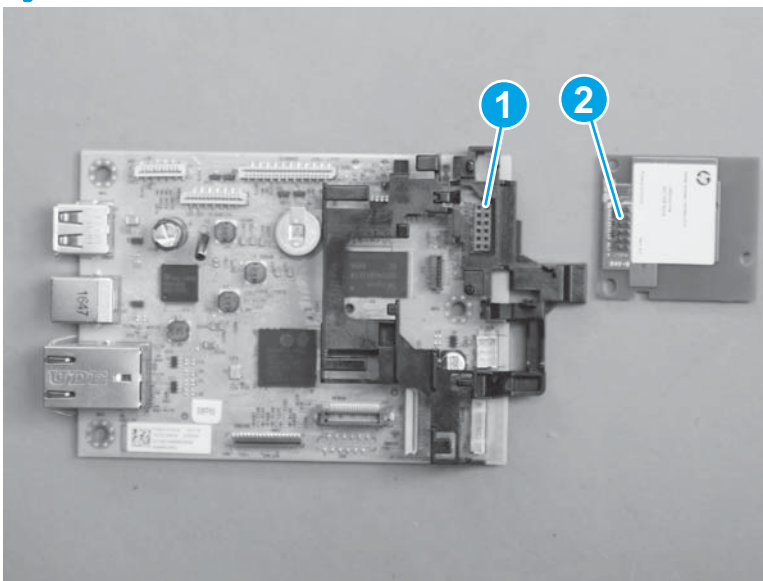
1. **M454nw and M454dw only:** To install the wireless bracket from the old formatter PCA onto the new formatter PCA, position the connector (callout 2) on the wireless PCA to the connector on the formatter PCA (callout 1).

**Figure 1-2331** Install the bracket




2. **M479fnw, M479dw and M454fdw only:** To install the wireless bracket from the old formatter PCA onto the new formatter PCA, position the connector (callout 2) on the wireless PCA to the connector on the formatter PCA (callout 1).

**Figure 1-2332** Install the bracket



3. To install an assembly, reverse the removal steps.

---

 **NOTE:** When applicable, special installation instructions are provided for an assembly at the end of the removal procedure. Always completely read the removal instructions and follow all special installation instructions.

---



## Removal and replacement: Environmental sensor

- [Introduction](#)
- [Step 1: Remove Tray 2](#)
- [Step 2: Open the front door and rear door or duplexer door](#)
- [Step 3: Remove the left cover \(M454 models\)](#)
- [Step 4: Remove the left cover \(M479 models\)](#)
- [Step 5: Remove the environmental sensor](#)
- [Step 6: Unpack the replacement part](#)
- [Step 7: Install the environmental sensor](#)

### Introduction


This document provides the procedures to remove and replace the environmental sensor.

[Click here to view a video of this procedure.](#)

### Before you begin

- Turn off the printer.
- Disconnect the power cable.

---

 **WARNING!** To avoid damage to the printer, turn the printer off, wait 30 seconds, and then remove the power cord before attempting to service the printer.

---

- Use the table below to identify the correct part number for your printer. To order the part, go to [www.hp.com/buy/parts](http://www.hp.com/buy/parts).

---

Environmental sensor part number	
RM3-7236-000CN	Environmental sensor

---

### Required tools

- #2 Phillips screwdriver with a magnetic tip

### After performing service

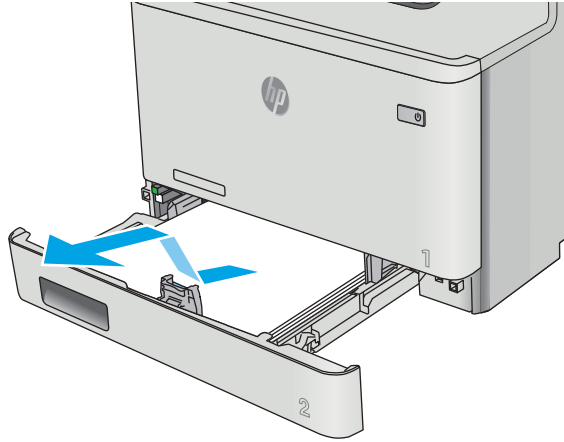
- Connect the power cable.
- Use the power switch to turn the power on.

### Step 1: Remove Tray 2

- ▲ Pull the tray out until it stops. Lift the front of the tray, and then pull it out of the printer to remove it.



Figure 1-2333 Remove the tray



**Step 2: Open the front door and rear door or duplexer door**

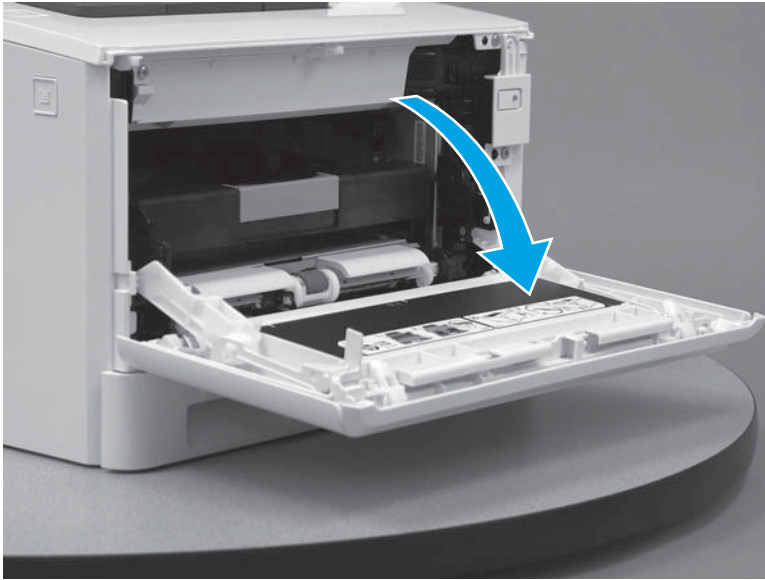
1. Press the button (callout 1) on the left side of the printer to release the front door.

Figure 1-2334 Release the front door



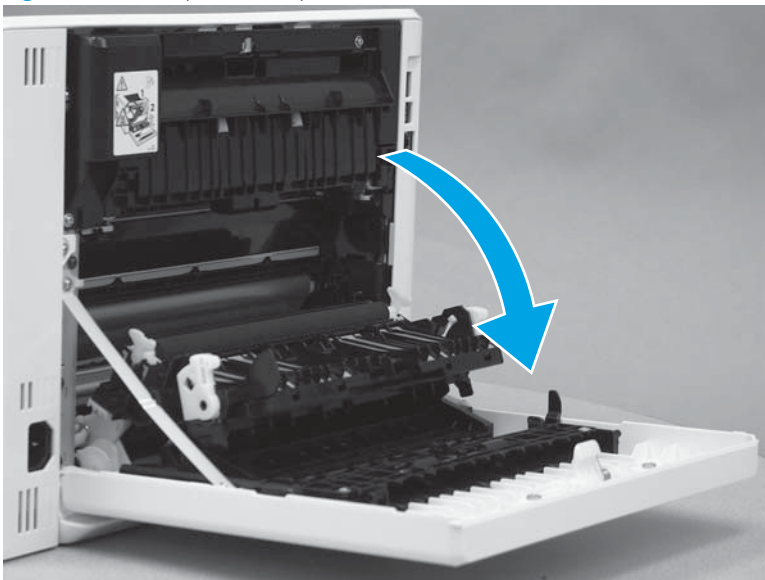
2. Open the front door.

Figure 1-2335 Open the front door



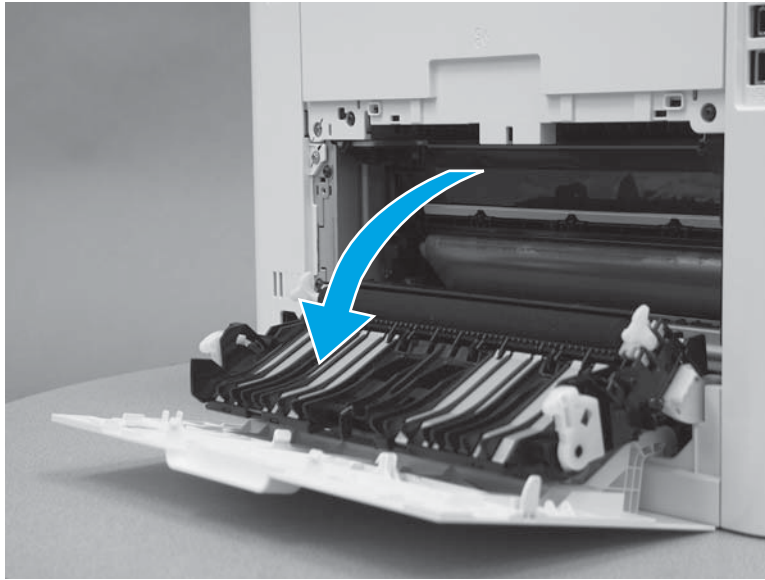
3. Duplex models: Open the duplexer door.

Figure 1-2336 Open the duplexer door




4. **Simplex models:** Open the rear door.

**Figure 1-2337** Open the rear door

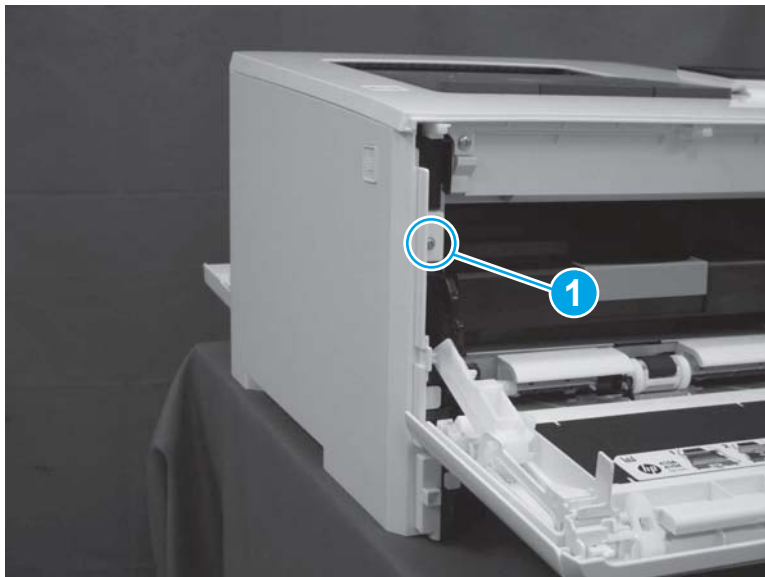


### Step 3: Remove the left cover (M454 models)

 **NOTE:** This step is for the M454 models. For the M479 models, skip this step and go to [Step 4: Remove the left cover \(M479 models\) on page 1277](#).

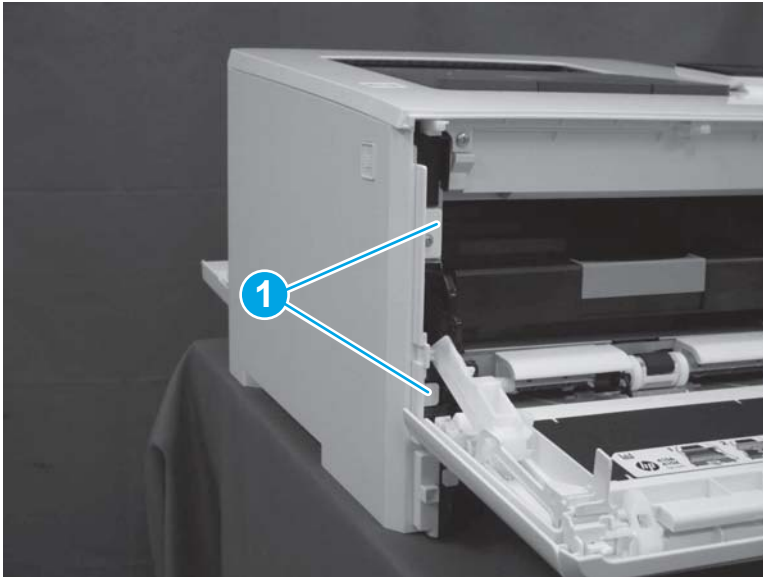
1. At the front of the printer, remove one screw (callout 1).

**Figure 1-2338** Remove one screw



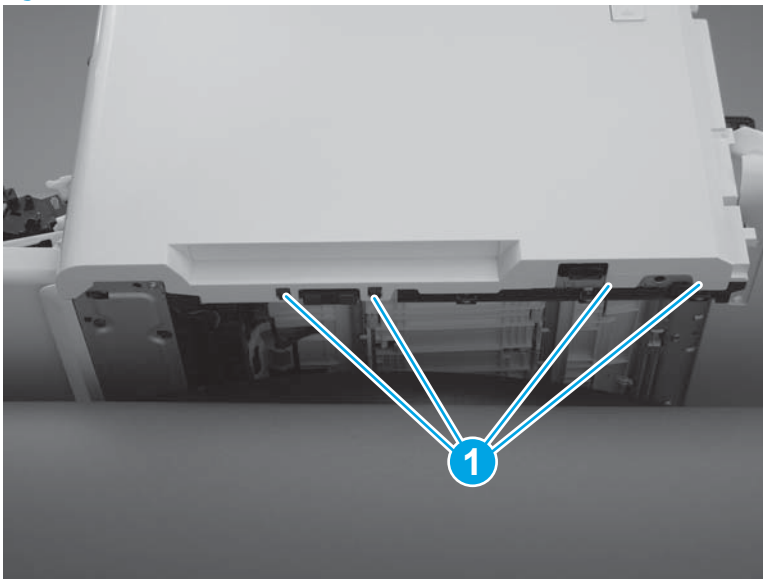
2. Release two tabs (callout 1) at the front of the cover. Hold the cover open to prevent the tabs from reengaging.

Figure 1-2339 Release two tabs



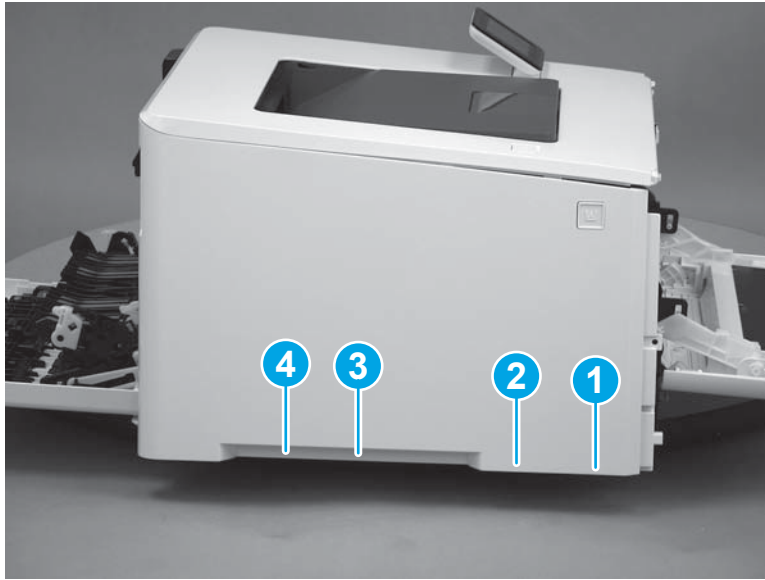
3. Slide the printer to the edge of a work surface. Note the location of the tabs on the lower edge of the cover (callout 1).

Figure 1-2340 Locate the tabs



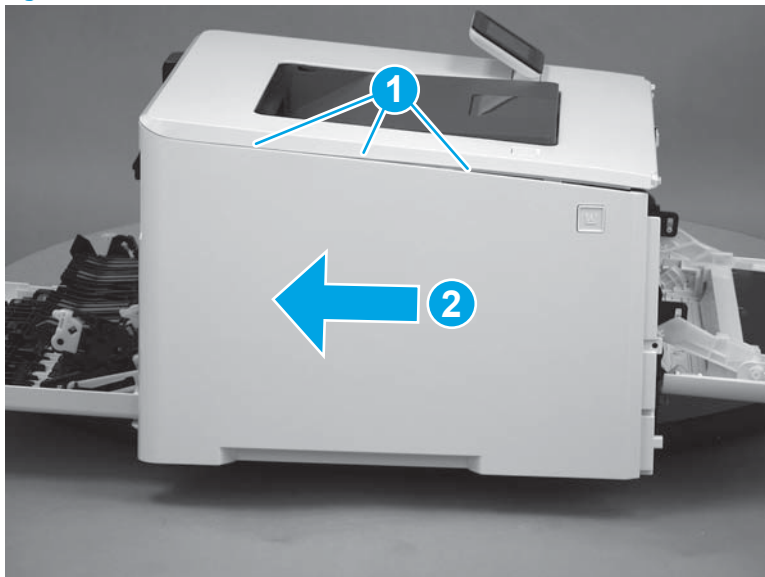
4. Beginning from the front of the cover, release four tabs (callouts 1-4) on the lower edge of the cover.

Figure 1-2341 Release bottom tabs




5. Release three tabs at the top of the cover (callout 1), and then slide the cover toward the rear of the printer to remove it.

Figure 1-2342 Release three tabs



#### Step 4: Remove the left cover (M479 models)

---

 **NOTE:** This step is for the M479 models. For the M454 models, skip this step and go to [Step 5: Remove the environmental sensor on page 1282](#).

---

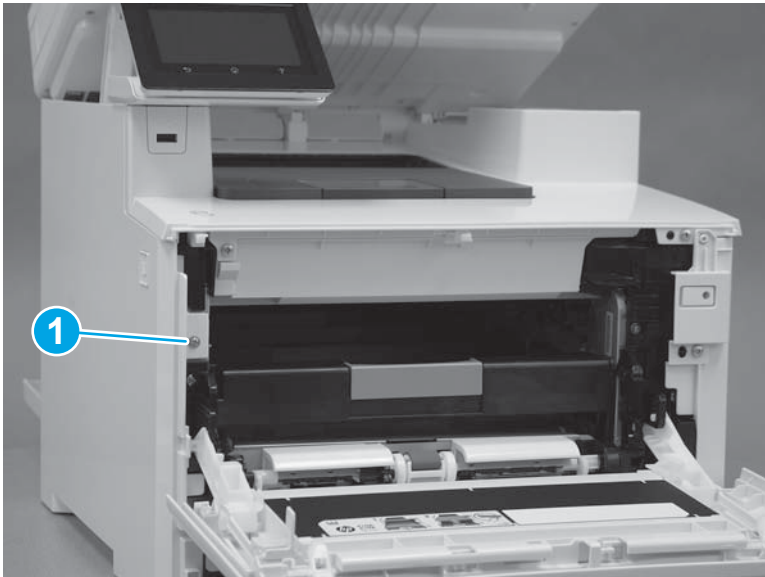
1. Raise the scanner.

Figure 1-2343 Raise the scanner



2. At the front of the printer, remove one screw (callout 1).

Figure 1-2344 Remove one screw



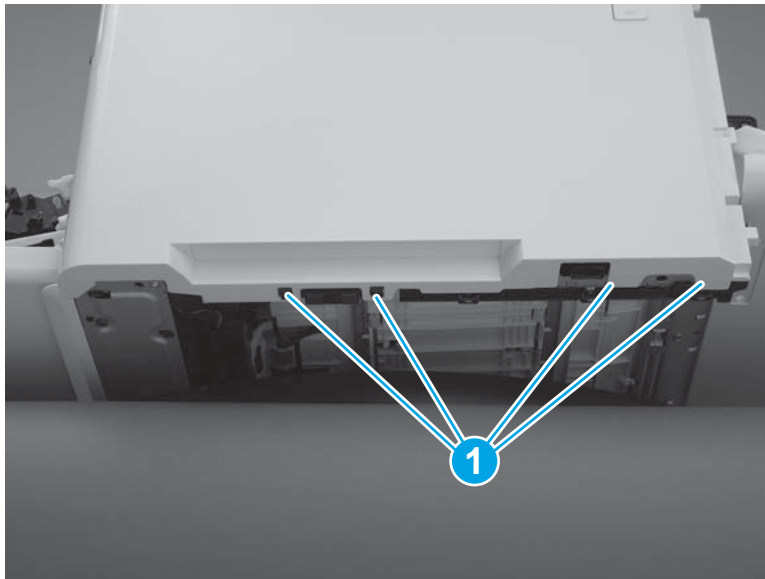
3. Release two tabs (callout 1) at the front of the cover. Hold the cover open to prevent the tabs from re-engaging.

Figure 1-2345 Release two tabs



4. Slide the printer to the edge of a work surface. Note the location of the tabs on the lower edge of the cover (callout 1).

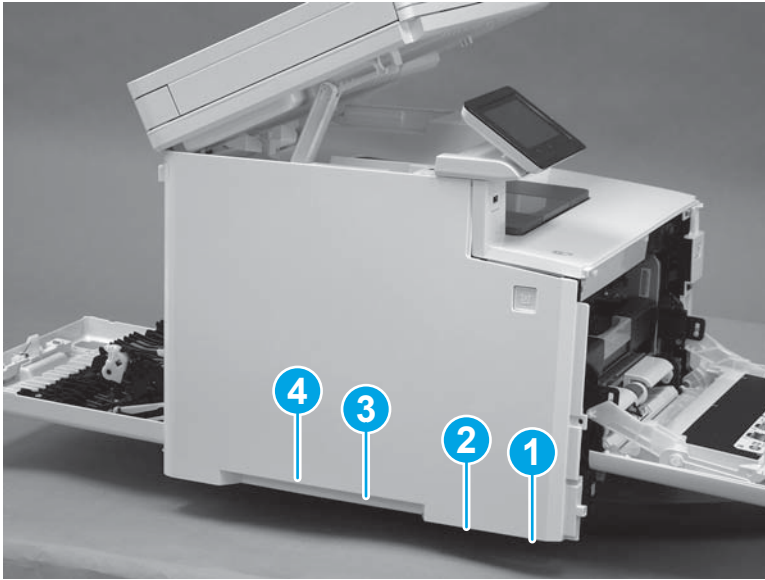
Figure 1-2346 Locate the tabs





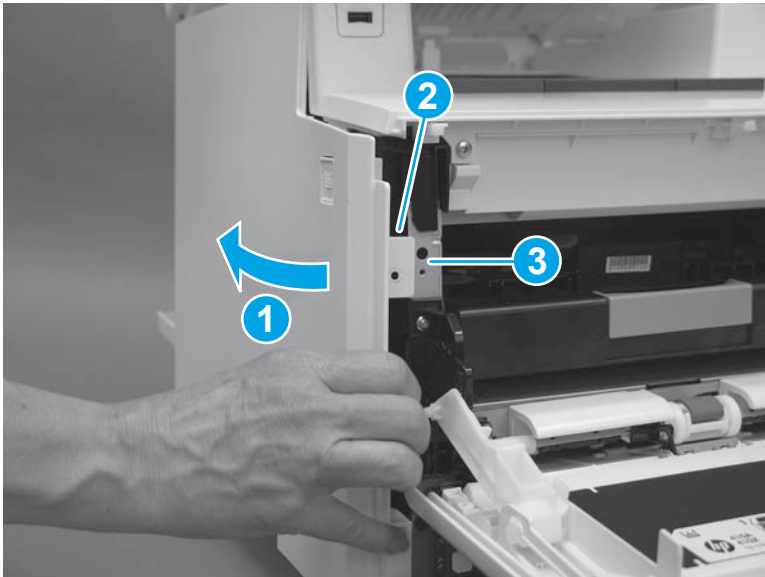
5. Beginning from the front of the cover, release the four tabs (callouts 1-4) on the lower edge of the cover.

Figure 1-2347 Release four tabs



6. Rotate the front of the cover away from the printer (callout 1). Make sure that the tab (callout 2) does not get caught on the printer frame (callout 3).

Figure 1-2348 Rotate the cover



7. At the top of the printer, slightly pull the top of the cover away from the printer to release one retention tab (callout 1) on the inside of the cover. While holding the cover away, slide the cover toward the back of the printer (callout 2) to release two hooks (callout 3) inside the cover.

Figure 1-2349 Release one tab and two hooks



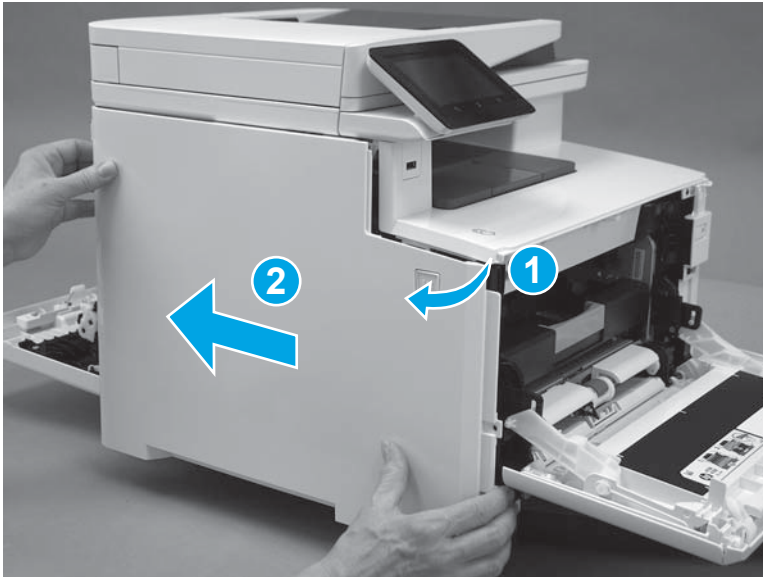
8. Lower the scanner.

Figure 1-2350 Lower the scanner



9. Rotate the cover away from the printer (callout 1), and then slide the cover (callout 2) toward the back of the printer to remove it.

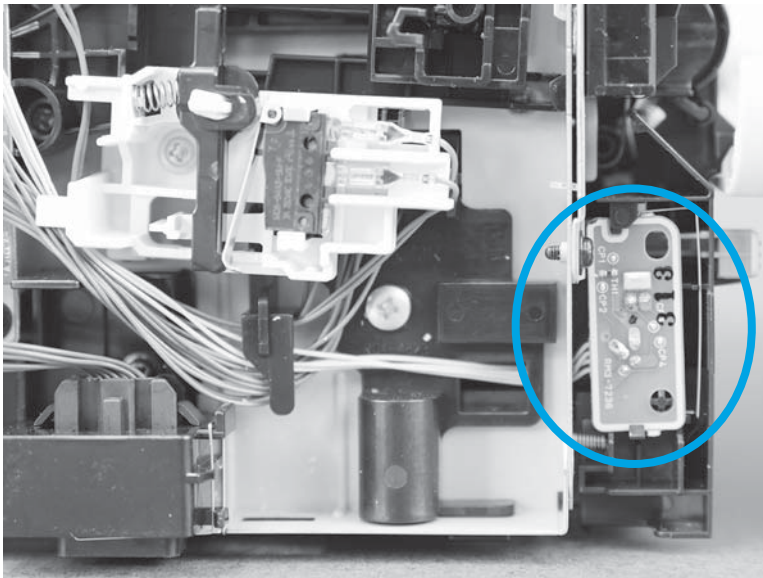
Figure 1-2351 Remove the left cover



#### Step 5: Remove the environmental sensor

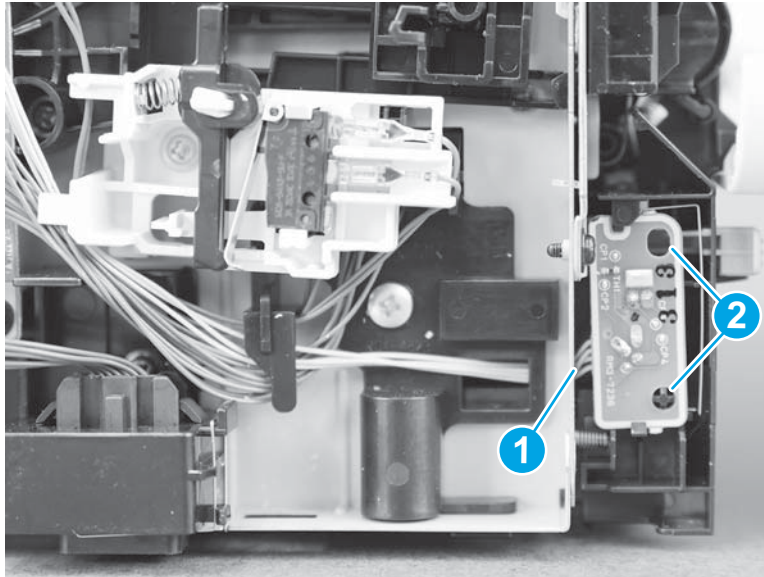
1. On the left side of the printer, disconnect one connector (callout 1), and then release two tabs (callout 2).

Figure 1-2352 Disconnect one connector and release two tabs



2. Disconnect one connector (callout 1), release two tabs (callout 2), and then remove the environmental sensor.

Figure 1-2353 Disconnect one connector and remove the sensor



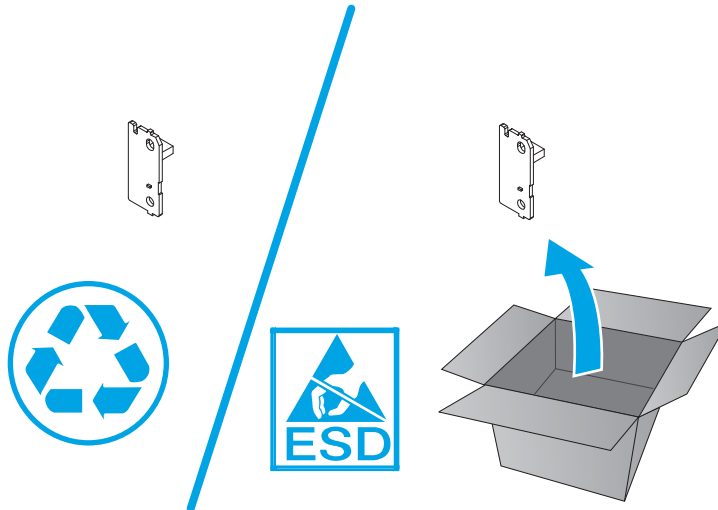
#### Step 6: Unpack the replacement part

Remove the new part from its package. Save all packaging for recycling the used part.

For complete information on HP's recycling programs, go to [Product return and recycling](#).

 **NOTE:** HP recommends responsible disposal of the defective part.

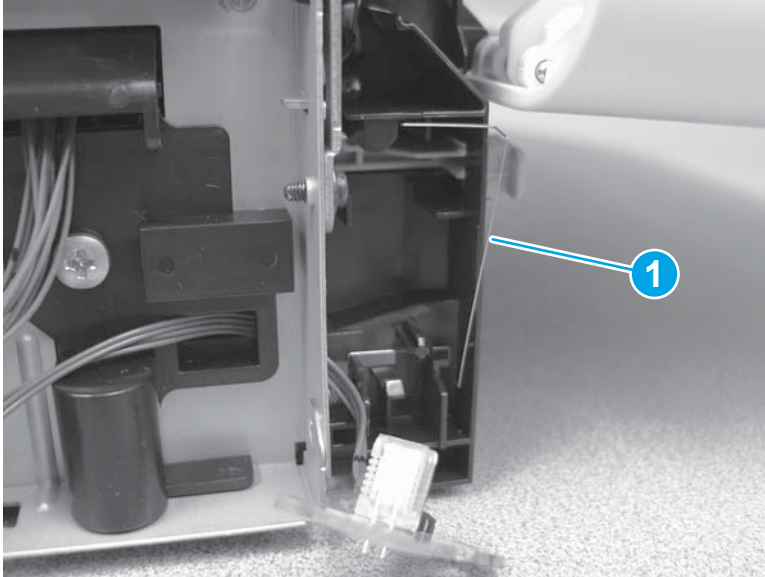
Figure 1-2354 Recycle and unpack



#### Step 7: Install the environmental sensor


1. If the spring (callout 1) becomes dislodged, reposition it as shown below.

Figure 1-2355 Reposition the spring



2. To install an assembly, reverse the removal steps.

---

 **NOTE:** When applicable, special installation instructions are provided for an assembly at the end of the removal procedure. Always completely read the removal instructions and follow all special installation instructions.

---

## Removal and replacement: Fax PCA (M479 models)

- [Introduction](#)
- [Step 1: Remove Tray 2](#)
- [Step 2: Open the front door and rear door or duplexer door](#)
- [Step 3: Remove the right cover \(M479 models\)](#)
- [Step 4: Remove the left cover \(M479 models\)](#)
- [Step 5: Remove the integrated scanner assembly \(M479 models\)](#)
- [Step 6: Remove the fax PCA \(M479 models\)](#)
- [Step 7: Unpack the replacement part](#)
- [Step 8: Install the fax PCA \(M479 models\)](#)

### Introduction


This document provides the procedures to remove and replace the fax PCA.

[Click here to view a video of this procedure.](#)

### Before you begin

- Turn off the printer.
- Disconnect the power cable.

---

 **WARNING!** To avoid damage to the printer, turn the printer off, wait 30 seconds, and then remove the power cord before attempting to service the printer.

---

- Use the table below to identify the correct part number for your printer. To order the part, go to [www.hp.com/buy/parts](http://www.hp.com/buy/parts).

---

Fax PCA part number	
---------------------	--

---

W1A78-67906	Fax PCA (United States)
-------------	-------------------------

---

W1A78-67907	FAX PCA (Europe)
-------------	------------------

---

W1A78-67908	FAX PCA (Brazil)
-------------	------------------

---

W1A78-67909	FAX PCA (Philippines/AP)
-------------	--------------------------

---

### Required tools

- #2 Phillips screwdriver with a magnetic tip
- Small flat-blade screwdriver

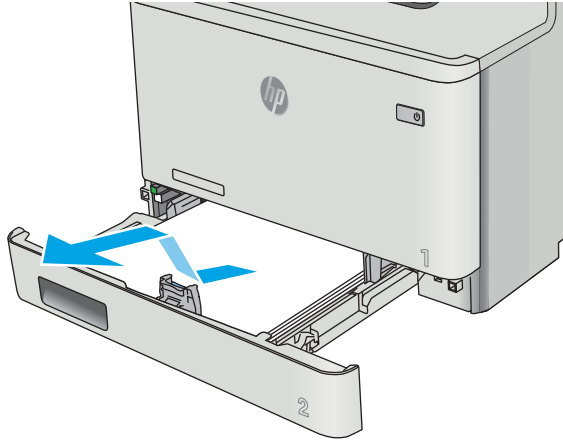
### After performing service

- Connect the power cable.
- Use the power switch to turn the power on.

## Step 1: Remove Tray 2

- ▲ Pull the tray out until it stops. Lift the front of the tray, and then pull it out of the printer to remove it.

Figure 1-2356 Remove the tray



## Step 2: Open the front door and rear door or duplexer door

1. Press the button (callout 1) on the left side of the printer to release the front door.

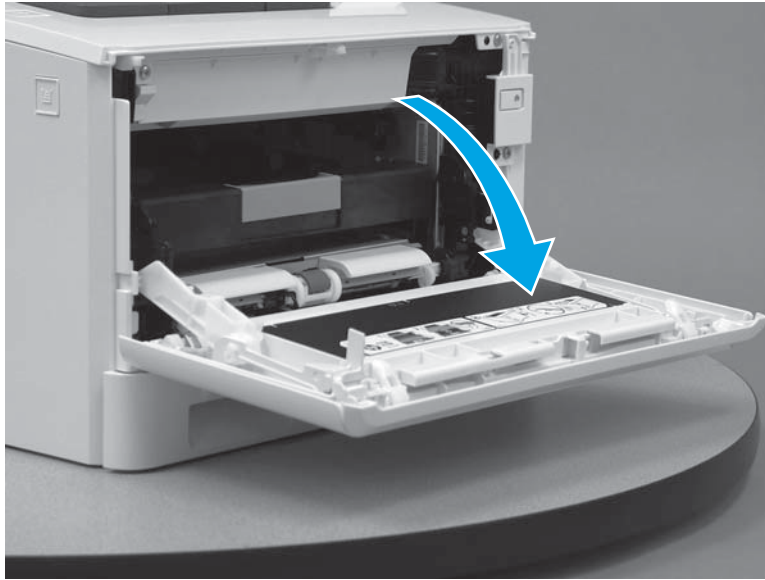
Figure 1-2357 Release the front door





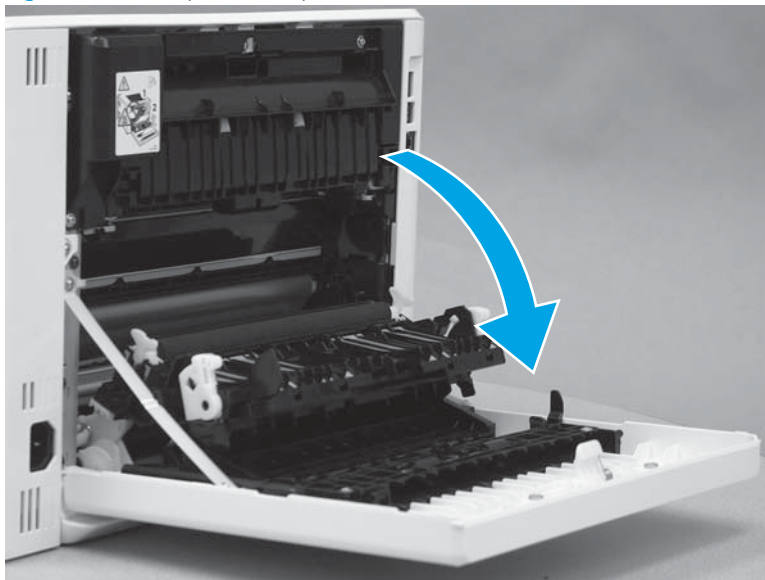
2. Open the front door.

**Figure 1-2358** Open the front door



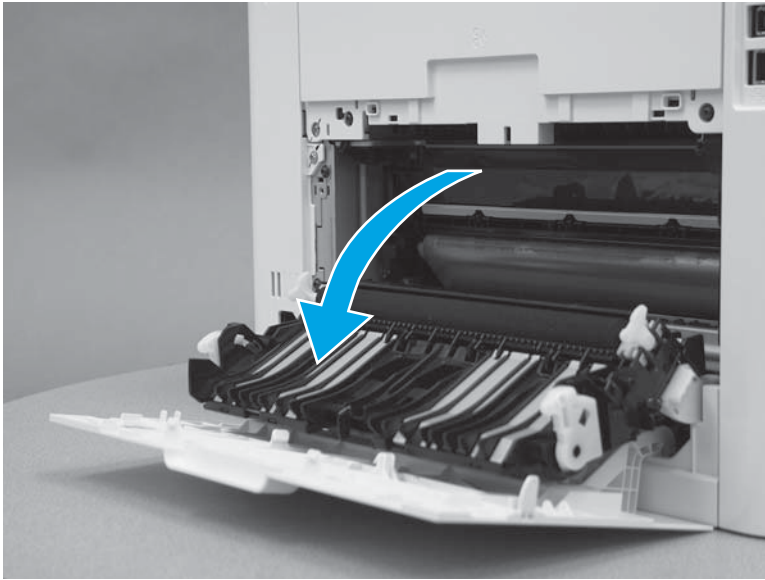
3. Duplex models: Open the duplexer door.

**Figure 1-2359** Open the duplexer door



4. **Simplex models:** Open the rear door.

Figure 1-2360 Open the rear door



### Step 3: Remove the right cover (M479 models)

1. Raise the scanner.

Figure 1-2361 Raise the scanner



2. At the back of the printer, remove one screw (callout 1).

Figure 1-2362 Remove one screw



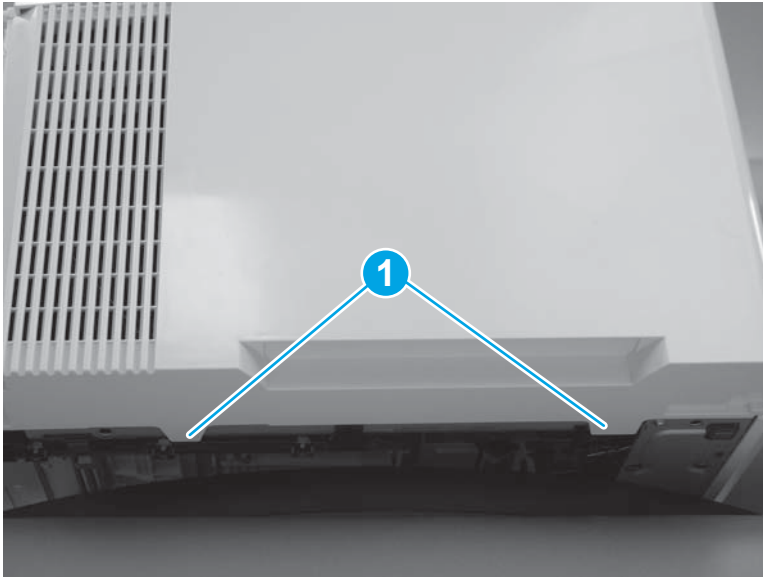
3. At the front of the printer, remove one screw (callout 1).

Figure 1-2363 Remove one screw



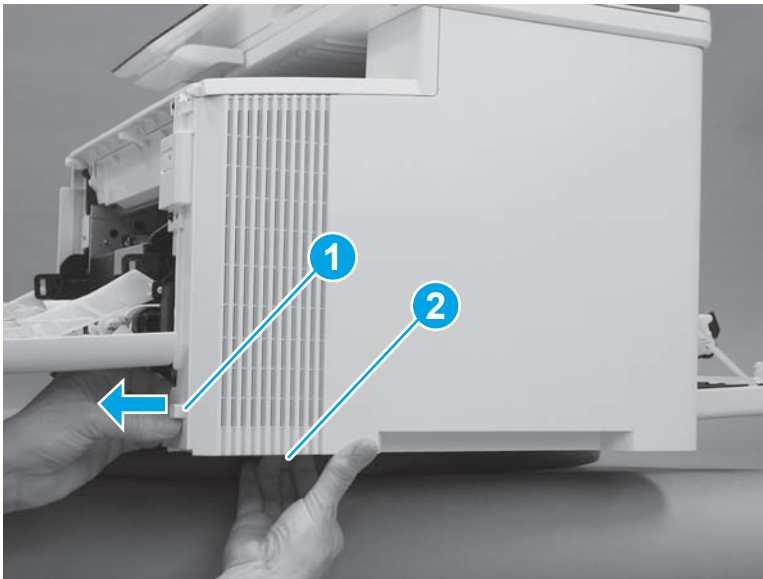
4. Slide the printer to the edge of a work surface. Note the location of the tabs on the lower edge of the cover (callout 1).

Figure 1-2364 Locate the tabs



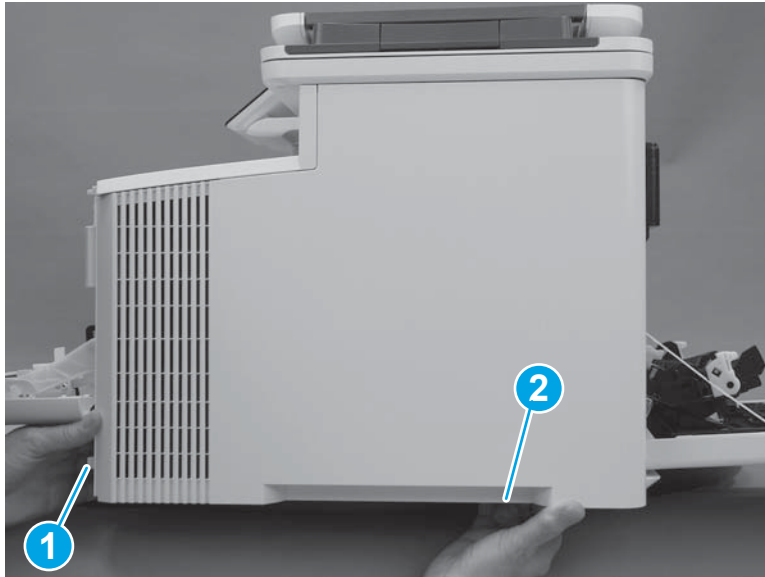
5. Release one tab (callout 1) on the front of the cover by slightly pulling the cover away from the printer. While holding the cover in the released position, release one tab (callout 2) on the lower edge of the cover.

Figure 1-2365 Release front lower tabs



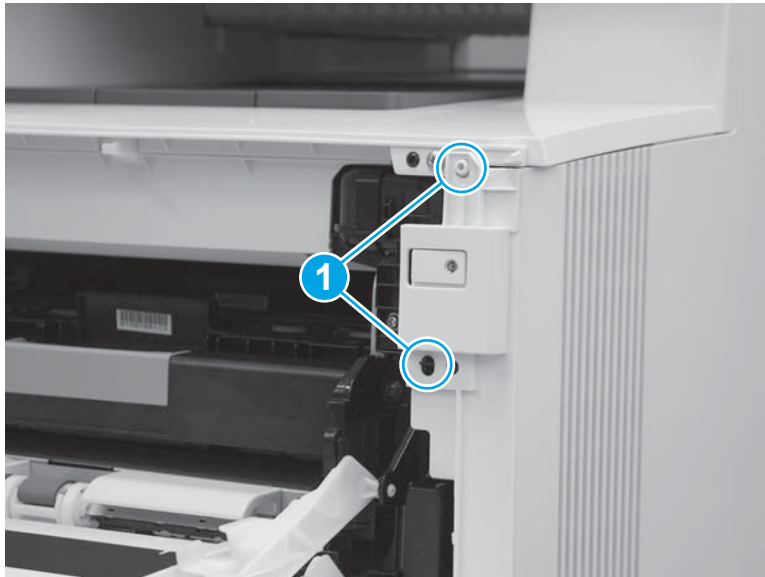
6. Hold the front tabs in the released position (callout 1), and then release one tab (callout 2) on the lower edge of the cover, toward the back of the printer.

Figure 1-2366 Release lower rear tab



7. Release two tabs at the front of the printer (callout 1) by slightly pulling the cover away from the printer.

Figure 1-2367 Release front upper tabs



8. Rotate the front of the cover away from the printer (callout 1).

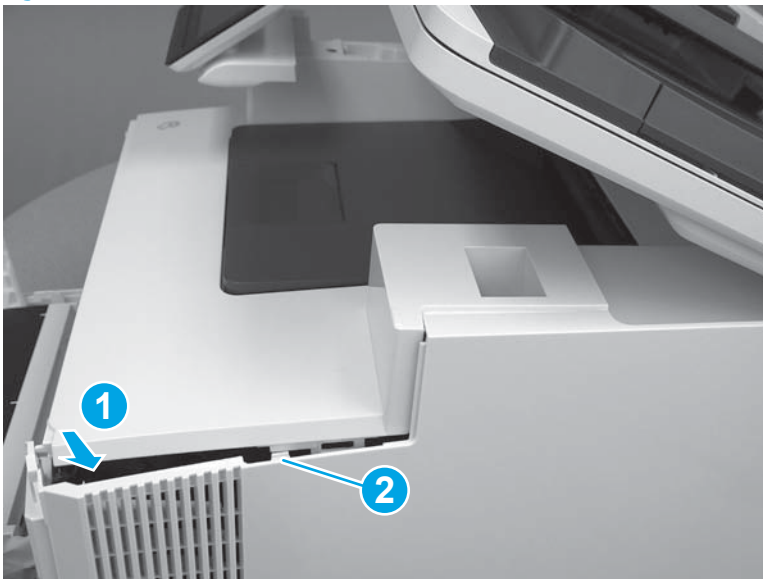
**⚠ CAUTION:** Be careful not to dislodge the power switch (callout 2).

**Figure 1-2368** Rotate the front of the cover



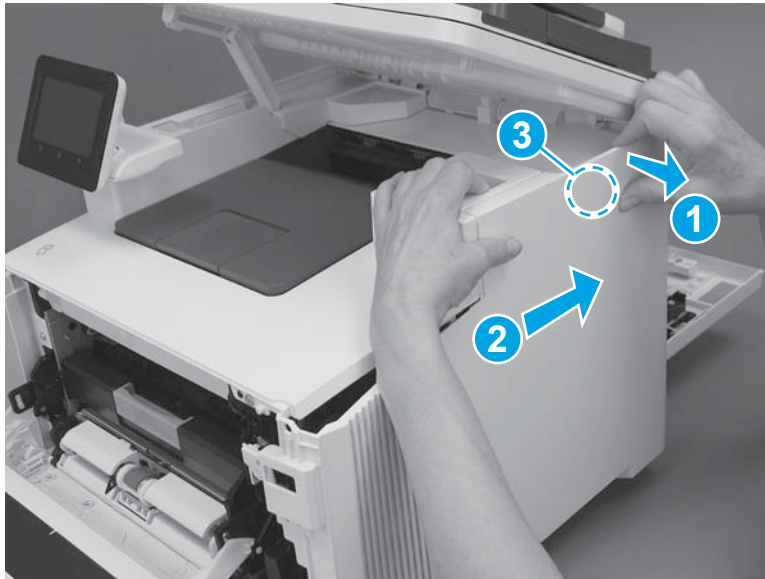
9. Slightly pull the front of the cover away from the printer (callout 1) to release one tab (callout 2).

**Figure 1-2369** Release top tabs



10. At the top of the printer, slightly pull the top of the cover away from the printer to release one retention tab (callout 1) on the inside of the cover. While holding the cover away, slide the cover toward the back of the printer (callout 2) to release one hook (callout 3) on the inside of the cover.

Figure 1-2370 Release one tab and one hook



11. Lower the scanner.

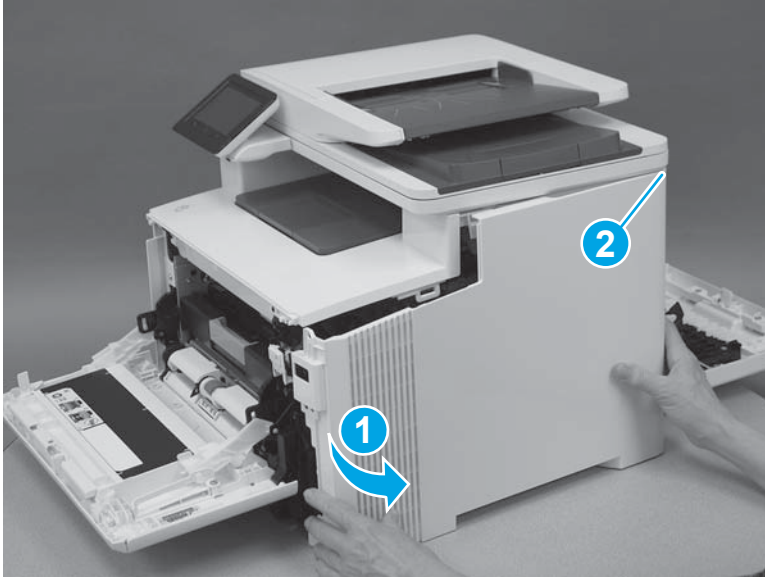
Figure 1-2371 Lower the scanner





12. Rotate the cover away from the printer (callout 1) to release one tab (callout 2) at the back of the printer, and then remove the cover.

Figure 1-2372 Remove the right cover



#### Step 4: Remove the left cover (M479 models)

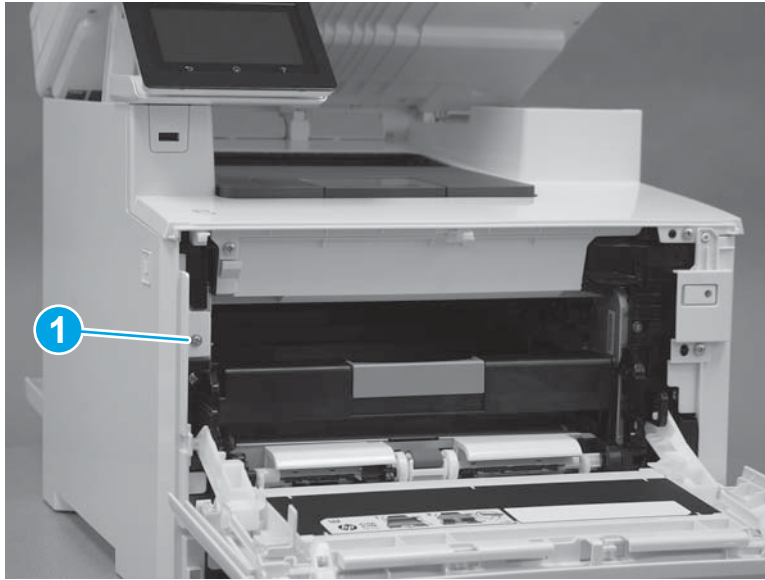
1. Raise the scanner.

Figure 1-2373 Raise the scanner



2. At the front of the printer, remove one screw (callout 1).

Figure 1-2374 Remove one screw



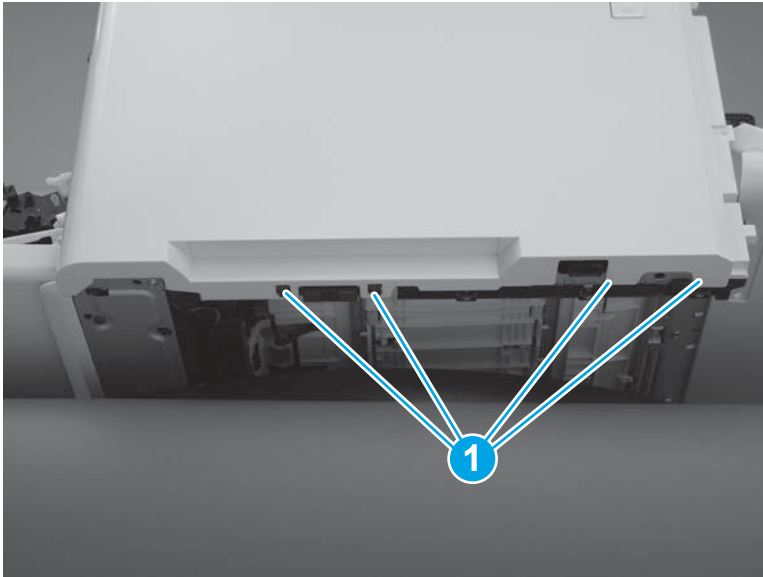
3. Release two tabs (callout 1) at the front of the cover. Hold the cover open to prevent the tabs from re-engaging.

Figure 1-2375 Release two tabs



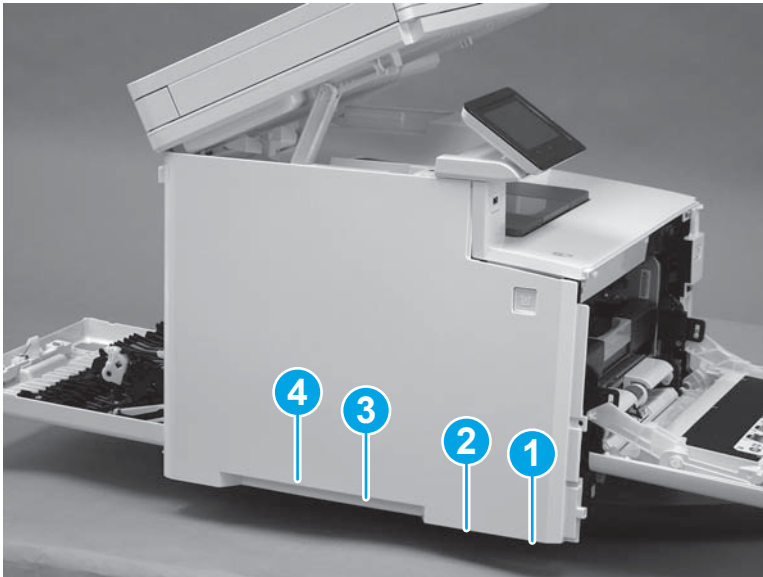
4. Slide the printer to the edge of a work surface. Note the location of the tabs on the lower edge of the cover (callout 1).

Figure 1-2376 Locate the tabs



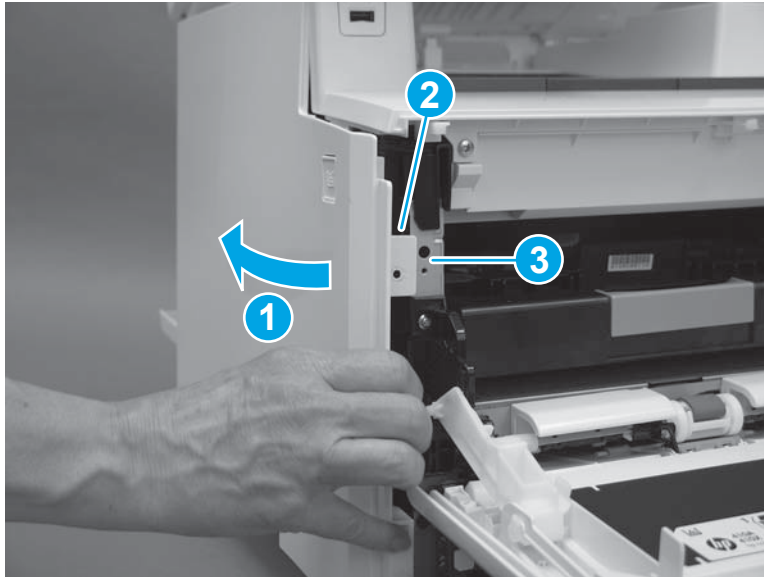
5. Beginning from the front of the cover, release the four tabs (callouts 1-4) on the lower edge of the cover.

Figure 1-2377 Release four tabs



6. Rotate the front of the cover away from the printer (callout 1). Make sure that the tab (callout 2) does not get caught on the printer frame (callout 3).

Figure 1-2378 Rotate the cover



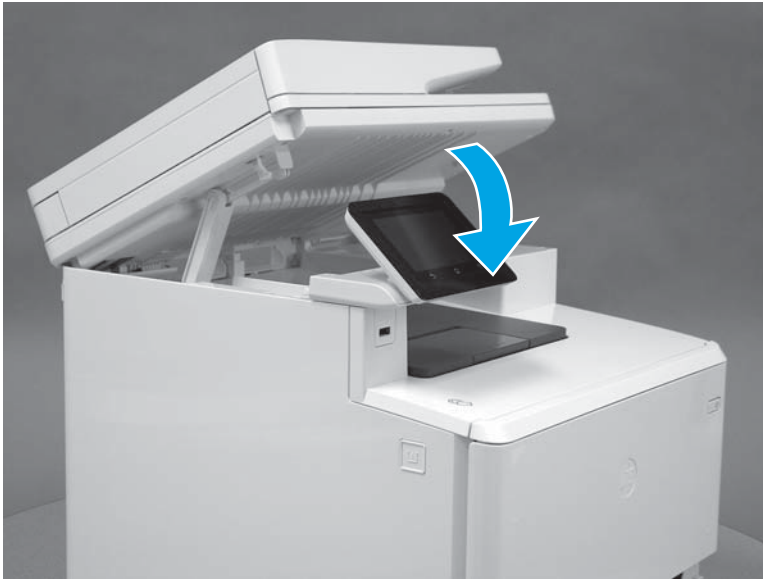
7. At the top of the printer, slightly pull the top of the cover away from the printer to release one retention tab (callout 1) on the inside of the cover. While holding the cover away, slide the cover toward the back of the printer (callout 2) to release two hooks (callout 3) inside the cover.

Figure 1-2379 Release one tab and two hooks



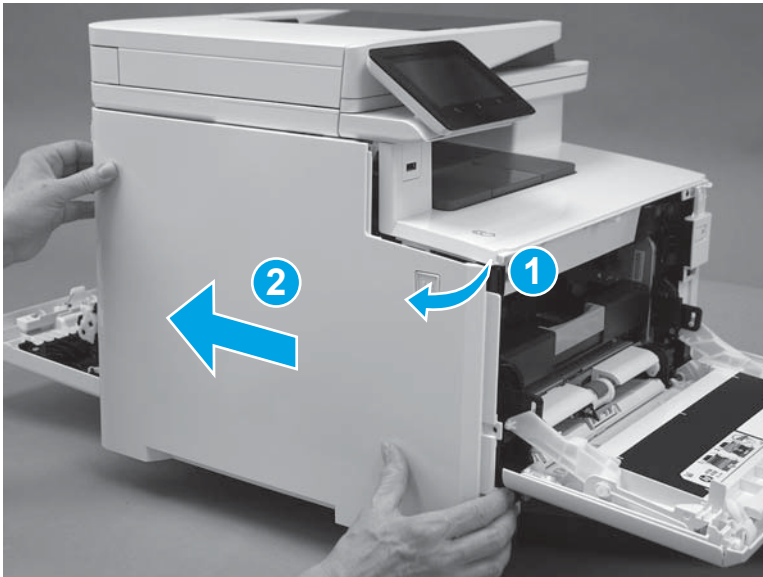
8. Lower the scanner.

Figure 1-2380 Lower the scanner



9. Rotate the cover away from the printer (callout 1), and then slide the cover (callout 2) toward the back of the printer to remove it.

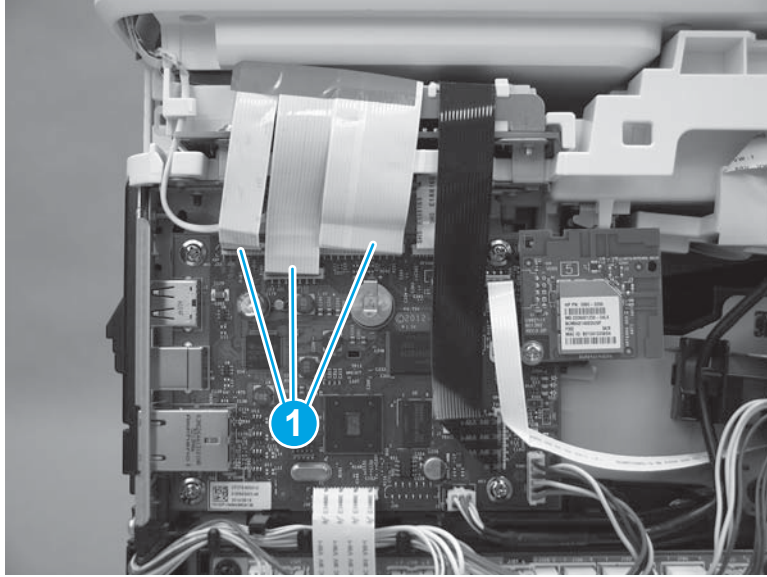
Figure 1-2381 Remove the left cover



#### Step 5: Remove the integrated scanner assembly (M479 models)

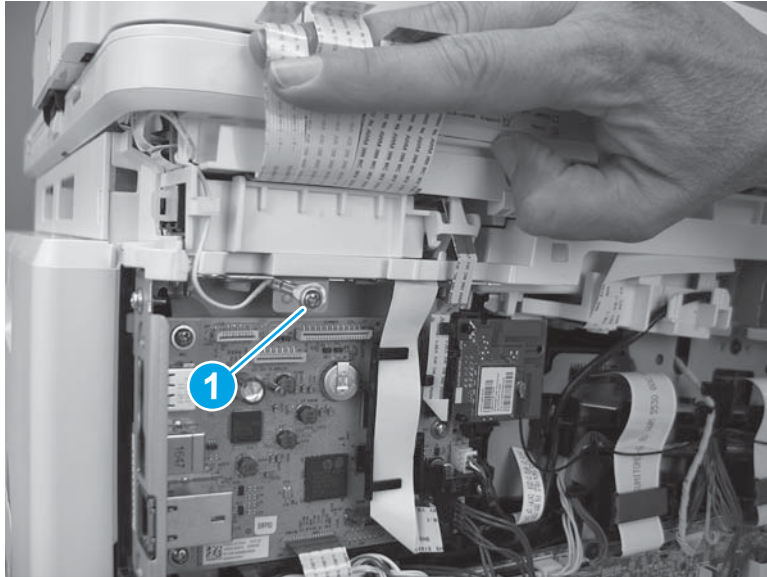
1. On the left side of the printer, disconnect three connectors (callout 1).

Figure 1-2382 Disconnect the scanner cables



2. Raise the scanner cables up, and then remove one screw (callout 1) to release the ground wire (callout 2).

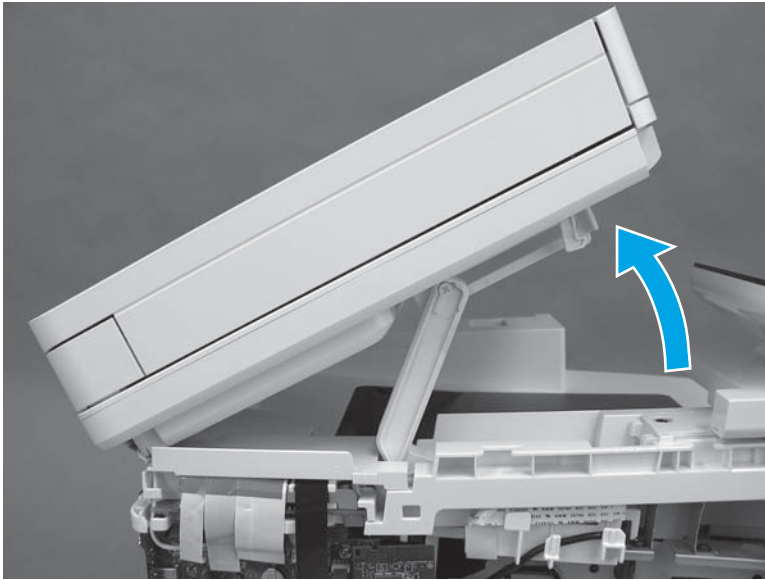
Figure 1-2383 Remove one screw and release the ground wire





3. Raise the scanner.

Figure 1-2384 Raise the scanner



4. With the scanner lifted, release the tab (callout 1) on the scanner support arm pin from the slot and rotate the pin in the direction indicated.

Figure 1-2385 Release the scanner arm pin





5. Remove the scanner arm pin.

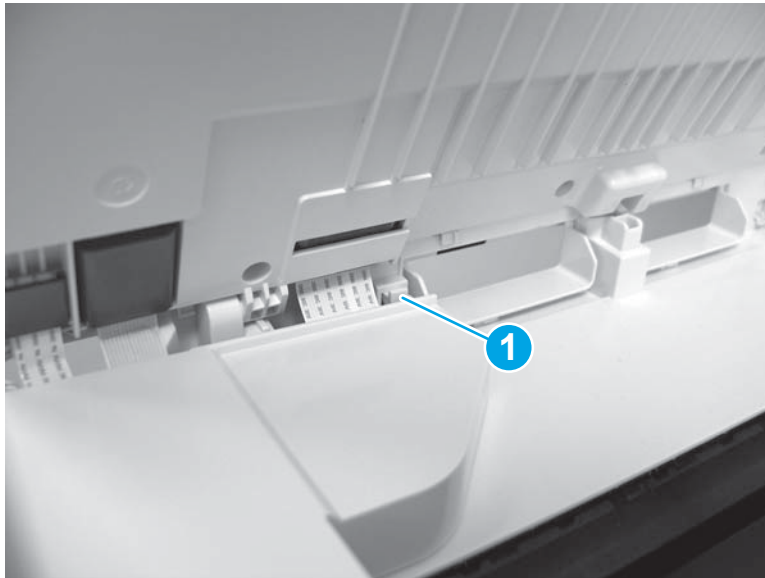
**⚠ CAUTION:** Once the scanner arm pin is removed, support the scanner with one hand at all times so that it does not fall backwards off of the printer.

Figure 1-2386 Remove the scanner arm pin.



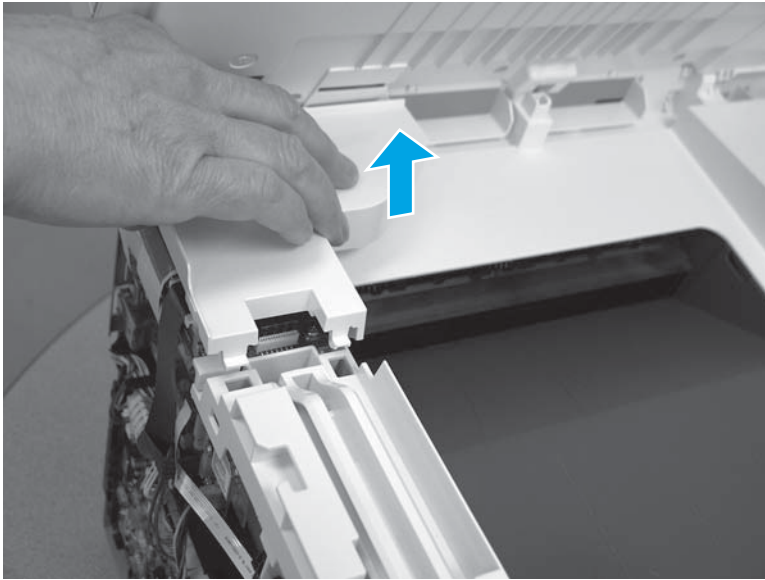
6. On the top of the printer, use a flat-blade screwdriver to release one tab (callout 1).

Figure 1-2387 Release one tab



7. Remove the scanner cable cover.

Figure 1-2388 Remove the scanner cable cover



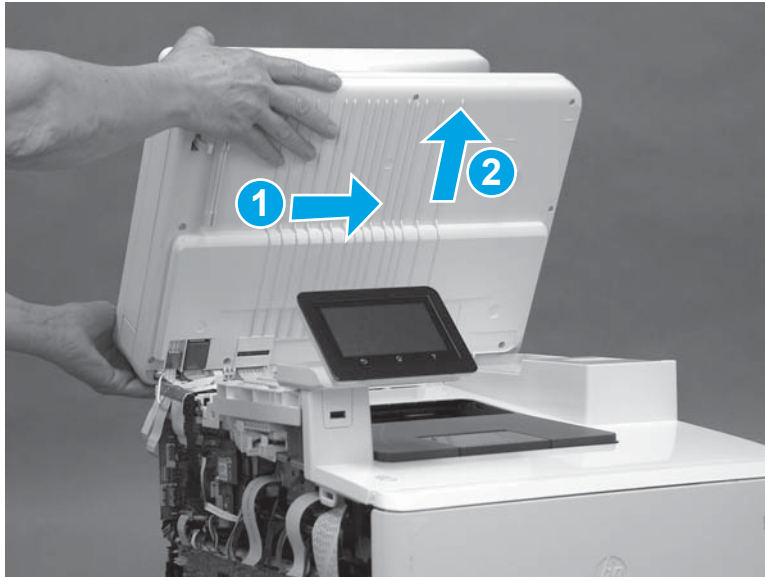
8. The scanner cables (callout 1) are held in place on the top cover with double-sided tape. Carefully release the cables from the top cover.

Figure 1-2389 Release the cables



9. Open the scanner assembly fully, slide the assembly toward the right side of the printer, and then lift the assembly off of the printer.

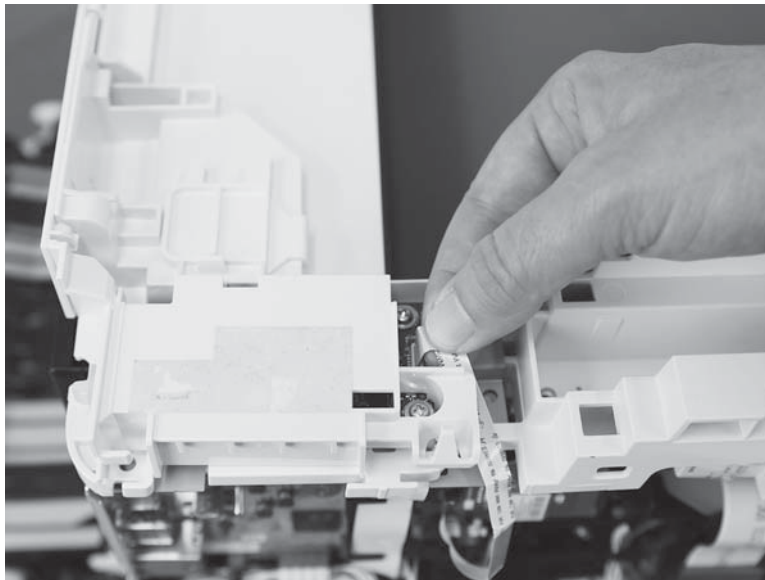
Figure 1-2390 Remove the scanner assembly



#### Step 6: Remove the fax PCA (M479 models)

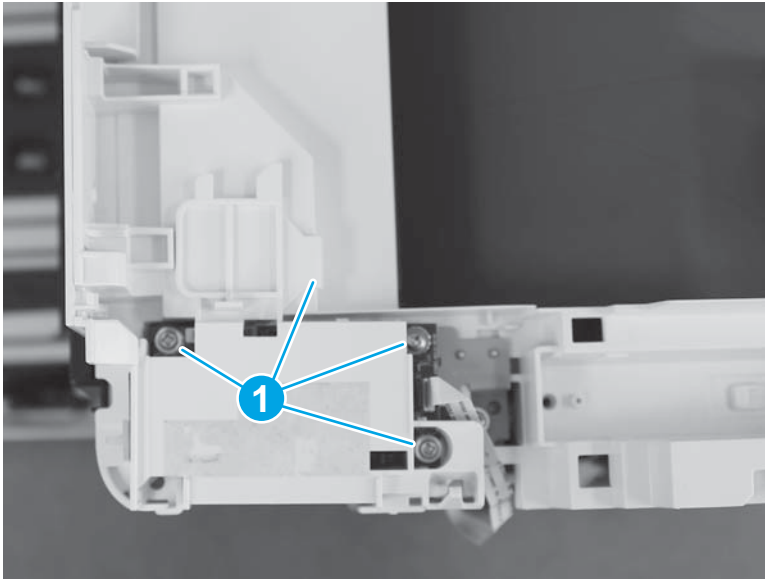
1. Disconnect on FFC cable from fax PCA.

Figure 1-2391 Disconnect one connector



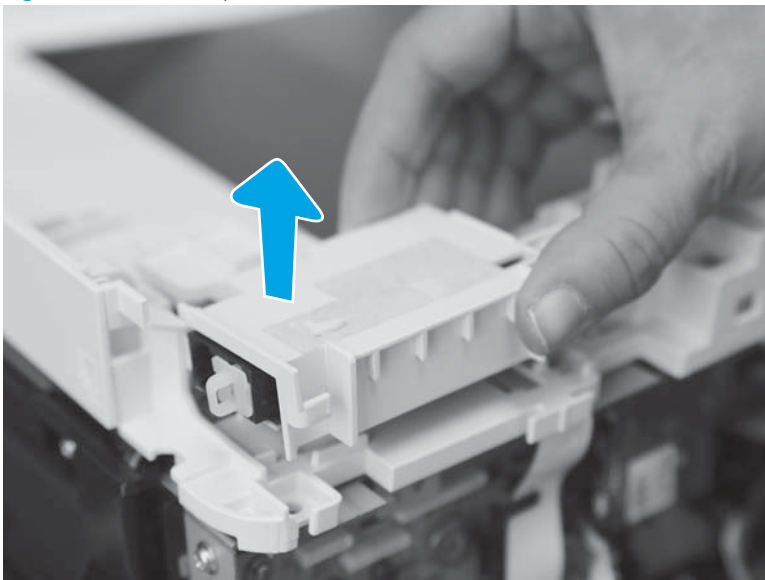
2. Remove three screws and release one tab (callout 1).

Figure 1-2392 Remove three screws and release one tab



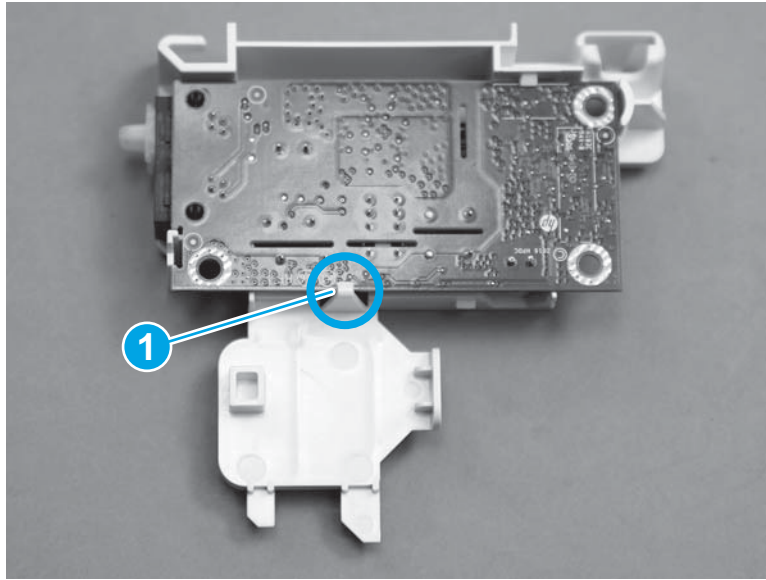
3. Lift up to remove the fax PCA.

Figure 1-2393 Lift up to remove the fax PCA



4. Release the tab (callout 1) on the back of the fax PCA to remove the PCA from the plastic holder.

**Figure 1-2394** Release one tab to remove fax PCA from the plastic holder



#### Step 7: Unpack the replacement part

Remove the new part from its package. Save all packaging for recycling the used part.

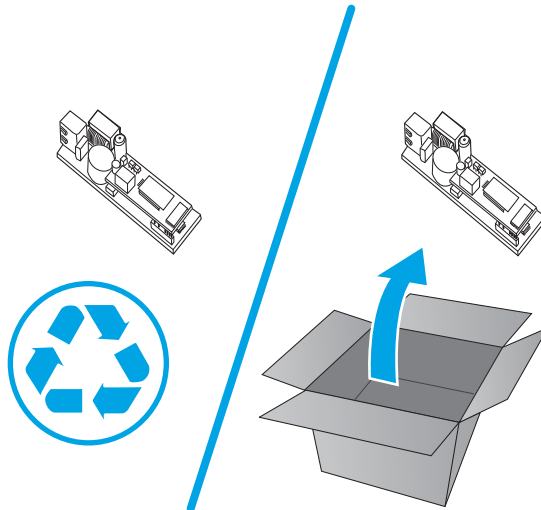
For complete information on HP's recycling programs, go to [Product return and recycling](#).

---

 **NOTE:** HP recommends responsible disposal of the defective part.

---


**Figure 1-2395** Recycle and unpack



#### Step 8: Install the fax PCA (M479 models)

- ▲ To install an assembly, reverse the removal steps.

---

 **NOTE:** When applicable, special installation instructions are provided for an assembly at the end of the removal procedure. Always completely read the removal instructions and follow all special installation instructions.

---

## Removal and replacement: Walk-up USB port (M454dw model)

- [Introduction](#)
- [Step 1: Remove Tray 2](#)
- [Step 2: Open the front door and duplexer door](#)
- [Step 3: Remove the right cover \(M454 models\)](#)
- [Step 4: Remove the left cover \(M454 models\)](#)
- [Step 5: Remove the top cover \(M454 models\)](#)
- [Step 6: Remove the walk-up USB port \(M454dw model\)](#)
- [Step 7: Unpack the replacement part](#)
- [Step 8: Install the walk-up USB port \(M454dw model\)](#)

### Introduction


This document provides the procedures to remove and replace the walk-up USB port for the M454.

[Click here to view a video of this procedure.](#)

### Before you begin

- Turn off the printer.
- Disconnect the power cable.

---

 **WARNING!** To avoid damage to the printer, turn the printer off, wait 30 seconds, and then remove the power cord before attempting to service the printer.

---

- Use the table below to identify the correct part number for your printer. To order the part, go to [www.hp.com/buy/parts](http://www.hp.com/buy/parts).

---

Walk-up USB port part number
------------------------------

---

5851-7005
-----------

---

Mute Cable
------------

---

### Required tools

- #2 Phillips screwdriver with a magnetic tip
- Small flat-blade screwdriver

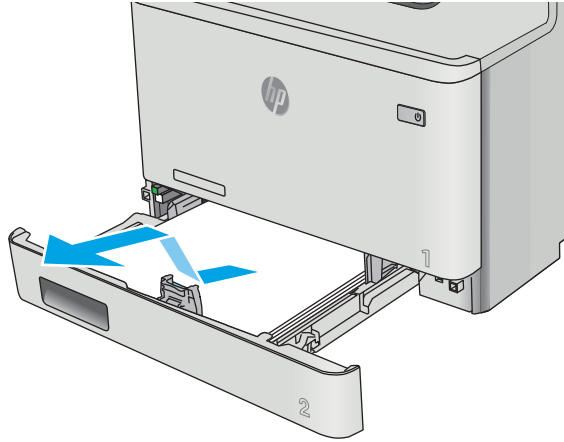
### After performing service

- Connect the power cable.
- Use the power switch to turn the power on.

### Step 1: Remove Tray 2

- ▲ Pull the tray out until it stops. Lift the front of the tray, and then pull it out of the printer to remove it.

Figure 1-2396 Remove the tray



**Step 2: Open the front door and duplexer door**

1. Press the button (callout 1) on the left side of the printer to release the front door.

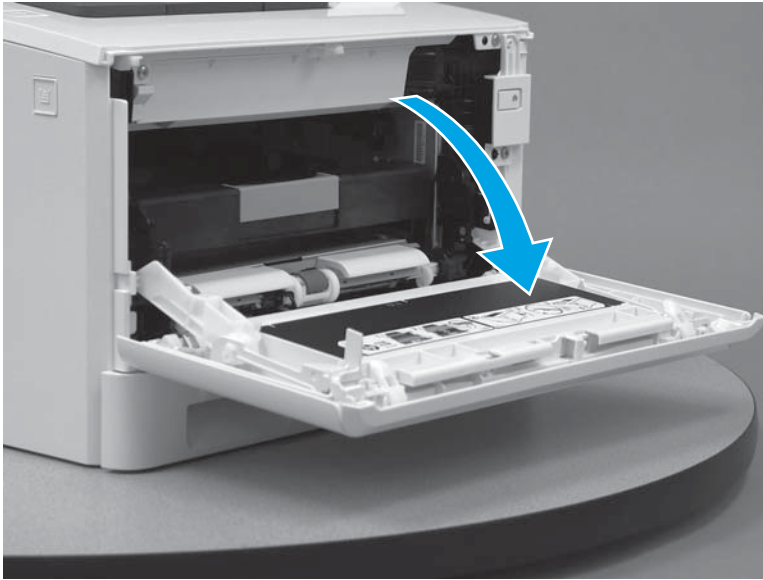
Figure 1-2397 Release the front door





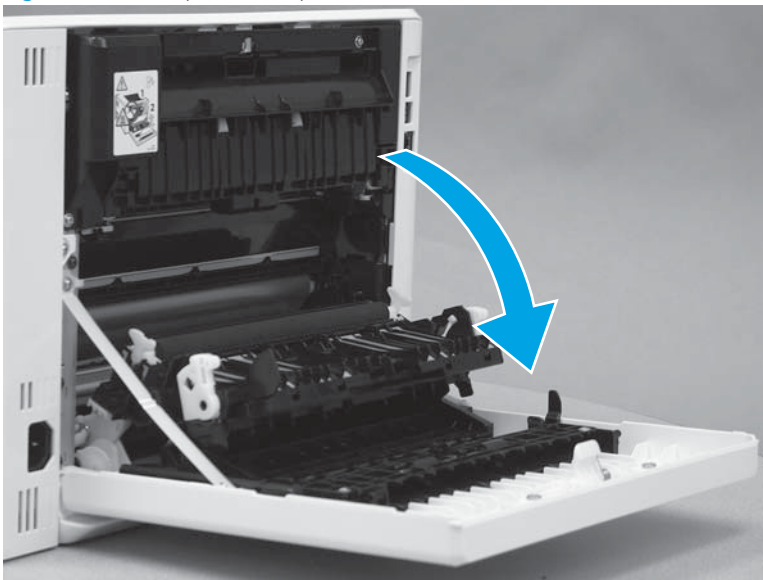
2. Open the front door.

Figure 1-2398 Open the front door



3. Open the duplexer door.

Figure 1-2399 Open the duplexer door



### Step 3: Remove the right cover (M454 models)

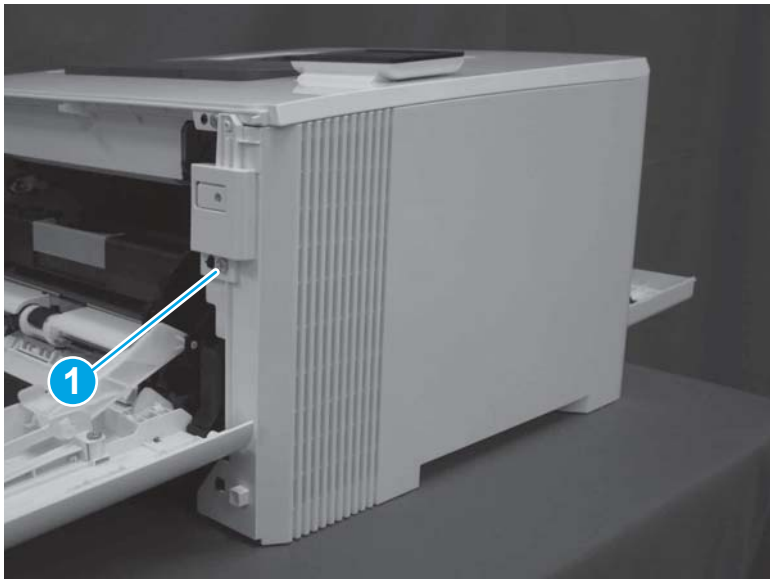
1. At the back of the printer, remove one screw (callout 1).

Figure 1-2400 Remove one screw



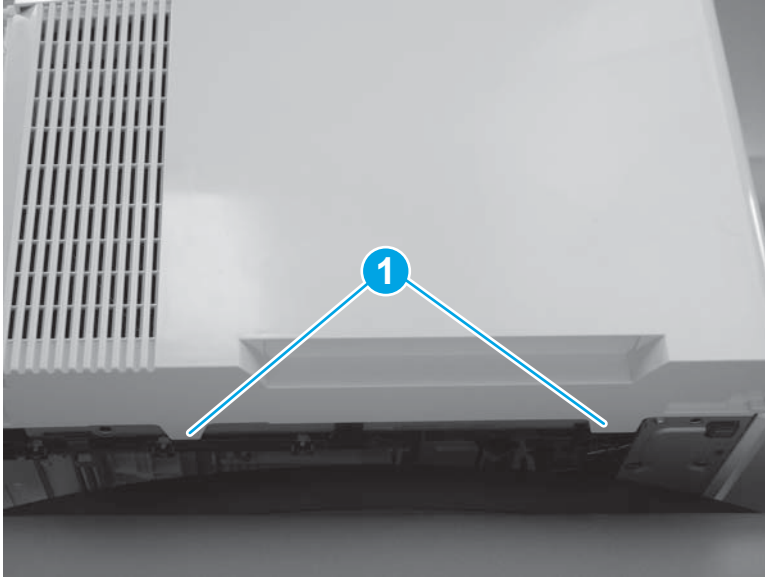
2. At the front of the printer, remove one screw (callout 1).

Figure 1-2401 Remove one screw



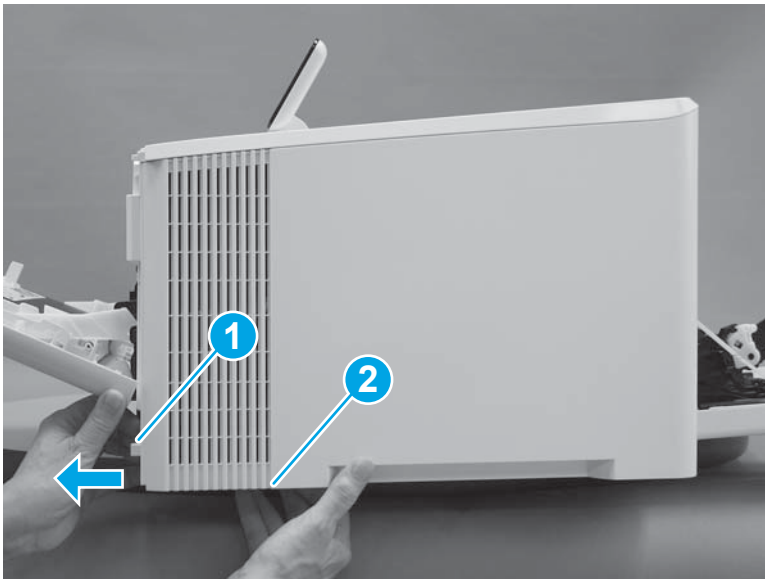
3. Slide the printer to the edge of a work surface. Note the location of the tabs on the lower edge of the cover (callout 1).

Figure 1-2402 Locate the tabs



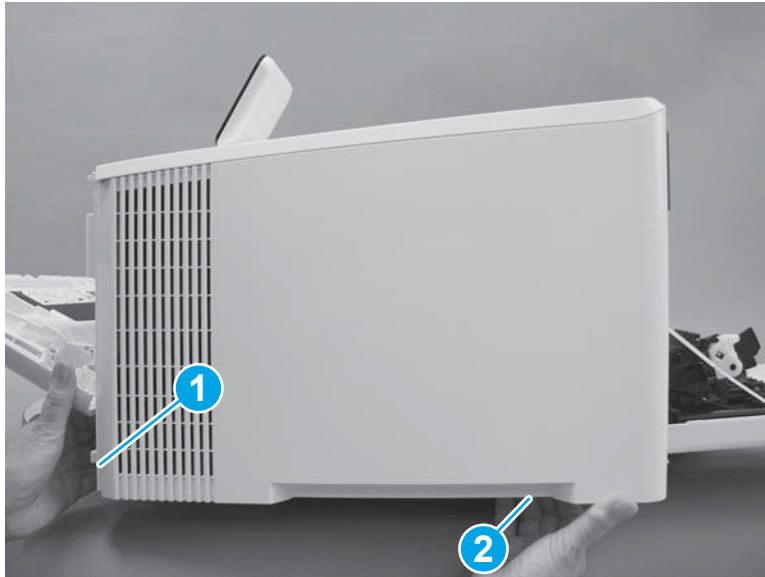
4. Release one tab (callout 1) on the front of the cover by slightly pulling the cover away from the printer. While holding the cover in the released position, release one tab (callout 2) on the bottom of the cover.

Figure 1-2403 Release front lower tabs



5. Hold the front tabs in the released position (callout 1), and then release one tab (callout 2) on the bottom of the cover, toward the back of the printer.

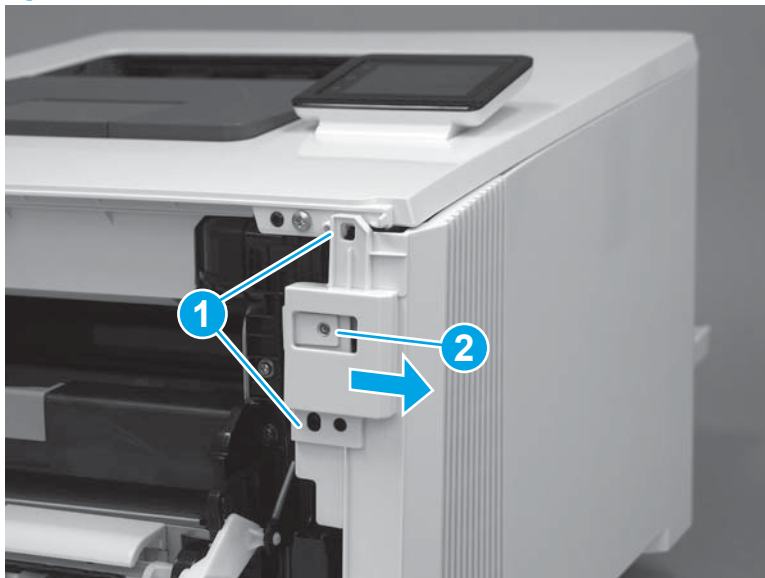
Figure 1-2404 Release lower rear tab



6. Release two tabs at the front of the printer (callout 1) by slightly pulling the cover away from the printer.

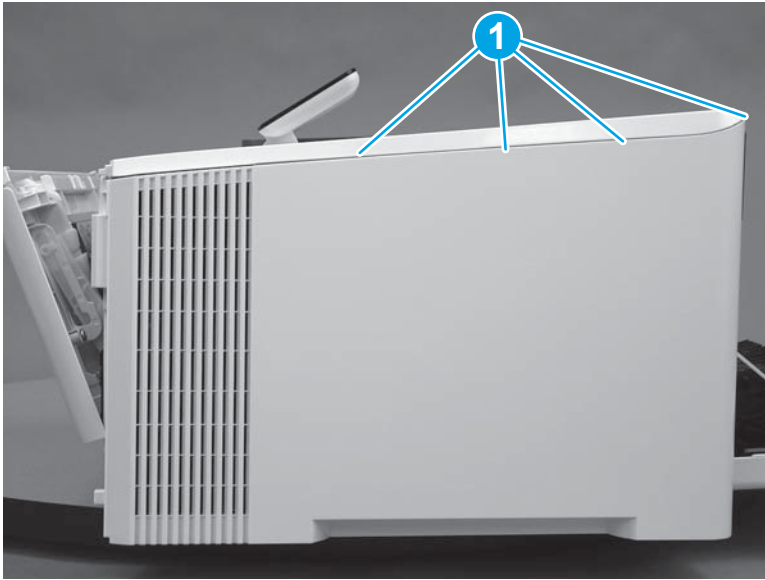
**⚠ CAUTION:** Be careful not to dislodge the power switch (callout 2).

Figure 1-2405 Release two front tabs



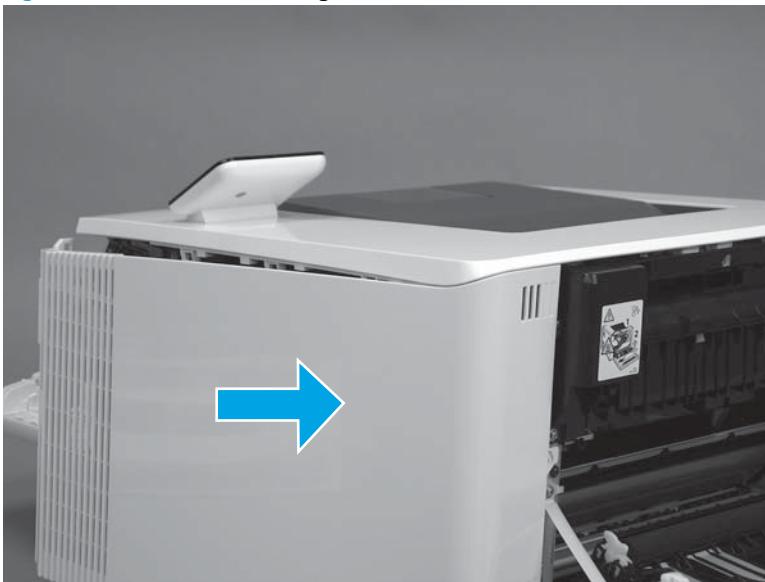
7. Release four tabs on the top of the printer (callout 1).

Figure 1-2406 Release upper tabs



8. Slide the cover toward the back of the printer to remove it.

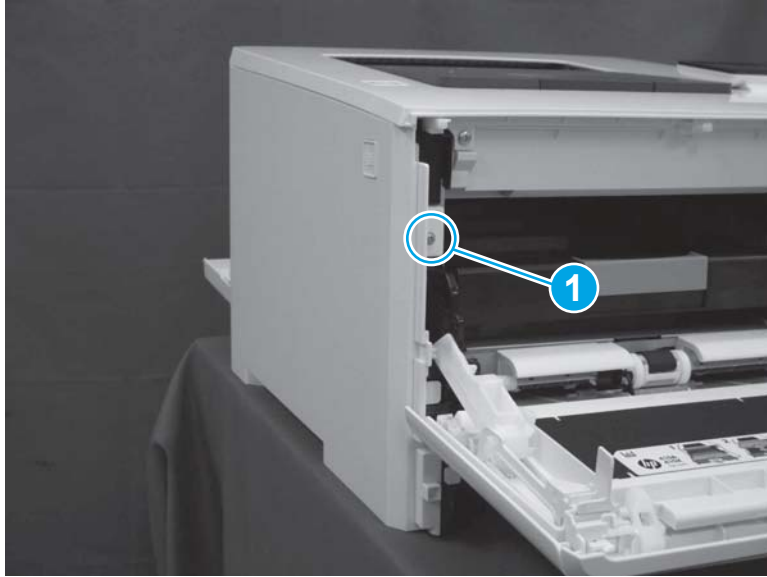
Figure 1-2407 Remove the right cover



#### Step 4: Remove the left cover (M454 models)

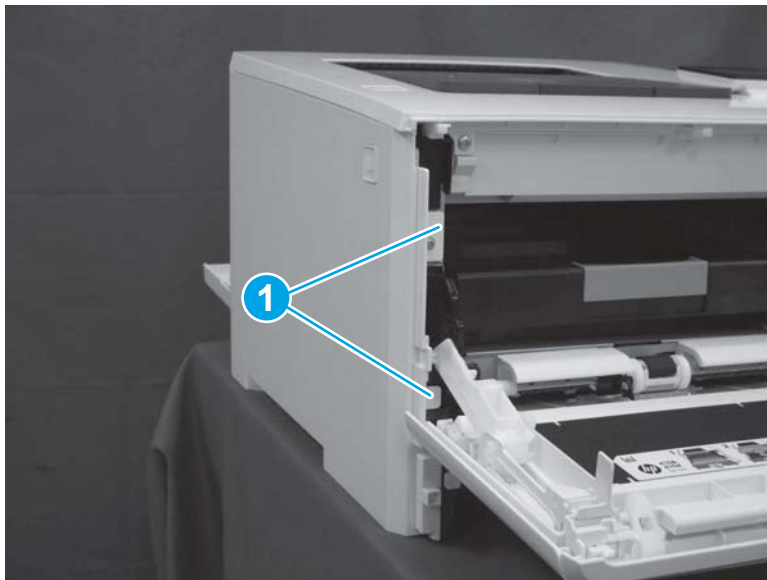
1. At the front of the printer, remove one screw (callout 1).

Figure 1-2408 Remove one screw



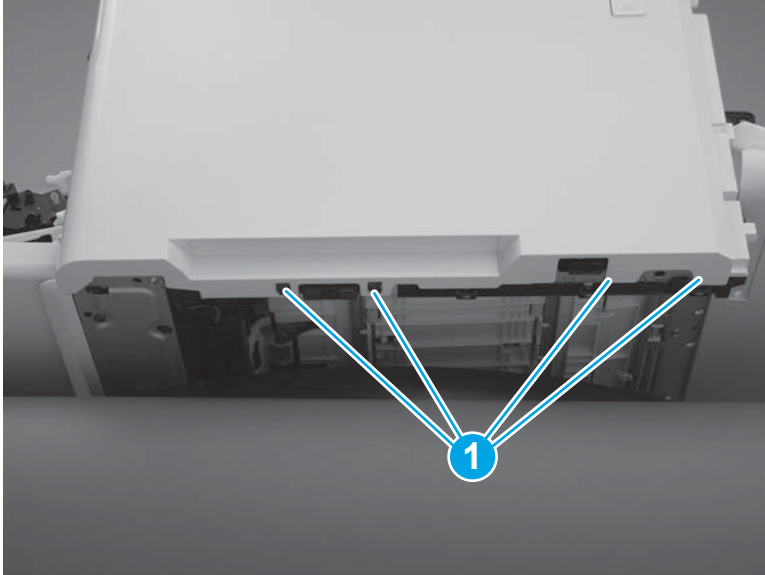
2. Release two tabs (callout 1) at the front of the cover. Hold the cover open to prevent the tabs from reengaging.

Figure 1-2409 Release two tabs



3. Slide the printer to the edge of a work surface. Note the location of the tabs on the lower edge of the cover (callout 1).

Figure 1-2410 Locate the tabs



4. Beginning from the front of the cover, release four tabs (callouts 1-4) on the lower edge of the cover.

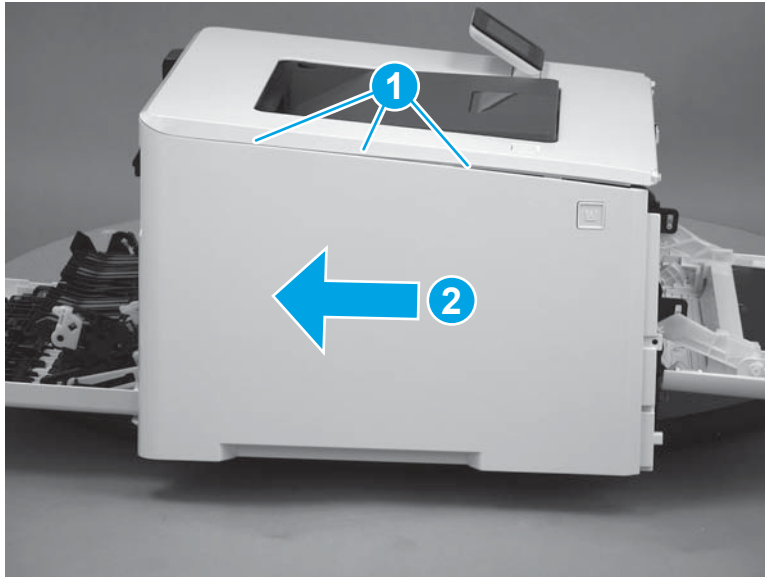
Figure 1-2411 Release bottom tabs





5. Release three tabs at the top of the cover (callout 1), and then slide the cover toward the rear of the printer to remove it.

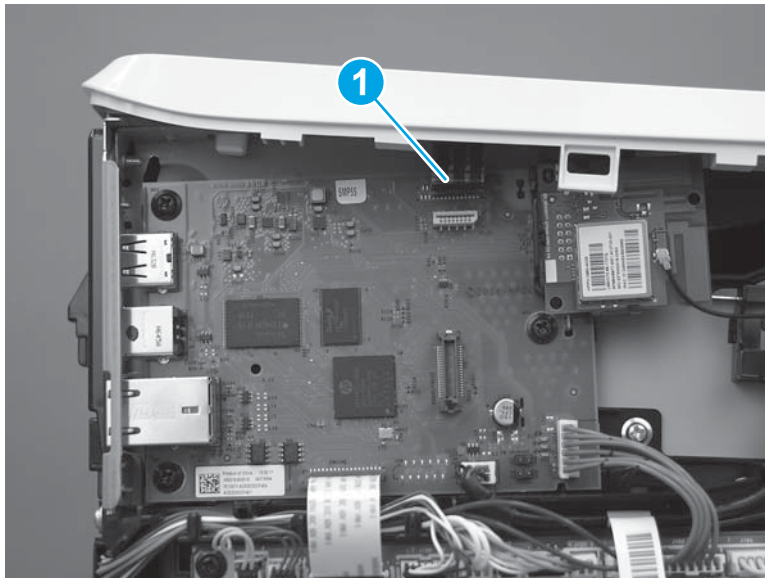
Figure 1-2412 Release three tabs



#### Step 5: Remove the top cover (M454 models)

1. **M454dw model only:** On the left side of the printer, on the formatter, disconnect one connector (callout 1).

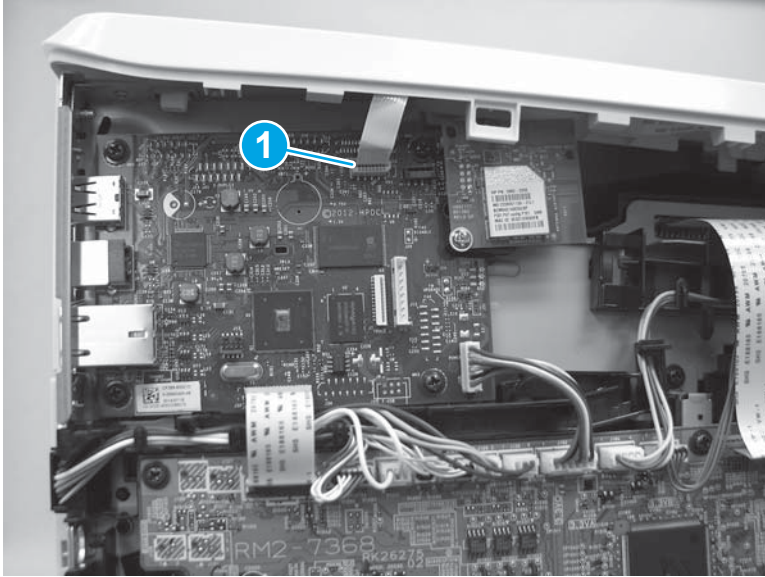
Figure 1-2413 Disconnect one connector



2. **M454nw/dn models only:** On the left side of the printer, on the formatter, disconnect one connector (callout 1).

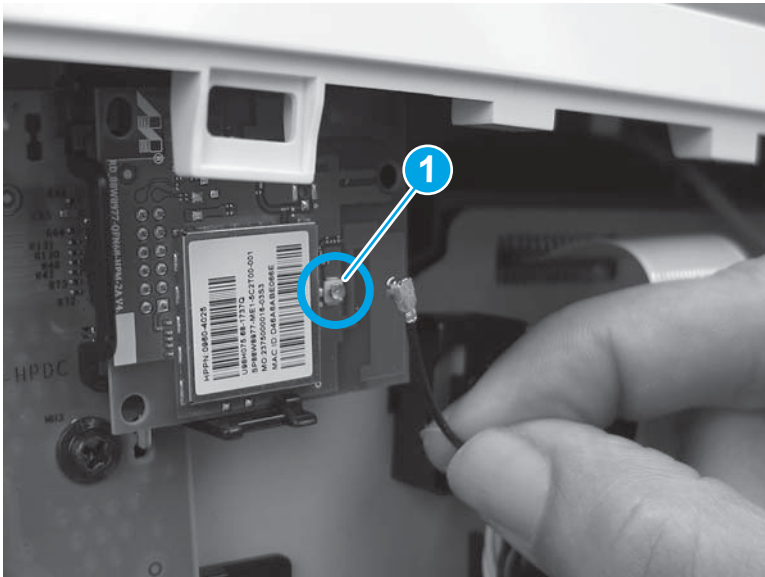
 **NOTE:** The formatter may look slightly different than what is shown below, however the removal procedures are the same.

Figure 1-2414 Disconnect one connector



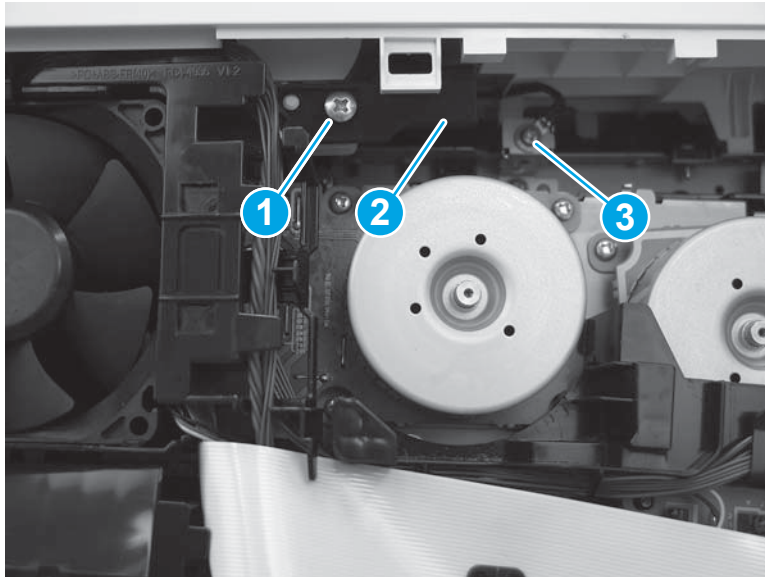
3. **M454nw/dw models only:** Disconnect the antenna (callout 1) from the connector (callout 2) on the wireless PCA.

Figure 1-2415 Disconnect the antenna



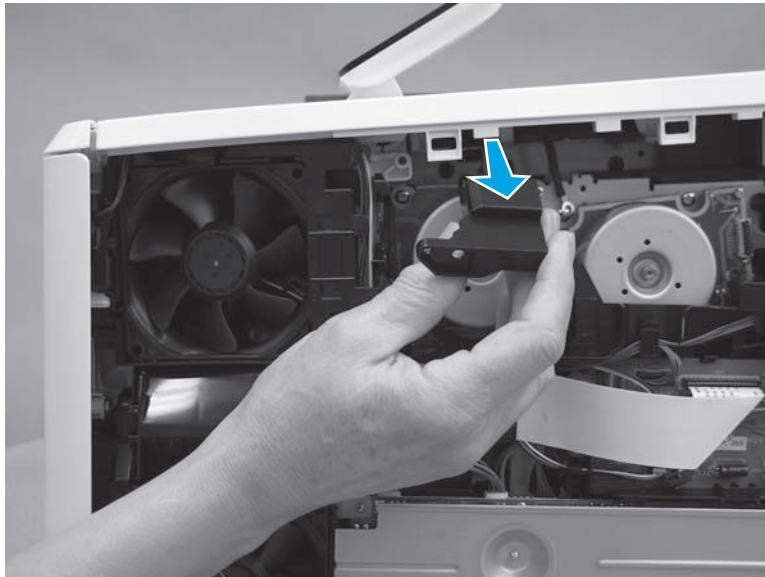
4. **M454dw model only:** Remove one screw (callout 1) and release one ground wire. Remove one screw (callout 2). Note the location (callout 3) of the guide.

Figure 1-2416 Remove two screws



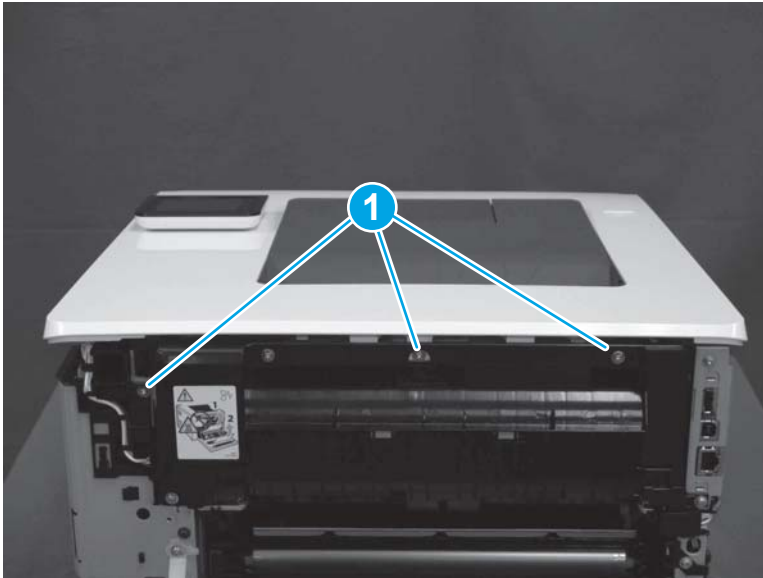
5. **M454dw model only:** Remove the guide.

Figure 1-2417 Remove the guide



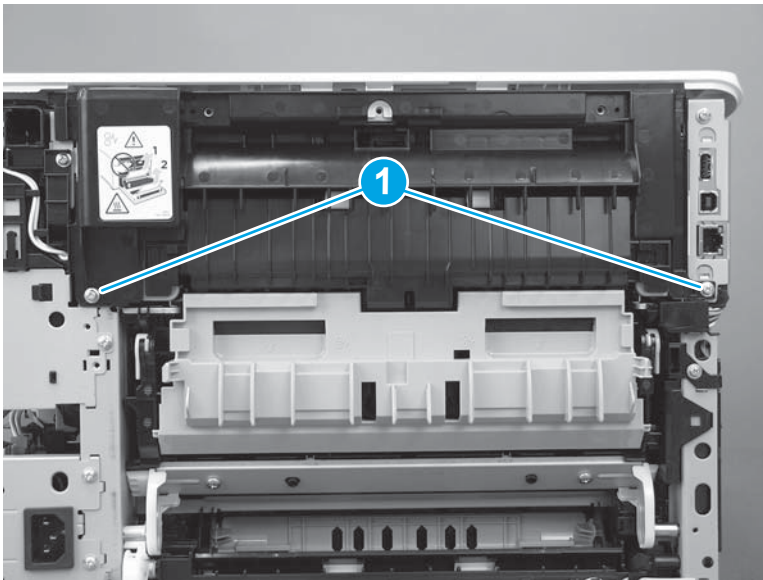
6. **M454dn/dw models only:** At the back of the printer, remove three screws (callout 1).

Figure 1-2418 Remove three screws



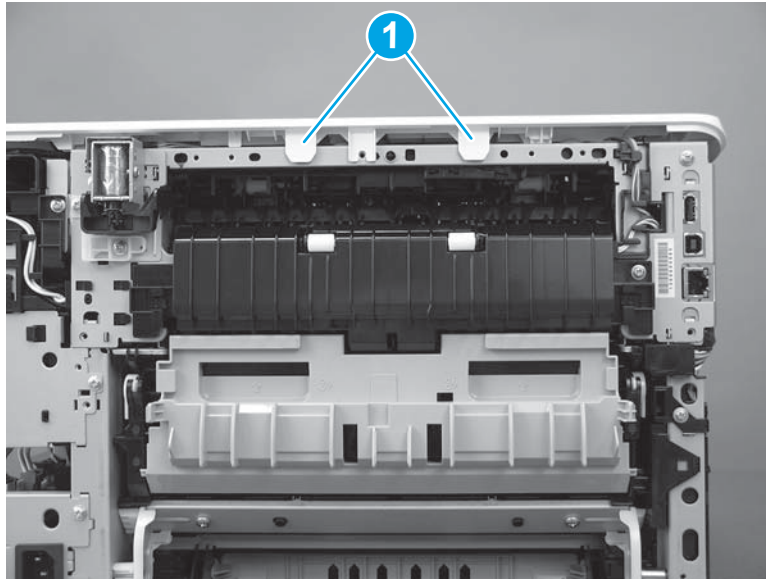
7. **M454dn/dw models only:** Remove two screws (callout 1).

Figure 1-2419 Remove two screws



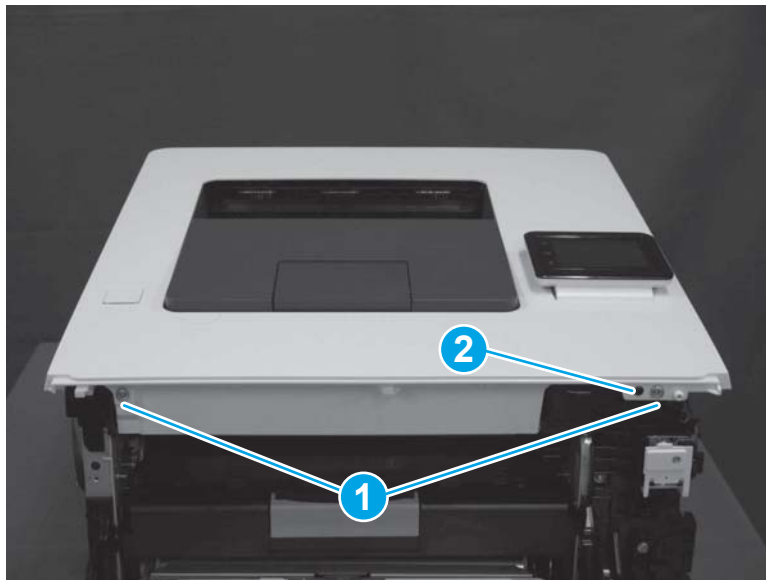
8. **M454nw model only:** At the back of the printer release two tabs (callout 1).

Figure 1-2420 Release two tabs



9. At the front of the printer, remove two screws (callout 1), and then release one tab (callout 2).

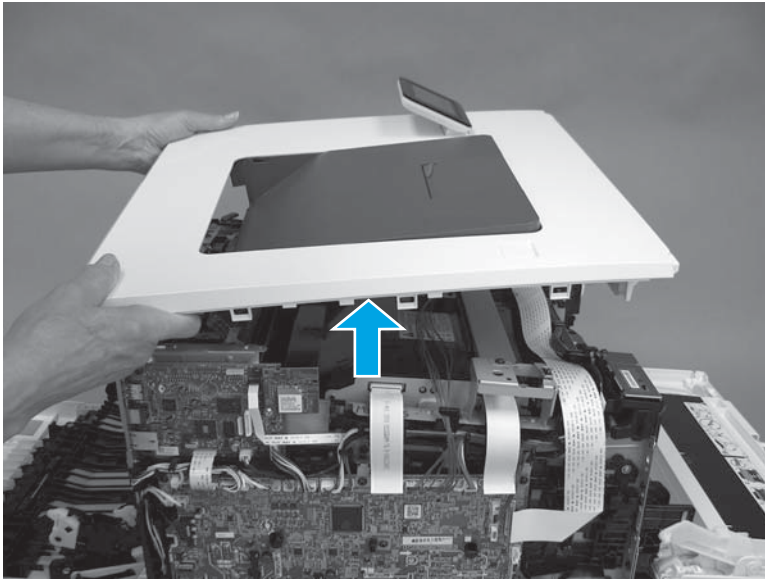
Figure 1-2421 Remove two screws and release one tab





10. Remove the top cover.

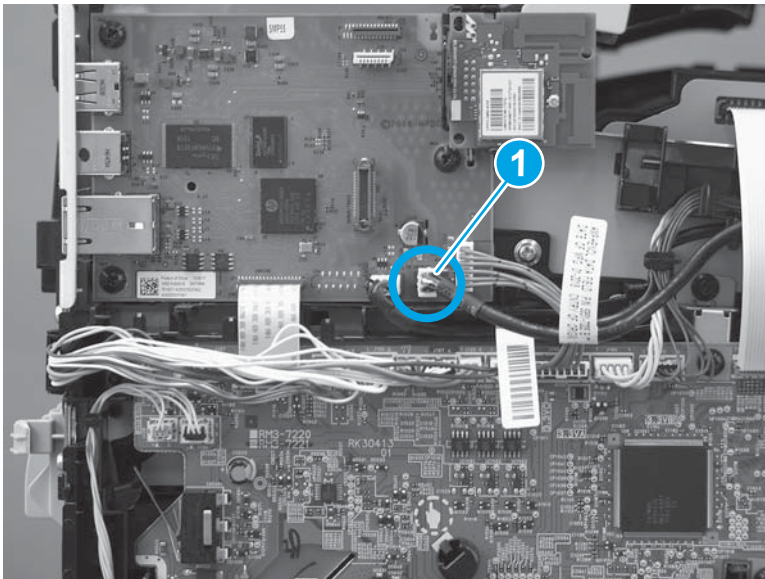
Figure 1-2422 Remove the top cover



Step 6: Remove the walk-up USB port (M454dw model)

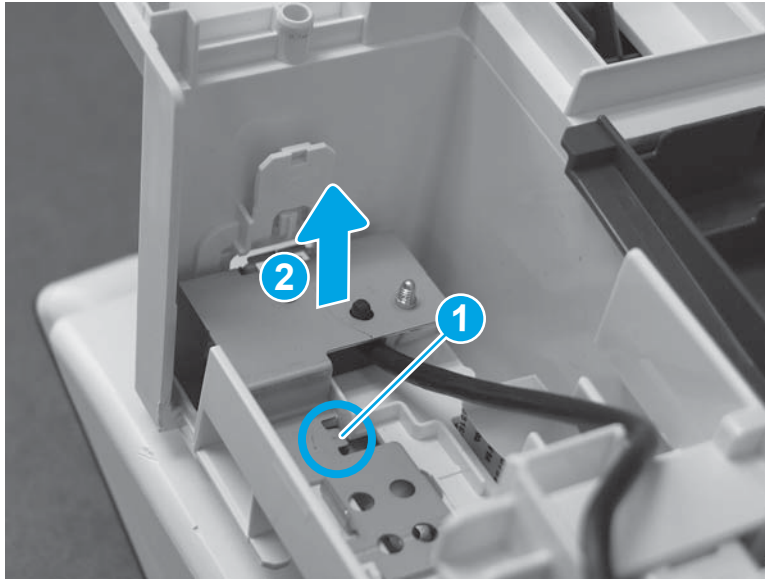
1. Disconnect one USB cable from the formatter PCA (callout 1).

Figure 1-2423 Disconnect USB cable from the formatter PCA



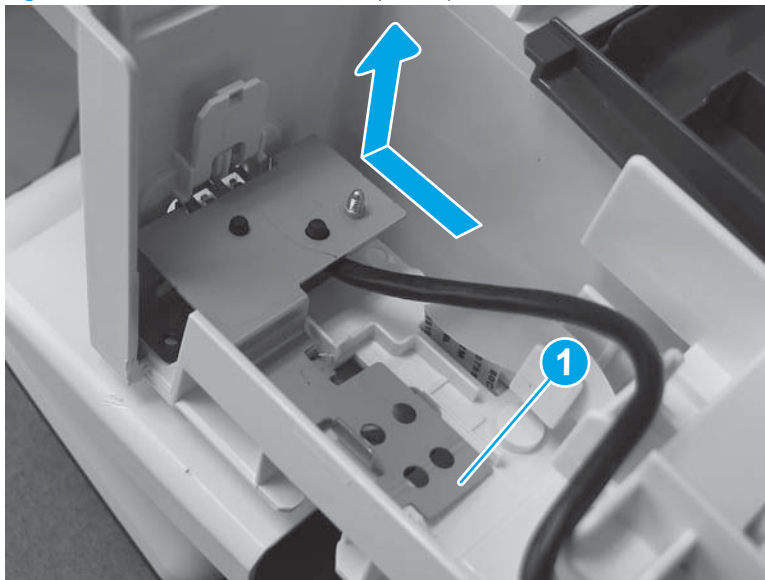
2. Release one tab (callout 1), and then lift up on the USB connector to remove (callout 2).

Figure 1-2424 Release one tab and lift to remove USB connector



3. Need to pry up (callout 1) to clear plastic stays, then I could slide it back to lift up.

Figure 1-2425 Remove the walk-up USB port



### Step 7: Unpack the replacement part

Remove the new part from its package. Save all packaging for recycling the used part.

For complete information on HP's recycling programs, go to [Product return and recycling](#).

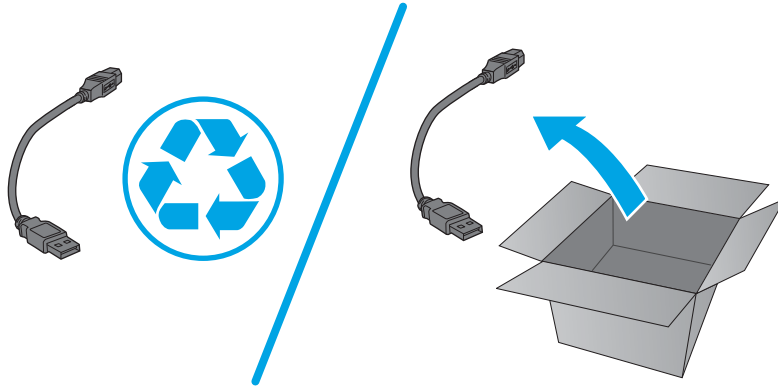
---

 **NOTE:** HP recommends responsible disposal of the defective part.

---




Figure 1-2426 Recycle and unpack



### Step 8: Install the walk-up USB port (M454dw model)

- ▲ To install an assembly, reverse the removal steps.

---

 **NOTE:** When applicable, special installation instructions are provided for an assembly at the end of the removal procedure. Always completely read the removal instructions and follow all special installation instructions.

---

## Removal and replacement: Walk-up USB port (M479 models)

- [Introduction](#)
- [Step 1: Remove Tray 2](#)
- [Step 2: Open the front door and rear door or duplexer door](#)
- [Step 3: Remove the right cover \(M479 models\)](#)
- [Step 4: Remove the left cover \(M479 models\)](#)
- [Step 5: Remove the rear top cover \(simplex model\)](#)
- [Step 6: Remove the integrated scanner assembly \(M479 models\)](#)
- [Step 7: Remove the top cover \(M479 models\)](#)
- [Step 8: Remove the walk-up USB port \(M479 models\)](#)
- [Step 10: Unpack the replacement part](#)
- [Step 10: Install the walk-up USB port \(M479 models\)](#)

### Introduction

This document provides the procedures to remove and replace the walk-up USB port for the M479.

[Click here to view a video of this procedure.](#)

### Before you begin

- Turn off the printer.
- Disconnect the power cable.

**⚠ WARNING!** To avoid damage to the printer, turn the printer off, wait 30 seconds, and then remove the power cord before attempting to service the printer.

- Use the table below to identify the correct part number for your printer. To order the part, go to [www.hp.com/buy/parts](http://www.hp.com/buy/parts).

Walk-up USB port part number	
5851-7005	Mute Cable

### Required tools

- #2 Phillips screwdriver with a magnetic tip

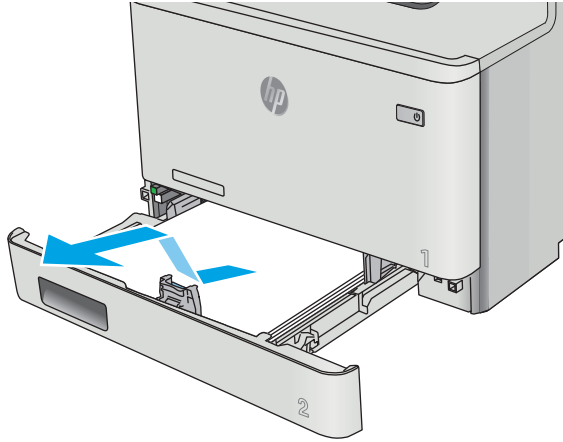
### After performing service

- Connect the power cable.
- Use the power switch to turn the power on.

### Step 1: Remove Tray 2

- ▲ Pull the tray out until it stops. Lift the front of the tray, and then pull it out of the printer to remove it.

Figure 1-2427 Remove the tray



Step 2: Open the front door and rear door or duplexer door

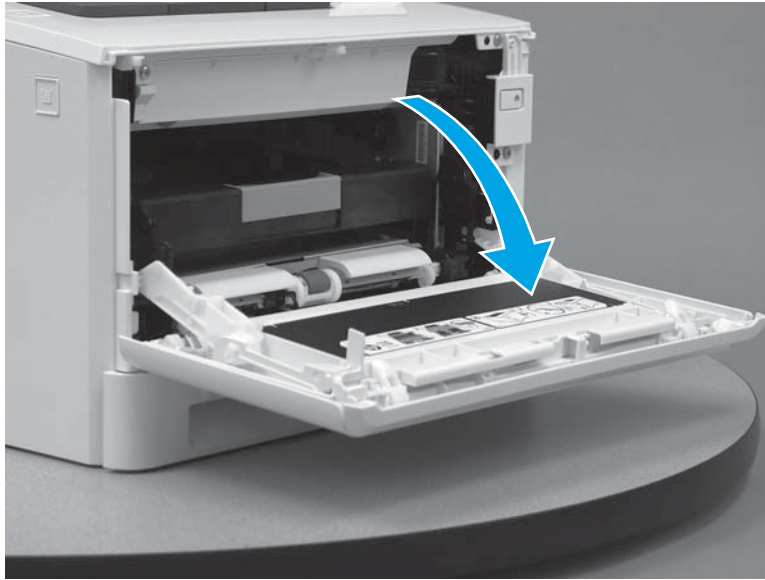
1. Press the button (callout 1) on the left side of the printer to release the front door.

Figure 1-2428 Release the front door



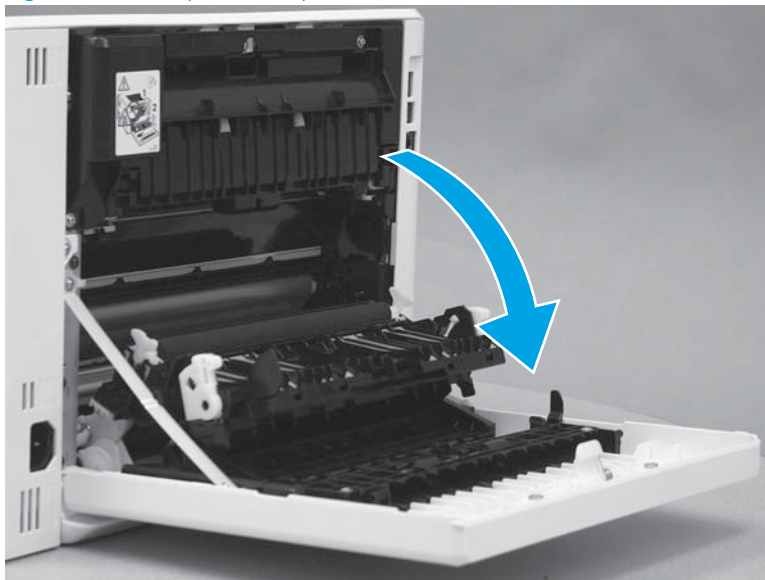
2. Open the front door.

Figure 1-2429 Open the front door



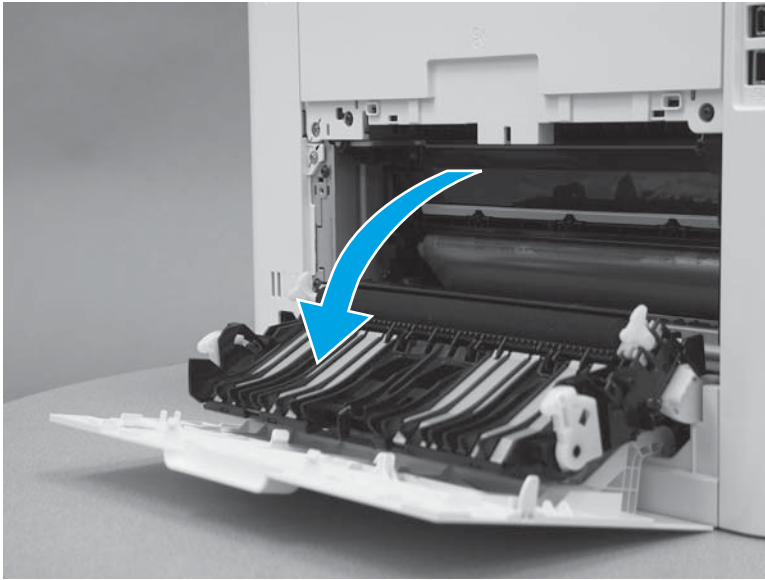
3. Duplex models: Open the duplexer door.

Figure 1-2430 Open the duplexer door



4. **Simplex models:** Open the rear door.

Figure 1-2431 Open the rear door



### Step 3: Remove the right cover (M479 models)

1. Raise the scanner.

Figure 1-2432 Raise the scanner



2. At the back of the printer, remove one screw (callout 1).

Figure 1-2433 Remove one screw



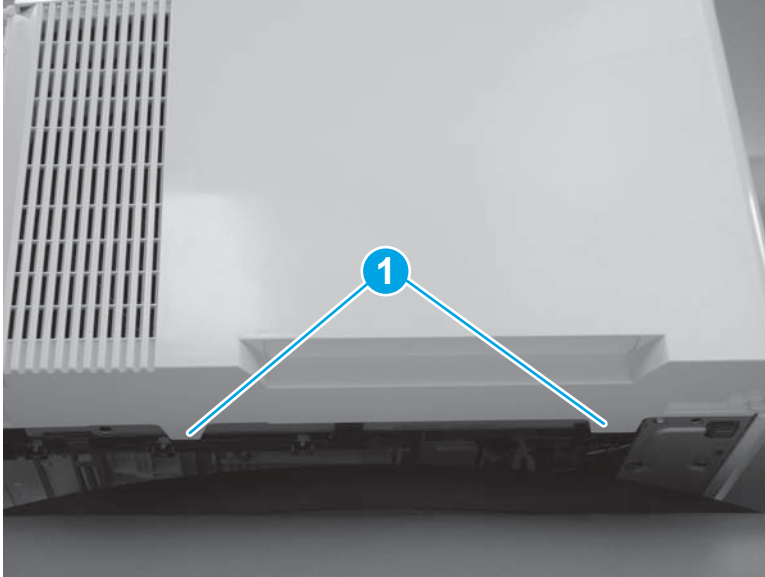
3. At the front of the printer, remove one screw (callout 1).

Figure 1-2434 Remove one screw



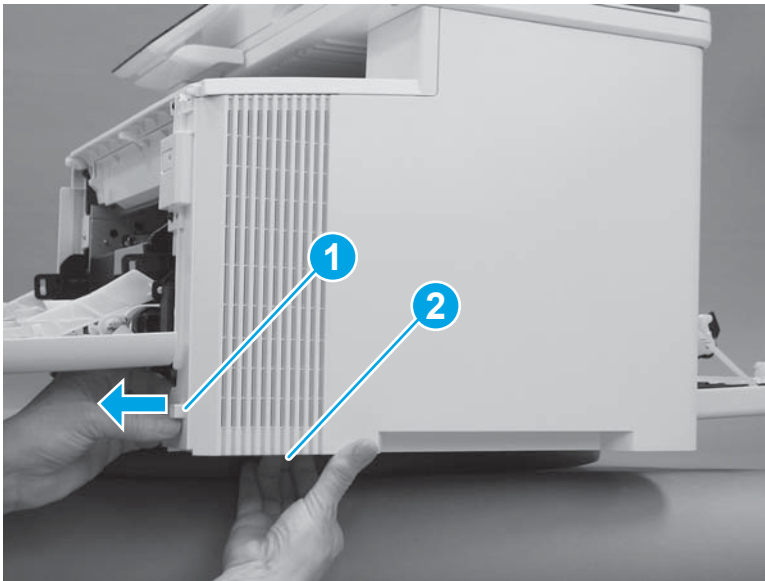
4. Slide the printer to the edge of a work surface. Note the location of the tabs on the lower edge of the cover (callout 1).

Figure 1-2435 Locate the tabs



5. Release one tab (callout 1) on the front of the cover by slightly pulling the cover away from the printer. While holding the cover in the released position, release one tab (callout 2) on the lower edge of the cover.

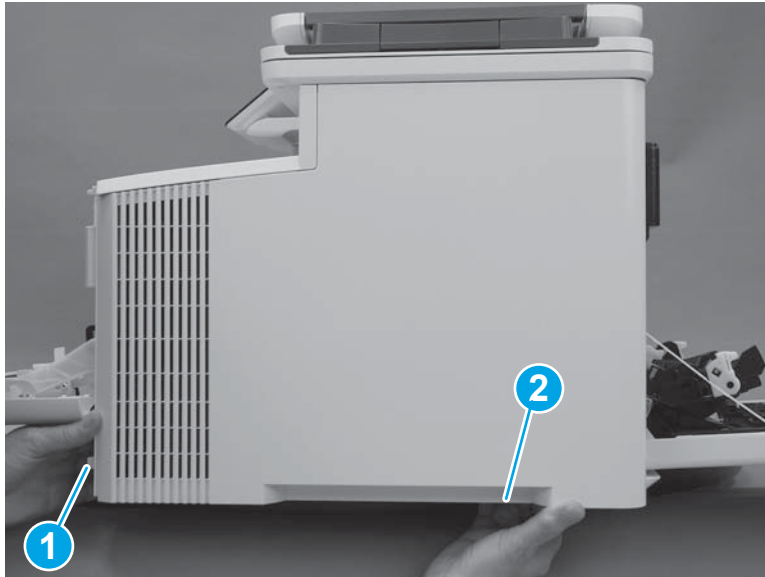
Figure 1-2436 Release front lower tabs





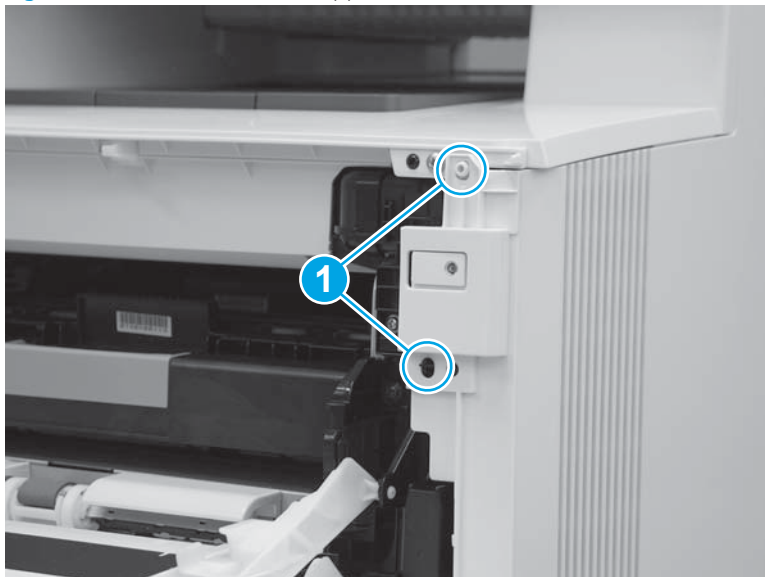
6. Hold the front tabs in the released position (callout 1), and then release one tab (callout 2) on the lower edge of the cover, toward the back of the printer.

Figure 1-2437 Release lower rear tab



7. Release two tabs at the front of the printer (callout 1) by slightly pulling the cover away from the printer.

Figure 1-2438 Release front upper tabs



8. Rotate the front of the cover away from the printer (callout 1).

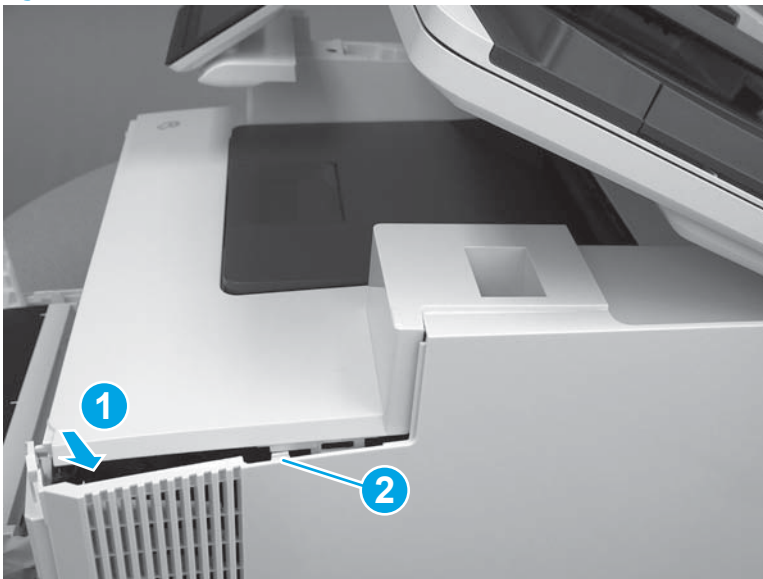
**⚠ CAUTION:** Be careful not to dislodge the power switch (callout 2).

Figure 1-2439 Rotate the front of the cover



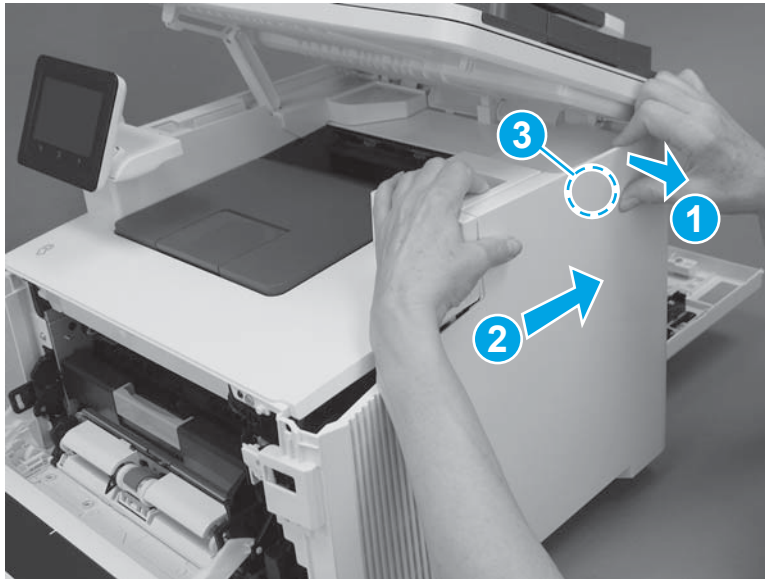
9. Slightly pull the front of the cover away from the printer (callout 1) to release one tab (callout 2).

Figure 1-2440 Release top tabs



10. At the top of the printer, slightly pull the top of the cover away from the printer to release one retention tab (callout 1) on the inside of the cover. While holding the cover away, slide the cover toward the back of the printer (callout 2) to release one hook (callout 3) on the inside of the cover.

Figure 1-2441 Release one tab and one hook



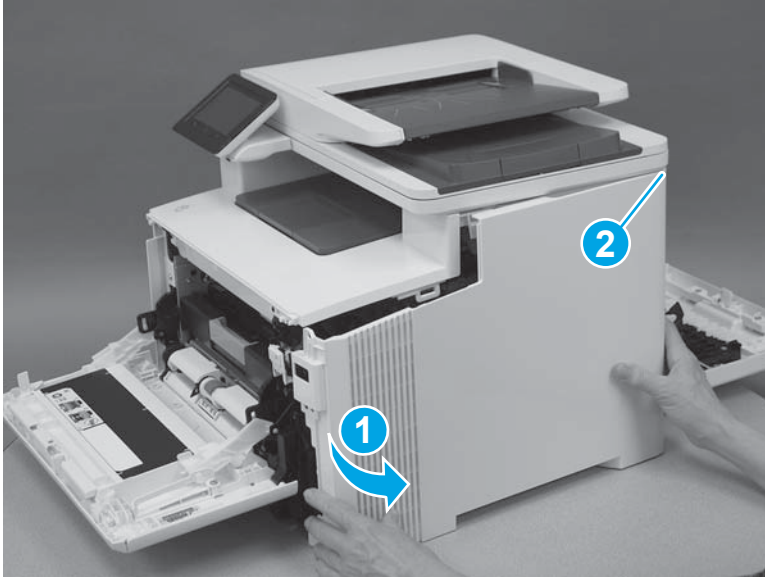
11. Lower the scanner.

Figure 1-2442 Lower the scanner



12. Rotate the cover away from the printer (callout 1) to release one tab (callout 2) at the back of the printer, and then remove the cover.

Figure 1-2443 Remove the right cover



#### Step 4: Remove the left cover (M479 models)

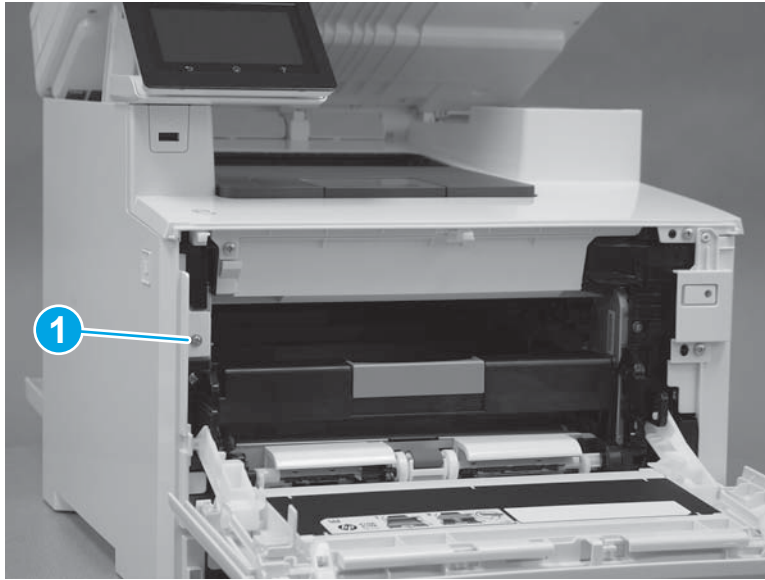
1. Raise the scanner.

Figure 1-2444 Raise the scanner



2. At the front of the printer, remove one screw (callout 1).

Figure 1-2445 Remove one screw



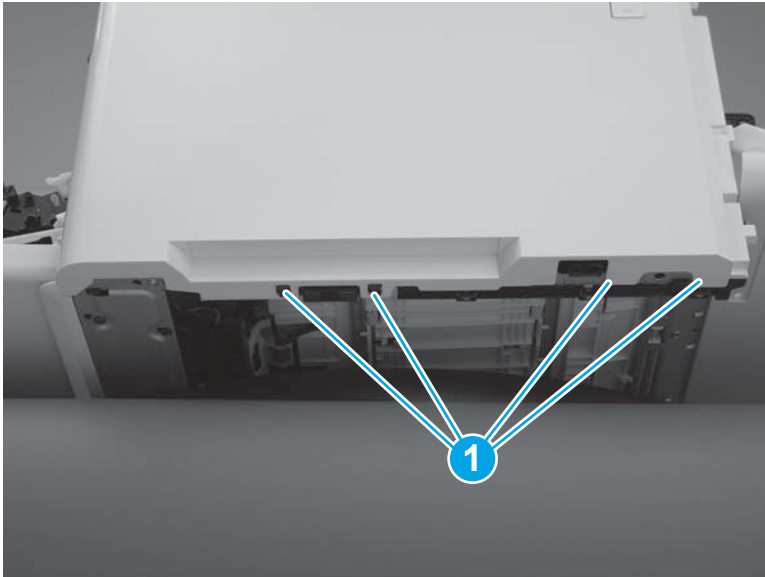
3. Release two tabs (callout 1) at the front of the cover. Hold the cover open to prevent the tabs from re-engaging.

Figure 1-2446 Release two tabs



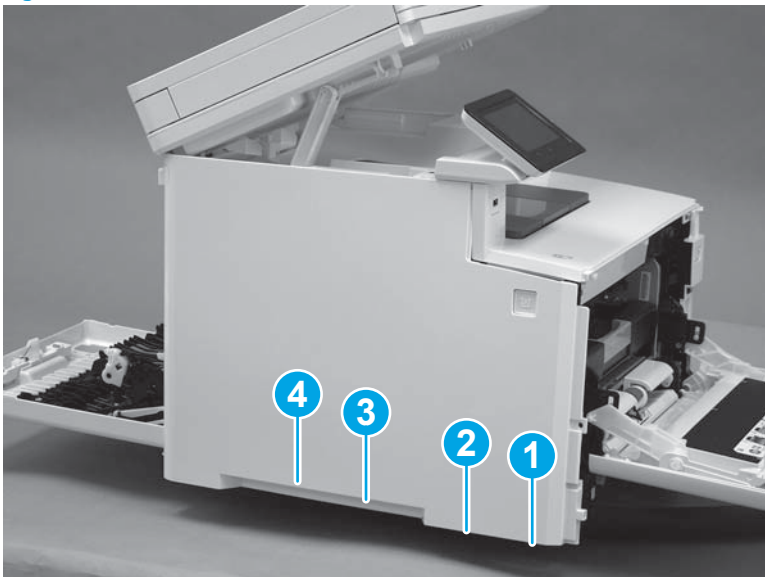
4. Slide the printer to the edge of a work surface. Note the location of the tabs on the lower edge of the cover (callout 1).

Figure 1-2447 Locate the tabs



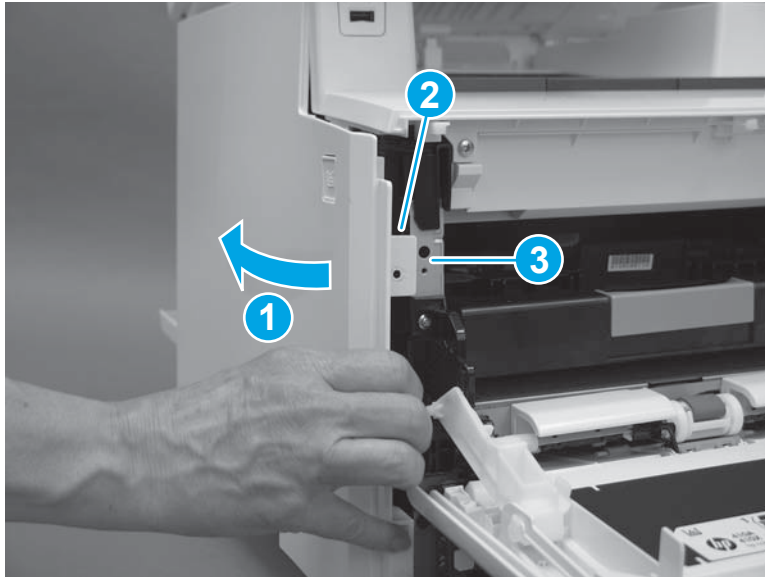
5. Beginning from the front of the cover, release the four tabs (callouts 1-4) on the lower edge of the cover.

Figure 1-2448 Release four tabs



6. Rotate the front of the cover away from the printer (callout 1). Make sure that the tab (callout 2) does not get caught on the printer frame (callout 3).

Figure 1-2449 Rotate the cover



7. At the top of the printer, slightly pull the top of the cover away from the printer to release one retention tab (callout 1) on the inside of the cover. While holding the cover away, slide the cover toward the back of the printer (callout 2) to release two hooks (callout 3) inside the cover.

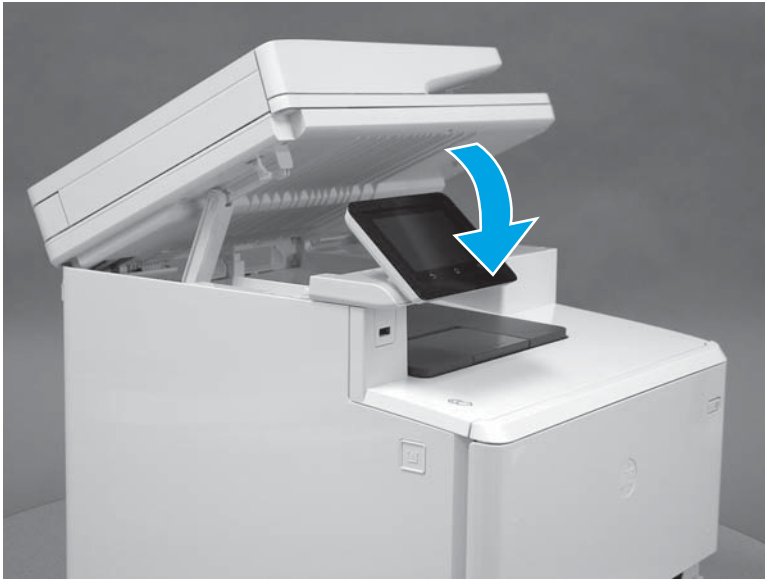
Figure 1-2450 Release one tab and two hooks





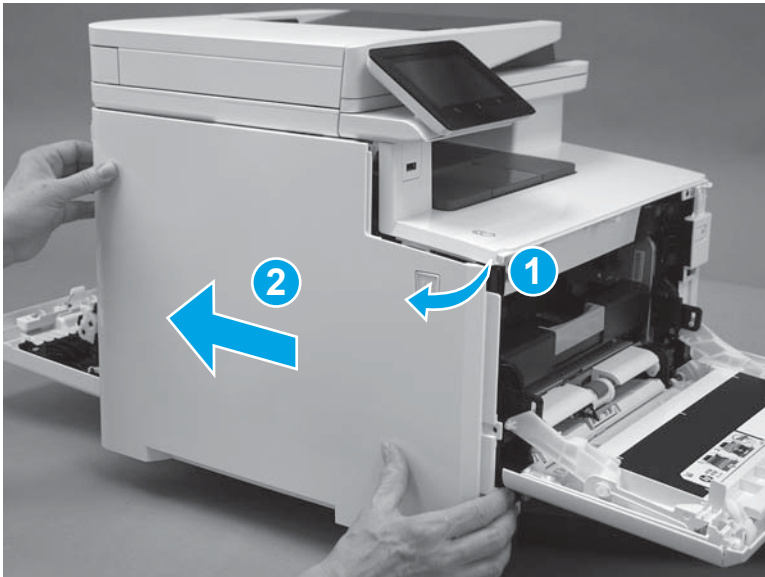
8. Lower the scanner.

Figure 1-2451 Lower the scanner




9. Rotate the cover away from the printer (callout 1), and then slide the cover (callout 2) toward the back of the printer to remove it.

Figure 1-2452 Remove the left cover

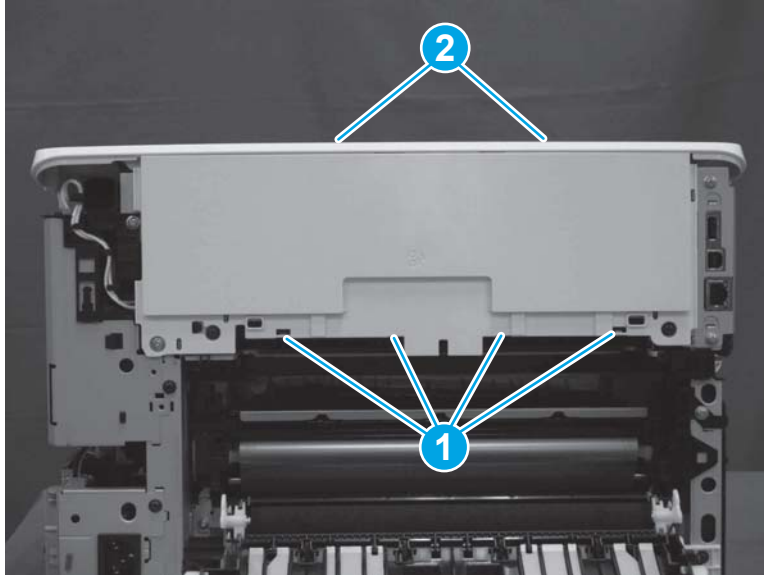


#### Step 5: Remove the rear top cover (simplex model)

 **NOTE:** This step is for simplex models. For duplex models, skip this step and go to [Step 6: Remove the integrated scanner assembly \(M479 models\) on page 1337.](#)

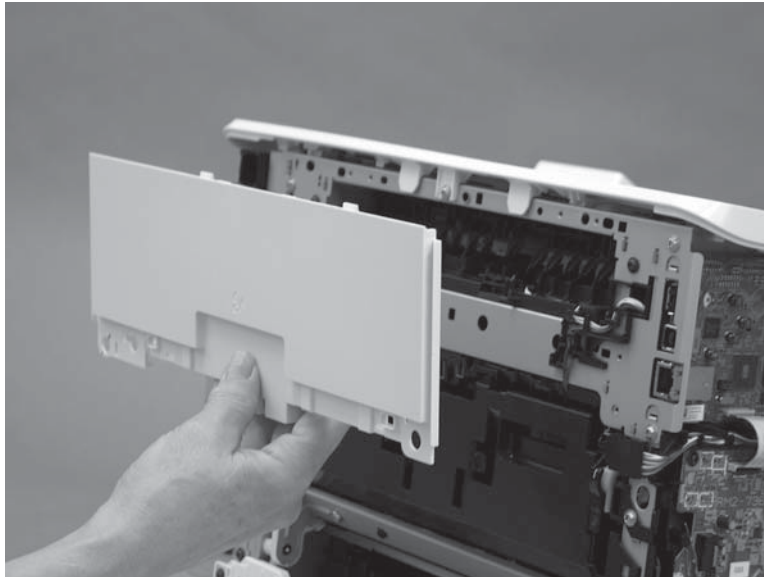
1. At the back of the printer, release four tabs (callout 1) on the bottom of the cover and two tabs (callout 2) on the top of the cover.

Figure 1-2453 Release six tabs



2. Remove the rear top cover.

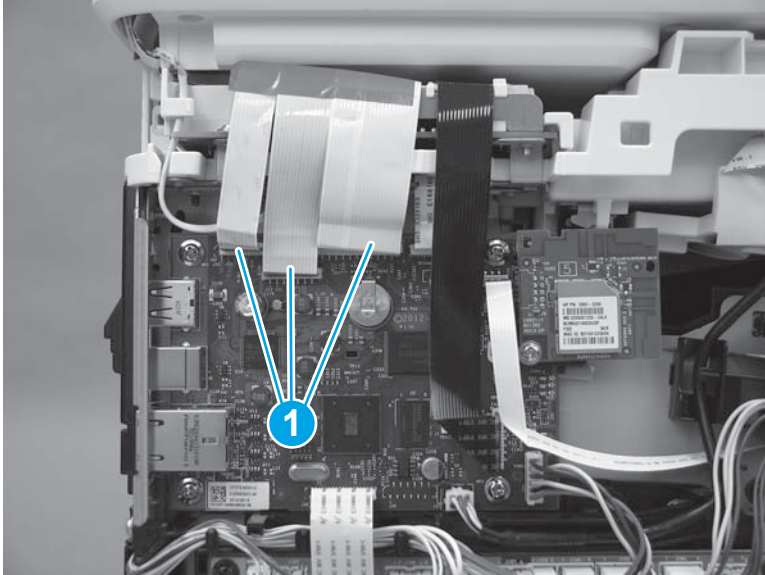
Figure 1-2454 Remove the rear top cover



#### Step 6: Remove the integrated scanner assembly (M479 models)

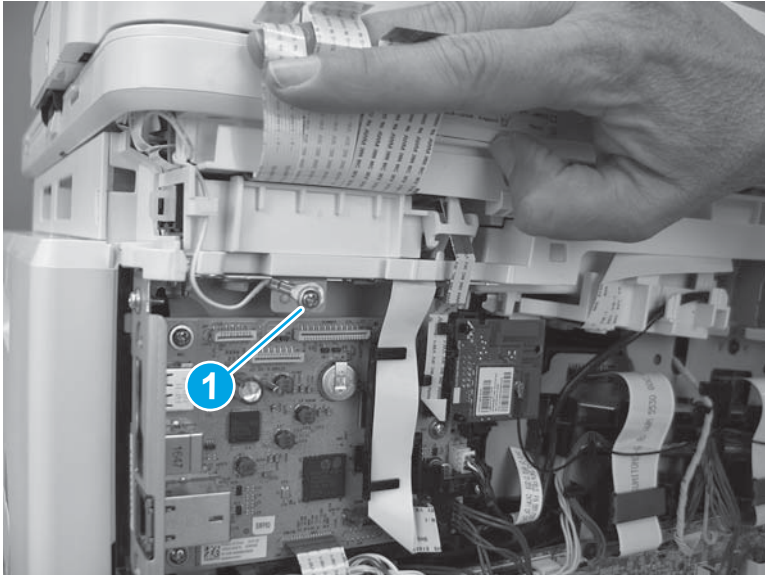
1. On the left side of the printer, disconnect three connectors (callout 1).

Figure 1-2455 Disconnect the scanner cables



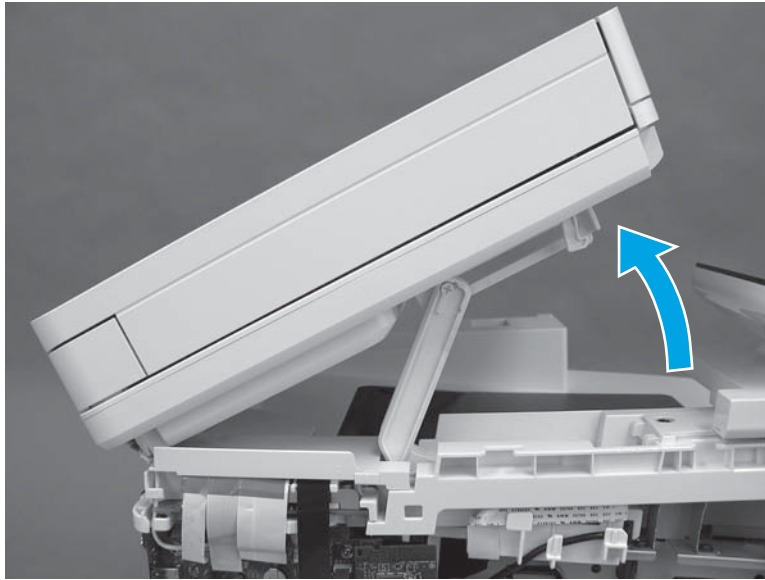
2. Raise the scanner cables up, and then remove one screw (callout 1) to release the ground wire (callout 2).

Figure 1-2456 Remove one screw and release the ground wire



3. Raise the scanner.

Figure 1-2457 Raise the scanner



4. With the scanner lifted, release the tab (callout 1) on the scanner support arm pin from the slot and rotate the pin in the direction indicated.

Figure 1-2458 Release the scanner arm pin



5. Remove the scanner arm pin.

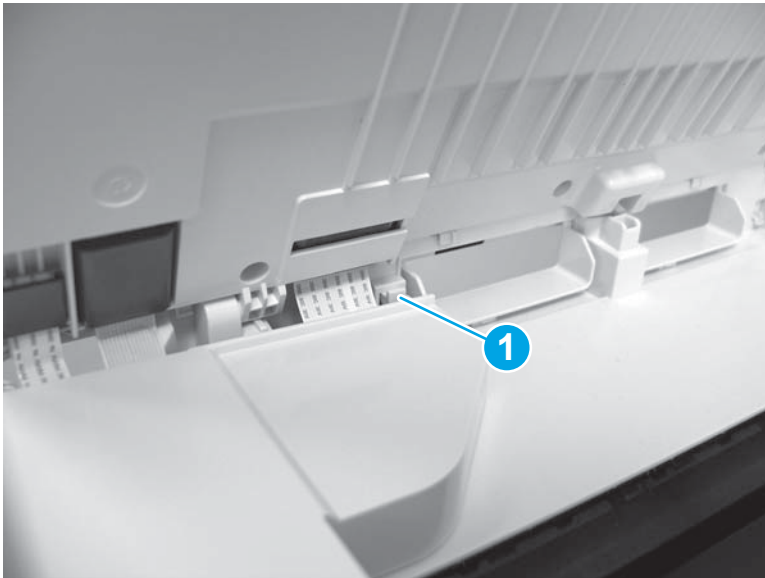
**⚠ CAUTION:** Once the scanner arm pin is removed, support the scanner with one hand at all times so that it does not fall backwards off of the printer.

Figure 1-2459 Remove the scanner arm pin.



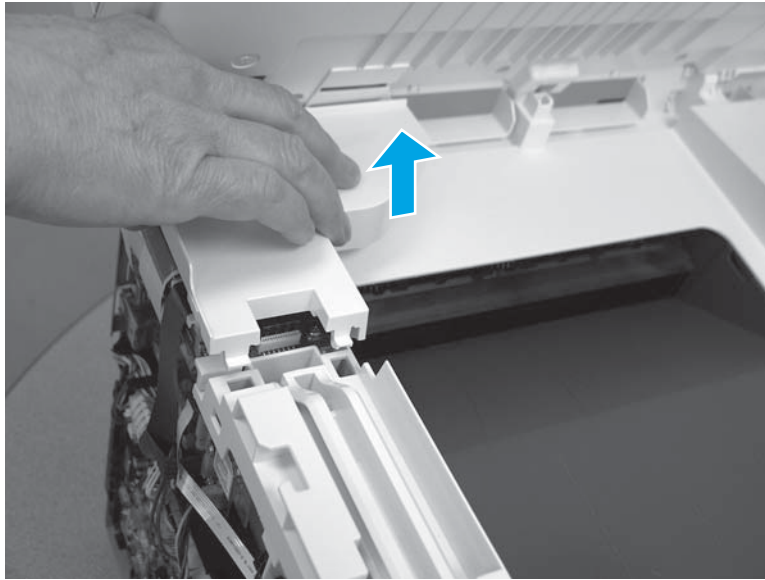
6. On the top of the printer, use a flat-blade screwdriver to release one tab (callout 1).

Figure 1-2460 Release one tab



7. Remove the scanner cable cover.

Figure 1-2461 Remove the scanner cable cover



8. The scanner cables (callout 1) are held in place on the top cover with double-sided tape. Carefully release the cables from the top cover.

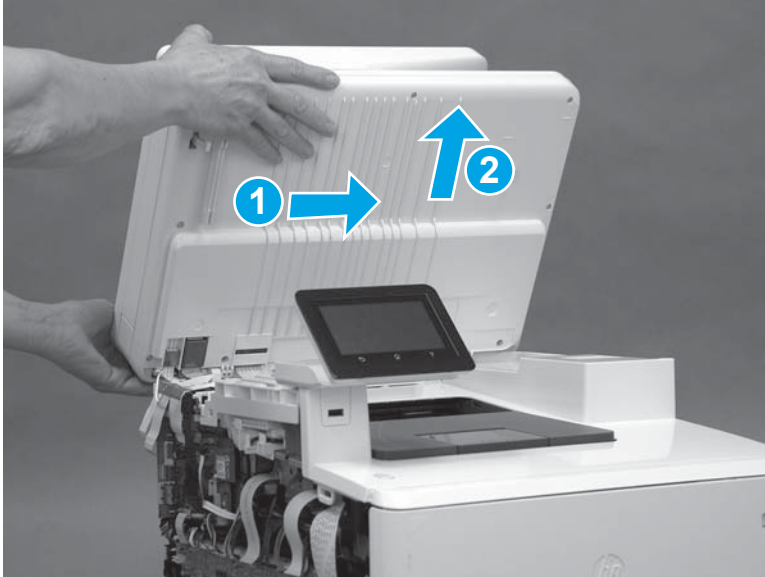
Figure 1-2462 Release the cables





9. Open the scanner assembly fully, slide the assembly toward the right side of the printer, and then lift the assembly off of the printer.

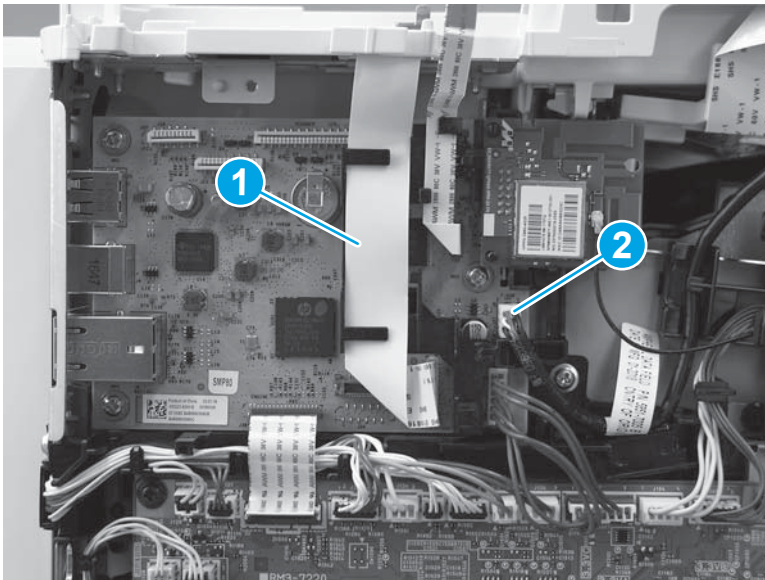
Figure 1-2463 Remove the scanner assembly



#### Step 7: Remove the top cover (M479 models)

1. Disconnect one connector (callout 2) and one FFC (callout 2).

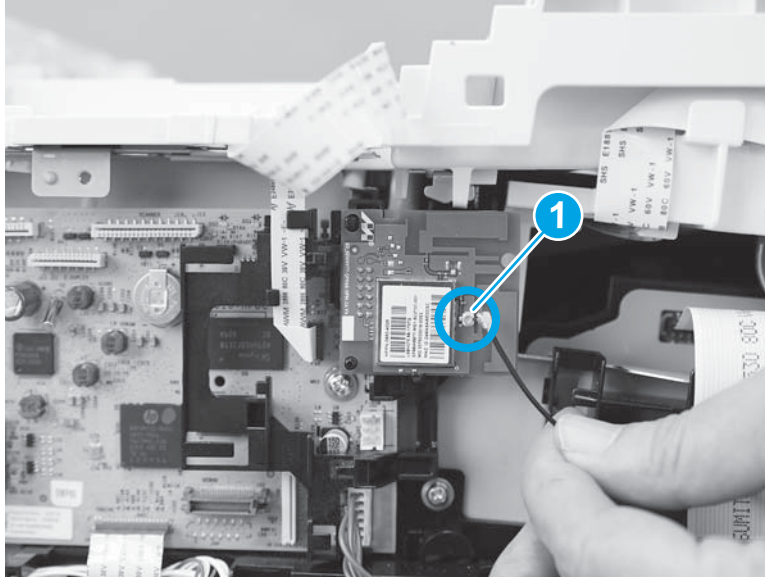
Figure 1-2464 Disconnect one connectors and one FFC





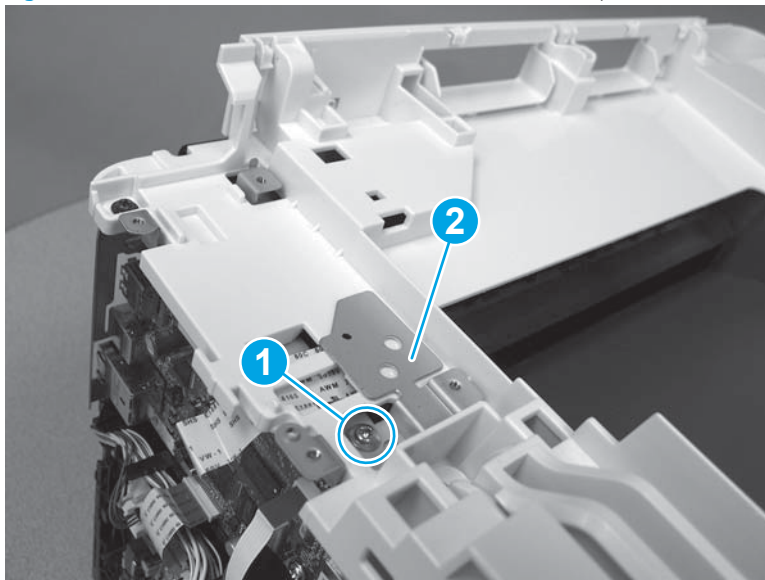
2. Disconnect wireless antenna cable (callout 1) from the wireless PCA.

Figure 1-2465 Disconnect wireless antenna cable from the wireless PCA



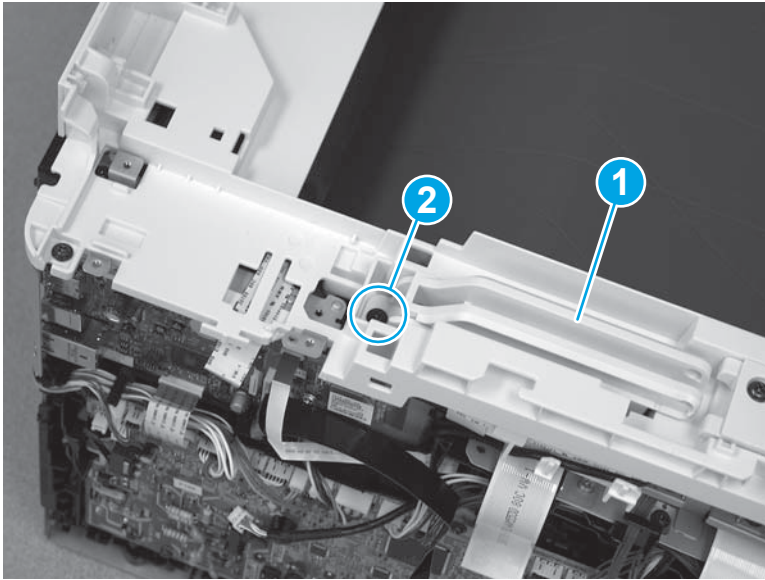
3. On the top cover, remove one screw (callout 1) and the sheet metal plate (callout 2).

Figure 1-2466 Remove one screw and the sheet metal plate



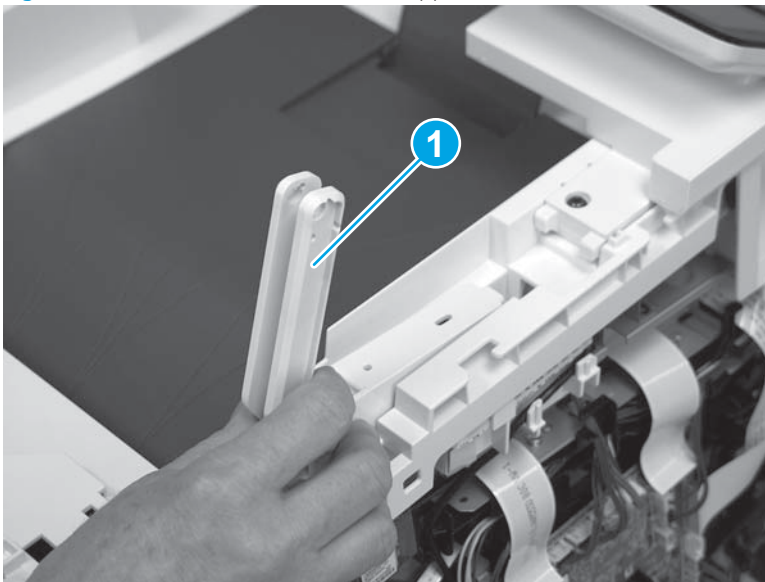
4. At the top of the printer, lower the scanner support arm (callout 1), and then remove one screw (callout 2).

**Figure 1-2467** Lower the support arm and remove one screw




5. Remove the scanner support arm (callout 1).

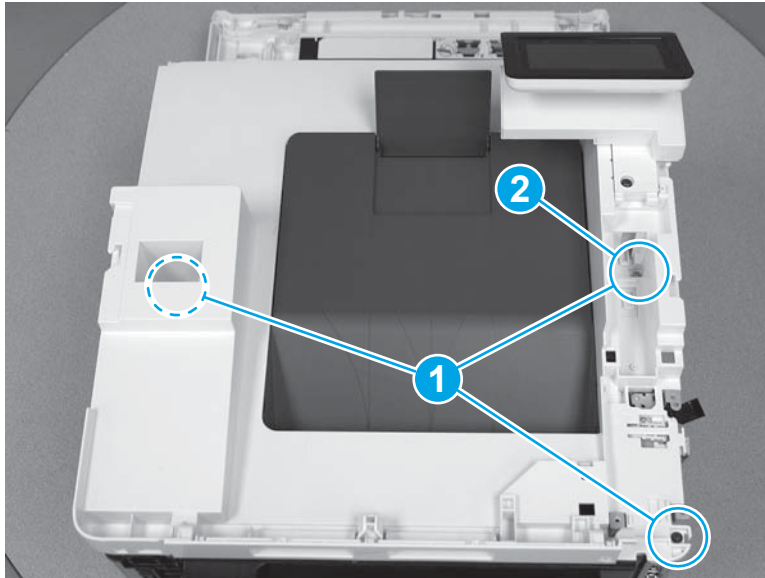
**Figure 1-2468** Remove the scanner support arm



- At the top of the printer, remove three screws (callout 1).

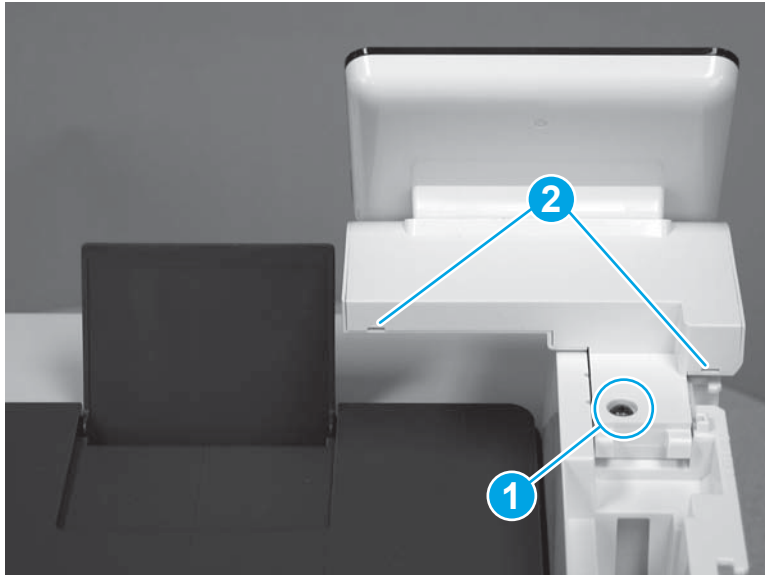
 **Reinstallation tip:** One screw (callout 2) is longer than the other screws. Make sure that this screw is reinstalled in the correct position.

**Figure 1-2469** Remove three screws



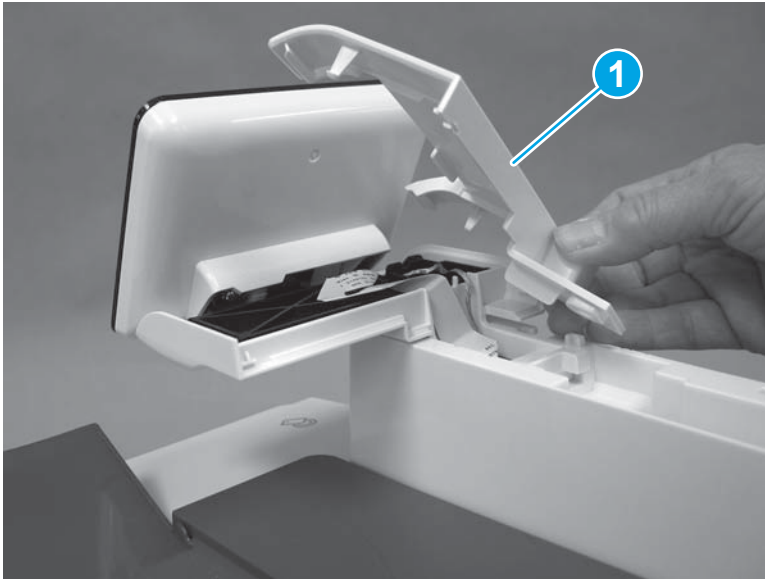
- Behind the control panel, remove one screw (callout 1), and then use a small flat-blade screwdriver at two pry points (callout 2) to release the control panel cover from the top cover.

**Figure 1-2470** Release the control panel cover



8. Remove the control panel cover (callout 1).

Figure 1-2471 Remove the control panel cover



9. Remove the flat cable (callout 1) from the retaining guide (callout 2).

Figure 1-2472 Release the flat cable



10. Remove two screws (callout 1), and then remove one screw (callout 2) and release one ground wire.

 **Reinstallation tip:** The two screws toward the front of the control panel (callout 1) are longer than the other screw. Make sure these screws are installed in the correct position when reinstalling the part.

Figure 1-2473 Remove three screws



11. Carefully lift the control panel away and rest it on the top cover, and then remove one screw (callout 1).


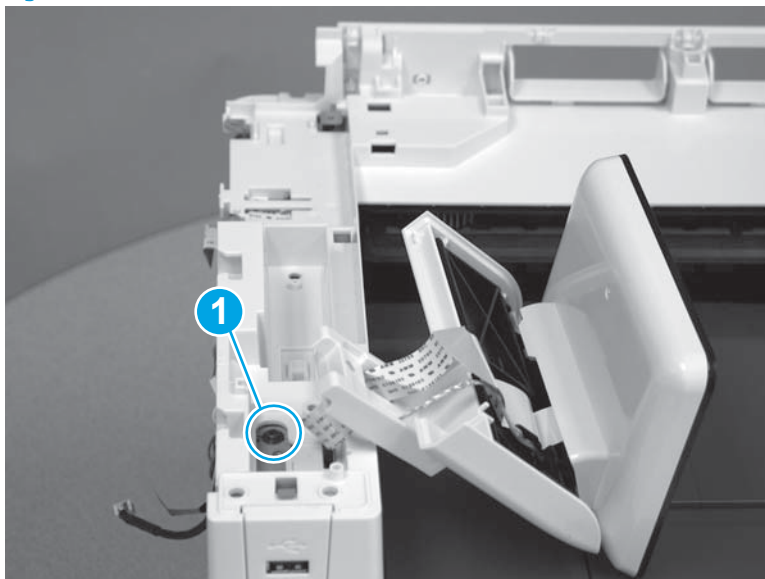
 **CAUTION:** The control panel is still attached to the top cover by the flat cable.

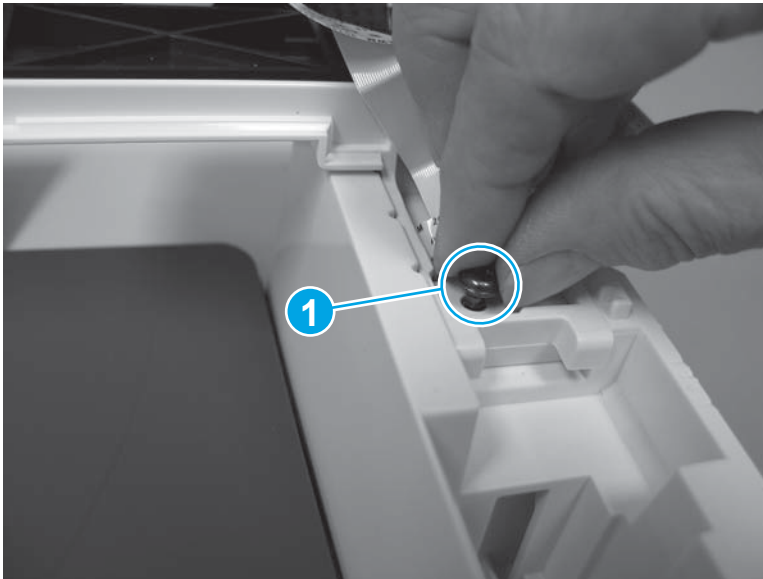
Figure 1-2474 Remove one screw





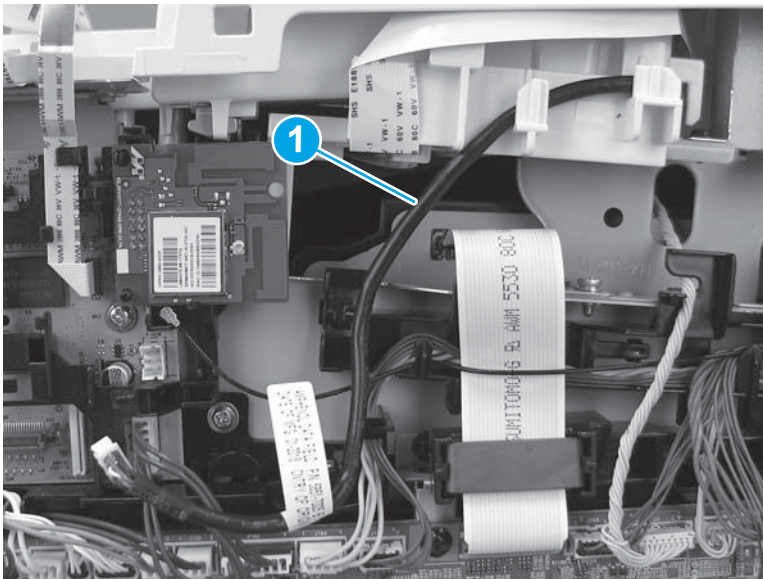
12. Place the control panel back into position. With your hand, refasten the screw (callout 1) that was previously removed from the control panel cover to temporarily reattach the control panel to the top cover. Doing this should protect the flat cable from being damaged.

**Figure 1-2475** Refasten the control panel to the top cover



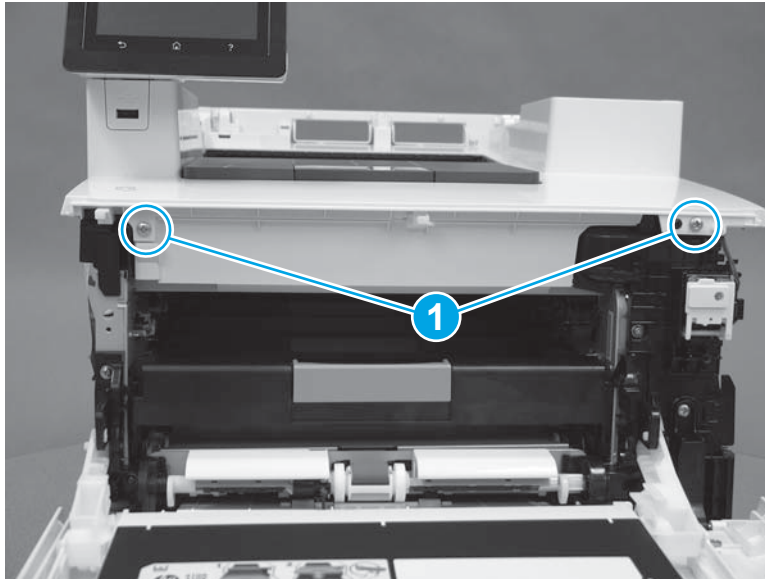
13. Remove the USB cable (callout 1) from the cable guides (callout 2).

**Figure 1-2476** Release the USB cable



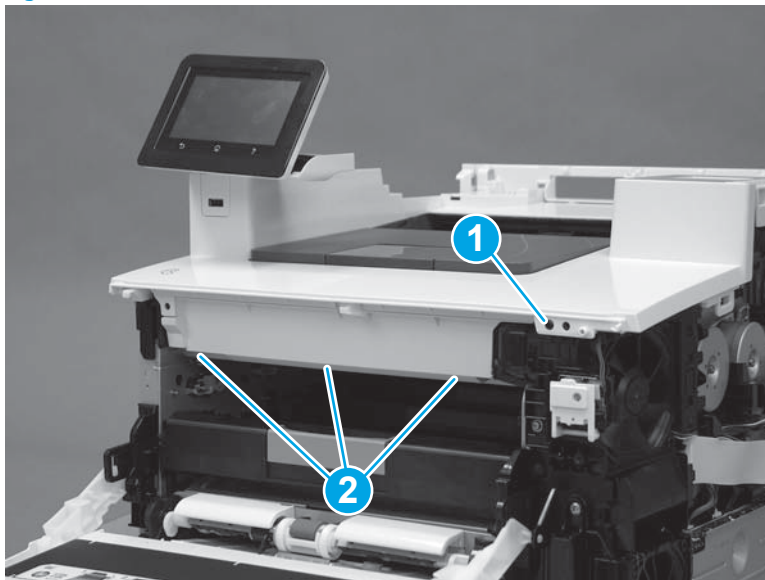
14. At the front of the printer, remove two screws (callout 1).

Figure 1-2477 Remove two screws



15. Release one retainer (callout 1), and then release three tabs (callout 2).

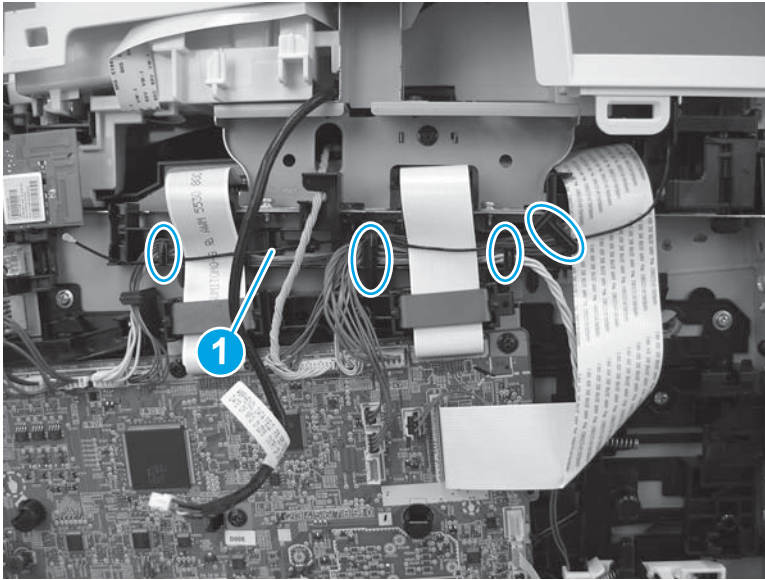
Figure 1-2478 Release one retainer and three tabs





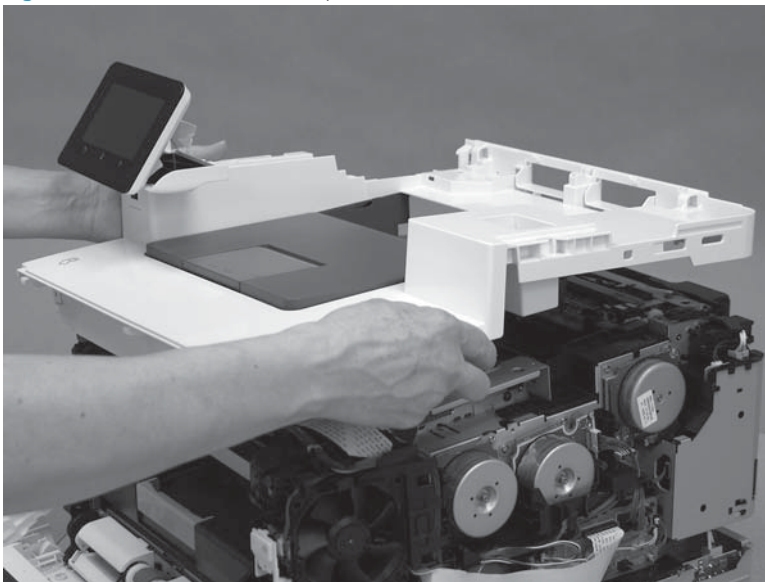
16. Remove the Wi-Fi antenna wire (callout 1) from the guide.

Figure 1-2479 Remove antenna wire from guide



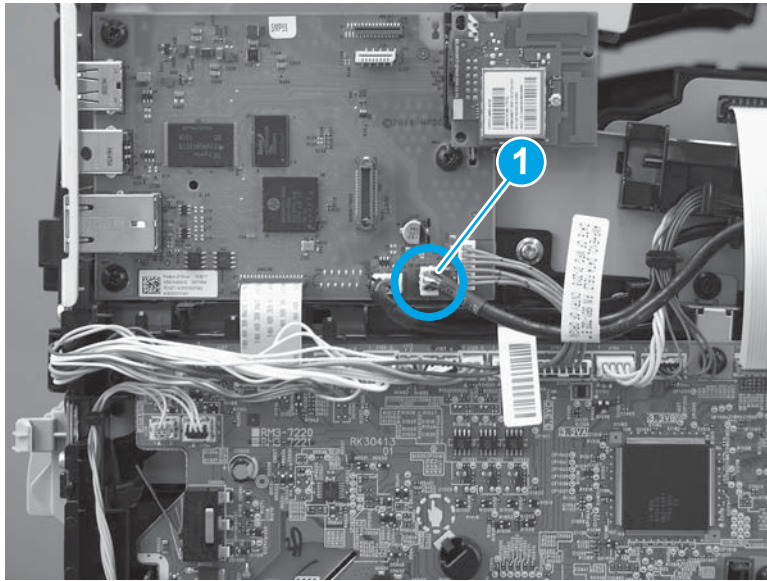
17. Remove the top cover.

Figure 1-2480 Remove the top cover



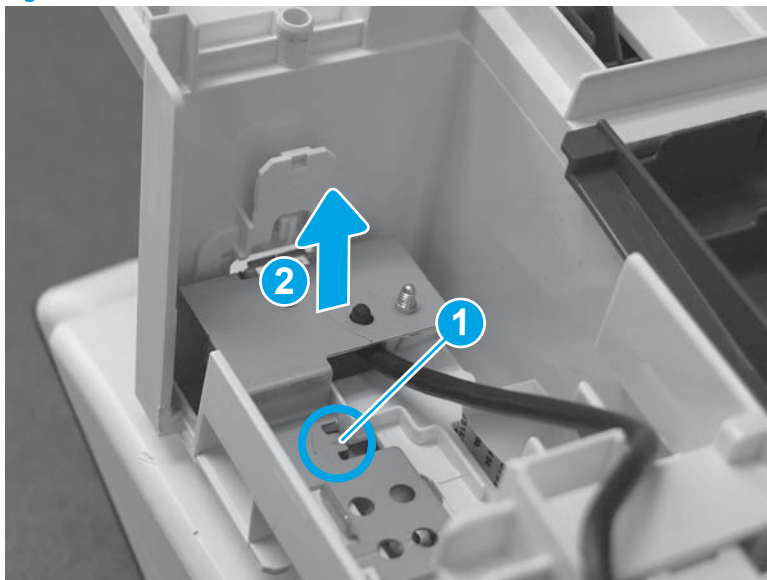
#### Step 8: Remove the walk-up USB port (M479 models)

1. Disconnect cable from the formatter PCA (callout 1).



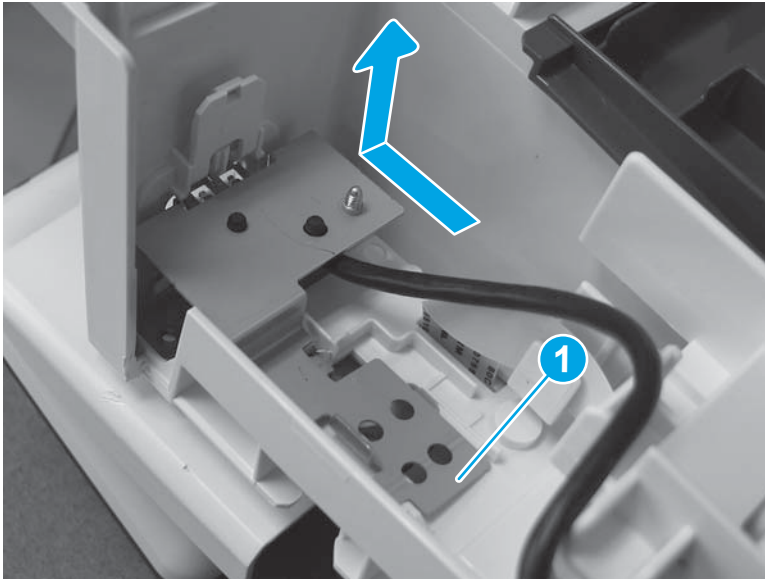
2. Release the metal tab (callout 1), and the lift up on metal bracket to remove USB port (callout 2).

Figure 1-2481 Release metal tab and lift to remove



3. Pry up (callout 1) to clear the plastic tabs then slide back and lift up to remove USB from the printer.

Figure 1-2482 Remove USB from printer



#### Step 10: Unpack the replacement part

Remove the new part from its package. Save all packaging for recycling the used part.

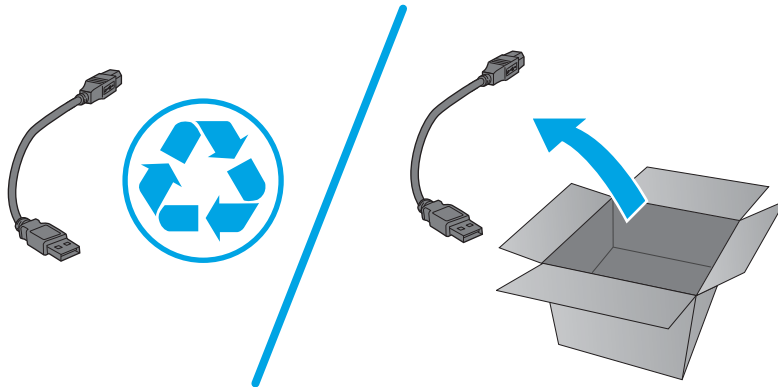
For complete information on HP's recycling programs, go to [Product return and recycling](#).

---

 **NOTE:** HP recommends responsible disposal of the defective part.

---


Figure 1-2483 Recycle and unpack



#### Step 10: Install the walk-up USB port (M479 models)

- ▲ To install an assembly, reverse the removal steps.

---

 **NOTE:** When applicable, special installation instructions are provided for an assembly at the end of the removal procedure. Always completely read the removal instructions and follow all special installation instructions.

---

## Removal and replacement: Drawer connector

- [Introduction](#)
- [Step 1: Remove Tray 2](#)
- [Step 2: Open the front door and rear door or duplexer door](#)
- [Step 3: Remove the left cover \(M454 models\)](#)
- [Step 4: Remove the left cover \(M479 models\)](#)
- [Step 5: Remove the drawer connector](#)
- [Step 6: Unpack the replacement part](#)
- [Step 7: Install the drawer connector](#)

### Introduction


This document provides the procedures to remove and replace the drawer connector.

[Click here to view a video of this procedure.](#)

### Before you begin

- Turn off the printer.
- Disconnect the power cable.

---

 **WARNING!** To avoid damage to the printer, turn the printer off, wait 30 seconds, and then remove the power cord before attempting to service the printer.

---

- Use the table below to identify the correct part number for your printer. To order the part, go to [www.hp.com/buy/parts](http://www.hp.com/buy/parts).

---

Drawer connector part number	
------------------------------	--

---

VS1-7258-007CN
----------------

Drawer connector
------------------

---

### Required tools

- #2 Phillips screwdriver with a magnetic tip

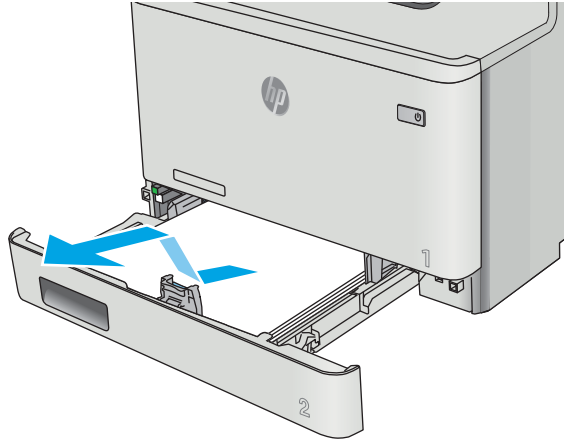
### After performing service

- Connect the power cable.
- Use the power switch to turn the power on.

### Step 1: Remove Tray 2

- ▲ Pull the tray out until it stops. Lift the front of the tray, and then pull it out of the printer to remove it.

Figure 1-2484 Remove the tray



Step 2: Open the front door and rear door or duplexer door

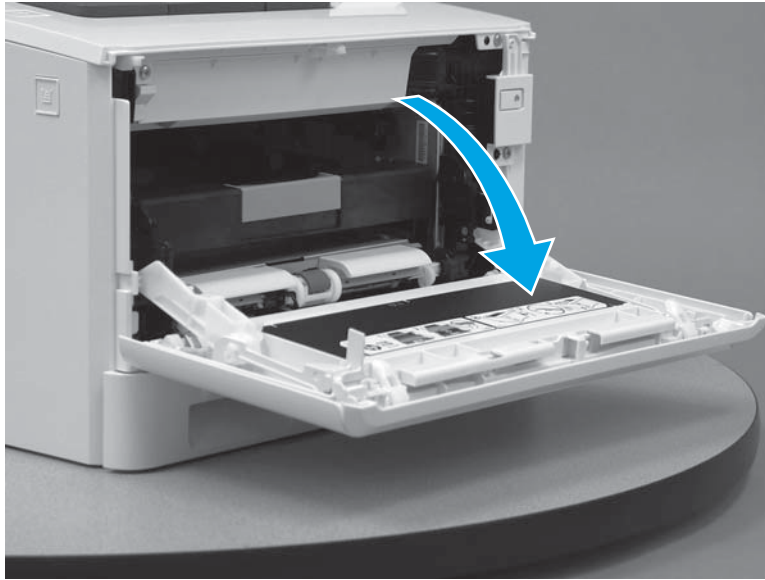
1. Press the button (callout 1) on the left side of the printer to release the front door.

Figure 1-2485 Release the front door



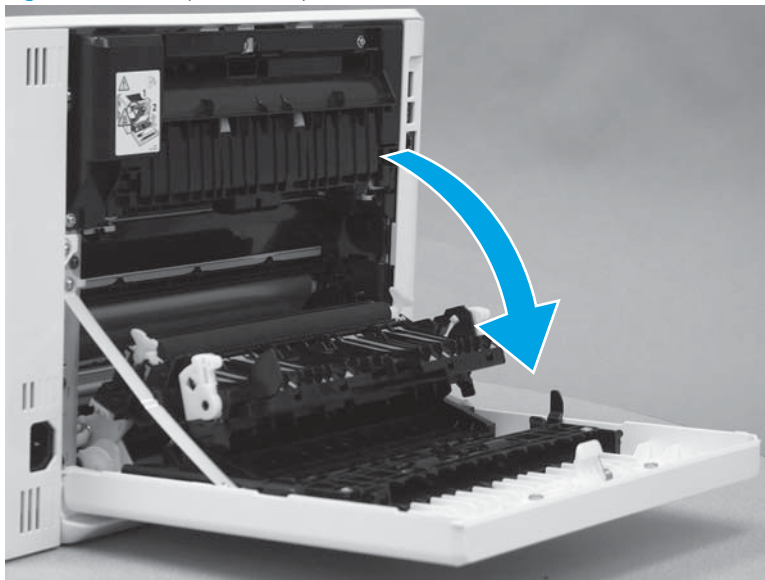
2. Open the front door.

Figure 1-2486 Open the front door



3. Duplex models: Open the duplexer door.

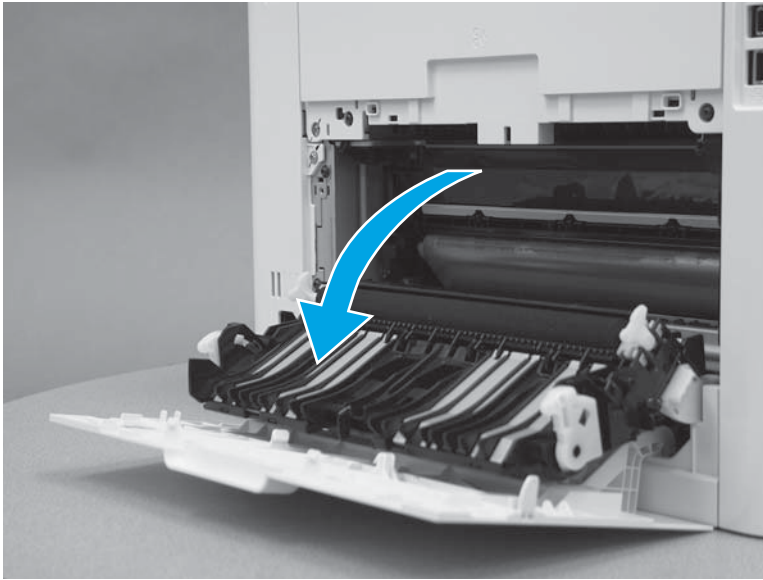
Figure 1-2487 Open the duplexer door






4. **Simplex models:** Open the rear door.

**Figure 1-2488** Open the rear door

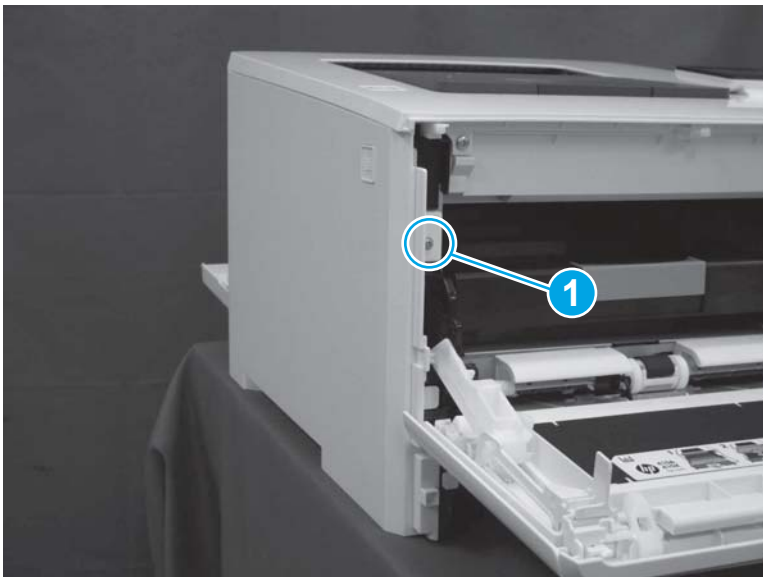


### Step 3: Remove the left cover (M454 models)

 **NOTE:** This step is for the M454 models. For the M479 models, skip this step and go to [Step 4: Remove the left cover \(M479 models\) on page 1358](#).

1. At the front of the printer, remove one screw (callout 1).

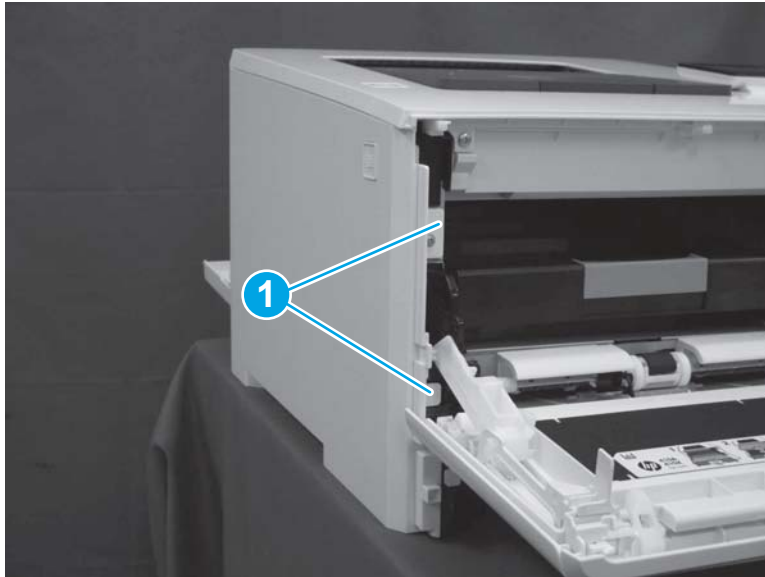
**Figure 1-2489** Remove one screw





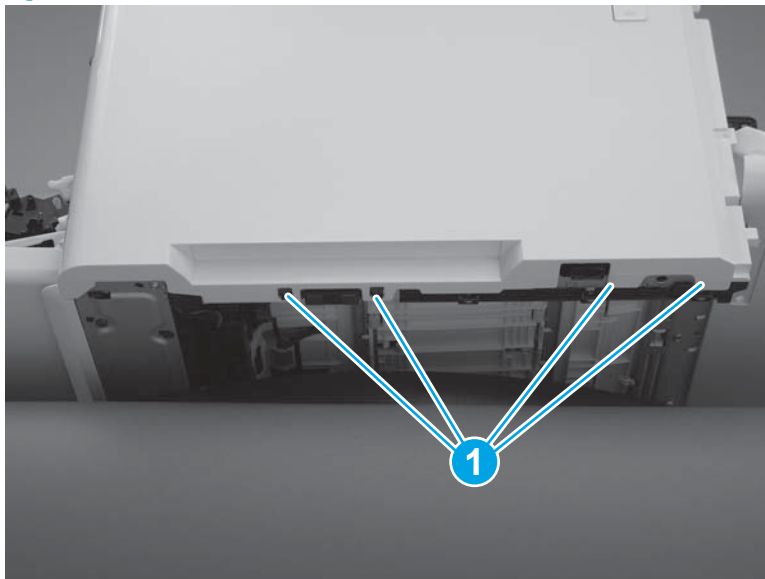
2. Release two tabs (callout 1) at the front of the cover. Hold the cover open to prevent the tabs from reengaging.

Figure 1-2490 Release two tabs



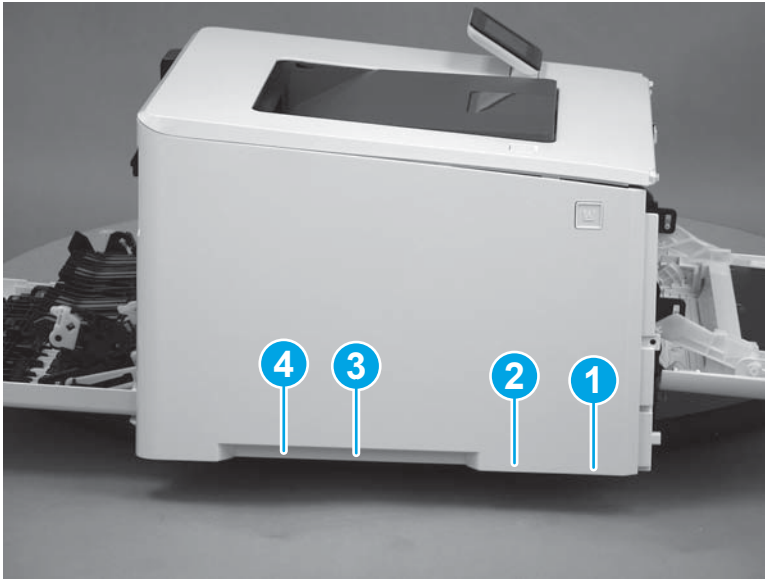
3. Slide the printer to the edge of a work surface. Note the location of the tabs on the lower edge of the cover (callout 1).

Figure 1-2491 Locate the tabs



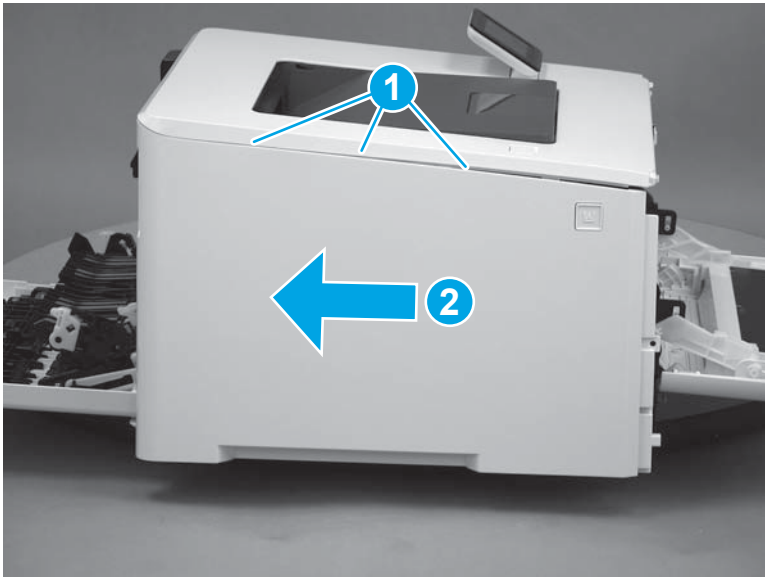
4. Beginning from the front of the cover, release four tabs (callouts 1-4) on the lower edge of the cover.

Figure 1-2492 Release bottom tabs




5. Release three tabs at the top of the cover (callout 1), and then slide the cover toward the rear of the printer to remove it.

Figure 1-2493 Release three tabs



#### Step 4: Remove the left cover (M479 models)

 **NOTE:** This step is for the M479 models. For the M454 models, skip this step and go to [Step 5: Remove the drawer connector on page 1363](#).

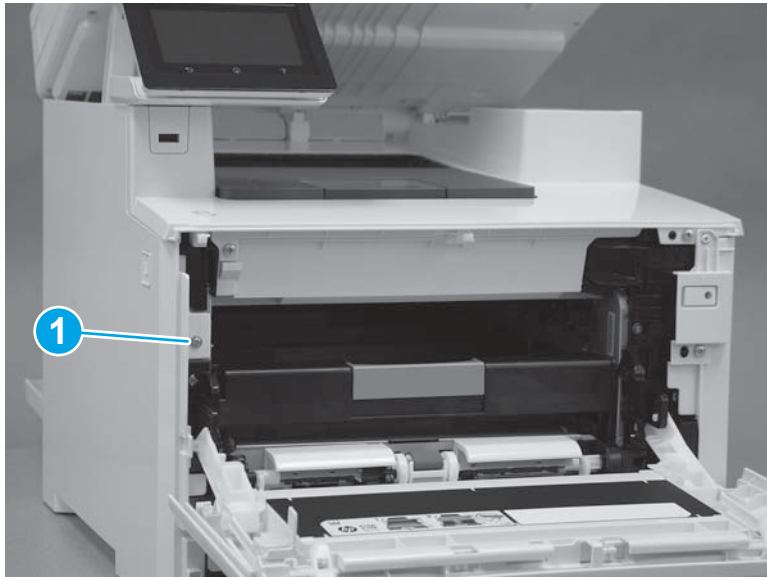
1. Raise the scanner.

Figure 1-2494 Raise the scanner



2. At the front of the printer, remove one screw (callout 1).

Figure 1-2495 Remove one screw



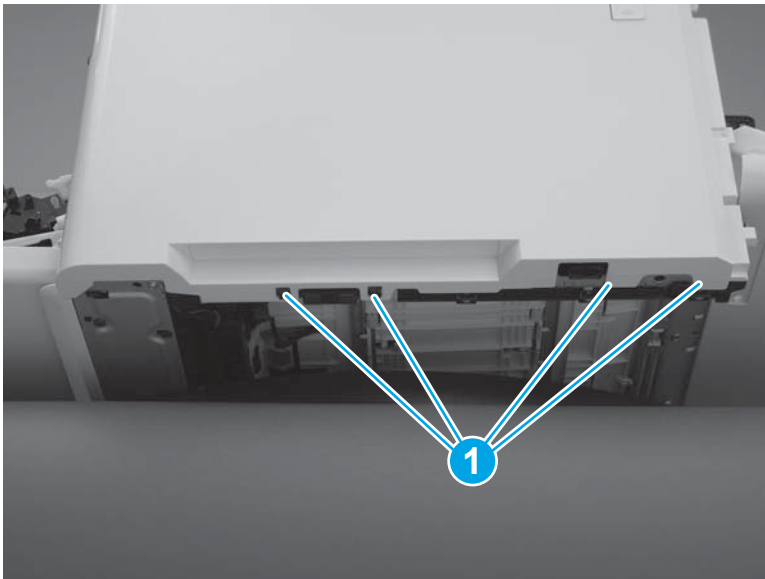
3. Release two tabs (callout 1) at the front of the cover. Hold the cover open to prevent the tabs from re-engaging.

Figure 1-2496 Release two tabs



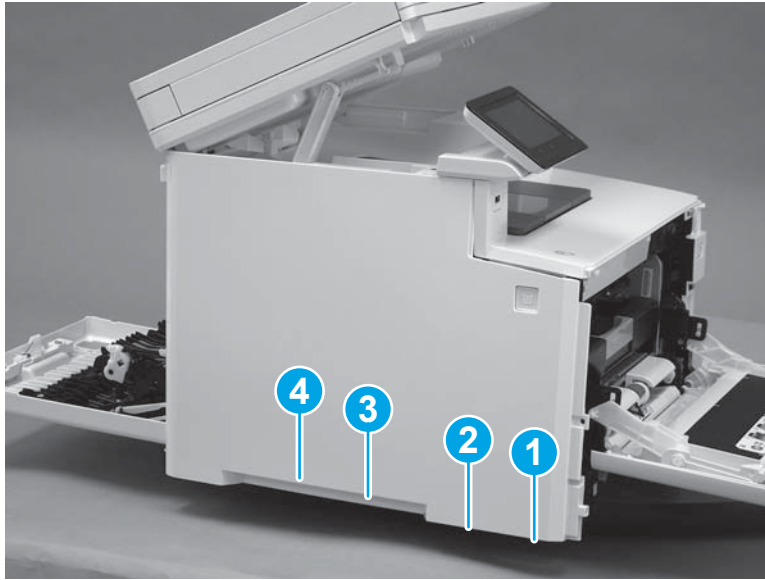
4. Slide the printer to the edge of a work surface. Note the location of the tabs on the lower edge of the cover (callout 1).

Figure 1-2497 Locate the tabs



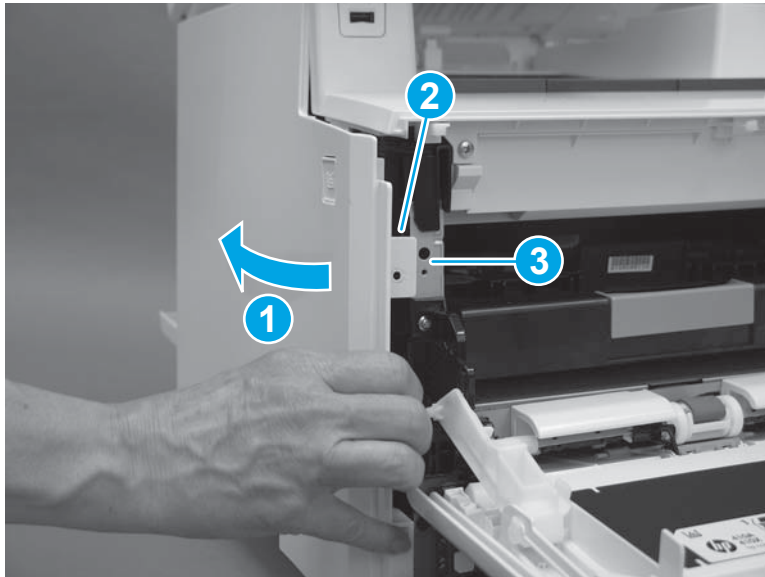
5. Beginning from the front of the cover, release the four tabs (callouts 1-4) on the lower edge of the cover.

Figure 1-2498 Release four tabs



6. Rotate the front of the cover away from the printer (callout 1). Make sure that the tab (callout 2) does not get caught on the printer frame (callout 3).

Figure 1-2499 Rotate the cover



7. At the top of the printer, slightly pull the top of the cover away from the printer to release one retention tab (callout 1) on the inside of the cover. While holding the cover away, slide the cover toward the back of the printer (callout 2) to release two hooks (callout 3) inside the cover.

Figure 1-2500 Release one tab and two hooks



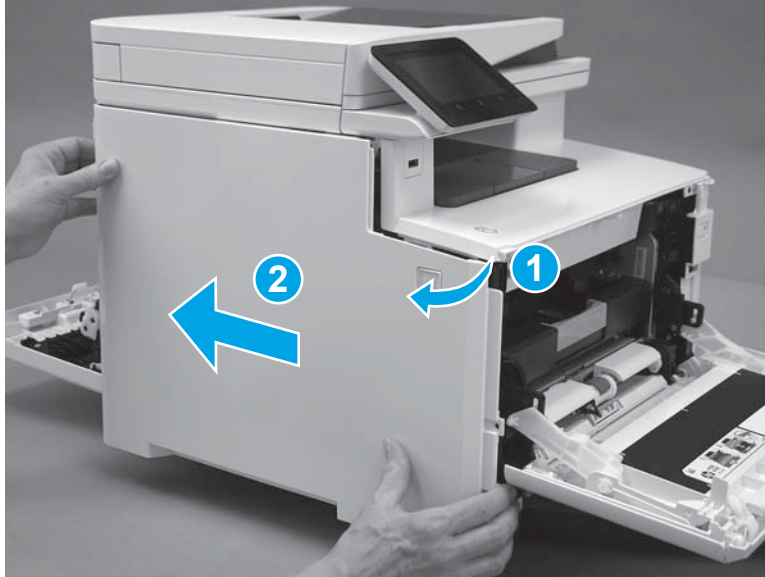
8. Lower the scanner.

Figure 1-2501 Lower the scanner



9. Rotate the cover away from the printer (callout 1), and then slide the cover (callout 2) toward the back of the printer to remove it.

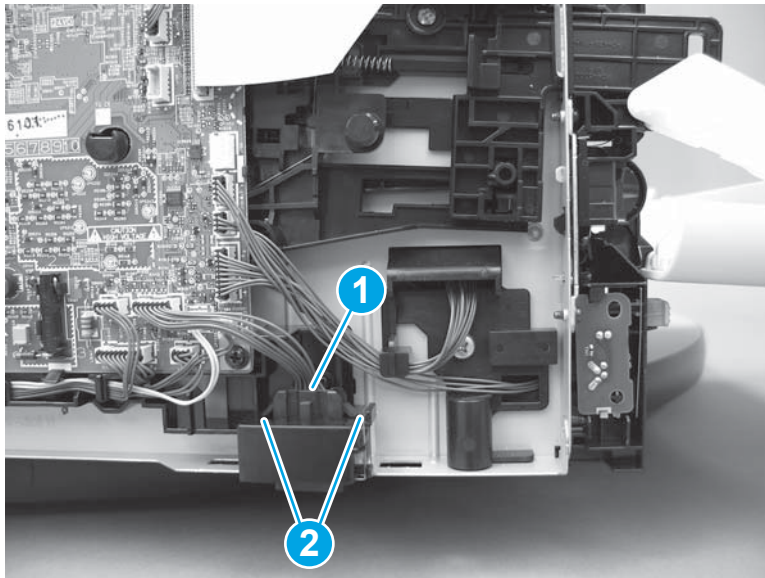
Figure 1-2502 Remove the left cover



#### Step 5: Remove the drawer connector

1. Slide the printer slightly over the edge of the work surface in order to access the connector location. On the left side of the printer, disconnect one connector (callout 1), and then release two tabs (callout 2).

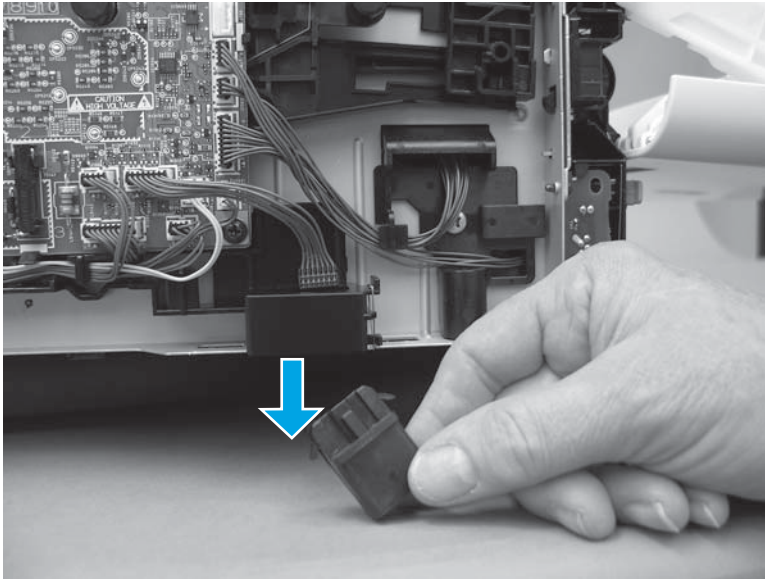
Figure 1-2503 Disconnect one connector and release two tabs





2. Remove the drawer connector.

**Figure 1-2504** Remove the drawer connector



### Step 6: Unpack the replacement part

Remove the new part from its package. Save all packaging for recycling the used part.

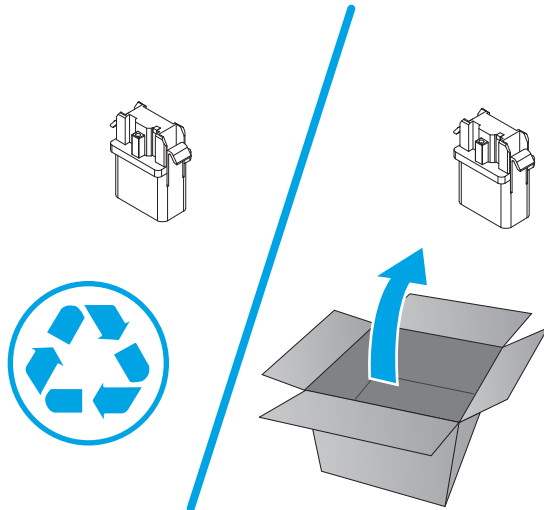
For complete information on HP's recycling programs, go to [Product return and recycling](#).

---

 **NOTE:** HP recommends responsible disposal of the defective part.

---


**Figure 1-2505** Recycle and unpack



### Step 7: Install the drawer connector

- ▲ To install an assembly, reverse the removal steps.

---

 **NOTE:** When applicable, special installation instructions are provided for an assembly at the end of the removal procedure. Always completely read the removal instructions and follow all special installation instructions.

---

## Removal and replacement: Front door switch

- [Introduction](#)
- [Step 1: Remove Tray 2](#)
- [Step 2: Open the front door and rear door or duplexer door](#)
- [Step 3: Remove the right cover \(M454 models\)](#)
- [Step 3: Remove the left cover \(M479 models\)](#)
- [Step 5: Remove the front door switch.](#)
- [Step 6: Unpack the replacement part](#)
- [Step 7: Install the front door switch](#)

### Introduction

This document provides the procedures to remove and replace the front door switch.


For M454 models: [Click here to view a video of this procedure.](#)

For M479 models: [Click here to view a video of this procedure.](#)

### Before you begin

- Turn off the printer.
- Disconnect the power cable.

---

 **WARNING!** To avoid damage to the printer, turn the printer off, wait 30 seconds, and then remove the power cord before attempting to service the printer.

---

- Use the table below to identify the correct part number for your printer. To order the part, go to [www.hp.com/buy/parts](http://www.hp.com/buy/parts).

---

Front door switch part number	
-------------------------------	--

---

RK2-0534-000CN	Front door switch (micro switch)
----------------	----------------------------------

---

### Required tools

- #2 Phillips screwdriver with a magnetic tip

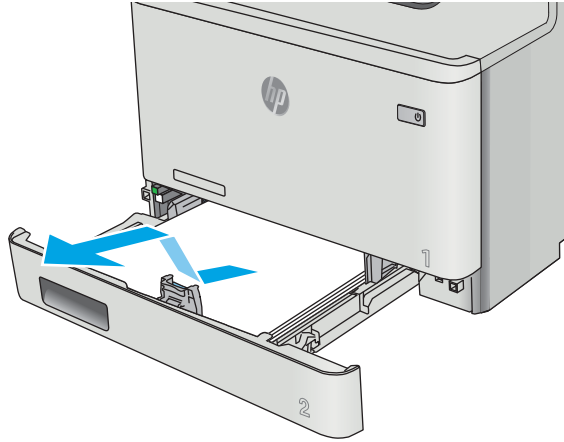
### After performing service

- Connect the power cable.
- Use the power switch to turn the power on.

### Step 1: Remove Tray 2

- ▲ Pull the tray out until it stops. Lift the front of the tray, and then pull it out of the printer to remove it.

Figure 1-2506 Remove the tray



Step 2: Open the front door and rear door or duplexer door

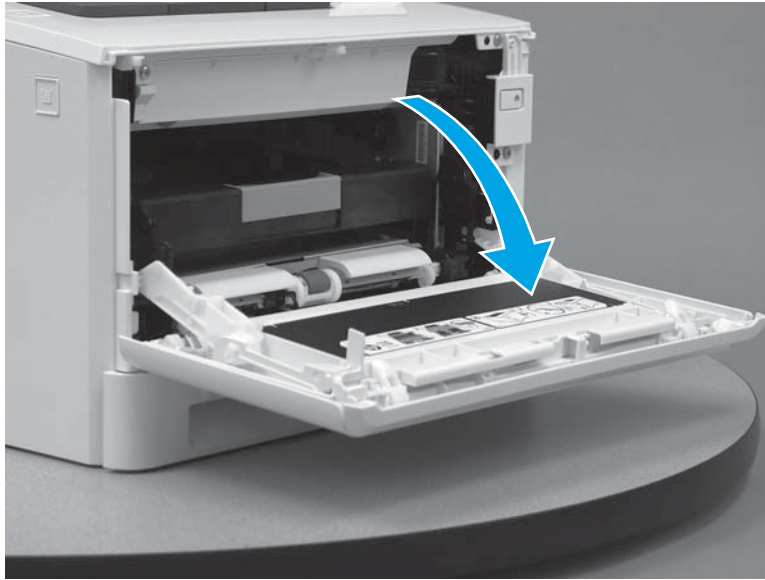
1. Press the button (callout 1) on the left side of the printer to release the front door.

Figure 1-2507 Release the front door



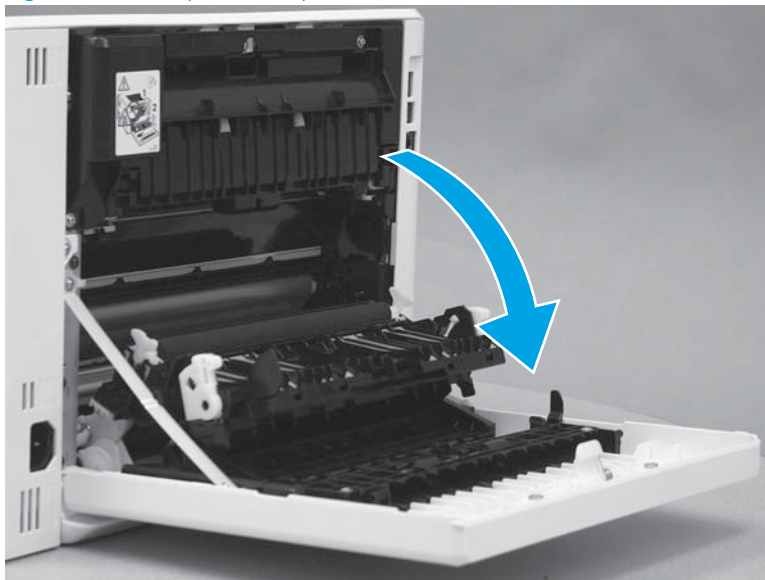
2. Open the front door.

Figure 1-2508 Open the front door



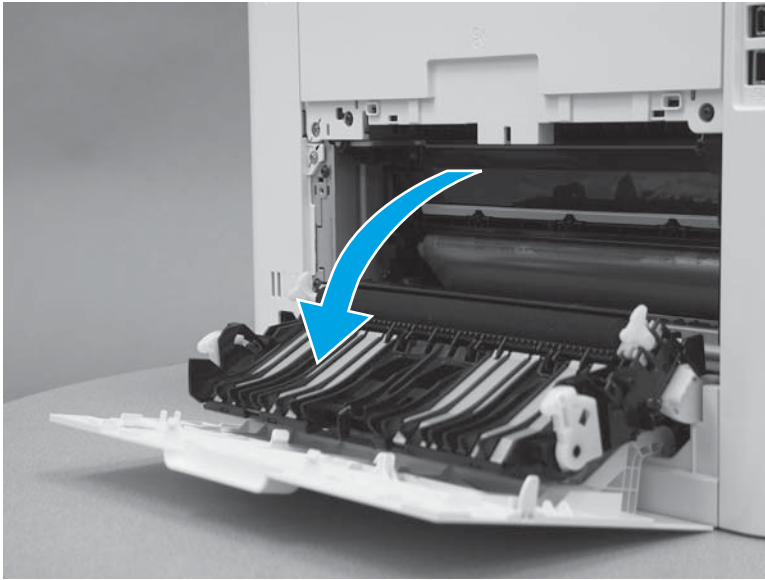
3. Duplex models: Open the duplexer door.

Figure 1-2509 Open the duplexer door



4. **Simplex models:** Open the rear door.

Figure 1-2510 Open the rear door



### Step 3: Remove the right cover (M454 models)

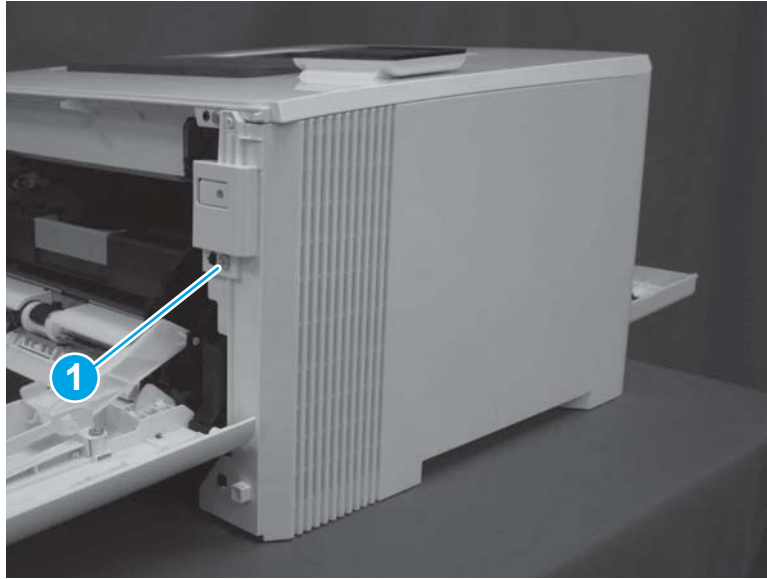
1. At the back of the printer, remove one screw (callout 1).

Figure 1-2511 Remove one screw



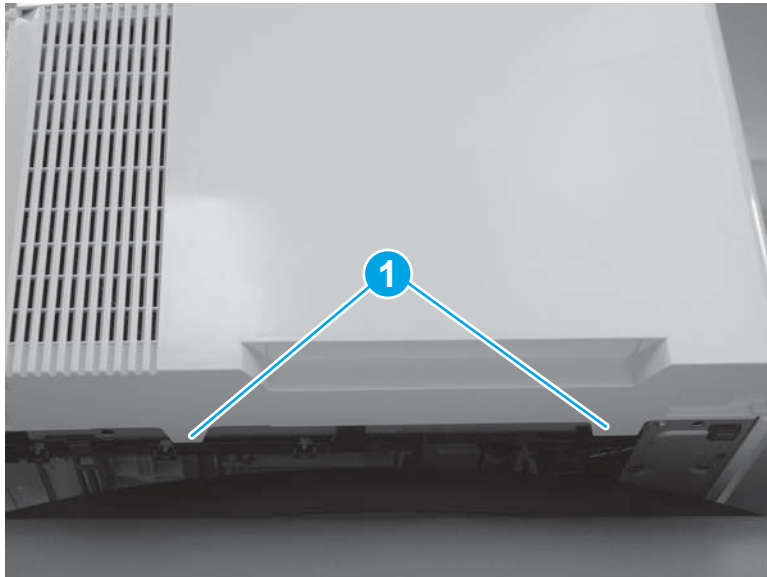
2. At the front of the printer, remove one screw (callout 1).

Figure 1-2512 Remove one screw



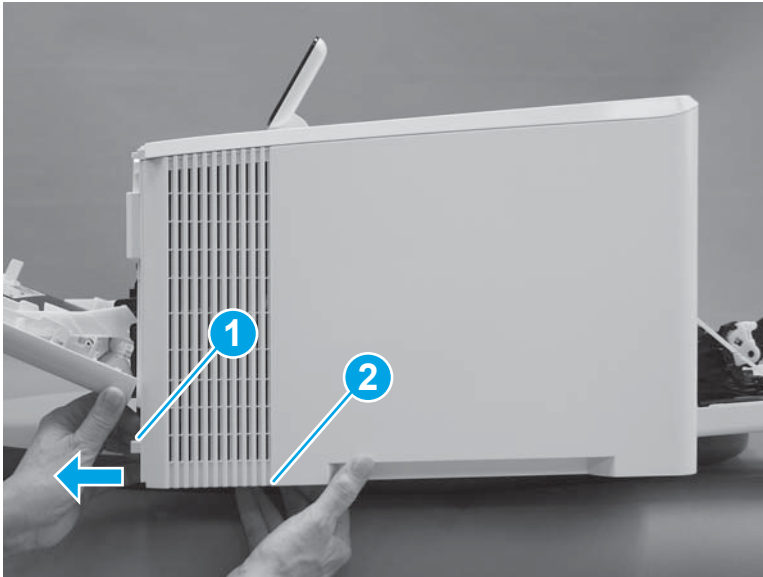
3. Slide the printer to the edge of a work surface. Note the location of the tabs on the lower edge of the cover (callout 1).

Figure 1-2513 Locate the tabs



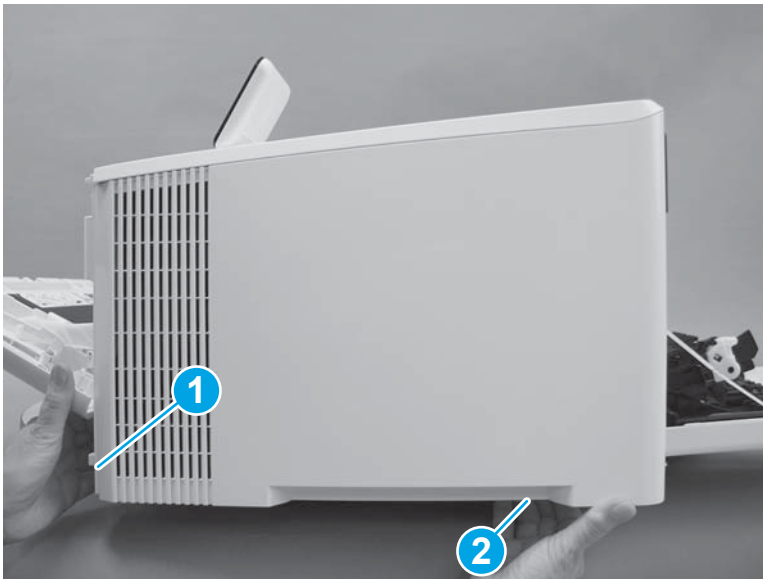
4. Release one tab (callout 1) on the front of the cover by slightly pulling the cover away from the printer. While holding the cover in the released position, release one tab (callout 2) on the bottom of the cover.

Figure 1-2514 Release front lower tabs



5. Hold the front tabs in the released position (callout 1), and then release one tab (callout 2) on the bottom of the cover, toward the back of the printer.

Figure 1-2515 Release lower rear tab

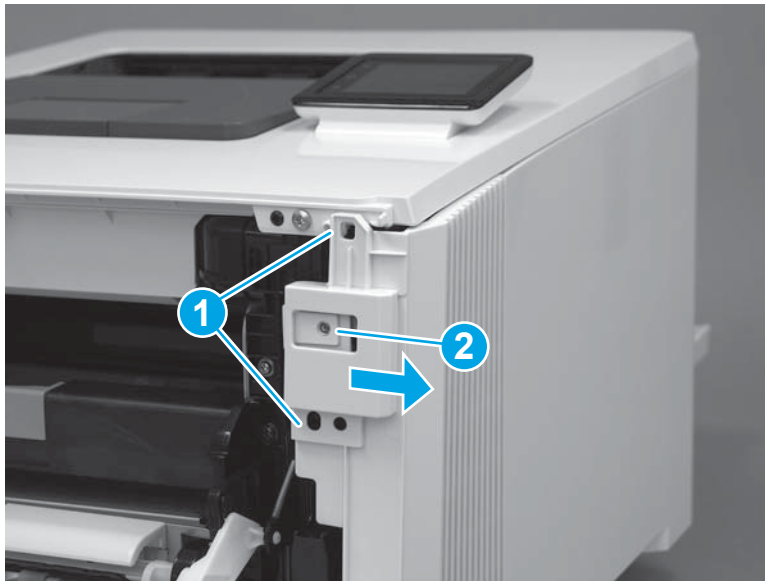




6. Release two tabs at the front of the printer (callout 1) by slightly pulling the cover away from the printer.

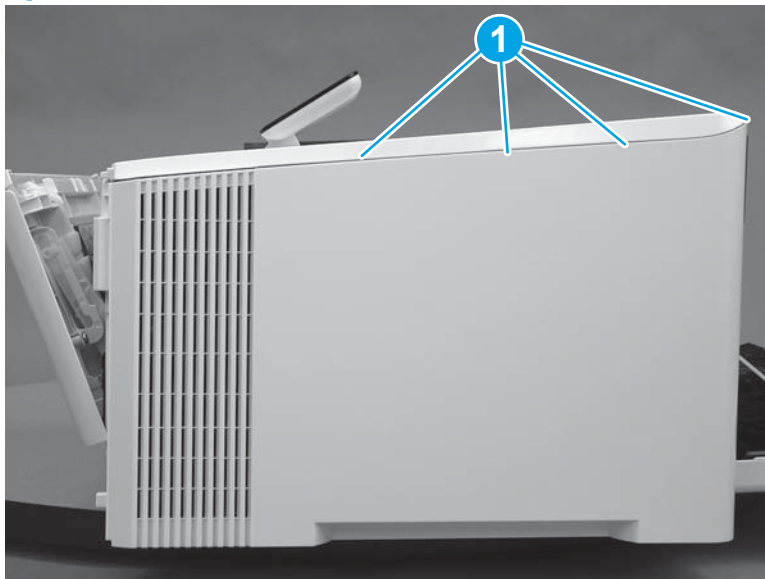
**⚠ CAUTION:** Be careful not to dislodge the power switch (callout 2).

Figure 1-2516 Release two front tabs



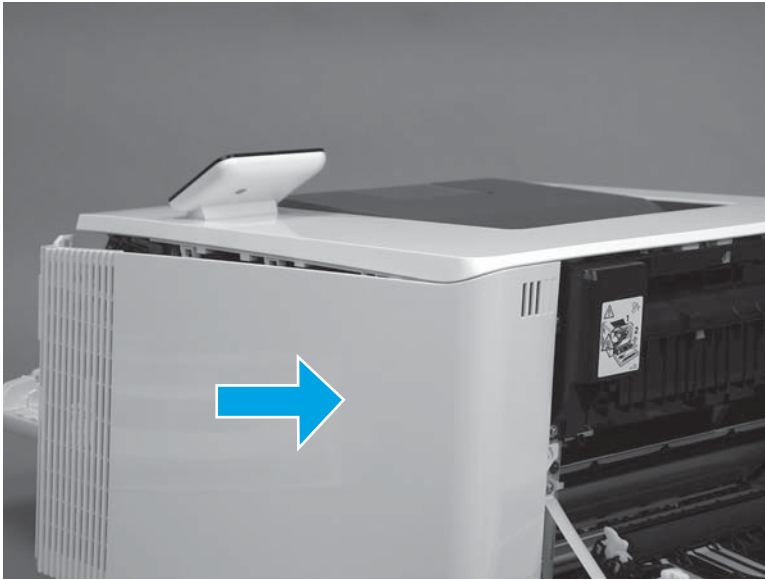
7. Release four tabs on the top of the printer (callout 1).

Figure 1-2517 Release upper tabs



8. Slide the cover toward the back of the printer to remove it.

Figure 1-2518 Remove the right cover



### Step 3: Remove the left cover (M479 models)

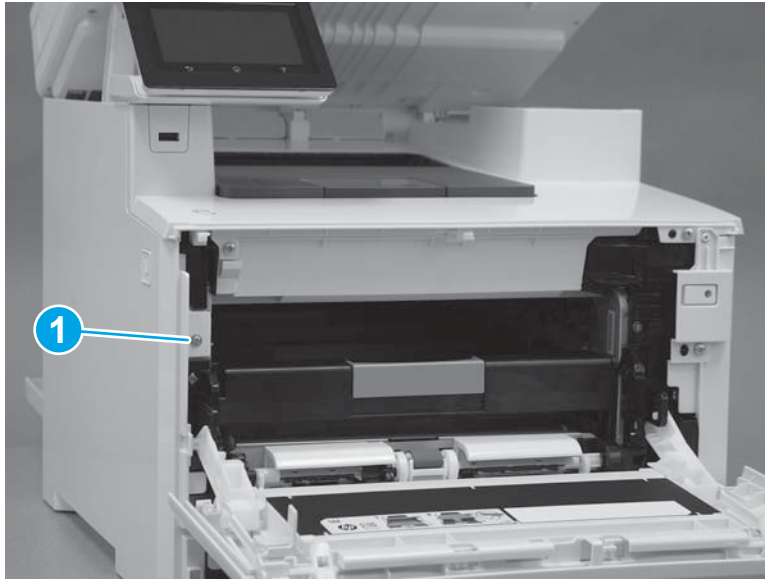
1. Raise the scanner.

Figure 1-2519 Raise the scanner



2. At the front of the printer, remove one screw (callout 1).

Figure 1-2520 Remove one screw



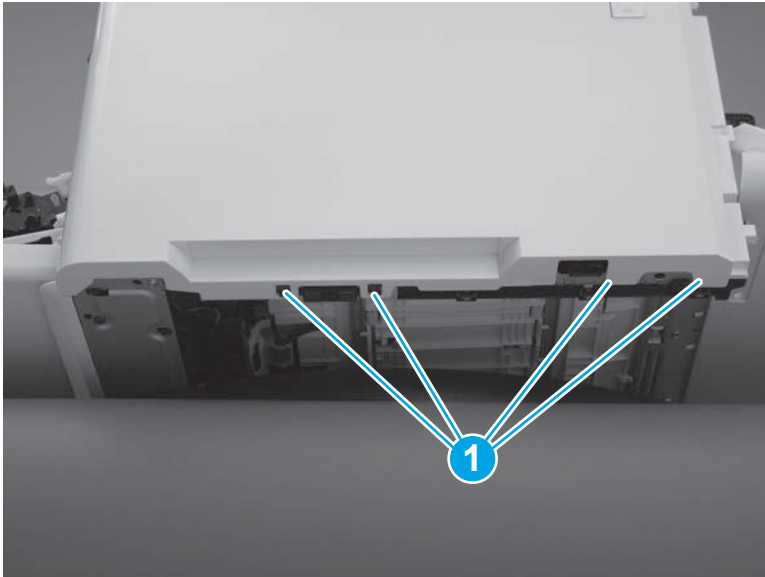
3. Release two tabs (callout 1) at the front of the cover. Hold the cover open to prevent the tabs from re-engaging.

Figure 1-2521 Release two tabs



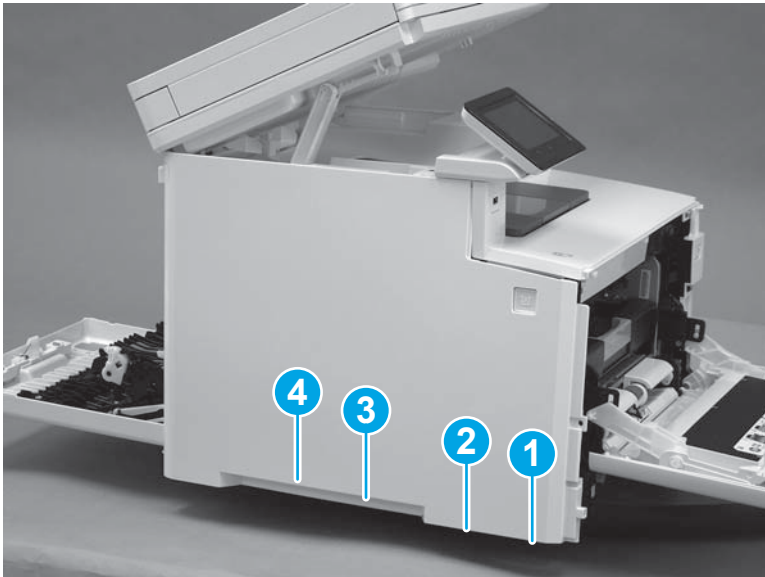
4. Slide the printer to the edge of a work surface. Note the location of the tabs on the lower edge of the cover (callout 1).

Figure 1-2522 Locate the tabs



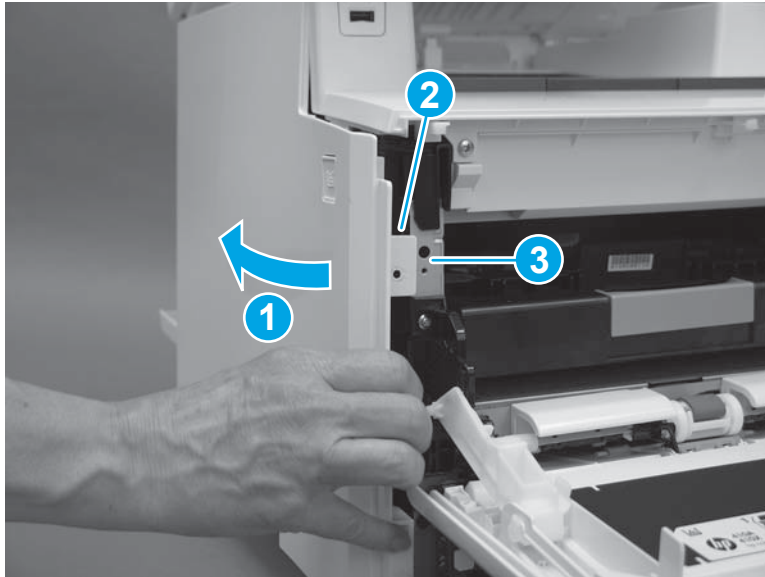
5. Beginning from the front of the cover, release the four tabs (callouts 1-4) on the lower edge of the cover.

Figure 1-2523 Release four tabs



6. Rotate the front of the cover away from the printer (callout 1). Make sure that the tab (callout 2) does not get caught on the printer frame (callout 3).

Figure 1-2524 Rotate the cover



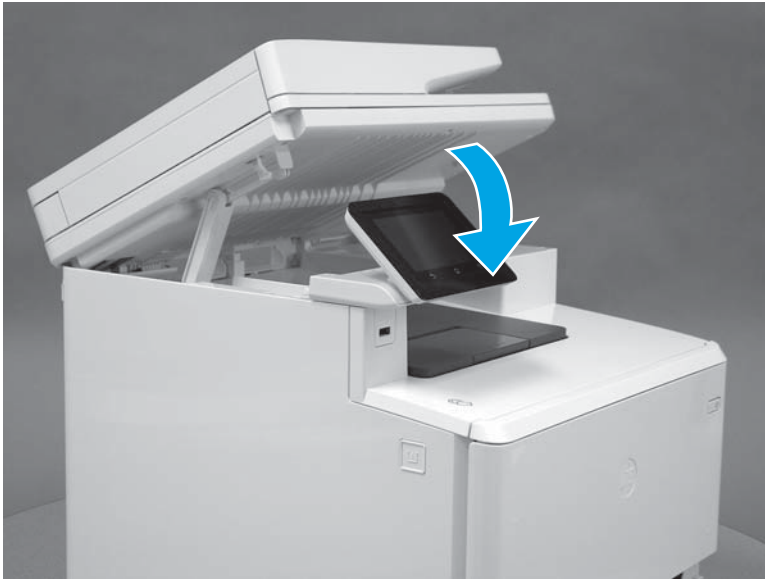
7. At the top of the printer, slightly pull the top of the cover away from the printer to release one retention tab (callout 1) on the inside of the cover. While holding the cover away, slide the cover toward the back of the printer (callout 2) to release two hooks (callout 3) inside the cover.

Figure 1-2525 Release one tab and two hooks



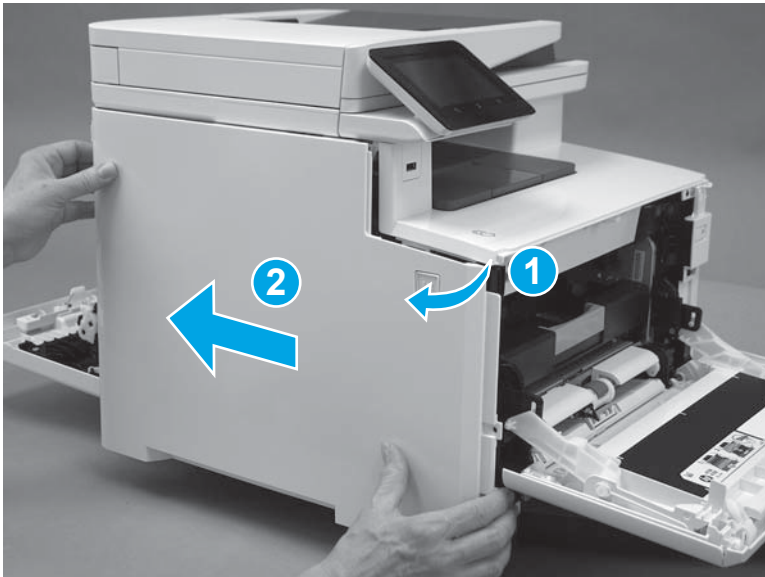
8. Lower the scanner.

Figure 1-2526 Lower the scanner



9. Rotate the cover away from the printer (callout 1), and then slide the cover (callout 2) toward the back of the printer to remove it.

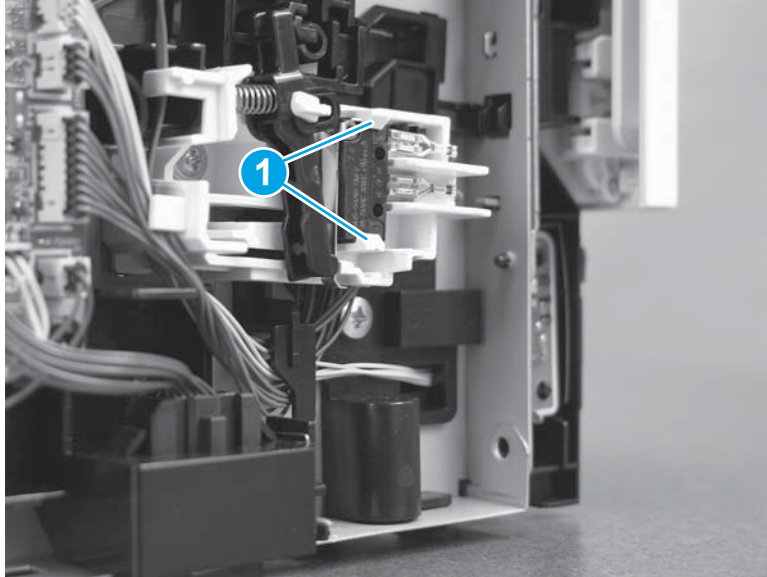
Figure 1-2527 Remove the left cover



**Step 5: Remove the front door switch.**

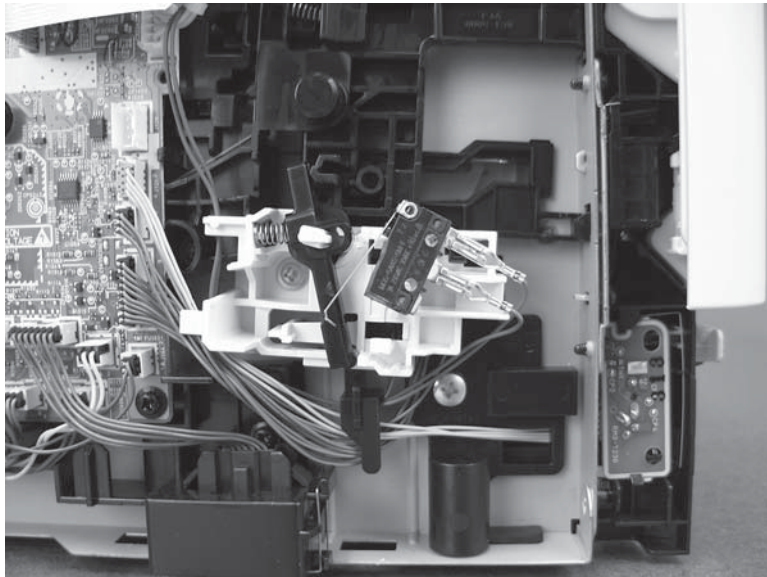
1. On the left side of the printer, release two tabs on the front door switch (callout 1).

Figure 1-2528 Release two tabs



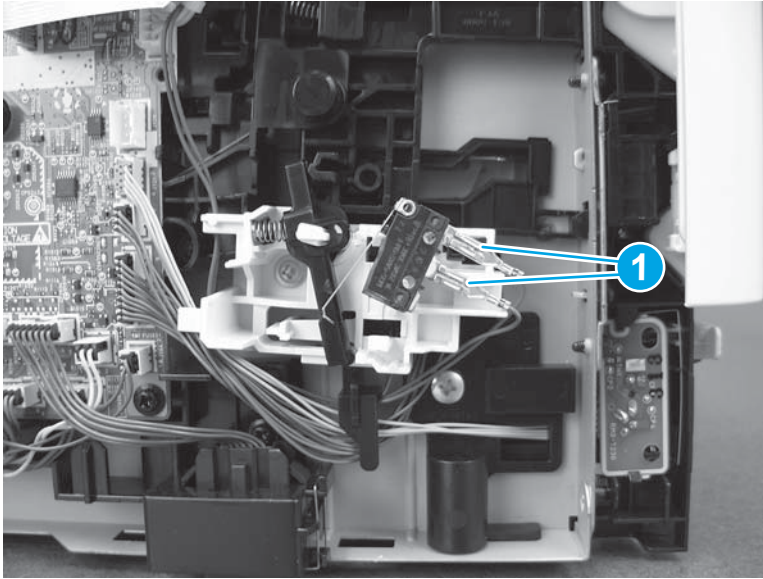
2. Remove the front door switch.

Figure 1-2529 Remove the front door switch





3. Release the two connectors.



### Step 6: Unpack the replacement part

Remove the new part from its package. Save all packaging for recycling the used part.

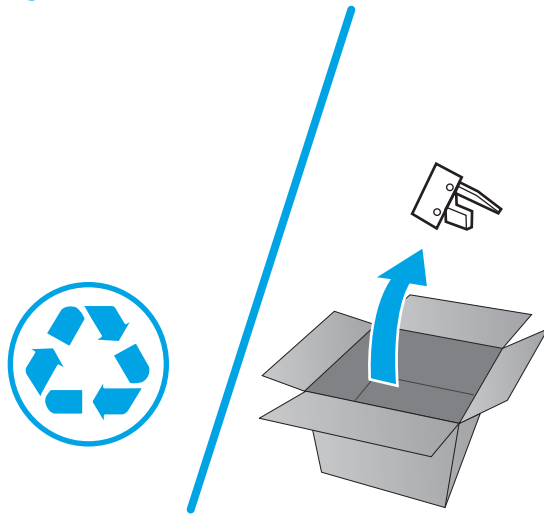
For complete information on HP's recycling programs, go to [Product return and recycling](#).

---

 **NOTE:** HP recommends responsible disposal of the defective part.

---


Figure 1-2530 Recycle and unpack



### Step 7: Install the front door switch

- ▲ To install an assembly, reverse the removal steps.

---

 **NOTE:** When applicable, special installation instructions are provided for an assembly at the end of the removal procedure. Always completely read the removal instructions and follow all special installation instructions.

---

## Removal and replacement: Accessories

- [550-sheet paper feeder](#)

## 550-sheet paper feeder



**NOTE:** HP recommends removing the accessories from the printer before servicing them.

---

- [Removal and replacement: Right cover \(550-sheet paper feeder\)](#)
- [Removal and replacement: Left cover \(550-sheet paper feeder\)](#)
- [Removal and replacement: Rear cover \(550-sheet paper feeder\)](#)
- [Removal and replacement: Switch cable assembly \(550-sheet paper feeder\)](#)
- [Removal and replacement: Lifter drive assembly \(550-sheet paper feeder\)](#)
- [Removal and replacement: Pickup assembly \(550-sheet paper feeder\)](#)
- [Removal and replacement: Front feed guide assembly \(550-sheet paper feeder\)](#)
- [Removal and replacement: Rear feed guide assembly \(550-sheet paper feeder\)](#)
- [Removal and replacement: Paper feed assembly \(550-sheet paper feeder\)](#)
- [Removal and replacement: Pickup motor \(550-sheet paper feeder\)](#)
- [Removal and replacement: Drawer connector \(550-sheet paper feeder\)](#)
- [Removal and replacement: Driver PCA \(550-sheet paper feeder\)](#)

## Removal and replacement: Right cover (550-sheet paper feeder)

- [Introduction](#)
- [Step 1: Remove Tray 3](#)
- [Step 2: Remove the right cover \(550-sheet paper feeder\)](#)
- [Step 3: Unpack the replacement part](#)
- [Step 4: Install the right cover \(550-sheet paper feeder\)](#)

### Introduction


This document provides the procedures to remove and replace the right cover for the 550-sheet paper feeder.

[Click here to view a video of this procedure.](#)

### Before you begin

- Turn off the printer.
- Disconnect the power cable.

---

 **WARNING!** To avoid damage to the printer, turn the printer off, wait 30 seconds, and then remove the power cord before attempting to service the printer.

---

- Use the table below to identify the correct part number for your printer. To order the part, go to [www.hp.com/buy/parts](http://www.hp.com/buy/parts).

---

#### Right cover part number (550-sheet paper feeder)

---

RC4-2202-000CN	Right cover (550-sheet paper feeder)
----------------	--------------------------------------

---

### Required tools

- #2 Phillips screwdriver with a magnetic tip

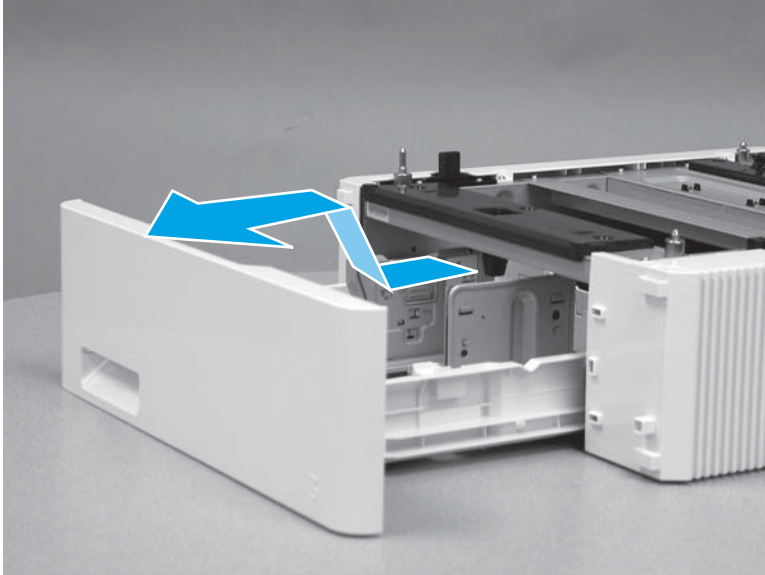
### After performing service

- Connect the power cable.
- Use the power switch to turn the power on.

### Step 1: Remove Tray 3

- ▲ Pull the tray out until it stops. Lift the front of the tray, and then pull it out of the printer to remove it.

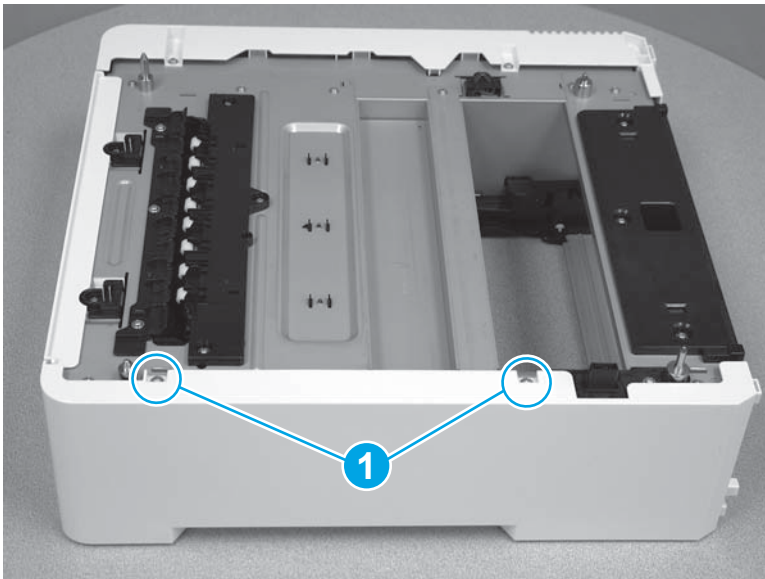
Figure 1-2531 Remove the tray



Step 2: Remove the right cover (550-sheet paper feeder)

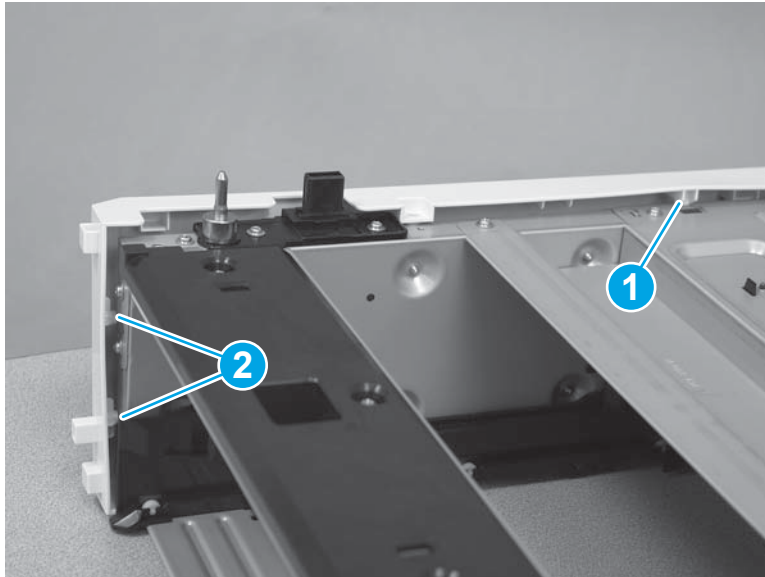
1. Remove two screws (callout 1).

Figure 1-2532 Remove two screws



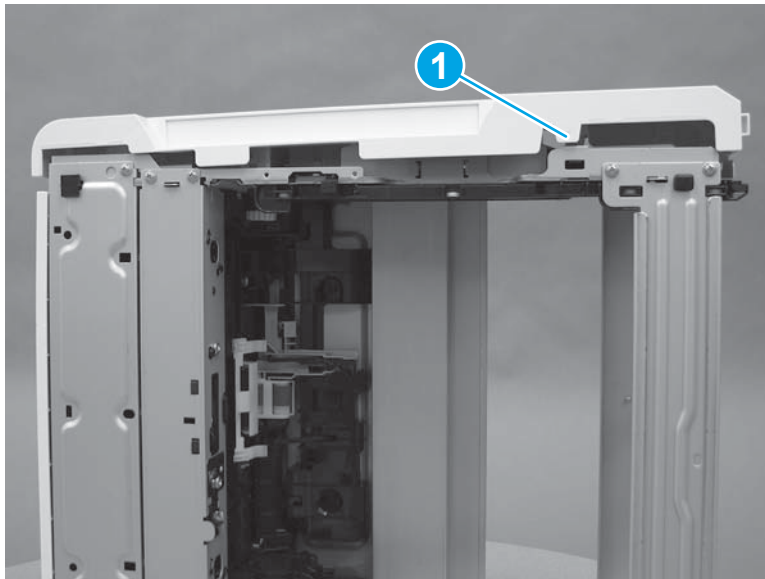
2. Release one tab (callout 1) on the top of the feeder, and then release two tabs (callout 2) at the front of the feeder.

Figure 1-2533 Release three tabs



3. Lay the feeder on the left side so that the right side is facing up, and then release one tab (callout 1) on the bottom of the feeder. Remove the right cover.

Figure 1-2534 Release one tab



### Step 3: Unpack the replacement part

Remove the new part from its package. Save all packaging for recycling the used part.

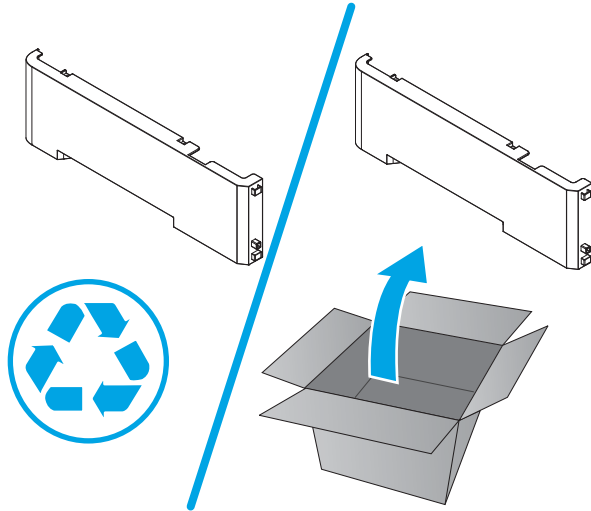
For complete information on HP's recycling programs, go to [Product return and recycling](#).

---

 **NOTE:** HP recommends responsible disposal of the defective part.

---

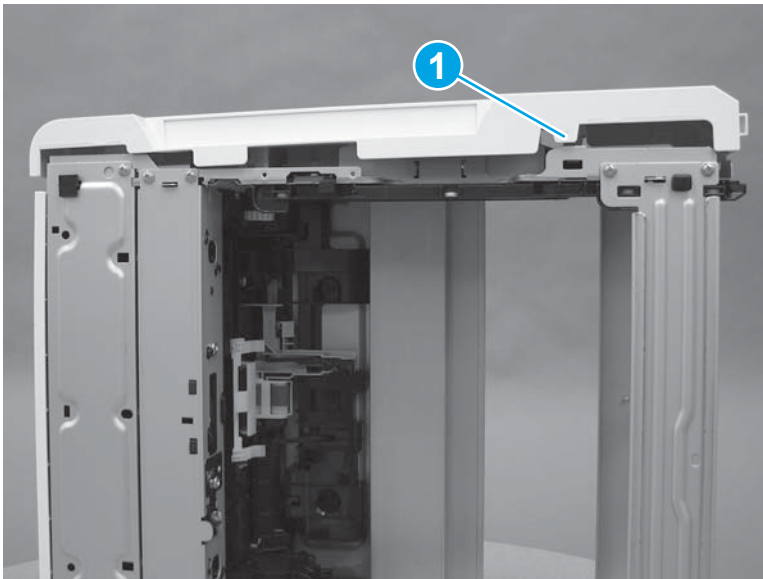
Figure 1-2535 Recycle and unpack



#### Step 4: Install the right cover (550-sheet paper feeder)

1. Lay the feeder on the left side so that the right side is facing up, and then install one tab (callout 1) on the bottom of the feeder.

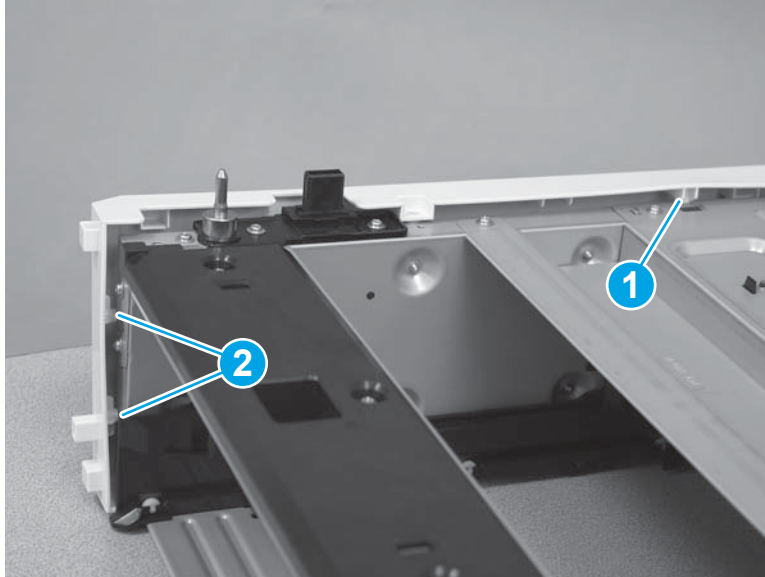
Figure 1-2536 Install one tab






2. Turn the feeder to an upright position with the top facing up. Install one tab (callout 1) on the top of the feeder, and then install two tabs (callout 2) at the front of the feeder.

Figure 1-2537 Install three tabs



3. To install an assembly, reverse the removal steps.

---

 **NOTE:** When applicable, special installation instructions are provided for an assembly at the end of the removal procedure. Always completely read the removal instructions and follow all special installation instructions.

---

## Removal and replacement: Left cover (550-sheet paper feeder)

- [Introduction](#)
- [Step 1: Remove Tray 3](#)
- [Step 2: Remove the left cover \(550-sheet paper feeder\)](#)
- [Step 3: Unpack the replacement part](#)
- [Step 4: Install the left cover \(550-sheet paper feeder\)](#)

### Introduction


This document provides the procedures to remove and replace the left cover for the 550-sheet paper feeder.

For M454 models: [Click here to view a video of this procedure.](#)

### Before you begin

- Turn off the printer.
- Disconnect the power cable.

---

 **WARNING!** To avoid damage to the printer, turn the printer off, wait 30 seconds, and then remove the power cord before attempting to service the printer.

---

- Use the table below to identify the correct part number for your printer. To order the part, go to [www.hp.com/buy/parts](http://www.hp.com/buy/parts).

---

Left cover part number (550-sheet paper feeder)	
---	--

---

RC4-2201-000CN	Left cover (550-sheet paper feeder)
----------------	-------------------------------------

---

### Required tools

- #2 Phillips screwdriver with a magnetic tip

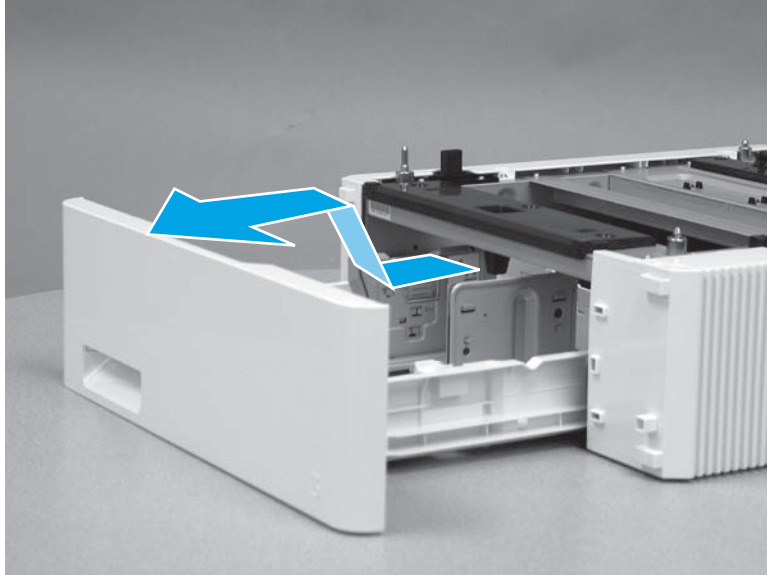
### After performing service

- Connect the power cable.
- Use the power switch to turn the power on.

### Step 1: Remove Tray 3

- ▲ Pull the tray out until it stops. Lift the front of the tray, and then pull it out of the printer to remove it.

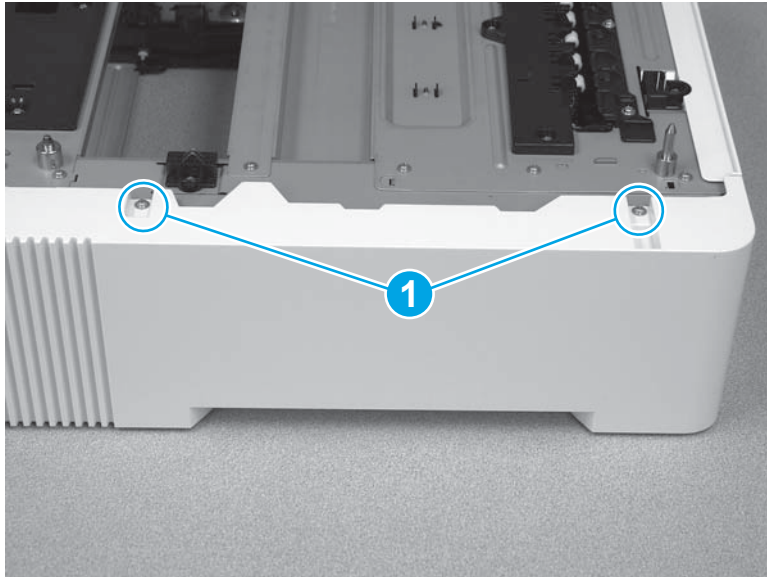
Figure 1-2538 Remove the tray



Step 2: Remove the left cover (550-sheet paper feeder)

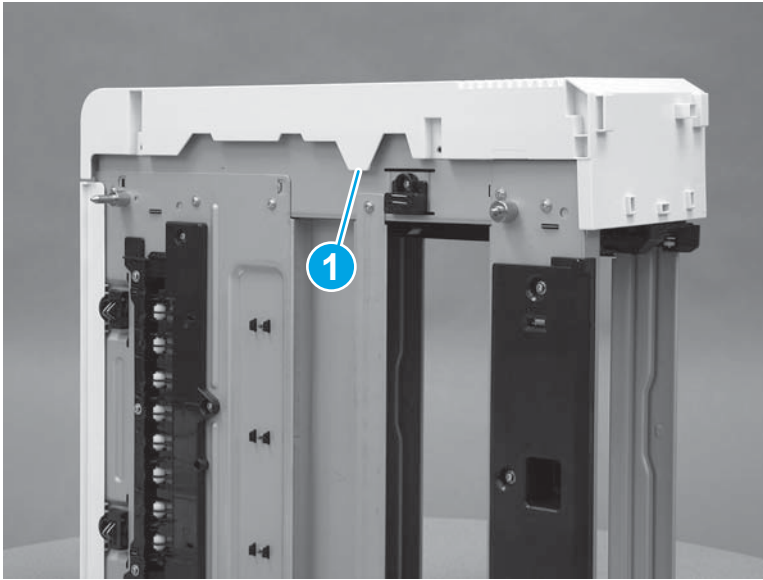
1. Remove two screws (callout 1).

Figure 1-2539 Remove two screws



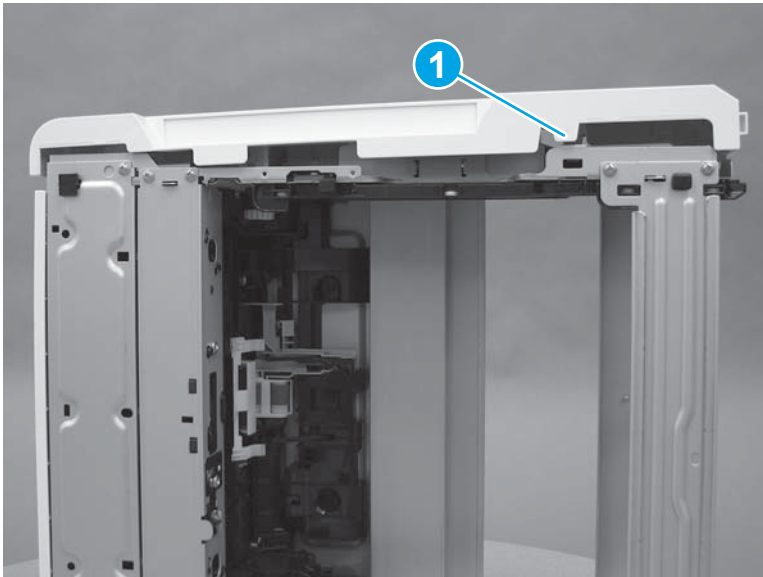
2. Release one tab (callout 1) on the top of the feeder.

Figure 1-2540 Release one tab



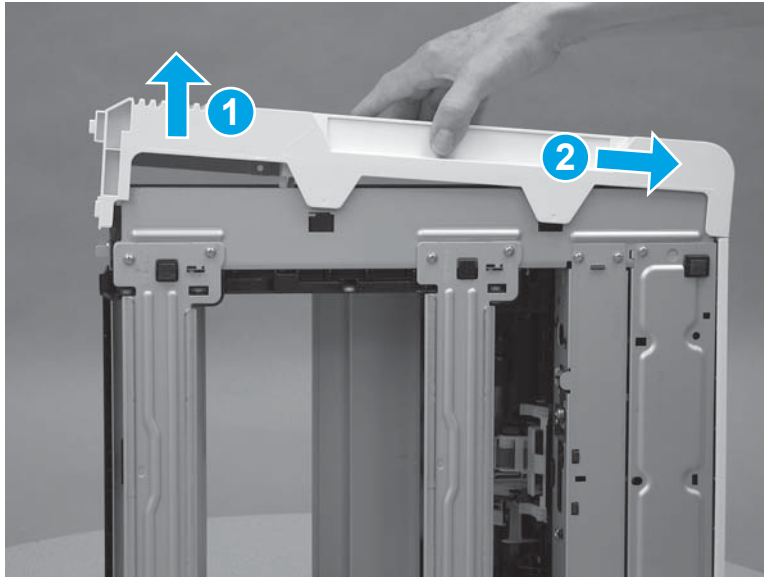
3. Lay the feeder on the right side so that the left side is facing up. Release two tabs (callout 1) on the bottom of the feeder, and then release two tabs (callout 2) on the front of the feeder.

Figure 1-2541 Release four tabs



4. Lift the front of the cover up (callout 1), and then slide the cover (callout 2) toward the back of the feeder to remove it.

Figure 1-2542 Remove the cover



### Step 3: Unpack the replacement part

Remove the new part from its package. Save all packaging for recycling the used part.

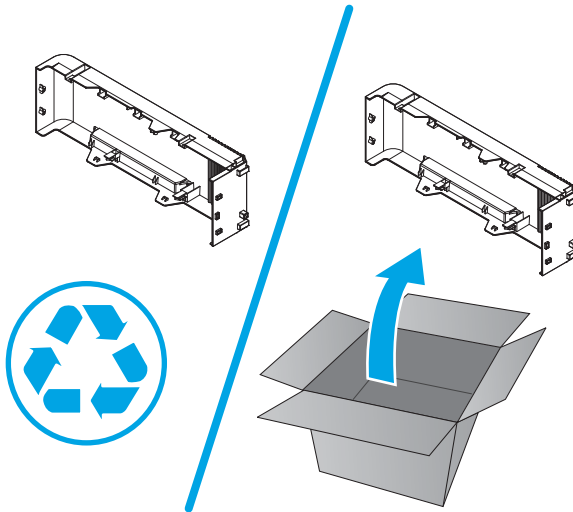
For complete information on HP's recycling programs, go to [Product return and recycling](#).

---

 **NOTE:** HP recommends responsible disposal of the defective part.

---

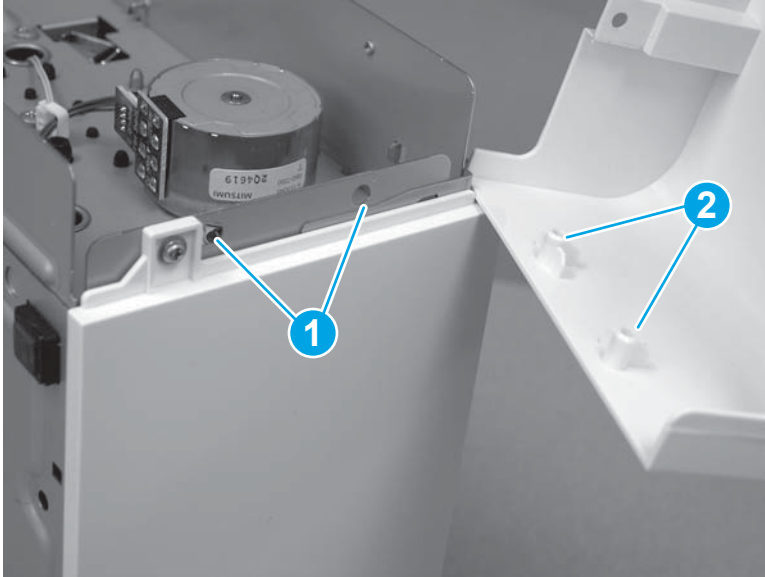
Figure 1-2543 Recycle and unpack



### Step 4: Install the left cover (550-sheet paper feeder)


1. Lay the feeder on the right side so that the left side is facing up. At the back of the feeder, install the tabs (callout 1) on the cover in the holes (callout 2) on the feeder.

Figure 1-2544 Install two tabs



2. To install an assembly, reverse the removal steps.

---

 **NOTE:** When applicable, special installation instructions are provided for an assembly at the end of the removal procedure. Always completely read the removal instructions and follow all special installation instructions.

---

## Removal and replacement: Rear cover (550-sheet paper feeder)

- [Introduction](#)
- [Step 1: Remove Tray 3](#)
- [Step 2: Remove the right cover \(550-sheet paper feeder\)](#)
- [Step 3: Remove the left cover \(550-sheet paper feeder\)](#)
- [Step 4: Remove the rear cover \(550-sheet paper feeder\)](#)
- [Step 5: Unpack the replacement part](#)
- [Step 6: Install the rear cover \(550-sheet paper feeder\)](#)

### Introduction


This document provides the procedures to remove and replace the rear cover for the 550-sheet paper feeder.

[Click here to view a video of this procedure.](#)

### Before you begin

- Turn off the printer.
- Disconnect the power cable.

---

 **WARNING!** To avoid damage to the printer, turn the printer off, wait 30 seconds, and then remove the power cord before attempting to service the printer.

---

- Use the table below to identify the correct part number for your printer. To order the part, go to [www.hp.com/buy/parts](http://www.hp.com/buy/parts).

---

Rear cover part number (550-sheet paper feeder)	
---	--

---

RC4-2203-000CN	Rear cover (550-sheet paper feeder)
----------------	-------------------------------------

---

### Required tools

- #2 Phillips screwdriver with a magnetic tip

### After performing service

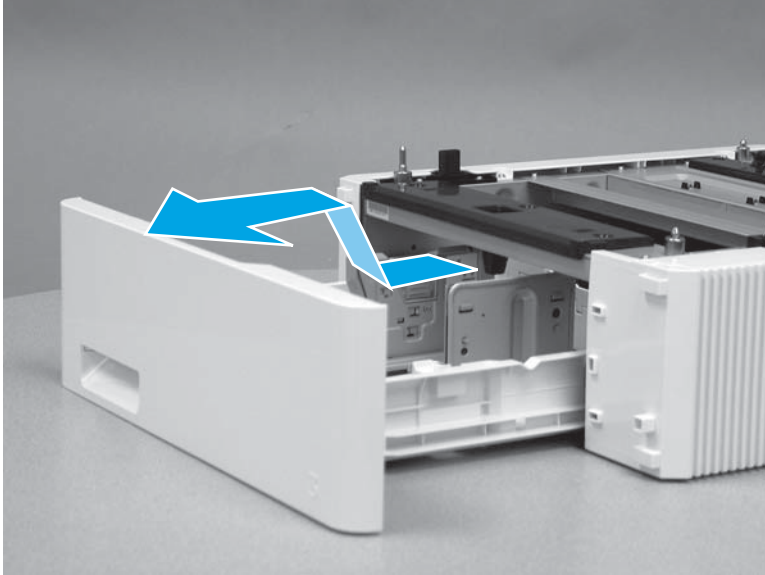
- Connect the power cable.
- Use the power switch to turn the power on.

### Step 1: Remove Tray 3

- ▲ Pull the tray out until it stops. Lift the front of the tray, and then pull it out of the printer to remove it.



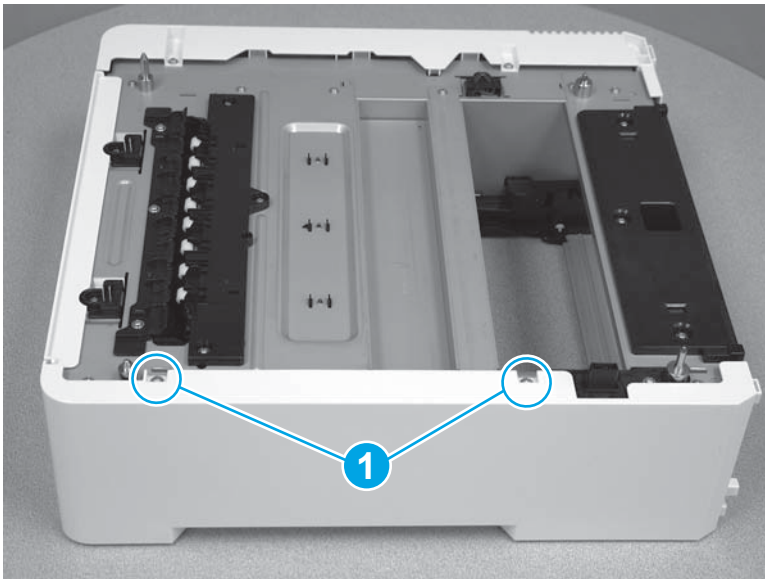
Figure 1-2545 Remove the tray



Step 2: Remove the right cover (550-sheet paper feeder)

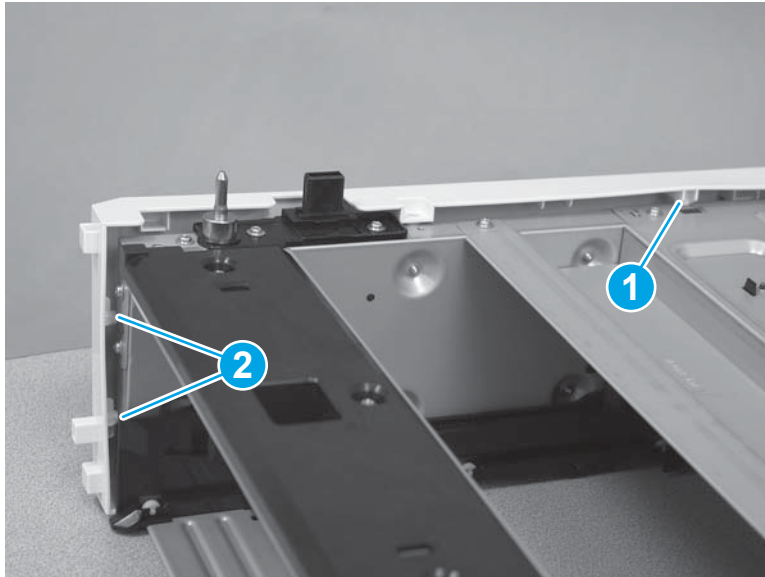
1. Remove two screws (callout 1).

Figure 1-2546 Remove two screws



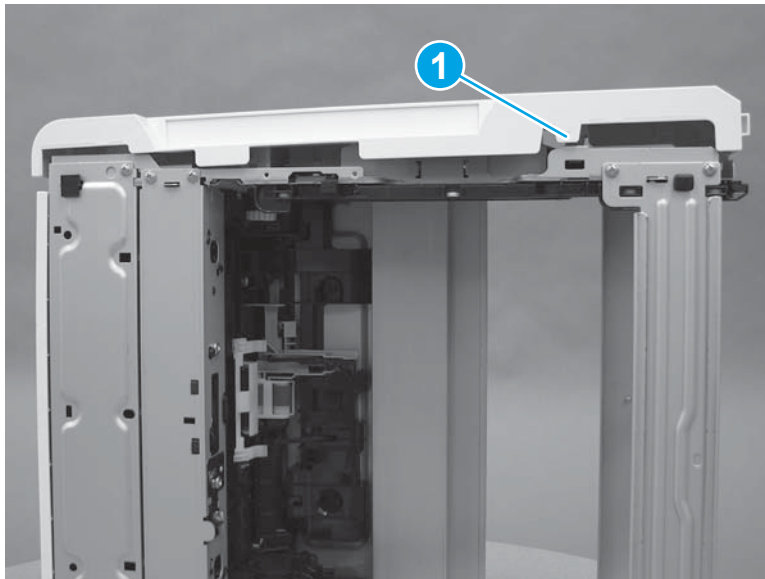
2. Release one tab (callout 1) on the top of the feeder, and then release two tabs (callout 2) at the front of the feeder.

Figure 1-2547 Release three tabs



3. Lay the feeder on the left side so that the right side is facing up, and then release one tab (callout 1) on the bottom of the feeder. Remove the right cover.

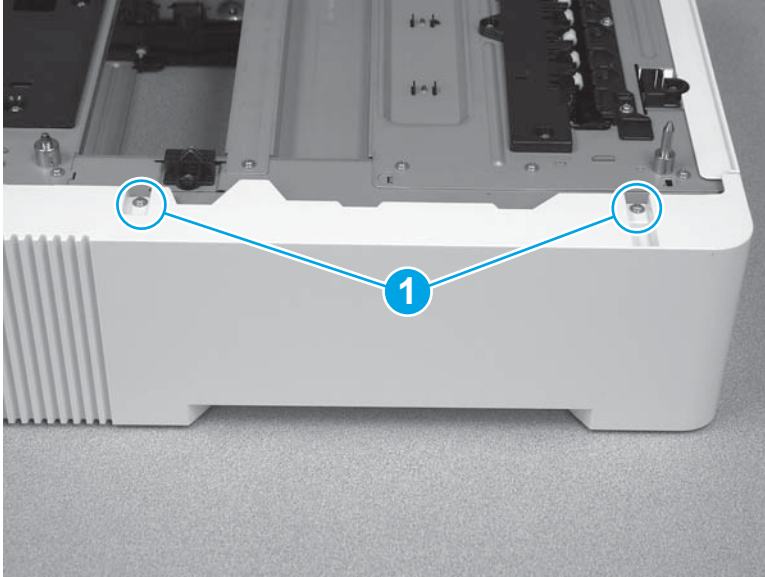
Figure 1-2548 Release one tab



### Step 3: Remove the left cover (550-sheet paper feeder)

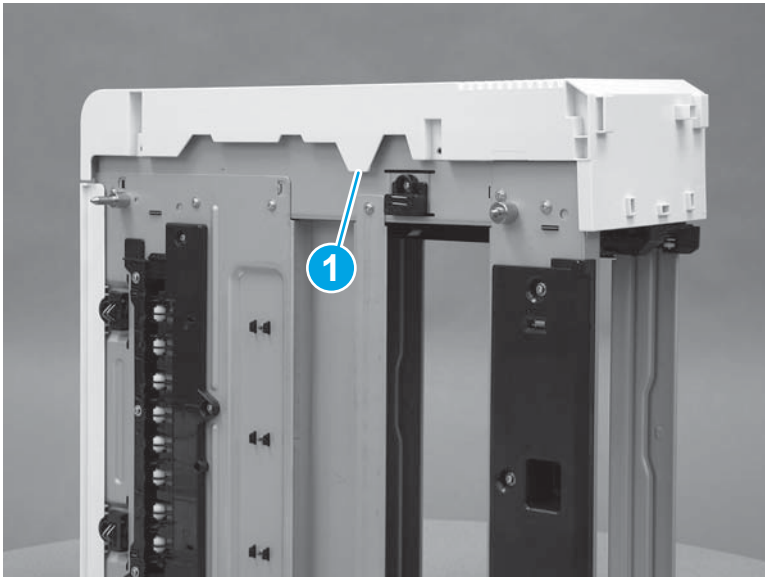
1. Remove two screws (callout 1).

Figure 1-2549 Remove two screws



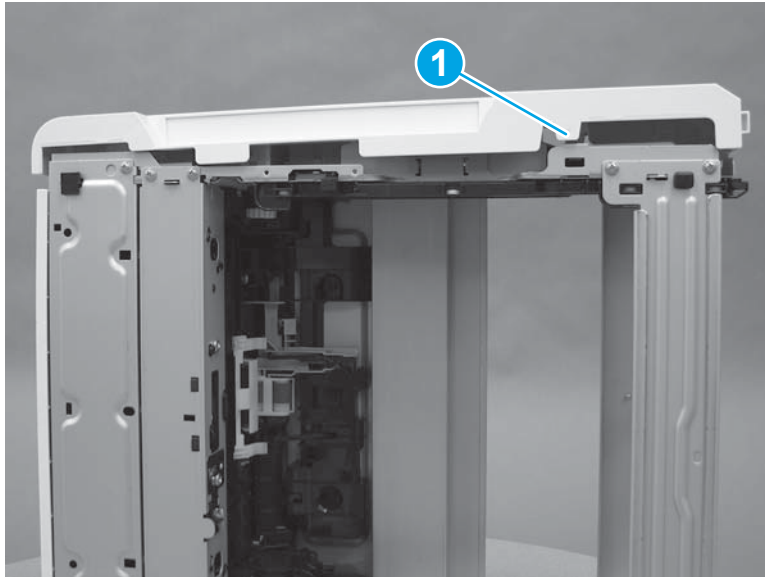
2. Release one tab (callout 1) on the top of the feeder.

Figure 1-2550 Release one tab



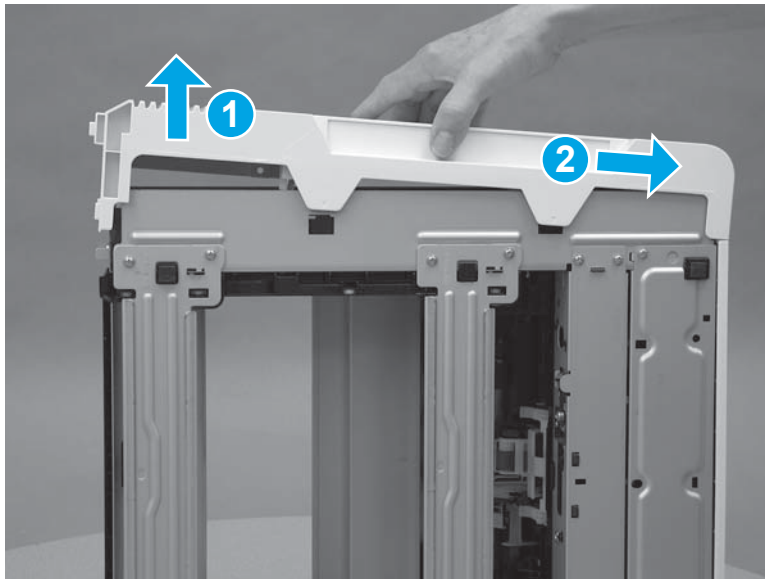
3. Lay the feeder on the right side so that the left side is facing up. Release two tabs (callout 1) on the bottom of the feeder, and then release two tabs (callout 2) on the front of the feeder.

Figure 1-2551 Release four tabs



4. Lift the front of the cover up (callout 1), and then slide the cover (callout 2) toward the back of the feeder to remove it.

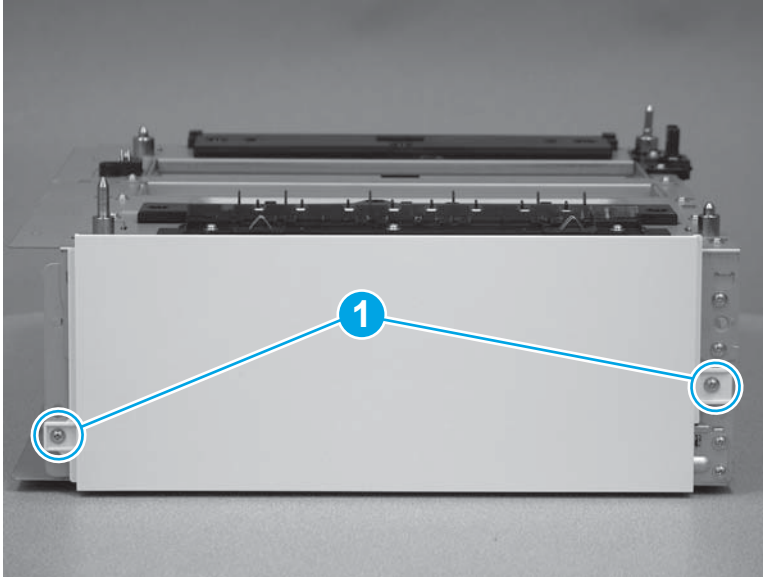
Figure 1-2552 Remove the cover



#### Step 4: Remove the rear cover (550-sheet paper feeder)

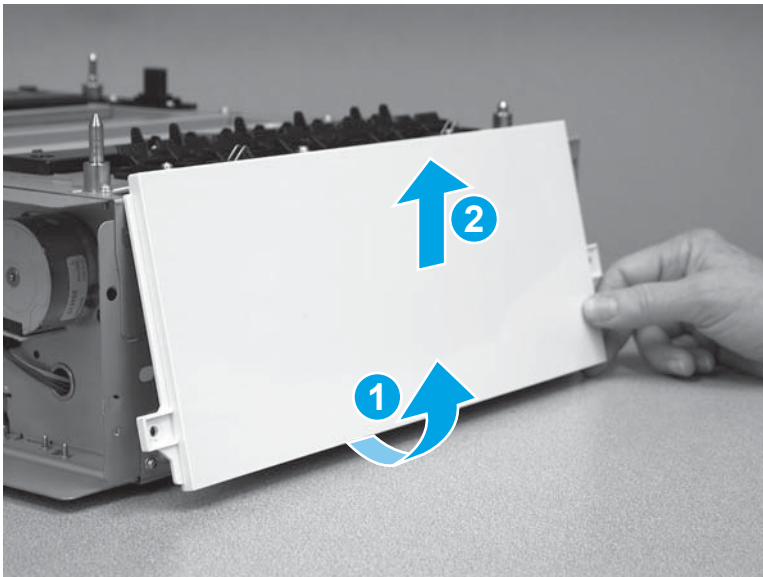
1. Remove two screws (callout 1).

Figure 1-2553 Remove two screws



2. Rotate the bottom edge of the cover (callout 1) away from the feeder, and then raise the cover up (callout 2) to remove it.

Figure 1-2554 Remove the rear cover




### Step 5: Unpack the replacement part

Remove the new part from its package. Save all packaging for recycling the used part.

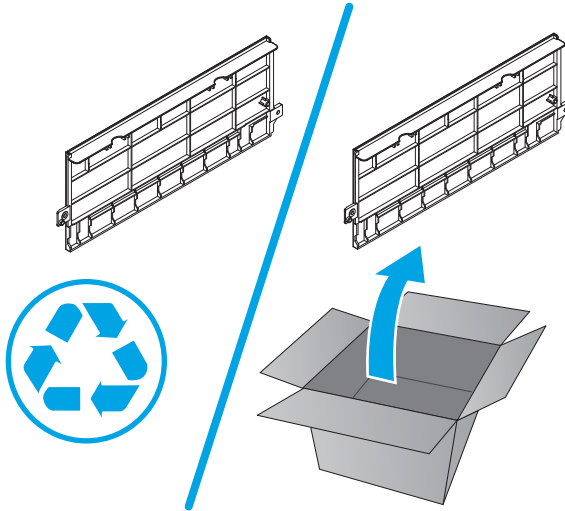
For complete information on HP's recycling programs, go to [Product return and recycling](#).

---

 **NOTE:** HP recommends responsible disposal of the defective part.

---

Figure 1-2555 Recycle and unpack



### Step 6: Install the rear cover (550-sheet paper feeder)

- ▲ To install an assembly, reverse the removal steps.



**NOTE:** When applicable, special installation instructions are provided for an assembly at the end of the removal procedure. Always completely read the removal instructions and follow all special installation instructions.

## Removal and replacement: Switch cable assembly (550-sheet paper feeder)

- [Introduction](#)
- [Step 1: Remove Tray 3](#)
- [Step 2: Remove the right cover \(550-sheet paper feeder\)](#)
- [Step 3: Remove the left cover \(550-sheet paper feeder\)](#)
- [Step 4: Remove the rear cover \(550-sheet paper feeder\)](#)
- [Step 5: Remove the PCA cover \(550-sheet paper feeder\)](#)
- [Step 6: Remove the baseplate \(550-sheet paper feeder\)](#)
- [Step 7: Remove the feed frame assembly \(550-sheet paper feeder\)](#)
- [Step 8: Remove the switch cable assembly \(550-sheet paper feeder\)](#)
- [Step 9: Unpack the replacement part](#)
- [Step 10: Install the switch cable assembly \(550-sheet paper feeder\)](#)


### Introduction

This document provides the procedures to remove and replace the switch cable assembly for the 550-sheet feeder.

[Click here to view a video of this procedure.](#)

### Before you begin

- Turn off the printer.
- Disconnect the power cable.

 **WARNING!** To avoid damage to the printer, turn the printer off, wait 30 seconds, and then remove the power cord before attempting to service the printer.

- Use the table below to identify the correct part number for your printer. To order the part, go to [www.hp.com/buy/parts](http://www.hp.com/buy/parts).

Switch cable assembly part number	
RM2-7897-000CN	Switch cable assembly (550-sheet feeder)

### Required tools

- #2 Phillips screwdriver with a magnetic tip
- Small flat-blade screwdriver

### After performing service

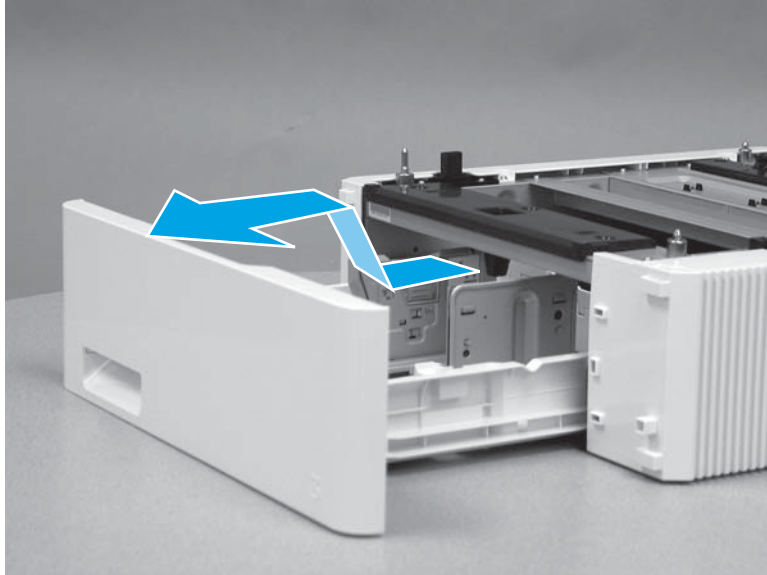
- Connect the power cable.
- Use the power switch to turn the power on.



### Step 1: Remove Tray 3

- ▲ Pull the tray out until it stops. Lift the front of the tray, and then pull it out of the printer to remove it.

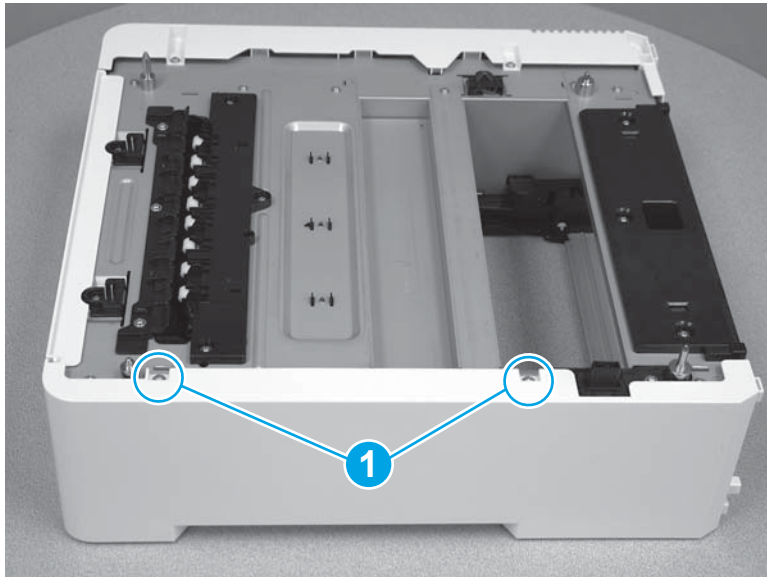
Figure 1-2556 Remove the tray



### Step 2: Remove the right cover (550-sheet paper feeder)

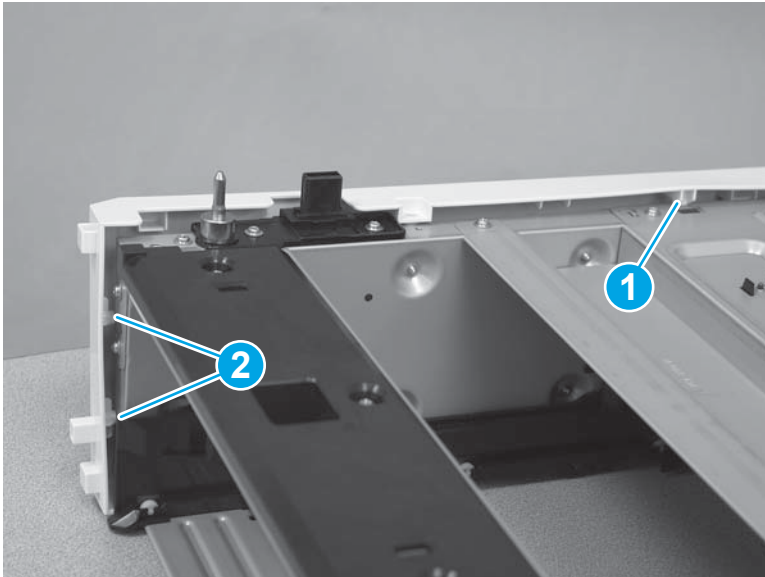
1. Remove two screws (callout 1).

Figure 1-2557 Remove two screws



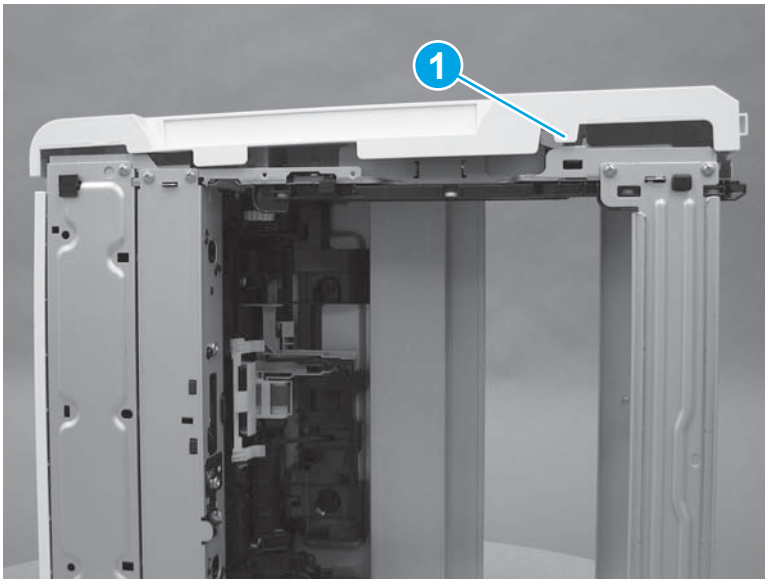
2. Release one tab (callout 1) on the top of the feeder, and then release two tabs (callout 2) at the front of the feeder.

Figure 1-2558 Release three tabs



3. Lay the feeder on the left side so that the right side is facing up, and then release one tab (callout 1) on the bottom of the feeder. Remove the right cover.

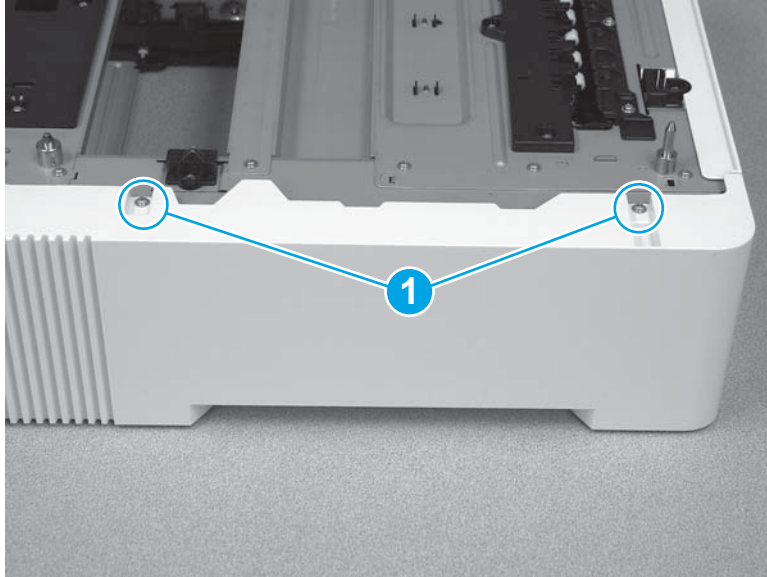
Figure 1-2559 Release one tab



### Step 3: Remove the left cover (550-sheet paper feeder)

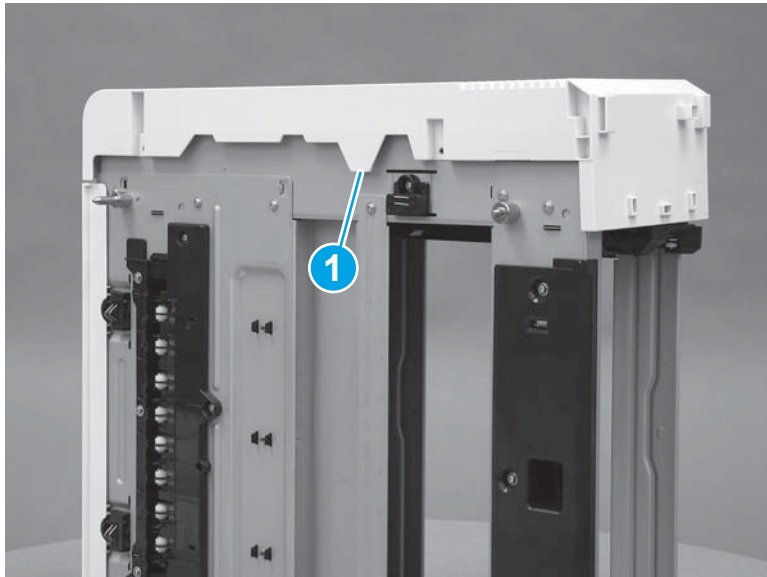
1. Remove two screws (callout 1).

Figure 1-2560 Remove two screws



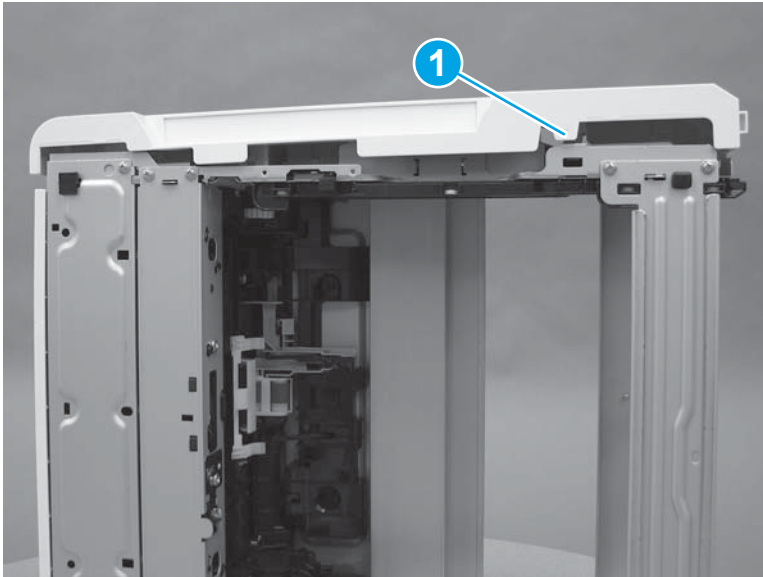
2. Release one tab (callout 1) on the top of the feeder.

Figure 1-2561 Release one tab



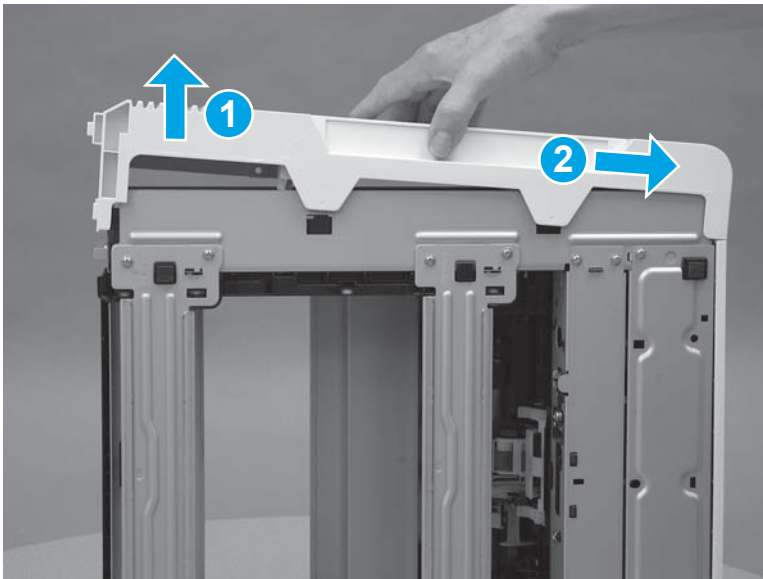
3. Lay the feeder on the right side so that the left side is facing up. Release two tabs (callout 1) on the bottom of the feeder, and then release two tabs (callout 2) on the front of the feeder.

Figure 1-2562 Release four tabs



4. Lift the front of the cover up (callout 1), and then slide the cover (callout 2) toward the back of the feeder to remove it.

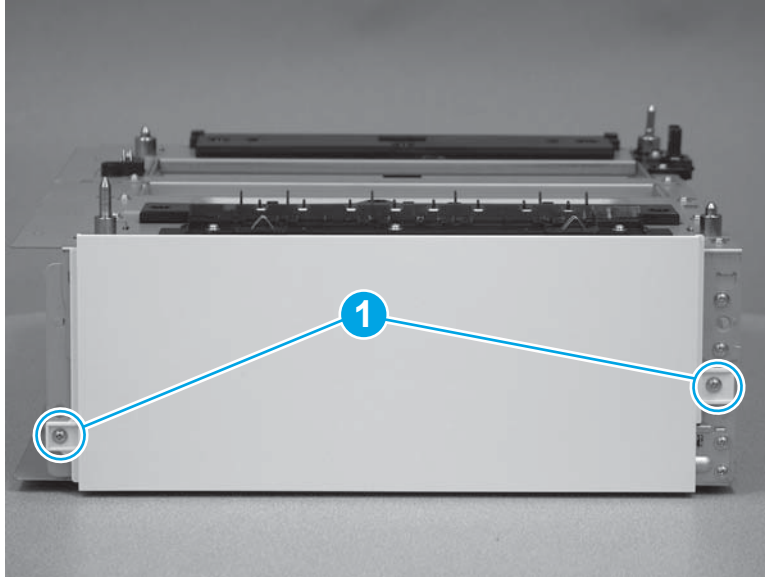
Figure 1-2563 Remove the cover



#### Step 4: Remove the rear cover (550-sheet paper feeder)

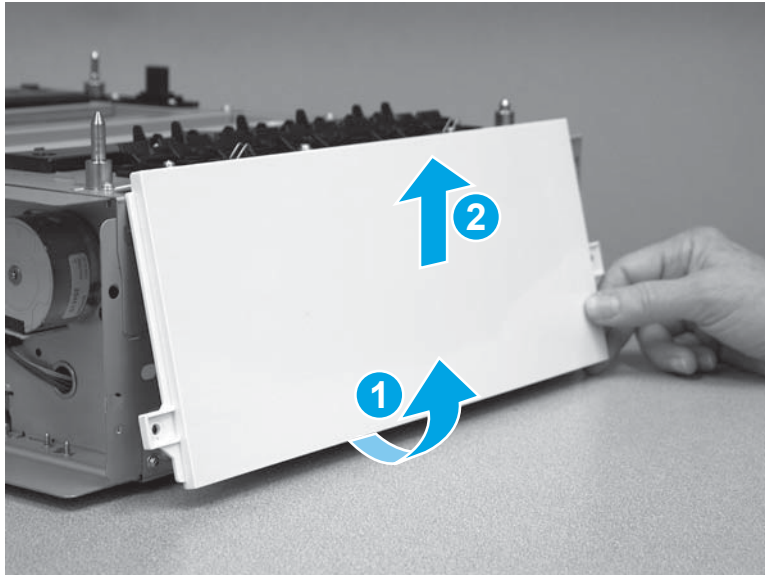
1. Remove two screws (callout 1).

Figure 1-2564 Remove two screws



2. Rotate the bottom edge of the cover (callout 1) away from the feeder, and then raise the cover up (callout 2) to remove it.

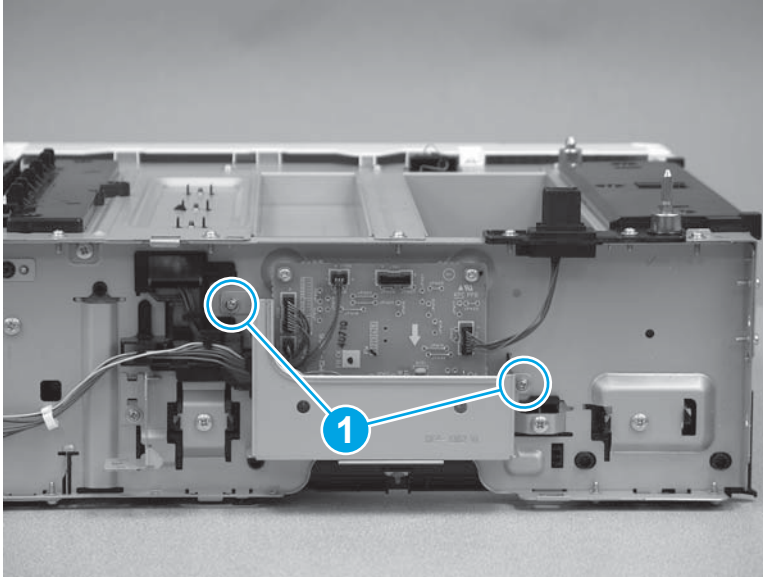
Figure 1-2565 Remove the rear cover



#### Step 5: Remove the PCA cover (550-sheet paper feeder)

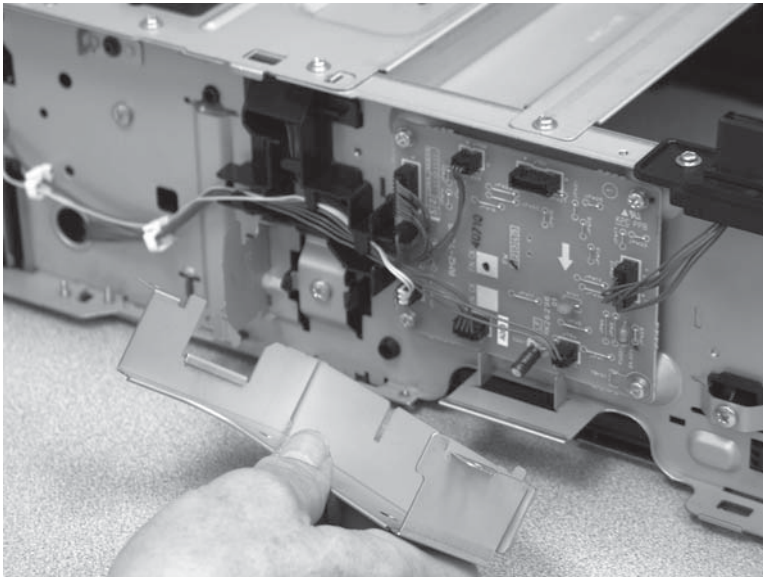
1. On the left side of the feeder, remove two screws (callout 1).

Figure 1-2566 Remove two screws



2. Remove the PCA cover.

Figure 1-2567 Remove the PCA cover

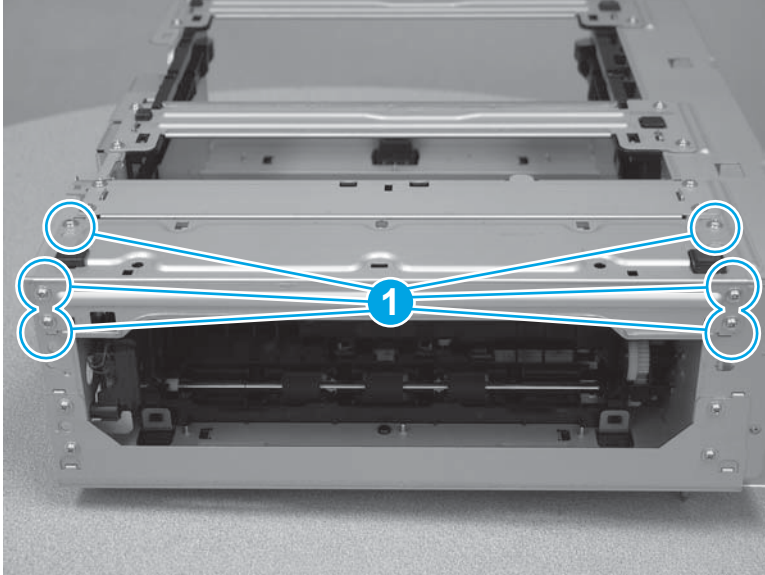


### Step 6: Remove the baseplate (550-sheet paper feeder)

1. Lay the feeder on the top side so that the bottom side is facing up. Remove six screws (callout 1).

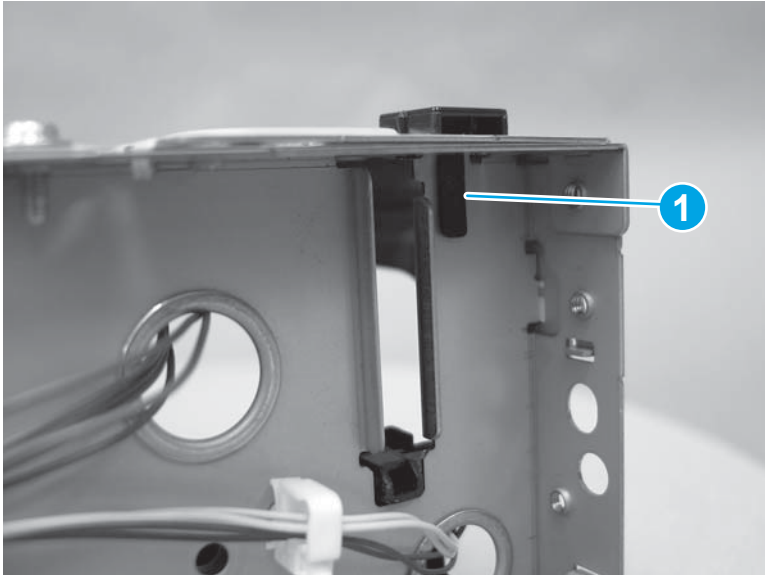


Figure 1-2568 Remove six screws



2. On the left side of the feeder, release one tab (callout 1) on the foot.

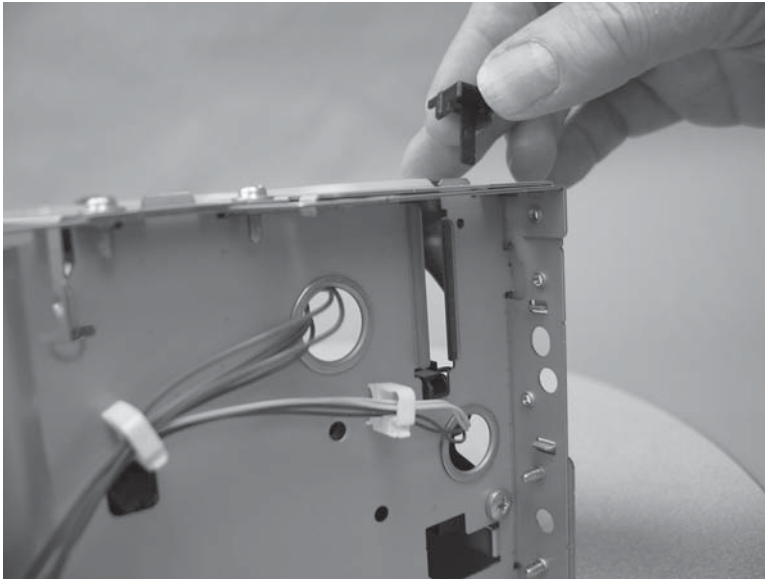
Figure 1-2569 Release one tab





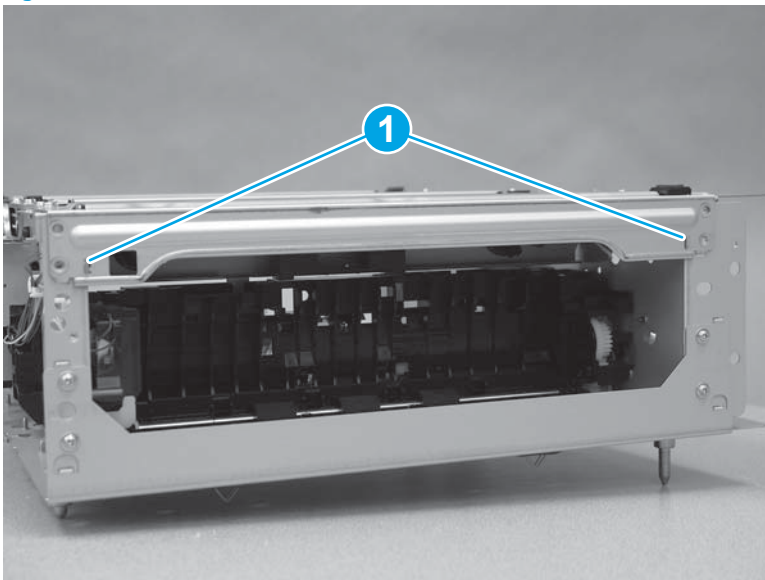
3. Remove the foot.

Figure 1-2570 Remove the foot



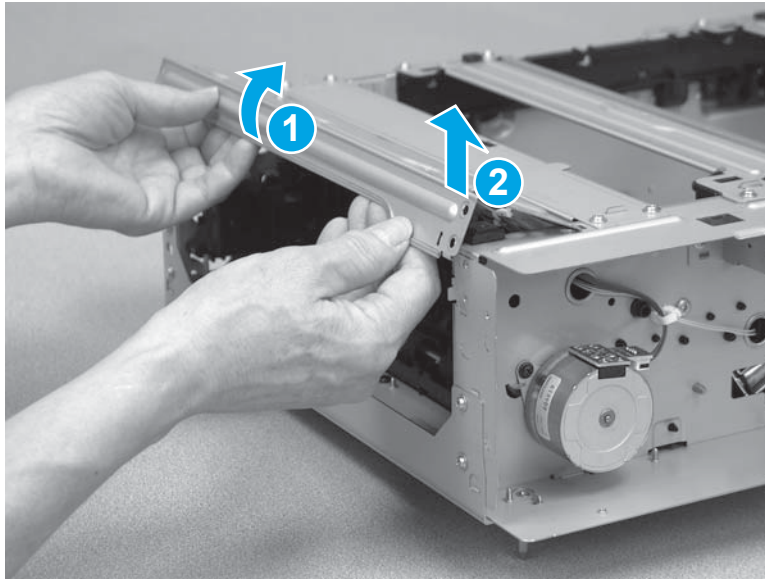
4. Release two tabs (callout 1).

Figure 1-2571 Release two tabs



5. Rotate the edge of the baseplate up (callout 1), and then lift it up (callout 2) to remove it.

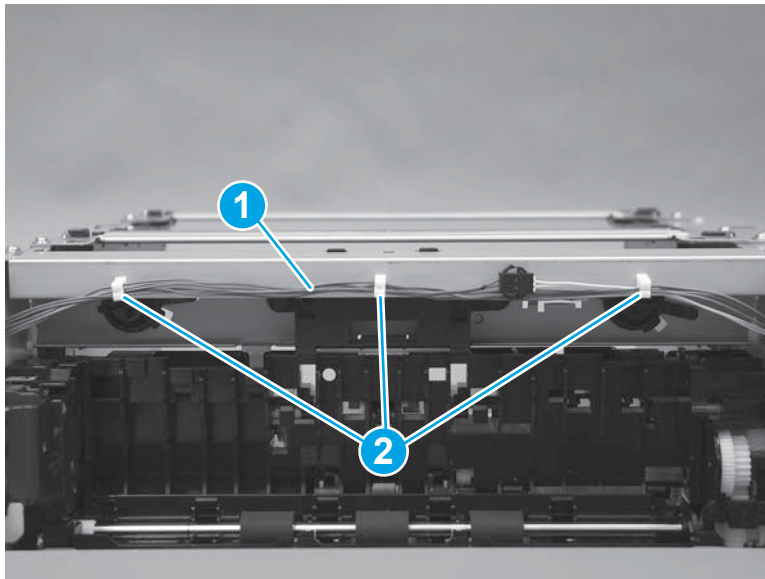
Figure 1-2572 Remove the baseplate



#### Step 7: Remove the feed frame assembly (550-sheet paper feeder)

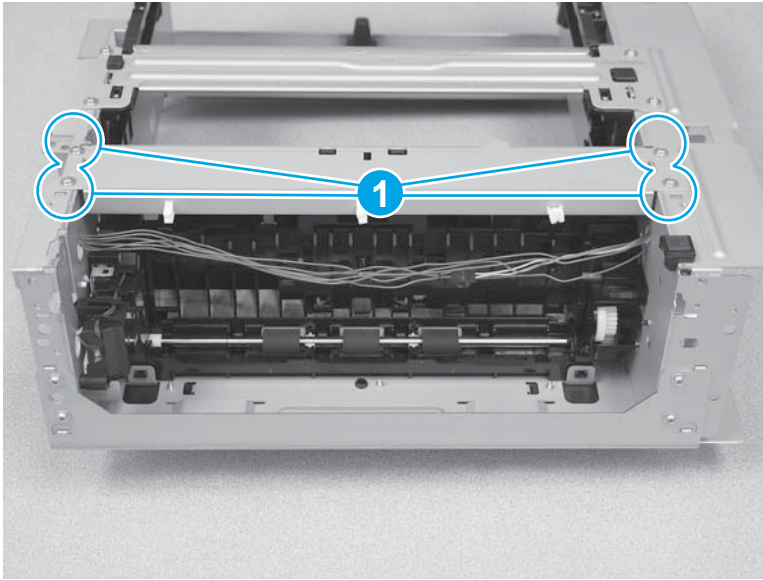
1. Release the cables (callout 1) from the retainers (callout 2).

Figure 1-2573 Release the cables



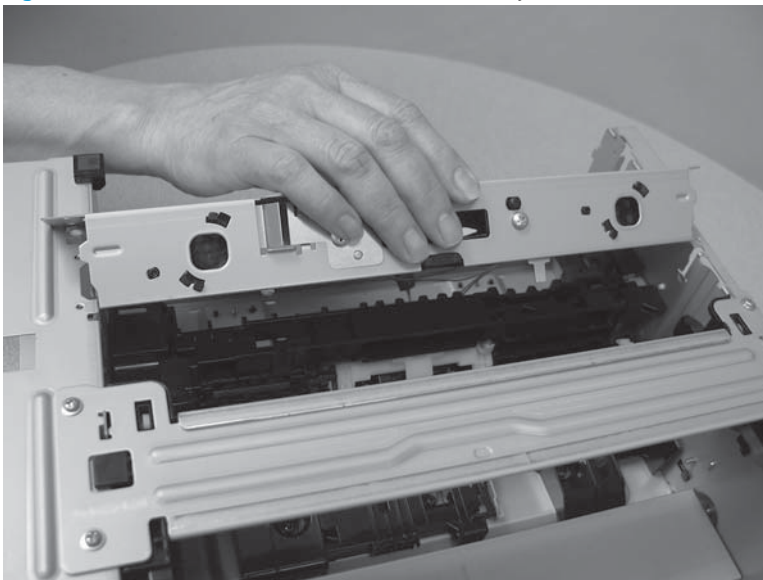
2. Remove four screws (callout 1).

Figure 1-2574 Remove four screws



3. Remove the feed frame assembly.

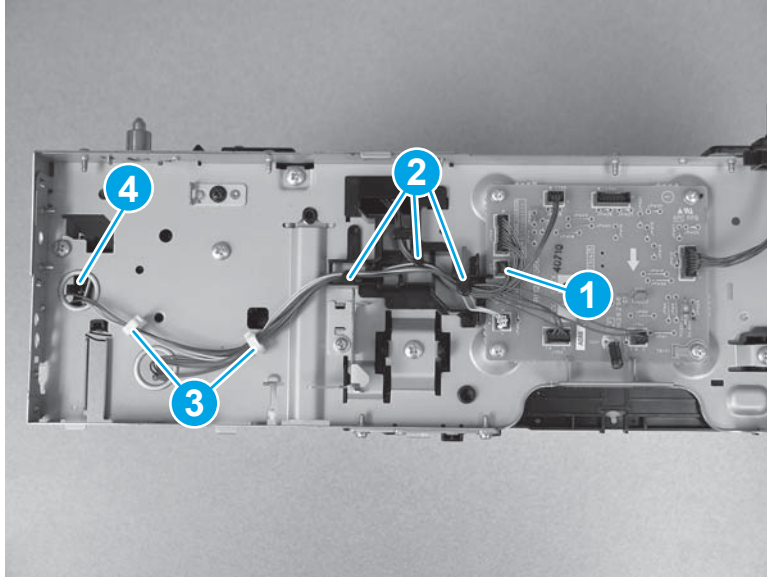
Figure 1-2575 Remove the feed frame assembly



#### Step 8: Remove the switch cable assembly (550-sheet paper feeder)

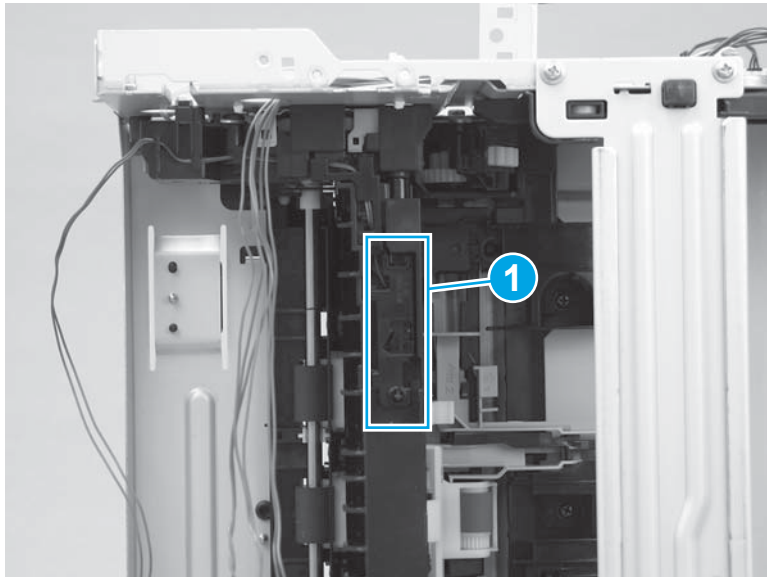
1. Lay the feeder on the right side so that the left side is facing up. Disconnect one connector (callout 1), and remove the cables from the guides (callout 2). Release two retainers (callout 3), remove the cables from the retainers, and then thread the connector and cable down through the opening (callout 4) in the sheet metal.

Figure 1-2576 Disconnect connector and remove five screws



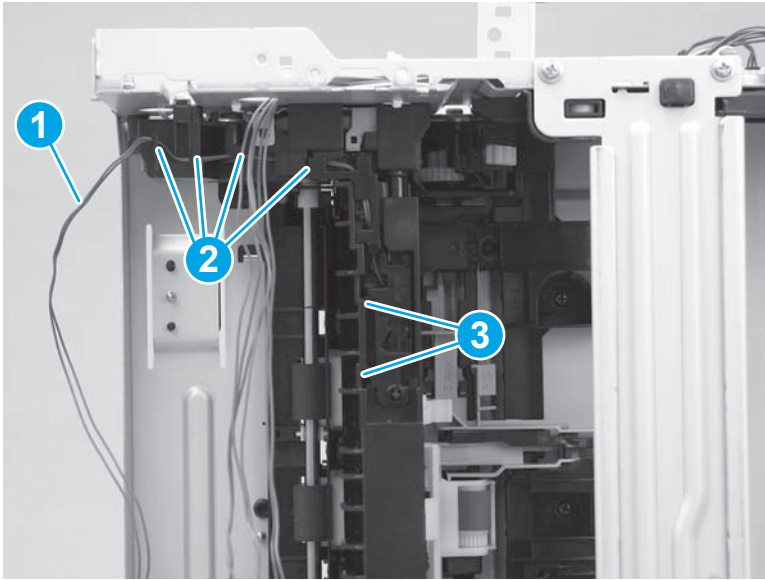
2. Locate the switch cable assembly (callout 1).

Figure 1-2577 Locate the switch cable assembly



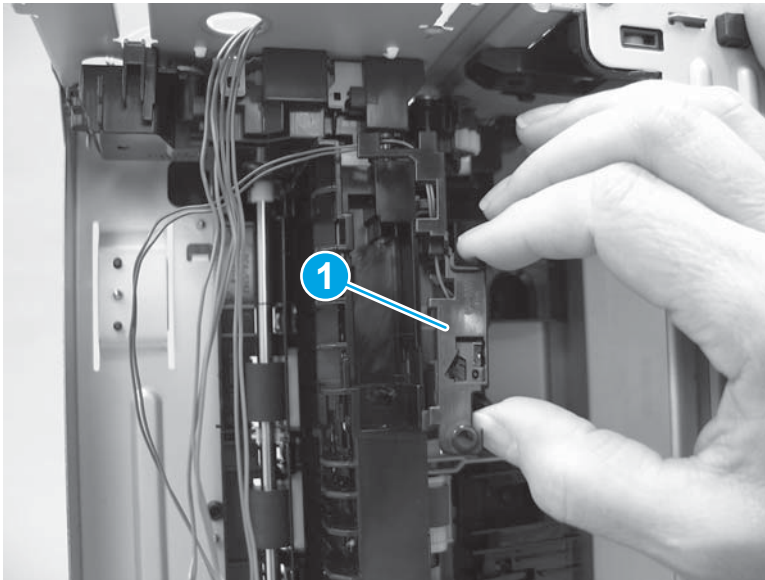
3. Release the cables (callout 1) from the guides (callout 2), and then release two tabs (callout 3).

Figure 1-2578 Release the cables from the guides



4. Remove the switch cable assembly and holder (callout 1).

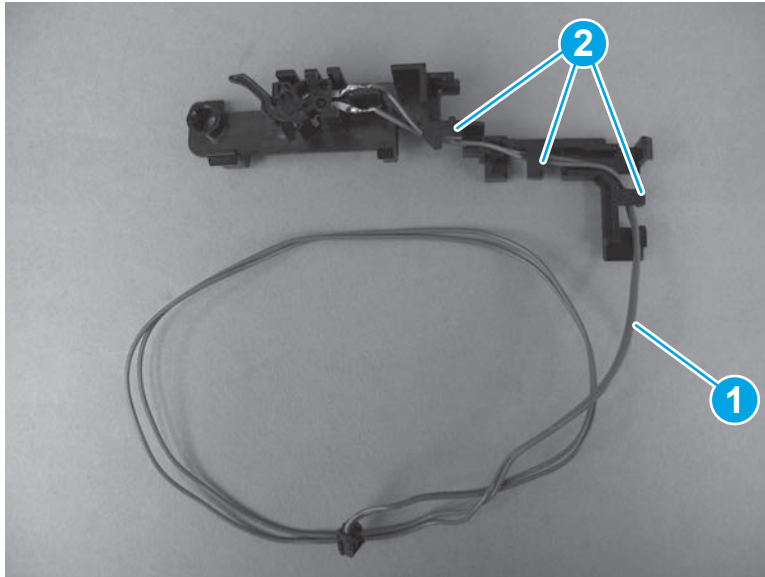
Figure 1-2579 Remove the switch cable assembly and holder





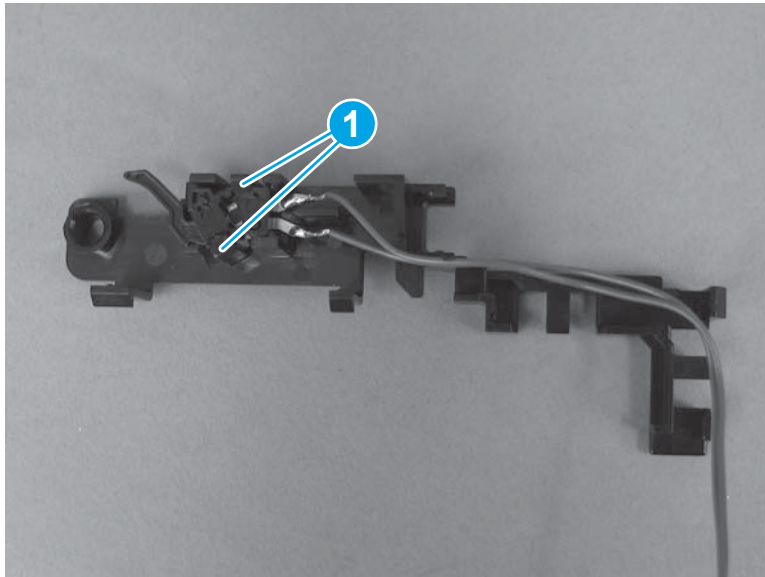
5. Remove the cables (callout 1) on the switch cable assembly from the guides (callout 2) on the switch holder.

Figure 1-2580 Remove the cables from the guides



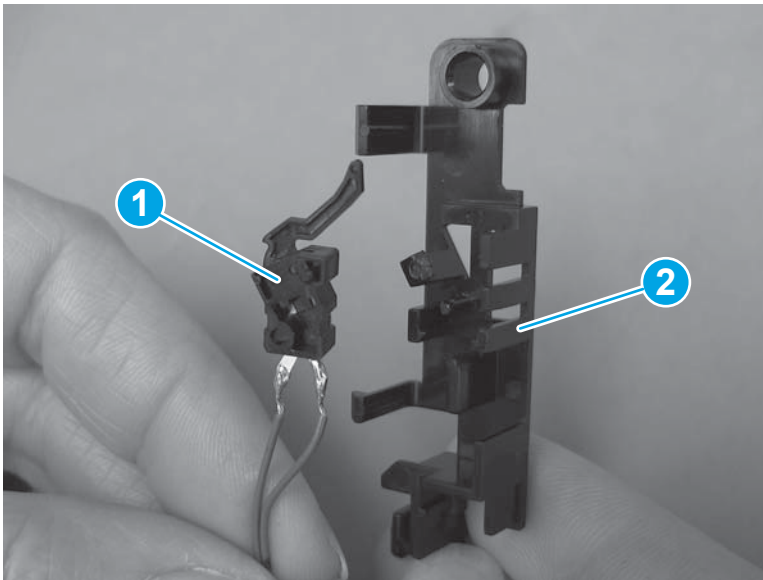
6. Release two tabs (callout 1).

Figure 1-2581 Release two tabs



7. Remove the switch cable assembly (callout 1) from the switch holder (callout 2).

Figure 1-2582 Remove the switch cable assembly



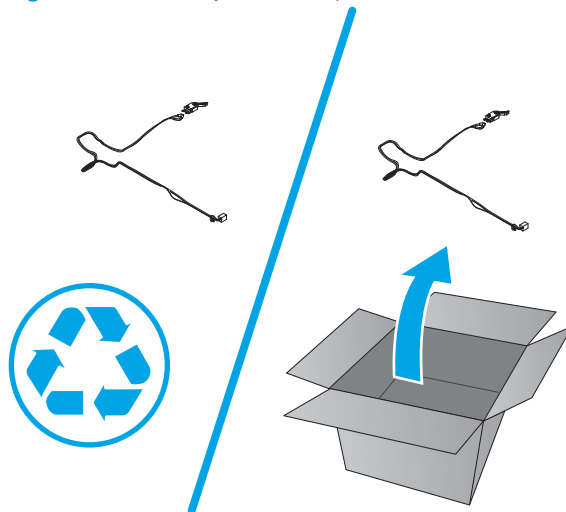
### Step 9: Unpack the replacement part

Remove the new part from its package. Save all packaging for recycling the used part.

For complete information on HP's recycling programs, go to [Product return and recycling](#).

 **NOTE:** HP recommends responsible disposal of the defective part.

Figure 1-2583 Recycle and unpack

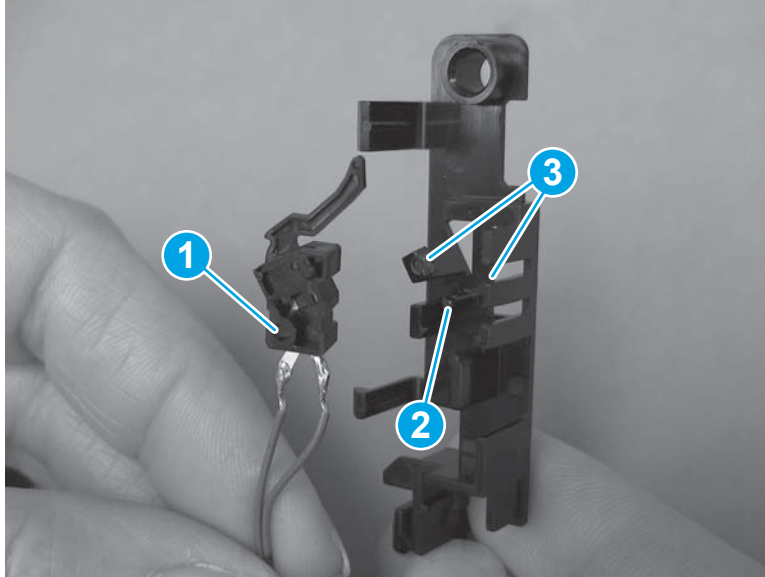


### Step 10: Install the switch cable assembly (550-sheet paper feeder)

1. Position the switch cable assembly into the switch holder so that the hole (callout 1) on the cable assembly fits over the post (callout 2) on the switch holder. Make sure that two tabs (callout 3) snap into place.




Figure 1-2584 Position the switch cable assembly



2. To install an assembly, reverse the removal steps.

---

 **NOTE:** When applicable, special installation instructions are provided for an assembly at the end of the removal procedure. Always completely read the removal instructions and follow all special installation instructions.

---

## Removal and replacement: Lifter drive assembly (550-sheet paper feeder)

- [Introduction](#)
- [Step 1: Remove Tray 3](#)
- [Step 2: Remove the right cover \(550-sheet paper feeder\)](#)
- [Step 3: Remove the left cover \(550-sheet paper feeder\)](#)
- [Step 4: Remove the rear cover \(550-sheet paper feeder\)](#)
- [Step 5: Remove the PCA cover \(550-sheet paper feeder\)](#)
- [Step 6: Remove the baseplate \(550-sheet paper feeder\)](#)
- [Step 7: Remove the feed frame assembly \(550-sheet paper feeder\)](#)
- [Step 8: Remove the lifter drive assembly \(550-sheet paper feeder\)](#)
- [Step 9: Unpack the replacement part](#)
- [Step 10: Install the lifter drive assembly \(550-sheet paper feeder\)](#)

### Introduction


This document provides the procedures to remove and replace the lifter drive assembly for the 550-sheet feeder.

[Click here to view a video of this procedure.](#)

### Before you begin

- Turn off the printer.
- Disconnect the power cable.

---

 **WARNING!** To avoid damage to the printer, turn the printer off, wait 30 seconds, and then remove the power cord before attempting to service the printer.

---

- Use the table below to identify the correct part number for your printer. To order the part, go to [www.hp.com/buy/parts](http://www.hp.com/buy/parts).

---

Lifter drive assembly part number	
RM2-6493-000CN	Lifter drive assembly (550-sheet feeder)

---

### Required tools

- #2 Phillips screwdriver with a magnetic tip
- Small flat-blade screwdriver

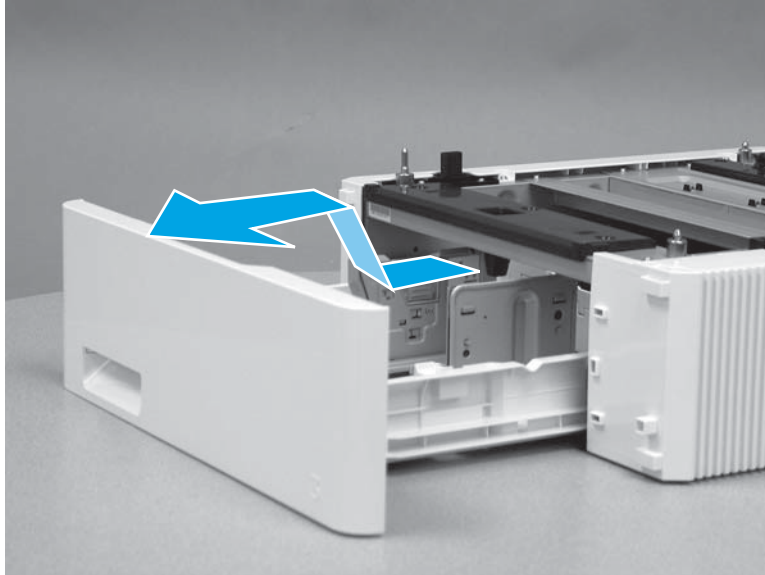
### After performing service

- Connect the power cable.
- Use the power switch to turn the power on.

### Step 1: Remove Tray 3

- ▲ Pull the tray out until it stops. Lift the front of the tray, and then pull it out of the printer to remove it.

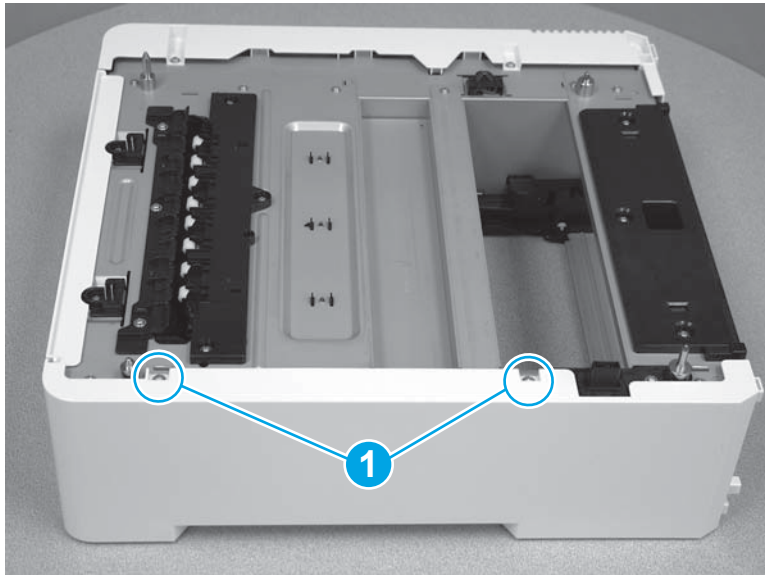
Figure 1-2585 Remove the tray



### Step 2: Remove the right cover (550-sheet paper feeder)

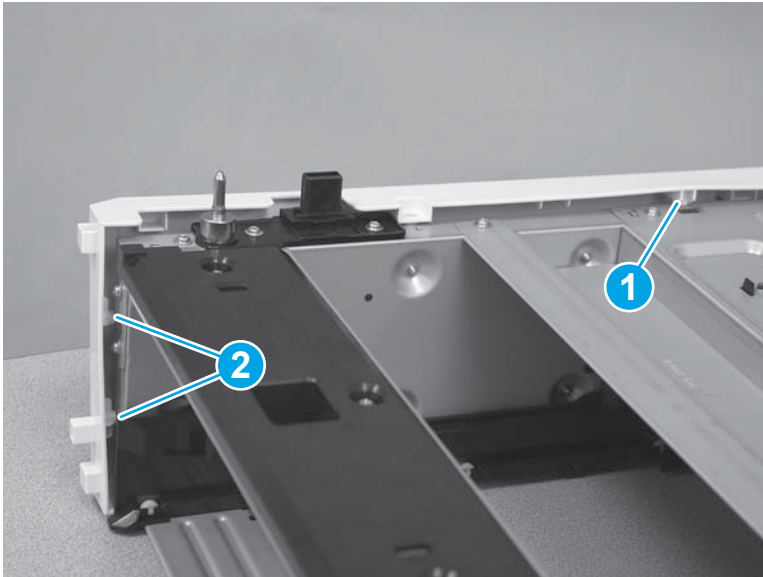
1. Remove two screws (callout 1).

Figure 1-2586 Remove two screws



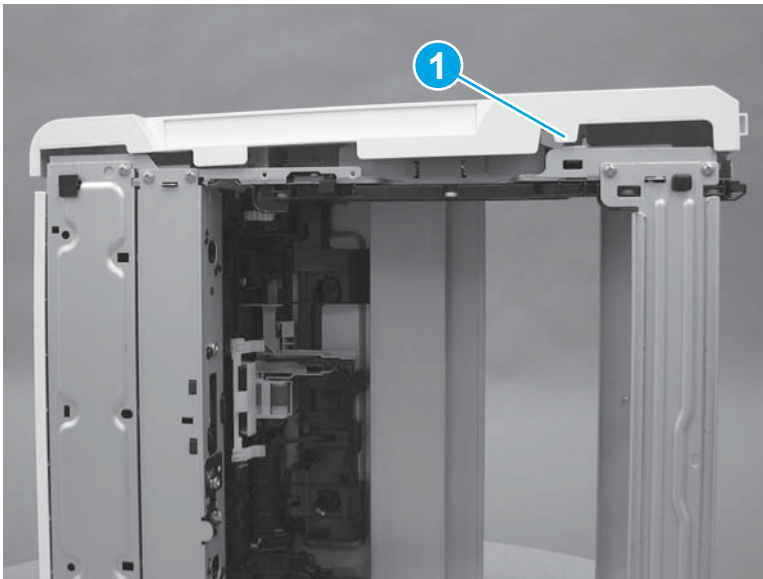
2. Release one tab (callout 1) on the top of the feeder, and then release two tabs (callout 2) at the front of the feeder.

Figure 1-2587 Release three tabs



3. Lay the feeder on the left side so that the right side is facing up, and then release one tab (callout 1) on the bottom of the feeder. Remove the right cover.

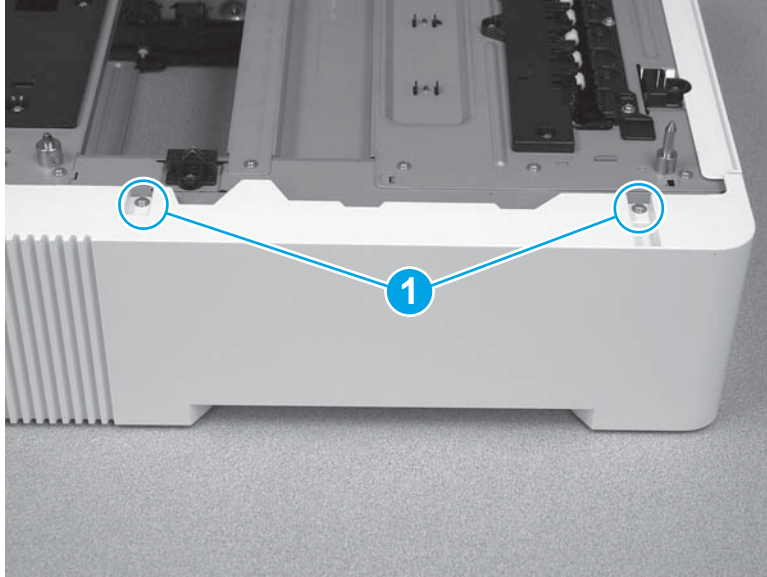
Figure 1-2588 Release one tab



### Step 3: Remove the left cover (550-sheet paper feeder)

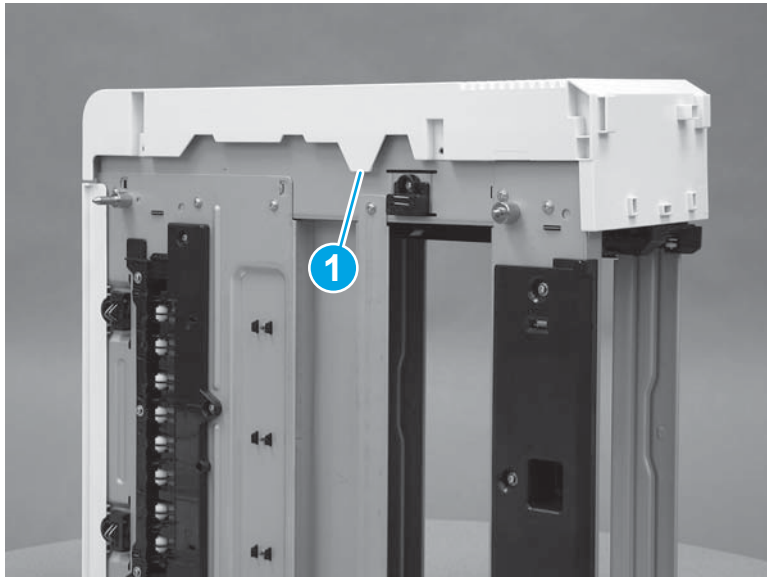
1. Remove two screws (callout 1).

Figure 1-2589 Remove two screws



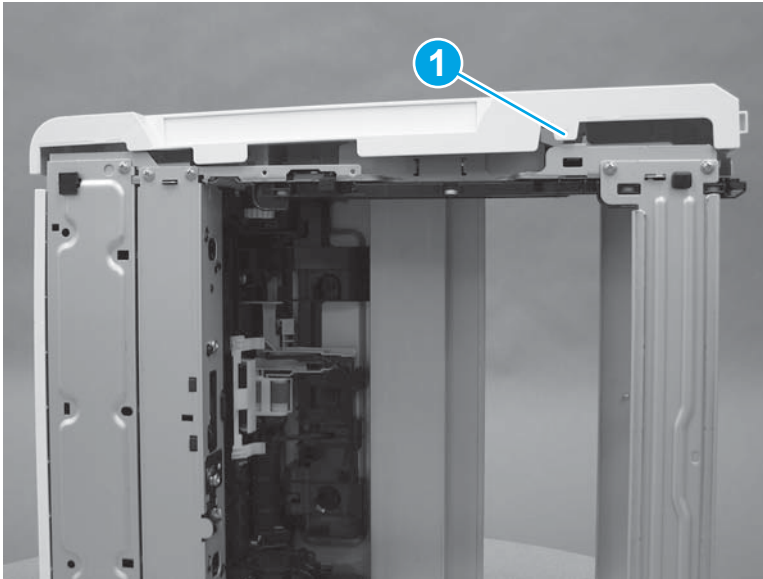
2. Release one tab (callout 1) on the top of the feeder.

Figure 1-2590 Release one tab



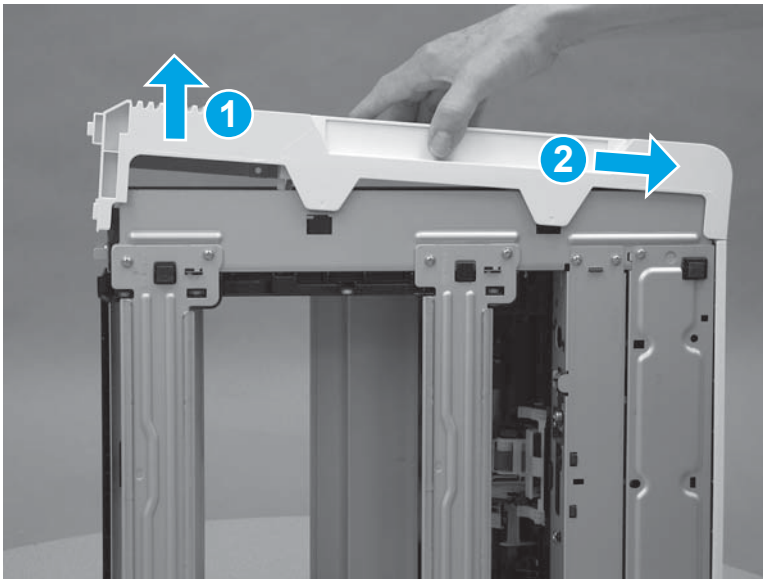
3. Lay the feeder on the right side so that the left side is facing up. Release two tabs (callout 1) on the bottom of the feeder, and then release two tabs (callout 2) on the front of the feeder.

Figure 1-2591 Release four tabs



4. Lift the front of the cover up (callout 1), and then slide the cover (callout 2) toward the back of the feeder to remove it.

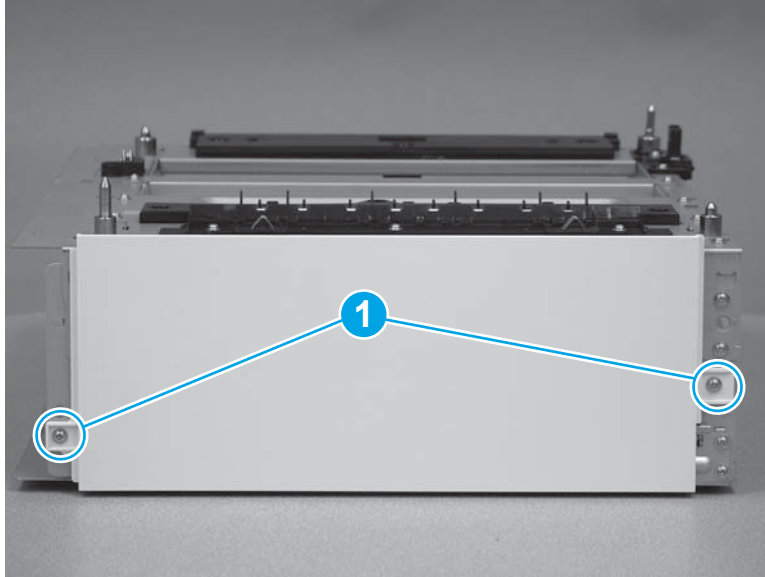
Figure 1-2592 Remove the cover



#### Step 4: Remove the rear cover (550-sheet paper feeder)

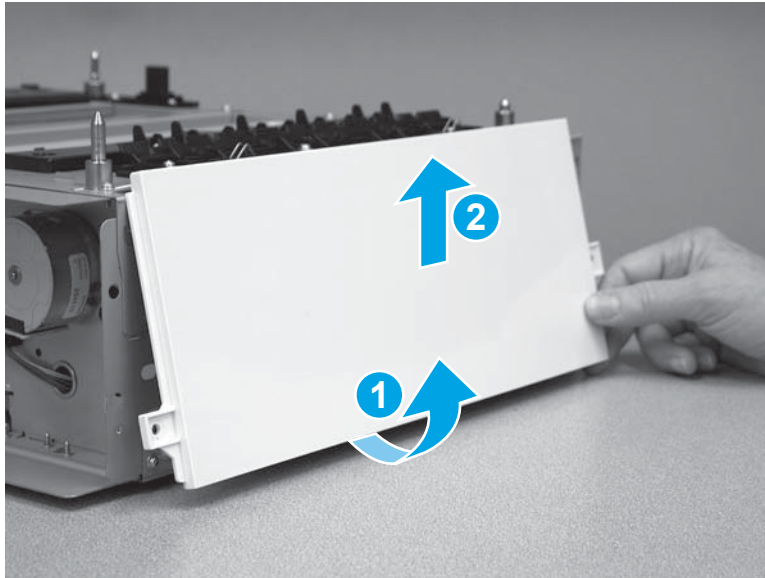
1. Remove two screws (callout 1).

Figure 1-2593 Remove two screws



2. Rotate the bottom edge of the cover (callout 1) away from the feeder, and then raise the cover up (callout 2) to remove it.

Figure 1-2594 Remove the rear cover

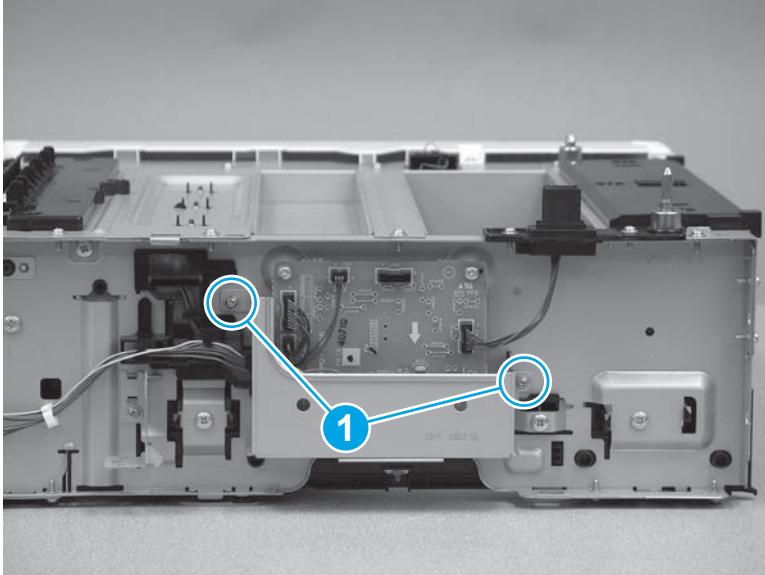


#### Step 5: Remove the PCA cover (550-sheet paper feeder)

1. On the left side of the feeder, remove two screws (callout 1).

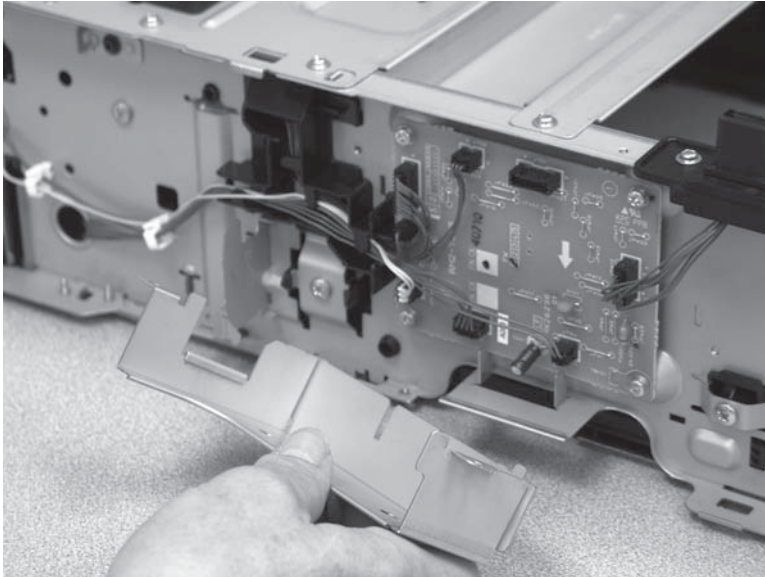


Figure 1-2595 Remove two screws



2. Remove the PCA cover.

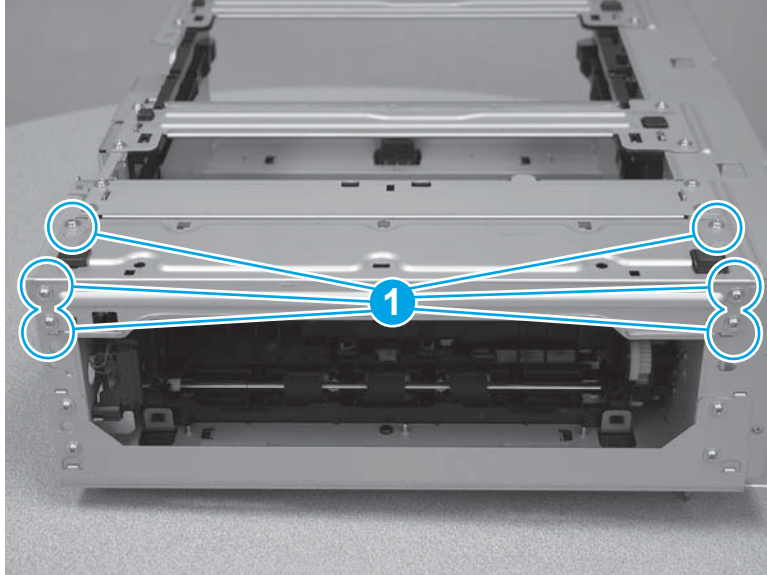
Figure 1-2596 Remove the PCA cover



### Step 6: Remove the baseplate (550-sheet paper feeder)

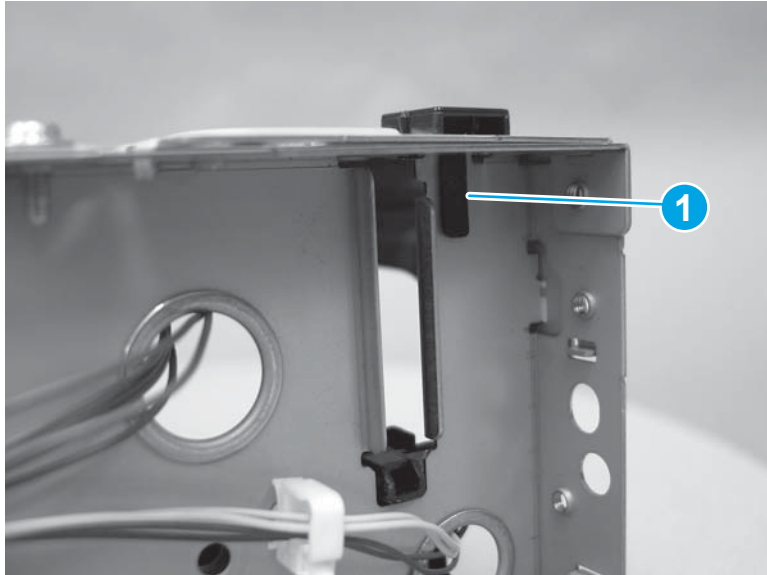
1. Lay the feeder on the top side so that the bottom side is facing up. Remove six screws (callout 1).

Figure 1-2597 Remove six screws



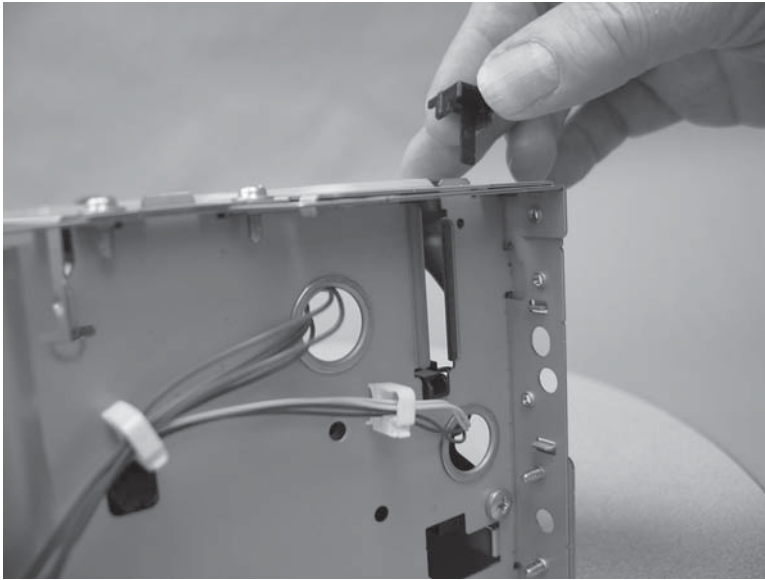
2. On the left side of the feeder, release one tab (callout 1) on the foot.

Figure 1-2598 Release one tab



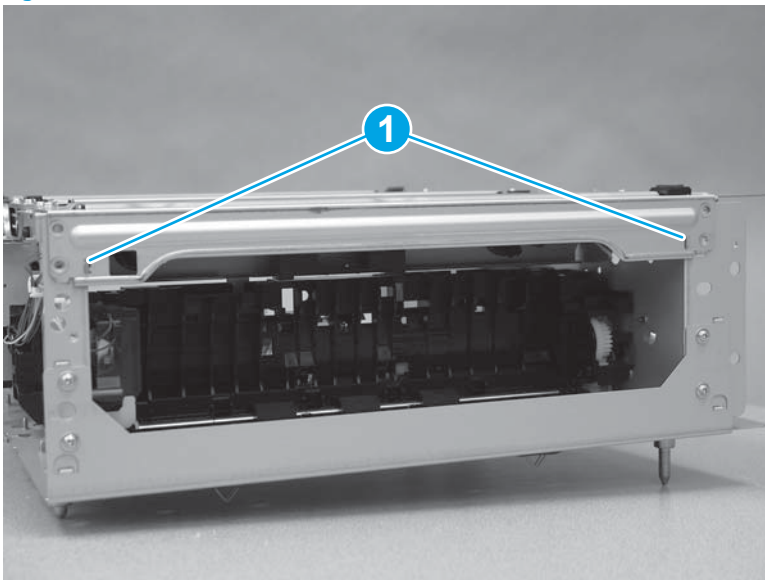
3. Remove the foot.

Figure 1-2599 Remove the foot



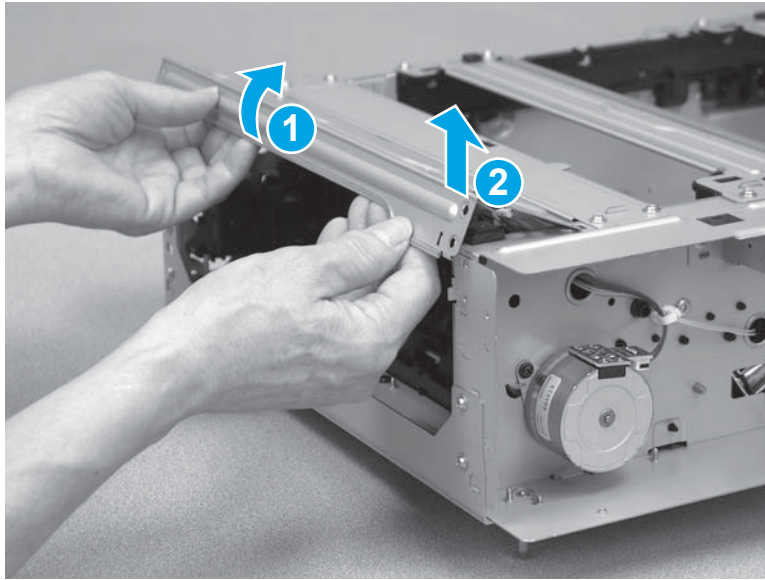
4. Release two tabs (callout 1).

Figure 1-2600 Release two tabs



5. Rotate the edge of the baseplate up (callout 1), and then lift it up (callout 2) to remove it.

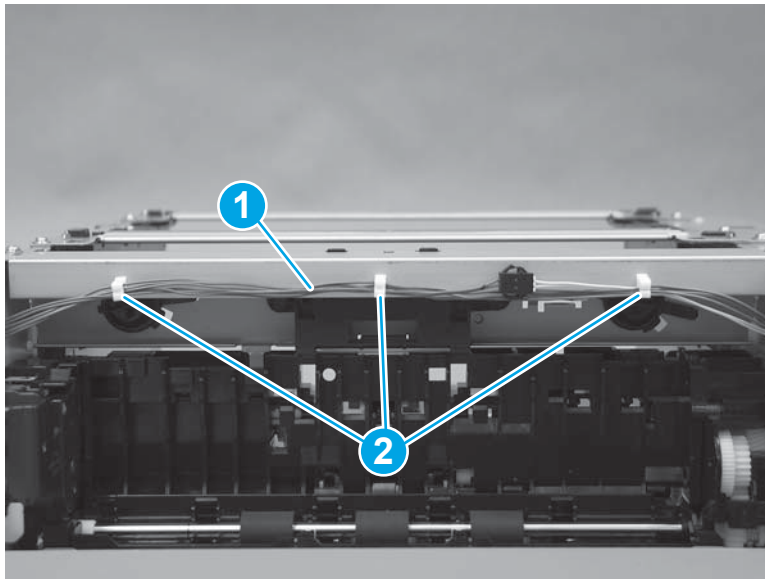
Figure 1-2601 Remove the baseplate



#### Step 7: Remove the feed frame assembly (550-sheet paper feeder)

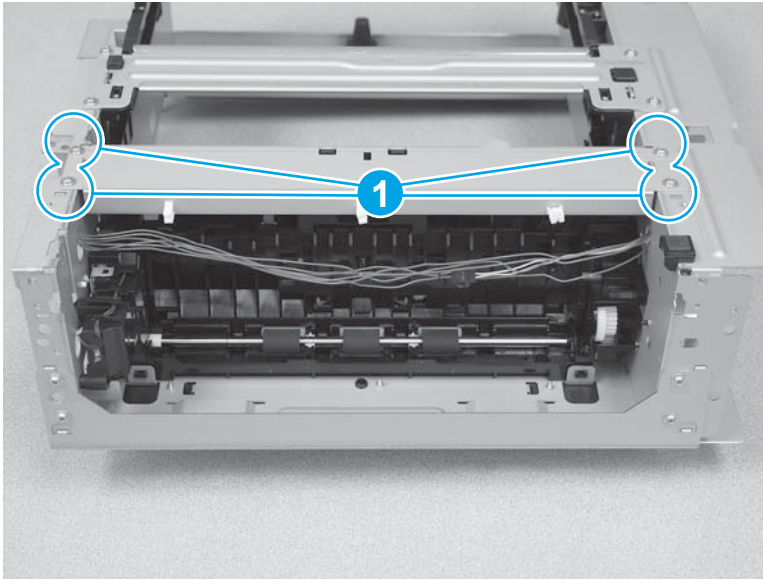
1. Release the cables (callout 1) from the retainers (callout 2).

Figure 1-2602 Release the cables



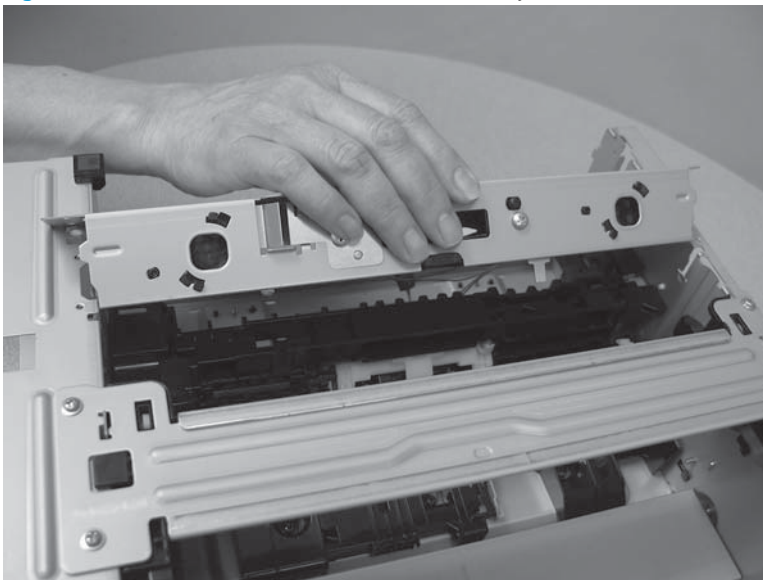
2. Remove four screws (callout 1).

Figure 1-2603 Remove four screws



3. Remove the feed frame assembly.

Figure 1-2604 Remove the feed frame assembly

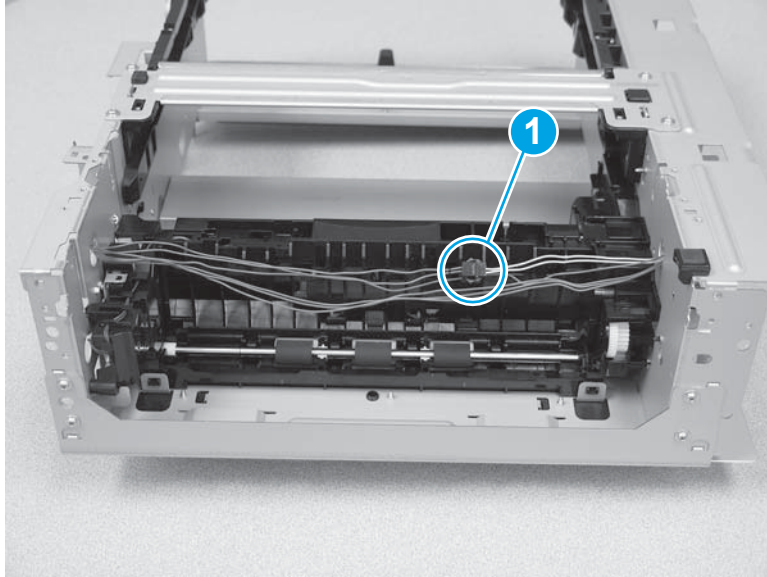


#### Step 8: Remove the lifter drive assembly (550-sheet paper feeder)

1. Lay the feeder on the top so that the bottom is facing up. Disconnect one in-line connector (callout 1).

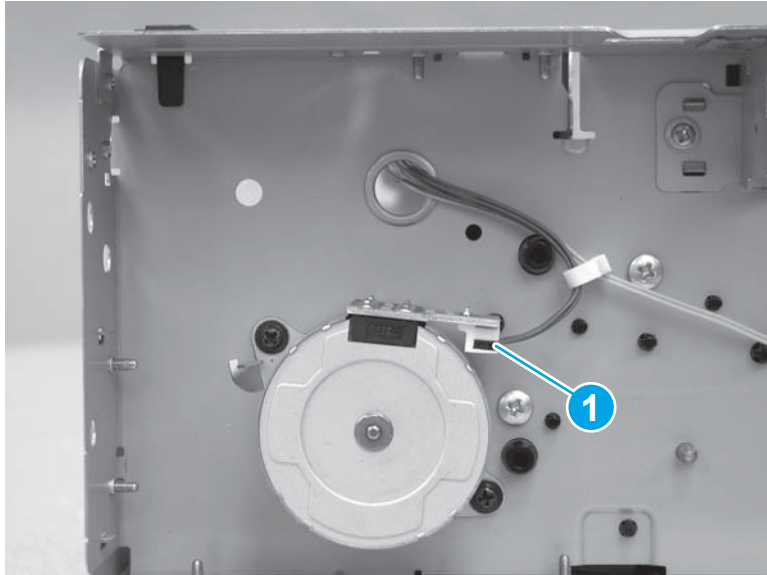


Figure 1-2605 Disconnect one connector



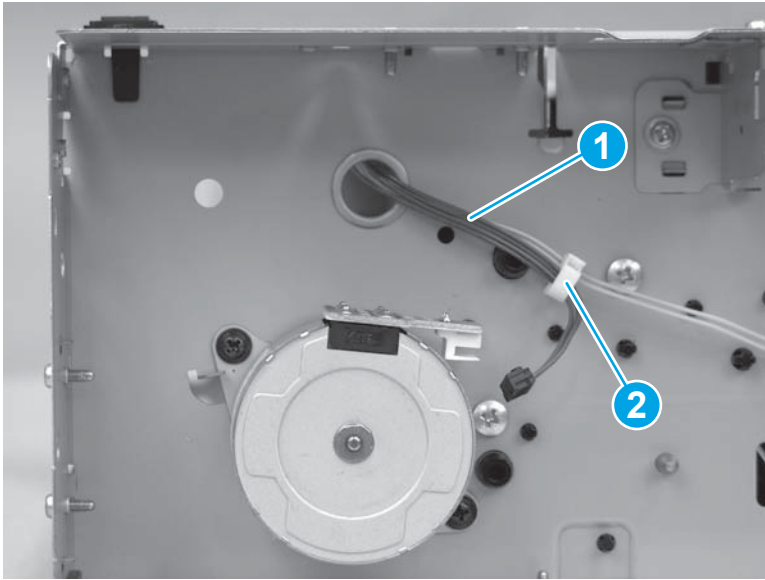
2. On the right side of the feeder, disconnect one connector (callout 1) from the motor.

Figure 1-2606 Disconnect one connector



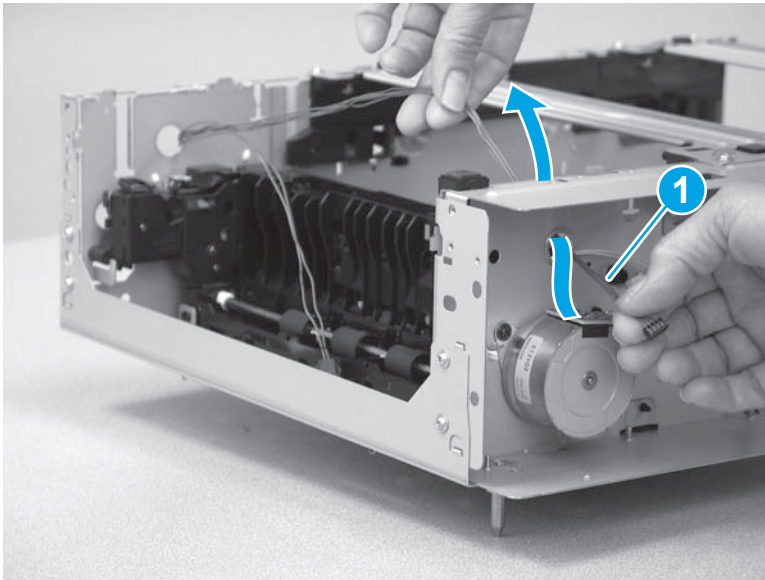
3. Release the cables (callout 1) from the retainer (callout 2).

Figure 1-2607 Release the cables



4. Release the cables (callout 1) through the hole in the sheet metal.

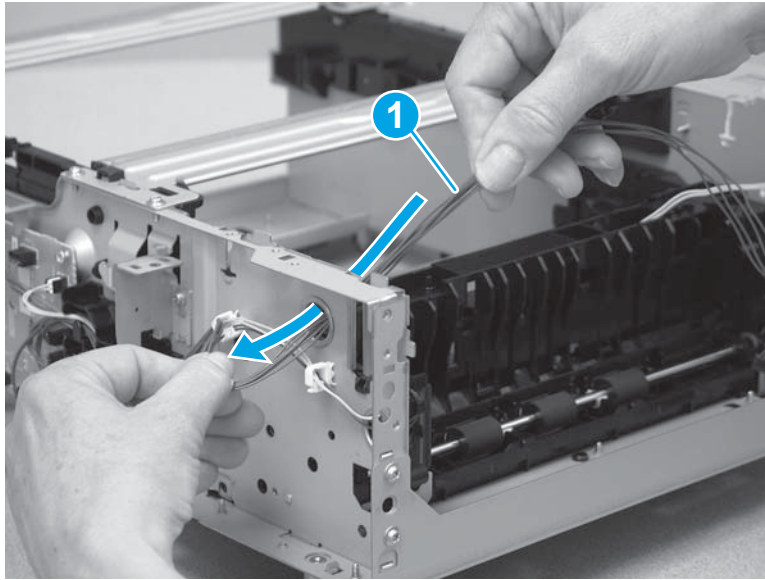
Figure 1-2608 Release the cables





5. On the left side of the feeder, remove all of the cables (callout 1) through the opening in the paper feeder.

Figure 1-2609 Remove the cables



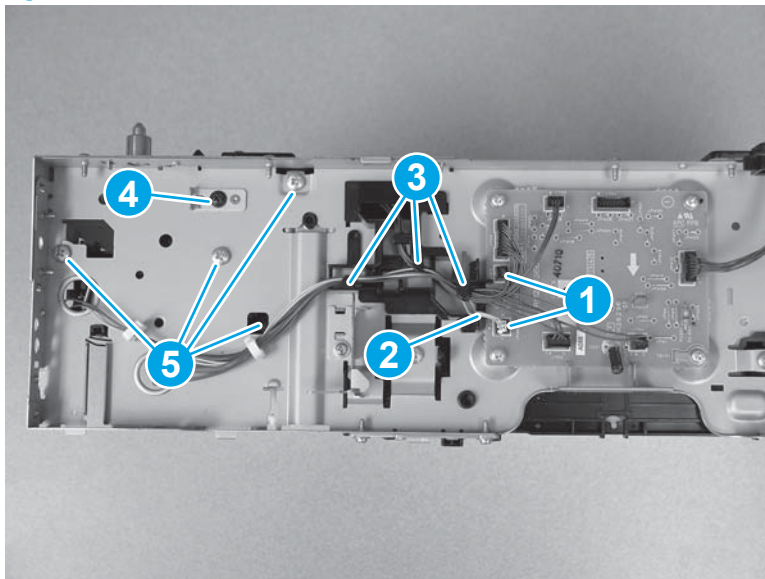
6. Lay the feeder on the right side so that the left side is facing up. Disconnect two connectors (callout 1), and remove the cables (callout 2) from the guides (callout 3). Remove one screw (callout 4), and then remove four more screws (callout 5).

---

 **Reinstallation tip:** One screw (callout 4) is different from the other screws. Make sure that this screw is installed in the correct position.

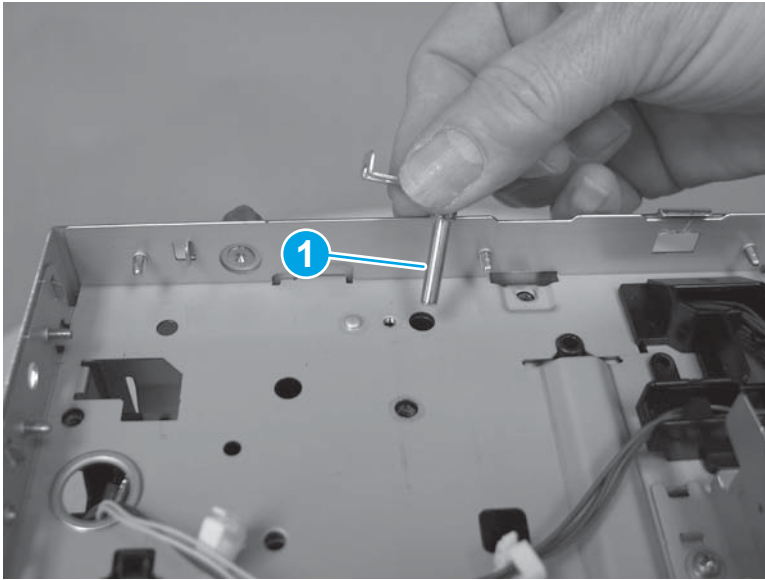
---

Figure 1-2610 Disconnect connector and remove five screws



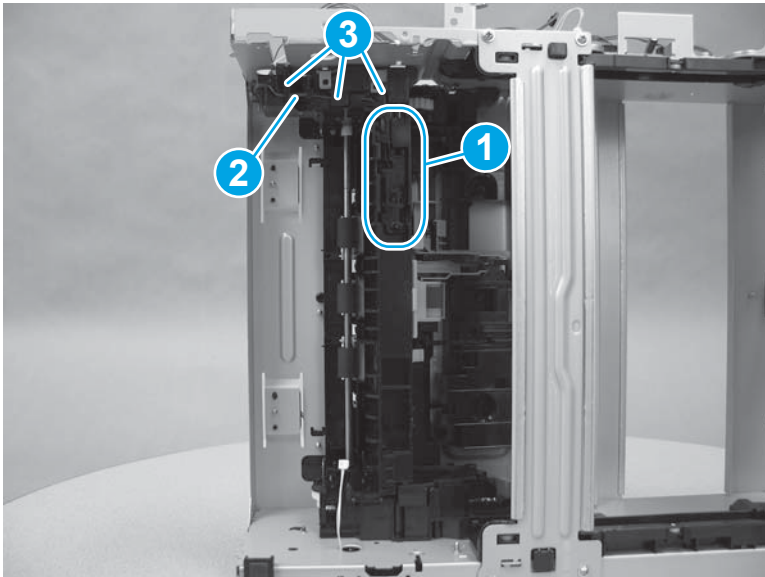
7. Remove the shaft (callout 1).

Figure 1-2611 Remove the shaft



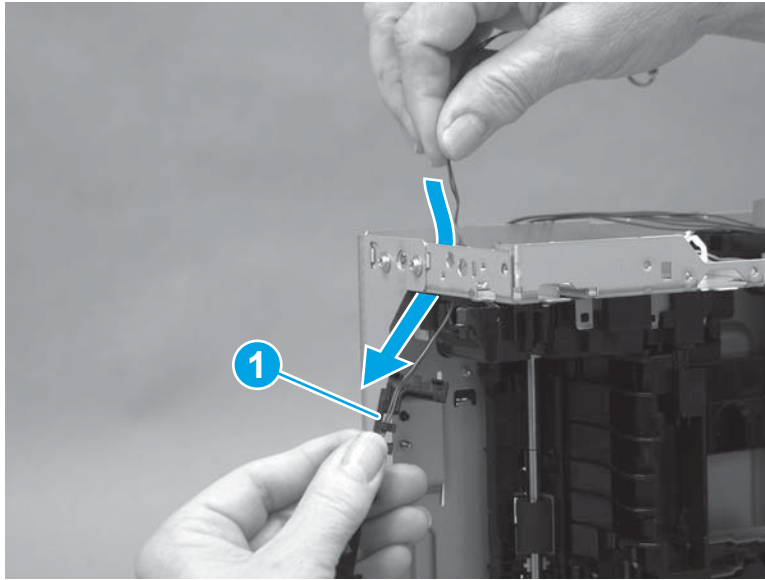
8. Release the tray sensor switch (callout 1), and then remove the cables (callout 2) from the guides (callout 3).

Figure 1-2612 Release the tray sensor switch



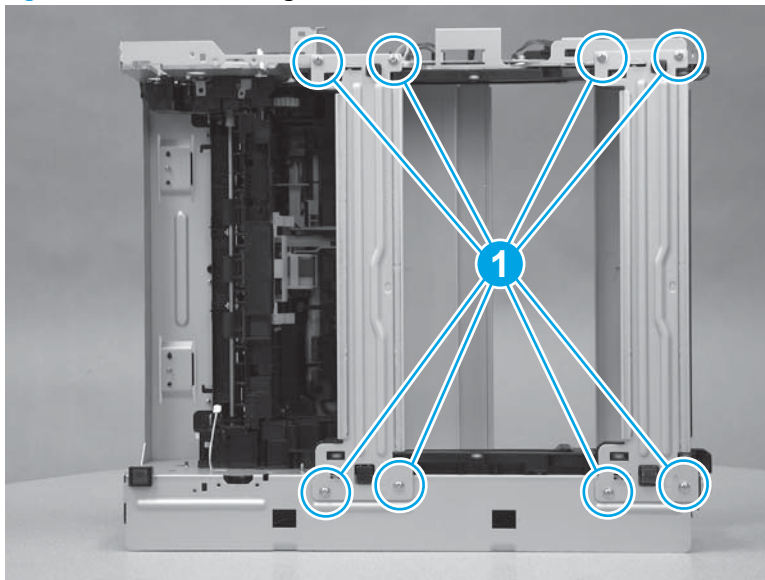
9. Release the tray sensor switch cables (callout 1) through the hole in the sheet metal.

Figure 1-2613 Release the tray sensor switch cables



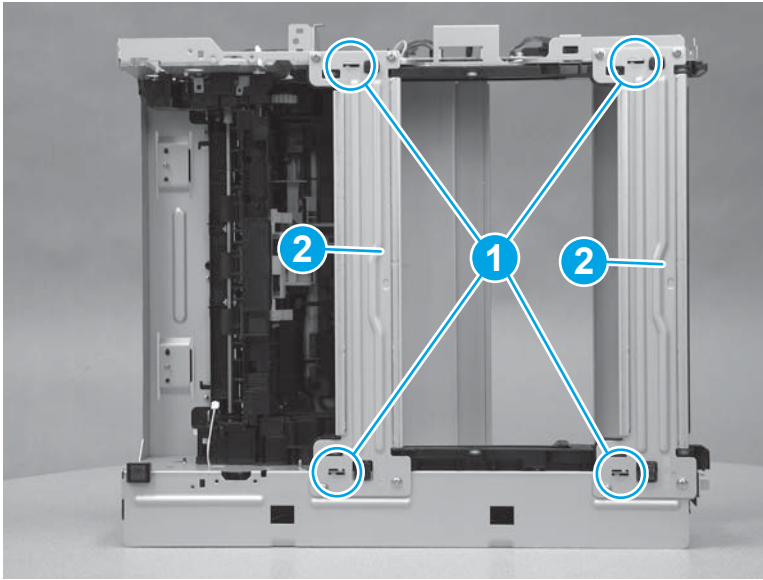
10. Remove eight screws (callout 1).

Figure 1-2614 Remove eight screws



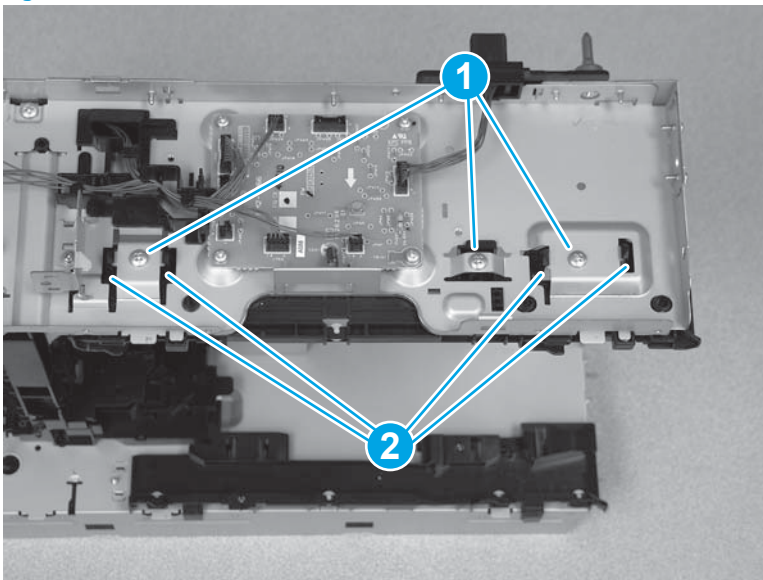
11. Release four tabs (callout 1), and then remove the cross braces (callout 2).

Figure 1-2615 Remove the cross braces



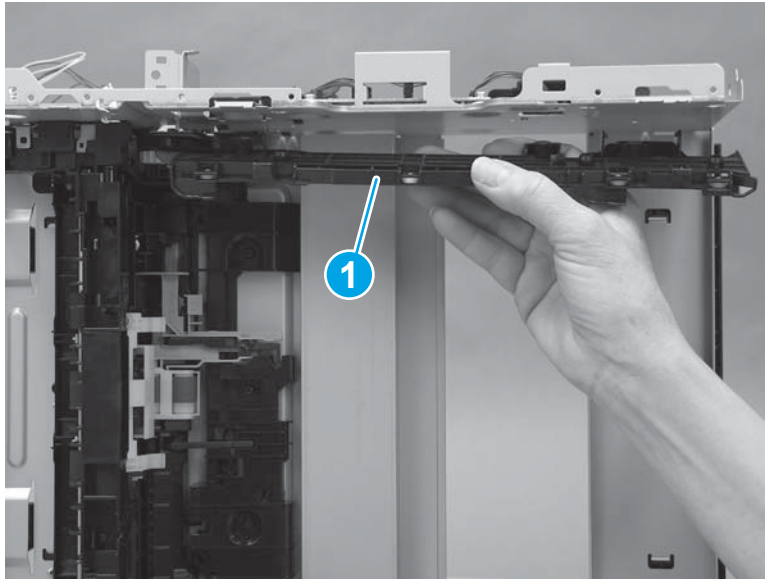
12. On the left side of the feeder, remove three screws (callout 1), and then release three tabs (callout 2).

Figure 1-2616 Remove screws and release tabs



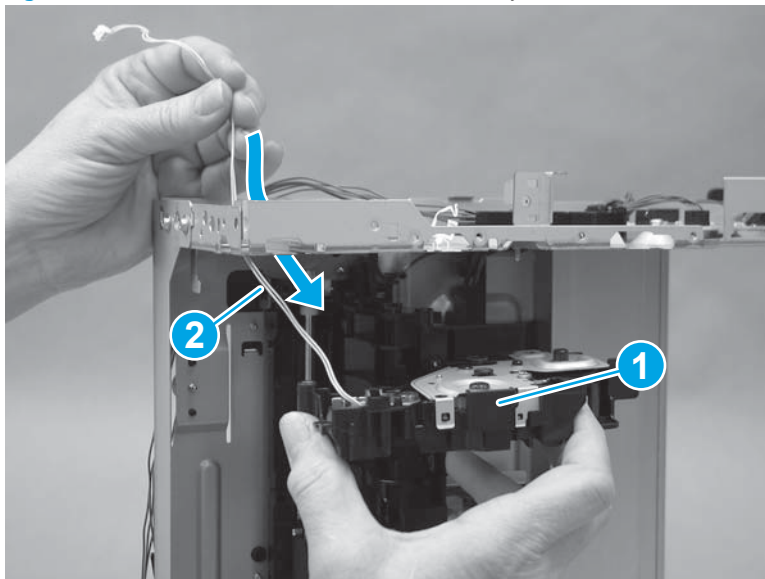
13. Remove the tray guide (callout 1).

Figure 1-2617 Remove the tray guide



14. Remove the lifter drive assembly (callout 1), and then release the cables (callout 2) through the feeder frame.

Figure 1-2618 Remove the lifter drive assembly



### Step 9: Unpack the replacement part

Remove the new part from its package. Save all packaging for recycling the used part.

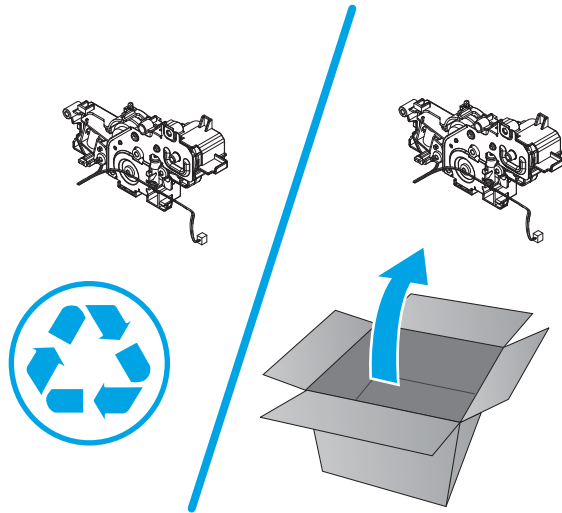
For complete information on HP's recycling programs, go to [Product return and recycling](#).

---

 **NOTE:** HP recommends responsible disposal of the defective part.

---

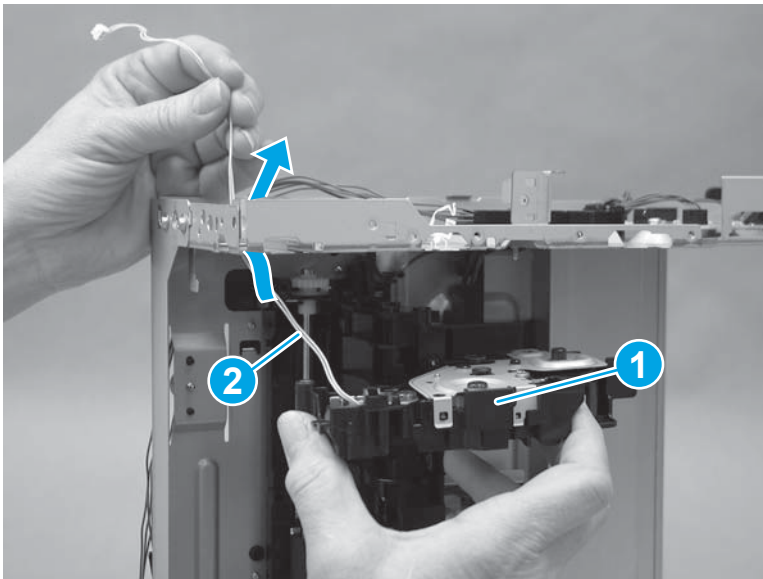
Figure 1-2619 Recycle and unpack



### Step 10: Install the lifter drive assembly (550-sheet paper feeder)


1. Install the cables (callout 1) on the lifter drive assembly up through the printer frame, and then install the lifter drive assembly (callout 2).

Figure 1-2620 Install the lifter drive assembly



2. To install an assembly, reverse the removal steps.

---

 **NOTE:** When applicable, special installation instructions are provided for an assembly at the end of the removal procedure. Always completely read the removal instructions and follow all special installation instructions.

---



## Removal and replacement: Pickup assembly (550-sheet paper feeder)

- [Introduction](#)
- [Step 1: Remove Tray 3](#)
- [Step 2: Remove the right cover \(550-sheet paper feeder\)](#)
- [Step 3: Remove the left cover \(550-sheet paper feeder\)](#)
- [Step 4: Remove the rear cover \(550-sheet paper feeder\)](#)
- [Step 5: Remove the PCA cover \(550-sheet paper feeder\)](#)
- [Step 6: Remove the baseplate \(550-sheet paper feeder\)](#)
- [Step 7: Remove the feed frame assembly \(550-sheet paper feeder\)](#)
- [Step 8: Remove the lifter drive assembly \(550-sheet paper feeder\)](#)
- [Step 9: Remove the pickup assembly \(550-sheet paper feeder\)](#)
- [Step 10: Unpack the replacement part](#)
- [Step 11: Install the pickup assembly \(550-sheet paper feeder\)](#)

### Introduction

This document provides the procedures to remove and replace the pickup assembly for the 550-sheet feeder.

[Click here to view a video of this procedure.](#)

### Before you begin

- Turn off the printer.
- Disconnect the power cable.

**⚠ WARNING!** To avoid damage to the printer, turn the printer off, wait 30 seconds, and then remove the power cord before attempting to service the printer.

- Use the table below to identify the correct part number for your printer. To order the part, go to [www.hp.com/buy/parts](http://www.hp.com/buy/parts).

---

Pickup assembly part number
-----------------------------

---

RM2-6490-000CN
----------------

---

Pickup assembly (550-sheet feeder)
------------------------------------

---

### Required tools

- #2 Phillips screwdriver with a magnetic tip
- Small flat-blade screwdriver

### After performing service

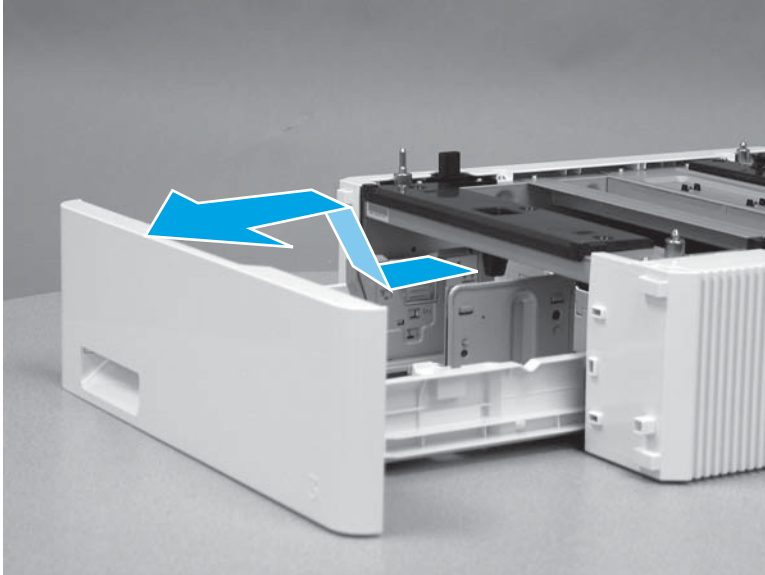
- Connect the power cable.
- Use the power switch to turn the power on.



### Step 1: Remove Tray 3

- ▲ Pull the tray out until it stops. Lift the front of the tray, and then pull it out of the printer to remove it.

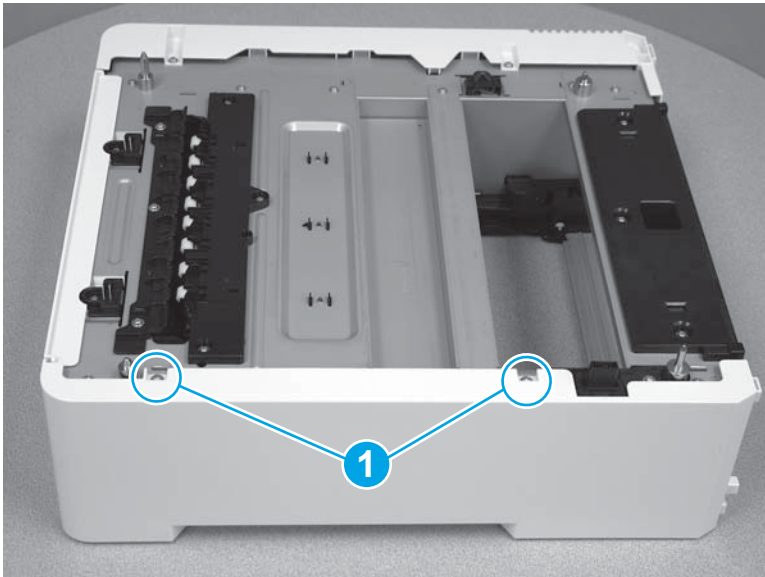
Figure 1-2621 Remove the tray



### Step 2: Remove the right cover (550-sheet paper feeder)

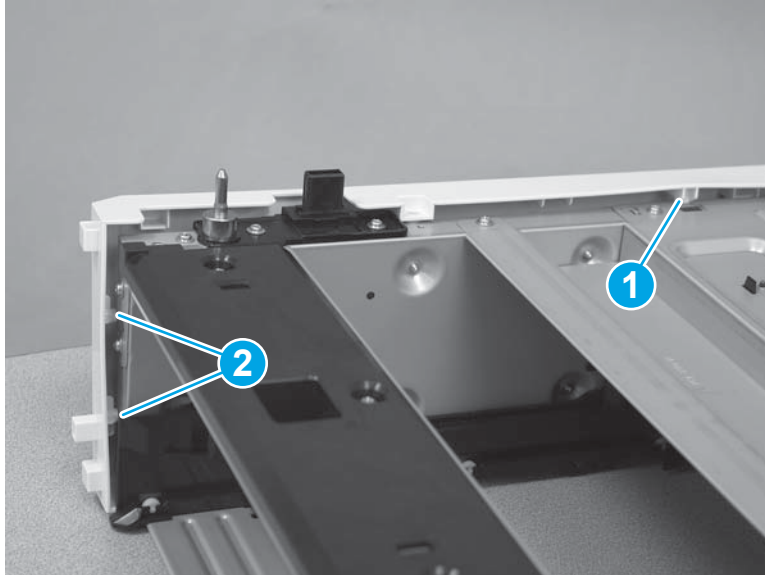
1. Remove two screws (callout 1).

Figure 1-2622 Remove two screws



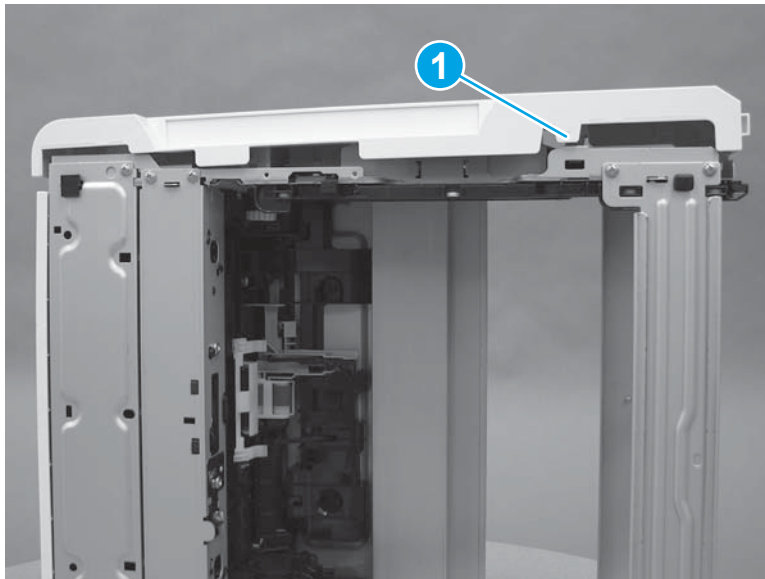
2. Release one tab (callout 1) on the top of the feeder, and then release two tabs (callout 2) at the front of the feeder.

Figure 1-2623 Release three tabs



3. Lay the feeder on the left side so that the right side is facing up, and then release one tab (callout 1) on the bottom of the feeder. Remove the right cover.

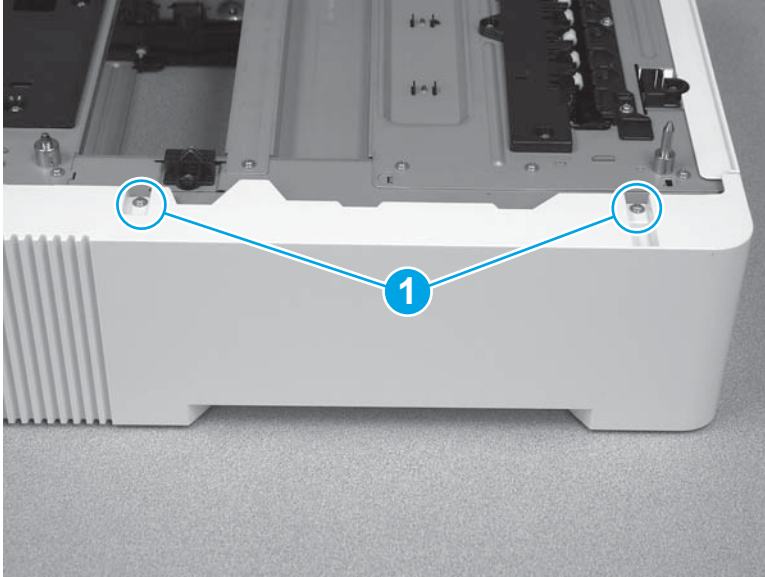
Figure 1-2624 Release one tab



### Step 3: Remove the left cover (550-sheet paper feeder)

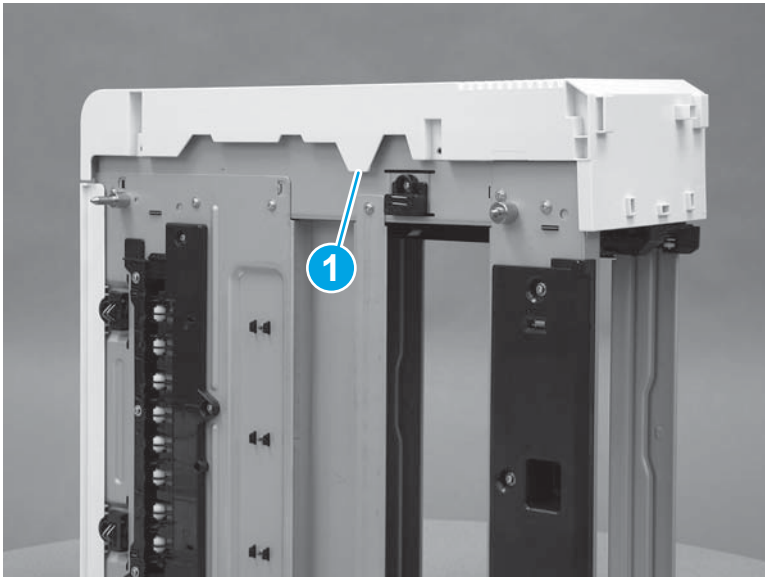
1. Remove two screws (callout 1).

Figure 1-2625 Remove two screws



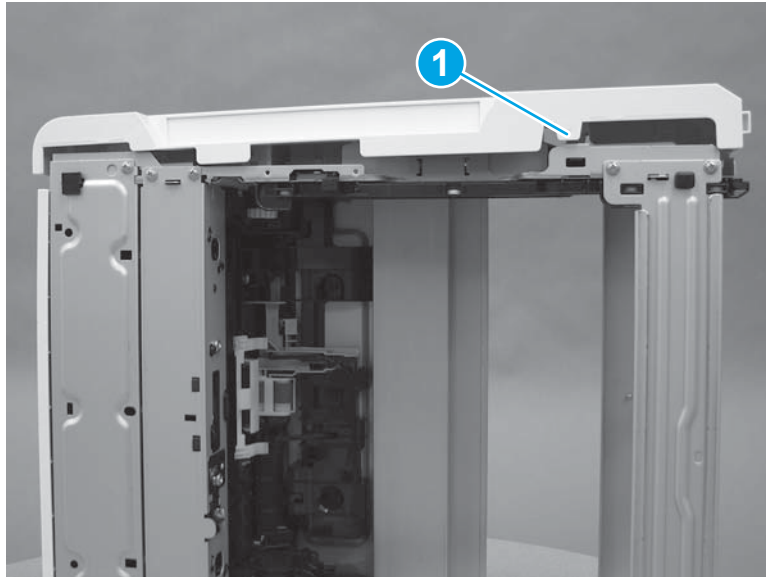
2. Release one tab (callout 1) on the top of the feeder.

Figure 1-2626 Release one tab



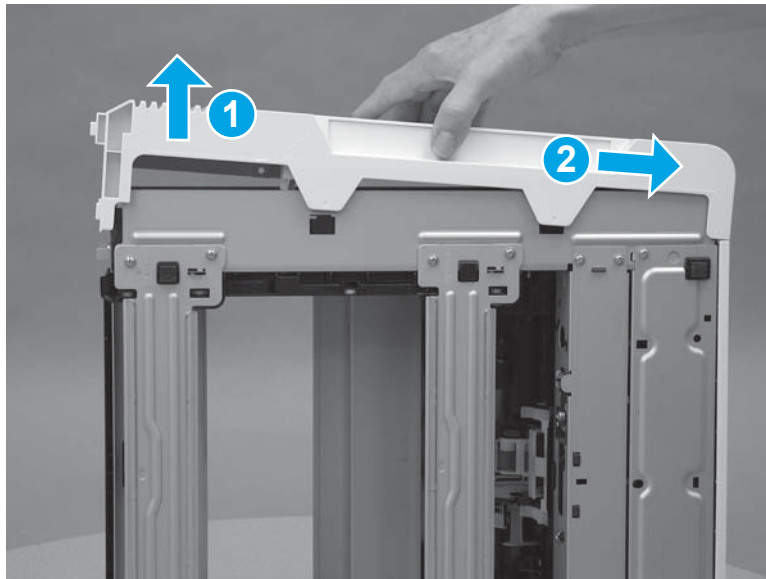
3. Lay the feeder on the right side so that the left side is facing up. Release two tabs (callout 1) on the bottom of the feeder, and then release two tabs (callout 2) on the front of the feeder.

Figure 1-2627 Release four tabs



4. Lift the front of the cover up (callout 1), and then slide the cover (callout 2) toward the back of the feeder to remove it.

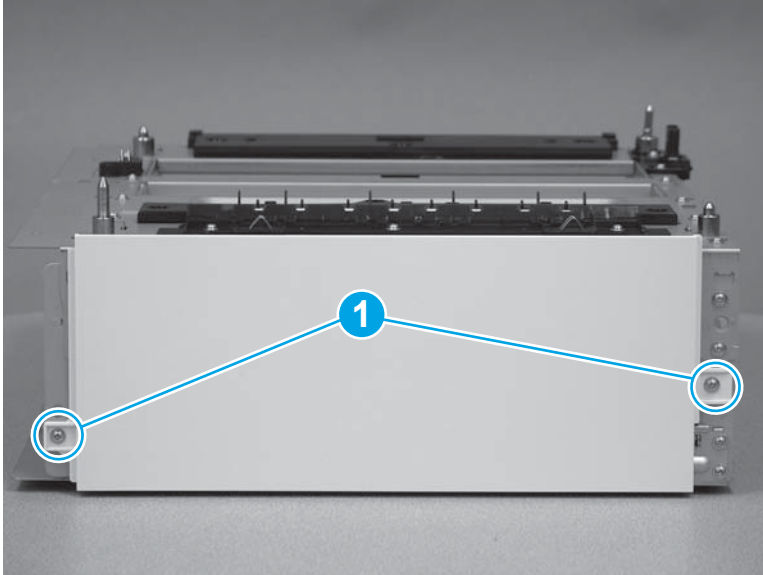
Figure 1-2628 Remove the cover



#### Step 4: Remove the rear cover (550-sheet paper feeder)

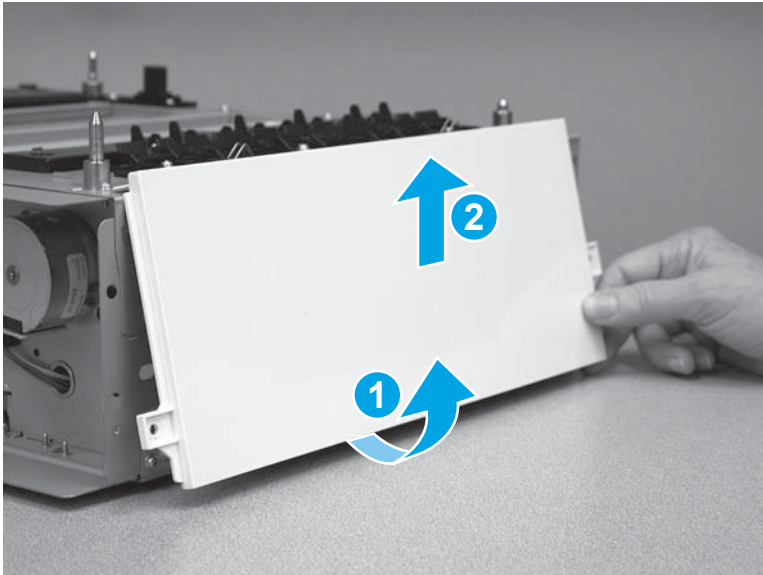
1. Remove two screws (callout 1).

Figure 1-2629 Remove two screws



2. Rotate the bottom edge of the cover (callout 1) away from the feeder, and then raise the cover up (callout 2) to remove it.

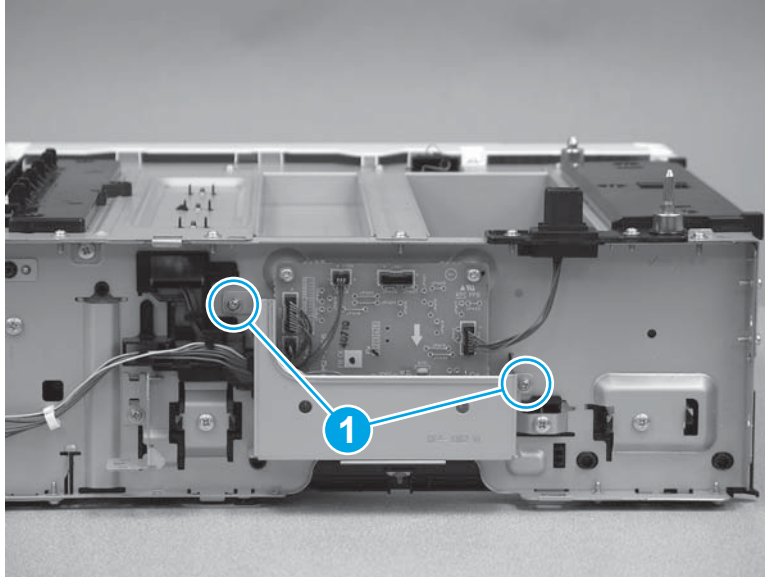
Figure 1-2630 Remove the rear cover



#### Step 5: Remove the PCA cover (550-sheet paper feeder)

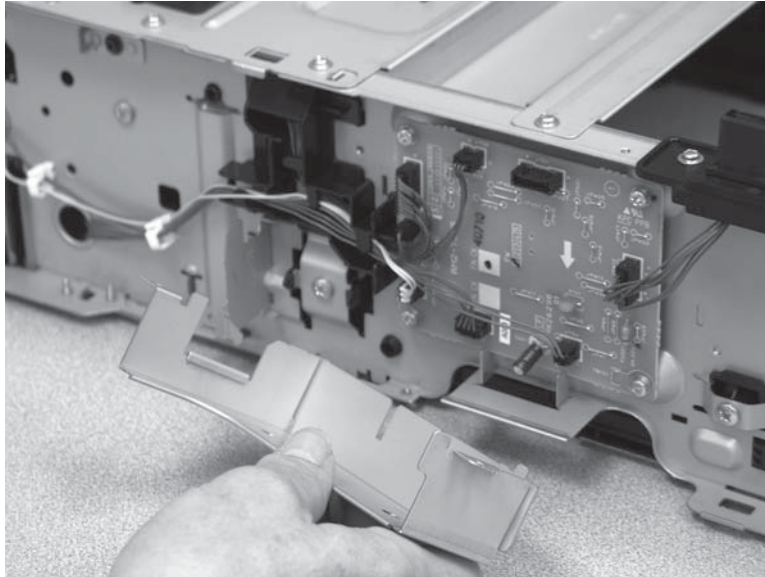
1. On the left side of the feeder, remove two screws (callout 1).

Figure 1-2631 Remove two screws



2. Remove the PCA cover.

Figure 1-2632 Remove the PCA cover

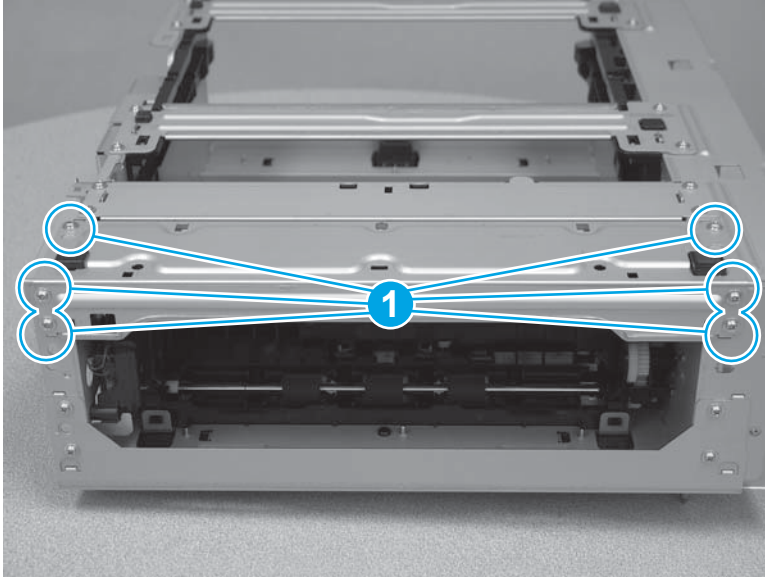


### Step 6: Remove the baseplate (550-sheet paper feeder)

1. Lay the feeder on the top side so that the bottom side is facing up. Remove six screws (callout 1).

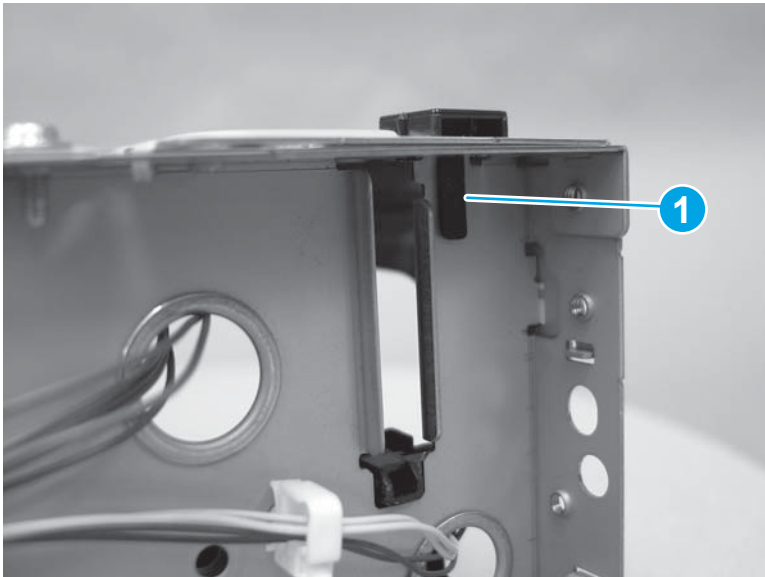


Figure 1-2633 Remove six screws



2. On the left side of the feeder, release one tab (callout 1) on the foot.

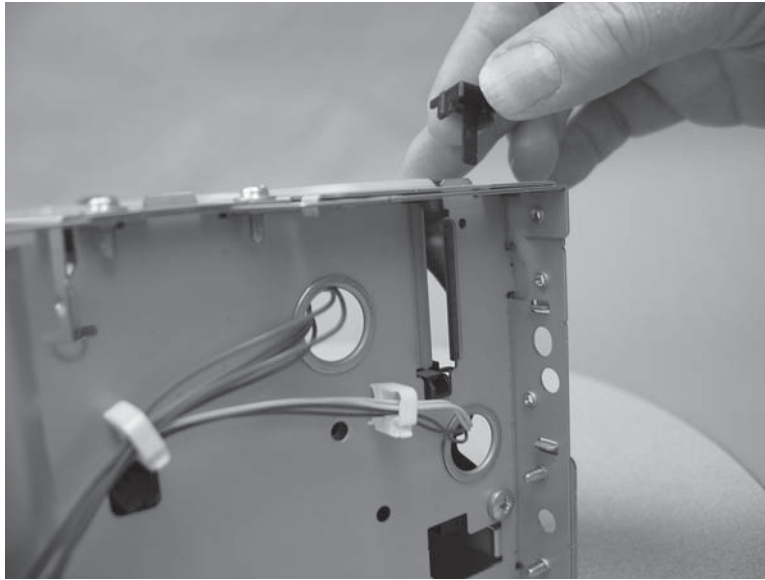
Figure 1-2634 Release one tab





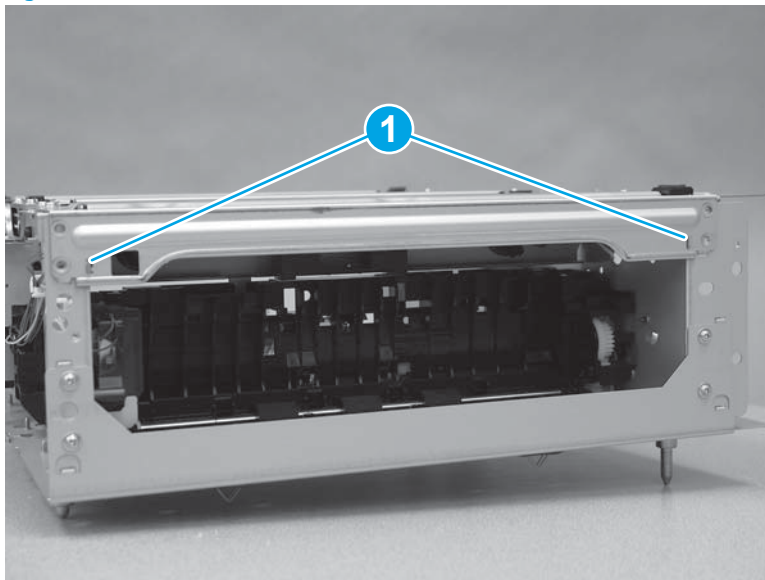
3. Remove the foot.

Figure 1-2635 Remove the foot



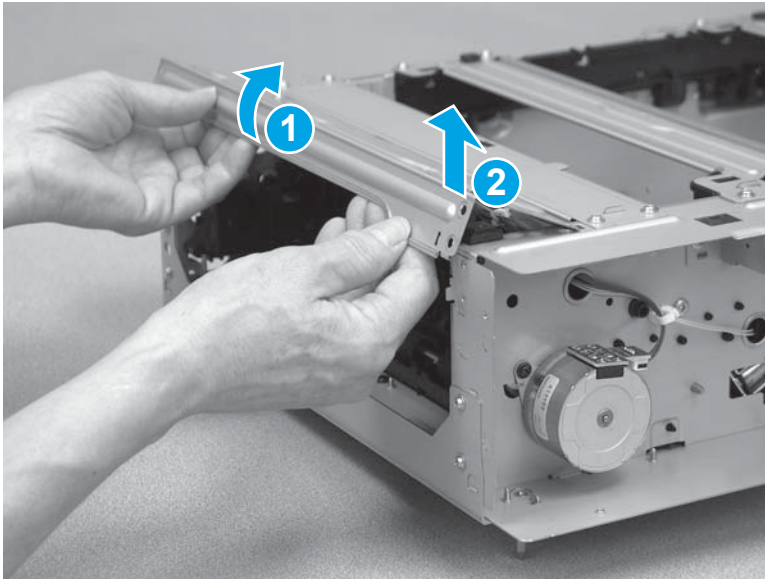
4. Release two tabs (callout 1).

Figure 1-2636 Release two tabs



5. Rotate the edge of the baseplate up (callout 1), and then lift it up (callout 2) to remove it.

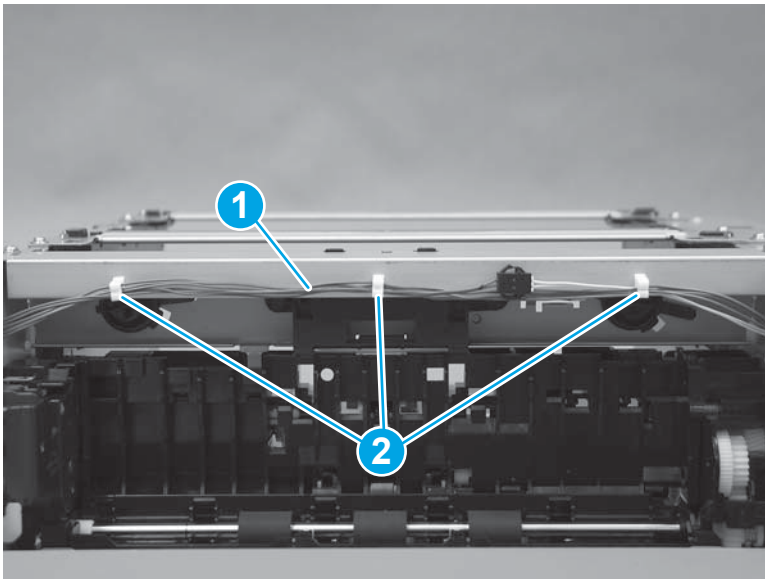
Figure 1-2637 Remove the baseplate



#### Step 7: Remove the feed frame assembly (550-sheet paper feeder)

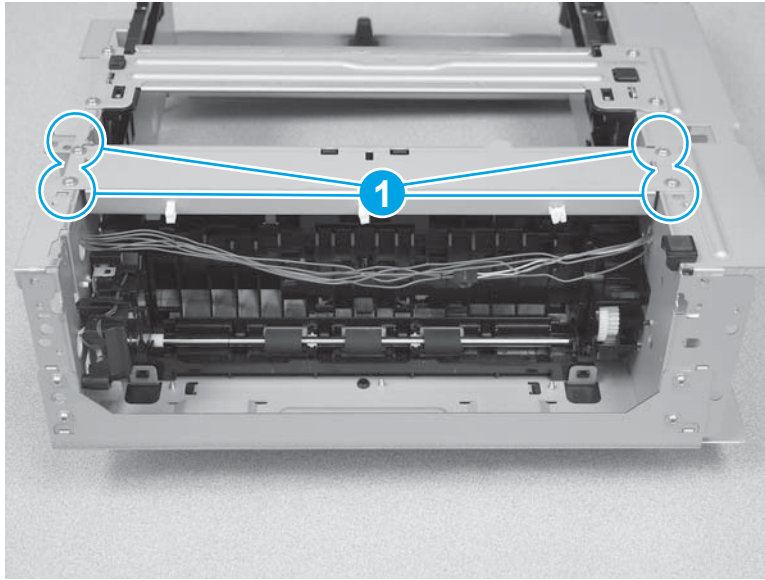
1. Release the cables (callout 1) from the retainers (callout 2).

Figure 1-2638 Release the cables



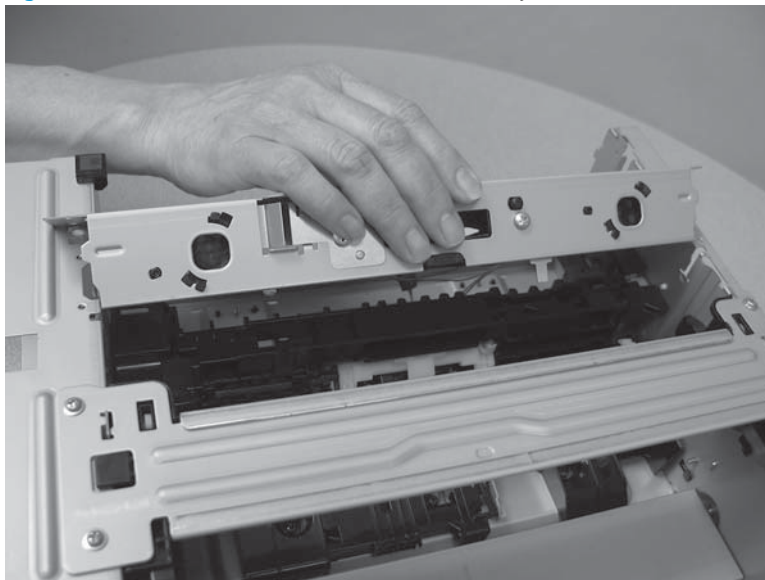
2. Remove four screws (callout 1).

Figure 1-2639 Remove four screws



3. Remove the feed frame assembly.

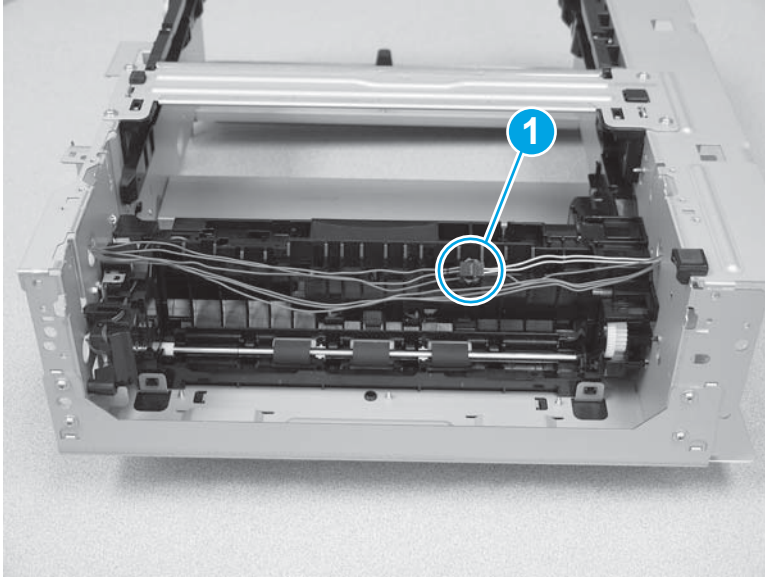
Figure 1-2640 Remove the feed frame assembly



### Step 8: Remove the lifter drive assembly (550-sheet paper feeder)

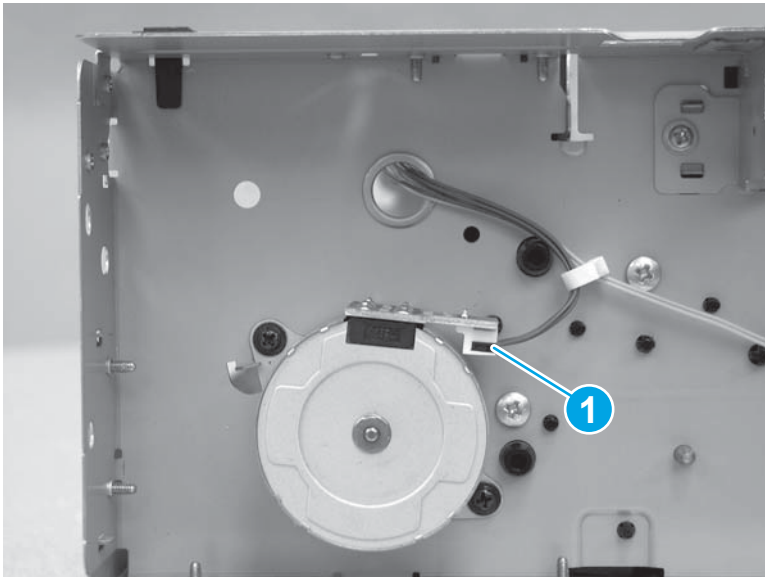
1. Lay the feeder on the top so that the bottom is facing up. Disconnect one in-line connector (callout 1).

Figure 1-2641 Disconnect one connector



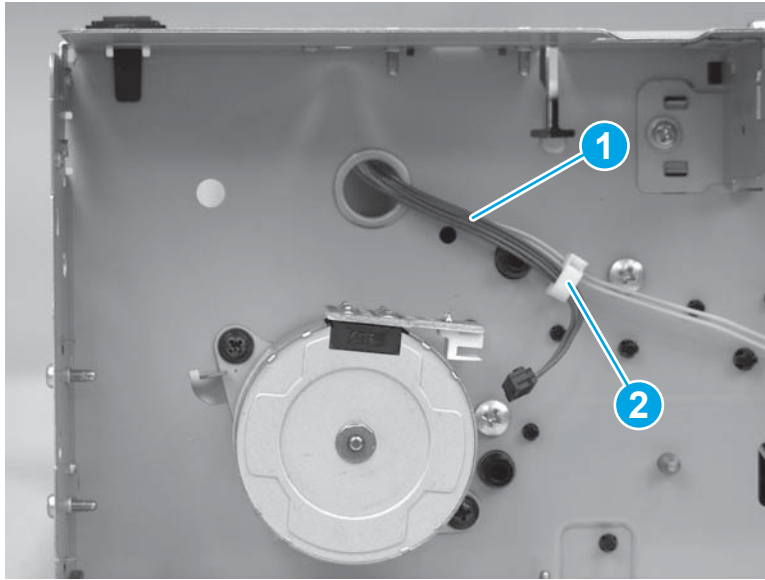
2. On the right side of the feeder, disconnect one connector (callout 1) from the motor.

Figure 1-2642 Disconnect one connector



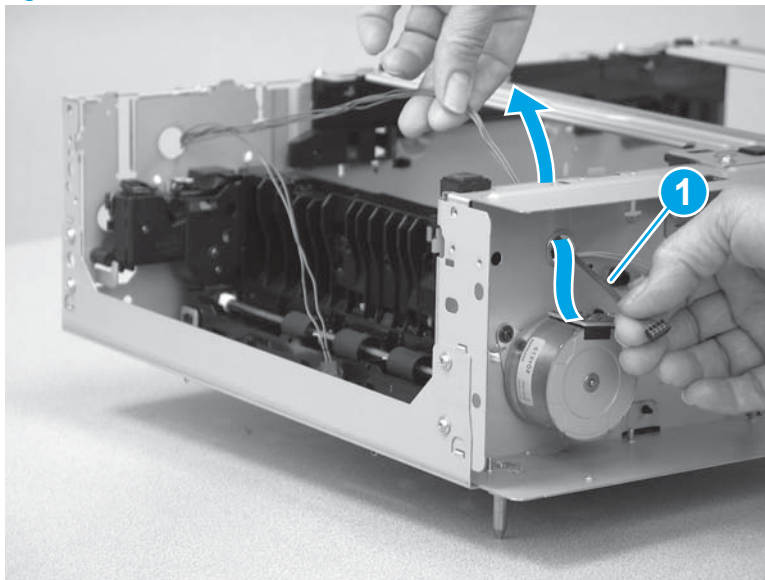
3. Release the cables (callout 1) from the retainer (callout 2).

Figure 1-2643 Release the cables



4. Release the cables (callout 1) through the hole in the sheet metal.

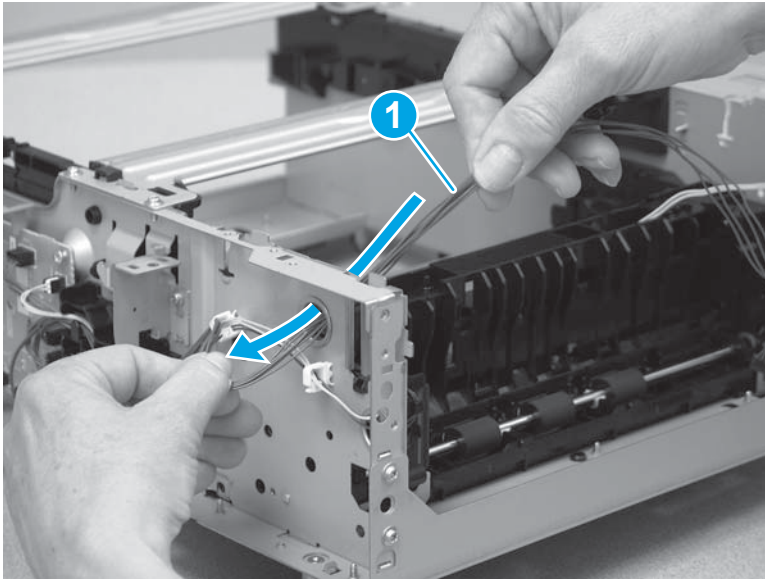
Figure 1-2644 Release the cables





5. On the left side of the feeder, remove all of the cables (callout 1) through the opening in the paper feeder.

Figure 1-2645 Remove the cables



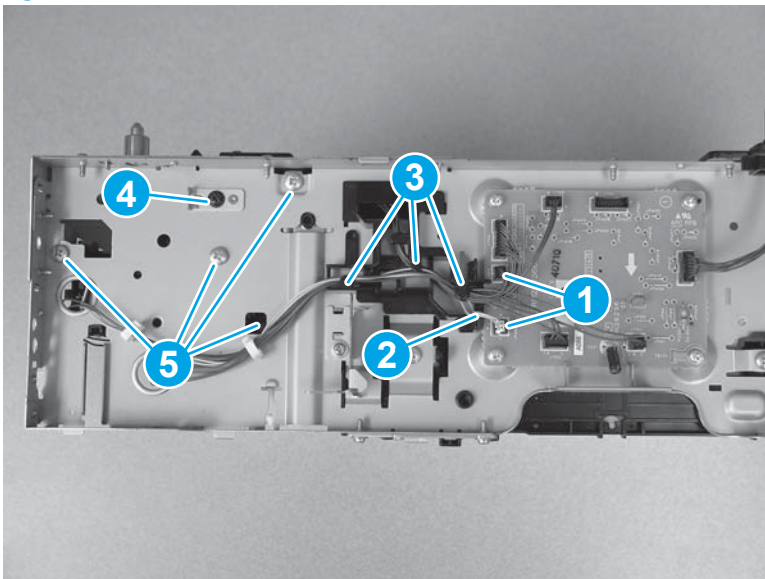
6. Lay the feeder on the right side so that the left side is facing up. Disconnect two connectors (callout 1), and remove the cables (callout 2) from the guides (callout 3). Remove one screw (callout 4), and then remove four more screws (callout 5).

---

 **Reinstallation tip:** One screw (callout 4) is different from the other screws. Make sure that this screw is installed in the correct position.

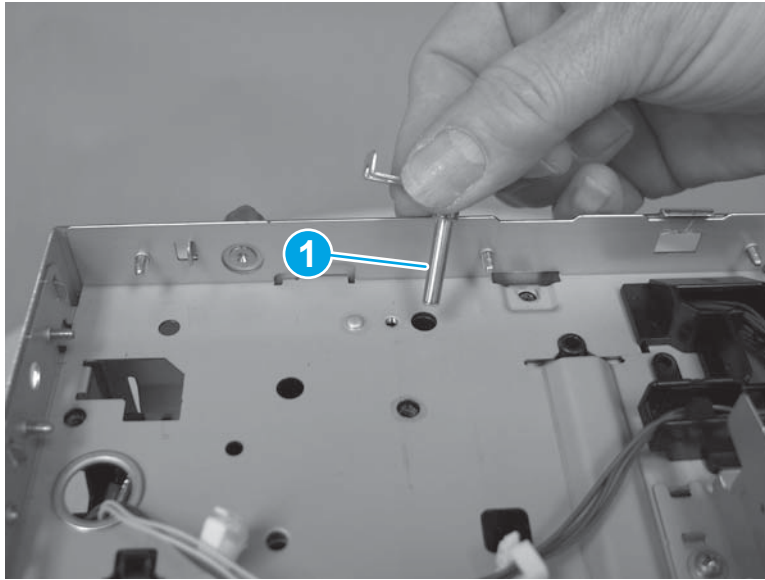
---

Figure 1-2646 Disconnect connector and remove five screws



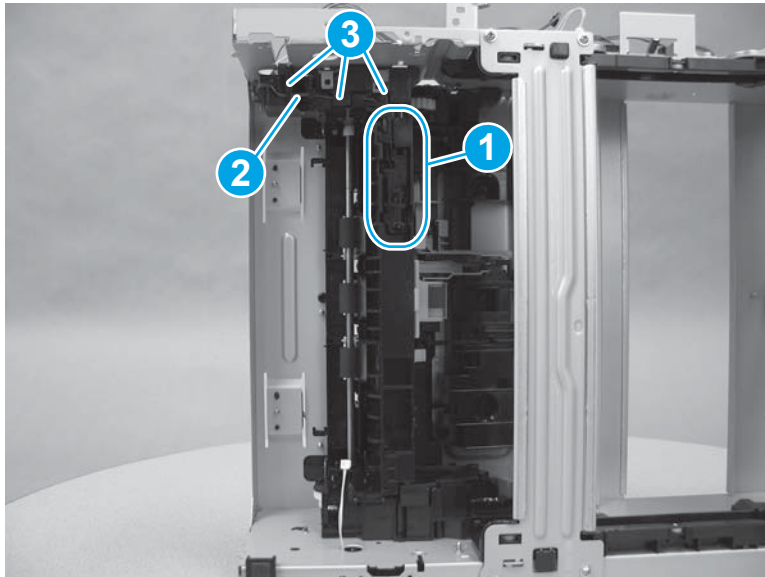
7. Remove the shaft (callout 1).

Figure 1-2647 Remove the shaft



8. Release the tray sensor switch (callout 1), and then remove the cables (callout 2) from the guides (callout 3).

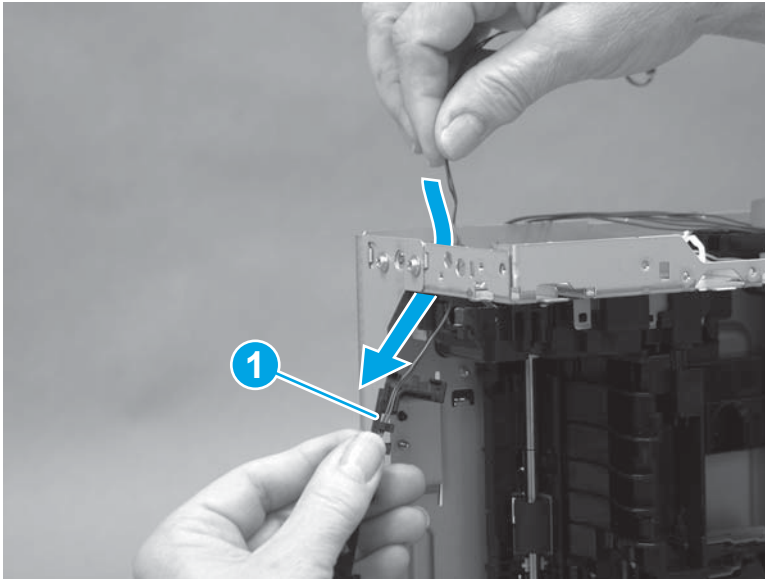
Figure 1-2648 Release the tray sensor switch





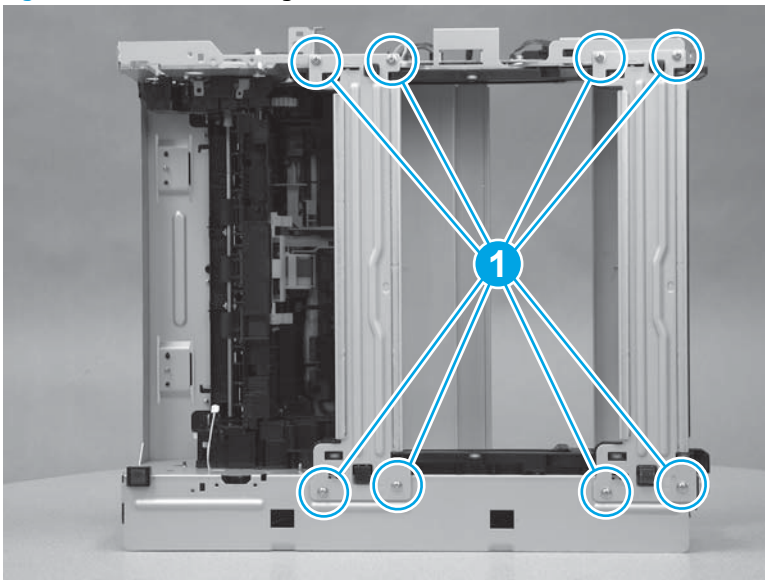
9. Release the tray sensor switch cables (callout 1) through the hole in the sheet metal.

Figure 1-2649 Release the tray sensor switch cables



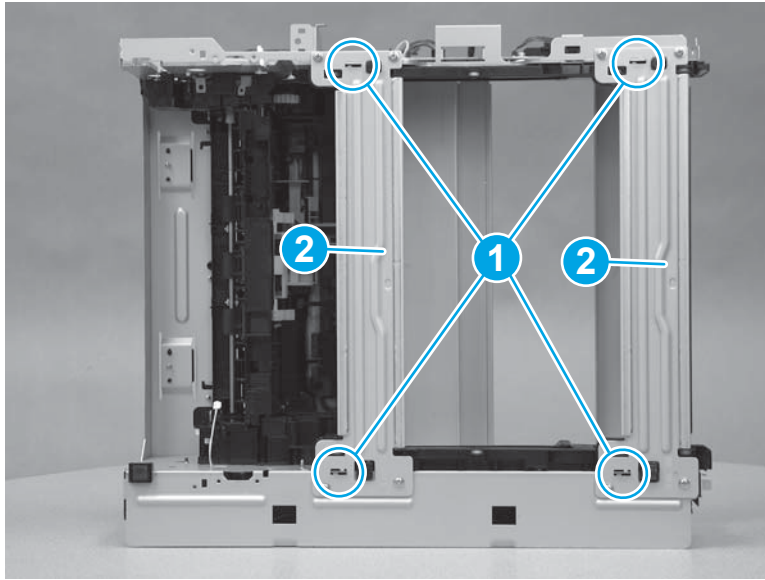
10. Remove eight screws (callout 1).

Figure 1-2650 Remove eight screws



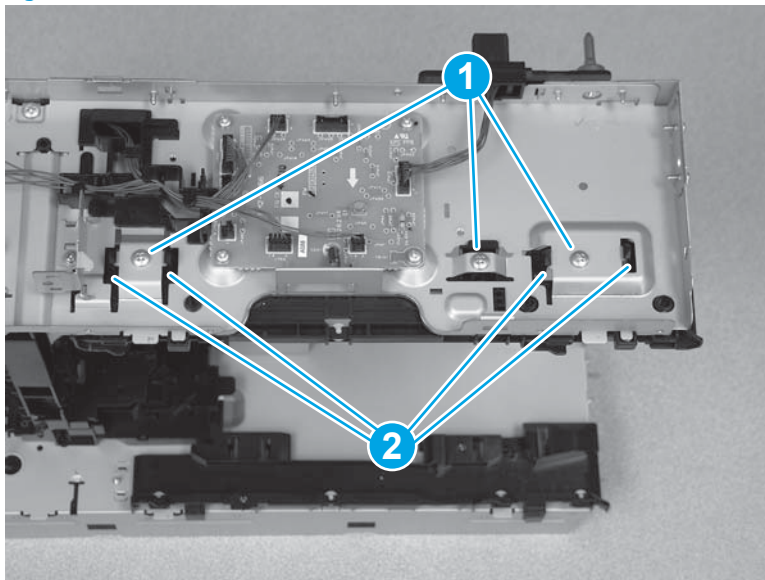
11. Release four tabs (callout 1), and then remove the cross braces (callout 2).

Figure 1-2651 Remove the cross braces



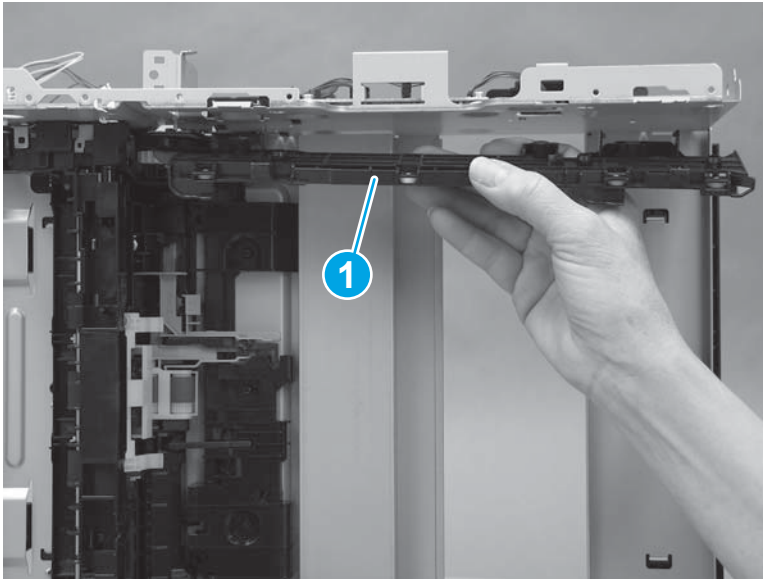
12. On the left side of the feeder, remove three screws (callout 1), and then release three tabs (callout 2).

Figure 1-2652 Remove screws and release tabs



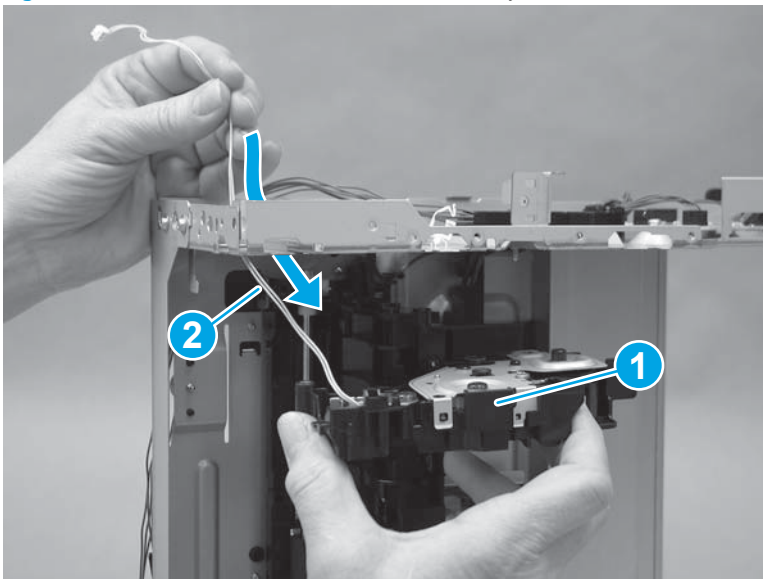
13. Remove the tray guide (callout 1).

Figure 1-2653 Remove the tray guide



14. Remove the lifter drive assembly (callout 1), and then release the cables (callout 2) through the feeder frame.

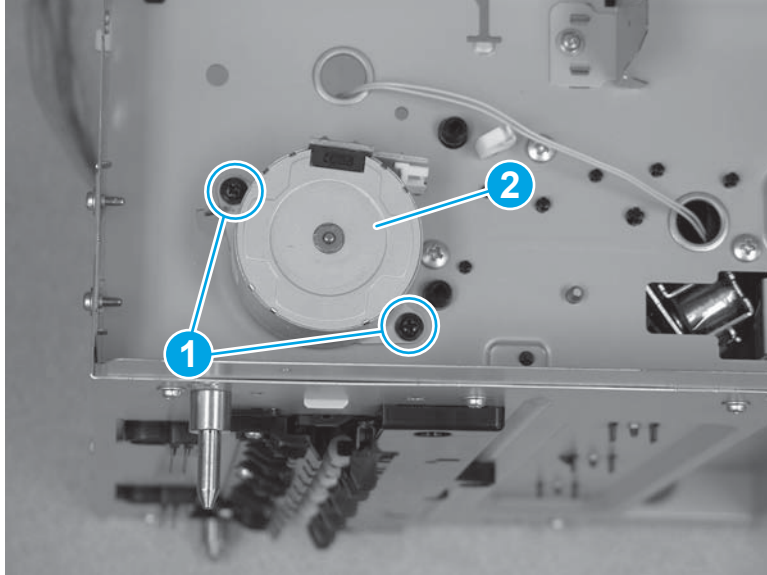
Figure 1-2654 Remove the lifter drive assembly



#### Step 9: Remove the pickup assembly (550-sheet paper feeder)

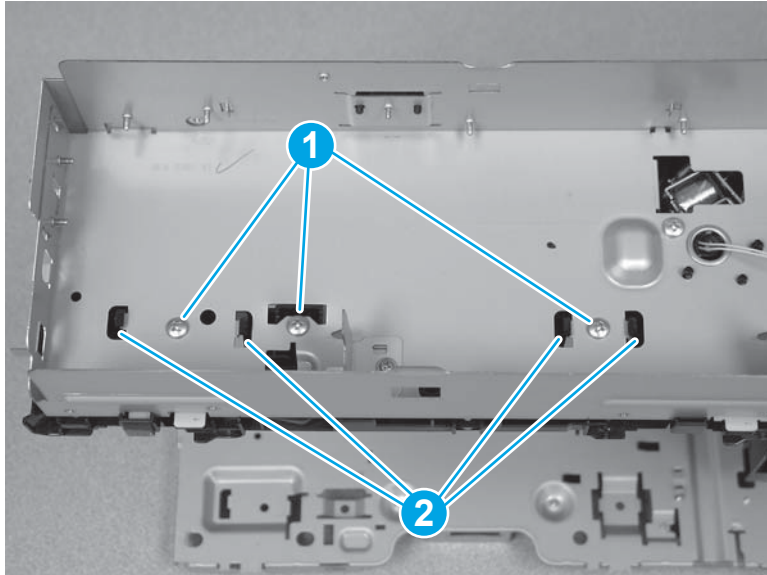
1. Lay the feeder on the left side so that the right side is facing up. Remove two screws (callout 1), and then remove the motor (callout 2).

Figure 1-2655 Remove the motor



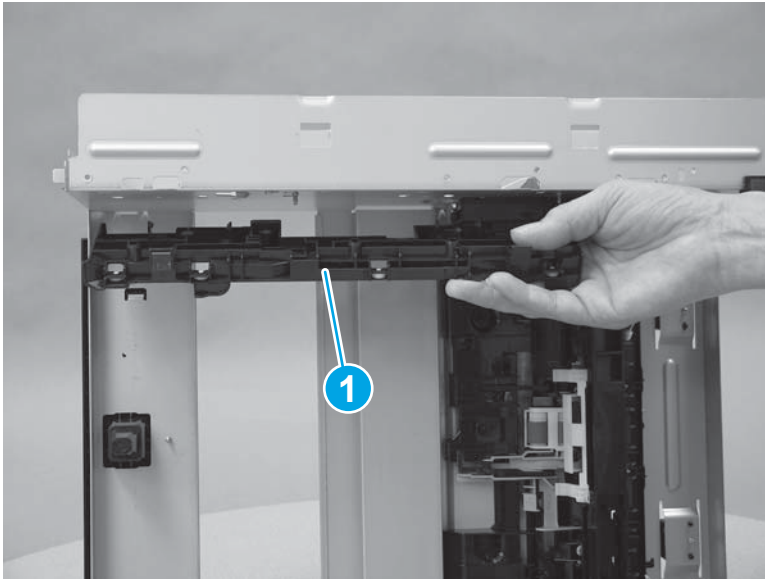
2. Remove three screws (callout 1), and then release three tabs (callout 2).

Figure 1-2656 Remove screws and release tabs



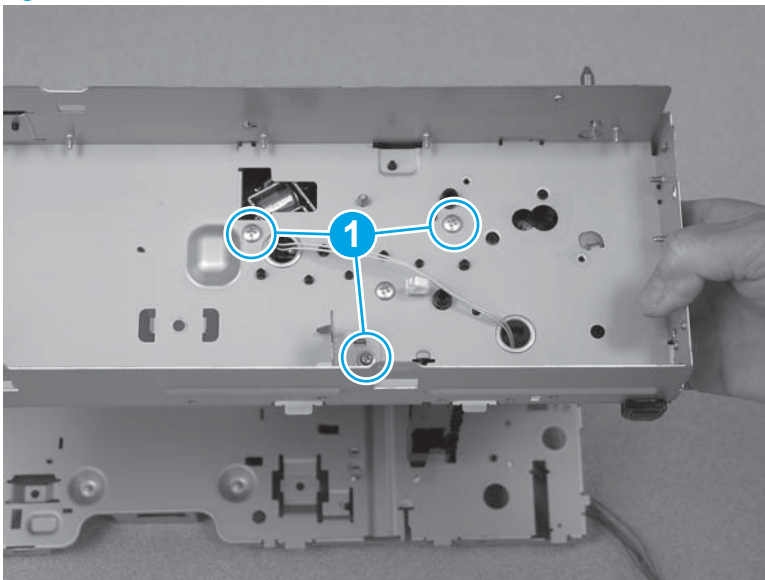
3. Remove the tray guide (callout 1).

Figure 1-2657 Remove the tray guide



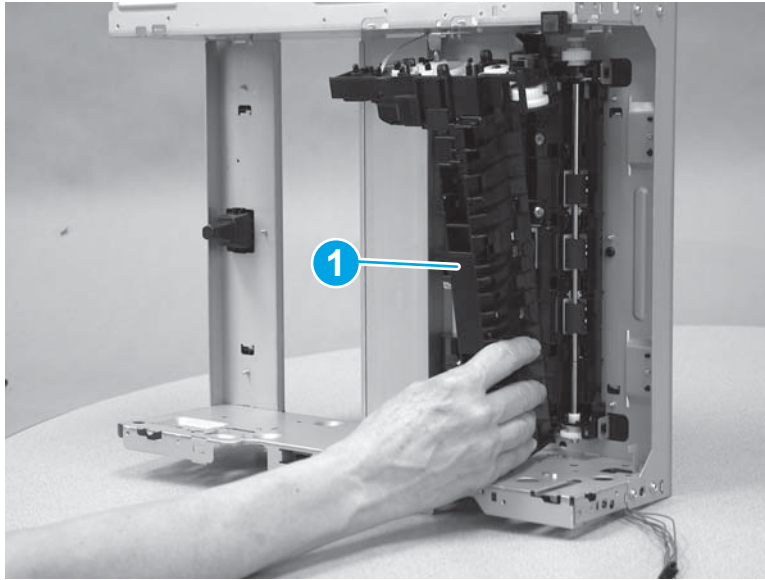
4. Remove three screws (callout 1).

Figure 1-2658 Remove three screws



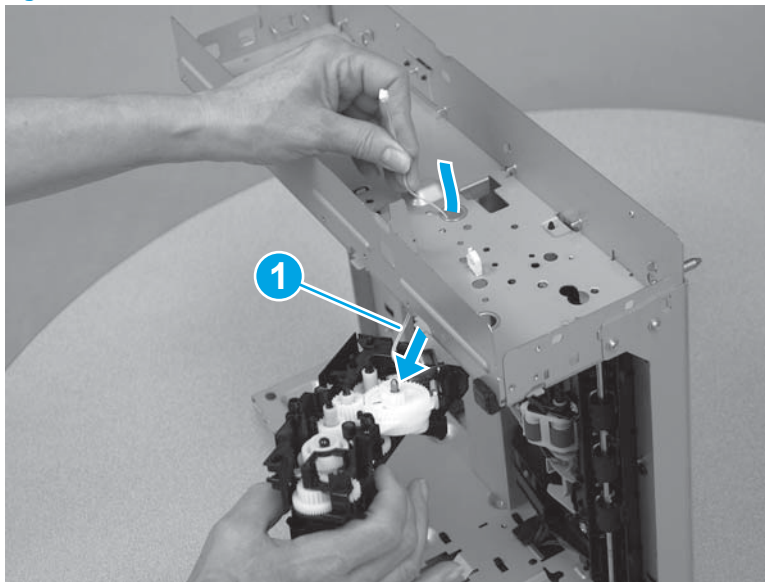
5. Remove the pickup assembly (callout 1).

**Figure 1-2659** Remove the pickup assembly



6. Release the cables (callout 1) through the feeder frame.

**Figure 1-2660** Release the cables



#### Step 10: Unpack the replacement part

Remove the new part from its package. Save all packaging for recycling the used part.

For complete information on HP's recycling programs, go to [Product return and recycling](#).

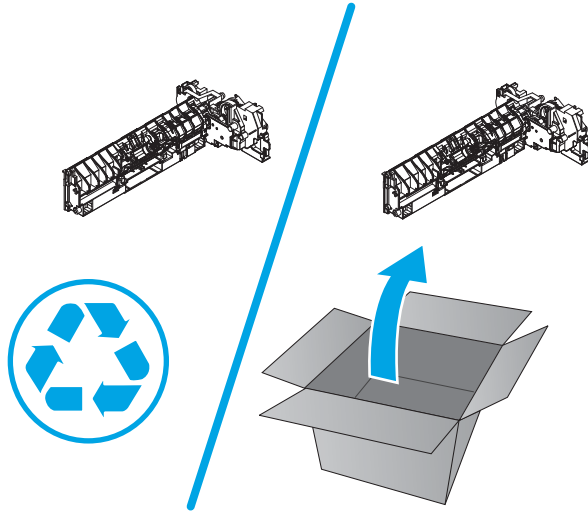
---

 **NOTE:** HP recommends responsible disposal of the defective part.

---



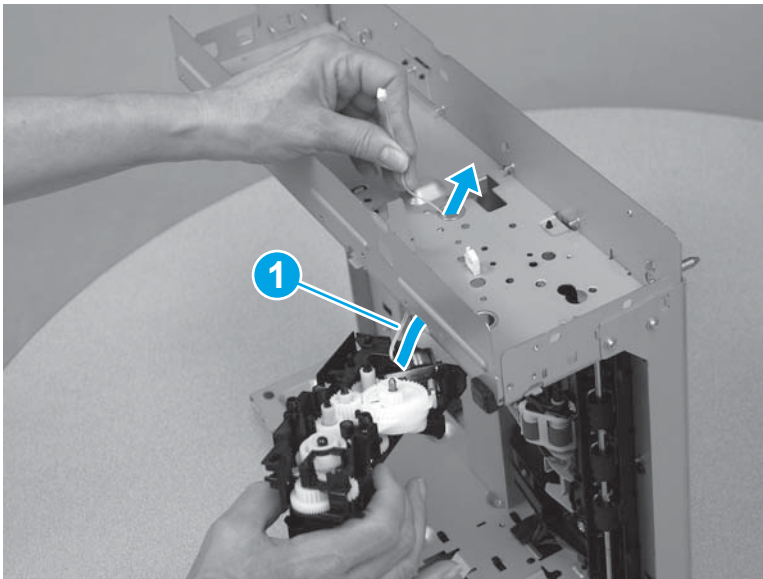
Figure 1-2661 Recycle and unpack



### Step 11: Install the pickup assembly (550-sheet paper feeder)


1. Lay the feeder on the left side so that the right side is facing up. Install the cables (callout 1) through the feeder frame.

Figure 1-2662 Install the cables



2. To install an assembly, reverse the removal steps.

---

 **NOTE:** When applicable, special installation instructions are provided for an assembly at the end of the removal procedure. Always completely read the removal instructions and follow all special installation instructions.

---



## Removal and replacement: Front feed guide assembly (550-sheet paper feeder)

- [Introduction](#)
- [Step 1: Remove Tray 3](#)
- [Step 2: Remove the right cover \(550-sheet paper feeder\)](#)
- [Step 3: Remove the left cover \(550-sheet paper feeder\)](#)
- [Step 4: Remove the rear cover \(550-sheet paper feeder\)](#)
- [Step 5: Remove the PCA cover \(550-sheet paper feeder\)](#)
- [Step 6: Remove the baseplate \(550-sheet paper feeder\)](#)
- [Step 7: Remove the feed frame assembly \(550-sheet paper feeder\)](#)
- [Step 8: Remove the lifter drive assembly \(550-sheet paper feeder\)](#)
- [Step 9: Remove the pickup assembly \(550-sheet paper feeder\)](#)
- [Step 10: Remove the front feed guide assembly \(550-sheet paper feeder\)](#)
- [Step 11: Unpack the replacement part](#)
- [Step 12: Install the front feed guide assembly \(550-sheet paper feeder\)](#)

### Introduction


This document provides the procedures to remove and replace the front feed guide assembly for the 550-sheet feeder.

[Click here to view a video of this procedure.](#)

### Before you begin

- Turn off the printer.
- Disconnect the power cable.

---

 **WARNING!** To avoid damage to the printer, turn the printer off, wait 30 seconds, and then remove the power cord before attempting to service the printer.

---

- Use the table below to identify the correct part number for your printer. To order the part, go to [www.hp.com/buy/parts](http://www.hp.com/buy/parts).

---

Front feed guide assembly part number
---------------------------------------

---

RM2-6492-000CN
----------------

---

Front feed guide assembly (550-sheet feeder)
--

---

### Required tools

- #2 Phillips screwdriver with a magnetic tip
- Small flat-blade screwdriver

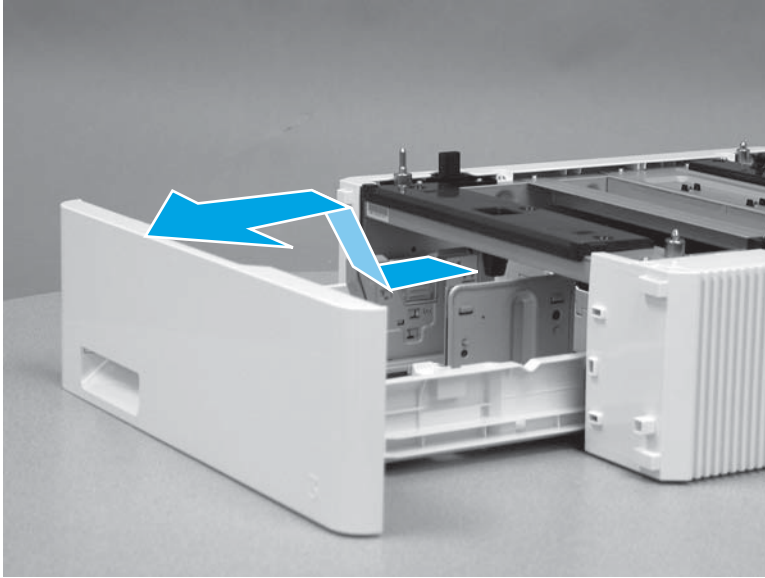
### After performing service

- Connect the power cable.
- Use the power switch to turn the power on.

### Step 1: Remove Tray 3

- ▲ Pull the tray out until it stops. Lift the front of the tray, and then pull it out of the printer to remove it.

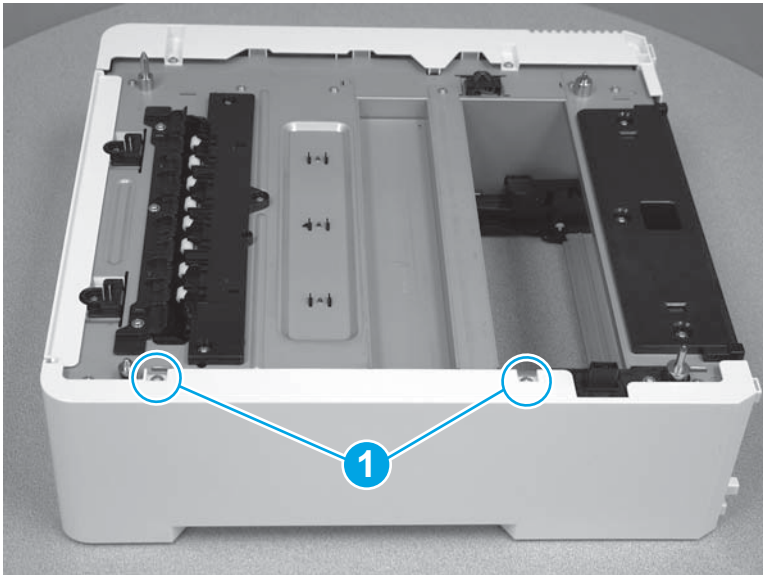
Figure 1-2663 Remove the tray



### Step 2: Remove the right cover (550-sheet paper feeder)

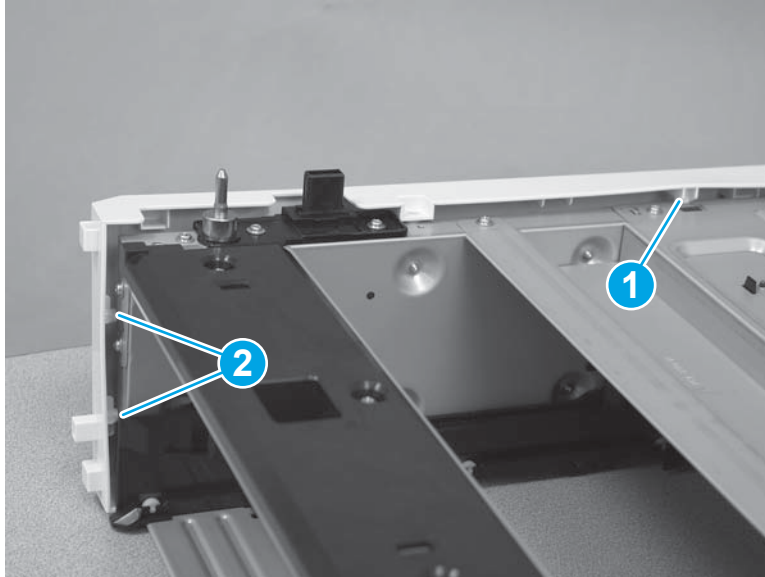
1. Remove two screws (callout 1).

Figure 1-2664 Remove two screws



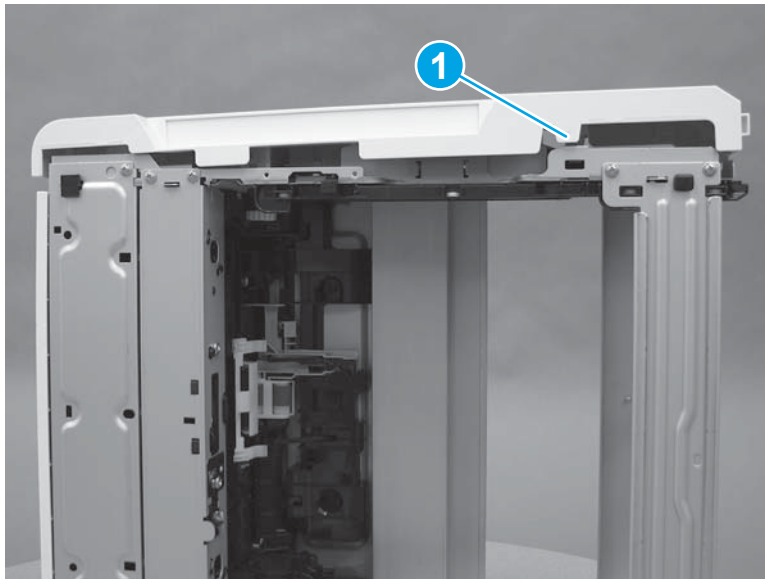
2. Release one tab (callout 1) on the top of the feeder, and then release two tabs (callout 2) at the front of the feeder.

Figure 1-2665 Release three tabs



3. Lay the feeder on the left side so that the right side is facing up, and then release one tab (callout 1) on the bottom of the feeder. Remove the right cover.

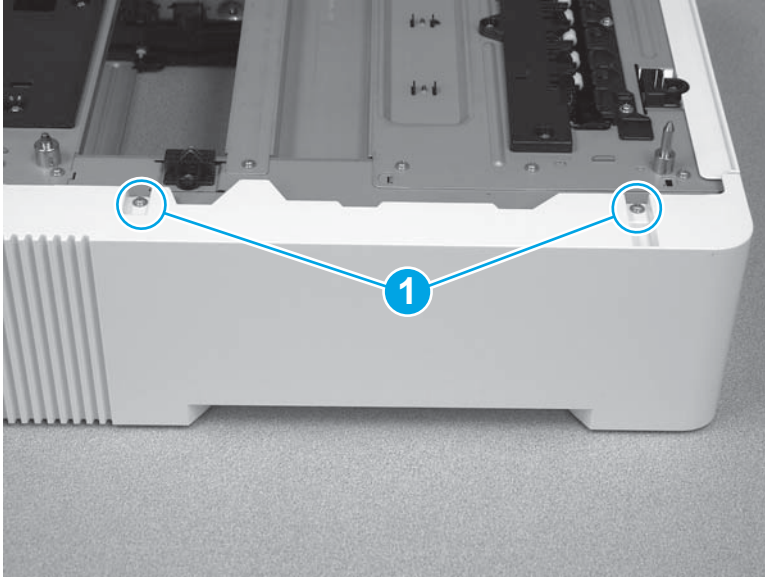
Figure 1-2666 Release one tab



### Step 3: Remove the left cover (550-sheet paper feeder)

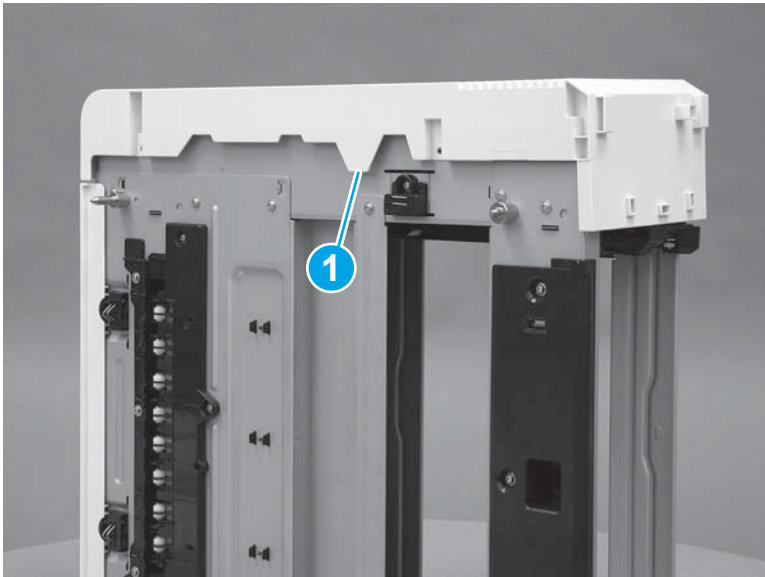
1. Remove two screws (callout 1).

Figure 1-2667 Remove two screws



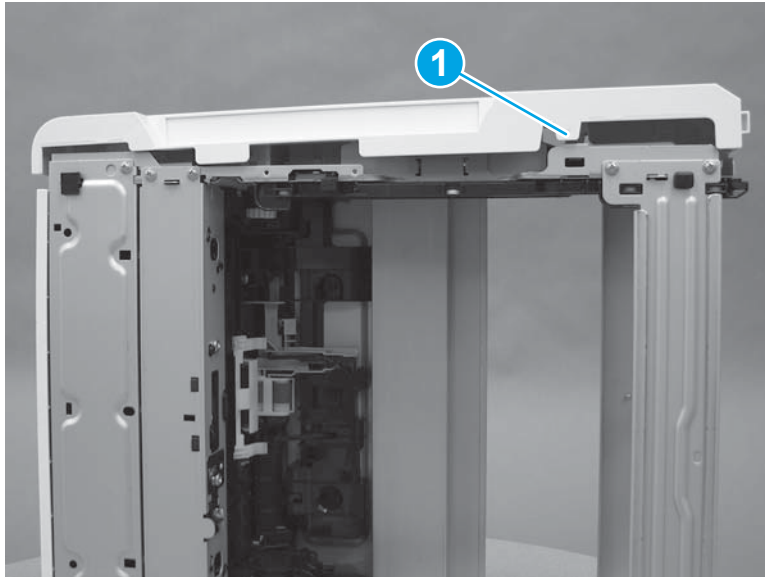
2. Release one tab (callout 1) on the top of the feeder.

Figure 1-2668 Release one tab



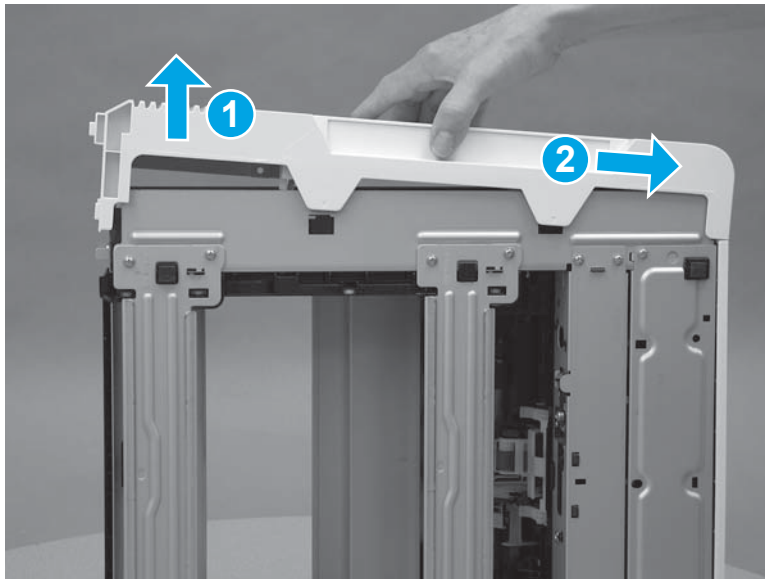
3. Lay the feeder on the right side so that the left side is facing up. Release two tabs (callout 1) on the bottom of the feeder, and then release two tabs (callout 2) on the front of the feeder.

Figure 1-2669 Release four tabs



4. Lift the front of the cover up (callout 1), and then slide the cover (callout 2) toward the back of the feeder to remove it.

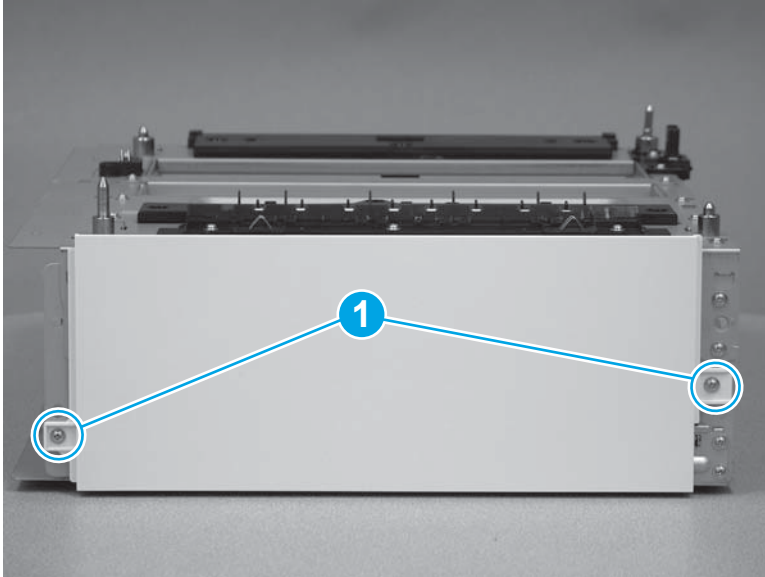
Figure 1-2670 Remove the cover



#### Step 4: Remove the rear cover (550-sheet paper feeder)

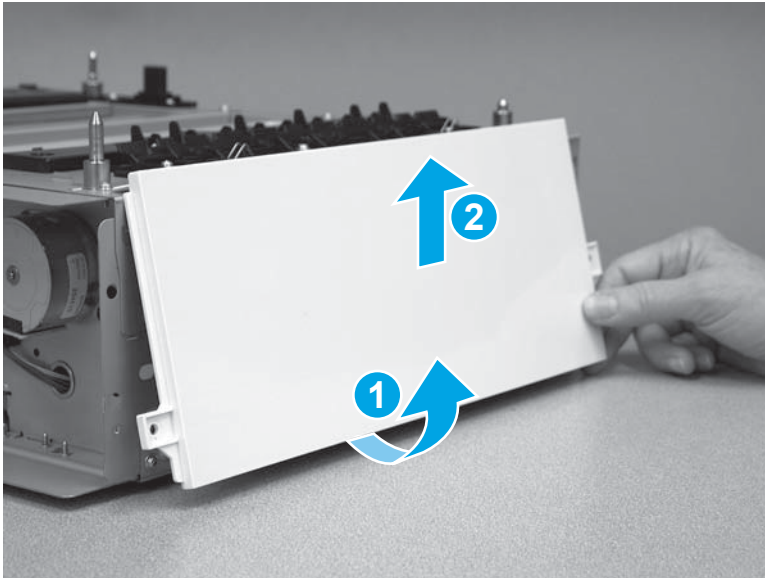
1. Remove two screws (callout 1).

Figure 1-2671 Remove two screws



2. Rotate the bottom edge of the cover (callout 1) away from the feeder, and then raise the cover up (callout 2) to remove it.

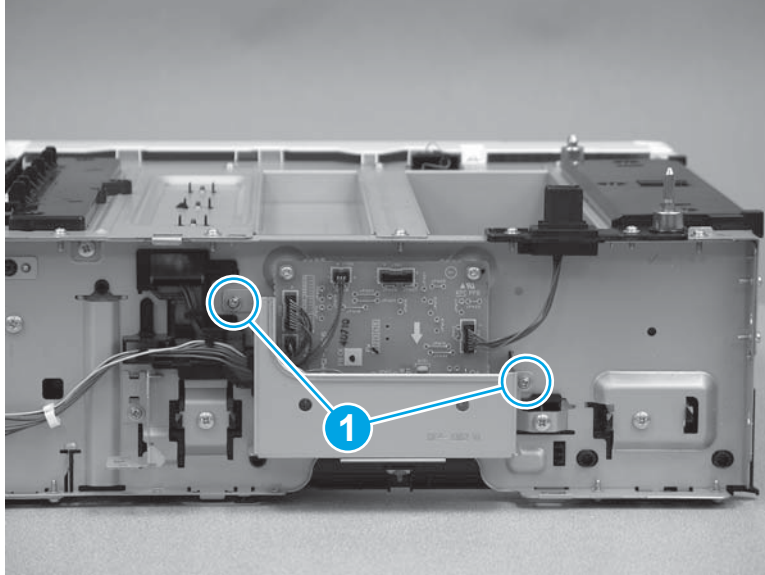
Figure 1-2672 Remove the rear cover



#### Step 5: Remove the PCA cover (550-sheet paper feeder)

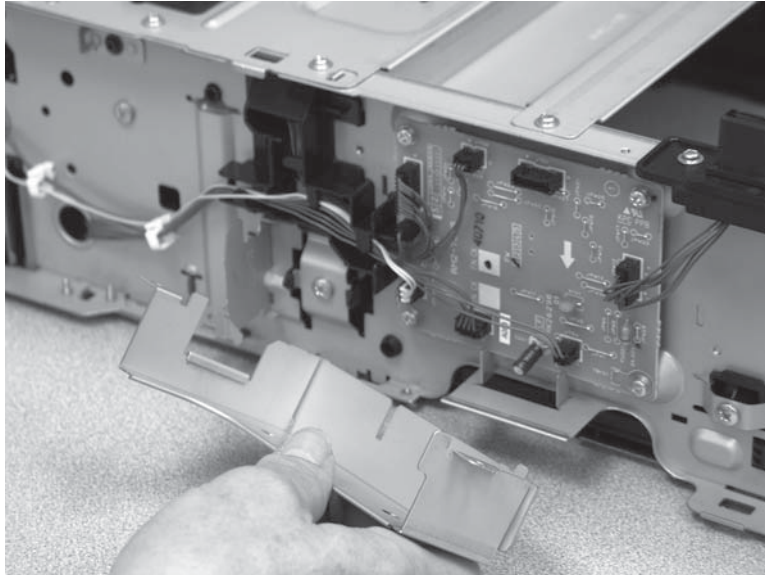
1. On the left side of the feeder, remove two screws (callout 1).

Figure 1-2673 Remove two screws



2. Remove the PCA cover.

Figure 1-2674 Remove the PCA cover

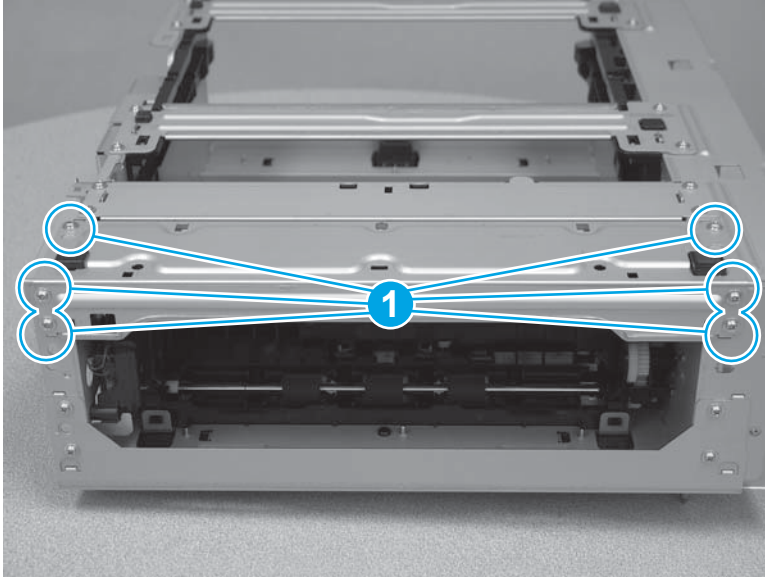


#### Step 6: Remove the baseplate (550-sheet paper feeder)

1. Lay the feeder on the top side so that the bottom side is facing up. Remove six screws (callout 1).

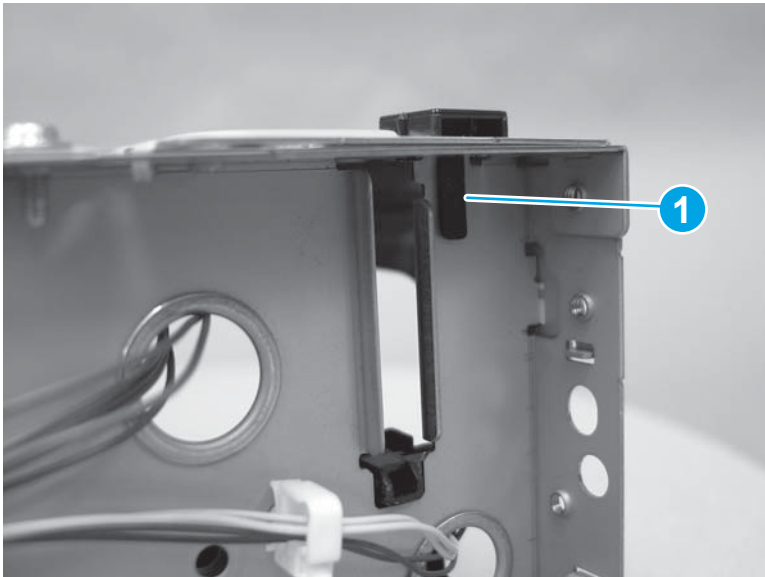


Figure 1-2675 Remove six screws



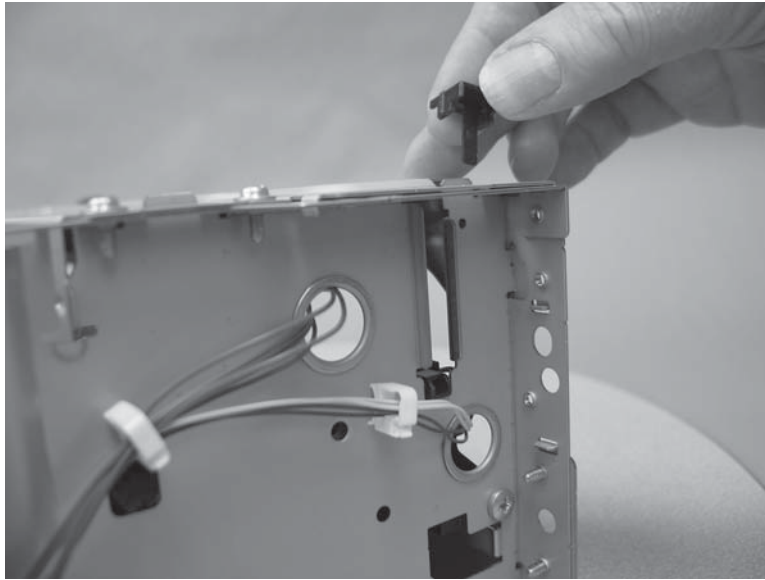
2. On the left side of the feeder, release one tab (callout 1) on the foot.

Figure 1-2676 Release one tab



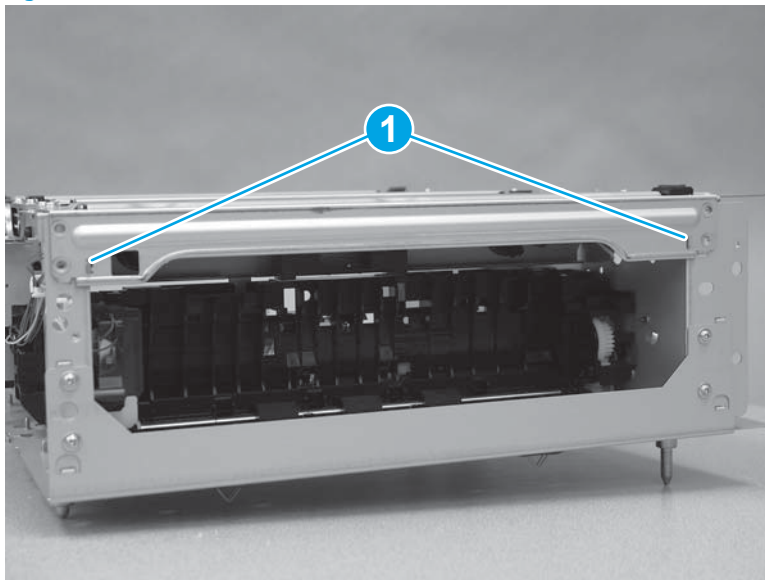
3. Remove the foot.

Figure 1-2677 Remove the foot



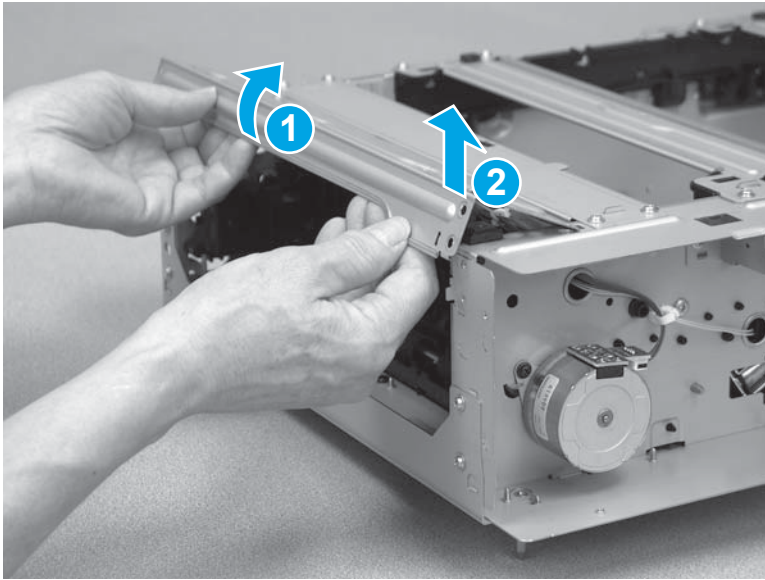
4. Release two tabs (callout 1).

Figure 1-2678 Release two tabs



5. Rotate the edge of the baseplate up (callout 1), and then lift it up (callout 2) to remove it.

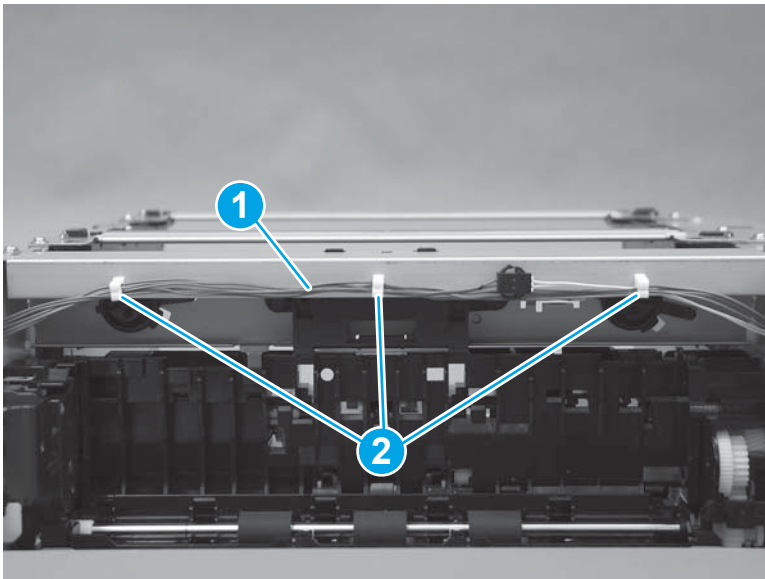
Figure 1-2679 Remove the baseplate



#### Step 7: Remove the feed frame assembly (550-sheet paper feeder)

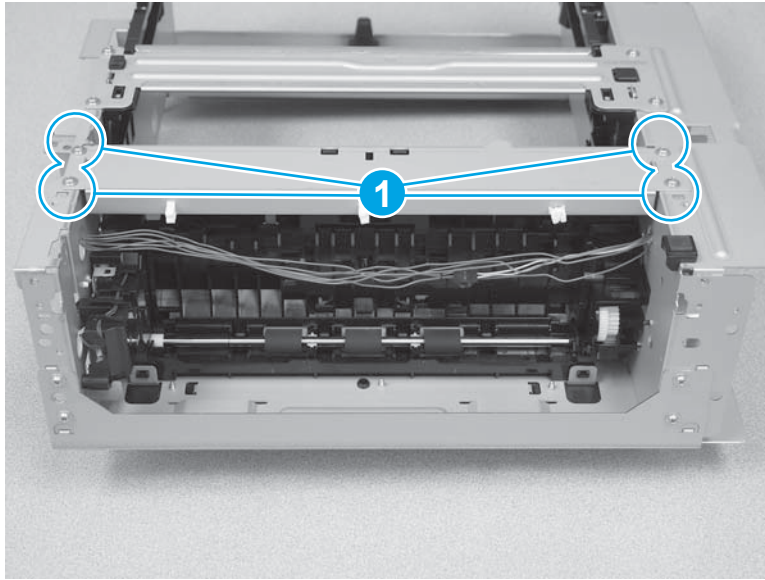
1. Release the cables (callout 1) from the retainers (callout 2).

Figure 1-2680 Release the cables



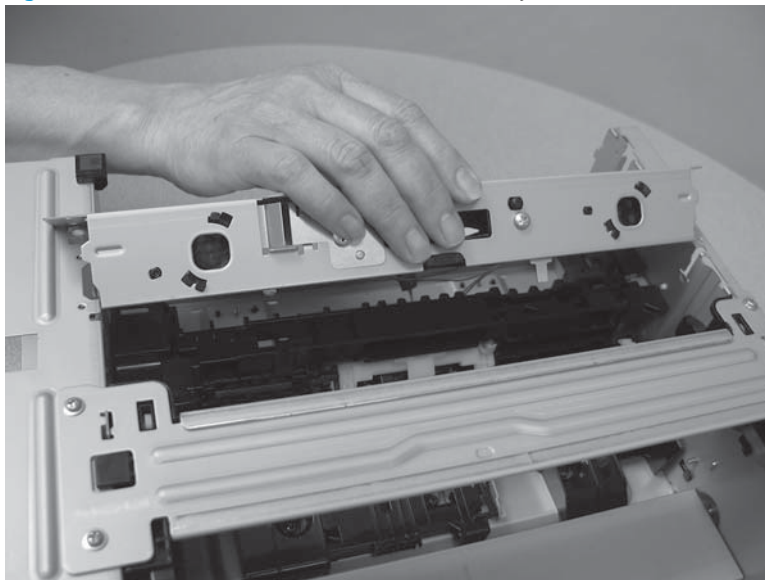
2. Remove four screws (callout 1).

Figure 1-2681 Remove four screws



3. Remove the feed frame assembly.

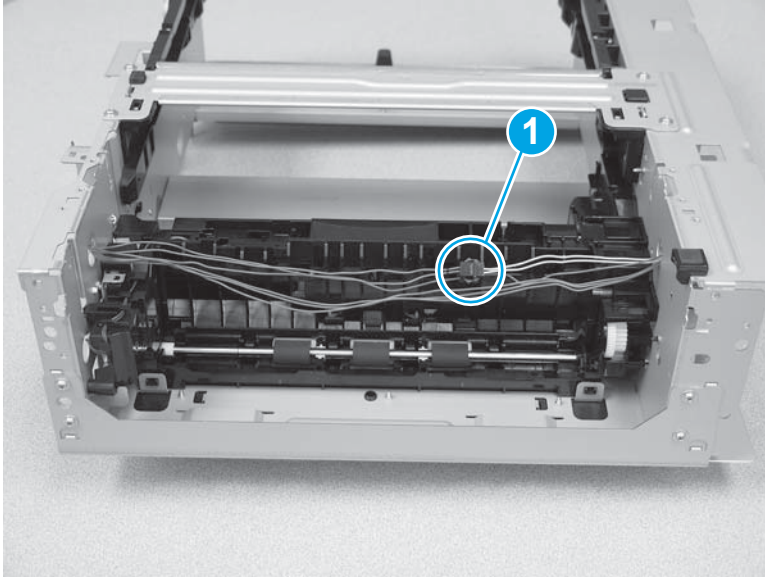
Figure 1-2682 Remove the feed frame assembly



### Step 8: Remove the lifter drive assembly (550-sheet paper feeder)

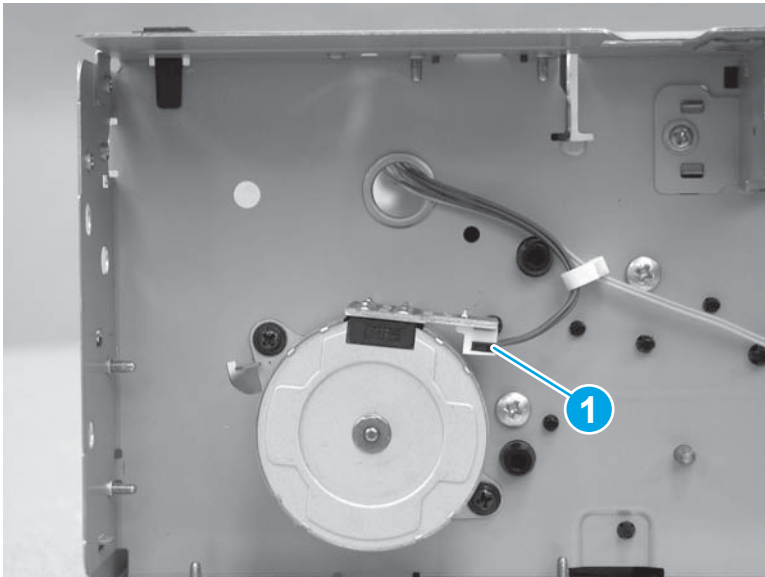
1. Lay the feeder on the top so that the bottom is facing up. Disconnect one in-line connector (callout 1).

Figure 1-2683 Disconnect one connector



2. On the right side of the feeder, disconnect one connector (callout 1) from the motor.

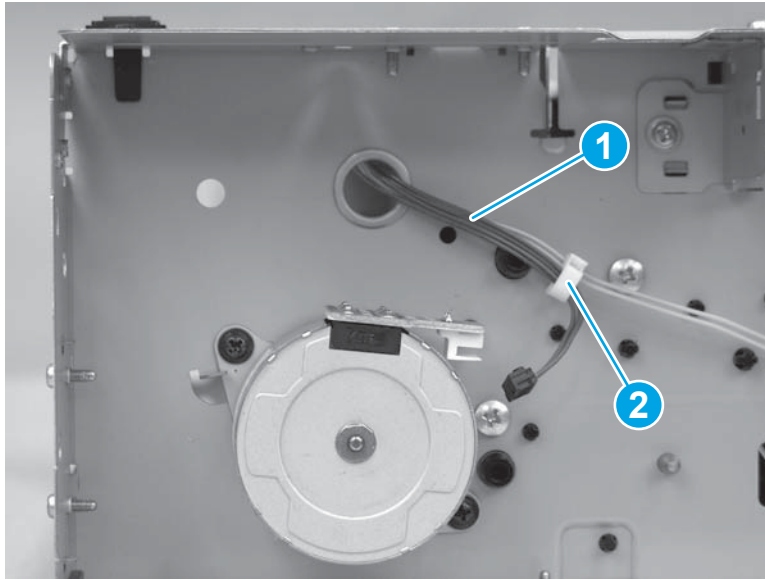
Figure 1-2684 Disconnect one connector





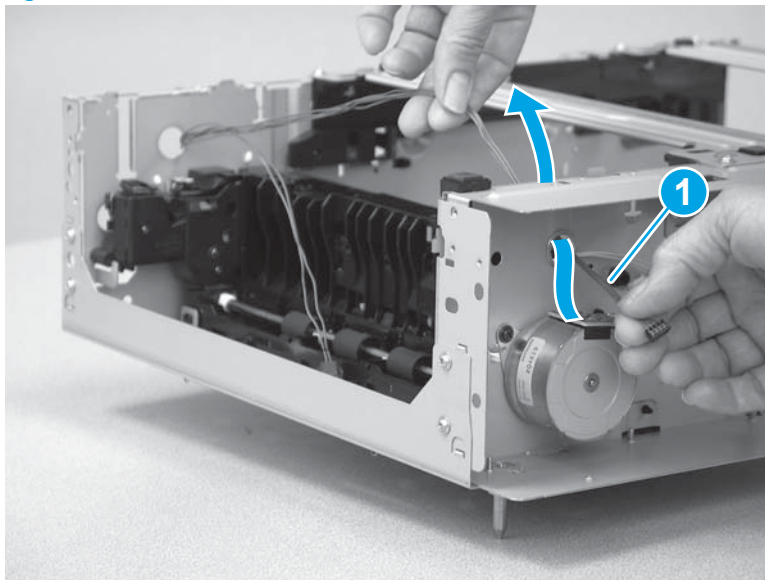
3. Release the cables (callout 1) from the retainer (callout 2).

Figure 1-2685 Release the cables



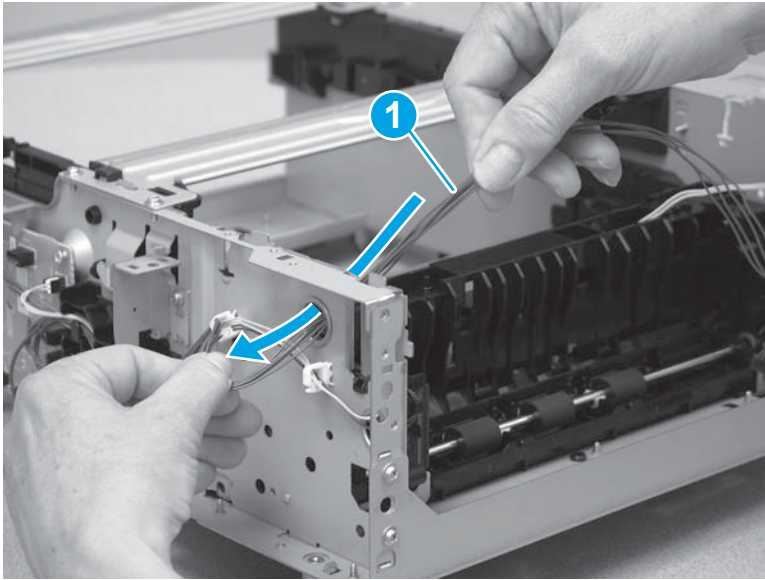
4. Release the cables (callout 1) through the hole in the sheet metal.

Figure 1-2686 Release the cables




5. On the left side of the feeder, remove all of the cables (callout 1) through the opening in the paper feeder.

Figure 1-2687 Remove the cables



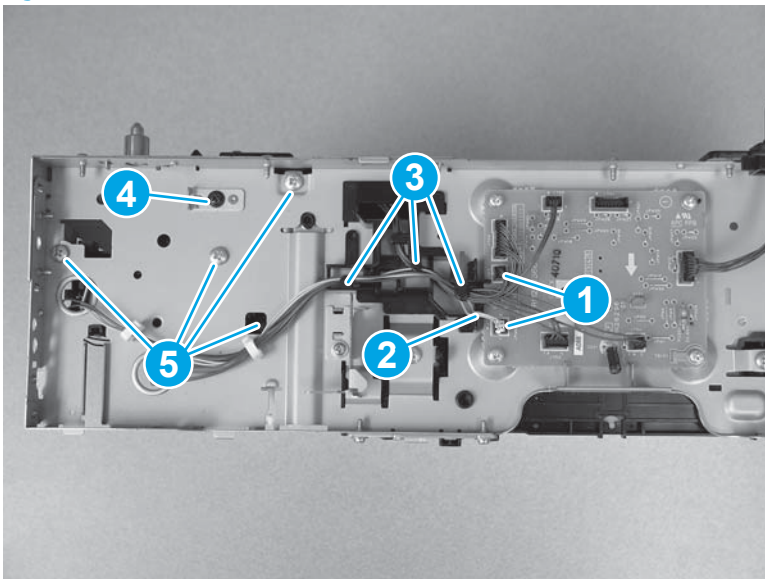
6. Lay the feeder on the right side so that the left side is facing up. Disconnect two connectors (callout 1), and remove the cables (callout 2) from the guides (callout 3). Remove one screw (callout 4), and then remove four more screws (callout 5).

---

 **Reinstallation tip:** One screw (callout 4) is different from the other screws. Make sure that this screw is installed in the correct position.

---

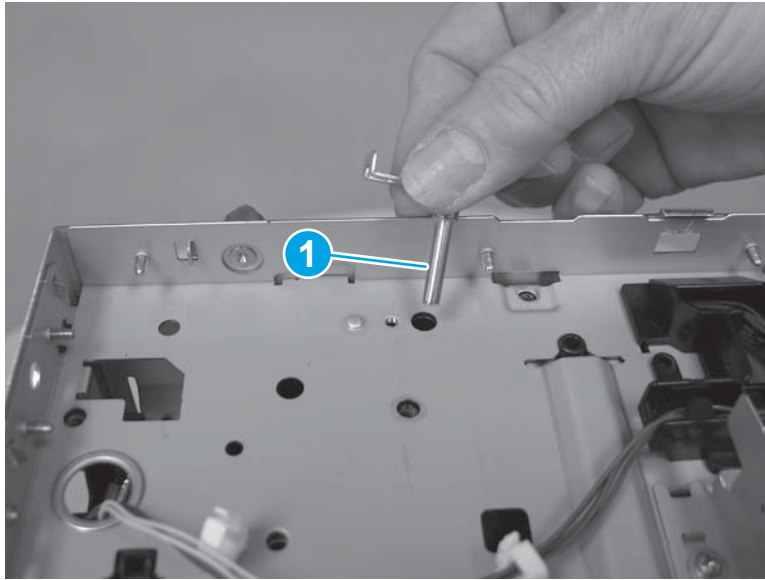
Figure 1-2688 Disconnect connector and remove five screws





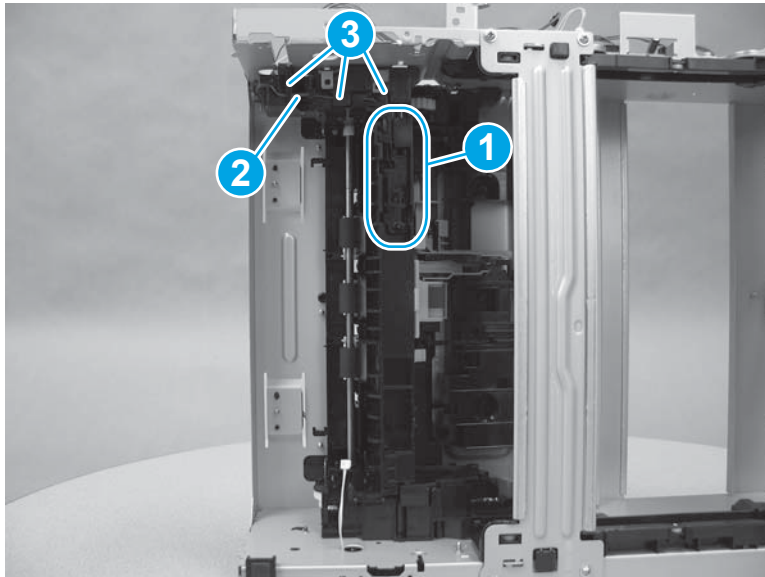
7. Remove the shaft (callout 1).

Figure 1-2689 Remove the shaft



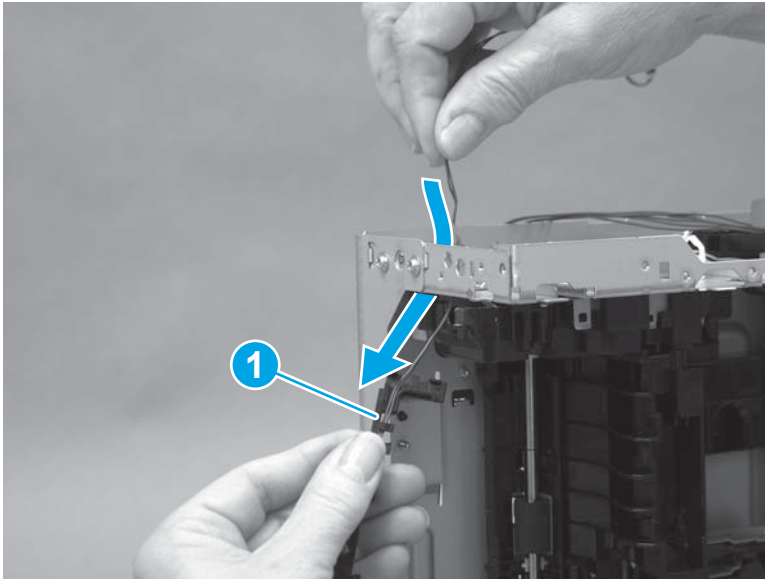
8. Release the tray sensor switch (callout 1), and then remove the cables (callout 2) from the guides (callout 3).

Figure 1-2690 Release the tray sensor switch



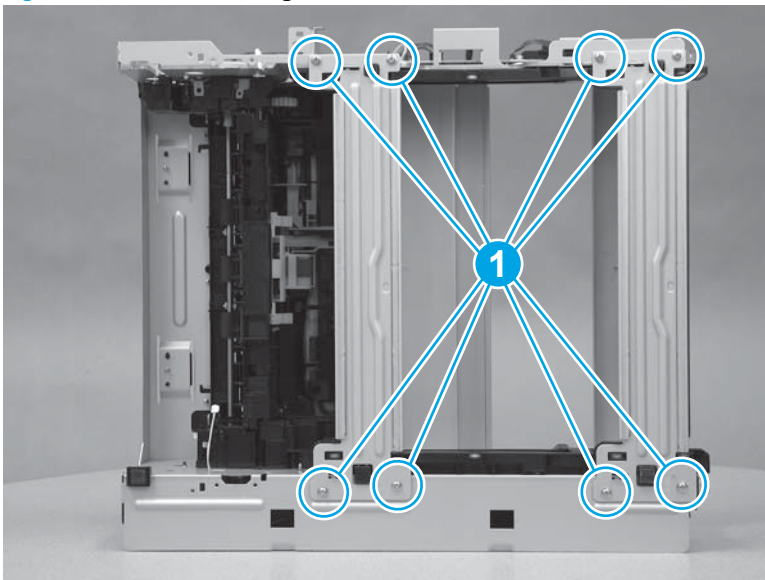
9. Release the tray sensor switch cables (callout 1) through the hole in the sheet metal.

Figure 1-2691 Release the tray sensor switch cables



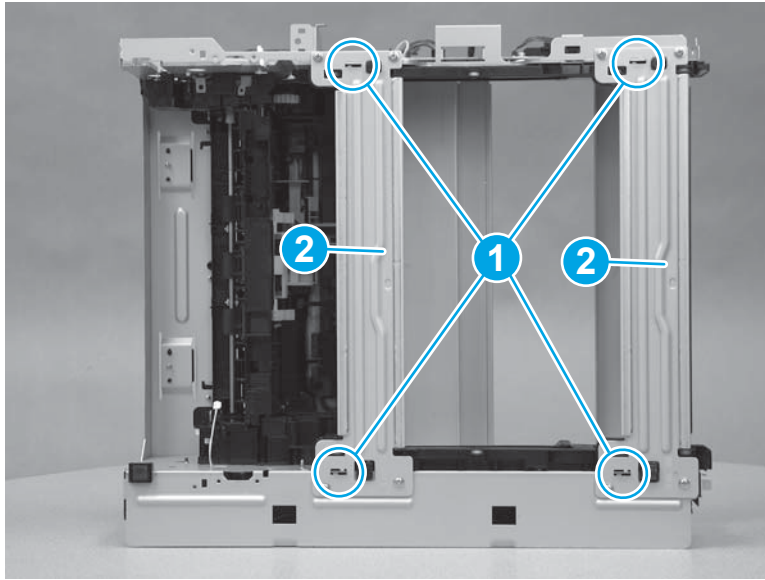
10. Remove eight screws (callout 1).

Figure 1-2692 Remove eight screws



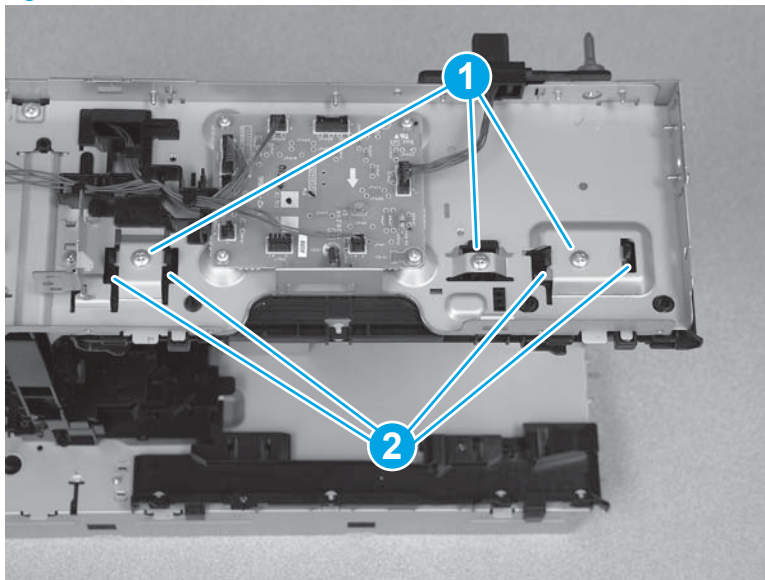
11. Release four tabs (callout 1), and then remove the cross braces (callout 2).

Figure 1-2693 Remove the cross braces



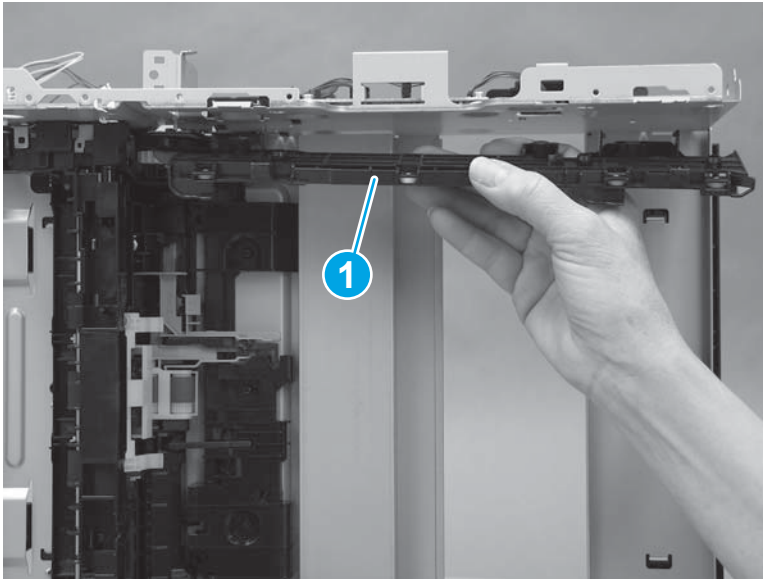
12. On the left side of the feeder, remove three screws (callout 1), and then release three tabs (callout 2).

Figure 1-2694 Remove screws and release tabs



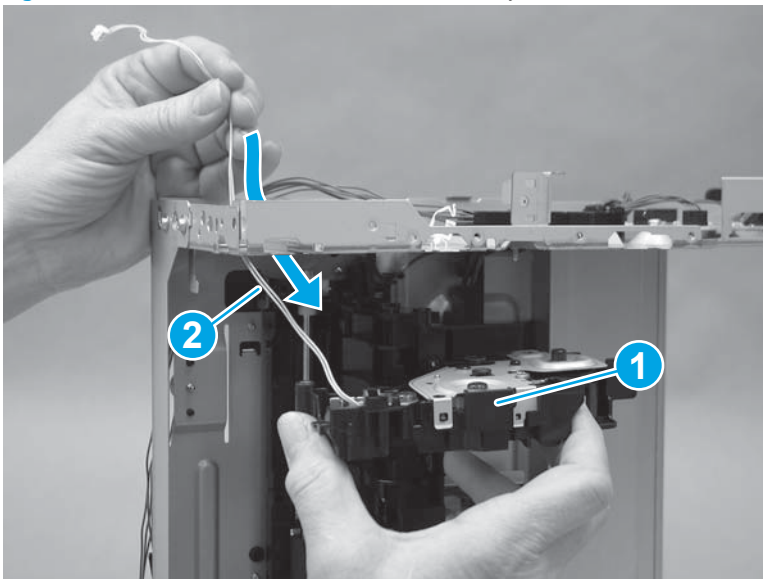
13. Remove the tray guide (callout 1).

Figure 1-2695 Remove the tray guide



14. Remove the lifter drive assembly (callout 1), and then release the cables (callout 2) through the feeder frame.

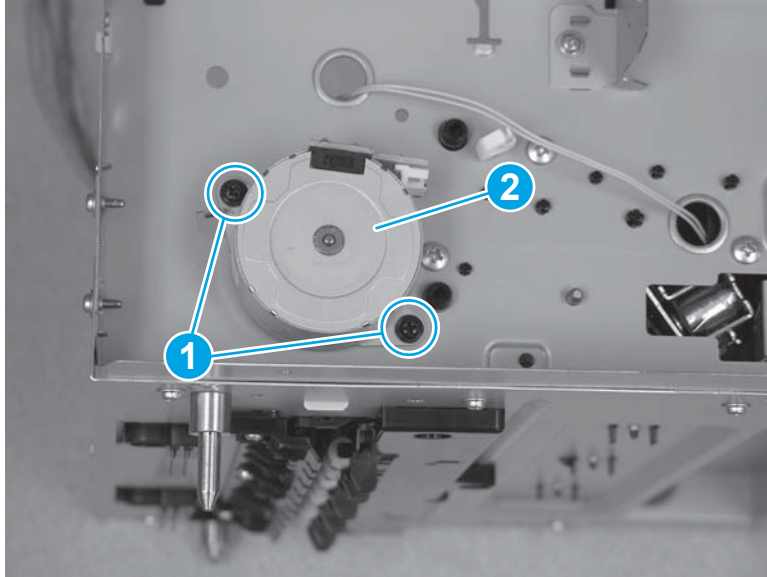
Figure 1-2696 Remove the lifter drive assembly



#### Step 9: Remove the pickup assembly (550-sheet paper feeder)

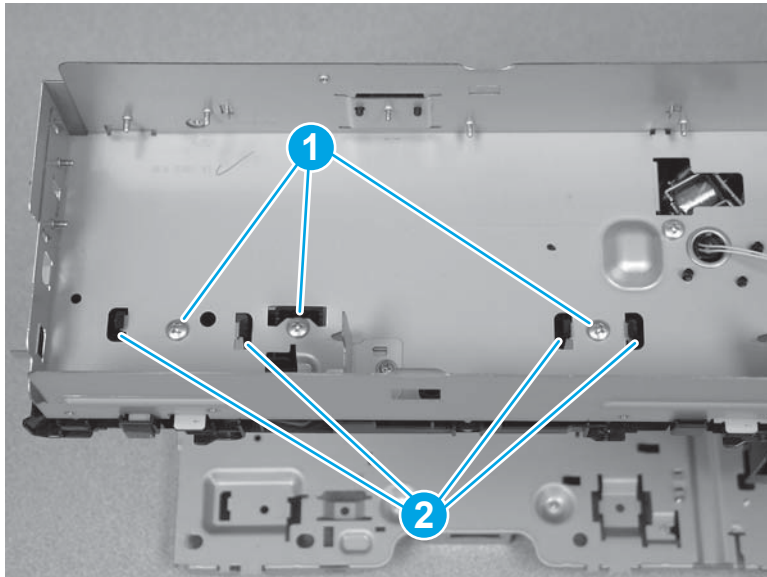
1. Lay the feeder on the left side so that the right side is facing up. Remove two screws (callout 1), and then remove the motor (callout 2).

Figure 1-2697 Remove the motor



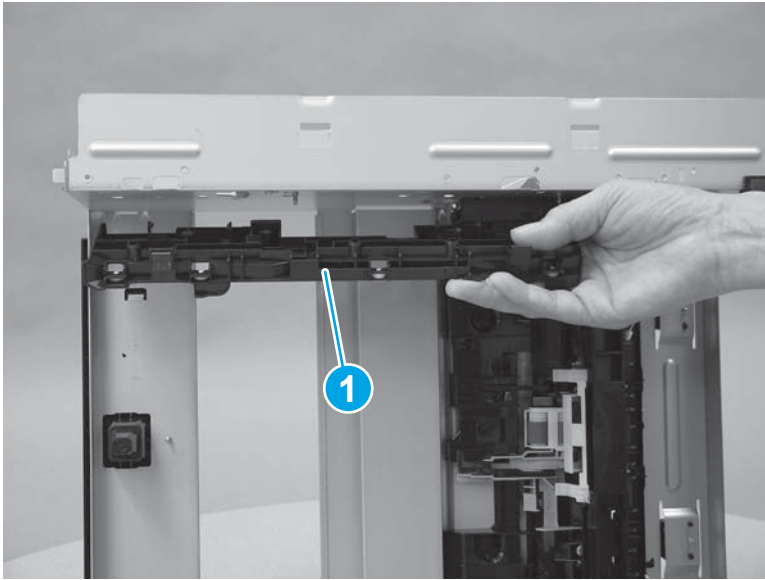
2. Remove three screws (callout 1), and then release three tabs (callout 2).

Figure 1-2698 Remove screws and release tabs



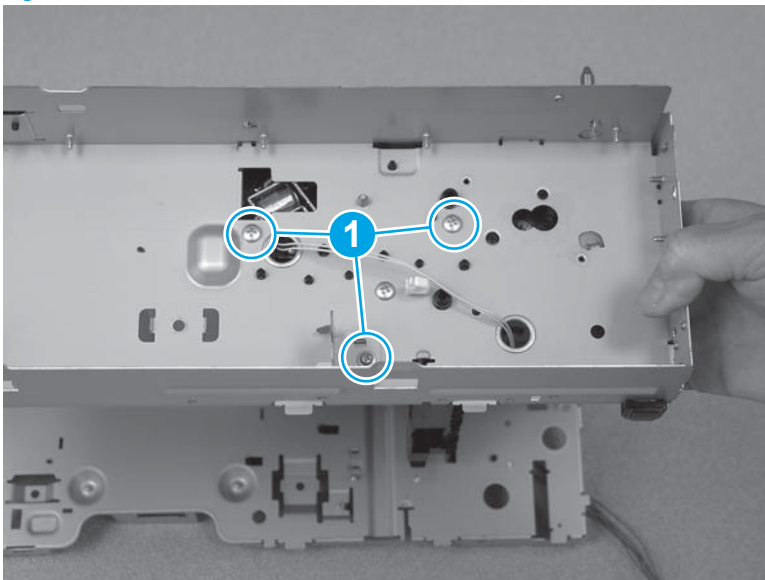
3. Remove the tray guide (callout 1).

Figure 1-2699 Remove the tray guide



4. Remove three screws (callout 1).

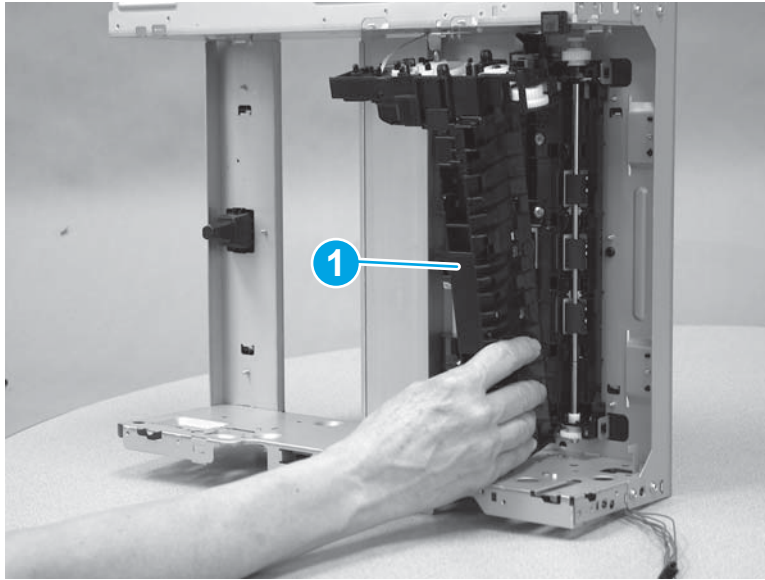
Figure 1-2700 Remove three screws





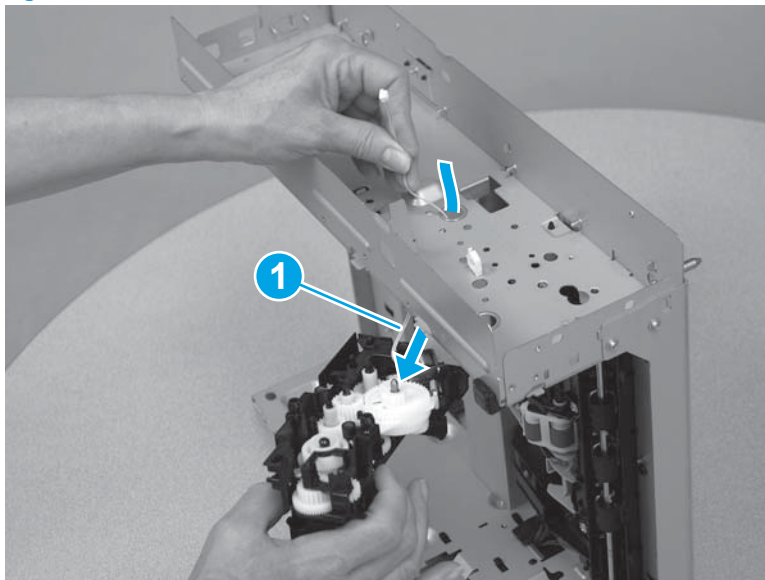
5. Remove the pickup assembly (callout 1).

Figure 1-2701 Remove the pickup assembly



6. Release the cables (callout 1) through the feeder frame.

Figure 1-2702 Release the cables

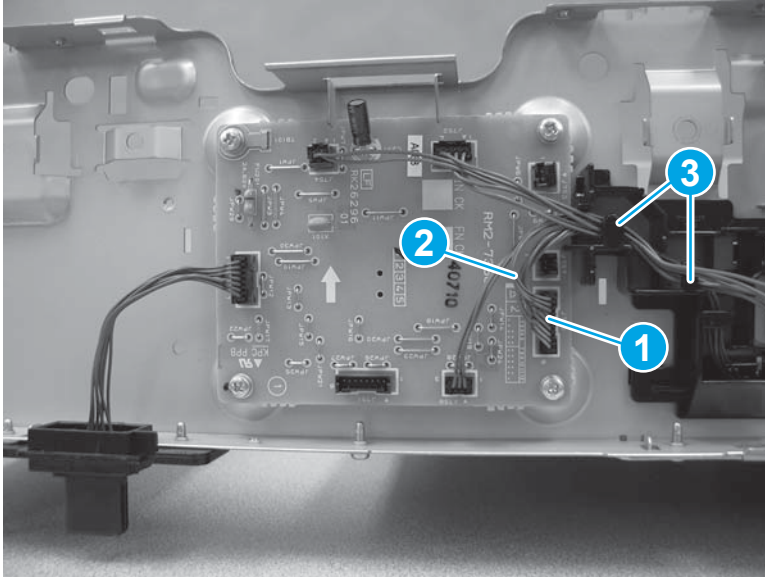


#### Step 10: Remove the front feed guide assembly (550-sheet paper feeder)

1. Lay the feeder on the right side so that the left side is facing up. Disconnect one connector (callout 1), and then remove the cables (callout 2) from the guides (callout 3).

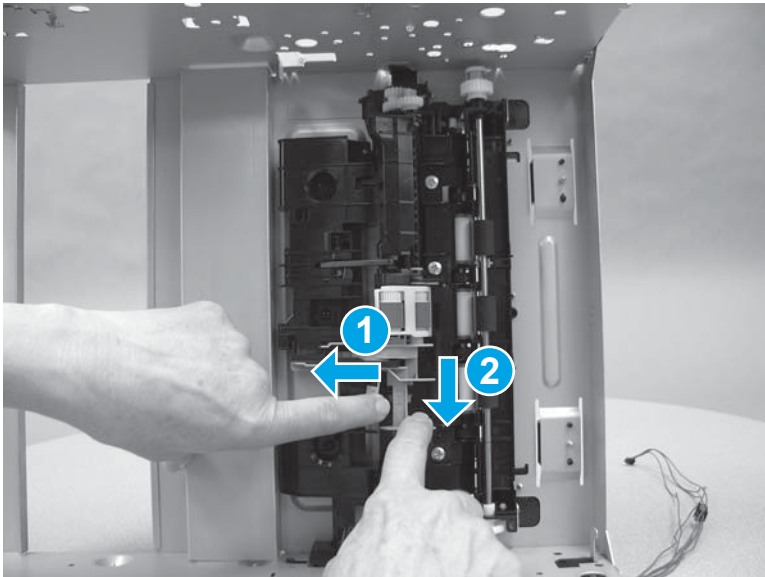


Figure 1-2703 Disconnect one connector



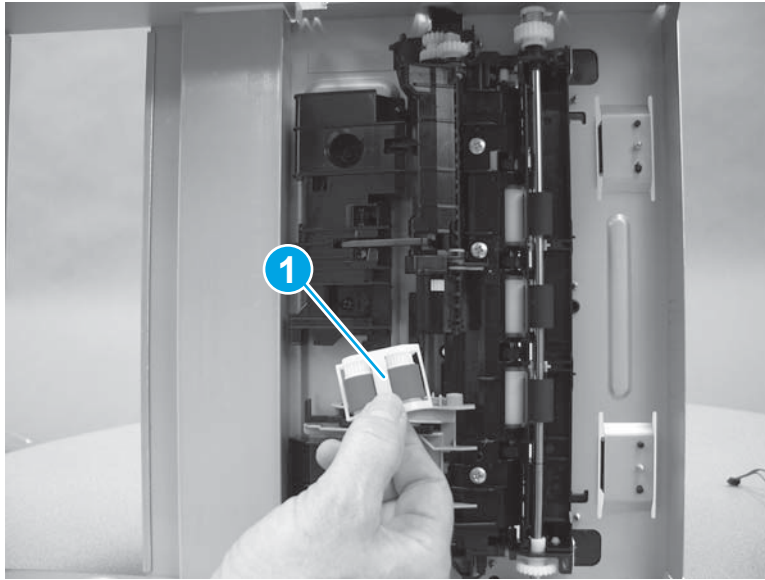
2. Press the lever (callout 1) on the roller holder, and then slide the roller holder down (callout 2).

Figure 1-2704 Slide the roller holder



3. Remove the roller holder (callout 1).

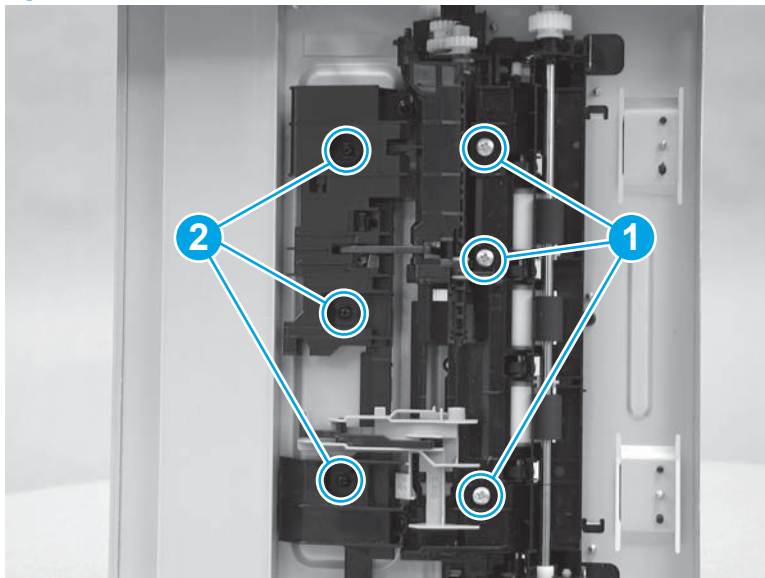
Figure 1-2705 Remove the pickup and feed rollers



4. Remove three screws (callout 1) on the rear feed guide assembly, and then remove three screws (callout 2) on the front feed guide assembly.

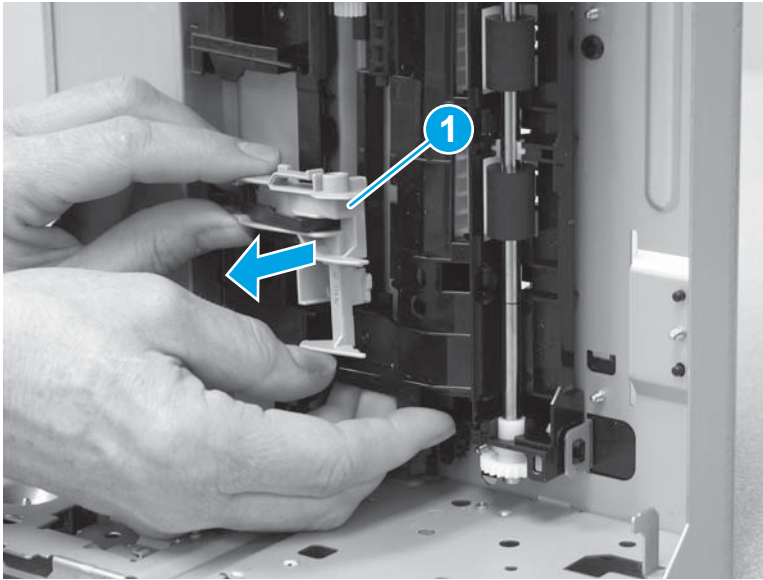
 **Reinstallation tip:** The three screws (callout 1) on the rear feed guide assembly are larger than the screws on the front feed guide assembly.

Figure 1-2706 Remove six screws



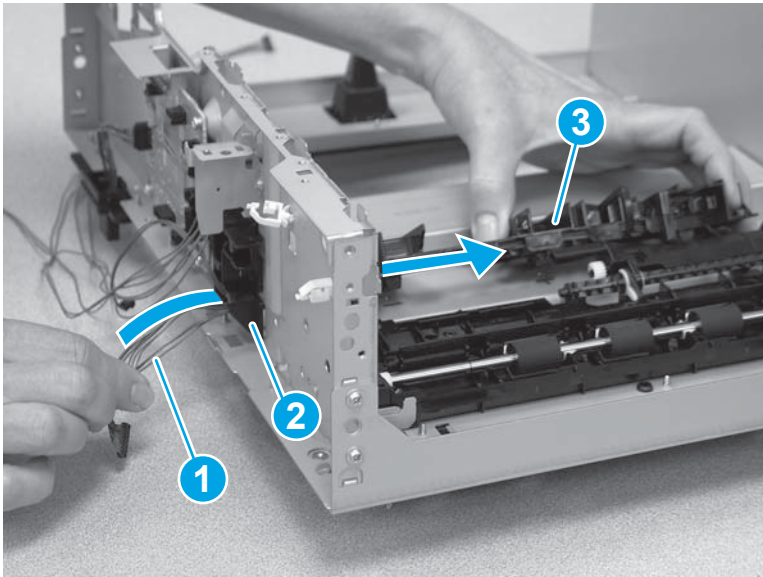
5. Remove the roller holder (callout 1).

Figure 1-2707 Remove the roller holder



6. Release the cables (callout 1) through the feeder frame (callout 2), and then remove the front feed guide assembly (callout 3).

Figure 1-2708 Remove the front feed guide assembly



### Step 11: Unpack the replacement part

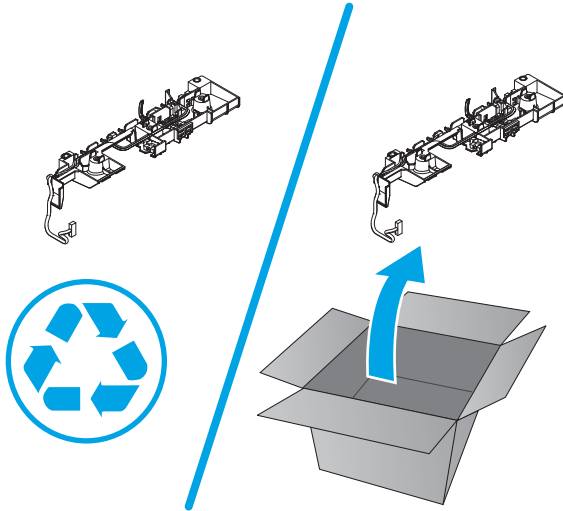
Remove the new part from its package. Save all packaging for recycling the used part.

For complete information on HP's recycling programs, go to [Product return and recycling](#).



**NOTE:** HP recommends responsible disposal of the defective part.

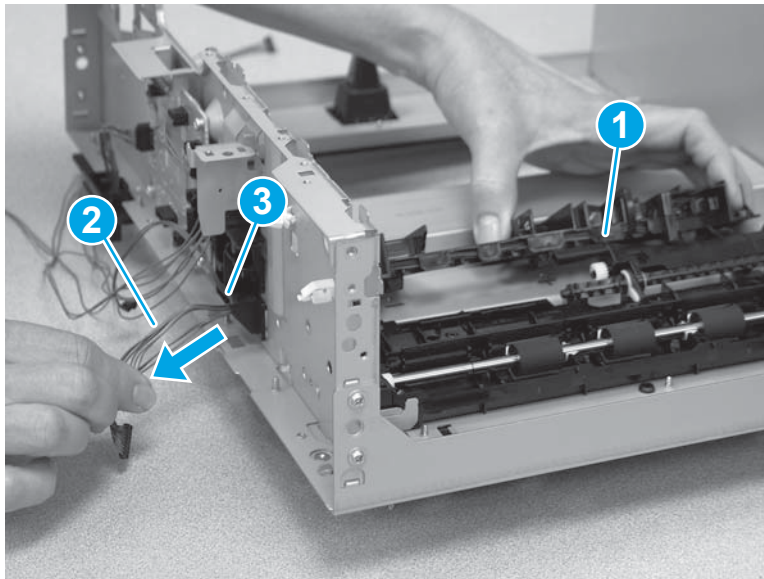
Figure 1-2709 Recycle and unpack



### Step 12: Install the front feed guide assembly (550-sheet paper feeder)


1. Install the front feed guide (callout 1), and then install the cables (callout 2), through the feeder frame (callout 3).

Figure 1-2710 Install the front feed guide assembly



2. To install an assembly, reverse the removal steps.

---

 **NOTE:** When applicable, special installation instructions are provided for an assembly at the end of the removal procedure. Always completely read the removal instructions and follow all special installation instructions.

---

## Removal and replacement: Rear feed guide assembly (550-sheet paper feeder)

- [Introduction](#)
- [Step 1: Remove Tray 3](#)
- [Step 2: Remove the right cover \(550-sheet paper feeder\)](#)
- [Step 3: Remove the left cover \(550-sheet paper feeder\)](#)
- [Step 4: Remove the rear cover \(550-sheet paper feeder\)](#)
- [Step 5: Remove the PCA cover \(550-sheet paper feeder\)](#)
- [Step 6: Remove the baseplate \(550-sheet paper feeder\)](#)
- [Step 7: Remove the feed frame assembly \(550-sheet paper feeder\)](#)
- [Step 8: Remove the lifter drive assembly \(550-sheet paper feeder\)](#)
- [Step 9: Remove the pickup assembly \(550-sheet paper feeder\)](#)
- [Step 10: Remove the front feed guide assembly \(550-sheet paper feeder\)](#)
- [Step 11: Remove the rear feed guide assembly \(550-sheet paper feeder\)](#)
- [Step 12: Unpack the replacement part](#)
- [Step 13: Install the rear feed guide assembly \(550-sheet paper feeder\)](#)


### Introduction

This document provides the procedures to remove and replace the rear feed guide assembly on the 550-sheet feeder.

[Click here to view a video of this procedure.](#)

### Before you begin

- Turn off the printer.
- Disconnect the power cable.

 **WARNING!** To avoid damage to the printer, turn the printer off, wait 30 seconds, and then remove the power cord before attempting to service the printer.

- Use the table below to identify the correct part number for your printer. To order the part, go to [www.hp.com/buy/parts](http://www.hp.com/buy/parts).

Rear feed guide assembly part number	
RM2-6366-000CN	Rear feed guide assembly (550-sheet feeder)

### Required tools

- #2 Phillips screwdriver with a magnetic tip
- Small flat-blade screwdriver

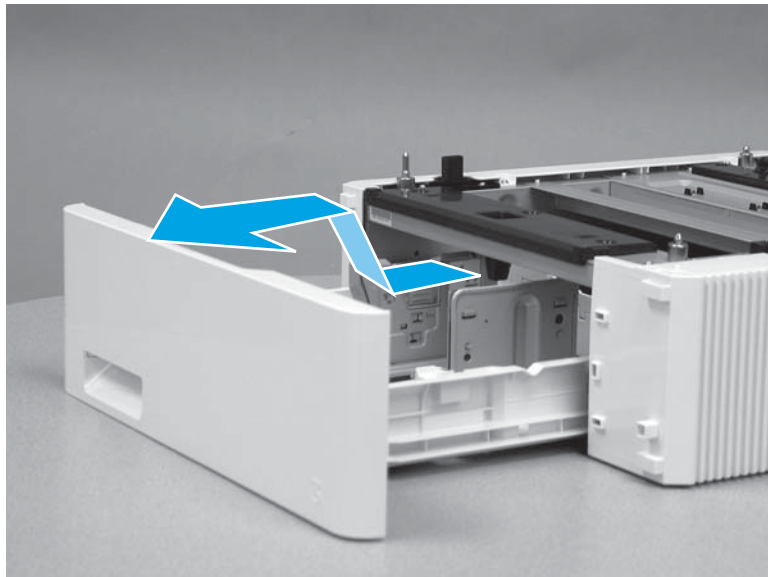
### After performing service

- Connect the power cable.
- Use the power switch to turn the power on.

### Step 1: Remove Tray 3

- ▲ Pull the tray out until it stops. Lift the front of the tray, and then pull it out of the printer to remove it.

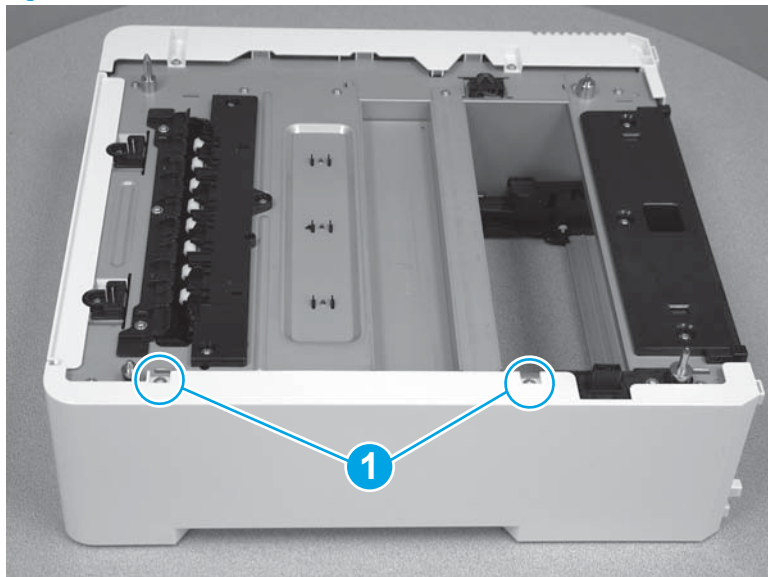
Figure 1-2711 Remove the tray



### Step 2: Remove the right cover (550-sheet paper feeder)

1. Remove two screws (callout 1).

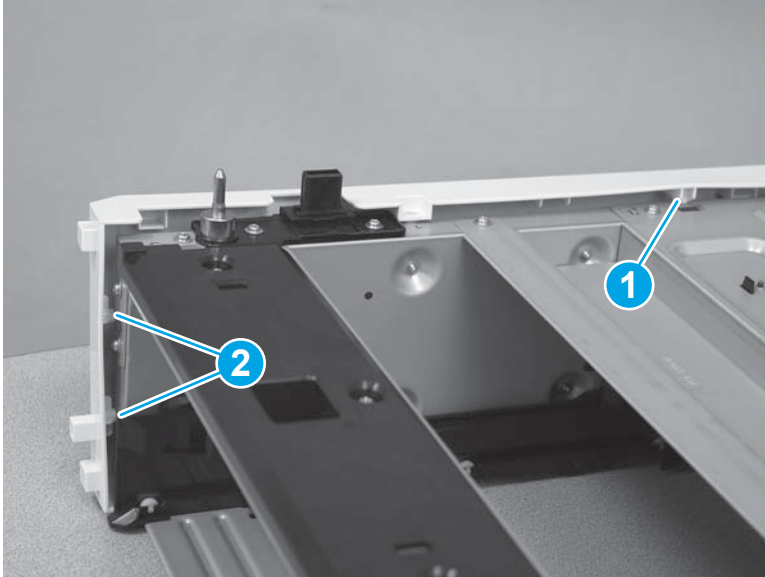
Figure 1-2712 Remove two screws





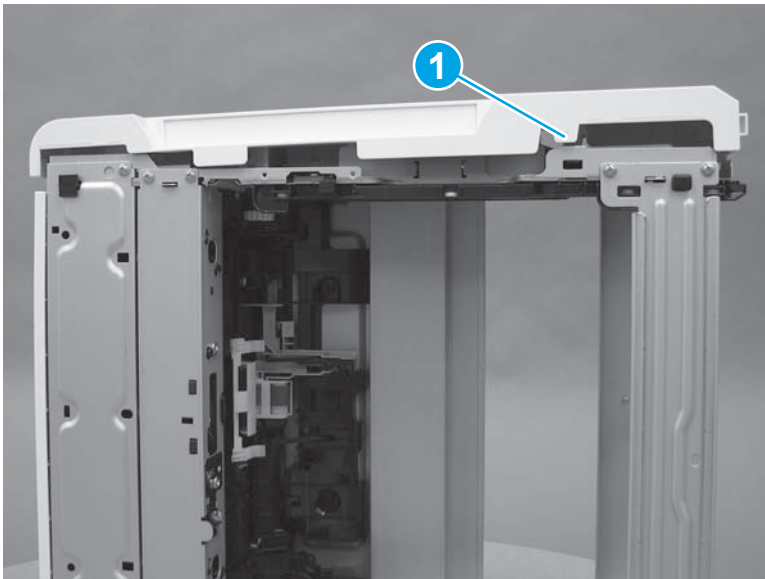
2. Release one tab (callout 1) on the top of the feeder, and then release two tabs (callout 2) at the front of the feeder.

Figure 1-2713 Release three tabs



3. Lay the feeder on the left side so that the right side is facing up, and then release one tab (callout 1) on the bottom of the feeder. Remove the right cover.

Figure 1-2714 Release one tab

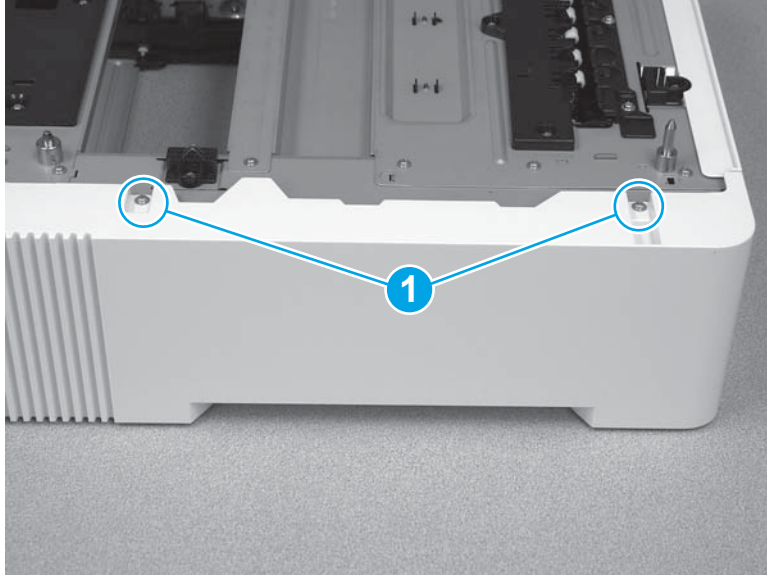


### Step 3: Remove the left cover (550-sheet paper feeder)

1. Remove two screws (callout 1).

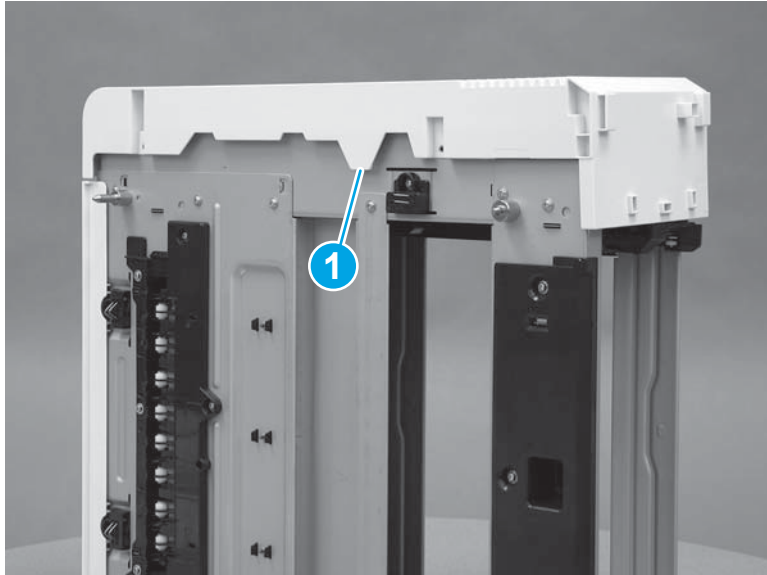


Figure 1-2715 Remove two screws



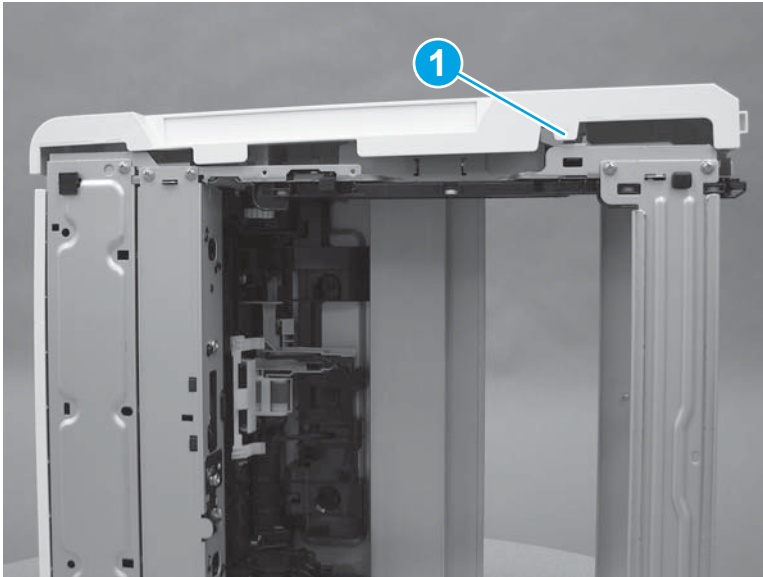
2. Release one tab (callout 1) on the top of the feeder.

Figure 1-2716 Release one tab



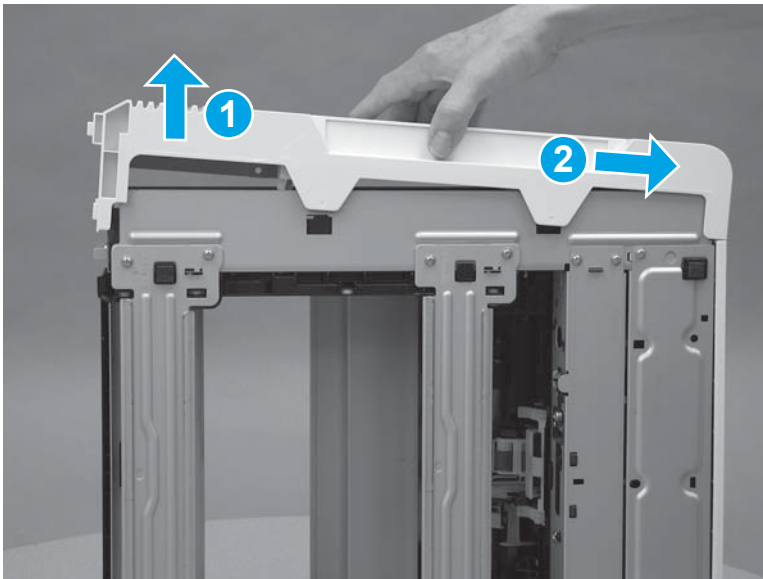
3. Lay the feeder on the right side so that the left side is facing up. Release two tabs (callout 1) on the bottom of the feeder, and then release two tabs (callout 2) on the front of the feeder.

Figure 1-2717 Release four tabs



4. Lift the front of the cover up (callout 1), and then slide the cover (callout 2) toward the back of the feeder to remove it.

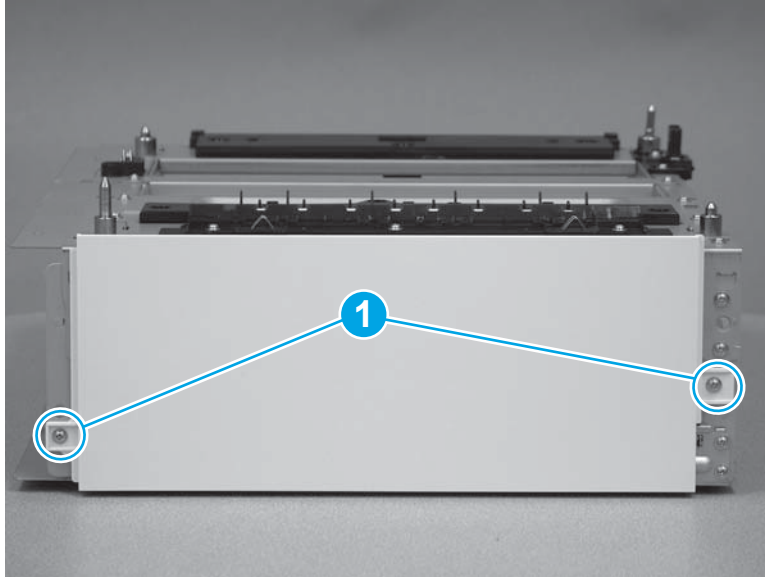
Figure 1-2718 Remove the cover



#### Step 4: Remove the rear cover (550-sheet paper feeder)

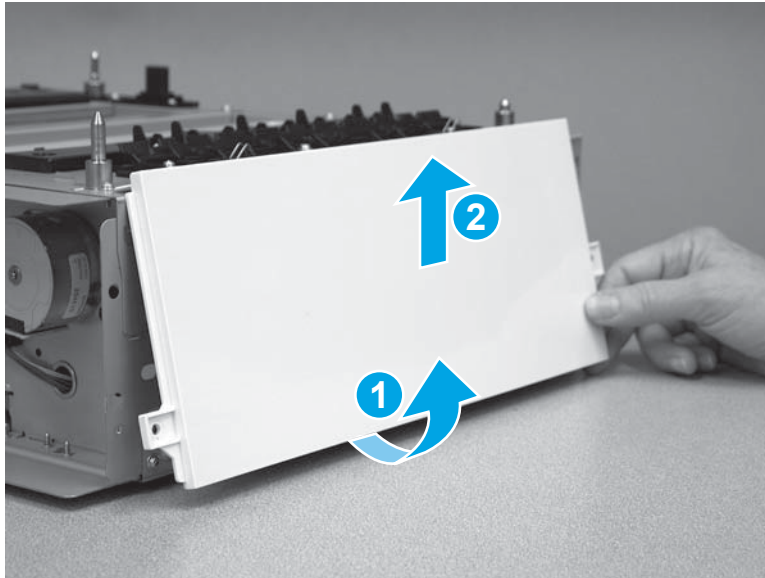
1. Remove two screws (callout 1).

Figure 1-2719 Remove two screws



2. Rotate the bottom edge of the cover (callout 1) away from the feeder, and then raise the cover up (callout 2) to remove it.

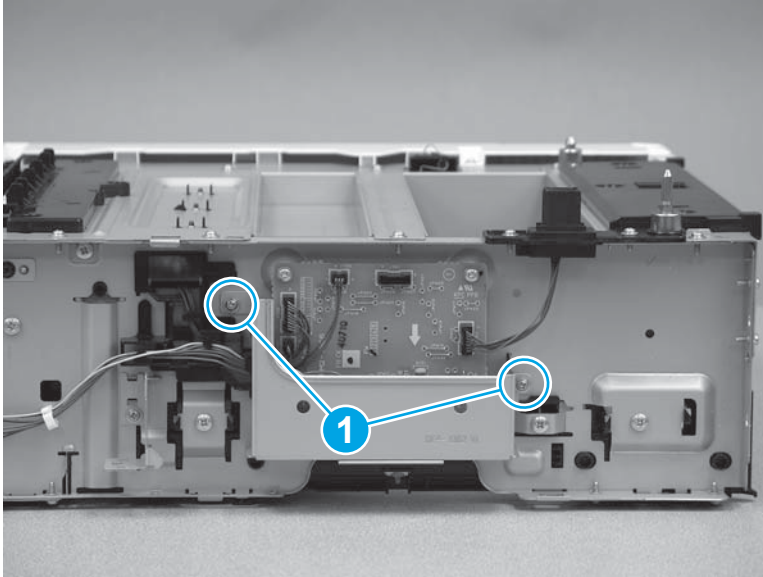
Figure 1-2720 Remove the rear cover



#### Step 5: Remove the PCA cover (550-sheet paper feeder)

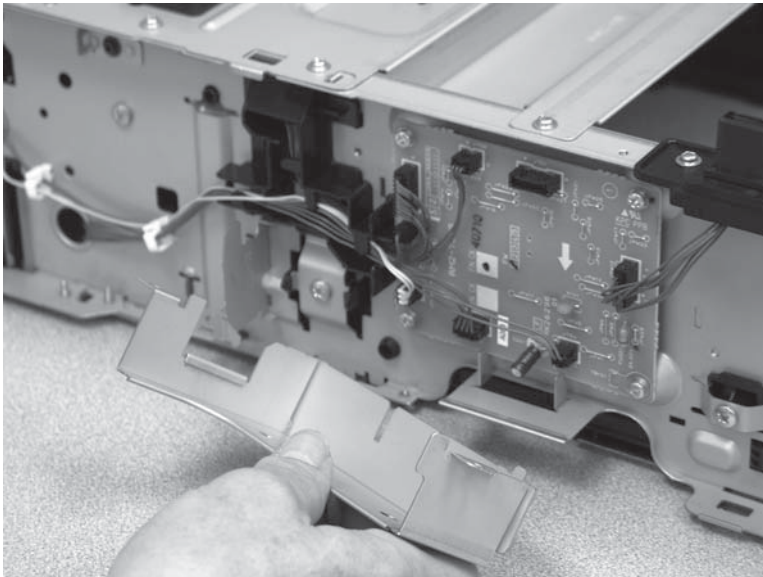
1. On the left side of the feeder, remove two screws (callout 1).

Figure 1-2721 Remove two screws



2. Remove the PCA cover.

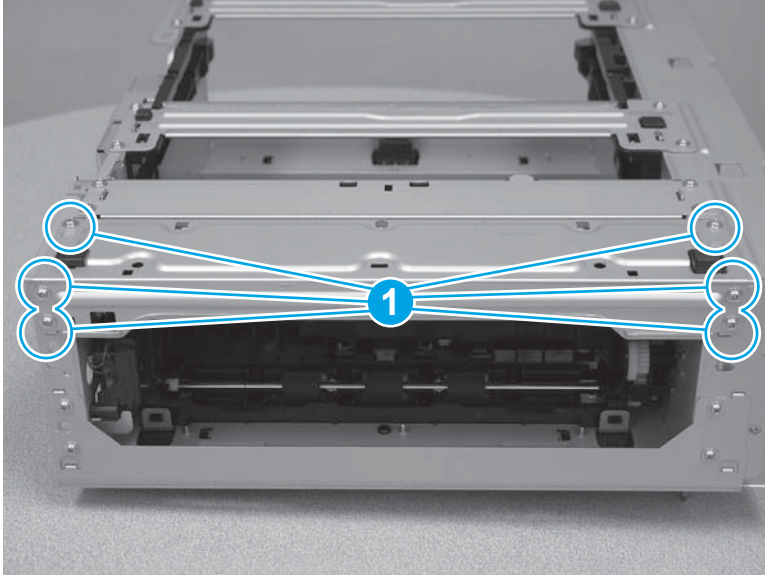
Figure 1-2722 Remove the PCA cover



### Step 6: Remove the baseplate (550-sheet paper feeder)

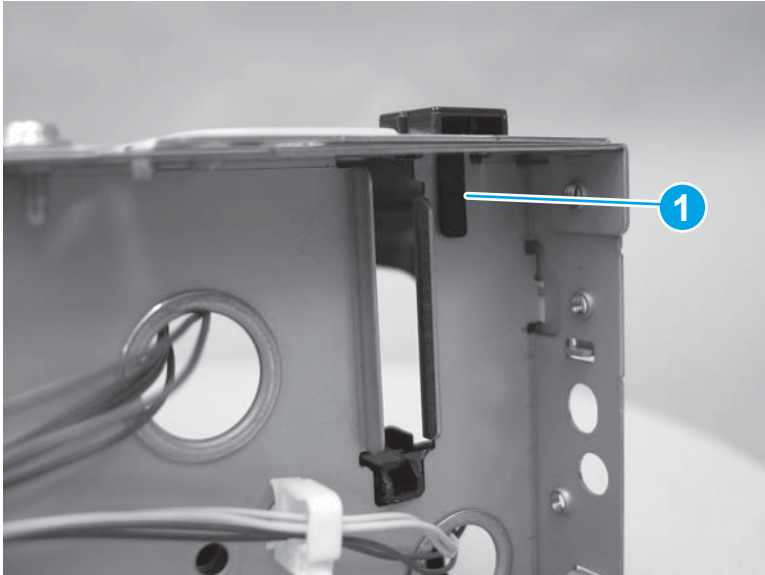
1. Lay the feeder on the top side so that the bottom side is facing up. Remove six screws (callout 1).

Figure 1-2723 Remove six screws



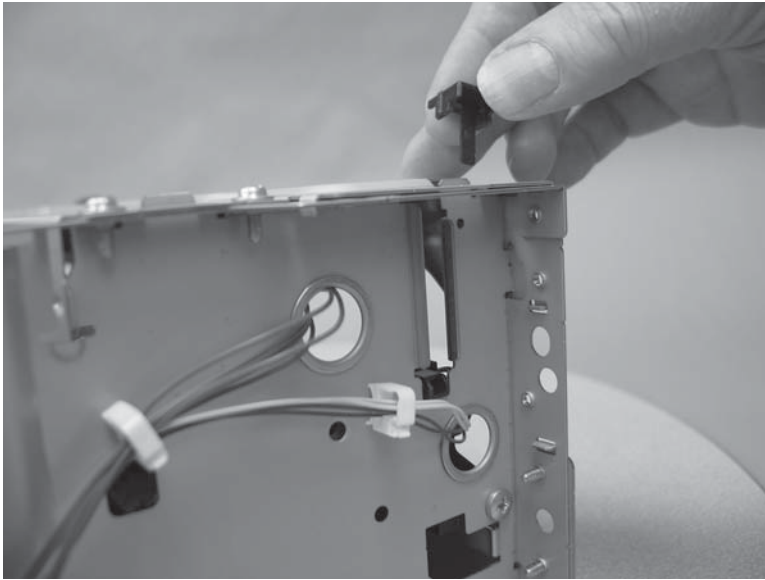
2. On the left side of the feeder, release one tab (callout 1) on the foot.

Figure 1-2724 Release one tab



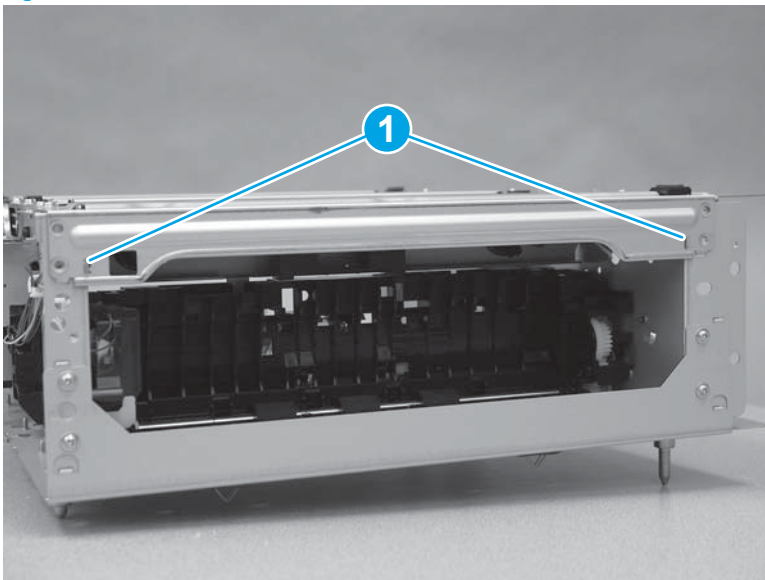
3. Remove the foot.

Figure 1-2725 Remove the foot



4. Release two tabs (callout 1).

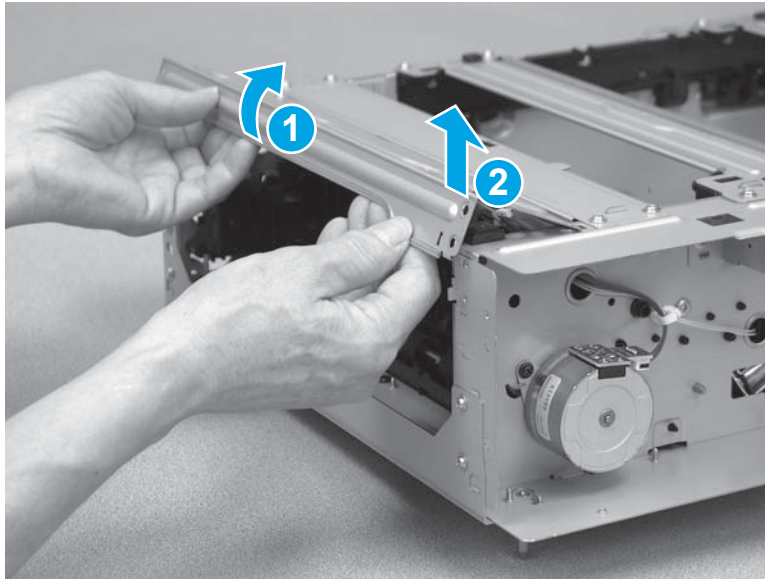
Figure 1-2726 Release two tabs





5. Rotate the edge of the baseplate up (callout 1), and then lift it up (callout 2) to remove it.

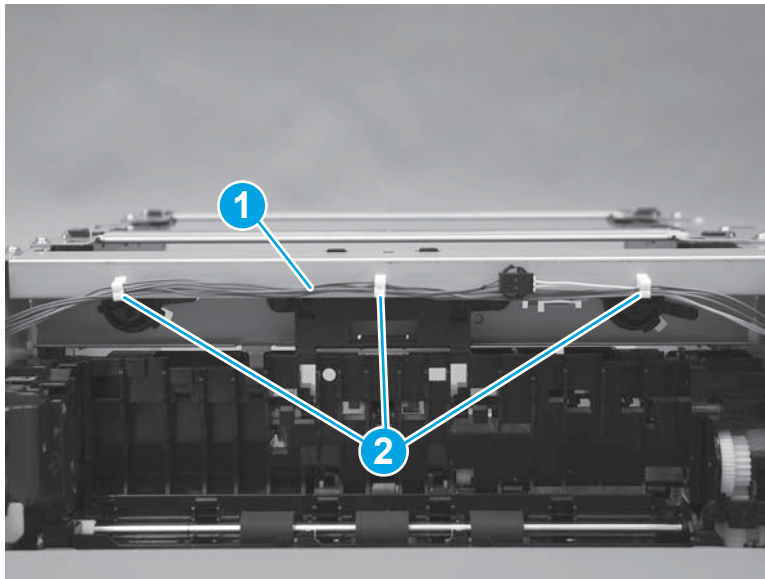
Figure 1-2727 Remove the baseplate



#### Step 7: Remove the feed frame assembly (550-sheet paper feeder)

1. Release the cables (callout 1) from the retainers (callout 2).

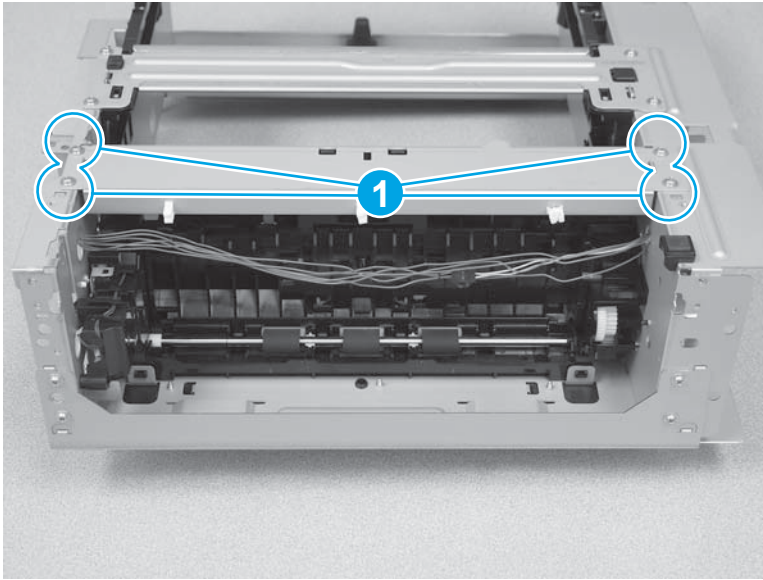
Figure 1-2728 Release the cables





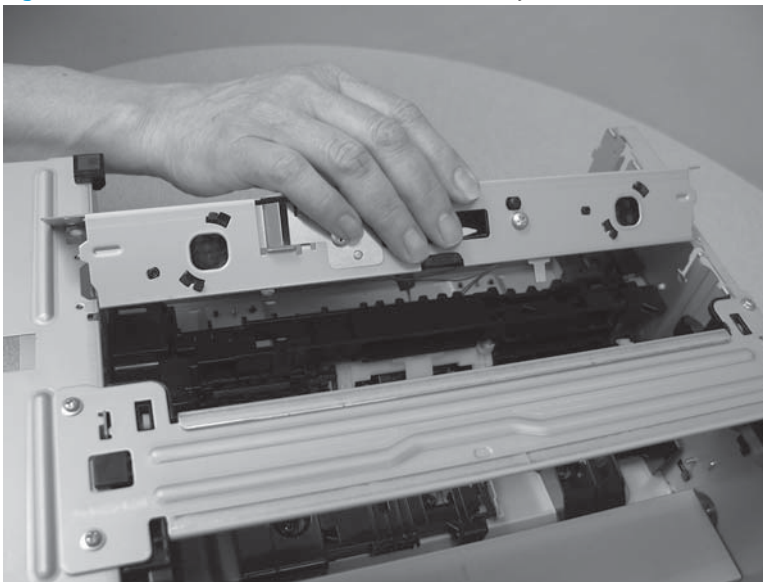
2. Remove four screws (callout 1).

Figure 1-2729 Remove four screws



3. Remove the feed frame assembly.

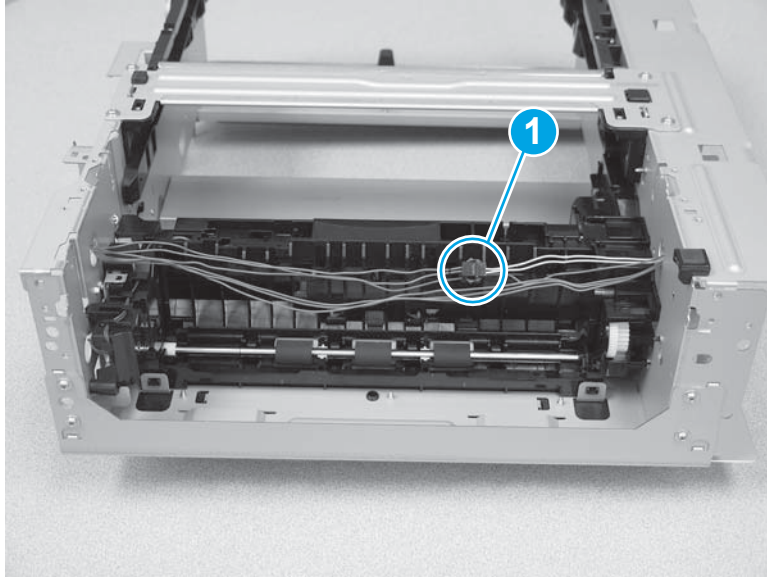
Figure 1-2730 Remove the feed frame assembly



#### Step 8: Remove the lifter drive assembly (550-sheet paper feeder)

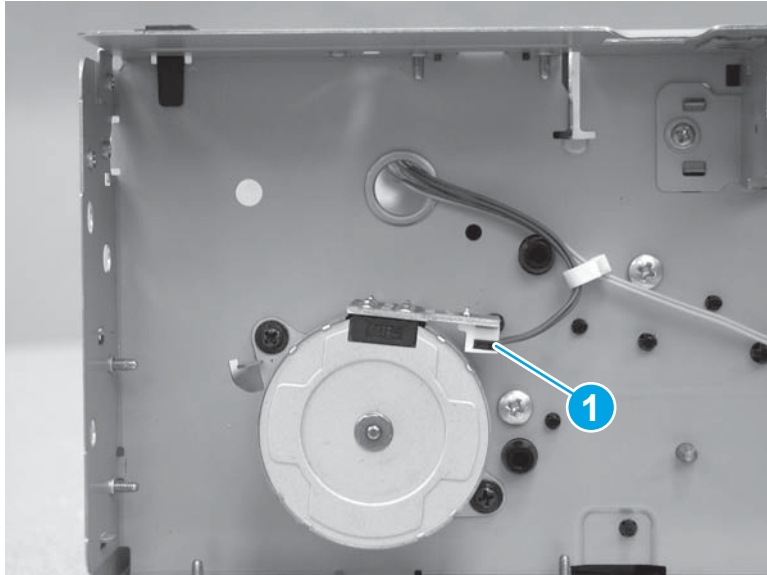
1. Lay the feeder on the top so that the bottom is facing up. Disconnect one in-line connector (callout 1).

Figure 1-2731 Disconnect one connector



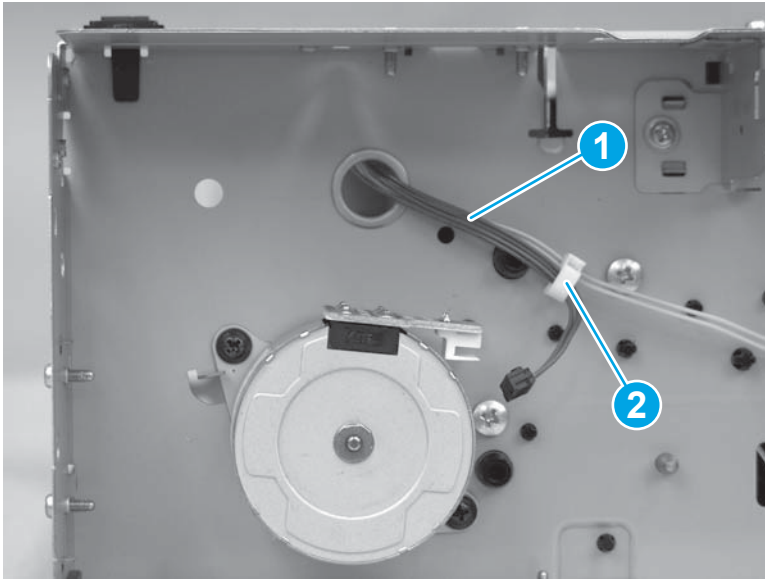
2. On the right side of the feeder, disconnect one connector (callout 1) from the motor.

Figure 1-2732 Disconnect one connector



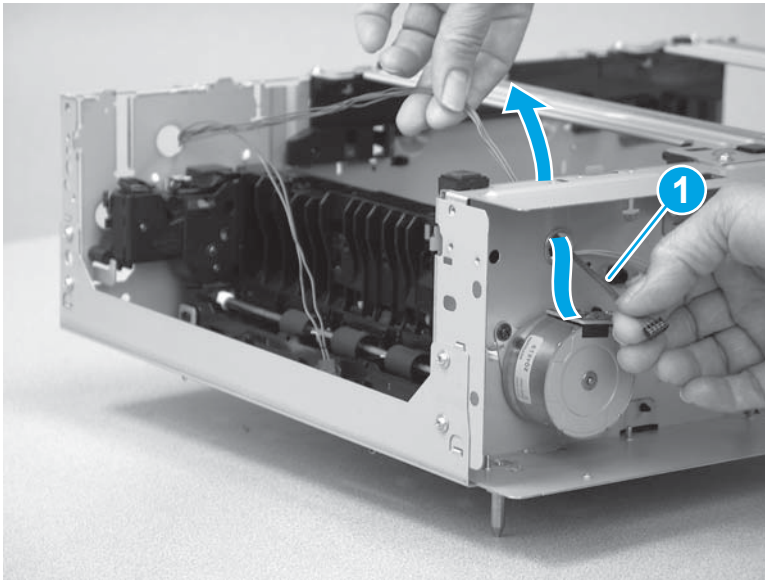
3. Release the cables (callout 1) from the retainer (callout 2).

Figure 1-2733 Release the cables



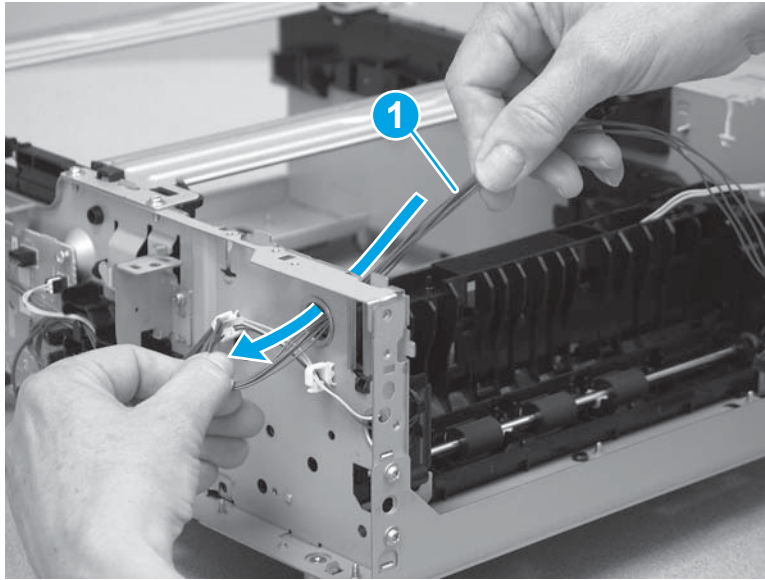
4. Release the cables (callout 1) through the hole in the sheet metal.

Figure 1-2734 Release the cables




5. On the left side of the feeder, remove all of the cables (callout 1) through the opening in the paper feeder.

Figure 1-2735 Remove the cables



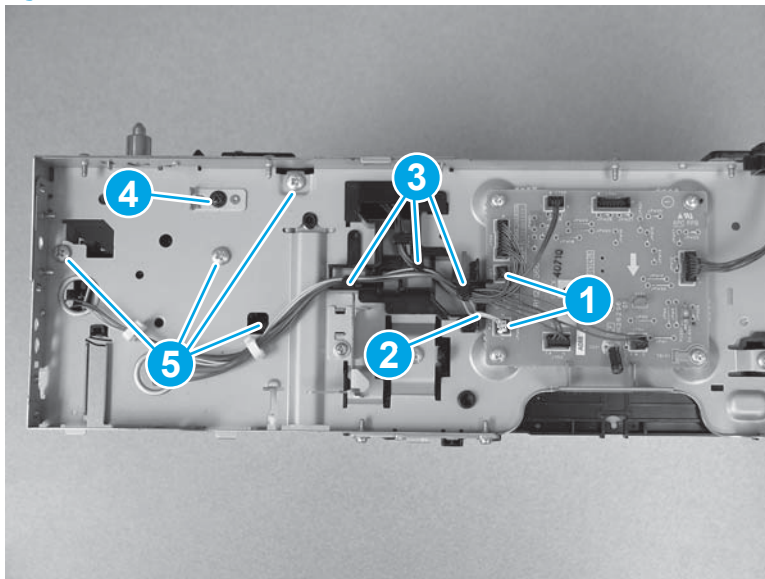
6. Lay the feeder on the right side so that the left side is facing up. Disconnect two connectors (callout 1), and remove the cables (callout 2) from the guides (callout 3). Remove one screw (callout 4), and then remove four more screws (callout 5).

---

 **Reinstallation tip:** One screw (callout 4) is different from the other screws. Make sure that this screw is installed in the correct position.

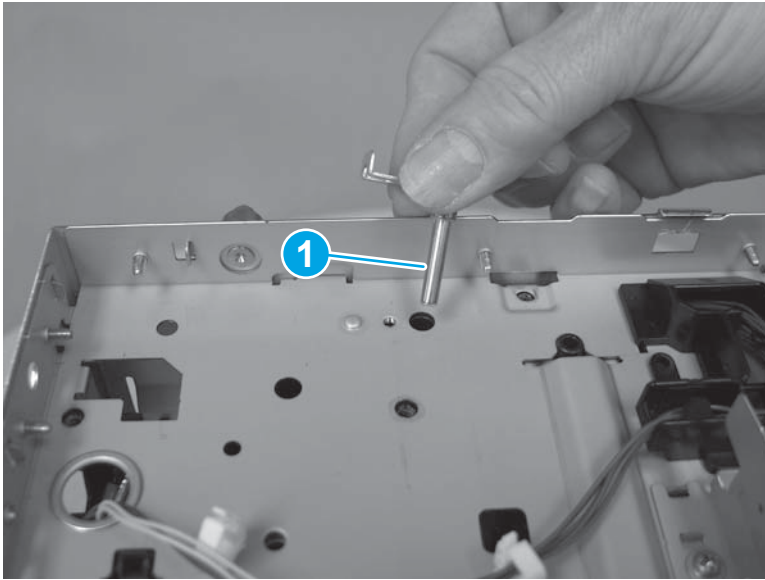
---

Figure 1-2736 Disconnect connector and remove five screws



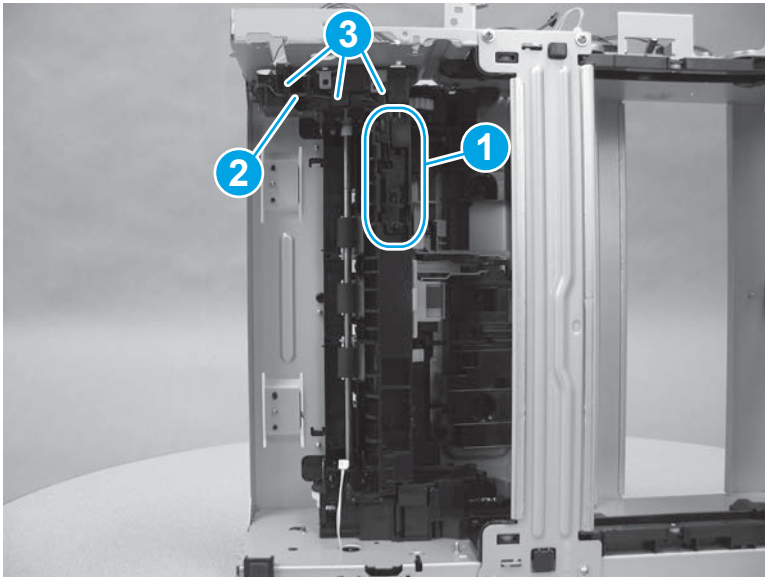
7. Remove the shaft (callout 1).

Figure 1-2737 Remove the shaft



8. Release the tray sensor switch (callout 1), and then remove the cables (callout 2) from the guides (callout 3).

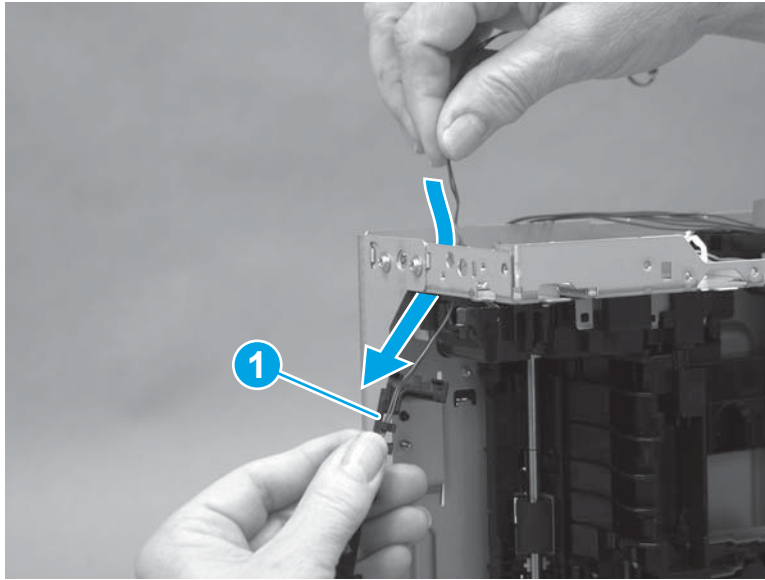
Figure 1-2738 Release the tray sensor switch





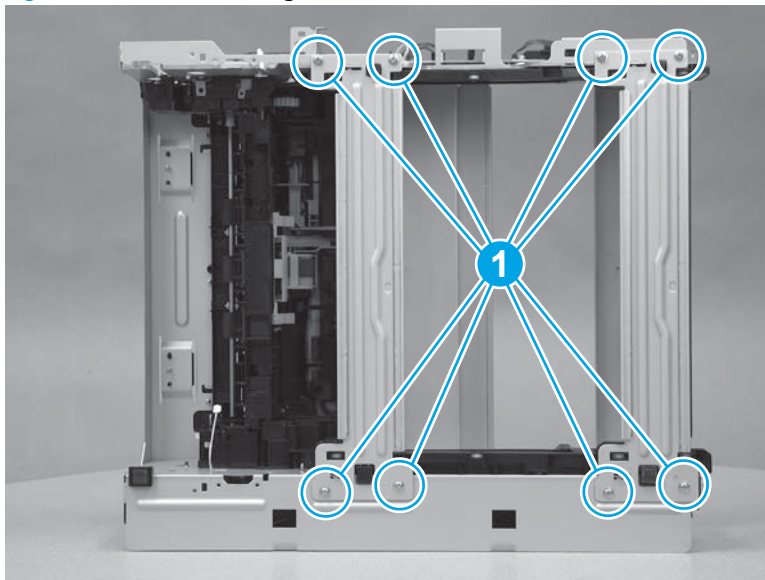
9. Release the tray sensor switch cables (callout 1) through the hole in the sheet metal.

Figure 1-2739 Release the tray sensor switch cables



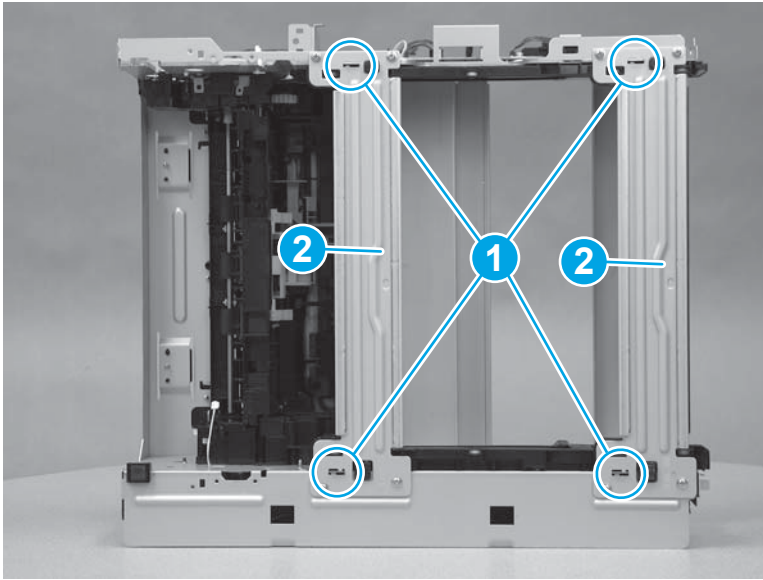
10. Remove eight screws (callout 1).

Figure 1-2740 Remove eight screws



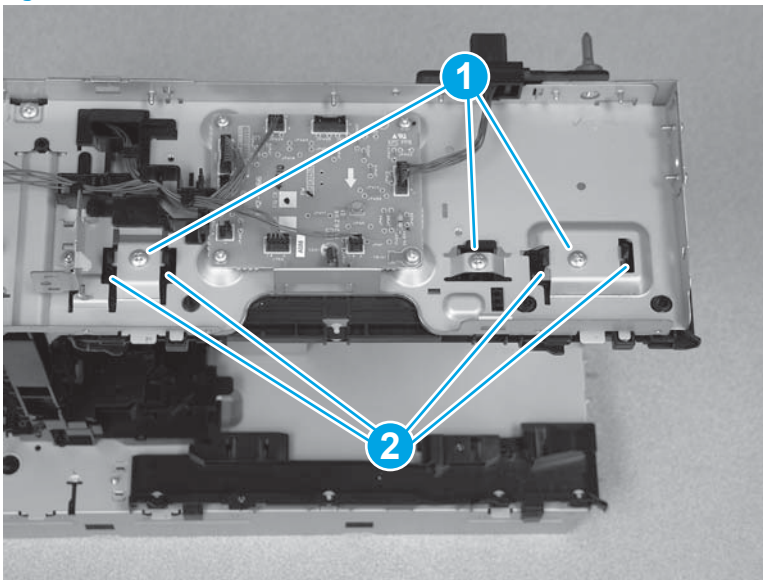
11. Release four tabs (callout 1), and then remove the cross braces (callout 2).

Figure 1-2741 Remove the cross braces



12. On the left side of the feeder, remove three screws (callout 1), and then release three tabs (callout 2).

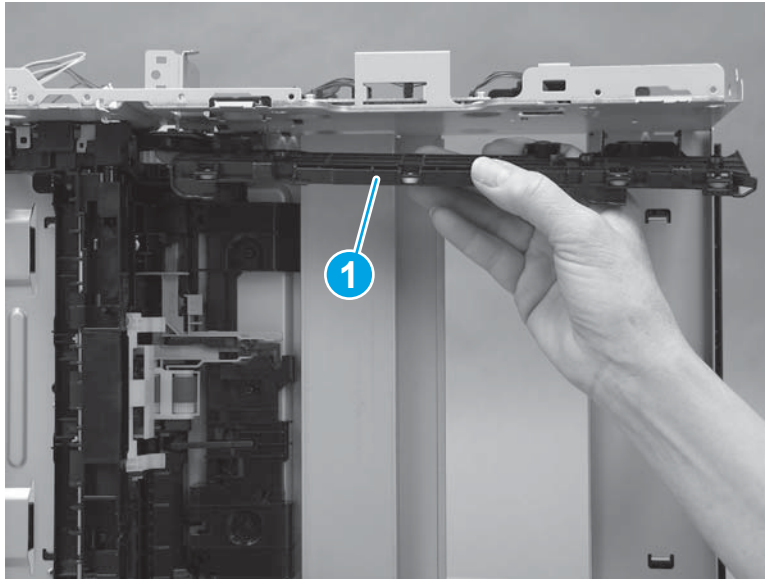
Figure 1-2742 Remove screws and release tabs





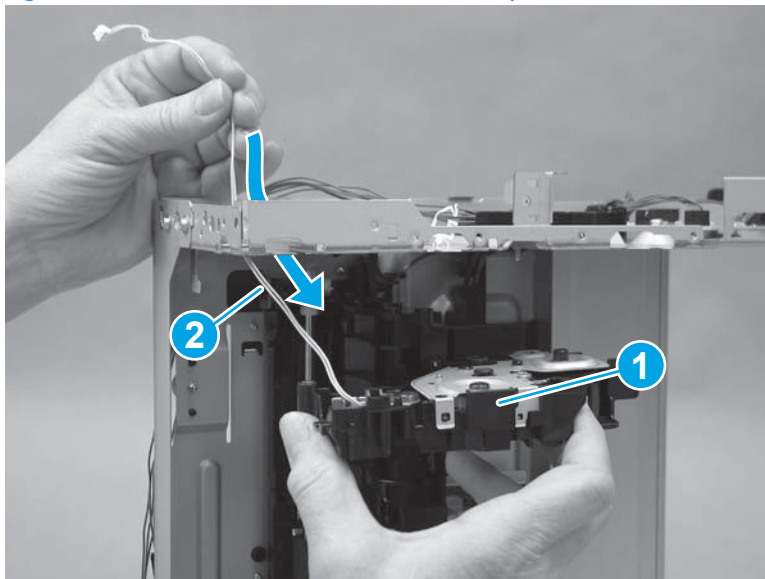
13. Remove the tray guide (callout 1).

Figure 1-2743 Remove the tray guide



14. Remove the lifter drive assembly (callout 1), and then release the cables (callout 2) through the feeder frame.

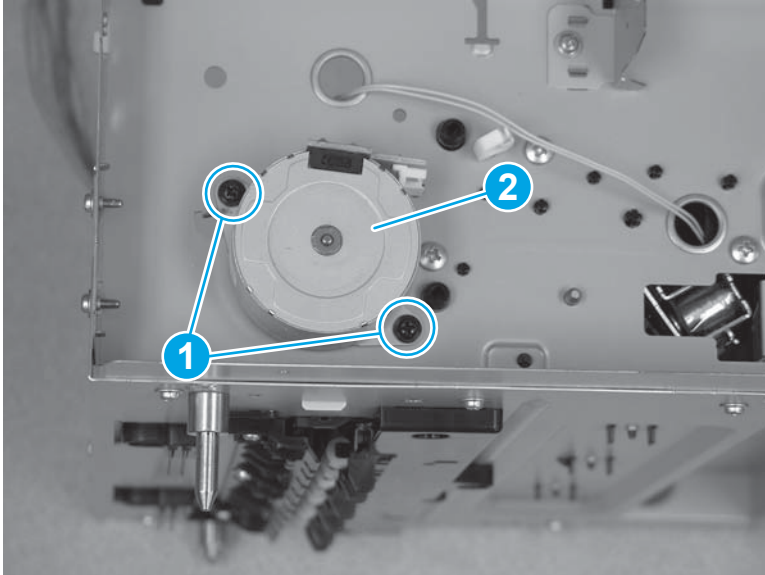
Figure 1-2744 Remove the lifter drive assembly



#### Step 9: Remove the pickup assembly (550-sheet paper feeder)

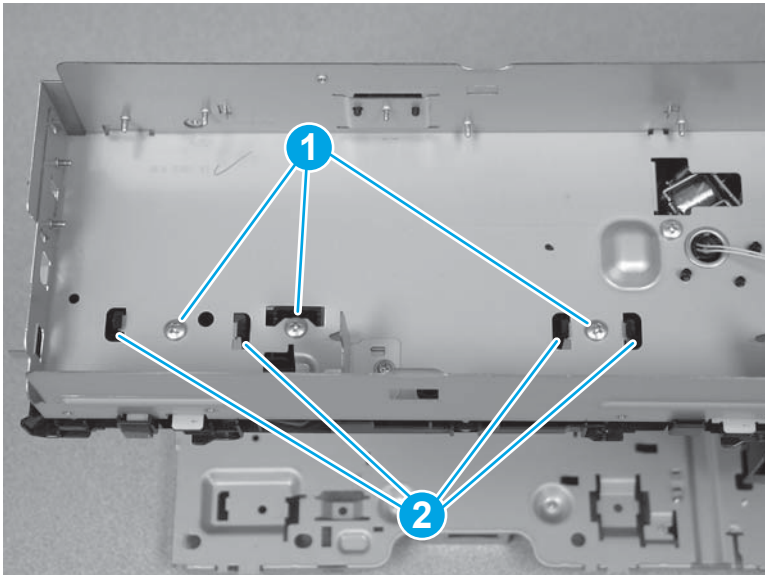
1. Lay the feeder on the left side so that the right side is facing up. Remove two screws (callout 1), and then remove the motor (callout 2).

Figure 1-2745 Remove the motor



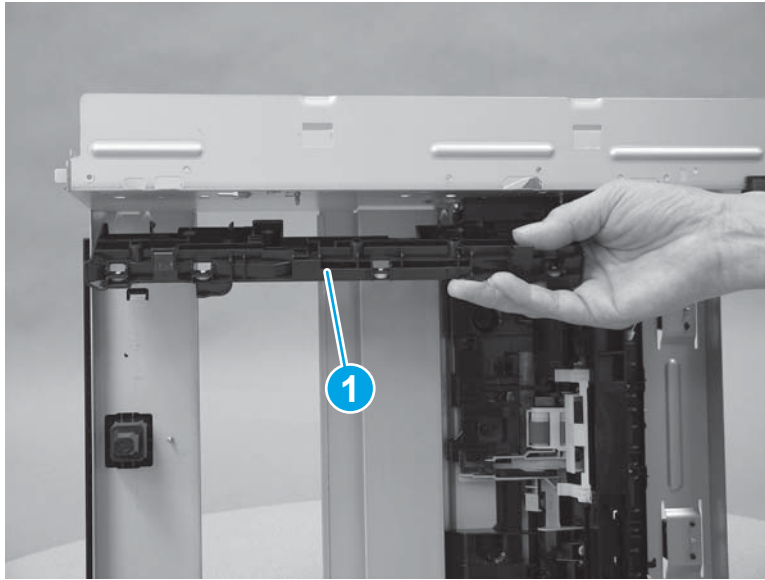
2. Remove three screws (callout 1), and then release three tabs (callout 2).

Figure 1-2746 Remove screws and release tabs



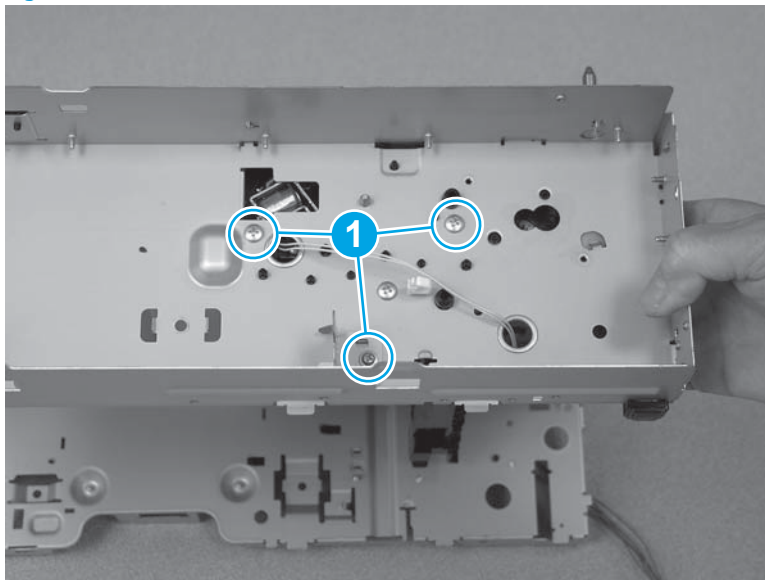
3. Remove the tray guide (callout 1).

Figure 1-2747 Remove the tray guide



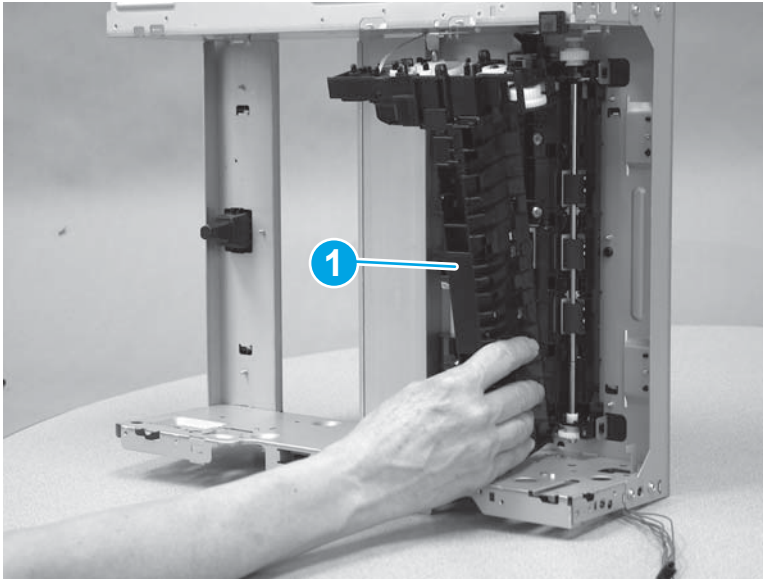
4. Remove three screws (callout 1).

Figure 1-2748 Remove three screws



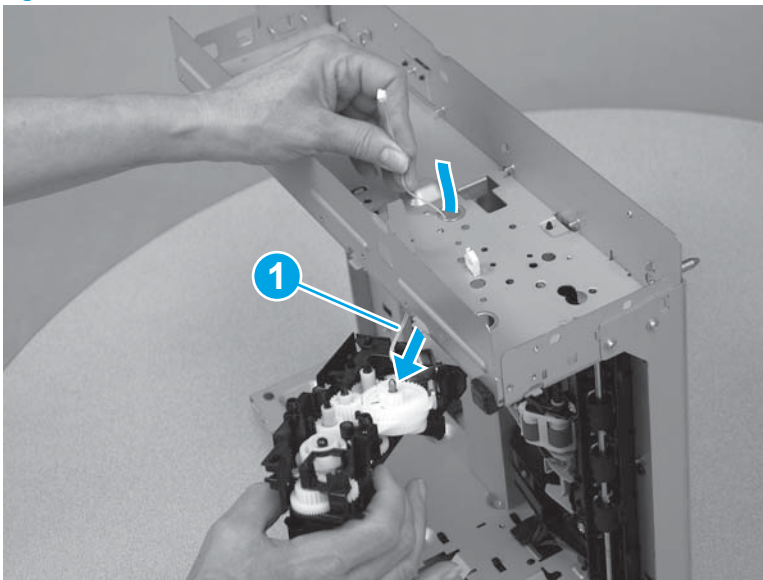
5. Remove the pickup assembly (callout 1).

Figure 1-2749 Remove the pickup assembly



6. Release the cables (callout 1) through the feeder frame.

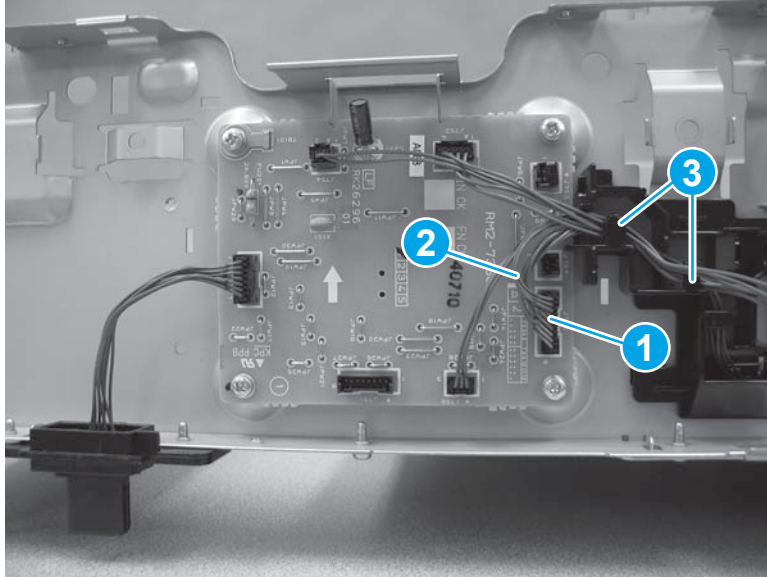
Figure 1-2750 Release the cables



#### Step 10: Remove the front feed guide assembly (550-sheet paper feeder)

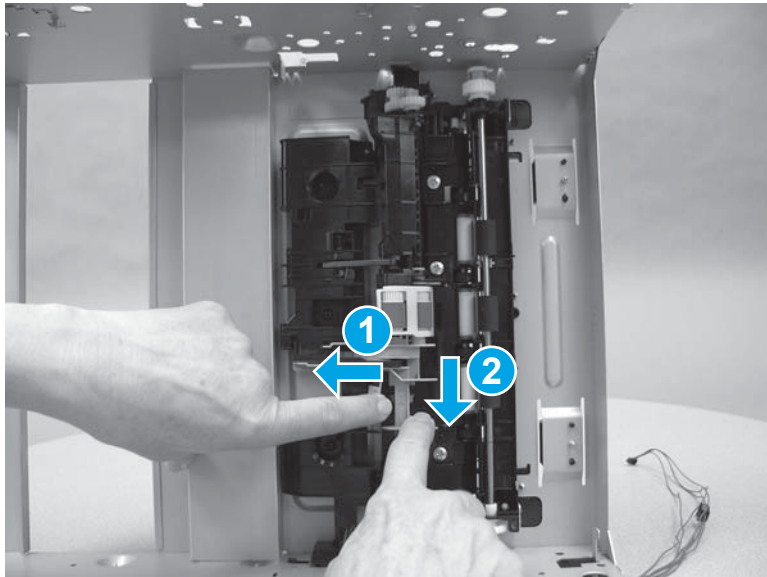
1. Lay the feeder on the right side so that the left side is facing up. Disconnect one connector (callout 1), and then remove the cables (callout 2) from the guides (callout 3).

Figure 1-2751 Disconnect one connector



2. Press the lever (callout 1) on the roller holder, and then slide the roller holder down (callout 2).

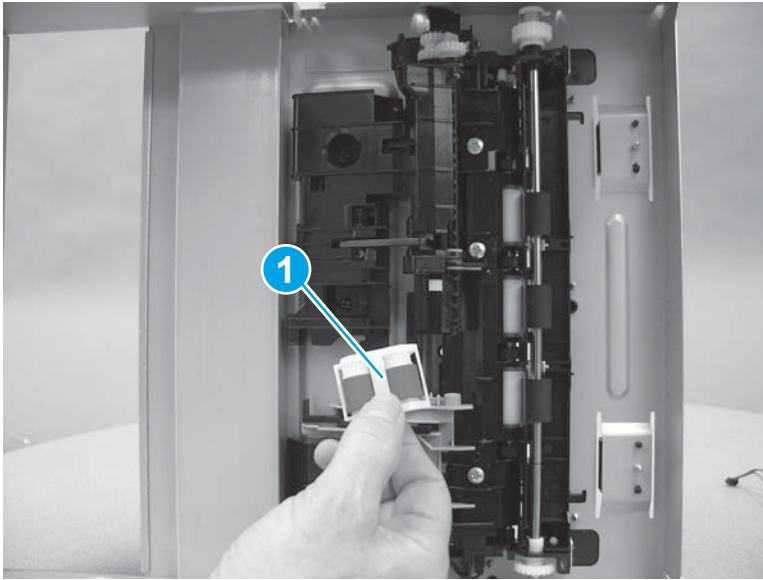
Figure 1-2752 Slide the roller holder





3. Remove the roller holder (callout 1).

Figure 1-2753 Remove the pickup and feed rollers



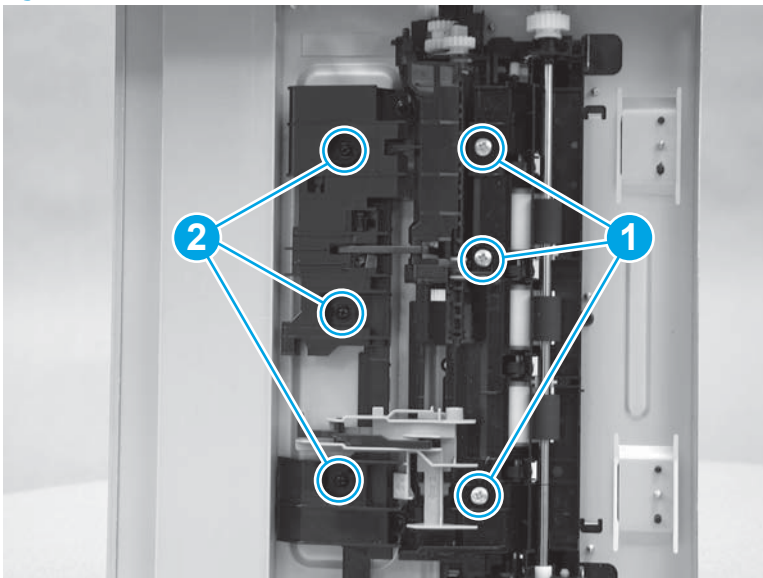
4. Remove three screws (callout 1) on the rear feed guide assembly, and then remove three screws (callout 2) on the front feed guide assembly.

---

 **Reinstallation tip:** The three screws (callout 1) on the rear feed guide assembly are larger than the screws on the front feed guide assembly.

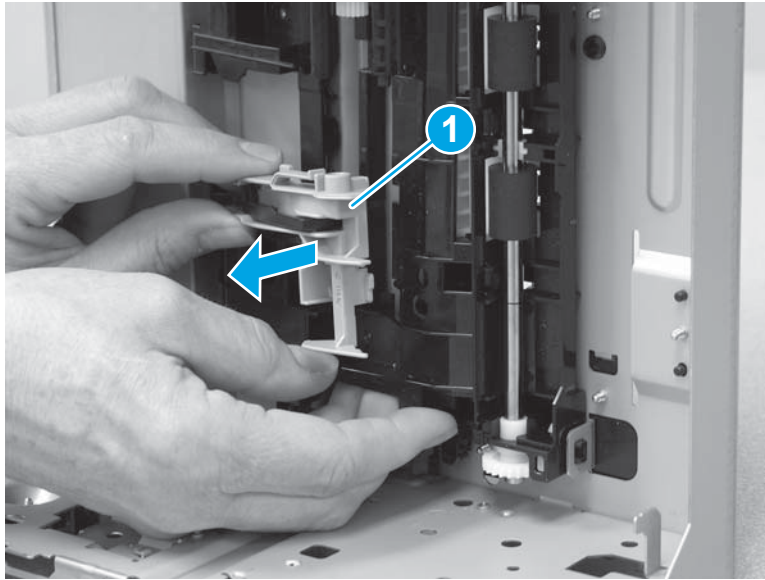
---

Figure 1-2754 Remove six screws



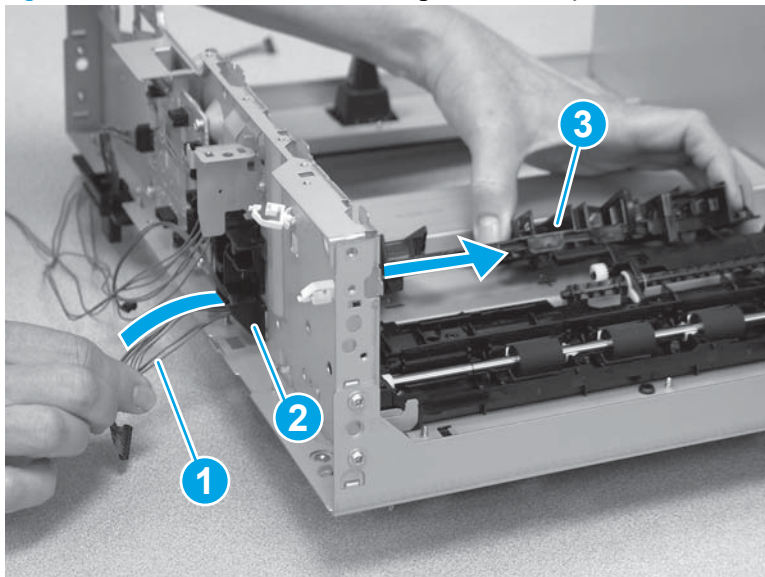
5. Remove the roller holder (callout 1).

Figure 1-2755 Remove the roller holder



6. Release the cables (callout 1) through the feeder frame (callout 2), and then remove the front feed guide assembly (callout 3).

Figure 1-2756 Remove the front feed guide assembly

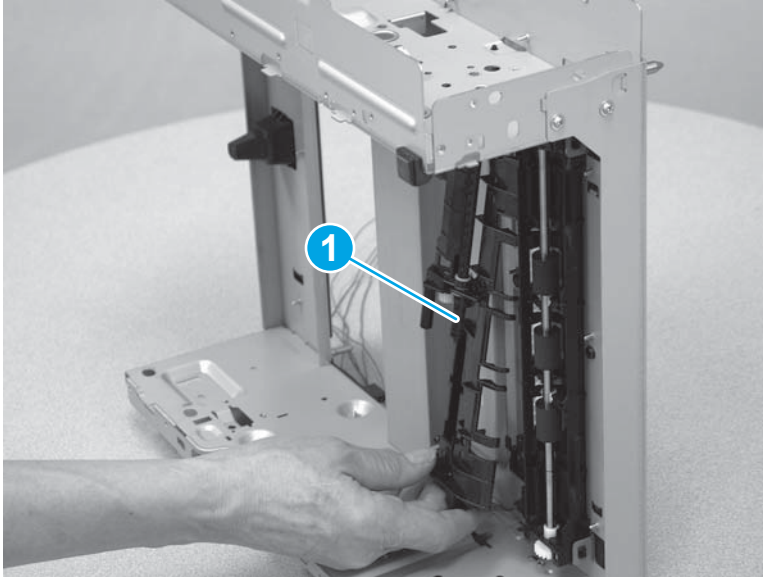


### Step 11: Remove the rear feed guide assembly (550-sheet paper feeder)

- ▲ Remove the rear feed guide assembly (callout 1).



Figure 1-2757 Remove the rear feed guide assembly




### Step 12: Unpack the replacement part

Remove the new part from its package. Save all packaging for recycling the used part.

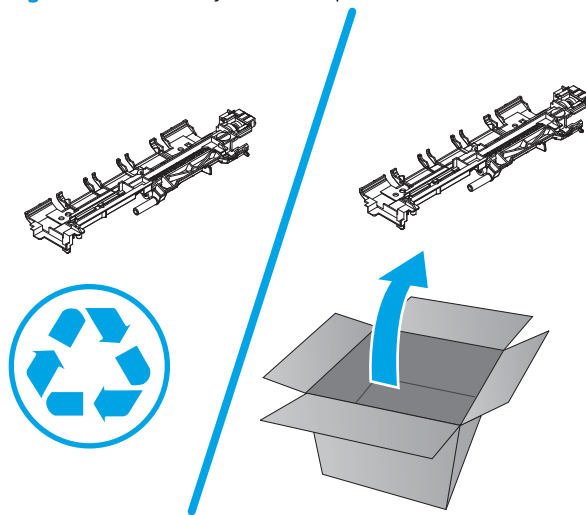
For complete information on HP's recycling programs, go to [Product return and recycling](#).

---

 **NOTE:** HP recommends responsible disposal of the defective part.

---


Figure 1-2758 Recycle and unpack



### Step 13: Install the rear feed guide assembly (550-sheet paper feeder)

▲ To install an assembly, reverse the removal steps.

---

 **NOTE:** When applicable, special installation instructions are provided for an assembly at the end of the removal procedure. Always completely read the removal instructions and follow all special installation instructions.

---

## Removal and replacement: Paper feed assembly (550-sheet paper feeder)

- [Introduction](#)
- [Step 1: Remove Tray 3](#)
- [Step 2: Remove the right cover \(550-sheet paper feeder\)](#)
- [Step 3: Remove the left cover \(550-sheet paper feeder\)](#)
- [Step 4: Remove the rear cover \(550-sheet paper feeder\)](#)
- [Step 5: Remove the PCA cover \(550-sheet paper feeder\)](#)
- [Step 6: Remove the baseplate \(550-sheet paper feeder\)](#)
- [Step 7: Remove the feed frame assembly \(550-sheet paper feeder\)](#)
- [Step 8: Remove the lifter drive assembly \(550-sheet paper feeder\)](#)
- [Step 9: Remove the pickup assembly \(550-sheet paper feeder\)](#)
- [Step 10: Remove the front feed guide assembly \(550-sheet paper feeder\)](#)
- [Step 11: Remove the rear feed guide assembly \(550-sheet paper feeder\)](#)
- [Step 12: Remove the paper feed assembly \(550-sheet paper feeder\)](#)
- [Step 13: Unpack the replacement part](#)
- [Step 14: Install the paper feed assembly \(550-sheet paper feeder\)](#)

### Introduction


This document provides the procedures to remove and replace the paper feed assembly on the 550-sheet feeder.

[Click here to view a video of this procedure.](#)

### Before you begin

- Turn off the printer.
- Disconnect the power cable.

---

 **WARNING!** To avoid damage to the printer, turn the printer off, wait 30 seconds, and then remove the power cord before attempting to service the printer.

---

- Use the table below to identify the correct part number for your printer. To order the part, go to [www.hp.com/buy/parts](http://www.hp.com/buy/parts).

---

Paper feed assembly part number
---------------------------------

---

RM2-6494-000CN
----------------

---

Paper feed assembly (550-sheet feeder)
--

---

### Required tools

- #2 Phillips screwdriver with a magnetic tip
- Small flat-blade screwdriver

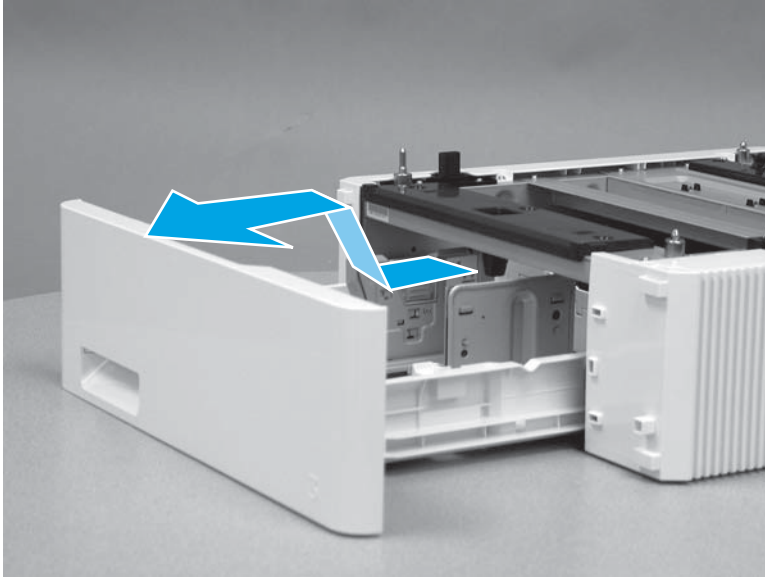
### After performing service

- Connect the power cable.
- Use the power switch to turn the power on.

### Step 1: Remove Tray 3

- ▲ Pull the tray out until it stops. Lift the front of the tray, and then pull it out of the printer to remove it.

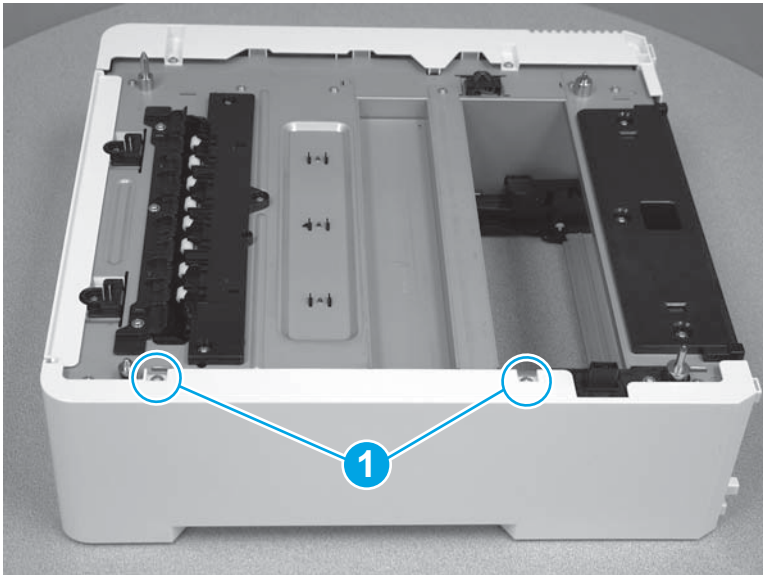
Figure 1-2759 Remove the tray



### Step 2: Remove the right cover (550-sheet paper feeder)

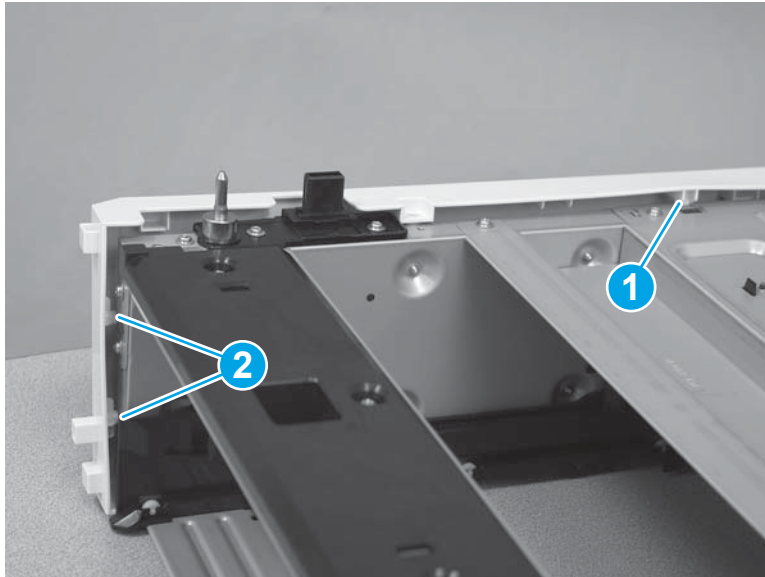
1. Remove two screws (callout 1).

Figure 1-2760 Remove two screws



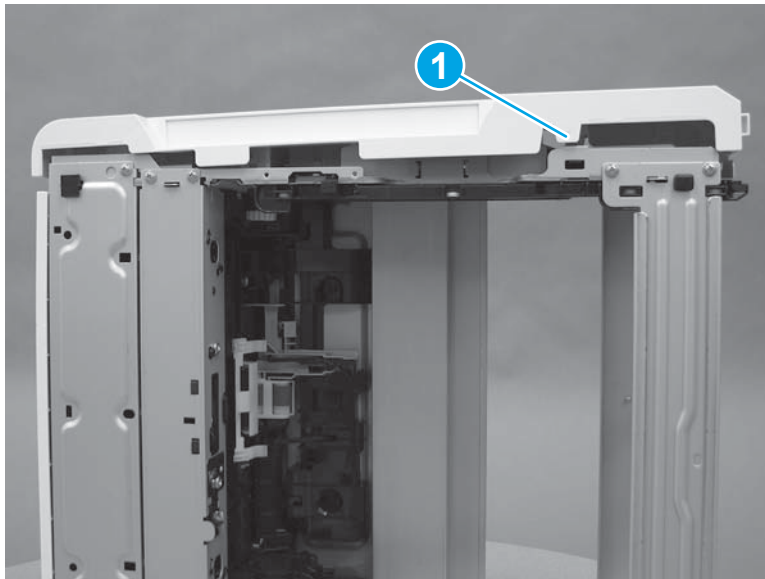
2. Release one tab (callout 1) on the top of the feeder, and then release two tabs (callout 2) at the front of the feeder.

Figure 1-2761 Release three tabs



3. Lay the feeder on the left side so that the right side is facing up, and then release one tab (callout 1) on the bottom of the feeder. Remove the right cover.

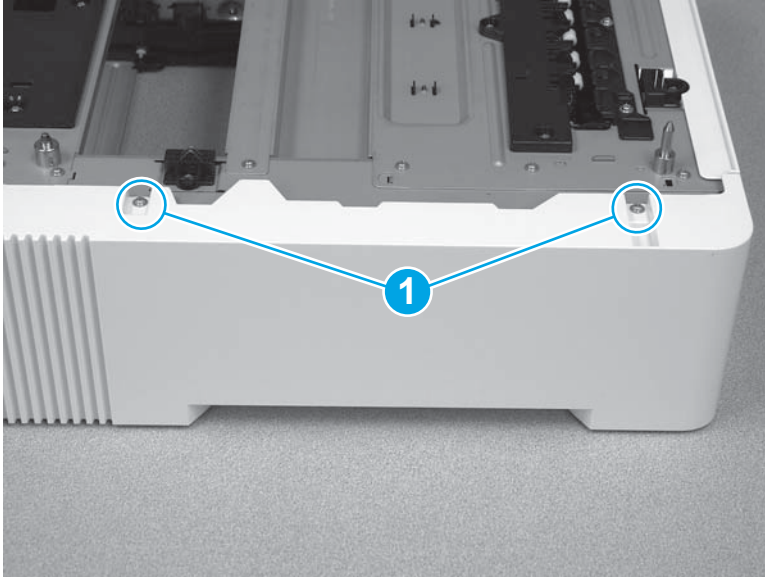
Figure 1-2762 Release one tab



### Step 3: Remove the left cover (550-sheet paper feeder)

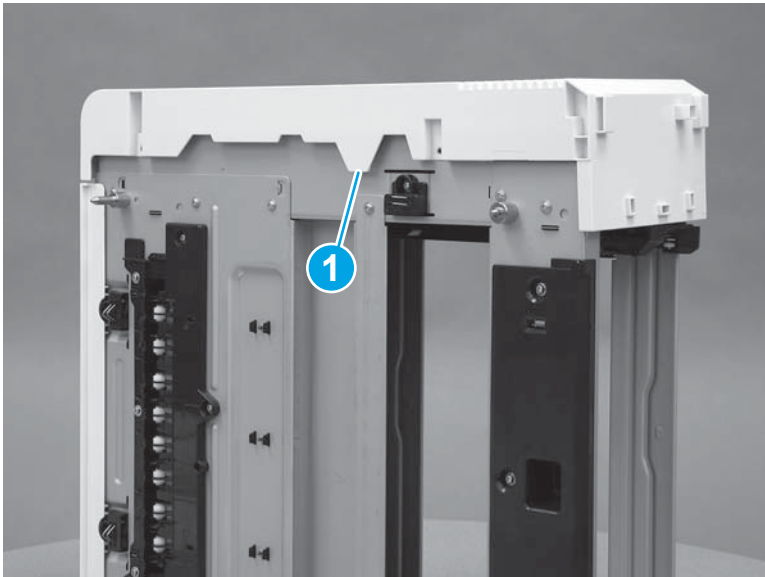
1. Remove two screws (callout 1).

Figure 1-2763 Remove two screws



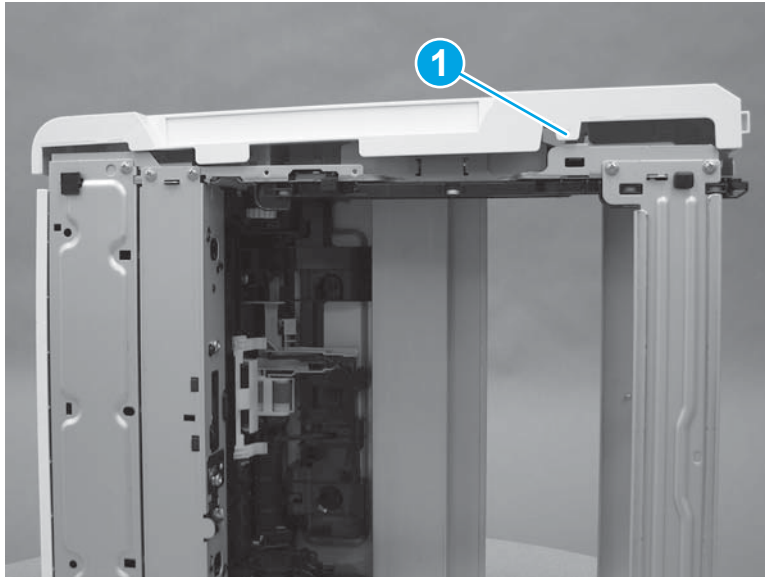
2. Release one tab (callout 1) on the top of the feeder.

Figure 1-2764 Release one tab



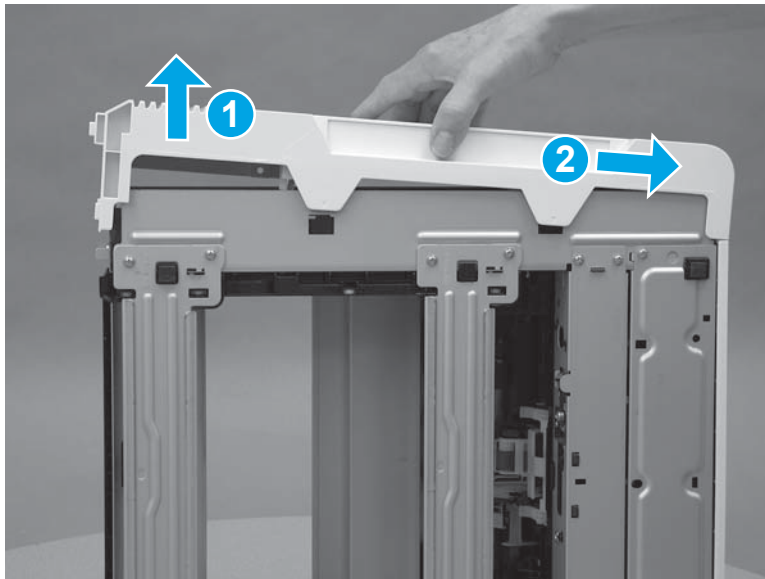
3. Lay the feeder on the right side so that the left side is facing up. Release two tabs (callout 1) on the bottom of the feeder, and then release two tabs (callout 2) on the front of the feeder.

Figure 1-2765 Release four tabs



4. Lift the front of the cover up (callout 1), and then slide the cover (callout 2) toward the back of the feeder to remove it.

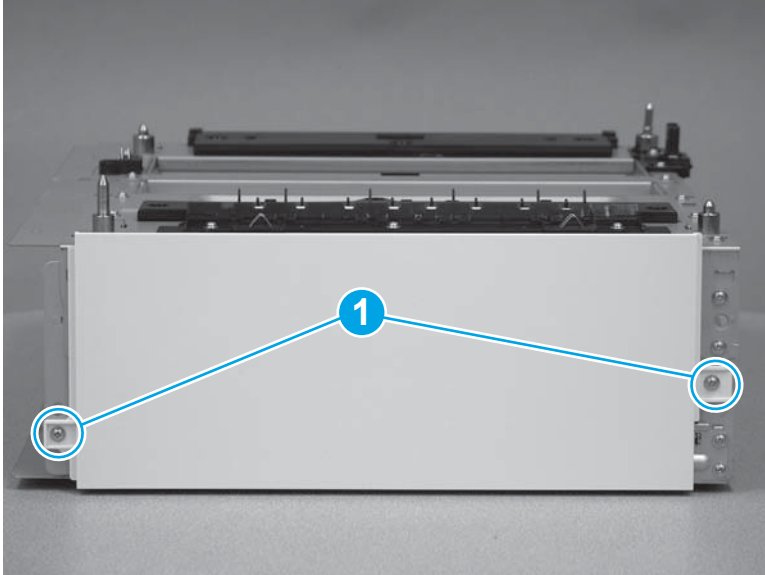
Figure 1-2766 Remove the cover



#### Step 4: Remove the rear cover (550-sheet paper feeder)

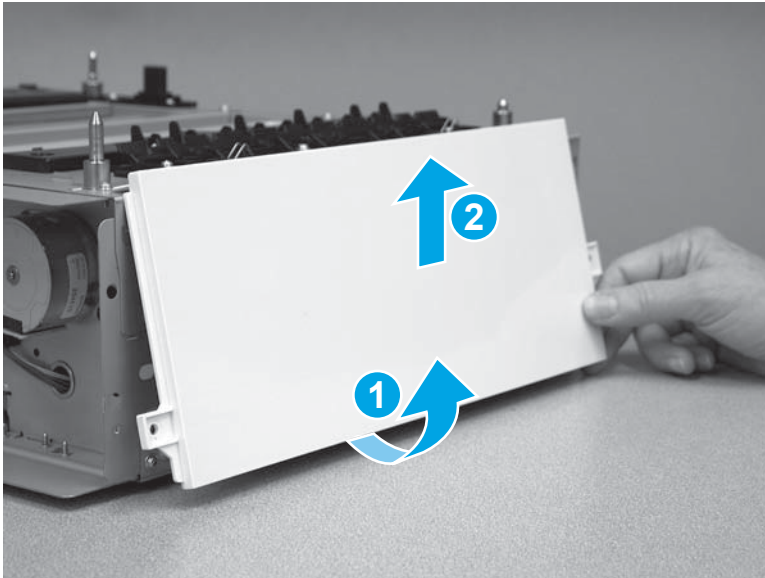
1. Remove two screws (callout 1).

Figure 1-2767 Remove two screws



2. Rotate the bottom edge of the cover (callout 1) away from the feeder, and then raise the cover up (callout 2) to remove it.

Figure 1-2768 Remove the rear cover

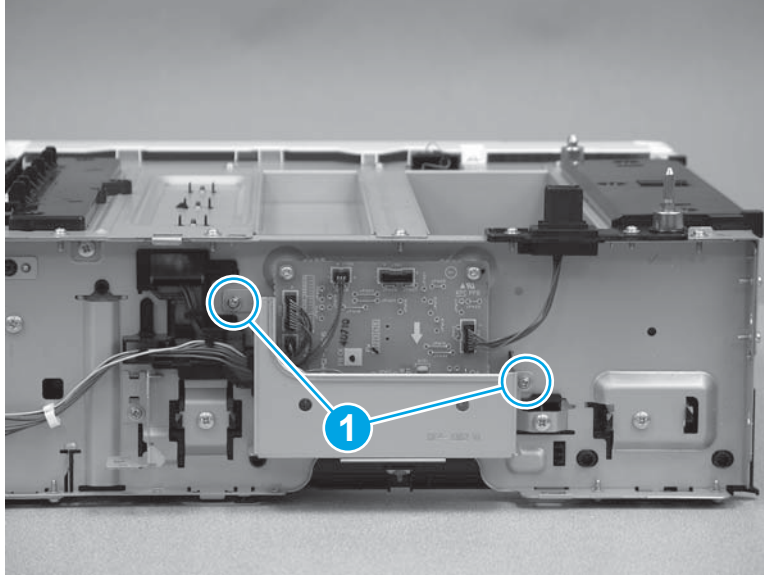


**Step 5: Remove the PCA cover (550-sheet paper feeder)**

1. On the left side of the feeder, remove two screws (callout 1).

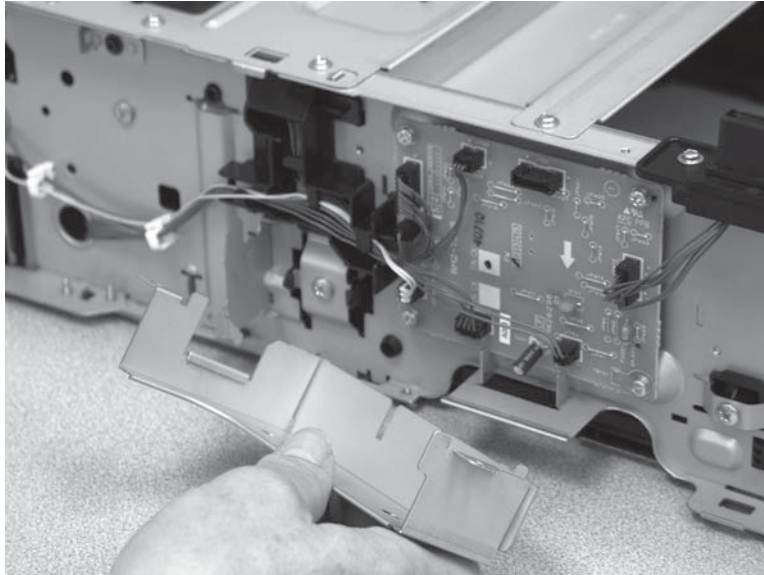


Figure 1-2769 Remove two screws



2. Remove the PCA cover.

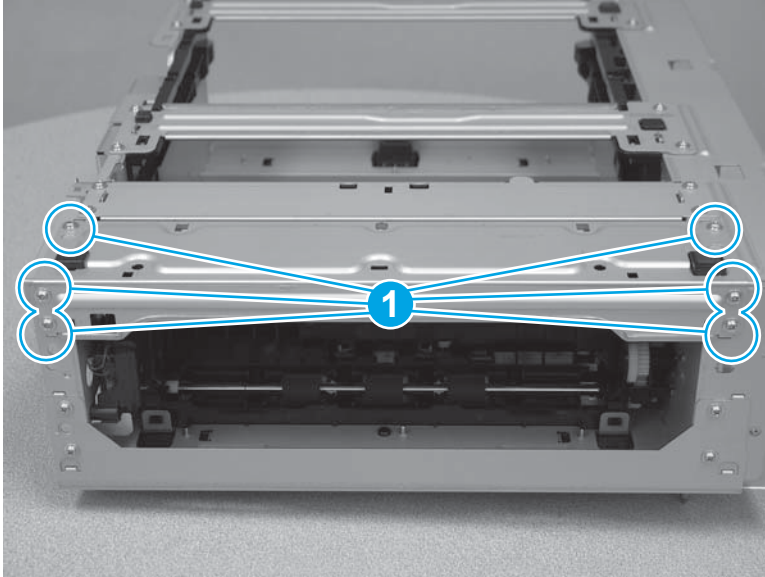
Figure 1-2770 Remove the PCA cover



### Step 6: Remove the baseplate (550-sheet paper feeder)

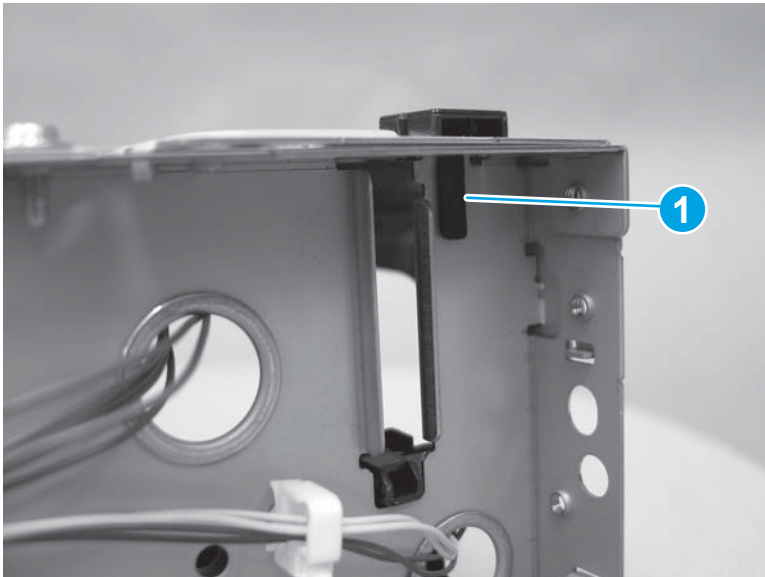
1. Lay the feeder on the top side so that the bottom side is facing up. Remove six screws (callout 1).

Figure 1-2771 Remove six screws



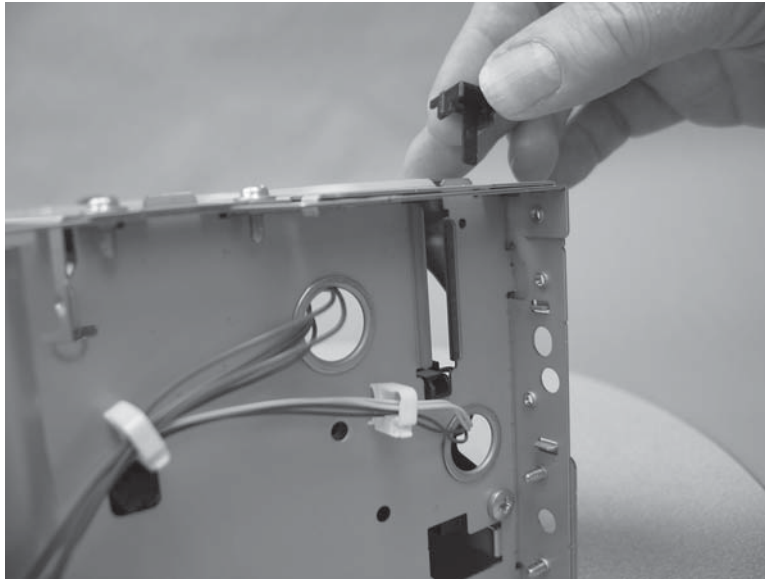
2. On the left side of the feeder, release one tab (callout 1) on the foot.

Figure 1-2772 Release one tab



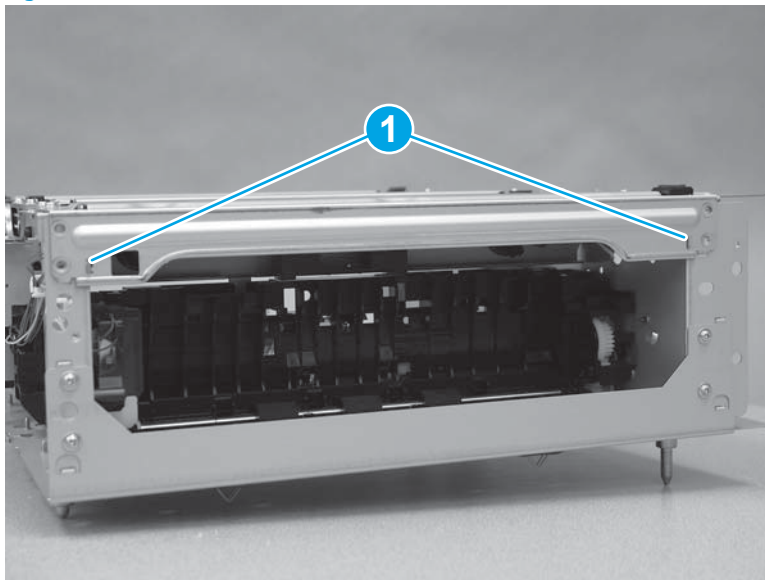
3. Remove the foot.

Figure 1-2773 Remove the foot



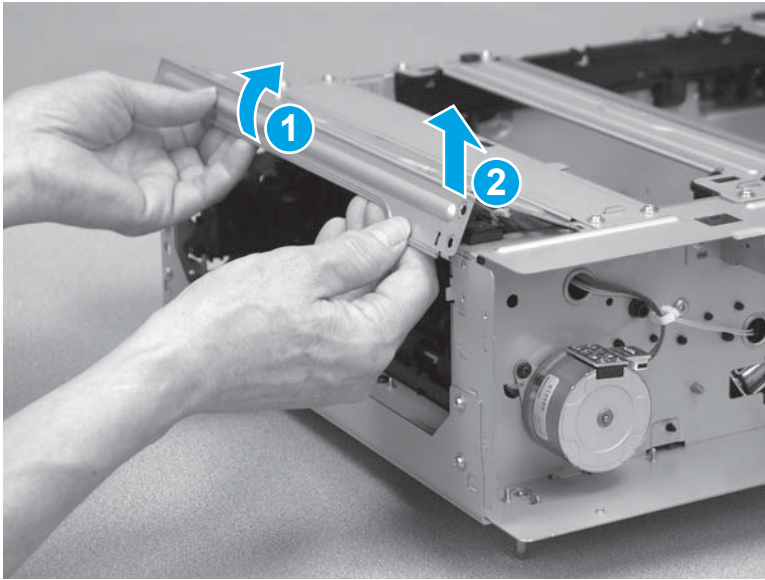
4. Release two tabs (callout 1).

Figure 1-2774 Release two tabs



5. Rotate the edge of the baseplate up (callout 1), and then lift it up (callout 2) to remove it.

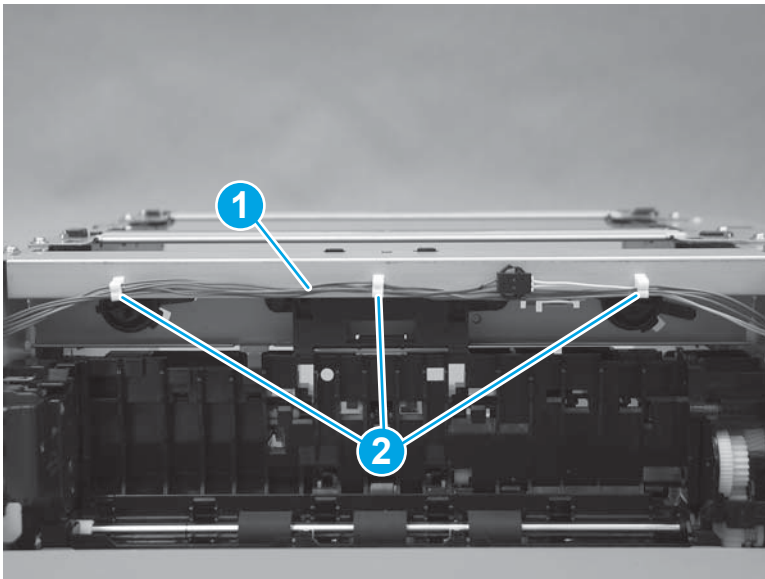
Figure 1-2775 Remove the baseplate



#### Step 7: Remove the feed frame assembly (550-sheet paper feeder)

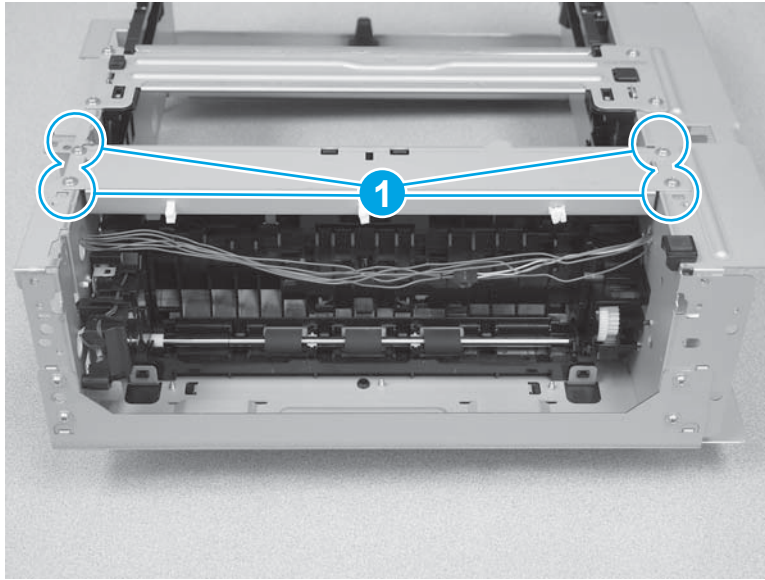
1. Release the cables (callout 1) from the retainers (callout 2).

Figure 1-2776 Release the cables



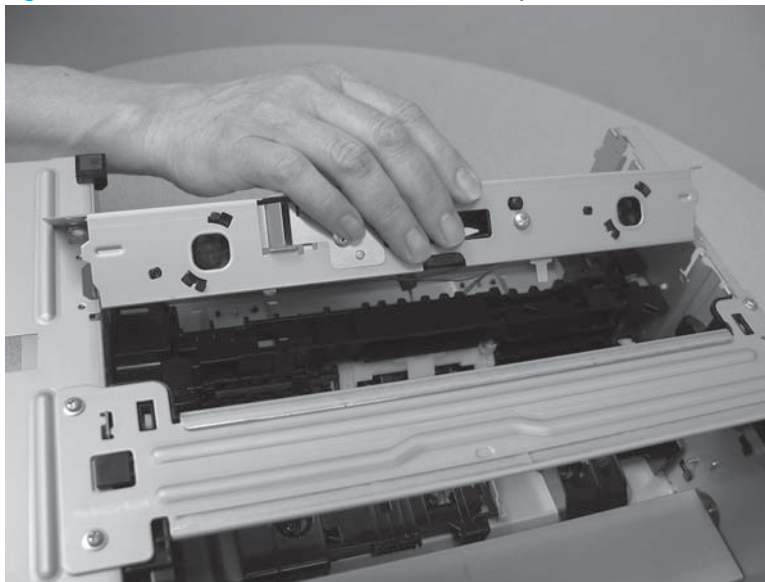
2. Remove four screws (callout 1).

Figure 1-2777 Remove four screws



3. Remove the feed frame assembly.

Figure 1-2778 Remove the feed frame assembly

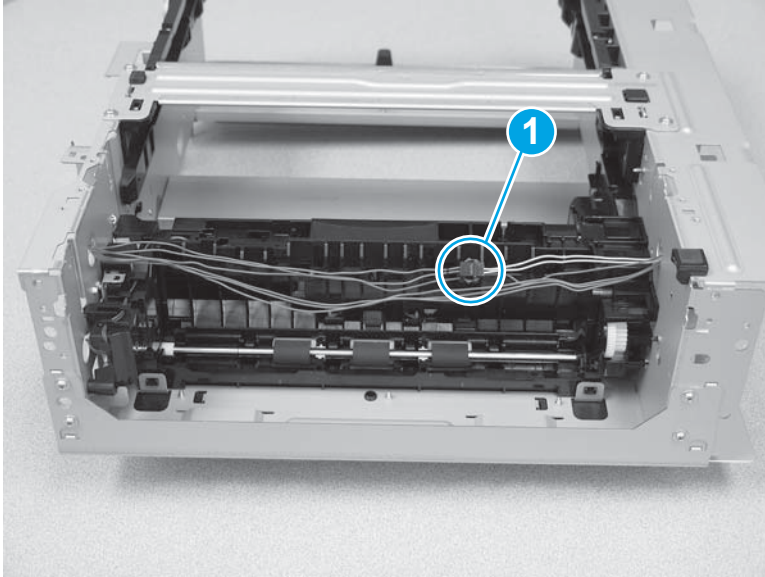


### Step 8: Remove the lifter drive assembly (550-sheet paper feeder)

1. Lay the feeder on the top so that the bottom is facing up. Disconnect one in-line connector (callout 1).

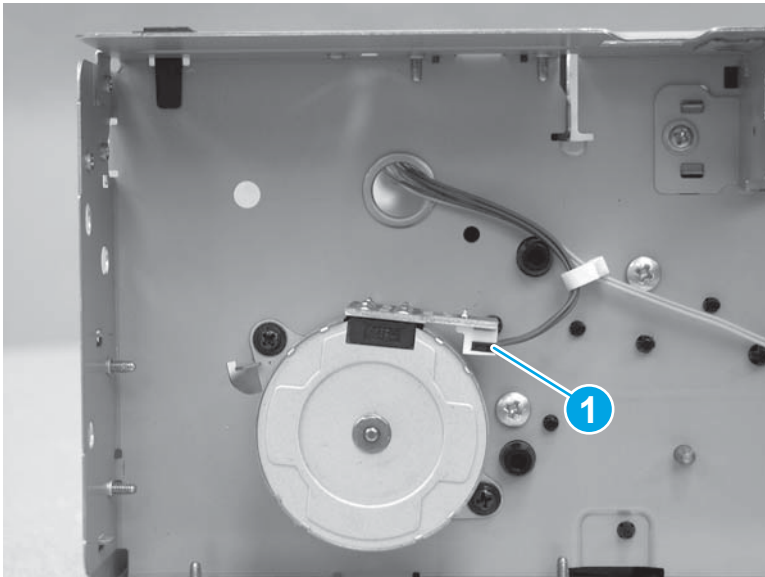


Figure 1-2779 Disconnect one connector



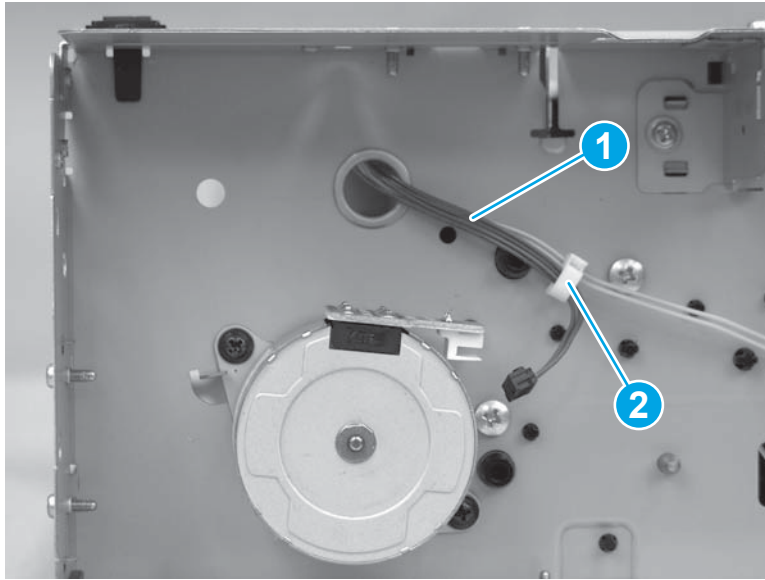
2. On the right side of the feeder, disconnect one connector (callout 1) from the motor.

Figure 1-2780 Disconnect one connector



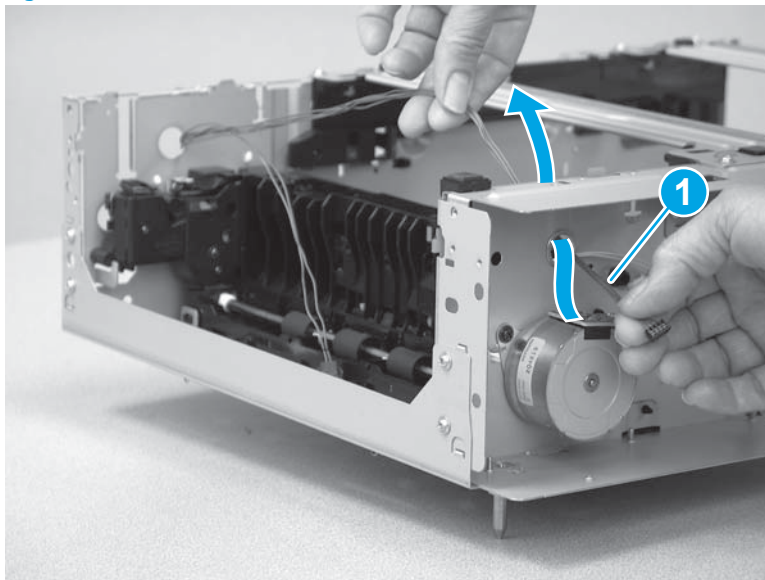
3. Release the cables (callout 1) from the retainer (callout 2).

Figure 1-2781 Release the cables



4. Release the cables (callout 1) through the hole in the sheet metal.

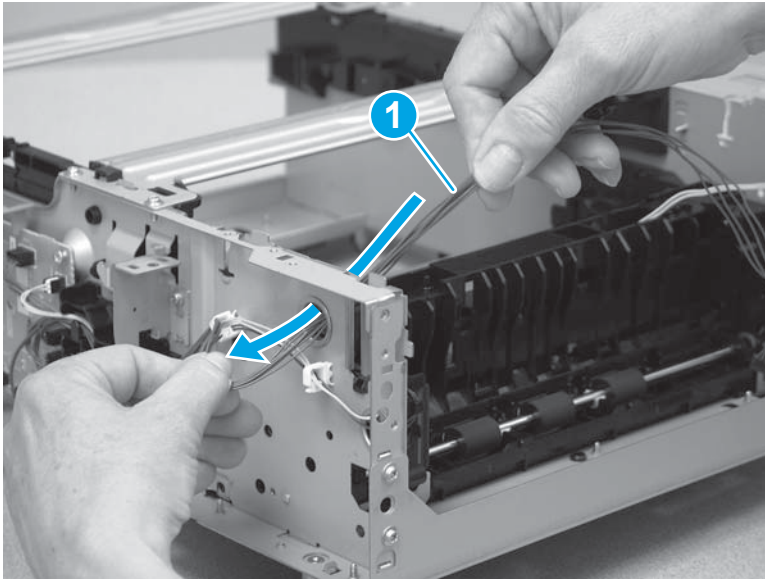
Figure 1-2782 Release the cables






5. On the left side of the feeder, remove all of the cables (callout 1) through the opening in the paper feeder.

Figure 1-2783 Remove the cables



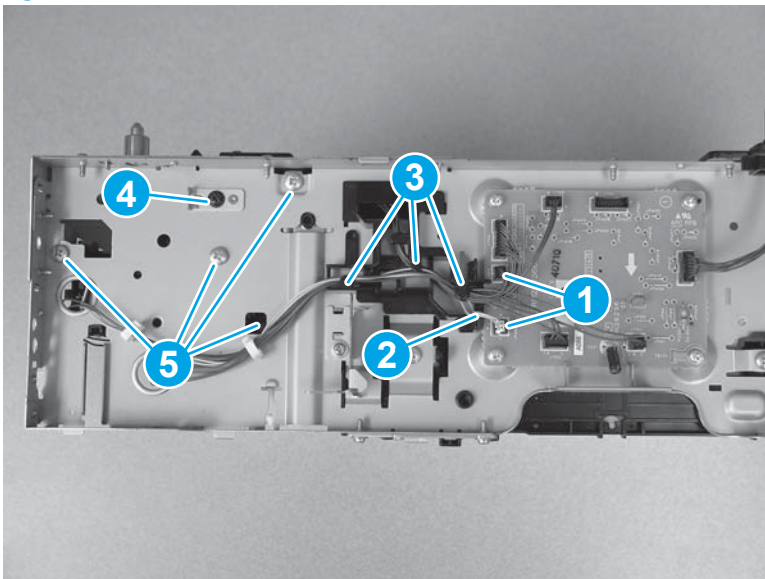
6. Lay the feeder on the right side so that the left side is facing up. Disconnect two connectors (callout 1), and remove the cables (callout 2) from the guides (callout 3). Remove one screw (callout 4), and then remove four more screws (callout 5).

---

 **Reinstallation tip:** One screw (callout 4) is different from the other screws. Make sure that this screw is installed in the correct position.

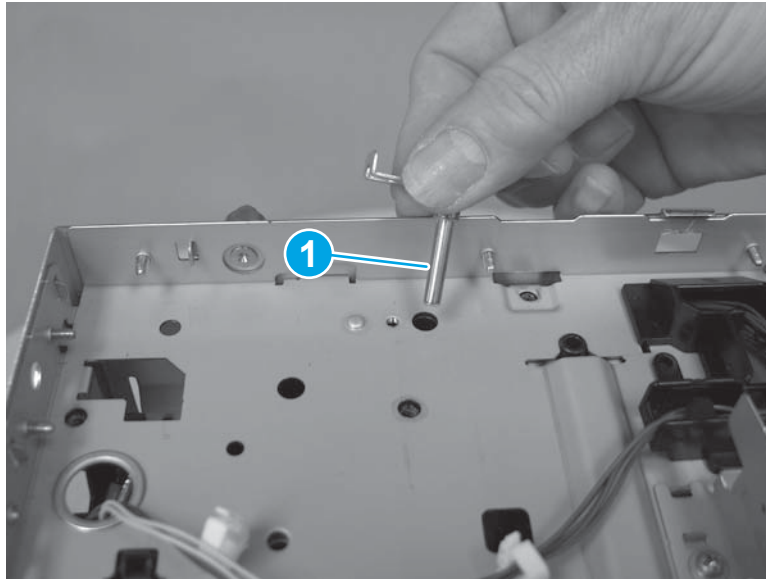
---

Figure 1-2784 Disconnect connector and remove five screws



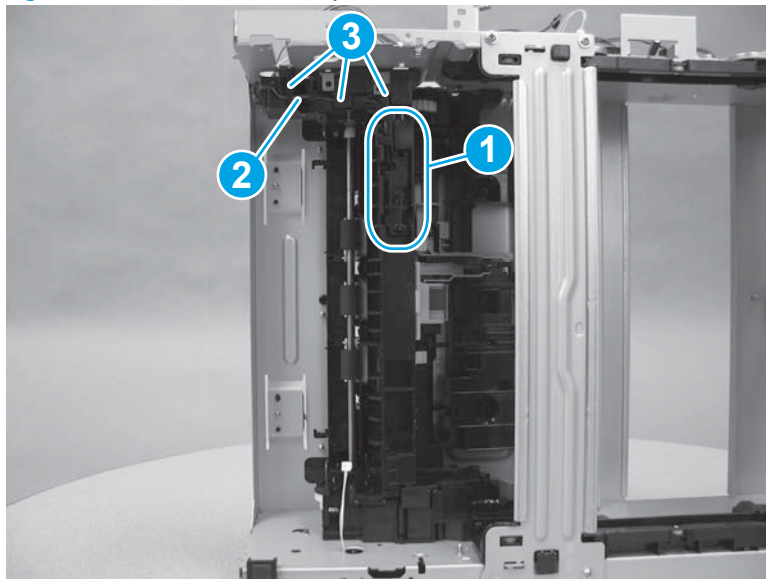
7. Remove the shaft (callout 1).

Figure 1-2785 Remove the shaft



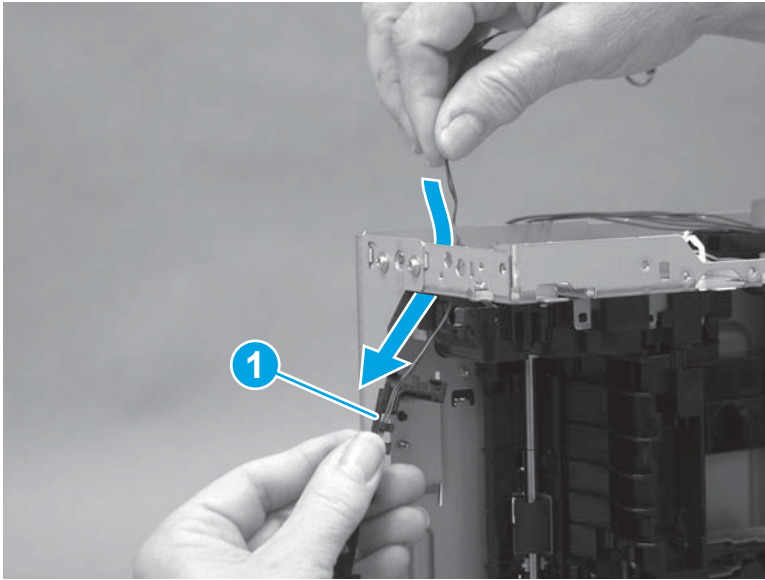
8. Release the tray sensor switch (callout 1), and then remove the cables (callout 2) from the guides (callout 3).

Figure 1-2786 Release the tray sensor switch



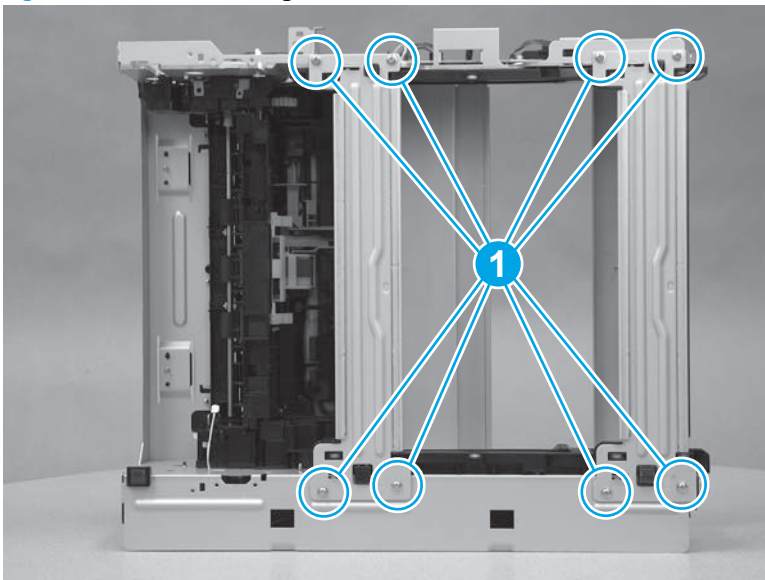
9. Release the tray sensor switch cables (callout 1) through the hole in the sheet metal.

Figure 1-2787 Release the tray sensor switch cables



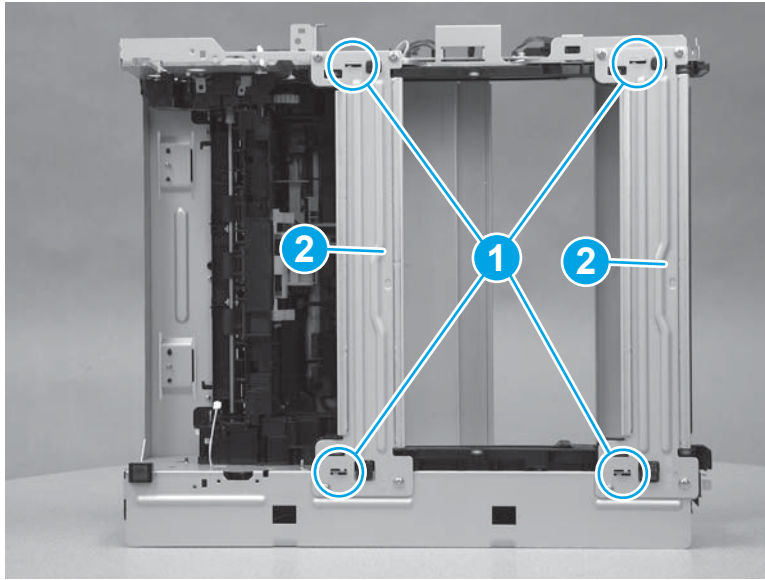
10. Remove eight screws (callout 1).

Figure 1-2788 Remove eight screws



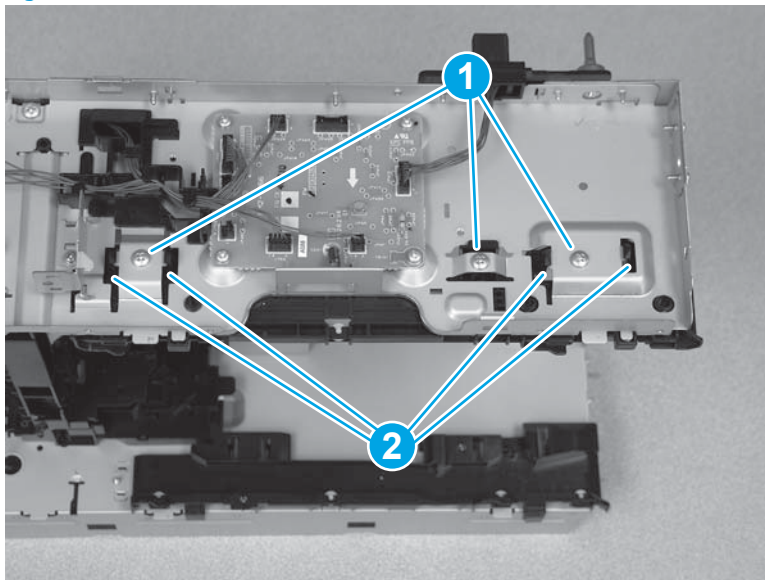
11. Release four tabs (callout 1), and then remove the cross braces (callout 2).

Figure 1-2789 Remove the cross braces



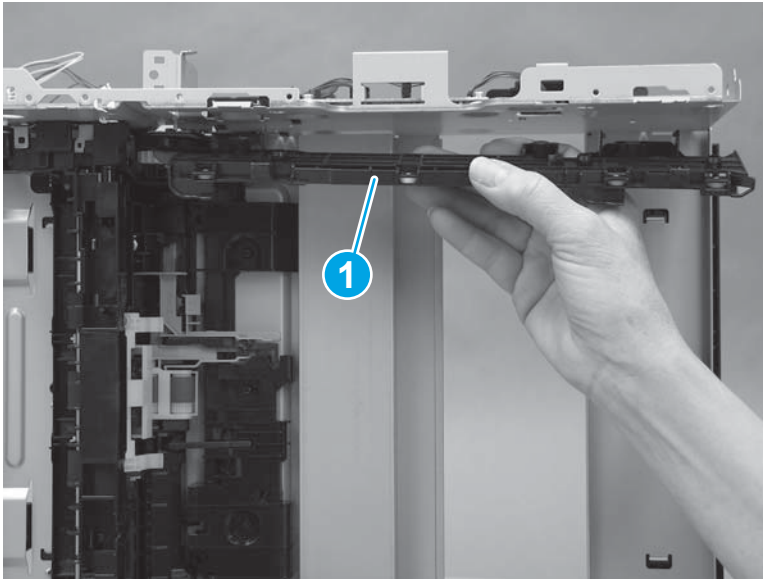
12. On the left side of the feeder, remove three screws (callout 1), and then release three tabs (callout 2).

Figure 1-2790 Remove screws and release tabs



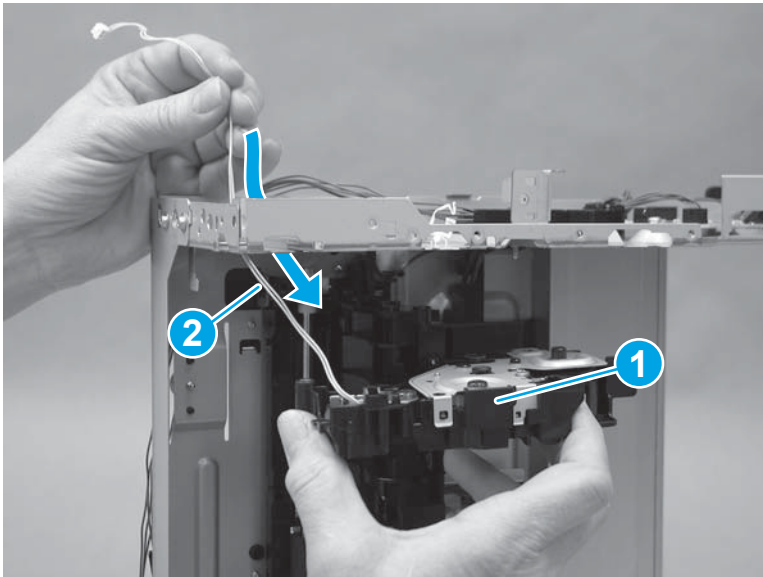
13. Remove the tray guide (callout 1).

Figure 1-2791 Remove the tray guide



14. Remove the lifter drive assembly (callout 1), and then release the cables (callout 2) through the feeder frame.

Figure 1-2792 Remove the lifter drive assembly

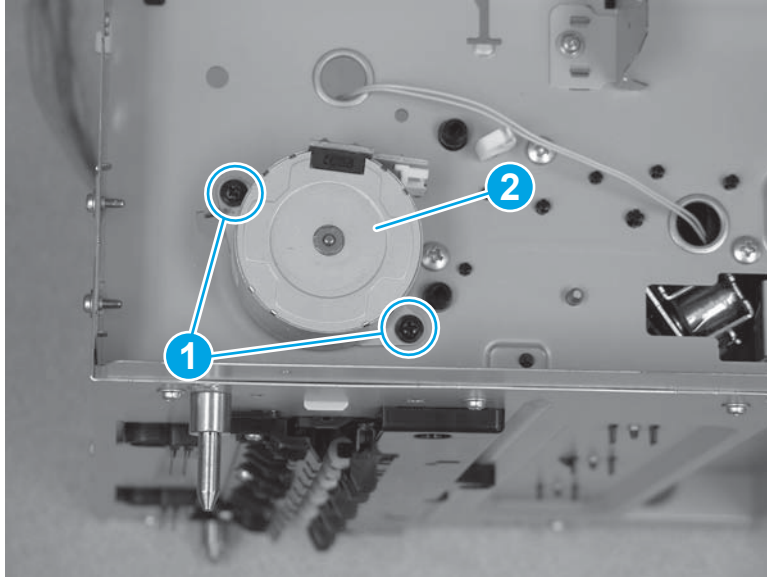


#### Step 9: Remove the pickup assembly (550-sheet paper feeder)

1. Lay the feeder on the left side so that the right side is facing up. Remove two screws (callout 1), and then remove the motor (callout 2).

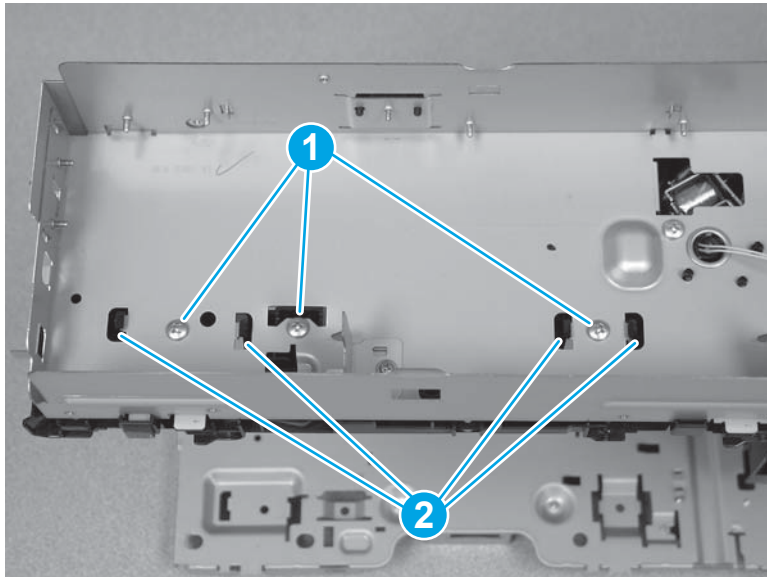


Figure 1-2793 Remove the motor



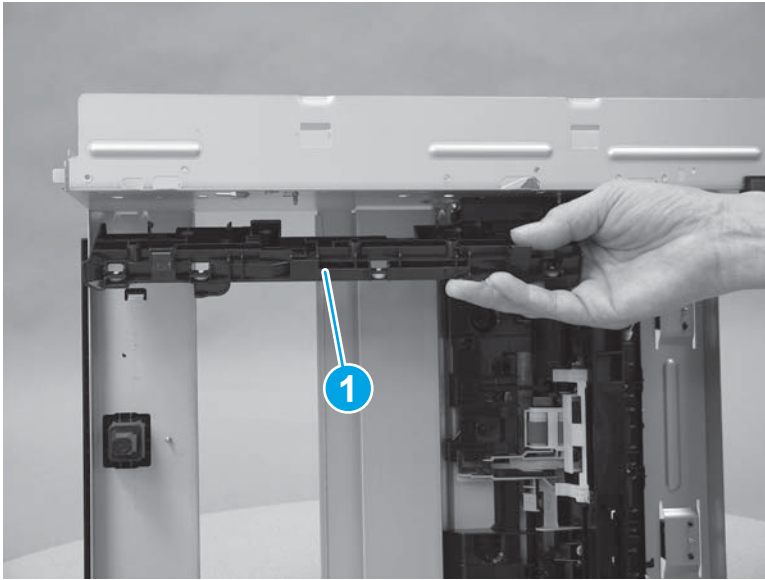
2. Remove three screws (callout 1), and then release three tabs (callout 2).

Figure 1-2794 Remove screws and release tabs



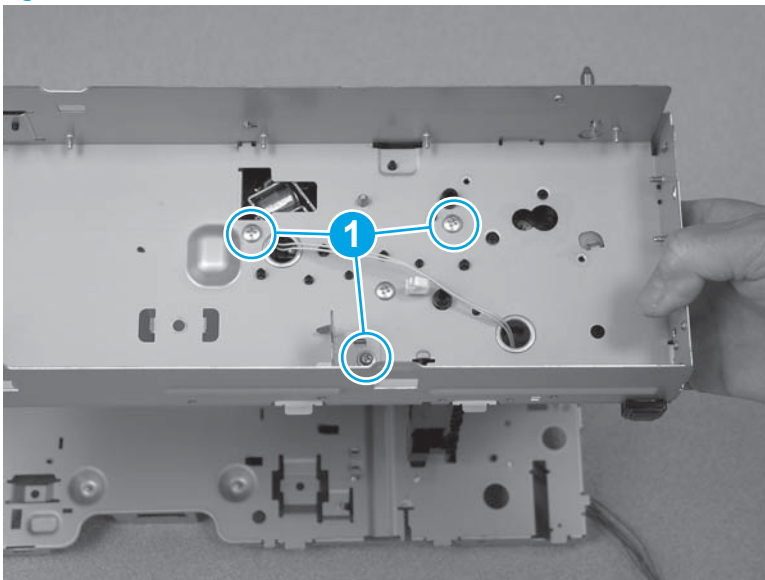
3. Remove the tray guide (callout 1).

Figure 1-2795 Remove the tray guide



4. Remove three screws (callout 1).

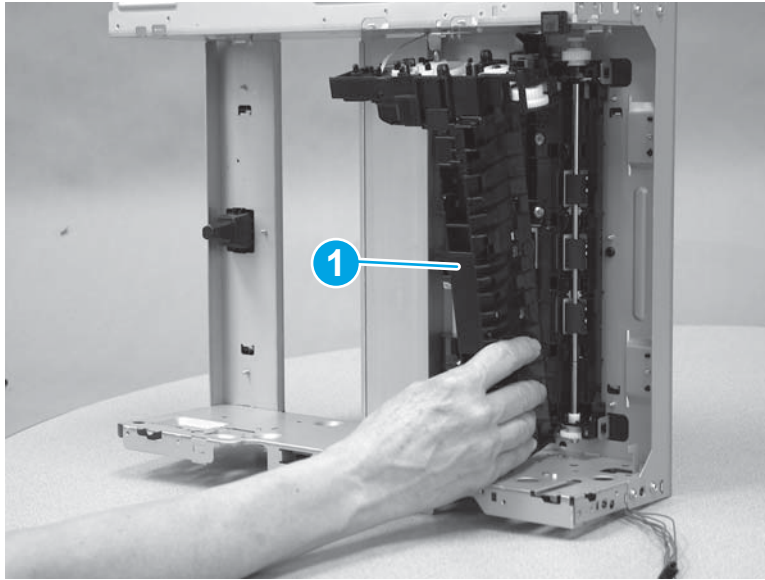
Figure 1-2796 Remove three screws





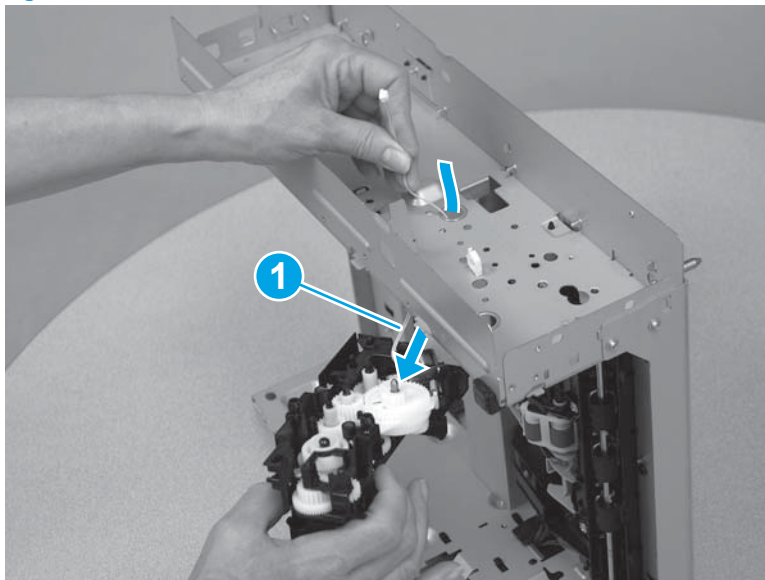
5. Remove the pickup assembly (callout 1).

Figure 1-2797 Remove the pickup assembly



6. Release the cables (callout 1) through the feeder frame.

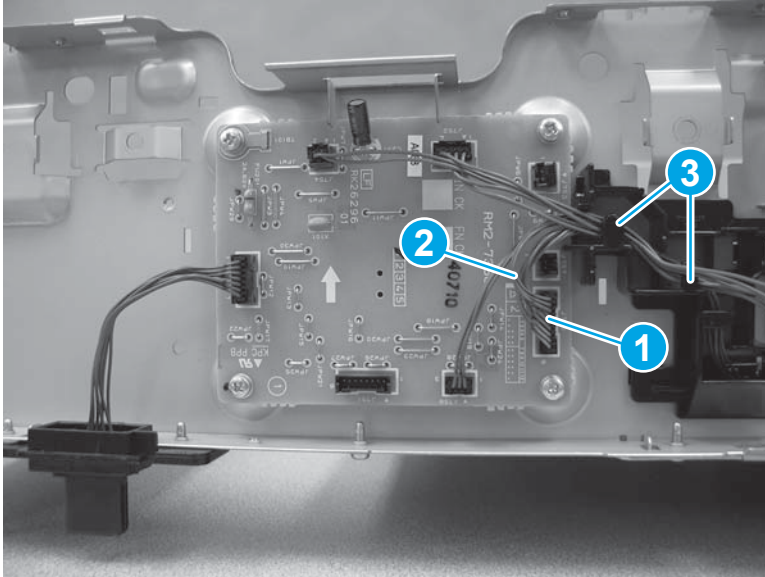
Figure 1-2798 Release the cables



#### Step 10: Remove the front feed guide assembly (550-sheet paper feeder)

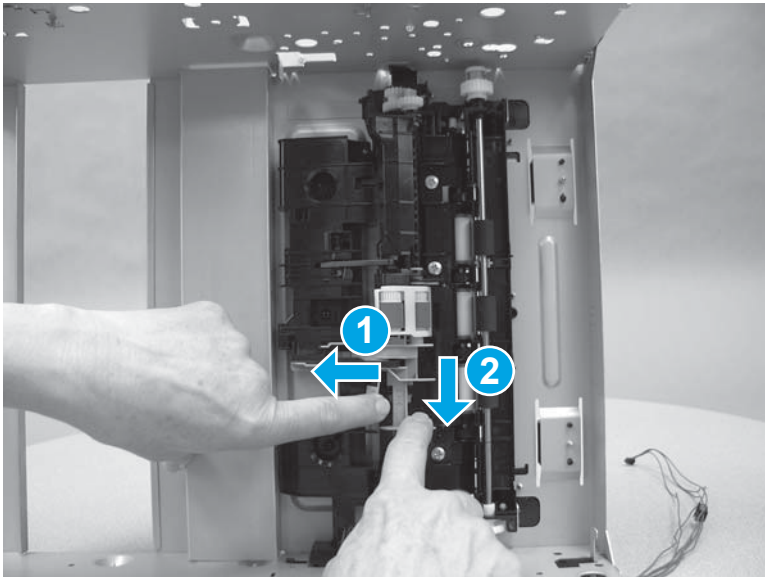
1. Lay the feeder on the right side so that the left side is facing up. Disconnect one connector (callout 1), and then remove the cables (callout 2) from the guides (callout 3).

Figure 1-2799 Disconnect one connector



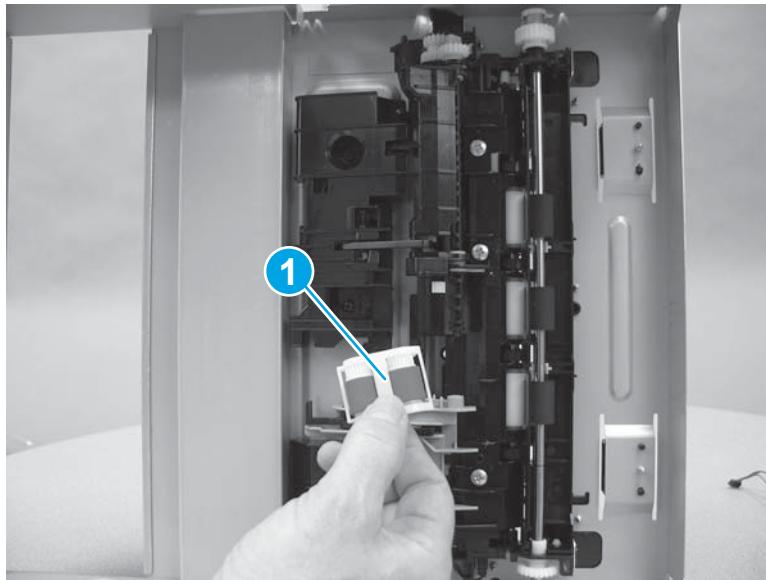
2. Press the lever (callout 1) on the roller holder, and then slide the roller holder down (callout 2).

Figure 1-2800 Slide the roller holder



3. Remove the roller holder (callout 1).

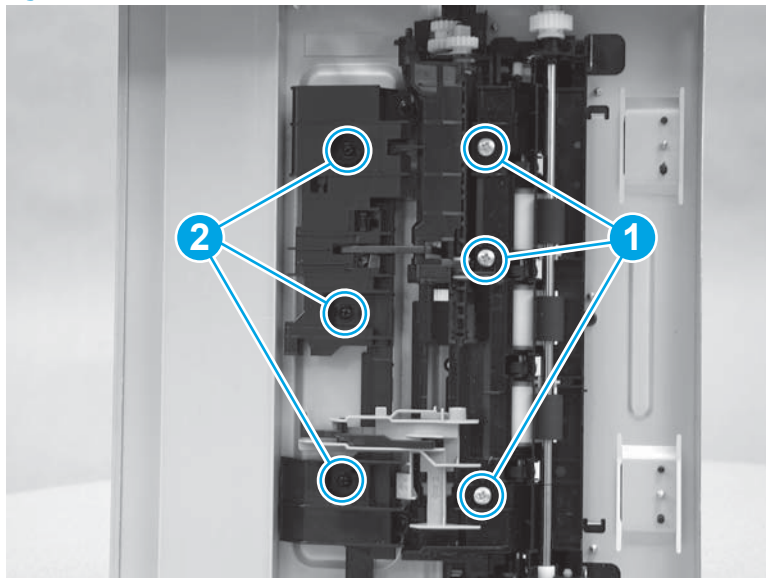
Figure 1-2801 Remove the pickup and feed rollers



4. Remove three screws (callout 1) on the rear feed guide assembly, and then remove three screws (callout 2) on the front feed guide assembly.

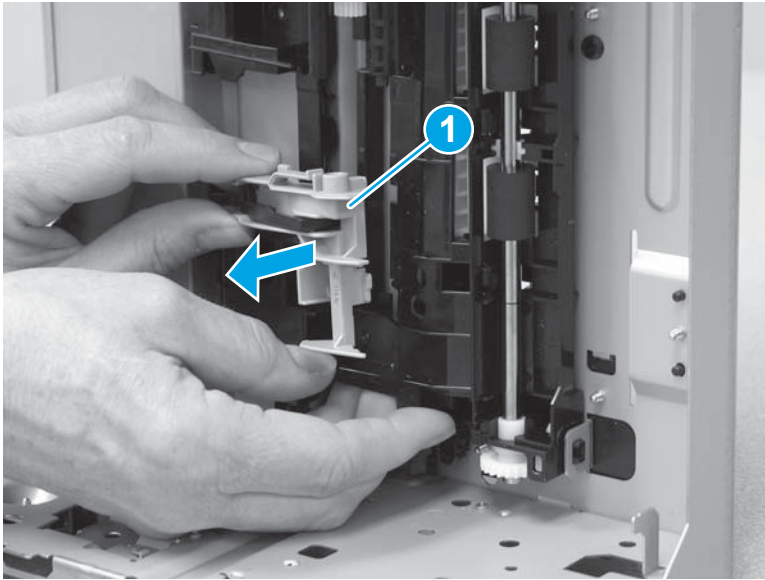
 **Reinstallation tip:** The three screws (callout 1) on the rear feed guide assembly are larger than the screws on the front feed guide assembly.

Figure 1-2802 Remove six screws



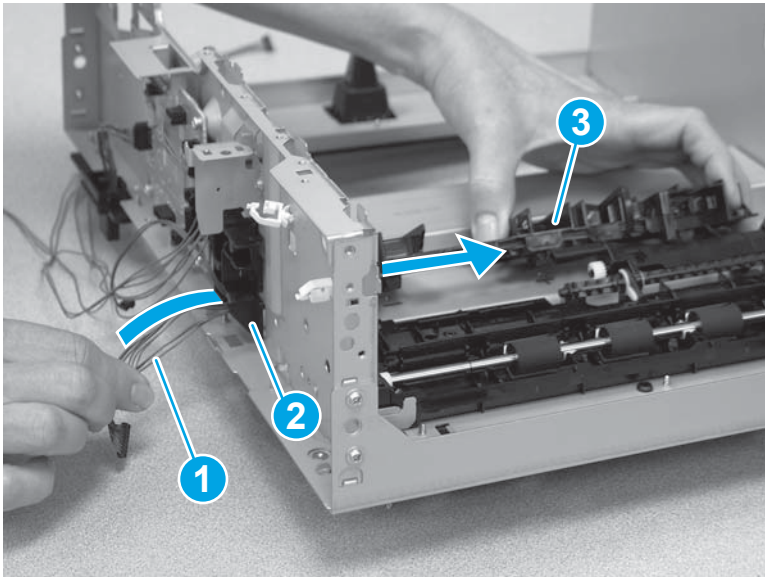
5. Remove the roller holder (callout 1).

Figure 1-2803 Remove the roller holder



6. Release the cables (callout 1) through the feeder frame (callout 2), and then remove the front feed guide assembly (callout 3).

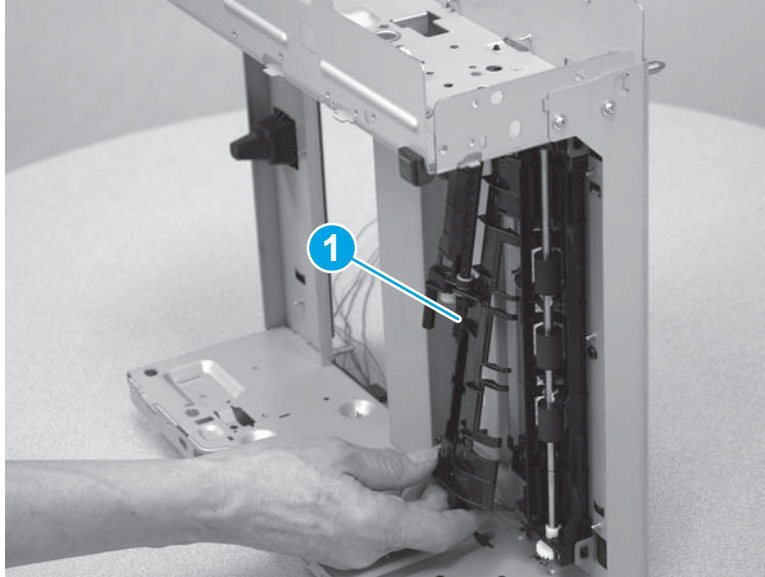
Figure 1-2804 Remove the front feed guide assembly



#### Step 11: Remove the rear feed guide assembly (550-sheet paper feeder)

- ▲ Remove the rear feed guide assembly (callout 1).

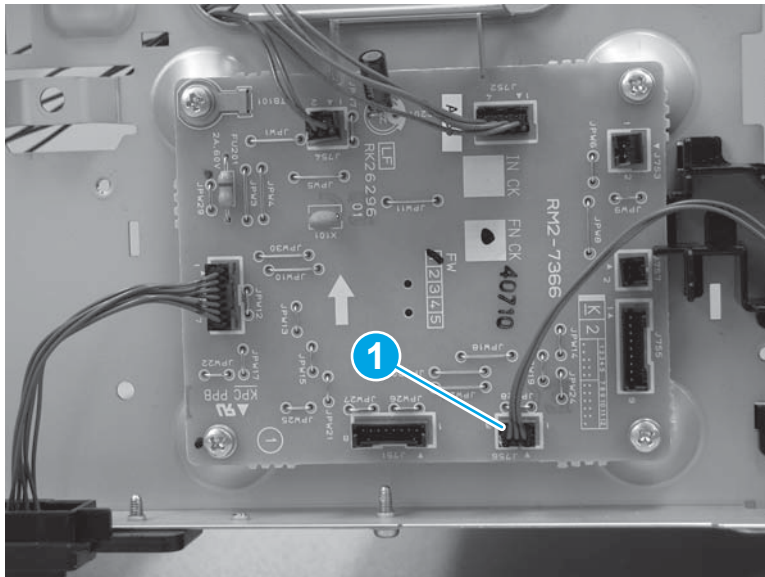
Figure 1-2805 Remove the rear feed guide assembly



Step 12: Remove the paper feed assembly (550-sheet paper feeder)

1. On the left side of the feeder, disconnect one connector (callout 1).

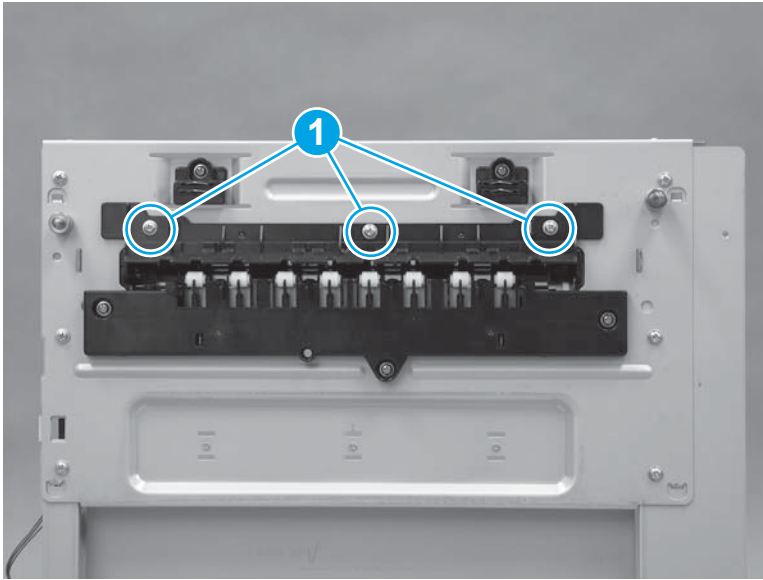
Figure 1-2806 Disconnect one connector





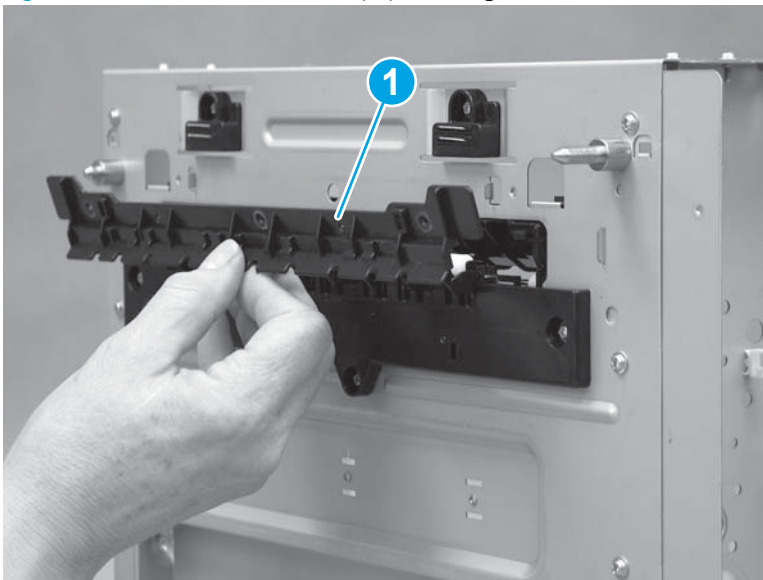
2. On the top of the feeder toward the back, remove three screws (callout 1).

Figure 1-2807 Remove three screws



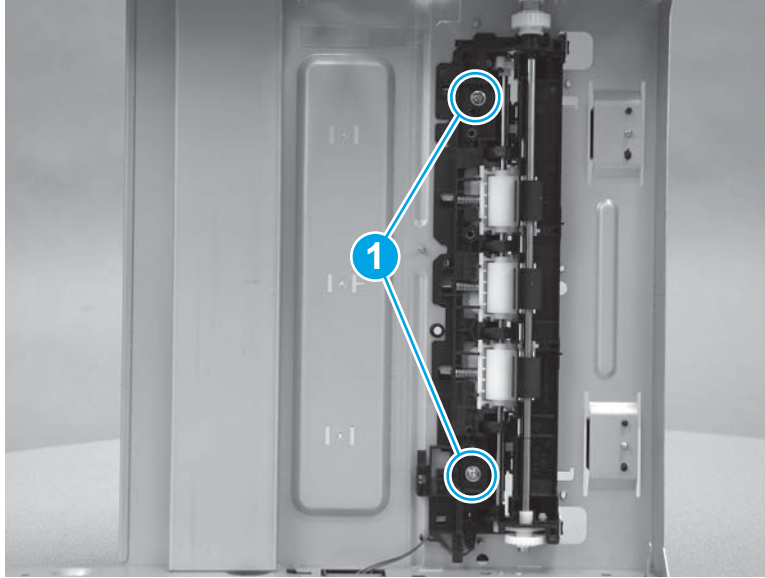
3. Remove the front paper feed guide (callout 1).

Figure 1-2808 Remove the front paper feed guide



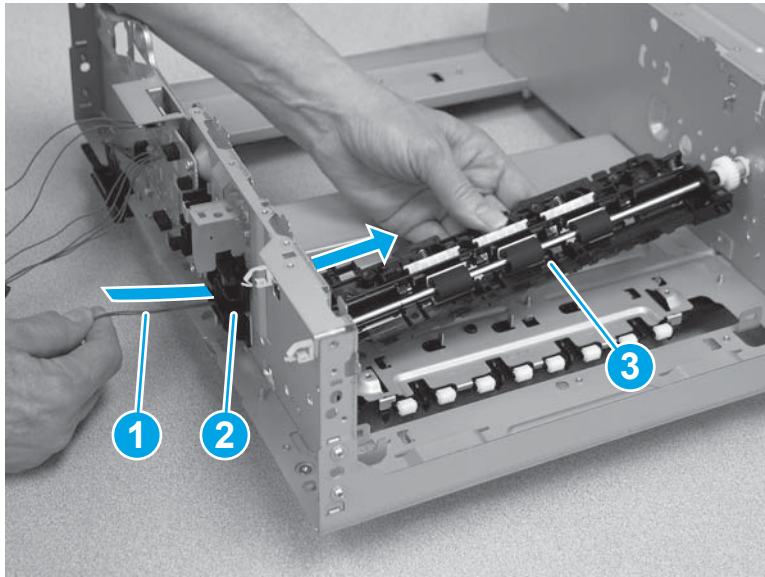
4. Inside the paper feeder toward the back, remove two screws (callout 1).

Figure 1-2809 Remove two screws



5. Release the cables (callout 1) through the opening (callout 2) in the feeder, and then remove the paper feed assembly (callout 3).

Figure 1-2810 Remove the paper feed assembly



### Step 13: Unpack the replacement part

Remove the new part from its package. Save all packaging for recycling the used part.

For complete information on HP's recycling programs, go to [Product return and recycling](#).

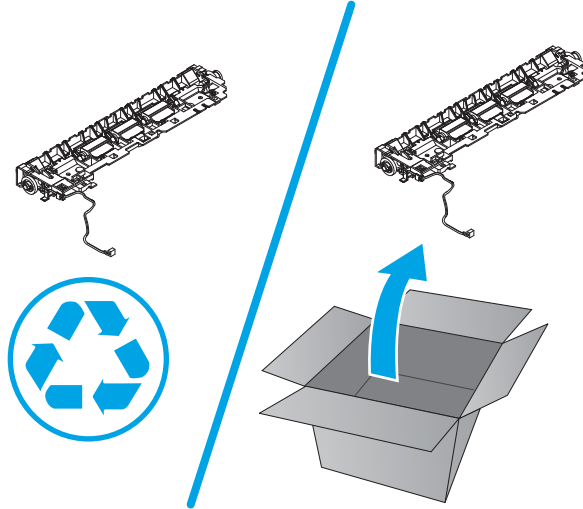
---

 **NOTE:** HP recommends responsible disposal of the defective part.

---



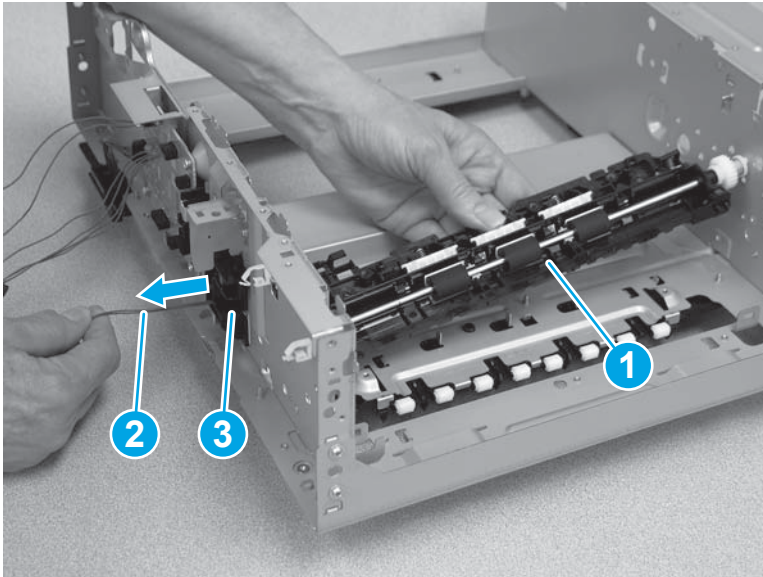
Figure 1-2811 Recycle and unpack




Step 14: Install the paper feed assembly (550-sheet paper feeder)

1. Position the paper feed assembly (callout 1) in the feeder. Install the cables (callout 2) through the opening (callout 3) in the feeder.

Figure 1-2812 Install the paper feed assembly



2. To install an assembly, reverse the removal steps.

 **NOTE:** When applicable, special installation instructions are provided for an assembly at the end of the removal procedure. Always completely read the removal instructions and follow all special installation instructions.

## Removal and replacement: Pickup motor (550-sheet paper feeder)

- [Introduction](#)
- [Step 1: Remove Tray 3](#)
- [Step 2: Remove the left cover \(550-sheet paper feeder\)](#)
- [Step 3: Remove the pickup motor \(550-sheet paper feeder\)](#)
- [Step 4: Unpack the replacement part](#)
- [Step 5: Install the pickup motor \(550-sheet paper feeder\)](#)

### Introduction

This document provides the procedures to remove and replace the pickup motor on the 550-sheet feeder.

[Click here to view a video of this procedure.](#)

### Before you begin

- Turn off the printer.
- Disconnect the power cable.

**⚠ WARNING!** To avoid damage to the printer, turn the printer off, wait 30 seconds, and then remove the power cord before attempting to service the printer.

- Use the table below to identify the correct part number for your printer. To order the part, go to [www.hp.com/buy/parts](http://www.hp.com/buy/parts).

---

Pickup motor part number
--------------------------

---

RM2-7350-000CN
----------------

---

Pickup motor (550-sheet feeder)
---------------------------------

---

### Required tools

- #2 Phillips screwdriver with a magnetic tip

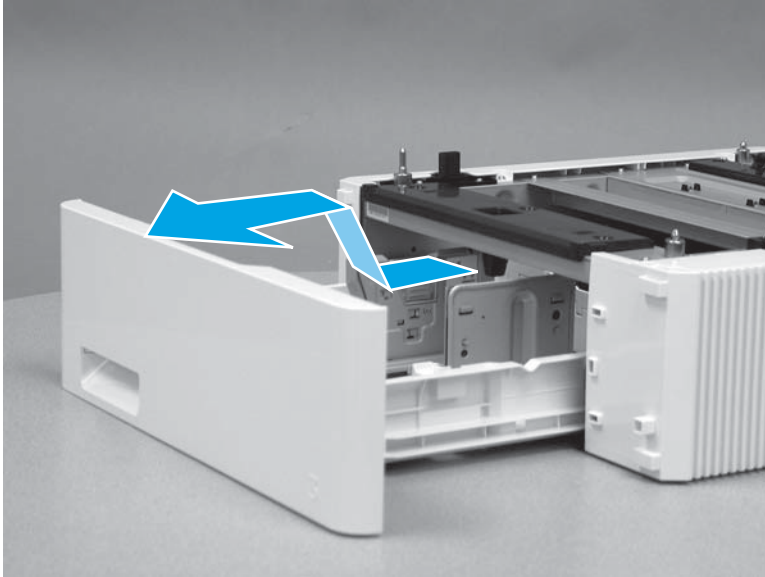
### After performing service

- Connect the power cable.
- Use the power switch to turn the power on.

### Step 1: Remove Tray 3

- ▲ Pull the tray out until it stops. Lift the front of the tray, and then pull it out of the printer to remove it.

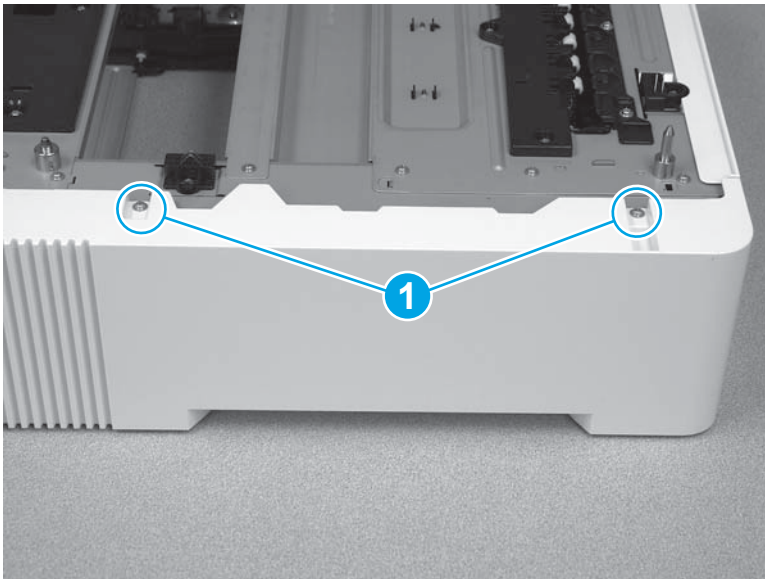
Figure 1-2813 Remove the tray



Step 2: Remove the left cover (550-sheet paper feeder)

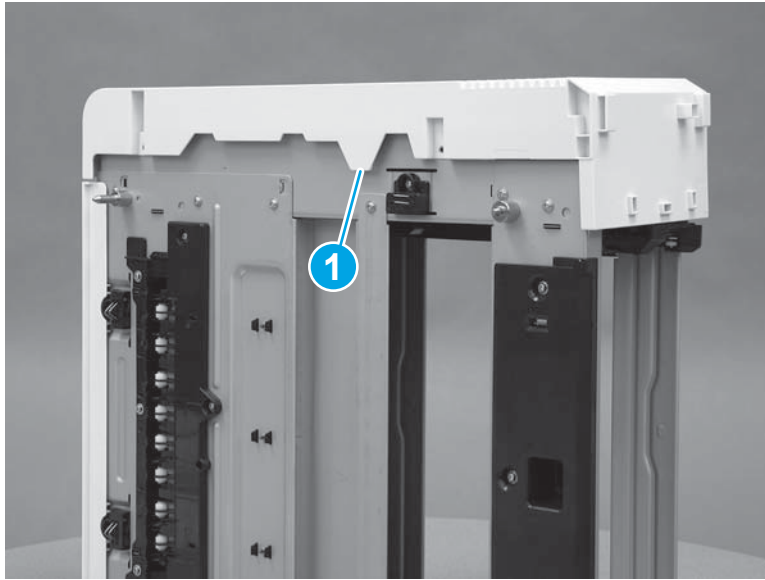
1. Remove two screws (callout 1).

Figure 1-2814 Remove two screws



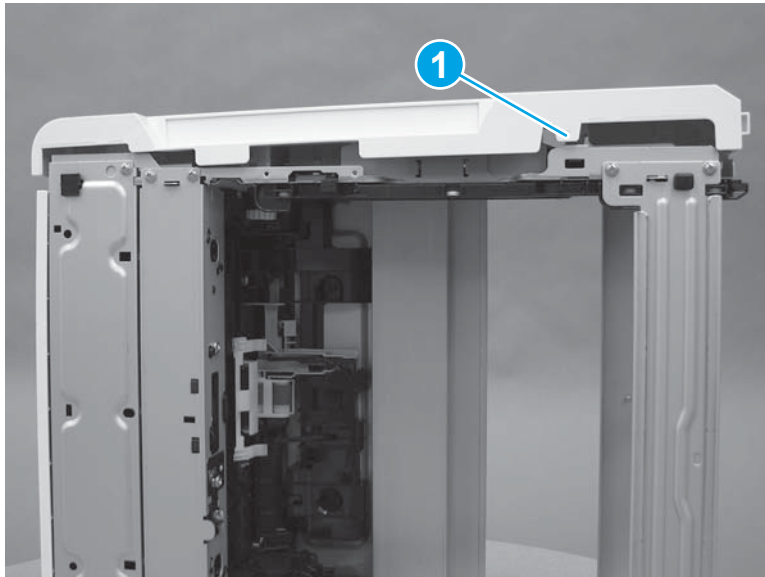
2. Release one tab (callout 1) on the top of the feeder.

Figure 1-2815 Release one tab



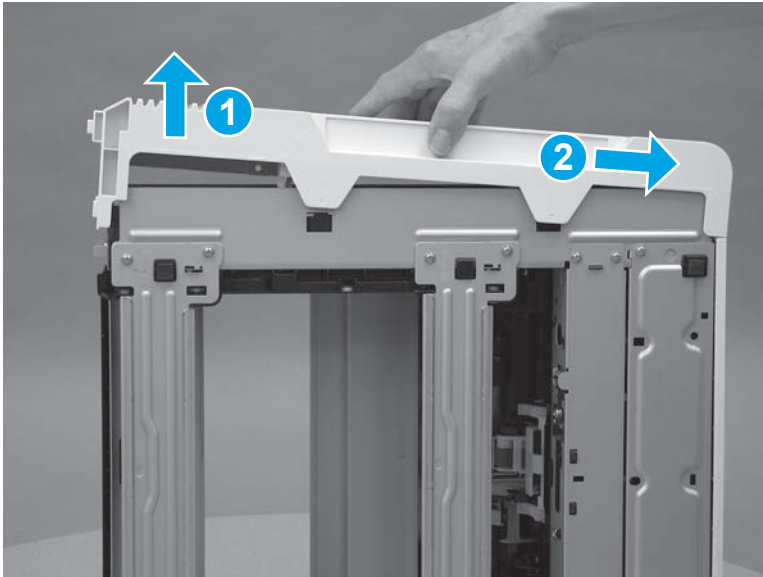
3. Lay the feeder on the right side so that the left side is facing up. Release two tabs (callout 1) on the bottom of the feeder, and then release two tabs (callout 2) on the front of the feeder.

Figure 1-2816 Release four tabs



4. Lift the front of the cover up (callout 1), and then slide the cover (callout 2) toward the back of the feeder to remove it.

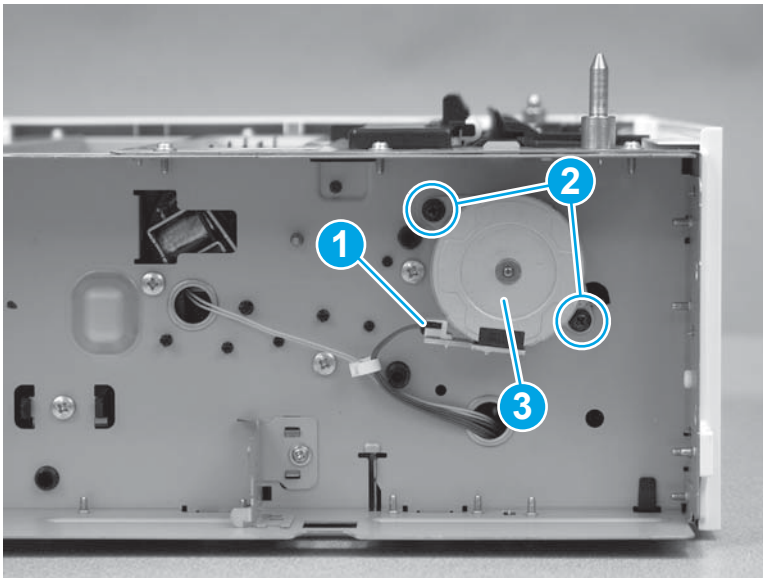
Figure 1-2817 Remove the cover



#### Step 3: Remove the pickup motor (550-sheet paper feeder)

- ▲ Disconnect one connector (callout 1), remove two screws (callout 2), and then remove the pickup motor (callout 3).

Figure 1-2818 Remove the pickup motor



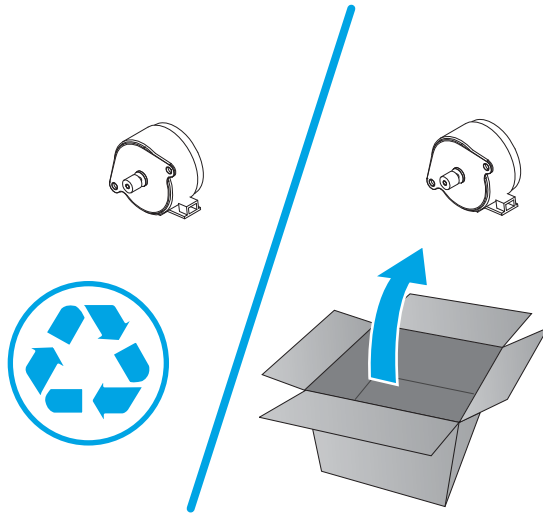
#### Step 4: Unpack the replacement part

Remove the new part from its package. Save all packaging for recycling the used part.

For complete information on HP's recycling programs, go to [Product return and recycling](#).

 **NOTE:** HP recommends responsible disposal of the defective part.

Figure 1-2819 Recycle and unpack



#### Step 5: Install the pickup motor (550-sheet paper feeder)

- ▲ To install an assembly, reverse the removal steps.



**NOTE:** When applicable, special installation instructions are provided for an assembly at the end of the removal procedure. Always completely read the removal instructions and follow all special installation instructions.

## Removal and replacement: Drawer connector (550-sheet paper feeder)

- [Introduction](#)
- [Step 1: Remove Tray 3](#)
- [Step 2: Remove the right cover \(550-sheet paper feeder\)](#)
- [Step 3: Remove the drawer connector \(550-sheet paper feeder\)](#)
- [Step 4: Unpack the replacement part](#)
- [Step 5: Install the drawer connector \(550-sheet paper feeder\)](#)


### Introduction

This document provides the procedures to remove and replace the drawer connector on the 550-sheet feeder.

[Click here to view a video of this procedure.](#)

### Before you begin

- Turn off the printer.
- Disconnect the power cable.

 **WARNING!** To avoid damage to the printer, turn the printer off, wait 30 seconds, and then remove the power cord before attempting to service the printer.

- Use the table below to identify the correct part number for your printer. To order the part, go to [www.hp.com/buy/parts](http://www.hp.com/buy/parts).

Drawer connector part number	
VS1-7257-007CN	Drawer connector (550-sheet feeder)

### Required tools

- #2 Phillips screwdriver with a magnetic tip

### After performing service

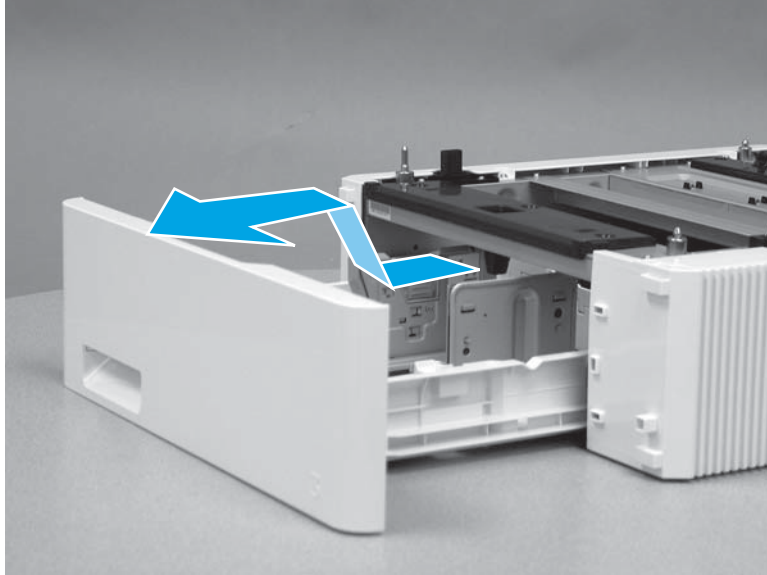
- Connect the power cable.
- Use the power switch to turn the power on.

### Step 1: Remove Tray 3

- ▲ Pull the tray out until it stops. Lift the front of the tray, and then pull it out of the printer to remove it.



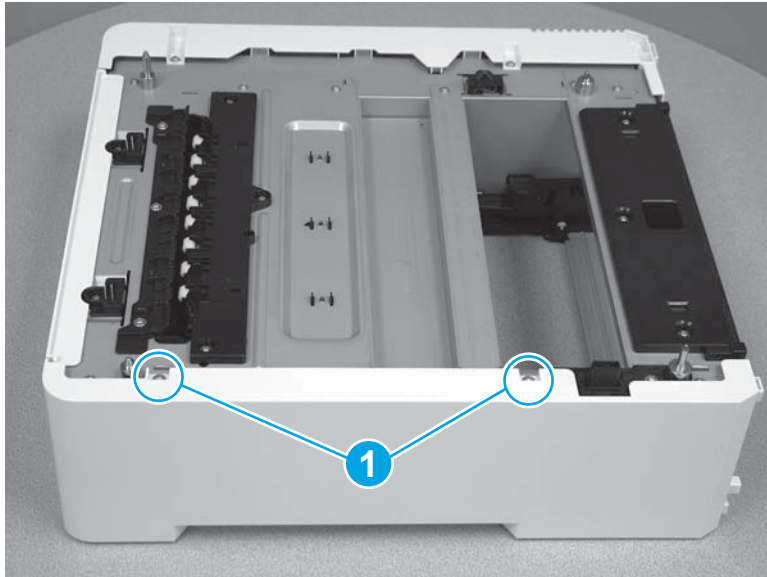
Figure 1-2820 Remove the tray



Step 2: Remove the right cover (550-sheet paper feeder)

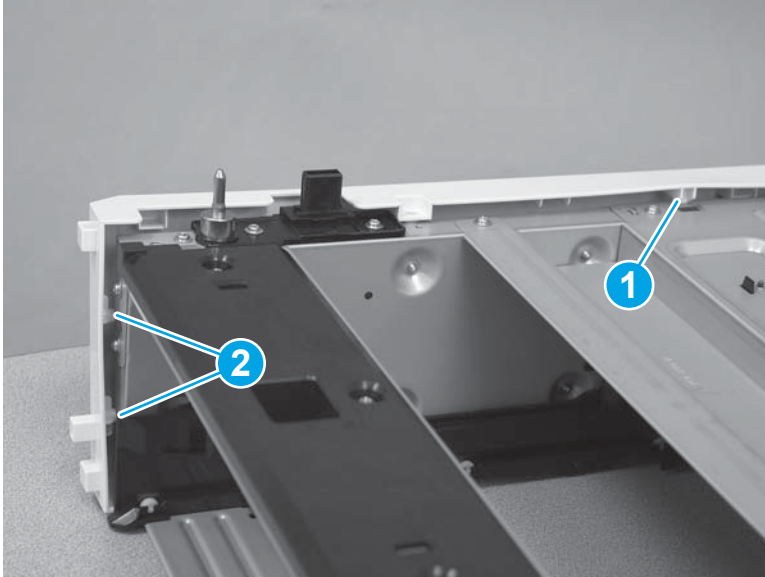
1. Remove two screws (callout 1).

Figure 1-2821 Remove two screws



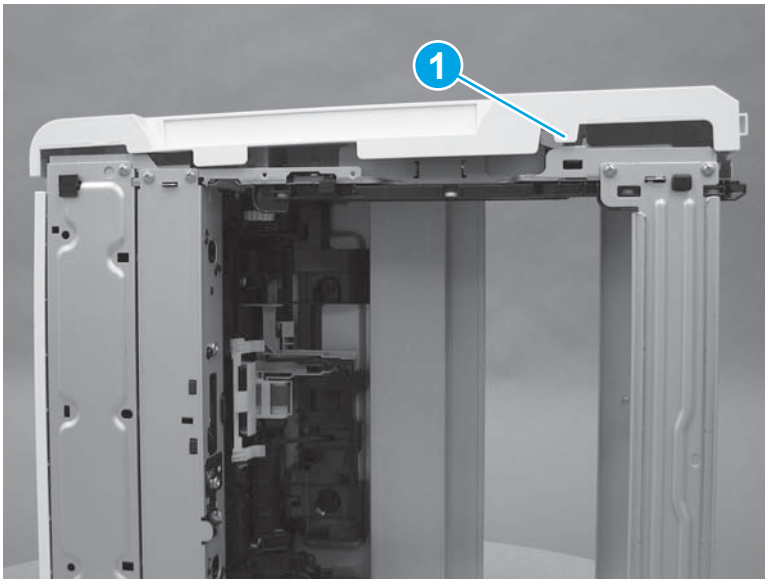
2. Release one tab (callout 1) on the top of the feeder, and then release two tabs (callout 2) at the front of the feeder.

Figure 1-2822 Release three tabs



3. Lay the feeder on the left side so that the right side is facing up, and then release one tab (callout 1) on the bottom of the feeder. Remove the right cover.

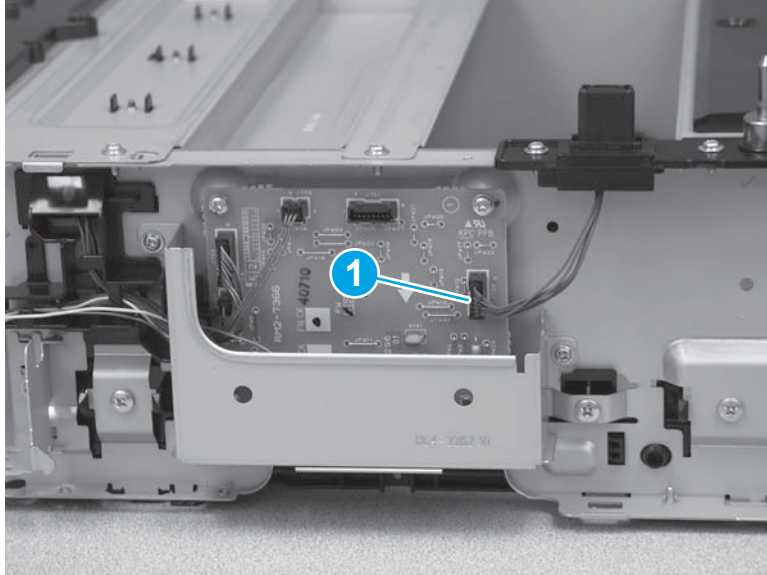
Figure 1-2823 Release one tab



### Step 3: Remove the drawer connector (550-sheet paper feeder)

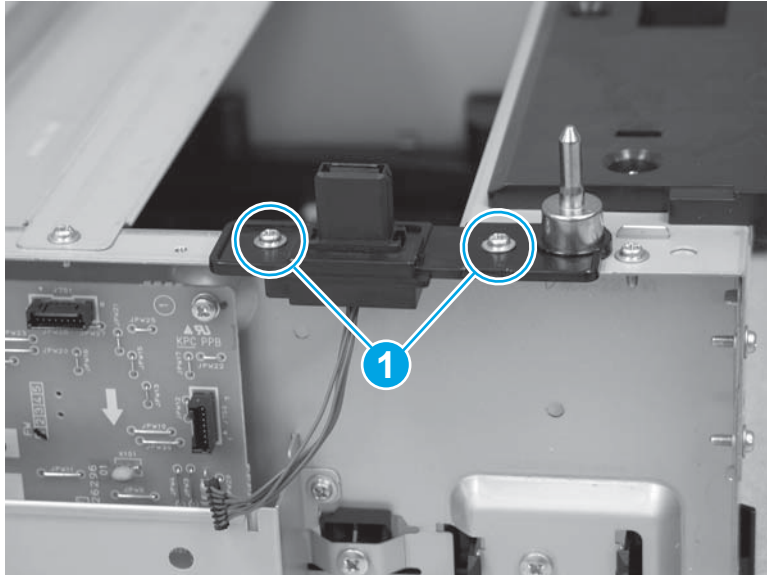
1. On the left side of the feeder, disconnect one connector (callout 1).

Figure 1-2824 Disconnect one connector



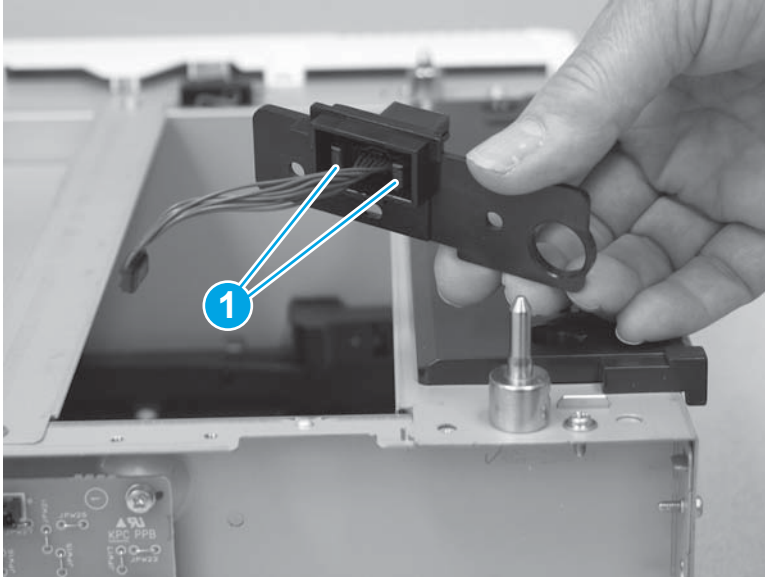
2. Remove two screws (callout 1).

Figure 1-2825 Remove two screws



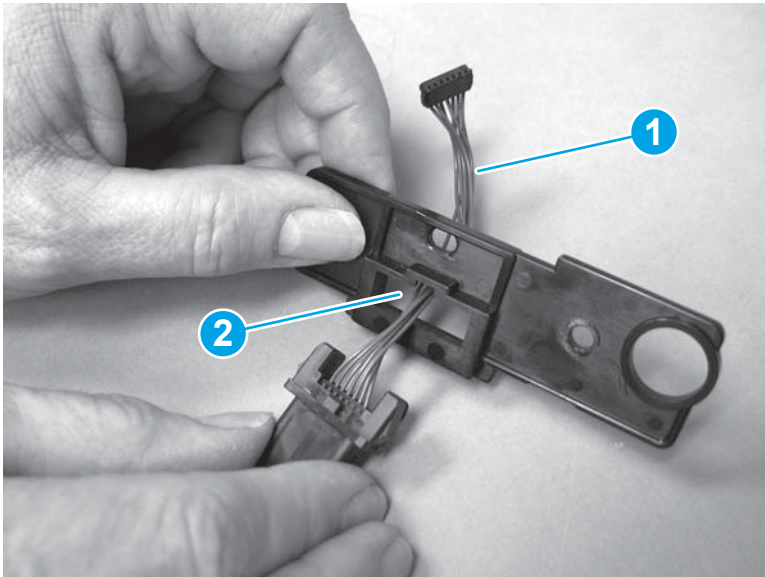
3. Lift the connector holder off of the feeder, and then release two tabs (callout 1) to release the connector from the holder.

Figure 1-2826 Release two tabs



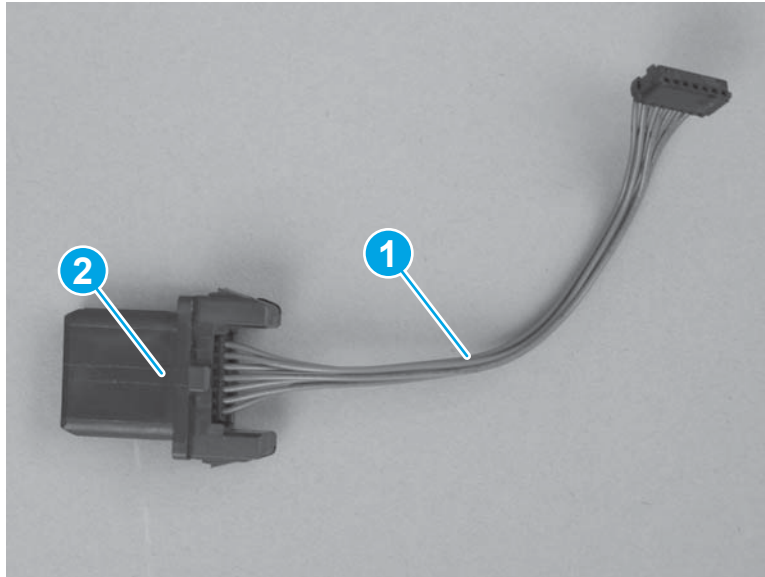
4. Remove the cables (callout 1) through the opening in the connector holder (callout 2).

Figure 1-2827 Remove the cables



5. Disconnect the wire harness (callout 1) from the connector (callout 2). Set the wire harness aside to be installed on the replacement part.

Figure 1-2828 Disconnect the wire harness



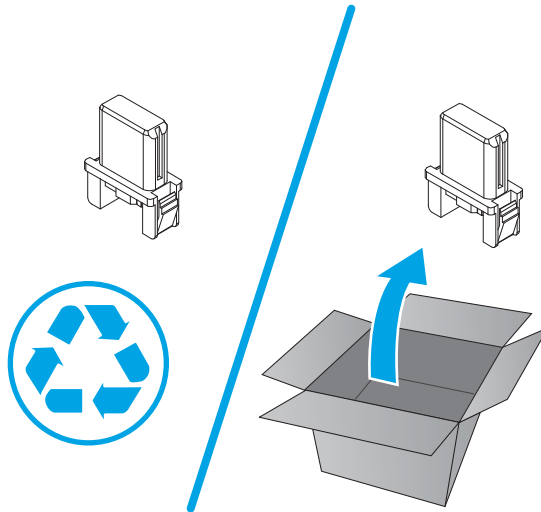
#### Step 4: Unpack the replacement part

Remove the new part from its package. Save all packaging for recycling the used part.

For complete information on HP's recycling programs, go to [Product return and recycling](#).

 **NOTE:** HP recommends responsible disposal of the defective part.


Figure 1-2829 Recycle and unpack



#### Step 5: Install the drawer connector (550-sheet paper feeder)

- ▲ To install an assembly, reverse the removal steps.

---

 **NOTE:** When applicable, special installation instructions are provided for an assembly at the end of the removal procedure. Always completely read the removal instructions and follow all special installation instructions.

---

## Removal and replacement: Driver PCA (550-sheet paper feeder)

- [Introduction](#)
- [Step 1: Remove Tray 3](#)
- [Step 2: Remove the right cover \(550-sheet feeder\)](#)
- [Step 3: Remove the PCA cover \(550-sheet feeder\)](#)
- [Step 4: Remove the driver PCA \(550-sheet paper feeder\)](#)
- [Step 5: Unpack the replacement part](#)
- [Step 6: Install the driver PCA \(550-sheet paper feeder\)](#)

### Introduction


This document provides the procedures to remove and replace the driver PCA on the 550-sheet feeder.

[Click here to view a video of this procedure.](#)

### Before you begin

- Turn off the printer.
- Disconnect the power cable.

---

 **WARNING!** To avoid damage to the printer, turn the printer off, wait 30 seconds, and then remove the power cord before attempting to service the printer.

---

- Use the table below to identify the correct part number for your printer. To order the part, go to [www.hp.com/buy/parts](http://www.hp.com/buy/parts).

---

Driver PCA part number
------------------------

---

RM2-7366-000CN
----------------

---

Driver PCA (550-sheet feeder)
-------------------------------

---

### Required tools

- #2 Phillips screwdriver with a magnetic tip

### After performing service

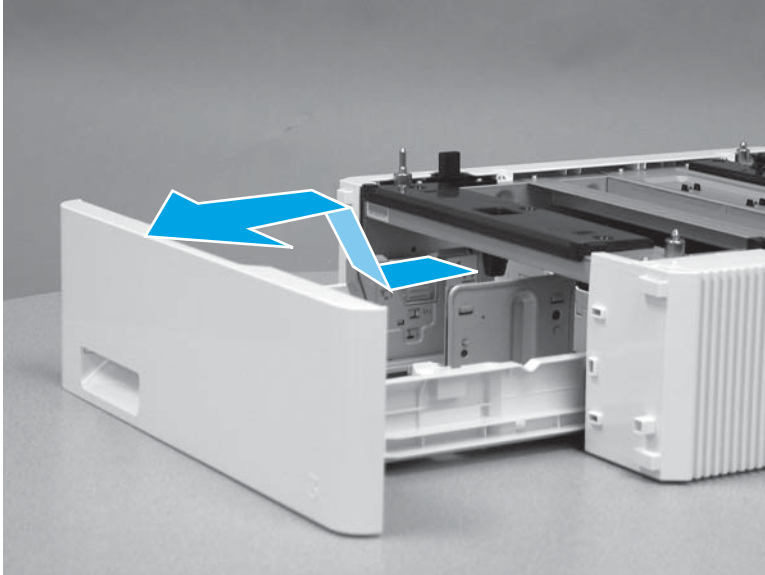
- Connect the power cable.
- Use the power switch to turn the power on.

### Step 1: Remove Tray 3

- ▲ Pull the tray out until it stops. Lift the front of the tray, and then pull it out of the printer to remove it.



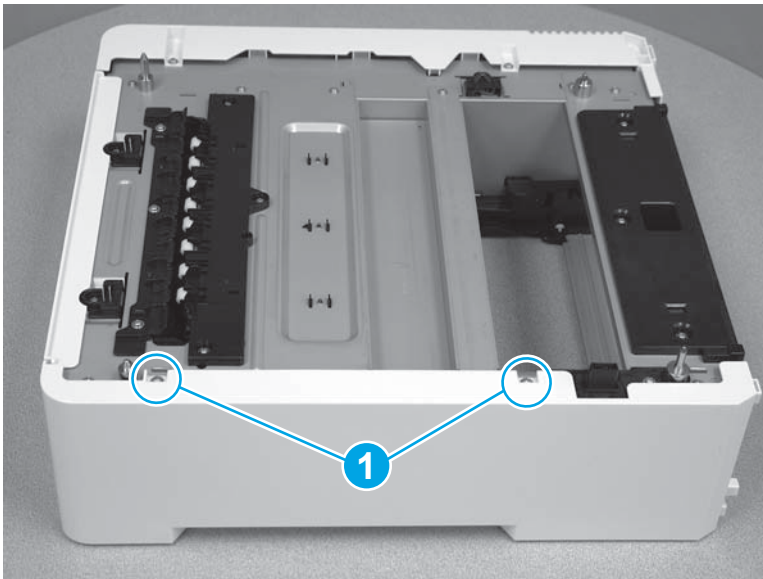
Figure 1-2830 Remove the tray



Step 2: Remove the right cover (550-sheet feeder)

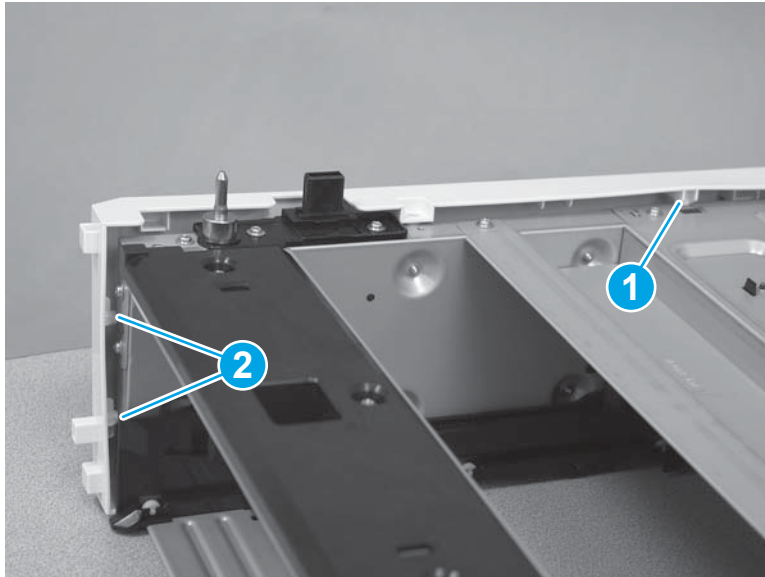
1. Remove two screws (callout 1).

Figure 1-2831 Remove two screws



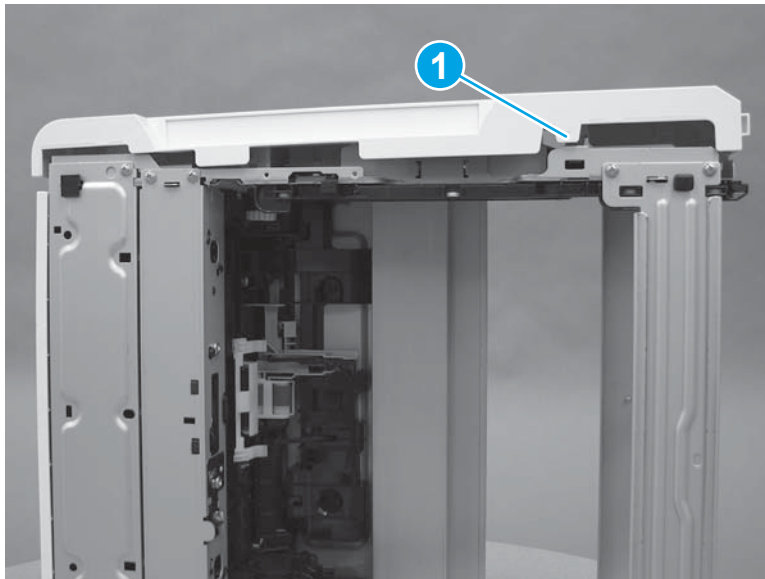
2. Release one tab (callout 1) on the top of the feeder, and then release two tabs (callout 2) at the front of the feeder.

Figure 1-2832 Release three tabs



3. Lay the feeder on the left side so that the right side is facing up, and then release one tab (callout 1) on the bottom of the feeder. Remove the right cover.

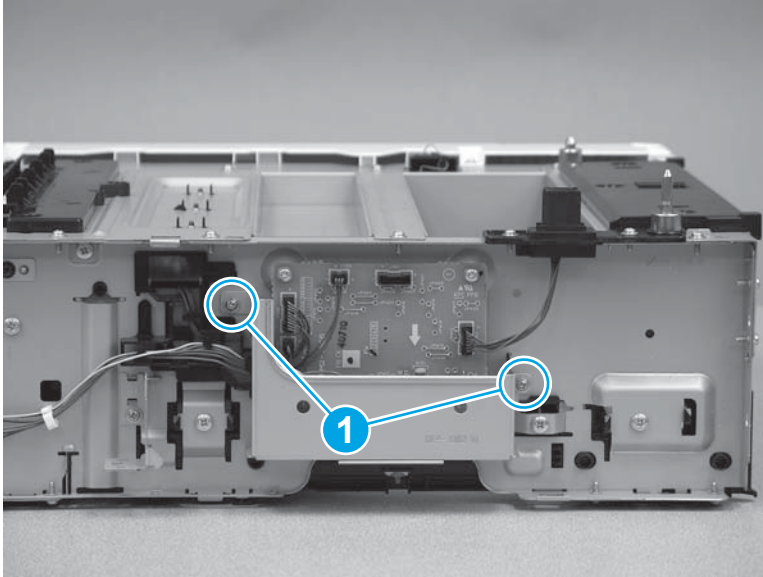
Figure 1-2833 Release one tab



### Step 3: Remove the PCA cover (550-sheet feeder)

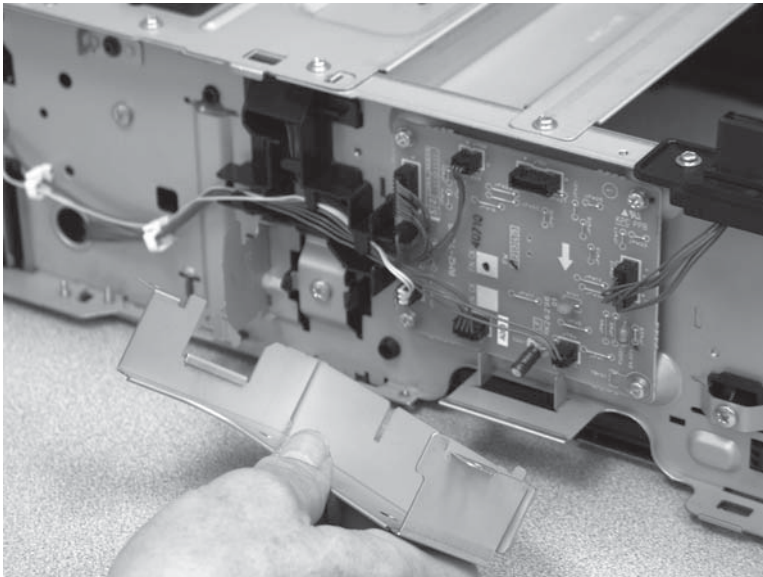
1. On the left side of the feeder, remove two screws (callout 1).

Figure 1-2834 Remove two screws



2. Remove the PCA cover.

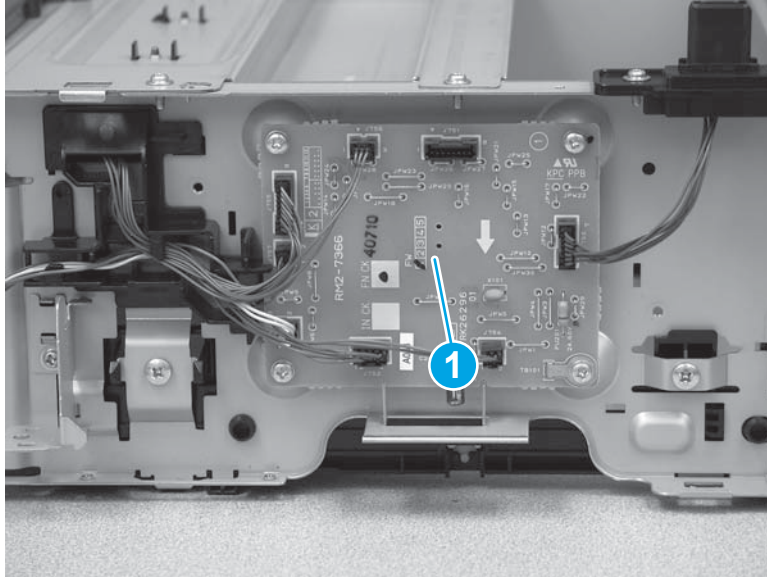
Figure 1-2835 Remove the PCA cover



#### Step 4: Remove the driver PCA (550-sheet paper feeder)

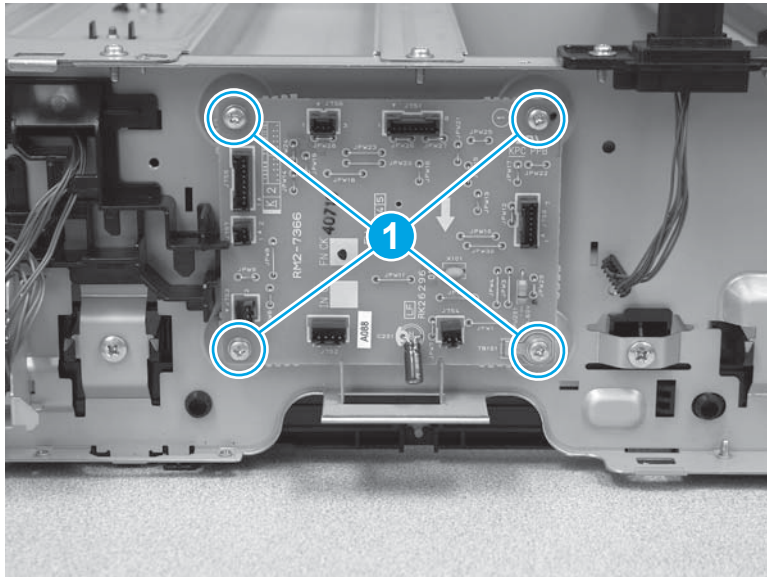
1. Disconnect all of the connectors on the driver PCA (callout 1).

Figure 1-2836 Disconnect all of the connectors



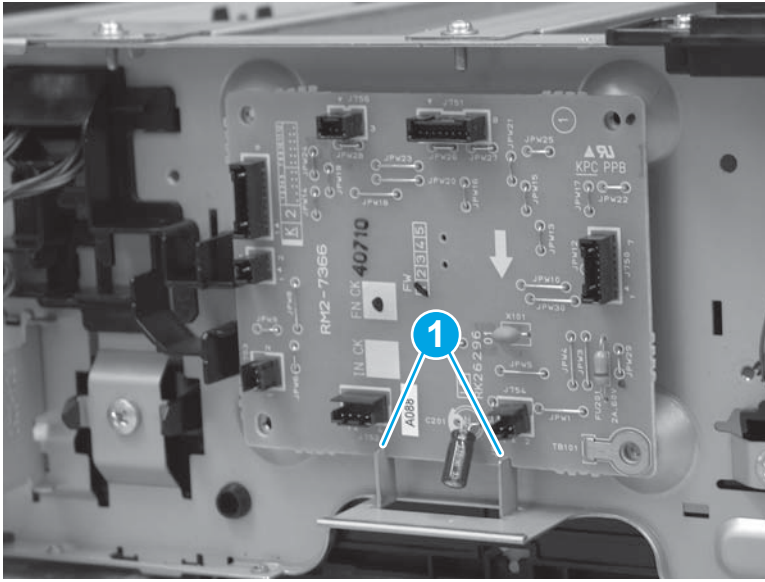
2. Remove four screws (callout 1).

Figure 1-2837 Remove four screws



3. Lift the driver PCA up and off of two brackets (callout 1) to remove it.

Figure 1-2838 Remove the driver PCA



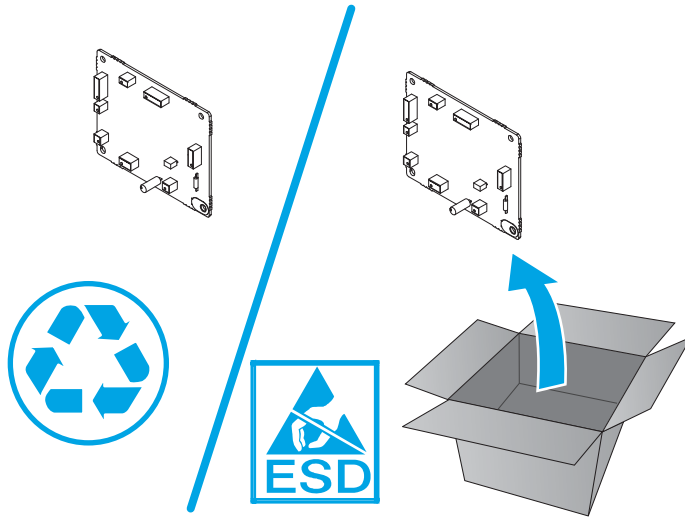
#### Step 5: Unpack the replacement part

Remove the new part from its package. Save all packaging for recycling the used part.

For complete information on HP's recycling programs, go to [Product return and recycling](#).

 **NOTE:** HP recommends responsible disposal of the defective part.

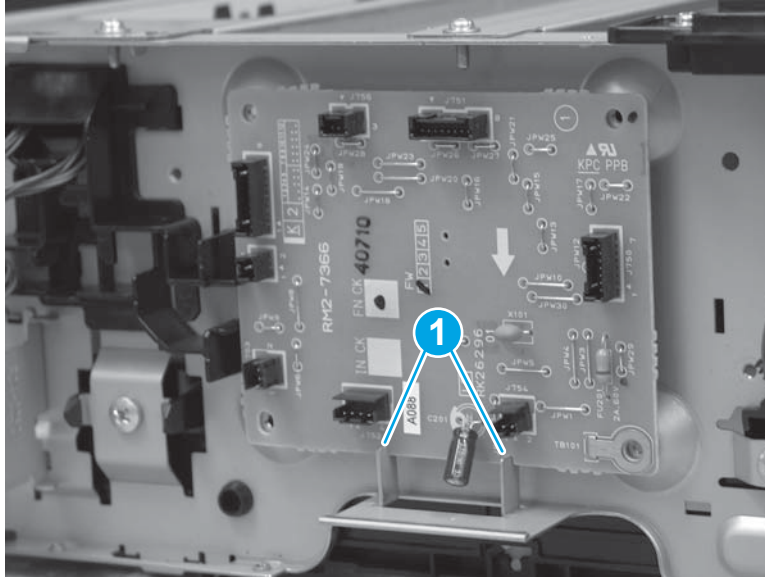
Figure 1-2839 Recycle and unpack



#### Step 6: Install the driver PCA (550-sheet paper feeder)


1. Position the driver PCA on two brackets (callout 1).

Figure 1-2840 Position the driver PCA



2. To install an assembly, reverse the removal steps.

---

 **NOTE:** When applicable, special installation instructions are provided for an assembly at the end of the removal procedure. Always completely read the removal instructions and follow all special installation instructions.

---





---

## 2 Parts and diagrams

- [HP service and support](#)
- [Assembly locations](#)
- [Order parts, accessories, and supplies](#)
- [How to use the parts lists and diagrams](#)
- [Parts and diagrams: Document feeder and scanner whole units](#)
- [Parts and diagrams: Covers and control panels](#)
- [Parts and diagrams: Internal components](#)
- [Parts and diagrams: 550-sheet paper feeder](#)
- [Alphabetical parts list](#)
- [Numerical parts list](#)

# HP service and support

Learn about HP access to additional service and support information.

## Additional service and support for channel partners

Channel partners, go to [partner.hp.com](https://partner.hp.com), and then use the steps below to access the HP Web-based Interactive Search Engine (WISE).

### Access WISE for Channel partners

1. Select **Services & Support**, and then select **Services Delivery**.
2. Select **Technical Support**, and then select **Technical Documentation**.

### Find information about the following topics

- Service manuals
- Service advisories
- Up-to-date control panel message (CPMD) troubleshooting
- Install and configure
- Printer specifications
- Solutions for printer issues and emerging issues
- Remove and replace part instructions and videos
- Warranty and regulatory information

## Additional service and support for HP internal personnel

HP internal personnel, go to one of the following Web-based Interactive Search Engine (WISE) sites:

### Americas (AMS)

- <https://support.hp.com/wise/home/ams-enWISE> - English
- <https://support.hp.com/wise/home/ams-esWISE> - Spanish
- <https://support.hp.com/wise/home/ams-ptWISE> - Portuguese
- <https://support.hp.com/wise/home/ams-frWISE> - French

### Asia Pacific / Japan (APJ)

- <https://support.hp.com/wise/home/apj-enWISE> - English
- <https://support.hp.com/wise/home/apj-jaWISE> - Japanese
- <https://support.hp.com/wise/home/apj-koWISE> - Korean
- <https://support.hp.com/wise/home/apj-zh-HansWISE> - Chinese (simplified)

- [https://support.hp.com/wise/home/apj-zh-HantWISE - Chinese \(traditional\)](https://support.hp.com/wise/home/apj-zh-HantWISE - Chinese (traditional))
- <https://support.hp.com/wise/home/apj-thWISE - Thai>

Europe / Middle East / Africa (EMEA)

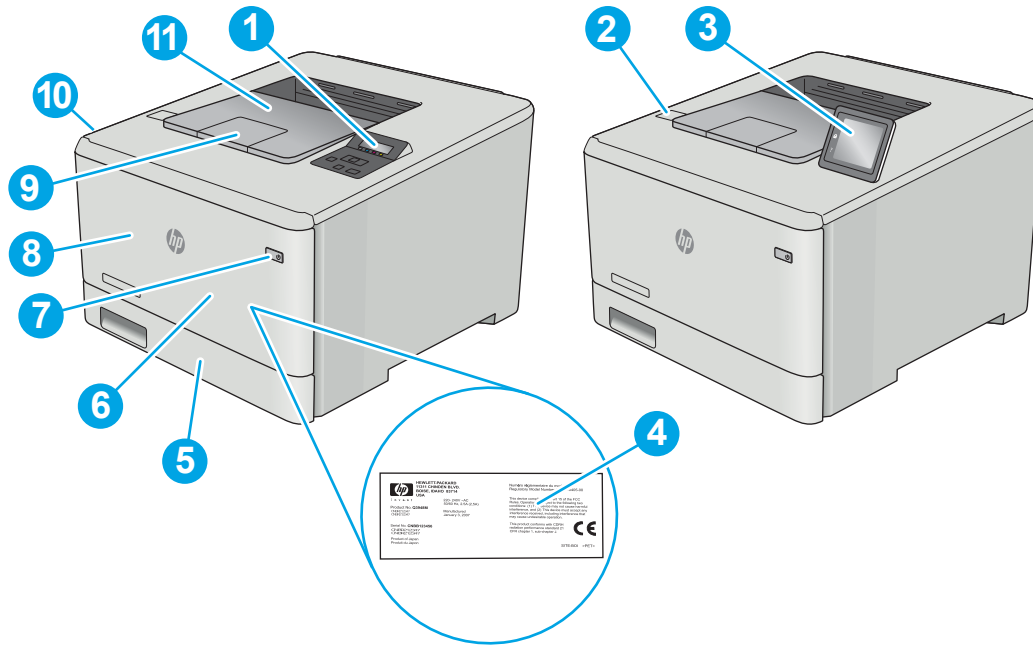
- <https://support.hp.com/wise/home/emea-enWISE - English>

# Assembly locations

- [Base printer, M454](#)
- [Base printer, M479](#)
- [550-sheet paper feeder \(all models\)](#)

## Base printer, M454

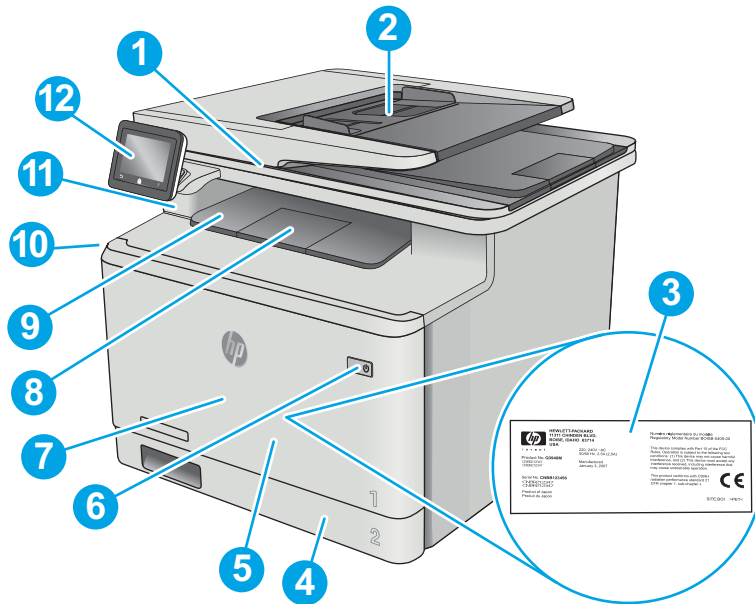
Figure 2-1 Base printer, M454



1	2-line control panel (nw and dn models)	7	Power on/off button
2	Walk-up USB port (for printing without a computer) (dw model only)	8	Front door (provides toner cartridge access)
3	Touchscreen control panel (dw model) (tilts up for easier viewing)	9	Output bin extension
4	Regulatory label (inside the front door)	10	Front door open button (on left cover)
5	Tray 2	11	Output bin
6	Tray 1		

# Base printer, M479

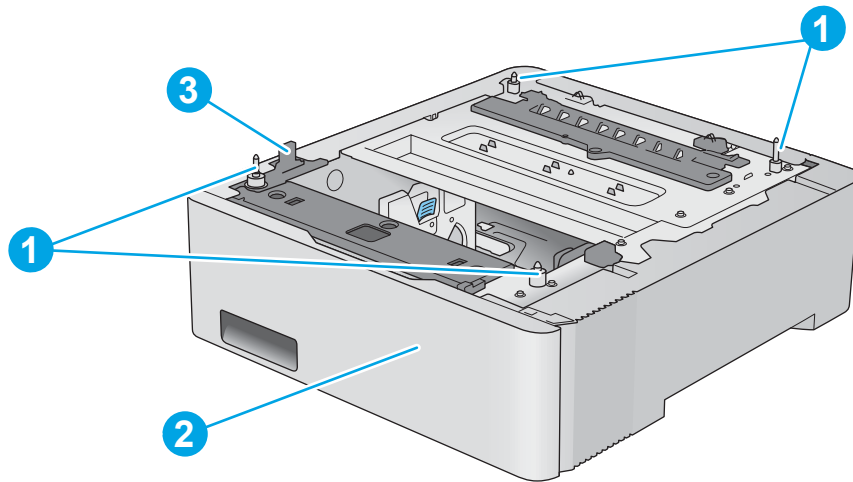
Figure 2-2 Base printer, M479



1	Scanner	7	Front door (provides toner cartridge access)
2	Document feeder	8	Output bin extension
3	Regulatory label (inside the front door)	9	Output bin
4	Tray 2	10	Front door open button (on left cover)
5	Tray 1	11	Walk-up USB port (for printing and scanning without a computer)
6	Power on/off button	12	Touchscreen control panel (tilts up for easier viewing)

## 550-sheet paper feeder (all models)

Figure 2-3 550-sheet paper feeder (all models)



---

1	Positioning pins
2	Tray 3
3	Connector

---

# Order parts, accessories, and supplies

## Ordering

Order supplies and paper	<a href="http://www.hp.com/go/suresupply">www.hp.com/go/suresupply</a>
Order genuine HP parts or accessories	<a href="http://www.hp.com/buy/parts">www.hp.com/buy/parts</a> or <a href="http://partsurfer.hp.com">partsurfer.hp.com</a>
Order through service or support providers	Contact an HP-authorized service or support provider.
Order using the HP Embedded Web Server (EWS)	To access, in a supported Web browser on your computer, enter the printer IP address or host name in the address/URL field. The EWS contains a link to the HP SureSupply Web site, which provides options for purchasing Original HP supplies.

## Orderable parts

Not all of the parts shown in the diagrams in this chapter can be ordered. Refer to the table following the diagram or the parts lists at the end of this chapter to determine if a part is orderable.

## Supplies

Following are the part numbers for the supplies available for the printer (all models).

**Table 2-4 Supplies**

Item	Description	Part number
HP 414A, 415A, 416A Black Original LaserJet Toner Cartridge	Standard-capacity replacement black toner cartridge (414A, 415A, 416A)	W2020A US/ROW
		W2020-67901 (service)
		W2030A EMEA
		W2030-67901 (service)
		W2040A AP
W2040-67901 (service)		
HP 414X, 415X, 416X High Yield Black Original LaserJet Toner Cartridge	High-capacity replacement black toner cartridge (414X, 415X, 416X)	W2020X US/ROW
		W2020-67902 (service)
		W2030X EMEA
		W2030-67902 (service)
		W2040X AP
W2040-67902 (service)		



**Table 2-4 Supplies (continued)**

Item	Description	Part number
HP 414X, 415X, 416X Black Contract Original LaserJet Toner Cartridge	High-capacity replacement black toner cartridge (414X, 415X, 416X)	W2020XC US/ROW
		W2020-67903 (service)
		W2030XC EMEA
		W2030-67903 (service)
		W2040XC AP
		W2040-67903 (service)
HP 415A, 415A, 416A Cyan Original LaserJet Toner Cartridge	Standard-capacity replacement cyan cartridge (414A, 415A, 416A)	W2021A US/ROW
		W2021-67901 (service)
		W2031A EMEA
		W2031-67901 (service)
		W2041A AP
		W2041-67901 (service)
HP 414X, 415X, 416X High Yield Cyan Original LaserJet Toner Cartridge	High-capacity replacement cyan toner cartridge (414X, 415X, 416X)	W2021X US/ROW
		W2021-67902 (service)
		W2031X EMEA
		W2031-67902 (service)
		W2041X AP
		W2041-67902 (service)
HP 414XC, 415XC, 416XC Cyan Contract Original LaserJet Toner Cartridge	High-capacity replacement cyan toner cartridge (414X, 415X, 416X)	W2021XC US/ROW
		W2021-67903 (service)
		W2031XC EMEA
		W2031-67903 (service)
		W2041XC AP
		W2041-67903 (service)
HP 414A, 415A, 416A Yellow Original LaserJet Toner Cartridge	Standard-capacity replacement yellow toner cartridge (414A, 415A, 416A)	W2022A US/ROW
		W2022-67901 (service)
		W2032A EMEA
		W2032-67901 (service)
		W2042A AP
		W2042-67901 (service)

**Table 2-4 Supplies (continued)**

Item	Description	Part number
HP 414X, 415X, 416X High Yield Yellow Original LaserJet Toner Cartridge	High-capacity replacement yellow toner cartridge (414X, 415X, 416X)	W2022X
		W2022-67902 (service)
		W2032X EMEA
		W2032-67902 (service)
		W2042X AP W2042-67902(service)
HP 414XC, 415XC, 416XC Yellow Contract Original LaserJet Toner Cartridge	High-capacity replacement yellow toner cartridge (414X, 415X, 416X)	W2022XC US/ROW
		W2022-67903 (service)
		W2032XC EMEA
		W2032-67903 (service)
		W2042XC AP W2042-67903 (service)
HP 414A, 415A, 416A Magenta Original Laser Jet Toner Cartridge	Standard-capacity replacement magenta toner cartridge (414A, 415A, 416A)	C2023A US/ROW
		W2023-67901 (service)
		W2033A EMEA
		W2033-67901 (service)
		W2043A AP W2043-67901 (service)
HP 414X, 415X, 416X High Yield Magenta Original LaserJet Toner Cartridge	High-capacity replacement magenta toner cartridge (414X, 415X, 416X)	W2023X US/ROW
		W2023-67902 (service)
		W2033X EMEA
		W2033-67902 (service)
		W2043X AP W2043-67902(service)
HP 414XC, 415XC, 416XC Magenta Contract Original LaserJet Toner Cartridge	High-capacity replacement magenta toner cartridge (414X, 415X, 416X)	W2023XC US/ROW
		W2023-67903 (service)
		W2033XC EMEA
		W2033-67903 (service)
		W2043XC AP W2043-67903 (service)

## Accessories

Following are the part numbers for the accessories available for the printer (all models).

**Table 2-5 Accessories**

Item	Description	Part number
550-sheet paper feeder	Optional 550-sheet paper feeder	CF404A (new)
		CF404-67902 (service)
USB 2.0 printer cable	A-to-B cable (2-meter standard)	DT2738 (new)
		8121-1585 (service)

## Customer self-repair kits

Following are the customer-replaceable kits available for the printer. Each kit includes parts and installation instructions.

The customer self-repair (CSR) level indicates the expected difficulty the customer will experience when replacing this part:

- **A:** Easy
- **B:** Difficult

Item	Description	CSR level	Part number
550-sheet paper feeder	Replacement optional Tray 3	A	CF404-67901

## HP service and support

Learn about HP access to additional service and support information.

### Additional service and support for channel partners

Channel partners, go to [partner.hp.com](http://partner.hp.com), and then use the steps below to access the HP Web-based Interactive Search Engine (WISE).

#### Access WISE for Channel partners

1. Select **Services & Support**, and then select **Services Delivery**.
2. Select **Technical Support**, and then select **Technical Documentation**.

### Find information about the following topics

- Service manuals
- Service advisories
- Up-to-date control panel message (CPMD) troubleshooting
- Install and configure

- Printer specifications
- Solutions for printer issues and emerging issues
- Remove and replace part instructions and videos
- Warranty and regulatory information

### Additional service and support for HP internal personnel

HP internal personnel, go to one of the following Web-based Interactive Search Engine (WISE) sites:

#### Americas (AMS)

- <https://support.hp.com/wise/home/ams-en> WISE - English
- <https://support.hp.com/wise/home/ams-es> WISE - Spanish
- <https://support.hp.com/wise/home/ams-pt> WISE - Portuguese
- <https://support.hp.com/wise/home/ams-fr> WISE - French

#### Asia Pacific / Japan (APJ)

- <https://support.hp.com/wise/home/apj-en> WISE - English
- <https://support.hp.com/wise/home/apj-ja> WISE - Japanese
- <https://support.hp.com/wise/home/apj-ko> WISE - Korean
- <https://support.hp.com/wise/home/apj-zh-Hans> WISE - Chinese (simplified)
- <https://support.hp.com/wise/home/apj-zh-Hant> WISE - Chinese (traditional)
- <https://support.hp.com/wise/home/apj-th> WISE - Thai


#### Europe / Middle East / Africa (EMEA)


- <https://support.hp.com/wise/home/emea-en> WISE - English

## How to use the parts lists and diagrams

The figures in this chapter show the major subassemblies in the printer and their component parts. A parts list table follows each exploded view assembly diagram. Each table lists the item number, the associated part number, and the description of each part. If a part is not listed in the table, then it is not a field replacement unit (FRU).

---


 **CAUTION:** Be sure to order the correct part. When looking for part numbers for electrical components, pay careful attention to the voltage that is listed in the description column. Doing so will ensure that the part number selected is for the correct model.

 **NOTE:** In this manual, the abbreviation “PCA” stands for “printed circuit-board assembly.” Components described as a PCA might consist of a single circuit board or a circuit board plus other parts, such as cables and sensors.

---

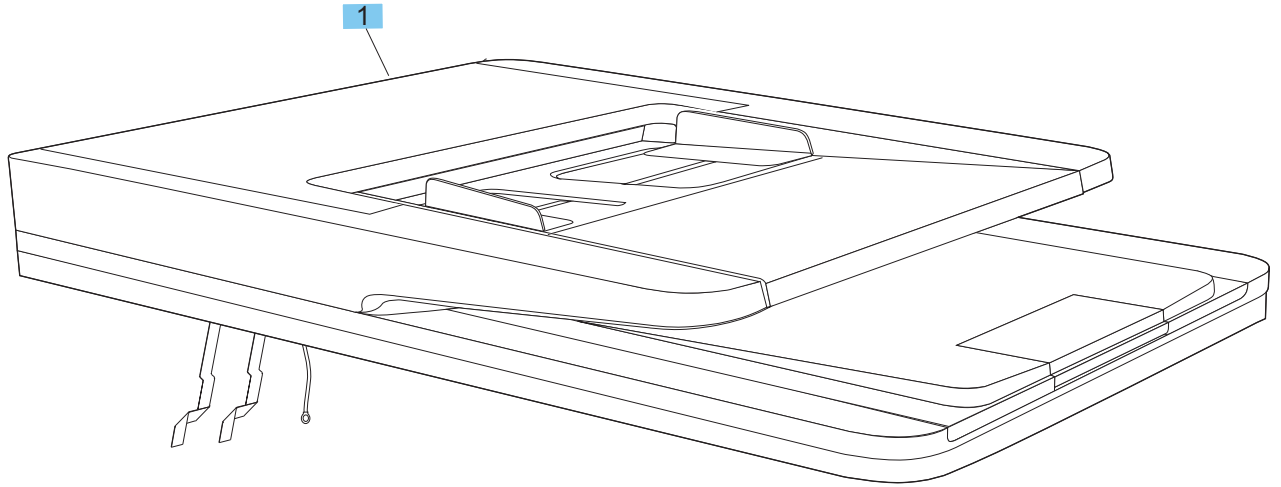


## Parts and diagrams: Document feeder and scanner whole units

 **NOTE:** M479 models only.

### Document feeder and scanner (M479)

Figure 2-4 Document feeder and scanner (M479)





**Table 2-6 Document feeder and scanner (M479)**

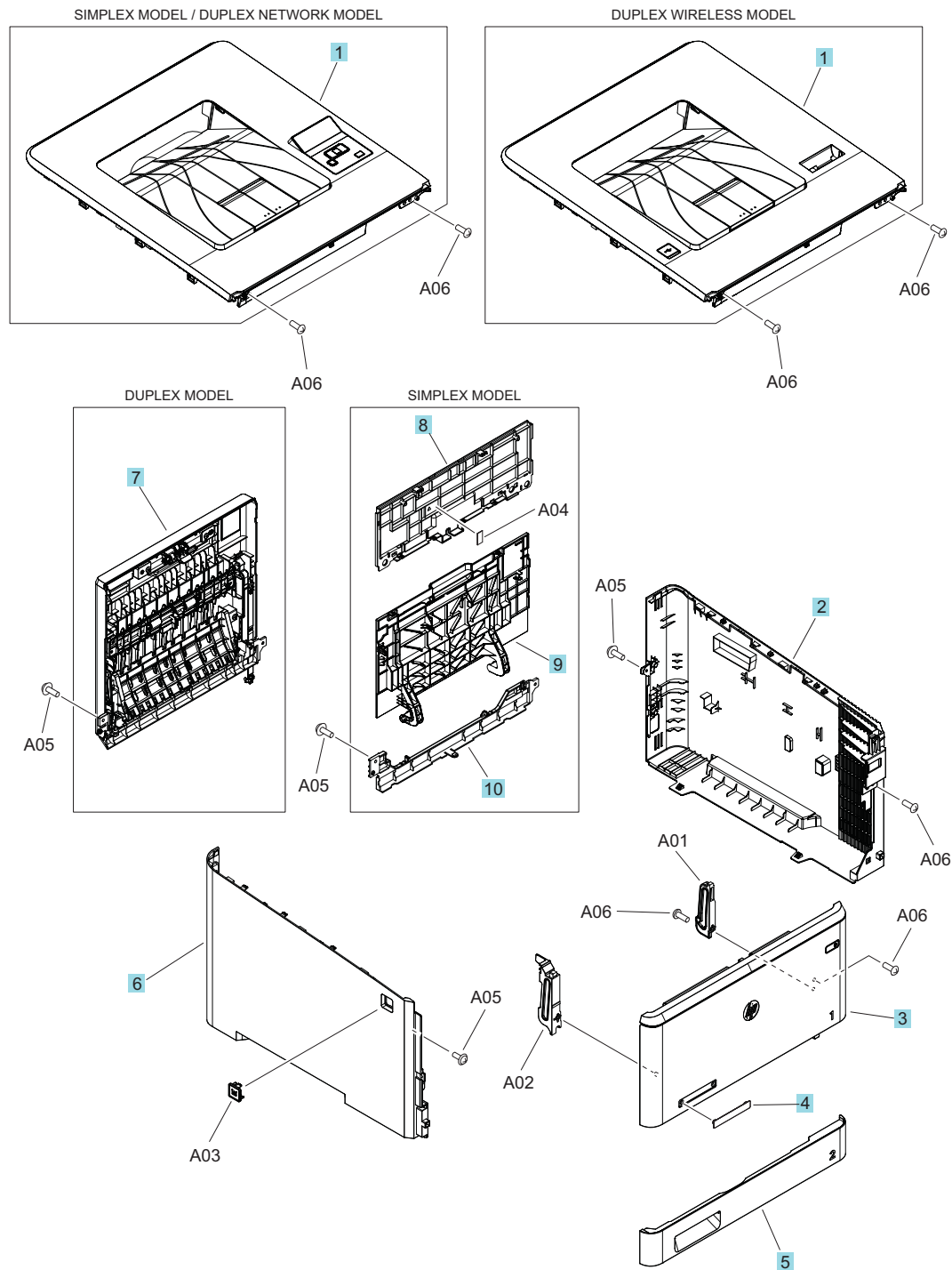
Ref	Description	Part number	Qty
1	Integrated scanner assembly (M479) (simplex)	W1A73-60111	1
1	Integrated scanner assembly (M479) (duplex)	W1A73-60110	1
Not shown	Cover, document feeder top (M479) (includes rollers)	W1A77-67903	1

# Parts and diagrams: Covers and control panels

## M454 covers and control panels

Figure 2-5 M454 covers and control panels

### FIGURE 100A EXTERNAL COVERS, PANELS, ETC. (M454)



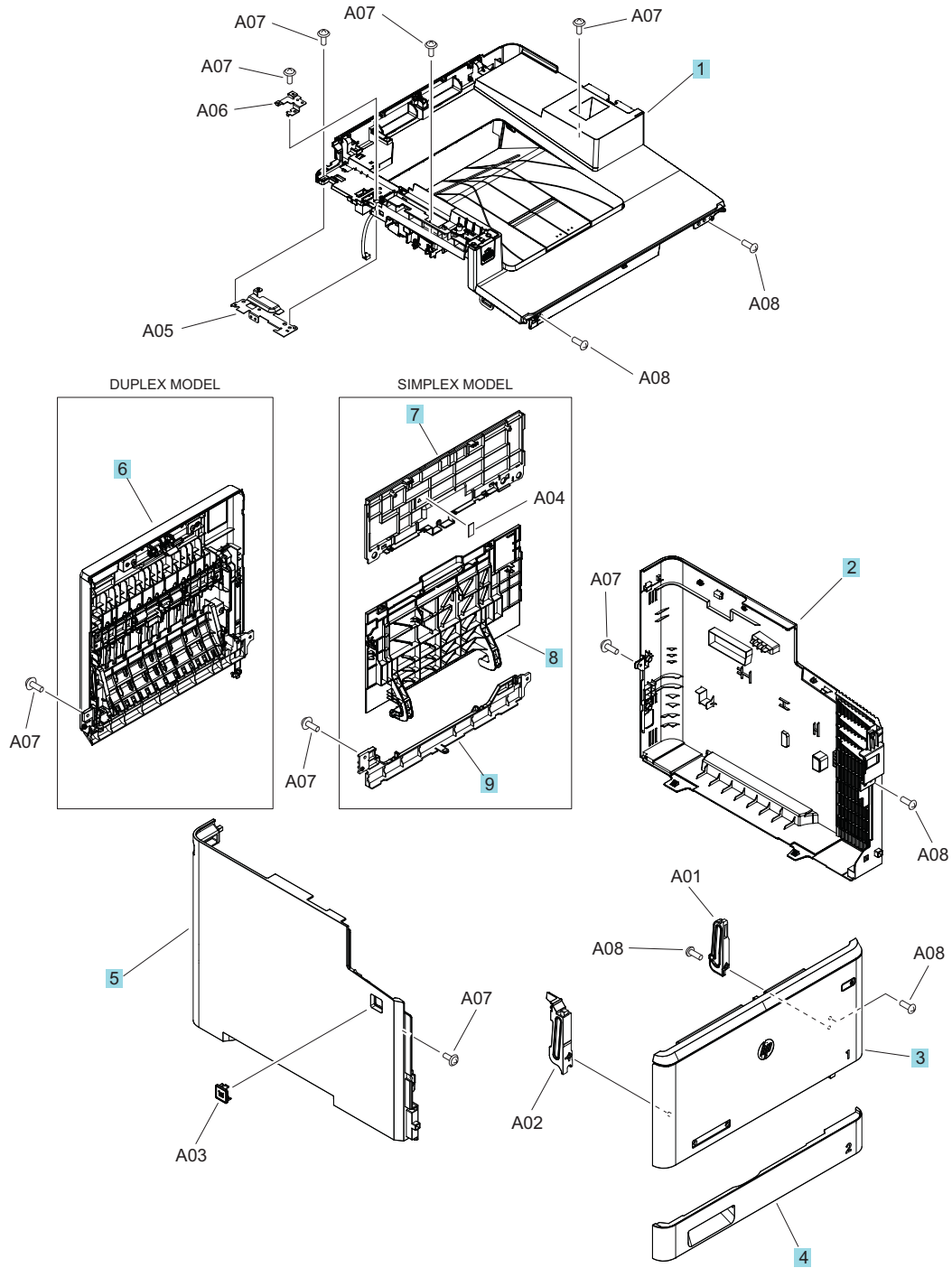
**Table 2-7 M454 covers and control panels, etc.**

Ref	Description	Part number	Qty
1	Cover, top assy (duplex/network)	RM2-6442-000CN	1
1	Cover, top assy (duplex/wireless)	RM2-1819-000CN	1
1	Cover, top assembly with control panel (simplex) (M454nw)	RM2-6433-000CN	1
2	Cover, right	RM4-4853-000CN	1
3	Front door assy	RM2-1823-000CN	1
4	Plate, name (simplex)	RC5-3253-000CN	1
4	Plate, name (duplex/network)	RC5-3254-000CN	1
4	Plate, name (duplex/wireless)	RC5-3255-000CN	1
5	Cover, cassette	RC4-5334-000CN	1
6	Cover, left (M454)	RC4-4854-000CN	1
7	Duplex door assembly	RM2-6383-000CN	1
8	Cover, rear (simplex models)	RC4-4855-000CN	1
9	Door, rear (simplex models)	RM2-1825-000CN	1
10	Cover, rear lower (simplex models)	RC4-5131-000CN	1
Not shown	Control panel, touchscreen 2.7" (M454dw)	W1Y45-67903	1

## M479 covers and control panel

Figure 2-6 M479 covers and control panel

### FIGURE 100B EXTERNAL COVERS, PANELS, ETC. (M479)



**Table 2-8 M479 covers and control panel, etc.**

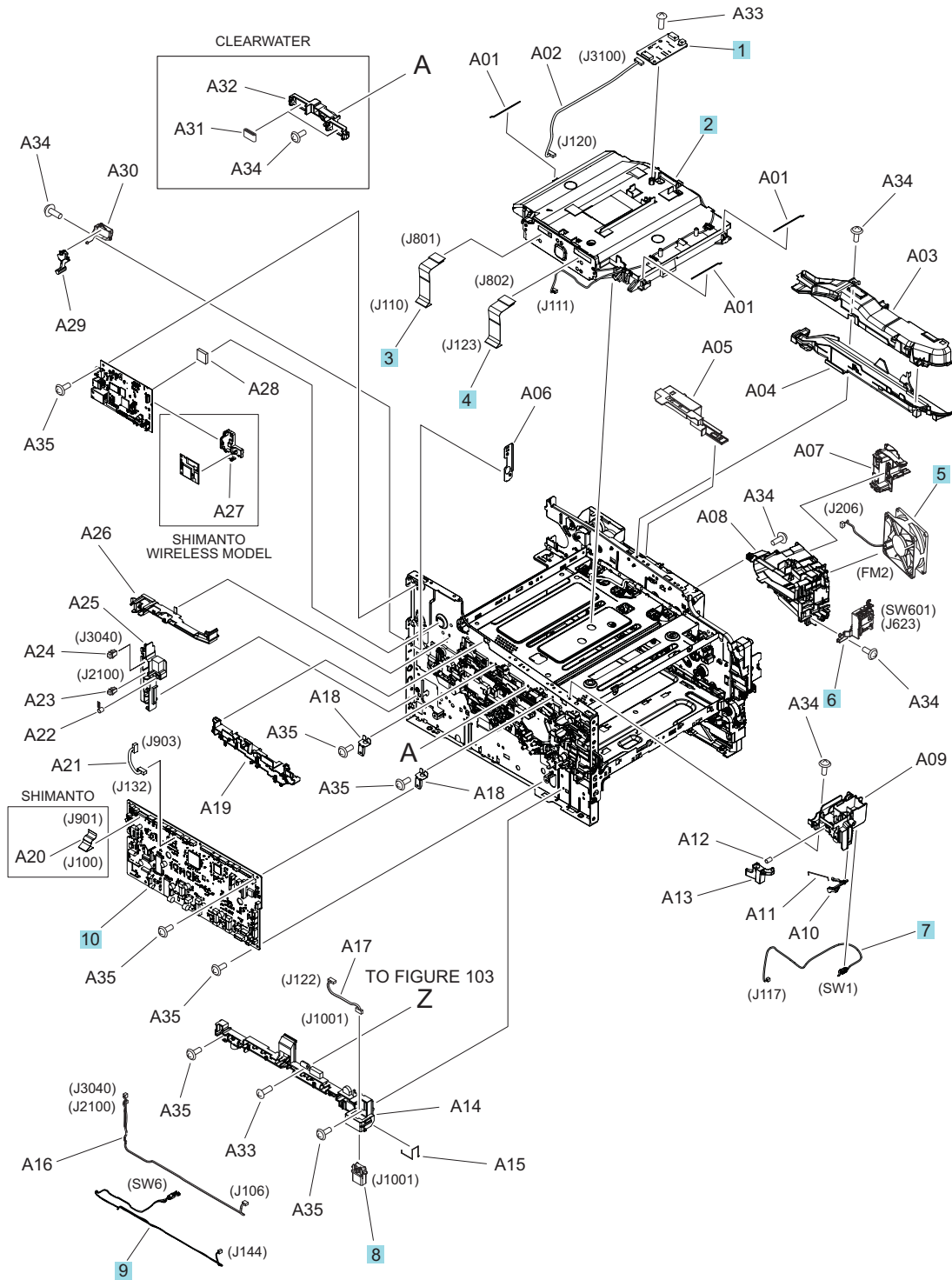
Ref	Description	Part number	Qty
1	Cover, top assy (duplex network models)	RM2-1814-000CN	1
1	Cover, top assy (duplex wireless models)	RM2-1815-000CN	1
2	Cover, right (M479)	RC4-6044-000CN	1
3	Front door assy	RM2-1824-000CN	1
4	Cover, cassette	RC4-5334-000CN	1
5	Cover, left (M479)	RC4-6045-000CN	1
6	Duplexing door assy	RM2-6383-000CN	1
7	Cover, rear (simplex models)	RC4-4855-000CN	1
8	Rear door (simplex models)	RM2-1825-000CN	1
9	Cover, Rear lower (simplex models)	RC4-5131-000CN	1
Not shown	Assembly, control panel mount chassis 4.3 (M479)	CF377-60113	1
Not shown	Control panel mount chassis 4.3 (M479)	B3Q10-40055	1
Not shown	Gear, control panel friction (M479)	B3Q09-40003	1
Not shown	FFC cover (M479)	CF377-40004	1
Not shown	Fax cover (M479)	CF377-40005	1
Not shown	Fax cable cover (M479)	CF377-40006	1
Not shown	Shield, RFI SSA FFC (M479)	CF377-00006	1

# Parts and diagrams: Internal components

## Internal components (1 of 5)

Figure 2-7 Internal components (1 of 5)

### FIGURE 101 INTERNAL COMPONENTS 1



**Table 2-9 Internal components (1 of 5)**

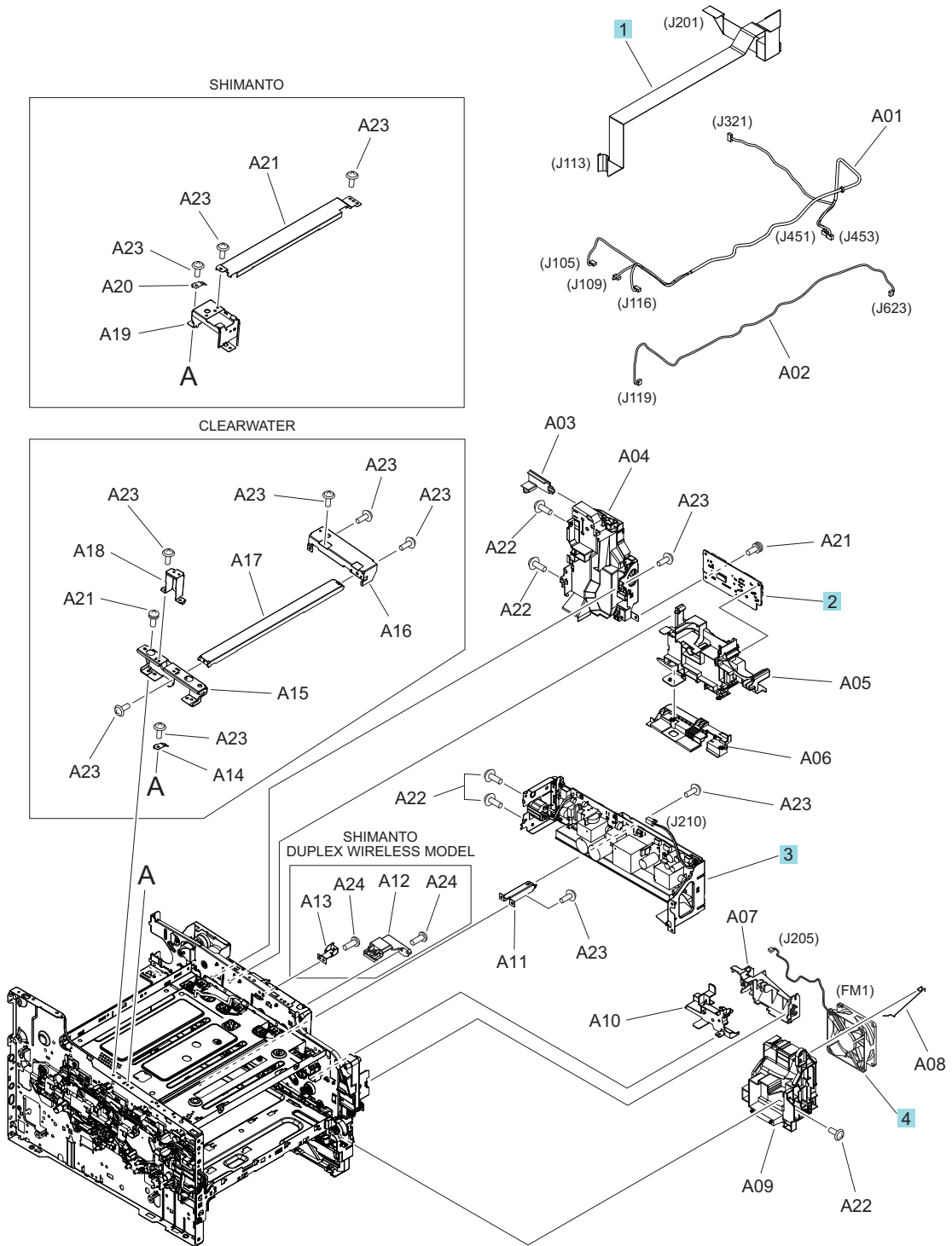
Ref	Description	Part number	Qty
1	Memory PCA assy	RM3-7245-000CN	1
2	Laser scanner assy	RM2-5612-000CN	1
3	Cable, scanner FFC	RM2-8662-000CN	1
4	Cable, scanner FFC	RM2-8663-000CN	1
5	Fan (FM2)	RK2-6270-000CN	1
6	Power switch assembly	RM2-6373-000CN	1
7	Switch, cable front door assembly	RM3-7227-000CN	1
8	Connector drawer	VS1-7258-007CN	1
9	Switch, cassette cable assembly	RM2-7896-000CN	1
10	Engine controller PCA (duplex models)	RM3-7238-000CN	1
10	Engine controller PCA (simplex models)	RM3-7238-000CN	1
Not shown	Formatter PCA, (M454nw)	W1Y43-67901	1
Not shown	Formatter PCA, (M454nw) China only	W1Y43-67902	1
Not shown	Formatter PCA, (M454dn)	W1Y44-67901	1
Not shown	Formatter PCA, (M454dn) China only	W1Y44-67902	1
Not shown	Formatter PCA (M454dw)	W1Y45-67901	1
Not shown	Formatter PCA (M454dw-China only)	W1Y45-67902	1
Not shown	Formatter PCA (M479dw)	W1A77-67901	1
Not shown	Formatter PCA (M79dw-China only)	W1A77-67902	1
Not shown	Formatter PCA (M479fnw)	W1A78-67901	1
Not shown	Formatter PCA (M479fnw-China only)	W1A78-67902	1
Not shown	Formatter PCA, generic (M479fdn)	W1A79-67901	1
Not shown	Formatter PCA, generic (M479fdn) China only	W1A79-67902	1
Not shown	Formatter PCA (M479fdw)	W1A80-67901	1
10	Formatter PCA (M479fdw-China only)	W1A80-67902	1
Not shown	Wireless PCA (M454nw/dw)	0960-4025	1
Not shown	Wireless PCA (M479fnw/fdw)	0960-4025	1
Not shown	Fax PCA (M479; US)	W1A78-67906	1
Not shown	Fax PCA (M479; Europe)	W1A78-67907	1
Not shown	Fax PCA (M479; Brazil)	W1A78-67908	1
Not shown	Fax PCA (M479; Philippines/AP)	W1A78-67909	1



# Internal components (2 of 5)

Figure 2-8 Internal components (2 of 5)

## FIGURE 102 INTERNAL COMPONENTS 2



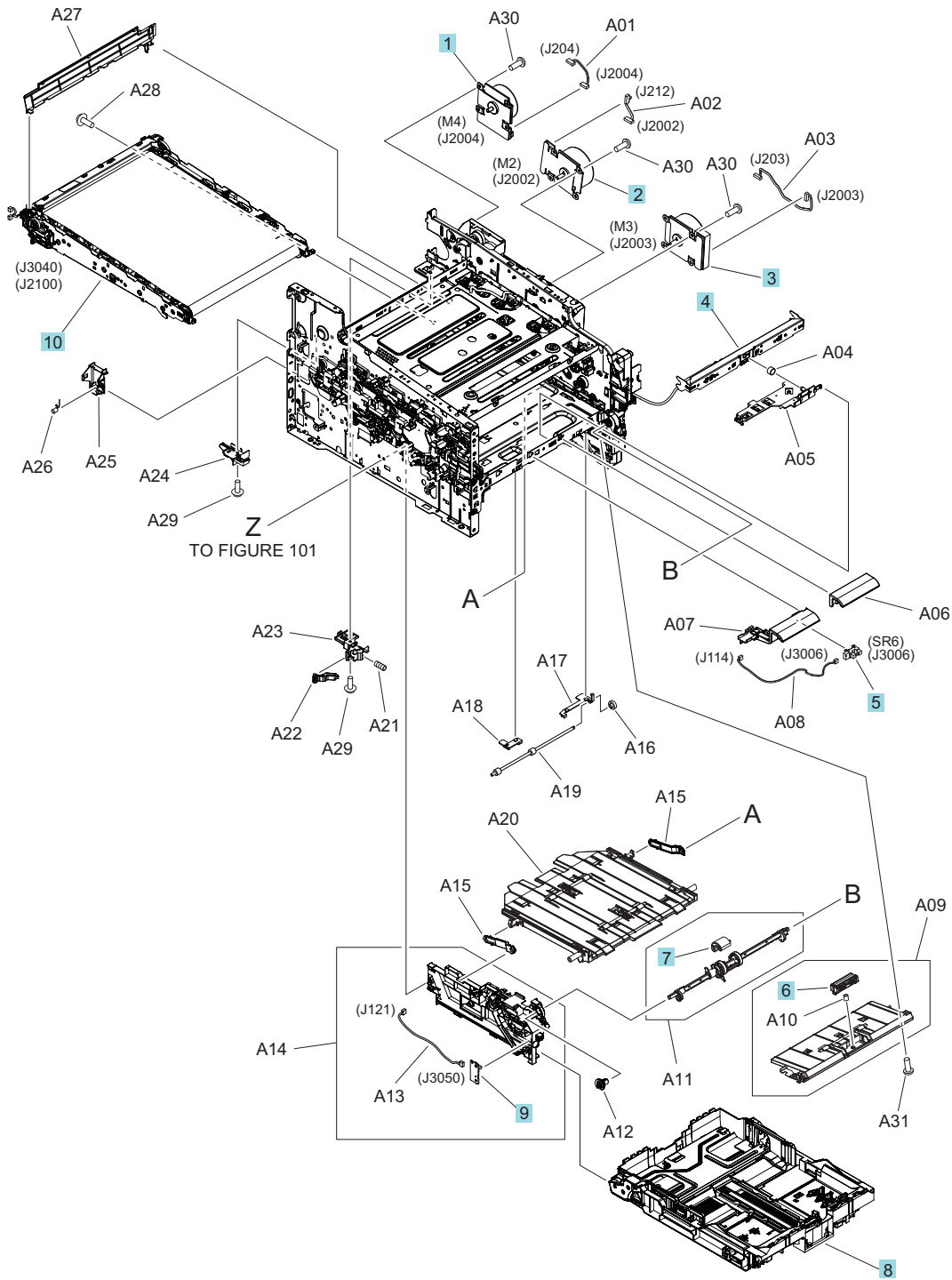
**Table 2-10 Internal components (2 of 5)**

Ref	Description	Part number	Qty
1	Cable, flexible flat	RM2-8661-000CN	1
2	Driver PCA	RM2-7369-000CN	1
3	Low-voltage power supply (110-127V)	RM3-7241-000CN	1
3	Low-voltage power supply (220-240V)	RM3-7242-000CN	1
4	Fan (FM1)	RK2-6270-000CN	1
Not shown	Remote antenna (M454nw/dw)	0960-3467	1
Not shown	Wireless bracket (M479fnw/fdw)	CF377-40007	1
Not shown	Wireless cable (M479fnw/fdw)	CF377-60115	1
Not shown	Cable, fax (M479)	CF377-60105	1
Not shown	Cable, FFC (M479)	CF388-60116	1

## Internal components (3 of 5)

Figure 2-9 Internal components (3 of 5)

### FIGURE 103 INTERNAL COMPONENTS 3



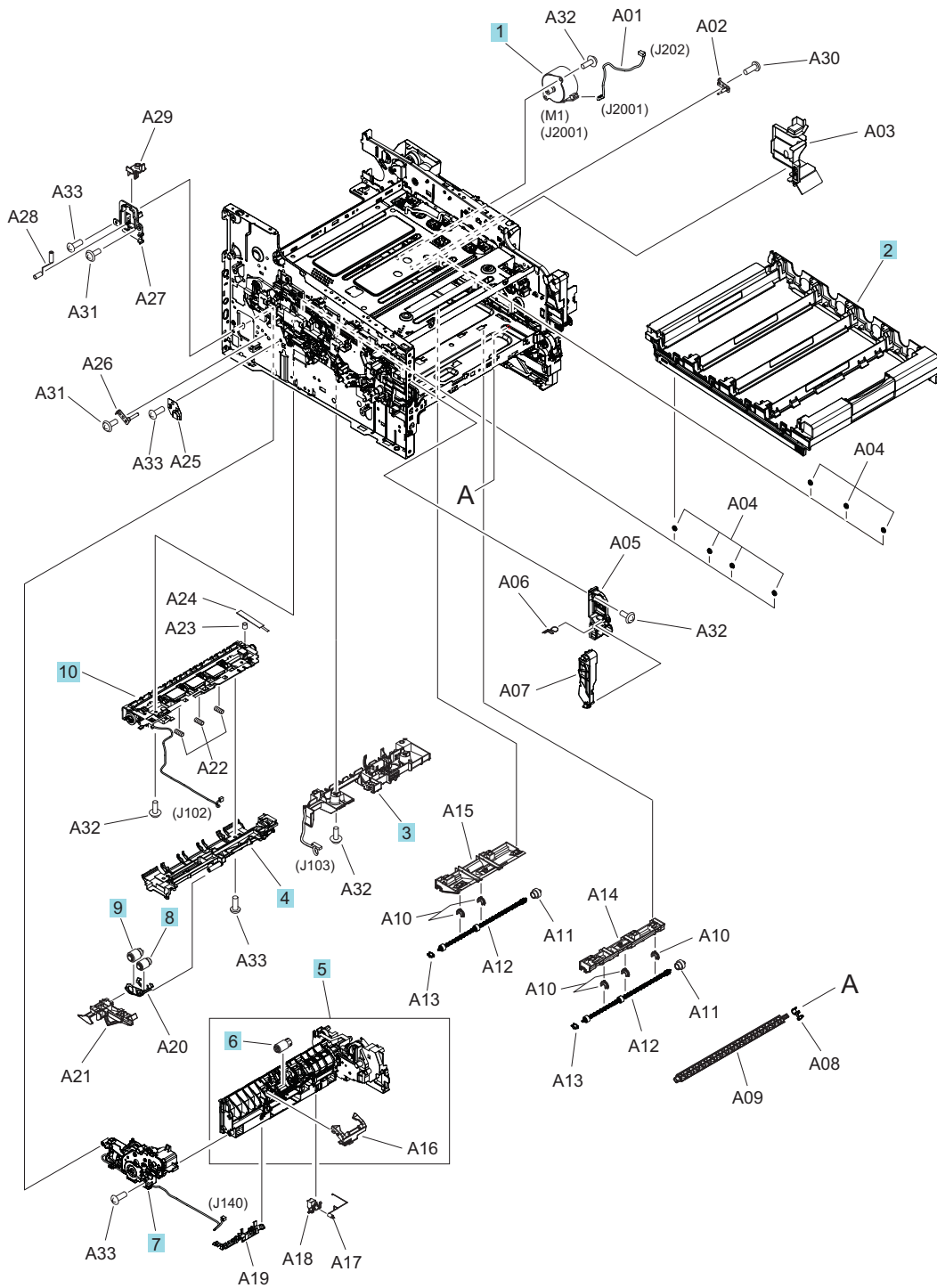
**Table 2-11 Internal components (3 of 5)**

Ref	Description	Part number	Qty
1	Motor, fuser (M4)	RM2-7349-000CN	1
2	Motor, drum (M2)	RM2-7342-000CN	1
3	Motor, developing (M3)	RM2-7344-000CN	1
4	Sensor, density detect	RM2-7399-000CN	1
5	Photointerrupter	WG8-5935-000CN	1
6	Pad, separation assembly	RM2-6406-000CN	1
7	Roller, paper pickup	RL1-2593-000CN	1
8	Cassette (Tray 2) assembly	RM2-6377-000CN	1
9	Sensor, environment PCA	RM2-7236-000CN	1
10	Intermediate transfer belt (ITB)	RM2-6454-000CN	1

# Internal components (4 of 5)

Figure 2-10 Internal components (4 of 5)

## FIGURE 104 INTERNAL COMPONENTS 4



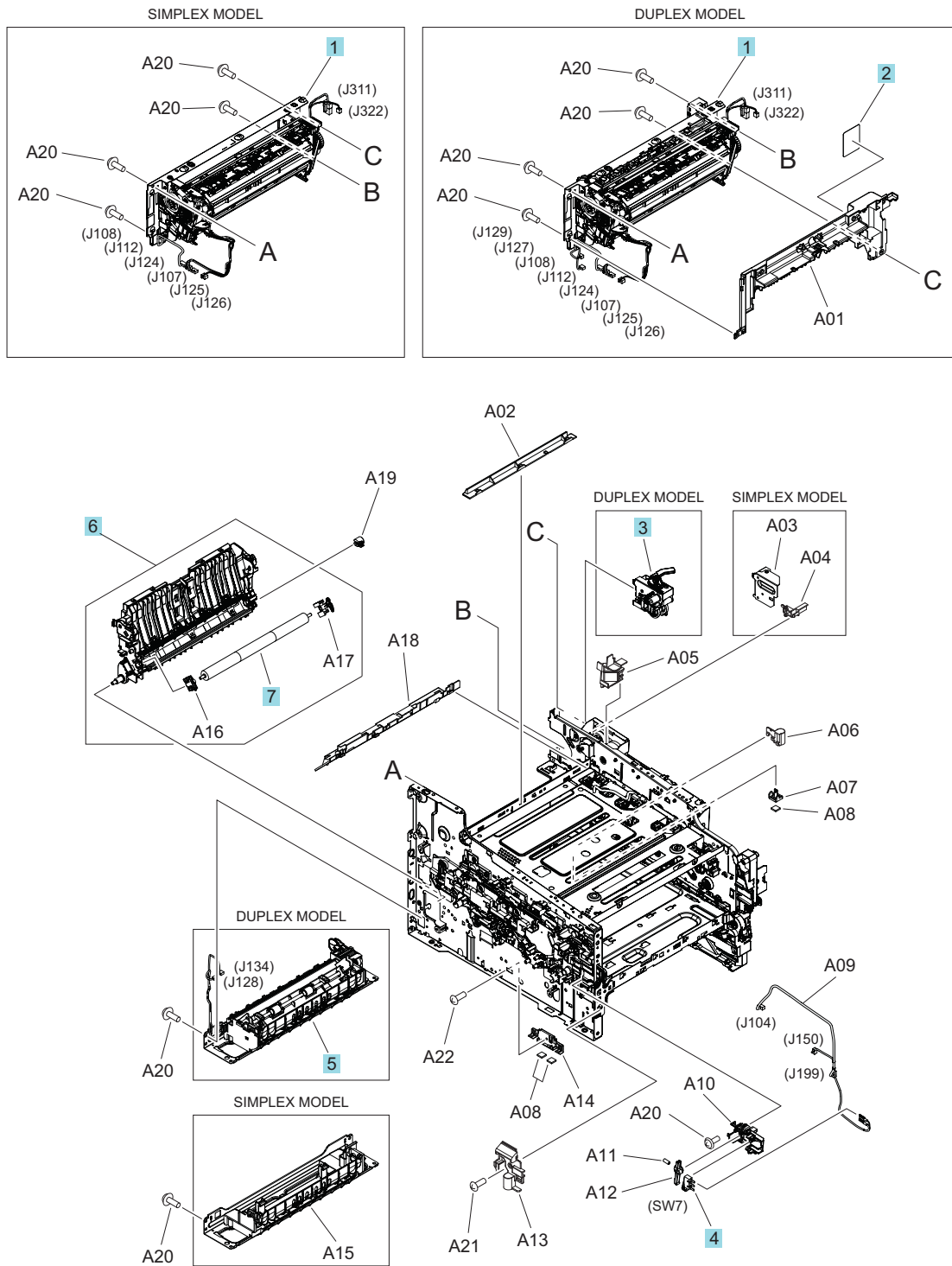
**Table 2-12 Internal components (4 of 5)**

Ref	Description	Part number	Qty
1	Motor, pickup (M1)	RM2-7350-000CN	1
2	Cartridge tray assembly	RM2-1807-000CN	1
3	Feed guide assembly, front	RM2-6368-000CN	1
4	Feed guide assembly, rear	RM2-6366-000CN	1
5	Paper pickup assembly	RM2-6372-000CN	1
6	Roller, separation	RM2-5881-000CN	1
7	Lifter drive assembly	RM2-6370-000CN	1
8	Roller, paper pickup assembly	RM2-5576-000CN	1
9	Roller, feed assembly	RM2-5577-000CN	1
10	Registration assembly	RM2-6374-000CN	1

# Internal components (5 of 5)

Figure 2-11 Internal components (5 of 5)

## FIGURE 105 INTERNAL COMPONENTS 5





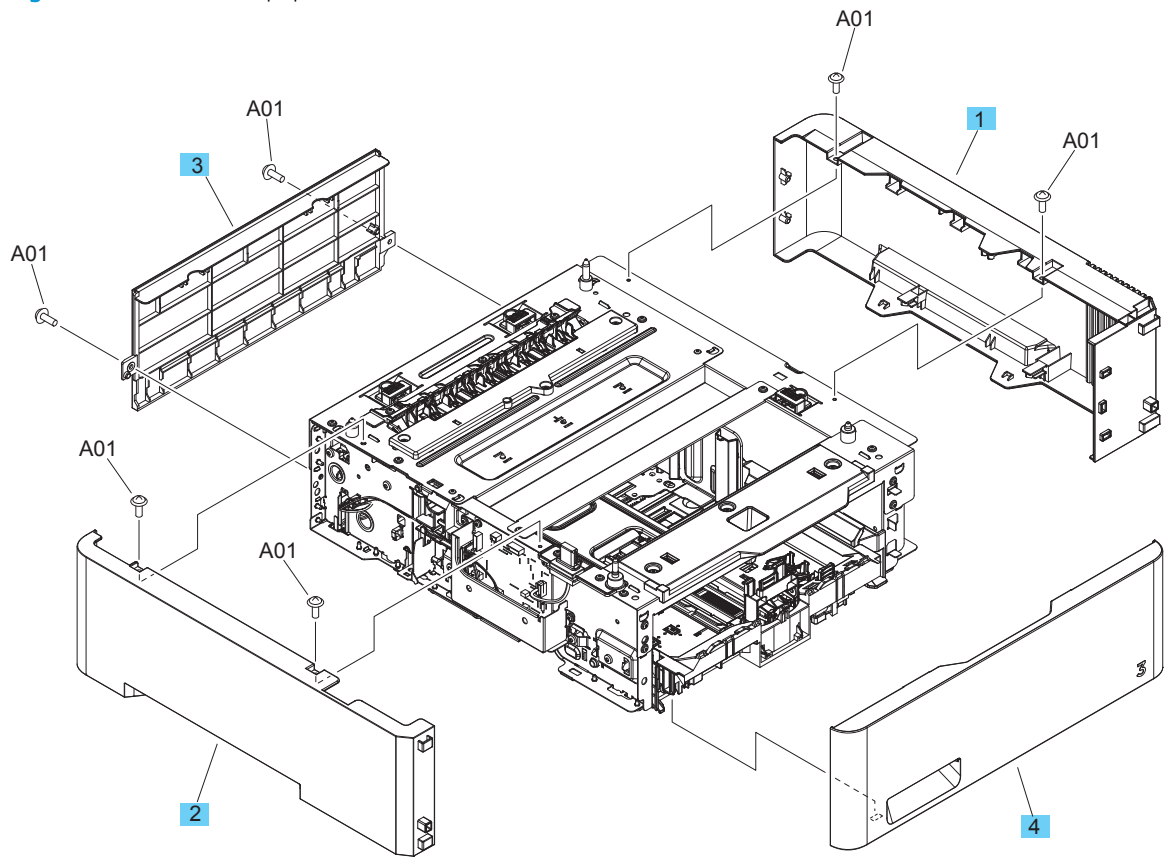
**Table 2-13 Internal components (5 of 5)**

Ref	Description	Part number	Qty
1	Fuser (duplex; 110-127V)	RM2-6460-000CN	1
1	Fuser (duplex; 220-240V)	RM2-6461-000CN	1
1	Fuser (simplex; 110-127V)	RM2-6431-000CN	1
1	Fuser (simplex; 220-240V)	RM2-6436-000CN	1
2	Label, high temp; Caution (duplex models)	RU7-8613-000CN	1
3	Reverse drive assembly (duplex models)	RM2-6389-000CN	1
4	Front door switch (microswitch)	RK2-0534-000CN	1
5	Paper pickup assembly (duplex models)	RM2-6387-000CN	1
6	Secondary transfer assembly (duplex models)	RM2-6397-000CN	1
6	Secondary transfer assembly (simplex models)	RM2-6430-000CN	1
7	Secondary transfer roller	RM2-6455-000CN	1
Not shown	Mute cable	5851-7005	

# Parts and diagrams: 550-sheet paper feeder

## 550-sheet paper feeder covers

Figure 2-12 550-sheet paper feeder covers

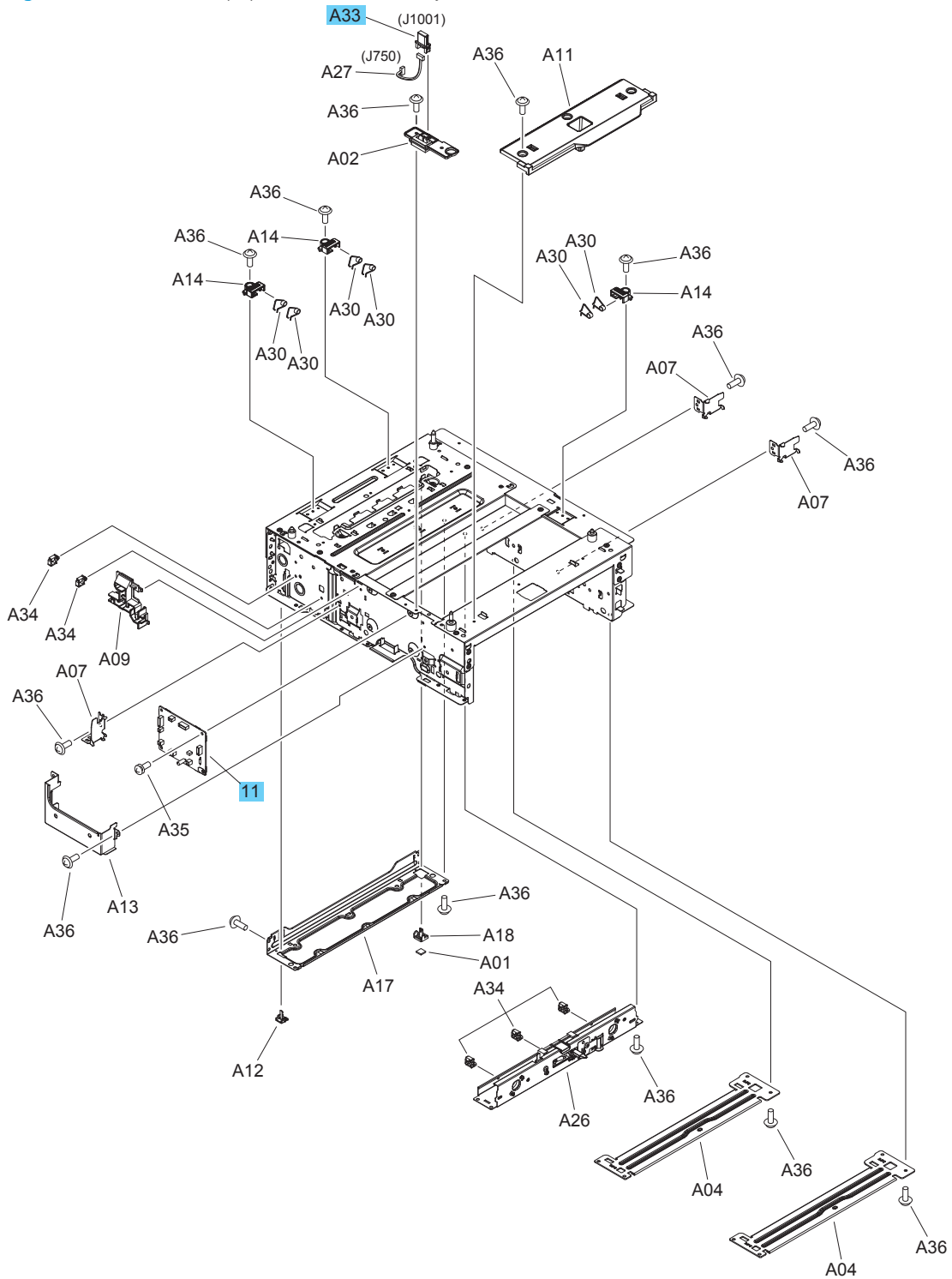


**Table 2-14** 550-sheet paper feeder covers

Ref	Description	Part number	Qty
1	Cover, left (550-sheet feeder)	RC4-2201-000CN	1
2	Cover, right (550-sheet feeder)	RC4-2202-000CN	1
3	Cover, rear (550-sheet feeder)	RC4-2203-000CN	1
4	Cover, cassette (550-sheet feeder)	RC4-2224-000CN	1

# 550-sheet paper feeder main body (1 of 2)

Figure 2-13 550-sheet paper feeder main body (1 of 2)

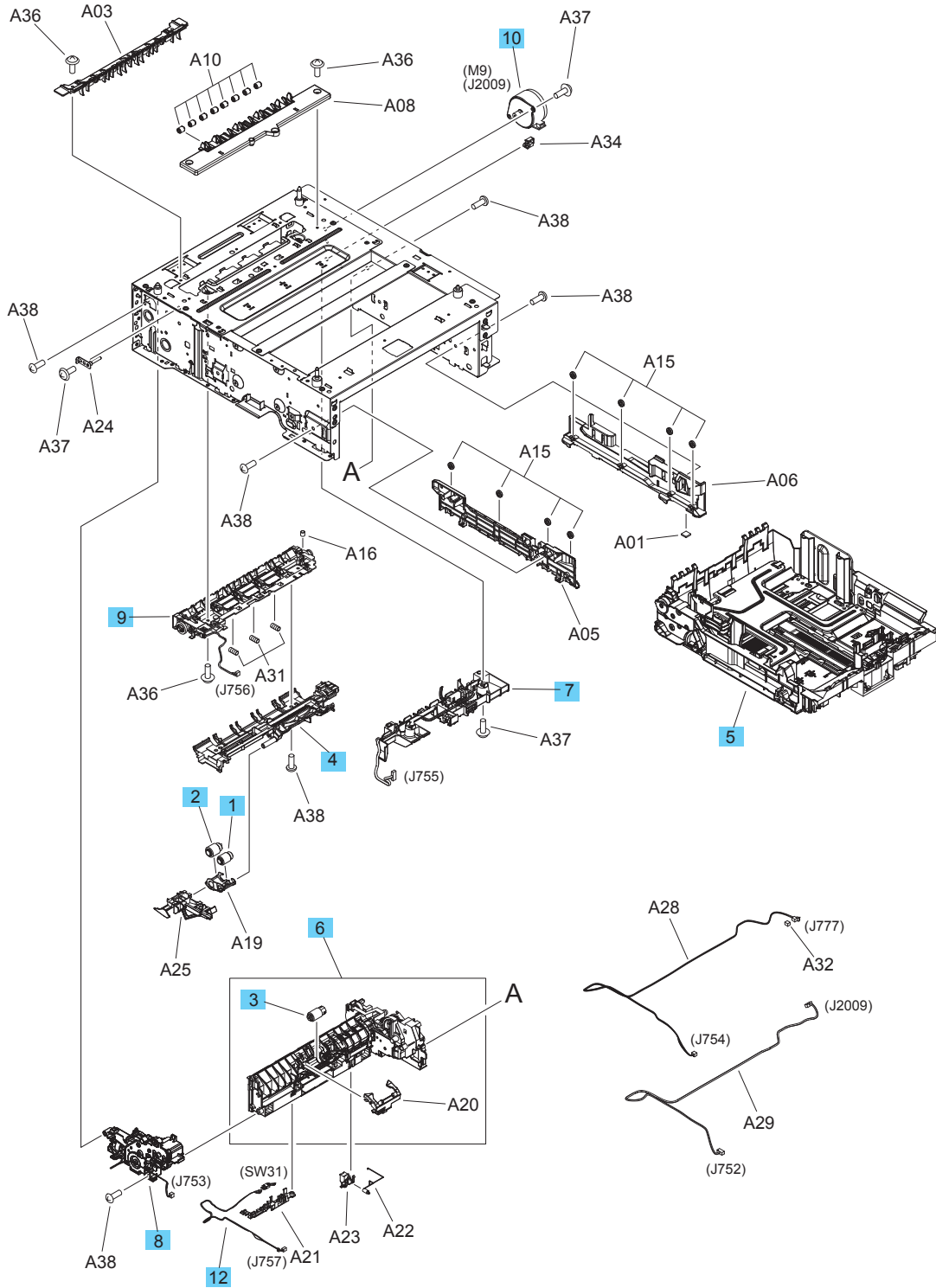


**Table 2-15** 550-sheet paper feeder main body (1 of 2)

Ref	Description	Part number	Qty
11	Paper feeder driver PCA (550-sheet feeder)	RM2-7366-000CN	1
A33	Connector, drawer (550-sheet feeder)	VS1-7257-007CN	1

# 550-sheet paper feeder main body (2 of 2)

Figure 2-14 550-sheet paper feeder main body (2 of 2)



**Table 2-16** 550-sheet paper feeder main body (2 of 2)

Ref	Description	Part number	Qty
1	Paper pickup roller assembly (550-sheet feeder)	RM2-5576-000CN	1
2	Feed roller assembly (550-sheet feeder)	RM2-5577-000CN	1
3	Separation roller assembly (550-sheet feeder)	RM2-5881-000CN	1
4	Feed guide assembly, rear (550-sheet feeder)	RM2-6366-000CN	1
5	Cassette assembly (550-sheet feeder)	RM2-6486-000CN	1
6	Paper pickup assembly (550-sheet feeder)	RM2-6490-000CN	1
7	Feed guide assembly, front (550-sheet feeder)	RM2-6492-000CN	1
8	Lifter drive assembly (550-sheet feeder)	RM2-6493-000CN	1
9	Paper feed assembly (550-sheet feeder)	RM2-6494-000CN	1
10	Pickup motor (M9) (550-sheet feeder)	RM2-7350-000CN	1
12	Switch cable assembly (550-sheet feeder)	RM2-7897-000CN	1



# Alphabetical parts list

**Table 2-17 Alphabetical parts list**

Description	Part number	Table and page
Assembly, control panel mount chassis 4.3 (M479)	CF377-60113	<a href="#">M479 covers and control panel, etc. on page 1571</a>
Cable, fax (M479)	CF377-60105	<a href="#">Internal components (2 of 5) on page 1575</a>
Cable, FFC (M479)	CF388-60116	<a href="#">Internal components (2 of 5) on page 1575</a>
Cable, flexible flat	RM2-8661-000CN	<a href="#">Internal components (2 of 5) on page 1575</a>
Cable, scanner FFC	RM2-8662-000CN	<a href="#">Internal components (1 of 5) on page 1573</a>
Cable, scanner FFC	RM2-8663-000CN	<a href="#">Internal components (1 of 5) on page 1573</a>
Cartridge tray assembly	RM2-1807-000CN	<a href="#">Internal components (4 of 5) on page 1579</a>
Cassette (Tray 2) assembly	RM2-6377-000CN	<a href="#">Internal components (3 of 5) on page 1577</a>
Cassette assembly (550-sheet feeder)	RM2-6486-000CN	<a href="#">550-sheet paper feeder main body (2 of 2) on page 1587</a>
Connector drawer	VS1-7258-007CN	<a href="#">Internal components (1 of 5) on page 1573</a>
Connector, drawer (550-sheet feeder)	VS1-7257-007CN	<a href="#">550-sheet paper feeder main body (1 of 2) on page 1585</a>
Control panel mount chassis 4.3 (M479)	B3Q10-40055	<a href="#">M479 covers and control panel, etc. on page 1571</a>
Control panel, touchscreen 2.7" (M454dw)	W1Y45-67903	<a href="#">M454 covers and control panels, etc. on page 1569</a>
Cover, cassette (550-sheet feeder)	RC4-2224-000CN	<a href="#">550-sheet paper feeder covers on page 1583</a>
Cover, cassette	RC4-5334-000CN	<a href="#">M479 covers and control panel, etc. on page 1571</a>
Cover, cassette	RC4-5334-000CN	<a href="#">M454 covers and control panels, etc. on page 1569</a>
Cover, document feeder top (M479) (includes rollers)	W1A77-67903	<a href="#">Document feeder and scanner (M479) on page 1567</a>
Cover, left (550-sheet feeder)	RC4-2201-000CN	<a href="#">550-sheet paper feeder covers on page 1583</a>
Cover, left (M454)	RC4-4854-000CN	<a href="#">M454 covers and control panels, etc. on page 1569</a>
Cover, left (M479)	RC4-6045-000CN	<a href="#">M479 covers and control panel, etc. on page 1571</a>

**Table 2-17** Alphabetical parts list (continued)

Description	Part number	Table and page
Cover, rear (550-sheet feeder)	RC4-2203-000CN	<a href="#">550-sheet paper feeder covers on page 1583</a>
Cover, rear (simplex models)	RC4-4855-000CN	<a href="#">M454 covers and control panels, etc. on page 1569</a>
Cover, rear (simplex models)	RC4-4855-000CN	<a href="#">M479 covers and control panel, etc. on page 1571</a>
Cover, Rear lower (simplex models)	RC4-5131-000CN	<a href="#">M479 covers and control panel, etc. on page 1571</a>
Cover, rear lower (simplex models)	RC4-5131-000CN	<a href="#">M454 covers and control panels, etc. on page 1569</a>
Cover, right (550-sheet feeder)	RC4-2202-000CN	<a href="#">550-sheet paper feeder covers on page 1583</a>
Cover, right (M479)	RC4-6044-000CN	<a href="#">M479 covers and control panel, etc. on page 1571</a>
Cover, right	RM4-4853-000CN	<a href="#">M454 covers and control panels, etc. on page 1569</a>
Cover, top assembly with control panel (simplex) (M454nw)	RM2-6433-000CN	<a href="#">M454 covers and control panels, etc. on page 1569</a>
Cover, top assy (duplex network models)	RM2-1814-000CN	<a href="#">M479 covers and control panel, etc. on page 1571</a>
Cover, top assy (duplex wireless models)	RM2-1815-000CN	<a href="#">M479 covers and control panel, etc. on page 1571</a>
Cover, top assy (duplex/network)	RM2-6442-000CN	<a href="#">M454 covers and control panels, etc. on page 1569</a>
Cover, top assy (duplex/wireless)	RM2-1819-000CN	<a href="#">M454 covers and control panels, etc. on page 1569</a>
Door, rear (simplex models)	RM2-1825-000CN	<a href="#">M454 covers and control panels, etc. on page 1569</a>
Driver PCA	RM2-7369-000CN	<a href="#">Internal components (2 of 5) on page 1575</a>
Duplex door assembly	RM2-6383-000CN	<a href="#">M454 covers and control panels, etc. on page 1569</a>
Duplexing door assy	RM2-6383-000CN	<a href="#">M479 covers and control panel, etc. on page 1571</a>
Engine controller PCA (duplex models)	RM3-7238-000CN	<a href="#">Internal components (1 of 5) on page 1573</a>
Engine controller PCA (simplex models)	RM3-7238-000CN	<a href="#">Internal components (1 of 5) on page 1573</a>
Fan (FM1)	RK2-6270-000CN	<a href="#">Internal components (2 of 5) on page 1575</a>
Fan (FM2)	RK2-6270-000CN	<a href="#">Internal components (1 of 5) on page 1573</a>

**Table 2-17** Alphabetical parts list (continued)

Description	Part number	Table and page
Fax cable cover (M479)	CF377-40006	<a href="#">M479 covers and control panel, etc. on page 1571</a>
Fax cover (M479)	CF377-40005	<a href="#">M479 covers and control panel, etc. on page 1571</a>
Fax PCA (M479; Brazil)	W1A78-67908	<a href="#">Internal components (1 of 5) on page 1573</a>
Fax PCA (M479; Europe)	W1A78-67907	<a href="#">Internal components (1 of 5) on page 1573</a>
Fax PCA (M479; Philippines/AP)	W1A78-67909	<a href="#">Internal components (1 of 5) on page 1573</a>
Fax PCA (M479; US)	W1A78-67906	<a href="#">Internal components (1 of 5) on page 1573</a>
Feed guide assembly, front (550-sheet feeder)	RM2-6492-000CN	<a href="#">550-sheet paper feeder main body (2 of 2) on page 1587</a>
Feed guide assembly, front	RM2-6368-000CN	<a href="#">Internal components (4 of 5) on page 1579</a>
Feed guide assembly, rear (550-sheet feeder)	RM2-6366-000CN	<a href="#">550-sheet paper feeder main body (2 of 2) on page 1587</a>
Feed guide assembly, rear	RM2-6366-000CN	<a href="#">Internal components (4 of 5) on page 1579</a>
Feed roller assembly (550-sheet feeder)	RM2-5577-000CN	<a href="#">550-sheet paper feeder main body (2 of 2) on page 1587</a>
FFC cover (M479)	CF377-40004	<a href="#">M479 covers and control panel, etc. on page 1571</a>
Formatter PCA (M454dw)	W1Y45-67901	<a href="#">Internal components (1 of 5) on page 1573</a>
Formatter PCA (M454dw-China only)	W1Y45-67902	<a href="#">Internal components (1 of 5) on page 1573</a>
Formatter PCA (M479dw)	W1A77-67901	<a href="#">Internal components (1 of 5) on page 1573</a>
Formatter PCA (M479fdw)	W1A80-67901	<a href="#">Internal components (1 of 5) on page 1573</a>
Formatter PCA (M479fdw-China only)	W1A80-67902	<a href="#">Internal components (1 of 5) on page 1573</a>
Formatter PCA (M479fnw)	W1A78-67901	<a href="#">Internal components (1 of 5) on page 1573</a>
Formatter PCA (M479fnw-China only)	W1A78-67902	<a href="#">Internal components (1 of 5) on page 1573</a>
Formatter PCA (M79dw-China only)	W1A77-67902	<a href="#">Internal components (1 of 5) on page 1573</a>
Formatter PCA, (M454dn) China only	W1Y44-67902	<a href="#">Internal components (1 of 5) on page 1573</a>

**Table 2-17 Alphabetical parts list (continued)**

<b>Description</b>	<b>Part number</b>	<b>Table and page</b>
Formatter PCA, (M454dn)	W1Y44-67901	<a href="#">Internal components (1 of 5) on page 1573</a>
Formatter PCA, (M454nw) China only	W1Y43-67902	<a href="#">Internal components (1 of 5) on page 1573</a>
Formatter PCA, (M454nw)	W1Y43-67901	<a href="#">Internal components (1 of 5) on page 1573</a>
Formatter PCA, generic (M479fdn) China only	W1A79-67902	<a href="#">Internal components (1 of 5) on page 1573</a>
Formatter PCA, generic (M479fdn)	W1A79-67901	<a href="#">Internal components (1 of 5) on page 1573</a>
Front door assy	RM2-1823-000CN	<a href="#">M454 covers and control panels, etc. on page 1569</a>
Front door assy	RM2-1824-000CN	<a href="#">M479 covers and control panel, etc. on page 1571</a>
Front door switch (microswitch)	RK2-0534-000CN	<a href="#">Internal components (5 of 5) on page 1581</a>
Fuser (duplex; 110-127V)	RM2-6460-000CN	<a href="#">Internal components (5 of 5) on page 1581</a>
Fuser (duplex; 220-240V)	RM2-6461-000CN	<a href="#">Internal components (5 of 5) on page 1581</a>
Fuser (simplex; 110-127V)	RM2-6431-000CN	<a href="#">Internal components (5 of 5) on page 1581</a>
Fuser (simplex; 220-240V)	RM2-6436-000CN	<a href="#">Internal components (5 of 5) on page 1581</a>
Gear, control panel friction (M479)	B3Q09-40003	<a href="#">M479 covers and control panel, etc. on page 1571</a>
Integrated scanner assembly (M479) (duplex)	W1A73-60110	<a href="#">Document feeder and scanner (M479) on page 1567</a>
Integrated scanner assembly (M479) (simplex)	W1A73-60111	<a href="#">Document feeder and scanner (M479) on page 1567</a>
Intermediate transfer belt (ITB)	RM2-6454-000CN	<a href="#">Internal components (3 of 5) on page 1577</a>
Label, high temp; Caution (duplex models)	RU7-8613-000CN	<a href="#">Internal components (5 of 5) on page 1581</a>
Laser scanner assy	RM2-5612-000CN	<a href="#">Internal components (1 of 5) on page 1573</a>
Lifter drive assembly (550-sheet feeder)	RM2-6493-000CN	<a href="#">550-sheet paper feeder main body (2 of 2) on page 1587</a>
Lifter drive assembly	RM2-6370-000CN	<a href="#">Internal components (4 of 5) on page 1579</a>
Low-voltage power supply (110-127V)	RM3-7241-000CN	<a href="#">Internal components (2 of 5) on page 1575</a>

**Table 2-17** Alphabetical parts list (continued)

Description	Part number	Table and page
Low-voltage power supply (220-240V)	RM3-7242-000CN	<a href="#">Internal components (2 of 5) on page 1575</a>
Memory PCA assy	RM3-7245-000CN	<a href="#">Internal components (1 of 5) on page 1573</a>
Motor, developing (M3)	RM2-7344-000CN	<a href="#">Internal components (3 of 5) on page 1577</a>
Motor, drum (M2)	RM2-7342-000CN	<a href="#">Internal components (3 of 5) on page 1577</a>
Motor, fuser (M4)	RM2-7349-000CN	<a href="#">Internal components (3 of 5) on page 1577</a>
Motor, pickup (M1)	RM2-7350-000CN	<a href="#">Internal components (4 of 5) on page 1579</a>
Mute cable	5851-7005	<a href="#">Internal components (5 of 5) on page 1581</a>
Pad, separation assembly	RM2-6406-000CN	<a href="#">Internal components (3 of 5) on page 1577</a>
Paper feed assembly (550-sheet feeder)	RM2-6494-000CN	<a href="#">550-sheet paper feeder main body (2 of 2) on page 1587</a>
Paper feeder driver PCA (550-sheet feeder)	RM2-7366-000CN	<a href="#">550-sheet paper feeder main body (1 of 2) on page 1585</a>
Paper pickup assembly (550-sheet feeder)	RM2-6490-000CN	<a href="#">550-sheet paper feeder main body (2 of 2) on page 1587</a>
Paper pickup assembly (duplex models)	RM2-6387-000CN	<a href="#">Internal components (5 of 5) on page 1581</a>
Paper pickup assembly	RM2-6372-000CN	<a href="#">Internal components (4 of 5) on page 1579</a>
Paper pickup roller assembly (550-sheet feeder)	RM2-5576-000CN	<a href="#">550-sheet paper feeder main body (2 of 2) on page 1587</a>
Photointerrupter	WG8-5935-000CN	<a href="#">Internal components (3 of 5) on page 1577</a>
Pickup motor (M9) (550-sheet feeder)	RM2-7350-000CN	<a href="#">550-sheet paper feeder main body (2 of 2) on page 1587</a>
Plate, name (duplex/network)	RC5-3254-000CN	<a href="#">M454 covers and control panels, etc. on page 1569</a>
Plate, name (duplex/wireless)	RC5-3255-000CN	<a href="#">M454 covers and control panels, etc. on page 1569</a>
Plate, name (simplex)	RC5-3253-000CN	<a href="#">M454 covers and control panels, etc. on page 1569</a>
Power switch assembly	RM2-6373-000CN	<a href="#">Internal components (1 of 5) on page 1573</a>
Rear door (simplex models)	RM2-1825-000CN	<a href="#">M479 covers and control panel, etc. on page 1571</a>

**Table 2-17** Alphabetical parts list (continued)

Description	Part number	Table and page
Registration assembly	RM2-6374-000CN	<a href="#">Internal components (4 of 5) on page 1579</a>
Remote antenna (M454nw/dw)	0960-3467	<a href="#">Internal components (2 of 5) on page 1575</a>
Reverse drive assembly (duplex models)	RM2-6389-000CN	<a href="#">Internal components (5 of 5) on page 1581</a>
Roller, feed assembly	RM2-5577-000CN	<a href="#">Internal components (4 of 5) on page 1579</a>
Roller, paper pickup assembly	RM2-5576-000CN	<a href="#">Internal components (4 of 5) on page 1579</a>
Roller, paper pickup	RL1-2593-000CN	<a href="#">Internal components (3 of 5) on page 1577</a>
Roller, separation	RM2-5881-000CN	<a href="#">Internal components (4 of 5) on page 1579</a>
Secondary transfer assembly (duplex models)	RM2-6397-000CN	<a href="#">Internal components (5 of 5) on page 1581</a>
Secondary transfer assembly (simplex models)	RM2-6430-000CN	<a href="#">Internal components (5 of 5) on page 1581</a>
Secondary transfer roller	RM2-6455-000CN	<a href="#">Internal components (5 of 5) on page 1581</a>
Sensor, density detect	RM2-7399-000CN	<a href="#">Internal components (3 of 5) on page 1577</a>
Sensor, environment PCA	RM2-7236-000CN	<a href="#">Internal components (3 of 5) on page 1577</a>
Separation roller assembly (550-sheet feeder)	RM2-5881-000CN	<a href="#">550-sheet paper feeder main body (2 of 2) on page 1587</a>
Shield, RFI SSA FFC (M479)	CF377-00006	<a href="#">M479 covers and control panel, etc. on page 1571</a>
Switch cable assembly (550-sheet feeder)	RM2-7897-000CN	<a href="#">550-sheet paper feeder main body (2 of 2) on page 1587</a>
Switch, cable front door assembly	RM3-7227-000CN	<a href="#">Internal components (1 of 5) on page 1573</a>
Switch, cassette cable assembly	RM2-7896-000CN	<a href="#">Internal components (1 of 5) on page 1573</a>
Wireless bracket (M479fnw/fdw)	CF377-40007	<a href="#">Internal components (2 of 5) on page 1575</a>
Wireless cable (M479fnw/fdw)	CF377-60115	<a href="#">Internal components (2 of 5) on page 1575</a>
Wireless PCA (M454nw/dw)	0960-4025	<a href="#">Internal components (1 of 5) on page 1573</a>
Wireless PCA (M479fnw/fdw)	0960-4025	<a href="#">Internal components (1 of 5) on page 1573</a>

# Numerical parts list

**Table 2-18 Numerical parts list**

Part number	Description	Table and page
0960-3467	Remote antenna (M454nw/dw)	<a href="#">Internal components (2 of 5) on page 1575</a>
0960-4025	Wireless PCA (M454nw/dw)	<a href="#">Internal components (1 of 5) on page 1573</a>
0960-4025	Wireless PCA (M479fnw/fdw)	<a href="#">Internal components (1 of 5) on page 1573</a>
5851-7005	Mute cable	<a href="#">Internal components (5 of 5) on page 1581</a>
B3Q09-40003	Gear, control panel friction (M479)	<a href="#">M479 covers and control panel, etc. on page 1571</a>
B3Q10-40055	Control panel mount chassis 4.3 (M479)	<a href="#">M479 covers and control panel, etc. on page 1571</a>
CF377-00006	Shield, RFI SSA FFC (M479)	<a href="#">M479 covers and control panel, etc. on page 1571</a>
CF377-40004	FFC cover (M479)	<a href="#">M479 covers and control panel, etc. on page 1571</a>
CF377-40005	Fax cover (M479)	<a href="#">M479 covers and control panel, etc. on page 1571</a>
CF377-40006	Fax cable cover (M479)	<a href="#">M479 covers and control panel, etc. on page 1571</a>
CF377-40007	Wireless bracket (M479fnw/fdw)	<a href="#">Internal components (2 of 5) on page 1575</a>
CF377-60105	Cable, fax (M479)	<a href="#">Internal components (2 of 5) on page 1575</a>
CF377-60113	Assembly, control panel mount chassis 4.3 (M479)	<a href="#">M479 covers and control panel, etc. on page 1571</a>
CF377-60115	Wireless cable (M479fnw/fdw)	<a href="#">Internal components (2 of 5) on page 1575</a>
CF388-60116	Cable, FFC (M479)	<a href="#">Internal components (2 of 5) on page 1575</a>
RC4-2201-000CN	Cover, left (550-sheet feeder)	<a href="#">550-sheet paper feeder covers on page 1583</a>
RC4-2202-000CN	Cover, right (550-sheet feeder)	<a href="#">550-sheet paper feeder covers on page 1583</a>
RC4-2203-000CN	Cover, rear (550-sheet feeder)	<a href="#">550-sheet paper feeder covers on page 1583</a>
RC4-2224-000CN	Cover, cassette (550-sheet feeder)	<a href="#">550-sheet paper feeder covers on page 1583</a>
RC4-4854-000CN	Cover, left (M454)	<a href="#">M454 covers and control panels, etc. on page 1569</a>



**Table 2-18 Numerical parts list (continued)**

Part number	Description	Table and page
RC4-4855-000CN	Cover, rear (simplex models)	<a href="#">M454 covers and control panels, etc. on page 1569</a>
RC4-4855-000CN	Cover, rear (simplex models)	<a href="#">M479 covers and control panel, etc. on page 1571</a>
RC4-5131-000CN	Cover, rear lower (simplex models)	<a href="#">M454 covers and control panels, etc. on page 1569</a>
RC4-5131-000CN	Cover, Rear lower (simplex models)	<a href="#">M479 covers and control panel, etc. on page 1571</a>
RC4-5334-000CN	Cover, cassette	<a href="#">M454 covers and control panels, etc. on page 1569</a>
RC4-5334-000CN	Cover, cassette	<a href="#">M479 covers and control panel, etc. on page 1571</a>
RC4-6044-000CN	Cover, right (M479)	<a href="#">M479 covers and control panel, etc. on page 1571</a>
RC4-6045-000CN	Cover, left (M479)	<a href="#">M479 covers and control panel, etc. on page 1571</a>
RC5-3253-000CN	Plate, name (simplex)	<a href="#">M454 covers and control panels, etc. on page 1569</a>
RC5-3254-000CN	Plate, name (duplex/network)	<a href="#">M454 covers and control panels, etc. on page 1569</a>
RC5-3255-000CN	Plate, name (duplex/wireless)	<a href="#">M454 covers and control panels, etc. on page 1569</a>
RK2-0534-000CN	Front door switch (microswitch)	<a href="#">Internal components (5 of 5) on page 1581</a>
RK2-6270-000CN	Fan (FM2)	<a href="#">Internal components (1 of 5) on page 1573</a>
RK2-6270-000CN	Fan (FM1)	<a href="#">Internal components (2 of 5) on page 1575</a>
RL1-2593-000CN	Roller, paper pickup	<a href="#">Internal components (3 of 5) on page 1577</a>
RM2-1807-000CN	Cartridge tray assembly	<a href="#">Internal components (4 of 5) on page 1579</a>
RM2-1814-000CN	Cover, top assy (duplex network models)	<a href="#">M479 covers and control panel, etc. on page 1571</a>
RM2-1815-000CN	Cover, top assy (duplex wireless models)	<a href="#">M479 covers and control panel, etc. on page 1571</a>
RM2-1819-000CN	Cover, top assy (duplex/wireless)	<a href="#">M454 covers and control panels, etc. on page 1569</a>
RM2-1823-000CN	Front door assy	<a href="#">M454 covers and control panels, etc. on page 1569</a>
RM2-1824-000CN	Front door assy	<a href="#">M479 covers and control panel, etc. on page 1571</a>

**Table 2-18 Numerical parts list (continued)**

Part number	Description	Table and page
RM2-1825-000CN	Door, rear (simplex models)	<a href="#">M454 covers and control panels, etc. on page 1569</a>
RM2-1825-000CN	Rear door (simplex models)	<a href="#">M479 covers and control panel, etc. on page 1571</a>
RM2-5576-000CN	Roller, paper pickup assembly	<a href="#">Internal components (4 of 5) on page 1579</a>
RM2-5576-000CN	Paper pickup roller assembly (550-sheet feeder)	<a href="#">550-sheet paper feeder main body (2 of 2) on page 1587</a>
RM2-5577-000CN	Roller, feed assembly	<a href="#">Internal components (4 of 5) on page 1579</a>
RM2-5577-000CN	Feed roller assembly (550-sheet feeder)	<a href="#">550-sheet paper feeder main body (2 of 2) on page 1587</a>
RM2-5612-000CN	Laser scanner assy	<a href="#">Internal components (1 of 5) on page 1573</a>
RM2-5881-000CN	Roller, separation	<a href="#">Internal components (4 of 5) on page 1579</a>
RM2-5881-000CN	Separation roller assembly (550-sheet feeder)	<a href="#">550-sheet paper feeder main body (2 of 2) on page 1587</a>
RM2-6366-000CN	Feed guide assembly, rear	<a href="#">Internal components (4 of 5) on page 1579</a>
RM2-6366-000CN	Feed guide assembly, rear (550-sheet feeder)	<a href="#">550-sheet paper feeder main body (2 of 2) on page 1587</a>
RM2-6368-000CN	Feed guide assembly, front	<a href="#">Internal components (4 of 5) on page 1579</a>
RM2-6370-000CN	Lifter drive assembly	<a href="#">Internal components (4 of 5) on page 1579</a>
RM2-6372-000CN	Paper pickup assembly	<a href="#">Internal components (4 of 5) on page 1579</a>
RM2-6373-000CN	Power switch assembly	<a href="#">Internal components (1 of 5) on page 1573</a>
RM2-6374-000CN	Registration assembly	<a href="#">Internal components (4 of 5) on page 1579</a>
RM2-6377-000CN	Cassette (Tray 2) assembly	<a href="#">Internal components (3 of 5) on page 1577</a>
RM2-6383-000CN	Duplex door assembly	<a href="#">M454 covers and control panels, etc. on page 1569</a>
RM2-6383-000CN	Duplexing door assy	<a href="#">M479 covers and control panel, etc. on page 1571</a>
RM2-6387-000CN	Paper pickup assembly (duplex models)	<a href="#">Internal components (5 of 5) on page 1581</a>
RM2-6389-000CN	Reverse drive assembly (duplex models)	<a href="#">Internal components (5 of 5) on page 1581</a>

**Table 2-18 Numerical parts list (continued)**

Part number	Description	Table and page
RM2-6397-000CN	Secondary transfer assembly (duplex models)	<a href="#">Internal components (5 of 5) on page 1581</a>
RM2-6406-000CN	Pad, separation assembly	<a href="#">Internal components (3 of 5) on page 1577</a>
RM2-6430-000CN	Secondary transfer assembly (simplex models)	<a href="#">Internal components (5 of 5) on page 1581</a>
RM2-6431-000CN	Fuser (simplex; 110-127V)	<a href="#">Internal components (5 of 5) on page 1581</a>
RM2-6433-000CN	Cover, top assembly with control panel (simplex) (M454nw)	<a href="#">M454 covers and control panels, etc. on page 1569</a>
RM2-6436-000CN	Fuser (simplex; 220-240V)	<a href="#">Internal components (5 of 5) on page 1581</a>
RM2-6442-000CN	Cover, top assy (duplex/network)	<a href="#">M454 covers and control panels, etc. on page 1569</a>
RM2-6454-000CN	Intermediate transfer belt (ITB)	<a href="#">Internal components (3 of 5) on page 1577</a>
RM2-6455-000CN	Secondary transfer roller	<a href="#">Internal components (5 of 5) on page 1581</a>
RM2-6460-000CN	Fuser (duplex; 110-127V)	<a href="#">Internal components (5 of 5) on page 1581</a>
RM2-6461-000CN	Fuser (duplex; 220-240V)	<a href="#">Internal components (5 of 5) on page 1581</a>
RM2-6486-000CN	Cassette assembly (550-sheet feeder)	<a href="#">550-sheet paper feeder main body (2 of 2) on page 1587</a>
RM2-6490-000CN	Paper pickup assembly (550-sheet feeder)	<a href="#">550-sheet paper feeder main body (2 of 2) on page 1587</a>
RM2-6492-000CN	Feed guide assembly, front (550-sheet feeder)	<a href="#">550-sheet paper feeder main body (2 of 2) on page 1587</a>
RM2-6493-000CN	Lifter drive assembly (550-sheet feeder)	<a href="#">550-sheet paper feeder main body (2 of 2) on page 1587</a>
RM2-6494-000CN	Paper feed assembly (550-sheet feeder)	<a href="#">550-sheet paper feeder main body (2 of 2) on page 1587</a>
RM2-7236-000CN	Sensor, environment PCA	<a href="#">Internal components (3 of 5) on page 1577</a>
RM2-7342-000CN	Motor, drum (M2)	<a href="#">Internal components (3 of 5) on page 1577</a>
RM2-7344-000CN	Motor, developing (M3)	<a href="#">Internal components (3 of 5) on page 1577</a>
RM2-7349-000CN	Motor, fuser (M4)	<a href="#">Internal components (3 of 5) on page 1577</a>
RM2-7350-000CN	Motor, pickup (M1)	<a href="#">Internal components (4 of 5) on page 1579</a>

**Table 2-18 Numerical parts list (continued)**

Part number	Description	Table and page
RM2-7350-000CN	Pickup motor (M9) (550-sheet feeder)	<a href="#">550-sheet paper feeder main body (2 of 2) on page 1587</a>
RM2-7366-000CN	Paper feeder driver PCA (550-sheet feeder)	<a href="#">550-sheet paper feeder main body (1 of 2) on page 1585</a>
RM2-7369-000CN	Driver PCA	<a href="#">Internal components (2 of 5) on page 1575</a>
RM2-7399-000CN	Sensor, density detect	<a href="#">Internal components (3 of 5) on page 1577</a>
RM2-7896-000CN	Switch, cassette cable assembly	<a href="#">Internal components (1 of 5) on page 1573</a>
RM2-7897-000CN	Switch cable assembly (550-sheet feeder)	<a href="#">550-sheet paper feeder main body (2 of 2) on page 1587</a>
RM2-8661-000CN	Cable, flexible flat	<a href="#">Internal components (2 of 5) on page 1575</a>
RM2-8662-000CN	Cable, scanner FFC	<a href="#">Internal components (1 of 5) on page 1573</a>
RM2-8663-000CN	Cable, scanner FFC	<a href="#">Internal components (1 of 5) on page 1573</a>
RM3-7227-000CN	Switch, cable front door assembly	<a href="#">Internal components (1 of 5) on page 1573</a>
RM3-7238-000CN	Engine controller PCA (duplex models)	<a href="#">Internal components (1 of 5) on page 1573</a>
RM3-7238-000CN	Engine controller PCA (simplex models)	<a href="#">Internal components (1 of 5) on page 1573</a>
RM3-7241-000CN	Low-voltage power supply (110-127V)	<a href="#">Internal components (2 of 5) on page 1575</a>
RM3-7242-000CN	Low-voltage power supply (220-240V)	<a href="#">Internal components (2 of 5) on page 1575</a>
RM3-7245-000CN	Memory PCA assy	<a href="#">Internal components (1 of 5) on page 1573</a>
RM4-4853-000CN	Cover, right	<a href="#">M454 covers and control panels, etc. on page 1569</a>
RU7-8613-000CN	Label, high temp; Caution (duplex models)	<a href="#">Internal components (5 of 5) on page 1581</a>
VS1-7257-007CN	Connector, drawer (550-sheet feeder)	<a href="#">550-sheet paper feeder main body (1 of 2) on page 1585</a>
VS1-7258-007CN	Connector drawer	<a href="#">Internal components (1 of 5) on page 1573</a>
W1A73-60110	Integrated scanner assembly (M479) (duplex)	<a href="#">Document feeder and scanner (M479) on page 1567</a>
W1A73-60111	Integrated scanner assembly (M479) (simplex)	<a href="#">Document feeder and scanner (M479) on page 1567</a>

**Table 2-18 Numerical parts list (continued)**

Part number	Description	Table and page
W1A77-67901	Formatter PCA (M479dw)	<a href="#">Internal components (1 of 5) on page 1573</a>
W1A77-67902	Formatter PCA (M79dw-China only)	<a href="#">Internal components (1 of 5) on page 1573</a>
W1A77-67903	Cover, document feeder top (M479) (includes rollers)	<a href="#">Document feeder and scanner (M479) on page 1567</a>
W1A78-67901	Formatter PCA (M479fnw)	<a href="#">Internal components (1 of 5) on page 1573</a>
W1A78-67902	Formatter PCA (M479fnw-China only)	<a href="#">Internal components (1 of 5) on page 1573</a>
W1A78-67906	Fax PCA (M479; US)	<a href="#">Internal components (1 of 5) on page 1573</a>
W1A78-67907	Fax PCA (M479; Europe)	<a href="#">Internal components (1 of 5) on page 1573</a>
W1A78-67908	Fax PCA (M479; Brazil)	<a href="#">Internal components (1 of 5) on page 1573</a>
W1A78-67909	Fax PCA (M479; Philippines/AP)	<a href="#">Internal components (1 of 5) on page 1573</a>
W1A79-67901	Formatter PCA, generic (M479fdn)	<a href="#">Internal components (1 of 5) on page 1573</a>
W1A79-67902	Formatter PCA, generic (M479fdn) China only	<a href="#">Internal components (1 of 5) on page 1573</a>
W1A80-67901	Formatter PCA (M479fdw)	<a href="#">Internal components (1 of 5) on page 1573</a>
W1A80-67902	Formatter PCA (M479fdw-China only)	<a href="#">Internal components (1 of 5) on page 1573</a>
W1Y43-67901	Formatter PCA, (M454nw)	<a href="#">Internal components (1 of 5) on page 1573</a>
W1Y43-67902	Formatter PCA, (M454nw) China only	<a href="#">Internal components (1 of 5) on page 1573</a>
W1Y44-67901	Formatter PCA, (M454dn)	<a href="#">Internal components (1 of 5) on page 1573</a>
W1Y44-67902	Formatter PCA, (M454dn) China only	<a href="#">Internal components (1 of 5) on page 1573</a>
W1Y45-67901	Formatter PCA (M454dw)	<a href="#">Internal components (1 of 5) on page 1573</a>
W1Y45-67902	Formatter PCA (M454dw-China only)	<a href="#">Internal components (1 of 5) on page 1573</a>
W1Y45-67903	Control panel, touchscreen 2.7" (M454dw)	<a href="#">M454 covers and control panels, etc. on page 1569</a>
WG8-5935-000CN	Photointerrupter	<a href="#">Internal components (3 of 5) on page 1577</a>



# Index

## Symbols/Numerics

550-sheet paper feeder  
parts lists and diagrams 1582

## A

after-service checklist 8  
assembly, control panel mount chassis  
4.3 (M479)  
location 1571, 1588, 1594  
part number 1571, 1588, 1594

## B

before-service checklist 7

## C

cable, fax (M479)  
part number 1575, 1588, 1594  
cable, FFC (M479)  
part number 1575, 1588, 1594  
cable, flexible flat  
location 1575, 1588, 1598  
part number 1575, 1588, 1598  
Cable, scanner FFC  
location 1573, 1588, 1598  
part number 1573, 1588, 1598  
cartridge fan  
removing and replacing 372  
cartridge tray assembly  
location 1579, 1588, 1595  
part number 1579, 1588, 1595  
cartridge, toner  
ordering 1559  
part numbers 1559  
cartridges  
removing and replacing 16  
cassette (Tray 2) assembly  
location 1577, 1588, 1596  
part number 1577, 1588, 1596

cassette assembly (550-sheet feeder)  
location 1587, 1588, 1597  
part number 1587, 1588, 1597  
cautions v  
Channel partners support  
HP Channel Services Network  
(CSN) vii, 2, 13, 1554, 1562  
Connector drawer  
location 1573, 1588, 1598  
part number 1573, 1588, 1598  
connector, drawer (550-sheet feeder)  
location 1585, 1588, 1598  
part number 1585, 1588, 1598  
control panel mount chassis 4.3  
(M479)  
location 1571, 1588, 1594  
part number 1571, 1588, 1594  
Control panel, touchscreen 2.7"  
(M454dw)  
location 1569, 1588, 1599  
Control panel, touchscreen 2.7"  
(M454dw)  
part number 1569, 1588, 1599  
conventions, document v  
Cover, cassette  
location 1569, 1571, 1588,  
1595  
part number 1569, 1571, 1588,  
1595  
cover, cassette (550-sheet feeder)  
location 1583, 1588, 1594  
part number 1583, 1588, 1594  
cover, document feeder top (M479)  
(includes rollers)  
location 1567, 1588, 1599  
part number 1567, 1588, 1599  
cover, left (550-sheet feeder)  
location 1583, 1588, 1594  
part number 1583, 1588, 1594

cover, left (M454)  
location 1569, 1588, 1594  
part number 1569, 1588, 1594  
cover, left (M479)  
location 1571, 1588, 1595  
part number 1571, 1588, 1595  
cover, rear (550-sheet feeder)  
location 1583, 1589, 1594  
part number 1583, 1589, 1594  
cover, rear (simplex models)  
location 1569, 1571, 1589,  
1595  
part number 1569, 1571, 1589,  
1595  
Cover, Rear lower (simplex models)  
location 1571, 1589, 1595  
part number 1571, 1589, 1595  
cover, rear lower (simplex models)  
location 1569, 1589, 1595  
part number 1569, 1589, 1595  
cover, right  
location 1569, 1589, 1598  
part number 1569, 1589, 1598  
cover, right (550-sheet feeder)  
location 1583, 1589, 1594  
part number 1583, 1589, 1594  
cover, right (M479)  
location 1571, 1589, 1595  
part number 1571, 1589, 1595  
Cover, top assembly with control panel  
(simplex) (M454nw)  
location 1569, 1589, 1597  
part number 1569, 1589, 1597  
cover, top assy  
part number 1571, 1589, 1595  
cover, top assy (duplex network  
models)  
location 1571, 1589, 1595



cover, top assy (duplex wireless models)  
 location 1571, 1589, 1595

cover, top assy (duplex/network)  
 location 1569, 1589, 1597  
 part number 1569, 1589, 1597

cover, top assy (duplex/wireless)  
 part number 1569, 1589, 1595

cover, top assy(duplex/wireless)  
 location 1569, 1589, 1595

covers and control panels (M454)  
 parts lists and diagrams 1568

covers and control panels (M479)  
 parts lists and diagrams 1570

**D**

developer motor  
 removing and replacing 512

document conventions v

document feeder and scanner whole units  
 parts lists and diagrams 1566

document revisions iii

door, rear (simplex models)  
 location 1569, 1589, 1596  
 part number 1569, 1589, 1596

drawer connector  
 removing and replacing 1353

drawer connector (550-sheet paper feeder)  
 removing and replacing 1538

driver PCA  
 location 1575, 1589, 1598  
 part number 1575, 1589, 1598  
 removing and replacing 464

driver PCA (550-sheet paper feeder)  
 removing and replacing 1545

drum motor  
 removing and replacing 480

Duplex door assy  
 location 1569, 1589, 1596  
 part number 1569, 1589, 1596

duplex drive assembly (duplex models)  
 removing and replacing 1126

duplexer door  
 removing and replacing 123

Duplexing door assy  
 location 1571, 1589, 1596  
 part number 1571, 1589, 1596

**E**

electrostatic discharge (ESD) 5

engine controller PCA  
 removing and replacing 657

engine controller PCA (duplex models)  
 location 1573, 1589, 1598  
 part number 1573, 1589, 1598

engine controller PCA (simplex models)  
 location 1573, 1589, 1598  
 part number 1573, 1589, 1598

environmental sensor  
 removing and replacing 1272

ESD electrostatic discharge (ESD) 5

external panels, covers, and doors  
 removing and replacing 65

**F**

fan (FM1)  
 location 1575, 1589, 1595  
 part number 1575, 1589, 1595

fan (FM2)  
 location 1573, 1589, 1595  
 part number 1573, 1589, 1595

fax cable cover (M479)  
 location 1571, 1590, 1594  
 part number 1571, 1590, 1594

fax cover (M479)  
 location 1571, 1590, 1594  
 part number 1571, 1590, 1594

fax PCA (M479 models)  
 removing and replacing 1285

fax PCA (M4797; Europe)  
 location 1573, 1590, 1599

fax PCA (M479; Brazil)  
 location 1573, 1590, 1599  
 part number 1573, 1590, 1599

fax PCA (M479; Europe)  
 part number 1573, 1590, 1599

Fax PCA (M479; Philippines/AP)  
 location 1573, 1590, 1599  
 part number 1573, 1590, 1599

fax PCA (M479; US)  
 location 1573, 1590, 1599  
 part number 1573, 1590, 1599

feed guide assembly, front  
 location 1579, 1590, 1596  
 part number 1579, 1590, 1596

feed guide assembly, front (550-sheet feeder)  
 location 1587, 1590, 1597  
 part number 1587, 1590, 1597

feed guide assembly, rear  
 location 1579, 1590, 1596  
 part number 1579, 1590, 1596

feed guide assembly, rear (550-sheet feeder)  
 location 1587, 1590, 1596  
 part number 1587, 1590, 1596

feed roller assembly (550-sheet feeder)  
 location 1587, 1590, 1596  
 part number 1587, 1590, 1596

FFC cover (M479)  
 location 1571, 1590, 1594  
 part number 1571, 1590, 1594

fFormatter PCA (M479fnw)  
 location 1573, 1590, 1599

field-replaceable units (FRUs)  
 replacing 4

formatter PCA  
 removing and replacing 1253

Formatter PCA (M479dw)  
 location 1573, 1590, 1599  
 part number 1573, 1590, 1599

Formatter PCA (M479fdw)  
 location 1573, 1590, 1599  
 part number 1573, 1590, 1599

Formatter PCA (M479fnw)  
 part number 1573, 1590, 1599

Formatter PCA (M479fnw-China only)  
 location 1573, 1590, 1599  
 part number 1573, 1590, 1599

Formatter PCA (M79dw-China only)  
 location 1573, 1590, 1599  
 part number 1573, 1590, 1599

Formatter PCA, (M454dn)  
 part number 1573, 1591, 1599

Formatter PCA, (M454dn) China only  
 location 1573, 1590, 1599

part number 1573, 1590, 1599

Formatter PCA, (M454dnw)  
 location 1573, 1591, 1599

formatter PCA, (M454dw)  
 location 1573, 1590, 1599  
 part number 1573, 1590, 1599

- formatter PCA, (M454nw)
  - location 1573, 1591, 1599
  - part number 1573, 1591, 1599
- Formatter PCA, (M454nw) China only
  - location 1573, 1591, 1599
  - part number 1573, 1591, 1599
- formatter PCA, (M454nw-China only)
  - location 1573, 1590, 1599
  - part number 1573, 1590, 1599
- formatter PCA, (M479fdw-China only)
  - location 1573, 1590, 1599
  - part number 1573, 1590, 1599
- formatter PCA, generic (M479fdn)
  - location 1573, 1591, 1599
  - part number 1573, 1591, 1599
- Formatter PCA, generic (M479fdn) China only
  - location 1573, 1591, 1599
  - part number 1573, 1591, 1599
- front door
  - removing and replacing 104
- Front door assy
  - location 1571, 1591, 1595
  - part number 1571, 1591, 1595
- front door assy
  - location 1569, 1591, 1595
  - part number 1569, 1591, 1595
- front door switch
  - removing and replacing 1365
- Front door switch (microswitch)
  - location 1581, 1591, 1595
- Front door switch (microwswitch)
  - part number 1581, 1591, 1595
- front feed guide assembly
  - removing and replacing 752
- front feed guide assembly (550-sheet paper feeder)
  - removing and replacing 1455
- FRUs (field-replaceable units)
  - replacing 4
- fuser (duplex models)
  - removing and replacing 1062
- fuser (duplex; 110-127V)
  - location 1581, 1591, 1597
  - part number 1581, 1591, 1597
- fuser (duplex; 220-240V)
  - location 1581, 1591, 1597
  - part number 1581, 1591, 1597
- fuser (simplex models)
  - removing and replacing 1017

- fuser (simplex; 110-127V)
  - location 1581, 1591, 1597
  - part number 1581, 1591, 1597
- fuser (simplex; 220-240V)
  - location 1581, 1591, 1597
  - part number 1581, 1591, 1597
- fuser motor
  - removing and replacing 1108

## G

- gear, control panel friction (M479)
  - location 1571, 1591, 1594
  - part number 1571, 1591, 1594

## H

- history, revisions iii
- HP Channel Services Network (CSN)
  - Channel partners support vii, 2, 13, 1554, 1562

## I

- installation 6
  - screws 6
  - See also* replacing parts
- integrated scanner assembly (M479 models)
  - removing and replacing 324
- integrated scanner assembly (M479) (duplex)
  - location 1567, 1591, 1598
  - part number 1567, 1591, 1598
- integrated scanner assembly (M479) (simplex)
  - location 1567, 1591, 1598
  - part number 1567, 1591, 1598
- intermediate transfer belt (ITB)
  - location 1577, 1591, 1597
  - part number 1577, 1591, 1597
  - removing and replacing 555
- internal components, printer
  - parts lists and diagrams 1572
- internal parts and assemblies
  - removing and replacing 338

## K

- kit
  - instructions, toner cartridges 16

## L

- Label, high temp; Caution (duplex models)
  - location 1581, 1591, 1598
  - part number 1581, 1591, 1598
- laser scanner
  - warnings for servicing 4
- laser scanner (M454 models)
  - removing and replacing 943
- laser scanner (M479 models)
  - removing and replacing 973
- Laser scanner assembly
  - part number 1573, 1591, 1596
- Laser scanner assy
  - location 1573, 1591, 1596
- left cover (550-sheet paper feeder)
  - removing and replacing 1386
- left cover (M454 models)
  - removing and replacing 75
- left cover (M479 models)
  - removing and replacing 94
- lifter drive assembly
  - location 1579, 1591, 1596
  - part number 1579, 1591, 1596
  - removing and replacing 671
- lifter drive assembly (550-sheet feeder)
  - location 1587, 1591, 1597
  - part number 1587, 1591, 1597
- lifter drive assembly (550-sheet paper feeder)
  - removing and replacing 1414
- low-voltage power supply (110-127V)
  - location 1575, 1591, 1598
  - part number 1575, 1591, 1598
- low-voltage power supply (220-240V)
  - location 1575, 1592, 1598
  - part number 1575, 1592, 1598
- low-voltage power supply (LVPS)
  - removing and replacing 405

## M

- memory PCA
  - removing and replacing 899
- Memory PCA assembly
  - part number 1573, 1592, 1598
- Memory PCA assy
  - location 1573, 1592, 1598

motor, developing (M3)  
location 1577, 1592, 1597  
part number 1577, 1592, 1597  
motor, drum (M2)  
location 1577, 1592, 1597  
part number 1577, 1592, 1597  
motor, fuser (M4)  
location 1577, 1592, 1597  
part number 1577, 1592, 1597  
motor, pickup (M1)  
location 1579, 1592, 1597  
part number 1579, 1592, 1597  
multiple times  
using toner cartridges multiple  
times: repair 7  
multiple times, repair 7  
Mute cable  
part number 1581, 1592, 1594

## N

notes v

## O

ordering  
toner cartridge 1559

## P

pad, separation assembly  
location 1577, 1592, 1597  
part number 1577, 1592, 1597  
paper feed assembly (550-sheet  
feeder)  
location 1587, 1592, 1597  
part number 1587, 1592, 1597  
paper feed assembly (550-sheet  
paper feeder)  
removing and replacing 1505  
paper feeder driver PCA (550-sheet  
feeder)  
location 1585, 1592, 1598  
part number 1585, 1592, 1598  
paper pickup assembly  
location 1579, 1592, 1596  
part number 1579, 1592, 1596  
paper pickup assembly (550-sheet  
feeder)  
location 1587, 1592, 1597  
part number 1587, 1592, 1597

paper pickup assembly (duplex  
models)  
location 1581, 1592, 1596  
part number 1581, 1592, 1596  
paper pickup roller assembly (550-  
sheet feeder)  
location 1587, 1592, 1596  
part number 1587, 1592, 1596  
part numbers  
toner cartridge 1559  
parts lists and diagrams 1553  
550-sheet paper feeder 1582  
covers and control panels  
(M454) 1568  
covers and control panels  
(M479) 1570  
document feeder and scanner  
whole units 1566  
internal components, printer  
1572  
using 1564  
photointerrupter  
location 1577, 1592, 1599  
part number 1577, 1592, 1599  
pickup assembly  
removing and replacing 707  
pickup assembly (550-sheet paper  
feeder)  
removing and replacing 1433  
pickup motor  
removing and replacing 434  
pickup motor (550-sheet paper  
feeder)  
removing and replacing 1533  
pickup motor (M9) (550-sheet feeder)  
location 1587, 1592, 1598  
part number 1587, 1592, 1598  
plate name  
location 1569, 1592, 1595  
part number 1569, 1592, 1595  
plate name (duplex/network)  
location 1569, 1592, 1595  
part number 1569, 1592, 1595  
plate name (duplex/wireless)  
location 1569, 1592, 1595  
part number 1569, 1592, 1595  
power supply fan  
removing and replacing 388

Power switch assembly  
location 1573, 1592, 1596  
part number 1573, 1592, 1596  
power switch assembly  
removing and replacing 340

## R

re-pickup assembly (duplex models)  
removing and replacing 630  
rear cover (550-sheet paper feeder)  
removing and replacing 1391  
Rear door (simplex models)  
location 1571, 1592, 1596  
part number 1571, 1592, 1596  
rear door (simplex models)  
removing and replacing 191  
rear feed guide assembly  
removing and replacing 801  
rear feed guide assembly (550-sheet  
paper feeder)  
removing and replacing 1480  
rear lower cover (simplex models)  
removing and replacing 168  
rear top cover (simplex models)  
removing and replacing 146  
registration assembly  
location 1579, 1593, 1596  
part number 1579, 1593, 1596  
removing and replacing 849  
registration density sensor  
removing and replacing 588  
remote antenna (M454nw/dw)  
part number 1575, 1593, 1594  
removing and replacing  
cartridge fan 372  
developer motor 512  
drawer connector 1353  
drawer connector (550-sheet  
paper feeder) 1538  
driver PCA 464  
driver PCA (550-sheet paper  
feeder) 1545  
drum motor 480  
duplex drive assembly (duplex  
models) 1126  
duplexer door 123  
engine controller PCA 657  
environmental sensor 1272  
external panels, covers, and  
doors 65

fax PCA (M479 models) 1285  
 formatter PCA 1253  
 front door 104  
 front door switch 1365  
 front feed guide assembly 752  
 front feed guide assembly (550-sheet paper feeder) 1455  
 fuser (duplex models) 1062  
 fuser (simplex models) 1017  
 fuser motor 1108  
 integrated scanner assembly (M479 models) 324  
 intermediate transfer belt (ITB) 555  
 internal parts and assemblies 338  
 laser scanner (M454 models) 943  
 laser scanner (M479 models) 973  
 left cover (550-sheet paper feeder) 1386  
 left cover (M454 models) 75  
 left cover (M479 models) 94  
 lifter drive assembly 671  
 lifter drive assembly (550-sheet paper feeder) 1414  
 low-voltage power supply (LVPS) 405  
 memory PCA 899  
 paper feed assembly (550-sheet paper feeder) 1505  
 pickup assembly 707  
 pickup assembly (550-sheet paper feeder) 1433  
 pickup motor 434  
 pickup motor (550-sheet paper feeder) 1533  
 power supply fan 388  
 power switch assembly 340  
 re-pickup assembly (duplex models) 630  
 rear cover (550-sheet paper feeder) 1391  
 rear door (simplex models) 191  
 rear feed guide assembly 801  
 rear feed guide assembly (550-sheet paper feeder) 1480  
 rear lower cover (simplex models) 168

rear top cover (simplex models) 146  
 registration assembly 849  
 registration density sensor 588  
 right cover (550-sheet paper feeder) 1381  
 right cover (M454 models) 66  
 right cover (M479 models) 83  
 rollers 26  
 secondary transfer assembly (duplex models) 550  
 secondary transfer assembly (simplex models) 544  
 secondary transfer roller 60  
 switch cable assembly (550-sheet paper feeder) 1398  
 toner cartridge tray 355  
 toner cartridges 16  
 top cover (M454 models) 213  
 top cover (M479 models) 236  
 touchscreen control panel (M454dw model) 272  
 touchscreen control panel (M479 models) 291  
 tray 1 pickup roller 27  
 tray 1 separation pad 31  
 Tray 2 22  
 tray 2 pickup and feed rollers 35  
 tray 2 separation roller 43  
 Tray 3 24  
 tray 3 pickup and feed rollers 50  
 tray 3 separation roller 55  
 trays 21  
 walk-up USB port (M454dw model) 1306  
 walk-up USB port (M479 models) 1323  
 wireless antenna (M454nw/dw models) 1174  
 Wireless antenna (M479 models) 1193  
 wireless PCA (M454nw/dw models) 1230  
 wireless PCA (M479fnw/fdw models) 1240  
 removing parts  
   after-service checklist 8  
   before-service checklist 7  
   tools, required 5  
 repair mode 7

replacing parts  
   about 4  
   after-service checklist 8  
   before-service checklist 7  
   screws 6  
   tools, required 5  
 reverse drive assembly (duplex models)  
   location 1581, 1593, 1596  
   part number 1581, 1593, 1596  
 revision history, document iii  
 right cover (550-sheet paper feeder)  
   removing and replacing 1381  
 right cover (M454 models)  
   removing and replacing 66  
 right cover (M479 models)  
   removing and replacing 83  
 roller, feed assembly  
   location 1579, 1593, 1596  
   part number 1579, 1593, 1596  
 roller, paper pickup  
   location 1577, 1593, 1595  
   part number 1577, 1593, 1595  
 roller, paper pickup assembly  
   location 1579, 1593, 1596  
   part number 1579, 1593, 1596  
 roller, separation  
   location 1579, 1593, 1596  
   part number 1579, 1593, 1596  
 rollers  
   removing and replacing 26

## S

screwdrivers, required 5  
 screws  
   installing 6  
   types of 6  
 secondary transfer assembly (duplex models)  
   location 1581, 1593, 1597  
   part number 1581, 1593, 1597  
   removing and replacing 550  
 secondary transfer assembly (simplex models)  
   location 1581, 1593, 1597  
   part number 1581, 1593, 1597  
   removing and replacing 544  
 secondary transfer roller  
   location 1581, 1593, 1597

- part number 1581, 1593, 1597
- removing and replacing 60
- sensor, density detect
  - location 1577, 1593, 1598
  - part number 1577, 1593, 1598
- sensor, environment PCA
  - location 1577, 1593, 1597
  - part number 1577, 1593, 1597
- separation roller assembly (550-sheet feeder)
  - location 1587, 1593, 1596
  - part number 1587, 1593, 1596
- service and support information
  - WISE and CSN vii, 2, 13, 1554, 1562
- shield, RFI SSA FFC (M479)
  - location 1571, 1593, 1594
  - part number 1571, 1593, 1594
- static, precautions for 5
- supplies
  - part numbers 11
- switch cable assembly (550-sheet feeder)
  - location 1587, 1593, 1598
  - part number 1587, 1593, 1598
- switch cable assembly (550-sheet paper feeder)
  - removing and replacing 1398
- switch, cable front door assembly
  - location 1573, 1593, 1598
  - part number 1573, 1593, 1598
- switch, cassette cable assembly
  - location 1573, 1593, 1598
  - part number 1573, 1593, 1598

## T

- tips v
- toner cartridge
  - ordering 1559
  - part numbers 1559
- toner cartridge tray
  - removing and replacing 355
- toner cartridges
  - removing and replacing 16
- tools, required 5
- top cover (M454 models)
  - removing and replacing 213
- top cover (M479 models)
  - removing and replacing 236

- touchscreen control panel (M454dw model)
  - removing and replacing 272
- touchscreen control panel (M479 models)
  - removing and replacing 291
- tray 1 pickup roller
  - removing and replacing 27
- tray 1 separation pad
  - removing and replacing 31
- Tray 2
  - removing and replacing 22
- tray 2 pickup and feed rollers
  - removing and replacing 35
- tray 2 separation roller
  - removing and replacing 43
- Tray 3
  - removing and replacing 24
- tray 3 pickup and feed rollers
  - removing and replacing 50
- tray 3 separation roller
  - removing and replacing 55
- trays
  - removing and replacing 21

## U

- using cartridges multiple times, repair 7
- using toner cartridges multiple times 7

## W

- walk-up USB port (M454dw model)
  - removing and replacing 1306
- walk-up USB port (M479 models)
  - removing and replacing 1323
- warnings v
- Web-based Interactive Search Engine
  - WISE vii, 2, 13, 1554, 1562
- wireless antenna (M454nw/dw models)
  - removing and replacing 1174
- Wireless antenna (M479 models)
  - removing and replacing 1193
- wireless bracket (M479fnw/fdw)
  - part number 1575, 1593, 1594
- wireless cable (M479fnw/fdw)
  - part number 1575, 1593, 1594
- wireless PCA (M454nw/dw models)
  - removing and replacing 1230

- wireless PCA (M479fnw/fdw models)
  - removing and replacing 1240
- wireless PCA, ( M479fnw/fdw)
  - part number 1573, 1593, 1594
- wireless PCA, (M454nw/dw)
  - location 1573, 1593, 1594
  - part number 1573, 1593, 1594
- wireless PCA, (M479fnw/fdw)
  - location 1573, 1593, 1594
- WISE
  - Web-based Interactive Search Engine vii, 2, 13, 1554, 1562