



Color LaserJet Pro MFP M377 Color LaserJet Pro M452 Color LaserJet Pro MFP M477

Repair Manual



M452nw
M452dn



M452dw



M377dw
M477fnw
M477fnw
M477fdw



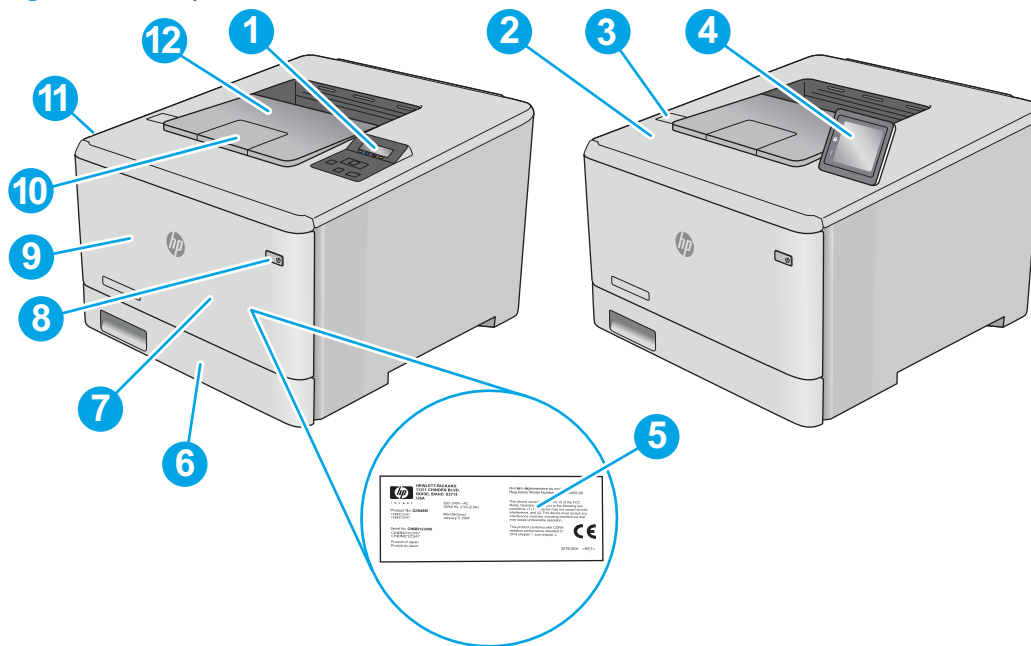
www.hp.com/support/colorljM377MFP
www.hp.com/support/colorlj452
www.hp.com/support/colorlj477MFP
For printer theory and problem solving
information, see the Troubleshooting Manual.

Assembly locations

- [Base printer, M452](#)
- [Base printer, M377 and M477](#)
- [550-sheet paper feeder \(all models\)](#)

Base printer, M452

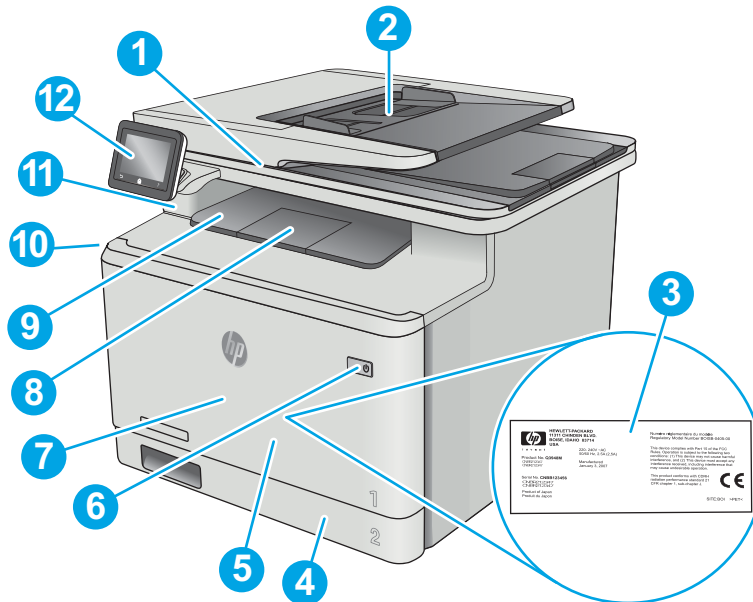
Figure 2-1 Base printer, M452



1	2-line control panel (nw and dn models)	7	Tray 1
2	Near field communication (NFC) internal antenna (dw model only)	8	Power on/off button
3	Walk-up USB port (for printing without a computer) (dw model only)	9	Front door (provides toner cartridge access)
4	Touchscreen control panel (dw model) (tilts up for easier viewing)	10	Output bin extension
5	Regulatory label (inside the front door)	11	Front door open button (on left cover)
6	Tray 2	12	Output bin

Base printer, M377 and M477

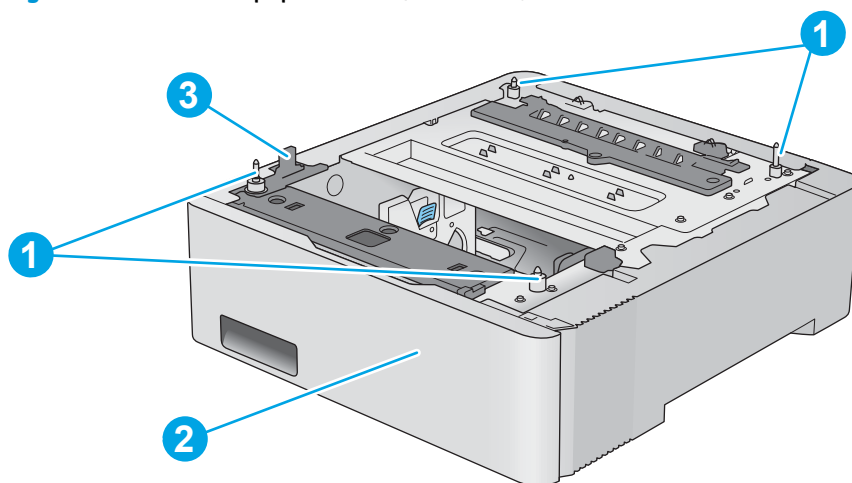
Figure 2-2 Base printer, M377 and M477



1	Scanner	7	Front door (provides toner cartridge access)
2	Document feeder	8	Output bin extension
3	Regulatory label (inside the front door)	9	Output bin
4	Tray 2	10	Front door open button (on left cover)
5	Tray 1	11	Walk-up USB port (for printing and scanning without a computer)
6	Power on/off button	12	Touchscreen control panel (tilts up for easier viewing)

550-sheet paper feeder (all models)

Figure 2-3 550-sheet paper feeder (all models)



1	Positioning pins
2	Tray 3
3	Connector

Order parts, accessories, and supplies

Ordering

Order supplies and paper	www.hp.com/go/suresupply
Order genuine HP parts or accessories	www.hp.com/buy/parts or partsurfer.hp.com
Order through service or support providers	Contact an HP-authorized service or support provider.
Order using the HP Embedded Web Server (EWS)	To access, in a supported Web browser on your computer, enter the printer IP address or host name in the address/URL field. The EWS contains a link to the HP SureSupply Web site, which provides options for purchasing Original HP supplies.

Orderable parts

Not all of the parts shown in the diagrams in this chapter can be ordered. Refer to the table following the diagram or the parts lists at the end of this chapter to determine if a part is orderable.

Supplies

Following are the part numbers for the supplies available for the printer (all models).

Table 2-4 Supplies

Item	Description	Part number
HP 410A Black Original LaserJet Toner Cartridge	Standard-capacity replacement black toner cartridge (410A)	CF410A (new)
		CF410-67901 (service)
HP 410X High Yield Black Original LaserJet Toner Cartridge	High-capacity replacement black toner cartridge (410X)	CF410X (new)
		CF410-67902 (service)
HP 410A Cyan Original LaserJet Toner Cartridge	Standard-capacity replacement cyan cartridge (410A)	CF411A (new)
		CF411-67901 (service)
HP 410X High Yield Cyan Original LaserJet Toner Cartridge	High-capacity replacement cyan toner cartridge (410X)	CF411X (new)
		CF411-67902 (service)
HP 410A Yellow Original LaserJet Toner Cartridge	Standard-capacity replacement yellow toner cartridge (410A)	CF412A (new)
		CF412-67901 (service)
HP 410X High Yield Yellow Original LaserJet Toner Cartridge	High-capacity replacement yellow toner cartridge (410X)	CF412X (new)
		CF412-67902 (service)

Table 2-4 Supplies (continued)

Item	Description	Part number
HP 410A Magenta Original LaserJet Toner Cartridge	Standard-capacity replacement magenta toner cartridge (410A)	CF413A (new)
		CF413-67901 (service)
HP 410X High Yield Magenta Original LaserJet Toner Cartridge	High-capacity replacement magenta toner cartridge (410X)	CF413X (new)
		CF413-67902 (service)

Accessories

Following are the part numbers for the accessories available for the printer (all models).

Table 2-5 Accessories

Item	Description	Part number
550-sheet paper feeder	Optional 550-sheet paper feeder	CF404A (new)
		CF404-67902 (service)
USB 2.0 printer cable	A-to-B cable (2-meter standard)	C6518A (new)
		8121-0868 (service)

Customer self-repair kits

Following are the customer-replaceable kits available for the printer. Each kit includes parts and installation instructions.

The customer self-repair (CSR) level indicates the expected difficulty the customer will experience when replacing this part:

- **A:** Easy
- **B:** Difficult

Item	Description	CSR level	Part number
550-sheet paper feeder	Replacement optional Tray 3	A	CF404-67902


Related documentation and software


HP service personnel, go to the Service Access Work Bench (SAW) at <http://h41302.www4.hp.com/km/saw/home.do>.

Channel partners, go to HP Channel Services Network (CSN) at <https://h30125.www3.hp.com/hpcsn>.

How to use the parts lists and diagrams

The figures in this chapter show the major subassemblies in the printer and their component parts. A parts list table follows each exploded view assembly diagram. Each table lists the item number, the associated part number, and the description of each part. If a part is not listed in the table, then it is not a field replacement unit (FRU).

 **CAUTION:** Be sure to order the correct part. When looking for part numbers for electrical components, pay careful attention to the voltage that is listed in the description column. Doing so will ensure that the part number selected is for the correct model.

 **NOTE:** In this manual, the abbreviation “PCA” stands for “printed circuit-board assembly.” Components described as a PCA might consist of a single circuit board or a circuit board plus other parts, such as cables and sensors.

Parts and diagrams: Document feeder and scanner whole units

 **NOTE:** M377, M477 models only.

Document feeder and scanner (M377, M477)

Figure 2-4 Document feeder and scanner (M377, M477)

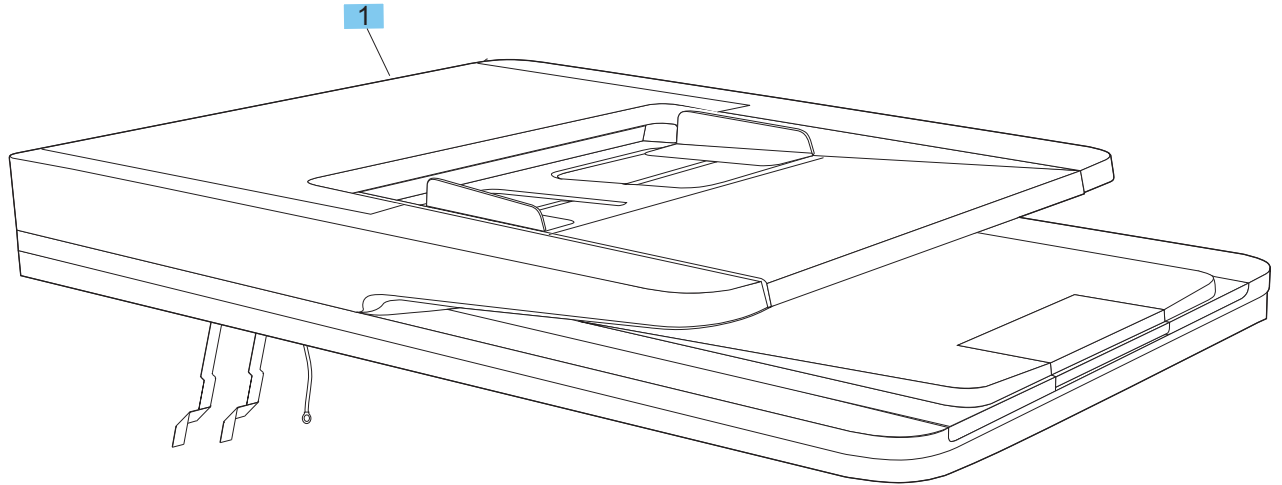


Table 2-6 Document feeder and scanner (M377, M477)

Ref	Description	Part number	Qty
1	Integrated scanner assembly (M477)	CF377-60104	1
1	Integrated scanner assembly (M377)	CF377-60124	1
Not shown	Integrated scanner assembly lift assembly (M377, M477)	B3Q10-60128	1
Not shown	Slider pin, integrated scanner assembly lift (M377, M477)	B3Q10-40041	1
Not shown	Spring, separator pad (M377, M477)	B3Q10-00019	1
Not shown	Support, separator pad (M377, M477)	B3Q10-40079	1
Not shown	Separator pad (M377, M477)	B3Q10-40080	1
Not shown	Cover, document feeder outer (M377, M477)	B3Q10-40013	1
Not shown	Document feeder pick assembly (M377, M477)	B3Q10-60105	1
Not shown	Shaft, document feeder pick extension (M377, M477)	B3Q10-40081	1
Not shown	Bearing extension (M377, M477)	B3Q10-40074	1
Not shown	Document feeder input tray assembly (M377, M477)	B3Q10-60107	1

Parts and diagrams: Covers and control panels

M452 covers and control panels

Figure 2-5 M452 covers and control panels

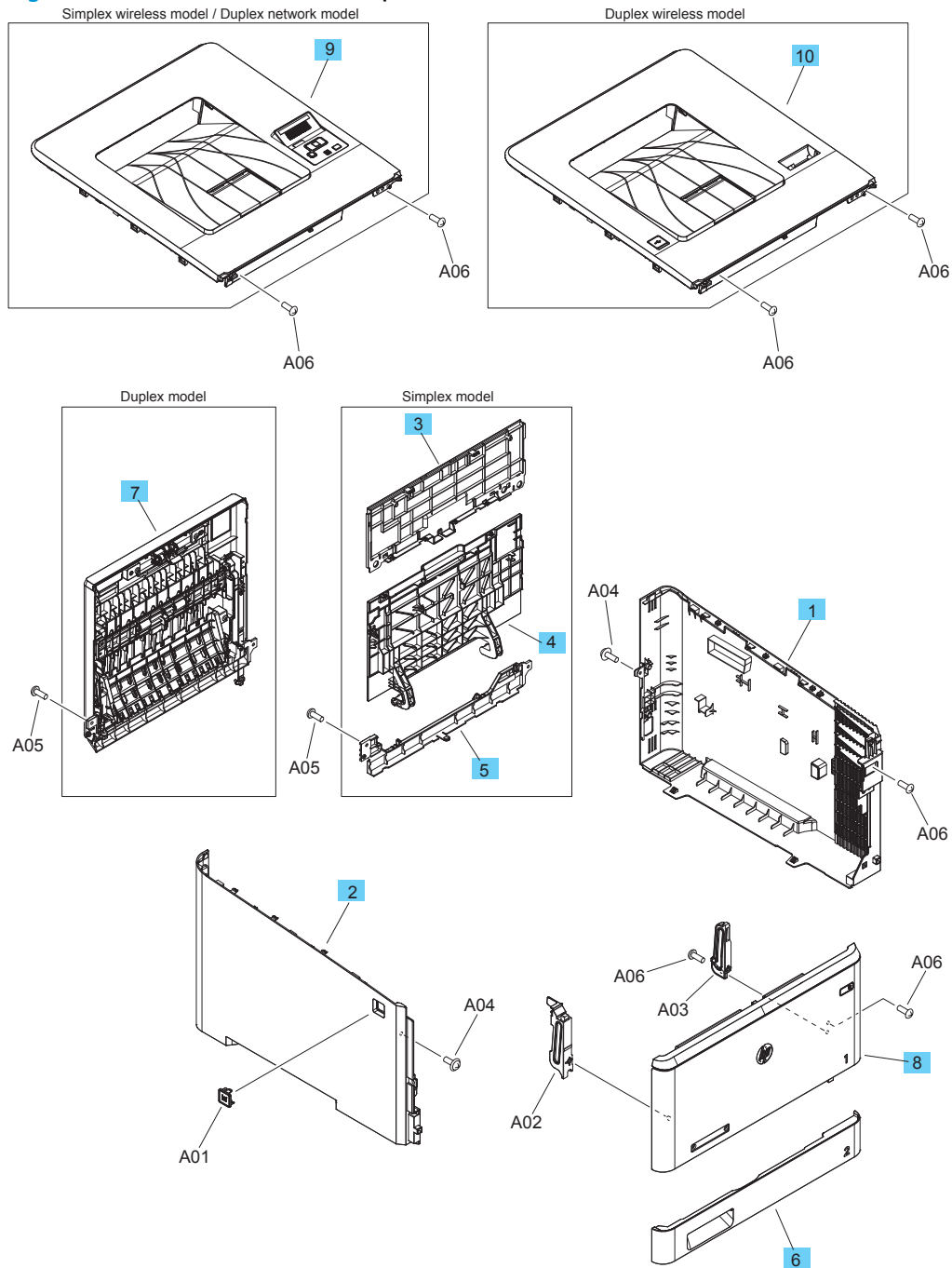


Table 2-7 M452 covers and control panels

Ref	Description	Part number	Qty
1	Cover, right (M452)	RC4-4853-000CN	1
2	Cover, left (M452)	RC4-4854-000CN	1
3	Cover, rear (simplex models)	RC4-4855-000CN	1
4	Door, rear (simplex models)	RC4-5130-000CN	1
5	Cover, rear lower (simplex models)	RC4-5131-000CN	1
6	Cover, cassette	RC4-5334-000CN	1
7	Duplexing door assembly (duplex models)	RM2-6383-000CN	1
8	Door, front assembly	RM2-6390-000CN	1
9	Cover, top and control panel (M452nw)	RM2-6433-000CN	1
9	Cover, top and control panel (M452dn)	RM2-6442-000CN	1
10	Cover, top (M452dw)	RM2-6456-000CN	1
Not shown	Control panel, touchscreen (M452dw)	CF388-60113	1

M377, M477 covers and control panel

Figure 2-6 M377, M477 covers and control panel

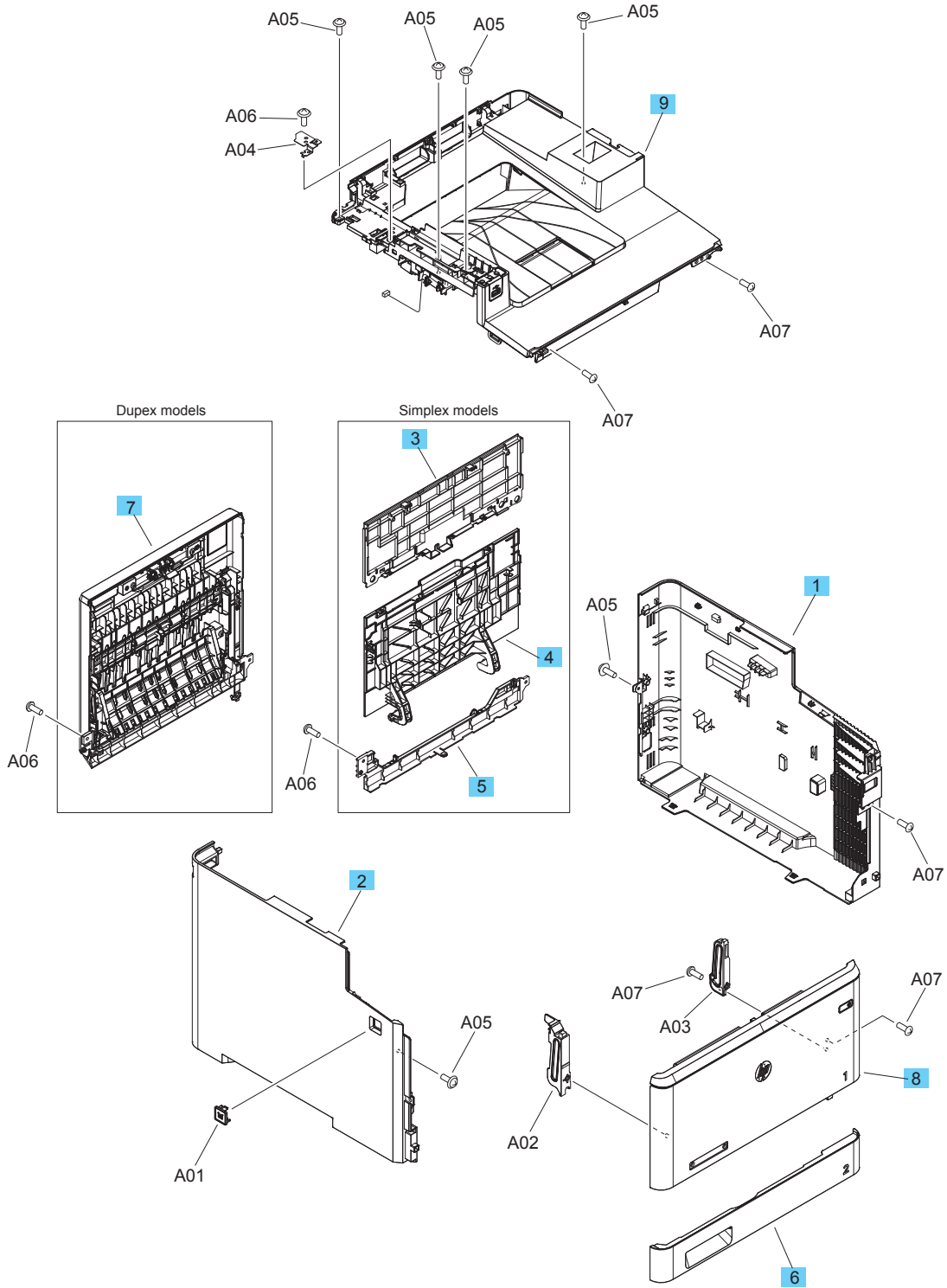


Table 2-8 M377, M477 covers and control panel

Ref	Description	Part number	Qty
1	Cover, right (M377, M477)	RC4-6044-000CN	1
2	Cover, left (M377, M477)	RC4-6045-000CN	1
3	Cover, rear (simplex models)	RC4-4855-000CN	1
4	Door, rear (simplex models)	RC4-5130-000CN	1
5	Cover, rear lower (simplex models)	RC4-5131-000CN	1
6	Cover, cassette	RC4-5334-000CN	1
7	Duplexing door assembly (duplex models)	RM2-6383-000CN	1
8	Door, front assembly	RM2-6390-000CN	1
9	Cover, top (M377, M477fdw)	RM2-6468-000CN	1
9	Cover, top (M477fnw/fdn)	RM2-6466-000CN	1
Not shown	Control panel, touchscreen (M377, M477)	B5L25-60101	1
Not shown	Cover, 4.3" control panel back (M377, M477)	CF377-40003	1
Not shown	Assembly, control panel mount chassis 4.3 (M377, M477)	CF377-60113	1
Not shown	Control panel mount chassis 4.3 (M377, M477)	B3Q10-40055	1
Not shown	Gear, control panel friction (M377, M477)	B3Q09-40003	1
Not shown	FFC cover (M377, M477)	CF377-40004	1
Not shown	Fax cover (M477)	CF377-40005	1
Not shown	Fax cable cover (M477)	CF377-40006	1
Not shown	Shield, RFI SSA FFC (M377, M477)	CF377-00006	1

Table 2-9 Internal components (1 of 5)

Ref	Description	Part number	Qty
1	Fan (FM2)	RK2-6270-000CN	1
2	Cable, flexible flat	RK2-6300-000CN	1
3	Cable, flexible flat	RK2-6302-000CN	1
4	Laser/scanner assembly	RM2-5612-000CN	1
5	Switch assembly, power	RM2-6373-000CN	1
6	Memory PCA	RM2-7374-000CN	1
7	Switch, cable front door assembly	RM2-7889-000CN	1
8	Switch, cassette cable assembly	RM2-7896-000CN	1
9	Engine controller PCA (duplex models)	RM2-7909-000CN	1
9	Engine controller PCA (simplex models)	RM2-7910-000CN	1
10	Formatter PCA, generic (M452nw/dn)	CF389-60001	1
10	Formatter PCA, generic (M452dw)	CF394-60001	1
10	Formatter PCA (M452nw)	CF388-60003	1
10	Formatter PCA (M452nw—China only)	CF388-67018	1
10	Formatter PCA (M452dn)	CF389-60002	1
10	Formatter PCA (M452dn—China only)	CF389-67018	1
10	Formatter PCA (M452dw)	CF394-60002	1
10	Formatter PCA (M452dw—China only)	CF394-67018	1
10	Formatter PCA, generic (M477)	CF379-60001	1
10	Formatter PCA (M477fnw)	CF377-60001	1
10	Formatter PCA (M477fnw—China only)	CF377-67018	1
10	Formatter PCA (M477fdn)	CF378-60002	1
10	Formatter PCA (M477fdn—China only)	CF378-67018	1
10	Formatter PCA (M477fdw)	CF379-60003	1
10	Formatter PCA (M477fdw—China only)	CF379-67018	1
10	Formatter PCA (M377dw)	CF378-67902	1
10	Formatter PCA (M377dw-China only)	CF378-67901	1
11	Wireless PCA (M452nw/dw)	0960-3295	1
11	Wireless PCA (M377, M477fnw/fdw)	1150-7967	1
12	Fax PCA (M477; US)	CF206-60001	1
12	Fax PCA (M477; Europe)	CF207-60001	1
12	Fax PCA (M477; Brazil)	CF208-60001	1
A34	Connector, drawer	VS1-7258-007CN	1

Internal components (2 of 5)

Figure 2-8 Internal components (2 of 5)

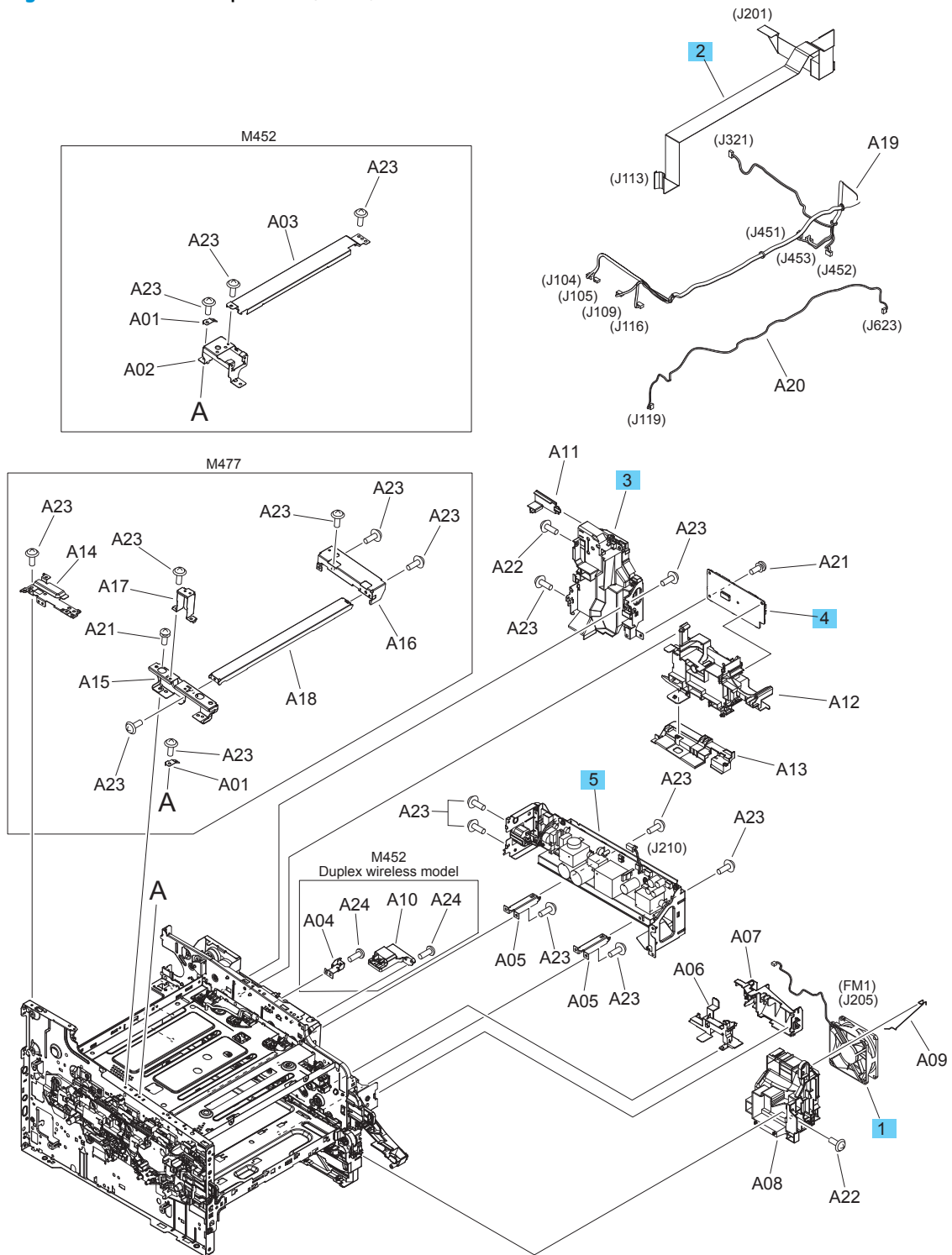


Table 2-10 Internal components (2 of 5)

Ref	Description	Part number	Qty
1	Fan (FM1)	RK2-6270-000CN	1
2	Cable, flexible flat	RK2-6298-000CN	1
3	Fuser power supply PCA (110-127V)	RM2-6440-000CN	1
3	Fuser power supply PCA (220-240V)	RM2-6441-000CN	1
4	Driver PCA	RM2-7369-000CN	1
5	Low-voltage power supply (110-127V)	RM2-7913-000CN	1
5	Low-voltage power supply (220-240V)	RM2-7914-000CN	1
Not shown	Remote antenna (M452nw/dw)	0960-3467	1
Not shown	Wireless bracket (M377, M477fnw/fdw)	CF377-40007	1
Not shown	Wireless cable (M377, M477fnw/fdw)	CF377-60115	1
Not shown	Cable, fax (M477)	CF377-60105	1
Not shown	Cable, FFC (M377, M477)	CF388-60116	1

Table 2-11 Internal components (3 of 5)

Ref	Description	Part number	Qty
1	Roller, paper pickup	RL1-2593-000CN	1
2	Cassette (Tray 2) assembly	RM2-6377-000CN	1
3	Pad, separation	RM2-6406-000CN	1
4	Intermediate transfer belt (ITB)	RM2-6454-000CN	1
5	Motor, drum (M2)	RM2-7342-000CN	1
6	Motor, developing (M3)	RM2-7344-000CN	1
7	Motor, fuser (M4)	RM2-7348-000CN	1
8	Sensor, environment PCA	RM2-7376-000CN	1
9	Sensor, density detect	RM2-7399-000CN	1
10	Photointerrupter	WG8-5935-000CN	1

Internal components (4 of 5)

Figure 2-10 Internal components (4 of 5)

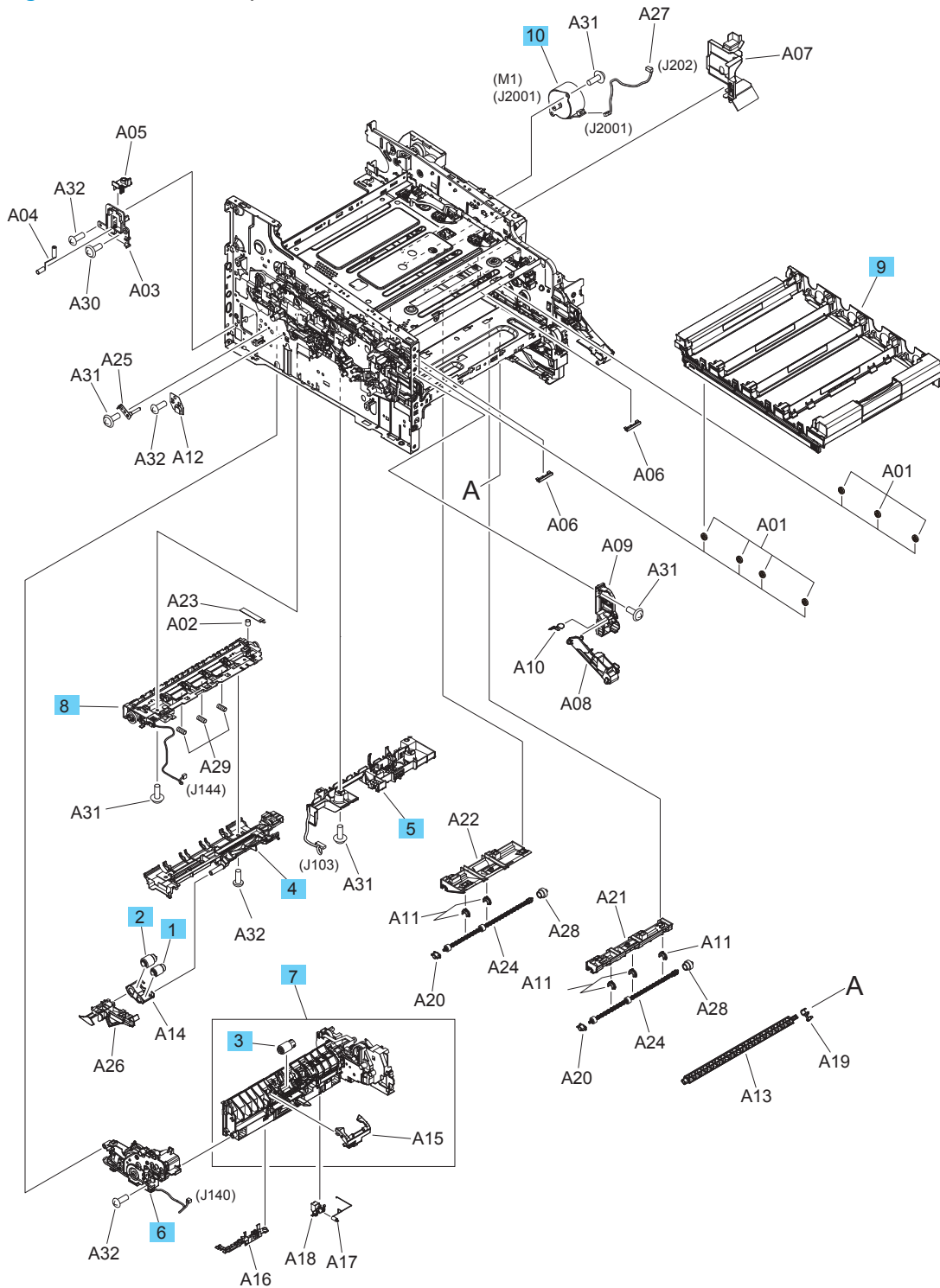


Table 2-12 Internal components (4 of 5)

Ref	Description	Part number	Qty
1	Roller, paper pickup assembly	RM2-5576-000CN	1
2	Roller, feed assembly	RM2-5577-000CN	1
3	Roller, separation	RM2-5881-000CN	1
4	Feed guide assembly, rear	RM2-6366-000CN	1
5	Feed guide assembly, front	RM2-6368-000CN	1
6	Lifter drive assembly	RM2-6370-000CN	1
7	Paper pickup assembly	RM2-6372-000CN	1
8	Registration assembly	RM2-6374-000CN	1
9	Cartridge tray assembly	RM2-6401-000CN	1
10	Motor, pickup (M1)	RM2-7350-000CN	1

Internal components (5 of 5)

Figure 2-11 Internal components (5 of 5)

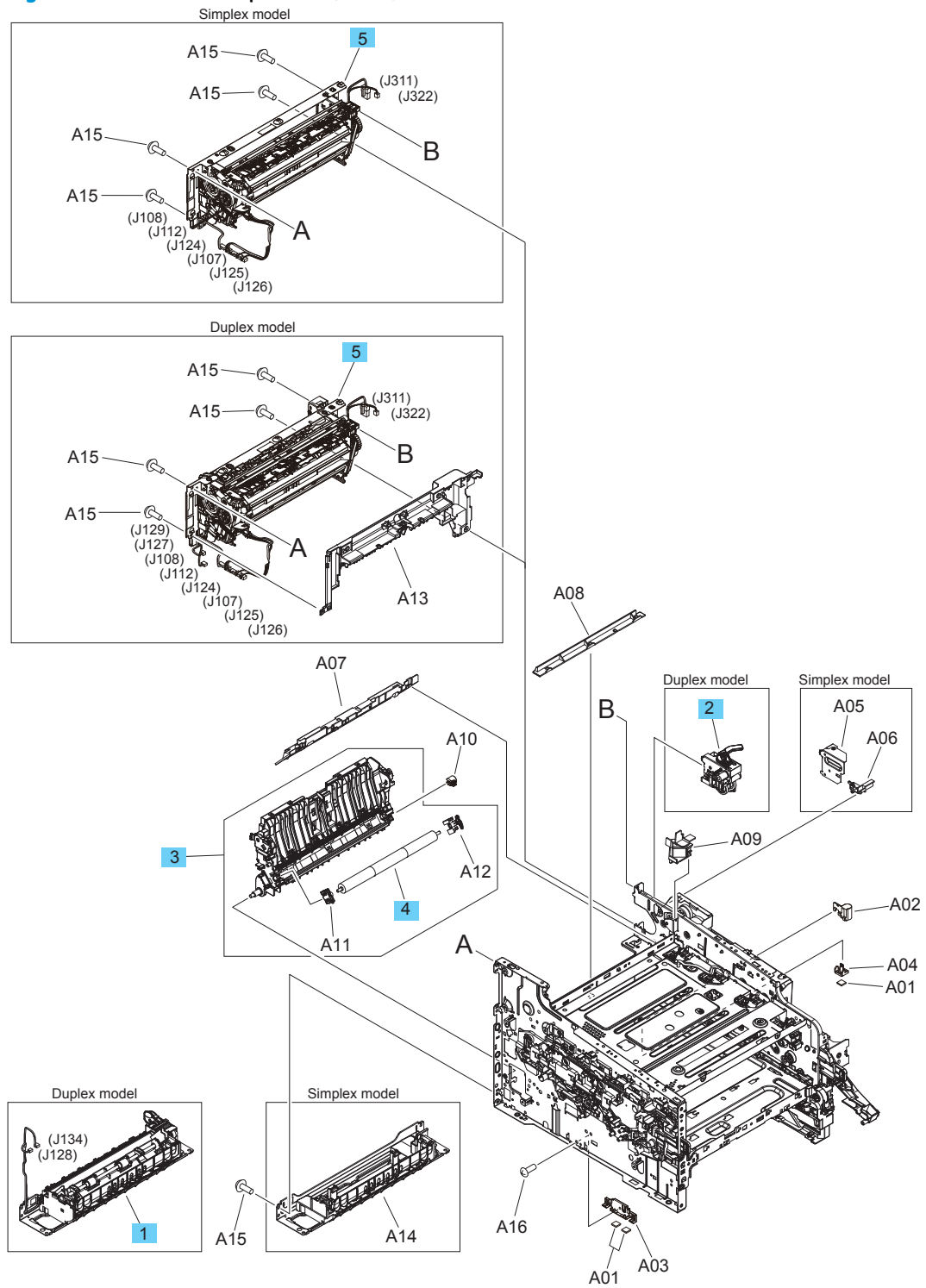


Table 2-13 Internal components (5 of 5)

Ref	Description	Part number	Qty
1	Paper pickup assembly (duplex models)	RM2-6387-000CN	1
2	Reverse drive assembly (duplex models)	RM2-6389-000CN	1
3	Secondary transfer assembly (duplex models)	RM2-6397-000CN	1
3	Secondary transfer assembly (simplex models)	RM2-6430-000CN	1
4	Secondary transfer roller	RM2-6455-000CN	1
5	Fuser (duplex; 110-127V)	RM2-6418-000CN	1
5	Fuser (duplex; 220-240V)	RM2-6435-000CN	1
5	Fuser (simplex; 110-127V)	RM2-6431-000CN	1
5	Fuser (simplex; 220-240V)	RM2-6436-000CN	1
Not shown	Walk-up USB port	CF368-60001	
Not shown	Near-field communication (NFC) PCA (M452dw/M477fdw)	B4K93-60001	

Parts and diagrams: 550-sheet paper feeder

550-sheet paper feeder covers

Figure 2-12 550-sheet paper feeder covers

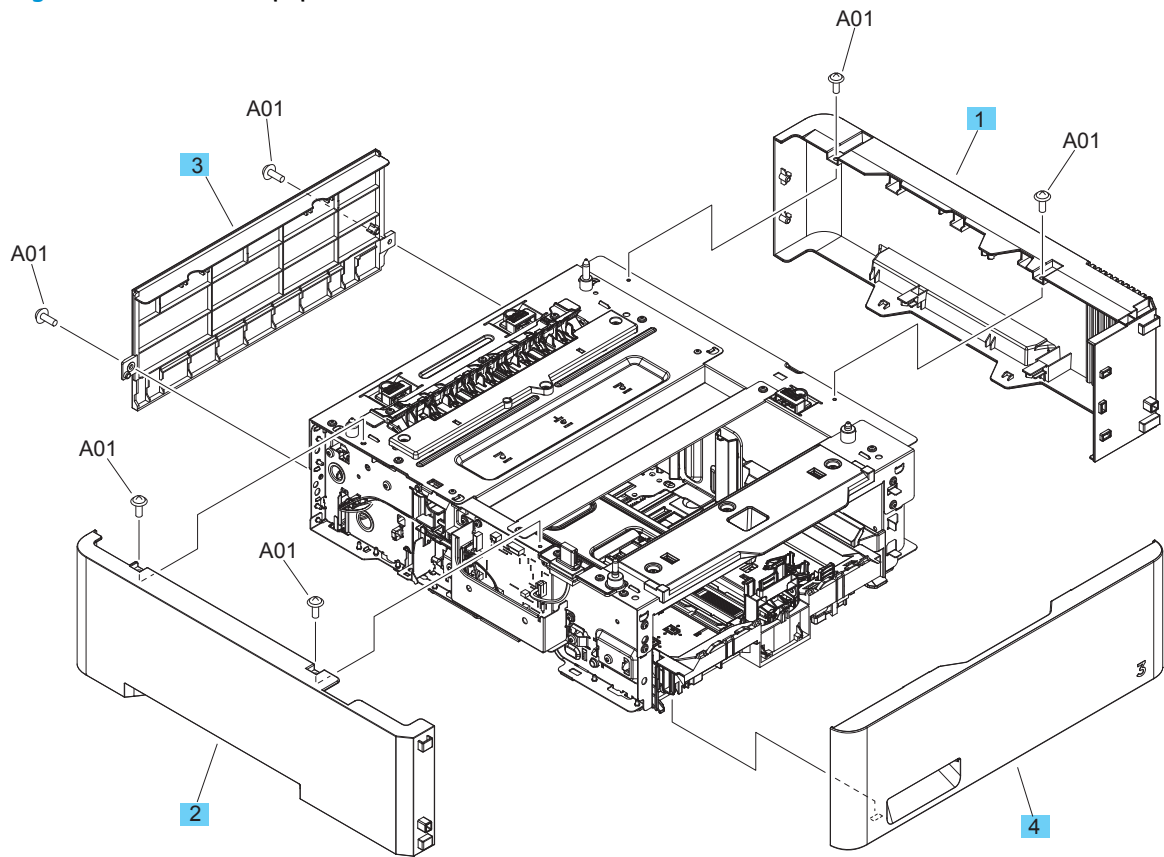


Table 2-14 550-sheet paper feeder covers

Ref	Description	Part number	Qty
1	Cover, left (550-sheet feeder)	RC4-2201-000CN	1
2	Cover, right (550-sheet feeder)	RC4-2202-000CN	1
3	Cover, rear (550-sheet feeder)	RC4-2203-000CN	1
4	Cover, cassette (550-sheet feeder)	RC4-2224-000CN	1

550-sheet paper feeder main body (1 of 2)

Figure 2-13 550-sheet paper feeder main body (1 of 2)

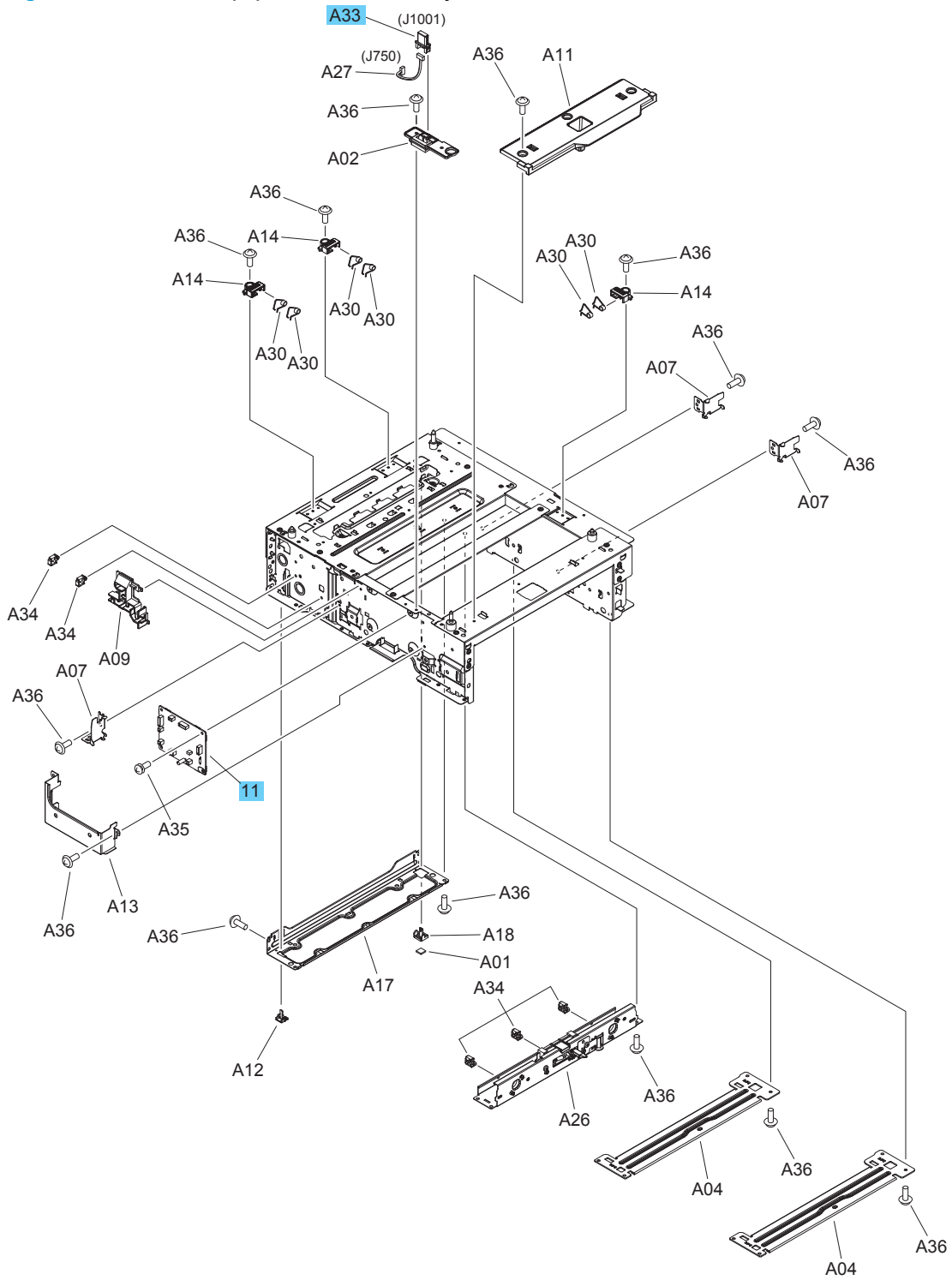


Table 2-15 550-sheet paper feeder main body (1 of 2)

Ref	Description	Part number	Qty
11	Paper feeder driver PCA (550-sheet feeder)	RM2-7366-000CN	1
A33	Connector, drawer (550-sheet feeder)	VS1-7257-007CN	1

550-sheet paper feeder main body (2 of 2)

Figure 2-14 550-sheet paper feeder main body (2 of 2)

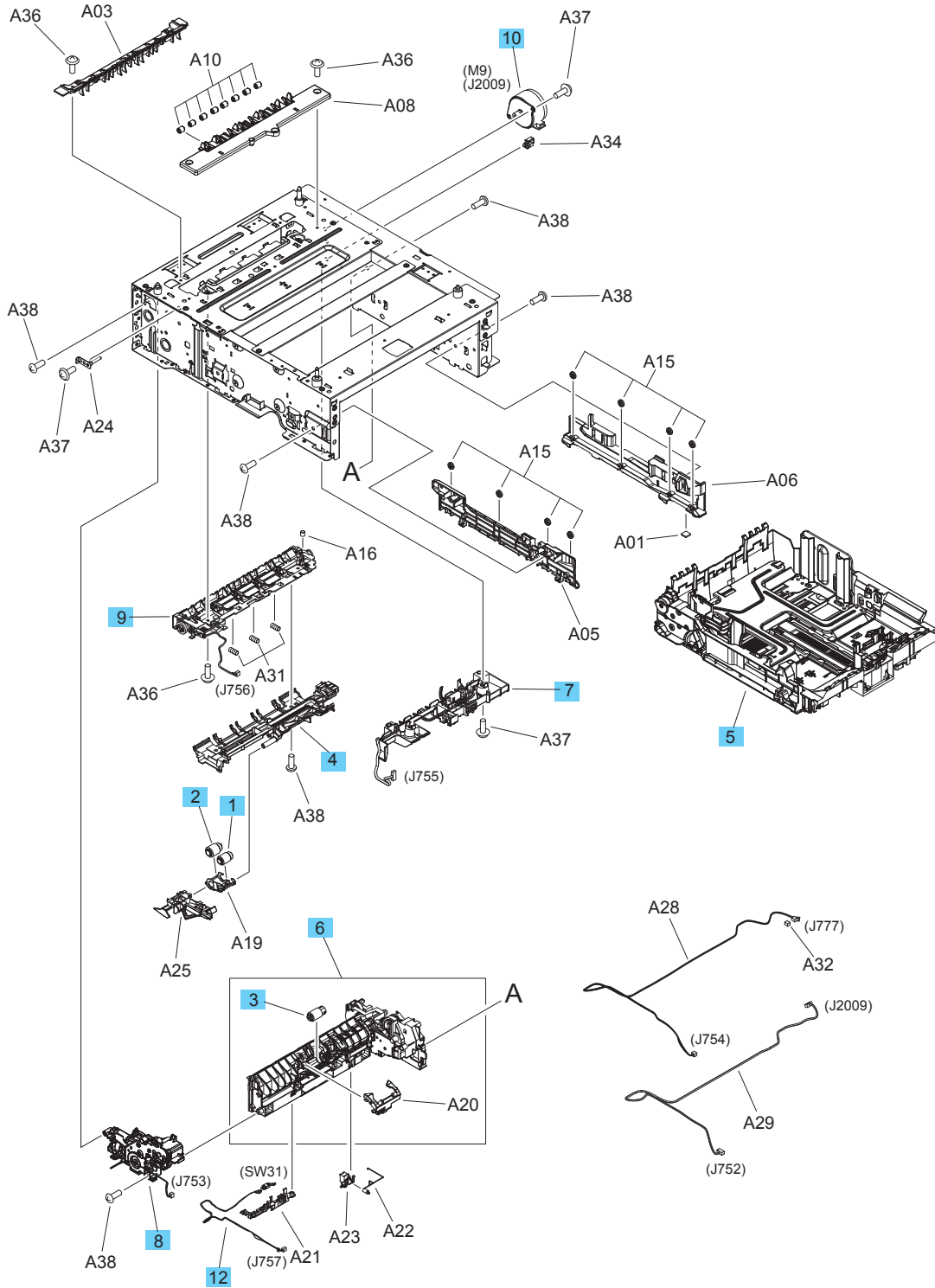


Table 2-16 550-sheet paper feeder main body (2 of 2)

Ref	Description	Part number	Qty
1	Paper pickup roller assembly (550-sheet feeder)	RM2-5576-000CN	1
2	Feed roller assembly (550-sheet feeder)	RM2-5577-000CN	1
3	Separation roller assembly (550-sheet feeder)	RM2-5881-000CN	1
4	Feed guide assembly, rear (550-sheet feeder)	RM2-6366-000CN	1
5	Cassette assembly (550-sheet feeder)	RM2-6486-000CN	1
6	Paper pickup assembly (550-sheet feeder)	RM2-6490-000CN	1
7	Feed guide assembly, front (550-sheet feeder)	RM2-6492-000CN	1
8	Lifter drive assembly (550-sheet feeder)	RM2-6493-000CN	1
9	Paper feed assembly (550-sheet feeder)	RM2-6494-000CN	1
10	Pickup motor (M9) (550-sheet feeder)	RM2-7350-000CN	1
12	Switch cable assembly (550-sheet feeder)	RM2-7897-000CN	1

Alphabetical parts list

Table 2-17 Alphabetical parts list

Description	Part number	Table and page
Assembly, control panel mount chassis 4.3 (M377, M477)	CF377-60113	M377, M477 covers and control panel on page 2999
Bearing extension (M377, M477)	B3Q10-40074	Document feeder and scanner (M377, M477) on page 2995
Cable, fax (M477)	CF377-60105	Internal components (2 of 5) on page 3003
Cable, FFC (M377, M477)	CF388-60116	Internal components (2 of 5) on page 3003
Cable, flexible flat	RK2-6300-000CN	Internal components (1 of 5) on page 3001
Cable, flexible flat	RK2-6302-000CN	Internal components (1 of 5) on page 3001
Cable, flexible flat	RK2-6298-000CN	Internal components (2 of 5) on page 3003
Cartridge tray assembly	RM2-6401-000CN	Internal components (4 of 5) on page 3007
Cassette (Tray 2) assembly	RM2-6377-000CN	Internal components (3 of 5) on page 3005
Cassette assembly (550-sheet feeder)	RM2-6486-000CN	550-sheet paper feeder main body (2 of 2) on page 3015
Connector, drawer (550-sheet feeder)	VS1-7257-007CN	550-sheet paper feeder main body (1 of 2) on page 3013
Connector, drawer	VS1-7258-007CN	Internal components (1 of 5) on page 3001
Control panel mount chassis 4.3 (M377, M477)	B3Q10-40055	M377, M477 covers and control panel on page 2999
Control panel, touchscreen (M377, M477)	B5L25-60101	M377, M477 covers and control panel on page 2999
Control panel, touchscreen (M452dw)	CF388-60113	M452 covers and control panels on page 2997
Cover, 4.3" control panel back (M377, M477)	CF377-40003	M377, M477 covers and control panel on page 2999
Cover, cassette (550-sheet feeder)	RC4-2224-000CN	550-sheet paper feeder covers on page 3011
Cover, cassette	RC4-5334-000CN	M452 covers and control panels on page 2997
Cover, cassette	RC4-5334-000CN	M377, M477 covers and control panel on page 2999
Cover, document feeder outer (M377, M477)	B3Q10-40013	Document feeder and scanner (M377, M477) on page 2995

Table 2-17 Alphabetical parts list (continued)

Description	Part number	Table and page
Cover, left (550-sheet feeder)	RC4-2201-000CN	550-sheet paper feeder covers on page 3011
Cover, left (M377, M477)	RC4-6045-000CN	M377, M477 covers and control panel on page 2999
Cover, left (M452)	RC4-4854-000CN	M452 covers and control panels on page 2997
Cover, rear (550-sheet feeder)	RC4-2203-000CN	550-sheet paper feeder covers on page 3011
Cover, rear (simplex models)	RC4-4855-000CN	M452 covers and control panels on page 2997
Cover, rear (simplex models)	RC4-4855-000CN	M377, M477 covers and control panel on page 2999
Cover, rear lower (simplex models)	RC4-5131-000CN	M452 covers and control panels on page 2997
Cover, rear lower (simplex models)	RC4-5131-000CN	M377, M477 covers and control panel on page 2999
Cover, right (550-sheet feeder)	RC4-2202-000CN	550-sheet paper feeder covers on page 3011
Cover, right (M377, M477)	RC4-6044-000CN	M377, M477 covers and control panel on page 2999
Cover, right (M452)	RC4-4853-000CN	M452 covers and control panels on page 2997
Cover, top (M377, M477fdw)	RM2-6468-000CN	M377, M477 covers and control panel on page 2999
Cover, top (M452dw)	RM2-6456-000CN	M452 covers and control panels on page 2997
Cover, top (M477fnw/fdn)	RM2-6466-000CN	M377, M477 covers and control panel on page 2999
Cover, top and control panel (M452dn)	RM2-6442-000CN	M452 covers and control panels on page 2997
Cover, top and control panel (M452nw)	RM2-6433-000CN	M452 covers and control panels on page 2997
Document feeder input tray assembly (M377, M477)	B3Q10-60107	Document feeder and scanner (M377, M477) on page 2995
Document feeder pick assembly (M377, M477)	B3Q10-60105	Document feeder and scanner (M377, M477) on page 2995
Door, front assembly	RM2-6390-000CN	M452 covers and control panels on page 2997
Door, front assembly	RM2-6390-000CN	M377, M477 covers and control panel on page 2999
Door, rear (simplex models)	RC4-5130-000CN	M452 covers and control panels on page 2997

Table 2-17 Alphabetical parts list (continued)

Description	Part number	Table and page
Door, rear (simplex models)	RC4-5130-000CN	M377, M477 covers and control panel on page 2999
Driver PCA	RM2-7369-000CN	Internal components (2 of 5) on page 3003
Duplexing door assembly (duplex models)	RM2-6383-000CN	M452 covers and control panels on page 2997
Duplexing door assembly (duplex models)	RM2-6383-000CN	M377, M477 covers and control panel on page 2999
Engine controller PCA (duplex models)	RM2-7909-000CN	Internal components (1 of 5) on page 3001
Engine controller PCA (simplex models)	RM2-7910-000CN	Internal components (1 of 5) on page 3001
Fan (FM1)	RK2-6270-000CN	Internal components (2 of 5) on page 3003
Fan (FM2)	RK2-6270-000CN	Internal components (1 of 5) on page 3001
Fax cable cover (M477)	CF377-40006	M377, M477 covers and control panel on page 2999
Fax cover (M477)	CF377-40005	M377, M477 covers and control panel on page 2999
Fax PCA (M477; Brazil)	CF208-60001	Internal components (1 of 5) on page 3001
Fax PCA (M477; Europe)	CF207-60001	Internal components (1 of 5) on page 3001
Fax PCA (M477; US)	CF206-60001	Internal components (1 of 5) on page 3001
Feed guide assembly, front (550-sheet feeder)	RM2-6492-000CN	550-sheet paper feeder main body (2 of 2) on page 3015
Feed guide assembly, front	RM2-6368-000CN	Internal components (4 of 5) on page 3007
Feed guide assembly, rear (550-sheet feeder)	RM2-6366-000CN	550-sheet paper feeder main body (2 of 2) on page 3015
Feed guide assembly, rear	RM2-6366-000CN	Internal components (4 of 5) on page 3007
Feed roller assembly (550-sheet feeder)	RM2-5577-000CN	550-sheet paper feeder main body (2 of 2) on page 3015
FFC cover (M377, M477)	CF377-40004	M377, M477 covers and control panel on page 2999
Formatter PCA (M377dw)	CF378-67902	Internal components (1 of 5) on page 3001
Formatter PCA (M377dw-China only)	CF378-67901	Internal components (1 of 5) on page 3001

Table 2-17 Alphabetical parts list (continued)

Description	Part number	Table and page
Formatter PCA (M452dn)	CF389-60002	Internal components (1 of 5) on page 3001
Formatter PCA (M452dn—China only)	CF389-67018	Internal components (1 of 5) on page 3001
Formatter PCA (M452dw)	CF394-60002	Internal components (1 of 5) on page 3001
Formatter PCA (M452dw—China only)	CF394-67018	Internal components (1 of 5) on page 3001
Formatter PCA (M452nw)	CF388-60003	Internal components (1 of 5) on page 3001
Formatter PCA (M452nw—China only)	CF388-67018	Internal components (1 of 5) on page 3001
Formatter PCA (M477fdn)	CF378-60002	Internal components (1 of 5) on page 3001
Formatter PCA (M477fdn—China only)	CF378-67018	Internal components (1 of 5) on page 3001
Formatter PCA (M477fdw)	CF379-60003	Internal components (1 of 5) on page 3001
Formatter PCA (M477fdw—China only)	CF379-67018	Internal components (1 of 5) on page 3001
Formatter PCA (M477fnw)	CF377-60001	Internal components (1 of 5) on page 3001
Formatter PCA (M477fnw—China only)	CF377-67018	Internal components (1 of 5) on page 3001
Formatter PCA, generic (M452dw)	CF394-60001	Internal components (1 of 5) on page 3001
Formatter PCA, generic (M452nw/dn)	CF389-60001	Internal components (1 of 5) on page 3001
Formatter PCA, generic (M477)	CF379-60001	Internal components (1 of 5) on page 3001
Fuser (duplex; 110-127V)	RM2-6418-000CN	Internal components (5 of 5) on page 3009
Fuser (duplex; 220-240V)	RM2-6435-000CN	Internal components (5 of 5) on page 3009
Fuser (simplex; 110-127V)	RM2-6431-000CN	Internal components (5 of 5) on page 3009
Fuser (simplex; 220-240V)	RM2-6436-000CN	Internal components (5 of 5) on page 3009
Fuser power supply PCA (110-127V)	RM2-6440-000CN	Internal components (2 of 5) on page 3003
Fuser power supply PCA (220-240V)	RM2-6441-000CN	Internal components (2 of 5) on page 3003

Table 2-17 Alphabetical parts list (continued)

Description	Part number	Table and page
Gear, control panel friction (M377, M477)	B3Q09-40003	M377, M477 covers and control panel on page 2999
Integrated scanner assembly (M377)	CF377-60124	Document feeder and scanner (M377, M477) on page 2995
Integrated scanner assembly (M477)	CF377-60104	Document feeder and scanner (M377, M477) on page 2995
Integrated scanner assembly lift assembly (M377, M477)	B3Q10-60128	Document feeder and scanner (M377, M477) on page 2995
Intermediate transfer belt (ITB)	RM2-6454-000CN	Internal components (3 of 5) on page 3005
Laser/scanner assembly	RM2-5612-000CN	Internal components (1 of 5) on page 3001
Lifter drive assembly (550-sheet feeder)	RM2-6493-000CN	550-sheet paper feeder main body (2 of 2) on page 3015
Lifter drive assembly	RM2-6370-000CN	Internal components (4 of 5) on page 3007
Low-voltage power supply (110-127V)	RM2-7913-000CN	Internal components (2 of 5) on page 3003
Low-voltage power supply (220-240V)	RM2-7914-000CN	Internal components (2 of 5) on page 3003
Memory PCA	RM2-7374-000CN	Internal components (1 of 5) on page 3001
Motor, developing (M3)	RM2-7344-000CN	Internal components (3 of 5) on page 3005
Motor, drum (M2)	RM2-7342-000CN	Internal components (3 of 5) on page 3005
Motor, fuser (M4)	RM2-7348-000CN	Internal components (3 of 5) on page 3005
Motor, pickup (M1)	RM2-7350-000CN	Internal components (4 of 5) on page 3007
Near-field communication (NFC) PCA (M452dw/M477fdw)	B4K93-60001	Internal components (5 of 5) on page 3009
Pad, separation	RM2-6406-000CN	Internal components (3 of 5) on page 3005
Paper feed assembly (550-sheet feeder)	RM2-6494-000CN	550-sheet paper feeder main body (2 of 2) on page 3015
Paper feeder driver PCA (550-sheet feeder)	RM2-7366-000CN	550-sheet paper feeder main body (1 of 2) on page 3013
Paper pickup assembly (550-sheet feeder)	RM2-6490-000CN	550-sheet paper feeder main body (2 of 2) on page 3015
Paper pickup assembly (duplex models)	RM2-6387-000CN	Internal components (5 of 5) on page 3009

Table 2-17 Alphabetical parts list (continued)

Description	Part number	Table and page
Paper pickup assembly	RM2-6372-000CN	Internal components (4 of 5) on page 3007
Paper pickup roller assembly (550-sheet feeder)	RM2-5576-000CN	550-sheet paper feeder main body (2 of 2) on page 3015
Photointerrupter	WG8-5935-000CN	Internal components (3 of 5) on page 3005
Pickup motor (M9) (550-sheet feeder)	RM2-7350-000CN	550-sheet paper feeder main body (2 of 2) on page 3015
Registration assembly	RM2-6374-000CN	Internal components (4 of 5) on page 3007
Remote antenna (M452nw/dw)	0960-3467	Internal components (2 of 5) on page 3003
Reverse drive assembly (duplex models)	RM2-6389-000CN	Internal components (5 of 5) on page 3009
Roller, feed assembly	RM2-5577-000CN	Internal components (4 of 5) on page 3007
Roller, paper pickup assembly	RM2-5576-000CN	Internal components (4 of 5) on page 3007
Roller, paper pickup	RL1-2593-000CN	Internal components (3 of 5) on page 3005
Roller, separation	RM2-5881-000CN	Internal components (4 of 5) on page 3007
Secondary transfer assembly (duplex models)	RM2-6397-000CN	Internal components (5 of 5) on page 3009
Secondary transfer assembly (simplex models)	RM2-6430-000CN	Internal components (5 of 5) on page 3009
Secondary transfer roller	RM2-6455-000CN	Internal components (5 of 5) on page 3009
Sensor, density detect	RM2-7399-000CN	Internal components (3 of 5) on page 3005
Sensor, environment PCA	RM2-7376-000CN	Internal components (3 of 5) on page 3005
Separation roller assembly (550-sheet feeder)	RM2-5881-000CN	550-sheet paper feeder main body (2 of 2) on page 3015
Separator pad (M377, M477)	B3Q10-40080	Document feeder and scanner (M377, M477) on page 2995
Shaft, document feeder pick extension (M377, M477)	B3Q10-40081	Document feeder and scanner (M377, M477) on page 2995
Shield, RFI SSA FFC (M377, M477)	CF377-00006	M377, M477 covers and control panel on page 2999
Slider pin, integrated scanner assembly lift (M377, M477)	B3Q10-40041	Document feeder and scanner (M377, M477) on page 2995

Table 2-17 Alphabetical parts list (continued)

Description	Part number	Table and page
Spring, separator pad (M377, M477)	B3Q10-00019	Document feeder and scanner (M377, M477) on page 2995
Support, separator pad (M377, M477)	B3Q10-40079	Document feeder and scanner (M377, M477) on page 2995
Switch assembly, power	RM2-6373-000CN	Internal components (1 of 5) on page 3001
Switch cable assembly (550-sheet feeder)	RM2-7897-000CN	550-sheet paper feeder main body (2 of 2) on page 3015
Switch, cable front door assembly	RM2-7889-000CN	Internal components (1 of 5) on page 3001
Switch, cassette cable assembly	RM2-7896-000CN	Internal components (1 of 5) on page 3001
Walk-up USB port	CF368-60001	Internal components (5 of 5) on page 3009
Wireless bracket (M377, M477fnw/fdw)	CF377-40007	Internal components (2 of 5) on page 3003
Wireless cable (M377, M477fnw/fdw)	CF377-60115	Internal components (2 of 5) on page 3003
Wireless PCA (M377, M477fnw/fdw)	1150-7967	Internal components (1 of 5) on page 3001
Wireless PCA (M452nw/dw)	0960-3295	Internal components (1 of 5) on page 3001

Numerical parts list

Table 2-18 Numerical parts list

Part number	Description	Table and page
0960-3295	Wireless PCA (M452nw/dw)	Internal components (1 of 5) on page 3001
0960-3467	Remote antenna (M452nw/dw)	Internal components (2 of 5) on page 3003
1150-7967	Wireless PCA (M377, M477fnw/fdw)	Internal components (1 of 5) on page 3001
B3Q09-40003	Gear, control panel friction (M377, M477)	M377, M477 covers and control panel on page 2999
B3Q10-00019	Spring, separator pad (M377, M477)	Document feeder and scanner (M377, M477) on page 2995
B3Q10-40013	Cover, document feeder outer (M377, M477)	Document feeder and scanner (M377, M477) on page 2995
B3Q10-40041	Slider pin, integrated scanner assembly lift (M377, M477)	Document feeder and scanner (M377, M477) on page 2995
B3Q10-40055	Control panel mount chassis 4.3 (M377, M477)	M377, M477 covers and control panel on page 2999
B3Q10-40074	Bearing extension (M377, M477)	Document feeder and scanner (M377, M477) on page 2995
B3Q10-40079	Support, separator pad (M377, M477)	Document feeder and scanner (M377, M477) on page 2995
B3Q10-40080	Separator pad (M377, M477)	Document feeder and scanner (M377, M477) on page 2995
B3Q10-40081	Shaft, document feeder pick extension (M377, M477)	Document feeder and scanner (M377, M477) on page 2995
B3Q10-60105	Document feeder pick assembly (M377, M477)	Document feeder and scanner (M377, M477) on page 2995
B3Q10-60107	Document feeder input tray assembly (M377, M477)	Document feeder and scanner (M377, M477) on page 2995
CF377-60124	Integrated scanner assembly (M377)	Document feeder and scanner (M377, M477) on page 2995
B3Q10-60128	Integrated scanner assembly lift assembly (M377, M477)	Document feeder and scanner (M377, M477) on page 2995
B4K93-60001	Near-field communication (NFC) PCA (M452dw/M477fdw)	Internal components (5 of 5) on page 3009
B5L25-60101	Control panel, touchscreen (M377, M477)	M377, M477 covers and control panel on page 2999
CF206-60001	Fax PCA (M477; US)	Internal components (1 of 5) on page 3001
CF207-60001	Fax PCA (M477; Europe)	Internal components (1 of 5) on page 3001

Table 2-18 Numerical parts list (continued)

Part number	Description	Table and page
CF208-60001	Fax PCA (M477; Brazil)	Internal components (1 of 5) on page 3001
CF368-60001	Walk-up USB port	Internal components (5 of 5) on page 3009
CF377-00006	Shield, RFI SSA FFC (M377, M477)	M377, M477 covers and control panel on page 2999
CF377-40003	Cover, 4.3" control panel back (M377, M477)	M377, M477 covers and control panel on page 2999
CF377-40004	FFC cover (M377, M477)	M377, M477 covers and control panel on page 2999
CF377-40005	Fax cover (M477)	M377, M477 covers and control panel on page 2999
CF377-40006	Fax cable cover (M477)	M377, M477 covers and control panel on page 2999
CF377-40007	Wireless bracket (M377, M477fnw/fdw)	Internal components (2 of 5) on page 3003
CF377-60001	Formatter PCA (M477fnw)	Internal components (1 of 5) on page 3001
CF377-60104	Integrated scanner assembly (M477)	Document feeder and scanner (M377, M477) on page 2995
CF377-60105	Cable, fax (M477)	Internal components (2 of 5) on page 3003
CF377-60113	Assembly, control panel mount chassis 4.3 (M377, M477)	M377, M477 covers and control panel on page 2999
CF377-60115	Wireless cable (M377, M477fnw/fdw)	Internal components (2 of 5) on page 3003
CF377-67018	Formatter PCA (M477fnw—China only)	Internal components (1 of 5) on page 3001
CF378-60002	Formatter PCA (M477fdn)	Internal components (1 of 5) on page 3001
CF378-67018	Formatter PCA (M477fdn—China only)	Internal components (1 of 5) on page 3001
CF378-67901	Formatter PCA (M377dw—China only)	Internal components (1 of 5) on page 3001
CF378-67902	Formatter PCA (M377dw)	Internal components (1 of 5) on page 3001
CF379-60001	Formatter PCA, generic (M477)	Internal components (1 of 5) on page 3001
CF379-60003	Formatter PCA (M477fdw)	Internal components (1 of 5) on page 3001
CF379-67018	Formatter PCA (M477fdw—China only)	Internal components (1 of 5) on page 3001

Table 2-18 Numerical parts list (continued)

Part number	Description	Table and page
CF388-60003	Formatter PCA (M452nw)	Internal components (1 of 5) on page 3001
CF388-60113	Control panel, touchscreen (M452dw)	M452 covers and control panels on page 2997
CF388-60116	Cable, FFC (M377, M477)	Internal components (2 of 5) on page 3003
CF388-67018	Formatter PCA (M452nw—China only)	Internal components (1 of 5) on page 3001
CF389-60001	Formatter PCA, generic (M452nw/dn)	Internal components (1 of 5) on page 3001
CF389-60002	Formatter PCA (M452dn)	Internal components (1 of 5) on page 3001
CF389-67018	Formatter PCA (M452dn—China only)	Internal components (1 of 5) on page 3001
CF394-60001	Formatter PCA, generic (M452dw)	Internal components (1 of 5) on page 3001
CF394-60002	Formatter PCA (M452dw)	Internal components (1 of 5) on page 3001
CF394-67018	Formatter PCA (M452dw—China only)	Internal components (1 of 5) on page 3001
RC4-2201-000CN	Cover, left (550-sheet feeder)	550-sheet paper feeder covers on page 3011
RC4-2202-000CN	Cover, right (550-sheet feeder)	550-sheet paper feeder covers on page 3011
RC4-2203-000CN	Cover, rear (550-sheet feeder)	550-sheet paper feeder covers on page 3011
RC4-2224-000CN	Cover, cassette (550-sheet feeder)	550-sheet paper feeder covers on page 3011
RC4-4853-000CN	Cover, right (M452)	M452 covers and control panels on page 2997
RC4-4854-000CN	Cover, left (M452)	M452 covers and control panels on page 2997
RC4-4855-000CN	Cover, rear (simplex models)	M452 covers and control panels on page 2997
RC4-4855-000CN	Cover, rear (simplex models)	M377, M477 covers and control panel on page 2999
RC4-5130-000CN	Door, rear (simplex models)	M452 covers and control panels on page 2997
RC4-5130-000CN	Door, rear (simplex models)	M377, M477 covers and control panel on page 2999
RC4-5131-000CN	Cover, rear lower (simplex models)	M452 covers and control panels on page 2997

Table 2-18 Numerical parts list (continued)

Part number	Description	Table and page
RC4-5131-000CN	Cover, rear lower (simplex models)	M377, M477 covers and control panel on page 2999
RC4-5334-000CN	Cover, cassette	M452 covers and control panels on page 2997
RC4-5334-000CN	Cover, cassette	M377, M477 covers and control panel on page 2999
RC4-6044-000CN	Cover, right (M377, M477)	M377, M477 covers and control panel on page 2999
RC4-6045-000CN	Cover, left (M377, M477)	M377, M477 covers and control panel on page 2999
RK2-6270-000CN	Fan (FM2)	Internal components (1 of 5) on page 3001
RK2-6270-000CN	Fan (FM1)	Internal components (2 of 5) on page 3003
RK2-6298-000CN	Cable, flexible flat	Internal components (2 of 5) on page 3003
RK2-6300-000CN	Cable, flexible flat	Internal components (1 of 5) on page 3001
RK2-6302-000CN	Cable, flexible flat	Internal components (1 of 5) on page 3001
RL1-2593-000CN	Roller, paper pickup	Internal components (3 of 5) on page 3005
RM2-5576-000CN	Roller, paper pickup assembly	Internal components (4 of 5) on page 3007
RM2-5576-000CN	Paper pickup roller assembly (550-sheet feeder)	550-sheet paper feeder main body (2 of 2) on page 3015
RM2-5577-000CN	Roller, feed assembly	Internal components (4 of 5) on page 3007
RM2-5577-000CN	Feed roller assembly (550-sheet feeder)	550-sheet paper feeder main body (2 of 2) on page 3015
RM2-5612-000CN	Laser/scanner assembly	Internal components (1 of 5) on page 3001
RM2-5881-000CN	Roller, separation	Internal components (4 of 5) on page 3007
RM2-5881-000CN	Separation roller assembly (550-sheet feeder)	550-sheet paper feeder main body (2 of 2) on page 3015
RM2-6366-000CN	Feed guide assembly, rear	Internal components (4 of 5) on page 3007
RM2-6366-000CN	Feed guide assembly, rear (550-sheet feeder)	550-sheet paper feeder main body (2 of 2) on page 3015
RM2-6368-000CN	Feed guide assembly, front	Internal components (4 of 5) on page 3007

Table 2-18 Numerical parts list (continued)

Part number	Description	Table and page
RM2-6370-000CN	Lifter drive assembly	Internal components (4 of 5) on page 3007
RM2-6372-000CN	Paper pickup assembly	Internal components (4 of 5) on page 3007
RM2-6373-000CN	Switch assembly, power	Internal components (1 of 5) on page 3001
RM2-6374-000CN	Registration assembly	Internal components (4 of 5) on page 3007
RM2-6377-000CN	Cassette (Tray 2) assembly	Internal components (3 of 5) on page 3005
RM2-6383-000CN	Duplexing door assembly (duplex models)	M452 covers and control panels on page 2997
RM2-6383-000CN	Duplexing door assembly (duplex models)	M377, M477 covers and control panel on page 2999
RM2-6387-000CN	Paper pickup assembly (duplex models)	Internal components (5 of 5) on page 3009
RM2-6389-000CN	Reverse drive assembly (duplex models)	Internal components (5 of 5) on page 3009
RM2-6390-000CN	Door, front assembly	M452 covers and control panels on page 2997
RM2-6390-000CN	Door, front assembly	M377, M477 covers and control panel on page 2999
RM2-6397-000CN	Secondary transfer assembly (duplex models)	Internal components (5 of 5) on page 3009
RM2-6401-000CN	Cartridge tray assembly	Internal components (4 of 5) on page 3007
RM2-6406-000CN	Pad, separation	Internal components (3 of 5) on page 3005
RM2-6418-000CN	Fuser (duplex; 110-127V)	Internal components (5 of 5) on page 3009
RM2-6430-000CN	Secondary transfer assembly (simplex models)	Internal components (5 of 5) on page 3009
RM2-6431-000CN	Fuser (simplex; 110-127V)	Internal components (5 of 5) on page 3009
RM2-6433-000CN	Cover, top and control panel (M452nw)	M452 covers and control panels on page 2997
RM2-6435-000CN	Fuser (duplex; 220-240V)	Internal components (5 of 5) on page 3009
RM2-6436-000CN	Fuser (simplex; 220-240V)	Internal components (5 of 5) on page 3009
RM2-6440-000CN	Fuser power supply PCA (110-127V)	Internal components (2 of 5) on page 3003

Table 2-18 Numerical parts list (continued)

Part number	Description	Table and page
RM2-6441-000CN	Fuser power supply PCA (220-240V)	Internal components (2 of 5) on page 3003
RM2-6442-000CN	Cover, top and control panel (M452dn)	M452 covers and control panels on page 2997
RM2-6454-000CN	Intermediate transfer belt (ITB)	Internal components (3 of 5) on page 3005
RM2-6455-000CN	Secondary transfer roller	Internal components (5 of 5) on page 3009
RM2-6456-000CN	Cover, top (M452dw)	M452 covers and control panels on page 2997
RM2-6466-000CN	Cover, top (M477fnw/fdn)	M377, M477 covers and control panel on page 2999
RM2-6468-000CN	Cover, top (M377, M477fdw)	M377, M477 covers and control panel on page 2999
RM2-6486-000CN	Cassette assembly (550-sheet feeder)	550-sheet paper feeder main body (2 of 2) on page 3015
RM2-6490-000CN	Paper pickup assembly (550-sheet feeder)	550-sheet paper feeder main body (2 of 2) on page 3015
RM2-6492-000CN	Feed guide assembly, front (550-sheet feeder)	550-sheet paper feeder main body (2 of 2) on page 3015
RM2-6493-000CN	Lifter drive assembly (550-sheet feeder)	550-sheet paper feeder main body (2 of 2) on page 3015
RM2-6494-000CN	Paper feed assembly (550-sheet feeder)	550-sheet paper feeder main body (2 of 2) on page 3015
RM2-7342-000CN	Motor, drum (M2)	Internal components (3 of 5) on page 3005
RM2-7344-000CN	Motor, developing (M3)	Internal components (3 of 5) on page 3005
RM2-7348-000CN	Motor, fuser (M4)	Internal components (3 of 5) on page 3005
RM2-7350-000CN	Motor, pickup (M1)	Internal components (4 of 5) on page 3007
RM2-7350-000CN	Pickup motor (M9) (550-sheet feeder)	550-sheet paper feeder main body (2 of 2) on page 3015
RM2-7366-000CN	Paper feeder driver PCA (550-sheet feeder)	550-sheet paper feeder main body (1 of 2) on page 3013
RM2-7369-000CN	Driver PCA	Internal components (2 of 5) on page 3003
RM2-7374-000CN	Memory PCA	Internal components (1 of 5) on page 3001
RM2-7376-000CN	Sensor, environment PCA	Internal components (3 of 5) on page 3005

Table 2-18 Numerical parts list (continued)

Part number	Description	Table and page
RM2-7399-000CN	Sensor, density detect	Internal components (3 of 5) on page 3005
RM2-7889-000CN	Switch, cable front door assembly	Internal components (1 of 5) on page 3001
RM2-7896-000CN	Switch, cassette cable assembly	Internal components (1 of 5) on page 3001
RM2-7897-000CN	Switch cable assembly (550-sheet feeder)	550-sheet paper feeder main body (2 of 2) on page 3015
RM2-7909-000CN	Engine controller PCA (duplex models)	Internal components (1 of 5) on page 3001
RM2-7910-000CN	Engine controller PCA (simplex models)	Internal components (1 of 5) on page 3001
RM2-7913-000CN	Low-voltage power supply (110-127V)	Internal components (2 of 5) on page 3003
RM2-7914-000CN	Low-voltage power supply (220-240V)	Internal components (2 of 5) on page 3003
VS1-7257-007CN	Connector, drawer (550-sheet feeder)	550-sheet paper feeder main body (1 of 2) on page 3013
VS1-7258-007CN	Connector, drawer	Internal components (1 of 5) on page 3001
WG8-5935-000CN	Photointerrupter	Internal components (3 of 5) on page 3005