

---

## 2 Parts and diagrams

- [Related documentation and software](#)
- [Assembly locations](#)
- [Parts and diagrams: Document feeder and scanner whole units](#)
- [Parts and diagrams: Covers and control panels](#)
- [Parts and diagrams: Internal components](#)
- [Alphabetical parts list](#)
- [Numerical parts list](#)

## Related documentation and software

HP service personnel, go to the Service Access Work Bench (SAW) at <http://h41302.www4.hp.com/km/saw/home.do>.

Channel partners, go to HP Channel Services Network (CSN) at <https://h30125.www3.hp.com/hpcsn>.

# Assembly locations

## Introduction

Use the following figures to identify printer assemblies.

## M252 assembly locations

Figure 2-1 M252 assembly locations

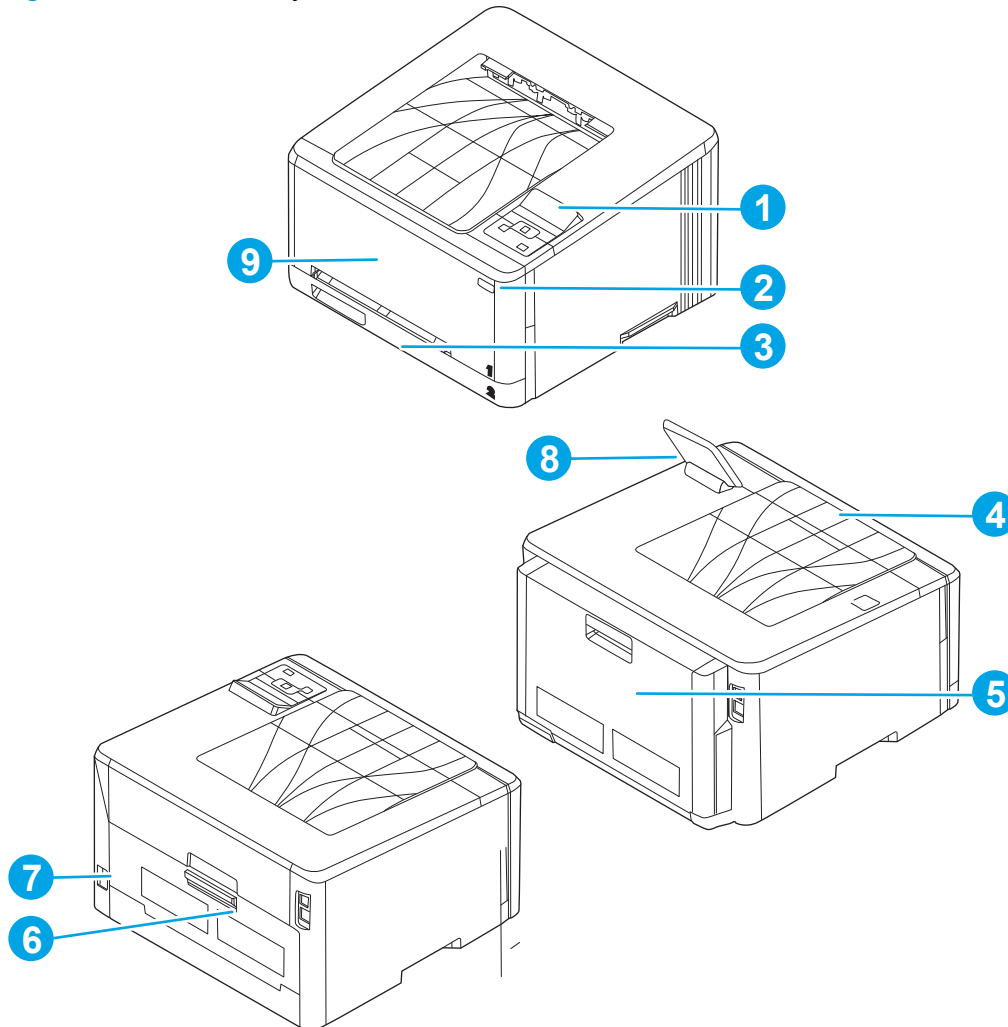


Table 2-1 M252 assembly locations

Item	Description	Item	Description
1	Control panel, 2-line	6	Rear door (simplex models only)
2	Power switch	7	Power receptacle
3	Tray 2 cassette	8	Front door
4	Output bin	9	Control panel, touchscreen
5	Duplexer door (duplex models only)		

## M274, M277 assembly locations

Figure 2-2 M274, M277 assembly locations

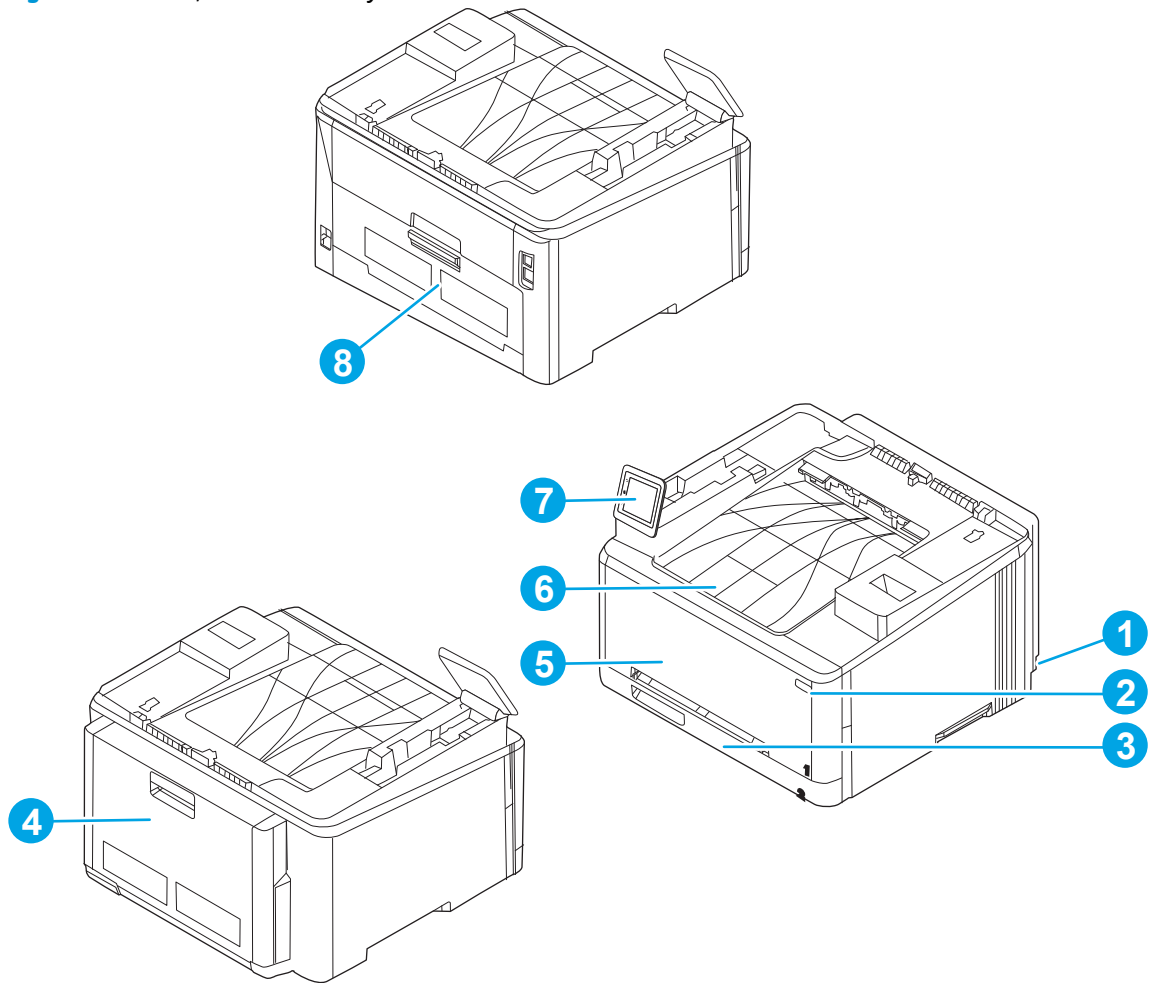


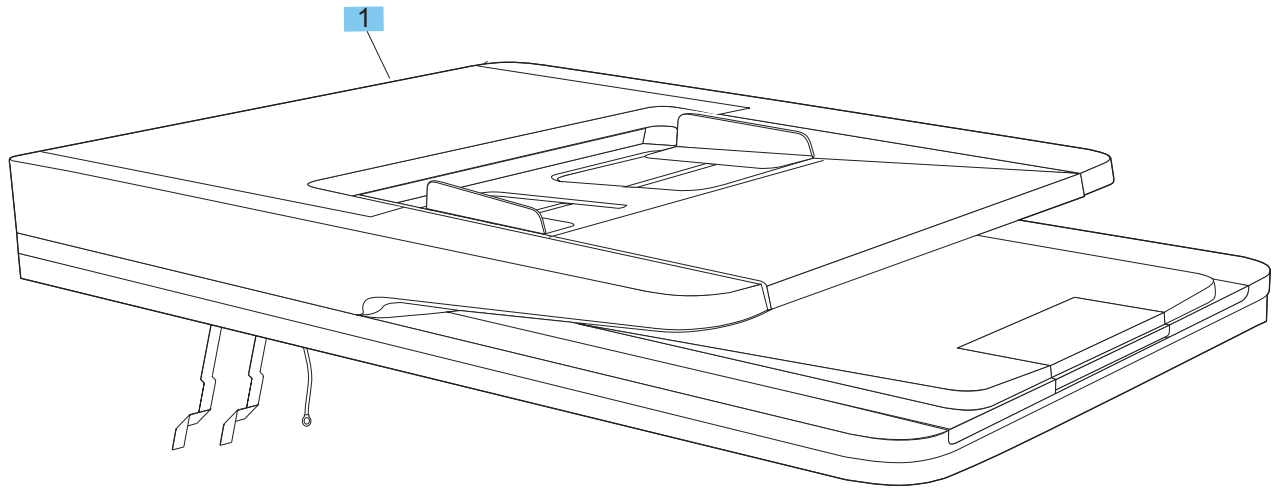
Table 2-2 M274, M277 assembly locations

Item	Description	Item	Description
1	Power receptacle	5	Front door
2	Power switch	6	Output bin
3	Tray 2 cassette	7	Control panel, touchscreen
4	Duplexer door (duplex models only)	8	Rear door (simplex models only)



## Parts and diagrams: Document feeder and scanner whole units

**Figure 2-3** Document feeder and scanner whole units (M274, M277 models only)



**Table 2-3 Document feeder and scanner whole units (M274, M277 models only)**

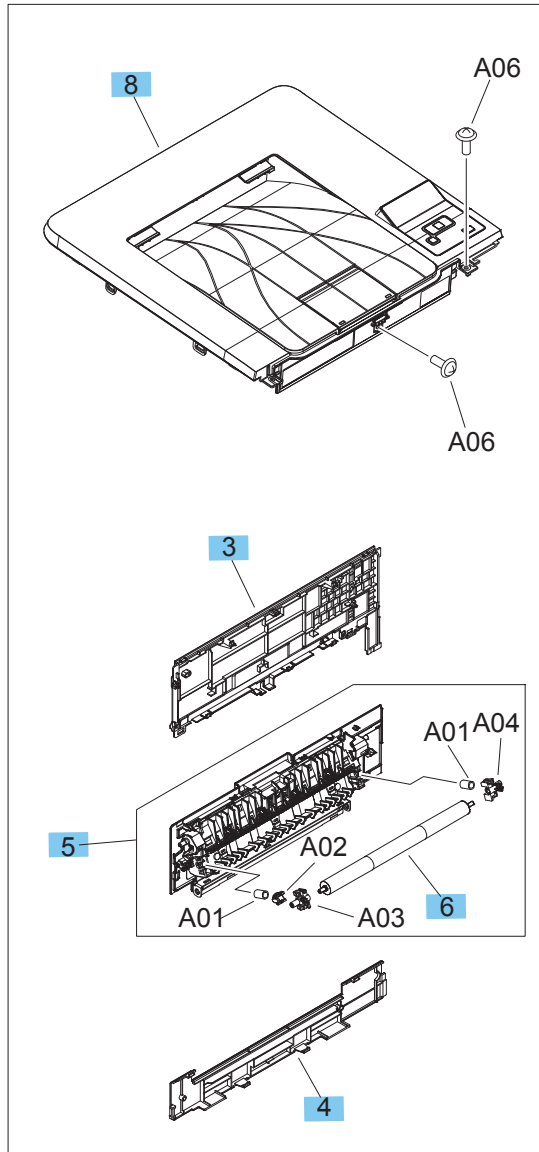
Ref	Description	Part number	Qty
1	Scanner assembly (M274, M277 models only)	B3Q10-60125	1

Order genuine HP parts or accessories at [www.hp.com/buy/parts](http://www.hp.com/buy/parts).

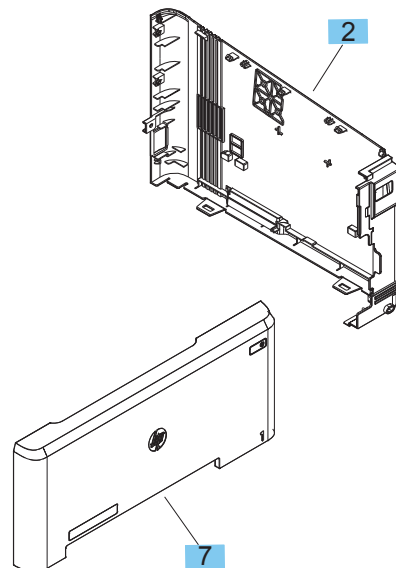
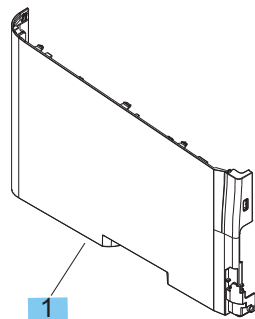
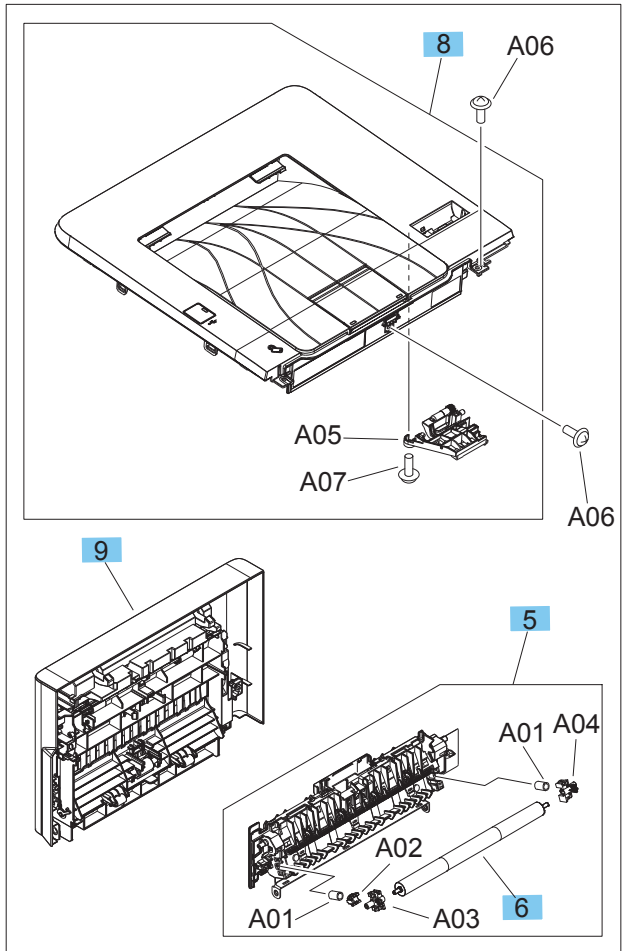
# Parts and diagrams: Covers and control panels

## M252 covers and control panels

Figure 2-4 M252 covers and control panels  
SIMPLEX MODEL



DUPLEX MODEL





**Table 2-4 M252 covers and control panels**

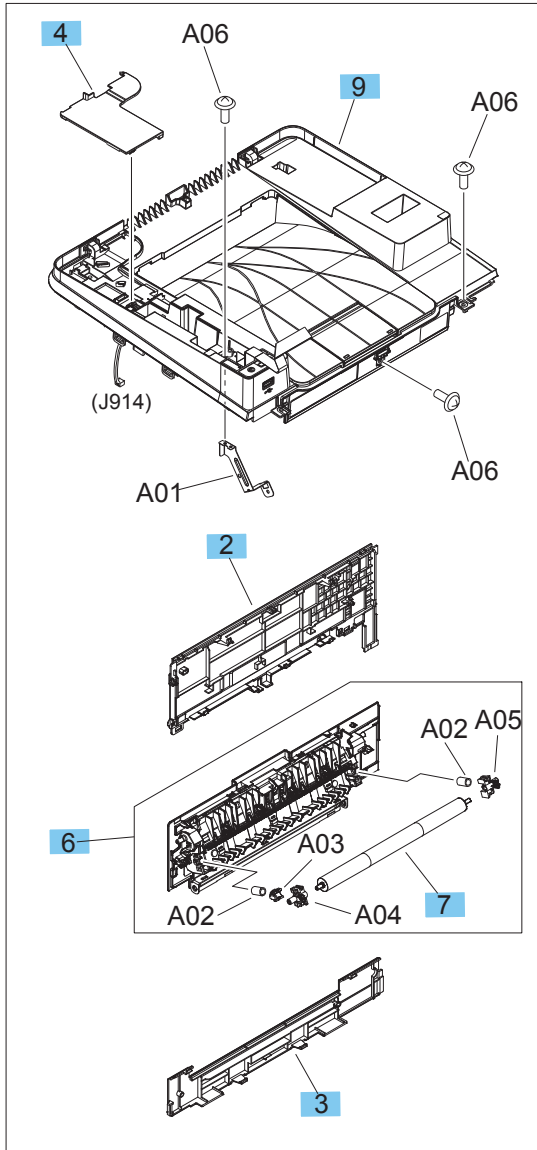
Ref	Description	Part number	Qty
1	Cover, left	RC4-3815-000CN	1
2	Cover, right	RC4-3816-000CN	1
3	Cover, rear (simplex models)	RC4-3817-000CN	1
4	Cover, rear bottom (simplex models)	RC4-3820-000CN	1
5	Rear door assembly (duplex models)	RM2-5580-000CN	1
5	Rear door assembly (simplex models)	RM2-5579-000CN	1
6	Roller, secondary transfer	RM2-5906-000CN	1
7	Front door assembly	RM2-5590-000CN	1
8	Top cover assembly (duplex models)	RM2-5908-000CN	1
8	Top cover assembly (simplex models) <sup>1</sup>	RM2-5596-000CN	1
9	Duplexer door assembly (duplex models)	RM2-5867-000CN	1
Not shown	Control panel, touchscreen	CZ196-60301	1

<sup>1</sup> The simplex top cover assembly includes the 2-line control panel.

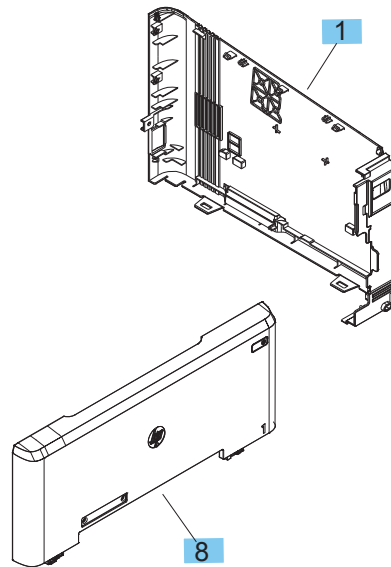
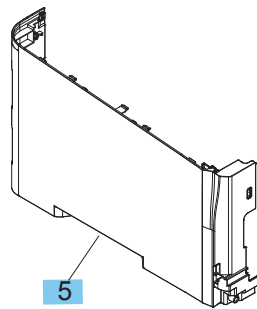
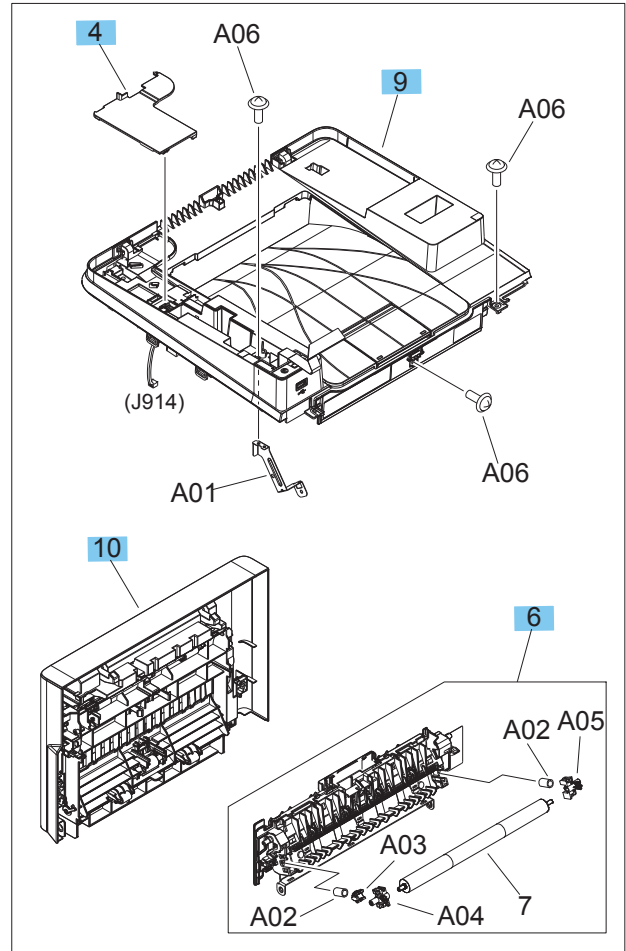
Order genuine HP parts or accessories at [www.hp.com/buy/parts](http://www.hp.com/buy/parts).

# M274, M277 covers and control panel

Figure 2-5 M274, M277 covers and control panel  
SIMPLEX MODEL



DUPLEX MODEL



**Table 2-5 M274, M277 covers and control panel**

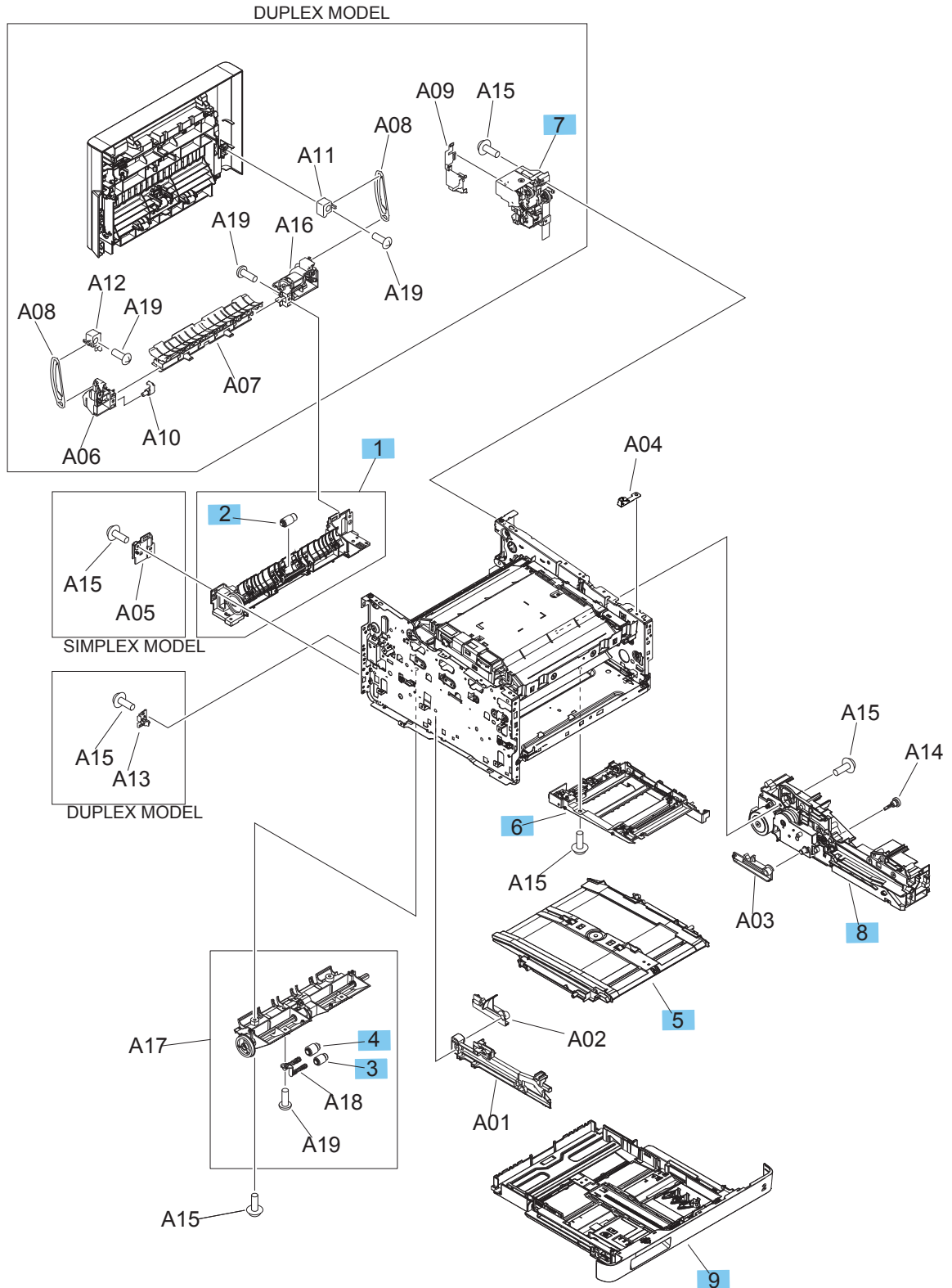
Ref	Description	Part number	Qty
1	Cover, right	RC4-3816-000CN	1
2	Cover, rear (simplex models)	RC4-3817-000CN	1
3	Cover, rear bottom (simplex models)	RC4-3820-000CN	1
4	Cover, flat cable	RC4-3997-000CN	1
6	Cover, left	RC4-4000-000	1
6	Rear door assembly (duplex models)	RM2-5580-000CN	1
5	Rear door assembly (simplex models)	RM2-5579-000CN	1
7	Roller, secondary transfer	RM2-5906-000CN	1
8	Front door assembly	RM2-5591-000CN	1
9	Top cover assembly (duplex models)	RM2-5598-000CN	1
9	Top cover assembly (simplex models)	RM2-5597-000CN	1
10	Duplexer door assembly (duplex models)	RM2-5867-000CN	1
Not shown	Control panel, touchscreen	B3Q10-60139	1

Order genuine HP parts or accessories at [www.hp.com/buy/parts](http://www.hp.com/buy/parts).

# Parts and diagrams: Internal components

## Internal components (1 of 3)

Figure 2-6 Internal components (1 of 3)



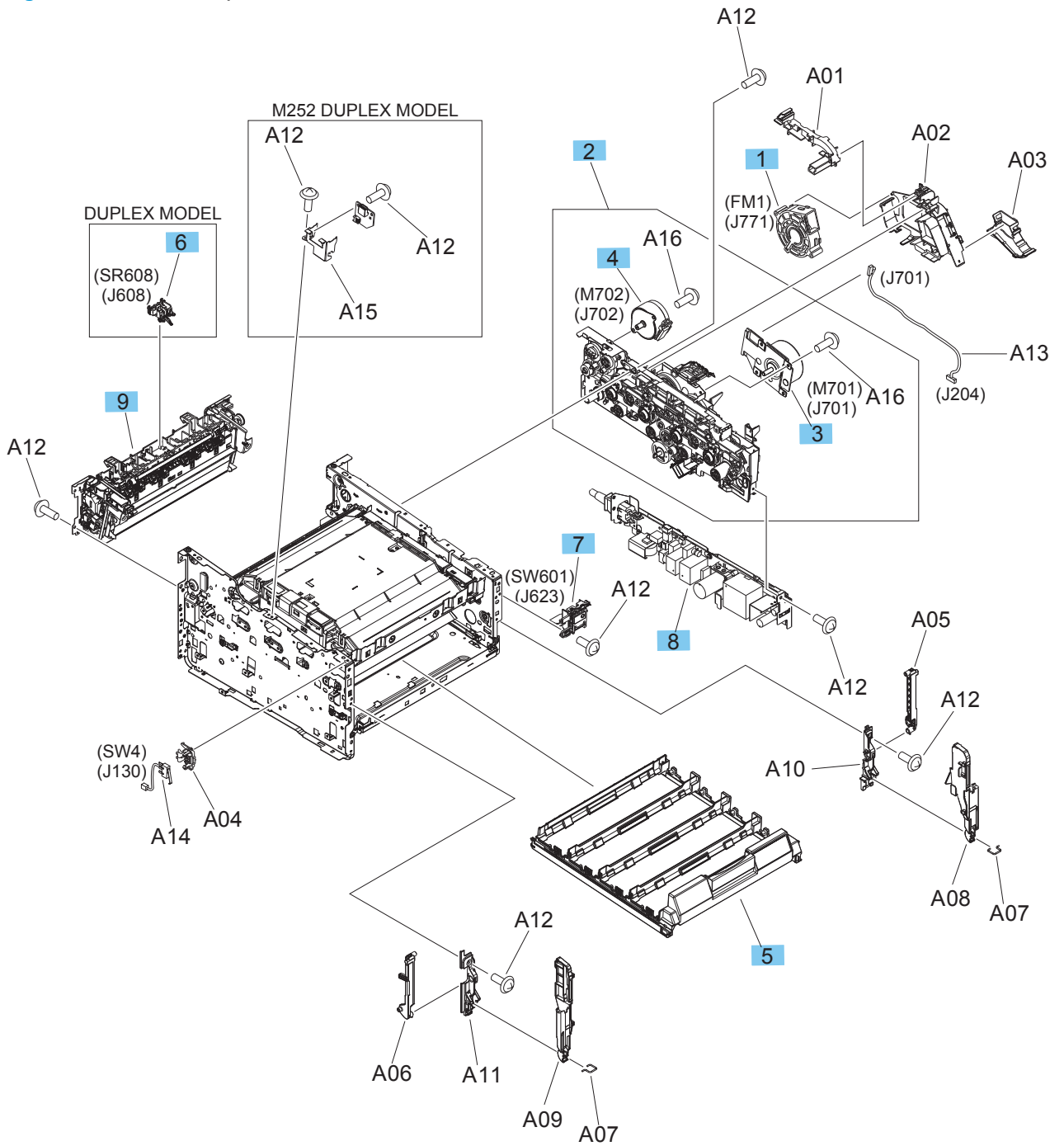
**Table 2-6 Internal components (1 of 3)**

<b>Ref</b>	<b>Description</b>	<b>Part number</b>	<b>Qty</b>
1	Paper pickup guide assembly	RM2-5578-000CN	1
2	Separation roller assembly	RM2-5881-000CN	1
3	Paper pickup roller assembly	RM2-5576-000CN	1
4	Feed roller assembly	RM2-5577-000CN	1
5	Multi feed tray assembly	RM2-5865-000CN	1
6	Priority slot assembly	RM2-5866-000CN	1
7	Duplexing drive assembly (duplex models only)	RM2-5872-000CN	1
8	Sub drive assembly (duplex models)	RM2-5607-000CN	1
8	Sub drive assembly (simplex models)	RM2-5884-000CN	1
9	Cassette assembly (Tray 2) (M274, M277 models)	RM2-5886-000CN	1
9	Cassette assembly (Tray 2) (M252 models)	RM2-5885-000CN	1

Order genuine HP parts or accessories at [www.hp.com/buy/parts](http://www.hp.com/buy/parts).

# Internal components (2 of 3)

Figure 2-7 Internal components (2 of 3)



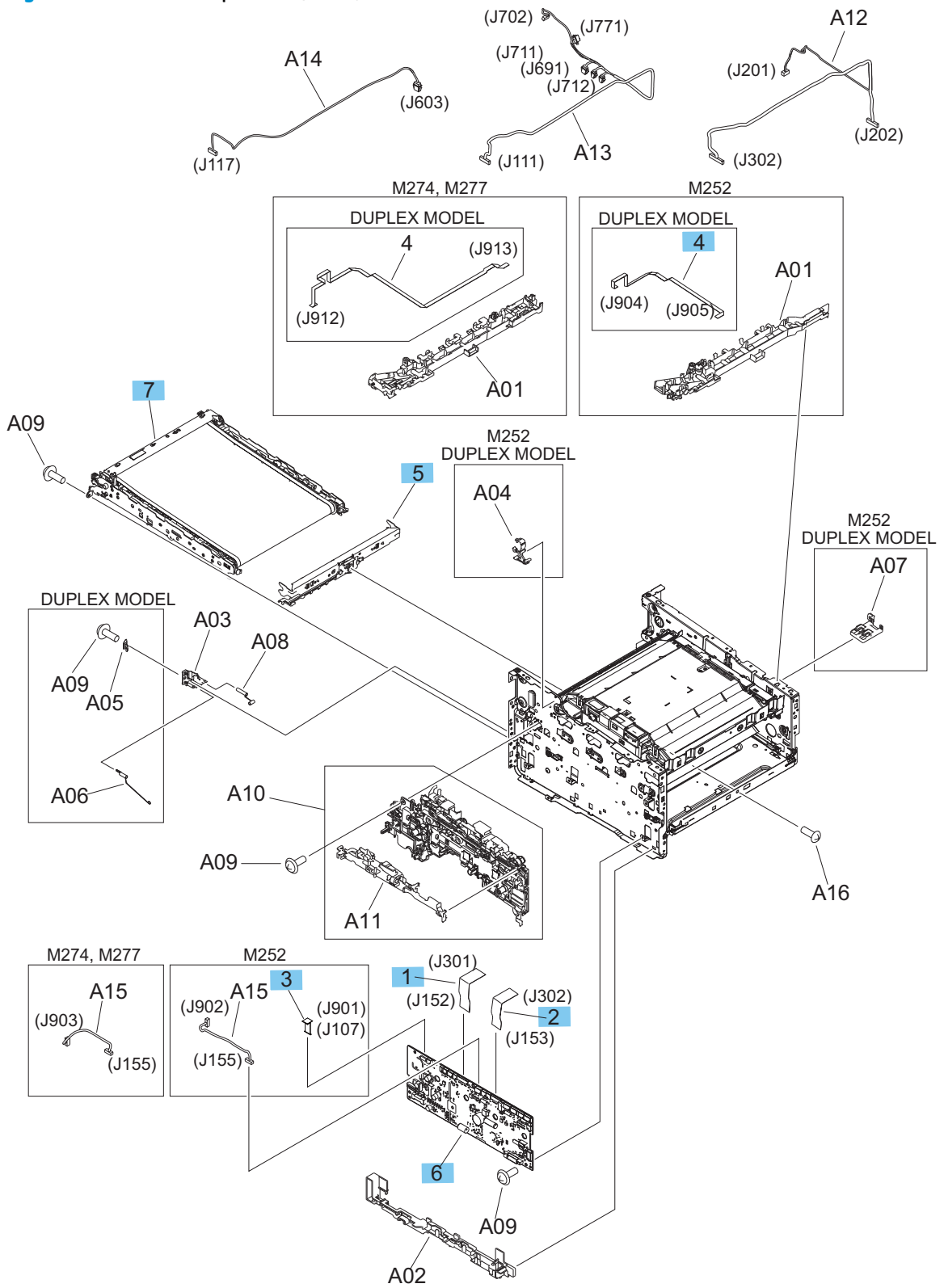
**Table 2-7 Internal components (2 of 3)**

Ref	Description	Part number	Qty
1	Fan	RM2-7419-000CN	1
2	Main drive assembly (duplex models)	RM2-5888-000CN	1
2	Main drive assembly (simplex models)	RM2-5605-000CN	1
3	Main motor	RM2-7407-000CN	1
4	Fuser motor	RM2-7409-000CN	1
5	Cartridge tray assembly	RM2-5871-000CN	1
6	Paper delivery (output) sensor assembly (duplex models only)	RM2-5895-000CN	1
7	Power switch assembly	RM2-5896-000CN	1
8	Low-voltage power supply assembly, 110-127 V	RM2-8050-000CN	1
8	Low-voltage power supply assembly, 220-240 V	RM2-8051-000CN	1
9	Fuser assembly (duplex models), 110-127 V	RM2-5583-000CN	1
9	Fuser assembly (duplex models), 220-240 V	RM2-5584-000CN	1
9	Fuser assembly (simplex models), 220-240 V	RM2-5582-000CN	1

Order genuine HP parts or accessories at [www.hp.com/buy/parts](http://www.hp.com/buy/parts).

# Internal components (3 of 3)

Figure 2-8 Internal components (3 of 3)





**Table 2-8 Internal components (3 of 3)**

Ref	Description	Part number	Qty
1	Cable, flat	RK2-6383-000CN	1
2	Cable, flat	RK2-6384-000CN	1
3	Cable, flat (M252 models)	RK2-6398-000CN	1
4	Cable, flat (M274, M277 duplex models)	RK2-6416-000CN	1
4	Cable, flat (M252 duplex models)	RK2-6414-000CN	1
5	Density detect sensor assembly	RM2-5874-000CN	1
6	DC controller PCA (duplex models)	RM2-8063-000CN	1
6	DC controller PCA (simplex models)	RM2-8062-000CN	1
7	Intermediate transfer belt (ITB) assembly	RM2-5907-000CN	1

Order genuine HP parts or accessories at [www.hp.com/buy/parts](http://www.hp.com/buy/parts).