

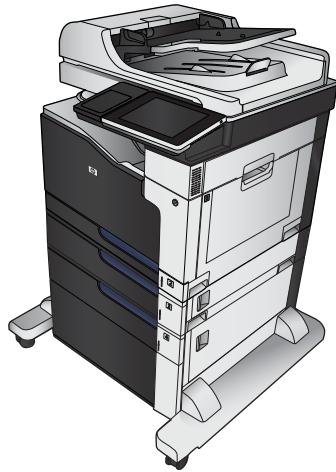


LASERJET ENTERPRISE 700 COLOR MFP

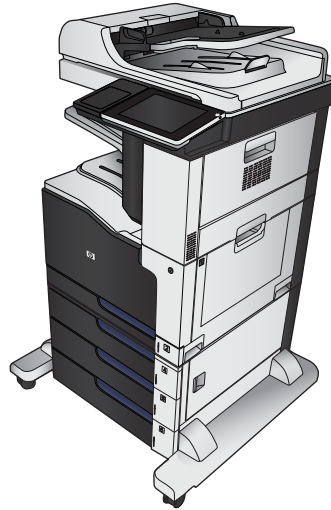
Repair Manual



M775dn



M775f



M775z



M775z+



HP LaserJet Enterprise 700 color MFP M775

Repair Manual

Copyright and License

© 2012 Copyright Hewlett-Packard Development Company, L.P.

Reproduction, adaptation, or translation without prior written permission is prohibited, except as allowed under the copyright laws.

The information contained herein is subject to change without notice.

The only warranties for HP products and services are set forth in the express warranty statements accompanying such products and services. Nothing herein should be construed as constituting an additional warranty. HP shall not be liable for technical or editorial errors or omissions contained herein.


Part number: CC522-90967

Edition 1, 10/2012


Trademark Credits

Microsoft®, Windows®, Windows® XP, and Windows Vista® are U.S. registered trademarks of Microsoft Corporation.

Conventions used in this guide

 **TIP:** Tips provide helpful hints or shortcuts.

 **NOTE:** Notes provide important information to explain a concept or to complete a task.

 **CAUTION:** Cautions indicate procedures that you should follow to avoid losing data or damaging the product.


 **WARNING!** Warnings alert you to specific procedures that you should follow to avoid personal injury, catastrophic loss of data, or extensive damage to the product.

Table of contents

1 Removal and replacement	1
Removal and replacement strategy	2
Cautions during removal and replacement	2
Required tools	3
Types of screws	3
Service approach	3
Before performing service	4
After performing service	4
Parts removal order	4
Control-panel assembly	5
Intermediate transfer belt	7
Fuser	9
Formatter PCA	10
Hard disk drive (HDD)	11
Reinstall the HDD	12
Secondary transfer roller	13
Document feeder mylar strips	14
Install replacement document feeder mylar strips	15
Document feeder foam reflector	16
Install a replacement document feeder foam reflector	17
Pickup, feed, and separation (rollers and pads)	22
Tray 1 (multipurpose tray) pickup roller	22
Tray 1 separation pad	24
Tray 2 pickup roller	26
Tray 2 separation roller	27
1 x 500 or 3 x 500 pickup, feed, and separation rollers	29
High capacity input feeder pickup, feed, and separation rollers	30
Document feeder pickup and feed roller assembly	32
Document feeder separation pad	34
Reinstall the document feeder separation pad	35
Covers, doors, and whole unit replacement	36
Document feeder front cover	36

Document feeder hatch cover	41
Document feeder input tray bottom cover	42
Document feeder roller cover	43
Remove the document feeder roller cover	43
Document feeder rear cover	46
Remove the document feeder rear cover	46
Scanner left cover	49
Remove the scanner left cover	49
Scanner right cover	51
Remove the scanner right cover	51
Scanner front cover	53
Remove the scanner front cover	53
Reinstall the scanner front cover	55
Left cover	57
Rear cover	58
Right rear cover	59
Remove the right rear cover	59
Toner collection unit (TCU) access door	60
Remove the TCU access door	60
Right door assembly	62
Remove the right door assembly	62
Rear upper cover	66
Right upper cover	67
Scanner rear and FFC bezel cover	68
Stapler/stacker rear cover	69
Document feeder	71
Remove the document feeder assembly	71
Reinstall the document feeder	73
Scanner assembly	74
Remove the scanner assembly	74
Reinstall the scanner assembly	77
Stapler/stacker assembly	78
Remove the stapler/stacker assembly	78
Left upper cover	82
Remove the left upper cover	82
Front upper cover	83
Remove the front upper cover; stapler/stacker model	83
Remove the front upper cover; non stapler/stacker model	85
Front right cover	86
Remove the front right cover	86
Front door assembly	88

Remove the front door assembly	88
Top right cover	91
Remove the top right cover	91
Output cover; non stapler/stacker model	93
Remove the output cover	93
Top cover	95
Remove the top cover	95
Top rear cover	97
Remove the top rear cover	97
Main assemblies	101
Document feeder paper present sensor	101
Remove the document feeder paper present sensor	101
Document feeder hinge	103
Remove the document hinge	103
Document feeder width sensor, paper-long and paper-short sensors	105
Remove the document feeder width sensor, paper-short and paper-long sensors	105
Document feeder tray extender	108
Remove the document tray extender	108
Sub-power supply assembly	110
Remove the power supply assembly	110
Sub power supply fan FM5	112
Remove the sub power supply fan FM5	112
Lifter-drive assembly	115
Remove the lifter-drive assembly	115
ITB front guide assembly	118
Remove the ITB front guide assembly	119
ITB rear guide assembly	121
Remove the ITB rear guide assembly	121
Residual toner full sensor	122
Remove the residual toner full sensor	122
Reinstall the residual toner full sensor	125
Residual toner feed assembly	127
Remove the residual toner feed assembly	128
Paper delivery assembly	131
Remove the paper delivery assembly	131
Laser scanner	133
Remove the laser/scanner assembly	133
Cartridge fan FM4	137
Remove the cartridge fan FM4	137
Fuser fan FM2	139

Remove the fuser fan FM2	139
Formatter fan FM3	141
Remove the formatter fan FM3	141
ITB motor M1	143
Remove the ITB motor M1	143
Drum motor M2	145
Remove the drum motor M2	145
Developing motor M3	147
Remove the developing motor M3	147
Fuser motor M4	149
Remove the fuser motor M4	149
Developing disengagement motor M6	151
Remove the developing disengagement motor M6	151
Power-supply fan FM1	153
Remove the power-supply fan FM1	153
Power switch	155
Remove the power switch	155
Environment sensor	157
Scan control board (SCB)	158
Remove the scan control board (SCB)	158
Reinstall the SCB	160
Installing a replacement SCB and image scanner memory board	160
Document feeder open sensor and flag	161
Remove the document open sensor and flag	161
Reinstall the document feeder open sensor and flag	163
Image scanner memory board	164
Remove the image scanner memory board	164
Installing a replacement SCB and image scanner memory board	165
Fax PCA	166
Remove the fax PCA	166
Reinstall the fax PCA	167
Image (developing) high-voltage power supply (HVPS)	168
Remove the image (developing) high-voltage power supply	168
Reinstall the image (developing) high-voltage power supply	170
Interconnect PCA	171
Remove the interconnect PCA	171
DC controller PCA	174
Remove the DC controller PCA	174
Formatter cage	177
Remove the formatter cage	177
First-transfer high-voltage power supply	179

Remove the first-transfer high-voltage power supply	179
Reinstall the first-transfer high-voltage power supply	181
Second-transfer high-voltage power supply and holder	182
Remove the second-transfer high-voltage power supply and holder	182
Driver PCA	184
Remove the driver PCA	184
Low-voltage power supply (LVPS)	186
Remove the LVPS	186
Duplex drive assembly	190
Remove the duplex-drive assembly	191
Reinstall the duplex-drive assembly	193
Main drive assembly	194
Remove the main drive assembly	195
Install the main drive assembly	202
Fuser drive assembly	207
Remove the fuser drive assembly	208
Install a replacement fuser drive assembly	211
Fuser gear assembly	213
Remove the fuser gear assembly	214
Install a replacement fuser gear assembly	218
Input devices	220
1x500-sheet paper feeder assembly	220
1x500 rear cover	220
1x500 left cover	221
1x500 right-front cover	223
1x500 front-upper cover	224
Remove the 1x500 front-upper cover	224
1x500 right door	225
1x500 right-lower cover	227
Remove the 1x500 right-lower cover	227
1x500 pickup assembly	228
Remove the 1x500 pickup assembly	228
1x500 lifter-drive assembly	231
Remove the 1x500 lifter-drive assembly	231
1x500 pickup motor	233
Remove the 1x500 pickup motor	233
1x500 driver PCA	234
Remove the 1x500 driver PCA	234
1x500- and 3x500-sheet paper deck (PD)	235
PD rear cover	235
PD left cover	236

PD right front cover	238
PD front upper cover	239
Remove the PD front upper cover	239
PD front door	241
PD storage box	243
Remove the PD storage box	243
Reinstall the PD storage box	244
PD right door	245
PD right lower cover	247
Remove the right lower cover	247
PD left lower cover	249
Remove the left lower cover	249
PD rear lower cover	251
Remove the rear lower cover	251
PD front lower cover	252
Remove the front lower cover	252
PD pickup assembly cassette 1	253
Remove the pickup assembly cassette 1	253
Reinstall the pickup assembly	255
PD pickup assembly cassette 2	256
Remove the pickup assembly cassette 2	256
Reinstall the pickup assembly	257
PD pickup assembly cassette 3	258
Remove the pickup assembly cassette 3	258
Reinstall the pickup assembly	259
PD lifter drive assembly	260
Remove the lifter drive assembly	260
PD pickup motor	262
Remove the pickup motor	262
PD controller PCA	263
Remove the controller PCA	263
High capacity input feeder	265
HCI right tray	265
HCI left tray	266
HCI left cover	267
Remove the HCI left cover	267
HCI left lower cover	269
Remove the HCI left lower cover	269
HCI rear cover	271
Remove the HCI rear cover	271
HCI right door	272

HCI right front cover	274
Remove the HCI right front cover	274
HCI right center cover and right rear cover	275
Remove the HCI right center cover and right rear cover	275
HCI right lower cover	277
Remove the HCI right lower cover	277
HCI rear lower cover	279
Remove the HCI rear lower cover	279
HCI left tray lifter drive	280
Remove the HCI left tray lifter drive	280
Reinstall the HCI left tray lifter drive	281
HCI right tray lifter drive	282
Remove the HCI right tray lifter drive	282
Reinstall the HCI left tray lifter drive	283
HCI left tray pickup drive	284
Remove the HCI left tray pickup drive	284
Reinstall the HCI tray pickup drive	285
HCI right tray pickup drive	286
Remove the HCI right tray pickup drive	286
Reinstall the HCI tray pickup drive	287
HCI controller PCA	288
Remove the HCI controller PCA	288
HCI left tray automatic close assembly	289
Remove the HCI left tray automatic close assembly	289
HCI right tray automatic close assembly	291
Remove the HCI right tray automatic close assembly	291
HCI left tray pickup assembly	293
Remove the HCI left tray pickup assembly	293
Reinstall the HCI tray pickup assembly	294
HCI right tray pickup assembly	295
Remove the HCI right tray pickup assembly	295
HCI merge assembly	297
Remove the HCI merge assembly	297
Reinstall the HCI merge assembly	299
Output devices	300
Stapler/stacker	300
Stapler/stacker rear cover	300
Stapler/stacker front right cover	302
Stapler/stacker front left cover	303
Remove the stapler/stacker front left cover	303
Stapler/stacker right door	304

Remove the stapler/stacker right door	304
Stapler/stacker left rear cover	306
Remove the stapler/stacker left rear cover	306
Stapler/stacker output bin assembly	307
Remove the stapler/stacker output bin assembly	307
Stapler/stacker left lower cover	309
Remove the stapler/stacker left lower cover	309
Stapler/stacker operation assembly	310
Remove the stapler/stacker operation assembly	310
Stapler/stacker feed guide assembly	312
Remove the stapler/stacker feed guide assembly	312
Stapler/stacker door switch	316
Remove the stapler/stacker door switch	316
Stapler/stacker inlet solenoid assembly	318
Remove the stapler/stacker inlet solenoid assembly	318
Stapler/stacker stapler assembly	320
Remove the stapler/stacker stapler assembly	320
Reinstall the stapler/stacker stapler assembly	321
Stapler/stacker controller PCA	322
Remove the stapler/stacker controller PCA	322

2 Parts and diagrams 323

Order parts by authorized service providers	324
Order parts, accessories, and supplies	324
Related documentation and software	324
Supplies part numbers	325
Customer self-repair parts	325
Service replacement parts	327
Accessories	328
How to use the parts lists and diagrams	328
Assembly locations	330
Base product (no optional trays or accessories)	330
Document feeder and scanner	331
Stapler/stacker	331
500-sheet paper feeder	332
1x500-sheet paper deck	333
3x500-sheet paper deck	334
High capacity input (HCI) paper deck	335
Document feeder and scanner whole units	336
Document feeder assemblies	338
Scanner assemblies	340

Scanner controller board (SCB)	342
Stapler/stacker assembly	344
Stapler/stacker covers	344
Stapler/stacker components	346
Covers	348
Right door	350
Internal assemblies	352
Internal assemblies (1 of 8)	352
Internal assemblies (2 of 8)	354
Internal assemblies (3 of 8)	356
Internal assemblies (4 of 8)	358
Internal assemblies (5 of 8)	360
Internal assemblies (6 of 8)	362
Internal assemblies (7 of 8)	364
Internal assemblies (8 of 8)	366
1x500-sheet paper feeder	368
1x500-sheet paper feeder covers	368
1x500-sheet paper feeder components	370
1x500-sheet and 3x500-sheet paper deck	372
1x500-sheet and 3x500-sheet paper deck covers	372
1x500-sheet paper deck components	374
3x500-sheet paper deck components	376
High capacity input (HCI) feeder	378
HCI covers	378
HCI components (1 of 2)	380
HCI components (2 of 2)	382
Alphabetical parts list	384
Numerical parts list	401

Index	419
--------------------	------------

List of tables

Table 2-1	Order parts, accessories, and supplies	324
Table 2-2	Related documentation and software	324
Table 2-3	Supplies part numbers	325
Table 2-4	Customer self-repair parts	325
Table 2-5	Base product (no optional trays or accessories)	330
Table 2-6	Document feeder and scanner	331
Table 2-7	500-sheet paper feeder	332
Table 2-8	1x500-sheet paper deck	333
Table 2-9	3x500-sheet paper deck	334
Table 2-10	High capacity input (HCI) paper deck	335
Table 2-11	Document feeder and scanner whole units	337
Table 2-12	Document feeder assemblies	339
Table 2-13	Scanner assemblies	341
Table 2-14	Scanner controller board (SCB) assembly	343
Table 2-15	Stapler/stacker covers	345
Table 2-16	Stapler/stacker components	347
Table 2-17	Covers	349
Table 2-18	Right door	351
Table 2-19	Internal assemblies (1 of 8)	353
Table 2-20	Internal assemblies (2 of 8)	355
Table 2-21	Internal assemblies (3 of 8)	357
Table 2-22	Internal assemblies (4 of 8)	359
Table 2-23	Internal assemblies (5 of 8)	361
Table 2-24	Internal assemblies (6 of 8)	363
Table 2-25	Internal assemblies (7 of 8)	365
Table 2-26	Internal assemblies (8 of 8)	367
Table 2-27	1x500-sheet paper feeder covers	369
Table 2-28	1x500-sheet paper feeder components	371
Table 2-29	1x500-sheet and 3x500-sheet paper deck covers	373
Table 2-30	1x500-sheet paper deck components	375
Table 2-31	3x500-sheet paper deck components	377
Table 2-32	HCI covers	379

Table 2-33	HCI components (1 of 2)	381
Table 2-34	HCI components (2 of 2)	383
Table 2-35	Alphabetical parts list	384
Table 2-36	Numerical parts list	401

List of figures

Figure 1-1	Screwdrivers	3
Figure 1-2	Remove the control-panel assembly (1 of 4)	5
Figure 1-3	Remove the control panel (2 of 4)	5
Figure 1-4	Remove the control-panel assembly (3 of 4)	6
Figure 1-5	Remove the control-panel assembly (4 of 4)	6
Figure 1-6	Remove the ITB (1 of 3)	7
Figure 1-7	Remove the ITB (2 of 3)	7
Figure 1-8	Remove the ITB (3 of 3)	8
Figure 1-9	Remove the fuser (1 of 2)	9
Figure 1-10	Remove the fuser (2 of 2)	9
Figure 1-11	Remove the formatter PCA (1 of 2)	10
Figure 1-12	Remove the Formatter PCA (2 of 2)	10
Figure 1-13	Remove the HDD (1 of 2)	11
Figure 1-14	Remove the HDD (2 of 2)	11
Figure 1-15	HDD installed—correct	12
Figure 1-16	HDD installed—incorrect	12
Figure 1-17	Remove the secondary transfer roller	13
Figure 1-18	Remove the secondary transfer roller	13
Figure 1-19	Remove the document feeder mylar strips (1 of 3)	14
Figure 1-20	Remove the document feeder mylar strips (2 of 3)	14
Figure 1-21	Remove the document feeder mylar strips (3 of 3)	15
Figure 1-22	Remove the document feeder foam reflector (1 of 3)	16
Figure 1-23	Remove the document feeder foam reflector (2 of 3)	16
Figure 1-24	Remove the document feeder foam reflector (3 of 3)	17
Figure 1-25	Install a replacement document feeder foam reflector (1 of 8)	17
Figure 1-26	Install a replacement document feeder foam reflector (2 of 8)	18
Figure 1-27	Install a replacement document feeder foam reflector (3 of 8)	18
Figure 1-28	Install a replacement document feeder foam reflector (4 of 8)	19
Figure 1-29	Install a replacement document feeder foam reflector (5 of 8)	19
Figure 1-30	Install a replacement document feeder foam reflector (6 of 6)	20
Figure 1-31	Install a replacement document feeder foam reflector (7 of 8)	20
Figure 1-32	Install a replacement document feeder foam reflector (8 of 8)	21

Figure 1-33	Remove the Tray 1 pickup roller (1 of 2)	22
Figure 1-34	Remove the Tray 1 pickup roller (2 of 2)	23
Figure 1-35	Remove the Tray 1 separation pad (1 of 4)	24
Figure 1-36	Remove the Tray 1 separation pad (2 of 4)	24
Figure 1-37	Remove the Tray 1 separation pad (3 of 4)	25
Figure 1-38	Remove the Tray 1 separation pad (4 of 4)	25
Figure 1-39	Remove the Tray 2 pickup roller	26
Figure 1-40	Remove the separation Tray 2 roller (1 of 2)	27
Figure 1-41	Remove the separation Tray 2 roller (2 of 2)	28
Figure 1-42	Remove the 1 x 500 or 3 x 500 rollers (1 of 2)	29
Figure 1-43	Remove the 1 x 500 or 3 x 500 rollers (2 of 2)	29
Figure 1-44	Remove the high capacity input feeder pickup, feed, and separation rollers (1 of 4)	30
Figure 1-45	Remove the high capacity input feeder pickup, feed, and separation rollers (2 of 4)	30
Figure 1-46	Remove the high capacity input feeder pickup, feed, and separation rollers (3 of 4)	31
Figure 1-47	Remove the high capacity input feeder pickup, feed, and separation rollers (4 of 4)	31
Figure 1-48	Remove the document feeder pickup and feed roller assemblies (1 of 3)	32
Figure 1-49	Remove the document feeder pickup and feed roller assemblies (2 of 3)	32
Figure 1-50	Remove the document feeder pickup and feed roller assemblies (3 of 3)	33
Figure 1-51	Remove the document feeder separation pad (1 of 3)	34
Figure 1-52	Remove the document feeder separation pad (2 of 3)	34
Figure 1-53	Remove the document feeder separation pad (3 of 3)	35
Figure 1-54	Reinstall the document feeder separation pad	35
Figure 1-55	Remove the document feeder front cover (1 of 8)	36
Figure 1-56	Remove the document feeder front cover (2 of 8)	37
Figure 1-57	Remove the document feeder front cover (3 of 8)	37
Figure 1-58	Remove the document feeder front cover (4 of 8)	38
Figure 1-59	Remove the document feeder front cover (5 of 8)	38
Figure 1-60	Remove the document feeder front cover (6 of 8)	39
Figure 1-61	Remove the document feeder front cover (7 of 8)	39
Figure 1-62	Remove the document feeder front cover (8 of 8)	40
Figure 1-63	Remove the document feeder hatch cover (1 of 2)	41
Figure 1-64	Remove the document feeder hatch cover (2 of 2)	41
Figure 1-65	Remove the document feeder input tray bottom cover	42
Figure 1-66	Remove the document feeder roller cover (1 of 4)	43
Figure 1-67	Remove the document feeder roller cover (2 of 4)	44
Figure 1-68	Remove the document feeder roller cover (3 of 4)	44
Figure 1-69	Remove the document feeder roller cover (4 of 4)	45
Figure 1-70	Remove the document feeder rear cover (1 of 4)	46
Figure 1-71	Remove the document feeder rear cover (2 of 4)	47
Figure 1-72	Remove the document feeder rear cover (3 of 4)	47
Figure 1-73	Remove the document feeder rear cover (4 of 4)	48

Figure 1-74	Remove the scanner left cover (1 of 2)	49
Figure 1-75	Remove the scanner left cover (2 of 2)	50
Figure 1-76	Remove the scanner right cover (1 of 2)	51
Figure 1-77	Remove the scanner right cover (2 of 2)	52
Figure 1-78	Remove the scanner front cover (1 of 3)	53
Figure 1-79	Remove the scanner front cover (2 of 3)	54
Figure 1-80	Remove the scanner front cover (3 of 3)	54
Figure 1-81	Reinstall the scanner front cover (1 of 3)	55
Figure 1-82	Reinstall the scanner front cover (2 of 3)	55
Figure 1-83	Reinstall the scanner front cover (3 of 3)	56
Figure 1-84	Remove the left cover (1 of 2)	57
Figure 1-85	Remove the left cover (2 of 2)	57
Figure 1-86	Remove the rear cover (1 of 2)	58
Figure 1-87	Remove the rear cover (2 of 2)	58
Figure 1-88	Remove the right rear cover (1 of 2)	59
Figure 1-89	Remove the right rear cover (2 of 2)	59
Figure 1-90	Remove the TCU access door (1 of 3)	60
Figure 1-91	Remove the TCU access door (2 of 3)	61
Figure 1-92	Remove the TCU access door (3 of 3)	61
Figure 1-93	Remove the right door assembly (1 of 7)	62
Figure 1-94	Remove the right door assembly (2 of 7)	63
Figure 1-95	Remove the right door assembly (3 of 7)	63
Figure 1-96	Remove the right-door assembly (4 of 7)	64
Figure 1-97	Remove the right-door assembly (5 of 7)	64
Figure 1-98	Remove the right door assembly (6 of 7)	65
Figure 1-99	Remove the right door assembly (7 of 7)	65
Figure 1-100	Remove the rear upper cover (1 of 2)	66
Figure 1-101	Remove the rear upper cover (2 of 2)	66
Figure 1-102	Remove the right upper cover	67
Figure 1-103	Remove the document feeder lower-rear cover	68
Figure 1-104	Remove the stapler/stacker rear cover (1 of 3)	69
Figure 1-105	Remove the stapler/stacker rear cover (2 of 3)	69
Figure 1-106	Remove the stapler/stacker rear cover (3 of 3)	70
Figure 1-107	Remove the document feeder (1 of 4)	71
Figure 1-108	Remove the document feeder (2 of 4)	72
Figure 1-109	Remove the document feeder (3 of 4)	72
Figure 1-110	Remove the document feeder (4 of 4)	73
Figure 1-111	Remove the scanner assembly (1 of 5)	74
Figure 1-112	Remove the scanner assembly (2 of 5)	75
Figure 1-113	Remove the scanner (3 of 5)	75
Figure 1-114	Remove the scanner assembly (4 of 5)	76

Figure 1-115	Remove the scanner assembly (5 of 5)	76
Figure 1-116	Reinstall the scanner assembly	77
Figure 1-117	Remove the stapler/stacker assembly (1 of 7)	78
Figure 1-118	Remove the stapler/stacker assembly (2 of 7)	79
Figure 1-119	Remove the stapler/stacker assembly (3 of 7)	79
Figure 1-120	Remove the stapler/stacker assembly (4 of 7)	80
Figure 1-121	Remove the stapler/stacker assembly (5 of 7)	80
Figure 1-122	Remove the stapler/stacker assembly (6 of 7)	81
Figure 1-123	Remove the stapler/stacker assembly (7 of 7)	81
Figure 1-124	Remove the left upper cover	82
Figure 1-125	Remove the front upper cover; stapler/stacker model (1 of 2)	83
Figure 1-126	Remove the front upper cover; stapler/stacker model (2 of 2)	84
Figure 1-127	Remove the front upper cover; non stapler/stacker model	85
Figure 1-128	Remove the front right cover (1 of 2)	86
Figure 1-129	Remove the front right cover (2 of 2)	87
Figure 1-130	Remove the front door assembly (1 of 4)	89
Figure 1-131	Remove the front door assembly (2 of 4)	89
Figure 1-132	Remove the front door assembly (3 of 4)	90
Figure 1-133	Remove the front door assembly (4 of 4)	90
Figure 1-134	Remove the top right cover (1 of 2)	91
Figure 1-135	Remove the top right cover (2 of 2)	92
Figure 1-136	Remove the output cover (1 of 2)	93
Figure 1-137	Remove the output cover (2 of 2)	94
Figure 1-138	Remove the top cover (1 of 3)	95
Figure 1-139	Remove the top cover (2 of 3)	96
Figure 1-140	Remove the top cover (3 of 3)	96
Figure 1-141	Remove the top rear cover (1 of 5)	98
Figure 1-142	Remove the top rear cover (2 of 5)	98
Figure 1-143	Remove the top rear cover (3 of 5)	99
Figure 1-144	Remove the top rear cover (4 of 5)	99
Figure 1-145	Remove the top rear cover (5 of 5)	100
Figure 1-146	Remove the document feeder paper present sensor (1 of 2)	101
Figure 1-147	Remove the document feeder paper present sensor (2 of 2)	102
Figure 1-148	Remove the document feeder hinge (1 of 2)	103
Figure 1-149	Remove the document feeder hinge (2 of 2)	104
Figure 1-150	Remove the document feeder width sensor, paper-short and paper-long sensors	105
Figure 1-151	Remove the document feeder width sensor	106
Figure 1-152	Remove the document feeder paper-short sensor	106
Figure 1-153	Remove the document feeder paper-long sensor	107
Figure 1-154	Remove the document feeder tray extender (1 of 3)	108
Figure 1-155	Remove the document feeder tray extender (2 of 3)	109

Figure 1-156	Remove the document feeder tray extender (3 of 3)	109
Figure 1-157	Remove the sub-power supply assembly (1 of 2)	110
Figure 1-158	Remove the sub-power supply assembly (2 of 2)	111
Figure 1-159	Remove the sub power supply fan FM5 (1 of 5)	112
Figure 1-160	Remove the sub power supply fan FM5 (2 of 5)	113
Figure 1-161	Remove the sub power supply fan FM5 (3 of 5)	113
Figure 1-162	Remove the sub power supply fan FM5 (4 of 5)	114
Figure 1-163	Remove the sub power supply fan FM5 (5 of 5)	114
Figure 1-164	Remove the lifter-drive assembly (1 of 3)	115
Figure 1-165	Remove the lifter-drive assembly (2 of 3)	116
Figure 1-166	Remove the lifter-drive assembly (3 of 3)	117
Figure 1-167	Remove the ITB front guide assembly (1 of 4)	119
Figure 1-168	Remove the ITB front guide assembly (2 of 4)	119
Figure 1-169	Remove the ITB front guide assembly (3 of 4)	120
Figure 1-170	Remove the ITB front guide assembly (4 of 4)	120
Figure 1-171	Remove the ITB rear guide assembly	121
Figure 1-172	Remove the residual toner full sensor (1 of 5)	122
Figure 1-173	Remove the residual toner full sensor (2 of 5)	123
Figure 1-174	Remove the residual toner full sensor (3 of 5)	123
Figure 1-175	Remove the residual toner full sensor (4 of 5)	124
Figure 1-176	Remove the residual toner full sensor (5 of 5)	124
Figure 1-177	Reinstall the residual toner full sensor (1 of 3)	125
Figure 1-178	Reinstall the residual toner full sensor (2 of 3)	125
Figure 1-179	Reinstall the residual toner full sensor (3 of 3)	126
Figure 1-180	Remove the residual toner feed assembly (1 of 6)	128
Figure 1-181	Remove the residual toner feed assembly (2 of 6)	128
Figure 1-182	Remove the residual toner feed assembly (3 of 6)	129
Figure 1-183	Remove the residual toner feed assembly (4 of 6)	129
Figure 1-184	Remove the residual toner feed assembly (5 of 6)	130
Figure 1-185	Remove the residual toner feed assembly (6 of 6)	130
Figure 1-186	Remove the paper delivery assembly (1 of 2)	132
Figure 1-187	Remove the paper delivery assembly (2 of 2)	132
Figure 1-188	Remove the laser/scanner (1 of 6)	133
Figure 1-189	Remove the laser/scanner (2 of 6)	134
Figure 1-190	Remove the laser/scanner (3 of 6)	134
Figure 1-191	Remove the laser/scanner (4 of 6)	135
Figure 1-192	Remove the laser/scanner (5 of 6)	135
Figure 1-193	Remove the laser/scanner (6 of 6)	136
Figure 1-194	Remove the cartridge fan FM4 (1 of 3)	137
Figure 1-195	Remove the cartridge fan FM4 (2 of 3)	137
Figure 1-196	Remove the cartridge fan FM4 (3 of 3)	138

Figure 1-197	Remove the fuser fan FM2 (1 of 2)	139
Figure 1-198	Remove the fuser fan FM2 (2 of 2)	140
Figure 1-199	Remove the formatter fan FM3 (1 of 2)	141
Figure 1-200	Remove the formatter fan FM3 (2 of 2)	142
Figure 1-201	Remove the ITB motor M1 (1 of 2)	143
Figure 1-202	Remove the ITB motor M1 (2 of 2)	144
Figure 1-203	Remove the drum motor M2 (1 of 2)	145
Figure 1-204	Remove the drum motor M2 (2 of 2)	146
Figure 1-205	Remove the developing motor M3 (1 of 2)	147
Figure 1-206	Remove the developing motor M3 (2 of 2)	148
Figure 1-207	Remove the fuser motor M4 (1 of 2)	149
Figure 1-208	Remove the fuser motor M4 (1 of 2)	150
Figure 1-209	Remove the developing disengagement motor M6 (1 of 2)	151
Figure 1-210	Remove the developing disengagement motor M6 (2 of 2)	152
Figure 1-211	Remove the power-supply fan FM1 (1 of 3)	153
Figure 1-212	Remove the power-supply fan FM1 (2 of 3)	154
Figure 1-213	Remove the power-supply fan FM1 (3 of 3)	154
Figure 1-214	Remove the power switch (1 of 2)	155
Figure 1-215	Remove the power switch (2 of 2)	156
Figure 1-216	Remove the environment sensor (1 of 2)	157
Figure 1-217	Remove the environment sensor (2 of 2)	157
Figure 1-218	Remove the SCB (1 of 3)	158
Figure 1-219	Remove the SCB (2 of 3)	159
Figure 1-220	Remove the SCB (3 of 3)	159
Figure 1-221	Reinstall the SCB	160
Figure 1-222	Remove the document feeder open sensor and flag (1 of 4)	161
Figure 1-223	Remove the document feeder open sensor and flag (2 of 4)	161
Figure 1-224	Remove the document feeder open sensor and flag (3 of 4)	162
Figure 1-225	Remove the document feeder open sensor and flag (4 of 4)	162
Figure 1-226	Reinstall the document feeder open sensor and flag	163
Figure 1-227	Remove the image scanner memory board (1 of 2)	164
Figure 1-228	Remove the image scanner memory board (2 of 2)	165
Figure 1-229	Remove the fax PCA	166
Figure 1-230	Reinstall the fax PCA	167
Figure 1-231	Remove the HVPS (1 of 4)	168
Figure 1-232	Remove the HVPS (2 of 4)	169
Figure 1-233	Remove the HVPS (3 of 4)	169
Figure 1-234	Remove the HVPS (4 of 4)	170
Figure 1-235	Reinstall the HVPS	170
Figure 1-236	Remove the interconnect PCA (1 of 5)	171
Figure 1-237	Remove the interconnect PCA (2 of 5)	172

Figure 1-238	Remove the interconnect PCA (3 of 5)	172
Figure 1-239	Remove the interconnect PCA (4 of 5)	173
Figure 1-240	Remove the interconnect PCA (5 of 5)	173
Figure 1-241	Remove the DC controller PCA (1 of 4)	174
Figure 1-242	Remove the DC controller PCA (2 of 4)	175
Figure 1-243	Remove the DC controller PCA (3 of 4)	175
Figure 1-244	Remove the DC controller PCA (4 of 4)	176
Figure 1-245	Remove the formatter cage (1 of 3)	177
Figure 1-246	Remove the formatter cage (2 of 3)	178
Figure 1-247	Remove the formatter cage (3 of 3)	178
Figure 1-248	Remove the first-transfer high-voltage power supply (1 of 2)	179
Figure 1-249	Remove the first-transfer high-voltage power supply (2 of 3)	180
Figure 1-250	Remove the first-transfer high-voltage power supply (3 of 3)	180
Figure 1-251	Reinstall the first-transfer high-voltage power supply	181
Figure 1-252	Remove the second-transfer high-voltage power supply and holder (1 of 3)	182
Figure 1-253	Remove the second-transfer high-voltage power supply and holder (2 of 3)	183
Figure 1-254	Remove the second-transfer high-voltage power supply and holder (3 of 3)	183
Figure 1-255	Remove the driver PCA (1 of 3)	184
Figure 1-256	Remove the driver PCA (2 of 3)	185
Figure 1-257	Remove the driver PCA (3 of 3)	185
Figure 1-258	Remove the LVPS (1 of 6)	187
Figure 1-259	Remove the LVPS (2 of 6)	187
Figure 1-260	Remove the LVPS (3 of 6)	188
Figure 1-261	Remove the LVPS (4 of 6)	188
Figure 1-262	Remove the LVPS (5 of 6)	189
Figure 1-263	Remove the LVPS (6 of 6)	189
Figure 1-264	Remove the duplex-drive assembly (1 of 4)	191
Figure 1-265	Remove the duplex-drive assembly (2 of 4)	192
Figure 1-266	Remove the duplex-drive assembly (3 of 4)	192
Figure 1-267	Remove the duplex-drive assembly (4 of 4)	193
Figure 1-268	Reinstall the duplex-drive assembly	193
Figure 1-269	Remove the main drive assembly (1 of 7)	195
Figure 1-270	Remove the main drive assembly (2 of 7)	195
Figure 1-271	Remove the main drive assembly (3 of 7)	196
Figure 1-272	Remove the main drive assembly (4 of 7)	196
Figure 1-273	Remove the main drive assembly (5 of 7)	197
Figure 1-274	Remove the main drive assembly (6 of 7)	197
Figure 1-275	Remove the main drive assembly (optional step; 1 of 4)	198
Figure 1-276	Remove the main drive assembly (optional step; 2 of 4)	198
Figure 1-277	Remove the main drive assembly (optional step; 3 of 4)	199
Figure 1-278	Remove the main drive assembly (optional step; 4 of 4)	200

Figure 1-279	Remove the main drive assembly (7 of 7)	201
Figure 1-280	Install the main drive assembly (1 of 8)	202
Figure 1-281	Install the main drive assembly (2 of 8)	203
Figure 1-282	Install the main drive assembly (3 of 8)	203
Figure 1-283	Install the main drive assembly (4 of 8)	204
Figure 1-284	Install the main drive assembly (5 of 8)	204
Figure 1-285	Install the main drive assembly (6 of 8)	205
Figure 1-286	Install the main drive assembly (7 of 8)	206
Figure 1-287	Install the main drive assembly (8 of 8)	206
Figure 1-288	Remove the fuser drive assembly (1 of 4)	208
Figure 1-289	Remove the fuser drive assembly (2 of 4)	209
Figure 1-290	Remove the fuser drive assembly (3 of 4)	209
Figure 1-291	Remove the fuser drive assembly (4 of 4)	210
Figure 1-292	Install a replacement fuser drive assembly (1 of 3)	211
Figure 1-293	Install a replacement fuser drive assembly (2 of 3)	212
Figure 1-294	Install a replacement fuser drive assembly (3 of 3)	212
Figure 1-295	Remove the fuser gear assembly (1 of 7)	214
Figure 1-296	Remove the fuser gear assembly (2 of 7)	214
Figure 1-297	Remove the fuser gear assembly (3 of 7)	215
Figure 1-298	Remove the fuser gear assembly (4 of 7)	215
Figure 1-299	Remove the fuser gear assembly (5 of 7)	216
Figure 1-300	Remove the fuser gear assembly (6 of 7)	216
Figure 1-301	Remove the fuser gear assembly (7 of 7)	217
Figure 1-302	Install a replacement fuser gear assembly (1 of 3)	218
Figure 1-303	Install a replacement fuser gear assembly (2 of 3)	218
Figure 1-304	Install a replacement fuser gear assembly (3 of 3)	219
Figure 1-305	Remove the 1x500 rear cover	220
Figure 1-306	Remove the 1x500 left cover (1 of 2)	221
Figure 1-307	Remove the 1x500 left cover (2 of 2)	221
Figure 1-308	Remove the 1x500 right-front cover	223
Figure 1-309	Remove the 1x500 front-upper cover	224
Figure 1-310	Remove the 1x500 right door (1 of 3)	225
Figure 1-311	Remove the 1x500 right door (2 of 3)	225
Figure 1-312	Remove the 1x500 right door (3 of 3)	226
Figure 1-313	Remove the 1x500 right-lower cover	227
Figure 1-314	Remove the 1x500 pickup assembly (1 of 4)	228
Figure 1-315	Remove the 1x500 pickup assembly (2 of 4)	229
Figure 1-316	Remove the 1x500 pickup assembly (3 of 4)	229
Figure 1-317	Remove the 1x500 pickup assembly (4 of 4)	230
Figure 1-318	Remove the 1x500 lifter-drive assembly (1 of 2)	231
Figure 1-319	Remove the 1x500 lifter-drive assembly (2 of 2)	232

Figure 1-320	Remove the 1x500 pickup motor	233
Figure 1-321	Remove the 1x500 driver PCA	234
Figure 1-322	Remove the PD rear cover	235
Figure 1-323	Remove the PD left cover (1 of 3)	236
Figure 1-324	Remove the PD left cover (2 of 3)	236
Figure 1-325	Remove the PD left cover (3 of 3)	237
Figure 1-326	Remove the PD right front cover	238
Figure 1-327	Remove the PD front upper cover (1 of 2)	239
Figure 1-328	Remove the PD front upper cover (2 of 2)	240
Figure 1-329	Remove the PD front door (1 of 3)	241
Figure 1-330	Remove the PD front door (2 of 3)	241
Figure 1-331	Remove the PD front door (3 of 3)	242
Figure 1-332	Remove the PD storage box	243
Figure 1-333	PD storage box left-side guides	244
Figure 1-334	PD storage box right-side guide	244
Figure 1-335	Remove the PD right door (1 of 3)	245
Figure 1-336	Remove the PD right door (2 of 3)	245
Figure 1-337	Remove the PD right door (3 of 3)	246
Figure 1-338	Remove the PD right lower cover (1 of 2)	247
Figure 1-339	Remove the PD right lower cover (2 of 2)	248
Figure 1-340	Remove the PD left lower cover (1 of 2)	249
Figure 1-341	Remove the PD left lower cover (2 of 2)	250
Figure 1-342	Remove the PD rear lower cover	251
Figure 1-343	Remove the PD front lower cover	252
Figure 1-344	Remove the PD pickup assembly cassette 1 (1 of 3)	253
Figure 1-345	Remove the PD pickup assembly cassette 1 (2 of 3)	254
Figure 1-346	Remove the PD pickup assembly cassette 1 (3 of 3)	254
Figure 1-347	Reinstall the pickup assembly	255
Figure 1-348	Remove the PD pickup assembly cassette 2 (1 of 2)	256
Figure 1-349	Remove the PD pickup assembly cassette 2 (2 of 2)	257
Figure 1-350	Reinstall the pickup assembly	257
Figure 1-351	Remove the PD pickup assembly cassette 3 (1 of 2)	258
Figure 1-352	Remove the PD pickup assembly cassette 3 (2 of 2)	259
Figure 1-353	Reinstall the pickup assembly	259
Figure 1-354	Remove the PD lifter drive assembly (1 of 3)	260
Figure 1-355	Remove the PD lifter drive assembly (2 of 3)	261
Figure 1-356	Remove the PD lifter drive assembly (3 of 3)	261
Figure 1-357	Remove the PD pickup motor	262
Figure 1-358	Remove the PD controller PCA (1 of 2)	263
Figure 1-359	Remove the PD controller PCA (2 of 2)	264
Figure 1-360	Remove the HCI right tray	265

Figure 1-361	Remove the HCI left tray	266
Figure 1-362	Remove the HCI left cover (1 of 3)	267
Figure 1-363	Remove the HCI left cover (2 of 3)	267
Figure 1-364	Remove the HCI left cover (3 of 3)	268
Figure 1-365	Remove the HCI left lower cover (1 of 2)	269
Figure 1-366	Remove the HCI left lower cover (2 of 2)	270
Figure 1-367	Remove the HCI rear cover	271
Figure 1-368	Remove the HCI right door (1 of 2)	272
Figure 1-369	Remove the HCI right door (1 of 2)	273
Figure 1-370	Remove the HCI right front cover (1 of 2)	274
Figure 1-371	Remove the HCI right front cover (2 of 2)	274
Figure 1-372	Remove the HCI right center cover and right rear cover (1 of 2)	275
Figure 1-373	Remove the HCI right center cover and right rear cover (2 of 2)	276
Figure 1-374	Remove the HCI right lower cover (1 of 2)	277
Figure 1-375	Remove the HCI right lower cover (2 of 2)	278
Figure 1-376	Remove the HCI rear lower cover	279
Figure 1-377	Remove the HCI left tray lifter drive	280
Figure 1-378	Reinstall the HCI left tray lifter drive	281
Figure 1-379	Remove the HCI right tray lifter drive	282
Figure 1-380	Reinstall the HCI right tray lifter drive	283
Figure 1-381	Remove the HCI left tray pickup drive (1 of 2)	284
Figure 1-382	Remove the HCI left tray pickup drive (2 of 2)	285
Figure 1-383	Reinstall the HCI tray pickup drive	285
Figure 1-384	Remove the HCI right tray pickup drive (1 of 2)	286
Figure 1-385	Remove the HCI right tray pickup drive (2 of 2)	287
Figure 1-386	Reinstall the HCI tray pickup drive	287
Figure 1-387	Remove the HCI controller PCA	288
Figure 1-388	Remove the HCI left tray automatic close assembly (1 of 2)	289
Figure 1-389	Remove the HCI left tray automatic close assembly (2 of 2)	290
Figure 1-390	Remove the HCI right tray automatic close assembly (1 of 2)	291
Figure 1-391	Remove the HCI right tray automatic close assembly (2 of 2)	292
Figure 1-392	Remove the HCI left tray pickup assembly (1 of 2)	293
Figure 1-393	Remove the HCI left tray pickup assembly (2 of 2)	294
Figure 1-394	Reinstall the HCI tray pickup assembly	294
Figure 1-395	Remove the HCI right tray pickup assembly (1 of 2)	295
Figure 1-396	Remove the HCI right tray pickup assembly (2 of 2)	296
Figure 1-397	Remove the HCI merge assembly (1 of 2)	297
Figure 1-398	Remove the HCI merge assembly (2 of 2)	298
Figure 1-399	Reinstall the merge assembly (1 of 2)	299
Figure 1-400	Reinstall the merge assembly (2 of 2)	299
Figure 1-401	Remove the stapler/stacker rear cover (1 of 3)	300

Figure 1-402	Remove the stapler/stacker rear cover (2 of 3)	301
Figure 1-403	Remove the stapler/stacker rear cover (3 of 3)	301
Figure 1-404	Remove the stapler/stacker front right cover	302
Figure 1-405	Remove the stapler/stacker front left cover	303
Figure 1-406	Remove the stapler/stacker right door (1 of 4)	304
Figure 1-407	Remove the stapler/stacker right door (2 of 4)	304
Figure 1-408	Remove the stapler/stacker right door (3 of 4)	305
Figure 1-409	Remove the stapler/stacker right door (4 of 4)	305
Figure 1-410	Remove the stapler/stacker left rear cover	306
Figure 1-411	Remove the output bin assembly (1 of 2)	307
Figure 1-412	Remove the output bin assembly (2 of 2)	308
Figure 1-413	Remove the stapler/stacker left lower cover	309
Figure 1-414	Remove the stapler/stacker operation assembly (1 of 2)	310
Figure 1-415	Remove the stapler/stacker operation assembly (2 of 2)	311
Figure 1-416	Remove the stapler/stacker feed guide assembly (1 of 7)	312
Figure 1-417	Remove the stapler/stacker feed guide assembly (2 of 7)	313
Figure 1-418	Remove the stapler/stacker feed guide assembly (3 of 7)	313
Figure 1-419	Remove the stapler/stacker feed guide assembly (4 of 7)	314
Figure 1-420	Remove the stapler/stacker feed guide assembly (5 of 7)	314
Figure 1-421	Remove the stapler/stacker feed guide assembly (6 of 7)	315
Figure 1-422	Remove the stapler/stacker feed guide assembly (7 of 7)	315
Figure 1-423	Remove the stapler/stacker door switch (1 of 3)	316
Figure 1-424	Remove the stapler/stacker door switch (2 of 3)	316
Figure 1-425	Remove the stapler/stacker feed door switch (3 of 3)	317
Figure 1-426	Remove the stapler/stacker inlet solenoid assembly (1 of 2)	318
Figure 1-427	Remove the stapler/stacker inlet solenoid assembly (2 of 2)	319
Figure 1-428	Remove the stapler/stacker stapler assembly (1 of 3)	320
Figure 1-429	Remove the stapler/stacker stapler assembly (2 of 3)	320
Figure 1-430	Remove the stapler/stacker stapler assembly (3 of 3)	321
Figure 1-431	Reinstall the stapler/stacker stapler assembly	321
Figure 1-432	Remove the stapler/stacker controller PCA (1 of 2)	322
Figure 1-433	Remove the stapler/stacker controller PCA (2 of 2)	322
Figure 2-1	Base product (no optional trays or accessories)	330
Figure 2-2	Document feeder and scanner	331
Figure 2-3	Stapler/stacker	331
Figure 2-4	500-sheet paper feeder	332
Figure 2-5	1x500-sheet paper deck	333
Figure 2-6	3x500-sheet paper deck	334
Figure 2-7	High capacity input (HCI) paper deck	335
Figure 2-8	Document feeder and scanner whole units	336
Figure 2-9	Document feeder assemblies	338

Figure 2-10	Scanner assemblies	340
Figure 2-11	Scanner controller board (SCB)	342
Figure 2-12	Stapler/stacker covers	344
Figure 2-13	Stapler/stacker components	346
Figure 2-14	Covers	348
Figure 2-15	Right door	350
Figure 2-16	Internal assemblies (1 of 8)	352
Figure 2-17	Internal assemblies (2 of 8)	354
Figure 2-18	Internal assemblies (3 of 8)	356
Figure 2-19	Internal assemblies (4 of 8)	358
Figure 2-20	Internal assemblies (5 of 8)	360
Figure 2-21	Internal assemblies (6 of 8)	362
Figure 2-22	Internal assemblies (7 of 8)	364
Figure 2-23	Internal assemblies (8 of 8)	366
Figure 2-24	1x500-sheet paper feeder covers	368
Figure 2-25	1x500-sheet paper feeder components	370
Figure 2-26	1x500-sheet and 3x500-sheet paper deck covers	372
Figure 2-27	1x500-sheet paper deck components	374
Figure 2-28	3x500-sheet paper deck components	376
Figure 2-29	HCI covers	378
Figure 2-30	HCI components (1 of 2)	380
Figure 2-31	HCI components (2 of 2)	382

1 Removal and replacement

- [Removal and replacement strategy](#)
- [Control-panel assembly](#)
- [Intermediate transfer belt](#)
- [Fuser](#)
- [Formatter PCA](#)
- [Hard disk drive \(HDD\)](#)
- [Secondary transfer roller](#)
- [Document feeder mylar strips](#)
- [Document feeder foam reflector](#)
- [Pickup, feed, and separation \(rollers and pads\)](#)
- [Covers, doors, and whole unit replacement](#)
- [Main assemblies](#)
- [Input devices](#)
- [Output devices](#)

Removal and replacement strategy

Cautions during removal and replacement

This chapter describes the removal and replacement of field-replaceable units (FRUs) only.

Replacing FRUs is generally the reverse of removal. Notes are included to provide directions for difficult or critical replacement procedures.

HP does not support repairing individual subassemblies or troubleshooting to the PCA component level.

Never operate or service the product with the protective cover removed from the laser scanner assembly. The reflected beam, although invisible, can damage your eyes.


The sheet-metal parts can have sharp edges. Be careful when handling sheet-metal parts.




Some parts are sensitive to electrostatic discharge (ESD). Look for the ESD reminder when removing product parts. Always perform service work at an ESD-protected workstation or mat. If an ESD workstation or mat is not available, ground yourself by touching the sheet-metal chassis *before* touching an ESD-sensitive part.

Protect the ESD-sensitive parts by placing them in ESD pouches when they are out of the product.


CAUTION: Do not bend or fold the flat flexible cables (FFCs) during removal or installation.

 **NOTE:** To install a self-tapping screw, first turn it counterclockwise to align it with the existing thread pattern, and then carefully turn it clockwise to tighten. Do not overtighten. If a self-tapping screw-hole becomes stripped, repair the screw-hole or replace the affected assembly.

 **TIP:** For clarity, some figures in this chapter show assemblies removed that are not required to be removed to service the product (for example, the scanner and document feeder assemblies). The procedures in this manual are correct for your product.

Required tools

- #2 Phillips screwdriver with a magnetic tip and a 152-mm (6-in) shaft length

 **NOTE:** For the best fit, use a JIS #2 Phillips screwdriver for the stapler/stacker.

- Small, flat-blade screwdriver
- Needle-nose pliers
- ESD strap (if one is available)
- Penlight


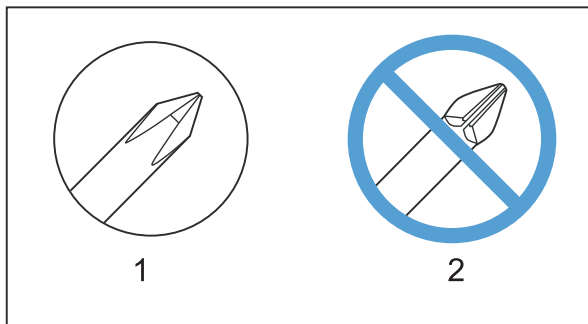

 **CAUTION:** Always use a Phillips screwdriver (callout 1). Do not use a Pozidriv screwdriver (callout 2) or any motorized screwdriver. These can damage screws or screw threads.

Figure 1-1 Screwdrivers



Types of screws

 **WARNING!** Make sure that components are replaced with the correct screw type. Using the incorrect screw (for example, substituting a long screw for the correct shorter screw) can cause damage to the product or interfere with product operation. Do not intermix screws that are removed from one component with the screws that are removed from another component.

For a complete list of screw types and part numbers, see the Parts chapter.

Service approach

The HP LaserJet Enterprise 700 color MFP M775 uses a field repair strategy. Defective parts are diagnosed and replaced at the Field Replaceable Unit (FRU) assembly level. Repair normally begins by using the product internal diagnostics and the following two-step process:

1. Isolate the problem to the major system (for example, the network or server, or the product).
2. Troubleshoot the problem by using the procedures in the troubleshooting chapter.

After you locate a faulty part, the product can usually be repaired at the assembly level by replacing FRUs. Some mechanical assemblies might need to be repaired at the subassembly level. Hewlett-Packard Company does not support replacement of components on the printed circuit assemblies.

The user replaces toner cartridges as they are depleted. Additional instructions about other user-replaceable parts are provided in this section.

The product tracks the amount of use on the customer-replaceable supplies by keeping a page count. The product prompts the user to replace certain items when a supply is depleted or a specific number of pages has been printed.

Swapping toner cartridges between products might cause a misrepresentation of supply life values and is not recommended.

Before performing service

⚠ WARNING! Turn the product off, wait 5 seconds, and then remove the power cord before attempting to service the product. *If this warning is not followed, severe injury and damage to the product can result.* The power must be on for certain functional checks during troubleshooting. However, the power supply should be disconnected during parts removal.

1. Remove all paper.
2. Place the product on an ESD mat (if available). If an ESD workstation or mat is not available, ground yourself by touching the sheet-metal chassis *before* touching an ESD-sensitive part.
3. Remove the toner cartridges.
4. Remove the toner collection unit (TCU)
5. Remove the trays.

After performing service

1. Reinstall the toner cartridges.
2. Reinstall the trays.
3. Return all paper to the trays.
4. Plug in the power cable and turn on the product.
5. Perform print-quality tests by printing from a host computer, the scanner glass, and the document feeder.

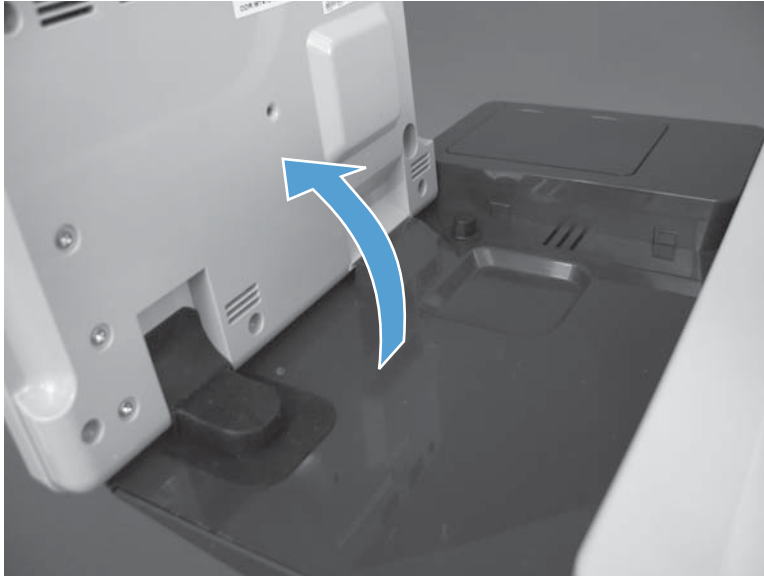
Parts removal order

If multiple components must be removed to gain access to an assembly, the first step of the removal procedure lists all of the components that must be removed to gain access to that assembly. Use these lists to determine which parts must be removed before removing other parts.

Control-panel assembly

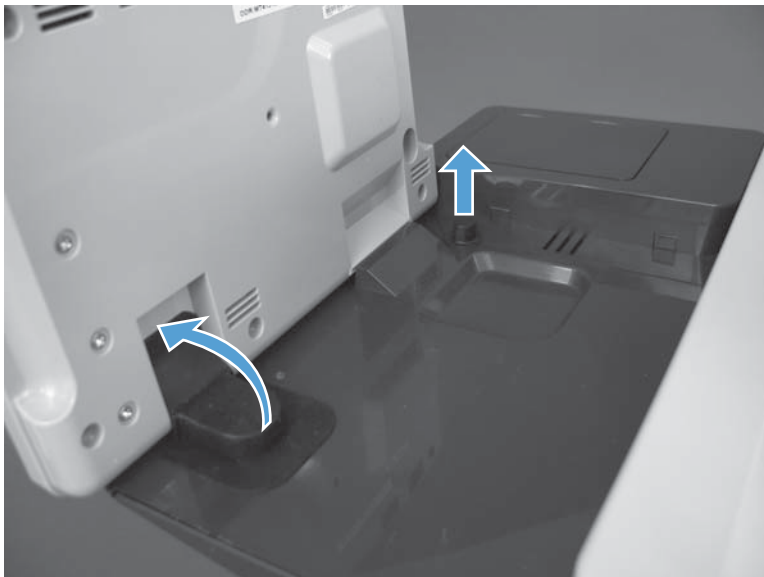
1. Tilt the control panel up.

Figure 1-2 Remove the control-panel assembly (1 of 4)



2. Remove the antistatic covers to reveal the thumbscrews.

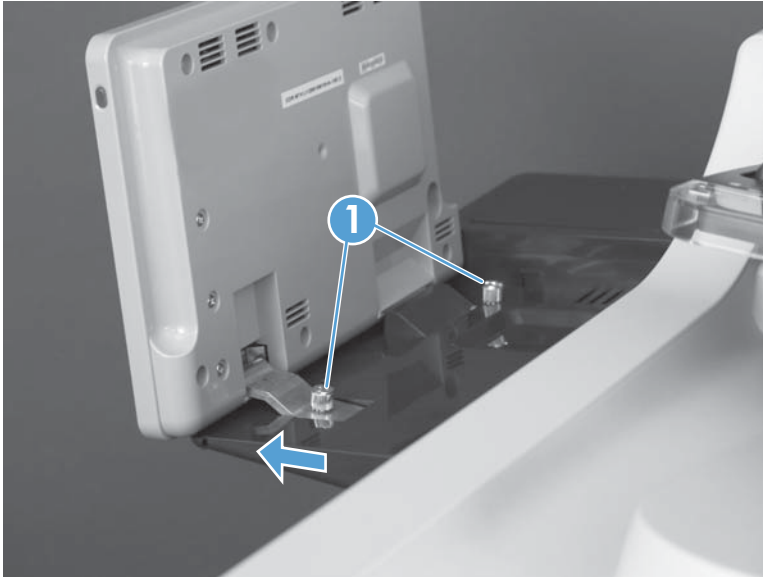
Figure 1-3 Remove the control panel (2 of 4)



3. Remove two thumb-screws (callout 1), and then carefully separate the control panel from the product.

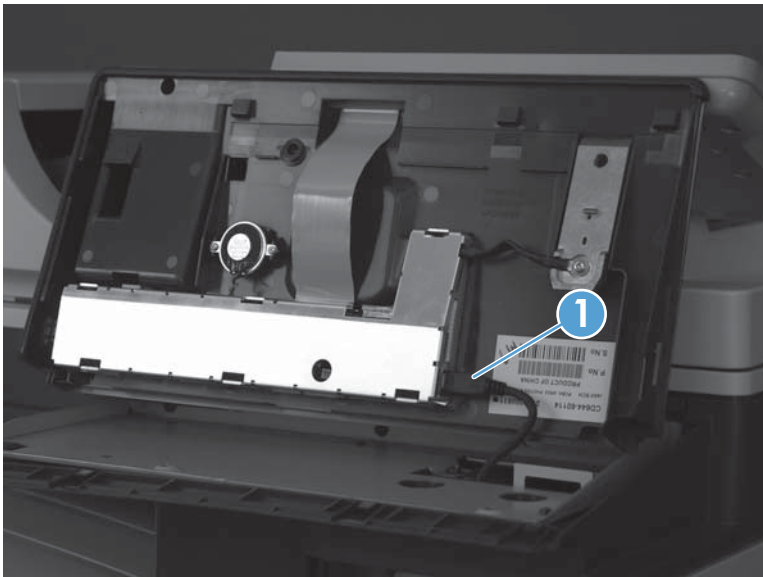
⚠ CAUTION: The control panel is still attached to the product by the control-panel cable.

Figure 1-4 Remove the control-panel assembly (3 of 4)



4. Disconnect one connector (callout 1), and then remove the control panel from the product.

Figure 1-5 Remove the control-panel assembly (4 of 4)

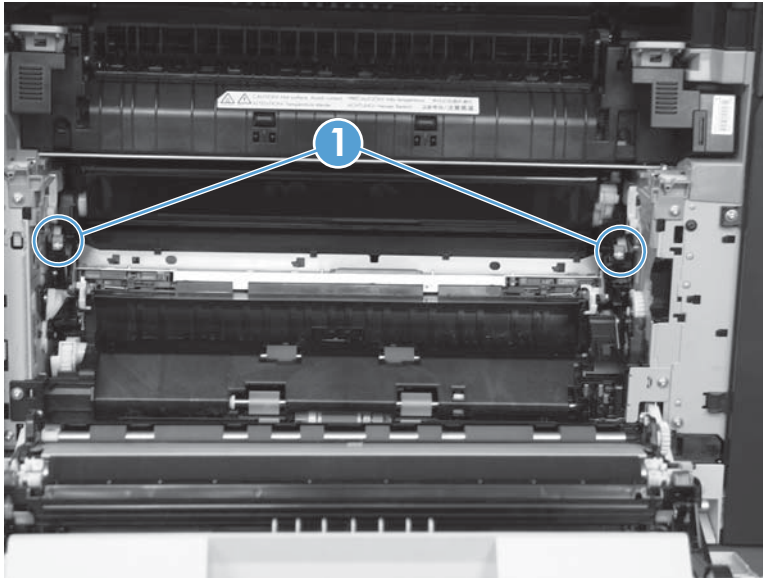


Intermediate transfer belt

⚠ CAUTION: Avoid touching the black plastic intermediate transfer belt (ITB). Skin oils on the belt might cause print quality problems.

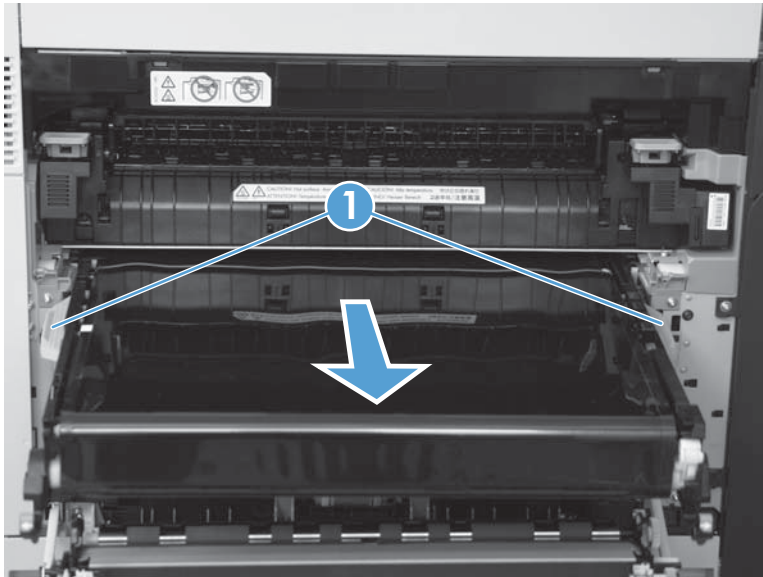
1. Open the right door, and then grasp the small handles on the ITB (callout 1).

Figure 1-6 Remove the ITB (1 of 3)



2. Pull the ITB out of the product until two large handles (callout 1) expand along the right and left sides of the ITB.

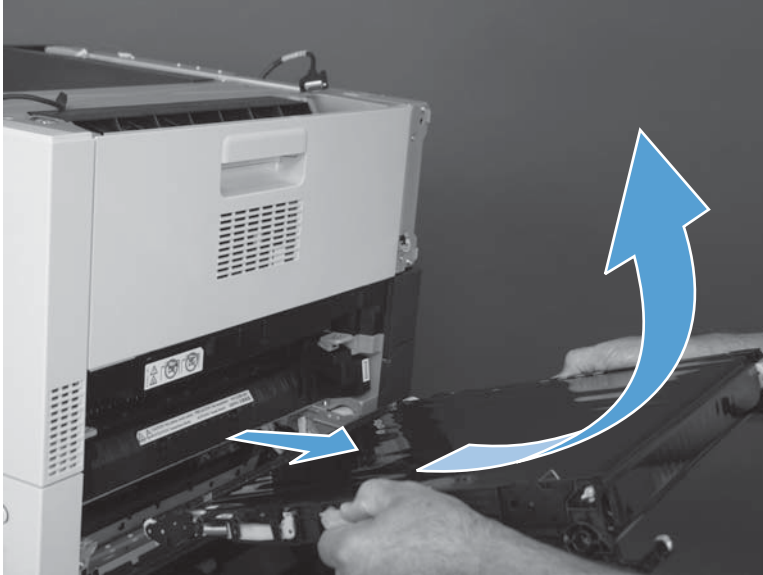
Figure 1-7 Remove the ITB (2 of 3)



3. Continue to slide the ITB out of the product until it stops, and then slightly rotate the ITB up to remove it.

CAUTION: The ITB is a sensitive component. Be careful when handling the ITB so that it is not damaged. Always place the ITB in a safe and protected location.

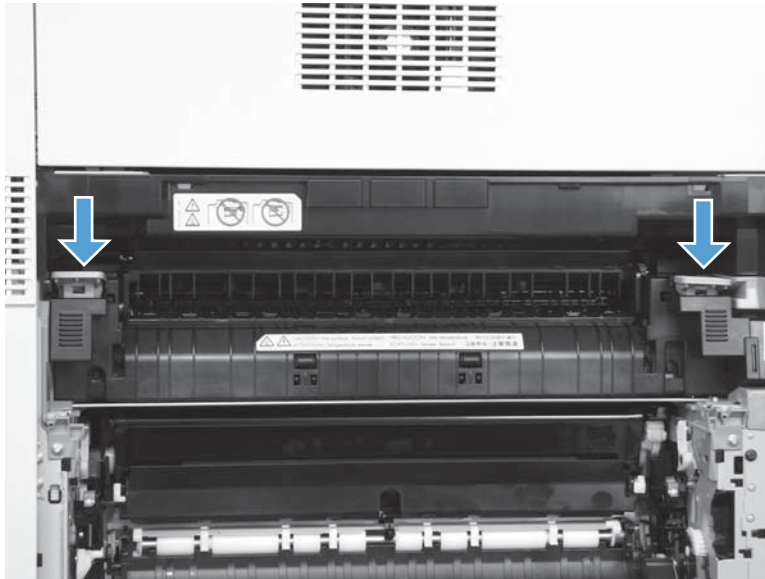
Figure 1-8 Remove the ITB (3 of 3)



Fuser

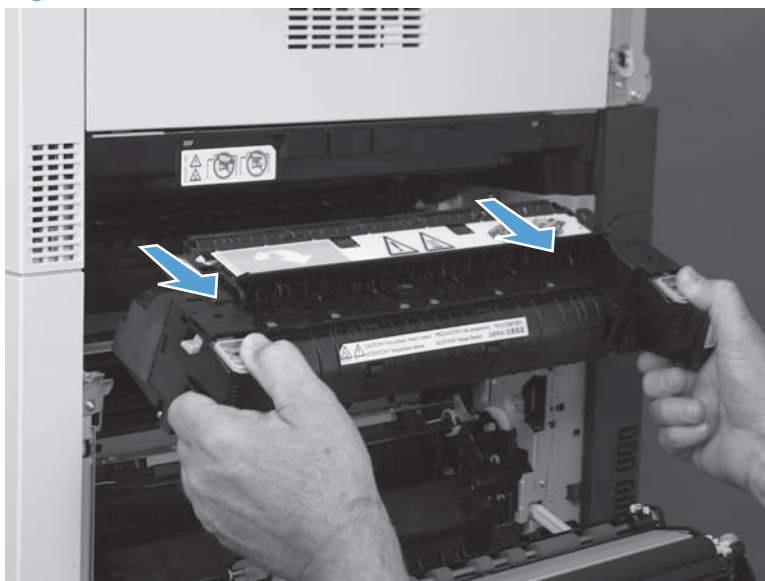
1. Open the right door
2. Depress the two blue tabs on the fuser handles.

Figure 1-9 Remove the fuser (1 of 2)



3. Pull the fuser straight out of the product.

Figure 1-10 Remove the fuser (2 of 2)

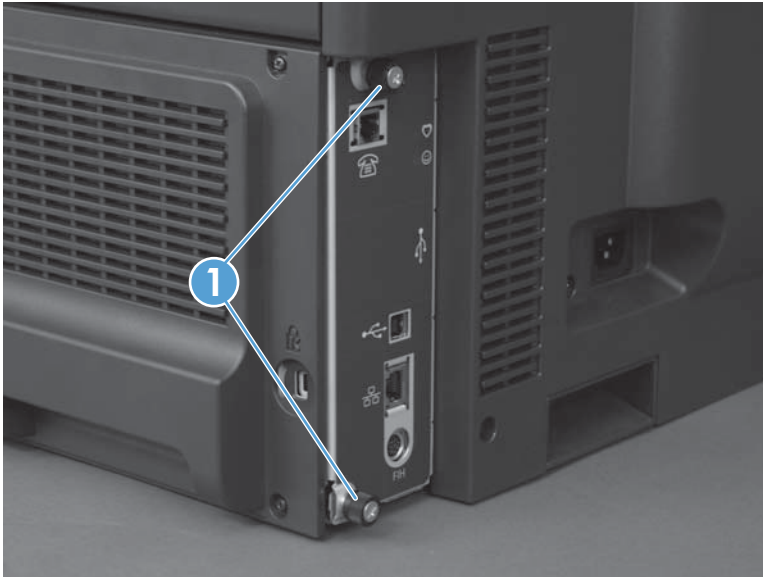


Formatter PCA

⚠ CAUTION:  ESD sensitive assembly.

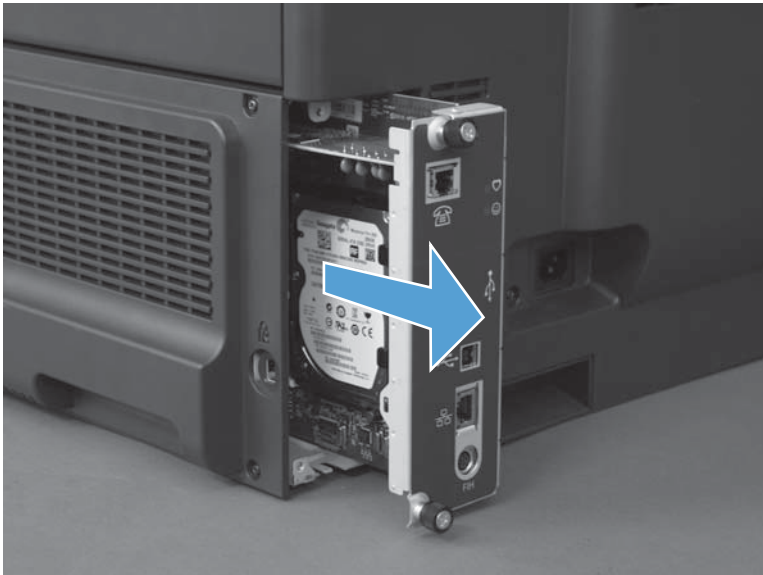
1. Loosen two thumb screws (callout 1).

Figure 1-11 Remove the formatter PCA (1 of 2)



2. Pull the formatter straight out of the product to remove it.

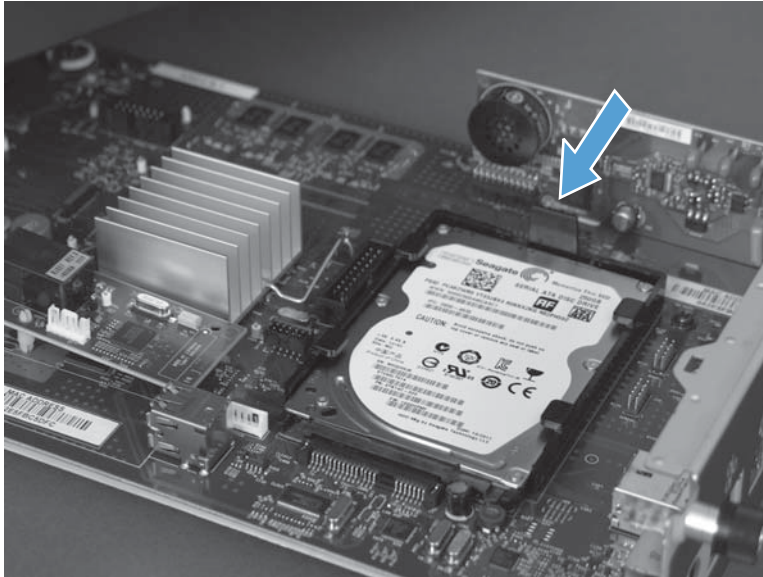
Figure 1-12 Remove the Formatter PCA (2 of 2)



Hard disk drive (HDD)

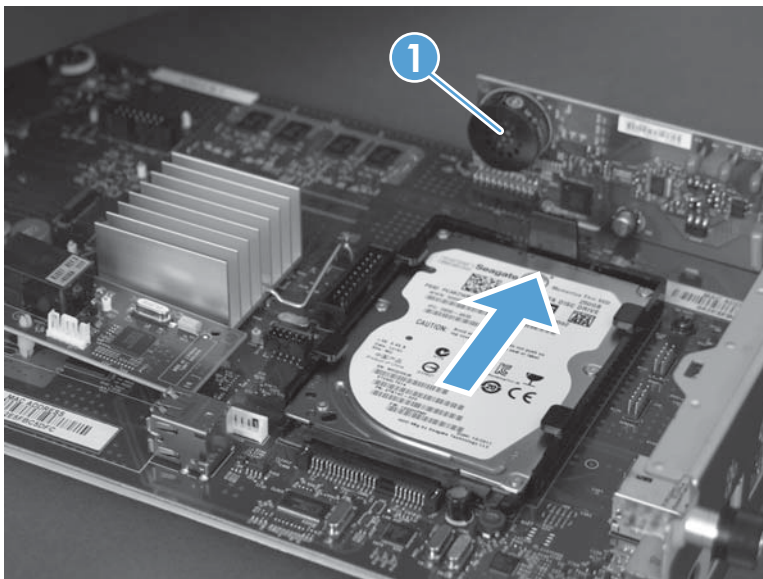
1. Remove the formatter. See [Formatter PCA on page 10](#).
2. Push the locking tab toward the HDD to release it.

Figure 1-13 Remove the HDD (1 of 2)



3. Slide the HDD toward the fax PCA (callout 1) to remove it.

Figure 1-14 Remove the HDD (2 of 2)



Reinstall the HDD

Make sure that the HDD is correctly positioned on the formatter PCA. The HDD must lay flat on the formatter PCA.

Figure 1-15 HDD installed—correct

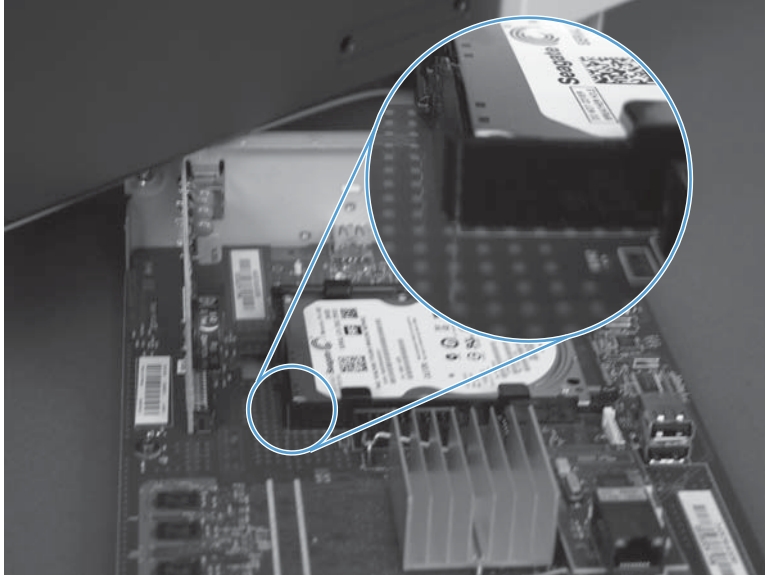
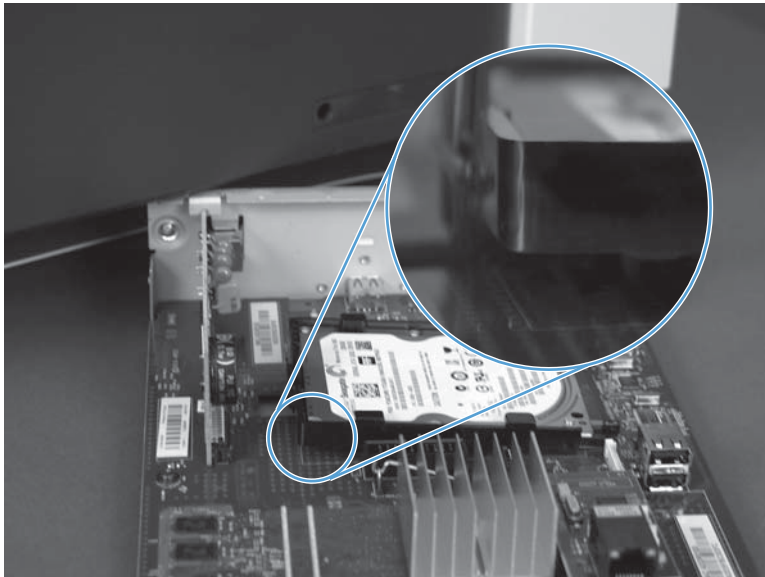


Figure 1-16 HDD installed—incorrect

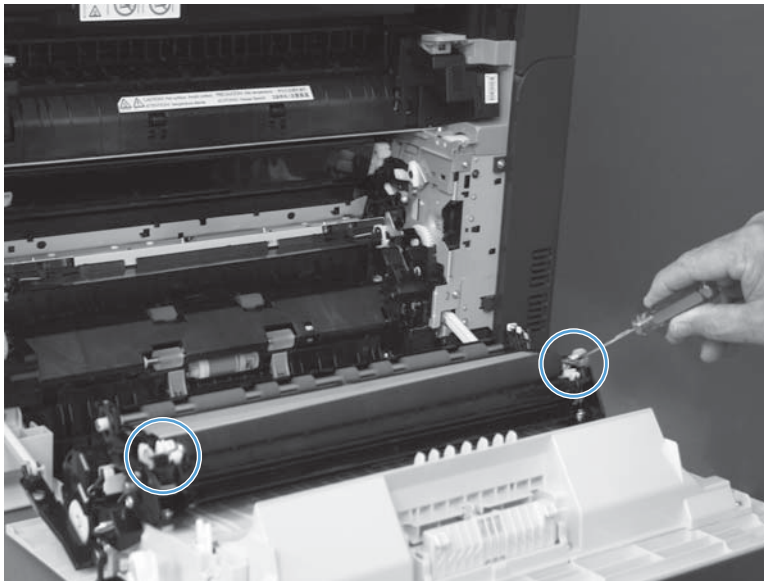


Secondary transfer roller

⚠ CAUTION: Do not touch the roller surface unless you are replacing the roller. Skin oils on the roller can cause paper pickup problems.

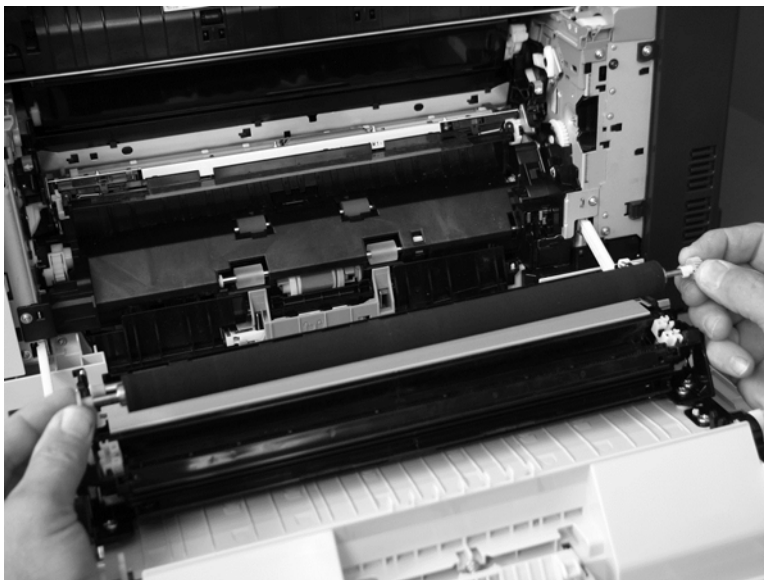
1. Open the right door.
2. Use a small flat-blade screwdriver to carefully release the roller shaft from the collars.

Figure 1-17 Remove the secondary transfer roller




3. Remove the secondary transfer roller.

Figure 1-18 Remove the secondary transfer roller

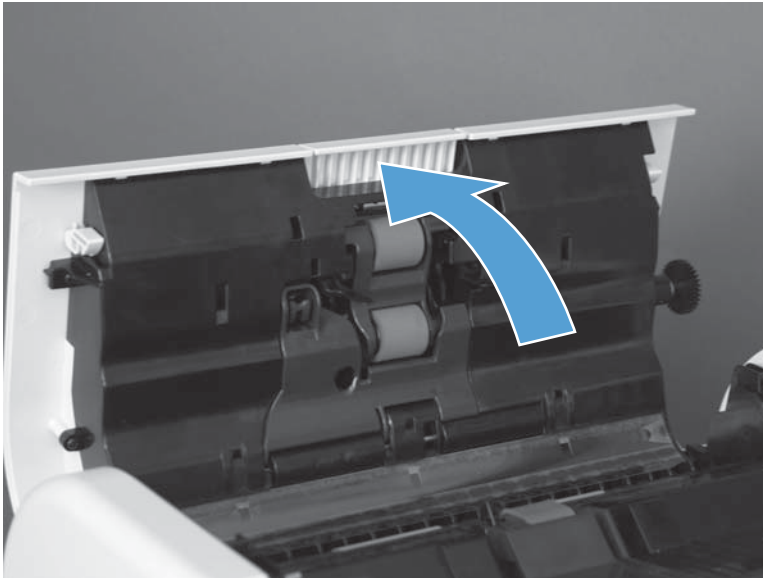


Document feeder mylar strips

 **TIP:** Before removing the mylar strips, take note of how they are positioned on the document jam access door and the inside bottom edge of the document feeder cover.

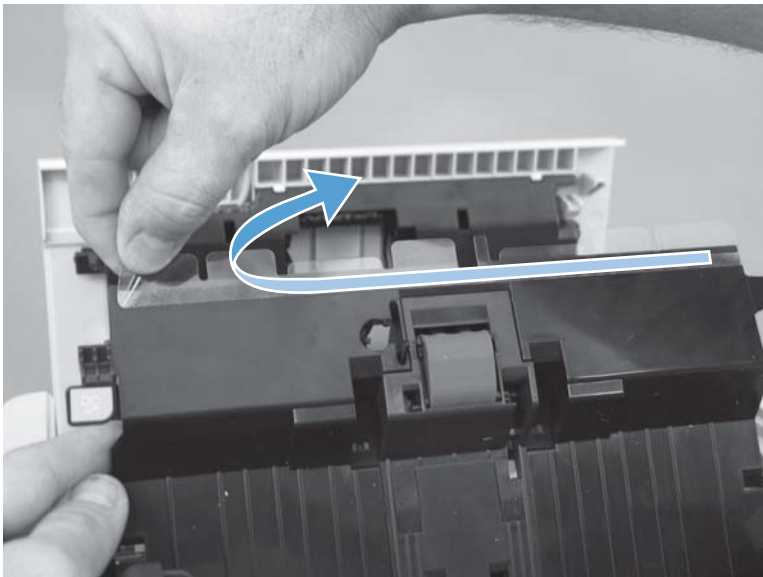
1. Open the document feeder cover.

Figure 1-19 Remove the document feeder mylar strips (1 of 3)



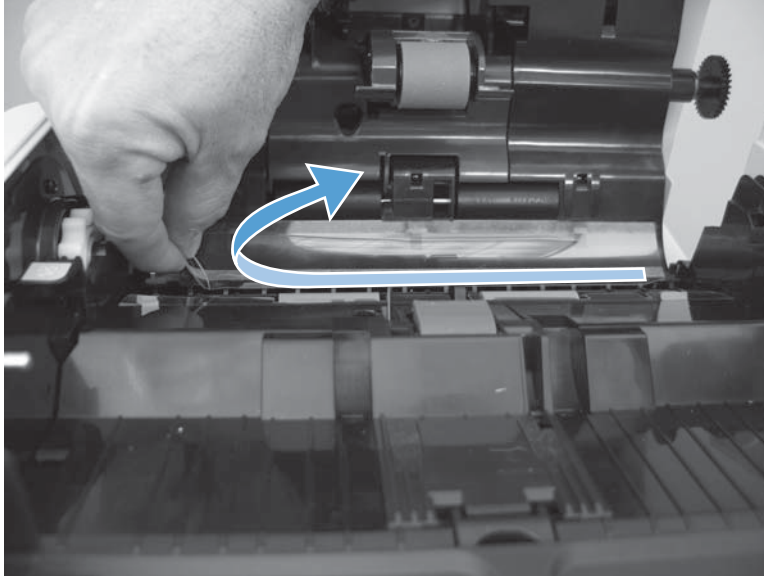
2. Lift up the jam access door, and carefully remove the mylar strip.

Figure 1-20 Remove the document feeder mylar strips (2 of 3)



3. Carefully remove the second mylar strip located along the inside bottom edge of the document feeder jam access door.

Figure 1-21 Remove the document feeder mylar strips (3 of 3)



Install replacement document feeder mylar strips

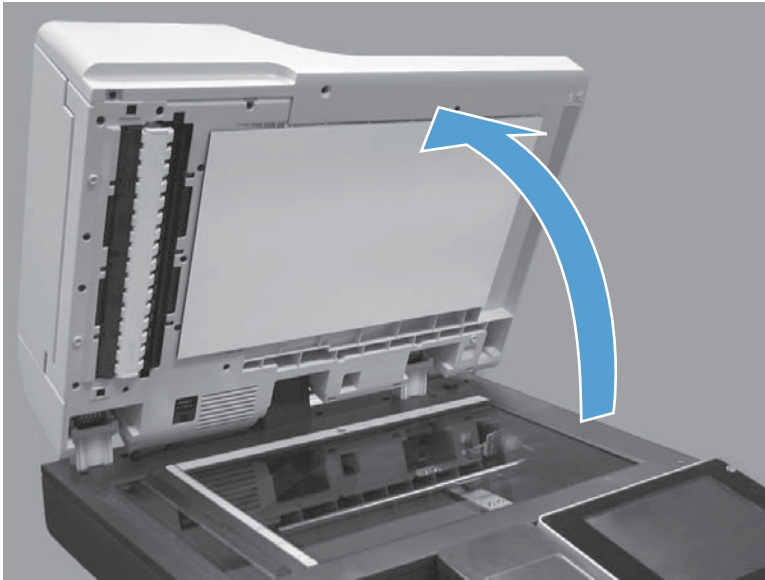
Use the following guidelines when you install the replacement mylar strips:

- Skin oils on the mylar strips can cause paper pickup problems. Wash your hands before handling the replacement mylar strips.
- When handling the replacement mylar strips, do not touch the adhesive portion of the strips.
- Make sure to firmly press down along the mylar strips to adhere them to the document feeder when installing them.

Document feeder foam reflector

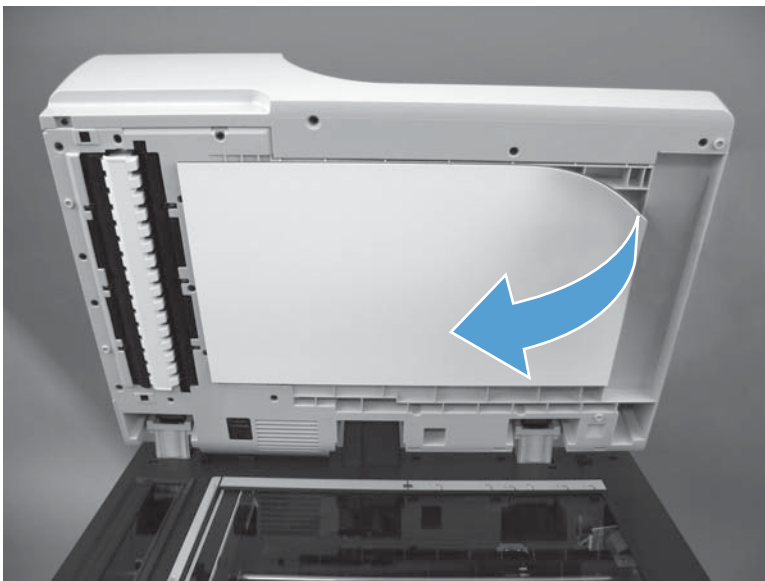
1. Open the document feeder.

Figure 1-22 Remove the document feeder foam reflector (1 of 3)



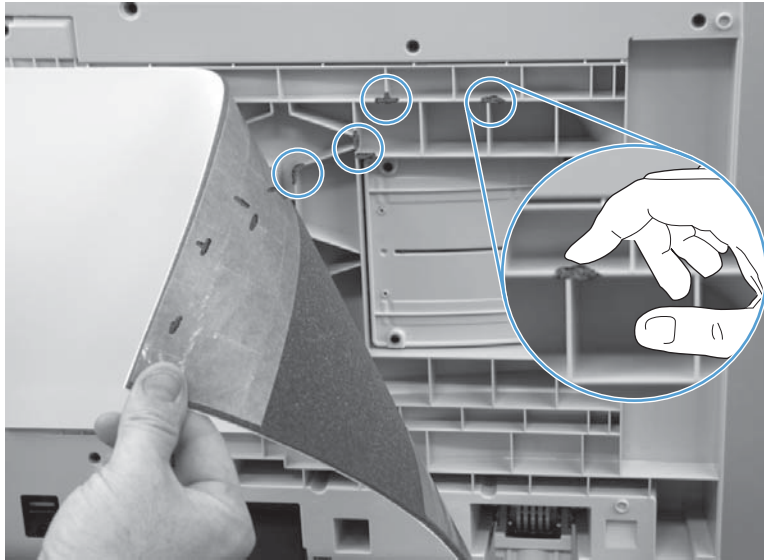
2. Carefully remove the foam reflector.

Figure 1-23 Remove the document feeder foam reflector (2 of 3)



3. Remove any left over foam reflector adhesive material from the document feeder.

Figure 1-24 Remove the document feeder foam reflector (3 of 3)



Install a replacement document feeder foam reflector

1. Position the replacement foam reflector on the scanner glass.


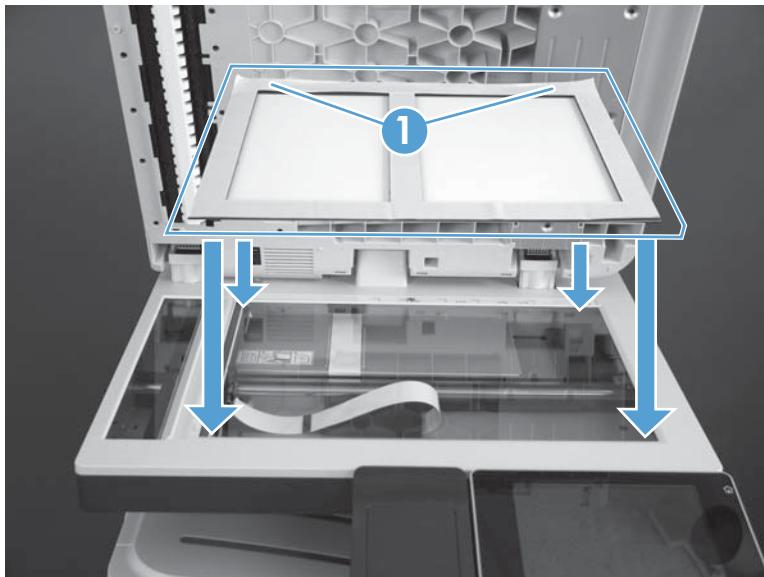
 **NOTE:** One long edge of the foam backing does not have adhesive tape (callout 1). Make sure that this edge is closest to the hinge side of the glass when positioning the foam on the glass.

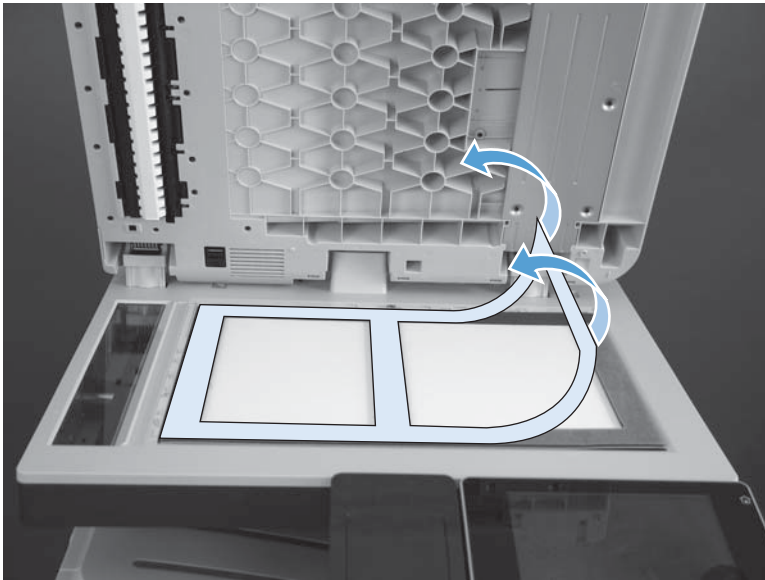
Figure 1-25 Install a replacement document feeder foam reflector (1 of 8)



- Carefully remove the protective backing from the adhesive portion of the foam reflector.

⚠ CAUTION: Do not touch the exposed adhesive.

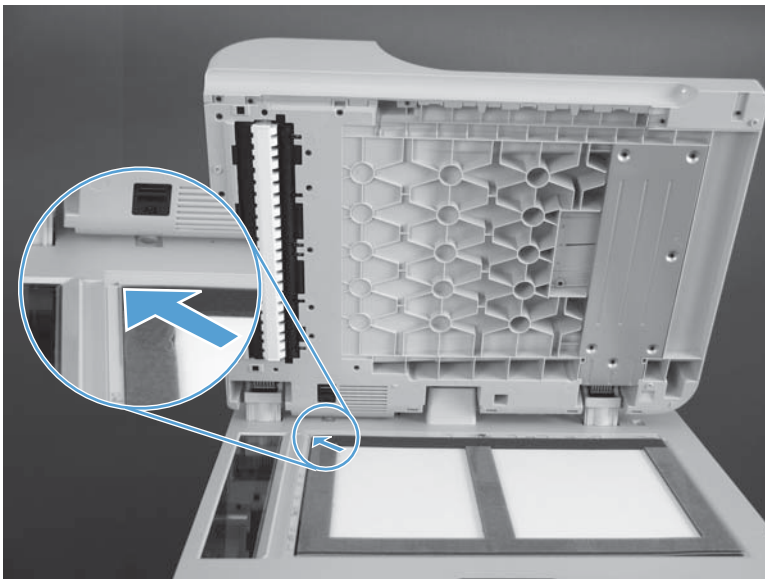
Figure 1-26 Install a replacement document feeder foam reflector (2 of 8)



- Make sure that the foam reflector is aligned with the upper-left corner of the scanner glass.

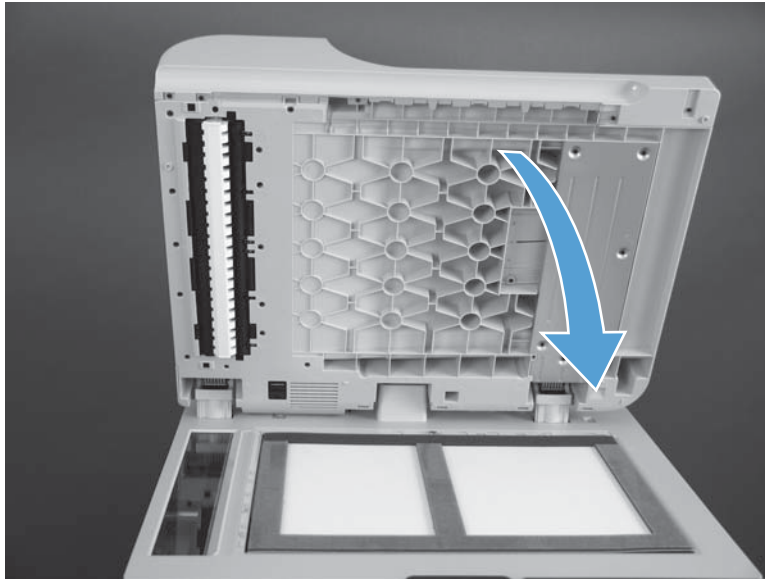
📝 NOTE: One long edge of the foam backing does not have adhesive tape. Make sure that this edge is closest to the hinge side of the glass when positioning the foam on the glass.

Figure 1-27 Install a replacement document feeder foam reflector (3 of 8)



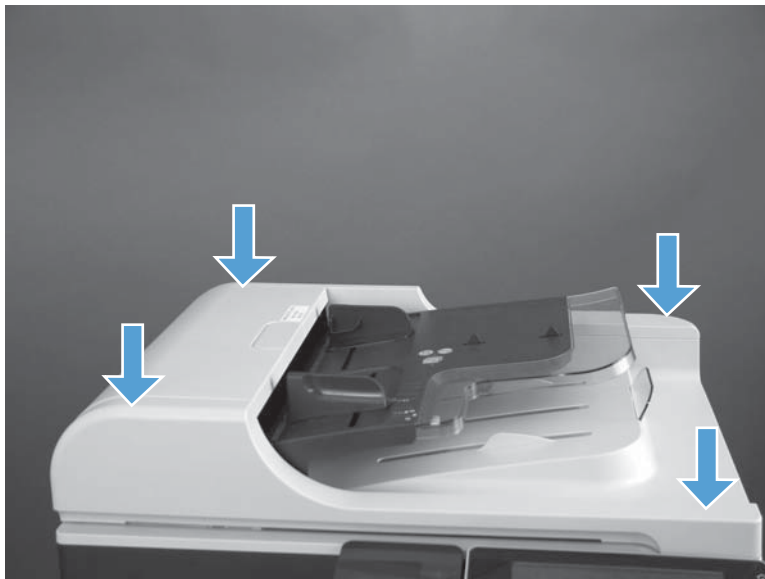
4. Completely close the document feeder.

Figure 1-28 Install a replacement document feeder foam reflector (4 of 8)



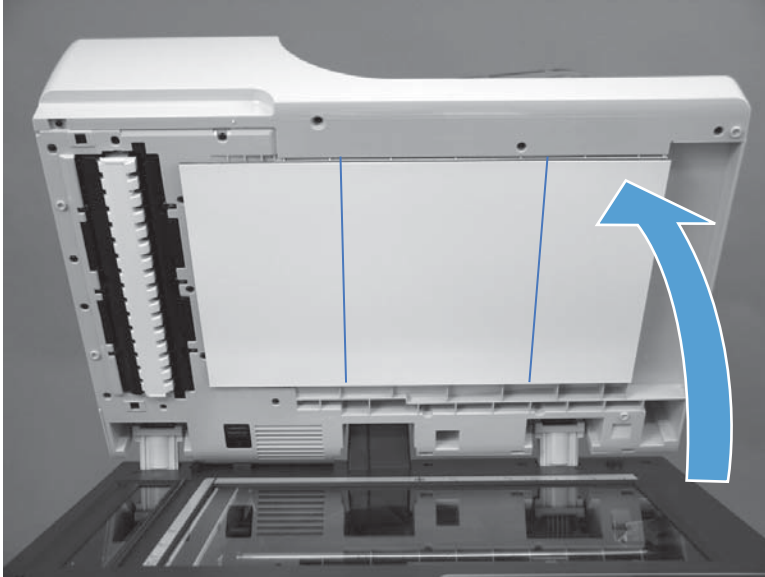
5. Firmly push down on the four corners of the document feeder to adhere the foam reflector to the document feeder.

Figure 1-29 Install a replacement document feeder foam reflector (5 of 8)



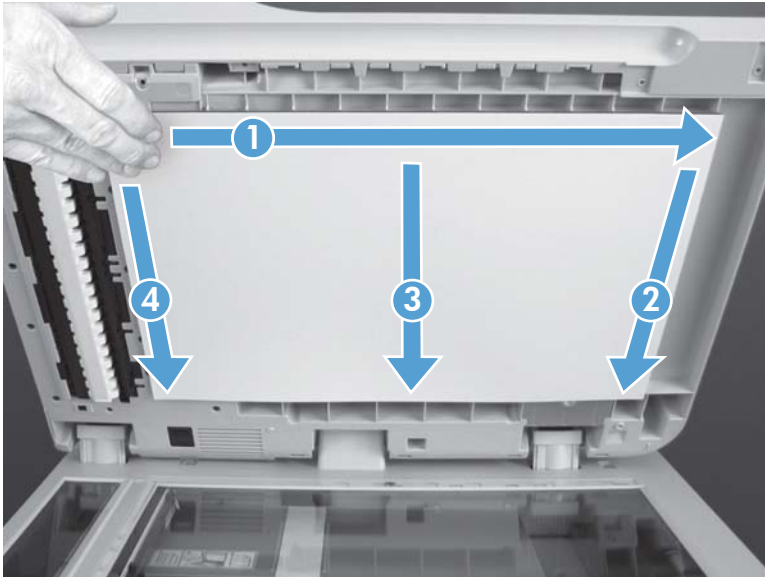
- Carefully open the document feeder.

Figure 1-30 Install a replacement document feeder foam reflector (6 of 6)



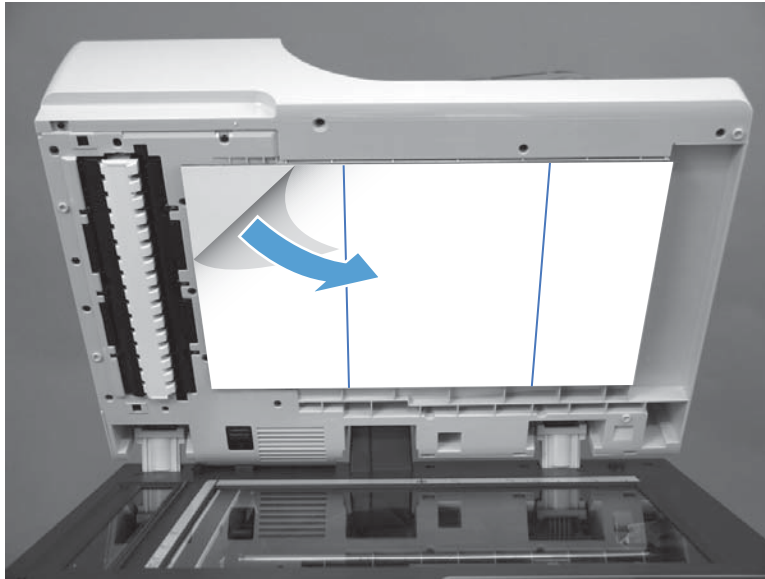
- Firmly press along the adhesive portions of the foam reflector in the order shown to adhere it to the document feeder.

Figure 1-31 Install a replacement document feeder foam reflector (7 of 8)



8. Carefully remove the protective sheet from the foam reflector.

Figure 1-32 Install a replacement document feeder foam reflector (8 of 8)



Pickup, feed, and separation (rollers and pads)

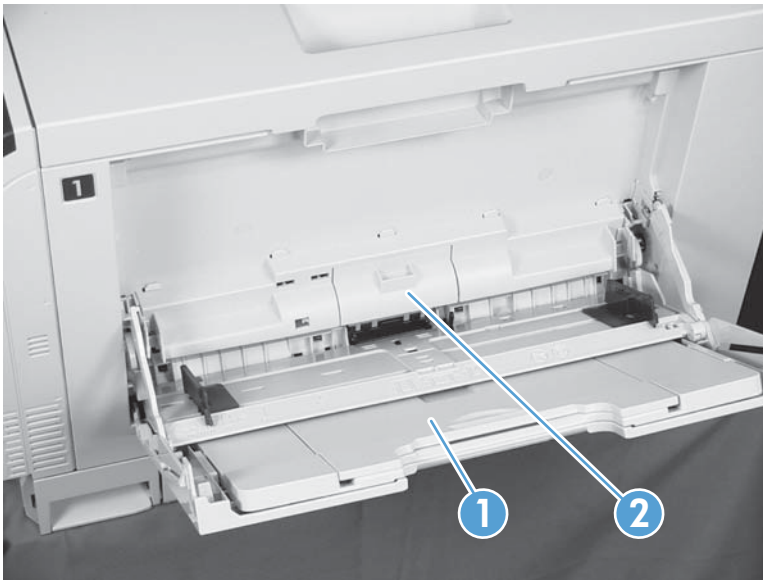
Tray 1 (multipurpose tray) pickup roller

CAUTION: Do not touch the roller surface unless you are replacing the roller. Skin oils on the roller can cause paper pickup problems.

NOTE: Replace the separation pad and rollers at the same time.

1. Open Tray 1 (callout 1), and then remove the pickup roller cover (callout 2).

Figure 1-33 Remove the Tray 1 pickup roller (1 of 2)



2. Spread out the pickup roller retainers (callout 1) until both sides unlatch, and then remove the pickup roller (callout 2).


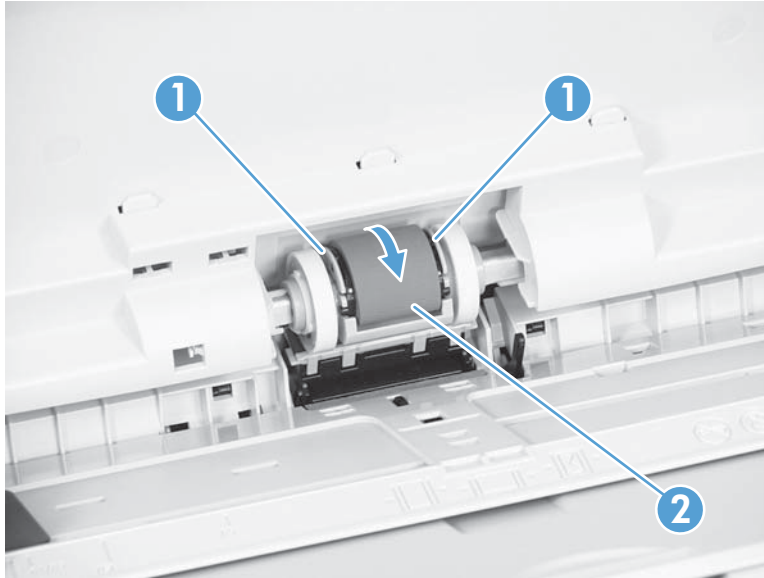
 **Reinstallation tip** When you reinstall the roller, make sure that the roller snaps into place.

Figure 1-34 Remove the Tray 1 pickup roller (2 of 2)



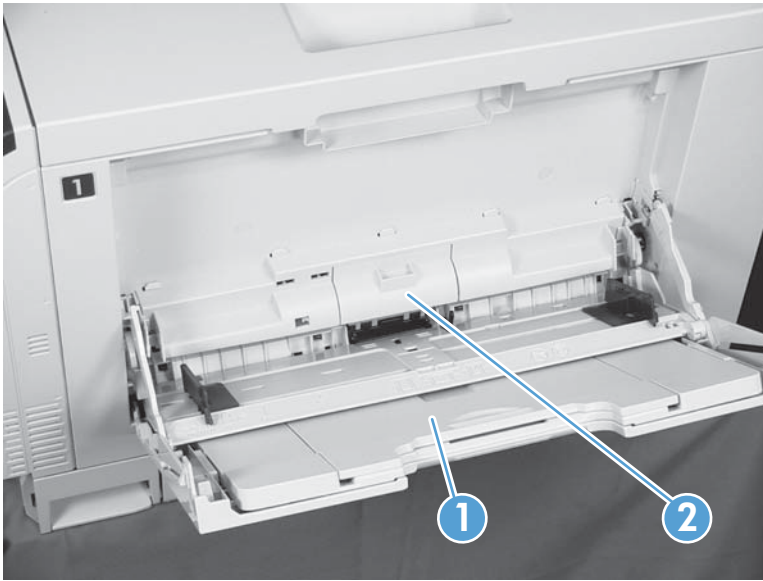
Tray 1 separation pad

CAUTION: Do not touch the pad surface unless you are replacing the pad. Skin oils on the pad can cause paper pickup problems.

NOTE: Replace the separation pad and rollers at the same time.

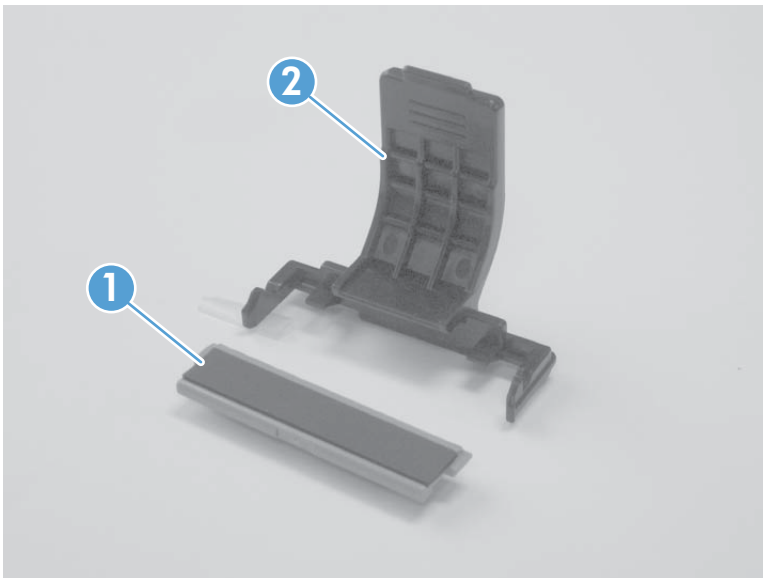
1. Open Tray 1 (callout 1), and then remove the pickup roller cover (callout 2).

Figure 1-35 Remove the Tray 1 separation pad (1 of 4)



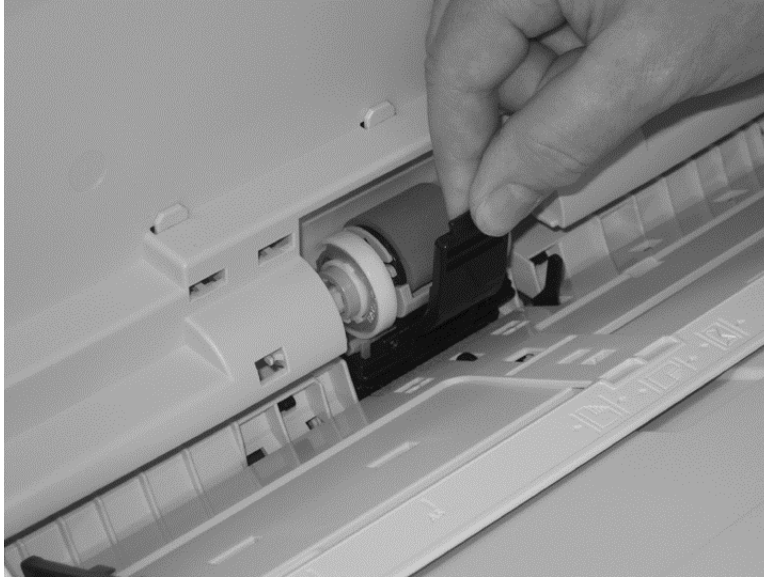
2. Take out the replacement separation pad (callout 1) and the supplied install/removal tool (callout 2).

Figure 1-36 Remove the Tray 1 separation pad (2 of 4)



3. Insert the tool under the installed separation pad.

Figure 1-37 Remove the Tray 1 separation pad (3 of 4)



4. Rotate the top of the tool away from the product to release the installed separation pad, and then remove the tool and the separation pad together.

Figure 1-38 Remove the Tray 1 separation pad (4 of 4)



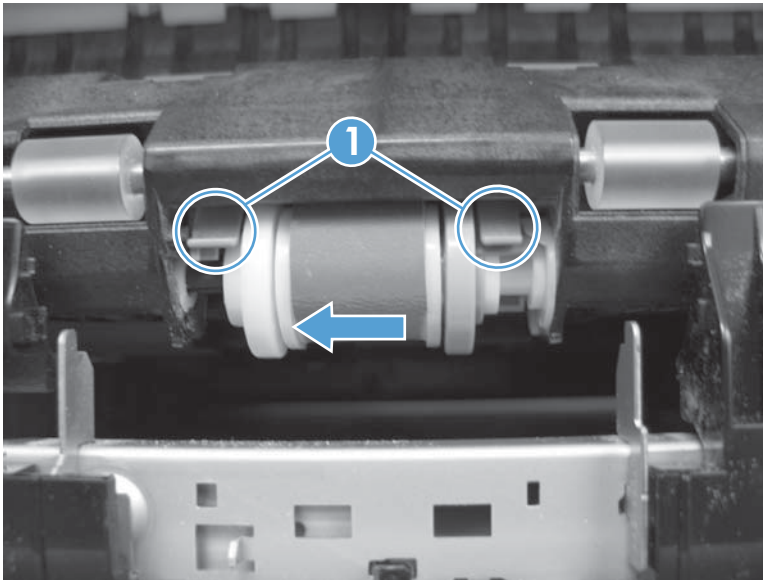
Tray 2 pickup roller

CAUTION: Do not touch the roller surface unless you are replacing the roller. Skin oils on the roller can cause paper pickup problems.

NOTE: Replace the separation pad and rollers at the same time.

1. Open Tray 2.
2. Open the right-door assembly, and then remove the Tray 2 separation roller (see [Tray 2 separation roller on page 27](#)).
3. Lift one of the two levers (callout 1) on either side of the pickup roller, and then push the right side of the roller in the direction of the arrow to remove it.

Figure 1-39 Remove the Tray 2 pickup roller



4. Remove the pickup roller.

Reinstallation tip Insert the left side of the roller into the product first. Make sure that the replacement roller snaps into place.

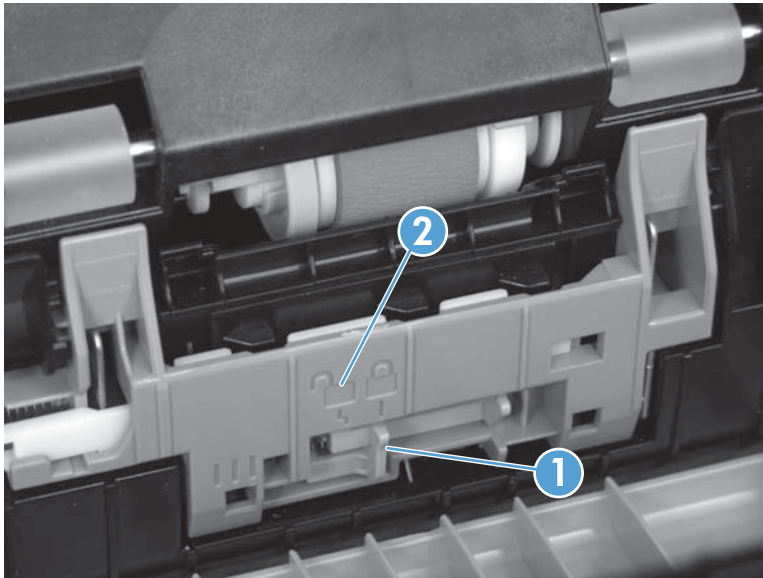
Tray 2 separation roller

⚠ CAUTION: Do not touch the roller surface unless you are replacing the roller. Skin oils on the roller can cause paper pickup problems.

📝 NOTE: Replace the separation pad and rollers at the same time.

1. Remove Tray 2 from the product.
2. Open the right-door.
3. On the separation roller assembly, slide the lever (callout 1) toward the unlocked icon (callout 2) until it clicks into the unlocked position.

Figure 1-40 Remove the separation Tray 2 roller (1 of 2)



4. Pull the separation roller assembly up and remove it from the product.


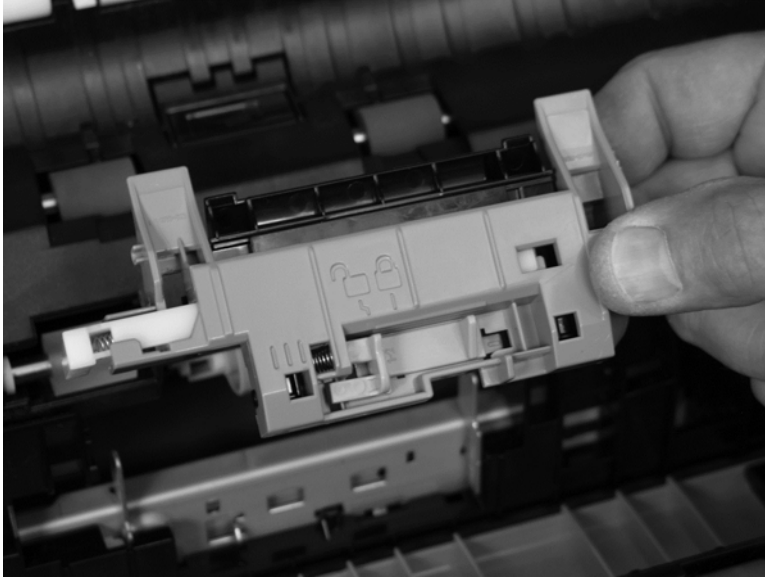
 **Reinstallation tip** When you install the separation roller assembly, make sure that it snaps into the locked position.

Figure 1-41 Remove the separation Tray 2 roller (2 of 2)



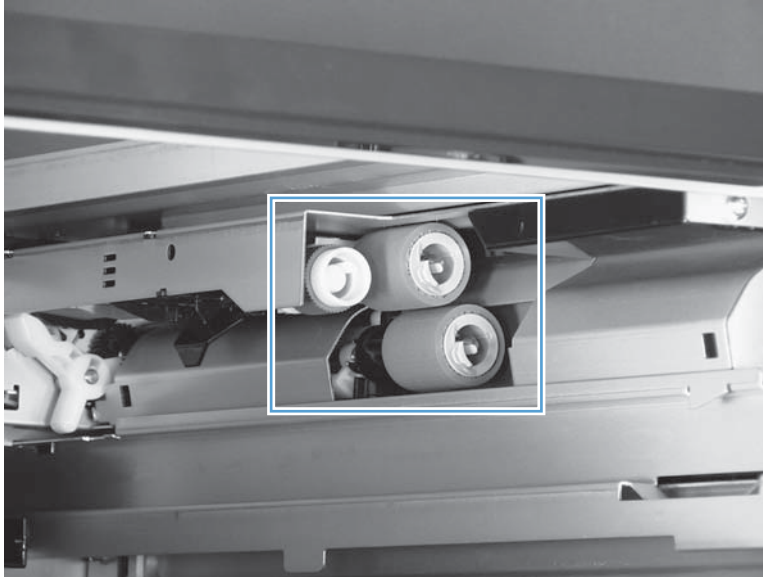
1 x 500 or 3 x 500 pickup, feed, and separation rollers

CAUTION: Do not touch the roller surface unless you are replacing the roller. Skin oils on the roller can cause paper pickup problems.

NOTE: Replace all of the rollers at the same time.

1. Remove the Tray 3 or Tray 4/5/6 cassette from the product, and then locate the rollers on the right-hand side of the tray cavity.

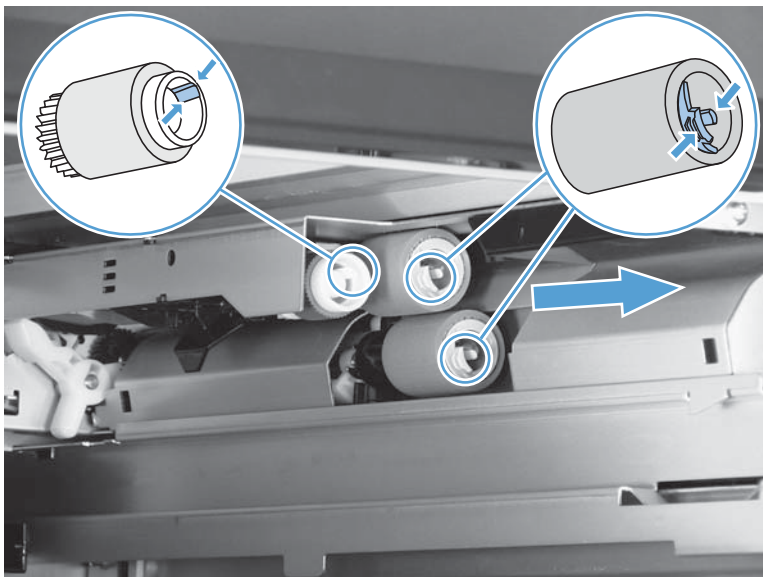
Figure 1-42 Remove the 1 x 500 or 3 x 500 rollers (1 of 2)



2. Release three tabs, and then pull the rollers in the direction of the arrow.

Reinstallation tip When you reinstall the rollers, make sure that the rollers snap into place.

Figure 1-43 Remove the 1 x 500 or 3 x 500 rollers (2 of 2)



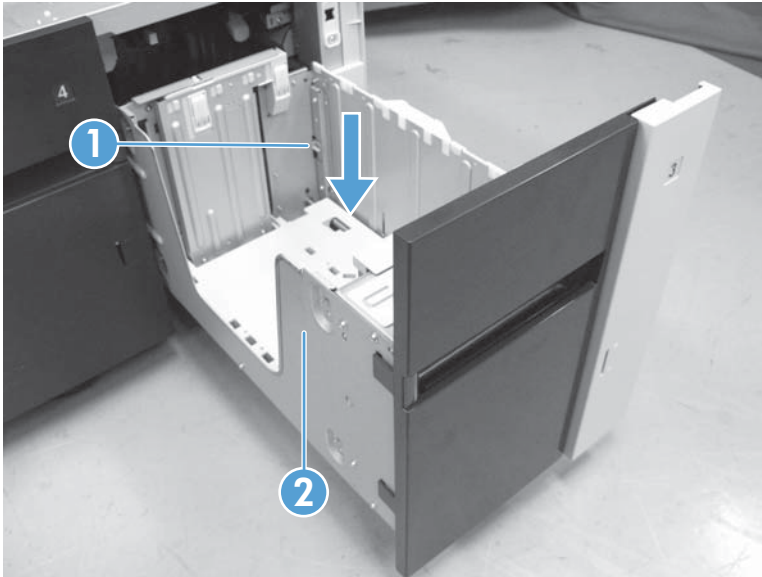
High capacity input feeder pickup, feed, and separation rollers

CAUTION: Do not touch the roller surface unless you are replacing the roller. Skin oils on the roller can cause paper pickup problems.

NOTE: Replace all of the rollers at the same time.

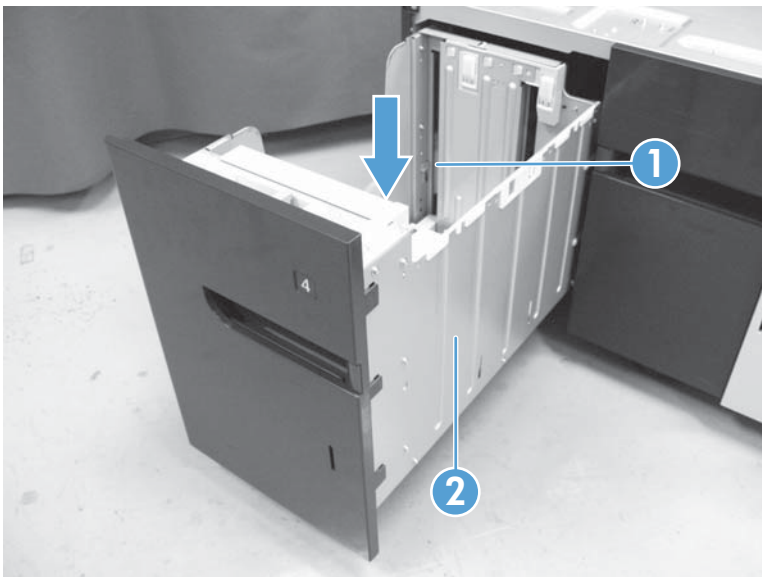
1. Open the high capacity right tray. Lower the tray release lever (callout 1) and then remove the right tray (callout 2).

Figure 1-44 Remove the high capacity input feeder pickup, feed, and separation rollers (1 of 4)



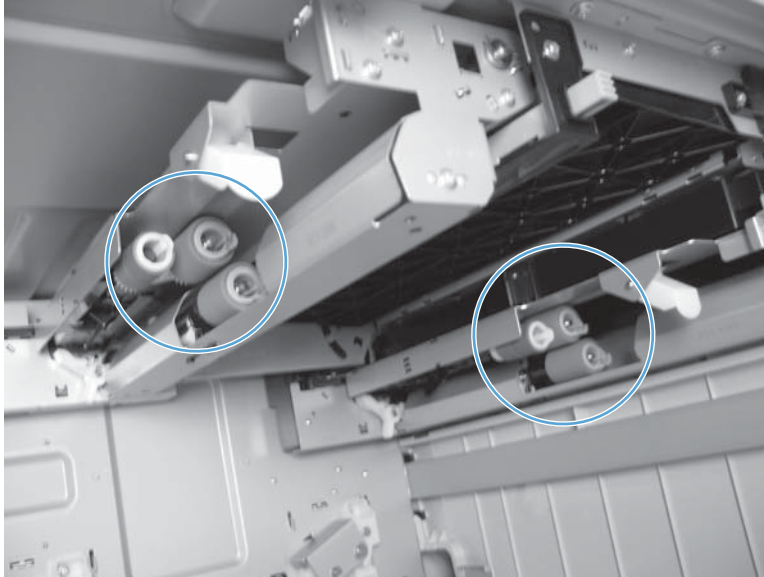
2. Open the high capacity left tray. Lower the tray release lever (callout 1) and then remove the left tray (callout 2).

Figure 1-45 Remove the high capacity input feeder pickup, feed, and separation rollers (2 of 4)



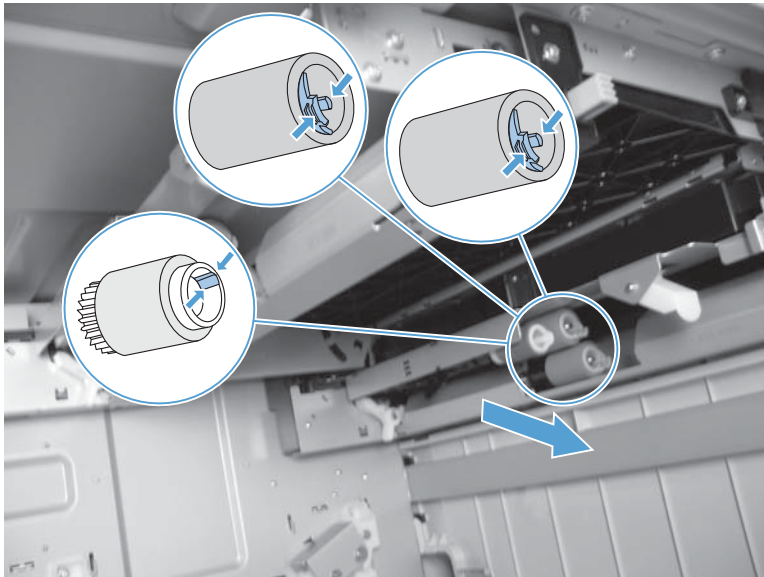
3. Look up into the tray cavity and locate the rollers.

Figure 1-46 Remove the high capacity input feeder pickup, feed, and separation rollers (3 of 4)



4. Release three tabs, and then pull the rollers in the direction of the arrow. Repeat this step for remaining rollers.

Figure 1-47 Remove the high capacity input feeder pickup, feed, and separation rollers (4 of 4)



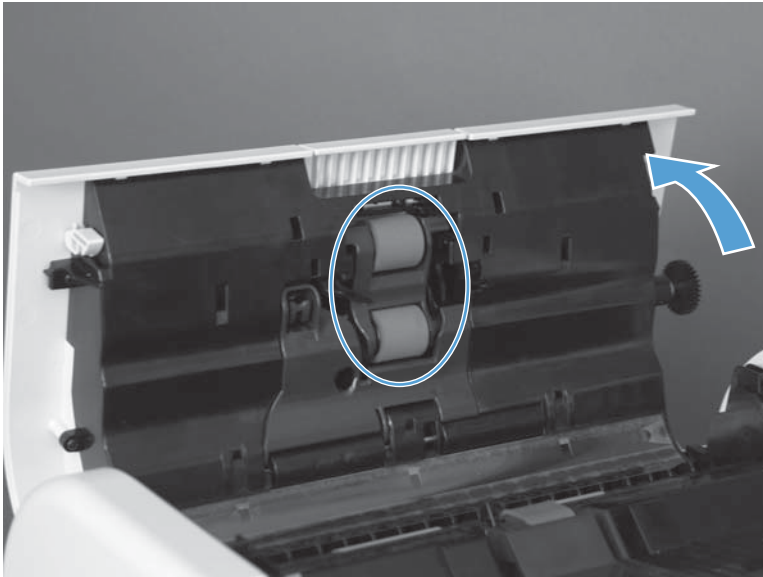
Document feeder pickup and feed roller assembly

CAUTION: Do not touch the roller surface unless you are replacing the roller. Skin oils on the roller can cause paper pickup problems.

NOTE: Replace the separation pad and rollers at the same time.

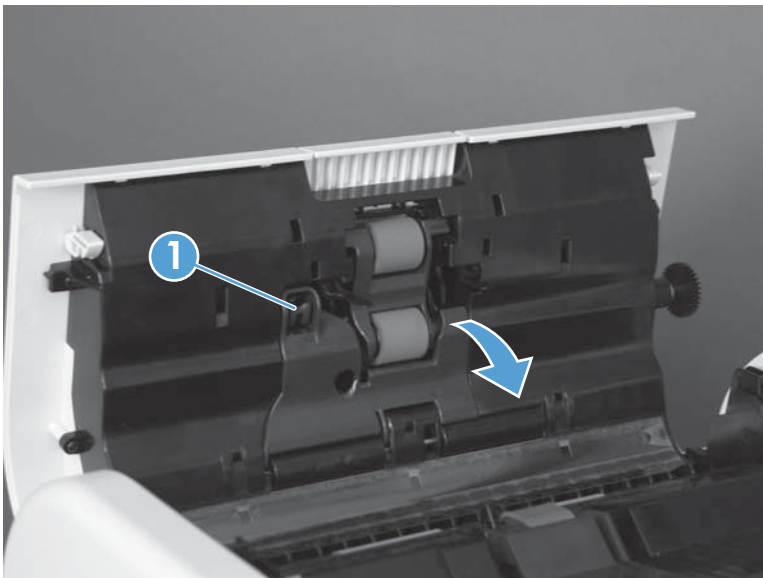
1. Open the document feeder cover and locate the document feeder pickup and feed roller assemblies.

Figure 1-48 Remove the document feeder pickup and feed roller assemblies (1 of 3)



2. Release one tab (callout 1) to open the assembly cover.

Figure 1-49 Remove the document feeder pickup and feed roller assemblies (2 of 3)



3. Push the roller assembly toward the front of the product, and then pull the assembly away from the document feeder.


 **Reinstallation tip** Align the pin on the right of the roller assembly with the hole on the right of the document feeder cover. Slide the roller assembly to the right (toward the back of the product) until it snaps into place.

Figure 1-50 Remove the document feeder pickup and feed roller assemblies (3 of 3)



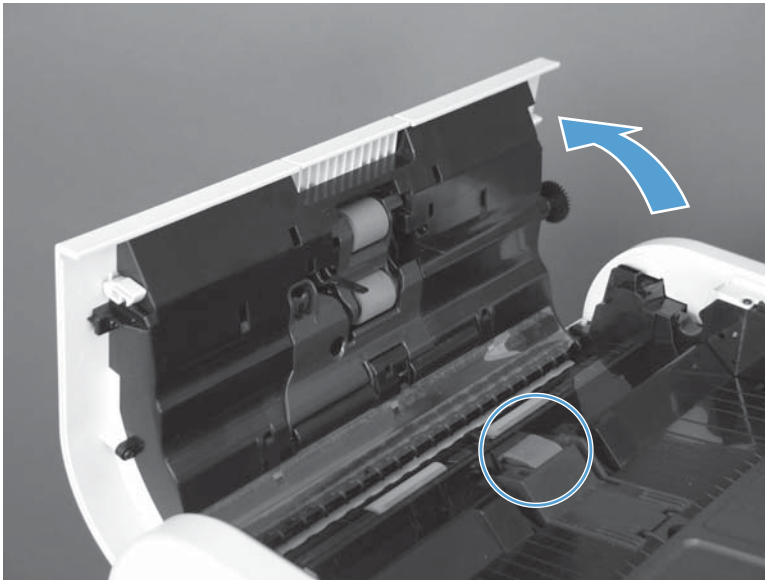
Document feeder separation pad

CAUTION: Do not touch the pad surface unless you are replacing the pad. Skin oils on the pad can cause paper pickup problems.

NOTE: Replace the separation pad and rollers at the same time.

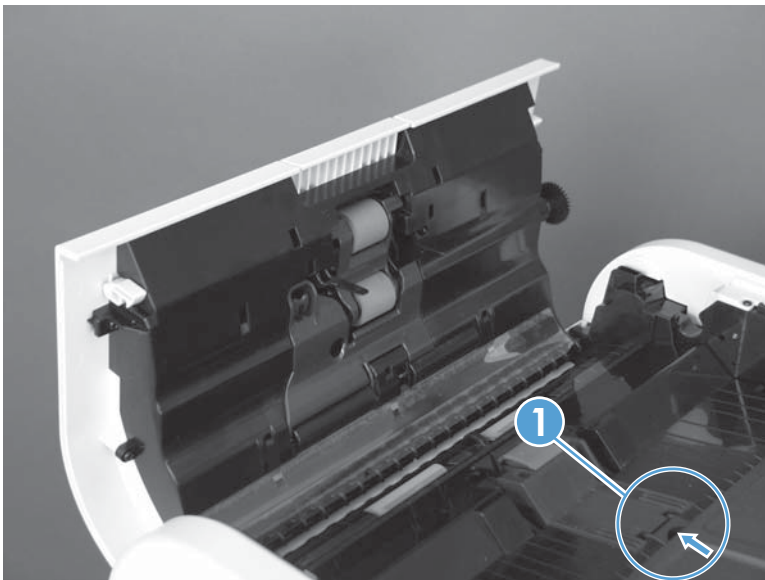
1. Open the document feeder cover and locate the document feeder separation pad.

Figure 1-51 Remove the document feeder separation pad (1 of 3)



2. Press the tab (callout 1) toward the separation pad.

Figure 1-52 Remove the document feeder separation pad (2 of 3)



3. Rotate the separation pad assembly up and away from the document feeder, and then remove the assembly.

⚠ CAUTION: The spring underneath the separation pad is not captive. Do not lose the spring.

Figure 1-53 Remove the document feeder separation pad (3 of 3)




Reinstall the document feeder separation pad

When the replacement separation pad assembly is installed, make sure that the spring is seated on the spring pedestal (callout 1) under the separation pad.

Figure 1-54 Reinstall the document feeder separation pad



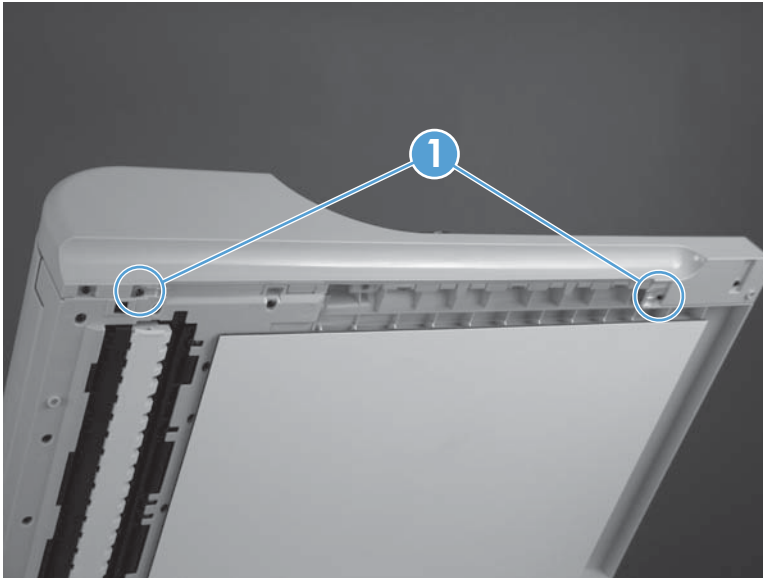
Covers, doors, and whole unit replacement

 **TIP:** For clarity, some figures in this chapter show assemblies removed that are not required to be removed to service the product (for example, the scanner and document feeder assemblies). The procedures in this manual are correct for your product.

Document feeder front cover

1. Open the document feeder, and then remove two screws (callout 1).

Figure 1-55 Remove the document feeder front cover (1 of 8)



- Carefully remove the clear-plastic reflective cover (callout 1).


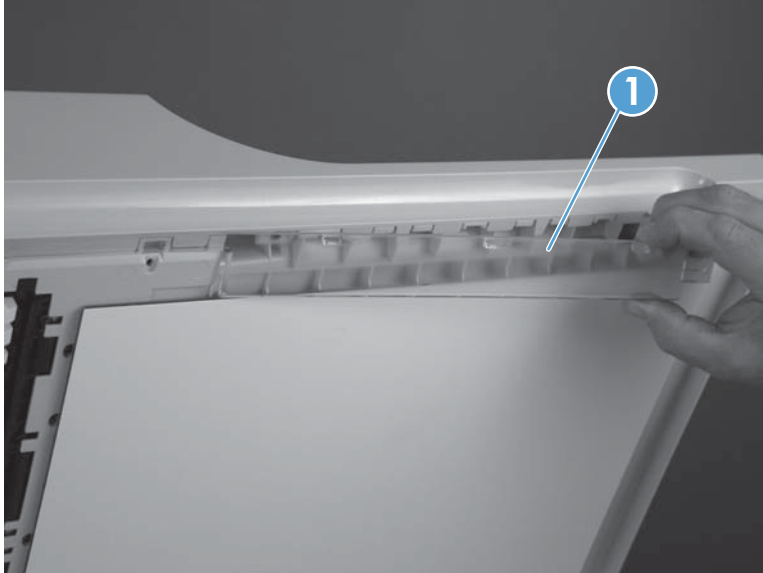
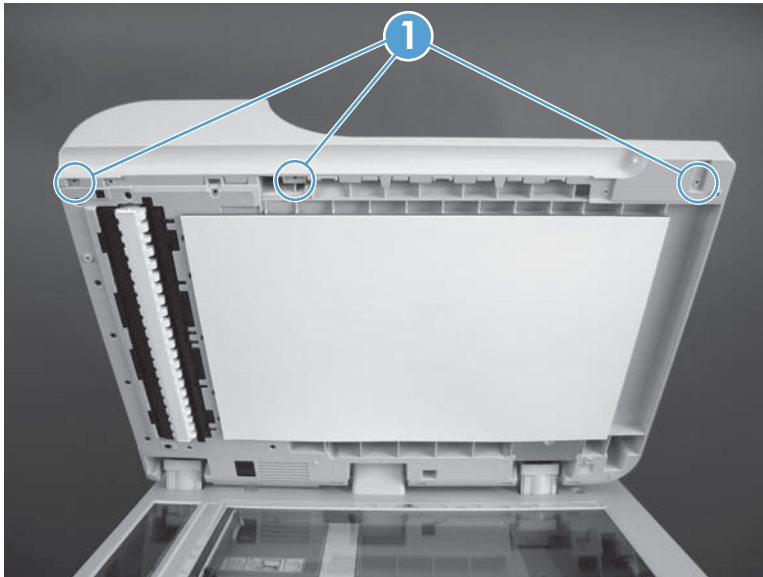
 **TIP:** The cover has several press-fit tabs along its upper edge. Start at the wide end (right-hand side) of the cover and carefully release the tabs from right to left.

Figure 1-56 Remove the document feeder front cover (2 of 8)



- Remove three screws (callout 1).

Figure 1-57 Remove the document feeder front cover (3 of 8)



4. Open the document feeder hatch cover, and then remove two screws (callout 1).


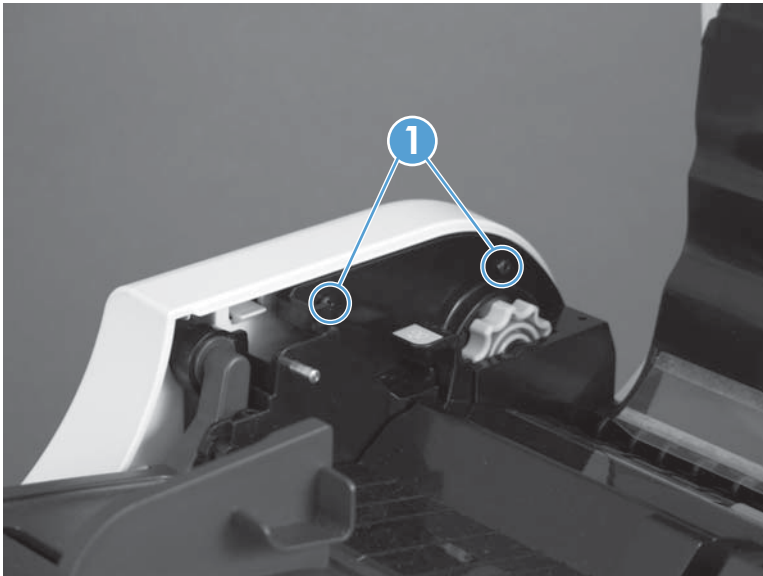
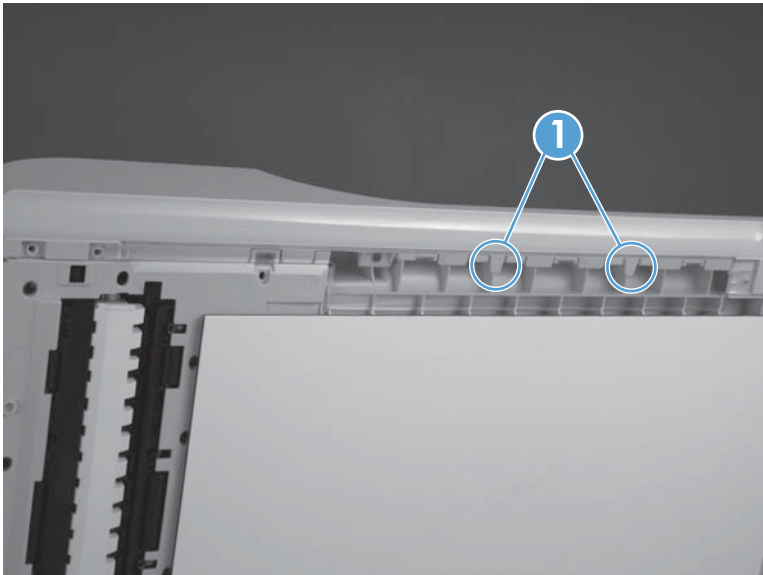
 **Reinstallation tip** These two screws are longer than the other front cover mounting screws. Make sure you replace them in the correct position when the cover is reinstalled.

Figure 1-58 Remove the document feeder front cover (4 of 8)



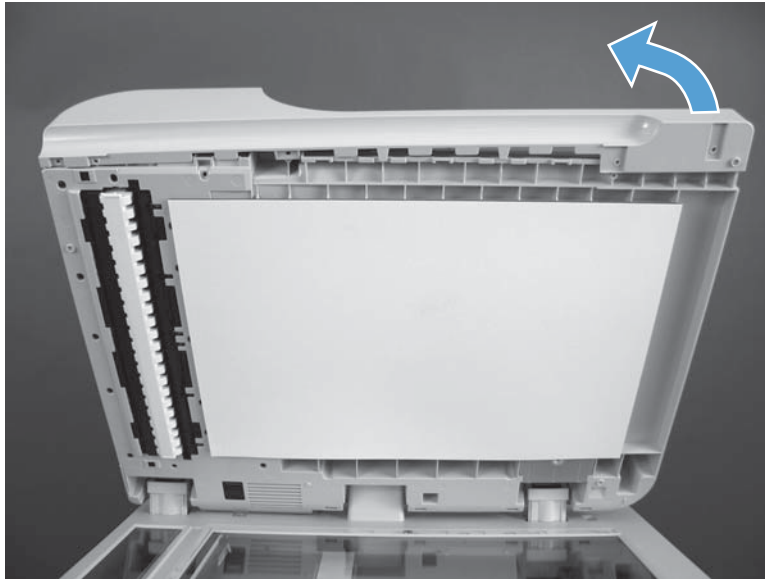
5. Release two tabs (callout 1).

Figure 1-59 Remove the document feeder front cover (5 of 8)



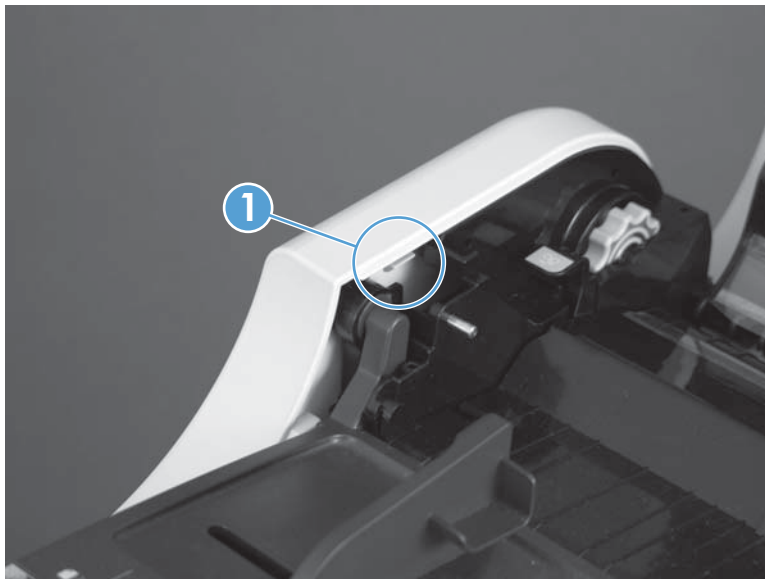
- Carefully rotate the right-hand end of the cover up and away from the document feeder.

Figure 1-60 Remove the document feeder front cover (6 of 8)



- Release one tab (callout 1) inside of the document feeder hatch cover.

Figure 1-61 Remove the document feeder front cover (7 of 8)



8. Remove the cover.

Figure 1-62 Remove the document feeder front cover (8 of 8)



Document feeder hatch cover

1. Remove six screws (callout 1).


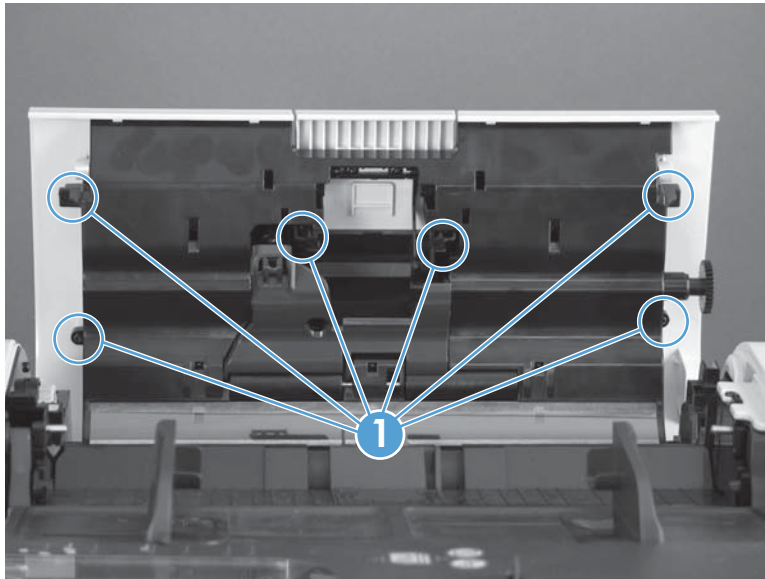
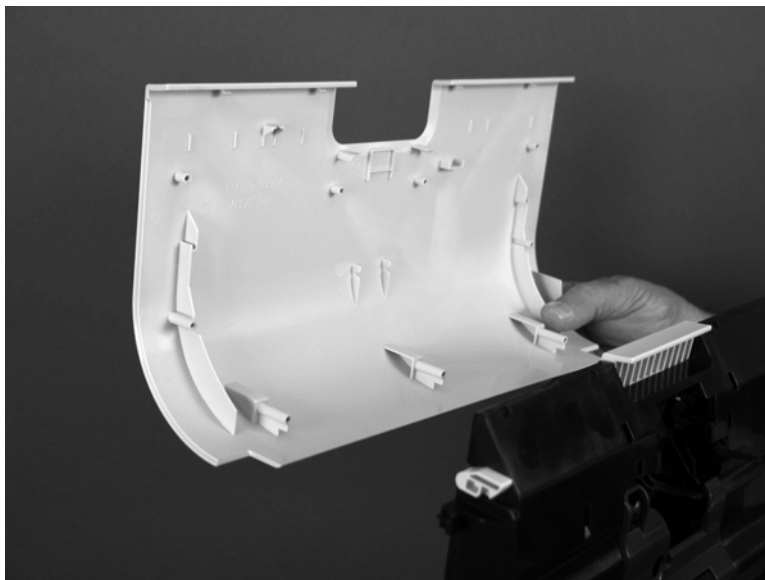
 **TIP:** It might be easier to remove these screws with a short-shaft screwdriver.

Figure 1-63 Remove the document feeder hatch cover (1 of 2)



2. Remove the hatch cover.

Figure 1-64 Remove the document feeder hatch cover (2 of 2)



Document feeder input tray bottom cover

Raise the input tray, remove nine screws (callout 1), and then remove the cover (callout 2).


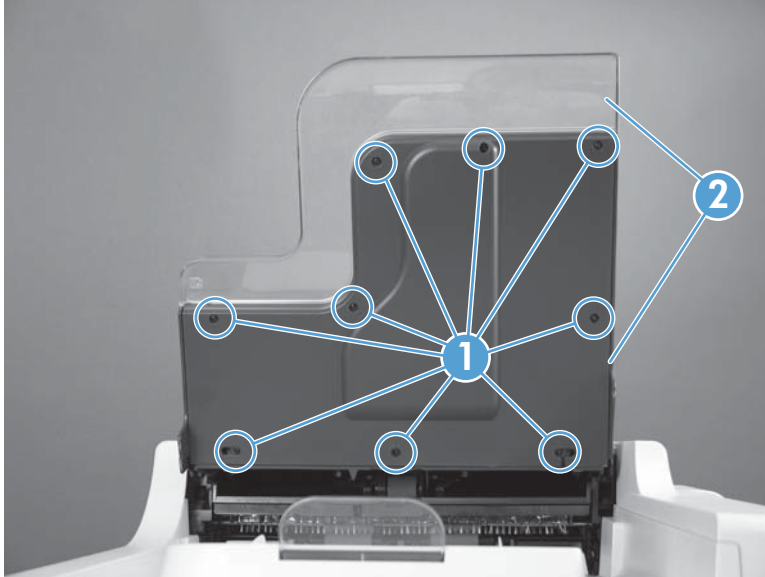
 **NOTE:** The clear plastic portion of the assembly can be separated from the cover when the cover is removed.

Figure 1-65 Remove the document feeder input tray bottom cover



Document feeder roller cover

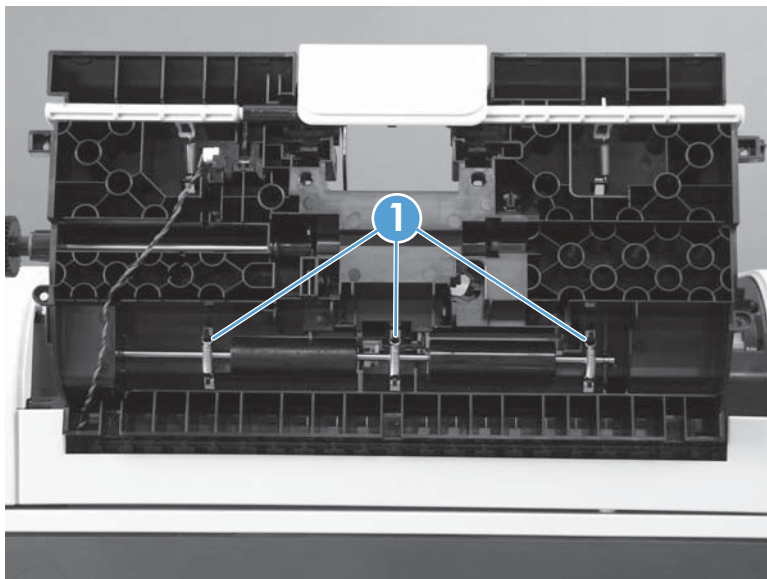
Before proceeding, remove the following assemblies:

- Document feeder pickup and feed roller assembly. See [Document feeder pickup and feed roller assembly on page 32](#).
- Document feeder hatch cover. See [Document feeder hatch cover on page 41](#).

Remove the document feeder roller cover

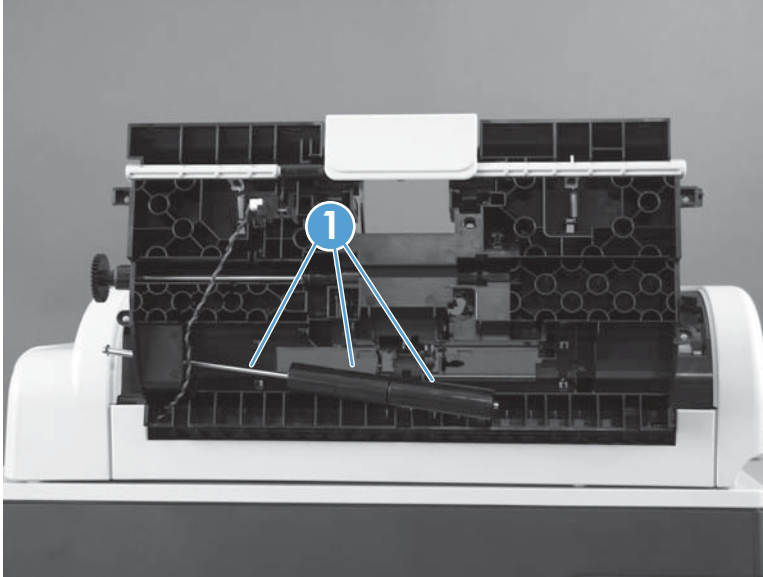
1. Remove three springs (callout 1).

Figure 1-66 Remove the document feeder roller cover (1 of 4)



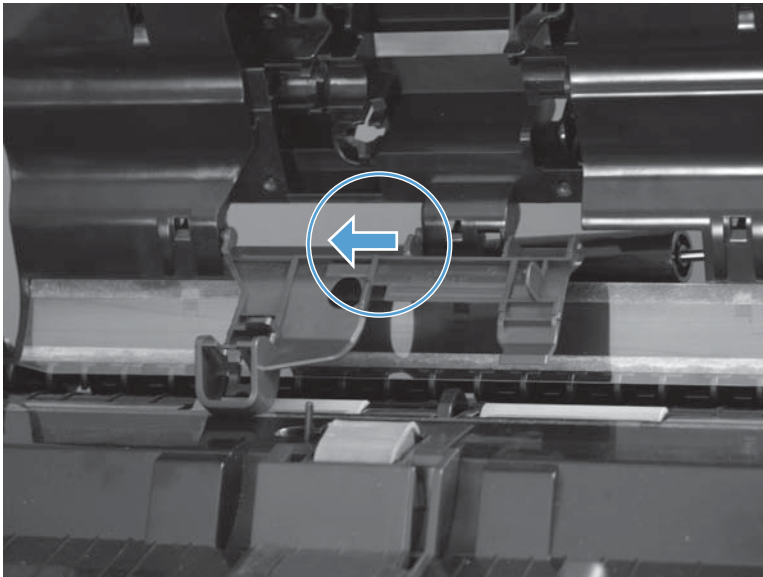
2. Move the rollers and shaft (callout 1) out of the way.

Figure 1-67 Remove the document feeder roller cover (2 of 4)



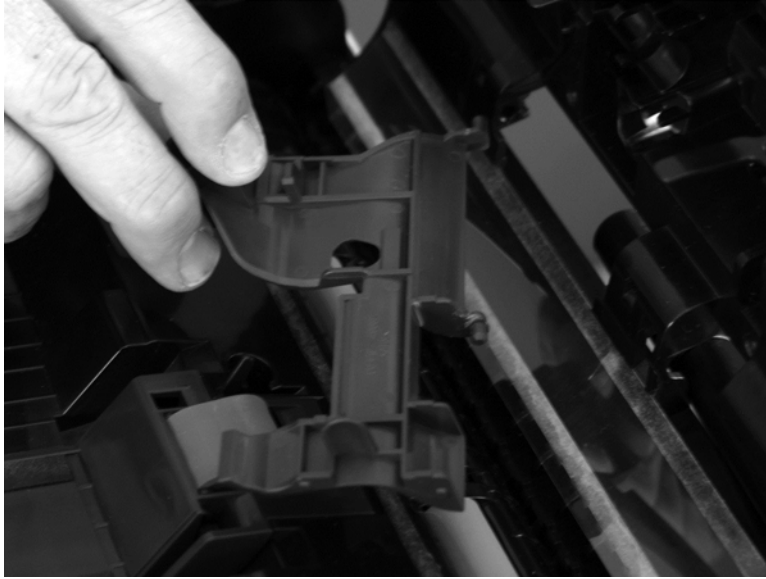
3. Use a flat blade screw driver to carefully release one cover hinge pin on the inside of the door.

Figure 1-68 Remove the document feeder roller cover (3 of 4)



4. Remove the cover.

Figure 1-69 Remove the document feeder roller cover (4 of 4)



Document feeder rear cover

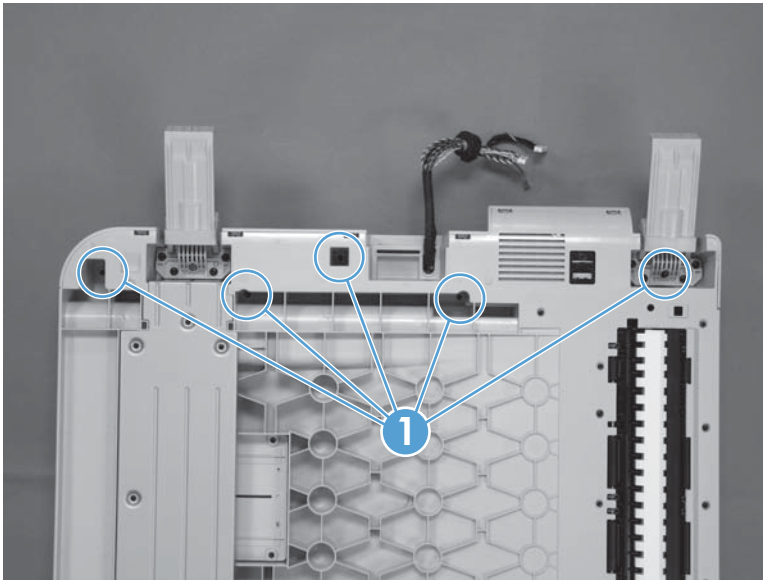
Before proceeding, remove the following assemblies:

- Document feeder foam reflector. See [Document feeder foam reflector on page 16](#).
- Document feeder. See [Document feeder on page 71](#).

Remove the document feeder rear cover

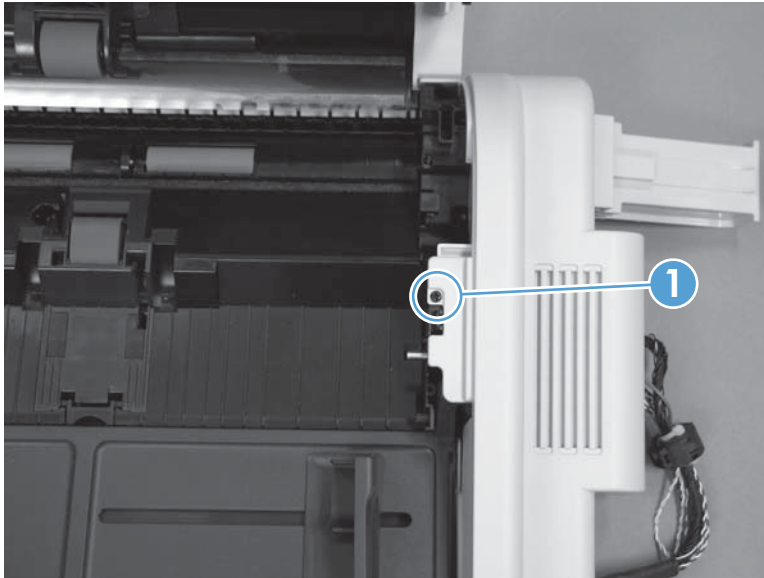
1. Turn the document feeder upside down, and then remove five screws (callout 1).

Figure 1-70 Remove the document feeder rear cover (1 of 4)



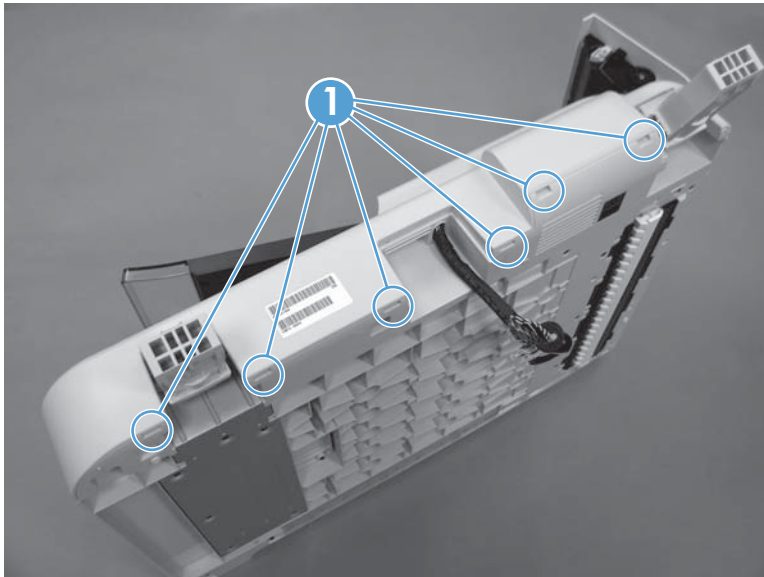
2. Turn the document feeder right-side up, open the document feeder hatch cover, and then remove one screw (callout 1).

Figure 1-71 Remove the document feeder rear cover (2 of 4)



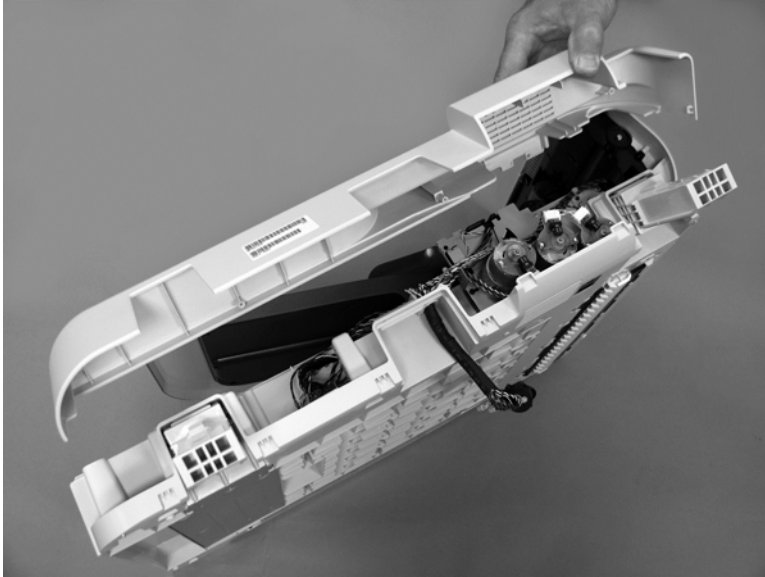
3. Release six tabs (callout 1) along the bottom edge of the cover.

Figure 1-72 Remove the document feeder rear cover (3 of 4)



4. Remove the cover.

Figure 1-73 Remove the document feeder rear cover (4 of 4)



Scanner left cover

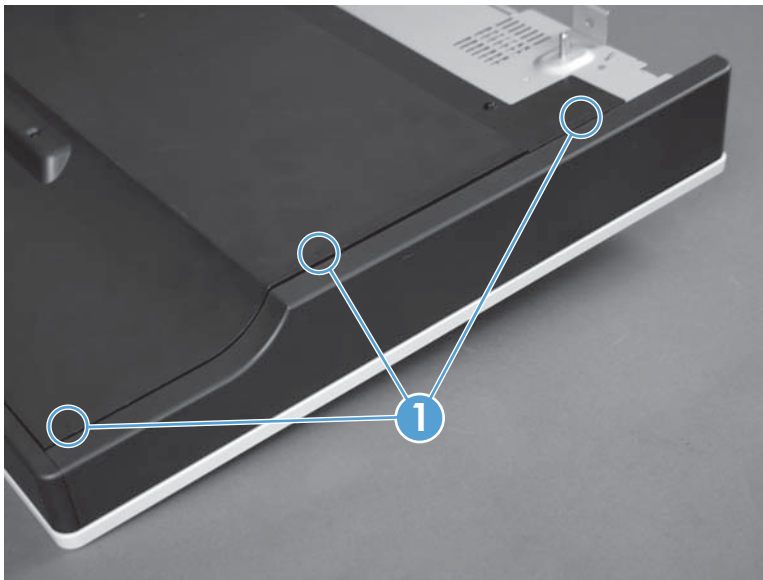
Before proceeding, remove the following assemblies:

- Document feeder. See [Document feeder on page 71](#).
- Control panel assembly. See [Control-panel assembly on page 5](#).
- Scanner assembly. See [Scanner assembly on page 74](#).

Remove the scanner left cover

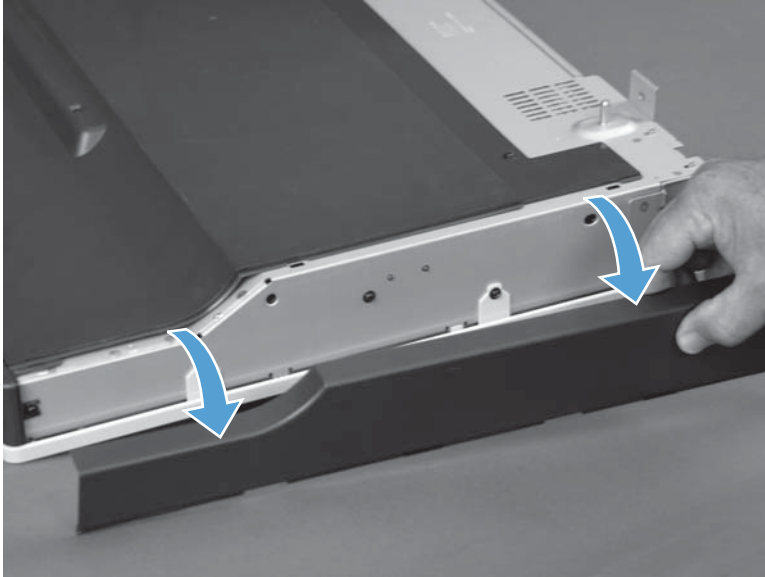
1. Turn the scanner upside down, and then release three tabs (callout 1).

Figure 1-74 Remove the scanner left cover (1 of 2)



2. Rotate the cover away from the scanner to remove it.

Figure 1-75 Remove the scanner left cover (2 of 2)



Scanner right cover

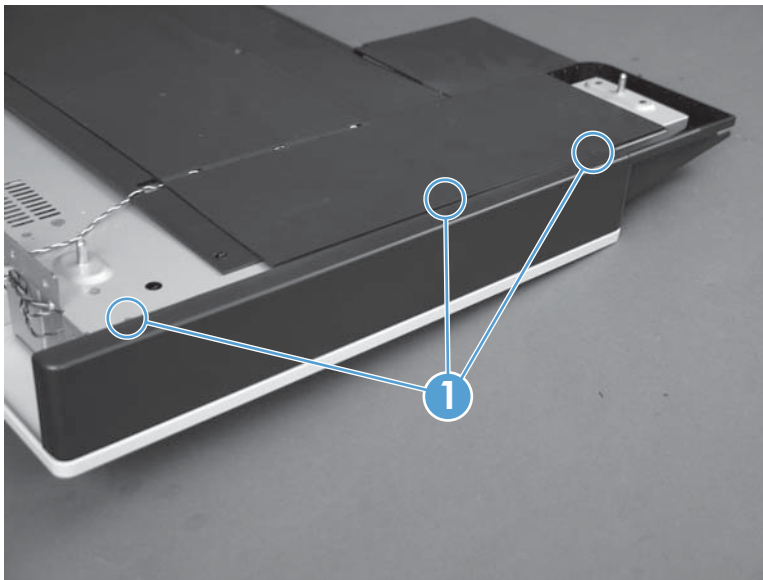
Before proceeding, remove the following assemblies:

- Document feeder. See [Document feeder on page 71](#).
- Control panel assembly. See [Control-panel assembly on page 5](#).
- Scanner assembly. See [Scanner assembly on page 74](#).

Remove the scanner right cover

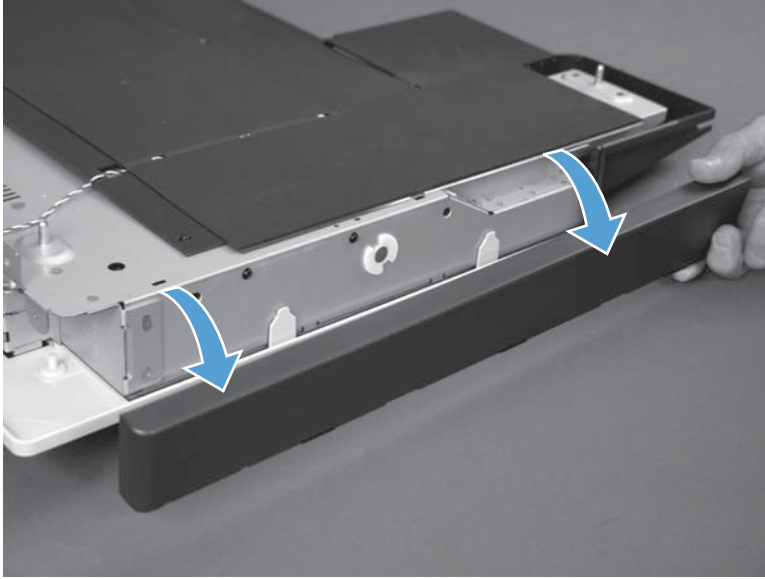
1. Turn the scanner upside down, and then release three tabs (callout 1).

Figure 1-76 Remove the scanner right cover (1 of 2)



2. Rotate the cover away from the scanner to remove it.

Figure 1-77 Remove the scanner right cover (2 of 2)



Scanner front cover

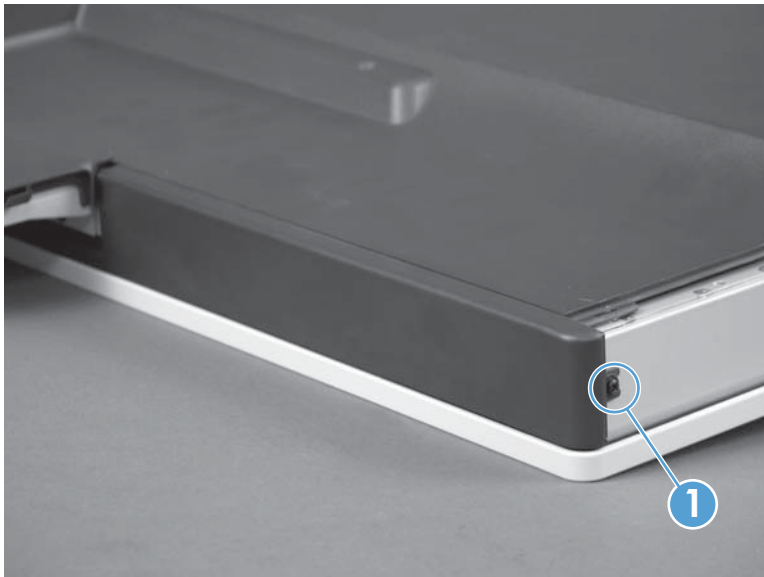
Before proceeding, remove the following assemblies:

- Document feeder. See [Document feeder on page 71](#).
- Control panel assembly. See [Control-panel assembly on page 5](#).
- Scanner assembly. See [Scanner assembly on page 74](#).
- Scanner left cover. See [Scanner left cover on page 49](#).

Remove the scanner front cover

1. Remove one screw (callout 1).

Figure 1-78 Remove the scanner front cover (1 of 3)



2. Release two tabs, and then slightly rotate the cover away from the scanner.


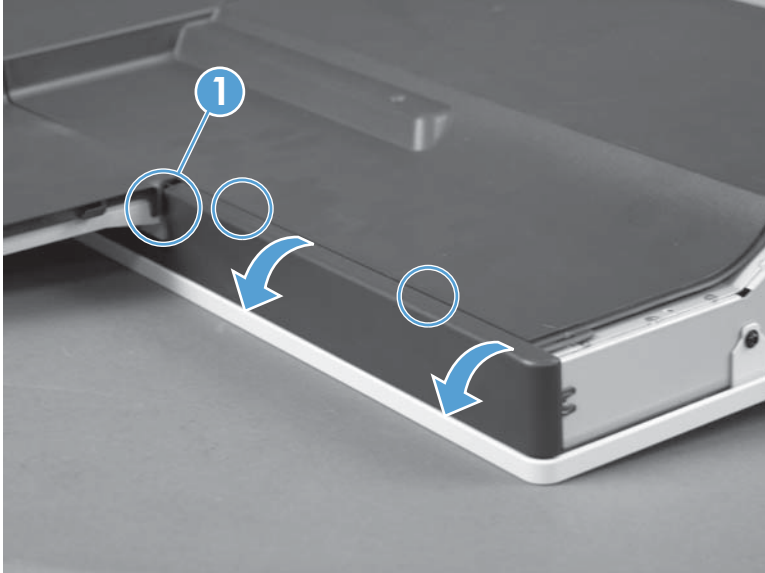
 **TIP:** Slightly lift up on the control panel bottom cover (callout 1) to give the front cover clearance.

Figure 1-79 Remove the scanner front cover (2 of 3)



3. Continue to carefully rotate (callout 1 and callout 2) the cover away from the scanner to remove it.


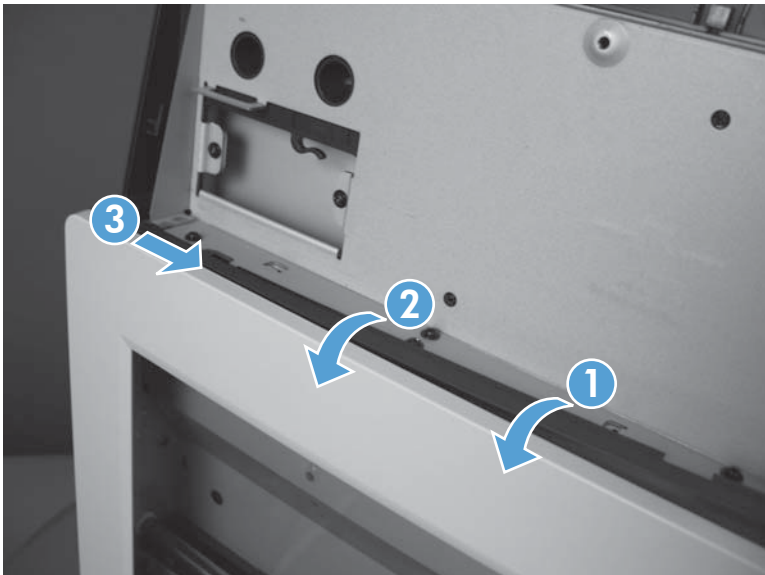
 **TIP:** When most of the cover is released, carefully pull back on the cover to release the end tab that fits under the scanner right cover (callout 3).

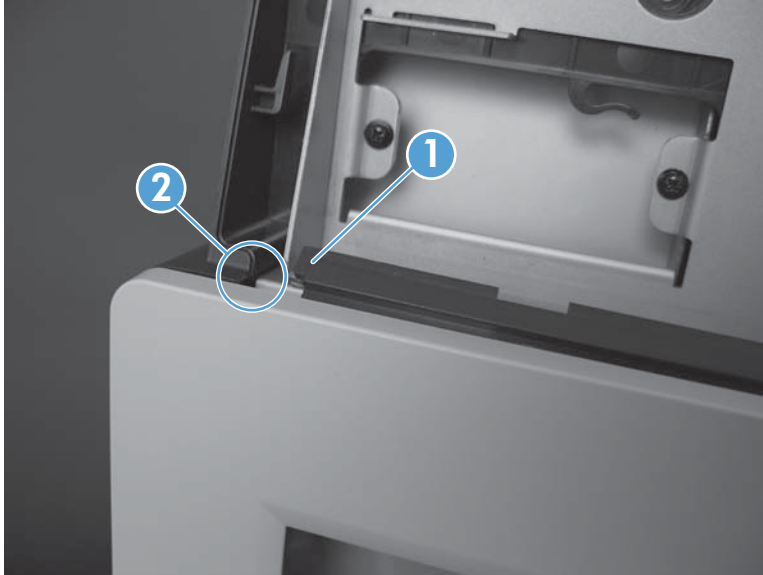
Figure 1-80 Remove the scanner front cover (3 of 3)



Reinstall the scanner front cover

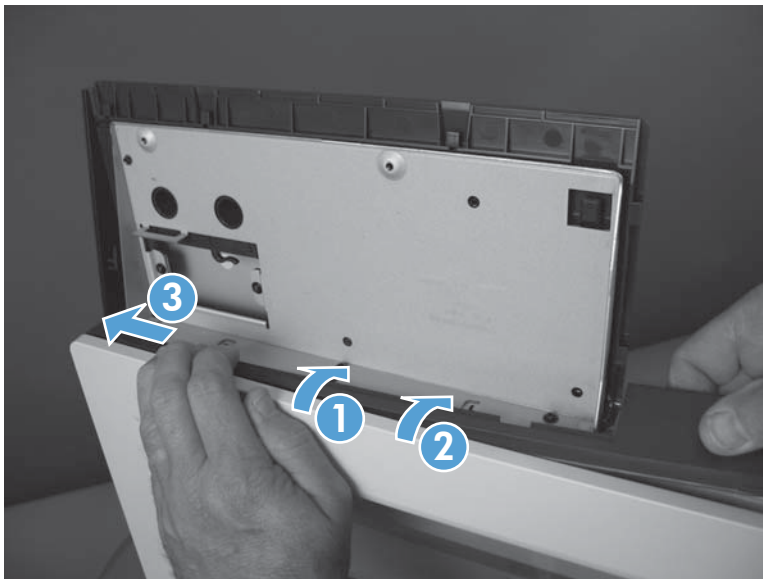
1. When the cover is reinstalled, the tab (callout 1) on the end of the cover must fit under the scanner right cover (callout 2).

Figure 1-81 Reinstall the scanner front cover (1 of 3)



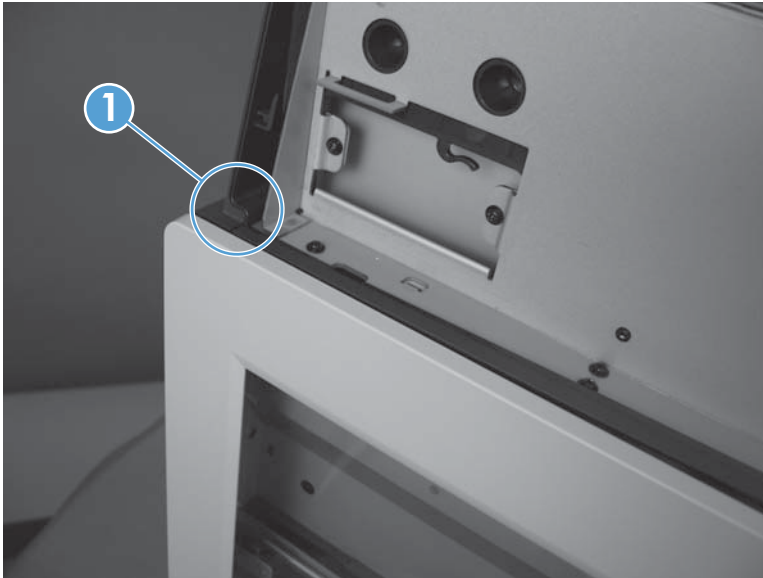
2. Rotate the cover into place along the control-panel cavity (callout 1 and callout 2), and then push on the cover to seat the tab on the end of the cover under the scanner right cover (callout 3).

Figure 1-82 Reinstall the scanner front cover (2 of 3)



3. Verify the tab on the front cover is correctly seated under the scanner right cover (callout 1) before snapping the remaining section of the cover in place.

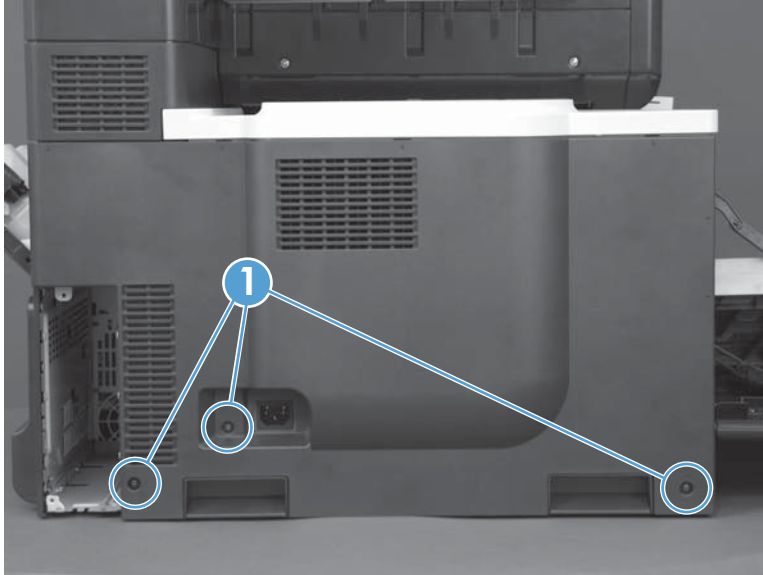
Figure 1-83 Reinstall the scanner front cover (3 of 3)



Left cover

1. Open the TCU access door, and then open the front door.
2. Remove three screws (callout 1).

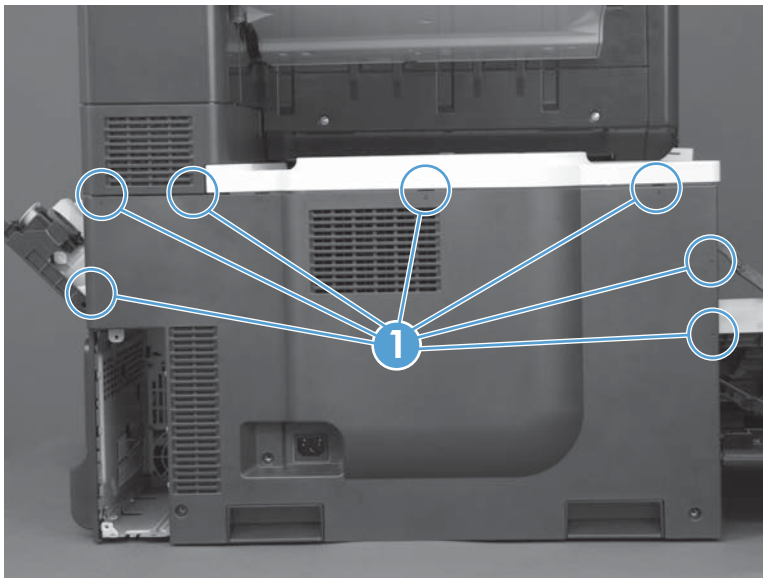
Figure 1-84 Remove the left cover (1 of 2)



3. Release seven tabs (callout 1), and then remove the cover.

TIP: Release the two tabs near the front door, and then, working counter clockwise toward the TCU access door, release the remaining tabs.

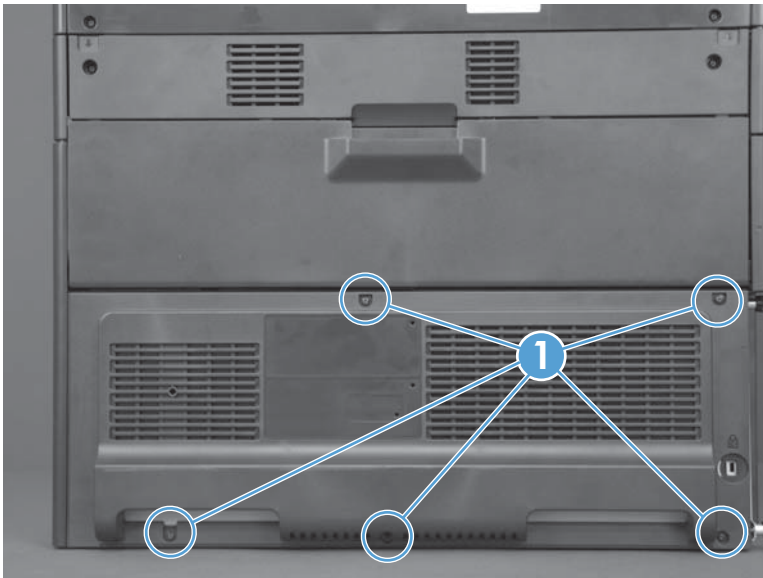
Figure 1-85 Remove the left cover (2 of 2)



Rear cover

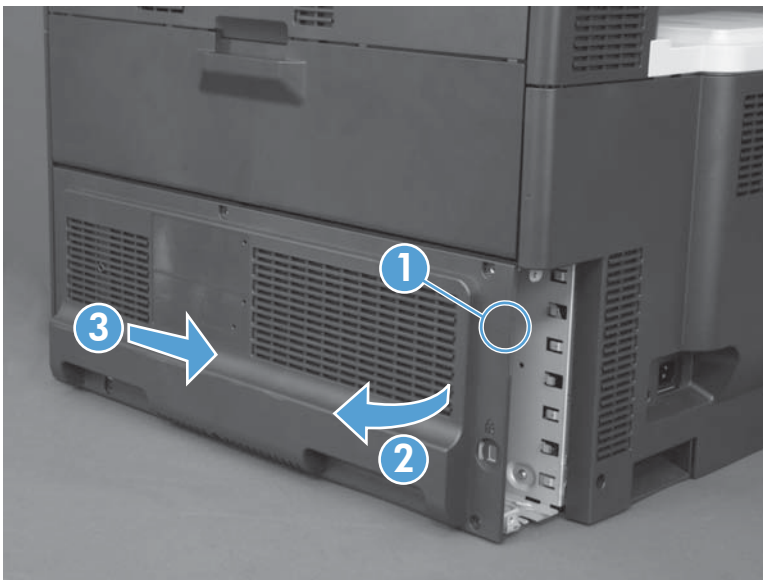
1. Remove five screws (callout 1).

Figure 1-86 Remove the rear cover (1 of 2)



2. Release one tab (callout 1), rotate the right side of the cover away from the product (callout 2), and then slide it away from the product (callout 3) to remove the cover.

Figure 1-87 Remove the rear cover (2 of 2)



Right rear cover

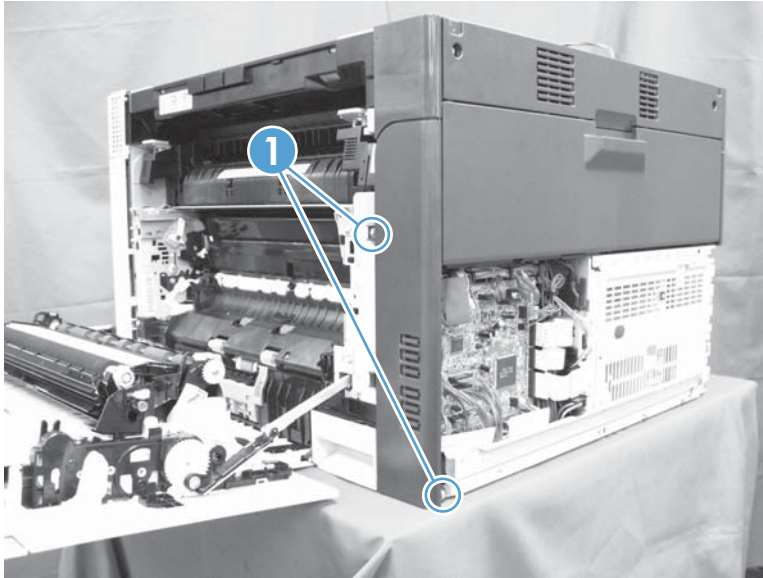
Before proceeding, remove the following assemblies:

- Rear cover. See [Rear cover on page 58](#).

Remove the right rear cover

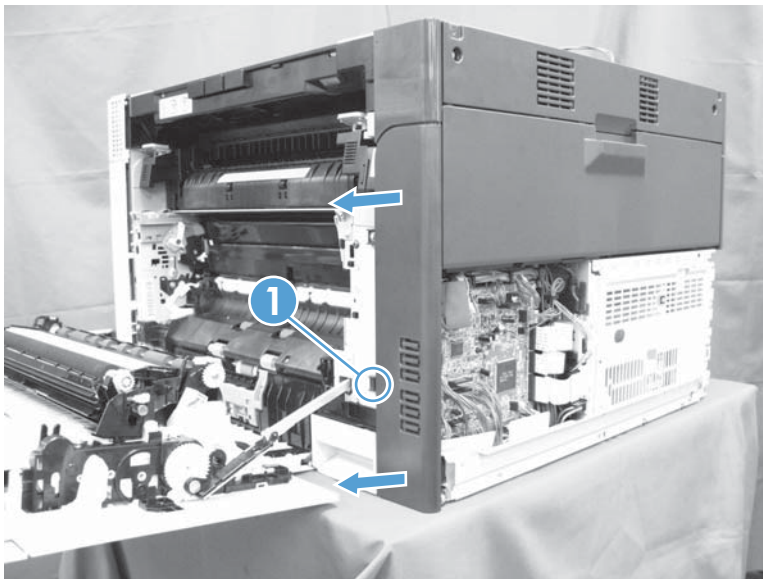
1. Open the right door.
2. Remove two screws (callout 1).

Figure 1-88 Remove the right rear cover (1 of 2)



3. Release one tab (callout 1), and then remove the cover.

Figure 1-89 Remove the right rear cover (2 of 2)



Toner collection unit (TCU) access door

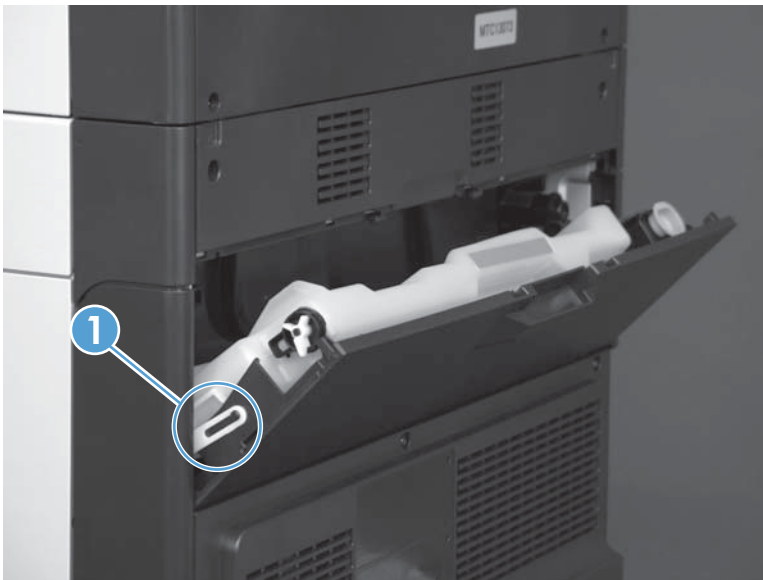
Before proceeding, remove the following assemblies:

- Rear cover. See [Rear cover on page 58](#).
- Right rear cover. See [Right rear cover on page 59](#).

Remove the TCU access door

1. Open the TCU access door, and then remove the TCU.
2. Release the link arm (callout 1) on the left side of the door.

Figure 1-90 Remove the TCU access door (1 of 3)

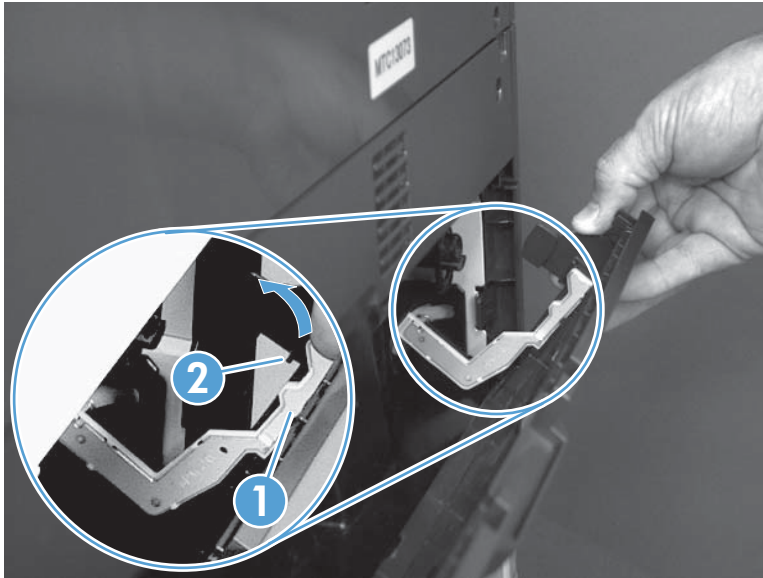


- Partially close the door so that the right link arm (callout 1) can clear the stop (callout 2) on the door, and then disengage the link arm from the door.

⚠ CAUTION: The link arm is spring loaded. Hold the link arm while it is being disconnected or the link arm might break if it is allowed to suddenly retract into the product when it is released.

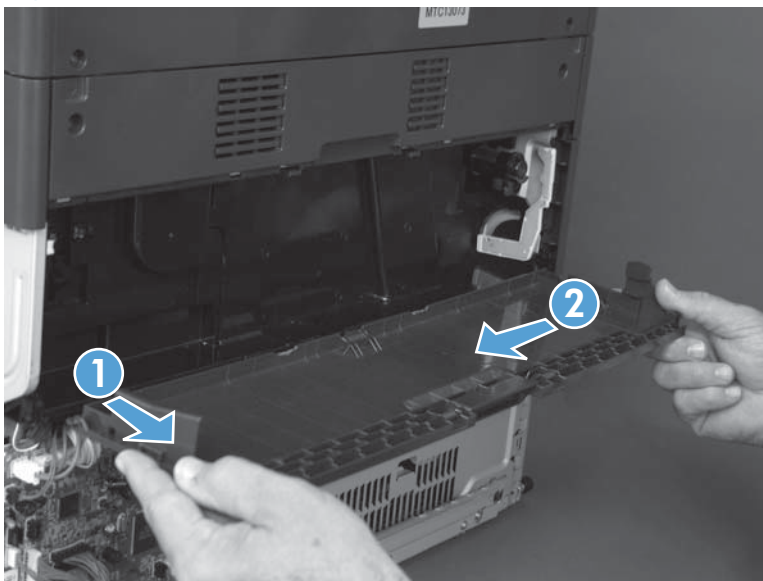
Do not disconnect the right-hand link arm when the door is completely open. Doing so can disconnect the link arm spring.

Figure 1-91 Remove the TCU access door (2 of 3)



- Open the door 90 degrees (callout 1), and then rotate the left side of the door away from the product to remove it (callout 2).

Figure 1-92 Remove the TCU access door (3 of 3)



Right door assembly

Before proceeding remove the following assemblies:

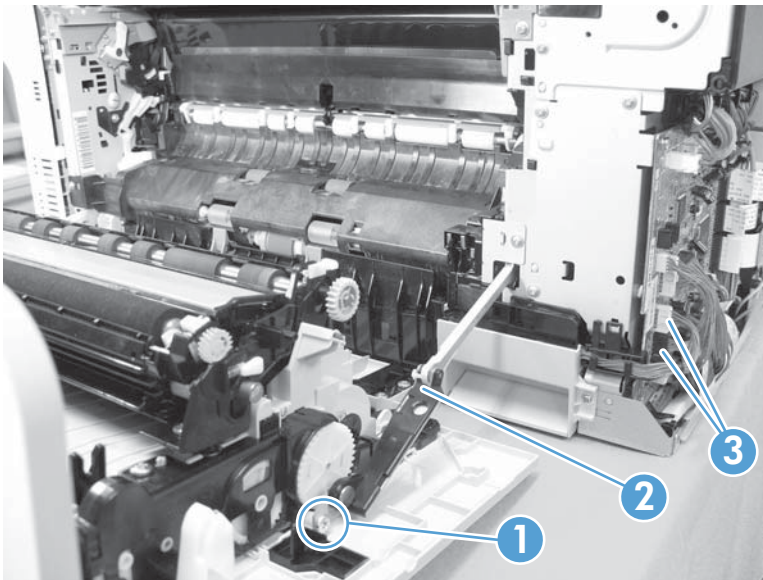
- Rear cover. See [Rear cover on page 58](#).
- Right rear cover. See [Right rear cover on page 59](#).

Remove the right door assembly

1. Remove one screw (callout 1), release the link arm (callout 2), and then disconnect two connectors (callout 3).

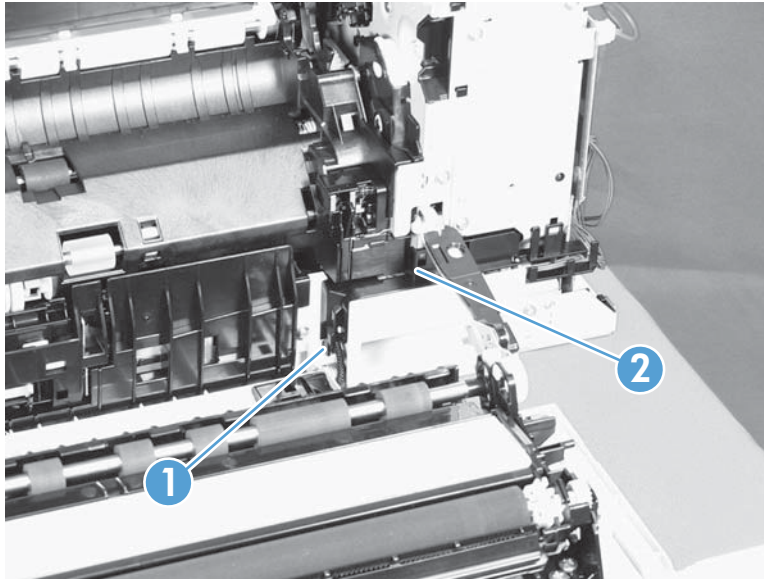
 **NOTE:** The link arm is spring loaded and retracts into the product.

Figure 1-93 Remove the right door assembly (1 of 7)



- Carefully release one tab (callout 1), and then remove the cable cover (callout 2).

Figure 1-94 Remove the right door assembly (2 of 7)



- Release one tab (callout 1), and then remove the guide (callout 2).


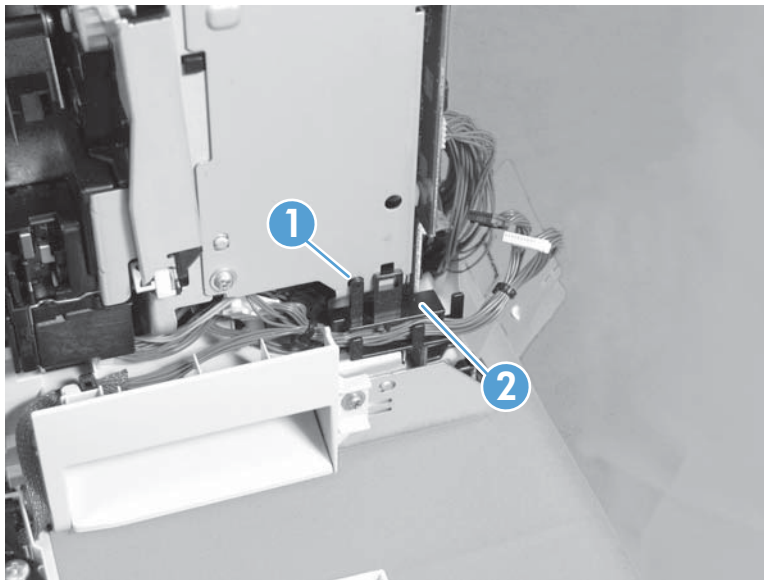
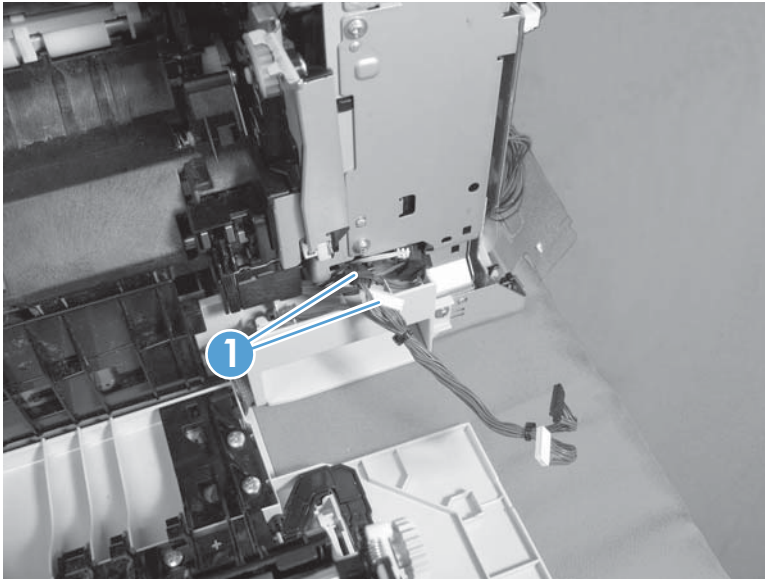
 **TIP:** Release the wire harnesses from the guide as you remove it.

Figure 1-95 Remove the right door assembly (3 of 7)



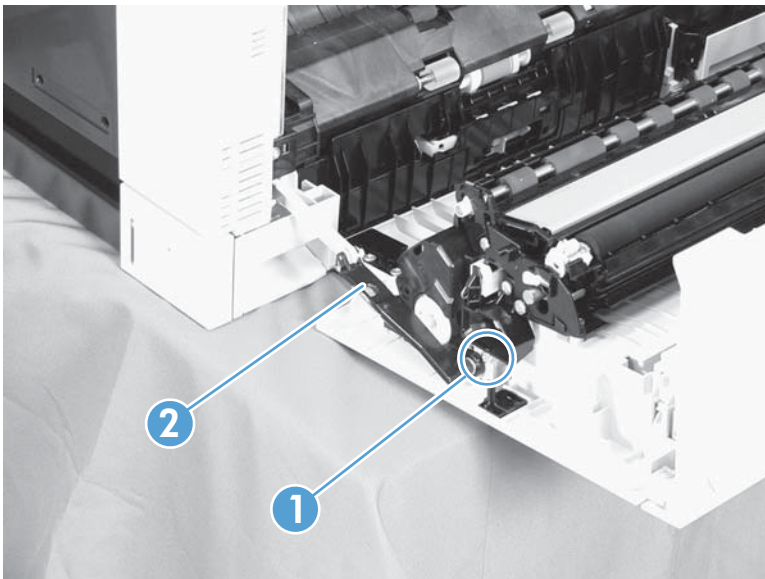
4. Disconnect two connectors (callout 1).

Figure 1-96 Remove the right-door assembly (4 of 7)



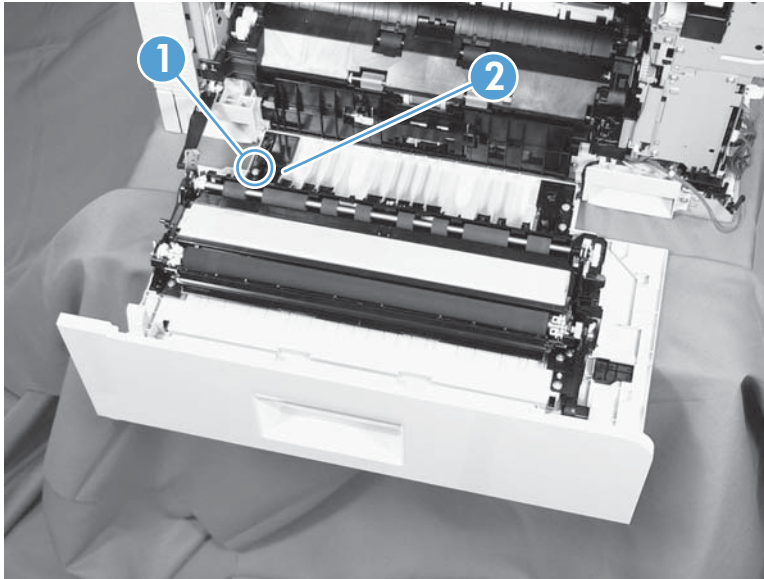
5. Remove one screw (callout 1), and then release the link arm (callout 2).

Figure 1-97 Remove the right-door assembly (5 of 7)



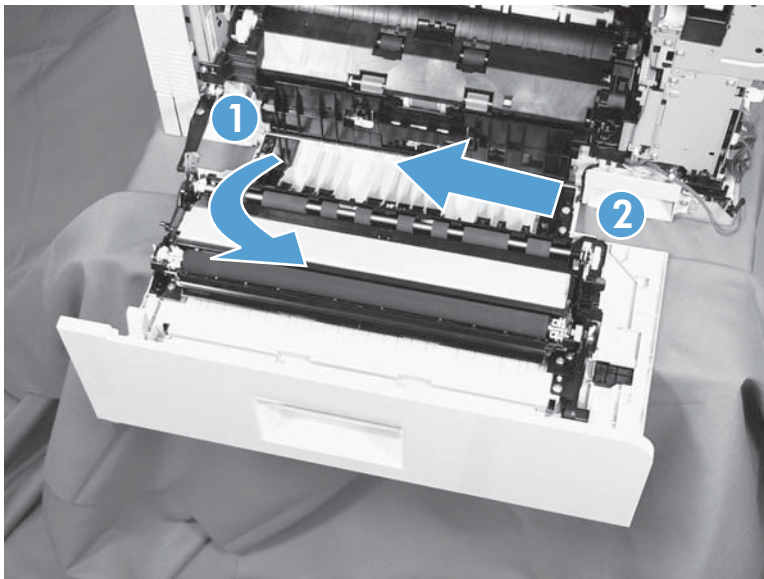
6. Remove one screw (callout 1), and then remove the hinge (callout 2).

Figure 1-98 Remove the right door assembly (6 of 7)



7. Rotate the left side of the door away from the product, and then slide the door assembly to the left to remove it.

Figure 1-99 Remove the right door assembly (7 of 7)

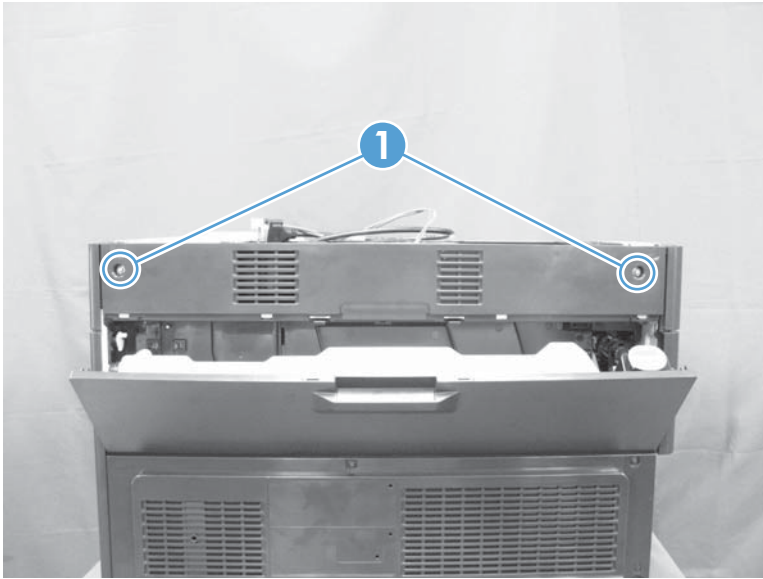


Rear upper cover

It might be easier to remove this cover, if the right upper cover is removed. See [Right upper cover on page 67](#).

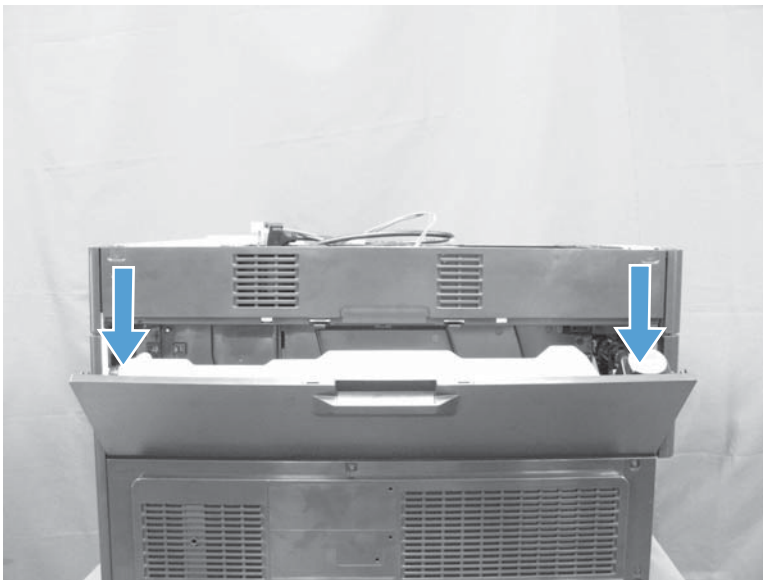
1. Open the TCU access door.
2. Remove two screws (callout 1).

Figure 1-100 Remove the rear upper cover (1 of 2)



3. Pull down on the cover to release it, and then remove the cover.

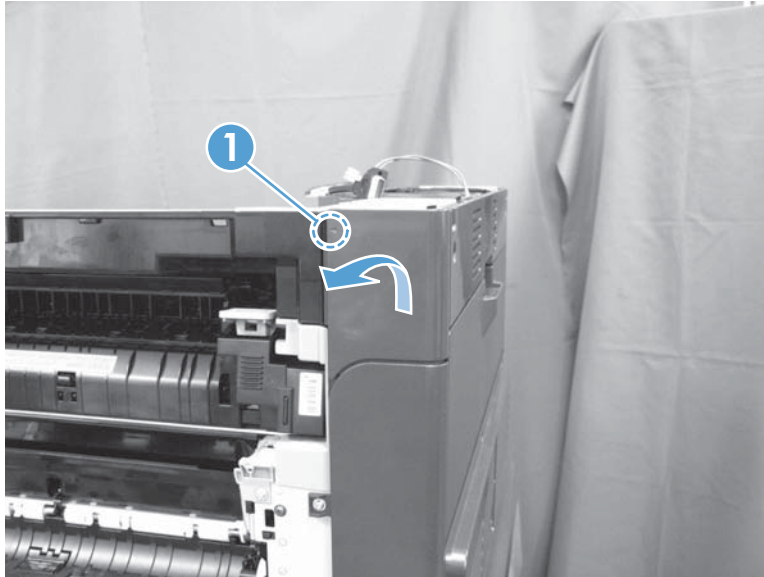
Figure 1-101 Remove the rear upper cover (2 of 2)



Right upper cover

1. Open the right door.
2. Release one tab (callout 1), rotate the top of the cover away from the product, and then remove the cover.

Figure 1-102 Remove the right upper cover



Scanner rear and FFC bezel cover

Remove two screws (callout 1), and remove the scanner rear cover (callout 2).


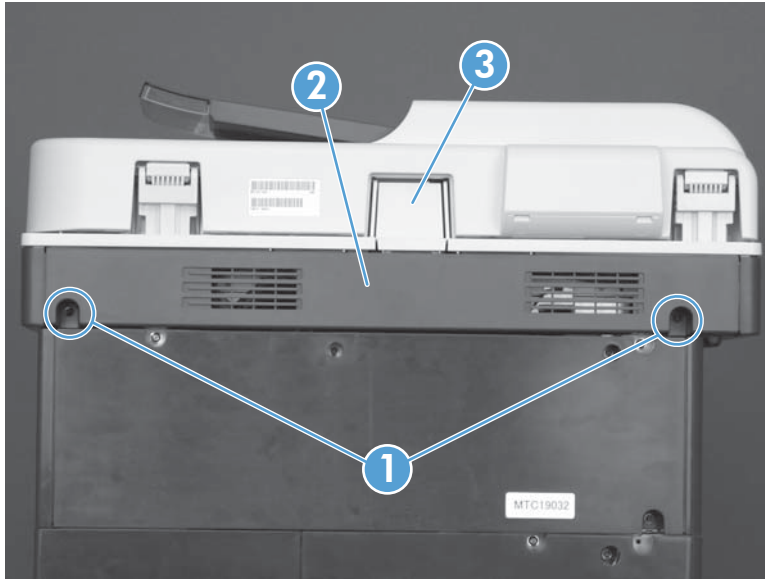
 **NOTE:** The bezel cover (callout 3) is attached to the back cover, but not captive when the cover is removed and can be easily dislodged. Remove the bezel cover if necessary.

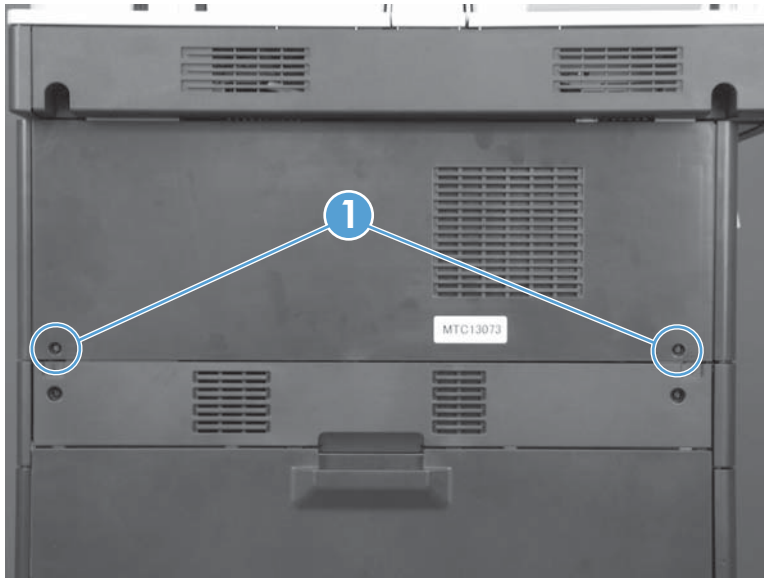
Figure 1-103 Remove the document feeder lower-rear cover



Stapler/stacker rear cover

1. Remove two screws (callout 1).

Figure 1-104 Remove the stapler/stacker rear cover (1 of 3)



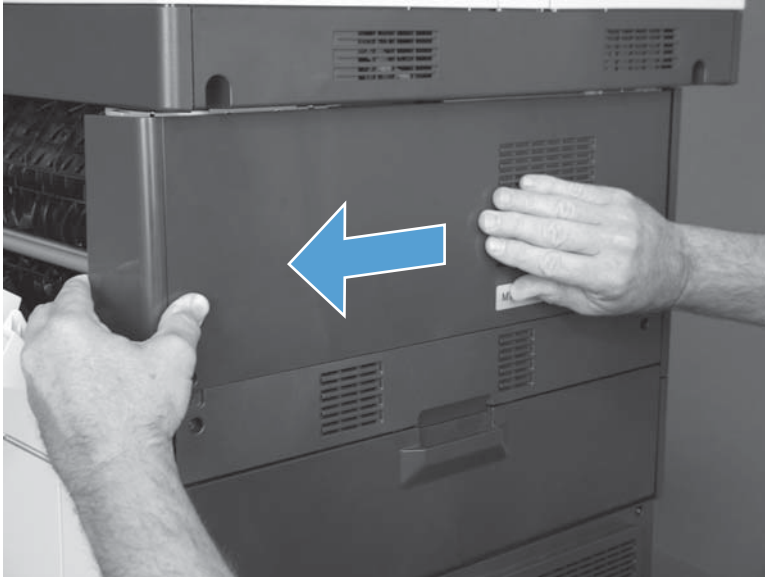
2. Open the jam access door, and then release three tabs (callout 1).

Figure 1-105 Remove the stapler/stacker rear cover (2 of 3)



3. Slide the cover to the left to release it, and then remove the cover.

Figure 1-106 Remove the stapler/stacker rear cover (3 of 3)



Document feeder

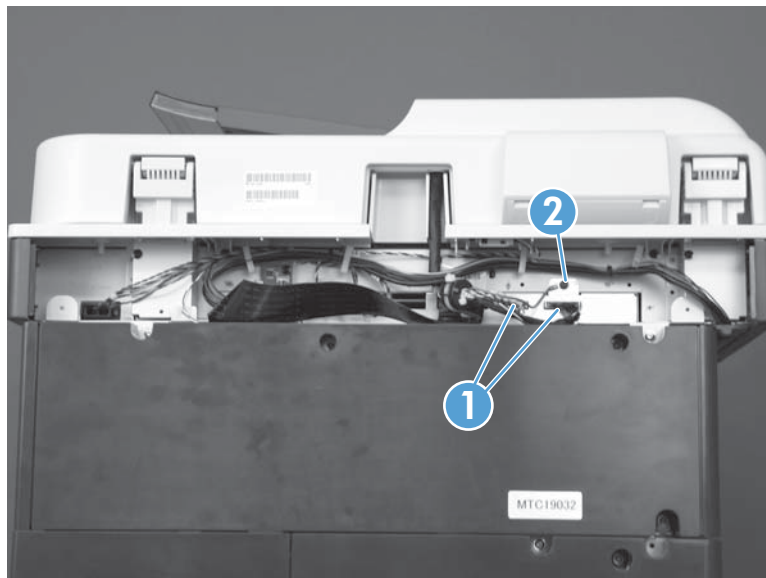
Before proceeding, remove the following assemblies:

- Scanner rear and FFC bezel cover. See [Scanner rear and FFC bezel cover on page 68](#).

Remove the document feeder assembly

1. Disconnect two connectors (callout 1) and remove one ground wire screw (callout 2).

Figure 1-107 Remove the document feeder (1 of 4)



2. Remove two screws (callout 1) in the hinge housings.


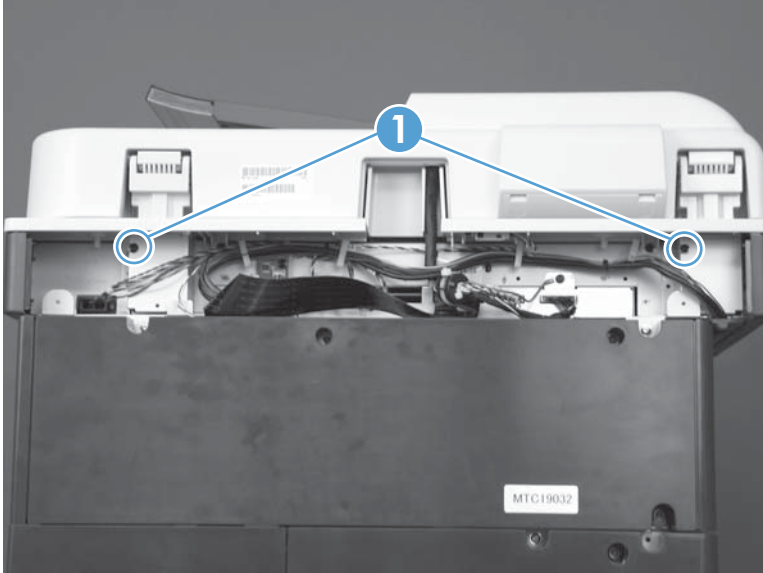
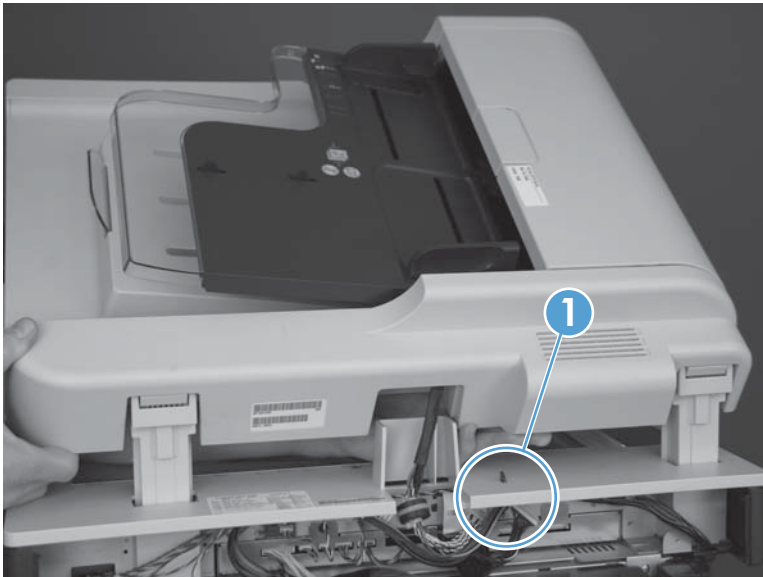
 **NOTE:** The housing screws (callout 1) are longer than most of the screws used in the product. You must use these longer screws in the hinge housings when you reinstall the document feeder.

Figure 1-108 Remove the document feeder (2 of 4)



3. Release the cables from one retainer (callout 1).

Figure 1-109 Remove the document feeder (3 of 4)



4. Slightly raise the right side of the assembly, release the cables from the raceway (callout 1), and then lift the document feeder assembly up to remove it.


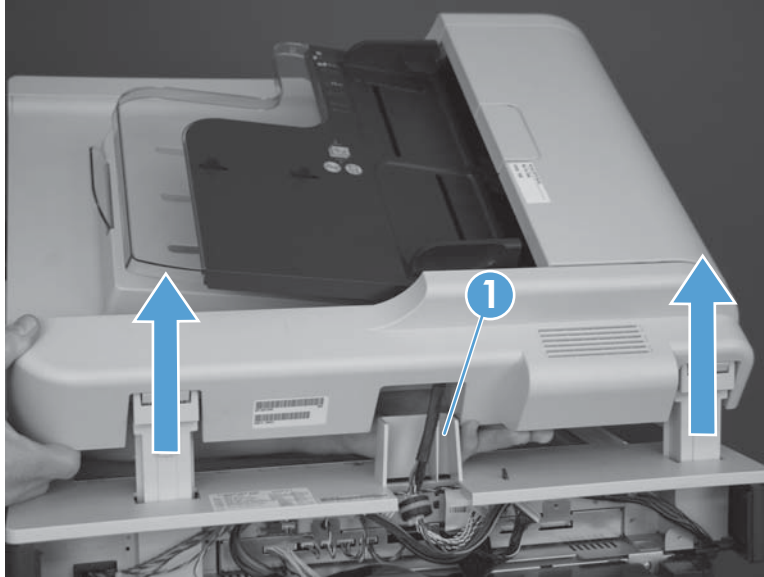

 **Reinstallation tip** Position the cables toward the back of the product. With the right side of the document feeder slightly raised, thread the cables through the raceway (callout 1).

Figure 1-110 Remove the document feeder (4 of 4)



Reinstall the document feeder

 **NOTE:** If a replacement document feeder or scanner assembly is installed, you must install a replacement foam reflector on the document feeder. See [Document feeder foam reflector on page 16](#).

Installing a replacement document feeder assembly


If a replacement document feeder is installed, do the following:

1. From the Home screen on the control panel, scroll to and touch the [Device Maintenance](#) button.
2. Open the [Service](#) menu.
3. On the sign-in screen, select the [Service Access Code](#) option from the drop-down list.
4. Enter the following service access code for this product: 11077512.
5. Reset the following values:
 - [Document Feeder Kit Count](#); set to zero
 - [ADF Count](#); set to zero

Scanner assembly

Before proceeding, remove the following assemblies:

- Control-panel assembly. See [Control-panel assembly on page 5](#).
- Optional: Document feeder. See [Document feeder on page 71](#).

 **NOTE:** HP recommends removing the document feeder to decrease the weight of the scanner assembly when it is lifted off of the product.

- Scanner rear and FFC bezel cover. See [Scanner rear and FFC bezel cover on page 68](#).
- Remove one of the following:
 - If a stapler/stacker is installed: stapler/stacker rear cover. See [Stapler/stacker rear cover on page 69](#).
 - If a stapler/stacker is not installed: rear upper cover. See [Rear upper cover on page 66](#).

Remove the scanner assembly

1. Disconnect two connectors (callout 1), and then release the wire harness from the retainer (callout 2).


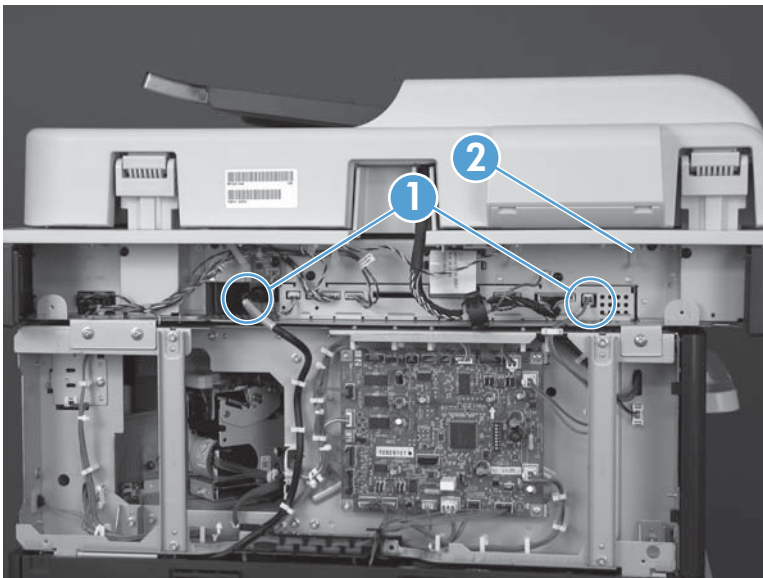
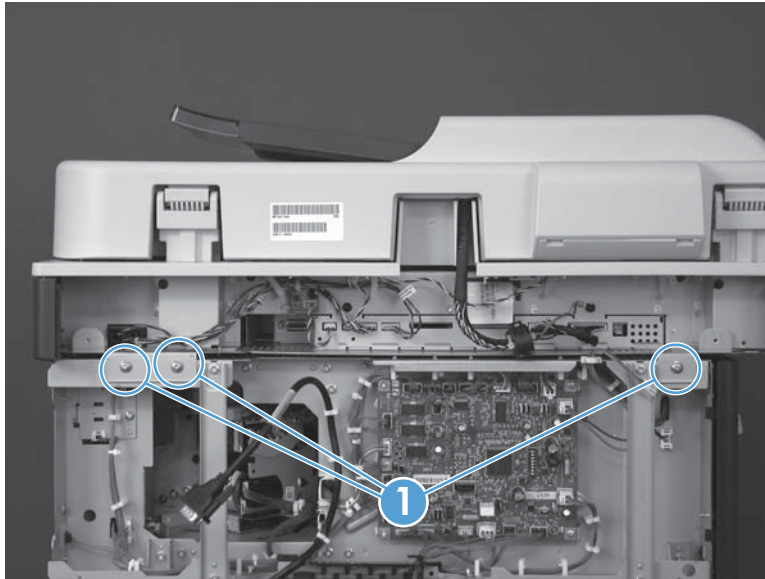
 **NOTE:** In the figure below, the wire harness has already been released from the retainer (callout 2).

Figure 1-111 Remove the scanner assembly (1 of 5)



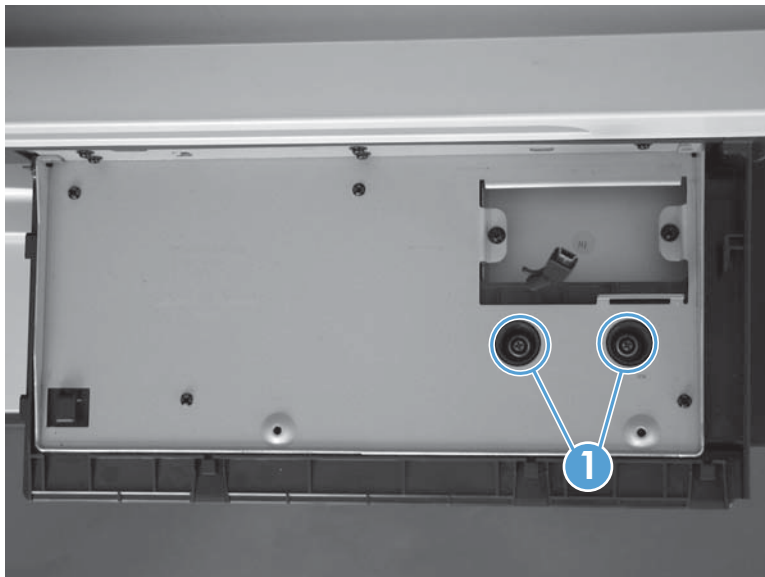
2. Remove three screws (callout 1).

Figure 1-112 Remove the scanner assembly (2 of 5)



3. Remove two screws (callout 1) in the control-panel cavity.

Figure 1-113 Remove the scanner (3 of 5)



4. Slightly lift up on the control-panel housing, release the cable from the retaining clip, and then carefully feed the control-panel cable out of the opening in the housing.


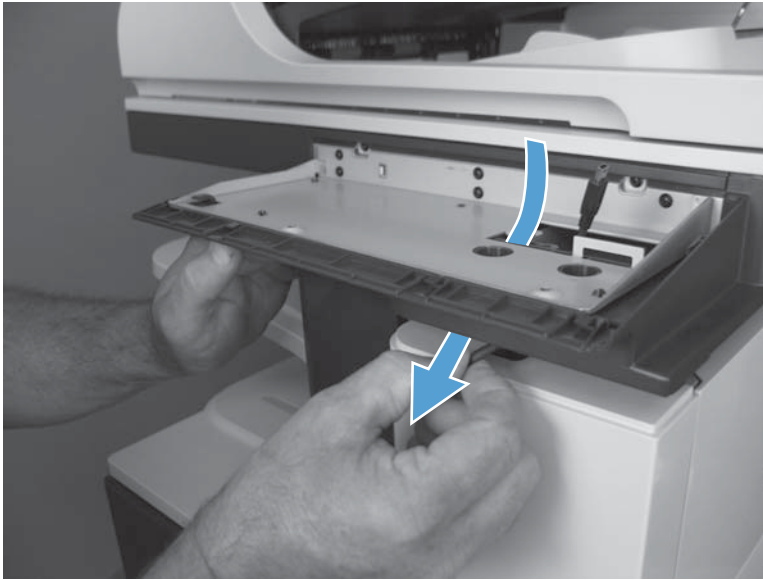

 **TIP:** While you prepare to remove the assembly, use the handle of a small screw driver to keep the front of the scanner assembly separated from the stapler/stacker and avoid pinching the control-panel cable.

Figure 1-114 Remove the scanner assembly (4 of 5)

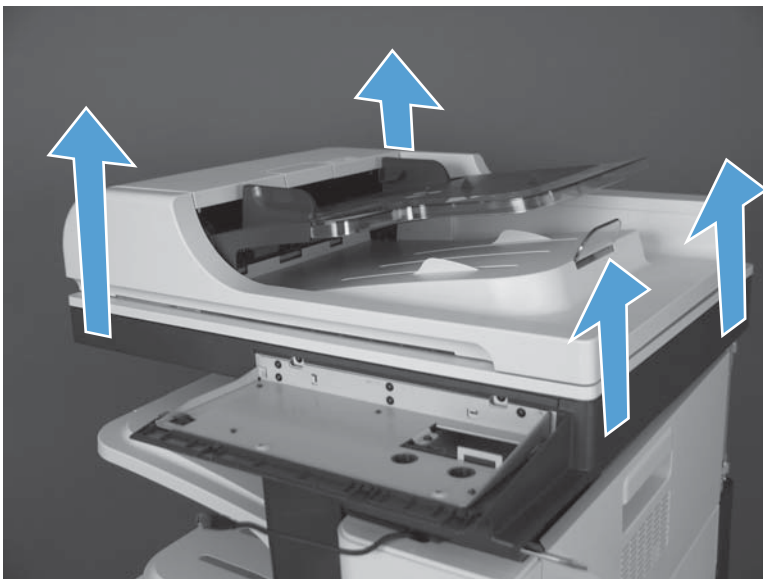


5. Lift the scanner assembly up and off of the product to remove it.

 **CAUTION:** The scanner assembly is heavy. HP recommends that two people remove the scanner assembly from the product if the document feeder was not removed.

The document feeder is not secured in the closed position and can suddenly open when handling the scanner assembly.

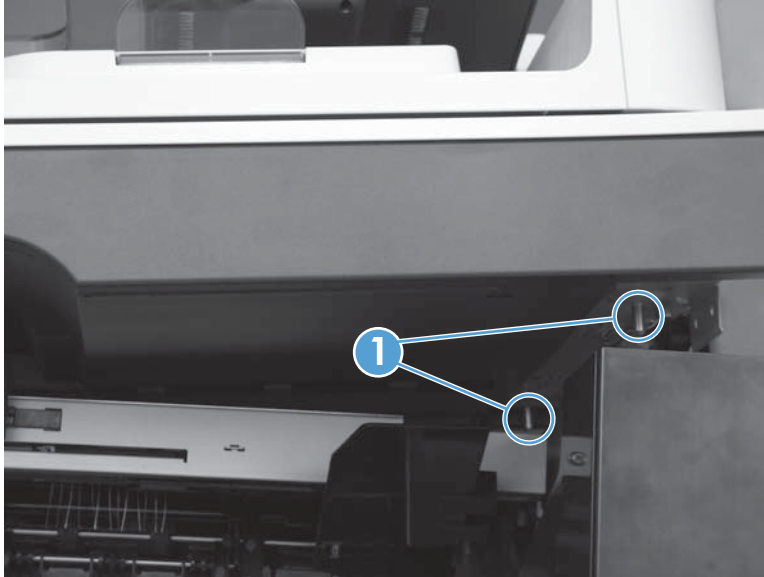
Figure 1-115 Remove the scanner assembly (5 of 5)




Reinstall the scanner assembly

Use the alignment pins (callout 1) on the back of the scanner assembly to mount the assembly on the product base

Figure 1-116 Reinstall the scanner assembly



 **NOTE:** If a replacement document feeder or scanner assembly is installed, you must install a replacement foam reflector on the document feeder. See [Document feeder foam reflector on page 16](#).

Installing a replacement scanner assembly


If a replacement image scanner is installed, do the following:

1. From the Home screen on the control panel, scroll to and touch the [Device Maintenance](#) button.
2. Open the [Service](#) menu.
3. On the sign-in screen, select the [Service Access Code](#) option from the drop-down list.
4. Enter the following service access code for this product: 11077512.
5. Reset the following values:
 - [Flatbed Count](#); set to zero

Stapler/stacker assembly

Before proceeding, remove the following assemblies:

- Control-panel assembly. See [Control-panel assembly on page 5](#).
- Stapler/stacker rear cover. See [Stapler/stacker rear cover on page 69](#).
- Optional: Document feeder. See [Document feeder on page 71](#).

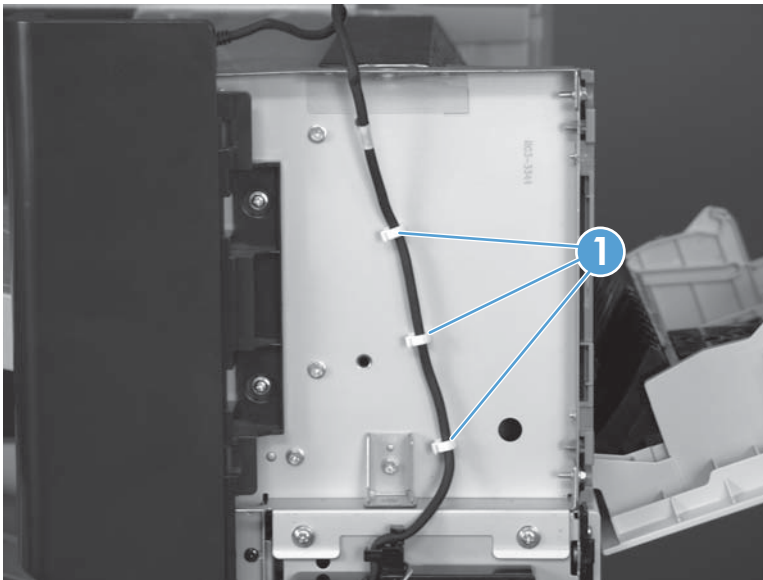
 **NOTE:** HP recommends removing the document feeder to decrease the weight of the scanner assembly when it is lifted off of the product.

- Scanner assembly. See [Scanner assembly on page 74](#).
- Front upper cover. See [Front upper cover on page 83](#).

Remove the stapler/stacker assembly

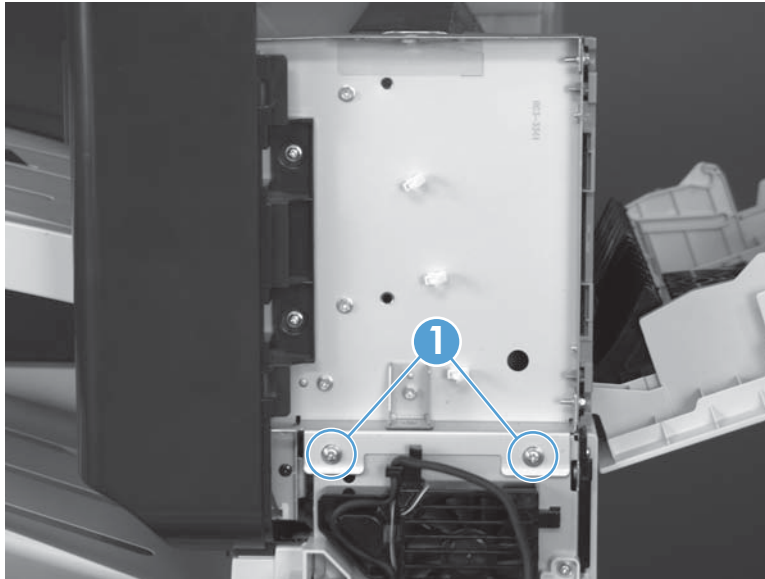
1. Release the control-panel cable from three retainers (callout 1).

Figure 1-117 Remove the stapler/stacker assembly (1 of 7)



2. Remove two screws (callout 1).

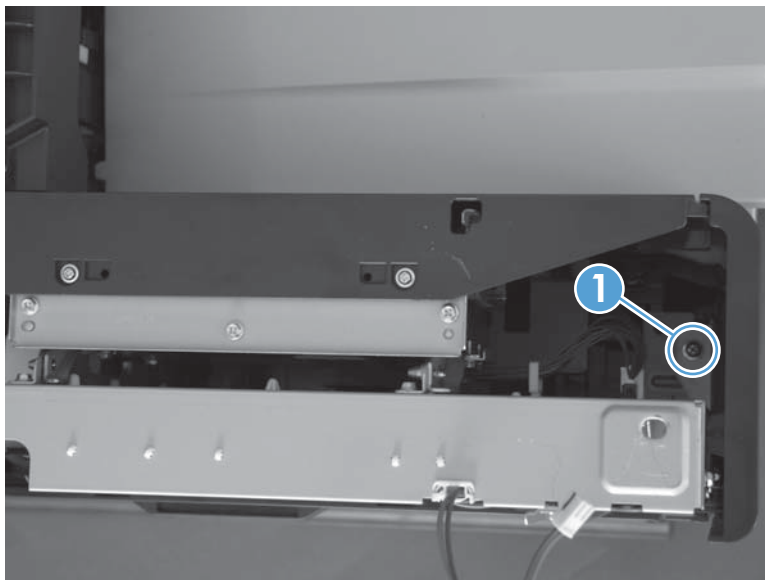
Figure 1-118 Remove the stapler/stacker assembly (2 of 7)



3. Remove one screw (callout 1).

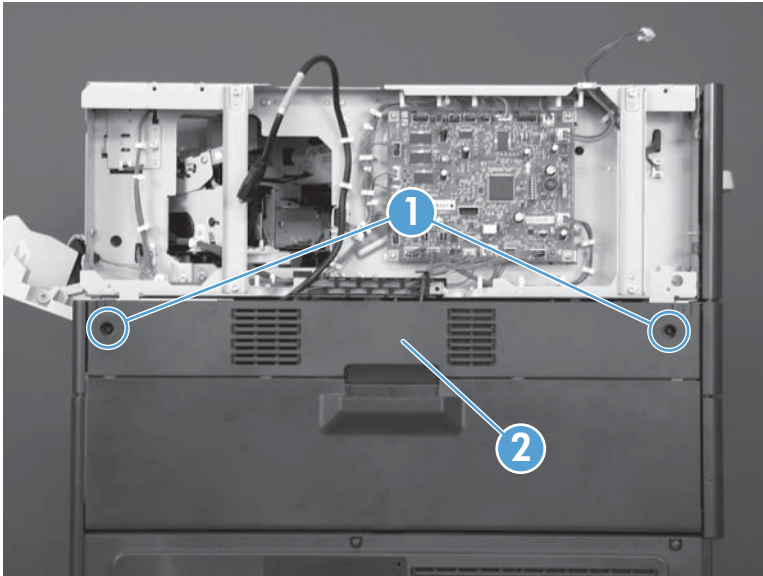
 **NOTE:** Look down at the top of the product to locate this screw.

Figure 1-119 Remove the stapler/stacker assembly (3 of 7)



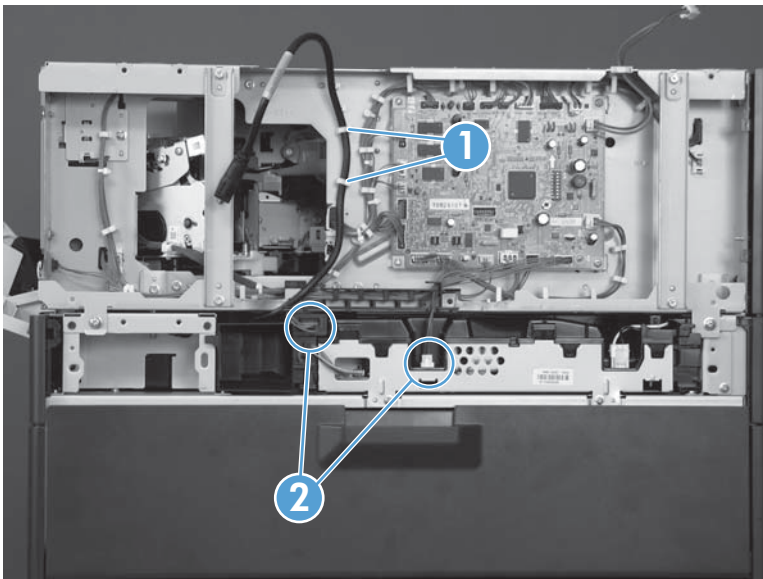
4. Remove two screws (callout 1), open the toner access door, and then pull down on the rear upper cover (callout 2) to remove it.

Figure 1-120 Remove the stapler/stacker assembly (4 of 7)



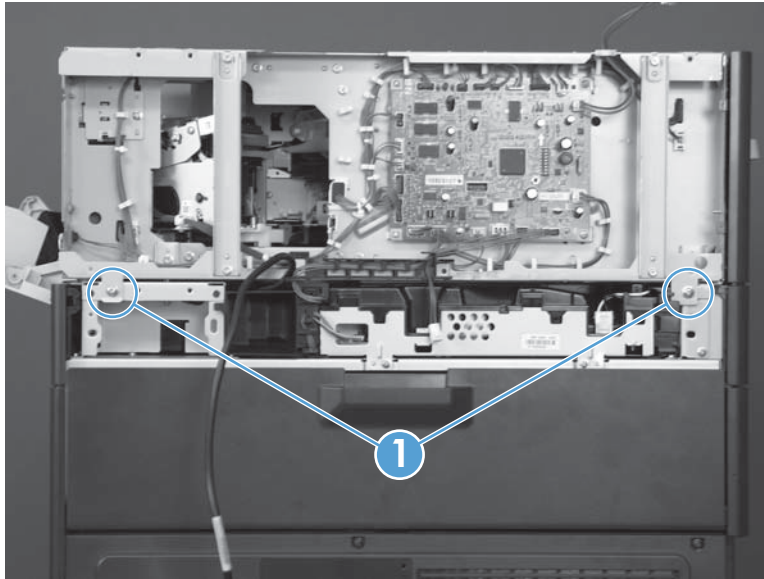
5. Release the black serial cable from two retainers (callout 1), and then disconnect two connectors (callout 2).

Figure 1-121 Remove the stapler/stacker assembly (5 of 7)



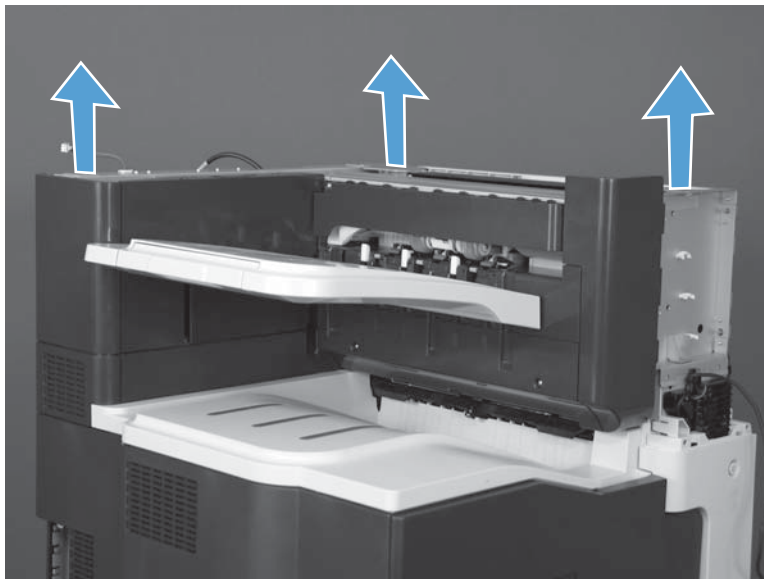
6. Remove two screws (callout 1).

Figure 1-122 Remove the stapler/stacker assembly (6 of 7)



7. Lift the assembly straight up and off of the product.

Figure 1-123 Remove the stapler/stacker assembly (7 of 7)



Left upper cover

Before proceeding, remove the following assemblies:

- Control-panel assembly. See [Control-panel assembly on page 5](#).
- Optional: Document feeder. See [Document feeder on page 71](#).



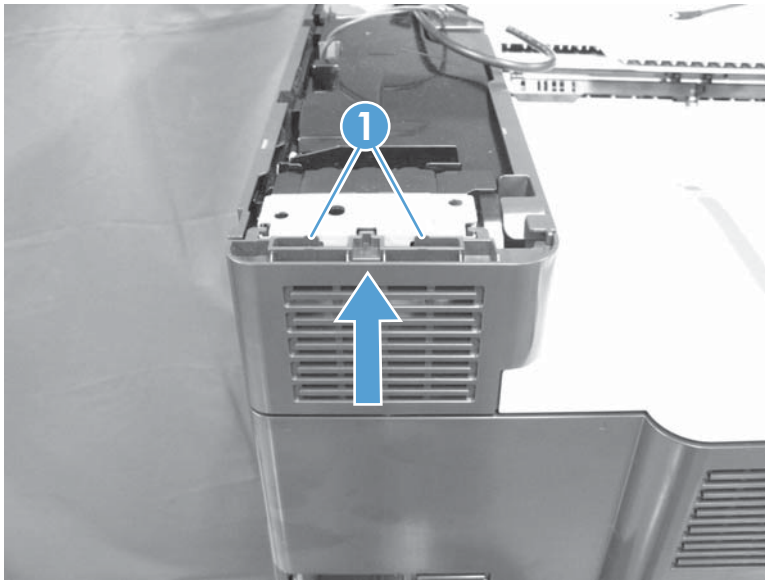
NOTE: HP recommends removing the document feeder to decrease the weight of the scanner assembly when it is lifted off of the product.

- Scanner assembly. See [Scanner assembly on page 74](#).
- For a stapler/stacker model:
 - Stapler/stacker assembly. See [Stapler/stacker assembly on page 78](#).

Remove the left upper cover

Release two tabs (callout 1), and then slide the cover upward to remove it.


Figure 1-124 Remove the left upper cover



Front upper cover

Before proceeding, remove the following assemblies:

- Control-panel assembly. See [Control-panel assembly on page 5](#).
- For products with a stapler/stacker installed:
 - Stapler/stacker rear cover. See [Stapler/stacker rear cover on page 69](#).
- Optional: Document feeder. See [Document feeder on page 71](#).

 **NOTE:** HP recommends removing the document feeder to decrease the weight of the scanner assembly when it is lifted off of the product.

- Scanner assembly. See [Scanner assembly on page 74](#).

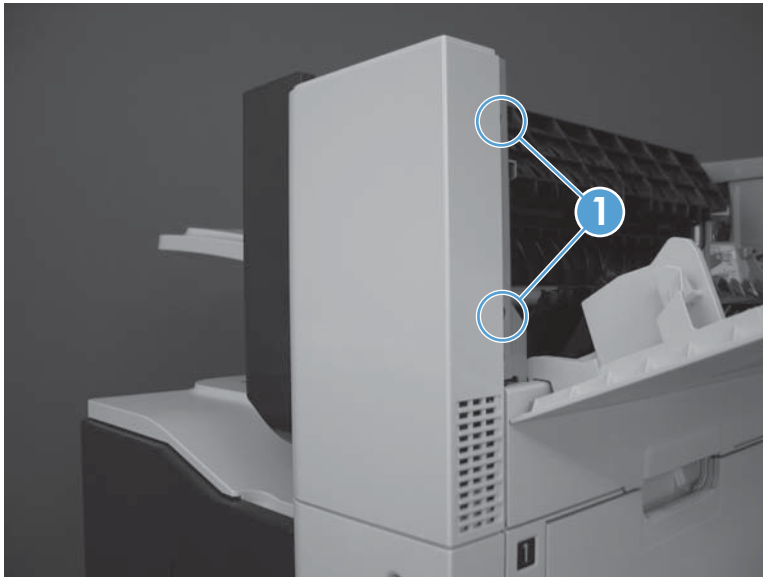
 **NOTE:** For a stapler/stacker model, see [Remove the front upper cover; stapler/stacker model on page 83](#).

For a non stapler/stacker model, see [Remove the front upper cover; non stapler/stacker model on page 85](#).

Remove the front upper cover; stapler/stacker model

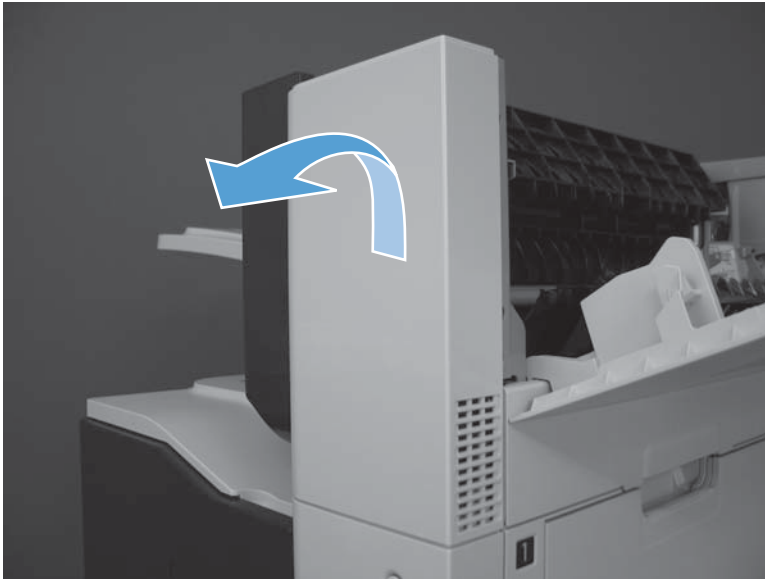
1. Open the right door.
2. Release two tabs (callout 1), and then remove the cover.

Figure 1-125 Remove the front upper cover; stapler/stacker model (1 of 2)



3. Rotate the top of the cover away from the product to remove it.

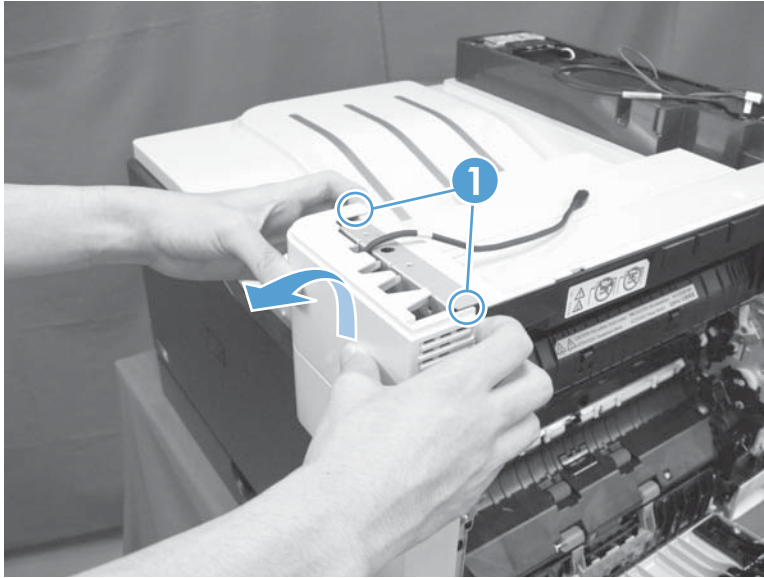
Figure 1-126 Remove the front upper cover; stapler/stacker model (2 of 2)



Remove the front upper cover; non stapler/stacker model

1. Open the right door.
2. Release two tabs (callout 1), rotate the top of the cover away from the product, and then remove the cover.

Figure 1-127 Remove the front upper cover; non stapler/stacker model



Front right cover

Before proceeding, remove the following assemblies:

- Control-panel assembly. See [Control-panel assembly on page 5](#).
- Optional: Document feeder. See [Document feeder on page 71](#).



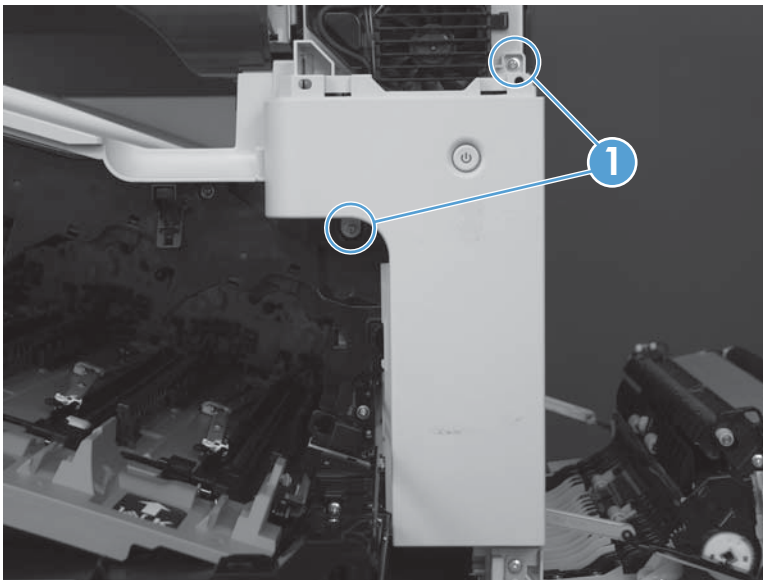
NOTE: HP recommends removing the document feeder to decrease the weight of the scanner assembly when it is lifted off of the product.

- Scanner assembly. See [Scanner assembly on page 74](#).
- For a stapler/stacker model:
 - Stapler/stacker assembly. See [Stapler/stacker assembly on page 78](#).
- Front upper cover. See [Front upper cover on page 83](#).

Remove the front right cover

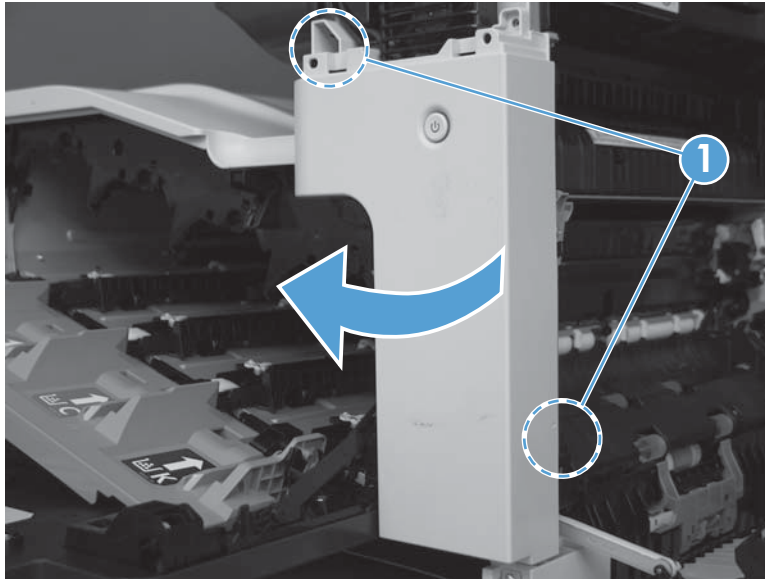
1. Open the front door and right door.
2. Remove two screws (callout 1).

Figure 1-128 Remove the front right cover (1 of 2)



3. Release two tabs (callout 1), and then remove the cover.

Figure 1-129 Remove the front right cover (2 of 2)



Front door assembly

Before proceeding, remove the following assemblies:

- Control-panel assembly. See [Control-panel assembly on page 5](#).
- Optional: Document feeder. See [Document feeder on page 71](#).



NOTE: HP recommends removing the document feeder to decrease the weight of the scanner assembly when it is lifted off of the product.

- Scanner assembly. See [Scanner assembly on page 74](#).
- For a stapler/stacker model:
 - Stapler/stacker assembly. See [Stapler/stacker assembly on page 78](#).
- Front upper cover. See [Front upper cover on page 83](#).
- Front right cover. See [Front right cover on page 86](#).

Remove the front door assembly

1. Open the front door.

2. Remove one screw (callout 1) and remove the left side of the inner cover rail mount (callout 2).

⚠ CAUTION: As shown in [Figure 1-131 Remove the front door assembly \(2 of 4\) on page 89](#), when loosening the inner cover rail mount (callout 3), hold down the inner cover (callout 4) with one hand to prevent it from springing back at the product.

Figure 1-130 Remove the front door assembly (1 of 4)

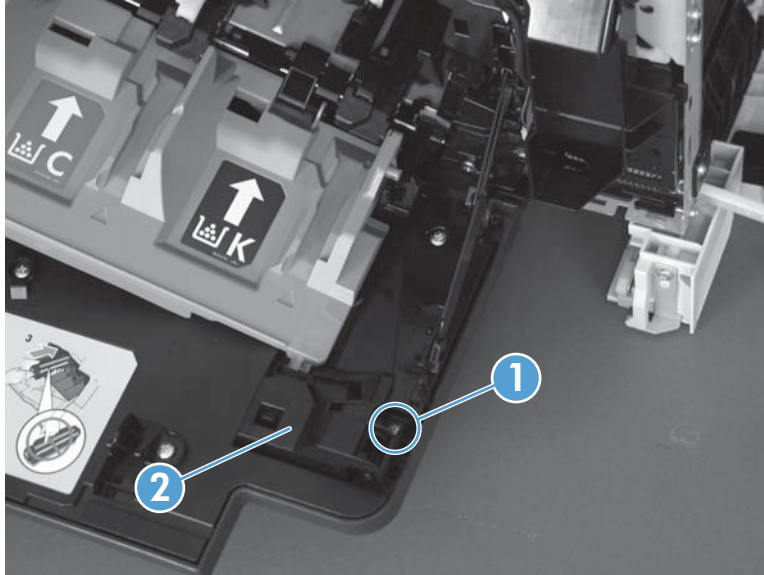
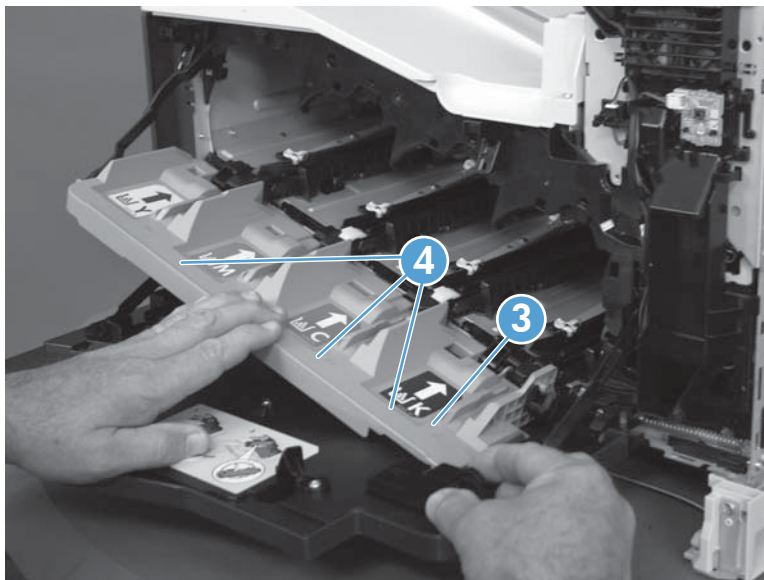
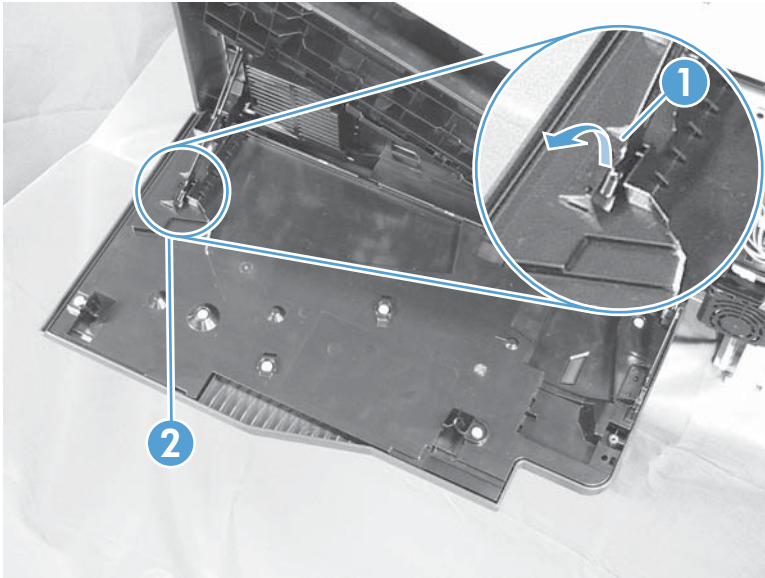


Figure 1-131 Remove the front door assembly (2 of 4)



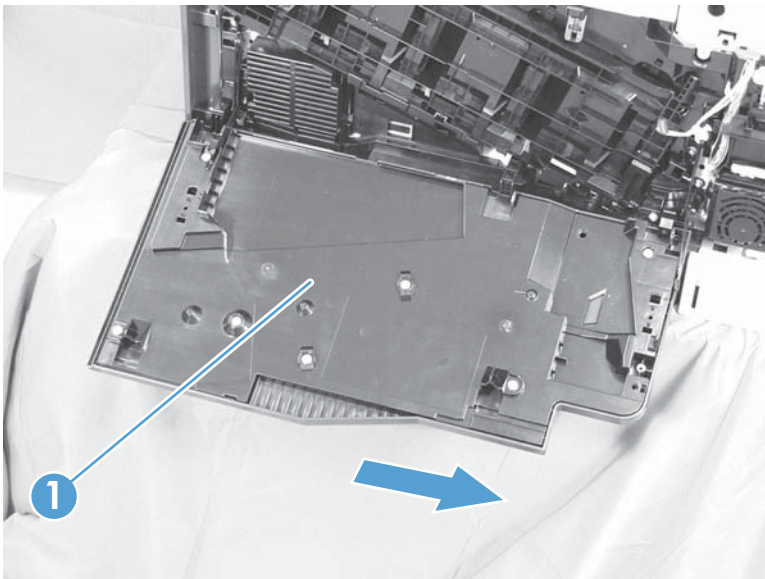
3. Close the inner cover, and then release one tab (callout 1) on the stopper (callout 2) with a small flat-blade screwdriver.

Figure 1-132 Remove the front door assembly (3 of 4)



4. Position the door as shown below (callout 1; door should hang down past 90 degrees), and then slide the front-door assembly in the direction that the arrow indicates to remove it from the product.

Figure 1-133 Remove the front door assembly (4 of 4)



Top right cover

Before proceeding, remove the following assemblies:

- Control-panel assembly. See [Control-panel assembly on page 5](#).
- Fuser. See [Fuser on page 9](#).
- Optional: Document feeder. See [Document feeder on page 71](#).



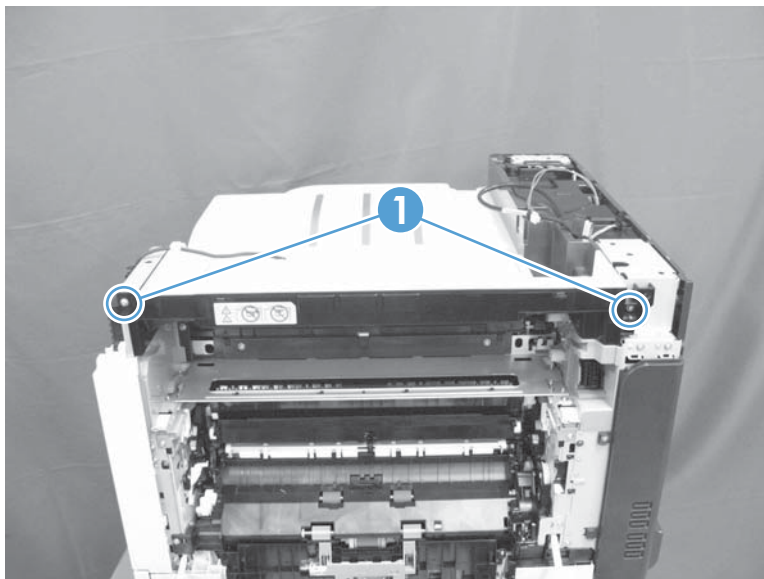
NOTE: HP recommends removing the document feeder to decrease the weight of the scanner assembly when it is lifted off of the product.

- Scanner assembly. See [Scanner assembly on page 74](#).
- For a stapler/stacker model:
 - Stapler/stacker assembly. See [Stapler/stacker assembly on page 78](#).
- Right upper cover. See [Right upper cover on page 67](#).
- Front upper cover. See [Front upper cover on page 83](#).

Remove the top right cover

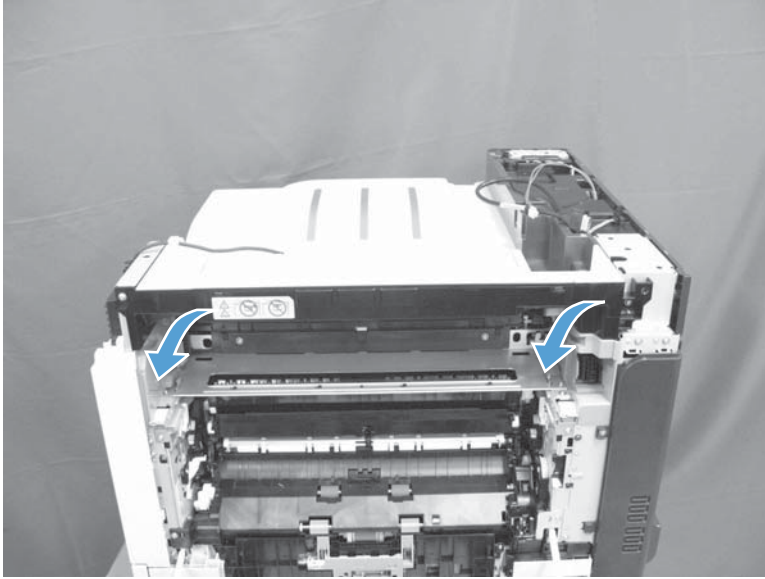
1. Open the right door.
2. Remove two screws (callout 1).

Figure 1-134 Remove the top right cover (1 of 2)



3. Remove the cover.

Figure 1-135 Remove the top right cover (2 of 2)



Output cover; non stapler/stacker model

Before proceeding, remove the following assemblies:

- Control-panel assembly. See [Control-panel assembly on page 5](#).
- Fuser. See [Fuser on page 9](#).
- Optional: Document feeder. See [Document feeder on page 71](#).



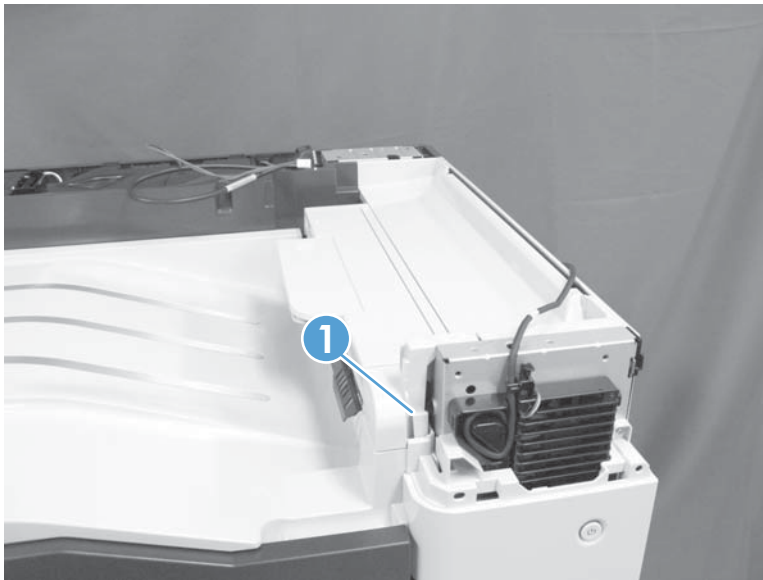
NOTE: HP recommends removing the document feeder to decrease the weight of the scanner assembly when it is lifted off of the product.

- Scanner assembly. See [Scanner assembly on page 74](#).
- Front upper cover. See [Front upper cover on page 83](#).

Remove the output cover

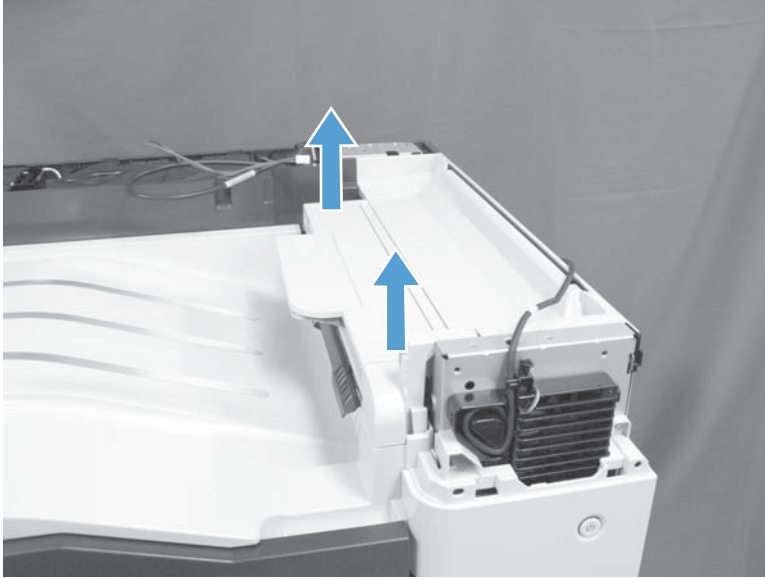
1. Release one tab (callout 1).

Figure 1-136 Remove the output cover (1 of 2)



2. Remove the cover.

Figure 1-137 Remove the output cover (2 of 2)



Top cover

Before proceeding, remove the following assemblies:

- Control-panel assembly. See [Control-panel assembly on page 5](#).
- Intermediate transfer belt. See [Intermediate transfer belt on page 7](#).
- Left cover. See [Left cover on page 57](#).
- Optional: Document feeder. See [Document feeder on page 71](#).



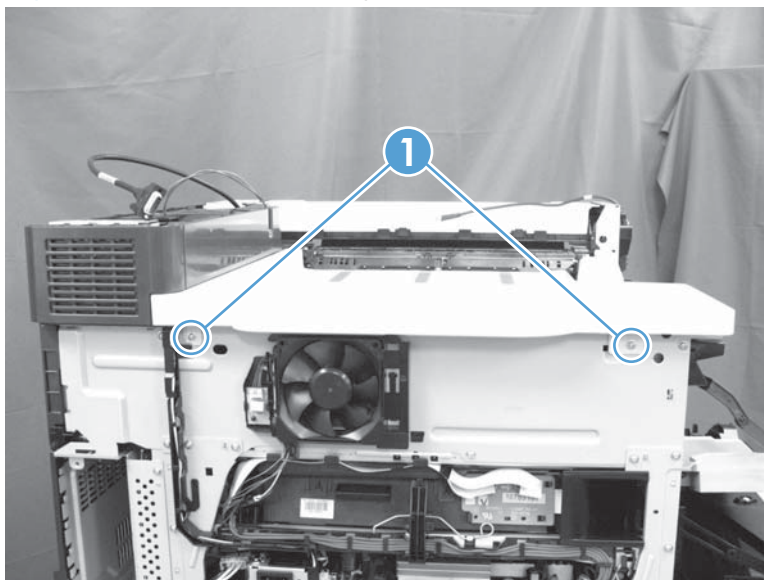
NOTE: HP recommends removing the document feeder to decrease the weight of the scanner assembly when it is lifted off of the product.

- Scanner assembly. See [Scanner assembly on page 74](#).
- For a stapler/stacker model:
 - Stapler/stacker assembly. See [Stapler/stacker assembly on page 78](#).
- Front upper cover. See [Front upper cover on page 83](#).
- Front right cover. See [Front right cover on page 86](#).
- For a non stapler/stacker model:
 - Output cover. See [Output cover; non stapler/stacker model on page 93](#).

Remove the top cover

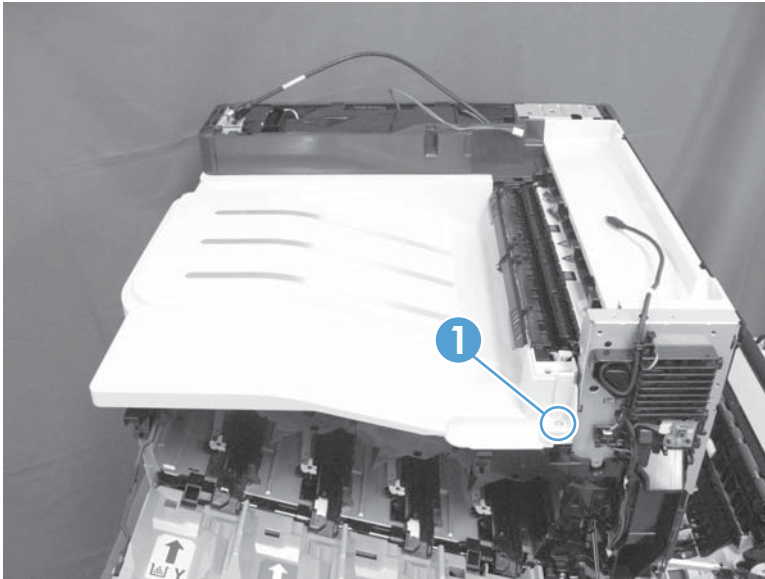
1. Open the front door.
2. Remove two screws (callout 1).

Figure 1-138 Remove the top cover (1 of 3)



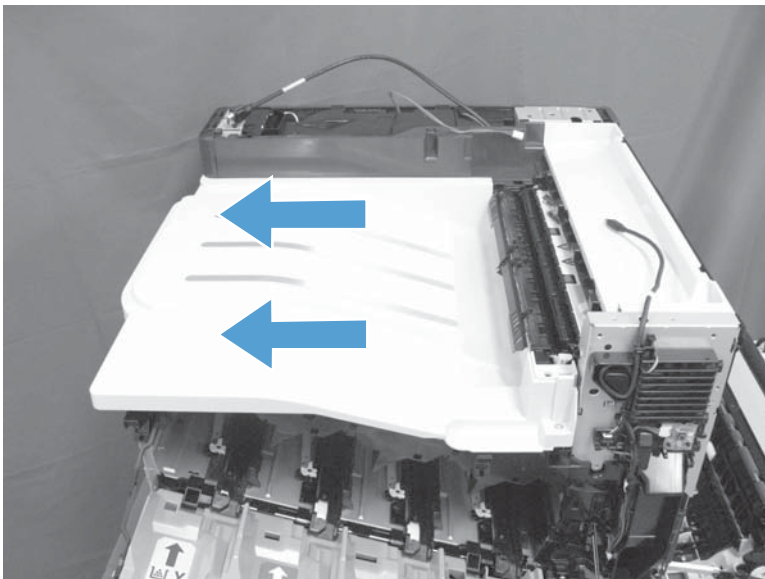
3. Remove one screw (callout 1).

Figure 1-139 Remove the top cover (2 of 3)



4. Slightly lift the front-right corner of the cover, and then slide it in the direction of the arrows shown below to remove the cover.

Figure 1-140 Remove the top cover (3 of 3)



Top rear cover

Before proceeding, remove the following assemblies:

- Control-panel assembly. See [Control-panel assembly on page 5](#).
- Intermediate transfer belt. See [Intermediate transfer belt on page 7](#).
- Left cover. See [Left cover on page 57](#).
- Optional: Document feeder. See [Document feeder on page 71](#).



NOTE: HP recommends removing the document feeder to decrease the weight of the scanner assembly when it is lifted off of the product.

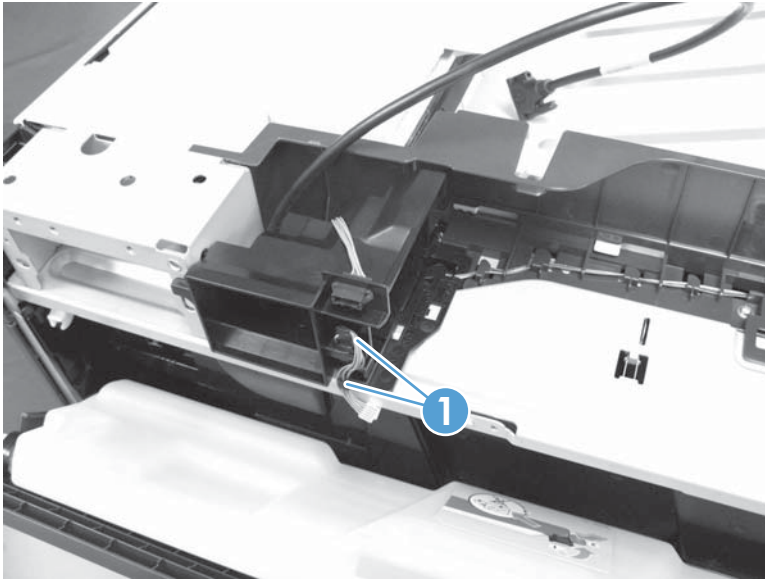
- Scanner assembly. See [Scanner assembly on page 74](#).
- For a stapler/stacker model:
 - Stapler/stacker assembly. See [Stapler/stacker assembly on page 78](#).
- Left upper cover. See [Left upper cover on page 82](#).
- Rear-upper cover. See [Rear upper cover on page 66](#).
- Front-upper cover. See [Front upper cover on page 83](#).
- Front right cover. See [Front right cover on page 86](#).
- For a non stapler/stacker model:
 - Output cover. See [Output cover; non stapler/stacker model on page 93](#).
- Top cover. See [Top cover on page 95](#).
- Sub power supply. See [Sub-power supply assembly on page 110](#).
- Sub power supply fan FM5. See [Sub power supply fan FM5 on page 112](#).

Remove the top rear cover

1. Open the front door.

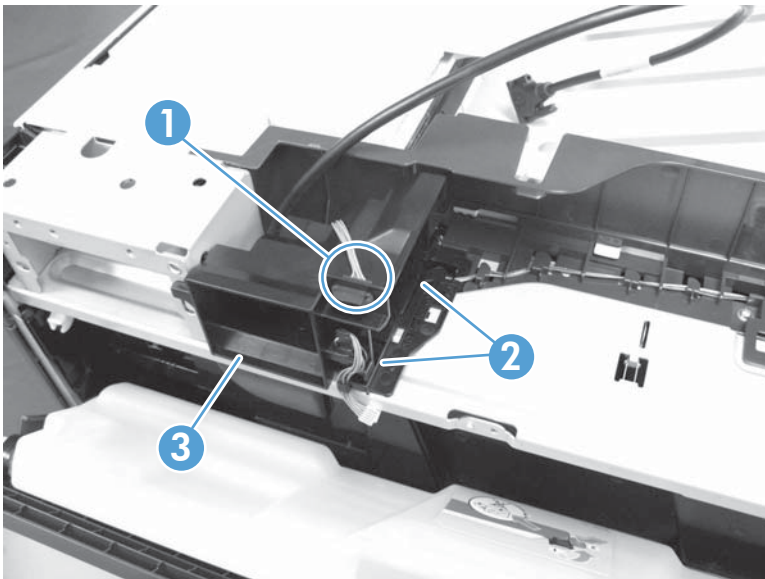
2. Release the wire harnesses from the retainers (callout 1).

Figure 1-141 Remove the top rear cover (1 of 5)



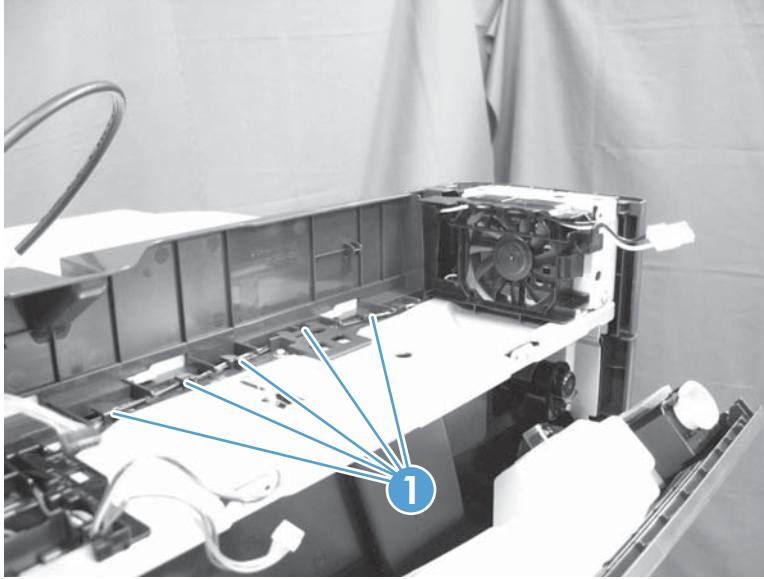
3. Disconnect one connector (callout 1), release two tabs (callout 2), and then remove the duct (callout 3).

Figure 1-142 Remove the top rear cover (2 of 5)



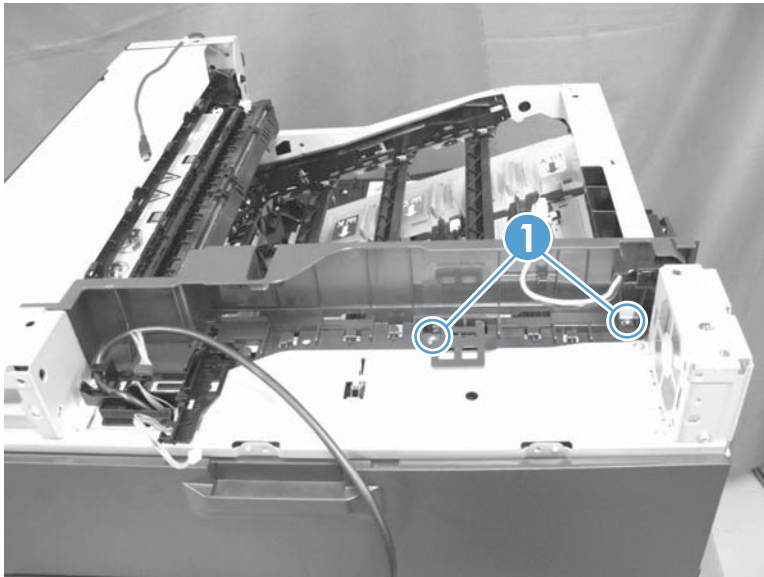
4. Release the wire harness from the retainers (callout 1) on the top rear cover.

Figure 1-143 Remove the top rear cover (3 of 5)



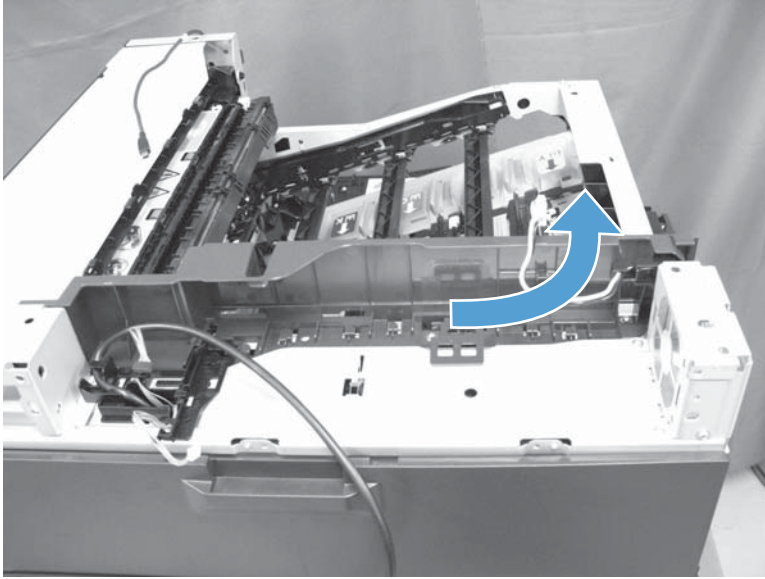
5. Remove two screws (callout 1).

Figure 1-144 Remove the top rear cover (4 of 5)




6. Slightly slide the cover to the right to release it, and then remove the cover.

Figure 1-145 Remove the top rear cover (5 of 5)



Main assemblies

 **TIP:** For clarity, some figures in this chapter show assemblies removed that are not required to be removed to service the product (for example, the scanner and document feeder assemblies). The procedures in this manual are correct for your product.

Document feeder paper present sensor

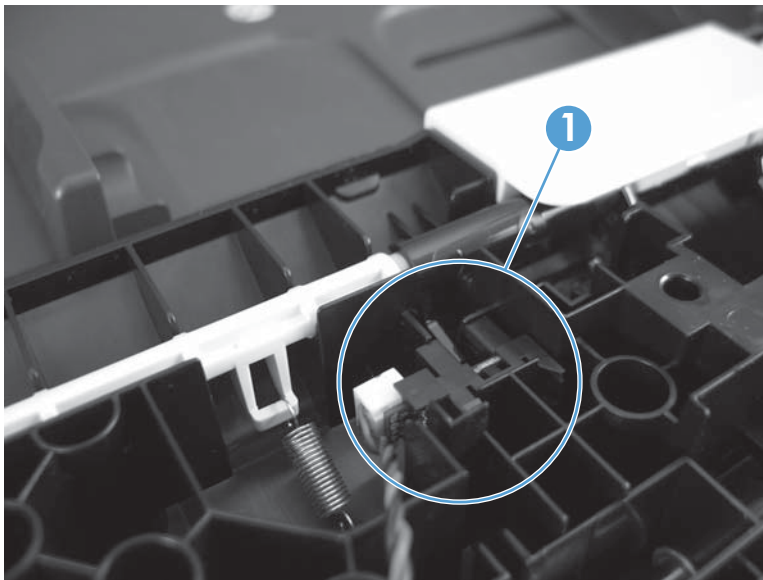
Before proceeding, remove the following assemblies:

- Document feeder pickup and feed roller assembly. See [Document feeder pickup and feed roller assembly on page 32](#).
- Document feeder hatch cover. See [Document feeder hatch cover on page 41](#).

Remove the document feeder paper present sensor

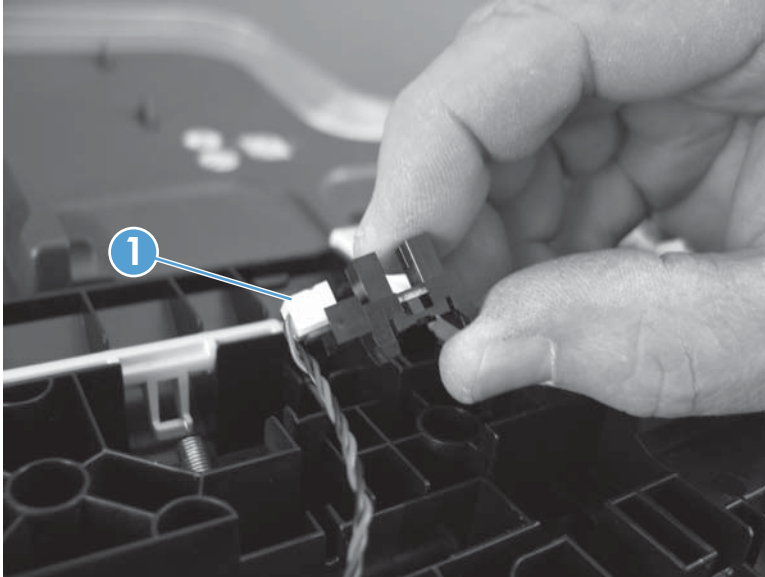
1. Remove the sensor (callout 1).

Figure 1-146 Remove the document feeder paper present sensor (1 of 2)



2. Disconnect one connector (callout 1).

Figure 1-147 Remove the document feeder paper present sensor (2 of 2)



Document feeder hinge

Before proceeding, remove the following assemblies:

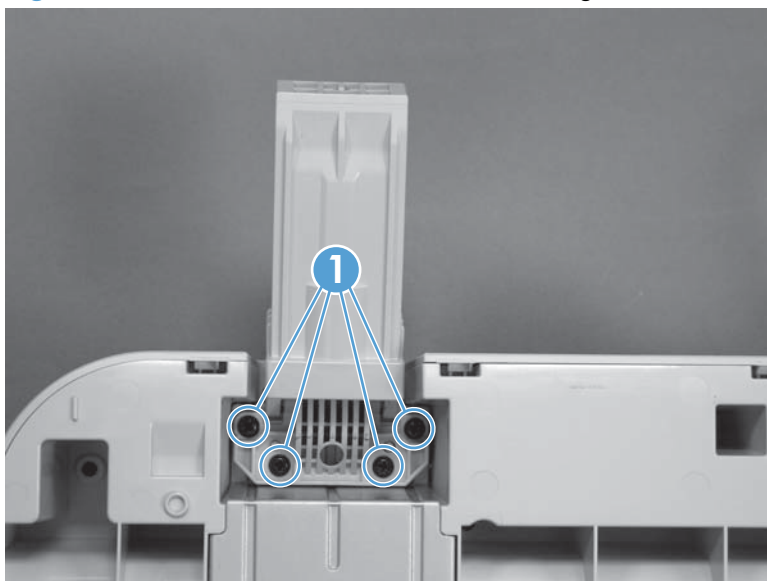
- Document feeder. See [Document feeder on page 71](#).

Remove the document feeder hinge

The right and left document feeder hinges look identical, but they are not the same part. When ordering a replacement hinge, make sure you specify the correct (right or left) hinge part number.

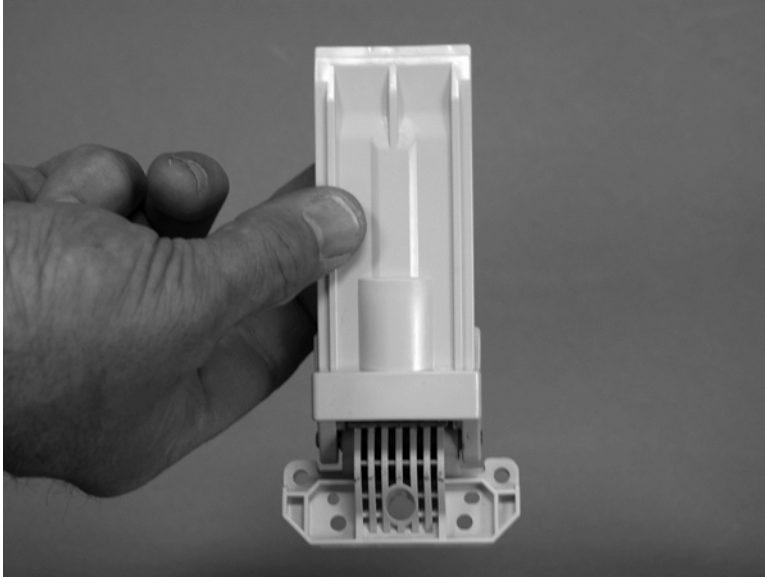
1. Turn the document feeder upside down, and then remove four screws (callout 1).

Figure 1-148 Remove the document feeder hinge (1 of 2)



2. Remove the right or left hinge.

Figure 1-149 Remove the document feeder hinge (2 of 2)



Document feeder width sensor, paper-long and paper-short sensors

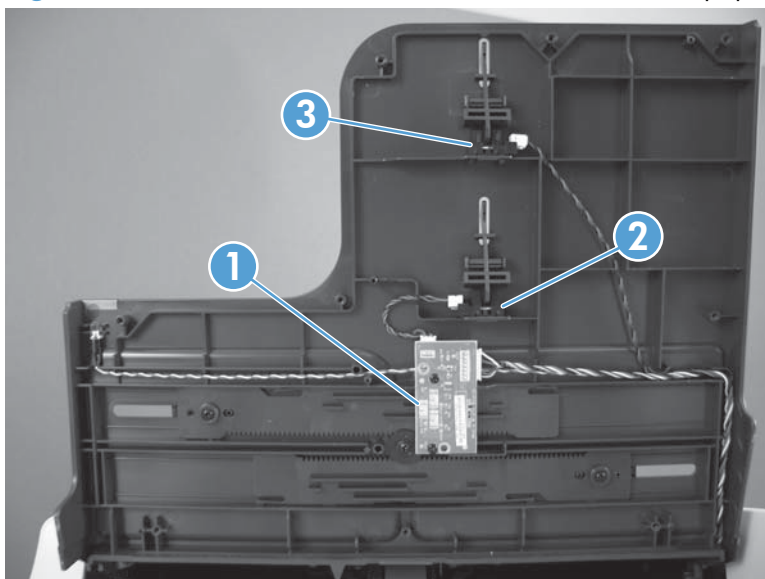
Before proceeding, remove the following assemblies:

- Document feeder tray bottom cover. See [Document feeder input tray bottom cover on page 42](#).

Remove the document feeder width sensor, paper-short and paper-long sensors

1. Identify the sensor to be replaced.
 - Width-adjust sensor (callout 1)
 - Paper-short sensor (callout 2)
 - Paper-long sensor (callout 3)

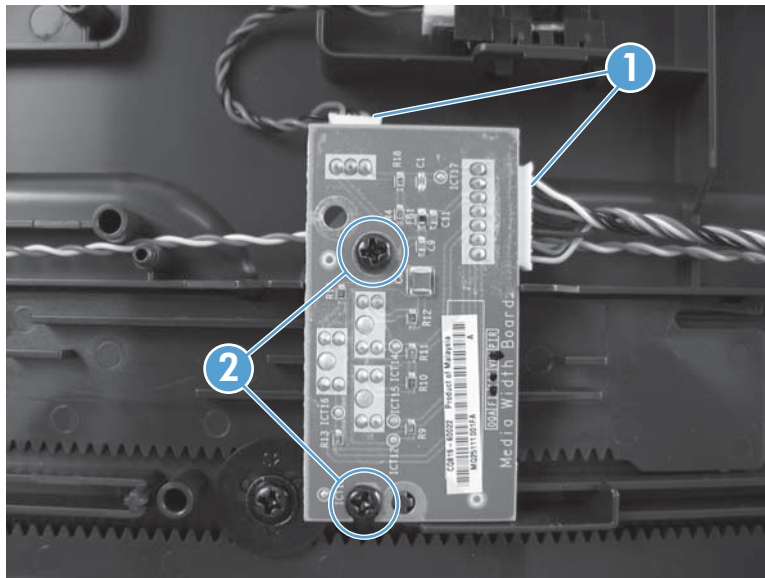
Figure 1-150 Remove the document feeder width sensor, paper-short and paper-long sensors



2. Do one of the following:

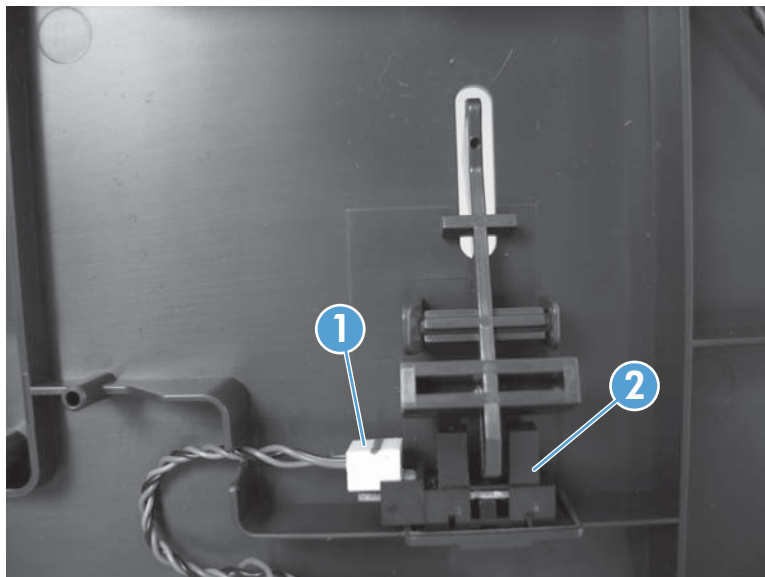
- **Width-adjust sensor:** Disconnect two connectors (callout 1, remove two screws (callout 2), and then remove the sensor PCA.

Figure 1-151 Remove the document feeder width sensor



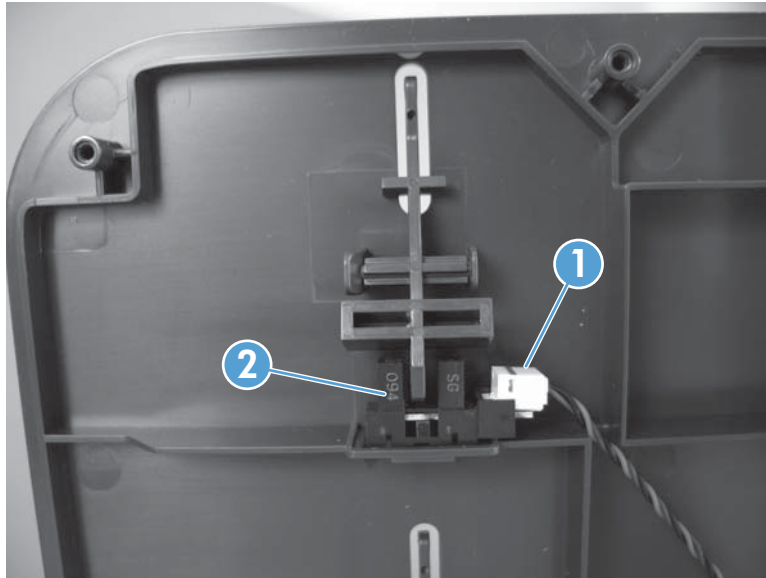
- **Paper-short sensor:** Disconnect one connector (callout 1, and then remove the sensor (callout 2).

Figure 1-152 Remove the document feeder paper-short sensor



- **Paper-long sensor:** Disconnect one connector (callout 1, and then remove the sensor (callout 2).

Figure 1-153 Remove the document feeder paper-long sensor



Document feeder tray extender

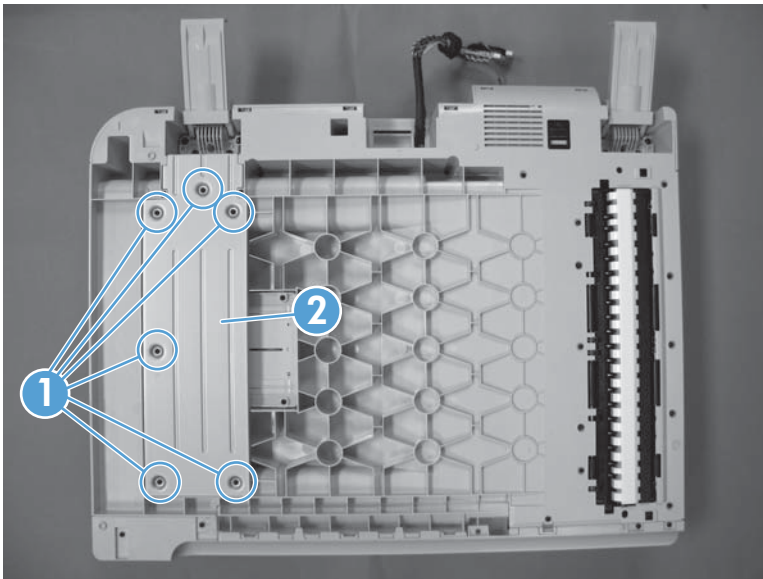
Before proceeding, remove the following assemblies:

- Document feeder foam reflector. See [Document feeder foam reflector on page 16](#).
- Document feeder. See [Document feeder on page 71](#).

Remove the document tray extender

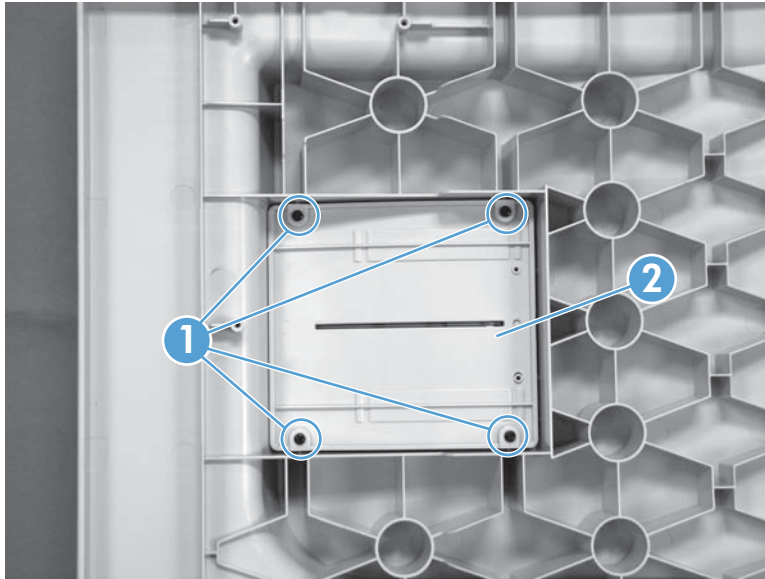
1. Turn the document feeder upside down, remove six screws (callout 1), and then remove the sheet-metal plate (callout 2).

Figure 1-154 Remove the document feeder tray extender (1 of 3)



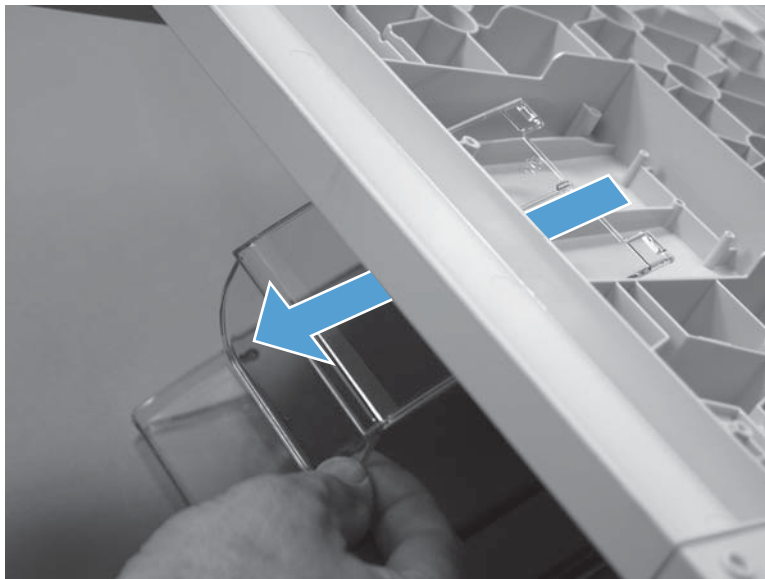
2. Remove four screws (callout 1), and then remove the cover (callout 2).

Figure 1-155 Remove the document feeder tray extender (2 of 3)



3. Remove the tray extender.


Figure 1-156 Remove the document feeder tray extender (3 of 3)



Sub-power supply assembly

Before proceeding, remove the following assemblies:

- Control-panel assembly. See [Control-panel assembly on page 5](#).
- Rear upper cover. See [Rear upper cover on page 66](#).
- Stapler/stacker rear cover. See [Stapler/stacker rear cover on page 69](#).
- Optional: Document feeder. See [Document feeder on page 71](#).

 **NOTE:** HP recommends removing the document feeder to decrease the weight of the scanner assembly when it is lifted off of the product.

- Scanner assembly. See [Scanner assembly on page 74](#).
- Staple/stacker assembly. See [Stapler/stacker assembly on page 78](#).

Remove the power supply assembly

1. Open the toner collection unit (TCU) access door.
2. Disconnect three connectors (callout 1).


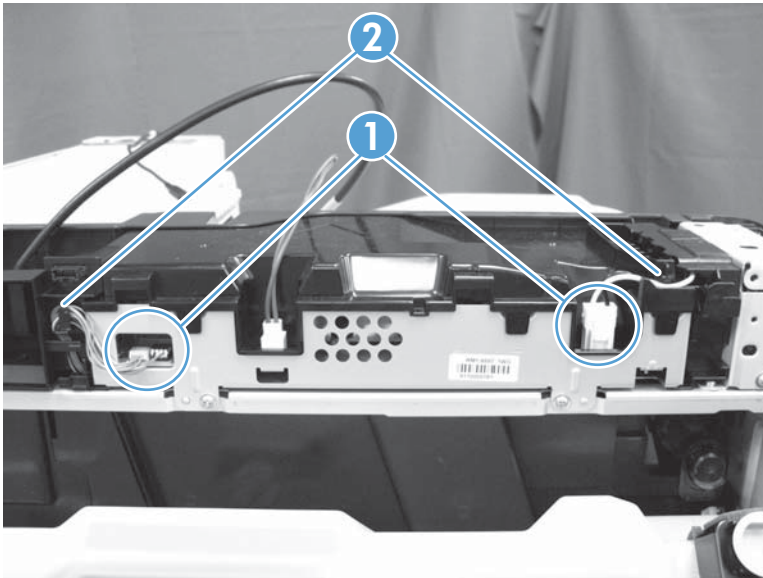
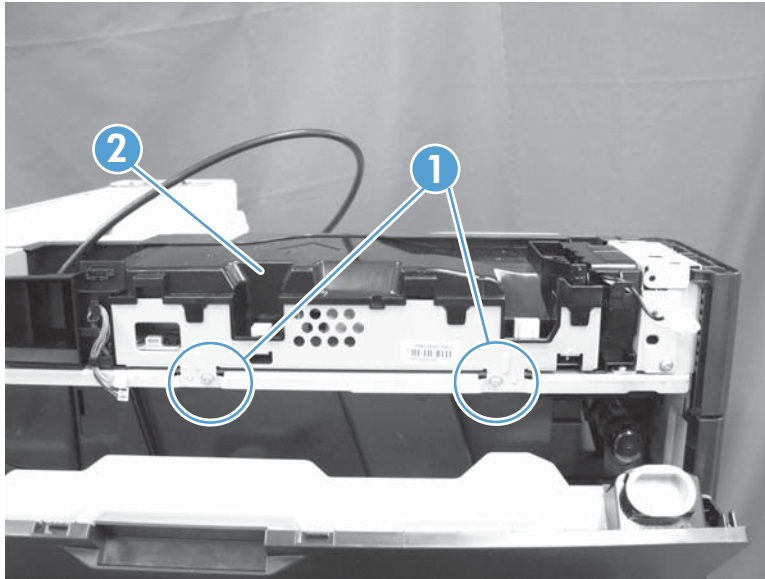
 **TIP:** It is not necessary to remove the wire harnesses from the retainers (callout 2).

Figure 1-157 Remove the sub-power supply assembly (1 of 2)



3. Remove two screws (callout 1), and then remove the assembly (callout 2).

Figure 1-158 Remove the sub-power supply assembly (2 of 2)



Sub power supply fan FM5

Before proceeding, remove the following assemblies:

- Control-panel assembly. See [Control-panel assembly on page 5](#).
- Optional: Document feeder. See [Document feeder on page 71](#).



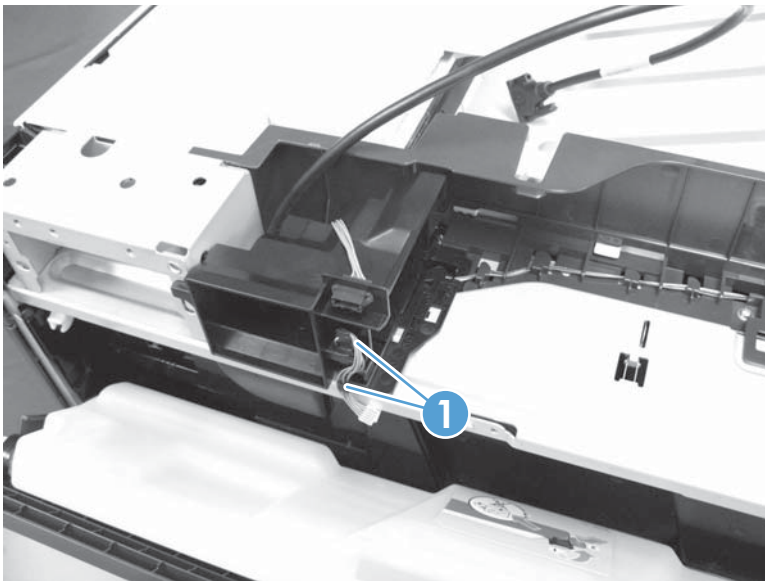
NOTE: HP recommends removing the document feeder to decrease the weight of the scanner assembly when it is lifted off of the product.

- Scanner assembly. See [Scanner assembly on page 74](#).
- For a stapler/stacker model:
 - Stapler/stacker assembly. See [Stapler/stacker assembly on page 78](#).
- Sub power supply assembly. See [Sub-power supply assembly on page 110](#).

Remove the sub power supply fan FM5

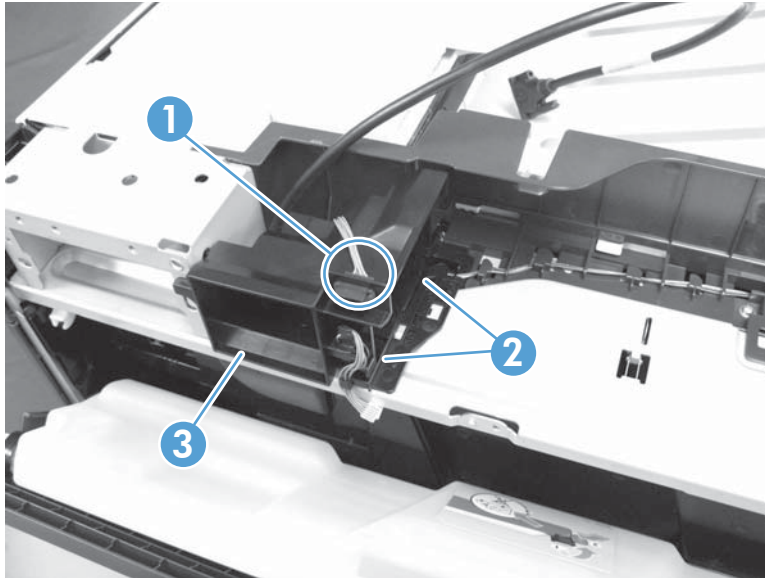
1. Release the wire harness from the retainers (callout 1).

Figure 1-159 Remove the sub power supply fan FM5 (1 of 5)



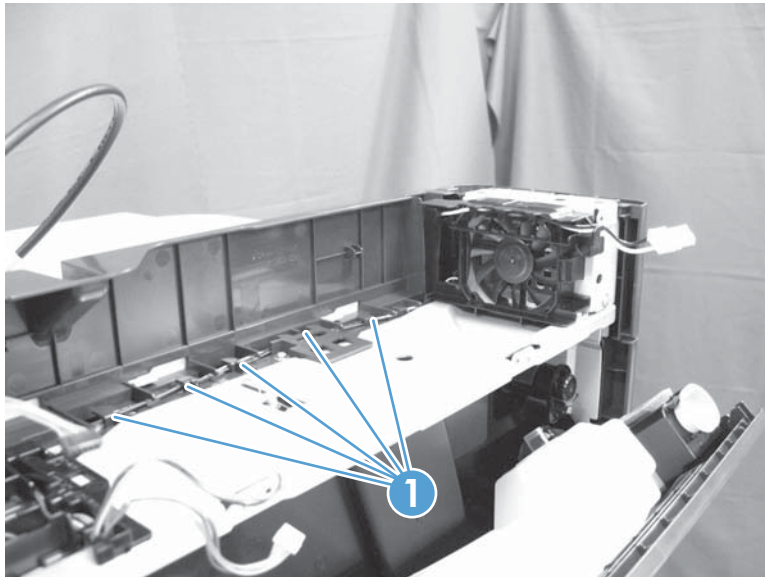
2. Disconnect one connector (callout 1), release two tabs (callout 2), and then remove the duct (callout 3).

Figure 1-160 Remove the sub power supply fan FM5 (2 of 5)



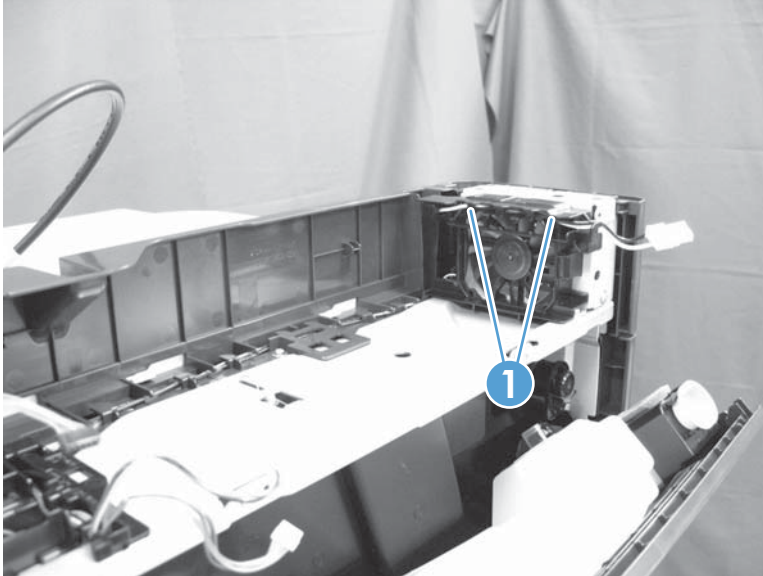
3. Release the wire harness from the retainers (callout 1) on the top rear cover.

Figure 1-161 Remove the sub power supply fan FM5 (3 of 5)



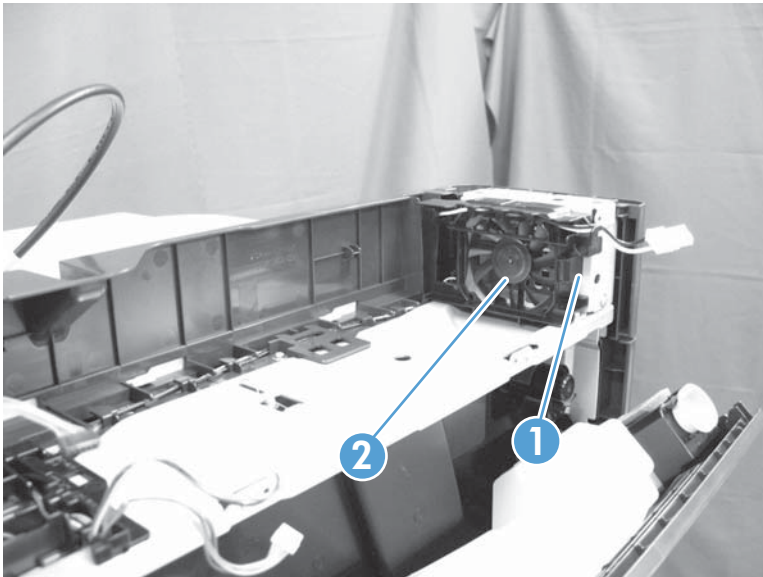
4. Release the wire harness (callout 1) from the retainers (callout 2) along the top of the fan assembly.

Figure 1-162 Remove the sub power supply fan FM5 (4 of 5)



5. Release one tab (callout 1), and then remove the assembly (callout 2).

Figure 1-163 Remove the sub power supply fan FM5 (5 of 5)




Lifter-drive assembly

Before proceeding, remove the following assemblies:

Removing the optional items below will make the product lighter and easier to handle.


- Optional: Control-panel assembly. See [Control-panel assembly on page 5](#).
- Optional: Stapler/stacker rear cover. See [Stapler/stacker rear cover on page 69](#).
- Optional: Document feeder. See [Document feeder on page 71](#).

 **NOTE:** HP recommends removing the document feeder to decrease the weight of the scanner assembly when it is lifted off of the product.

- Optional: Scanner assembly. See [Scanner assembly on page 74](#).
- Intermediate transfer belt. See [Intermediate transfer belt on page 7](#).
- Fuser. See [Fuser on page 9](#).

Remove the lifter-drive assembly

1. Remove Tray 2 if it was not already removed. Place the product so that the front side is face up.

 **WARNING!** With the optional assemblies listed above installed, the product is very heavy. HP recommends at least two people handle the product.


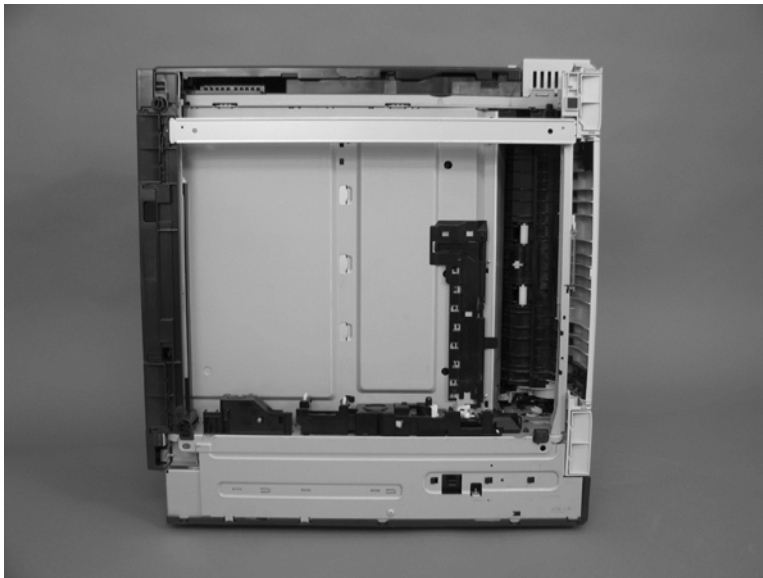
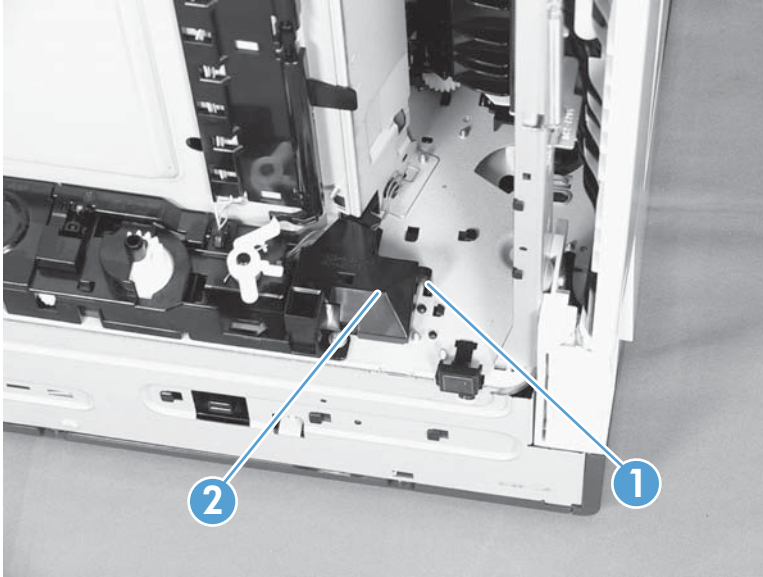
 **CAUTION:** If you did not remove the optional assemblies in the list above, be aware the document feeder can suddenly open when the product is placed face up. Secure the document feeder before moving the product.

Figure 1-164 Remove the lifter-drive assembly (1 of 3)



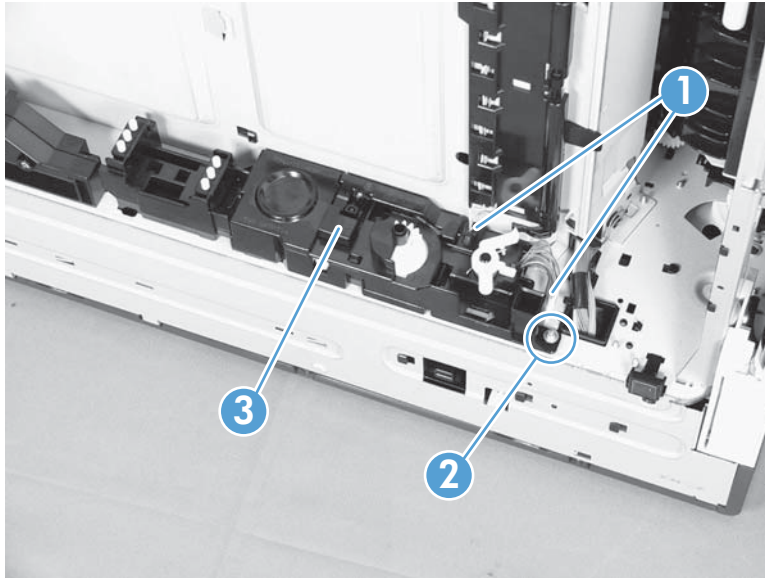
2. Release the tab (callout 1), and then pull up to remove the cover (callout 2).


Figure 1-165 Remove the lifter-drive assembly (2 of 3)

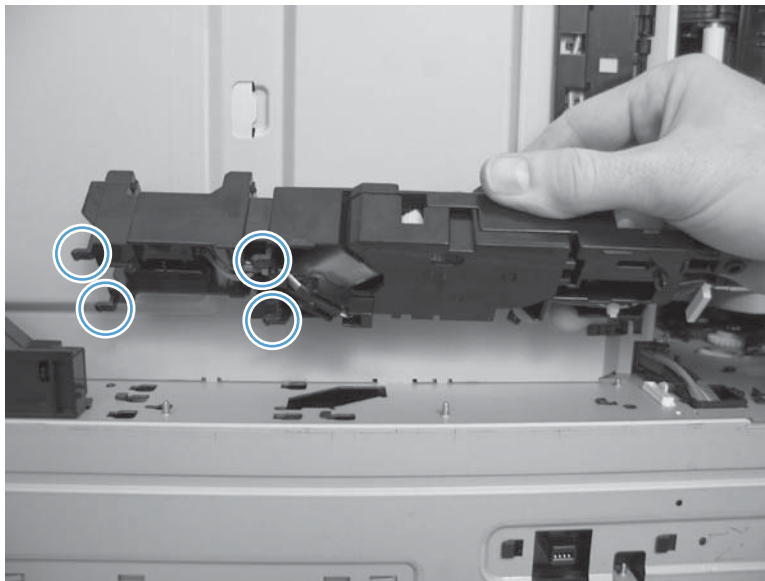


3. Disconnect two connectors (callout 1), remove one screw (callout 2), and then remove the lifter drive (callout 3).

Figure 1-166 Remove the lifter-drive assembly (3 of 3)



 **Reinstallation tip** Make sure that the tabs align correctly when reinstalling the lifter-drive assembly.



ITB front guide assembly

Before proceeding, remove the following assemblies:

- Control-panel assembly. See [Control-panel assembly on page 5](#).
- Intermediate transfer belt. See [Intermediate transfer belt on page 7](#).
- Left cover. See [Left cover on page 57](#).
- Optional: Document feeder. See [Document feeder on page 71](#).



NOTE: HP recommends removing the document feeder to decrease the weight of the scanner assembly when it is lifted off of the product.

- Scanner assembly. See [Scanner assembly on page 74](#).
- For a stapler/stacker model:
 - Stapler/stacker assembly. See [Stapler/stacker assembly on page 78](#).
- Front upper cover. See [Front upper cover on page 83](#).
- Front right cover. See [Front right cover on page 86](#).
- For a non stapler/stacker model:
 - Output cover. See [Output cover; non stapler/stacker model on page 93](#).
- Top cover. See [Top cover on page 95](#).

Remove the ITB front guide assembly

1. Open the front door (callout 1) halfway, and then push up the upper part of the link arm (callout 2) to detach it from the product chassis.


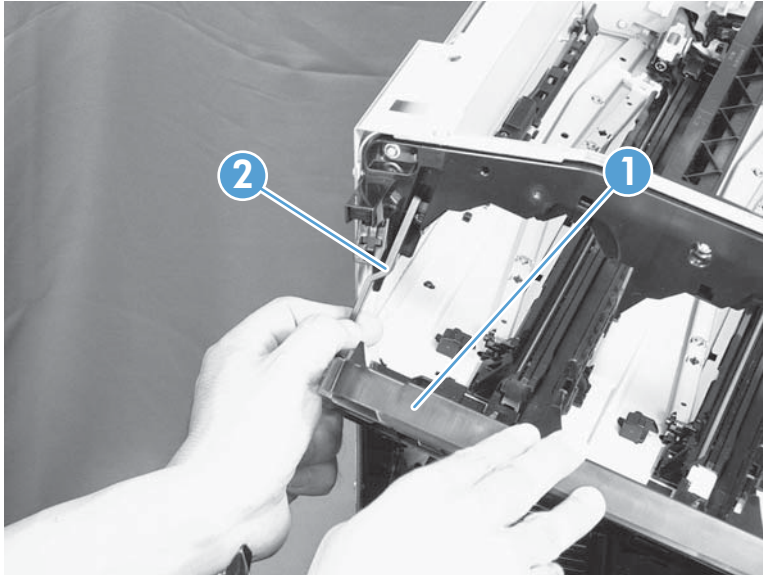
 **TIP:** It might be easier to release the link arm by using a small flat blade screwdriver to ease it off of the chassis.

Figure 1-167 Remove the ITB front guide assembly (1 of 4)



2. Remove three screws (callout 1), release four tabs (callout 2), and then remove the cartridge upper guide (callout 3).


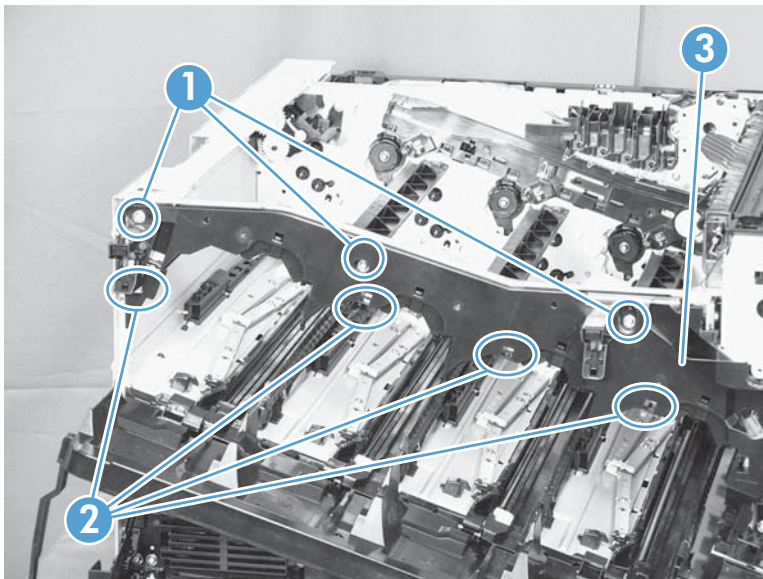
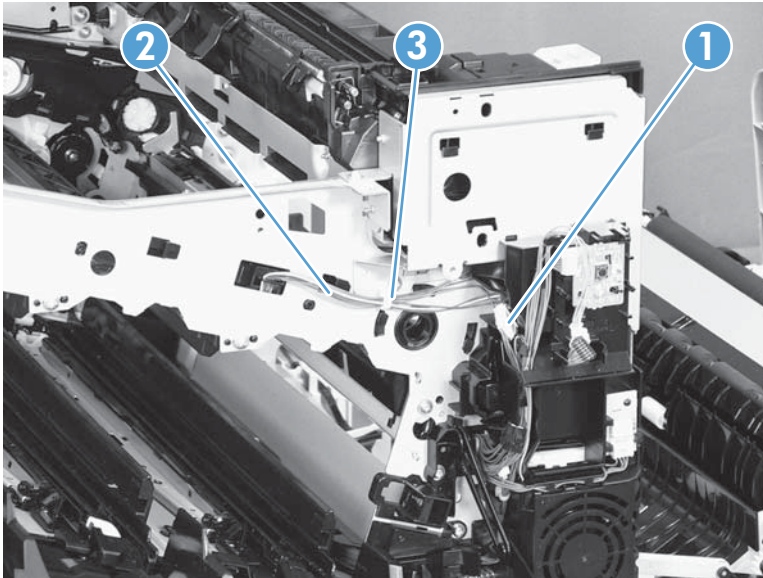
 **Reinstallation tip** Make sure that all of the tabs are positioned behind the sheet metal when the assembly is reinstalled.

Figure 1-168 Remove the ITB front guide assembly (2 of 4)



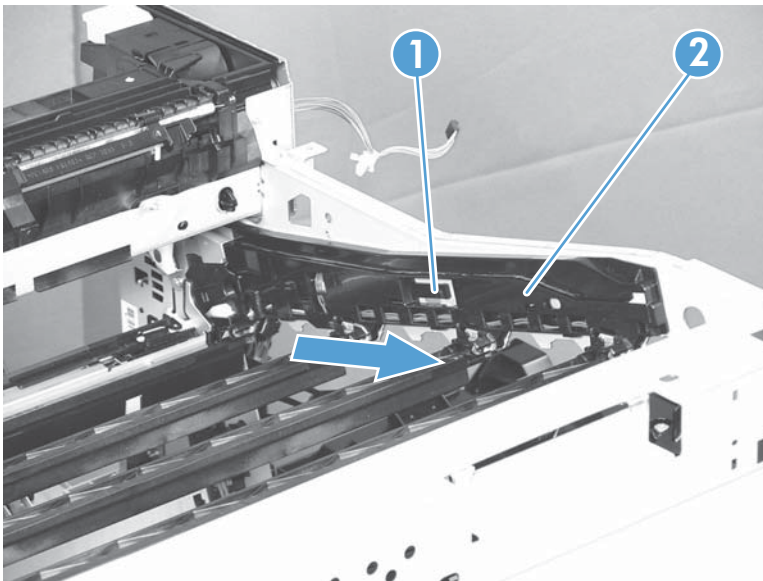
3. Disconnect one connector (callout 1), and then release the cables (callout 2) from the cable clamp (callout 3).

Figure 1-169 Remove the ITB front guide assembly (3 of 4)



4. Release one tab (callout 1), and then slide the ITB front guide assembly (callout 2) in the direction that the arrow indicates to remove it.


Figure 1-170 Remove the ITB front guide assembly (4 of 4)



ITB rear guide assembly

Before proceeding, remove the following assemblies:

- Control-panel assembly. See [Control-panel assembly on page 5](#).
- Intermediate transfer belt. See [Intermediate transfer belt on page 7](#).
- Left cover. See [Left cover on page 57](#).
- Optional: Document feeder. See [Document feeder on page 71](#).

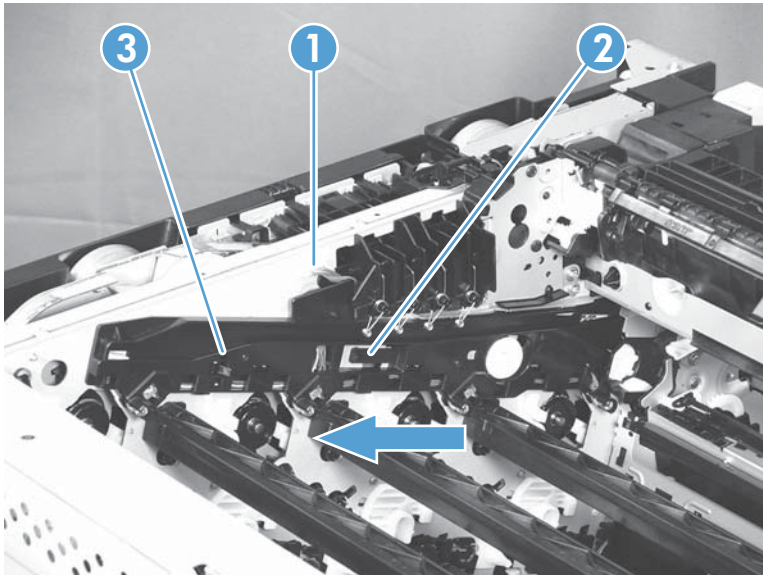
 **NOTE:** HP recommends removing the document feeder to decrease the weight of the scanner assembly when it is lifted off of the product.

- Scanner assembly. See [Scanner assembly on page 74](#).
- For a stapler/stacker model:
 - Stapler/stacker assembly. See [Stapler/stacker assembly on page 78](#).
- Front upper cover. See [Front upper cover on page 83](#).
- Front right cover. See [Front right cover on page 86](#).
- For a non stapler/stacker model:
 - Output cover. See [Output cover; non stapler/stacker model on page 93](#).
- Top cover. See [Top cover on page 95](#).

Remove the ITB rear guide assembly

- ▲ Disconnect one connector (callout 1), release one tab (callout 2), and then slide the ITB rear guide (callout 3) in the direction that the arrow indicates to remove it.

Figure 1-171 Remove the ITB rear guide assembly



Residual toner full sensor

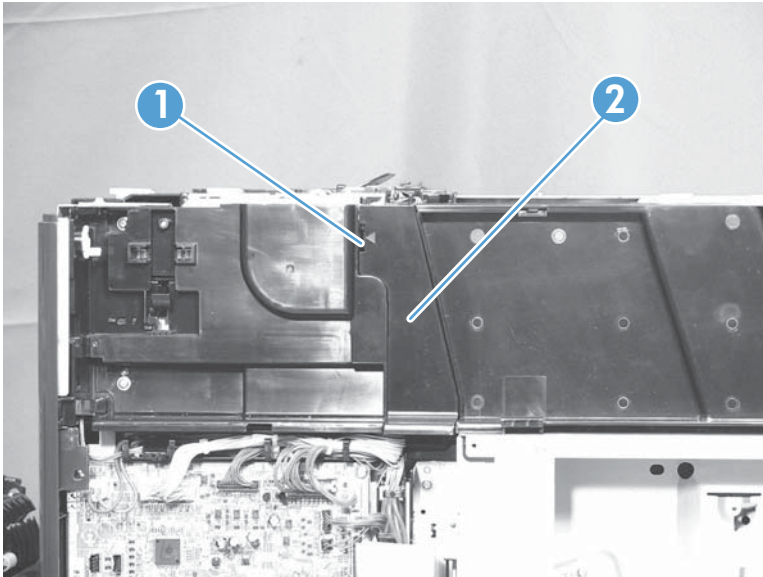
Before proceeding, remove the following assemblies:

- Rear cover. See [Rear cover on page 58](#).
 - Right rear cover. See [Right rear cover on page 59](#).
 - Toner collection unit (TCU) access door. See [Toner collection unit \(TCU\) access door on page 60](#).
- Rear upper cover. See [Right upper cover on page 67](#).

Remove the residual toner full sensor

1. Release one tab (callout 1), and then remove the cover (callout 2).

Figure 1-172 Remove the residual toner full sensor (1 of 5)



2. Release the wire harness from the retainers (callout 1).


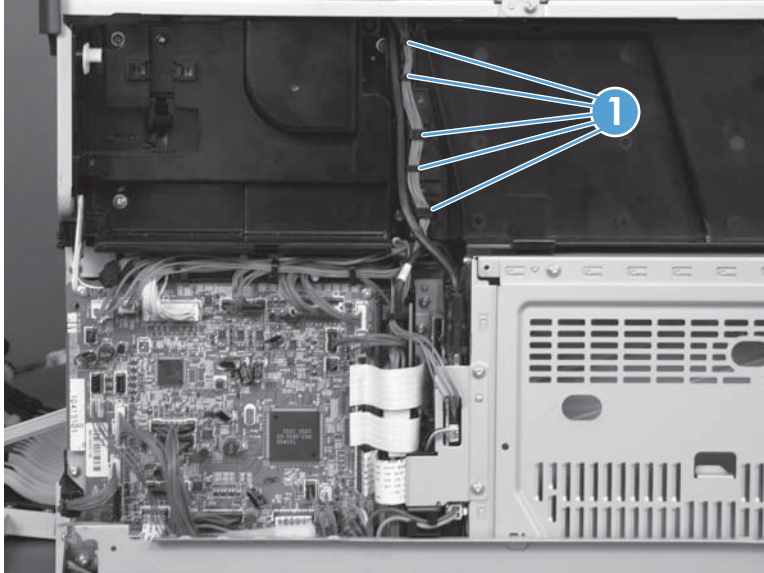
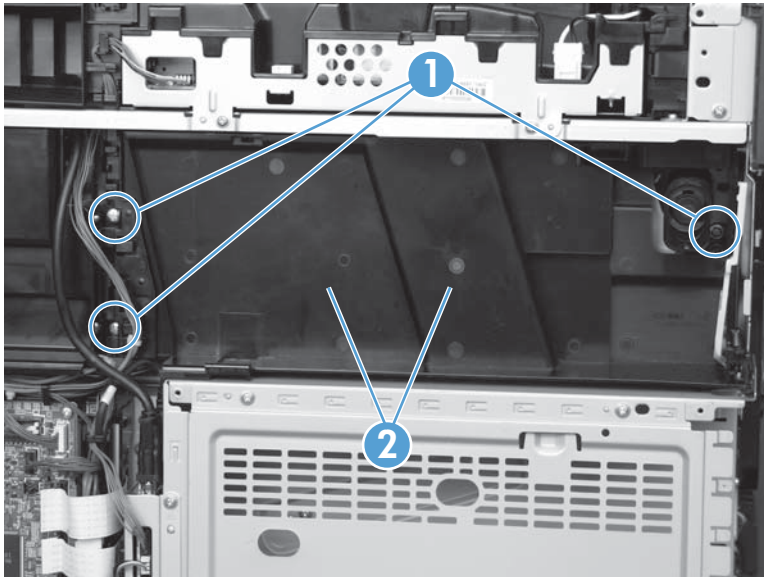
 **TIP:** It might be easier to release the wire harness if you start at the bottom-most retainer (near the DC controller).

Figure 1-173 Remove the residual toner full sensor (2 of 5)



3. Remove three screws (callout 1), and then remove the cover (callout 2).

Figure 1-174 Remove the residual toner full sensor (3 of 5)



4. Disconnect one connector (callout 1), and then remove three screws (callout 2).


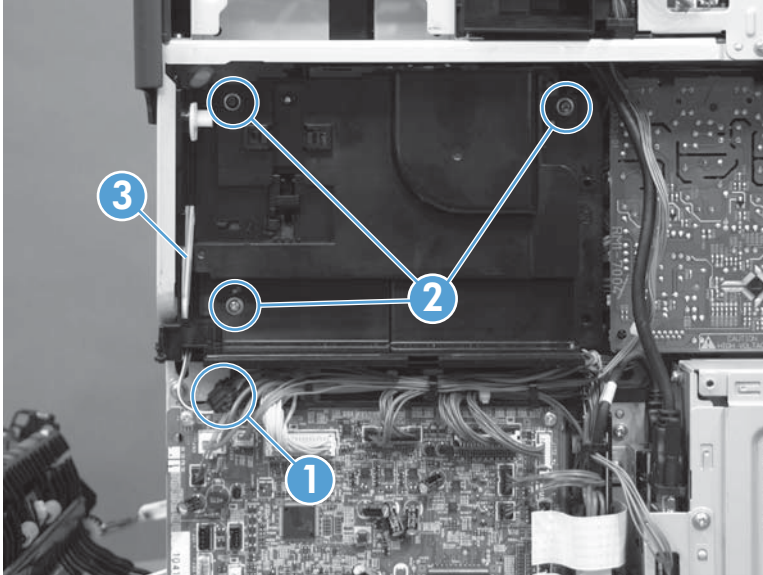
 **Reinstallation tip** If the assembly is being replaced, remove the toner access door link (callout 3) from the discarded assembly, and then install it on the replacement assembly.

Figure 1-175 Remove the residual toner full sensor (4 of 5)



5. Remove the residual toner full sensor assembly.


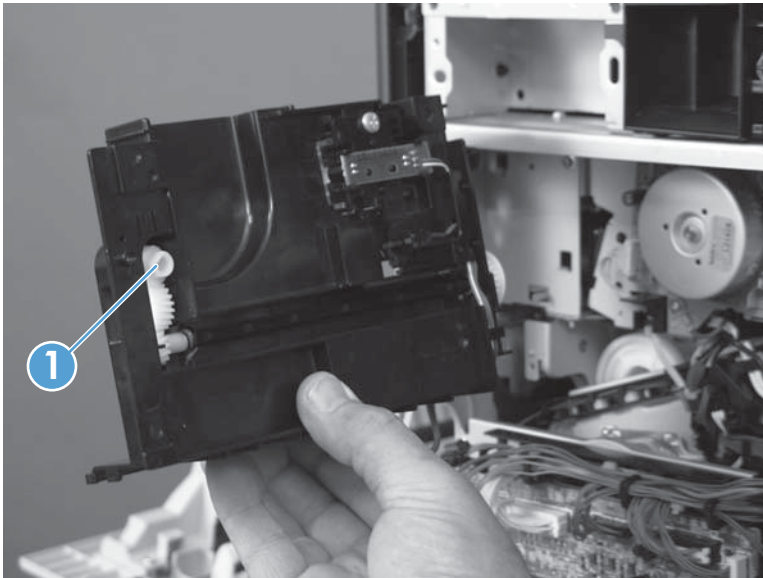
 **CAUTION:** During the removal process, make sure that the white gear (callout 1) does not fall out of the assembly. The white gear might stay on the product, and not come off with the assembly.

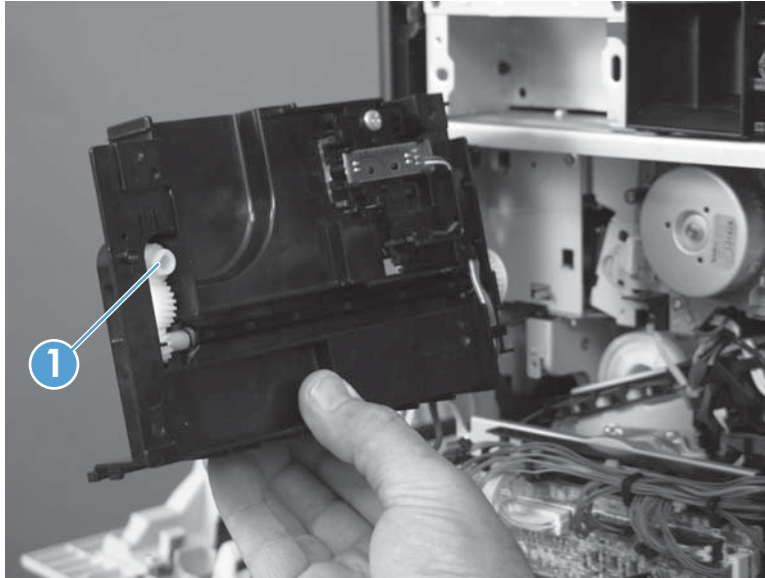
Figure 1-176 Remove the residual toner full sensor (5 of 5)



Reinstall the residual toner full sensor

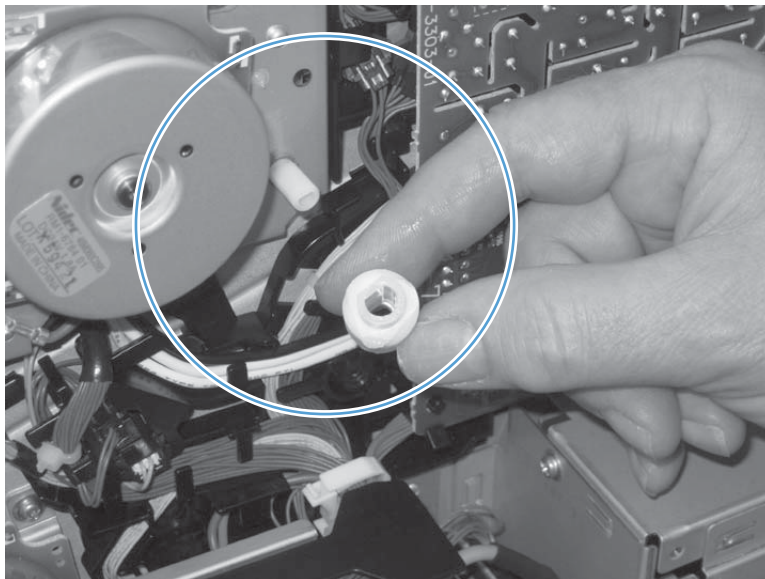
1. If the white gear (callout 1) remained with the residual toner full sensor assembly when it was removed, carefully remove it from the assembly.

Figure 1-177 Reinstall the residual toner full sensor (1 of 3)



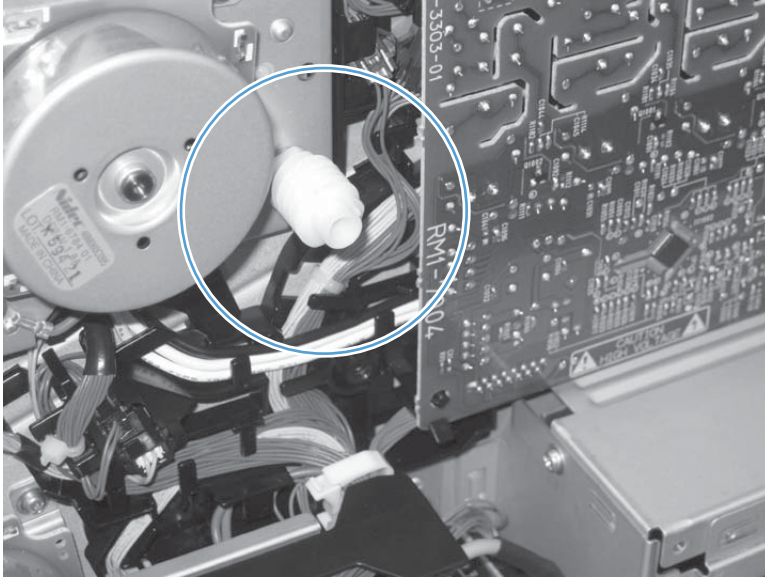
2. Align the flat portion of the gear with the corresponding flat portion of the drive shaft.

Figure 1-178 Reinstall the residual toner full sensor (2 of 3)



3. Install the gear on the shaft before you install the residual toner full sensor assembly.

Figure 1-179 Reinstall the residual toner full sensor (3 of 3)



Residual toner feed assembly

Before proceeding, remove the following assemblies:

- Control-panel assembly. See [Control-panel assembly on page 5](#).
- Intermediate transfer belt. See [Intermediate transfer belt on page 7](#).
- Left cover. See [Left cover on page 57](#).
- Rear cover. See [Rear cover on page 58](#).
- Right rear cover. See [Right rear cover on page 59](#).
- Toner access door. See [Toner collection unit \(TCU\) access door on page 60](#).
- Optional: Document feeder. See [Document feeder on page 71](#).



NOTE: HP recommends removing the document feeder to decrease the weight of the scanner assembly when it is lifted off of the product.

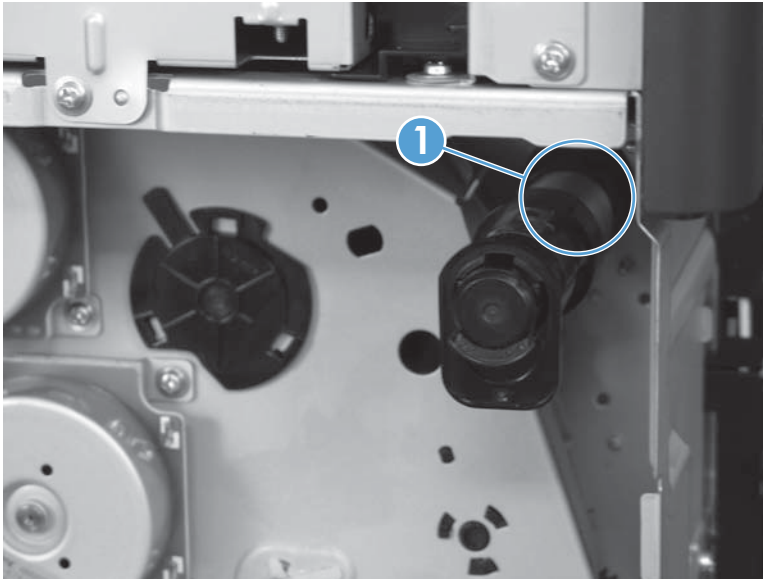
- Scanner assembly. See [Scanner assembly on page 74](#).
- For a stapler/stacker model:
 - Stapler/stacker assembly. See [Stapler/stacker assembly on page 78](#).
- Front upper cover. See [Front upper cover on page 83](#).
- Front right cover. See [Front right cover on page 86](#).
- Output cover. See [Output cover; non stapler/stacker model on page 93](#).
- Top cover. See [Top cover on page 95](#).
- Toner cover. See the first, second, and third steps of [Residual toner full sensor on page 122](#).

Remove the residual toner feed assembly

CAUTION: The residual toner feed assembly contains toner. Do not spill toner into the product when handling the assembly.

1. Carefully peel back the protective sheet (callout 1) from the augur-shaft cover.

Figure 1-180 Remove the residual toner feed assembly (1 of 6)



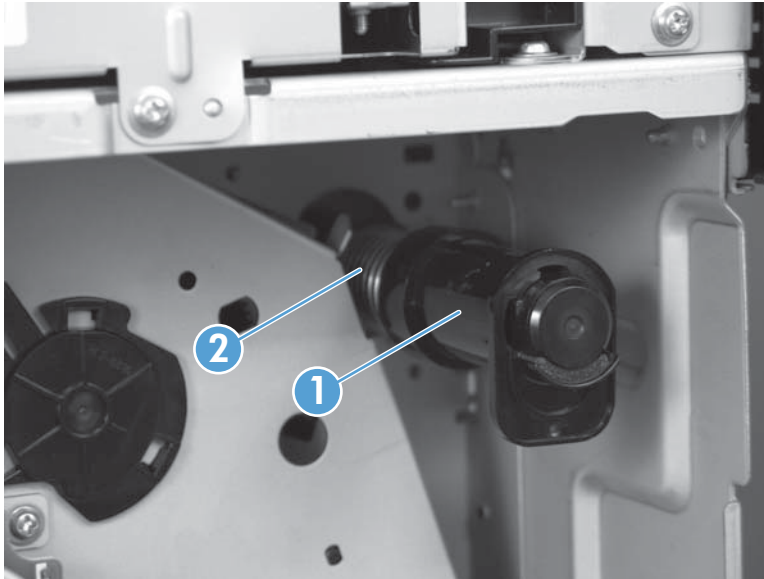
2. Release one tab (callout 1)

Figure 1-181 Remove the residual toner feed assembly (2 of 6)



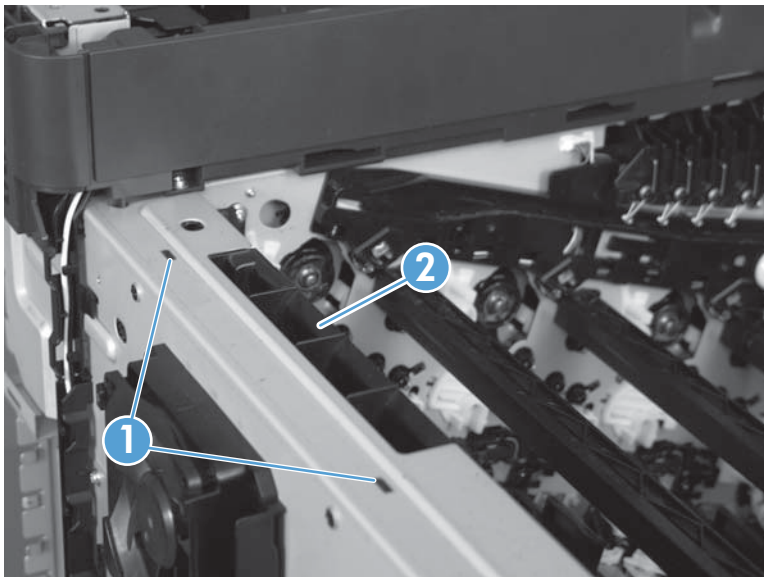
- Carefully slide the cover (callout 1) and the spring (callout 2) off of the augur shaft.

Figure 1-182 Remove the residual toner feed assembly (3 of 6)



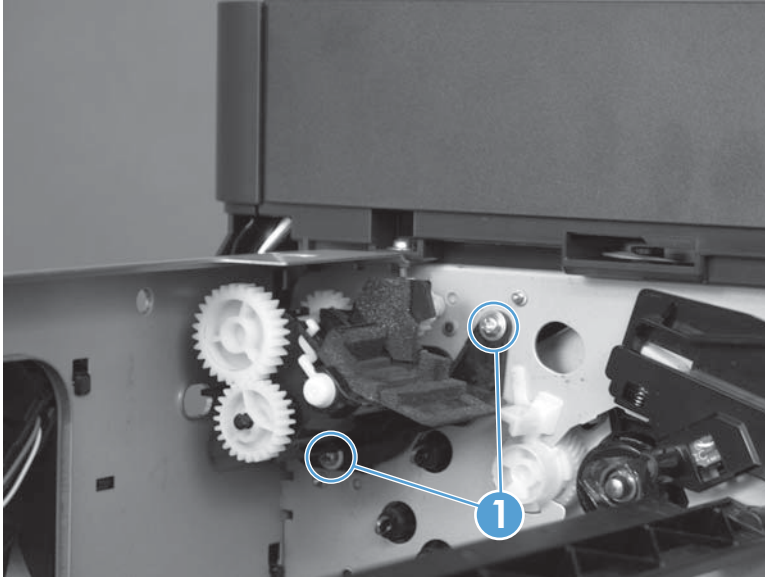
- Release two tabs (callout 1), and then remove the duct (callout 2).

Figure 1-183 Remove the residual toner feed assembly (4 of 6)



5. Remove two screws (callout 1).

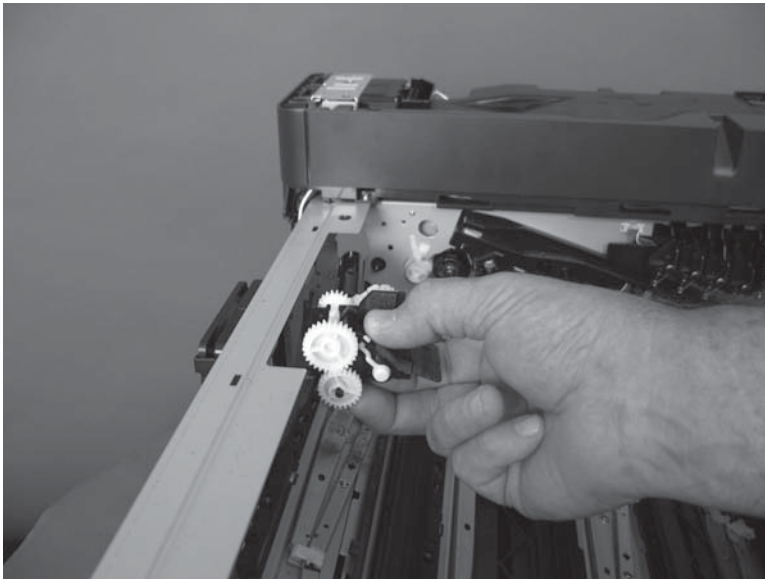
Figure 1-184 Remove the residual toner feed assembly (5 of 6)



6. Carefully remove the residual toner full sensor assembly.

⚠ CAUTION: The assembly can easily come apart when being handled and spill toner into the product or work environment. Handle the assembly gently to avoid spilled toner.

Figure 1-185 Remove the residual toner feed assembly (6 of 6)



Paper delivery assembly

Before proceeding, remove the following assemblies:

- Control-panel assembly. See [Control-panel assembly on page 5](#).
- Intermediate transfer belt. See [Intermediate transfer belt on page 7](#).
- Fuser. See [Fuser on page 9](#).
- Left cover. See [Left cover on page 57](#).
- Rear cover. See [Rear cover on page 58](#).
- Right rear cover. See [Right rear cover on page 59](#).
- Right upper cover. See [Right upper cover on page 67](#).
- Optional: Document feeder. See [Document feeder on page 71](#).



NOTE: HP recommends removing the document feeder to decrease the weight of the scanner assembly when it is lifted off of the product.

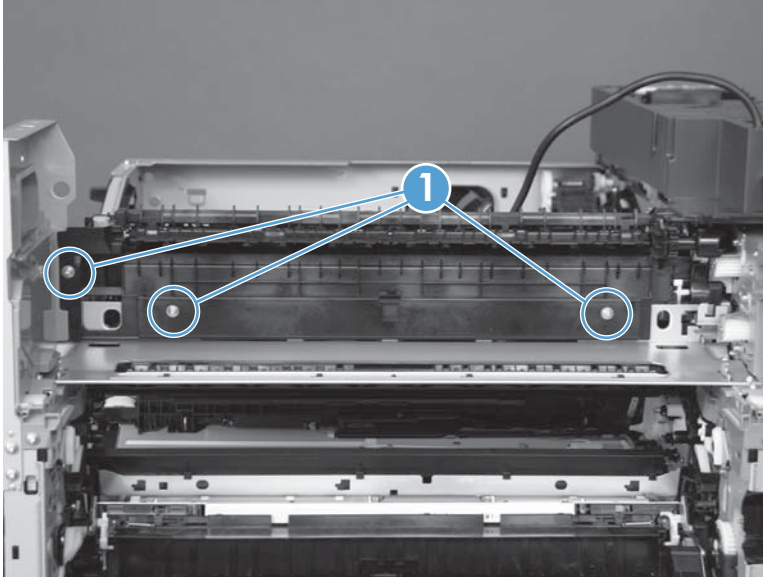
- Scanner assembly. See [Scanner assembly on page 74](#).
- For a stapler/stacker model:
 - Stapler/stacker assembly. See [Stapler/stacker assembly on page 78](#).
- Front upper cover. See [Front upper cover on page 83](#).
- Front right cover. See [Front right cover on page 86](#).
- Top right cover. See [Top right cover on page 91](#).
- Output cover. See [Output cover; non stapler/stacker model on page 93](#).
- Top cover. See [Top cover on page 95](#).

Remove the paper delivery assembly

1. Open the right door.

2. Remove three screws (callout 1).

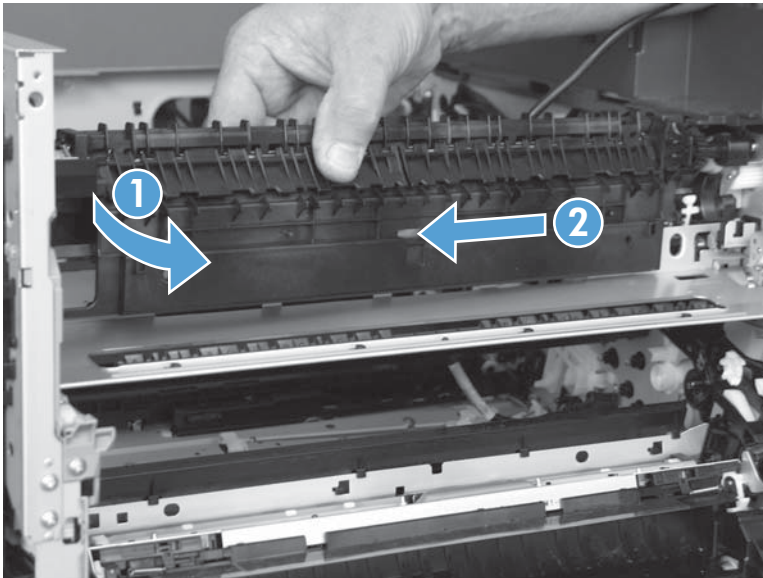
Figure 1-186 Remove the paper delivery assembly (1 of 2)



3. Rotate the left side of the assembly out and away from the product (callout 1), and then slide the assembly in the direction of the arrow (callout 2) to remove it.

CAUTION: A black gear on the right-hand side of the assembly is not captive. Do not lose the gear when handling the assembly.

Figure 1-187 Remove the paper delivery assembly (2 of 2)



Laser scanner

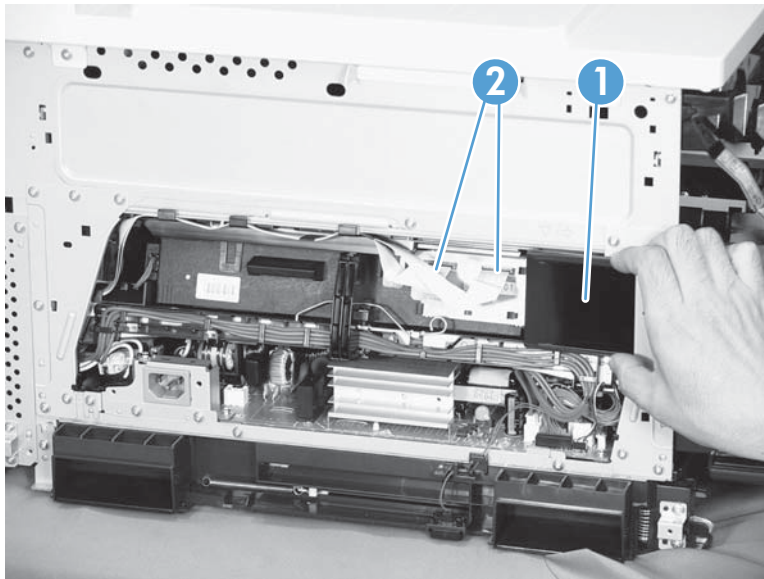
Before proceeding, remove the following assemblies:

- Left cover. See [Left cover on page 57](#).

Remove the laser/scanner assembly

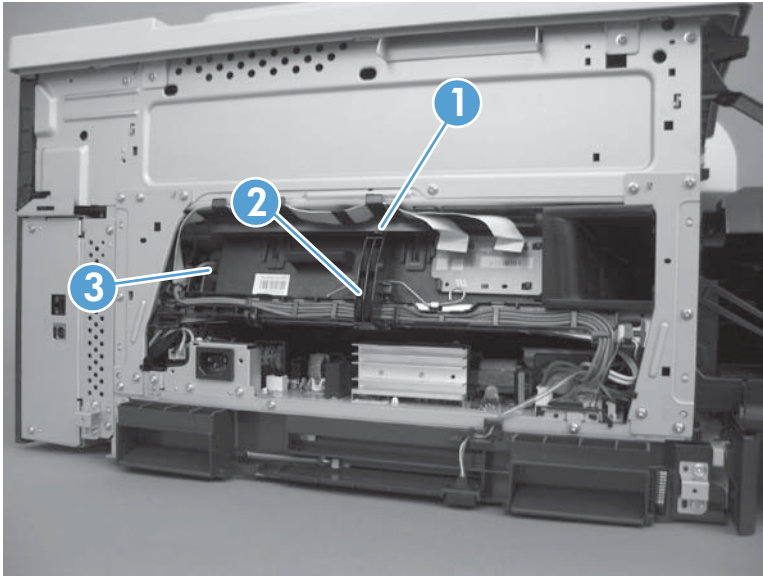
1. Remove Tray 2 (if installed) and open the front door.
2. On the left side of the product, pinch and remove the fan duct (callout 1), and then disconnect the two FFCs (callout 2).

Figure 1-188 Remove the laser/scanner (1 of 6)



3. Release one tab (callout 1), remove the stopper (callout 2), and then disconnect one connector (callout 3).

Figure 1-189 Remove the laser/scanner (2 of 6)



4. Disconnect one connector (callout 1), and then release the cartridge fan and environmental sensor wire harness from the cable guide (callout 2).


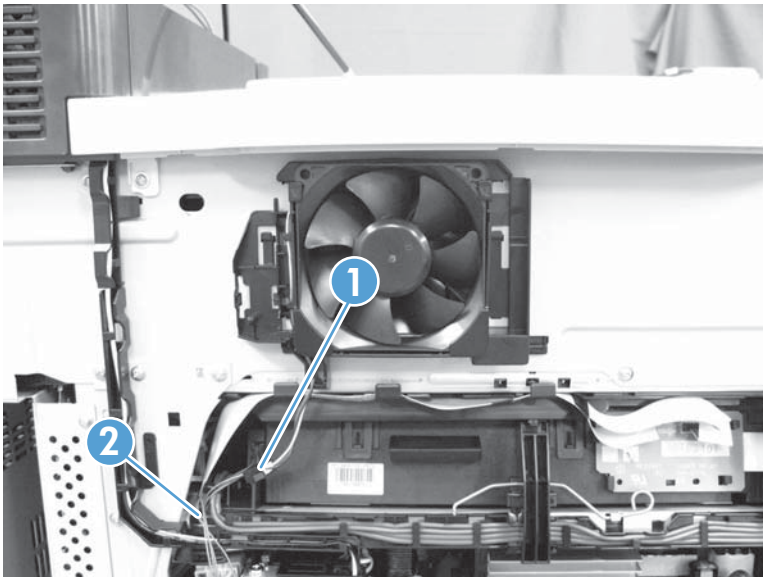
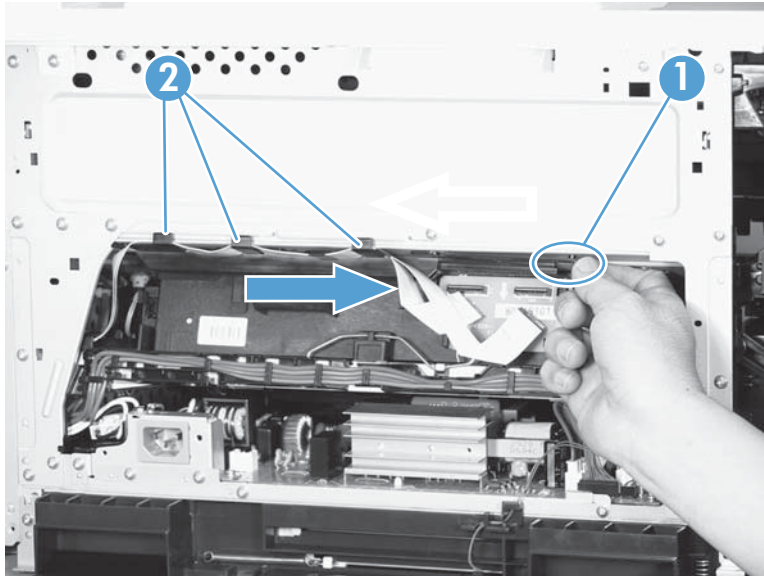
 **Reinstallation tip** Releasing the wire harness from the cable guide makes installing the laser/scanner easier.

Figure 1-190 Remove the laser/scanner (3 of 6)



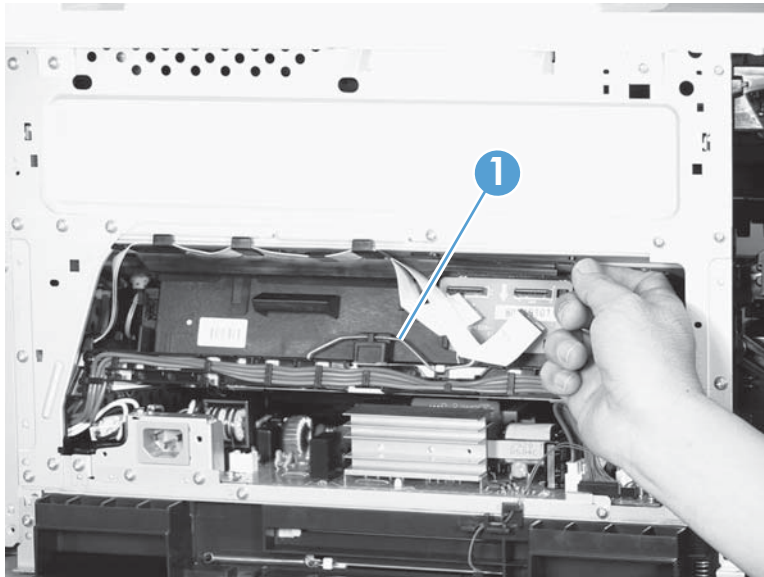
5. Release one tab (callout 1), and then slide the cable guide (callout 2) in the direction that the arrow indicates to remove the guide and the FFCs.

Figure 1-191 Remove the laser/scanner (4 of 6)



6. Remove one spring (callout 1).

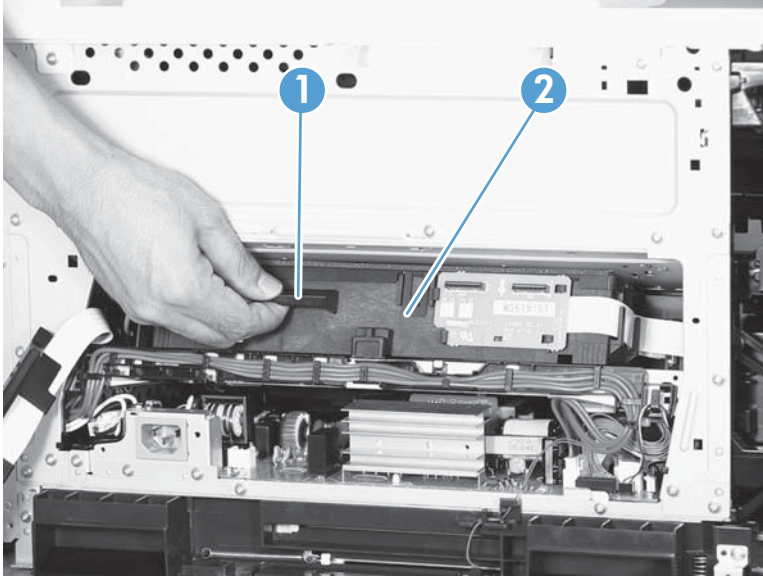
Figure 1-192 Remove the laser/scanner (5 of 6)



7. While holding up the handle (callout 1), pull the laser/scanner (callout 2) up slightly and then out of the product.

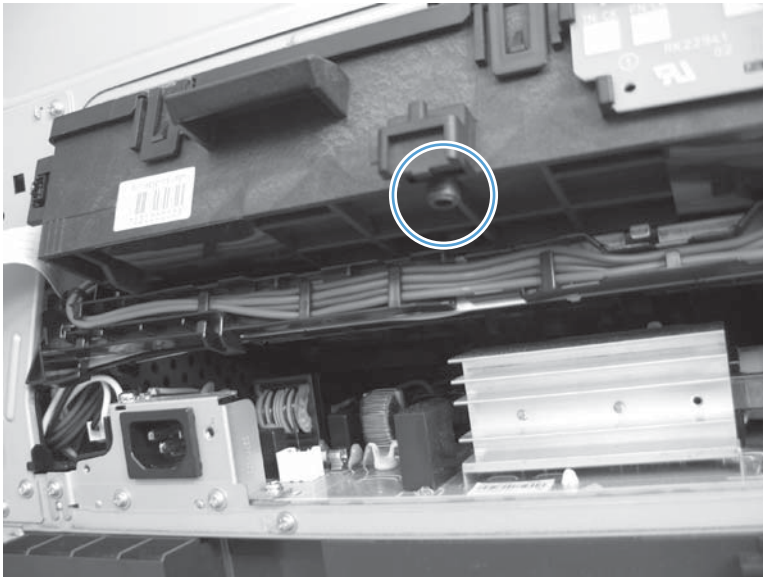
⚠ CAUTION: Do not touch the protective glass strip on top of the assembly.

Figure 1-193 Remove the laser/scanner (6 of 6)



💡 Reinstallation tip Align the assembly with the guides on the left side of the opening when reinstalling the assembly.

Align the pin on the bottom of the assembly with the hole in the product when reinstalling the assembly. After pushing the assembly into the product, you might have to pull the assembly slightly forward to seat the pin in the hole.



Cartridge fan FM4

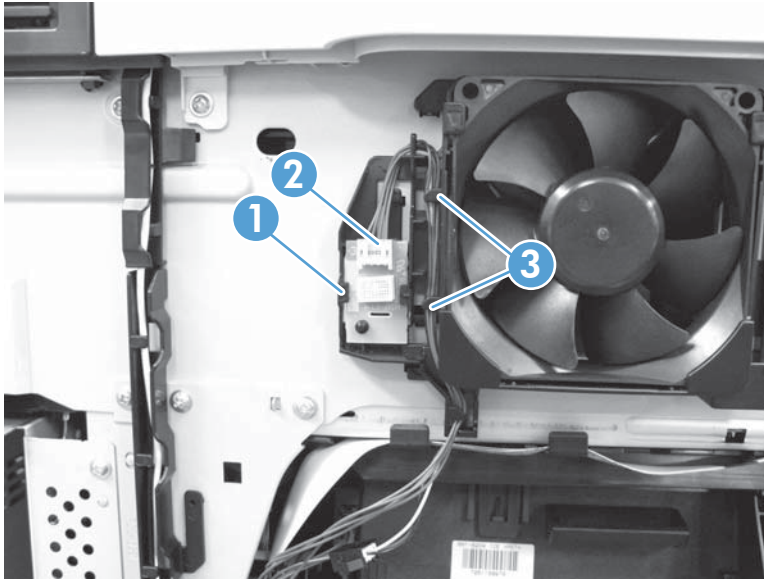
Before proceeding, remove the following assemblies:

- Remove the left cover. See [Left cover on page 57](#).

Remove the cartridge fan FM4

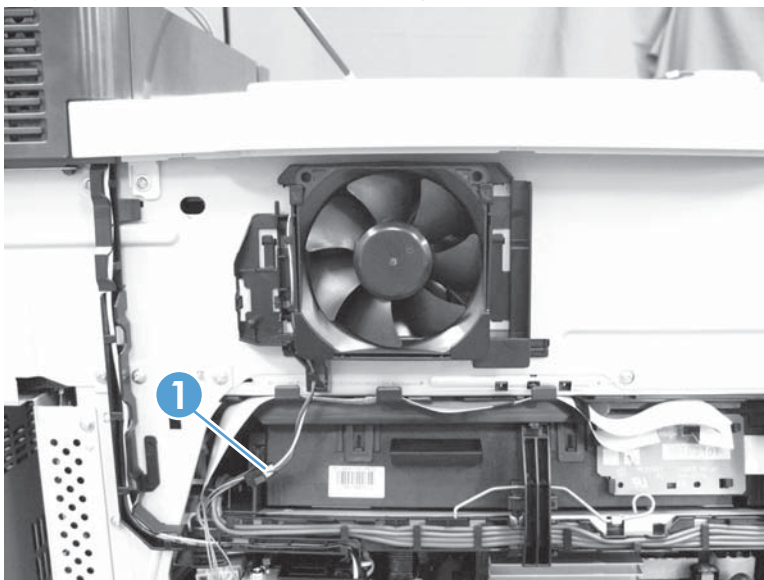
1. Release one tab (callout 1), separate the environmental sensor (callout 2) from the fan assembly, and then release the wire harness from the retainer (callout 3) to remove it.

Figure 1-194 Remove the cartridge fan FM4 (1 of 3)



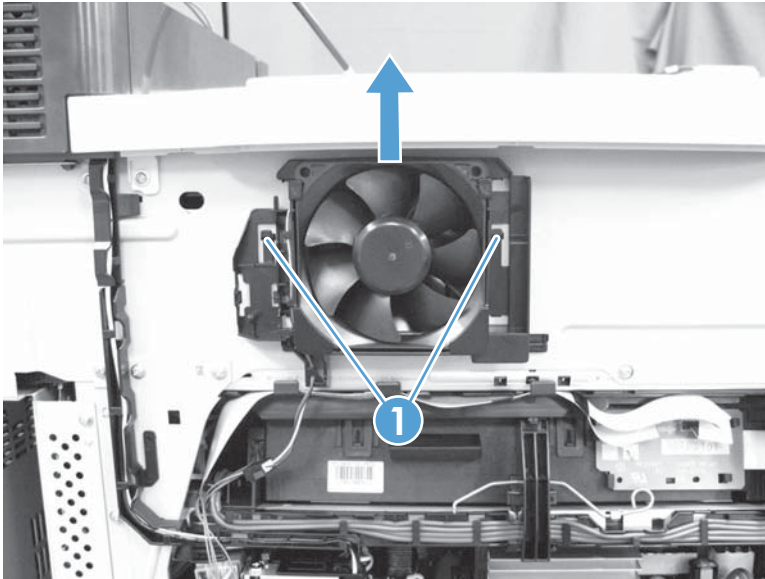
2. Disconnect one connector (callout 1).

Figure 1-195 Remove the cartridge fan FM4 (2 of 3)



3. Release two tabs (callout 1), and then pull up on the assembly to remove it.


Figure 1-196 Remove the cartridge fan FM4 (3 of 3)



Fuser fan FM2

Before proceeding, remove the following assemblies:

- Control-panel assembly. See [Control-panel assembly on page 5](#).
- Right upper cover. See [Right upper cover on page 67](#).
- Scanner rear and FFC bezel cover. See [Scanner rear and FFC bezel cover on page 68](#).
- Optional: Document feeder. See [Document feeder on page 71](#).

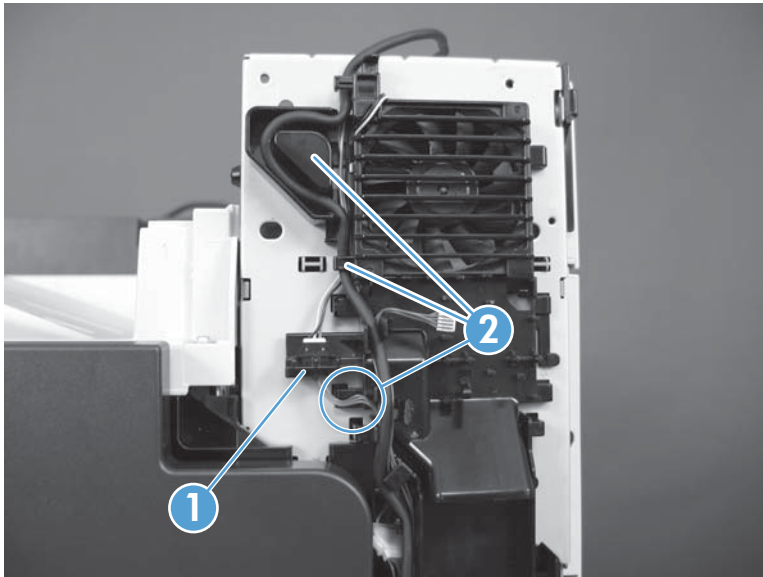
 **NOTE:** HP recommends removing the document feeder to decrease the weight of the scanner assembly when it is lifted off of the product.

- Scanner assembly. See [Scanner assembly on page 74](#).
- Front upper cover. See [Front upper cover on page 83](#).
- Front right cover. See [Front right cover on page 86](#).
- Power switch PCA. See [Power switch on page 155](#).

Remove the fuser fan FM2

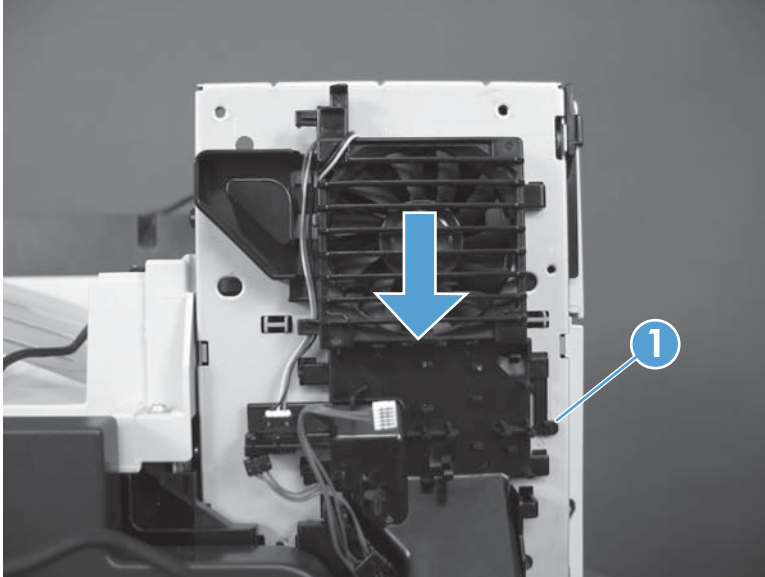
1. Disconnect one connector (callout 1), and then release the wire harness and black cable from the retainer (callout 2).

Figure 1-197 Remove the fuser fan FM2 (1 of 2)



2. Release one tab (callout 1), and then pull down on the fan assembly to remove it.

Figure 1-198 Remove the fuser fan FM2 (2 of 2)



Formatter fan FM3

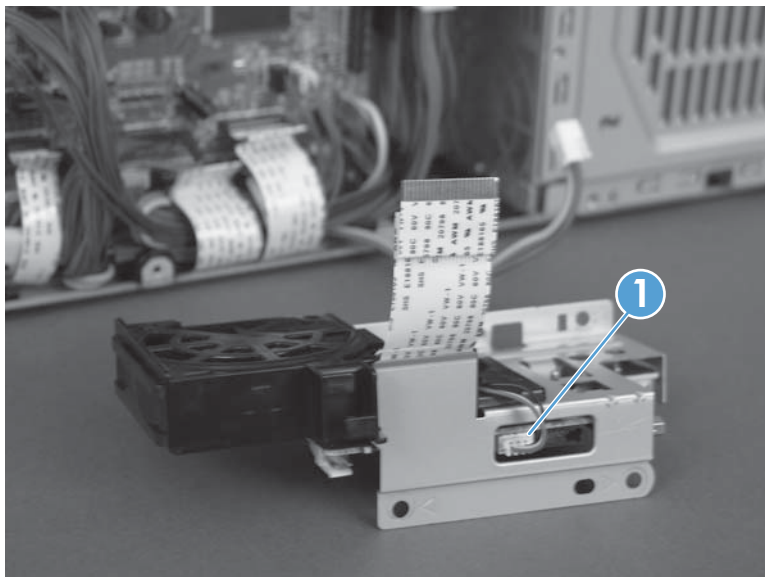
Before proceeding, remove the following assemblies:

- Formatter PCA. See [Formatter PCA on page 10](#).
- Rear cover. See [Rear cover on page 58](#).
- Right rear cover. See [Right rear cover on page 59](#).
- Interconnect PCA. See [Interconnect PCA on page 171](#).

Remove the formatter fan FM3

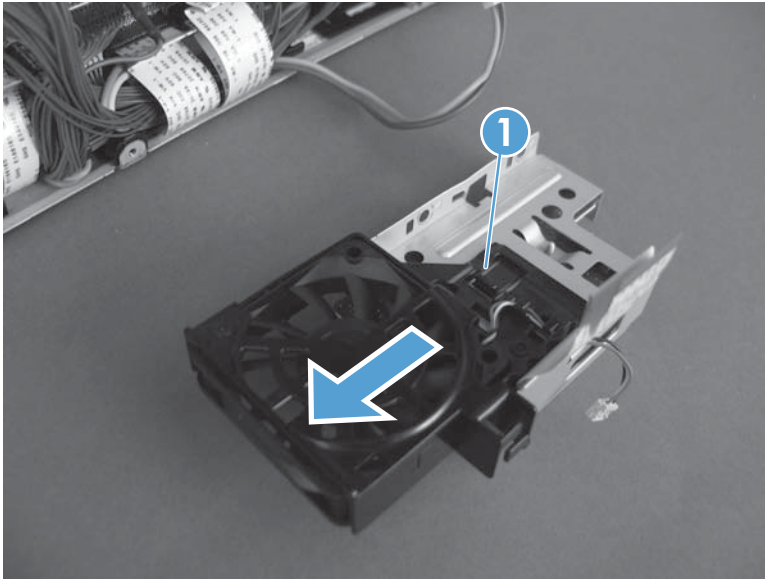
1. Disconnect one connector (callout 1).

Figure 1-199 Remove the formatter fan FM3 (1 of 2)



2. Release one tab (callout 1), and then pull down on the fan to remove it.

Figure 1-200 Remove the formatter fan FM3 (2 of 2)



ITB motor M1

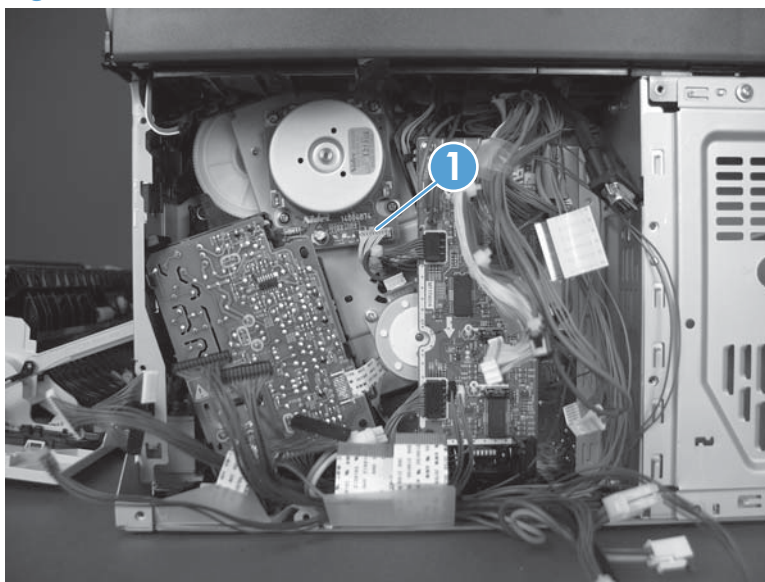
Before proceeding, remove the following assemblies:

- Formatter PCA. See [Formatter PCA on page 10](#).
- Rear cover. See [Rear cover on page 58](#).
- Right rear cover. See [Right rear cover on page 59](#).
- Interconnect PCA. See [Interconnect PCA on page 171](#).
- DC controller PCA and sheet-metal bracket. See [DC controller PCA on page 174](#).

Remove the ITB motor M1

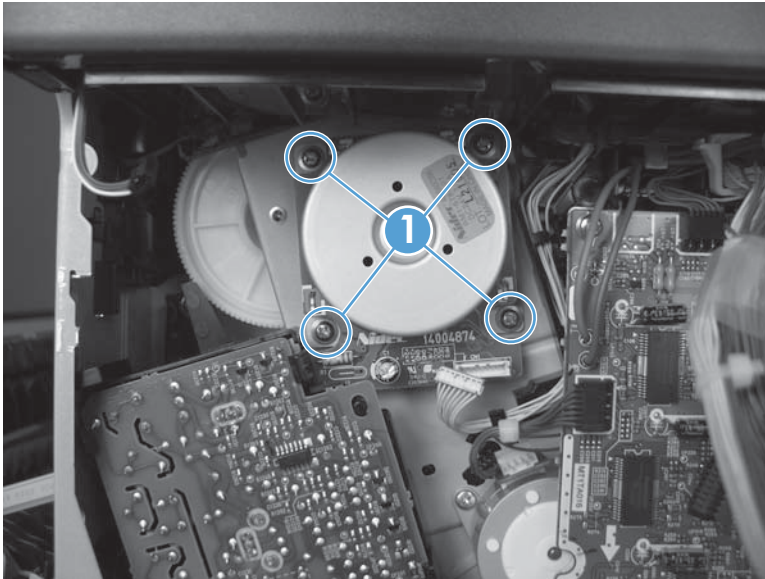
1. Disconnect one connector (callout 1).

Figure 1-201 Remove the ITB motor M1 (1 of 2)



2. Remove four screws (callout 1), and then remove the motor.

Figure 1-202 Remove the ITB motor M1 (2 of 2)



Drum motor M2

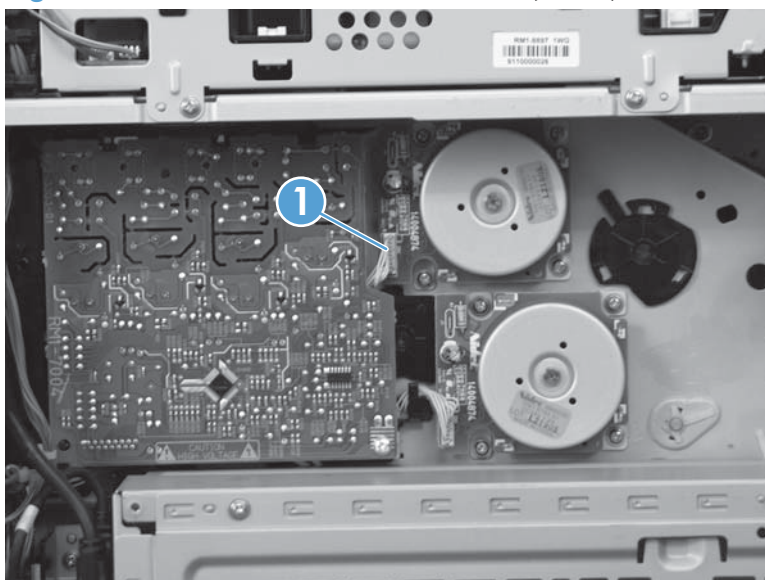
Before proceeding, remove the following assemblies:

- Rear cover. See [Rear cover on page 58](#).
- Right rear cover. See [Right rear cover on page 59](#).
- Toner access door. See [Toner collection unit \(TCU\) access door on page 60](#).
- Toner cover. See the first, second, and third steps of [Residual toner full sensor on page 122](#)

Remove the drum motor M2

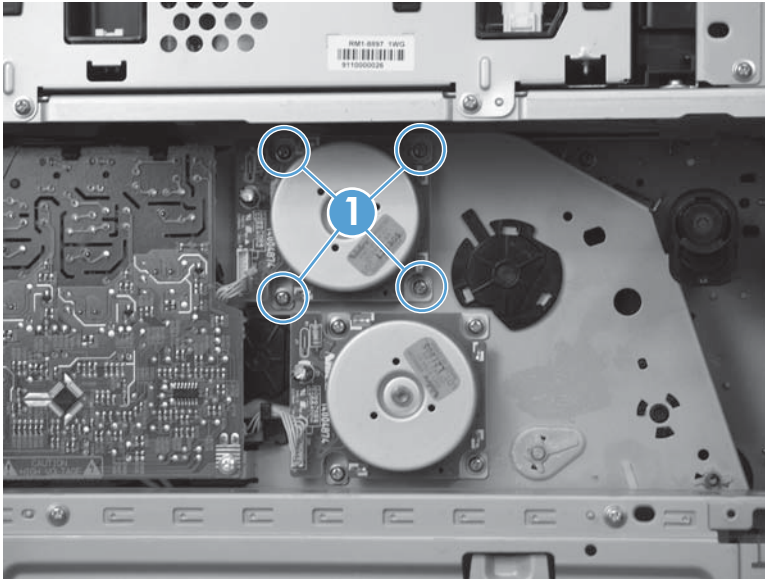
1. Disconnect one connector (callout 1).

Figure 1-203 Remove the drum motor M2 (1 of 2)



2. Remove four screws (callout 1), and then remove the motor.

Figure 1-204 Remove the drum motor M2 (2 of 2)



Developing motor M3

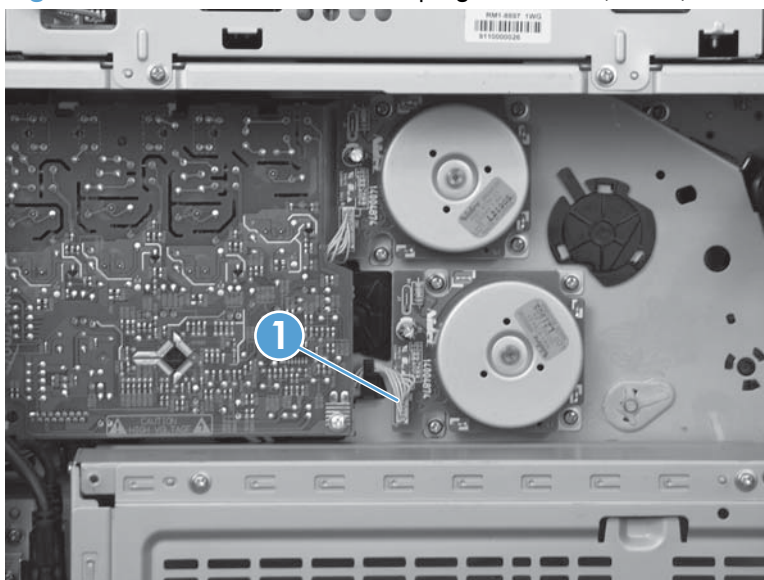
Before proceeding, remove the following assemblies:

- Rear cover. See [Rear cover on page 58](#).
- Right rear cover. See [Right rear cover on page 59](#).
- Toner access door. See [Toner collection unit \(TCU\) access door on page 60](#).
- Toner cover. See the first, second, and third steps of [Residual toner full sensor on page 122](#)

Remove the developing motor M3

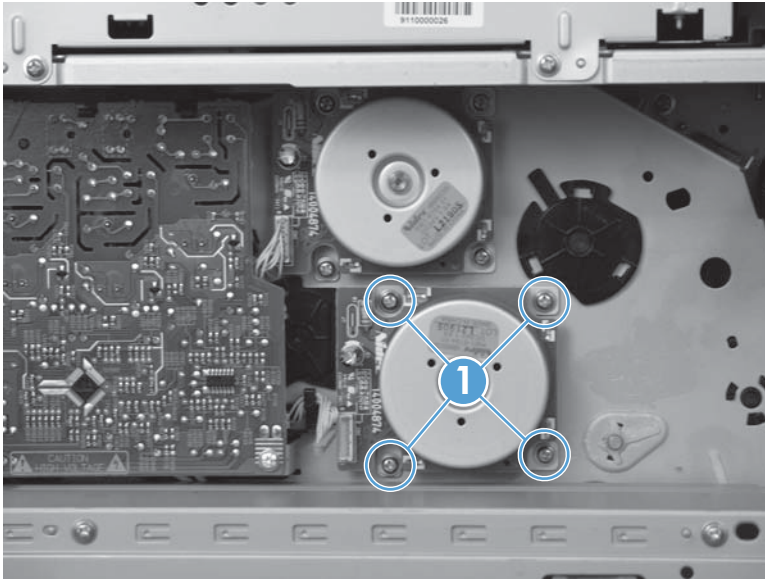
1. Disconnect one connector (callout 1).

Figure 1-205 Remove the developing motor M3 (1 of 2)



2. Remove four screws (callout 1), and then remove the motor.

Figure 1-206 Remove the developing motor M3 (2 of 2)



Fuser motor M4

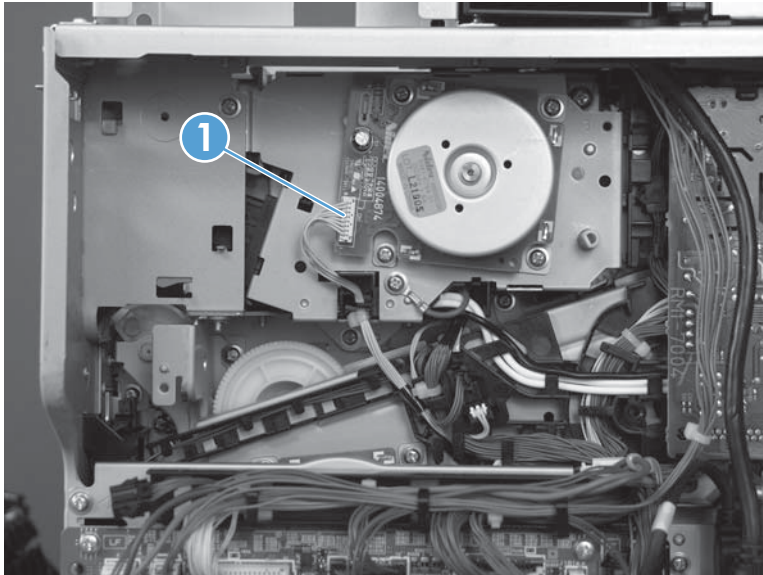
Before proceeding, remove the following assemblies:

- Rear cover. See [Rear cover on page 58](#).
- Right rear cover. See [Right rear cover on page 59](#).
- Toner access door. See [Toner collection unit \(TCU\) access door on page 60](#).
- Residual toner full sensor. See [Residual toner full sensor on page 122](#)

Remove the fuser motor M4

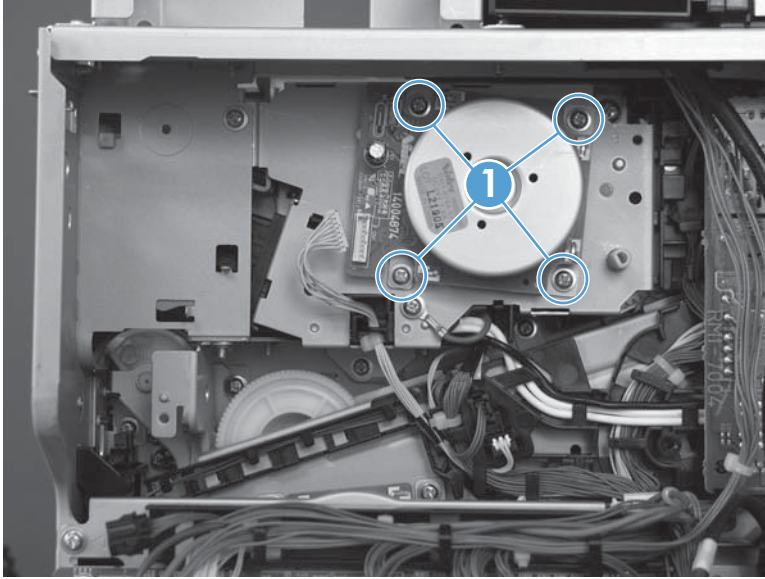
1. Disconnect one connector (callout 1).

Figure 1-207 Remove the fuser motor M4 (1 of 2)



2. Remove four screws (callout 1), and then remove the motor.

Figure 1-208 Remove the fuser motor M4 (1 of 2)



Developing disengagement motor M6

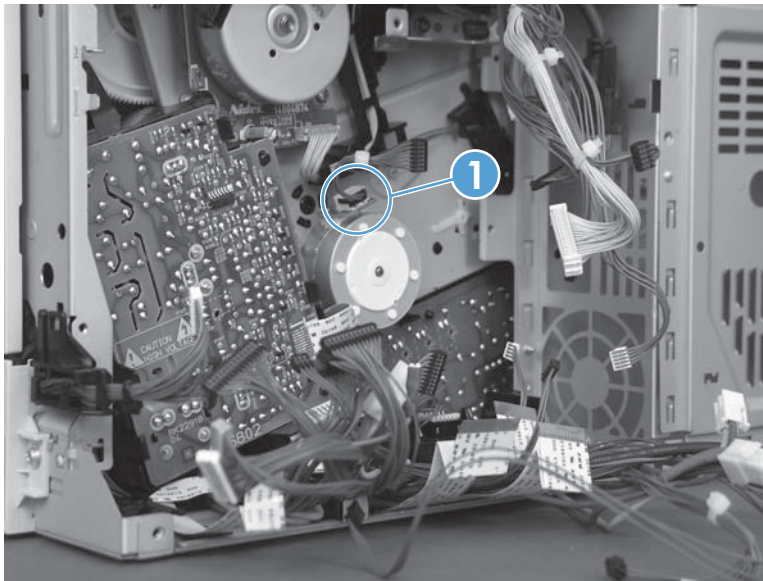
Before proceeding, remove the following assemblies:

- Formatter PCA. See [Formatter PCA on page 10](#).
- Rear cover. See [Rear cover on page 58](#).
- Right rear cover. See [Right rear cover on page 59](#).
- Interconnect PCA. See [Interconnect PCA on page 171](#).
- DC controller PCA and sheet-metal bracket. See [DC controller PCA on page 174](#).
- Driver PCA. See [Driver PCA on page 184](#).

Remove the developing disengagement motor M6

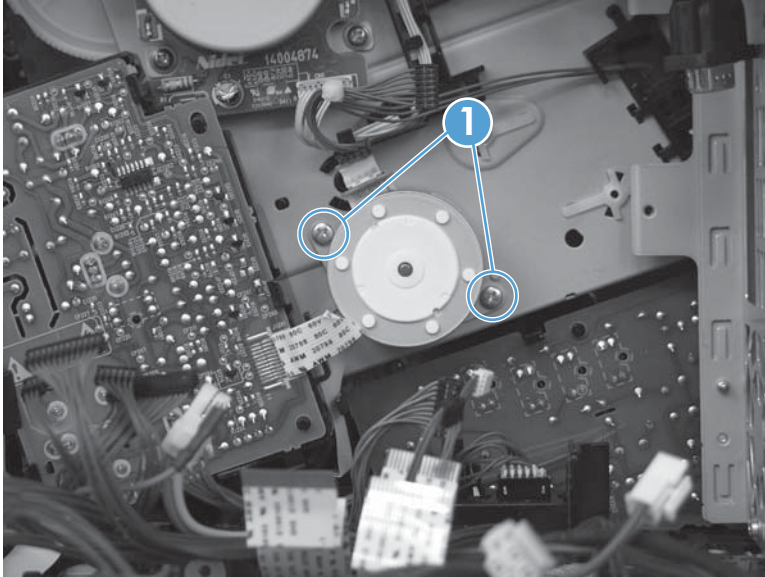
1. Disconnect one connector (callout 1).

Figure 1-209 Remove the developing disengagement motor M6 (1 of 2)



2. Remove two screws (callout 1), and then remove the motor.

Figure 1-210 Remove the developing disengagement motor M6 (2 of 2)




Power-supply fan FM1

 **TIP:** If Tray 2 has not already been removed in order to service the product, remove it now.

Before proceeding, remove the following assemblies:

- Control-panel assembly. See [Control-panel assembly on page 5](#).
- Left cover. See [Left cover on page 57](#).
- Rear upper cover. See [Rear upper cover on page 66](#).
- Optional: Document feeder. See [Document feeder on page 71](#).

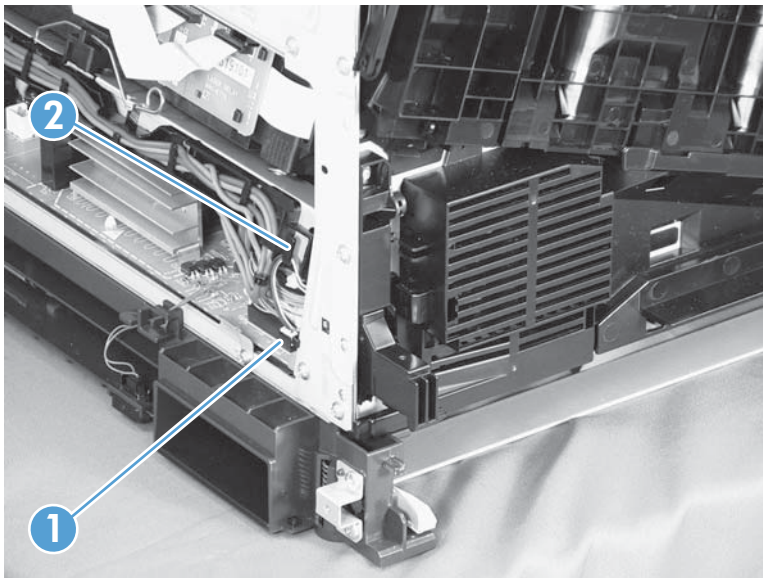
 **NOTE:** HP recommends removing the document feeder to decrease the weight of the scanner assembly when it is lifted off of the product.

- Scanner assembly. See [Scanner assembly on page 74](#).
- For a stapler/stacker model:
 - Stapler/stacker assembly. See [Stapler/stacker assembly on page 78](#).
- Front upper cover. See [Front upper cover on page 83](#).
- Front right cover. See [Front right cover on page 86](#).
- Front door. See [Front door assembly on page 88](#).

Remove the power-supply fan FM1

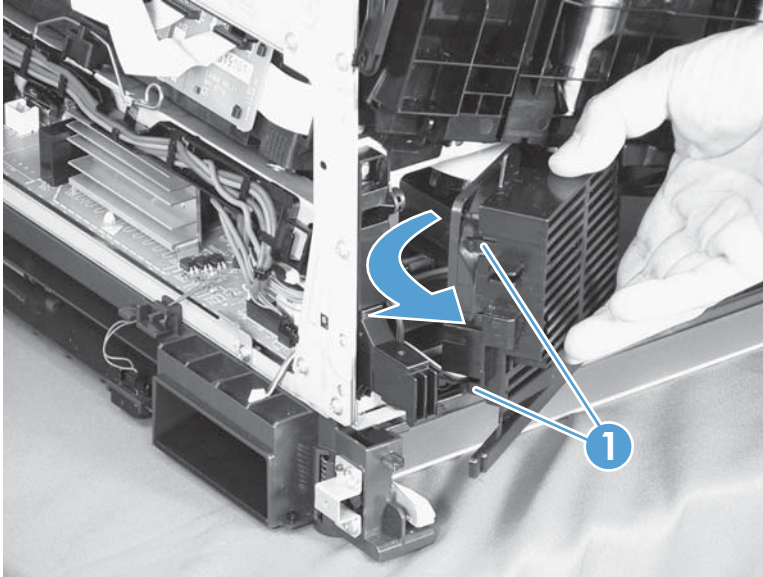
1. Disconnect one connector (callout 1), and then release the wire harness from the retainer (callout 2).

Figure 1-211 Remove the power-supply fan FM1 (1 of 3)



2. Release two tabs (callout 1), and then remove the fan assembly.

Figure 1-212 Remove the power-supply fan FM1 (2 of 3)

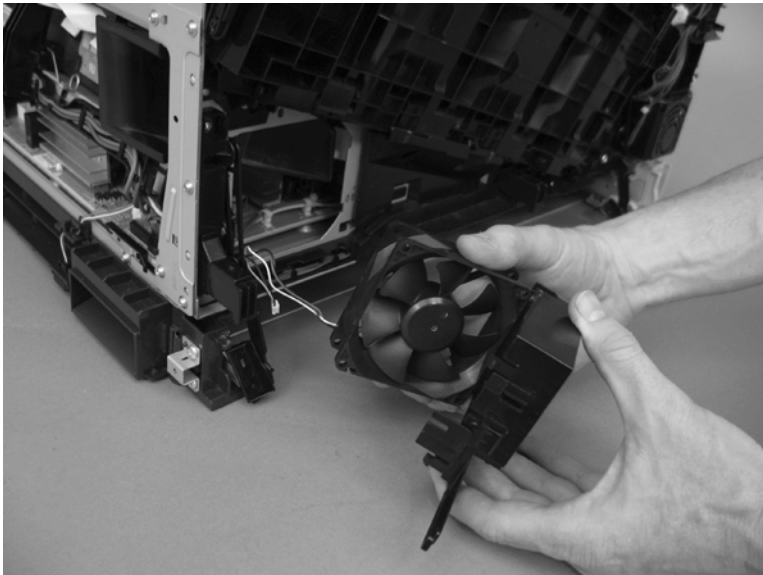


3. Pull on the sides of the fan holder to remove the fan.

TIP: Take note of the position of the fan. It must be installed correctly to move air into the product to cool the power supply.

Make sure that you position the bottom-right corner inside the sheet metal when the assembly is reinstalled.

Figure 1-213 Remove the power-supply fan FM1 (3 of 3)




Power switch

 **CAUTION:**  ESD sensitive assembly.

Before proceeding, remove the following assemblies:

- Control-panel assembly. See [Control-panel assembly on page 5](#).
- Optional: Document feeder. See [Document feeder on page 71](#).

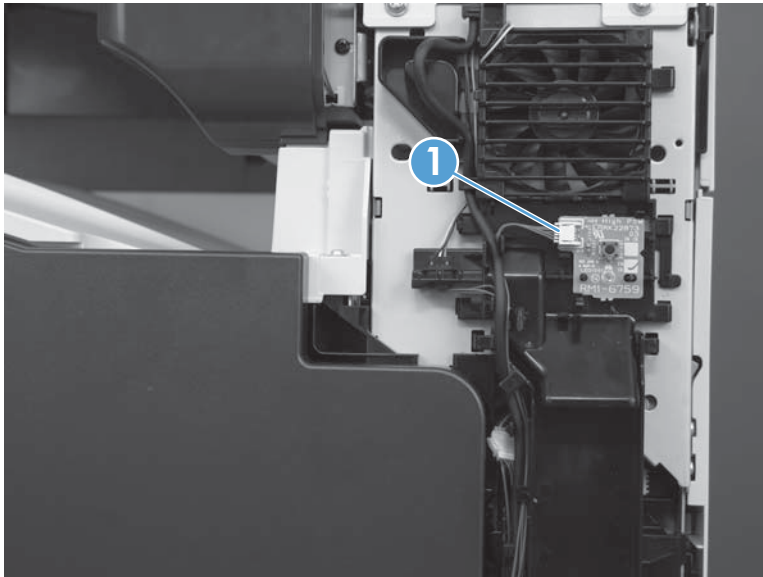
 **NOTE:** HP recommends removing the document feeder to decrease the weight of the scanner assembly when it is lifted off of the product.

- Scanner assembly. See [Scanner assembly on page 74](#).
- Front upper cover. See [Front upper cover on page 83](#).
- Front right cover. See [Front right cover on page 86](#).

Remove the power switch

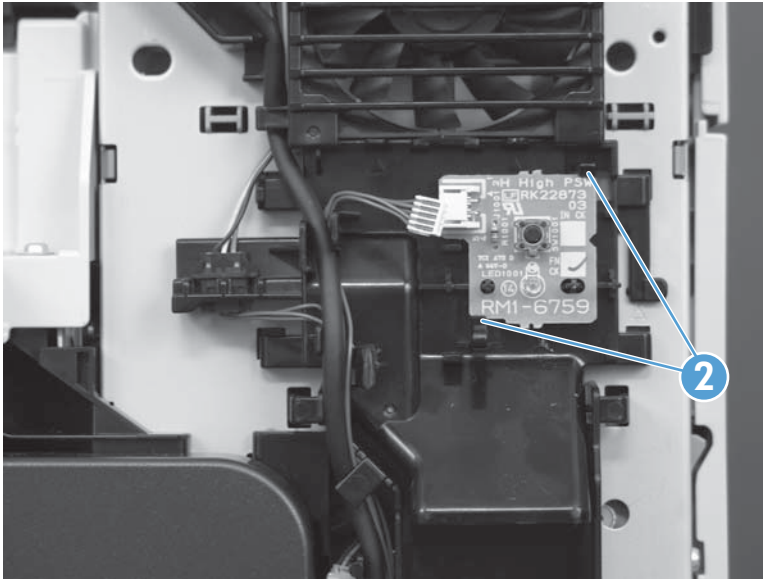
1. Disconnect one connector (callout 1).

Figure 1-214 Remove the power switch (1 of 2)



2. Release two tabs, and then remove the switch.

Figure 1-215 Remove the power switch (2 of 2)



Environment sensor

1. Remove the left cover. See [Left cover on page 57](#).
2. Disconnect one connector (callout 1).


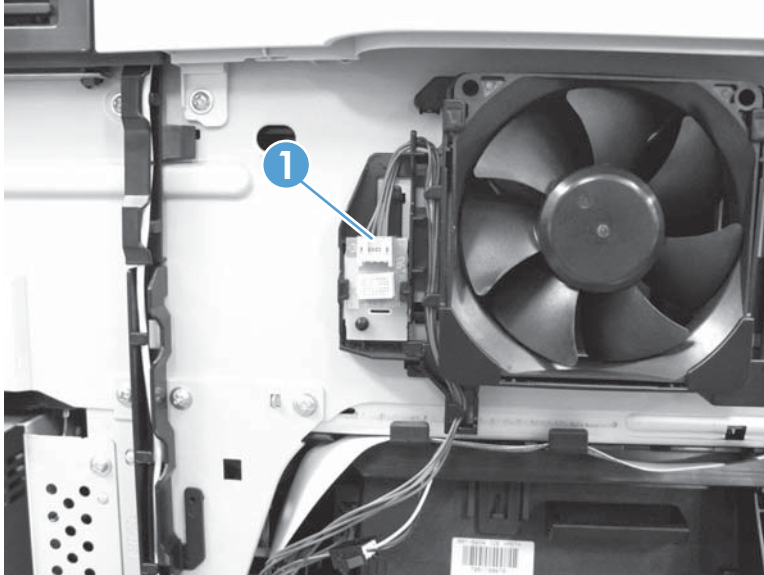
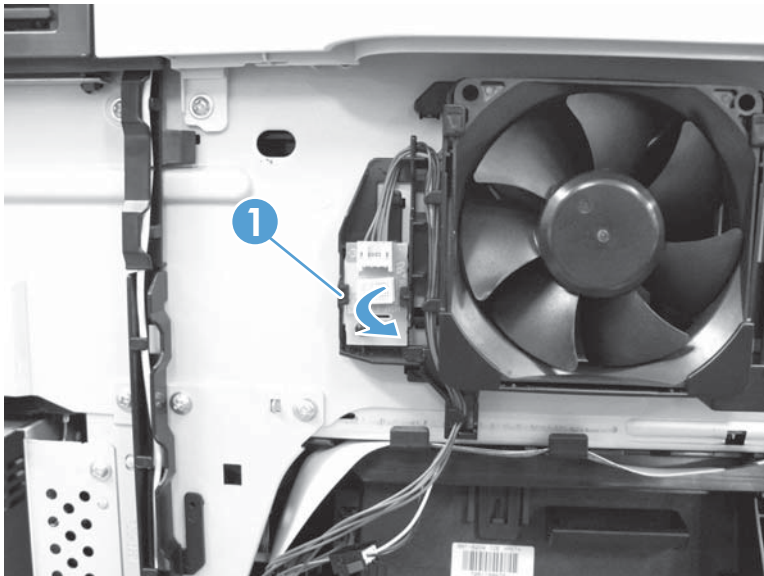
 **TIP:** Release the wire harness from the retainer to easily disconnect the connector.

Figure 1-216 Remove the environment sensor (1 of 2)



3. Release one tab (callout 1), and then remove the environmental sensor.

Figure 1-217 Remove the environment sensor (2 of 2)



Scan control board (SCB)

⚠ CAUTION:  ESD sensitive assembly.

Do not replace the SCB and the image scanner memory board at the same time. If you must replace both assemblies, see [Installing a replacement SCB and image scanner memory board on page 160](#).

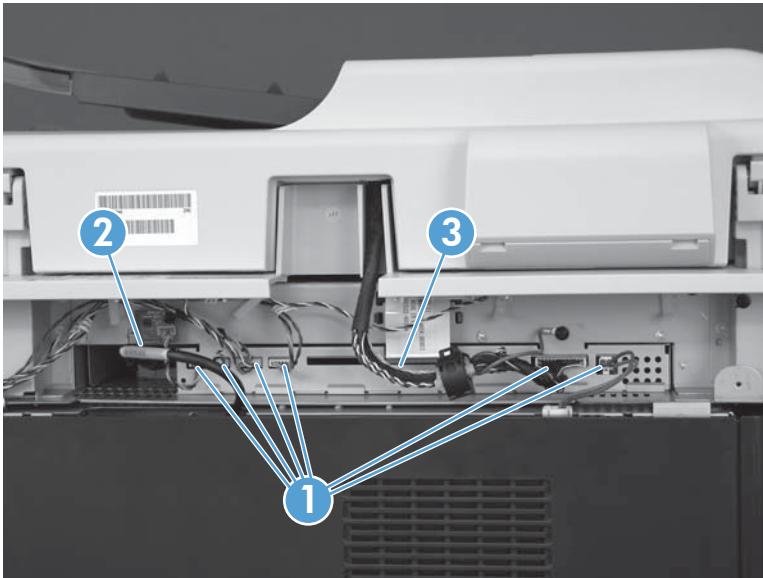
- Scanner rear cover. [Scanner rear and FFC bezel cover on page 68](#).

Remove the scan control board (SCB)

1. Disconnect six connectors (callout 1), one serial cable (callout 2), and one FFC (callout 3).

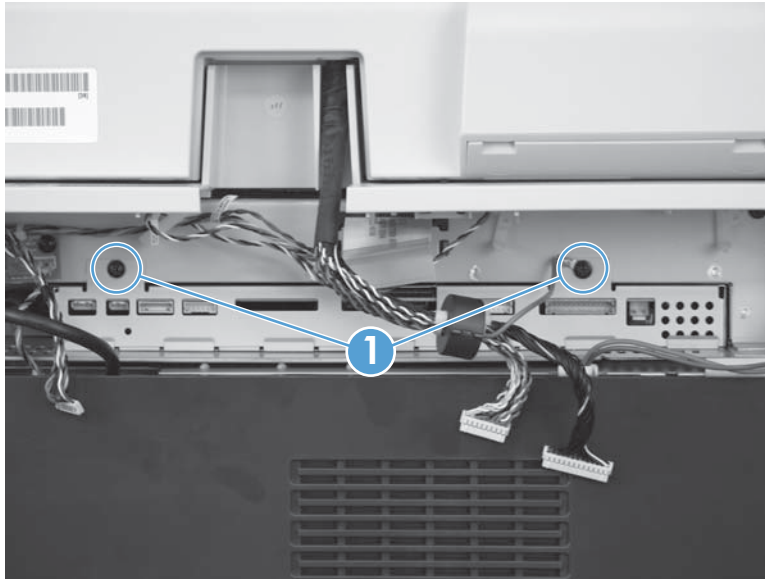
💡 Reinstallation tip Use the top most connector position when reinstalling the FFC to the SCB.

Figure 1-218 Remove the SCB (1 of 3)



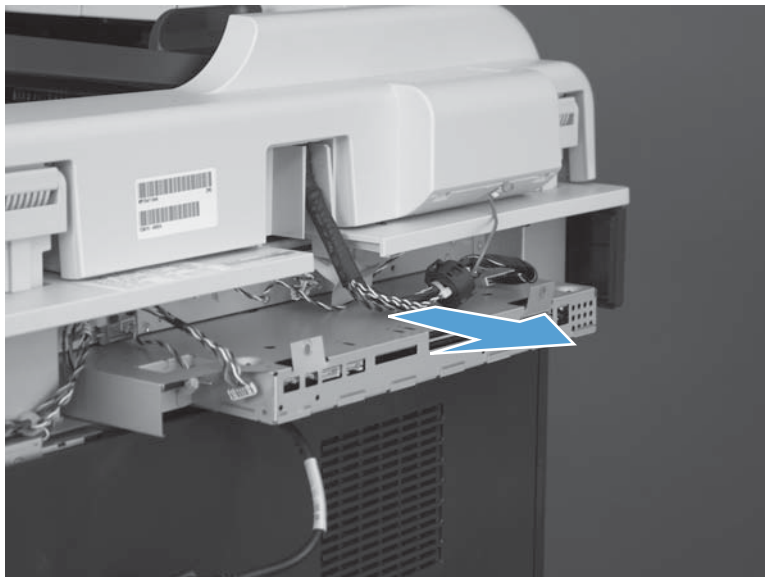
2. Remove two screws (callout 1).

Figure 1-219 Remove the SCB (2 of 3)



3. Slide the SCB straight out of the product to remove it.

Figure 1-220 Remove the SCB (3 of 3)



Reinstall the SCB

Do not forget to attach the ground wire (callout 1) when you reinstall the SCB mounting screws.

Figure 1-221 Reinstall the SCB



Installing a replacement SCB and image scanner memory board

The image scanner memory board contains the primary copy of the scan head calibration values. The SCB contains a backup copy of these values. Replacing both of these assemblies at the same time will cause these values to be lost and the image scanner will not operate.

If both assemblies must be replaced, do the following:

1. Replace either the image scanner memory board or the SCB.
2. Turn the product power on, and wait for the product to reach the [Ready](#) state.
3. Turn the product power off, and then replace the remaining assembly.

Document feeder open sensor and flag

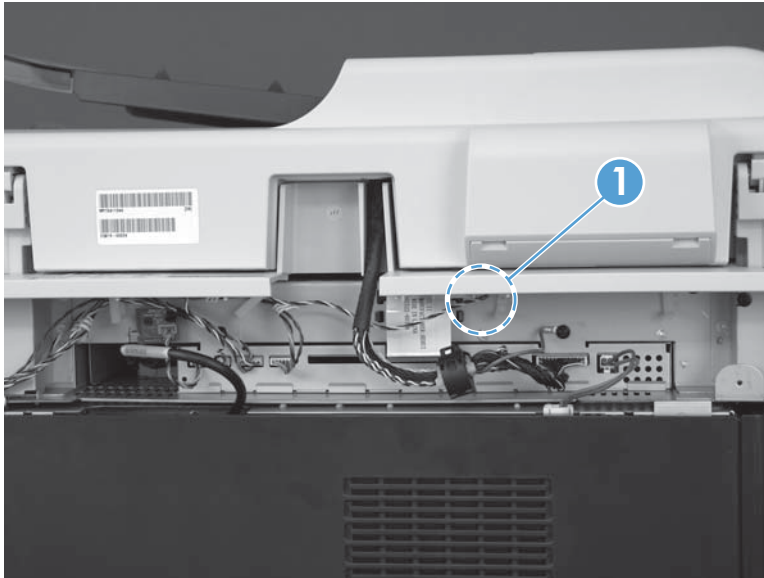
Before proceeding, remove the following assemblies:

- Scanner rear and FFC bezel cover. See [Scanner rear and FFC bezel cover on page 68](#).

Remove the document open sensor and flag

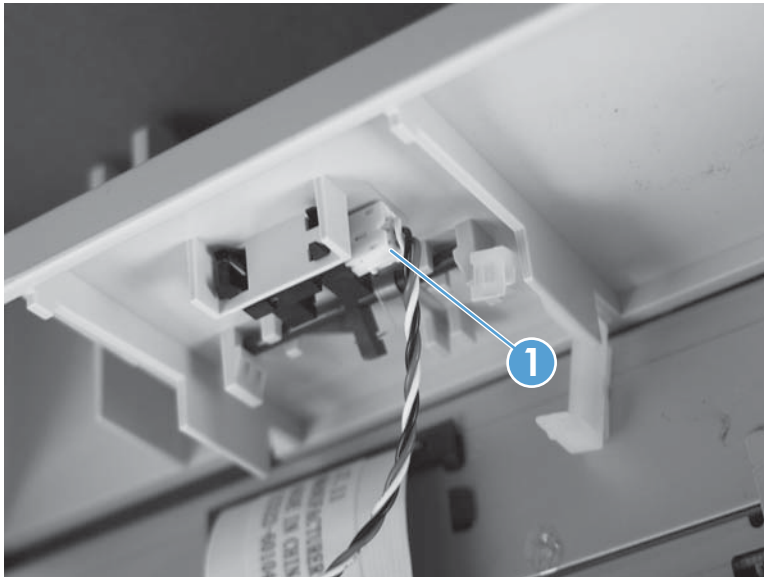
1. Locate the document feeder open sensor (callout 1).

Figure 1-222 Remove the document feeder open sensor and flag (1 of 4)



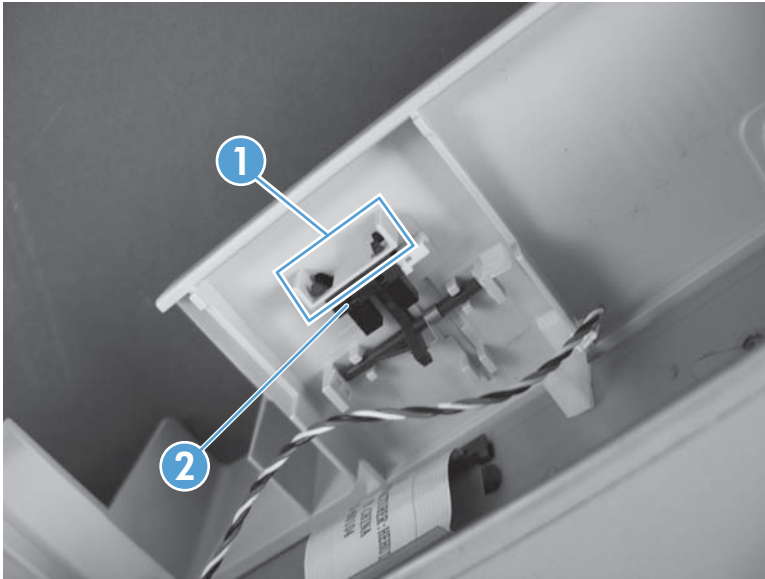
2. Disconnect one connector (callout 1).

Figure 1-223 Remove the document feeder open sensor and flag (2 of 4)



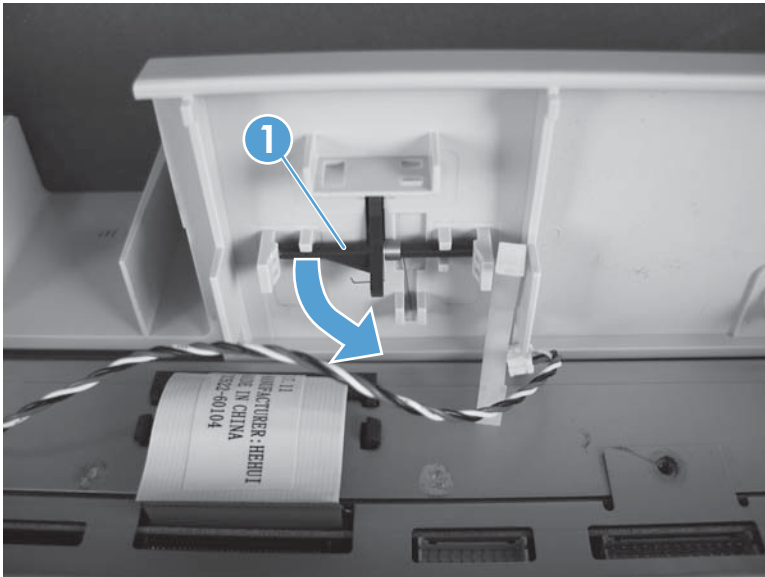
3. Release four tabs (callout 1), and then remove the sensor (callout 2).

Figure 1-224 Remove the document feeder open sensor and flag (3 of 4)



4. Carefully remove the sensor flag (callout 1).

Figure 1-225 Remove the document feeder open sensor and flag (4 of 4)



Reinstall the document feeder open sensor and flag

When the assembly is removed, the spring is loose. When you reinstall the assembly, make sure that the long end of the spring fits in the provided channel and the short end of the spring is behind the flag.

Figure 1-226 Reinstall the document feeder open sensor and flag

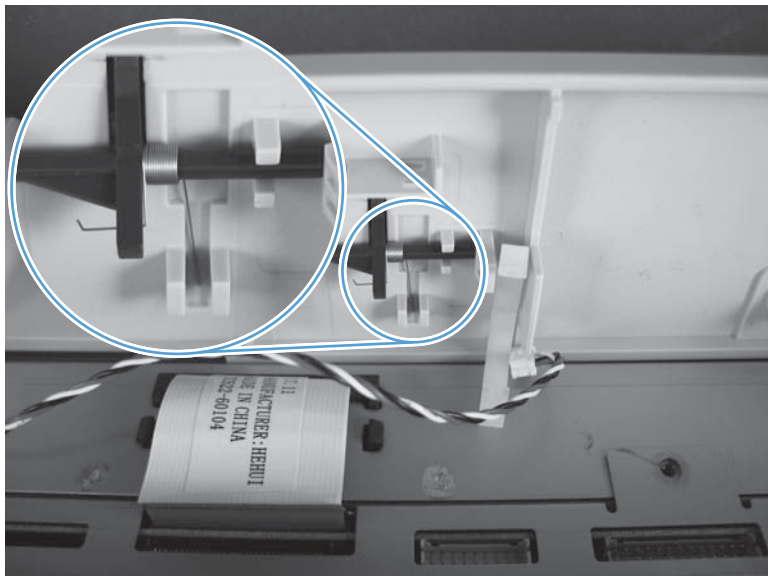


Image scanner memory board

⚠ CAUTION:  ESD sensitive assembly.

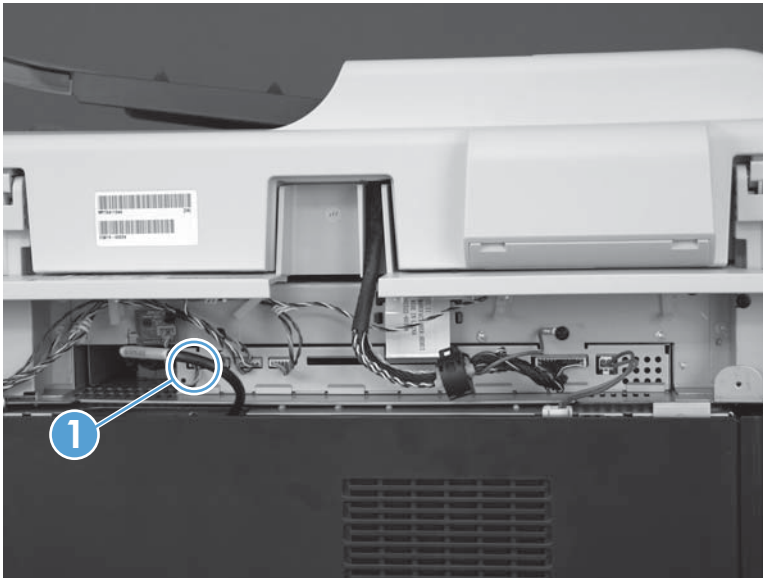
Do not replace the SCB and the image scanner memory board at the same time. If you must replace both assemblies, see [Installing a replacement SCB and image scanner memory board on page 165](#).

- Scanner rear and FFC bezel cover. [Scanner rear and FFC bezel cover on page 68](#).

Remove the image scanner memory board

1. Disconnect one connector (callout 1).

Figure 1-227 Remove the image scanner memory board (1 of 2)



2. Remove one screw (callout 1), and then carefully remove the image scanner memory board.


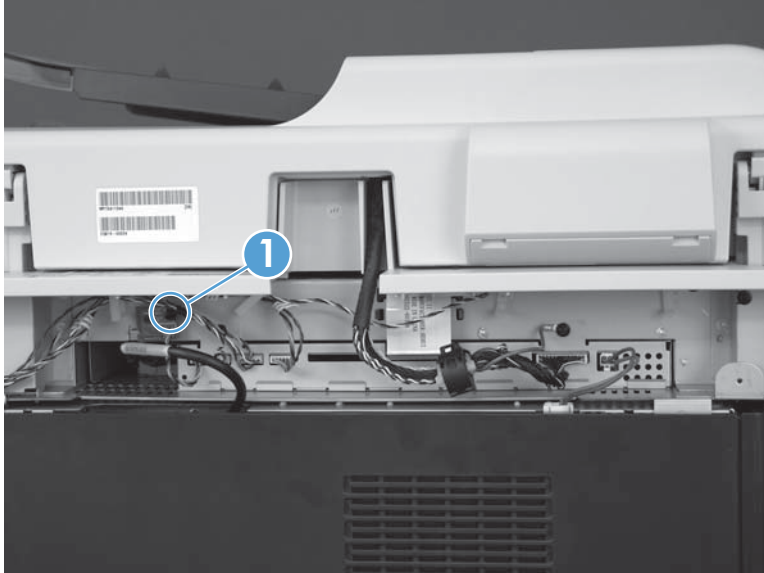
 **Reinstallation tip** When the image scanner memory board is reinstalled, make sure that the notch in the board fits over the provided plastic pin.

Figure 1-228 Remove the image scanner memory board (2 of 2)



Installing a replacement SCB and image scanner memory board

The image scanner memory board contains the primary copy of the scan head calibration values. The SCB contains a backup copy of these values. Replacing both of these assemblies at the same time will cause these values to be lost and the image scanner will not operate.

If both assemblies must be replaced, do the following:

1. Replace either the image scanner memory board or the SCB.
2. Turn the product power on, and wait for the product to reach the [Ready](#) state.
3. Turn the product power off, and then replace the remaining assembly.

Fax PCA

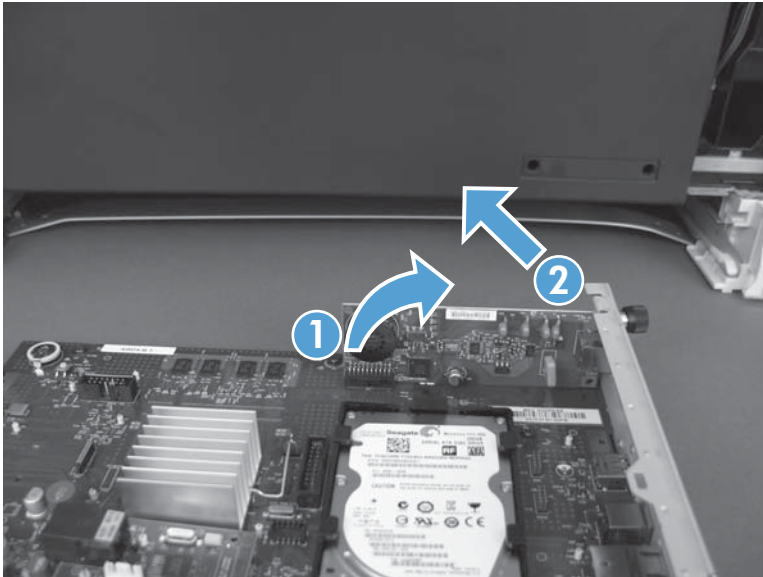
CAUTION:  ESD sensitive assembly.

- Formatter PCA. See [Formatter PCA on page 10](#).

Remove the fax PCA

- ▲ Rotate the connector end of the fax PCA up and away from the formatter to remove it.

Figure 1-229 Remove the fax PCA



Reinstall the fax PCA

Carefully align the fax port in the holder on the formatter tray, and then push down on the PCA to seat the connector on the formatter PCA.


 **NOTE:** When the fax PCA is correctly installed, the fax port is firmly held in place by the holder on the formatter tray.

Figure 1-230 Reinstall the fax PCA

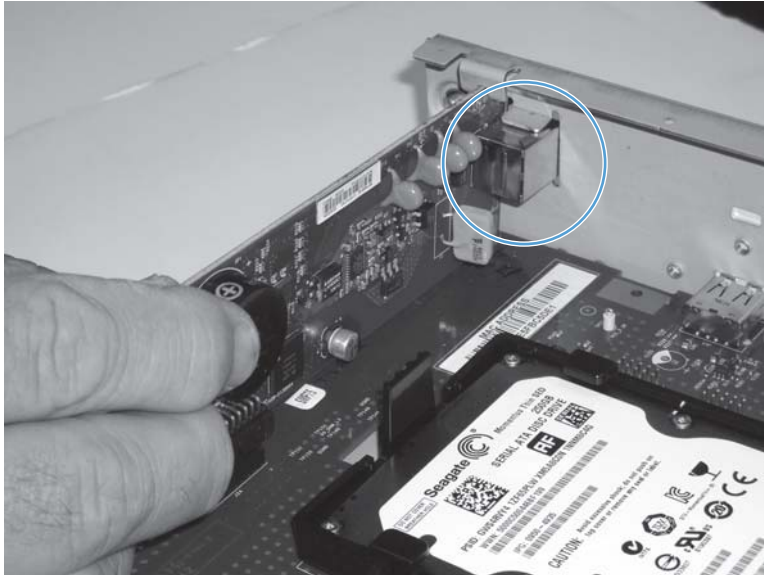


Image (developing) high-voltage power supply (HVPS)

CAUTION:  ESD sensitive assembly.

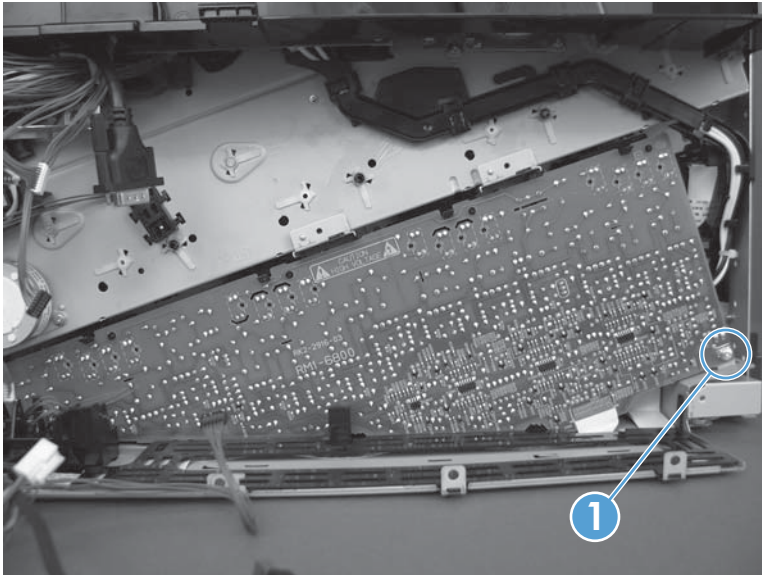
Before proceeding, remove the following assemblies:

- Formatter PCA. See [Formatter PCA on page 10](#).
- Rear cover. See [Rear cover on page 58](#).
- Interconnect PCA. See [Interconnect PCA on page 171](#).
- Formatter cage assembly. See [Formatter cage on page 177](#).

Remove the image (developing) high-voltage power supply

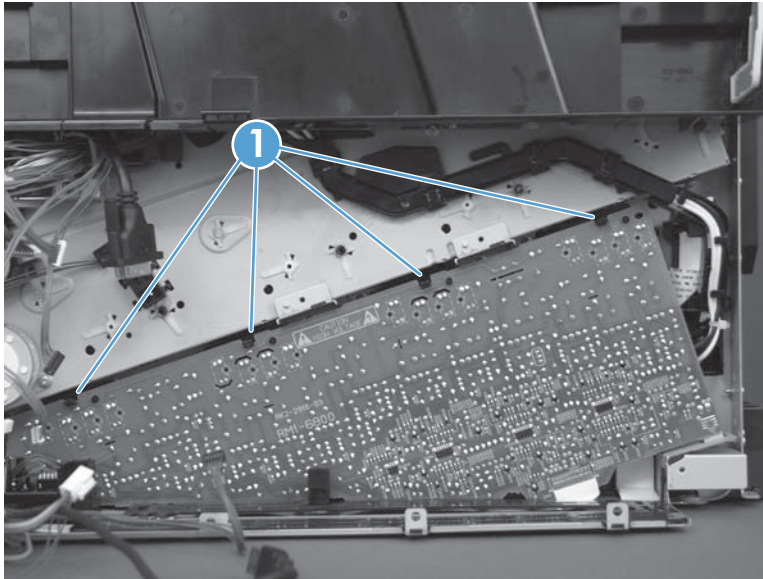
1. Remove one screw (callout 1).

Figure 1-231 Remove the HVPS (1 of 4)



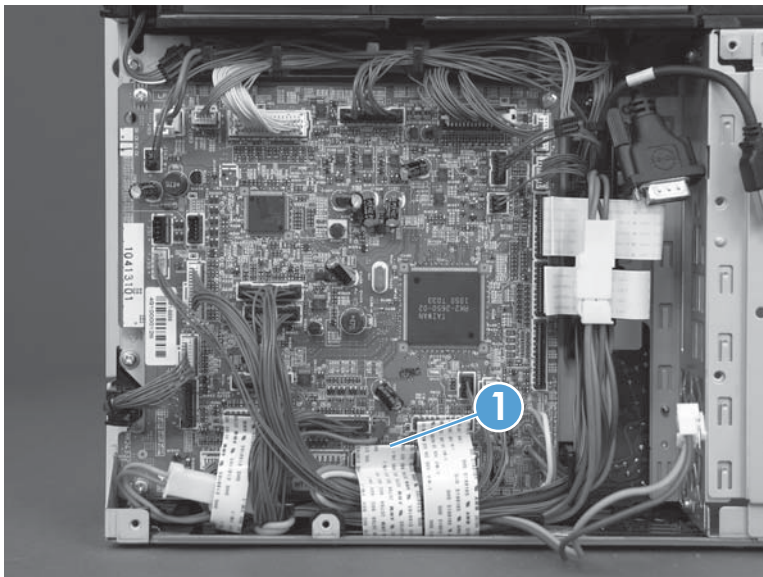
2. Release four tabs (callout 1).

Figure 1-232 Remove the HVPS (2 of 4)



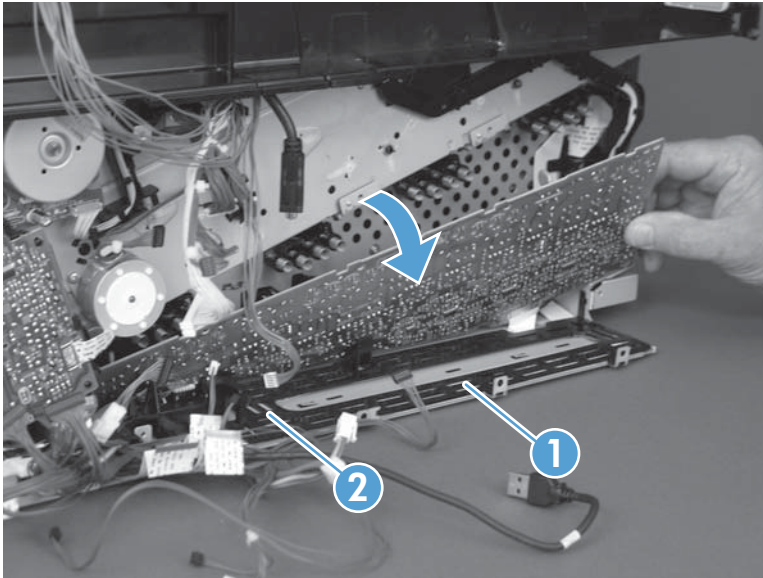
3. Disconnect one FFC (callout 1).

Figure 1-233 Remove the HVPS (3 of 4)



4. Remove the guide (callout 1), carefully remove the FFC (callout 2), and then rotate the top of the HVPS away from the product to remove it.

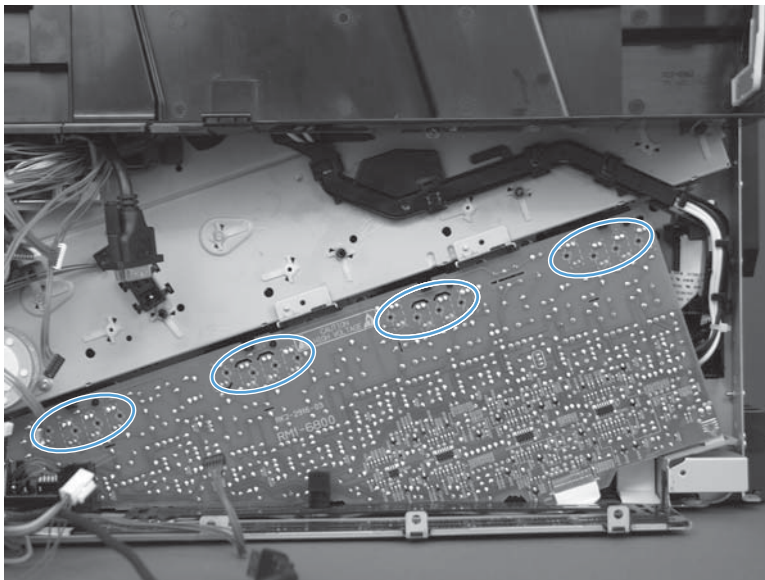
Figure 1-234 Remove the HVPS (4 of 4)



Reinstall the image (developing) high-voltage power supply

When you reinstall the power supply PCA, look through the holes on the PCA and make sure that the contact springs are correctly positioned against the back side of the PCA.

Figure 1-235 Reinstall the HVPS



Interconnect PCA

 **CAUTION:**  ESD sensitive assembly.

Before proceeding, remove the following assemblies:

- Formatter PCA. See [Formatter PCA on page 10](#).
- Rear cover. See [Rear cover on page 58](#).
- Right rear cover. See [Right rear cover on page 59](#).

Remove the interconnect PCA

1. Remove two screws (callout 1), and then remove the sheet-metal plate (callout 2).


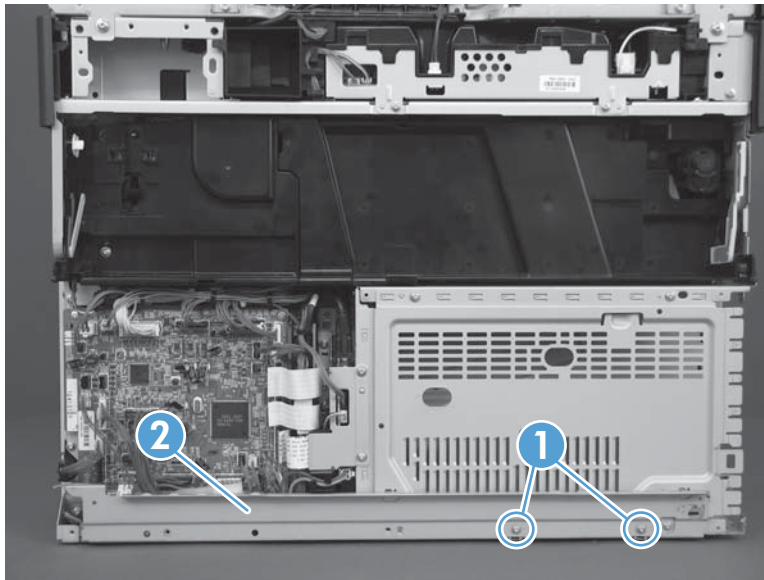
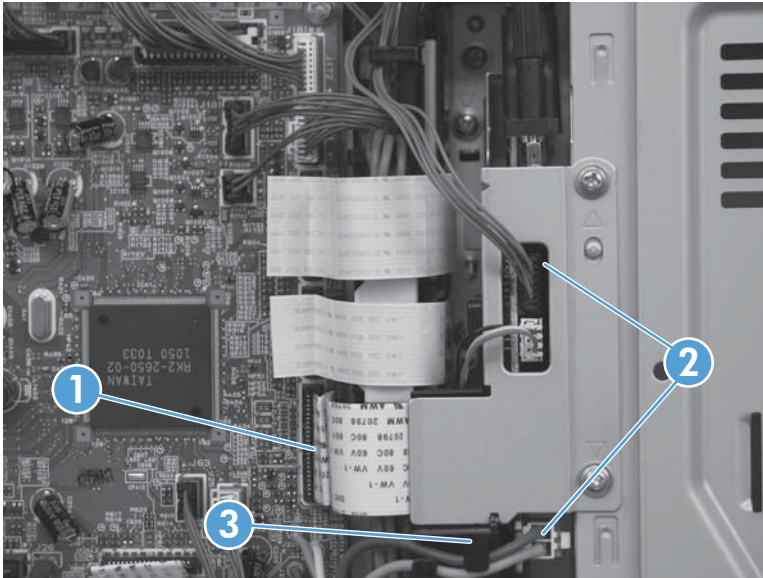
 **NOTE:** The rear upper cover and toner collection unit access door are shown removed in the figure below, but they do not need to be removed to gain access to the interconnect PCA.

Figure 1-236 Remove the interconnect PCA (1 of 5)



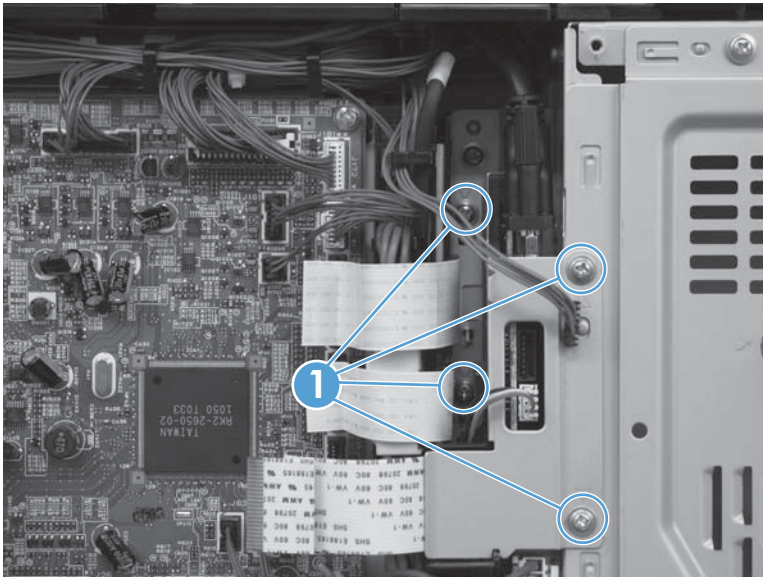
2. Disconnect one FFC (callout 1), two connectors (callout 2), and then release the wire harness from the retainer (callout 3).

Figure 1-237 Remove the interconnect PCA (2 of 5)



3. Remove four screws (callout 1).

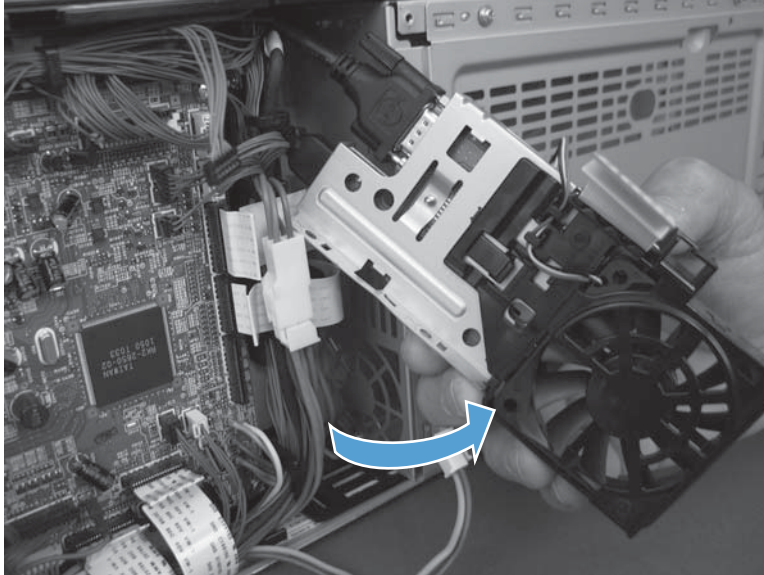
Figure 1-238 Remove the interconnect PCA (3 of 5)



4. Rotate the bottom of the PCA out and away from the product.

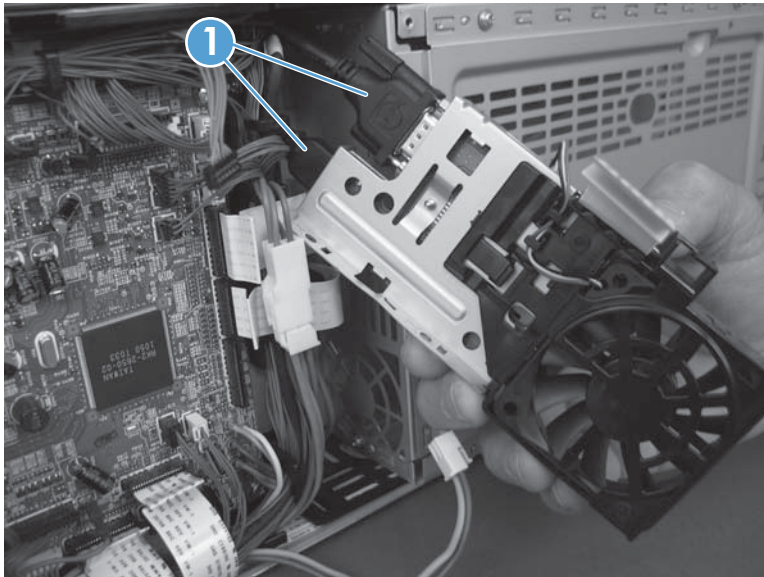
CAUTION: The PCA is still attached to the product. Do not attempt to completely remove the PCA.

Figure 1-239 Remove the interconnect PCA (4 of 5)



5. Disconnect two connectors (callout 1), and then remove the PCA.

Figure 1-240 Remove the interconnect PCA (5 of 5)



DC controller PCA


 **CAUTION:**  ESD sensitive assembly.

 **NOTE:** **Remove the DC controller PCA to replace it:** Only remove the PCA (not the sheet-metal bracket behind it).


Remove the DC controller PCA to gain access to other assemblies: Remove the PCA and the sheet-metal bracket behind it as one assembly.

Before proceeding, remove the following assemblies:

- Formatter PCA. See [Formatter PCA on page 10](#).

 **NOTE:** Only remove the formatter if you are removing the both the DC controller PCA and the sheet metal bracket behind it.

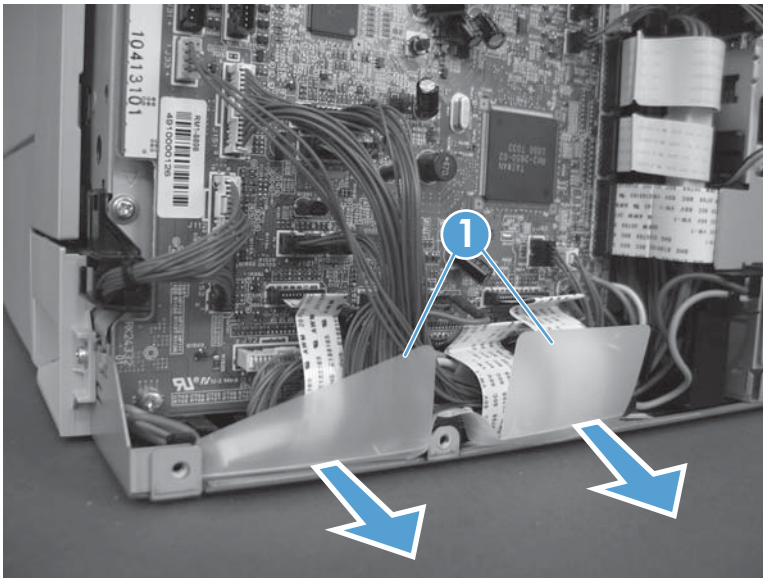
- Rear cover. See [Rear cover on page 58](#).
- Right rear cover. See [Right rear cover on page 59](#).
- Interconnect PCA. See [Interconnect PCA on page 171](#).

 **NOTE:** Only remove the interconnect PCA if you are removing both the DC controller PCA and the sheet metal bracket behind it.

Remove the DC controller PCA

1. Carefully remove the plastic protective shield (callout 1).

Figure 1-241 Remove the DC controller PCA (1 of 4)



2. Disconnect all of the FFCs and connectors, and then release the wire harness from the retainers (callout 1).

 **NOTE:** There are four intermediate connectors in the wire harnesses.


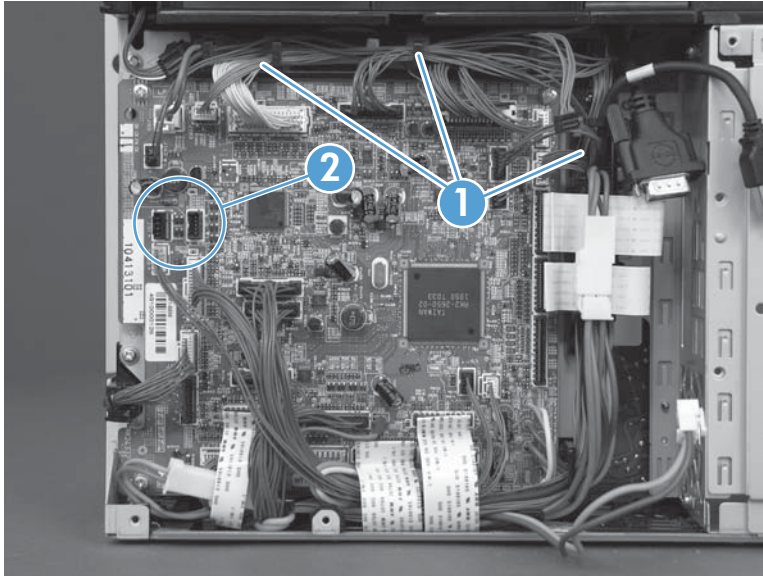
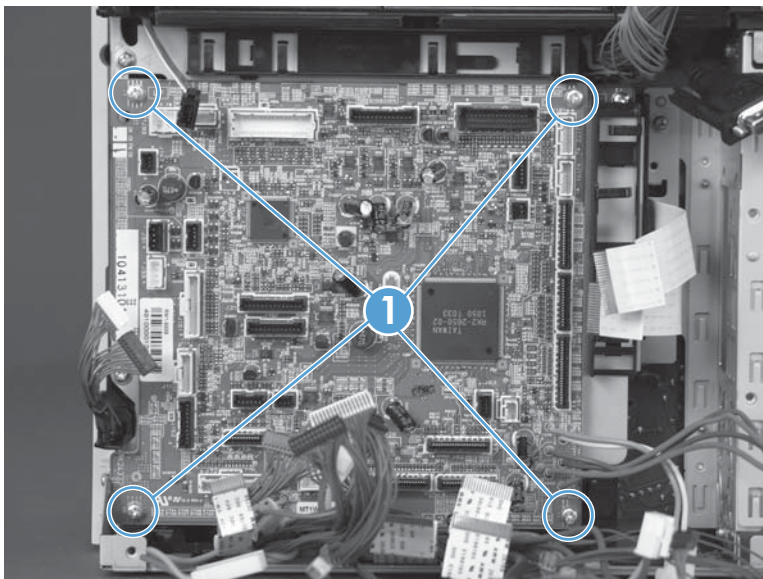
 **Reinstallation tip** Two connectors (callout 2) should be empty when the DC controller PCA is reinstalled.

Figure 1-242 Remove the DC controller PCA (2 of 4)



3. **To remove the DC controller PCA only:** Remove four screws (callout 1), and then remove the PCA.

Figure 1-243 Remove the DC controller PCA (3 of 4)



- 4. To remove the DC controller PCA and the sheet-metal bracket:** Remove four screws (callout 1), and then remove the PCA.


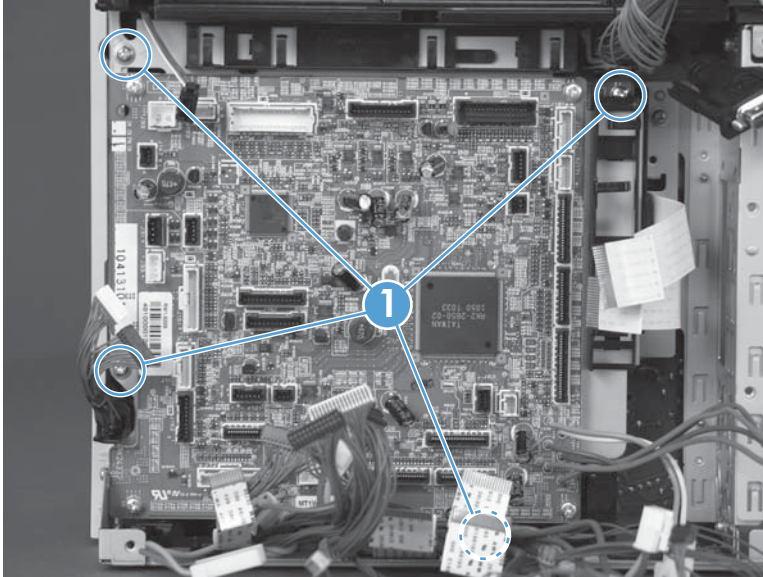
 **TIP:** Partially release the wire harnesses from the retainer along the bottom edge of the assembly to access one screw.


Figure 1-244 Remove the DC controller PCA (4 of 4)



Formatter cage

Before proceeding, remove the following assemblies:

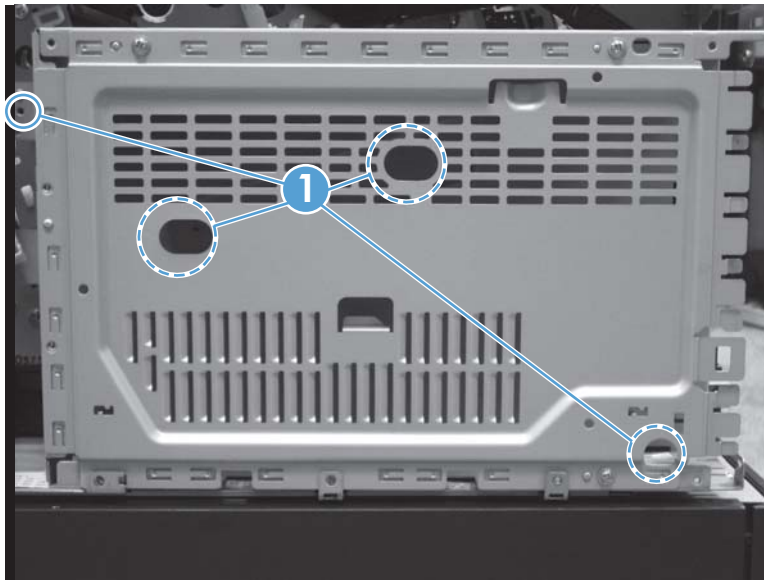
- Formatter PCA. See [Formatter PCA on page 10](#).
- Rear cover. See [Rear cover on page 58](#).
- Right rear cover. See [Right rear cover on page 59](#).
- Interconnect PCA. See [Interconnect PCA on page 171](#).

 **TIP:** The interconnect PCA does not need to be completely removed to remove the formatter cage.

Remove the formatter cage

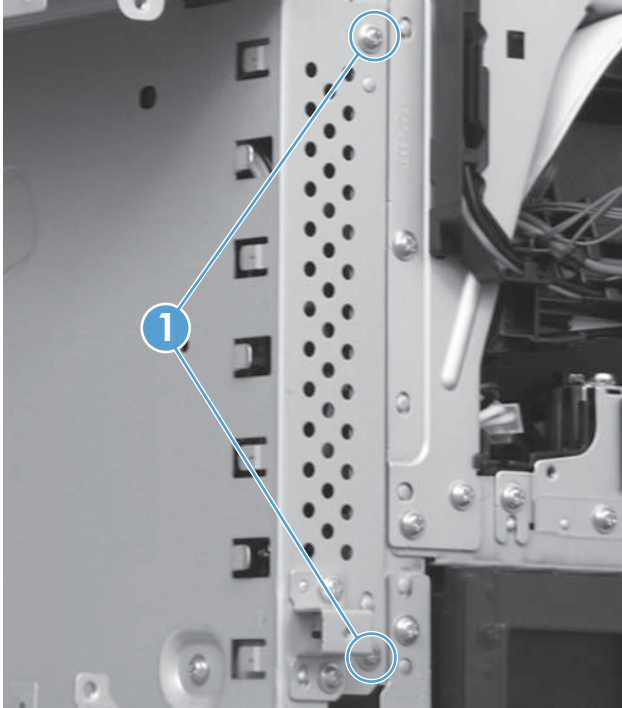
1. Remove four screws (callout 1).

Figure 1-245 Remove the formatter cage (1 of 3)



2. Remove two screws (callout 1) from the left side of the product.

Figure 1-246 Remove the formatter cage (2 of 3)



3. Slide the formatter cage out and away from the product to remove it.


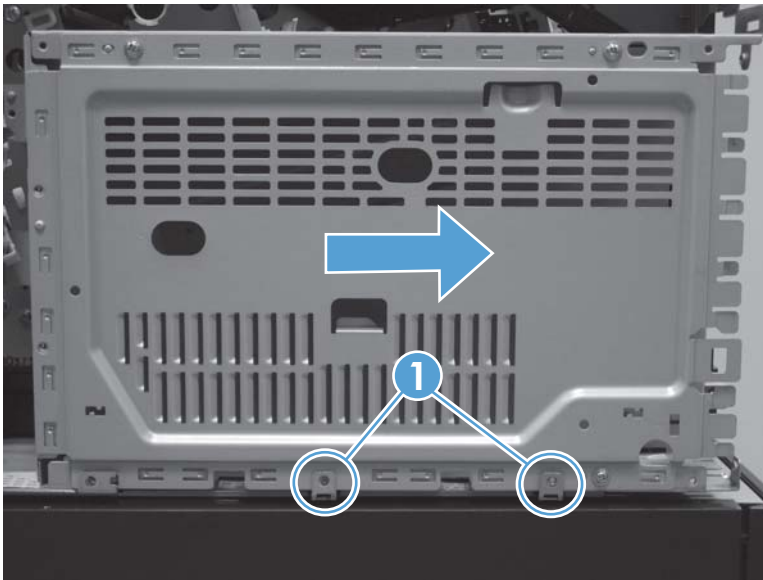
 **Reinstallation tip** When the formatter cage is reinstalled, make sure that it is positioned behind the tabs (callout 1) on the chassis.

Figure 1-247 Remove the formatter cage (3 of 3)



First-transfer high-voltage power supply

Before proceeding, remove the following assemblies:

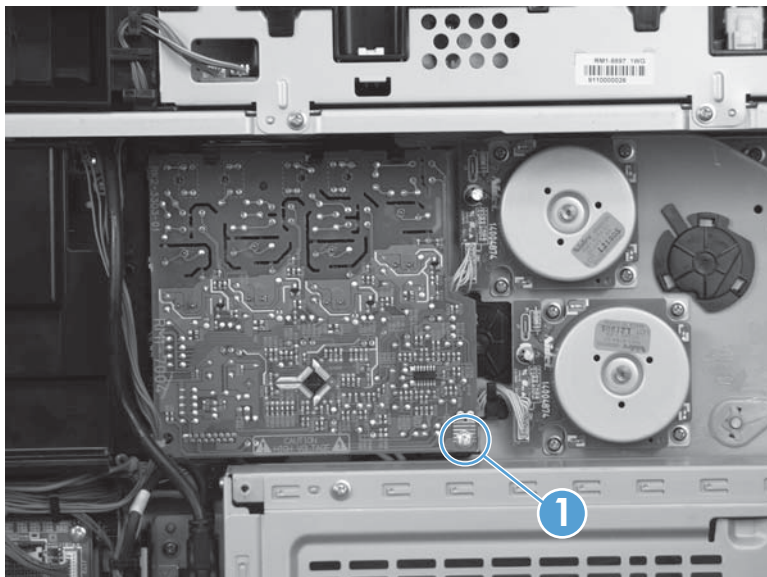
- Rear cover. See [Rear cover on page 58](#).
- Right rear cover. See [Right rear cover on page 59](#).
- Toner collection unit (TCU) access door. See [Toner collection unit \(TCU\) access door on page 60](#)
- Toner cover. See the first, second, and third steps of [Residual toner full sensor on page 122](#)

Remove the first-transfer high-voltage power supply

 **CAUTION:**  ESD-sensitive part.

1. Remove one screw (callout 1).

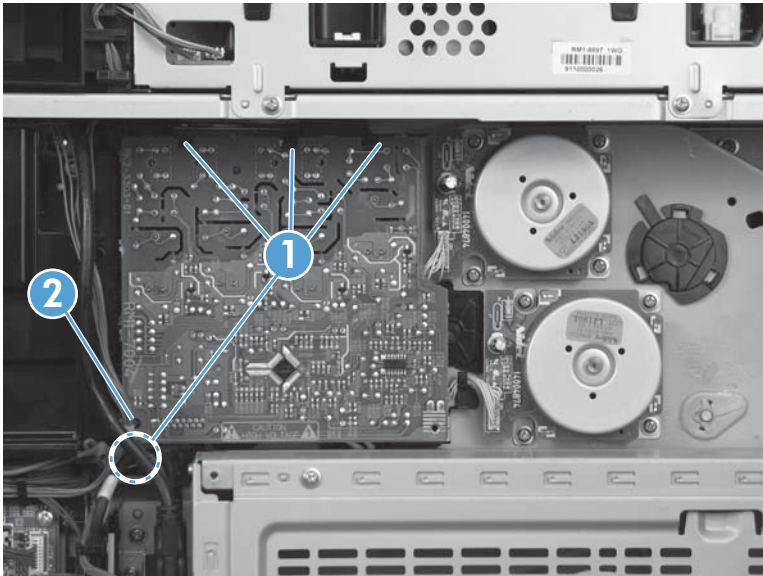
Figure 1-248 Remove the first-transfer high-voltage power supply (1 of 2)



2. Release four tabs (callout 1), and then slide the power supply off the alignment post (callout 2).

⚠ CAUTION: The assembly is still attached to the product by a wire harness on the back side of the PCA. Do not attempt to completely remove the assembly.

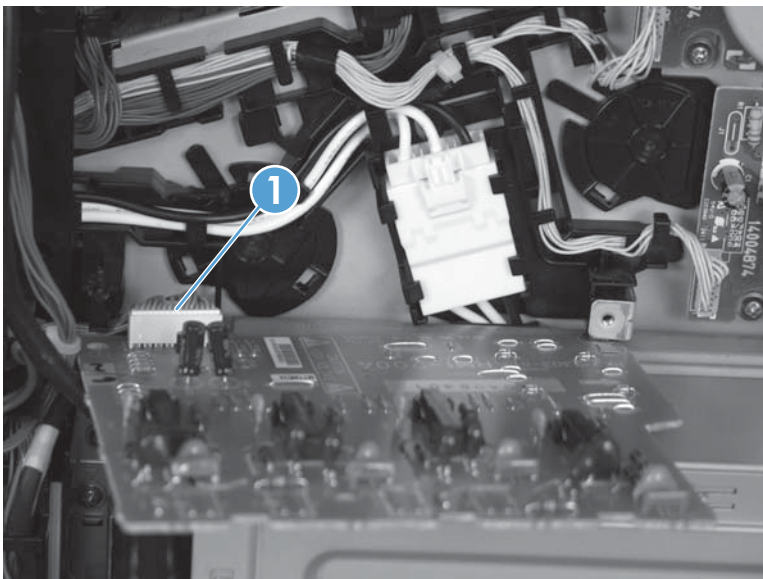
Figure 1-249 Remove the first-transfer high-voltage power supply (2 of 3)



3. Disconnect one connector (callout 1), and then remove the assembly.

💡 TIP: If the DC controller was removed from the product, this wire harness has already been disconnected (from the DC controller). Skip this step, and then remove the assembly with the wire harness connected to it. If a replacement assembly is installed, transfer the wire harness to the replacement assembly.

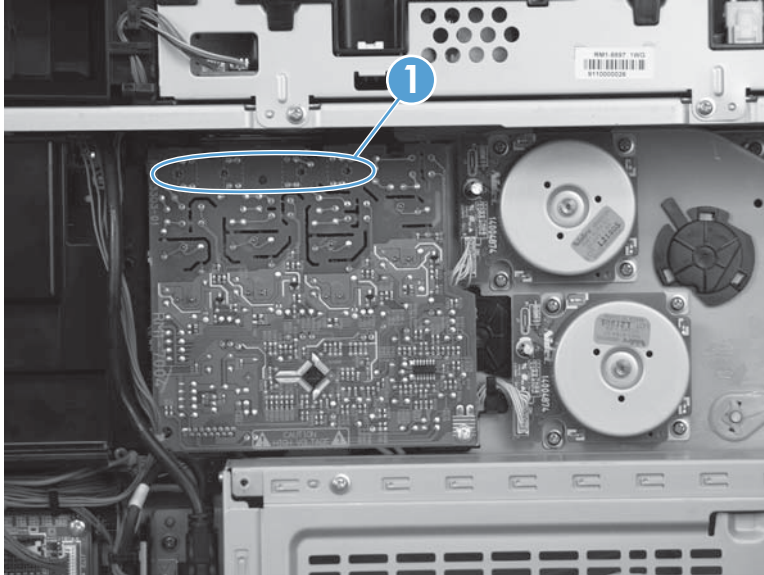
Figure 1-250 Remove the first-transfer high-voltage power supply (3 of 3)



Reinstall the first-transfer high-voltage power supply

When you reinstall the power supply, look through the holes on the PCA (callout 1) and make sure that the contact springs are correctly positioned against the back side of the PCA.

Figure 1-251 Reinstall the first-transfer high-voltage power supply



Second-transfer high-voltage power supply and holder

CAUTION:  ESD sensitive assembly.

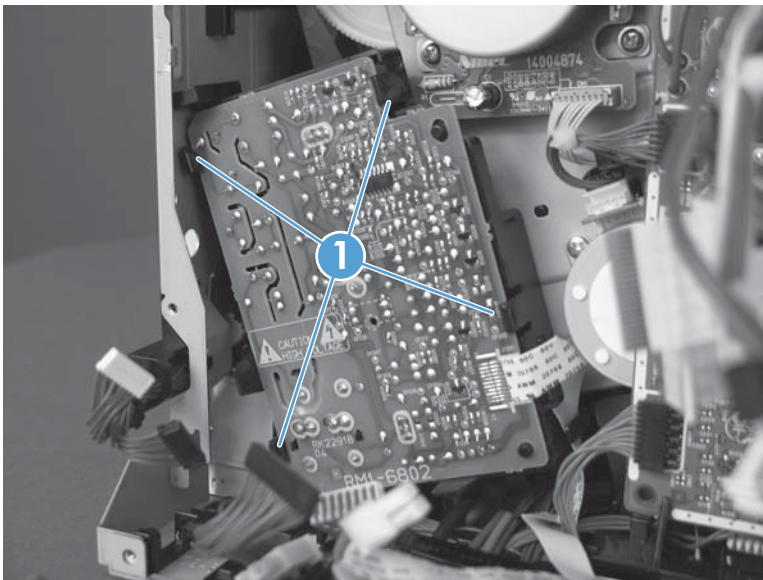
Before proceeding, remove the following assemblies:

- Formatter PCA. See [Formatter PCA on page 10](#).
- Rear cover. See [Rear cover on page 58](#).
- Right rear cover. See [Right rear cover on page 59](#).
- Interconnect PCA. See [Interconnect PCA on page 171](#).
- DC controller PCA and sheet-metal bracket. See [DC controller PCA on page 174](#).

Remove the second-transfer high-voltage power supply and holder

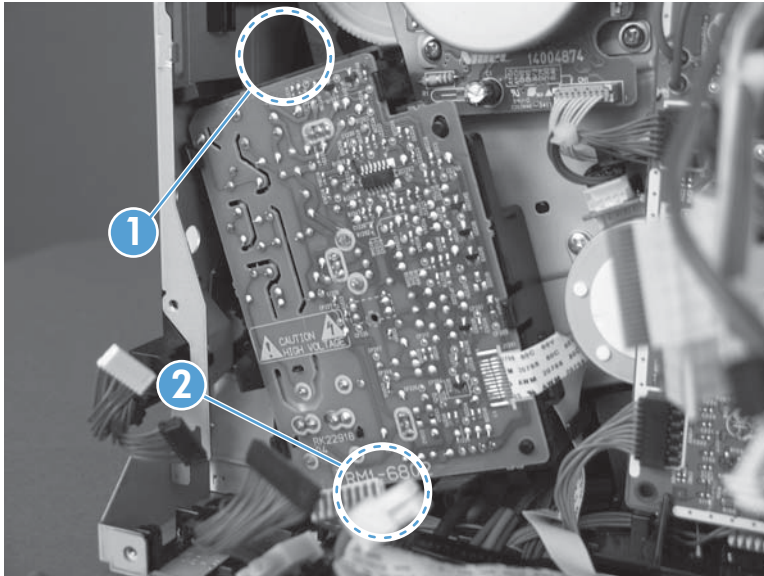
1. To remove the PCA only: Release four tabs (callout 1). Proceed to the last step in this section.

Figure 1-252 Remove the second-transfer high-voltage power supply and holder (1 of 3)



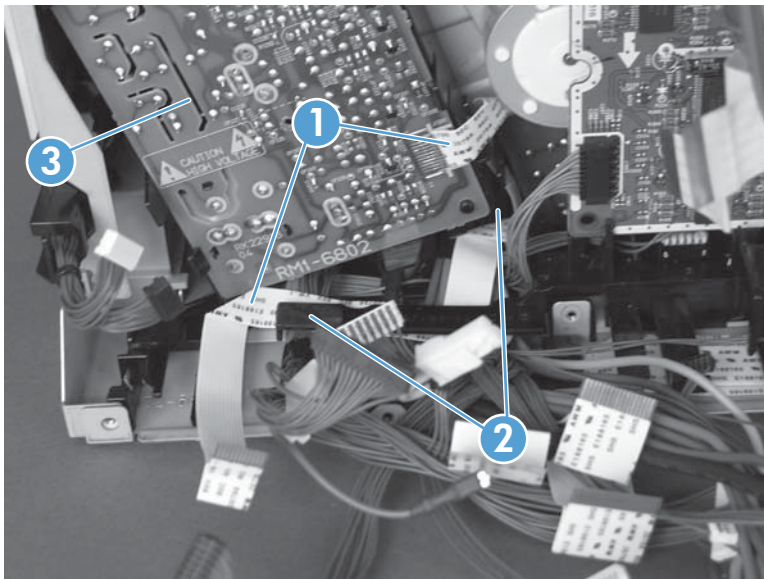
2. To remove the PCA and holder: Remove one screw (callout 1), and then release one tab (callout 2).

Figure 1-253 Remove the second-transfer high-voltage power supply and holder (2 of 3)



3. Release one FFC (callout 1) from the retainer (callout 2), and then carefully separate the PCA or the PCA and holder (callout 3) from the product.

Figure 1-254 Remove the second-transfer high-voltage power supply and holder (3 of 3)



Driver PCA

CAUTION:  ESD sensitive assembly.

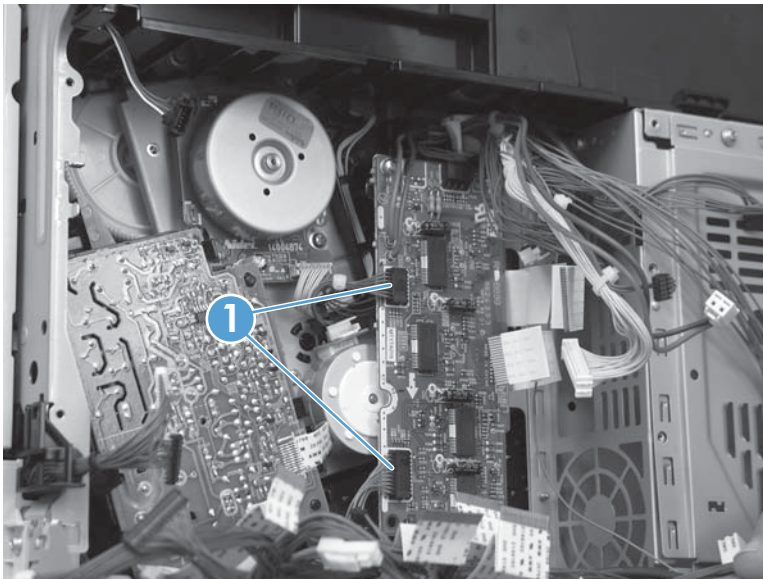
Before proceeding, remove the following assemblies:

- Formatter PCA. See [Formatter PCA on page 10](#).
- Rear cover. See [Rear cover on page 58](#).
- Right rear cover. See [Right rear cover on page 59](#).
- Image (developing) high-voltage power supply (HVPS). See [Image \(developing\) high-voltage power supply \(HVPS\) on page 168](#).
- Interconnect PCA. See [Interconnect PCA on page 171](#).
- DC controller PCA and sheet-metal bracket. See [DC controller PCA on page 174](#).

Remove the driver PCA

1. Disconnect two connectors (callout 1).

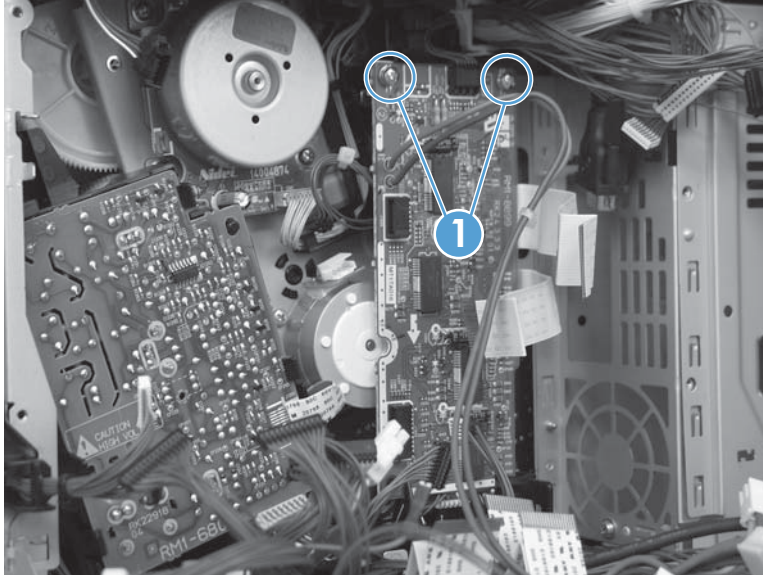
Figure 1-255 Remove the driver PCA (1 of 3)



2. Remove two screws (callout 1), and then carefully separate the PCA from the product.

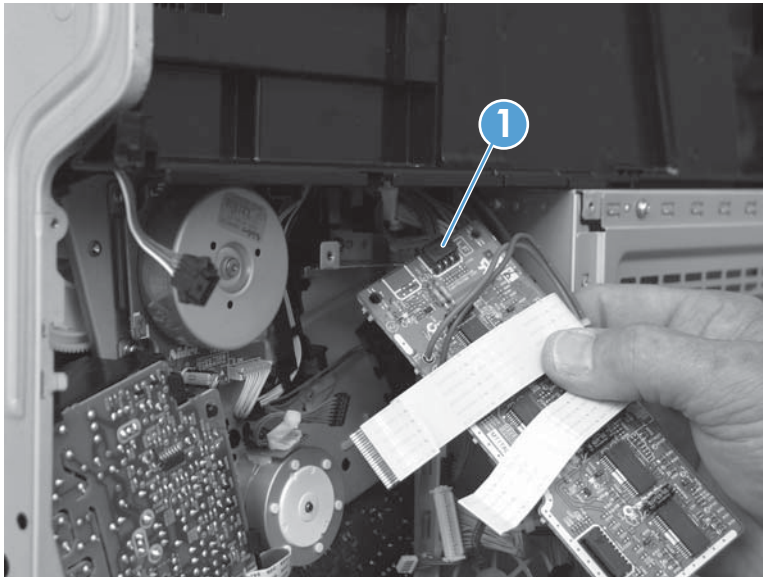
CAUTION: The PCA is still connected to the product by a wire harness. Do not attempt to completely remove the PCA.

Figure 1-256 Remove the driver PCA (2 of 3)



3. Disconnect one connector (callout 1), and then remove the PCA.

Figure 1-257 Remove the driver PCA (3 of 3)



Low-voltage power supply (LVPS)

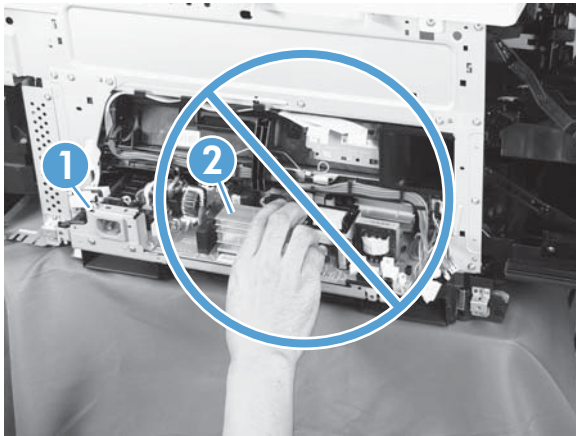
⚠ CAUTION:  ESD sensitive assembly.

Before proceeding, remove the following assemblies:

- Left cover. See [Left cover on page 57](#).

Remove the LVPS

⚠ WARNING! When removing the low-voltage power supply (callout 1), do not touch the electric element (callout 2) as shown. Be sure to hold the bottom side of the low-voltage power supply.

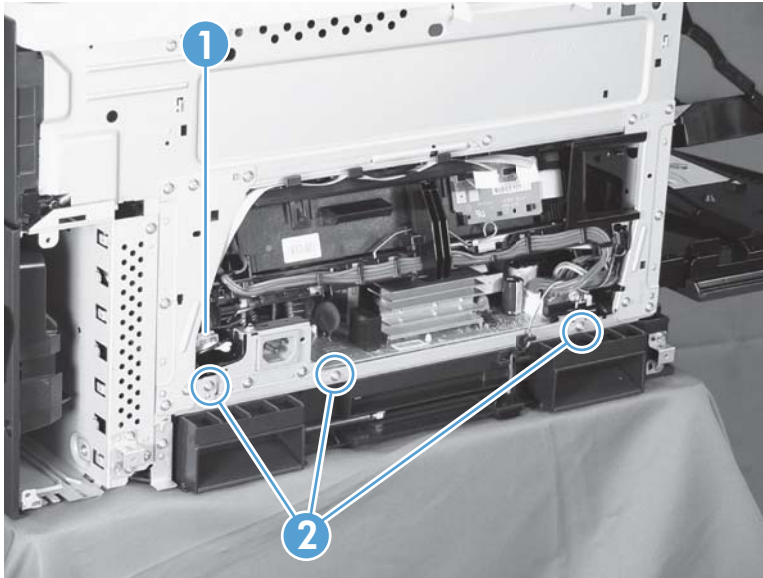


CAUTION:  ESD-sensitive part.

Unplug the power cord from the product before proceeding.

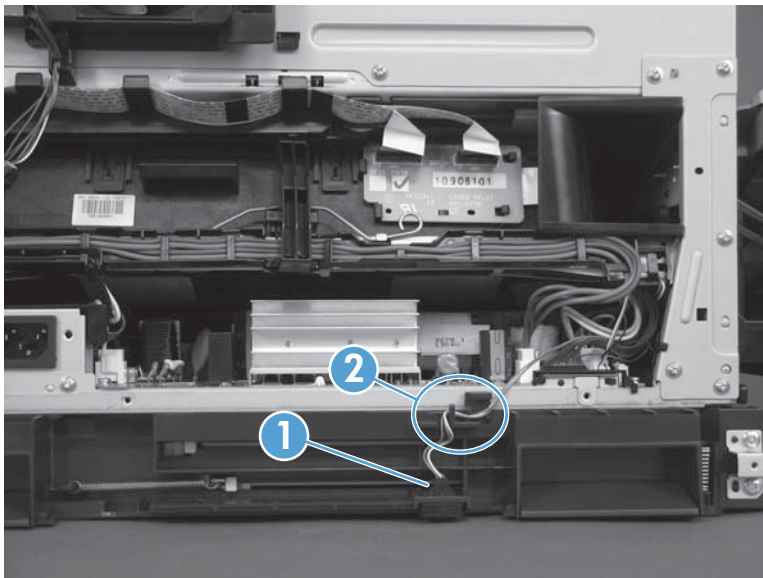
1. Disconnect one connector (callout 1), and then remove three screws (callout 2) that have a triangular icon next to them.

Figure 1-258 Remove the LVPS (1 of 6)



2. Disconnect one connector (callout 1), and then release the wire harness from the retainer (callout 2).

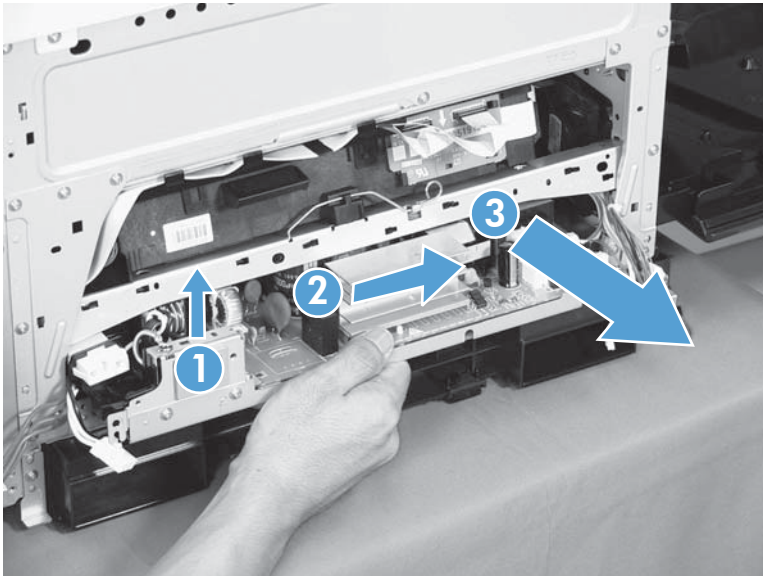
Figure 1-259 Remove the LVPS (2 of 6)



3. Lift up on the low-voltage power supply, slide it forward, and then slightly pull it out of the product.

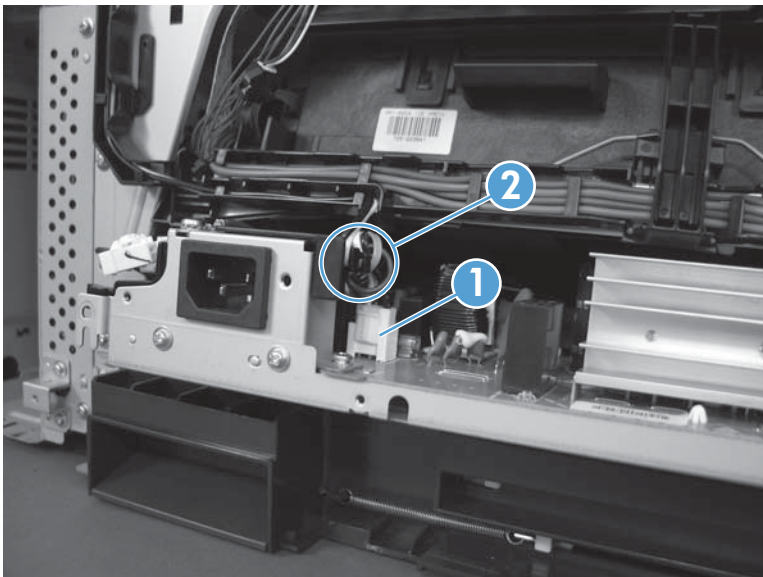
⚠ CAUTION: The power supply is still connected by several wire harnesses to the product. Do not attempt to completely remove the power supply.

Figure 1-260 Remove the LVPS (3 of 6)




4. Disconnect one connector (callout 1), and then release the wire harness from the retainer (callout 2).

Figure 1-261 Remove the LVPS (4 of 6)



5. Disconnect eight connectors (callout 1), and then continue to carefully pull the LVPS out of the product.

 **Reinstallation tip** The wire harness disconnected in step 2 (see [Figure 1-259 Remove the LVPS \(2 of 6\) on page 187](#)), is not captive when one of the connectors in this step is disconnected. If you are installing a replacement LVPS, install this harness on the assembly.


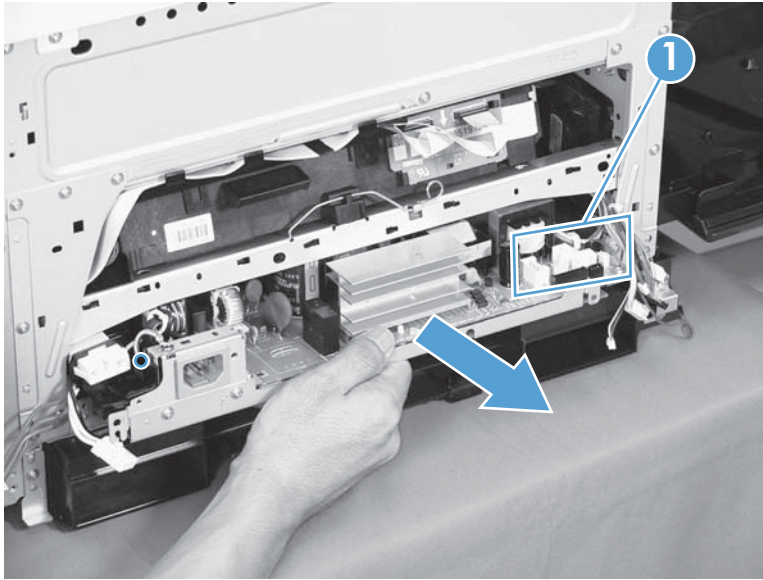
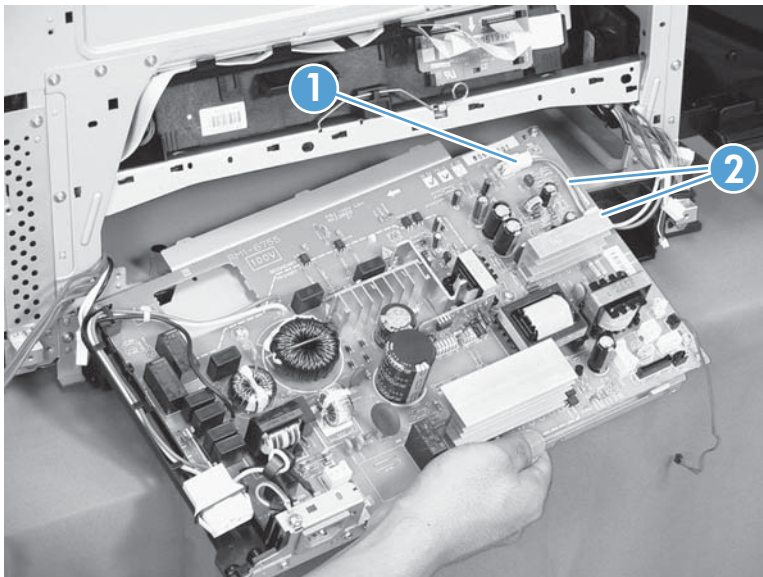
 **CAUTION:** The power supply is still connected to the product by a wire harness. Do not attempt to completely remove the power supply.

Figure 1-262 Remove the LVPS (5 of 6)



6. Disconnect one rear connector (callout 1), release the wire harness from two retainers (callout 2), and then remove the LVPS.

Figure 1-263 Remove the LVPS (6 of 6)



Duplex drive assembly

Before proceeding, remove the following assemblies:

- Formatter PCA. See [Formatter PCA on page 10](#).
- Control-panel assembly. See [Control-panel assembly on page 5](#).
- Intermediate transfer belt. See [Intermediate transfer belt on page 7](#).
- Fuser. See [Fuser on page 9](#).
- Left cover. See [Left cover on page 57](#).
- Rear cover. See [Rear cover on page 58](#).
- Right rear cover. See [Right rear cover on page 59](#).
- Right upper cover. See [Right upper cover on page 67](#).
- Toner collection unit (TCU) access door. See [Toner collection unit \(TCU\) access door on page 60](#).
- Optional: Document feeder. See [Document feeder on page 71](#).



NOTE: HP recommends removing the document feeder to decrease the weight of the scanner assembly when it is lifted off of the product.

- Scanner assembly. See [Scanner assembly on page 74](#).
- Front upper cover. See [Front upper cover on page 83](#).
- Front right cover. See [Front right cover on page 86](#).
- For a non stapler/stacker model:
 - Output cover. See [Output cover; non stapler/stacker model on page 93](#).
- For a stapler/stacker model:
 - Stapler/stacker assembly. See [Stapler/stacker assembly on page 78](#).
- Left upper cover. See [Left upper cover on page 82](#).
- To right cover. See [Top right cover on page 91](#).
- Top cover. See [Top cover on page 95](#).
- Top rear cover. See [Top rear cover on page 97](#).
- Sub power assembly. See [Sub-power supply assembly on page 110](#).
- Paper delivery assembly. See [Paper delivery assembly on page 131](#).
- Toner cover. See the first, second, and third steps of [Residual toner full sensor on page 122](#).
- Formatter cage assembly. See [Formatter cage on page 177](#).

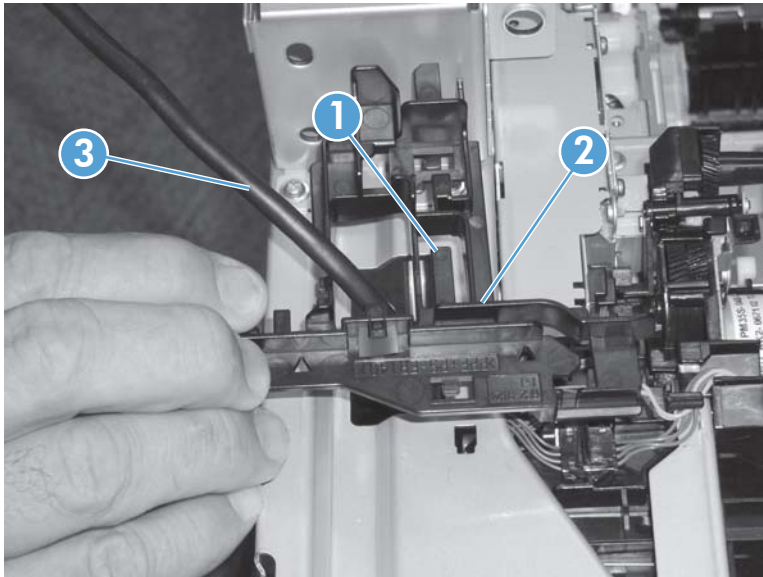
- Image (developing) high-voltage power supply (HVPS). See [Image \(developing\) high-voltage power supply \(HVPS\) on page 168](#).
- First transfer high-voltage PCA. See [First-transfer high-voltage power supply on page 179](#).
- Second transfer high-voltage PCA and holder. See [Second-transfer high-voltage power supply and holder on page 182](#).
- Driver PCA. See [Driver PCA on page 184](#).

Remove the duplex-drive assembly

1. Release one tab (callout 1), and then remove the guide (callout 2).

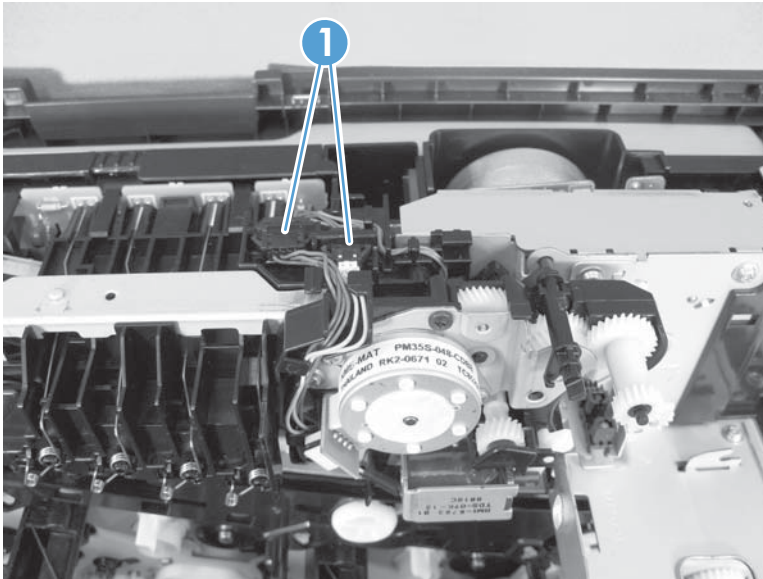
 **NOTE:** Carefully feed the cable (callout 3) through the hole to remove the guide.

Figure 1-264 Remove the duplex-drive assembly (1 of 4)



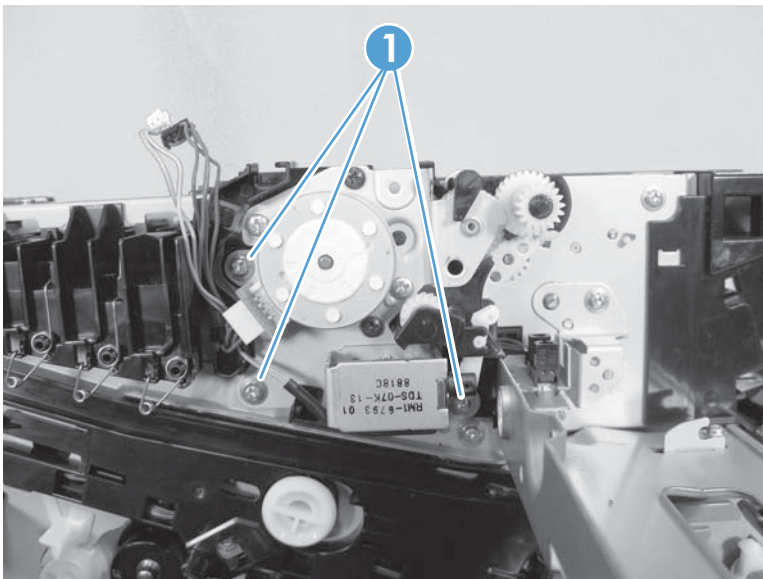
2. Disconnect two connectors (callout 1).

Figure 1-265 Remove the duplex-drive assembly (2 of 4)



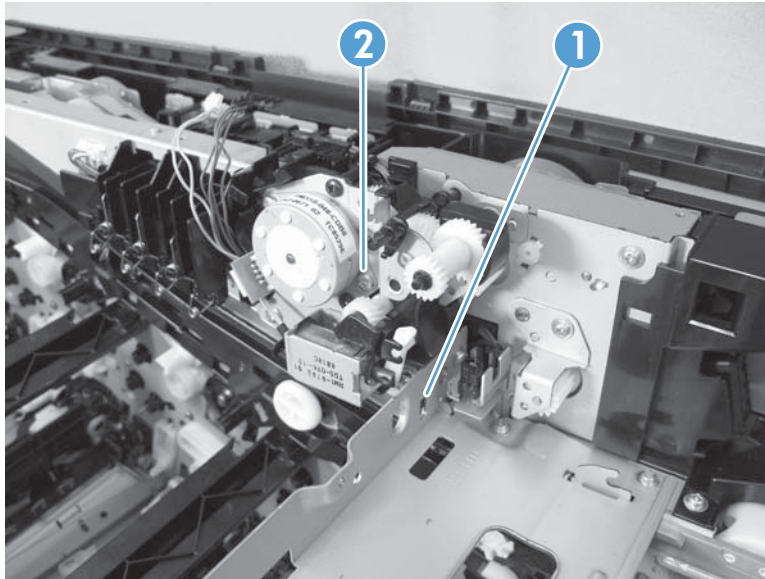
3. Remove three screws (callout 1).

Figure 1-266 Remove the duplex-drive assembly (3 of 4)



4. Release one tab (callout 1), and then remove the assembly (callout 2).

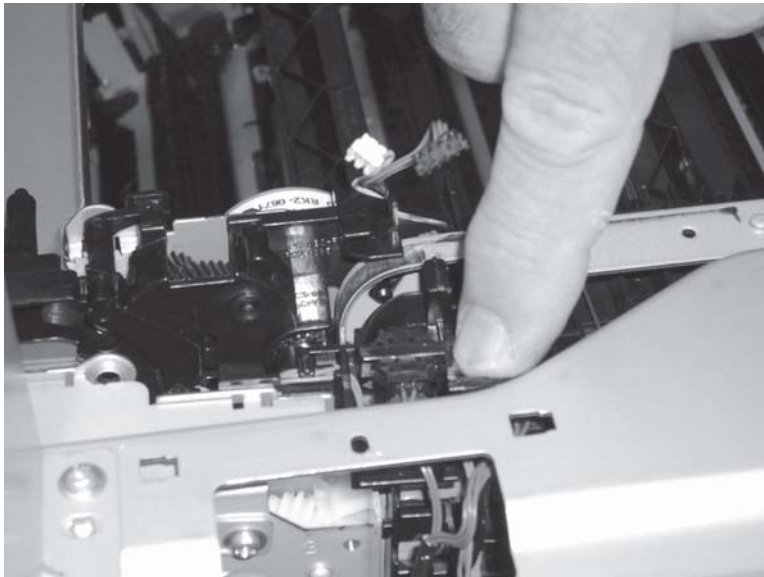
Figure 1-267 Remove the duplex-drive assembly (4 of 4)




Reinstall the duplex-drive assembly

When the assembly is reinstalled, rotate it under the edge of the chassis, and then slightly push down on the assembly to clear the edge of the chassis.

Figure 1-268 Reinstall the duplex-drive assembly




Main drive assembly

 **NOTE:** If the toner cartridges have not been removed to service the product, remove them now.

Before proceeding, remove the following assemblies:

- Formatter PCA. See [Formatter PCA on page 10](#).
- Control-panel assembly. See [Control-panel assembly on page 5](#).
- Intermediate transfer belt. See [Intermediate transfer belt on page 7](#).
- Left cover. See [Left cover on page 57](#).
- Rear cover. See [Rear cover on page 58](#).
- Right rear cover. See [Right rear cover on page 59](#).
- Toner collection unit (TCU) access door. See [Toner collection unit \(TCU\) access door on page 60](#).
- For a stapler/stacker model:
 - Stapler/stacker assembly. See [Stapler/stacker assembly on page 78](#).
- Optional: Document feeder. See [Document feeder on page 71](#).

 **NOTE:** HP recommends removing the document feeder to decrease the weight of the scanner assembly when it is lifted off of the product.

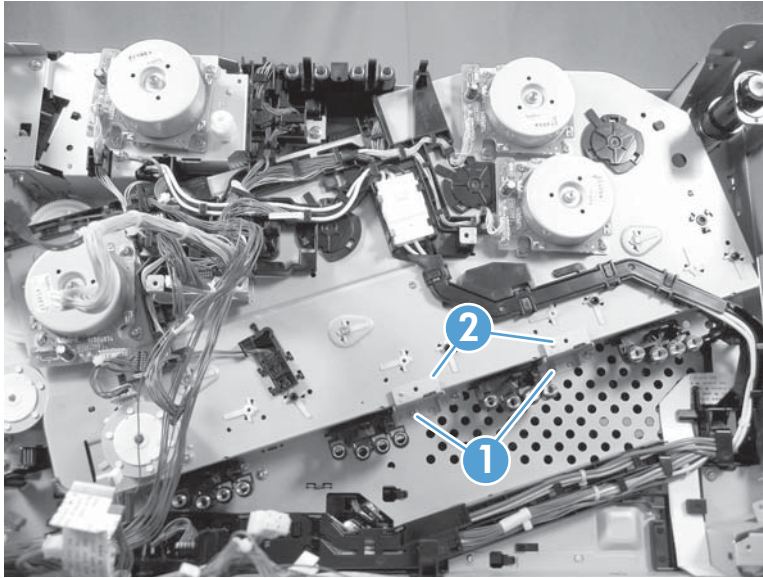
- Scanner assembly. See [Scanner assembly on page 74](#).
- Front upper cover. See [Front upper cover on page 83](#).
- Front right cover. See [Front right cover on page 86](#).
- For a non stapler/stacker model:
 - Output cover. See [Output cover; non stapler/stacker model on page 93](#).
- Top cover. See [Top cover on page 95](#).
- Residual toner full sensor. See [Residual toner full sensor on page 122](#).
- Interconnect PCA. See [Interconnect PCA on page 171](#).
- Formatter cage assembly. See [Formatter cage on page 177](#).
- DC controller and sheet-metal bracket. See [DC controller PCA on page 174](#).
- Image (developing) high-voltage power supply (HVPS). See [Image \(developing\) high-voltage power supply \(HVPS\) on page 168](#).
- First transfer high-voltage PCA. See [First-transfer high-voltage power supply on page 179](#).

- Second transfer high-voltage PCA. See [Second-transfer high-voltage power supply and holder on page 182](#).
- Driver PCA. See [Driver PCA on page 184](#).

Remove the main drive assembly

1. Remove two screws (callout 1), and then remove the sheet-metal support brackets (callout 2).

Figure 1-269 Remove the main drive assembly (1 of 7)



2. Disconnect one connector (callout 1), release one tab (callout 2), slide the cable guide (callout 3) to the left to release it, and then move the guide to the side, out of the way.


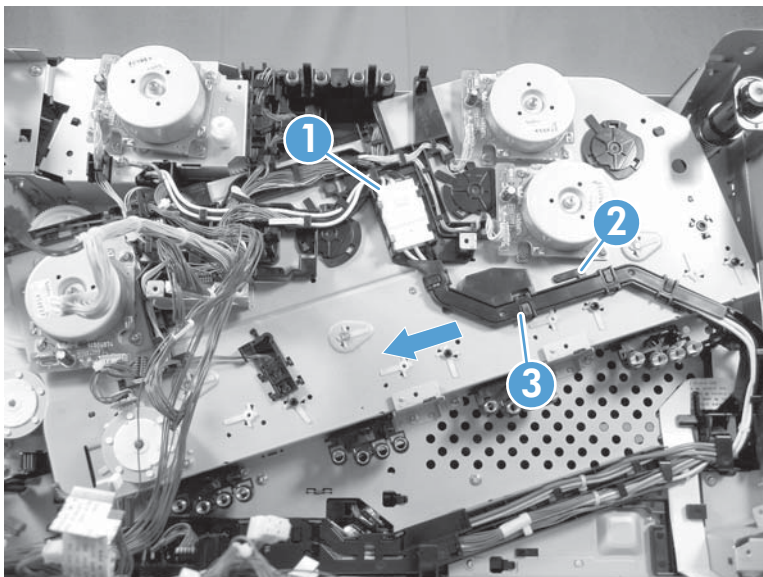
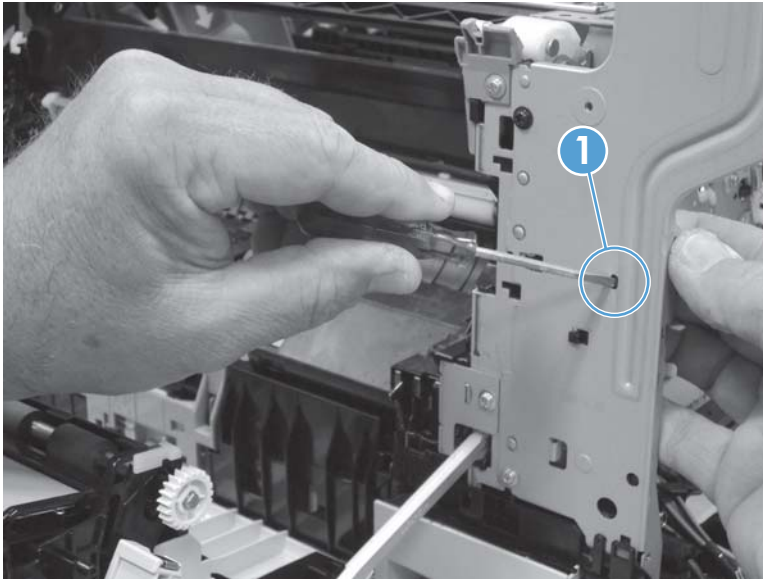
 **TIP:** It might be easier to disconnect the connector if you release it from the holder.

Figure 1-270 Remove the main drive assembly (2 of 7)



3. From the front of the product, use a small flat blade screwdriver to release one tab (callout 1).

Figure 1-271 Remove the main drive assembly (3 of 7)



4. Remove the sensor holder.


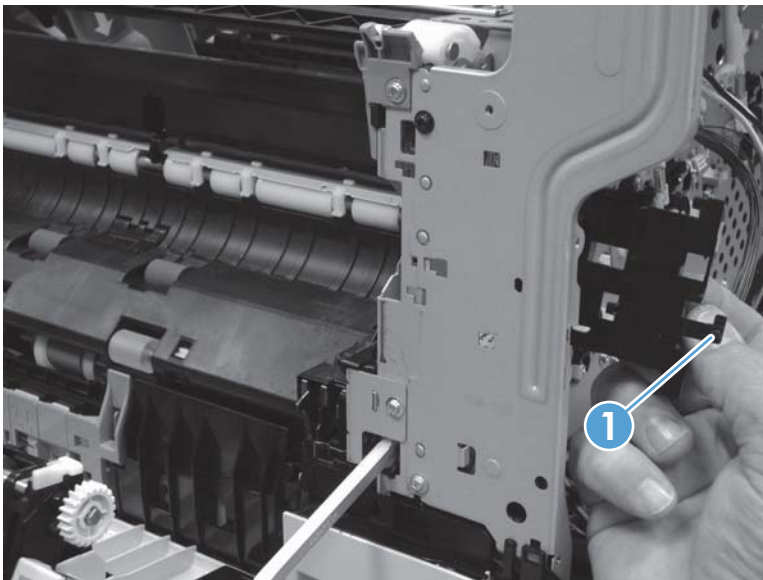
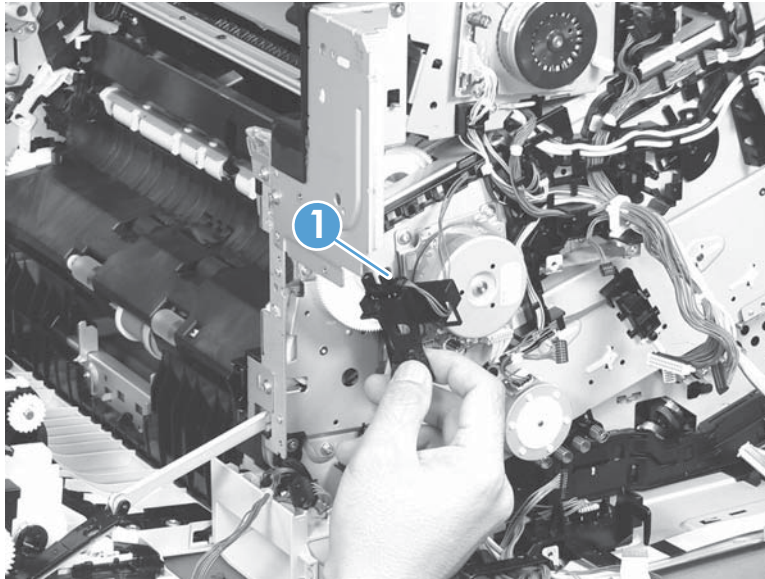
 **Reinstallation tip** When the sensor holder is reinstalled, make sure that the tab (callout 1) is correctly positioned in the hole in the chassis. Apply pressure to the tab to make sure it is fully seated in the hole and cannot be dislodged when the product is reassembled.

Figure 1-272 Remove the main drive assembly (4 of 7)



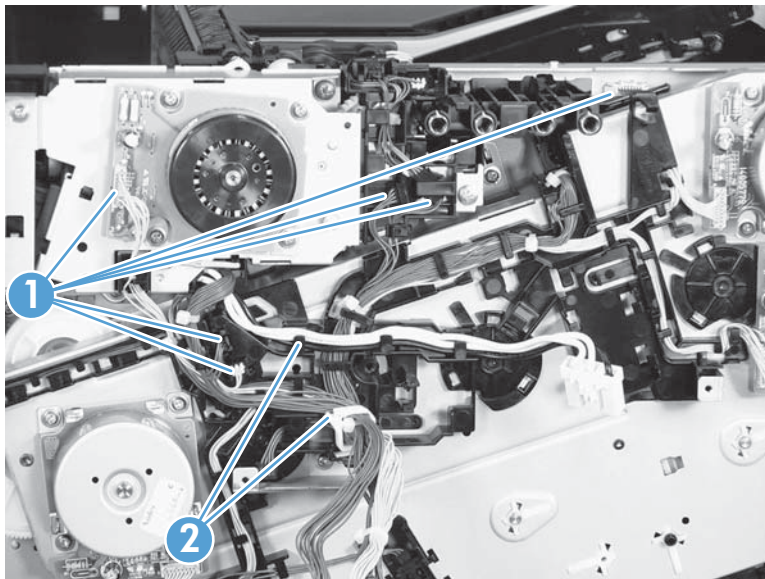
5. Disconnect one connector (callout 1), and then remove the sensor assembly.

Figure 1-273 Remove the main drive assembly (5 of 7)



6. Disconnect six connectors (callout 1), and then release the wire harnesses from the guides (callout 2).

Figure 1-274 Remove the main drive assembly (6 of 7)



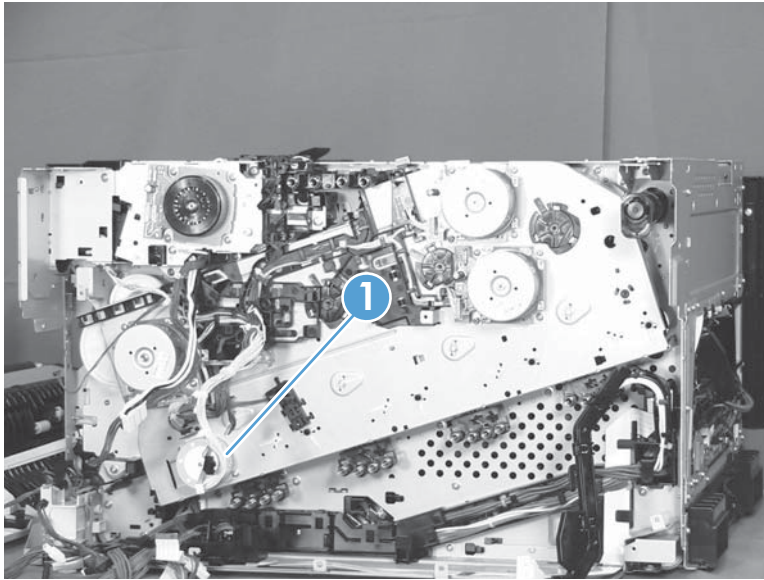
7. **Optional step:** If you are replacing the main drive, skip this step.

If you are removing the main drive to access the fuser drive assembly, do the following:

Removing the main drive to access the fuser drive assembly only

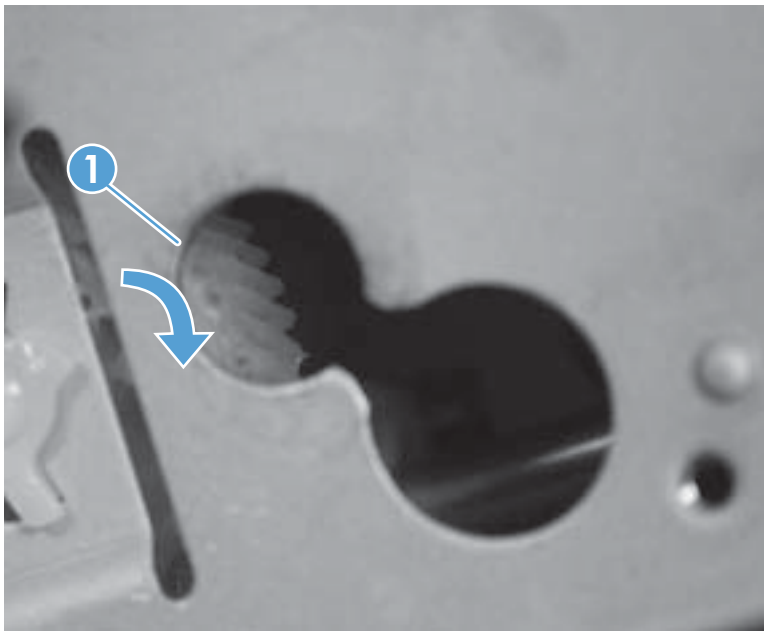
- a. Disconnect one connector, and then remove one motor (callout 1).

Figure 1-275 Remove the main drive assembly (optional step; 1 of 4)




- b. Use a small flat blade screw driver to rotate the gear (callout 1) behind the motor.

Figure 1-276 Remove the main drive assembly (optional step; 2 of 4)

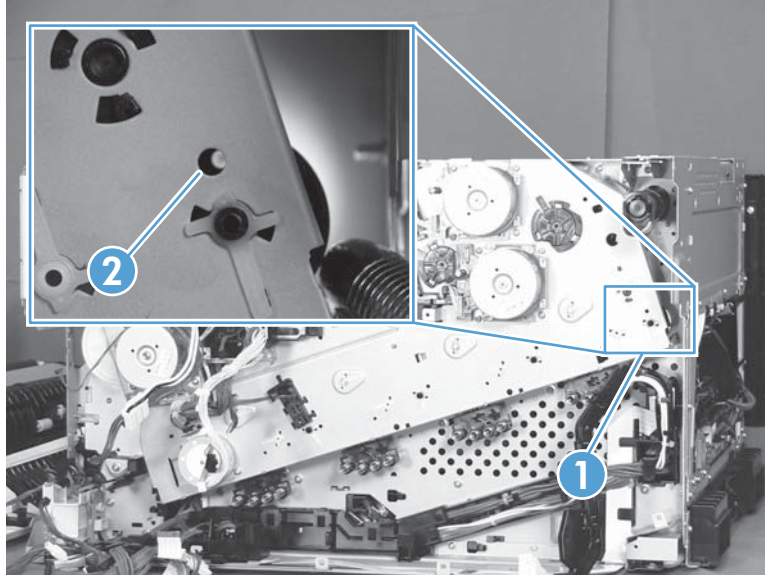


- c. Continue to rotate the gear until the hole in the right-most drive gear (callout 1) is aligned with the hole in the main drive chassis (callout 2).

 **TIP:** Use a flashlight to back light the gear until the hole in the gear is visible.

You might have to turn the gear behind the motor many times before the hole in the gear is visible.

Figure 1-277 Remove the main drive assembly (optional step; 3 of 4)

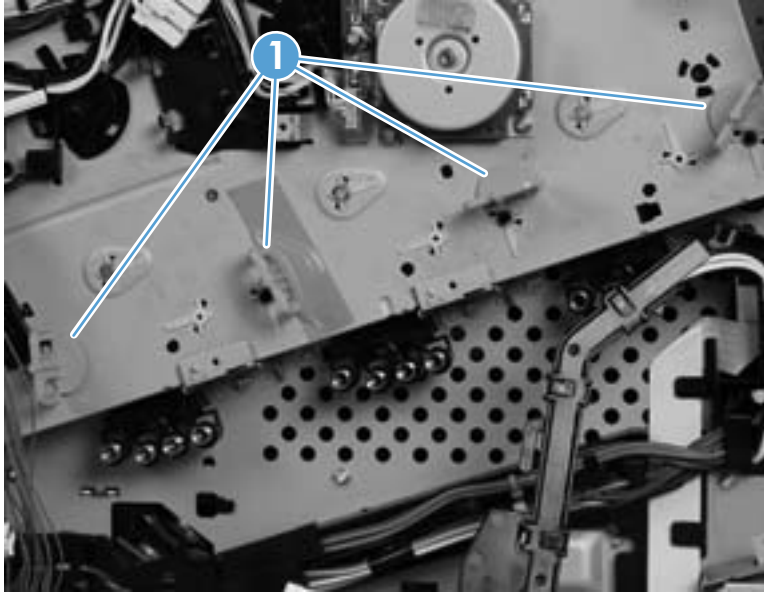


- d. Install the orange spacers (included with the fuser drive kit) in the holes (callout 1) in the main-drive chassis to lock the gears in place.

⚠ CAUTION: Failure to follow this step will allow the gears to rotate—the gears will be out of phase—and it will be difficult to reinstall the assembly on the product.


💡 TIP: Secure the spacers with tape to prevent them from falling out.

Figure 1-278 Remove the main drive assembly (optional step; 4 of 4)



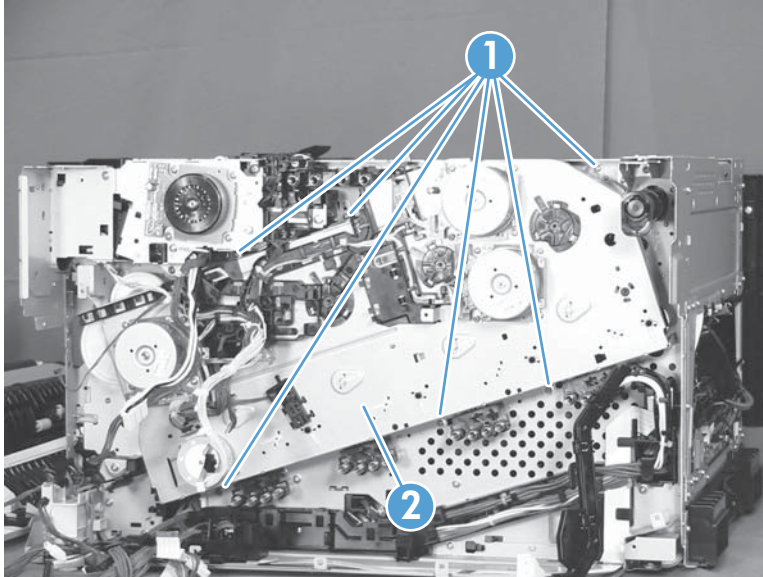
8. Close the front and right doors, remove six screws (callout 1), and then remove the main drive assembly (callout 2).

Release the wire harnesses as needed to remove the assembly.

 **NOTE:** Make sure that the right door is closed.

If you are removing the main drive to access the fuser drive assembly, make sure that you installed the orange spacers—see [Figure 1-278 Remove the main drive assembly \(optional step; 4 of 4\) on page 200](#)—so that the gears when do not rotate when handling the assembly.

Figure 1-279 Remove the main drive assembly (7 of 7)




Install the main drive assembly

 **NOTE:** **Installing a replacement assembly:** follow the instructions in this section.

Reinstalling the original assembly: some of these instructions in this section do not apply (for example, removing some the shipping tape). **Do not** rotate the gears when handling the assembly. If the gears are rotated—and become out of phase—it will be difficult to install the assembly on the product.

1. Do one of the following:

- **Installing a replacement assembly:** Do not remove the orange spacers and spacer-shipping tape (callout 1) installed on the replacement main drive assembly. Remove the remaining shipping tape (callout 2).

 **CAUTION:** A gear (callout 3) on the back of the assembly is not captive when the shipping tape is removed. Do not lose the gear when handling the assembly with the shipping tape removed.

When removing tape, make sure that the entire strip is removed. Check the back of the assembly to verify that the entire strip of tape is removed.

- **Installing the original assembly:** Do not remove the orange spacers (callout 1) installed when the main drive assembly was removed.


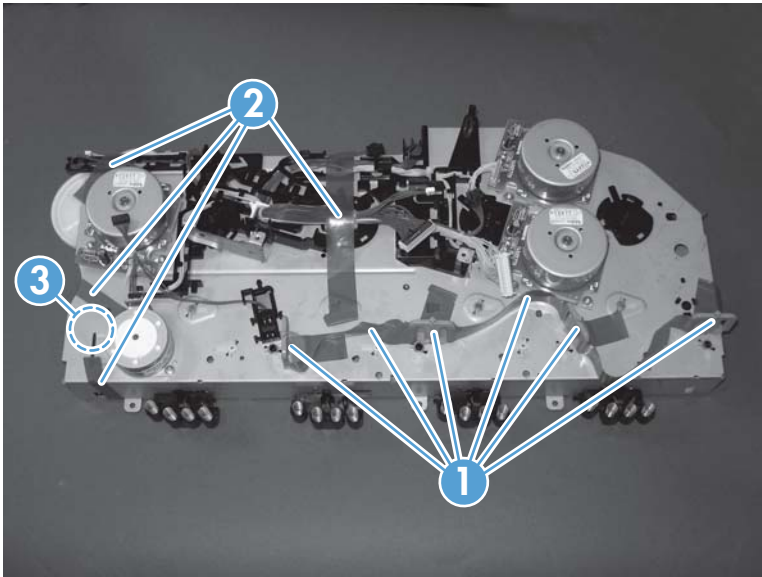
 **CAUTION:** A gear (callout 3) on the back of the assembly is not captive. Do not lose the gear when handling the assembly.

Figure 1-280 Install the main drive assembly (1 of 8)



2. With the front door and right door closed, position the drive assembly near the product, and then rotate it up and onto the chassis.


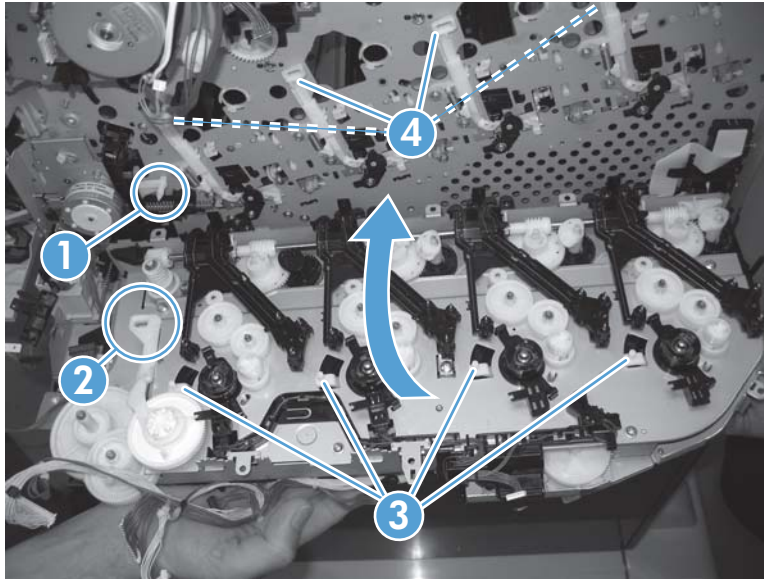
 **NOTE:** Make sure that the right-door link arm shaft (callout 1) aligns with and is positioned in the hole (callout 2) on the arm on the drive assembly, and that the pins on the assembly (callout 3) are positioned in the holes in the link arms on the chassis (callout 4).

Figure 1-281 Install the main drive assembly (2 of 8)



3. Install one screw (callout 1).


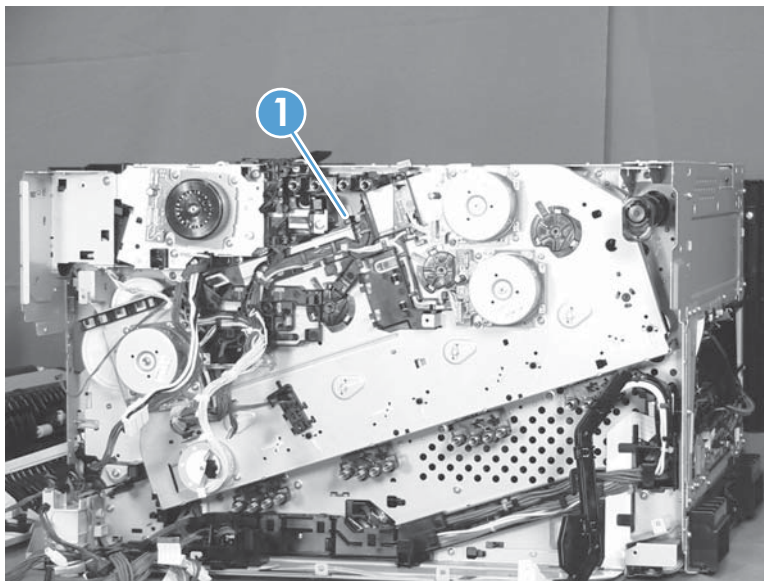
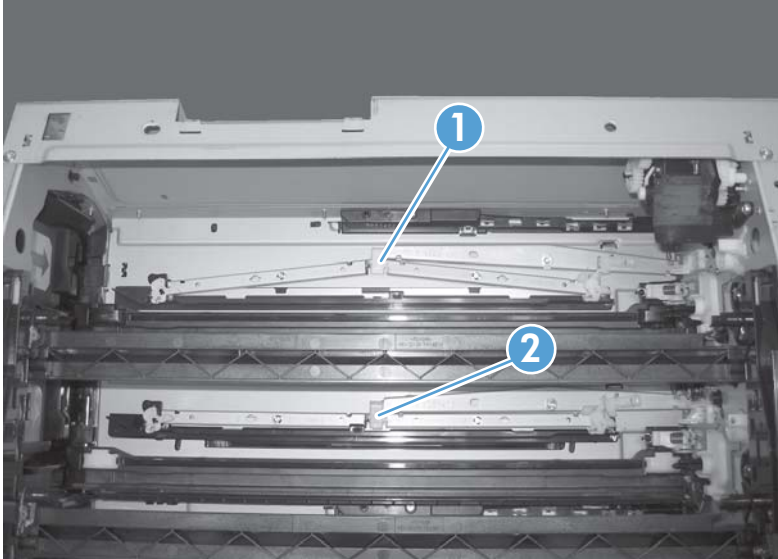
 **NOTE:** Do not fully tighten this screw.

Figure 1-282 Install the main drive assembly (3 of 8)



4. From the top of the product, look at each shutter arm. Make sure that they are in the closed position (callout 1). If they are in the open position (callout 2), carefully push on the shutters to close them.

Figure 1-283 Install the main drive assembly (4 of 8)



5. Make sure that the six sheet-metal screw tabs (callout 1) on the drive assembly are flat against the product chassis.


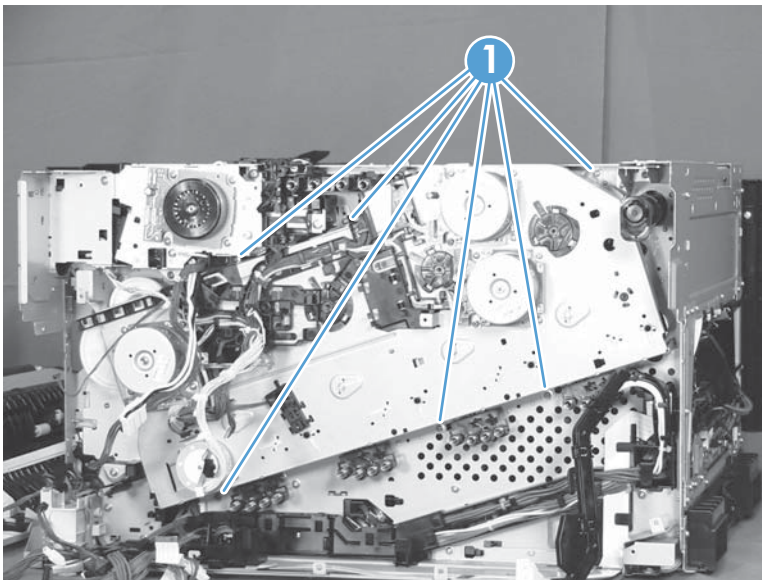
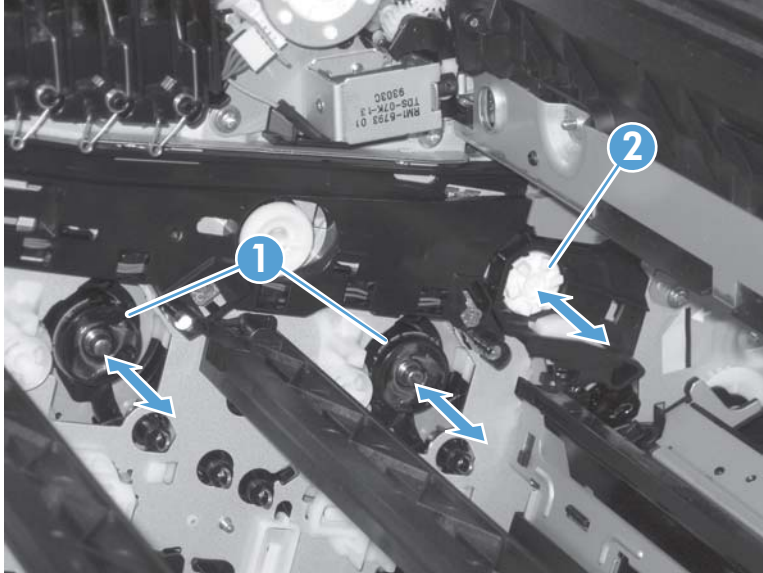
 **NOTE:** If the tabs are not flat against the chassis, the developer-disengagement drive gears and cams—on the back side of the drive assembly—are not properly aligned with, and seated in, the corresponding holes on the product. Remove the drive assembly, realign it, and then reinstall it. See [Figure 1-281 Install the main drive assembly \(2 of 8\) on page 203](#).

Figure 1-284 Install the main drive assembly (5 of 8)



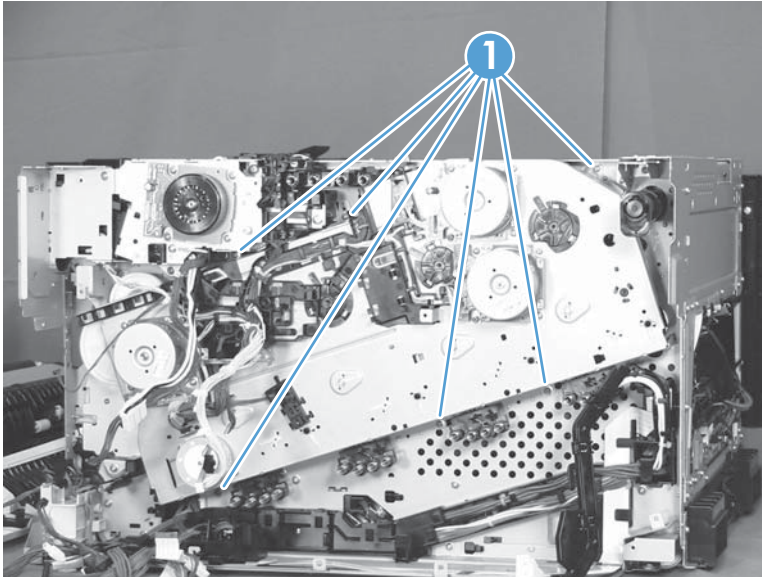
6. With the drive assembly correctly installed, verify the following:
- Open and close the front door. The OPC drum drive gears (callout 1; two shown, four total) must move in and out when viewed from inside the product.
 - Open and close the right door. The ITB drive gear (callout 2) must move in and out when viewed from inside the product.

Figure 1-285 Install the main drive assembly (6 of 8)



7. Install the remaining five mounting screws, tighten all six screws (callout 1), and then do one of the following.
 - **Installing a replacement assembly:** Remove the orange spacers and spacer shipping tape.
 - **Installing the original assembly:** Remove the orange spacers.

Figure 1-286 Install the main drive assembly (7 of 8)



8. Reinstall the two small sheet-metal brackets.


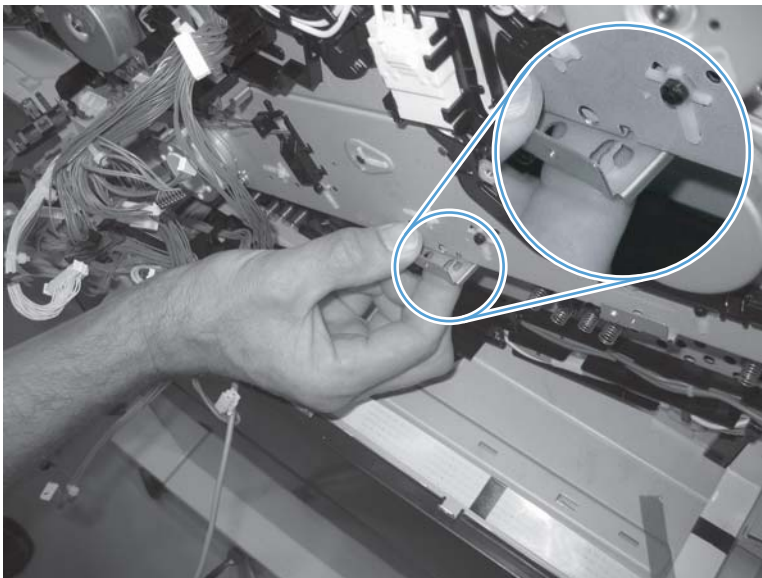
 **NOTE:** The tab on the sheet-metal brackets must be inserted in the hole in the drive assembly chassis as shown below.

Figure 1-287 Install the main drive assembly (8 of 8)



Fuser drive assembly

Before proceeding, remove the following assemblies:

- Formatter PCA. See [Formatter PCA on page 10](#).
- Control-panel assembly. See [Control-panel assembly on page 5](#).
- Intermediate transfer belt. See [Intermediate transfer belt on page 7](#).
- Left cover. See [Left cover on page 57](#).
- Rear cover. See [Rear cover on page 58](#).
- Right rear cover. See [Right rear cover on page 59](#).
- Toner collection unit (TCU) access door. See [Toner collection unit \(TCU\) access door on page 60](#)
- Optional: Document feeder. See [Document feeder on page 71](#).



NOTE: HP recommends removing the document feeder to decrease the weight of the scanner assembly when it is lifted off of the product.

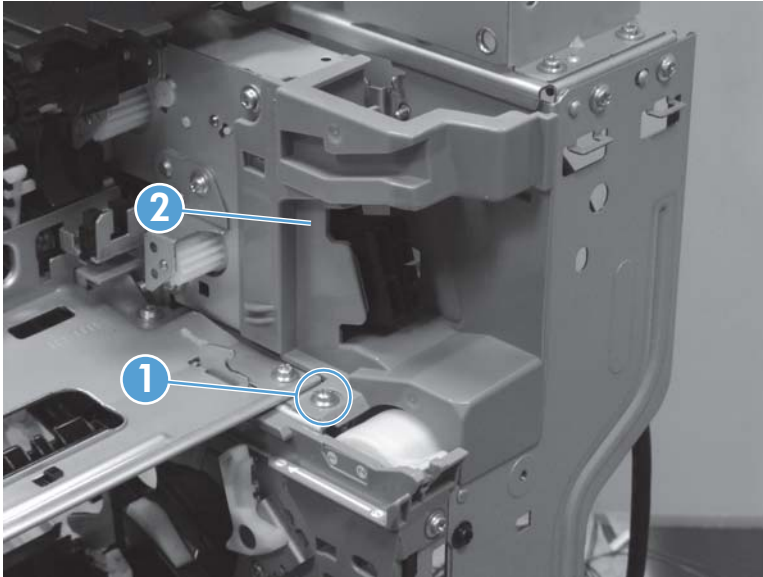
- Scanner assembly. See [Scanner assembly on page 74](#).
- For a stapler/stacker model:
 - Stapler/stacker assembly. See [Stapler/stacker assembly on page 78](#).
- Front upper cover. See [Front upper cover on page 83](#).
- Front right cover. See [Front right cover on page 86](#).
- Top right cover. See [Top right cover on page 91](#).
- For a non stapler/stacker model:
 - Output cover. See [Output cover; non stapler/stacker model on page 93](#).
- Top cover. See [Top cover on page 95](#).
- Top rear cover. See [Top rear cover on page 97](#).
- Sub-power supply assembly. See [Sub-power supply assembly on page 110](#).
- Toner cover. See the first, second, and third steps of [Residual toner full sensor on page 122](#)
- Formatter cage assembly. See [Formatter cage on page 177](#).
- Image (developing) high-voltage power supply (HVPS). See [Image \(developing\) high-voltage power supply \(HVPS\) on page 168](#).
- Interconnect PCA. See [Interconnect PCA on page 171](#).
- DC controller and sheet-metal bracket. See [DC controller PCA on page 174](#).
- First transfer high-voltage PCA. See [First-transfer high-voltage power supply on page 179](#).

- Second transfer high-voltage PCA and holder. See [Second-transfer high-voltage power supply and holder on page 182](#).
- Driver PCA. See [Driver PCA on page 184](#).
- Main drive assembly. See [Main drive assembly on page 194](#).

Remove the fuser drive assembly

1. Remove one screw (callout 1), and then remove the bracket (callout 2).

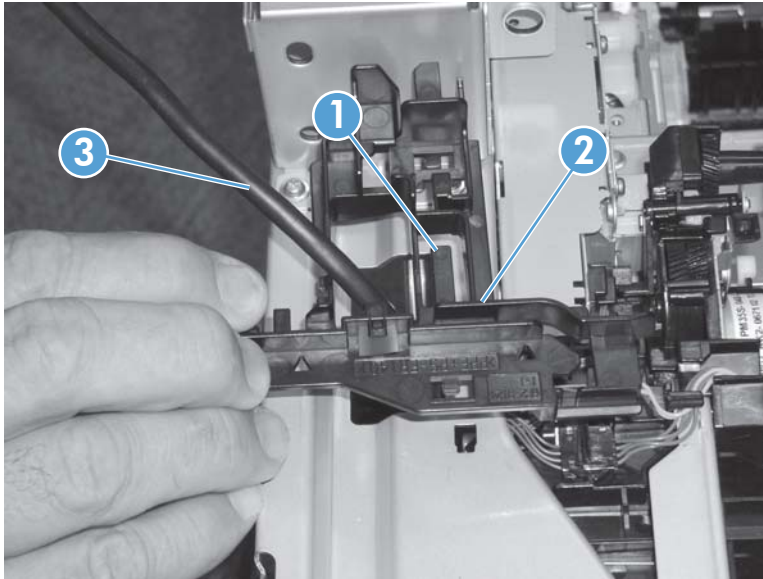
Figure 1-288 Remove the fuser drive assembly (1 of 4)



2. Release one tab (callout 1), and then remove the guide (callout 2).

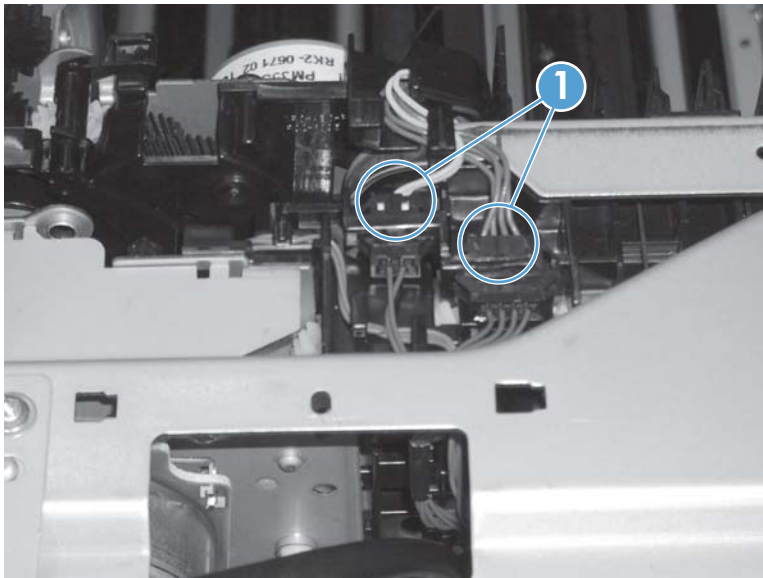
 **NOTE:** Carefully feed the cable (callout 3) through the hole to remove the guide.

Figure 1-289 Remove the fuser drive assembly (2 of 4)



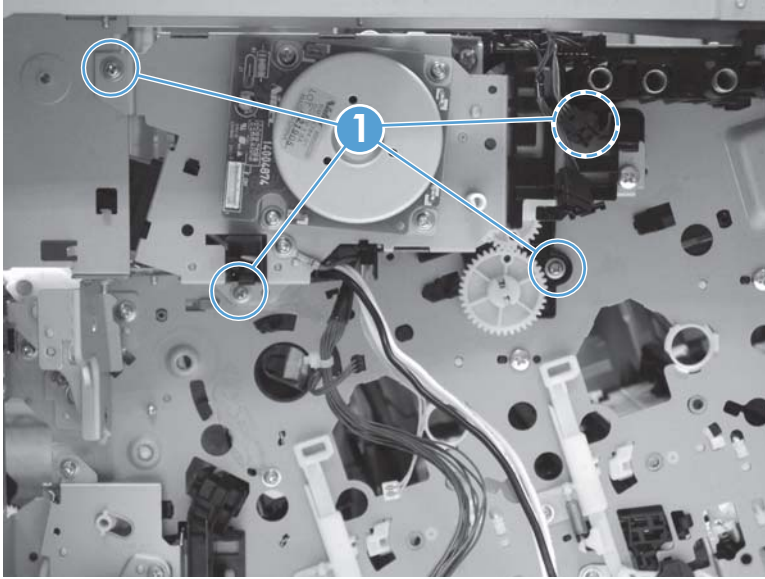
3. Disconnect two connectors (callout 1).

Figure 1-290 Remove the fuser drive assembly (3 of 4)



4. Remove four screws (callout 1), and then remove the fuser drive assembly.

Figure 1-291 Remove the fuser drive assembly (4 of 4)



Install a replacement fuser drive assembly

Use the following procedure to install a replacement fuser drive assembly or reinstall the original fuser drive assembly.

- 1. Replacement fuser drive assembly:** Before beginning, take note of the spacer (callout 1) on the replacement fuser drive assembly.

Original fuser drive assembly: Proceed to the next step.


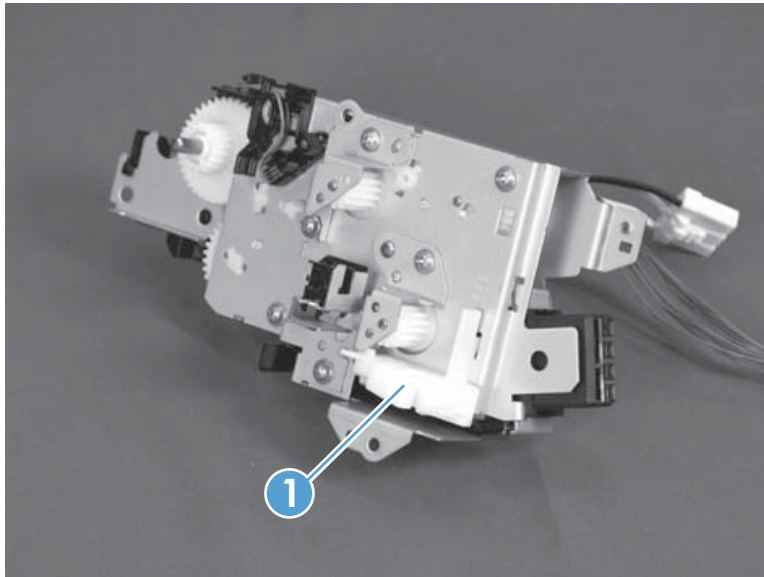
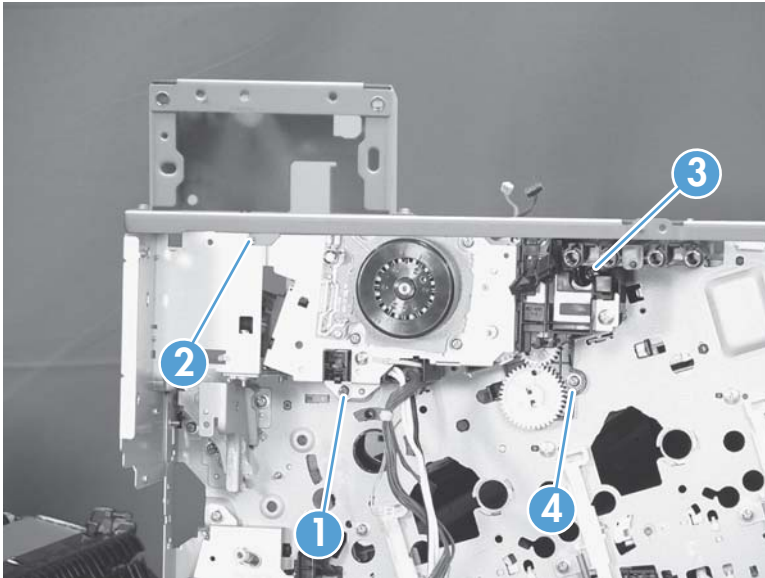
 **NOTE:** The assembly shown in the figure below is the fuser gear assembly (a sub-component of the fuser drive assembly). The location of the spacer (callout 1) is same for the fuser gear and fuser drive assemblies.

Figure 1-292 Install a replacement fuser drive assembly (1 of 3)



2. Fasten the replacement fuser drive assembly to the product with four screws. Install the screws in the order shown below (callouts 1 to 4).

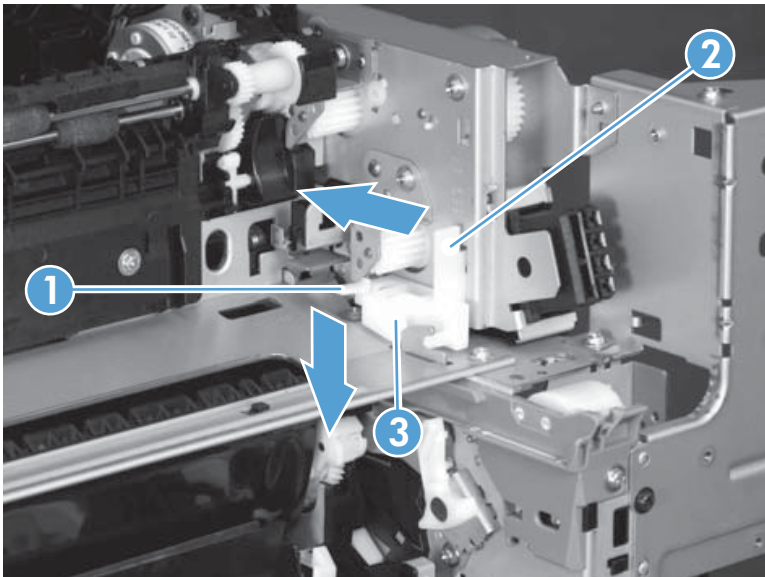
Figure 1-293 Install a replacement fuser drive assembly (2 of 3)



3. **Replacement fuser drive assembly:** Release two tabs in the order shown below (callouts 1 and 2), and then remove the spacer (callout 3).

Original fuser drive assembly: Installation complete—this step is not required.

Figure 1-294 Install a replacement fuser drive assembly (3 of 3)



Fuser gear assembly

Before proceeding, remove the following assemblies:

- Fuser. See [Fuser on page 9](#).
- Control-panel assembly. See [Control-panel assembly on page 5](#).
- Intermediate transfer belt. See [Intermediate transfer belt on page 7](#).
- Left cover. See [Left cover on page 57](#).
- Rear cover. See [Rear cover on page 58](#).
- Right rear cover. See [Right rear cover on page 59](#).
- Toner collection unit (TCU) access door. See [Toner collection unit \(TCU\) access door on page 60](#)
- Optional: Document feeder. See [Document feeder on page 71](#).



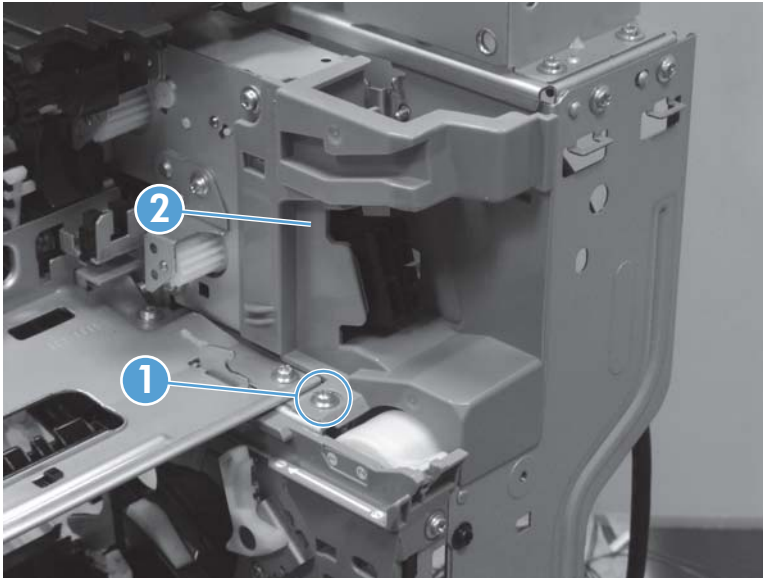
NOTE: HP recommends removing the document feeder to decrease the weight of the scanner assembly when it is lifted off of the product.

- Scanner assembly. See [Scanner assembly on page 74](#).
- For a stapler/stacker model:
 - Stapler/stacker assembly. See [Stapler/stacker assembly on page 78](#).
- For a non stapler/stacker model:
 - Output cover. See [Output cover; non stapler/stacker model on page 93](#).
- Front upper cover. See [Front upper cover on page 83](#).
- Front right cover. See [Front right cover on page 86](#).
- Output cover. See [Output cover; non stapler/stacker model on page 93](#).
- Top cover. See [Top cover on page 95](#).
- Residual toner full sensor. See [Residual toner full sensor on page 122](#).
- First transfer high-voltage PCA. See [First-transfer high-voltage power supply on page 179](#).
- Fuser motor M4. See [Fuser motor M4 on page 149](#).

Remove the fuser gear assembly

1. Remove one screw (callout 1), and then remove the bracket (callout 2).

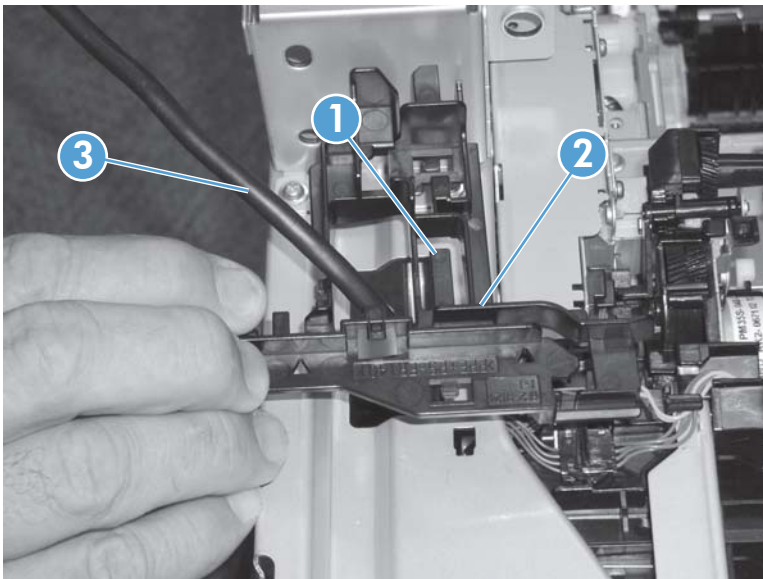
Figure 1-295 Remove the fuser gear assembly (1 of 7)



2. Release one tab (callout 1), and then remove the guide (callout 2).

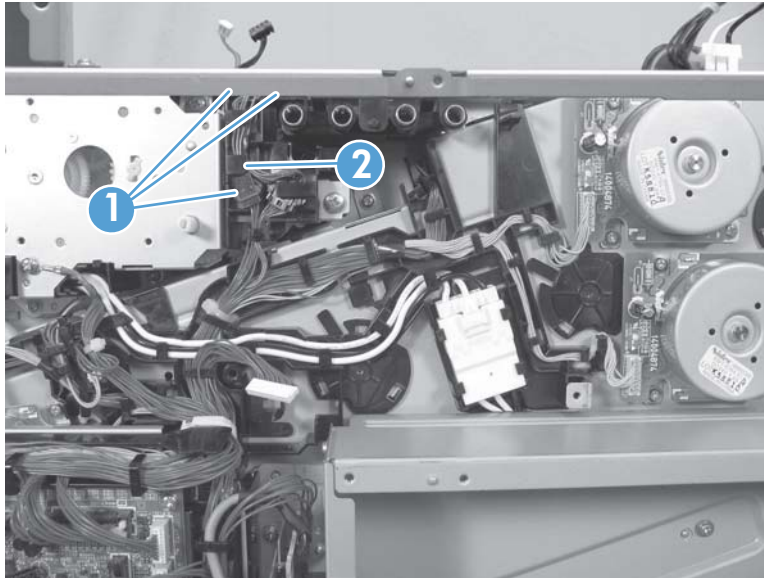
 **NOTE:** Carefully feed the cable (callout 3) through the hole to remove the guide.

Figure 1-296 Remove the fuser gear assembly (2 of 7)



3. Disconnect three connectors (callout 1), and then release the wire harnesses from the guide (callout 2).

Figure 1-297 Remove the fuser gear assembly (3 of 7)



4. Disconnect one connector (callout 1), and then release the wire harness from the guide (callout 2).


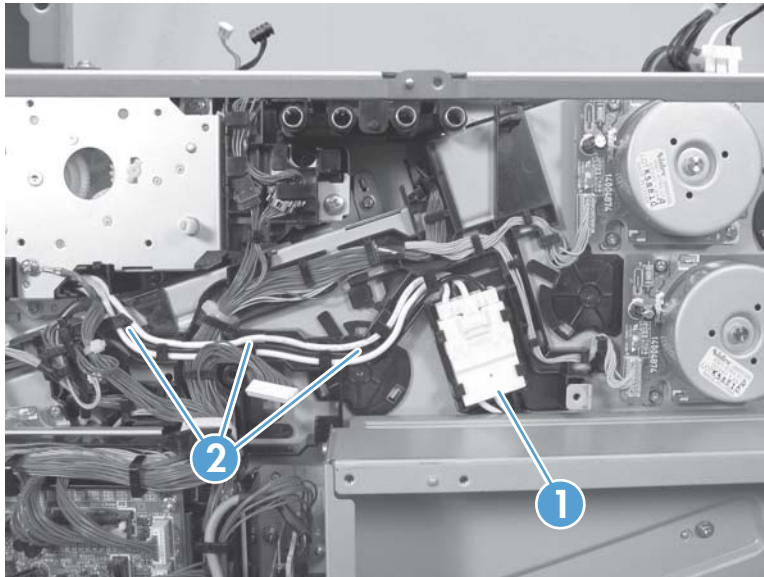
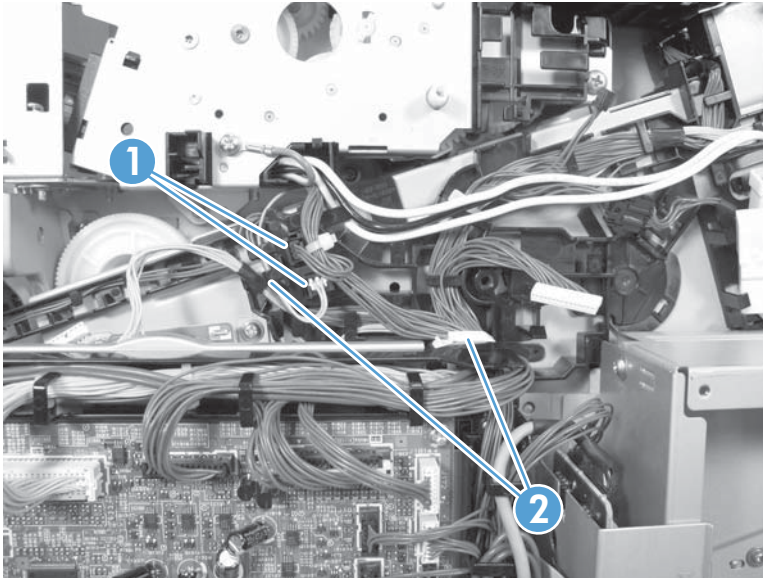
 **TIP:** It might be easier to disconnect the connector, if you release it from the black-plastic holder.

Figure 1-298 Remove the fuser gear assembly (4 of 7)



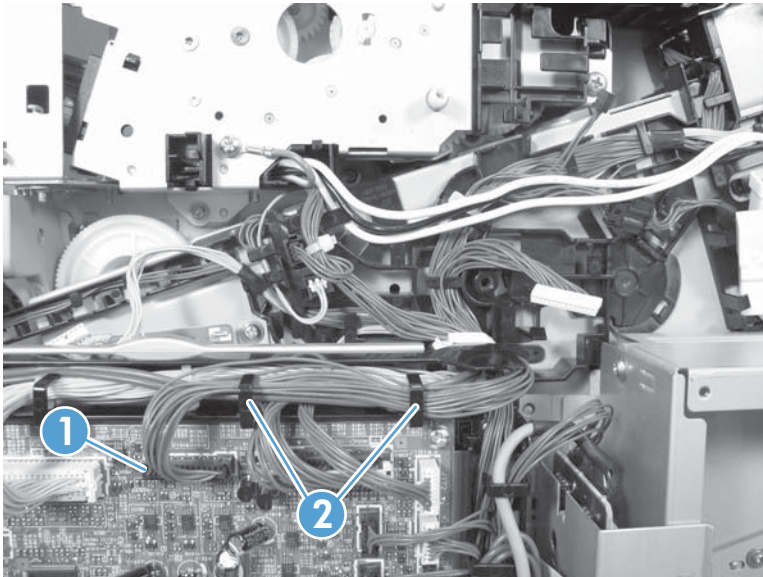
5. Disconnect two connectors (callout 1), and then release the wire harness from the retainer and guide (callout 2).

Figure 1-299 Remove the fuser gear assembly (5 of 7)



6. Disconnect one connector (callout 1), and then release the wire harness from the guide (callout 2).

Figure 1-300 Remove the fuser gear assembly (6 of 7)



7. Remove four screws (callout 1), and then remove the fuser gear assembly (callout 2).

⚠ CAUTION: Do not remove the gear or solenoid located behind the fuser gear assembly. The gear and solenoid are installed in specific alignment with the other components behind the assembly. If the gear or solenoid are removed, the product will not properly function.

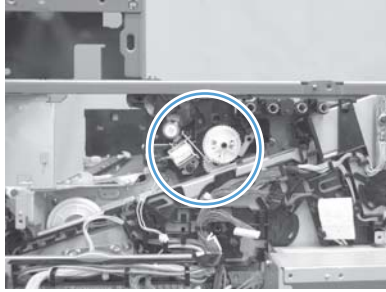
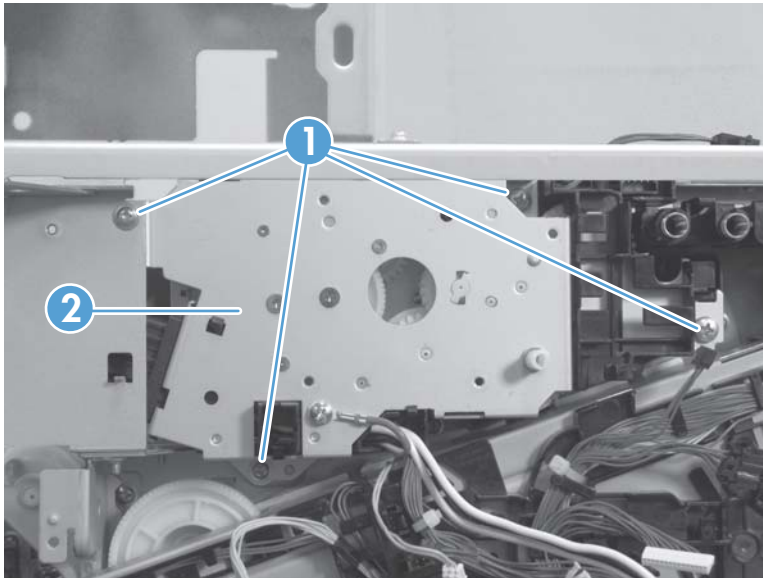


Figure 1-301 Remove the fuser gear assembly (7 of 7)



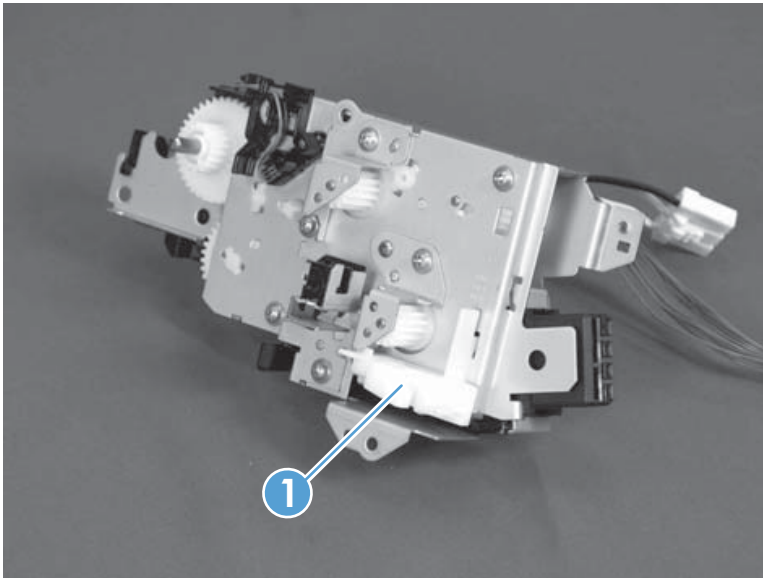
Install a replacement fuser gear assembly

Use the following procedure to install a replacement fuser drive assembly or reinstall the original fuser gear assembly.

1. **Replacement fuser gear assembly:** Before beginning, take note of the spacer (callout 1) on the replacement fuser gear assembly.

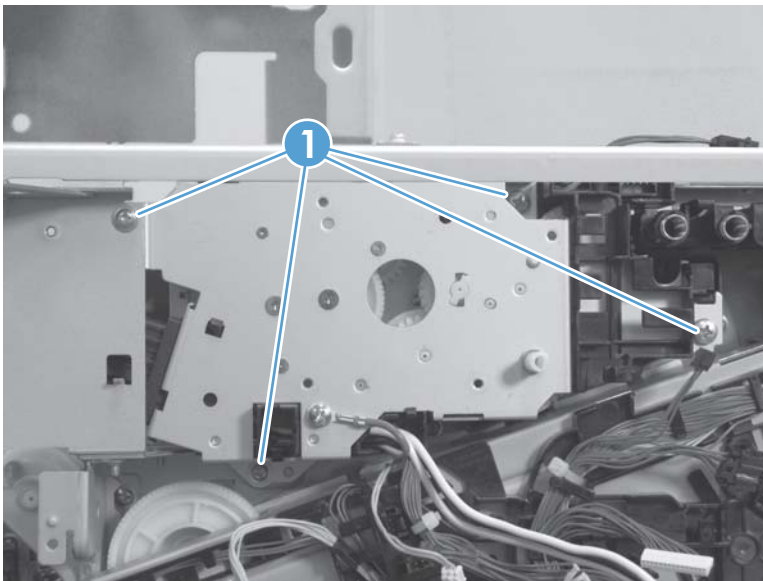
Original fuser gear assembly: Proceed to the next step.

Figure 1-302 Install a replacement fuser gear assembly (1 of 3)



2. Fasten the replacement fuser gear assembly to the product with four screws (callout 1).

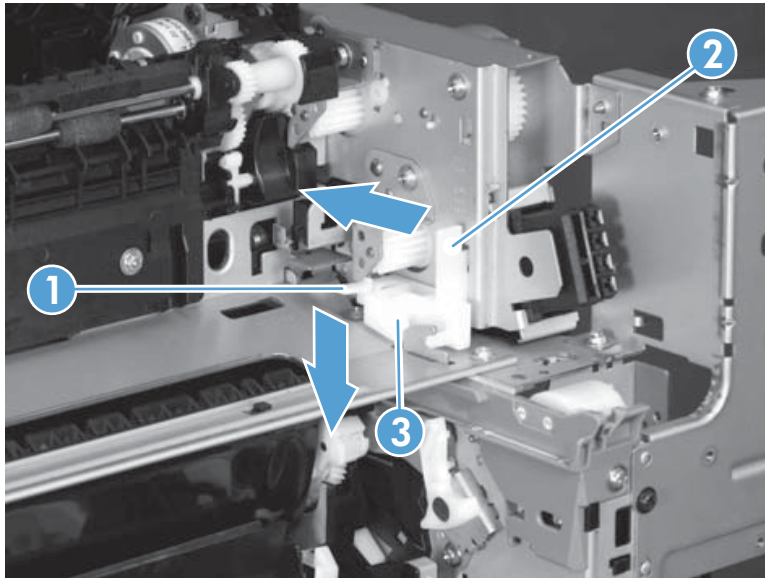
Figure 1-303 Install a replacement fuser gear assembly (2 of 3)




- 3. Replacement fuser gear assembly:** Release two tabs in the order shown below (callouts 1 and 2), and then remove the spacer (callout 3).

Original fuser gear assembly: Installation complete—this step is not required.

Figure 1-304 Install a replacement fuser gear assembly (3 of 3)



Input devices

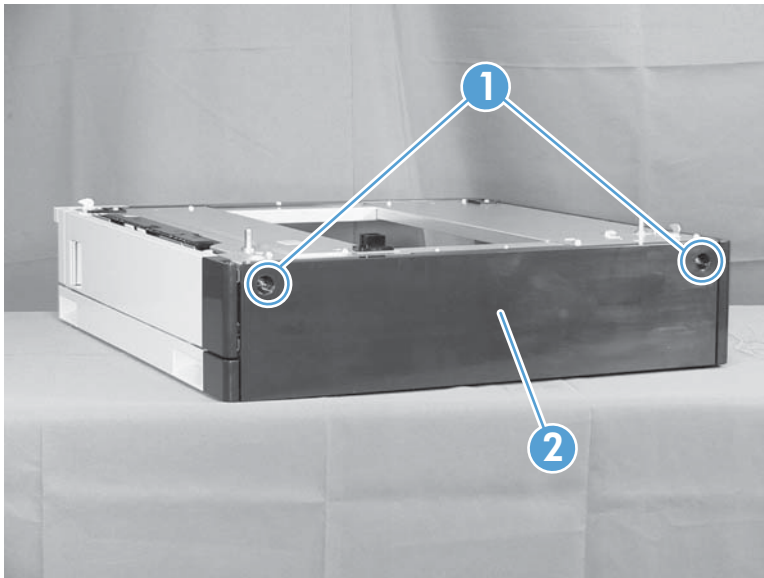
 **NOTE:** Some of the procedures in this section require the product to be removed from the input device.

1x500-sheet paper feeder assembly

1x500 rear cover

Remove two screws (callout 1), and then remove the rear cover (callout 2).

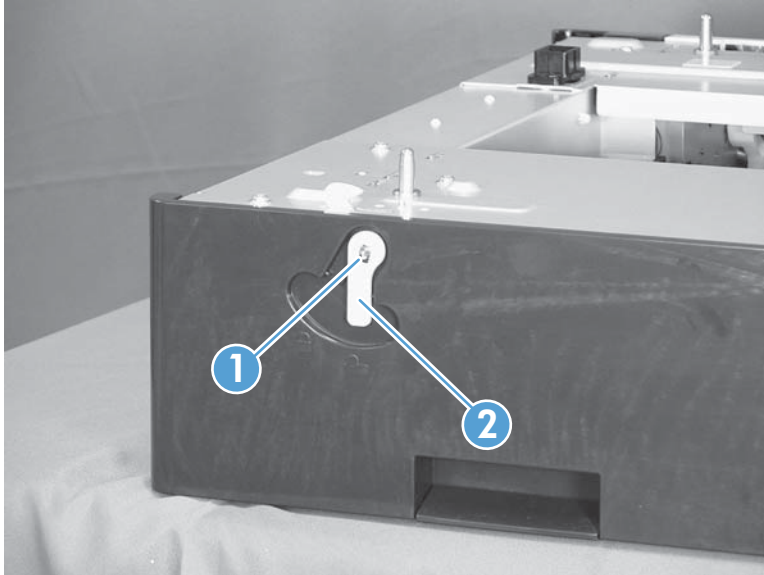
Figure 1-305 Remove the 1x500 rear cover



1x500 left cover

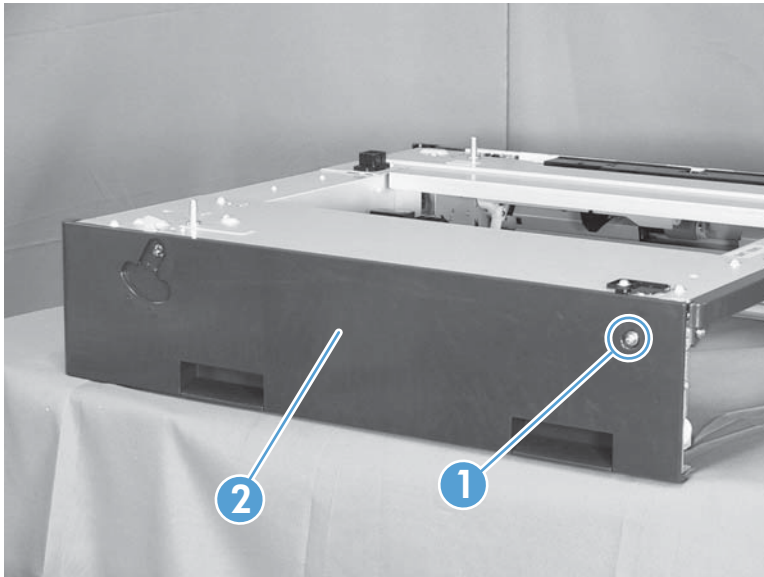
1. Take the cassette out of the feeder, release one tab (callout 1), and then remove the lever (callout 2).


Figure 1-306 Remove the 1x500 left cover (1 of 2)

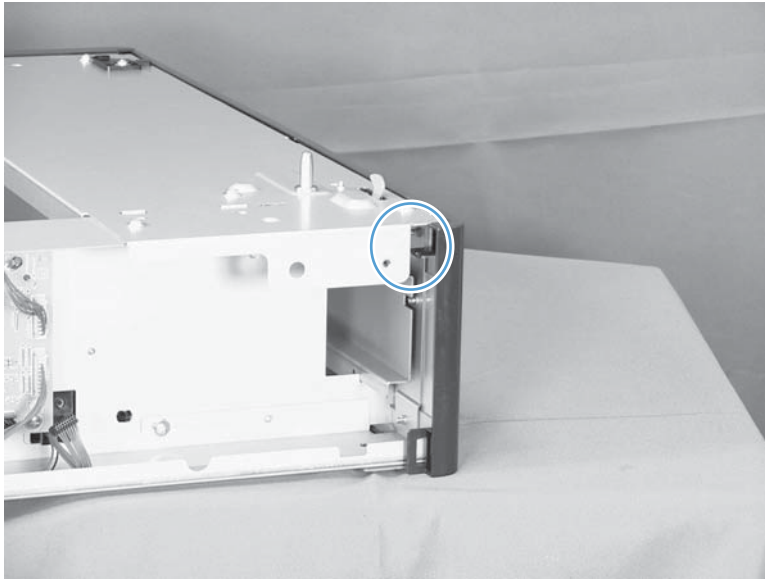
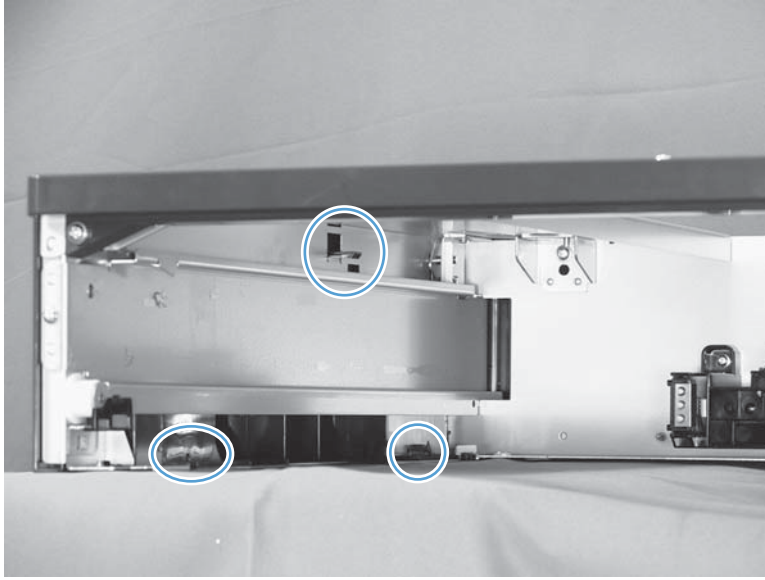


2. Remove one screw (callout 1), release four tabs from the inside (see the tip that follows this step), and then remove the left cover (callout 2).

Figure 1-307 Remove the 1x500 left cover (2 of 2)



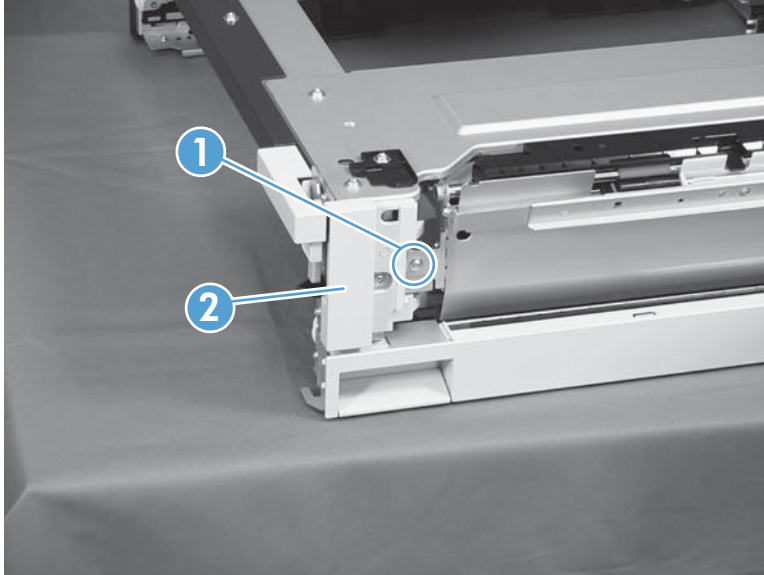
 **TIP:** The following figures show the tabs inside the cover.




1x500 right-front cover

1. Take the cassette out of the feeder, and then open the right door.
2. Remove one screw (callout 1), and then remove the right-front cover (callout 2).

Figure 1-308 Remove the 1x500 right-front cover



1x500 front-upper cover

 **NOTE:** If the feeder is installed on the product, remove the cassette from the tray above the feeder.

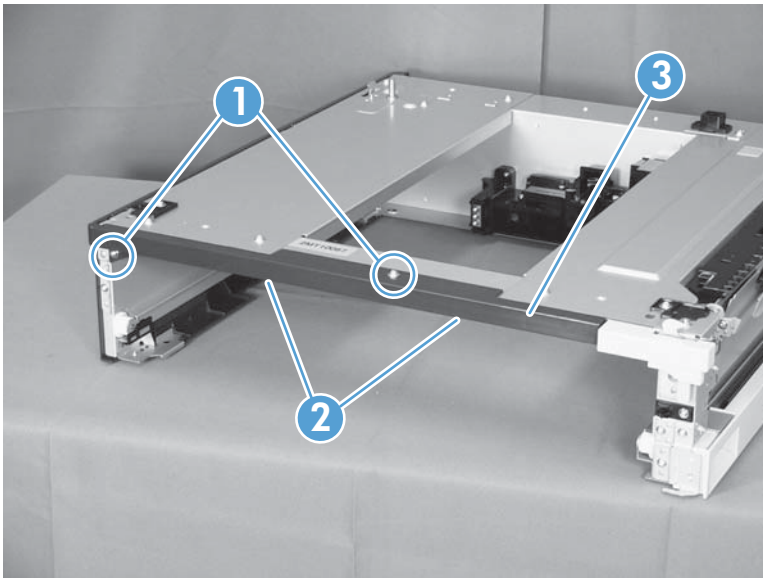
Before proceeding, remove the following assemblies:

- Right-front cover. See [1x500 right-front cover on page 223](#).

Remove the 1x500 front-upper cover

1. Remove the cassette from the feeder.
2. Remove two screws (callout 1), release two tabs (callout 2), and then remove the front upper cover (callout 3).

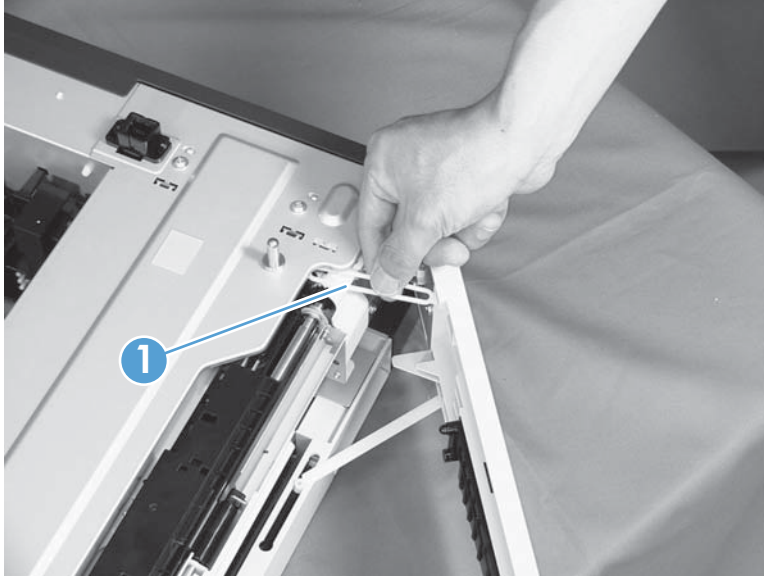
Figure 1-309 Remove the 1x500 front-upper cover



1x500 right door

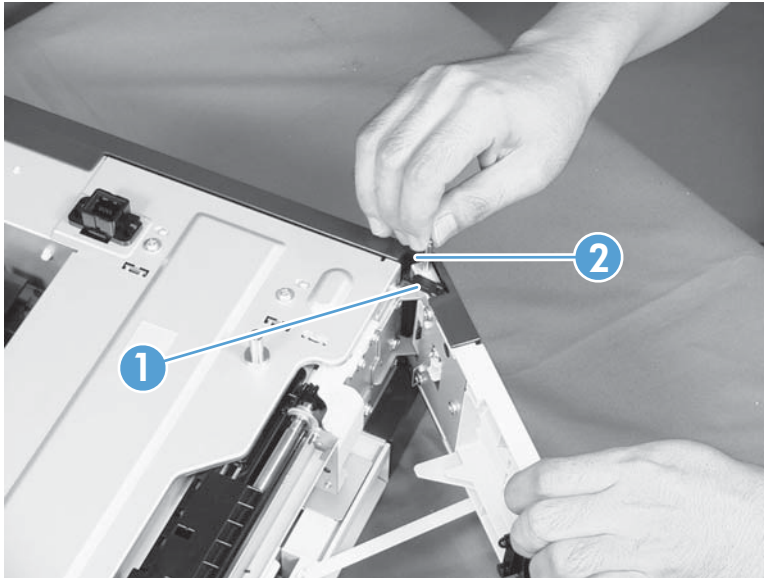
1. Lift the product off the feeder, and then open the tray right door.
2. Release the link arm (callout 1).

Figure 1-310 Remove the 1x500 right door (1 of 3)



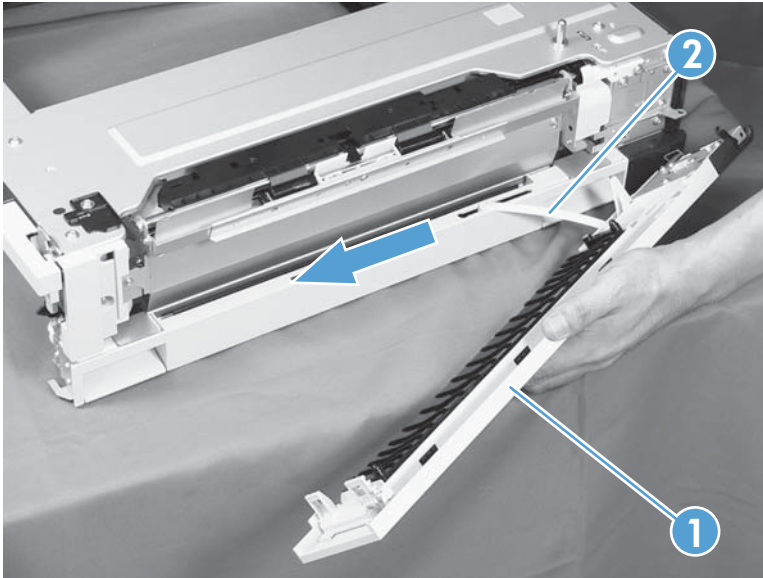
3. Release the stopper (callout 1), and then release the shaft (callout 2).

Figure 1-311 Remove the 1x500 right door (2 of 3)



4. Slide the right door (callout 1) and the arm (callout 2) in the direction indicated to remove them together, and then remove the arm from the right door.

Figure 1-312 Remove the 1x500 right door (3 of 3)



1x500 right-lower cover

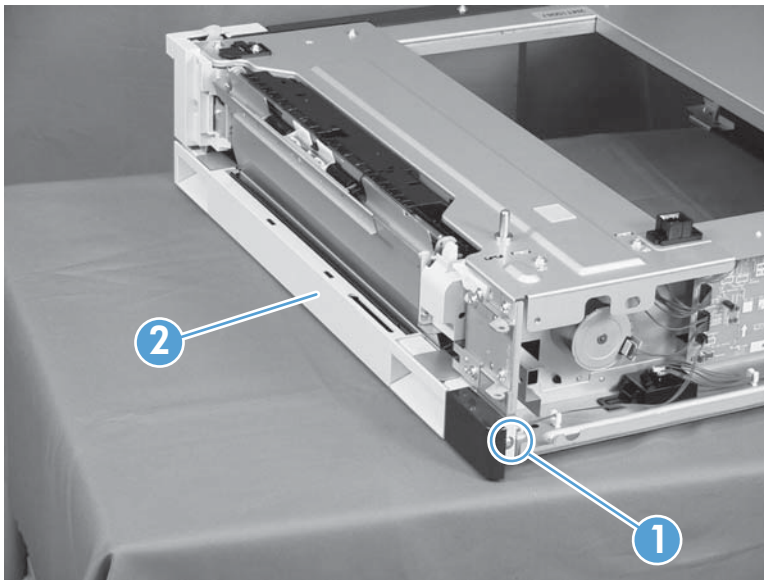
Before proceeding, remove the following assemblies:

- Rear cover. See [1x500 rear cover on page 220](#).
- Right door. See [1x500 right door on page 225](#).

Remove the 1x500 right-lower cover

1. Remove the cassette from the feeder.
2. Remove one screw (callout 1), and then slide the cover (callout 2) to the right to clear an alignment pin at the left side of the cover.

Figure 1-313 Remove the 1x500 right-lower cover



1x500 pickup assembly

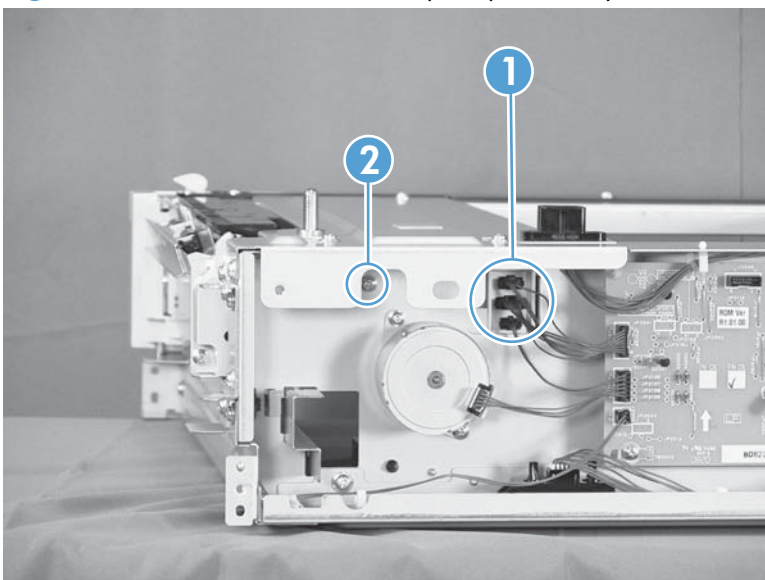
Before proceeding, remove the following assemblies:

- 1x500 rear cover. See [1x500 rear cover on page 220](#).
- 1x500 right-front cover. See [1x500 right-front cover on page 223](#).
- 1x500 right door. See [1x500 right door on page 225](#).
- 1x500 right-lower cover. See [1x500 right-lower cover on page 227](#).

Remove the 1x500 pickup assembly

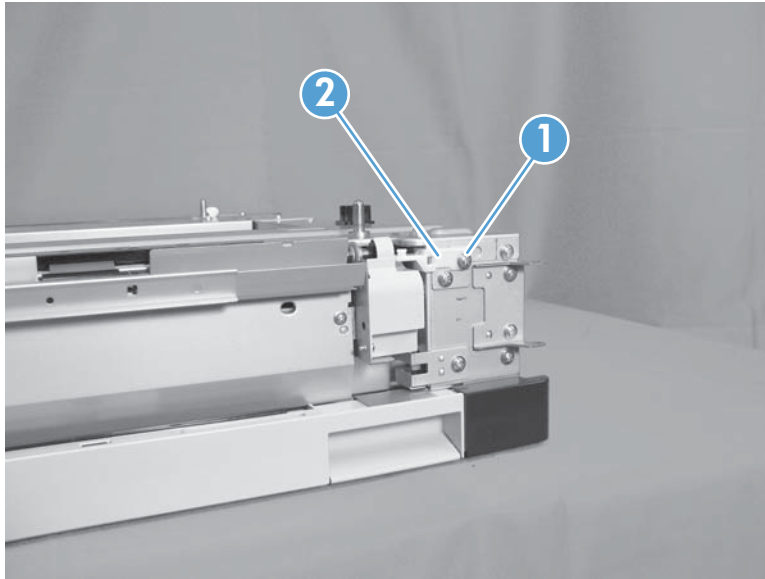
1. Disconnect three connectors (callout 1), and then remove one screw (callout 2).

Figure 1-314 Remove the 1x500 pickup assembly (1 of 4)



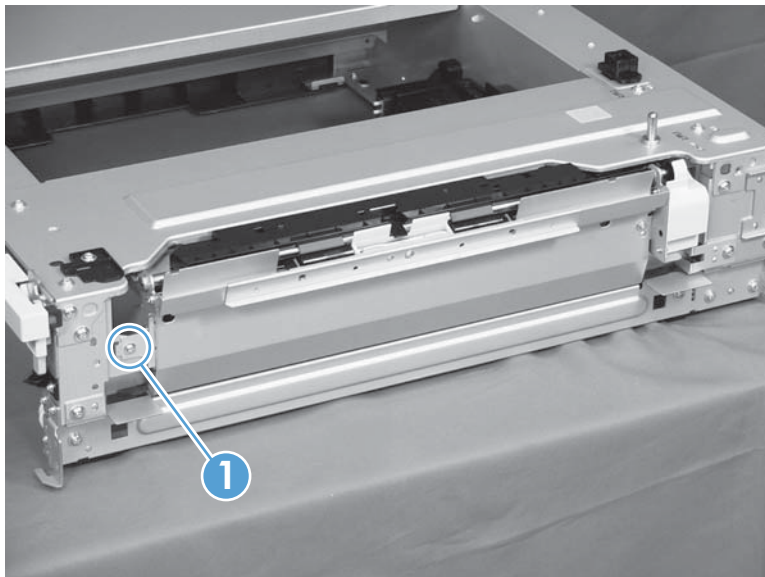
2. Remove one screw (callout 1), and then remove the stopper of the right-door link (callout 2).

Figure 1-315 Remove the 1x500 pickup assembly (2 of 4)



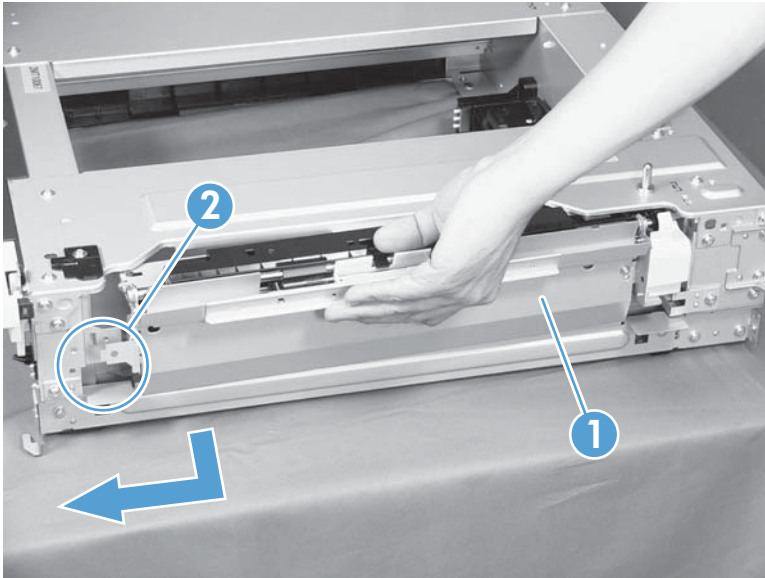
3. Remove one screw (callout 1).

Figure 1-316 Remove the 1x500 pickup assembly (3 of 4)



4. Lift the 1x500 pickup assembly (callout 1) slightly to clear a tab (callout 2), and then slide it in the direction indicated to remove it.

Figure 1-317 Remove the 1x500 pickup assembly (4 of 4)



1x500 lifter-drive assembly

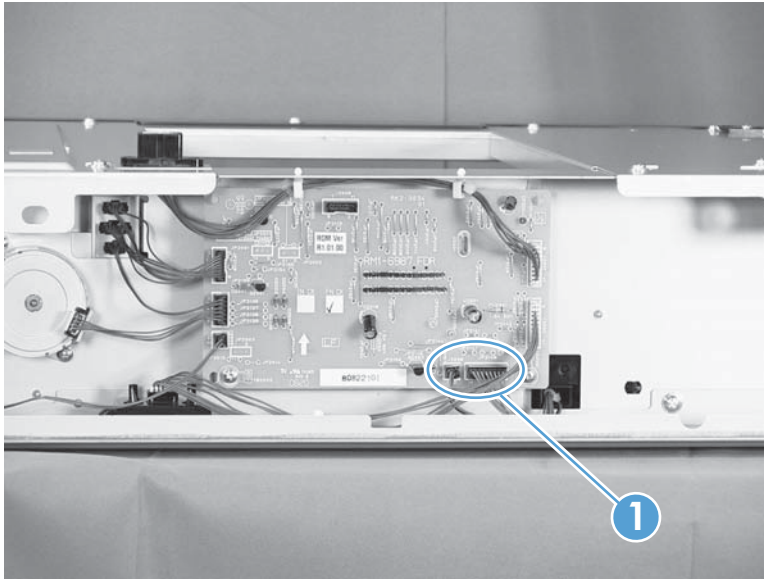
Before proceeding, remove the following assemblies:

- 1x500 rear cover. See [1x500 rear cover on page 220](#).

Remove the 1x500 lifter-drive assembly

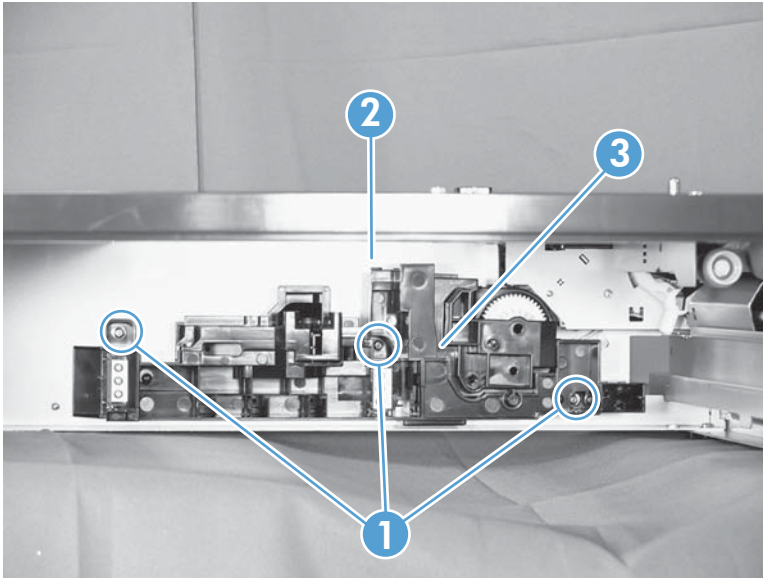
1. Remove the cassette from the feeder.
2. Disconnect two connectors (callout 1).

Figure 1-318 Remove the 1x500 lifter-drive assembly (1 of 2)



3. From the front, inside the tray cavity, remove three screws (callout 1), release one tab (callout 2), and then remove the 1x500 lifter-drive assembly (callout 3).

Figure 1-319 Remove the 1x500 lifter-drive assembly (2 of 2)



1x500 pickup motor

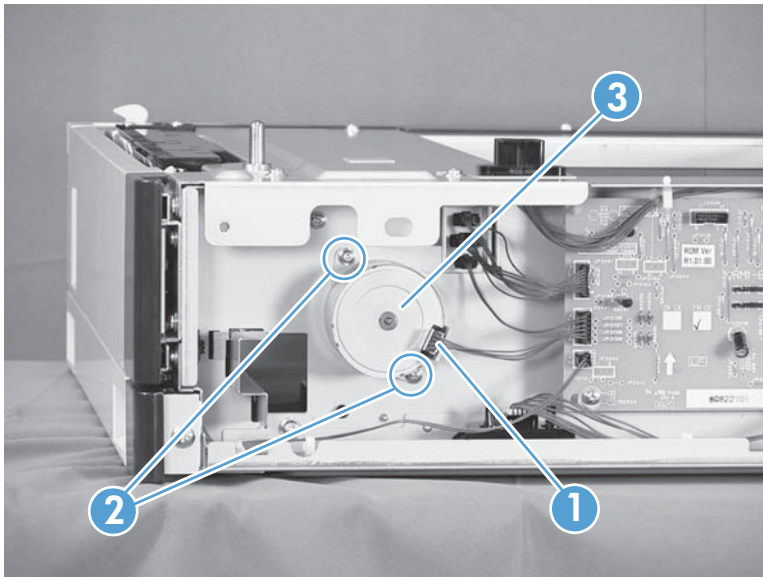
Before proceeding, remove the following assemblies:

- 1x500 rear cover. See [1x500 rear cover on page 220](#).

Remove the 1x500 pickup motor

1. Remove the cassette from the feeder.
2. Disconnect one connector (callout 1), remove two screws (callout 2), and then remove the 1x500 pickup motor (callout 3).

Figure 1-320 Remove the 1x500 pickup motor



1x500 driver PCA

Before proceeding, remove the following assemblies:

- 1x500 rear cover. See [1x500 rear cover on page 220](#).

Remove the 1x500 driver PCA

1. Remove the cassette from the feeder.
2. Disconnect seven connectors (callout 1), remove two screws (callout 2), release two tabs (callout 3), and then remove the 1x500 driver PCA.


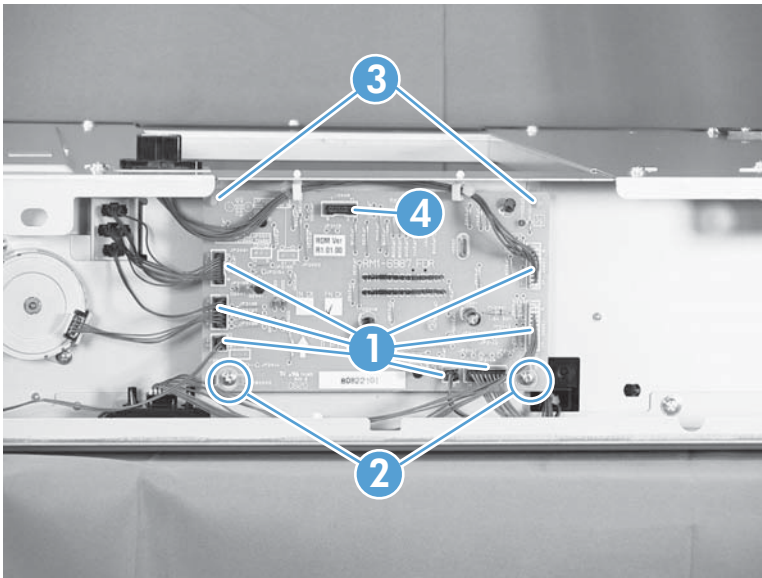

 **NOTE:** One connector (callout 4) on the 1x500 driver PCA remains empty.

Figure 1-321 Remove the 1x500 driver PCA



1x500- and 3x500-sheet paper deck (PD)

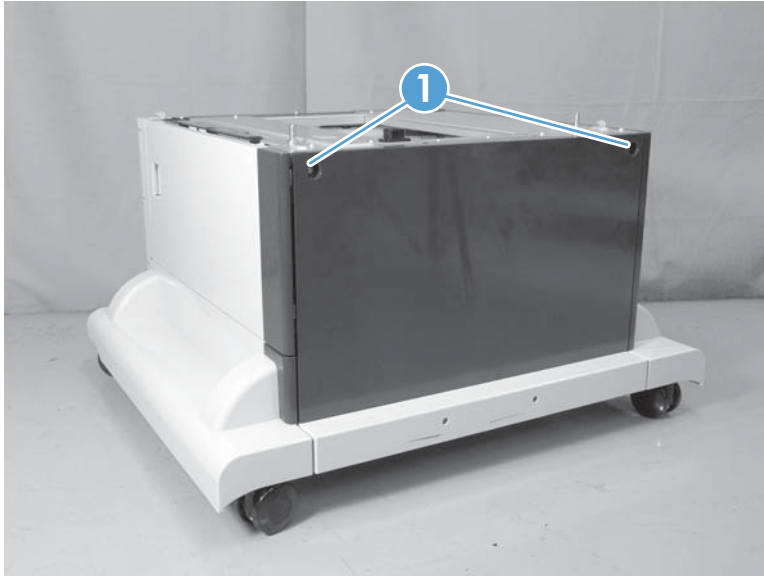
 **NOTE:** Unless otherwise noted, the procedures in this section are valid for both the 1x500- and 3x500-sheet paper decks.

Some of the procedures in this section require the product to be removed from the input device.

PD rear cover

Remove two screws (callout 1), and then remove the cover.

Figure 1-322 Remove the PD rear cover

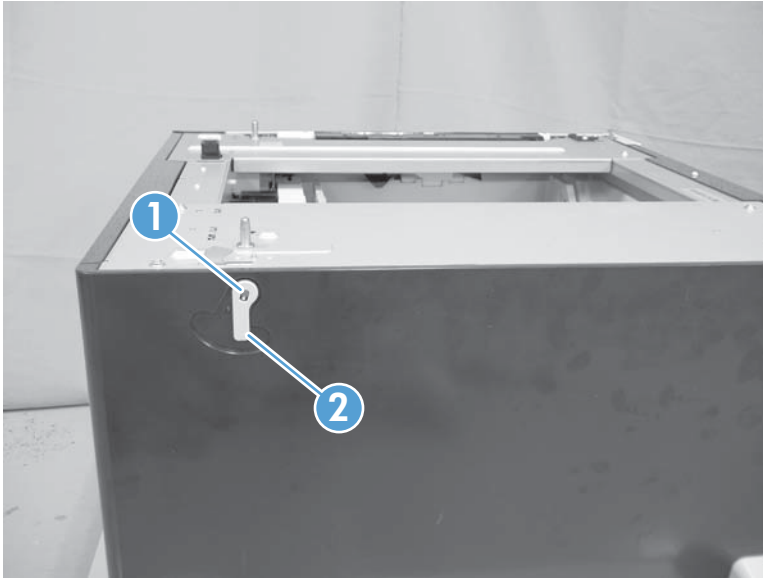


PD left cover

1. Release one tab (callout 1), and then remove the lever (callout 2).

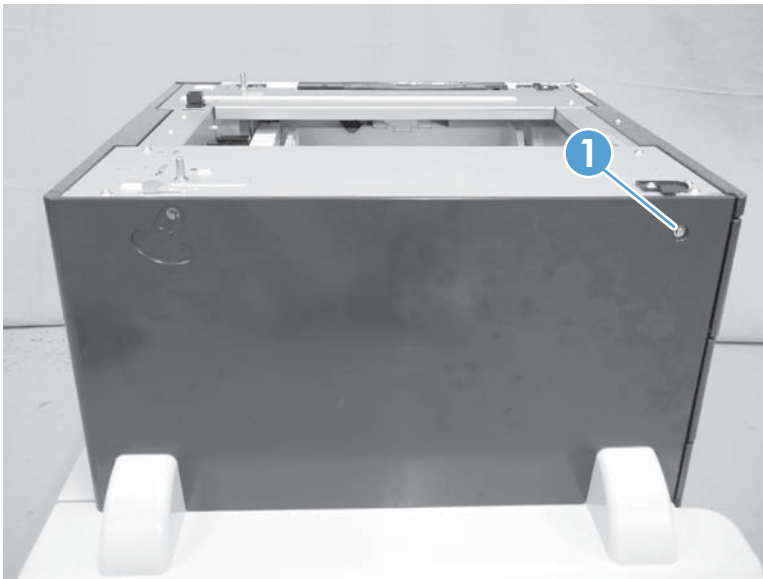
CAUTION: The tab can be easily broken.

Figure 1-323 Remove the PD left cover (1 of 3)



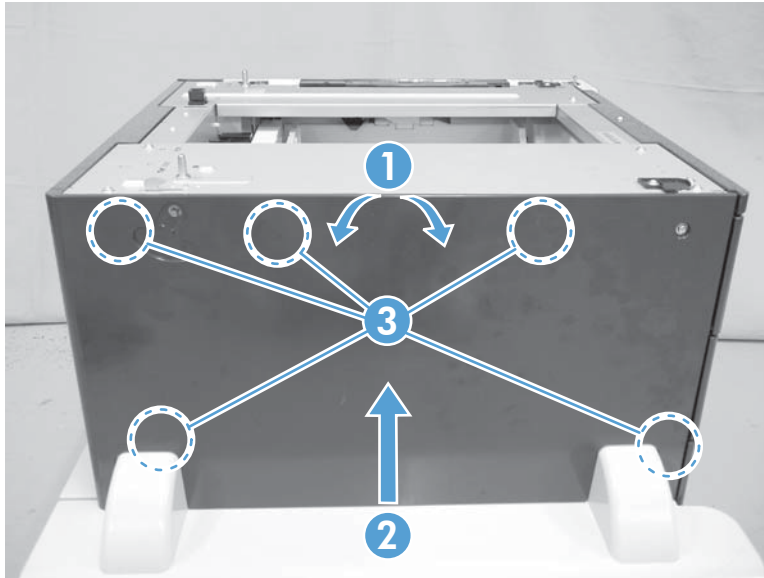
2. Remove one screw (callout 1), and then remove the cover.

Figure 1-324 Remove the PD left cover (2 of 3)



3. Carefully separate the top of the cover from the paper deck (callout 1), lift up on the cover (callout 2) to release five tabs (callout 3), and then remove the cover.

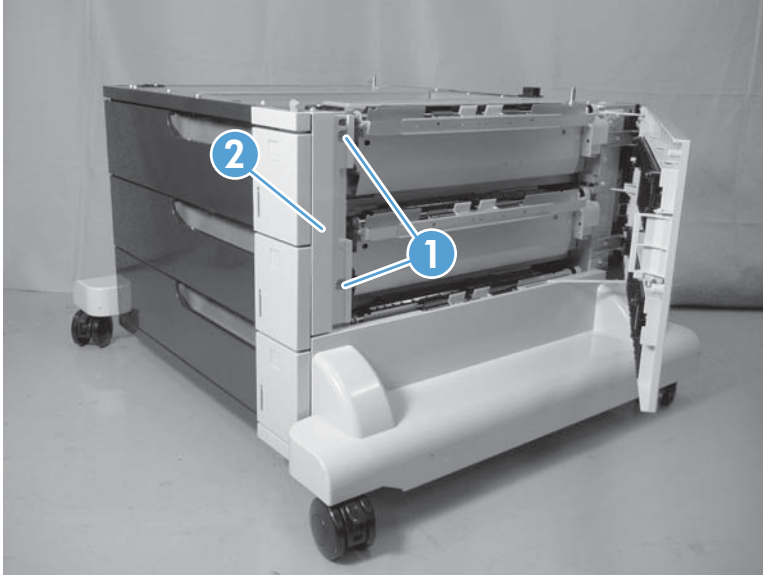
Figure 1-325 Remove the PD left cover (3 of 3)




PD right front cover

1. Open the PD right door.
2. Remove two screws (callout 1), and then remove the cover (callout 2).

Figure 1-326 Remove the PD right front cover



PD front upper cover

 **NOTE:** If the paper deck is installed on the product, remove the cassette from the tray above the paper deck.

Before proceeding, remove the following assemblies:

- PD right front cover. [PD right front cover on page 238](#).

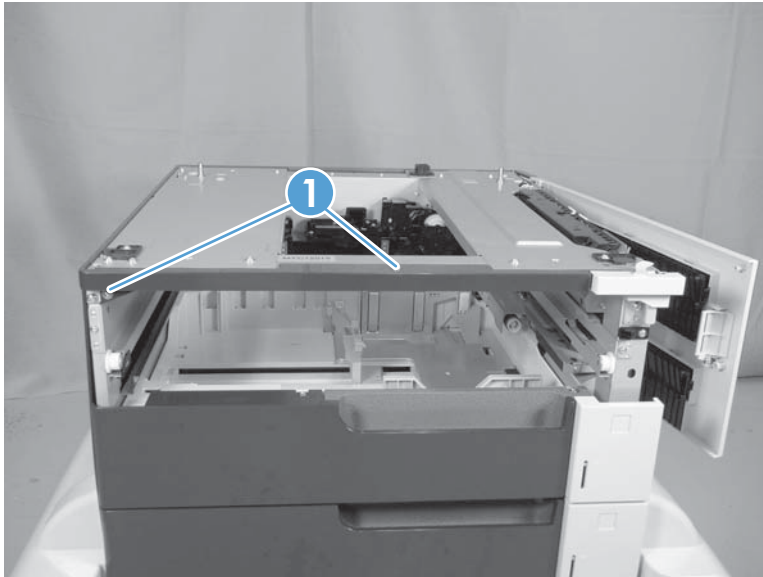
Remove the PD front upper cover

1. Remove the cassette.

 **NOTE:** For the 3x500-sheet PD, remove the top-most cassette.

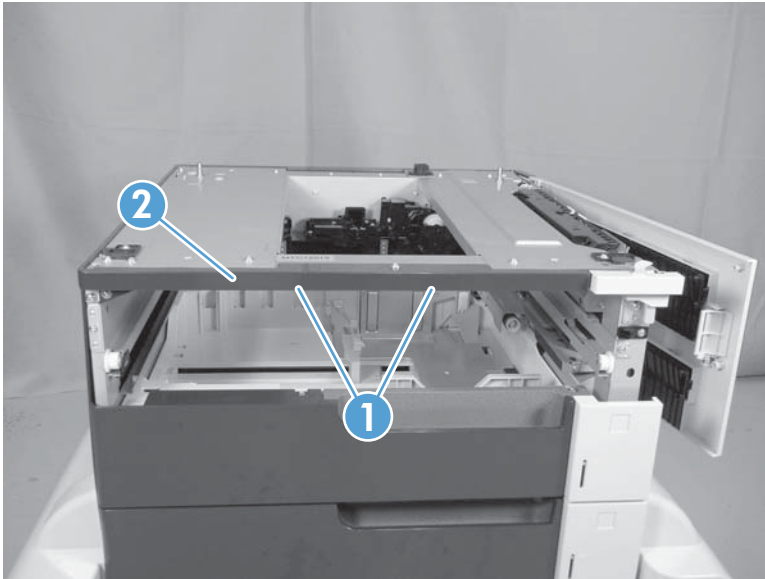
2. Remove two screws (callout 1).

Figure 1-327 Remove the PD front upper cover (1 of 2)




3. Release two tabs (callout 1), and then remove the cover (callout 2).

Figure 1-328 Remove the PD front upper cover (2 of 2)



PD front door

 **NOTE:** For the 1x500-sheet PD only.

1. Open the front door.
2. Release three tabs (callout 1), and then remove the cover (callout 2).


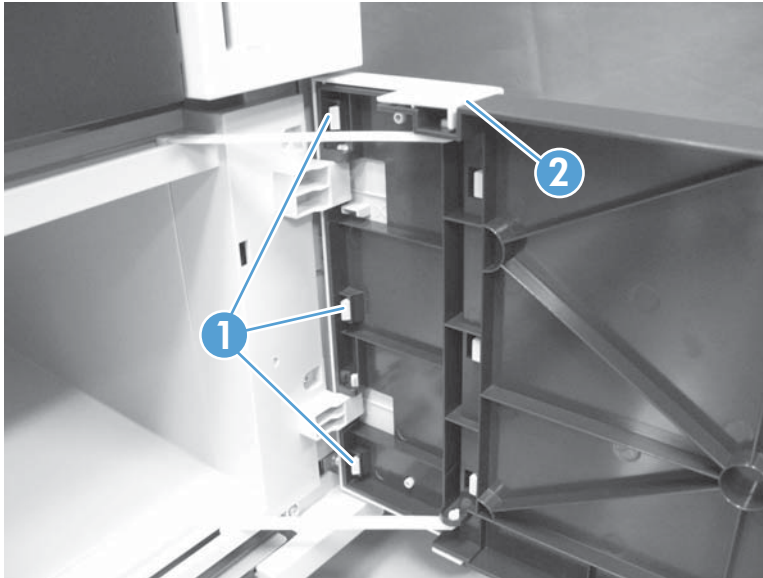
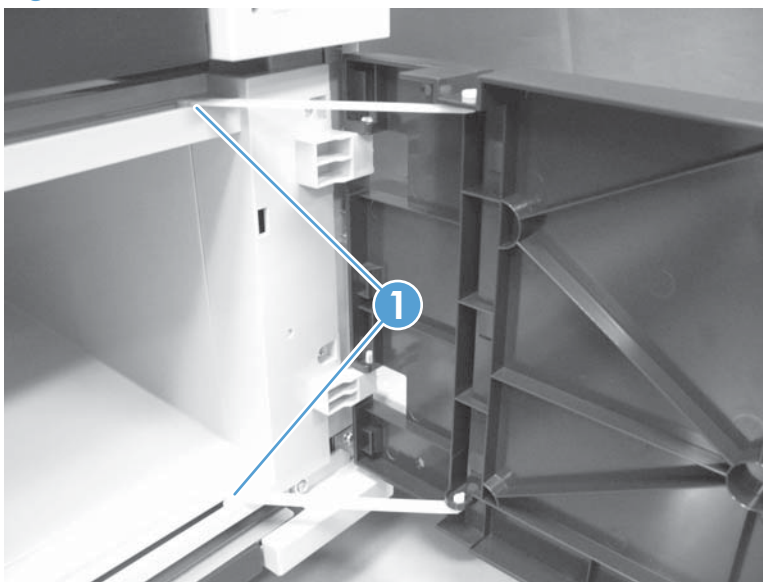
 **TIP:** Partially close the door, and then remove the cover from the front side of the door.

Figure 1-329 Remove the PD front door (1 of 3)



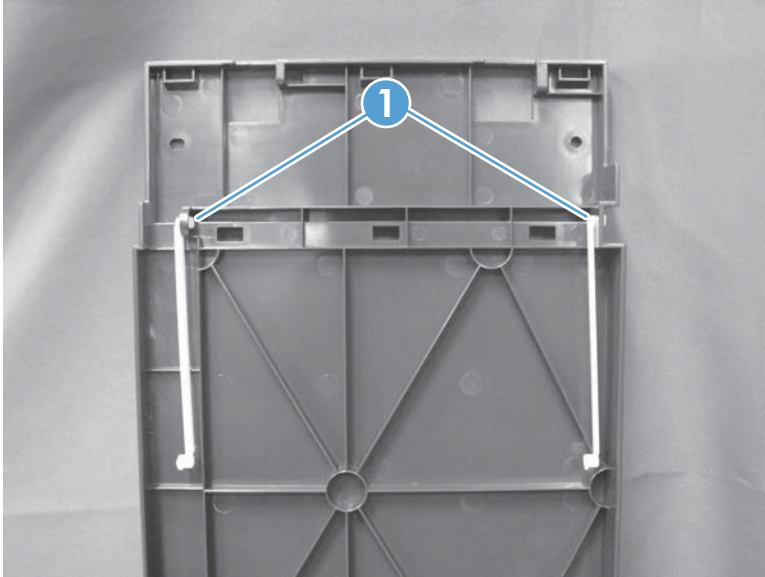
3. Support the door, lift up on the door to release the hinges, and then release two link arms (callout 1).

Figure 1-330 Remove the PD front door (2 of 3)



4. If necessary, remove two link arms (callout 1) from the door.

Figure 1-331 Remove the PD front door (3 of 3)




PD storage box

Before proceeding, remove the following assemblies:

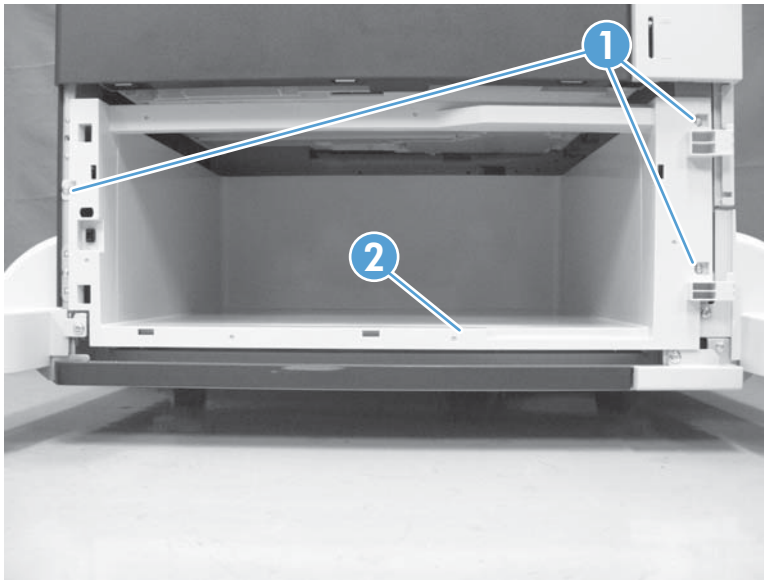
- PD front door. See [PD front door on page 241](#).

Remove the PD storage box

 **NOTE:** For the 1x500-sheet PD only.

Remove three screws (callout 1), and then remove the storage box (callout 2).

Figure 1-332 Remove the PD storage box

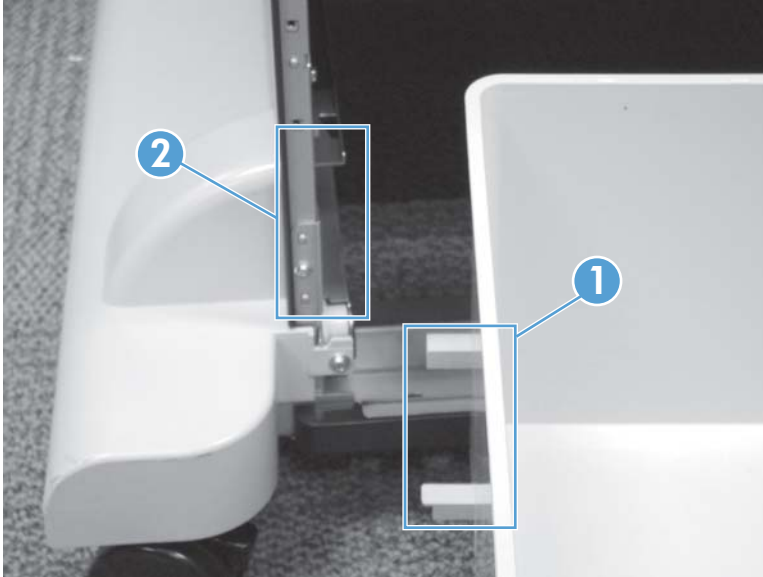


Reinstall the PD storage box

When the PD storage box is reinstalled, do the following:

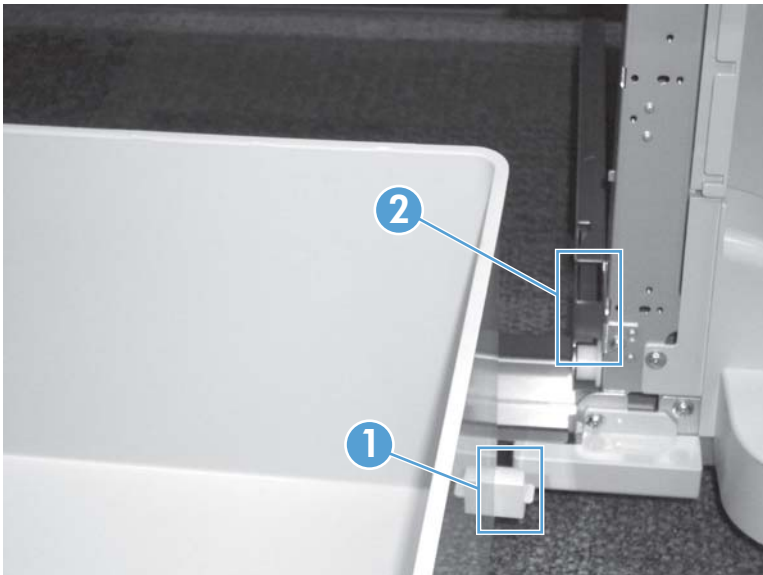
- a. Make sure that the two guides (callout 1) on the left side of the box are correctly aligned and inserted between the rails (callout 2) in the paper deck.

Figure 1-333 PD storage box left-side guides




- b. Make sure that the guide (callout 1) on the right side of the box are correctly aligned and inserted between the rails (callout 2) in the paper deck.

Figure 1-334 PD storage box right-side guide

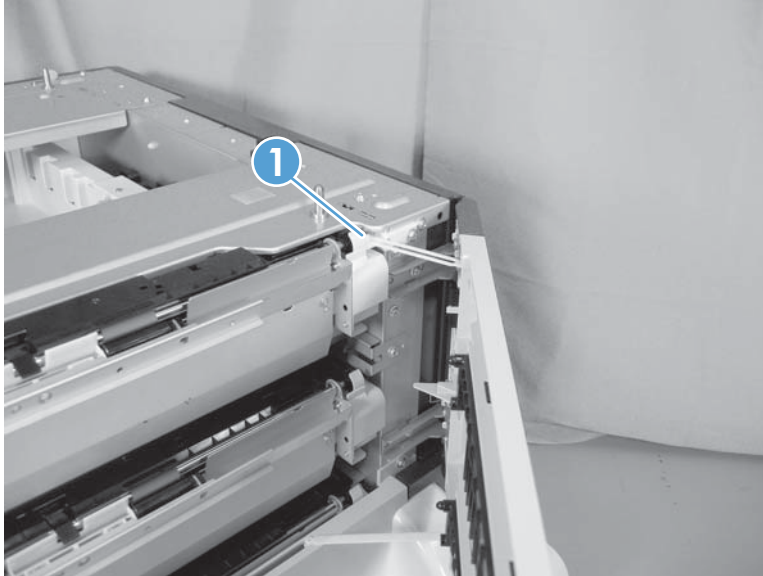


PD right door

 **TIP:** The door can be removed with the product installed on the paper deck. Slightly lift up on the corner of the product to release the hinges.

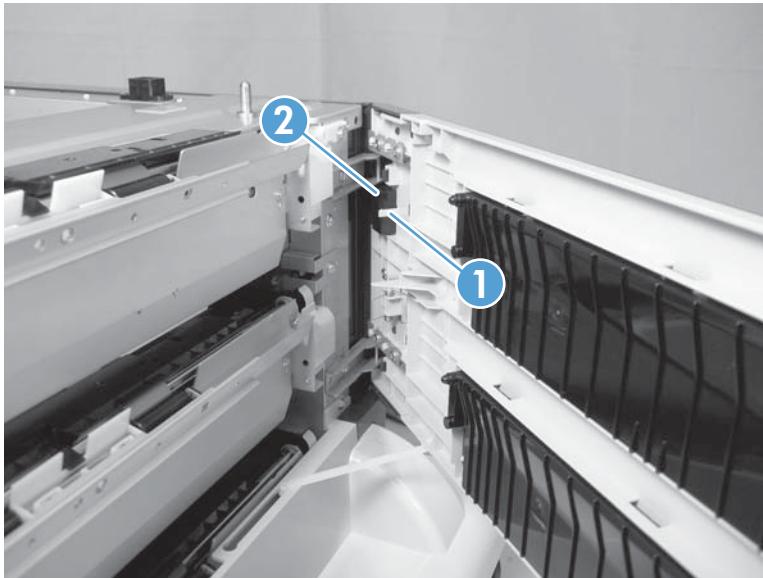
1. Open the right door.
2. Support the door, and then release one link arm (callout 1).

Figure 1-335 Remove the PD right door (1 of 3)



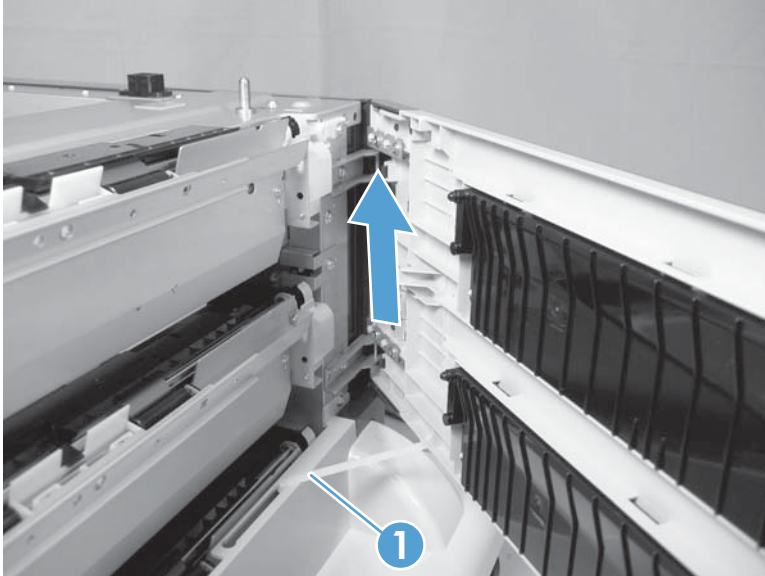
3. Release one tab (callout 1), and then remove the stopper (callout 2).

Figure 1-336 Remove the PD right door (2 of 3)



4. Lift up on the door to separate it from the PD, release one link arm (callout 1), and then remove the door.

Figure 1-337 Remove the PD right door (3 of 3)



PD right lower cover

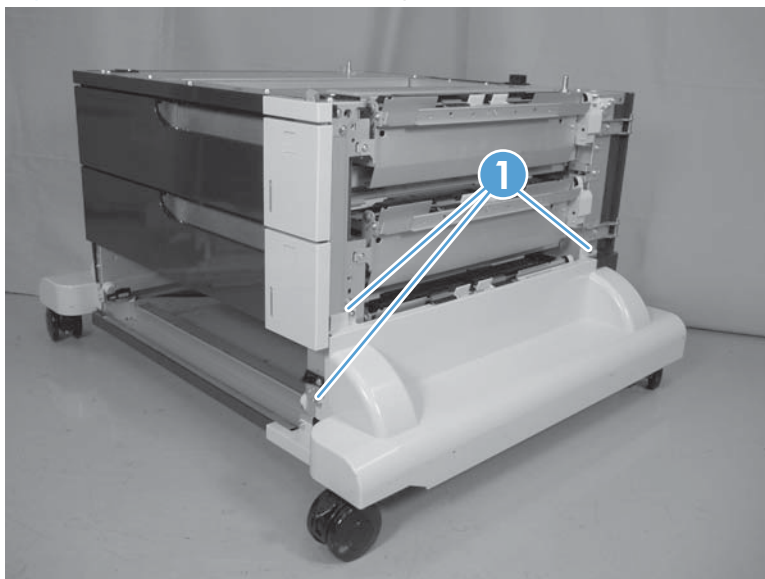
Before proceeding, remove the following assemblies:

- PD right front cover. See [PD right front cover on page 238](#).
- 1x500-sheet PD only: PD front door. See [PD front door on page 241](#).
- 1x500-sheet PD only: PD storage box. See [PD storage box on page 243](#).
- PD right door. See [PD right door on page 245](#).

Remove the right lower cover

1. 3x500-sheet PD only: Remove the PD cassette 3 (lower-most cassette).
2. Remove three screws (callout 1).

Figure 1-338 Remove the PD right lower cover (1 of 2)



3. Release two round tabs (callout 1), and then remove the cover.


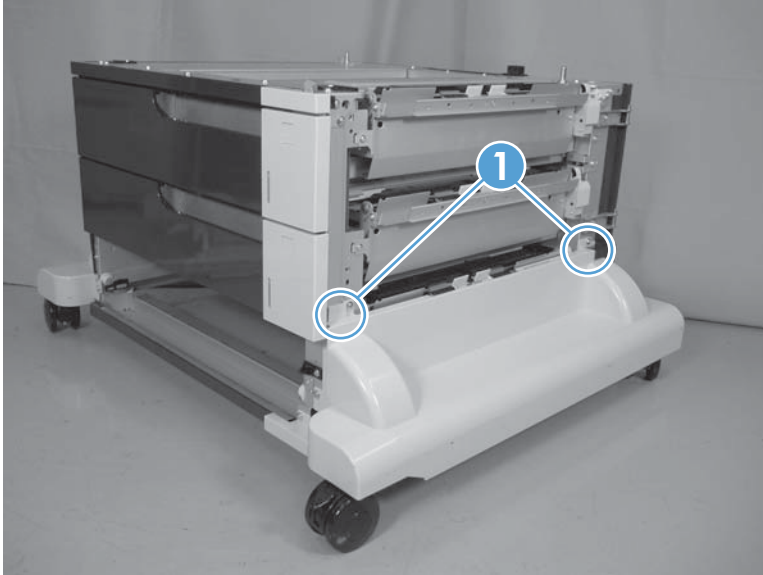
 **TIP:** When the cover is reinstalled, align the round tabs (callout 1) in the holes next to the upper screw holes. Make sure that the tabs snap into the holes and that the cover is tight up against the sheet-metal chassis.

Figure 1-339 Remove the PD right lower cover (2 of 2)



PD left lower cover

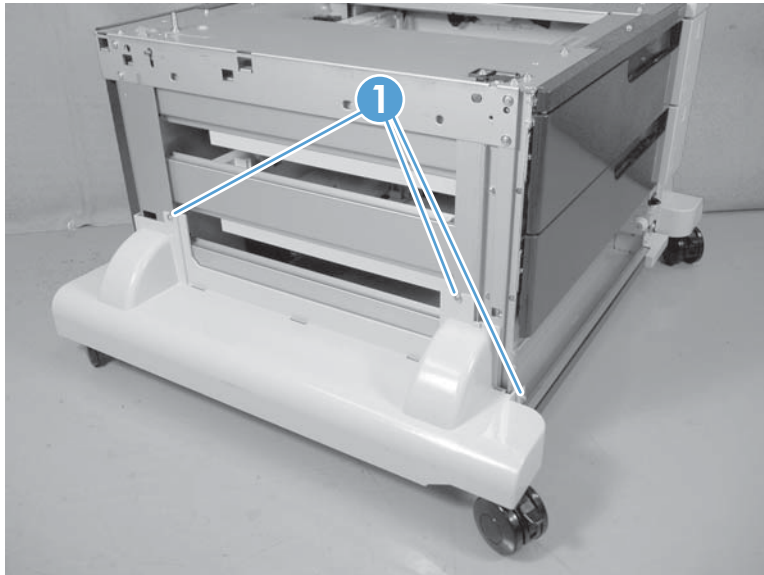
Before proceeding, remove the following assemblies:

- PD left cover. See [PD left cover on page 236](#).

Remove the left lower cover

1. 1x500-sheet PD only: Open the front door.
-or-
3x500-sheet PD only: Remove the PD cassette 3 (lower-most cassette).
2. Remove three screws (callout 1).

Figure 1-340 Remove the PD left lower cover (1 of 2)



3. Release two round tabs (callout 1), and then remove the cover (callout 2).


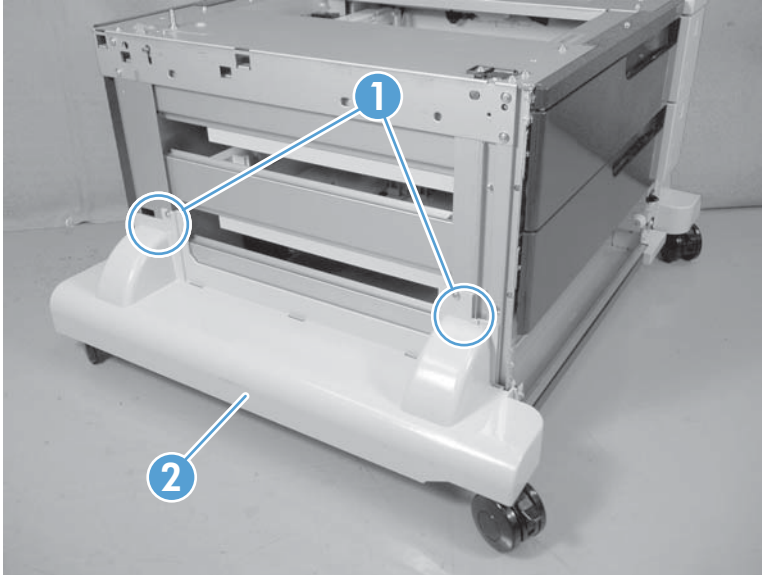
 **TIP:** When the cover is reinstalled, align the round tabs (callout 1) in the holes next to the upper screw holes. Make sure that the tabs snap into the holes and that the cover is tight up against the sheet-metal chassis.

Figure 1-341 Remove the PD left lower cover (2 of 2)



PD rear lower cover

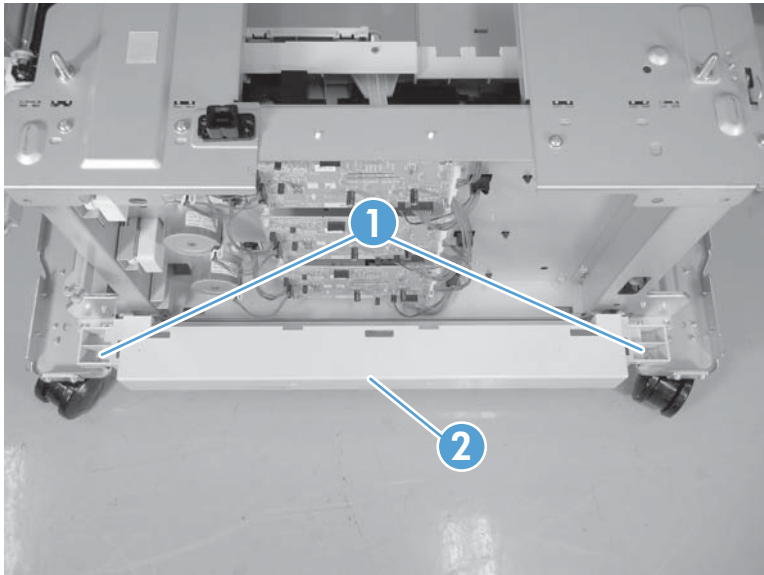
Before proceeding, remove the following assemblies:

- PD right front cover. See [PD right front cover on page 238](#).
- PD front door. See [PD front door on page 241](#).
- PD rear cover. See [PD rear cover on page 235](#).
- PD left cover. See [PD left cover on page 236](#).
- PD right lower cover. See [PD right lower cover on page 247](#).
- PD left lower cover. See [PD left lower cover on page 249](#).

Remove the rear lower cover

Remove two screws (callout 1), and then remove the cover (callout 2).

Figure 1-342 Remove the PD rear lower cover



PD front lower cover

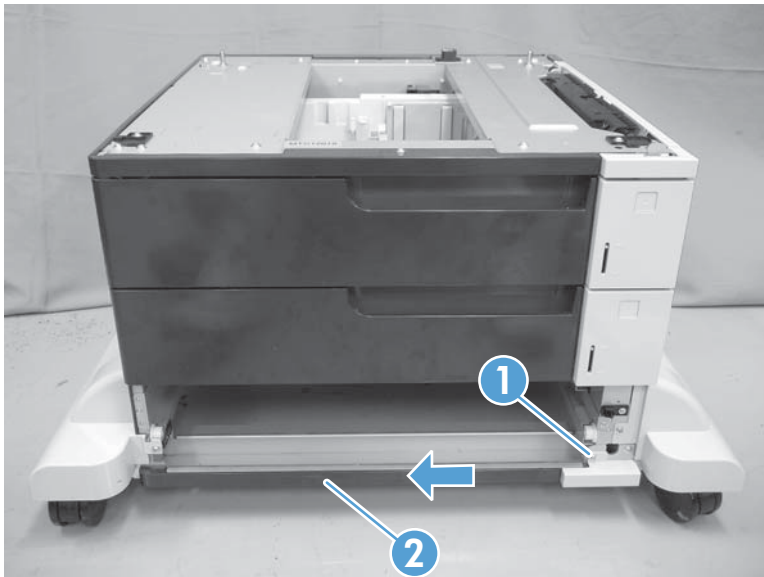
Before proceeding, remove the following assemblies:

- 1x500-sheet PD only: PD storage box. See [PD storage box on page 243](#).
- 3x500-sheet PD only: Remove the PD cassette 3 (lower-most cassette).

Remove the front lower cover

Remove one screw (callout 1), slide the cover to the left to release it, and then remove the cover (callout 2).

Figure 1-343 Remove the PD front lower cover



PD pickup assembly cassette 1

Before proceeding, remove the following assemblies:

- PD rear cover. See [PD rear cover on page 235](#).
- PD right front cover. See [PD right front cover on page 238](#).
- PD right door. See [PD right door on page 245](#).

Remove the pickup assembly cassette 1

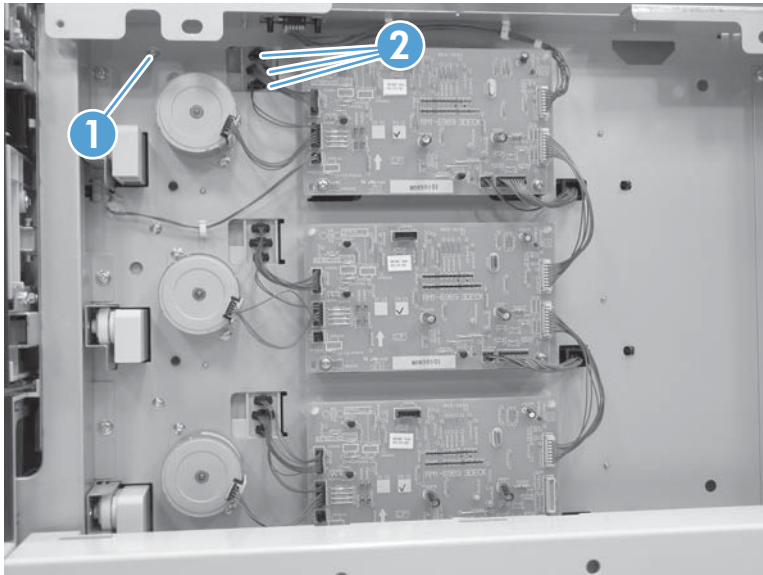
1. 1x500-sheet PD only: Remove the PD cassette.

-or-

3x500-sheet PD only: Remove the PD cassette 1 (upper-most cassette).

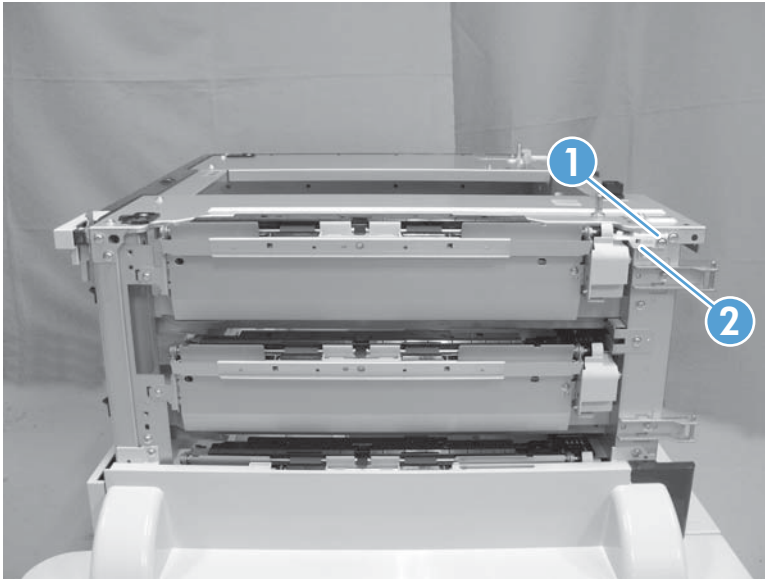
2. Remove one screw (callout 1), and then disconnect three connectors (callout 2).

Figure 1-344 Remove the PD pickup assembly cassette 1 (1 of 3)



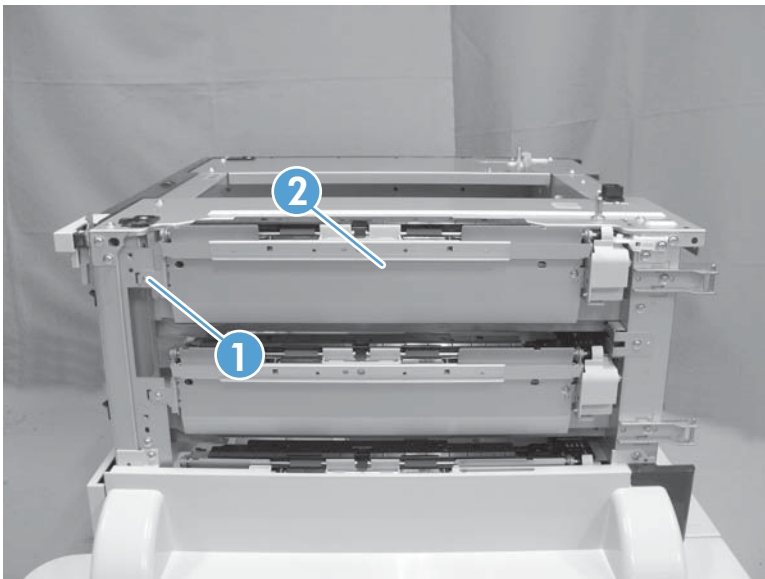
3. Remove one screw (callout 1), and then remove the right-door-link stopper (callout 2).

Figure 1-345 Remove the PD pickup assembly cassette 1 (2 of 3)



4. Remove one screw (callout 1), and then remove the assembly (callout 2).

Figure 1-346 Remove the PD pickup assembly cassette 1 (3 of 3)



Reinstall the pickup assembly

To reinstall the assembly, put the shaft in the hole provided in the chassis (callout 1), and then make sure that the tab on the assembly is positioned in the slot provided in the chassis (callout 2).


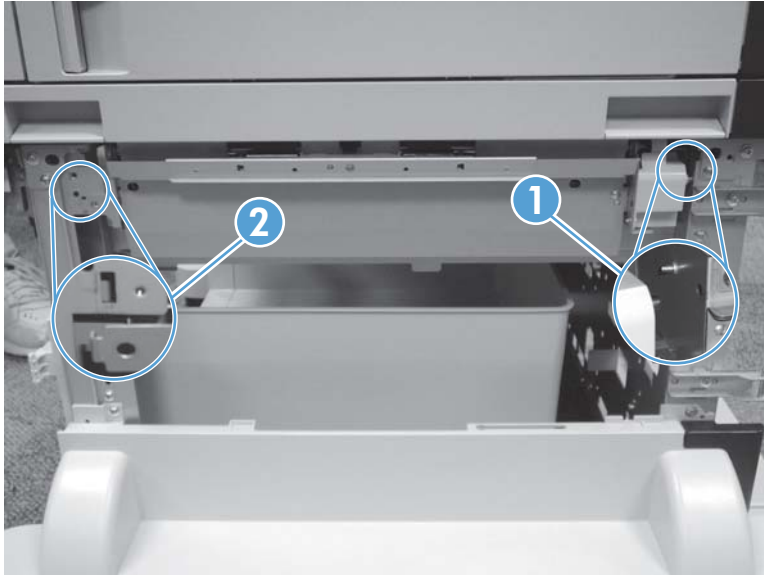
 **NOTE:** The 1x500-sheet PD is shown below, but the reinstall procedure is also correct for the 3x500-sheet PD pickup assemblies.

Figure 1-347 Reinstall the pickup assembly




PD pickup assembly cassette 2

Before proceeding, remove the following assemblies:

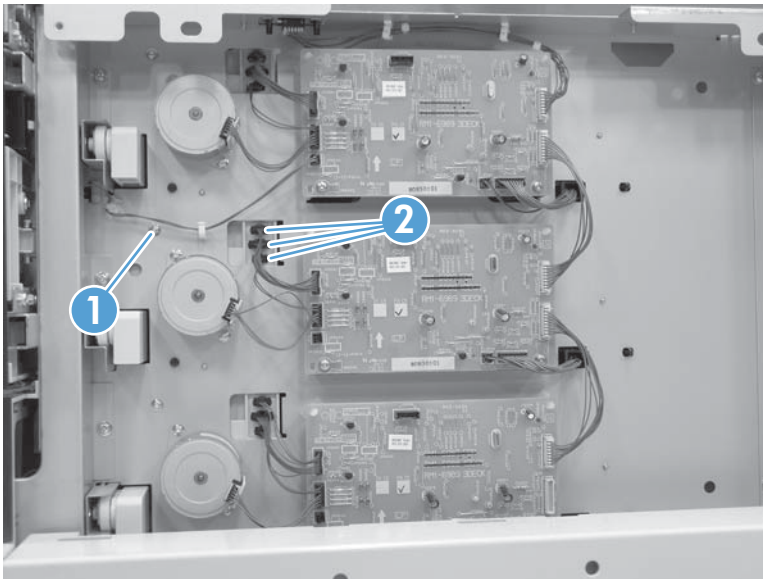
- PD rear cover. See [PD rear cover on page 235](#).
- PD right front cover. See [PD right front cover on page 238](#).
- PD right door. See [PD right door on page 245](#).

Remove the pickup assembly cassette 2

 **NOTE:** For the 3x500-sheet PD only.

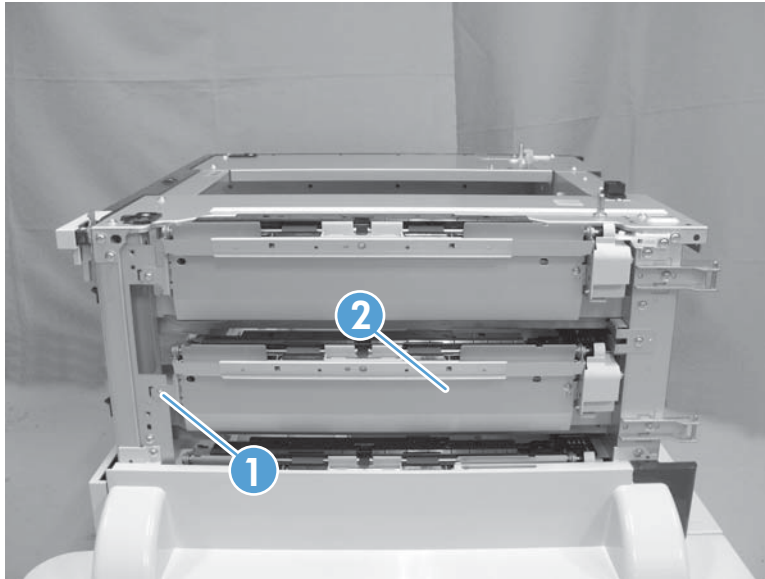
1. Remove the PD cassette 2.
2. Remove one screw (callout 1), and then disconnect three connectors (callout 2).

Figure 1-348 Remove the PD pickup assembly cassette 2 (1 of 2)



3. Remove one screw (callout 1), and then remove the assembly (callout 2).

Figure 1-349 Remove the PD pickup assembly cassette 2 (2 of 2)



Reinstall the pickup assembly

To reinstall the assembly, put the shaft in the hole provided in the chassis (callout 1), and then make sure that the tab on the assembly is positioned in the slot provided in the chassis (callout 2).


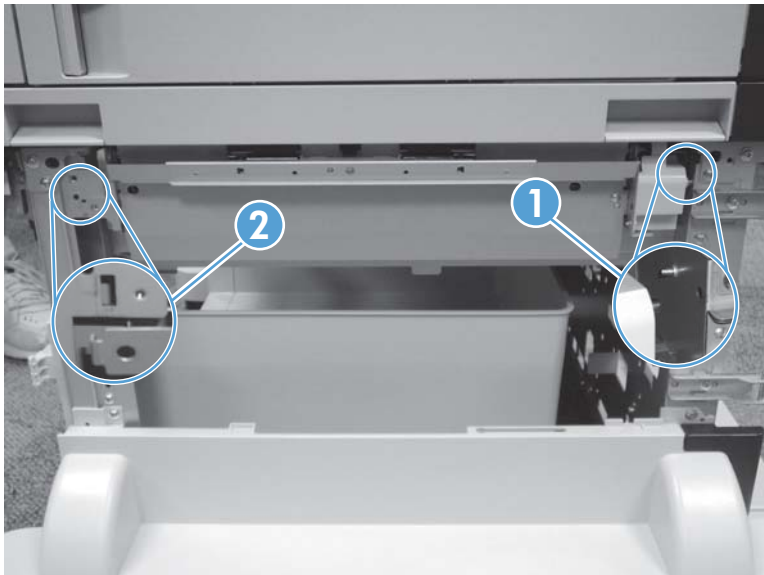
 **NOTE:** The 1x500-sheet PD is shown below, but the reinstall procedure is also correct for the 3x500-sheet PD pickup assemblies.

Figure 1-350 Reinstall the pickup assembly




PD pickup assembly cassette 3

Before proceeding, remove the following assemblies:

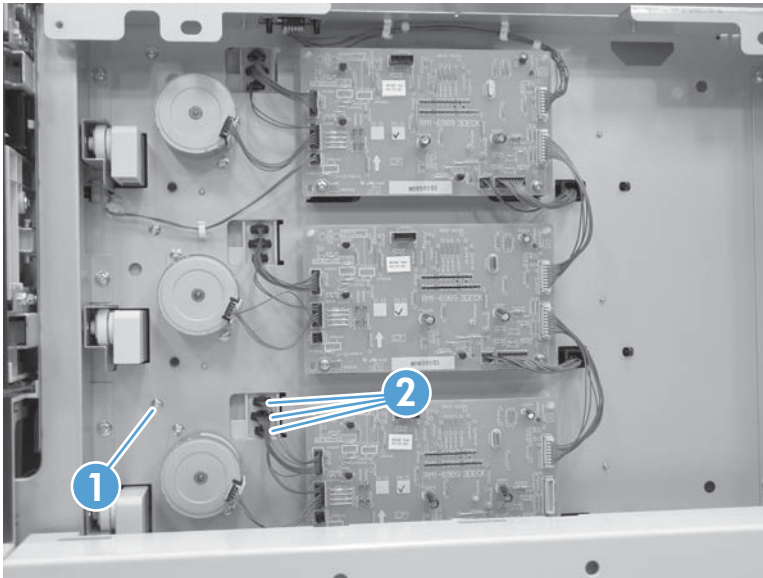
- PD rear cover. See [PD rear cover on page 235](#).
- PD right front cover. See [PD right front cover on page 238](#).
- PD right front cover. See [PD right front cover on page 238](#).
- PD right door. See [PD right door on page 245](#).
- PD right lower cover. See [PD right lower cover on page 247](#).

Remove the pickup assembly cassette 3

 **NOTE:** For the 3x500-sheet PD only.

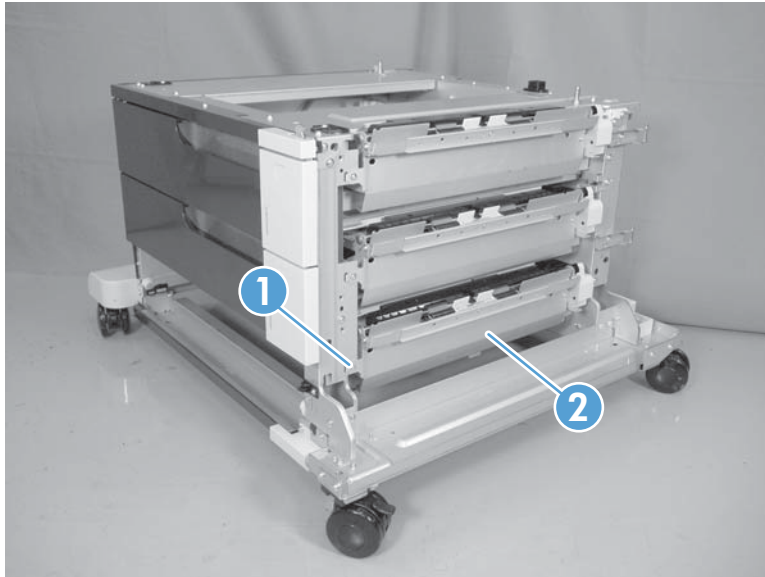
1. Remove the PD cassette 3.
2. Remove one screw (callout 1), and then disconnect three connectors (callout 2).

Figure 1-351 Remove the PD pickup assembly cassette 3 (1 of 2)



3. Remove one screw (callout 1), and then remove the assembly (callout 2).

Figure 1-352 Remove the PD pickup assembly cassette 3 (2 of 2)



Reinstall the pickup assembly

To reinstall the assembly, put the shaft in the hole provided in the chassis (callout 1), and then make sure that the tab on the assembly is positioned in the slot provided in the chassis (callout 2).


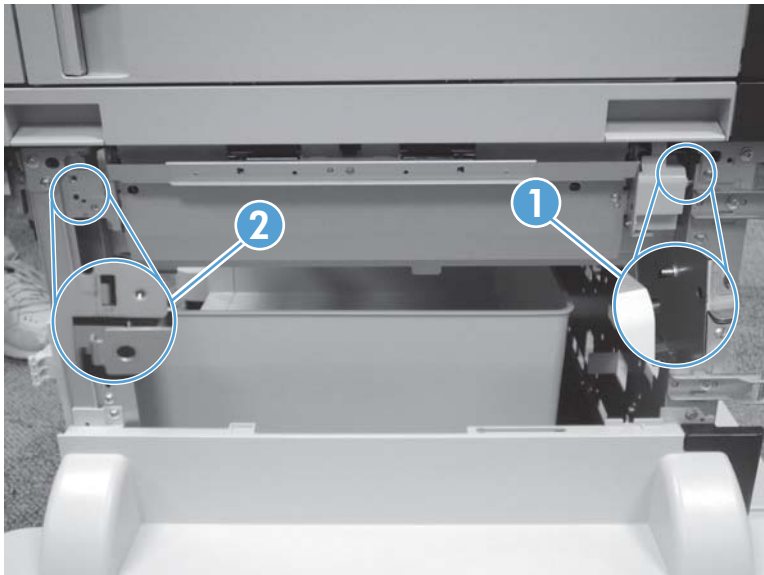
 **NOTE:** The 1x500-sheet PD is shown below, but the reinstall procedure is also correct for the 3x500-sheet PD pickup assemblies.

Figure 1-353 Reinstall the pickup assembly



PD lifter drive assembly

Before proceeding, remove the following assemblies:

- PD rear cover. See [PD rear cover on page 235](#).
- 1x500-sheet PD only: PD front door. See [PD front door on page 241](#).
- 1x500-sheet PD only: PD storage box. See [PD storage box on page 243](#).

Remove the lifter drive assembly

 **TIP:** For the 3x500-sheet paper deck, use this procedure to remove any of the lifter drive assemblies.

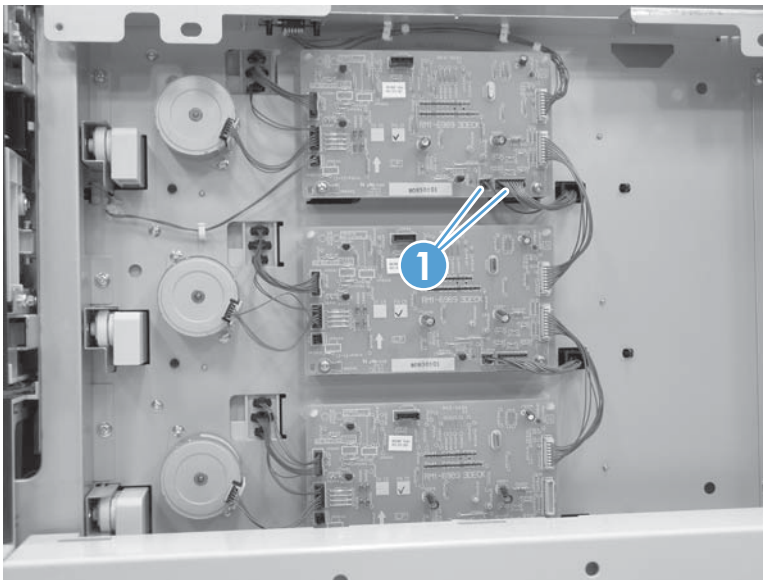
1. 1x500-sheet PD only: Remove the PD cassette.

-or-

3x500-sheet PD only: Remove all of the PD cassettes.

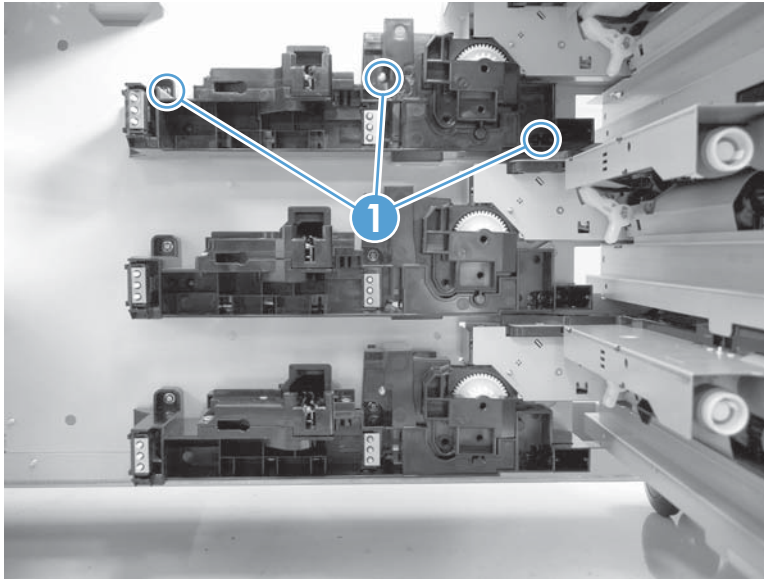
2. Disconnect two connectors (callout 1).

Figure 1-354 Remove the PD lifter drive assembly (1 of 3)



3. From the front of the device look inside the tray cavity, and then remove three screws (callout 1).

Figure 1-355 Remove the PD lifter drive assembly (2 of 3)



4. Release one tab (callout 1), and then remove the assembly (callout 2).


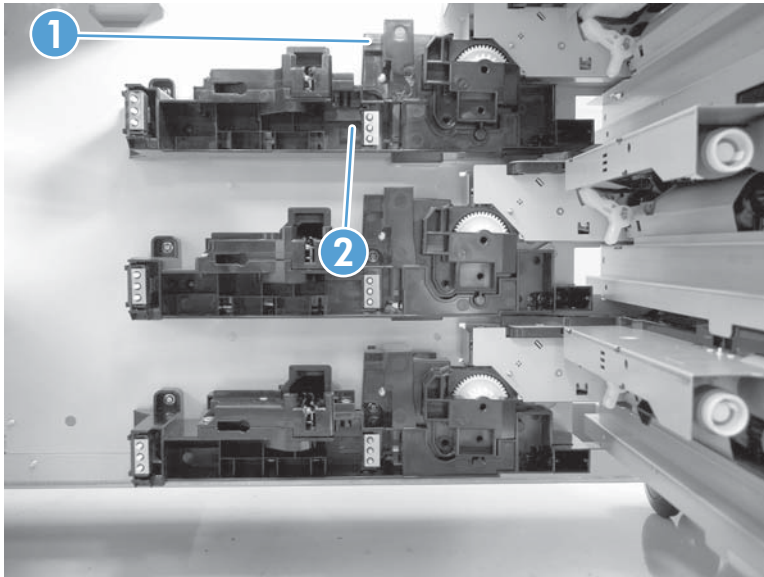
 **TIP:** When the assembly is reinstalled, feed the wire harness through the hole provided in the chassis.

Figure 1-356 Remove the PD lifter drive assembly (3 of 3)




PD pickup motor

Before proceeding, remove the following assemblies:

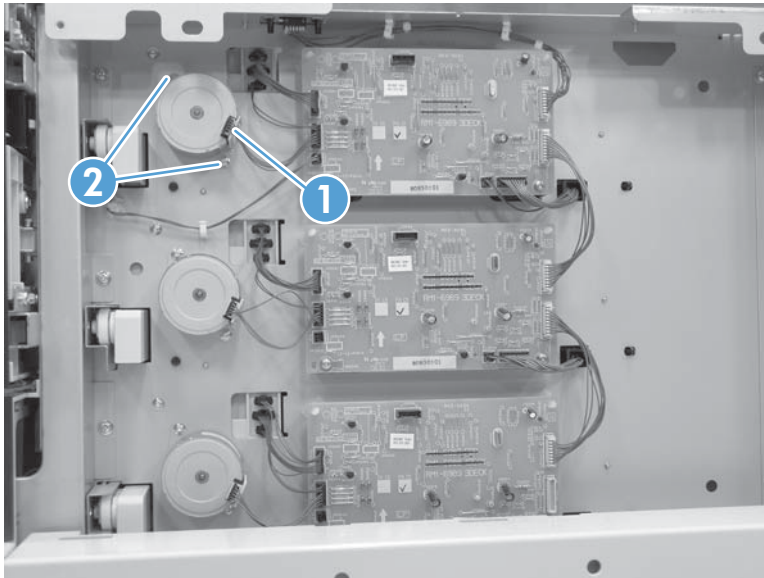
- PD rear cover. See [PD rear cover on page 235](#).

Remove the pickup motor

 **TIP:** For the 3x500-sheet paper deck, use this procedure to remove any of the pickup motor assemblies.

Disconnect one connector (callout 1), remove two screws (callout 2), and then remove the motor.

Figure 1-357 Remove the PD pickup motor




PD controller PCA

Before proceeding, remove the following assemblies:

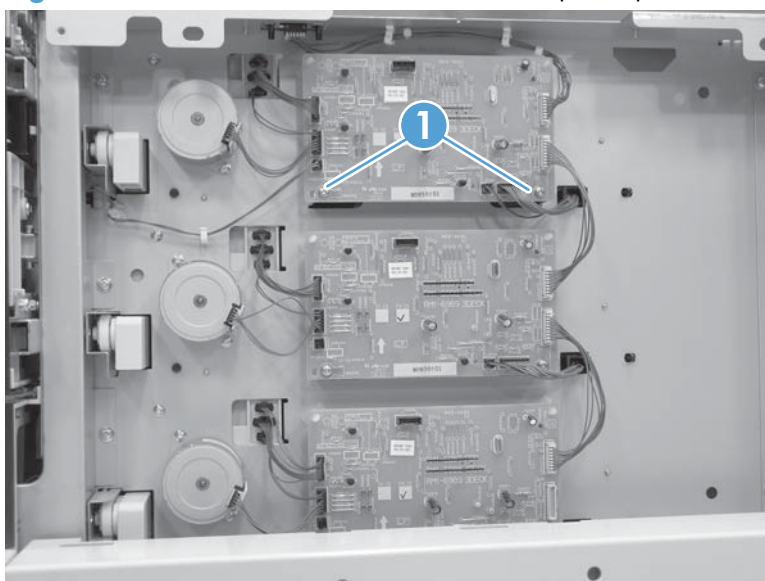
- PD rear cover. See [PD rear cover on page 235](#).

Remove the controller PCA

 **TIP:** For the 3x500-sheet paper deck, use this procedure to remove any of the controller PCAs.

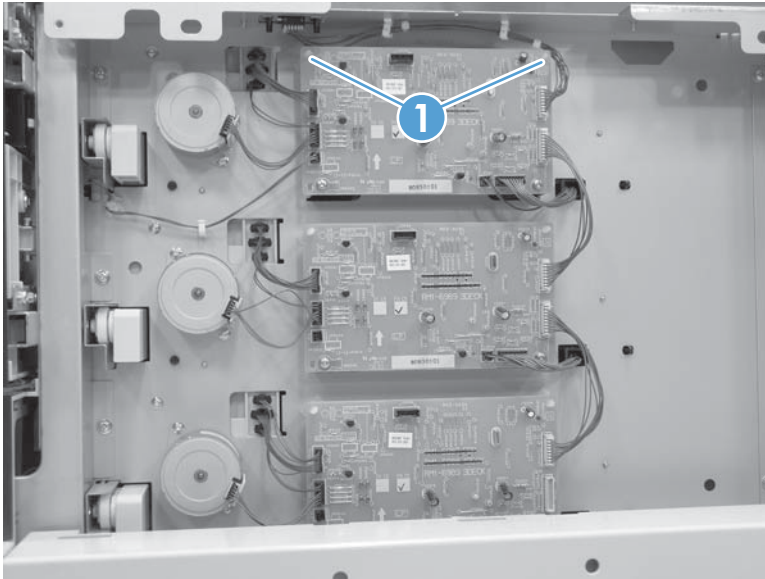
1. Disconnect all of the connectors.
2. Remove two screws (callout 1)

Figure 1-358 Remove the PD controller PCA (1 of 2)




3. Release two tabs (callout 1), and then remove the PCA.

Figure 1-359 Remove the PD controller PCA (2 of 2)



High capacity input feeder

 **NOTE:** Some of the procedures in this section require the product to be removed from the input device.

HCI right tray

1. Open the right tray.
2. Lower the tray release lever (callout 1), and then remove the right tray (callout 2).


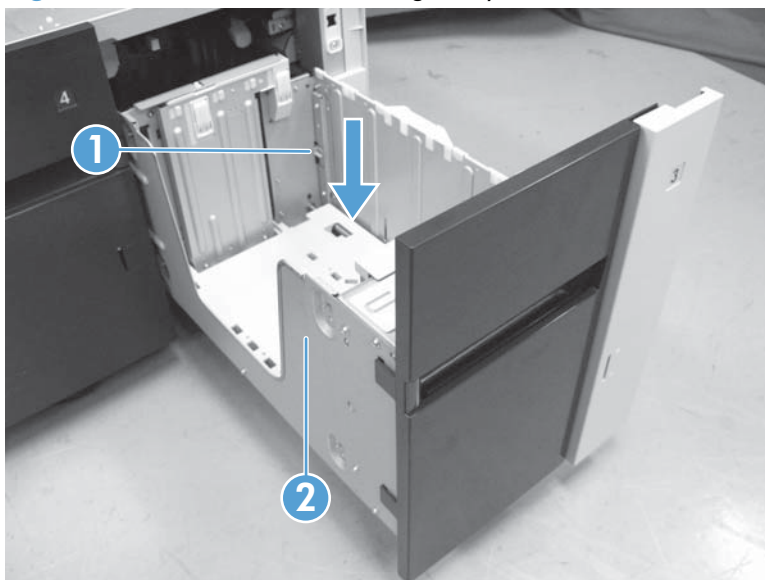
 **NOTE:** When the tray is reinstalled, the release lever automatically returns to the locked position.

Figure 1-360 Remove the HCI right tray



HCI left tray

1. Open the left tray.
2. Lower the tray release lever (callout 1), and then remove the left tray (callout 2).


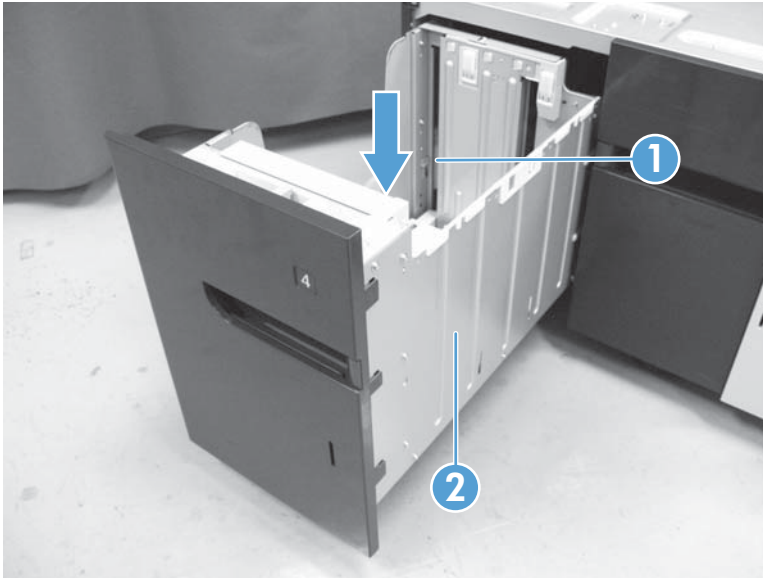
 **NOTE:** When the tray is reinstalled, the release lever automatically returns to the locked position.

Figure 1-361 Remove the HCI left tray



HCI left cover

Before proceeding, remove the following assemblies:

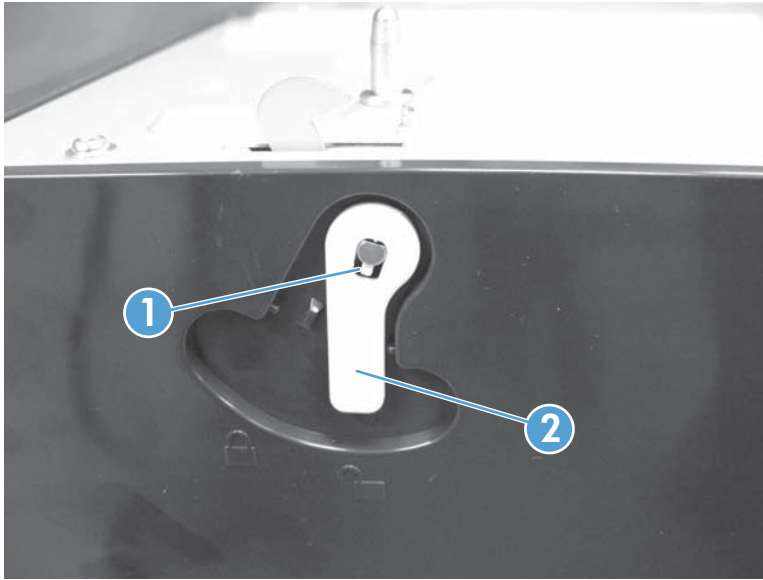
- HCI left tray. See [HCI left tray on page 266](#).

Remove the HCI left cover

1. Release one tab (callout 1), and then remove the lever (callout 2).

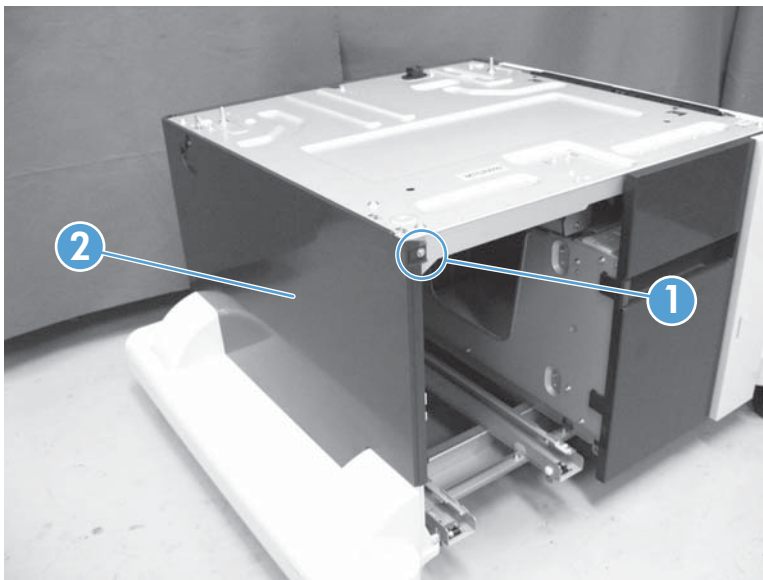
⚠ CAUTION: The tab can be easily broken.

Figure 1-362 Remove the HCI left cover (1 of 3)



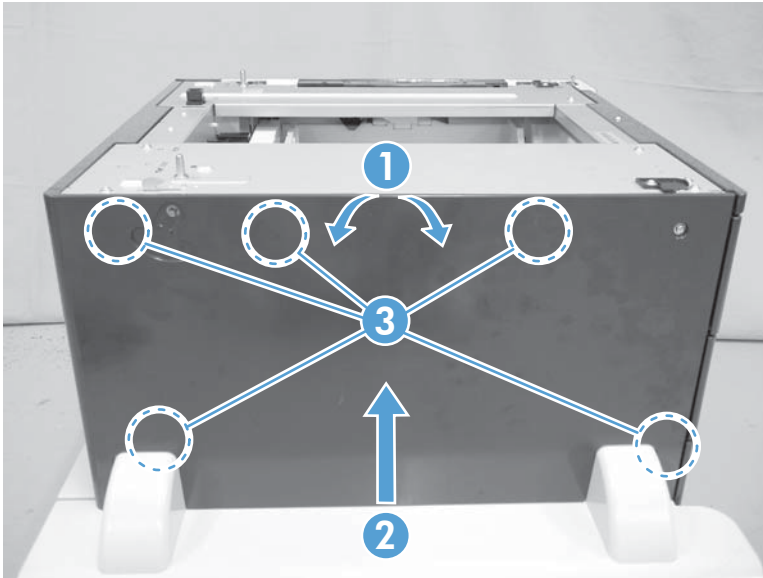
2. Remove one screw (callout 1), and then remove the left cover (callout 2) from the HCI.

Figure 1-363 Remove the HCI left cover (2 of 3)



3. Carefully separate the top of the cover from the HCI (callout 1), lift up on the cover (callout 2) to release five tabs (callout 3), and then remove the cover.

Figure 1-364 Remove the HCI left cover (3 of 3)



HCI left lower cover

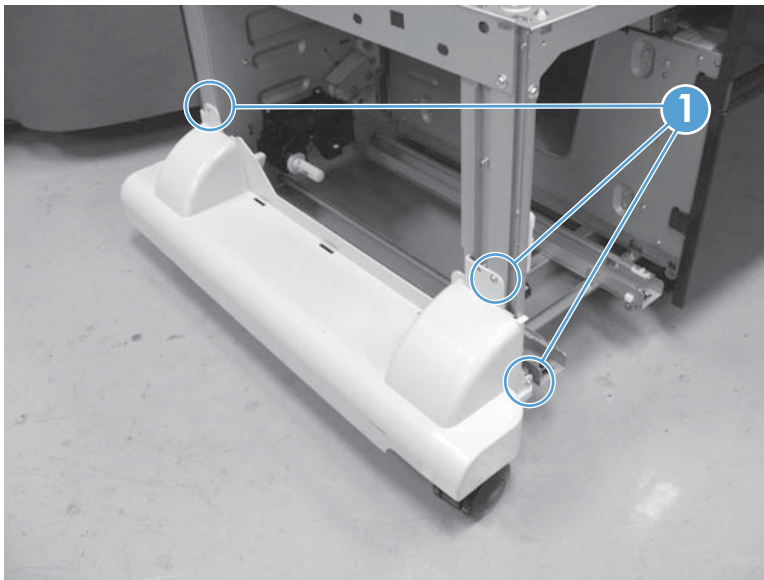
Before proceeding, remove the following assemblies:

- HCI left tray. See [HCI left tray on page 266](#).
- HCI left cover. See [HCI left cover on page 267](#).

Remove the HCI left lower cover

1. Remove three screws (callout 1).

Figure 1-365 Remove the HCI left lower cover (1 of 2)



2. Release two round tabs (callout 1), and then remove the cover (callout 2).


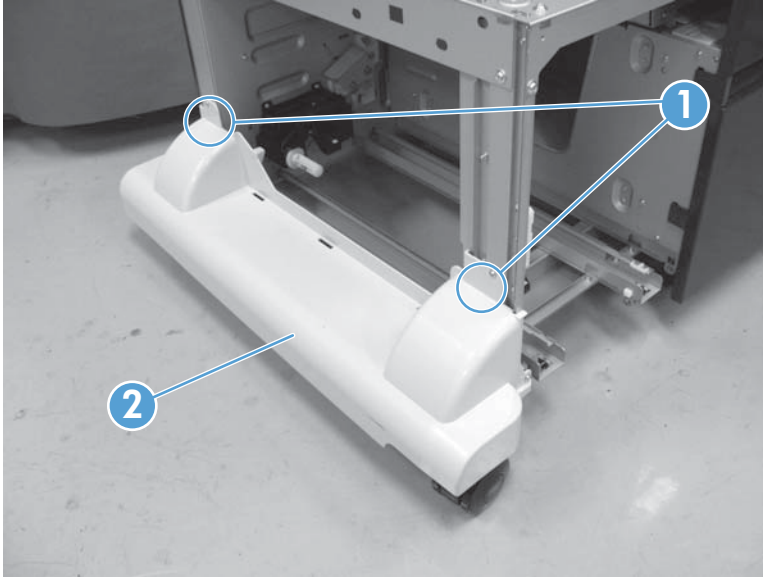
 **Reinstallation tip** When the cover is reinstalled, align the round tabs (callout 1) in the holes next to the upper screw holes. Make sure that the tabs snap into the holes and that the cover is tight up against the sheet-metal chassis.

Figure 1-366 Remove the HCI left lower cover (2 of 2)



HCI rear cover

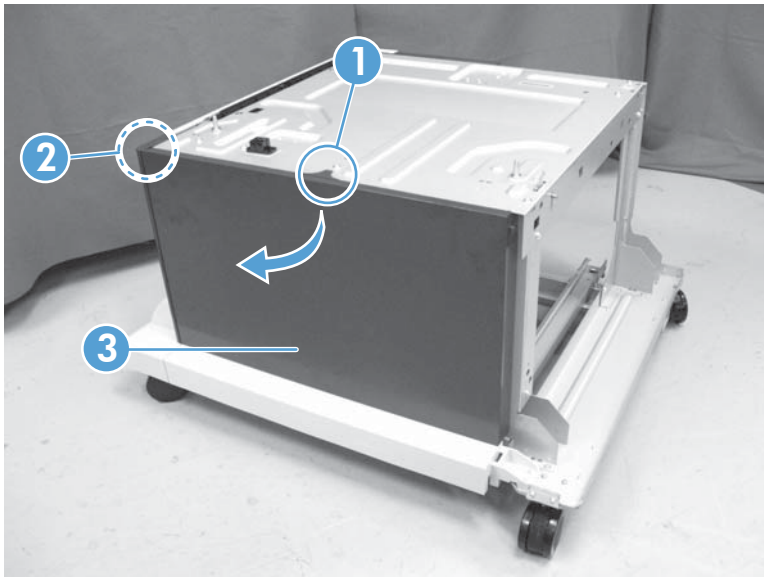
Before proceeding, remove the following assemblies:

- HCI left tray. See [HCI left tray on page 266](#).
- HCI left cover. See [HCI left cover on page 267](#).

Remove the HCI rear cover

Release one tab (callout 1), flex the middle of the cover away from the HCI to release one tab (callout 2), and then remove the rear cover (callout 3).

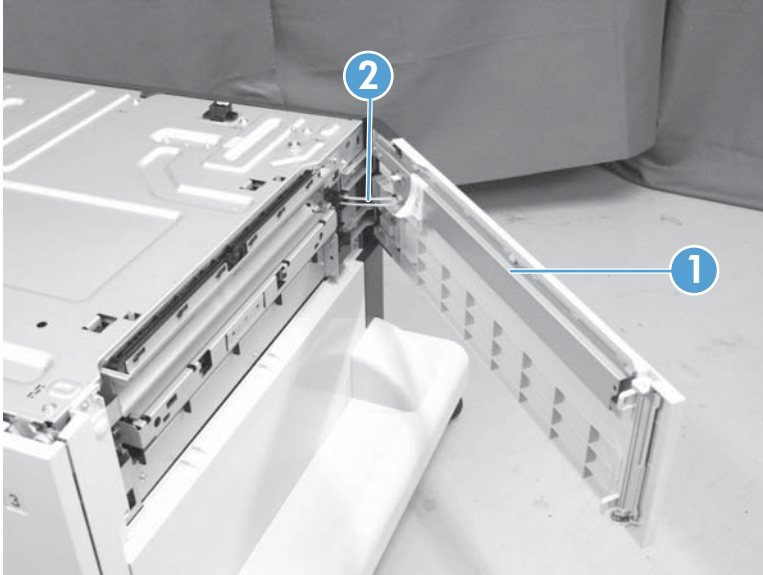
Figure 1-367 Remove the HCI rear cover



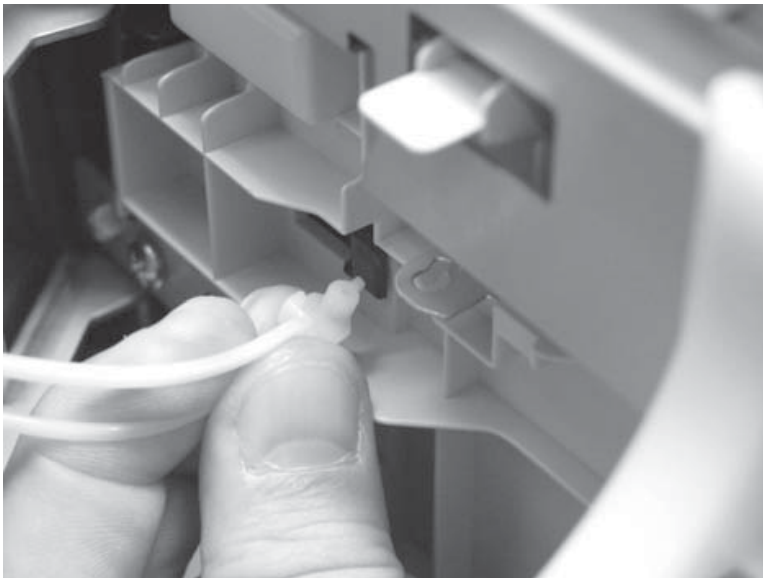
HCI right door

1. Open the right door (callout 1), and then close the right door slightly and release the link (callout 2).

Figure 1-368 Remove the HCI right door (1 of 2)

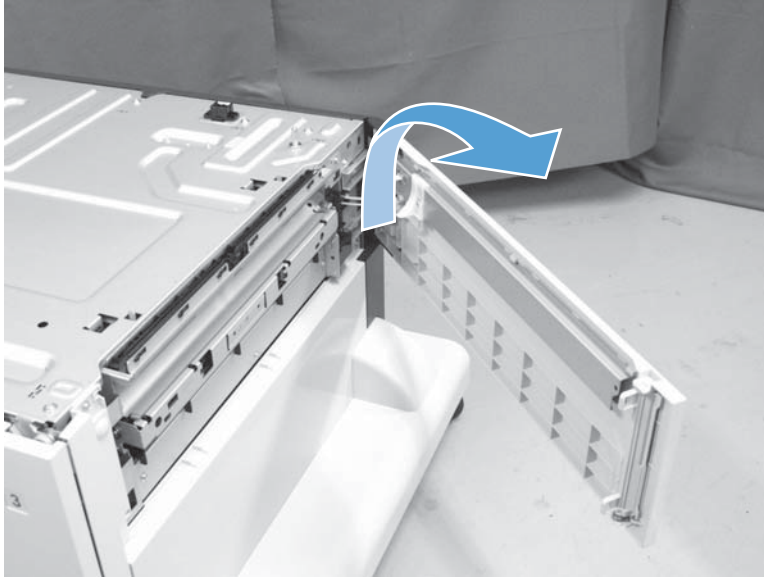


The figure below shows the door link in detail.



2. Slightly lift up on the door to release it, and then remove the door.

Figure 1-369 Remove the HCI right door (1 of 2)



HCI right front cover

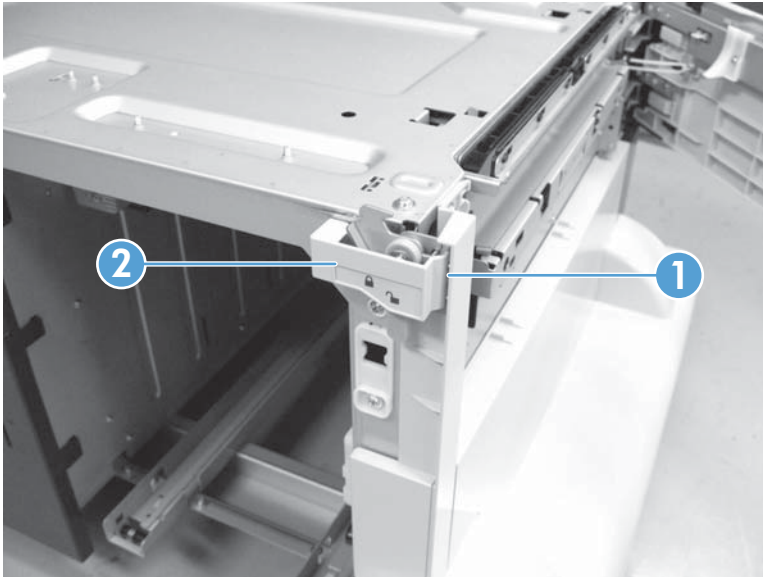
Before proceeding, remove the following assemblies:

- HCI right tray. See [HCI right tray on page 265](#).

Remove the HCI right front cover

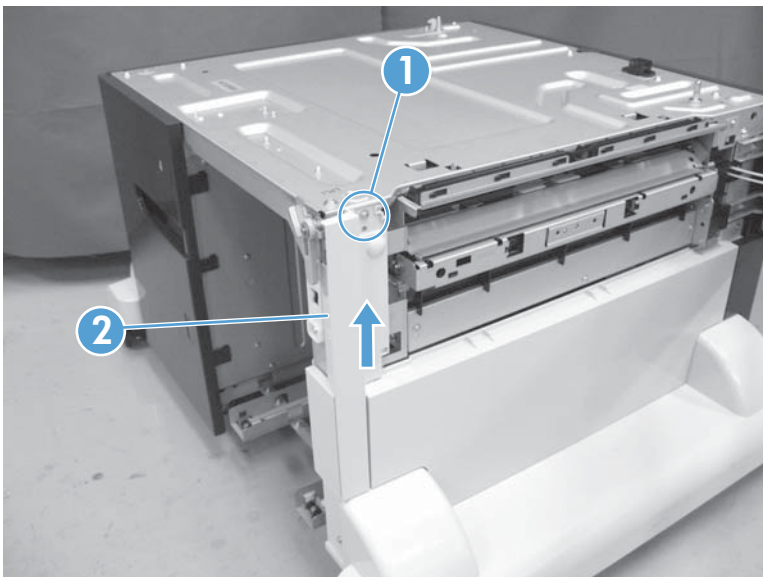
1. Open the HCI right door, release one tab (callout 1), and then remove the lock cover (callout 2).

Figure 1-370 Remove the HCI right front cover (1 of 2)



2. Remove one screw (callout 1), slide the cover up to release it, and then remove the right front cover (callout 2).

Figure 1-371 Remove the HCI right front cover (2 of 2)



HCI right center cover and right rear cover

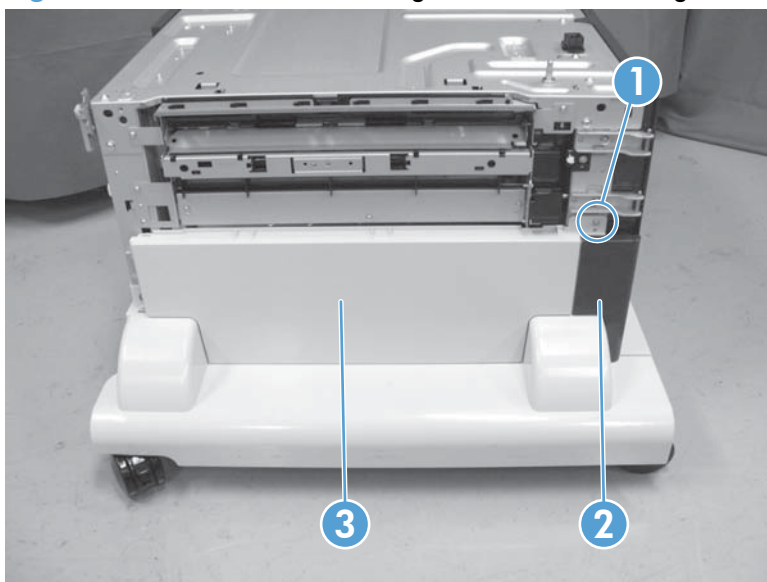
Before proceeding, remove the following assemblies:

- HCI right tray. See [HCI right tray on page 265](#).
- HCI right door. See [HCI right door on page 272](#).
- HCI right front cover. See [HCI right front cover on page 274](#).

Remove the HCI right center cover and right rear cover

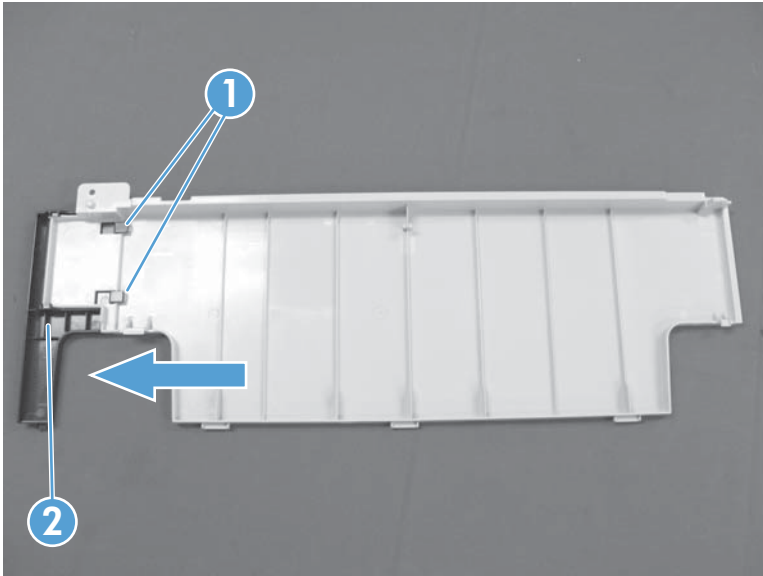
1. Remove one screw (callout 1), and then remove the right rear cover (callout 2) and the right center cover (callout 3) together.

Figure 1-372 Remove the HCI right center cover and right rear cover (1 of 2)



2. Release two tabs (callout 1), slide the right rear cover (callout 2) in the direction indicated and remove it from the right center cover.

Figure 1-373 Remove the HCI right center cover and right rear cover (2 of 2)



HCI right lower cover

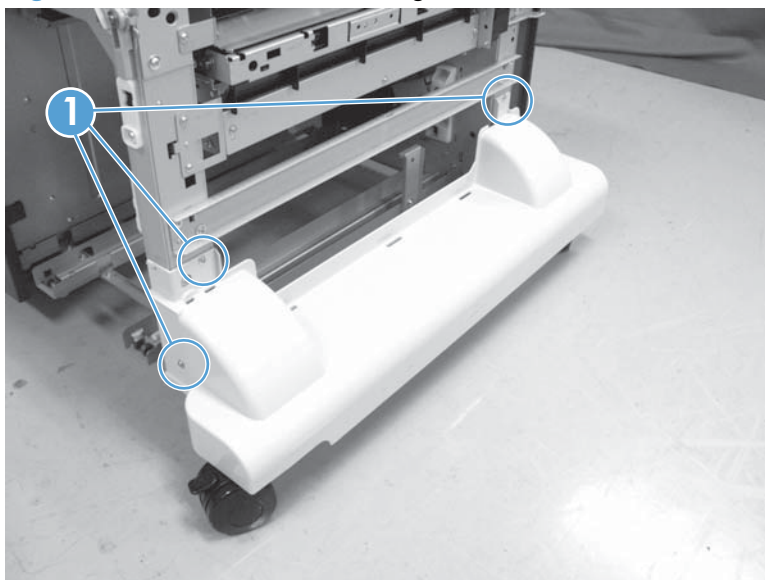
Before proceeding, remove the following assemblies:

- HCI right tray. See [HCI right tray on page 265](#).
- HCI right door. See [HCI right door on page 272](#).
- HCI right front cover. See [HCI right front cover on page 274](#).
- HCI right center cover. See [HCI right center cover and right rear cover on page 275](#).

Remove the HCI right lower cover

1. Remove three screws (callout 1).

Figure 1-374 Remove the HCI right lower cover (1 of 2)



2. Release two round tabs (callout 1), and then remove the cover (callout 2).


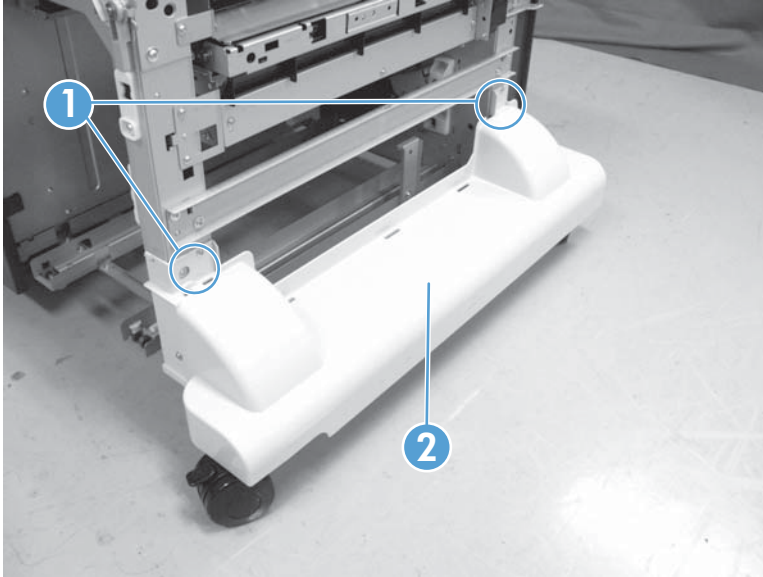
 **Reinstallation tip** When the cover is reinstalled, align the round tabs (callout 1) in the holes next to the upper screw holes. Make sure that the tabs snap into the holes and that the cover is tight up against the sheet-metal chassis.

Figure 1-375 Remove the HCI right lower cover (2 of 2)



HCI rear lower cover

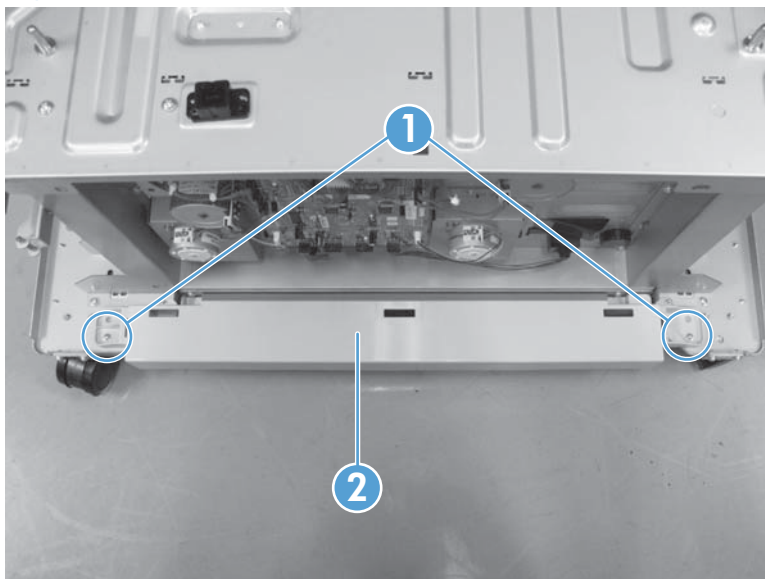
Before proceeding, remove the following assemblies:

- HCI right tray. See [HCI right tray on page 265](#).
- HCI left tray. See [HCI left tray on page 266](#).
- HCI left lower cover. See [HCI left lower cover on page 269](#).
- HCI rear cover. See [HCI rear cover on page 271](#).
- HCI right lower cover. See [HCI right lower cover on page 277](#).

Remove the HCI rear lower cover

Remove two screws (callout 1), and then remove the rear lower cover (callout 2).

Figure 1-376 Remove the HCI rear lower cover



HCI left tray lifter drive

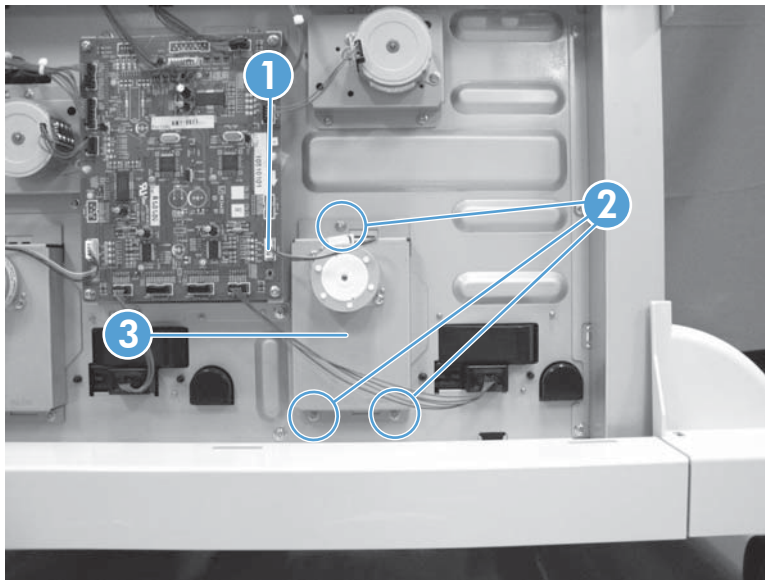
Before proceeding, remove the following assemblies:

- HCI left tray. See [HCI left tray on page 266](#).
- HCI left cover. See [HCI left cover on page 267](#).
- HCI rear cover. See [HCI rear cover on page 271](#).

Remove the HCI left tray lifter drive

Disconnect one connector (callout 1), remove three screws (callout 2), and then remove the left tray lifter drive (callout 3).

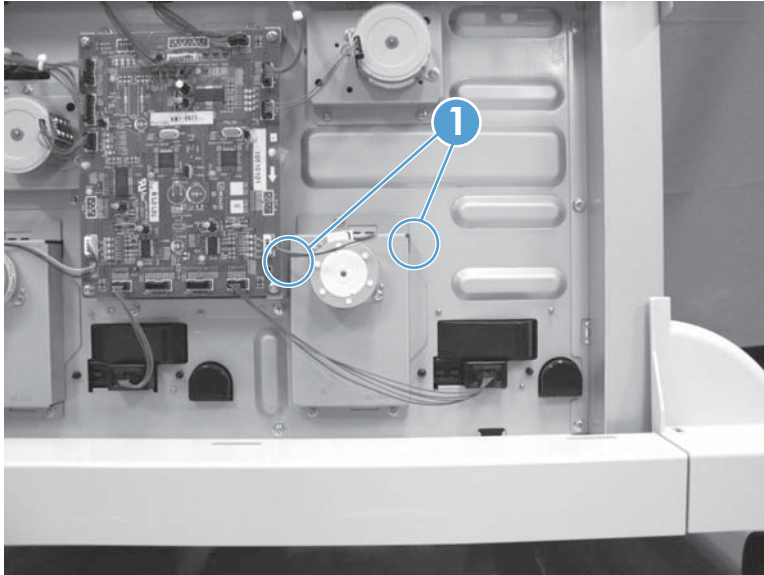
Figure 1-377 Remove the HCI left tray lifter drive



Reinstall the HCI left tray lifter drive

When the assembly is reinstalled, make sure that the tabs (callout 1) on the assembly fit into the slots in the chassis.

Figure 1-378 Reinstall the HCI left tray lifter drive



HCI right tray lifter drive

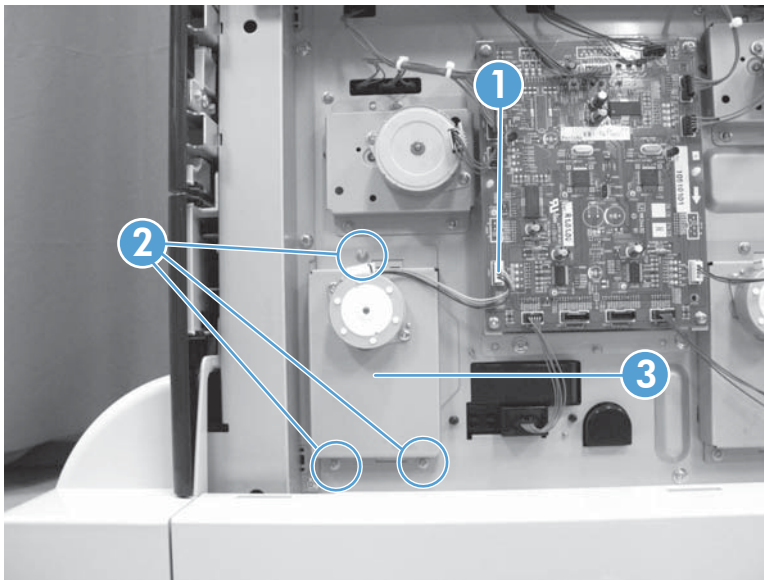
Before proceeding, remove the following assemblies:

- HCI left tray. See [HCI left tray on page 266](#).
- HCI left cover. See [HCI left cover on page 267](#).
- HCI rear cover. See [HCI rear cover on page 271](#).

Remove the HCI right tray lifter drive

Disconnect one connector (callout 1), remove three screws (callout 2), and then remove the right tray lifter drive (callout 3).

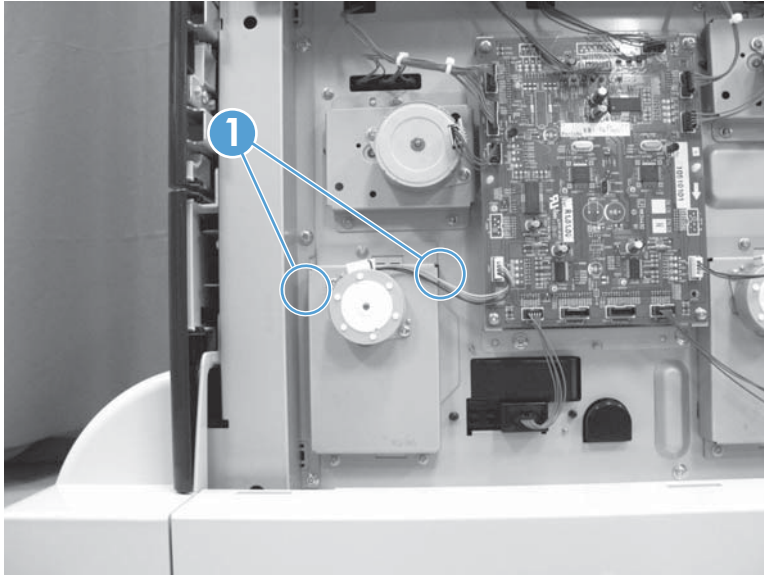
Figure 1-379 Remove the HCI right tray lifter drive



Reinstall the HCI left tray lifter drive

When the assembly is reinstalled, make sure that the tabs (callout 1) on the assembly fit into the slots in the chassis.

Figure 1-380 Reinstall the HCI right tray lifter drive



HCI left tray pickup drive

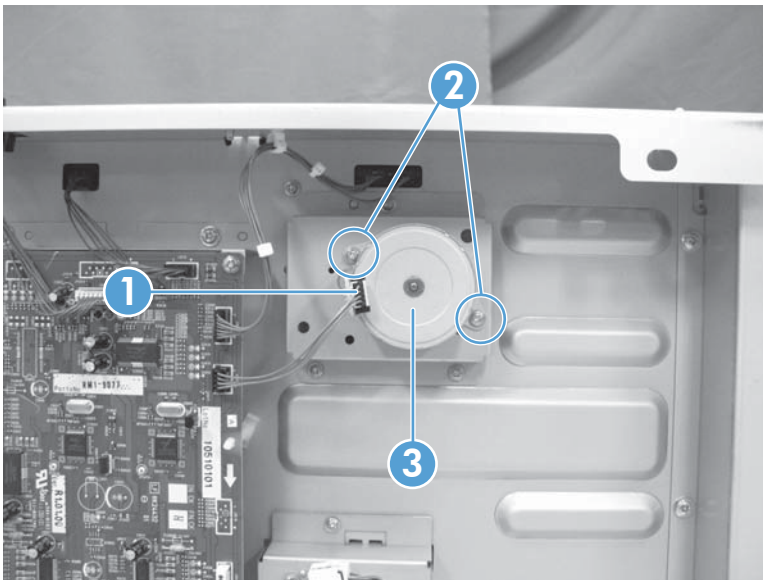
Before proceeding, remove the following assemblies:

- HCI left tray. See [HCI left tray on page 266](#).
- HCI left cover. See [HCI left cover on page 267](#).
- HCI rear cover. See [HCI rear cover on page 271](#).

Remove the HCI left tray pickup drive

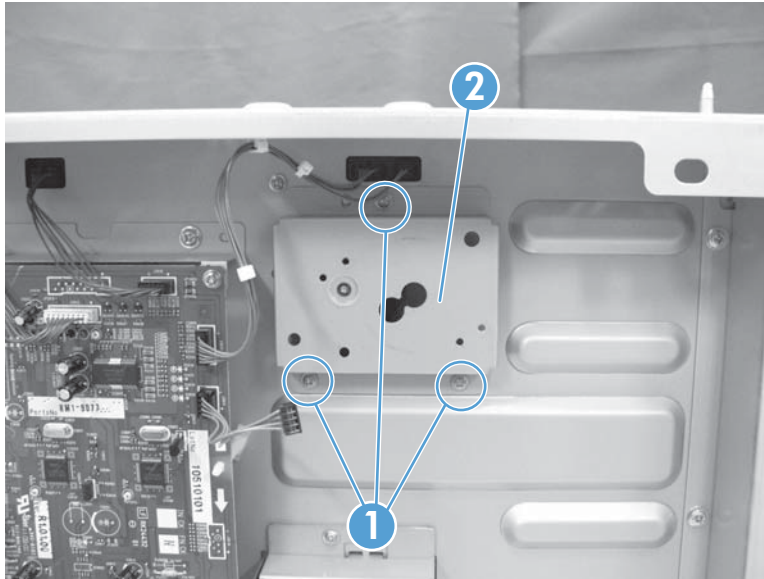
1. Disconnect one connector (callout 1), remove two screws (callout 2), and then remove the HCI left tray pickup motor (callout 3).

Figure 1-381 Remove the HCI left tray pickup drive (1 of 2)



2. Remove three screws (callout 1), and then remove the left tray pickup drive (callout 2).

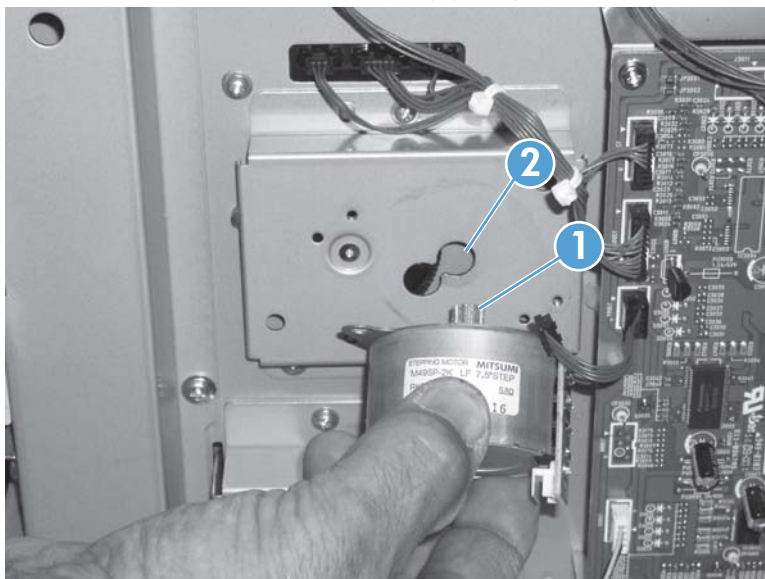
Figure 1-382 Remove the HCI left tray pickup drive (2 of 2)



Reinstall the HCI tray pickup drive

When the pickup drive motor is reinstalled, make sure that the motor gear (callout 1) is positioned in the top-most hole (callout 2) of the drive assembly. You might have to move the motor back and forth to seat the gear.

Figure 1-383 Reinstall the HCI tray pickup drive



HCI right tray pickup drive

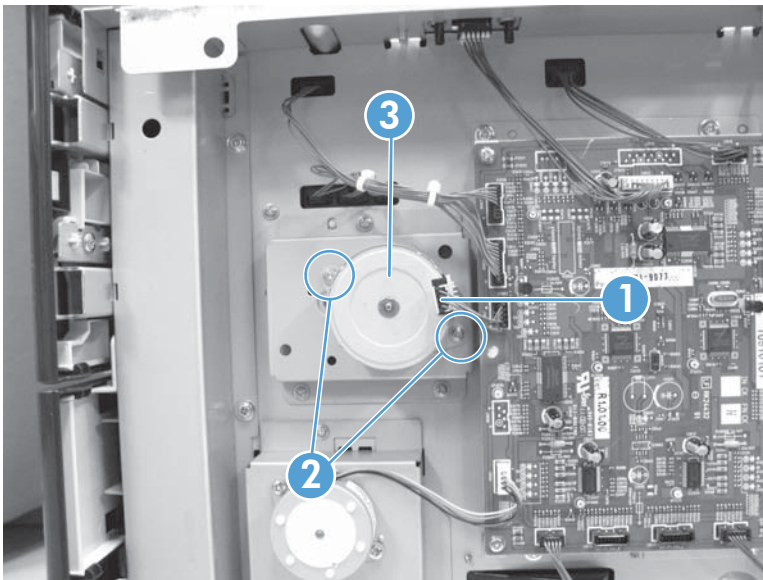
Before proceeding, remove the following assemblies:

- HCI left tray. See [HCI left tray on page 266](#).
- HCI left cover. See [HCI left cover on page 267](#).
- HCI rear cover. See [HCI rear cover on page 271](#).

Remove the HCI right tray pickup drive

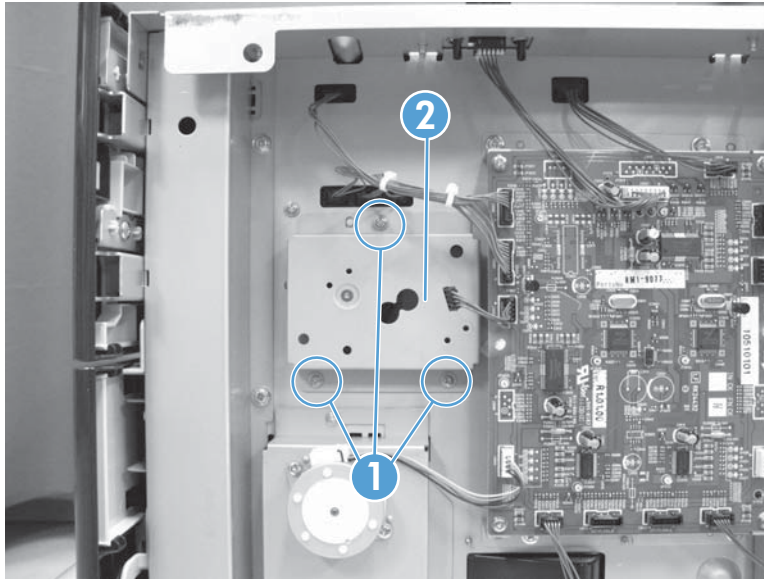
1. Disconnect one connector (callout 1), remove two screws (callout 2), and then remove the HCI right tray pickup motor (callout 3).

Figure 1-384 Remove the HCI right tray pickup drive (1 of 2)



2. Remove three screws (callout 1), and then remove the right tray pickup drive (callout 2).

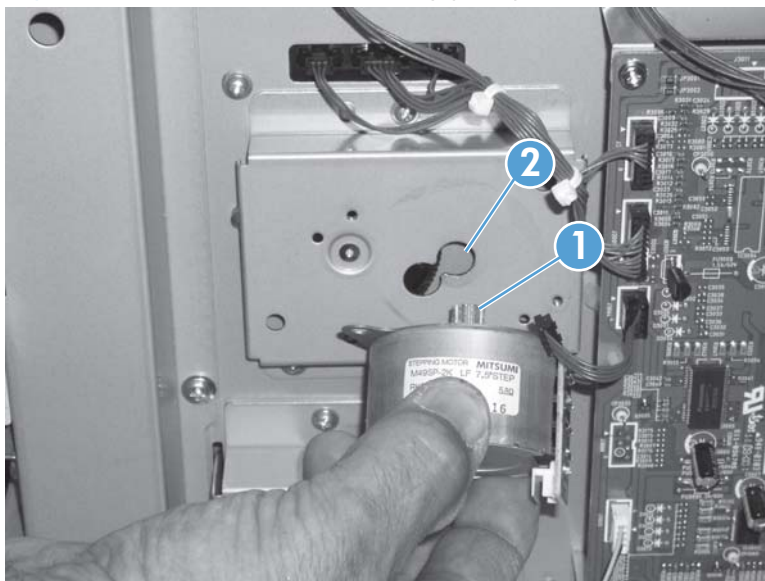
Figure 1-385 Remove the HCI right tray pickup drive (2 of 2)



Reinstall the HCI tray pickup drive

When the pickup drive motor is reinstalled, make sure that the motor gear (callout 1) is positioned in the top-most hole (callout 2) of the drive assembly. You might have to move the motor back and forth to seat the gear.

Figure 1-386 Reinstall the HCI tray pickup drive



HCI controller PCA

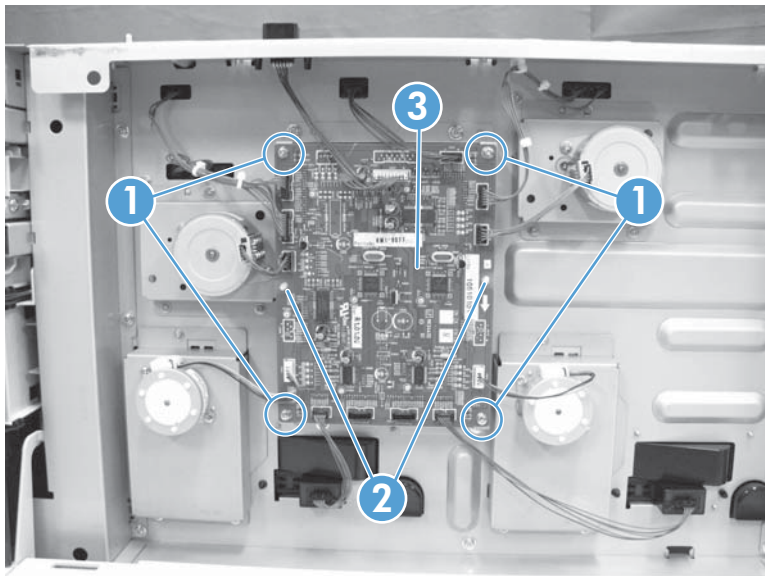
Before proceeding, remove the following assemblies:

- HCI left tray. See [HCI left tray on page 266](#).
- HCI left cover. See [HCI left cover on page 267](#).
- HCI rear cover. See [HCI rear cover on page 271](#).

Remove the HCI controller PCA

Disconnect all of the connectors on the HCI controller PCA, remove four screws (callout 1), release two tabs (callout 2), and then remove the HCI controller PCA (callout 3).

Figure 1-387 Remove the HCI controller PCA



HCI left tray automatic close assembly

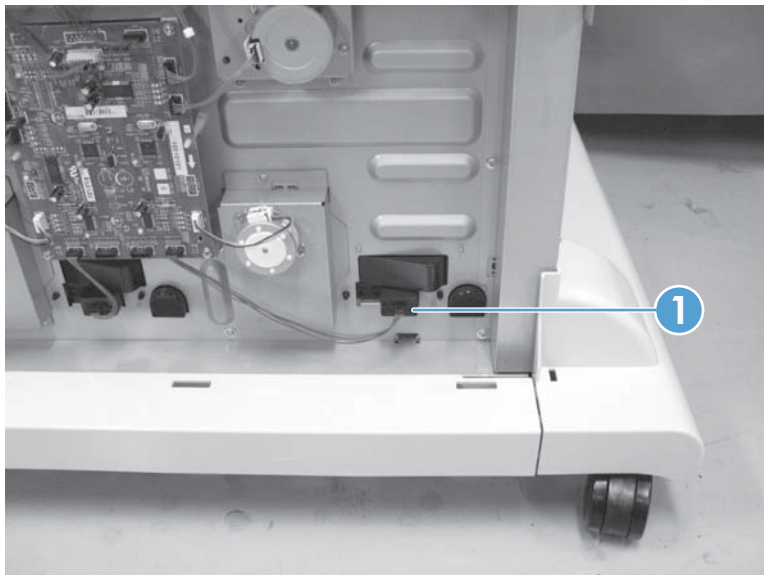
Before proceeding, remove the following assemblies:

- HCI left tray. See [HCI left tray on page 266](#).
- HCI left cover. See [HCI left cover on page 267](#).
- HCI rear cover. See [HCI rear cover on page 271](#).

Remove the HCI left tray automatic close assembly

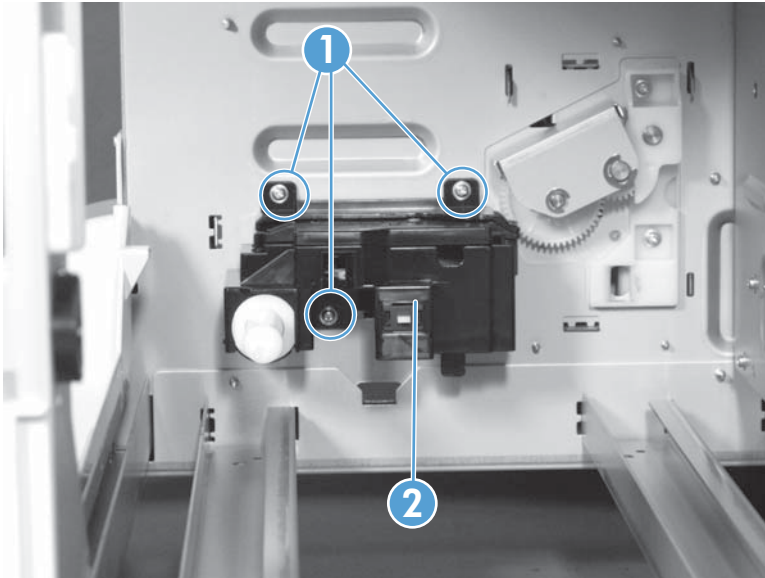
1. Disconnect one connector (callout 1).

Figure 1-388 Remove the HCI left tray automatic close assembly (1 of 2)



2. From inside the tray cavity, remove three screws (callout 1), and then remove the left tray automatic close assembly (callout 2).

Figure 1-389 Remove the HCI left tray automatic close assembly (2 of 2)



HCI right tray automatic close assembly

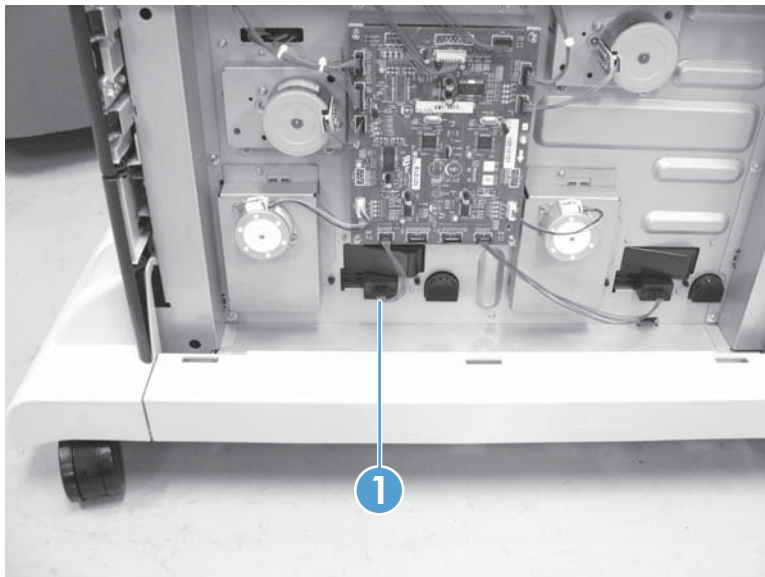
Before proceeding, remove the following assemblies:

- HCI right tray. See [HCI right tray on page 265](#).
- HCI left tray. See [HCI left tray on page 266](#).
- HCI left cover. See [HCI left cover on page 267](#).
- HCI rear cover. See [HCI rear cover on page 271](#).

Remove the HCI right tray automatic close assembly

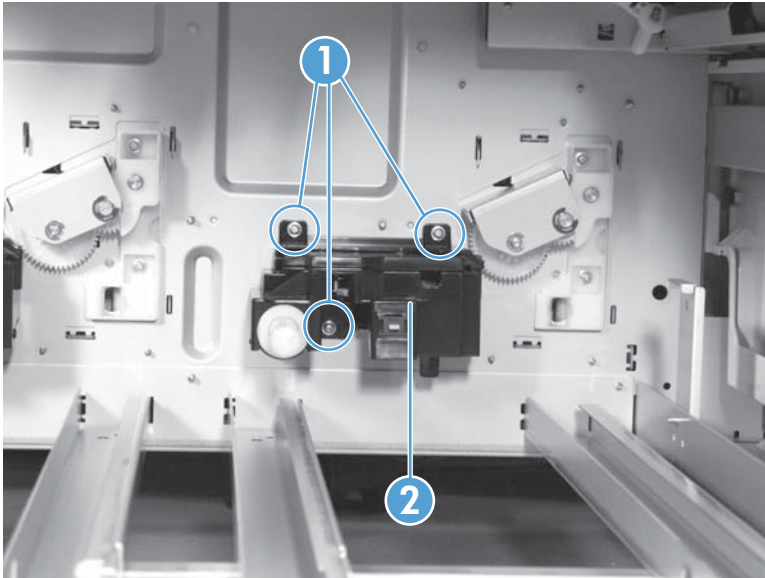
1. Disconnect one connector (callout 1).

Figure 1-390 Remove the HCI right tray automatic close assembly (1 of 2)



2. From inside the tray cavity, remove three screws (callout 1), and then remove the right tray automatic close assembly (callout 2).

Figure 1-391 Remove the HCI right tray automatic close assembly (2 of 2)



HCI left tray pickup assembly

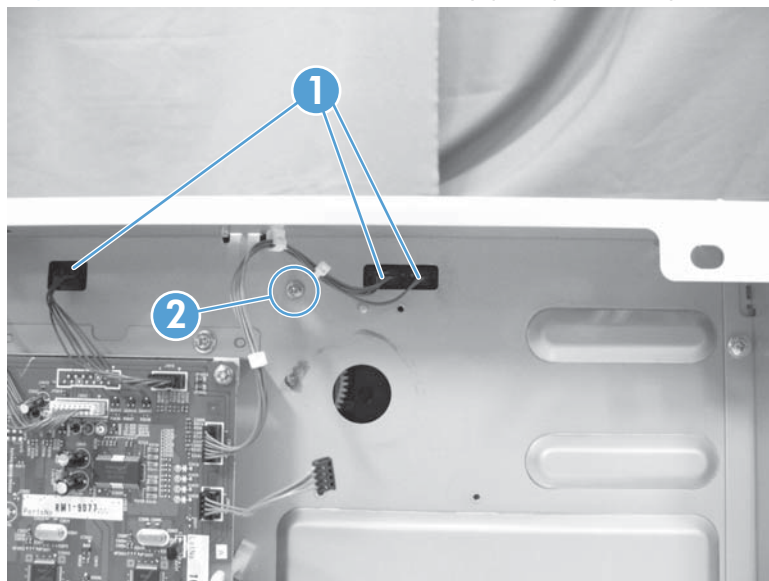
Before proceeding, remove the following assemblies:

- HCI right tray. See [HCI right tray on page 265](#).
- HCI left tray. See [HCI left tray on page 266](#).
- HCI left cover. See [HCI left cover on page 267](#).
- HCI rear cover. See [HCI rear cover on page 271](#).
- HCI left tray pickup drive. See [HCI left tray pickup drive on page 284](#).

Remove the HCI left tray pickup assembly

1. Disconnect three connectors (callout 1) and remove one screw (callout 2).

Figure 1-392 Remove the HCI left tray pickup assembly (1 of 2)



2. Remove one screw (callout 1), and then remove the left tray pickup assembly (callout 2).


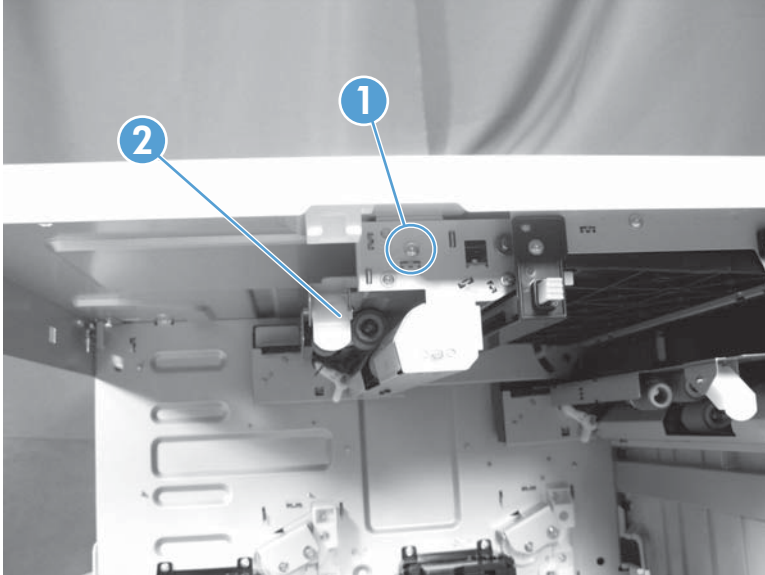
 **TIP:** When removing the screw (callout 1), hold the left tray pickup assembly so that you do not drop the assembly.

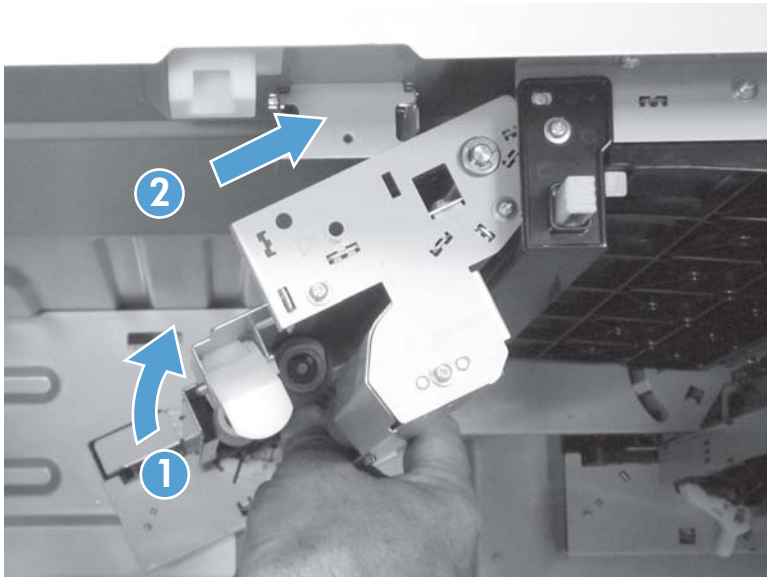
Figure 1-393 Remove the HCI left tray pickup assembly (2 of 2)



Reinstall the HCI tray pickup assembly

To reinstall the assembly, place it in the HCI, and then rotate it up and into position.

Figure 1-394 Reinstall the HCI tray pickup assembly



HCI right tray pickup assembly

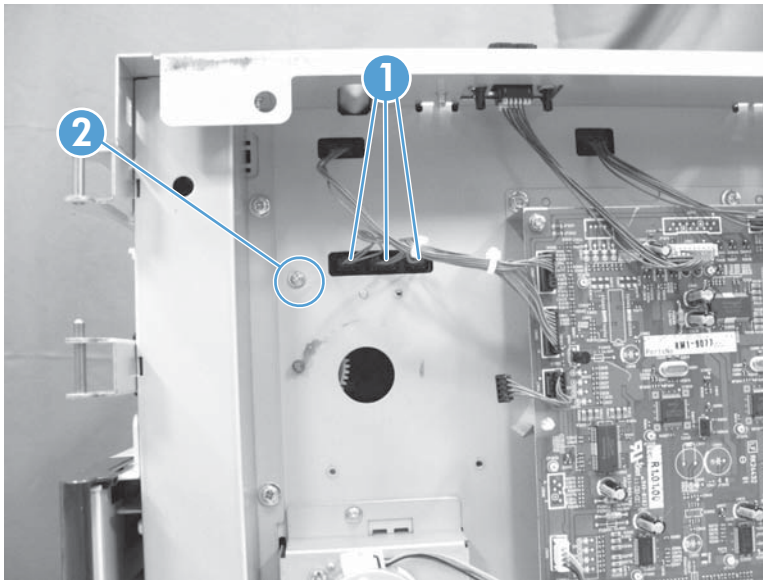
Before proceeding, remove the following assemblies:

- HCI right tray. See [HCI right tray on page 265](#).
- HCI left tray. See [HCI left tray on page 266](#).
- HCI left cover. See [HCI left cover on page 267](#).
- HCI right door. See [HCI right door on page 272](#).
- HCI right front cover. See [HCI right front cover on page 274](#).
- HCI rear cover. See [HCI rear cover on page 271](#).
- HCI right tray pickup drive. See [HCI right tray pickup drive on page 286](#).

Remove the HCI right tray pickup assembly

1. Disconnect three connectors (callout 1) and remove one screw (callout 2).

Figure 1-395 Remove the HCI right tray pickup assembly (1 of 2)



2. Remove two screws (callout 1), and then remove the right tray pickup assembly (callout 2).


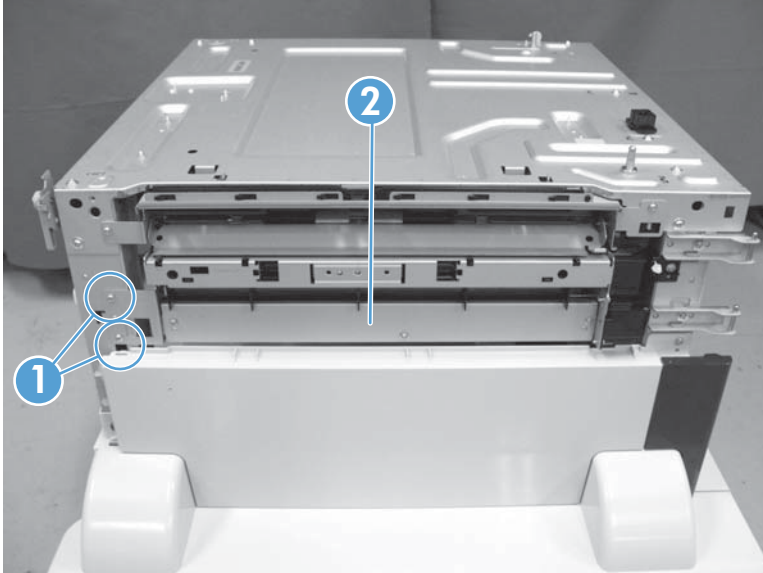
 **TIP:** It might be easier to lift up on the merge assembly flap, and then remove (or replace) the pickup assembly from the right side of the HCl chassis (rather than from inside the chassis cavity).

Figure 1-396 Remove the HCl right tray pickup assembly (2 of 2)



HCI merge assembly

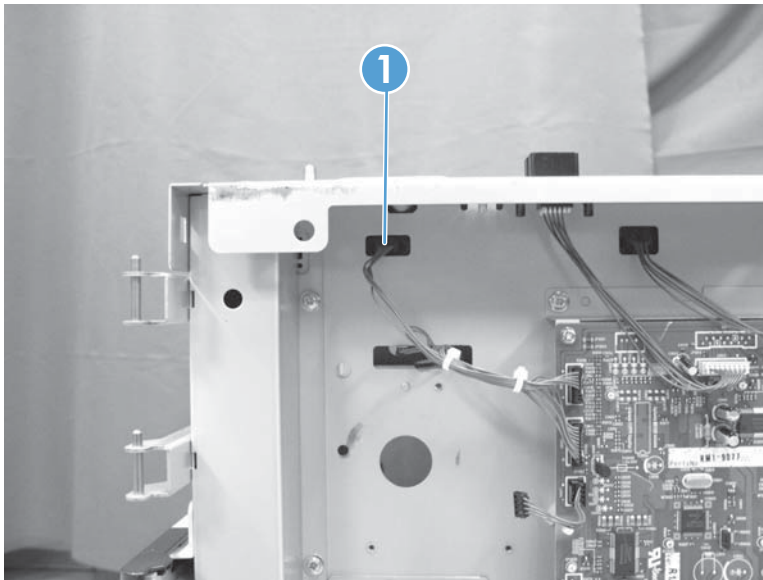
Before proceeding, remove the following assemblies:

- HCI right tray. See [HCI right tray on page 265](#).
- HCI left tray. See [HCI left tray on page 266](#).
- HCI left cover. See [HCI left cover on page 267](#).
- HCI right door. See [HCI right door on page 272](#).
- HCI right front cover. See [HCI right front cover on page 274](#).
- HCI rear cover. See [HCI rear cover on page 271](#).
- HCI right tray pickup drive. See [HCI right tray pickup drive on page 286](#).
- HCI right tray pickup assembly. See [HCI right tray pickup assembly on page 295](#).

Remove the HCI merge assembly

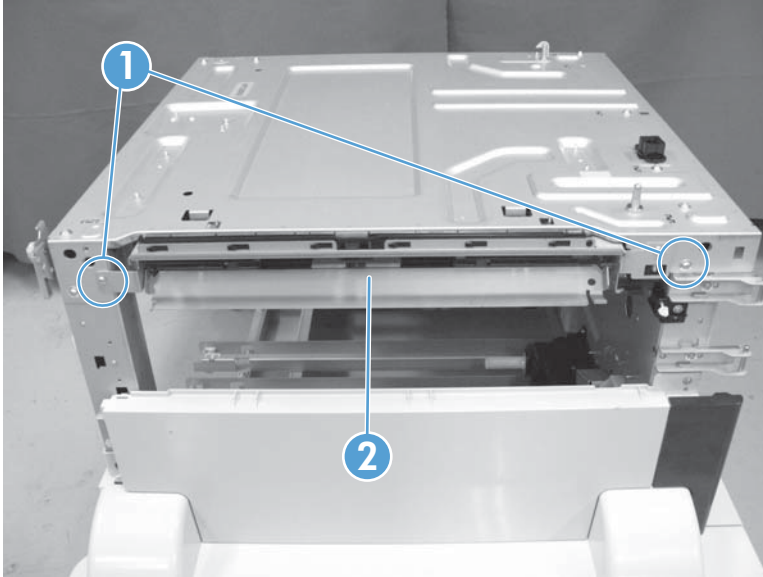
1. Disconnect one connector (callout 1).

Figure 1-397 Remove the HCI merge assembly (1 of 2)



2. Remove two screws (callout 1), and then remove the merge assembly (callout 2).

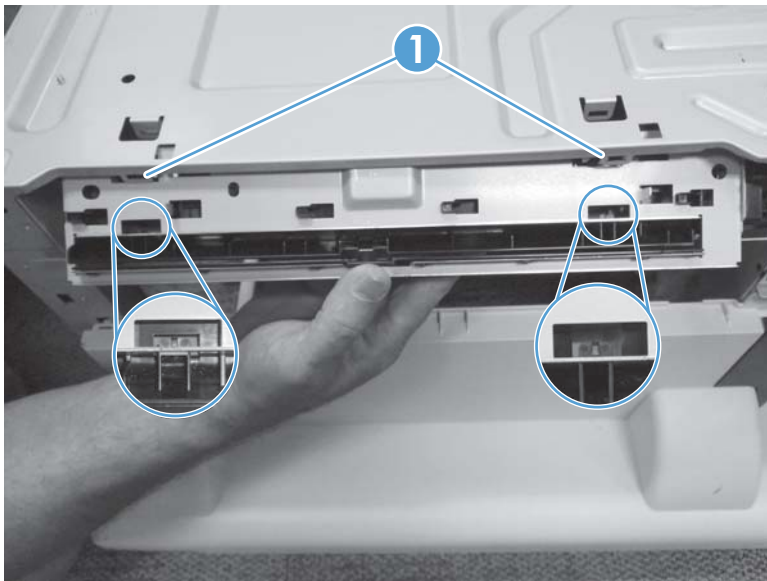
Figure 1-398 Remove the HCl merge assembly (2 of 2)



Reinstall the HCI merge assembly

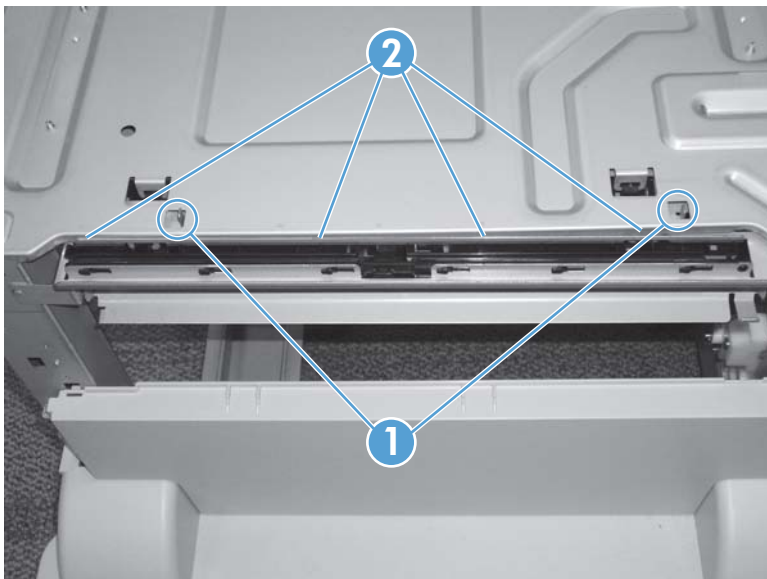
The tabs at the top of the HCI merge assembly fit into slots provided in the chassis (callout 1).

Figure 1-399 Reinstall the merge assembly (1 of 2)




When the assembly is correctly installed, two sheet metal tabs (callout 1) are positioned in the provided holes in the chassis, and the assembly fits tight against the edge of the chassis (callout 2).

Figure 1-400 Reinstall the merge assembly (2 of 2)



Output devices

Stapler/stacker

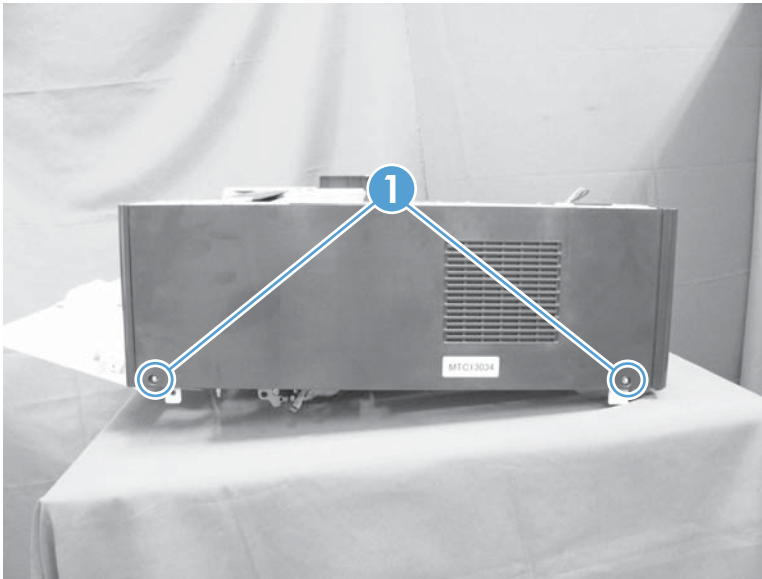
 **NOTE:** The stapler/stacker is shown removed from the product in this section, however, it is only necessary to remove the stapler/stacker from the product to perform the following procedures if the front right cover must be removed.

To remove the stapler/stacker, see [Stapler/stacker assembly on page 78](#).

Stapler/stacker rear cover

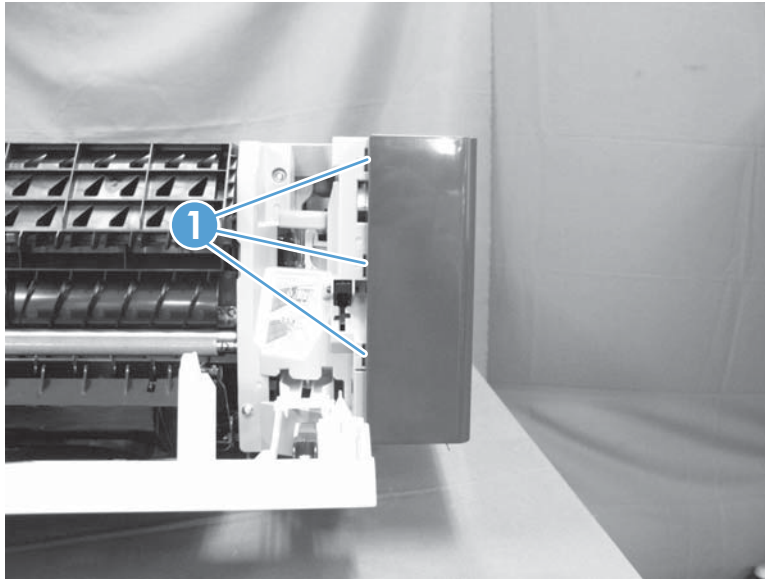
1. Open the right door.
2. Remove two screws (callout 1).

Figure 1-401 Remove the stapler/stacker rear cover (1 of 3)



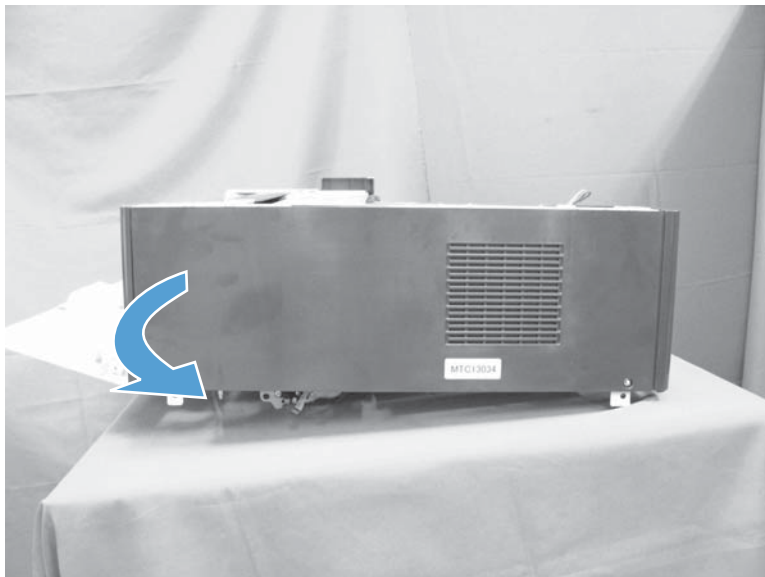
3. Release three tabs (callout 1).

Figure 1-402 Remove the stapler/stacker rear cover (2 of 3)



4. Slide the cover to the left to release it, and then remove the cover.

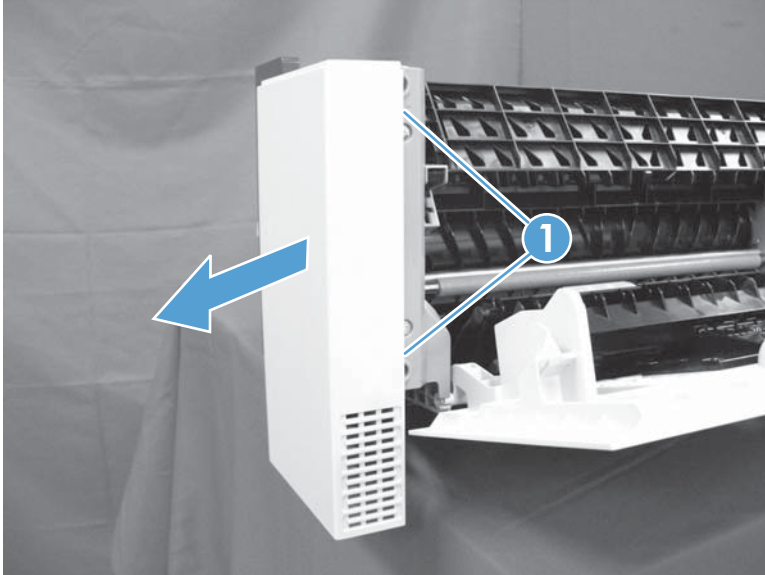
Figure 1-403 Remove the stapler/stacker rear cover (3 of 3)



Stapler/stacker front right cover

1. Open the right door.
2. Release two tabs (callout 1), and then remove the cover.

Figure 1-404 Remove the stapler/stacker front right cover



Stapler/stacker front left cover

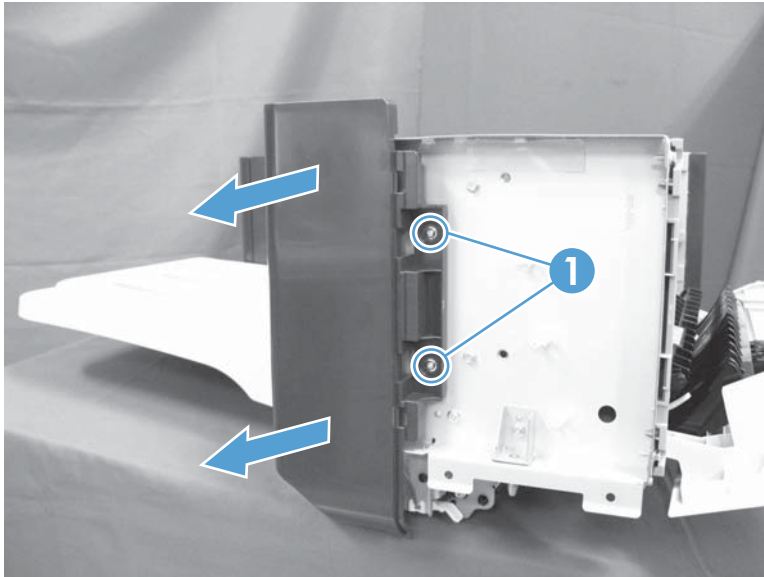
Before proceeding, remove the following assemblies:

- Stapler/stacker front right cover. See [Stapler/stacker front right cover on page 302](#).

Remove the stapler/stacker front left cover

Remove two screws (callout 1), and then remove the cover (callout 2).

Figure 1-405 Remove the stapler/stacker front left cover



Stapler/stacker right door

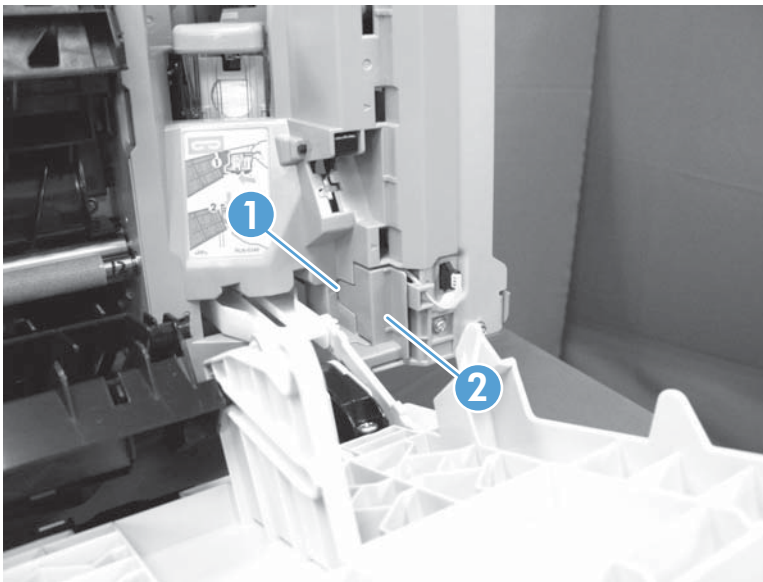
Before proceeding, remove the following assemblies:

- Stapler/stacker rear cover. See [Stapler/stacker rear cover on page 300](#).

Remove the stapler/stacker right door

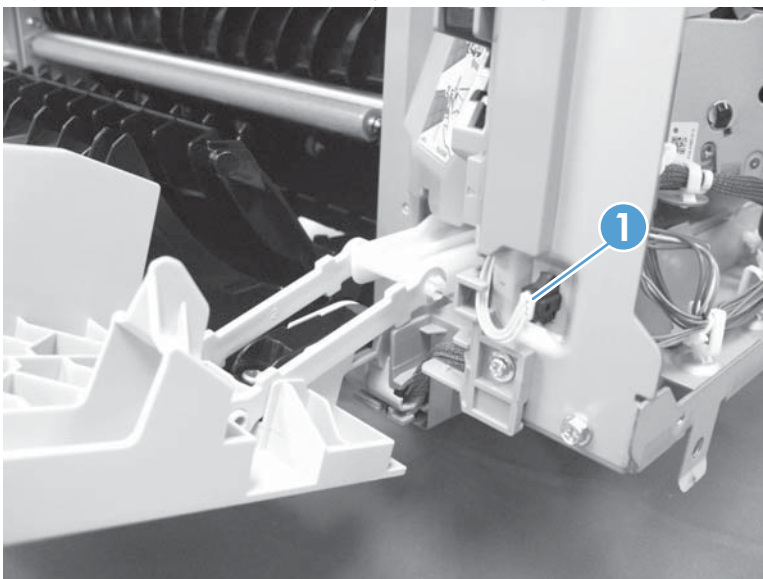
1. Open the right door.
2. Release one tab (callout 1), and then remove the cover (callout 2).

Figure 1-406 Remove the stapler/stacker right door (1 of 4)



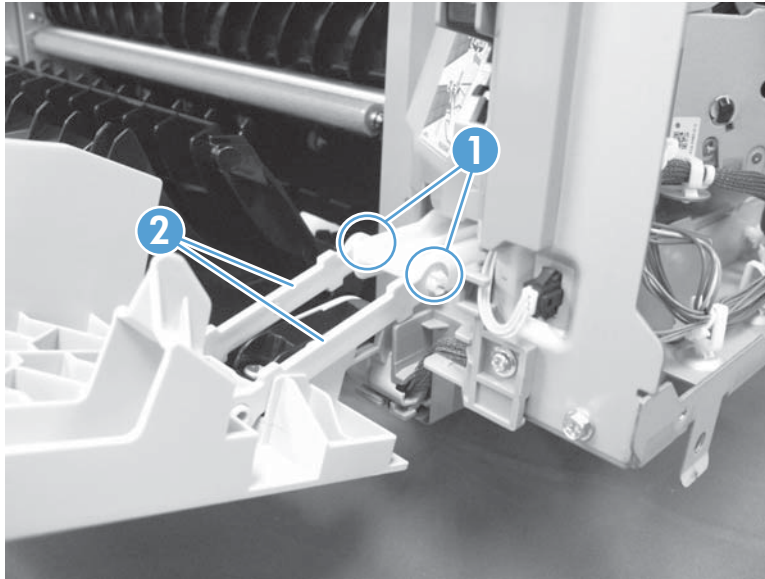
3. Disconnect one connector (callout 1).

Figure 1-407 Remove the stapler/stacker right door (2 of 4)



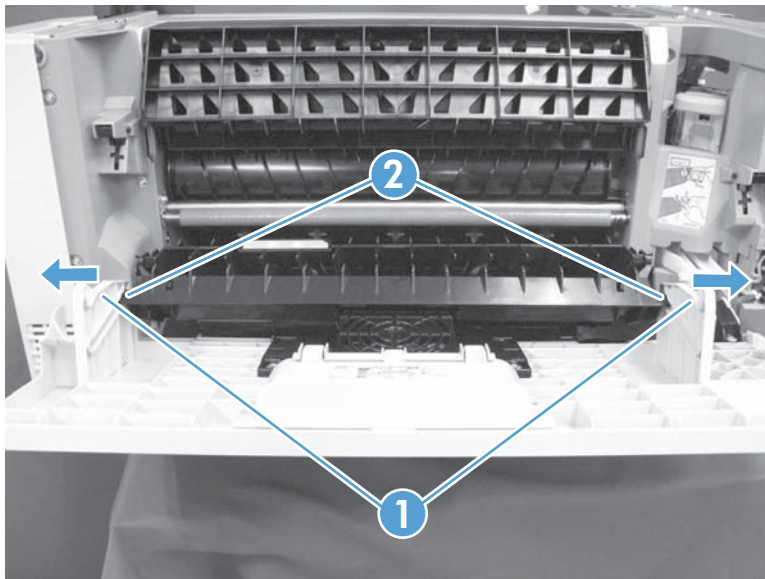
4. Release two tabs (callout 1), and then release the right and left links (callout 2).

Figure 1-408 Remove the stapler/stacker right door (3 of 4)



5. Carefully flex the sides of the door (callout 1) to release two pins (callout 2), and then remove the door.

Figure 1-409 Remove the stapler/stacker right door (4 of 4)



Stapler/stacker left rear cover

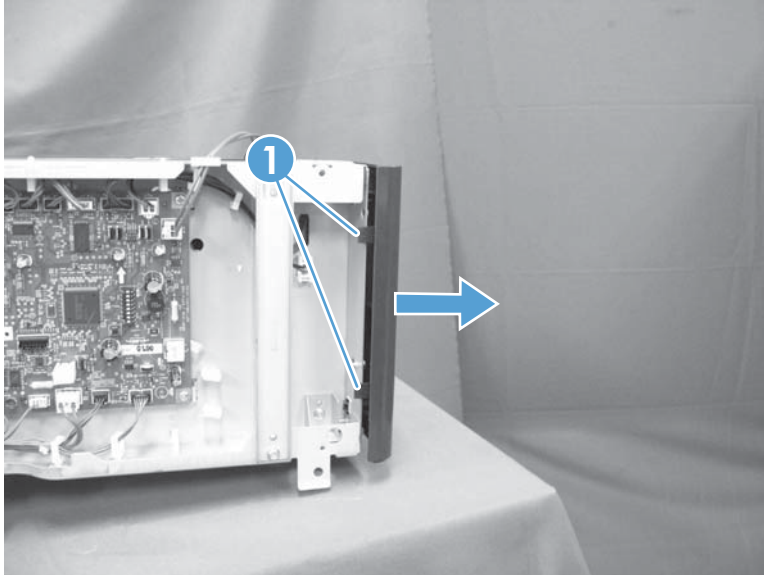
Before proceeding, remove the following assemblies:

- Stapler/stacker rear cover. See [Stapler/stacker rear cover on page 300](#).

Remove the stapler/stacker left rear cover

Release two tabs (callout 1), and then remove the cover.

Figure 1-410 Remove the stapler/stacker left rear cover



Stapler/stacker output bin assembly

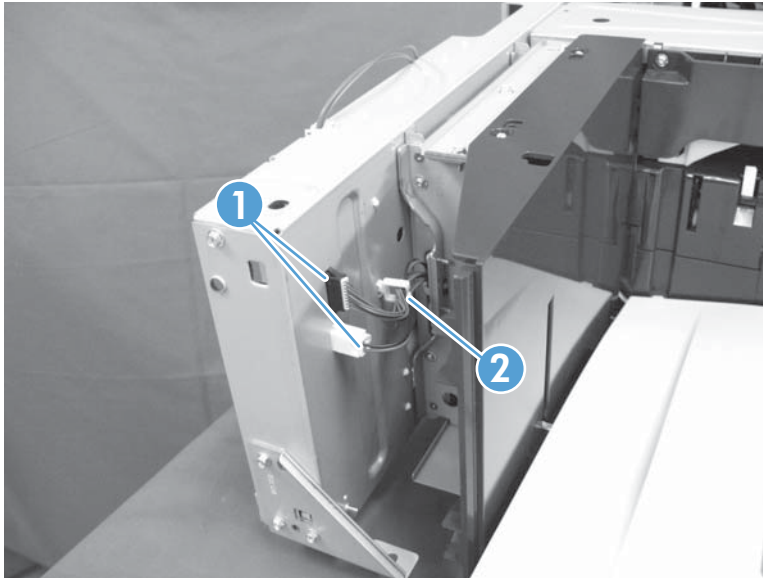
Before proceeding, remove the following assemblies:

- Stapler/stacker rear cover. See [Stapler/stacker rear cover on page 300](#).
- Stapler/stacker left rear cover. See [Stapler/stacker left rear cover on page 306](#).

Remove the stapler/stacker output bin assembly

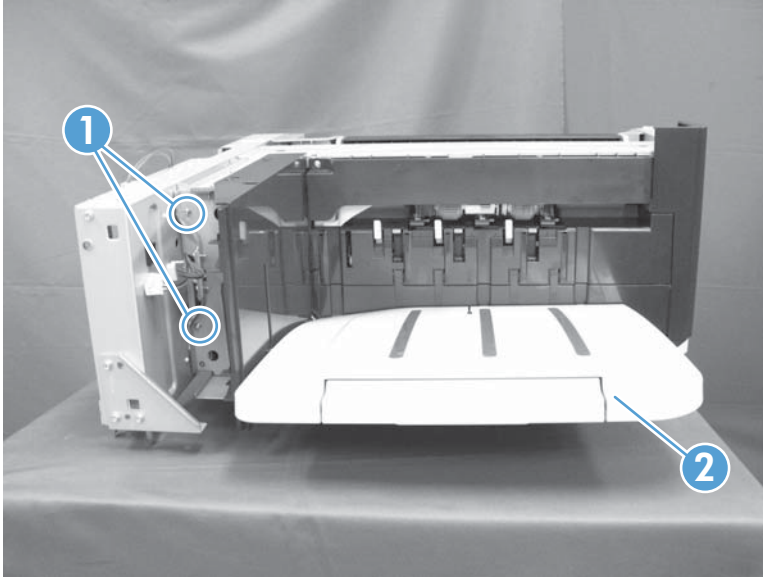
1. Disconnect two connectors (callout 1), and then release the wire harnesses from the retainer (callout 2).

Figure 1-411 Remove the output bin assembly (1 of 2)



2. Remove two screws (callout 1), and then pull the assembly (callout 2) forward to remove it.

Figure 1-412 Remove the output bin assembly (2 of 2)



Stapler/stacker left lower cover

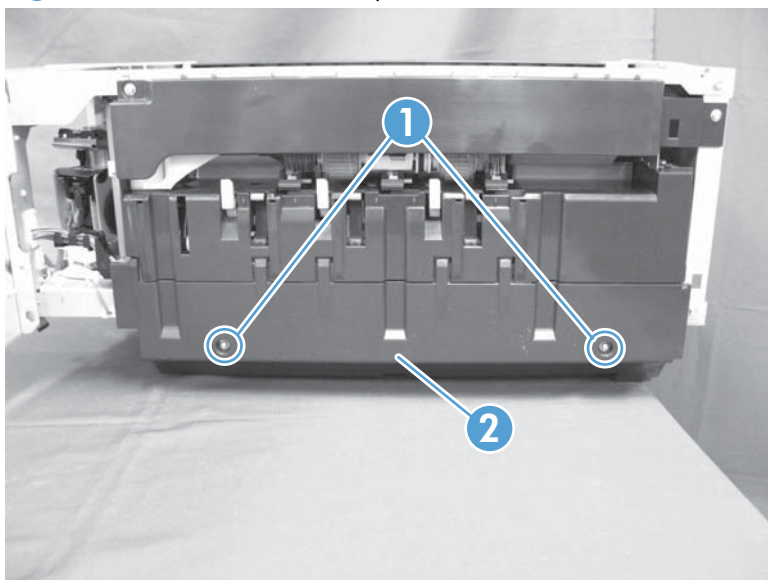
Before proceeding, remove the following assemblies:

- Stapler/stacker front right cover. See [Stapler/stacker front right cover on page 302](#).
- Stapler/stacker rear cover. See [Stapler/stacker rear cover on page 300](#).
- Stapler/stacker left rear cover. See [Stapler/stacker left rear cover on page 306](#).
- Stapler/stacker output bin assembly. See [Stapler/stacker output bin assembly on page 307](#).

Remove the stapler/stacker left lower cover

Release two screws (callout 1), and then remove the cover (callout 2).

Figure 1-413 Remove the stapler/stacker left lower cover



Stapler/stacker operation assembly

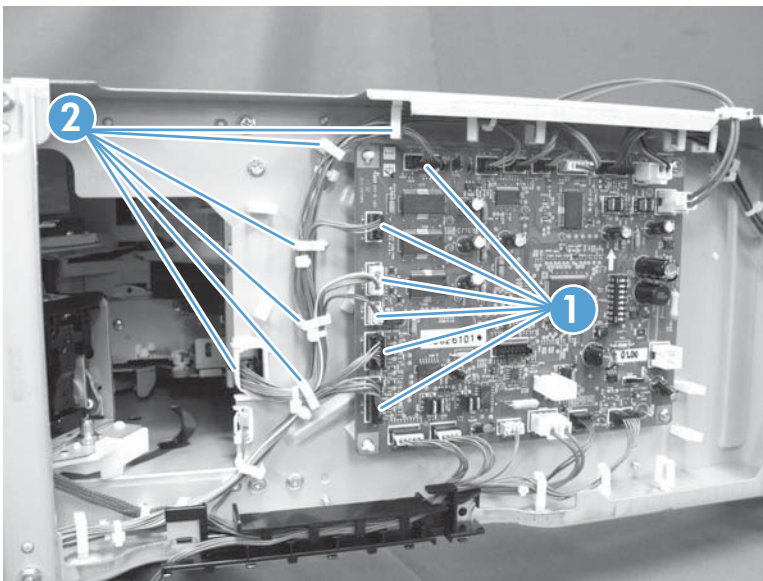
Before proceeding, remove the following assemblies:

- Stapler/stacker front right cover. See [Stapler/stacker front right cover on page 302](#).
- Stapler/stacker rear cover. See [Stapler/stacker rear cover on page 300](#).
- Stapler/stacker left rear cover. See [Stapler/stacker left rear cover on page 306](#).
- Stapler/stacker output bin assembly. See [Stapler/stacker output bin assembly on page 307](#).
- Stapler/stacker lower left cover. See [Stapler/stacker left lower cover on page 309](#).

Remove the stapler/stacker operation assembly

1. Open the stapler/stacker right door to move the stapler assembly out of the way.
2. Disconnect six connectors (callout 1), and then release the wire harnesses from the retainers (callout 2).

Figure 1-414 Remove the stapler/stacker operation assembly (1 of 2)



3. Remove five screws (callout 1), and then remove the assembly (callout 2).


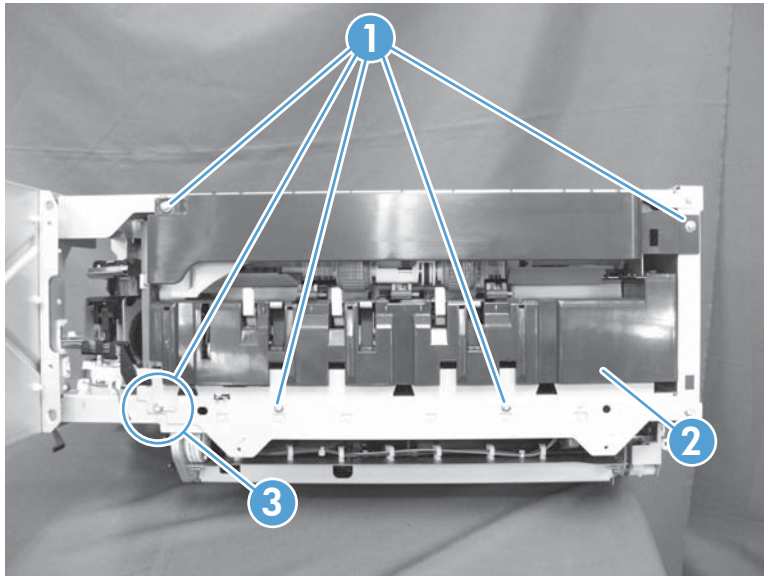
 **TIP:** One screw (callout 3) is longer than the others. Make sure that you use this screw in the correct position when the assembly is reinstalled.

Figure 1-415 Remove the stapler/stacker operation assembly (2 of 2)



Stapler/stacker feed guide assembly

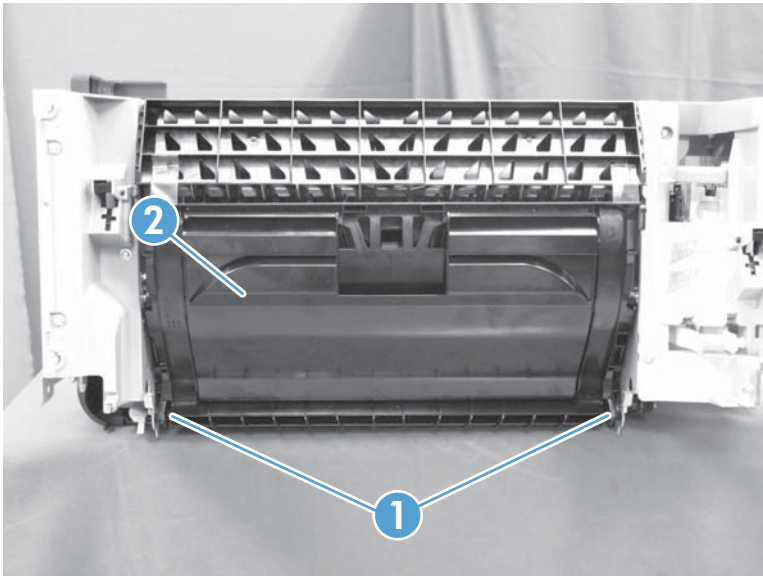
Before proceeding, remove the following assemblies:

- Stapler/stacker front right cover. See [Stapler/stacker front right cover on page 302](#).
- Stapler/stacker rear cover. See [Stapler/stacker rear cover on page 300](#).
- Stapler/stacker right door. See [Stapler/stacker right door on page 304](#).

Remove the stapler/stacker feed guide assembly

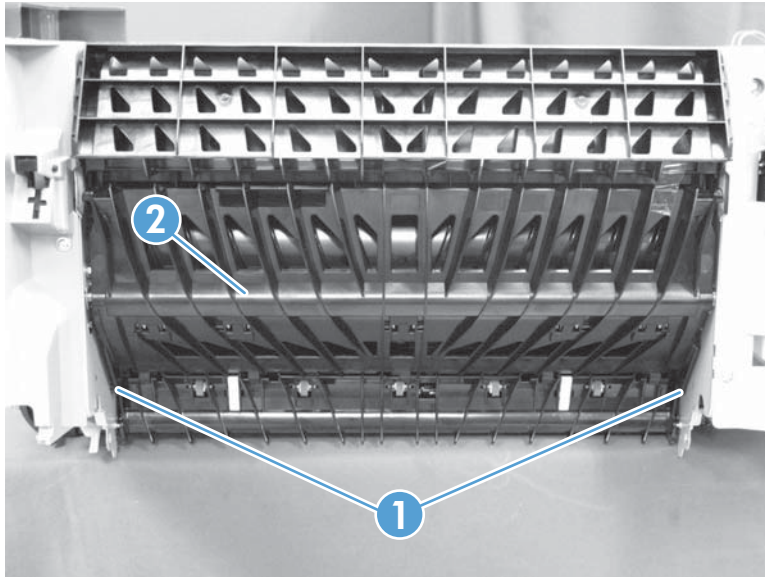
1. Release two shafts (callout 1), and then remove the right door lower guide assembly (callout 2).

Figure 1-416 Remove the stapler/stacker feed guide assembly (1 of 7)



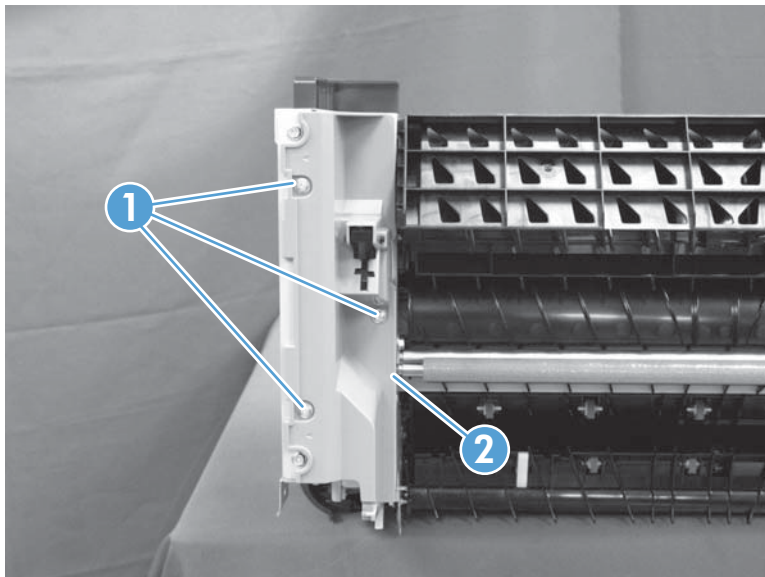
2. Release two shafts (callout 1), and then remove the center feed guide assembly (callout 2).

Figure 1-417 Remove the stapler/stacker feed guide assembly (2 of 7)



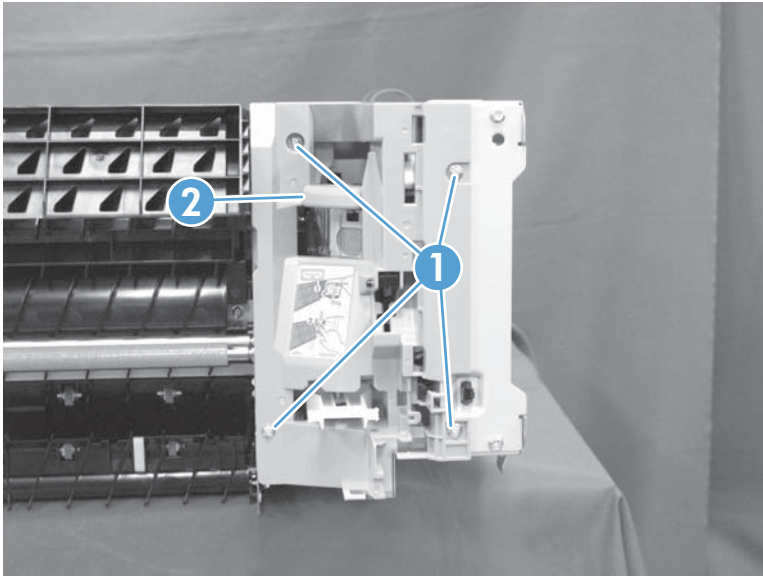
3. Remove three screws (callout 1), and then remove the right front inner cover (callout 2).

Figure 1-418 Remove the stapler/stacker feed guide assembly (3 of 7)



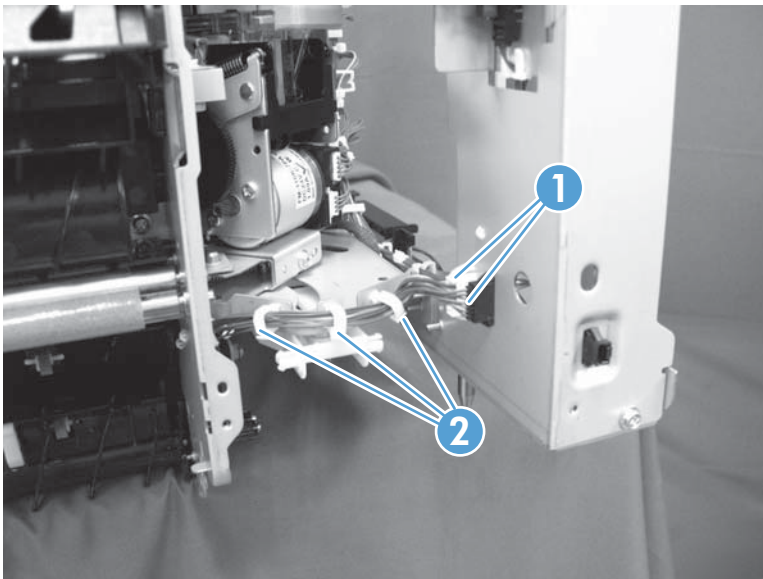
4. Move the stapler assembly to the back, remove four screws (callout 1), and then remove the right rear inner cover (callout 2).

Figure 1-419 Remove the stapler/stacker feed guide assembly (4 of 7)



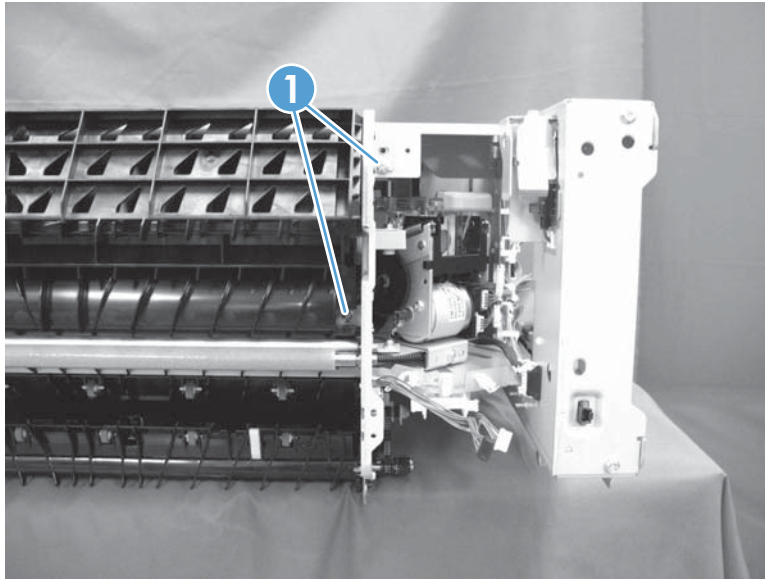
5. Disconnect two connectors (callout 1), and then release the wire harnesses from the retainers (callout 2).

Figure 1-420 Remove the stapler/stacker feed guide assembly (5 of 7)



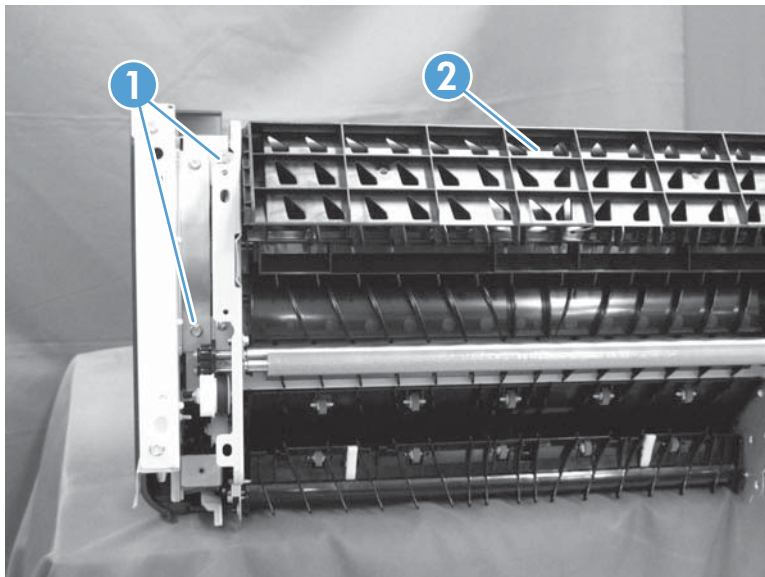
6. Remove two screws (callout 1).

Figure 1-421 Remove the stapler/stacker feed guide assembly (6 of 7)



7. Remove two screws (callout 1), and then remove the assembly (callout 2).

Figure 1-422 Remove the stapler/stacker feed guide assembly (7 of 7)



Stapler/stacker door switch

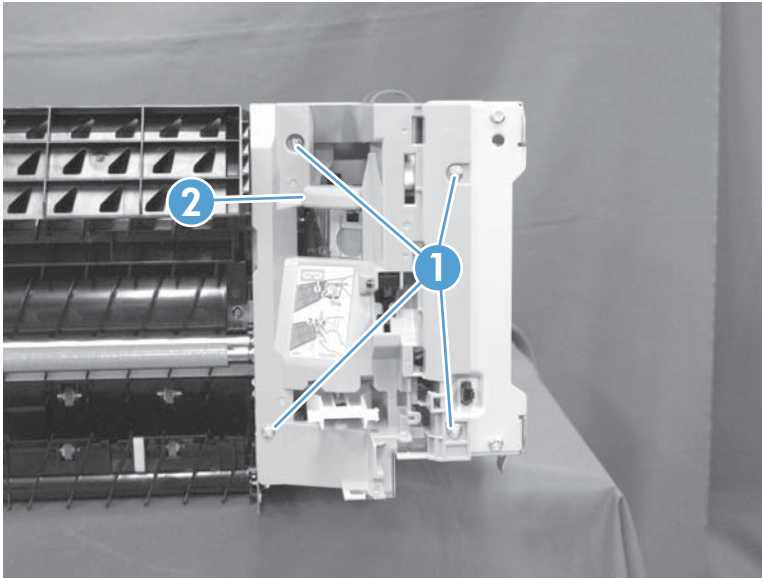
Before proceeding, remove the following assemblies:

- Stapler/stacker right door. See [Stapler/stacker right door on page 304](#).

Remove the stapler/stacker door switch

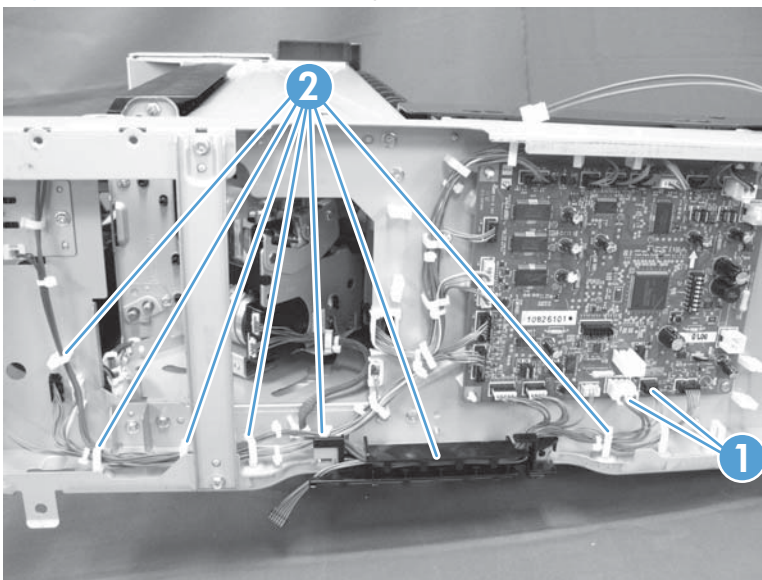
1. Move the stapler assembly to the back, remove four screws (callout 1), and then remove the right rear inner cover (callout 2).

Figure 1-423 Remove the stapler/stacker door switch (1 of 3)



2. Disconnect two connectors (callout 1), and then release the wire harnesses from the retainers and guide (callout 2).

Figure 1-424 Remove the stapler/stacker door switch (2 of 3)



3. Remove one screw (callout 1), and then remove the assembly (callout 2).


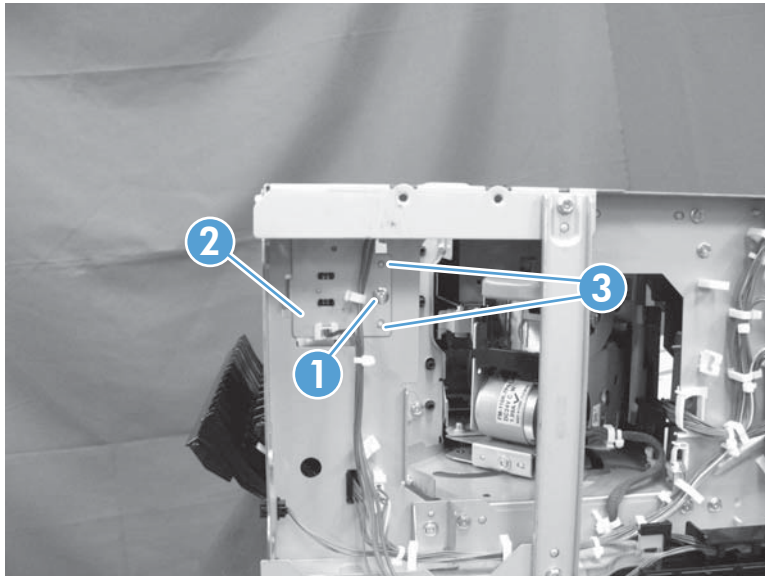
 **TIP:** When the assembly is reinstalled, make sure that the locator pins (callout 3) are correctly positioned, and that the assembly is tight against the chassis.

Figure 1-425 Remove the stapler/stacker feed door switch (3 of 3)



Stapler/stacker inlet solenoid assembly

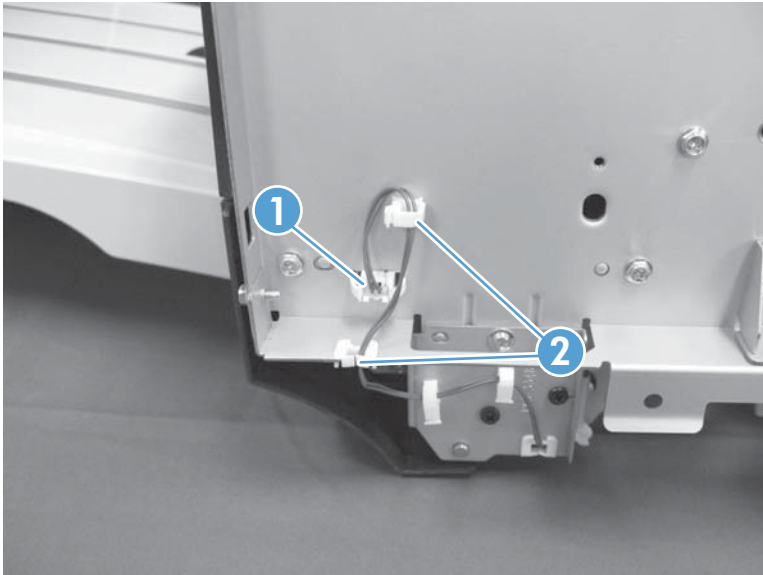
Before proceeding, remove the following assemblies:

- Stapler/stacker front right cover. See [Stapler/stacker front right cover on page 302](#).
- Stapler/stacker front left cover. See [Stapler/stacker front left cover on page 303](#).

Remove the stapler/stacker inlet solenoid assembly

1. Disconnect one connector (callout 1), and then release the wire harness from the retainers (callout 2).

Figure 1-426 Remove the stapler/stacker inlet solenoid assembly (1 of 2)



2. Remove one screw (callout 1), and then remove the assembly (callout 2).


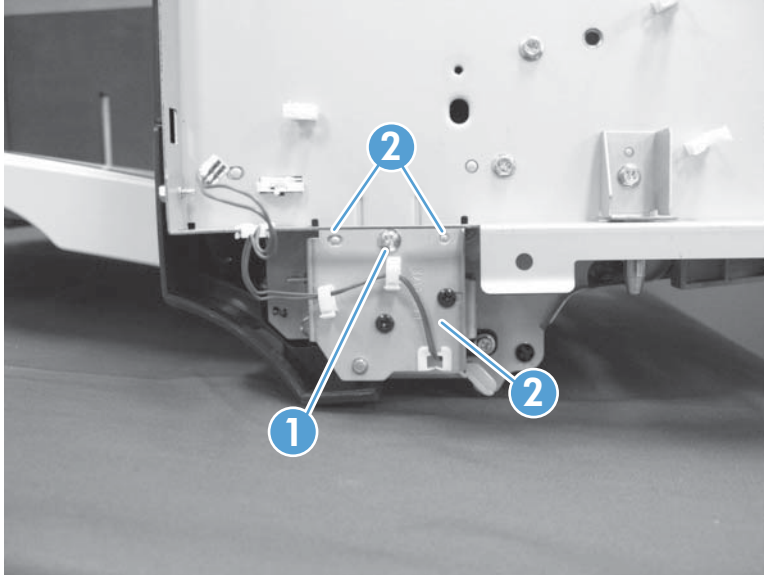
 **TIP:** When the assembly is reinstalled, make sure that the locator pins (callout 3) are correctly positioned, and that the assembly is tight against the chassis.

Figure 1-427 Remove the stapler/stacker inlet solenoid assembly (2 of 2)



Stapler/stacker stapler assembly

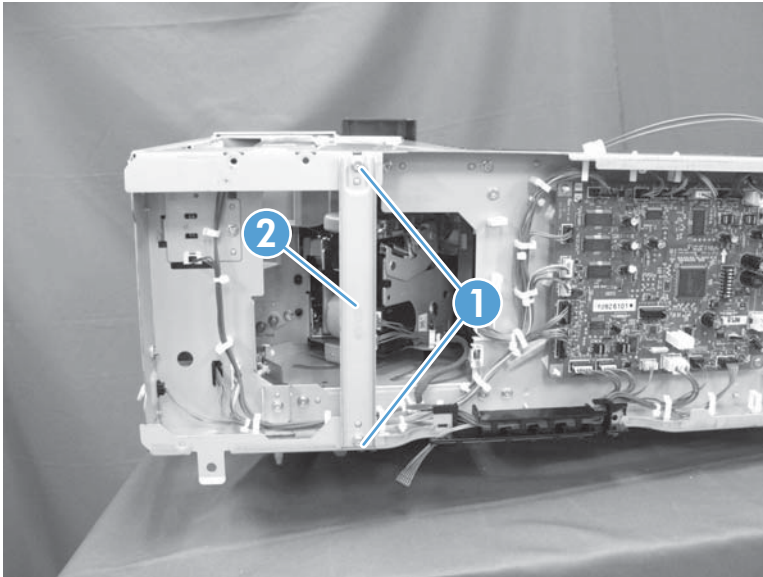
Before proceeding, remove the following assemblies:

- Stapler/stacker rear cover. See [Stapler/stacker rear cover on page 300](#).

Remove the stapler/stacker stapler assembly

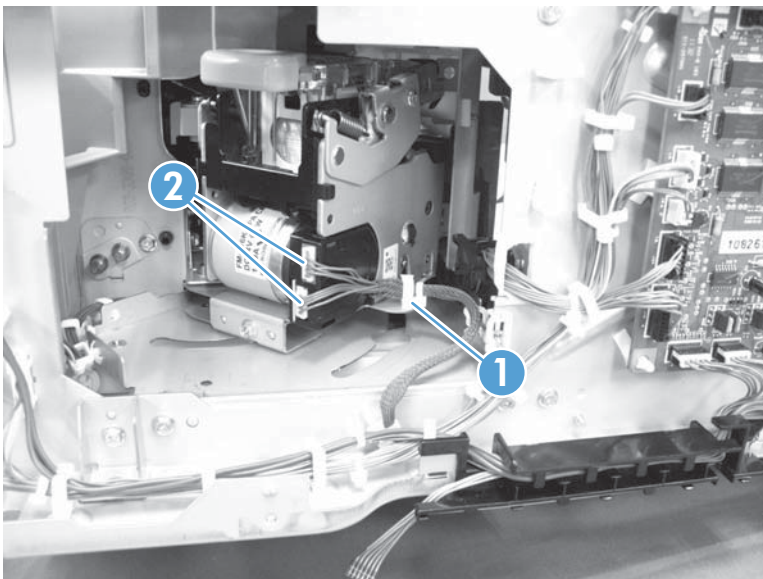
1. Remove two screws (callout 1), and then remove the sheet-metal plate (callout 2).

Figure 1-428 Remove the stapler/stacker stapler assembly (1 of 3)



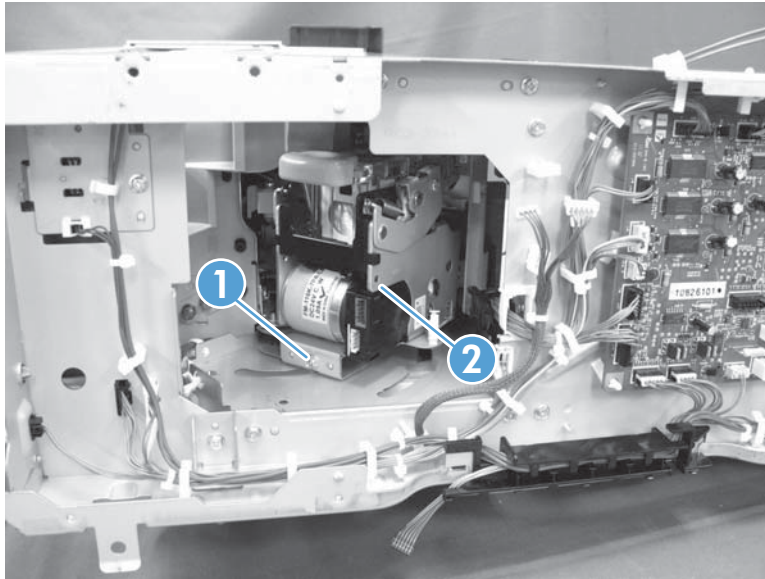
2. Release the wire harnesses from the retainer (callout 1), and then disconnect two connectors (callout 2).

Figure 1-429 Remove the stapler/stacker stapler assembly (2 of 3)



3. Remove one screw (callout 1), and then remove the assembly (callout 2).

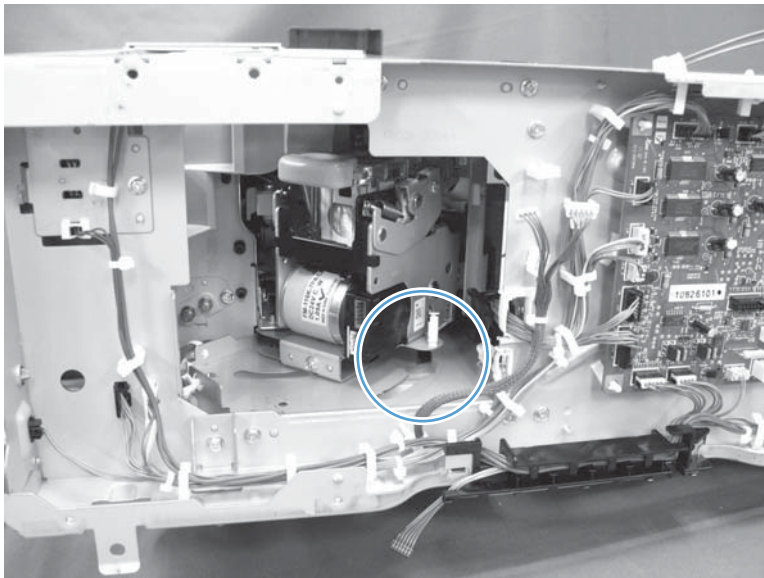
Figure 1-430 Remove the stapler/stacker stapler assembly (3 of 3)



Reinstall the stapler/stacker stapler assembly

When the assembly is reinstalled, make sure that the white-plastic knob on the bottom of the stapler assembly is correctly positioned through the slot in the chassis.

Figure 1-431 Reinstall the stapler/stacker stapler assembly



Stapler/stacker controller PCA

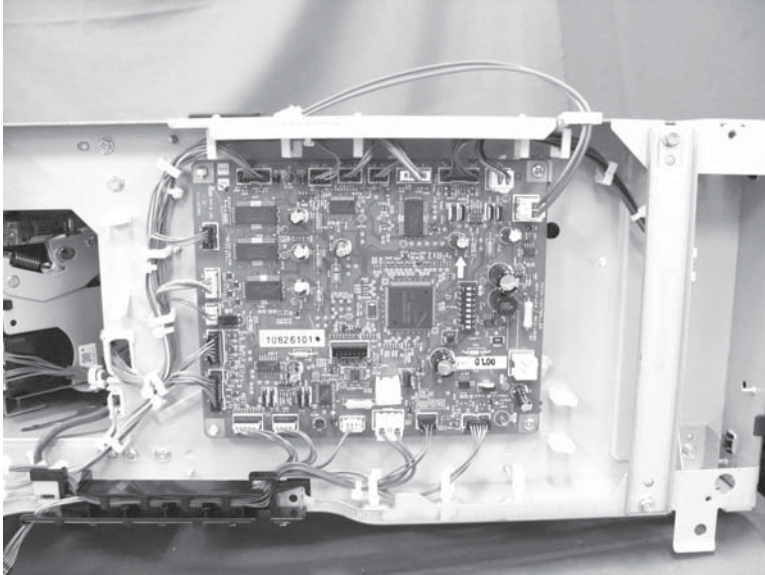
Before proceeding, remove the following assemblies:

- Stapler/stacker rear cover. See [Stapler/stacker rear cover on page 300](#).

Remove the stapler/stacker controller PCA

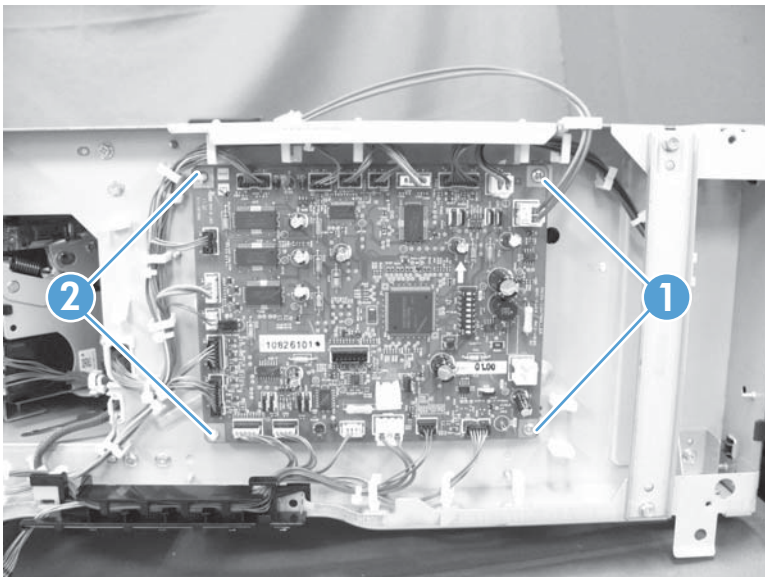
1. Disconnect all of the connectors on the stapler/stacker controller PCA.

Figure 1-432 Remove the stapler/stacker controller PCA (1 of 2)



2. Remove two screws (callout 1), release two tabs (callout 2) and then remove the PCA.

Figure 1-433 Remove the stapler/stacker controller PCA (2 of 2)



2 Parts and diagrams

- [Order parts by authorized service providers](#)
- [How to use the parts lists and diagrams](#)
- [Assembly locations](#)
- [Document feeder and scanner whole units](#)
- [Document feeder assemblies](#)
- [Scanner assemblies](#)
- [Scanner controller board \(SCB\)](#)
- [Stapler/stacker assembly](#)
- [Covers](#)
- [Right door](#)
- [Internal assemblies](#)
- [1x500-sheet paper feeder](#)
- [1x500-sheet and 3x500-sheet paper deck](#)
- [High capacity input \(HCI\) feeder](#)
- [Alphabetical parts list](#)
- [Numerical parts list](#)

Order parts by authorized service providers

Order parts, accessories, and supplies

Table 2-1 Order parts, accessories, and supplies

Order supplies and paper	www.hp.com/go/suresupply
Order genuine HP parts or accessories	www.hp.com/buy/parts
Order through service or support providers	Contact an HP-authorized service or support provider.
Order using HP software	For information about using the HP software to order parts, accessories, and supplies, see the product user guide.

Related documentation and software

Table 2-2 Related documentation and software

Item	Description	Part number
<i>HP LaserJet Enterprise 700 Color MFP M775 User Guide</i>	Product user guide	CC522-90908
<i>HP LaserJet Enterprise 700 Color MFP M775 Repair Manual</i>	English service manuals	CC522-90967
<i>HP LaserJet Enterprise 700 Color MFP M775 Troubleshooting Manual</i>		CC522-90968

Supplies part numbers

Table 2-3 Supplies part numbers

Item	Description	Part number
HP LaserJet toner cartridges	Black print cartridge	CE340A (new)
		CE340-67901 (service)
	Cyan print cartridge	CE341A (new)
		CE341-67901 (service)
Yellow print cartridge	CE342A (new)	
	CE342-67901 (service)	
Magenta print cartridge	CE343A (new)	
	CE343-67901 (service)	

Customer self-repair parts

The following customer self-repair parts are available for the product.

Each kit includes parts and installation instructions. The customer self repair (CSR) level indicates the expected difficulty the customer will experience when replacing this part:

- **A:** Easy
- **B:** Difficult



NOTE: For more information, go to www.hp.com/go/customerselfrepair/lj700colorMFPM775.

Table 2-4 Customer self-repair parts

Item	Description	CSR level	Part number
Hard disk drive replacement kit	• Hard Disk, 320GB	B	CC522-67903
Replacement kit for the HP High-Performance Secure Hard Disk (government option only)	• Hard Disk, 320GB	B	CC522-67932
Formatter replacement kit	• Formatter PCA assembly	A	CC522-67933
	• Formatter PCA assembly (China)		CC522-67934
Control-panel replacement kit	• Control Panel	A	CD644-67916
Fax-card replacement kit	• Fax card PCA	B	CC522-67929
			CC487A

Table 2-4 Customer self-repair parts (continued)

Item	Description	CSR level	Part number
Document-feeder-roller maintenance kit	<ul style="list-style-type: none"> Document feeder preventative maintenance rollers 	A	L2725-60002 L2718A
Document feeder reflector foam A3	<ul style="list-style-type: none"> Document-feeder reflector foam A3 	B	5851-4888
Fuser replacement kit	<ul style="list-style-type: none"> Fuser 	A	CC522-67904 (110V) CE514A (110V) CC522-67926 (220V) CE515A (220V)
			NOTE: Make sure that you use the correct part number for the rated voltage of the product.
Staple-cartridge refill	<ul style="list-style-type: none"> Staple cartridge 	A	C8085-60541 C8091A
1x500-sheet paper feeder kit	<ul style="list-style-type: none"> 1x500-sheet paper feeder 	A	CE860-67901 CE860A
3x500-sheet paper feeder with stand kit	<ul style="list-style-type: none"> 3x500-sheet paper deck 	A	CE725-67901 CE725A
1x500-sheet paper deck with stand kit	<ul style="list-style-type: none"> 1x500-sheet paper deck with stand 	A	CC522-67907 CE792A
3,500-sheet high-capacity feeder with stand kit	<ul style="list-style-type: none"> 3,500-sheet high-capacity feeder with stand 	A	CC522-67908 CF305A
Toner-collection-unit kit	<ul style="list-style-type: none"> Toner collection unit (bottle) 	A	CE980-67901 CE980A
Tray 1 pickup roller and separation pad kit	<ul style="list-style-type: none"> Tray 1 separation pad Tray 1 pickup roller 	A	CC522-67928
Tray 2 pickup roller/separation pad kit	<ul style="list-style-type: none"> Tray 2 separation roller Tray 2 pickup roller 	A	CC522-67927
Tray 3, 4, 5, or 6 pickup feed/separation roller kit	<ul style="list-style-type: none"> Tray 3, 4, 5, or 6 separation rollers Tray 3, 4, 5, or 6 pickup rollers 	A	CC522-67909
3,500-sheet tray pickup roller/separation roller kit	<ul style="list-style-type: none"> HCI feed/separation rollers HCI pickup rollers 	A	5851-5011

Table 2-4 Customer self-repair parts (continued)

Item	Description	CSR level	Part number
Intermediate transfer belt kit (maintenance)	• ITB	A	CC522-67910
	• Secondary transfer roller		CE516A
	• Tray 2 pickup and separation roller		
	• Pickup and feed rollers for the 500-sheet trays		
	• Feed rollers for the high-capacity trays		
Intermediate transfer belt kit (repair)	• ITB	A	CC522-67911
	• Secondary transfer roller		
Secondary transfer roller kit	• Secondary transfer roller	A	CC522-67912
Tray 2 replacement	• Tray 2 cassette	A	CC522-67913
Tray 3, 4, 5, or 6 replacement	• Tray 3, 4, 5, or 6 cassette	A	CC522-67914
	• Tray label		
3,500-sheet high-capacity Tray 3	• HCl Tray 3 (right side)	A	CC522-67916
	• Tray label		
3,500-sheet high-capacity Tray 4	• HCl Tray 4 (left side)	A	CC522-67915
	• Tray label		
Tray label kit	• HCl tray labels	A	CE707-00001

Service replacement parts

Item	Description	Part number
DC controller service kit	• DC controller PCA	RM1-9371-000CN
Front cover service kit	• Front cover assembly	CE707-67902
	• HP logo jewel	
Fuser drive service kit	• Fuser drive assembly	CE707-67904
	• Main drive alignment pins	
	• Install guide	
Inner door service kit	• Inner door assembly	CC522-67906
	• Four color cartridge labels	
Interconnect board (ICB) service kit	• ICB PCA	RM1-9368-000CN
Main drive service kit	• Main drive assembly	CE708-67901
	• Install guide	


Item	Description	Part number
Toner vacuum service kit	• Toner vacuum	CC468-69002 (110V)
	• Instructions for use	CC468-69003 (220V)
Flatbed scanner service kit	• Flatbed Scanner assembly	CC522-67922
	• Kit, reflector foam A3	
Document feeder service kit	• Document feeder assembly A3	CC522-67923
	• Kit, reflector foam A3	
Reflector foam service kit	• Reflector foam A3	5851-4888
	• Install guide	
Document feeder separation pad spring service kit	• Document feeder separation pad spring	5851-4879
	• Install guide	
Document feeder mylar A3 service kit	• Document feeder mylar – separation	5851-4997
	• Document feeder mylar – deskew	
	• Install guide	


Accessories

Item	Description	Part number
1x500-sheet paper feeder	Optional tray to increase paper capacity	CE860A
1x500-sheet paper deck with cabinet	Optional tray to increase paper capacity	CE792A
3x500-sheet paper deck with stand	Optional tray to increase paper capacity	CE725A
3,500-sheet high-capacity tray	Optional tray to increase paper capacity	CF305A
Fax accessory	HP LaserJet MFP Analog Fax Accessory 500	CC487A
USB wireless print server	HP Jetdirect ew2500 Wireless Print Server	J8026A
USB cable	Standard USB-compatible device connector, 2 m (6.5 ft)	C6518A

How to use the parts lists and diagrams

The figures in this chapter show the major subassemblies in the product and their component parts. A parts list table follows each exploded view assembly diagram. Each table lists the item number, the associated part number, and the description of each part. If a part is not listed in the table, then it is not a field replacement unit (FRU).

 **CAUTION:** Be sure to order the correct part. When looking for part numbers for electrical components, pay careful attention to the voltage that is listed in the description column. Doing so will ensure that the part number selected is for the correct model.

 **NOTE:** In this manual, the abbreviation “PCA” stands for “printed circuit-board assembly.” Components described as a PCA might consist of a single circuit board or a circuit board plus other parts, such as cables and sensors.

Assembly locations

Base product (no optional trays or accessories)

Figure 2-1 Base product (no optional trays or accessories)

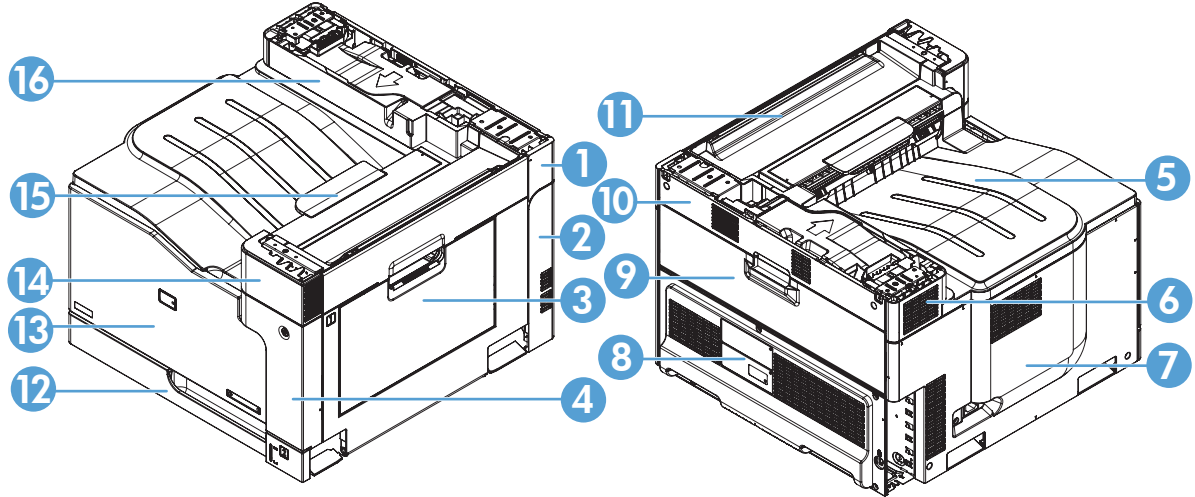


Table 2-5 Base product (no optional trays or accessories)

Item	Description	Item	Description
1	Right upper cover	9	Toner collection unit access door
2	Right rear cover	10	Rear upper cover
3	Right door	11	Top right cover
4	Front right cover	12	Tray 2 cassette
5	Top cover	13	Front door
6	Left upper cover	14	Front upper cover
7	Left cover	15	Output cover
8	Rear cover	16	Top rear cover

Document feeder and scanner

Figure 2-2 Document feeder and scanner

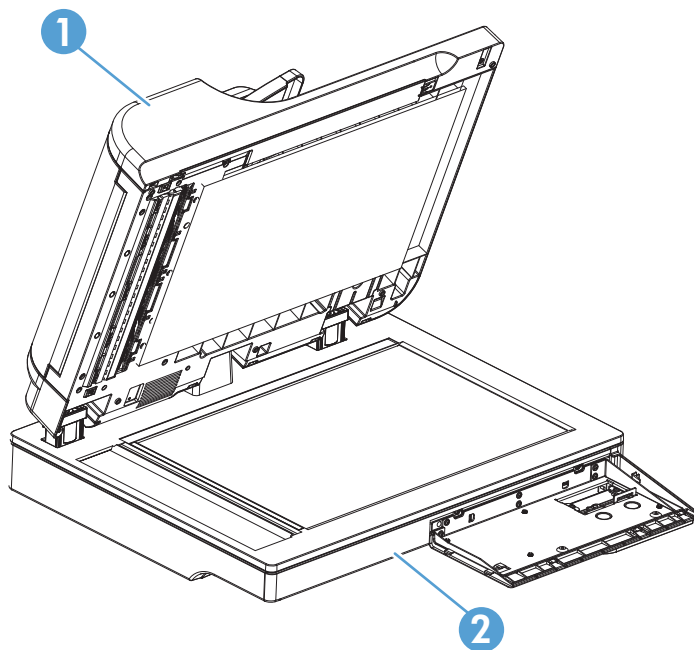
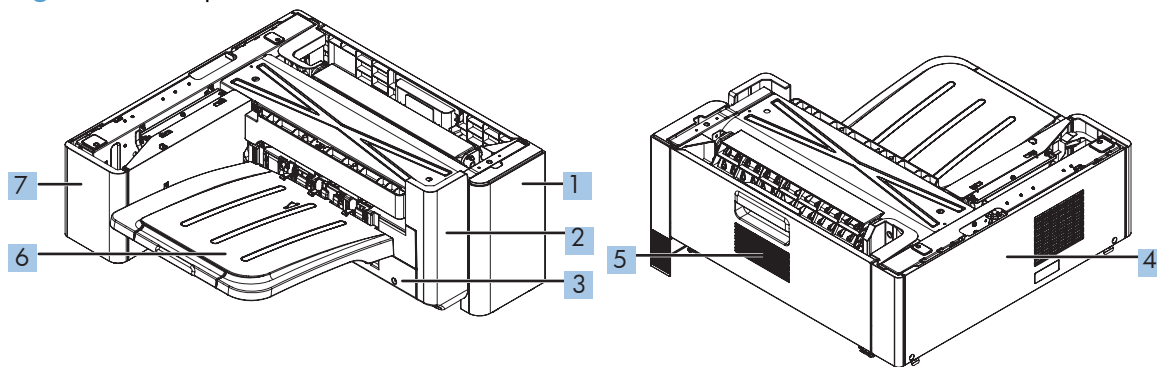


Table 2-6 Document feeder and scanner

Item	Description
1	Document feeder assembly
2	Scanner assembly

Stapler/stacker

Figure 2-3 Stapler/stacker



Item	Description	Item	Description
1	Front right cover	5	Right door
2	Front left cover	6	Output bin

Item	Description	Item	Description
3	Left lower cover	7	Left rear
4	Rear cover		

500-sheet paper feeder

Figure 2-4 500-sheet paper feeder

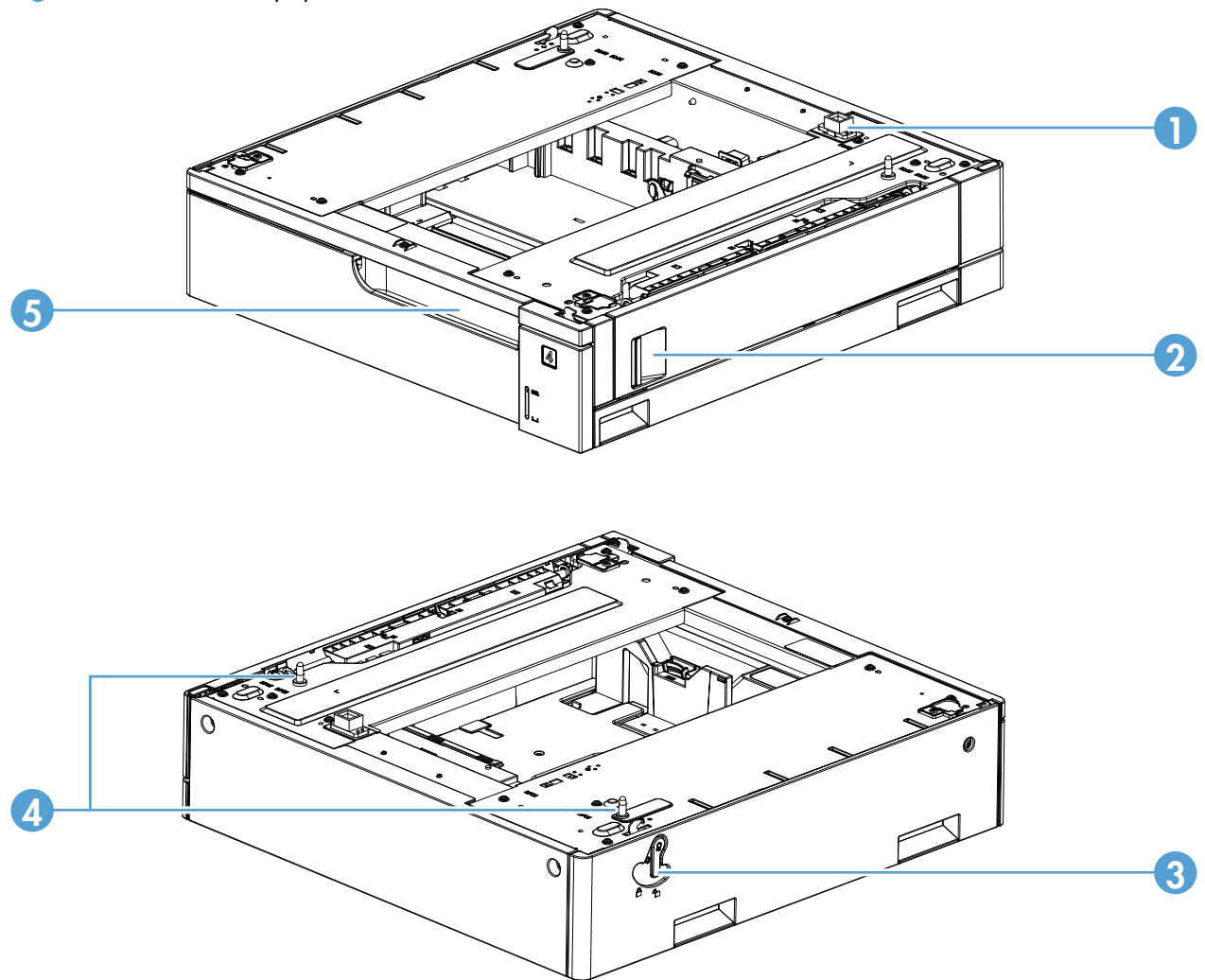


Table 2-7 500-sheet paper feeder

Item	Description	Item	Description
1	Connector	4	Positioning pin
2	Right door	5	Cassette
3	Lock lever		

1x500-sheet paper deck

Figure 2-5 1x500-sheet paper deck

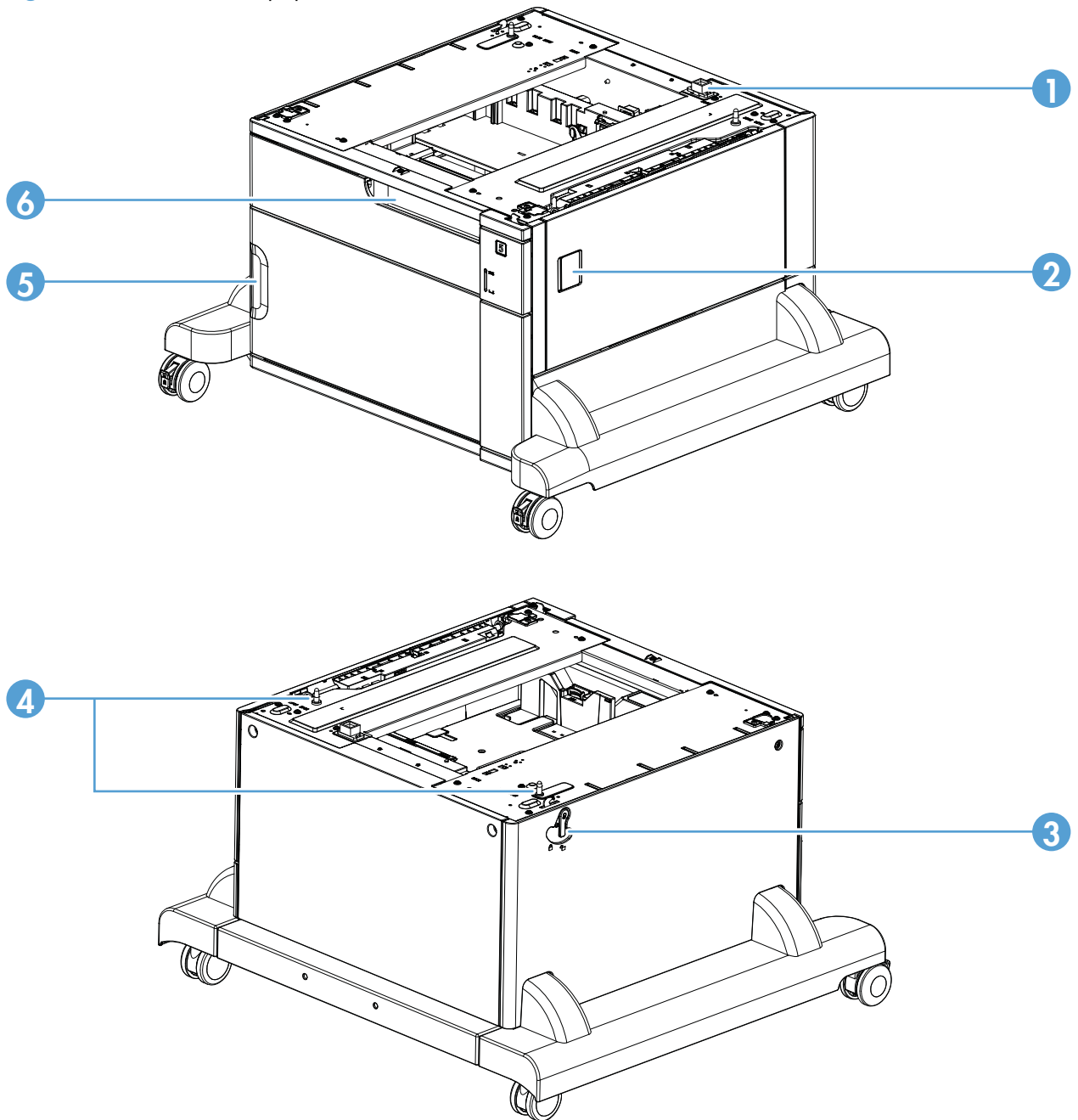


Table 2-8 1x500-sheet paper deck

Item	Description	Item	Description
1	Connector	4	Positioning pin
2	Right door	5	Front door
3	Lock lever	6	Cassette

3x500-sheet paper deck

Figure 2-6 3x500-sheet paper deck

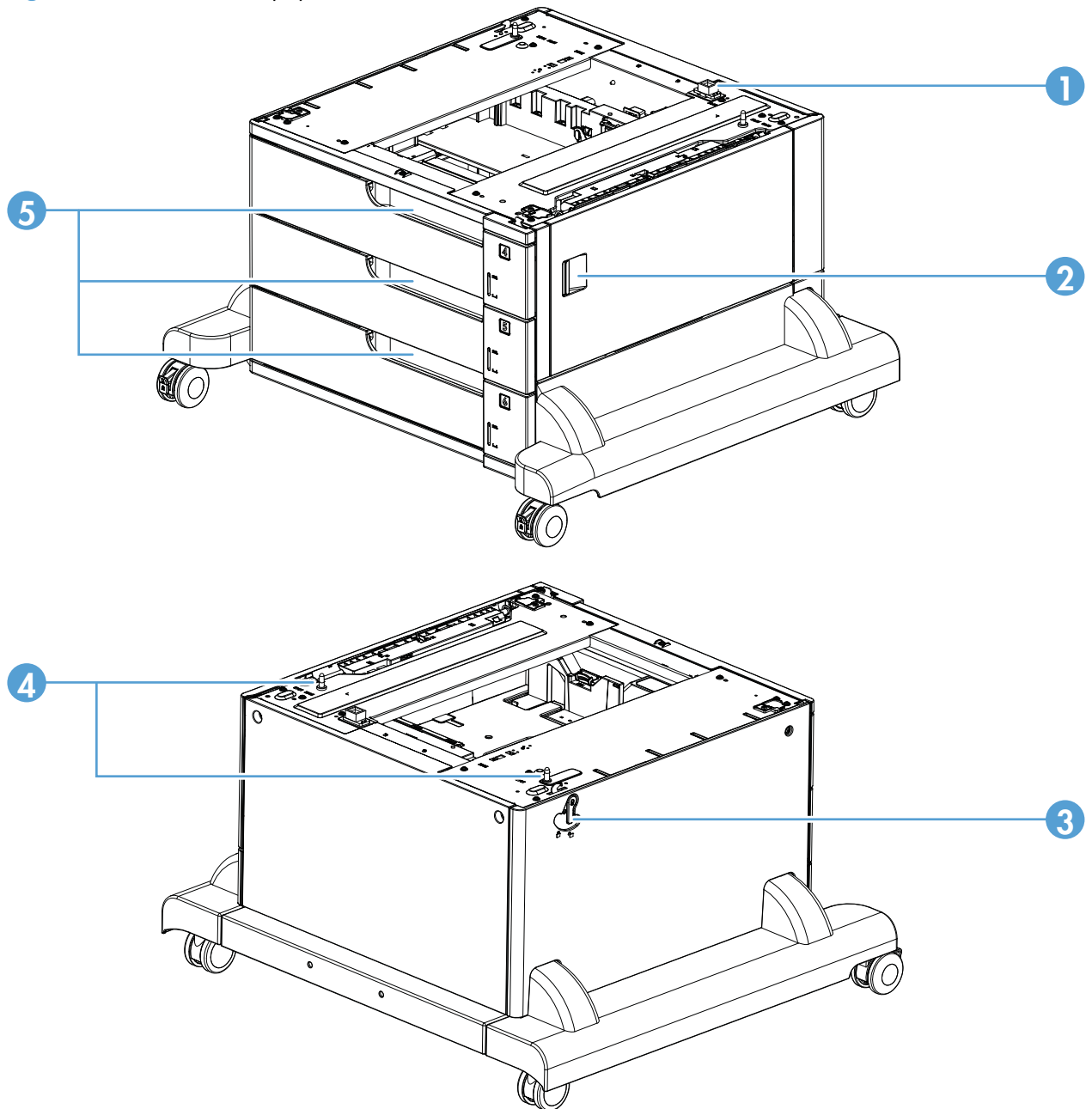


Table 2-9 3x500-sheet paper deck

Item	Description	Item	Description
1	Connector	4	Positioning pin
2	Right door	5	Cassette
3	Lock lever		

High capacity input (HCI) paper deck

Figure 2-7 High capacity input (HCI) paper deck

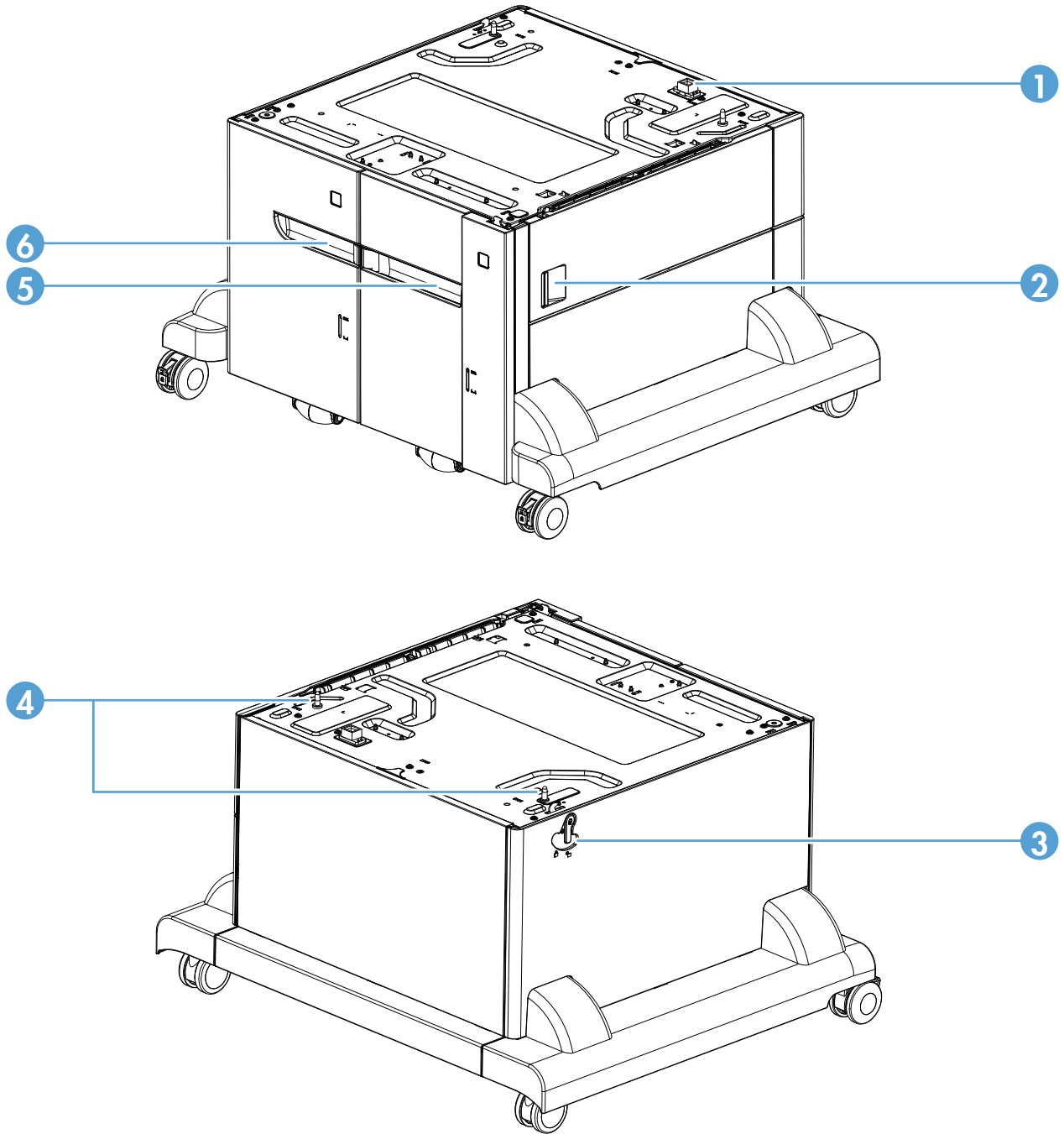


Table 2-10 High capacity input (HCI) paper deck

Item	Description	Item	Description
1	Connector	4	Positioning pin
2	Right door	5	Right cassette
3	Lock lever	6	Left cassette

Document feeder and scanner whole units

Figure 2-8 Document feeder and scanner whole units

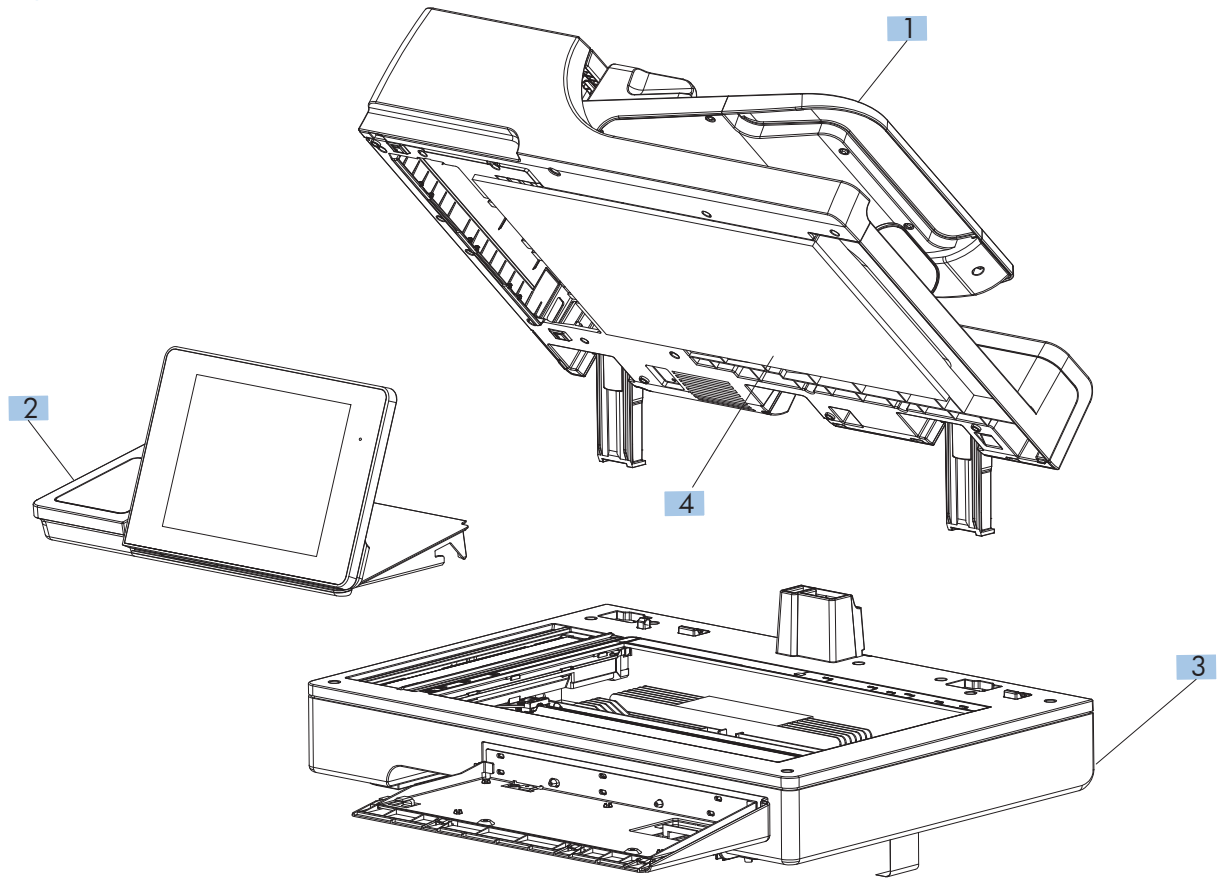


Table 2-11 Document feeder and scanner whole units

Ref	Description	Part number	Qty
1	Kit, ADF whole unit, A3 (includes foam reflector kit)	CC522-67923	1
2	Kit, scanner whole unit (includes foam reflector kit)	CC522-67922	1
3	Kit, control panel	CD644-67916	1
4	Kit, reflector foam, A3	5851-4888	1

Document feeder assemblies

Figure 2-9 Document feeder assemblies

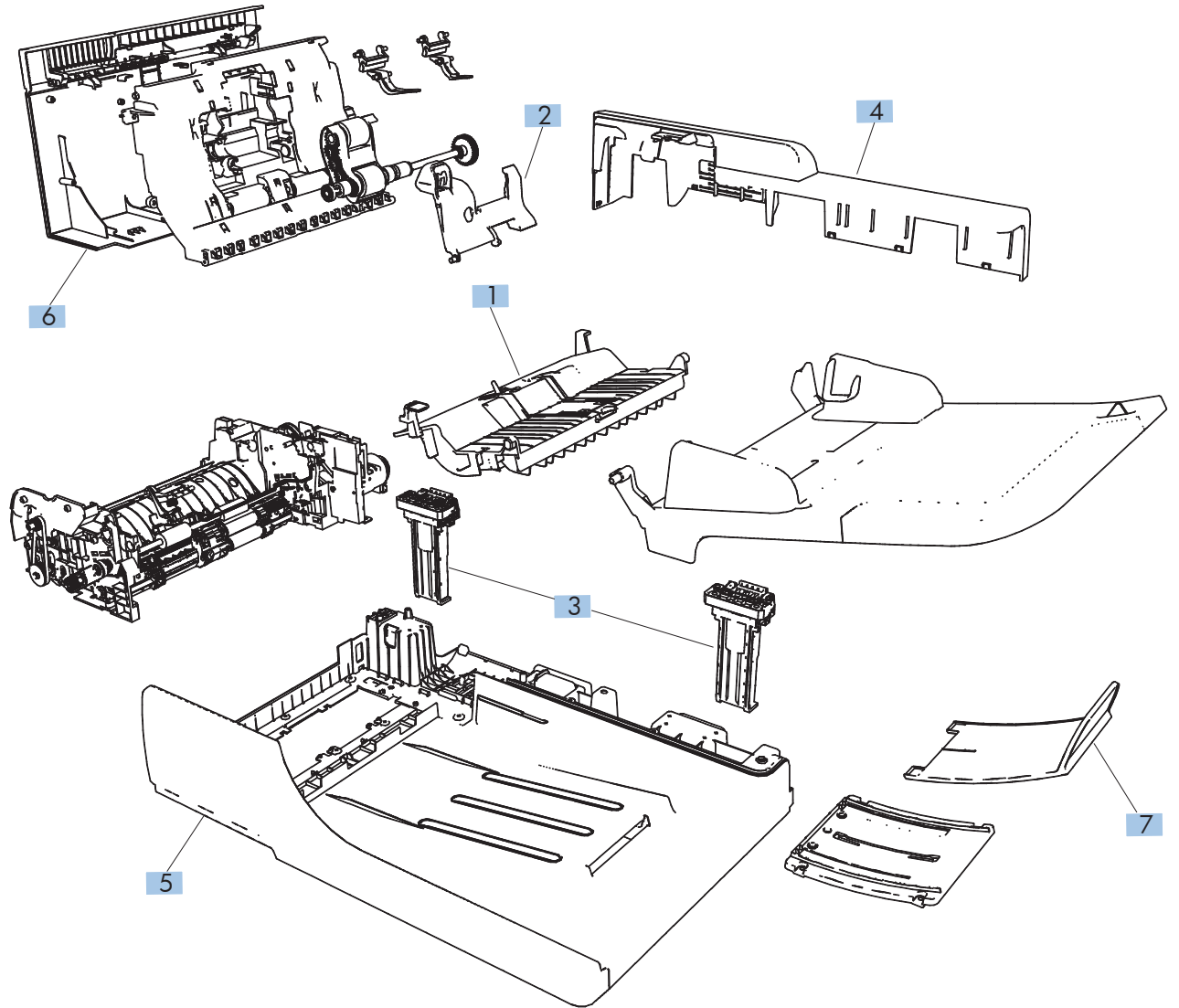


Table 2-12 Document feeder assemblies

Ref	Description	Part number	Qty
All shown	ADF Assembly (complete)	CC522-67923	1
1	ADF separation pad spring	5851-4879	1
2	ADF roller cover, A3	CQ819-40032	1
3	ADF hinge assembly	CQ819-60011	2
4	Cover, ADF rear	CQ819-40005	1
5	Cover, ADF front	CQ819-40003	1
6	Cover, hatch	CQ819-40004	1
7	ADF tray extender	Q7404-40020	1
Not shown	Photosensor	CC355-80014	1
Not shown	Width sensor PCA	CQ819-60022	1
Not shown	Media Stopper, Front	CC355-40046	1
Not shown	Media Stopper, rear	CC355-40047	1
Not shown	Kit, A3 ADF mylar	5851-4997	1
Not shown	Flag, media presence	CC355-40015	1

Scanner assemblies

Figure 2-10 Scanner assemblies

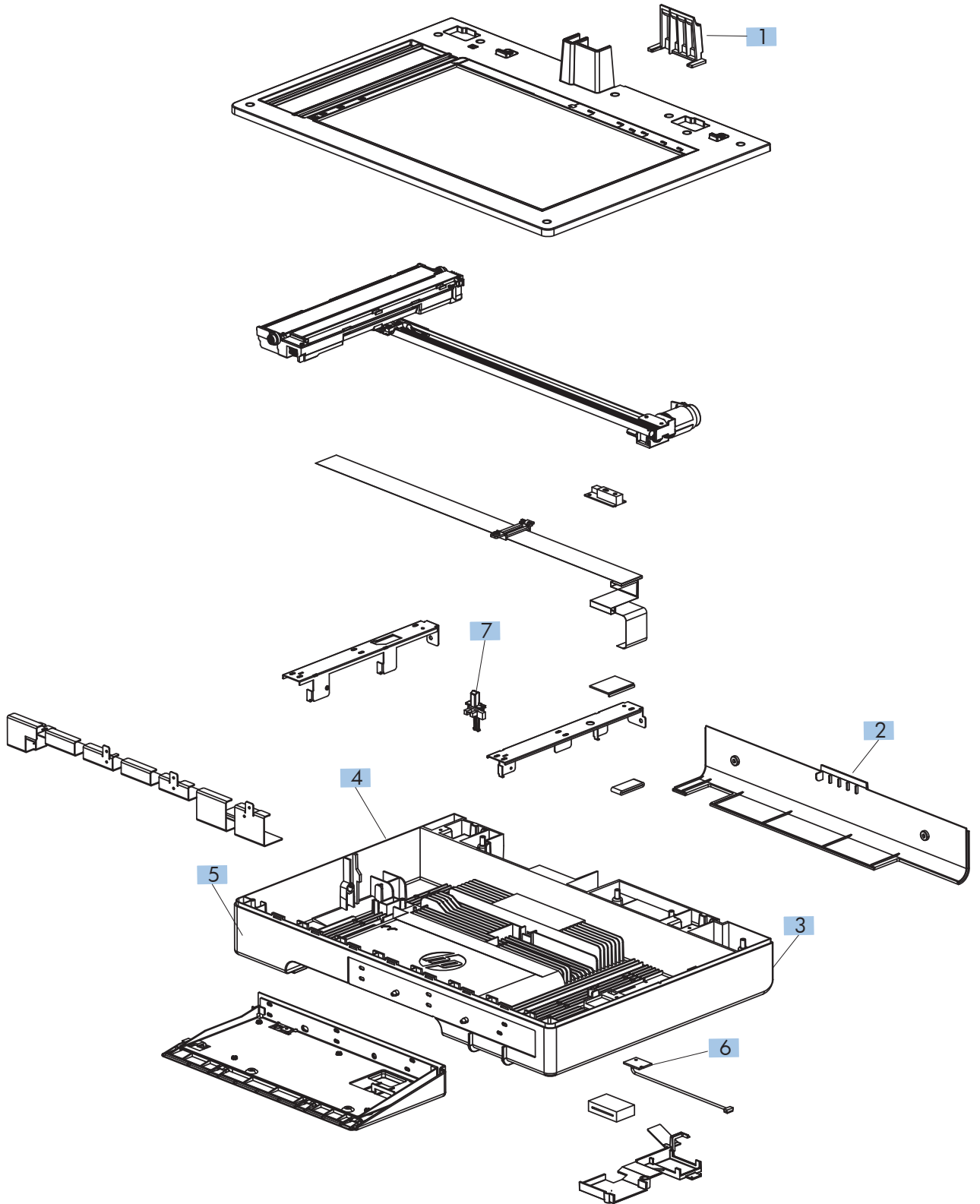


Table 2-13 Scanner assemblies

Ref	Description	Part number	Qty
All shown	Flatbed scanner Assy (complete) ¹	CC522-67922	1
1	Cover, ADF cable	CC522-40023	1
2	Cover, back scanner	CC522-40017	1
3	Cover, right scanner	CC522-40022	1
4	Cover, front scanner	CC522-40020	1
5	Cover, left scanner	CC522-40021	1
6	PCA, scanner memory	5851-4285	1
7	Flag, document feeder open sensor	CC522-40029	1
Not shown	Spring, document feeder sensor	CC522-80101	1

¹ Does not include the scan control board (SCB).

Scanner controller board (SCB)

Figure 2-11 Scanner controller board (SCB)

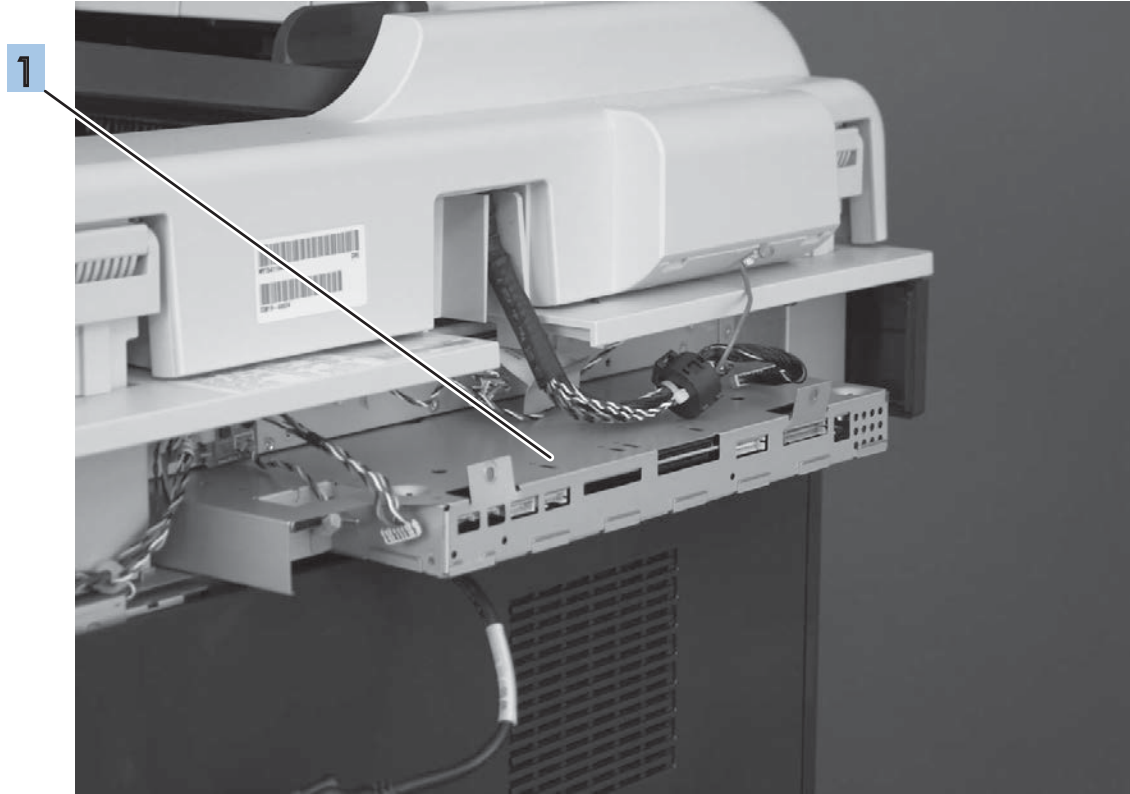


Table 2-14 Scanner controller board (SCB) assembly

Ref	Description	Part number	Qty
1	SCB, top Level Assembly	CC522-67931	1

Stapler/stacker assembly

Stapler/stacker covers

Figure 2-12 Stapler/stacker covers

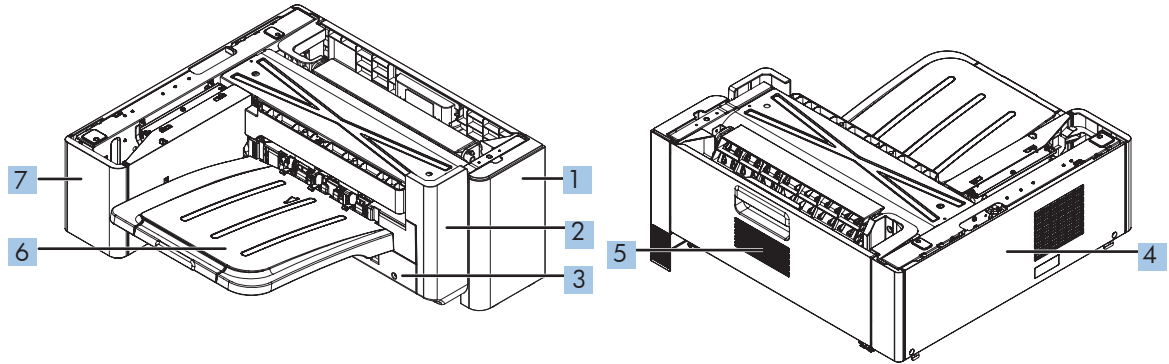


Table 2-15 Stapler/stacker covers

Ref	Description	Part number	Qty
1	Cover, front right	RC3-3324-000CN	1
2	Cover, front left	RC3-3325-000CN	1
3	Cover, left lower	RC3-3331-000CN	1
4	Cover, rear	RM1-9980-000CN	1
5	Door, right	RM1-9440-000CN	1
6	Output bin (tray assembly)	RM1-9443-000CN	1
7	Cover, left rear	RC3-3326-000CN	1
Not shown	Cover, front inner	RM1-9981-000CN	1
Not shown	Cover, stapler	RM1-9982-000CN	1
Not shown	Right door, lower guide assembly	RM1-9989-000CN	1
Not shown	Cover, right door cable, small	RC3-3323-000CN	1

Stapler/stacker components

Figure 2-13 Stapler/stacker components

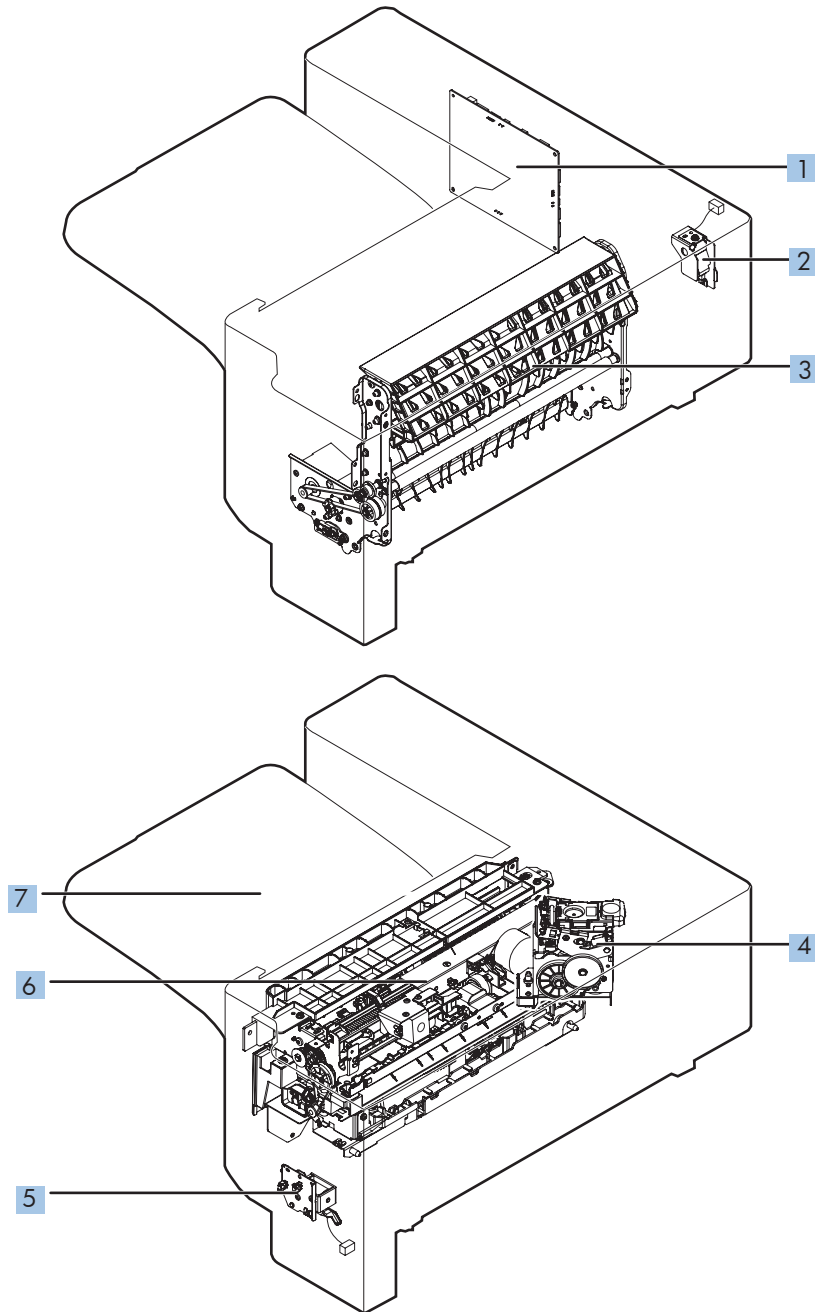


Table 2-16 Stapler/stacker components

Ref	Description	Part number	Qty
1	PCA, main controller	RM1-9459-000CN	1
2	Switch, door assembly	RM1-9445-000CN	1
3	Feed guide assembly	RM1-9441-000CN	1
4	Stapler assembly	RM1-9446-000CN	1
5	Solenoid, flapper assembly	RM1-9444-000CN	1
6	Operation assembly	RM1-9442-000CN	1
7	Tray assembly	RM1-9443-000CN	1
Not shown	Paper feed center guide assembly	RM1-9988-000CN	1

Covers

Figure 2-14 Covers

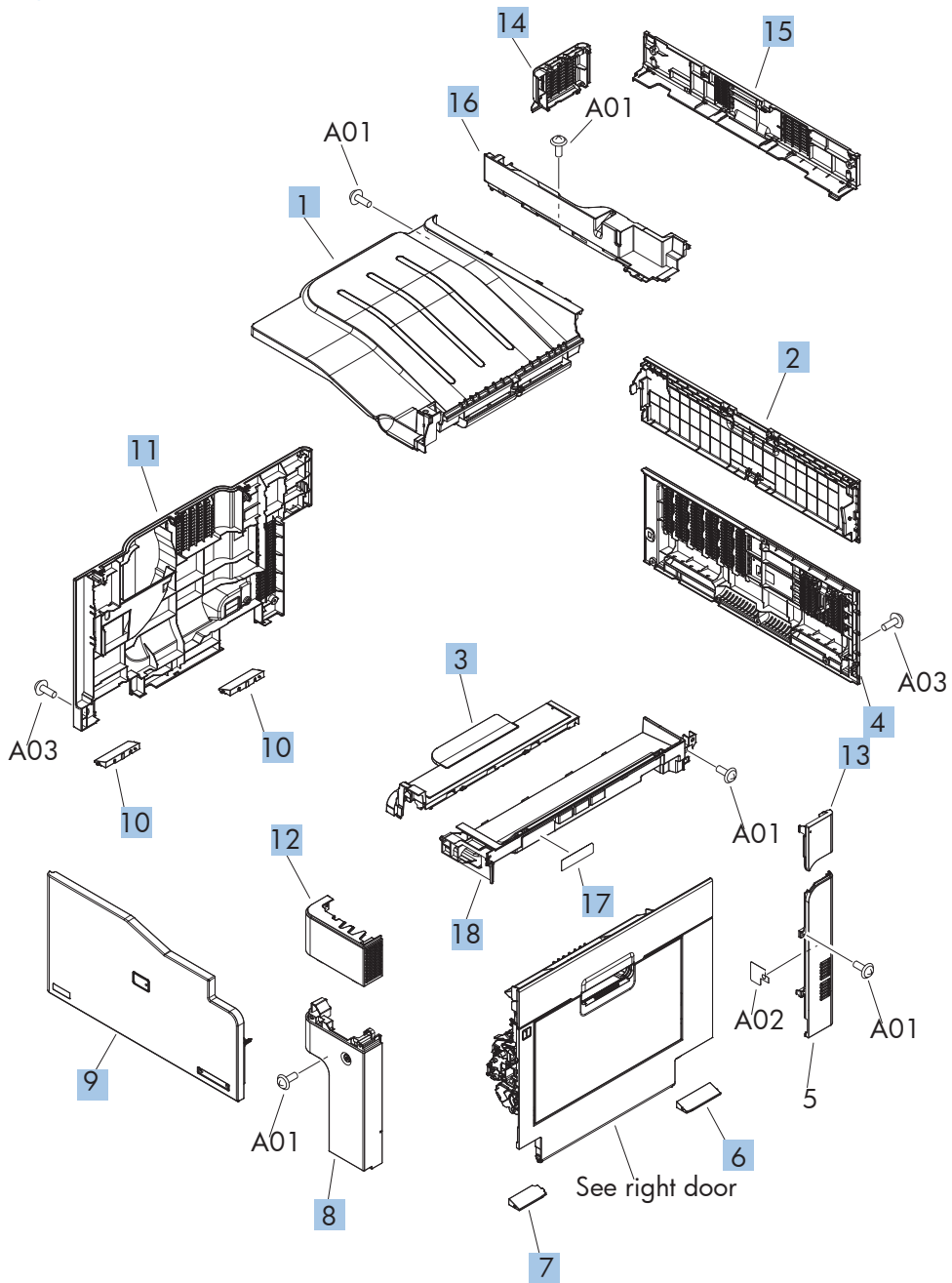


Table 2-17 Covers

Ref	Description	Part number	Qty
1	Cover, top	RM1-9358-000CN	1
2	Door, toner collection unit access	RC2-7034-000CN	1
3	Cover, delivery	RM1-9383-000CN	1
4	Cover, rear	RM1-9362-000CN	1
5	Cover, right rear	RM1-7142-000CN	1
6	Cover, handle, lower-right, rear	RC2-6626-000CN	1
7	Cover, handle, lower-right, front	RC2-6627-000CN	1
8	Cover, right front	RM1-9359-000CN	1
9	Kit, front cover assembly with HP jewel	CE707-67902	1
10	Cover, handle, lower-left	RC2-6625-000CN	2
11	Cover, left	RM1-9363-000CN	1
12	Cover, right upper	RC2-9155-000CN	1
13	Cover, right rear	RC2-9157-000CN	1
14	Cover, left rear	RC2-9158-000CN	1
15	Cover, rear upper	RC2-9160-000CN	1
16	Wall, inner	RC3-2321-000CN	1
17	Label, fixing (fuser) access	RC3-2334-000CN	1
18	Cover, right upper	RM1-9367-000CN	1

Right door

Figure 2-15 Right door

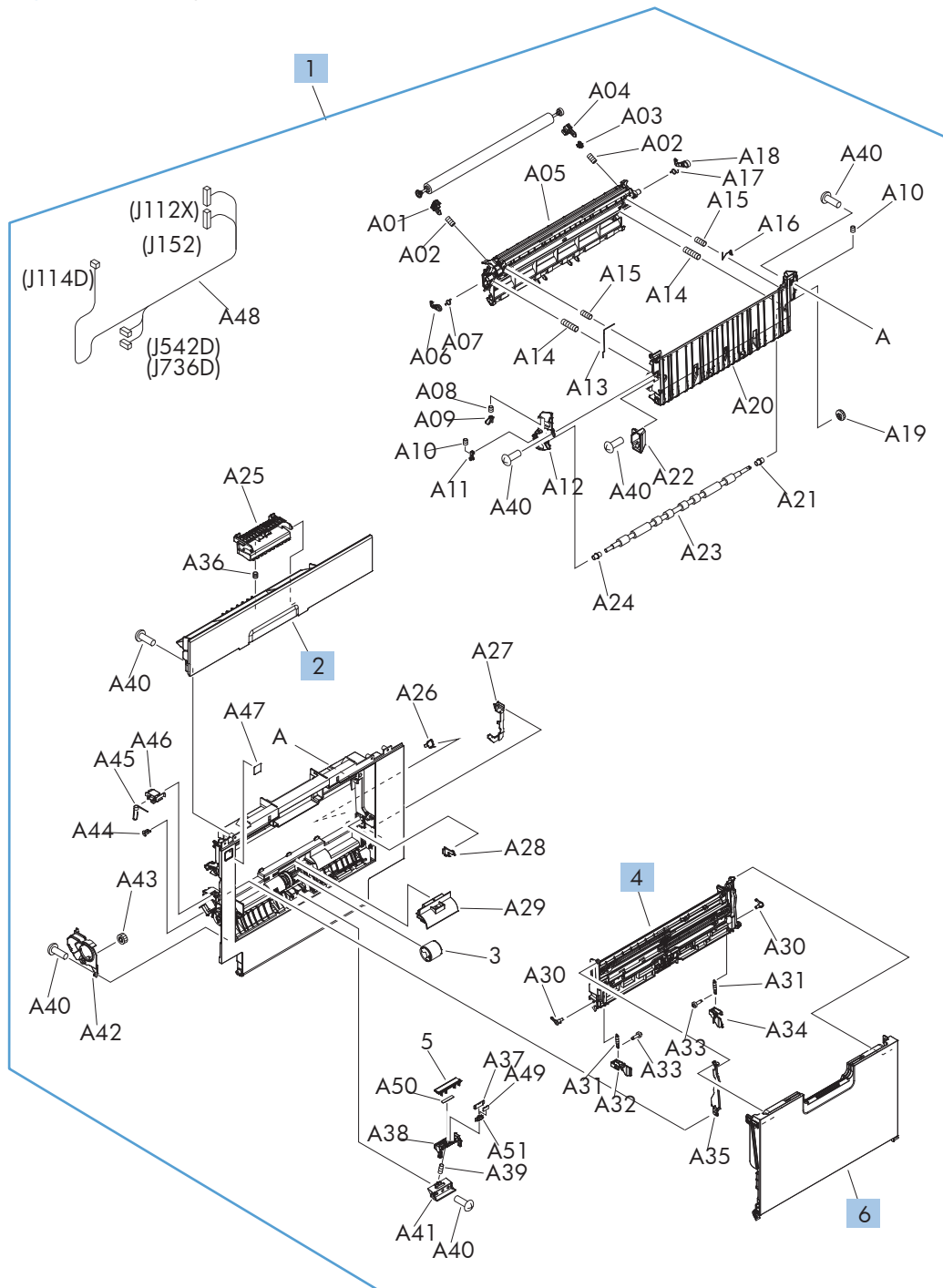


Table 2-18 Right door

Ref	Description	Part number	Qty
1	Door, right	RM1-9360-000CN	1
2	Cover, right upper	RM1-9361-000CN	1
4	MP (Tray 1) lifter plate assembly	RM1-9389-000CN	1
6	MP tray (Tray 1) assembly	RM1-6045-000CN	1

Internal assemblies

Internal assemblies (1 of 8)

Figure 2-16 Internal assemblies (1 of 8)

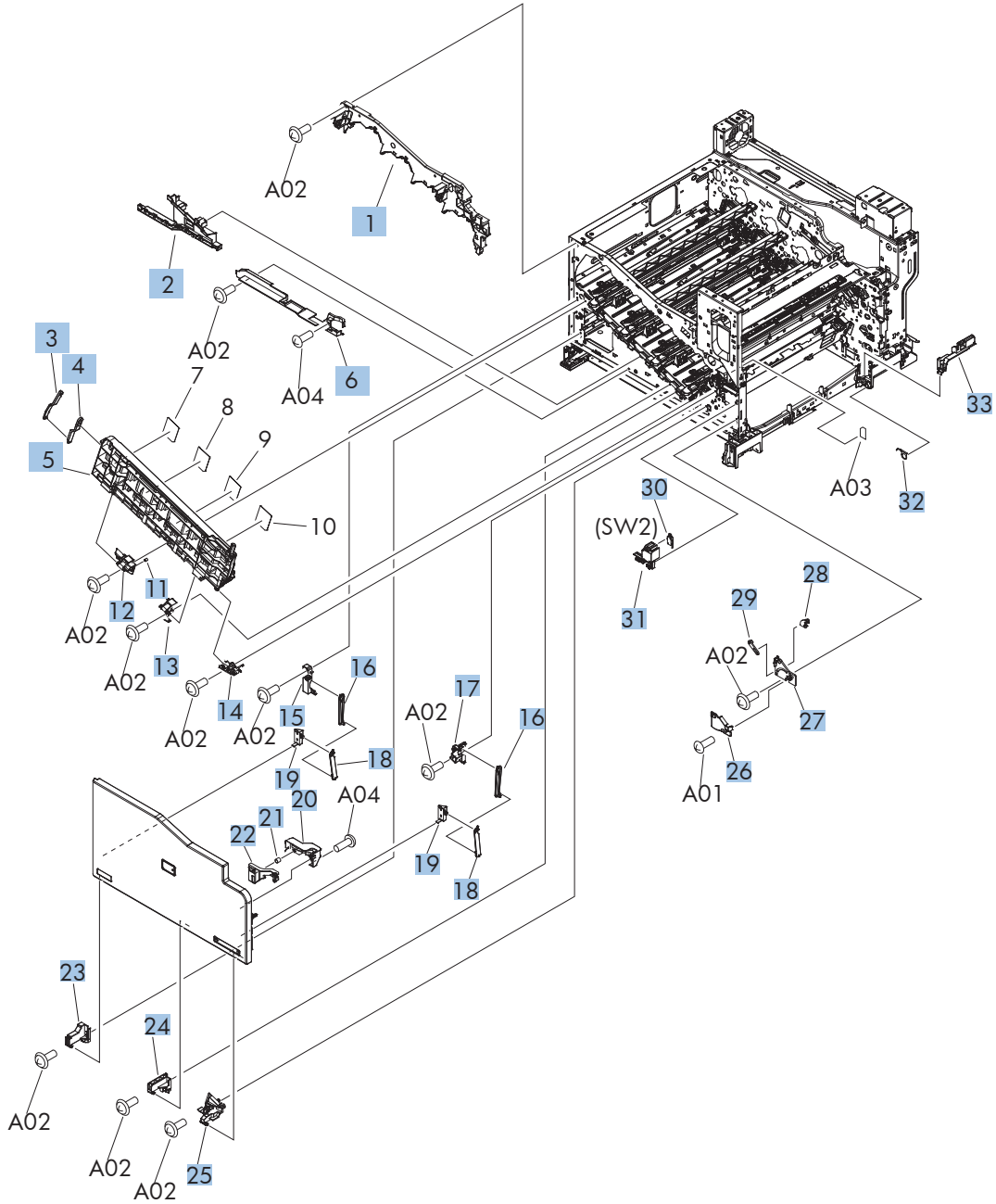


Table 2-19 Internal assemblies (1 of 8)

Ref	Description	Part number	Qty
1	Cartridge guide assembly, upper	RM1-5990-000CN	1
2	Duct, front	RC2-7300-000CN	1
3	Stopper, inner door, 1	RC2-6719-000CN	1
4	Stopper, inner door, 2	RC2-6736-000CN	1
5	Kit, door inner	CC522-67906	1
6	Cover, lower front	RC2-6737-000CN	1
11	Spring, grounding	RC2-7209-000CN	1
12	Hinge, inner door, left	RC2-6716-000CN	1
13	Hinge, inner door, right	RC2-6712-000CN	1
14	Rail, cartridge auxiliary	RC2-6724-000CN	1
15	Mount, cover arm, front	RC2-6735-000CN	1
16	Arm, front cover, 1	RC2-6732-000CN	2
17	Mount, inner door toggle	RC2-6717-000CN	1
18	Arm, front cover, 2	RC2-6733-000CN	2
19	Mount, stopper arm	RC2-6745-000CN	2
20	Mount, inner door rail	RC2-6743-000CN	1
21	Spring, compression	RU6-2721-000CN	1
22	Lever, inner door pressure	RC2-6744-000CN	1
23	Hinge, front cover, left	RC2-6713-000CN	1
24	Hinge, front cover, center	RC2-6738-000CN	1
25	Hinge, front cover, right	RC2-6715-000CN	1
26	Cover, guide	RC2-7204-000CN	1
27	Guide, arm, front	RC2-6632-000CN	1
28	Lever, push	RC2-7198-000CN	1
29	Lever, lift, 2	RC2-7200-000CN	1
30	Microswitch	WC4-5251-000CN	1
31	Holder, interlock switch	RC2-6689-000CN	1
32	Spring, leaf, grounding	RC2-7092-000CN	1
33	Cover, handle guide	RC2-6670-000CN	1

Internal assemblies (2 of 8)

Figure 2-17 Internal assemblies (2 of 8)

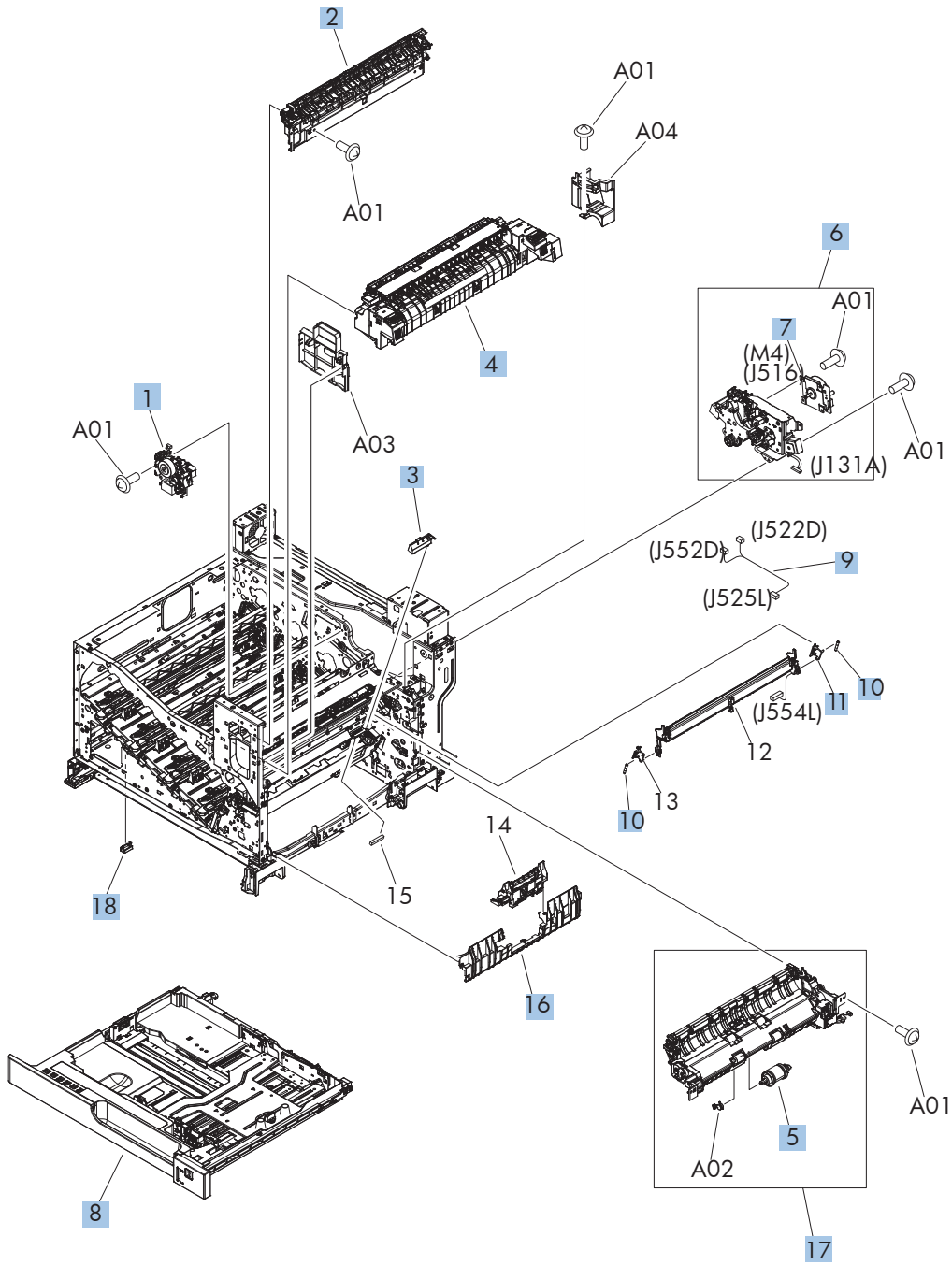


Table 2-20 Internal assemblies (2 of 8)

Ref	Description	Part number	Qty
1	Reverse drive assembly	RM2-0698-000CN	1
2	Paper delivery assembly	RM1-9377-000CN	1
3	Cover, cable, protective	RC2-6832-000CN	1
4	Kit, fuser replacement 110V	CC522-67904	1
4	Kit, fuser replacement 220V	CC522-67926	1
5	Kit, paper pick roller and separation roller	CC522-67927	1
6	Kit, fuser drive assembly	CE707-67904	1
7	Motor, fixing (fuser)	RM1-6074-000CN	1
8	Kit, Tray 2	CE522-67913	1
9	Cable, SB joint	RM1-6867-000CN	1
10	Spring, tension	RU6-2710-000CN	2
11	Support, frame	RC2-7197-000CN	1
12	Sensor, registration	RM1-7922-000CN	1
13	Support, frame	RC2-7196-000CN	1
15	Connector, snap tight, BK	VS1-7207-019CN	1
16	Guide, paper feed	RC2-7297-000CN	1
17	Paper pickup assembly (Tray 2)	CE522-67903	1
18	Cover, connector, lower	RC2-6642-000CN	1
Not shown	Guide	RC2-6551-000CN	1

Internal assemblies (3 of 8)

Figure 2-18 Internal assemblies (3 of 8)

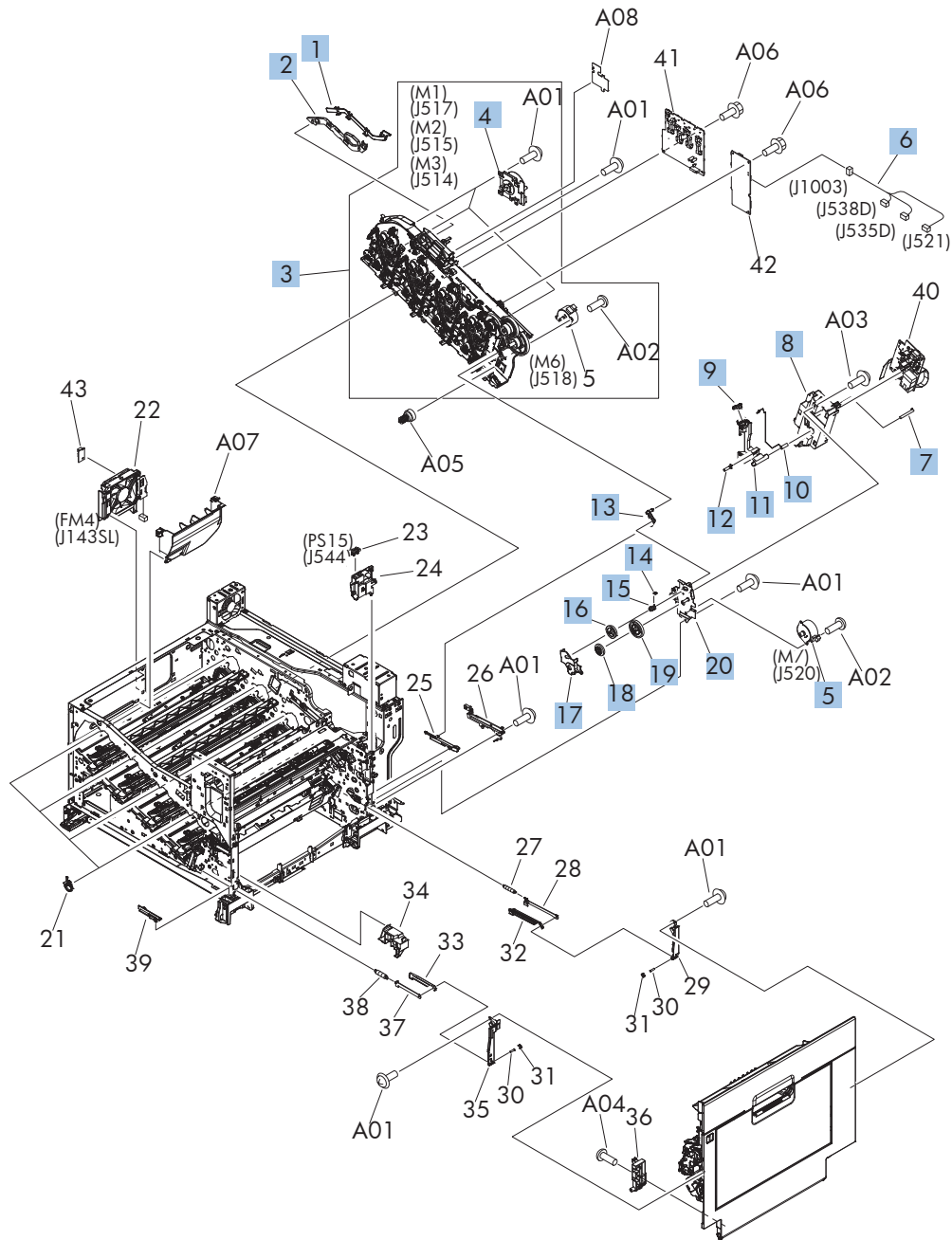


Table 2-21 Internal assemblies (3 of 8)

Ref	Description	Part number	Qty
1	Cover, main drive cable, lower	RC2-6574-000CN	1
2	Guide, main drive cable	RC2-6659-000CN	1
3	Kit, main drive assembly duplex	CE708-67901	1
4	Motor, DC	RM1-6088-000CN	3
5	Motor, DC stepping (M6, M7)	RK2-3298-000CN	2
6	Cable, feed joint	RM1-6846-000CN	1
7	Spring, grounding	RU6-2772-000CN	1
8	Holder, 2cnd transfer H.V.T.	RC2-6681-010CN	1
9	Cap, T2 contact	RC2-6691-000CN	1
10	Spring, contact	RU6-2771-000CN	2
11	Holder, 2cnd power dispatching	RC2-6682-000CN	1
12	Spring, grounding	RC2-6700-000CN	1
13	Link, ITB coupling release	RC2-6823-000CN	1
14	Spring, tension	RU6-2671-000	1
15	Hook, duplexing spring	RC2-6932-000CN	1
16	Gear, 25T	RU6-0771-000CN	1
17	Cover, duplexing gear	RC2-6931-000CN	1
18	Gear, 25T	RU6-0772-000CN	1
19	Gear, 74T	RU6-0773-000CN	1
20	Plate, duplexing drive gear	RL1-2266-000CN	1

Internal assemblies (4 of 8)

Figure 2-19 Internal assemblies (4 of 8)

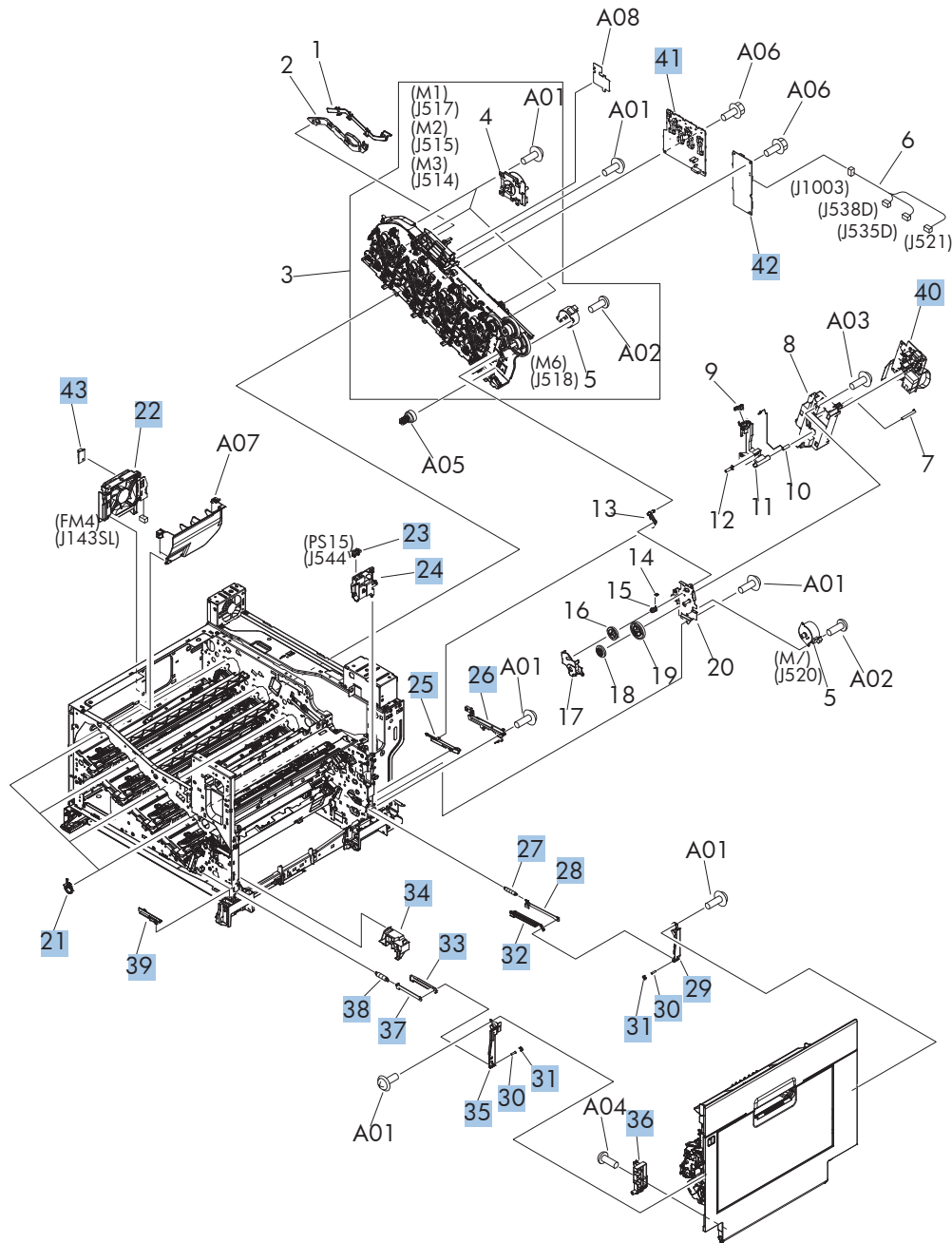


Table 2-22 Internal assemblies (4 of 8)

Ref	Description	Part number	Qty
21	Support, developing coupling	RC2-6811-000CN	4
22	Cartridge fan (FM4)	RM1-9364-000CN	1
23	Photointerrupter	WG8-5935-000CN	1
24	Holder, door detect, right	RC3-4687-000CN	1
25	Arm, ITB coupling release	RC2-6824-000CN	1
26	Rail, door link, rear lower	RC2-6635-000CN	1
27	Spring, tension	RU6-2744-000CN	1
28	Plate, right door link, rear	RC2-7273-000CN	1
29	Plate, right door link fixed, RR	RL1-2282-000CN	1
30	Shaft, right door link	RU5-4979-000CN	2
31	Lock, door link, right	RC2-7234-000CN	2
32	Link, right door, 2 rear	RC2-7236-000CN	1
33	Link, right door, 2 front	RC2-7233-010CN	1
34	Duct, joint	RC2-8360-000CN	1
35	Plate, right door link fixed, FR	RL1-2281-000CN	1
36	Hinge, right door, front	RC2-7094-000CN	1
37	Plate, right door link fixed, front	RC2-7272-010CN	1
38	Spring, tension	RU6-2727-000CN	1
39	Rail, door link, front lower	RC2-6634-000CN	1
40	PCA, 2cnd transfer H.V.P.	RM1-6802-000CN	1
41	PCA, 1st transfer H.V.P.	RM1-7004-000CN	1
42	PCA, driver	RM1-8899-000CN	1
43	Sensor, environmental PCA	RK2-2884-000CN	1

Internal assemblies (5 of 8)

Figure 2-20 Internal assemblies (5 of 8)

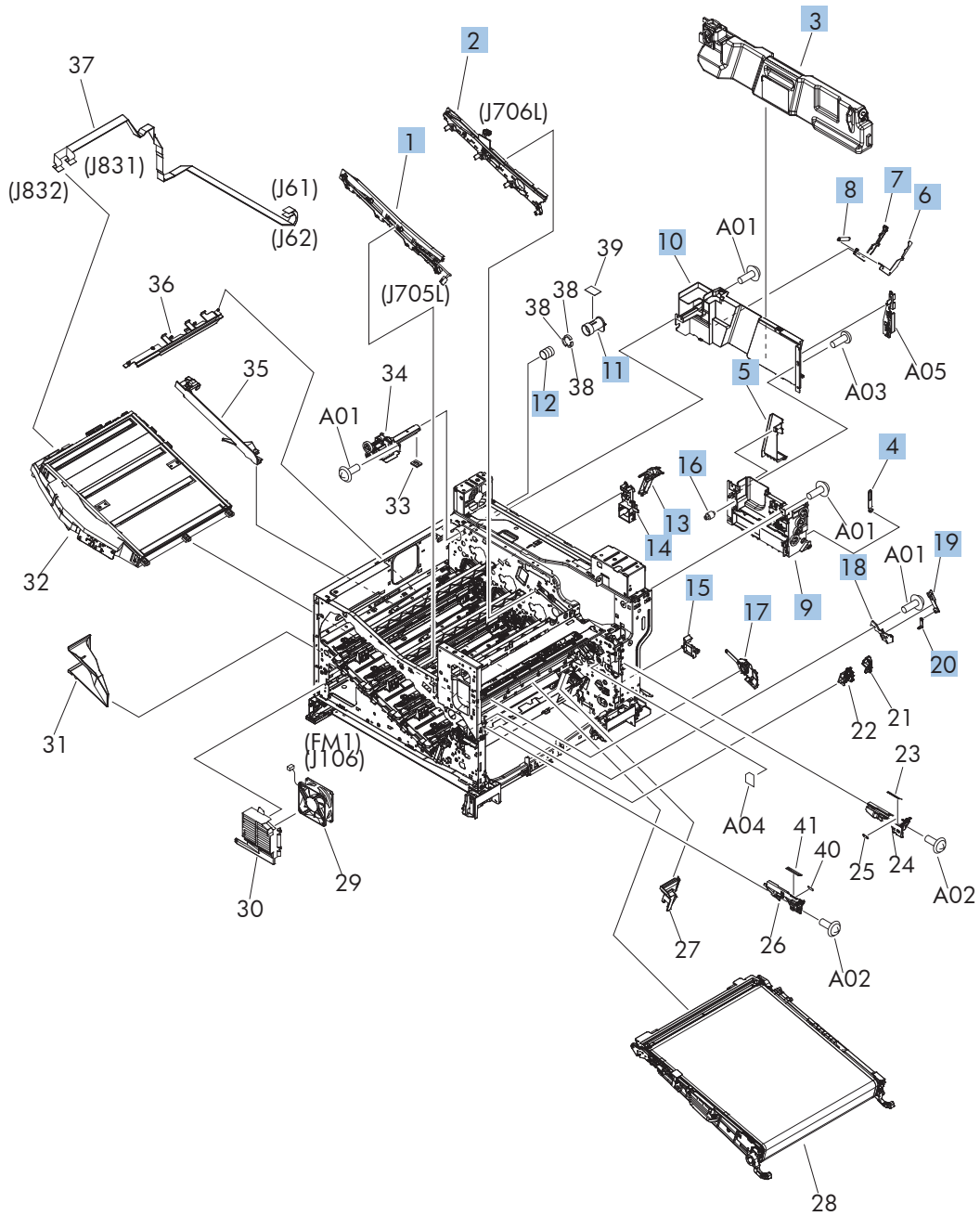


Table 2-23 Internal assemblies (5 of 8)

Ref	Description	Part number	Qty
1	ITB guide rail assembly	RM1-6018-000CN	1
2	ITB guide rail assembly, R1	RM1-6037-000CN	1
3	Kit, toner collection unit (TCU)	CE980-67901	1
4	Arm, waste toner, left	RC2-7035-000CN	1
5	Cover, waster toner, 3	RC2-6963-000CN	1
6	Plate, arm reinforcement	RC2-9649-000CN	1
7	Arm, waste toner, right	RC2-7036-000CN	1
8	Spring, tension	RU6-2831-000CN	1
9	Cover, waste toner	RM1-6012-000CN	1
10	Cover, waste toner 2	RC2-6962-000CN	1
11	Shutter, exhaust	RC2-7010-000CN	1
12	Spring, compression	RU6-2683-000CN	1
13	Guide, fixing (fuser) AC cable	RC2-6693-000CN	1
14	Guide, LVT cable	RC2-6662-000CN	1
15	Clamp, edge	RC2-6663-000CN	1
16	Gear, link worm	RU6-0795-000CN	1
17	ITB guide rail	RM1-6019-000CN	1
18	Guide, slide	RC2-7203-000CN	1
19	Slider, push	RC2-7201-000CN	1
20	Lever, lift 1	RC2-7199-000CN	1

Internal assemblies (6 of 8)

Figure 2-21 Internal assemblies (6 of 8)

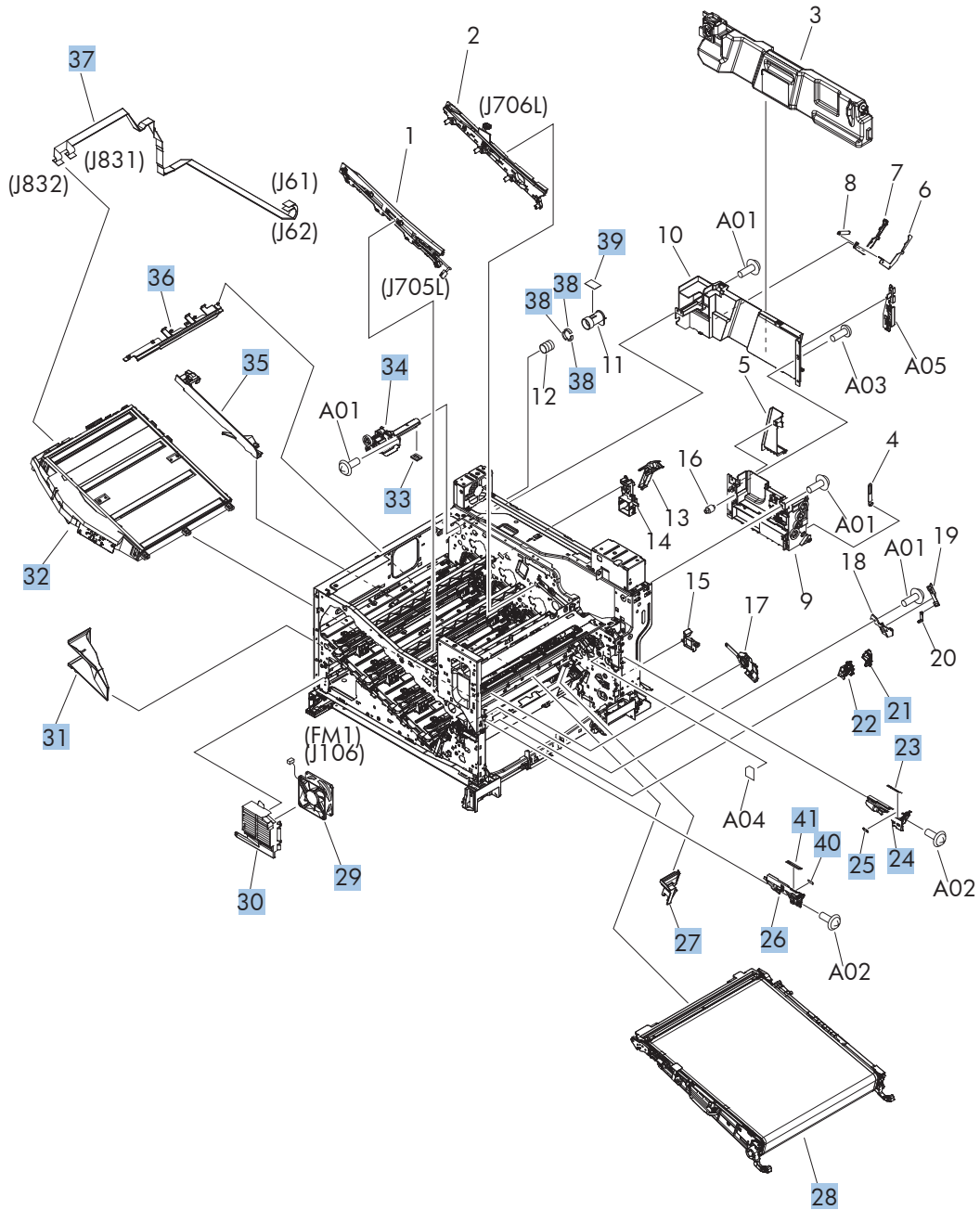


Table 2-24 Internal assemblies (6 of 8)

Ref	Description	Part number	Qty
21	Cover, main crossmember cable	RC2-6650-000CN	1
22	Guide, main crossmember cable	RC2-6600-000CN	1
23	Label, ITB set, RH	RU5-8807-000CN	1
24	Rail, ITB guide	RC2-7185-000CN	1
25	Label, ITB set, RV	RU5-8805-000CN	1
26	Rail, ITB guide, F3	RC2-7193-000CN	1
27	Guide, inside cable	RC2-6589-000CN	1
28	Kit, intermediate transfer belt (ITB) repair	CC522-67911	1
29	Fan (FM1; power supply)	RK2-2276-000CN	1
30	Holder, power supply fan	RC2-7299-000CN	1
31	Duct, fan, 1	RC2-8388-000CN	1
32	Laser/scanner assembly	RM1-6122-070CN	1
33	Seal, toner supporter guide	RC2-7018-000CN	1
34	Toner feed assembly	RM1-6040-010CN	1
35	Guide, laser	RC2-6628-000CN	1
36	Holder, flexible flat cable (FFC)	RC2-6655-000CN	1
37	FFC assembly	RM1-6804-000CN	1
38	Seal, slide shutter	RC3-1014-000CN	3
39	Sheet, slide seal	RC3-1013-000CN	1
40	Label, ITB insert, FV	RU5-8804-000CN	1
41	Label, ITB insert, FH	RU5-8806-000CN	1
Not shown	Lock plate, front	RL1-2235-000CN	1
Not shown	Lock plate, 2cnd transfer	RL1-2236-000CN	1
Not shown	Spring, torsion	RU6-2670-000CN	2

Internal assemblies (7 of 8)

Figure 2-22 Internal assemblies (7 of 8)

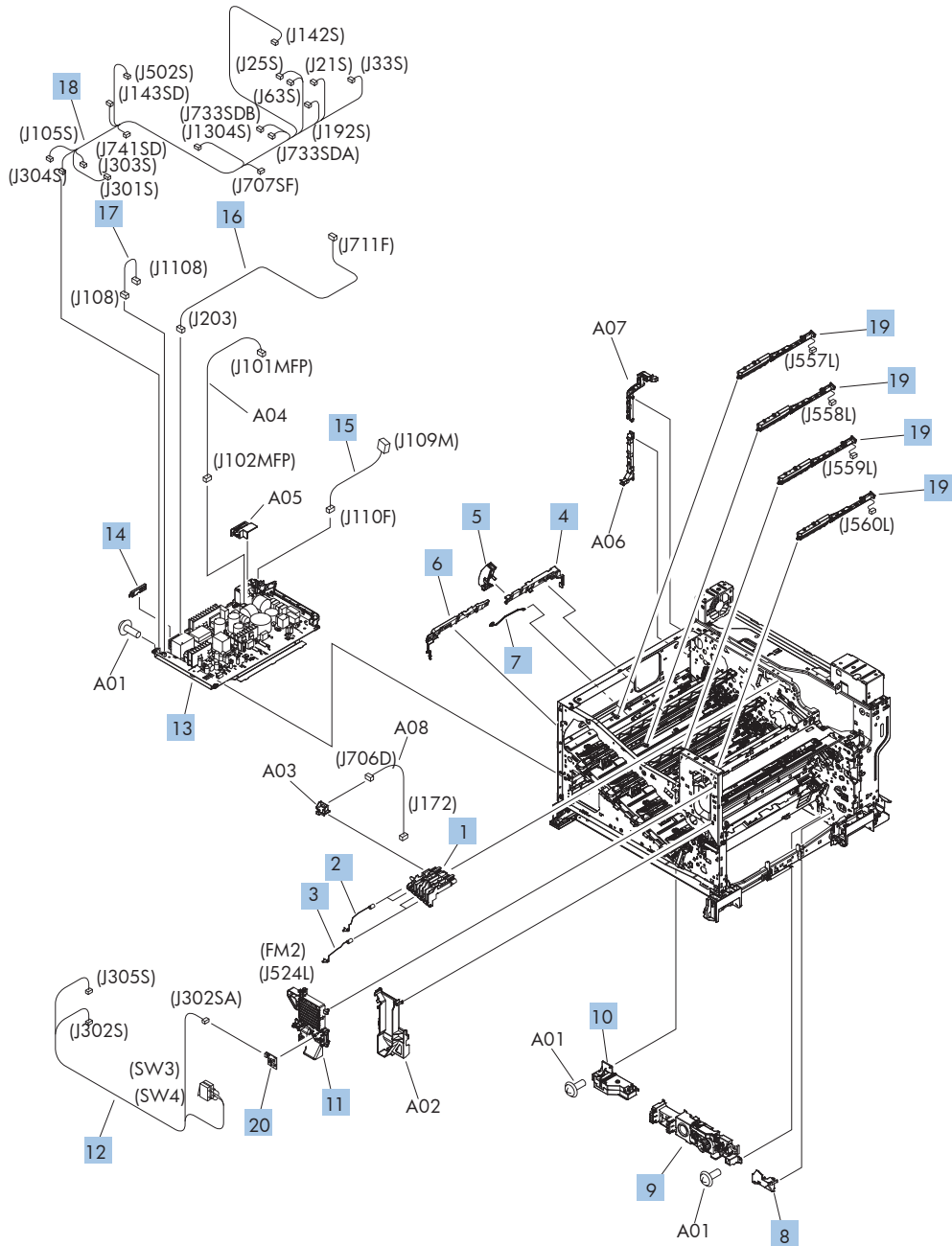


Table 2-25 Internal assemblies (7 of 8)

Ref	Description	Part number	Qty
1	Holder, 1st transfer power dispatching	RC2-6680-000CN	1
2	Spring, contact	RU6-2767-000CN	2
3	Spring, contact	RU6-2768-000CN	1
4	Guide, crossmember cable, rear	RC2-6588-000CN	1
5	Stopper, laser	RC2-6646-000CN	1
6	Guide, crossmember cable, front	RC2-6587-000CN	1
7	Spring, rod	RC2-6611-000CN	1
8	Cover, cable, right rear	RC2-8424-000CN	1
9	Lifter drive assembly (M5)	RM1-6039-000CN	1
10	Auto close assembly	RM1-6036-000CN	1
11	Duplexing fan (FM2)	RM1-9365-000CN	1
12	Cable assembly, switch	RM1-8903-000CN	1
13	Low-voltage power supply (110V-127V)	RM1-8895-000CN	1
13	Low-voltage power supply (220V-2450V)	RM1-8896-000CN	1
14	Guide, cable	RC3-0684-000CN	1
15	Cable, low-voltage AC joint	RM1-6811-000CN	1
16	Cable, low voltage	RM1-6807-000CN	1
17	Cable, low voltage, test	RM1-6813-000CN	1
18	Cable assembly, left	RM1-8901-000CN	1
19	Toner remanet detect PCA	RM1-6779-000CN	4
20	Power switch PCA	RM1-6759-000CN	1

Internal assemblies (8 of 8)

Figure 2-23 Internal assemblies (8 of 8)

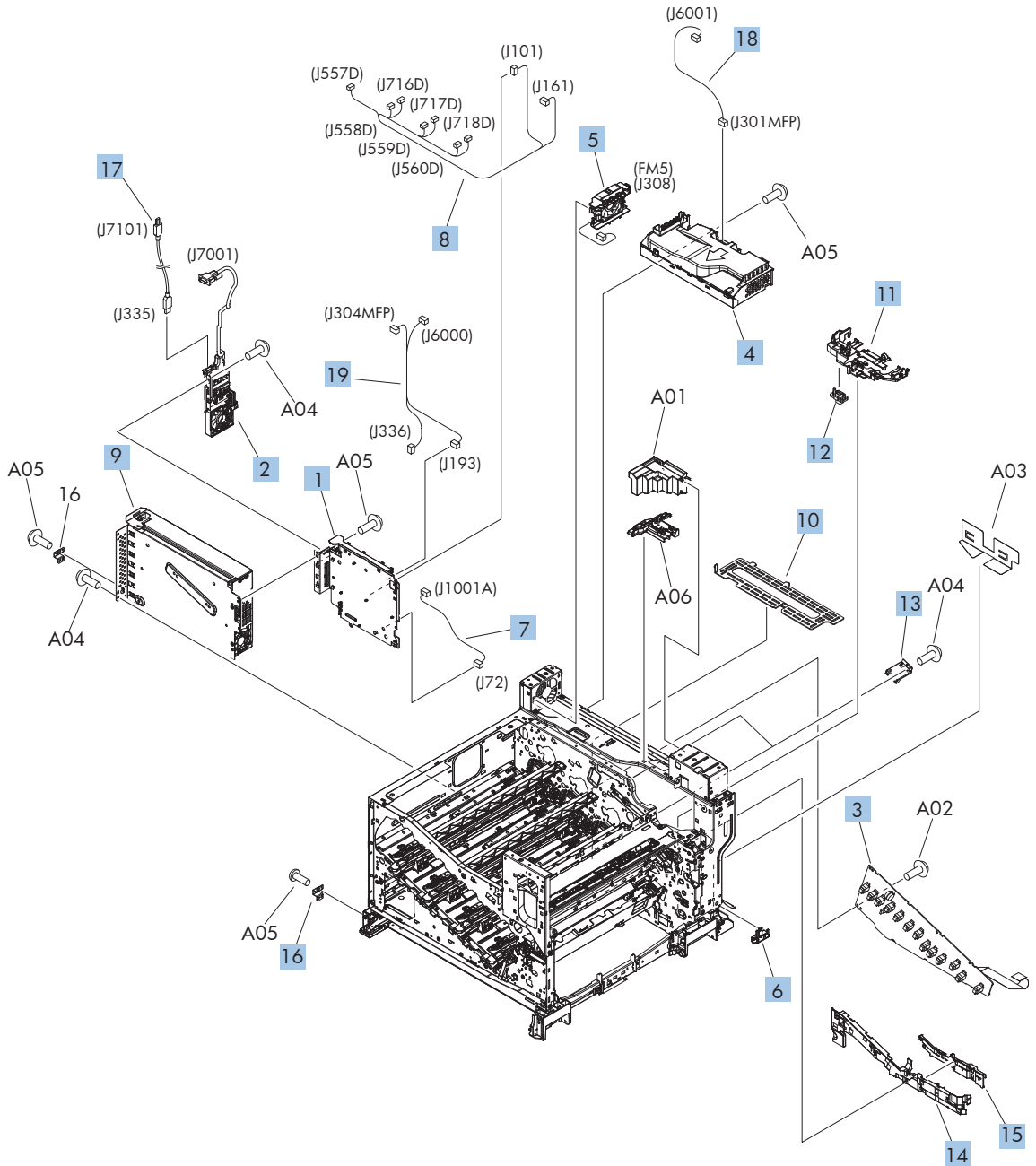


Table 2-26 Internal assemblies (8 of 8)

Ref	Description	Part number	Qty
1	DC controller PCA	RM1-9371-000CN	1
2	Interconnect PCA (ICB) (inner connecting PCA)	RM1-9368-000CN	1
3	Imaging high-voltage PCA assembly	RM1-6800-000CN	1
4	Sub power supply	RM1-9366-000CN	1
5	Sub power supply fan (FM5)	RM1-9384-000CN	1
6	Guide, DC controller, support cable	RC2-6665-000CN	1
7	Cable, 1st transfer	RM1-6822-000CN	1
8	Cable, rear	RM1-6863-000CN	1
9	Formatter cage	RM1-9382-000CN	1
Not shown	Kit, formatter replacement PCA	CC522-67901	1
10	Plate, FFC protective	RC2-9687-000CN	1
11	Holder, paper pickup connector	RC2-6638-000CN	1
12	Connector, 8P	VS1-7514-008CN	1
13	Plate, box pillar	RC2-6673-000CN	2
14	Guide, imaging H.V.T. cable	RC2-6661-000CN	1
15	Cover, imaging H.V.T. cable	RC2-6573-000CN	1
16	Crossmember, cover, left	RC2-6760-000CN	2
17	Cable, USB	RK2-4329-000CN	1
18	Cable assembly, sub power supply	RM1-8905-000CN	1
19	Cable assembly, stacker	RM1-8906-000CN	1

1x500-sheet paper feeder

1x500-sheet paper feeder covers

Figure 2-24 1x500-sheet paper feeder covers

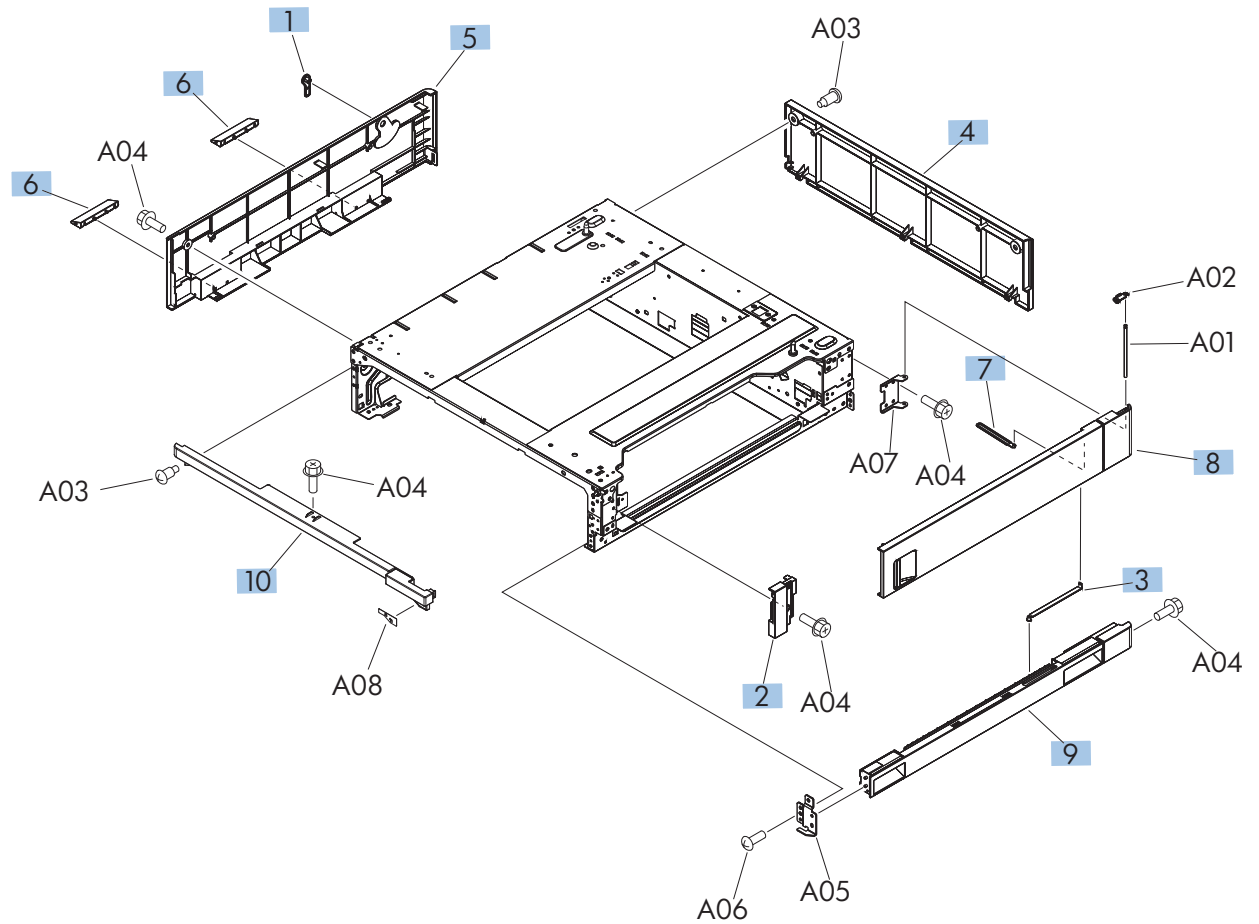


Table 2-27 1x500-sheet paper feeder covers

Ref	Description	Part number	Qty
1	Handle, lock, rear	RC2-9303-000CN	1
2	Cover, right front	RC2-9320-000CN	1
3	Link, right door, lower	RC2-9327-000CN	1
4	Cover, rear	RC2-9330-000CN	1
5	Cover, left	RC2-9331-000CN	1
6	Cover, handle lower	RC2-9332-000CN	2
7	Link, right door, upper	RC2-9335-000CN	1
8	Right door assembly	RM1-6946-000CN	1
9	Right lower cover assembly	RM1-6948-000CN	1
10	Front upper cover assembly	RM1-6949-000CN	1

1x500-sheet paper feeder components

Figure 2-25 1x500-sheet paper feeder components

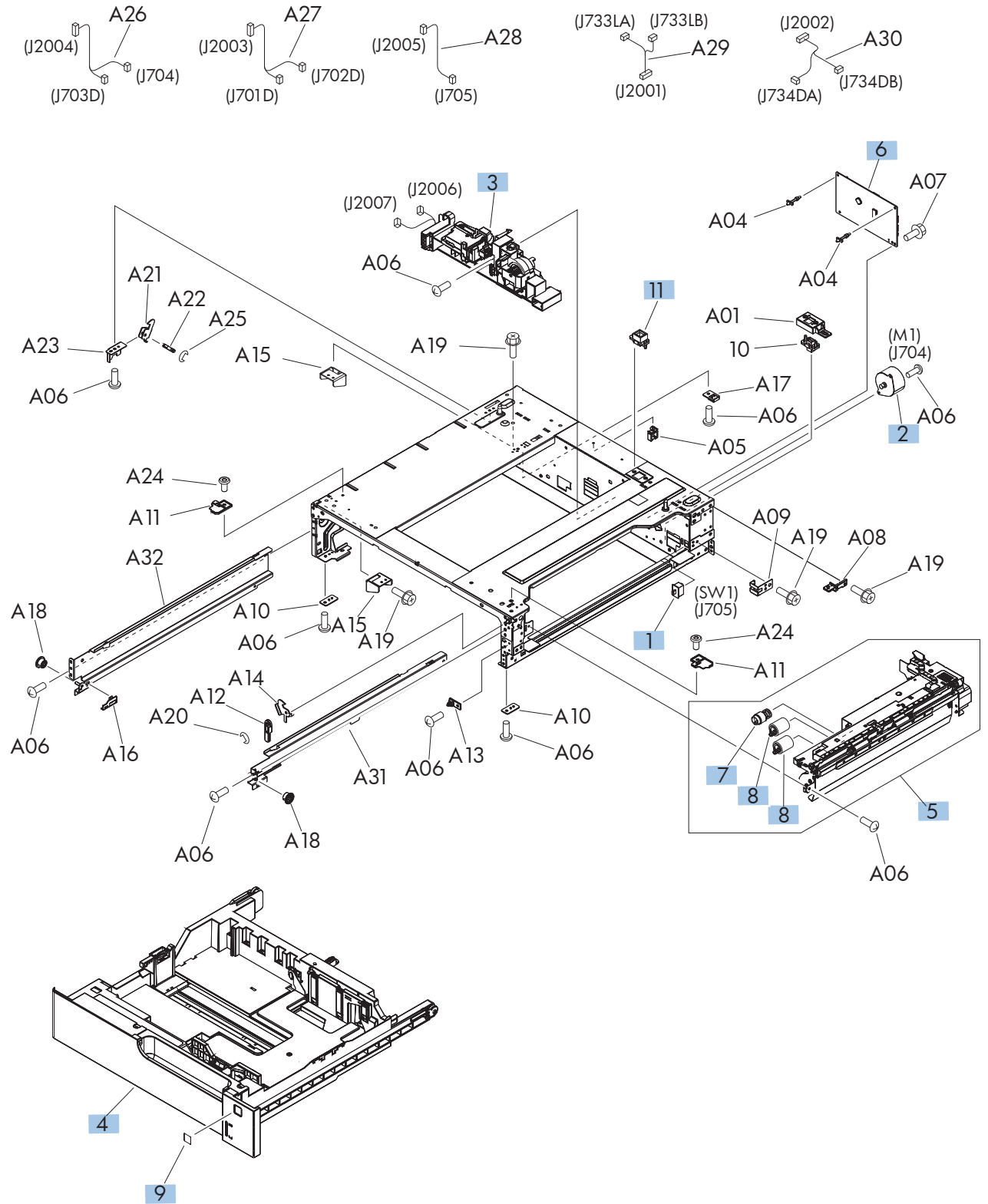


Table 2-28 1x500-sheet paper feeder components

Ref	Description	Part number	Qty
1	Switch, button	WC2-5512-000CN	1
2	Motor, stepping, DC	RK2-1331-000CN	1
3	Lifter drive assembly	RM1-3819-000CN	1
4	Tray 3 - 6 (1x500, 1x500 w/stand, 3x500)	CC522-67914	1
5	Paper pickup assembly	RM1-6944-000CN	1
6	Paper feeder controller PCA	RM1-6987-000CN	1
7	Kit, roller pickup ¹	CC522-67909	1
8	Kit, feed roller assembly ¹	CC522-67909	1
9	Label, cassette number	CE707-00001	1
11	Connector, 8P	VS1-7514-008CN	1

¹ This service kit contains four pickup and four feed rollers.

1x500-sheet and 3x500-sheet paper deck

1x500-sheet and 3x500-sheet paper deck covers

Figure 2-26 1x500-sheet and 3x500-sheet paper deck covers

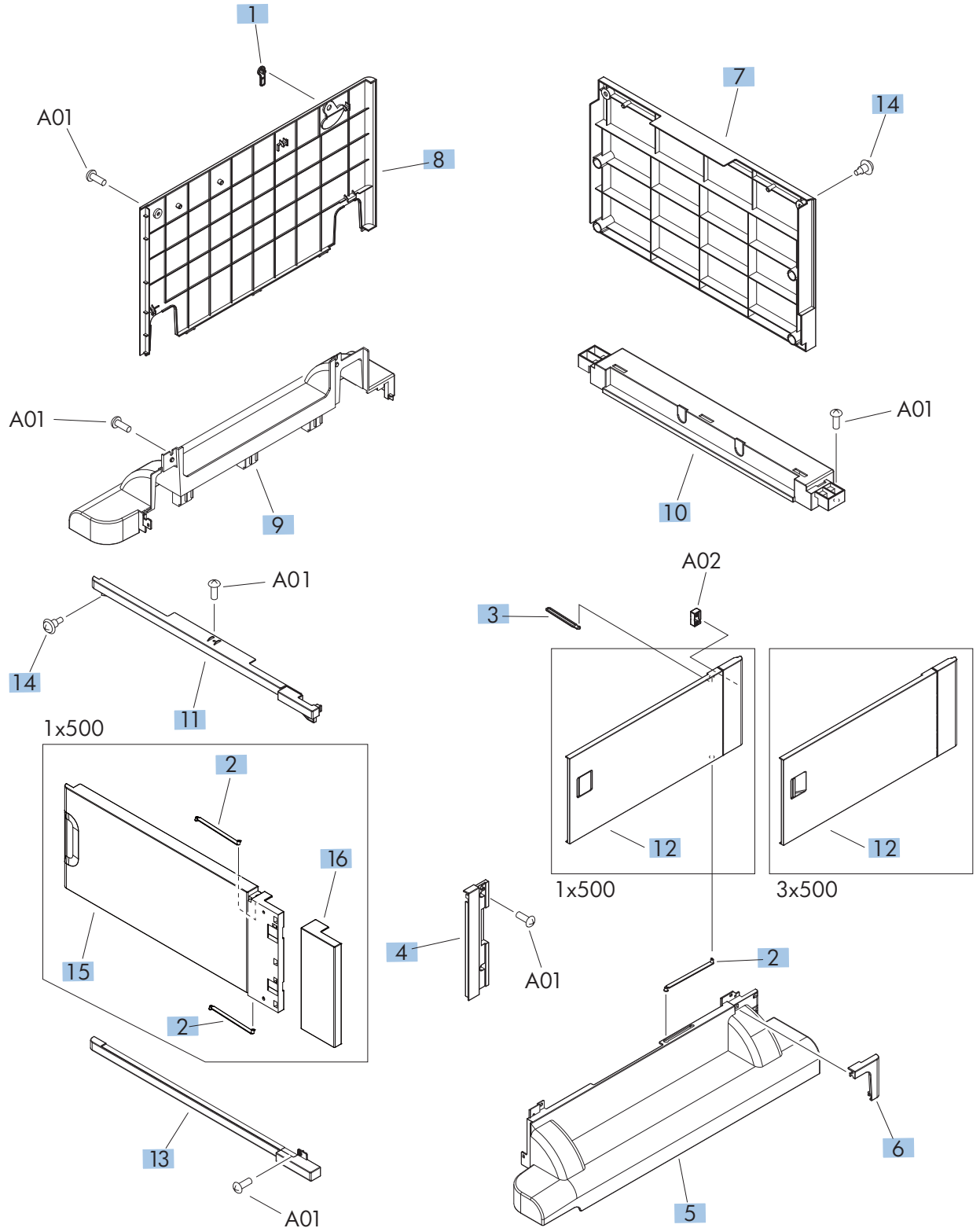


Table 2-29 1x500-sheet and 3x500-sheet paper deck covers

Ref	Description	Part number	Qty
1	Handle, lock, rear	RC2-9303-000CN	1
2	Link, right door, lower	RC2-9327-000CN	3
3	Link, right door, upper	RC2-9335-000CN	1
4	Cover, right corner	RC2-9343-000CN	1
5	Cover, right lower, 1	RC2-9346-000CN	1
6	Cover, right lower, 2	RC2-9347-000CN	1
7	Cover, rear	RC2-9348-000CN	1
8	Cover, left	RC2-9349-000CN	1
9	Cover, left lower	RC2-9350-000CN	1
10	Cover, rear lower	RC2-9357-000CN	1
11	Front upper cover assembly	RM1-6949-000CN	1
12	Right door assembly (1x500 paper deck)	RM1-6952-000CN	1
12	Right door assembly (3x500 paper deck)	RM1-6953-000CN	1
13	Front lower cover assembly	RM1-6958-000CN	1
14	Screw, stepped	RU5-9056-000CN	3
15	Door, stock, 1 (1x500 paper deck only)	RC2-9353-000CN	1
16	Door, stock, 2 (1x500 paper deck only)	RC2-9354-000CN	1

1x500-sheet paper deck components

Figure 2-27 1x500-sheet paper deck components

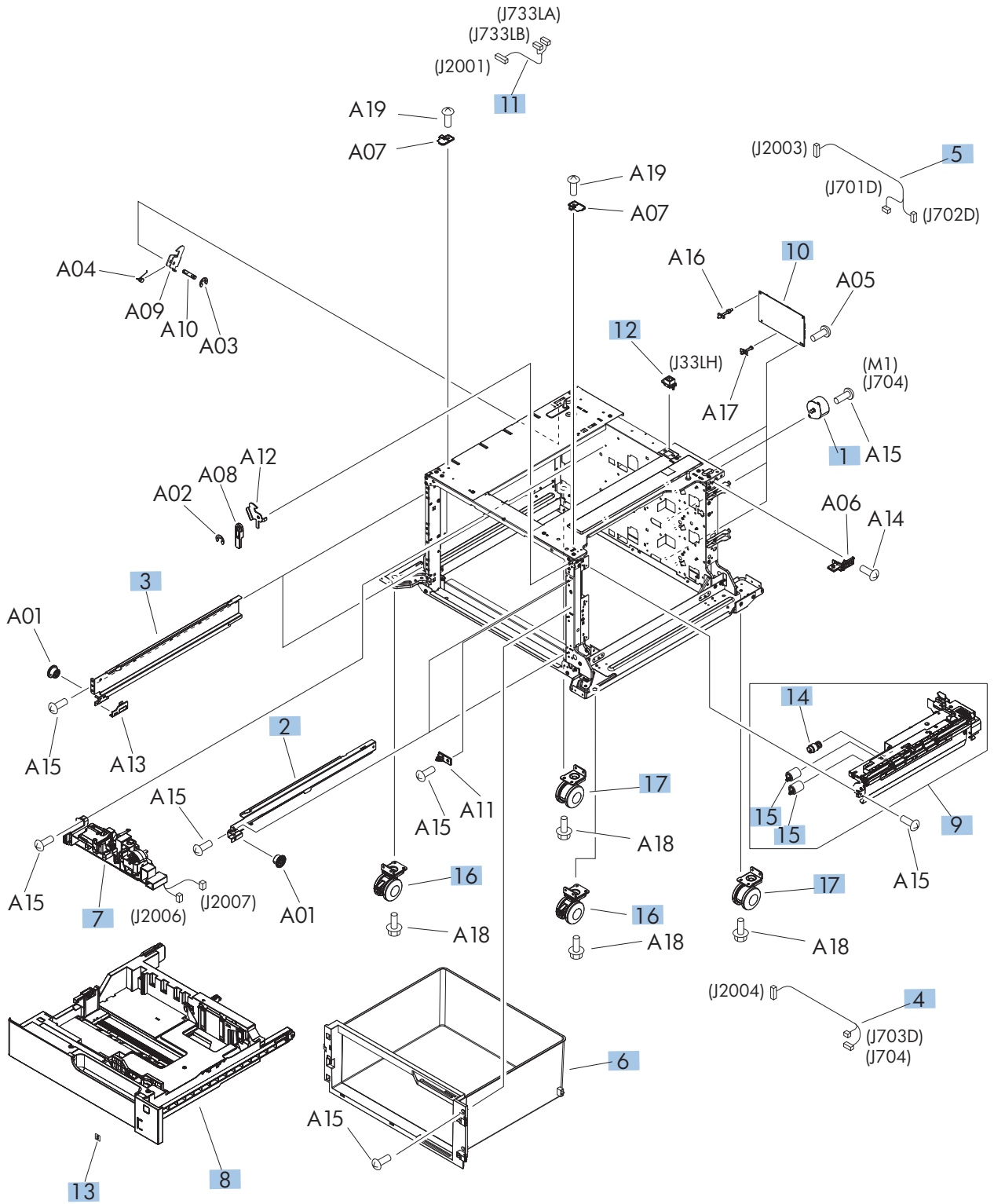


Table 2-30 1x500-sheet paper deck components

Ref	Description	Part number	Qty
1	Motor, stepping, DC	RK2-1331-000CN	1
2	Rail, cassette, right	RL1-1390-000CN	2
3	Rail, cassette, left	RL1-1391-000CN	2
4	Cable, paper pickup option	RM1-3575-000CN	1
5	Cable, multisensor	RM1-3647-000CN	1
6	Stock box assembly	RM1-6954-000CN	1
7	Lifter drive assembly	RM1-3819-000CN	1
8	Tray 3 - 6 replacement	CC522-67914	1
9	Paper pickup assembly ¹	RM1-6944-000CN	1
10	Feeder PCA	RM1-6988-000CN	1
11	Cable, engine interface	RM1-6991-000CN	1
12	Connector, 8P	VS1-7500-008CN	1
14	Kit, pickup roller ¹	CC522-67909	1
15	Kit, pickup and feed roller ¹	CC522-67909	1
16	Caster, double lock, front	RC1-9896-000CN	2
17	Caster, rear	RC3-2994-000CN	2

¹ This service kit contains four pickup and four feed rollers.

3x500-sheet paper deck components

Figure 2-28 3x500-sheet paper deck components

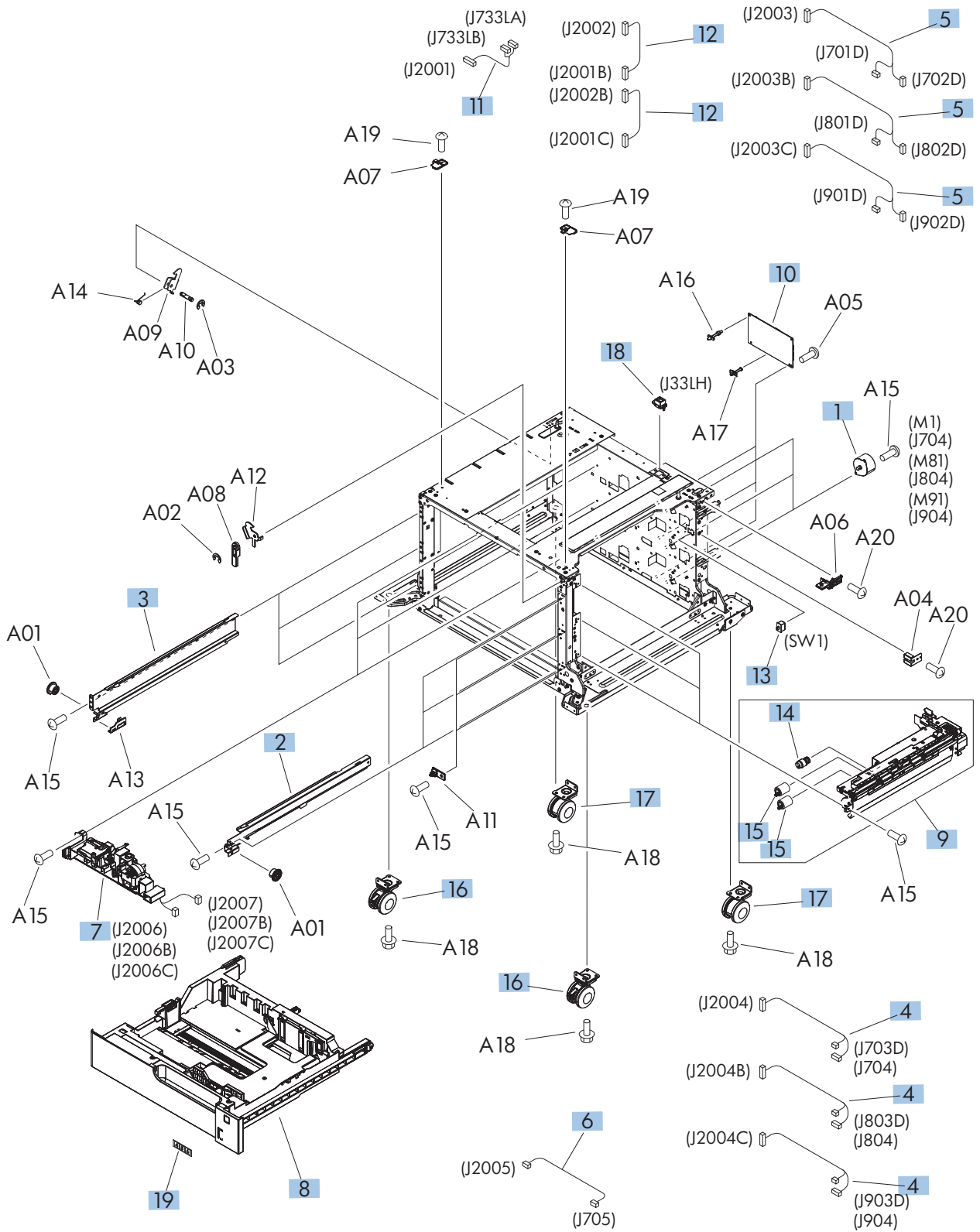


Table 2-31 3x500-sheet paper deck components

Ref	Description	Part number	Qty
1	Motor, stepping, DC	RK2-1331-000CN	3
2	Rail, cassette, right	RL1-1390-000CN	3
3	Rail, cassette, left	RL1-1391-000CN	3
4	Cable, paper pickup option	RM1-3575-000CN	3
5	Cable, multi sensor	RM1-3647-000CN	3
6	Cable, door open switch	RM1-3651-000CN	1
7	Lifter drive assembly	RM1-3819-000CN	3
8	Tray 3 - 6 replacement	CC522-67914	1
9	Paper pickup assembly	RM1-6944-000CN	3
10	Feeder PCA	RM1-6989-000CN	1
11	Cable, engine interface	RM1-6991-000CN	1
12	Cable, PCA joint	RM1-6992-000CN	2
13	Switch, button	WC2-5512-000CN	1
16	Caster, double lock, front	RC1-9896-000CN	2
17	Caster, rear	RC3-2994-000CN	2
18	Connector, 8P	VS1-7500-008CN	1

High capacity input (HCI) feeder

HCI covers

Figure 2-29 HCI covers

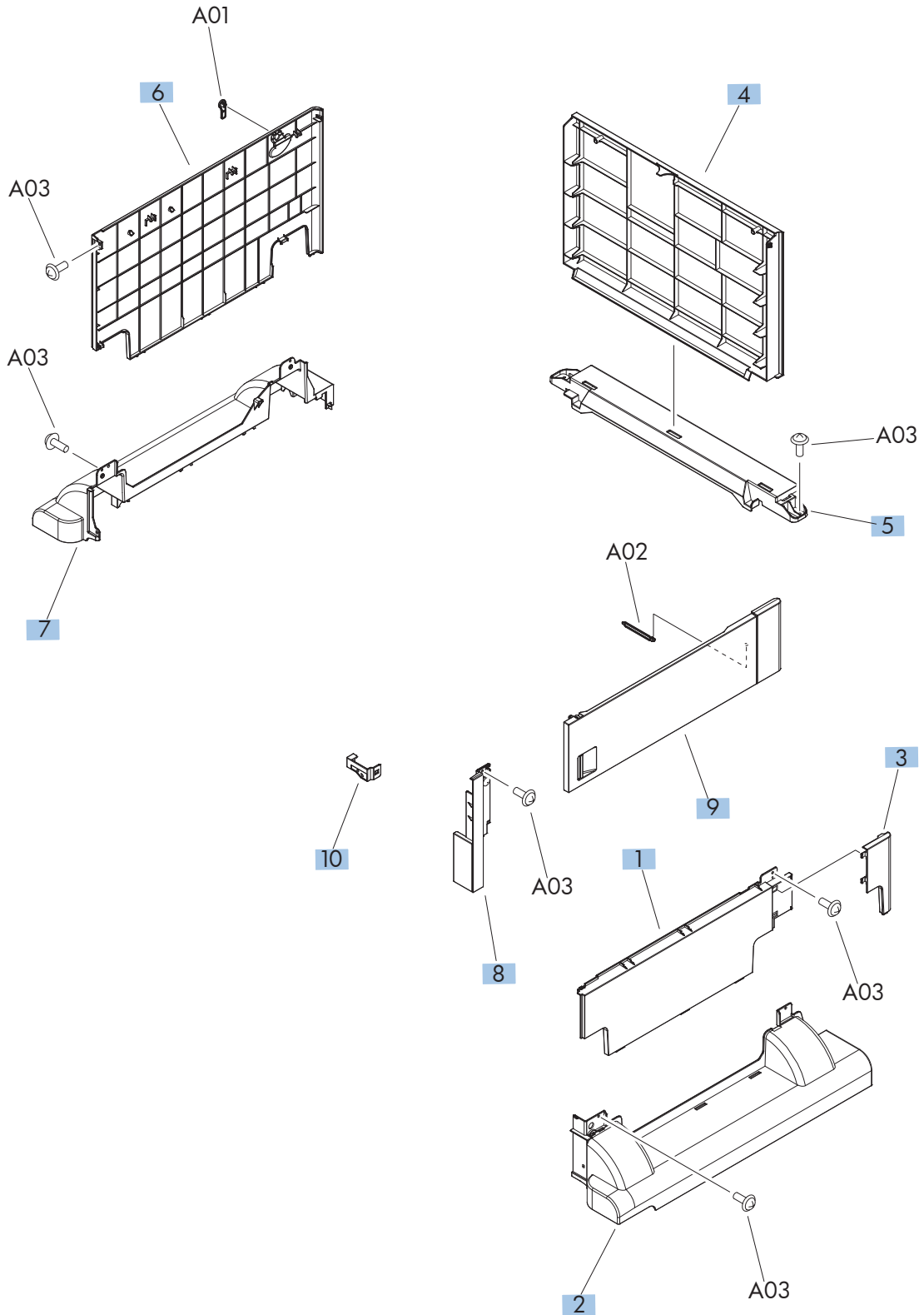


Table 2-32 HCI covers

Ref	Description	Part number	Qty
1	Cover, right center	RC3-3000-000CN	1
2	Cover, right lower	RC3-3001-000CN	1
3	Cover, right rear	RC3-3002-000CN	1
4	Cover, rear	RC3-3003-000CN	1
5	Cover, rear lower	RC3-3004-000CN	1
6	Cover, left	RC3-3005-000CN	1
7	Cover, left lower	RC3-3006-000CN	1
8	Cover, corner, right	RC3-3009-000CN	1
9	Right door assembly	RM1-8868-000CN	1
10	Right front lock cover assembly	RM1-9416-000CN	1

HCI components (1 of 2)

Figure 2-30 HCI components (1 of 2)

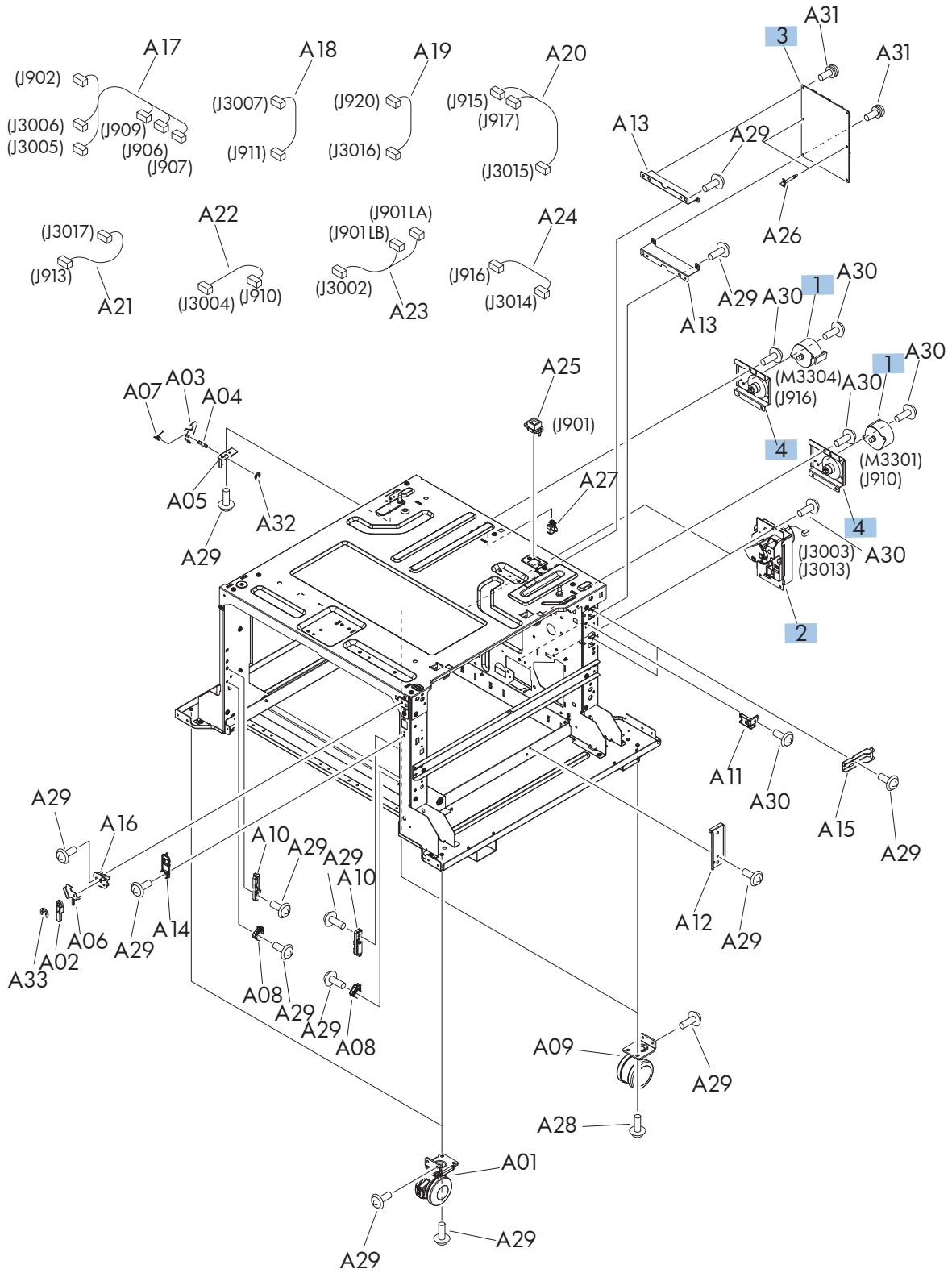


Table 2-33 HCI components (1 of 2)

Ref	Description	Part number	Qty
1	Motor, stepping, DC	RK2-1331-000CN	2
2	Lifter drive assembly	RM1-8879-000CN	2
3	Controller PCA	RM1-9077-000CN	1
4	Paper pickup motor assembly	RM1-9422-000CN	2

HCI components (2 of 2)

Figure 2-31 HCI components (2 of 2)

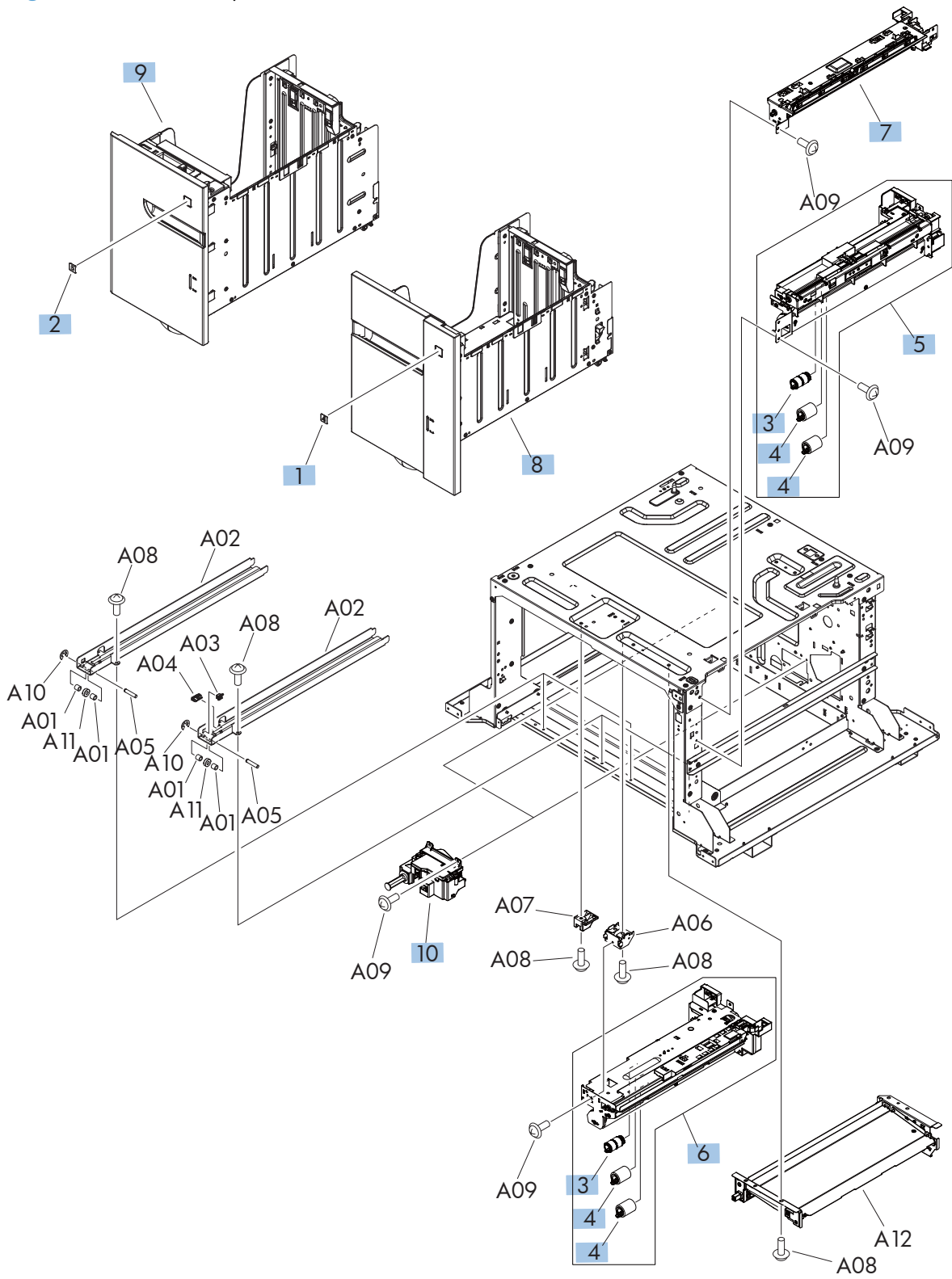


Table 2-34 HCI components (2 of 2)

Ref	Description	Part number	Qty
3	Kit, pick/feed roller 3,500 HCI ¹	5851-5011	1
4	Kit, pick/feed roller 3,500 HCI ¹	5851-5011	1
5	Paper pickup assembly, right	RM1-8869-000CN	1
6	Paper pickup assembly, left	RM1-8876-000CN	1
7	Crossing paper feed assembly	RM1-8888-000CN	1
8	Tray 3, 3,500 HCI	CC522-67916	1
9	Tray 4, 3,500 HCI	CC522-67915	1
10	Auto close assembly	RM1-8880-000CN	2

¹ This service kit contains two pickup and four feed rollers.

Alphabetical parts list

Table 2-35 Alphabetical parts list

Description	Part number	Table and page
ADF Assembly (complete)	CC522-67923	Document feeder assemblies on page 339
ADF hinge assembly	CQ819-60011	Document feeder assemblies on page 339
ADF roller cover, A3	CQ819-40032	Document feeder assemblies on page 339
ADF separation pad spring	5851-4879	Document feeder assemblies on page 339
ADF tray extender	Q7404-40020	Document feeder assemblies on page 339
Arm, front cover, 1	RC2-6732-000CN	Internal assemblies (1 of 8) on page 353
Arm, front cover, 2	RC2-6733-000CN	Internal assemblies (1 of 8) on page 353
Arm, ITB coupling release	RC2-6824-000CN	Internal assemblies (4 of 8) on page 359
Arm, waste toner, left	RC2-7035-000CN	Internal assemblies (5 of 8) on page 361
Arm, waste toner, right	RC2-7036-000CN	Internal assemblies (5 of 8) on page 361
Auto close assembly	RM1-6036-000CN	Internal assemblies (7 of 8) on page 365
Auto close assembly	RM1-8880-000CN	HCI components (2 of 2) on page 383
Cable assembly, left	RM1-8901-000CN	Internal assemblies (7 of 8) on page 365
Cable assembly, stacker	RM1-8906-000CN	Internal assemblies (8 of 8) on page 367
Cable assembly, sub power supply	RM1-8905-000CN	Internal assemblies (8 of 8) on page 367
Cable assembly, switch	RM1-8903-000CN	Internal assemblies (7 of 8) on page 365
Cable, 1st transfer	RM1-6822-000CN	Internal assemblies (8 of 8) on page 367
Cable, door open switch	RM1-3651-000CN	3x500-sheet paper deck components on page 377
Cable, engine interface	RM1-6991-000CN	1x500-sheet paper deck components on page 375

Table 2-35 Alphabetical parts list (continued)

Description	Part number	Table and page
Cable, engine interface	RM1-6991-000CN	3x500-sheet paper deck components on page 377
Cable, feed joint	RM1-6846-000CN	Internal assemblies (3 of 8) on page 357
Cable, low voltage	RM1-6807-000CN	Internal assemblies (7 of 8) on page 365
Cable, low voltage, test	RM1-6813-000CN	Internal assemblies (7 of 8) on page 365
Cable, low-voltage AC joint	RM1-6811-000CN	Internal assemblies (7 of 8) on page 365
Cable, multi sensor	RM1-3647-000CN	3x500-sheet paper deck components on page 377
Cable, multisensor	RM1-3647-000CN	1x500-sheet paper deck components on page 375
Cable, paper pickup option	RM1-3575-000CN	1x500-sheet paper deck components on page 375
Cable, paper pickup option	RM1-3575-000CN	3x500-sheet paper deck components on page 377
Cable, PCA joint	RM1-6992-000CN	3x500-sheet paper deck components on page 377
Cable, rear	RM1-6863-000CN	Internal assemblies (8 of 8) on page 367
Cable, SB joint	RM1-6867-000CN	Internal assemblies (2 of 8) on page 355
Cable, USB	RK2-4329-000CN	Internal assemblies (8 of 8) on page 367
Cap, T2 contact	RC2-6691-000CN	Internal assemblies (3 of 8) on page 357
Cartridge fan (FM4)	RM1-9364-000CN	Internal assemblies (4 of 8) on page 359
Cartridge guide assembly, upper	RM1-5990-000CN	Internal assemblies (1 of 8) on page 353
Caster, double lock, front	RC1-9896-000CN	1x500-sheet paper deck components on page 375
Caster, double lock, front	RC1-9896-000CN	3x500-sheet paper deck components on page 377
Caster, rear	RC3-2994-000CN	1x500-sheet paper deck components on page 375
Caster, rear	RC3-2994-000CN	3x500-sheet paper deck components on page 377

Table 2-35 Alphabetical parts list (continued)

Description	Part number	Table and page
Clamp, edge	RC2-6663-000CN	Internal assemblies (5 of 8) on page 361
Connector, 8P	VS1-7514-008CN	Internal assemblies (8 of 8) on page 367
Connector, 8P	VS1-7514-008CN	1x500-sheet paper feeder components on page 371
Connector, 8P	VS1-7500-008CN	1x500-sheet paper deck components on page 375
Connector, 8P	VS1-7500-008CN	3x500-sheet paper deck components on page 377
Connector, snap tight, BK	VS1-7207-019CN	Internal assemblies (2 of 8) on page 355
Controller PCA	RM1-9077-000CN	HCI components (1 of 2) on page 381
Cover, ADF cable	CC522-40023	Scanner assemblies on page 341
Cover, ADF front	CQ819-40003	Document feeder assemblies on page 339
Cover, ADF rear	CQ819-40005	Document feeder assemblies on page 339
Cover, back scanner	CC522-40017	Scanner assemblies on page 341
Cover, cable, protective	RC2-6832-000CN	Internal assemblies (2 of 8) on page 355
Cover, cable, right rear	RC2-8424-000CN	Internal assemblies (7 of 8) on page 365
Cover, connector, lower	RC2-6642-000CN	Internal assemblies (2 of 8) on page 355
Cover, corner, right	RC3-3009-000CN	HCI covers on page 379
Cover, delivery	RM1-9383-000CN	Covers on page 349
Cover, duplexing gear	RC2-6931-000CN	Internal assemblies (3 of 8) on page 357
Cover, front inner	RM1-9981-000CN	Stapler/stacker covers on page 345
Cover, front left	RC3-3325-000CN	Stapler/stacker covers on page 345
Cover, front right	RC3-3324-000CN	Stapler/stacker covers on page 345
Cover, front scanner	CC522-40020	Scanner assemblies on page 341

Table 2-35 Alphabetical parts list (continued)

Description	Part number	Table and page
Cover, guide	RC2-7204-000CN	Internal assemblies (1 of 8) on page 353
Cover, handle guide	RC2-6670-000CN	Internal assemblies (1 of 8) on page 353
Cover, handle lower	RC2-9332-000CN	1x500-sheet paper feeder covers on page 369
Cover, handle, lower-left	RC2-6625-000CN	Covers on page 349
Cover, handle, lower-right, front	RC2-6627-000CN	Covers on page 349
Cover, handle, lower-right, rear	RC2-6626-000CN	Covers on page 349
Cover, hatch	CQ819-40004	Document feeder assemblies on page 339
Cover, imaging H.V.T. cable	RC2-6573-000CN	Internal assemblies (8 of 8) on page 367
Cover, left	RM1-9363-000CN	Covers on page 349
Cover, left	RC2-9331-000CN	1x500-sheet paper feeder covers on page 369
Cover, left	RC2-9349-000CN	1x500-sheet and 3x500-sheet paper deck covers on page 373
Cover, left	RC3-3005-000CN	HCI covers on page 379
Cover, left lower	RC3-3331-000CN	Stapler/stacker covers on page 345
Cover, left lower	RC2-9350-000CN	1x500-sheet and 3x500-sheet paper deck covers on page 373
Cover, left lower	RC3-3006-000CN	HCI covers on page 379
Cover, left rear	RC3-3326-000CN	Stapler/stacker covers on page 345
Cover, left rear	RC2-9158-000CN	Covers on page 349
Cover, left scanner	CC522-40021	Scanner assemblies on page 341
Cover, lower front	RC2-6737-000CN	Internal assemblies (1 of 8) on page 353
Cover, main crossmember cable	RC2-6650-000CN	Internal assemblies (6 of 8) on page 363
Cover, main drive cable, lower	RC2-6574-000CN	Internal assemblies (3 of 8) on page 357
Cover, rear	RM1-9980-000CN	Stapler/stacker covers on page 345

Table 2-35 Alphabetical parts list (continued)

Description	Part number	Table and page
Cover, rear	RM1-9362-000CN	Covers on page 349
Cover, rear	RC2-9330-000CN	1x500-sheet paper feeder covers on page 369
Cover, rear	RC2-9348-000CN	1x500-sheet and 3x500-sheet paper deck covers on page 373
Cover, rear	RC3-3003-000CN	HCl covers on page 379
Cover, rear lower	RC2-9357-000CN	1x500-sheet and 3x500-sheet paper deck covers on page 373
Cover, rear lower	RC3-3004-000CN	HCl covers on page 379
Cover, rear upper	RC2-9160-000CN	Covers on page 349
Cover, right center	RC3-3000-000CN	HCl covers on page 379
Cover, right corner	RC2-9343-000CN	1x500-sheet and 3x500-sheet paper deck covers on page 373
Cover, right door cable, small	RC3-3323-000CN	Stapler/stacker covers on page 345
Cover, right front	RM1-9359-000CN	Covers on page 349
Cover, right front	RC2-9320-000CN	1x500-sheet paper feeder covers on page 369
Cover, right lower	RC3-3001-000CN	HCl covers on page 379
Cover, right lower, 1	RC2-9346-000CN	1x500-sheet and 3x500-sheet paper deck covers on page 373
Cover, right lower, 2	RC2-9347-000CN	1x500-sheet and 3x500-sheet paper deck covers on page 373
Cover, right rear	RM1-7142-000CN	Covers on page 349
Cover, right rear	RC2-9157-000CN	Covers on page 349
Cover, right rear	RC3-3002-000CN	HCl covers on page 379
Cover, right scanner	CC522-40022	Scanner assemblies on page 341
Cover, right upper	RC2-9155-000CN	Covers on page 349
Cover, right upper	RM1-9367-000CN	Covers on page 349
Cover, right upper	RM1-9361-000CN	Right door on page 351
Cover, stapler	RM1-9982-000CN	Stapler/stacker covers on page 345

Table 2-35 Alphabetical parts list (continued)

Description	Part number	Table and page
Cover, top	RM1-9358-000CN	Covers on page 349
Cover, waste toner	RM1-6012-000CN	Internal assemblies (5 of 8) on page 361
Cover, waste toner 2	RC2-6962-000CN	Internal assemblies (5 of 8) on page 361
Cover, waster toner, 3	RC2-6963-000CN	Internal assemblies (5 of 8) on page 361
Crossing paper feed assembly	RM1-8888-000CN	HCI components (2 of 2) on page 383
Crossmember, cover, left	RC2-6760-000CN	Internal assemblies (8 of 8) on page 367
DC controller PCA	RM1-9371-000CN	Internal assemblies (8 of 8) on page 367
Door, right	RM1-9440-000CN	Stapler/stacker covers on page 345
Door, right	RM1-9360-000CN	Right door on page 351
Door, stock, 1 (1x500 paper deck only)	RC2-9353-000CN	1x500-sheet and 3x500-sheet paper deck covers on page 373
Door, stock, 2 (1x500 paper deck only)	RC2-9354-000CN	1x500-sheet and 3x500-sheet paper deck covers on page 373
Door, toner collection unit access	RC2-7034-000CN	Covers on page 349
Duct, fan, 1	RC2-8388-000CN	Internal assemblies (6 of 8) on page 363
Duct, front	RC2-7300-000CN	Internal assemblies (1 of 8) on page 353
Duct, joint	RC2-8360-000CN	Internal assemblies (4 of 8) on page 359
Duplexing fan (FM2)	RM1-9365-000CN	Internal assemblies (7 of 8) on page 365
Fan (FM1; power supply)	RK2-2276-000CN	Internal assemblies (6 of 8) on page 363
Feed guide assembly	RM1-9441-000CN	Stapler/stacker components on page 347
Feeder PCA	RM1-6988-000CN	1x500-sheet paper deck components on page 375
Feeder PCA	RM1-6989-000CN	3x500-sheet paper deck components on page 377

Table 2-35 Alphabetical parts list (continued)

Description	Part number	Table and page
FFC assembly	RM1-6804-000CN	Internal assemblies (6 of 8) on page 363
Flag, document feeder open sensor	CC522-40029	Scanner assemblies on page 341
Flag, media presence	CC355-40015	Document feeder assemblies on page 339
Flatbed scanner Assy (complete) ¹	CC522-67922	Scanner assemblies on page 341
Formatter cage	RM1-9382-000CN	Internal assemblies (8 of 8) on page 367
Front lower cover assembly	RM1-6958-000CN	1x500-sheet and 3x500-sheet paper deck covers on page 373
Front upper cover assembly	RM1-6949-000CN	1x500-sheet paper feeder covers on page 369
Front upper cover assembly	RM1-6949-000CN	1x500-sheet and 3x500-sheet paper deck covers on page 373
Gear, 25T	RU6-0771-000CN	Internal assemblies (3 of 8) on page 357
Gear, 25T	RU6-0772-000CN	Internal assemblies (3 of 8) on page 357
Gear, 74T	RU6-0773-000CN	Internal assemblies (3 of 8) on page 357
Gear, link worm	RU6-0795-000CN	Internal assemblies (5 of 8) on page 361
Guide	RC2-6551-000CN	Internal assemblies (2 of 8) on page 355
Guide, arm, front	RC2-6632-000CN	Internal assemblies (1 of 8) on page 353
Guide, cable	RC3-0684-000CN	Internal assemblies (7 of 8) on page 365
Guide, crossmember cable, front	RC2-6587-000CN	Internal assemblies (7 of 8) on page 365
Guide, crossmember cable, rear	RC2-6588-000CN	Internal assemblies (7 of 8) on page 365
Guide, DC controller, support cable	RC2-6665-000CN	Internal assemblies (8 of 8) on page 367
Guide, fixing (fuser) AC cable	RC2-6693-000CN	Internal assemblies (5 of 8) on page 361

Table 2-35 Alphabetical parts list (continued)

Description	Part number	Table and page
Guide, imaging H.V.T. cable	RC2-6661-000CN	Internal assemblies (8 of 8) on page 367
Guide, inside cable	RC2-6589-000CN	Internal assemblies (6 of 8) on page 363
Guide, laser	RC2-6628-000CN	Internal assemblies (6 of 8) on page 363
Guide, LVT cable	RC2-6662-000CN	Internal assemblies (5 of 8) on page 361
Guide, main crossmember cable	RC2-6600-000CN	Internal assemblies (6 of 8) on page 363
Guide, main drive cable	RC2-6659-000CN	Internal assemblies (3 of 8) on page 357
Guide, paper feed	RC2-7297-000CN	Internal assemblies (2 of 8) on page 355
Guide, slide	RC2-7203-000CN	Internal assemblies (5 of 8) on page 361
Handle, lock, rear	RC2-9303-000CN	1x500-sheet paper feeder covers on page 369
Handle, lock, rear	RC2-9303-000CN	1x500-sheet and 3x500-sheet paper deck covers on page 373
Hinge, front cover, center	RC2-6738-000CN	Internal assemblies (1 of 8) on page 353
Hinge, front cover, left	RC2-6713-000CN	Internal assemblies (1 of 8) on page 353
Hinge, front cover, right	RC2-6715-000CN	Internal assemblies (1 of 8) on page 353
Hinge, inner door, left	RC2-6716-000CN	Internal assemblies (1 of 8) on page 353
Hinge, inner door, right	RC2-6712-000CN	Internal assemblies (1 of 8) on page 353
Hinge, right door, front	RC2-7094-000CN	Internal assemblies (4 of 8) on page 359
Holder, 1st transfer power dispatching	RC2-6680-000CN	Internal assemblies (7 of 8) on page 365
Holder, 2cnd power dispatching	RC2-6682-000CN	Internal assemblies (3 of 8) on page 357
Holder, 2cnd transfer H.V.T.	RC2-6681-010CN	Internal assemblies (3 of 8) on page 357
Holder, door detect, right	RC3-4687-000CN	Internal assemblies (4 of 8) on page 359

Table 2-35 Alphabetical parts list (continued)

Description	Part number	Table and page
Holder, flexible flat cable (FFC)	RC2-6655-000CN	Internal assemblies (6 of 8) on page 363
Holder, interlock switch	RC2-6689-000CN	Internal assemblies (1 of 8) on page 353
Holder, paper pickup connector	RC2-6638-000CN	Internal assemblies (8 of 8) on page 367
Holder, power supply fan	RC2-7299-000CN	Internal assemblies (6 of 8) on page 363
Hook, duplexing spring	RC2-6932-000CN	Internal assemblies (3 of 8) on page 357
Imaging high-voltage PCA assembly	RM1-6800-000CN	Internal assemblies (8 of 8) on page 367
Interconnect PCA (ICB) (inner connecting PCA)	RM1-9368-000CN	Internal assemblies (8 of 8) on page 367
ITB guide rail	RM1-6019-000CN	Internal assemblies (5 of 8) on page 361
ITB guide rail assembly	RM1-6018-000CN	Internal assemblies (5 of 8) on page 361
ITB guide rail assembly, R1	RM1-6037-000CN	Internal assemblies (5 of 8) on page 361
Kit, A3 ADF mylar	5851-4997	Document feeder assemblies on page 339
Kit, ADF whole unit, A3 (includes foam reflector kit)	CC522-67923	Document feeder and scanner whole units on page 337
Kit, control panel	CD644-67916	Document feeder and scanner whole units on page 337
Kit, door inner	CC522-67906	Internal assemblies (1 of 8) on page 353
Kit, feed roller assembly ¹	CC522-67909	1x500-sheet paper feeder components on page 371
Kit, formatter replacement PCA	CC522-67901	Internal assemblies (8 of 8) on page 367
Kit, front cover assembly with HP jewel	CE707-67902	Covers on page 349
Kit, fuser drive assembly	CE707-67904	Internal assemblies (2 of 8) on page 355
Kit, fuser replacement 110V	CC522-67904	Internal assemblies (2 of 8) on page 355
Kit, fuser replacement 220V	CC522-67926	Internal assemblies (2 of 8) on page 355

Table 2-35 Alphabetical parts list (continued)

Description	Part number	Table and page
Kit, intermediate transfer belt (ITB) repair	CC522-67911	Internal assemblies (6 of 8) on page 363
Kit, main drive assembly duplex	CE708-67901	Internal assemblies (3 of 8) on page 357
Kit, paper pick roller and separation roller	CC522-67927	Internal assemblies (2 of 8) on page 355
Kit, pick/feed roller 3,500 HCl ¹	5851-5011	HCl components (2 of 2) on page 383
Kit, pick/feed roller 3,500 HCl ¹	5851-5011	HCl components (2 of 2) on page 383
Kit, pickup and feed roller ¹	CC522-67909	1x500-sheet paper deck components on page 375
Kit, pickup roller ¹	CC522-67909	1x500-sheet paper deck components on page 375
Kit, reflector foam, A3	5851-4888	Document feeder and scanner whole units on page 337
Kit, roller pickup ¹	CC522-67909	1x500-sheet paper feeder components on page 371
Kit, scanner whole unit (includes foam reflector kit)	CC522-67922	Document feeder and scanner whole units on page 337
Kit, toner collection unit (TCU)	CE980-67901	Internal assemblies (5 of 8) on page 361
Kit, Tray 2	CE522-67913	Internal assemblies (2 of 8) on page 355
Label, cassette number	CE707-00001	1x500-sheet paper feeder components on page 371
Label, fixing (fuser) access	RC3-2334-000CN	Covers on page 349
Label, ITB insert, FH	RU5-8806-000CN	Internal assemblies (6 of 8) on page 363
Label, ITB insert, FV	RU5-8804-000CN	Internal assemblies (6 of 8) on page 363
Label, ITB set, RH	RU5-8807-000CN	Internal assemblies (6 of 8) on page 363
Label, ITB set, RV	RU5-8805-000CN	Internal assemblies (6 of 8) on page 363
Laser/scanner assembly	RM1-6122-070CN	Internal assemblies (6 of 8) on page 363
Lever, inner door pressure	RC2-6744-000CN	Internal assemblies (1 of 8) on page 353

Table 2-35 Alphabetical parts list (continued)

Description	Part number	Table and page
Lever, lift 1	RC2-7199-000CN	Internal assemblies (5 of 8) on page 361
Lever, lift, 2	RC2-7200-000CN	Internal assemblies (1 of 8) on page 353
Lever, push	RC2-7198-000CN	Internal assemblies (1 of 8) on page 353
Lifter drive assembly	RM1-6039-000CN	Internal assemblies (7 of 8) on page 365
Lifter drive assembly	RM1-3819-000CN	1x500-sheet paper feeder components on page 371
Lifter drive assembly	RM1-3819-000CN	1x500-sheet paper deck components on page 375
Lifter drive assembly	RM1-3819-000CN	3x500-sheet paper deck components on page 377
Lifter drive assembly	RM1-8879-000CN	HCl components (1 of 2) on page 381
Link, ITB coupling release	RC2-6823-000CN	Internal assemblies (3 of 8) on page 357
Link, right door, 2 front	RC2-7233-010CN	Internal assemblies (4 of 8) on page 359
Link, right door, 2 rear	RC2-7236-000CN	Internal assemblies (4 of 8) on page 359
Link, right door, lower	RC2-9327-000CN	1x500-sheet paper feeder covers on page 369
Link, right door, lower	RC2-9327-000CN	1x500-sheet and 3x500-sheet paper deck covers on page 373
Link, right door, upper	RC2-9335-000CN	1x500-sheet paper feeder covers on page 369
Link, right door, upper	RC2-9335-000CN	1x500-sheet and 3x500-sheet paper deck covers on page 373
Lock plate, 2cnd transfer	RL1-2236-000CN	Internal assemblies (6 of 8) on page 363
Lock plate, front	RL1-2235-000CN	Internal assemblies (6 of 8) on page 363
Lock, door link, right	RC2-7234-000CN	Internal assemblies (4 of 8) on page 359
Low-voltage power supply (110V-127V)	RM1-8895-000CN	Internal assemblies (7 of 8) on page 365

Table 2-35 Alphabetical parts list (continued)

Description	Part number	Table and page
Low-voltage power supply (220V-2450V)	RM1-8896-000CN	Internal assemblies (7 of 8) on page 365
Media Stopper, Front	CC355-40046	Document feeder assemblies on page 339
Media Stopper, rear	CC355-40047	Document feeder assemblies on page 339
Microswitch	WC4-5251-000CN	Internal assemblies (1 of 8) on page 353
Motor, DC	RM1-6088-000CN	Internal assemblies (3 of 8) on page 357
Motor, DC stepping (M6, M7)	RK2-3298-000CN	Internal assemblies (3 of 8) on page 357
Motor, fixing (fuser)	RM1-6074-000CN	Internal assemblies (2 of 8) on page 355
Motor, stepping, DC	RK2-1331-000CN	1x500-sheet paper feeder components on page 371
Motor, stepping, DC	RK2-1331-000CN	1x500-sheet paper deck components on page 375
Motor, stepping, DC	RK2-1331-000CN	3x500-sheet paper deck components on page 377
Motor, stepping, DC	RK2-1331-000CN	HCI components (1 of 2) on page 381
Mount, cover arm, front	RC2-6735-000CN	Internal assemblies (1 of 8) on page 353
Mount, inner door rail	RC2-6743-000CN	Internal assemblies (1 of 8) on page 353
Mount, inner door toggle	RC2-6717-000CN	Internal assemblies (1 of 8) on page 353
Mount, stopper arm	RC2-6745-000CN	Internal assemblies (1 of 8) on page 353
MP (Tray 1) lifter plate assembly	RM1-9389-000CN	Right door on page 351
MP tray (Tray 1) assembly	RM1-6045-000CN	Right door on page 351
Operation assembly	RM1-9442-000CN	Stapler/stacker components on page 347
Output bin (tray assembly)	RM1-9443-000CN	Stapler/stacker covers on page 345
Paper delivery assembly	RM1-9377-000CN	Internal assemblies (2 of 8) on page 355
Paper feed center guide assembly	RM1-9988-000CN	Stapler/stacker components on page 347

Table 2-35 Alphabetical parts list (continued)

Description	Part number	Table and page
Paper feeder controller PCA	RM1-6987-000CN	1x500-sheet paper feeder components on page 371
Paper pickup assembly	RM1-6944-000CN	1x500-sheet paper feeder components on page 371
Paper pickup assembly	RM1-6944-000CN	3x500-sheet paper deck components on page 377
Paper pickup assembly (Tray 2)	CE522-67903	Internal assemblies (2 of 8) on page 355
Paper pickup assembly, left	RM1-8876-000CN	HCl components (2 of 2) on page 383
Paper pickup assembly, right	RM1-8869-000CN	HCl components (2 of 2) on page 383
Paper pickup assembly ¹	RM1-6944-000CN	1x500-sheet paper deck components on page 375
Paper pickup motor assembly	RM1-9422-000CN	HCl components (1 of 2) on page 381
PCA, 1st transfer H.V.P.	RM1-7004-000CN	Internal assemblies (4 of 8) on page 359
PCA, 2cnd transfer H.V.P.	RM1-6802-000CN	Internal assemblies (4 of 8) on page 359
PCA, driver	RM1-8899-000CN	Internal assemblies (4 of 8) on page 359
PCA, main controller	RM1-9459-000CN	Stapler/stacker components on page 347
PCA, scanner memory	5851-4285	Scanner assemblies on page 341
Photointerrupter	WG8-5935-000CN	Internal assemblies (4 of 8) on page 359
Photosensor	CC355-80014	Document feeder assemblies on page 339
Plate, arm reinforcement	RC2-9649-000CN	Internal assemblies (5 of 8) on page 361
Plate, box pillar	RC2-6673-000CN	Internal assemblies (8 of 8) on page 367
Plate, duplexing drive gear	RL1-2266-000CN	Internal assemblies (3 of 8) on page 357
Plate, FFC protective	RC2-9687-000CN	Internal assemblies (8 of 8) on page 367
Plate, right door link fixed, FR	RL1-2281-000CN	Internal assemblies (4 of 8) on page 359

Table 2-35 Alphabetical parts list (continued)

Description	Part number	Table and page
Plate, right door link fixed, front	RC2-7272-010CN	Internal assemblies (4 of 8) on page 359
Plate, right door link fixed, RR	RL1-2282-000CN	Internal assemblies (4 of 8) on page 359
Plate, right door link, rear	RC2-7273-000CN	Internal assemblies (4 of 8) on page 359
Power switch PCA	RM1-6759-000CN	Internal assemblies (7 of 8) on page 365
Rail, cartridge auxiliary	RC2-6724-000CN	Internal assemblies (1 of 8) on page 353
Rail, cassette, left	RL1-1391-000CN	1x500-sheet paper deck components on page 375
Rail, cassette, left	RL1-1391-000CN	3x500-sheet paper deck components on page 377
Rail, cassette, right	RL1-1390-000CN	1x500-sheet paper deck components on page 375
Rail, cassette, right	RL1-1390-000CN	3x500-sheet paper deck components on page 377
Rail, door link, front lower	RC2-6634-000CN	Internal assemblies (4 of 8) on page 359
Rail, door link, rear lower	RC2-6635-000CN	Internal assemblies (4 of 8) on page 359
Rail, ITB guide	RC2-7185-000CN	Internal assemblies (6 of 8) on page 363
Rail, ITB guide, F3	RC2-7193-000CN	Internal assemblies (6 of 8) on page 363
Reverse drive assembly	RM2-0698-000CN	Internal assemblies (2 of 8) on page 355
Right door assembly	RM1-6946-000CN	1x500-sheet paper feeder covers on page 369
Right door assembly	RM1-8868-000CN	HCI covers on page 379
Right door assembly (1x500 paper deck)	RM1-6952-000CN	1x500-sheet and 3x500-sheet paper deck covers on page 373
Right door assembly (3x500 paper deck)	RM1-6953-000CN	1x500-sheet and 3x500-sheet paper deck covers on page 373
Right door, lower guide assembly	RM1-9989-000CN	Stapler/stacker covers on page 345
Right front lock cover assembly	RM1-9416-000CN	HCI covers on page 379

Table 2-35 Alphabetical parts list (continued)

Description	Part number	Table and page
Right lower cover assembly	RM1-6948-000CN	1x500-sheet paper feeder covers on page 369
SCB, top Level Assembly	CC522-67931	Scanner controller board (SCB) assembly on page 343
Screw, stepped	RU5-9056-000CN	1x500-sheet and 3x500-sheet paper deck covers on page 373
Seal, slide shutter	RC3-1014-000CN	Internal assemblies (6 of 8) on page 363
Seal, toner supporter guide	RC2-7018-000CN	Internal assemblies (6 of 8) on page 363
Sensor, environmental PCA	RK2-2884-000CN	Internal assemblies (4 of 8) on page 359
Sensor, registration	RM1-7922-000CN	Internal assemblies (2 of 8) on page 355
Shaft, right door link	RU5-4979-000CN	Internal assemblies (4 of 8) on page 359
Sheet, slide seal	RC3-1013-000CN	Internal assemblies (6 of 8) on page 363
Shutter, exhaust	RC2-7010-000CN	Internal assemblies (5 of 8) on page 361
Slider, push	RC2-7201-000CN	Internal assemblies (5 of 8) on page 361
Solenoid, flapper assembly	RM1-9444-000CN	Stapler/stacker components on page 347
Spring, compression	RU6-2721-000CN	Internal assemblies (1 of 8) on page 353
Spring, compression	RU6-2683-000CN	Internal assemblies (5 of 8) on page 361
Spring, contact	RU6-2771-000CN	Internal assemblies (3 of 8) on page 357
Spring, contact	RU6-2767-000CN	Internal assemblies (7 of 8) on page 365
Spring, contact	RU6-2768-000CN	Internal assemblies (7 of 8) on page 365
Spring, document feeder sensor	CC522-80101	Scanner assemblies on page 341
Spring, grounding	RC2-7209-000CN	Internal assemblies (1 of 8) on page 353
Spring, grounding	RU6-2772-000CN	Internal assemblies (3 of 8) on page 357

Table 2-35 Alphabetical parts list (continued)

Description	Part number	Table and page
Spring, grounding	RC2-6700-000CN	Internal assemblies (3 of 8) on page 357
Spring, leaf, grounding	RC2-7092-000CN	Internal assemblies (1 of 8) on page 353
Spring, rod	RC2-6611-000CN	Internal assemblies (7 of 8) on page 365
Spring, tension	RU6-2710-000CN	Internal assemblies (2 of 8) on page 355
Spring, tension	RU6-2671-000	Internal assemblies (3 of 8) on page 357
Spring, tension	RU6-2744-000CN	Internal assemblies (4 of 8) on page 359
Spring, tension	RU6-2727-000CN	Internal assemblies (4 of 8) on page 359
Spring, tension	RU6-2831-000CN	Internal assemblies (5 of 8) on page 361
Spring, torsion	RU6-2670-000CN	Internal assemblies (6 of 8) on page 363
Stapler assembly	RM1-9446-000CN	Stapler/stacker components on page 347
Stock box assembly	RM1-6954-000CN	1x500-sheet paper deck components on page 375
Stopper, inner door, 1	RC2-6719-000CN	Internal assemblies (1 of 8) on page 353
Stopper, inner door, 2	RC2-6736-000CN	Internal assemblies (1 of 8) on page 353
Stopper, laser	RC2-6646-000CN	Internal assemblies (7 of 8) on page 365
Sub power supply	RM1-9366-000CN	Internal assemblies (8 of 8) on page 367
Sub power supply fan (FM5)	RM1-9384-000CN	Internal assemblies (8 of 8) on page 367
Support, developing coupling	RC2-6811-000CN	Internal assemblies (4 of 8) on page 359
Support, frame	RC2-7197-000CN	Internal assemblies (2 of 8) on page 355
Support, frame	RC2-7196-000CN	Internal assemblies (2 of 8) on page 355
Switch, button	WC2-5512-000CN	1x500-sheet paper feeder components on page 371

Table 2-35 Alphabetical parts list (continued)

Description	Part number	Table and page
Switch, button	WC2-5512-000CN	3x500-sheet paper deck components on page 377
Switch, door assembly	RM1-9445-000CN	Stapler/stacker components on page 347
Toner feed assembly	RM1-6040-010CN	Internal assemblies (6 of 8) on page 363
Toner remanet detect PCA	RM1-6779-000CN	Internal assemblies (7 of 8) on page 365
Tray 3 - 6 (1x500, 1x500 w/stand, 3x500)	CC522-67914	1x500-sheet paper feeder components on page 371
Tray 3 - 6 replacement	CC522-67914	1x500-sheet paper deck components on page 375
Tray 3 - 6 replacement	CC522-67914	3x500-sheet paper deck components on page 377
Tray 3, 3,500 HCI	CC522-67916	HCI components (2 of 2) on page 383
Tray 4, 3,500 HCI	CC522-67915	HCI components (2 of 2) on page 383
Tray assembly	RM1-9443-000CN	Stapler/stacker components on page 347
Wall, inner	RC3-2321-000CN	Covers on page 349
Width sensor PCA	CQ819-60022	Document feeder assemblies on page 339

Numerical parts list

Table 2-36 Numerical parts list

Part number	Description	Table and page
5851-4285	PCA, scanner memory	Scanner assemblies on page 341
5851-4879	ADF separation pad spring	Document feeder assemblies on page 339
5851-4888	Kit, reflector foam, A3	Document feeder and scanner whole units on page 337
5851-4997	Kit, A3 ADF mylar	Document feeder assemblies on page 339
5851-5011	Kit, pick/feed roller 3,500 HCI ¹	HCI components (2 of 2) on page 383
5851-5011	Kit, pick/feed roller 3,500 HCI ¹	HCI components (2 of 2) on page 383
CC355-40015	Flag, media presence	Document feeder assemblies on page 339
CC355-40046	Media Stopper, Front	Document feeder assemblies on page 339
CC355-40047	Media Stopper, rear	Document feeder assemblies on page 339
CC355-80014	Photosensor	Document feeder assemblies on page 339
CC522-40017	Cover, back scanner	Scanner assemblies on page 341
CC522-40020	Cover, front scanner	Scanner assemblies on page 341
CC522-40021	Cover, left scanner	Scanner assemblies on page 341
CC522-40022	Cover, right scanner	Scanner assemblies on page 341
CC522-40023	Cover, ADF cable	Scanner assemblies on page 341
CC522-40029	Flag, document feeder open sensor	Scanner assemblies on page 341
CC522-67901	Kit, formatter replacement PCA	Internal assemblies (8 of 8) on page 367
CC522-67904	Kit, fuser replacement 110V	Internal assemblies (2 of 8) on page 355
CC522-67906	Kit, door inner	Internal assemblies (1 of 8) on page 353

Table 2-36 Numerical parts list (continued)

Part number	Description	Table and page
CC522-67909	Kit, roller pickup ¹	1x500-sheet paper feeder components on page 371
CC522-67909	Kit, feed roller assembly ¹	1x500-sheet paper feeder components on page 371
CC522-67909	Kit, pickup roller ¹	1x500-sheet paper deck components on page 375
CC522-67909	Kit, pickup and feed roller ¹	1x500-sheet paper deck components on page 375
CC522-67911	Kit, intermediate transfer belt (ITB) repair	Internal assemblies (6 of 8) on page 363
CC522-67914	Tray 3 - 6 (1x500, 1x500 w/stand, 3x500)	1x500-sheet paper feeder components on page 371
CC522-67914	Tray 3 - 6 replacement	1x500-sheet paper deck components on page 375
CC522-67914	Tray 3 - 6 replacement	3x500-sheet paper deck components on page 377
CC522-67915	Tray 4, 3,500 HCI	HCI components (2 of 2) on page 383
CC522-67916	Tray 3, 3,500 HCI	HCI components (2 of 2) on page 383
CC522-67922	Kit, scanner whole unit (includes foam reflector kit)	Document feeder and scanner whole units on page 337
CC522-67922	Flatbed scanner Assy (complete) ¹	Scanner assemblies on page 341
CC522-67923	Kit, ADF whole unit, A3 (includes foam reflector kit)	Document feeder and scanner whole units on page 337
CC522-67923	ADF Assembly (complete)	Document feeder assemblies on page 339
CC522-67926	Kit, fuser replacement 220V	Internal assemblies (2 of 8) on page 355
CC522-67927	Kit, paper pick roller and separation roller	Internal assemblies (2 of 8) on page 355
CC522-67931	SCB, top Level Assembly	Scanner controller board (SCB) assembly on page 343
CC522-80101	Spring, document feeder sensor	Scanner assemblies on page 341
CD644-67916	Kit, control panel	Document feeder and scanner whole units on page 337
CE522-67903	Paper pickup assembly (Tray 2)	Internal assemblies (2 of 8) on page 355

Table 2-36 Numerical parts list (continued)

Part number	Description	Table and page
CE522-67913	Kit, Tray 2	Internal assemblies (2 of 8) on page 355
CE707-00001	Label, cassette number	1x500-sheet paper feeder components on page 371
CE707-67902	Kit, front cover assembly with HP jewel	Covers on page 349
CE707-67904	Kit, fuser drive assembly	Internal assemblies (2 of 8) on page 355
CE708-67901	Kit, main drive assembly duplex	Internal assemblies (3 of 8) on page 357
CE980-67901	Kit, toner collection unit (TCU)	Internal assemblies (5 of 8) on page 361
CQ819-40003	Cover, ADF front	Document feeder assemblies on page 339
CQ819-40004	Cover, hatch	Document feeder assemblies on page 339
CQ819-40005	Cover, ADF rear	Document feeder assemblies on page 339
CQ819-40032	ADF roller cover, A3	Document feeder assemblies on page 339
CQ819-60011	ADF hinge assembly	Document feeder assemblies on page 339
CQ819-60022	Width sensor PCA	Document feeder assemblies on page 339
Q7404-40020	ADF tray extender	Document feeder assemblies on page 339
RC1-9896-000CN	Caster, double lock, front	1x500-sheet paper deck components on page 375
RC1-9896-000CN	Caster, double lock, front	3x500-sheet paper deck components on page 377
RC2-6551-000CN	Guide	Internal assemblies (2 of 8) on page 355
RC2-6573-000CN	Cover, imaging H.V.T. cable	Internal assemblies (8 of 8) on page 367
RC2-6574-000CN	Cover, main drive cable, lower	Internal assemblies (3 of 8) on page 357
RC2-6587-000CN	Guide, crossmember cable, front	Internal assemblies (7 of 8) on page 365
RC2-6588-000CN	Guide, crossmember cable, rear	Internal assemblies (7 of 8) on page 365

Table 2-36 Numerical parts list (continued)

Part number	Description	Table and page
RC2-6589-000CN	Guide, inside cable	Internal assemblies (6 of 8) on page 363
RC2-6600-000CN	Guide, main crossmember cable	Internal assemblies (6 of 8) on page 363
RC2-6611-000CN	Spring, rod	Internal assemblies (7 of 8) on page 365
RC2-6625-000CN	Cover, handle, lower-left	Covers on page 349
RC2-6626-000CN	Cover, handle, lower-right, rear	Covers on page 349
RC2-6627-000CN	Cover, handle, lower-right, front	Covers on page 349
RC2-6628-000CN	Guide, laser	Internal assemblies (6 of 8) on page 363
RC2-6632-000CN	Guide, arm, front	Internal assemblies (1 of 8) on page 353
RC2-6634-000CN	Rail, door link, front lower	Internal assemblies (4 of 8) on page 359
RC2-6635-000CN	Rail, door link, rear lower	Internal assemblies (4 of 8) on page 359
RC2-6638-000CN	Holder, paper pickup connector	Internal assemblies (8 of 8) on page 367
RC2-6642-000CN	Cover, connector, lower	Internal assemblies (2 of 8) on page 355
RC2-6646-000CN	Stopper, laser	Internal assemblies (7 of 8) on page 365
RC2-6650-000CN	Cover, main crossmember cable	Internal assemblies (6 of 8) on page 363
RC2-6655-000CN	Holder, flexible flat cable (FFC)	Internal assemblies (6 of 8) on page 363
RC2-6659-000CN	Guide, main drive cable	Internal assemblies (3 of 8) on page 357
RC2-6661-000CN	Guide, imaging H.V.T. cable	Internal assemblies (8 of 8) on page 367
RC2-6662-000CN	Guide, LVT cable	Internal assemblies (5 of 8) on page 361
RC2-6663-000CN	Clamp, edge	Internal assemblies (5 of 8) on page 361
RC2-6665-000CN	Guide, DC controller, support cable	Internal assemblies (8 of 8) on page 367
RC2-6670-000CN	Cover, handle guide	Internal assemblies (1 of 8) on page 353

Table 2-36 Numerical parts list (continued)

Part number	Description	Table and page
RC2-6673-000CN	Plate, box pillar	Internal assemblies (8 of 8) on page 367
RC2-6680-000CN	Holder, 1st transfer power dispatching	Internal assemblies (7 of 8) on page 365
RC2-6681-010CN	Holder, 2cnd transfer H.V.T.	Internal assemblies (3 of 8) on page 357
RC2-6682-000CN	Holder, 2cnd power dispatching	Internal assemblies (3 of 8) on page 357
RC2-6689-000CN	Holder, interlock switch	Internal assemblies (1 of 8) on page 353
RC2-6691-000CN	Cap, T2 contact	Internal assemblies (3 of 8) on page 357
RC2-6693-000CN	Guide, fixing (fuser) AC cable	Internal assemblies (5 of 8) on page 361
RC2-6700-000CN	Spring, grounding	Internal assemblies (3 of 8) on page 357
RC2-6712-000CN	Hinge, inner door, right	Internal assemblies (1 of 8) on page 353
RC2-6713-000CN	Hinge, front cover, left	Internal assemblies (1 of 8) on page 353
RC2-6715-000CN	Hinge, front cover, right	Internal assemblies (1 of 8) on page 353
RC2-6716-000CN	Hinge, inner door, left	Internal assemblies (1 of 8) on page 353
RC2-6717-000CN	Mount, inner door toggle	Internal assemblies (1 of 8) on page 353
RC2-6719-000CN	Stopper, inner door, 1	Internal assemblies (1 of 8) on page 353
RC2-6724-000CN	Rail, cartridge auxiliary	Internal assemblies (1 of 8) on page 353
RC2-6732-000CN	Arm, front cover, 1	Internal assemblies (1 of 8) on page 353
RC2-6733-000CN	Arm, front cover, 2	Internal assemblies (1 of 8) on page 353
RC2-6735-000CN	Mount, cover arm, front	Internal assemblies (1 of 8) on page 353
RC2-6736-000CN	Stopper, inner door, 2	Internal assemblies (1 of 8) on page 353
RC2-6737-000CN	Cover, lower front	Internal assemblies (1 of 8) on page 353

Table 2-36 Numerical parts list (continued)

Part number	Description	Table and page
RC2-6738-000CN	Hinge, front cover, center	Internal assemblies (1 of 8) on page 353
RC2-6743-000CN	Mount, inner door rail	Internal assemblies (1 of 8) on page 353
RC2-6744-000CN	Lever, inner door pressure	Internal assemblies (1 of 8) on page 353
RC2-6745-000CN	Mount, stopper arm	Internal assemblies (1 of 8) on page 353
RC2-6760-000CN	Crossmember, cover, left	Internal assemblies (8 of 8) on page 367
RC2-6811-000CN	Support, developing coupling	Internal assemblies (4 of 8) on page 359
RC2-6823-000CN	Link, ITB coupling release	Internal assemblies (3 of 8) on page 357
RC2-6824-000CN	Arm, ITB coupling release	Internal assemblies (4 of 8) on page 359
RC2-6832-000CN	Cover, cable, protective	Internal assemblies (2 of 8) on page 355
RC2-6931-000CN	Cover, duplexing gear	Internal assemblies (3 of 8) on page 357
RC2-6932-000CN	Hook, duplexing spring	Internal assemblies (3 of 8) on page 357
RC2-6962-000CN	Cover, waste toner 2	Internal assemblies (5 of 8) on page 361
RC2-6963-000CN	Cover, waster toner, 3	Internal assemblies (5 of 8) on page 361
RC2-7010-000CN	Shutter, exhaust	Internal assemblies (5 of 8) on page 361
RC2-7018-000CN	Seal, toner supporter guide	Internal assemblies (6 of 8) on page 363
RC2-7034-000CN	Door, toner collection unit access	Covers on page 349
RC2-7035-000CN	Arm, waste toner, left	Internal assemblies (5 of 8) on page 361
RC2-7036-000CN	Arm, waste toner, right	Internal assemblies (5 of 8) on page 361
RC2-7092-000CN	Spring, leaf, grounding	Internal assemblies (1 of 8) on page 353
RC2-7094-000CN	Hinge, right door, front	Internal assemblies (4 of 8) on page 359

Table 2-36 Numerical parts list (continued)

Part number	Description	Table and page
RC2-7185-000CN	Rail, ITB guide	Internal assemblies (6 of 8) on page 363
RC2-7193-000CN	Rail, ITB guide, F3	Internal assemblies (6 of 8) on page 363
RC2-7196-000CN	Support, frame	Internal assemblies (2 of 8) on page 355
RC2-7197-000CN	Support, frame	Internal assemblies (2 of 8) on page 355
RC2-7198-000CN	Lever, push	Internal assemblies (1 of 8) on page 353
RC2-7199-000CN	Lever, lift 1	Internal assemblies (5 of 8) on page 361
RC2-7200-000CN	Lever, lift, 2	Internal assemblies (1 of 8) on page 353
RC2-7201-000CN	Slider, push	Internal assemblies (5 of 8) on page 361
RC2-7203-000CN	Guide, slide	Internal assemblies (5 of 8) on page 361
RC2-7204-000CN	Cover, guide	Internal assemblies (1 of 8) on page 353
RC2-7209-000CN	Spring, grounding	Internal assemblies (1 of 8) on page 353
RC2-7233-010CN	Link, right door, 2 front	Internal assemblies (4 of 8) on page 359
RC2-7234-000CN	Lock, door link, right	Internal assemblies (4 of 8) on page 359
RC2-7236-000CN	Link, right door, 2 rear	Internal assemblies (4 of 8) on page 359
RC2-7272-010CN	Plate, right door link fixed, front	Internal assemblies (4 of 8) on page 359
RC2-7273-000CN	Plate, right door link, rear	Internal assemblies (4 of 8) on page 359
RC2-7297-000CN	Guide, paper feed	Internal assemblies (2 of 8) on page 355
RC2-7299-000CN	Holder, power supply fan	Internal assemblies (6 of 8) on page 363
RC2-7300-000CN	Duct, front	Internal assemblies (1 of 8) on page 353
RC2-8360-000CN	Duct, joint	Internal assemblies (4 of 8) on page 359

Table 2-36 Numerical parts list (continued)

Part number	Description	Table and page
RC2-8388-000CN	Duct, fan, 1	Internal assemblies (6 of 8) on page 363
RC2-8424-000CN	Cover, cable, right rear	Internal assemblies (7 of 8) on page 365
RC2-9155-000CN	Cover, right upper	Covers on page 349
RC2-9157-000CN	Cover, right rear	Covers on page 349
RC2-9158-000CN	Cover, left rear	Covers on page 349
RC2-9160-000CN	Cover, rear upper	Covers on page 349
RC2-9303-000CN	Handle, lock, rear	1x500-sheet paper feeder covers on page 369
RC2-9303-000CN	Handle, lock, rear	1x500-sheet and 3x500-sheet paper deck covers on page 373
RC2-9320-000CN	Cover, right front	1x500-sheet paper feeder covers on page 369
RC2-9327-000CN	Link, right door, lower	1x500-sheet paper feeder covers on page 369
RC2-9327-000CN	Link, right door, lower	1x500-sheet and 3x500-sheet paper deck covers on page 373
RC2-9330-000CN	Cover, rear	1x500-sheet paper feeder covers on page 369
RC2-9331-000CN	Cover, left	1x500-sheet paper feeder covers on page 369
RC2-9332-000CN	Cover, handle lower	1x500-sheet paper feeder covers on page 369
RC2-9335-000CN	Link, right door, upper	1x500-sheet paper feeder covers on page 369
RC2-9335-000CN	Link, right door, upper	1x500-sheet and 3x500-sheet paper deck covers on page 373
RC2-9343-000CN	Cover, right corner	1x500-sheet and 3x500-sheet paper deck covers on page 373
RC2-9346-000CN	Cover, right lower, 1	1x500-sheet and 3x500-sheet paper deck covers on page 373
RC2-9347-000CN	Cover, right lower, 2	1x500-sheet and 3x500-sheet paper deck covers on page 373

Table 2-36 Numerical parts list (continued)

Part number	Description	Table and page
RC2-9348-000CN	Cover, rear	1x500-sheet and 3x500-sheet paper deck covers on page 373
RC2-9349-000CN	Cover, left	1x500-sheet and 3x500-sheet paper deck covers on page 373
RC2-9350-000CN	Cover, left lower	1x500-sheet and 3x500-sheet paper deck covers on page 373
RC2-9353-000CN	Door, stock, 1 (1x500 paper deck only)	1x500-sheet and 3x500-sheet paper deck covers on page 373
RC2-9354-000CN	Door, stock, 2 (1x500 paper deck only)	1x500-sheet and 3x500-sheet paper deck covers on page 373
RC2-9357-000CN	Cover, rear lower	1x500-sheet and 3x500-sheet paper deck covers on page 373
RC2-9649-000CN	Plate, arm reinforcement	Internal assemblies (5 of 8) on page 361
RC2-9687-000CN	Plate, FFC protective	Internal assemblies (8 of 8) on page 367
RC3-0684-000CN	Guide, cable	Internal assemblies (7 of 8) on page 365
RC3-1013-000CN	Sheet, slide seal	Internal assemblies (6 of 8) on page 363
RC3-1014-000CN	Seal, slide shutter	Internal assemblies (6 of 8) on page 363
RC3-2321-000CN	Wall, inner	Covers on page 349
RC3-2334-000CN	Label, fixing (fuser) access	Covers on page 349
RC3-2994-000CN	Caster, rear	1x500-sheet paper deck components on page 375
RC3-2994-000CN	Caster, rear	3x500-sheet paper deck components on page 377
RC3-3000-000CN	Cover, right center	HCI covers on page 379
RC3-3001-000CN	Cover, right lower	HCI covers on page 379
RC3-3002-000CN	Cover, right rear	HCI covers on page 379
RC3-3003-000CN	Cover, rear	HCI covers on page 379
RC3-3004-000CN	Cover, rear lower	HCI covers on page 379
RC3-3005-000CN	Cover, left	HCI covers on page 379

Table 2-36 Numerical parts list (continued)

Part number	Description	Table and page
RC3-3006-000CN	Cover, left lower	HCI covers on page 379
RC3-3009-000CN	Cover, corner, right	HCI covers on page 379
RC3-3323-000CN	Cover, right door cable, small	Stapler/stacker covers on page 345
RC3-3324-000CN	Cover, front right	Stapler/stacker covers on page 345
RC3-3325-000CN	Cover, front left	Stapler/stacker covers on page 345
RC3-3326-000CN	Cover, left rear	Stapler/stacker covers on page 345
RC3-3331-000CN	Cover, left lower	Stapler/stacker covers on page 345
RC3-4687-000CN	Holder, door detect, right	Internal assemblies (4 of 8) on page 359
RK2-1331-000CN	Motor, stepping, DC	1x500-sheet paper feeder components on page 371
RK2-1331-000CN	Motor, stepping, DC	1x500-sheet paper deck components on page 375
RK2-1331-000CN	Motor, stepping, DC	3x500-sheet paper deck components on page 377
RK2-1331-000CN	Motor, stepping, DC	HCI components (1 of 2) on page 381
RK2-2276-000CN	Fan (FM1; power supply)	Internal assemblies (6 of 8) on page 363
RK2-2884-000CN	Sensor, environmental PCA	Internal assemblies (4 of 8) on page 359
RK2-3298-000CN	Motor, DC stepping (M6, M7)	Internal assemblies (3 of 8) on page 357
RK2-4329-000CN	Cable, USB	Internal assemblies (8 of 8) on page 367
RL1-1390-000CN	Rail, cassette, right	1x500-sheet paper deck components on page 375
RL1-1390-000CN	Rail, cassette, right	3x500-sheet paper deck components on page 377
RL1-1391-000CN	Rail, cassette, left	1x500-sheet paper deck components on page 375
RL1-1391-000CN	Rail, cassette, left	3x500-sheet paper deck components on page 377
RL1-2235-000CN	Lock plate, front	Internal assemblies (6 of 8) on page 363

Table 2-36 Numerical parts list (continued)

Part number	Description	Table and page
RL1-2236-000CN	Lock plate, 2cnd transfer	Internal assemblies (6 of 8) on page 363
RL1-2266-000CN	Plate, duplexing drive gear	Internal assemblies (3 of 8) on page 357
RL1-2281-000CN	Plate, right door link fixed, FR	Internal assemblies (4 of 8) on page 359
RL1-2282-000CN	Plate, right door link fixed, RR	Internal assemblies (4 of 8) on page 359
RM1-3575-000CN	Cable, paper pickup option	1x500-sheet paper deck components on page 375
RM1-3575-000CN	Cable, paper pickup option	3x500-sheet paper deck components on page 377
RM1-3647-000CN	Cable, multisensor	1x500-sheet paper deck components on page 375
RM1-3647-000CN	Cable, multi sensor	3x500-sheet paper deck components on page 377
RM1-3651-000CN	Cable, door open switch	3x500-sheet paper deck components on page 377
RM1-3819-000CN	Lifter drive assembly	1x500-sheet paper feeder components on page 371
RM1-3819-000CN	Lifter drive assembly	1x500-sheet paper deck components on page 375
RM1-3819-000CN	Lifter drive assembly	3x500-sheet paper deck components on page 377
RM1-5990-000CN	Cartridge guide assembly, upper	Internal assemblies (1 of 8) on page 353
RM1-6012-000CN	Cover, waste toner	Internal assemblies (5 of 8) on page 361
RM1-6018-000CN	ITB guide rail assembly	Internal assemblies (5 of 8) on page 361
RM1-6019-000CN	ITB guide rail	Internal assemblies (5 of 8) on page 361
RM1-6036-000CN	Auto close assembly	Internal assemblies (7 of 8) on page 365
RM1-6037-000CN	ITB guide rail assembly, R1	Internal assemblies (5 of 8) on page 361
RM1-6039-000CN	Lifter drive assembly	Internal assemblies (7 of 8) on page 365
RM1-6040-010CN	Toner feed assembly	Internal assemblies (6 of 8) on page 363

Table 2-36 Numerical parts list (continued)

Part number	Description	Table and page
RM1-6045-000CN	MP tray (Tray 1) assembly	Right door on page 351
RM1-6074-000CN	Motor, fixing (fuser)	Internal assemblies (2 of 8) on page 355
RM1-6088-000CN	Motor, DC	Internal assemblies (3 of 8) on page 357
RM1-6122-070CN	Laser/scanner assembly	Internal assemblies (6 of 8) on page 363
RM1-6759-000CN	Power switch PCA	Internal assemblies (7 of 8) on page 365
RM1-6779-000CN	Toner remanet detect PCA	Internal assemblies (7 of 8) on page 365
RM1-6800-000CN	Imaging high-voltage PCA assembly	Internal assemblies (8 of 8) on page 367
RM1-6802-000CN	PCA, 2cnd transfer H.V.P.	Internal assemblies (4 of 8) on page 359
RM1-6804-000CN	FFC assembly	Internal assemblies (6 of 8) on page 363
RM1-6807-000CN	Cable, low voltage	Internal assemblies (7 of 8) on page 365
RM1-6811-000CN	Cable, low-voltage AC joint	Internal assemblies (7 of 8) on page 365
RM1-6813-000CN	Cable, low voltage, test	Internal assemblies (7 of 8) on page 365
RM1-6822-000CN	Cable, 1st transfer	Internal assemblies (8 of 8) on page 367
RM1-6846-000CN	Cable, feed joint	Internal assemblies (3 of 8) on page 357
RM1-6863-000CN	Cable, rear	Internal assemblies (8 of 8) on page 367
RM1-6867-000CN	Cable, SB joint	Internal assemblies (2 of 8) on page 355
RM1-6944-000CN	Paper pickup assembly	1x500-sheet paper feeder components on page 371
RM1-6944-000CN	Paper pickup assembly ¹	1x500-sheet paper deck components on page 375
RM1-6944-000CN	Paper pickup assembly	3x500-sheet paper deck components on page 377
RM1-6946-000CN	Right door assembly	1x500-sheet paper feeder covers on page 369

Table 2-36 Numerical parts list (continued)

Part number	Description	Table and page
RM1-6948-000CN	Right lower cover assembly	1x500-sheet paper feeder covers on page 369
RM1-6949-000CN	Front upper cover assembly	1x500-sheet paper feeder covers on page 369
RM1-6949-000CN	Front upper cover assembly	1x500-sheet and 3x500-sheet paper deck covers on page 373
RM1-6952-000CN	Right door assembly (1x500 paper deck)	1x500-sheet and 3x500-sheet paper deck covers on page 373
RM1-6953-000CN	Right door assembly (3x500 paper deck)	1x500-sheet and 3x500-sheet paper deck covers on page 373
RM1-6954-000CN	Stock box assembly	1x500-sheet paper deck components on page 375
RM1-6958-000CN	Front lower cover assembly	1x500-sheet and 3x500-sheet paper deck covers on page 373
RM1-6987-000CN	Paper feeder controller PCA	1x500-sheet paper feeder components on page 371
RM1-6988-000CN	Feeder PCA	1x500-sheet paper deck components on page 375
RM1-6989-000CN	Feeder PCA	3x500-sheet paper deck components on page 377
RM1-6991-000CN	Cable, engine interface	1x500-sheet paper deck components on page 375
RM1-6991-000CN	Cable, engine interface	3x500-sheet paper deck components on page 377
RM1-6992-000CN	Cable, PCA joint	3x500-sheet paper deck components on page 377
RM1-7004-000CN	PCA, 1st transfer H.V.P.	Internal assemblies (4 of 8) on page 359
RM1-7142-000CN	Cover, right rear	Covers on page 349
RM1-7922-000CN	Sensor, registration	Internal assemblies (2 of 8) on page 355
RM1-8868-000CN	Right door assembly	HCI covers on page 379
RM1-8869-000CN	Paper pickup assembly, right	HCI components (2 of 2) on page 383
RM1-8876-000CN	Paper pickup assembly, left	HCI components (2 of 2) on page 383

Table 2-36 Numerical parts list (continued)

Part number	Description	Table and page
RM1-8879-000CN	Lifter drive assembly	HCI components (1 of 2) on page 381
RM1-8880-000CN	Auto close assembly	HCI components (2 of 2) on page 383
RM1-8888-000CN	Crossing paper feed assembly	HCI components (2 of 2) on page 383
RM1-8895-000CN	Low-voltage power supply (110V-127V)	Internal assemblies (7 of 8) on page 365
RM1-8896-000CN	Low-voltage power supply (220V-2450V)	Internal assemblies (7 of 8) on page 365
RM1-8899-000CN	PCA, driver	Internal assemblies (4 of 8) on page 359
RM1-8901-000CN	Cable assembly, left	Internal assemblies (7 of 8) on page 365
RM1-8903-000CN	Cable assembly, switch	Internal assemblies (7 of 8) on page 365
RM1-8905-000CN	Cable assembly, sub power supply	Internal assemblies (8 of 8) on page 367
RM1-8906-000CN	Cable assembly, stacker	Internal assemblies (8 of 8) on page 367
RM1-9077-000CN	Controller PCA	HCI components (1 of 2) on page 381
RM1-9358-000CN	Cover, top	Covers on page 349
RM1-9359-000CN	Cover, right front	Covers on page 349
RM1-9360-000CN	Door, right	Right door on page 351
RM1-9361-000CN	Cover, right upper	Right door on page 351
RM1-9362-000CN	Cover, rear	Covers on page 349
RM1-9363-000CN	Cover, left	Covers on page 349
RM1-9364-000CN	Cartridge fan (FM4)	Internal assemblies (4 of 8) on page 359
RM1-9365-000CN	Duplexing fan (FM2)	Internal assemblies (7 of 8) on page 365
RM1-9366-000CN	Sub power supply	Internal assemblies (8 of 8) on page 367
RM1-9367-000CN	Cover, right upper	Covers on page 349
RM1-9368-000CN	Interconnect PCA (ICB) (inner connecting PCA)	Internal assemblies (8 of 8) on page 367
RM1-9371-000CN	DC controller PCA	Internal assemblies (8 of 8) on page 367

Table 2-36 Numerical parts list (continued)

Part number	Description	Table and page
RM1-9377-000CN	Paper delivery assembly	Internal assemblies (2 of 8) on page 355
RM1-9382-000CN	Formatter cage	Internal assemblies (8 of 8) on page 367
RM1-9383-000CN	Cover, delivery	Covers on page 349
RM1-9384-000CN	Sub power supply fan (FM5)	Internal assemblies (8 of 8) on page 367
RM1-9389-000CN	MP (Tray 1) lifter plate assembly	Right door on page 351
RM1-9416-000CN	Right front lock cover assembly	HCI covers on page 379
RM1-9422-000CN	Paper pickup motor assembly	HCI components (1 of 2) on page 381
RM1-9440-000CN	Door, right	Stapler/stacker covers on page 345
RM1-9441-000CN	Feed guide assembly	Stapler/stacker components on page 347
RM1-9442-000CN	Operation assembly	Stapler/stacker components on page 347
RM1-9443-000CN	Output bin (tray assembly)	Stapler/stacker covers on page 345
RM1-9443-000CN	Tray assembly	Stapler/stacker components on page 347
RM1-9444-000CN	Solenoid, flapper assembly	Stapler/stacker components on page 347
RM1-9445-000CN	Switch, door assembly	Stapler/stacker components on page 347
RM1-9446-000CN	Stapler assembly	Stapler/stacker components on page 347
RM1-9459-000CN	PCA, main controller	Stapler/stacker components on page 347
RM1-9980-000CN	Cover, rear	Stapler/stacker covers on page 345
RM1-9981-000CN	Cover, front inner	Stapler/stacker covers on page 345
RM1-9982-000CN	Cover, stapler	Stapler/stacker covers on page 345
RM1-9988-000CN	Paper feed center guide assembly	Stapler/stacker components on page 347
RM1-9989-000CN	Right door, lower guide assembly	Stapler/stacker covers on page 345

Table 2-36 Numerical parts list (continued)

Part number	Description	Table and page
RM2-0698-000CN	Reverse drive assembly	Internal assemblies (2 of 8) on page 355
RU5-4979-000CN	Shaft, right door link	Internal assemblies (4 of 8) on page 359
RU5-8804-000CN	Label, ITB insert, FV	Internal assemblies (6 of 8) on page 363
RU5-8805-000CN	Label, ITB set, RV	Internal assemblies (6 of 8) on page 363
RU5-8806-000CN	Label, ITB insert, FH	Internal assemblies (6 of 8) on page 363
RU5-8807-000CN	Label, ITB set, RH	Internal assemblies (6 of 8) on page 363
RU5-9056-000CN	Screw, stepped	1x500-sheet and 3x500-sheet paper deck covers on page 373
RU6-0771-000CN	Gear, 25T	Internal assemblies (3 of 8) on page 357
RU6-0772-000CN	Gear, 25T	Internal assemblies (3 of 8) on page 357
RU6-0773-000CN	Gear, 74T	Internal assemblies (3 of 8) on page 357
RU6-0795-000CN	Gear, link worm	Internal assemblies (5 of 8) on page 361
RU6-2670-000CN	Spring, torsion	Internal assemblies (6 of 8) on page 363
RU6-2671-000	Spring, tension	Internal assemblies (3 of 8) on page 357
RU6-2683-000CN	Spring, compression	Internal assemblies (5 of 8) on page 361
RU6-2710-000CN	Spring, tension	Internal assemblies (2 of 8) on page 355
RU6-2721-000CN	Spring, compression	Internal assemblies (1 of 8) on page 353
RU6-2727-000CN	Spring, tension	Internal assemblies (4 of 8) on page 359
RU6-2744-000CN	Spring, tension	Internal assemblies (4 of 8) on page 359
RU6-2767-000CN	Spring, contact	Internal assemblies (7 of 8) on page 365
RU6-2768-000CN	Spring, contact	Internal assemblies (7 of 8) on page 365

Table 2-36 Numerical parts list (continued)

Part number	Description	Table and page
RU6-2771-000CN	Spring, contact	Internal assemblies (3 of 8) on page 357
RU6-2772-000CN	Spring, grounding	Internal assemblies (3 of 8) on page 357
RU6-2831-000CN	Spring, tension	Internal assemblies (5 of 8) on page 361
VS1-7207-019CN	Connector, snap tight, BK	Internal assemblies (2 of 8) on page 355
VS1-7500-008CN	Connector, 8P	1x500-sheet paper deck components on page 375
VS1-7500-008CN	Connector, 8P	3x500-sheet paper deck components on page 377
VS1-7514-008CN	Connector, 8P	Internal assemblies (8 of 8) on page 367
VS1-7514-008CN	Connector, 8P	1x500-sheet paper feeder components on page 371
WC2-5512-000CN	Switch, button	1x500-sheet paper feeder components on page 371
WC2-5512-000CN	Switch, button	3x500-sheet paper deck components on page 377
WC4-5251-000CN	Microswitch	Internal assemblies (1 of 8) on page 353
WG8-5935-000CN	Photointerrupter	Internal assemblies (4 of 8) on page 359

Index

Symbols/Numerics

- 1 x 500 or 3 x 500 rollers
 - pickup, feed, and separation rollers, replacing 29
- 1x500 driver PCA
 - components, removing 234
- 1x500 front-upper cover
 - components, removing 224
- 1x500 left cover
 - components, removing 221
- 1x500 lifter-driver assembly
 - components, removing 231
- 1x500 pickup assembly
 - components, removing 228
- 1x500 pickup motor
 - components, removing 233
- 1x500 rdriver PCA
 - components, removing 234
- 1x500 rear cover
 - components, removing 220
- 1x500 rear-front cover
 - components, removing 223
- 1x500 rear-upper cover
 - components, removing 224
- 1x500 right -lower cover door
 - components, removing 227
- 1x500 right door
 - components, removing 225
- 1x500-sheet paper deck
 - removing and replacing 235
- 1x500-sheet paper feeder assembly
 - components, removing 220
- 3,500-sheet high-capacity input tray
 - part number 328
- 500-sheet input tray
 - part number 328

A

- accessories
 - ordering 324
 - part number 328
- after-service checklist 4

B

- before-service checklist 4

C

- cartridge
 - ordering 325
 - part number 325
- cartridge fan
 - removing and replacing 137
- cautions iii
- control panel
 - assemble control panel 5
- controller PCA
 - removing and replacing 174
- controller PCA, high capacity input (HCI) feeder
 - removing and replacing 288
- conventions, document iii
- covers
 - front door assembly, removing 88

D

- DC controller PCA
 - removing and replacing 174
- developing disengagement motor M6
 - removing and replacing 151
- developing motor M3
 - removing and replacing 147
- diagrams 323
- document conventions iii

- document feeder
 - removing and replacing 71
- document feeder foam reflector
 - removing and replacing 16
- document feeder front cover
 - removing and replacing 36
- document feeder hatch cover
 - removing and replacing 41
- document feeder hinge
 - removing and replacing 103
- document feeder mylar strips
 - removing and replacing 14
- document feeder open sensor and flag
 - removing and replacing 161
- document feeder paper present sensor
 - removing and replacing 101
- document feeder pickup and feed roller assembly
 - removing and replacing 32
- document feeder rear cover
 - removing and replacing 46
- document feeder roller cover
 - removing and replacing 43
- document feeder separation pad
 - removing and replacing 34
- document feeder tray extender
 - removing and replacing 108
- document feeder width sensor, paper-long and paper-short sensors
 - removing and replacing 105
- document hinge
 - removing and replacing 103
- document input tray bottom cover
 - removing and replacing 42
- driver PCA
 - removing and replacing 184

- drum motor M2
 - removing and replacing 145
- duplex drive assembly
 - removing and replacing 190
- E**
- electrostatic discharge (ESD) 2
- environmental sensor
 - removing and replacing 157
- ESD electrostatic discharge (ESD) 2
- F**
- fan, fuser
 - removing and replacing 139
- fax PCA
 - removing and replacing 166
- feed roller, replacing 1 x 500 or 3 x 500 29
- ffront door assembly
 - removing and replacing 88
- field-replaceable units (FRUs)
 - replacing 2
- foam reflector
 - removing and replacing foam reflector 17
- formatter fan FM3
 - removing and replacing 141
- formatter, cage
 - removing and replacing 177
- front right cover
 - removing and replacing 86
- front upper cover
 - removing and replacing 83
- front-right cover
 - removing and replacing 86
- FRUs (field-replaceable units)
 - replacing 2
- fuser
 - removing and replacing 9
- fuser drive assembly
 - removing and replacing 207
- fuser fan
 - removing and replacing 139
- fuser gear assembly
 - removing and replacing 213
- fuser motor M4
 - removing and replacing 149
- H**
- hard disk drive
 - removing and replacing 11
- HDD
 - removing and replacing HDD 12
- high capacity input (HCI) feeder controller PCA, removing and replacing 288
- left cover, removing and replacing 267
- left lower cover, removing and replacing 269
- left tray automatic close assembly, removing and replacing 289
- left tray lifter drive, removing and replacing 280
- left tray pickup assembly, removing and replacing 293
- left tray pickup drive, removing and replacing 284
- left tray, removing and replacing 266
- merge assembly, removing and replacing 297
- rear cover, removing and replacing 271
- rear lower cover, removing and replacing 279
- removing and replacing 265
- right center cover, removing and replacing 275
- right door, removing and replacing 272
- right front cover, removing and replacing 274
- right lower cover, removing and replacing 277
- right rear cover, removing and replacing 275
- right tray automatic close assembly, removing and replacing 291
- right tray lifter drive, removing and replacing 282
- right tray pickup assembly, removing and replacing 295
- right tray pickup drive, removing and replacing 286
- right tray, removing and replacing 265
- high capacity input feeder pickup, feed, and separation rollers
 - removing and replacing 30
- high-voltage power supply
 - removing and replacing 168
 - removing, first transfer 179
- I**
- image scanner memory board
 - removing and replacing 164
- input devices
 - devices 220
- install a replacement fuser drive assembly
 - removing and replacing 211
- install a replacement fuser gear assembly
 - removing and replacing 218
- install the main drive assembly
 - removing and replacing 202
- installation 2
 - screws 2
 - See also* replacing parts
- installing a replacement SCB and image scanner memory board
 - removing and replacing 160, 165
- interconnect PCA
 - removing and replacing 171
- intermediate transfer belt
 - removing and replacing 7
- lremove the developing disengagement motor M6
 - removing and replacing 151
- lremove the formatter fan FM3
 - removing and replacing 141
- ITB front guide assembly
 - ITB 118
- ITB motor M1
 - removing and replacing 143
- ITB rear guide assembly
 - removing and replacing 121

L

- laser scanner
 - cautions for servicing 2
 - removing and replacing 133
- left cover
 - removing and replacing 57
- left cover, high capacity input (HCI) feeder
 - removing and replacing 267
- left lower cover, high capacity input (HCI) feeder
 - removing and replacing 269
- left tray automatic close assembly, high capacity input (HCI) feeder
 - removing and replacing 289
- left tray lifter drive, high capacity input (HCI) feeder
 - removing and replacing 280
- left tray pickup assembly, high capacity input (HCI) feeder
 - removing and replacing 293
- left tray pickup drive, high capacity input (HCI) feeder
 - removing and replacing 284
- left tray, high capacity input (HCI) feeder
 - removing and replacing 266
- left upper cover
 - removing and replacing 82
- Lifter-drive assembly
 - removing and replacing 115
- lifter-drive assembly
 - removing and replacing 115
- low-voltage power supply
 - removing and replacing 186

M

- main drive assembly
 - removing 194
- merge assembly, high capacity input (HCI) feeder
 - removing and replacing 297
- mylar strips
 - replace mylar 15

N

- notes iii

O

- order parts by authorized service providers
 - order parts 324
- ordering
 - print cartridge 325
 - product documents 324
 - supplies and accessories 324
- output cover
 - removing and replacing 93
- output devices
 - rear cover, removing and replacing 300

P

- paper delivery assembly
 - removing and replacing 131
- part number
 - accessories 328
 - print cartridge 325
- part numbers
 - replacement parts 325
 - supplies 325
 - toner cartridges 325
 - trays 328
- parts 323
- parts lists and diagrams
 - covers 348
 - internal assemblies 352
 - internal assemblies (1 of 8) 352
 - internal assemblies (2 of 8) 354
 - internal assemblies (3 of 8) 356
 - internal assemblies (5 of 8) 360
 - internal assemblies (7 of 8) 364
 - internal assemblies (8 of 8) 366
 - internal components (4 of 8) 358
 - internal components (6 of 8) 362
 - right door 350
 - using 328
- PCA
 - removing and replacing formatter 10

- PD controller PCA
 - rear cover, removing and replacing 263
- PD front door
 - rear cover, removing and replacing 241
- PD front lower cover
 - rear cover, removing and replacing 252
- PD front upper cover
 - rear cover, removing and replacing 239
- PD left cover
 - rear cover, removing and replacing 236
- PD left lower cover
 - rear cover, removing and replacing 249
- PD lifter drive assembly
 - rear cover, removing and replacing 260
- PD pickup assembly cassette 1
 - rear cover, removing and replacing 253
- PD pickup assembly cassette 2
 - rear cover, removing and replacing 256
- PD pickup assembly cassette 3
 - rear cover, removing and replacing 258
- PD pickup motor
 - rear cover, removing and replacing 262
- PD rear cover
 - rear cover, removing and replacing 235
- PD rear lower cover
 - rear cover, removing and replacing 251
- PD right door
 - rear cover, removing and replacing 245
- PD right front cover
 - rear cover, removing and replacing 238
- PD right lower cover
 - rear cover, removing and replacing 247

- PD storage box
 - rear cover, removing and replacing 243
 - pickup rollers
 - 1 x 500 or 3 x 500 rollers, replacing 29
 - tray 1, replacing 22
 - tray 2, replacing 26
 - pickup, feed, and separation (rollers and pads), remove 22
 - pickup, feed, and separation rollers
 - high capacity input feeder, replacing 30
 - power supply assembly
 - removing and replacing 110
 - power supply, high-voltage
 - removing and replacing 168
 - power supply, low-voltage
 - removing and replacing 186
 - power switch
 - removing and replacing 155
 - power-supply fan FM1
 - removing and replacing 153
 - print cartridge
 - ordering 325
 - part number 325
- R**
- rear cover
 - removing and replacing 58
 - rear cover, high capacity input (HCI) feeder
 - removing and replacing 271
 - rear lower cover, high capacity input (HCI) feeder
 - removing and replacing 279
 - rear upper cover
 - removing and replacing 66
 - rear-upper cover
 - removing and replacing 69, 300
 - reinstall high-voltage power supply
 - removing, first transfer 181
 - reinstall PD pickup assembly
 - cassette 1
 - rear cover, removing and replacing 255
 - reinstall PD pickup assembly
 - cassette 2
 - rear cover, removing and replacing 257
 - reinstall the document feeder
 - removing and replacing 73
 - reinstall the document feeder open sensor and flag
 - removing and replacing 163
 - reinstall the duplex-drive assembly
 - removing and replacing 193
 - reinstall the fax PCA
 - removing and replacing 167
 - reinstall the HCI left tray lifter drive
 - rear cover, removing and replacing 281
 - reinstall the HCI left tray pickup drive
 - rear cover, removing and replacing 285
 - reinstall the HCI merge assembly
 - rear cover, removing and replacing 299
 - reinstall the HCI right tray pickup drive
 - rear cover, removing and replacing 287
 - reinstall the HCI tray pickup assembly
 - rear cover, removing and replacing 294
 - reinstall the PD pickup assembly
 - cassette 3
 - rear cover, removing and replacing 259
 - reinstall the PD storage box
 - rear cover, removing and replacing 244
 - reinstall the residual toner full sensor
 - removing and replacing 125
 - reinstall the scanner assembly
 - removing and replacing 77
 - reinstall the stapler/stacker stapler assembly
 - rear cover, removing and replacing 321
 - related documentation and software
 - order parts 324
 - removal order
 - removing order 4
 - removal strategy
 - removing and replacing 2
 - remove the 1x500 pickup assembly
 - components, removing 228
 - remove the 1x500 right-lower cover
 - components, removing 227
 - remove the cartridge fan FM4
 - removing and replacing 137
 - remove the controller PCA
 - rear cover, removing and replacing 263
 - remove the DC controller PCA
 - removing and replacing 174
 - remove the developing motor M3
 - removing and replacing 147
 - remove the document feeder assembly
 - removing and replacing 71
 - remove the document feeder paper present sensor
 - removing and replacing 101
 - remove the document feeder roller cover
 - removing and replacing 43
 - Remove the document feeder width sensor, paper-short and paper-long sensors
 - removing and replacing 105
 - Remove the document tray extender
 - removing and replacing 108
 - remove the driver PCA
 - removing and replacing 184
 - remove the drumer motor M2
 - removing and replacing 145
 - remove the duplex-drive assembly
 - removing and replacing 191
 - remove the fax PCA
 - removing and replacing 166
 - remove the formatter cage
 - removing and replacing 177
 - remove the front lower cover
 - rear cover, removing and replacing 252
 - remove the front upper cover
 - removing and replacing 83, 85
 - remove the fuser drive assembly
 - removing and replacing 208

- remove the fuser motor M4
 - removing and replacing 149
- remove the HCI controller PCA
 - rear cover, removing and replacing 288
- remove the HCI left lower cover
 - rear cover, removing and replacing 269
- remove the HCI left ray automatic close assembly
 - rear cover, removing and replacing 289
- remove the HCI left tray lifter drive
 - rear cover, removing and replacing 280
- remove the HCI left tray pickup
 - rear cover, removing and replacing 293
- remove the HCI left tray pickup drive
 - rear cover, removing and replacing 284
- remove the HCI merge assembly
 - rear cover, removing and replacing 297
- remove the HCI rear cover
 - rear cover, removing and replacing 271
- remove the HCI rear lower cover
 - rear cover, removing and replacing 279
- remove the HCI right center cover and right rear cover
 - rear cover, removing and replacing 275
- remove the HCI right front cover
 - rear cover, removing and replacing 274
- remove the HCI right lower cover
 - rear cover, removing and replacing 277
- remove the HCI right tray automatic close assembly
 - rear cover, removing and replacing 291
- remove the HCI right tray lifter drive
 - rear cover, removing and replacing 282
- Remove the HCI right tray pickup assembly
 - rear cover, removing and replacing 295
- remove the HCI right tray pickup drive
 - rear cover, removing and replacing 286
- remove the image (developing) high-voltage power supply
 - removing and replacing 168, 170
- remove the image scanner memory board
 - removing and replacing 164
- remove the interconnect PCA
 - removing and replacing 171
- remove the ITB front guide
 - removing and replacing 119
- remove the ITB motor M1
 - removing and replacing 143
- remove the laser/scanner assembly
 - removing and replacing 133
- remove the left lower cover
 - rear cover, removing and replacing 249
- remove the left upper cover
 - removing and replacing 82
- remove the lifter drive assembly
 - rear cover, removing and replacing 260
- remove the LVPS
 - removing and replacing 186
- remove the main drive assembly
 - removing and replacing 195
- remove the paper delivery assembly
 - removing and replacing 131
- remove the PD front upper cover
 - removing and replacing 239
- remove the PD pickup assembly cassette 1
 - rear cover, removing and replacing 253
- remove the PD pickup assembly cassette 2
 - rear cover, removing and replacing 256
- remove the PD pickup assembly cassette 3
 - rear cover, removing and replacing 258
- remove the PD storage box
 - rear cover, removing and replacing 243
- remove the pickup motor
 - rear cover, removing and replacing 262
- remove the power switch
 - removing and replacing 155
- remove the power-supply fan
 - removing and replacing 153
- remove the rear lower cover
 - rear cover, removing and replacing 251
- remove the residual toner feed assembly
 - removing and replacing 128
- remove the residual toner full sensor
 - removing and replacing 122
- remove the right door assembly
 - removing and replacing 62
- remove the right lower cover
 - rear cover, removing and replacing 247
- remove the ruser fan FM2
 - removing and replacing 139
- remove the scanner assembly
 - removing and replacing 74
- remove the second-transfer high-voltage power supply
 - removing and replacing 182
- remove the stapler/stacker assembly
 - 78
- remove the stapler/stacker controller PCA
 - rear cover, removing and replacing 322
- remove the stapler/stacker door switch
 - rear cover, removing and replacing 316
- remove the stapler/stacker feed guide assembly
 - rear cover, removing and replacing 312

- remove the stapler/stacker front left cover
 - rear cover, removing and replacing 303
 - remove the stapler/stacker front left rear cover
 - rear cover, removing and replacing 306
 - remove the stapler/stacker inlet solenoid assembly
 - rear cover, removing and replacing 318
 - remove the stapler/stacker left lower cover
 - rear cover, removing and replacing 309
 - remove the stapler/stacker operation assembly
 - rear cover, removing and replacing 310
 - remove the stapler/stacker output bin assembly
 - rear cover, removing and replacing 307
 - remove the stapler/stacker right door
 - rear cover, removing and replacing 304
 - remove the stapler/stacker stapler assembly
 - rear cover, removing and replacing 320
 - removing parts
 - 1 x 500 or 3 x 500 pickup and feed rollers 29
 - 1x500-sheet paper feeder assembly 220, 221, 223, 224, 225, 227, 228, 231, 233, 234
 - after-service checklist 4
 - before-service checklist 4
 - front door assembly 88
 - high-voltage power supply, first transfer 179, 181
 - main drive assembly 194
 - residual toner feed assembly 127
 - residual toner full sensor 122
 - service approach 3
 - tools, required 3
 - tray 1 pickup roller 22
 - tray 2 pickup roller 26
 - tray 2 separation roller 27
 - repair approach 3
 - replace covers, doors, and whole unit
 - removing and replacing whole unit 36
 - replacement parts
 - part numbers 325
 - replacing parts
 - 1 x 500 or 3 x 500 pickup and feed rollers 29
 - about 2
 - after-service checklist 4
 - before-service checklist 4
 - screws 2
 - service approach 3
 - tools, required 3
 - tray 1 pickup roller 22
 - tray 2 pickup roller 26
 - tray 2 separation roller 27
 - right center cover, high capacity input (HCI) feeder
 - removing and replacing 275
 - right door assembly
 - removing and replacing 62
 - right door, high capacity input (HCI) feeder
 - removing and replacing 272
 - right front cover, high capacity input (HCI) feeder
 - removing and replacing 274
 - right lower cover, high capacity input (HCI) feeder
 - removing and replacing 277
 - right rear cover
 - removing and replacing 59
 - right rear cover, high capacity input (HCI) feeder
 - removing and replacing 275
 - right tray automatic close assembly, high capacity input (HCI) feeder
 - removing and replacing 291
 - right tray lifter drive, high capacity input (HCI) feeder
 - removing and replacing 282
 - right tray pickup assembly, high capacity input (HCI) feeder
 - removing and replacing 295
 - right tray pickup drive, high capacity input (HCI) feeder
 - removing and replacing 286
 - right tray, high capacity input (HCI) feeder
 - removing and replacing 265
 - right upper cover
 - removing and replacing 67
 - right-rear cover
 - removing and replacing 59
 - reinstall the HCI left tray lifter drive rear cover, removing and replacing 283
 - rollers
 - 1 x 500 or 3 x 500 pickup, feed, and separation replacing 29
 - tray 1 pickup, replacing 22
 - tray 2, replacing 26
- S**
- Scan control board (SCB)
 - removing and replacing 158, 160
 - scanner assembly
 - removing and replacing 74
 - scanner front cover
 - removing and replacing 53, 55
 - scanner left cover
 - removing and replacing 49
 - scanner reare and FFC bezel cover
 - removing and replacing 68
 - scanner right cover
 - removing and replacing 51
 - screwdrivers, required 3
 - screws
 - installing 2
 - types of 3
 - second-transfer high-voltage power supply
 - removing and replacing 182
 - secondary roller
 - removing and replacing roller 13
 - sensors
 - residual toner feed assembly, removing 127
 - residual toner full sensor, removing 122

- separation rollers
 - tray 2 , replacing 27
- service approach 3
- service replacement parts
 - order parts 327
- Sremove the document open sensor and flag
 - removing and replacing 161
- sremove the fuser gear assembly
 - removing and replacing 214
- stapler/stacker assembly
 - removing and replacing 78
- stapler/stacker operation assembly
 - removing and replacing 310
- stapler/stacker, door switch
 - removing and replacing 316
- stapler/stacker, feed guide assembly
 - removing and replacing 312
- stapler/stacker, front left cover
 - removing and replacing 303
- stapler/stacker, front right cover
 - removing and replacing 302
- stapler/stacker, inlet stapler assembly
 - removing and replacing 318
- stapler/stacker, left lower cover
 - removing and replacing 309
- stapler/stacker, left rear cover
 - removing and replacing 306
- stapler/stacker, output bin assembly
 - removing and replacing 307
- stapler/stacker, PCA
 - removing and replacing 322
- stapler/stacker, right door
 - removing and replacing 304
- stapler/stacker, stapler assembly
 - removing and replacing 320
- static, precautions for 2
- sub power supply assembly
 - removing and replacing 110
- sub power supply fan
 - removing and replacing 112
- sub power supply fan FM5
 - removing and replacing 112
- supplies
 - ordering 324
 - part numbers 325

- supplies part numbers
 - order parts 325

T

- TCU
 - remove the TCU access door 60
 - TCU access door 60
- tips iii
- toner cartridges
 - part numbers 325
- tools, required 3
- top cover
 - removing and replacing 95
- top rear cover
 - removing and replacing 97
- top right cover
 - removing and replacing 91
- top-right cover
 - removing and replacing 91
- tray 1
 - pickup roller, replacing 22
- tray 1 separation pad assembly
 - removing and replacing 24
- tray 2
 - pickup roller, replacing 26
 - separation roller, replacing 27
- trays
 - part numbers 328
- troubleshooting
 - service approach 3

W

- warnings iii



CC522-90967

