



# LASERJET ENTERPRISE 500 COLOR MFP LASERJET ENTERPRISE FLOW MFP M575

## Repair Manual



M575



M575c





HP LaserJet Enterprise 500 color MFP  
M575 Printers

HP LaserJet Enterprise 500 color flow  
MFP M575 Printers

Repair Manual

## Copyright and License

© 2012 Copyright Hewlett-Packard Development Company, L.P.

Reproduction, adaptation, or translation without prior written permission is prohibited, except as allowed under the copyright laws.

The information contained herein is subject to change without notice.

The only warranties for HP products and services are set forth in the express warranty statements accompanying such products and services. Nothing herein should be construed as constituting an additional warranty. HP shall not be liable for technical or editorial errors or omissions contained herein.

Part number: CD644-90966

Edition 2, 11/2012

## Trademark Credits

Adobe®, Adobe Photoshop®, Acrobat®, and PostScript® are trademarks of Adobe Systems Incorporated.

Apple and the Apple logo are trademarks of Apple Computer, Inc., registered in the U.S. and other countries. iPod is a trademark of Apple Computer, Inc. iPod is for legal or rightholder-authorized copying only. Don't steal music.

Microsoft®, Windows®, Windows® XP, and Windows Vista® are U.S. registered trademarks of Microsoft Corporation.

PANTONE® is Pantone, Inc's check-standard trademark for color.


UNIX® is a registered trademark of The Open Group.

ENERGY STAR and the ENERGY STAR mark are registered U.S. marks.





## Conventions used in this guide

---

 **TIP:** Tips provide helpful hints or shortcuts.

 **NOTE:** Notes provide important information to explain a concept or to complete a task.

 **CAUTION:** Cautions indicate procedures that you should follow to avoid losing data or damaging the product.

 **WARNING!** Warnings alert you to specific procedures that you should follow to avoid personal injury, catastrophic loss of data, or extensive damage to the product.

---



---

# Table of contents

<b>1 Removal and replacement .....</b>	<b>1</b>
Introduction .....	2
Removal and replacement strategy .....	2
General cautions during removal and replacement .....	2
Electrostatic discharge .....	3
Required tools .....	3
Types of screws .....	4
Service approach .....	5
Before performing service .....	6
After performing service .....	6
Post-service test .....	7
Print-quality test .....	7
Copy-quality test .....	7
DC controller PCA .....	8
Parts removal order .....	9
Removal and replacement procedures .....	11
Customer self repair (CSR) components .....	11
Toner cartridges .....	11
Staple cartridge .....	13
Duplex-reverse guide .....	14
Toner-collection unit .....	15
Formatter PCA .....	17
Fax PCA and cable .....	18
Remove the fax PCA and cable .....	18
Hard drive .....	20
Remove the HDD .....	20
Install a replacement hard drive .....	22
Tray 2 and 3 .....	23
Fuser .....	24
Pickup roller and separation pad (Tray 1) .....	25
Pickup roller (Tray 2) .....	27
Pickup and feed rollers (Tray 3) .....	29

Separation roller (Tray 2) .....	31
Secondary transfer roller .....	32
Reinstall the transfer roller .....	33
Intermediate transfer belt (ITB) .....	34
Front-door assembly .....	37
Foam reflector kit .....	38
Document feeder pickup roller .....	39
Document feeder separation pad and spring .....	41
Control panel .....	44
Control-panel assembly (M575c model) .....	47
Important removal considerations .....	47
Remove the control-panel assembly .....	49
Reinstall the control-panel assembly .....	56
Control-panel assembly to keyboard FFC (M575c model) .....	63
Important considerations .....	63
Remove the control-panel assembly to keyboard FFC .....	64
Reinstall the control-panel assembly to keyboard FFC .....	65
Keyboard assembly (M575c model) .....	68
Remove the keyboard assembly .....	68
Keyboard overlay (M575c model) .....	72
Install a keyboard overlay .....	72
Back-side background selector assembly (M575c model) .....	76
Right door (optional paper feeder) .....	78
External panels, covers, and doors .....	80
Identification and location .....	80
Control-panel USB cover .....	81
Control-panel HIP (hardward integration pocket) .....	82
Front-upper cover .....	83
Remove the front-upper cover .....	83
Stapler cover .....	85
Remove the stapler cover .....	85
Right-door assembly .....	86
Right-rear cover .....	90
Left cover .....	92
Rear-upper cover .....	95
Left-upper cover .....	97
Remove the left-upper cover .....	97
Rear cover .....	98
Remove the rear cover .....	98
Right-front cover .....	100
Remove the right-front cover .....	100

Delivery cover .....	104
Remove the delivery cover .....	104
Right-top cover .....	106
Remove the right-top cover .....	106
Upper-right cover .....	108
Remove the upper-right cover .....	108
Front-top cover .....	110
Remove the front-top cover .....	110
Rear-top cover .....	112
Remove the rear-top cover .....	112
Document feeder and scanner assemblies .....	114
Cover front (document feeder front cover) .....	114
Cover rear (document feeder rear cover) .....	116
Deskew mylar and separation mylar .....	118
Document feeder tray extender .....	120
Document feeder jam-access cover .....	121
Document feeder roller cover .....	124
Document feeder whole unit .....	127
Reinstall the document feeder .....	129
Document feeder whole unit (M575c model) .....	130
Remove the document feeder .....	130
Reinstall the document feeder .....	131
Document feeder hinge assy .....	132
Scanner-control board (SCB) .....	133
Remove the SCB .....	133
Scanner-control board (SCB; M575c) .....	136
Remove the SCB .....	136
Image scanner whole unit .....	139
Remove the scanner assembly .....	139
Reinstall the scanner .....	142
Internal assemblies .....	147
Stapler assembly .....	147
Remove the stapler assembly .....	147
Interconnect board (ICB) .....	148
Remove the ICB .....	148
DC controller PCA and tray .....	150
Remove the DC controller PCA and tray .....	150
Low-voltage power supply (LVPS) .....	153
Remove the LVPS .....	153
Delivery fan, cartridge fan, and environmental sensor .....	158
Remove the delivery fan, cartridge fan, and environmental sensor ..	158

Toner-collection sensor .....	163
Remove the toner-collection sensor .....	163
Residual-toner-feed motor .....	166
Remove the residual-toner-feed motor .....	166
Secondary transfer assembly .....	171
Reinstall the secondary transfer assembly .....	172
Lower pickup guide .....	173
Remove the lower pickup guide .....	173
Reinstall the lower pickup guide .....	176
Registration density (RD) sensor assembly .....	177
Remove the RD sensor assembly .....	177
Power-supply fan and fan duct .....	181
Remove the power-supply fan and fan duct .....	181
Registration assembly .....	184
Remove the registration assembly .....	184
High-voltage power supply lower .....	189
Remove the high-voltage power supply lower .....	189
Developing-disengagement motor .....	192
Remove the developing-disengagement motor .....	192
Pickup motor .....	194
Remove the pickup motor .....	194
Lifter-drive assembly .....	195
Remove the lifter-drive assembly .....	195
Tray-pickup drive assembly .....	197
Remove the tray-pickup drive assembly .....	197
Tray-pickup assembly .....	204
Remove the tray-pickup assembly .....	204
Laser/scanner assembly (Y/M) .....	206
Remove the laser/scanner assembly (Y/M) .....	206
Laser/scanner assembly (C/Bk) .....	213
Remove the laser/scanner assembly (C/Bk) .....	214
High-voltage power supply upper .....	221
Remove the high-voltage power supply upper .....	221
Drum motor 1 .....	225
Remove the drum motor 1 .....	225
Drum motor 2 or drum motor 3 .....	226
Remove the drum motor 2 or drum motor 3 .....	226
Fuser motor .....	227
Remove the fuser motor .....	227
Main-drive assembly .....	228
Remove the main-drive assembly .....	229

Fuser-drive assembly .....	239
Remove the fuser-drive assembly .....	240
Delivery assembly .....	244
Remove the delivery assembly .....	245
Duplex-drive assembly .....	249
Remove the duplex-drive assembly .....	250
Optional paper feeder assembly (Tray 3) .....	251
Drawer connector .....	251

## **2 Parts and diagrams ..... 253**

Order parts, accessories, and supplies .....	254
Oderable parts .....	254
Accessories .....	254
Print cartridges and toner collection unit .....	255
Memory .....	256
Customer self repair and service kits .....	256
Related documentation and software .....	262
Fasteners used in this product .....	262
How to use the parts lists and diagrams .....	263
Assembly locations .....	264
Base product (no optional trays or accessories) .....	264
Base product (optional trays or accessories) .....	265
Covers .....	266
Document feeder and scanner assemblies (M575dn and 575f models) .....	268
Document feeder and scanner assemblies (M575c model) .....	270
Keyboard (M575c model) .....	272
Control panel assembly .....	274
ADF assemblies .....	276
Scanner assemblies .....	278
Right-door assembly .....	280
Internal assemblies .....	282
Internal assemblies (1 of 6) .....	282
Internal assemblies (2 of 6) .....	284
Internal assemblies (3 of 6) .....	286
Internal assemblies (4 of 6) .....	288
Internal assemblies (5 of 6) .....	290
Internal assemblies (6 of 6) .....	292
Tray 2 .....	294
Paper pickup assembly .....	296
PCAs .....	298
Assessorries .....	300

1 x 500-sheet paper feeder .....	300
Paper feeder covers .....	302
Paper feeder main body .....	304
Paper feeder cassette .....	306
Paper feeder PCA .....	308
Alphabetical parts list .....	310
Numerical parts list .....	320

<b>Index .....</b>	<b>331</b>
--------------------	------------



---

# List of tables

Table 1-1	DC controller connectors .....	8
Table 1-2	External panels, covers, doors, and scanner assembly; identification and location .....	80
Table 2-1	Accessories .....	254
Table 2-2	Related documentation and software .....	262
Table 2-3	Common fasteners .....	262
Table 2-4	Optional 500-sheet input tray .....	265
Table 2-5	External covers, panels, and doors .....	267
Table 2-6	Document feeder and scanner assemblies (M575dn and 575f models) .....	269
Table 2-7	Document feeder and scanner assemblies (575c models) .....	271
Table 2-8	Keyboard and brackets .....	273
Table 2-9	Control panel assembly .....	275
Table 2-10	ADF assemblies .....	277
Table 2-11	Scanner assemblies .....	279
Table 2-12	Right-door assembly .....	281
Table 2-13	Internal assemblies (1 of 6) .....	283
Table 2-14	Internal assemblies (2 of 6) .....	285
Table 2-15	Internal assemblies (3 of 6) .....	287
Table 2-16	Internal assemblies (4 of 6) .....	289
Table 2-17	Internal assemblies (5 of 6) .....	291
Table 2-18	Internal assemblies (6 of 6) .....	293
Table 2-19	Tray 2 .....	295
Table 2-20	Paper pickup assembly (Tray 2) .....	297
Table 2-21	PCAs .....	299
Table 2-22	1 x 500-sheet paper feeder .....	301
Table 2-23	Paper feeder covers .....	303
Table 2-24	Paper feeder main body .....	305
Table 2-25	Paper feeder cassette .....	307
Table 2-26	Paper feeder PCA .....	309
Table 2-27	Alphabetical parts list .....	310
Table 2-28	Numerical parts list .....	320



---

# List of figures

Figure 1-1	Phillips and Pozidriv screwdriver comparison .....	3
Figure 1-2	DC controller PCA .....	8
Figure 1-3	Parts removal order (1 of 3) .....	9
Figure 1-4	Parts removal order (2 of 3) .....	9
Figure 1-5	Parts removal order (3 of 3) .....	10
Figure 1-6	Remove the toner cartridge (1 of 2) .....	11
Figure 1-7	Remove the toner cartridge (2 of 2) .....	12
Figure 1-8	Remove the staple cartridge .....	13
Figure 1-9	Remove the duplex-reverse guide (1 of 2) .....	14
Figure 1-10	Remove the duplex-reverse guide (2 of 2) .....	14
Figure 1-11	Remove the toner-collection unit (1 of 4) .....	15
Figure 1-12	Remove the toner-collection unit (2 of 4) .....	15
Figure 1-13	Remove the toner-collection unit (3 of 4) .....	16
Figure 1-14	Remove the toner-collection unit (4 of 4) .....	16
Figure 1-15	Remove the formatter .....	17
Figure 1-16	Remove the fax PCA and cable (1 of 2) .....	18
Figure 1-17	Remove the fax PCA and cable (2 of 2) .....	19
Figure 1-18	Remove the HDD (1 of 3) .....	20
Figure 1-19	Remove the HDD (2 of 3) .....	21
Figure 1-20	Remove the HDD (3 of 3) .....	21
Figure 1-21	Remove Tray 2 and 3 (1 of 2) .....	23
Figure 1-22	Remove Tray 2 and 3 (2 of 2) .....	23
Figure 1-23	Remove the fuser (1 of 2) .....	24
Figure 1-24	Remove the fuser (2 of 2) .....	24
Figure 1-25	Remove the pickup roller and separation pad (Tray 1; 1 of 3) .....	25
Figure 1-26	Remove the pickup roller and separation pad (Tray 1; 2 of 3) .....	25
Figure 1-27	Remove the pickup roller and separation pad (Tray 1; 3 of 3) .....	26
Figure 1-28	Remove the pickup roller (Tray 2; 1 of 4) .....	27
Figure 1-29	Remove the pickup roller (Tray 2; 2 of 4) .....	27
Figure 1-30	Remove the pickup roller (Tray 2; 3 of 4) .....	28
Figure 1-31	Remove the pickup roller (Tray 2; 4 of 4) .....	28
Figure 1-32	Remove the Pickup and feed rollers (Tray 3; 1 of 2) .....	29

Figure 1-33	Remove the Pickup and feed rollers (Tray 3; 2 of 2)	30
Figure 1-34	Remove the separation roller (Tray 2)	31
Figure 1-35	Remove the transfer roller (1 of 3)	32
Figure 1-36	Remove the transfer roller (2 of 3)	32
Figure 1-37	Remove the transfer roller (3 of 3)	33
Figure 1-38	Reinstall the transfer roller	33
Figure 1-39	Remove the fuser (1 of 2)	34
Figure 1-40	Remove the intermediate transfer belt (1 of 3)	34
Figure 1-41	Remove the intermediate transfer belt (2 of 3)	35
Figure 1-42	Remove the intermediate transfer belt (3 of 3)	36
Figure 1-43	Remove the front-door assembly (1 of 2)	37
Figure 1-44	Remove the front-door assembly (2 of 2)	37
Figure 1-45	Remove the foam reflector kit (1 of 2)	38
Figure 1-46	Reinstall the foam reflector	38
Figure 1-47	Remove the document feeder pickup roller (1 of 4)	39
Figure 1-48	Remove the document feeder pickup roller (2 of 4)	39
Figure 1-49	Remove the document feeder pickup roller (3 of 4)	40
Figure 1-50	Remove the document feeder pickup roller (4 of 4)	40
Figure 1-51	Remove the document feeder separation pad and separation pad spring (1 of 5)	41
Figure 1-52	Remove the document feeder separation pad and separation pad spring (2 of 5)	41
Figure 1-53	Remove the document feeder separation pad and separation pad spring (3 of 5)	42
Figure 1-54	Remove the document feeder separation pad and separation pad spring (4 of 5)	42
Figure 1-55	Remove the document feeder separation pad and separation pad spring (5 of 5)	43
Figure 1-56	Reinstall the document feeder separation pad spring	43
Figure 1-57	Remove the control panel (1 of 5)	44
Figure 1-58	Remove the control panel (2 of 5)	44
Figure 1-59	Remove the control panel (3 of 5)	45
Figure 1-60	Remove the control panel (4 of 5)	45
Figure 1-61	Remove the control panel (5 of 5)	46
Figure 1-62	Raising the control panel to access the FFC connector (1 of 2)	47
Figure 1-63	Raise the control panel to access the FFC connector (2 of 2)	48
Figure 1-64	Check the control panel FFC for damage (1 of 2)	48
Figure 1-65	Check the control panel FFC for damage (2 of 2)	49
Figure 1-66	Remove the control-panel assembly (1 of 13)	49
Figure 1-67	Remove the control-panel assembly (2 of 13)	50
Figure 1-68	Remove the control-panel assembly (3 of 13)	50
Figure 1-69	Remove the control-panel assembly (4 of 13)	51
Figure 1-70	Remove the control-panel assembly (5 of 13)	51
Figure 1-71	Remove the control-panel assembly (6 of 13)	52
Figure 1-72	Remove the control-panel assembly (7 of 13)	52
Figure 1-73	Remove the control-panel assembly (8 of 13)	53

Figure 1-74	Remove the control-panel assembly (9 of 13)	54
Figure 1-75	Remove the control-panel assembly (10 of 13)	54
Figure 1-76	Remove the control-panel assembly (11 of 13)	55
Figure 1-77	Remove the control-panel assembly (12 of 13)	55
Figure 1-78	Remove the control-panel assembly (13 of 13)	56
Figure 1-79	Reinstall the control-panel assembly (1 of 13)	56
Figure 1-80	Reinstall the control-panel assembly (2 of 13)	57
Figure 1-81	Reinstall the control-panel assembly (3 of 13)	57
Figure 1-82	Reinstall the control-panel assembly (4 of 13)	58
Figure 1-83	Reinstall the control-panel assembly (5 of 13)	58
Figure 1-84	Reinstall the control-panel assembly (6 of 13)	59
Figure 1-85	Reinstall the control-panel assembly (7 of 13)	59
Figure 1-86	Reinstall the control-panel assembly (8 of 13)	60
Figure 1-87	Reinstall the control-panel assembly (9 of 13)	60
Figure 1-88	Reinstall the control-panel assembly (10 of 13)	61
Figure 1-89	Reinstall the control-panel assembly (11 of 13)	61
Figure 1-90	Reinstall the control-panel assembly (12 of 13)	62
Figure 1-91	Remove the control-panel assembly (13 of 13)	62
Figure 1-92	Control-panel assembly to keyboard FFC	63
Figure 1-93	Remove the control-panel assembly to keyboard FFC (1 of 3)	64
Figure 1-94	Remove the control-panel assembly to keyboard FFC (2 of 3)	64
Figure 1-95	Remove the control-panel assembly to keyboard FFC (3 of 3)	65
Figure 1-96	Reinstall the control-panel assembly to keyboard FFC (1 of 4)	65
Figure 1-97	Reinstall the control-panel assembly to keyboard FFC (2 of 4)	66
Figure 1-98	Reinstall the control-panel assembly to keyboard FFC (3 of 4)	66
Figure 1-99	Reinstall the control-panel assembly to keyboard FFC (4 of 4)	67
Figure 1-100	Remove the keyboard assembly (1 of 7)	68
Figure 1-101	Remove the keyboard assembly (2 of 7)	69
Figure 1-102	Remove the keyboard assembly (3 of 7)	69
Figure 1-103	Remove the keyboard assembly (4 of 7)	70
Figure 1-104	Remove the keyboard assembly (5 of 7)	70
Figure 1-105	Remove the keyboard assembly (6 of 7)	71
Figure 1-106	Remove the keyboard assembly (7 of 7)	71
Figure 1-107	Install a keyboard overlay (1 of 6)	72
Figure 1-108	Install a keyboard overlay (2 of 6)	72
Figure 1-109	Install a keyboard overlay (3 of 6)	73
Figure 1-110	Install a keyboard overlay (4 of 6)	73
Figure 1-111	Install a keyboard overlay (5 of 6)	74
Figure 1-112	Install a keyboard overlay (6 of 6)	75
Figure 1-113	Remove the back-side background selector assembly (1 of 3)	76
Figure 1-114	Remove the back-side background selector assembly (2 of 3)	76

Figure 1-115	Remove the back-side background selector assembly (3 of 3)	77
Figure 1-116	Remove the right door; optional paper feeder (1 of 3)	78
Figure 1-117	Remove the right door; optional paper feeder (2 of 3)	78
Figure 1-118	Remove the right door; optional paper feeder (3 of 3)	79
Figure 1-119	External panels, covers, doors, and scanner assembly; identification and location	80
Figure 1-120	Remove USB cover	81
Figure 1-121	Remove the HIP cover	82
Figure 1-122	Remove the front-upper cover (1 of 4)	83
Figure 1-123	Remove the front-upper cover (2 of 4)	83
Figure 1-124	Remove the front-upper cover (3 of 4)	84
Figure 1-125	Remove the front-upper cover (4 of 4)	84
Figure 1-126	Remove the stapler cover	85
Figure 1-127	Remove the right-door assembly (1 of 8)	86
Figure 1-128	Remove the right-door assembly (2 of 8)	86
Figure 1-129	Remove the right-door assembly (3 of 8)	87
Figure 1-130	Remove the right-door assembly (4 of 8)	87
Figure 1-131	Remove the right-door assembly (5 of 8)	88
Figure 1-132	Remove the right-door assembly (6 of 8)	88
Figure 1-133	Remove the right-door assembly (7 of 8)	89
Figure 1-134	Remove the right-door assembly (8 of 8)	89
Figure 1-135	Remove the right-rear cover (1 of 3)	90
Figure 1-136	Remove the right-rear cover (2 of 3)	90
Figure 1-137	Remove the right-rear cover (3 of 3)	91
Figure 1-138	Remove the left cover (1 of 5)	92
Figure 1-139	Remove the left cover (2 of 5)	92
Figure 1-140	Remove the left cover (3 of 5)	93
Figure 1-141	Remove the left cover (4 of 5)	93
Figure 1-142	Remove the left cover (5 of 5)	94
Figure 1-143	Remove the rear-upper cover (1 of 3)	95
Figure 1-144	Remove the rear-upper cover (2 of 3)	95
Figure 1-145	Remove the rear-upper cover (3 of 3)	96
Figure 1-146	Remove the left-upper cover	97
Figure 1-147	Remove the rear cover (1 of 2)	98
Figure 1-148	Remove the rear cover (2 of 2)	99
Figure 1-149	Remove the right-front cover (1 of 5)	100
Figure 1-150	Remove the right-front cover (2 of 5)	101
Figure 1-151	Remove the right-front cover (3 of 5)	101
Figure 1-152	Remove the right-front cover (4 of 5)	102
Figure 1-153	Remove the right-front cover (5 of 5)	102
Figure 1-154	Reinstall the power button	103
Figure 1-155	Remove the delivery cover (1 of 3)	104

Figure 1-156	Remove the delivery cover (2 of 3)	105
Figure 1-157	Remove the delivery cover (3 of 3)	105
Figure 1-158	Remove the right-top cover (1 of 2)	106
Figure 1-159	Remove the right-top cover (2 of 2)	107
Figure 1-160	Remove the upper-right cover (1 of 2)	108
Figure 1-161	Remove the upper-right cover (2 of 2)	109
Figure 1-162	Remove the front-top cover (1 of 2)	110
Figure 1-163	Remove the front-top cover (2 of 2)	111
Figure 1-164	Remove the rear-top cover (1 of 2)	112
Figure 1-165	Remove the rear-top cover (2 of 2)	113
Figure 1-166	Remove the document feeder front cover (1 of 4)	114
Figure 1-167	Remove the document feeder front cover (2 of 4)	114
Figure 1-168	Remove the document feeder front cover (3 of 4)	115
Figure 1-169	Remove the document feeder front cover (4 of 4)	115
Figure 1-170	Remove the document feeder rear cover (1 of 4)	116
Figure 1-171	Remove the document feeder rear cover (2 of 4)	116
Figure 1-172	Remove the document feeder rear cover (3 of 4)	117
Figure 1-173	Remove the document feeder rear cover (4 of 4)	117
Figure 1-174	Remove the deskew mylar and separation mylar (1 of 3)	118
Figure 1-175	Remove the deskew mylar and separation mylar (2 of 3)	118
Figure 1-176	Remove the deskew mylar and separation mylar (3 of 3)	119
Figure 1-177	Remove the document feeder tray extender (1 of 2)	120
Figure 1-178	Remove the document feeder tray extender (2 of 2)	120
Figure 1-179	Remove the document feeder jam-access cover (1 of 5)	121
Figure 1-180	Remove the document feeder jam-access cover (2 of 5)	121
Figure 1-181	Remove the document feeder jam-access cover (3 of 5)	122
Figure 1-182	Remove the document feeder jam-access cover (4 of 5)	122
Figure 1-183	Remove the document feeder jam-access cover (5 of 5)	123
Figure 1-184	Remove the document feeder roller cover (1 of 4)	124
Figure 1-185	Remove the document feeder roller cover (2 of 4)	124
Figure 1-186	Remove the document feeder roller cover (3 of 4)	125
Figure 1-187	Remove the document feeder roller cover (4 of 4)	125
Figure 1-188	Reinstall the document feeder roller cover	126
Figure 1-189	Remove the document feeder assembly (1 of 2)	127
Figure 1-190	Remove the document feeder assembly (2 of 2)	128
Figure 1-191	Remove the document feeder assembly (M575c model; 1 of 2)	130
Figure 1-192	Remove the document feeder assembly (M575c model; 2 of 2)	131
Figure 1-193	Remove the document feeder hinge assembly	132
Figure 1-194	Remove the SCB (1 of 2)	133
Figure 1-195	Remove the SCB (2 of 2)	134
Figure 1-196	Reinstalling the SCB	135

Figure 1-197	Remove the SCB (1 of 2)	136
Figure 1-198	Remove the SCB (2 of 2)	137
Figure 1-199	Reinstalling the SCB	138
Figure 1-200	Remove the scanner assembly (1 of 5)	139
Figure 1-201	Remove the scanner assembly (2 of 5)	140
Figure 1-202	Remove the scanner assembly (3 of 5)	140
Figure 1-203	Remove the scanner assembly (4 of 5)	141
Figure 1-204	Remove the scanner assembly (5 of 5)	141
Figure 1-205	Transfer the control-panel cable (1 of 7)	142
Figure 1-206	Transfer the control-panel cable (2 of 7)	143
Figure 1-207	Transfer the control-panel cable (3 of 7)	143
Figure 1-208	Transfer the control-panel cable (4 of 7)	144
Figure 1-209	Transfer the control-panel cable (5 of 7)	144
Figure 1-210	Transfer the control-panel cable (6 of 7)	145
Figure 1-211	Transfer the control-panel cable (7 of 7)	145
Figure 1-212	Remove the stapler assembly	147
Figure 1-213	Remove the ICB (1 of 3)	148
Figure 1-214	Remove the ICB (2 of 3)	149
Figure 1-215	Remove the ICB (3 of 3)	149
Figure 1-216	Remove the DC controller PCA and tray (1 of 4)	150
Figure 1-217	Remove the DC controller PCA and tray (2 of 4)	151
Figure 1-218	Remove the DC controller PCA and tray (3 of 4)	151
Figure 1-219	Remove the DC controller PCA and tray (4 of 4)	152
Figure 1-220	Remove the LVPS (1 of 8)	153
Figure 1-221	Remove the LVPS (2 of 8)	154
Figure 1-222	Remove the LVPS (3 of 8)	154
Figure 1-223	Remove the LVPS (4 of 8)	155
Figure 1-224	Remove the LVPS (5 of 8)	155
Figure 1-225	Remove the LVPS (6 of 8)	156
Figure 1-226	Remove the LVPS (7 of 8)	156
Figure 1-227	Remove the LVPS (8 of 8)	157
Figure 1-228	Remove the delivery fan, cartridge fan, and environmental sensor (1 of 9)	158
Figure 1-229	Remove the delivery fan, cartridge fan, and environmental sensor (2 of 9)	159
Figure 1-230	Remove the delivery fan, cartridge fan, and environmental sensor (3 of 9)	159
Figure 1-231	Remove the delivery fan, cartridge fan, and environmental sensor (4 of 9)	160
Figure 1-232	Remove the delivery fan, cartridge fan, and environmental sensor (5 of 9)	160
Figure 1-233	Remove the delivery fan, cartridge fan, and environmental sensor (6 of 9)	161
Figure 1-234	Remove the delivery fan, cartridge fan, and environmental sensor (7 of 9)	161
Figure 1-235	Remove the delivery fan, cartridge fan, and environmental sensor (8 of 9)	162
Figure 1-236	Remove the delivery fan, cartridge fan, and environmental sensor (9 of 9)	162
Figure 1-237	Remove the toner-collection sensor (1 of 4)	163



Figure 1-238	Remove the toner-collection sensor (2 of 4)	164
Figure 1-239	Remove the toner-collection sensor (3 of 4)	164
Figure 1-240	Remove the toner-collection sensor (4 of 4)	165
Figure 1-241	Remove the residual-toner-feed motor (1 of 7)	166
Figure 1-242	Remove the residual-toner-feed motor (2 of 7)	167
Figure 1-243	Remove the residual-toner-feed motor (3 of 7)	167
Figure 1-244	Remove the residual-toner-feed motor (4 of 7)	168
Figure 1-245	Remove the residual-toner-feed motor (5 of 7)	168
Figure 1-246	Remove the residual-toner-feed motor (6 of 7)	169
Figure 1-247	Remove the residual-toner-feed motor (7 of 7)	169
Figure 1-248	Reinstall the residual-toner collection door	170
Figure 1-249	Remove the transfer roller (1 of 3)	171
Figure 1-250	Remove the secondary transfer assembly (2 of 3)	171
Figure 1-251	Remove the secondary transfer assembly (3 of 3)	172
Figure 1-252	Reinstall the secondary transfer assembly	172
Figure 1-253	Remove the lower pickup guide (1 of 4)	173
Figure 1-254	Remove the lower pickup guide (2 of 4)	174
Figure 1-255	Remove the lower pickup guide (3 of 4)	175
Figure 1-256	Remove the lower pickup guide (4 of 4)	176
Figure 1-257	Remove the RD sensor assembly (1 of 6)	177
Figure 1-258	Remove the RD sensor assembly (2 of 6)	178
Figure 1-259	Remove the RD sensor assembly (3 of 6)	178
Figure 1-260	Remove the RD sensor assembly (4 of 6)	179
Figure 1-261	Remove the RD sensor assembly (5 of 6)	179
Figure 1-262	Remove the RD sensor assembly (6 of 6)	180
Figure 1-263	Remove the power-supply fan (1 of 4)	181
Figure 1-264	Remove the power-supply fan (2 of 4)	182
Figure 1-265	Remove the power-supply fan (3 of 4)	182
Figure 1-266	Remove the power-supply fan (4 of 4)	183
Figure 1-267	Remove the registration assembly (1 of 8)	184
Figure 1-268	Remove the registration assembly (2 of 8)	185
Figure 1-269	Remove the registration assembly (3 of 8)	185
Figure 1-270	Remove the registration assembly (4 of 8)	186
Figure 1-271	Remove the registration assembly (5 of 8)	186
Figure 1-272	Remove the registration assembly (6 of 8)	187
Figure 1-273	Remove the registration assembly (7 of 8)	187
Figure 1-274	Remove the registration assembly (8 of 8)	188
Figure 1-275	Remove the high-voltage power supply lower (1 of 4)	189
Figure 1-276	Remove the high-voltage power supply lower (2 of 4)	190
Figure 1-277	Remove the high-voltage power supply lower (3 of 4)	190
Figure 1-278	Remove the high-voltage power supply lower (4 of 4)	191


Figure 1-279	Reinstall the high-voltage power supply lower .....	191
Figure 1-280	Remove the developing-disengagement motor (1 of 2) .....	192
Figure 1-281	Remove the developing-disengagement motor (2 of 2) .....	193
Figure 1-282	Remove the pickup motor .....	194
Figure 1-283	Remove the lifter-drive assembly (1 of 2) .....	195
Figure 1-284	Remove the lifter-drive assembly (2 of 2) .....	196
Figure 1-285	Remove the tray-pickup drive assembly (1 of 10) .....	197
Figure 1-286	Remove the tray-pickup drive assembly (2 of 10) .....	198
Figure 1-287	Remove the tray-pickup drive assembly (3 of 10) .....	198
Figure 1-288	Remove the tray-pickup drive assembly (4 of 10) .....	199
Figure 1-289	Remove the tray-pickup drive assembly (5 of 10) .....	199
Figure 1-290	Remove the tray-pickup drive assembly (6 of 10) .....	200
Figure 1-291	Remove the tray-pickup drive assembly (7 of 10) .....	200
Figure 1-292	Remove the tray-pickup drive assembly (8 of 10) .....	201
Figure 1-293	Remove the tray-pickup drive assembly (9 of 10) .....	201
Figure 1-294	Remove the tray-pickup drive assembly (10 of 10) .....	202
Figure 1-295	Reinstall the tray-pickup drive assembly (1 of 3) .....	202
Figure 1-296	Reinstall the tray-pickup drive assembly (2 of 3) .....	203
Figure 1-297	Reinstall the tray-pickup drive assembly (3 of 3) .....	203
Figure 1-298	Remove the tray-pickup assembly (1 of 3) .....	204
Figure 1-299	Remove the tray-pickup assembly (2 of 3) .....	205
Figure 1-300	Remove the tray-pickup assembly (3 of 3) .....	205
Figure 1-301	Remove the laser/scanner assembly (Y/M) (1 of 12) .....	206
Figure 1-302	Remove the laser/scanner assembly (Y/M) (2 of 12) .....	207
Figure 1-303	Remove the laser/scanner assembly (Y/M) (3 of 12) .....	207
Figure 1-304	Remove the laser/scanner assembly (Y/M) (4 of 12) .....	208
Figure 1-305	Remove the laser/scanner assembly (Y/M) (5 of 12) .....	208
Figure 1-306	Remove the laser/scanner assembly (Y/M) (6 of 12) .....	209
Figure 1-307	Remove the laser/scanner assembly (Y/M) (7 of 12) .....	209
Figure 1-308	Remove the laser/scanner assembly (Y/M) (8 of 12) .....	210
Figure 1-309	Remove the laser/scanner assembly (Y/M) (9 of 12) .....	210
Figure 1-310	Remove the laser/scanner assembly (Y/M) (10 of 12) .....	211
Figure 1-311	Remove the laser/scanner assembly (Y/M) (11 of 12) .....	211
Figure 1-312	Remove the laser/scanner assembly (Y/M) (12 of 12) .....	212
Figure 1-313	Remove the laser/scanner assembly (C/Bk) (1 of 7) .....	214
Figure 1-314	Remove the laser/scanner assembly (C/Bk) (2 of 7) .....	214
Figure 1-315	Remove the laser/scanner assembly (C/Bk) (3 of 7) .....	215
Figure 1-316	Remove the laser/scanner assembly (C/Bk) (4 of 7) .....	215
Figure 1-317	Remove the laser/scanner assembly (C/Bk) (5 of 7) .....	216
Figure 1-318	Remove the laser/scanner assembly (C/Bk) (6 of 7) .....	217
Figure 1-319	Remove the laser/scanner assembly (C/Bk) (7 of 7) .....	218

Figure 1-320	Reinstall the PGC actuators (1 of 5) .....	218
Figure 1-321	Reinstall the PGC actuators (2 of 5) .....	219
Figure 1-322	Reinstall the PGC actuators (3 of 5) .....	219
Figure 1-323	Reinstall the PGC actuators (4 of 5) .....	220
Figure 1-324	Reinstall the PGC actuators (5 of 5) .....	220
Figure 1-325	Remove the high-voltage power supply upper (1 of 5) .....	221
Figure 1-326	Remove the high-voltage power supply upper (2 of 5) .....	222
Figure 1-327	Remove the high-voltage power supply upper (3 of 5) .....	222
Figure 1-328	Remove the high-voltage power supply upper (4 of 5) .....	223
Figure 1-329	Remove the high-voltage power supply upper (5 of 5) .....	223
Figure 1-330	Reinstall the high-voltage power supply upper .....	224
Figure 1-331	Remove the drum motor 1 .....	225
Figure 1-332	Remove the drum motor 2 or drum motor 3 .....	226
Figure 1-333	Remove the fuser motor .....	227
Figure 1-334	Remove the main-drive assembly (1 of 7) .....	229
Figure 1-335	Remove the main-drive assembly (2 of 7) .....	229
Figure 1-336	Remove the main-drive assembly (3 of 7) .....	230
Figure 1-337	Remove the main-drive assembly (4 of 7) .....	230
Figure 1-338	Remove the main-drive assembly (5 of 7) .....	231
Figure 1-339	Remove the main-drive assembly (6 of 7) .....	231
Figure 1-340	Remove the main-drive assembly (7 of 7) .....	232
Figure 1-341	Reinstall the main-drive assembly (1 of 11) .....	233
Figure 1-342	Reinstall the main-drive assembly (2 of 11) .....	233
Figure 1-343	Reinstall the main-drive assembly (3 of 11) .....	234
Figure 1-344	Reinstall the main-drive assembly (4 of 11) .....	234
Figure 1-345	Reinstall the main-drive assembly (5 of 11) .....	235
Figure 1-346	Reinstall the main-drive assembly (6 of 11) .....	236
Figure 1-347	Reinstall the main-drive assembly (7 of 11) .....	236
Figure 1-348	Reinstall the main-drive assembly (8 of 11) .....	237
Figure 1-349	Reinstall the main-drive assembly (9 of 11) .....	237
Figure 1-350	Reinstall the main-drive assembly (10 of 11) .....	238
Figure 1-351	Reinstall the main-drive assembly (11 of 11) .....	238
Figure 1-352	Remove the fuser-drive assembly (1 of 6) .....	240
Figure 1-353	Remove the fuser-drive assembly (2 of 6) .....	240
Figure 1-354	Remove the fuser-drive assembly (3 of 6) .....	241
Figure 1-355	Remove the fuser-drive assembly (4 of 6) .....	241
Figure 1-356	Remove the fuser-drive assembly (5 of 6) .....	242
Figure 1-357	Remove the fuser-drive assembly (6 of 6) .....	242
Figure 1-358	Reinstall the fuser-drive assembly .....	243
Figure 1-359	Remove the delivery assembly (1 of 5) .....	245
Figure 1-360	Remove the delivery assembly (2 of 5) .....	245

Figure 1-361	Remove the delivery assembly (3 of 5)	246
Figure 1-362	Remove the delivery assembly (4 of 5)	246
Figure 1-363	Remove the delivery assembly (5 of 5)	247
Figure 1-364	Reinstall the delivery assembly (1 of 2)	248
Figure 1-365	Reinstall the delivery assembly (2 of 2)	248
Figure 1-366	Remove the duplex-drive assembly (1 of 2)	250
Figure 1-367	Remove the duplex-drive assembly (2 of 2)	250
Figure 1-368	Remove the drawer connector; optional paper feeder	251
Figure 2-1	Base product (no optional trays or accessories)	264
Figure 2-2	Base product (optional trays or accessories)	265
Figure 2-3	External covers, panels, and doors	266
Figure 2-4	Document feeder and scanner assemblies (M575dn and 575f models)	268
Figure 2-5	Document feeder and scanner assemblies (575c models)	270
Figure 2-6	Keyboard and brackets	272
Figure 2-7	Control panel assembly	274
Figure 2-8	ADF assemblies	276
Figure 2-9	Scanner assemblies	278
Figure 2-10	Right-door assembly	280
Figure 2-11	Internal assemblies (1 of 6)	282
Figure 2-12	Internal assemblies (2 of 6)	284
Figure 2-13	Internal assemblies (3 of 6)	286
Figure 2-14	Internal assemblies (4 of 6)	288
Figure 2-15	Internal assemblies (5 of 6)	290
Figure 2-16	Internal assemblies (6 of 6)	292
Figure 2-17	Tray 2	294
Figure 2-18	Paper pickup assembly (Tray 2)	296
Figure 2-19	PCAs	298
Figure 2-20	1 x 500-sheet paper feeder	300
Figure 2-21	Paper feeder covers	302
Figure 2-22	Paper feeder main body	304
Figure 2-23	Paper feeder cassette	306
Figure 2-24	Paper feeder PCA	308

---

# 1 Removal and replacement

 **NOTE:** Your product might not appear exactly as the one shown in the photos in this chapter. Although some photos do not show the document feeder and scanner assembly installed, the procedures in this chapter are appropriate for your product.

- [Introduction](#)
- [Removal and replacement strategy](#)
- [Service approach](#)
- [Removal and replacement procedures](#)

# Introduction

This chapter describes the removal and replacement of field-replaceable units (FRUs) only.

Replacing FRUs is generally the reverse of removal. Occasionally, notes and tips are included to provide directions for difficult or critical replacement procedures.

HP does *not* support repairing individual subassemblies or troubleshooting to the component level.

Note the length, diameter, color, type, and location of each screw. Be sure to return each screw to its original location during reassembly.

Incorrectly routed or loose wire harnesses can interfere with other internal components and can become damaged or broken. Frayed or pinched harness wires can be difficult to find. When replacing wire harnesses, always use the provided wire loops, lance points, or wire-harness guides and retainers.


## Removal and replacement strategy

### General cautions during removal and replacement

This chapter describes the removal and replacement of field-replaceable units (FRUs) only.


Replacing FRUs is generally the reverse of removal. Occasionally, notes and tips are included to provide directions for difficult or critical replacement procedures.

HP does *not* support repairing individual subassemblies or troubleshooting to the component level.


 **WARNING!** Turn the product off, wait 5 seconds, and then remove the power cable before attempting to service the product. If this warning is not followed, severe injury can result, in addition to damage to the product. The power must be on for certain functional checks during troubleshooting. However, disconnect the power supply during parts removal.

Never operate or service the product with the protective cover removed from the laser scanner assembly. The reflected beam, although invisible, can damage your eyes.

The sheet-metal parts can have sharp edges. Be careful when handling sheet-metal parts.

 **CAUTION:** Do not bend or fold the flat flexible cables (FFCs) during removal or installation. Also, do not straighten prefolds in the FFCs. You *must* fully seat all FFCs in their connectors. Failure to fully seat an FFC into a connector can cause a short circuit in a PCA.


Incorrectly routed or loose wire harnesses can interfere with other internal components and can become damaged or broken. Frayed or pinched harness wires can be difficult to find. When replacing wire harnesses, always use the provided wire loops, lance points, or wire-harness guides and retainers.

 **NOTE:** To install a self-tapping screw, first turn it counterclockwise to align it with the thread pattern, and then carefully turn it clockwise to tighten. Do not overtighten. If a self-tapping screw-hole becomes stripped, repair the screw-hole or replace the affected assembly.

Note the length, diameter, color, type, and location of each screw. Be sure to return each screw to its original location during reassembly.

**TIP:** For clarity, some photos in this chapter might show components removed that would not be removed to service the product. If necessary, remove the components listed at the beginning of a procedure before proceeding to service the product.

## Electrostatic discharge

**CAUTION:**  Some parts are sensitive to electrostatic discharge (ESD). Look for the ESD reminder when removing product parts. Always perform service work at an ESD-protected workstation or mat, or use an ESD strap. If an ESD workstation, mat, or strap is not available, ground yourself by touching the sheet-metal chassis *before* touching an ESD-sensitive part.

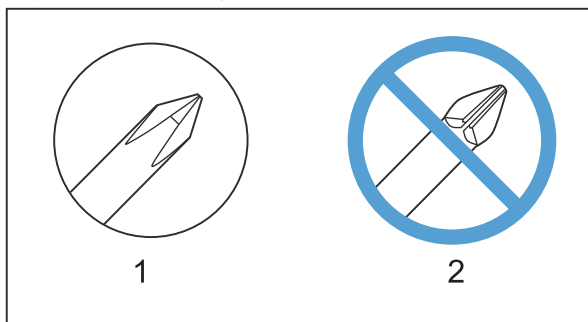
Protect the ESD-sensitive parts by placing them in ESD pouches when they are out of the product.

## Required tools

- #1 Phillips screwdriver with a magnetic tip and a 152-mm (6-inch) shaft length
- #2 Phillips screwdriver with a magnetic tip and a 152-mm (6-inch) shaft length
- Small flat blade screwdriver
- Needle-nose pliers
- ESD mat or ESD strap (if one is available)
- Penlight (optional)

**CAUTION:** Always use a Phillips screwdriver (callout 1). Do not use a Pozidriv® screwdriver (callout 2) or any motorized screwdriver. These can damage screws or screw threads.

**Figure 1-1** Phillips and Pozidriv screwdriver comparison



## Types of screws




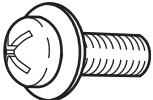
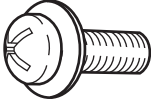
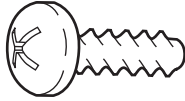

 **NOTE:** The illustration in this section are for reference only. The screws in your product might look slightly different.

Illustration	Description	Size	Part number	Use
	Screw with washer	M3X6	XB2-7300-000CN	Used to secure metal components to metal components (for example, a ground wire to the frame)
	Screw, tapping	M3X6	XA9-1503-000CN	
	Screw	D-M3X6	XA9-1671-000CN	
	Screw	P-M3X8	XB4-5300-807CN	
	Screw, tapping, truss head	M4X10	XB4-7401-005CN	Used to secure anything to plastic

6 mm   8 mm   10 mm   M 3   M 4  




# Service approach

Product repair normally begins by using the product internal diagnostics and the following two-step process:

1. Isolate the problem to the major system (for example, the network or server, or the product).
2. Troubleshoot the problem by using the procedures in the solve problems chapter.

After you find a faulty part, the product can usually be repaired at the assembly level by replacing field-replaceable units (FRUs). Some mechanical assemblies might need to be repaired at the subassembly level.



---

**NOTE:** Your product might not appear exactly as the one shown in the photos in this chapter. Although some photos do not show the document feeder and scanner assembly installed, the procedures in this chapter are appropriate for your product.

---

## Before performing service

- Remove all media from the product.
- Turn off the power using the power switch.
- Unplug the power cable and interface cable or cables.
- Place the product on an ESD workstation or mat, or use an ESD strap (if one is available). If an ESD workstation, mat, or strap is not available, ground yourself by touching the sheet-metal chassis *before* touching an ESD-sensitive part.
- Remove the toner cartridges. See [Toner cartridges on page 11](#).
- Remove the tray or trays. See [Tray 2 and 3 on page 23](#).

## After performing service

- Plug in the power cable.
- Reinstall the toner cartridges.
- Reinstall the tray or trays.
- If the optional paper feeder was installed, place the product on the feeder.

## Post-service test

Perform the following test to verify that the repair or replacement was successful.

### Print-quality test

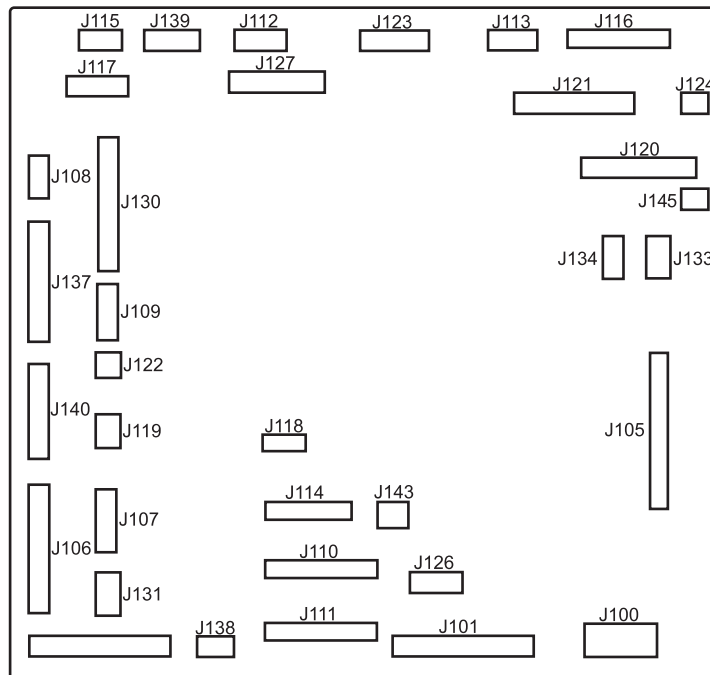
1. Verify that you have completed the necessary reassembly steps.
2. Make sure that the tray contains clean, unmarked paper.
3. Attach the power cord and interface cable or interface cables, and then turn on the product.
4. Verify that the expected startup sounds occur.
5. Print a configuration page, and then verify that the expected printing sounds occur.
6. Print a demo page, and then verify that the print quality is as expected.
7. Send a print job from the host computer, and then verify that the output meets expectations.
8. If necessary, restore any customer-specified settings.
9. Clean the outside of the product with a damp cloth.

### Copy-quality test

1. Verify that you have completed the necessary reassembly steps.
2. Ensure that the input tray contains clean, unmarked paper.
3. Attach the power cord, and then turn on the product.
4. Verify that the expected start-up sounds occur.
5. Print a configuration page, and then verify that the expected printing sounds occur.
6. Place the configuration page in the document feeder.
7. Print a copy job, and then verify the results.
8. Place the configuration page on the scanner glass.
9. Print a copy job, and then verify the results.
10. Clean the outside of the product with a damp cloth.

## DC controller PCA

Figure 1-2 DC controller PCA



<b>J100:</b> 24 v from low-voltage power supply (LVPS) and interlock	<b>J114:</b> HVPS lower	<b>J126:</b> memory tag connector
<b>J101:</b> LVPS	<b>J115:</b> fuser sensors	<b>J127:</b> pre-exposure LEDs (rear), SR17, SL1
<b>J105:</b> interconnect board (ICB)	<b>J116:</b> HVPS upper	<b>J130:</b> registration density (RD) sensors (front and rear)
<b>J106:</b> 500-sheet feeder, developing home position, laser motors	<b>J117:</b> fuser motor	<b>J131:</b> pickup motor
<b>J107:</b> duplex sensor, tray 1 solenoid, paper present sensor	<b>J118:</b> 5 v interlock	<b>J133:</b> not used
<b>J108:</b> environmental sensor	<b>J119:</b> LVPS fan	<b>J134:</b> not used
<b>J109:</b> duplex clutch, overhead transparency (OHT) in, top-of-page sensor	<b>J120:</b> drum motor 1 and drum motor 2	<b>J137:</b> toner collection unit (TCU) full, TCU motor, toner level detection
<b>J110:</b> YM laser	<b>J121:</b> drum motor 3, drum position 1,2,3	<b>J138:</b> 24 v to HVPS lower
<b>J111:</b> CK laser	<b>J122:</b> OHT out	<b>J139:</b> fuser sensors
<b>J112:</b> pre-exposure LEDs (front)	<b>J123:</b> pressure release, bin full, fuser delivery	<b>J140:</b> lift motor, tray present, stack surface
<b>J113:</b> 24 v to high-voltage power supply (HVPS) upper	<b>J124:</b> 24 v to scanner	<b>J143:</b> 24 v present from LVPS
		<b>J145:</b> 24v to stapler

## Parts removal order

Figure 1-3 Parts removal order (1 of 3)

Assembly	Remove	Remove	Remove	Remove	Remove	Remove	Remove	Remove	Remove
Toner cartridges									
Stapler cartridge									
Duplex reverse guide									
Toner collection unit (TCU)									
Formatter									
Hard drive (HDD)	Formatter								
Fax PCA and cable	Formatter								
Tray 2-3 cassettes									
Fuser									
Tray 1 pickup roller	Roller cover								
Tray 2 pickup and separation rollers	Tray 2								
Tray 3 pickup, feed, and separation rollers	Tray 3								
Secondary transfer rollers									
Secondary transfer assembly (T2)									
Intermediate transfer belt (ITB)									
Front-door assembly									
ADF separation pad and ADF separation pad spring									
Control panel									
Keyboard (575c model)	Control panel								
USB cover									
HIP cover									
Front-upper cover									
Stapler cover									
Right-door assembly									
Right-rear cover									
Left cover	Formatter								
Rear-upper cover									
Left-upper cover	Rear-upper cover								
Rear cover	Right-rear cover	Left cover	Rear-upper cover						
Right-front cover	Front-upper cover								
ADF whole unit	Rear-upper cover								
SCB	Rear-upper cover								
Image scanner whole unit	Stapler cover	Rear-upper cover	Left-upper cover	Document feeder	SCB				
Delivery cover	Stapler cover	Front-upper cover	Rear-upper cover	Left-upper cover	Document feeder	SCB	Scanner	Upper-right cover	
Right-top cover	Stapler cover	Rear-upper cover	Left-upper cover	Document feeder	SCB	Scanner			
Upper-right cover	Stapler cover	Rear-upper cover	Left-upper cover	Document feeder	SCB	Scanner			
Front-top cover	Stapler cover	Rear-upper cover	Left-upper cover	Front-upper cover	Left cover	Document feeder	SCB	Scanner	
Rear-top cover	Stapler cover	Rear-upper cover	Left-upper cover	Rear cover	Document feeder	SCB	Scanner	Delivery cover	Front top cover

Figure 1-4 Parts removal order (2 of 3)


Assembly	Remove	Remove
ADF front cover		
ADF rear cover		
Mylar		
Foam reflector		
ADF tray extender		
ADF PCA	ADF rear cover	
ADF jam-access cover		
Roller door	ADF jam-access cover	
Stoppers	ADF jam-access cover	
ADF handle	ADF jam-access cover	
Photosensor	ADF jam-access cover	
ADF tray cover		
Legal flag and sensor	ADF tray cover	
ADF paper guides	ADF tray cover	
Assy hinge	Rear-upper cover	ADF whole unit
ADF pick success sensor assy	Rear-upper cover	ADF whole unit

**Figure 1-5** Parts removal order (3 of 3)


Assembly	Remove	Remove	Remove	Remove	Remove	Remove	Remove	Remove	Remove
Stapler assembly	Stapler cover								
Interconnect board (ICB)	TCU	Formatter	Right-rear cover	Left cover	Rear-upper cover	Rear cover			
DC controller (DCC) and tray (optional)	TCU	Formatter	Right-rear cover	Left cover	Rear-upper cover	Rear cover	ICB	LVPS (if removing tray)	
LVPS	TCU	Formatter	Right-rear cover	Left cover	Rear-upper cover	Rear cover	ICB		
Delivery fan, cartridge fan, and environmental sensor	TCU	Left cover							
Toner collection sensor	TCU	Left cover							
Residual-toner feed motor	TCU	ITB	Left cover						
Registration density (RD) sensor	T2	ITB							
Power supply (PS) fan and fan duct	TCU	Right-rear cover	Left cover	Rear-upper cover	Rear cover				
Registration assembly	TCU	T2	ITB	Right-rear cover	Left cover	Rear-upper cover	Rear cover	RD sensor	PS fan and duct
High-voltage power supply (HVPS) lower	TCU Formatter Right-rear cover	ICB	LVPS						
Developing-disengagement motor		ICB	LVPS	HVPS-lower					
Pickup motor		ICB	LVPS	HVPS-lower					
Lifter-drive assembly		ICB	LVPS	HVPS-lower					
Cassette pickup drive assembly		Left cover	ICB	LVPS	HVPS-lower				
Laser scanner (Y/M)		Rear-upper cover	ICB	LVPS	HVPS-lower				
Laser scanner (C/Bk)		Rear cover	ICB	LVPS	HVPS-lower	Lifter-drive	Laser scanner (Y/M)		
Cassette pickup assembly		ICB	LVPS	Registration assembly	HVPS-lower	Cassette-pickup drive assembly			
High-voltage power supply (HVPS) upper	TCU	Rear-upper cover							
Drum motors 1, 2, or 3	Formatter Right-rear cover Left cover	Rear cover ICB DCC LVPS	HVPS-upper						
Fuser motor			HVPS-upper						
Main-drive assembly	TCU Formatter Fuser T2 ITB	Right-rear cover Left cover Rear-upper cover Rear cover	ICB DCC and tray PS fan and duct LVPS HVPS lower and upper						
Fuser-drive assembly			Document feeder SCB Scanner	Main drive					
Delivery assembly	TCU Formatter Fuser T2 ITB Front-upper cover Right-rear cover	Left cover Stapler cover Rear-upper cover Left-upper cover Rear cover	Front-top cover Rear-top cover PS fan and duct ICB	Main drive	Fuser drive				
Duplex-drive assembly			DCC and tray LVPS HVPS lower and upper	Main drive	Fuser drive	Delivery assembly			

# Removal and replacement procedures

## Customer self repair (CSR) components

 **NOTE:** Your product might not appear exactly as the one shown in the photos in this chapter. Although some photos do not show the document feeder and scanner assembly installed, the procedures in this chapter are appropriate for your product.

## Toner cartridges

 **CAUTION:** If toner gets on your clothing, wipe it off with a dry cloth and wash clothing in cold water. *Hot water sets toner into fabric.*

1. Open the front door. Make sure that the door is completely open.

**Figure 1-6** Remove the toner cartridge (1 of 2)

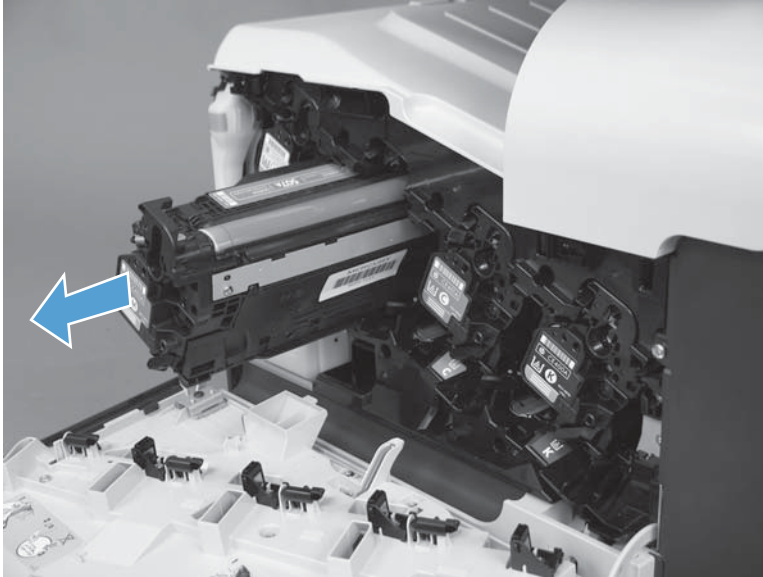


2. Grasp the toner-cartridge handle and pull out to remove.

**⚠ CAUTION:** Do not touch the green roller. Doing so can damage the cartridge. Do not expose the cartridge to strong light. Cover the cartridge with a sheet of paper to protect it from light.

**💡 Reinstallation tip** Align the toner cartridge with its slot and insert the toner cartridge until it clicks into place.

**Figure 1-7** Remove the toner cartridge (2 of 2)

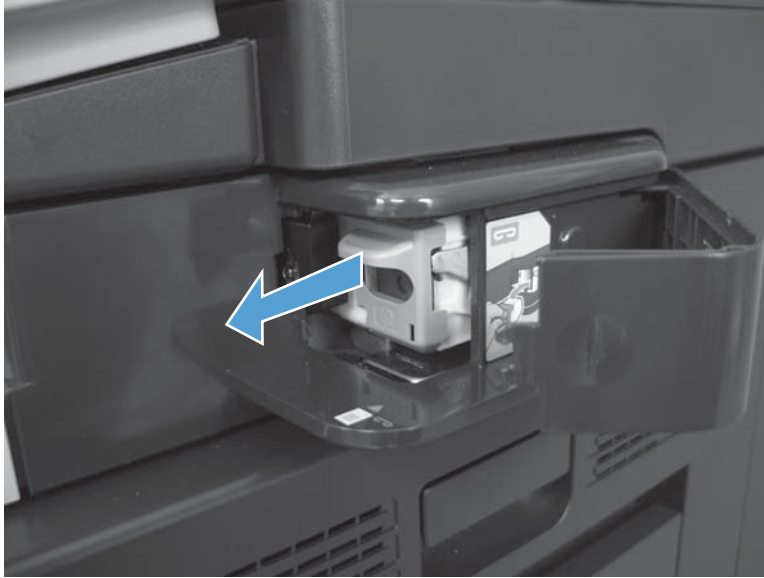




## Staple cartridge

Open the stapler door, and then remove the staple cartridge.

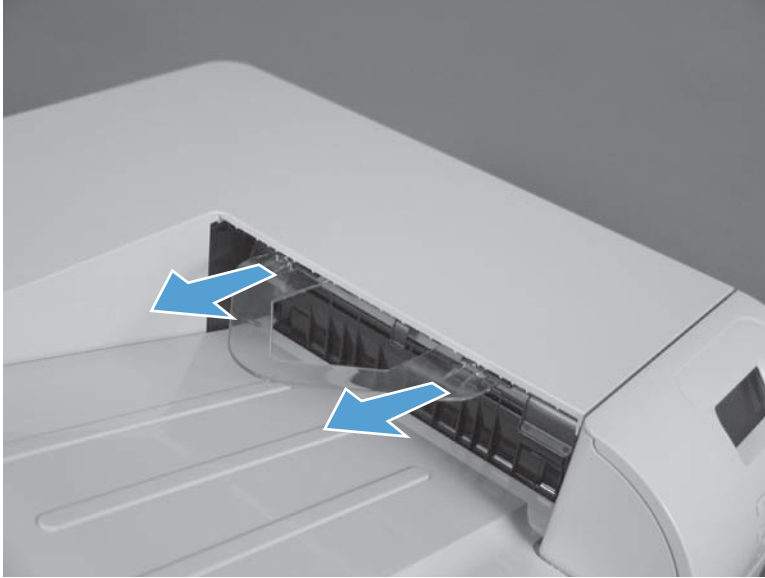
**Figure 1-8** Remove the staple cartridge



## Duplex-reverse guide

1. Grasp the duplex-reverse guide and pull it away from the product to release it.

**Figure 1-9** Remove the duplex-reverse guide (1 of 2)




2. Remove the guide.

**Figure 1-10** Remove the duplex-reverse guide (2 of 2)



## Toner-collection unit


 **NOTE:** The toner-collection unit is designed for a single use. Do not try to empty the toner-collection unit and reuse it. Doing so could cause toner to spill inside the product and result in reduced print quality. For recycling information, see the product user guide.

1. Open the front door. Make sure that the door is completely open.

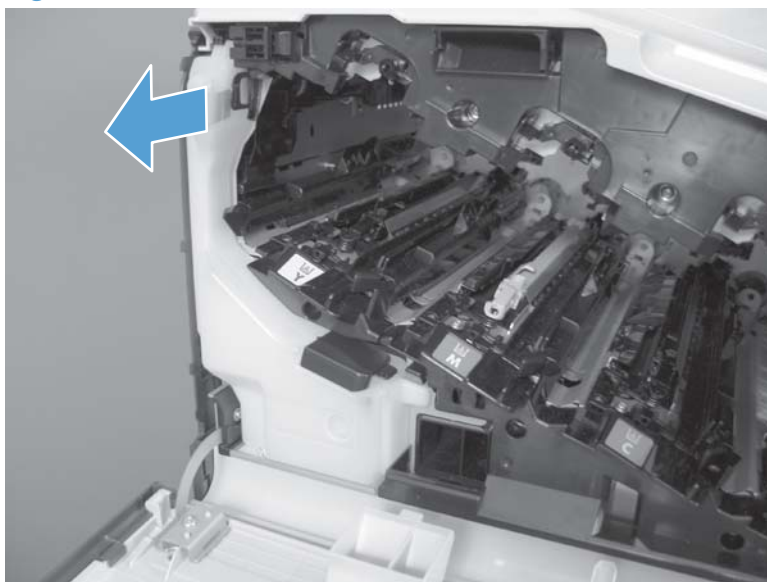
**Figure 1-11** Remove the toner-collection unit (1 of 4)



2. Grasp the blue label at the top of the toner-collection unit and remove it from the product.

 **Reinstallation tip** Insert the bottom of the replacement unit into the product first and then push the top of the unit until it clicks into place. If the toner-collection unit is installed incorrectly, the front door will not close completely.

**Figure 1-12** Remove the toner-collection unit (2 of 4)



3. To prevent toner spills, place the blue cap (callout 1) over the blue opening at the top of the unit (callout 2).

**Figure 1-13** Remove the toner-collection unit (3 of 4)



**Figure 1-14** Remove the toner-collection unit (4 of 4)

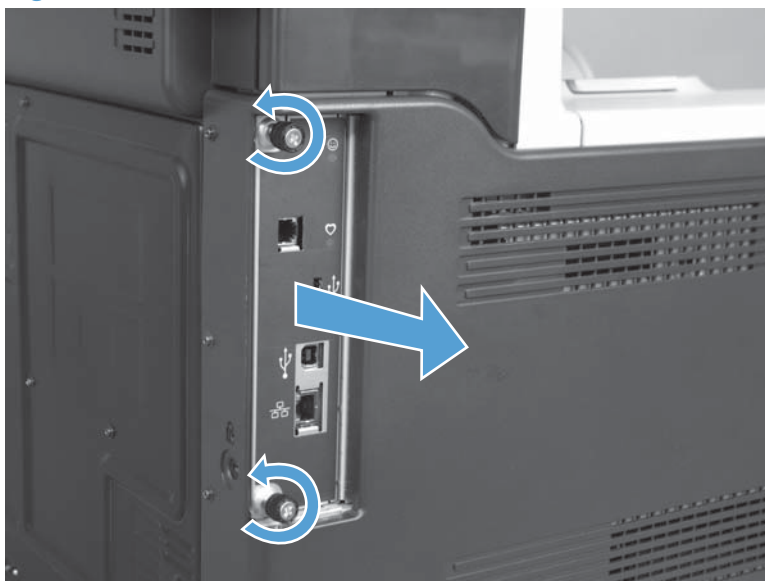



## Formatter PCA

 **CAUTION:**  ESD sensitive component.

1. Turn the product off and disconnect the power and interface cable or interface cables.
2. Unscrew the formatter thumb screws, and then firmly pull the formatter from the product. Place the formatter on a clean, flat, grounded surface.

**Figure 1-15** Remove the formatter



 **NOTE:** When reinstalling the formatter, push firmly on the right side to make sure the formatter is seated.

## Fax PCA and cable

Before proceeding, remove the following components:

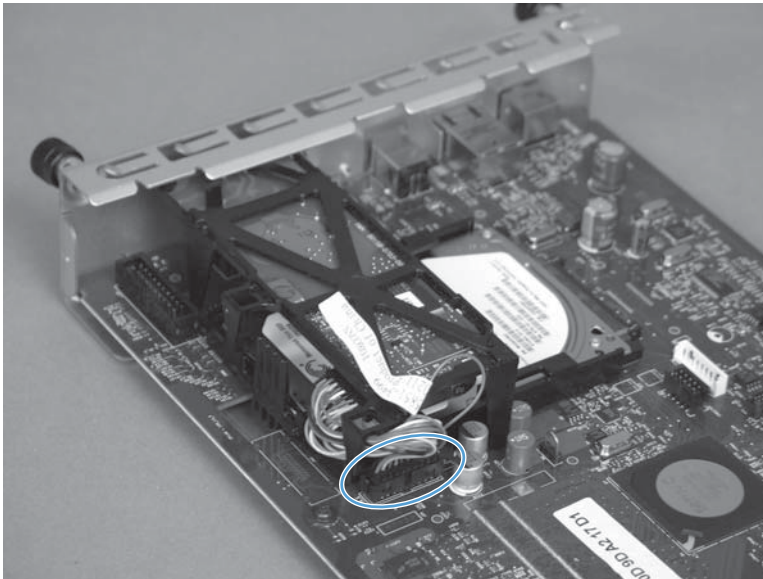
- Formatter PCA. See [Formatter PCA on page 17](#).

### Remove the fax PCA and cable


**CAUTION:**  ESD sensitive component.

1. Disconnect one connector.

**Figure 1-16** Remove the fax PCA and cable (1 of 2)

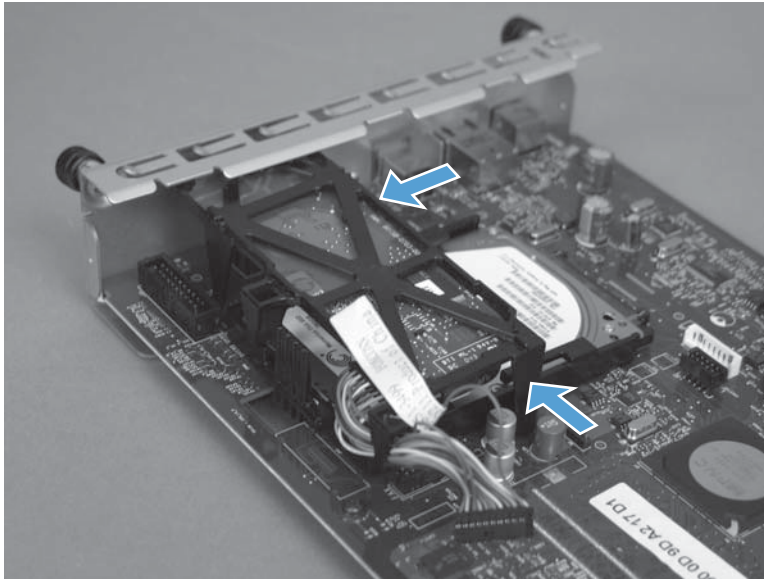


2. Release two tabs and the remove the fax PCA.


 **NOTE:** If necessary, disconnect the cable from the fax PCA.

---

**Figure 1-17** Remove the fax PCA and cable (2 of 2)



## Hard drive

 **NOTE:** The product has a hard disk drive (HDD) installed. If you install a replacement disk drive, you must reload the product firmware. See [Reload the firmware on page 22](#).

---

### Before proceeding, remove the following components:

- Formatter PCA. See [Formatter PCA on page 17](#).
- Fax PCA and cable. See [Fax PCA and cable on page 18](#).

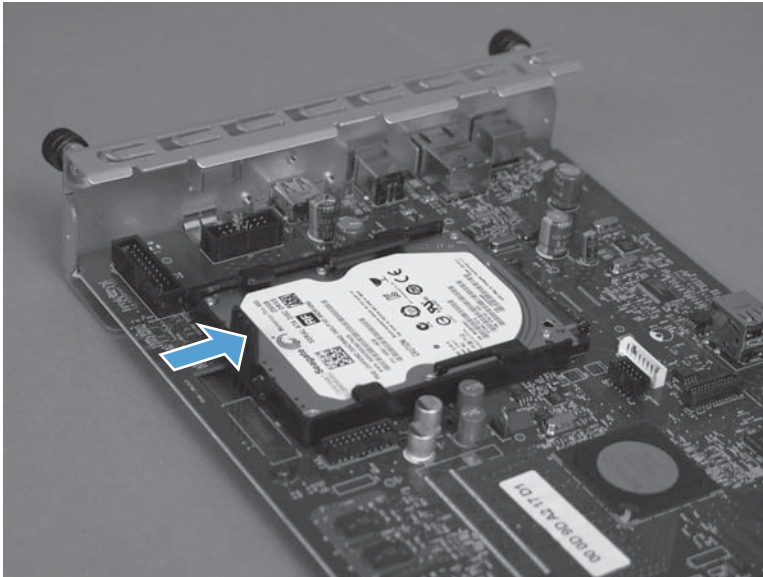
### Remove the HDD

 **CAUTION:**  ESD sensitive component.

---


1. Place the formatter on a clean, flat, grounded surface.
2. Release the locking lever to release the HDD.

**Figure 1-18** Remove the HDD (1 of 3)

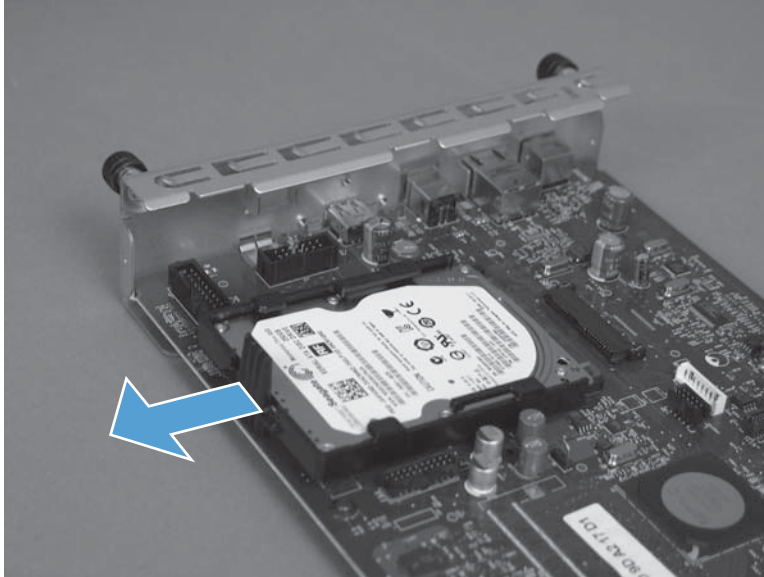




3. Hold the locking lever in the release position, and then slide the HDD toward the edge of the formatter to remove it.

 **Reinstallation tip** When the HDD is reinstalled, make sure that the HDD is fully seated and that the locking lever snaps into the locked position.

**Figure 1-19** Remove the HDD (2 of 3)



4. Separate the plastic side rails (callout 1) from the hard drive, and then slide (callout 2) the plastic cover from the hard drive.

 **CAUTION:** The plastic rails can be tight fitting. Remove carefully to avoid breaking.

**Figure 1-20** Remove the HDD (3 of 3)




## Install a replacement hard drive

After installing a replacement hard drive, you must reload the firmware by performing a firmware upgrade.

## Reload the firmware


### Update firmware

1. Copy the `xxxxxxxxx.bdl` file to a portable USB flash drive.
2. Turn the product on.
3. The HP logo displays on the product control panel. When an underscore displays below the HP logo, touch the logo to open the **Preboot** menu.
4. Touch the down arrow ▼ button to highlight **Administrator**, and then touch the **OK** button.

 **NOTE:** You might be prompted to enter a password to access the **Administrator** menu. Type the password, and then touch the **OK** button.


---

5. Touch the down arrow ▼ button to highlight **Download**, and then touch the **OK** button.
6. Insert the USB flash drive with the `xxxxxxxxx.bdl` file on it.


 **NOTE:** If the error message **No USB Thumbdrive Files Found** displays on the control-panel display, you might need to connect the storage device to the external USB connection on the formatter or try using a different portable storage device.

---

7. Touch the down arrow ▼ button to highlight **USB Thumbdrive**, and then touch the **OK** button.
8. Touch the down arrow ▼ button to highlight the `xxxxxxxxx.bdl` file, and then touch the **OK** button.

 **NOTE:** The upgrade process can take up to 10 minutes to complete.


---

 **TIP:** If there is more than one `xxxxxxxxx.bdl` file on the storage device, make sure that you select the correct file for this product.

---

9. When the message **Complete** displays on the control-panel display, touch the back arrow ↩ button 3 times.
10. When the message **Continue** displays on the control-panel display, touch the **OK** button. The product will initialize.
11. When the upgrade process is complete, print a configuration page and verify that the upgrade firmware version was installed.

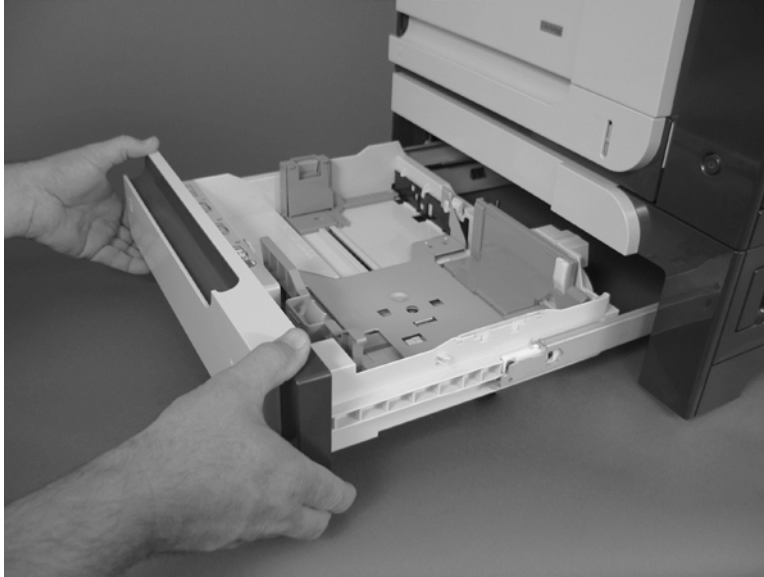
## Tray 2 and 3

 **NOTE:** Use this procedure to remove the Tray 2 or optional Tray 3.

---

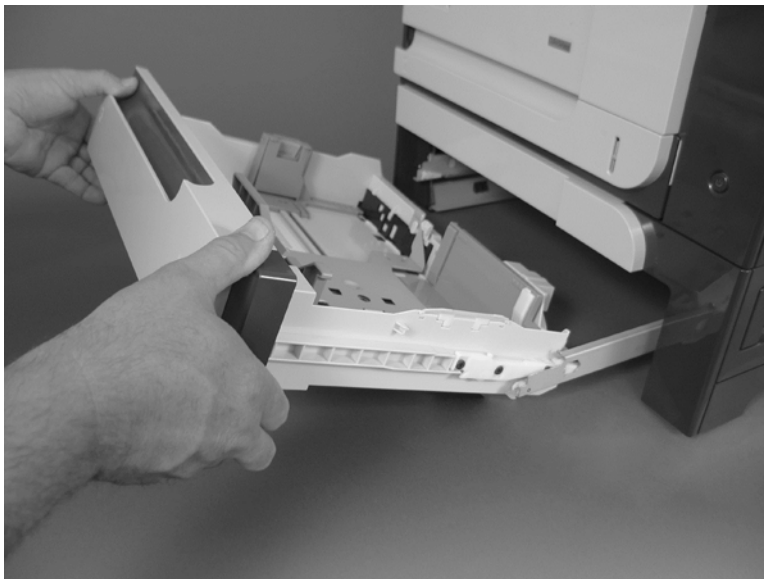
1. Pull the tray straight out of the product until it stops.

**Figure 1-21** Remove Tray 2 and 3 (1 of 2)



2. Carefully lift up on the tray to release it, and then remove the tray.

**Figure 1-22** Remove Tray 2 and 3 (2 of 2)

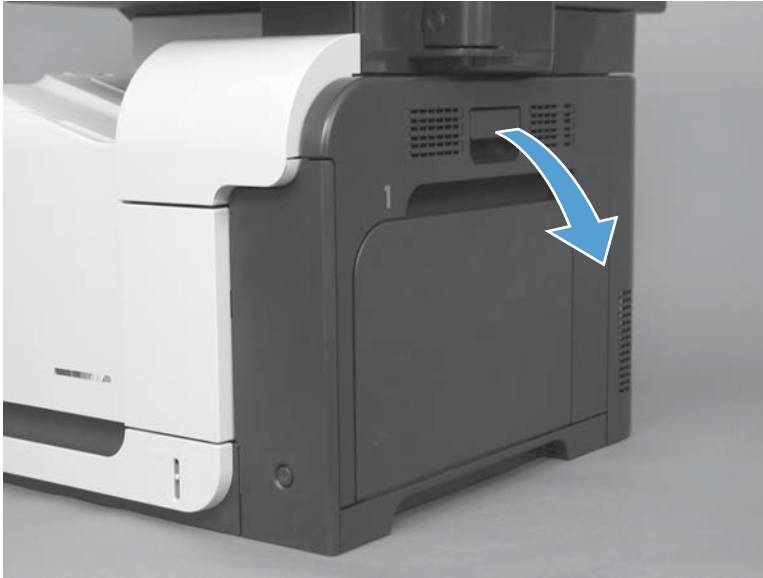


## Fuser

**CAUTION:** The fuser might be hot. Be careful.

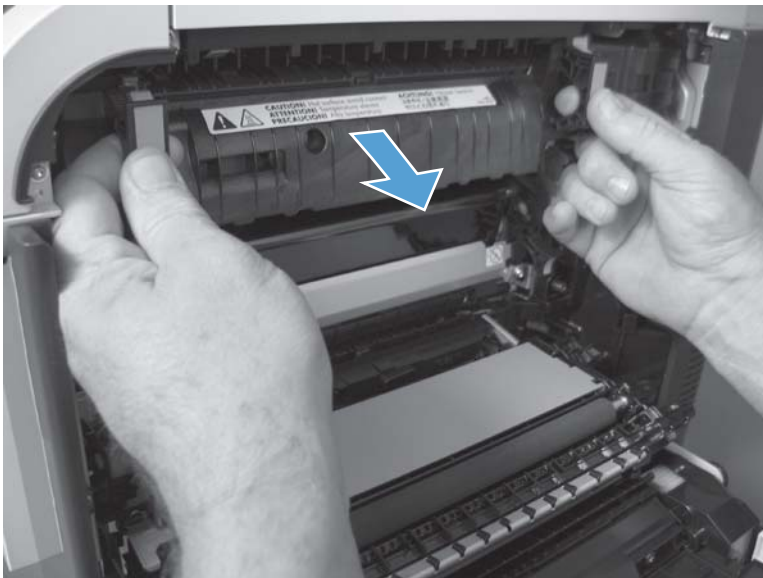
1. Open the right-door assembly.

**Figure 1-23** Remove the fuser (1 of 2)



2. Grasp the handles and squeeze the blue release levers.  
Pull the fuser straight out of the product to remove it.

**Figure 1-24** Remove the fuser (2 of 2)



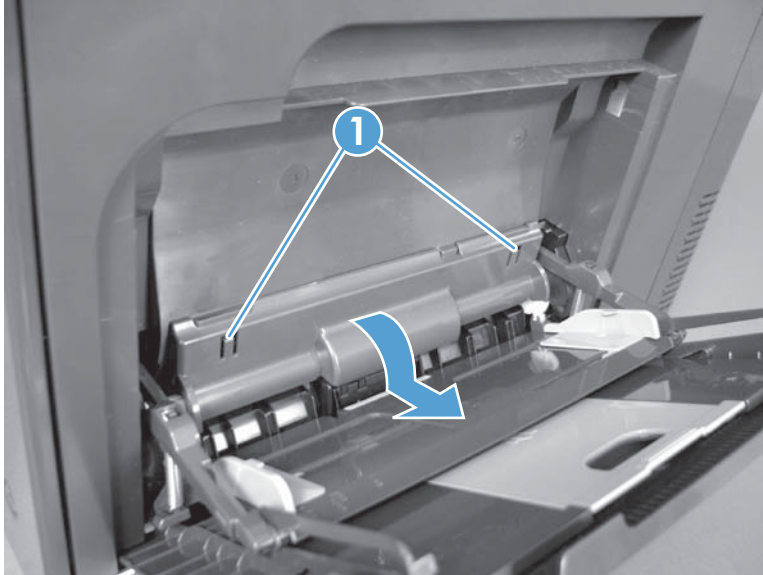
## Pickup roller and separation pad (Tray 1)

**CAUTION:** Skin oils on the roller or pad can cause paper pickup problems. Wash your hands before removing the roller or pad.

1. Open Tray 1, release two tabs (callout 1), and then rotate the roller cover away from the product to remove it.

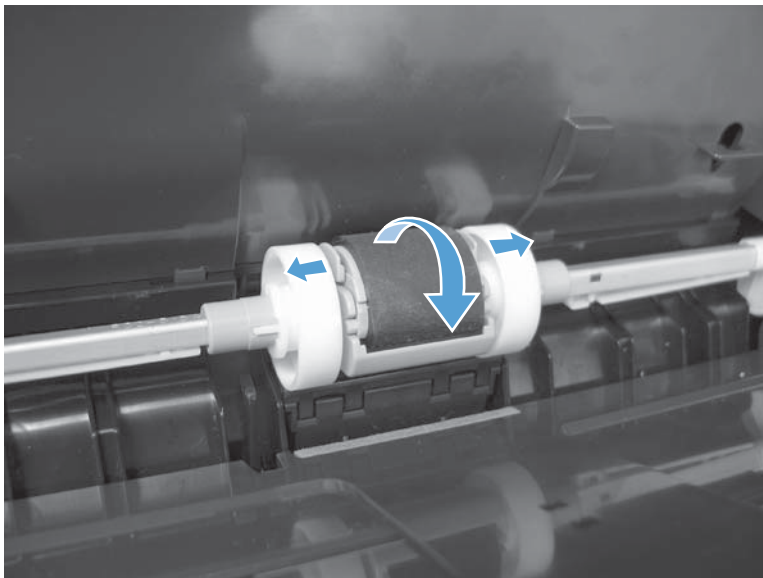
**TIP:** Push down along the top edge of the cover to easily release the tabs.

**Figure 1-25** Remove the pickup roller and separation pad (Tray 1; 1 of 3)




2. Release two tabs and rotate the roller body away from the product to remove it.

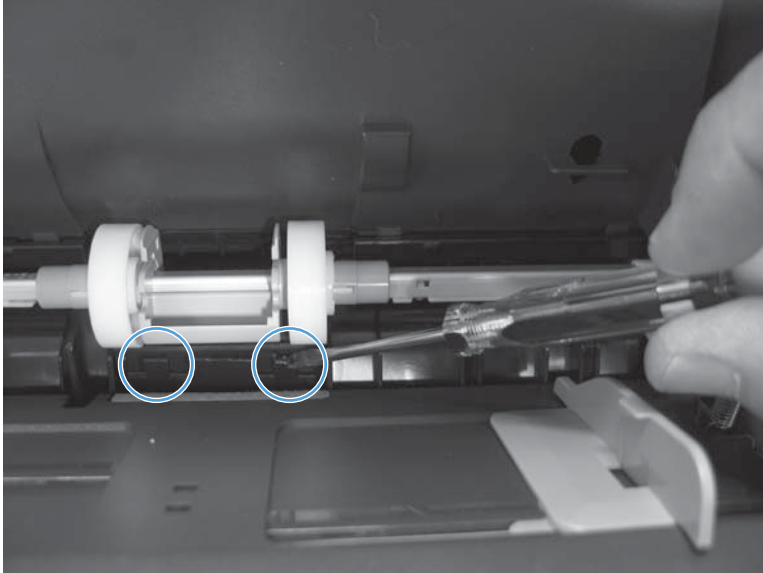
**Figure 1-26** Remove the pickup roller and separation pad (Tray 1; 2 of 3)



3. Use a small flat blade screwdriver to release two tabs, and then remove the separation pad.

 **TIP:** You might need to slightly depress the spring-loaded separation pad pedestal to remove the pad.

**Figure 1-27** Remove the pickup roller and separation pad (Tray 1; 3 of 3)



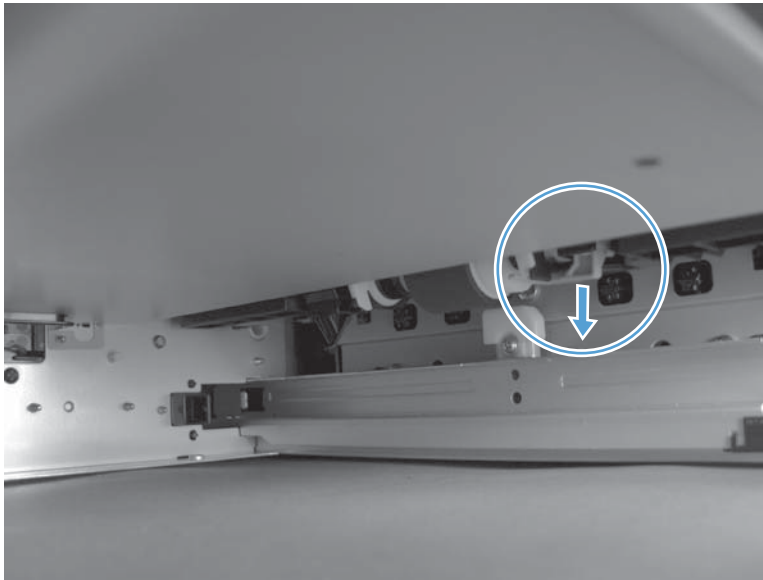
## Pickup roller (Tray 2)

**⚠ CAUTION:** Skin oils on the roller can cause paper pickup problems. Wash your hands before removing the roller.

1. Look up into the Tray 2 cavity (where the tray would be installed), and pull down to release the blue roller-locking lever.

**💡 Reinstallation tip** When the roller is reinstalled, rotate the roller shaft several times to make sure that the shaft correctly engages the drive mechanism. You should hear a click when the shaft engages the drive mechanism.

**Figure 1-28** Remove the pickup roller (Tray 2; 1 of 4)



2. Pull the roller toward the front of the product to release the rear of the roller shaft.

**Figure 1-29** Remove the pickup roller (Tray 2; 2 of 4)






3. Rotate the roller shaft down and away from the product, and then slide the roller toward the rear of the product to release the front of the roller shaft.

**Figure 1-30** Remove the pickup roller (Tray 2; 3 of 4)



4. Remove the pickup roller.

---

 **Reinstallation tip** Make sure that the roller is orientated correctly when it is reinstalled (the large white collar should be positioned toward the front of the product).

---

**Figure 1-31** Remove the pickup roller (Tray 2; 4 of 4)





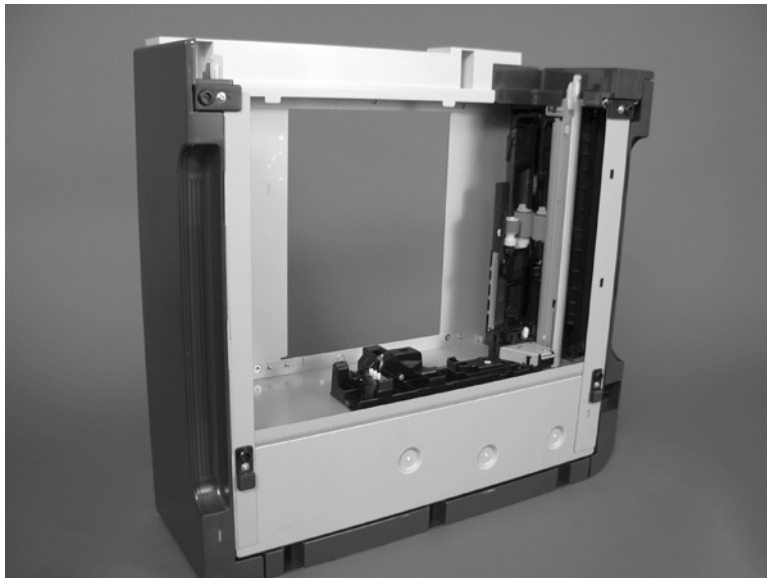
## Pickup and feed rollers (Tray 3)

**⚠ CAUTION:** Skin oils on the roller can cause paper pickup problems. Wash your hands before removing the rollers.


1. Locate the Tray 3 pickup and feed rollers.

**💡 TIP:** The feeder is shown front side up in this procedure for clarity. You do not have to separate the product from the feeder to remove these rollers. Remove the tray, and then reach up into the cavity to remove the rollers.

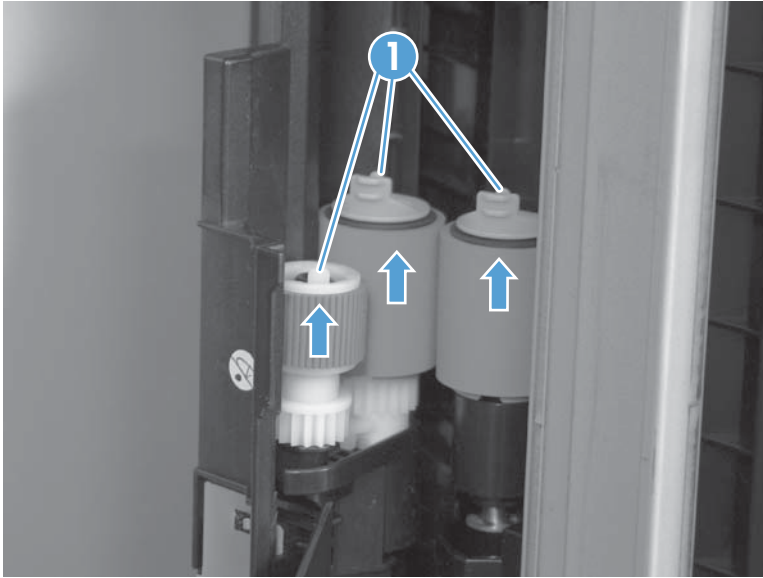
**Figure 1-32** Remove the Pickup and feed rollers (Tray 3; 1 of 2)



2. Release three tabs (callout 1), and then remove the rollers.

 **Reinstallation tip** When you reinstall the rollers, make sure that the rollers snap into place.

**Figure 1-33** Remove the Pickup and feed rollers (Tray 3; 2 of 2)



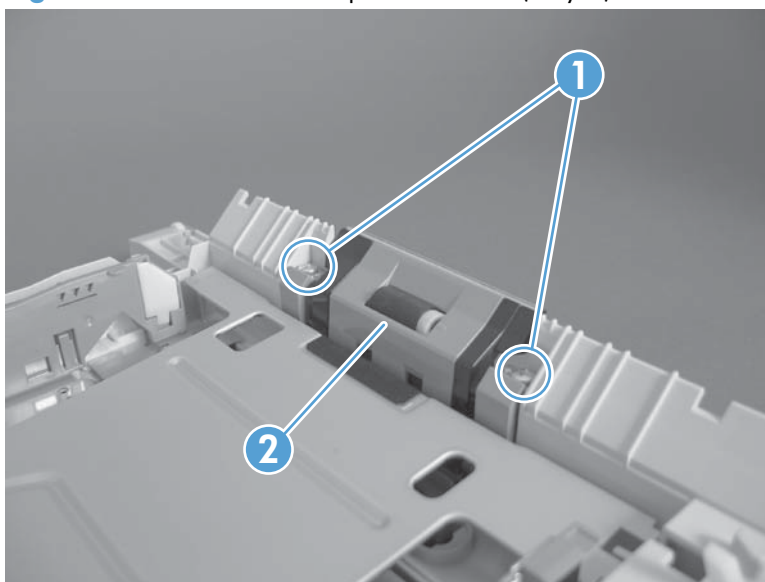
## Separation roller (Tray 2)

**⚠ CAUTION:** Do not touch the spongy roller surface unless you are replacing the roller. Skin oils on the roller can cause paper pickup problems.

**📝 NOTE:** Remove the Tray 2 if not already removed for service. See [Tray 2 and 3 on page 23](#).

Remove two screws (callout 1), and then remove the separation roller assembly (callout 2).

**Figure 1-34** Remove the separation roller (Tray 2)



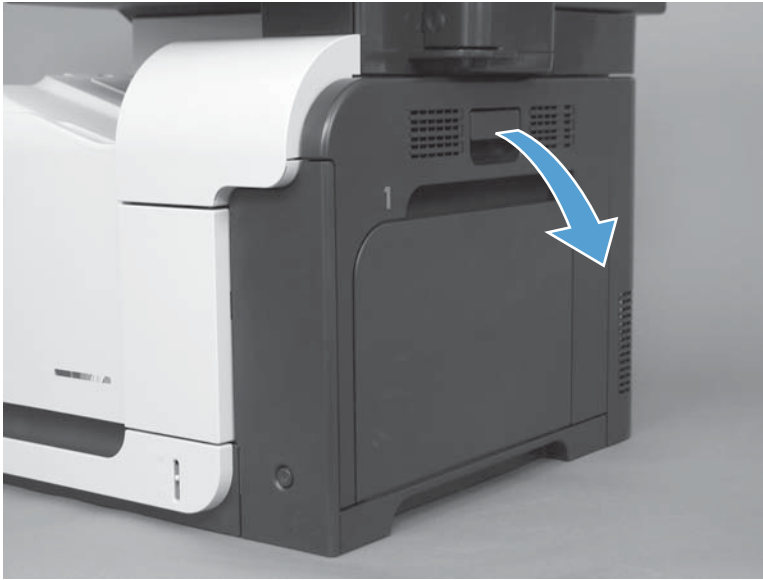
**⚠ CAUTION:** To install a self-tapping screw, first turn it counterclockwise to align it with the thread pattern, and then carefully turn it clockwise to tighten. Do not overtighten. If a self-tapping screw-hole becomes stripped, repair the screw-hole or replace the affected assembly.

## Secondary transfer roller

**CAUTION:** Do not touch the spongy roller surface unless you are replacing the roller. Skin oils on the roller can cause image quality problems.

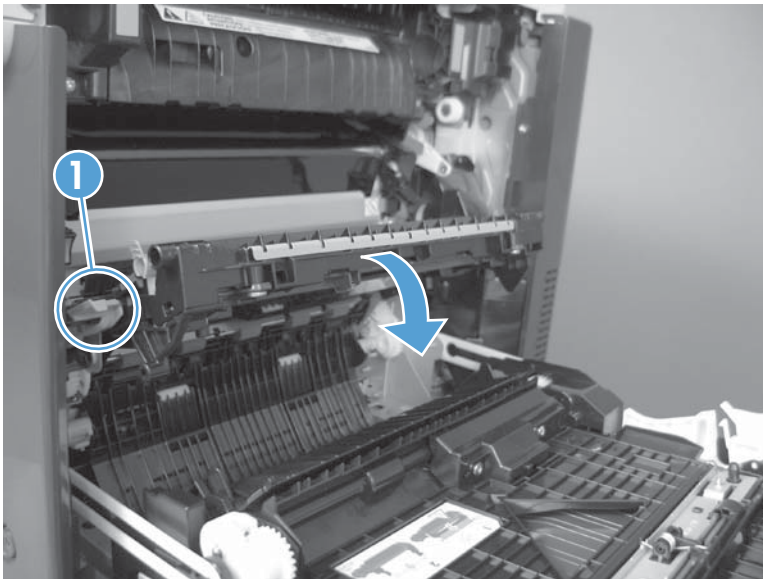
1. Open the right-door assembly.

**Figure 1-35** Remove the transfer roller (1 of 3)



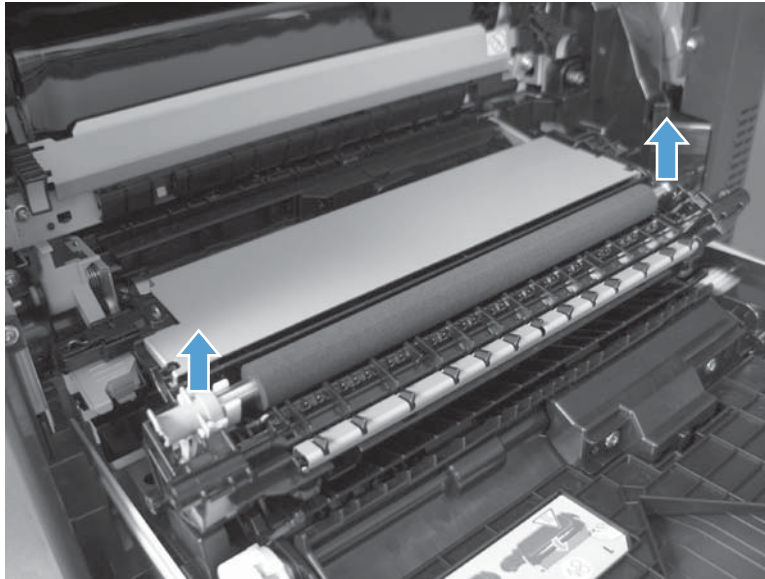
2. Use the blue lever (callout 1) to lower the secondary transfer assembly.

**Figure 1-36** Remove the transfer roller (2 of 3)



3. Grasp the roller shaft collars, and lift the transfer roller off of the product.

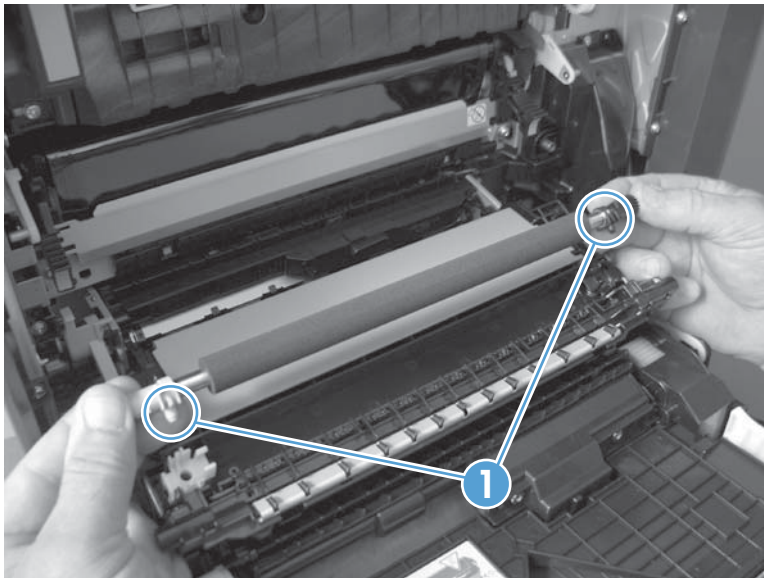
**Figure 1-37** Remove the transfer roller (3 of 3)



### Reinstall the transfer roller

When you reinstall the transfer roller, make sure that the pins on the shaft collars (callout 1) align with the holes in the mounting assembly.

**Figure 1-38** Reinstall the transfer roller

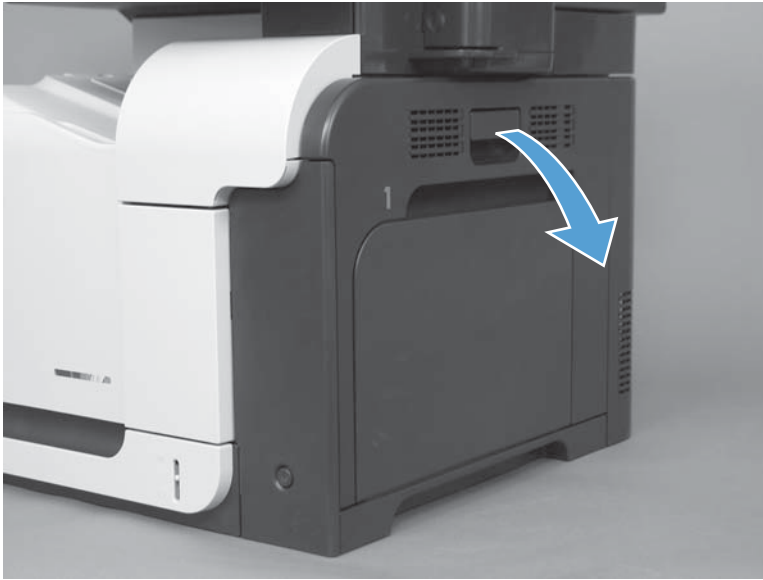


## Intermediate transfer belt (ITB)

**CAUTION:** Do not touch the black-plastic belt. Skin oils and fingerprints on the belt can cause print-quality problems. Always place the ITB on a flat surface in a safe and protected location.

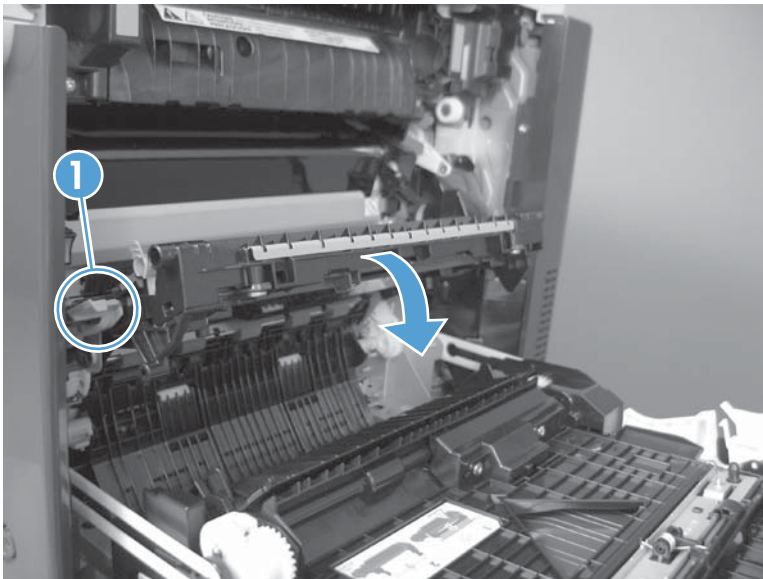
1. Open the right-door assembly.

**Figure 1-39** Remove the fuser (1 of 2)



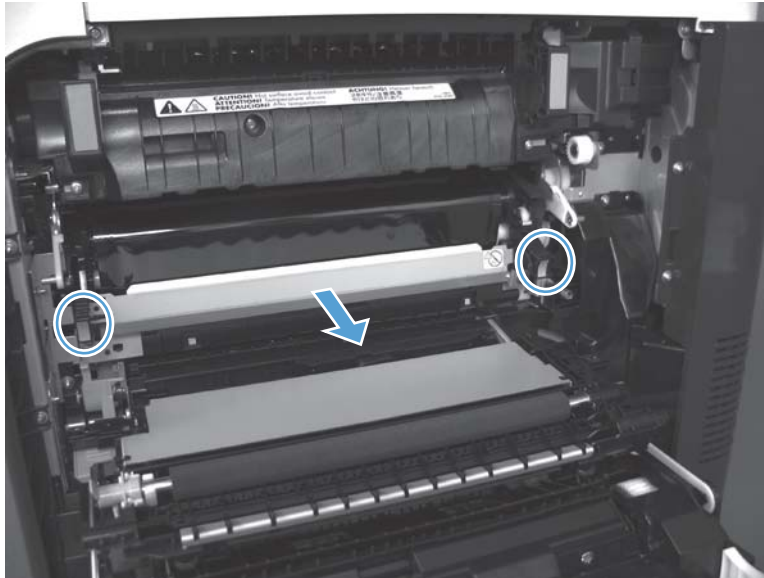
2. Use the blue lever (callout 1) to lower the secondary transfer assembly.

**Figure 1-40** Remove the intermediate transfer belt (1 of 3)



3. Grasp the small handles on the ITB and then pull the ITB out of the product until two large handles expand along the right- and left-side of the ITB.

**Figure 1-41** Remove the intermediate transfer belt (2 of 3)

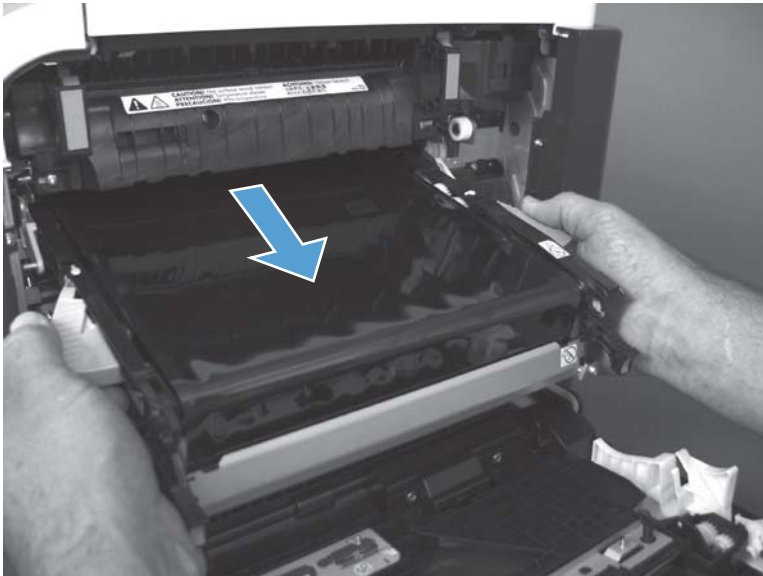




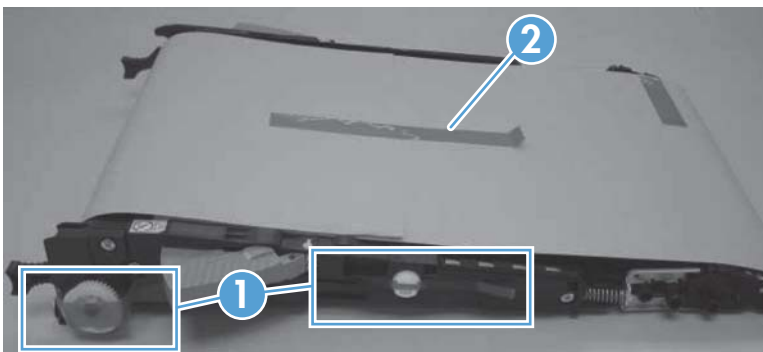
4. Grasp the large handles on the ITB and then pull the ITB straight out of the product to remove it.

**⚠ CAUTION:** The ITB is a sensitive component. Be careful when handling the ITB so that it is not damaged. Always place the ITB in a safe and protected location.

**Figure 1-42** Remove the intermediate transfer belt (3 of 3)



**💡 Reinstallation tip** If you are installing a replacement ITB, make sure that you remove all of the packing tape (callout 1) and the protective cover sheet (callout 2).






## Front-door assembly

1. Open the front door.

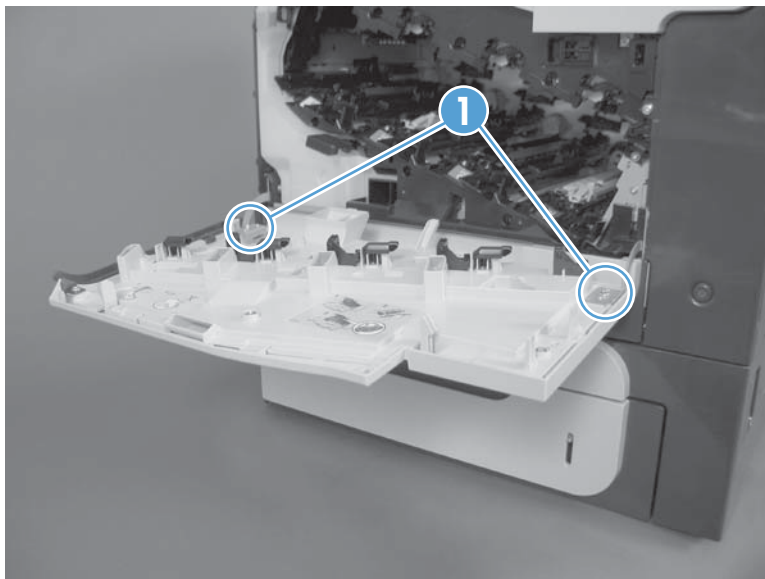
**Figure 1-43** Remove the front-door assembly (1 of 2)



2. Remove two screws (callout 1), and then remove the front-door assembly.

 **NOTE:** A small sheet-metal bracket on the left side of the door is not captive. Do not lose the bracket when you remove the screw.

**Figure 1-44** Remove the front-door assembly (2 of 2)

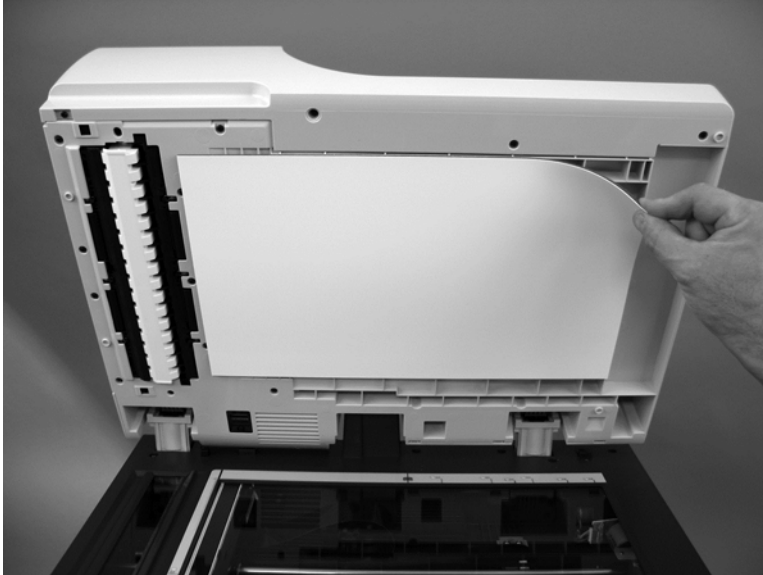


3. If you are installing a replacement front-door assembly, install the HP name tag and the appropriate product model number tag on the assembly.

## Foam reflector kit

1. Open the document feeder.
2. Carefully peel the foam reflector from the document feeder.

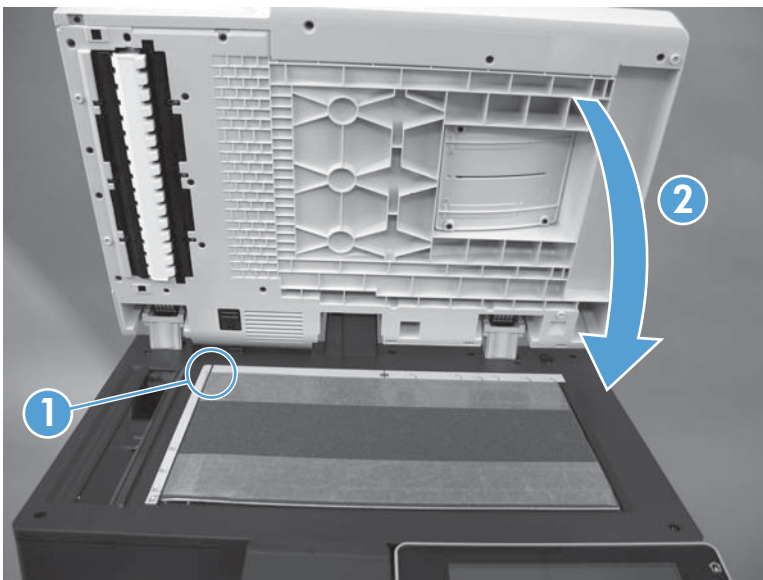
**Figure 1-45** Remove the foam reflector kit (1 of 2)



## Reinstall the foam reflector

- ▲ Place the foam reflector on the scanner glass with the adhesive facing up. Make sure the corner of the foam reflector is aligned with the corner of the scanner glass (callout 1). Close the document feeder (callout 2) to attach the foam reflector. Open the document feeder and then press firmly on the foam reflector to ensure it is securely attached.

**Figure 1-46** Reinstall the foam reflector

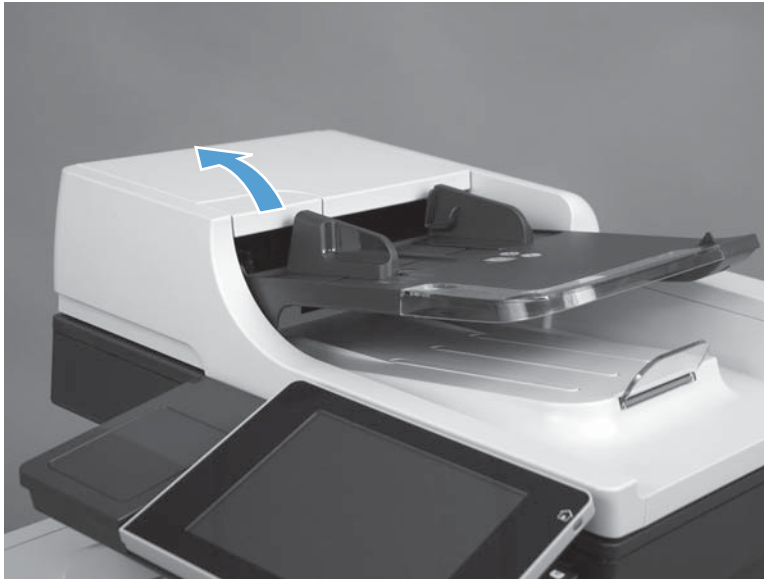


## Document feeder pickup roller

**⚠ CAUTION:** Do not touch the surface of the roller. Skin oils deposited on the roller might cause print-quality problems.

1. Open the jam-access cover.

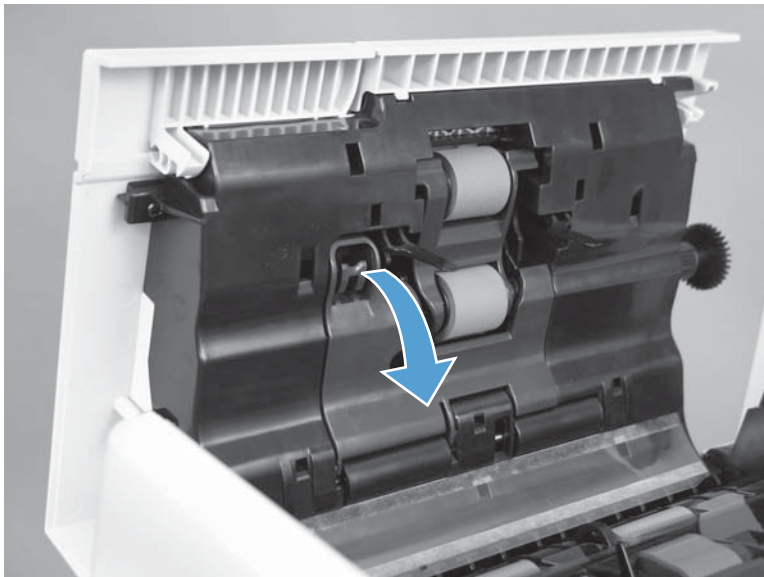
**Figure 1-47** Remove the document feeder pickup roller (1 of 4)



2. Open the roller-access cover.

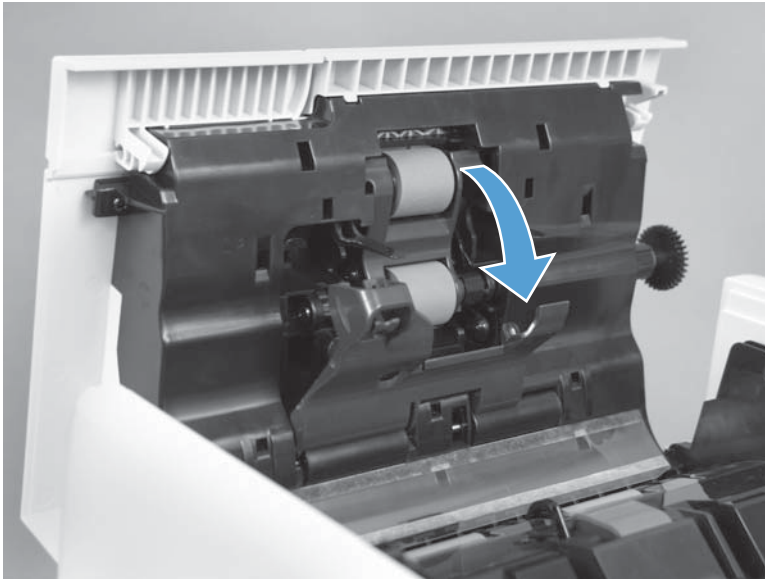
**💡 Reinstallation tip** Make sure that this cover is fully closed after installing a replacement roller. Push against the upper part of the cover until it clicks into place. If the cover is not fully closed, jams and mispicks can occur.

**Figure 1-48** Remove the document feeder pickup roller (2 of 4)




3. Lower the document feeder pickup roller.

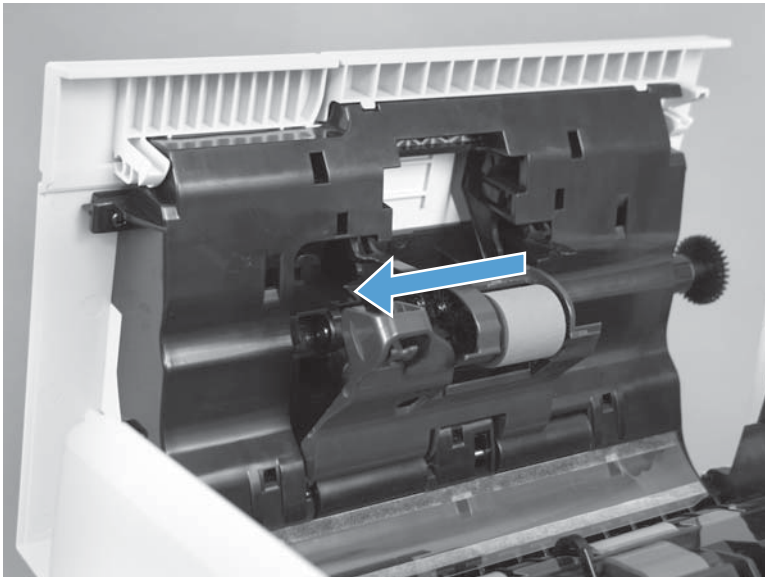
**Figure 1-49** Remove the document feeder pickup roller (3 of 4)



4. Slide the roller toward the front of the product to remove.

 **TIP:** The roller assembly is keyed. When reinstalling the roller assembly, position the hex-shaped fitting on the shaft toward the rear of the product.

**Figure 1-50** Remove the document feeder pickup roller (4 of 4)

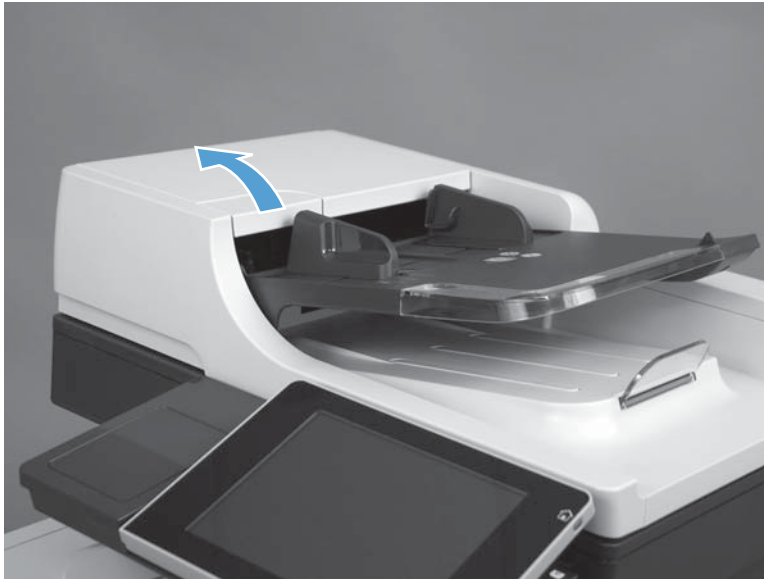


## Document feeder separation pad and spring

**⚠ CAUTION:** Do not touch the surface of the roller. Skin oils deposited on the roller might cause print-quality problems.

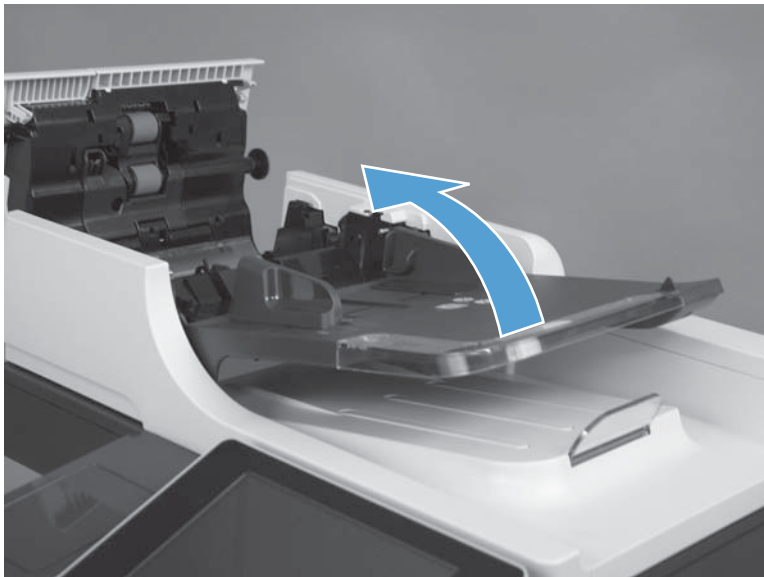
1. Open the jam-access cover.

**Figure 1-51** Remove the document feeder separation pad and separation pad spring (1 of 5)



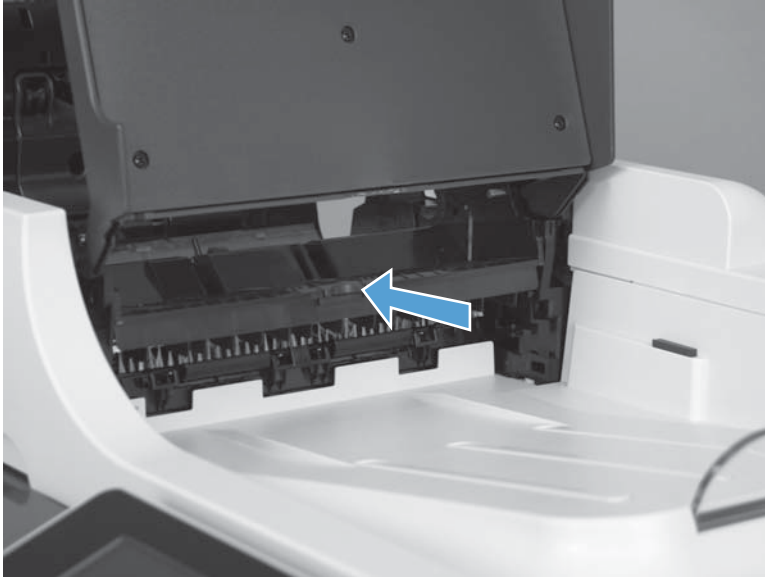
2. Lift the document feeder tray.

**Figure 1-52** Remove the document feeder separation pad and separation pad spring (2 of 5)



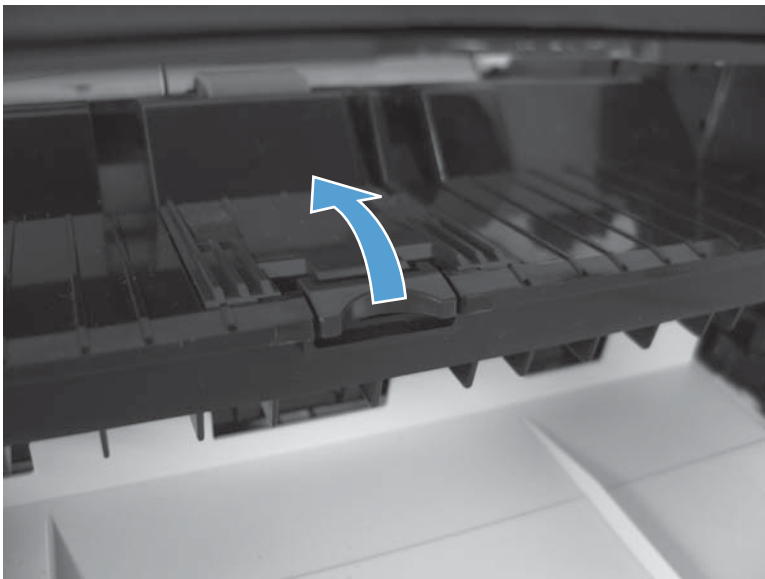
3. Push in on the latch to release the separation pad.

**Figure 1-53** Remove the document feeder separation pad and separation pad spring (3 of 5)



4. Lower the document tray, and then lift the separation pad.

**Figure 1-54** Remove the document feeder separation pad and separation pad spring (4 of 5)





5. Remove the separation pad and spring.

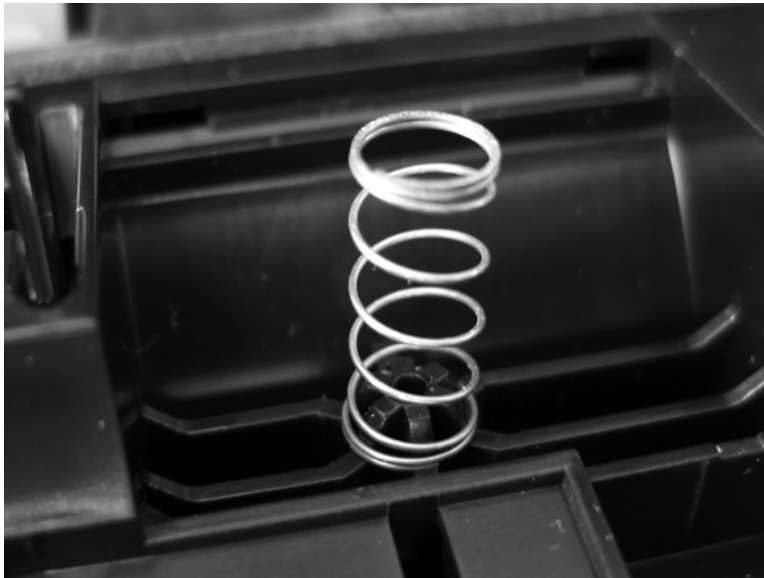
**Figure 1-55** Remove the document feeder separation pad and separation pad spring (5 of 5)



#### Reinstall the document feeder separation pad spring

- ▲ Make sure to securely reinstall the spring if it becomes dislodged.

**Figure 1-56** Reinstall the document feeder separation pad spring

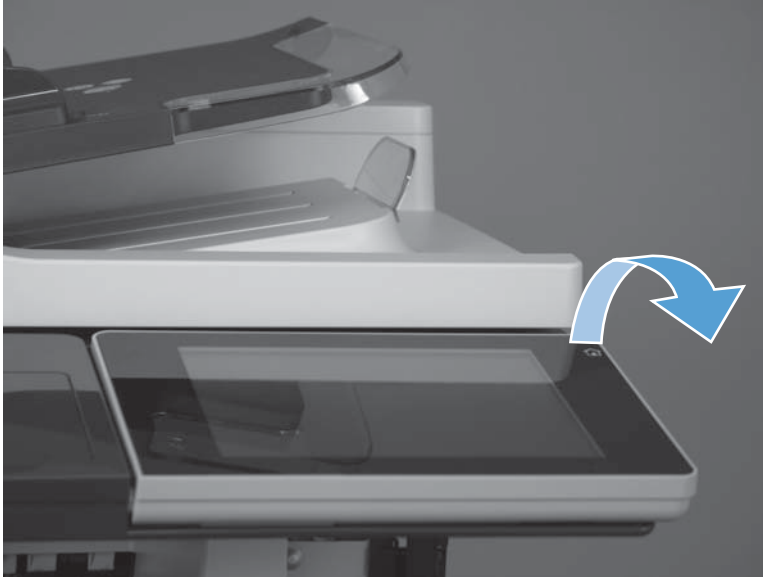


## Control panel

**⚠ WARNING!**  ESD sensitive component.

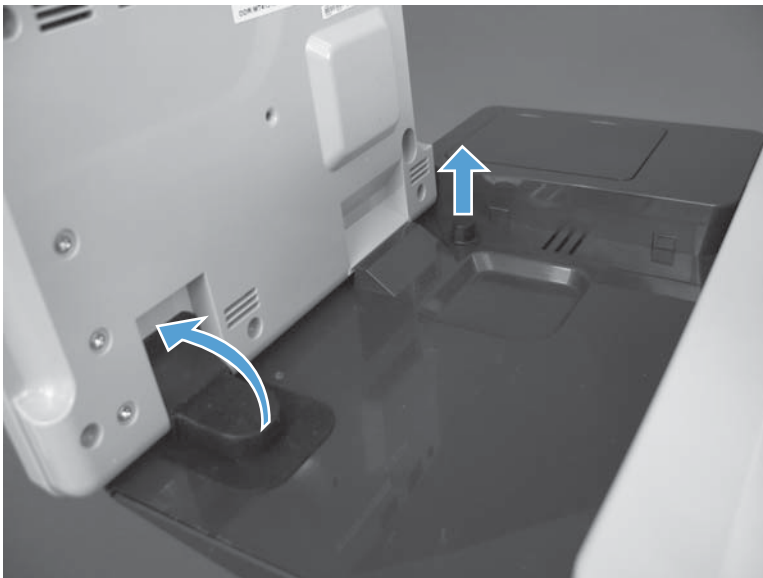
1. Lift the control panel to an upright position.

**Figure 1-57** Remove the control panel (1 of 5)



2. Lift the antistatic covers to reveal the thumbscrews.

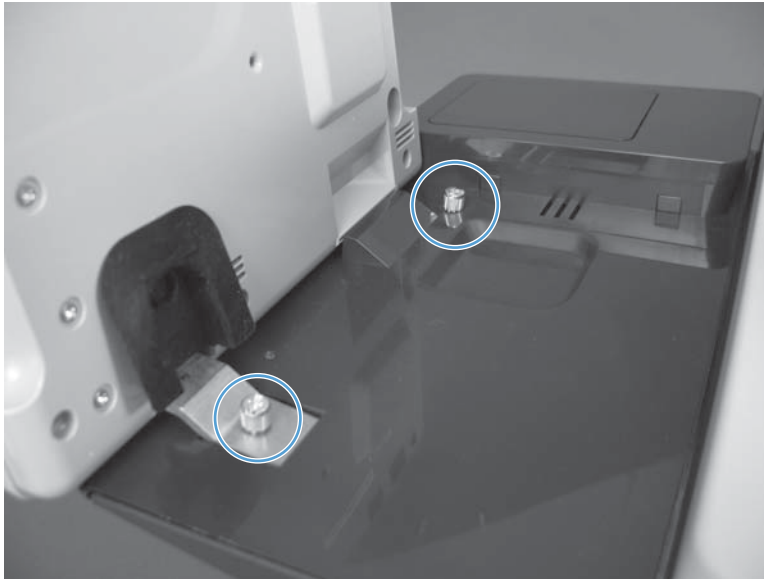
**Figure 1-58** Remove the control panel (2 of 5)





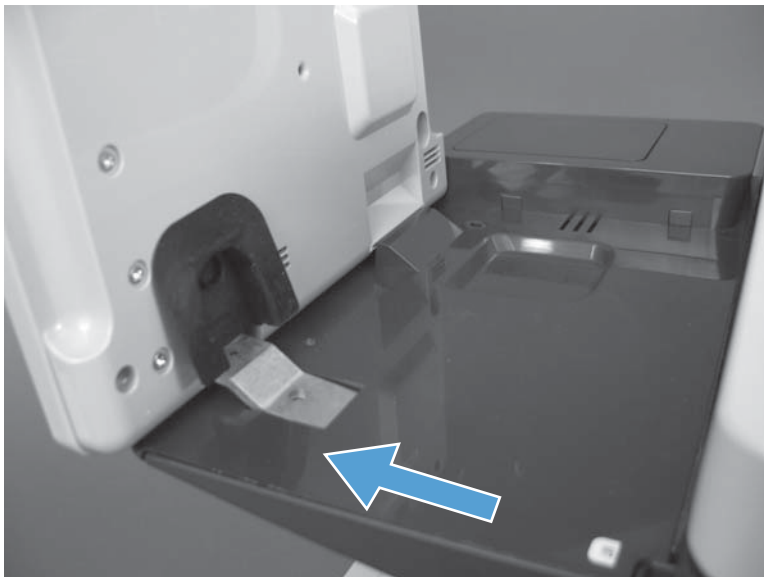
3. Remove two thumbscrews.

**Figure 1-59** Remove the control panel (3 of 5)



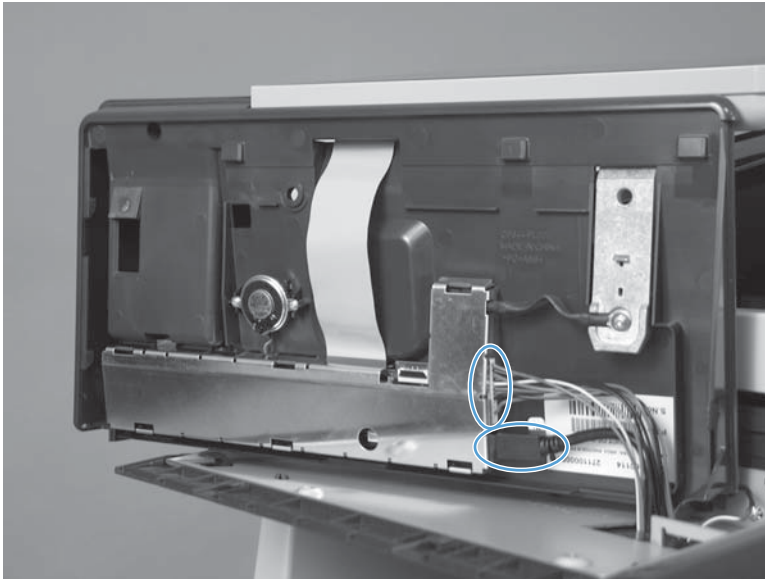
4. Slowly slide the control panel away from the product to release it. Lift the control panel to reveal the connectors.

**Figure 1-60** Remove the control panel (4 of 5)



5. Disconnect two connectors and then remove the control panel.

**Figure 1-61** Remove the control panel (5 of 5)



### Reinstalling the control panel

- ▲ Place the control-panel on the product and reconnect the two connectors before attempting to reinstall the control panel.



## Control-panel assembly (M575c model)

 **WARNING!**  ESD sensitive component.

### Important removal considerations

Review the following important considerations before removing the control panel on the M575c product.

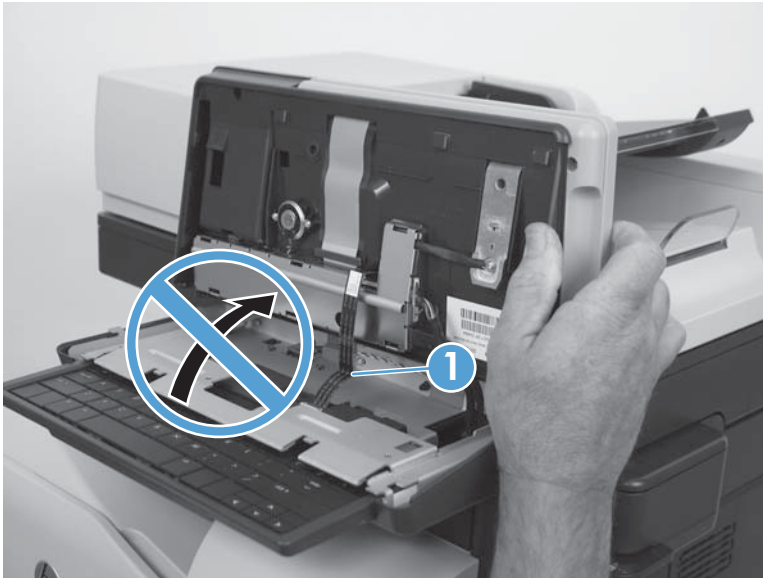
When removing the control panel, only raise it about half way open to access the FFC connector. Doing so prevents straining the control-panel FFC (callout 1).

**Figure 1-62** Raising the control panel to access the FFC connector (1 of 2)



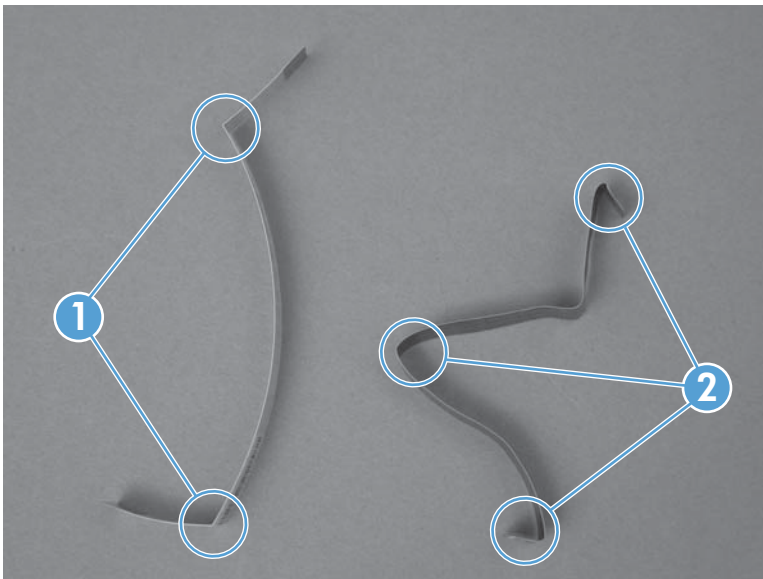
When removing the control panel, **do not** fully raise the control panel to access the FFC connector. Doing so causes strain damage to the FFC (callout 1).

**Figure 1-63** Raise the control panel to access the FFC connector (2 of 2)



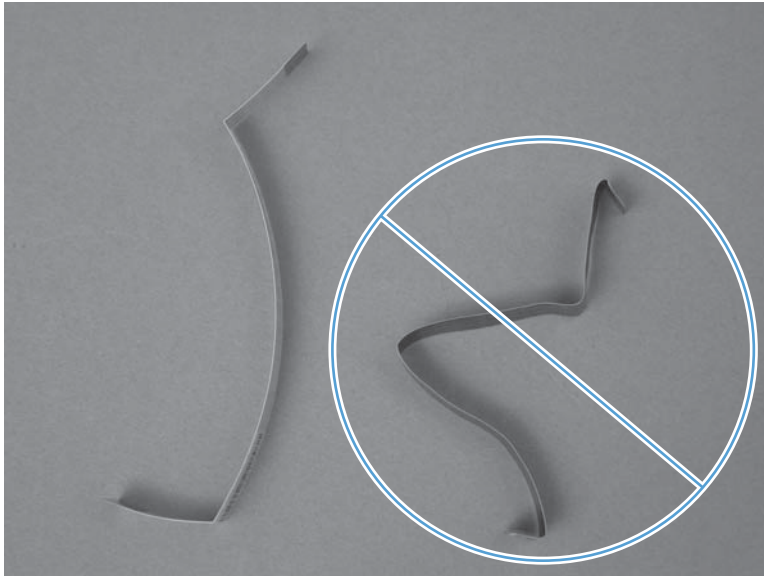
The FFC has two pre-folds about 2.54 cm (1.0 in) from either end (callout 1). If the FFC has been strained (for example stretched too tight when the control panel is removed), it might contain additional folds or creases (callout 2). Additional folds or creases can cause internal damage to the FFC when the keyboard is pulled in and out of the product.

**Figure 1-64** Check the control panel FFC for damage (1 of 2)



Do not bend or fold the flat flexible cable (FFC) during removal or installation. Also, do not straighten pre-folds in the FFCs.

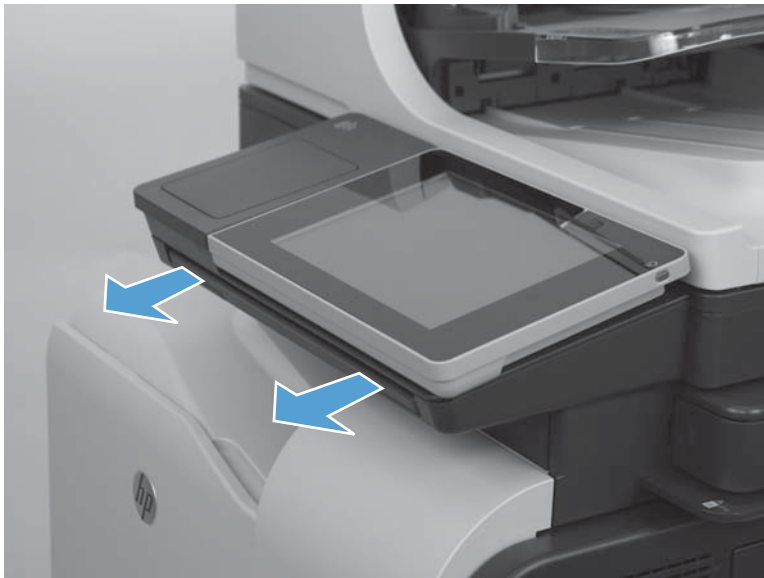
**Figure 1-65** Check the control panel FFC for damage (2 of 2)



### Remove the control-panel assembly

1. Pull the keyboard about half way out of the product.

**Figure 1-66** Remove the control-panel assembly (1 of 13)



2. Align the **caps lock** key and **enter** key with the edge of the control panel.

**Figure 1-67** Remove the control-panel assembly (2 of 13)



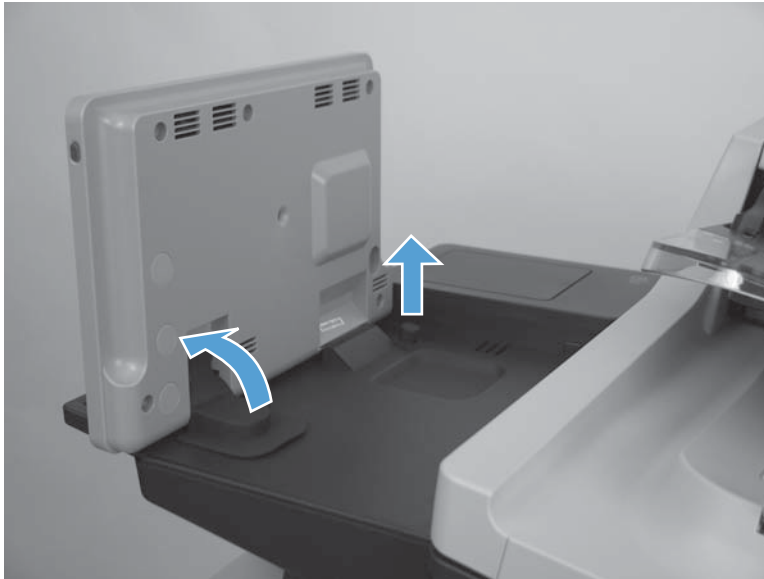
3. Lift the control-panel assembly to an upright position.

**Figure 1-68** Remove the control-panel assembly (3 of 13)



4. Remove the antistatic covers to reveal the thumbscrews.

**Figure 1-69** Remove the control-panel assembly (4 of 13)



5. Remove two thumbscrews.

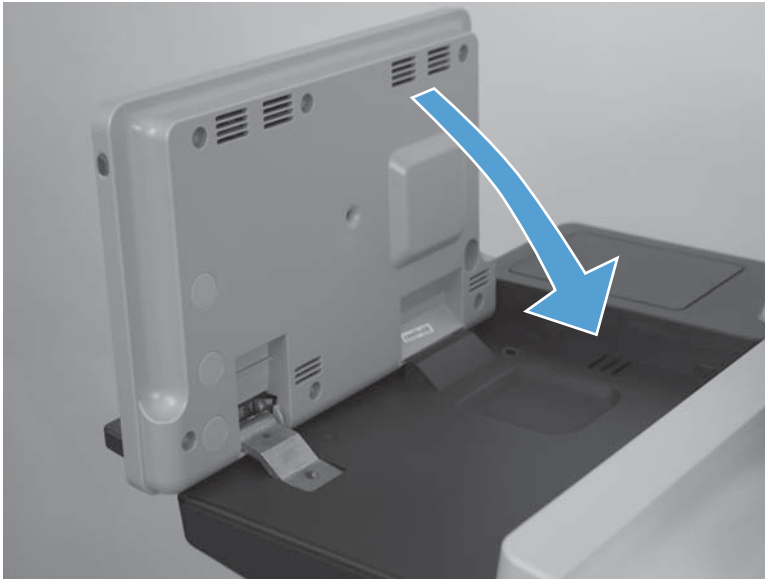
**Figure 1-70** Remove the control-panel assembly (5 of 13)





- Carefully return the control-panel assembly to the down position.

**Figure 1-71** Remove the control-panel assembly (6 of 13)



- Pull down on the control-panel assembly until it stops.

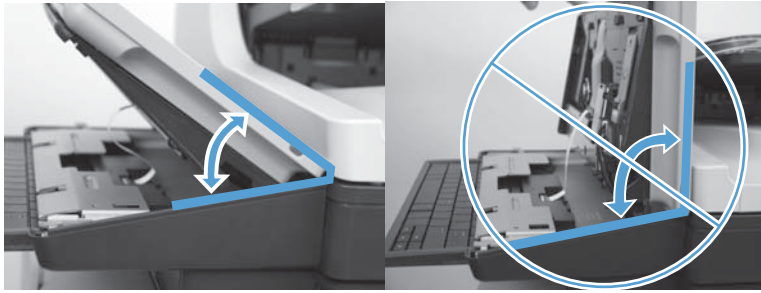
**Figure 1-72** Remove the control-panel assembly (7 of 13)



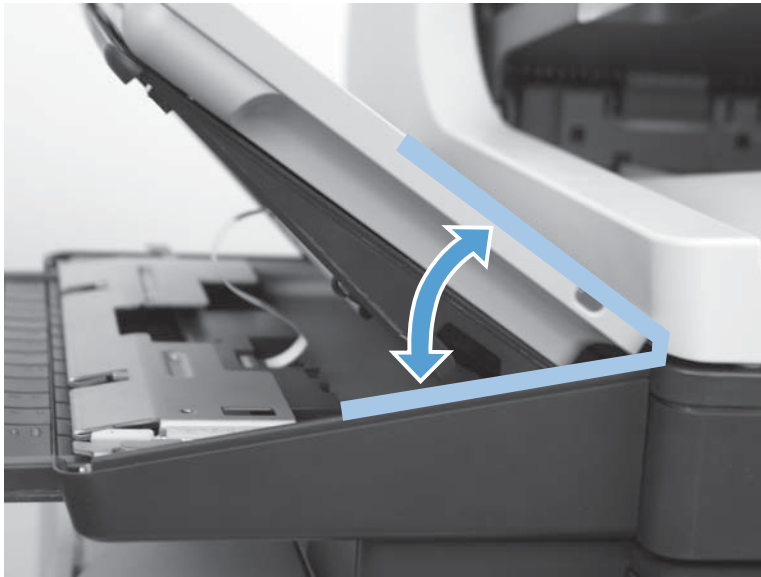


8. Slightly lift up the control-panel assembly to access the FFC-keyboard connector.

**⚠ CAUTION:** To avoid damage to the FFC, do not fully raise the control panel assembly.



**Figure 1-73** Remove the control-panel assembly (8 of 13)



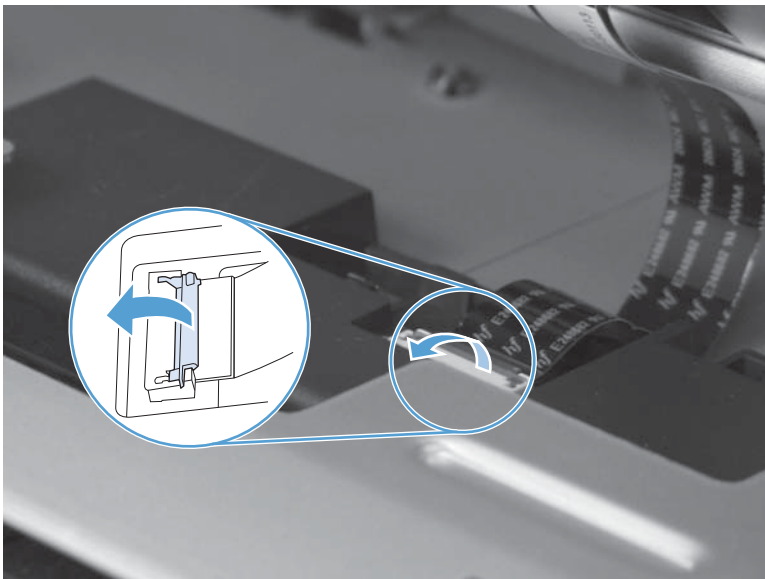
9. Locate the FFC connector on the keyboard.

**Figure 1-74** Remove the control-panel assembly (9 of 13)



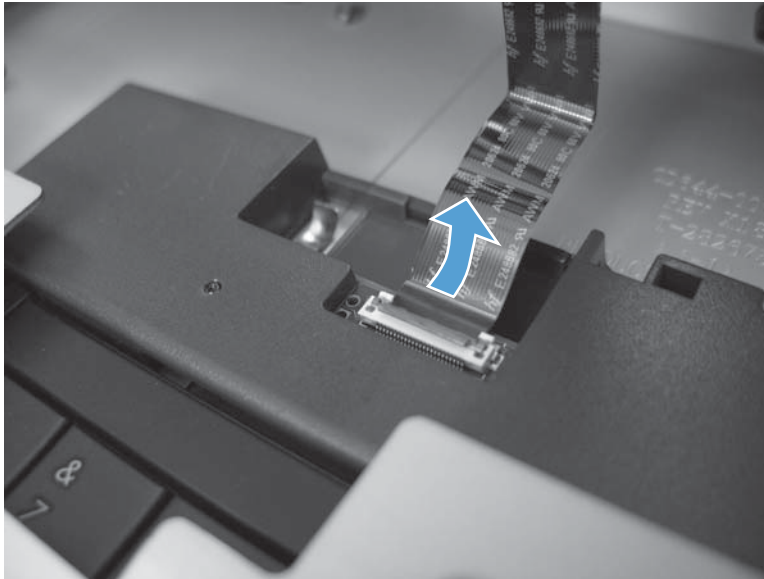
10. Carefully lift up on the connector retainer to release the FFC.

**Figure 1-75** Remove the control-panel assembly (10 of 13)



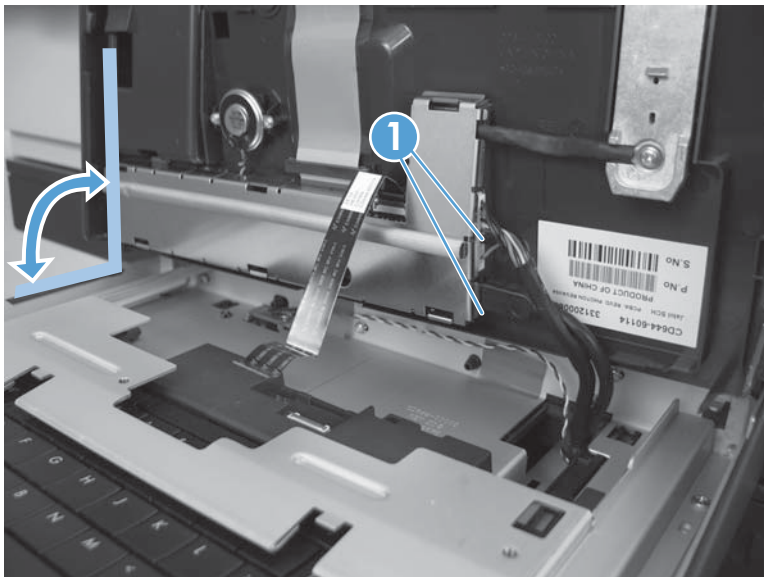
11. Remove the FFC from the connector on the keyboard.

**Figure 1-76** Remove the control-panel assembly (11 of 13)



12. With the FFC disconnected from the keyboard, lift up on the control panel to access the remaining connectors. Disconnect the USB and wire harness connectors (callout 1).

**Figure 1-77** Remove the control-panel assembly (12 of 13)



13. Remove the control-panel assembly.

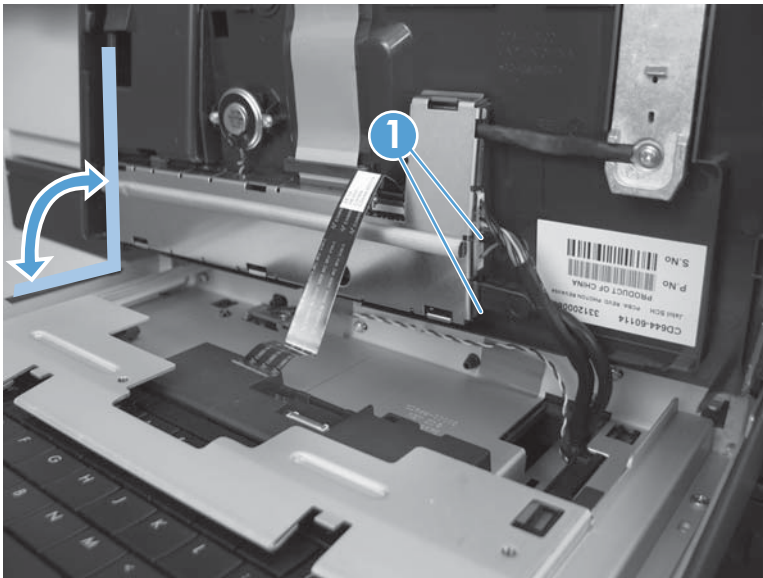
**Figure 1-78** Remove the control-panel assembly (13 of 13)



### Reinstall the control-panel assembly

1. Position the control panel on the product. Connect the USB and wire harness connectors (callout 1).

**Figure 1-79** Reinstall the control-panel assembly (1 of 13)



2. After connecting the USB and wire harness connectors, position the control-panel about half way open to connect the FFC connector.

**Figure 1-80** Reinstall the control-panel assembly (2 of 13)



3. Insert the FFC in the keyboard connector.

**Figure 1-81** Reinstall the control-panel assembly (3 of 13)

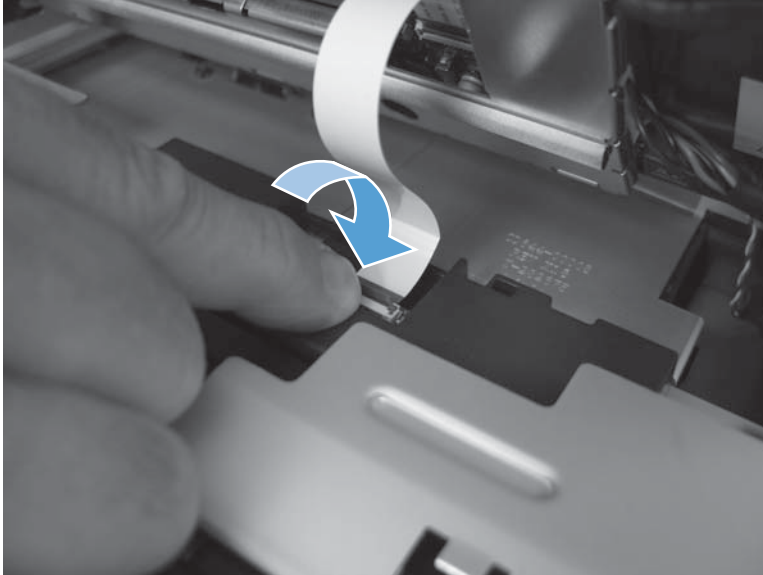




4. Use your finger to carefully close the connector retainer to lock the FFC in place.

**CAUTION:** Be careful. The connector retainer can be dislodged from the connector body. Do not dislodge the retainer when closing it.

**Figure 1-82** Reinstall the control-panel assembly (4 of 13)



5. Slightly pull on the FFC to verify that it is securely fastened in the connector.

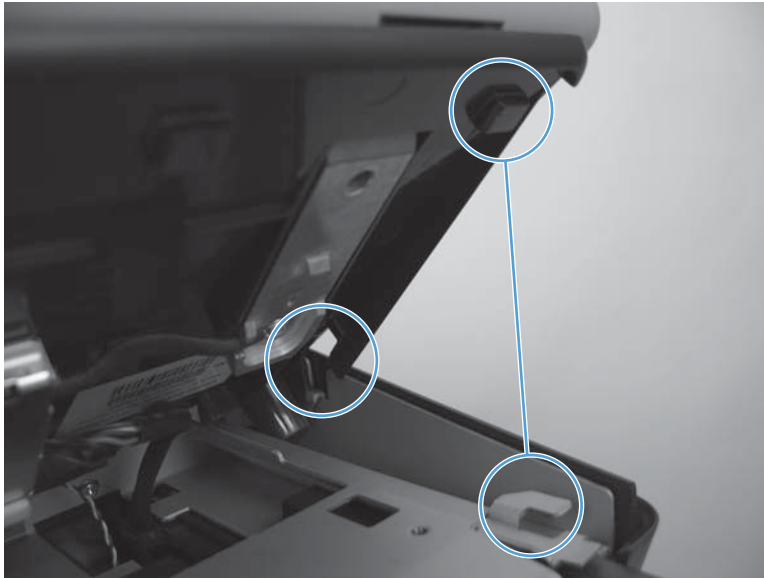
**CAUTION:** Be careful. Do not use your full force to pull on the FFC. A slight pull on the FFC is sufficient to verify that it is securely fastened.

**Figure 1-83** Reinstall the control-panel assembly (5 of 13)



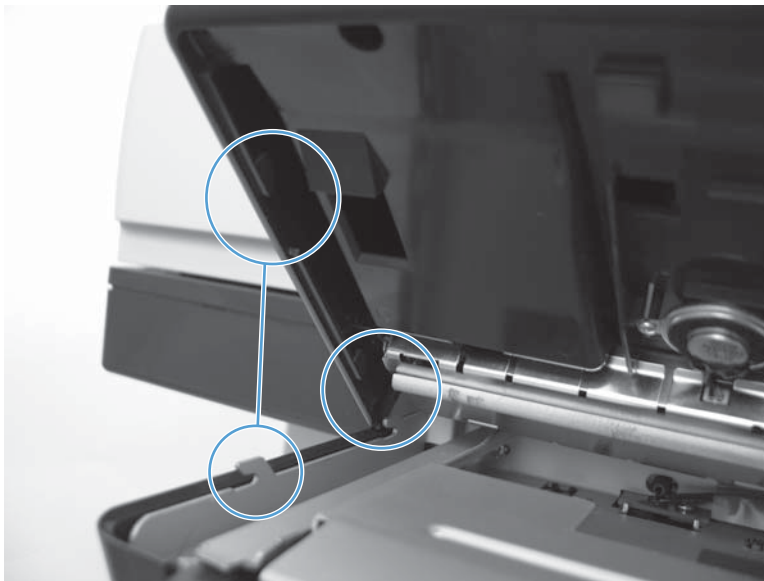
6. When the control-panel assembly is reinstalled on the product, make sure that the mounting hooks on the right side of the assembly engage with the slot and tab on the chassis.

**Figure 1-84** Reinstall the control-panel assembly (6 of 13)



7. When the control-panel assembly is reinstalled on the product, make sure that the mounting slots on the left side of the assembly engage with the hooks on the chassis.

**Figure 1-85** Reinstall the control-panel assembly (7 of 13)



8. Reinstall the control-panel assembly on the product, and then push it up to engage the assembly with the chassis.

**Figure 1-86** Reinstall the control-panel assembly (8 of 13)



9. Carefully place the control-panel assembly in the raised position.

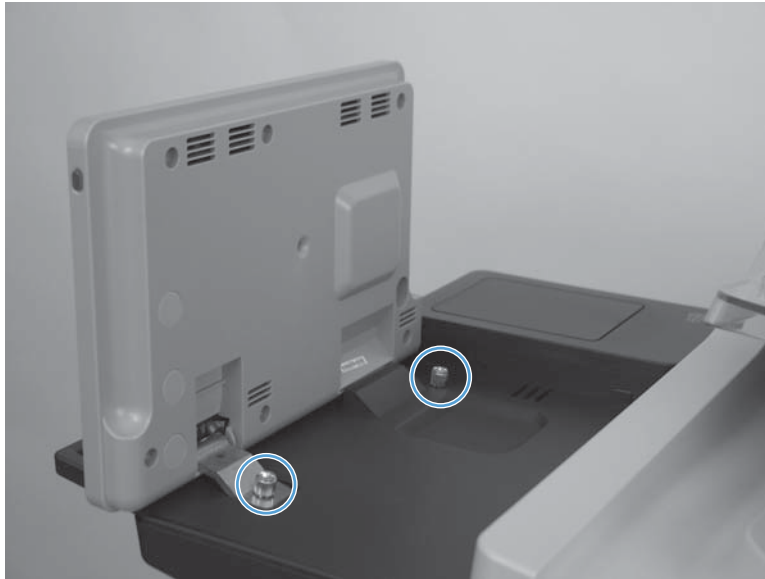
**Figure 1-87** Reinstall the control-panel assembly (9 of 13)





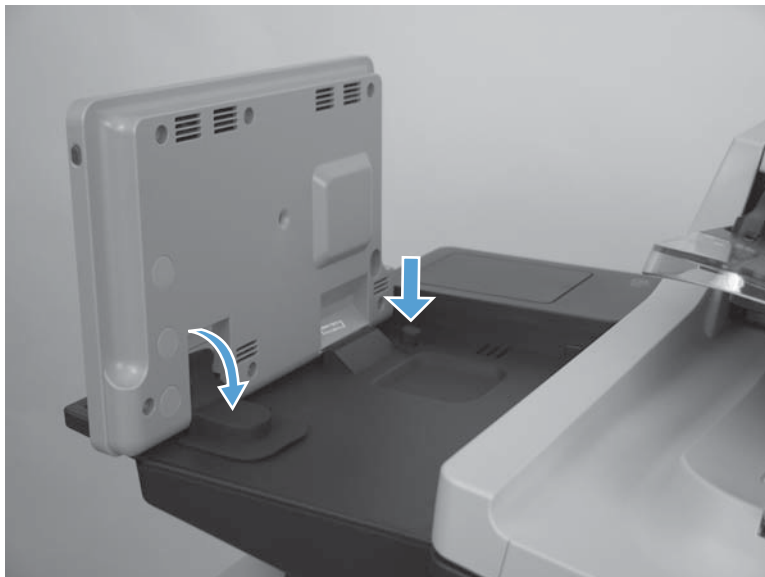
10. Install two thumbscrews.

**Figure 1-88** Reinstall the control-panel assembly (10 of 13)



11. Install the antistatic covers.

**Figure 1-89** Reinstall the control-panel assembly (11 of 13)




12. Lower the control-panel assembly.

**Figure 1-90** Reinstall the control-panel assembly (12 of 13)



13. Slide the keyboard back into the product.

 **TIP:** Slide the keyboard in and out of the product to verify that the FFC is not binding under the control-panel assembly.

**Figure 1-91** Remove the control-panel assembly (13 of 13)



## Control-panel assembly to keyboard FFC (M575c model)

### Before proceeding, remove the following assemblies

- Control-panel assembly. See [Control-panel assembly \(M575c model\) on page 47](#).

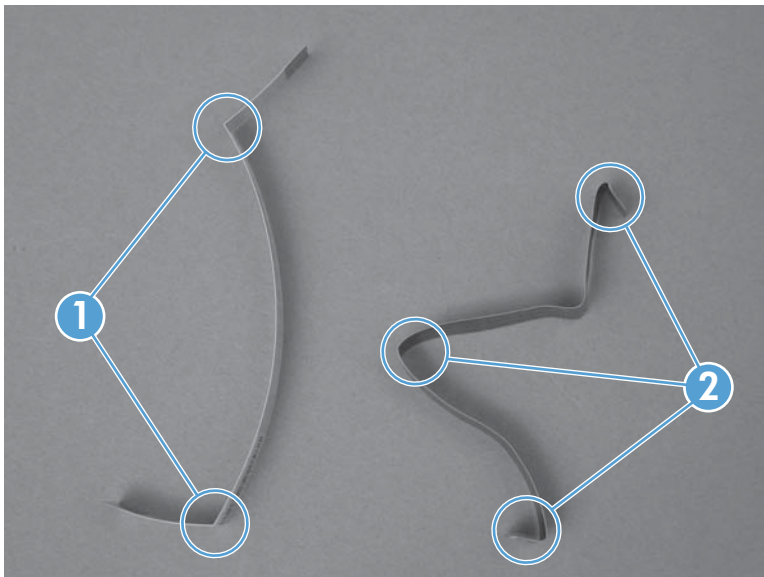
### Important considerations

The FFC has two prefolds about 2.54 cm (1.0 in) from either end (callout 1). If the FFC has been strained (for example stretched too tight when the control panel is removed), it might contain additional folds or creases (callout 2).

Additional folds or creases can cause internal damage to the FFC when the keyboard is pulled in and out of the product.

Replace the FFC if it is damaged.

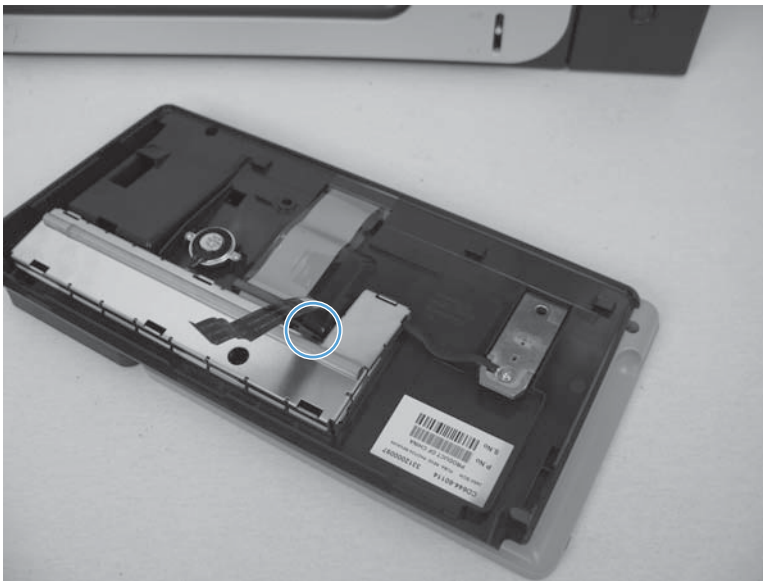
**Figure 1-92** Control-panel assembly to keyboard FFC



## Remove the control-panel assembly to keyboard FFC

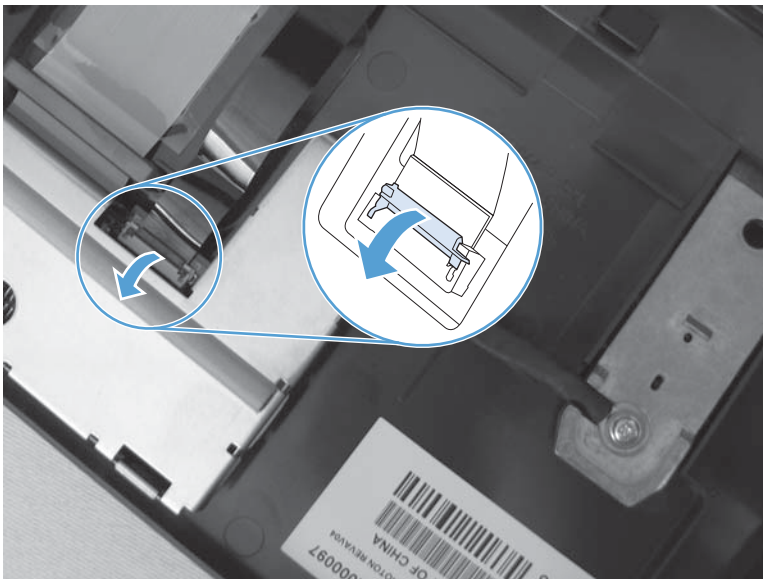
1. Turn the control-panel assembly over, and then locate the FFC connector.

**Figure 1-93** Remove the control-panel assembly to keyboard FFC (1 of 3)



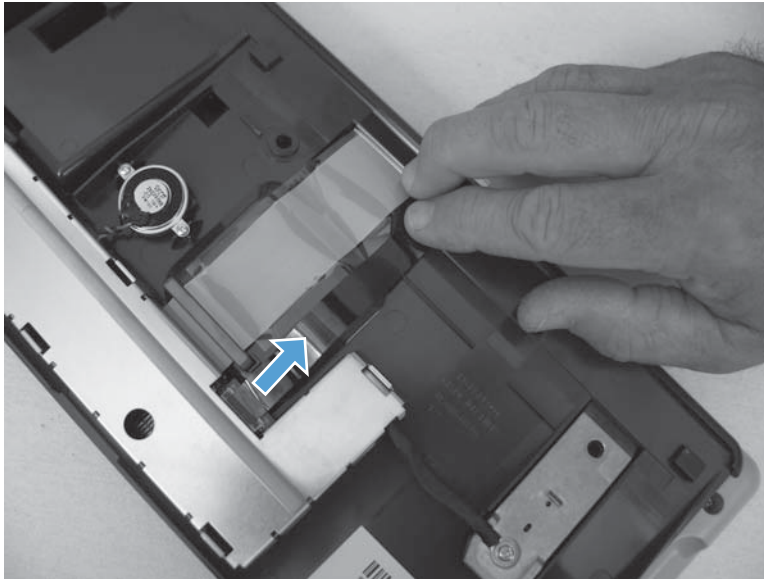
2. Hold the FFC out of the way, and then carefully lift up on the connector retainer to release the FFC.

**Figure 1-94** Remove the control-panel assembly to keyboard FFC (2 of 3)



3. Remove the FFC from the connector on the control-panel assembly.

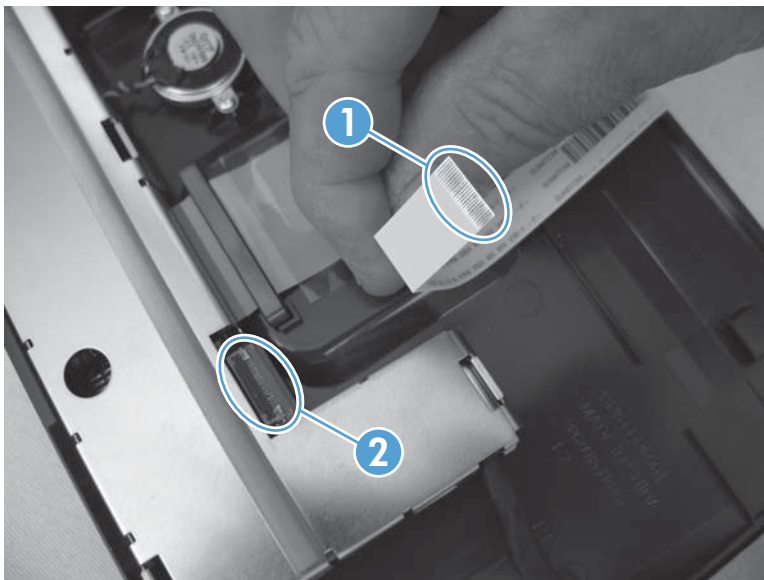
**Figure 1-95** Remove the control-panel assembly to keyboard FFC (3 of 3)



#### Reinstall the control-panel assembly to keyboard FFC

1. Verify that the contact side of the replacement FFC (callout 1) is placed against the contacts in the connector (callout 2) when the FFC is installed.

**Figure 1-96** Reinstall the control-panel assembly to keyboard FFC (1 of 4)



2. Insert the FFC in the control-panel connector.

**Figure 1-97** Reinstall the control-panel assembly to keyboard FFC (2 of 4)



3. Use your finger to carefully close the connector retainer to lock the FFC in place.

**CAUTION:** Be careful. The connector retainer can be dislodged from the connector body. Do not dislodge the retainer when closing it.

**Figure 1-98** Reinstall the control-panel assembly to keyboard FFC (3 of 4)





4. Slightly pull on the FFC to verify that it is securely fastened in the connector.

**⚠ CAUTION:** Be careful. Do not use your full force to pull on the FFC. A slight pull on the FFC is sufficient to verify that it is securely fastened.

**Figure 1-99** Reinstall the control-panel assembly to keyboard FFC (4 of 4)



## Keyboard assembly (M575c model)

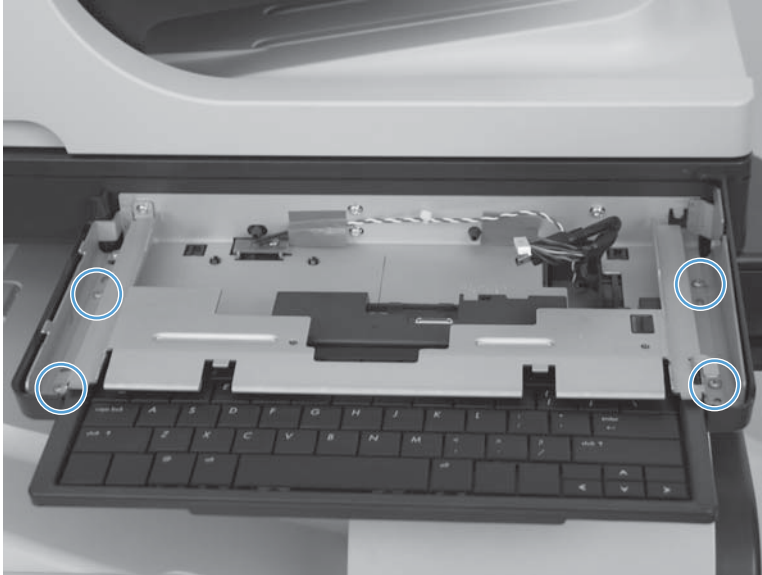
### Before proceeding, remove the following assemblies

- Control-panel assembly. See [Control-panel assembly \(M575c model\) on page 47](#).

### Remove the keyboard assembly

1. Remove four screws.

**Figure 1-100** Remove the keyboard assembly (1 of 7)

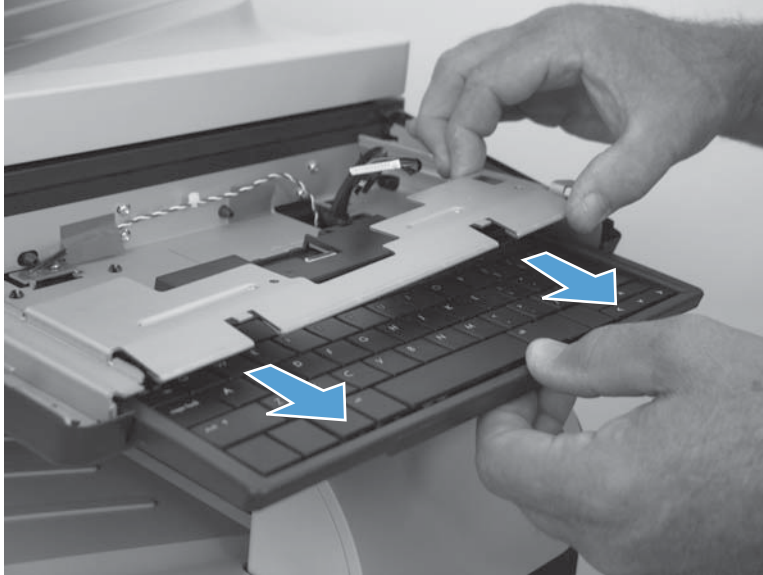




2. Slightly lift up the sheet-metal bracket, and then slide the keyboard away from the product to remove it.

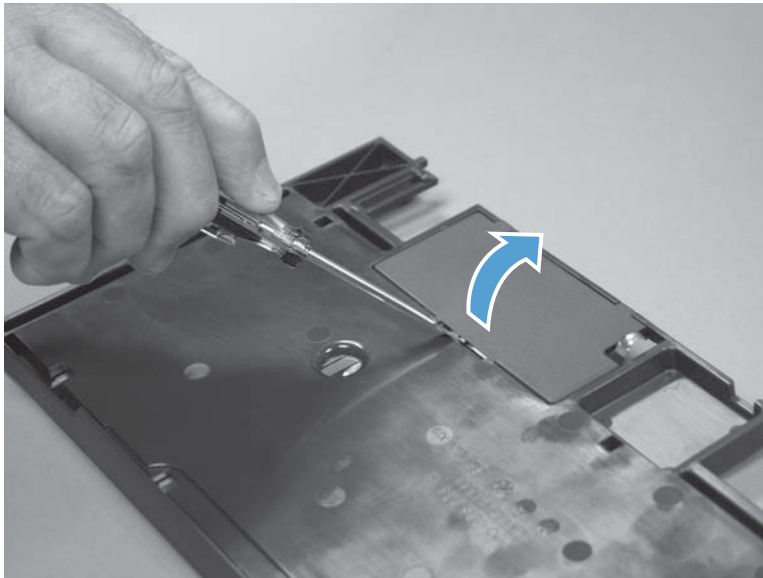
**⚠ CAUTION:** The sheet metal bracket is still attached to the product by one screw. Avoid damaging or bending the bracket by only lifting it up enough to release the keyboard.

**Figure 1-101** Remove the keyboard assembly (2 of 7)



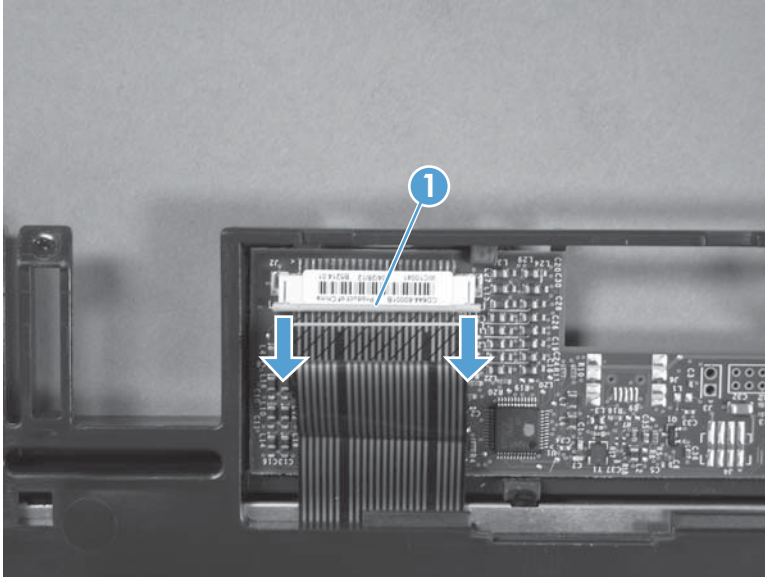
3. Turn the assembly over, and then remove the access door.

**Figure 1-102** Remove the keyboard assembly (3 of 7)



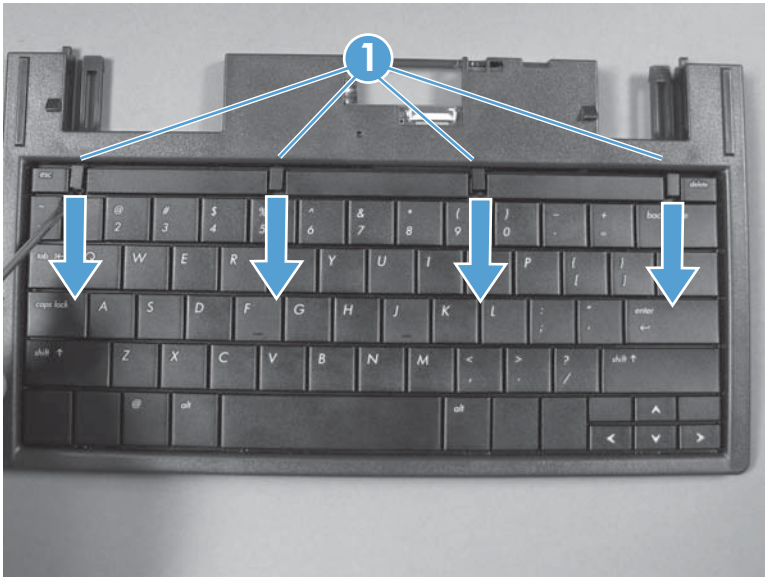
4. Release the retainer lock (callout 1), and then disconnect one FFC.

**Figure 1-103** Remove the keyboard assembly (4 of 7)




5. Turn the assembly over, and then push the four retainer clips (callout 1) toward the keyboard to release them.

**Figure 1-104** Remove the keyboard assembly (5 of 7)

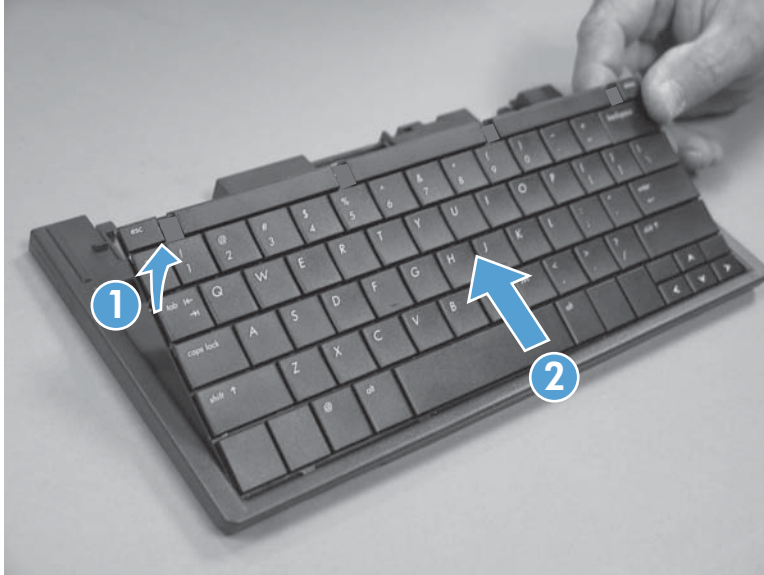


6. Rotate the top of the keyboard away from the tray, and then slide it up to release it.

 **NOTE:** The keyboard is still attached to the tray. Do not attempt to completely remove it.

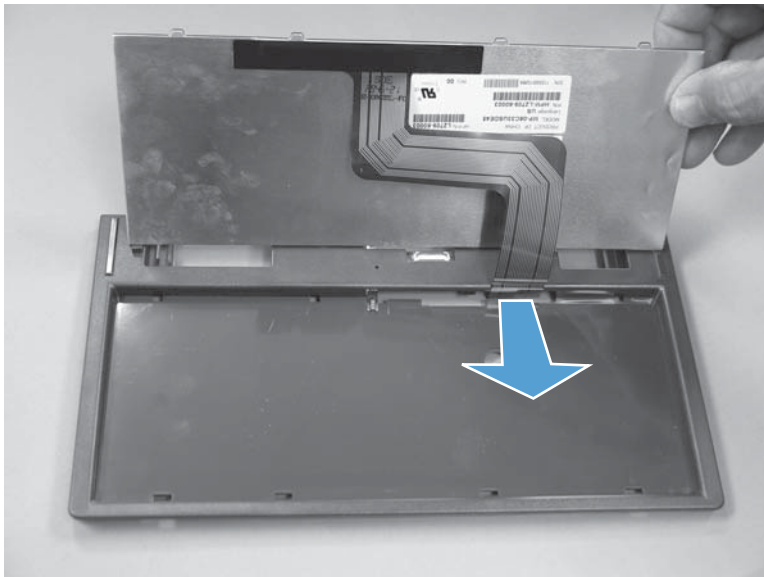
 **TIP:** Push your finger through the hole provided in the back side of the tray to lift the keyboard.

**Figure 1-105** Remove the keyboard assembly (6 of 7)



7. Thread the FFC through the hole in the tray, and then remove the keyboard.

**Figure 1-106** Remove the keyboard assembly (7 of 7)



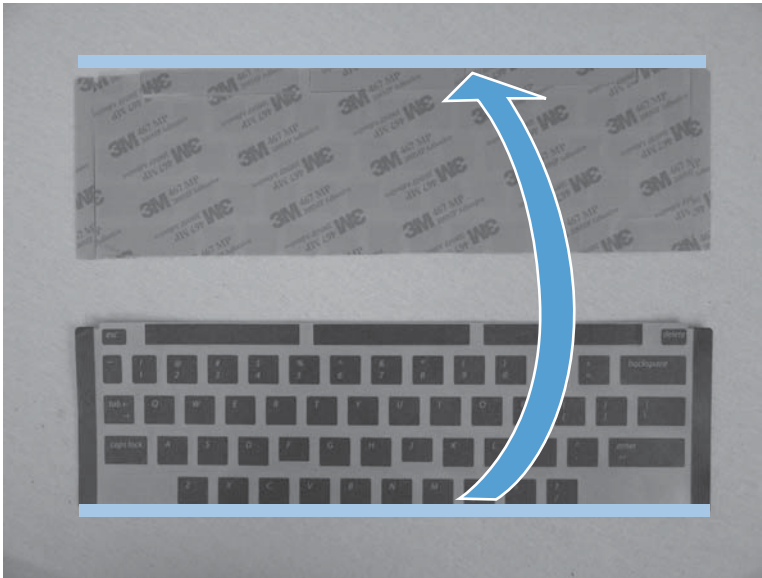
## Keyboard overlay (M575c model)

To change the language set on the full-function QWERTY keyboard, install a keyboard overlay.

### Install a keyboard overlay

1. Turn the overlay over to expose the paper backing.

**Figure 1-107** Install a keyboard overlay (1 of 6)

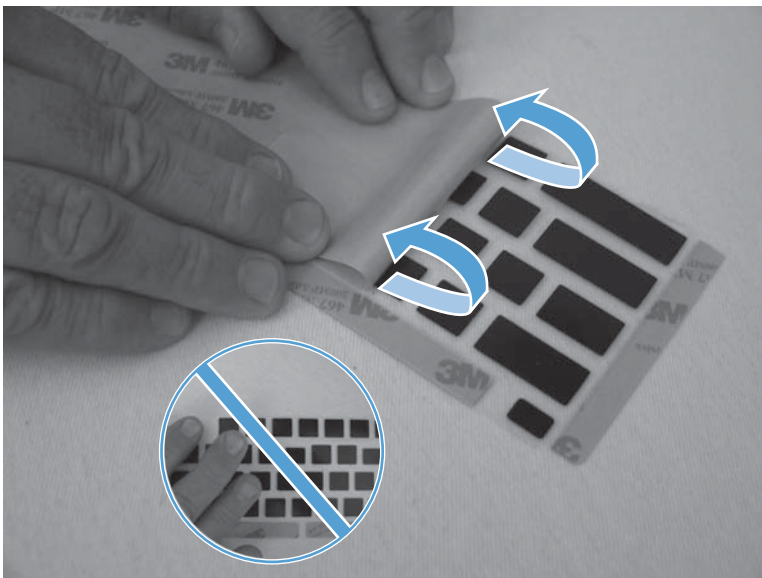


2. Carefully peel the paper backing off of the overlay.

**CAUTION:** Do not touch the exposed adhesive-backed button overlays.

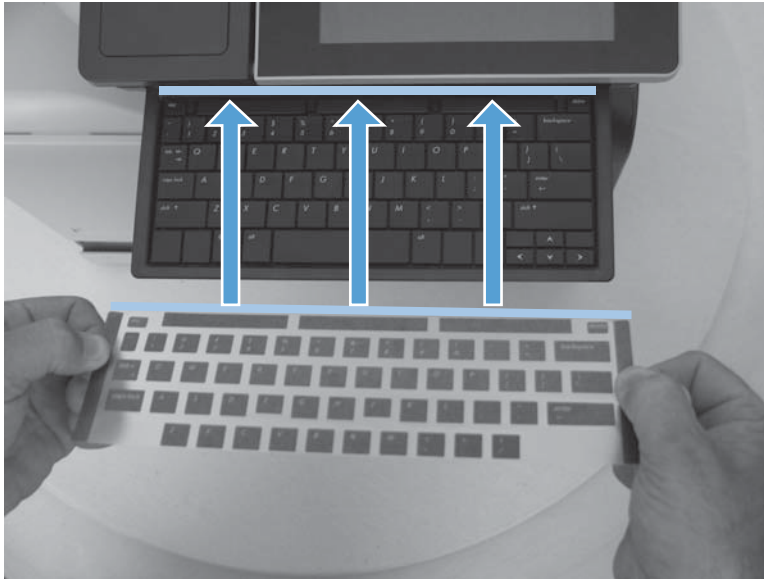
**NOTE:** Keep the paper backing close to the overlay as you peel it off to avoid accidentally removing any of the adhesive-backed button overlays.

**Figure 1-108** Install a keyboard overlay (2 of 6)




3. Position the top edge of the overlay along the top edge of the keyboard.

**Figure 1-109** Install a keyboard overlay (3 of 6)



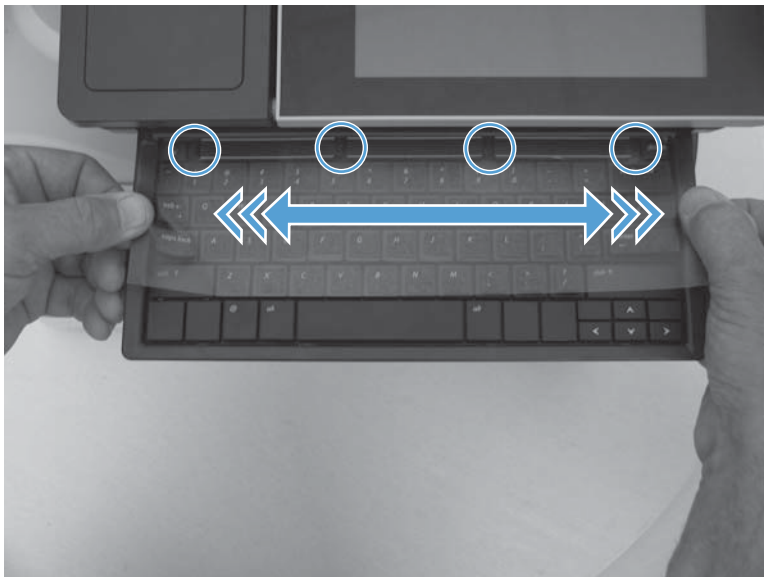
4. Align the overlay on the keyboard. When the overlay is correctly aligned, lay it flat on the keyboard.

---

 **TIP:** The overlay is correctly aligned when you can see the four keyboard lock tabs through the clear plastic top sheet.

---

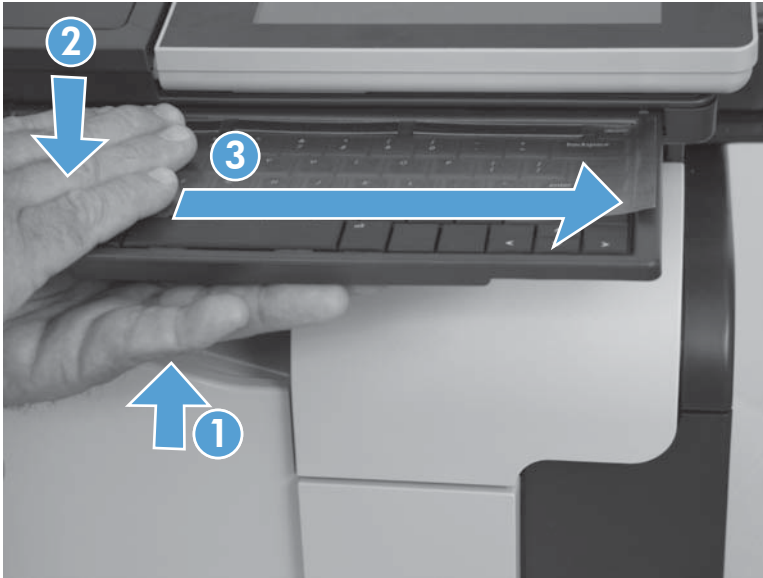
**Figure 1-110** Install a keyboard overlay (4 of 6)



5. Support the keyboard tray (callout 1), push down on the top sheet (callout 2), and then firmly slide your hand (callout 3) along the top sheet to adhere the adhesive-backed button overlays to the keyboard buttons.


**CAUTION:** To avoid damage to the keyboard tray, you must support the tray before pushing down on the top sheet.


**Figure 1-111** Install a keyboard overlay (5 of 6)





- Carefully peel the top sheet off of the keyboard.

 **NOTE:** Keep the top sheet close to the keyboard as you peel it off to avoid accidentally removing any of the adhesive-backed button overlays.

 **TIP:** If any of the adhesive-backed button overlays fail to adhere to the keyboard, stop peeling back the top sheet. Support the keyboard tray, and then firmly slide your hand along the top sheet again to adhere the button overlays to the keyboard.

**Figure 1-112** Install a keyboard overlay (6 of 6)

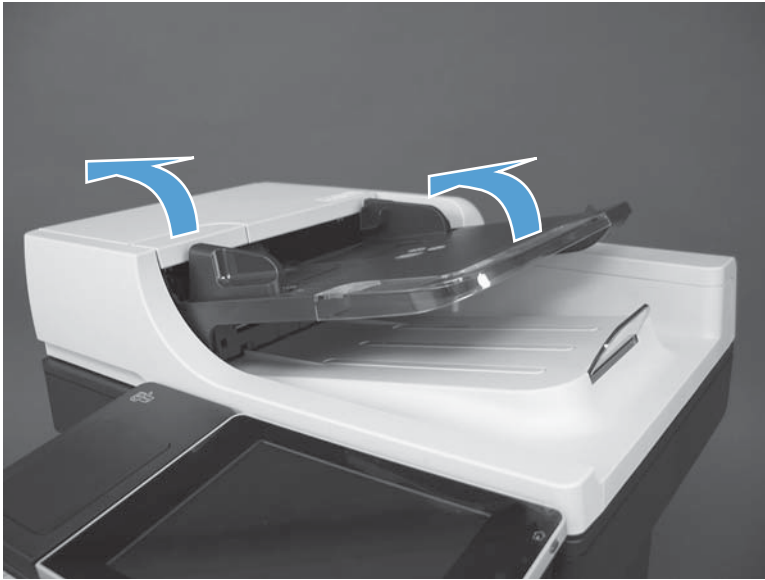


## Back-side background selector assembly (M575c model)

**CAUTION:** Do not touch the surface of the rollers. Skin oils deposited on the rollers might cause print-quality problems.

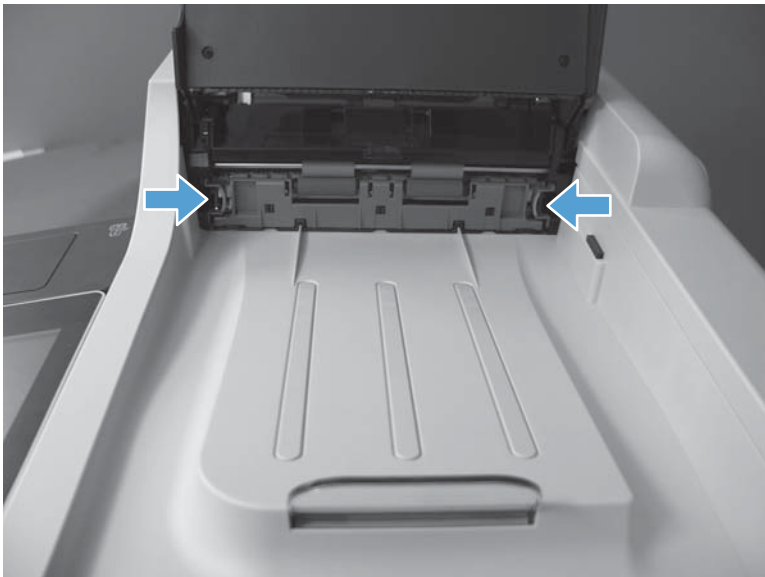
1. Open the jam-access cover, and then raise the input tray.

**Figure 1-113** Remove the back-side background selector assembly (1 of 3)




2. Release two retainers on the assembly.

**Figure 1-114** Remove the back-side background selector assembly (2 of 3)





- Carefully slide the assembly away from the product to remove it.

 **Reinstallation tip** Make sure the assembly is fully seated when it is reinstalled.

The white portion of the back-side background selector can get dirty and might need to be wiped down before reinstalling it.

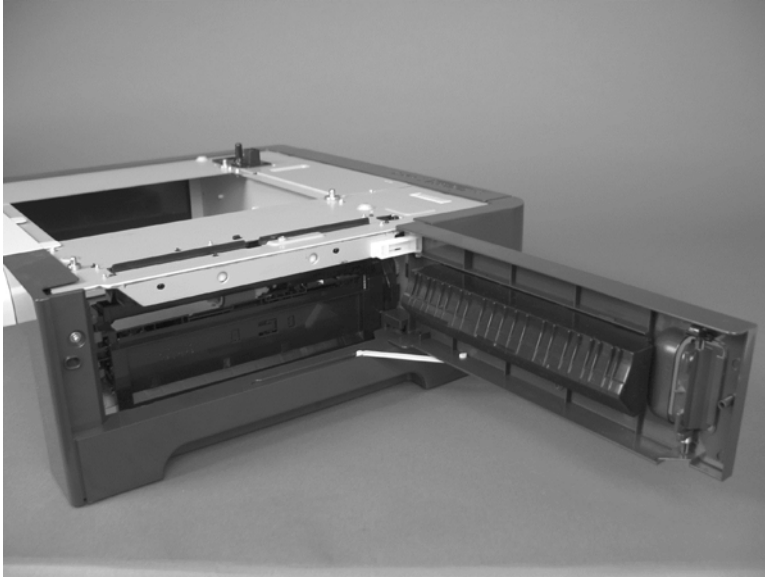
**Figure 1-115** Remove the back-side background selector assembly (3 of 3)



## Right door (optional paper feeder)

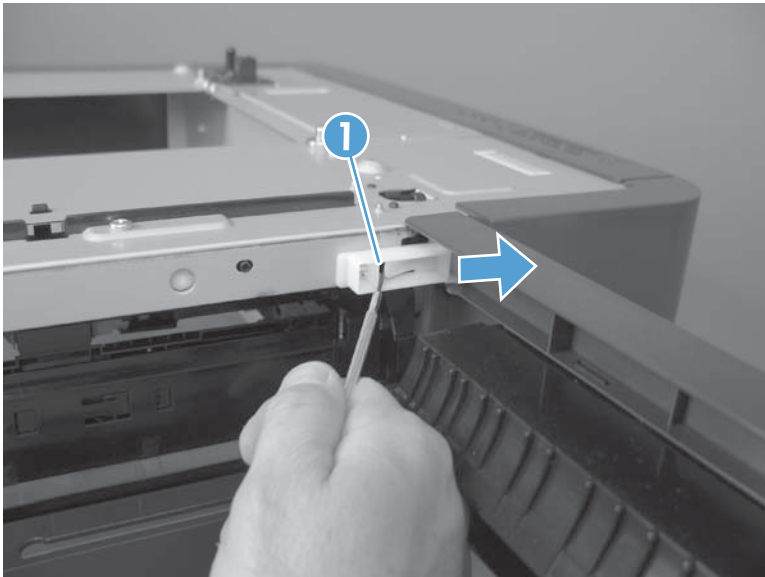
1. Open the right door.

**Figure 1-116** Remove the right door; optional paper feeder (1 of 3)



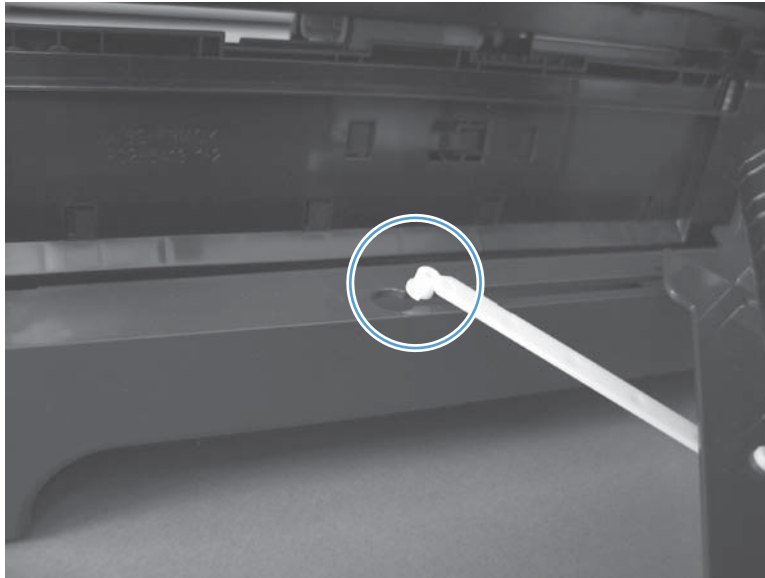
2. Release one tab (callout 1), and then slide the stopper toward the right side of the product to remove it.

**Figure 1-117** Remove the right door; optional paper feeder (2 of 3)




3. Support the door, and then release the door-retainer arm at the bottom of the door. Raise the door to release the lower hinge pin, and then remove the door.

**Figure 1-118** Remove the right door; optional paper feeder (3 of 3)

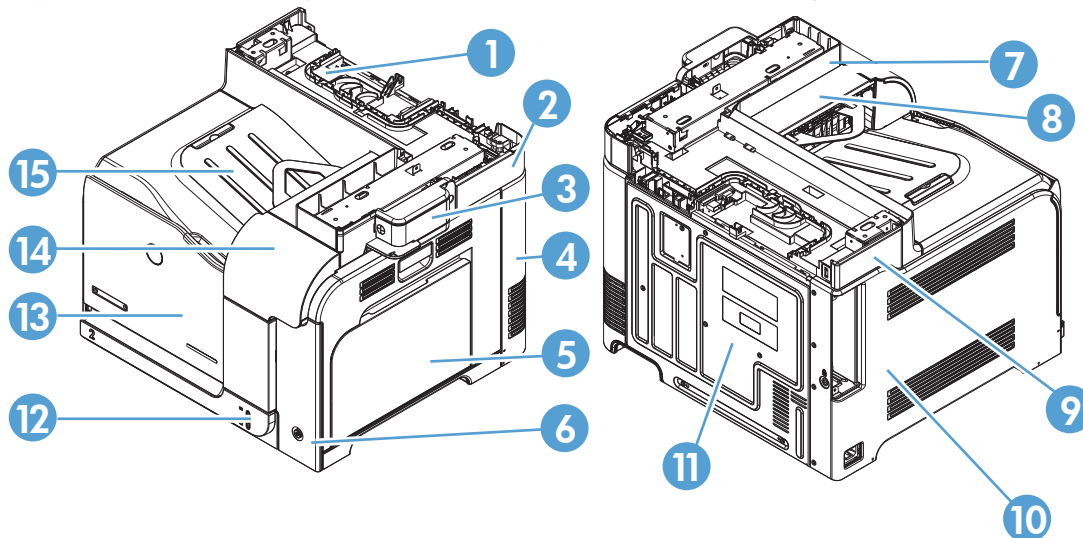


## External panels, covers, and doors

### Identification and location

 **NOTE:** Your product might not appear exactly as the one shown in the photos in this chapter. Although some photos do not show the document feeder and scanner assembly installed, the procedures in this chapter are appropriate for your product.

**Figure 1-119** External panels, covers, doors, and scanner assembly; identification and location



**Table 1-2** External panels, covers, doors, and scanner assembly; identification and location

Item	Description
1	Rear-top cover (see <a href="#">Rear-top cover on page 112</a> )
2	Right-top cover (see <a href="#">Right-top cover on page 106</a> )
3	Stapler cover (see <a href="#">Stapler cover on page 85</a> )
4	Right-rear cover (see <a href="#">Right-rear cover on page 90</a> )
5	Right-door assembly (see <a href="#">Right-door assembly on page 86</a> )
6	Right-front cover (see <a href="#">Right-front cover on page 100</a> )
7	Upper-right cover (see <a href="#">Upper-right cover on page 108</a> )
8	Delivery cover (see <a href="#">Delivery cover on page 104</a> )
9	Left-upper cover (see <a href="#">Left-upper cover on page 97</a> )
10	Left cover (see <a href="#">Left cover on page 92</a> )
11	Rear cover (see <a href="#">Rear cover on page 98</a> )
12	Tray (see <a href="#">Tray 2 and 3 on page 23</a> )
13	Front-door assembly (see <a href="#">Front-door assembly on page 37</a> )
14	Front-upper cover (see <a href="#">Front-upper cover on page 83</a> )
15	Front-top cover (see <a href="#">Front-top cover on page 110</a> )

## Control-panel USB cover

- ▲ Remove the small cover from USB port on the left side of the control panel.

**Figure 1-120** Remove USB cover



## Control-panel HIP (hardward integration pocket)

Use a small flat blade screwdriver to carefully separate the cover from the product.

**⚠ CAUTION:** There are two tabs along each of the long edges of the cover that fasten the cover to the product. Do not break the tabs when the cover is removed.

**Figure 1-121** Remove the HIP cover



## Front-upper cover

### Remove the front-upper cover

1. Open the right door and front door.

**Figure 1-122** Remove the front-upper cover (1 of 4)



2. Remove one screw.

**Figure 1-123** Remove the front-upper cover (2 of 4)



3. Remove one screw.

**Figure 1-124** Remove the front-upper cover (3 of 4)



4. Lift the cover up, and then remove the front-upper cover.

---

 **NOTE:** The cover might be difficult to remove. It might require some flexing to release it.

---

**Figure 1-125** Remove the front-upper cover (4 of 4)





## Stapler cover

### Remove the stapler cover

- ▲ Remove one screw and then the stapler cover.

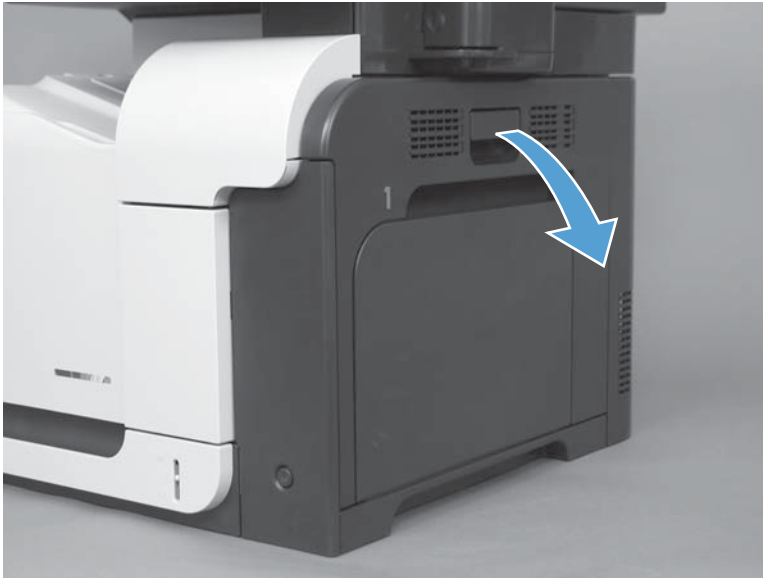
**Figure 1-126** Remove the stapler cover



## Right-door assembly

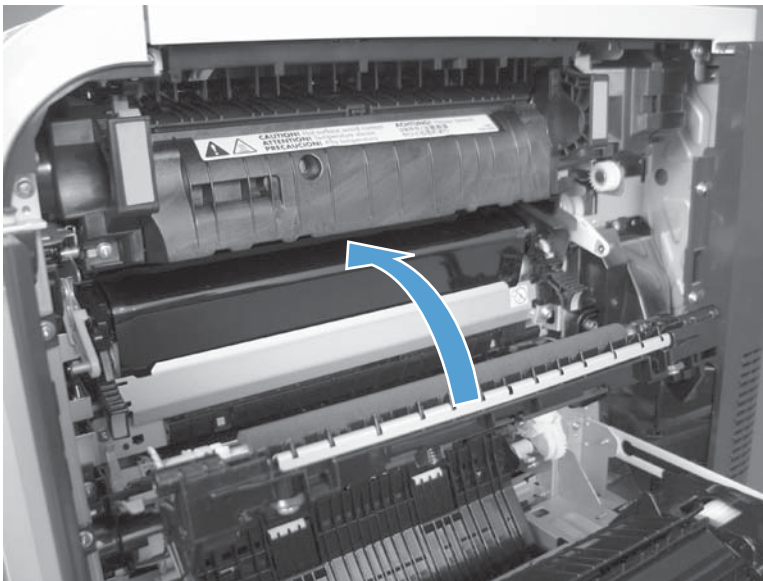
1. Open the right-door assembly.

**Figure 1-127** Remove the right-door assembly (1 of 8)



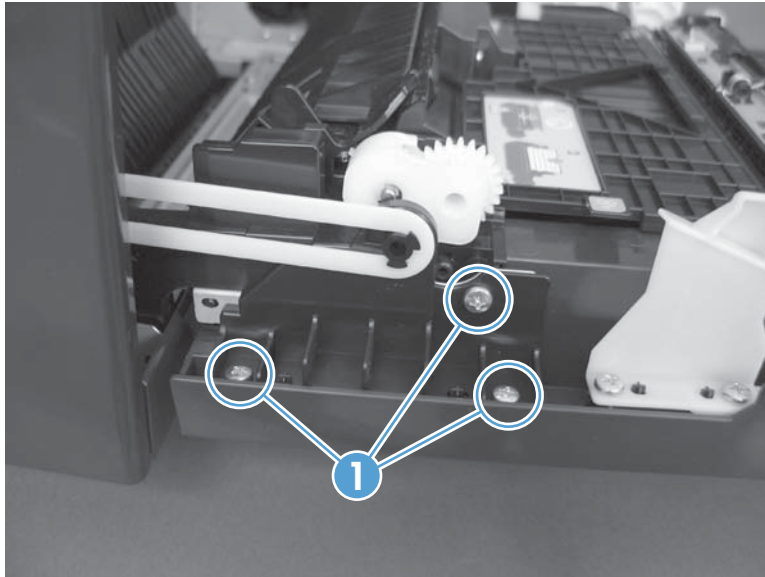
2. Close the secondary transfer assembly.

**Figure 1-128** Remove the right-door assembly (2 of 8)



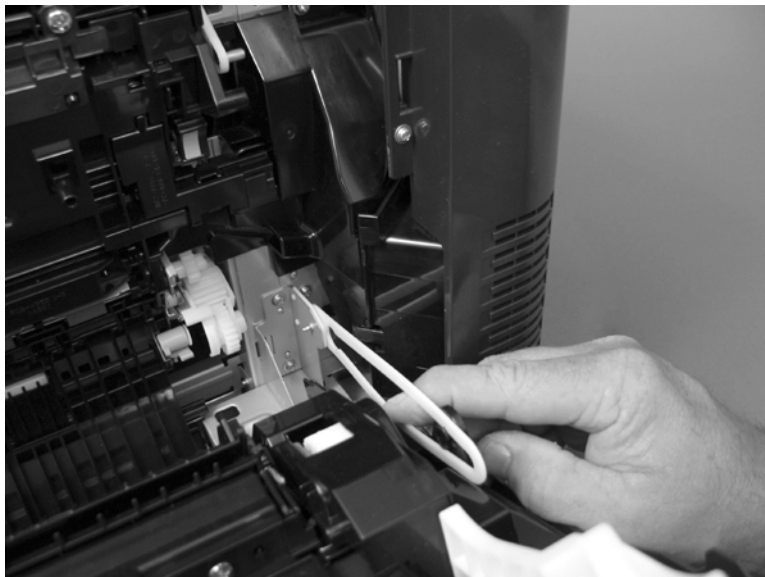
3. Remove three screws (callout 1).

**Figure 1-129** Remove the right-door assembly (3 of 8)



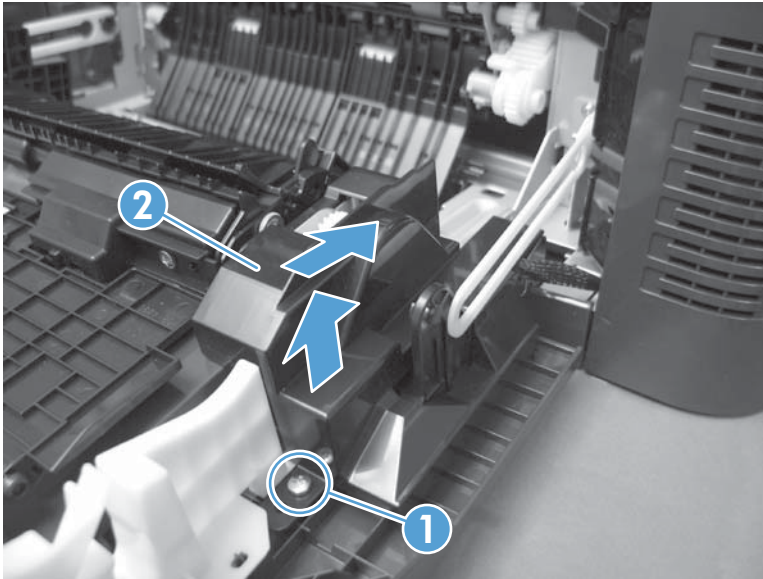
4. Carefully release one link arm.

**Figure 1-130** Remove the right-door assembly (4 of 8)




5. Remove one screw (callout 1), and then remove the cover (callout 2).

**Figure 1-131** Remove the right-door assembly (5 of 8)



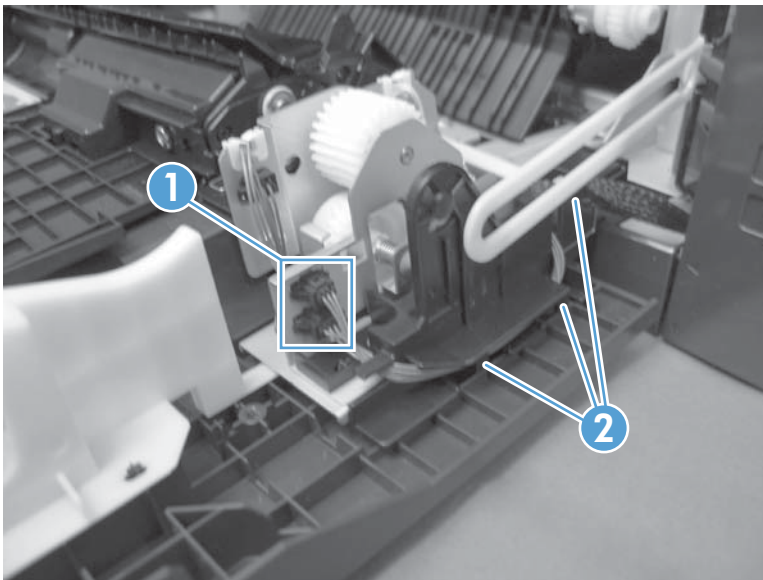
6. Disconnect two connectors (callout 1), and then release the wire harness from the guide (callout 2).

---

 **TIP:** It is easier to disconnect the lower connector if you first remove the wire harnesses from the guide.

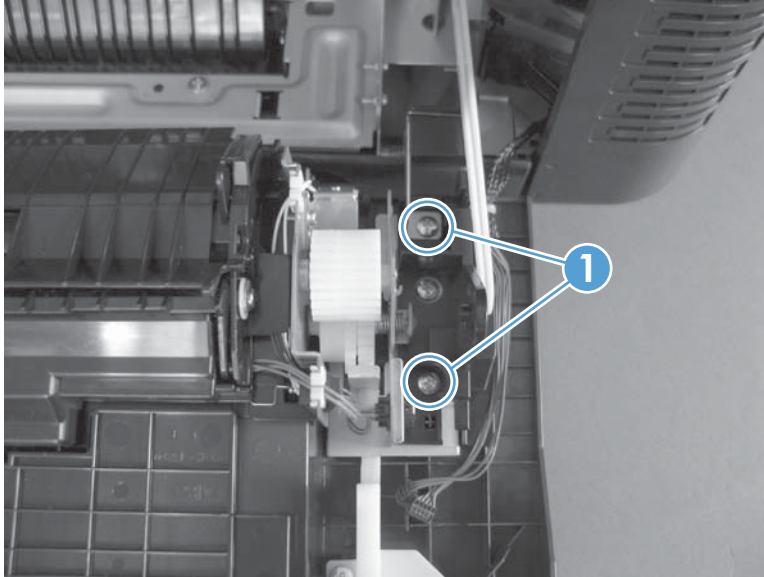
---

**Figure 1-132** Remove the right-door assembly (6 of 8)



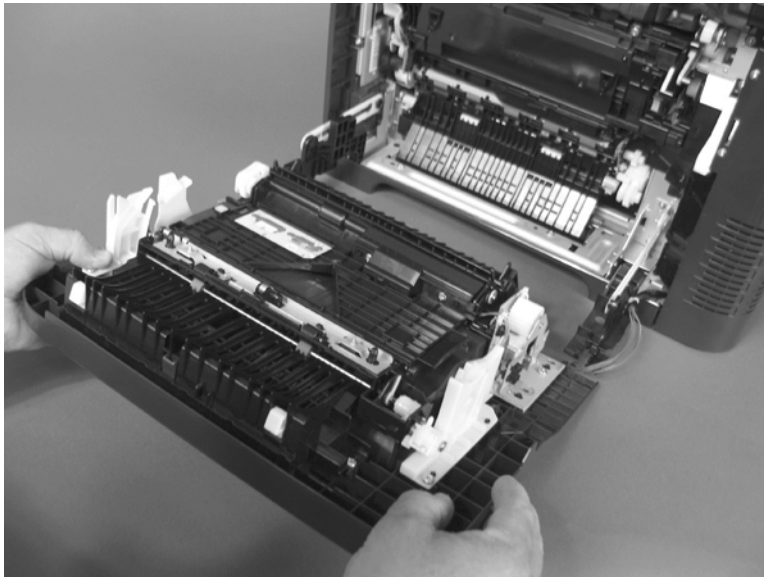
7. Remove two screws (callout 1).

**Figure 1-133** Remove the right-door assembly (7 of 8)



8. Remove the right-door assembly.

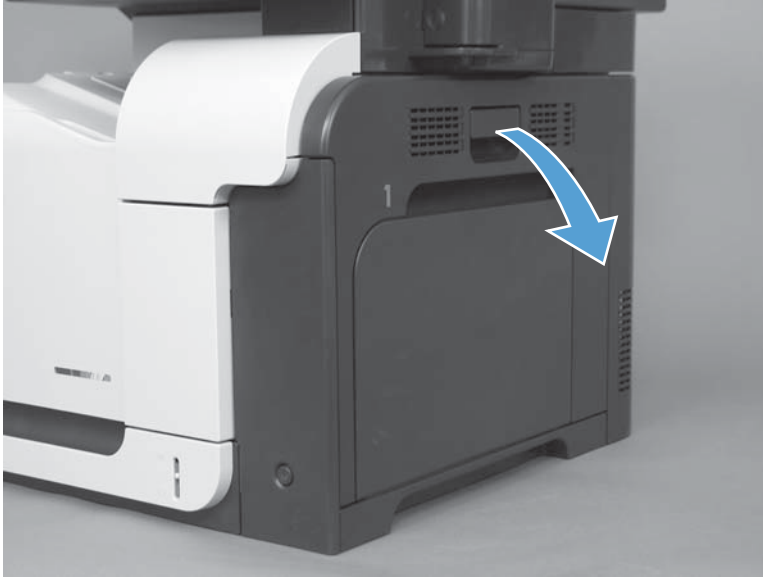
**Figure 1-134** Remove the right-door assembly (8 of 8)



## Right-rear cover

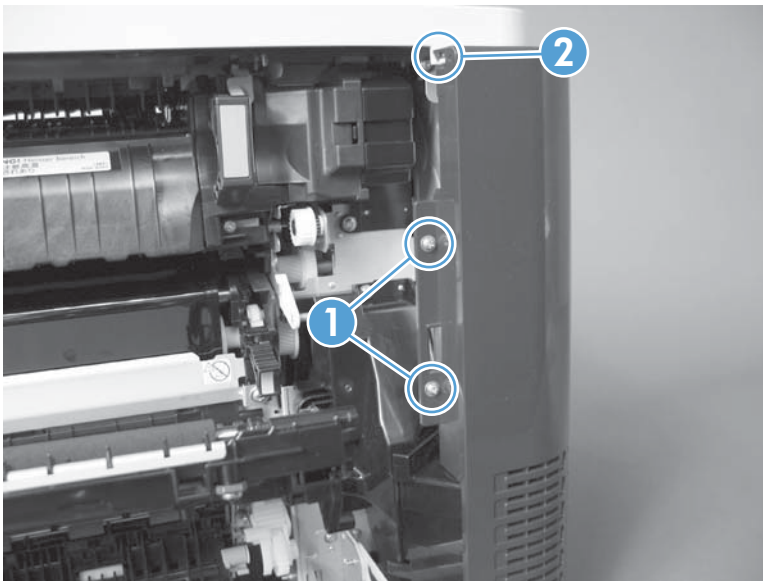
1. Open the right-door assembly.

**Figure 1-135** Remove the right-rear cover (1 of 3)



2. Remove two screws (callout 1) and release one tab (callout 2).

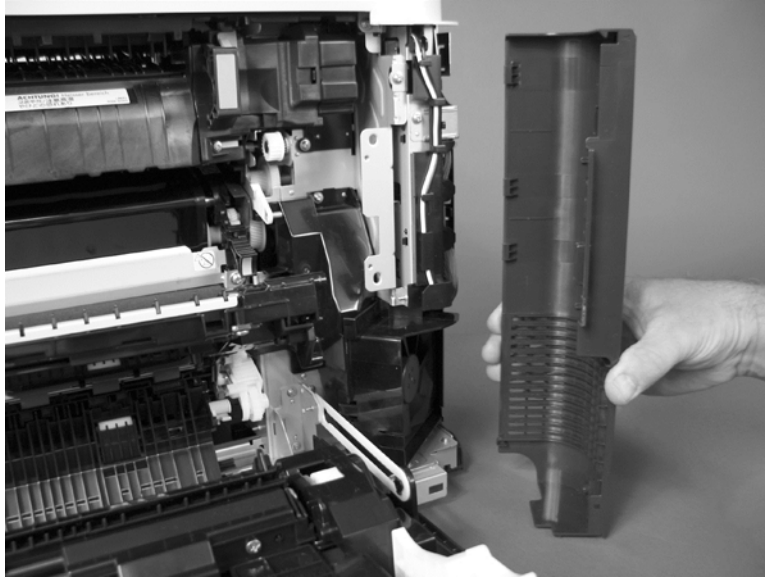
**Figure 1-136** Remove the right-rear cover (2 of 3)





3. Rotate the bottom of the cover away from the product, and then remove the cover.

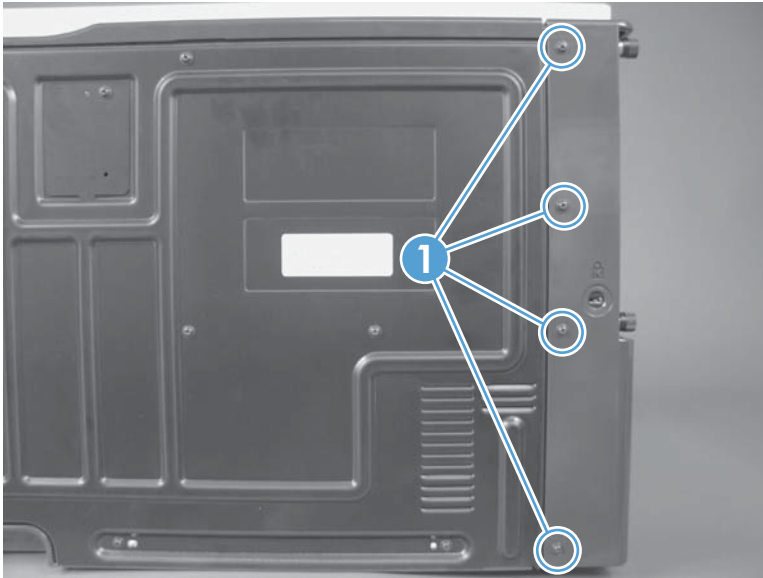
**Figure 1-137** Remove the right-rear cover (3 of 3)



## Left cover

1. Remove four screws (callout 1).

**Figure 1-138** Remove the left cover (1 of 5)



2. Release the rear edge of the cover, and slightly separate the cover from the product.

**Figure 1-139** Remove the left cover (2 of 5)

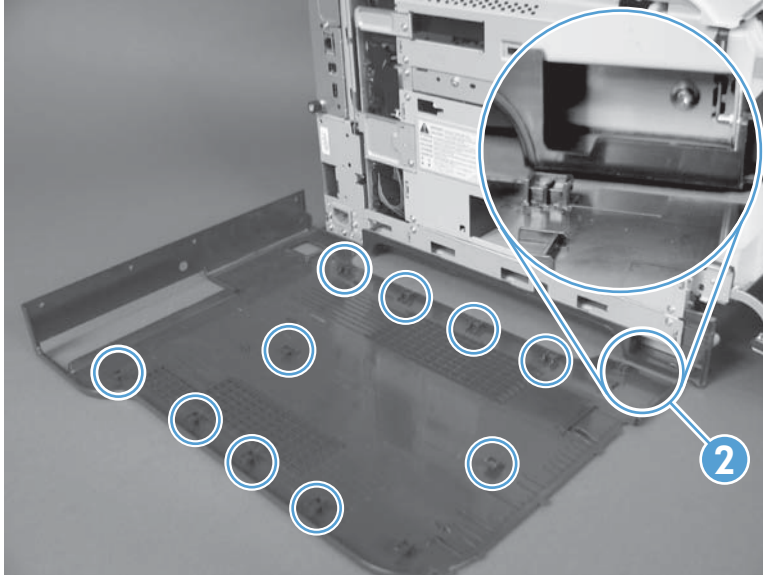




3. The figure below shows the cover removed so that you can see the tab locations. **Before proceeding**, note the location of the mounting tabs.

**CAUTION:** One tab (callout 2) is easily damaged when removing the cover. Be careful when removing the cover.

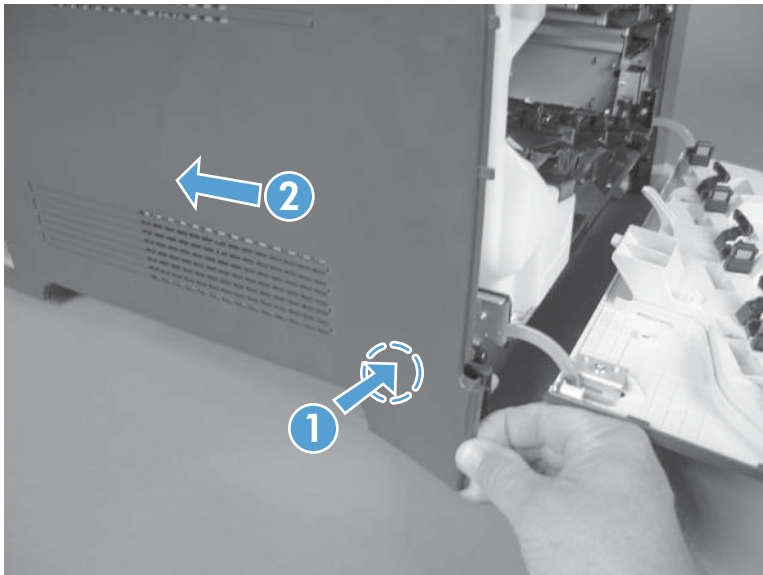
**Figure 1-140** Remove the left cover (3 of 5)



4. Use your thumb to press in on the lower-front portion of the cover (near the dashed circle in the figure below), and then slightly slide the cover away from the front door to release one tab.

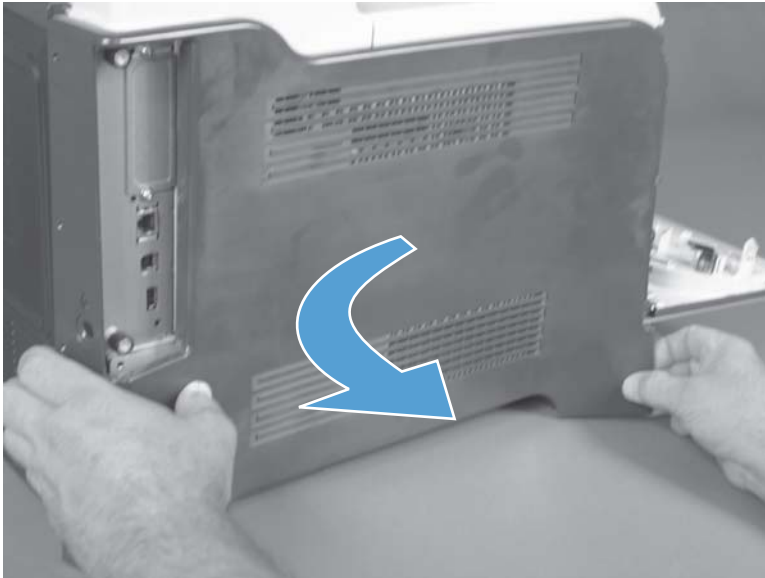
**CAUTION:** You must flex the cover enough to release the front edge of the cover, but do not damage the tab at the bottom-front edge of the cover. See callout 2 in [Figure 1-140 Remove the left cover \(3 of 5\) on page 93](#).

**Figure 1-141** Remove the left cover (4 of 5)



5. Slide the cover toward the rear of the product and rotate it away from the product and then remove the cover.

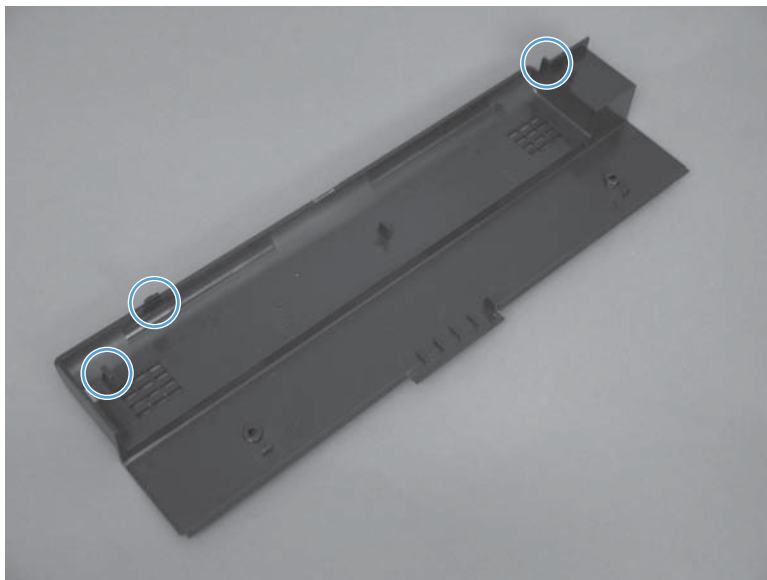
**Figure 1-142** Remove the left cover (5 of 5)



## Rear-upper cover

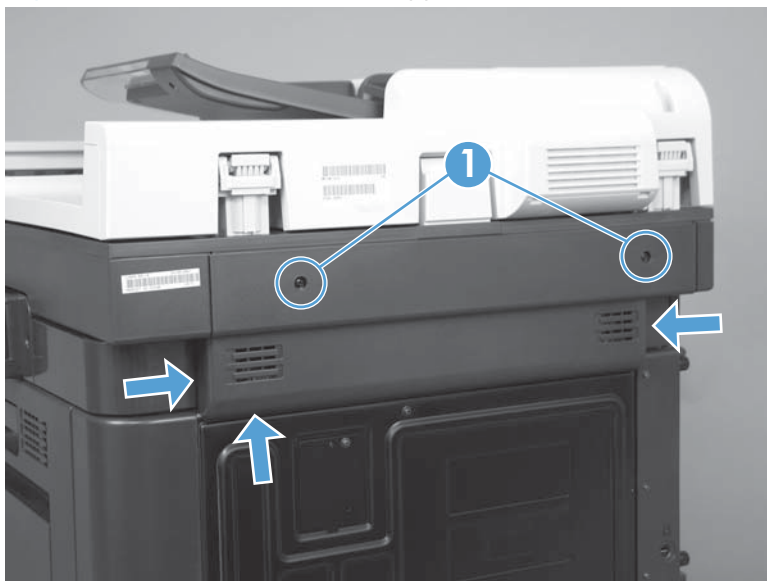
1. Note the location of the three tabs.

**Figure 1-143** Remove the rear-upper cover (1 of 3)



2. Remove two screws (callout 1). Push in to release the tabs.

**Figure 1-144** Remove the rear-upper cover (2 of 3)



3. Rotate the cover away from the product to remove.

**Figure 1-145** Remove the rear-upper cover (3 of 3)



## Left-upper cover

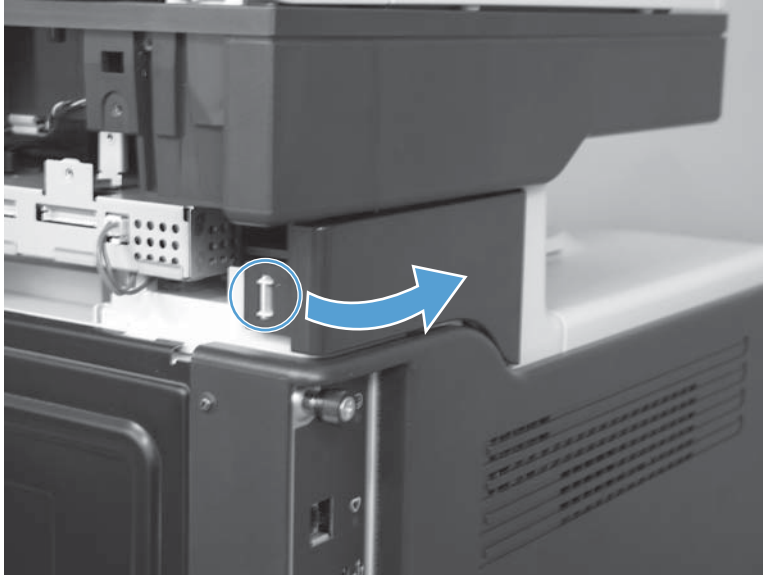
Before proceeding, remove the following components:

- Rear-upper cover. See [Rear-upper cover on page 95](#).

### Remove the left-upper cover

- ▲ Release one tab and remove the cover.

**Figure 1-146** Remove the left-upper cover



## Rear cover

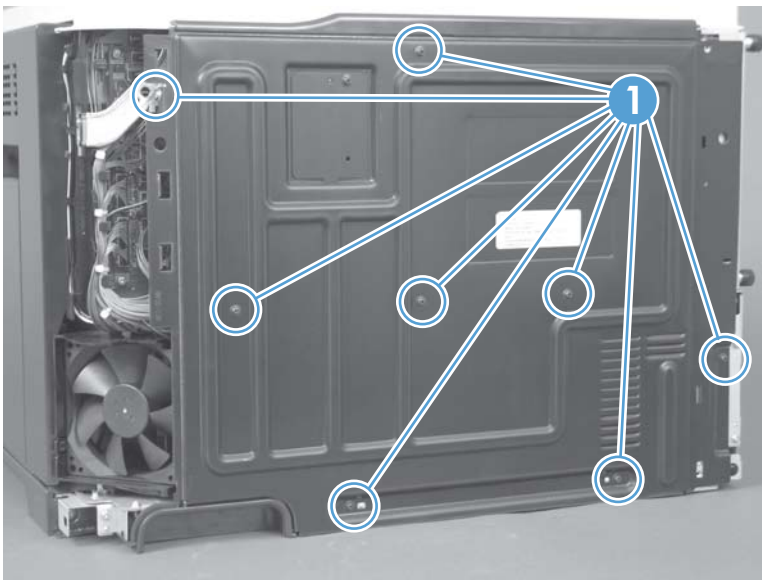
Before proceeding, remove the following components:

- Right-rear cover. See [Right-rear cover on page 90](#).
- Left cover. See [Left cover on page 92](#).
- Rear-upper cover. See [Rear-upper cover on page 95](#).

### Remove the rear cover

1. Remove eight screws (callout 1).

**Figure 1-147** Remove the rear cover (1 of 2)



2. Slide the cover toward the fan side of the product, and then remove the rear cover.

**Figure 1-148** Remove the rear cover (2 of 2)




## Right-front cover

Before proceeding, remove the following components:

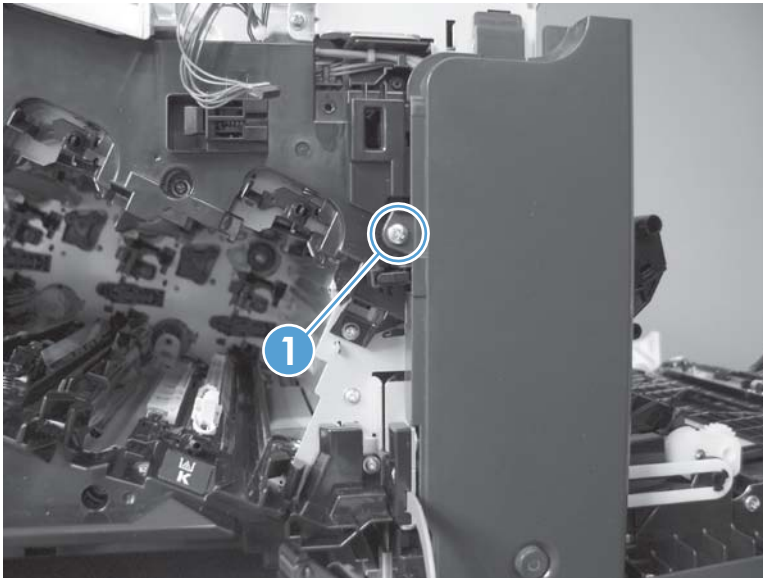
- Front-upper cover. See [Front-upper cover on page 83](#).

### Remove the right-front cover

 **NOTE:** Be careful. When removing the cover, do not dislodge the power button. If the button is dislodged, see [Reinstall the power button on page 103](#) to reinstall it.

1. Remove one screw (callout 1).

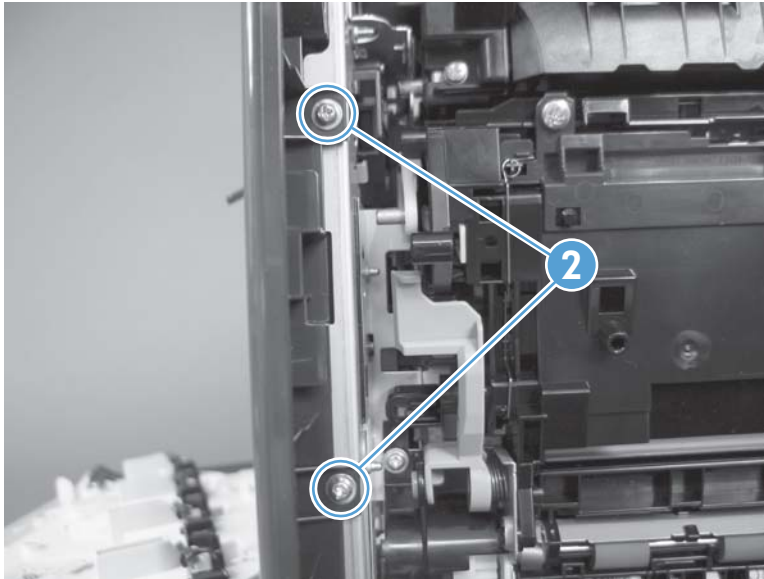
**Figure 1-149** Remove the right-front cover (1 of 5)





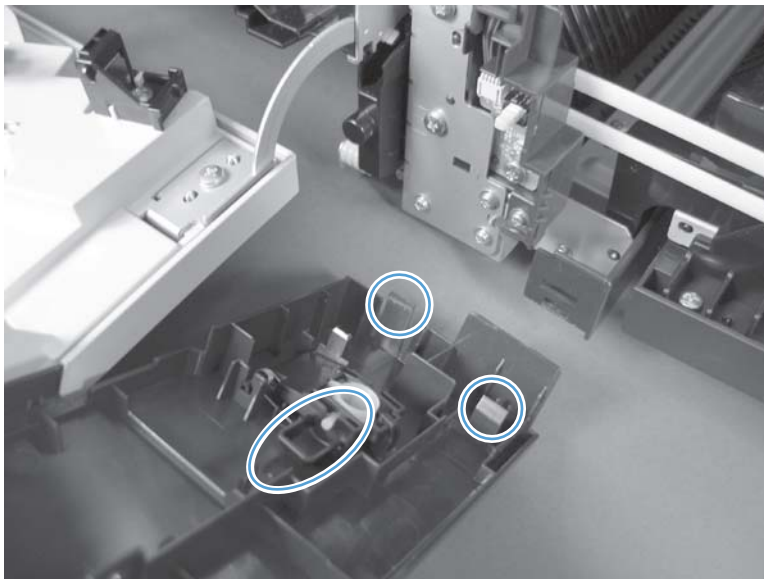
2. Remove two screws (callout 2).

**Figure 1-150** Remove the right-front cover (2 of 5)




3. Before you proceed, take note of the tab locations at the bottom of the cover.

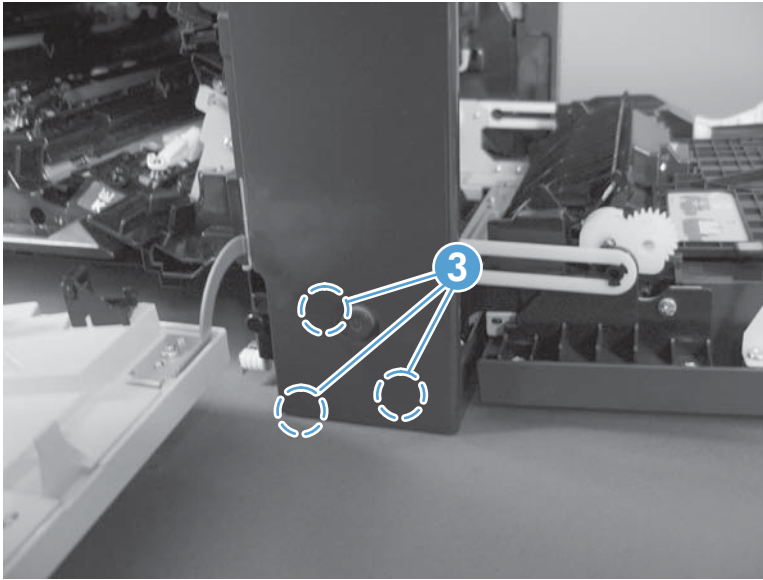
**Figure 1-151** Remove the right-front cover (3 of 5)



4. Pull down on the cover to release three tabs (callout 3).

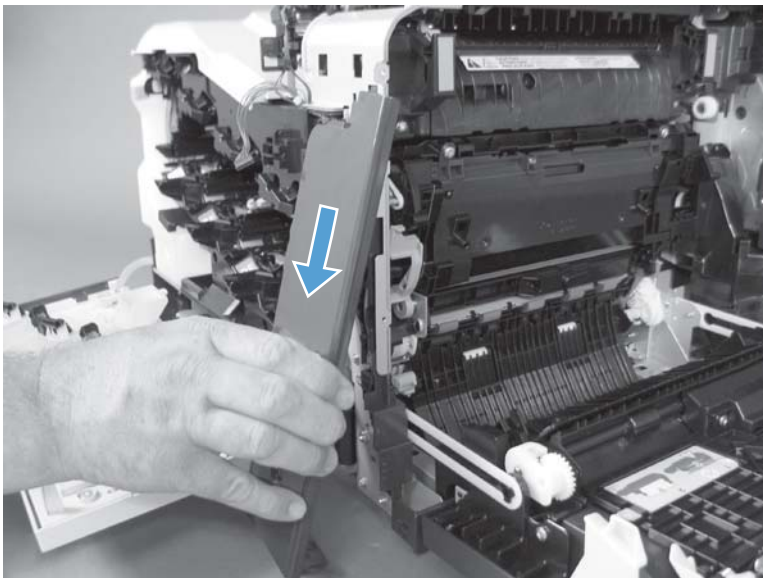
 **TIP:** It might be easier if you position the product at the edge of the work surface so that there is a space for the cover to slide downward. Or, you might try inserting a small flat blade screwdriver behind the cover, and carefully pry the cover away from the product as you pull down on the cover to release the tabs.

**Figure 1-152** Remove the right-front cover (4 of 5)



5. Rotate the bottom of the cover away from the product, and then pull down on the cover to remove it.

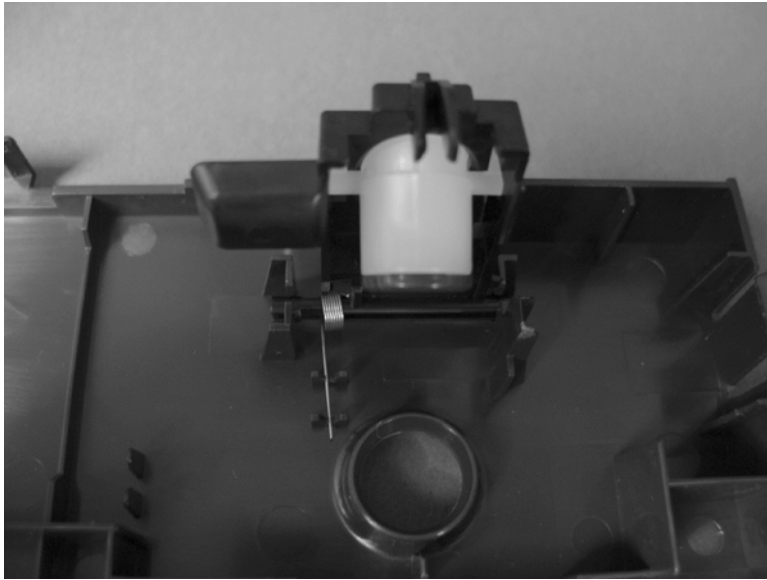
**Figure 1-153** Remove the right-front cover (5 of 5)



## Reinstall the power button

Snap the power button into the holders on the cover. Make sure that the spring is correctly installed.

**Figure 1-154** Reinstall the power button



## Delivery cover

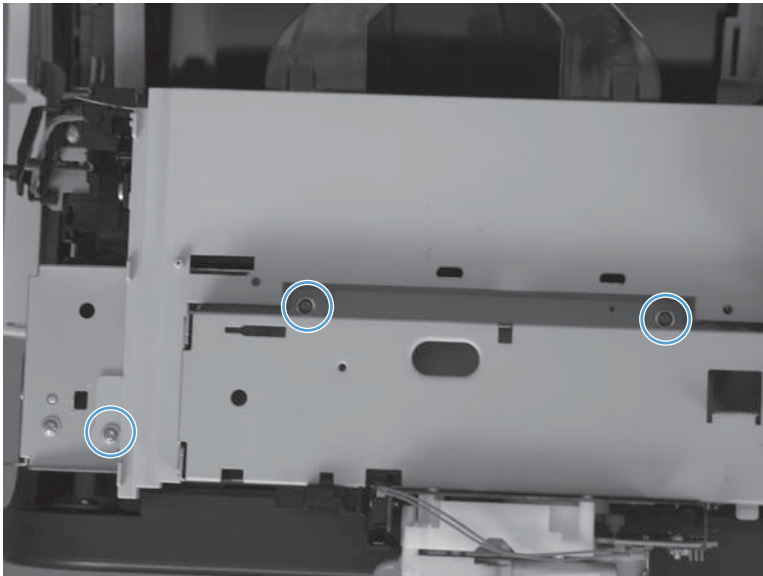
### Before proceeding, remove the following components:

- Front-upper cover. See [Front-upper cover on page 83](#).
- Stapler cover. See [Stapler cover on page 85](#).
- Rear-upper cover. See [Rear-upper cover on page 95](#).
- Left-upper cover. See [Left-upper cover on page 97](#).
- Upper-right cover. See [Upper-right cover on page 108](#).
- Document feeder whole unit.
  - See [Document feeder whole unit on page 127](#).
  - See [Document feeder whole unit \(M575c model\) on page 130](#).
- Scanner-control board (SCB).
  - See [Scanner-control board \(SCB\) on page 133](#).
  - See [Scanner-control board \(SCB; M575c\) on page 136](#).
- Image scanner whole unit. See [Image scanner whole unit on page 139](#).

### Remove the delivery cover

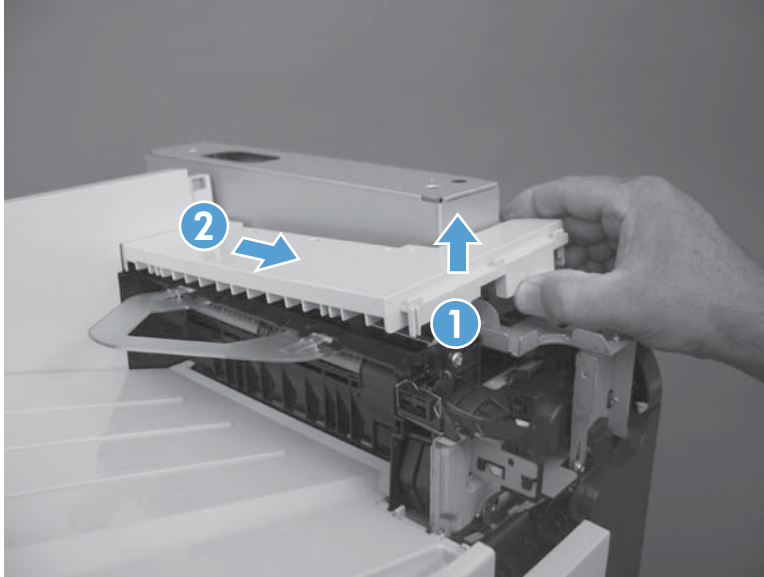
1. Remove three screws.

**Figure 1-155** Remove the delivery cover (1 of 3)



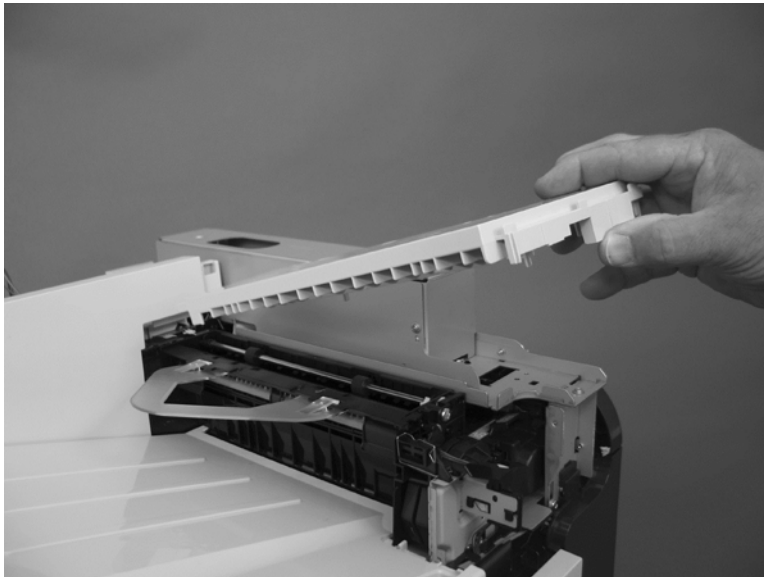
2. Lift up (callout 1) and slide the delivery cover (callout 2).

**Figure 1-156** Remove the delivery cover (2 of 3)



3. Remove the delivery cover.

**Figure 1-157** Remove the delivery cover (3 of 3)



## Right-top cover

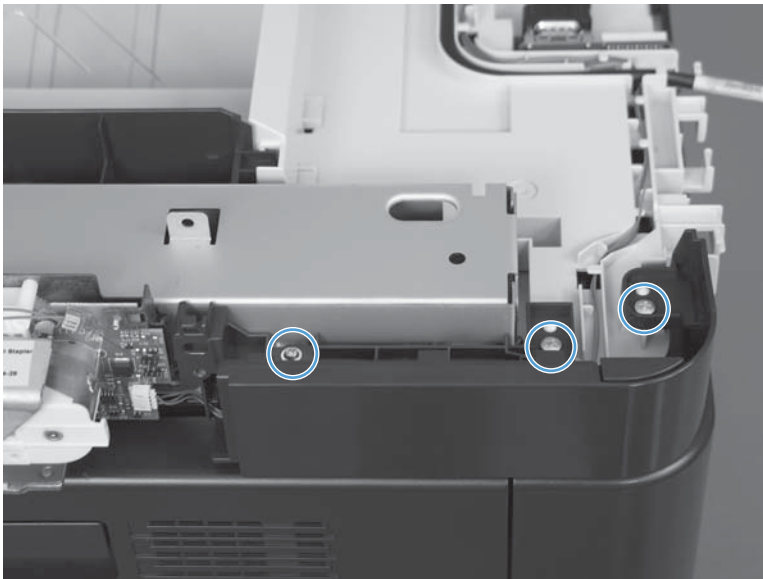
### Before proceeding, remove the following components:

- Stapler cover. See [Stapler cover on page 85](#).
- Rear-upper cover. See [Rear-upper cover on page 95](#).
- Left-upper cover. See [Left-upper cover on page 97](#).
- Document feeder whole unit.
  - See [Document feeder whole unit on page 127](#).
  - See [Document feeder whole unit \(M575c model\) on page 130](#).
- Scanner-control board (SCB).
  - See [Scanner-control board \(SCB\) on page 133](#).
  - See [Scanner-control board \(SCB; M575c\) on page 136](#).
- Image scanner whole unit. See [Image scanner whole unit on page 139](#).

### Remove the right-top cover

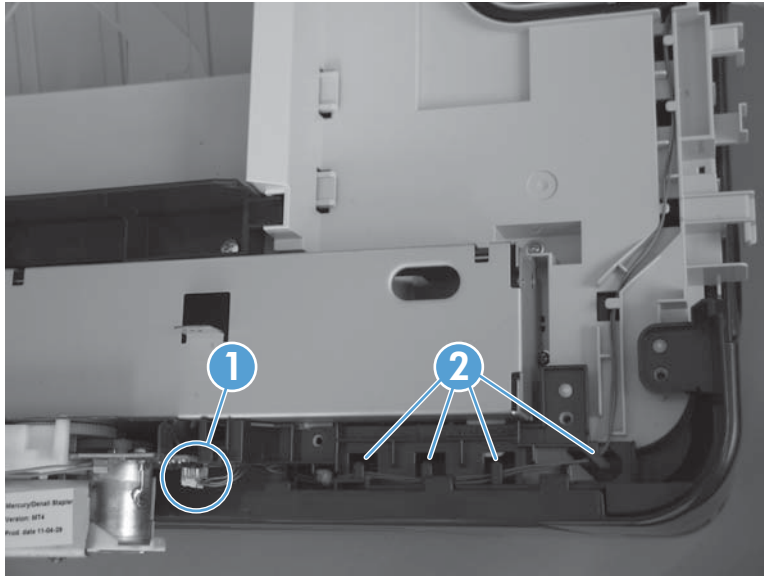
1. Remove three screws.

**Figure 1-158** Remove the right-top cover (1 of 2)



2. Disconnect one connector (callout 1), remove the wire harness from its retainer (callout 2), and remove the cover.

**Figure 1-159** Remove the right-top cover (2 of 2)



## Upper-right cover

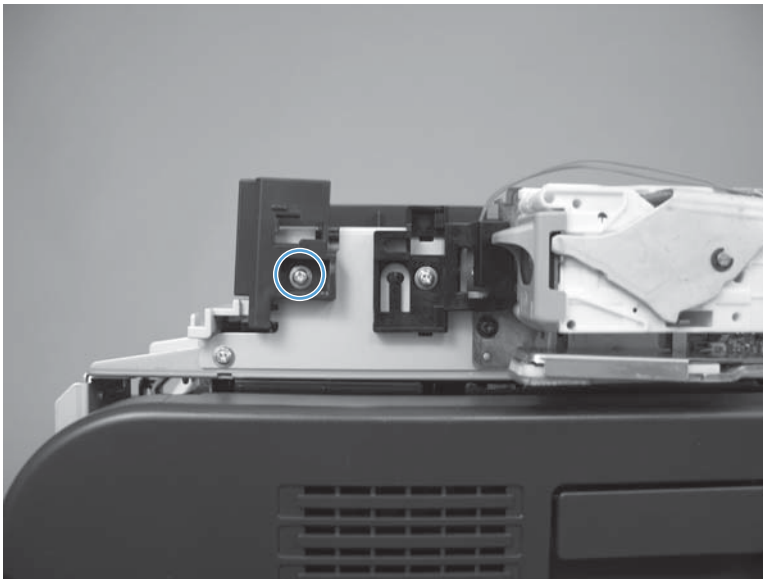
### Before proceeding, remove the following components:

- Stapler cover. See [Stapler cover on page 85](#).
- Rear-upper cover. See [Rear-upper cover on page 95](#).
- Left-upper cover. See [Left-upper cover on page 97](#).
- Document feeder whole unit.
  - See [Document feeder whole unit on page 127](#).
  - See [Document feeder whole unit \(M575c model\) on page 130](#).
- Scanner-control board (SCB).
  - See [Scanner-control board \(SCB\) on page 133](#).
  - See [Scanner-control board \(SCB; M575c\) on page 136](#).
- Image scanner whole unit. See [Image scanner whole unit on page 139](#).

### Remove the upper-right cover

1. Remove one screw.

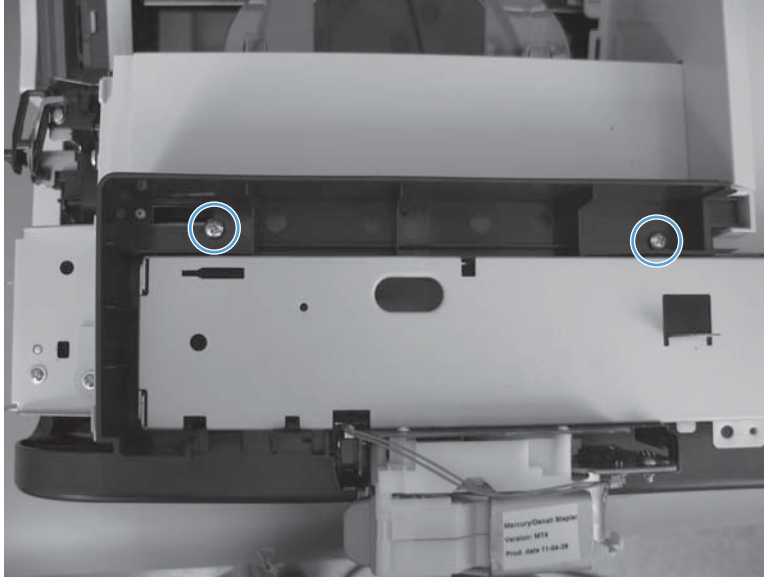
**Figure 1-160** Remove the upper-right cover (1 of 2)





2. Remove two screws, and remove the cover.

**Figure 1-161** Remove the upper-right cover (2 of 2)



## Front-top cover

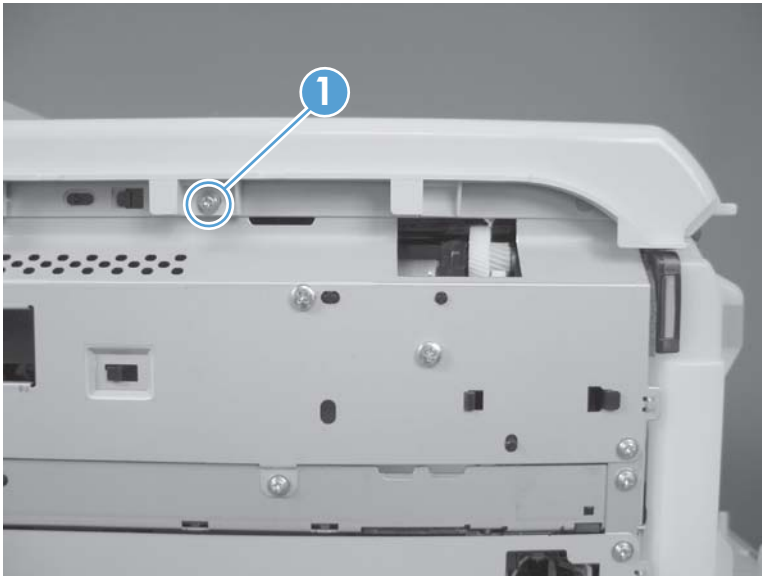
### Before proceeding, remove the following components:

- Front-upper cover. See [Front-upper cover on page 83](#).
- Stapler cover. See [Stapler cover on page 85](#).
- Rear-upper cover. See [Rear-upper cover on page 95](#).
- Left-upper cover. See [Left-upper cover on page 97](#).
- Left cover. See [Left cover on page 92](#).
- Document feeder whole unit.
  - See [Document feeder whole unit on page 127](#).
  - See [Document feeder whole unit \(M575c model\) on page 130](#).
- Scanner-control board (SCB).
  - See [Scanner-control board \(SCB\) on page 133](#).
  - See [Scanner-control board \(SCB; M575c\) on page 136](#).
- Image scanner whole unit. See [Image scanner whole unit on page 139](#).

### Remove the front-top cover

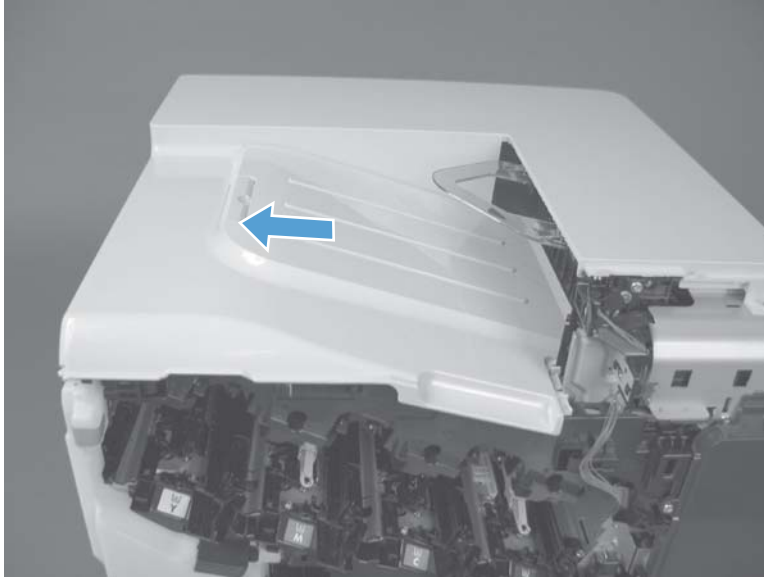
1. Remove one screw (callout 1).

**Figure 1-162** Remove the front-top cover (1 of 2)



2. Slide the cover toward the left side of the product to release it, and then remove the cover.

**Figure 1-163** Remove the front-top cover (2 of 2)



## Rear-top cover

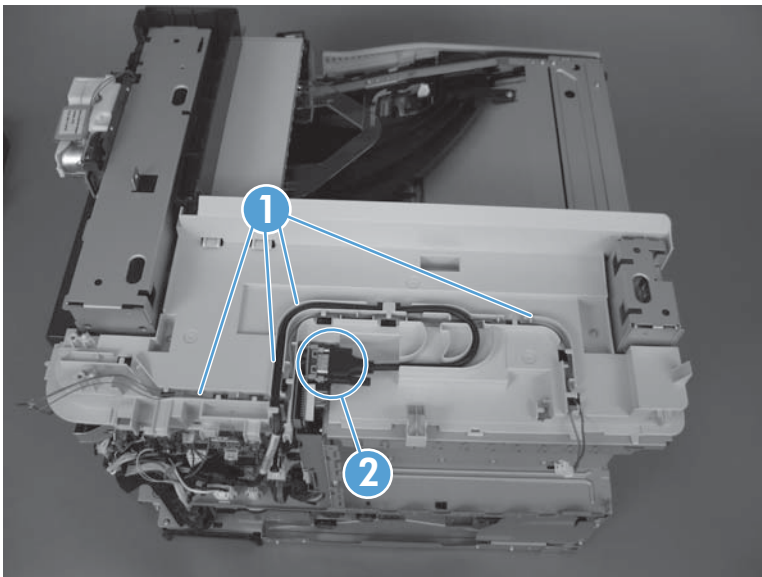
### Before proceeding, remove the following components:

- Stapler cover. See [Stapler cover on page 85](#).
- Rear-upper cover. See [Rear-upper cover on page 95](#).
- Left-upper cover. See [Left-upper cover on page 97](#).
- Rear cover. See [Rear cover on page 98](#).
- Delivery cover. See [Delivery cover on page 104](#).
- Front-top cover. See [Front-top cover on page 110](#).
- Document feeder whole unit.
  - See [Document feeder whole unit on page 127](#).
  - See [Document feeder whole unit \(M575c model\) on page 130](#).
- Scanner-control board (SCB).
  - See [Scanner-control board \(SCB\) on page 133](#).
  - See [Scanner-control board \(SCB; M575c\) on page 136](#).
- Image scanner whole unit. See [Image scanner whole unit on page 139](#).

### Remove the rear-top cover

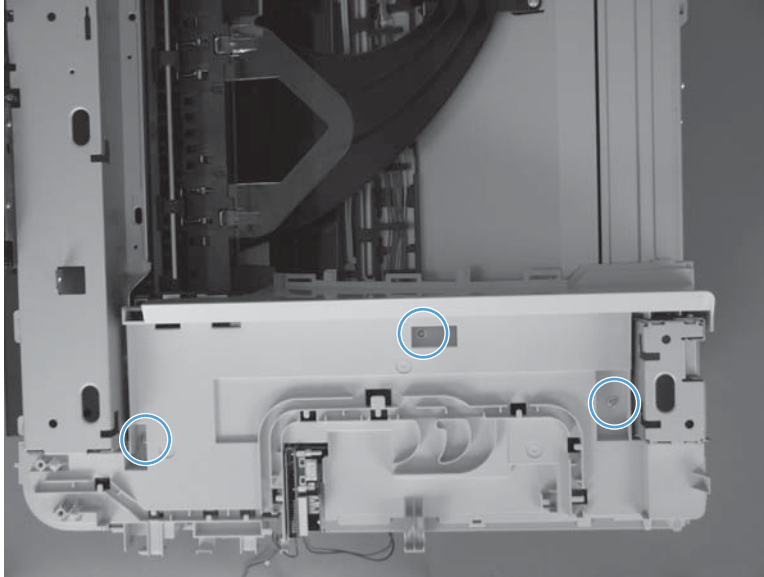
1. Release the wire harness from its retainers (callout 1), and disconnect the cable (callout 2).

**Figure 1-164** Remove the rear-top cover (1 of 2)



2. Remove three screws, and then remove the cover.

**Figure 1-165** Remove the rear-top cover (2 of 2)

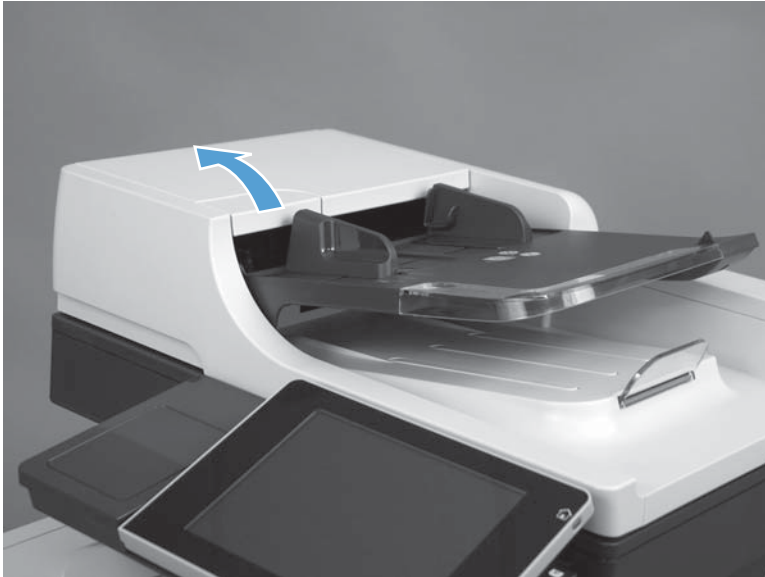


## Document feeder and scanner assemblies

### Cover front (document feeder front cover)

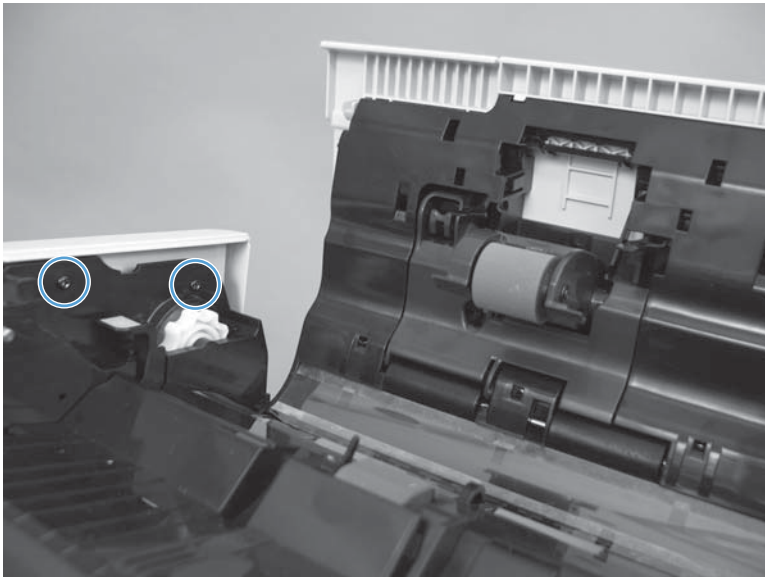
1. Open the jam-access cover.

**Figure 1-166** Remove the document feeder front cover (1 of 4)



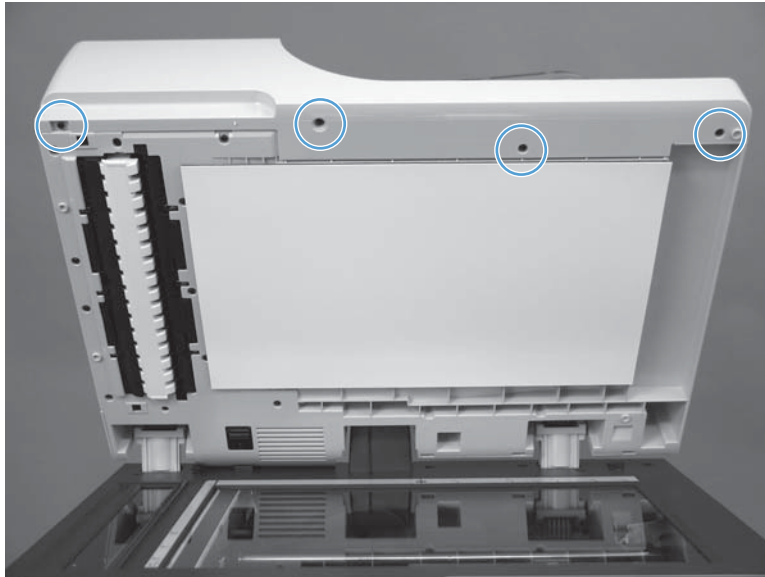
2. Remove two screws.

**Figure 1-167** Remove the document feeder front cover (2 of 4)



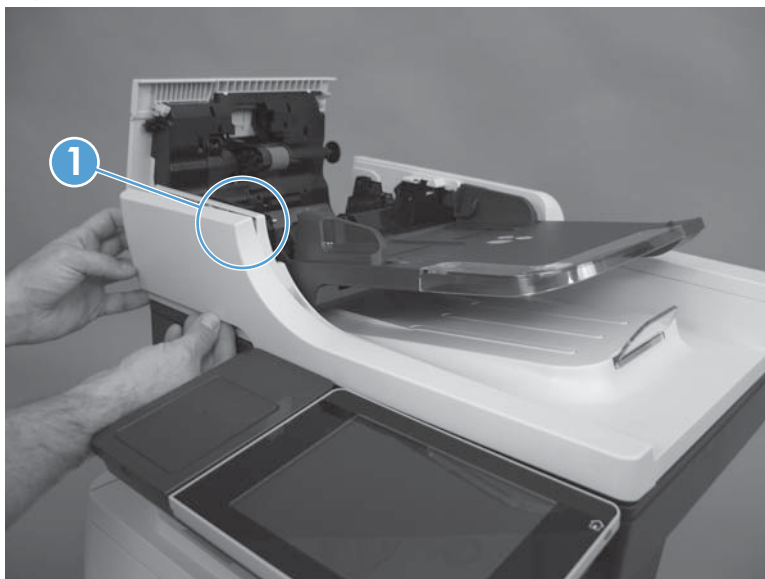
3. Open the document feeder, and then remove four screws.

**Figure 1-168** Remove the document feeder front cover (3 of 4)



4. Release one tab (callout 1), and then remove the cover.

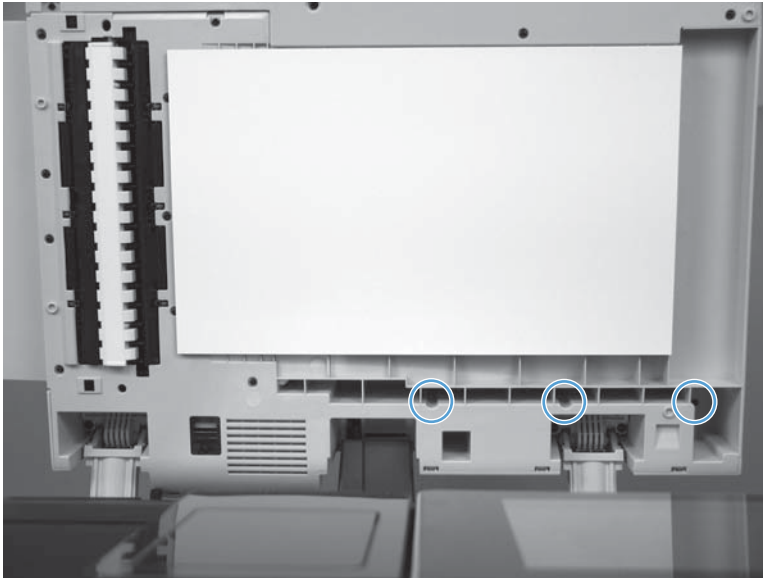
**Figure 1-169** Remove the document feeder front cover (4 of 4)



## Cover rear (document feeder rear cover)

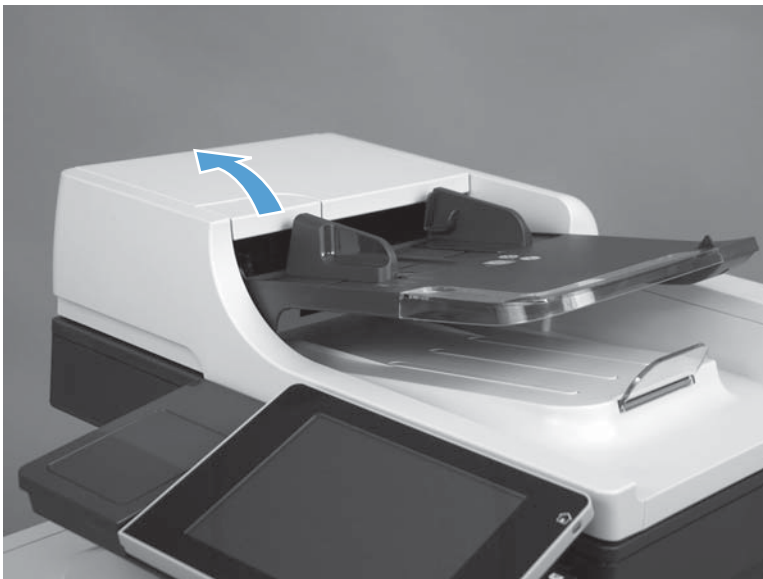
1. Open the document feeder, and then remove three screws.

**Figure 1-170** Remove the document feeder rear cover (1 of 4)



2. Close the document feeder and then open the jam-access cover.

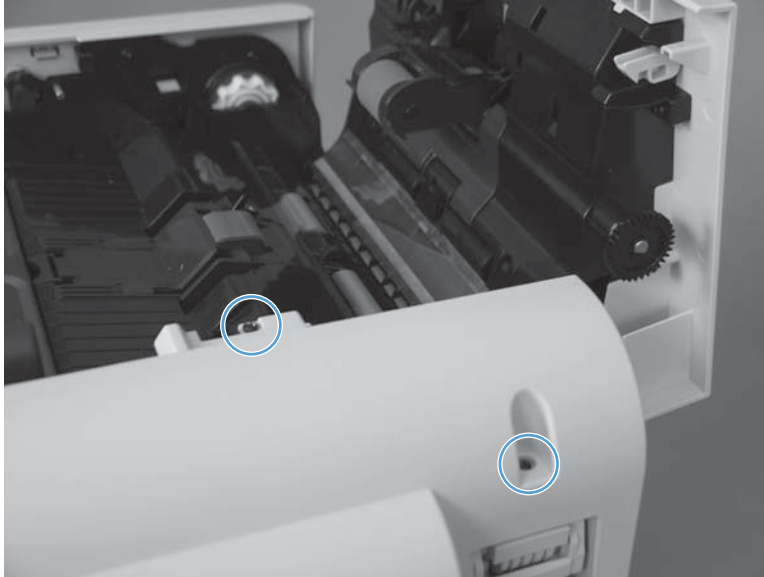
**Figure 1-171** Remove the document feeder rear cover (2 of 4)





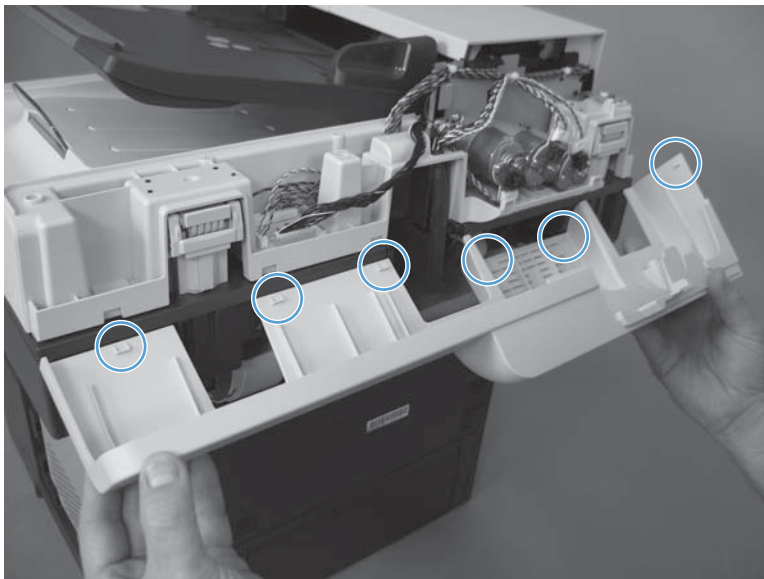
3. Remove two screws.

**Figure 1-172** Remove the document feeder rear cover (3 of 4)



4. Release six tabs and remove the cover.

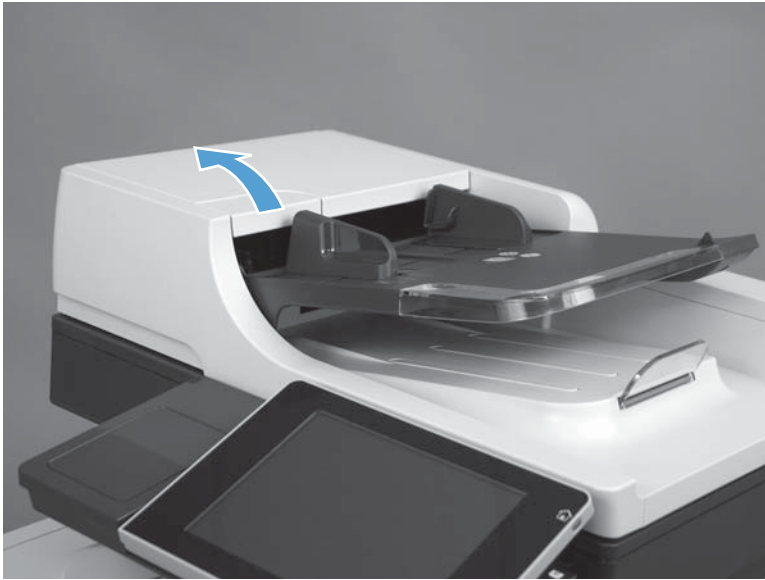
**Figure 1-173** Remove the document feeder rear cover (4 of 4)



## Deskew mylar and separation mylar

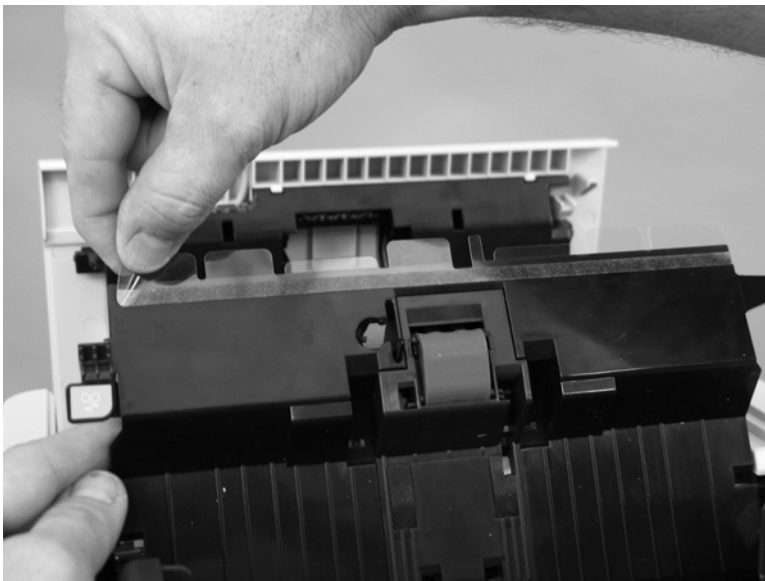
1. Open the jam-access cover.

**Figure 1-174** Remove the deskew mylar and separation mylar (1 of 3)



2. Carefully peel off the deskew mylar

**Figure 1-175** Remove the deskew mylar and separation mylar (2 of 3)



3. Carefully peel off the separation mylar.

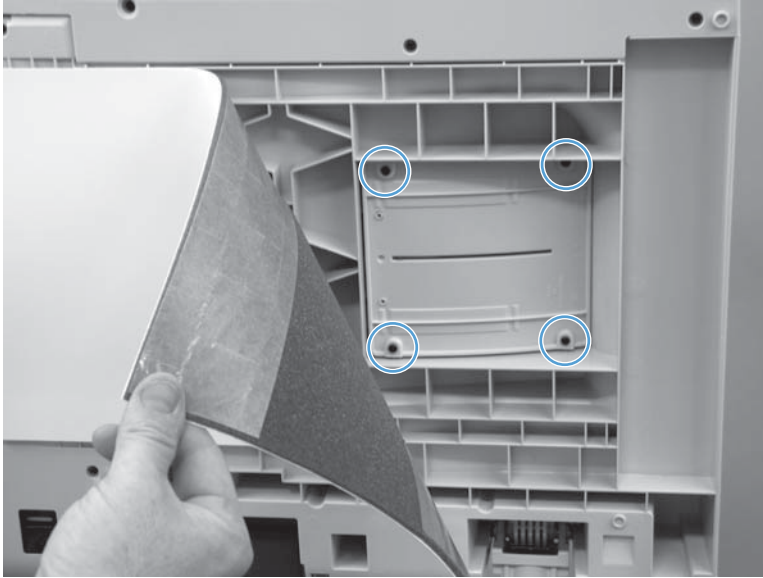
**Figure 1-176** Remove the deskew mylar and separation mylar (3 of 3)



## Document feeder tray extender

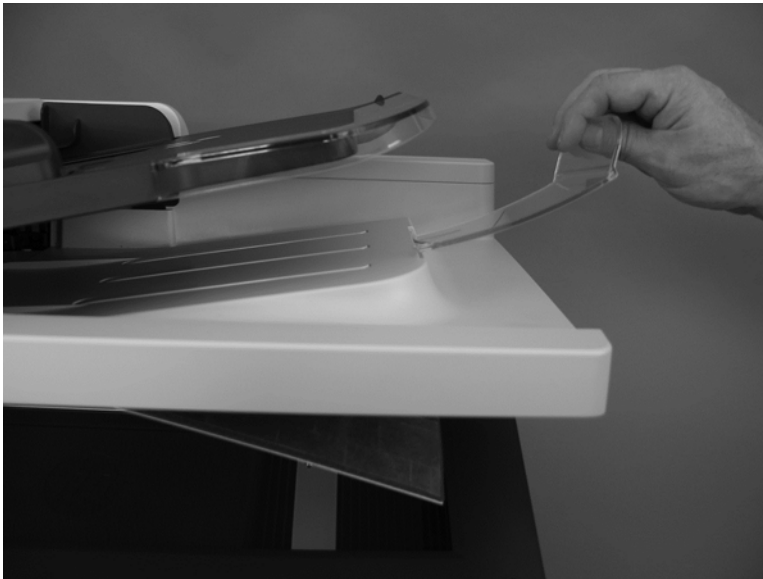
1. Peel the foam reflector back, and then remove four screws.

**Figure 1-177** Remove the document feeder tray extender (1 of 2)



2. Pull the document feeder tray extender away from the product to remove.

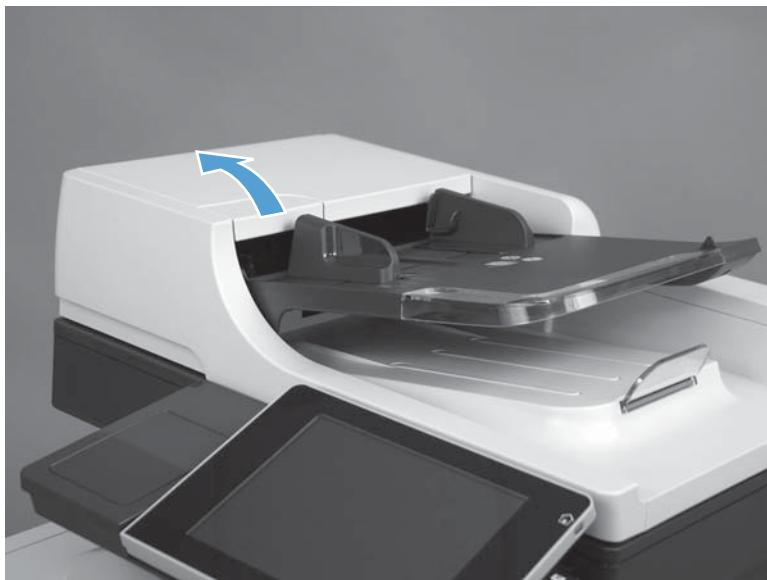
**Figure 1-178** Remove the document feeder tray extender (2 of 2)



## Document feeder jam-access cover

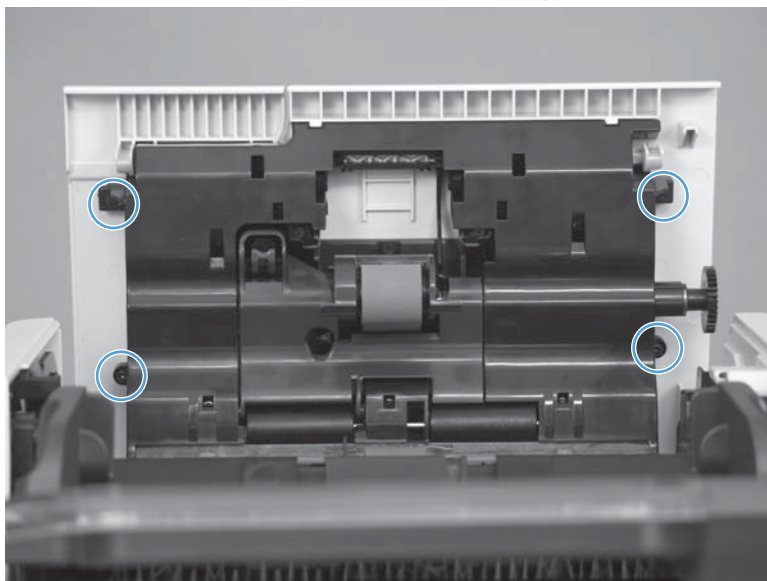
1. Open the document feeder jam-access cover.

**Figure 1-179** Remove the document feeder jam-access cover (1 of 5)



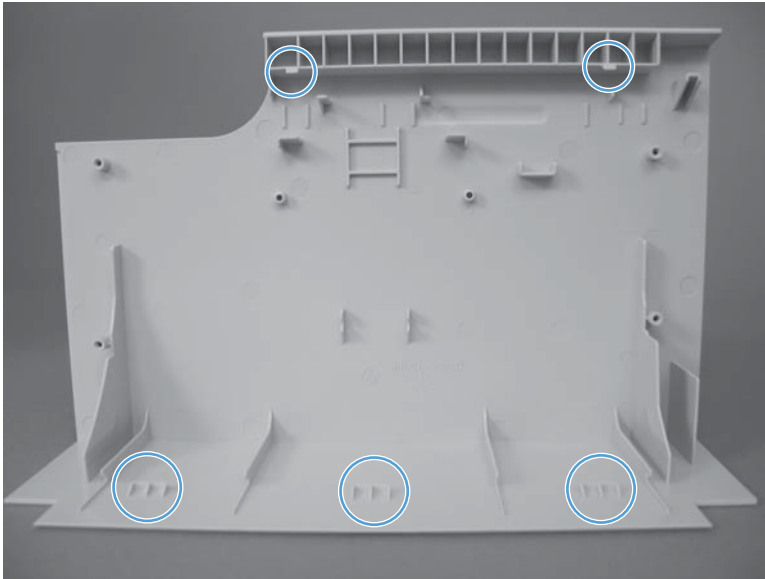
2. Remove four screws.

**Figure 1-180** Remove the document feeder jam-access cover (2 of 5)



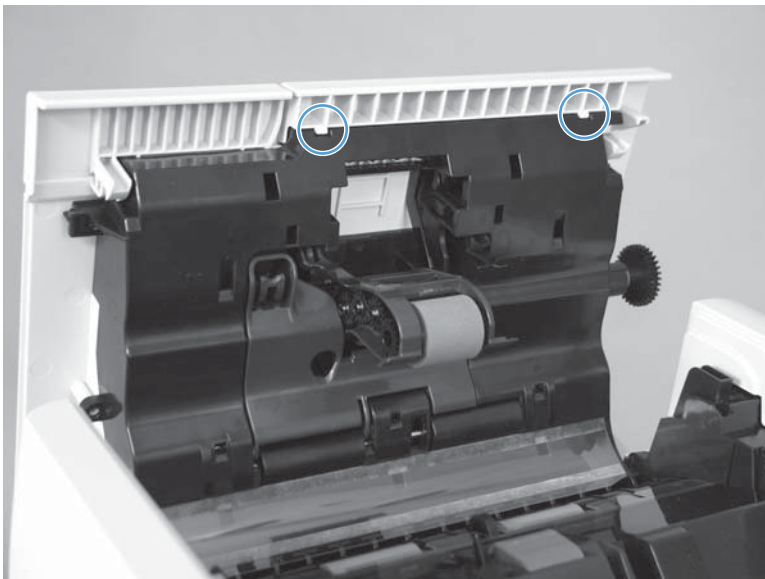
3. Before removing the cover, note the location of the tabs.

**Figure 1-181** Remove the document feeder jam-access cover (3 of 5)



4. Release two tabs.

**Figure 1-182** Remove the document feeder jam-access cover (4 of 5)



5. Close the document feeder jam-access cover, and then release the remaining three tabs and remove the cover.


**Figure 1-183** Remove the document feeder jam-access cover (5 of 5)



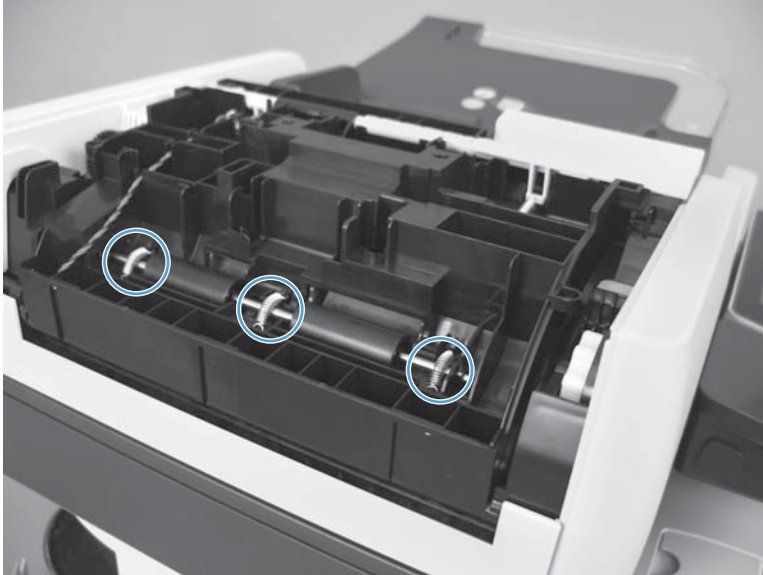


## Document feeder roller cover

1. Before proceeding, remove the following:
  - Document feeder jam-access cover. See [Document feeder jam-access cover on page 121](#).
2. Remove three springs.

 **Reinstallation tip** Use needle nose pliers to reattach the spring. Attach the spring to the bottom hook first.

**Figure 1-184** Remove the document feeder roller cover (1 of 4)



3. Lift and slide the rod.

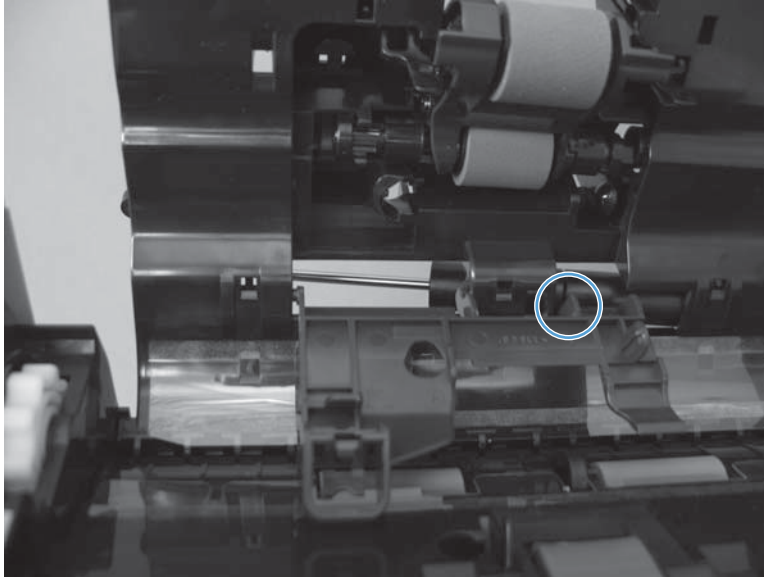
**Figure 1-185** Remove the document feeder roller cover (2 of 4)





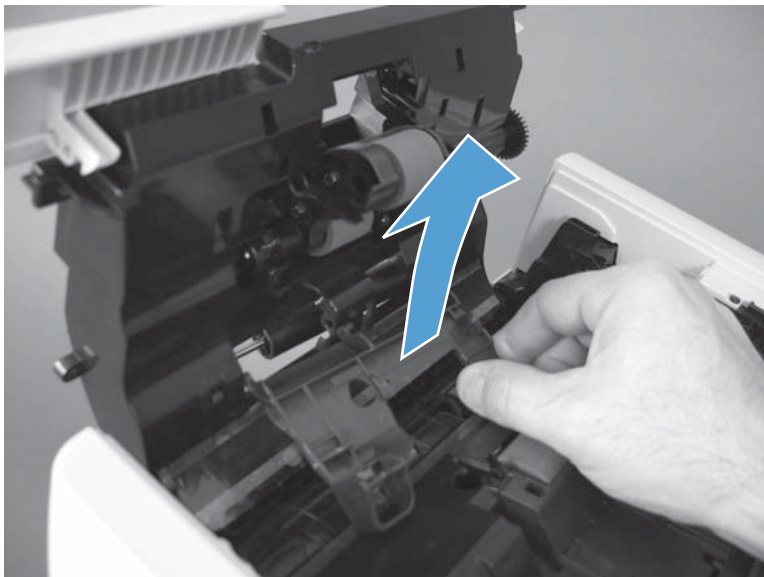
4. Open the document feeder jam access cover. Release one hinge.

**Figure 1-186** Remove the document feeder roller cover (3 of 4)



5. Remove the document feeder roller cover.

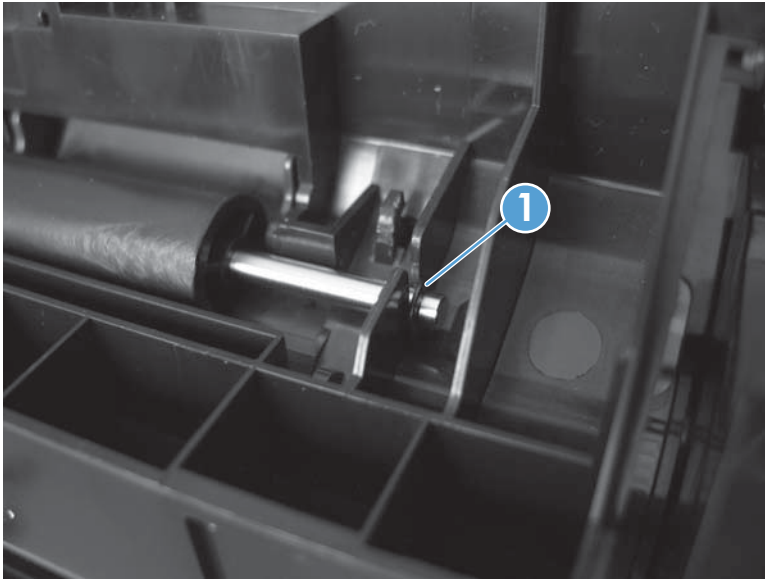
**Figure 1-187** Remove the document feeder roller cover (4 of 4)



## Reinstall the document feeder roller cover

- ▲ Make sure the rod for the roller is installed in the correct position (callout 1).


**Figure 1-188** Reinstall the document feeder roller cover



## Document feeder whole unit

### Before proceeding, remove the following:

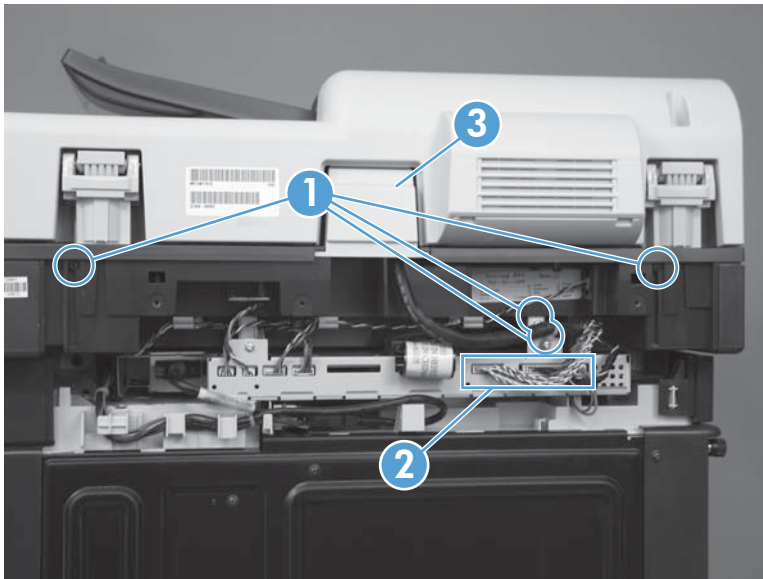
- Rear-upper cover. See [Rear-upper cover on page 95](#).
- Foam reflector kit. See [Foam reflector kit on page 38](#).

 **NOTE:** After removing the document feeder assembly, place it on a clean, dry, and smooth surface.

You must replace the foam reflector kit and calibrate the scanner.

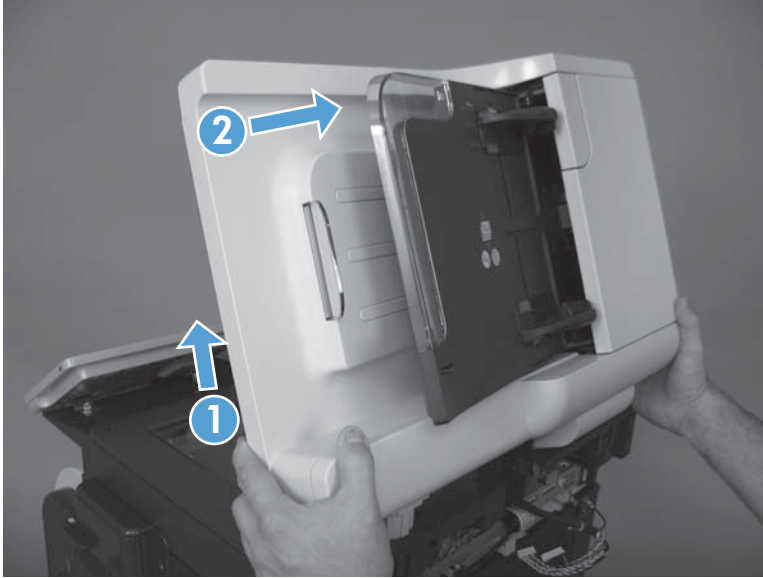
1. Remove four screws (callout 1), release three connectors (callout 2), and remove the document feeder cable cover (callout 3).

**Figure 1-189** Remove the document feeder assembly (1 of 2)



2. Open the document feeder. Lift the assembly straight up until it stops (callout 1), and then slightly tilt it (callout 2) toward the rear of the product. Continue lifting the assembly straight up to remove it.

**Figure 1-190** Remove the document feeder assembly (2 of 2)



## Reinstall the document feeder

### Install a foam reflector kit on the new document feeder

- ▲ If a replacement document feeder, image scanner, or both assemblies are installed, you must install a replacement foam reflector kit. See [Foam reflector kit on page 38](#).

### Calibrate a replacement document feeder assembly

1. On the control-panel Home screen, scroll to and touch [Device Maintenance](#).
2. Touch [Calibration/Cleaning](#).
3. Touch [Calibrate Scanner](#).
4. Follow the instructions on the control-panel display.

## Document feeder whole unit (M575c model)


### Before proceeding, remove the following assemblies:

- Rear-upper cover. See the product repair manual.
- Foam reflector kit. See the product repair manual.

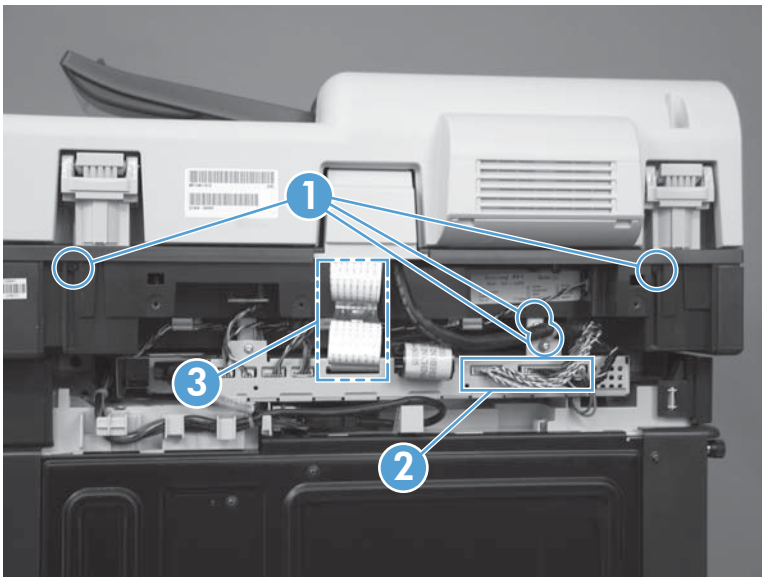
### Remove the document feeder

1. Remove four screws (callout 1), release three connectors (callout 2), disconnect one FFC (callout 3), and then remove the document feeder cable cover (callout 4).

 **NOTE:** Carefully thread the FFC through, and out of, the ferrite core.

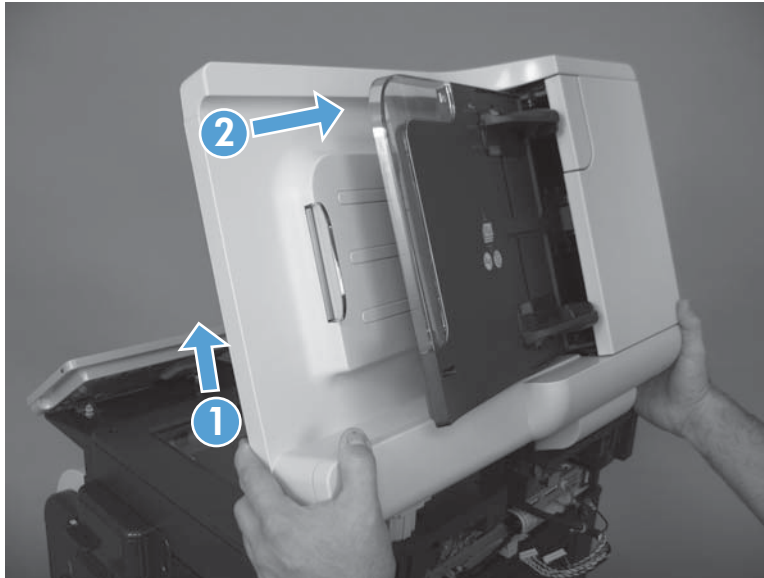
 **Reinstallation tip** When the document feeder is reinstalled, it might be easier to thread the FFC through the ferrite core if you first remove the ferrite core from the holder.

**Figure 1-191** Remove the document feeder assembly (M575c model; 1 of 2)



2. Open the document feeder. Lift the assembly straight up until it stops (callout 1), and then slightly tilt it (callout 2) toward the rear of the product. Continue lifting the assembly straight up to remove it.

**Figure 1-192** Remove the document feeder assembly (M575c model; 2 of 2)



### Reinstall the document feeder

#### Install a foam reflector kit on the new document feeder

- ▲ If a replacement document feeder, image scanner, or both assemblies are installed, you must install a replacement foam reflector kit. See [Foam reflector kit on page 38](#).

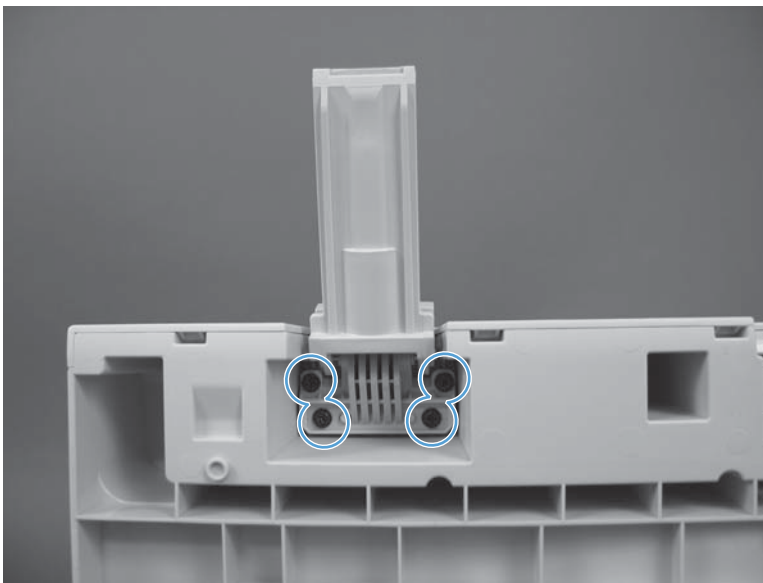
#### Calibrate a replacement document feeder

1. On the control-panel Home screen, scroll to and touch [Device Maintenance](#).
2. Touch [Calibration/Cleaning](#).
3. Touch [Calibrate Scanner](#).
4. Follow the instructions on the control-panel display.

## Document feeder hinge assy

1. Before proceeding, remove the following:
  - Rear-upper cover. See [Rear-upper cover on page 95](#).
  - Foam reflector kit. See [Foam reflector kit on page 38](#).
  - Document feeder whole unit.
    - See [Document feeder whole unit on page 127](#).
    - See [Document feeder whole unit \(M575c model\) on page 130](#).
2. Remove four screws and the hinge assembly.

**Figure 1-193** Remove the document feeder hinge assembly






## Scanner-control board (SCB)

Before proceeding, remove the following components:

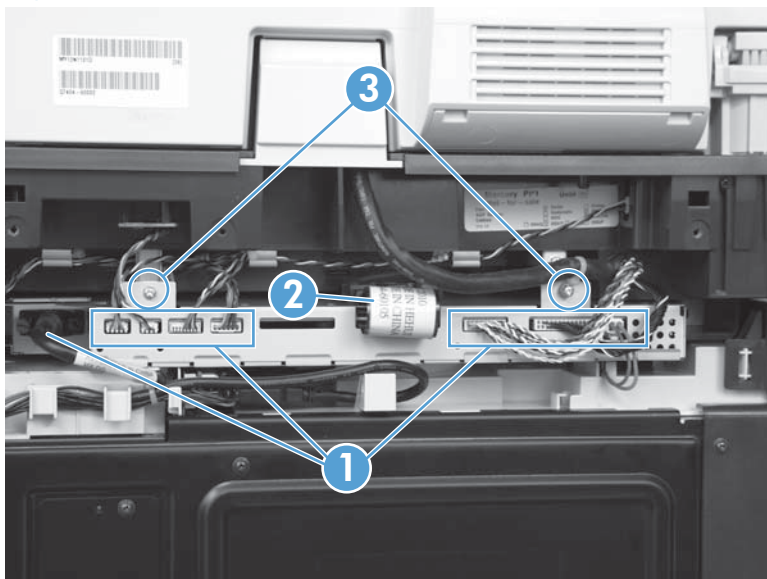
- Rear-upper cover. See [Rear-upper cover on page 95](#).

### Remove the SCB

1. Release eight connectors (callout 1), one FFC (callout 2), and then remove two screws (callout 3).

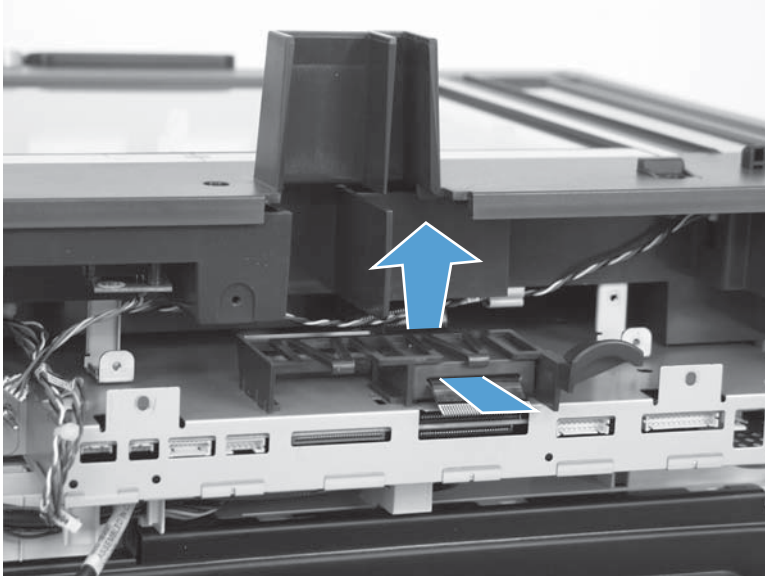
 **NOTE:** The scanner cable at the left-hand edge of the SCB is held in place with one thumbscrew screw.

**Figure 1-194** Remove the SCB (1 of 2)



2. Slight pull the SCB out of the product, and then thread the FFC through, and out of, the ferrite core. Remove the SCB.

**Figure 1-195** Remove the SCB (2 of 2)

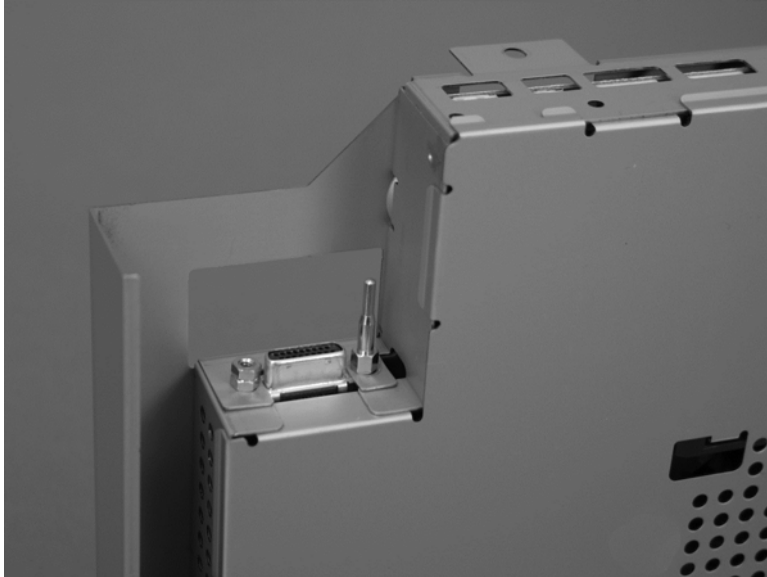


## Reinstall the SCB

When reinstalling the SCB, note the locator pin for the scanner cable. It might be easier to install the scanner cable with a screw driver.

**⚠ WARNING!** Do not over tighten the screw when installing the cable. Over tightening the screw can cause the nut to shear off of the SCB cage.

**Figure 1-196** Reinstalling the SCB



**📝 NOTE:** If you are installing a replacement SCB, transfer the ferrite core and bracket from the discarded SCB to the replacement assembly

**💡 Reinstallation tip** It might be easier to install the SCB if you remove the ferrite core from the bracket, and then position the SCB in the product.

Thread the FFC through the opening in the back of the bracket, through the ferrite core, and then snap the ferrite core into the bracket.


## Scanner-control board (SCB; M575c)

Before proceeding, remove the following components:

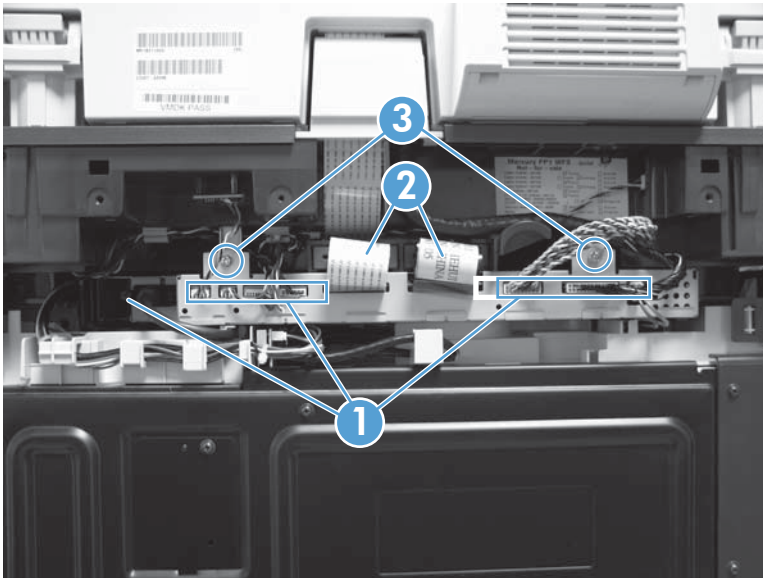
- Rear-upper cover. See the product repair manual.

### Remove the SCB

1. Release eight connectors (callout 1), two FFCs (callout 2), and then remove two screws (callout 3).

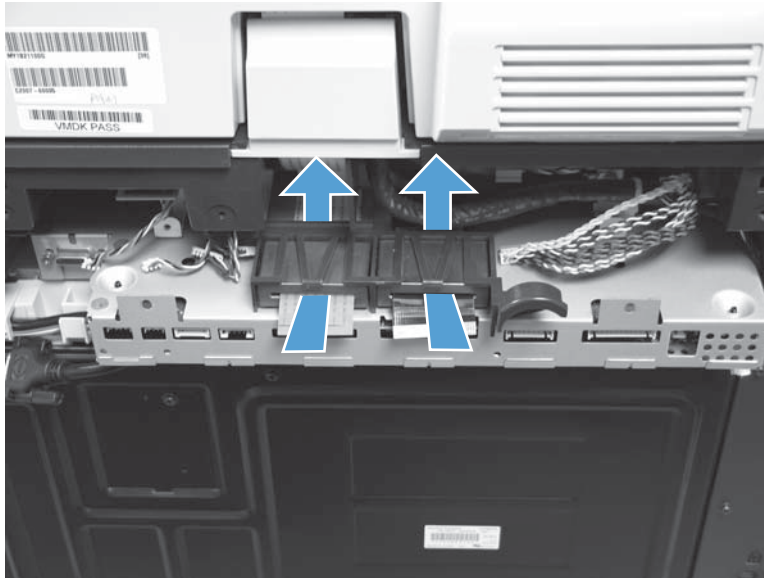
 **NOTE:** The scanner cable at the left-hand edge of the SCB is held in place with one thumbscrew screw.

**Figure 1-197** Remove the SCB (1 of 2)



2. Partially pull the SCB out of the product, thread the FFCs through the ferrite cores to release them, and then remove the SCB.

**Figure 1-198** Remove the SCB (2 of 2)

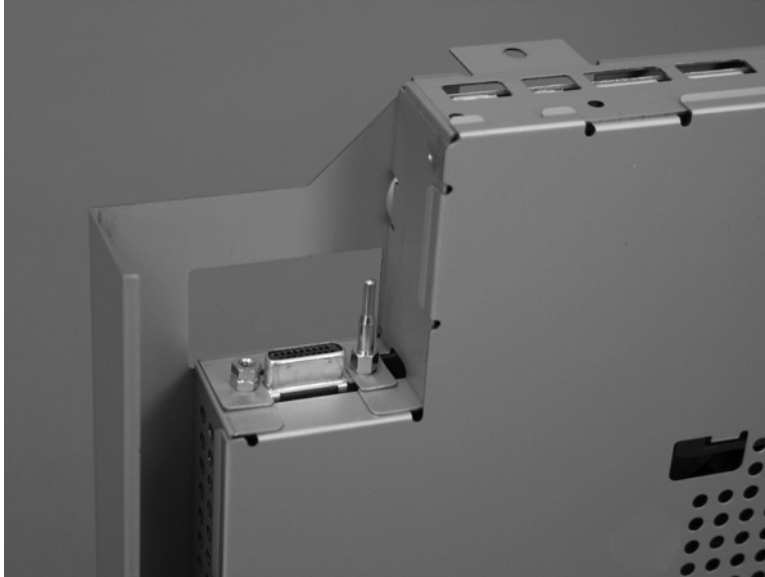


## Reinstall the SCB

When reinstalling the SCB, note the locator pin for the scanner cable. It might be easier to install the scanner cable with a screw driver.

**⚠ WARNING!** Do not over tighten the screw when installing the cable. Over tightening the screw can cause the nut to shear off of the SCB cage.

**Figure 1-199** Reinstalling the SCB



**📝 NOTE:** If you are installing a replacement SCB, transfer the ferrite cores and bracket from the discarded SCB to the replacement assembly

**💡 Reinstallation tip** It might be easier to install the SCB if you remove the ferrite cores from the bracket, and then position the SCB in the product.

Thread the FFCs through the openings in the back of the bracket, through the ferrite cores, and then snap the ferrite cores into the bracket.

## Image scanner whole unit

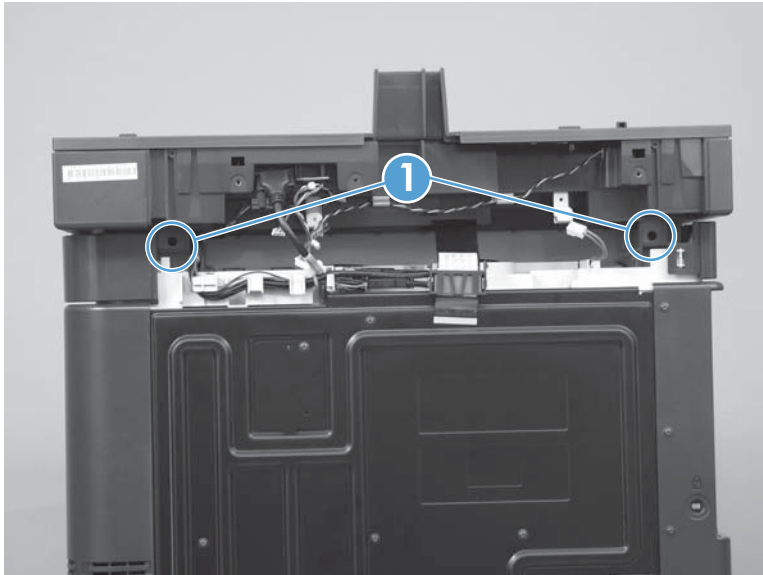
### Before proceeding, remove the following components:

- Stapler cover. See [Stapler cover on page 85](#).
- Rear-upper cover. See [Rear-upper cover on page 95](#).
- Left-upper cover. See [Left-upper cover on page 97](#).
- Document feeder whole unit.
  - See [Document feeder whole unit on page 127](#).
  - See [Document feeder whole unit \(M575c model\) on page 130](#).
- Scanner-control board (SCB).
  - See [Scanner-control board \(SCB\) on page 133](#).
  - See [Scanner-control board \(SCB; M575c\) on page 136](#).

### Remove the scanner assembly

1. Remove two screws (callout 1).

**Figure 1-200** Remove the scanner assembly (1 of 5)



2. Remove one screw on the right side of the scanner.

**Figure 1-201** Remove the scanner assembly (2 of 5)



3. Remove one screw on the left side of the scanner.

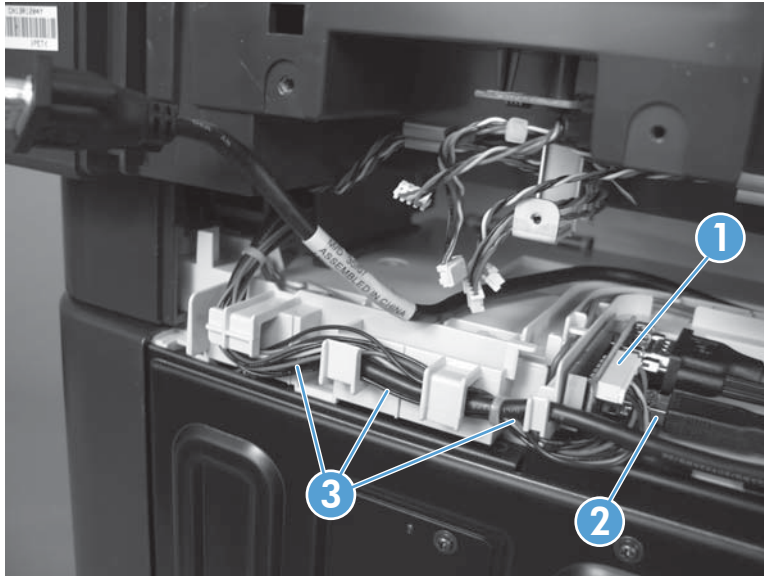
**Figure 1-202** Remove the scanner assembly (3 of 5)





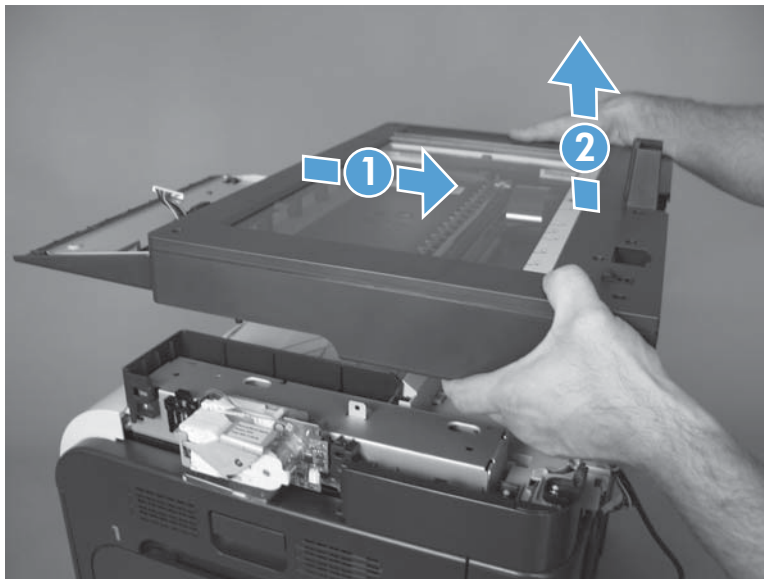
4. Disconnect the control panel cable (callout 1) and the USB cable (callout 2). Release the cables from the retainers (callout 3).

**Figure 1-203** Remove the scanner assembly (4 of 5)



5. Slide the scanner toward the back of the product (callout 1) and then lift (callout 2) to remove it.

**Figure 1-204** Remove the scanner assembly (5 of 5)




## Reinstall the scanner

### Transfer the control-panel cable to a replacement image scanner

If you are installing a replacement image scanner, remove the control panel cable from the discarded assembly and then install it on the replacement assembly.

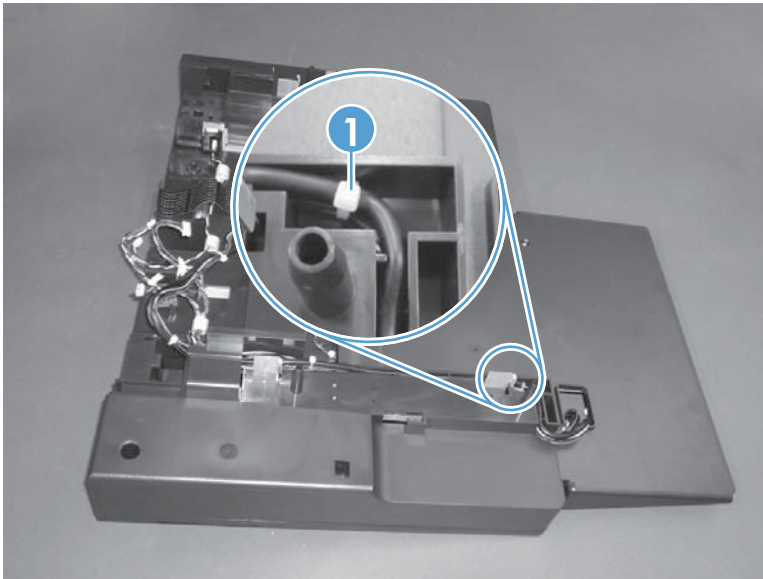
1. Carefully turn the scanner assembly over to access the bottom of the assembly. Note the location of the control-panel cable tie (callout 1) in the slot at the control-panel end of the cable.

---

 **TIP:** When the cable is installed on the replacement scanner assembly, this cable tie must be correctly positioned so that the cable will be long enough to reconnect the control panel.

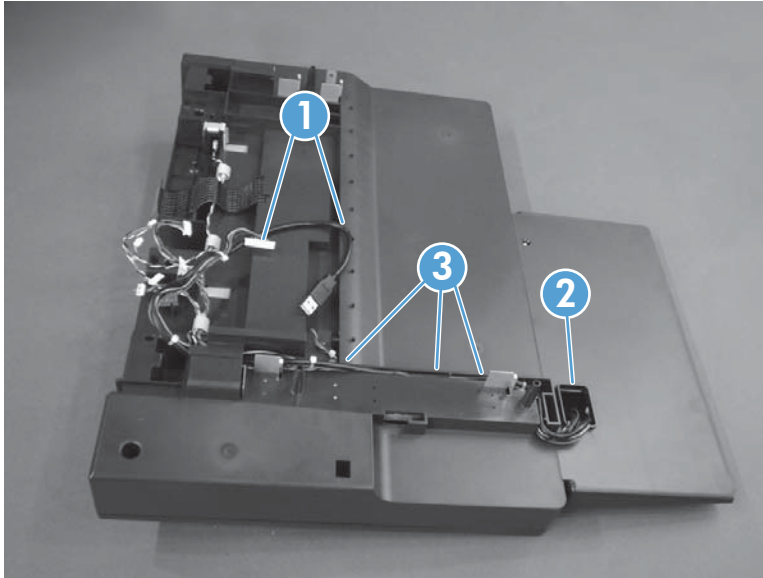
---

**Figure 1-205** Transfer the control-panel cable (1 of 7)



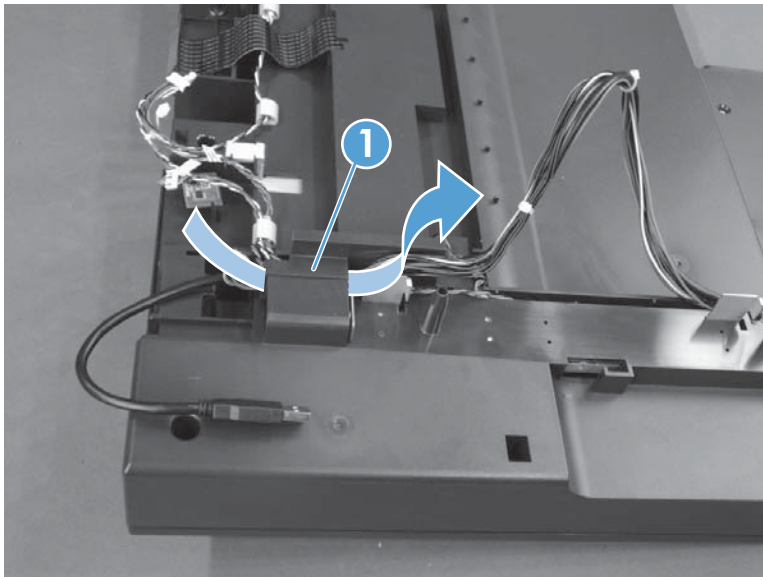
2. Remove the control-panel cable and wire harness (callout 1) from the control-panel access hole (callout 2) and cable channel (callout 3).

**Figure 1-206** Transfer the control-panel cable (2 of 7)



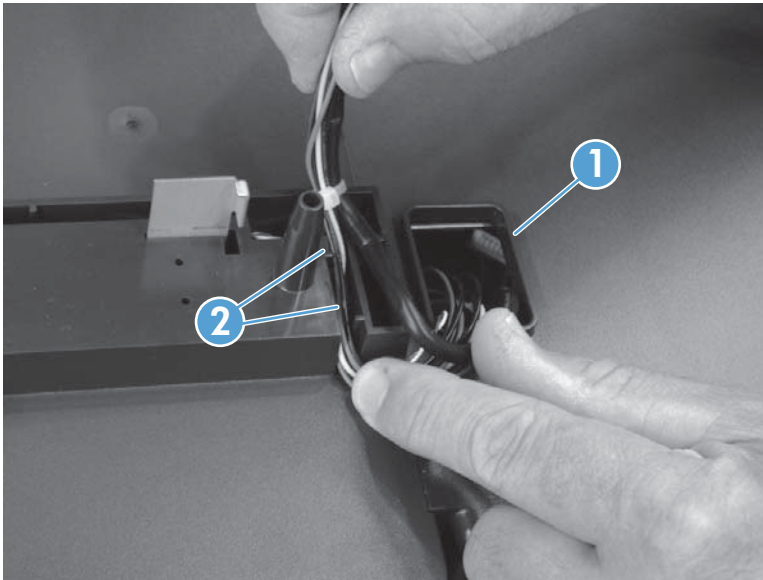
3. Feed the wire harness and cable through the raceway (callout 1) to remove them.

**Figure 1-207** Transfer the control-panel cable (3 of 7)



4. On the replacement scanner assembly, feed the control-panel cable and wire harness through the access hole (callout 1), and then lay the wire harness into the channel (callout 2).

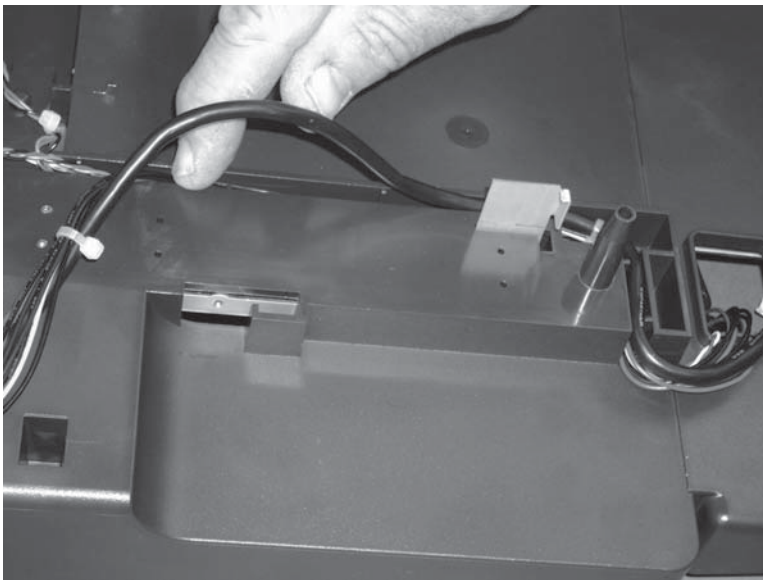
**Figure 1-208** Transfer the control-panel cable (4 of 7)



5. Carefully push the control-panel cable into the channel over the wire harness.

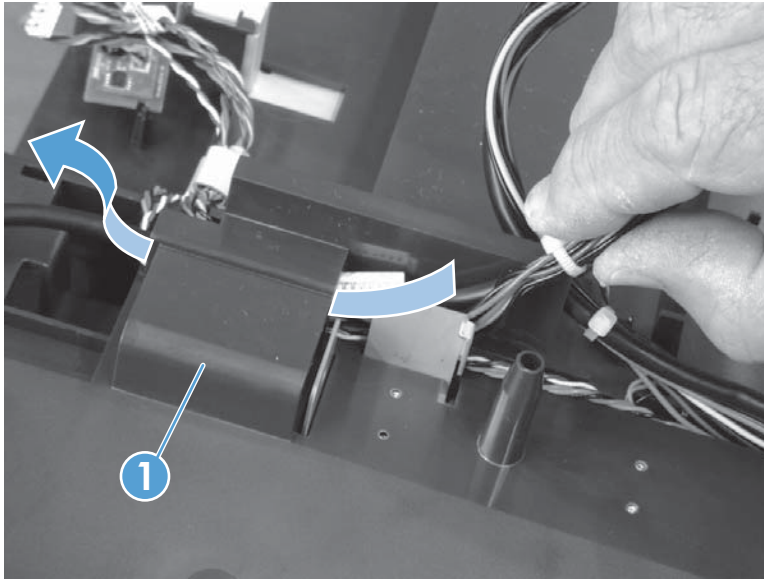
**CAUTION:** Make sure that the wire harness is fully seated into the channel before installing the cable. Do not pinch the wire-harness wires between the channel and the cable.

**Figure 1-209** Transfer the control-panel cable (5 of 7)



6. Feed the wire harness and cable through the raceway (callout 1).

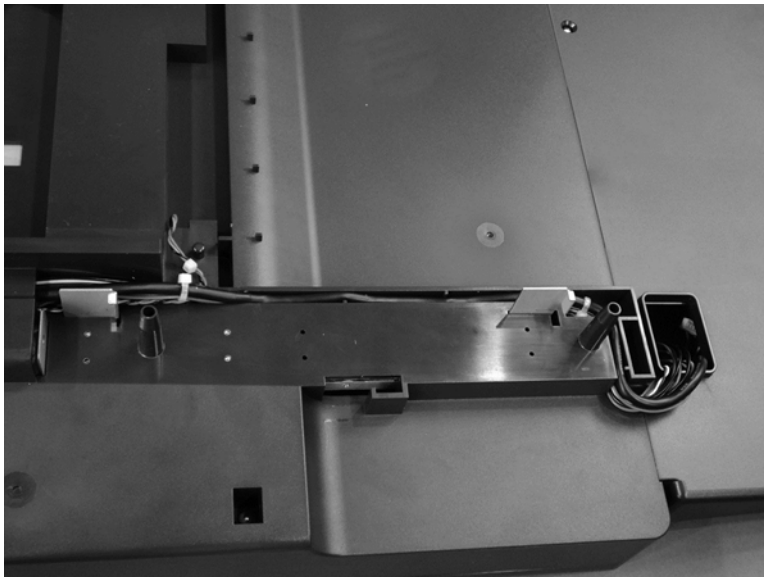
**Figure 1-210** Transfer the control-panel cable (6 of 7)



7. With the wire harness and cable installed, make sure that the wire harness and cable are completely installed and in the channel.

**⚠ CAUTION:** Do not pinch the wire-harness wires between the channel and the cable.

**Figure 1-211** Transfer the control-panel cable (7 of 7)




### Install foam reflector kit (white backing) on the new document feeder

- ▲ If a replacement document feeder, image scanner, or both assemblies are installed, you must install a replacement foam reflector kit. See [Foam reflector kit on page 38](#).

## Calibrate the scanner

1. On the control-panel Home screen, scroll to and touch [Device Maintenance](#).
2. Touch [Calibration/Cleaning](#).
3. Touch [Calibrate Scanner](#).
4. Follow the instructions on the control-panel display.

## Internal assemblies

 **TIP:** For clarity, some photos in this chapter show components removed that would not be removed to service the product. If necessary, remove the components listed at the beginning of a procedure before proceeding to service the product.

### Stapler assembly

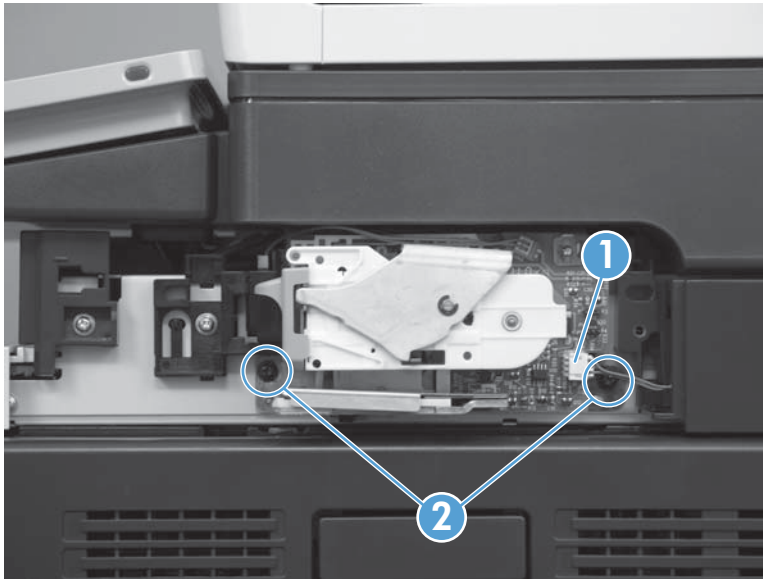
**Before proceeding, remove the following components:**

- Stapler cover. See [Stapler cover on page 85](#).

### Remove the stapler assembly

- ▲ Disconnect one connector (callout 1), remove two screws (callout 2), and then remove the stapler assembly.

**Figure 1-212** Remove the stapler assembly





## Interconnect board (ICB)

**WARNING!** Do not remove the ICB from a product and then install it into a **different** product. Failure to follow this warning will result in severe damage to that product and cause it to be unusable. HP recommends that if you remove and replace the ICB, you should destroy the discarded ICB so that it can not accidentally be installed in a different product.

### Before proceeding, remove the following components:

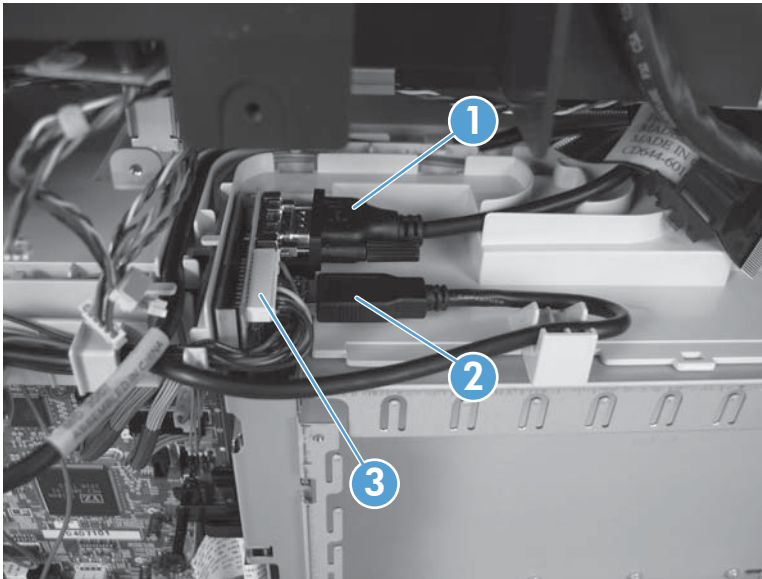
- Toner-collection unit. See [Toner-collection unit on page 15](#).
- Formatter PCA. See [Formatter PCA on page 17](#).
- Right-rear cover. See [Right-rear cover on page 90](#).
- Left cover. See [Left cover on page 92](#).
- Rear-upper cover. See [Rear-upper cover on page 95](#).
- Rear cover. See [Rear cover on page 98](#).

### Remove the ICB

**NOTE:** To locate DC controller connector locations, see [DC controller PCA on page 8](#).

1. Disconnect the scanner cable (callout 1), the USB cable (callout 2), and the control panel connector (callout 3).

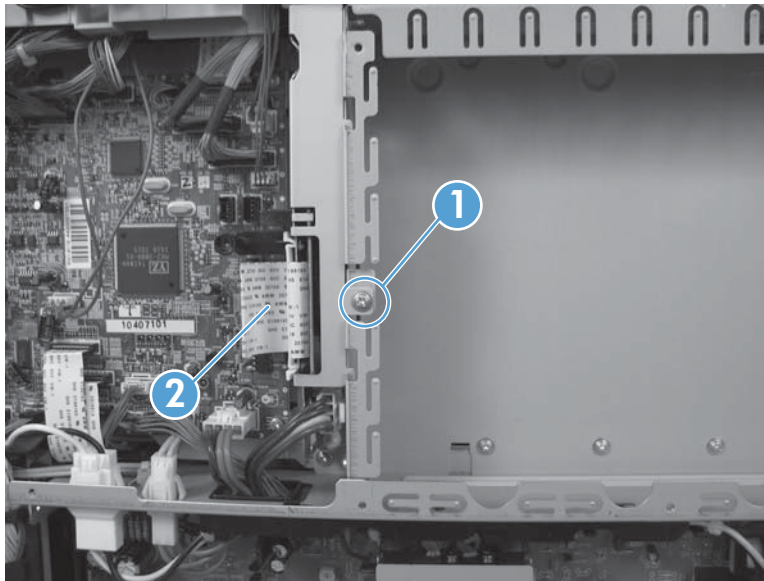
**Figure 1-213** Remove the ICB (1 of 3)





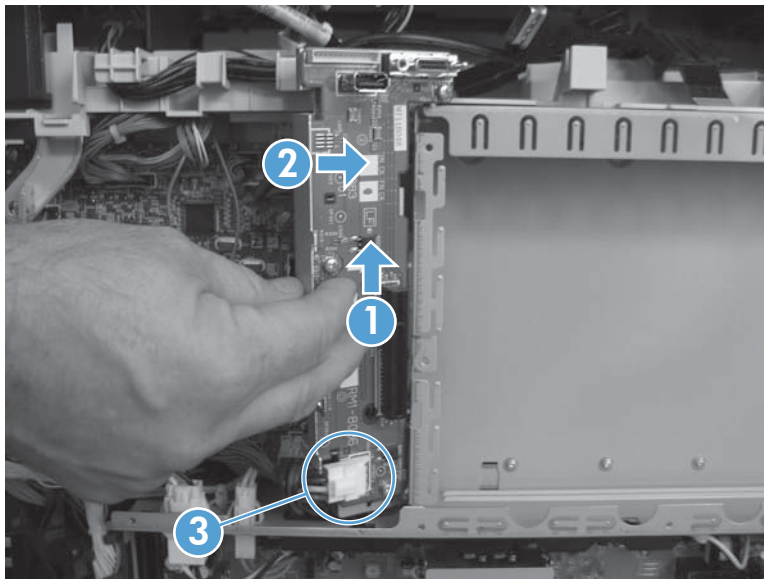
2. Remove one screw (callout 1) and disconnect one FFC (callout 2).

**Figure 1-214** Remove the ICB (2 of 3)



3. Slide the ICB up (callout 1), and then carefully rotate the ICB (callout 2). Disconnect one connector (callout 3) and remove the ICB.

**Figure 1-215** Remove the ICB (3 of 3)



## DC controller PCA and tray

### Before proceeding, remove the following components:

- Toner-collection unit. See [Toner-collection unit on page 15](#).
- Formatter PCA. See [Formatter PCA on page 17](#).
- Right-rear cover. See [Right-rear cover on page 90](#).
- Left cover. See [Left cover on page 92](#).
- Rear-upper cover. See [Rear-upper cover on page 95](#).
- Rear cover. See [Rear cover on page 98](#).
- Interconnect board (ICB). See [Interconnect board \(ICB\) on page 148](#).

### Remove the DC controller PCA and tray

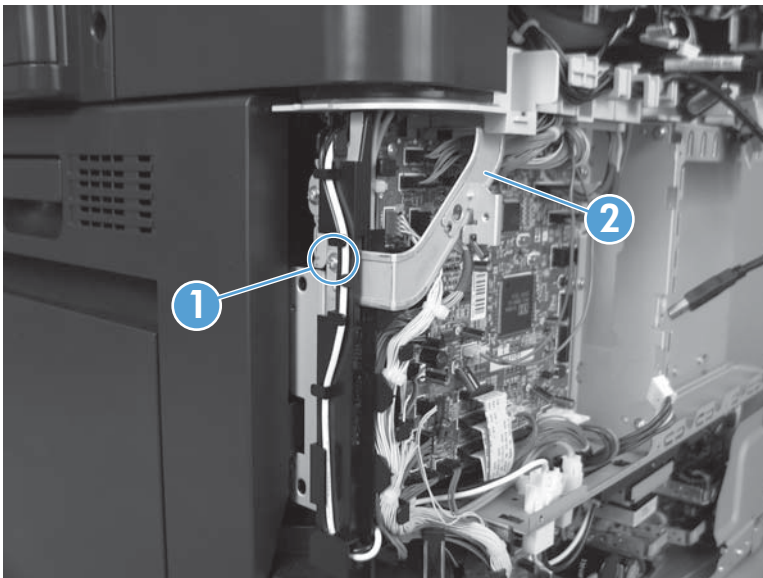
**CAUTION:**  ESD-sensitive part.

**TIP:** To access components behind the DC controller PCA, remove the PCA and the sheet-metal tray together. Disconnect all of the connectors on the PCA, and then remove five screws and the bracket, see [Figure 1-216 Remove the DC controller PCA and tray \(1 of 4\) on page 150](#) and [Figure 1-219 Remove the DC controller PCA and tray \(4 of 4\) on page 152](#).


**NOTE:** To locate DC controller connector locations, see [DC controller PCA on page 8](#).

1. Remove one screw (callout 1), and then remove the sheet-metal bracket (callout 2).

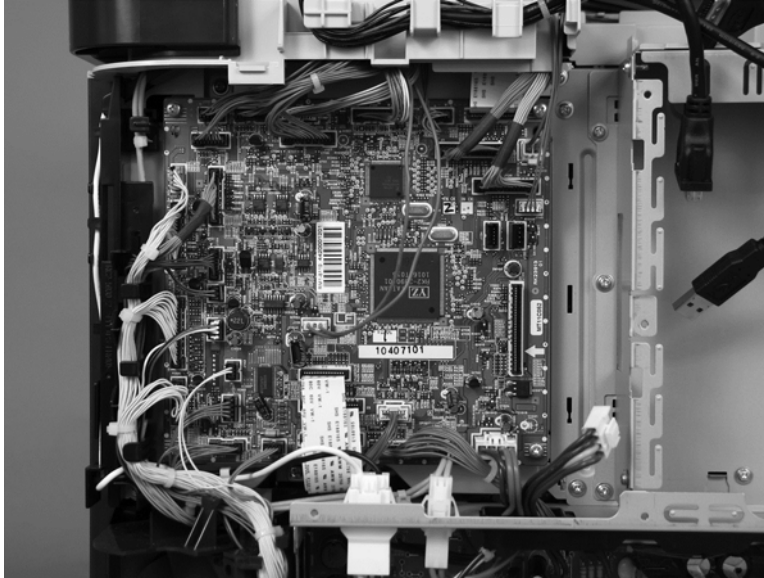
**Figure 1-216** Remove the DC controller PCA and tray (1 of 4)




2. Disconnect all the connectors.

 **Reinstallation tip** The connector locations J133 and J134 are not used.

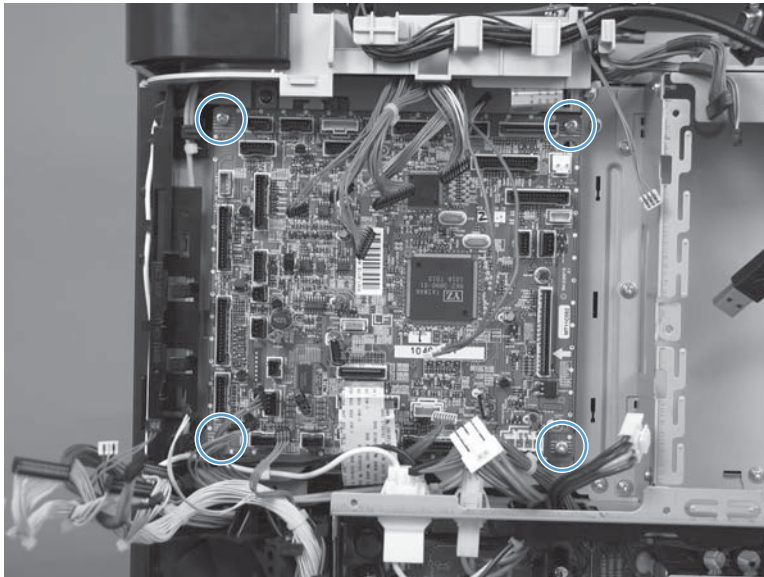
**Figure 1-217** Remove the DC controller PCA and tray (2 of 4)




3. Remove four screws, and then remove the DC controller PCA.

 **NOTE:** If removing the PCA with the sheet metal tray, skip this step and go to step 4.

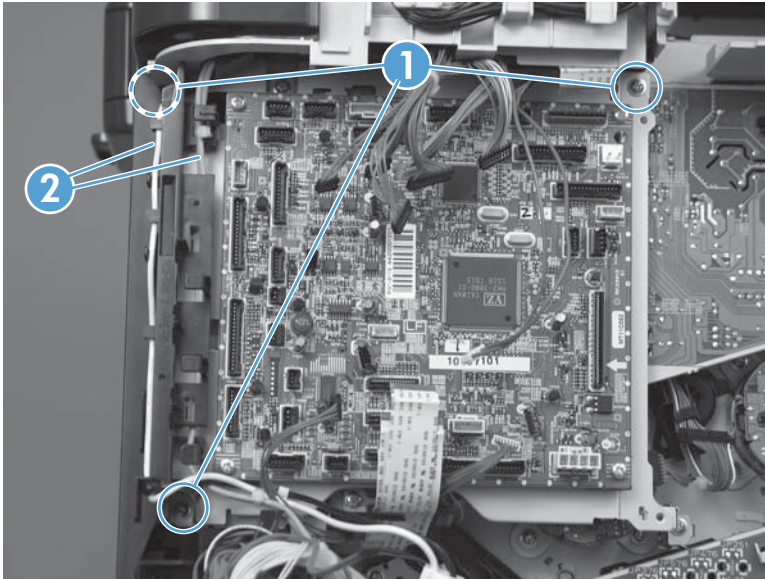
**Figure 1-218** Remove the DC controller PCA and tray (3 of 4)



4. If necessary, remove three screws (callout 1) and the sheet metal tray.

 **NOTE:** Correctly install the cables in the cable guide (callout 2).


**Figure 1-219** Remove the DC controller PCA and tray (4 of 4)



## Low-voltage power supply (LVPS)


### Before proceeding, remove the following components:

- Toner-collection unit. See [Toner-collection unit on page 15](#).
- Formatter PCA. See [Formatter PCA on page 17](#).
- Right-rear cover. See [Right-rear cover on page 90](#).
- Left cover. See [Left cover on page 92](#).
- Rear-upper cover. See [Rear-upper cover on page 95](#).
- Rear cover. See [Rear cover on page 98](#).
- Interconnect board (ICB). See [Interconnect board \(ICB\) on page 148](#).

 **NOTE:** If you are removing the power supply for internal product access, it is recommended that you leave the ICB installed on the power supply assembly.

### Remove the LVPS

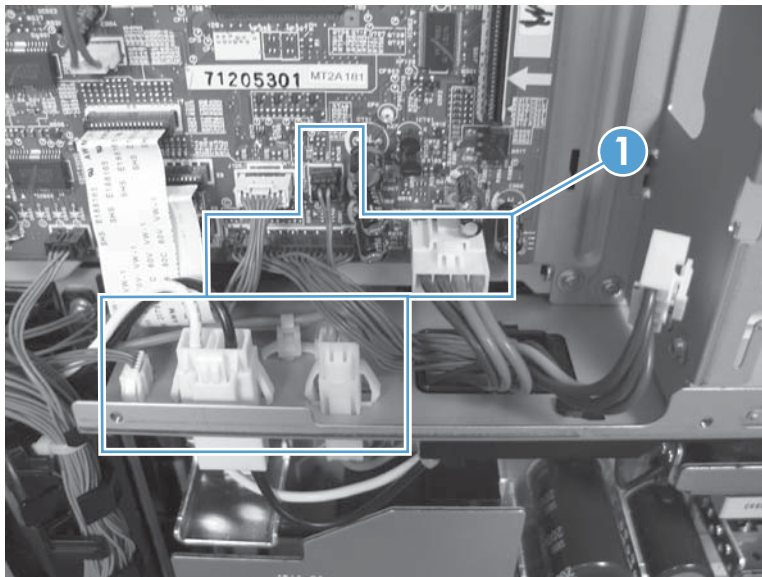
 **CAUTION:**  ESD-sensitive part.

 **NOTE:** The formatter cage is attached to the LVPS. Both components are removed as an assembly, and then the formatter cage is removed from the LVPS.

1. Disconnect six connectors (callout 1; J100, J101, J143 on the DC controller PCA).


 **NOTE:** To locate DC controller connector locations, see [DC controller PCA on page 8](#).

**Figure 1-220** Remove the LVPS (1 of 8)

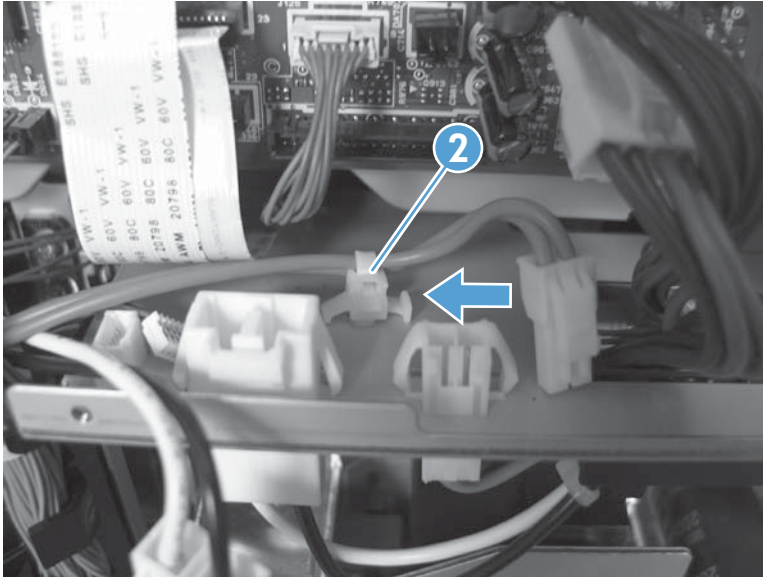




2. Push in on the locking tab to release the retainer (callout 2), and then separate the retainer from the assembly.

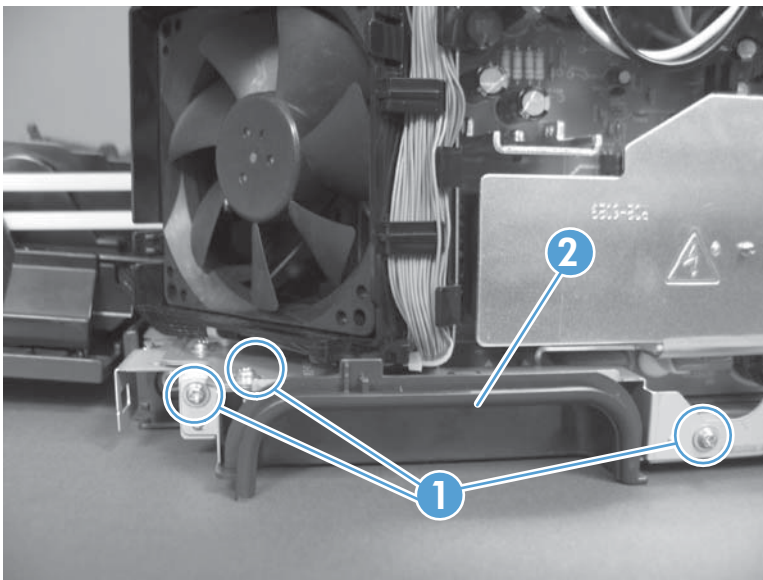
 **NOTE:** The retainer remains attached to the wire harness, and is disengaged from the assembly.

**Figure 1-221** Remove the LVPS (2 of 8)




3. Remove three screws (callout 1), and then remove the handle (callout 2).

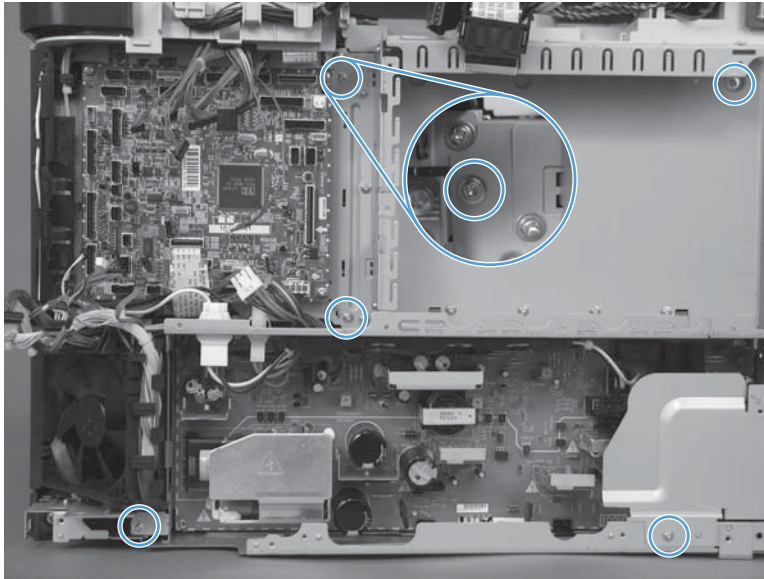
**Figure 1-222** Remove the LVPS (3 of 8)



4. Remove five screws.

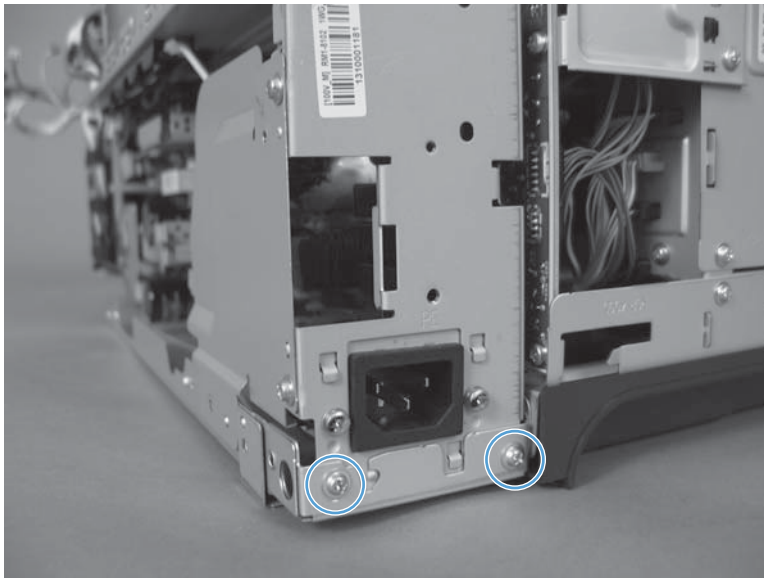
 **NOTE:** The illustration below shows the ICB removed.

**Figure 1-223** Remove the LVPS (4 of 8)



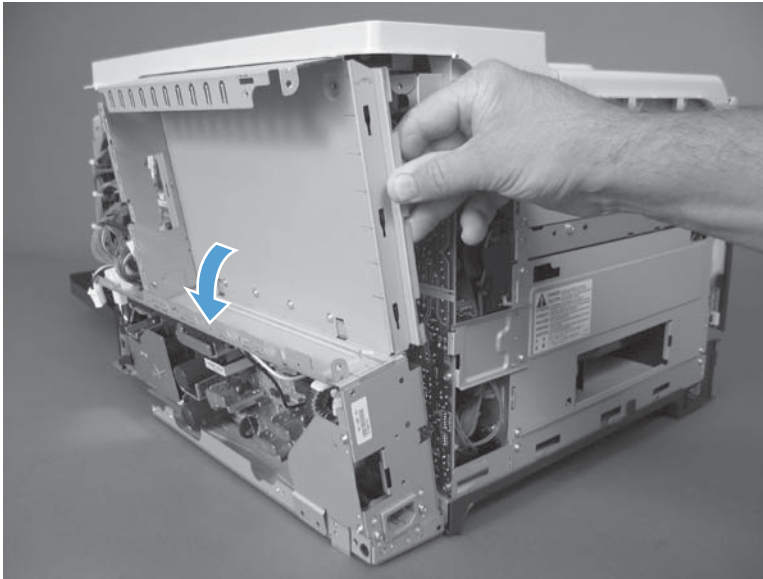
5. Remove two screws.

**Figure 1-224** Remove the LVPS (5 of 8)



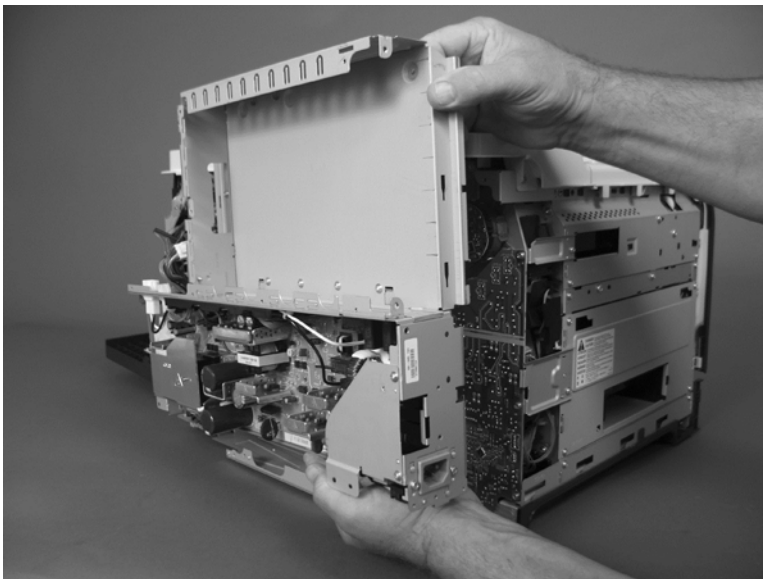
6. Rotate the formatter cage away from the top of the product.

**Figure 1-225** Remove the LVPS (6 of 8)



7. Remove the assembly.

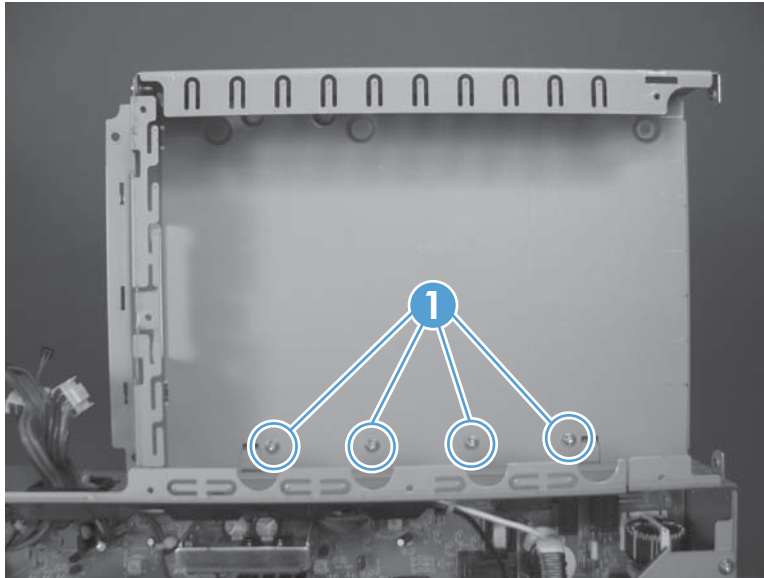
**Figure 1-226** Remove the LVPS (7 of 8)





8. Remove four screws (callout 1), and then separate the formatter cage from the low-voltage power supply.

**Figure 1-227** Remove the LVPS (8 of 8)




## Delivery fan, cartridge fan, and environmental sensor

Before proceeding, remove the following components:

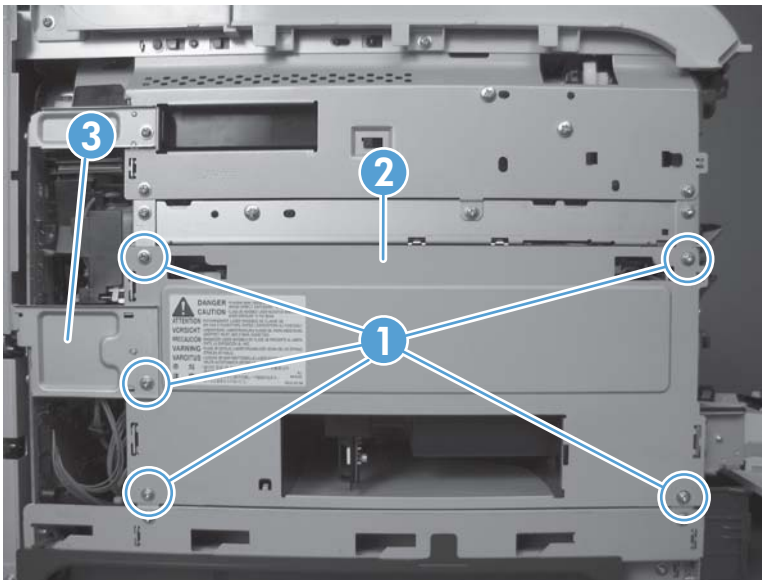
- Toner-collection unit. See [Toner-collection unit on page 15](#).
- Left cover. See [Left cover on page 92](#).

### Remove the delivery fan, cartridge fan, and environmental sensor


1. Remove five screws (callout 1), and then remove the sheet-metal plate (callout 2).

 **NOTE:** Release the small sheet-metal plate (callout 3) to allow access to the larger sheet-metal plate behind it. Leave the smaller plate attached to the chassis.

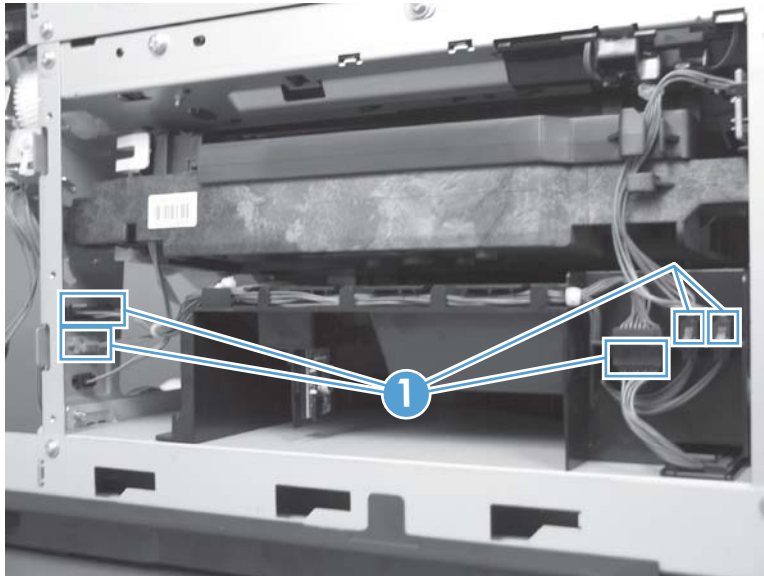
**Figure 1-228** Remove the delivery fan, cartridge fan, and environmental sensor (1 of 9)



2. Disconnect five connectors (callout 1).

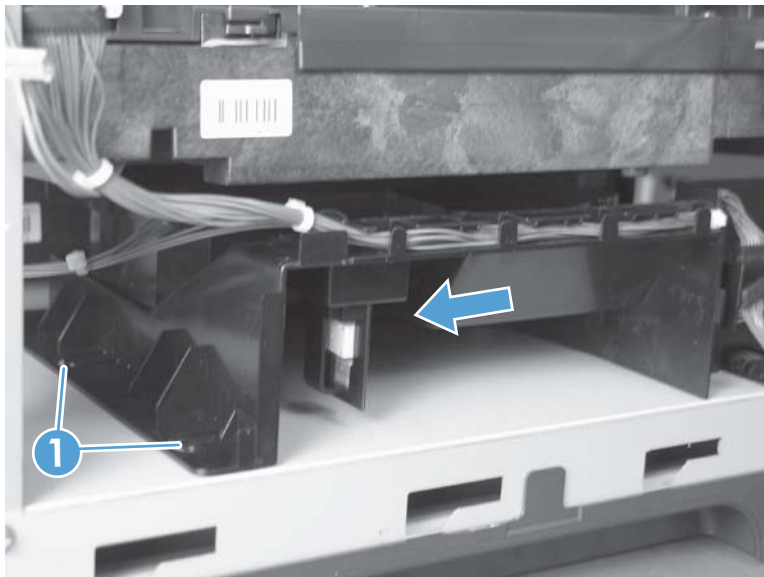
 **NOTE:** Disconnect the larger connector on the right side from the bottom. Disconnect the two smaller connectors on the right side from the top.

**Figure 1-229** Remove the delivery fan, cartridge fan, and environmental sensor (2 of 9)



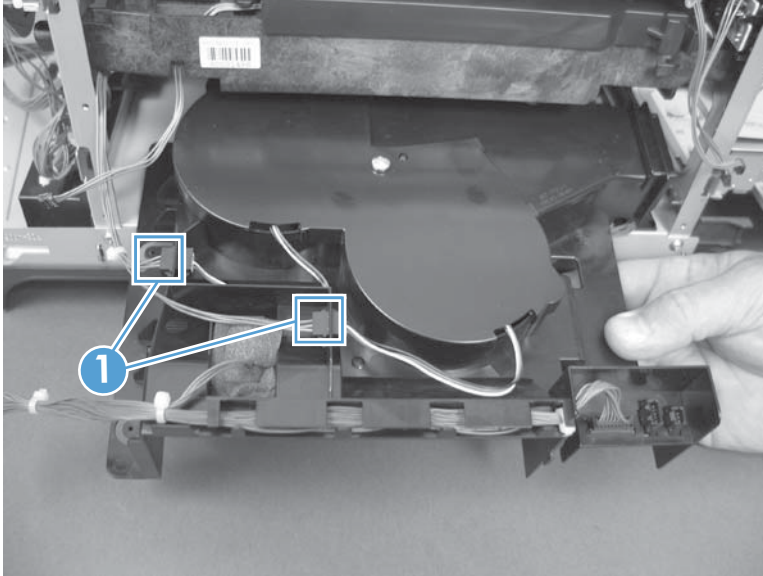
3. Release two tabs (callout 1), and then slide the delivery-fan and cartridge-fan assembly toward the power-supply side of the product to release it.

**Figure 1-230** Remove the delivery fan, cartridge fan, and environmental sensor (3 of 9)



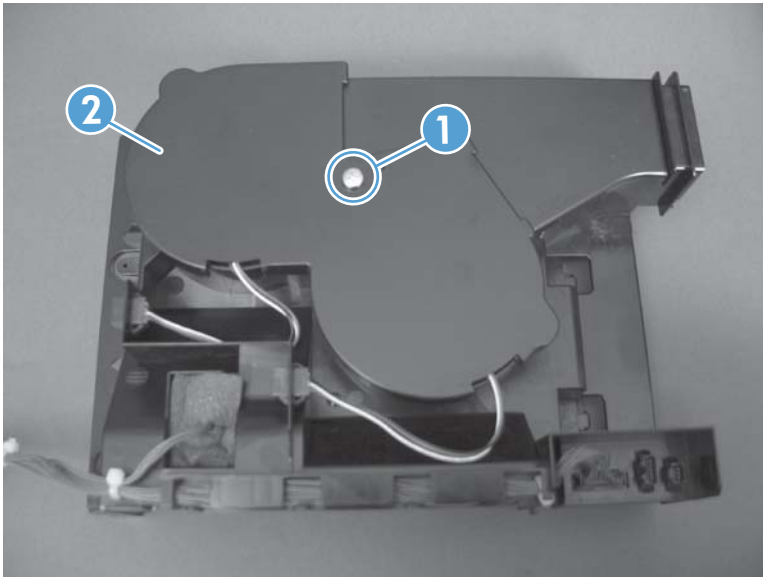
4. Pull the assembly slightly out of the product, disconnect two connectors (callout 1), and then remove the assembly.

**Figure 1-231** Remove the delivery fan, cartridge fan, and environmental sensor (4 of 9)



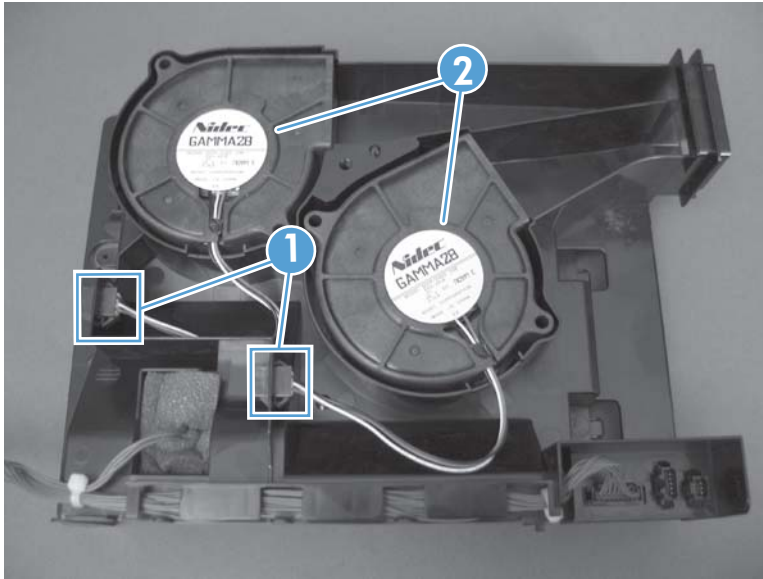
5. Remove one screw (callout 1), and then remove the cover (callout 2).

**Figure 1-232** Remove the delivery fan, cartridge fan, and environmental sensor (5 of 9)



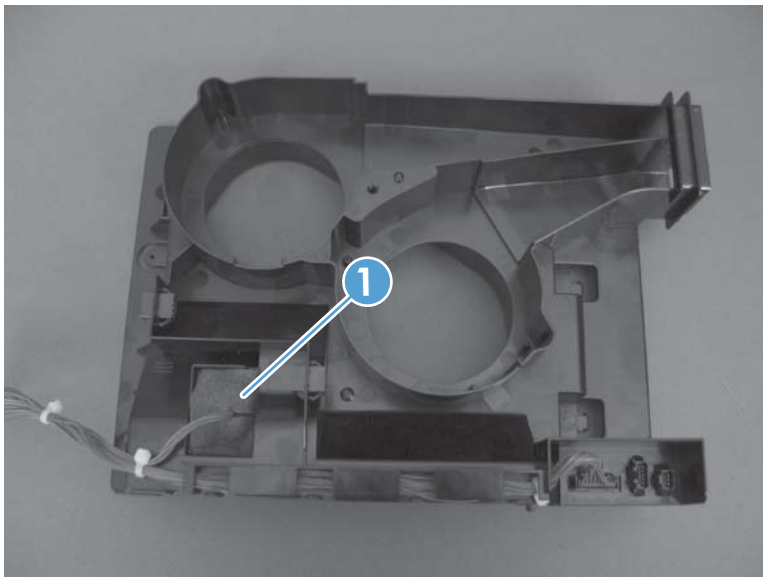
6. Disconnect two connectors (callout 1), and then remove the fans (callout 2).

**Figure 1-233** Remove the delivery fan, cartridge fan, and environmental sensor (6 of 9)



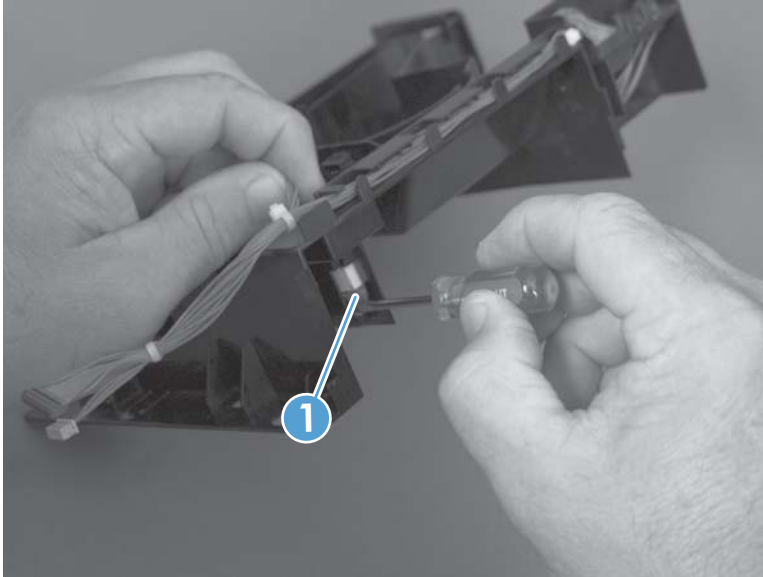
7. Remove the antistatic foam (callout 1).

**Figure 1-234** Remove the delivery fan, cartridge fan, and environmental sensor (7 of 9)



8. Release one tab (callout 1).

**Figure 1-235** Remove the delivery fan, cartridge fan, and environmental sensor (8 of 9)



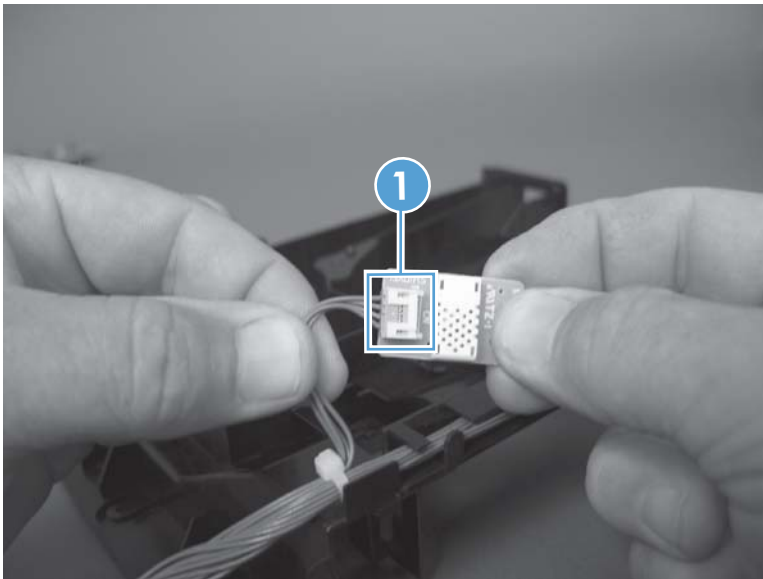
9. Disconnect one connector (callout 1), and then remove the environmental sensor.

---

**CAUTION:**  ESD-sensitive part.

---

**Figure 1-236** Remove the delivery fan, cartridge fan, and environmental sensor (9 of 9)




## Toner-collection sensor

### Before proceeding, remove the following components:

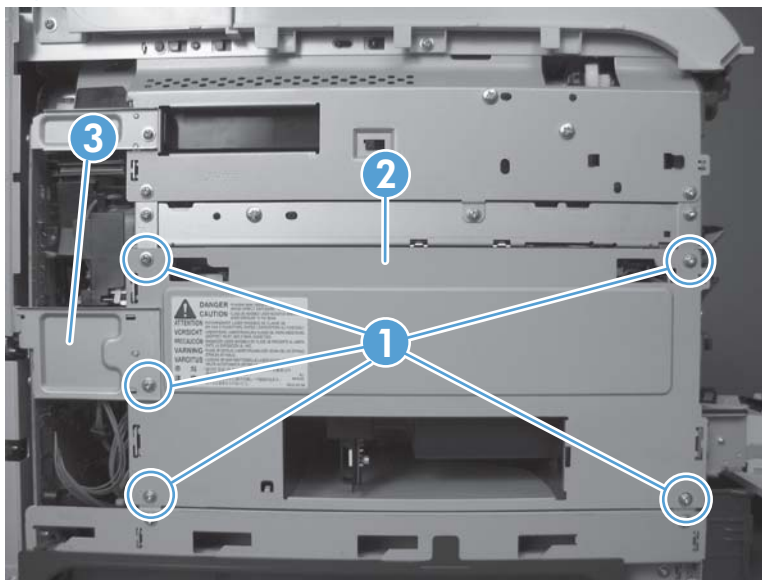
- Toner-collection unit. See [Toner-collection unit on page 15](#).
- Left cover. See [Left cover on page 92](#).

### Remove the toner-collection sensor

1. Remove five screws (callout 1), and then remove the sheet-metal plate (callout 2).

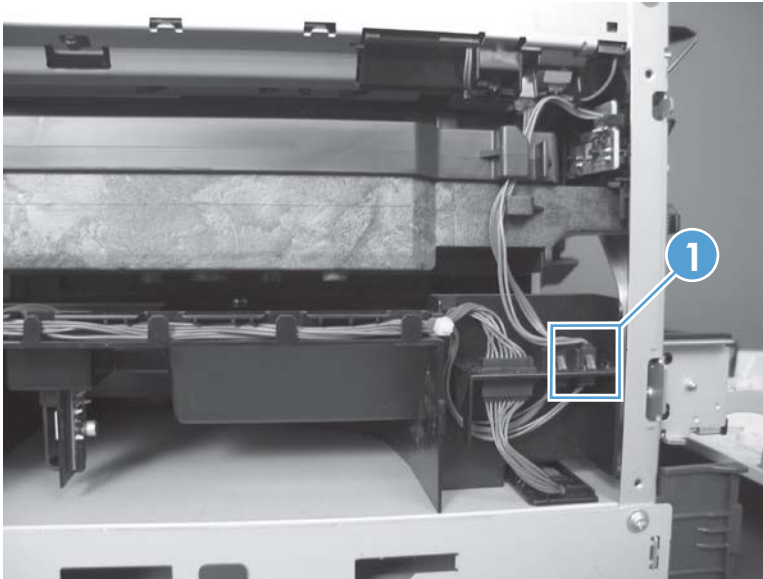
 **NOTE:** Release the small sheet-metal plate (callout 3) to allow access to the larger sheet-metal plate behind it. Leave the smaller plate attached to the chassis.

**Figure 1-237** Remove the toner-collection sensor (1 of 4)




2. Disconnect one connector (callout 1).

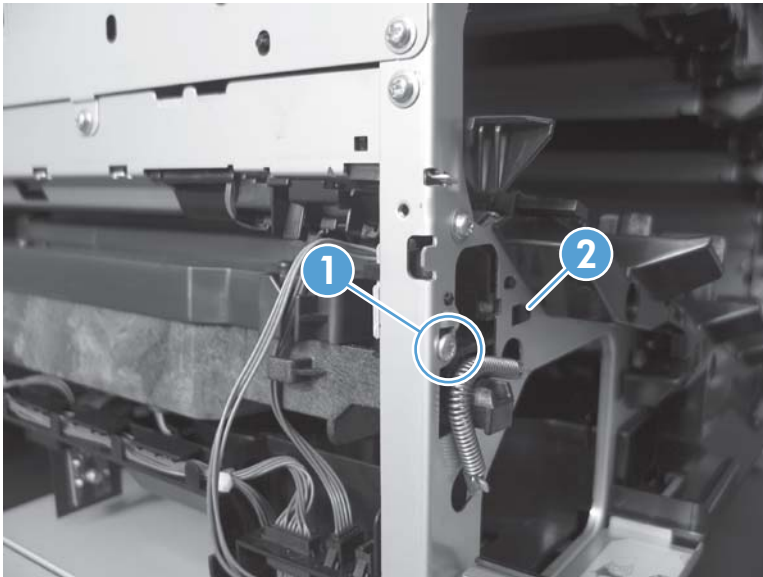
**Figure 1-238** Remove the toner-collection sensor (2 of 4)



3. Remove one screw (callout 1).

 **Reinstallation tip** When you reinstall the sensor, make sure that the tab (callout 2) on the sensor body completely engages the slot in the product chassis.

**Figure 1-239** Remove the toner-collection sensor (3 of 4)





4. Remove the toner-collection sensor.

**Figure 1-240** Remove the toner-collection sensor (4 of 4)




## Residual-toner-feed motor

### Before proceeding, remove the following components:

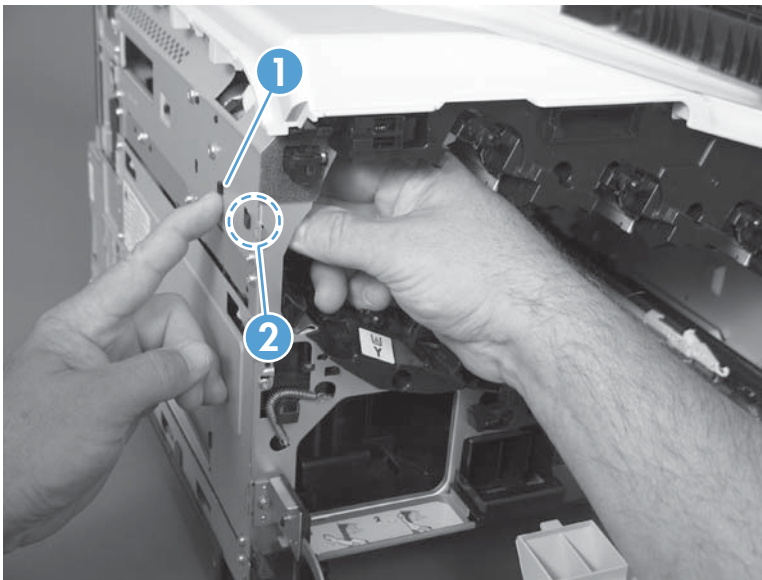
- Toner-collection unit. See [Toner-collection unit on page 15](#).
- Intermediate transfer belt (ITB). See [Intermediate transfer belt \(ITB\) on page 34](#).
- Left cover. See [Left cover on page 92](#).

### Remove the residual-toner-feed motor

 **NOTE:** Be careful. Do not dislodge the residual-toner collection door when you remove the assembly. If the door becomes dislodged, see [Reinstall the residual-toner collection door on page 170](#) to reinstall it.

1. Release one tab (callout 1) while you support the cover (callout 2).

**Figure 1-241** Remove the residual-toner-feed motor (1 of 7)



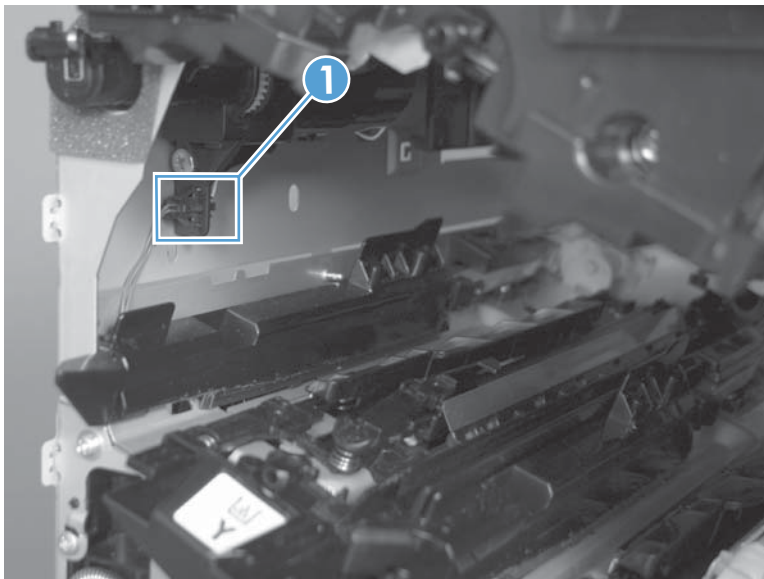
2. Remove the cover.

**Figure 1-242** Remove the residual-toner-feed motor (2 of 7)



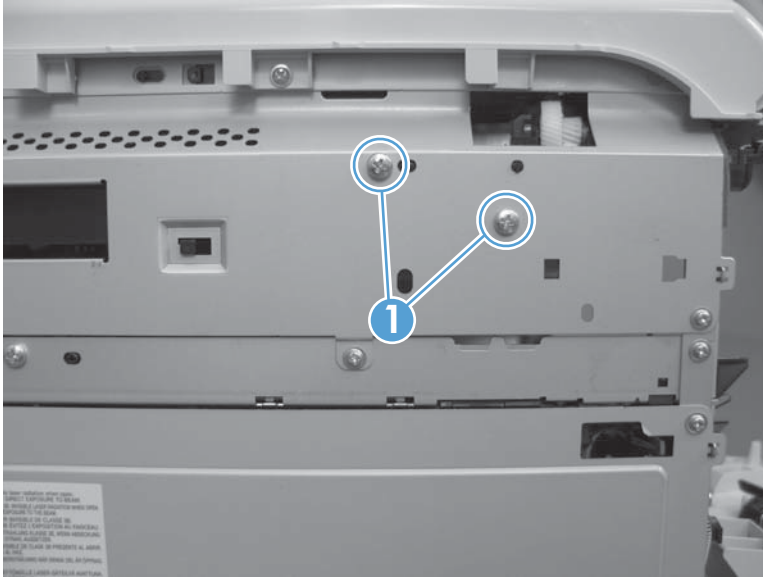
3. Disconnect one connector (callout 1).

**Figure 1-243** Remove the residual-toner-feed motor (3 of 7)



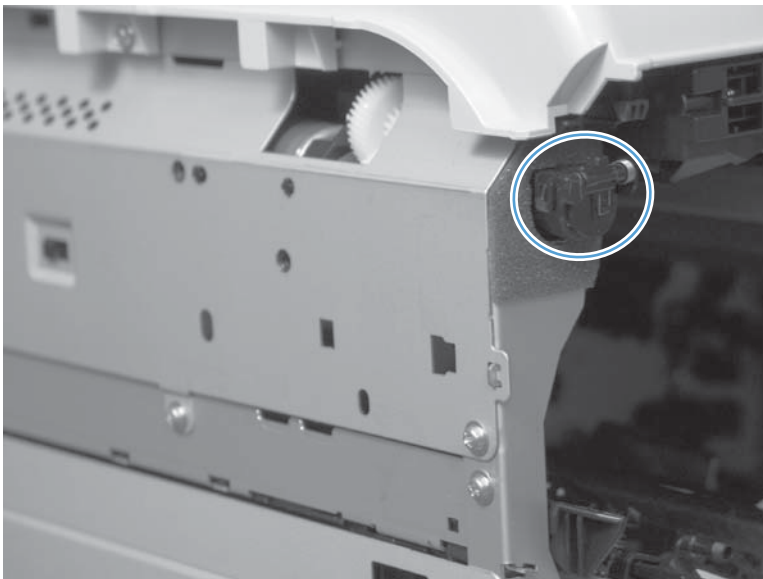
4. Support the assembly, and then remove two screws (callout 1).

**Figure 1-244** Remove the residual-toner-feed motor (4 of 7)



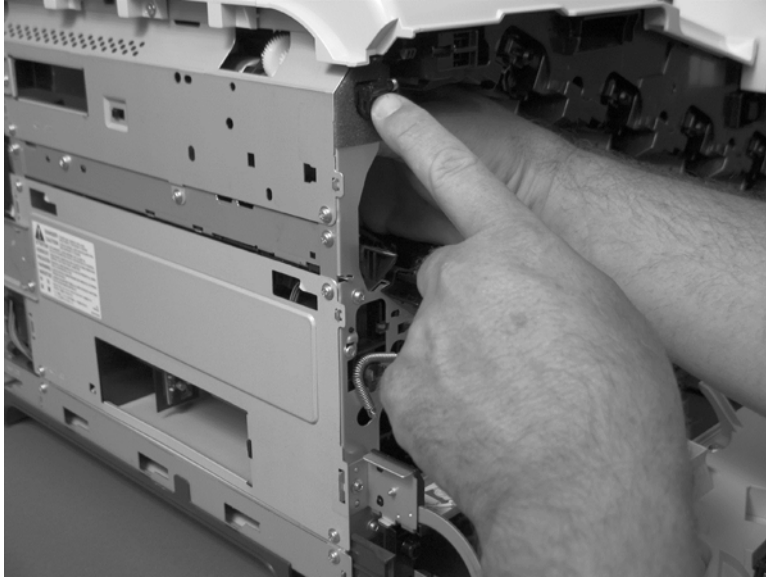
5. Be careful. Do not dislodge the residual-toner collection door when you remove the assembly. If the door becomes dislodged, see [Reinstall the residual-toner collection door on page 170](#) to reinstall it.

**Figure 1-245** Remove the residual-toner-feed motor (5 of 7)



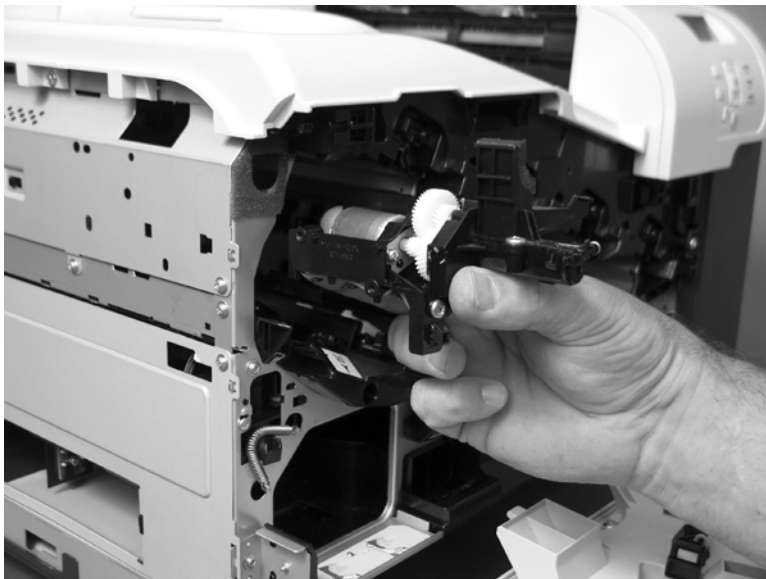
6. Push the assembly into the product to release it.

**Figure 1-246** Remove the residual-toner-feed motor (6 of 7)



7. Remove the motor.

**Figure 1-247** Remove the residual-toner-feed motor (7 of 7)



## Reinstall the residual-toner collection door

Snap the residual-toner collection door into the holders on the assembly. Make sure that the spring is correctly installed.

**Figure 1-248** Reinstall the residual-toner collection door



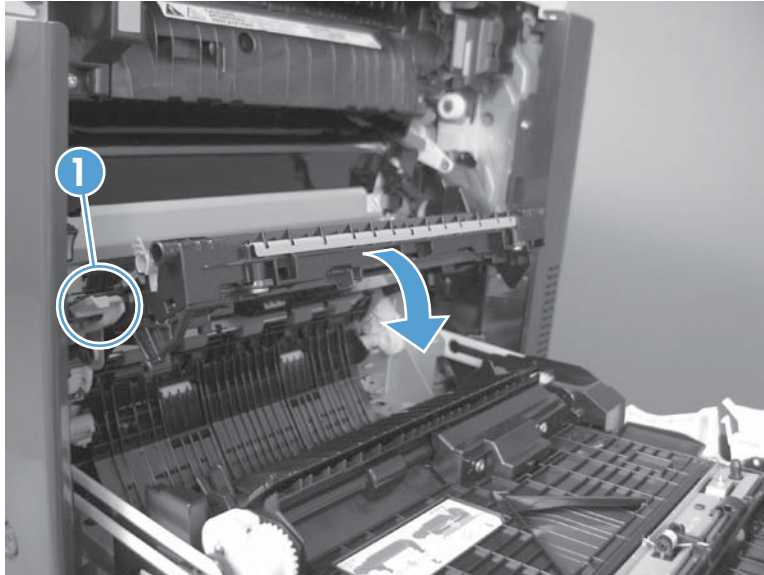


## Secondary transfer assembly


The secondary transfer assembly includes the transfer roller.

1. Open the right-door assembly.
2. Use the blue lever (callout 1) to lower the secondary transfer assembly.

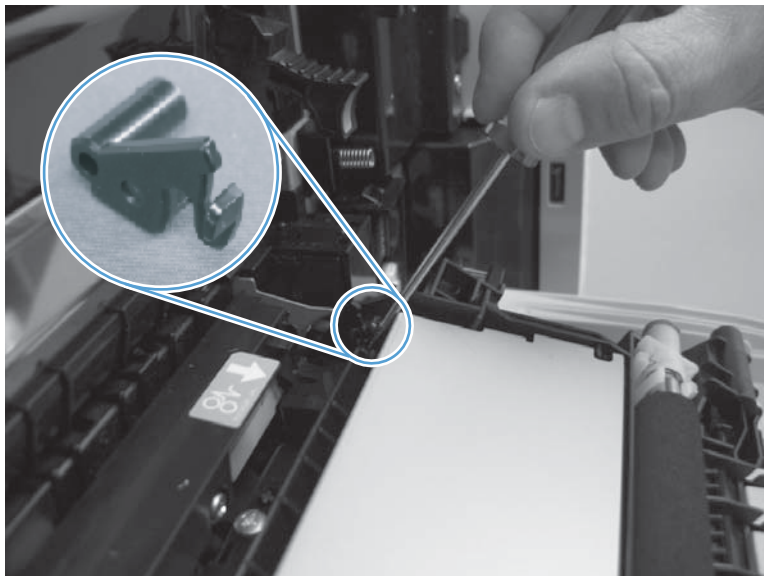
**Figure 1-249** Remove the transfer roller (1 of 3)



3. Release one tab and carefully remove the stopper.

 **NOTE:** You might have to slightly lift up on the corner of the assembly to release the stopper pin from the hole in the chassis.

**Figure 1-250** Remove the secondary transfer assembly (2 of 3)



4. Remove the secondary transfer assembly.

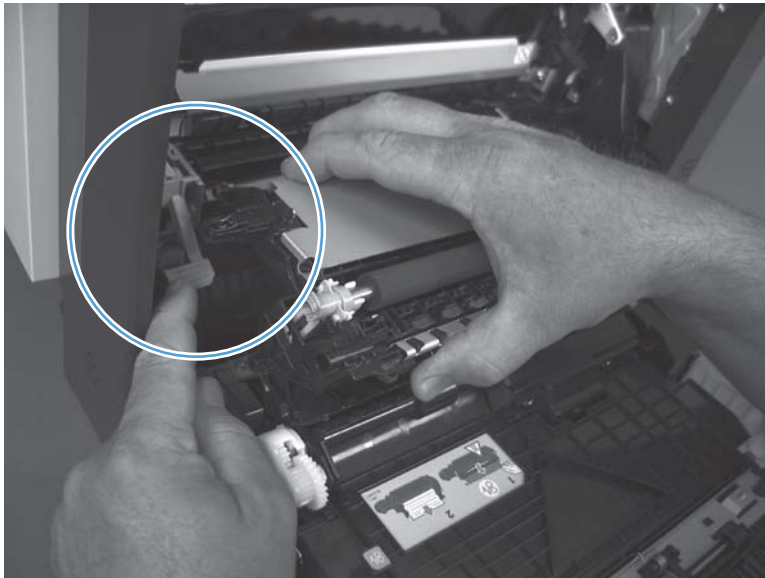
**Figure 1-251** Remove the secondary transfer assembly (3 of 3)



### Reinstall the secondary transfer assembly

Press and hold down the blue release lever when you reinstall the assembly.

**Figure 1-252** Reinstall the secondary transfer assembly



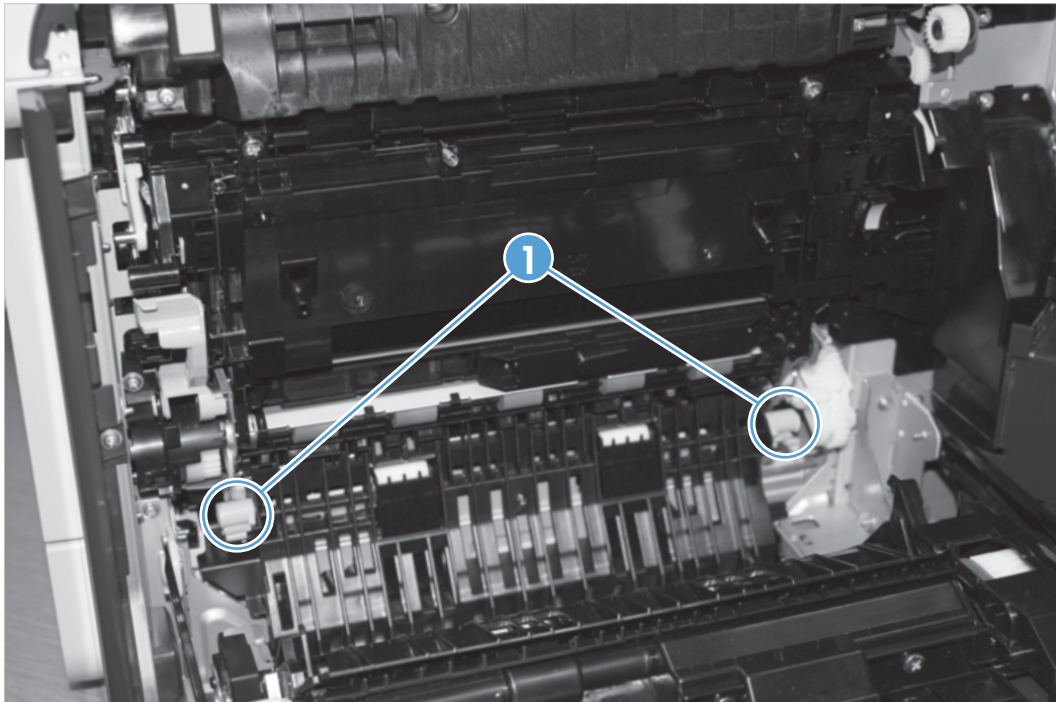


## Lower pickup guide

### Remove the lower pickup guide

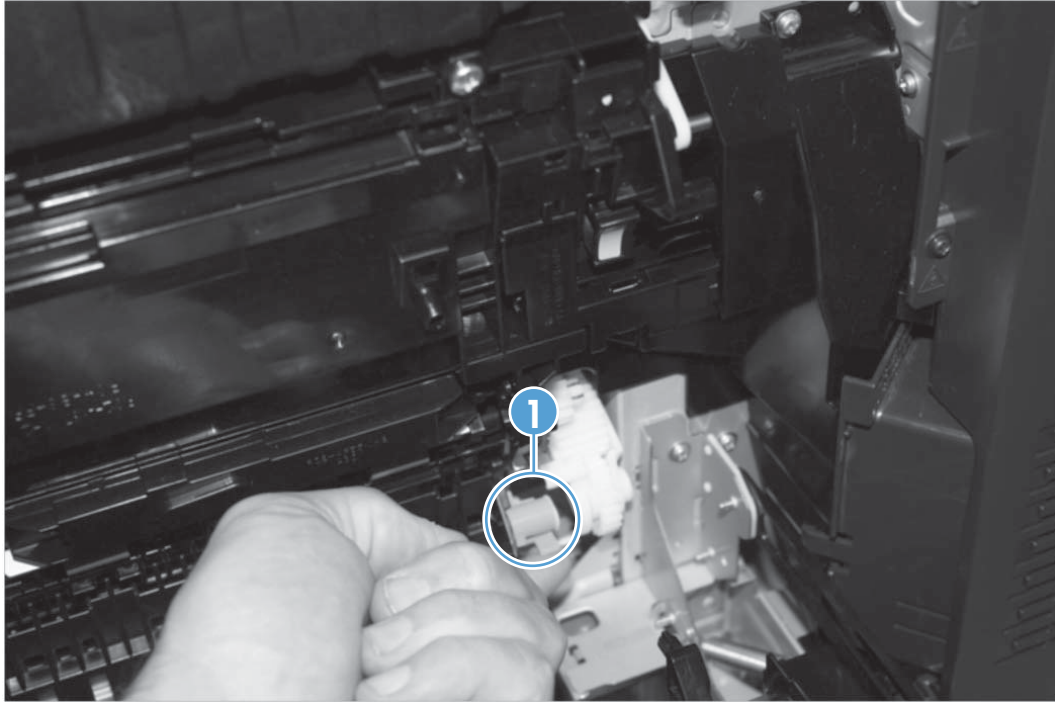
1. Open the right-door assembly.
2. Locate the lower pickup guide directly below the registration assembly. The guide is locked into place by two green circular knobs (callout 1).

**Figure 1-253** Remove the lower pickup guide (1 of 4)



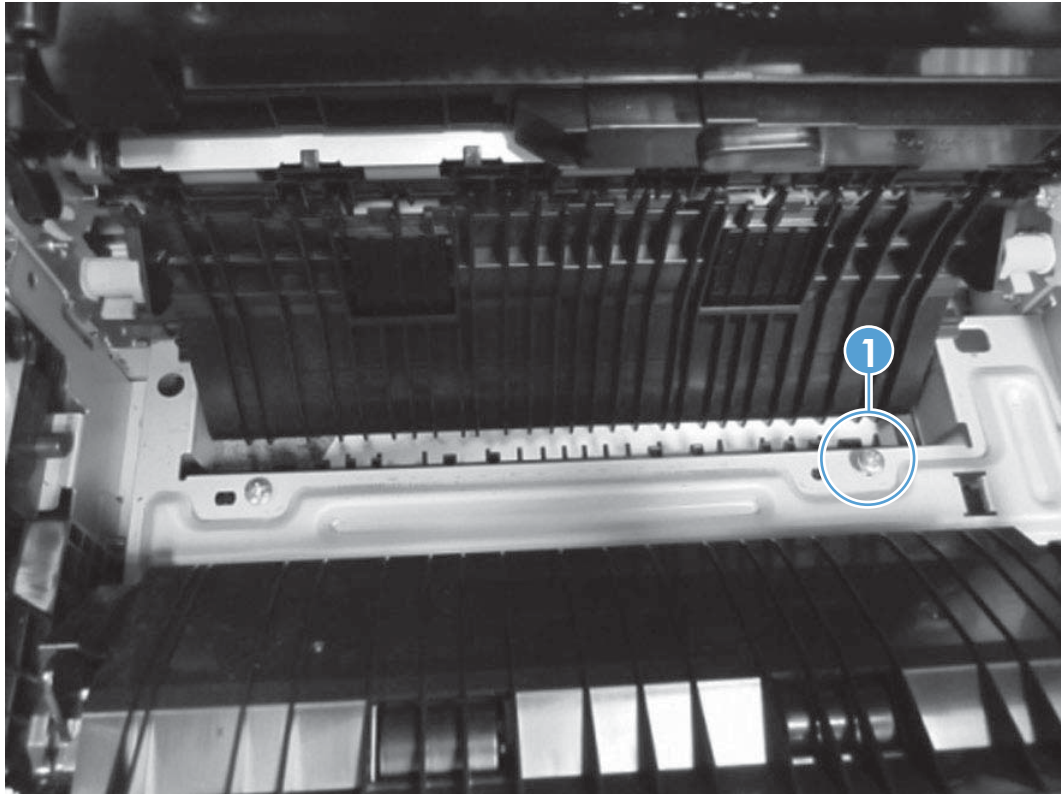
3. Lift the green circular knobs simultaneously to release the assembly.

**Figure 1-254** Remove the lower pickup guide (2 of 4)



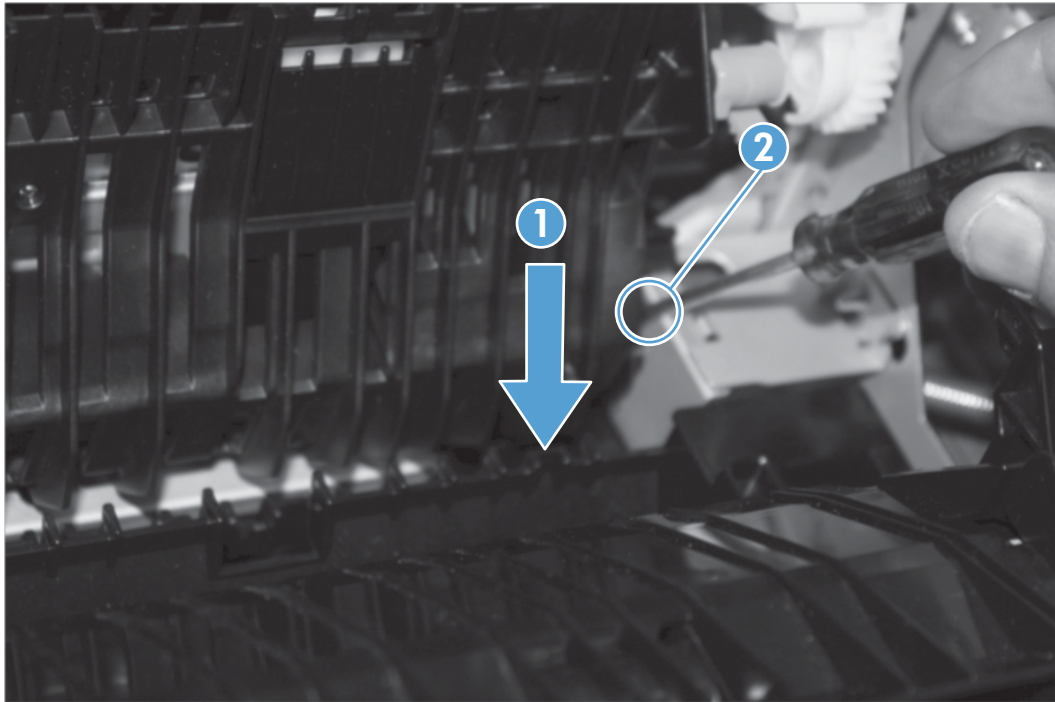
4. Raise the guide, and then loosen, but do not remove, one screw (callout 1) on the paper entrance guide.

**Figure 1-255** Remove the lower pickup guide (3 of 4)



5. While pushing down on the paper entrance guide (callout 1), use a flat blade screwdriver to press in on the hinge pin (callout 2) and release it from the product. Rotate the assembly counterclockwise away from the product to remove it.

**Figure 1-256** Remove the lower pickup guide (4 of 4)



### Reinstall the lower pickup guide

- ▲ Insert the front pin of the assembly into the hole at the front of the chassis. Slightly press down on the rear hinge pin and insert it into the hole at the rear of the chassis. Rotate the guide toward the product until the green knobs snap back into place. Tighten the screw on the paper entrance guide.

## Registration density (RD) sensor assembly

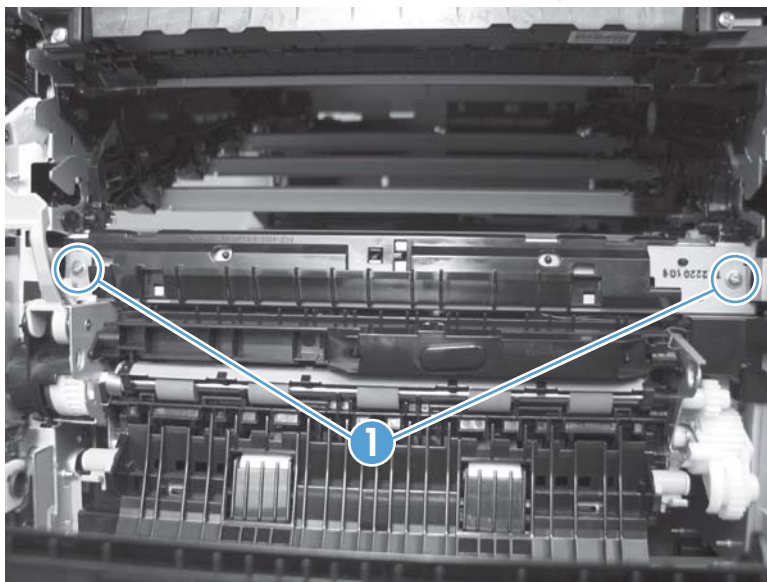
Before proceeding, remove the following components:

- Intermediate transfer belt (ITB). See [Intermediate transfer belt \(ITB\) on page 34](#).
- Secondary transfer assembly. See [Secondary transfer assembly on page 171](#).

### Remove the RD sensor assembly

1. Remove two screws (callout 1).

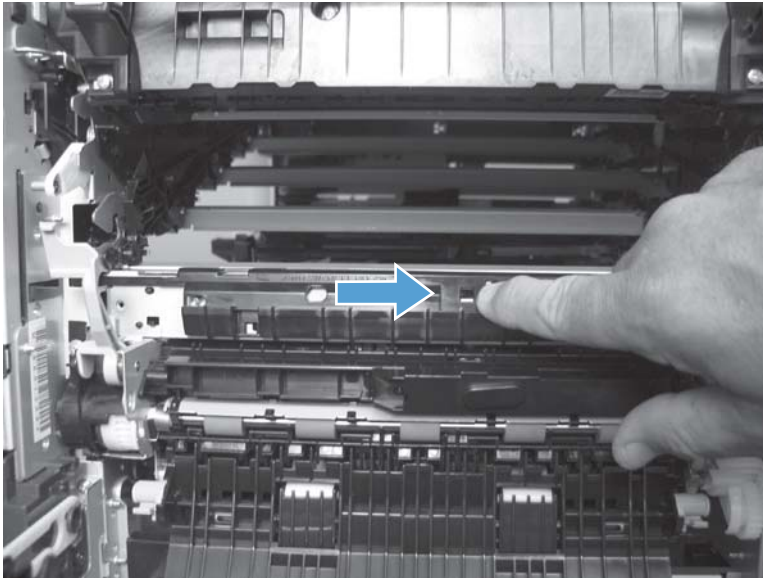
**Figure 1-257** Remove the RD sensor assembly (1 of 6)





2. Slide the shutter toward the right side of the product. Keep the shutter in this position for the following step.

**Figure 1-258** Remove the RD sensor assembly (2 of 6)



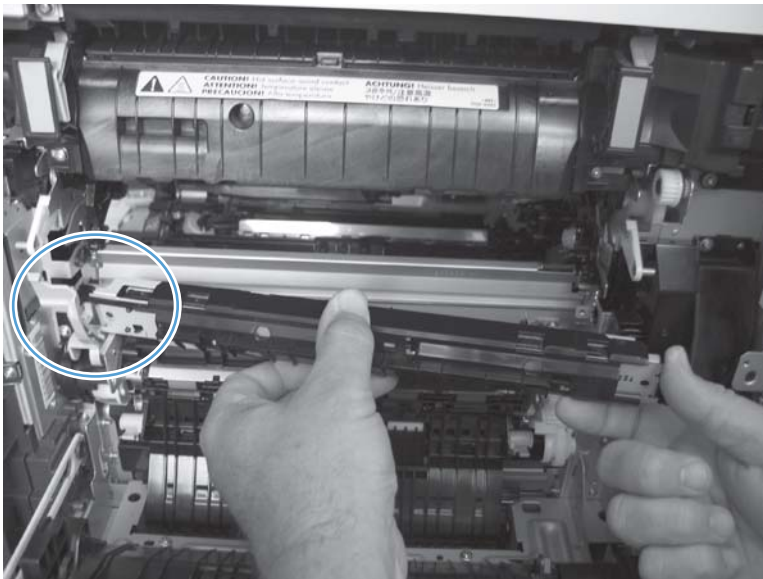
3. Carefully separate the assembly from the product. The assembly wire harnesses are still attached to the product.

---

**CAUTION:** Do not damage the shutter as it passes through the chassis.

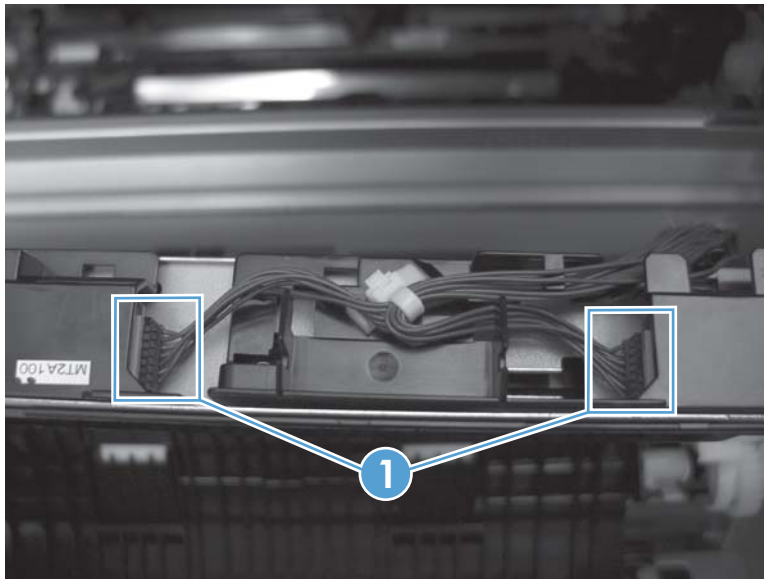
---

**Figure 1-259** Remove the RD sensor assembly (3 of 6)




4. Disconnect two connectors (callout 1) on the back side of the assembly.

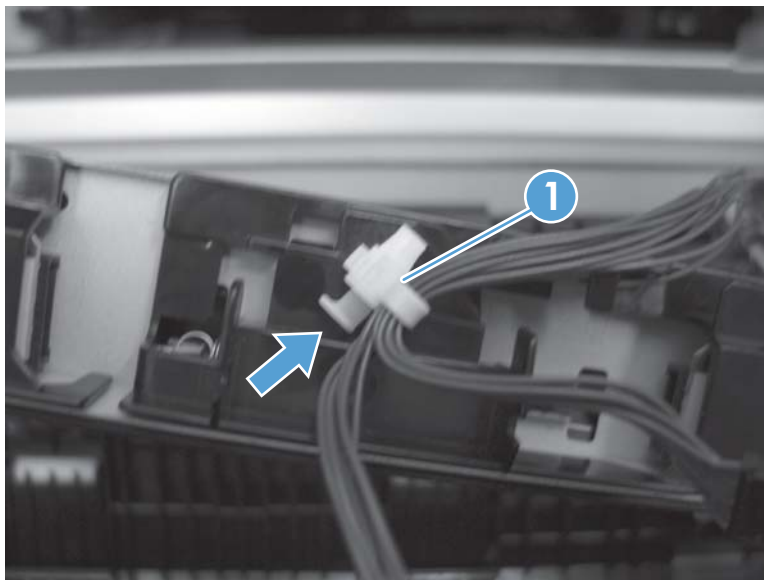
**Figure 1-260** Remove the RD sensor assembly (4 of 6)



5. Push in on the locking tab to release the retainer (callout 1), and then separate the retainer from the assembly.

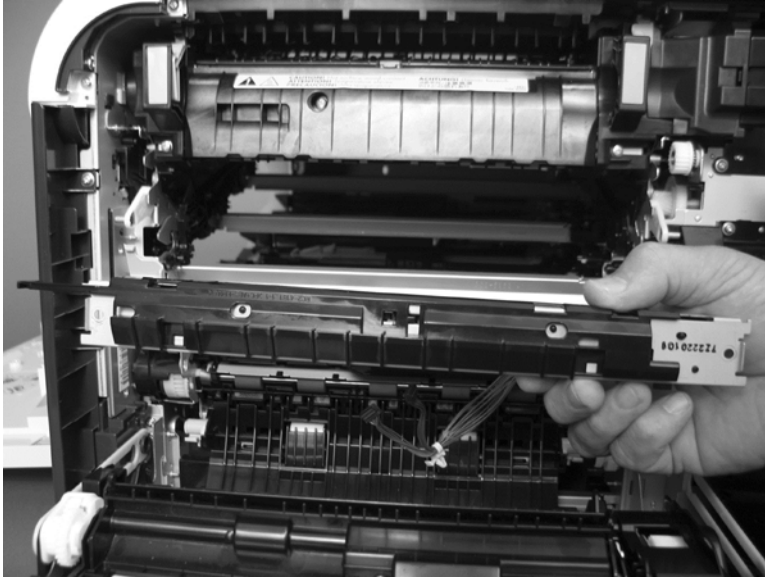
 **NOTE:** The retainer remains attached to the wire harness, and disengages from the assembly.

**Figure 1-261** Remove the RD sensor assembly (5 of 6)



6. Remove the assembly.

**Figure 1-262** Remove the RD sensor assembly (6 of 6)





## Power-supply fan and fan duct

### Before proceeding, remove the following components:

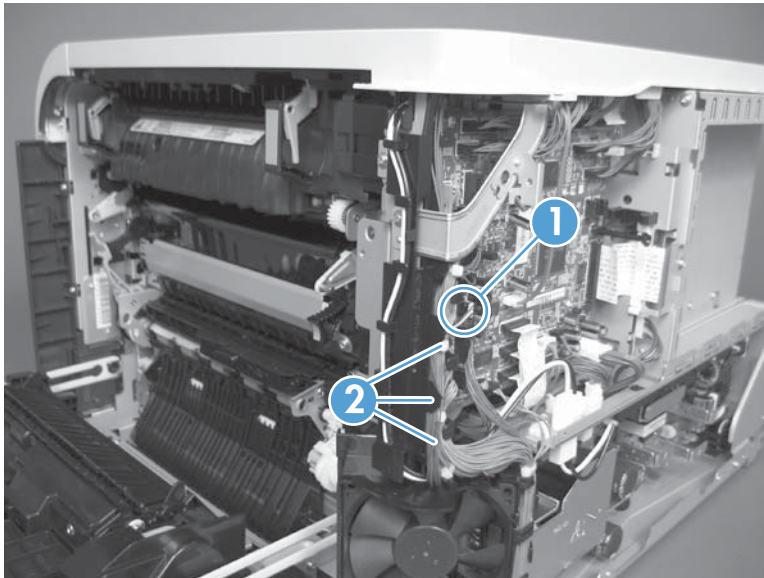
- Toner-collection unit. See [Toner-collection unit on page 15](#).
- Right-rear cover. See [Right-rear cover on page 90](#).
- Left cover. See [Left cover on page 92](#).
- Rear-upper cover. See [Rear-upper cover on page 95](#).
- Rear cover. See [Rear cover on page 98](#).

### Remove the power-supply fan and fan duct


1. Disconnect one connector (callout 1; J119) and release the wire harnesses from the guide (callout 2).

 **NOTE:** To locate DC controller connector locations, see [DC controller PCA on page 8](#).

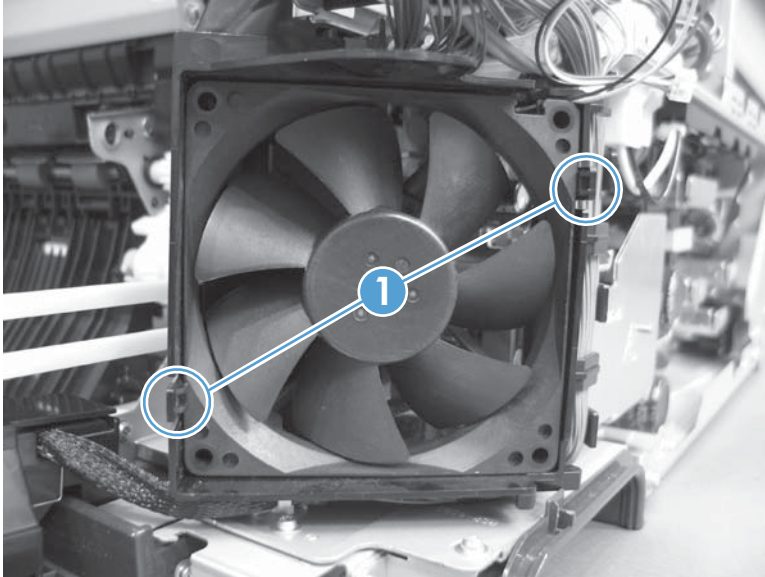
**Figure 1-263** Remove the power-supply fan (1 of 4)



- To remove the fan only:** Release two tabs (callout 1), and then remove the fan from the fan duct.

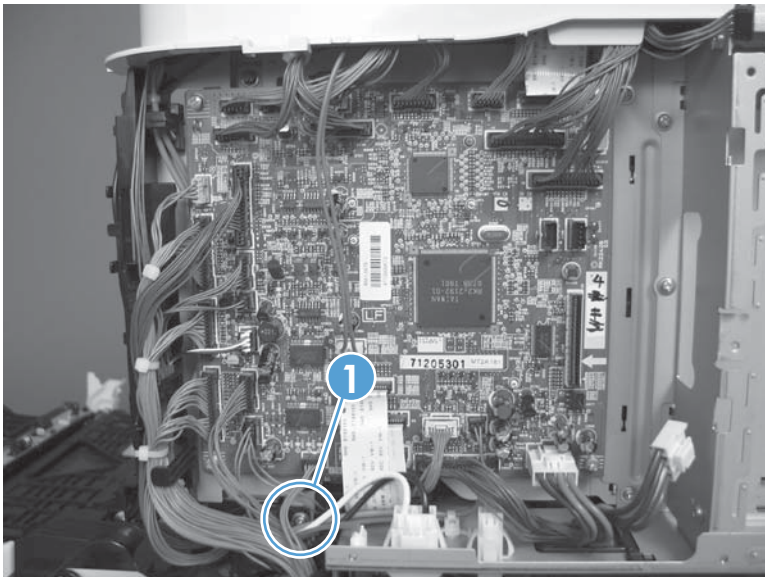
 **Reinstallation tip** When the fan is reinstalled, the air must flow into the product. Look at the arrows embossed on the fan frame that indicate air flow direction.

**Figure 1-264** Remove the power-supply fan (2 of 4)



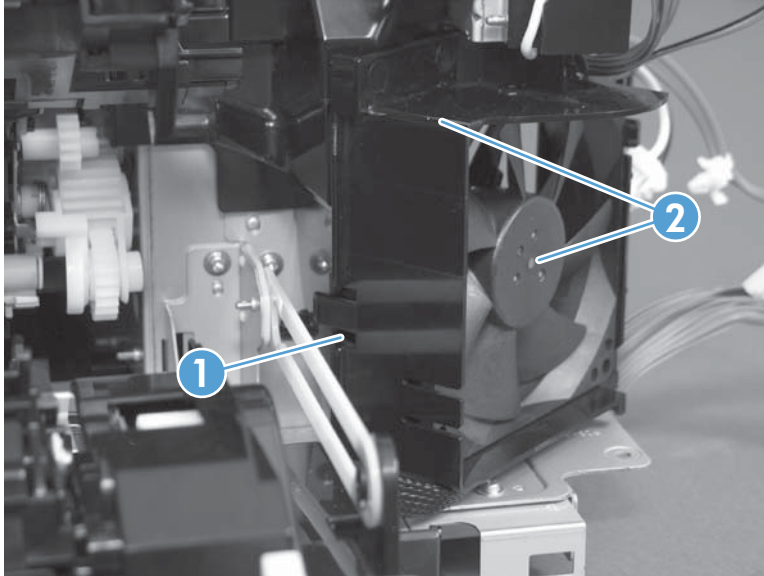
- To remove the fan and fan duct:** Remove one screw (callout 1), and then release the wire harnesses from the guides on the fan duct.

**Figure 1-265** Remove the power-supply fan (3 of 4)



- 4. To remove the fan and fan duct:** Release one tab (callout 1), and then remove the fan and fan duct (callout 2).

**Figure 1-266** Remove the power-supply fan (4 of 4)




## Registration assembly

### Before proceeding, remove the following components:

- Toner-collection unit. See [Toner-collection unit on page 15](#).
- Intermediate transfer belt (ITB). See [Intermediate transfer belt \(ITB\) on page 34](#).
- Right-rear cover. See [Right-rear cover on page 90](#).
- Left cover. See [Left cover on page 92](#).
- Rear-upper cover. See [Rear-upper cover on page 95](#).
- Rear cover. See [Rear cover on page 98](#).
- Registration density (RD) sensor assembly. See [Registration density \(RD\) sensor assembly on page 177](#).

---


 **TIP:** Removing the RD sensor assembly makes it much easier to reinstall the registration assembly.

---

- Power-supply fan and fan duct. See [Power-supply fan and fan duct on page 181](#).
- Secondary transfer assembly. See [Secondary transfer assembly on page 171](#).

### Remove the registration assembly

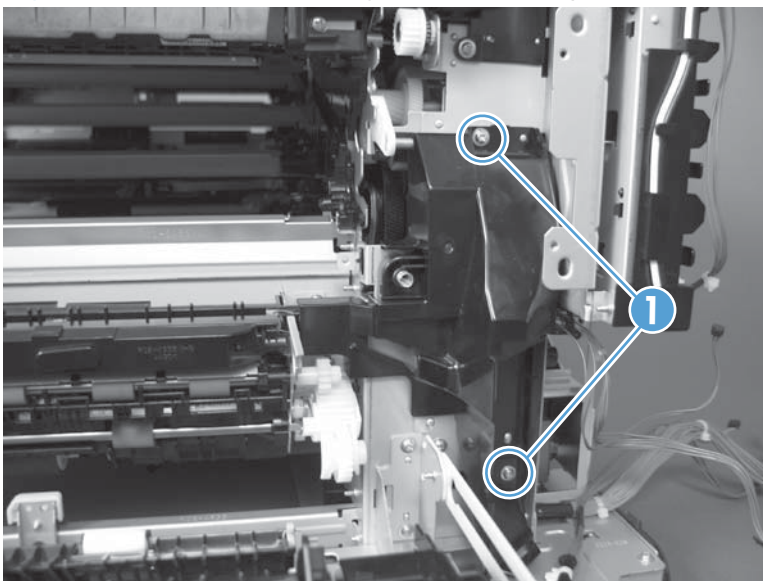
---

 **NOTE:** If a replacement registration assembly is installed, you must use the control-panel menus to reset the registration-roller count.

---

1. Remove two screws (callout 1).

**Figure 1-267** Remove the registration assembly (1 of 8)




2. Pull down on the cover to release one tab, and then rotate the cover away from the product to remove it.

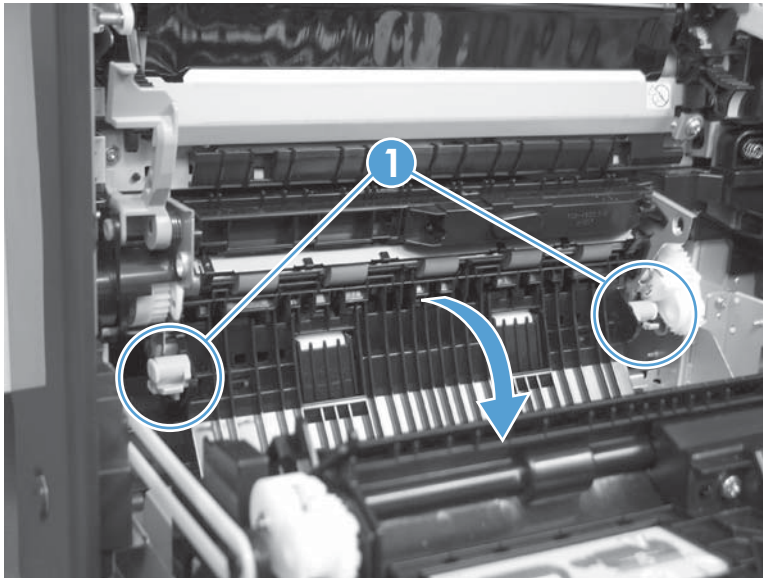
**Figure 1-268** Remove the registration assembly (2 of 8)



3. Release two green latches (callout 1), and then lower the feed guide.

 **Reinstallation tip** Make sure that the feed guide snaps into the closed position when you reinstall the registration assembly.

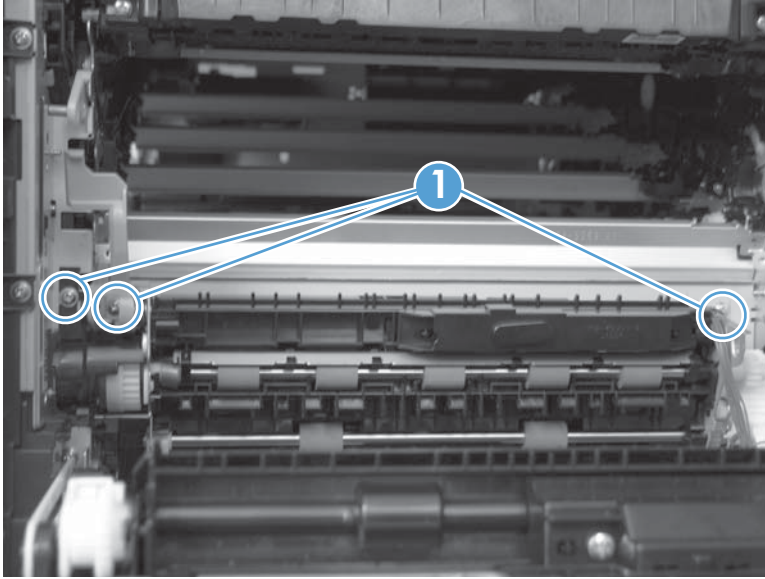
**Figure 1-269** Remove the registration assembly (3 of 8)





4. Remove three screws (callout 1).

**Figure 1-270** Remove the registration assembly (4 of 8)



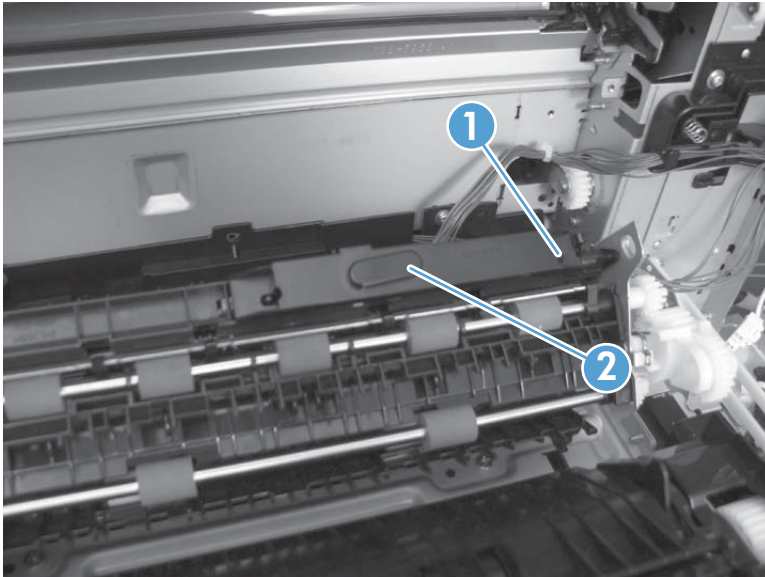
5. Separate the assembly from the product, release one tab (callout 1), and then remove the cover (callout 2).

---

**CAUTION:** The assembly is still attached to the product by the wire harnesses.

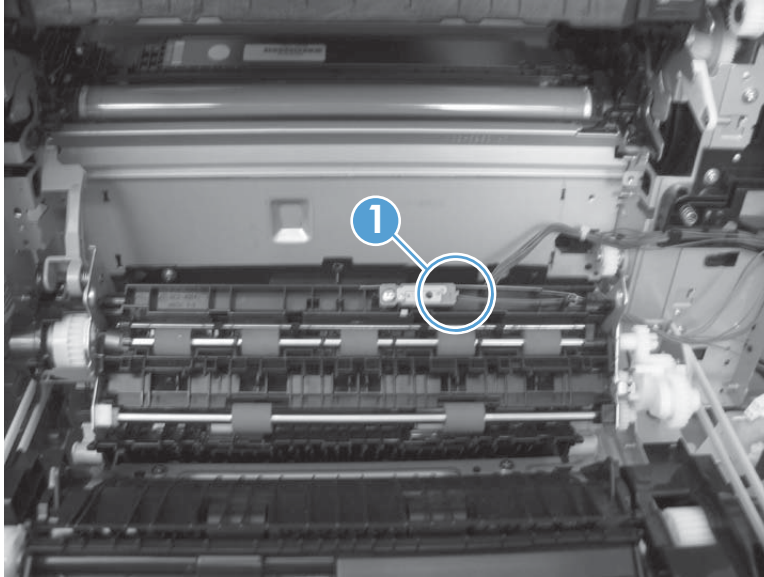
---

**Figure 1-271** Remove the registration assembly (5 of 8)



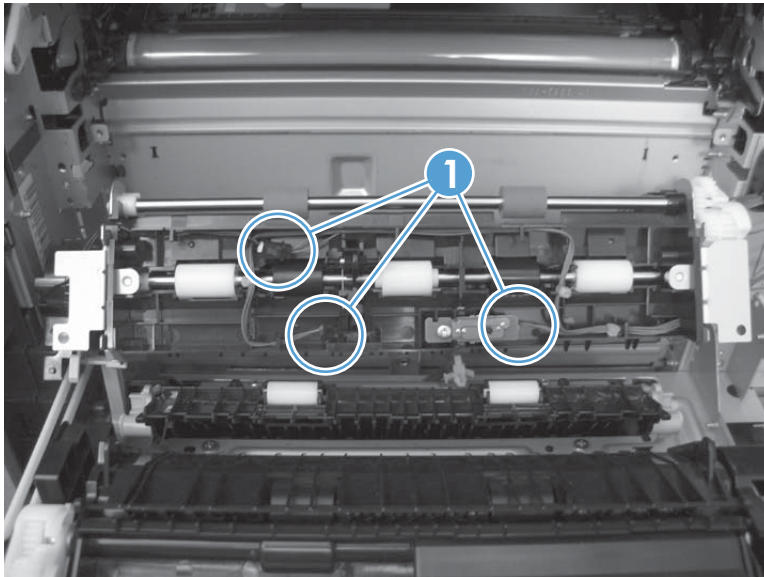
6. Disconnect one connector (callout 1), and then release the wire harness from the retainer.

**Figure 1-272** Remove the registration assembly (6 of 8)




7. Disconnect three connectors (callout 1) on the back side of the assembly, and then release the wires from the retainers.

**Figure 1-273** Remove the registration assembly (7 of 8)



8. Remove the assembly.

 **Reinstallation tip** When you reinstall the registration assembly, make sure that it is correctly positioned in the product. The tabs on the assembly must fit into the slots in the product chassis and the assembly should fit securely up against the product chassis.

**Figure 1-274** Remove the registration assembly (8 of 8)





## High-voltage power supply lower

### Before proceeding, remove the following components:

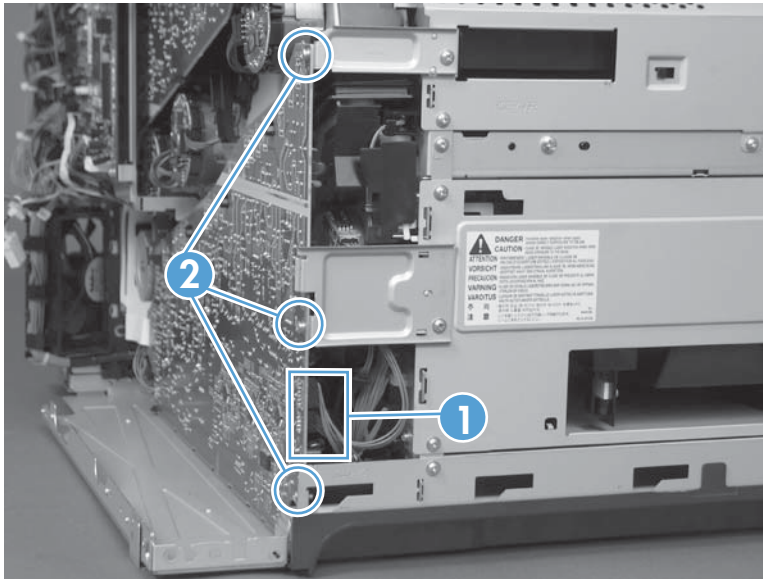
- Toner-collection unit. See [Toner-collection unit on page 15](#).
- Formatter PCA. See [Formatter PCA on page 17](#).
- Right-rear cover. See [Right-rear cover on page 90](#).
- Left cover. See [Left cover on page 92](#).
- Rear-upper cover. See [Rear-upper cover on page 95](#).
- Rear cover. See [Rear cover on page 98](#).
- Interconnect board (ICB). See [Interconnect board \(ICB\) on page 148](#).
- Low-voltage power supply (LVPS). See [Low-voltage power supply \(LVPS\) on page 153](#).

### Remove the high-voltage power supply lower

**CAUTION:**  ESD-sensitive part.

1. Disconnect two connectors (callout 1), and then remove three screws (callout 2).

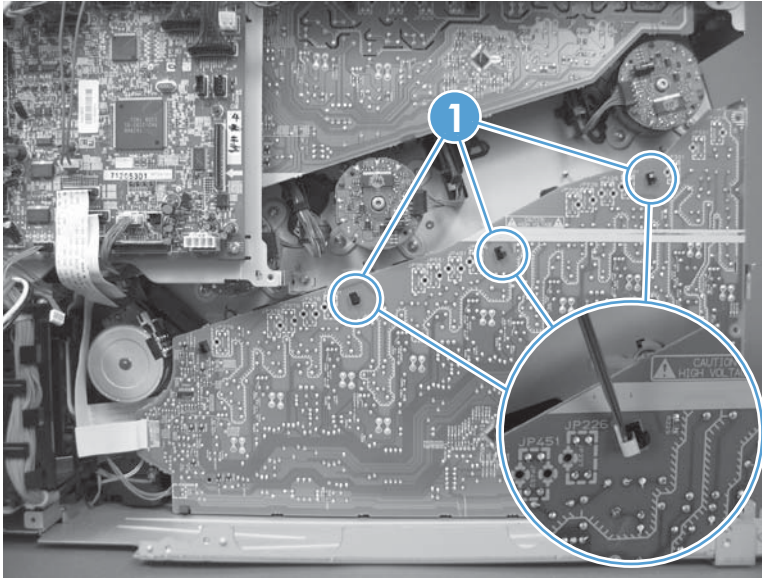
**Figure 1-275** Remove the high-voltage power supply lower (1 of 4)



2. Use a small flat blade screwdriver to carefully remove three locking clips (callout 1).

**CAUTION:** Do not damage the PCA with the screwdriver.

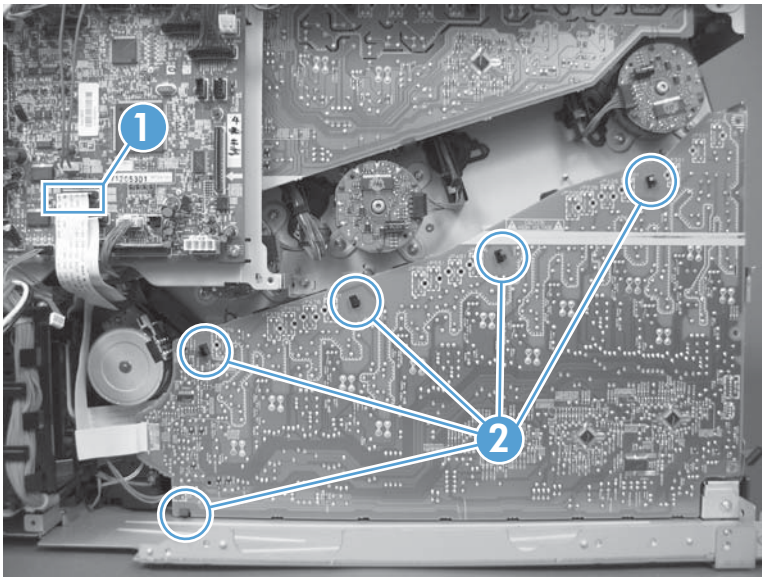
**Figure 1-276** Remove the high-voltage power supply lower (2 of 4)



3. Disconnect one connector (callout 1; J114), and then release five clips (callout 2).

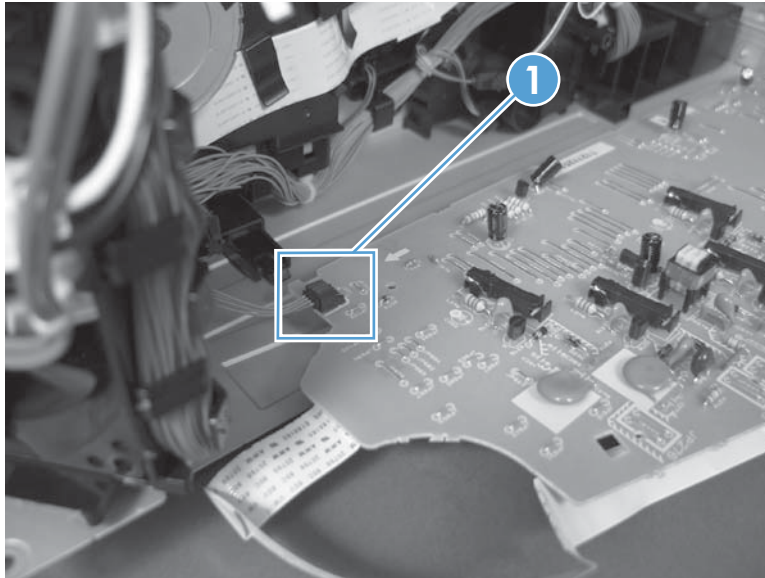
**NOTE:** To locate DC controller connector locations, see [DC controller PCA on page 8](#).

**Figure 1-277** Remove the high-voltage power supply lower (3 of 4)



4. Rotate the top of the power supply away from the chassis, and then disconnect one connector (callout 1). Remove the power supply

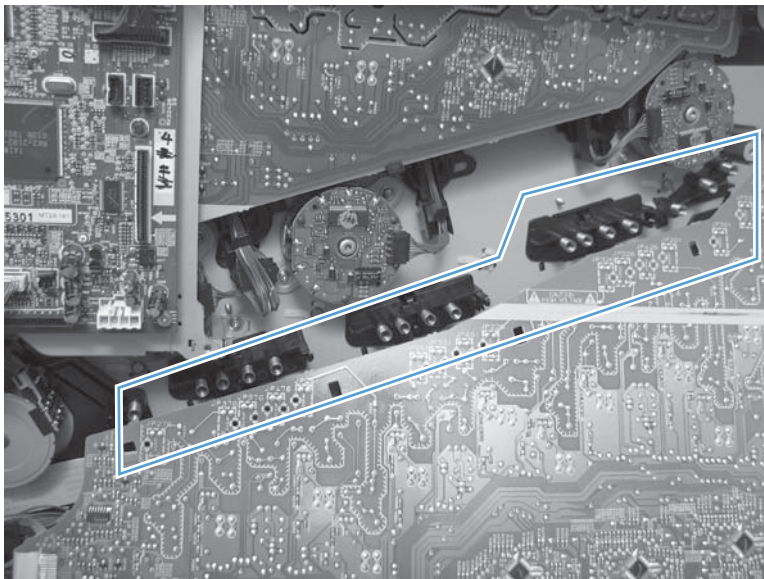
**Figure 1-278** Remove the high-voltage power supply lower (4 of 4)



### Reinstall the high-voltage power supply lower

When you reinstall the power supply, look through the holes in the PCA and make sure that the high-voltage contact springs are correctly seated against the PCA.

**Figure 1-279** Reinstall the high-voltage power supply lower



## Developing-disengagement motor

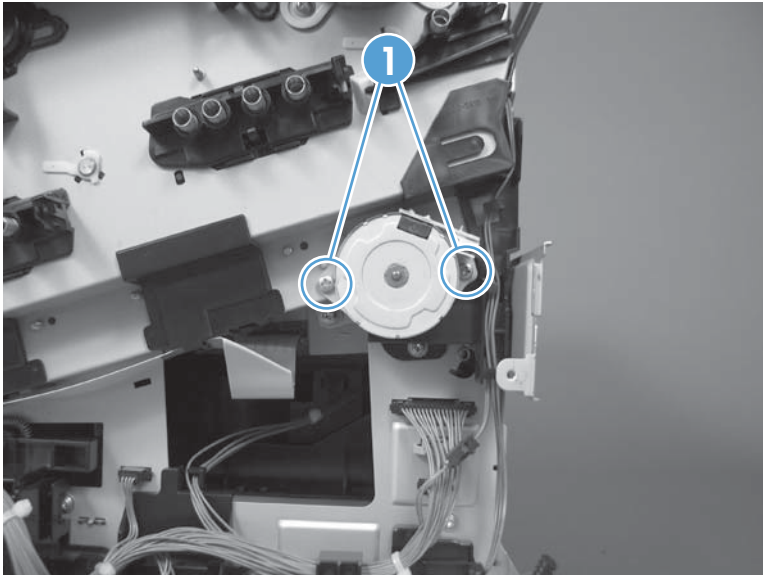
### Before proceeding, remove the following components:

- Toner-collection unit. See [Toner-collection unit on page 15](#).
- Formatter PCA. See [Formatter PCA on page 17](#).
- Right-rear cover. See [Right-rear cover on page 90](#).
- Left cover. See [Left cover on page 92](#).
- Rear-upper cover. See [Rear-upper cover on page 95](#).
- Rear cover. See [Rear cover on page 98](#).
- Interconnect board (ICB). See [Interconnect board \(ICB\) on page 148](#).
- Low-voltage power supply (LVPS). See [Low-voltage power supply \(LVPS\) on page 153](#).
- High-voltage power supply lower. See [High-voltage power supply lower on page 189](#).

### Remove the developing-disengagement motor

1. Remove two screws (callout 1).

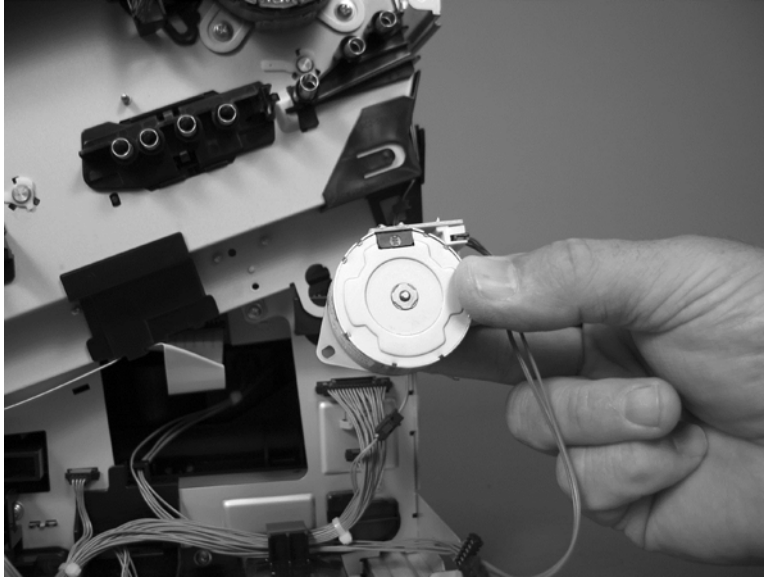
**Figure 1-280** Remove the developing-disengagement motor (1 of 2)






2. Remove the motor.

**Figure 1-281** Remove the developing-disengagement motor (2 of 2)



 **Reinstallation tip** Make sure the motor is installed correctly. The PCA on the motor should be on top when the installation is complete.

---

## Pickup motor

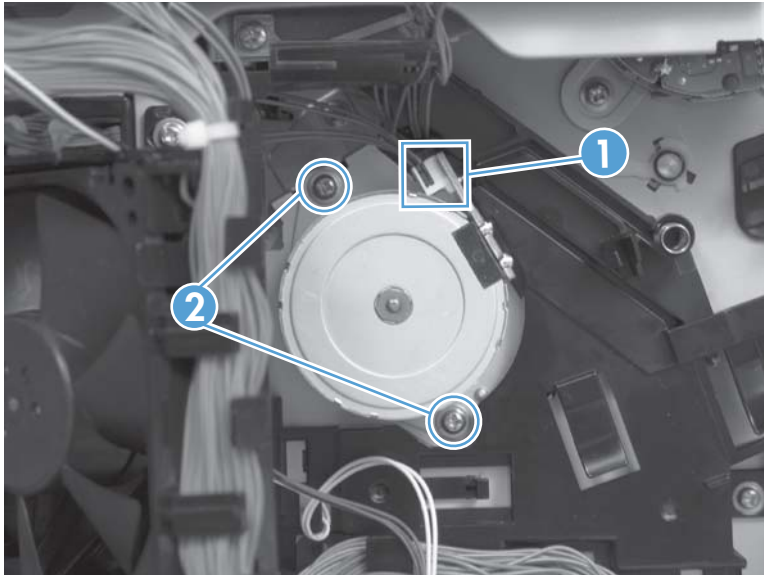
### Before proceeding, remove the following components:

- Toner-collection unit. See [Toner-collection unit on page 15](#).
- Formatter PCA. See [Formatter PCA on page 17](#).
- Right-rear cover. See [Right-rear cover on page 90](#).
- Left cover. See [Left cover on page 92](#).
- Rear-upper cover. See [Rear-upper cover on page 95](#).
- Rear cover. See [Rear cover on page 98](#).
- Interconnect board (ICB). See [Interconnect board \(ICB\) on page 148](#).
- Low-voltage power supply (LVPS). See [Low-voltage power supply \(LVPS\) on page 153](#).
- High-voltage power supply lower. See [High-voltage power supply lower on page 189](#).

### Remove the pickup motor

Disconnect one connector (callout 1), remove two screws (callout 2), and then remove the motor.

**Figure 1-282** Remove the pickup motor



## Lifter-drive assembly

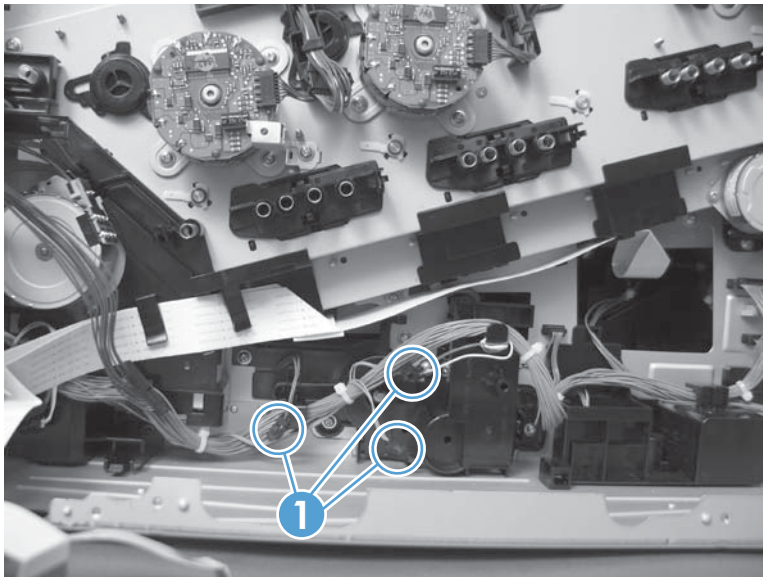
### Before proceeding, remove the following components:

- Toner-collection unit. See [Toner-collection unit on page 15](#).
- Formatter PCA. See [Formatter PCA on page 17](#).
- Right-rear cover. See [Right-rear cover on page 90](#).
- Left cover. See [Left cover on page 92](#).
- Rear-upper cover. See [Rear-upper cover on page 95](#).
- Rear cover. See [Rear cover on page 98](#).
- Interconnect board (ICB). See [Interconnect board \(ICB\) on page 148](#).
- Low-voltage power supply (LVPS). See [Low-voltage power supply \(LVPS\) on page 153](#).
- High-voltage power supply lower. See [High-voltage power supply lower on page 189](#).

### Remove the lifter-drive assembly

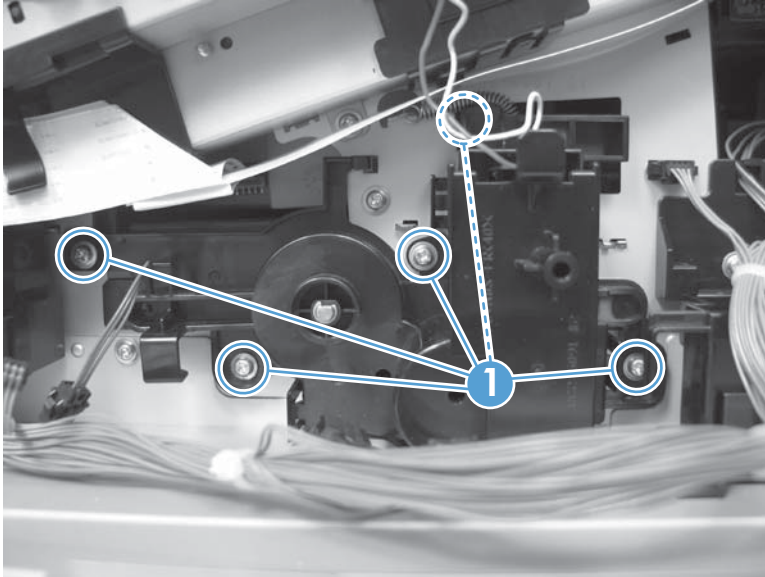
1. Disconnect three connectors (callout 1), and then release the wire harness from the retainers.

**Figure 1-283** Remove the lifter-drive assembly (1 of 2)



2. Remove five screws (callout 1), and then remove the assembly.

**Figure 1-284** Remove the lifter-drive assembly (2 of 2)





## Tray-pickup drive assembly

### Before proceeding, remove the following components:

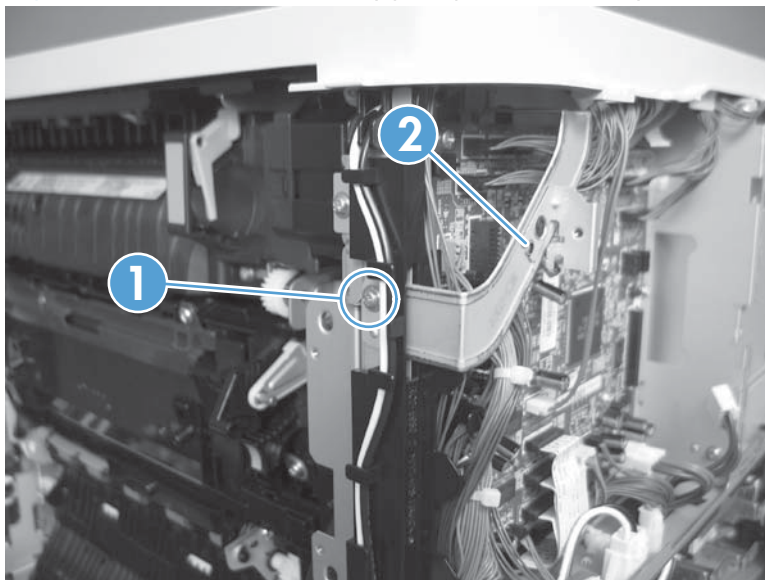
- Toner-collection unit. See [Toner-collection unit on page 15](#).
- Formatter PCA. See [Formatter PCA on page 17](#).
- Right-rear cover. See [Right-rear cover on page 90](#).
- Left cover. See [Left cover on page 92](#).
- Rear-upper cover. See [Rear-upper cover on page 95](#).
- Rear cover. See [Rear cover on page 98](#).
- Interconnect board (ICB). See [Interconnect board \(ICB\) on page 148](#).
- Low-voltage power supply (LVPS). See [Low-voltage power supply \(LVPS\) on page 153](#).
- High-voltage power supply lower. See [High-voltage power supply lower on page 189](#).

### Remove the tray-pickup drive assembly

 **NOTE:** To remove the pickup motor only, see [Pickup motor on page 194](#).

1. Remove one screw (callout 1), and then remove the sheet-metal bracket (callout 2).

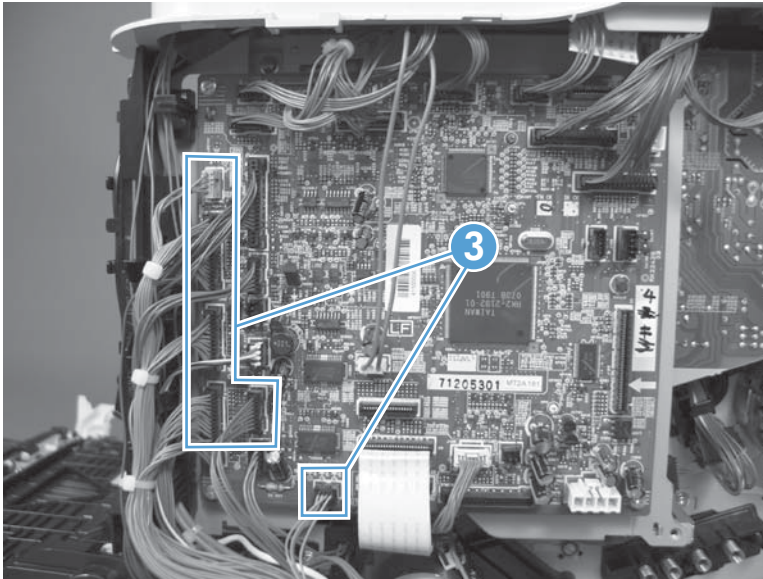
**Figure 1-285** Remove the tray-pickup drive assembly (1 of 10)




2. Disconnect six connectors (callout 1; J106, J107, J108, J137, J138, J140).

 **NOTE:** To locate DC controller connector locations, see [DC controller PCA on page 8](#).

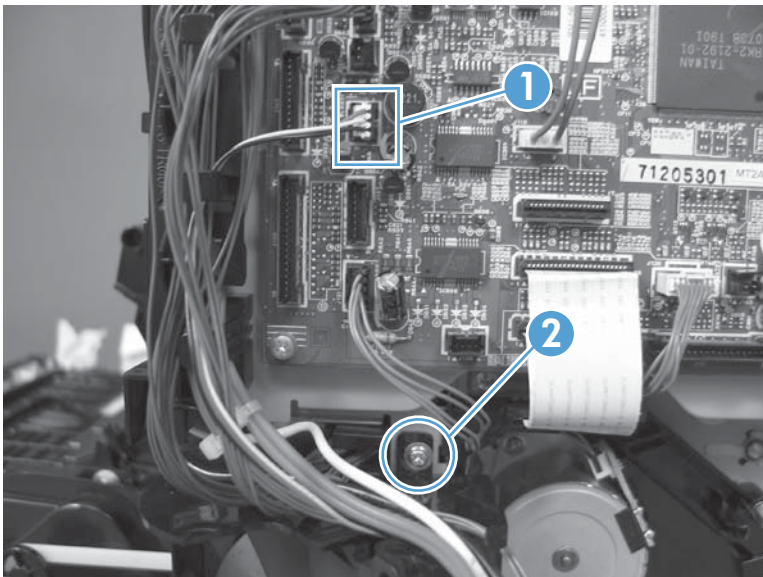
**Figure 1-286** Remove the tray-pickup drive assembly (2 of 10)



3. Disconnect one connector (callout 1; J119), remove one screw (callout 2), and then release the wire harness from the guides.

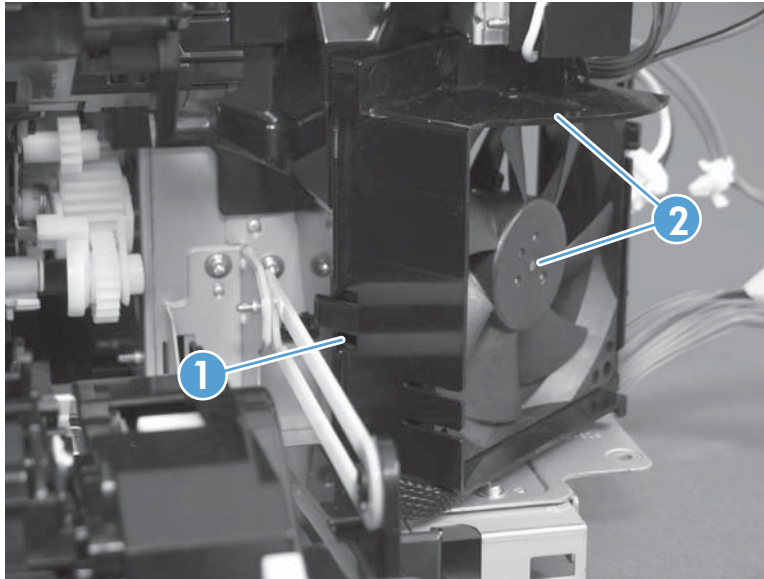
 **NOTE:** To locate DC controller connector locations, see [DC controller PCA on page 8](#).

**Figure 1-287** Remove the tray-pickup drive assembly (3 of 10)



4. Release one tab (callout 1), and then remove the fan and fan duct (callout 2).

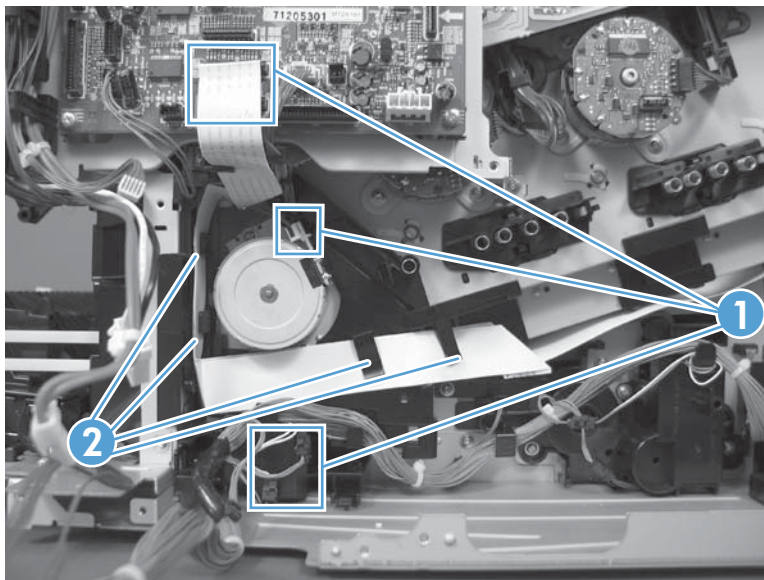
**Figure 1-288** Remove the tray-pickup drive assembly (4 of 10)



5. Disconnect five connectors (callout 1; J110, J111 on the DC controller PCA), release the FFCs from the guide (callout 2), and then release the wire harnesses from the guides.

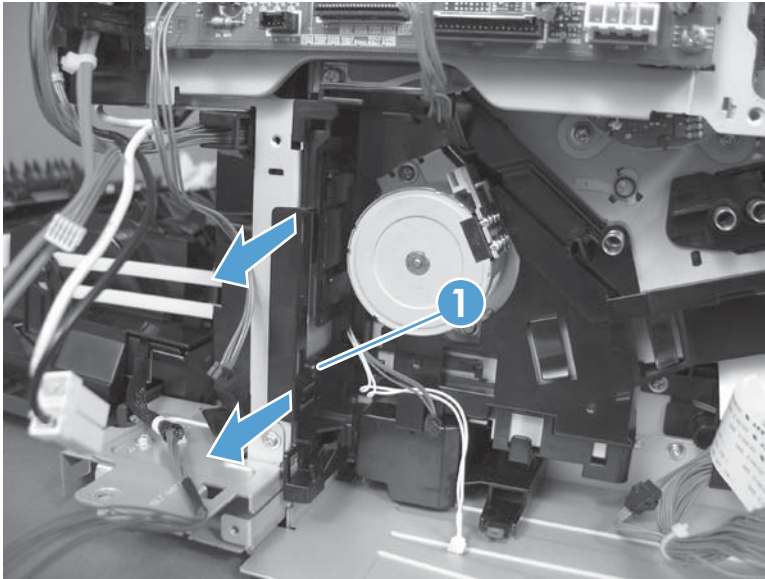
 **NOTE:** To locate DC controller connector locations, see [DC controller PCA on page 8](#).

**Figure 1-289** Remove the tray-pickup drive assembly (5 of 10)



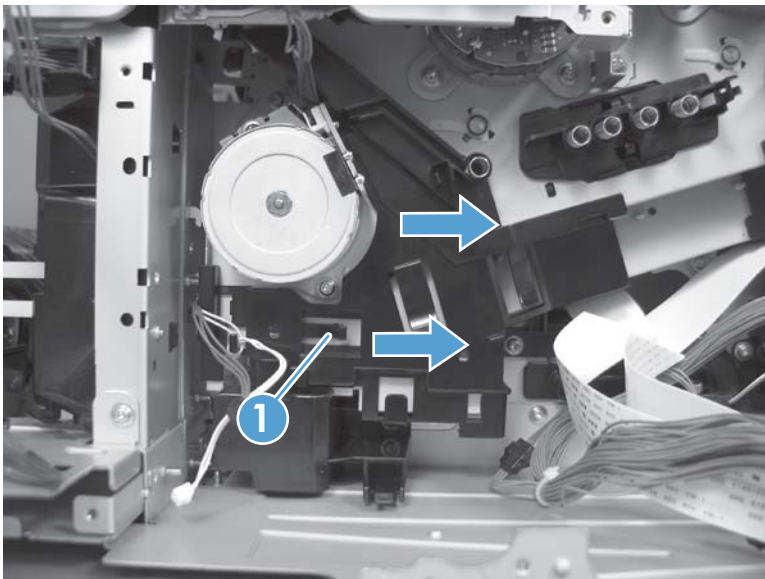
6. Release one tab (callout 1), and then remove the guide.

**Figure 1-290** Remove the tray-pickup drive assembly (6 of 10)



7. Release one tab (callout 1), and then remove the guide.

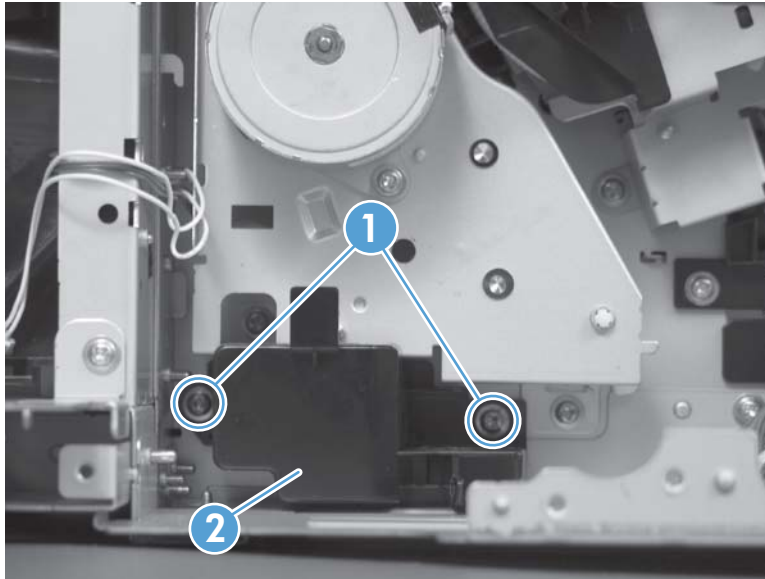
**Figure 1-291** Remove the tray-pickup drive assembly (7 of 10)





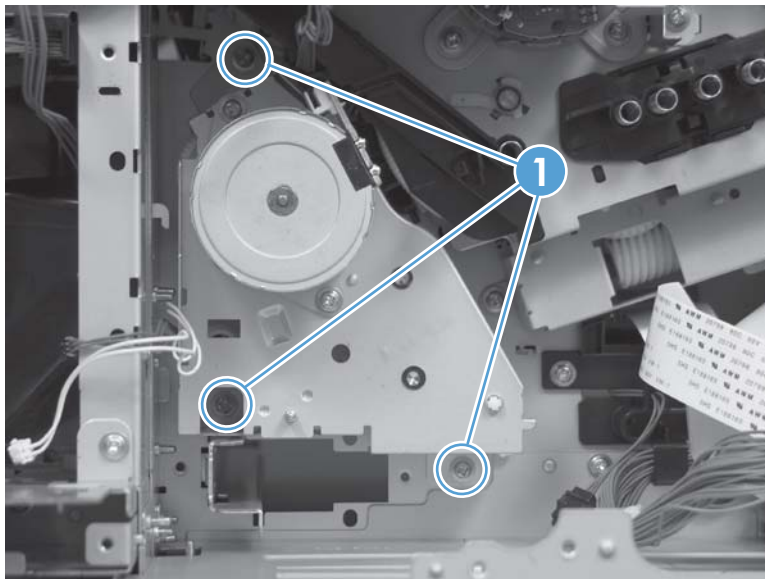
8. Remove two screws (callout 1), and then remove the high-voltage bracket (callout 2).

**Figure 1-292** Remove the tray-pickup drive assembly (8 of 10)



9. Remove three screws (callout 1).

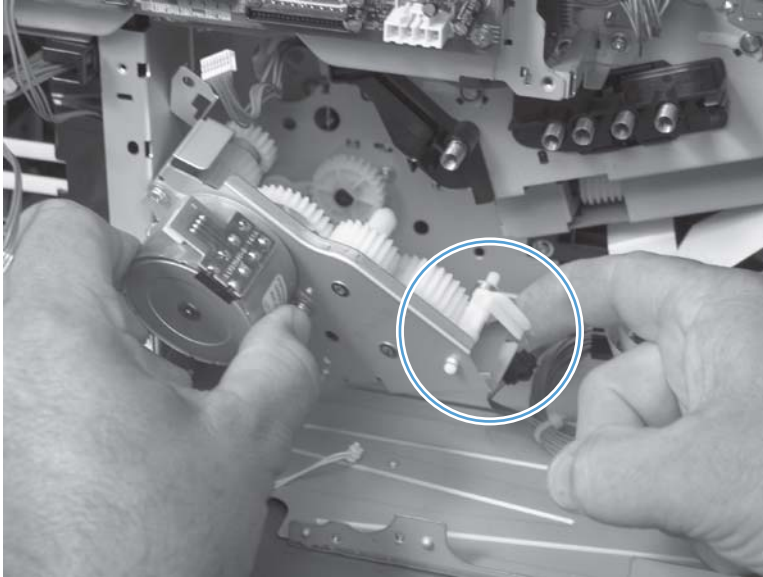
**Figure 1-293** Remove the tray-pickup drive assembly (9 of 10)



10. Carefully remove the assembly.

**⚠ CAUTION:** The gears, arm, and spring on the assembly are not captive. Use your finger to secure the arm and spring as you remove the assembly. If the gears, arm, or spring become dislodged, see [Reinstall the tray-pickup drive assembly on page 202](#).

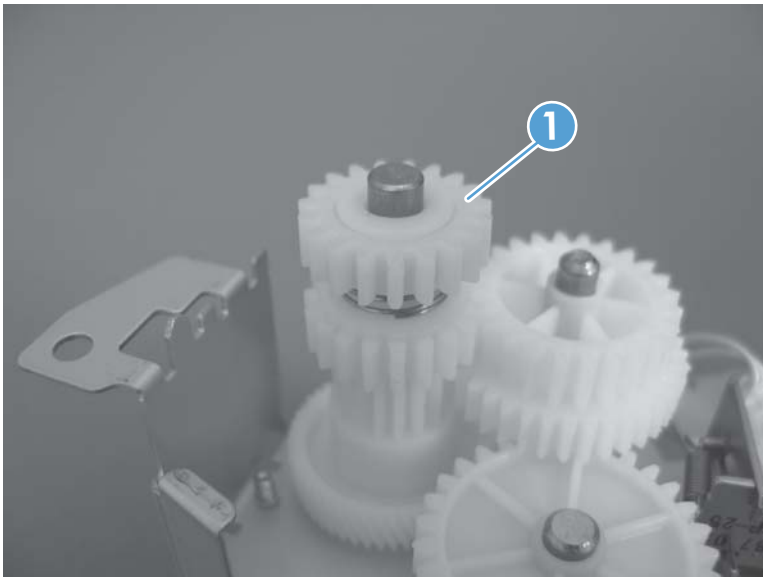
**Figure 1-294** Remove the tray-pickup drive assembly (10 of 10)



### Reinstall the tray-pickup drive assembly

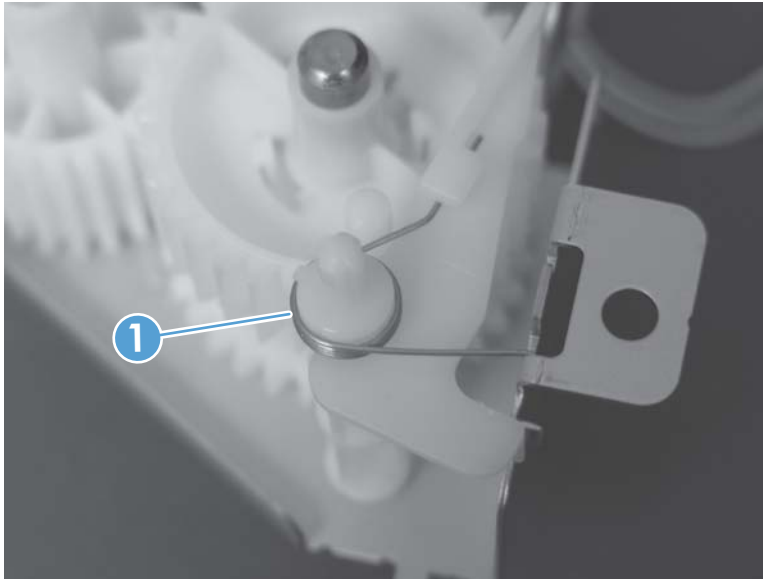
1. Make sure that the spring-loaded gear (callout 1) is correctly installed.

**Figure 1-295** Reinstall the tray-pickup drive assembly (1 of 3)



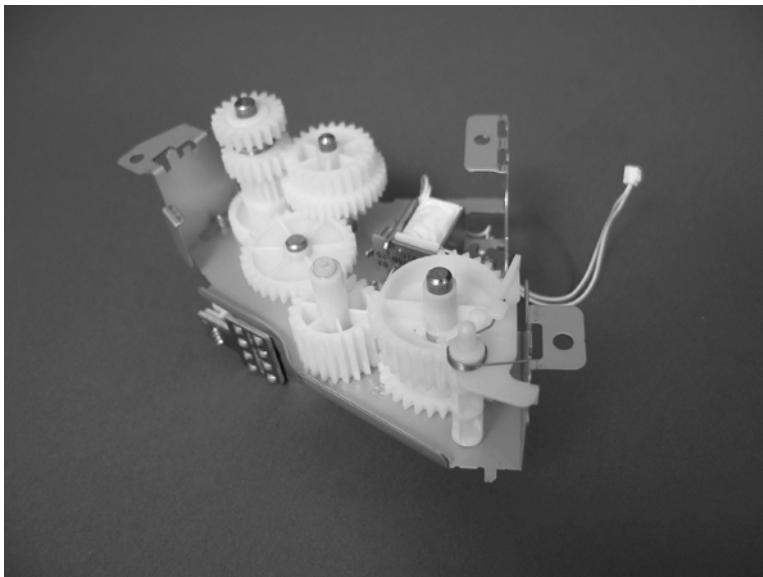
2. Make sure that the spring (callout 1) is correctly installed.

**Figure 1-296** Reinstall the tray-pickup drive assembly (2 of 3)



3. Make sure that the gears, arm, and spring are correctly installed.

**Figure 1-297** Reinstall the tray-pickup drive assembly (3 of 3)



## Tray-pickup assembly

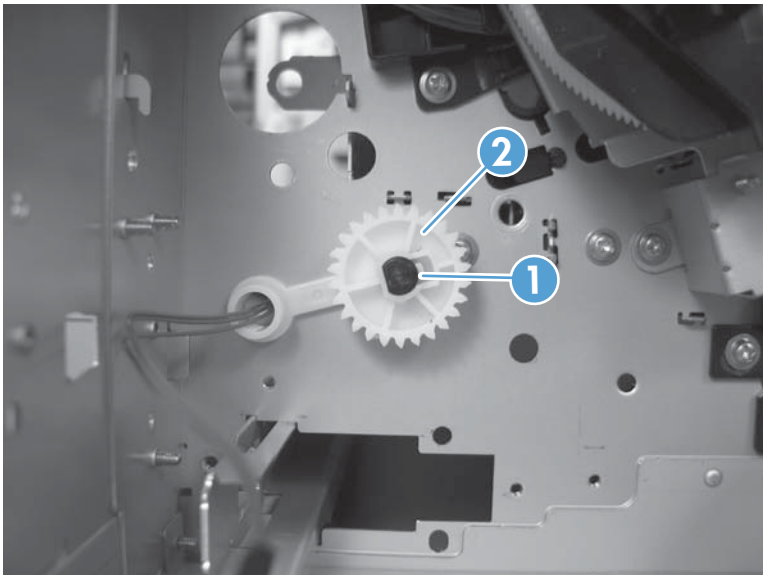
### Before proceeding, remove the following components:

- Toner-collection unit. See [Toner-collection unit on page 15](#).
- Formatter PCA. See [Formatter PCA on page 17](#).
- Right-rear cover. See [Right-rear cover on page 90](#).
- Left cover. See [Left cover on page 92](#).
- Rear-upper cover. See [Rear-upper cover on page 95](#).
- Rear cover. See [Rear cover on page 98](#).
- Interconnect board (ICB). See [Interconnect board \(ICB\) on page 148](#).
- Low-voltage power supply (LVPS). See [Low-voltage power supply \(LVPS\) on page 153](#).
- Registration density (RD) sensor assembly. See [Registration density \(RD\) sensor assembly on page 177](#).
- High-voltage power supply lower. See [High-voltage power supply lower on page 189](#).
- Tray-pickup drive assembly. See [Tray-pickup drive assembly on page 197](#).

### Remove the tray-pickup assembly

1. Release one tab (callout 1), and then remove the gear (callout 2).

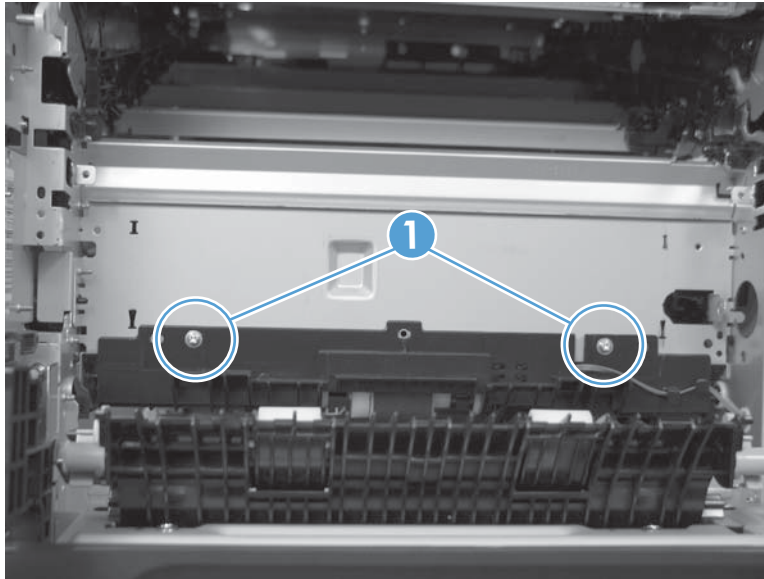
**Figure 1-298** Remove the tray-pickup assembly (1 of 3)





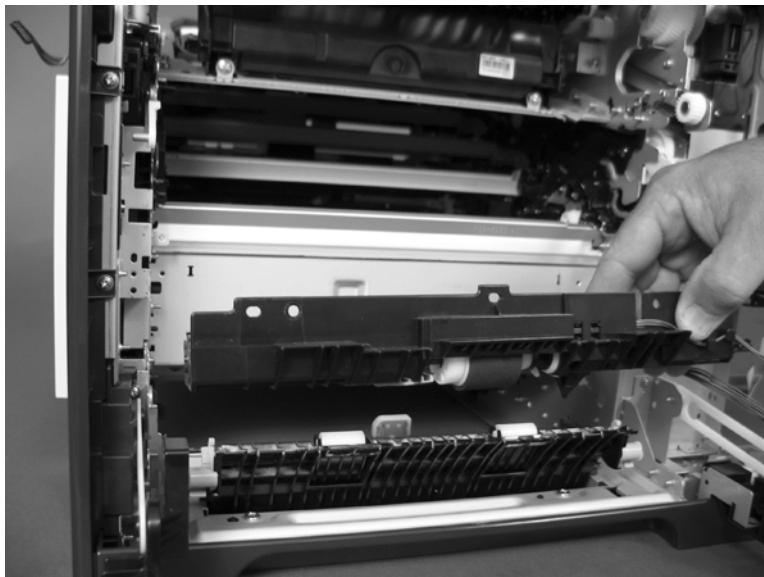
2. Remove two screws (callout 1).

**Figure 1-299** Remove the tray-pickup assembly (2 of 3)



3. Remove the assembly.

**Figure 1-300** Remove the tray-pickup assembly (3 of 3)



## Laser/scanner assembly (Y/M)

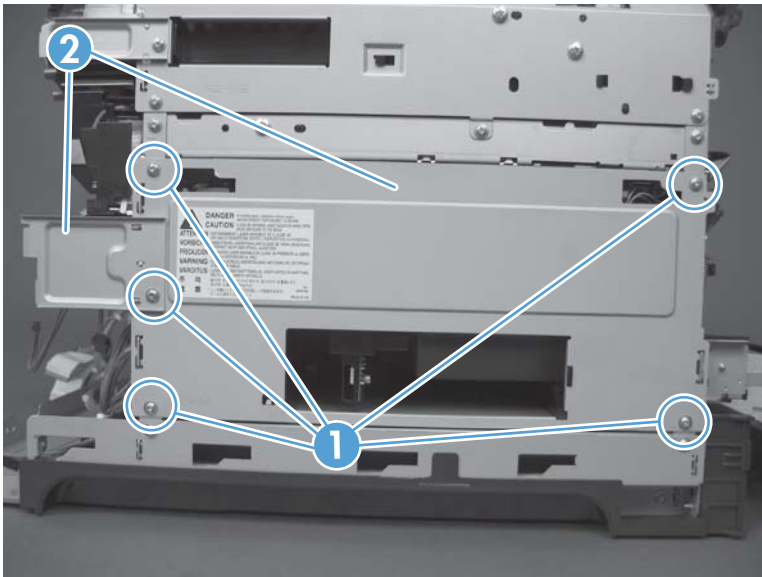
### Before proceeding, remove the following components:

- Toner-collection unit. See [Toner-collection unit on page 15](#).
- Formatter PCA. See [Formatter PCA on page 17](#).
- Right-rear cover. See [Right-rear cover on page 90](#).
- Left cover. See [Left cover on page 92](#).
- Rear-upper cover. See [Rear-upper cover on page 95](#).
- Rear cover. See [Rear cover on page 98](#).
- Interconnect board (ICB). See [Interconnect board \(ICB\) on page 148](#).
- Low-voltage power supply (LVPS). See [Low-voltage power supply \(LVPS\) on page 153](#).
- High-voltage power supply lower. See [High-voltage power supply lower on page 189](#).

### Remove the laser/scanner assembly (Y/M)

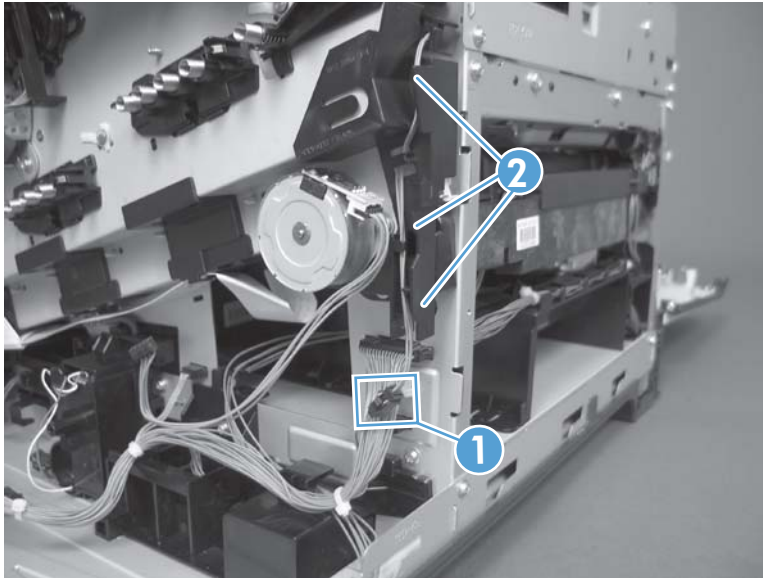
1. Remove five screws (callout 1), and then remove the sheet-metal plate (callout 2).

**Figure 1-301** Remove the laser/scanner assembly (Y/M) (1 of 12)



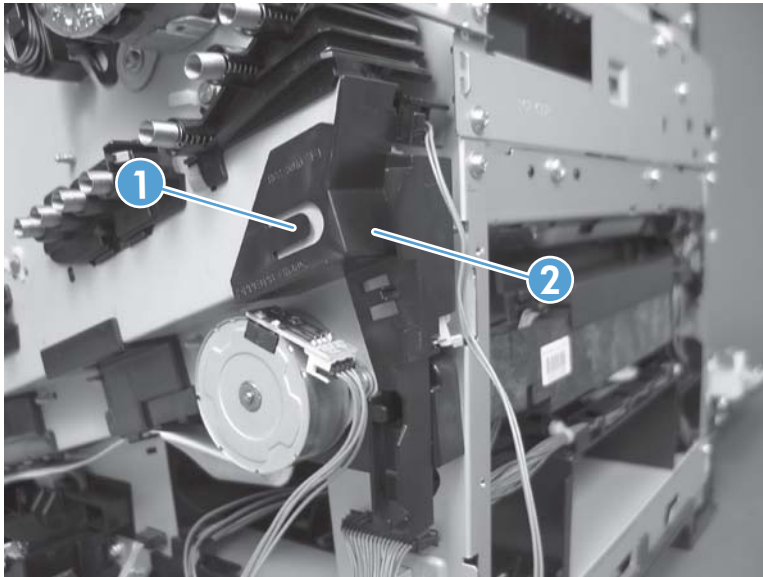
2. Disconnect in-line one connector (callout 1), and then release the wire harnesses from the guide (callout 2).

**Figure 1-302** Remove the laser/scanner assembly (Y/M) (2 of 12)



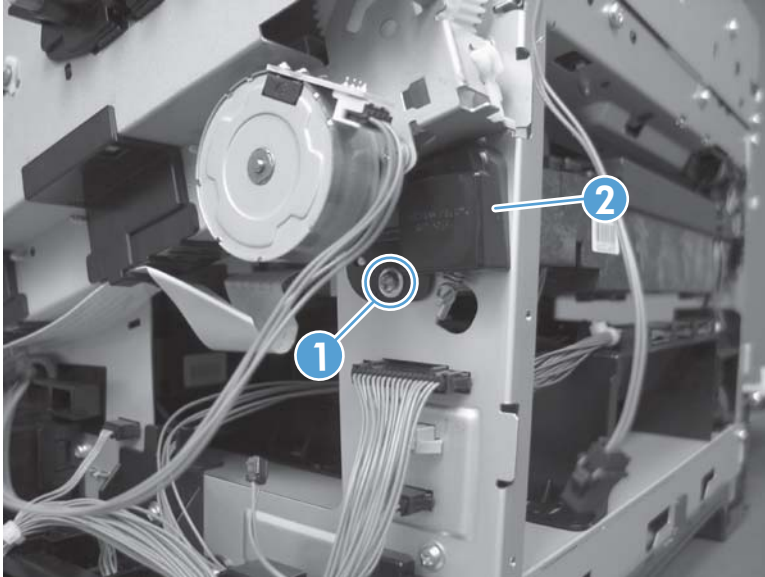
3. Release one tab (callout 1), and then remove the guide (callout 2).

**Figure 1-303** Remove the laser/scanner assembly (Y/M) (3 of 12)



4. Remove one screw (callout 1), and then remove the cover (callout 2).

**Figure 1-304** Remove the laser/scanner assembly (Y/M) (4 of 12)

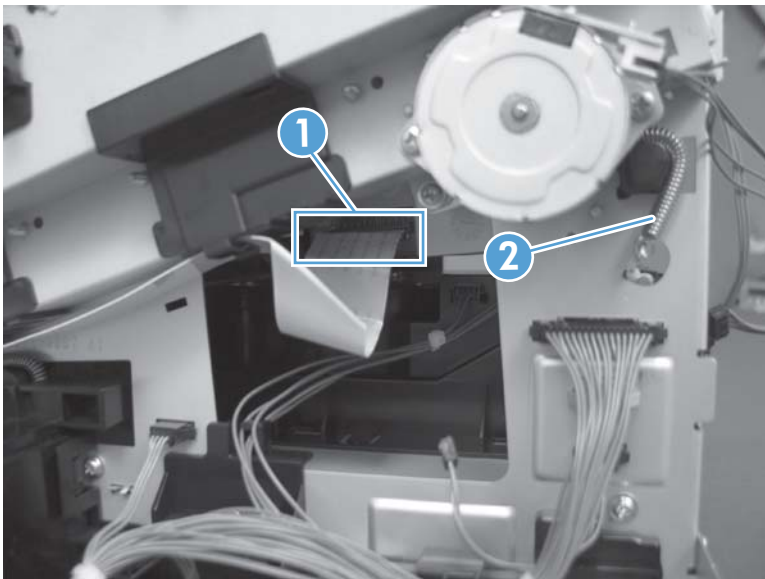


5. Disconnect one FFC (callout 1), and then release one spring (callout 2).


**CAUTION:** The spring is not captive. Do not lose the spring when it is removed. Use a pair of needle-nose pliers to safely retain the spring when it is removed. Do not use a flat blade screwdriver to remove the spring; the spring could forcibly leave the product and strike you.

**Reinstallation tip** When you reinstall the spring, make sure that the laser/scanner fits tightly up against the product chassis, and make sure that the FFC is fully seated in the connector. The locator tabs on the front and rear of the scanner must be firmly seated in the slots in the chassis.

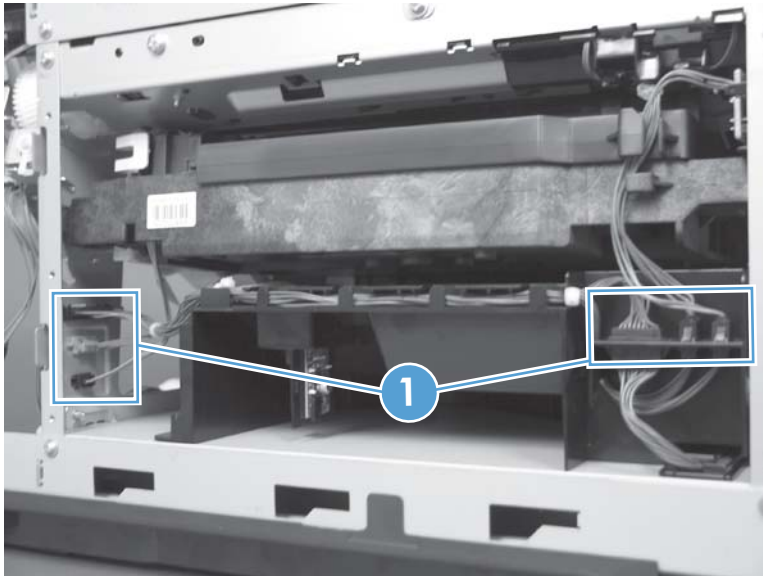
**Figure 1-305** Remove the laser/scanner assembly (Y/M) (5 of 12)



6. Disconnect six connectors (callout 1).

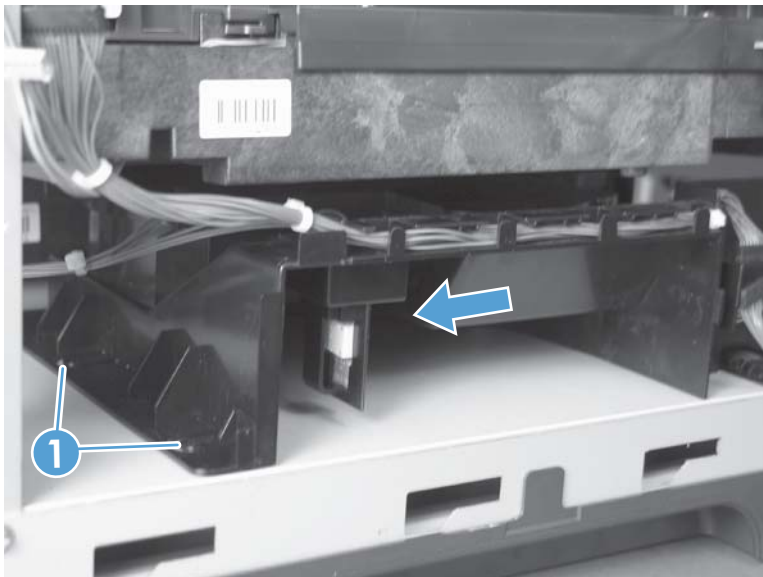
 **NOTE:** Disconnect the larger connector on the right side from the bottom. Disconnect the two smaller connectors on the right side from the top.

**Figure 1-306** Remove the laser/scanner assembly (Y/M) (6 of 12)



7. Release two tabs (callout 1), and then slide the fan assembly toward the power-supply side of the product to release it.

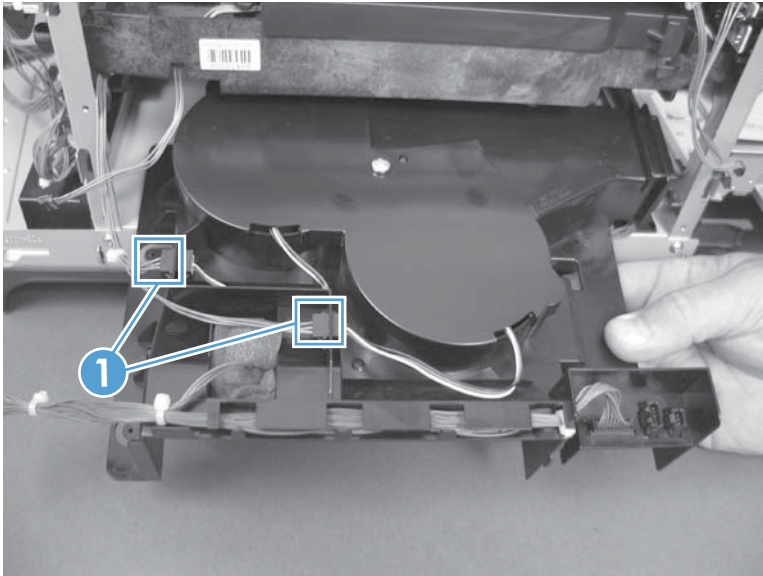
**Figure 1-307** Remove the laser/scanner assembly (Y/M) (7 of 12)





8. Pull the fan assembly slightly out of the product, disconnect two connectors (callout 1), and then remove the assembly.

**Figure 1-308** Remove the laser/scanner assembly (Y/M) (8 of 12)

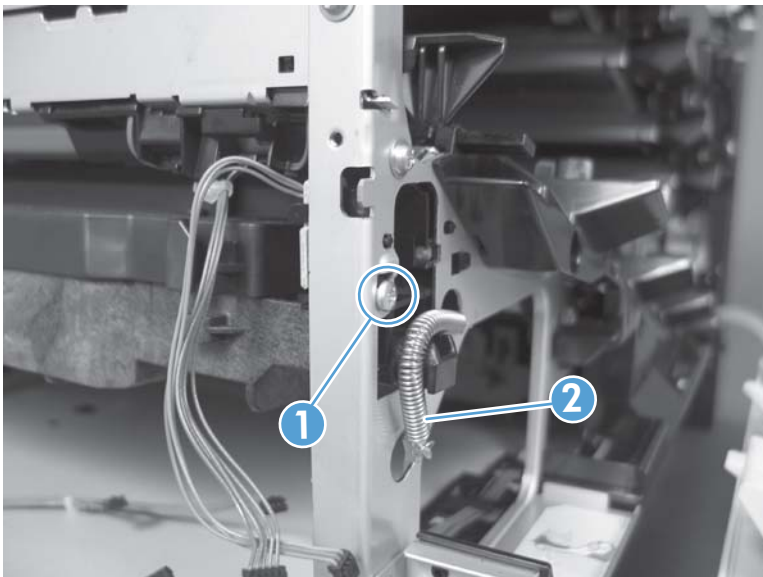


9. Remove one screw (callout 1), and then release one spring (callout 2).

**CAUTION:** The spring is not captive. Do not lose the spring when it is removed. Use a pair of needle-nose pliers to safely retain the spring when it is removed. Do not use a flat blade screwdriver to remove the spring; the spring could forcibly leave the product and strike you.

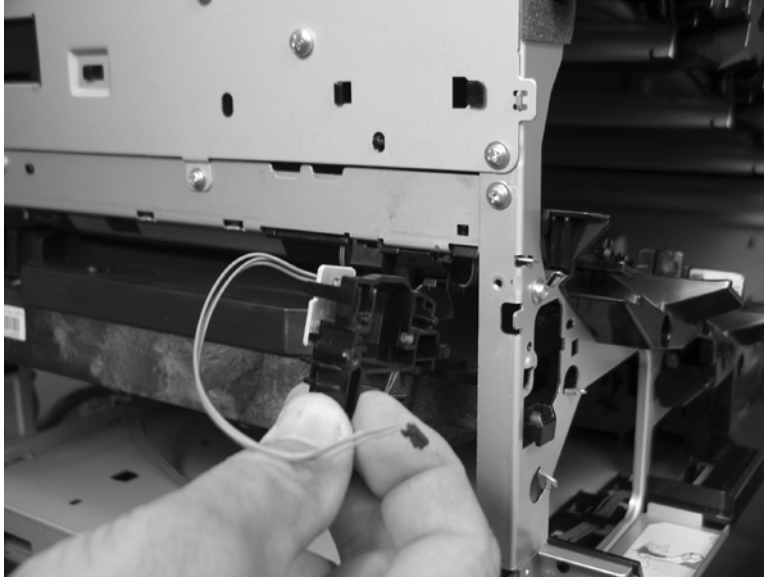
**Reinstallation tip** When the laser/scanner is properly positioned in the chassis, the plastic parts which protrude at the front and rear of the product will be firmly seated against the locator tabs on the chassis. Verify that the assembly is correctly seated, and then install the spring.

**Figure 1-309** Remove the laser/scanner assembly (Y/M) (9 of 12)



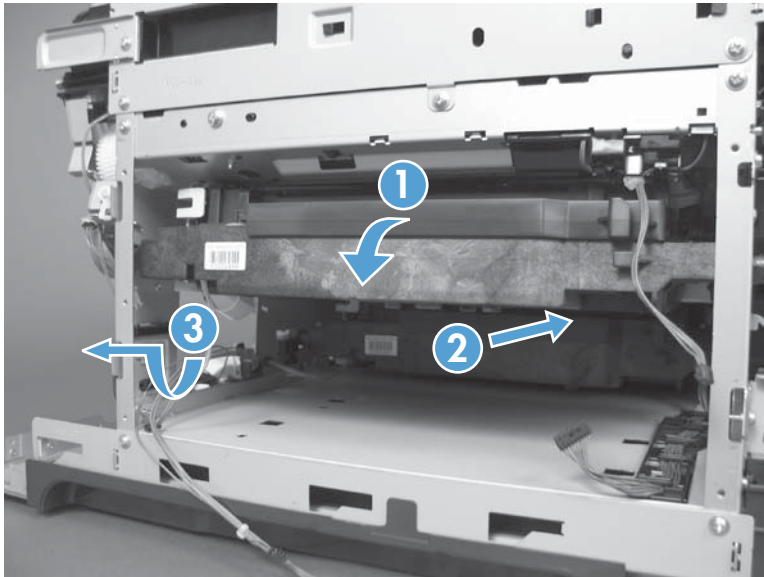
10. Remove the toner collection sensor.

**Figure 1-310** Remove the laser/scanner assembly (Y/M) (10 of 12)



11. Rotate the front of the laser/scanner assembly down (callout 1), and then slide it toward the right (callout 2). Lower the left corner, and then rotate the left corner out of the product (callout 3).

**Figure 1-311** Remove the laser/scanner assembly (Y/M) (11 of 12)



12. Pull the laser/scanner assembly straight out of the product to remove it.

**Figure 1-312** Remove the laser/scanner assembly (Y/M) (12 of 12)





## Laser/scanner assembly (C/Bk)

### Before proceeding, remove the following components:

- Toner-collection unit. See [Toner-collection unit on page 15](#).
- Formatter PCA. See [Formatter PCA on page 17](#).
- Right-rear cover. See [Right-rear cover on page 90](#).
- Left cover. See [Left cover on page 92](#).
- Rear-upper cover. See [Rear-upper cover on page 95](#).
- Rear cover. See [Rear cover on page 98](#).
- Interconnect board (ICB). See [Interconnect board \(ICB\) on page 148](#).
- Low-voltage power supply (LVPS). See [Low-voltage power supply \(LVPS\) on page 153](#).
- High-voltage power supply lower. See [High-voltage power supply lower on page 189](#).
- Lifter drive assembly. See [Lifter-drive assembly on page 195](#).
- Laser/scanner assembly (Y/M). See [Laser/scanner assembly \(Y/M\) on page 206](#).

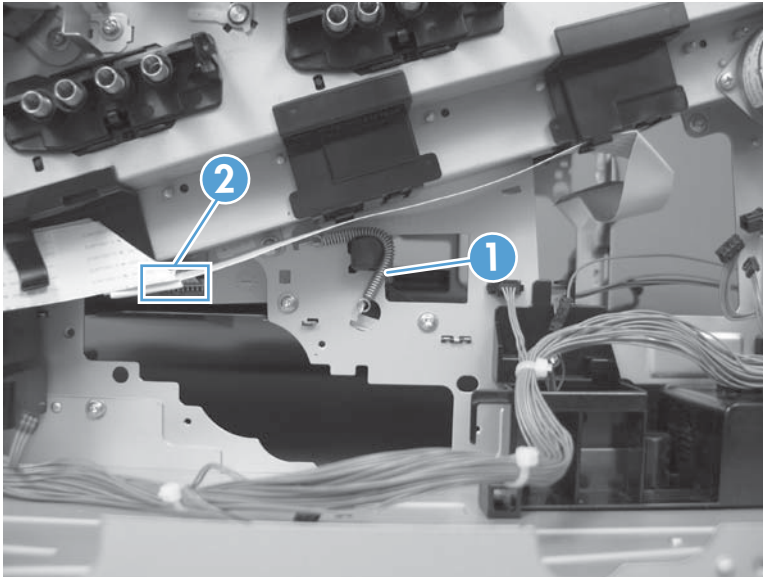
## Remove the laser/scanner assembly (C/Bk)

1. Release one spring (callout 1), and then disconnect one connector (callout 2).

**⚠ CAUTION:** The spring is not captive. Do not lose the spring when it is removed. Use a pair of needle-nose pliers to safely retain the spring when it is removed. Do not use a flat blade screwdriver to remove the spring; the spring could forcibly leave the product and strike you.

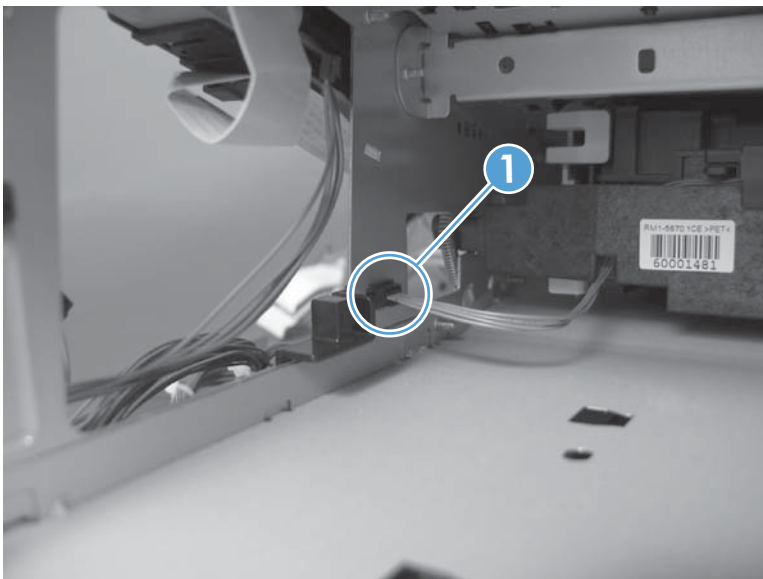
**💡 Reinstallation tip** When you reinstall the spring, make sure that the laser/scanner fits tightly up against the product chassis, and make sure that the FFC is fully seated in the connector. The locator tabs on the front of the scanner must be firmly seated in the slots in the chassis.

**Figure 1-313** Remove the laser/scanner assembly (C/Bk) (1 of 7)



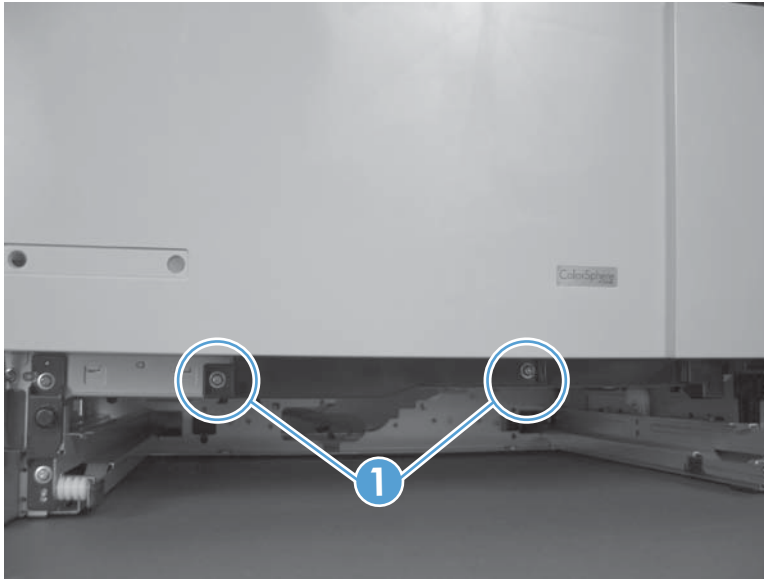
2. Disconnect one connector (callout 1).

**Figure 1-314** Remove the laser/scanner assembly (C/Bk) (2 of 7)



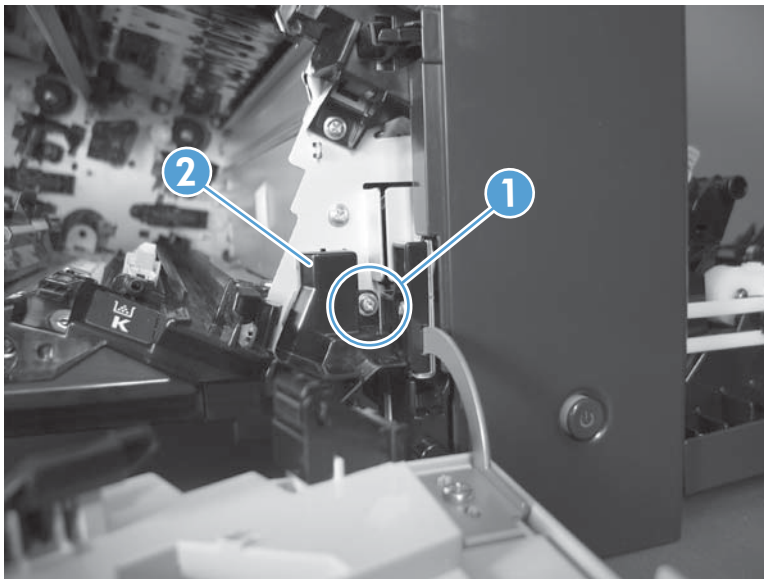
3. Remove two screws (callout 1) located below the front door.

**Figure 1-315** Remove the laser/scanner assembly (C/Bk) (3 of 7)



4. Open the front door, and then remove one screw (callout 1) and the cover (callout 2).

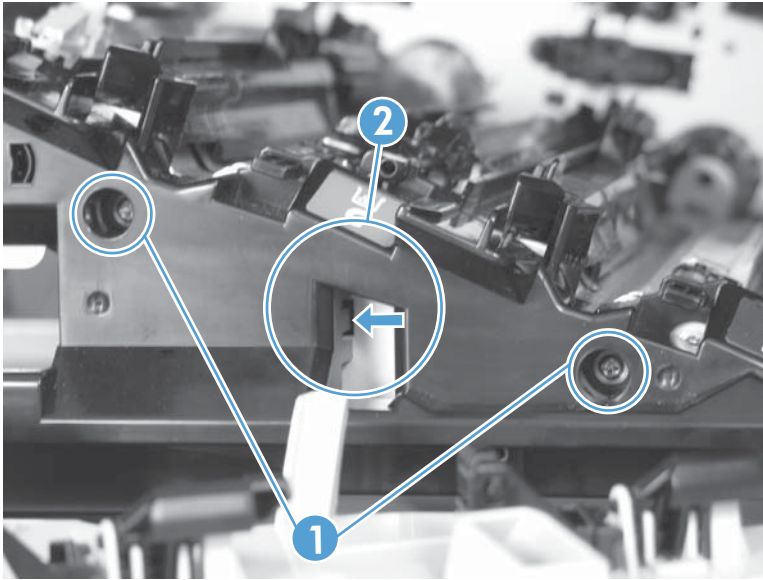
**Figure 1-316** Remove the laser/scanner assembly (C/Bk) (4 of 7)



5. Remove two screws (callout 1). Use your finger to release the locking tab (callout 2), and then remove the cover.

**⚠ CAUTION:** Be careful. The PGC actuators are easily dislodged when the cover is removed. See [Figure 1-320 Reinstall the PGC actuators \(1 of 5\) on page 218](#). To reinstall the actuators, see [Reinstall the protective glass cleaner \(PGC\) actuators on page 218](#).

**Figure 1-317** Remove the laser/scanner assembly (C/Bk) (5 of 7)

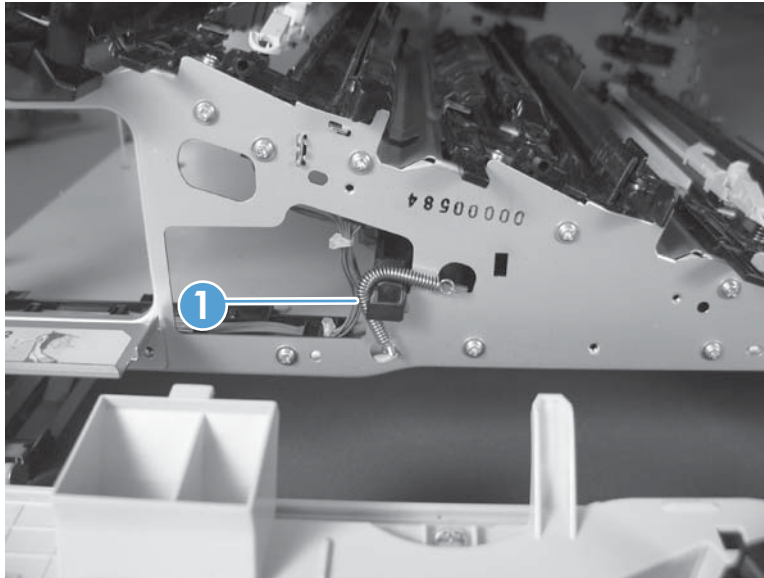


6. Release one spring (callout 1).


**⚠ CAUTION:** The spring is not captive. Do not lose the spring when it is removed. Use a pair of needle-nose pliers to safely retain the spring when it is removed. Do not use a flat blade screwdriver to remove the spring; the spring could forcibly leave the product and strike you.

**💡 Reinstallation tip** When you reinstall the spring, make sure that the laser/scanner fits tightly up against the product chassis.

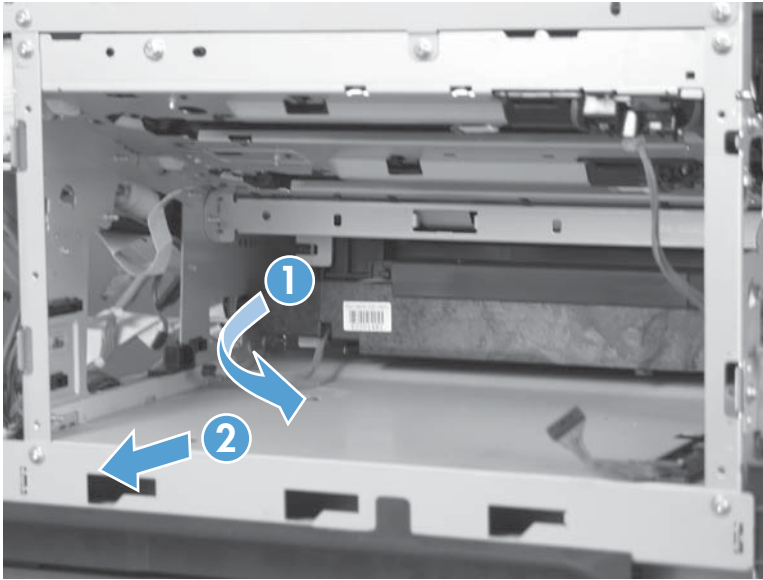
**Figure 1-318** Remove the laser/scanner assembly (C/Bk) (6 of 7)



7. Rotate the corner of the assembly away from the product until you can see the PCA, and then remove the assembly from the product.


 **Reinstallation tip** When the laser/scanner is properly positioned in the chassis, the plastic parts which protrude at the front and rear of the product will be firmly seated against the locator tabs on the chassis. Verify that the assembly is correctly seated, and then install the spring.

**Figure 1-319** Remove the laser/scanner assembly (C/Bk) (7 of 7)

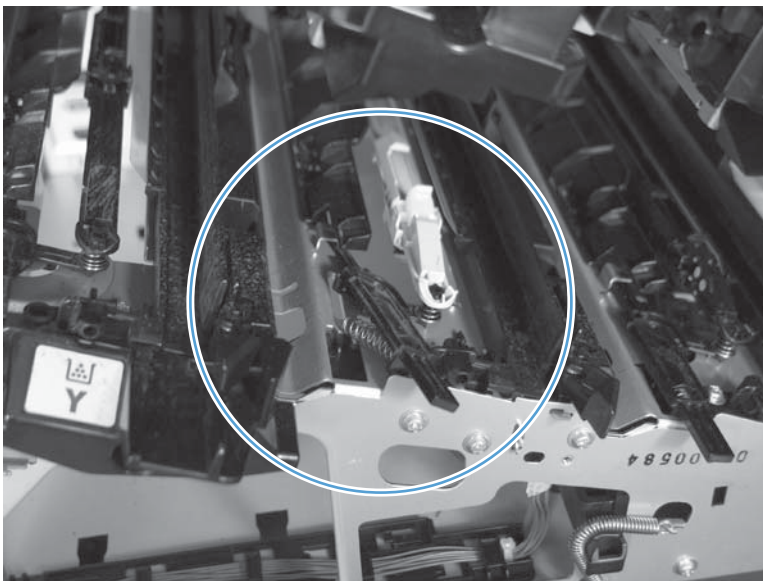


### Reinstall the protective glass cleaner (PGC) actuators

1. The following figure shows a dislodged PGC actuator.

 **TIP:** If the actuator and spring are only slightly dislodged, you might be able to easily push them back into place.

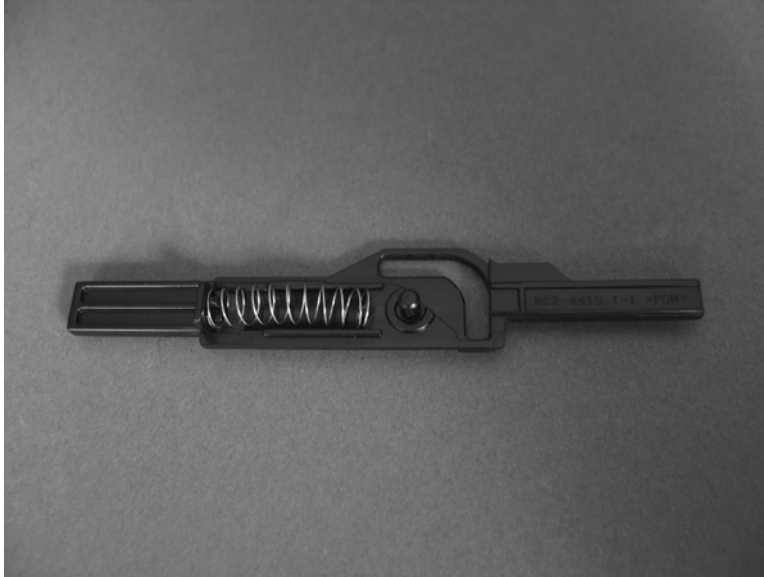
**Figure 1-320** Reinstall the PGC actuators (1 of 5)





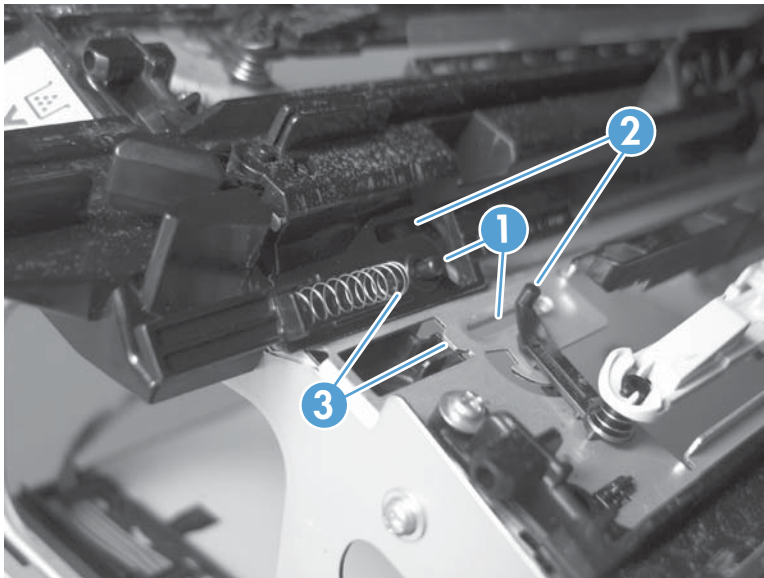
2. Remove the actuator and spring from the product. Install the spring on the actuator.

**Figure 1-321** Reinstall the PGC actuators (2 of 5)



3. Before proceeding, take note of the following:
  - **Callout 1:** The pin on the actuator will be installed into the slot in the chassis.
  - **Callout 2:** The pin on the pivot arm will be installed into the slot on the actuator.
  - **Callout 3:** The end of the spring will be installed onto the tab on the chassis.

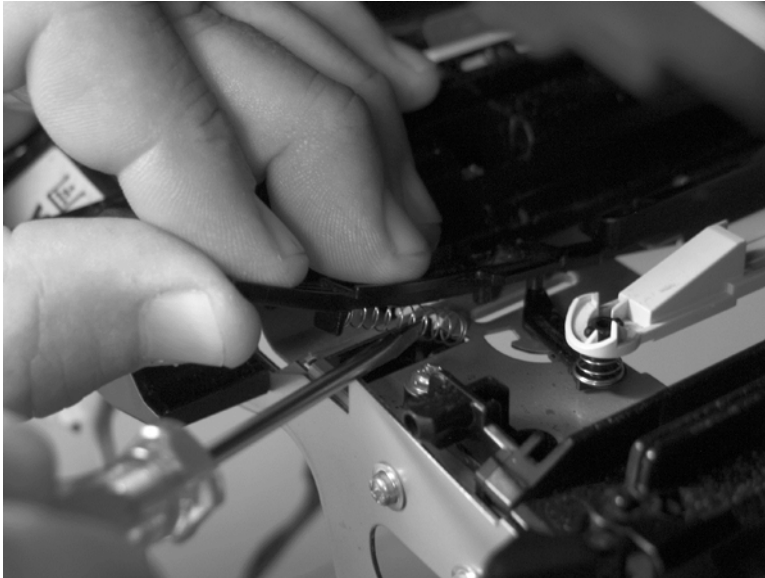
**Figure 1-322** Reinstall the PGC actuators (3 of 5)





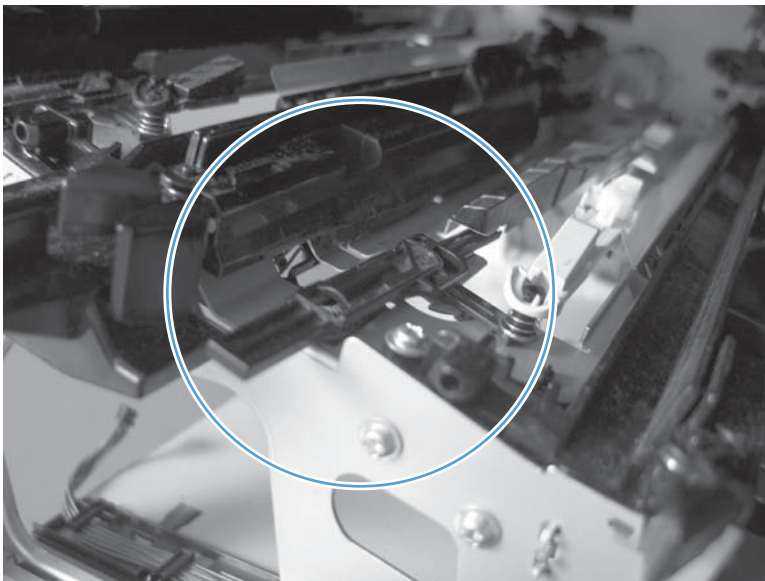
4. Place the end of the actuator into the PGC rod, and then use a small flat blade screw driver to fasten the end of the spring on the tab on the chassis.

**Figure 1-323** Reinstall the PGC actuators (4 of 5)



5. Push down on the actuator to seat it into place. Verify that the actuators is correctly installed. The PGC actuator should freely move when you push in on the actuator.

**Figure 1-324** Reinstall the PGC actuators (5 of 5)



## High-voltage power supply upper

### Before proceeding, remove the following components:

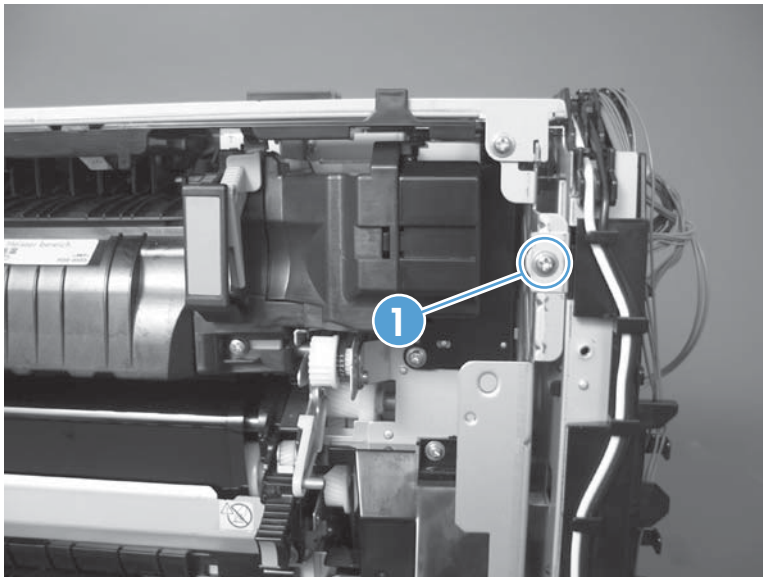
- Toner-collection unit. See [Toner-collection unit on page 15](#).
- Formatter PCA. See [Formatter PCA on page 17](#).
- Right-rear cover. See [Right-rear cover on page 90](#).
- Left cover. See [Left cover on page 92](#).
- Rear-upper cover. See [Rear-upper cover on page 95](#).
- Rear cover. See [Rear cover on page 98](#).
- Interconnect board (ICB). See [Interconnect board \(ICB\) on page 148](#).
- DC controller. See [DC controller PCA and tray on page 150](#).
- Low-voltage power supply (LVPS). See [Low-voltage power supply \(LVPS\) on page 153](#).

### Remove the high-voltage power supply upper


 **CAUTION:**  ESD-sensitive part.

1. Remove one screw (callout 1).

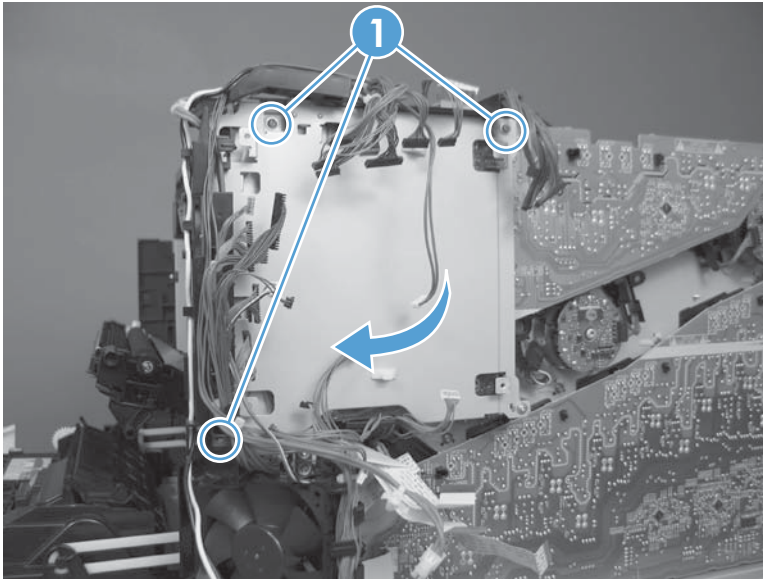
**Figure 1-325** Remove the high-voltage power supply upper (1 of 5)




2. Remove four screws (callout 1), and then rotate the sheet-metal plate away from the power supply.

 **NOTE:** You do not need to completely remove the sheet-metal plate to access the power supply.

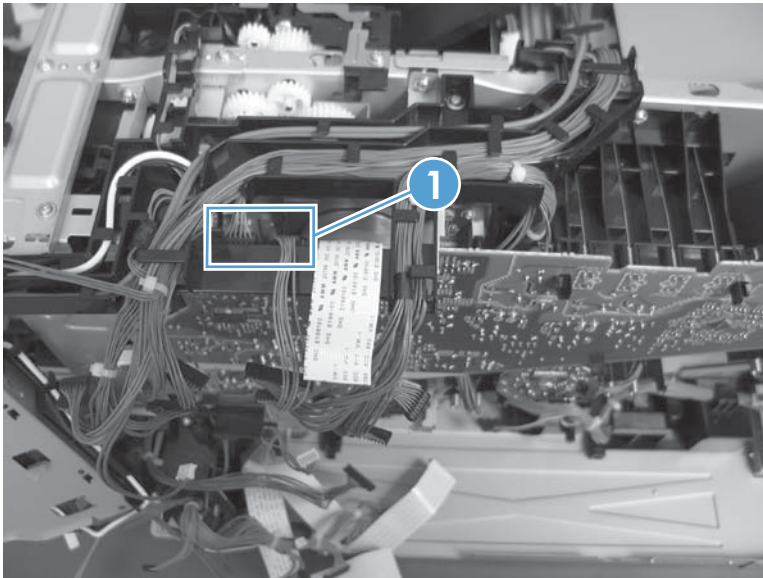
**Figure 1-326** Remove the high-voltage power supply upper (2 of 5)



3. Disconnect two connectors (callout 1; J201, J202) from the back side of the power supply.

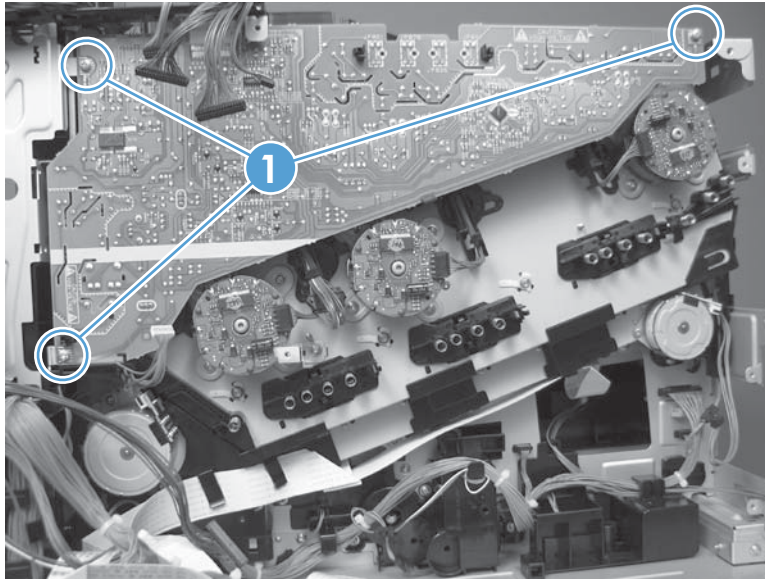
 **NOTE:** For clarity, the figure in this step shows the document feeder and scanner removed. Carefully reach under these components to access the two connectors.

**Figure 1-327** Remove the high-voltage power supply upper (3 of 5)



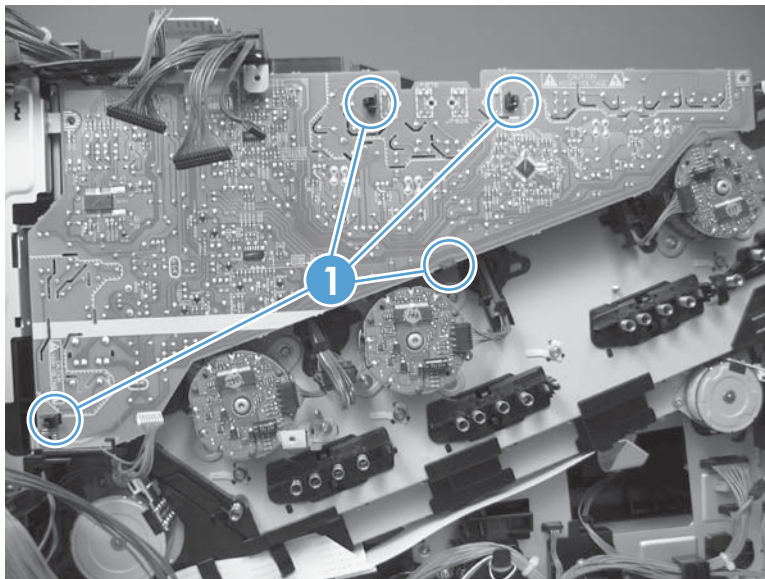
4. Remove three screws (callout 1).

**Figure 1-328** Remove the high-voltage power supply upper (4 of 5)



5. Release four tabs (callout 1), and then remove the power supply.


**Figure 1-329** Remove the high-voltage power supply upper (5 of 5)





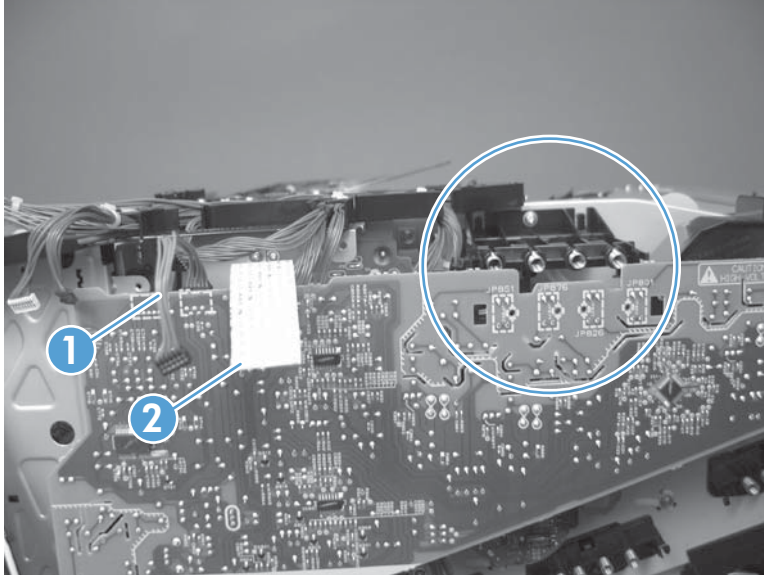
## Reinstall the high-voltage power supply upper

When you reinstall the power supply, look through the holes in the PCA and make sure that the high-voltage contact springs are correctly seated against the PCA.

 **NOTE:** One wire harness (callout 1) is disconnected at both ends. Do not lose the wire harness.

Position the FFC (callout 2) *over* the cable guide when you reinstall the power supply.

**Figure 1-330** Reinstall the high-voltage power supply upper



## Drum motor 1

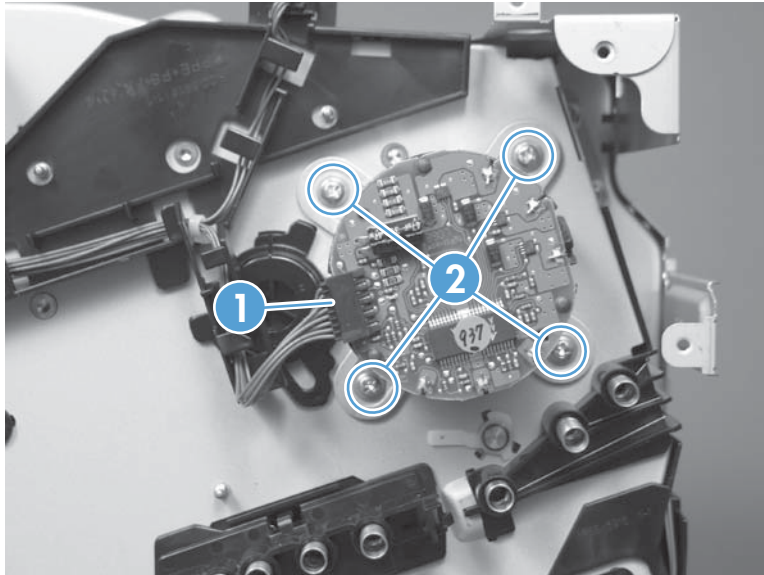
### Before proceeding, remove the following components:

- Toner-collection unit. See [Toner-collection unit on page 15](#).
- Right-rear cover. See [Right-rear cover on page 90](#).
- Left cover. See [Left cover on page 92](#).
- Rear-upper cover. See [Rear-upper cover on page 95](#).
- Rear cover. See [Rear cover on page 98](#).
- Interconnect board (ICB). See [Interconnect board \(ICB\) on page 148](#).
- DC controller. See [DC controller PCA and tray on page 150](#).
- Low-voltage power supply (LVPS). See [Low-voltage power supply \(LVPS\) on page 153](#).
- High-voltage power supply upper. See [High-voltage power supply upper on page 221](#).

### Remove the drum motor 1

- ▲ Disconnect one connector (callout 1), remove four screws (callout 2), and then remove the motor.

**Figure 1-331** Remove the drum motor 1



## Drum motor 2 or drum motor 3

### Before proceeding, remove the following components:

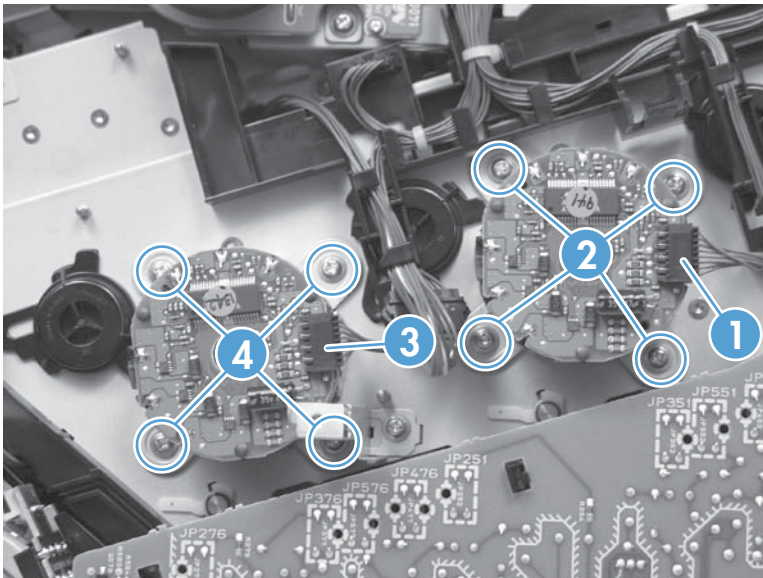
- Toner-collection unit. See [Toner-collection unit on page 15](#).
- Right-rear cover. See [Right-rear cover on page 90](#).
- Left cover. See [Left cover on page 92](#).
- Rear-upper cover. See [Rear-upper cover on page 95](#).
- Rear cover. See [Rear cover on page 98](#).
- Interconnect board (ICB). See [Interconnect board \(ICB\) on page 148](#).
- DC controller. See [DC controller PCA and tray on page 150](#).
- Low-voltage power supply (LVPS). See [Low-voltage power supply \(LVPS\) on page 153](#).
- High-voltage power supply upper. See [High-voltage power supply upper on page 221](#).

### Remove the drum motor 2 or drum motor 3

#### ▲ Do one of the following:

- Remove drum motor 2: Disconnect one connector (callout 1), remove four screws (callout 2), and then remove the motor.
- Remove drum motor 3: Disconnect one connector (callout 3), remove four screws (callout 4), and then remove the motor.

**Figure 1-332** Remove the drum motor 2 or drum motor 3





## Fuser motor

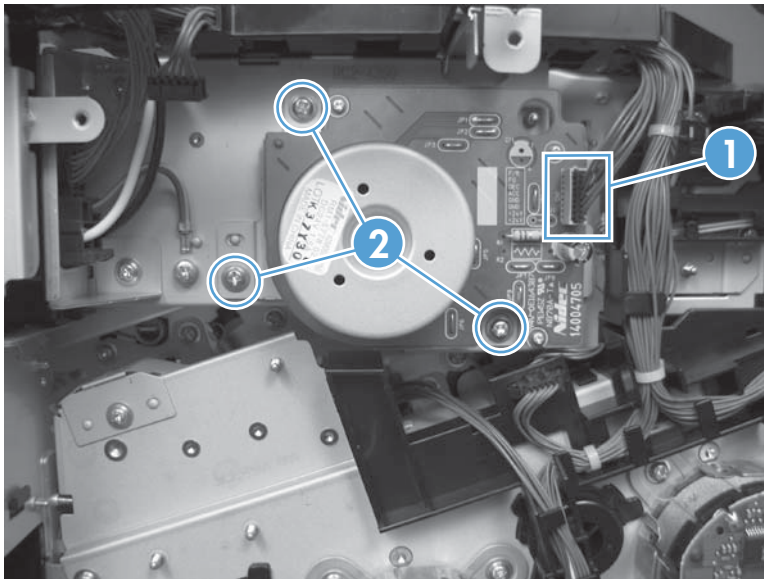
### Before proceeding, remove the following components:

- Toner-collection unit. See [Toner-collection unit on page 15](#).
- Formatter PCA. See [Formatter PCA on page 17](#).
- Right-rear cover. See [Right-rear cover on page 90](#).
- Left cover. See [Left cover on page 92](#).
- Rear-upper cover. See [Rear-upper cover on page 95](#).
- Rear cover. See [Rear cover on page 98](#).
- Interconnect board (ICB). See [Interconnect board \(ICB\) on page 148](#).
- DC controller. See [DC controller PCA and tray on page 150](#).
- Low-voltage power supply (LVPS). See [Low-voltage power supply \(LVPS\) on page 153](#).
- High-voltage power supply upper. See [High-voltage power supply upper on page 221](#).

### Remove the fuser motor

Disconnect one connector (callout 1), remove three screws (callout 2), and then remove the motor.

**Figure 1-333** Remove the fuser motor



## Main-drive assembly

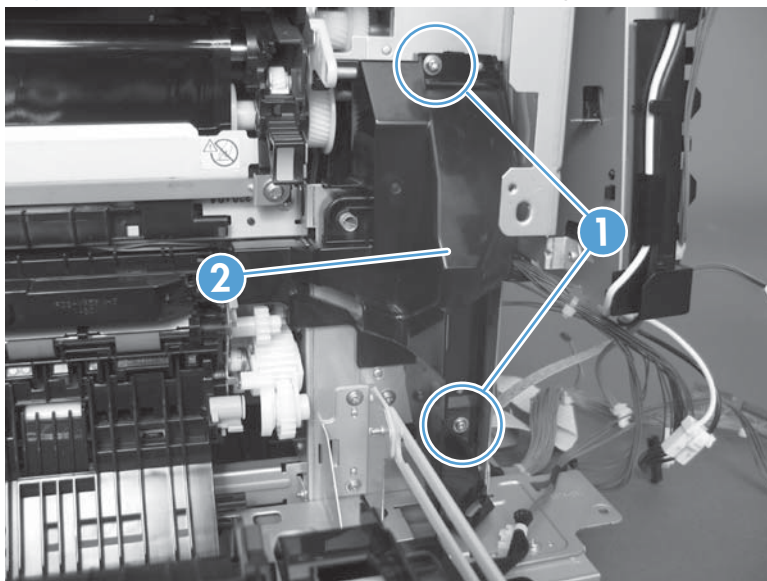
### Before proceeding, remove the following components:

- Toner-collection unit. See [Toner-collection unit on page 15](#).
- Formatter PCA. See [Formatter PCA on page 17](#).
- Fuser. See [Fuser on page 24](#).
- Intermediate transfer belt (ITB). See [Intermediate transfer belt \(ITB\) on page 34](#).
- Front-upper cover. See [Front-upper cover on page 83](#).
- Right-rear cover. See [Right-rear cover on page 90](#).
- Left cover. See [Left cover on page 92](#).
- Rear-upper cover. See [Rear-upper cover on page 95](#).
- Left-upper cover. See [Left-upper cover on page 97](#).
- Rear cover. See [Rear cover on page 98](#).
- Front-top cover. See [Front-top cover on page 110](#).
- Rear-top cover. See [Rear-top cover on page 112](#).
- Document feeder. See [Document feeder whole unit on page 127](#).
- Image scanner. See [Image scanner whole unit on page 139](#).
- Interconnect board (ICB). See [Interconnect board \(ICB\) on page 148](#).
- DC controller. See [DC controller PCA and tray on page 150](#).
- Low-voltage power supply (LVPS). See [Low-voltage power supply \(LVPS\) on page 153](#).
- Secondary transfer assembly. See [Secondary transfer assembly on page 171](#).
- Power-supply fan and fan duct. See [Power-supply fan and fan duct on page 181](#).
- High-voltage power supply lower. See [High-voltage power supply lower on page 189](#).
- High-voltage power supply upper. See [High-voltage power supply upper on page 221](#).

## Remove the main-drive assembly

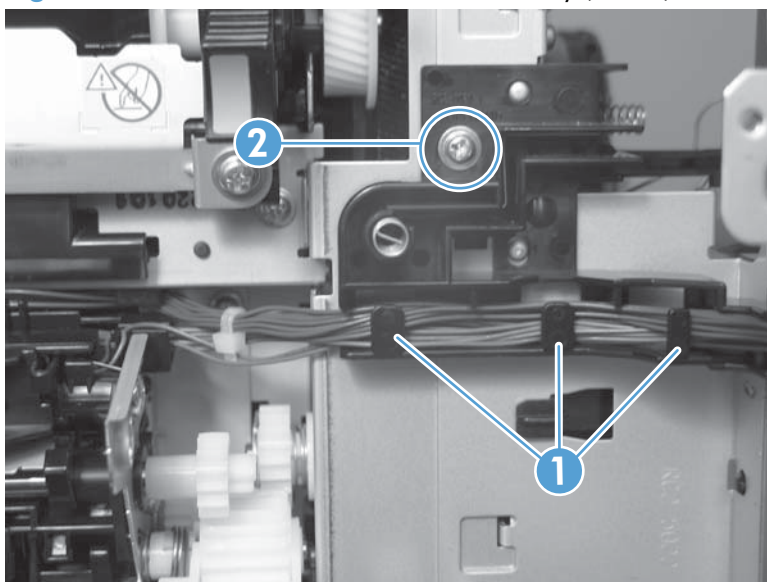
1. Remove two screws (callout 1), and then remove the cover (callout 2).

**Figure 1-334** Remove the main-drive assembly (1 of 7)



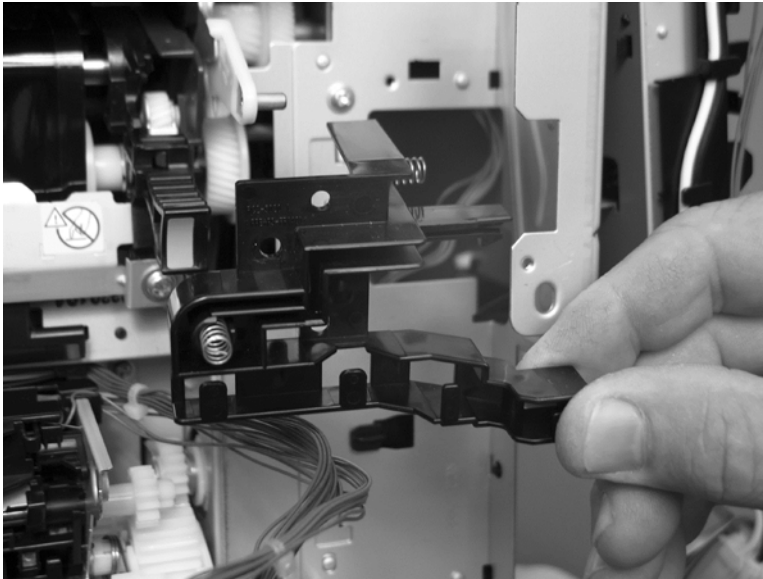
2. Release the wire harnesses from the guide (callout 1), and then remove one screw (callout 2).

**Figure 1-335** Remove the main-drive assembly (2 of 7)



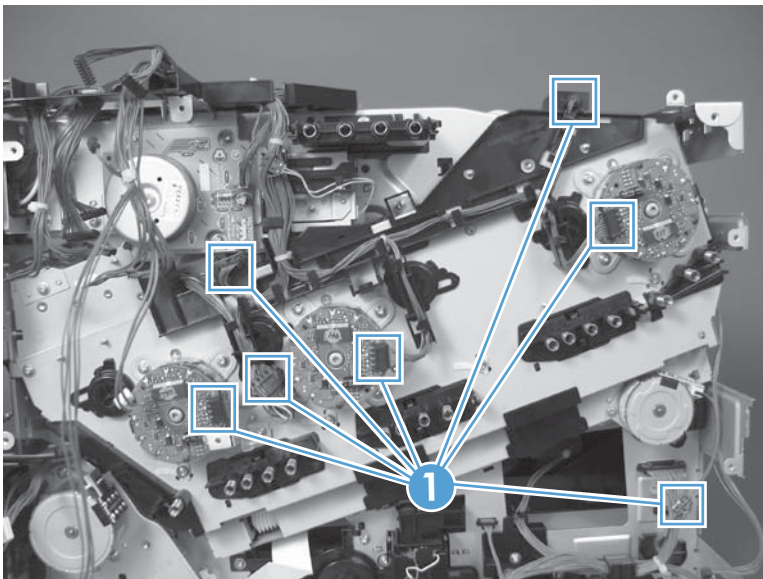
3. Lift the high-voltage bracket up to release it, and then remove the bracket.

**Figure 1-336** Remove the main-drive assembly (3 of 7)



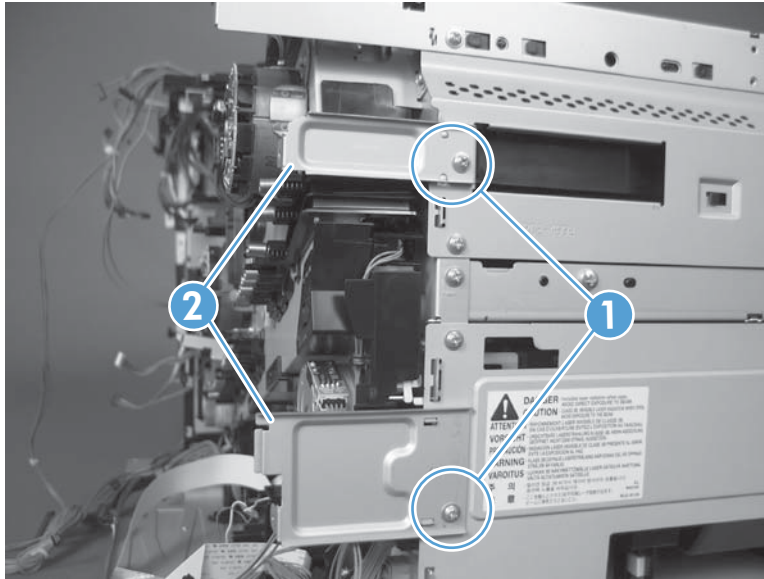
4. Disconnect seven connectors (callout 1), and then release the wire harnesses from the guides.

**Figure 1-337** Remove the main-drive assembly (4 of 7)



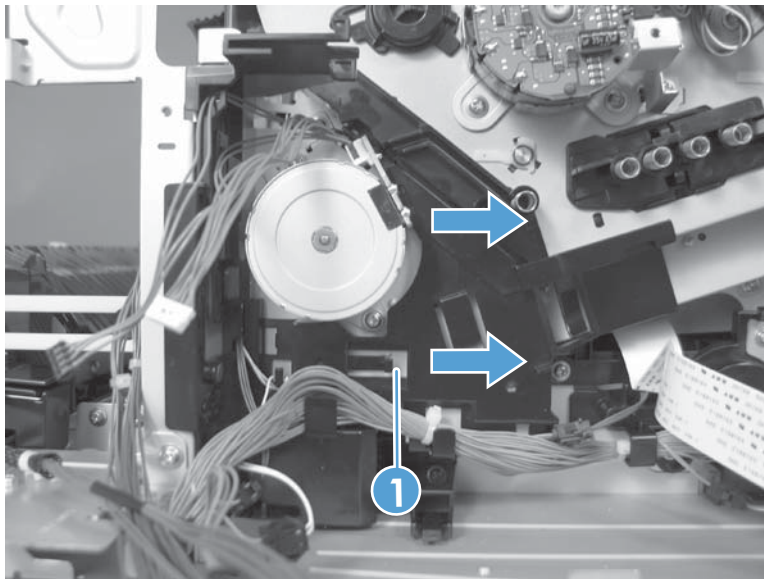
5. Remove two screws (callout 1), and then remove the sheet-metal plates (callout 2).

**Figure 1-338** Remove the main-drive assembly (5 of 7)



6. Release the FFCs and lower wiring harness from the guide, and then release one tab (callout 1) and remove the guide.

**Figure 1-339** Remove the main-drive assembly (6 of 7)



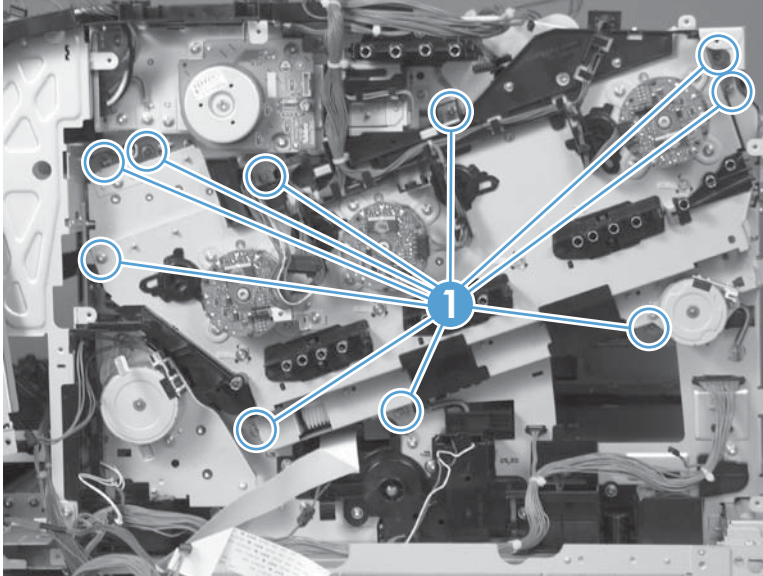


7. Remove ten screws (callout 1), and then carefully remove the assembly.

**⚠ CAUTION:** Be careful when you remove the assembly. The cams on the backside of the assembly can be dislodged. If the cams become dislodged, install them on the shafts as shown in [Figure 1-342 Reinstall the main-drive assembly \(2 of 11\) on page 233](#).

The black cam must be installed on the shaft furthest away from the developing-disengagement motor. The white cams are interchangeable.


**Figure 1-340** Remove the main-drive assembly (7 of 7)



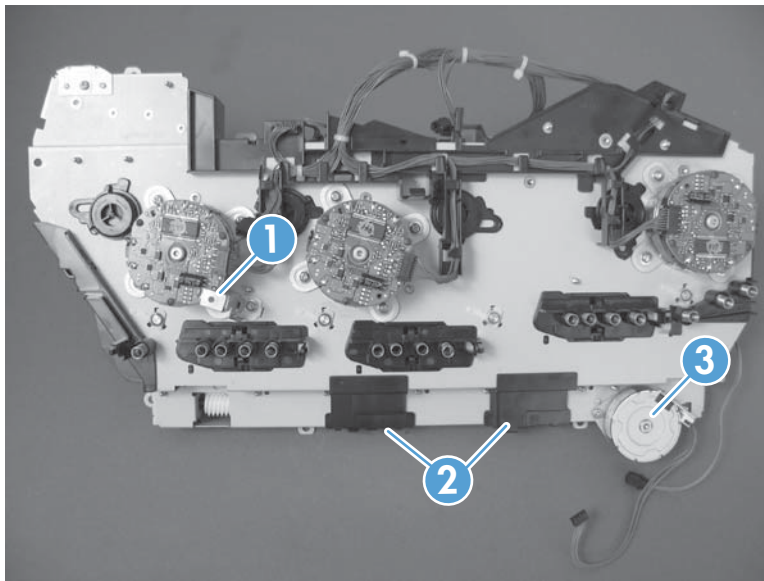
## Reinstall the main-drive assembly

1. Remove the bracket (callout 1), two guides (callout 2), and the developing-disengagement motor (callout 3).

Install the bracket and guides on the replacement main-drive assembly.

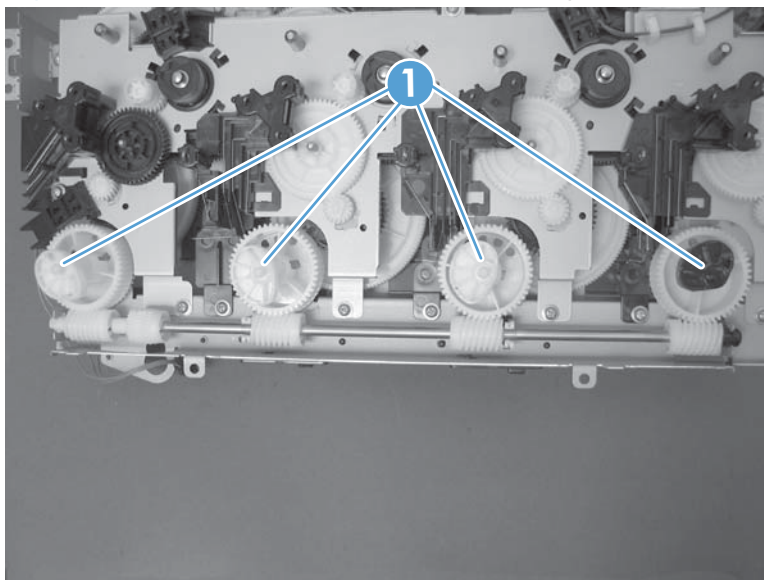
 **NOTE:** Do not install the developing-disengagement motor on the assembly (this motor must be removed from the assembly to align the main-drive cams).

**Figure 1-341** Reinstall the main-drive assembly (1 of 11)



2. Locate the cams (callout 1) on the back side of the assembly.

**Figure 1-342** Reinstall the main-drive assembly (2 of 11)

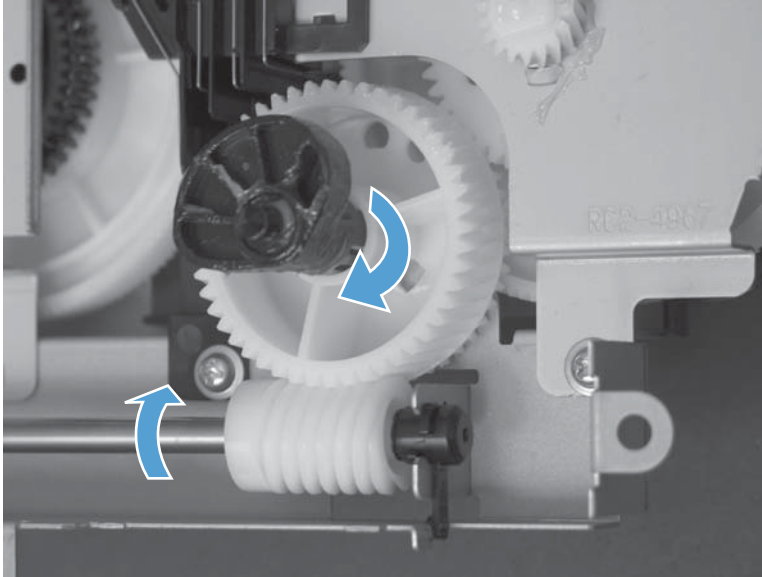




3. Slowly rotate the shaft near the black cam.

**⚠ WARNING!** Do not touch the plastic gears or cams. You must not wipe away any of the grease that is applied to these components. Always rotate the gears and cams by rotating the metal drive shaft.

**Figure 1-343** Reinstall the main-drive assembly (3 of 11)

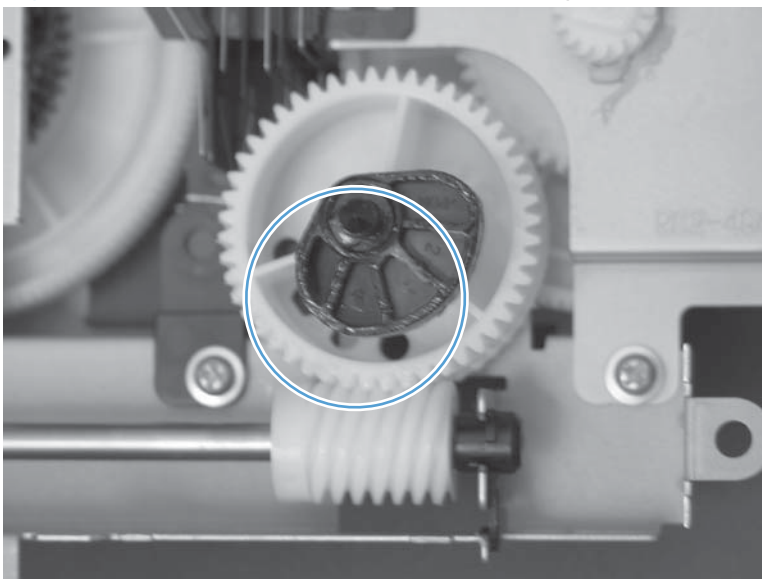


4. Continue to rotate the shaft until the holes in the black-cam gear align as shown below.


When correctly aligned, the *bottom-most* hole in the gear is aligned with a hole in the sheet-metal chassis.

**📝 NOTE:** The holes in the other cam gears have a different alignment. You must make sure that the holes in the black-cam gear are correctly aligned.

**Figure 1-344** Reinstall the main-drive assembly (4 of 11)



5. Verify that the cams (callout 1) align correctly.

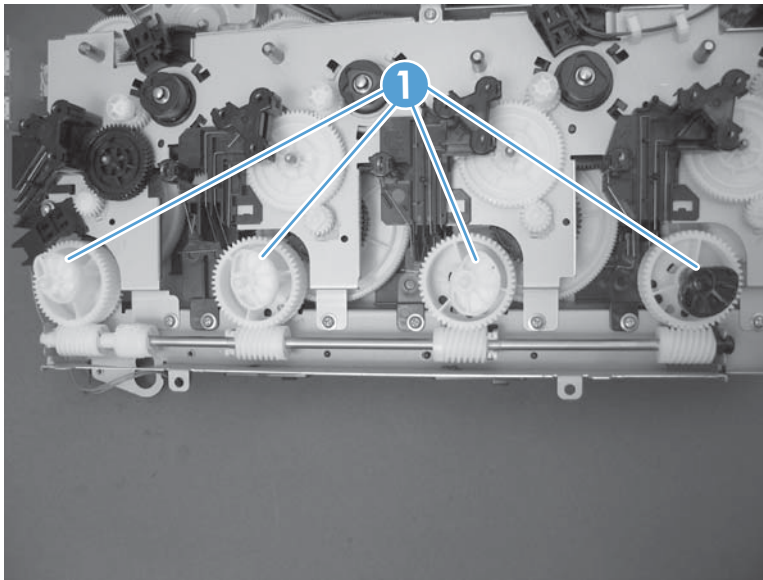
 **TIP:** The second cam in from the right (the white cam to the left of the black cam), should have the *second* hole aligned with the hole in the sheet-metal chassis.

The third cam in from the right, should have the *third* hole aligned with the hole in the sheet-metal chassis.

The fourth cam in from the right (the cam nearest the developing-disengagement motor), should have the *fourth* hole aligned with the hole in the sheet-metal chassis.

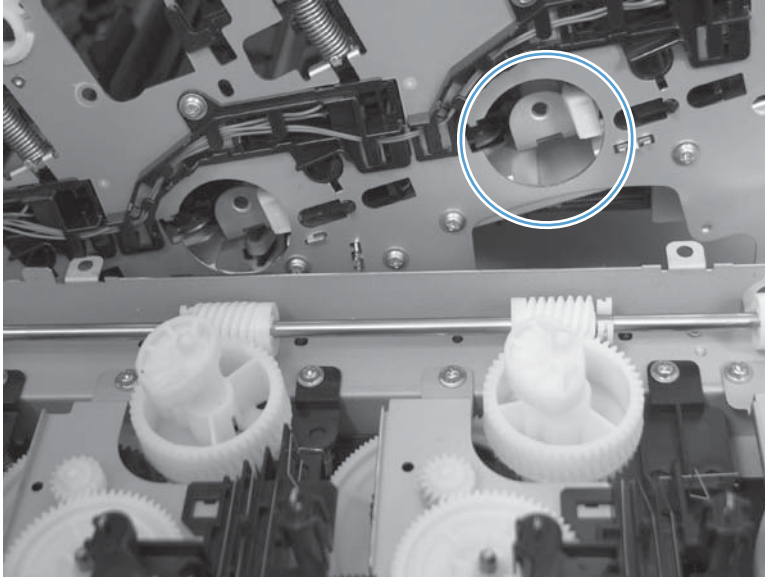
If the second, third, or fourth cams do not correctly align, do the following. Hold the long drive shaft, gently tilt the cam and gear away from the shaft to allow clearance to rotate the gear until the correct hole in the gear aligns with the hole in the chassis.

**Figure 1-345** Reinstall the main-drive assembly (5 of 11)



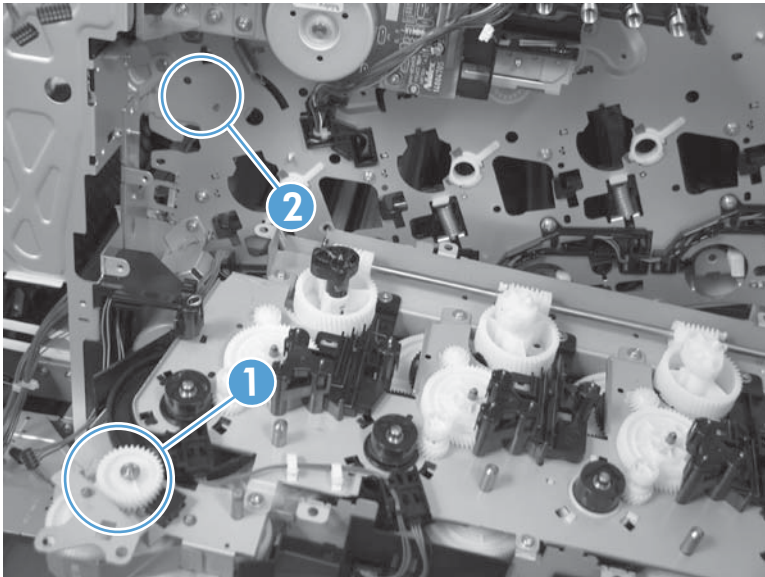
6. When the cams align correctly, they easily fit into the holes in the chassis.

**Figure 1-346** Reinstall the main-drive assembly (6 of 11)



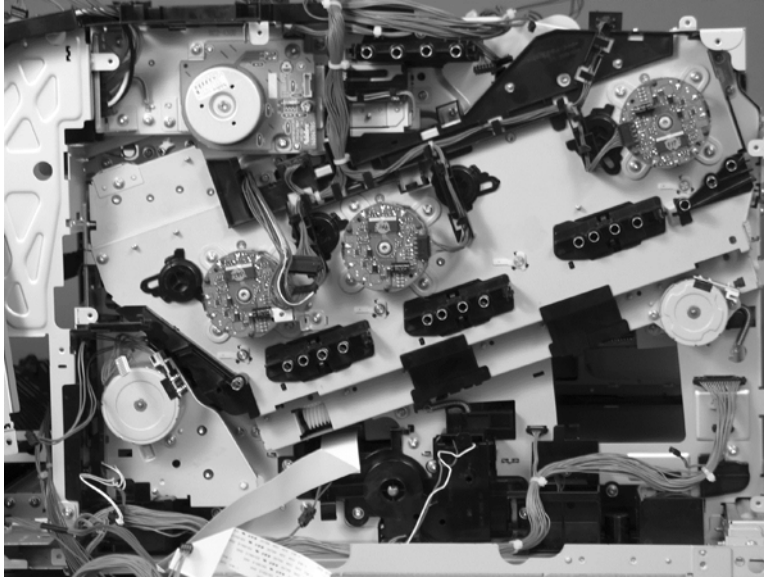
7. When the assembly is placed on the chassis, the pin on the swing gear and on the bracket (callout 1), must align with the holes in the chassis (callout 2).

**Figure 1-347** Reinstall the main-drive assembly (7 of 11)



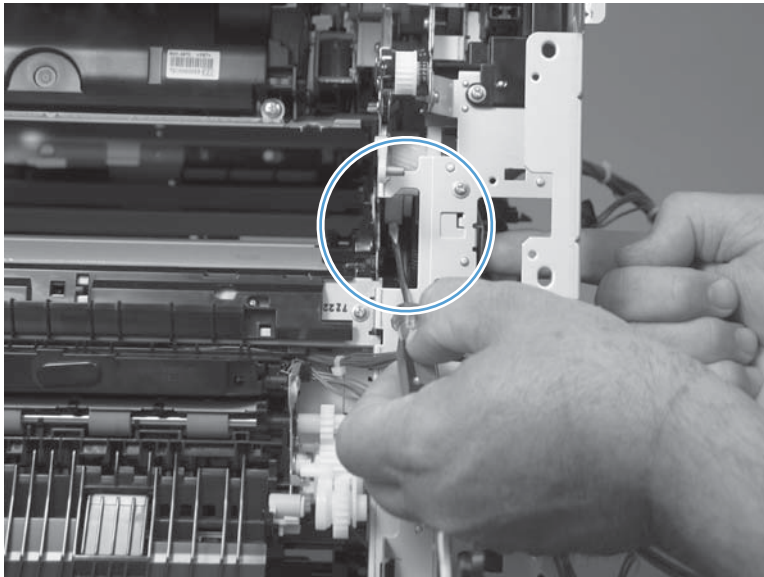
8. Position the assembly on the chassis.

**Figure 1-348** Reinstall the main-drive assembly (8 of 11)



9. Use your finger to push in on the assembly, and use a small flat blade screwdriver to align the pin on the swing gear with the hole in the chassis.

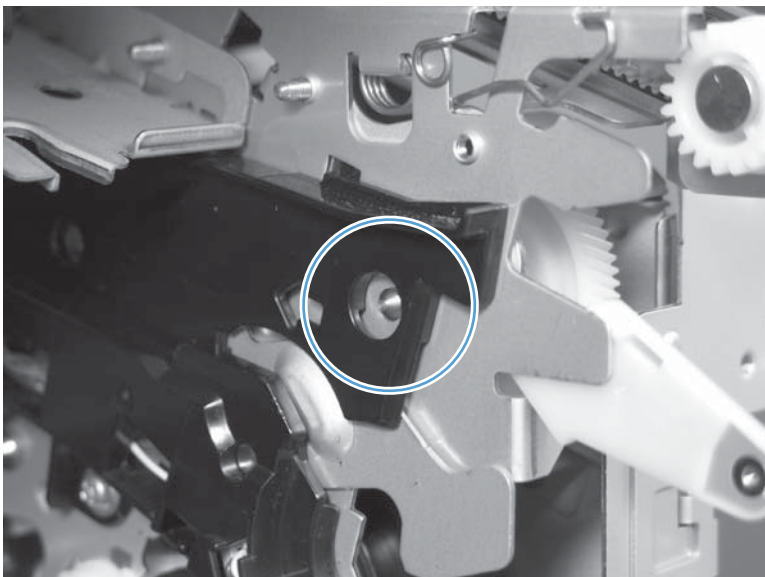
**Figure 1-349** Reinstall the main-drive assembly (9 of 11)





10. When the assembly is correctly installed against the chassis, the pin above the swing gear protrudes through the hole in the chassis.

**Figure 1-350** Reinstall the main-drive assembly (10 of 11)

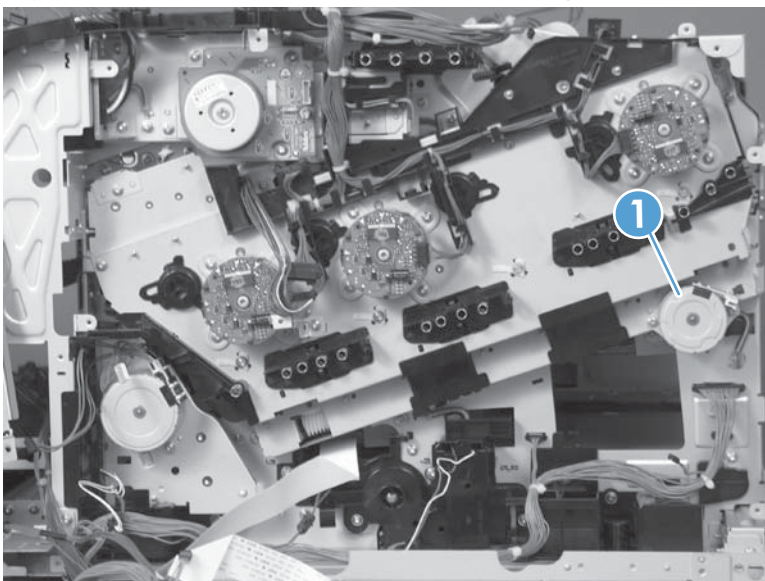


11. Install the main-drive assembly mounting screws, and then reinstall the developing-disengagement motor (callout 1).

 **TIP:** After reassembling the product, print a [Color Band Test](#) page.

If the test page shows one or more color planes are not printing (usually in the upper left corner of the page), the cam or cams for the missing color plane are not correctly aligned. Repeat the reinstall the main-drive assembly procedure.

**Figure 1-351** Reinstall the main-drive assembly (11 of 11)



## Fuser-drive assembly

### Before proceeding, remove the following components:

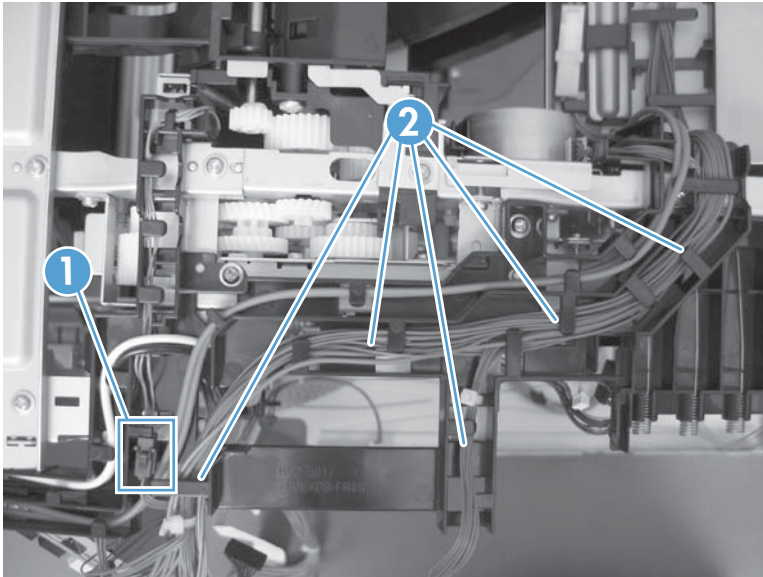
- Toner-collection unit. See [Toner-collection unit on page 15](#).
- Formatter PCA. See [Formatter PCA on page 17](#).
- Fuser. See [Fuser on page 24](#).
- Intermediate transfer belt (ITB). See [Intermediate transfer belt \(ITB\) on page 34](#).
- Front-upper cover. See [Front-upper cover on page 83](#).
- Stapler cover. See [Stapler cover on page 85](#).
- Right-rear cover. See [Right-rear cover on page 90](#).
- Left-upper cover. See [Left-upper cover on page 97](#).
- Rear-upper cover. See [Rear-upper cover on page 95](#).
- Left-upper cover. See [Left-upper cover on page 97](#).
- Rear cover. See [Rear cover on page 98](#).
- Front-top cover. See [Front-top cover on page 110](#).
- Rear-top cover. See [Rear-top cover on page 112](#).
- Document feeder whole unit. See [Document feeder whole unit on page 127](#).
  - See [Document feeder whole unit on page 127](#).
  - See [Document feeder whole unit \(M575c model\) on page 130](#).
- Scanner-control board (SCB).
  - See [Scanner-control board \(SCB\) on page 133](#).
  - See [Scanner-control board \(SCB; M575c\) on page 136](#).
- Image scanner whole unit. See [Image scanner whole unit on page 139](#).
- Interconnect board (ICB). See [Interconnect board \(ICB\) on page 148](#).
- DC controller. See [DC controller PCA and tray on page 150](#).
- Low-voltage power supply (LVPS). See [Low-voltage power supply \(LVPS\) on page 153](#).
- Secondary transfer assembly. See [Secondary transfer assembly on page 171](#).
- Power-supply fan and fan duct. See [Power-supply fan and fan duct on page 181](#).
- High-voltage power supply lower. See [High-voltage power supply lower on page 189](#).

- High-voltage power supply upper. See [High-voltage power supply upper on page 221](#).
- Main-drive assembly. See [Main-drive assembly on page 228](#).

### Remove the fuser-drive assembly

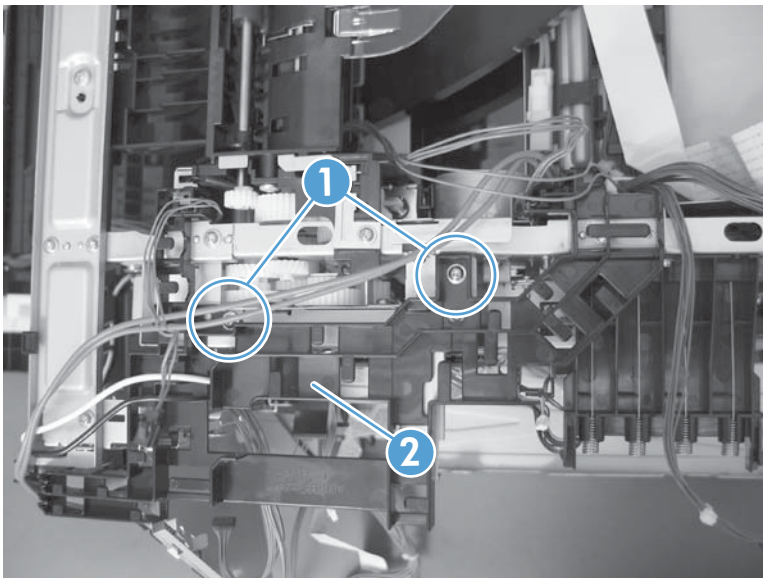
1. Disconnect one connector (callout 1), and then release the wire harnesses from the guide (callout 2).

**Figure 1-352** Remove the fuser-drive assembly (1 of 6)



2. Remove two screws (callout 1), and then remove the guide (callout 2).

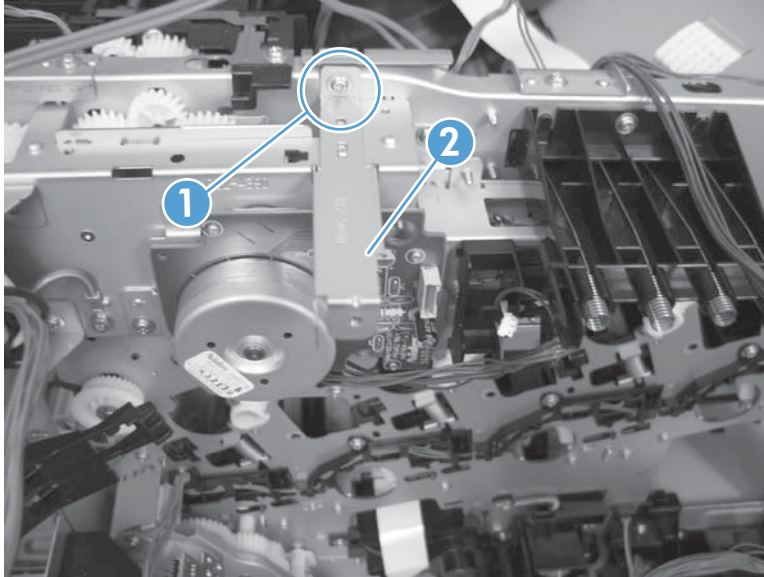
**Figure 1-353** Remove the fuser-drive assembly (2 of 6)





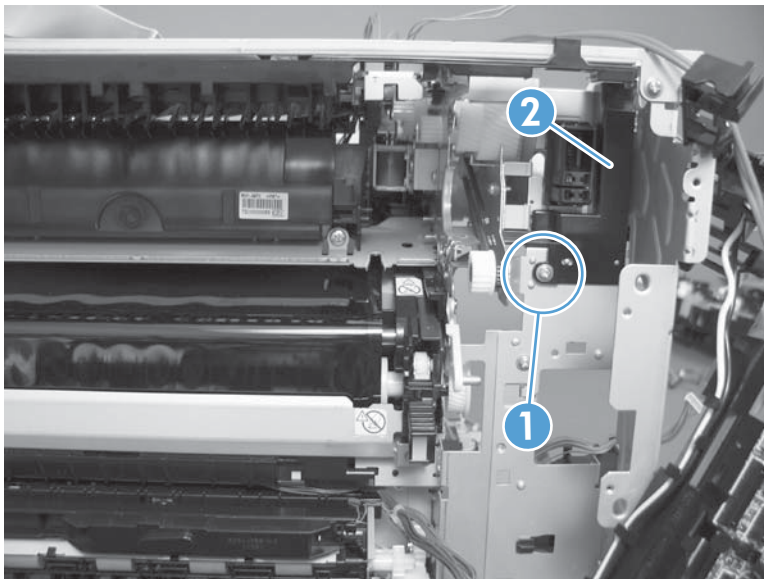
3. Remove one screw (callout 1), and then remove the sheet-metal plate (callout 2).

**Figure 1-354** Remove the fuser-drive assembly (3 of 6)



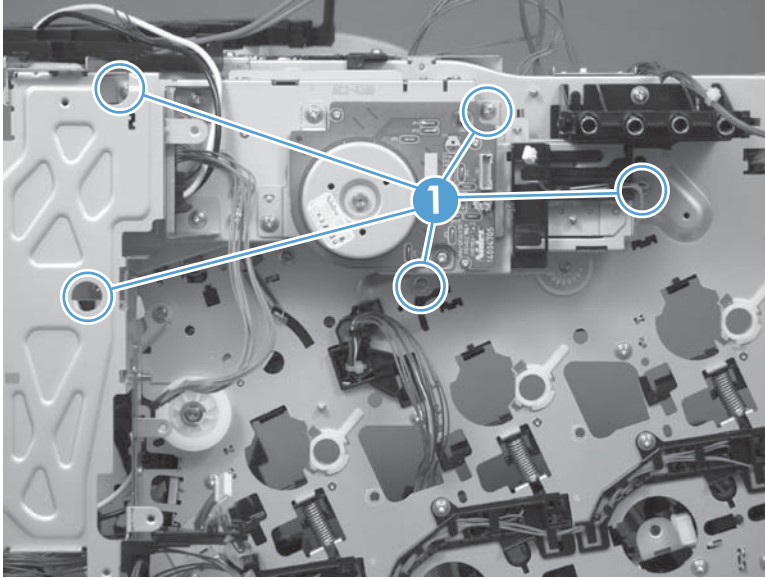
4. Remove one screw (callout 1), and then remove the cover (callout 2).

**Figure 1-355** Remove the fuser-drive assembly (4 of 6)



5. Remove five screws (callout 1).

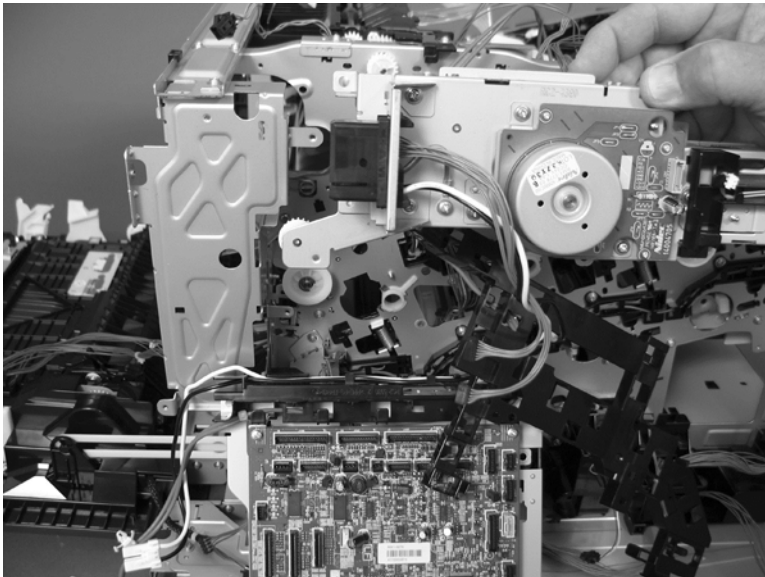
**Figure 1-356** Remove the fuser-drive assembly (5 of 6)



6. Carefully remove the assembly.

**CAUTION:** A gear on the assembly is not captive. Do not lose the gear when you remove the assembly. If the gear becomes dislodged, see [Reinstall the fuser-drive assembly on page 243](#).

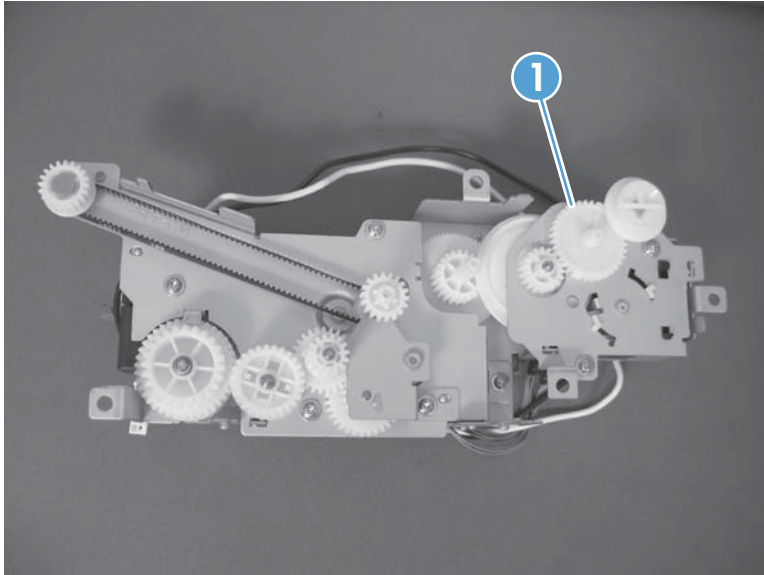
**Figure 1-357** Remove the fuser-drive assembly (6 of 6)



## Reinstall the fuser-drive assembly

If the gear (callout 1) is dislodged when the assembly is removed, use the figure below to correctly install it on the assembly.

**Figure 1-358** Reinstall the fuser-drive assembly



## Delivery assembly

### Before proceeding, remove the following components:

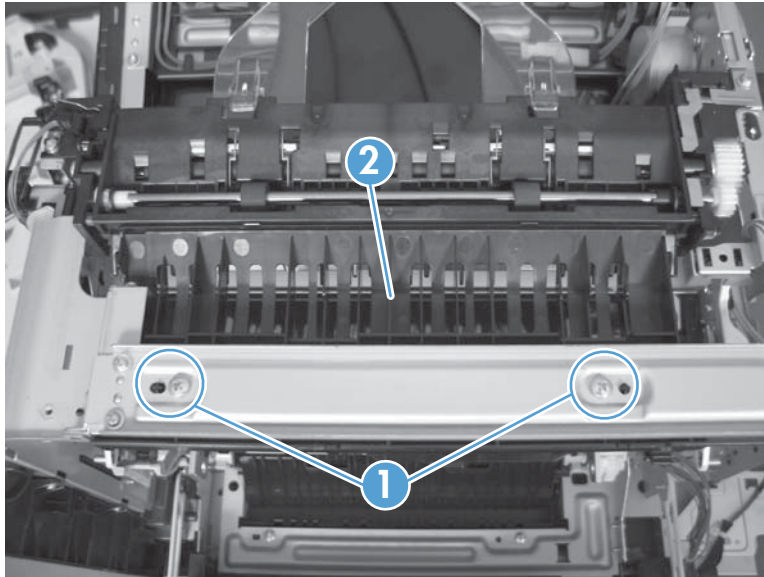
- Toner-collection unit. See [Toner-collection unit on page 15](#).
- Formatter PCA. See [Formatter PCA on page 17](#).
- Fuser. See [Fuser on page 24](#).
- Intermediate transfer belt (ITB). See [Intermediate transfer belt \(ITB\) on page 34](#).
- Front-upper cover. See [Front-upper cover on page 83](#).
- Left-upper cover. See [Left-upper cover on page 97](#).
- Right-rear cover. See [Right-rear cover on page 90](#).
- Left cover. See [Left cover on page 92](#).
- Stapler cover. See [Stapler cover on page 85](#).
- Rear-upper cover. See [Rear-upper cover on page 95](#).
- Rear cover. See [Rear cover on page 98](#).
- Front-top cover. See [Front-top cover on page 110](#).
- Rear-top cover. See [Rear-top cover on page 112](#).
- Document feeder whole unit.
  - See [Document feeder whole unit on page 127](#).
  - See [Document feeder whole unit \(M575c model\) on page 130](#).
- Scanner-control board (SCB).
  - See [Scanner-control board \(SCB\) on page 133](#).
  - See [Scanner-control board \(SCB; M575c\) on page 136](#).
- Image scanner whole unit. See [Image scanner whole unit on page 139](#).
- Interconnect board (ICB). See [Interconnect board \(ICB\) on page 148](#).
- DC controller. See [DC controller PCA and tray on page 150](#).
- Low-voltage power supply (LVPS). See [Low-voltage power supply \(LVPS\) on page 153](#).
- Secondary transfer assembly. See [Secondary transfer assembly on page 171](#).
- Power-supply fan and fan duct. See [Power-supply fan and fan duct on page 181](#).
- High-voltage power supply lower. See [High-voltage power supply lower on page 189](#).
- High-voltage power supply upper. See [High-voltage power supply upper on page 221](#).

- Main-drive assembly. See [Main-drive assembly on page 228](#).
- Fuser-drive assembly. See [Fuser-drive assembly on page 239](#).

### Remove the delivery assembly

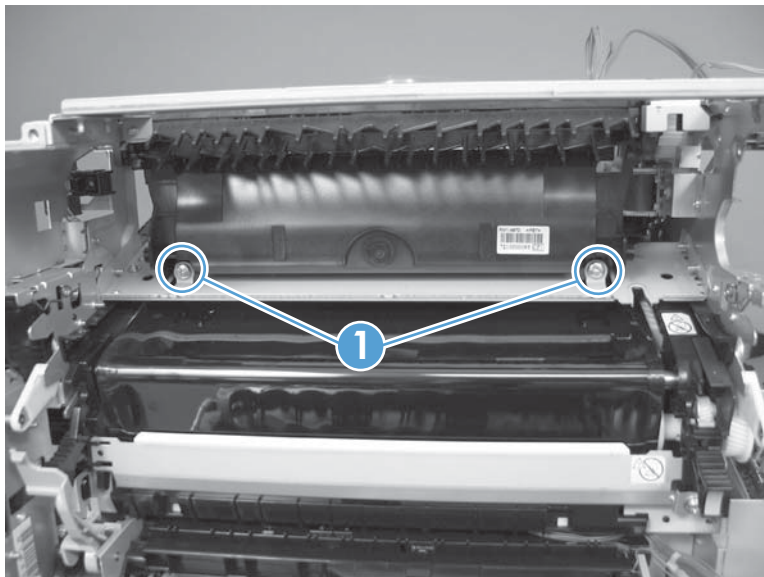
1. Remove two screws (callout 1), and then remove the guide (callout 2).

**Figure 1-359** Remove the delivery assembly (1 of 5)



2. Remove two screws (callout 1).

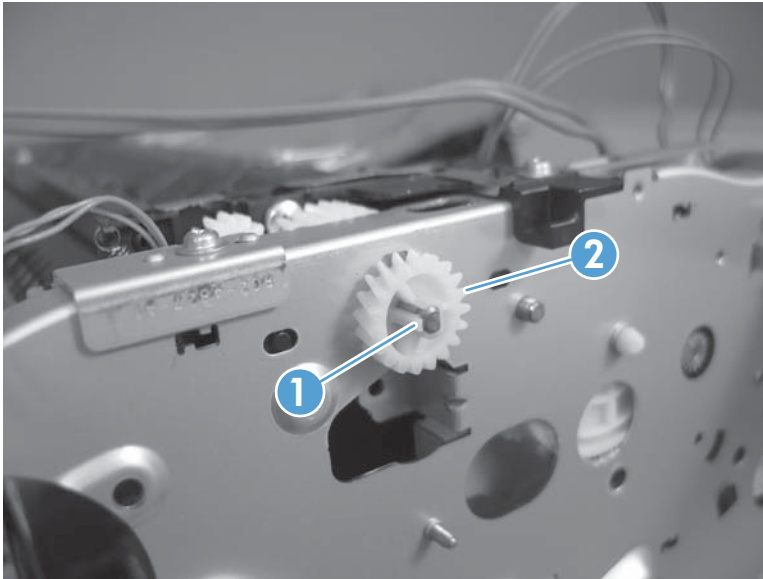
**Figure 1-360** Remove the delivery assembly (2 of 5)





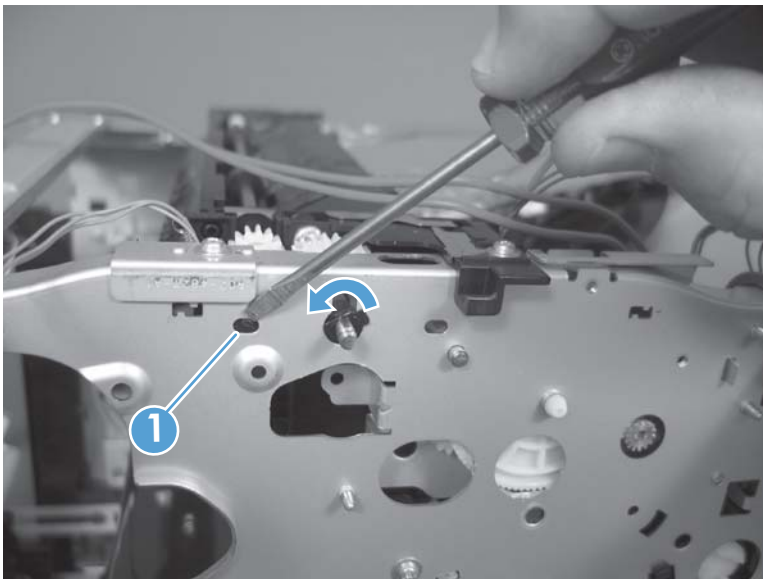
3. Release one tab (callout 1), and then remove the gear (callout 2).

**Figure 1-361** Remove the delivery assembly (3 of 5)



4. Release one tab (callout 1), and then rotate the locking clip until the tab on the clip aligns with the slot in the chassis.

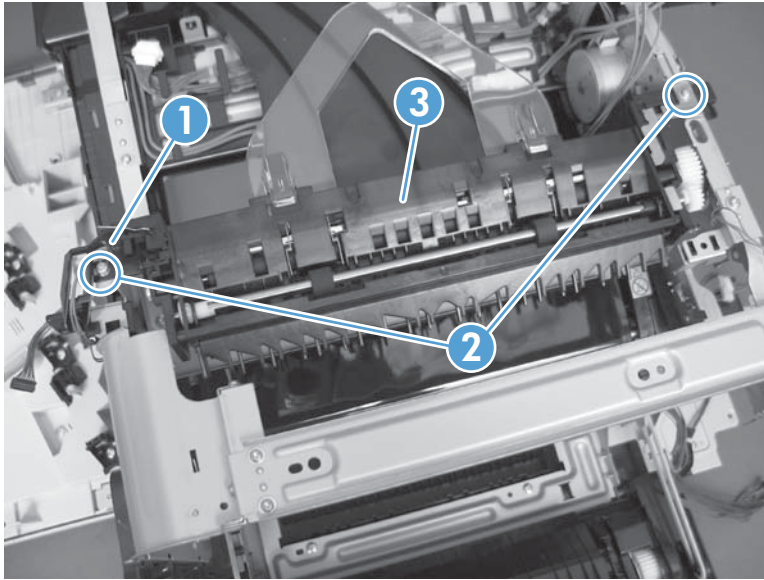
**Figure 1-362** Remove the delivery assembly (4 of 5)



5. Disconnect one connector (callout 1), remove two screws (callout 2), and then carefully lift the assembly (callout 3) off of the product to remove it.

**⚠ CAUTION:** A solenoid arm (on the right side) and a spring (on the left side) on the assembly are not captive. Do not lose the solenoid arm or spring when you remove the assembly. If the solenoid arm or spring become dislodged, see [Reinstall the delivery assembly on page 248](#).

**Figure 1-363** Remove the delivery assembly (5 of 5)

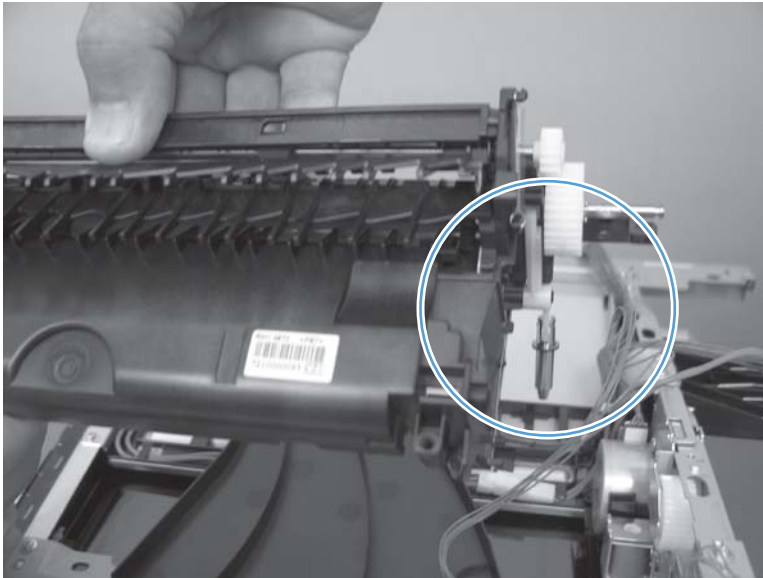




## Reinstall the delivery assembly

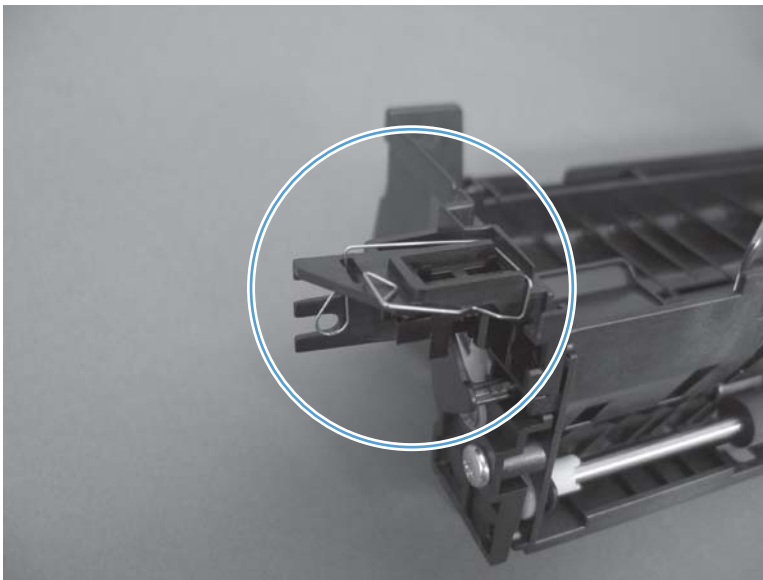
1. Make sure that the solenoid arm is correctly installed on the assembly.

**Figure 1-364** Reinstall the delivery assembly (1 of 2)



2. Make sure that the spring is correctly installed on the assembly.

**Figure 1-365** Reinstall the delivery assembly (2 of 2)



## Duplex-drive assembly

### Before proceeding, remove the following components:

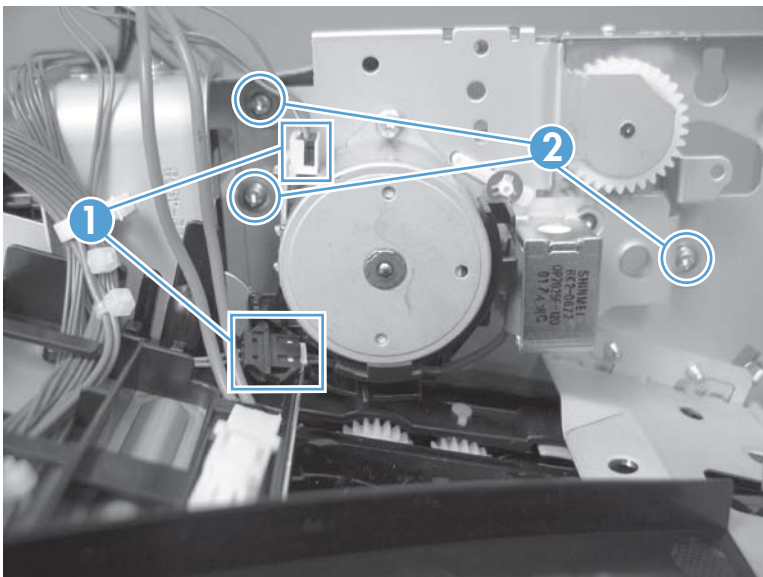
- Toner-collection unit. See [Toner-collection unit on page 15](#).
- Formatter PCA. See [Formatter PCA on page 17](#).
- Fuser. See [Fuser on page 24](#).
- Intermediate transfer belt (ITB). See [Intermediate transfer belt \(ITB\) on page 34](#).
- Front-upper cover. See [Front-upper cover on page 83](#).
- Stapler cover. See [Stapler cover on page 85](#).
- Right-rear cover. See [Right-rear cover on page 90](#).
- Left cover. See [Left cover on page 92](#).
- Rear-upper cover. See [Rear-upper cover on page 95](#).
- Left-upper cover. See [Left-upper cover on page 97](#).
- Rear cover. See [Rear cover on page 98](#).
- Front-top cover. See [Front-top cover on page 110](#).
- Rear-top cover. See [Rear-top cover on page 112](#).
- Document feeder whole unit.
  - See [Document feeder whole unit on page 127](#).
  - See [Document feeder whole unit \(M575c model\) on page 130](#).
- Scanner-control board (SCB).
  - See [Scanner-control board \(SCB\) on page 133](#).
  - See [Scanner-control board \(SCB; M575c\) on page 136](#).
- Interconnect board (ICB). See [Interconnect board \(ICB\) on page 148](#).
- DC controller. See [DC controller PCA and tray on page 150](#).
- Low-voltage power supply (LVPS). See [Low-voltage power supply \(LVPS\) on page 153](#).
- Secondary transfer assembly. See [Secondary transfer assembly on page 171](#).
- Power-supply fan and fan duct. See [Power-supply fan and fan duct on page 181](#).
- High-voltage power supply lower. See [High-voltage power supply lower on page 189](#).
- High-voltage power supply upper. See [High-voltage power supply upper on page 221](#).
- Main-drive assembly. See [Main-drive assembly on page 228](#).

- Fuser-drive assembly. See [Fuser-drive assembly on page 239](#).
- Delivery assembly. See [Delivery assembly on page 244](#).

### Remove the duplex-drive assembly

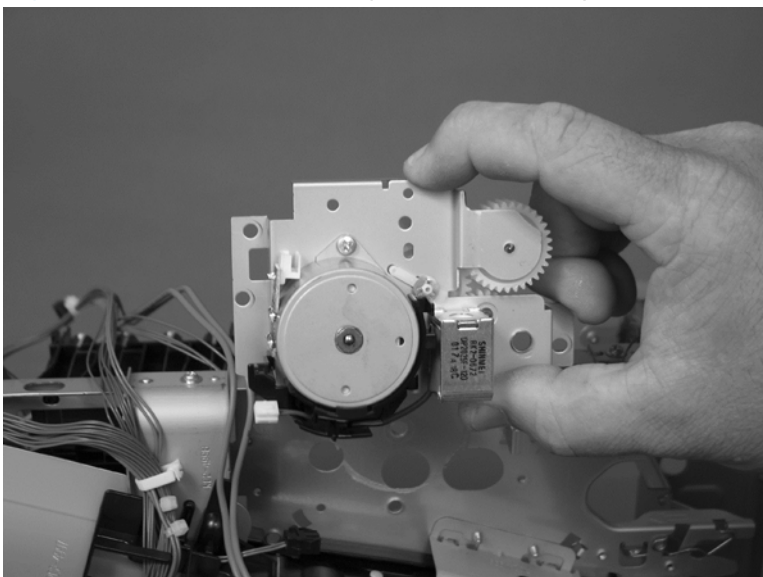
1. Disconnect two connectors (callout 1), and then remove three screws (callout 2).

**Figure 1-366** Remove the duplex-drive assembly (1 of 2)




2. Remove the assembly.

**Figure 1-367** Remove the duplex-drive assembly (2 of 2)



## Optional paper feeder assembly (Tray 3)

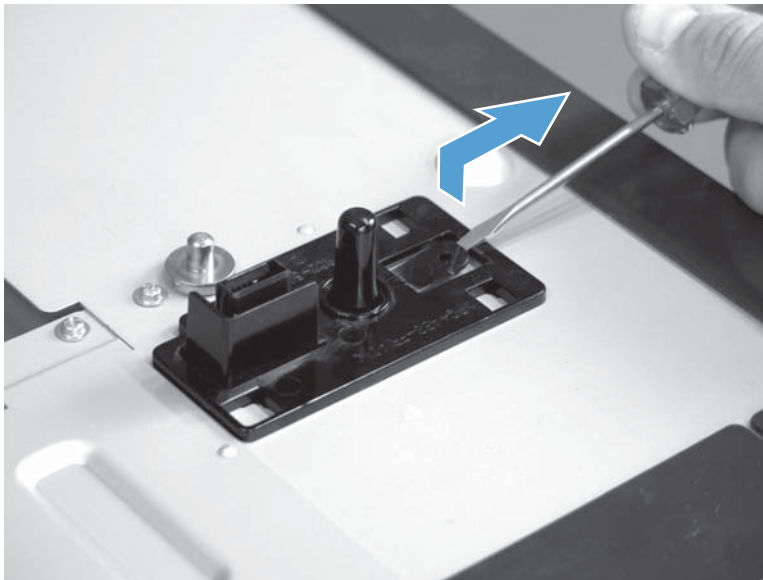
 **NOTE:** For information about removing the Tray 3 pickup roller, see [Pickup and feed rollers \(Tray 3\) on page 29](#).

For information about removing the Tray 3, see [Tray 2 and 3 on page 23](#).

For information about removing the right door (optional paper feeder), see [Right door \(optional paper feeder\) on page 78](#).

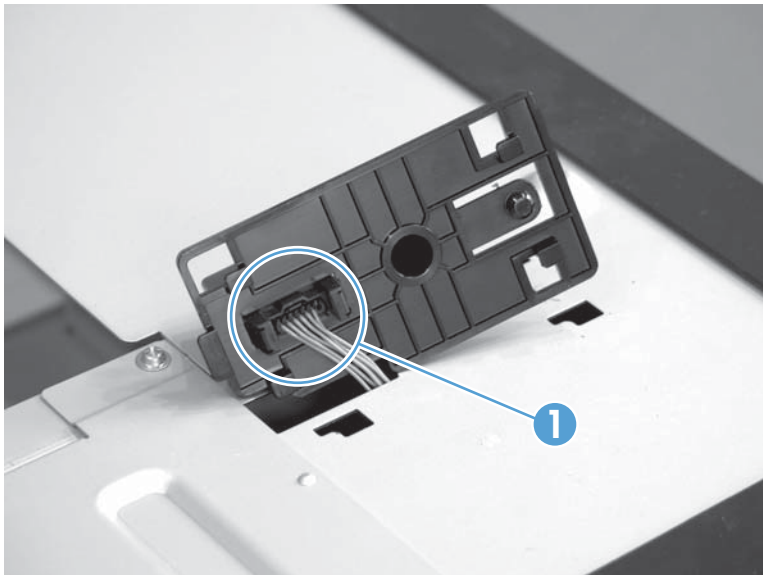
### Drawer connector

1. With a small screwdriver, lift one tab and then slide the drawer connector to release.



2. Remove one connector (callout 1).

**Figure 1-368** Remove the drawer connector; optional paper feeder





---

## 2 Parts and diagrams

- [Order parts, accessories, and supplies](#)
- [Orderable parts](#)
- [Related documentation and software](#)
- [Fasteners used in this product](#)
- [How to use the parts lists and diagrams](#)
- [Assembly locations](#)
- [Covers](#)
- [Document feeder and scanner assemblies \(M575dn and 575f models\)](#)
- [Document feeder and scanner assemblies \(M575c model\)](#)
- [Keyboard \(M575c model\)](#)
- [Control panel assembly](#)
- [ADF assemblies](#)
- [Scanner assemblies](#)
- [Right-door assembly](#)
- [Internal assemblies](#)
- [Assessories](#)
- [Alphabetical parts list](#)
- [Numerical parts list](#)

# Order parts, accessories, and supplies

You can obtain the following items directly from HP:


- **Replacement parts:** To order replacement parts in the U.S., go to [www.hp.com/go/hpparts/](http://www.hp.com/go/hpparts/). Outside the United States, order parts by contacting your local authorized HP service center.
- **Supplies and accessories:** To order supplies in the U.S., go to [www.hp.com/go/ljsupplies](http://www.hp.com/go/ljsupplies). To order supplies worldwide, go to [www.hp.com/ghp/buyonline.html](http://www.hp.com/ghp/buyonline.html). To order accessories, go to [www.hp.com/support/lj500colorMFPM575](http://www.hp.com/support/lj500colorMFPM575) and [www.hp.com/support/ljcolorflowMFPM575](http://www.hp.com/support/ljcolorflowMFPM575).

## Orderable parts

The following list of accessories was current at the time of printing. Ordering information and availability of the accessories might change during the life of the product.

The tables in this section describe customer replaceable repair (CSR) assemblies and service kit assemblies. Use the list below to determine the level of ability required to install a listed assembly.

- **CSR A:** Easy install; minimum technical ability required to install the assembly.
- **CSR B:** Basic install; some technical ability required to install the assembly.
- **CSR N:** Difficult install; maximum technical ability required to install the assembly.

 **NOTE:** CSR N assemblies are not customer replaceable assemblies. These assemblies must be installed by a qualified service technician.

## Accessories

**Table 2-1 Accessories**

Item	Description	Product number	Part number	CSR level
1 x 500-sheet paper feeder		CE084A	CF084-67901	CSR A



**Table 2-1 Accessories (continued)**

Item	Description	Product number	Part number	CSR level
LaserJet printer cabinet		CE085A	CD644-67917	CSR A
Power cords	PWR-CORD OPT-934 3-COND 1.9-M-LG ROHS		8121-0971	CSR A
	PWR-CORD OPT-902 3-COND 1.9-M-LG ROHS		8121-0950	
	PWR-CORD OPT-922 3-COND 1.9-M-LG ROHS		8121-0945	
	PWR-CORD OPT-901 3-COND 1.9-M-LG ROHS		8121-0872	
	PWR-CORD OPT-918 3-COND 1.9-M-LG ROHS		8121-1144	
	PWR-CORD OPT-919 3-COND 1.9-M-LG ROHS		8121-1005	
	PWR-CORD OPT-912 3-COND 1.9-M-LG ROHS		8121-0949	
	PWR-CORD OPT-923 3-COND 1.9-M-LG ROHS		8121-1083	
	PWR-CORD OPT-917 3-COND 1.9-M-LG ROHS		8121-0954	
	PWR-CORD OPT-900 3-COND 1.9-M-L 10A ROHS		8121-0946	
	PWR-CORD OPT-906 3-COND 1.9-M-LG ROHS		8121-0947	
	PWR-CORD OPT-903 3-COND 1.9-M-LG ROHS		8121-0921	
	PWR-CORD OPT-921 3-COND 1.9-M-LG ROHS		8121-0951	
	PWR-CORD OPT-940 3 COND 1.9-M-LG ROHS		8121-0952	
	PWR-CORD OPT-940 3 COND 1.9-M-LG ROHS		8121-1070	
	PWR-CORD OPT-920 3-COND 1.9-M-LG ROHS		8121-0953	

## Print cartridges and toner collection unit

Product name	Cartridge number	Part number (service)	CSR level
HP Color LaserJet standard black print cartridge	CE400A	CE400-67901	CSR A
HP Color LaserJet high capacity black print cartridge	CE400X	CE400-67902	
HP Color LaserJet cyan print cartridge	CE401A	CE401-67901	
HP Color LaserJet yellow print cartridge	CE402A	CE402-67901	
HP Color LaserJet magenta print cartridge	CE403A	CE403-67901	

Product name	Cartridge number	Part number (service)	CSR level
Toner collection unit (TCU)	CE254A	CF081-67903	CSR A
Fuser kit		CD644-67906 (110 V)	CSR A
<ul style="list-style-type: none"> <li>Fuser assembly (110 V or 220 V)</li> <li>Installation instructions</li> <li>Recycle guide</li> </ul>		CD644-67907 (220 V)	

**CAUTION:** Make sure that you order the correct kit for the rated voltage of your product.

## Memory

Product name	Part number	CSR level
Hard drive replacement kit	CD644-67912	CSR B
<ul style="list-style-type: none"> <li>250 GB HDD</li> <li>Bracket</li> <li>Installation instructions</li> </ul>	<b>NOTE:</b> 575dn and 575f models only.	
HDD Replacement Kit (U.S. government only)	CD644-67913	CSR B
<ul style="list-style-type: none"> <li>320 GB HDD</li> <li>Bracket</li> <li>Installation instructions</li> </ul>	<b>NOTE:</b> 575dn and 575f models only.	
Hard drive replacement kit	CD646-67905	CSR B
<ul style="list-style-type: none"> <li>320 GB encrypted HDD</li> <li>Bracket</li> <li>Installation instructions</li> </ul>	<b>NOTE:</b> 575c model only.	

## Customer self repair and service kits

The tables in this section describe customer replaceable repair (CSR) assemblies and service kit assemblies. Use the list below to determine the level of ability required to install a listed assembly.

- **CSR A:** Easy install; minimum technical ability required to install the assembly.
- **CSR B:** Basic install; some technical ability required to install the assembly.
- **CSR N:** Difficult install; maximum technical ability required to install the assembly.



**NOTE:** CSR N assemblies are not customer replaceable assemblies. These assemblies must be installed by a qualified service technician.

Product name	Part number	CSR level
1 x 500-sheet paper feeder right door kit	CC468-67906	CSR A
<ul style="list-style-type: none"> <li>• Right-door assembly</li> <li>• Right-door stopper</li> <li>• Right-door link</li> <li>• Installation instructions</li> </ul>		
1 x 500-sheet paper feeder kit	CF084-67901	CSR A
<ul style="list-style-type: none"> <li>• 1 x 500-sheet paper feeder</li> <li>• Installation instructions</li> </ul>		
ADF open close sensor assembly kit	5851-4846	CSR N
<ul style="list-style-type: none"> <li>• Plunger, ADF open</li> <li>• Spring, ADF open</li> <li>• ADF open sensor</li> <li>• Installation instructions</li> </ul>		
ADF pick success sensor assembly kit	5851-4849	CSR N
<ul style="list-style-type: none"> <li>• Flag pick success</li> <li>• Spring duplex</li> <li>• Installation instructions</li> </ul>		
ADF roller maintenance kit	L2725-60002	CSR A
<ul style="list-style-type: none"> <li>• PM roller kit</li> <li>• Installation instructions</li> </ul>		
ADF whole unit kit	CD644-67918	CSR N
<ul style="list-style-type: none"> <li>• ADF assembly</li> <li>• Foam reflector</li> <li>• Installation instructions</li> </ul>	<b>NOTE:</b> 575dn and 575f models only.	
ADF whole unit kit	CD644-67921	CSR N
<ul style="list-style-type: none"> <li>• ADF assembly</li> <li>• Foam reflector</li> <li>• Installation instructions</li> </ul>	<b>NOTE:</b> 575c models only.	

<b>Product name</b>	<b>Part number</b>	<b>CSR level</b>
ADF width adjustor kit <ul style="list-style-type: none"> <li>• Width adjustor guide, rear</li> <li>• Width adjustor guide, front</li> <li>• Width adjustor slider guide</li> <li>• Installation instructions</li> </ul>	5851-4880	CSR N
Duplex reverse guide kit <ul style="list-style-type: none"> <li>• Duplex reverse guide</li> <li>• Installation instructions</li> </ul>	CC468-67913	CSR A
Back-side background selector assembly kit <ul style="list-style-type: none"> <li>• Back-side background selector assembly</li> <li>• Installation instructions</li> </ul>	5851-5022	CSR A
Fax kit <ul style="list-style-type: none"> <li>• Fax PCA</li> <li>• Fax cradle</li> <li>• Installation instructions</li> </ul>	CC478-67901	CSR A
Foam reflector kit <ul style="list-style-type: none"> <li>• Foam reflector</li> <li>• Installation instructions</li> </ul>	5851-4878	CSR B
Formatter assembly kit (New) <ul style="list-style-type: none"> <li>• Formatter PCA</li> <li>• Formatter tray</li> <li>• Screw (1)</li> <li>• Installation instructions</li> </ul>	CD644-67909	CSR A
Formatter assembly kit (China only) <ul style="list-style-type: none"> <li>• Formatter PCA</li> <li>• Formatter tray</li> <li>• Screw (2)</li> <li>• Installation instructions</li> </ul>	CD644-67910	CSR A

Product name	Part number	CSR level
Front-door assembly and name plate <ul style="list-style-type: none"> <li>• Front-door assembly</li> <li>• HP Jewel</li> <li>• Name plate</li> <li>• Installation instructions</li> </ul>	CD644-67902  <b>NOTE:</b> 575dn and 575f models only.	CSR A
Front-door assembly and name plate <ul style="list-style-type: none"> <li>• Front-door assembly</li> <li>• HP Jewel</li> <li>• Name plate</li> <li>• Installation instructions</li> </ul>	CD646-67904  <b>NOTE:</b> 575c models only.	CSR A
Image scanner whole unit kit <ul style="list-style-type: none"> <li>• Image scanner assembly</li> <li>• Foam reflector kit</li> <li>• Installation instructions</li> </ul>	CD644-67922  <b>NOTE:</b> 575dn and 575f models only.	CSR N
Image scanner whole unit kit <ul style="list-style-type: none"> <li>• Image scanner assembly</li> <li>• Foam reflector kit</li> <li>• Installation instructions</li> </ul>	CD646-67901  <b>NOTE:</b> 575c models only.	CSR N
ITB service maintenance kit <ul style="list-style-type: none"> <li>• Intermediate transfer belt (ITB)</li> <li>• Secondary transfer roller assembly</li> <li>• Installation instructions</li> </ul>	CD644-67908	CSR A
Laser scanner assembly kit <ul style="list-style-type: none"> <li>• Laser/scanner assembly</li> <li>• Installation instructions</li> </ul>	CD644-67905	CSR N
Main drive assembly kit <ul style="list-style-type: none"> <li>• Main drive assembly</li> <li>• Installation instructions</li> </ul>	CD644-67911	CSR N

Product name	Part number	CSR level
Document feeder mylar A4 kit	5851-4998	CSR N
<ul style="list-style-type: none"> <li>Document feeder mylar</li> </ul> <p><b>NOTE:</b> The document feeder mylar kit contains six mylar guides. Only two guides are required for the product. Additional guides are to be used if the adhesive on a guide is contaminated during installation.</p> <ul style="list-style-type: none"> <li>Installation instructions</li> </ul>		
Memory board kit	CD644-67924	CSR N
<ul style="list-style-type: none"> <li>AY memory board</li> <li>Installation instructions</li> </ul>		
Photon control panel	CD644-67916	CSR A
<ul style="list-style-type: none"> <li>Photon-R control panel</li> <li>Installation instructions</li> </ul>	<b>NOTE:</b> 575dn and 575f models only.	
Photon control panel	CD644-67920	CSR B
<ul style="list-style-type: none"> <li>Photon-R control panel</li> <li>Control-panel FFC</li> <li>Installation instructions</li> </ul>	<b>NOTE:</b> 575c models only.	
Pick/feed and separation roller kit (Tray 1)	CD644-67903	CSR B
<ul style="list-style-type: none"> <li>Separation pad</li> <li>Pickup roller</li> <li>Installation instructions</li> </ul>		
Pick/feed and separation roller kit (Tray 2/3)	CD644-67904	CSR A
<ul style="list-style-type: none"> <li>Separation roller assembly</li> <li>Pickup roller assembly</li> <li>Pickup roller</li> <li>Feed roller</li> <li>Installation instructions</li> </ul>		
Product cabinet kit	CD644-67917	CSR A
<ul style="list-style-type: none"> <li>Product cabinet</li> <li>Installation instructions</li> </ul>		
Secondary transfer (T2) roller kit	CD644-67914	CSR A
<ul style="list-style-type: none"> <li>Secondary transfer roller</li> <li>Installation instructions</li> </ul>		

Product name	Part number	CSR level
Spring separation pad kit	5851-4879	CSR B
<ul style="list-style-type: none"> <li>• Spring separation pad</li> <li>• Installation instructions</li> </ul>		
Staple cartridge kit	Q7432-67901/Q7432A	CSR A
Toner collection unit (TCU) kit	CF081-67903/CE254A	CSR A
<ul style="list-style-type: none"> <li>• Toner collection unit</li> <li>• Installation instructions</li> </ul>		
Keyboard overlay kit	<b>NOTE:</b> 575c models only.	CSR A
<ul style="list-style-type: none"> <li>• Keyboard overlay</li> <li>• Installation instructions</li> </ul>	5851-5001; Russian 5851-5002; Italian 5851-5003; French 5851-5004; Portuguese 5851-5005; Spanish-Spain 5851-5006; Spanish-LA 5851-5007; French Canadian 5851-5145; German 5851-5146; French Swiss 5851-5157; German Swiss 5851-5148; Danish 5851-5148; Danish 5851-5149; Traditional Chinese 5851-5150; Simlified Chinese	




## Related documentation and software

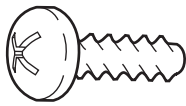
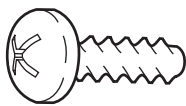
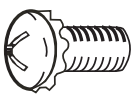


**Table 2-2 Related documentation and software**


Item	Description	Part number
<i>HP LaserJet Enterprise 500 color MFP M575 and HP LaserJet Enterprise color flow MFP M575 Printer User Guide</i>	Product user guide	CD644-90907
<i>HP LaserJet Enterprise 500 color MFP M575 and HP LaserJet Enterprise color flow MFP M575 Printer Service Repair Manual</i>	English service repair manual	CD644-90966
<i>HP LaserJet Enterprise 500 color MFP M575 and HP LaserJet Enterprise color flow MFP M575 Printer Service Troubleshooting Manual</i>	English service troubleshooting manual	CD644-90967

## Fasteners used in this product

 **NOTE:** The screw illustrations in the following table are for reference only. Screws might vary in size and appearance from those shown in this table.

**Table 2-3 Common fasteners**


Example	Description	Size	Part Number
	Screw, tapping, truss head	M4X10	XB4-7401-005CN
	Screw, tapping, pan head	M4X10	XB4-7401-007CN
	Screw, D	M3X8	XA9-1671-000CN
	Screw, D	M3X8	XA9-1834-000CN
	Screw (formatter assembly)	M3X0.5	0515-4679


6 mm   8 mm   10 mm   M 3   M 4  


## How to use the parts lists and diagrams

The figures in this chapter show the major subassemblies in the product and their component parts. A parts list table follows each exploded view assembly diagram. Each table lists the item number, the associated part number, and the description of each part. If a part is not listed in the table, then it is not a field replacement unit (FRU).

---

 **CAUTION:** Be sure to order the correct part. When looking for part numbers for electrical components, pay careful attention to the voltage that is listed in the description column. Doing so will ensure that the part number selected is for the correct all-in-one model.

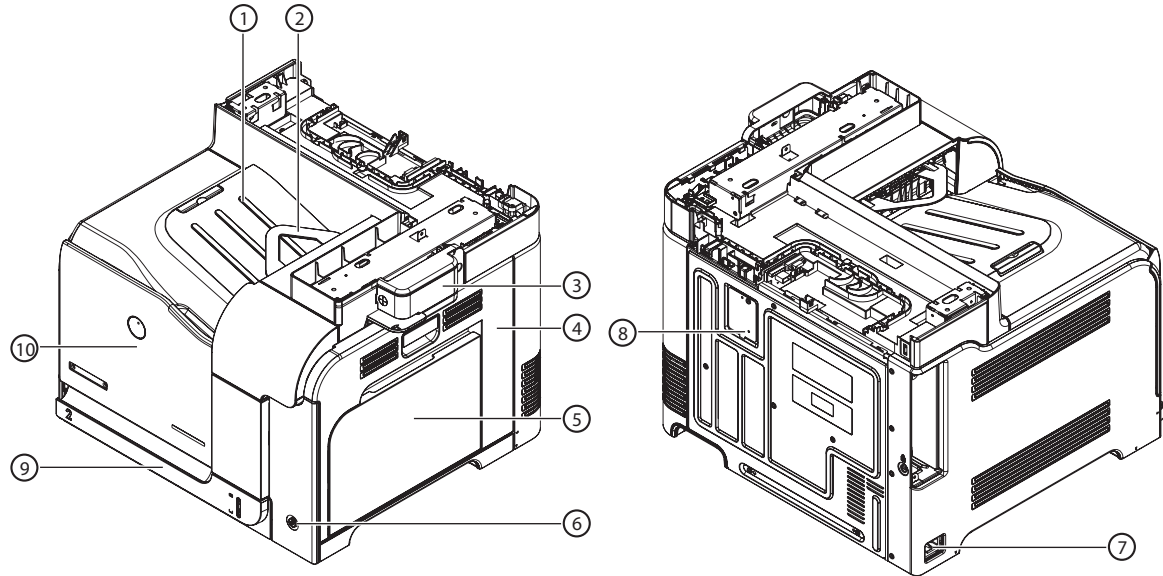
 **NOTE:** In this manual, the abbreviation “PCA” stands for “printed circuit-board assembly.” Components described as a PCA might consist of a single circuit board or a circuit board plus other parts, such as cables and sensors.

---

# Assembly locations

## Base product (no optional trays or accessories)

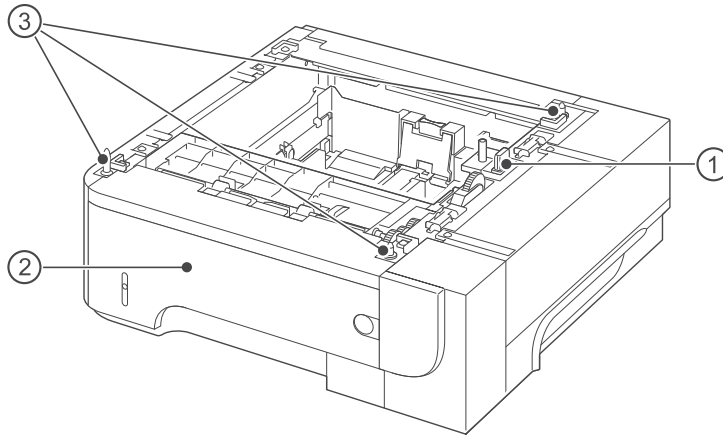
Figure 2-1 Base product (no optional trays or accessories)



Item	Description	Item	Description
1	Face-down output bin	6	Power switch
2	Reverse tray	7	Power receptacle
3	Stapler cover	8	Test print switch
4	Right door	9	Tray 2
5	Tray 1	10	Front door

## Base product (optional trays or accessories)

**Figure 2-2** Base product (optional trays or accessories)

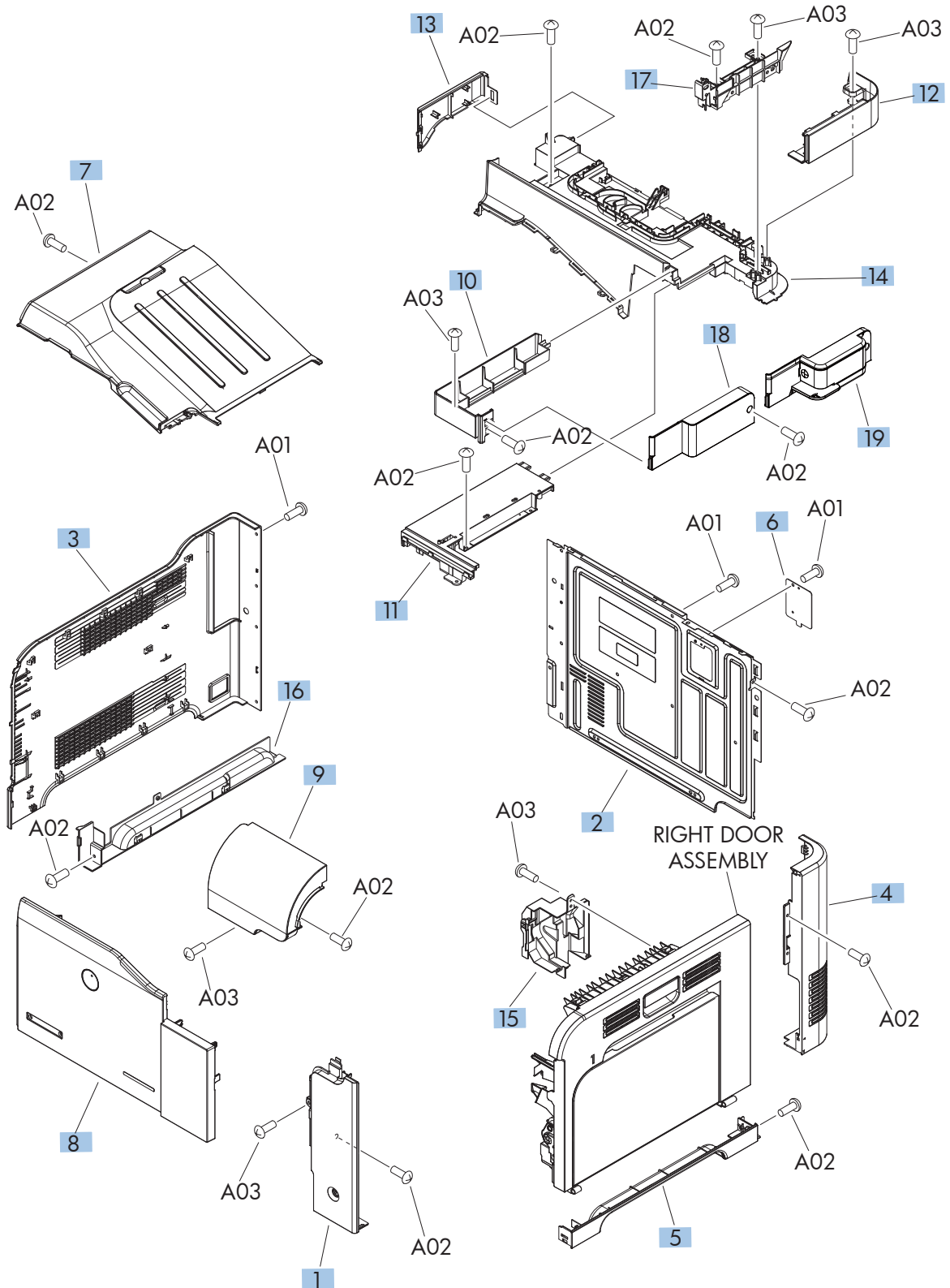


**Table 2-4** Optional 500-sheet input tray

Item	Description
1	Connector
2	Tray 3
3	Positioning pins

# Covers

Figure 2-3 External covers, panels, and doors

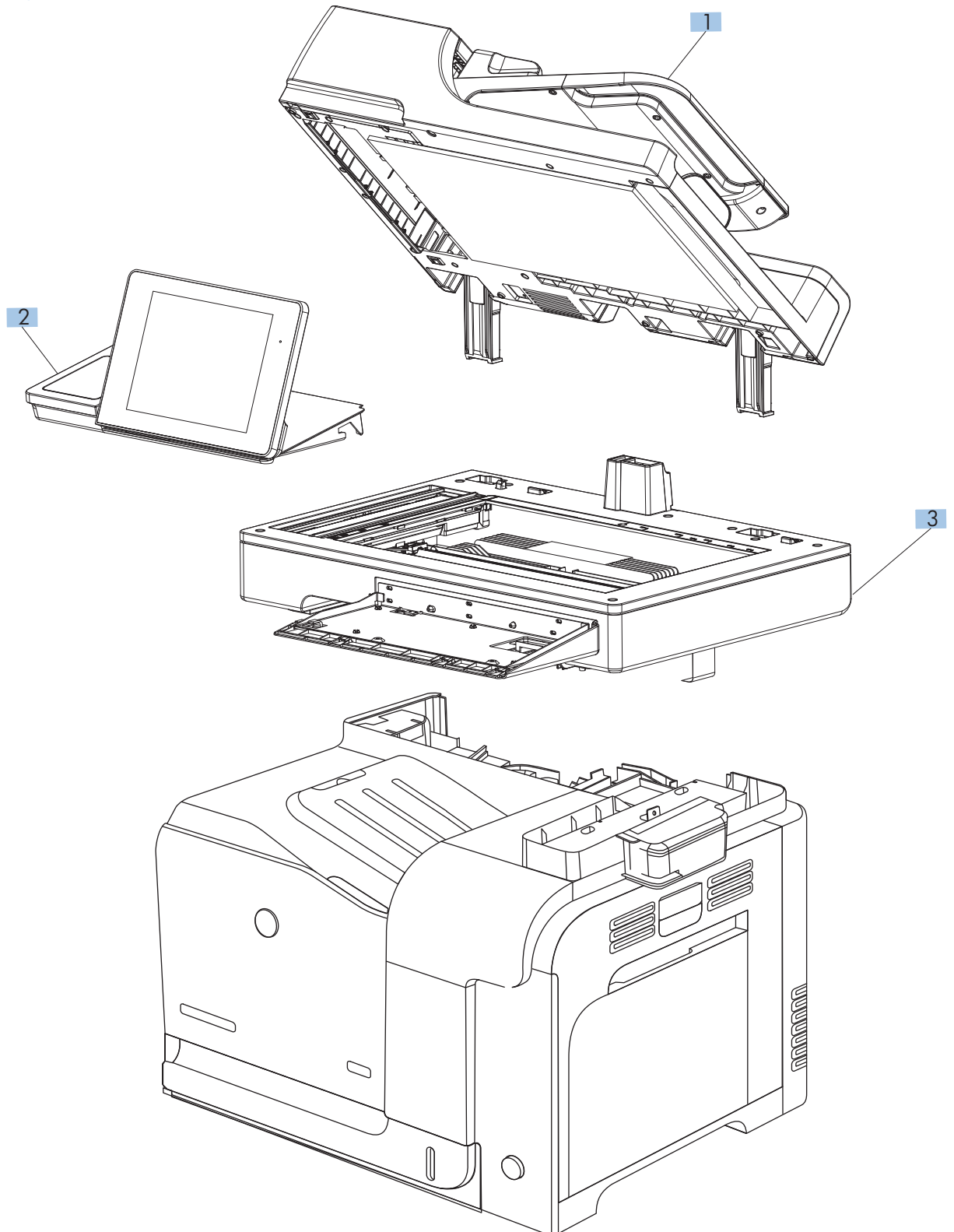


**Table 2-5 External covers, panels, and doors**

<b>Ref</b>	<b>Description</b>	<b>Part number</b>	<b>Qty</b>
1	Cover, right front	RC2-5056-000CN	1
2	Cover, rear	RC2-5048-000CN	1
3	Cover, left	RC2-5052-000CN	1
4	Cover, rear right	RC2-5057-000CN	1
5	Cover, right lower	RC2-5059-000CN	1
6	Plate, blanking	RC2-5938-000CN	1
7	Tray, paper delivery	RL1-1941-030CN	1
8	Front door assembly; 575dn and 575f models	CD644-67902	1
8	Front door assembly; 575c model	CD646-67904	1
9	Control panel cover assembly	RM1-9198-000CN	1
10	Cover, right	RC3-2095-000CN	1
11	Cover, upper right	RC3-2093-000CN	1
12	Cover, right rear	RC3-2096-000CN	1
13	Cover, left rear	RC3-2094-000CN	1
14	Cover, upper rear	RC3-2092-000CN	1
15	Cover, right door gear rear	RC2-4924-000CN	1
16	Cover, left lower	RC2-5069-000CN	1
17	Guide, cable	RC3-2103-000CN	1
18	Cover, image scanner unit	RRC3-2097-000CN	1
19	Cover, stapler unit	RM1-9199-000CN	1

# Document feeder and scanner assemblies (M575dn and 575f models)

Figure 2-4 Document feeder and scanner assemblies (M575dn and 575f models)



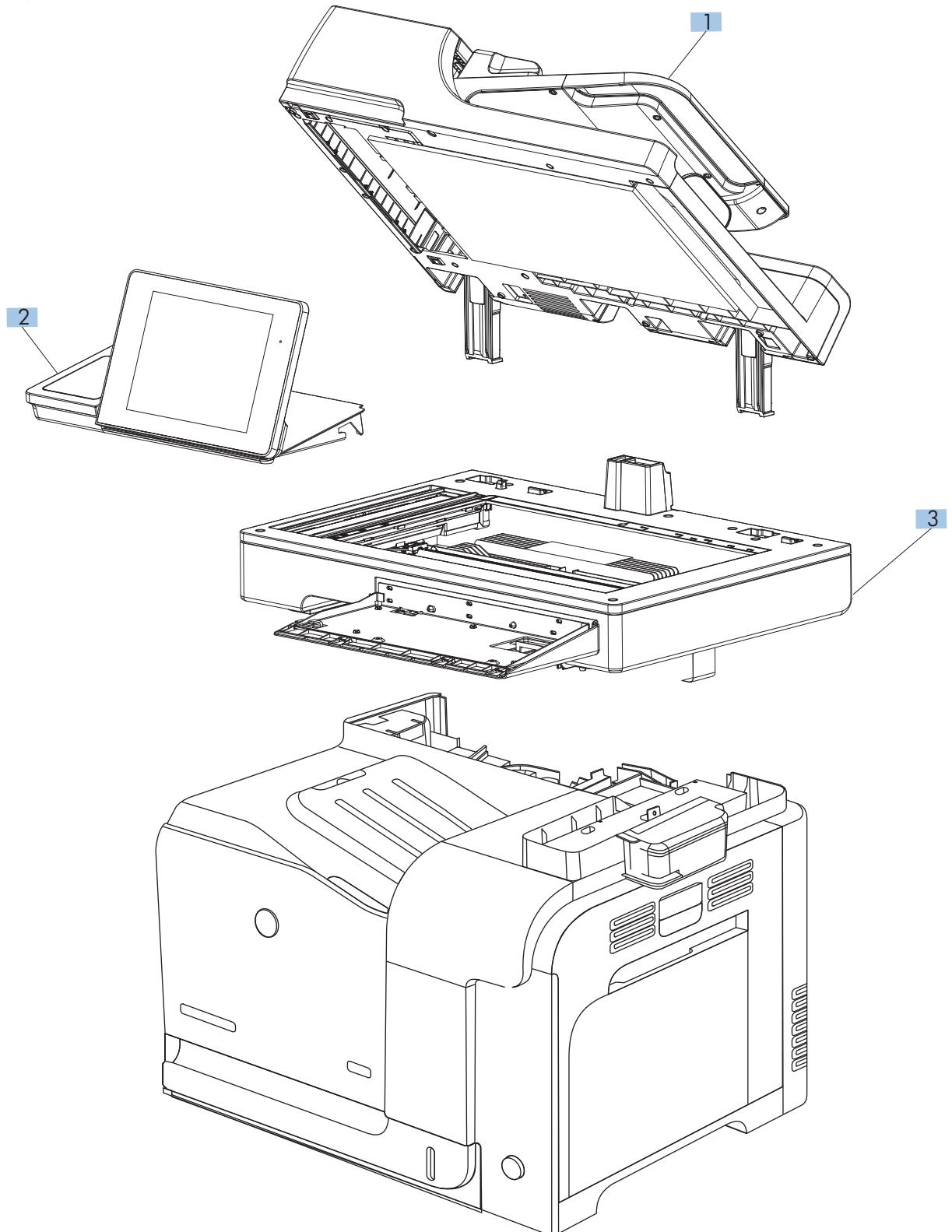


**Table 2-6 Document feeder and scanner assemblies (M575dn and 575f models)**

<b>Ref</b>	<b>Description</b>	<b>Part number</b>	<b>Qty</b>
1	ADF whole unit	CD644-67918	1
2	Control panel	CD644-67916	1
3	Scanner whole unit	CD644-67922	1
Not Shown	PCA, scanner control board	CD644-67926	1

# Document feeder and scanner assemblies (M575c model)

Figure 2-5 Document feeder and scanner assemblies (575c models)

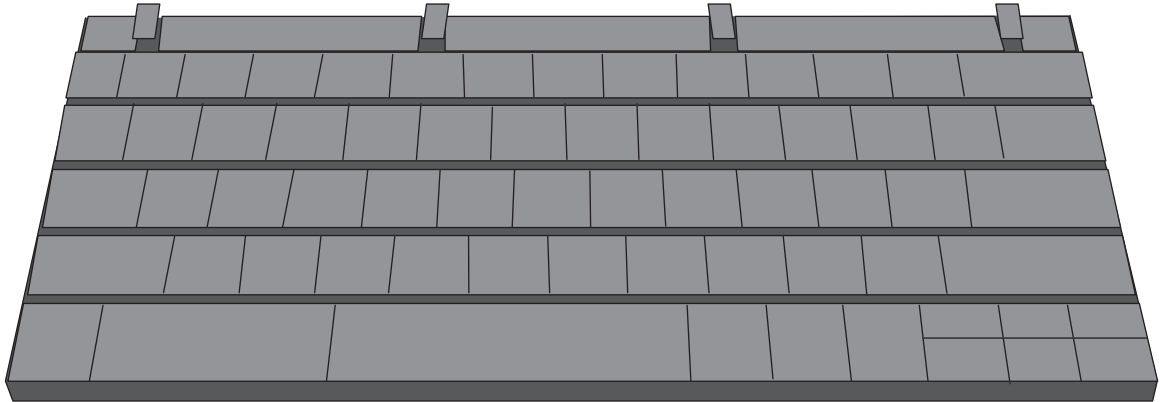


**Table 2-7 Document feeder and scanner assemblies (575c models)**

<b>Ref</b>	<b>Description</b>	<b>Part number</b>	<b>Qty</b>
1	Document feeder whole unit, M575c	CD644-67921	1
2	Control panel, M575c	CD644-67920	1
Not shown	FFC, control-panel keyboard, M575c	CD644-60113	1
3	Scanner whole unit, M575c	CD646-67901	1
Not Shown	PCA, scanner control board, M575c	CD646-67902	1
Not Shown	e-Duplex assembly, document feeder, M575c	5851-5022	1

# Keyboard (M575c model)

Figure 2-6 Keyboard and brackets

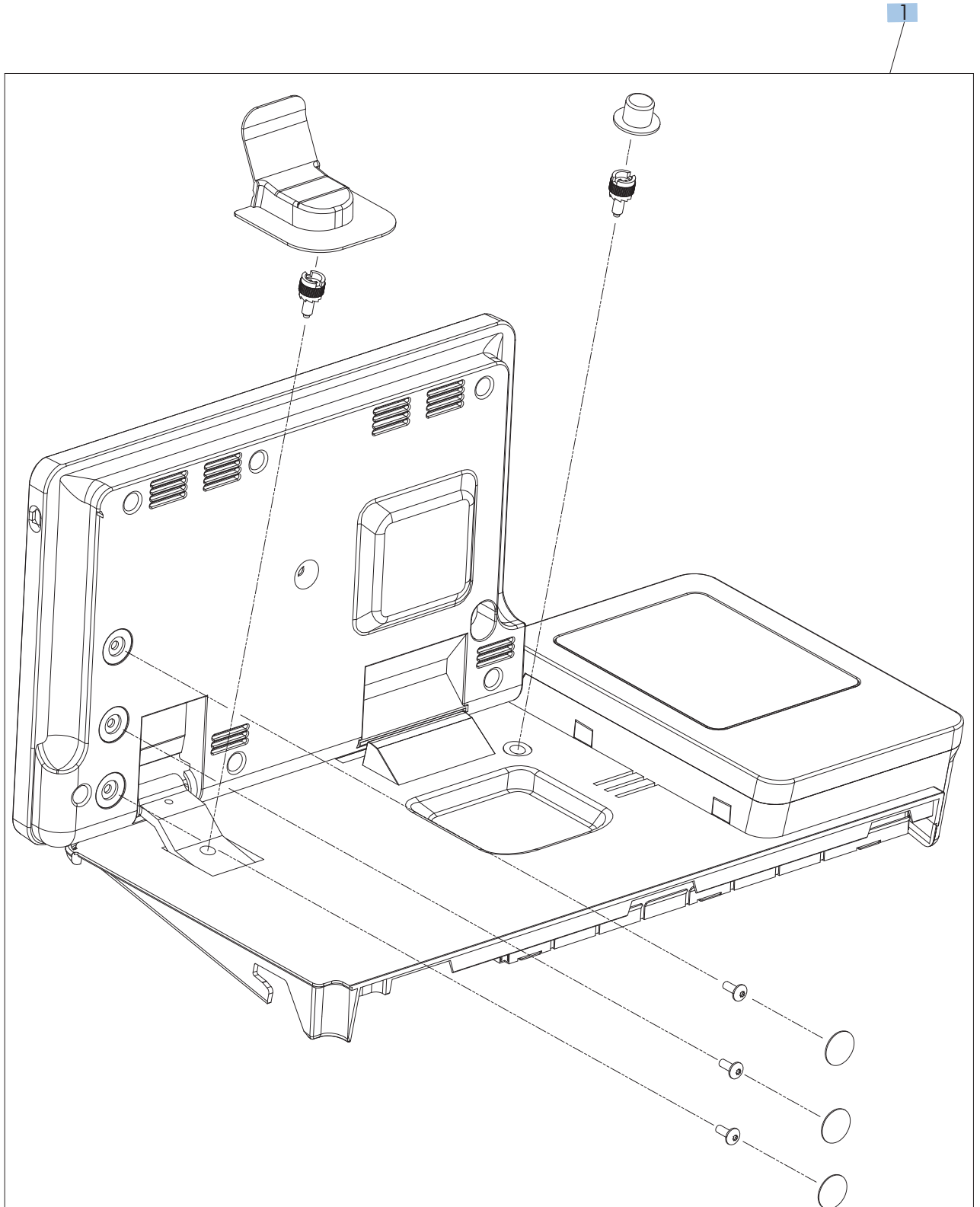


**Table 2-8 Keyboard and brackets**

<b>Ref</b>	<b>Description</b>	<b>Part number</b>	<b>Qty</b>
1	Keyboard assembly English, M575c	5851-5380	1
1	Keyboard assembly United Kingdom, M575c	5851-5008	1

# Control panel assembly

Figure 2-7 Control panel assembly



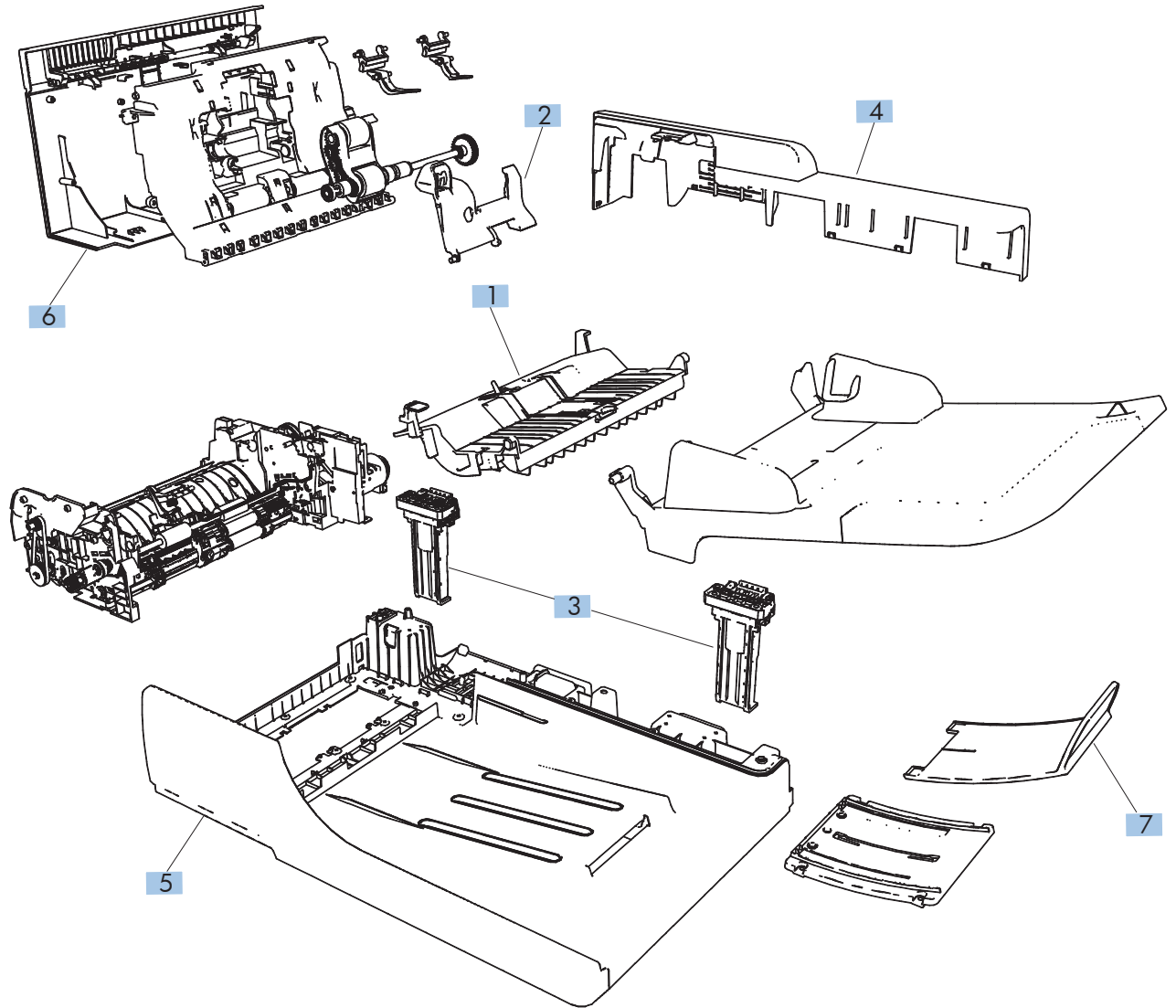
**Table 2-9 Control panel assembly**

<b>Ref</b>	<b>Description</b>	<b>Part number</b>	<b>Qty</b>
1	Control panel assembly kit, 575dn and 575f	CD644-67916	1
1	Control panel assembly kit, 575c	CD644-67920	1
Not shown	Control-panel FFC, 575c	CD644-60113	1



# ADF assemblies

Figure 2-8 ADF assemblies

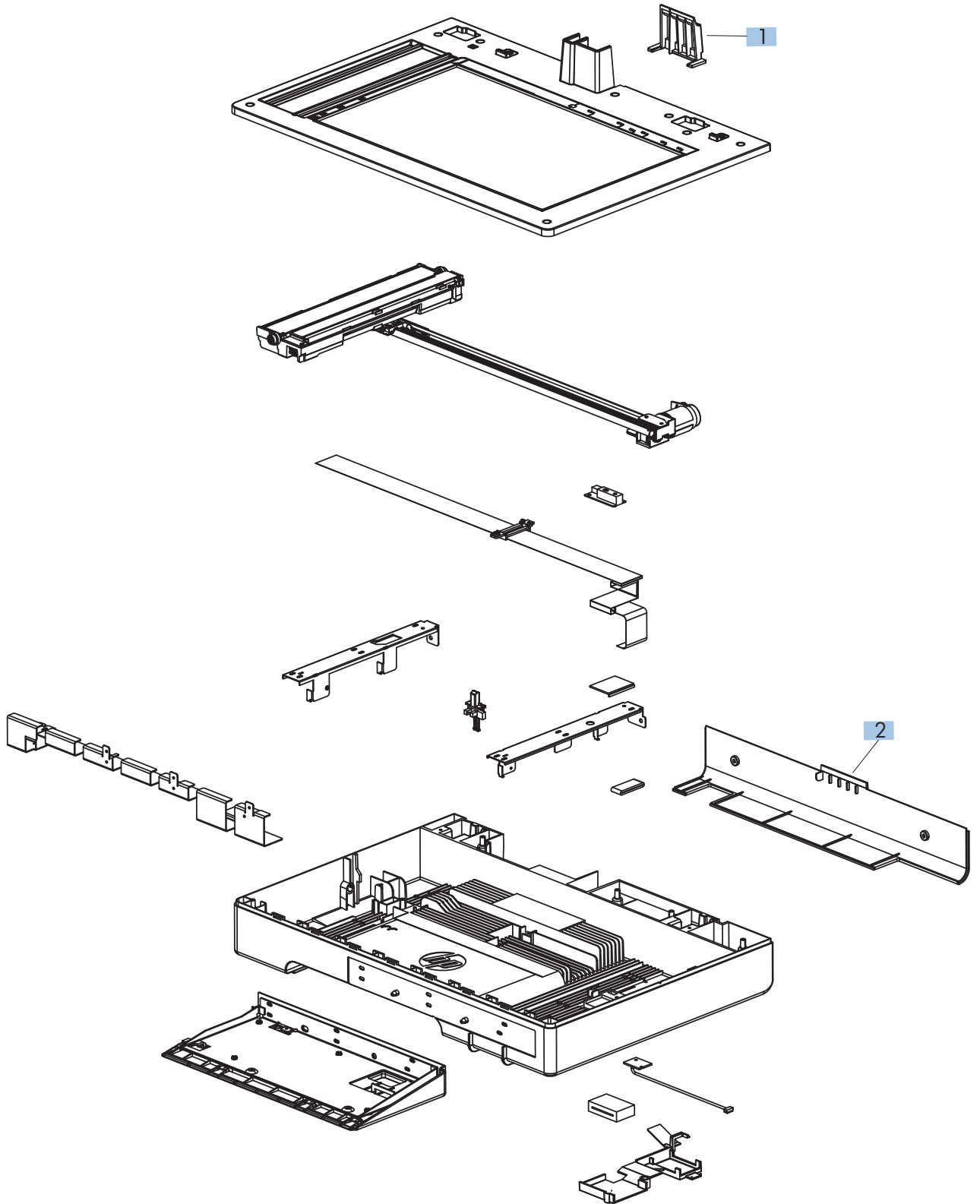


**Table 2-10 ADF assemblies**

<b>Ref</b>	<b>Description</b>	<b>Part number</b>	<b>Qty</b>
1	ADF separation pad spring	5851-4879	1
2	ADF roller cover	CC355-40013	1
3	ADF hinge assembly	Q7404-60024	2
4	Cover, ADF rear	Q7404-40007	1
5	Cover, ADF front	Q7404-40030	1
6	Cover, hatch	Q7404-40006	1
7	ADF tray extender	Q7404-40020	1

# Scanner assemblies

Figure 2-9 Scanner assemblies

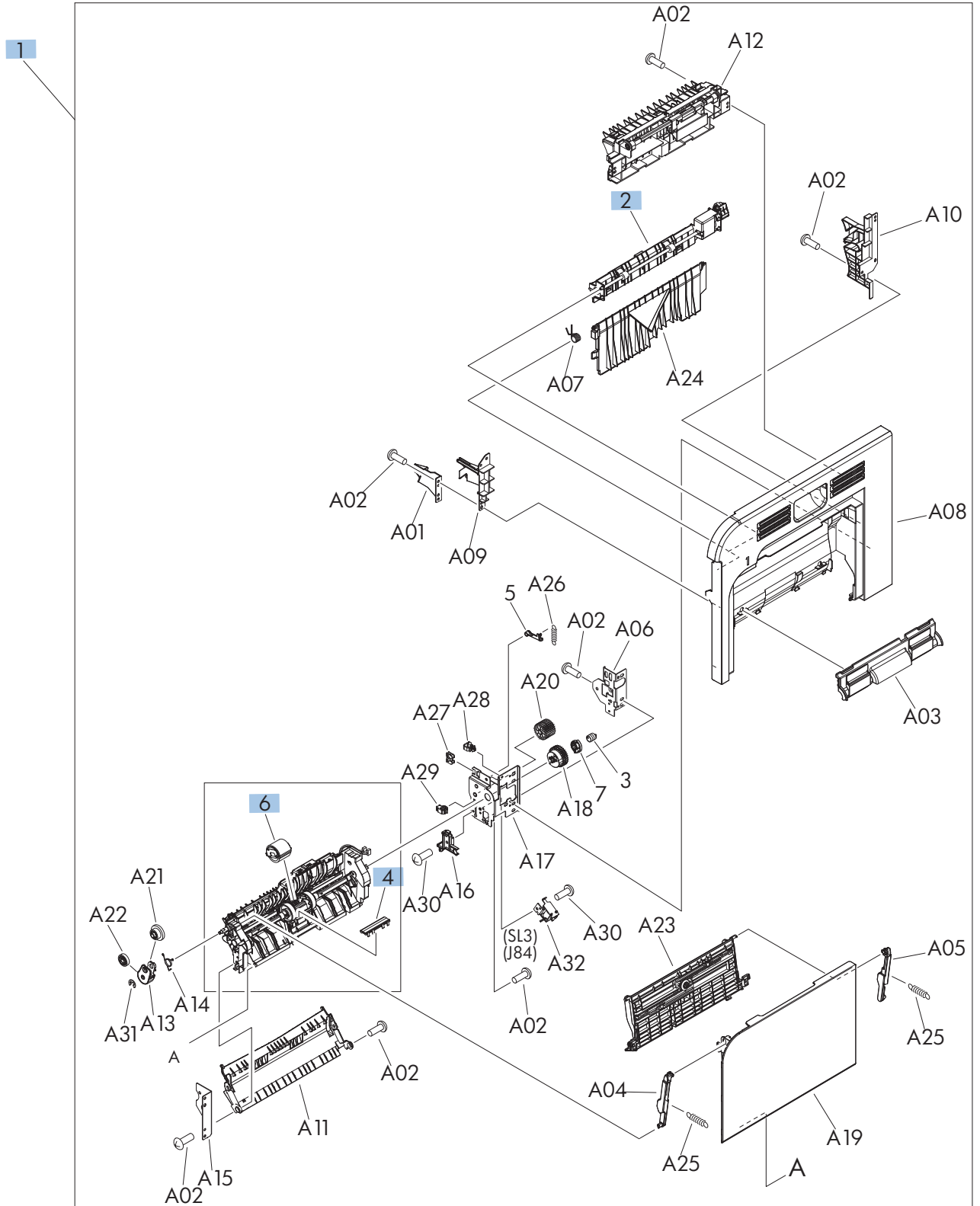


**Table 2-11 Scanner assemblies**

<b>Ref</b>	<b>Description</b>	<b>Part number</b>	<b>Qty</b>
1	Cover, ADF cable	5851-0630	1
2	Cover, rear scanner	CD644-40001	1
Not shown	PCA, scanner memory	CD644-67924	1
Not shown	Cave light	CF116-60104	1
Not shown	Cable harness merge assy	Q7404-50005	1

# Right-door assembly

Figure 2-10 Right-door assembly



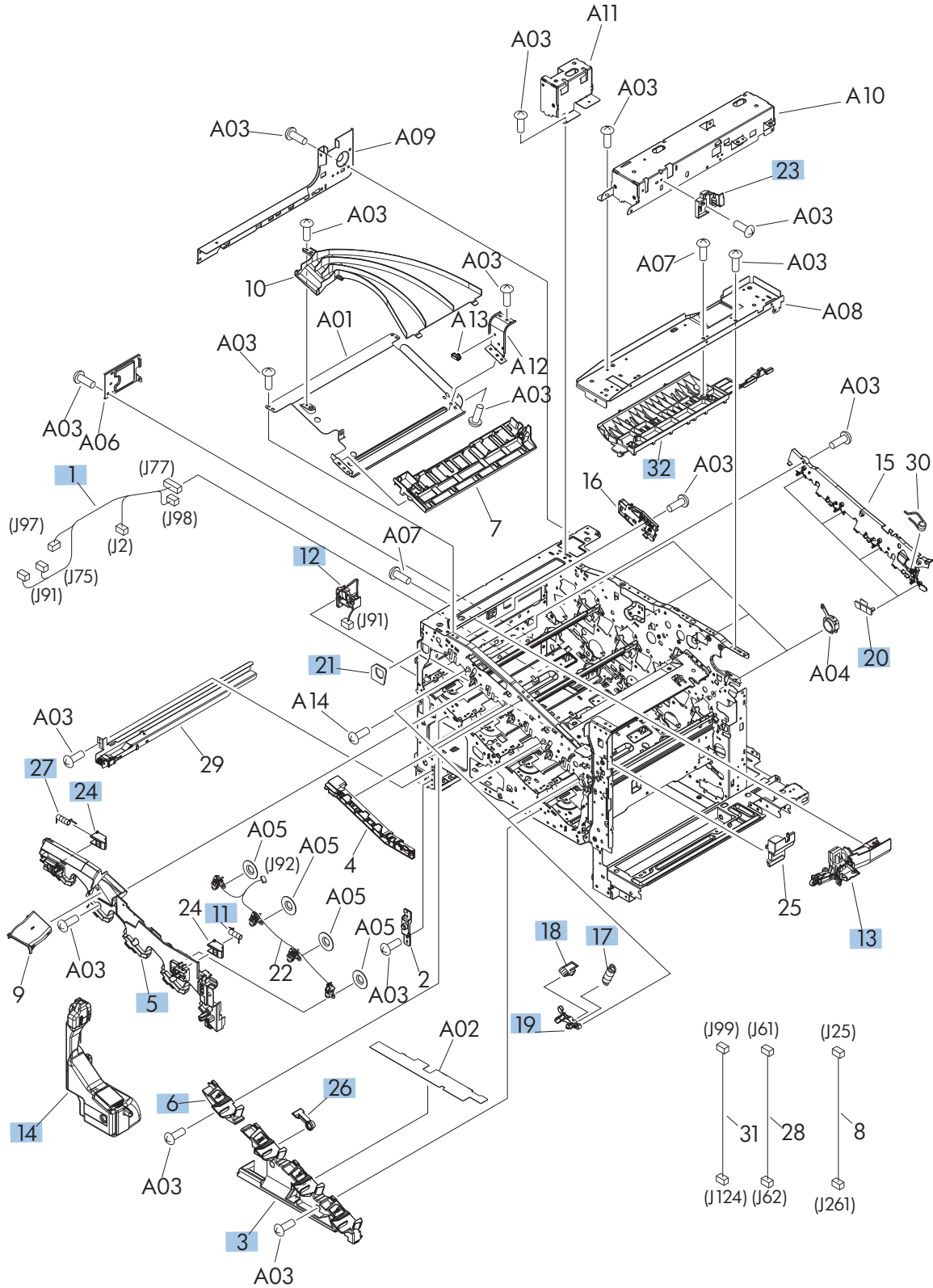
**Table 2-12 Right-door assembly**

<b>Ref</b>	<b>Description</b>	<b>Part number</b>	<b>Qty</b>
1	Right door assembly	RM1-8123-000CN	1
2	Duplexing paper feed assembly	RM1-4959-000CN	1
4, 6	Kit, Tray 1 roller (pickup roller and separation pad)	CD644-67903	1

# Internal assemblies

## Internal assemblies (1 of 6)

Figure 2-11 Internal assemblies (1 of 6)



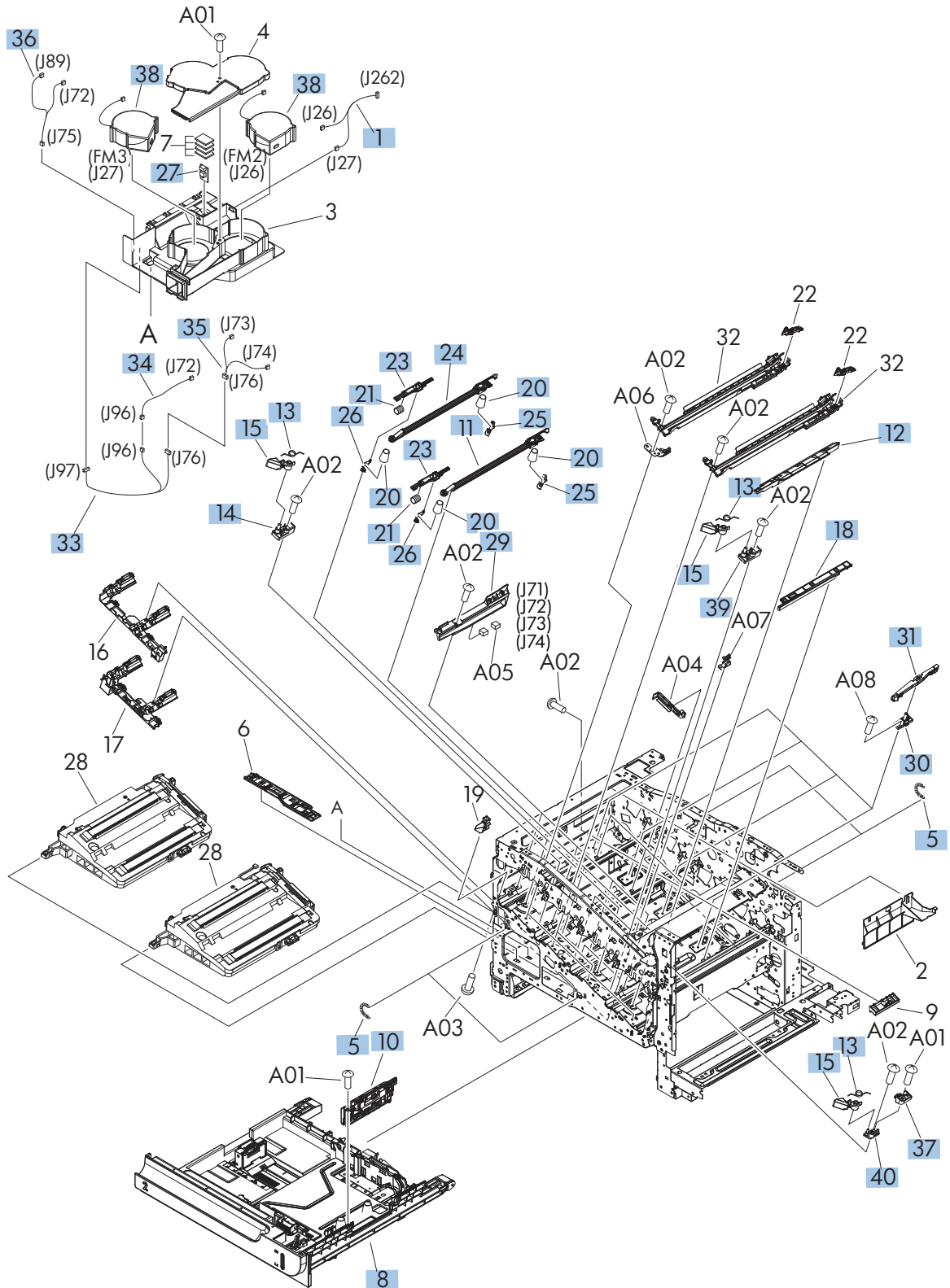


**Table 2-13 Internal assemblies (1 of 6)**

<b>Ref</b>	<b>Description</b>	<b>Part number</b>	<b>Qty</b>
1	Left cable assembly	RM1-5742-000CN	1
3	Cover, front inner lower unit	RL1-1914-020CN	1
5	Cover, front inner upper	RC3-1070-000CN	1
6	Cover, front inner lower	RL1-1915-000CN	1
11	Spring, compression	RU6-2567-000CN	1
12	Waste toner detect assembly	RM1-5696-000CN	1
13	Waste toner duct assembly	RM1-8138-000CN	1
14	Toner collection unit (TCU)	RM1-4989-000CN	1
17	Spring, tension	RU7-2192-000CN	4
18	Spring, ground	RU6-2237-000CN	4
19	Lever, cartridge pressure front	RC2-3983-030CN	4
20	Guide, light	RC2-4426-000CN	4
21	Waste toner box seal	RC2-4780-000CN	4
23	Cover, stapler switch	RC3-2116-000CN	4
24	Lock, door	RC2-5937-000CN	2
26	Lever, box presence detect	RC2-5951-000CN	1
27	Spring, compression	RU6-2568-000CN	1
32	Guide, door latch right	RC2-4914-000CN	1

## Internal assemblies (2 of 6)

Figure 2-12 Internal assemblies (2 of 6)

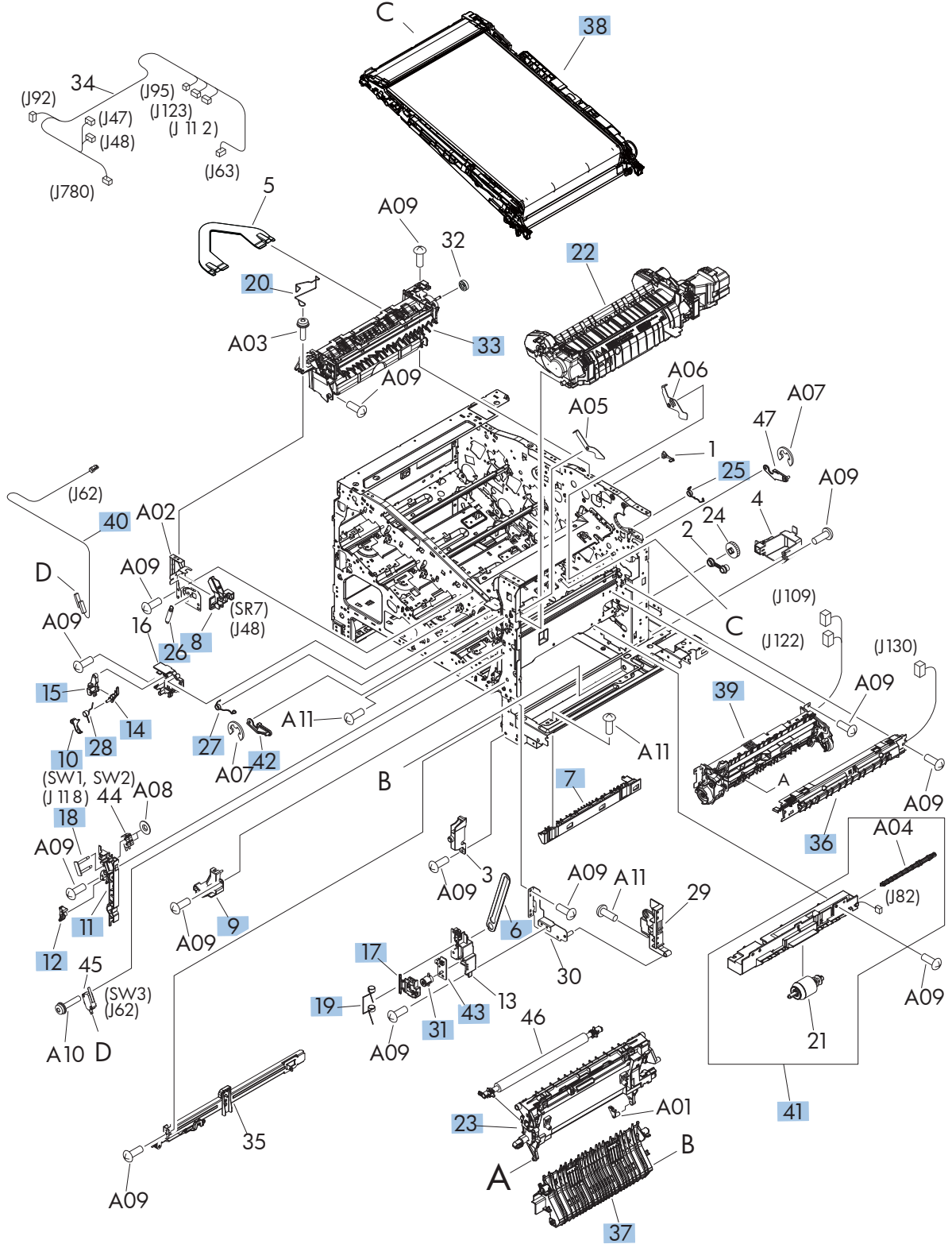


**Table 2-14 Internal assemblies (2 of 6)**

<b>Ref</b>	<b>Description</b>	<b>Part number</b>	<b>Qty</b>
1	Fan cable assembly	RM1-5746-000CN	1
5	Spring, tension	RU6-2436-000CN	4
8	Tray 2	RM1-4962-060CN	1
10	Separation roller assy (part of roller kit)	RM1-4966-020CN	1
11	Shutter assembly	RM1-4999-000CN	2
12	Cover	RC2-5912-000CN	1
13	Spring, torsion	RC2-5958-000CN	4
14	Holder, cartridge lock lever	RC2-5955-000CN	1
15	Lever, cartridge lock lever	RC2-5954-000CN	4
18	Cover	RC2-5962-000CN	1
20	Spring, compression	RU6-2318-000CN	8
21	Spring, compression	RU6-2316-000CN	4
23	Lever, shutter	RC2-4415-000CN	4
24	Shutter assembly	RM1-5488-000CN	2
25	Arm, shutter rear	RC2-4407-030CN	4
26	Arm, shutter front	RC2-4406-000CN	4
27	Temperature sensor unit	RK2-3267-000CN	1
29	Toner sensor holder assembly	RM1-5700-000CN	4
30	Stand assembly	RM1-5588-000CN	4
31	Base assembly	RM1-8149-000CN	4
33	Connecting cable assembly	RM1-5749-000CN	1
34	Sensor cable assembly	RM1-5740-000CN	1
35	Sensor cable assembly	RM1-5741-000CN	1
36	Motor/sensor cable assembly	RM1-5752-000CN	1
37	Cartridge lock lever holder	RC2-5957-000CN	1
38	Fan (FM2, FM3)	RK2-2418-000CN	2
39	Cartridge lock lever holder	RC3-1075-000CN	2
40	Cartridge lock lever holder	RC2-5956-000CN	2

## Internal assemblies (3 of 6)

Figure 2-13 Internal assemblies (3 of 6)

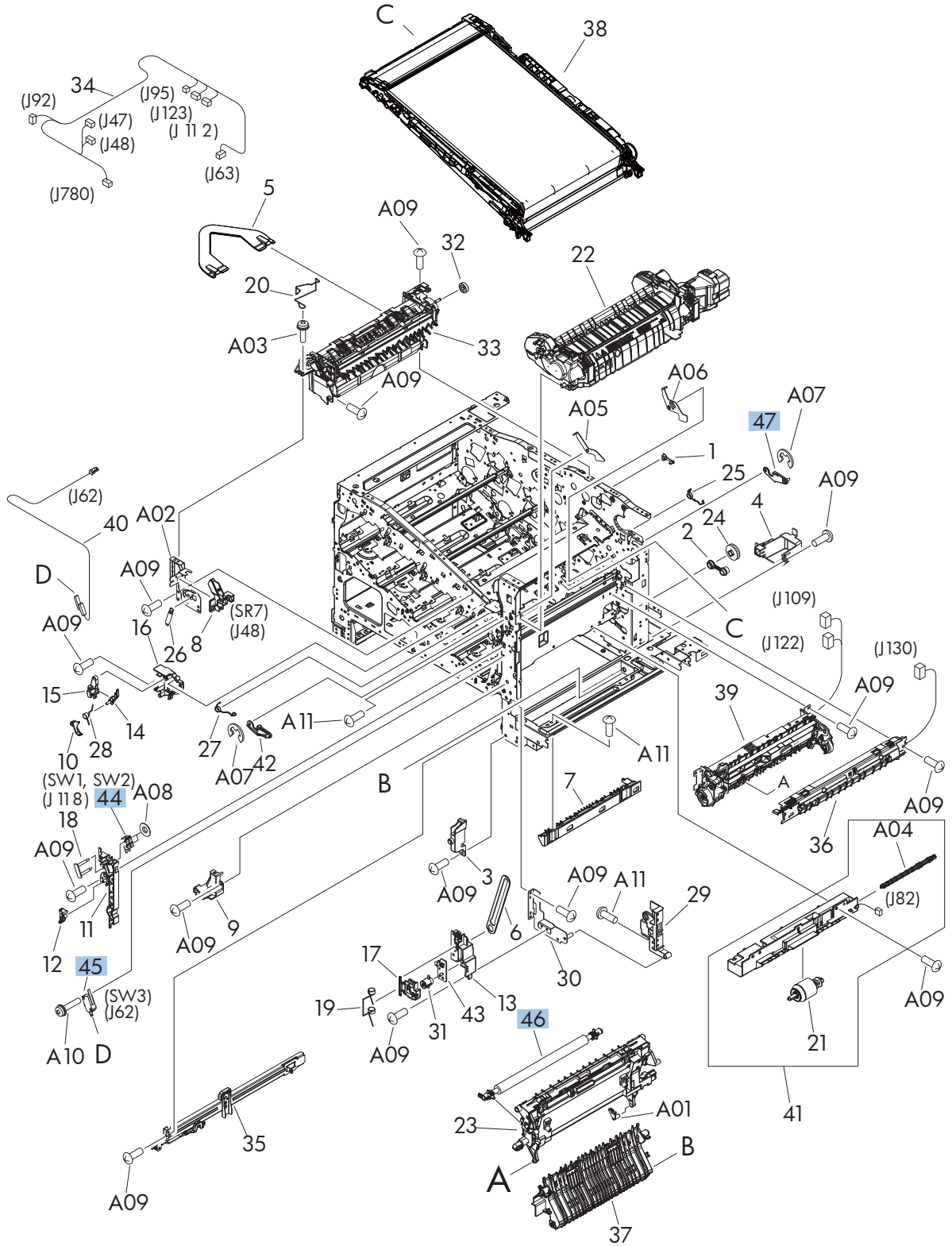


**Table 2-15 Internal assemblies (3 of 6)**

<b>Ref</b>	<b>Description</b>	<b>Part number</b>	<b>Qty</b>
6	Link, door stopper	RC2-4916-000CN	1
7	Guide, option entrance	RC2-4915-000CN	1
8	Sensor cable guide assembly (SR7)	RM1-8178-000CN	1
9	Cover, inner right lower	RC2-5019-000CN	1
10	Link, interlock (SW1)	RC2-5120-000CN	1
11	Mount, interlock switch	RC2-5123-000CN	1
12	Arm, interlock link switch	RC2-5121-000CN	1
14	Link, interlock	RC2-5119-000CN	1
15	Link, interlock	RC2-5118-000CN	1
17	Lever, switch	RC3-1208-000CN	1
18	Shaft	RC2-5913-000CN	1
19	Spring	RC3-1212-000CN	1
20	Wire (mech) sensor project	RC2-4828-000CN	1
22	Fuser 110v	CD644-67906	1
22	Fuser 220v	CD644-67907	1
23	Secondary transfer assembly	RM1-4952-030CN	1
25	Spring, torsion	RC2-4378-000CN	1
26	Spring, torsion	RU6-2268-000CN	1
27	Spring, torsion	RC2-4377-000CN	1
28	Spring, torsion	RC2-5122-000CN	1
31	Button, power supply	RL1-1947-000CN	1
33	Paper delivery assembly	RM1-4970-060CN	1
36	Density detect assembly	RM1-8163-000CN	1
37	Pick up lower guide assembly	RM1-9192-000CN	1
38	ITB kit	CD644-67908	1
39	Registration assembly	RM1-4969-000CN	1
40	Switch cable assembly	RM1-8065-000CN	1
41	Paper pick up assembly	RM1-4967-000CN	1
42	Front lock arm assembly	RM1-5532-000CN	1
43	Switch PCA assembly	RM1-8097-000CN	1

## Internal assemblies (4 of 6)

Figure 2-14 Internal assemblies (4 of 6)



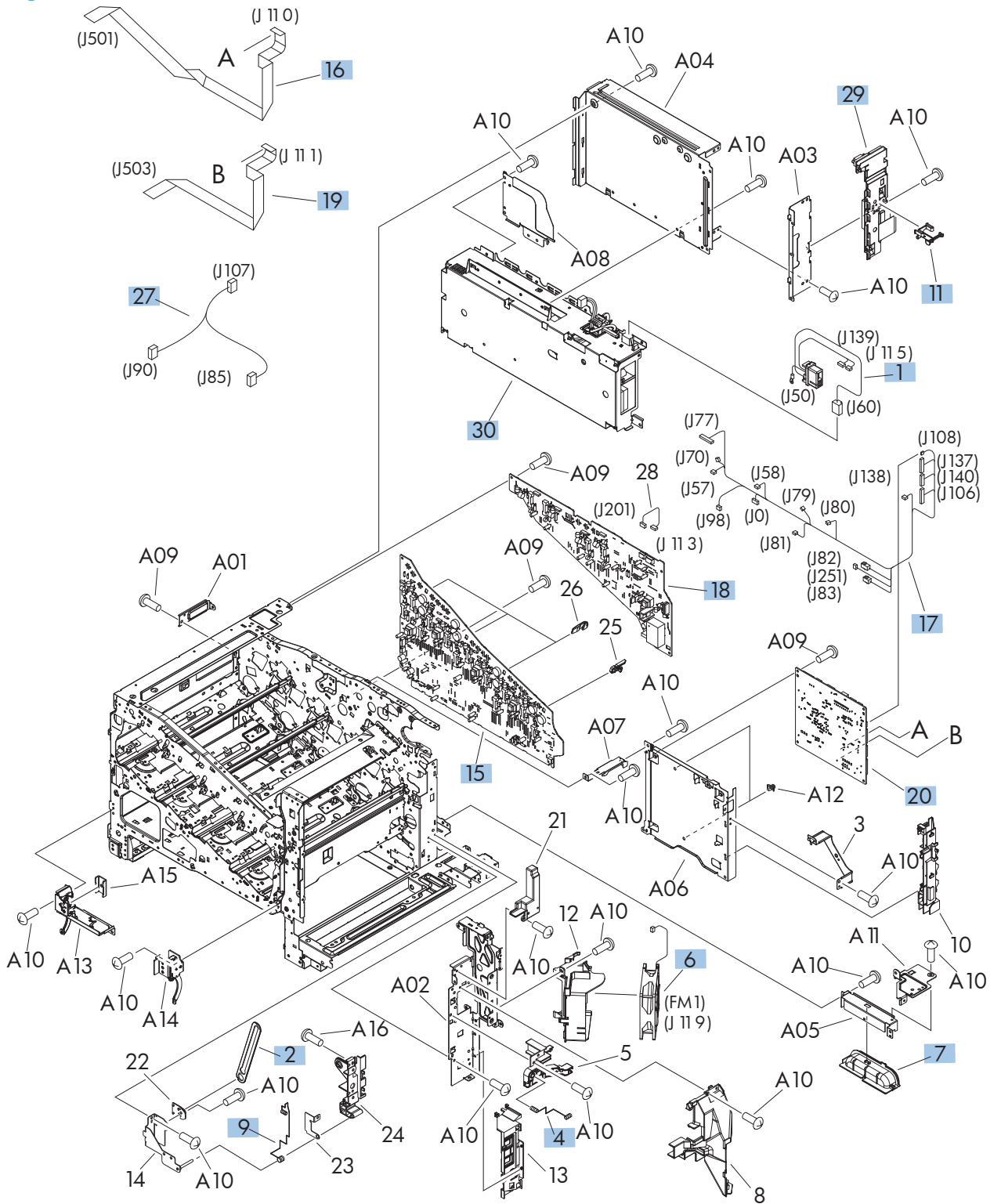
**Table 2-16 Internal assemblies (4 of 6)**

<b>Ref</b>	<b>Description</b>	<b>Part number</b>	<b>Qty</b>
44	Door switch assembly (SW2)	RM1-5732-000CN	1
45	Microswitch (SW3)	WC4-5171-000CN	1
46	Secondary transfer roller	CD644-67914	1
47	Rear lock arm assembly	RM1-5533-000CN	1



# Internal assemblies (5 of 6)

Figure 2-15 Internal assemblies (5 of 6)

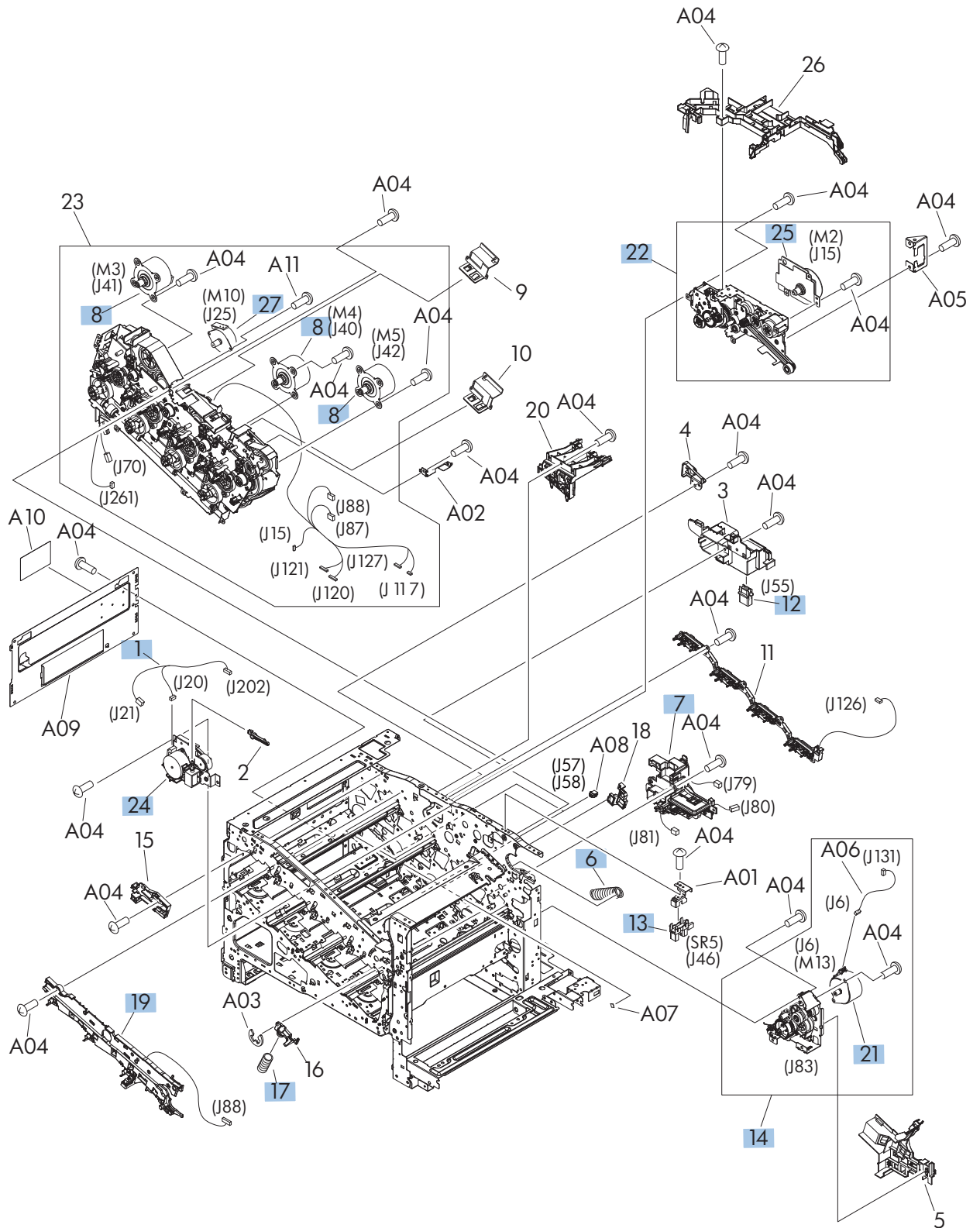


**Table 2-17 Internal assemblies (5 of 6)**

<b>Ref</b>	<b>Description</b>	<b>Part number</b>	<b>Qty</b>
1	Fusing connecting cable assembly	RM1-5714-000CN	1
2	Link, door stopper	RC2-4916-000CN	1
4	Spring, compression	RC2-5021-000CN	1
6	Fan (FM1)	RK2-2416-000CN	1
7	Rear handle	RC2-5042-000CN	1
9	Spring, grounding	RC2-5148-000CN	1
11	Switch arm	RC2-5943-000CN	1
15	Lower HVPS (D)	RM1-8087-000CN	1
16	Cable, laser FCC 1	RK2-3941-000CN	1
17	Cable, rear assembly	RM1-8084-000CN	1
18	Upper HVPS (T)	RM1-8088-000CN	1
19	Cable, laser FCC 2	RK2-3943-000CN	1
20	DC Controller	RM1-8119-000CN	1
27	Cable, MP sensor assembly	RM1-5737-000CN	1
29	Interconnect PCA (ICB)	RM1-8086-000CN	1
30	LVPS (110V)	RM1-8102-000CN	1
30	LVPS (220V)	RM1-8103-000CN	1

## Internal assemblies (6 of 6)

Figure 2-16 Internal assemblies (6 of 6)

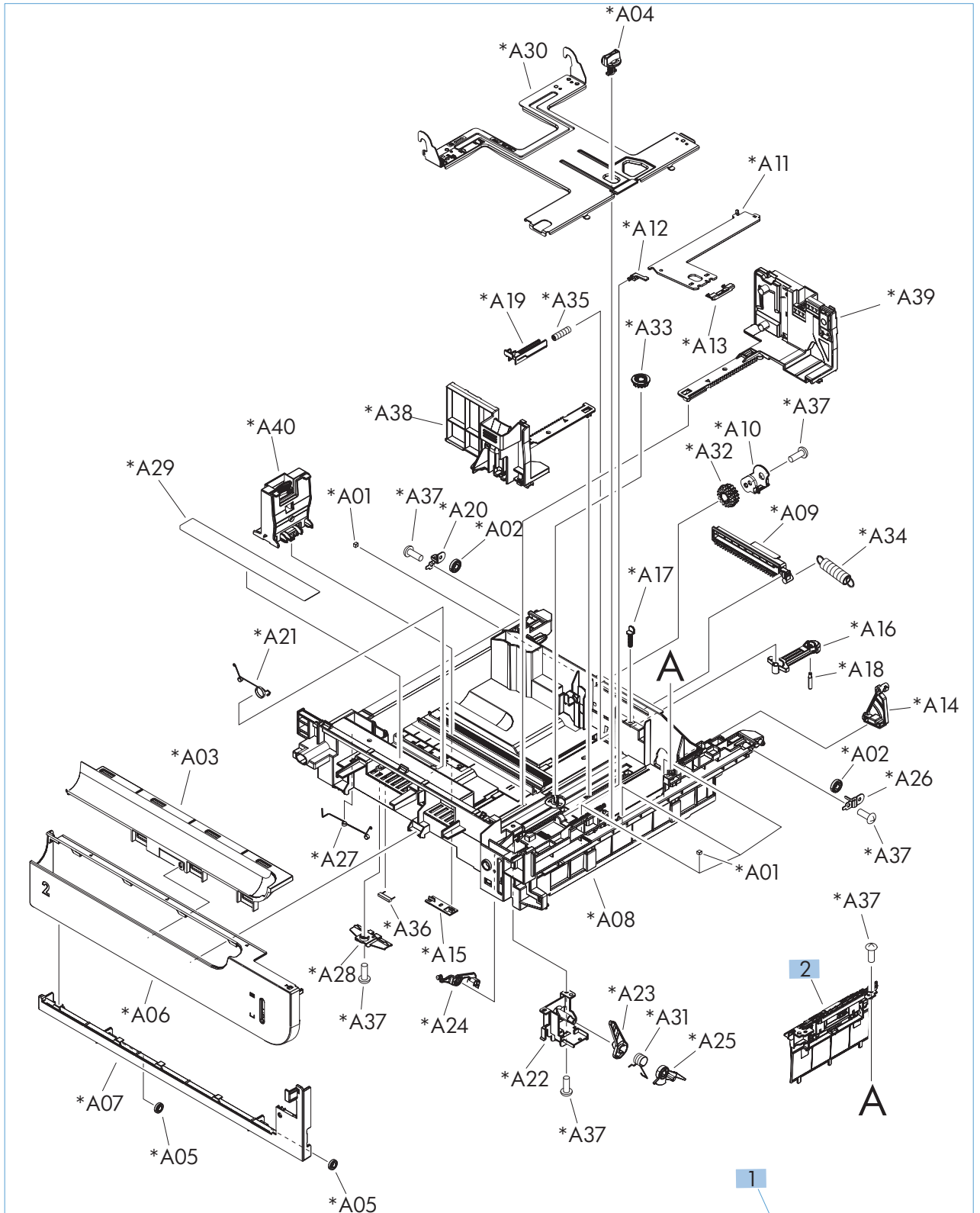


**Table 2-18 Internal assemblies (6 of 6)**

<b>Ref</b>	<b>Description</b>	<b>Part number</b>	<b>Qty</b>
1	Duplexing unit cable assembly	RM1-5730-000CN	1
6	Spring, tension	RU6-2405-000CN	1
7	Lifter drive assembly	RM1-4976-000CN	1
8	Main motor unit (M3, M4, M5)	RM1-8105-000CN	3
12	Connector, drawer	VS1-7258-007CN	1
13	Photo interrupter (SR5)	WG8-5935-000CN	1
14	Paper pick up drive assembly	RM1-8135-000CN	1
17	Spring, compression	RU7-2193-000CN	1
19	Rear Pre-exposure PCA assembly	RM1-8174-000CN	1
21	Pickup motor assembly (M13)	RM1-5773-000CN	1
22	Fusing drive assembly	RM1-8134-000CN	1
24	Duplex drive assembly	RM1-4973-000CN	1
25	Fusing motor assembly (M2)	RM1-4983-000CN	1
27	Stepping motor, DC (M10)	RK2-2415-000CN	1

# Tray 2

Figure 2-17 Tray 2

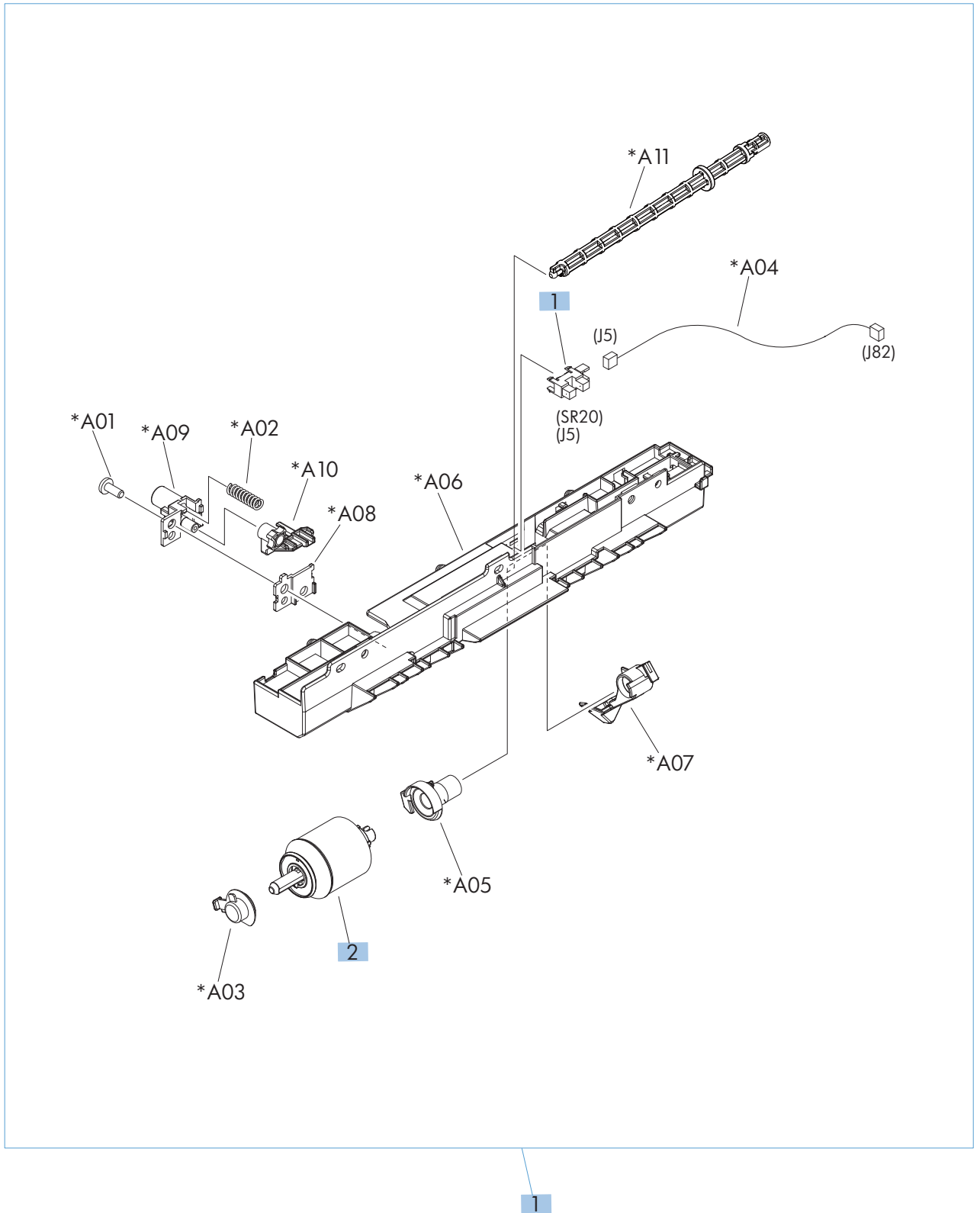


**Table 2-19 Tray 2**

<b>Ref</b>	<b>Description</b>	<b>Part number</b>	<b>Qty</b>
1	Tray 2	RM1-6198-000CN	1
2	Separation roller assembly (part of roller kit)	CD644-67904	1

# Paper pickup assembly

Figure 2-18 Paper pickup assembly (Tray 2)



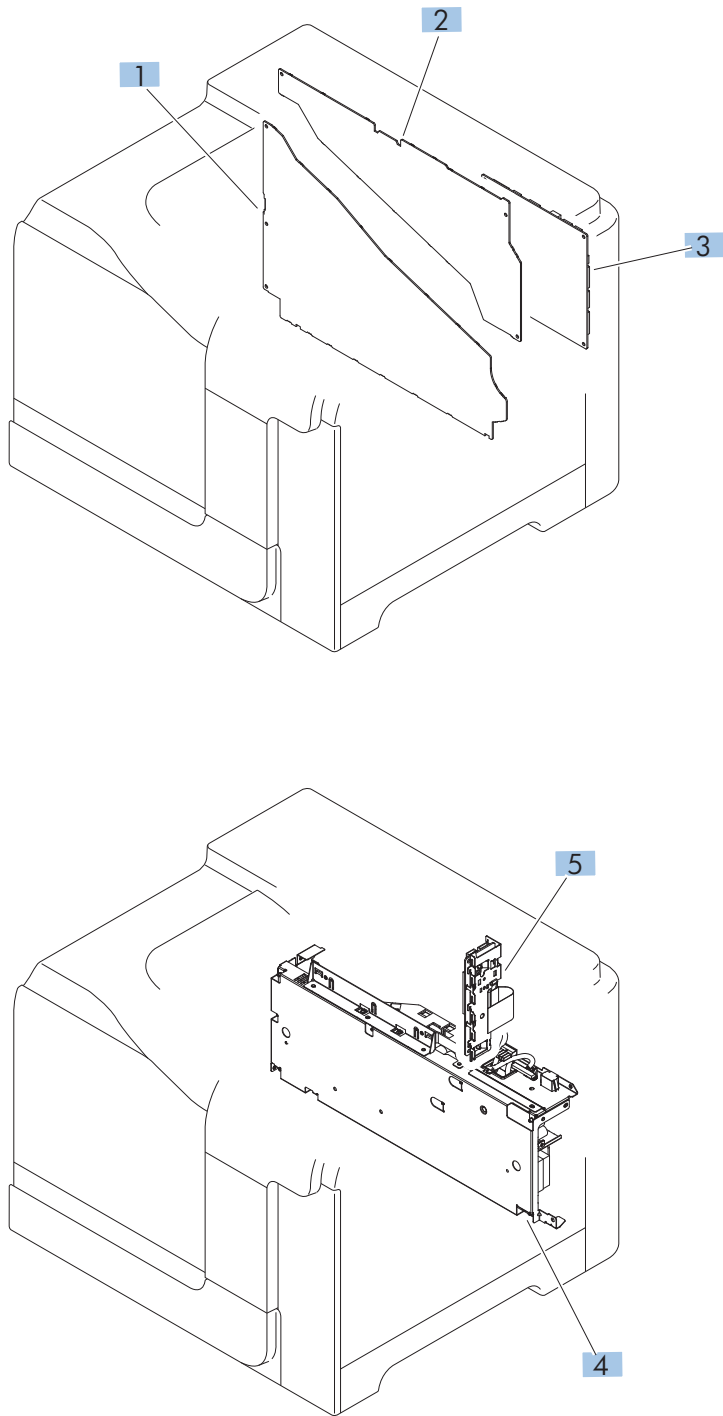


**Table 2-20 Paper pickup assembly (Tray 2)**

<b>Ref</b>	<b>Description</b>	<b>Part number</b>	<b>Qty</b>
1	Paper pickup assembly	RM1-4967-000CN	1
2	Pickup roller	RM1-4968-040CN	1
3	Photointerrupter	WG8-5935-000CN	1

## PCAs

Figure 2-19 PCAs



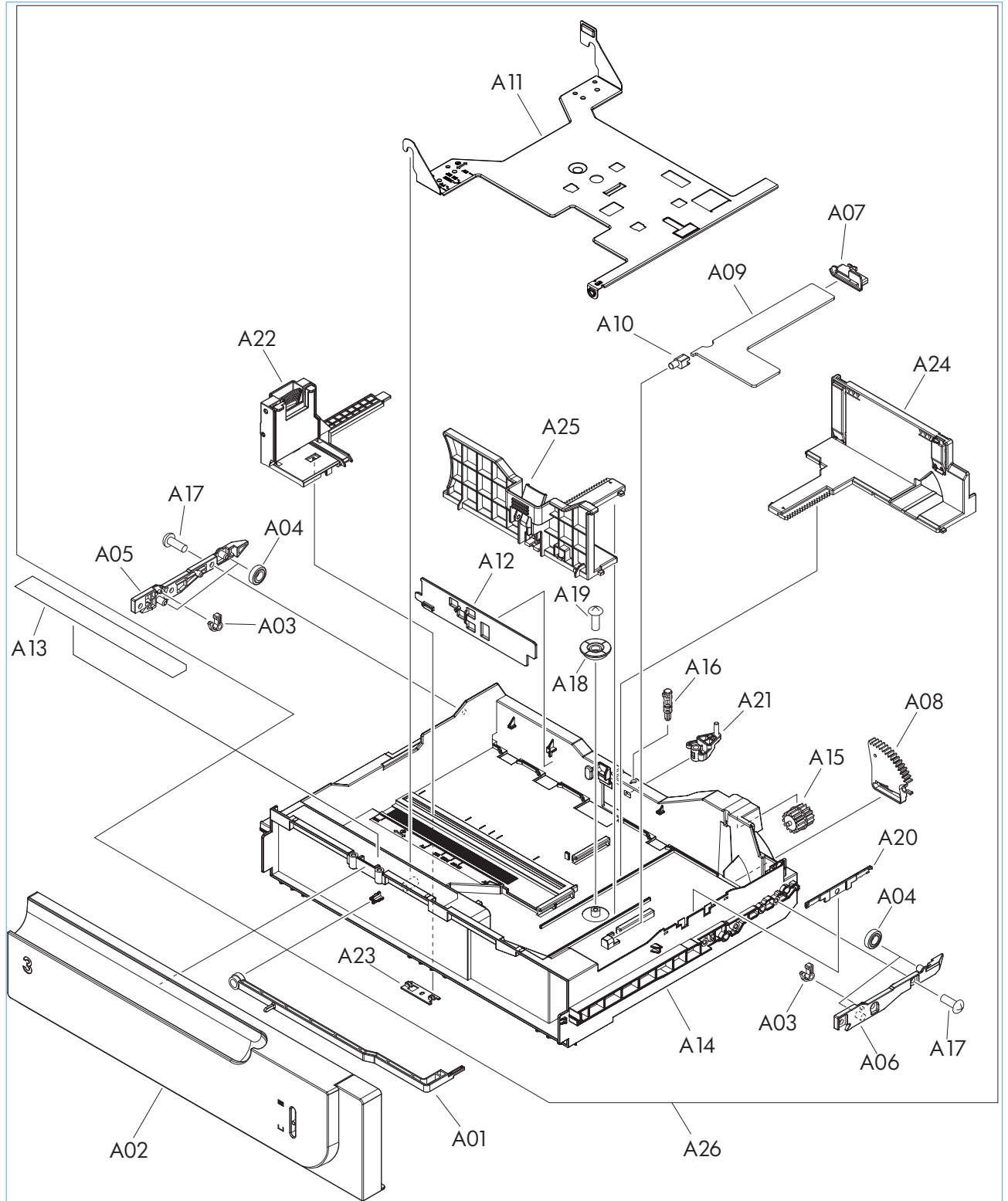
**Table 2-21 PCAs**

<b>Ref</b>	<b>Description</b>	<b>Part number</b>	<b>Qty</b>
1	Lower HVPS-D PCA	RM1-8087-000CN	1
2	Upper HVPS-T PCA	RM1-8088-000CN	1
3	DC controller PCA	RM1-8104-000CN	1
4	Low-voltage power supply 110V	RM1-8102-000CN	1
4	Low-voltage power supply 220V	RM1-8103-000CN	1
5	Inner connecting PCA (ICB)	RM1-8143-000CN	1
Not shown	Formatter assembly kit (New)	CD644-67909	1
Not shown	Formatter assembly kit (China)	CD644-67910	1

# Assessories

## 1 x 500-sheet paper feeder

Figure 2-20 1 x 500-sheet paper feeder

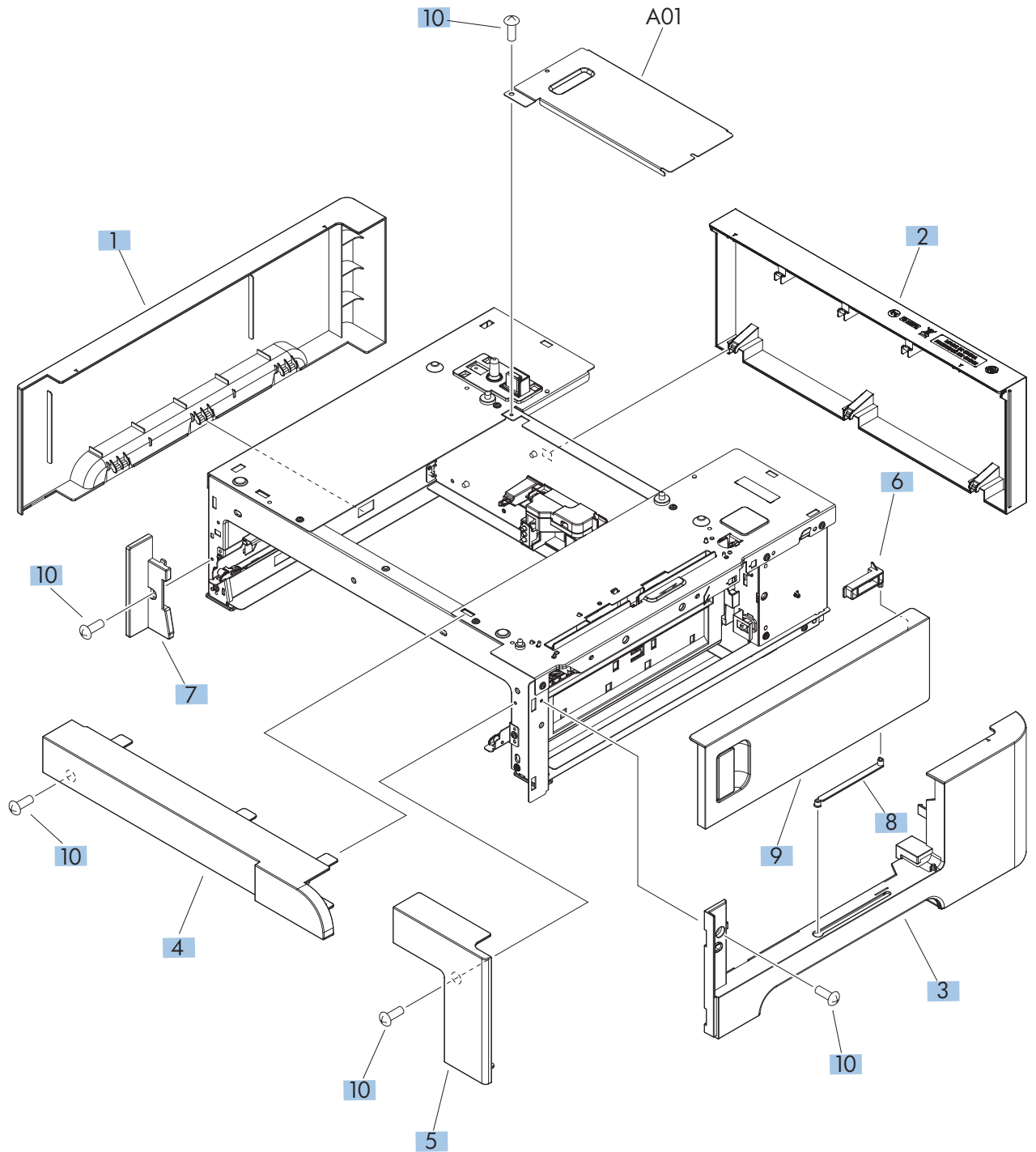


**Table 2-22 1 x 500-sheet paper feeder**

<b>Ref</b>	<b>Description</b>	<b>Part number</b>	<b>Qty</b>
1	1 x 500-sheet feeder replacement kit	CF084-67901	1

## Paper feeder covers

Figure 2-21 Paper feeder covers

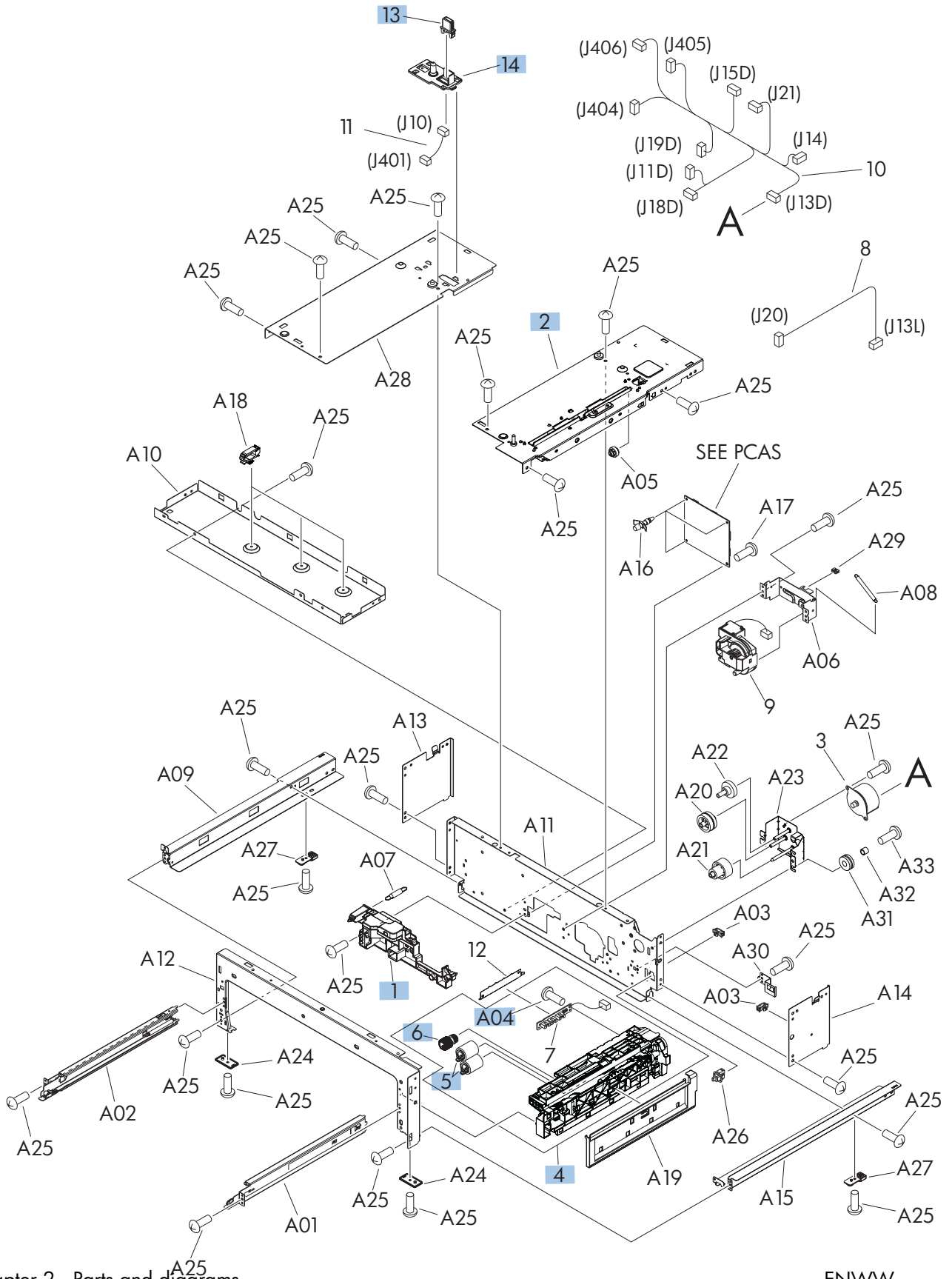


**Table 2-23 Paper feeder covers**

<b>Ref</b>	<b>Description</b>	<b>Part number</b>	<b>Qty</b>
1	Cover, left	RC2-5428-000CN	1
2	Cover, rear	RC2-5429-000CN	1
3	Cover, right	RC2-5427-000CN	1
4	Cover, front upper	RC2-5425-000CN	1
5	Cover, front right	RC2-5426-000CN	1
6	Stopper, door	RC2-5417-000CN	1
7	Cover, left front	RC2-5430-000CN	1
8	Link, door right	RC2-5435-000CN	1
9	Right door assembly	CC468-67906	1

# Paper feeder main body

Figure 2-22 Paper feeder main body



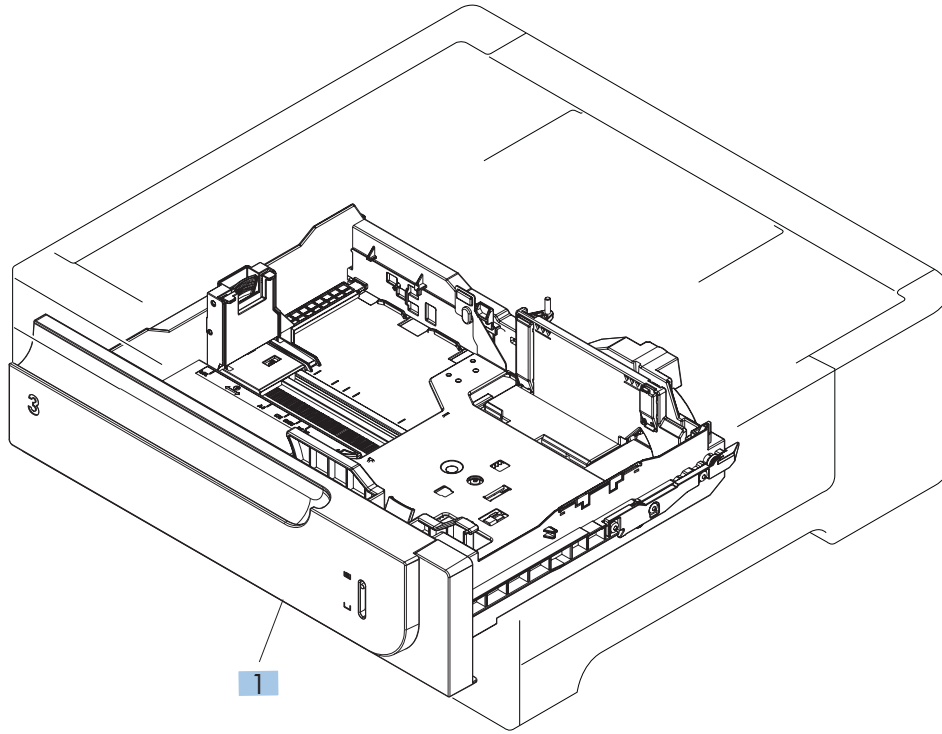


**Table 2-24 Paper feeder main body**

<b>Ref</b>	<b>Description</b>	<b>Part number</b>	<b>Qty</b>
1	Lifter base assembly	RM1-5913-000CN	1
2	Paper feed assembly	RM1-6194-030CN	1
4	Paper pickup assembly	RM1-5919-000CN	1
5	Paper feed roller assembly	CD644-67904	1
6	Roller, paper pickup	CD644-67904	1
13	Drawer connector	VS1-7257-007CN	1
14	Holder, drawer connector	RC2-5416-000CN	1

## Paper feeder cassette

Figure 2-23 Paper feeder cassette

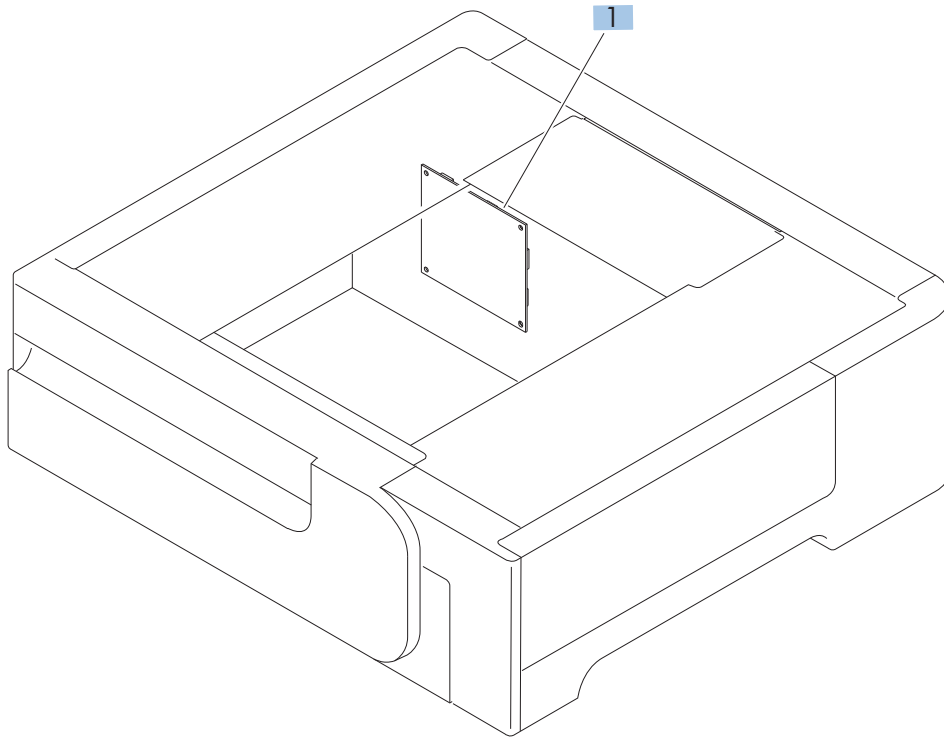


**Table 2-25 Paper feeder cassette**

<b>Ref</b>	<b>Description</b>	<b>Part number</b>	<b>Qty</b>
1	Cassette, Tray 3	RM1-6198-000CN	1
All shown	Optional 1 x 500-sheet feeder	CF084-67901	1

## Paper feeder PCA

Figure 2-24 Paper feeder PCA



**Table 2-26 Paper feeder PCA**

<b>Ref</b>	<b>Description</b>	<b>Part number</b>	<b>Qty</b>
1	PCA, paper feeder driver (1 x 500)	RM1-5839-000CN	1

# Alphabetical parts list

**Table 2-27 Alphabetical parts list**

Description	Part number	Table and page
1 x 500-sheet feeder replacement kit	CF084-67901	<a href="#">1 x 500-sheet paper feeder on page 301</a>
ADF hinge assembly	Q7404-60024	<a href="#">ADF assemblies on page 277</a>
ADF roller cover	CC355-40013	<a href="#">ADF assemblies on page 277</a>
ADF separation pad spring	5851-4879	<a href="#">ADF assemblies on page 277</a>
ADF tray extender	Q7404-40020	<a href="#">ADF assemblies on page 277</a>
ADF whole unit	CD644-67918	<a href="#">Document feeder and scanner assemblies (M575dn and 575f models) on page 269</a>
Arm, interlock link switch	RC2-5121-000CN	<a href="#">Internal assemblies (3 of 6) on page 287</a>
Arm, shutter front	RC2-4406-000CN	<a href="#">Internal assemblies (2 of 6) on page 285</a>
Arm, shutter rear	RC2-4407-030CN	<a href="#">Internal assemblies (2 of 6) on page 285</a>
Base assembly	RM1-8149-000CN	<a href="#">Internal assemblies (2 of 6) on page 285</a>
Button, power supply	RL1-1947-000CN	<a href="#">Internal assemblies (3 of 6) on page 287</a>
Cable harness merge assy	Q7404-50005	<a href="#">Scanner assemblies on page 279</a>
Cable, laser FCC 1	RK2-3941-000CN	<a href="#">Internal assemblies (5 of 6) on page 291</a>
Cable, laser FCC 2	RK2-3943-000CN	<a href="#">Internal assemblies (5 of 6) on page 291</a>
Cable, MP sensor assembly	RM1-5737-000CN	<a href="#">Internal assemblies (5 of 6) on page 291</a>
Cable, rear assembly	RM1-8084-000CN	<a href="#">Internal assemblies (5 of 6) on page 291</a>
Cartridge lock lever holder	RC2-5957-000CN	<a href="#">Internal assemblies (2 of 6) on page 285</a>
Cartridge lock lever holder	RC3-1075-000CN	<a href="#">Internal assemblies (2 of 6) on page 285</a>
Cartridge lock lever holder	RC2-5956-000CN	<a href="#">Internal assemblies (2 of 6) on page 285</a>
Cassette, Tray 3	RM1-6198-000CN	<a href="#">Paper feeder cassette on page 307</a>

**Table 2-27 Alphabetical parts list (continued)**

<b>Description</b>	<b>Part number</b>	<b>Table and page</b>
Cave light	CF116-60104	<a href="#">Scanner assemblies on page 279</a>
Connecting cable assembly	RM1-5749-000CN	<a href="#">Internal assemblies (2 of 6) on page 285</a>
Connector, drawer	VS1-7258-007CN	<a href="#">Internal assemblies (6 of 6) on page 293</a>
Control panel	CD644-67916	<a href="#">Document feeder and scanner assemblies (M575dn and 575f models) on page 269</a>
Control panel assembly kit, 575c	CD644-67920	<a href="#">Control panel assembly on page 275</a>
Control panel assembly kit, 575dn and 575f	CD644-67916	<a href="#">Control panel assembly on page 275</a>
Control panel cover assembly	RM1-9198-000CN	<a href="#">External covers, panels, and doors on page 267</a>
Control panel, M575c	CD644-67920	<a href="#">Document feeder and scanner assemblies (M575dn and 575f models) on page 269</a>
Control-panel FFC, 575c	CD644-60113	<a href="#">Control panel assembly on page 275</a>
Cover	RC2-5912-000CN	<a href="#">Internal assemblies (2 of 6) on page 285</a>
Cover	RC2-5962-000CN	<a href="#">Internal assemblies (2 of 6) on page 285</a>
Cover, ADF cable	5851-0630	<a href="#">Scanner assemblies on page 279</a>
Cover, ADF front	Q7404-40030	<a href="#">ADF assemblies on page 277</a>
Cover, ADF rear	Q7404-40007	<a href="#">ADF assemblies on page 277</a>
Cover, front inner lower	RL1-1915-000CN	<a href="#">Internal assemblies (1 of 6) on page 283</a>
Cover, front inner lower unit	RL1-1914-020CN	<a href="#">Internal assemblies (1 of 6) on page 283</a>
Cover, front inner upper	RC3-1070-000CN	<a href="#">Internal assemblies (1 of 6) on page 283</a>
Cover, front right	RC2-5426-000CN	<a href="#">Paper feeder covers on page 303</a>
Cover, front upper	RC2-5425-000CN	<a href="#">Paper feeder covers on page 303</a>
Cover, hatch	Q7404-40006	<a href="#">ADF assemblies on page 277</a>

**Table 2-27 Alphabetical parts list (continued)**

<b>Description</b>	<b>Part number</b>	<b>Table and page</b>
Cover, image scanner unit	RRC3-2097-000CN	<a href="#">External covers, panels, and doors on page 267</a>
Cover, inner right lower	RC2-5019-000CN	<a href="#">Internal assemblies (3 of 6) on page 287</a>
Cover, left	RC2-5052-000CN	<a href="#">External covers, panels, and doors on page 267</a>
Cover, left	RC2-5428-000CN	<a href="#">Paper feeder covers on page 303</a>
Cover, left front	RC2-5430-000CN	<a href="#">Paper feeder covers on page 303</a>
Cover, left lower	RC2-5069-000CN	<a href="#">External covers, panels, and doors on page 267</a>
Cover, left rear	RC3-2094-000CN	<a href="#">External covers, panels, and doors on page 267</a>
Cover, rear	RC2-5048-000CN	<a href="#">External covers, panels, and doors on page 267</a>
Cover, rear	RC2-5429-000CN	<a href="#">Paper feeder covers on page 303</a>
Cover, rear right	RC2-5057-000CN	<a href="#">External covers, panels, and doors on page 267</a>
Cover, rear scanner	CD644-40001	<a href="#">Scanner assemblies on page 279</a>
Cover, right	RC3-2095-000CN	<a href="#">External covers, panels, and doors on page 267</a>
Cover, right	RC2-5427-000CN	<a href="#">Paper feeder covers on page 303</a>
Cover, right door gear rear	RC2-4924-000CN	<a href="#">External covers, panels, and doors on page 267</a>
Cover, right front	RC2-5056-000CN	<a href="#">External covers, panels, and doors on page 267</a>
Cover, right lower	RC2-5059-000CN	<a href="#">External covers, panels, and doors on page 267</a>
Cover, right rear	RC3-2096-000CN	<a href="#">External covers, panels, and doors on page 267</a>
Cover, stapler switch	RC3-2116-000CN	<a href="#">Internal assemblies (1 of 6) on page 283</a>
Cover, stapler unit	RM1-9199-000CN	<a href="#">External covers, panels, and doors on page 267</a>
Cover, upper rear	RC3-2092-000CN	<a href="#">External covers, panels, and doors on page 267</a>



**Table 2-27 Alphabetical parts list (continued)**

<b>Description</b>	<b>Part number</b>	<b>Table and page</b>
Cover, upper right	RC3-2093-000CN	<a href="#">External covers, panels, and doors on page 267</a>
DC Controller	RM1-8119-000CN	<a href="#">Internal assemblies (5 of 6) on page 291</a>
DC controller PCA	RM1-8104-000CN	<a href="#">PCAs on page 299</a>
Density detect assembly	RM1-8163-000CN	<a href="#">Internal assemblies (3 of 6) on page 287</a>
Document feeder whole unit, M575c	CD644-67921	<a href="#">Document feeder and scanner assemblies (M575dn and 575f models) on page 269</a>
Door switch assembly (SW2)	RM1-5732-000CN	<a href="#">Internal assemblies (3 of 6) on page 287</a>
Drawer connector	VS1-7257-007CN	<a href="#">Paper feeder main body on page 305</a>
Duplex drive assembly	RM1-4973-000CN	<a href="#">Internal assemblies (6 of 6) on page 293</a>
Duplexing paper feed assembly	RM1-4959-000CN	<a href="#">Right-door assembly on page 281</a>
Duplexing unit cable assembly	RM1-5730-000CN	<a href="#">Internal assemblies (6 of 6) on page 293</a>
e-Duplex assembly, document feeder, M575c	5851-5022	<a href="#">Document feeder and scanner assemblies (M575dn and 575f models) on page 269</a>
Fan (FM1)	RK2-2416-000CN	<a href="#">Internal assemblies (5 of 6) on page 291</a>
Fan (FM2, FM3)	RK2-2418-000CN	<a href="#">Internal assemblies (2 of 6) on page 285</a>
Fan cable assembly	RM1-5746-000CN	<a href="#">Internal assemblies (2 of 6) on page 285</a>
FFC, control-panel keyboard, M575c	CD644-60113	<a href="#">Document feeder and scanner assemblies (M575dn and 575f models) on page 269</a>
Formatter assembly kit (China)	CD644-67910	<a href="#">PCAs on page 299</a>
Formatter assembly kit (New)	CD644-67909	<a href="#">PCAs on page 299</a>
Front door assembly; 575c model	CD646-67904	<a href="#">External covers, panels, and doors on page 267</a>
Front door assembly; 575dn and 575f models	CD644-67902	<a href="#">External covers, panels, and doors on page 267</a>
Front lock arm assembly	RM1-5532-000CN	<a href="#">Internal assemblies (3 of 6) on page 287</a>

**Table 2-27 Alphabetical parts list (continued)**

<b>Description</b>	<b>Part number</b>	<b>Table and page</b>
Fuser 110v	CD644-67906	<a href="#">Internal assemblies (3 of 6) on page 287</a>
Fuser 220v	CD644-67907	<a href="#">Internal assemblies (3 of 6) on page 287</a>
Fusing connecting cable assembly	RM1-5714-000CN	<a href="#">Internal assemblies (5 of 6) on page 291</a>
Fusing drive assembly	RM1-8134-000CN	<a href="#">Internal assemblies (6 of 6) on page 293</a>
Fusing motor assembly (M2)	RM1-4983-000CN	<a href="#">Internal assemblies (6 of 6) on page 293</a>
Guide, cable	RC3-2103-000CN	<a href="#">External covers, panels, and doors on page 267</a>
Guide, door latch right	RC2-4914-000CN	<a href="#">Internal assemblies (1 of 6) on page 283</a>
Guide, light	RC2-4426-000CN	<a href="#">Internal assemblies (1 of 6) on page 283</a>
Guide, option entrance	RC2-4915-000CN	<a href="#">Internal assemblies (3 of 6) on page 287</a>
Holder, cartridge lock lever	RC2-5955-000CN	<a href="#">Internal assemblies (2 of 6) on page 285</a>
Holder, drawer connector	RC2-5416-000CN	<a href="#">Paper feeder main body on page 305</a>
Inner connecting PCA (ICB)	RM1-8143-000CN	<a href="#">PCAs on page 299</a>
Interconnect PCA (ICB)	RM1-8086-000CN	<a href="#">Internal assemblies (5 of 6) on page 291</a>
ITB kit	CD644-67908	<a href="#">Internal assemblies (3 of 6) on page 287</a>
Keyboard assembly English, M575c	5851-5380	<a href="#">Keyboard and brackets on page 273</a>
Keyboard assembly United Kingdom, M575c	5851-5008	<a href="#">Keyboard and brackets on page 273</a>
Kit, Tray 1 roller (pickup roller and separation pad)	CD644-67903	<a href="#">Right-door assembly on page 281</a>
Left cable assembly	RM1-5742-000CN	<a href="#">Internal assemblies (1 of 6) on page 283</a>
Lever, box presence detect	RC2-5951-000CN	<a href="#">Internal assemblies (1 of 6) on page 283</a>
Lever, cartridge lock lever	RC2-5954-000CN	<a href="#">Internal assemblies (2 of 6) on page 285</a>

**Table 2-27 Alphabetical parts list (continued)**

<b>Description</b>	<b>Part number</b>	<b>Table and page</b>
Lever, cartridge pressure front	RC2-3983-030CN	<a href="#">Internal assemblies (1 of 6) on page 283</a>
Lever, shutter	RC2-4415-000CN	<a href="#">Internal assemblies (2 of 6) on page 285</a>
Lever, switch	RC3-1208-000CN	<a href="#">Internal assemblies (3 of 6) on page 287</a>
Lifter base assembly	RM1-5913-000CN	<a href="#">Paper feeder main body on page 305</a>
Lifter drive assembly	RM1-4976-000CN	<a href="#">Internal assemblies (6 of 6) on page 293</a>
Link, door right	RC2-5435-000CN	<a href="#">Paper feeder covers on page 303</a>
Link, door stopper	RC2-4916-000CN	<a href="#">Internal assemblies (3 of 6) on page 287</a>
Link, door stopper	RC2-4916-000CN	<a href="#">Internal assemblies (5 of 6) on page 291</a>
Link, interlock	RC2-5119-000CN	<a href="#">Internal assemblies (3 of 6) on page 287</a>
Link, interlock	RC2-5118-000CN	<a href="#">Internal assemblies (3 of 6) on page 287</a>
Link, interlock (SW1)	RC2-5120-000CN	<a href="#">Internal assemblies (3 of 6) on page 287</a>
Lock, door	RC2-5937-000CN	<a href="#">Internal assemblies (1 of 6) on page 283</a>
Low-voltage power supply 110V	RM1-8102-000CN	<a href="#">PCAs on page 299</a>
Low-voltage power supply 220V	RM1-8103-000CN	<a href="#">PCAs on page 299</a>
Lower HVPS (D)	RM1-8087-000CN	<a href="#">Internal assemblies (5 of 6) on page 291</a>
Lower HVPS-D PCA	RM1-8087-000CN	<a href="#">PCAs on page 299</a>
LVPS (110V)	RM1-8102-000CN	<a href="#">Internal assemblies (5 of 6) on page 291</a>
LVPS (220V)	RM1-8103-000CN	<a href="#">Internal assemblies (5 of 6) on page 291</a>
Main motor unit (M3, M4, M5)	RM1-8105-000CN	<a href="#">Internal assemblies (6 of 6) on page 293</a>
Microswitch (SW3)	WC4-5171-000CN	<a href="#">Internal assemblies (3 of 6) on page 287</a>
Motor/sensor cable assembly	RM1-5752-000CN	<a href="#">Internal assemblies (2 of 6) on page 285</a>

**Table 2-27 Alphabetical parts list (continued)**

<b>Description</b>	<b>Part number</b>	<b>Table and page</b>
Mount, interlock switch	RC2-5123-000CN	<a href="#">Internal assemblies (3 of 6) on page 287</a>
Optional 1 x 500-sheet feeder	CF084-67901	<a href="#">Paper feeder cassette on page 307</a>
Paper delivery assembly	RM1-4970-060CN	<a href="#">Internal assemblies (3 of 6) on page 287</a>
Paper feed assembly	RM1-6194-030CN	<a href="#">Paper feeder main body on page 305</a>
Paper feed roller assembly	CD644-67904	<a href="#">Paper feeder main body on page 305</a>
Paper pick up assembly	RM1-4967-000CN	<a href="#">Internal assemblies (3 of 6) on page 287</a>
Paper pick up drive assembly	RM1-8135-000CN	<a href="#">Internal assemblies (6 of 6) on page 293</a>
Paper pickup assembly	RM1-4967-000CN	<a href="#">Paper pickup assembly (Tray 2) on page 297</a>
Paper pickup assembly	RM1-5919-000CN	<a href="#">Paper feeder main body on page 305</a>
PCA, paper feeder driver (1 x 500)	RM1-5839-000CN	<a href="#">Paper feeder PCA on page 309</a>
PCA, scanner control board	CD644-67926	<a href="#">Document feeder and scanner assemblies (M575dn and 575f models) on page 269</a>
PCA, scanner control board, M575c	CD646-67902	<a href="#">Document feeder and scanner assemblies (M575dn and 575f models) on page 269</a>
PCA, scanner memory	CD644-67924	<a href="#">Scanner assemblies on page 279</a>
Photo interrupter (SR5)	WG8-5935-000CN	<a href="#">Internal assemblies (6 of 6) on page 293</a>
Photointerrupter	WG8-5935-000CN	<a href="#">Paper pickup assembly (Tray 2) on page 297</a>
Pick up lower guide assembly	RM1-9192-000CN	<a href="#">Internal assemblies (3 of 6) on page 287</a>
Pickup motor assembly (M13)	RM1-5773-000CN	<a href="#">Internal assemblies (6 of 6) on page 293</a>
Pickup roller	RM1-4968-040CN	<a href="#">Paper pickup assembly (Tray 2) on page 297</a>
Plate, blanking	RC2-5938-000CN	<a href="#">External covers, panels, and doors on page 267</a>

**Table 2-27 Alphabetical parts list (continued)**

<b>Description</b>	<b>Part number</b>	<b>Table and page</b>
Rear handle	RC2-5042-000CN	<a href="#">Internal assemblies (5 of 6) on page 291</a>
Rear lock arm assembly	RM1-5533-000CN	<a href="#">Internal assemblies (3 of 6) on page 287</a>
Rear Pre-exposure PCA assembly	RM1-8174-000CN	<a href="#">Internal assemblies (6 of 6) on page 293</a>
Registration assembly	RM1-4969-000CN	<a href="#">Internal assemblies (3 of 6) on page 287</a>
Right door assembly	RM1-8123-000CN	<a href="#">Right-door assembly on page 281</a>
Right door assembly	CC468-67906	<a href="#">Paper feeder covers on page 303</a>
Roller, paper pickup	CD644-67904	<a href="#">Paper feeder main body on page 305</a>
Scanner whole unit	CD644-67922	<a href="#">Document feeder and scanner assemblies (M575dn and 575f models) on page 269</a>
Scanner whole unit, M575c	CD646-67901	<a href="#">Document feeder and scanner assemblies (M575dn and 575f models) on page 269</a>
Secondary transfer assembly	RM1-4952-030CN	<a href="#">Internal assemblies (3 of 6) on page 287</a>
Secondary transfer roller	CD644-67914	<a href="#">Internal assemblies (3 of 6) on page 287</a>
Sensor cable assembly	RM1-5740-000CN	<a href="#">Internal assemblies (2 of 6) on page 285</a>
Sensor cable assembly	RM1-5741-000CN	<a href="#">Internal assemblies (2 of 6) on page 285</a>
Sensor cable guide assembly (SR7)	RM1-8178-000CN	<a href="#">Internal assemblies (3 of 6) on page 287</a>
Separation roller assembly (part of roller kit)	CD644-67904	<a href="#">Tray 2 on page 295</a>
Separation roller assy (part of roller kit)	RM1-4966-020CN	<a href="#">Internal assemblies (2 of 6) on page 285</a>
Shaft	RC2-5913-000CN	<a href="#">Internal assemblies (3 of 6) on page 287</a>
Shutter assembly	RM1-4999-000CN	<a href="#">Internal assemblies (2 of 6) on page 285</a>
Shutter assembly	RM1-5488-000CN	<a href="#">Internal assemblies (2 of 6) on page 285</a>
Spring	RC3-1212-000CN	<a href="#">Internal assemblies (3 of 6) on page 287</a>

**Table 2-27 Alphabetical parts list (continued)**

<b>Description</b>	<b>Part number</b>	<b>Table and page</b>
Spring, compression	RU6-2567-000CN	<a href="#">Internal assemblies (1 of 6) on page 283</a>
Spring, compression	RU6-2568-000CN	<a href="#">Internal assemblies (1 of 6) on page 283</a>
Spring, compression	RU6-2318-000CN	<a href="#">Internal assemblies (2 of 6) on page 285</a>
Spring, compression	RU6-2316-000CN	<a href="#">Internal assemblies (2 of 6) on page 285</a>
Spring, compression	RC2-5021-000CN	<a href="#">Internal assemblies (5 of 6) on page 291</a>
Spring, compression	RU7-2193-000CN	<a href="#">Internal assemblies (6 of 6) on page 293</a>
Spring, ground	RU6-2237-000CN	<a href="#">Internal assemblies (1 of 6) on page 283</a>
Spring, grounding	RC2-5148-000CN	<a href="#">Internal assemblies (5 of 6) on page 291</a>
Spring, tension	RU7-2192-000CN	<a href="#">Internal assemblies (1 of 6) on page 283</a>
Spring, tension	RU6-2436-000CN	<a href="#">Internal assemblies (2 of 6) on page 285</a>
Spring, tension	RU6-2405-000CN	<a href="#">Internal assemblies (6 of 6) on page 293</a>
Spring, torsion	RC2-5958-000CN	<a href="#">Internal assemblies (2 of 6) on page 285</a>
Spring, torsion	RC2-4378-000CN	<a href="#">Internal assemblies (3 of 6) on page 287</a>
Spring, torsion	RU6-2268-000CN	<a href="#">Internal assemblies (3 of 6) on page 287</a>
Spring, torsion	RC2-4377-000CN	<a href="#">Internal assemblies (3 of 6) on page 287</a>
Spring, torsion	RC2-5122-000CN	<a href="#">Internal assemblies (3 of 6) on page 287</a>
Stand assembly	RM1-5588-000CN	<a href="#">Internal assemblies (2 of 6) on page 285</a>
Stepping motor, DC (M10)	RK2-2415-000CN	<a href="#">Internal assemblies (6 of 6) on page 293</a>
Stopper, door	RC2-5417-000CN	<a href="#">Paper feeder covers on page 303</a>
Switch arm	RC2-5943-000CN	<a href="#">Internal assemblies (5 of 6) on page 291</a>

**Table 2-27 Alphabetical parts list (continued)**

<b>Description</b>	<b>Part number</b>	<b>Table and page</b>
Switch cable assembly	RM1-8065-000CN	<a href="#">Internal assemblies (3 of 6) on page 287</a>
Switch PCA assembly	RM1-8097-000CN	<a href="#">Internal assemblies (3 of 6) on page 287</a>
Temperature sensor unit	RK2-3267-000CN	<a href="#">Internal assemblies (2 of 6) on page 285</a>
Toner collection unit (TCU)	RM1-4989-000CN	<a href="#">Internal assemblies (1 of 6) on page 283</a>
Toner sensor holder assembly	RM1-5700-000CN	<a href="#">Internal assemblies (2 of 6) on page 285</a>
Tray 2	RM1-4962-060CN	<a href="#">Internal assemblies (2 of 6) on page 285</a>
Tray 2	RM1-6198-000CN	<a href="#">Tray 2 on page 295</a>
Tray, paper delivery	RL1-1941-030CN	<a href="#">External covers, panels, and doors on page 267</a>
Upper HVPS (T)	RM1-8088-000CN	<a href="#">Internal assemblies (5 of 6) on page 291</a>
Upper HVPS-T PCA	RM1-8088-000CN	<a href="#">PCAs on page 299</a>
Waste toner box seal	RC2-4780-000CN	<a href="#">Internal assemblies (1 of 6) on page 283</a>
Waste toner detect assembly	RM1-5696-000CN	<a href="#">Internal assemblies (1 of 6) on page 283</a>
Waste toner duct assembly	RM1-8138-000CN	<a href="#">Internal assemblies (1 of 6) on page 283</a>
Wire (mech) sensor project	RC2-4828-000CN	<a href="#">Internal assemblies (3 of 6) on page 287</a>

# Numerical parts list

**Table 2-28 Numerical parts list**

Part number	Description	Table and page
5851-0630	Cover, ADF cable	<a href="#">Scanner assemblies on page 279</a>
5851-4879	ADF separation pad spring	<a href="#">ADF assemblies on page 277</a>
5851-5008	Keyboard assembly United Kingdom, M575c	<a href="#">Keyboard and brackets on page 273</a>
5851-5022	e-Duplex assembly, document feeder, M575c	<a href="#">Document feeder and scanner assemblies (M575dn and 575f models) on page 269</a>
5851-5380	Keyboard assembly English, M575c	<a href="#">Keyboard and brackets on page 273</a>
CC355-40013	ADF roller cover	<a href="#">ADF assemblies on page 277</a>
CC468-67906	Right door assembly	<a href="#">Paper feeder covers on page 303</a>
CD644-40001	Cover, rear scanner	<a href="#">Scanner assemblies on page 279</a>
CD644-60113	FFC, control-panel keyboard, M575c	<a href="#">Document feeder and scanner assemblies (M575dn and 575f models) on page 269</a>
CD644-60113	Control-panel FFC, 575c	<a href="#">Control panel assembly on page 275</a>
CD644-67902	Front door assembly; 575dn and 575f models	<a href="#">External covers, panels, and doors on page 267</a>
CD644-67903	Kit, Tray 1 roller (pickup roller and separation pad)	<a href="#">Right-door assembly on page 281</a>
CD644-67904	Separation roller assembly (part of roller kit)	<a href="#">Tray 2 on page 295</a>
CD644-67904	Paper feed roller assembly	<a href="#">Paper feeder main body on page 305</a>
CD644-67904	Roller, paper pickup	<a href="#">Paper feeder main body on page 305</a>
CD644-67906	Fuser 110v	<a href="#">Internal assemblies (3 of 6) on page 287</a>
CD644-67907	Fuser 220v	<a href="#">Internal assemblies (3 of 6) on page 287</a>
CD644-67908	ITB kit	<a href="#">Internal assemblies (3 of 6) on page 287</a>
CD644-67909	Formatter assembly kit (New)	<a href="#">PCAs on page 299</a>
CD644-67910	Formatter assembly kit (China)	<a href="#">PCAs on page 299</a>



**Table 2-28 Numerical parts list (continued)**

<b>Part number</b>	<b>Description</b>	<b>Table and page</b>
CD644-67914	Secondary transfer roller	<a href="#">Internal assemblies (3 of 6) on page 287</a>
CD644-67916	Control panel	<a href="#">Document feeder and scanner assemblies (M575dn and 575f models) on page 269</a>
CD644-67916	Control panel assembly kit, 575dn and 575f	<a href="#">Control panel assembly on page 275</a>
CD644-67918	ADF whole unit	<a href="#">Document feeder and scanner assemblies (M575dn and 575f models) on page 269</a>
CD644-67920	Control panel, M575c	<a href="#">Document feeder and scanner assemblies (M575dn and 575f models) on page 269</a>
CD644-67920	Control panel assembly kit, 575c	<a href="#">Control panel assembly on page 275</a>
CD644-67921	Document feeder whole unit, M575c	<a href="#">Document feeder and scanner assemblies (M575dn and 575f models) on page 269</a>
CD644-67922	Scanner whole unit	<a href="#">Document feeder and scanner assemblies (M575dn and 575f models) on page 269</a>
CD644-67924	PCA, scanner memory	<a href="#">Scanner assemblies on page 279</a>
CD644-67926	PCA, scanner control board	<a href="#">Document feeder and scanner assemblies (M575dn and 575f models) on page 269</a>
CD646-67901	Scanner whole unit, M575c	<a href="#">Document feeder and scanner assemblies (M575dn and 575f models) on page 269</a>
CD646-67902	PCA, scanner control board, M575c	<a href="#">Document feeder and scanner assemblies (M575dn and 575f models) on page 269</a>
CD646-67904	Front door assembly; 575c model	<a href="#">External covers, panels, and doors on page 267</a>
CF084-67901	1 x 500-sheet feeder replacement kit	<a href="#">1 x 500-sheet paper feeder on page 301</a>
CF084-67901	Optional 1 x 500-sheet feeder	<a href="#">Paper feeder cassette on page 307</a>
CF116-60104	Cave light	<a href="#">Scanner assemblies on page 279</a>
Q7404-40006	Cover, hatch	<a href="#">ADF assemblies on page 277</a>
Q7404-40007	Cover, ADF rear	<a href="#">ADF assemblies on page 277</a>

**Table 2-28 Numerical parts list (continued)**

<b>Part number</b>	<b>Description</b>	<b>Table and page</b>
Q7404-40020	ADF tray extender	<a href="#">ADF assemblies on page 277</a>
Q7404-40030	Cover, ADF front	<a href="#">ADF assemblies on page 277</a>
Q7404-50005	Cable harness merge assy	<a href="#">Scanner assemblies on page 279</a>
Q7404-60024	ADF hinge assembly	<a href="#">ADF assemblies on page 277</a>
RC2-3983-030CN	Lever, cartridge pressure front	<a href="#">Internal assemblies (1 of 6) on page 283</a>
RC2-4377-000CN	Spring, torsion	<a href="#">Internal assemblies (3 of 6) on page 287</a>
RC2-4378-000CN	Spring, torsion	<a href="#">Internal assemblies (3 of 6) on page 287</a>
RC2-4406-000CN	Arm, shutter front	<a href="#">Internal assemblies (2 of 6) on page 285</a>
RC2-4407-030CN	Arm, shutter rear	<a href="#">Internal assemblies (2 of 6) on page 285</a>
RC2-4415-000CN	Lever, shutter	<a href="#">Internal assemblies (2 of 6) on page 285</a>
RC2-4426-000CN	Guide, light	<a href="#">Internal assemblies (1 of 6) on page 283</a>
RC2-4780-000CN	Waste toner box seal	<a href="#">Internal assemblies (1 of 6) on page 283</a>
RC2-4828-000CN	Wire (mech) sensor project	<a href="#">Internal assemblies (3 of 6) on page 287</a>
RC2-4914-000CN	Guide, door latch right	<a href="#">Internal assemblies (1 of 6) on page 283</a>
RC2-4915-000CN	Guide, option entrance	<a href="#">Internal assemblies (3 of 6) on page 287</a>
RC2-4916-000CN	Link, door stopper	<a href="#">Internal assemblies (3 of 6) on page 287</a>
RC2-4916-000CN	Link, door stopper	<a href="#">Internal assemblies (5 of 6) on page 291</a>
RC2-4924-000CN	Cover, right door gear rear	<a href="#">External covers, panels, and doors on page 267</a>
RC2-5019-000CN	Cover, inner right lower	<a href="#">Internal assemblies (3 of 6) on page 287</a>
RC2-5021-000CN	Spring, compression	<a href="#">Internal assemblies (5 of 6) on page 291</a>
RC2-5042-000CN	Rear handle	<a href="#">Internal assemblies (5 of 6) on page 291</a>

**Table 2-28 Numerical parts list (continued)**

<b>Part number</b>	<b>Description</b>	<b>Table and page</b>
RC2-5048-000CN	Cover, rear	<a href="#">External covers, panels, and doors on page 267</a>
RC2-5052-000CN	Cover, left	<a href="#">External covers, panels, and doors on page 267</a>
RC2-5056-000CN	Cover, right front	<a href="#">External covers, panels, and doors on page 267</a>
RC2-5057-000CN	Cover, rear right	<a href="#">External covers, panels, and doors on page 267</a>
RC2-5059-000CN	Cover, right lower	<a href="#">External covers, panels, and doors on page 267</a>
RC2-5069-000CN	Cover, left lower	<a href="#">External covers, panels, and doors on page 267</a>
RC2-5118-000CN	Link, interlock	<a href="#">Internal assemblies (3 of 6) on page 287</a>
RC2-5119-000CN	Link, interlock	<a href="#">Internal assemblies (3 of 6) on page 287</a>
RC2-5120-000CN	Link, interlock (SW1)	<a href="#">Internal assemblies (3 of 6) on page 287</a>
RC2-5121-000CN	Arm, interlock link switch	<a href="#">Internal assemblies (3 of 6) on page 287</a>
RC2-5122-000CN	Spring, torsion	<a href="#">Internal assemblies (3 of 6) on page 287</a>
RC2-5123-000CN	Mount, interlock switch	<a href="#">Internal assemblies (3 of 6) on page 287</a>
RC2-5148-000CN	Spring, grounding	<a href="#">Internal assemblies (5 of 6) on page 291</a>
RC2-5416-000CN	Holder, drawer connector	<a href="#">Paper feeder main body on page 305</a>
RC2-5417-000CN	Stopper, door	<a href="#">Paper feeder covers on page 303</a>
RC2-5425-000CN	Cover, front upper	<a href="#">Paper feeder covers on page 303</a>
RC2-5426-000CN	Cover, front right	<a href="#">Paper feeder covers on page 303</a>
RC2-5427-000CN	Cover, right	<a href="#">Paper feeder covers on page 303</a>
RC2-5428-000CN	Cover, left	<a href="#">Paper feeder covers on page 303</a>
RC2-5429-000CN	Cover, rear	<a href="#">Paper feeder covers on page 303</a>

**Table 2-28 Numerical parts list (continued)**

<b>Part number</b>	<b>Description</b>	<b>Table and page</b>
RC2-5430-000CN	Cover, left front	<a href="#">Paper feeder covers on page 303</a>
RC2-5435-000CN	Link, door right	<a href="#">Paper feeder covers on page 303</a>
RC2-5912-000CN	Cover	<a href="#">Internal assemblies (2 of 6) on page 285</a>
RC2-5913-000CN	Shaft	<a href="#">Internal assemblies (3 of 6) on page 287</a>
RC2-5937-000CN	Lock, door	<a href="#">Internal assemblies (1 of 6) on page 283</a>
RC2-5938-000CN	Plate, blanking	<a href="#">External covers, panels, and doors on page 267</a>
RC2-5943-000CN	Switch arm	<a href="#">Internal assemblies (5 of 6) on page 291</a>
RC2-5951-000CN	Lever, box presence detect	<a href="#">Internal assemblies (1 of 6) on page 283</a>
RC2-5954-000CN	Lever, cartridge lock lever	<a href="#">Internal assemblies (2 of 6) on page 285</a>
RC2-5955-000CN	Holder, cartridge lock lever	<a href="#">Internal assemblies (2 of 6) on page 285</a>
RC2-5956-000CN	Cartridge lock lever holder	<a href="#">Internal assemblies (2 of 6) on page 285</a>
RC2-5957-000CN	Cartridge lock lever holder	<a href="#">Internal assemblies (2 of 6) on page 285</a>
RC2-5958-000CN	Spring, torsion	<a href="#">Internal assemblies (2 of 6) on page 285</a>
RC2-5962-000CN	Cover	<a href="#">Internal assemblies (2 of 6) on page 285</a>
RC3-1070-000CN	Cover, front inner upper	<a href="#">Internal assemblies (1 of 6) on page 283</a>
RC3-1075-000CN	Cartridge lock lever holder	<a href="#">Internal assemblies (2 of 6) on page 285</a>
RC3-1208-000CN	Lever, switch	<a href="#">Internal assemblies (3 of 6) on page 287</a>
RC3-1212-000CN	Spring	<a href="#">Internal assemblies (3 of 6) on page 287</a>
RC3-2092-000CN	Cover, upper rear	<a href="#">External covers, panels, and doors on page 267</a>
RC3-2093-000CN	Cover, upper right	<a href="#">External covers, panels, and doors on page 267</a>

**Table 2-28 Numerical parts list (continued)**

<b>Part number</b>	<b>Description</b>	<b>Table and page</b>
RC3-2094-000CN	Cover, left rear	<a href="#">External covers, panels, and doors on page 267</a>
RC3-2095-000CN	Cover, right	<a href="#">External covers, panels, and doors on page 267</a>
RC3-2096-000CN	Cover, right rear	<a href="#">External covers, panels, and doors on page 267</a>
RC3-2103-000CN	Guide, cable	<a href="#">External covers, panels, and doors on page 267</a>
RC3-2116-000CN	Cover, stapler switch	<a href="#">Internal assemblies (1 of 6) on page 283</a>
RK2-2415-000CN	Stepping motor, DC (M10)	<a href="#">Internal assemblies (6 of 6) on page 293</a>
RK2-2416-000CN	Fan (FM1)	<a href="#">Internal assemblies (5 of 6) on page 291</a>
RK2-2418-000CN	Fan (FM2, FM3)	<a href="#">Internal assemblies (2 of 6) on page 285</a>
RK2-3267-000CN	Temperature sensor unit	<a href="#">Internal assemblies (2 of 6) on page 285</a>
RK2-3941-000CN	Cable, laser FCC 1	<a href="#">Internal assemblies (5 of 6) on page 291</a>
RK2-3943-000CN	Cable, laser FCC 2	<a href="#">Internal assemblies (5 of 6) on page 291</a>
RL1-1914-020CN	Cover, front inner lower unit	<a href="#">Internal assemblies (1 of 6) on page 283</a>
RL1-1915-000CN	Cover, front inner lower	<a href="#">Internal assemblies (1 of 6) on page 283</a>
RL1-1941-030CN	Tray, paper delivery	<a href="#">External covers, panels, and doors on page 267</a>
RL1-1947-000CN	Button, power supply	<a href="#">Internal assemblies (3 of 6) on page 287</a>
RM1-4952-030CN	Secondary transfer assembly	<a href="#">Internal assemblies (3 of 6) on page 287</a>
RM1-4959-000CN	Duplexing paper feed assembly	<a href="#">Right-door assembly on page 281</a>
RM1-4962-060CN	Tray 2	<a href="#">Internal assemblies (2 of 6) on page 285</a>
RM1-4966-020CN	Separation roller assy (part of roller kit)	<a href="#">Internal assemblies (2 of 6) on page 285</a>
RM1-4967-000CN	Paper pick up assembly	<a href="#">Internal assemblies (3 of 6) on page 287</a>

**Table 2-28 Numerical parts list (continued)**

<b>Part number</b>	<b>Description</b>	<b>Table and page</b>
RM1-4967-000CN	Paper pickup assembly	<a href="#">Paper pickup assembly (Tray 2) on page 297</a>
RM1-4968-040CN	Pickup roller	<a href="#">Paper pickup assembly (Tray 2) on page 297</a>
RM1-4969-000CN	Registration assembly	<a href="#">Internal assemblies (3 of 6) on page 287</a>
RM1-4970-060CN	Paper delivery assembly	<a href="#">Internal assemblies (3 of 6) on page 287</a>
RM1-4973-000CN	Duplex drive assembly	<a href="#">Internal assemblies (6 of 6) on page 293</a>
RM1-4976-000CN	Lifter drive assembly	<a href="#">Internal assemblies (6 of 6) on page 293</a>
RM1-4983-000CN	Fusing motor assembly (M2)	<a href="#">Internal assemblies (6 of 6) on page 293</a>
RM1-4989-000CN	Toner collection unit (TCU)	<a href="#">Internal assemblies (1 of 6) on page 283</a>
RM1-4999-000CN	Shutter assembly	<a href="#">Internal assemblies (2 of 6) on page 285</a>
RM1-5488-000CN	Shutter assembly	<a href="#">Internal assemblies (2 of 6) on page 285</a>
RM1-5532-000CN	Front lock arm assembly	<a href="#">Internal assemblies (3 of 6) on page 287</a>
RM1-5533-000CN	Rear lock arm assembly	<a href="#">Internal assemblies (3 of 6) on page 287</a>
RM1-5588-000CN	Stand assembly	<a href="#">Internal assemblies (2 of 6) on page 285</a>
RM1-5696-000CN	Waste toner detect assembly	<a href="#">Internal assemblies (1 of 6) on page 283</a>
RM1-5700-000CN	Toner sensor holder assembly	<a href="#">Internal assemblies (2 of 6) on page 285</a>
RM1-5714-000CN	Fusing connecting cable assembly	<a href="#">Internal assemblies (5 of 6) on page 291</a>
RM1-5730-000CN	Duplexing unit cable assembly	<a href="#">Internal assemblies (6 of 6) on page 293</a>
RM1-5732-000CN	Door switch assembly (SW2)	<a href="#">Internal assemblies (3 of 6) on page 287</a>
RM1-5737-000CN	Cable, MP sensor assembly	<a href="#">Internal assemblies (5 of 6) on page 291</a>
RM1-5740-000CN	Sensor cable assembly	<a href="#">Internal assemblies (2 of 6) on page 285</a>

**Table 2-28 Numerical parts list (continued)**

<b>Part number</b>	<b>Description</b>	<b>Table and page</b>
RM1-5741-000CN	Sensor cable assembly	<a href="#">Internal assemblies (2 of 6) on page 285</a>
RM1-5742-000CN	Left cable assembly	<a href="#">Internal assemblies (1 of 6) on page 283</a>
RM1-5746-000CN	Fan cable assembly	<a href="#">Internal assemblies (2 of 6) on page 285</a>
RM1-5749-000CN	Connecting cable assembly	<a href="#">Internal assemblies (2 of 6) on page 285</a>
RM1-5752-000CN	Motor/sensor cable assembly	<a href="#">Internal assemblies (2 of 6) on page 285</a>
RM1-5773-000CN	Pickup motor assembly (M13)	<a href="#">Internal assemblies (6 of 6) on page 293</a>
RM1-5839-000CN	PCA, paper feeder driver (1 x 500)	<a href="#">Paper feeder PCA on page 309</a>
RM1-5913-000CN	Lifter base assembly	<a href="#">Paper feeder main body on page 305</a>
RM1-5919-000CN	Paper pickup assembly	<a href="#">Paper feeder main body on page 305</a>
RM1-6194-030CN	Paper feed assembly	<a href="#">Paper feeder main body on page 305</a>
RM1-6198-000CN	Tray 2	<a href="#">Tray 2 on page 295</a>
RM1-6198-000CN	Cassette, Tray 3	<a href="#">Paper feeder cassette on page 307</a>
RM1-8065-000CN	Switch cable assembly	<a href="#">Internal assemblies (3 of 6) on page 287</a>
RM1-8084-000CN	Cable, rear assembly	<a href="#">Internal assemblies (5 of 6) on page 291</a>
RM1-8086-000CN	Interconnect PCA (ICB)	<a href="#">Internal assemblies (5 of 6) on page 291</a>
RM1-8087-000CN	Lower HVPS (D)	<a href="#">Internal assemblies (5 of 6) on page 291</a>
RM1-8087-000CN	Lower HVPS-D PCA	<a href="#">PCAs on page 299</a>
RM1-8088-000CN	Upper HVPS (T)	<a href="#">Internal assemblies (5 of 6) on page 291</a>
RM1-8088-000CN	Upper HVPS-T PCA	<a href="#">PCAs on page 299</a>
RM1-8097-000CN	Switch PCA assembly	<a href="#">Internal assemblies (3 of 6) on page 287</a>
RM1-8102-000CN	LVPS (110V)	<a href="#">Internal assemblies (5 of 6) on page 291</a>

**Table 2-28 Numerical parts list (continued)**

<b>Part number</b>	<b>Description</b>	<b>Table and page</b>
RM1-8102-000CN	Low-voltage power supply 110V	<a href="#">PCAs on page 299</a>
RM1-8103-000CN	LVPS (220V)	<a href="#">Internal assemblies (5 of 6) on page 291</a>
RM1-8103-000CN	Low-voltage power supply 220V	<a href="#">PCAs on page 299</a>
RM1-8104-000CN	DC controller PCA	<a href="#">PCAs on page 299</a>
RM1-8105-000CN	Main motor unit (M3, M4, M5)	<a href="#">Internal assemblies (6 of 6) on page 293</a>
RM1-8119-000CN	DC Controller	<a href="#">Internal assemblies (5 of 6) on page 291</a>
RM1-8123-000CN	Right door assembly	<a href="#">Right-door assembly on page 281</a>
RM1-8134-000CN	Fusing drive assembly	<a href="#">Internal assemblies (6 of 6) on page 293</a>
RM1-8135-000CN	Paper pick up drive assembly	<a href="#">Internal assemblies (6 of 6) on page 293</a>
RM1-8138-000CN	Waste toner duct assembly	<a href="#">Internal assemblies (1 of 6) on page 283</a>
RM1-8143-000CN	Inner connecting PCA (ICB)	<a href="#">PCAs on page 299</a>
RM1-8149-000CN	Base assembly	<a href="#">Internal assemblies (2 of 6) on page 285</a>
RM1-8163-000CN	Density detect assembly	<a href="#">Internal assemblies (3 of 6) on page 287</a>
RM1-8174-000CN	Rear Pre-exposure PCA assembly	<a href="#">Internal assemblies (6 of 6) on page 293</a>
RM1-8178-000CN	Sensor cable guide assembly (SR7)	<a href="#">Internal assemblies (3 of 6) on page 287</a>
RM1-9192-000CN	Pick up lower guide assembly	<a href="#">Internal assemblies (3 of 6) on page 287</a>
RM1-9198-000CN	Control panel cover assembly	<a href="#">External covers, panels, and doors on page 267</a>
RM1-9199-000CN	Cover, stapler unit	<a href="#">External covers, panels, and doors on page 267</a>
RRC3-2097-000CN	Cover, image scanner unit	<a href="#">External covers, panels, and doors on page 267</a>
RU6-2237-000CN	Spring, ground	<a href="#">Internal assemblies (1 of 6) on page 283</a>
RU6-2268-000CN	Spring, torsion	<a href="#">Internal assemblies (3 of 6) on page 287</a>



**Table 2-28 Numerical parts list (continued)**

<b>Part number</b>	<b>Description</b>	<b>Table and page</b>
RU6-2316-000CN	Spring, compression	<a href="#">Internal assemblies (2 of 6) on page 285</a>
RU6-2318-000CN	Spring, compression	<a href="#">Internal assemblies (2 of 6) on page 285</a>
RU6-2405-000CN	Spring, tension	<a href="#">Internal assemblies (6 of 6) on page 293</a>
RU6-2436-000CN	Spring, tension	<a href="#">Internal assemblies (2 of 6) on page 285</a>
RU6-2567-000CN	Spring, compression	<a href="#">Internal assemblies (1 of 6) on page 283</a>
RU6-2568-000CN	Spring, compression	<a href="#">Internal assemblies (1 of 6) on page 283</a>
RU7-2192-000CN	Spring, tension	<a href="#">Internal assemblies (1 of 6) on page 283</a>
RU7-2193-000CN	Spring, compression	<a href="#">Internal assemblies (6 of 6) on page 293</a>
VS1-7257-007CN	Drawer connector	<a href="#">Paper feeder main body on page 305</a>
VS1-7258-007CN	Connector, drawer	<a href="#">Internal assemblies (6 of 6) on page 293</a>
WC4-5171-000CN	Microswitch (SW3)	<a href="#">Internal assemblies (3 of 6) on page 287</a>
WG8-5935-000CN	Photo interrupter (SR5)	<a href="#">Internal assemblies (6 of 6) on page 293</a>
WG8-5935-000CN	Photointerrupter	<a href="#">Paper pickup assembly (Tray 2) on page 297</a>



# Index

## A

- accessories
  - ordering 254
  - part numbers 254
- after service checklist 6

## B

- back-side background selector assembly (M575c model)
  - removing 76

## C

- cartridges
  - removing 11
- cartridges, print
  - part numbers 255
- cassette
  - tray 2, removing 23
  - tray 3, removing 23
- cautions iii
- checklists
  - after service 6
  - preservice 6
- components
  - Registration density (RD) sensor assembly, removing 177
  - residual-toner-feed motor, removing 166
  - toner-collection sensor, removing 163
- control panel
  - removing 44
- control-panel assembly M575c model)
  - removing 47
- conventions, document iii
- covers
  - delivery cover, removing 104

- front-door assembly, removing 37
- front-top, removing 110
- front-upper cover, removing 83
- left, removing 92
- left-upper cover, removing 97
- rear cover, removing 98
- rear-toptop, removing 112
- rear-upper cover, removing 95
- right-door assembly, removing 86
- right-front, removing 100
- right-rear, removing 90
- right-top cover, removing 106
- stapler, removing 85

## D

- DC controller PCA and tray, removing 150
- delivery assembly
  - removing 244
- delivery cover, removing 104
- deskew mylar
  - removing 118
- diagrams 253
- document feeder hinge assy
  - removing 132
- document feeder front cover
  - removing 114
- document feeder whole unit
  - removing 127
- document conventions iii
- document feeder jam-access cover
  - removing 121
- document feeder rear cover
  - removing 116
- document feeder roller cover
  - removing 124

- document feeder tray extender
  - removing 120
- document feeder whole unit (M575c model)
  - removing 130
- drawer connector
  - drawer connector, removing 251
- duplexing unit
  - duplex-drive assembly, removing 249

## E

- electrostatic discharge (ESD) 3
- ESD (electrostatic discharge) 3

## F

- fans
  - cartridge, removing 158
  - delivery, removing 158
  - power-supply fan and fan duct, removing 181
- fasteners
  - screws 262
- fax PCA, removing 18
- FFC, keyboard yto control-panel assembly
  - removing 63
- formatter
  - PCA, removing 17
- front-door assembly, removing 37
- front-top cover, removing 110
- front-upper cover, removing 83
- fuser
  - drive assembly, removing 239
  - motor, removing 227

- H**  
 hardward integration pocket  
   removing 82  
 high-voltage power supply  
   removing, lower 189  
   removing, upper 221  
 HIP  
   removing 82
- I**  
 ICB, removing 148  
 image scanner whole unit  
   removing 139  
 intermediate transfer belt (ITB) 34
- K**  
 keyboard assembly (M575c model)  
   removing 68  
 keyboard overlay (M575c model)  
   installing 72
- L**  
 laser/scanner  
   assembly (C/Bk), removing  
     213  
   assembly (Y/M), removing  
     206  
 left cover, removing 92  
 left-upper cover, removing 97  
 lifter-drive assembly  
   removing 195  
 location  
   optional trays or accessories  
     (base product) 265  
 LVPS, removing 153
- M**  
 main-drive assembly  
   removing 228  
 motors  
   developing-disengagement,  
     removing 192  
   drum motor 1, removing 225  
   drum motor 2 or 3, removing  
     226  
   fuser, removing 227  
   pickup, removing 194
- N**  
 notes iii
- O**  
 ordering  
   part numbers for 254  
   product documents 262  
   supplies and accessories 254
- P**  
 part numbers  
   print cartridges 255  
   screws 262  
   toner collection unit 256  
 parts 253  
   control panel 274  
   optional trays or accessories  
     (base product) 265  
 parts lists and diagrams  
   covers 266  
   internal assemblies 282, 284,  
     286, 288, 290, 292  
   using 263  
 pliers, required 3  
 post-service tests 7  
 preservice checklist 6  
 print cartridges  
   part numbers 255  
 print-quality test 7
- R**  
 rear cover, removing 98  
 rear-top cover, removing 112  
 rear-upper cover, removing 95  
 registration assembly  
   removing 184  
 Registration density (RD) sensor  
   assembly, removing 177  
 removing parts  
   back-side background selector  
     assembly (M575c model) 76  
   cartridge fan 158  
   cautions for 2  
   checklists 6  
   control-panel assembly M575c  
     model) 47  
   control-panel assembly to  
     keyboard FFC 63  
   DC controller PCA and tray  
     150  
   delivery assembly 244  
   delivery cover 104  
   delivery fan 158  
   des skew mylar 118  
   developing-disengagement  
     motor 192  
   document feeder whole unit  
     (M575c model) 130  
   document feeder F jam-access  
     cover 121  
   document feeder front cover  
     114  
   document feeder hinge assy  
     132  
   document feeder rear cover  
     116  
   document feeder roller cover  
     124  
   document feeder tray  
     extender 120  
   document feeder whole unit  
     127  
   drawer connector 251  
   drum motor 1 225  
   drum motor 2 or 3 226  
   duplex-drive assembly 249  
   environmental sensor 158  
   fax PCA 18  
   formatter PCA 17  
   front-door assembly 37  
   front-top cover 110  
   front-upper cover 83  
   fuser 24  
   fuser motor 227  
   fuser-drive assembly 239  
   hardward integration pocket  
     82  
   high-voltage power supply  
     lower 189  
   high-voltage power supply  
     upper 221  
   ICB 148  
   image scanner whole unit 139  
   intermediate transfer belt 34  
   keyboard assembly (M575c  
     model) 68  
   laser/scanner assembly (C/  
     Bk) 213  
   laser/scanner assembly (Y/  
     M) 206  
   left cover 92  
   left-upper cover 97  
   lifter-drive assembly 195

- LVPS 153
- main-drive assembly 228
- pickup motor 194
- pickup roller (tray 1) 25
- pickup roller (tray 2) 27
- power-supply fan and fan duct 181
- rear cover 98
- rear-top cover 112
- rear-upper cover 95
- registration assembly 184
- Registration density (RD) sensor assembly 177
- residual-toner-feed motor 166
- right-door assembly 86
- right-front cover 100
- right-rear cover 90
- right-top cover 106
- SCB 133, 136
- secondary transfer assembly 171
- secondary transfer roller 32
- separation mylar 118
- separation roller (tray 2) 31
- service approach 5
- stable cartridge 13
- stapler assembly 147
- stapler cover 85
- toner cartridges 11
- toner-collection sensor 163
- toner-collection unit 15
- tools, required 3
- tray 23
- tray extender 120
- tray-pickup assembly 204
- tray-pickup drive assembly 197
- USB cover 81
- repair approach 5
- replacing
  - parts 2
- replacing parts
  - service approach 5
- residual-toner-feed motor, removing 166
- right-front cover, removing 100
- right-top cover, removing 106

- roller
  - pickup roller (Tray 1), removing 25
  - pickup roller (Tray 2), removing 27
- rollers
  - secondary transfer roller, removing 171
  - separation roller (Tray 2), removing 31

## S

- SCB, removing 133, 136
- screwdrivers, required 3
- screws
  - part numbers 262
  - replacing 2
  - types of 4
- secondary transfer roller, removing 32
- sensors
  - environmental, removing 158
- separation mylar
  - removing 118
- service
  - approach 5
  - tools, required 3
- stable cartridge, removing 13
- stapler assembly, removing 147
- static precautions 3
- supplies
  - ordering 254
  - part numbers 254, 255, 256

## T

- TCU
  - part numbers 256
- tests
  - post-service 7
  - print-quality 7
- tips iii
- toner cartridges
  - removing 11
- toner collection unit
  - part numbers 256
  - removing 15
- toner-collection sensor, removing 163
- tools, required 3

- tray
  - pickup assembly, removing 204
  - pickup drive assembly, removing 197
- tray extender
  - removing 120
- trays
  - removing 23
- troubleshooting
  - service approach 5

## U

- USB cover
  - removing 81

## W

- warnings iii
- Web sites
  - ordering supplies 254







CD644-90966

