

## Chapter 8 Printer Specifications CONTENTS

---

1. Configuration of Printer.....	8 - 1
1.1 Basic Configuration.....	8 - 1
1.2 Functional Configuration.....	8 - 1
2. Electrical Properties.....	8 - 2
2.1 Power Source.....	8 - 2
2.2 Power Consumption.....	8 - 2
2.3 Rush Current.....	8 - 2
3. Mechanical Properties.....	8 - 3
3.1 Dimensions/Mass of Printer.....	8 - 3
3.2 Dimensions/Mass of 250 Feeder (Option).....	8 - 3
3.3 Dimensions/Mass of Consumables and CRUs.....	8 - 4
3.3.1 PHD Unit.....	8 - 4
3.3.2 Black toner cartridge.....	8 - 4
3.3.3 Cyan toner cartridge.....	8 - 4
3.3.4 Magenta toner cartridge.....	8 - 4
3.3.5 Yellow toner cartridge.....	8 - 5
3.4 Installation Space (min. installation space).....	8 - 6
4. Functions.....	8 - 8
4.1 Recording System.....	8 - 8
4.2 Exposure System.....	8 - 8
4.3 Development System.....	8 - 8
4.4 Fixing System.....	8 - 8
4.5 Resolution.....	8 - 8
4.6 Operation Mode.....	8 - 9
4.7 Warm-up Time.....	8 - 9
4.8 FPOT (First Print Output Time).....	8 - 10
4.9 Continuous Printing Speed.....	8 - 11
4.10 Input Properties.....	8 - 12
4.10.1 Paper pick-up system.....	8 - 12
4.10.2 Paper pick-up capacity.....	8 - 12
4.11 Output Properties.....	8 - 12
4.11.1 Paper delivery system.....	8 - 12
4.11.2 Paper delivery capacity.....	8 - 12
4.11.3 Delivery paper size/mass.....	8 - 12
4.11.4 Full stack detection.....	8 - 12
4.12 Paper.....	8 - 13
4.12.1 Paper type.....	8 - 13
4.12.2 Paper mass.....	8 - 13
4.12.3 Paper size.....	8 - 13
5. Consumables.....	8 - 14
5.1 Items of Consumables.....	8 - 14
5.2 Consumable Life.....	8 - 14
5.3 Periodic Replacing Parts (Reference).....	8 - 14
6. Operating Environment.....	8 - 16

## Chapter 8 Printer Specifications CONTENTS

---

6.1	Installation Temperature / Humidity .....	8 - 16
6.2	Installation Altitude.....	8 - 16
6.3	Installation Horizontality.....	8 - 16
6.4	Ambient Lighting .....	8 - 16
6.5	Storage Temperature of a Toner Cartridge.....	8 - 16
7.	Safety / Environment Conditions .....	8 - 17
7.1	Safety Standard .....	8 - 17
7.2	Laser Safety Standard .....	8 - 17
7.3	EMI.....	8 - 17
7.4	Noise.....	8 - 17
8.	Print image Quality .....	8 - 18
8.1	Image Quality Guarantee Conditions.....	8 - 18
8.1.1	Environmental conditions.....	8 - 18
8.1.2	Guaranteed paper.....	8 - 18
8.1.3	Paper condition.....	8 - 18
8.1.4	Printer condition.....	8 - 18
8.1.5	Image quality guaranteed area .....	8 - 18
8.1.6	Criterion .....	8 - 18
9.	Option .....	8 - 19
9.1	Option to be Installed by Users.....	8 - 19
10.	ESS Specification .....	8 - 20
10.1	External Interface.....	8 - 20
10.1.1	USB .....	8 - 20
10.1.2	Ethernet .....	8 - 20
10.1.3	Wireless .....	8 - 20
10.2	Network Protocol.....	8 - 21
10.2.1	Printing Protocol.....	8 - 21
10.2.2	Other Protocols.....	8 - 21
10.2.3	MIB .....	8 - 21
10.3	Decomposer.....	8 - 22
10.3.1	PDL.....	8 - 22
10.3.2	Font.....	8 - 22
10.3.3	Image Area .....	8 - 22
10.4	Job Control.....	8 - 23
10.4.1	Cancel Print .....	8 - 23
10.4.2	Job Recovery.....	8 - 23
10.4.3	Job Time Out .....	8 - 23
10.4.4	Dell Color Track.....	8 - 23
10.4.5	Secure Print (/Store Print).....	8 - 23
10.4.6	Proof Print.....	8 - 23
10.4.7	IP Filter.....	8 - 23
10.4.8	Virtual Mail Box.....	8 - 23
10.5	Logging .....	8 - 24
10.5.1	Job Logging .....	8 - 24
10.5.2	Error Logging .....	8 - 24

## Chapter 8 Printer Specifications CONTENTS

---

10.5.3 Billing Count.....	8 - 24
10.6 ID Print.....	8 - 25
10.7 Non DELL Toner Mode.....	8 - 25
10.8 Report Function.....	8 - 26
10.8.1 Printer Setting List.....	8 - 26
10.8.2 Panel Setting List.....	8 - 26
10.8.3 PCL Fonts List.....	8 - 26
10.8.4 PCL Macros List.....	8 - 26
10.8.5 Job History Report.....	8 - 26
10.8.6 Error History Report.....	8 - 26
10.8.7 Printer Meter.....	8 - 26
10.8.8 Color Test Page.....	8 - 26
10.8.9 Stored Document List.....	8 - 26
10.8.10 PIN Code Print (*At the time of Wireless Option connection).....	8 - 27
10.8.11 ColorTrack Error Report.....	8 - 27
10.9 Utility Print.....	8 - 28
10.9.1 Printer Settings List.....	8 - 28
10.9.2 Panel Settings List Print.....	8 - 28
10.9.3 Font List Print.....	8 - 28
10.9.4 Macros List Print.....	8 - 28
10.9.5 Job History Report.....	8 - 29
10.9.6 Error History Report.....	8 - 29
10.9.7 Demo Page Print.....	8 - 29

**Chapter 8 Printer Specifications CONTENTS**

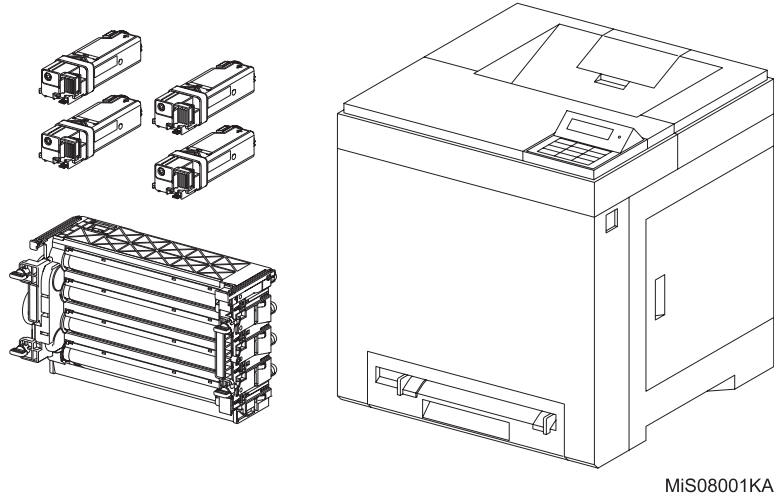
---

# 1. Configuration of Printer

## 1.1 Basic Configuration

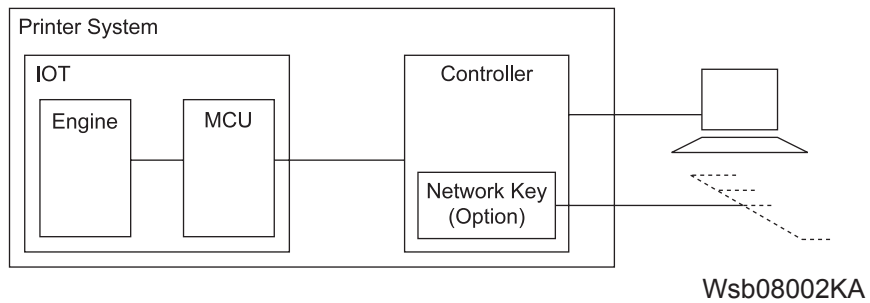
The printer has the following basic configurations depending on the destination.

- print engine main unit (SSF and 250 feeder unit as the standard paper feeding)
- consumables (CRU)



## 1.2 Functional Configuration

Functional configuration of this printer is shown below.



## 2. Electrical Properties

### 2.1 Power Source

Two types of power source as follows are available for this printer, which are selected according to the specifications.

- 110V printer: ..... voltage: 100-127VAC  $\pm 10\%$  (90 ~ 140V), frequency: 50/60Hz  $\pm 3$ Hz  
current capacity: 9A or less
- 220 printer: ..... voltage: 220-240VAC  $\pm 10\%$  (198 ~ 264V), frequency: 50/60Hz  $\pm 3$ Hz  
current capacity: 5A or less

### 2.2 Power Consumption

Power consumption in each operation mode at rated voltage input

Operation mode	Average (Wh/h)
Running mode (Ave.)	520 or less
Running mode (MAX.)	1100 or less
Standby mode	43 or less
Sleep mode	15 or less
Deep sleep mode	8 or less

### 2.3 Rush Current

When the power switch is turned on, the inrush current shall be maximum 120A, 10ms (half cycle) or less.

### 3. Mechanical Properties

#### 3.1 Dimensions/Mass of Printer

Model	Width(mm)	Depth(mm)	Height(mm)	Mass(kg)
2150cn	400	460.9 <sup>*1</sup>	436.4	19.8 <sup>*2</sup>
2150cdn				18.6 <sup>*2</sup>

\*1: Depth of M/C is with paper tray.

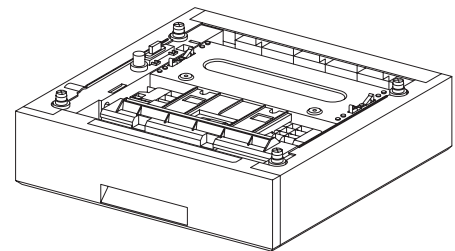
\*2: Mass of M/C is with CRU.



Rio08003KA

#### 3.2 Dimensions/Mass of 250 Feeder (Option)

Width(mm)	Depth(mm)	Height(mm)	Mass(kg)
400	450.9	106	4.4



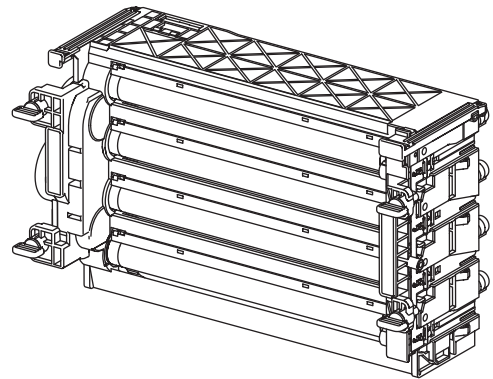
Rio08013KA

### 3.3 Dimensions/Mass of Consumables and CRUs

#### 3.3.1 PHD Unit

Width: 332mm  
Depth: 138mm  
Height: 196mm  
Mass: 3.37kg

**Reference:** *The PHD Unit has CRUM (CRU memory) to record information.*

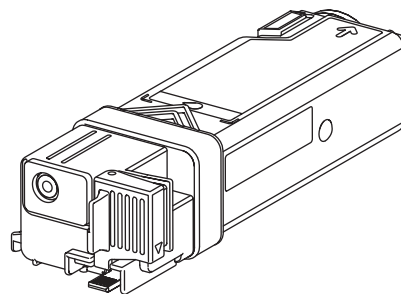


Wsb08006KA

#### 3.3.2 Black toner cartridge

Width: 185.8mm  
Depth: 63mm  
Height: 40.5mm  
Mass: 0.1K kg

**Reference:** *The Black toner cartridge has CRUM (CRU memory) to record information.*

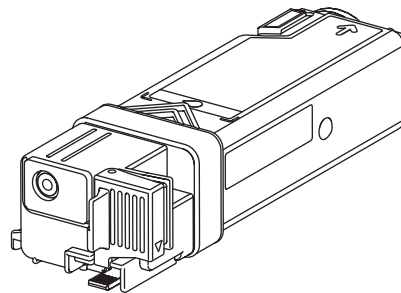


Wsb08005KA

#### 3.3.3 Cyan toner cartridge

Width: 185.8mm  
Depth: 63mm  
Height: 40.5mm  
Mass: 0.1 kg

**Reference:** *The Cyan toner cartridge has CRUM (CRU memory) to record information.*

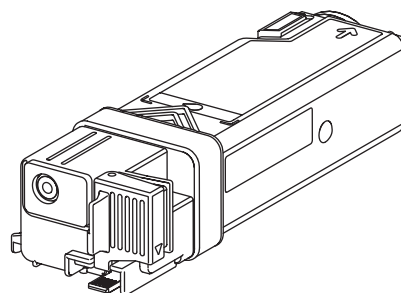


Wsb08005KA

#### 3.3.4 Magenta toner cartridge

Width: 185.8mm  
Depth: 63mm  
Height: 40.5mm  
Mass: 0.1 kg

**Reference:** *The Magenta toner cartridge has CRUM (CRU memory) to record information.*



Wsb08005KA



**3.3.5 Yellow toner cartridge**

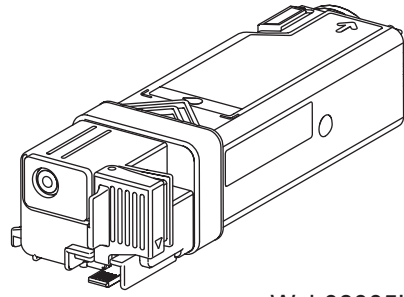
Width: 185.8mm

Depth: 63mm

Height: 40.5mm

Mass: 0.1 kg

***Reference: The Yellow toner cartridge has CRUM (CRU memory) to record information.***

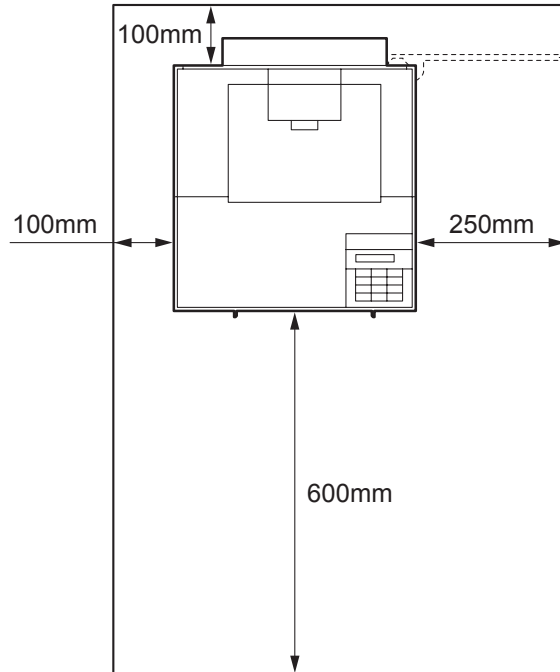


Wsb08005KA

### 3.4 Installation Space (min. installation space)

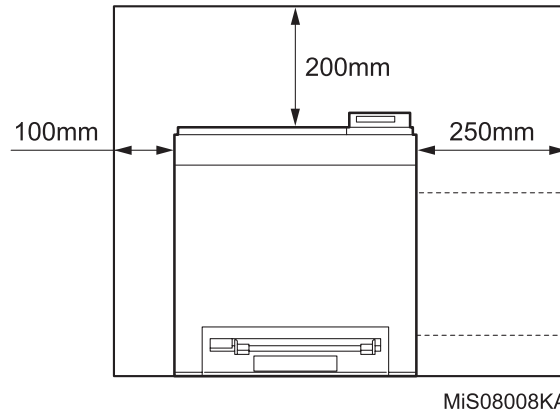
Minimum space as shown below is required to install the printer when it is used for normal objects.  
(Space occupied by the operator is not included.)

#### Top view

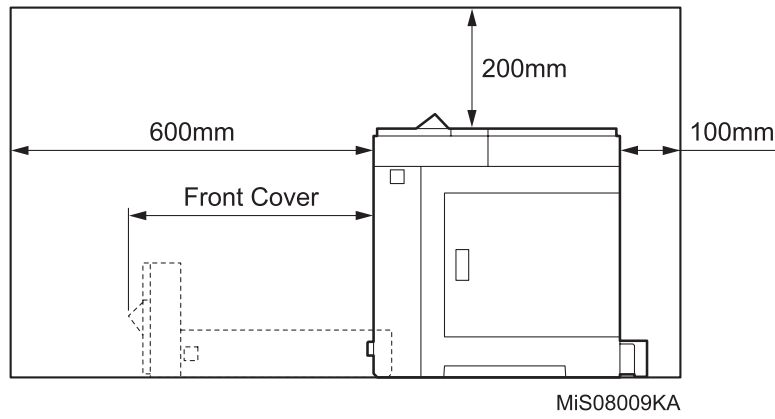


Rio08007KA

**Front view**



**Side view**



## **4. Functions**

### **4.1 Recording System**

Tandem electro-photographic system employing OPC drum and direct transfer by the transport belt

### **4.2 Exposure System**

Four laser beams semiconductor scanning system

### **4.3 Development System**

Development with 2-component developer

### **4.4 Fixing System**

Thermal fixing system

### **4.5 Resolution**

600 dpi x 600 dpi

## 4.6 Operation Mode

The printer can be operated in either of 5 operation modes. The modes are switched over by command from the printer controller or change of printer operation, etc.

Proceeding from power ON, low power mode or sleep mode to standby mode will take place after going through a warm up stage.

### - Initializing mode

State in initializing.

Fixing system:	Stop status
Exposure system:	Operating status (during calibration)
Recording system:	Operating status (during calibration)

### - Running mode

State in running or recording operation.

Fixing system:	Held at operating temperature.
Exposure system:	Operating status
Recording system:	Operating status

### - Ready mode

Ready state

Fixing system:	Held at ready temperature.
Exposure system:	Stop status
Recording system:	Stop status

### - Sleep mode

Complete resting state. Compatible to E-Star and BAM requirement.

Fixing system:	Stop status
Exposure system:	Stop status
Recording system:	Stop status

### - Deep sleep mode

Resting state from the sleep state.

Fixing system:	Stop status
Exposure system:	Stop status
Recording system:	Stop status

## 4.7 Warm-up Time

When nominal voltage (110V, 220V) is applied, the printer will proceed to standby mode from POWER-ON within 16.5 seconds.

**Reference: Measured at 22°C, 55% RH, nominal voltage, plain paper mode.**

## 4.8 FPOT (First Print Output Time)

FPOT time of the printer is shown in the table below.

The time required for the first sheet of paper to be delivered after the PRINT indication is given is calculated on the following conditions (rounded to one decimal place).

- IOT performance that the controller does not have IOT wait.
- The printer is in the standby mode. (ROS MOTOR OFF, FUSER READY)
- Paper is A4 SEF
- Except when process control is operating\*1

\*1:Process controller operation is process controls such as TC control, electric potential control, cleaning cycle, registration control, and so on. Sometimes, the engine stops feeding papers for a certain period of time while continuous printing for these operations.

Color Mode	Paper Tray	FPOT (Sec.)		
		Ready mode	Deep sleep mode	Just after power on
B/W	Standard tray	15.5 sec. or less	31 sec. or less	31.5 sec. or less
	SSF	15.5 sec. or less	31 sec. or less	31.5 sec. or less
	Optional tray	15.5 sec. or less	31 sec. or less	31.5 sec. or less
Color	Standard tray	15.5 sec. or less	31 sec. or less	31.5 sec. or less
	SSF	15.5 sec. or less	31 sec. or less	31.5 sec. or less
	Optional tray	15.5 sec. or less	31 sec. or less	31.5 sec. or less

## 4.9 Continuous Printing Speed

The continuous printing speed is shown in the below.

OS	Paper Type/Size	Input Tray	Color Mode	Print Speed	
				Simplex	Duplex
Win	Plain/A4	Standard Tray	Color	43 sec or less	56 sec or less
			B/W	40 sec or less	56 sec or less
		Option Tray	Color	43 sec or less	56 sec or less
			B/W	43 sec or less	56 sec or less
Mac	Plain/A4	Standard Tray	Color	110 sec or less	130 sec or less
			B/W	90 sec or less	105 sec or less

*NOTE*

Measurement is conducted five times. Print speed is calculated as average of the three values after the maximum and minimum values are excluded.

## **4.10 Input Properties**

### **4.10.1 Paper pick-up system**

- Paper pick-up with paper tray  
Feeding method of this printer is ARRF method.

### **4.10.2 Paper pick-up capacity**

- Paper pick-up with paper tray
  - 250 sheet Paper Tray : 250 sheets or below 27.6mm of standard paper
- SSI paper pick-up  
1 sheet

## **4.11 Output Properties**

### **4.11.1 Paper delivery system**

- Paper can be delivered by the following method.
- FACE DOWN delivery

### **4.11.2 Paper delivery capacity**

- FACE DOWN delivery  
150 sheets (Letter/A4 standard paper)\*

### **4.11.3 Delivery paper size/mass**

- FACE DOWN delivery  
All paper sizes applicable to this printer

### **4.11.4 Full stack detection**

non



## 4.12 Paper

### 4.12.1 Paper type

Paper which can be used with this printer is classified into standard paper, general paper and special paper.

- Standard paper

Using this type of paper is recommended. Reliability, operability and print image quality are the application range of the specifications.

Following paper is the standard paper.

	B/W	F/C
<b>For overseas market</b>	4200MP	X-pressions

- General paper

General paper is plain paper except standard paper and special paper, and its reliability and running performance are within the specification, but the print image quality is out of the specification.

- Special paper

Special paper except for plain paper. Reliability and operability are the applicable range of specifications but the print image quality is out of the applicable range of specifications.

### 4.12.2 Paper mass

- Paper feed from paper tray

"60 to 216 gsm" (16 lb to 80 lb)

### 4.12.3 Paper size

Paper size which can be set to each paper pick-up unit is shown in the table below.

Cassette	Paper size
250 Sheet Paper Tray / SSF	A5, B5, A4, Letter, Executive, Legal, Folio, Monarch, DL, C5, Com-10 Minimum size Width 76.2mm × Length 127mm Maximum size Width 215.9mm × Length 355.6mm

## 5. Consumables

Consumables are usually replaced by costumers. In the event of recovery of failure attributable to consumables or isolation of failure, you may replace them.

### 5.1 Items of Consumables

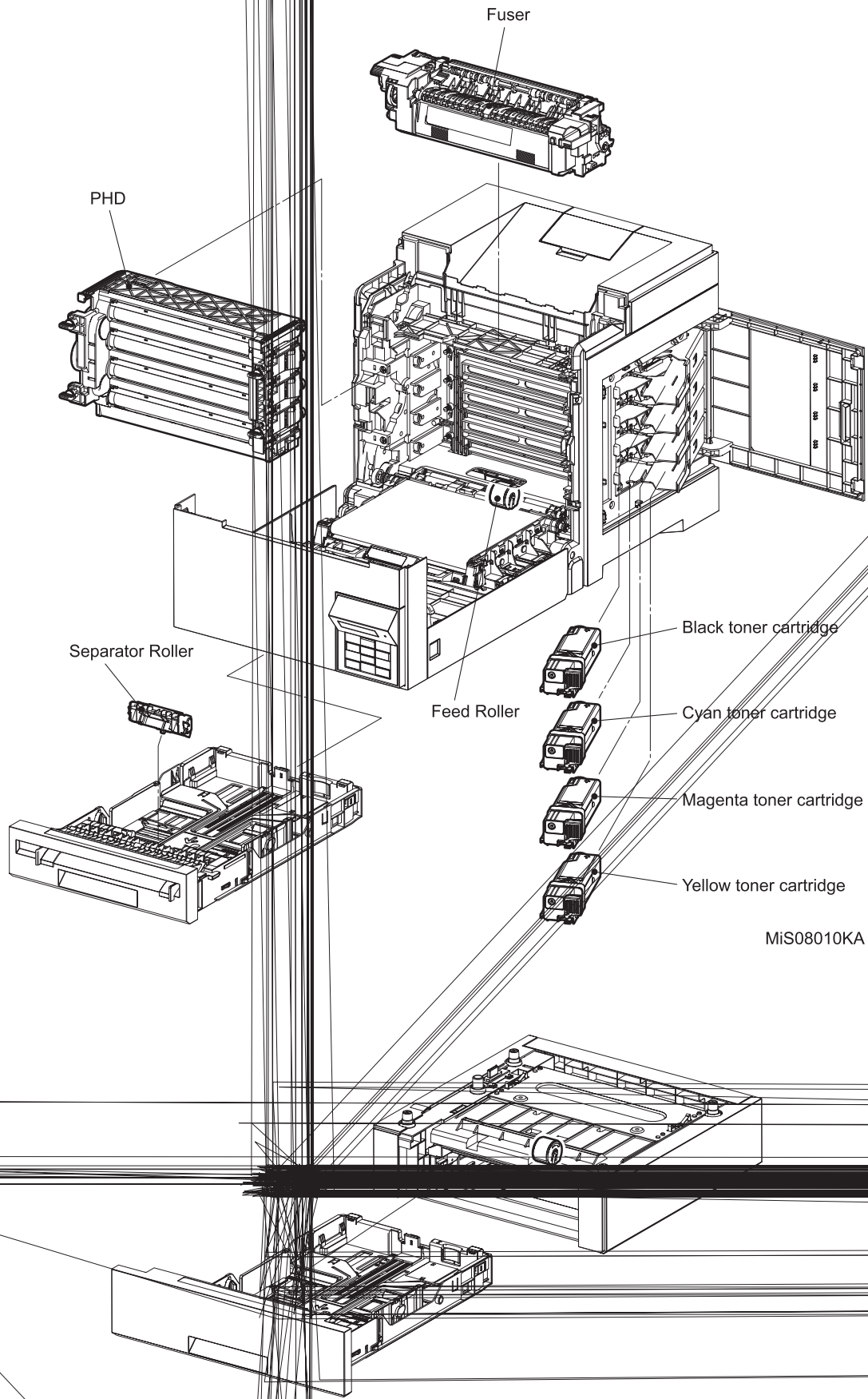
- Black toner cartridge  
Cartridge to supply black toner to the development unit.  
Black toner cartridge has CRUM (CRU memory) to record information.
- Yellow toner cartridge  
Cartridge to supply yellow toner to the development unit.  
Yellow toner cartridge has CRUM (CRU memory) to record information.
- Magenta toner cartridge  
Cartridge to supply magenta toner to the development unit.  
Magenta toner cartridge has CRUM (CRU memory) to record information.
- Cyan toner cartridge  
Cartridge to supply cyan toner to the development unit.  
Cyan toner cartridge has CRUM (CRU memory) to record information.

### 5.2 Consumable Life

- |                            |               |
|----------------------------|---------------|
| - Black toner cartridge:   | 1.2k / 3kPV   |
| - Yellow toner cartridge:  | 1.2k / 2.5kPV |
| - Magenta toner cartridge: | 1.2k / 2.5kPV |
| - Cyan toner cartridge:    | 1.2k / 2.5kPV |

### 5.3 Periodic Replacing Parts (Reference)

- |                    |                  |
|--------------------|------------------|
| - PHD              | 24kPV            |
| - FUSER            | 50kPV or 5 years |
| - Separator Roller | 50kPV or 5 years |



## 6. Operating Environment

### 6.1 Installation Temperature / Humidity

Installation temperature and humidity on the condition without condensation is as follows.

At operating: 5-32 °C, 15-85%RH (No condensation)

### 6.2 Installation Altitude

0 to 3,100m

### 6.3 Installation Horizontality

Longitudinal levelness of table surface on which the printer is installed: 1 degree or under

Lateral levelness of table surface on which the printer is installed : 1 degree or under

### 6.4 Ambient Lighting

3,000 Lux or less (without no direct sun beams)

### 6.5 Storage Temperature of a Toner Cartridge

The guaranteed period of the print cartridge before unpacked is as follows:

Normal conditions: 24 months under 0 to 35°C, 15 to 80% RH.

Harsh conditions: Up to one month under -20 to 0°C and 35 to 40°C, 5 to 15% RH and 80 to 95% RH.

The storage altitude shall be 0 to 3,100m. Can be extended to 0 to 15,000m when shipped by air.

(Provided that the cargo bay is pressurized to 70.9275Kpa or higher.)

## 7. Safety / Environment Conditions

### 7.1 Safety Standard

- 110V system  
UL60950-1, CSA 22.2 60950
- 220V system  
IEC60950-1 / EN60950-1,

### 7.2 Laser Safety Standard

- 110V system  
FDA21CFR Chapter 1, Subchapter J, Section 1010, 1040
- 220V system  
IEC60825-1 Amendment 1 + Amendment 2 ,  
EN60825-1 Amendment 1 + Amendment 2 Class 1 Laser Product

### 7.3 EMI

- 110V system (US)  
FCC Part 15, Subpart B, Class B
- 220V system (EC)  
EN55022 (CISPR Publication 22), Class B

### 7.4 Noise

Noise of printing is as follows.

Mode		Sound Power Level (B)	
		LWA	LWAD
Running	Color	6.49	6.79
	B&W	6.41	6.71
Standby	Color	4.0	4.3
	B&W	4.0	4.3

## **8. Print image Quality**

### **8.1 Image Quality Guarantee Conditions**

The image quality is specified and guaranteed under the following conditions.

#### **8.1.1 Environmental conditions**

Environment condition for evaluating image quality

Temperature: 15-28 °C

Humidity: 20-70%RH

#### **8.1.2 Guaranteed paper**

The print image quality specified here is guaranteed with standard paper fed from the paper tray.

Evaluation is performed with the maximum size of each standard paper.

- Fuji Xerox C2 paper (Color print)

- Fuji Xerox P paper (B&W print)

#### **8.1.3 Paper condition**

The paper used is fresh paper immediately after unpacked, which has been left in the operating environment for 12 hours before unpacking.

#### **8.1.4 Printer condition**

The print image quality specified in this section is guaranteed with the printer in normal condition.

#### **8.1.5 Image quality guaranteed area**

The print image quality specified in this section is guaranteed in the guaranteed image quality area specified in this manual. (Refer to Chapter 1)

#### **8.1.6 Criterion**

The print image quality is guaranteed with the Spec. In rate = 90% ( $\gamma = 90\%$ ).

## **9. Option**

### **9.1 Option to be Installed by Users**

Users can install the following unit.

- 250 Sheet Feeder
- Expansion memory (512MB)
- Wireless Printer Adapter

## 10. ESS Specification

### 10.1 External Interface

#### 10.1.1 USB

Item	Specification
Connector	Type-B x 1
Protocol	USB2.0, High Speed

#### 10.1.2 Ethernet

Item	Specification
Connection	One RJ-45 connector
Protocol	10Base-T / 100Base-TX / 1000BASE-TX

#### 10.1.3 Wireless

Item	Specification
Connection	IEEE802.11b / 802.11g / 802.11n
Protocol	See "10.2 Network Protocol" for details



## 10.2 Network Protocol

### 10.2.1 Printing Protocol

Protocol	Transport	Maximum Session	Supported Client
Port9100	TCP/IP	1	Windows XP / Vista / 7 / Server2003 / Server2008 / Server2008 R2
LPD	TCP/IP	1	Windows XP / Vista / 7 / Server2003 / Server2008 / Server2008 R2 Mac OS X Linux
IPP	TCP/IP	5	Windows XP / Server2003 Mac OS X 10.3
SMB	TCP/IP	5	Windows XP / Vista / 7 / Server2003 / Server2008
WSD	TCP/IP	2	Windows Vista / 7 / Server2008 / Server2008 R2

### 10.2.2 Other Protocols

Protocol	Transport	Support
HTTP / HTTPS	TCP/IP	EWS
SMTP	TCP/IP	E-Mail Alert
SNMP	UDP/IP	Driver, Installer
DHCP	UDP/IP	IP setup
BOOTP	UDP/IP	IP setup
RARP	TCP/IP	IP management
AutoIP	TCP/IP	Installer (device discovery)
WINS	TCP/IP	IP setup
Telnet	TCP/IP	IP management
Bonjour(mDNS)	UDP/IP	IP setup for Mac
DDNS	TCP/IP	IP management

### 10.2.3 MIB

The printer supports following MIB.

- RFC1213 MIB-II
- RFC1514 HostResources
- RFC1759 Printer MIB
- Printer port monitor MIB
- Dell Private MIB

## 10.3 Decomposer

### 10.3.1 PDL

PDL	Interface port	Operating system
PCL 5c	USB, TCP/IP	
PCL 6	USB, TCP/IP	Windows XP / Vista / 7 / Server2003 / Server2008 / Server2008 R2
HBPL	USB, TCP/IP	Mac OS X (10.3/10.4/10.5/10.6), Linux, Windows Vista / 7 / Server2008 / Server2008 R2

### 10.3.2 Font

- PCL Font
  - 81 Fonts
- PDF Font

Type	Font Name
TrueType	ITC Zapf Dingbats
	Arial
	Arial Bold
	Arial Italic
	Arial Bold Italic
	Courier
	Courier Bold
	Courier Italic
	Courier Bold Italic
	Times New Roman
	Times New Roman Bold
	Times New Roman Italic
	Times New Roman Bold Italic
Symbol	
Multiple master	GoldSEMM
	GoldSAMM

### 10.3.3 Image Area

<b>Usable Area Size</b>	Maximum : 215.9mm (8.5 in.) x 355.6mm (14 in.)
<b>Unprintable Area</b>	4.1 mm each from four edges (left, right, top and bottom) of paper
<b>Printable Area</b>	Maximum : 207.9mm (8.18 in.) x 347.6mm (13.68 in.)
<b>Print Image Quality Guaranteed Area</b>	Same as Printable Area

## 10.4 Job Control

### 10.4.1 Cancel Print

A print job in process can be cancelled at the operation panel.

### 10.4.2 Job Recovery

When a job fails due to recoverable error like a paper jam, the printer automatically restarts the job after the jammed paper is removed.

### 10.4.3 Job Time Out

When job transmission is interrupted for a certain period of time (Time can be changed at the operation panel and unlimited time can be selected), the print data is deleted as an error.

### 10.4.4 Dell Color Track

Dell Color Track is a function to specify the availability of color print and to limit print volume per user. Only administrators are allowed to make limitation settings from the EWS.

User name and password is embedded in the print job in order to identify who the job is sent from.

User name and password are entered by user from the printer driver.

The printer can support maximum 50 accounts.

### 10.4.5 Secure Print (/Store Print)

When memory is expanded (512MB or more), the printer holds print data, including a user password (12 digits) specified in the printer driver, user name and document name, in memory. The data is not printed until the same password, user name and document name are specified at the printer UI.

The user can select whether the data is cleared or not after being printed. The data remains in the printer as long as it is not cleared. The data on the memory is cleared when the printer is turned off. The user can omit entering a password (This is called Store Print).

### 10.4.6 Proof Print

When memory is expanded (512MB or more), proof print can be selected only when multiple sets of prints are specified in the printer driver. The printer prints only the first set of the print data. Then the user can select whether the remaining sets are printed or not (the remaining data is cleared) when the same user name and document name are entered at the printer UI. The data remains in the printer as long as it is not cleared. The data on the memory is cleared when the printer is turned off.

### 10.4.7 IP Filter

The user can select to accept or reject jobs for the specified IP address. Up to 5 IP addresses can be specified. IP filter is available only to LPD and Port9100 printing protocol.

### 10.4.8 Virtual Mail Box

There are two type of Virtual Mail Box.

[Public Virtual Mail Box] When print job is selected Public (password not needed) in the Stored Print menu on the driver, everyone can print job from operator panel if know user name or file name. And this print job remains till deleted intentionally.

[Private Virtual Mail Box] When print job is selected Private (password needed) in the Stored Print menu on the driver, everyone cannot print job from operator panel if unknown password. And this print job remains till deleted intentionally.

## 10.5 Logging

### 10.5.1 Job Logging

The printer can retain up to 20 job logs. Job log can be printed instantly according to the user's request or automatically printed when the number of the retained job logs has reached 20. Job log includes the following information:

- Job sent date and time
- Input interface (USB, Lpd, Port9100)
- Document name (File name)
- Output color
- User name/Host name
- Number of printed pages (Color, B/W)
- Number of printed impressions (Color, B/W)
- Paper size
- Result (Successful, Error, etc.)

### 10.5.2 Error Logging

The printer can retain up to 42 jam errors and up to 42 fatal errors.

The user can print error log by the panel operation.

Jam error log includes the following information:

- PV counter when jam has occurred
- Name of Jam

Fatal error log includes the following information:

- PV counter when error has occurred
- Error code

### 10.5.3 Billing Count

NOTE

- **The same data is stored in two or more addresses in one IC. Data check (checksum etc.) is conducted.**

NOTE

- **When ESS is replaced, IC can be transferred. (IC is mounted on socket)**

Counter	Description
Color Print Counter	Count the number of paper printed in color
B/W Print Counter	Count the number of paper printed in B/W
Total Print Counter	Count the total number of paper printed in color and B/W

## 10.6 ID Print

User name can be printed. The printing position can be selected from upper right, upper left, lower right and lower left (Only for PCL6).

The user selects using the operation panel whether user name is printed or not and where it is printed.

## 10.7 Non DELL Toner Mode

When life of toner cartridge has ended, the printer stops accepting print request (life of toner cartridge is counted by the counter in CRUM). Taking into consideration that some users use refilled toner cartridges, the printer can accept print request by the user's panel operation even if life of toner cartridge has ended. When the mode has changed so that the printer does not stop even after life of toner cartridge ends, the printer displays a message on the operation panel to inform the user of the mode change. When the printer operates in this mode, print image quality is not guaranteed. Also, remaining toner level is not displayed (as CRUM data can not be guaranteed).

## 10.8 Report Function

### 10.8.1 Printer Setting List

This list shows SFP controller, hardware configuration, and host interface.

Manual print: List is printed by instructing from the operator panel, EWS, or ToolBox.

Auto print: Not supported.

### 10.8.2 Panel Setting List

This list shows function details set from the SFP control panel.

Manual print: List is printed by instructing from the operator panel, EWS, or ToolBox.

Auto print: Not supported.

### 10.8.3 PCL Fonts List

This list shows PCL Fonts.

Manual print: List is printed by instructing from the operator panel, EWS, or ToolBox.

Auto print: Not supported.

### 10.8.4 PCL Macros List

This list shows PCL Macros.

Manual print: List is printed by instructing from the operator panel, EWS, or ToolBox.

Auto print: Not supported.

### 10.8.5 Job History Report

This report shows Job History.

Manual print: Report is printed by instructing from the operator panel, EWS, or ToolBox.

Auto print: Not supported.

### 10.8.6 Error History Report

This report shows Error History.

Manual print: Report is printed by instructing from the operator panel, EWS, or ToolBox.

Auto print: Not supported.

### 10.8.7 Printer Meter

This report shows Print Volume.

Manual print: Report is printed by instructing from the operator panel, EWS, or ToolBox.

Auto print: Not supported.

### 10.8.8 Color Test Page

This Page shows Demo Print Page.

Manual print: Demo Page is printed by instructing from the operator panel, EWS, or ToolBox.

Auto print: Not supported.

### 10.8.9 Stored Document List

This report shows information such as accepted time, sender/receiver, contents of document, document size, and the number of pages, for each of incomplete jobs and stored jobs per document No. in a table format.

**10.8.10 PIN Code Print (\*At the time of Wireless Option connection)**

This report shows the PIN code set up by Wireless setup.

Manual print: PIN Code Print is printed by instructing from the operator panel.

Auto print: Not supported.

**10.8.11 ColorTrack Error Report**

This report is printed out automatically when ColorTrack Error happend. This report is the same as Job History.

User can select from the following two options on the menu in advance.

Print only at Color Track Error.

Not print (Not print out ColorTrack Error Report)

## 10.9 Utility Print

### 10.9.1 Printer Settings List

Printer Settings List can be printed according to the user's request.

Printer Settings List is printed in B/W on A4 size paper (Letter size paper for US) in the automatically selected paper tray.

Printer Settings List includes the following information:

[Title]

Printer name, Company Logo

[General]

Printer name, Service tag, Asset Number, Total Impressions, Color Impressions, Black Impressions, Serial Number, Memory capacity, Printer Language, Number of Fonts Available, Firmware version, Boot version, Engine Version, Default Paper, Default Plain, Default Label, Default Language

[Wired Network]

Firmware version, MAC address, Ethernet Setting  
TCP/IP, LPD, Port9100, SNMP, E-Mail Alert, EWS, IP Filter, IPv4, IPv6, IPsec, WSD, HTTP-SSL/TLS

[Wireless]

Wireless Setting\* (SSID, Network Type, Quality, Link Channel)

\* Listed when wireless LAN option is installed

[Printer Options]

Duplexer  
Optional Tray  
Wireless Printer Adapter  
Network Protocol Adapter

[Print Volume]

Print volume for each paper size

### 10.9.2 Panel Settings List Print

Panel Settings List can be printed by the user's request.

Panel Settings List is printed in B/W on A4 size paper (Letter size paper for the US) in the automatically selected paper tray.

### 10.9.3 Font List Print

PCL Font List can be printed by the user's operation.

PCL Font List is printed in B/W in the automatically selected paper tray.

### 10.9.4 Macros List Print

PCL Macros List can be printed by the user's operation.

PCL Macros List is printed in B/W in the automatically selected paper tray.



### **| 10.9.5 Job History Report**

The user can print Job History Report by requesting instant print or by setting auto print.

Job History Report in B/W on A4 size (Letter size for the US) in the automatically selected paper tray.

- Date
- Time
- Input Port
- Host/User Name
- Document Name
- Output Color
- Paper Size
- Pages
- Sheets
- Result

### **| 10.9.6 Error History Report**

Error History Report can be printed according to the user's request.

Error History Report in B/W on A4 size (Letter size for the US) in the automatically selected paper tray.

- System Fail History:
  - Total Print Count
  - Chain-Link (Error Code)
- Paper Jam History:
  - Total Print Count
  - Type of Jam

### **| 10.9.7 Demo Page Print**

Demo page can be printed by the user's operation.

Demo page is printed in B/W in the automatically selected paper tray.