

Chapter 4 Plug/Jack(P/J) Connector Locations CONTENTS

1. Connector [P (plug) / J (jack)].....	4 - 1
1.1 List of P/J	4 - 1
1.2 IOT P/J layout diagram	4 - 4
1.3 DUPLEX P/J layout diagram.....	4 - 8
1.4 OPTION FEEDER P/J layout diagram.....	4 - 9

1. Connector [P (plug) / J (jack)]

1.1 List of P/J

Printer

P/J	Coordinates	Remarks
10	I-156	Connects PWBA MCU and HARNESS ASSY ESS MG SFP
11	I-156	Connects PWBA MCU and HARNESS ASSY ESS VIDEO
14	H-157	Connects PWBA MCU and HARNESS ASSY LVPS MAIN MG SFP
15	H-156	Connects PWBA MCU and HARNESS ASSY LVPS MAIN MG SFP
16	I-158	Connects PWBA MCU and HARNESS ASSY HVPS
17	H-157	Connects PWBA MCU and HARNESS ASSY FUSER MG SFP
18	H-158	Connects PWBA MCU and HARNESS ASSY TNR MOT
19	H-158	Connects PWBA MCU and HARNESS ASSY TNR MOT
20	J-158	Connects PWBA MCU and HARNESS ASSY HUM
21	J-157	Connects PWBA MCU and HARNESS ASSY MAIN MOT MG SFP
22	J-157	Connects PWBA MCU and HARNESS ASSY SUB MOT MG SFP
23	J-158	Connects PWBA MCU and HARNESS ASSY L SIDE
24	J-158	Connects PWBA MCU and DRIVE ASSY PH (Color Mode Switching solenoid)
26	J-158	Connects PWBA MCU and HARNESS ASSY KSNR REGCL
27	I-158	Connects PWBA MCU and HARNESS ASSY OPTION (2150cdn Only)
27	I-158	Connects PWBA MCU and HARNESS ASSY OPTION D-LESS MG SFP (2150cn Only)
28	J-158	Connects PWBA MCU and HARNESS ASSY L SIDE
29	C-140	Connects PWBA ESS SFP and HARNESS ASSY B
29	H-158	Connects PWBA MCU and HARNESS ASSY SIDE SW
31	H-157	Connects PWBA MCU and HARNESS ASSY TONER CRUM
40	D-133	Connects PWBA LVPS and HARNESS ASSY ESS POWER
40	I-156	Connects PWBA MCU and HARNESS ASSY ROS RE
41	I-156	Connects PWBA MCU and HARNESS ASSY ROS VIDEO
42	J-157	Connects PWBA MCU and HARNESS ASSY PHD XPRO
44	D-133	Connects PWBA LVPS and INTERLOCK SWITCH
47	G-133	Connects PWBA LVPS and HARNESS ASSY FUSER MG SFP
48	G-133	Connects PWBA LVPS and SWITCH ASSY INLET MG SFP
101	D-139	Connects PWBA ESS SFP and HARNESS ASSY ESS MG SFP
101	I-157	Not Connect (Debug only)
111	E-139	Connects PWBA ESS SFP and HARNESS ASSY ESS VIDEO
141	H-107	Connects LED ASSY ERASE and HARNESS ASSY LVPS MAIN MG SFP
144	G-151	Connects PWBA EEPROM and HARNESS ASSY PHD XPRO
161	F-153	Connects PWBA HVPS and HARNESS ASSY HVPS
171	H-107	Connects FUSER ASSY and HARNESS ASSY FUSER MG SFP
181	C-152	Connects DISPENSER ASSY (Motor Assy DISP Y) and HARNESS ASSY TNR MOT
182	C-151	Connects DISPENSER ASSY (Motor Assy DISP M) and HARNESS ASSY TNR MOT
191	C-151	Connects DISPENSER ASSY (Motor Assy DISP C) and HARNESS ASSY TNR MOT
192	C-150	Connects DISPENSER ASSY (Motor Assy DISP K) and HARNESS ASSY TNR MOT
201	H-141	Connects FEEDER ASSY MG SFP (HUM Sensor) and HARNESS ASSY HUM
202	F-106	Connects CONSOLE ASSY PANEL and HARNESS ASSY PNL A

P/J	Coordinates	Remarks
211	I-139	Connects DRIVE ASSY MAIN (Main Motor) and HARNESS ASSY MAIN MOT MG SFP
221	H-139	Connects DRIVE ASSY SUB (Sub Motor) and HARNESS ASSY SUB MOT MG SFP
231	C-125	Connects FEEDER ASSY MG SFP (Feed Solenoid) and HARNESS ASSY L SIDE
232	F-125	Connects FEEDER ASSY MG SFP (REGI Sensor) and HARNESS ASSY L SIDE
233	G-125	Connects FEEDER ASSY MG SFP (SSI No Paper Sensor) and HARNESS ASSY L SIDE
234	F-124	Connects FEEDER ASSY MG SFP (Tray No Paper Sensor) and HARNESS ASSY L SIDE
261	H-140	Connects DRIVE ASSY PH (Color Mode Switching Sensor) and HARNESS ASSY KSNR REGCL
262	I-140	Connects CLUTCH ASSY DRV and HARNESS ASSY KSNR REGCL
271	I-110	Connects HARNESS ASSY DUP RELAY and HARNESS ASSY OPTION (2150cdn Only)
272	F-109	Connects HARNESS ASSY DUP RELAY and FEEDER ASSY DUP SFP STD (HARNESS ASSY DUP) (2150cdn Only)
273	H-142	Connects HARNESS ASSY OPTION and 250 OPTION FEEDER (HARNESS ASSY TRAY) (2150cdn Only)
273	H-142	Connects HARNESS ASSY OPTION D-LESS MG SFP and 250 OPTION FEEDER (HARNESS ASSY TRAY) (2150cn Only)
281	C-108	Connects TRANSFER ASSY (Harness Assy CTD SNR2) and HARNESS ASSY L SIDE
291	H-107	Connects DISPENSER ASSY (Side Cover Switch) and HARNESS ASSY SIDE SW
311	H-110	Connects DISPENSER ASSY (Connector CRUM Y) and HARNESS ASSY TONER CRUM
312	H-109	Connects DISPENSER ASSY (Connector CRUM M) and HARNESS ASSY TONER CRUM
313	H-108	Connects DISPENSER ASSY (Connector CRUM C) and HARNESS ASSY TONER CRUM
314	H-108	Connects DISPENSER ASSY (Connector CRUM K) and HARNESS ASSY TONER CRUM
401	C-140	Connects PWBA ESS SFP and HARNESS ASSY ESS POWER
411	D-122	Connects ROS ASSY and HARNESS ASSY ROS RE
412	D-123	Connects ROS ASSY and HARNESS ASSY ROS VIDEO
422	G-150	Connects PHD ASSY (Eeprom PHD) and HARNESS ASSY PHD XPRO
501	E-133	Connects PWBA LVPS and HARNESS ASSY LVPS MAIN MG SFP
502	D-133	Connects PWBA LVPS and HARNESS ASSY LVPS MAIN MG SFP
503	D-133	Connects PWBA LVPS and FAN
504	D-133	Connects PWBA LVPS and HARNESS ASSY LVPS MAIN MG SFP
2811	D-107	Connects ADC Sensor and HARNESS ASSY CTD SNR2 (TRANSFER ASSY)
5041	I-107	Not Connect (Used in production process only)
5301	H-111	Connects HARNESS ASSY PNL A and HARNESS ASSY B

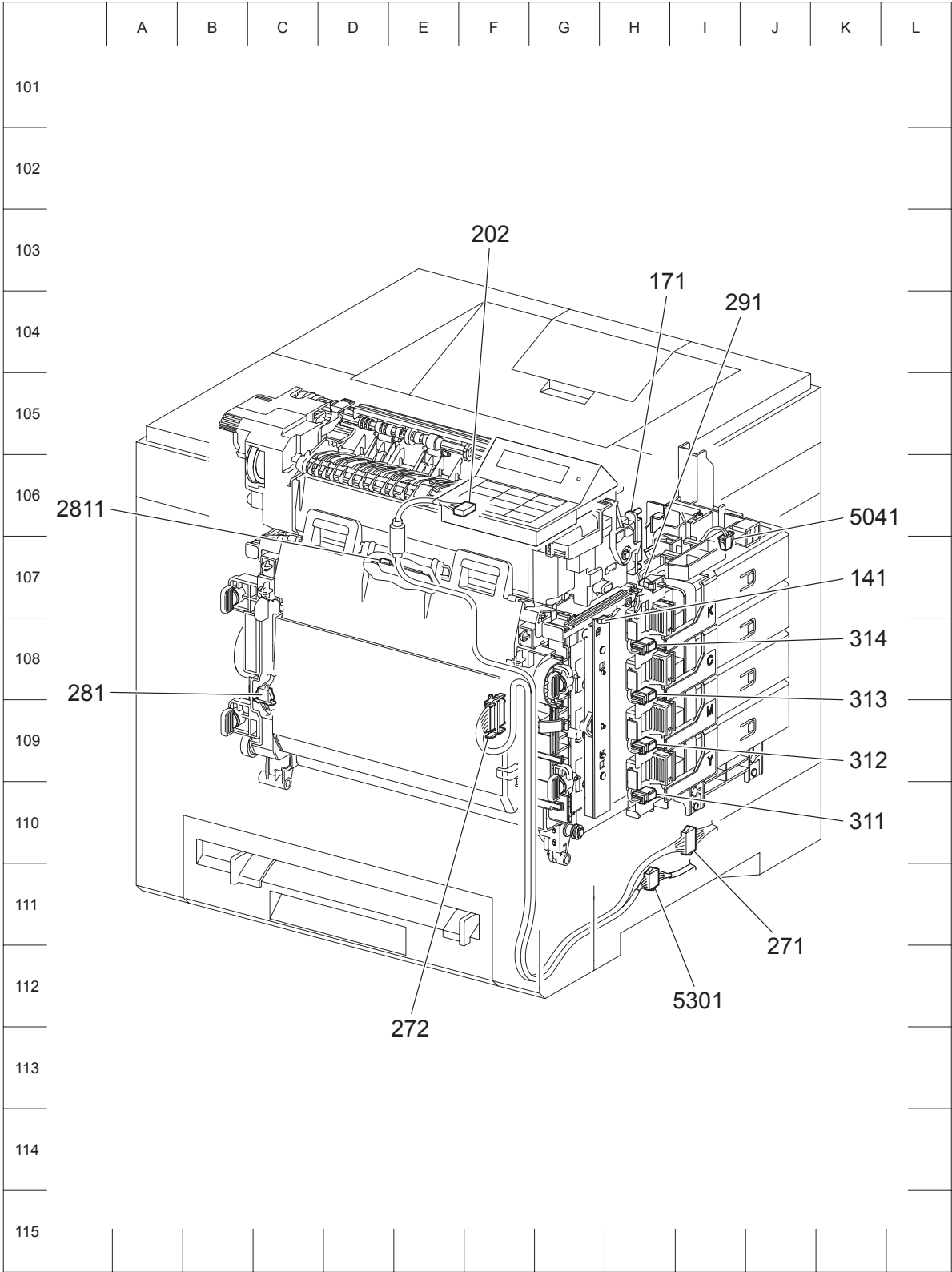
Duplex

P/J	Coordiates	Remarks
272	I-169	Connects FEEDER ASSY DUP SFP STD (HARNESS ASSY DUP) and PRINTER
601	E-169	Connects PWBA DUP and HARNESS ASSY DUP
602	D-168	Connects PWBA DUP and DRIVE ASSY EXIT (Exit Motor)
603	D-168	Connects PWBA DUP and DRIVE ASSY DUP (DUP Motor)
604	E-168	Connects PWBA DUP and DRIVE ASSY EXIT (DUP Clutch)
605	E-169	Not Connect

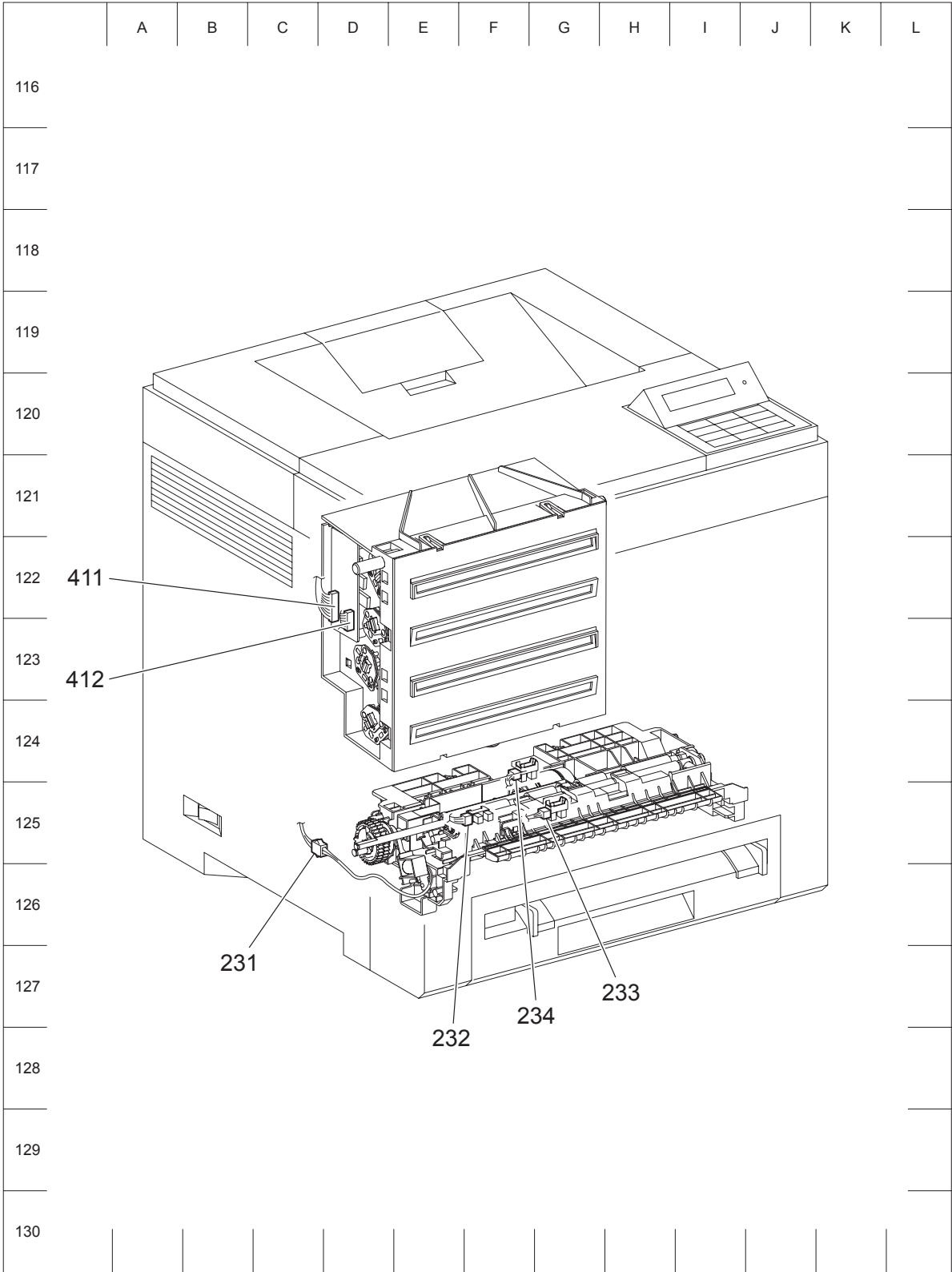
Option Feeder

P/J	Coordiates	Remarks
273	D-184	Connects 250 OPTION FEEDER (HARNESS ASSY TRAY) and PRINTER
419	C-179	Connects PWBA FEED H and HARNESS ASSY TRAY
420	D-179	Connects PWBA FEED H and HARNESS ASSY TRAY COMP
421	C-180	Connects PWBA FEED H and HARNESS ASSY TRAY COMP
422	D-180	Connects PWBA FEED H and HARNESS ASSY TRAY MOT
4201	H-181	Connects Turn Clutch and HARNESS ASSY TRAY COMP
4202	D-185	Connects Paper Paht Senser and HARNESS ASSY TRAY COMP
4211	F-180	Connects Feed Solenoid and HARNESS ASSY TRAY COMP
4212	F-185	Connects Tray2 No PaperSenser and HARNESS ASSY TRAY COMP
4221	E-179	Connects MOTOR ASSY SUB (OPT FDR Motor) and HARNESS ASSY TRAY MOT

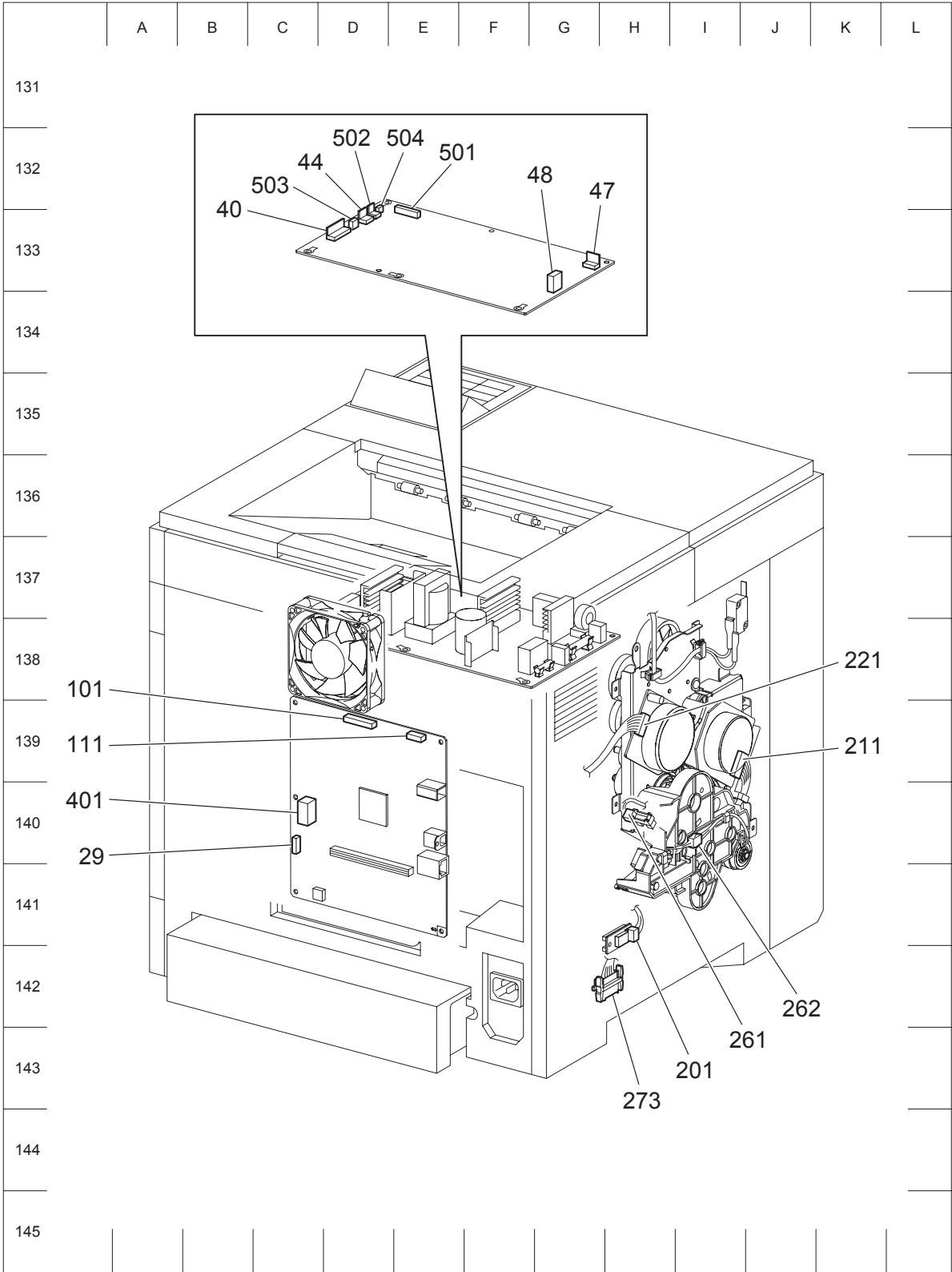
1.2 IOT P/J layout diagram



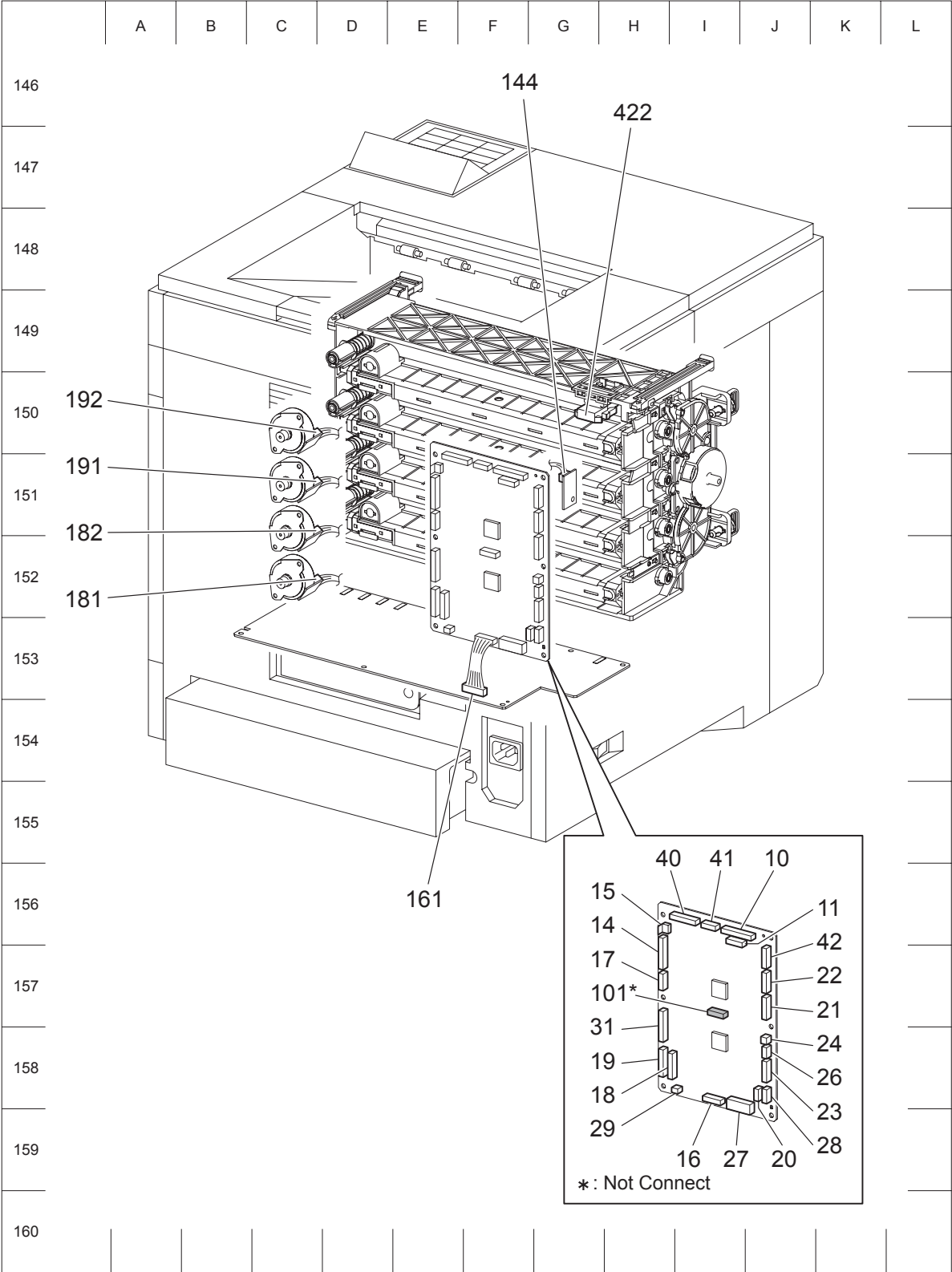
MiS04001KA



MiS04002KA

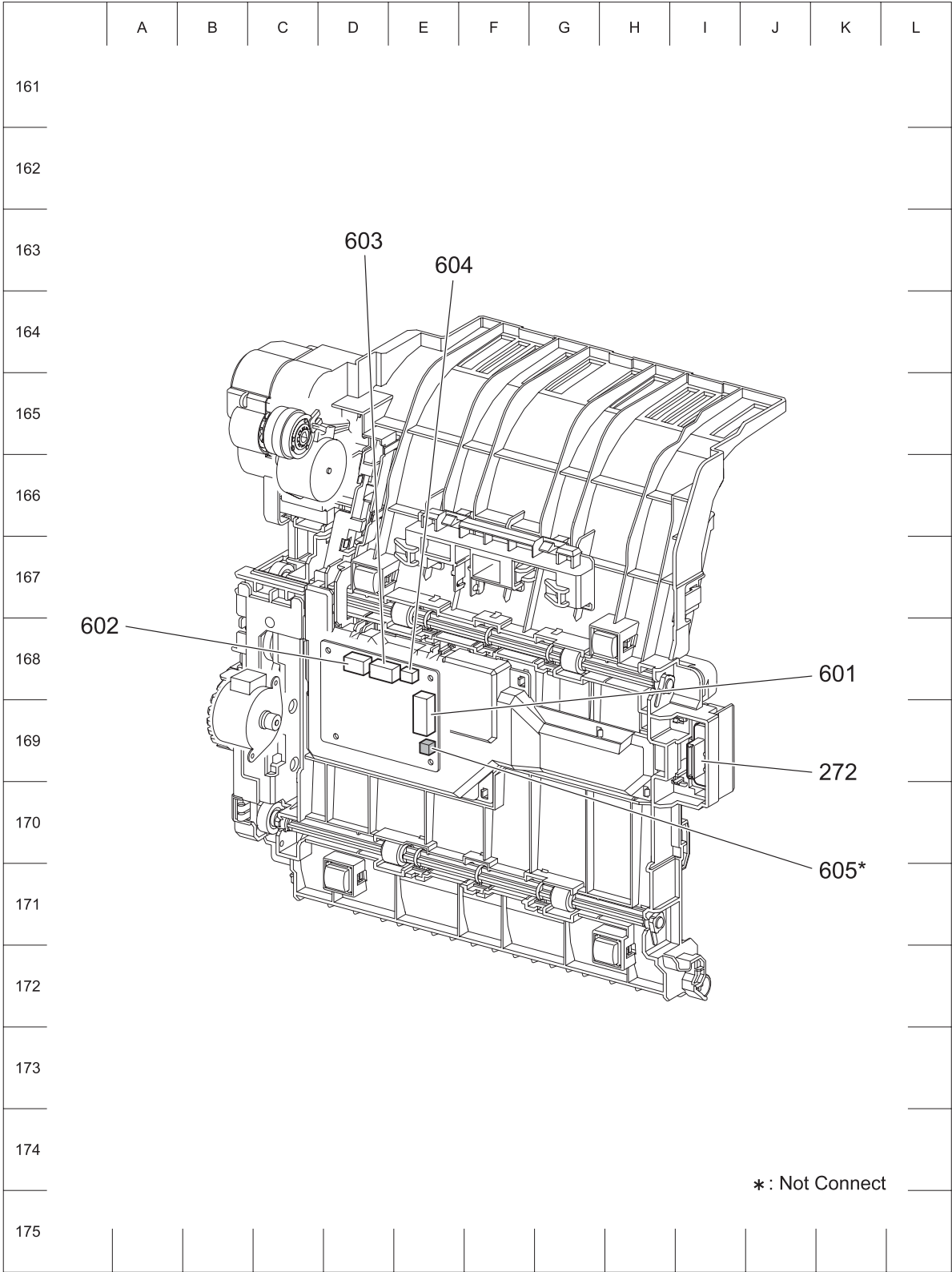


MIS04003KB



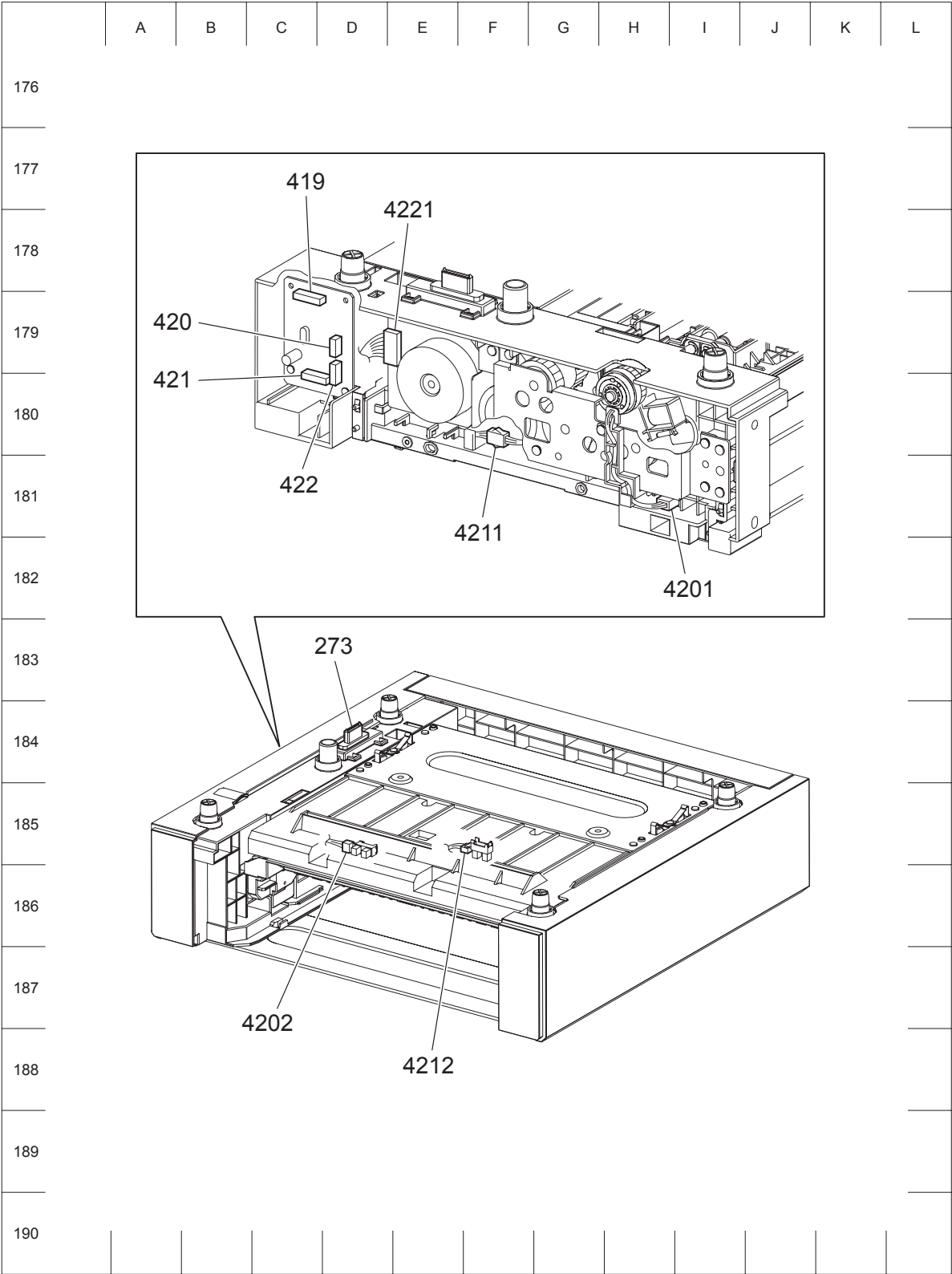
MiS04004KA

1.3 DUPLEX P/J layout diagram



MiS04005KA

1.4 OPTION FEEDER P/J layout diagram



MiS04006KA