

Chapter 4 Plug/Jack(P/J) Connector Locations CONTENTS

- 1. Connector [P (plug) / J (jack)]..... 4 - 1
 - 1.1 List of P/J 4 - 1
 - 1.2 IOT P/J layout diagram 4 - 4
 - 1.3 DUPLEX P/J layout diagram..... 4 - 8
 - 1.4 OPTION FEEDER P/J layout diagram..... 4 - 9

1. Connector [P (plug) / J (jack)]

1.1 List of P/J

Printer

| P/J | Coordinates | Remarks |
|-----|-------------|--|
| 10 | I-156 | Connects PWBA MCU and HARNESS ASSY ESS |
| 11 | I-156 | Connects PWBA MCU and HARNESS ASSY ESS VIDEO |
| 14 | H-157 | Connects PWBA MCU and HARNESS ASSY LVPS2 |
| 15 | H-156 | Connects PWBA MCU and HARNESS ASSY LVPS2 |
| 16 | D-139 | Connects PWBA ESS and NETWORK PROTOCOL ADAPTER |
| 16 | I-158 | Connects PWBA MCU and HARNESS ASSY HVPS |
| 17 | H-157 | Connects PWBA MCU and HARNESS ASSY FUSER2 |
| 18 | H-158 | Connects PWBA MCU and HARNESS ASSY TNR MOT |
| 19 | H-158 | Connects PWBA MCU and HARNESS ASSY TNR MOT |
| 20 | J-158 | Connects PWBA MCU and HARNESS ASSY HUM |
| 21 | J-157 | Connects PWBA MCU and HARNESS ASSY MAIN MOT |
| 22 | J-157 | Connects PWBA MCU and HARNESS ASSY SUB MOT |
| 23 | J-158 | Connects PWBA MCU and HARNESS ASSY L SIDE |
| 24 | J-158 | Connects PWBA MCU and DRIVE ASSY PH (Color Mode Switching solenoid) |
| 26 | J-158 | Connects PWBA MCU and HARNESS ASSY KSNR REGCL |
| 27 | I-158 | Connects PWBA MCU and HARNESS ASSY OPTION |
| 28 | J-158 | Connects PWBA MCU and HARNESS ASSY L SIDE |
| 29 | C-141 | Connects PWBA ESS and HARNESS ASSY B |
| 29 | H-158 | Connects PWBA MCU and HARNESS ASSY SIDE SW |
| 30 | I-158 | Connects PWBA MCU and HARNESS ASSY TEST RL2 |
| 31 | H-157 | Connects PWBA MCU and HARNESS ASSY TONER CRUM |
| 40 | D-133 | Connects PWBA LVPS and HARNESS ASSY ESS POWER |
| 40 | I-156 | Connects PWBA MCU and HARNESS ASSY ROS RE |
| 41 | I-156 | Connects PWBA MCU and HARNESS ASSY ROS VIDEO |
| 42 | J-157 | Connects PWBA MCU and HARNESS ASSY PHD XPRO |
| 44 | D-133 | Connects PWBA LVPS and INTERLOCK SWITCH |
| 47 | G-133 | Connects PWBA LVPS and HARNESS ASSY FUSER2 |
| 48 | G-133 | Connects PWBA LVPS and HARNESS ASSY SW POWER |
| 101 | D-139 | Connects PWBA ESS and HARNESS ASSY ESS |
| 101 | I-157 | Not Connect (Debug only) |
| 111 | E-139 | Connects PWBA ESS and HARNESS ASSY ESS VIDEO |
| 141 | H-107 | Connects LED ASSY ERASE and HARNESS ASSY LVPS2 |
| 144 | G-151 | Connects PWBA EEPROM and HARNESS ASSY PHD XPRO |
| 161 | F-153 | Connects PWBA HVPS and HARNESS ASSY HVPS |
| 171 | H-107 | Connects FUSER and HARNESS ASSY FUSER2 |
| 181 | C-152 | Connects DISPENSER ASSY (Motor Assy DISP Y) and HARNESS ASSY TNR MOT |
| 182 | C-151 | Connects DISPENSER ASSY (Motor Assy DISP M) and HARNESS ASSY TNR MOT |
| 191 | C-151 | Connects DISPENSER ASSY (Motor Assy DISP C) and HARNESS ASSY TNR MOT |
| 192 | C-150 | Connects DISPENSER ASSY (Motor Assy DISP K) and HARNESS ASSY TNR MOT |
| 201 | H-141 | Connects FEEDER ASSY (HUM Sensor) and HARNESS ASSY HUM |
| 211 | I-139 | Connects DRIVE ASSY MAIN (Main Motor) and HARNESS ASSY MAIN MOT |

| P/J | Coordinates | Remarks |
|---------------|-------------|--|
| 220 | F-106 | Connects CONSOLE ASSY PANEL and HARNESS ASSY PNL A |
| 221 | H-139 | Connects DRIVE ASSY SUB (Sub Motor) and HARNESS ASSY SUB MOT |
| 231 | C-125 | Connects FEEDER ASSY (Feed Solenoid) and HARNESS ASSY L SIDE |
| 232 | F-125 | Connects FEEDER ASSY (REGI Sensor) and HARNESS ASSY L SIDE |
| 233 | G-125 | Connects FEEDER ASSY (SSI No Paper Sensor) and HARNESS ASSY L SIDE |
| 234 | F-124 | Connects FEEDER ASSY (Tray No Paper Sensor) and HARNESS ASSY L SIDE |
| 261 | H-140 | Connects DRIVE ASSY PH (Color Mode Switching Sensor) and HARNESS ASSY KSNR REGCL |
| 262 | I-140 | Connects CLUTCH ASSY DRV and HARNESS ASSY KSNR REGCL |
| 271 | I-110 | Connects HARNESS ASSY DUP RELAY and HARNESS ASSY OPTION |
| 272 | F-109 | Connects HARNESS ASSY DUP RELAY and DUPLEX MODULE (HARNESS ASSY DUP) |
| 273 | H-142 | Connects HARNESS ASSY OPTION and 250 OPTION FEEDER (HARNESS ASSY TRAY) |
| 281 | C-108 | Connects TRANSFER BELT (Harness Assy CTD SNR2) and HARNESS ASSY L SIDE |
| 291 | H-107 | Connects DISPENSER ASSY (Side Cover Switch) and HARNESS ASSY SIDE SW |
| 311 | H-110 | Connects DISPENSER ASSY (Connector CRUM Y) and HARNESS ASSY TONER CRUM |
| 312 | H-109 | Connects DISPENSER ASSY (Connector CRUM M) and HARNESS ASSY TONER CRUM |
| 313 | H-108 | Connects DISPENSER ASSY (Connector CRUM C) and HARNESS ASSY TONER CRUM |
| 314 | H-108 | Connects DISPENSER ASSY (Connector CRUM K) and HARNESS ASSY TONER CRUM |
| 401 | C-140 | Connects PWBA ESS and HARNESS ASSY ESS POWER |
| 411 | D-122 | Connects ROS ASSY and HARNESS ASSY ROS RE |
| 412 | D-123 | Connects ROS ASSY and HARNESS ASSY ROS VIDEO |
| 422 | G-150 | Connects PHD UNIT (Eeprom PHD) and HARNESS ASSY PHD XPRO |
| 482 | F-141 | Connects BREAKER GFI and HARNESS ASSY SW POWER |
| 483 | G-141 | Connects BREAKER GFI and HARNESS ASSY SW POWER |
| 484 | G-142 | Connects BREAKER GFI and HARNESS ASSY GFI GND |
| 501 | E-133 | Connects PWBA LVPS and HARNESS ASSY LVPS2 |
| 502 | D-133 | Connects PWBA LVPS and HARNESS ASSY LVPS2 |
| 503 | D-133 | Connects PWBA LVPS and HARNESS ASSY TEST RL2 |
| 504 | D-133 | Connects PWBA LVPS and HARNESS ASSY TEST RL2 |
| 510 | C-137 | Connects PWB ASSY FAN and FAN |
| 520 | C-137 | Connects PWB ASSY FAN and HARNESS ASSY TEST RL2 |
| 530 | C-137 | Connects PWB ASSY FAN and HARNESS ASSY TEST RL2 |
| 2811 | D-107 | Connects ADC Sensor and HARNESS ASSY CTD SNR2 (TRANSFER BELT) |
| 5041 | I-107 | Not Connects (Used in production process only) |
| 2200/ 2900 | H-111 | Connects HARNESS ASSY PNL A and HARNESS ASSY B |

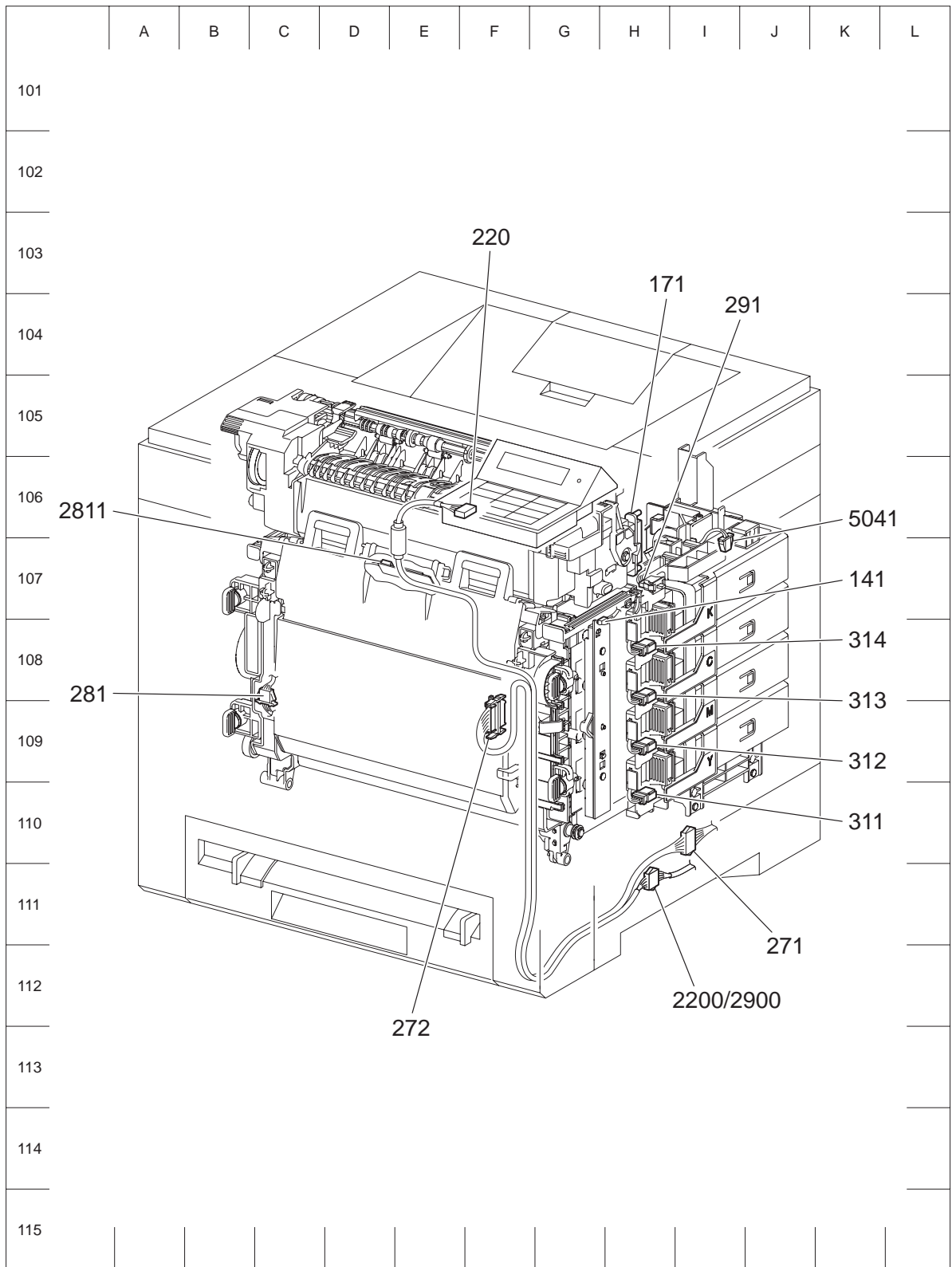
Duplex

| P/J | Coordiates | Remarks |
|-----|------------|---|
| 272 | I-169 | Connects DUPLEX MODULE (HARNESS ASSY DUP) and PRINTER |
| 601 | E-169 | Connects PWBA DUP and HARNESS ASSY DUP |
| 602 | D-168 | Connects PWBA DUP and DRIVE ASSY EXIT (Exit Motor) |
| 603 | D-168 | Connects PWBA DUP and DRIVE ASSY DUP (DUP Motor) |
| 604 | E-168 | Connects PWBA DUP and DRIVE ASSY EXIT (DUP Clutch) |
| 605 | E-169 | Not Connects |
| 610 | D-169 | Not Connects |

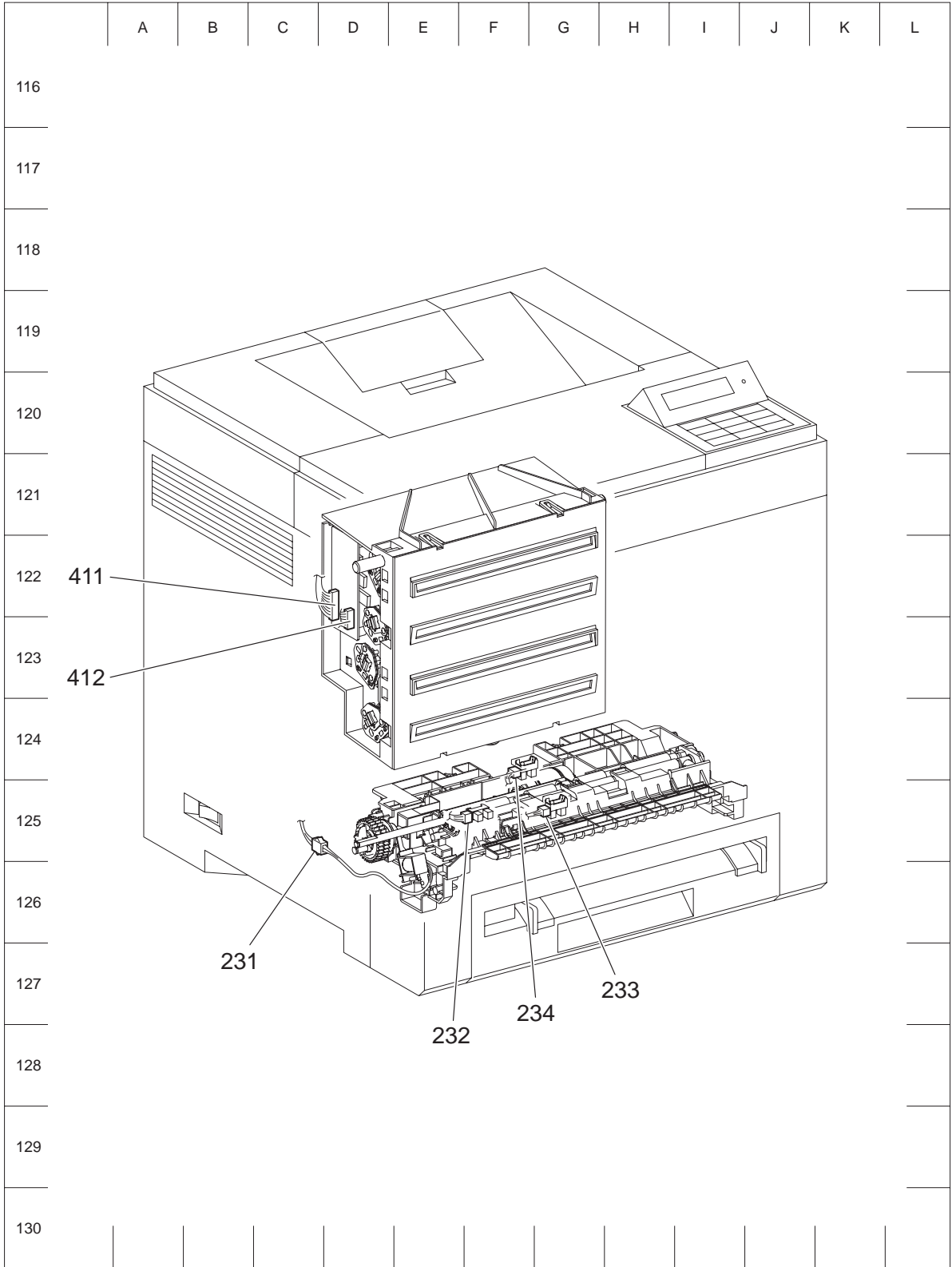
Option Feeder

| P/J | Coordiates | Remarks |
|------|------------|---|
| 211 | E-179 | Connects MOTOR ASSY SUB (OPT FDR Motor) and HARNESS ASSY TRAY MOT |
| 273 | D-184 | Connects 250 OPTION FEEDER (HARNESS ASSY TRAY) and PRINTER |
| 419 | C-179 | Connects PWBA FEED H and HARNESS ASSY TRAY |
| 420 | D-179 | Connects PWBA FEED H and HARNESS ASSY TRAY COMP |
| 421 | C-180 | Connects PWBA FEED H and HARNESS ASSY TRAY COMP |
| 422 | D-180 | Connects PWBA FEED H and HARNESS ASSY TRAY MOT |
| 4200 | D-185 | Connects Paper Paht Sensor and HARNESS ASSY TRAY COMP |
| 4201 | H-181 | Connects Turn Clutch and HARNESS ASSY TRAY COMP |
| 4212 | F-185 | Connects Tray2 No PaperSenser and HARNESS ASSY TRAY COMP |
| 4213 | F-180 | Connects Feed Solenoid and HARNESS ASSY TRAY COMP |

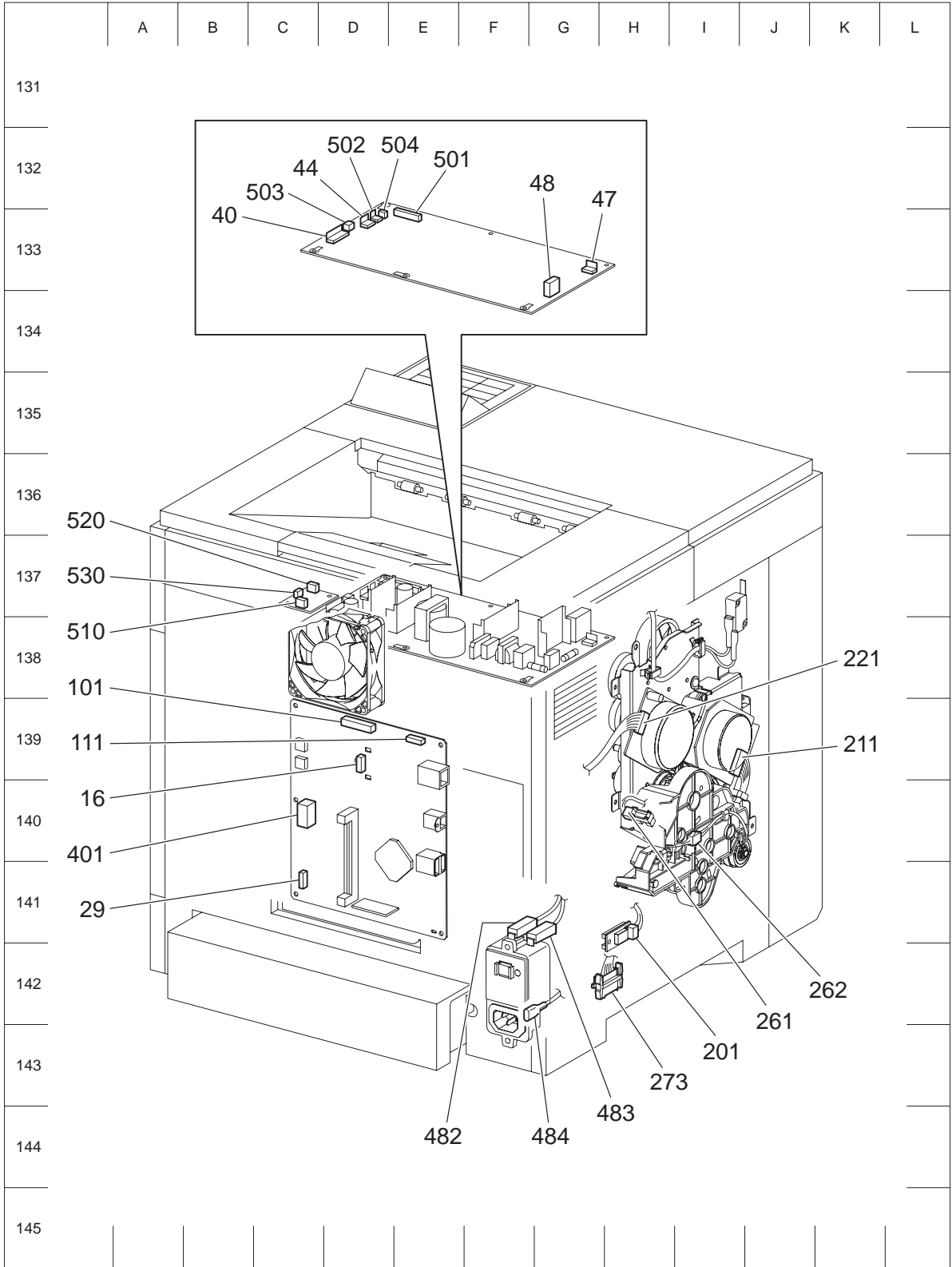
1.2 IOT P/J layout diagram



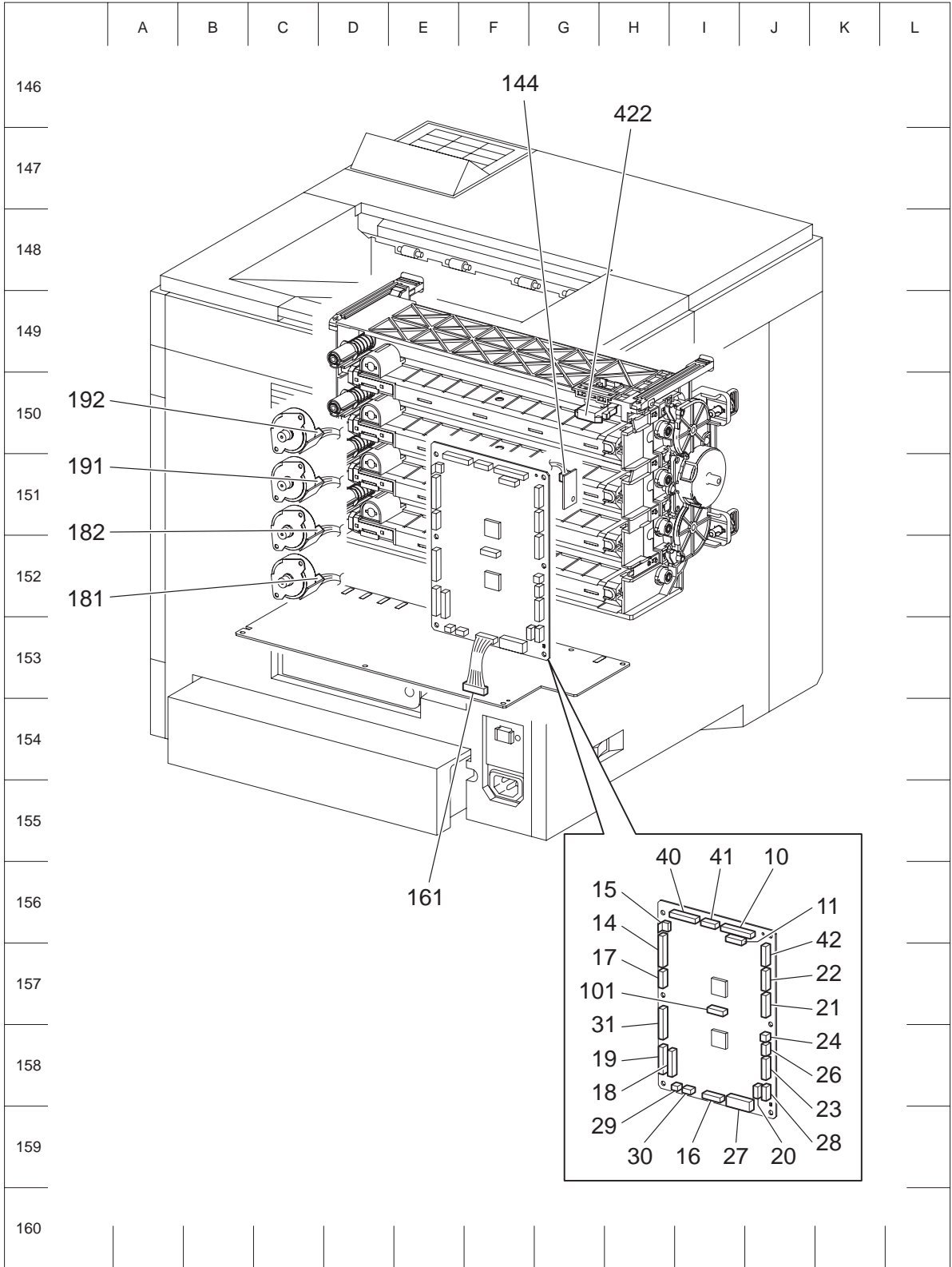
Rio04001KA



Rio04002KA

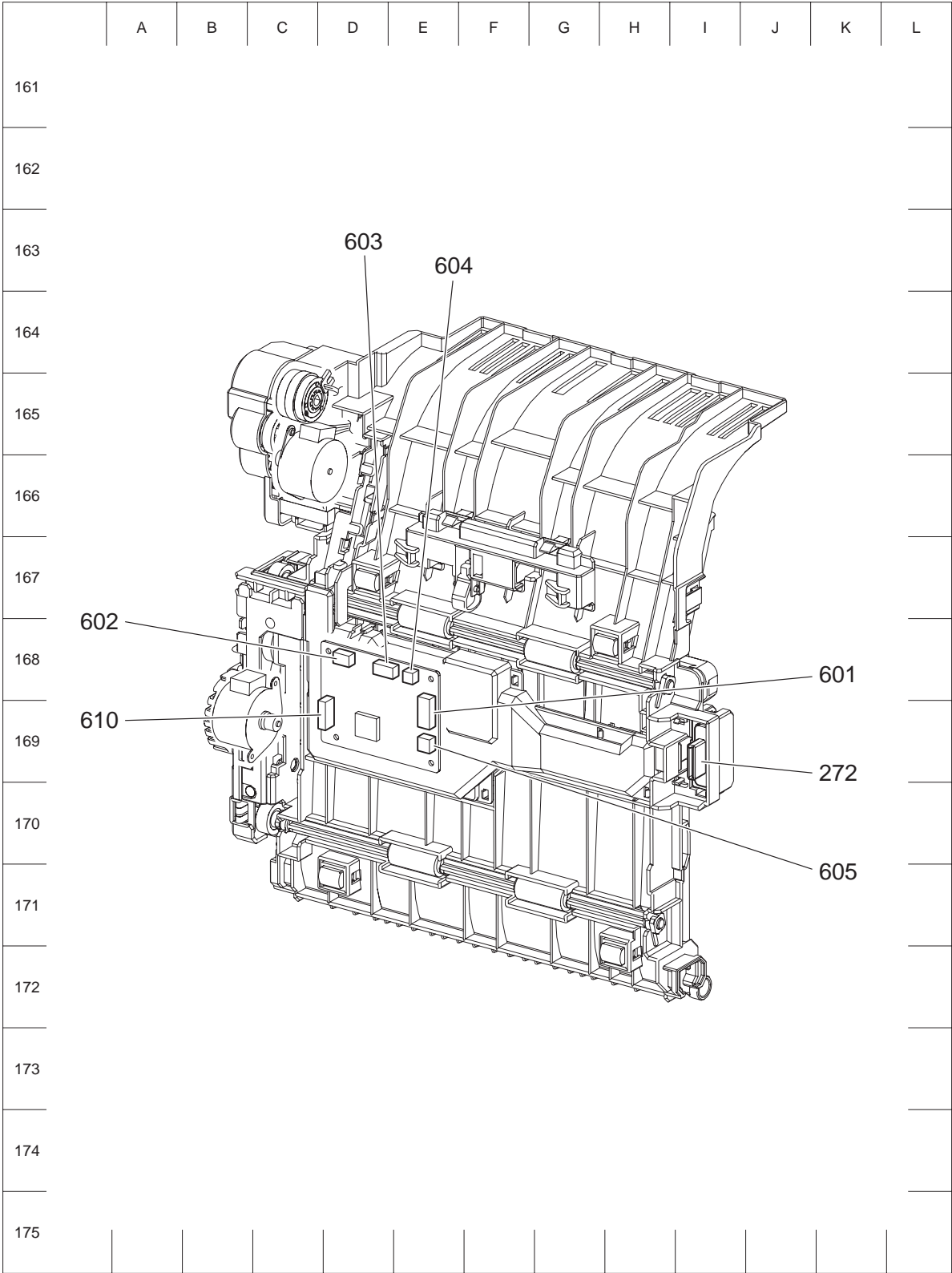


Rio04003KA



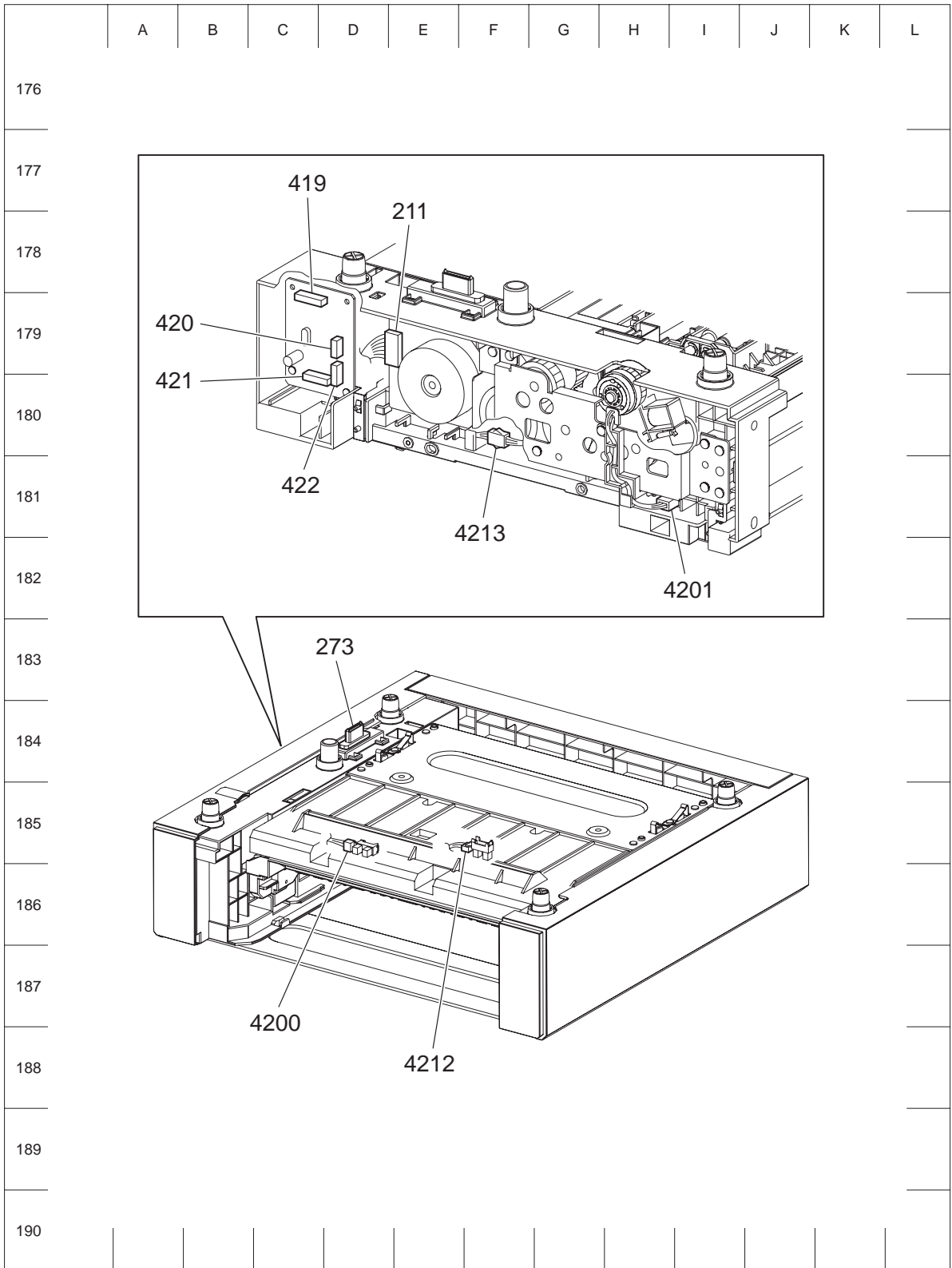
Rio04004KA

1.3 DUPLEX P/J layout diagram



Rio04005KA

1.4 OPTION FEEDER P/J layout diagram



Rio04006KA