

8. Exploded Views and Parts List

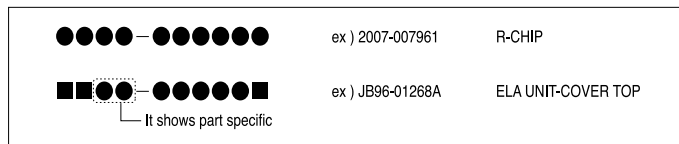
- 8.1 Main Assembly Exploded view page(8-2)
- 8.2 Rx Drive Ass'y Exploded view page(8-5)
- 8.3 ADF Assembly Exploded view page(8-6)
- 8.4 OPE Assembly Exploded view page(8-10)
- 8.5 Scanner Assembly Exploded view page(8-12)
- 8.6 Middle Cover Assembly Exploded view page(8-14)
- 8.7 Frame Ass'y Exploded view page(8-15)
- 8.8 Fuser Ass'y Exploded view page(8-18)
- 8.9 Cassette Ass'y Exploded view page(8-21)
- 8.10 SCF(Option Cassette Frame) Exploded view page(8-23)

- Deal drawings and service parts are declared for the items with higher rate of inferiority and replaceable in the level of service description only.
- If inferiority occurs, you can replace the parts by the unit declared in deal drawings and service items.

Way to observe Part Code & Description

Part code and Description is quoted and controlled by determined standard. Refer to this determined standard, it will help with ordering Part.

- There are two kinds of Part code inscription type.



(● : figure, ■ : character (alphabet))

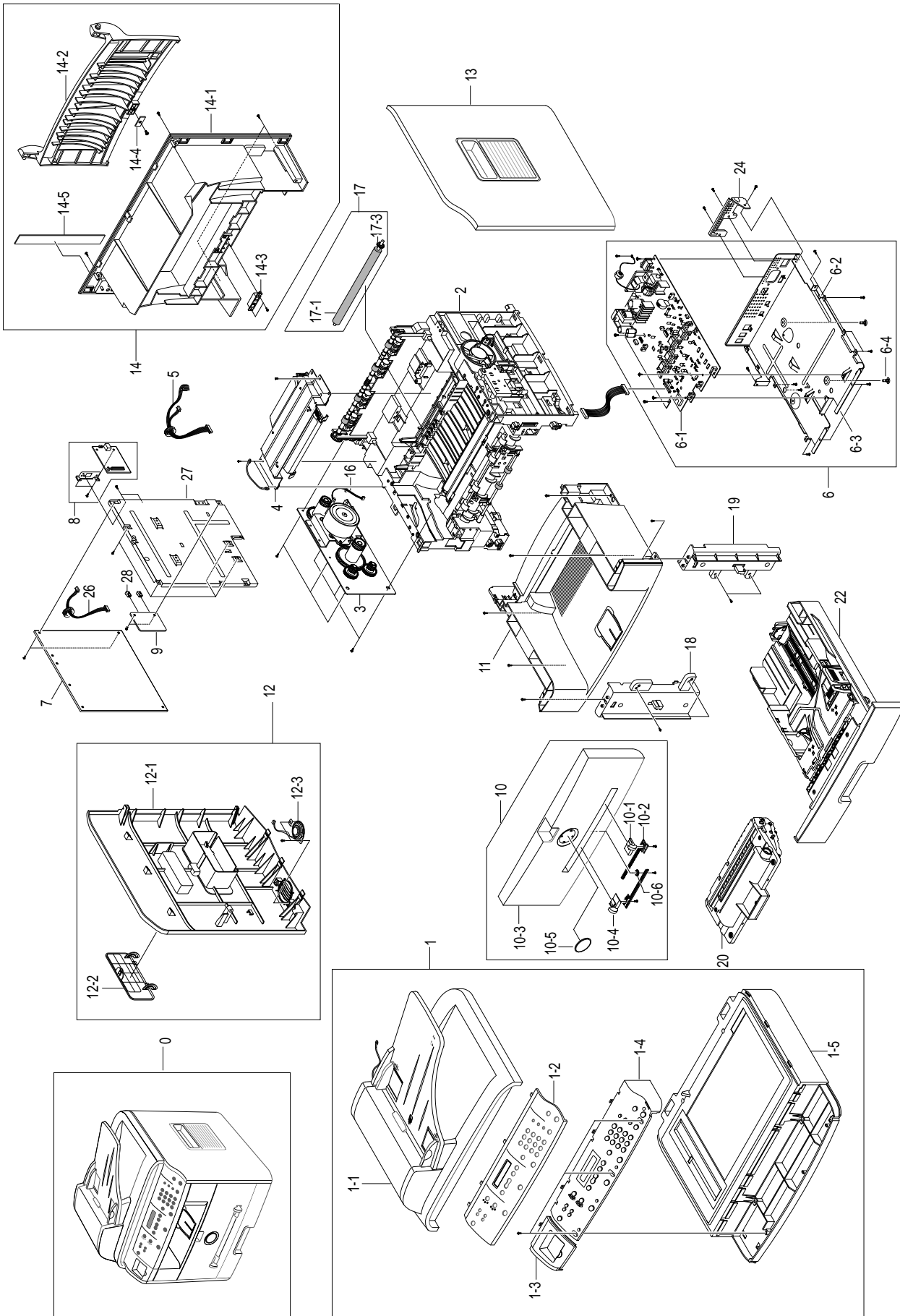
Type 1 : Controlled by Company : It can be commonly used for all kinds of product SEC produce. Mostly, electronics Parts.

Type 2 : Controlled by Division : It is used or one produce. Mostly, Mostly, mechanical Parts.

- **A/S privately used part** : It is only used for A/S .
- **Ass'y part** : Assembled by more than 2 Parts. If necessary part is not A/S Part, Ass'y part including necessary par can be used. It is shown in the diagram and drawing of SVC manual.
- Ass'y part and A/S privately used Part is distinguished by part Code and Description. The are inscription type 2. It is recognized by Part character and front side of description.

DIVISION	PART CODE	DESCRIPTION
A/S Private	**81-***** (JB81-00039A)	AS-***** (AS-USE)
ASS'Y Part	**75-***** (JB75-00068A)	MEC-***** (MEC-CHUTE)
ASS'Y Part	**92-***** (JB92-01131A)	PBA ***** (PBA MAIN-CONTROLLER)
ASS'Y Part	**97-***** (JB97-01089A)	MEA ***** (MEA UNIT-PULLEY IDLE)

8.1 Main Assembly



Main Assembly Parts List

SA : Service Available

O : Service available X : Service not available

No.	Description	SEC.Code	Q'ty	SA	Remark
0	MFP 1600n	SCX-4920N/DEH			
	MFP 1600n	SCX-4920N/DEL			
	MFP 1600n	SCX-4920N/DLH			
	MFP 1600n	SCX-4920N/DLL			
	MFP 1600n	SCX-4920N/DTH			
	MFP 1600n	SCX-4920N/DTL			
1	ELA HOU-UNIT SCAN	JC96-03080A	1	X	
1-1	ELA HOU-ADF	JC96-03604A	1	O	
1-2	COVER-OPE DUMMY R2	JC63-00377A	1	O	
1-3	COVER-OPE POCKET	JC63-00378A	1	O	
1-4	ELA HOU-OPE	JC96-03070A	1	O	
1-5	ELA HOU-PLATEN	JC96-03067A	1	O	
2	ELA UNIT-FRAME DELL	JC96-03098A	1	O	
3	ELA UNIT-RX DRIVE	JC96-03078A	1	O	
4	UNIT-HUMMINGBIRD LSU	JC59-00018B	1	O	
5	CBF HARNESS-LSU	JC39-00321A	1	O	
6	ELA HOU-SHIELD ASS'Y LV, 110V	JC96-03107A	1	O	⚠ 110V
6-1	ELA HOU-SHIELD ASS'Y HV, 220V	JC96-03108A	1	O	⚠ 220V
	SMPS-SMPS(V1)+HVPS, 110V	JC44-00070A	1	O	⚠ 110V
	SMPS-SMPS(V2)+HVPS, 220V	JC44-00071A	1	O	⚠ 220V
6-2	MEA UNIT-SHIELD ENGINE	JC97-01794A	1	O	
6-3	SHIELD-ENGINE R2	JC63-00399A	1	X	
6-4	SUPPORTER	6103-001056	2	X	
7	PBA MAIN-MAIN CONTROLLER	JC92-01601A	1	O	
8	ELA HOU-NPC3_PRT	JC96-02906A	1	O	
8-1	PBA SUB-NPC3_PRT	JC92-01466A	1	X	
8-2	BRA CKET-NPC	JC61-00809A	1	X	
9	MODULAR JACK ASSY	JC92-01607A	1	O	
10	MEA UNIT-COVER FRONT	JC97-01933A	1	O	
10-1	ADJUST-MANUAL R_R2	JC70-00475A	1	X	
10-2	ADJUST RACK-M-MANUAL	JC70-00304A	2	X	
10-3	COVER-FRONT R2	JC63-00389A	1	X	
10-4	ADJUST-MANUAL L_R2	JC70-00474A	1	X	
10-5	GEAR-RACK_PINION	JC66-00387A	1	X	
11	MEA UNIT-COVER MIDDLE	JC97-01932A	1	O	
12	ELA HOU-COVER SIDE L	JC96-09079A	1	O	
12-1	COVER-SIDE L_R2	JC96-03079A	1	X	
12-2	COVER-DIMM R2	JC63-00390A	1	X	
12-3	SPEAKER	3001-001293	1	X	

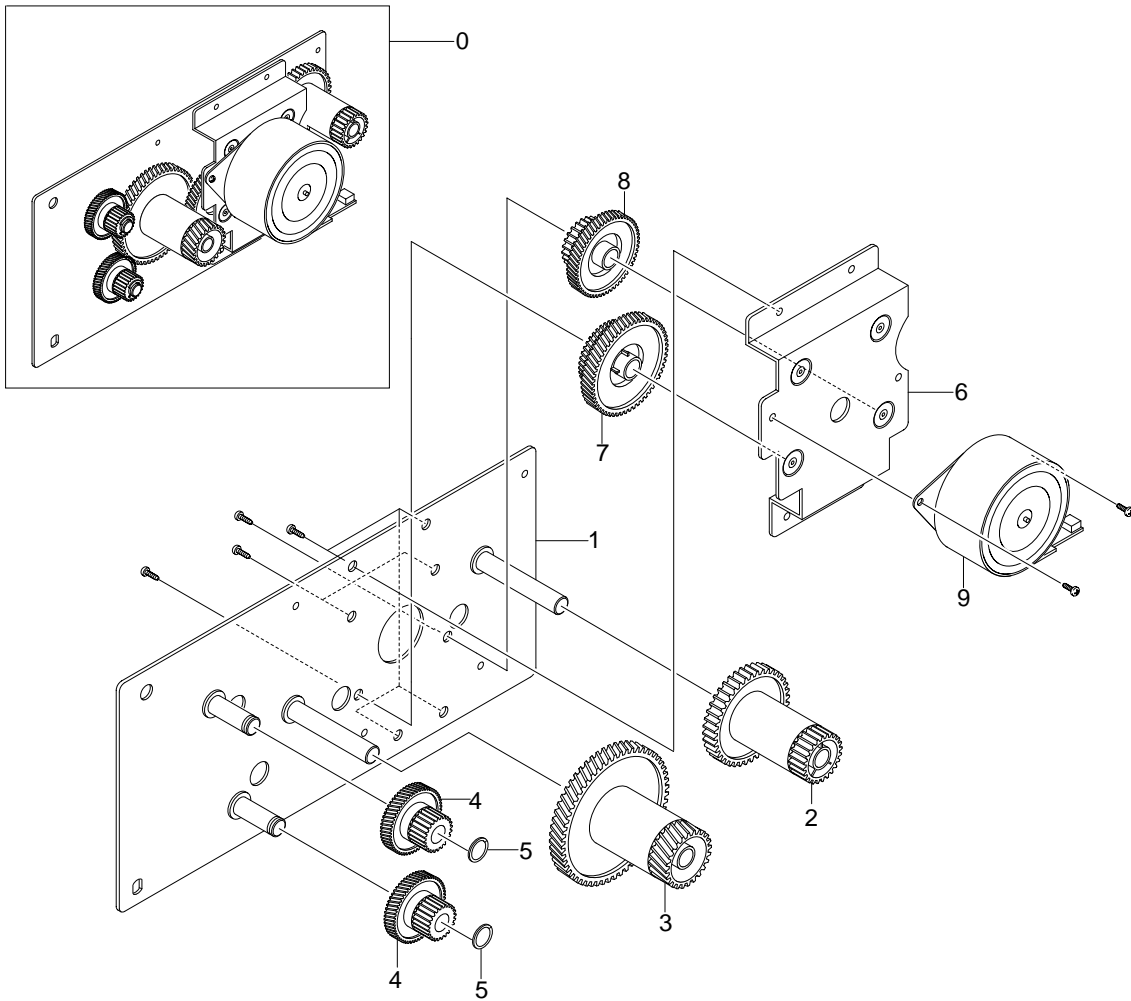
Main Assembly Parts List

SA : Service Available

O : Service available X : Service not available

No.	Description	SEC.Code	Q'ty	SA	Remark
13	COVER-SIDE R_R2	JC63-00384A	1	O	
14	MEA UNIT-COVER REAR	JC97-01934A	1	O	
14-1	COVER-REAR R2	JC63-00392A	1	X	
14-2	COVER-FACE UP R2	JC63-00393A	1	O	
14-3	MAGNETIC CATCH	JC61-00961A	1	X	
14-4	COUNTER PART	JC61-00962A	1	X	
14-5	LABEL-PORT(REAR-COVER)/330	JC68-01345A	1	X	
15	BADGE-DELL	JC64-00131A	1	O	
16	CBF HARNESS-MOTOR	JC39-00241A	1	O	
17	MEA ETC TR	JC97-01917A	1	O	
17-1	ROLLER-TRANSFER R2	JC66-00703A	1	X	
17-2	GEAR-TRANSFER	JC66-00395A	1	X	
18	COVER-MIDDLE FRONT L	JC63-00386A	1	O	
19	COVER-MIDDLE FRONT R	JC63-00387A	1	O	
20	PBA SUB-LIU	JC96-01607A	1	O	
22	MEA UNIT-CASSETTE, USA	JC97-01919A	1	O	
23	CBF HARNESS-ENGINE	JC39-00240C	1	O	
24	BRACKET-P-INLET, ROCKY	JC61-00693A	1	O	
26	CBF HARNESS MODULA JACK	JC39-00144A	1	O	
27	SHIELD-CONTROLLER R2	JC63-00400A	1	O	
28	COVER-DUMMY JACK	JC63-00509A	1	O	

8.2 RX Drive Assembly

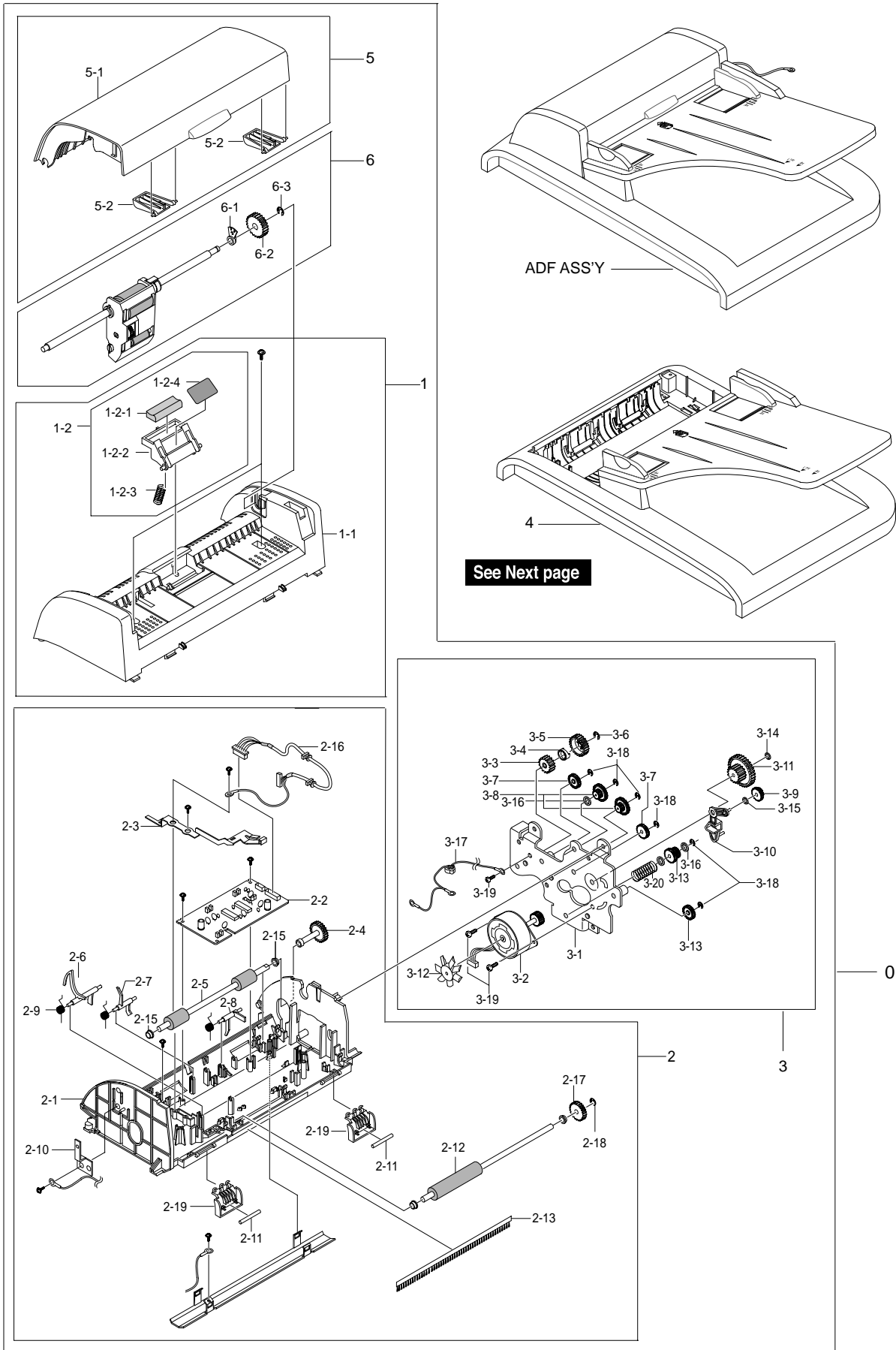


RX Drive Assembly Parts List

SA : Service Available
 O : Service available X : Service not available

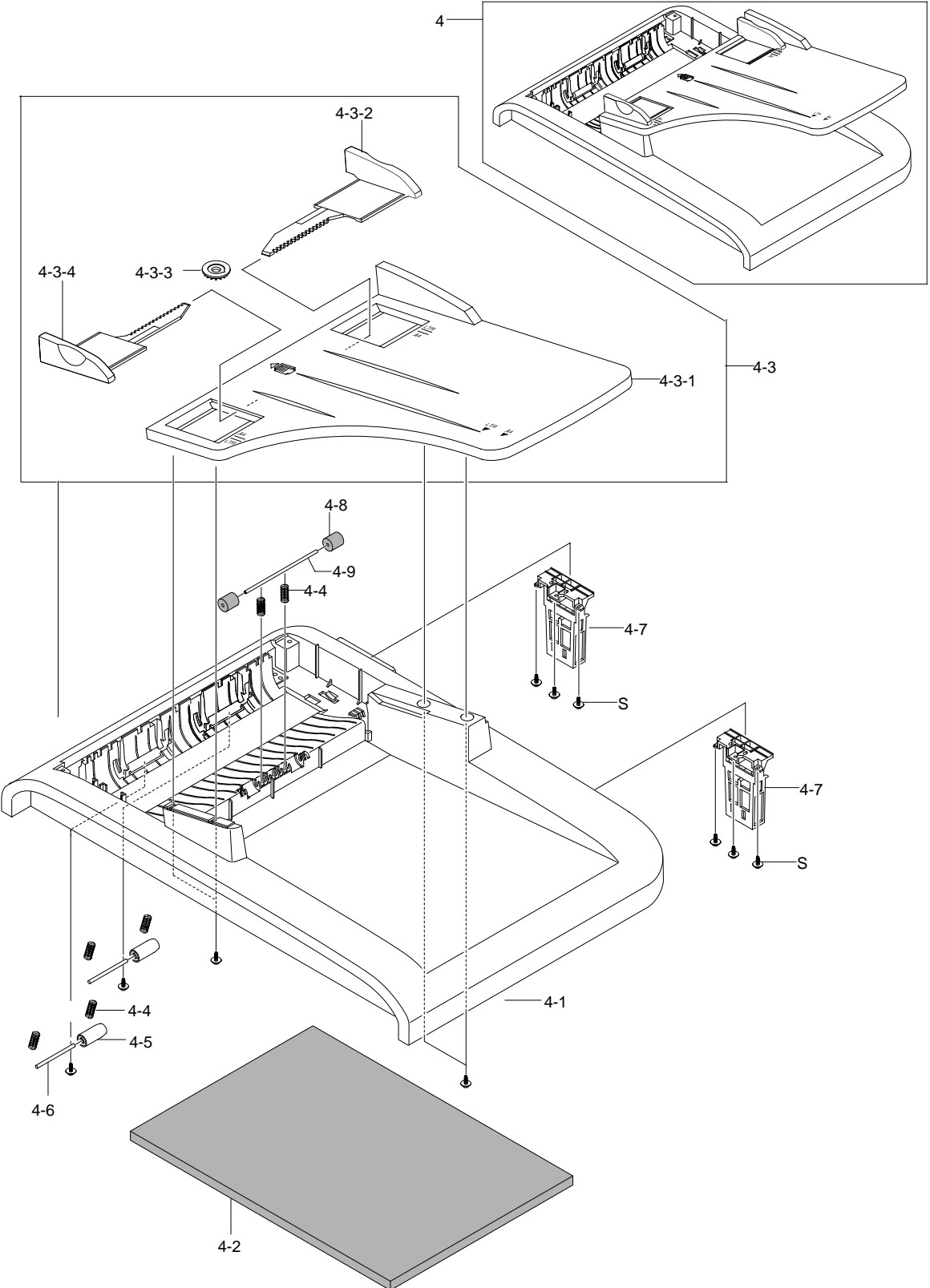
No.	Description	SEC.Code	Q'ty	SA	Remark
0	ELA UNIT-RX DRIVE	JC96-03078A	1	O	
1	BRACKET-GEAR MAIN	JC61-00891A	1	X	
2	GEAR-RDCN 53/26	JC66-00388A	1	X	
3	GEAR-RDCN 113/33	JC66-00706A	1	X	
4	GEAR-RDCN 57/18	JC66-00389A	2	X	
5	WASHER-PLAIN	6031-000023	2	X	
6	BRACKET-MOTOR MAIN R2	JC61-00916A	1	X	
7	GEAR-RDCN 103/41	JC66-00390A	1	X	
8	GEAR-RDCN 90/31	JC66-00392A	1	X	
9	MOTOR STEP-MAIN	JC31-00037A	1	O	

8.3 ADF Assembly



See Next page

ADF Assembly Continued.



ADF Assembly Parts List

SA : Service Available
 O : Service available X : Service not available

No.	Description	SEC.Code	Q'ty	SA	Remark
0	ELA HOU-ADF-ENGINE	JC96-03133A	1	O	
1	MEA UNIT-ADF UPPER	JC97-01939A	1	O	
1-1	COVER-ADF UPPER R2	JC63-00450A	1	X	
1-2	MEA UNIT-HOLDER ADF	JC97-01940A	1	O	
1-2-1	RMO-ADF RUBBER	JB73-00052A	1	X	
1-2-2	HOLDER-PAD ADF	JC61-00893A	1	X	
1-2-3	SPRING ETC-PAD	JC61-00387A	1	X	
1-2-4	SHEET-ADF HOLDER	JC63-00373A	1	X	
2	ELA HOU-ADF LOWER	JC96-03066A	1	X	
2-1	COVER-ADF LOWER R2	JC63-00370A	1	X	
2-2	PBA SUB-ADF	JC92-01618A	1	O	
2-3	GROUND-ADF R2	JC63-00372A	1	X	
2-4	SHAFT-M-FEED GEAR 38	JC66-00460A	1	X	
2-5	ROLLER-DRIVE	JC66-00560A	1	X	
2-6	PMO-ACT EMPTY ADF	JC72-01320A	1	O	
2-7	PMO-ACTUATOR REGI SENSOR	JC72-01010A	1	O	
2-8	PMO-ACTUATOR SCAN SENSOR	JC72-01011A	1	O	
2-9	SPRING ETC-TORSION DOC (CC2-F)	JB61-00076A	3	X	
2-10	IPR-GROUND_ROLLER	JC70-10467A	1	X	
2-12	ROLLER-EXIT	JC66-00559A	1	X	
2-13	MEC-BRUSH ANTISTATIC	JC75-00095A	1	X	
2-14	PPR-WHITE BAR SHEET	JC72-00752A	1	X	
2-15	PMO-BUSH	JB72-00819A	4	X	
2-16	CBF HARNESS-ADF	JC39-00278A	1	X	
2-17	GEAR-AGITATOR-2	JC66-00310A	1	X	
2-18	RING-C	6044-000159	1	X	
2-19	GUIDE-STACKER SUB	JC61-00712A	2	X	
2-20	CBF HARNESS ADF ROLLER GND	JC39-00187A	1	X	
2-21	IPR-BRKT WHITE BAR	JC70-00225A	1	X	
2-22	SPRING ETC WHITE BAR	JC61-00548A	2	X	
3	ELA HOU-ADF MOTOR	JC96-03065A	1	O	
3-1	BRACKET-GEAR ADF	JC61-00892A	1	X	
3-2	MOTOR BLOWER-ADF	JC31-00023A	1	X	
3-3	GEAR-CLUTCH 29	JB66-00101A	1	O	
3-4	PMO-WHITE CLUTCH SUB 29	JB72-00844A	1	X	
3-5	GEAR-CLUTCH 39	JC66-00322A	1	X	
3-6	RING-C	6044-000159	1	X	
3-7	GEAR-IDLE 35 ADF	JC66-00458A	2	X	
3-8	GEAR-40/21 ADF	JC66-00456A	1	X	

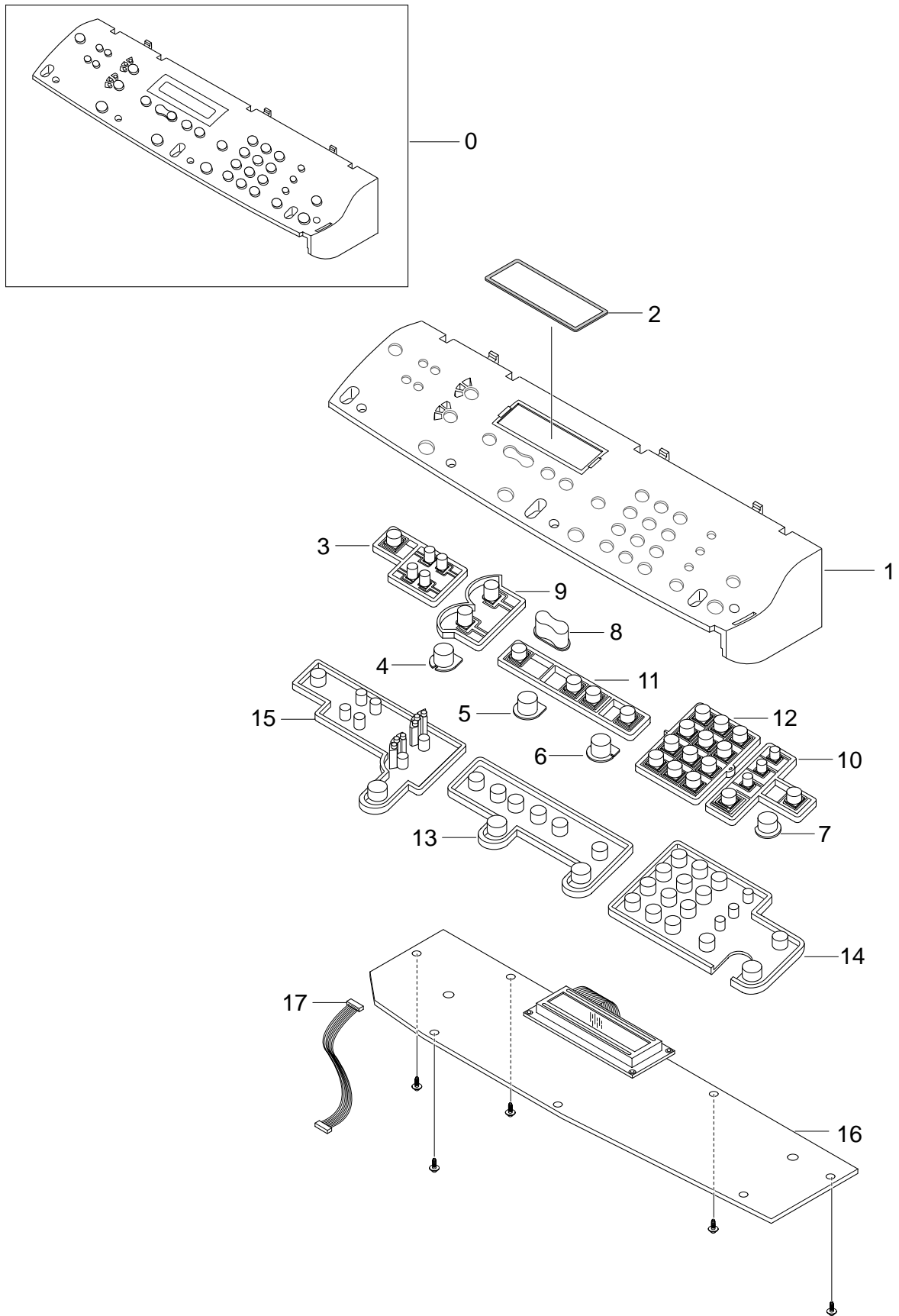
ADF Assembly Parts List(cont.)

SA : Service Available

O : Service available X : Service not available

No.	Description	SEC.Code	Q'ty	SA	Remark
3-9	GEAR-SWING 31/20 ADF	JC66-00457A	1	X	
3-10	LINK-M-SWING ADF	JC66-00454A	1	X	
3-11	GEAR-58/25 ADF	JC66-00455A	1	X	
3-12	IMPELLER-ADF	JC66-00556A	1	X	
3-13	GEAR-REMOVE ADF	JC66-00557A	1	X	
3-15	IPR-WASHER WAVE	JB70-00070A	1	X	
3-16	WASHER-PLAIN	6031-000019	3	X	
3-17	CBF HARNESS-MOTOR GROUND	JC39-00355A	1	X	
3-18	RING-E	6044-000125	6	X	
3-19	SCREW-TAPTITE	6003-000269	3	X	
4	MEA UNIT-COVER PLATEN	JC97-01937A	1	O	
4-1	COVER-PLATEN R2	JC63-00374A	1	O	
4-2	SHEET-WHITE SPONGE	JC63-00209A	1	O	
4-3	MEA-TX STACKER	JC97-01938A	1	O	
4-3-1	COVER-STACKER TX	JC63-00457A	1	X	
4-3-2	GUIDE-DOC L	JC61-00958A	1	X	
4-3-3	GEAR-PINION	JG66-40003A	1	X	
4-3-4	GUIDE-DOC R	JC61-00959A	1	X	
4-4	SPRING ETC-FEED	JC61-00011A	6	O	
4-5	PMO-ROLL PINCH	JG72-40663A	2	O	
4-6	ICT-SHAFT PINCH	JF70-40521B	1	O	
4-7	MEA UNIT-HINGE	JC97-01707A	2	O	
4-8	RPR-ROLLER EXIT IDLE	JC66-00728A	2	O	
4-9	SHAFT-IDLE FEED	JC66-00558A	2	O	
5	MEA UNIT-COVER OPEN	JC97-01936A	1	O	
5-1	COVER-ADF OPEN R2	JC63-00498A	1	X	
5-2	PMO-GUIDE PAPER	JB72-00843A	2	X	
5-3	DAMPER-PICKUP ADF	JC66-00726A	1	X	
6	MEA UNIT-PICKUP	JC97-01962A	1	O	
6-1	PMO-BUSHING WHITE	JF72-41306A	1	X	
6-2	GEAR-ADF 38	JB66-00103A	1	X	
6-3	RING-C	6044-000159	1	X	

8.4 OPE Unit Assembly



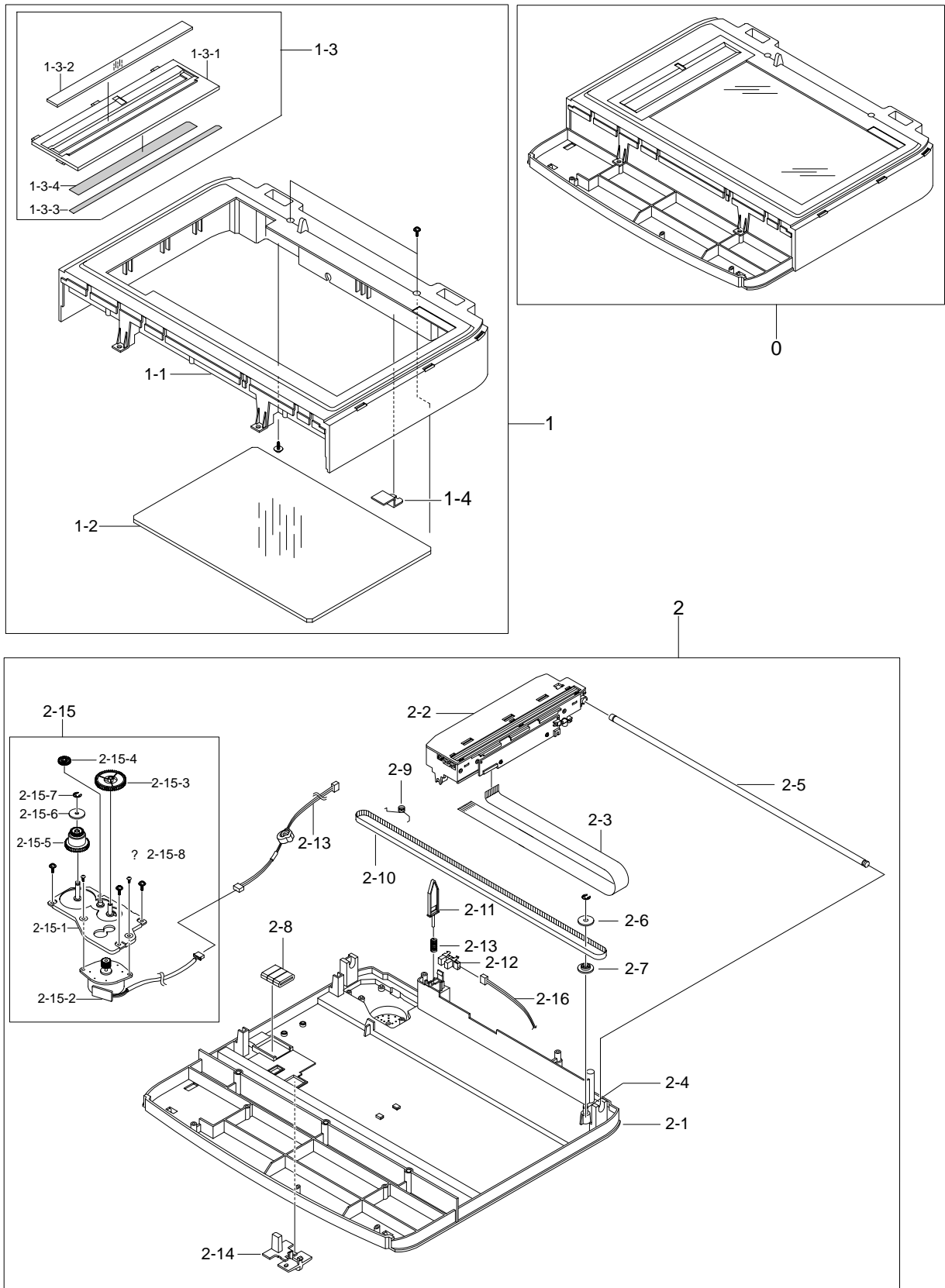
OPE Unit Assembly Parts List

SA : Service Available

O : Service available X : Service not available

No.	Description	SEC.Code	Q'ty	SA	Remark
0	ELA HOU-OPE	JC96-03070A	1	O	
1	COVER-OPE R2_DELL	JC63-00376A	1	O	
2	WINDOW-LCD	JC64-00130A	1	O	
3	KEY-COPY_DELL	JC64-00120A	1	O	
4	KEY-START COPY	JC64-00126A	1	O	
5	KEY-CANCEL	JC64-00127A	1	O	
6	KEY-SEND FAX	JC64-00128A	1	O	
7	KEY-START SCAN	JC64-00129A	1	O	
8	KEY-SCROLL_DELL	JC64-00123A	1	O	
9	KEY-QUALTY	JC64-00121A	1	O	
10	KEY-FAX_DELL	JC64-00125A	1	O	
11	KEY-MENU	JC64-00122A	1	O	
12	KEY-TEL_DELL	JC64-00124A	1	O	
13	RUBBER-SCROLL_DELL	JC73-00176A	1	O	
14	RUBBER-TEL/FAX_DELL	JC73-00177A	1	O	
15	RUBBER-COPY_DELL	JC73-00178A	1	O	
16	PBA SUB-OPE	JC92-01503A	1	O	
S	SCREW-TAPTITE	6003-000196	7	X	

8.5 Scanner Assembly



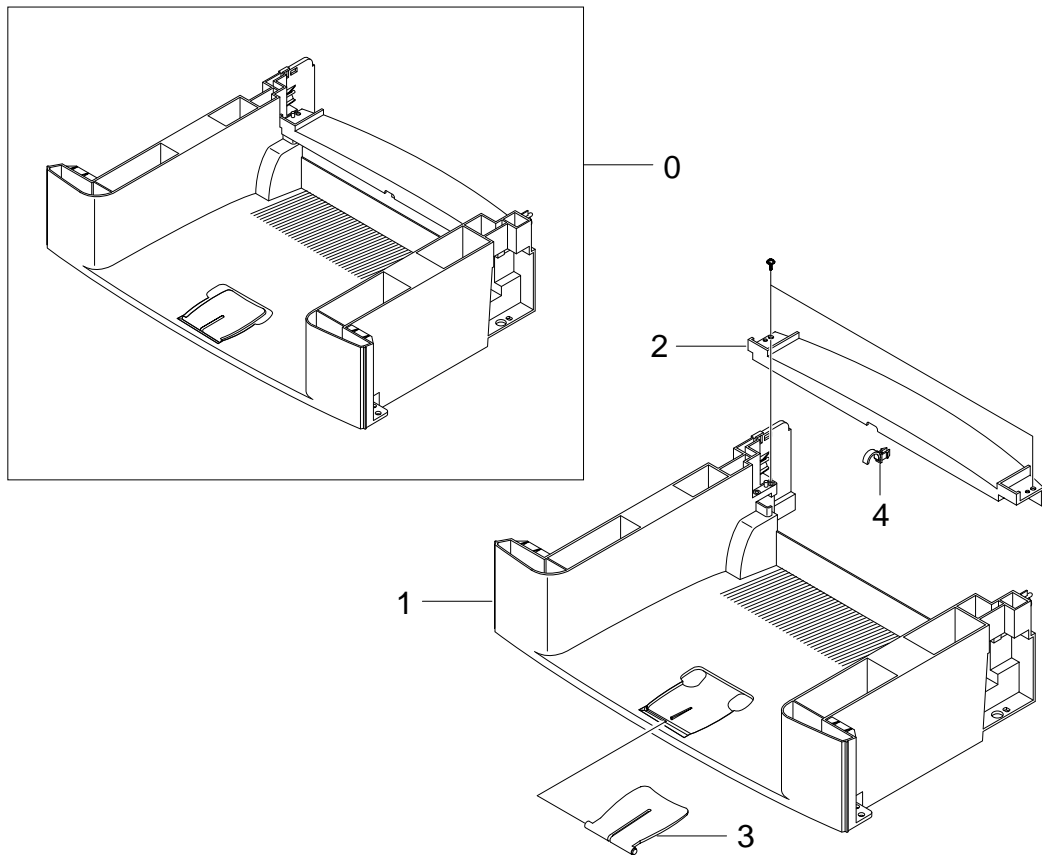
Scanner Assembly Parts List

SA : Service Available

O : Service available X : Service not available

No.	Description	SEC.Code	Q'ty	SA	Remark
0	ELA HOU-PLATEN	JC96-03067A	1	O	
1	MEA UNIT-SCAN UPPER	JC97-01942A	1	O	
1-1	COVER-SCAN UPPER DELL	JC63-00380A	1	O	
1-2	GLASS-SCAN	JC01-00001A	1	O	
1-3	MEA UNIT-SCAN DUMMY	JC97-01941A	1	O	
1-3-1	COVER-SCAN DUMMY R2	JC63-00456A	1	O	
	COVER-SCAN DUMMY R2	JC63-00377B	1	O	French
	COVER-SCAN DUMMY R2	JC63-00377C	1	O	Spanish
	COVER-SCAN DUMMY R2	JC63-00377D	1	O	German
	COVER-SCAN DUMMY R2	JC63-00377F	1	O	Italian
1-3-2	MCT-GLASS ADF	JC74-00021A	1	X	
1-3-3	TAPE-DOUBLE FACE	0203-001266	1	X	
1-3-4	LABEL(P)-SHADING	JB68-00644A	1	X	
1-4	IPR-HOLDER GLASS	JB70-00148A	2	O	
2	ELA HOU-SCAN LOWER	JC96-03068A	1	O	
2-1	COVER-SCAN LOWER DELL	JC63-00379A	1	X	
2-2	ELA HOU-CCD MODULE	JC96-02759A	1	O	
2-3	CBF SIGNAL-CCD FFC	JC39-00269A	1	O	
2-4	ICT-INSERT SHAFT	JB70-00154A	1	X	
2-5	ICT-SHAFT CCD	JB70-00145A	1	X	
2-6	PMO-HOLDER BELT	JB72-00764A	1	X	
2-7	PMO-PULLEY	JB72-00763A	1	X	
2-8	ELA UNIT-CORE	JB96-01381A	3	X	
2-9	SPRING ETC-BELT	JB61-00059A	1	X	
2-10	BELT-TIMING GEAR	6602-001067	1	O	
2-11	PMO-LEVER SENSOR	JC72-00755A	1	X	
2-12	PHOTO-INTERRUPTER	0604-001095	1	X	
2-13	SPRING-CS	6107-001135	1	X	
2-14	HOLDER-CCD	JC61-00894A	1	X	
2-15	ELA HOU-SCAN MOTOR	JC96-03069A	1	O	
2-15-1	BRACKET-SCAN MOTOR R2	JC61-00895A	1	X	
2-15-2	MOTOR STEP-SCAN	JB31-00011A	1	X	
2-15-3	GEAR-REDUCTION	JC66-00530A	1	X	
2-15-4	GEAR-IDLE	JB66-00083A	1	X	
2-15-5	GEAR-TIMING	JC66-00531A	1	X	
2-15-6	PMO-HOLDER BELT	JB72-00764A	1	X	
2-15-7	RING-E	6044-000125	1	X	
2-16	CBF-HARNES-OP	JC39-00348A	1	X	

8.6 Middle Cover Assembly



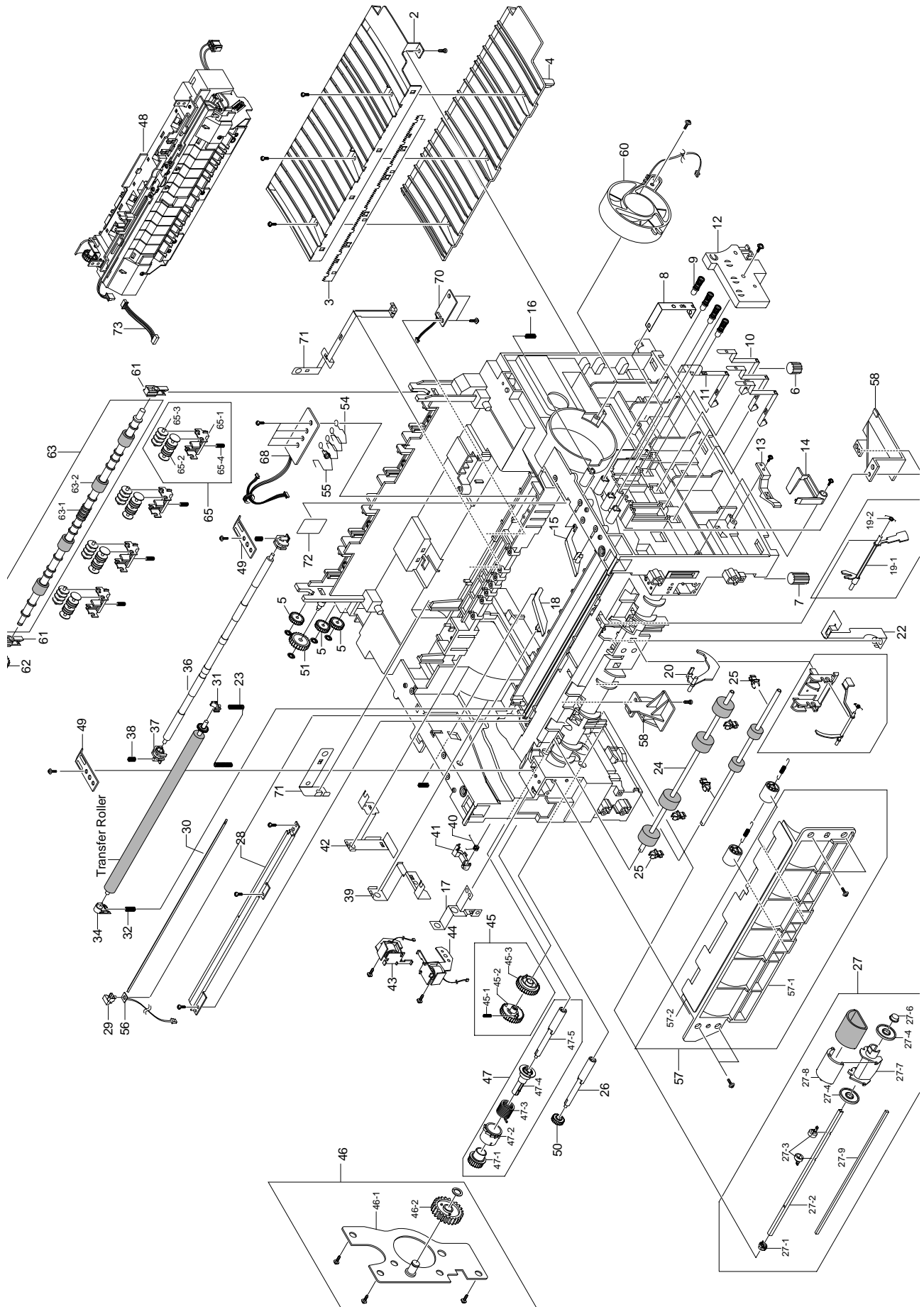
Middle Cover Assembly Parts List

SA : Service Available

O : Service available X : Service not available

No.	Description	SEC.Code	Q'ty	SA	Remark
0	MEA UNIT-COVER MIDDLE	JC97-01932A	1	O	
1	COVER-MIDDLE R2	JC63-00385A	1	X	
2	COVER-REAR UPPER	JC63-00388A	1	X	
3	COVER-STAKEP RX	JC63-00513A	1	X	
4	BUSH-F/DOWN R2	JC61-00902A	1	X	

8.7 Frame Assembly



Frame Assembly Parts List

SA : Service Available

O : Service available X : Service not available

No.	Description	SEC.Code	Q'ty	SA	Remark
0	ELA UNIT-FRAME DELL	JC96-03098A	1	O	
1	FRAME-BASE R2	JC61-00906A	1	X	
2	GUIDE-P-TR	JC61-00607A	1	X	
3	PLATE-P-SAW	JC61-00604A	1	X	
4	GUIDE-M-TR RIB	JC61-00594A	1	X	
5	PMO-GEAR_EXIT_DRV16	JC72-00143A	3	X	
6	FOOT-BACK	JC61-00835A	2	X	
7	FOOT-FRONT	JC61-00836A	2	O	
8	GROUND-GUDIE TR R2	JC63-00397A	1	X	
9	MEC-TERMINAL	JC75-00049A	4	O	
10	PLATE-TERMINAL CON R2	JC61-00903A	3	X	
11	PLATE-TERMINAL CR R2	JC61-00904A	1	X	
12	HOUSING-TERMINAL R2	JC61-00911A	1	X	
13	PMO-LOCKER CST	JC72-00983A	2	X	
14	PMO-ACTUATOR CVR OPEN	JC72-00974A	1	X	
15	PMO-PLATE GUIDE DEVE_R	JC72-00985A	1	X	
16	SPRING ETC-GUIDE DEVE	JC61-70932A	2	X	
17	GROUND-PUSH BUSHING	JC63-00401A	1	X	
18	PMO-PLATE GUIDE DEVE_L	JC72-00984A	1	X	
19	PMO-ACT FEED R2	JC72-01323A	1	X	
20	PMO-ACTUATOR EMPTY	JC72-00975A	1	O	
21	PMO-ACT MANUAL R2	JC72-01324A	1	O	
22	GROUND-EARTH TR R2	JC63-00395A	1	X	
23	GROUND-TERMINAL TR	JC63-00403A	1	X	
24	ROLLER-FEED ROLLER 1	JC66-00526A	1	O	
25	PMO-BUSHING FEED	JC72-00382B	5	O	
26	SHAFT-FEED	JC66-00398A	1	O	
27	MEA UNIT-PICKUP	JC97-01926A	1	O	
27-1	BUSH-M-PICK_UP L	JC61-00586A	1	X	
27-2	SHAFT-P-PICK_UP	JC66-00399A	1	X	
27-3	STOPPER-PICK UP_R2	JC61-00915A	2	X	
27-4	PMO-IDLE PICK_UP	JC72-00982A	2	X	
27-5	SPONGE-ROLLER PICK_UP	JC72-01231A	1	X	
27-6	BUSH-M-PICK_UP R	JC61-00587A	1	X	
27-7	HOUSING-PICK UP_R2	JC61-00909A	1	X	
27-8	HOUSING-PICK UP2_R2	JC61-00910A	1	X	
27-9	SHAFT-CORE	JC65-00720A	2	X	

Frame Assembly Parts List(Cont.)

SA : Service Available

O : Service available X : Service not available

No.	Description	SEC.Code	Q'ty	SA	Remark
28	IPR-P-EARTH TRANSFER	JC70-00307A	1	O	
29	HOLDER-PTL R2	JC61-00907A	1	O	
30	LENS-PTL	JC67-00027A	1	O	
31	PMO-BUSHING_TR(L)	JC72-00102A	1	X	
32	SPRING ETC-TR L HAWK	JC61-00047A	1	X	
33	ROLLER-FEED	JC66-00598A	1	X	
34	BUSH-M-TR L	JC61-00588A	1	X	
35	GROUND-FUSER R2	JC63-00396A	1	X	
36	SHAFT-FEED IDLE	JC66-00527A	1	X	
37	BUSH-M-FEED IDLE	JC61-00585A	2	X	
38	SPRING ETC-TR	JC61-70958A	2	X	
39	GROUND-DRIVE2 R2	JC63-00398A	1	X	
40	SPRING-TS	6107-001170	1	X	
41	CAM-M-PICK_UP	JC66-00377A	1	X	
42	GROUND-DRIVE R2	JC63-00394A	1	X	
43	SOLENOID-FEED ROCKY2	JC33-00014A	1	O	
44	SOLENOID-HB (MANUAL)	JC33-00010A	1	O	
45	MEA UNIT-GEAR PICKUP	JC97-01929A	1	O	
45-1	GEAR-PICK UP B_R2	JC66-00705A	1	X	
45-2	GEAR-PICK UP A_R2	JC66-00704A	1	X	
45-3	SPRING-CS	6107-001167	1	X	
46	MEA UNIT-BRACKET FEED	JC97-01925A	1	O	
46-1	BRACKET-FEED R2	JC61-00913A	1	O	
46-2	GEAR-Z35 IDLE	JC66-00690A	1	X	
47	MEA UNIT-CLUTCH	JC97-01788A	1	O	
47-1	GEAR-FEED 1	JC66-00393A	1	X	
47-2	PMO-COLLAR_SPRING	JC72-00978A	1	X	
47-3	SPRING-TS	6107-001171	1	X	
47-4	PMO-HUB CLUTCH	JC72-00981A	1	X	
47-5	SHAFT-FEED	JC66-00398A	1	X	
48	ELA HOU-FUSER 110V	JC96-03061A	1	O	⚠ 110V
	ELA HOU-FUSER 220V	JC96-03062A	1	O	⚠ 220V
49	PLATE-PUSH BUSHING	JC61-00914A	2	X	
50	GEAR-FEED 2	JC66-00394A	1	X	
51	GEAR-IDLE 23	JC66-00396A	1	X	
52	SPRING-TS	6107-001164	1	X	
53	SPRING-TS	6107-001165	1	X	
54	IPR-P-TERMINAL DEVE KEY	JC70-00340A	3	X	

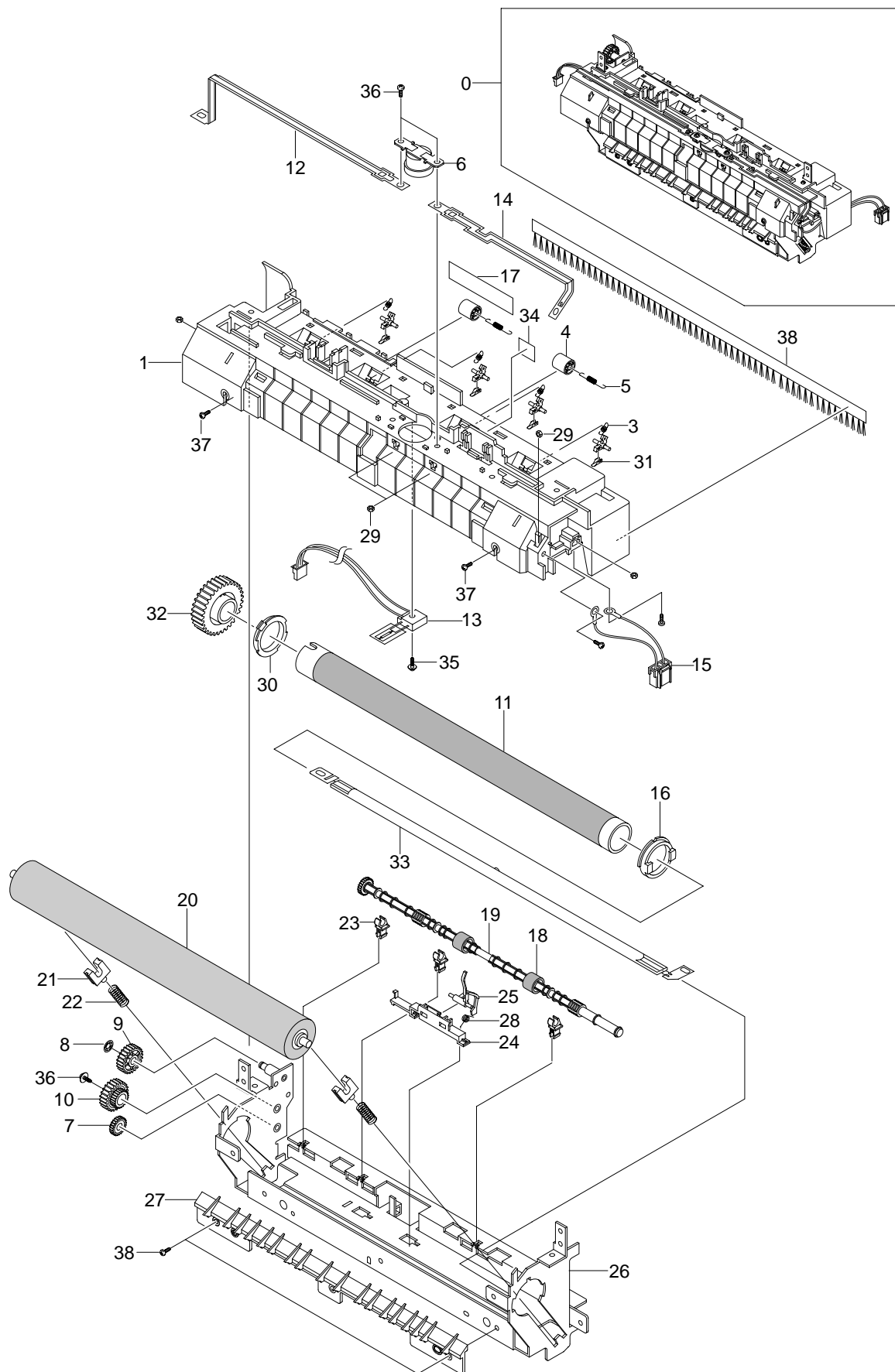
Frame Assembly Parts List(Cont.)

SA : Service Available

O : Service available X : Service not available

No.	Description	SEC.Code	Q'ty	SA	Remark
55	GROUND-TERMINAL DEVE	JC63-00458A	1	X	
56	PBA SUB-PTL	JC92-01620A	1	O	
57	MEA UNIT-GUIDE PAPER	JC97-01924A	1	O	
57-1	GUIDE-PAPER FRONT	JC61-00905A	1	X	
57-2	SHEET-GUIDE PAPER	JC63-00470A	1	X	
57-3	ROLLER-M-IDLE FEED	JC66-00529A	2	X	
57-4	SPRING-ES	6107-001047	2	X	
58	HOLDER-TERMINAL R2	JC61-00908A	1	X	
59	HOLDER-ACT MANUAL R2	JC61-00912A	1	X	
61	MEC-BEARING,EXIT	JC75-10529A	2	X	
62	GEAR-EXIT F/DOWN	JC66-00038A	1	X	
63	ROLLER-EXIT F/DOWN	JC66-00378A	1	X	
64	RMO-RUBBER EXIT	JC73-40915A	4	X	
65	MEA RACK-EXIT ROLLER	JC97-01034A	4	O	
65-1	PMO-HOLDER EXIT ROLL	JC72-41006A	1	X	
65-2	PMO-ROLLER FD F	JC72-41007A	1	X	
65-3	PMO-ROLLER FD R	JC72-41008A	1	X	
65-4	SPRING ETC-EXIT ROLL FD	JC61-70911A	1	X	
66	GUIDE-SUB FRONT	JC61-00917A	1	X	
68	PBA-SUB-CRUM	JC92-01605A	1	O	
69	CBF HARNESS CRUM2	JC39-00356A	1	O	
70	PBA SUB-EXIT SENSOR	JC92-01604A	1	O	
71	GROUND-SHIELD R2	JC63-00402A	1	X	
72	LABEL(R)-HOT CAUTION,KME	JC68-00317A	1	X	
73	FAN-DC	JC31-00025A	1	O	

8.8 Fuser Assembly

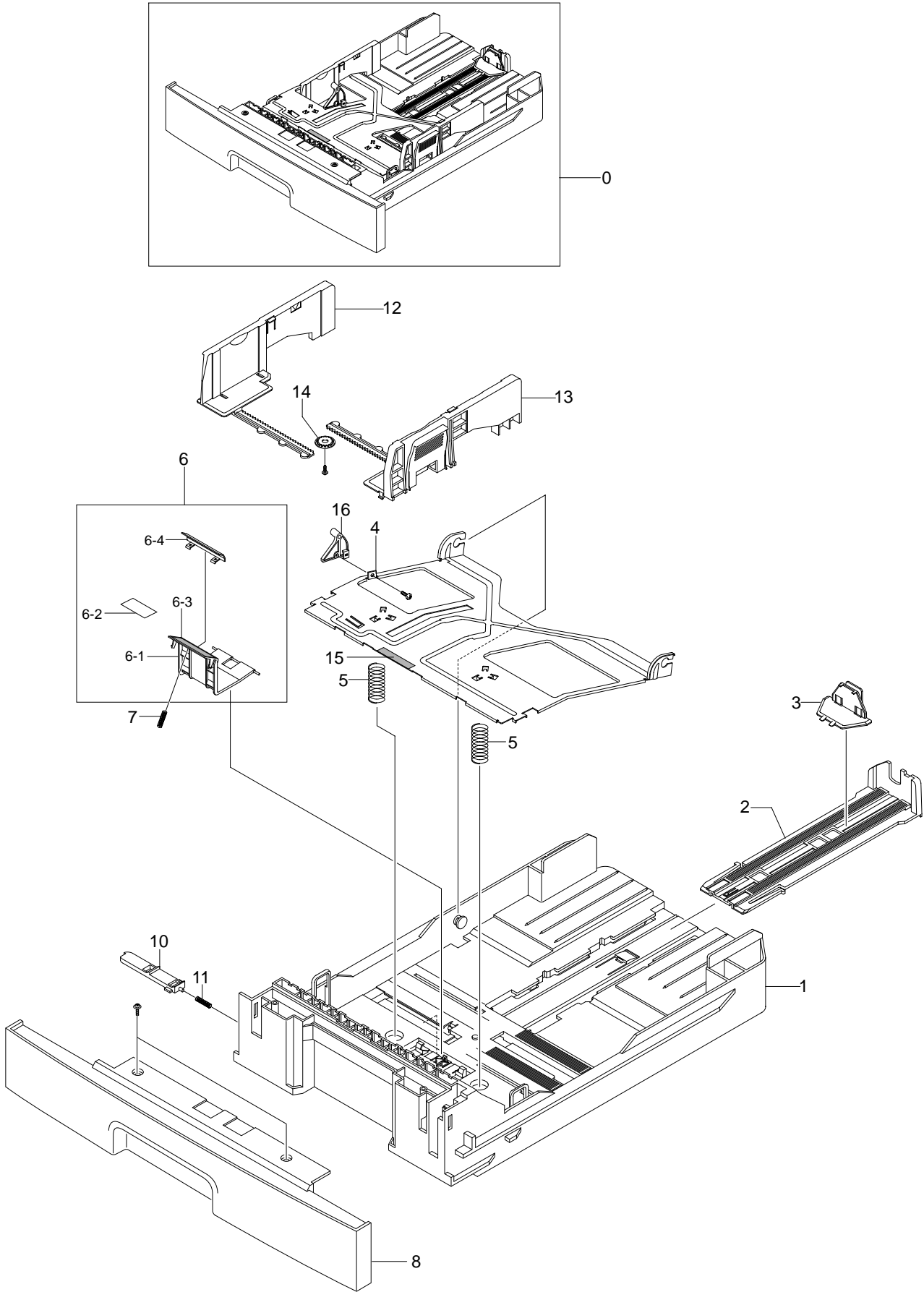


Fuser Assembly Parts List

SA : Service Available
 O : Service available X : Service not available

No.	Description	SEC.Code	Q'ty	SA	Remark
0	ELA HOU-FUSER 110V	JC96-03061A	1	O	⚠ 110V
	ELA HOU-FUSER 220V	JC96-03062A	1	O	⚠ 220V
1	COVER-FUSER R2	JC63-00363A	1	X	
2	HOLDER-PLATE CLAW R2	JC61-00886A	4	X	
3	SPRING ETC-CLAW	JC61-00064A	4	X	
4	PMO-ROLLER_EXIT	JC72-40361A	2	X	
5	SPRING ETC-FUSER EXIT	JC61-70976A	2	X	
6	THERMOSTAT-150	JC47-00005A	1	O	
7	PMO-GEAR_EXIT_DRV16	JC72-00143A	1	X	
8	GEAR-IDLE 23	JC66-00396A	1	X	
9	RING-E	6044-000125	1	X	
10	GEAR-RDCN 25/15	JC66-00397A	1	X	
11	ROLLER-HEATER	JC66-00729A	1	O	
12	ELECTRODE-LFET R2	JC70-00473A	1	X	
13	THERMISTOR-NTC	1404-001337	1	O	
14	ELECTRODE-RIGHT R2	JC70-00472A	1	X	
15	CBF HARNESS-FUSER 110V	JC39-00353A	1	X	WHITE
	CBF HARNESS-FUSER 220V	JC39-00354A	1	X	BLACK
16	BUSH-HR R_R2	JC61-00887A	1	X	
17	LABEL(P)-CAUTION, HOT_FUSER	JC68-30928D	1	X	
18	RMO-RUBBER_EXIT	JC73-00017A	2	X	
19	ROLLER-M-EXIT F/UP	JC66-00380A	1	X	
20	ROLLER-PRESSURE	JC66-00600B	1	O	
21	BEARING-PRESSURE/R	JC66-10901A	2	X	
22	SPRING-CS	6107-001168	2	X	
23	PMO-BUSHING TX	JC72-00382A	3	X	
24	HOLDER-ACTUATOR	JC61-00581A	1	X	
25	PMO-ACTUATOR EXIT R2	JC72-01319A	1	X	
26	FRAME-FUSER R2	JC61-00890A	1	X	
27	GUIDE-INPUT R2	JC61-00889A	1	X	
28	SPRING-TS	6107-001165	1	X	
29	NUT-HEXAGON	6021-000222	5	X	
30	BUSH-HR L_R2	JC61-00888A	1	X	
31	PLATE-P-CLAW	JC61-00605A	4	X	
32	GEAR-FUSER R2	JC66-00695A	1	X	
33	LAMP-HALOGEN 110V	4713-001182	1	O	⚠ 110V
	LAMP-HALOGEN 220V	4713-001183	1	O	⚠ 220V
34	LABEL(R)-LV FUSER	JC68-00408A	1	X	
35	SCREW-TAPTIEE	6003-000196	1	X	
36	SCREW-ASS'Y MACH	6006-001193	6	X	
37	SCREW-TAPTIEE	6003-000269	6	X	
38	BRUSH-ANTISTAIC	JC75-00095A	1	X	

8.9 Cassette Assembly



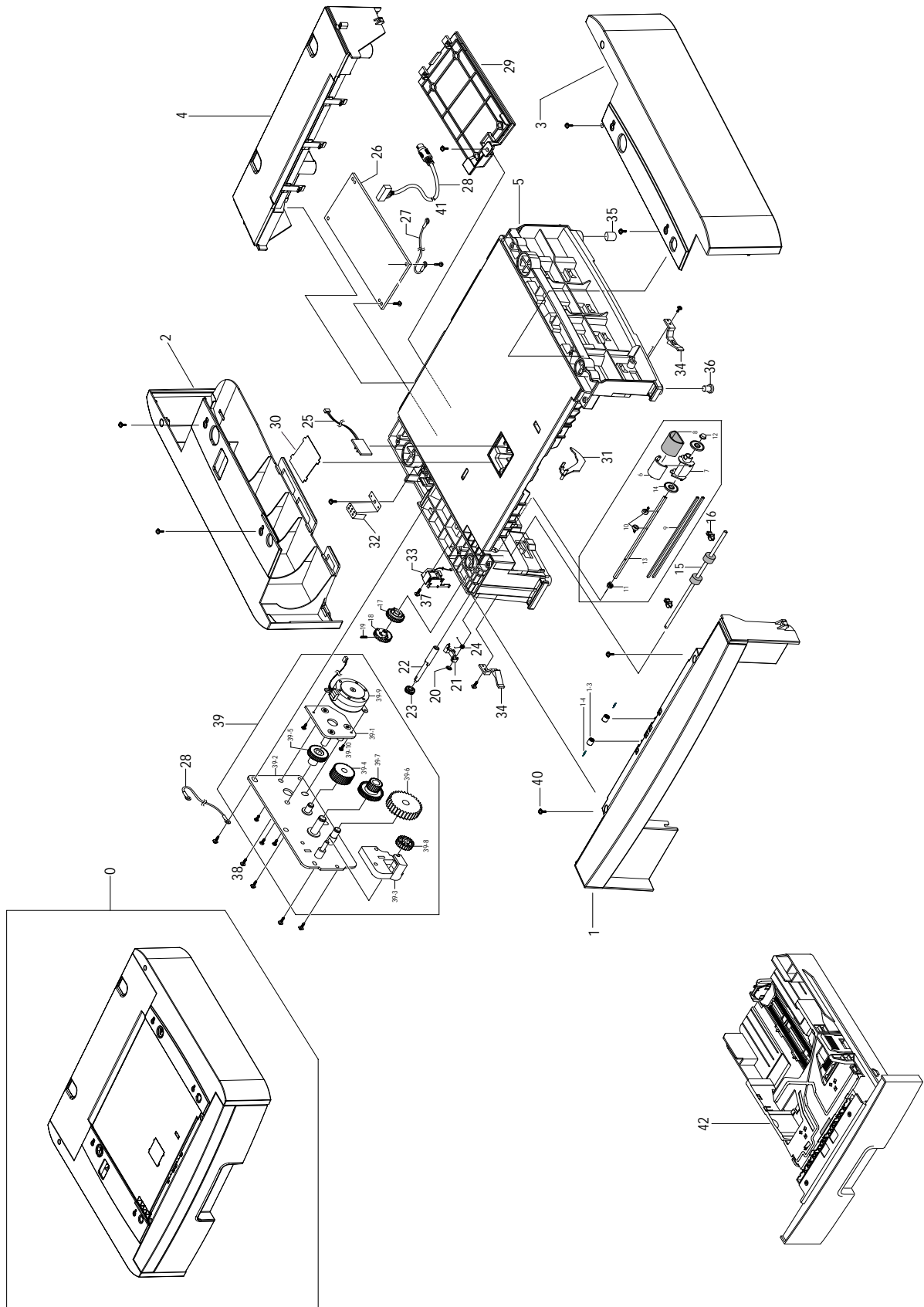
Cassette Assembly Parts List

SA : Service Available

O : Service available X : Service not available

No.	Description	SEC.Code	Q'ty	SA	Remark
0	MEA UNIT-CASSETTE, USA	JC97-01919A	1	O	
1	FRAME-M-CASSETTE	JC61-00876A	1	X	
2	GUIDE-M-EXTENSION LARGE	JC61-00918A	1	X	
3	GUIDE-EXTENSION SMALL	JC61-00960A	1	X	
4	PLATE-P-KNOCK_UP	JC61-00603A	1	X	
5	SPRING-CS	6107-001166	2	X	
6	MEA UNIT-HOLDER PAD	JC97-01931A	1	O	
6-1	HOLDER-M-PAD	JC61-00580A	1	X	
6-2	SHEET-HOLDER PAD R2	JC63-00407A	1	X	
6-3	RPR-FRICTION PAD	JC73-00140A	1	X	
6-4	IPR-PLATE PAD	JC70-00314A	1	X	
7	SPRING ETC-EXIT ROLL FD	JC61-70911A	1	X	
8	COVER-SUB CASSETTE R2	JC63-00368A	1	X	
10	PMO-PLATE_LOCKER	JC72-00972A	1	X	
11	SPRING ETC-LOCKER,PLATE	JG61-70531A	1	X	
12	ADJUST-M-CASSETTE_L	JC70-00300G	1	X	
13	ADJUST-M-CASSETTE_R	JC70-00301G	1	X	
14	GEAR-PINION	JG66-40003A	1	X	
15	RPR-PAD CASSETTE	JC73-00141A	1	X	
16	CAM-KNOCK UP	JC66-00719A	1	X	

8.10 SCF(Option Cassette Frame) Exploded view



SCF(Optional Cassette Frame) Assembly Parts List

SA : Service Available

O : Service available X : Service not available

No.	Description	SEC.Code	Q'ty	SA	Remark
0	ELAHOU-SCF R2	JC96-03096A	1	X	
1	COVER-M-FRONT SCF R2	JC63-00364A	1	X	
2	COVER-M-LEFT SCF R2	JC63-00365A	1	O	
3	COVER-M-RIGHT SCF R2	JC63-00366A	1	O	
4	COVER-M-REAR SCF R2	JC63-00367A	1	O	
5	FRAME	JC61-00877C	1	X	
6	HOUSING-M-PICKUP_R2	JC61-00909A	1	O	
7	HOUSING-M-PICKUP2_R2	JC61-00910A	1	O	
8	SPONGE -ROLLER PICK_UP	JC72-01231A	1	O	
9	SHAFT-P-CORE	JC66-00720A	2	X	
10	BUSHING-PICK_UP	JC61-00593A	2	X	
11	BUSH-M-PICK_UP L	JC61-00586A	1	X	
12	BUSH-M-PICK_UP R	JC61-00587A	1	X	
13	SHAFT-P-PICK_UP	JC66-00399A	1	X	
14	PMO-IDLE PICK_UP	JC72-00982A	2	X	
15	ROLLER -FEED	JC66-00598A	1	X	
16	PMO-BUSHING TX	JC72-00382A	2	X	
17	PMO-GEAR PICK_UP A	JC72-00979A	1	X	
18	PMO-GEAR PICK_UP B	JC72-00980A	1	X	
19	SPRING-CS	6107-001167	1	X	
20	RING-CS	6044-000001	1	X	
21	CAM-M-PICK_UP	JC66-00377A	1	X	
22	SHAFT-FEED	JC66-00527A	1	X	
23	GEAR -FEED 2	JC66-00394A	1	X	
24	SPRING-TS	6107-001170	1	X	
25	PCB-SENSOR	JC92-01364B	1	X	
26	PBASUB-SCF	JC92-01614A	1	O	
27	CBF HARNESS -SCF GND	JC39-00366A	1	X	
28	CBF HARNESS -SCF	JC39-00357A	1	O	
29	COVER-M-SIMM R2	JC63-00492A	1	X	
30	SHEET-COVER SENSOR	JC63-00369A	1	X	
31	PMO-ACTUATOR EMPTY	JC72-00975A	1	X	
32	IPR-GND TOP	JC70-11028A	1	X	
33	SOLENOID-HB(MANUAL)	JC33-00010A	1	X	
34	PMO-LOCKER CST	JC72-00983A	1	X	
35	FOOT-BACK	JC61-00835A	1	X	
36	FOOT-FRONT	JC61-00836A	2	X	
37	SCREW-ASS'Y TAPT	6006-001078	1	X	

SCF(Optional Cassette Frame) Assembly Parts List

SA : Service Available

O : Service available X : Service not available

No.	Description	SEC.Code	Q'ty	SA	Remark
38	SCREW-TAPTITE	6003-000196	10	X	
39	ELA HOU-MOTOR SCF	JC96-03003A	1	O	
39-1	BRKT-P-MOTOR SCF	JC61-00879A	1	X	
39-2	BRKT-P-GEAR SCF	JC61-00881A	1	X	
39-3	BRKT-M-FEED SCF	JC61-00878A	1	X	
39-4	GEAR 61/47 IDLE	JC66-00688A	1	X	
39-5	GEAR 59 IDLE	JC66-00689A	1	X	
39-6	GEAR 35 IDLE	JC66-00690A	1	X	
39-7	GEAR-RDCN 57/18	JC66-00389A	1	X	
39-8	GEAR-IDLE 23	JC66-00396A	1	X	
39-9	MOTOR STEP(SCF)	JC31-00009A	1	O	
39-10	SCREW-MACHINE	6001-000131	5	X	
39-11	CORE-FERRITE	3301-001635	1	X	
39-12	CABLE TIE	6501-000004	1	x	
40	BUSH CABLE	JC61-00804A	1	X	
41	SCREW-TAPTITE	6003-000196	1	X	
42	MEA UNIT-CASSETTE	JC97-01919A	1	X	

MEMO

