

PARTS CATALOG

**imageRUNNER ADVANCE
C5051/5045/5035/5030
Series**

Canon

Jul 3 2012

PREFACE

This Parts Catalog contains listings of parts used

Diagrams are provided with the listings to aid the service technician in identifying clearly, the item to be ordered.

Whenever ordering parts, consult this Parts Catalog for all of the information pertaining to each item. Be sure to include, in the Parts Request, the full item description, the item part number, and the quantity.

COPYRIGHT (C) 1999 CANON INC.

Use of this manual should be strictly supervised to avoid disclosure of confidential information.

Contents

NUMERICAL INDEX

imageRUNNER ADVANCE C5051/5045/5035/5030 Series(Numerical Index)
1-1

imageRUNNER ADVANCE C5051/5045/5035/5030 Series(Parts Catalog)

A1	ASSEMBLY LOCATION DIAGRAM	2-1
A2	OPTION PARTS CATALOG LIST	2-9
001	ACCESSORIES	2-10
100	EXTERNAL COVERS, PANELS, ETC.	2-11
101	FRONT COVER ASSEMBLY	2-16
102	RIGHT OUTER DOOR ASSEMBLY	2-18
103	MACHINE FRONT PLATE	2-23
104	INTERNAL COMPONENTS 1	2-26
105	INTERNAL COMPONENTS 2	2-28
106	INTERNAL COMPONENTS 3	2-30
107	INTERNAL COMPONENTS 4	2-32
108	MACHINE REAR PLATE 1	2-34
109	MACHINE REAR PLATE 2	2-36
110	MACHINE REAR PLATE 3	2-38
130	CONTROL PANEL ASSEMBLY	2-40
140	POWER CORD TERMINAL ASS'Y	2-44
251	DRUM DEVELOPING DRIVE ASSEMBLY	2-46
270	SHUTTER DRIVE MOUNT ASSEMBLY	2-48
300	CASSETTE ASSEMBLY (MIDDLE)	2-49
301	CASSETTE ASSEMBLY (LARGE)	2-52
310	PAPER PICK-UP ASSEMBLY, 1 (EXCEPT CN)	2-55
310A	PAPER PICK-UP ASSEMBLY, 1 (CN)	2-58
311	PAPER PICK-UP ASSEMBLY, 2 (EXCEPT CN)	2-61
311A	PAPER PICK-UP ASSEMBLY, 2 (CN)	2-64
313	PAPER PICK-UP DRIVE ASSEMBLY	2-67
315	MULTI FEEDER DRIVE ASSEMBLY	2-68
316	PRE-REGISTRATION GUIDE ASS'Y	2-70
321	PATT. READ SHUTTER DRIVE ASS'Y	2-71
322	DUPLEXING REG. DRIVE ASSEMBLY	2-72
323	SENSOR UNIT,REGISTRATION PATCH	2-74
330	RIGHT LOWER DOOR ASSEMBLY	2-76
331	RIGHT INNER DOOR ASSEMBLY	2-78
332	M.P. PICK UP MOUNT ASSEMBLY	2-81
333	RIGHT LOWER INNER DOOR ASS'Y	2-84

Contents

350	FIRST PAPER DELIVERY ASSEMBLY	2-85
351	2ND/3RD PAPER DELIVERY ASS'Y	2-87
352	THIRD PAPER DELIVERY ASSEMBLY	2-90
353	SECOND PAPER DELIVERY ASSEMBLY	2-93
460	LASER ASSEMBLY	2-95
530	INTER.TRANSFER BELT ASS'Y	2-96
530A	INTER.TRANSFER BELT ASS'Y	2-99
531	TRANSFER CLEANER ASSEMBLY	2-105
600	PROCESS-KIT FRAME ASSEMBLY	2-106
620	SET ON HOPPER BK ASSEMBLY	2-110
621	SET ON HOPPER CL ASSEMBLY	2-111
623	SET ON DRIVE ASSEMBLY, BLACK	2-112
624	SET ON DRIVE ASSEMBLY, CL	2-113
626	BOTTLE FRONT INNER DOOR ASS'Y	2-114
627	BOTTLE BASE ASSEMBLY, BLACK	2-116
628	BOTTLE BASE ASSEMBLY, CL	2-118
640	DEVELOPING ASSEMBLY	2-120
770	WASTE TONER CASE ASSEMBLY	2-121
810	FIXING ASSEMBLY	2-122
811	SHUTTER ASSEMBLY	2-126
812	GUIDE, FIXING DELIVERY, LOWER	2-128
813	FIXING DRIVE ASSEMBLY	2-130
815	FIXING DELIVERY DRIVE ASSEMBLY	2-132
900	CONTROLLER BOX ASSEMBLY	2-134
910	MAIN CONTROLLER PCB ASS'Y, 1	2-136
911	POWER SUPPLY ASSEMBLY	2-137
920	MAIN CONTROLLER PCB ASS'Y, 2	2-138
960	DRUM DRIVER PCB ASSEMBLY	2-140
961	CASSETTE FEED PCB ASSEMBLY	2-141
962	PAPER FEED DRIVER PCB ASSEMBLY	2-142
963	AC DRIVER PCB ASSEMBLY	2-143
980	4C TRNS, BK DEV/ PRIM HV ASS'Y	2-145
981	2ND TRNSFR. HIGH VOLTAGE ASS'Y	2-147
A01	ATTACHMENT PARTS (REVERSE ADF)	2-148
A10	ADF MAIN BODY (REVERSE ADF)	2-149
A11	BASE ASSEMBLY (REVERSE ADF)	2-152
A12	PAPER PICK-UP COVER ASS'Y (REVERSE ADF)	2-154
A13	DOCUMENT TRAY ASS'Y (REVERSE ADF)	2-157
A21	DRIVE ASSEMBLY (REVERSE ADF)	2-159
A41	FEEDER ASSEMBLY (REVERSE ADF)	2-161
A90	ADF PCB ASSEMBLY (REVERSE ADF)	2-166
B01	ATTACHMENT PARTS(ONE-PATH ADF)	2-167
B11	INTERNAL COMPONENTS 1(ONE-PATH ADF)	2-168
B12	INTERNAL COMPONENTS 2(ONE-PATH ADF)	2-171

Contents

B13	INTERNAL COMPONENTS 3(ONE-PATH ADF)	2-174
B14	INTERNAL COMPONENTS 4(ONE-PATH ADF)	2-177
B15	INTERNAL COMPONENTS 5(ONE-PATH ADF)	2-179
B16	DOCUMENT TRAY ASSEMBLY(ONE-PATH ADF)	2-181
B17	OPEN/CLOSE PANEL ASSEMBLY(ONE-PATH ADF)	2-184
B18	BASE FRAME ASSEMBLY(ONE-PATH ADF)	2-186
B19	WHITE PLATE ASSEMBLY(ONE-PATH ADF)	2-188
B20	ESTRANGEMENT DRIVE ASSEMBLY(ONE-PATH ADF)	2-189
B30	PAPER PICK-UP ASSEMBLY(ONE-PATH ADF)	2-190
B31	DELIVERY CROSSMEMBER ASSEMBLY(ONE-PATH ADF)	2-193
B32	OPEN/CLOSE GUIDE ASSEMBLY(ONE-PATH ADF)	2-196
B40	PLATEN ROLLER ASSEMBLY, 1(ONE-PATH ADF)	2-197
B41	PLATEN ROLLER ASSEMBLY, 2(ONE-PATH ADF)	2-199
B42	PAPER FEED GUIDE ASSEMBLY, 1(ONE-PATH ADF)	2-201
B43	READ 2 PAPER FEED GUIDE ASS'Y(ONE-PATH ADF)	2-203
B90	DADF DRIVER PCB ASSEMBLY(ONE-PATH ADF)	2-205
D01	ATTACHMENT PARTS(READER)	2-206
D10	EXTERNAL COVERS, PANELS, ETC.(READER)	2-207
D11	INTERNAL COMPONENTS 1(READER)	2-209
D11A	INTERNAL COMPONENTS 1(READER)	2-211
D12	INTERNAL COMPONENTS 2(READER)	2-213
D90	READER CONTROLLER PCB ASSEMBLY(READER)	2-215
D91	READER CONTROLLER PCB ASSEMBLY(READER)	2-216
T20	G3 FAX ASSEMBLY, 1 LINE(FAX)	2-217
T21	SPEAKER ASSEMBLY(FAX)	2-218
ZZA	MECHANICAL STANDARD PARTS (HOW TO USE)	2-219
ZZB	MECHANICAL STANDARD PARTS (SCREWS)	2-220
ZZC	MECHANICAL STANDARD PARTS (BOLTS)	2-227
ZZD	MECHANICAL STANDARD PARTS (NUTS)	2-228
ZZE	MECHANICAL STANDARD PARTS (RETAINING RINGS)	2-229

NUMERICAL INDEX

imageRUNNER ADVANCE C5051/5045/5035/5030 Series(Numerical Index)

PARTS NUMBER	FIGURE & KEY NO.	PARTS NUMBER	FIGURE & KEY NO.	PARTS NUMBER	FIGURE & KEY NO
FA9-2112-000	315 - 1	FB6-3403-000	310A - 16	FC0-3708-000	530A - 17
FA9-2112-000	322 - 1	FB6-3403-000	311 - 16	FC5-0595-010	310 - 3
FA9-2112-000	B12 - 1	FB6-3403-000	311A - 16	FC5-0799-010	350 - 1
FA9-2112-000	B13 - 1	FB6-3404-000	310 - 17	FC5-0800-000	350 - 2
FA9-2112-000	B30 - 1	FB6-3404-000	310A - 17	FC5-0805-000	350 - 3
FA9-4041-005	812 - 1	FB6-3404-000	311 - 17	FC5-0805-000	352 - 1
FB1-8581-000	332 - 1	FB6-3404-000	311A - 17	FC5-0805-000	353 - 1
FB2-7777-020	B30 - 38	FB6-3405-000	310 - 1	FC5-0870-000	351 - 6
FB5-3087-000	D11 - 1	FB6-3405-000	311 - 1	FC5-0974-000	353 - 2
FB5-3087-000	D11A - 1	FB6-3410-000	310 - 18	FC5-0977-000	352 - 2
FB6-3380-020	310 - 20	FB6-3410-000	310A - 18	FC5-0987-000	351 - 7
FB6-3380-020	310A - 20	FB6-3410-000	311 - 18	FC5-0988-000	351 - 8
FB6-3380-020	311 - 20	FB6-3410-000	311A - 18	FC5-0989-020	351 - 9
FB6-3380-020	311A - 20	FB6-3410-000	332 - 2	FC5-0996-000	353 - 3
FB6-3387-000	311 - 3	FB6-3413-000	310 - 19	FC5-0997-000	353 - 4
FB6-3388-000	310 - 6	FB6-3413-000	310A - 19	FC5-1005-000	352 - 40
FB6-3388-000	310A - 6	FB6-3413-000	311 - 19	FC5-1006-000	352 - 27
FB6-3388-000	311 - 6	FB6-3413-000	311A - 19	FC5-1013-000	352 - 31
FB6-3388-000	311A - 6	FB6-3456-000	332 - 30	FC5-1014-000	352 - 32
FB6-3389-000	310 - 7	FB6-3457-000	332 - 31	FC5-1020-020	352 - 3
FB6-3389-000	310A - 7	FB6-3459-000	332 - 32	FC5-1146-000	100 - 57
FB6-3389-000	311 - 7	FB6-3463-000	332 - 3	FC5-1269-000	627 - 1
FB6-3389-000	311A - 7	FB6-3464-000	332 - 4	FC5-1269-000	628 - 1
FB6-3391-000	310 - 8	FB6-3466-000	332 - 5	FC5-2954-000	B12 - 3
FB6-3391-000	310A - 8	FB6-3771-000	100 - 60	FC5-2957-000	B19 - 1
FB6-3391-000	311 - 8	FB6-4852-000	310 - 2	FC5-2963-000	B17 - 1
FB6-3391-000	311A - 8	FB6-4852-000	311 - 2	FC5-2978-000	B31 - 1
FB6-3392-020	310 - 9	FB6-4873-000	331 - 1	FC5-2988-000	B31 - 2
FB6-3392-020	310A - 9	FB6-4873-000	812 - 2	FC5-2988-000	B42 - 1
FB6-3392-020	311 - 9	FB6-4937-000	332 - 42	FC5-2989-000	B31 - 3
FB6-3392-020	311A - 9	FB6-6088-000	530A - 86	FC5-2991-000	B12 - 48
FB6-3395-000	310 - 11	FB6-7002-000	812 - 3	FC5-2991-000	B13 - 2
FB6-3395-000	310A - 11	FB6-7078-000	310 - 21	FC5-3021-000	B42 - 2
FB6-3395-000	311 - 11	FB6-7078-000	310A - 21	FC5-3026-000	B42 - 3
FB6-3395-000	311A - 11	FB6-7078-000	311 - 21	FC5-3108-000	B16 - 1
FB6-3396-010	310 - 12	FB6-7078-000	311A - 21	FC5-3113-000	B16 - 2
FB6-3396-010	310A - 12	FC0-0164-000	530A - 96	FC5-3131-000	B12 - 4
FB6-3396-010	311 - 12	FC0-0181-000	600 - 40	FC5-3163-000	B30 - 5
FB6-3396-010	311A - 12	FC0-0185-000	106 - 22	FC5-4265-000	B19 - 2
FB6-3397-000	310 - 13	FC0-0188-000	100 - 59	FC5-4286-000	A11 - 2
FB6-3397-000	310A - 13	FC0-0212-000	626 - 28	FC5-4287-000	A11 - 3
FB6-3397-000	311 - 13	FC0-0213-000	332 - 52	FC5-4323-000	A12 - 1
FB6-3397-000	311A - 13	FC0-0225-000	100 - 48	FC5-4324-000	A12 - 2
FB6-3398-000	310 - 14	FC0-0226-000	100 - 48	FC5-4353-000	A41 - 1
FB6-3398-000	310A - 14	FC0-0235-000	530A - 92	FC5-4424-000	B11 - 1
FB6-3398-000	311 - 14	FC0-0253-000	530 - 2	FC5-4424-000	B12 - 49
FB6-3398-000	311A - 14	FC0-0417-000	A41 - 16	FC5-4424-000	B13 - 3
FB6-3402-000	310 - 15	FC0-0418-000	A41 - 17	FC5-4424-000	B40 - 1
FB6-3402-000	310A - 15	FC0-2118-010	316 - 13	FC5-4424-000	B41 - 1
FB6-3402-000	311 - 15	FC0-2781-000	300 - 59	FC5-4425-000	A11 - 4
FB6-3402-000	311A - 15	FC0-2781-000	301 - 59	FC5-4425-000	A12 - 3
FB6-3403-000	310 - 16	FC0-3696-000	640 - 1	FC5-4425-000	A21 - 1

NUMERICAL INDEX

imageRUNNER ADVANCE C5051/5045/5035/5030 Series(Numerical Index)

PARTS NUMBER	FIGURE & KEY NO.	PARTS NUMBER	FIGURE & KEY NO.	PARTS NUMBER	FIGURE & KEY NO
FC5-4425-000	A41 - 2	FC7-4188-000	B12 - 5	FC8-2484-000	300 - 47
FC5-4425-000	B30 - 6	FC7-4188-000	B17 - 2	FC8-2484-000	301 - 47
FC5-5078-000	332 - 6	FC7-4191-000	B41 - 2	FC8-2670-000	300 - 19
FC5-6012-010	352 - 4	FC7-4825-000	140 - 12	FC8-2670-000	301 - 19
FC5-7182-000	810 - 33	FC7-4830-000	812 - 9	FC8-2671-000	300 - 20
FC5-7919-000	600 - 1	FC7-4834-000	810 - 37	FC8-2671-000	301 - 20
FC5-8556-000	332 - 7	FC7-4890-000	B32 - 4	FC8-2672-000	300 - 21
FC6-0698-000	315 - 2	FC7-5461-000	B11 - 1	FC8-2672-000	301 - 21
FC6-1844-000	103 - 7	FC7-5465-000	A10 - 26	FC8-2710-000	332 - 33
FC6-2784-000	A12 - 14	FC7-5465-000	B11 - 36	FC8-2712-000	332 - 34
FC6-3002-000	100 - 51	FC7-5845-000	310 - 23	FC8-2713-000	332 - 35
FC6-4019-000	102 - 1	FC7-5845-000	310A - 23	FC8-3555-000	D11 - 27
FC6-4023-000	103 - 11	FC7-5845-000	311 - 23	FC8-3555-000	D11A - 27
FC6-5046-000	332 - 8	FC7-5845-000	311A - 23	FC8-3560-000	D12 - 13
FC6-5046-000	530A - 1	FC7-5906-000	333 - 1	FC8-3782-000	330 - 1
FC6-5062-000	316 - 1	FC7-5907-000	333 - 2	FC8-3782-000	333 - 3
FC6-5328-000	600 - 2	FC7-6978-000	812 - 22	FC8-3915-000	600 - 3
FC6-6661-000	310 - 4	FC7-6979-000	812 - 23	FC8-3921-000	600 - 4
FC6-6661-000	310A - 4	FC7-9370-000	316 - 2	FC8-3923-000	600 - 24
FC6-6661-000	311 - 4	FC7-9381-000	310A - 1	FC8-3924-000	600 - 28
FC6-6661-000	311A - 4	FC7-9381-000	311A - 1	FC8-3930-000	600 - 5
FC6-6661-000	332 - 9	FC7-9502-000	310A - 5	FC8-3931-000	600 - 6
FC6-7083-000	310 - 5	FC7-9502-000	311A - 5	FC8-3973-000	106 - 18
FC6-7083-000	311 - 5	FC8-0785-000	332 - 10	FC8-3974-000	106 - 20
FC6-8971-010	A12 - 15	FC8-1178-000	310 - 24	FC8-3975-000	811 - 1
FC6-8973-000	A11 - 5	FC8-1178-000	310A - 24	FC8-3979-000	600 - 8
FC6-8973-000	A41 - 3	FC8-1178-000	311 - 24	FC8-3983-000	600 - 9
FC6-9268-000	810 - 1	FC8-1178-000	311A - 24	FC8-3996-000	600 - 49
FC6-9269-000	810 - 2	FC8-1202-000	310 - 25	FC8-4000-000	100 - 6
FC6-9272-000	810 - 3	FC8-1202-000	310A - 25	FC8-4014-000	106 - 27
FC6-9274-000	810 - 4	FC8-1202-000	311 - 25	FC8-4079-000	108 - 26
FC6-9288-000	810 - 32	FC8-1202-000	311A - 25	FC8-4080-000	108 - 27
FC6-9304-000	810 - 27	FC8-1205-000	310 - 26	FC8-4087-000	980 - 1
FC6-9305-000	812 - 4	FC8-1205-000	310A - 26	FC8-4088-000	980 - 2
FC6-9309-000	812 - 5	FC8-1205-000	311 - 26	FC8-4089-000	980 - 3
FC6-9471-000	810 - 5	FC8-1205-000	311A - 26	FC8-4111-000	100 - 2
FC6-9472-000	810 - 36	FC8-2462-000	300 - 37	FC8-4114-000	101 - 12
FC6-9473-000	812 - 6	FC8-2462-000	301 - 37	FC8-4123-000	101 - 11
FC6-9556-000	105 - 1	FC8-2463-000	300 - 38	FC8-4124-000	101 - 1
FC6-9817-000	108 - 7	FC8-2463-000	301 - 38	FC8-4131-000	100 - 17
FC6-9867-000	310 - 22	FC8-2464-000	300 - 39	FC8-4134-000	100 - 29
FC6-9867-000	310A - 22	FC8-2464-000	301 - 39	FC8-4135-000	100 - 30
FC6-9867-000	311 - 22	FC8-2466-000	300 - 60	FC8-4137-000	100 - 18
FC6-9867-000	311A - 22	FC8-2466-000	301 - 60	FC8-4138-000	100 - 31
FC7-0285-000	B13 - 4	FC8-2469-000	300 - 15	FC8-4139-000	100 - 8
FC7-1312-000	D11 - 3	FC8-2469-000	301 - 15	FC8-4140-000	100 - 9
FC7-1312-000	D11A - 3	FC8-2470-000	300 - 16	FC8-4141-000	100 - 10
FC7-1333-000	D10 - 3	FC8-2470-000	301 - 16	FC8-4142-000	100 - 11
FC7-2341-000	102 - 2	FC8-2474-000	300 - 17	FC8-4143-000	100 - 32
FC7-2395-000	812 - 7	FC8-2474-000	301 - 17	FC8-4144-000	100 - 20
FC7-3156-000	B19 - 3	FC8-2475-000	300 - 18	FC8-4145-000	100 - 33
FC7-4185-000	B13 - 5	FC8-2475-000	301 - 18	FC8-4149-000	100 - 21

NUMERICAL INDEX

imageRUNNER ADVANCE C5051/5045/5035/5030 Series(Numerical Index)

PARTS NUMBER	FIGURE & KEY NO.	PARTS NUMBER	FIGURE & KEY NO.	PARTS NUMBER	FIGURE & KEY NO
FC8-4152-000	100 - 13	FC8-4540-000	323 - 3	FC8-4770-010	352 - 33
FC8-4153-000	100 - 34	FC8-4571-000	770 - 1	FC8-4771-010	352 - 34
FC8-4155-000	101 - 2	FC8-4573-000	600 - 11	FC8-4773-010	353 - 5
FC8-4170-000	251 - 10	FC8-4574-000	600 - 12	FC8-4776-000	352 - 16
FC8-4171-000	251 - 13	FC8-4575-000	600 - 13	FC8-4777-000	352 - 14
FC8-4175-000	251 - 3	FC8-4646-000	626 - 10	FC8-4779-000	351 - 2
FC8-4196-000	103 - 15	FC8-4649-000	627 - 2	FC8-4782-000	353 - 6
FC8-4202-000	103 - 8	FC8-4649-000	628 - 2	FC8-4783-000	352 - 5
FC8-4204-000	103 - 9	FC8-4652-000	627 - 3	FC8-4784-000	351 - 16
FC8-4219-000	103 - 16	FC8-4654-000	627 - 3	FC8-4789-000	353 - 7
FC8-4225-000	100 - 14	FC8-4654-000	628 - 3	FC8-4795-000	104 - 23
FC8-4386-000	530A - 2	FC8-4656-000	628 - 3	FC8-4796-000	104 - 24
FC8-4390-000	530A - 89	FC8-4661-010	626 - 11	FC8-4797-000	351 - 17
FC8-4394-000	530A - 3	FC8-4662-010	626 - 12	FC8-4801-000	105 - 12
FC8-4398-000	530A - 69	FC8-4663-000	626 - 19	FC8-4802-000	105 - 20
FC8-4402-000	530A - 71	FC8-4664-000	626 - 20	FC8-4806-000	105 - 30
FC8-4403-000	530A - 76	FC8-4665-000	626 - 21	FC8-4820-000	102 - 4
FC8-4404-000	530A - 22	FC8-4666-000	626 - 22	FC8-4829-000	102 - 5
FC8-4405-000	530A - 72	FC8-4667-000	626 - 23	FC8-4830-000	102 - 6
FC8-4406-000	530A - 23	FC8-4668-000	626 - 24	FC8-4833-000	102 - 7
FC8-4414-000	530A - 24	FC8-4669-000	626 - 25	FC8-4834-000	102 - 8
FC8-4419-000	530 - 6	FC8-4670-000	626 - 26	FC8-4835-000	102 - 9
FC8-4420-000	530 - 7	FC8-4680-000	627 - 4	FC8-4836-000	102 - 10
FC8-4421-000	530A - 27	FC8-4681-000	627 - 4	FC8-4837-000	102 - 11
FC8-4422-000	530A - 28	FC8-4681-000	628 - 4	FC8-4838-000	102 - 12
FC8-4423-000	530A - 29	FC8-4682-000	628 - 4	FC8-4839-000	102 - 13
FC8-4427-000	530A - 4	FC8-4683-000	626 - 13	FC8-4840-000	102 - 14
FC8-4431-000	530A - 5	FC8-4684-000	626 - 14	FC8-4843-000	102 - 15
FC8-4433-000	530A - 6	FC8-4685-000	626 - 15	FC8-4844-000	102 - 16
FC8-4434-000	530A - 7	FC8-4687-000	626 - 16	FC8-4846-000	102 - 17
FC8-4435-000	530A - 8	FC8-4688-000	100 - 49	FC8-4852-000	102 - 18
FC8-4436-000	530A - 9	FC8-4689-000	626 - 17	FC8-4854-000	102 - 19
FC8-4449-000	530A - 73	FC8-4692-000	626 - 1	FC8-4855-000	102 - 20
FC8-4453-000	106 - 15	FC8-4694-000	626 - 2	FC8-4857-000	102 - 21
FC8-4455-000	530A - 30	FC8-4698-000	626 - 6	FC8-4858-000	102 - 22
FC8-4456-000	530A - 31	FC8-4716-000	100 - 27	FC8-4859-000	330 - 6
FC8-4457-000	106 - 16	FC8-4717-000	100 - 27	FC8-4860-000	330 - 7
FC8-4458-000	530A - 10	FC8-4718-000	100 - 27	FC8-4861-000	330 - 2
FC8-4459-000	108 - 1	FC8-4720-000	100 - 27	FC8-4862-000	330 - 8
FC8-4474-000	530A - 32	FC8-4721-000	100 - 27	FC8-4863-000	330 - 9
FC8-4475-000	530A - 33	FC8-4722-000	100 - 27	FC8-4864-000	102 - 23
FC8-4478-000	530A - 90	FC8-4723-000	100 - 28	FC8-4865-000	104 - 18
FC8-4479-020	530A - 34	FC8-4724-000	100 - 28	FC8-4866-000	104 - 19
FC8-4480-000	530A - 70	FC8-4725-000	100 - 28	FC8-4867-000	102 - 24
FC8-4483-000	530A - 91	FC8-4733-000	322 - 2	FC8-4875-000	102 - 25
FC8-4487-000	530A - 35	FC8-4742-010	351 - 11	FC8-4876-000	331 - 33
FC8-4490-000	530A - 36	FC8-4743-000	351 - 12	FC8-4883-000	331 - 2
FC8-4491-000	530A - 11	FC8-4749-000	351 - 13	FC8-4884-000	331 - 34
FC8-4492-000	530 - 8	FC8-4751-000	351 - 14	FC8-4885-000	331 - 3
FC8-4493-000	530 - 9	FC8-4752-000	351 - 1	FC8-4886-000	331 - 4
FC8-4494-000	530 - 10	FC8-4766-000	100 - 23	FC8-4896-000	331 - 5
FC8-4534-000	600 - 10	FC8-4769-000	351 - 15	FC8-4897-000	331 - 36

NUMERICAL INDEX

imageRUNNER ADVANCE C5051/5045/5035/5030 Series(Numerical Index)

PARTS NUMBER	FIGURE & KEY NO.	PARTS NUMBER	FIGURE & KEY NO.	PARTS NUMBER	FIGURE & KEY NO
FC8-4901-000	331 - 6	FC8-4996-000	300 - 26	FC8-5296-000	316 - 12
FC8-4903-000	330 - 10	FC8-4996-000	301 - 26	FC8-5297-000	333 - 7
FC8-4904-000	102 - 26	FC8-4997-000	300 - 61	FC8-5298-000	100 - 38
FC8-4905-000	102 - 27	FC8-4997-000	301 - 61	FC8-5301-000	331 - 7
FC8-4906-000	810 - 6	FC8-5009-000	106 - 2	FC8-5302-000	331 - 8
FC8-4909-000	105 - 28	FC8-5013-000	106 - 3	FC8-5303-000	331 - 9
FC8-4915-000	100 - 25	FC8-5025-000	810 - 7	FC8-5311-000	331 - 10
FC8-4916-000	100 - 26	FC8-5027-000	810 - 8	FC8-5313-000	331 - 38
FC8-4917-000	100 - 35	FC8-5029-000	812 - 8	FC8-5314-000	331 - 11
FC8-4920-000	105 - 13	FC8-5043-020	810 - 9	FC8-5335-000	100 - 39
FC8-4921-000	100 - 36	FC8-5047-000	811 - 2	FC8-5344-000	332 - 12
FC8-4922-000	100 - 37	FC8-5048-000	811 - 3	FC8-5363-000	100 - 40
FC8-4927-000	352 - 41	FC8-5068-000	810 - 34	FC8-5375-000	100 - 15
FC8-4928-000	351 - 29	FC8-5073-000	315 - 3	FC8-5377-000	100 - 16
FC8-4929-000	352 - 6	FC8-5074-000	315 - 4	FC8-5389-000	332 - 13
FC8-4930-000	351 - 30	FC8-5075-000	315 - 5	FC8-5396-000	102 - 31
FC8-4932-000	351 - 18	FC8-5077-000	315 - 6	FC8-5397-000	331 - 12
FC8-4933-000	352 - 7	FC8-5078-000	108 - 16	FC8-5398-000	331 - 13
FC8-4935-000	105 - 27	FC8-5086-000	100 - 24	FC8-5399-000	331 - 14
FC8-4936-000	105 - 21	FC8-5089-000	105 - 2	FC8-5400-000	331 - 15
FC8-4962-000	301 - 52	FC8-5094-000	332 - 17	FC8-5484-000	B13 - 6
FC8-4964-000	300 - 48	FC8-5095-000	332 - 18	FC8-5485-000	B41 - 3
FC8-4964-000	301 - 48	FC8-5100-000	332 - 36	FC8-5486-000	B41 - 4
FC8-4965-000	300 - 49	FC8-5105-000	332 - 11	FC8-5487-000	B40 - 2
FC8-4965-000	301 - 49	FC8-5111-000	352 - 8	FC8-5488-000	B41 - 5
FC8-4966-000	300 - 50	FC8-5112-000	352 - 9	FC8-5490-000	B41 - 6
FC8-4966-000	301 - 50	FC8-5117-000	352 - 10	FC8-5505-000	B43 - 1
FC8-4967-000	300 - 1	FC8-5118-000	352 - 11	FC8-5513-000	B14 - 3
FC8-4967-000	301 - 1	FC8-5120-000	352 - 12	FC8-5514-000	B14 - 4
FC8-4968-000	300 - 2	FC8-5128-010	353 - 8	FC8-5516-000	B14 - 5
FC8-4968-000	301 - 2	FC8-5130-000	353 - 9	FC8-5520-000	B42 - 4
FC8-4969-000	300 - 8	FC8-5131-000	351 - 31	FC8-5520-000	B43 - 2
FC8-4969-000	301 - 8	FC8-5149-000	109 - 7	FC8-5528-010	B11 - 2
FC8-4970-000	300 - 22	FC8-5156-000	316 - 3	FC8-5529-000	B11 - 3
FC8-4970-000	301 - 22	FC8-5160-000	102 - 28	FC8-5530-000	B13 - 8
FC8-4974-000	300 - 3	FC8-5162-000	102 - 29	FC8-5538-000	B14 - 7
FC8-4974-000	301 - 3	FC8-5164-000	330 - 5	FC8-5545-000	B41 - 8
FC8-4985-000	300 - 4	FC8-5170-000	109 - 2	FC8-5549-000	B11 - 4
FC8-4985-000	301 - 4	FC8-5174-000	900 - 1	FC8-5552-000	B11 - 7
FC8-4986-000	300 - 9	FC8-5175-000	900 - 2	FC8-5553-000	B11 - 8
FC8-4986-000	301 - 9	FC8-5200-000	100 - 22	FC8-5577-000	B30 - 8
FC8-4987-000	300 - 10	FC8-5213-000	980 - 4	FC8-5580-000	B13 - 9
FC8-4987-000	301 - 10	FC8-5214-000	980 - 5	FC8-5583-000	B30 - 9
FC8-4989-000	300 - 24	FC8-5215-000	980 - 6	FC8-5586-000	B30 - 10
FC8-4989-000	301 - 24	FC8-5221-000	100 - 54	FC8-5588-000	B30 - 44
FC8-4990-000	300 - 25	FC8-5257-000	960 - 1	FC8-5594-000	B30 - 11
FC8-4990-000	301 - 25	FC8-5257-000	962 - 1	FC8-5600-000	B16 - 3
FC8-4992-000	301 - 32	FC8-5262-000	300 - 46	FC8-5602-000	B16 - 20
FC8-4993-000	300 - 5	FC8-5262-000	301 - 46	FC8-5603-000	B16 - 21
FC8-4993-000	301 - 5	FC8-5267-000	315 - 7	FC8-5604-000	B16 - 4
FC8-4994-000	300 - 51	FC8-5293-000	102 - 30	FC8-5605-000	B16 - 5
FC8-4994-000	301 - 51	FC8-5295-000	316 - 4	FC8-5606-000	B16 - 6

NUMERICAL INDEX

imageRUNNER ADVANCE C5051/5045/5035/5030 Series(Numerical Index)

PARTS NUMBER	FIGURE & KEY NO.	PARTS NUMBER	FIGURE & KEY NO.	PARTS NUMBER	FIGURE & KEY NO
FC8-5607-010	B16 - 7	FC8-5777-000	B11 - 10	FC8-6062-000	D11A - 10
FC8-5612-000	B16 - 8	FC8-5778-000	B18 - 2	FC8-6077-000	D01 - 2
FC8-5613-000	B16 - 9	FC8-5789-010	B11 - 12	FC8-6082-000	D10 - 11
FC8-5616-000	B16 - 10	FC8-5790-000	B11 - 13	FC8-6085-000	D10 - 1
FC8-5617-000	B16 - 11	FC8-5796-000	B11 - 32	FC8-6090-000	D01 - 1
FC8-5620-010	B11 - 9	FC8-5797-000	B18 - 3	FC8-6091-000	D01 - 10
FC8-5622-000	B12 - 57	FC8-5802-000	B19 - 5	FC8-6098-000	D01 - 2
FC8-5625-000	B16 - 13	FC8-5810-000	B19 - 8	FC8-6099-000	D10 - 1
FC8-5627-000	B16 - 14	FC8-5811-000	B11 - 16	FC8-6100-000	D12 - 11
FC8-5633-000	B12 - 7	FC8-5811-000	B19 - 9	FC8-6114-000	D10 - 9
FC8-5646-000	B30 - 12	FC8-5814-000	B12 - 17	FC8-6115-000	D10 - 10
FC8-5652-000	B30 - 13	FC8-5828-000	B12 - 18	FC8-6117-000	D10 - 17
FC8-5654-000	B42 - 5	FC8-5830-000	B31 - 5	FC8-6120-000	D10 - 11
FC8-5654-000	B43 - 4	FC8-5833-000	B11 - 17	FC8-6311-000	A10 - 4
FC8-5657-000	B12 - 8	FC8-5834-000	B11 - 18	FC8-6316-000	A11 - 19
FC8-5660-000	B12 - 11	FC8-5837-000	B11 - 19	FC8-6317-000	A11 - 20
FC8-5664-000	B12 - 12	FC8-5841-000	B16 - 15	FC8-6318-000	A11 - 21
FC8-5668-000	B12 - 10	FC8-5842-000	B16 - 16	FC8-6319-000	A11 - 6
FC8-5669-000	B12 - 9	FC8-5845-000	B31 - 6	FC8-6322-000	A11 - 7
FC8-5670-000	B14 - 17	FC8-5846-000	B16 - 17	FC8-6330-000	A10 - 5
FC8-5673-000	B30 - 14	FC8-5860-000	B42 - 12	FC8-6331-000	A11 - 15
FC8-5679-000	B13 - 10	FC8-5879-000	B11 - 14	FC8-6332-000	A11 - 16
FC8-5680-000	B12 - 13	FC8-5880-000	B18 - 4	FC8-6338-000	A13 - 4
FC8-5681-000	B40 - 3	FC8-5881-000	B18 - 5	FC8-6339-000	A13 - 5
FC8-5682-000	B13 - 11	FC8-5883-000	B18 - 6	FC8-6340-000	A13 - 6
FC8-5683-000	B41 - 7	FC8-5885-000	B18 - 1	FC8-6341-000	A13 - 10
FC8-5689-000	B17 - 8	FC8-5888-000	B17 - 4	FC8-6348-000	A12 - 7
FC8-5706-000	B17 - 5	FC8-5889-000	B11 - 20	FC8-6353-000	A12 - 18
FC8-5713-000	B17 - 6	FC8-5890-000	B11 - 15	FC8-6368-000	A41 - 4
FC8-5725-000	B13 - 12	FC8-5895-000	B19 - 4	FC8-6371-000	A41 - 6
FC8-5727-000	B17 - 19	FC8-5898-000	B18 - 7	FC8-6372-000	A41 - 7
FC8-5729-000	B42 - 9	FC8-5899-000	B30 - 37	FC8-6373-000	A41 - 31
FC8-5730-000	B42 - 8	FC8-5901-000	B12 - 51	FC8-6374-000	A41 - 32
FC8-5735-000	B12 - 58	FC8-5907-000	B30 - 7	FC8-6375-000	A41 - 33
FC8-5739-000	B12 - 15	FC8-5919-010	B30 - 41	FC8-6376-000	A41 - 34
FC8-5740-000	B17 - 20	FC8-5920-000	B19 - 7	FC8-6377-000	A41 - 8
FC8-5741-000	B17 - 21	FC8-5921-000	B19 - 6	FC8-6378-020	A41 - 9
FC8-5743-000	B17 - 10	FC8-5985-000	D11A - 28	FC8-6379-000	A41 - 10
FC8-5744-000	B17 - 11	FC8-6014-000	D11 - 9	FC8-6380-000	A41 - 11
FC8-5751-000	B17 - 12	FC8-6014-000	D11A - 9	FC8-6381-000	A41 - 37
FC8-5760-000	B30 - 15	FC8-6015-000	D11 - 24	FC8-6382-000	A41 - 12
FC8-5761-000	B32 - 2	FC8-6015-000	D11A - 24	FC8-6383-000	A41 - 24
FC8-5762-000	B32 - 3	FC8-6016-000	D11 - 25	FC8-6384-000	A41 - 27
FC8-5765-000	B12 - 56	FC8-6016-000	D11A - 25	FC8-6385-000	A41 - 13
FC8-5767-000	B42 - 10	FC8-6030-000	D11 - 4	FC8-6386-000	A41 - 14
FC8-5768-000	B42 - 11	FC8-6030-000	D11A - 4	FC8-6387-000	A10 - 6
FC8-5770-000	B20 - 1	FC8-6034-000	D11 - 5	FC8-6388-000	A10 - 7
FC8-5771-000	B13 - 13	FC8-6034-000	D11A - 5	FC8-6395-010	A41 - 15
FC8-5772-000	B12 - 54	FC8-6035-000	D11 - 6	FC8-6397-000	A41 - 68
FC8-5773-000	B16 - 30	FC8-6035-000	D11A - 6	FC8-6398-000	A41 - 35
FC8-5775-000	B40 - 5	FC8-6056-000	D12 - 10	FC8-6399-000	A41 - 30
FC8-5776-000	B12 - 16	FC8-6062-000	D11 - 10	FC8-6403-000	A12 - 11

NUMERICAL INDEX

imageRUNNER ADVANCE C5051/5045/5035/5030 Series(Numerical Index)

PARTS NUMBER	FIGURE & KEY NO.	PARTS NUMBER	FIGURE & KEY NO.	PARTS NUMBER	FIGURE & KEY NO
FC8-6403-000	A41 - 38	FC9-4290-000	310A - 27	FC9-7253-000	311 - 10
FC8-6404-000	A11 - 8	FC9-4290-000	311 - 27	FC9-7253-000	311A - 10
FC8-6405-000	A10 - 8	FC9-4290-000	311A - 27	FC9-7259-000	300 - 11
FC8-6406-000	A21 - 2	FC9-4382-000	130 - 18	FC9-7259-000	301 - 11
FC8-6407-000	A21 - 3	FC9-4390-000	130 - 19	FC9-7260-000	300 - 12
FC8-6411-000	A41 - 25	FC9-4391-000	130 - 20	FC9-7260-000	301 - 12
FC8-6412-000	A41 - 28	FC9-4396-000	130 - 37	FC9-7261-000	300 - 13
FC8-6418-000	A41 - 18	FC9-4397-000	130 - 37	FC9-7261-000	301 - 13
FC8-6419-000	A11 - 1	FC9-4398-000	130 - 37	FC9-7861-000	100 - 48
FC8-6421-000	A41 - 19	FC9-4399-000	130 - 37	FC9-7862-000	100 - 48
FC8-6422-000	A11 - 10	FC9-4400-000	130 - 37	FC9-7863-000	100 - 48
FC8-6423-000	A11 - 11	FC9-4402-000	130 - 39	FC9-7864-000	900 - 10
FC8-7818-000	130 - 36	FC9-4403-000	130 - 21	FC9-7914-000	530 - 11
FC8-7819-000	130 - 1	FC9-4405-000	130 - 40	FC9-7915-000	530 - 12
FC8-7820-000	130 - 2	FC9-4408-000	130 - 22	FC9-7916-000	530 - 13
FC8-7822-000	130 - 37	FC9-4941-000	A11 - 22	FC9-7926-000	530A - 85
FC8-7823-000	130 - 3	FC9-4942-000	A10 - 13	FC9-7928-000	106 - 21
FC8-7824-000	130 - 4	FC9-4943-000	A10 - 14	FC9-7933-000	600 - 29
FC8-7825-000	130 - 5	FC9-4944-000	A10 - 21	FC9-7940-000	100 - 56
FC8-7834-000	130 - 6	FC9-4948-000	A10 - 27	FC9-7941-000	100 - 55
FC8-7838-000	130 - 7	FC9-4949-000	A10 - 28	FC9-7943-000	600 - 34
FC8-7842-000	130 - 38	FC9-4950-000	A10 - 29	FC9-7949-000	102 - 3
FC8-8649-000	130 - 8	FC9-4956-000	A10 - 9	FC9-7954-000	600 - 48
FC8-8650-000	130 - 9	FC9-4957-000	A10 - 31	FC9-9203-000	A11 - 17
FC8-8653-000	130 - 11	FC9-4966-000	A12 - 16	FC9-9209-000	130 - 37
FC8-8655-000	130 - 13	FC9-4967-000	A12 - 17	FC9-9210-000	130 - 37
FC8-8660-000	130 - 16	FC9-4968-000	A12 - 19	FC9-9211-000	130 - 37
FC8-8679-000	130 - 17	FC9-4970-000	A12 - 23	FC9-9212-000	130 - 37
FC9-0051-000	A12 - 30	FC9-4971-000	A12 - 31	FC9-9213-000	130 - 37
FC9-0104-000	104 - 2	FC9-4973-000	A12 - 4	FC9-9214-000	130 - 37
FC9-0127-000	300 - 28	FC9-4982-000	A12 - 20	FC9-9215-000	130 - 37
FC9-0127-000	301 - 28	FC9-4983-000	A13 - 3	FC9-9216-000	130 - 37
FC9-0128-000	300 - 29	FC9-4984-000	A13 - 16	FC9-9217-000	130 - 37
FC9-0128-000	301 - 29	FC9-4985-000	A10 - 32	FC9-9218-000	130 - 37
FC9-0129-000	300 - 30	FC9-7122-000	600 - 14	FC9-9219-000	130 - 37
FC9-0129-000	301 - 30	FC9-7129-000	600 - 46	FC9-9220-000	130 - 37
FC9-0130-000	300 - 31	FC9-7142-000	102 - 32	FC9-9221-000	130 - 37
FC9-0130-000	301 - 31	FC9-7143-000	102 - 33	FC9-9222-000	130 - 37
FC9-0131-000	301 - 65	FC9-7145-000	100 - 41	FC9-9223-000	130 - 37
FC9-0133-000	300 - 57	FC9-7151-000	101 - 13	FC9-9224-000	130 - 37
FC9-0133-000	301 - 57	FC9-7152-000	101 - 3	FC9-9225-000	130 - 37
FC9-0136-000	300 - 6	FC9-7160-000	100 - 47	FC9-9226-000	130 - 37
FC9-0136-000	301 - 6	FC9-7161-000	100 - 47	FC9-9227-000	130 - 37
FC9-0140-000	300 - 32	FC9-7162-000	100 - 47	FC9-9228-000	130 - 37
FC9-0145-000	300 - 56	FC9-7163-000	100 - 47	FC9-9229-000	130 - 37
FC9-0145-000	301 - 56	FC9-7164-000	332 - 45	FC9-9230-000	130 - 37
FC9-0311-000	100 - 52	FC9-7165-000	332 - 46	FC9-9231-000	130 - 37
FC9-0311-000	D01 - 11	FC9-7171-000	300 - 58	FC9-9232-000	130 - 37
FC9-0311-000	D10 - 2	FC9-7171-000	301 - 58	FC9-9233-000	130 - 37
FC9-4042-000	300 - 7	FC9-7242-000	300 - 52	FC9-9234-000	130 - 37
FC9-4042-000	301 - 7	FC9-7253-000	310 - 10	FC9-9237-000	130 - 10
FC9-4290-000	310 - 27	FC9-7253-000	310A - 10	FC9-9238-000	130 - 12

NUMERICAL INDEX

imageRUNNER ADVANCE C5051/5045/5035/5030 Series(Numerical Index)

PARTS NUMBER	FIGURE & KEY NO.	PARTS NUMBER	FIGURE & KEY NO.	PARTS NUMBER	FIGURE & KEY NO
FC9-9239-000	130 - 14	FK2-6611-000	D91 - IC	FK2-7895-000	623 - 1
FC9-9240-000	130 - 15	FK2-6757-000	920 - IC	FK2-7895-000	624 - 1
FF6-2397-000	310 - 56	FK2-6870-000	A41 - 21	FK2-8272-000	910 - IC
FF6-2397-000	310A - 56	FK2-6871-000	A41 - 39	FK2-8275-000	920 - IC
FF6-2397-000	311 - 56	FK2-7162-000	D12 - 5	FK2-8321-000	920 - IC
FF6-2397-000	311A - 56	FK2-7170-000	D90 - IC	FK2-8372-000	900 - 3
FG3-3757-000	A13 - 7	FK2-7170-000	D91 - IC	FK2-8372-000	910 - 2
FH2-6552-000	108 - 18	FK2-7173-000	B13 - 15	FK2-8424-000	T20 - 1
FH3-0636-000	963 - T1	FK2-7174-000	B12 - 20	FK2-8430-000	900 - 4
FH6-5076-020	315 - 8	FK2-7175-000	B13 - 16	FK2-8432-000	900 - 5
FH7-7600-010	332 - 39	FK2-7176-000	B12 - 21	FK2-8443-000	109 - 12
FH7-7625-030	140 - 1	FK2-7177-000	B12 - 22	FK2-8447-000	109 - 17
FH7-7626-000	140 - 1	FK2-7178-000	B14 - 11	FK2-8477-000	130 - 23
FK2-0146-000	140 - 9	FK2-7179-000	B12 - 23	FK2-8503-000	D11 - 13
FK2-0148-000	140 - 10	FK2-7181-000	B12 - 24	FK2-8503-000	D11A - 13
FK2-0149-000	310 - 28	FK2-7182-000	B11 - 11	FK2-8515-000	D11 - 11
FK2-0149-000	310A - 28	FK2-7243-000	B11 - 21	FK2-8515-000	D11A - 11
FK2-0149-000	311 - 28	FK2-7286-000	108 - 15	FK2-8611-000	A41 - 20
FK2-0149-000	311A - 28	FK2-7286-000	911 - 2	FK2-8612-000	A10 - 11
FK2-0207-000	A21 - 4	FK2-7290-000	105 - 8	FK2-8614-000	A10 - 17
FK2-0216-000	A10 - 10	FK2-7291-000	103 - 4	FK2-9797-000	920 - IC
FK2-0360-000	108 - 8	FK2-7295-000	106 - 1	FK2-9798-000	920 - IC
FK2-0408-000	310 - 29	FK2-7296-000	106 - 1	FK3-0083-000	001 - 1
FK2-0408-000	310A - 29	FK2-7297-000	900 - IC	FK3-0085-000	001 - 1
FK2-0408-000	311 - 29	FK2-7298-000	251 - 5	FK3-0092-000	001 - 1
FK2-0408-000	311A - 29	FK2-7300-000	530A - 39	FK3-0110-000	001 - 1
FK2-0428-000	T21 - 1	FK2-7302-000	108 - 2	FK3-0111-000	001 - 1
FK2-0472-010	D11 - 12	FK2-7303-000	251 - 6	FK3-0112-000	001 - 1
FK2-0472-010	D11A - 12	FK2-7304-000	315 - 9	FK3-0118-000	001 - 2
FK2-0681-000	963 - T3	FK2-7304-000	351 - 32	FL2-0741-000	B42 - 6
FK2-0681-000	963 - T3	FK2-7304-000	815 - 12	FL2-4376-000	813 - 1
FK2-1773-000	961 - IC	FK2-7310-000	315 - 10	FL2-4856-000	D12 - 6
FK2-1773-000	962 - IC	FK2-7315-000	323 - 1	FL2-5277-000	810 - 26
FK2-1773-000	B90 - IC	FK2-7321-000	900 - IC	FL2-5804-000	316 - 6
FK2-2069-000	105 - 3	FK2-7321-000	960 - IC	FL2-6580-000	310 - 30
FK2-2069-000	270 - 1	FK2-7326-000	313 - 3	FL2-6580-000	310A - 30
FK2-2987-000	140 - 11	FK2-7326-000	322 - 11	FL2-6580-000	311 - 30
FK2-3149-000	B14 - 10	FK2-7327-000	322 - 10	FL2-6580-000	311A - 30
FK2-3218-000	900 - IC	FK2-7328-000	600 - 33	FL2-8282-000	311A - 3
FK2-3218-000	920 - IC	FK2-7330-000	106 - 26	FL2-8283-000	310A - 3
FK2-3679-000	103 - 12	FK2-7348-000	107 - 2	FL2-9460-000	530A - 40
FK2-3679-000	105 - 4	FK2-7349-000	980 - 7	FL2-9472-000	300 - 33
FK2-3679-000	108 - 14	FK2-7350-000	981 - 1	FL2-9472-000	301 - 33
FK2-3714-000	B12 - 19	FK2-7359-000	140 - 1	FL2-9476-000	101 - 10
FK2-3745-000	920 - IC	FK2-7362-000	105 - 6	FL2-9493-000	332 - 14
FK2-3746-000	920 - IC	FK2-7365-000	530A - 16	FL2-9494-000	332 - 53
FK2-6324-000	109 - 1	FK2-7367-000	001 - 4	FL2-9495-000	332 - 15
FK2-6325-000	109 - 1	FK2-7371-000	251 - 4	FL2-9496-000	331 - 39
FK2-6450-000	900 - IC	FK2-7596-000	900 - IC	FL2-9503-000	331 - 16
FK2-6470-000	316 - 5	FK2-7646-000	B13 - 17	FL2-9510-000	352 - 13
FK2-6470-000	B30 - 16	FK2-7646-000	B20 - 2	FL2-9516-000	600 - 53
FK2-6611-000	D90 - IC	FK2-7765-000	B15 - 17	FL2-9517-000	600 - 54

NUMERICAL INDEX

imageRUNNER ADVANCE C5051/5045/5035/5030 Series(Numerical Index)

PARTS NUMBER	FIGURE & KEY NO.	PARTS NUMBER	FIGURE & KEY NO.	PARTS NUMBER	FIGURE & KEY NO
FL2-9518-000	600 - 55	FL2-9933-000	A11 - 12	FL3-3573-000	101 - 4
FL2-9519-000	600 - 56	FL2-9934-000	A11 - 13	FL3-3585-000	108 - 6
FL2-9527-000	102 - 34	FL2-9937-000	A41 - 22	FL3-4135-000	251 - 1
FL2-9530-000	100 - 53	FL2-9939-000	A41 - 36	FL3-4247-000	600 - 52
FL2-9531-000	109 - 3	FL2-9948-000	A12 - 9	FL3-4254-000	332 - 37
FL2-9535-000	323 - 2	FL2-9949-000	A41 - 5	FL3-4274-000	353 - 10
FL2-9568-000	B40 - 6	FL3-0526-000	530A - 93	FL3-4820-000	530A - 20
FL2-9569-000	B40 - 7	FL3-0626-000	100 - 42	FL3-4847-000	530 - 14
FL2-9571-000	B40 - 8	FL3-0627-000	130 - 24	FL3-5416-000	530A - 18
FL2-9573-000	B13 - 18	FL3-0628-000	130 - 25	FL3-5419-000	D10 - 5
FL2-9574-000	B43 - 5	FL3-0629-000	130 - 26	FL3-5420-000	D10 - 5
FL2-9575-000	B43 - 6	FL3-0630-000	130 - 27	FL3-7438-000	B12 - 6
FL2-9578-000	B14 - 13	FL3-0833-000	130 - 28	FM2-1022-000	B12 - 29
FL2-9586-000	B43 - 7	FL3-1109-000	530A - 62	FM2-1022-000	B30 - 19
FL2-9587-000	B11 - 22	FL3-1115-000	352 - 35	FM2-1022-000	B31 - 10
FL2-9588-000	B11 - 5	FL3-1123-000	100 - 50	FM2-1023-000	B30 - 20
FL2-9589-000	B11 - 6	FL3-1125-000	352 - 15	FM2-1024-000	B16 - 22
FL2-9590-000	B12 - 27	FL3-1126-000	352 - 36	FM2-5569-000	T21 -
FL2-9608-000	B30 - 17	FL3-1142-000	353 - 25	FM3-0006-000	350 - 10
FL2-9614-000	B16 - 18	FL3-1154-000	600 - 15	FM3-0006-000	352 - 29
FL2-9615-000	B30 - 2	FL3-1159-000	600 - 16	FM3-0006-000	353 - 23
FL2-9616-000	B30 - 3	FL3-1167-000	352 - 17	FM3-4146-000	310 - 53
FL2-9617-000	B30 - 39	FL3-1169-000	352 - 18	FM3-4146-000	310A - 53
FL2-9619-010	B12 - 25	FL3-1170-000	106 - 6	FM3-4146-000	311 - 53
FL2-9620-000	D10 - 13	FL3-1185-000	100 - 43	FM3-4146-000	311A - 53
FL2-9622-000	B16 - 19	FL3-1186-000	105 - 14	FM3-4150-000	310A - 2
FL2-9623-000	B30 - 18	FL3-1197-000	109 - 4	FM3-4150-000	311A - 2
FL2-9627-000	B32 - 6	FL3-1198-000	813 - 2	FM3-5420-020	460 -
FL2-9650-000	B17 - 13	FL3-2445-000	A10 - 33	FM3-5425-020	460 -
FL2-9657-000	B17 - 22	FL3-2447-000	A12 - 10	FM3-5489-000	D11 - 14
FL2-9663-000	B12 - 26	FL3-2448-000	A12 - 12	FM3-5489-000	D11A - 14
FL2-9667-000	B43 - 3	FL3-2449-000	A13 - 9	FM3-5490-000	B14 - 14
FL2-9670-000	B12 - 28	FL3-2450-000	A13 - 1	FM3-5493-000	D10 - 4
FL2-9671-000	B42 - 13	FL3-2451-000	A13 - 2	FM3-5580-000	T20 - 2
FL2-9708-000	B11 - 23	FL3-2452-000	A13 - 11	FM3-5927-000	106 - 4
FL2-9709-000	B11 - 24	FL3-2613-000	140 - 2	FM3-5928-000	270 -
FL2-9710-000	B18 - 8	FL3-2614-000	140 - 3	FM3-5933-000	104 - 9
FL2-9716-000	B17 - 3	FL3-2615-000	140 - 5	FM3-5934-000	313 -
FL2-9788-000	D12 - 7	FL3-2859-000	300 - 23	FM3-5935-000	310 -
FL2-9793-010	D12 - 1	FL3-2859-000	301 - 23	FM3-5936-000	300 -
FL2-9802-000	D01 - 3	FL3-2860-000	A11 - 14	FM3-5937-000	301 -
FL2-9803-000	D01 - 4	FL3-2861-000	A10 - 12	FM3-5944-010	323 -
FL2-9804-000	D01 - 5	FL3-2862-000	A10 - 30	FM3-5945-030	770 -
FL2-9807-000	D01 - 6	FL3-3159-000	321 - 1	FM3-5949-010	810 - 24
FL2-9815-000	D10 - 12	FL3-3166-000	100 - 44	FM3-5950-010	810 - 24
FL2-9817-000	D01 - 7	FL3-3167-000	100 - 45	FM3-5951-010	810 - 24
FL2-9818-000	D01 - 7	FL3-3168-000	900 - 6	FM3-5952-000	811 -
FL2-9819-000	D10 - 13	FL3-3171-000	332 - 40	FM3-5953-000	810 - 22
FL2-9820-000	D10 - 15	FL3-3172-000	332 - 41	FM3-5954-000	810 - 29
FL2-9823-000	D12 - 3	FL3-3173-000	332 - 44	FM3-5955-000	810 - 28
FL2-9826-000	D10 - 6	FL3-3180-000	332 - 16	FM3-5956-000	812 -
FL2-9827-000	D10 - 6	FL3-3570-000	333 - 4	FM3-5960-000	331 -

NUMERICAL INDEX

imageRUNNER ADVANCE C5051/5045/5035/5030 Series(Numerical Index)

PARTS NUMBER	FIGURE & KEY NO.	PARTS NUMBER	FIGURE & KEY NO.	PARTS NUMBER	FIGURE & KEY NO
FM3-5962-000	315 -	FM3-6070-000	103 - 14	FM3-7801-000	911 - 3
FM3-5963-010	352 -	FM3-6076-010	107 - 16	FM3-7802-000	911 - 4
FM3-5964-010	352 - 30	FM3-6077-000	107 - 17	FM3-7803-000	109 - 16
FM3-5965-010	353 -	FM3-6078-000	104 - 1	FM3-7807-000	103 - 25
FM3-5966-010	106 - 8	FM3-6079-000	104 - 11	FM3-7808-000	103 - 18
FM3-5967-000	813 -	FM3-6080-000	104 - 12	FM3-7809-000	110 - 8
FM3-5968-000	101 - 9	FM3-6086-000	106 - 13	FM3-7811-000	102 - 64
FM3-5978-000	623 -	FM3-6087-000	106 - 14	FM3-7813-000	332 - 54
FM3-5979-000	624 -	FM3-6091-000	106 - 7	FM3-7815-000	107 - 4
FM3-5980-000	620 -	FM3-6095-000	103 - 19	FM3-7823-000	351 - 41
FM3-5986-000	627 -	FM3-6096-000	100 - 1	FM3-7824-000	140 - 7
FM3-5987-000	628 -	FM3-6098-000	100 - 4	FM3-7825-000	103 - 32
FM3-5988-000	108 - 3	FM3-6099-000	100 - 46	FM3-7827-000	530A - 99
FM3-5989-000	108 - 4	FM3-6100-000	101 -	FM3-7830-000	530A - 100
FM3-5990-000	621 -	FM3-6104-000	100 - 5	FM3-7832-000	626 - 29
FM3-5992-000	627 -	FM3-6105-000	100 - 7	FM3-7833-000	110 - 7
FM3-5993-000	628 -	FM3-6108-000	105 - 9	FM3-7846-000	108 - 25
FM3-5994-000	815 -	FM3-6109-000	270 - 3	FM3-7847-000	104 - 26
FM3-5998-000	108 - 13	FM3-6116-000	530A - 74	FM3-7852-000	963 - 1
FM3-5999-020	351 -	FM3-6120-000	104 - 13	FM3-7854-000	530A - 78
FM3-6001-000	322 -	FM3-6176-000	B40 -	FM3-7855-000	530A - 79
FM3-6002-000	351 - 38	FM3-6177-000	B43 -	FM3-7856-000	530A - 80
FM3-6003-000	351 - 39	FM3-6179-000	B41 -	FM3-7859-000	109 - 13
FM3-6006-000	102 -	FM3-6180-000	B31 -	FM3-7862-000	103 - 22
FM3-6007-000	330 -	FM3-6182-000	B31 - 7	FM3-7863-000	600 - 36
FM3-6009-000	105 - 15	FM3-6184-000	B13 - 7	FM3-7865-000	600 - 50
FM3-6010-000	109 - 6	FM3-6187-000	B14 - 15	FM3-7867-000	600 - 51
FM3-6011-000	316 -	FM3-6189-000	B12 - 52	FM3-7870-000	108 - 24
FM3-6012-000	109 - 15	FM3-6194-010	B12 - 14	FM3-7875-000	103 - 33
FM3-6013-010	332 -	FM3-6206-000	B30 - 40	FM3-7879-000	109 - 18
FM3-6014-000	332 - 29	FM3-6210-020	B16 -	FM3-7882-000	108 - 17
FM3-6015-000	333 -	FM3-6211-000	B16 - 23	FM3-7888-000	107 - 7
FM3-6023-000	900 - 8	FM3-6212-000	B12 - 53	FM3-7889-000	106 - 12
FM3-6030-000	911 -	FM3-6213-000	B11 - 33	FM3-7931-000	900 - 11
FM3-6031-000	911 - 1	FM3-6219-010	B19 -	FM3-7932-000	962 - 2
FM3-6034-000	963 -	FM3-6231-010	B30 - 42	FM3-7933-000	961 -
FM3-6038-000	980 -	FM3-6234-000	B16 - 31	FM3-7934-000	960 - 2
FM3-6039-000	981 -	FM3-6295-000	D12 - 4	FM3-7935-000	911 - 5
FM3-6041-000	108 - 11	FM3-7552-000	D12 - 12	FM3-7936-000	963 - 3
FM3-6044-000	103 - 1	FM3-7561-000	B90 -	FM3-7937-000	963 - 3
FM3-6045-000	140 -	FM3-7564-000	B17 - 23	FM3-7938-000	600 - 38
FM3-6049-000	103 - 10	FM3-7565-000	B12 - 59	FM3-7940-000	600 - 39
FM3-6051-000	963 -	FM3-7572-000	B13 - 41	FM3-7941-000	106 - 9
FM3-6052-000	963 -	FM3-7575-000	B30 - 43	FM3-7945-000	600 - 35
FM3-6053-000	963 -	FM3-7613-000	D91 -	FM3-7948-000	620 - 1
FM3-6054-000	963 -	FM3-7792-000	963 - 2	FM3-7948-000	621 - 1
FM3-6055-000	140 -	FM3-7793-000	140 - 8	FM3-7949-000	600 - 41
FM3-6056-000	140 -	FM3-7794-000	106 - 11	FM3-7950-000	963 - 4
FM3-6057-000	140 -	FM3-7797-000	811 - 8	FM3-7952-000	963 - 3
FM3-6060-000	106 - 28	FM3-7798-000	107 - 6	FM3-7953-000	963 - 3
FM3-6064-010	101 - 8	FM3-7799-000	103 - 2	FM3-7954-000	963 - 3
FM3-6066-000	107 - 1	FM3-7800-000	109 - 8	FM3-7955-000	911 - 6

NUMERICAL INDEX

imageRUNNER ADVANCE C5051/5045/5035/5030 Series(Numerical Index)

PARTS NUMBER	FIGURE & KEY NO.	PARTS NUMBER	FIGURE & KEY NO.	PARTS NUMBER	FIGURE & KEY NO
FM3-7992-000	130 -	FM4-0821-000	T20 - 6	FS1-1205-000	311A - 45
FM3-7993-000	130 - 35	FM4-0830-000	920 - 3	FS1-1508-000	105 - 7
FM3-7994-000	130 - 31	FM4-0837-000	920 - 4	FS1-1508-000	530A - 41
FM3-8276-000	D11A - 15	FM4-0837-000	920 - 4	FS1-1508-000	813 - 3
FM3-8277-000	D11 - 15	FM4-0873-000	900 - 9	FS1-1528-000	810 - 10
FM3-8283-000	D12 - 14	FM4-1194-000	130 - 41	FS1-1569-000	B12 - 30
FM3-8309-000	B15 - 18	FM4-1195-000	130 - 42	FS1-1569-000	B13 - 19
FM3-8310-000	B15 - 19	FM4-1196-000	130 - 43	FS1-1569-000	B14 - 16
FM3-8889-000	600 - 42	FM4-1198-000	130 - 33	FS1-1569-000	B30 - 21
FM3-8891-000	624 - 4	FM4-1199-000	130 - 34	FS1-1569-000	B31 - 11
FM3-8893-000	331 - 35	FM4-1201-000	310 - 54	FS1-1569-000	B40 - 9
FM3-8894-000	330 - 4	FM4-1201-000	310A - 54	FS1-1569-000	B41 - 10
FM3-8896-000	103 - 13	FM4-1201-000	311 - 54	FS1-1569-000	B42 - 7
FM3-8897-000	103 - 3	FM4-1201-000	311A - 54	FS1-1569-000	B43 - 8
FM3-8899-000	626 - 9	FM4-1724-010	A41 -	FS1-1596-000	350 - 4
FM3-8902-010	321 -	FM4-1725-020	A41 - 42	FS1-9003-020	D01 - 8
FM3-8903-000	110 - 1	FM4-1727-000	A12 -	FS1-9009-020	B31 - 12
FM3-8905-010	300 - 54	FM4-1728-000	A12 - 13	FS1-9010-020	530A - 12
FM3-8905-010	301 - 54	FM4-1729-000	A13 -	FS1-9120-020	D12 - 8
FM3-8906-010	300 - 44	FM4-1730-000	A10 - 22	FS1-9169-000	102 - 36
FM3-8906-010	301 - 44	FM4-1734-000	A41 - 43	FS1-9169-000	350 - 11
FM3-8907-000	300 - 45	FM4-1736-000	A90 -	FS2-1544-000	332 - 19
FM3-8907-000	301 - 45	FM4-1737-000	A12 - 5	FS2-9001-020	102 - 37
FM3-8908-000	623 - 4	FM4-1738-000	A10 - 25	FS5-0662-000	104 - 3
FM3-8911-000	300 - 55	FM4-1747-000	A12 - 6	FS5-1372-000	B11 - 25
FM3-8911-000	301 - 55	FM4-1748-000	A13 - 13	FS5-1377-000	352 - 37
FM3-8916-000	104 - 25	FM4-2525-000	310 - 58	FS5-1943-000	310 - 31
FM3-8917-000	104 - 10	FM4-2525-000	310A - 58	FS5-1943-000	311 - 31
FM3-8927-000	100 - 12	FM4-2525-000	311 - 58	FS5-1943-000	350 - 5
FM3-8928-000	103 - 23	FM4-2525-000	311A - 58	FS5-1943-000	351 - 19
FM3-8929-000	108 - 10	FM4-2526-000	311A -	FS5-1943-000	352 - 19
FM3-8932-000	106 - 10	FM4-3014-000	D90 -	FS5-1943-000	353 - 11
FM3-8934-000	101 - 7	FM4-3246-000	D11 - 26	FS5-1943-000	810 - 11
FM3-8935-000	106 - 30	FM4-3263-010	D11A - 26	FS5-1943-009	310A - 31
FM3-8939-010	640 -	FM4-3830-020	910 - 1	FS5-1943-009	311A - 31
FM3-8940-000	100 - 19	FM4-3831-020	910 - 1	FS5-2964-000	107 - 8
FM3-8941-000	T20 -	FM4-3832-020	910 - 1	FS5-3989-000	B13 - 20
FM3-8973-010	640 -	FM4-3833-020	910 - 1	FS5-6488-000	353 - 12
FM3-8974-010	640 -	FM4-3838-000	920 - 1	FS5-6945-000	300 - 34
FM3-8975-010	640 -	FM4-3866-000	900 - 9	FS5-6945-000	301 - 34
FM3-8976-010	640 -	FM4-6637-000	310A -	FS5-6948-000	530A - 42
FM3-8977-010	640 -	FM4-7241-000	530 - 17	FS5-6957-000	531 - 3
FM3-8978-010	640 -	FM4-7244-000	531 -	FS5-9215-000	600 - 17
FM3-8979-010	640 -	FM4-7246-000	531 - 2	FS5-9224-020	815 - 5
FM3-9230-000	311 -	FM4-8343-000	251 - 7	FS5-9227-020	D11 - 16
FM4-0763-000	910 - 4	FM4-8380-010	350 -	FS5-9227-020	D11A - 16
FM4-0780-000	920 - 2	FM4-8384-000	530 - 1	FS5-9282-020	103 - 20
FM4-0783-000	910 - 3	FM4-8390-000	251 - 15	FS5-9360-020	600 - 25
FM4-0785-000	T20 - 3	FM4-9191-000	104 - 20	FS5-9758-020	107 - 9
FM4-0788-000	T20 - 4	FS1-1205-000	310 - 40	FS6-1058-000	332 - 20
FM4-0795-000	900 - 12	FS1-1205-000	310A - 45	FS7-2800-000	310 - 33
FM4-0819-000	T20 - 5	FS1-1205-000	311 - 45	FS7-2800-000	310A - 33

NUMERICAL INDEX

imageRUNNER ADVANCE C5051/5045/5035/5030 Series(Numerical Index)

PARTS NUMBER	FIGURE & KEY NO.	PARTS NUMBER	FIGURE & KEY NO.	PARTS NUMBER	FIGURE & KEY NO
FS7-2800-000	311 - 33	FU3-0350-000	311 - 44	FU5-3705-000	D11 - 17
FS7-2800-000	311A - 33	FU3-0350-000	311A - 44	FU5-3705-000	D11A - 17
FS7-2801-000	310 - 34	FU3-0352-000	310 - 55	FU5-3967-000	322 - 3
FS7-2801-000	310A - 34	FU3-0352-000	310A - 55	FU5-6073-000	B31 - 14
FS7-2801-000	311 - 34	FU3-0352-000	311 - 55	FU5-6077-000	B31 - 15
FS7-2801-000	311A - 34	FU3-0352-000	311A - 55	FU5-6078-000	B16 - 24
FS7-2803-000	310 - 35	FU5-0007-000	315 - 11	FU5-6078-000	B40 - 12
FS7-2803-000	310A - 35	FU5-0033-000	315 - 12	FU5-6078-000	B41 - 11
FS7-2803-000	311 - 35	FU5-0076-000	353 - 14	FU5-6080-000	B40 - 13
FS7-2803-000	311A - 35	FU5-0338-000	B12 - 31	FU5-6080-000	B41 - 12
FS7-2809-000	332 - 50	FU5-0339-000	B13 - 21	FU5-6861-000	332 - 21
FS7-2812-010	332 - 43	FU5-0339-000	B40 - 10	FU5-6871-000	B30 - 26
FU3-0267-000	530A - 43	FU5-0340-000	B12 - 32	FU5-6872-000	B30 - 27
FU3-0277-000	B30 - 22	FU5-0341-000	B40 - 11	FU5-9038-000	B13 - 25
FU3-0280-000	310 - 36	FU5-1033-000	102 - 38	FU5-9167-000	A01 - 1
FU3-0280-000	310A - 36	FU5-1035-000	330 - 3	FU5-9167-000	B01 - 1
FU3-0280-000	311 - 36	FU5-1035-000	331 - 17	FU5-9168-000	A01 - 2
FU3-0280-000	311A - 36	FU5-1035-000	333 - 5	FU5-9168-000	B01 - 2
FU3-0282-000	310 - 37	FU5-1035-000	812 - 10	FU5-9372-000	B12 - 35
FU3-0282-000	310A - 37	FU5-1168-000	A10 - 23	FU5-9447-000	106 - 19
FU3-0282-000	311 - 37	FU5-1168-000	A11 - 18	FU5-9449-000	812 - 13
FU3-0282-000	311A - 37	FU5-1172-000	A12 - 24	FU5-9737-000	531 - 1
FU3-0283-000	310 - 38	FU5-1172-000	A41 - 50	FU5-9749-000	811 - 4
FU3-0283-000	310A - 38	FU5-1173-000	A10 - 15	FU6-0028-000	810 - 12
FU3-0283-000	311 - 38	FU5-1448-000	251 - 8	FU6-0071-000	530A - 45
FU3-0283-000	311A - 38	FU5-1457-000	102 - 39	FU6-0147-000	530A - 46
FU3-0284-000	310 - 39	FU5-1457-000	331 - 18	FU6-0681-000	530A - 47
FU3-0284-000	310A - 39	FU5-1559-000	812 - 11	FU6-0686-000	530A - 48
FU3-0284-000	311 - 39	FU5-1615-000	315 - 13	FU6-0695-000	530A - 49
FU3-0284-000	311A - 39	FU5-1626-000	A12 - 25	FU6-1020-000	102 - 55
FU3-0288-000	310 - 40	FU5-1626-000	A41 - 51	FU6-1021-000	B41 - 9
FU3-0288-000	310A - 40	FU5-1763-000	310 - 46	FU6-1022-000	102 - 35
FU3-0288-000	311 - 40	FU5-1763-000	310A - 46	FU6-1088-000	A41 - 52
FU3-0288-000	311A - 40	FU5-1763-000	311 - 46	FU6-1089-000	A41 - 53
FU3-0289-000	310 - 41	FU5-1763-000	311A - 46	FU6-2636-000	251 - 11
FU3-0289-000	310A - 41	FU5-2068-030	350 - 6	FU6-2644-000	810 - 25
FU3-0289-000	311 - 41	FU5-2074-000	350 - 7	FU6-2648-000	315 - 14
FU3-0289-000	311A - 41	FU5-2074-000	353 - 13	FU6-2684-000	310 - 47
FU3-0296-000	332 - 48	FU5-2234-000	B12 - 33	FU6-2684-000	310A - 47
FU3-0297-000	332 - 49	FU5-2235-020	B19 - 10	FU6-2684-000	311 - 47
FU3-0313-000	B30 - 23	FU5-2240-000	B31 - 13	FU6-2684-000	311A - 47
FU3-0343-000	530A - 44	FU5-2683-000	812 - 12	FU6-2740-000	B31 - 16
FU3-0347-000	310 - 42	FU5-3016-000	102 - 40	FU6-2784-000	310 - 48
FU3-0347-000	310A - 42	FU5-3018-000	352 - 20	FU6-2784-000	310A - 48
FU3-0347-000	311 - 42	FU5-3020-000	353 - 15	FU6-2784-000	311 - 48
FU3-0347-000	311A - 42	FU5-3021-000	352 - 21	FU6-2784-000	311A - 48
FU3-0349-000	310 - 43	FU5-3530-000	B13 - 22	FU6-2900-000	B17 - 16
FU3-0349-000	310A - 43	FU5-3531-000	B13 - 23	FU6-2924-000	330 - 13
FU3-0349-000	311 - 43	FU5-3534-000	B12 - 34	FU6-2924-000	333 - 6
FU3-0349-000	311A - 43	FU5-3534-000	B13 - 24	FU6-2927-000	332 - 38
FU3-0350-000	310 - 44	FU5-3695-000	B30 - 24	FU6-3054-000	351 - 10
FU3-0350-000	310A - 44	FU5-3696-000	B30 - 25	FU6-8646-000	101 - 5

NUMERICAL INDEX

imageRUNNER ADVANCE C5051/5045/5035/5030 Series(Numerical Index)

PARTS NUMBER	FIGURE & KEY NO.	PARTS NUMBER	FIGURE & KEY NO.	PARTS NUMBER	FIGURE & KEY NO
FU6-8647-000	104 - 21	FU7-2480-000	102 - 43	FU7-2552-000	B13 - 26
FU6-8708-000	B11 - 30	FU7-2481-000	815 - 8	FU7-2553-000	B13 - 27
FU6-8861-000	920 - 6	FU7-2485-000	316 - 7	FU7-2554-000	B13 - 28
FU7-0197-000	322 - 4	FU7-2487-000	102 - 44	FU7-2555-000	B17 - 17
FU7-0205-000	B41 - 13	FU7-2488-000	102 - 45	FU7-2556-000	B32 - 5
FU7-0267-000	810 - 13	FU7-2489-000	102 - 46	FU7-2557-000	B43 - 9
FU7-0270-000	811 - 5	FU7-2498-000	331 - 19	FU7-2558-000	B43 - 10
FU7-0296-000	815 - 6	FU7-2501-000	600 - 31	FU7-2559-000	B12 - 37
FU7-0297-000	815 - 7	FU7-2502-000	102 - 47	FU7-2560-000	B11 - 27
FU7-0318-000	105 - 10	FU7-2504-000	103 - 17	FU7-2561-000	B13 - 29
FU7-0326-000	810 - 14	FU7-2506-000	321 - 2	FU7-2562-000	B31 - 17
FU7-0327-000	810 - 15	FU7-2507-000	530A - 53	FU7-2563-000	B30 - 30
FU7-0328-000	810 - 16	FU7-2508-000	530A - 61	FU7-2564-000	B13 - 30
FU7-0329-000	812 - 14	FU7-2510-000	352 - 38	FU7-2564-000	B20 - 3
FU7-0336-000	315 - 15	FU7-2511-000	352 - 39	FU7-2566-000	B17 - 7
FU7-0337-000	315 - 16	FU7-2512-000	352 - 22	FU7-2567-000	B17 - 15
FU7-0353-000	313 - 1	FU7-2513-000	300 - 42	FU7-2568-000	B17 - 14
FU7-0445-000	310 - 49	FU7-2513-000	301 - 42	FU7-2591-000	D11 - 18
FU7-0445-000	310A - 49	FU7-2514-000	300 - 43	FU7-2591-000	D11A - 18
FU7-0445-000	311 - 49	FU7-2514-000	301 - 43	FU7-2592-010	D11 - 19
FU7-0445-000	311A - 49	FU7-2515-000	300 - 63	FU7-2592-010	D11A - 19
FU7-0473-000	B41 - 14	FU7-2515-000	301 - 63	FU7-2593-000	D11 - 2
FU7-0514-000	B41 - 15	FU7-2517-000	530A - 54	FU7-2593-000	D11A - 2
FU7-0515-000	B12 - 36	FU7-2518-000	300 - 14	FU7-2651-000	A10 - 16
FU7-0848-000	310 - 50	FU7-2518-000	301 - 14	FU7-2652-000	A11 - 9
FU7-0848-000	310A - 50	FU7-2519-000	330 - 11	FU7-2654-000	A12 - 26
FU7-0848-000	311 - 50	FU7-2520-000	102 - 48	FU7-2655-000	A12 - 27
FU7-0848-000	311A - 50	FU7-2521-000	331 - 20	FU7-2656-000	A12 - 28
FU7-2326-000	300 - 40	FU7-2521-000	812 - 15	FU7-2658-000	A41 - 54
FU7-2326-000	301 - 40	FU7-2522-000	331 - 21	FU7-2659-000	A41 - 55
FU7-2327-000	300 - 41	FU7-2524-000	331 - 23	FU7-2660-000	A41 - 56
FU7-2327-000	301 - 41	FU7-2525-000	331 - 24	FU7-5186-000	B13 - 31
FU7-2328-000	300 - 62	FU7-2526-000	331 - 25	FU7-5343-000	A41 - 44
FU7-2328-000	301 - 62	FU7-2527-000	102 - 49	FU7-5378-000	310 - 32
FU7-2446-000	351 - 20	FU7-2528-000	102 - 50	FU7-5378-000	310A - 32
FU7-2447-000	109 - 14	FU7-2530-000	105 - 11	FU7-5378-000	311 - 32
FU7-2451-000	530A - 13	FU7-2531-000	600 - 32	FU7-5378-000	311A - 32
FU7-2452-010	530A - 52	FU7-2534-000	815 - 9	FU7-8079-000	D10 - 8
FU7-2453-000	530A - 14	FU7-2535-000	331 - 26	FU7-8084-000	D10 - 14
FU7-2454-000	530A - 15	FU7-2536-000	331 - 27	FU7-8133-000	A13 - 14
FU7-2459-000	626 - 8	FU7-2537-000	331 - 28	FU7-8134-000	A13 - 12
FU7-2460-000	627 - 5	FU7-2538-000	600 - 18	FU7-8135-000	A10 - 19
FU7-2460-000	628 - 5	FU7-2541-000	B16 - 25	FU7-8138-000	A10 - 18
FU7-2462-000	530A - 63	FU7-2542-000	B30 - 28	FU7-8142-000	A10 - 1
FU7-2464-000	810 - 17	FU7-2544-000	B30 - 29	FU7-8164-000	A10 - 24
FU7-2466-000	103 - 21	FU7-2545-000	B18 - 9	FU7-8164-000	B11 - 26
FU7-2469-000	600 - 26	FU7-2546-000	B40 - 14	FU7-8223-000	A10 - 2
FU7-2470-000	600 - 30	FU7-2547-000	B40 - 15	FU8-0079-000	351 - 33
FU7-2471-000	315 - 17	FU7-2548-000	B41 - 16	FU8-0137-000	623 - 2
FU7-2476-000	332 - 22	FU7-2549-000	B41 - 17	FU8-0137-000	624 - 2
FU7-2478-000	102 - 41	FU7-2550-000	B14 - 9	FU8-0141-000	530A - 51
FU7-2479-000	102 - 42	FU7-2551-000	B14 - 8	FU8-0150-000	351 - 34

NUMERICAL INDEX

imageRUNNER ADVANCE C5051/5045/5035/5030 Series(Numerical Index)

PARTS NUMBER	FIGURE & KEY NO.	PARTS NUMBER	FIGURE & KEY NO.	PARTS NUMBER	FIGURE & KEY NO
FU8-0150-000	815 - 10	FU8-0317-000	A41 - 67	NPN	B13 -
FU8-0156-000	815 - 11	FU8-0318-000	A41 - 23	NPN	B14 -
FU8-0162-000	315 - 18	FU8-0319-000	A21 - 6	NPN	B15 -
FU8-0164-000	813 - 5	FU8-0320-000	A21 - 7	NPN	B17 -
FU8-0171-000	600 - 27	FU8-0890-000	A12 - 8	NPN	B18 -
FU8-0172-000	600 - 43	FU8-2278-000	812 - 17	NPN	B20 -
FU8-0175-000	315 - 19	FU8-2279-000	810 - 19	NPN	B30 -
FU8-0178-000	813 - 6	FU8-2283-000	351 - 36	NPN	B32 -
FU8-0179-000	813 - 7	FU8-2284-000	351 - 23	NPN	B42 -
FU8-0182-000	332 - 23	FU8-2286-000	351 - 37	NPN	D01 -
FU8-0183-000	812 - 16	FU8-2288-000	330 - 12	NPN	D10 -
FU8-0190-000	600 - 45	FU8-2290-000	600 - 19	NPN	D11 -
FU8-0192-000	810 - 18	FU8-2293-000	331 - 29	NPN	D11A -
FU8-0195-000	350 - 8	FU8-2295-000	102 - 51	NPN	D12 -
FU8-0196-000	353 - 16	FU8-2552-000	331 - 22	RB1-2190-000	315 - 20
FU8-0197-000	351 - 35	FY1-1337-000	530A - 19	RB2-5850-000	331 - 37
FU8-0198-000	351 - 21	FY7-0415-000	530 - 3	RH7-7129-020	106 - 29
FU8-0199-000	351 - 22	FY7-0415-000	530 - 4	RS5-1567-000	332 - 24
FU8-0201-000	322 - 12	FY7-0415-000	530 - 5	VS1-7173-004	110 - 9
FU8-0202-000	102 - 58	FY7-0415-000	530 - 15	VS1-7177-002	104 - 15
FU8-0203-000	102 - 59	FY7-0415-000	530 - 16	VS1-7177-002	105 - 23
FU8-0204-000	102 - 60	FY7-0429-000	530 - 18	VS1-7177-002	106 - 23
FU8-0209-000	600 - 44	HH2-2824-000	T20 - 8	VS1-7177-002	110 - 10
FU8-0210-000	600 - 47	KE8-1134-030	900 - 15	VS1-7177-002	251 - 9
FU8-0228-000	B12 - 38	NPN	001 -	VS1-7177-002	310 - 57
FU8-0229-000	B12 - 39	NPN	100 -	VS1-7177-002	310A - 57
FU8-0230-000	B12 - 40	NPN	103 -	VS1-7177-002	311 - 57
FU8-0232-000	B12 - 41	NPN	104 -	VS1-7177-002	311A - 57
FU8-0235-000	B12 - 42	NPN	105 -	VS1-7177-002	315 - 22
FU8-0236-000	B30 - 31	NPN	106 -	VS1-7177-002	352 - 42
FU8-0237-000	B16 - 26	NPN	107 -	VS1-7177-002	353 - 24
FU8-0238-000	B16 - 27	NPN	108 -	VS1-7177-002	A10 - 3
FU8-0239-000	B13 - 32	NPN	109 -	VS1-7177-002	A41 - 49
FU8-0239-000	B20 - 4	NPN	110 -	VS1-7177-002	B11 - 35
FU8-0240-000	B14 - 6	NPN	251 -	VS1-7177-002	B15 - 1
FU8-0299-000	A12 - 21	NPN	530 -	VS1-7177-002	B31 - 4
FU8-0300-000	A12 - 22	NPN	530A -	VS1-7177-002	T20 - 7
FU8-0302-000	A12 - 29	NPN	600 -	VS1-7177-002	T21 - 2
FU8-0303-000	A41 - 57	NPN	626 -	VS1-7177-003	103 - 26
FU8-0304-000	A41 - 26	NPN	810 -	VS1-7177-003	104 - 16
FU8-0305-000	A41 - 58	NPN	900 -	VS1-7177-003	105 - 24
FU8-0306-000	A41 - 40	NPN	910 -	VS1-7177-003	106 - 24
FU8-0307-000	A41 - 29	NPN	920 -	VS1-7177-003	108 - 9
FU8-0308-000	A41 - 59	NPN	960 -	VS1-7177-003	110 - 3
FU8-0309-000	A41 - 60	NPN	962 -	VS1-7177-003	316 - 10
FU8-0310-000	A41 - 61	NPN	A01 -	VS1-7177-003	332 - 51
FU8-0311-000	A21 - 5	NPN	A10 -	VS1-7177-003	352 - 43
FU8-0312-000	A41 - 62	NPN	A11 -	VS1-7177-003	600 - 37
FU8-0313-000	A41 - 63	NPN	A21 -	VS1-7177-003	900 - 16
FU8-0314-000	A41 - 64	NPN	B01 -	VS1-7177-003	911 - 7
FU8-0315-000	A41 - 65	NPN	B11 -	VS1-7177-003	A13 - 15
FU8-0316-000	A41 - 66	NPN	B12 -	VS1-7177-003	B14 - 1

NUMERICAL INDEX

imageRUNNER ADVANCE C5051/5045/5035/5030 Series(Numerical Index)

PARTS NUMBER	FIGURE & KEY NO.	PARTS NUMBER	FIGURE & KEY NO.	PARTS NUMBER	FIGURE & KEY NO
VS1-7177-003	B15 - 2	VS1-8412-017	104 - 17	WG8-5848-000	331 - 30
VS1-7177-003	B16 - 28	VS1-8412-017	106 - 25	WG8-5848-000	351 - 24
VS1-7177-003	D11 - 20	VS1-8412-017	107 - 11	WG8-5848-000	352 - 23
VS1-7177-003	D11A - 20	VS1-8412-017	110 - 5	WG8-5848-000	353 - 17
VS1-7177-003	D12 - 9	VS1-8412-017	600 - 7	WG8-5848-000	530A - 56
VS1-7177-004	103 - 28	VS1-8412-017	B30 - 33	XA9-0271-000	D01 - 9
VS1-7177-004	105 - 25	VS1-8412-019	104 - 6	XA9-0476-000	530A - 57
VS1-7177-004	110 - 4	VS1-8412-019	107 - 12	XA9-0656-000	310 - 51
VS1-7177-004	316 - 11	VS1-8412-019	108 - 22	XA9-0656-000	310A - 51
VS1-7177-004	352 - 44	VS1-8412-021	110 - 6	XA9-0656-000	311 - 51
VS1-7177-004	530A - 55	VS1-8412-023	107 - 14	XA9-0656-000	311A - 51
VS1-7177-004	815 - 13	VS1-8412-023	110 - 15	XA9-0702-000	A41 - 47
VS1-7177-004	A21 - 8	VS1-8412-025	103 - 31	XA9-0732-010	100 - 58
VS1-7177-004	B15 - 3	VS1-8412-025	107 - 13	XA9-0732-010	102 - 52
VS1-7177-004	B20 - 5	VS1-8412-025	110 - 16	XA9-0732-010	103 - 5
VS1-7177-004	B31 - 8	VS1-8412-027	B15 - 14	XA9-0732-010	104 - 5
VS1-7177-005	110 - 11	VS1-8412-029	107 - 15	XA9-0732-010	105 - 5
VS1-7177-005	351 - 3	VS1-8412-029	108 - 23	XA9-0732-010	106 - 5
VS1-7177-005	B15 - 4	VS1-8412-031	104 - 4	XA9-0732-010	107 - 5
VS1-7177-006	811 - 9	WE8-5600-000	130 - 32	XA9-0732-010	108 - 5
VS1-7177-006	B12 - 50	WE8-5601-000	109 - 19	XA9-0732-010	109 - 5
VS1-7177-006	B15 - 5	WE8-5601-000	D11 - 21	XA9-0732-010	110 - 2
VS1-7177-006	B17 - 18	WE8-5601-000	D11A - 21	XA9-0732-010	322 - 5
VS1-7177-008	110 - 12	WE8-5731-000	130 - 29	XA9-0732-010	600 - 20
VS1-7177-008	315 - 23	WE8-6139-000	B15 - 15	XA9-0732-010	815 - 2
VS1-7177-008	351 - 27	WE8-6152-000	140 - 13	XA9-0732-010	A10 - 20
VS1-7177-008	B15 - 6	WG8-5696-000	A13 - 8	XA9-0732-010	A21 - 10
VS1-7177-009	B15 - 7	WG8-5696-000	A21 - 9	XA9-1016-000	104 - 22
VS1-7177-009	B30 - 32	WG8-5696-000	A41 - 41	XA9-1016-000	300 - 35
VS1-7177-010	108 - 20	WG8-5783-000	270 - 2	XA9-1016-000	301 - 35
VS1-7177-010	811 - 10	WG8-5783-000	332 - 25	XA9-1038-000	107 - 3
VS1-7177-012	530A - 77	WG8-5783-000	351 - 40	XA9-1038-000	980 - 8
VS1-7177-012	B15 - 8	WG8-5783-000	352 - 45	XA9-1038-000	981 - 2
VS1-7177-013	B15 - 16	WG8-5783-000	620 - 2	XA9-1164-000	A41 - 48
VS1-7177-014	B15 - 9	WG8-5783-000	621 - 2	XA9-1386-000	101 - 6
VS1-8412-003	102 - 62	WG8-5783-000	626 - 7	XA9-1386-000	105 - 17
VS1-8412-003	B15 - 10	WG8-5783-000	810 - 31	XA9-1386-000	108 - 12
VS1-8412-007	103 - 29	WG8-5783-000	811 - 6	XA9-1386-000	316 - 8
VS1-8412-007	108 - 21	WG8-5783-000	815 - 1	XA9-1386-000	351 - 4
VS1-8412-007	B15 - 11	WG8-5783-000	B13 - 33	XA9-1386-000	352 - 24
VS1-8412-009	102 - 63	WG8-5783-000	B16 - 29	XA9-1386-000	353 - 18
VS1-8412-009	B15 - 12	WG8-5783-000	B17 - 9	XA9-1386-000	600 - 21
VS1-8412-011	103 - 30	WG8-5783-000	B20 - 6	XA9-1386-000	623 - 3
VS1-8412-011	104 - 14	WG8-5783-000	B30 - 34	XA9-1386-000	624 - 3
VS1-8412-011	109 - 10	WG8-5783-000	B32 - 1	XA9-1386-000	627 - 6
VS1-8412-013	105 - 22	WG8-5783-000	D11 - 22	XA9-1386-000	628 - 6
VS1-8412-013	110 - 13	WG8-5783-000	D11A - 22	XA9-1386-000	813 - 8
VS1-8412-013	626 - 27	WG8-5848-000	102 - 61	XA9-1386-000	815 - 3
VS1-8412-013	B15 - 13	WG8-5848-000	103 - 24	XA9-1386-000	D10 - 7
VS1-8412-015	105 - 26	WG8-5848-000	105 - 29	XA9-1386-000	D11 - 7
VS1-8412-015	107 - 10	WG8-5848-000	109 - 11	XA9-1386-000	D11A - 7
VS1-8412-015	110 - 14	WG8-5848-000	316 - 9	XA9-1386-000	D12 - 2

NUMERICAL INDEX

imageRUNNER ADVANCE C5051/5045/5035/5030 Series(Numerical Index)

PARTS NUMBER	FIGURE & KEY NO.	PARTS NUMBER	FIGURE & KEY NO.	PARTS NUMBER	FIGURE & KEY NO
XA9-1510-000	810 - 30	XD3-2200-122	B43 - 501	XF2-1106-640	B30 - 36
XA9-1510-000	812 - 18	XD3-2200-162	104 - 501	XF2-1106-740	B13 - 35
XA9-1523-000	300 - 36	XD3-2200-162	331 - 501	XF2-1106-940	322 - 9
XA9-1523-000	301 - 36	XD3-2200-162	350 - 501	XF2-1604-360	B12 - 43
XA9-1523-000	332 - 47	XD3-2200-162	530A - 506	XF2-1604-440	B12 - 44
XA9-1659-000	321 - 3	XD9-0134-000	101 - 14	XF2-1605-660	B12 - 45
XA9-1659-000	352 - 25	XD9-0134-000	103 - 27	XF2-1605-740	351 - 26
XA9-1659-000	353 - 19	XD9-0134-000	105 - 18	XF2-1605-740	815 - 4
XA9-1932-000	530A - 58	XD9-0134-000	130 - 30	XF2-1605-740	B40 - 4
XA9-1957-000	103 - 6	XD9-0134-000	332 - 26	XF2-1606-140	315 - 21
XA9-1959-000	910 - 5	XD9-0134-000	351 - 25	XF2-1606-140	B41 - 18
XA9-1959-000	920 - 5	XD9-0134-000	530A - 59	XF2-1606-260	B12 - 46
XA9-2014-000	B11 - 29	XD9-0134-000	600 - 22	XF2-1606-560	B12 - 47
XA9-2014-000	B12 - 2	XD9-0134-000	810 - 20	XF2-1607-240	B14 - 12
XA9-2014-000	B13 - 34	XD9-0134-000	811 - 7	XF2-1607-240	B20 - 7
XA9-2014-000	B14 - 2	XD9-0134-000	812 - 19	XF2-1607-340	313 - 2
XA9-2014-000	B16 - 12	XD9-0135-000	102 - 53	XF2-1607-640	351 - 28
XA9-2014-000	B30 - 35	XD9-0136-000	105 - 16	XF2-1607-640	A21 - 11
XA9-2014-000	B31 - 9	XD9-0136-000	109 - 9	XF2-1607-640	A41 - 45
XA9-2016-000	B19 - 11	XD9-0136-000	251 - 12	XF2-1607-640	B13 - 36
XA9-2017-000	D10 - 16	XD9-0136-000	310 - 52	XF2-1607-660	B13 - 37
XA9-2019-000	B11 - 28	XD9-0136-000	310A - 52	XF2-1607-940	B13 - 38
XB6-7300-405	300 - 501	XD9-0136-000	311 - 52	XF2-1613-040	B13 - 39
XB6-7300-405	301 - 501	XD9-0136-000	311A - 52	XF2-1623-080	B13 - 40
XD1-1104-115	530A - 501	XD9-0136-000	331 - 31	XF2-4107-240	352 - 28
XD1-1104-135	103 - 501	XD9-0136-000	350 - 9	XF2-4107-940	353 - 21
XD1-1106-215	530A - 502	XD9-0136-000	351 - 5	XF2-4118-340	102 - 57
XD1-1106-219	813 - 501	XD9-0136-000	352 - 26	XF9-0774-000	D11 - 8
XD1-1106-226	102 - 501	XD9-0136-000	353 - 20	XF9-0774-000	D11A - 8
XD1-1108-213	810 - 501	XD9-0136-000	530A - 60	XG9-0172-000	810 - 23
XD1-1108-225	530A - 503	XD9-0136-000	810 - 21	XG9-0242-000	812 - 21
XD1-1108-239	B41 - 501	XD9-0136-000	812 - 20	XG9-0350-000	813 - 4
XD1-1208-225	530A - 507	XD9-0136-000	813 - 9	XG9-0414-000	530A - 64
XD1-2100-407	530A - 504	XD9-0136-000	900 - 7	XG9-0481-000	331 - 32
XD1-4200-402	140 - 501	XD9-0137-010	102 - 54	XG9-0497-000	B30 - 4
XD1-4200-502	140 - 502	XD9-0137-010	104 - 7	XG9-0502-000	104 - 8
XD3-2200-102	102 - 502	XD9-0137-010	322 - 6	XG9-0508-000	530A - 65
XD3-2200-102	105 - 501	XD9-0137-010	332 - 27	XG9-0508-000	B13 - 14
XD3-2200-102	530A - 505	XD9-0137-010	530A - 98	XG9-0508-000	D11 - 23
XD3-2200-102	A12 - 501	XD9-0168-000	600 - 23	XG9-0508-000	D11A - 23
XD3-2200-102	B30 - 501	XD9-0289-000	310 - 59	XG9-0509-000	810 - 35
XD3-2200-122	351 - 501	XD9-0289-000	310A - 59	XG9-0520-000	353 - 22
XD3-2200-122	352 - 501	XD9-0289-000	311 - 59	XG9-0520-000	530A - 66
XD3-2200-122	626 - 501	XD9-0289-000	311A - 59	XG9-0594-000	530A - 67
XD3-2200-122	810 - 502	XD9-0289-000	640 - 2	XG9-0709-000	A41 - 46
XD3-2200-122	A11 - 501	XD9-0290-000	322 - 7	XG9-0709-000	B12 - 55
XD3-2200-122	A41 - 501	XD9-0290-000	332 - 28	XG9-0731-000	530A - 68
XD3-2200-122	B14 - 501	XD9-0290-000	813 - 10	XH9-0149-000	900 - 13
XD3-2200-122	B16 - 501	XD9-0292-000	102 - 56	XZ1-1301-005	900 - 14
XD3-2200-122	B30 - 502	XD9-0292-000	315 - 24	XZ9-0584-000	100 - 3
XD3-2200-122	B31 - 501	XD9-0292-000	322 - 8	XZ9-0603-000	106 - 17
XD3-2200-122	B42 - 501	XD9-0325-000	251 - 14		

imageRUNNER ADVANCE C5051/ 5045/5035/5030 Series(Parts Catalog)

imageRUNNER ADVANCE C5051

120V TW	F15-4101-000	EUJ	
100V	F15-4111-000	DZH	ONE-PATH ADF + READER
100V	F15-4111-000	GQU	ONE-PATH ADF + READER
100V	F15-4111-000	HKZ	ONE-PATH ADF + READER
100V	F15-4111-000	HMK	ONE-PATH ADF + READER
120V US,CA,LTN	F15-4131-000	DZK	
120V US,CA,LTN	F15-4131-000	GQM	
120V	F15-4132-000	EUF	GOVERNMENT
230V	F15-4141-000	DZS	
230V CN	F15-4151-000	EUG	
230V AU	F15-4161-000	DZT	
230V KR	F15-4171-000	EUH	
230V EUR	F15-4191-000	DZQ	
230V EUR	F15-4191-000	GQN	

imageRUNNER ADVANCE C5051F

100V FAX	F15-4112-000	DZJ	ONE-PATH ADF + READER + FAX
100V FAX	F15-4112-000	GQV	ONE-PATH ADF + READER + FAX
100V FAX	F15-4112-000	HLC	ONE-PATH ADF + READER + FAX
100V FAX	F15-4112-000	HML	ONE-PATH ADF + READER + FAX

imageRUNNER ADVANCE C5051i

230V EUR	F15-4192-000	DZR	PCL
230V EUR	F15-4192-000	GQP	PCL

imageRUNNER ADVANCE C5045

120V TW	F15-4201-000	EUP	
100V	F15-4211-000	DZU	ONE-PATH ADF + READER
100V	F15-4211-000	GPW	ONE-PATH ADF + READER
100V	F15-4211-000	HLF	ONE-PATH ADF + READER
100V	F15-4211-000	HMM	ONE-PATH ADF + READER
120V US,CA,LTN	F15-4231-000	DZW	
120V US,CA,LTN	F15-4231-000	GPQ	
120V	F15-4232-000	EUK	GOVERNMENT
230V	F15-4241-000	EBU	
230V CN	F15-4251-000	EUL	
230V AU	F15-4261-000	EBV	
230V KR	F15-4271-000	EUN	
230V EUR	F15-4291-000	DZX	
230V EUR	F15-4291-000	GPU	

imageRUNNER ADVANCE C5045F

100V FAX	F15-4212-000	DZV	ONE-PATH ADF + READER + FAX
100V FAX	F15-4212-000	GPZ	ONE-PATH ADF + READER + FAX
100V FAX	F15-4212-000	HLG	ONE-PATH ADF + READER + FAX
100V FAX	F15-4212-000	HMN	ONE-PATH ADF + READER + FAX

imageRUNNER ADVANCE C5045i

230V EUR	F15-4292-000	EAH	PCL
230V EUR	F15-4292-000	GPV	PCL

imageRUNNER ADVANCE C5035

120V TW	F15-4301-000	EUU	
100V	F15-4311-000	EBW	REVERSE ADF+ READER
100V	F15-4311-000	GPA	REVERSE ADF+ READER
100V	F15-4311-000	HLH	REVERSE ADF+ READER
100V	F15-4311-000	HMP	REVERSE ADF+ READER
120V US,CA,LTN	F15-4331-000	ECV	
120V US,CA,LTN	F15-4331-000	GNW	
120V	F15-4332-000	EUQ	GOVERNMENT
230V	F15-4341-000	EEA	
230V CN	F15-4351-000	EUR	
230V AU	F15-4361-000	EET	
230V KR	F15-4371-000	EUS	
230V EUR	F15-4391-000	EDG	
230V EUR	F15-4391-000	GNX	

imageRUNNER ADVANCE C5035F

100V FAX	F15-4312-000	EBZ	REVERSE ADF + READER + FAX
100V FAX	F15-4312-000	GPB	REVERSE ADF + READER + FAX
100V FAX	F15-4312-000	HLK	REVERSE ADF + READER + FAX
100V FAX	F15-4312-000	HMQ	REVERSE ADF + READER + FAX

imageRUNNER ADVANCE C5035i

230V EUR	F15-4392-000	EDZ	PCL
230V EUR	F15-4392-000	GNY	PCL

imageRUNNER ADVANCE C5030

120V TW	F15-4401-000	EUY	
100V	F15-4411-000	EEU	REVERSE ADF + READER
100V	F15-4411-000	GNN	REVERSE ADF+ READER
100V	F15-4411-000	HLN	REVERSE ADF+ READER
100V	F15-4411-000	HMR	REVERSE ADF+ READER
120V US,CA,LTN	F15-4431-000	EFA	
120V US,CA,LTN	F15-4431-000	GNG	
120V	F15-4432-000	EUV	GOVERNMENT
230V	F15-4441-000	ETG	
230V CN	F15-4451-000	EUW	
230V AU	F15-4461-000	ETM	
230V KR	F15-4471-000	EUX	
230V EUR	F15-4491-000	EFF	
230V EUR	F15-4491-000	GNH	

imageRUNNER ADVANCE C5030F

100V FAX	F15-4412-000	EEY	REVERSE ADF + READER + FAX
100V FAX	F15-4412-000	GNP	REVERSE ADF + READER + FAX
100V FAX	F15-4412-000	HLP	REVERSE ADF + READER + FAX
100V FAX	F15-4412-000	HMS	REVERSE ADF + READER + FAX

imageRUNNER ADVANCE C5030i

230V EUR	F15-4492-000	ETF	PCL
230V EUR	F15-4492-000	GNM	PCL

Contents

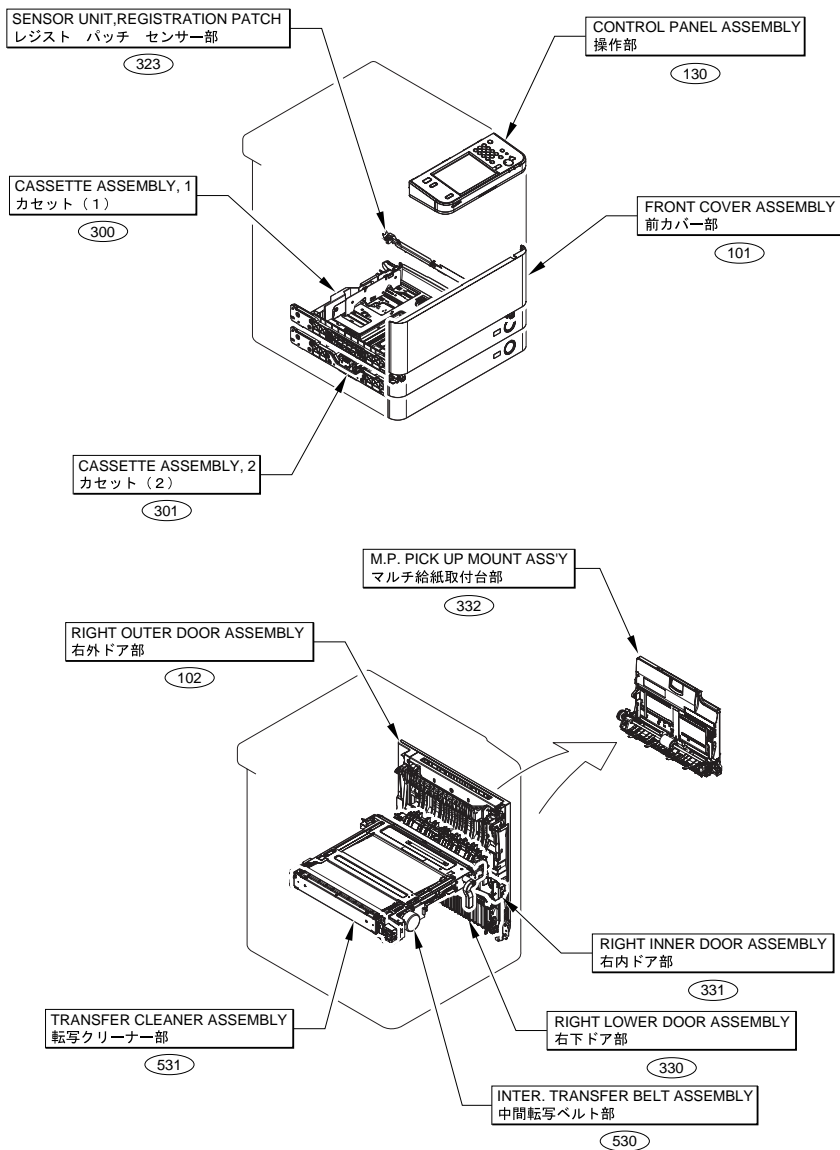
A1	ASSEMBLY LOCATION DIAGRAM	2-1
A2	OPTION PARTS CATALOG LIST	2-9
001	ACCESSORIES	2-10
100	EXTERNAL COVERS, PANELS, ETC.	2-11
101	FRONT COVER ASSEMBLY	2-16
102	RIGHT OUTER DOOR ASSEMBLY	2-18
103	MACHINE FRONT PLATE	2-23
104	INTERNAL COMPONENTS 1	2-26
105	INTERNAL COMPONENTS 2	2-28
106	INTERNAL COMPONENTS 3	2-30
107	INTERNAL COMPONENTS 4	2-32
108	MACHINE REAR PLATE 1	2-34
109	MACHINE REAR PLATE 2	2-36
110	MACHINE REAR PLATE 3	2-38
130	CONTROL PANEL ASSEMBLY	2-40
140	POWER CORD TERMINAL ASS'Y	2-44
251	DRUM DEVELOPING DRIVE ASSEMBLY.....	2-46
270	SHUTTER DRIVE MOUNT ASSEMBLY.....	2-48
300	CASSETTE ASSEMBLY (MIDDLE).....	2-49
301	CASSETTE ASSEMBLY (LARGE)	2-52
310	PAPER PICK-UP ASSEMBLY, 1 (EXCEPT CN).....	2-55
310A	PAPER PICK-UP ASSEMBLY, 1 (CN)	2-58
311	PAPER PICK-UP ASSEMBLY, 2 (EXCEPT CN).....	2-61
311A	PAPER PICK-UP ASSEMBLY, 2 (CN)	2-64
313	PAPER PICK-UP DRIVE ASSEMBLY	2-67
315	MULTI FEEDER DRIVE ASSEMBLY	2-68
316	PRE-REGISTRATION GUIDE ASS'Y.....	2-70
321	PATT. READ SHUTTER DRIVE ASS'Y.....	2-71
322	DUPLEXING REG. DRIVE ASSEMBLY	2-72
323	SENSOR UNIT,REGISTRATION PATCH	2-74
330	RIGHT LOWER DOOR ASSEMBLY	2-76
331	RIGHT INNER DOOR ASSEMBLY	2-78
332	M.P. PICK UP MOUNT ASSEMBLY	2-81
333	RIGHT LOWER INNER DOOR ASS'Y	2-84
350	FIRST PAPER DELIVERY ASSEMBLY	2-85
351	2ND/3RD PAPER DELIVERY ASS'Y	2-87
352	THIRD PAPER DELIVERY ASSEMBLY	2-90
353	SECOND PAPER DELIVERY ASSEMBLY	2-93
460	LASER ASSEMBLY	2-95
530	INTER.TRANSFER BELT ASS'Y.....	2-96
530A	INTER.TRANSFER BELT ASS'Y.....	2-99
531	TRANSFER CLEANER ASSEMBLY	2-105
600	PROCESS-KIT FRAME ASSEMBLY	2-106
620	SET ON HOPPER BK ASSEMBLY	2-110
621	SET ON HOPPER CL ASSEMBLY	2-111

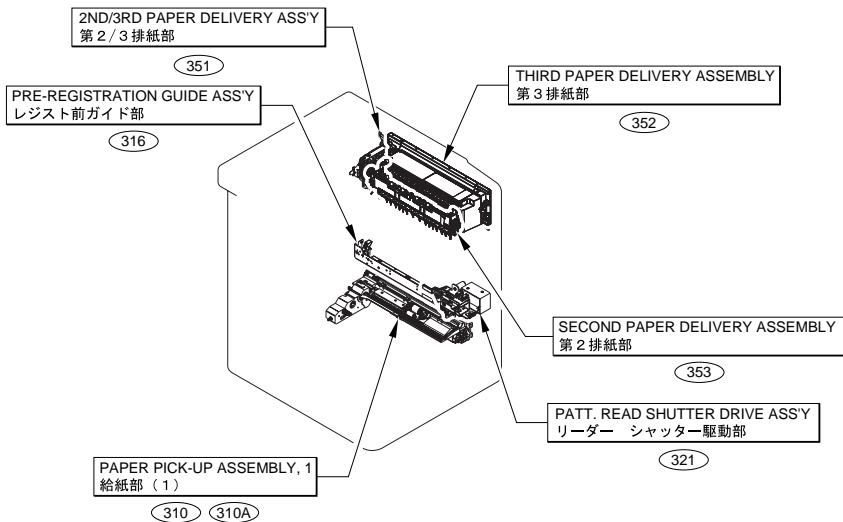
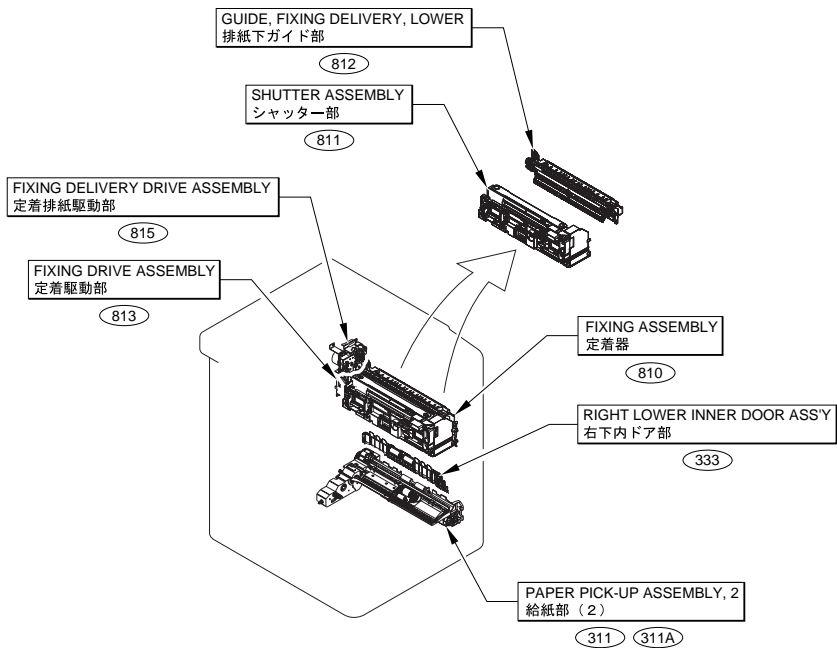
623	SET ON DRIVE ASSEMBLY, BLACK	2-112
624	SET ON DRIVE ASSEMBLY, CL	2-113
626	BOTTLE FRONT INNER DOOR ASS'Y	2-114
627	BOTTLE BASE ASSEMBLY, BLACK	2-116
628	BOTTLE BASE ASSEMBLY, CL	2-118
640	DEVELOPING ASSEMBLY	2-120
770	WASTE TONER CASE ASSEMBLY	2-121
810	FIXING ASSEMBLY	2-122
811	SHUTTER ASSEMBLY	2-126
812	GUIDE, FIXING DELIVERY, LOWER	2-128
813	FIXING DRIVE ASSEMBLY	2-130
815	FIXING DELIVERY DRIVE ASSEMBLY	2-132
900	CONTROLLER BOX ASSEMBLY	2-134
910	MAIN CONTROLLER PCB ASS'Y, 1	2-136
911	POWER SUPPLY ASSEMBLY	2-137
920	MAIN CONTROLLER PCB ASS'Y, 2	2-138
960	DRUM DRIVER PCB ASSEMBLY	2-140
961	CASSETTE FEED PCB ASSEMBLY	2-141
962	PAPER FEED DRIVER PCB ASSEMBLY	2-142
963	AC DRIVER PCB ASSEMBLY	2-143
980	4C TRNS, BK DEV/ PRIM HV ASS'Y	2-145
981	2ND TRNSFR. HIGH VOLTAGE ASS'Y	2-147
A01	ATTACHMENT PARTS (REVERSE ADF)	2-148
A10	ADF MAIN BODY (REVERSE ADF)	2-149
A11	BASE ASSEMBLY (REVERSE ADF)	2-152
A12	PAPER PICK-UP COVER ASS'Y (REVERSE ADF)	2-154
A13	DOCUMENT TRAY ASS'Y (REVERSE ADF)	2-157
A21	DRIVE ASSEMBLY (REVERSE ADF)	2-159
A41	FEEDER ASSEMBLY (REVERSE ADF)	2-161
A90	ADF PCB ASSEMBLY (REVERSE ADF)	2-166
B01	ATTACHMENT PARTS(ONE-PATH ADF)	2-167
B11	INTERNAL COMPONENTS 1(ONE-PATH ADF)	2-168
B12	INTERNAL COMPONENTS 2(ONE-PATH ADF)	2-171
B13	INTERNAL COMPONENTS 3(ONE-PATH ADF)	2-174
B14	INTERNAL COMPONENTS 4(ONE-PATH ADF)	2-177
B15	INTERNAL COMPONENTS 5(ONE-PATH ADF)	2-179
B16	DOCUMENT TRAY ASSEMBLY(ONE-PATH ADF)	2-181
B17	OPEN/CLOSE PANEL ASSEMBLY(ONE-PATH ADF)	2-184
B18	BASE FRAME ASSEMBLY(ONE-PATH ADF)	2-186
B19	WHITE PLATE ASSEMBLY(ONE-PATH ADF)	2-188
B20	ESTRANGEMENT DRIVE ASSEMBLY(ONE-PATH ADF)	2-189
B30	PAPER PICK-UP ASSEMBLY(ONE-PATH ADF)	2-190
B31	DELIVERY CROSSMEMBER ASSEMBLY(ONE-PATH ADF)	2-193
B32	OPEN/CLOSE GUIDE ASSEMBLY(ONE-PATH ADF)	2-196

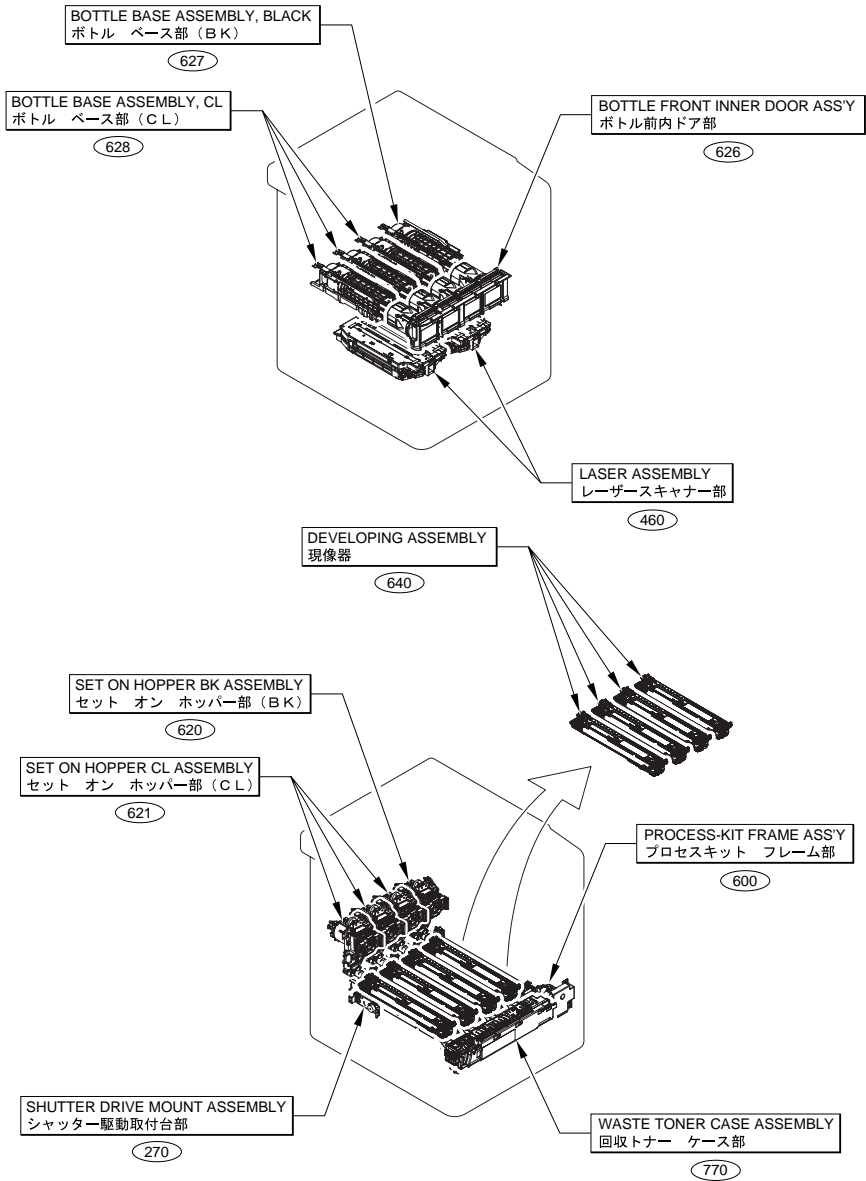
Contents

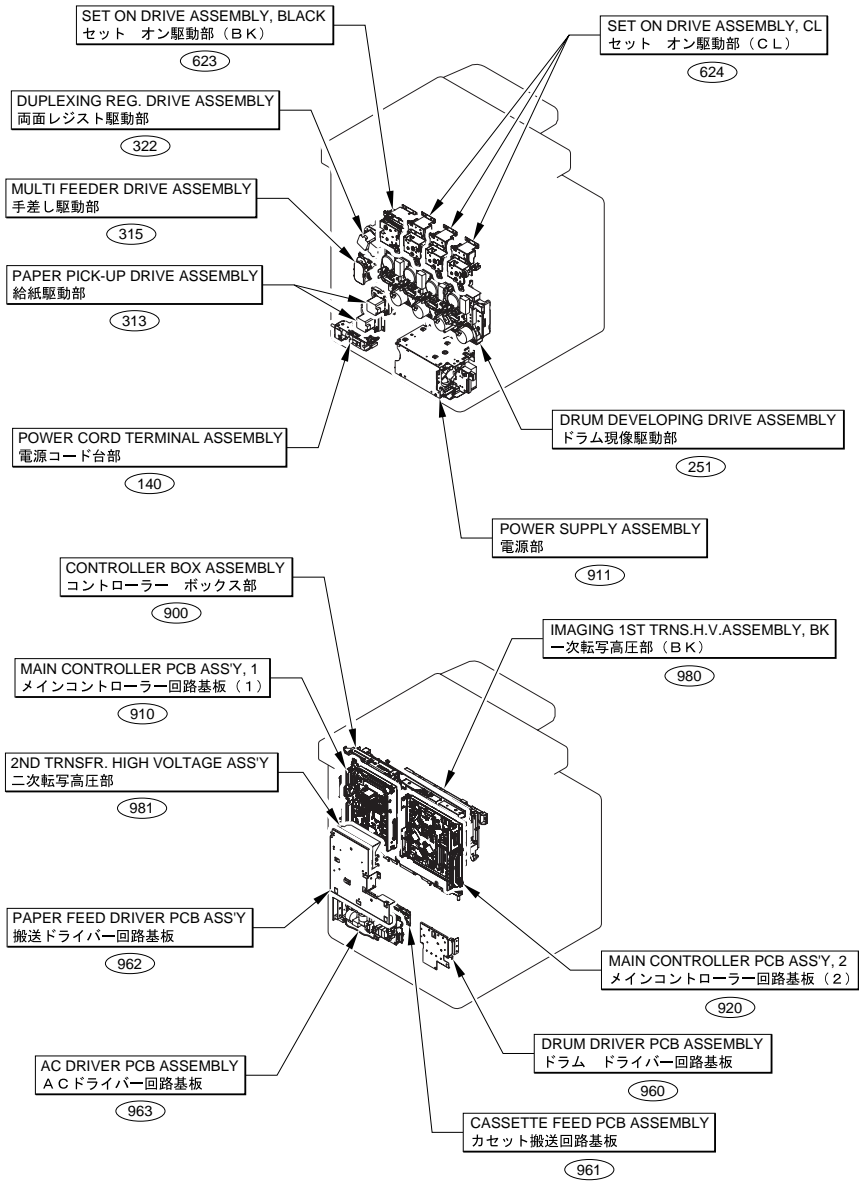
B40	PLATEN ROLLER ASSEMBLY, 1(ONE-PATH ADF)	2-197
B41	PLATEN ROLLER ASSEMBLY, 2(ONE-PATH ADF)	2-199
B42	PAPER FEED GUIDE ASSEMBLY, 1(ONE-PATH ADF)	2-201
B43	READ 2 PAPER FEED GUIDE ASS'Y(ONE-PATH ADF)	2-203
B90	DADF DRIVER PCB ASSEMBLY(ONE-PATH ADF).....	2-205
D01	ATTACHMENT PARTS(READER)	2-206
D10	EXTERNAL COVERS, PANELS, ETC.(READER)	2-207
D11	INTERNAL COMPONENTS 1(READER)	2-209
D11A	INTERNAL COMPONENTS 1(READER)	2-211
D12	INTERNAL COMPONENTS 2(READER)	2-213
D90	READER CONTROLLER PCB ASSEMBLY(READER)	2-215
D91	READER CONTROLLER PCB ASSEMBLY(READER)	2-216
T20	G3 FAX ASSEMBLY, 1 LINE(FAX)	2-217
T21	SPEAKER ASSEMBLY(FAX)	2-218
ZZA	MECHANICAL STANDARD PARTS (HOW TO USE)	2-219
ZZB	MECHANICAL STANDARD PARTS (SCREWS).....	2-220
ZZC	MECHANICAL STANDARD PARTS (BOLTS).....	2-227
ZZD	MECHANICAL STANDARD PARTS (NUTS).....	2-228
ZZE	MECHANICAL STANDARD PARTS (RETAINING RINGS)	2-229

FIGURE A1 ASSEMBLY LOCATION DIAGRAM

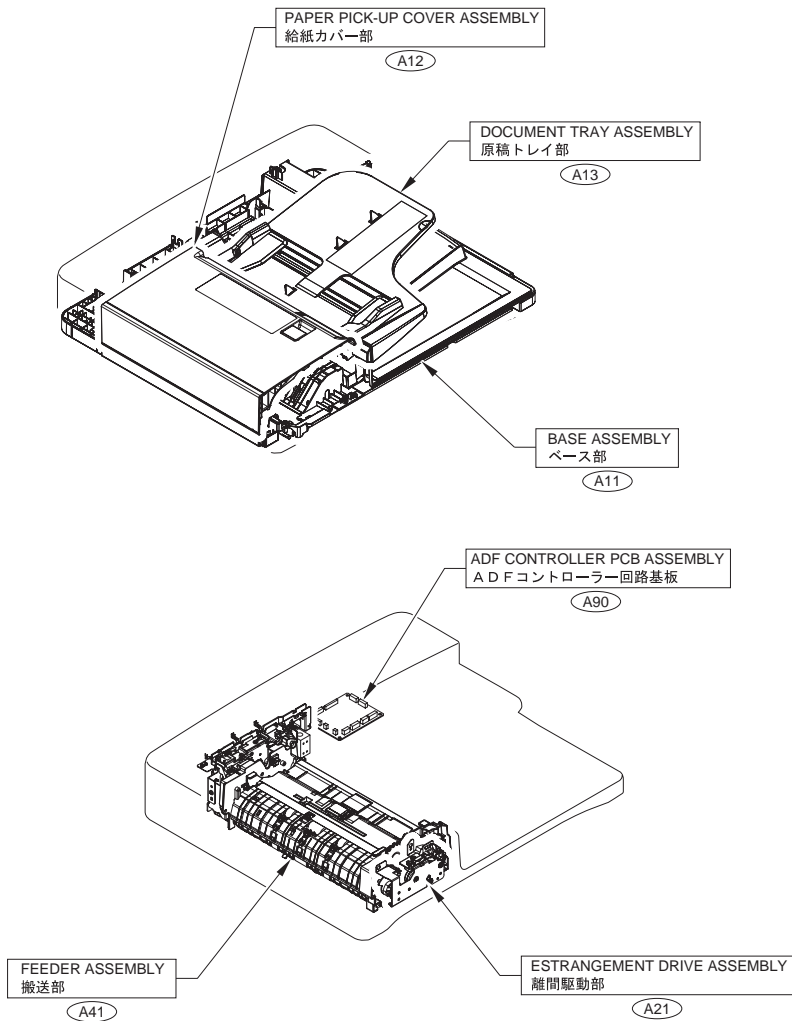




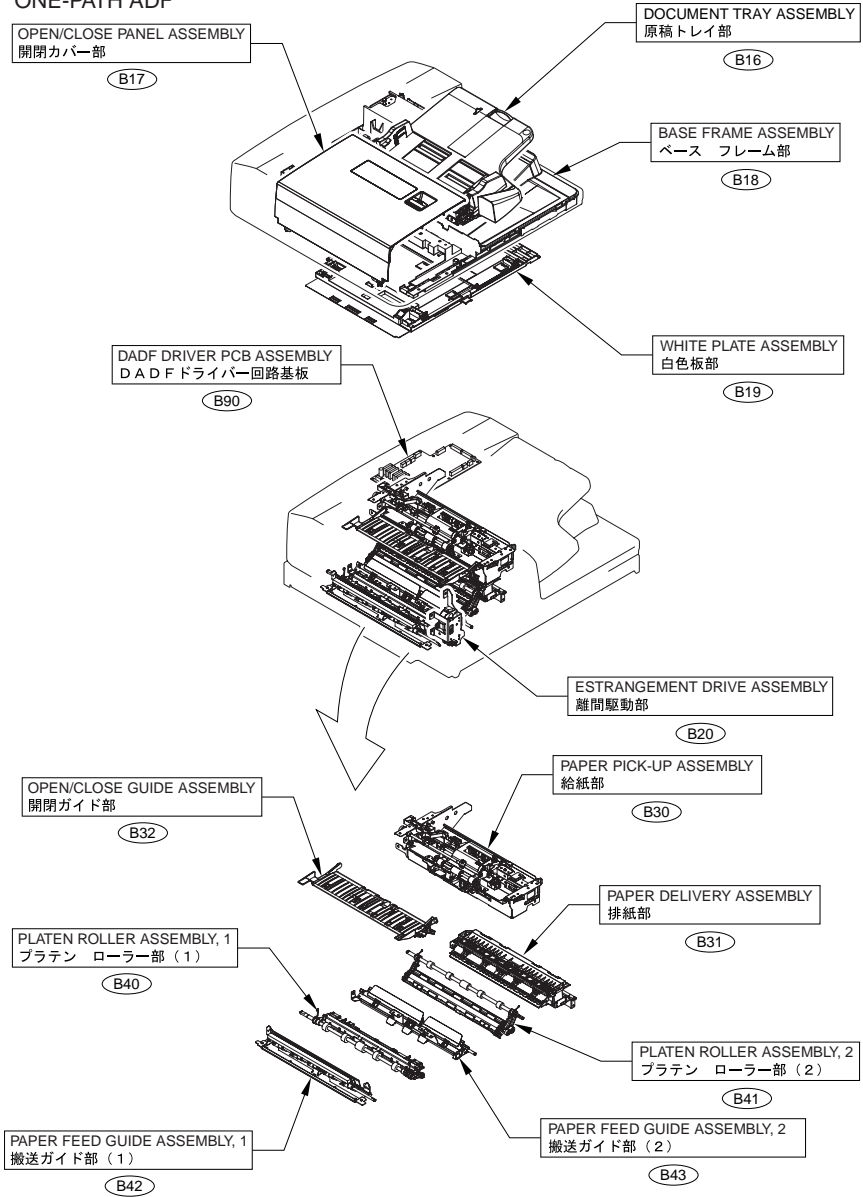




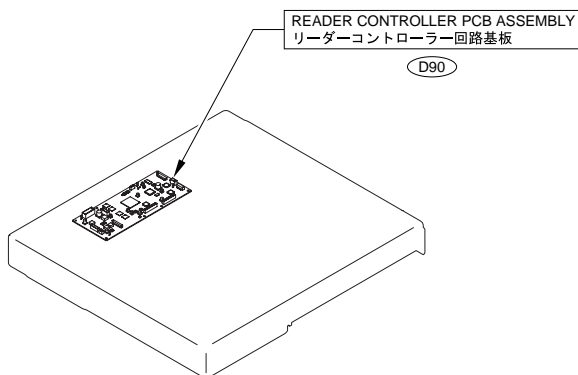
REVERSE ADF



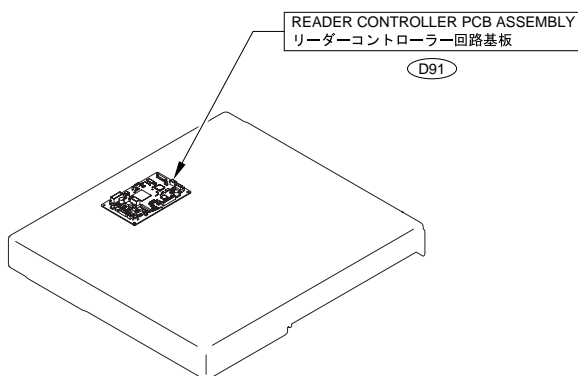
ONE-PATH ADF



iR ADVANCE 5051/5045 SERIES



iR ADVANCE 5035/5030 SERIES



FAX MODEL

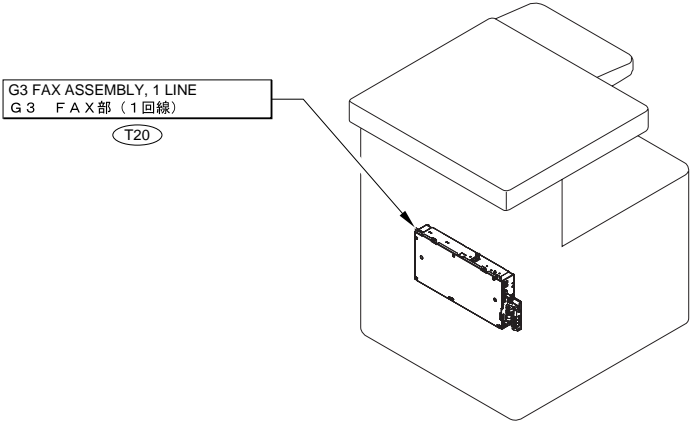
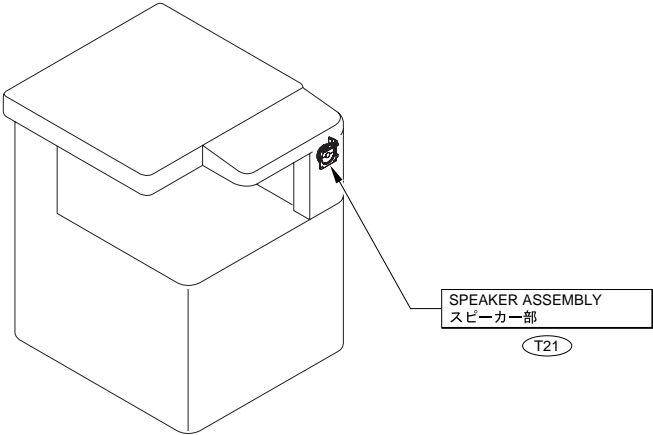
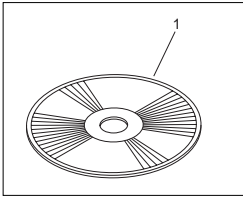


FIGURE A2 OPTION PARTS CATALOG LIST

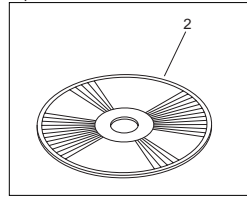
This is the table of the machine's options whose parts catalog is issued.
本機オプションで、パーツカタログが発行されている機種の一覧である。

No.	Model Name(English)	Model Name(Japanese)
1	Duplex Color Image Reader Unit-B1/ Color Image Reader Unit-B1/B2	(日本仕向けなし)
2	PLATEN COVER TYPE N	原稿台カバー タイプN
3	ADF Access Handle-A1	ADFアクセスハンドル・A1
4	Printer Cover-C1	プリンタカバー・C1
5	Paper Deck Unit-B1	ペーパーデッキユニット・B1
6	Cassette Feeding Unit-AD1	2段カセットベディスタル・AD1
7	Tab Feeding Attachment Kit-B1	タブフィーディングアタッチメントキット-B1
8	Envelope Feeder Attachment-D1	封筒カセットアタッチメント・D1
9	Copy Tray-J1	コピートレイ・J1
10	Staple/Booklet Finisher-C1	ステイプル/中綴じフィニッシャー・C1
11	Inner Finisher-A1	インナーフィニッシャー・A1
12	Inner Finisher Additional Tray-A1	インナーフィニッシャー用追加トレイ・A1
13	External 2 Hole, 2/3 Hole, 2/4 Hole Puncher-B1	外付け2穴パンチャー・B1
14	Inner 2Way Tray-F1	インナー2ウェイトレイ・F1
15	Buffer Pass Unit-G1	バッファパスユニット・G1
16	Reader Heater Unit-G1	リーダーヒーターユニット・G1
17	Cassette Heater Unit-37	(日本仕向けなし)
18	CST Heater Unit-31/32	カセットヒーターユニット31/32
19	Utility Tray-A1	ユーティリティトレイ・A1
20	Key Switch Unit-A1/A2	管理キーユニット・A1/A2
21	CARD READER-C1 D1 Rev.00-00	カードリーダー-C1 D1 Rev.00-00
22	Copy Card Reader Attachment-B1	コピーカードリーダー取付けキット・B1
23	SUPER G3 FAX BD-AE1	スーパーG3FAXボード・AE1
24	Super G3 2nd Line Fax Board-AE1	G3回線増設キット(2回線)・AE1
25	Super G3 3rd/4th Line Fax Board-AE1	G3回線増設キット(3・4回線)・AE1
26	(JAPAN ONLY)	G4 FAXボード・G1
27	HAND SET-G2	ハンドセット・G2
28	imagePASS-B1	imagePASS-B1
29	ColorPASS-GX300	ColorPASS-GX300
30	Voice Guidance Kit-F1	音声ガイダンスキット・F1
31	Voice Operation Kit-C1	音声操作キット・C1
32	HDD ENC&MIR KIT-C1/ HDD MIRROR KIT-D1	HDDデータ暗号化ミラーリングキット・C1/ ミラーリングキット・D1
33	USB DEVICE PORT-B1	USBデバイスポート・B1
34	Wireless LAN Board-B1	無線LANボード・B1
35	2.5inch 80GB-C1/250GB-D1 HDD	オプションHDD 2.5inch 80GB・C1/ 250GB・D1
36	Removable HDD Kit-AC1	リムーバブルHDDキット・AC1
37	Expansion Bus-F1	PCIバス拡張キット・F1
38	IPSec Board-B2	IPSecセキュリティボード・B2
39	Image Data Analyzer Board-A1	イメージ解析ボード・A1
40	Multimedia Reader/Writer-A1	マルチメディアリーダー/ライター・A1
41	Serial Interface Kit-K1	シリアルインターフェースキット・K1
42	Copy Control Interface Kit-A1	コントロールインターフェースキット・A1
43	(JAPAN ONLY)	iR-ADV課金装置接続キット・A1
44	(JAPAN ONLY)	モバイル接続ユニット・A1

FIGURE 001 ACCESSORIES



Japanese FAX MODEL



100V

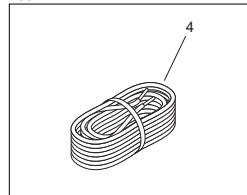
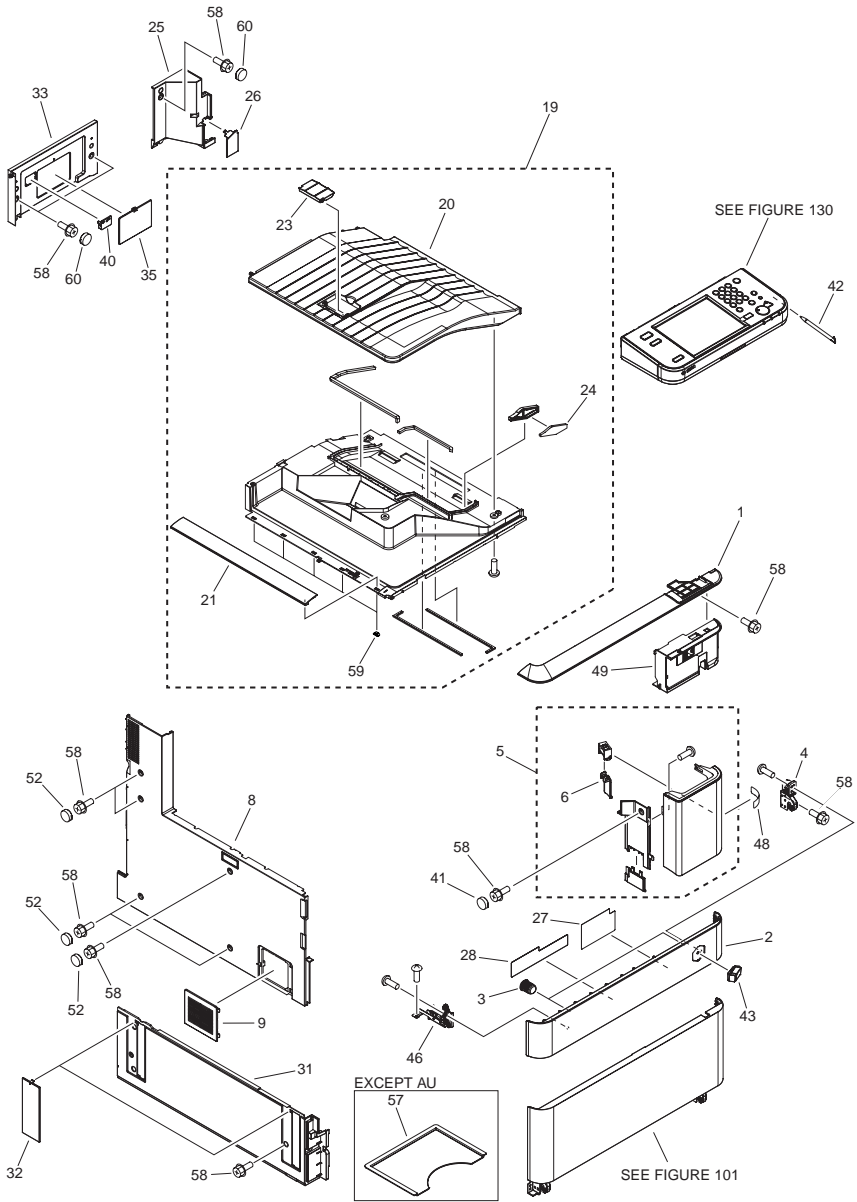


FIGURE & KEY NO.	PARTS NUMBER	RANK	QTY	DESCRIPTION	SERIAL NUMBER/REMARKS	SVC
Fig.001	NPN		RF	ACCESSORIES		
1	FK3-0083-000		1	CD-ROM, SOFTWARE FOR LIPS/LX	Japanese	
1	FK3-0112-000		1	CD-ROM, USER SOFTWARE, PS	English,French,Italian,German,Spanish	
1	FK3-0111-000		1	CD-ROM, USER SOFTWARE, PCL	English,French,Italian,German,Spanish	
1	FK3-0092-000		1	CD-ROM, SOFTWARE FOR UFR II	English,Simplified Chinese,Traditional Chinese,Korean	
1	FK3-0110-000		1	CD-ROM, SOFTWARE FOR UFR II	English,French,Italian,German,Spanish	
1	FK3-0085-000		1	CD-ROM, SOFTWARE FOR UFR II	US English,UK English	
2	FK3-0118-000		1	CD-ROM,SOFTWARE FOR FAX DRIVER	Japanese FAX MODEL	
4	FK2-7367-000		1	CABLE, GROUNDING	100V	

FIGURE 100 EXTERNAL COVERS, PANELS, ETC.



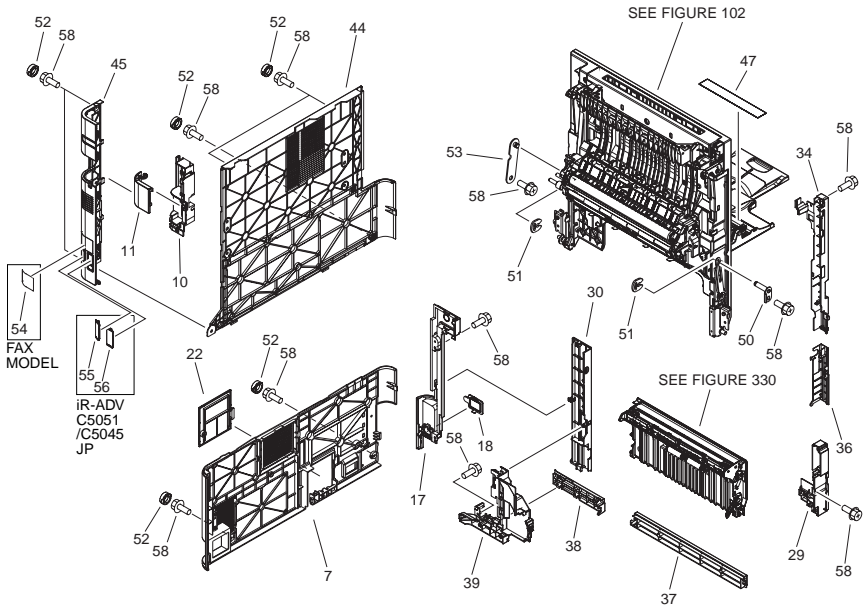
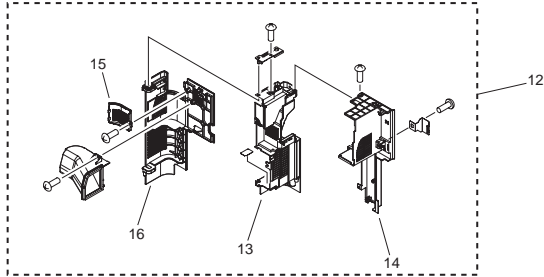
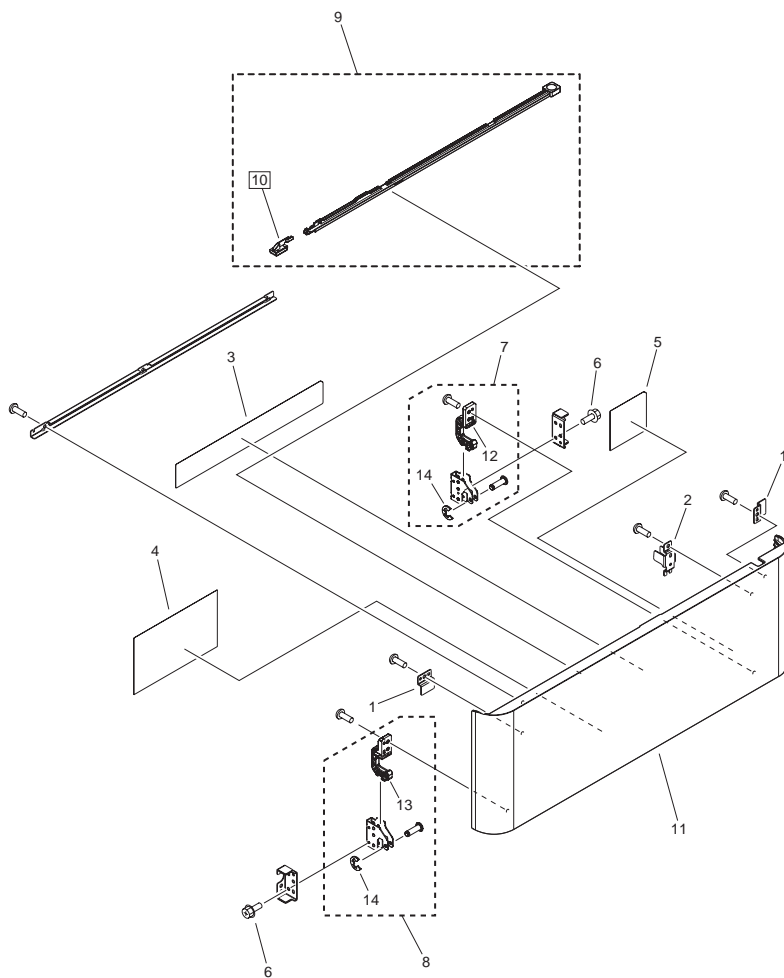


FIGURE & KEY NO.	PARTS NUMBER	R A N K	Q'TY	DESCRIPTION	SERIAL NUMBER/ REMARKS	S V C
Fig.100	NPN		RF	EXTERNAL COVERS, PANELS, ETC.		
1	FM3-6096-000		1	FRONT UPPER COVER ASSEMBLY		
2	FC8-4111-000		1	COVER, TONER		
3	XZ9-0584-000		2	CATCH, MAGNET		
4	FM3-6098-000		1	HINGE MOUNT PLATE ASS'Y, R.U.		
5	FM3-6104-000		1	RIGHT FRONT UP. COVER ASSEMBLY		
6	FC8-4000-000		1	COVER, MAIN SWITCH		
7	FM3-6105-000		1	REAR LOWER COVER ASSEMBLY		
8	FC8-4139-000		1	COVER, LEFT UPPER		
9	FC8-4140-000		1	COVER, DUCT, LEFT		
10	FC8-4141-000		1	COVER, LEFT REAR		
11	FC8-4142-000		1	COVER, SUB, LEFT REAR		
12	FM3-8927-000		1	RIGHT REAR UP. COVER ASSEMBLY		
13	FC8-4152-000		1	COVER, RIGHT UPPER REAR, 2		
14	FC8-4225-000		1	COVER, RIGHT UPPER REAR, 3		
15	FC8-5375-000		1	COVER, RIGHT UPPER REAR, SMALL		
16	FC8-5377-000		1	COVER, RIGHT UPPER REAR, 1		
17	FC8-4131-000		1	COVER, RIGHT REAR		
18	FC8-4137-000		1	COVER, ENV. HEATER SWITCH		
19	FM3-8940-000		1	INNER LOWER COVER ASSEMBLY		
20	FC8-4144-000		1	TRAY, FIRST PAPER DELIVERY		
21	FC8-4149-000		1	COVER, BELT, LEFT UPPER		
22	FC8-5200-000		1	COVER, CONNECTOR		
23	FC8-4766-000		1	STOPPER, PUSHING		
24	FC8-5086-000		1	FILTER, AIR		
25	FC8-4915-000		1	COVER, INNER DELIVERY, RT. REAR		
26	FC8-4916-000		1	COVER, INNER DELIVERY SENSOR		
27	FC8-4716-000		1	LABEL, TONER MODEL, 1	iR-ADV C5035,5030 SERIES EXCEPT US,CA,EUR	
27	FC8-4717-000		1	LABEL, TONER MODEL, 1	iR-ADV C5035,5030 SERIES US,CA	
27	FC8-4718-000		1	LABEL, TONER MODEL, 1	iR-ADV C5035,5030 SERIES EUR	

FIGURE & KEY NO.	PARTS NUMBER	R A N K	Q'TY	DESCRIPTION	SERIAL NUMBER/ REMARKS	S V C
27	FC8-4720-000		1	LABEL, TONER MODEL, 2	iR-ADV C5051,5045 SERIES EXCEPT US,CA,EUR	
27	FC8-4721-000		1	LABEL, TONER MODEL, 2	iR-ADV C5051,5045 SERIES US,CA	
27	FC8-4722-000		1	LABEL, TONER MODEL, 2	iR-ADV C5051,5045 SERIES EUR	
28	FC8-4723-000		1	LABEL, TONER EXCHANGE	EXCEPT US,CA,EUR	
28	FC8-4724-000		1	LABEL, TONER EXCHANGE	US,CA	
28	FC8-4725-000		1	LABEL, TONER EXCHANGE	EUR	
29	FC8-4134-000		1	COVER, RIGHT, FRONT		
30	FC8-4135-000		1	COVER, HANDLE, RIGHT REAR		
31	FC8-4138-000		1	COVER, LEFT LOWER		
32	FC8-4143-000		2	COVER, HANDLE, LEFT		
33	FC8-4145-000		1	COVER, INNER,DELV. REAR		
34	FC8-4153-000		1	COVER, RIGHT FRONT, UPPER		
35	FC8-4917-000		1	COVER, BIAS PCB		
36	FC8-4921-000		1	COVER, RIGHT FRONT HANDLE, MD.		
37	FC8-4922-000		1	COVER, LOWER RIGHT		
38	FC8-5298-000		1	COVER, RIGHT REAR, LOWER		
39	FC8-5335-000		1	COVER,PICK-UP RIGHT REAR,LOWER		
40	FC8-5363-000		1	PLATE, 2ND DELIV. TRAY SUPPORT		
41	FC9-7145-000		1	COVER, SCREW		
42	FL3-0626-000		1	PEN, TOUCH PANEL		
43	FL3-1185-000		1	EMBLEM		
44	FL3-3166-000		1	COVER, REAR UPPER		
45	FL3-3167-000		1	COVER, REAR UPPER, LEFT		
46	FM3-6099-000		1	TONER COVER HINGE MOUNT ASSY		
47	FC9-7160-000		1	LABEL, FEED SIZE	A/B SIZE	
47	FC9-7161-000		1	LABEL, FEED SIZE	A/INCH SIZE	
47	FC9-7162-000		1	LABEL, FEED SIZE	A SIZE	
47	FC9-7163-000		1	LABEL, FEED SIZE	A/B/INCH SIZE	
48	FC9-7861-000		1	LABEL, MAIN POWER SUPPLY	Japanese	
48	FC9-7862-000		1	LABEL, MAIN POWER SUPPLY	English	

FIGURE & KEY NO.	PARTS NUMBER	R A N K	Q'TY	DESCRIPTION	SERIAL NUMBER/ REMARKS	S V C
48	FC9-7863-000		1	LABEL, MAIN POWER SUPPLY	EXCEPT Japanese,English,Korean Simplified Chinese	
48	FC0-0225-000		1	LABEL, MAIN POWER SUPPLY	Simplified Chinese	
48	FC0-0226-000		1	LABEL, MAIN POWER SUPPLY	Korean	
49	FC8-4688-000		1	COVER, BOTTLE INNER, RIGHT		
50	FL3-1123-000		1	SUPPORT, STOPPER SHAFT		
51	FC6-3002-000		2	RING, RESIN, RETAINING		
52	FC9-0311-000		12	CAP, RUBBER		
53	FL2-9530-000		1	STOPPER, RIGHT DOOR, 2		
54	FC8-5221-000		1	LABEL, MODULAR, 1 LINE	FAX MODEL	
55	FC9-7941-000		1	COVER, FAX MODULAR, 1 LINE	iR-ADV C5051,5045 SERIES JP	
56	FC9-7940-000		1	COVER, FAX MODULAR, 2 LINE	iR-ADV C5051,5045 SERIES JP	
57	FC5-1146-000		1	HOLDER, SERVICE BOOK	EXCEPT AU	
58	XA9-0732-010		AR	SCREW,RS,M4		
59	FC0-0188-000		5	PLATE, TRAY BLANKING		
60	FB6-3771-000		3	COVER, RUBBER		

FIGURE 101 FRONT COVER ASSEMBLY

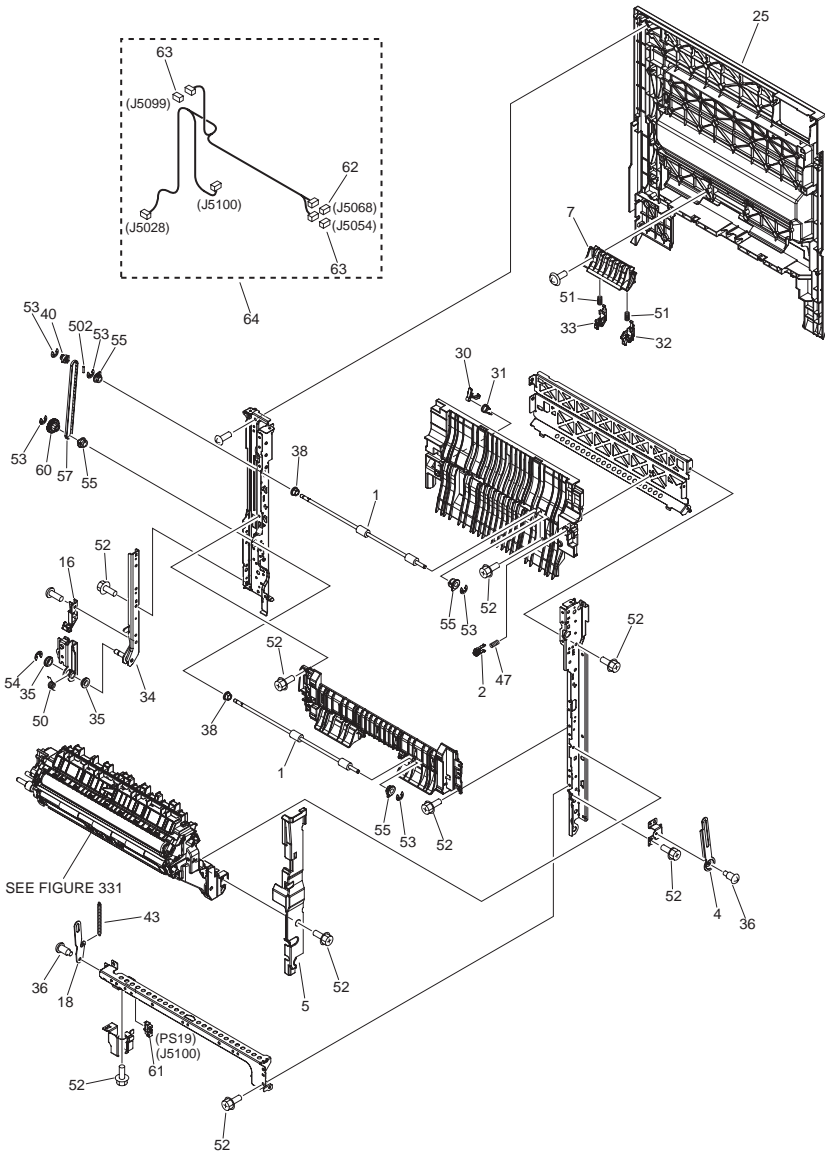


NOTE :This assembly does not include the parts shown with key No.9 and 10.

注:このユニットにKey No.9, 10の部品は含まれません。

FIGURE & KEY NO.	PARTS NUMBER	R A N K	Q'TY	DESCRIPTION	SERIAL NUMBER/ REMARKS	S V C
Fig.101	FM3-6100-000		1	FRONT COVER ASSEMBLY		
1	FC8-4124-000		2	PLATE, MAGNET CATCH		
2	FC8-4155-000		1	PLATE,F DOOR OPEN/CLOSE DETECT		
3	FC9-7152-000		1	LABEL, CLN ROD OPERATION		
4	FL3-3573-000		1	LABEL, SERVICE		
5	FU6-8646-000		1	LABEL, LASER CAUTION		
6	XA9-1386-000		4	SCREW,RS,M3X8		
7	FM3-8934-000		1	HINGE ASSEMBLY		
8	FM3-6064-010		1	HINGE ASSEMBLY, 2		
9	FM3-5968-000		1	GLASS CLEANING ROD ASSEMBLY	SEE NOTE	
10	FL2-9476-000		1	PAD, GLASS CLEANING	SEE NOTE[DP]	
11	FC8-4123-000		1	COVER, FRONT		
12	FC8-4114-000		1	ARM, HINGE		
13	FC9-7151-000		1	ARM, HINGE 2		
14	XD9-0134-000		2	RING,E		

FIGURE 102 RIGHT OUTER DOOR ASSEMBLY



NOTE :This assembly includes the assemblies shown in Figure 331 and 332.
 注:このユニットはFigure 331, 332のユニットを含みます。

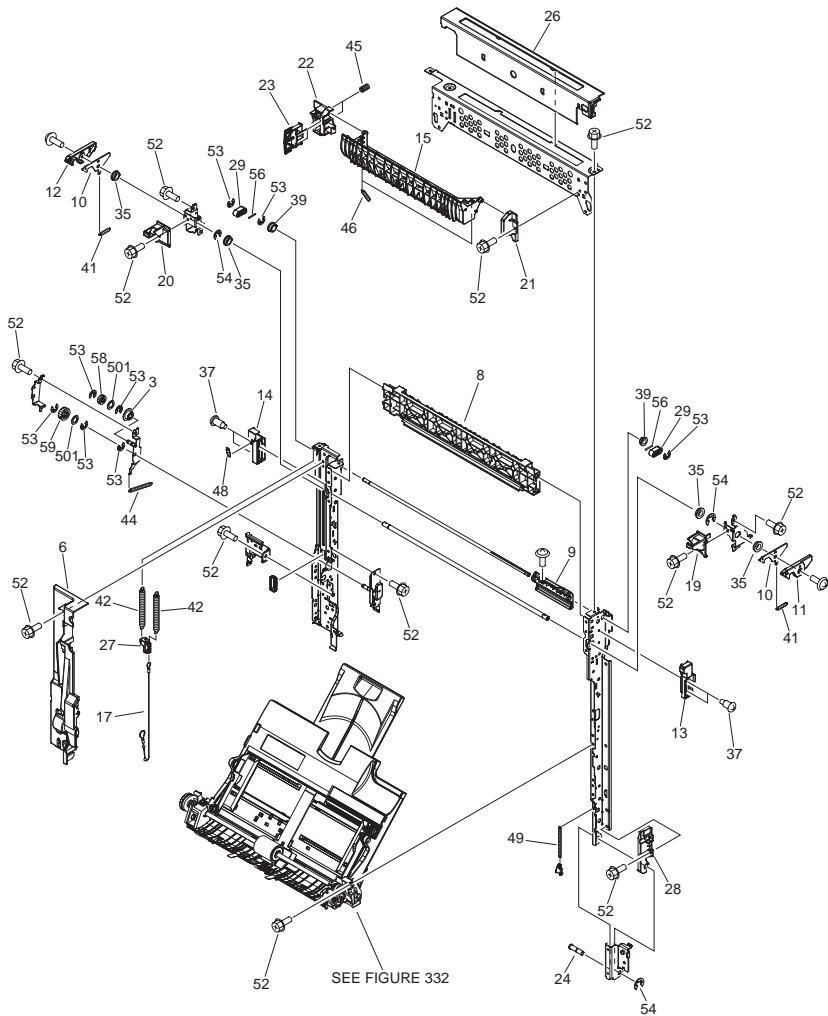


FIGURE & KEY NO.	PARTS NUMBER	R A N K	Q'TY	DESCRIPTION	SERIAL NUMBER/ REMARKS	S V C
Fig.102	FM3-6006-000		1	RIGHT OUTER DOOR ASSEMBLY	SEE NOTE	
1	FC6-4019-000		2	ROLLER, DUPLEXING FEEDER		
2	FC7-2341-000		1	BLOCK, PRESSURE		
3	FC9-7949-000		1	ROLLER, TENSION		
4	FC8-4820-000		1	STOPPER, RIGHT DOOR, F		
5	FC8-4829-000		1	COVER, RIGHT DOOR INNER, F		
6	FC8-4830-000		1	COVER, RIGHT DOOR INNER		
7	FC8-4833-000		1	GUIDE, DESORPTION		
8	FC8-4834-000		1	GUIDE, DUPLEXING INNER		
9	FC8-4835-000		1	HANDLE, DOOR, RIGHT		
10	FC8-4836-000		2	PLATE, HOOK		
11	FC8-4837-000		1	HOOK, F		
12	FC8-4838-000		1	HOOK, R		
13	FC8-4839-000		1	ARM, SLIDE, F		
14	FC8-4840-000		1	ARM, SLIDE, R		
15	FC8-4843-000		1	GUIDE, FIRST DELIVERY OPPOSED		
16	FC8-4844-000		1	GUIDE, HINGE R REINFORCEMENT		
17	FC8-4846-000		1	WIRE, DAMPER		
18	FC8-4852-000		1	STOPPER, RIGHT DOOR, 1		
19	FC8-4854-000		1	LEVER, TOGGLE, F		
20	FC8-4855-000		1	LEVER, TOGGLE, R		
21	FC8-4857-000		1	FOOT, GUIDE SUPPORTING, F		
22	FC8-4858-000		1	FOOT, GUIDE SUPPORTING, R		
23	FC8-4864-000		1	BLOCK, FIXING DOOR PRESSURE		
24	FC8-4867-000		1	SHAFT		
25	FC8-4875-000		1	COVER, DOOR, RIGHT		
26	FC8-4904-000		1	COVER, DOOR TOP PLATE, RIGHT		
27	FC8-4905-000		1	HOOK, SLIDE		
28	FC8-5160-000		1	GUIDE, HINGE F REINFORCEMENT		
29	FC8-5162-000		2	LINK, HANDLE		
30	FC8-5293-000		1	STOPPER, MULTI TRAY		
31	FC8-5396-000		1	SPRING, TORSION		

FIGURE & KEY NO.	PARTS NUMBER	R A N K	Q'TY	DESCRIPTION	SERIAL NUMBER/ REMARKS	S V C
32	FC9-7142-000		1	ARM, PRESSURE, F		
33	FC9-7143-000		1	ARM, PRESSURE, R		
34	FL2-9527-000		1	FOOT, RIGHT DOOR TURN		
35	FU6-1022-000		6	BUSHING		
36	FS1-9169-000		2	SCREW, STEPPED		
37	FS2-9001-020		4	SCREW,STEPPED,M4		
38	FU5-1033-000		2	BUSHING		
39	FU5-1457-000		2	BUSHING		
40	FU5-3016-000		1	PULLEY, 24T		
41	FU7-2478-000		2	SPRING, TENSION		
42	FU7-2479-000		2	SPRING, TENSION		
43	FU7-2480-000		1	SPRING, TENSION		
44	FU7-2487-000		1	SPRING, TENSION		
45	FU7-2488-000		2	SPRING, COMPRESSION		
46	FU7-2489-000		2	SPRING, TENSION		
47	FU7-2502-000		1	SPRING, COMPRESSION		
48	FU7-2520-000		1	SPRING, TENSION		
49	FU7-2527-000		1	SPRING, TENSION		
50	FU7-2528-000		1	SPRING, TORSION		
51	FU8-2295-000		2	SPRING, COMPRESSION		
52	XA9-0732-010		58	SCREW,RS,M4		
53	XD9-0135-000		12	RING, E		
54	XD9-0137-010		4	RING, E		
55	FU6-1020-000		4	BUSHING		
56	XD9-0292-000		2	PIN, DOWEL		
57	XF2-4118-340		1	BELT, TIMING		
58	FU8-0202-000		1	GEAR, 15T		
59	FU8-0203-000		1	GEAR, 22T		
60	FU8-0204-000		1	PULLEY/GEAR, 24T/26T		
61	WG8-5848-000		1	PHOTO-INTERRUPTER,GP1A173LCS0F	PS19	
62	VS1-8412-003		1	CONNECTOR, SNAP TIGHT, BK		
63	VS1-8412-009		2	CONNECTOR, SNAP TIGHT, BL		

FIGURE & KEY NO.	PARTS NUMBER	R A N K	Q'TY	DESCRIPTION	SERIAL NUMBER/ REMARKS	S V C
64	FM3-7811-000		1	CABLE, RIGHT DOOR CONNECTING		
501	XD1-1106-226		2	WASHER		
502	XD3-2200-102		1	PIN, DOWEL		

FIGURE & KEY NO.	PARTS NUMBER	R A N K	Q'TY	DESCRIPTION	SERIAL NUMBER/ REMARKS	S V C
Fig.103	NPN		RF	MACHINE FRONT PLATE		
1	FM3-6044-000		1	MAIN SWITCH ASSEMBLY		
2	FM3-7799-000		1	CABLE, MAIN SWITCH	SW1	
3	FM3-8897-000		1	DELIVERY COOLING FAN ASSEMBLY		
4	FK2-7291-000		1	FAN	FM9	
5	XA9-0732-010		AR	SCREW,RS,M4		
6	XA9-1957-000		2	SCREW, MACH.,TRUSS HEAD, M4X36		
7	FC6-1844-000		1	PLATE, MAGNET, B		
8	FC8-4202-000		1	LINK, MOVABLE		
9	FC8-4204-000		1	COVER, INTERLOCK		
10	FM3-6049-000		1	SENSOR UNIT, ENVIRONMENT		
11	FC6-4023-000		1	FILTER, AIR		
12	FK2-3679-000		1	FAN	FM10	
13	FM3-8896-000		1	FILTER HOLDER ASSEMBLY		
14	FM3-6070-000		1	INTERLOCK SWITCH ASSEMBLY		
15	FC8-4196-000		1	LEVER, DOOR LINK, RIGHT		
16	FC8-4219-000		2	SPRING, TORSION		
17	FU7-2504-000		1	SPRING, TENSION		
18	FM3-7808-000		1	CABLE, DC INTERLOCK	SW3,SW4	
19	FM3-6095-000		1	DRAWER ASSEMBLY		
20	FS5-9282-020		2	SCREW, STEPPED		
21	FU7-2466-000		2	SPRING, COMPRESSION		
22	FM3-7862-000		1	CABLE, PAPER FEED DRAWER, PIT		
23	FM3-8928-000		1	COVER STOP MOUNT ASS'Y,RT. UP.		
24	WG8-5848-000		2	PHOTO-INTERRUPTER,GP1A173LCS0F	PS17,PS18	
25	FM3-7807-000		1	CABLE, DC INTERLOCK CONNECTING		
26	VS1-7177-003		4	CONNECTOR, SNAP TIGHT, BK		
27	XD9-0134-000		1	RING,E		
28	VS1-7177-004		1	CONNECTOR, SNAP TIGHT, BK		
29	VS1-8412-007		1	CONNECTOR, SNAP TIGHT, BL		
30	VS1-8412-011		1	CONNECTOR, SNAP TIGHT, BL		
31	VS1-8412-025		2	CONNECTOR, SNAP TIGHT, BL		

FIGURE & KEY NO.	PARTS NUMBER	R A N K	Q'TY	DESCRIPTION	SERIAL NUMBER/ REMARKS	S V C
32	FM3-7825-000		1	CABLE, RIGHT UPPER GUIDE		
33	FM3-7875-000		1	CABLE, DOOR CONNECTING, FRONT		
501	XD1-1104-135		2	WASHER,COP		

FIGURE 104 INTERNAL COMPONENTS 1

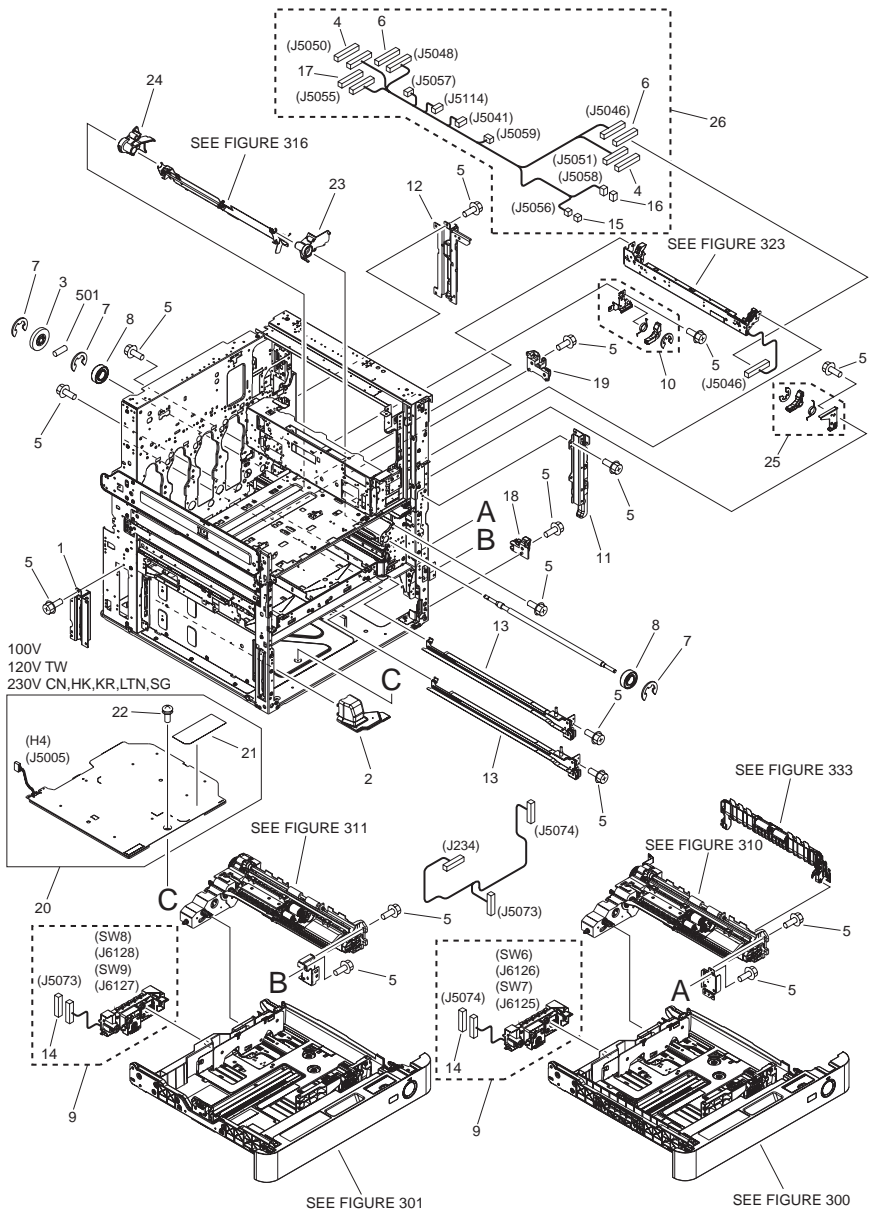


FIGURE & KEY NO.	PARTS NUMBER	R A N K	Q'TY	DESCRIPTION	SERIAL NUMBER/ REMARKS	S V C
Fig.104	NPN		RF	INTERNAL COMPONENTS 1		
1	FM3-6078-000		1	HANDLE CROSSMEMBER ASS'Y, L, R		
2	FC9-0104-000		1	COVER, HEATER CONNECTOR		
3	FS5-0662-000		1	GEAR, 36T		
4	VS1-8412-031		2	CONNECTOR		
5	XA9-0732-010		AR	SCREW,RS,M4		
6	VS1-8412-019		2	CONNECTOR, SNAP TIGHT, BL		
7	XD9-0137-010		3	RING, E		
8	XG9-0502-000		2	BEARING, BALL, P0, 16MM, NSK		
9	FM3-5933-000		2	AUTO SIZE DETECT ASSEMBLY		
10	FM3-8917-000		1	DRAWING LINK ASS'Y, REAR		
11	FM3-6079-000		1	HANDLE CROSSMEMBER ASS'Y, R, F		
12	FM3-6080-000		1	HANDLE CROSSMEMBER ASS'Y, R, R		
13	FM3-6120-000		2	CASSETTE RAIL ASSEMBLY, RIGHT		
14	VS1-8412-011		2	CONNECTOR, SNAP TIGHT, BL		
15	VS1-7177-002		1	CONNECTOR, SNAP TIGHT, BK		
16	VS1-7177-003		1	CONNECTOR, SNAP TIGHT, BK		
17	VS1-8412-017		1	CONNECTOR, SNAP TIGHT, BL		
18	FC8-4865-000		1	GUIDE, DOOR TURN SHAFT, FRONT		
19	FC8-4866-000		1	GUIDE, DOOR TURN SHAFT, FRONT		
20	FM4-9191-000		1	CASSETTE HEATER ASSEMBLY	100V,120V TW, 230V CN,HK,KR,LTN,SG	
21	FU6-8647-000		1	LABEL, HIGH TMP. CAUTION	100V,120V TW, 230V CN,HK,KR,LTN,SG	
22	XA9-1016-000		1	SCREW, WWASHER, M3X6	100V,120V TW, 230V CN,HK,KR,LTN,SG	
23	FC8-4795-000		1	GUIDE,2ND TRNSFER.OUTER,FRONT		
24	FC8-4796-000		1	GUIDE, REG. HARD ROLLER, REAR		
25	FM3-8916-000		1	DRAWING LINK ASS'Y, FRONT		
26	FM3-7847-000		1	CABLE, PRE-REGISTRATION GUIDE		
501	XD3-2200-162		1	PIN, DOWEL		

FIGURE & KEY NO.	PARTS NUMBER	RANK	Q'TY	DESCRIPTION	SERIAL NUMBER/REMARKS	SVC
Fig.105	NPN		RF	INTERNAL COMPONENTS 2		
1	FC6-9556-000		1	COUPLING, FAN SHUTTER		
2	FC8-5089-000		1	SHEET, BOTTLE SHIELD, BLACK		
3	FK2-2069-000		1	MOTOR, STEPPING, DC	M27	
4	FK2-3679-000		2	FAN	FM5,FM6	
5	XA9-0732-010		AR	SCREW,RS,M4		
6	FK2-7362-000		1	FAN	FM7	
7	FS1-1508-000		2	BUSHING		
8	FK2-7290-000		1	FAN	FM8	
9	FM3-6108-000		1	FIXING RAIL FRONT ASSEMBLY		
10	FU7-0318-000		1	GEAR, 50T		
11	FU7-2530-000		1	SPRING, COMPRESSION		
12	FC8-4801-000		1	PLATE, JOINT		
13	FC8-4920-000		1	COVER, INNER, RIGHT FRONT		
14	FL3-1186-000		1	COVER, THIRD DELIVERY BLANKING		
15	FM3-6009-000		1	PAPER DELIVERY DOOR HOOK ASS'Y		
16	XD9-0136-000		2	RING,E		
17	XA9-1386-000		3	SCREW,RS,M3X8		
18	XD9-0134-000		1	RING,E		
20	FC8-4802-000		1	LEVER, FULL DETECT		
21	FC8-4936-000		1	COVER, PROTECTIVE		
22	VS1-8412-013		1	CONNECTOR, SNAP TIGHT, BL		
23	VS1-7177-002		1	CONNECTOR, SNAP TIGHT, BK		
24	VS1-7177-003		3	CONNECTOR, SNAP TIGHT, BK		
25	VS1-7177-004		2	CONNECTOR, SNAP TIGHT, BK		
26	VS1-8412-015		1	CONNECTOR, SNAP TIGHT, BL		
27	FC8-4935-000		1	GUIDE, REVERSE BACK END		
28	FC8-4909-000		1	RAIL, FIXING, REAR		
29	WG8-5848-000		1	PHOTO-INTERRUPTER,GP1A173LCS0F	PS21	
30	FC8-4806-000		1	DUCT, 2ND TRNSFR. EXHAUST		
501	XD3-2200-102		1	PIN, DOWEL		

FIGURE 106 INTERNAL COMPONENTS 3

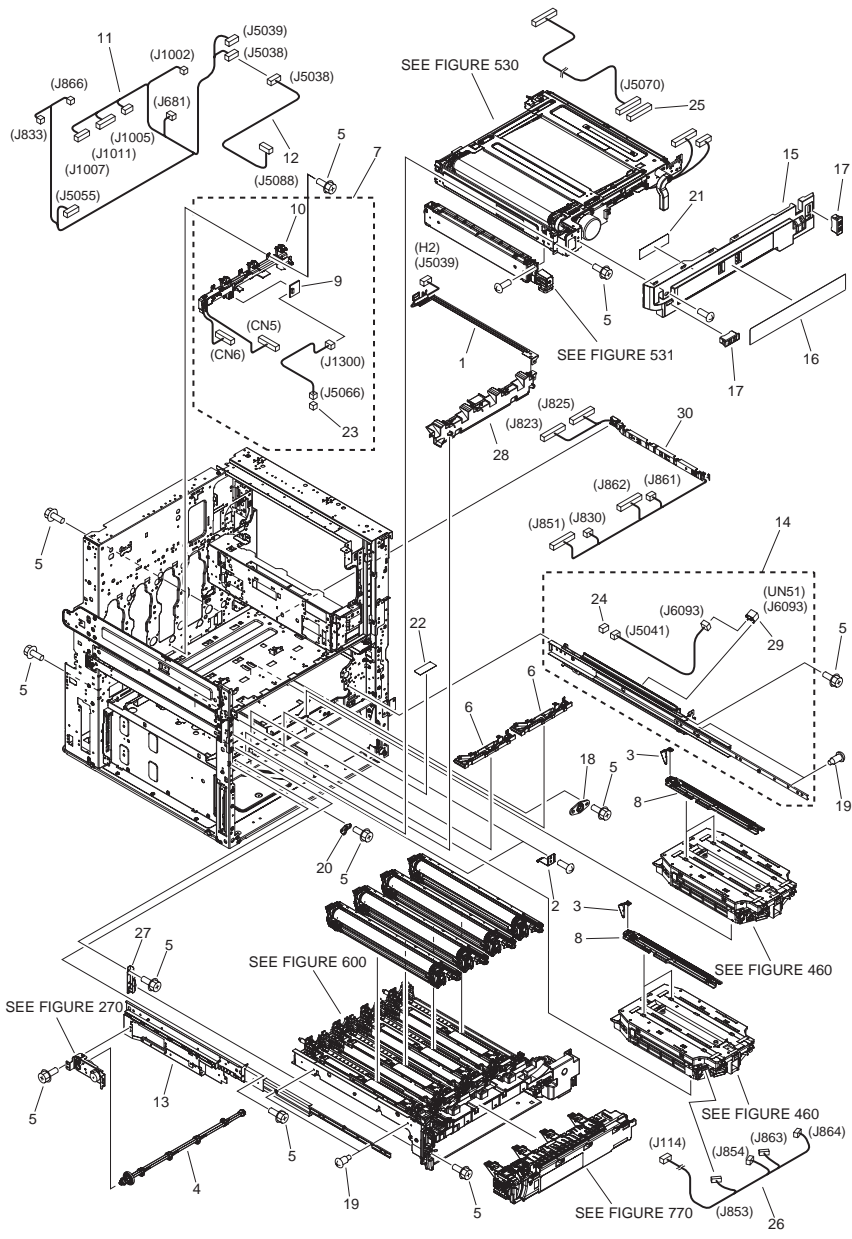


FIGURE & KEY NO.	PARTS NUMBER	RANK	Q'TY	DESCRIPTION	SERIAL NUMBER/REMARKS	SVC
Fig.106	NPN		RF	INTERNAL COMPONENTS 3		
1	FK2-7295-000		1	HEATER, DRUM	100V,120VH2	
1	FK2-7296-000		1	HEATER, DRUM	230VH2	
2	FC8-5009-000		2	SPRING, GROUNDING		
3	FC8-5013-000		4	SPRING, GROUNDING		
4	FM3-5927-000		1	SHUTTER CAM SHAFT ASSEMBLY		
5	XA9-0732-010		AR	SCREW,RS,M4		
6	FL3-1170-000		2	GUIDE, SCANNER CABLE, FRONT		
7	FM3-6091-000		1	IMAGING H.V.C. ASS'Y,CL		
8	FM3-5966-010		4	DUST-PROOF SHUTTER ASSEMBLY		
9	FM3-7941-000		1	MACHINE TMP. SENSOR PCB ASS'Y		
10	FM3-8932-000		1	IMAGING H.V.C. HOLDER ASS'Y,CL		
11	FM3-7794-000		1	CABLE, AC HEATER		
12	FM3-7889-000		1	CABLE, DRUM HEATER CL		
13	FM3-6086-000		1	RAIL CROSSMEMBER ASS'Y, LEFT		
14	FM3-6087-000		1	RAIL CROSSMEMBER ASS'Y, RIGHT		
15	FC8-4453-000		1	COVER, I.T.BELT, FRONT		
16	FC8-4457-000		1	LABEL, WASTE TONER EXCHANGE		
17	XZ9-0603-000		2	CATCH, MAGNET		
18	FC8-3973-000		1	BUSHING		
19	FU5-9447-000		4	SCREW, STEPPED, M4X6.3		
20	FC8-3974-000		1	BUSHING		
21	FC9-7928-000		1	LABEL, BELT SENSOR CAUTION		
22	FC0-0185-000		1	LABEL, LS MOUNTING CAUTION		
23	VS1-7177-002		1	CONNECTOR, SNAP TIGHT, BK		
24	VS1-7177-003		1	CONNECTOR, SNAP TIGHT, BK		
25	VS1-8412-017		1	CONNECTOR, SNAP TIGHT, BL		
26	FK2-7330-000		1	CABLE		
27	FC8-4014-000		1	CROSSMEMBER, PROCESS KIT FRAME		
28	FM3-6060-000		1	IMAGING FRONT DUCT ASSEMBLY		
29	RH7-7129-020		1	OHT SENSOR UNIT	UN51	
30	FM3-8935-000		1	LASER SCANNER CABLE UNIT		

FIGURE 107 INTERNAL COMPONENTS 4

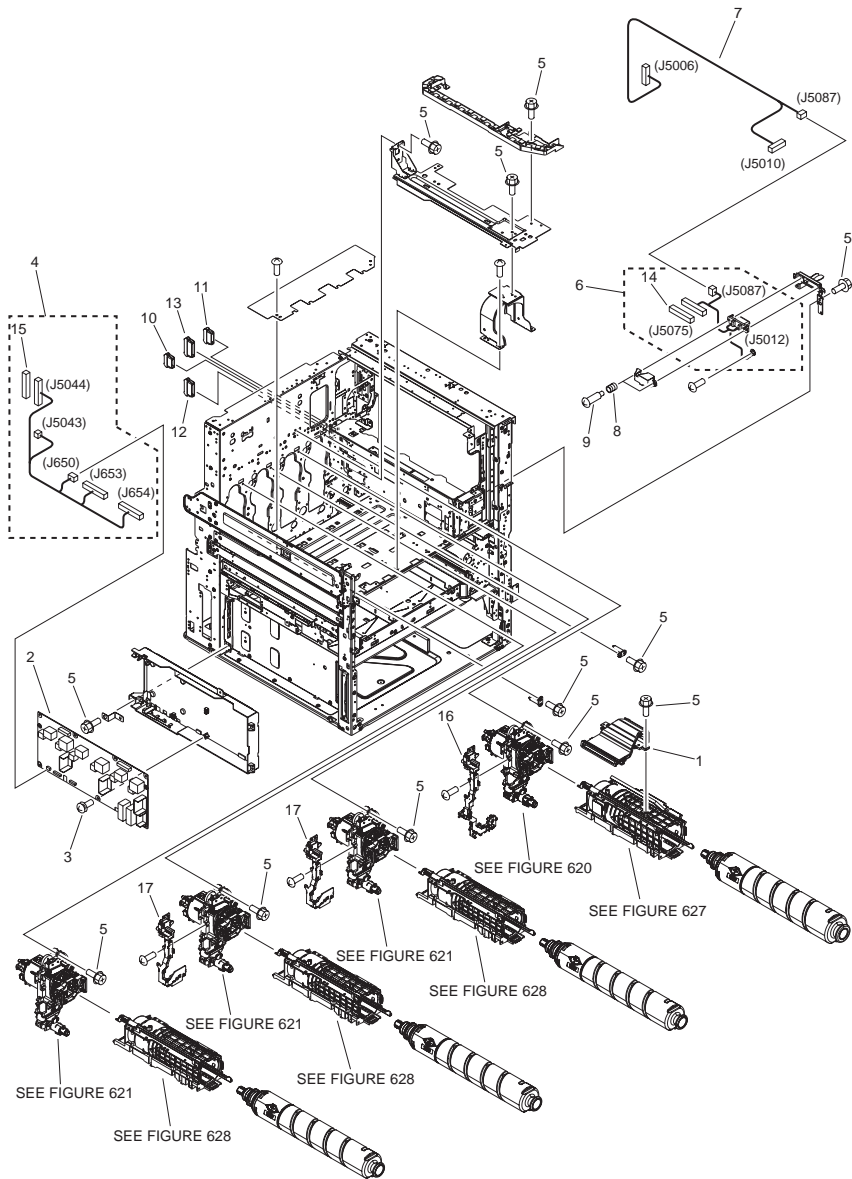


FIGURE & KEY NO.	PARTS NUMBER	R A N K	Q'TY	DESCRIPTION	SERIAL NUMBER/ REMARKS	S V C
Fig.107	NPN		RF	INTERNAL COMPONENTS 4		
1	FM3-6066-000		1	INNER EXHAUST DUCT ASSEMBLY		
2	FK2-7348-000		1	H.V. POWER SUPPLY PCB ASSEMBLY		
3	XA9-1038-000		7	SCREW,P,M4X10		
4	FM3-7815-000		1	CABLE, HIGH VOLTAGE 1		
5	XA9-0732-010		AR	SCREW,RS,M4		
6	FM3-7798-000		1	CABLE, SIDE END COOLING DRAWER		
7	FM3-7888-000		1	CABLE, FIXING AC CONNECTING		
8	FS5-2964-000		2	SPRING, COMPRESSION		
9	FS5-9758-020		2	SCREW,STEPPED,M3		
10	VS1-8412-015		1	CONNECTOR, SNAP TIGHT, BL		
11	VS1-8412-017		1	CONNECTOR, SNAP TIGHT, BL		
12	VS1-8412-019		1	CONNECTOR, SNAP TIGHT, BL		
13	VS1-8412-025		1	CONNECTOR, SNAP TIGHT, BL		
14	VS1-8412-023		1	CONNECTOR, SNAP TIGHT, BL		
15	VS1-8412-029		1	CONNECTOR, SNAP TIGHT, BL		
16	FM3-6076-010		1	IMAGING H.V.C. ASS'Y, BLACK		
17	FM3-6077-000		2	HIGH VOLTAGE CONNECTING ASS'Y		

FIGURE 108 MACHINE REAR PLATE 1

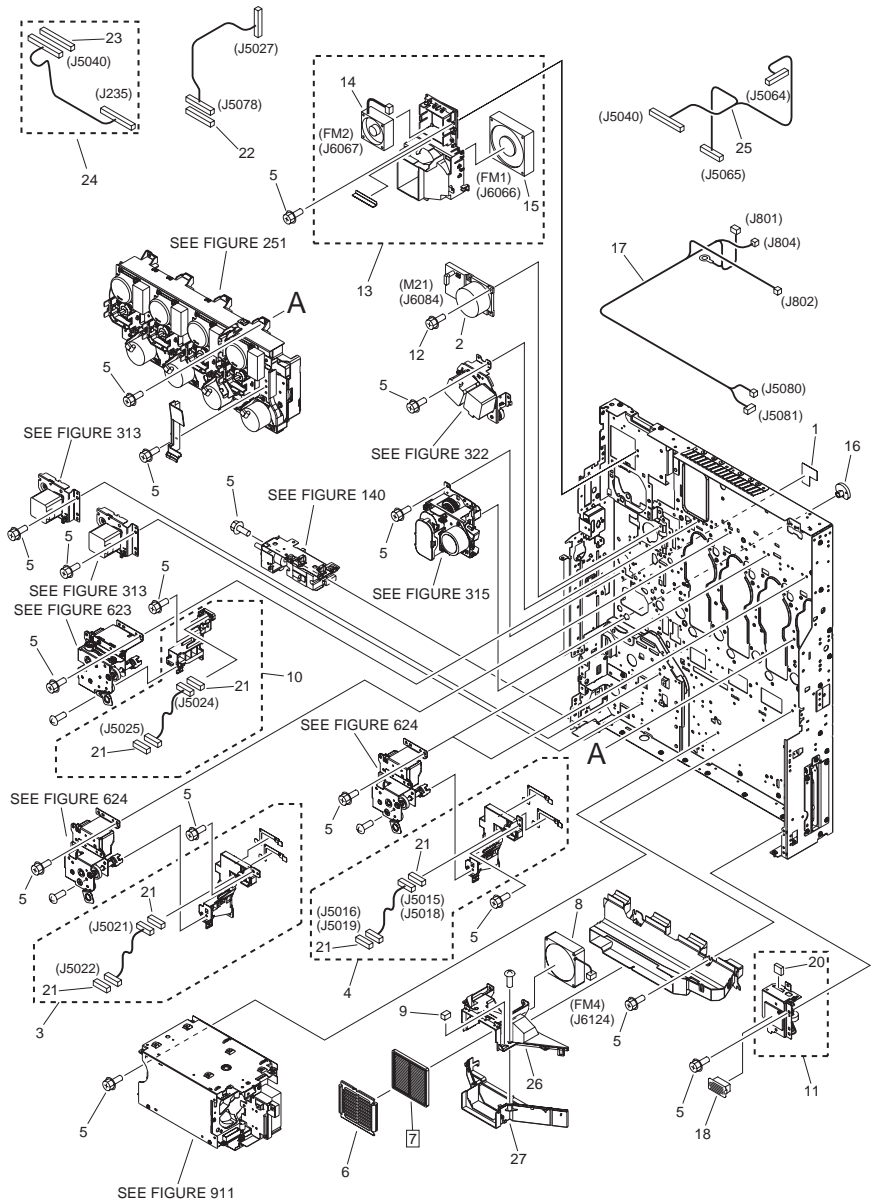


FIGURE & KEY NO.	PARTS NUMBER	R A N K	Q'TY	DESCRIPTION	SERIAL NUMBER/ REMARKS	S V C
Fig.108	NPN		RF	MACHINE REAR PLATE 1		
1	FC8-4459-000		1	LABEL, I.T.BELT CAUTION		
2	FK2-7302-000		1	MOTOR, DC	M21	
3	FM3-5988-000		1	IMAGING H.V.C. ASSEMBLY, BK		
4	FM3-5989-000		2	1ST TRNSFR. H.V. CONTACT ASS'Y		
5	XA9-0732-010		AR	SCREW,RS,M4		
6	FL3-3585-000		1	PLATE, FAN PROTECTIVE, REAR		
7	FC6-9817-000		1	FILTER, TONER, LEFT	[DP]	
8	FK2-0360-000		1	FAN	FM4	
9	VS1-7177-003		1	CONNECTOR, SNAP TIGHT, BK		
10	FM3-8929-000		1	SET ON DRIVE BLACK MOUNT ASS'Y		
11	FM3-6041-000		1	FINISHER LATTICE ASSEMBLY		
12	XA9-1386-000		9	SCREW,RS,M3X8		
13	FM3-5998-000		1	FIXING EXHAUST DUCT ASSEMBLY		
14	FK2-3679-000		1	FAN	FM2	
15	FK2-7286-000		1	FAN	FM1	
16	FC8-5078-000		1	CAM, PLATE RELEASE, CENTER		
17	FM3-7882-000		1	CABLE, UI-OP POWER SUPPLY		
18	FH2-6552-000		1	COVER, CONNECTOR		
20	VS1-7177-010		1	CONNECTOR, 10P		
21	VS1-8412-007		8	CONNECTOR, SNAP TIGHT, BL		
22	VS1-8412-019		1	CONNECTOR, SNAP TIGHT, BL		
23	VS1-8412-029		1	CONNECTOR, SNAP TIGHT, BL		
24	FM3-7870-000		1	CABLE, CASSETTE PAPER PICK-UP		
25	FM3-7846-000		1	CABLE, CST.PICK-UP CONNECTING		
26	FC8-4079-000		1	COVER, REAR DUCT, UPPER		
27	FC8-4080-000		1	COVER, REAR DUCT, LOWER		

FIGURE 109 MACHINE REAR PLATE 2

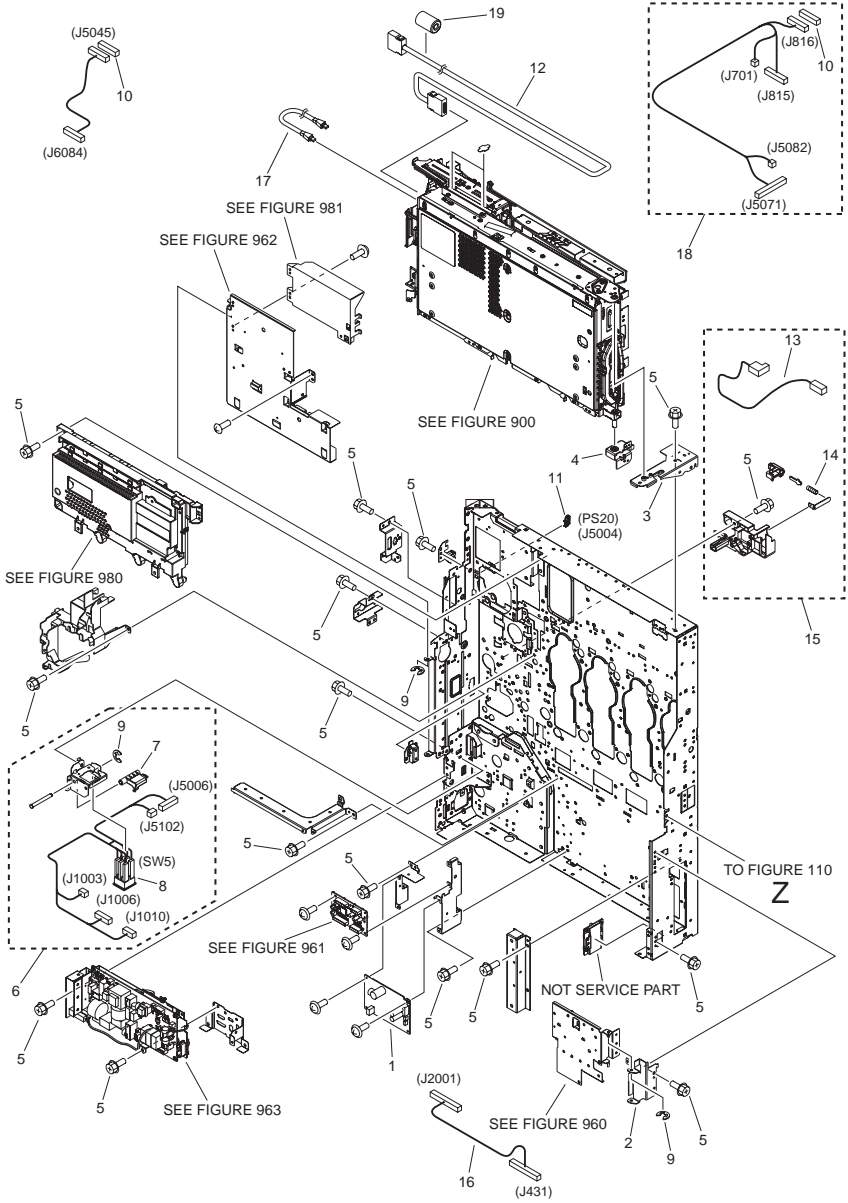


FIGURE & KEY NO.	PARTS NUMBER	R A N K	Q'TY	DESCRIPTION	SERIAL NUMBER/ REMARKS	S V C
Fig.109	NPN		RF	MACHINE REAR PLATE 2		
1	FK2-6324-000		1	ALL NIGHT P.S. PCB ASSEMBLY	100V,120V	
1	FK2-6325-000		1	ALL NIGHT P.S. PCB ASSEMBLY	230V	
2	FC8-5170-000		1	PLATE, DRUM DRIVER HINGE		
3	FL2-9531-000		1	HINGE, CONTROLLER BOX, UPPER		
4	FL3-1197-000		1	HINGE, CONTROLLER BOX, LOWER		
5	XA9-0732-010		AR	SCREW,RS,M4		
6	FM3-6010-000		1	INTERLOCK ASSEMBLY, AC		
7	FC8-5149-000		1	LINK, SWITCH PRESSURE		
8	FM3-7800-000		1	CABLE, AC INTERLOCK SWITCH	SW5	
9	XD9-0136-000		3	RING,E		
10	VS1-8412-011		2	CONNECTOR, SNAP TIGHT, BL		
11	WG8-5848-000		1	PHOTO-INTERRUPTER,GP1A173LCS0F	PS20	
12	FK2-8443-000		1	CABLE, CONTROL PANEL		
13	FM3-7859-000		1	CABLE,2ND TRNSFR. HIGH VOLTAGE		
14	FU7-2447-000		1	SPRING, COMPRESSION		
15	FM3-6012-000		1	PRE 2ND TRNS. H.V. CNCT. ASS'Y		
16	FM3-7803-000		1	CABLE, POWER SUPPLY RELAY, 2		
17	FK2-8447-000		1	CABLE, USB		
18	FM3-7879-000		1	CABLE, FINISHER		
19	WE8-5601-000		1	FERRITE CORE		

FIGURE 110 MACHINE REAR PLATE 3

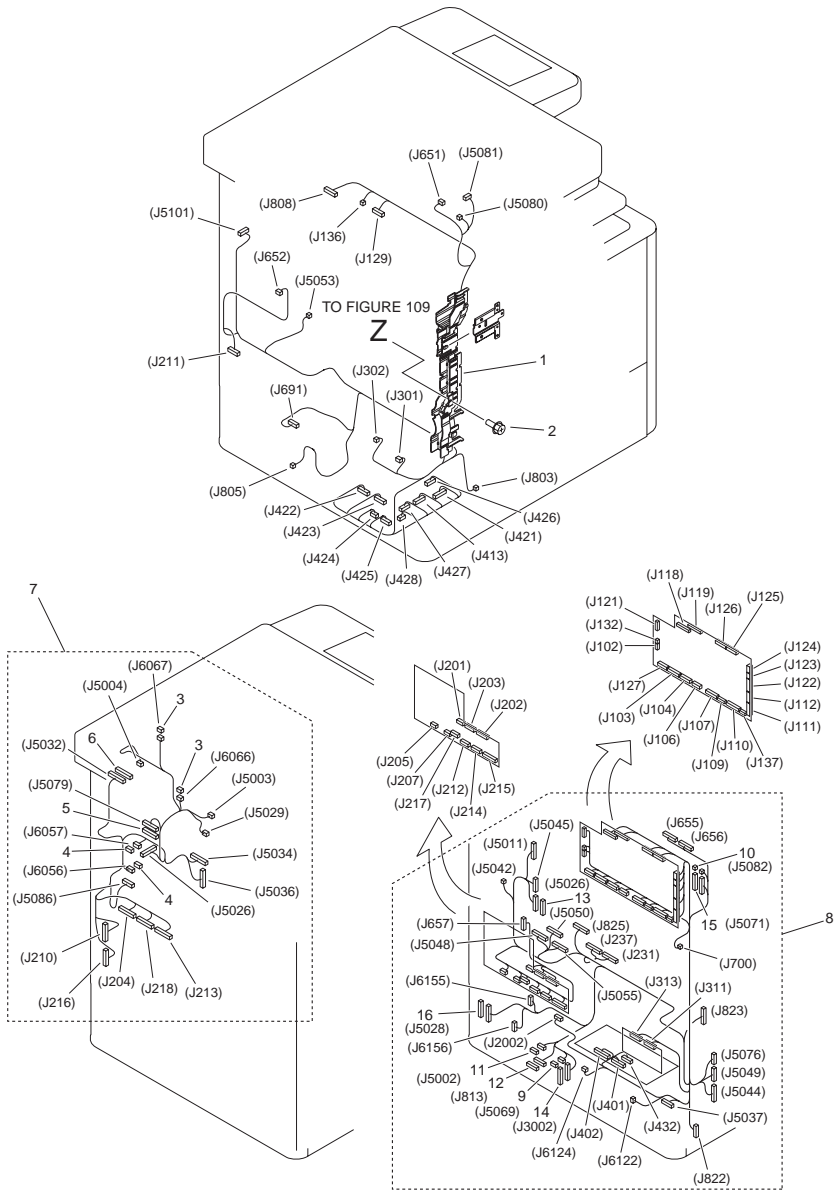
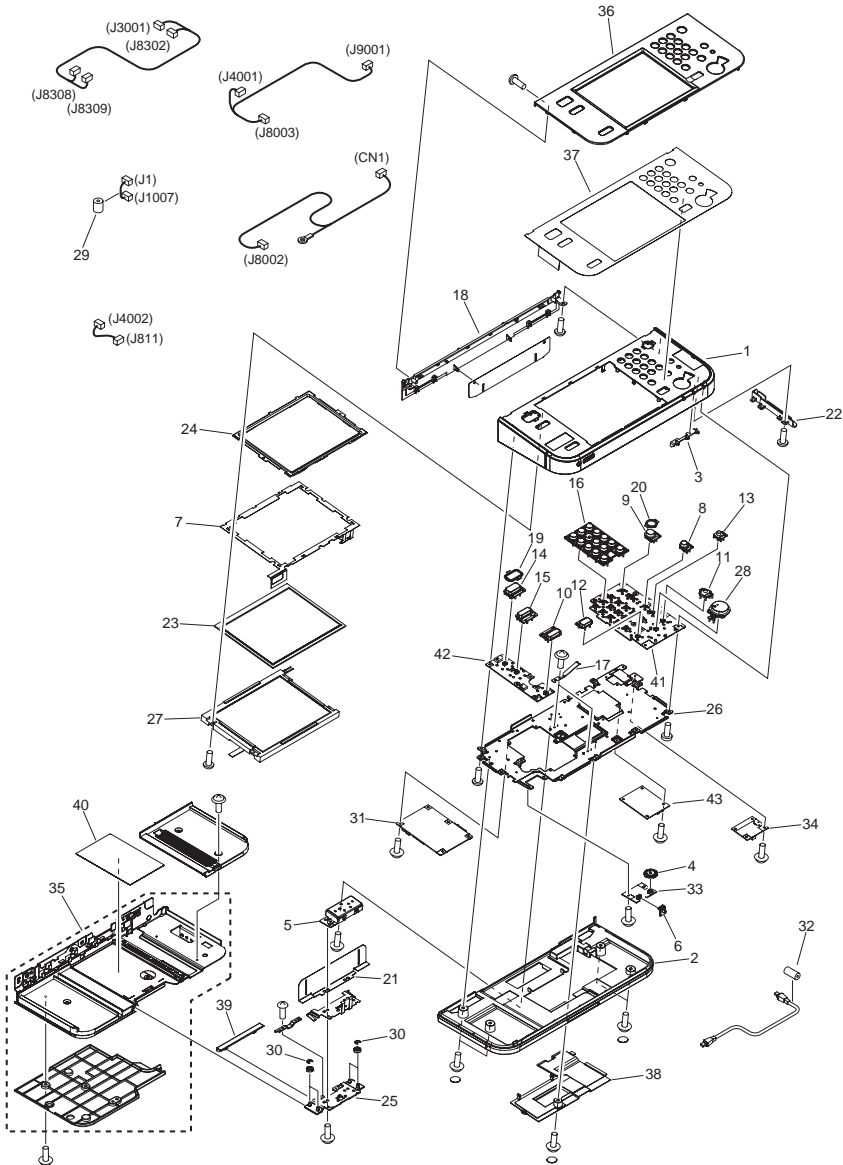


FIGURE & KEY NO.	PARTS NUMBER	R A N K	Q'TY	DESCRIPTION	SERIAL NUMBER/ REMARKS	S V C
Fig.110	NPN		RF	MACHINE REAR PLATE 3		
1	FM3-8903-000		1	DC POWER CABLE ASSEMBLY		
2	XA9-0732-010		AR	SCREW,RS,M4		
3	VS1-7177-003		2	CONNECTOR, SNAP TIGHT, BK		
4	VS1-7177-004		2	CONNECTOR, SNAP TIGHT, BK		
5	VS1-8412-017		1	CONNECTOR, SNAP TIGHT, BL		
6	VS1-8412-021		1	CONNECTOR, SNAP TIGHT, BL		
7	FM3-7833-000		1	CABLE, PAPER FEED MAIN		
8	FM3-7809-000		1	CABLE, MAIN		
9	VS1-7173-004		1	CONNECTOR, SNAP TIGHT		
10	VS1-7177-002		1	CONNECTOR, SNAP TIGHT, BK		
11	VS1-7177-005		1	CONNECTOR, SNAP TIGHT, BK		
12	VS1-7177-008		1	CONNECTOR, SNAP TIGHT, BK		
13	VS1-8412-013		1	CONNECTOR, SNAP TIGHT, BL		
14	VS1-8412-015		1	CONNECTOR, SNAP TIGHT, BL		
15	VS1-8412-023		1	CONNECTOR, SNAP TIGHT, BL		
16	VS1-8412-025		1	CONNECTOR, SNAP TIGHT, BL		

FIGURE 130 CONTROL PANEL ASSEMBLY



NOTE : This assembly does not include the parts shown with key No. 35, 36, 37, 38, 39 and 40.
 注:このユニットにKey No. 35, 36, 37, 38, 39, 40の部品は含まれません。

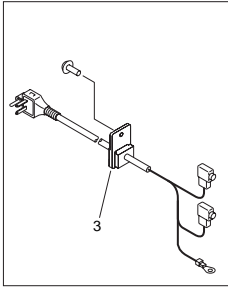
FIGURE & KEY NO.	PARTS NUMBER	R A N K	Q'TY	DESCRIPTION	SERIAL NUMBER/ REMARKS	S V C
Fig.130	FM3-7992-000		1	CONTROL PANEL ASSEMBLY		
1	FC8-7819-000		1	BASE, UP COVER		
2	FC8-7820-000		1	COVER, LOWER		
3	FC8-7823-000		1	COVER, LAMP		
4	FC8-7824-000		1	KEY TOP, BRIGHTNESS ADJUSTMENT		
5	FC8-7825-000		1	HINGE, K		
6	FC8-7834-000		1	KEY TOP, VOLUME		
7	FC8-7838-000		1	SHEET, ANTISTATIC		
8	FC8-8649-000		1	KEY TOP, SETTINGS/REGISTRATION		
9	FC8-8650-000		1	KEY TOP, POWER		
10	FC9-9237-000		1	KEY TOP, RESET		
11	FC8-8653-000		1	KEY TOP, STOP		
12	FC9-9238-000		1	KEY TOP, CANCEL		
13	FC8-8655-000		1	KEY TOP, COUNTER CHECK		
14	FC9-9239-000		1	KEY TOP, MAIN MENU		
15	FC9-9240-000		1	KEY TOP, PORTAL		
16	FC8-8660-000		1	KEY TOP, NUMBERS		
17	FC8-8679-000		2	PLATE, GROUNDING		
18	FC9-4382-000		1	COVER, REAR		
19	FC9-4390-000		1	COVER, KEY TOP, LEFT		
20	FC9-4391-000		1	COVER, KEY TOP, RIGHT		
21	FC9-4403-000		1	SHEET, COVER		
22	FC9-4408-000		1	COVER, PEN		
23	FK2-8477-000		1	TOUCH PANEL ASSEMBLY		
24	FL3-0627-000		1	COVER, LIQUID CRYSTAL DISPLAY		
25	FL3-0628-000		1	SLIDER		
26	FL3-0629-000		1	CROSSMEMBER, CONTROL PANEL		
27	FL3-0630-000		1	LCD, 8.4 INCH		
28	FL3-0833-000		1	KEY TOP, START		
29	WE8-5731-000		1	RING CORE		
30	XD9-0134-000		4	RING,E		
31	FM3-7994-000		1	CPU PCB ASSEMBLY		

FIGURE & KEY NO.	PARTS NUMBER	R A N K	Q'TY	DESCRIPTION	SERIAL NUMBER/ REMARKS	S V C
32	WE8-5600-000		1	CORE, RING		
33	FM4-1198-000		1	CONTROL PANEL VOLUME ASSEMBLY		
34	FM4-1199-000		1	CONTROL PANEL HUB ASSEMBLY		
35	FM3-7993-000		1	CONTROL PANEL FIXED ASSEMBLY	SEE NOTE	
36	FC8-7818-000		1	COVER, UP	SEE NOTE	
37	FC9-9222-000		1	SHEET, OPERATOR ASS'Y	iR-ADV C5051i EUR SEE NOTE	
37	FC9-9212-000		1	SHEET, OPERATOR ASS'Y	iR-ADV C5051F JP SEE NOTE	
37	FC9-4396-000		1	SHEET, OPERATOR ASS'Y	iR-ADV C5051 US,AU,230V SEE NOTE	
37	FC8-7822-000		1	SHEET, OPERATOR ASS'Y	iR-ADV C5051 JP SEE NOTE	
37	FC9-4397-000		1	SHEET, OPERATOR ASS'Y	iR-ADV C5051 EUR SEE NOTE	
37	FC9-4399-000		1	SHEET, OPERATOR ASS'Y	iR-ADV C5051 KR SEE NOTE	
37	FC9-4398-000		1	SHEET, OPERATOR ASS'Y	iR-ADV C5051 CN SEE NOTE	
37	FC9-4400-000		1	SHEET, OPERATOR ASS'Y	iR-ADV C5051 TW SEE NOTE	
37	FC9-9223-000		1	SHEET, OPERATOR ASS'Y	iR-ADV C5045i EUR SEE NOTE	
37	FC9-9213-000		1	SHEET, OPERATOR ASS'Y	iR-ADV C5045F JP SEE NOTE	
37	FC9-9216-000		1	SHEET, OPERATOR ASS'Y	iR-ADV C5045 US,AU,230V SEE NOTE	
37	FC9-9209-000		1	SHEET, OPERATOR ASS'Y	iR-ADV C5045 JP SEE NOTE	
37	FC9-9219-000		1	SHEET, OPERATOR ASS'Y	iR-ADV C5045 EUR SEE NOTE	
37	FC9-9229-000		1	SHEET, OPERATOR ASS'Y	iR-ADV C5045 KR SEE NOTE	
37	FC9-9226-000		1	SHEET, OPERATOR ASS'Y	iR-ADV C5045 CN SEE NOTE	
37	FC9-9232-000		1	SHEET, OPERATOR ASS'Y	iR-ADV C5045 TW SEE NOTE	
37	FC9-9224-000		1	SHEET, OPERATOR ASS'Y	iR-ADV C5035i EUR SEE NOTE	
37	FC9-9214-000		1	SHEET, OPERATOR ASS'Y	iR-ADV C5035F JP SEE NOTE	

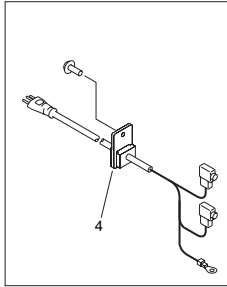
FIGURE & KEY NO.	PARTS NUMBER	RANK	Q'TY	DESCRIPTION	SERIAL NUMBER/REMARKS	SVC
37	FC9-9217-000		1	SHEET, OPERATOR ASS'Y	iR-ADV C5035 US,AU,230V SEE NOTE	
37	FC9-9210-000		1	SHEET, OPERATOR ASS'Y	iR-ADV C5035 JP SEE NOTE	
37	FC9-9220-000		1	SHEET, OPERATOR ASS'Y	iR-ADV C5035 EUR SEE NOTE	
37	FC9-9230-000		1	SHEET, OPERATOR ASS'Y	iR-ADV C5035 KR SEE NOTE	
37	FC9-9227-000		1	SHEET, OPERATOR ASS'Y	iR-ADV C5035 CN SEE NOTE	
37	FC9-9233-000		1	SHEET, OPERATOR ASS'Y	iR-ADV C5035 TW SEE NOTE	
37	FC9-9225-000		1	SHEET, OPERATOR ASS'Y	iR-ADV C5030i EUR SEE NOTE	
37	FC9-9215-000		1	SHEET, OPERATOR ASS'Y	iR-ADV C5030F JP SEE NOTE	
37	FC9-9218-000		1	SHEET, OPERATOR ASS'Y	iR-ADV C5030 US,AU,230V SEE NOTE	
37	FC9-9211-000		1	SHEET, OPERATOR ASS'Y	iR-ADV C5030 JP SEE NOTE	
37	FC9-9221-000		1	SHEET, OPERATOR ASS'Y	iR-ADV C5030 EUR SEE NOTE	
37	FC9-9231-000		1	SHEET, OPERATOR ASS'Y	iR-ADV C5030 KR SEE NOTE	
37	FC9-9228-000		1	SHEET, OPERATOR ASS'Y	iR-ADV C5030 CN SEE NOTE	
37	FC9-9234-000		1	SHEET, OPERATOR ASS'Y	iR-ADV C5030 TW SEE NOTE	
38	FC8-7842-000		1	COVER, LOWER, SMALL	SEE NOTE	
39	FC9-4402-000		1	COVER, SLIDE	SEE NOTE	
40	FC9-4405-000		1	SHEET, BLANKING	SEE NOTE	
41	FM4-1194-000		1	KEY TOP PCB ASSEMBLY		
42	FM4-1195-000		1	KEY TOP PCB ASSEMBLY, SUB		
43	FM4-1196-000		1	INVERTER PCB ASSEMBLY		

FIGURE 140 POWER CORD TERMINAL ASS'Y

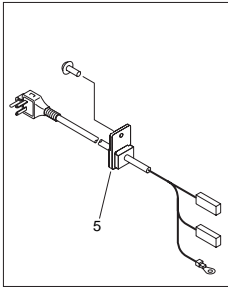
IR-ADV C5035,5030 SERIES
120V



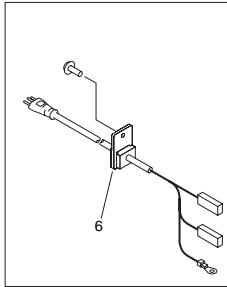
IR-ADV C5035,5030 SERIES
230V BR



IR-ADV C5051,5045 SERIES
120V



IR-ADV C5051,5045 SERIES
230V BR



230V EXCEPT BR

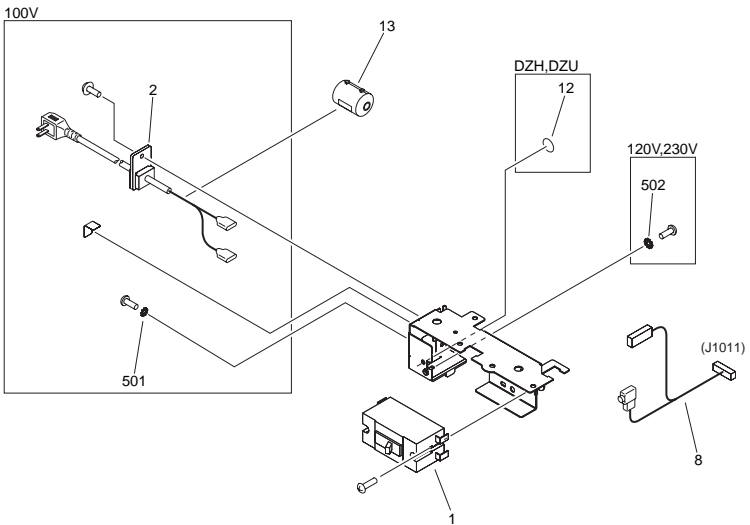
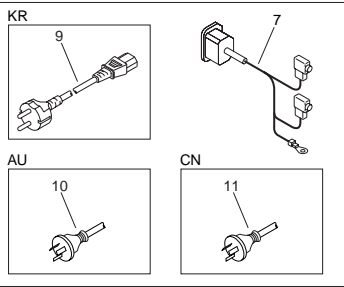


FIGURE & KEY NO.	PARTS NUMBER	R A N K	Q'TY	DESCRIPTION	SERIAL NUMBER/ REMARKS	S V C
Fig.140	FM3-6045-000		1	POWER CORD TERMINAL ASS'Y	100V	
Fig.140	FM3-6056-000		1	POWER CORD TERMINAL ASS'Y	iR-ADV C5051,5045 SERIES 120V	
Fig.140	FM3-6055-000		1	POWER CORD TERMINAL ASS'Y	iR-ADV C5035,5030 SERIES 120V	
Fig.140	FM3-6057-000		1	POWER CORD TERMINAL ASS'Y	230V	
1	FH7-7625-030		1	BREAKER, ELECTRIC LEAKAGE	230V	
1	FH7-7626-000		1	BREAKER, ELECTRIC LEAKAGE	iR-ADV C5035,5030 SERIES 100V,120V	
1	FK2-7359-000		1	BREAKER, ELECTRIC LEAKAGE	iR-ADV C5051,5045 SERIES 120V	
2	FL3-2613-000		1	CABLE, POWER SUPPLY, 100V	100V	
3	FL3-2614-000		1	CABLE, POWER SUPPLY, 120V	iR-ADV C5035,5030 SERIES 120V	
5	FL3-2615-000		1	CABLE, POWER SUPPLY, 120V	iR-ADV C5051,5045 SERIES 120V	
7	FM3-7824-000		1	CABLE, INLET, 230V	230V EXCEPT BR	
8	FM3-7793-000		1	CABLE, AC INPUT		
9	FK2-0146-000		1	CORD, POWER SUPPLY	EUR,KR	
10	FK2-0148-000		1	CORD, POWER SUPPLY	AU	
11	FK2-2987-000		1	CORD, POWER SUPPLY	CN	
12	FC7-4825-000		1	LABEL, BLANKING, GROUDING MARK	JP	
13	WE8-6152-000		1	FERRITE CORE, RING TYPE		
501	XD1-4200-402		1	WASHER, TOOTHED LOCK, M4	100V	
502	XD1-4200-502		1	LOCK WASHER (SUS)	120V,230V	

FIGURE 251 DRUM DEVELOPING DRIVE ASSEMBLY

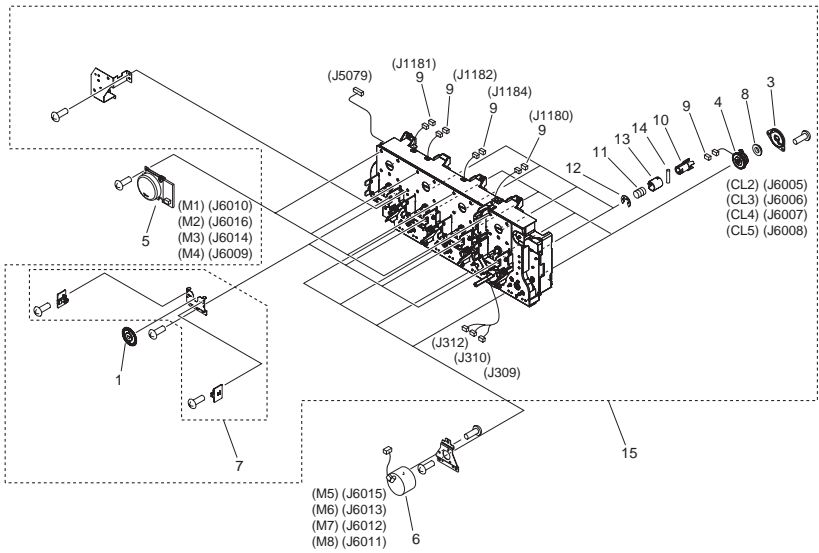


FIGURE & KEY NO.	PARTS NUMBER	RANK	Q'TY	DESCRIPTION	SERIAL NUMBER/REMARKS	SVC
Fig.251	NPN		RF	DRUM DEVELOPING DRIVE ASSEMBLY		
1	FL3-4135-000		4	WHEEL, CORD, 645P		
3	FC8-4175-000		4	COVER, CLUTCH		
4	FK2-7371-000		4	CLUTCH, ELECTROMAGNETIC	CL2,CL3,CL4,CL5	
5	FK2-7298-000		4	MOTOR, DC	M1,M2,M3,M4	
6	FK2-7303-000		4	MOTOR, DC	M5,M6,M7,M8	
7	FM4-8343-000		4	ENCODER ASSEMBLY		
8	FU5-1448-000		4	BUSHING		
9	VS1-7177-002		8	CONNECTOR, SNAP TIGHT, BK		
10	FC8-4170-000		4	COUPLING, DEVELOPMENT		
11	FU6-2636-000		4	SPRING, COMPRESSION		
12	XD9-0136-000		4	RING, E		
13	FC8-4171-000		4	CAP, COUPLING		
14	XD9-0325-000		4	PIN, PARALLEL		
15	FM4-8390-000		1	DRUM DEVELOPING DRIVE ASSEMBLY		

FIGURE 270 SHUTTER DRIVE MOUNT ASSEMBLY

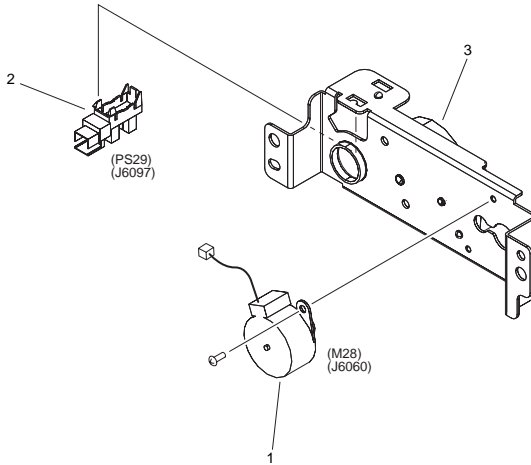
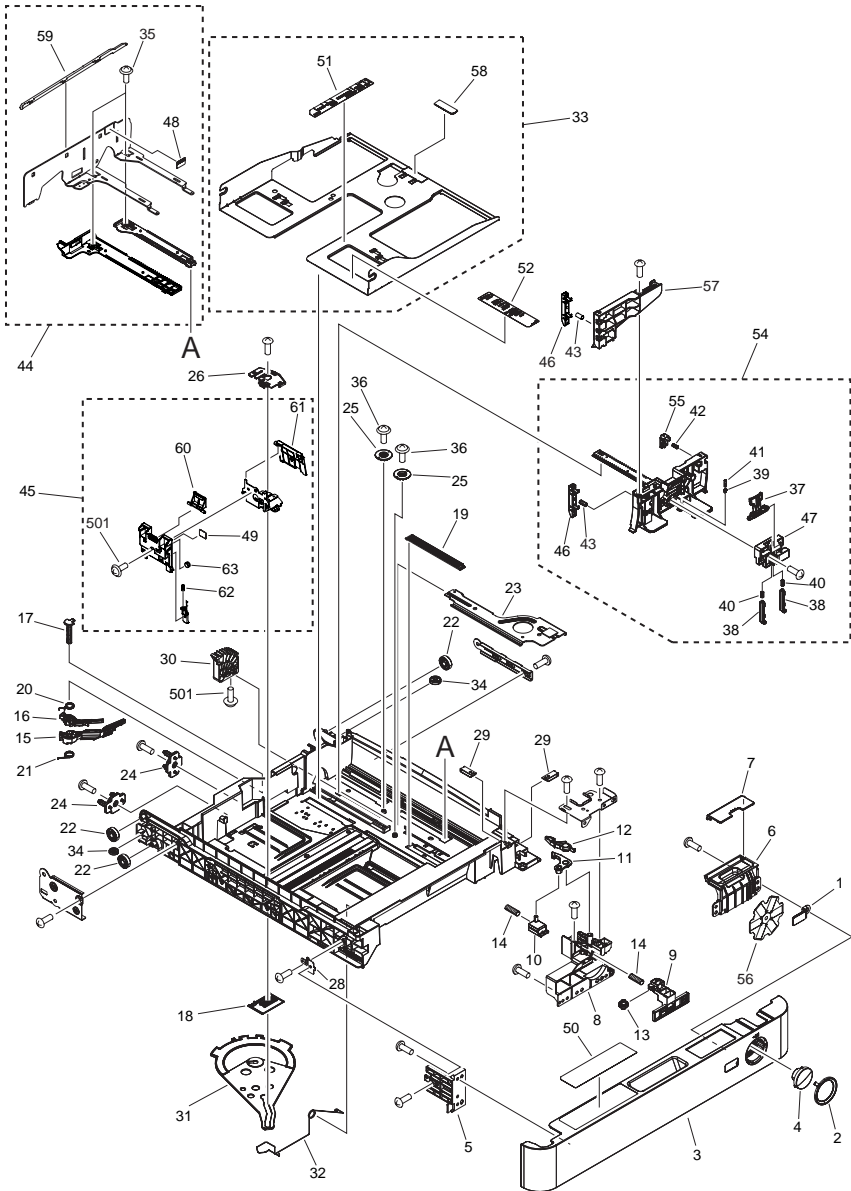


FIGURE & KEY NO.	PARTS NUMBER	RANK	QTY	DESCRIPTION	SERIAL NUMBER/REMARKS	SVC
Fig.270	FM3-5928-000		1	SHUTTER DRIVE MOUNT ASSEMBLY		
1	FK2-2069-000		1	MOTOR, STEPPING, DC	M28	
2	WG8-5783-000		1	IC,PHOTO-INTERRUPTER,LG248NL1A	PS29	
3	FM3-6109-000		1	DRIVE MOUNT BASE ASSEMBLY		

FIGURE 300 CASSETTE ASSEMBLY (MIDDLE)

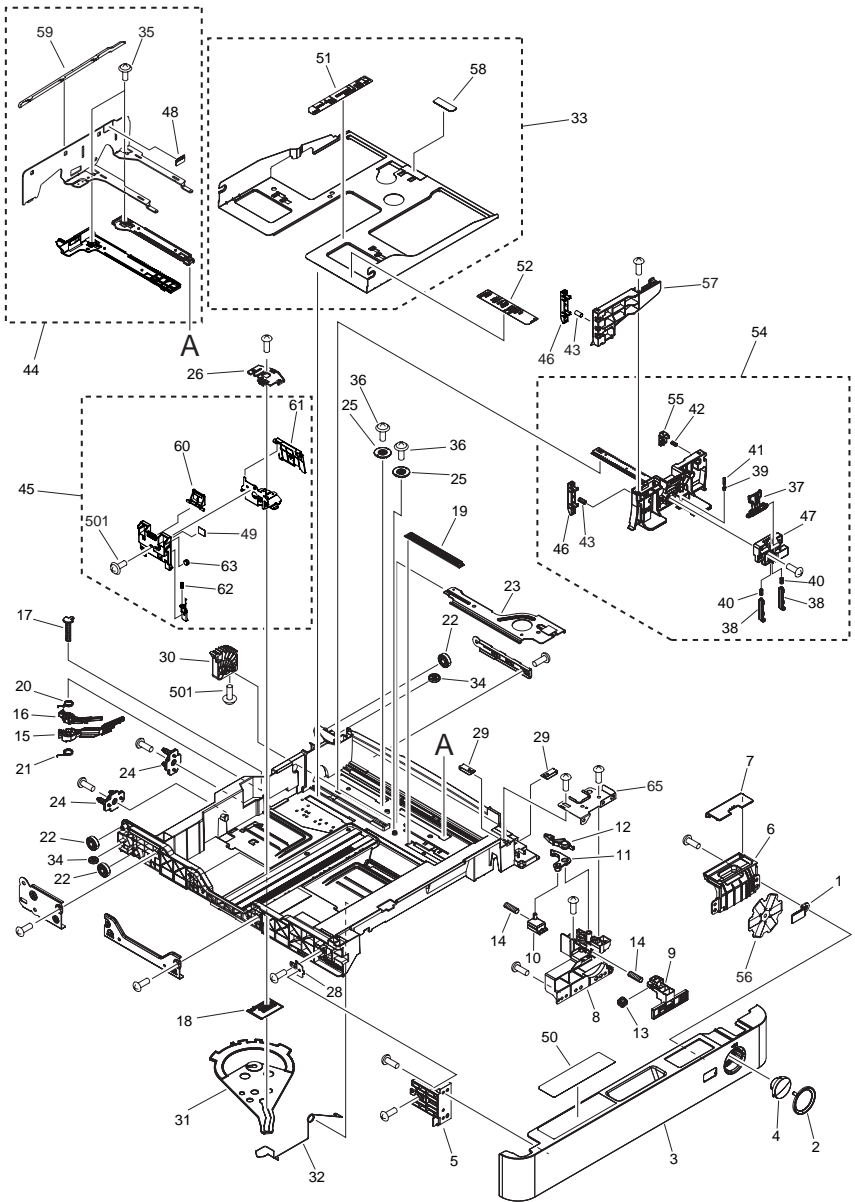


NOTE : This assembly does not include the part shown with key No. 56.
 注 : このユニットにKey No. 56の部品は含まれません。

FIGURE & KEY NO.	PARTS NUMBER	R A N K	Q'TY	DESCRIPTION	SERIAL NUMBER/ REMARKS	S V C
Fig.300	FM3-5936-000		1	CASSETTE ASSEMBLY	MIDDLE	
1	FC8-4967-000		1	WINDOW, CST FR. COVER IND.		
2	FC8-4968-000		1	RING, BUTTON		
3	FC8-4974-000		1	COVER, CASSETTE, FRONT		
4	FC8-4985-000		1	BUTTON, PUSHING		
5	FC8-4993-000		1	PLATE, COVER ATTACHMENT, LEFT		
6	FC9-0136-000		1	HOLDER, SIZE INDEX		
7	FC9-4042-000		1	COVER, SIZEPLATE		
8	FC8-4969-000		1	MOUNT,CST. FR. COVER ADJUST,R		
9	FC8-4986-000		1	LINK, BUTTON, UPPER, 2		
10	FC8-4987-000		1	LINK, BUTTON, LOWER		
11	FC9-7259-000		1	ARM, LOCK, A		
12	FC9-7260-000		1	ARM, LOCK, B		
13	FC9-7261-000		1	ROLLER, LINK		
14	FU7-2518-000		2	SPRING, COMPRESSION		
15	FC8-2469-000		1	DIAL, DETECT, SMALL		
16	FC8-2470-000		1	DIAL, DETECT, LARGE		
17	FC8-2474-000		1	SHAFT, SUPPORT		
18	FC8-2475-000		1	PLATE, JOINT		
19	FC8-2670-000		1	PLATE, FREE STOP		
20	FC8-2671-000		1	SPRING, TORSION		
21	FC8-2672-000		1	SPRING, TORSION		
22	FC8-4970-000		3	ROLLER, CASSETTE SWING		
23	FL3-2859-000		1	PLATE, LIFTER		
24	FC8-4989-000		2	PIN, SIZE DETECT POSITIONING		
25	FC8-4990-000		2	GEAR, 14T		
26	FC8-4996-000		1	COVER, TOP		
28	FC9-0127-000		1	PLATE, COVER MOUNTING, L		
29	FC9-0128-000		2	PLATE, COVER MOUNTING, R		
30	FC9-0129-000		1	GEAR, 9T		
31	FC9-0130-000		1	LINK, BACK END DETECT		
32	FC9-0140-000		1	SPRING, GROUNDING		

FIGURE & KEY NO.	PARTS NUMBER	R A N K	Q'TY	DESCRIPTION	SERIAL NUMBER/ REMARKS	S V C
33	FL2-9472-000		1	PLATE, CENTER		
34	FS5-6945-000		2	COLLAR, REGISTRATION MULTI		
35	XA9-1016-000		4	SCREW, W/WASHER, M3X6		
36	XA9-1523-000		2	SCREW, B, M4X8		
37	FC8-2462-000		1	KNOB, PAPER SIDE END		
38	FC8-2463-000		2	STOPPER		
39	FC8-2464-000		1	PLATE, CLICK		
40	FU7-2326-000		2	SPRING, COMPRESSION		
41	FU7-2327-000		1	SPRING, COMPRESSION		
42	FU7-2513-000		1	SPRING, COMPRESSION		
43	FU7-2514-000		2	SPRING, COMPRESSION		
44	FM3-8906-010		1	SIDE END PLATE ASSEMBLY, REAR		
45	FM3-8907-000		1	BACK END LIMIT PLATE ASSEMBLY		
46	FC8-5262-000		2	BLOCK, PAPER SIDE END, LARGE		
47	FC8-2484-000		1	COVER, HANDLE		
48	FC8-4964-000		1	LABEL, HEIGHT LIMIT, S		
49	FC8-4965-000		1	LABEL, HEIGHT LIMIT, R		
50	FC8-4966-000		1	LABEL, PAPER PICK-UP OPERATION		
51	FC8-4994-000		1	LABEL, INDEX, SIZE, BACK END		
52	FC9-7242-000		1	LABEL, INDEX, SIZE M, SIDE		
54	FM3-8905-010		1	SIDE END PLATE ASSEMBLY, FRONT		
55	FM3-8911-000		1	SIDE END BLOCK ASSEMBLY, SMALL		
56	FC9-0145-000		1	PLATE, SIZE INDICATION	SEE NOTE	
57	FC9-0133-000		1	PLATE,PAPER SIDE END EXTENSION		
58	FC9-7171-000		1	SHEET, SEPARATION		
59	FC0-2781-000		1	COVER, PAPER SIDE END		
60	FC8-2466-000		1	LEVER		
61	FC8-4997-000		1	FLAPPER		
62	FU7-2328-000		1	SPRING, COMPRESSION		
63	FU7-2515-000		1	SPRING, COMPRESSION		
501	XB6-7300-405		2	SCREW, TP, M3X4		

FIGURE 301 CASSETTE ASSEMBLY (LARGE)



NOTE : This assembly does not include the part shown with key No. 56.
 注 : このユニットにKey No. 56の部品は含まれません。

FIGURE & KEY NO.	PARTS NUMBER	R A N K	Q'TY	DESCRIPTION	SERIAL NUMBER/ REMARKS	S V C
Fig.301	FM3-5937-000		1	CASSETTE ASSEMBLY	LARGE	
1	FC8-4967-000		1	WINDOW, CST FR. COVER IND.		
2	FC8-4968-000		1	RING, BUTTON		
3	FC8-4974-000		1	COVER, CASSETTE, FRONT		
4	FC8-4985-000		1	BUTTON, PUSHING		
5	FC8-4993-000		1	PLATE, COVER ATTACHMENT, LEFT		
6	FC9-0136-000		1	HOLDER, SIZE INDEX		
7	FC9-4042-000		1	COVER, SIZEPLATE		
8	FC8-4969-000		1	MOUNT,CST. FR. COVER ADJUST,R		
9	FC8-4986-000		1	LINK, BUTTON, UPPER, 2		
10	FC8-4987-000		1	LINK, BUTTON, LOWER		
11	FC9-7259-000		1	ARM, LOCK, A		
12	FC9-7260-000		1	ARM, LOCK, B		
13	FC9-7261-000		1	ROLLER, LINK		
14	FU7-2518-000		2	SPRING, COMPRESSION		
15	FC8-2469-000		1	DIAL, DETECT, SMALL		
16	FC8-2470-000		1	DIAL, DETECT, LARGE		
17	FC8-2474-000		1	SHAFT, SUPPORT		
18	FC8-2475-000		1	PLATE, JOINT		
19	FC8-2670-000		1	PLATE, FREE STOP		
20	FC8-2671-000		1	SPRING, TORSION		
21	FC8-2672-000		1	SPRING, TORSION		
22	FC8-4970-000		3	ROLLER, CASSETTE SWING		
23	FL3-2859-000		1	PLATE, LIFTER		
24	FC8-4989-000		2	PIN, SIZE DETECT POSITIONING		
25	FC8-4990-000		2	GEAR, 14T		
26	FC8-4996-000		1	COVER, TOP		
28	FC9-0127-000		1	PLATE, COVER MOUNTING, L		
29	FC9-0128-000		2	PLATE, COVER MOUNTING, R		
30	FC9-0129-000		1	GEAR, 9T		
31	FC9-0130-000		1	LINK, BACK END DETECT		
32	FC8-4992-000		1	WIRE,CENTER PLATE GROUNDING,L		

FIGURE & KEY NO.	PARTS NUMBER	R A N K	Q'TY	DESCRIPTION	SERIAL NUMBER/ REMARKS	S V C
33	FL2-9472-000		1	PLATE, CENTER		
34	FS5-6945-000		2	COLLAR, REGISTRATION MULTI		
35	XA9-1016-000		4	SCREW, W/WASHER, M3X6		
36	XA9-1523-000		2	SCREW, B, M4X8		
37	FC8-2462-000		1	KNOB, PAPER SIDE END		
38	FC8-2463-000		2	STOPPER		
39	FC8-2464-000		1	PLATE, CLICK		
40	FU7-2326-000		2	SPRING, COMPRESSION		
41	FU7-2327-000		1	SPRING, COMPRESSION		
42	FU7-2513-000		1	SPRING, COMPRESSION		
43	FU7-2514-000		2	SPRING, COMPRESSION		
44	FM3-8906-010		1	SIDE END PLATE ASSEMBLY, REAR		
45	FM3-8907-000		1	BACK END LIMIT PLATE ASSEMBLY		
46	FC8-5262-000		2	BLOCK, PAPER SIDE END, LARGE		
47	FC8-2484-000		1	COVER, HANDLE		
48	FC8-4964-000		1	LABEL, HEIGHT LIMIT, S		
49	FC8-4965-000		1	LABEL, HEIGHT LIMIT, R		
50	FC8-4966-000		1	LABEL, PAPER PICK-UP OPERATION		
51	FC8-4994-000		1	LABEL, SIZE INDEX, END		
52	FC8-4962-000		1	LABEL, INDEX, SIZE L, SIDE		
54	FM3-8905-010		1	SIDE END PLATE ASSEMBLY, FRONT		
55	FM3-8911-000		1	SIDE END BLOCK ASSEMBLY, SMALL		
56	FC9-0145-000		1	PLATE, SIZE INDICATION	SEE NOTE	
57	FC9-0133-000		1	PLATE,PAPER SIDE END EXTENSION		
58	FC9-7171-000		1	SHEET, SEPARATION		
59	FC0-2781-000		1	COVER, PAPER SIDE END		
60	FC8-2466-000		1	LEVER		
61	FC8-4997-000		1	FLAPPER		
62	FU7-2328-000		1	SPRING, COMPRESSION		
63	FU7-2515-000		1	SPRING, COMPRESSION		
65	FC9-0131-000		1	PLATE,LOCK ARM		
501	XB6-7300-405		2	SCREW, TP, M3X4		

FIGURE 310
PAPER PICK-UP ASSEMBLY, 1 (EXCEPT CN)

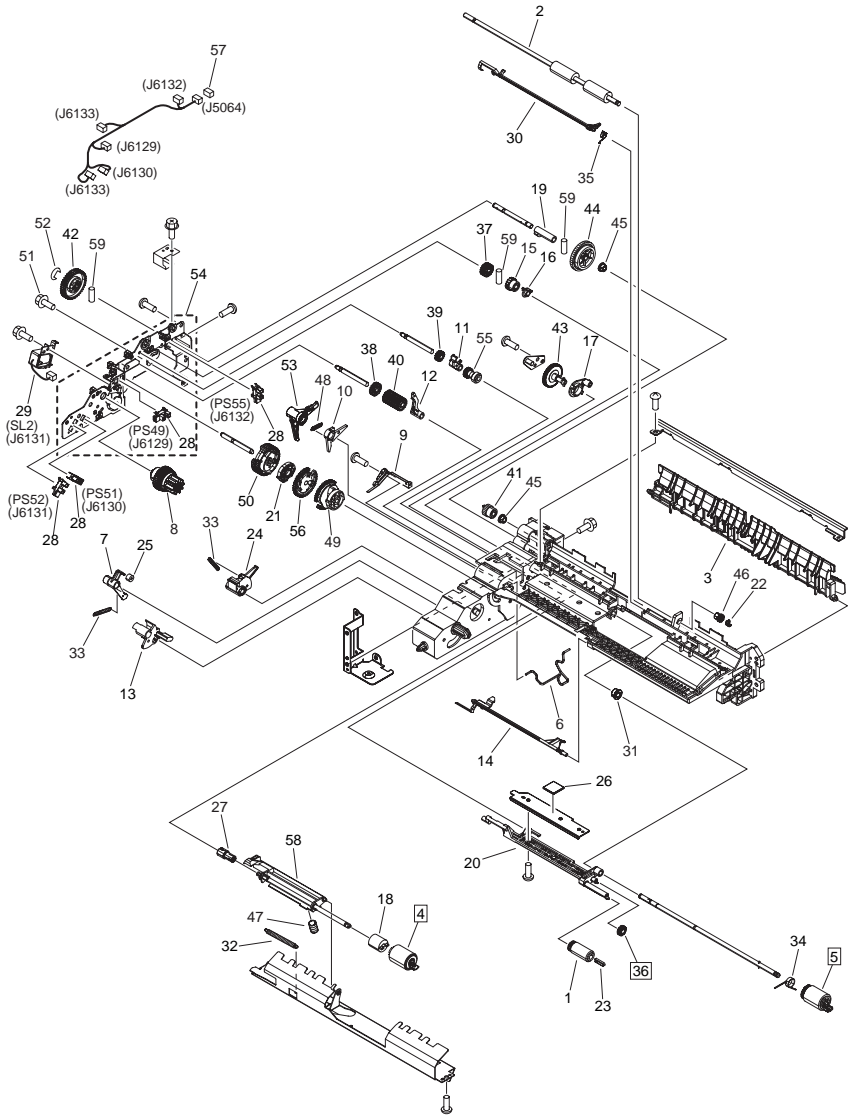


FIGURE & KEY NO.	PARTS NUMBER	R A N K	Q'TY	DESCRIPTION	SERIAL NUMBER/ REMARKS	S V C
Fig.310	FM3-5935-000		1	PAPER PICK-UP ASSEMBLY, 1	EXCEPT CN	
1	FB6-3405-000		1	ROLLER, PAPER PICK-UP		
2	FB6-4852-000		1	ROLLER, VERTICAL PATH		
3	FC5-0595-010		1	GUIDE, VERTICAL PATH		
4	FC6-6661-000		1	ROLLER, SEPARATION	[DP]	
5	FC6-7083-000		1	ROLLER, FEED/SEPARATION	[DP]	
6	FB6-3388-000		1	ROD, SEPARATION ROLLER RELEASE		
7	FB6-3389-000		1	CLAW, PICK-UP		
8	FB6-3391-000		1	GEAR, RATCHET		
9	FB6-3392-020		1	SPRING, LEAF		
10	FC9-7253-000		1	ARM, LIFTING		
11	FB6-3395-000		1	ARM, PAPER FEED SHAFT		
12	FB6-3396-010		1	LOCK, PICK-UP		
13	FB6-3397-000		1	FLAG, PAPER SENSOR		
14	FB6-3398-000		1	FLAG, PAPER DETECT SENSOR		
15	FB6-3402-000		1	GEAR, RATCHET		
16	FB6-3403-000		1	COUPLING, FEED SHAFT STOP		
17	FB6-3404-000		1	COUPLING, SEPARATION SHAFT		
18	FB6-3410-000		1	LIMITER, TORQUE		
19	FB6-3413-000		1	COLLAR, PAPER PICK-UP SHAFT		
20	FB6-3380-020		1	HOLDER, PAPER PICK-UP ROLLER		
21	FB6-7078-000		1	CAM, LOCK		
22	FC6-9867-000		1	RING, RETAINING		
23	FC7-5845-000		1	STOPPER, ROLLER		
24	FC8-1178-000		1	CLAW, PAPER PICK-UP		
25	FC8-1202-000		1	DAMPER		
26	FC8-1205-000		1	PAD, PAPER PICK-UP HOLDER		
27	FC9-4290-000		1	JOINT, RETARD		
28	FK2-0149-000		4	PHOTO-INTERRUPTER, TLP1252(C6)	PS49,PS51,PS52,PS55	
29	FK2-0408-000		1	SOLENOID	SL2	
30	FL2-6580-000		1	FLAG, REGISTRATION SENSOR		
31	FS5-1943-000		1	BUSHING		

FIGURE & KEY NO.	PARTS NUMBER	R A N K	Q'TY	DESCRIPTION	SERIAL NUMBER/ REMARKS	S V C
32	FU7-5378-000		1	SPRING, TENSION	[DP]	
33	FS7-2800-000		2	SPRING, TENSION		
34	FS7-2801-000		1	SPRING, TORSION		
35	FS7-2803-000		1	SPRING, TORSION		
36	FU3-0280-000		1	GEAR, 15T		
37	FU3-0282-000		1	GEAR, 21T		
38	FU3-0283-000		1	GEAR, 21T		
39	FU3-0284-000		1	GEAR, 16T		
40	FU3-0288-000		1	GEAR, 21T		
41	FU3-0289-000		1	GEAR, 14T		
42	FU3-0347-000		1	GEAR, 41T		
43	FU3-0349-000		1	GEAR, 41T		
44	FU3-0350-000		1	GEAR, 41T/41T		
45	FS1-1205-000		2	BUSHING		
46	FU5-1763-000		1	BUSHING		
47	FU6-2684-000		1	SPRING, COMPRESSION		
48	FU6-2784-000		1	SPRING, TENSION		
49	FU7-0445-000		1	GEAR, 42T		
50	FU7-0848-000		1	GEAR, 51T		
51	XA9-0656-000		1	SCREW,RS,M3X10		
52	XD9-0136-000		1	RING,E		
53	FM3-4146-000		1	PICK-UP ARM UNIT		
54	FM4-1201-000		1	PICK-UP DRIVE SIDE PLATE ASS'Y		
55	FU3-0352-000		1	GEAR, 16T/16T		
56	FF6-2397-000		1	GEAR, 46T		
57	VS1-7177-002		1	CONNECTOR, SNAP TIGHT, BK		
58	FM4-2525-000		1	HOLDER, SEPARATION ROLLER		
59	XD9-0289-000		3	PIN, PARALLEL		

FIGURE 310A PAPER PICK-UP ASSEMBLY, 1 (CN)

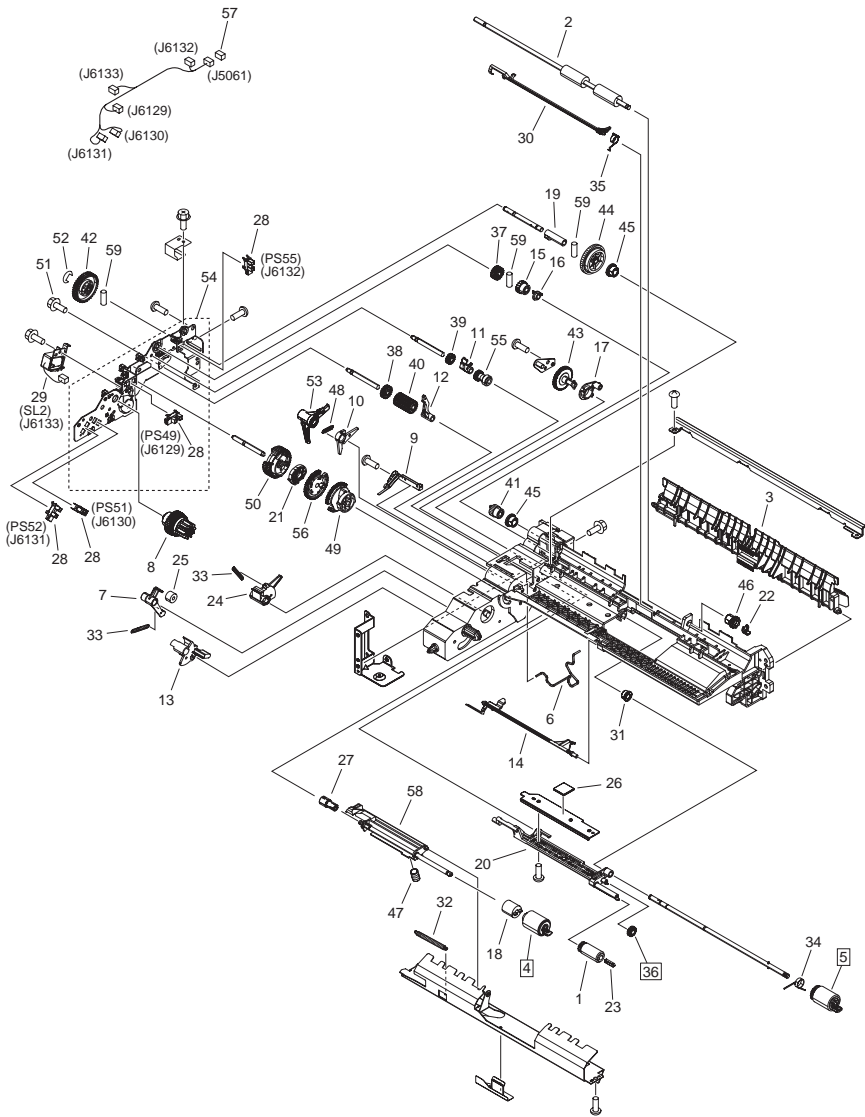


FIGURE & KEY NO.	PARTS NUMBER	R A N K	Q'TY	DESCRIPTION	SERIAL NUMBER/ REMARKS	S V C
Fig.310A	FM4-6637-000		1	PAPER PICK-UP ASSEMBLY, 1	CN	
1	FC7-9381-000		1	ROLLER, PAPER PICK-UP		
2	FM3-4150-000		1	ROLLER, VERTICAL PATH		
3	FL2-8283-000		1	GUIDE, VERTICAL PATH		
4	FC6-6661-000		1	ROLLER, SEPARATION	[DP]	
5	FC7-9502-000		1	ROLLER, FEED/SEPARATION	[DP]	
6	FB6-3388-000		1	ROD, SEPARATION ROLLER RELEASE		
7	FB6-3389-000		1	CLAW, PICK-UP		
8	FB6-3391-000		1	GEAR, RATCHET		
9	FB6-3392-020		1	SPRING, LEAF		
10	FC9-7253-000		1	ARM, LIFTING		
11	FB6-3395-000		1	ARM, PAPER FEED SHAFT		
12	FB6-3396-010		1	LOCK, PICK-UP		
13	FB6-3397-000		1	FLAG, PAPER SENSOR		
14	FB6-3398-000		1	FLAG, PAPER DETECT SENSOR		
15	FB6-3402-000		1	GEAR, RATCHET		
16	FB6-3403-000		1	COUPLING, FEED SHAFT STOP		
17	FB6-3404-000		1	COUPLING, SEPARATION SHAFT		
18	FB6-3410-000		1	LIMITER, TORQUE		
19	FB6-3413-000		1	COLLAR, PAPER PICK-UP SHAFT		
20	FB6-3380-020		1	HOLDER, PICK-UP ROLLER		
21	FB6-7078-000		1	CAM, LOCK		
22	FC6-9867-000		1	RING, RETAINING		
23	FC7-5845-000		1	STOPPER, ROLLER		
24	FC8-1178-000		1	CLAW, PAPER PICK-UP		
25	FC8-1202-000		1	DAMPER		
26	FC8-1205-000		1	PAD, PAPER PICK-UP HOLDER		
27	FC9-4290-000		1	JOINT, RETARD		
28	FK2-0149-000		4	PHOTO-INTERRUPTER, TLP1252(C6)	PS49,PS51,PS52,PS55	
29	FK2-0408-000		1	SOLENOID	SL2	
30	FL2-6580-000		1	FLAG, REGISTRATION SENSOR		
31	FS5-1943-009		1	BUSHING		

FIGURE & KEY NO.	PARTS NUMBER	R A N K	Q'TY	DESCRIPTION	SERIAL NUMBER/ REMARKS	S V C
32	FU7-5378-000		1	SPRING, TENSION	[DP]	
33	FS7-2800-000		2	SPRING, TENSION		
34	FS7-2801-000		1	SPRING, TORSION		
35	FS7-2803-000		1	SPRING, TORSION		
36	FU3-0280-000		1	GEAR, 15T		
37	FU3-0282-000		1	GEAR, 21T		
38	FU3-0283-000		1	GEAR, 21T		
39	FU3-0284-000		1	GEAR, 16T		
40	FU3-0288-000		1	GEAR, 21T		
41	FU3-0289-000		1	GEAR, 14T		
42	FU3-0347-000		1	GEAR, 41T		
43	FU3-0349-000		1	GEAR, 41T		
44	FU3-0350-000		1	GEAR, 41T/41T		
45	FS1-1205-000		2	BUSHING		
46	FU5-1763-000		1	BUSHING		
47	FU6-2684-000		1	SPRING, COMPRESSION		
48	FU6-2784-000		1	SPRING, TENSION		
49	FU7-0445-000		1	GEAR, 42T		
50	FU7-0848-000		1	GEAR, 51T		
51	XA9-0656-000		1	SCREW,RS,M3X10		
52	XD9-0136-000		1	RING, E		
53	FM3-4146-000		1	PICK-UP ARM UNIT		
54	FM4-1201-000		1	PICK-UP DRIVE SIDE PLATE ASS'Y		
55	FU3-0352-000		1	GEAR, 16T		
56	FF6-2397-000		1	GEAR, 46T		
57	VS1-7177-002		1	CONNECTOR, SNAP TIGHT, BK		
58	FM4-2525-000		1	HOLDER, SEPARATION ROLLER		
59	XD9-0289-000		3	PIN, PARALLEL		

FIGURE 311
PAPER PICK-UP ASSEMBLY, 2 (EXCEPT CN)

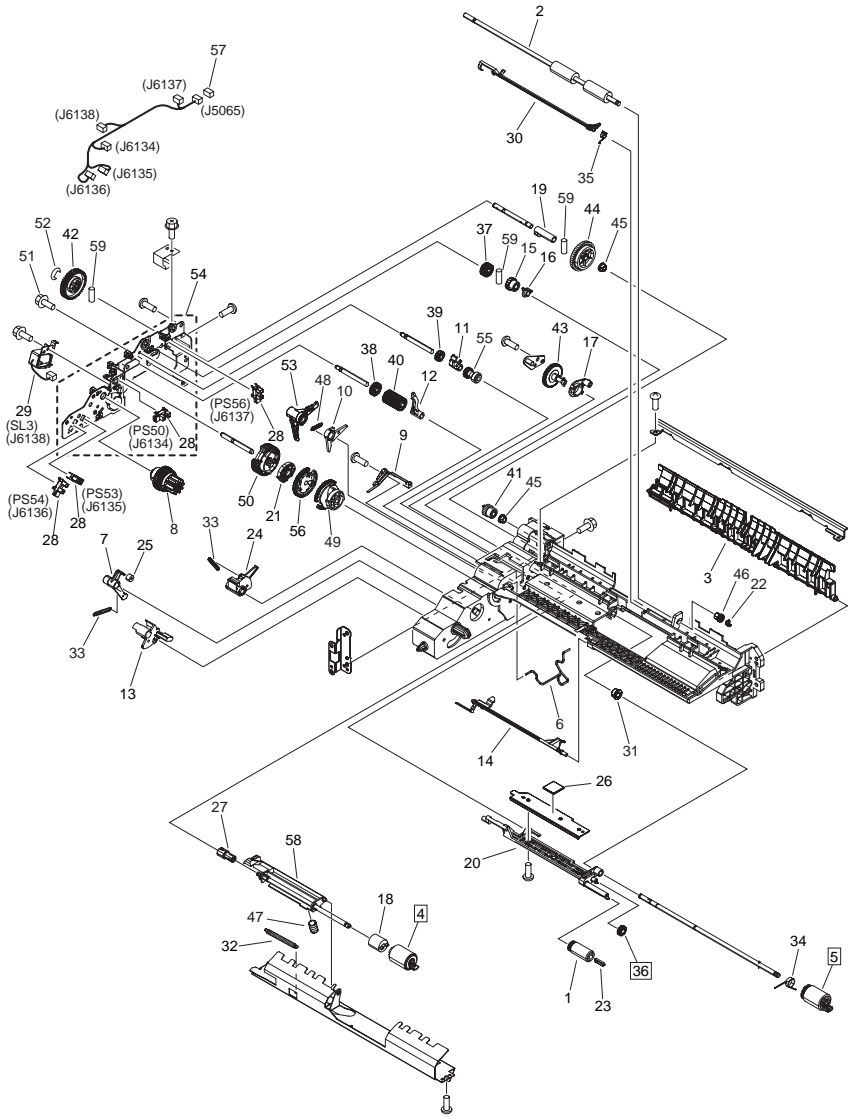


FIGURE & KEY NO.	PARTS NUMBER	R A N K	Q'TY	DESCRIPTION	SERIAL NUMBER/ REMARKS	S V C
Fig.311	FM3-9230-000		1	PAPER PICK-UP ASSEMBLY, 2	EXCEPT CN	
1	FB6-3405-000		1	ROLLER, PAPER PICK-UP		
2	FB6-4852-000		1	ROLLER, VERTICAL PATH		
3	FB6-3387-000		1	GUIDE, VERTICAL PATH		
4	FC6-6661-000		1	ROLLER, SEPARATION	[DP]	
5	FC6-7083-000		1	ROLLER, FEED/SEPARATION	[DP]	
6	FB6-3388-000		1	ROD, SEPARATION ROLLER RELEASE		
7	FB6-3389-000		1	CLAW, PICK-UP		
8	FB6-3391-000		1	GEAR, RATCHET		
9	FB6-3392-020		1	SPRING, LEAF		
10	FC9-7253-000		1	ARM, LIFTING		
11	FB6-3395-000		1	ARM, PAPER FEED SHAFT		
12	FB6-3396-010		1	LOCK, PICK-UP		
13	FB6-3397-000		1	FLAG, PAPER SENSOR		
14	FB6-3398-000		1	FLAG, PAPER DETECT SENSOR		
15	FB6-3402-000		1	GEAR, RATCHET		
16	FB6-3403-000		1	COUPLING, FEED SHAFT STOP		
17	FB6-3404-000		1	COUPLING, SEPARATION SHAFT		
18	FB6-3410-000		1	LIMITER, TORQUE		
19	FB6-3413-000		1	COLLAR, PAPER PICK-UP SHAFT		
20	FB6-3380-020		1	HOLDER, PAPER PICK-UP ROLLER		
21	FB6-7078-000		1	CAM, LOCK		
22	FC6-9867-000		1	RING, RETAINING		
23	FC7-5845-000		1	STOPPER, ROLLER		
24	FC8-1178-000		1	CLAW, PAPER PICK-UP		
25	FC8-1202-000		1	DAMPER		
26	FC8-1205-000		1	PAD, PAPER PICK-UP HOLDER		
27	FC9-4290-000		1	JOINT, RETARD		
28	FK2-0149-000		4	PHOTO-INTERRUPTER, TLP1252(C6)	PS50,PS53,PS54,PS56	
29	FK2-0408-000		1	SOLENOID	SL3	
30	FL2-6580-000		1	FLAG, REGISTRATION SENSOR		
31	FS5-1943-000		1	BUSHING		

FIGURE & KEY NO.	PARTS NUMBER	R A N K	Q'TY	DESCRIPTION	SERIAL NUMBER/ REMARKS	S V C
32	FU7-5378-000		1	SPRING, TENSION	[DP]	
33	FS7-2800-000		2	SPRING, TENSION		
34	FS7-2801-000		1	SPRING, TORSION		
35	FS7-2803-000		1	SPRING, TORSION		
36	FU3-0280-000		1	GEAR, 15T		
37	FU3-0282-000		1	GEAR, 21T		
38	FU3-0283-000		1	GEAR, 21T		
39	FU3-0284-000		1	GEAR, 16T		
40	FU3-0288-000		1	GEAR, 21T		
41	FU3-0289-000		1	GEAR, 14T		
42	FU3-0347-000		1	GEAR, 41T		
43	FU3-0349-000		1	GEAR, 41T		
44	FU3-0350-000		1	GEAR, 41T/41T		
45	FS1-1205-000		2	BUSHING		
46	FU5-1763-000		1	BUSHING		
47	FU6-2684-000		1	SPRING, COMPRESSION		
48	FU6-2784-000		1	SPRING, TENSION		
49	FU7-0445-000		1	GEAR, 42T		
50	FU7-0848-000		1	GEAR, 51T		
51	XA9-0656-000		1	SCREW,RS,M3X10		
52	XD9-0136-000		1	RING,E		
53	FM3-4146-000		1	PICK-UP ARM UNIT		
54	FM4-1201-000		1	PICK-UP DRIVE SIDE PLATE ASS'Y		
55	FU3-0352-000		1	GEAR, 16T/16T		
56	FF6-2397-000		1	GEAR, 46T		
57	VS1-7177-002		1	CONNECTOR, SNAP TIGHT, BK		
58	FM4-2525-000		1	HOLDER, SEPARATION ROLLER		
59	XD9-0289-000		3	PIN, PARALLEL		

FIGURE 311A PAPER PICK-UP ASSEMBLY, 2 (CN)

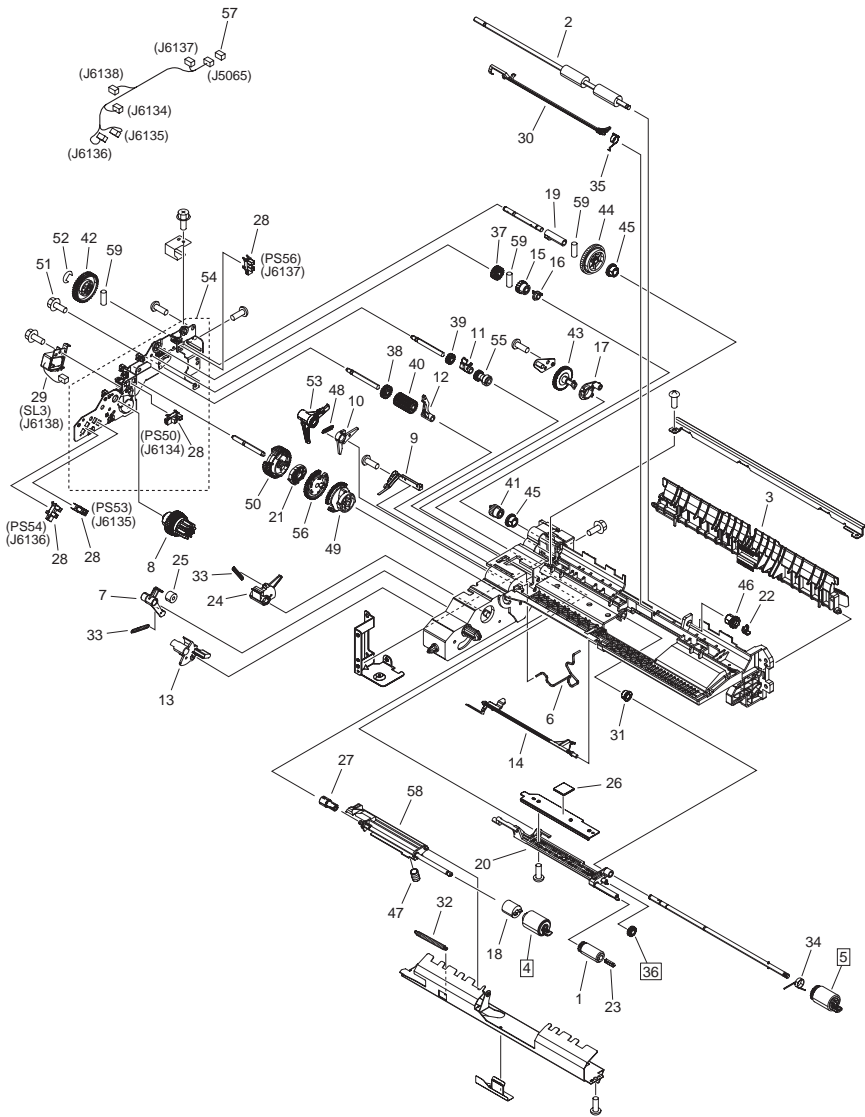


FIGURE & KEY NO.	PARTS NUMBER	R A N K	Q'TY	DESCRIPTION	SERIAL NUMBER/ REMARKS	S V C
Fig.311A	FM4-2526-000		1	PAPER PICK-UP ASSEMBLY, 2	CN	
1	FC7-9381-000		1	ROLLER, PAPER PICK-UP		
2	FM3-4150-000		1	ROLLER, VERTICAL PATH		
3	FL2-8282-000		1	GUIDE, VERTICAL PATH		
4	FC6-6661-000		1	ROLLER, SEPARATION	[DP]	
5	FC7-9502-000		1	ROLLER, FEED/SEPARATION	[DP]	
6	FB6-3388-000		1	ROD, SEPARATION ROLLER RELEASE		
7	FB6-3389-000		1	CLAW, PICK-UP		
8	FB6-3391-000		1	GEAR, RATCHET		
9	FB6-3392-020		1	SPRING, LEAF		
10	FC9-7253-000		1	ARM, LIFTING		
11	FB6-3395-000		1	ARM, PAPER FEED SHAFT		
12	FB6-3396-010		1	LOCK, PICK-UP		
13	FB6-3397-000		1	FLAG, PAPER SENSOR		
14	FB6-3398-000		1	FLAG, PAPER DETECT SENSOR		
15	FB6-3402-000		1	GEAR, RATCHET		
16	FB6-3403-000		1	COUPLING, FEED SHAFT STOP		
17	FB6-3404-000		1	COUPLING, SEPARATION SHAFT		
18	FB6-3410-000		1	LIMITER, TORQUE		
19	FB6-3413-000		1	COLLAR, PAPER PICK-UP SHAFT		
20	FB6-3380-020		1	HOLDER, PICK-UP ROLLER		
21	FB6-7078-000		1	CAM, LOCK		
22	FC6-9867-000		1	RING, RETAINING		
23	FC7-5845-000		1	STOPPER, ROLLER		
24	FC8-1178-000		1	CLAW, PAPER PICK-UP		
25	FC8-1202-000		1	DAMPER		
26	FC8-1205-000		1	PAD, PAPER PICK-UP HOLDER		
27	FC9-4290-000		1	JOINT, RETARD		
28	FK2-0149-000		4	PHOTO-INTERRUPTER, TLP1252(C6)	PS50,PS53,PS54,PS56	
29	FK2-0408-000		1	SOLENOID	SL3	
30	FL2-6580-000		1	FLAG, REGISTRATION SENSOR		
31	FS5-1943-009		1	BUSHING		

FIGURE & KEY NO.	PARTS NUMBER	R A N K	Q'TY	DESCRIPTION	SERIAL NUMBER/ REMARKS	S V C
32	FU7-5378-000		1	SPRING, TENSION	[DP]	
33	FS7-2800-000		2	SPRING, TENSION		
34	FS7-2801-000		1	SPRING, TORSION		
35	FS7-2803-000		1	SPRING, TORSION		
36	FU3-0280-000		1	GEAR, 15T		
37	FU3-0282-000		1	GEAR, 21T		
38	FU3-0283-000		1	GEAR, 21T		
39	FU3-0284-000		1	GEAR, 16T		
40	FU3-0288-000		1	GEAR, 21T		
41	FU3-0289-000		1	GEAR, 14T		
42	FU3-0347-000		1	GEAR, 41T		
43	FU3-0349-000		1	GEAR, 41T		
44	FU3-0350-000		1	GEAR, 41T/41T		
45	FS1-1205-000		2	BUSHING		
46	FU5-1763-000		1	BUSHING		
47	FU6-2684-000		1	SPRING, COMPRESSION		
48	FU6-2784-000		1	SPRING, TENSION		
49	FU7-0445-000		1	GEAR, 42T		
50	FU7-0848-000		1	GEAR, 51T		
51	XA9-0656-000		1	SCREW,RS,M3X10		
52	XD9-0136-000		1	RING, E		
53	FM3-4146-000		1	PICK-UP ARM UNIT		
54	FM4-1201-000		1	PICK-UP DRIVE SIDE PLATE ASS'Y		
55	FU3-0352-000		1	GEAR, 16T		
56	FF6-2397-000		1	GEAR, 46T		
57	VS1-7177-002		1	CONNECTOR, SNAP TIGHT, BK		
58	FM4-2525-000		1	HOLDER, SEPARATION ROLLER		
59	XD9-0289-000		3	PIN, PARALLEL		

FIGURE 313 PAPER PICK-UP DRIVE ASSEMBLY

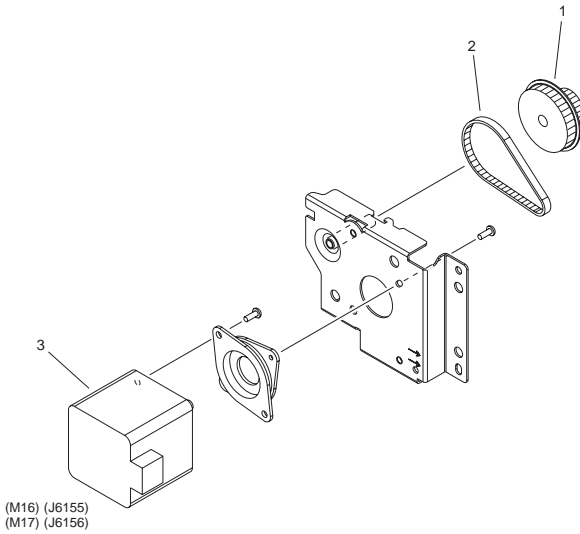


FIGURE & KEY NO.	PARTS NUMBER	RANK	QTY	DESCRIPTION	SERIAL NUMBER/REMARKS	SVC
Fig.313	FM3-5934-000		2	PAPER PICK-UP DRIVE ASSEMBLY		
1	FU7-0353-000		1	PULLEY, 53T/GEAR, 16T		
2	XF2-1607-340		1	BELT, TIMING		
3	FK2-7326-000		1	MOTOR, DC	M16,M17	

FIGURE 315 MULTI FEEDER DRIVE ASSEMBLY

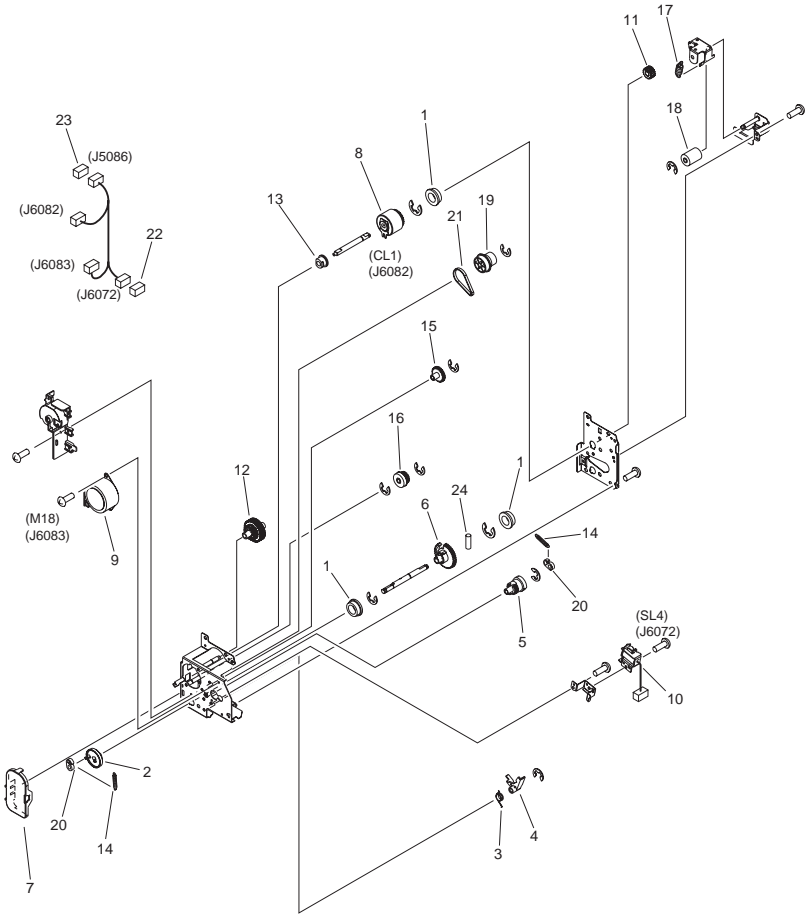


FIGURE & KEY NO.	PARTS NUMBER	R A N K	Q'TY	DESCRIPTION	SERIAL NUMBER/ REMARKS	S V C
Fig.315	FM3-5962-000		1	MULTI FEEDER DRIVE ASSEMBLY		
1	FA9-2112-000		3	BUSHING, PL		
2	FC6-0698-000		1	ROLLER, MULTI STRIKE		
3	FC8-5073-000		1	SPRING, TORSION		
4	FC8-5074-000		1	LEVER, RELEASE		
5	FC8-5075-000		1	GEAR, 15T		
6	FC8-5077-000		1	GEAR, 38T		
7	FC8-5267-000		1	COVER, MULTI DRIVE		
8	FH6-5076-020		1	CLUTCH, ELECTRO MAGNETIC	CL1	
9	FK2-7304-000		1	MOTOR	M18	
10	FK2-7310-000		1	SOLENOID	SL4	
11	FU5-0007-000		1	GEAR, 17T		
12	FU5-0033-000		1	GEAR, 45T/23T		
13	FU5-1615-000		1	BUSHING		
14	FU6-2648-000		2	SPRING, TENSION		
15	FU7-0336-000		1	GEAR, 20T		
16	FU7-0337-000		1	GEAR, 18T/22T		
17	FU7-2471-000		1	SPRING, TENSION		
18	FU8-0162-000		1	GEAR, 18T		
19	FU8-0175-000		1	GEAR/PULLEY, 24T/43T		
20	RB1-2190-000		2	COLLAR, SPRING		
21	XF2-1606-140		1	BELT, TIMING		
22	VS1-7177-002		1	CONNECTOR, SNAP TIGHT, BK		
23	VS1-7177-008		1	CONNECTOR, SNAP TIGHT, BK		
24	XD9-0292-000		1	PIN, DOWEL		

FIGURE 316 PRE-REGISTRATION GUIDE ASS'Y

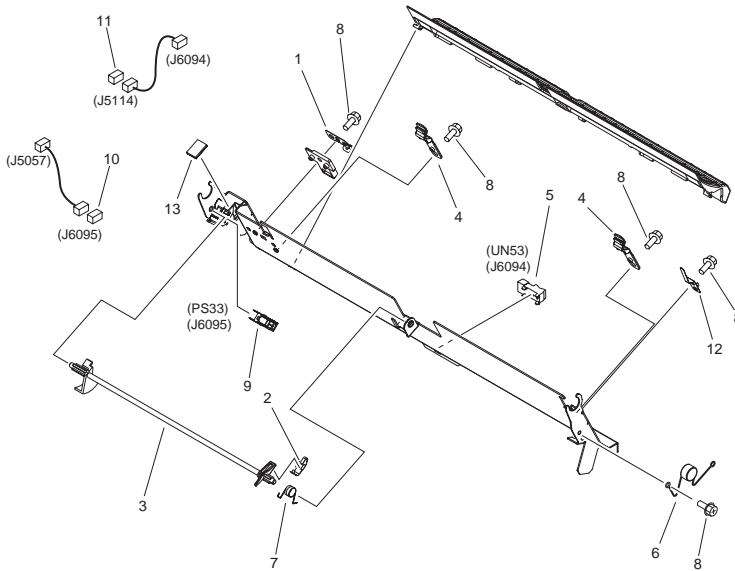


FIGURE & KEY NO.	PARTS NUMBER	R A N K	QTY	DESCRIPTION	SERIAL NUMBER/ REMARKS	S V C
Fig.316	FM3-6011-000		1	PRE-REGISTRATION GUIDE ASS'Y		
1	FC6-5062-000		1	SPRING, GROUNDING		
2	FC7-9370-000		1	PLATE,FLAG.REGISTRATION SENSOR		
3	FC8-5156-000		1	FLAG, PRE-REGISTRATION SENSOR		
4	FC8-5295-000		2	PLATE, GUIDE POSITIONING		
5	FK2-6470-000		1	PHOTO-SENSOR, KUA0055C	UN53	
6	FL2-5804-000		1	CABLE, VARISTOR		
7	FU7-2485-000		1	SPRING, TORSION		
8	XA9-1386-000		6	SCREW,RS,M3X8		
9	WG8-5848-000		1	PHOTO-INTERRUPTER,GP1A173LCS0F	PS33	
10	VS1-7177-003		1	CONNECTOR, SNAP TIGHT, BK		
11	VS1-7177-004		1	CONNECTOR, SNAP TIGHT, BK		
12	FC8-5296-000		1	SPRING, GROUNDING		
13	FC0-2118-010		1	DAMPER		

FIGURE 321 PATT. READ SHUTTER DRIVE ASS'Y

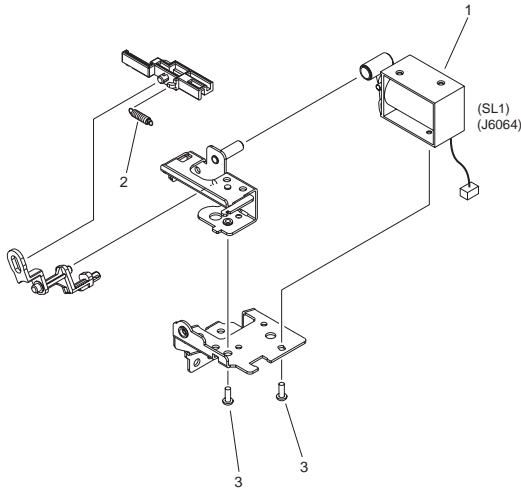


FIGURE & KEY NO.	PARTS NUMBER	RANK	QTY	DESCRIPTION	SERIAL NUMBER/REMARKS	SVC
Fig.321	FM3-8902-010		1	PATT. READ SHUTTER DRIVE ASS'Y		
1	FL3-3159-000		1	SOLENOID	SL1	
2	FU7-2506-000		1	SPRING, TENSION		
3	XA9-1659-000		3	SCREW,M3X4		

FIGURE 322 DUPLEXING REG. DRIVE ASSEMBLY

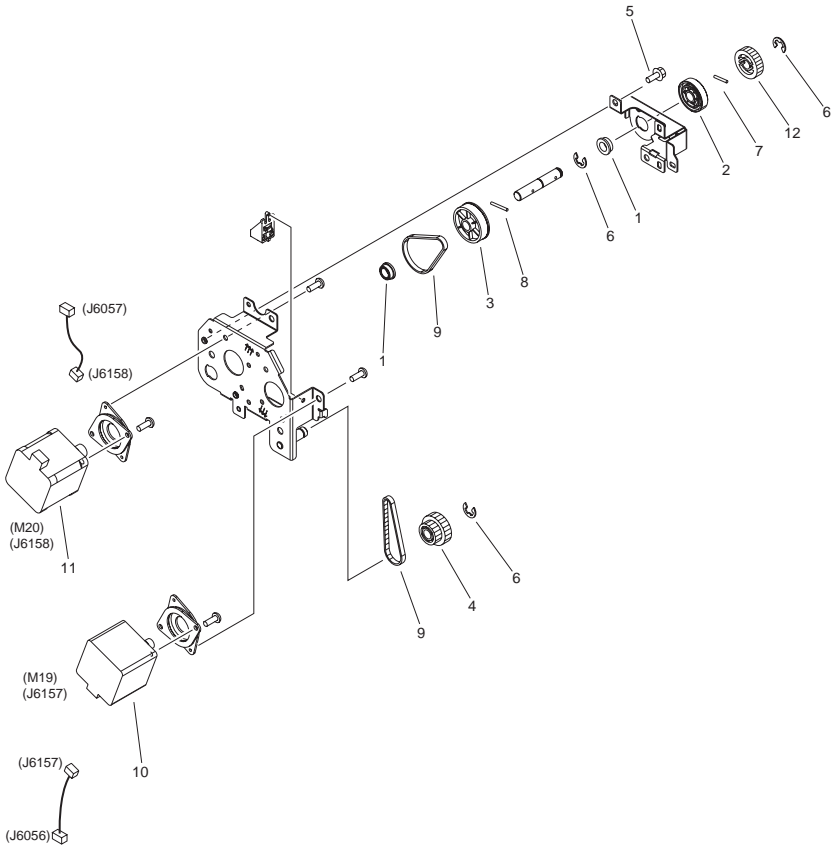


FIGURE & KEY NO.	PARTS NUMBER	R A N K	Q'TY	DESCRIPTION	SERIAL NUMBER/ REMARKS	S V C
Fig.322	FM3-6001-000		1	DUPLEXING REG. DRIVE ASSEMBLY		
1	FA9-2112-000		2	BUSHING, PL		
2	FC8-4733-000		1	ROLLER, SIDE END		
3	FU5-3967-000		1	PULLEY, 50T		
4	FU7-0197-000		1	PULLEY, 30T/GEAR, 24T		
5	XA9-0732-010		2	SCREW,RS,M4		
6	XD9-0137-010		3	RING, E		
7	XD9-0290-000		1	PIN, DOWEL		
8	XD9-0292-000		1	PIN, DOWEL		
9	XF2-1106-940		2	BELT, TIMING		
10	FK2-7327-000		1	MOTOR, STEPPING	M19	
11	FK2-7326-000		1	MOTOR, DC	M20	
12	FU8-0201-000		1	GEAR, 23T		

FIGURE 323
SENSOR UNIT,REGISTRATION PATCH

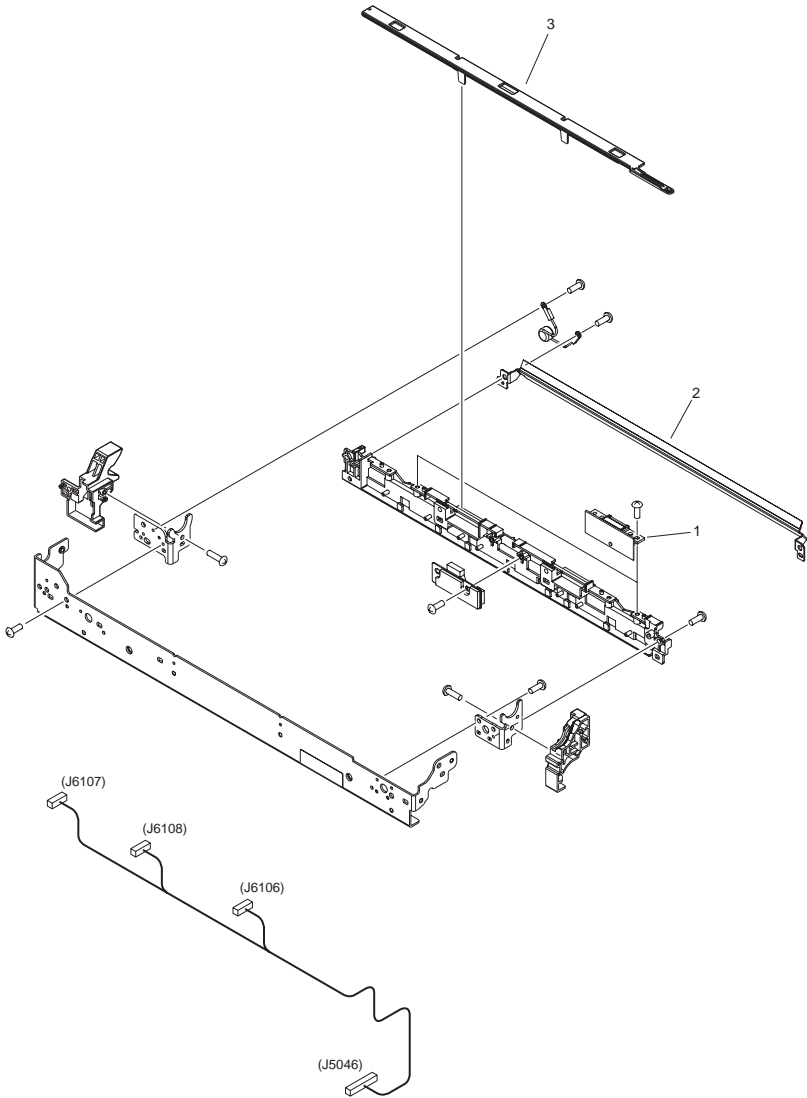


FIGURE & KEY NO.	PARTS NUMBER	RANK	Q'TY	DESCRIPTION	SERIAL NUMBER/REMARKS	SVC
Fig.323	FM3-5944-010		1	SENSOR UNIT,REGISTRATION PATCH		
1	FK2-7315-000		2	SENSOR UNIT, REG. SENSOR		
2	FL2-9535-000		1	GUIDE, PRE-TRANSFER		
3	FC8-4540-000		1	SHUTTER,PROTECT		

FIGURE 330 RIGHT LOWER DOOR ASSEMBLY

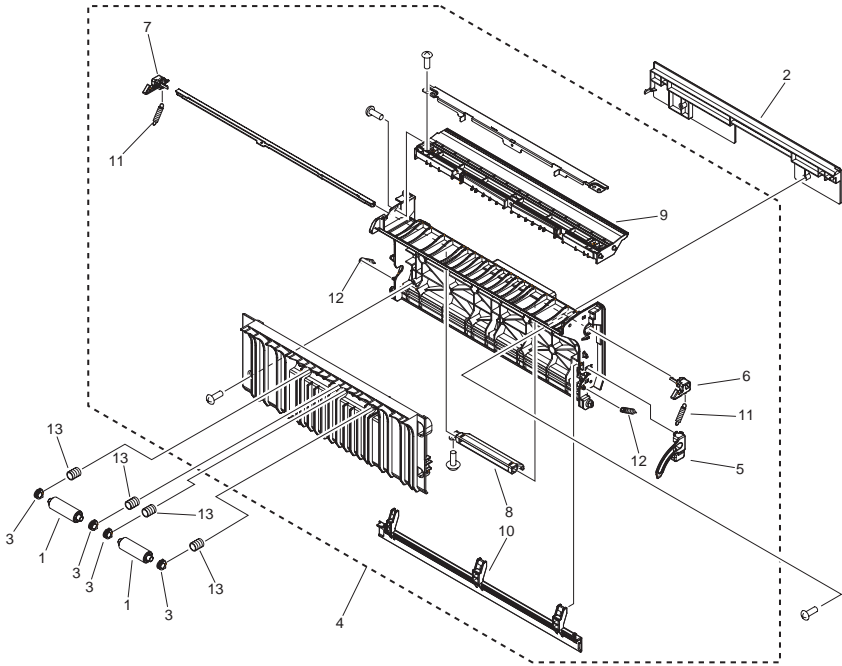
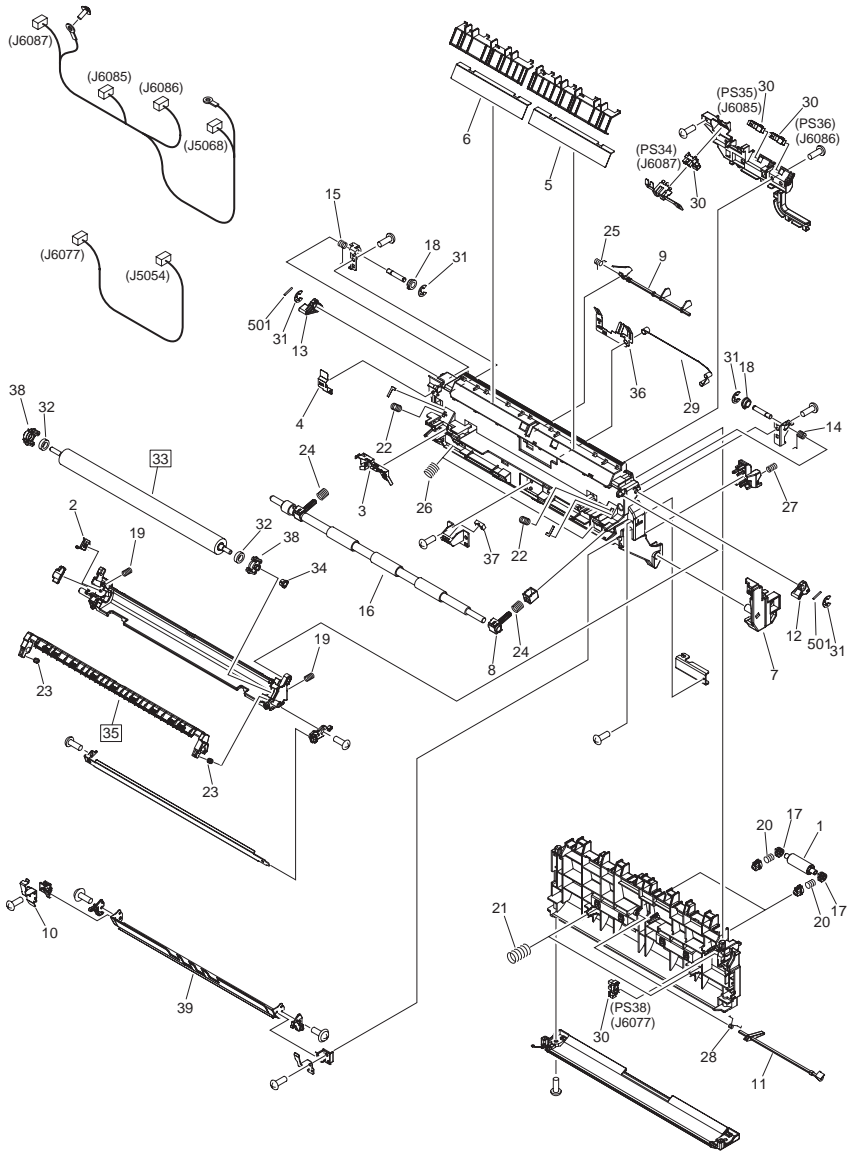


FIGURE & KEY NO.	PARTS NUMBER	R A N K	Q'TY	DESCRIPTION	SERIAL NUMBER/ REMARKS	S V C
Fig.330	FM3-6007-000		1	RIGHT LOWER DOOR ASSEMBLY		
1	FC8-3782-000		2	ROLLER, PAPER FEED		
2	FC8-4861-000		1	COVER, DECK PATH		
3	FU5-1035-000		4	BUSHING		
4	FM3-8894-000		1	RIGHT LOWER DOOR BASE ASSEMBLY		
5	FC8-5164-000		1	STOPPER, DOOR, RIGHT LOWER		
6	FC8-4859-000		1	HOOK, RIGHT LOWER DOOR, F		
7	FC8-4860-000		1	HOOK, RIGHT LOWER DOOR		
8	FC8-4862-000		1	HANDLE, DOOR, RIGHT LOWER		
9	FC8-4863-000		1	PLATE, DECK PATH		
10	FC8-4903-000		1	COVER, DOOR BLANKING, RT. LW.		
11	FU7-2519-000		2	SPRING, TENSION		
12	FU8-2288-000		2	SPRING, TENSION		
13	FU6-2924-000		4	SPRING, COMPRESSION		

FIGURE 331 RIGHT INNER DOOR ASSEMBLY

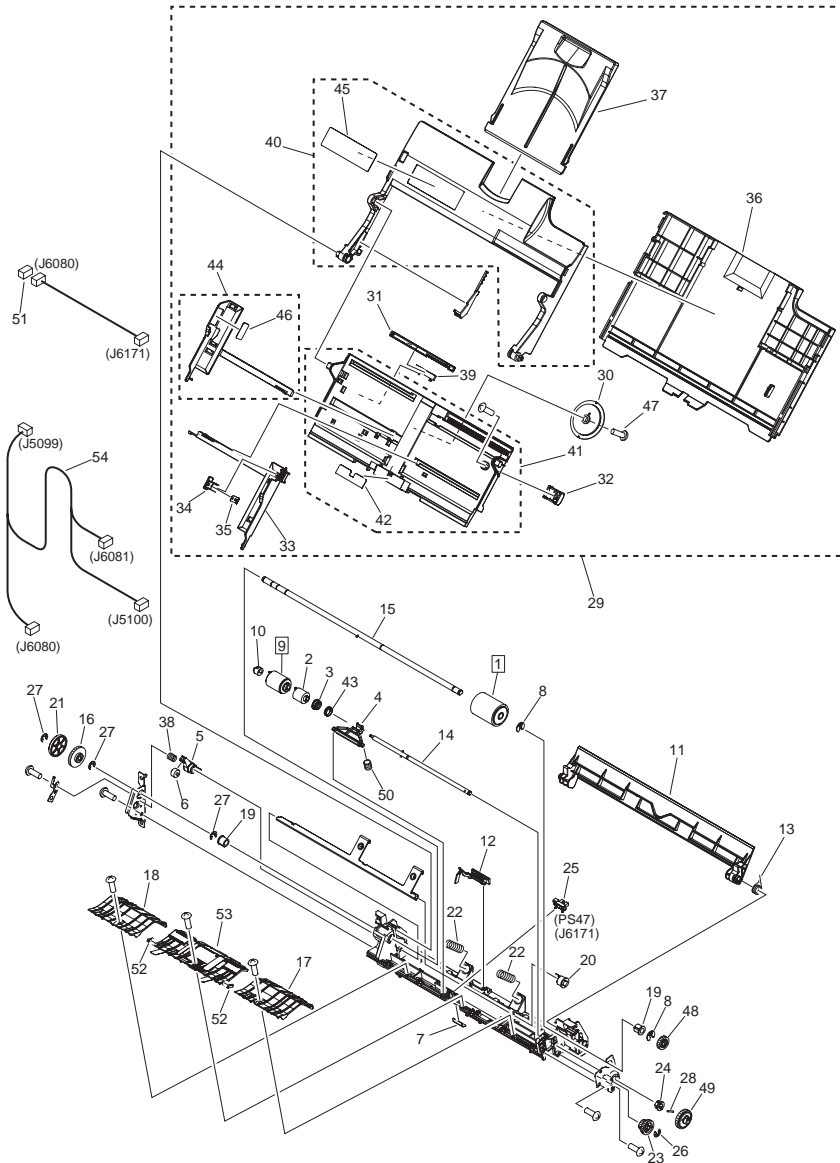


NOTE : This assembly is included in the assembly shown in Figure 102.
 注:このユニットはFigure 102のユニットに含まれます。

FIGURE & KEY NO.	PARTS NUMBER	R A N K	Q'TY	DESCRIPTION	SERIAL NUMBER/ REMARKS	S V C
Fig.331	FM3-5960-000		1	RIGHT INNER DOOR ASSEMBLY	SEE NOTE	
1	FB6-4873-000		2	ROLLER, PAPER FEED		
2	FC8-4883-000		1	SPRING, GROUNDING		
3	FC8-4885-000		1	SPRING, GROUNDING		
4	FC8-4886-000		1	SPRING, GROUNDING		
5	FC8-4896-000		1	PLATE, ATTRACTION, FRONT		
6	FC8-4901-000		1	PLATE, ATTRACTION, REAR		
7	FC8-5301-000		1	HINGE, INNER DOOR TURN, RIGHT		
8	FC8-5302-000		1	BUSHING		
9	FC8-5303-000		1	LEVER, LOOP SENSOR		
10	FC8-5311-000		1	COVER, RIGHT REAR		
11	FC8-5314-000		1	LEVER, DUPLEXING SENSOR		
12	FC8-5397-000		1	LEVER, R INNER DOOR PRESSURE,F		
13	FC8-5398-000		1	LEVER, R INNER DOOR PRESSURE,R		
14	FC8-5399-000		1	SPRING, TORSION		
15	FC8-5400-000		1	SPRING, TORSION		
16	FL2-9503-000		1	ROLLER, REGISTRATION SOFT		
17	FU5-1035-000		4	BUSHING		
18	FU5-1457-000		2	BUSHING		
19	FU7-2498-000		2	SPRING, COMPRESSION		
20	FU7-2521-000		4	SPRING, COMPRESSION		
21	FU7-2522-000		2	SPRING, COMPRESSION		
22	FU8-2552-000		2	SPRING, COMPRESSION		
23	FU7-2524-000		2	SPRING, COMPRESSION		
24	FU7-2525-000		2	SPRING, COMPRESSION		
25	FU7-2526-000		1	SPRING, TORSION		
26	FU7-2535-000		2	SPRING, COMPRESSION		
27	FU7-2536-000		1	SPRING, COMPRESSION		
28	FU7-2537-000		1	SPRING, TORSION		
29	FU8-2293-000		1	SPRING, GROUNDING		
30	WG8-5848-000		4	PHOTO-INTERRUPTER,GP1A173LCS0F	PS34,PS35,PS36,PS38	
31	XD9-0136-000		4	RING,E		

FIGURE & KEY NO.	PARTS NUMBER	R A N K	Q'TY	DESCRIPTION	SERIAL NUMBER/ REMARKS	S V C
32	XG9-0481-000		2	BEARING, BALL, SMR106H26ZZ1MC3		
33	FC8-4876-000		1	ROLLER, 2ND TRNSFR. OUTER	[DP]	
34	FC8-4884-000		1	BUSHING		
35	FM3-8893-000		1	TRANSFER SEP. GUIDE ASSEMBLY	[DP]	
36	FC8-4897-000		1	SPRING, LEAF		
37	RB2-5850-000		1	PRISM		
38	FC8-5313-000		2	HOLDER, 2ND TRNSFR. BUSHING		
39	FL2-9496-000		1	GUIDE, PRE-REG. DOOR SIDE		
501	XD3-2200-162		2	PIN, DOWEL		

FIGURE 332 M.P. PICK UP MOUNT ASSEMBLY



NOTE : This assembly is included in the assembly shown in Figure 102.
 注:このユニットはFigure 102のユニットに含まれます。

FIGURE & KEY NO.	PARTS NUMBER	R A N K	Q'TY	DESCRIPTION	SERIAL NUMBER/ REMARKS	S V C
Fig.332	FM3-6013-010		1	M.P. PICK UP MOUNT ASSEMBLY	SEE NOTE	
1	FB1-8581-000		1	ROLLER, PAPER PICK-UP	[DP]	
2	FB6-3410-000		1	LIMITER, TORQUE		
3	FB6-3463-000		1	CLUTCH		
4	FB6-3464-000		1	HOLDER, SEPARATION ROLLER		
5	FB6-3466-000		1	CAM, JOINT		
6	FC5-5078-000		1	ROLLER, ARM		
7	FC5-8556-000		1	SHEET, LIGHT-BLOCKING		
8	FC6-5046-000		2	RING, RETAINING		
9	FC6-6661-000		1	ROLLER, SEPARATION	[DP]	
10	FC8-0785-000		1	HEAD, SEPARATION ROLLER SHAFT		
11	FC8-5105-000		1	COVER, SUB		
12	FC8-5344-000		1	FLAG,M.F.PAPER PRESENCE		
13	FC8-5389-000		1	SPRING, TORSION		
14	FL2-9493-000		1	SHAFT, ROLLER		
15	FL2-9495-000		1	SHAFT, ROLLER		
16	FL3-3180-000		1	GEAR ASSEMBLY		
17	FC8-5094-000		1	GUIDE, PAPER FEED, RIGHT		
18	FC8-5095-000		1	GUIDE, PAPER FEED, LEFT		
19	FS2-1544-000		2	BUSHING		
20	FS6-1058-000		1	BUSHING		
21	FU5-6861-000		1	ROLLER, D INPUT SWING GEAR FOR		
22	FU7-2476-000		2	SPRING, COMPRESSION		
23	FU8-0182-000		1	GEAR, 18T/27T		
24	RS5-1567-000		1	BUSHING		
25	WG8-5783-000		1	IC,PHOTO-INTERRUPTER,LG248NL1A	PS47	
26	XD9-0134-000		1	RING,E		
27	XD9-0137-010		3	RING, E		
28	XD9-0290-000		1	PIN, DOWEL		
29	FM3-6014-000		1	MULTI PAPER PICK-UP TRAY ASS'Y		
30	FB6-3456-000		1	GEAR, 46T/20T		
31	FB6-3457-000		1	RACK		

FIGURE & KEY NO.	PARTS NUMBER	R A N K	Q'TY	DESCRIPTION	SERIAL NUMBER/ REMARKS	S V C
32	FB6-3459-000		1	BLOCK, SIDE REGIST. ADJUSTING		
33	FC8-2710-000		1	PLATE, PAPER SIDE END, FRONT		
34	FC8-2712-000		1	STOPPER, SIDE		
35	FC8-2713-000		1	SPRING, LEAF		
36	FC8-5100-000		1	COVER, MULTI TRAY, LOWER		
37	FL3-4254-000		1	TRAY, SECOND		
38	FU6-2927-000		1	SPRING, COMPRESSION		
39	FH7-7600-010		1	SLIDE VOLUME SENSOR UNIT		
40	FL3-3171-000		1	COVER, MULTI TRAY, UPPER		
41	FL3-3172-000		1	PLATE, MULTI PRESSURE		
42	FB6-4937-000		1	SHEET, SEPARATION		
43	FS7-2812-010		1	SPRING, TORSION		
44	FL3-3173-000		1	PLATE, PAPER SIDE END, REAR		
45	FC9-7164-000		1	LABEL, FEED INSTRUCTION		
46	FC9-7165-000		1	LABEL, MAXIMUM LOAD		
47	XA9-1523-000		1	SCREW, B, M4X8		
48	FU3-0296-000		1	GEAR, 24T		
49	FU3-0297-000		1	GEAR, 36T		
50	FS7-2809-000		1	SPRING, COMPRESSION		
51	VS1-7177-003		1	CONNECTOR, SNAP TIGHT, BK		
52	FC0-0213-000		2	SPACER, NOISE-PROOF		
53	FL2-9494-000		1	GUIDE, PAPER FEED, MID		
54	FM3-7813-000		1	CABLE, MULTI SENSOR		

FIGURE 333 RIGHT LOWER INNER DOOR ASS'Y

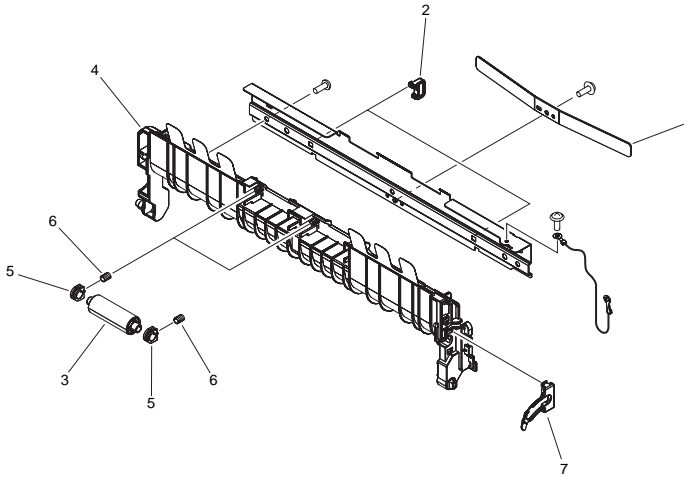


FIGURE & KEY NO.	PARTS NUMBER	R A N K	QTY	DESCRIPTION	SERIAL NUMBER/ REMARKS	S V C
Fig.333	FM3-6015-000		1	RIGHT LOWER INNER DOOR ASS'Y		
1	FC7-5906-000		1	SPRING, LEAF		
2	FC7-5907-000		2	SPRING, GROUNDING		
3	FC8-3782-000		2	ROLLER, PAPER FEED		
4	FL3-3570-000		1	DOOR, INNER, RIGHT LOWER		
5	FU5-1035-000		4	BUSHING		
6	FU6-2924-000		4	SPRING, COMPRESSION		
7	FC8-5297-000		1	STOPPER, INNER GUIDE		

FIGURE 350 FIRST PAPER DELIVERY ASSEMBLY

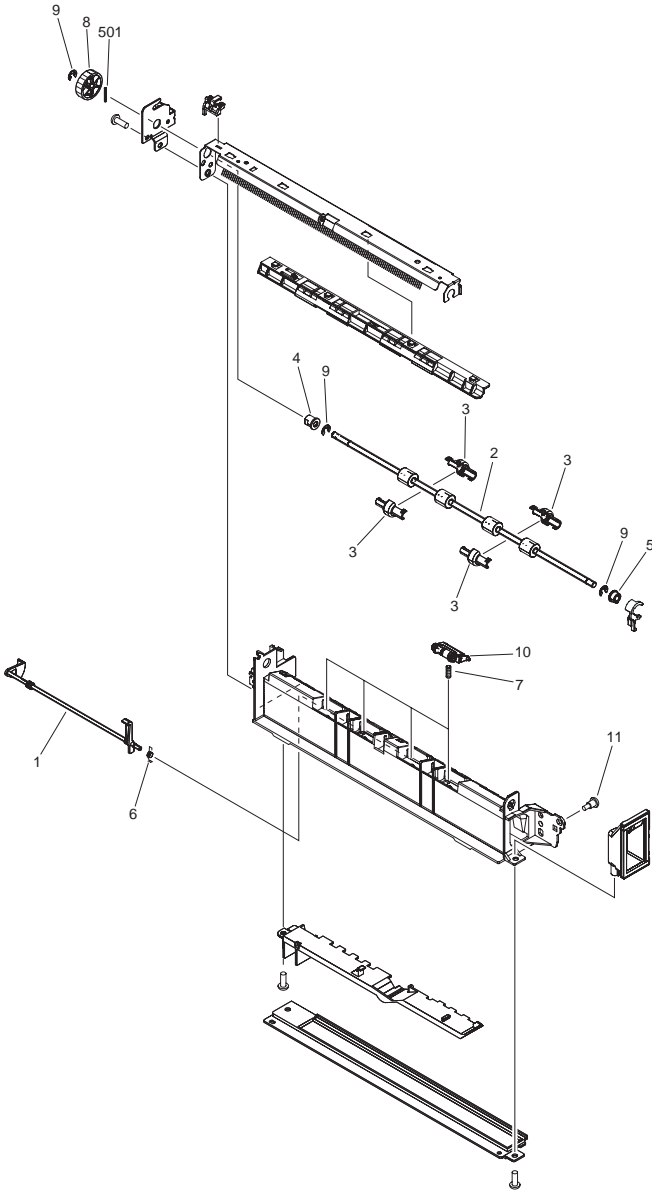
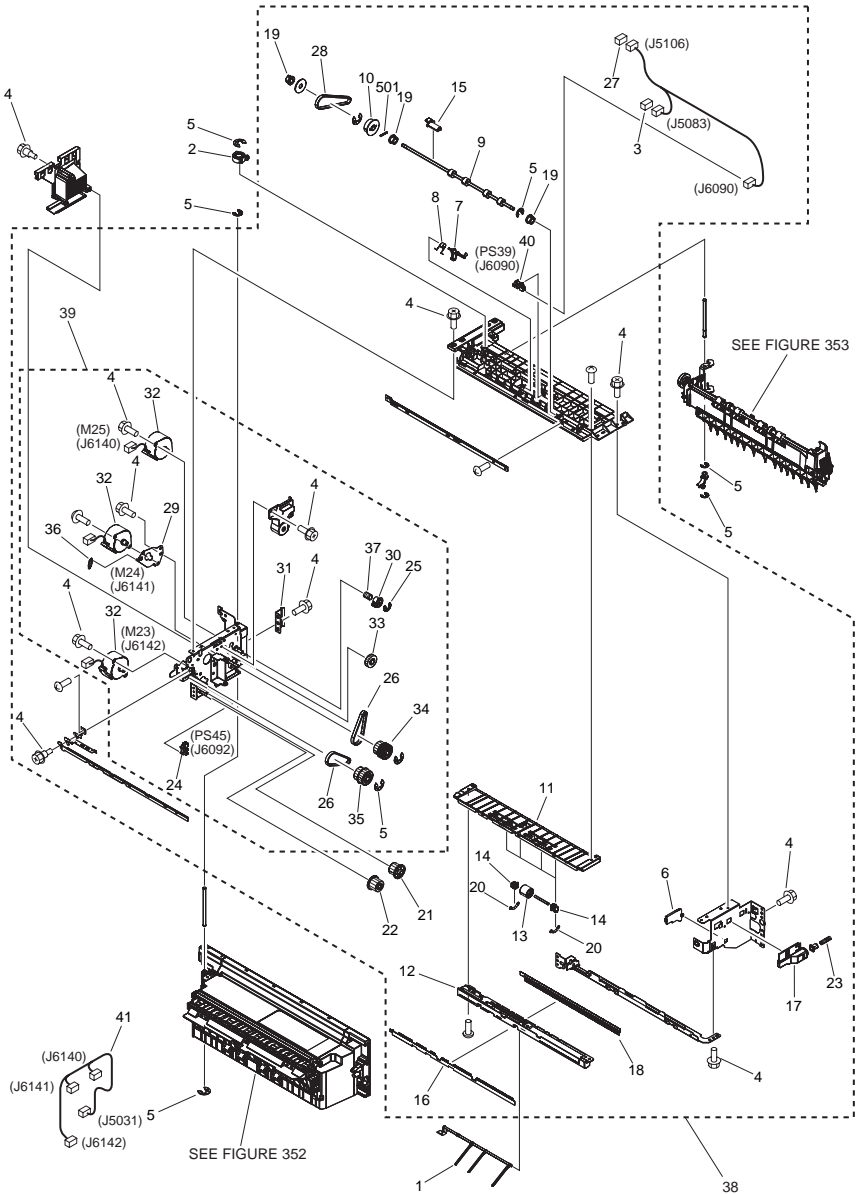


FIGURE & KEY NO.	PARTS NUMBER	R A N K	Q'TY	DESCRIPTION	SERIAL NUMBER/ REMARKS	S V C
Fig.350	FM4-8380-010		1	FIRST PAPER DELIVERY ASSEMBLY		
1	FC5-0799-010		1	FLAG, 1ST DELIVERY SENSOR		
2	FC5-0800-000		1	ROLLER, PAPER DELIVERY		
3	FC5-0805-000		4	ROLLER, REFORM		
4	FS1-1596-000		1	BUSHING, POM		
5	FS5-1943-000		1	BUSHING		
6	FU5-2068-030		1	SPRING, TORSION		
7	FU5-2074-000		4	SPRING, COMPRESSION		
8	FU8-0195-000		1	GEAR, 30T		
9	XD9-0136-000		3	RING,E		
10	FM3-0006-000		4	PAPER DELIVERY ROLLER ASSEMBLY		
11	FS1-9169-000		1	SCREW, STEPPED		
501	XD3-2200-162		1	PIN, DOWEL		

FIGURE 351 2ND/3RD PAPER DELIVERY ASS'Y

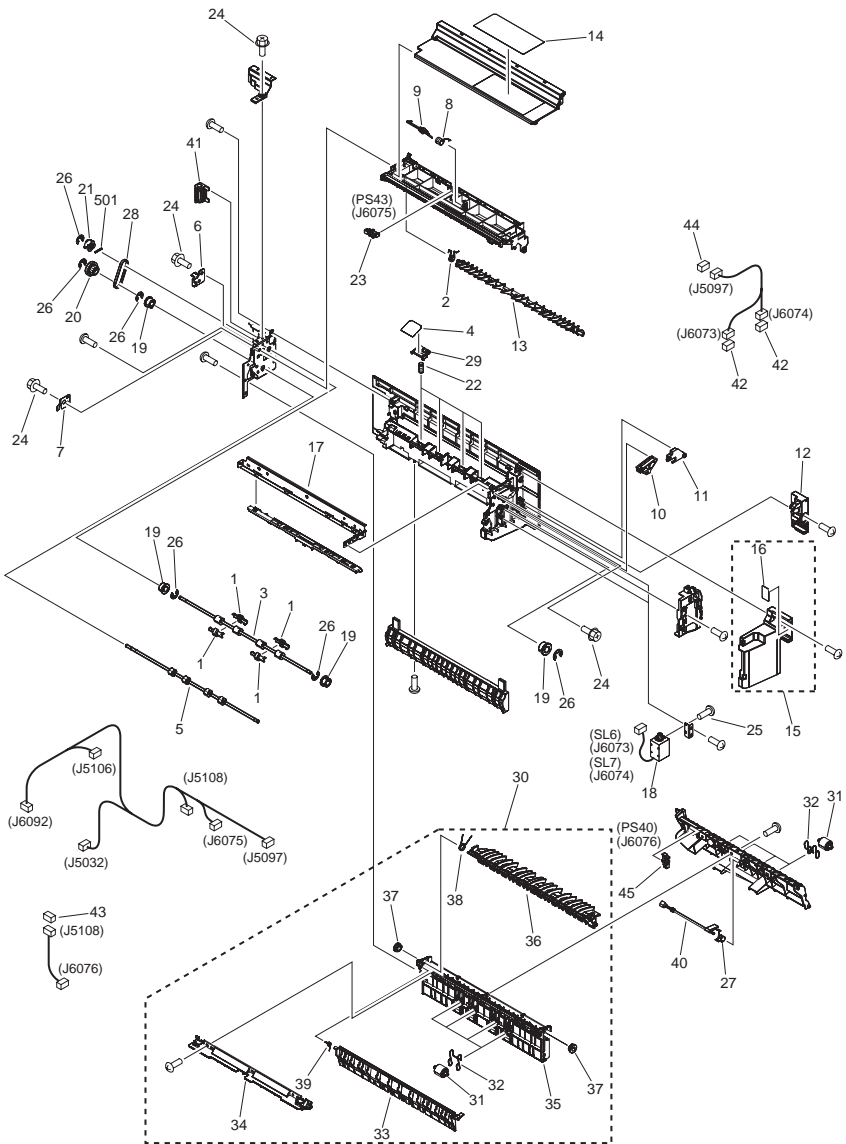


NOTE : This assembly includes the assemblies shown in Figure 352, and 353.
 注 : このユニットはFigure 352, 353のユニットを含みます。

FIGURE & KEY NO.	PARTS NUMBER	R A N K	Q'TY	DESCRIPTION	SERIAL NUMBER/ REMARKS	S V C
Fig.351	FM3-5999-020		1	2ND/3RD PAPER DELIVERY ASS'Y	SEE NOTE	
1	FC8-4752-000		1	LEVER,2ND DELIVERY FULL DETECT		
2	FC8-4779-000		1	LATCH		
3	VS1-7177-005		1	CONNECTOR, SNAP TIGHT, BK		
4	XA9-1386-000		19	SCREW,RS,M3X8		
5	XD9-0136-000		7	RING,E		
6	FC5-0870-000		1	GUIDE, SLIDE		
7	FC5-0987-000		1	FLAG, REVERSE SENSOR		
8	FC5-0988-000		1	SPRING, TORSION		
9	FC5-0989-020		1	ROLLER, REVERSE		
10	FU6-3054-000		1	PULLEY		
11	FC8-4742-010		1	GUIDE, REVERSE		
12	FC8-4743-000		1	HOLDER, ELIMINATOR		
13	FC8-4749-000		4	ROLLER, REVERSE		
14	FC8-4751-000		8	BUSHING		
15	FC8-4769-000		1	STOPPER		
16	FC8-4784-000		1	ELIMINATOR, STATIC CHARGE		
17	FC8-4797-000		1	RAIL, GUIDE		
18	FC8-4932-000		1	ELIMINATOR, STATIC CHARGE		
19	FS5-1943-000		3	BUSHING		
20	FU7-2446-000		8	SPRING, TENSION		
21	FU8-0198-000		1	GEAR, 15T		
22	FU8-0199-000		1	GEAR, 16T		
23	FU8-2284-000		1	SPRING, COMPRESSION		
24	WG8-5848-000		1	PHOTO-INTERRUPTER,GP1A173LCS0F	PS45	
25	XD9-0134-000		1	RING,E		
26	XF2-1605-740		2	BELT, TIMING		
27	VS1-7177-008		1	CONNECTOR, SNAP TIGHT, BK		
28	XF2-1607-640		1	BELT, TIMING		
29	FC8-4928-000		1	PLATE, REVERSE MOTOR POSITION		
30	FC8-4930-000		1	SPACER, SLIDE		
31	FC8-5131-000		1	SPRING, LEAF		

FIGURE & KEY NO.	PARTS NUMBER	RANK	Q'TY	DESCRIPTION	SERIAL NUMBER/REMARKS	SVC
32	FK2-7304-000		3	MOTOR	M23,M24,M25	
33	FU8-0079-000		1	GEAR, 20T		
34	FU8-0150-000		1	PULLEY, 30T		
35	FU8-0197-000		1	PULLEY/GEAR, 30T/24T		
36	FU8-2283-000		1	SPRING, TENSION		
37	FU8-2286-000		1	SPRING, COMPRESSION		
38	FM3-6002-000		1	2/3 PAPER DELIVERY FRAME ASS'Y		
39	FM3-6003-000		1	2ND/3RD DELIVERY DRIVE ASS'Y		
40	WG8-5783-000		1	IC,PHOTO-INTERRUPTER,LG248NL1A	PS39	
41	FM3-7823-000		1	CABLE, 2/3 DELIVERY MOTOR		
501	XD3-2200-122		1	PIN, DOWEL		

FIGURE 352 THIRD PAPER DELIVERY ASSEMBLY

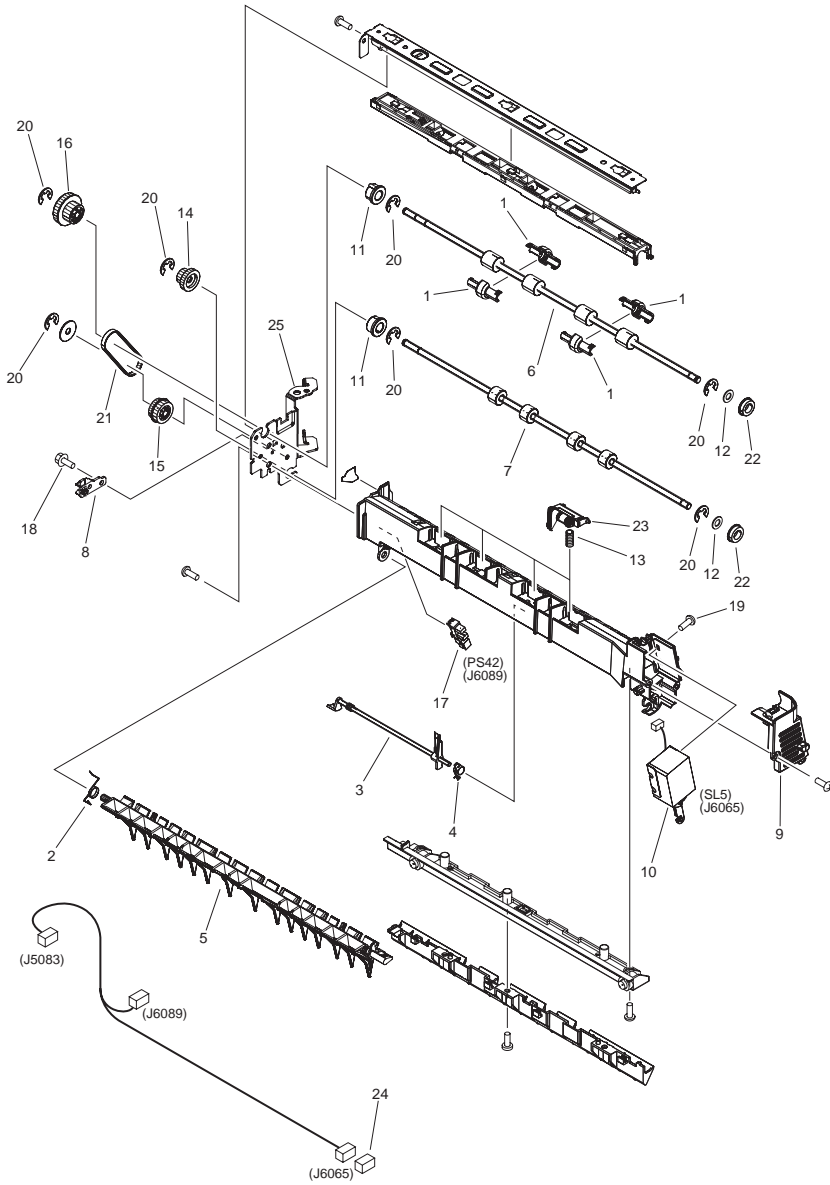


NOTE 1: This assembly is included in the assembly shown in Figure 351.
 NOTE 2: This assembly does not include the part shown with key No. 41.
 注1: このユニットはFigure 351のユニットに含まれます。
 注2: このユニットにKey No. 41の部品は含まれません。

FIGURE & KEY NO.	PARTS NUMBER	R A N K	Q'TY	DESCRIPTION	SERIAL NUMBER/ REMARKS	S V C
Fig.352	FM3-5963-010		1	THIRD PAPER DELIVERY ASSEMBLY	SEE NOTE	
1	FC5-0805-000		4	ROLLER, REFORM		
2	FC5-0977-000		1	SPRING, TORSION		
3	FC5-1020-020		1	ROLLER, 3RD DELIVERY		
4	FC5-6012-010		4	SHEET,HOLDER		
5	FC8-4783-000		1	ROLLER, DUPLEXING ENTRANCE		
6	FC8-4929-000		1	BLOCK, FIXED RELEASE		
7	FC8-4933-000		1	SPRING, LEAF		
8	FC8-5111-000		1	SPRING, TORSION		
9	FC8-5112-000		1	FLAG, THIRD DELIVERY SENSOR		
10	FC8-5117-000		1	ARM, 2ND DEL. FLAPPER SOLENOID		
11	FC8-5118-000		1	ARM, 3RD DEL. FLAPPER SOLENOID		
12	FC8-5120-000		1	HOOK, 2ND/3RD PAPER DELIVERY		
13	FL2-9510-000		1	FLAPPER, THIRD PAPER DELIVERY		
14	FC8-4777-000		1	LABEL, JAM OPERATION		
15	FL3-1125-000		1	COVER, SOLENOID, 1		
16	FC8-4776-000		1	LABEL, HANDLE		
17	FL3-1167-000		1	CROSSMEMBER		
18	FL3-1169-000		2	SOLENOID	SL6,SL7	
19	FS5-1943-000		4	BUSHING		
20	FU5-3018-000		1	PULLEY, 30T/GEAR, 35T		
21	FU5-3021-000		1	PULLEY, 30T		
22	FU7-2512-000		4	SPRING, COMPRESSION		
23	WG8-5848-000		1	PHOTO-INTERRUPTER,GP1A173LCS0F	PS43	
24	XA9-1386-000		4	SCREW,RS,M3X8		
25	XA9-1659-000		4	SCREW,M3X4		
26	XD9-0136-000		6	RING,E		
27	FC5-1006-000		1	SPRING, TORSION		
28	XF2-4107-240		1	BELT, TIMING		
29	FM3-0006-000		4	PAPER DELIVERY ROLLER ASSEMBLY		
30	FM3-5964-010		1	INTERMEDIATE GUIDE ASSEMBLY		
31	FC5-1013-000		8	ROLLER		

FIGURE & KEY NO.	PARTS NUMBER	R A N K	Q'TY	DESCRIPTION	SERIAL NUMBER/ REMARKS	S V C
32	FC5-1014-000		8	SPRING		
33	FC8-4770-010		1	FLAPPER, 2ND DELIVERY ENTRANCE		
34	FC8-4771-010		1	GUIDE,DUPLEXING ENTRANCE,UPPER		
35	FL3-1115-000		1	GUIDE, 2ND DEL. ENTRANCE INNER		
36	FL3-1126-000		1	FLAPPER, REVERSE		
37	FS5-1377-000		2	BUSHING		
38	FU7-2510-000		1	SPRING, TORSION		
39	FU7-2511-000		1	SPRING, TORSION		
40	FC5-1005-000		1	FLAG, DUPLEX ENTRANCE SENSOR		
41	FC8-4927-000		1	LATCH	SEE NOTE	
42	VS1-7177-002		2	CONNECTOR, SNAP TIGHT, BK		
43	VS1-7177-003		1	CONNECTOR, SNAP TIGHT, BK		
44	VS1-7177-004		1	CONNECTOR, SNAP TIGHT, BK		
45	WG8-5783-000		1	IC,PHOTO-INTERRUPTER,LG248NL1A	PS40	
501	XD3-2200-122		1	PIN, DOWEL		

FIGURE 353 SECOND PAPER DELIVERY ASSEMBLY



NOTE : This assembly is included in the assembly shown in Figure 351.
 注 : このユニットはFigure 351のユニットに含まれます。

FIGURE & KEY NO.	PARTS NUMBER	R A N K	Q'TY	DESCRIPTION	SERIAL NUMBER/ REMARKS	S V C
Fig.353	FM3-5965-010		1	SECOND PAPER DELIVERY ASSEMBLY	SEE NOTE	
1	FC5-0805-000		4	ROLLER, REFORM		
2	FC5-0974-000		1	SPRING, TORSION		
3	FC5-0996-000		1	FLAG, 2ND DELIVERY SENSOR		
4	FC5-0997-000		1	SPRING, TORSION		
5	FC8-4773-010		1	FLAPPER, FIRST PAPER DELIVERY		
6	FC8-4782-000		1	ROLLER, SECOND PAPER DELIVERY		
7	FC8-4789-000		1	ROLLER, SECOND VERTICAL PATH		
8	FC8-5128-010		1	GUIDE, SHAFT POSITIONING		
9	FC8-5130-000		1	HANDLE, SECOND PAPER DELIVERY		
10	FL3-4274-000		1	SOLENOID	SL5	
11	FS5-1943-000		2	BUSHING		
12	FS5-6488-000		2	WASHER		
13	FU5-2074-000		4	SPRING, COMPRESSION		
14	FU5-0076-000		1	GEAR, 24T		
15	FU5-3020-000		1	GEAR, 24T/PULLEY, 30T		
16	FU8-0196-000		1	GEAR, 30T		
17	WG8-5848-000		1	PHOTO-INTERRUPTER,GP1A173LCS0F	PS42	
18	XA9-1386-000		1	SCREW,RS,M3X8		
19	XA9-1659-000		2	SCREW,M3X4		
20	XD9-0136-000		7	RING,E		
21	XF2-4107-940		1	BELT, TIMING, COGGED		
22	XG9-0520-000		2	BEARING, BALL, MF106ZZS		
23	FM3-0006-000		4	PAPER DELIVERY ROLLER ASSEMBLY		
24	VS1-7177-002		1	CONNECTOR, SNAP TIGHT, BK		
25	FL3-1142-000		1	HINGE, SECOND PAPER DELIVERY		

FIGURE 460 LASER ASSEMBLY

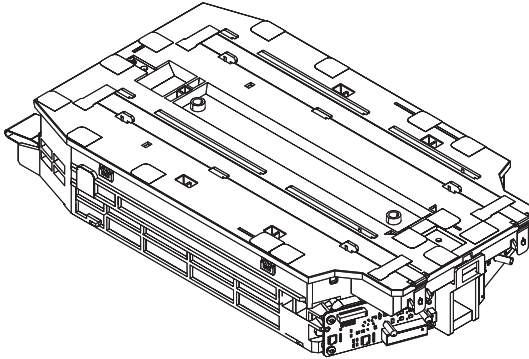
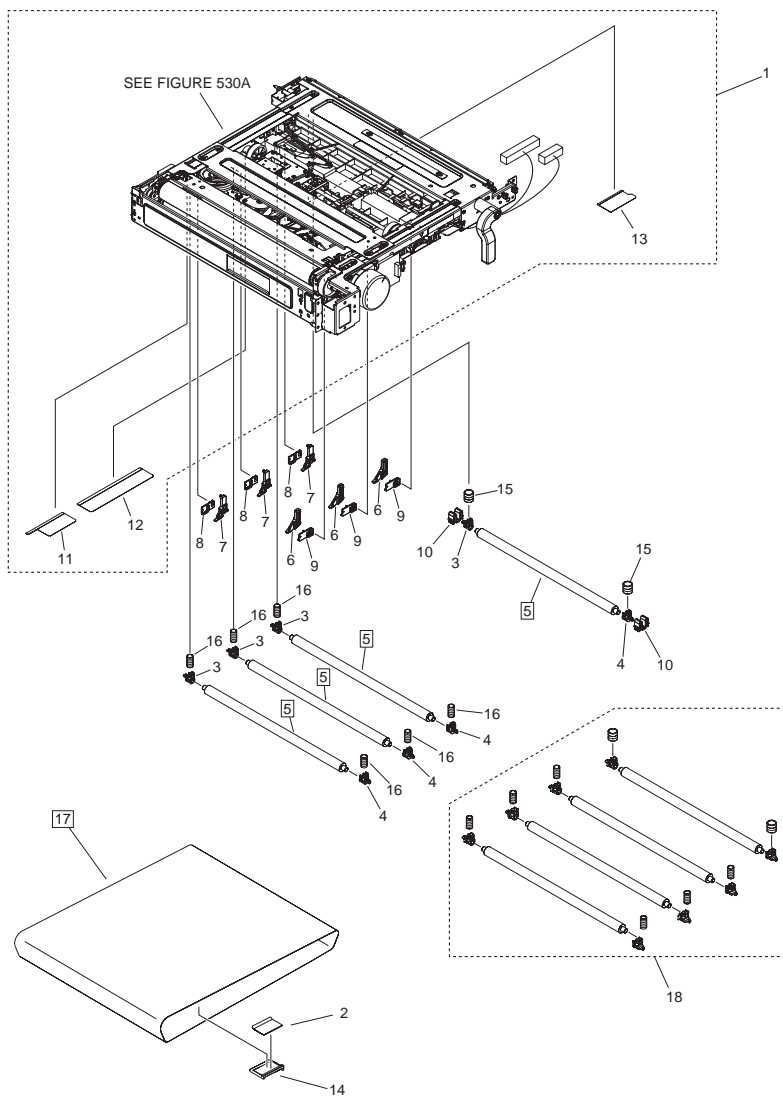


FIGURE & KEY NO.	PARTS NUMBER	RANK	QTY	DESCRIPTION	SERIAL NUMBER/REMARKS	SVC
Fig.460	FM3-5420-020		2	LASER ASSEMBLY	iR-ADV C5051,5045 SERIES	
Fig.460	FM3-5425-020		2	LASER ASSEMBLY	iR-ADV C5035,5030 SERIES	

FIGURE 530 INTER.TRANSFER BELT ASS'Y



NOTE : When Key No. 5 reaches the reference value for replacement, replace it with the set of parts of Key No. 18.
NOTE : The parts shown with key No. 2 and 14 are included in Figure 530A.

注 : Key No. 5の部品が交換目安値に達したらKey No. 18の部品にセット交換して下さい。

注 : Key No. 2, 14の部品はFigure 530Aに含まれます。

Key No. 18 is a new Primary Transfer Roller Set, and a list of serial numbers of the machines to which it is installed is shown below.

Key No. 18は新しい1次転写ローラーセットであり、搭載済みシリアルNo. 一覧は以下である。

imageRUNNER ADVANCE C5051

DZS30000 and later	DZT30000 and later	EUF30000 and later
EUG30000 and later	EUH30000 and later	EUJ30000 and later
GQM30000 and later	GQN30000 and later	HKZ00500 and later

imageRUNNER ADVANCE C5051F

HLC00500 and later

imageRUNNER ADVANCE C5051i

GQP30000 and later

imageRUNNER ADVANCE C5045

EBU30000 and later	EBV30000 and later	EUK30000 and later
EUL30000 and later	EUN30000 and later	EUP30000 and later
GPQ30000 and later	GPU30000 and later	HLF00500 and later

imageRUNNER ADVANCE C5045F

HLG00500 and later

imageRUNNER ADVANCE C5045i

GPV30000 and later

imageRUNNER ADVANCE C5035

EEA30000 and later	EET30000 and later	EUQ30000 and later
EUR30000 and later	EUS30000 and later	EUU30000 and later
GNW30000 and later	GNX30000 and later	HLH00500 and later

imageRUNNER ADVANCE C5035F

HLK00500 and later

imageRUNNER ADVANCE C5035i

GNV30000 and later

imageRUNNER ADVANCE C5030

ETG30000 and later	ETM30000 and later	EUV30000 and later
EUW30000 and later	EUX30000 and later	EUY30000 and later
GNG30000 and later	GNH30000 and later	HLN00500 and later

imageRUNNER ADVANCE C5030F

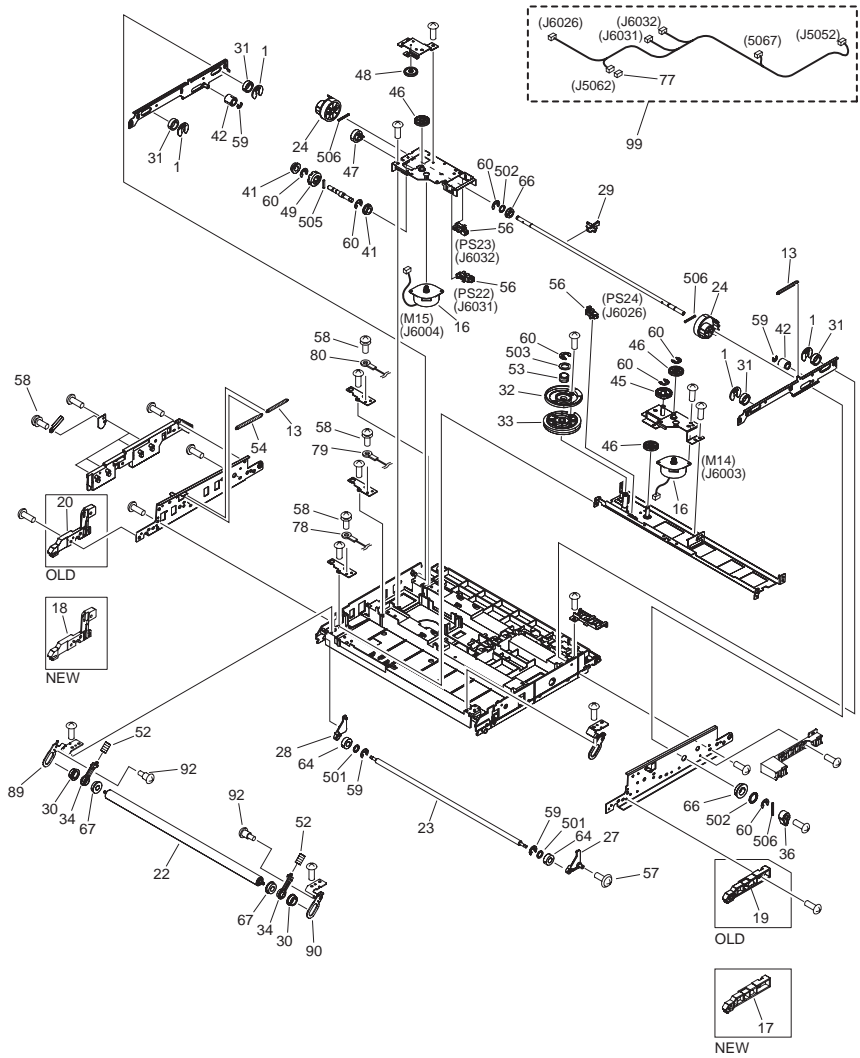
HLP00500 and later

imageRUNNER ADVANCE C5030i

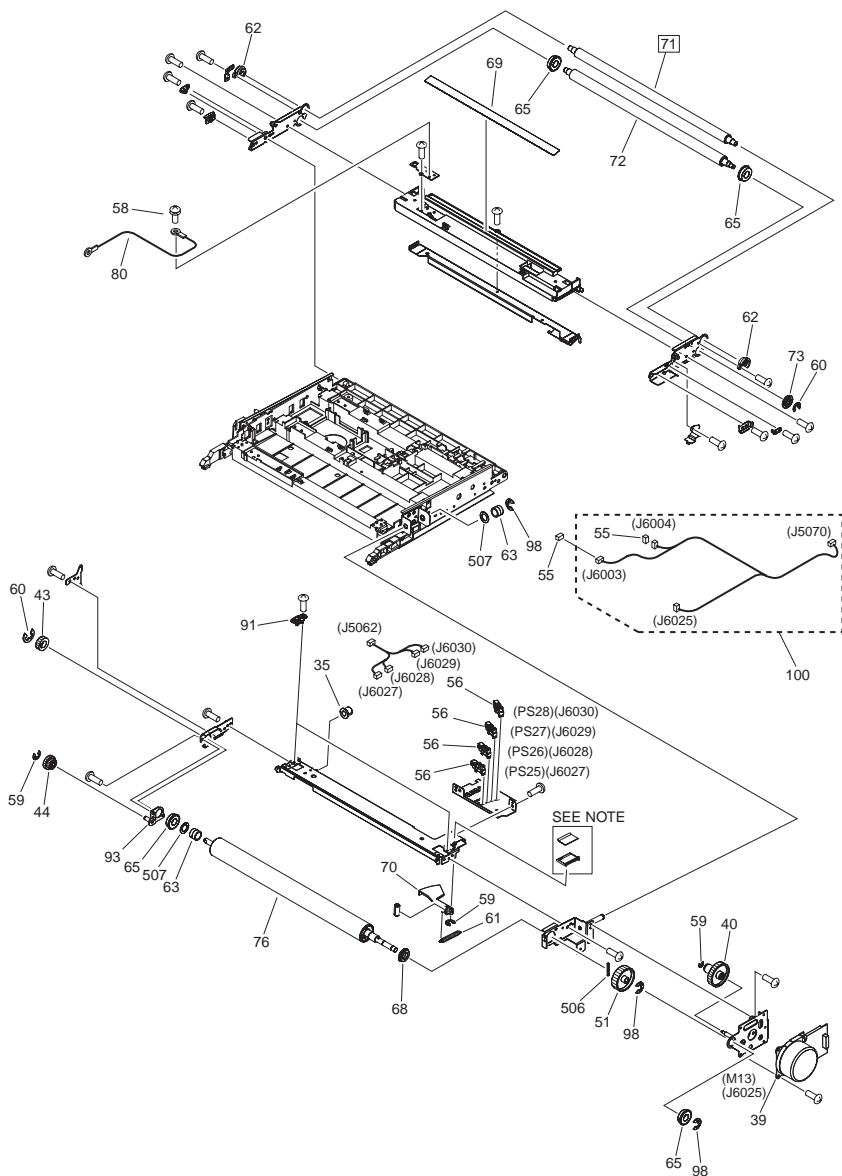
GNM30000 and later

FIGURE & KEY NO.	PARTS NUMBER	R A N K	Q'TY	DESCRIPTION	SERIAL NUMBER/ REMARKS	S V C
Fig.530	NPN		RF	INTER. TRANSFER BELT ASSY		
1	FM4-8384-000		1	INTERMEDIATE TRANSFER ASSEMBLY		
2	FC0-0253-000		1	SHEET, RETAINER, BELT	SEE NOTE	
3	FY7-0415-000		1	PRIMARY TRANSFER ROLLER SET	[DP]	
4	FY7-0415-000		1	PRIMARY TRANSFER ROLLER SET	[DP]	
5	FY7-0415-000		1	PRIMARY TRANSFER ROLLER SET	SEE NOTE [DP] OLD	
6	FC8-4419-000		3	ARM, DESORPTION, FRONT		
7	FC8-4420-000		3	ARM, DESORPTION, REAR		
8	FC8-4492-000		3	STOPPER,1ST TRNSFR. BUSHING,R		
9	FC8-4493-000		3	STOPPER,1ST TRNSFR. BUSHING,F		
10	FC8-4494-000		2	STOPPER, BLACK		
11	FC9-7914-000		1	SHEET, BELT RETAINING, A		
12	FC9-7915-000		1	SHEET, BELT RETAINING, B		
13	FC9-7916-000		1	SHEET, BELT RETAINING, C		
14	FL3-4847-000		1	GUIDE, BELT	SEE NOTE	
15	FY7-0415-000		1	PRIMARY TRANSFER ROLLER SET	[DP]	
16	FY7-0415-000		1	PRIMARY TRANSFER ROLLER SET	[DP]	
17	FM4-7241-000		1	BELT, INTER TRANSFER	[DP]	
18	FY7-0429-000		1	PRIMARY TRANSFER ROLLER SET	SEE NOTE NEW	

FIGURE 530A INTER.TRANSFER BELT ASS'Y



NOTE : These parts are Fig-Key No. 530-2 and 14.
 注 : この部品はFig-Key No. 530-2, 14です。



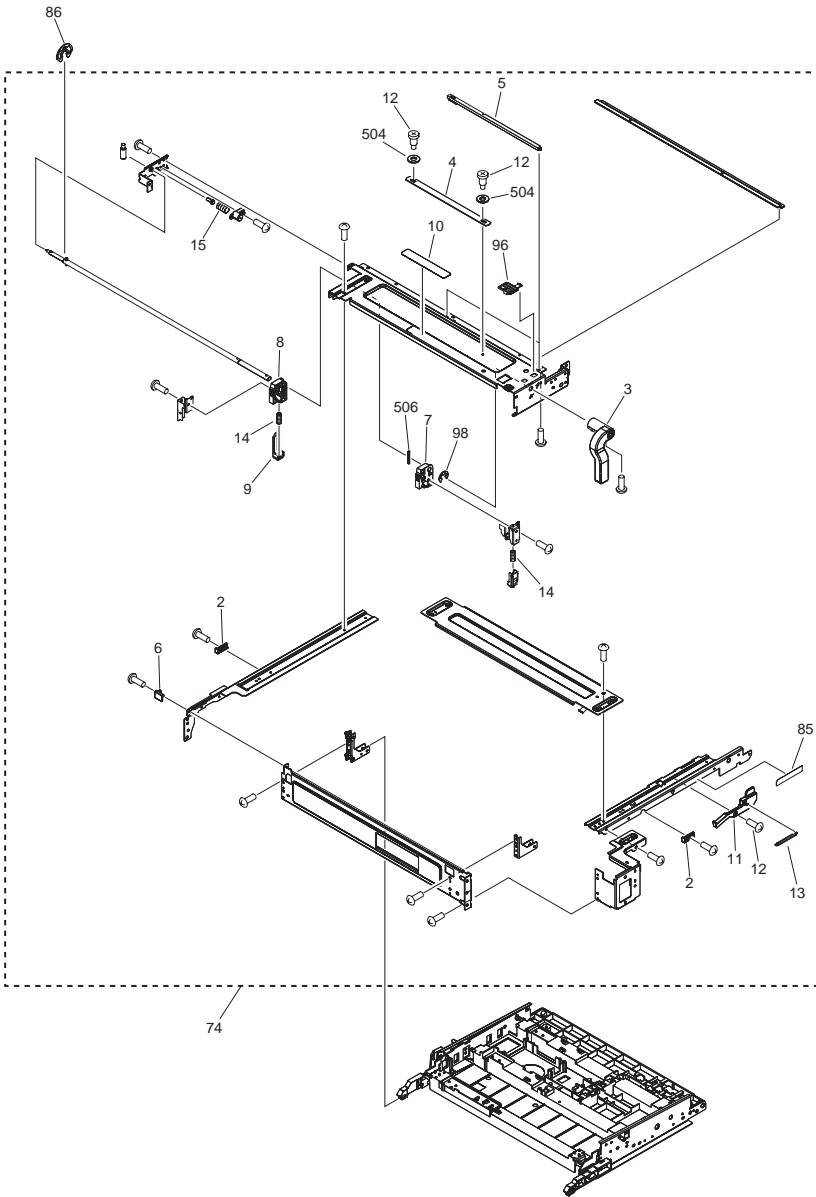


FIGURE & KEY NO.	PARTS NUMBER	R A N K	Q'TY	DESCRIPTION	SERIAL NUMBER/ REMARKS	S V C
Fig.530A	NPN		RF	INTER. TRANSFER BELT ASSY		
1	FC6-5046-000		4	RING, RETAINING		
2	FC8-4386-000		2	GUIDE, LIFT		
3	FC8-4394-000		1	LEVER		
4	FC8-4427-000		1	BAND		
5	FC8-4431-000		2	SLIDER		
6	FC8-4433-000		1	BLOCK, SLIDER		
7	FC8-4434-000		1	CAM, LIFT, FRONT		
8	FC8-4435-000		1	CAM, LIFT, REAR		
9	FC8-4436-000		1	SLIDER, PUSH		
10	FC8-4458-000		1	LABEL, I.T.BELT CAUTION, S		
11	FC8-4491-000		1	ARM, LOCK		
12	FS1-9010-020		3	SCREW, STEPPED, M3		
13	FU7-2451-000		3	SPRING, TENSION		
14	FU7-2453-000		2	SPRING, COMPRESSION		
15	FU7-2454-000		1	SPRING, COMPRESSION		
16	FK2-7365-000		2	MOTOR, STEPPING	M14,M15	
17	FC0-3708-000		1	ARM, TRANSFER, FRONT, 2	NEW	
18	FL3-5416-000		1	ARM, TRANSFER, REAR, 2	NEW	
19	FY1-1337-000		1	ARM, TRANSFER, FRONT	OLD	
20	FL3-4820-000		1	ARM, TRANSFER, REAR	OLD	
22	FC8-4404-000		1	ROLLER, TENSION		
23	FC8-4406-000		1	ROLLER, 1ST TRNSFR. AUXILIARY		
24	FC8-4414-000		2	CAM, DESORPTION		
27	FC8-4421-000		1	PLATE,DESORPTION ARM AUX.,FR.		
28	FC8-4422-000		1	PLATE,DESORPTION ARM AUX.,REAR		
29	FC8-4423-000		1	FLAG, DESORPTION SENSOR		
30	FC8-4455-000		2	ROLLER, TENSION SLIDER		
31	FC8-4456-000		4	ROLLER, DESORPTION SLIDE		
32	FC8-4474-000		1	CAM, STEERING, UPPER		
33	FC8-4475-000		1	CAM, STEERING, LOWER		
34	FC8-4479-020		2	BUSHING		

FIGURE & KEY NO.	PARTS NUMBER	R A N K	Q'TY	DESCRIPTION	SERIAL NUMBER/ REMARKS	S V C	
35	FC8-4487-000		1	ROLLER, CAM	M13		
36	FC8-4490-000		1	CAM, LOCK			
39	FK2-7300-000		1	MOTOR, DC			
40	FL2-9460-000		1	GEAR ASSEMBLY			
41	FS1-1508-000		2	BUSHING			
42	FS5-6948-000		2	COLLAR, RAIL			
43	FU3-0267-000		1	GEAR, 18T			
44	FU3-0343-000		1	GEAR, 28T/28T			
45	FU6-0071-000		1	GEAR, 53T/20T			
46	FU6-0147-000		3	GEAR, 48T			
47	FU6-0681-000		1	GEAR, 15T			
48	FU6-0686-000		1	GEAR, 11T/43T			
49	FU6-0695-000		1	GEAR, 26T			
51	FU8-0141-000		1	GEAR, 72T			
52	FU7-2452-010		2	SPRING, TENSION			
53	FU7-2507-000		1	SPRING, COMPRESSION			
54	FU7-2517-000		1	SPRING, TENSION			
55	VS1-7177-004		2	CONNECTOR, SNAP TIGHT, BK			
56	WG8-5848-000		7	PHOTO-INTERRUPTER,GP1A173LCS0F			PS22,PS23,PS24,PS25,P S26,PS27,PS28
57	XA9-0476-000		2	SCREW,TP M3X8			
58	XA9-1932-000		8	SCREW, W/WASHER, M3X6			
59	XD9-0134-000		7	RING,E			
60	XD9-0136-000		9	RING,E			
61	FU7-2508-000		1	SPRING, TENSION			
62	FL3-1109-000		2	HOLDER, 2ND TRNSFR. BUSHING			
63	FU7-2462-000		2	SPRING, COMPRESSION			
64	XG9-0414-000		2	BEARING, BALL			
65	XG9-0508-000		4	BEARING, BALL, F688ZZ			
66	XG9-0520-000		2	BEARING, BALL, MF106ZZS			
67	XG9-0594-000		2	BEARING, BALL, MF126ZZ			
68	XG9-0731-000		1	BUSHING			

FIGURE & KEY NO.	PARTS NUMBER	R A N K	Q'TY	DESCRIPTION	SERIAL NUMBER/ REMARKS	S V C
69	FC8-4398-000		1	SCRAPER, BELT		
70	FC8-4480-000		1	FLAG, BELT EDGE SENSOR		
71	FC8-4402-000		1	ROLLER, 2ND TRNSFR. INNER	[DP]	
72	FC8-4405-000		1	ROLLER, IDLER		
73	FC8-4449-000		1	FLANGE		
74	FM3-6116-000		1	TRANSFER OUTER FRAME ASSEMBLY		
76	FC8-4403-000		1	ROLLER, DRIVE		
77	VS1-7177-012		1	CONNECTOR, SNAP TIGHT, BK		
78	FM3-7854-000		1	CABLE, PRIMARY TRANSFER H.V. Y		
79	FM3-7855-000		1	CABLE, PRIMARY TRANSFER H.V. M		
80	FM3-7856-000		2	CABLE,PRIMARY TRANSFER H.V. CK		
85	FC9-7926-000		1	LABEL,I.T.B.DESORPTION CAUTION		
86	FB6-6088-000		1	RING, RETAINING		
89	FC8-4390-000		1	PLATE,TENSION REAR		
90	FC8-4478-000		1	PLATE,TENSION FRONT		
91	FC8-4483-000		2	HOLDER, TENSION		
92	FC0-0235-000		2	SCREW, M3X2.2		
93	FL3-0526-000		1	SUPPORT,DRIVE,ROLLER		
96	FC0-0164-000		1	PLATE,BACKUP		
98	XD9-0137-010		4	RING, E		
99	FM3-7827-000		1	CABLE, I.T.B SENSOR		
100	FM3-7830-000		1	CABLE, I.T.B MOTOR		
501	XD1-1104-115		2	WASHER,COP		
502	XD1-1106-215		2	WASHER,COP		
503	XD1-1108-225		1	WASHER,COP		
504	XD1-2100-407		2	WASHER,PLAIN		
505	XD3-2200-102		1	PIN, DOWEL		
506	XD3-2200-162		5	PIN, DOWEL		
507	XD1-1208-225		2	WASHER, PLAIN		

FIGURE 531 TRANSFER CLEANER ASSEMBLY

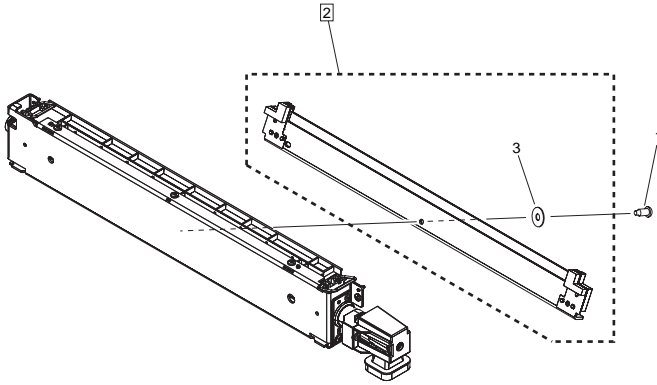
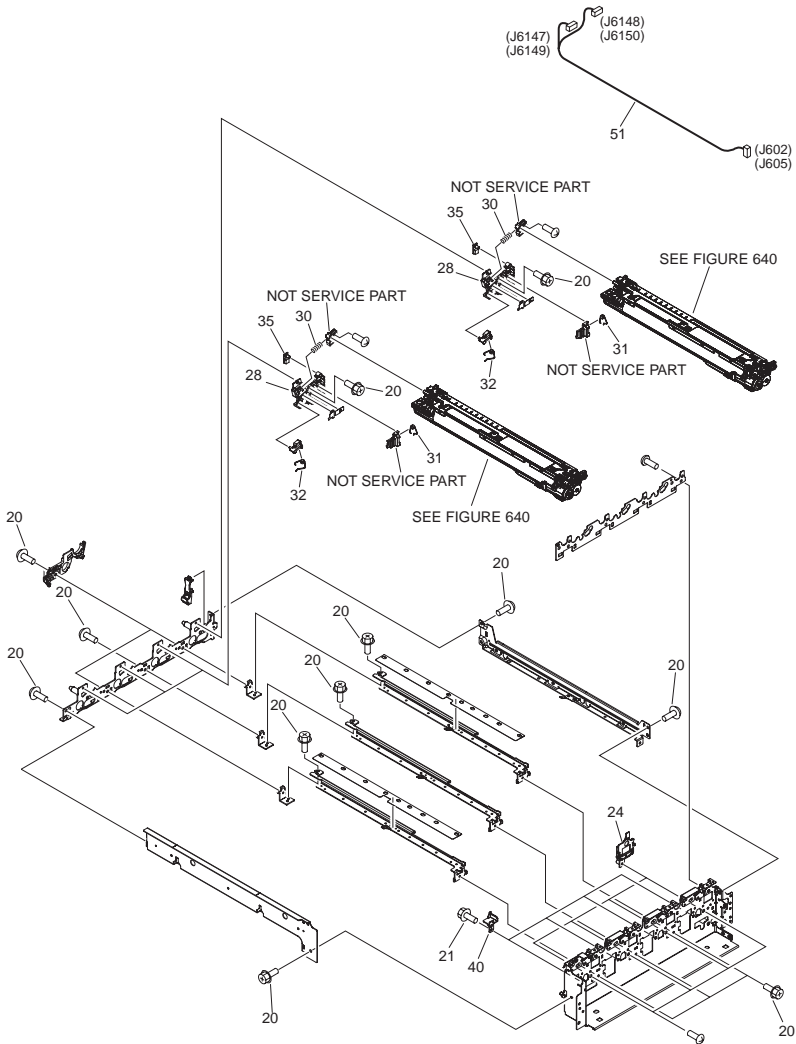


FIGURE & KEY NO.	PARTS NUMBER	RANK	QTY	DESCRIPTION	SERIAL NUMBER/REMARKS	SVC
Fig.531	FM4-7244-000		1	TRANSFER CLEANER ASS'Y		
1	FU5-9737-000		1	SCREW, STEPPED, M4X6.5		
2	FM4-7246-000		1	BLADE, TRANSFER CLEANING	[DP]	
3	FS5-6957-000		1	WASHER,WAVE		

FIGURE 600 PROCESS-KIT FRAME ASSEMBLY



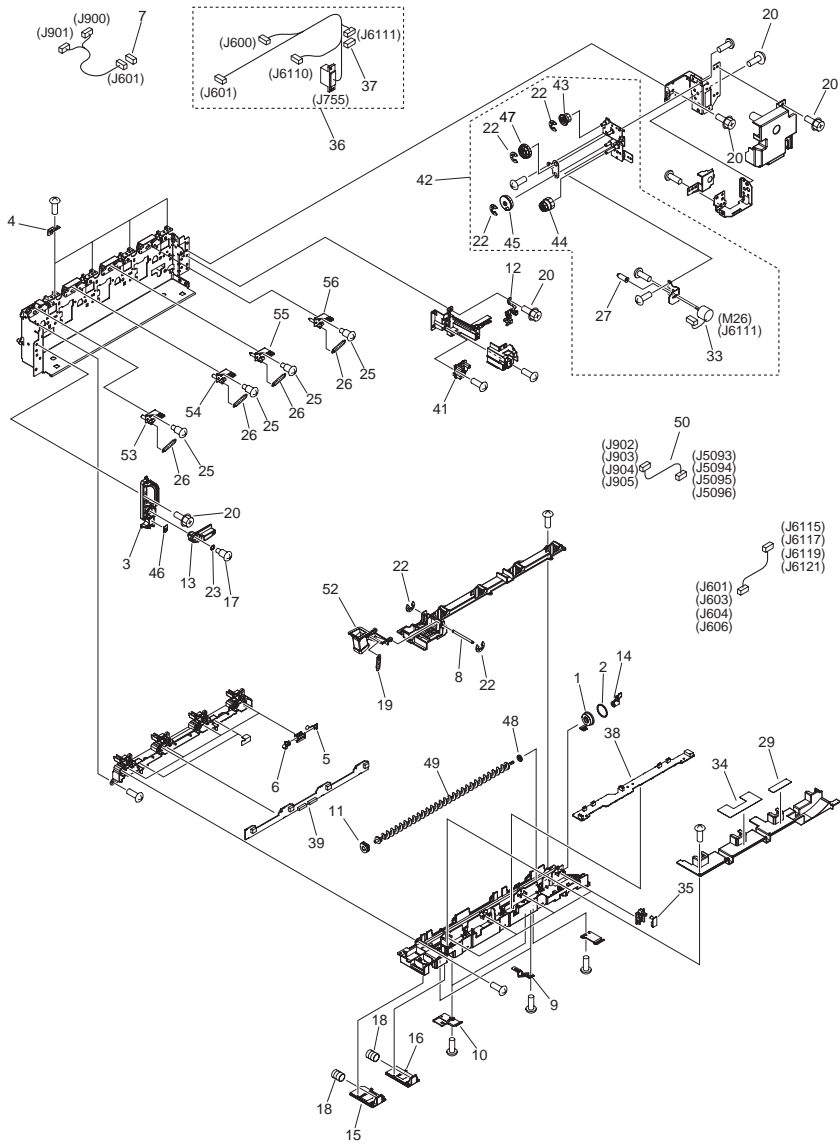


FIGURE & KEY NO.	PARTS NUMBER	R A N K	Q'TY	DESCRIPTION	SERIAL NUMBER/ REMARKS	S V C
Fig.600	NPN		RF	PROCESS-KIT FRAME ASSEMBLY		
1	FC5-7919-000		1	BUSHING		
2	FC6-5328-000		1	SEAL, SCREW BUSHING		
3	FC8-3915-000		1	HANDLE, P KIT, LEFT		
4	FC8-3921-000		4	PLATE, DRUM GROUNDING		
5	FC8-3930-000		4	SPRING, COMPRESSION		
6	FC8-3931-000		4	SPRING, COMPRESSION		
7	VS1-8412-017		1	CONNECTOR, SNAP TIGHT, BL		
8	FC8-3979-000		1	SHAFT		
9	FC8-3983-000		2	SPRING, LEAF		
10	FC8-4534-000		2	RAIL, PAPER FEED CASE SHUTTER		
11	FC8-4573-000		1	BUSHING		
12	FC8-4574-000		1	PLATE, SENSOR GROUNDING		
13	FC8-4575-000		1	HANDLE, WASTE TONER		
14	FC9-7122-000		1	FLAG, FIRST FEEDSCREW		
15	FL3-1154-000		1	SHUTTER, PAPER FEED CASE		
16	FL3-1159-000		1	SHUTTER, PAPER FEED CASE, 2		
17	FS5-9215-000		1	SCREW, STEPPED		
18	FU7-2538-000		2	SPRING, COMPRESSION		
19	FU8-2290-000		1	SPRING, TENSION		
20	XA9-0732-010		34	SCREW,RS,M4		
21	XA9-1386-000		10	SCREW,RS,M3X8		
22	XD9-0134-000		5	RING,E		
23	XD9-0168-000		1	WASHER		
24	FC8-3923-000		4	RAIL, DRUM UNIT, F		
25	FS5-9360-020		4	SCREW,STEPPED,M4		
26	FU7-2469-000		4	SPRING, TENSION		
27	FU8-0171-000		1	GEAR, WORM, 36T		
28	FC8-3924-000		4	RAIL, DRUM UNIT, R		
29	FC9-7933-000		1	LABEL, I.T.B. HANDLE CAUTION		
30	FU7-2470-000		4	SPRING, COMPRESSION		
31	FU7-2501-000		4	SPRING, TORSION		

FIGURE & KEY NO.	PARTS NUMBER	R A N K	Q'TY	DESCRIPTION	SERIAL NUMBER/ REMARKS	S V C
32	FU7-2531-000		4	SPRING, TORSION	M26	
33	FK2-7328-000		1	MOTOR, DC		
34	FC9-7943-000		1	LABEL, DESORPTION CAUTION		
35	FM3-7945-000		8	LED PCB ASSEMBLY		
36	FM3-7863-000		1	CABLE, PROCESS-KIT DRAWER		
37	VS1-7177-003		1	CONNECTOR, SNAP TIGHT, BK		
38	FM3-7938-000		1	RELAY PCB ASSEMBLY		
39	FM3-7940-000		1	NEW/OLD DETECT PCB ASSEMBLY		
40	FC0-0181-000		4	SPACER, DEVELOPING PROTECTIVE		
41	FM3-7949-000		1	WASTE TONER SENSOR PCB ASS'Y		
42	FM3-8889-000		1	WASTE TONER FEED DRIVE ASS'Y		
43	FU8-0172-000		1	GEAR, 19T		
44	FU8-0209-000		1	GEAR, 16T/36T		
45	FU8-0190-000		1	GEAR, 33T		
46	FC9-7129-000		1	LABEL, UNLOCK		
47	FU8-0210-000		1	GEAR, 33T/25T		
48	FC9-7954-000		1	SEAL,SCREW BUSHING		
49	FC8-3996-000		1	SCREW,RECYCLE TONER FEED		
50	FM3-7865-000		1	CABLE, SENSOR CONNECTING		
51	FM3-7867-000		2	CABLE, PRE-EXPOSURE LED, REAR		
52	FL3-4247-000		1	SHUTTER, CONNECTING		
53	FL2-9516-000		1	PLATE, DEVELOPING PRESSURE, Y		
54	FL2-9517-000		1	PLATE, DEVELOPING PRESSURE, M		
55	FL2-9518-000		1	PLATE, DEVELOPING PRESSURE, C		
56	FL2-9519-000		1	PLATE, DEVELOPING PRESSURE, BK		

FIGURE 620 SET ON HOPPER BK ASSEMBLY

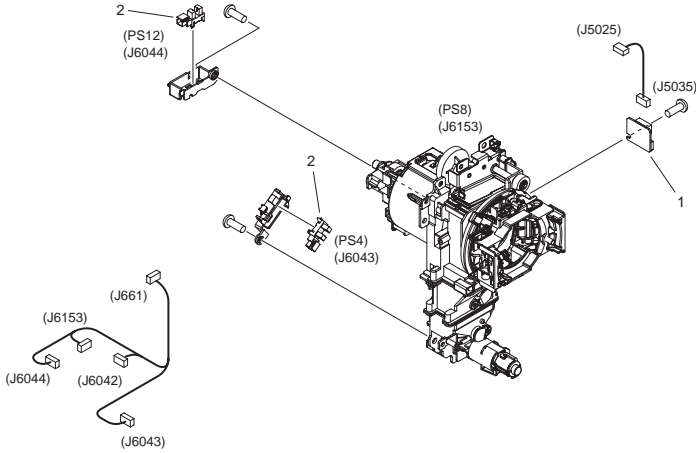


FIGURE & KEY NO.	PARTS NUMBER	RANK	QTY	DESCRIPTION	SERIAL NUMBER/REMARKS	SVC
Fig.620	FM3-5980-000		1	SET ON HOPPER ASS'Y, BK	PS8	
1	FM3-7948-000		1	TONER SENSOR RELAY PCB ASSY		
2	WG8-5783-000		2	IC,PHOTO-INTERRUPTER,LG248NL1A	PS4,PS12	

FIGURE 621 SET ON HOPPER CL ASSEMBLY

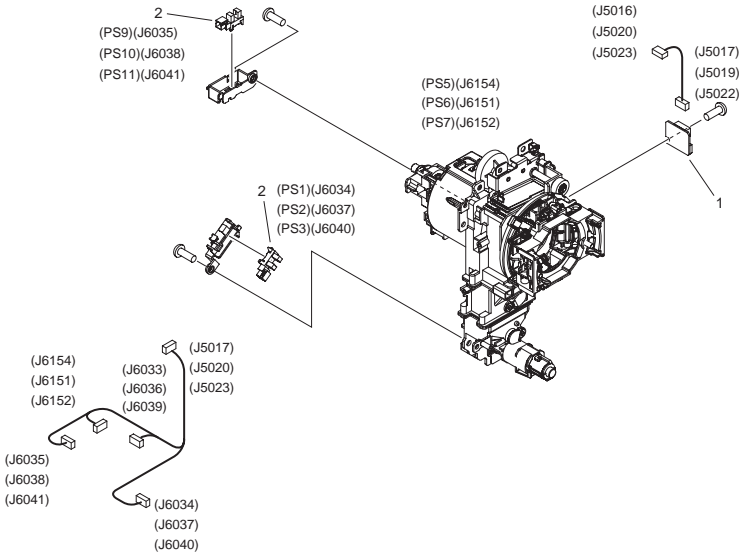


FIGURE & KEY NO.	PARTS NUMBER	RANK	QTY	DESCRIPTION	SERIAL NUMBER/REMARKS	SVC
Fig.621	FM3-5990-000		3	SET ON HOPPER ASS'Y, CL	PS5,PS6,PS7	
1	FM3-7948-000		1	TONER SENSOR RELAY PCB ASSY		
2	WG8-5783-000		2	IC,PHOTO-INTERRUPTER,LG248NL1A	PS1,PS2,PS3,PS9,PS10,PS11	

FIGURE 623 SET ON DRIVE ASSEMBLY, BLACK

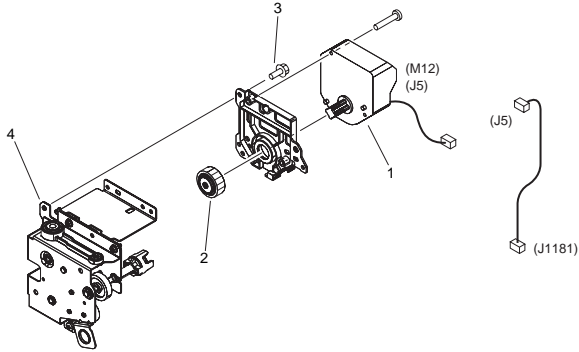


FIGURE & KEY NO.	PARTS NUMBER	RANK	QTY	DESCRIPTION	SERIAL NUMBER/REMARKS	SVC
Fig.623	FM3-5978-000		1	SET ON DRIVE ASSEMBLY, BLACK		
1	FK2-7895-000		1	MOTOR, DC	M12	
2	FU8-0137-000		1	GEAR, 26T		
3	XA9-1386-000		3	SCREW,RS,M3X8		
4	FM3-8908-000		1	SET ON DRIVE BASE ASS'Y, BLACK		

FIGURE 624 SET ON DRIVE ASSEMBLY, CL

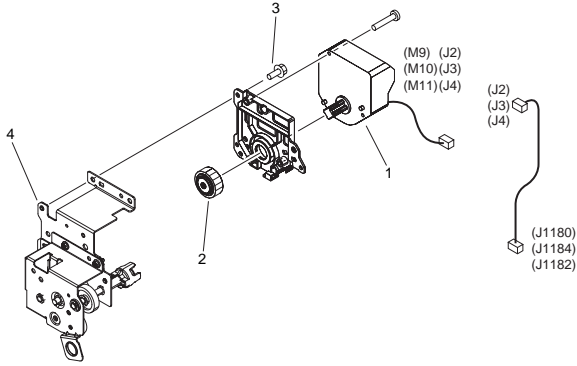


FIGURE & KEY NO.	PARTS NUMBER	RANK	QTY	DESCRIPTION	SERIAL NUMBER/REMARKS	SVC
Fig.624	FM3-5979-000		3	SET ON DRIVE ASSEMBLY, CL		
1	FK2-7895-000		1	MOTOR, DC	M9,M10,M11	
2	FU8-0137-000		1	GEAR, 26T		
3	XA9-1386-000		3	SCREW,RS,M3X8		
4	FM3-8891-000		1	SET ON DRIVE BASE ASSEMBLY, CL		

FIGURE 626 BOTTLE FRONT INNER DOOR ASS'Y

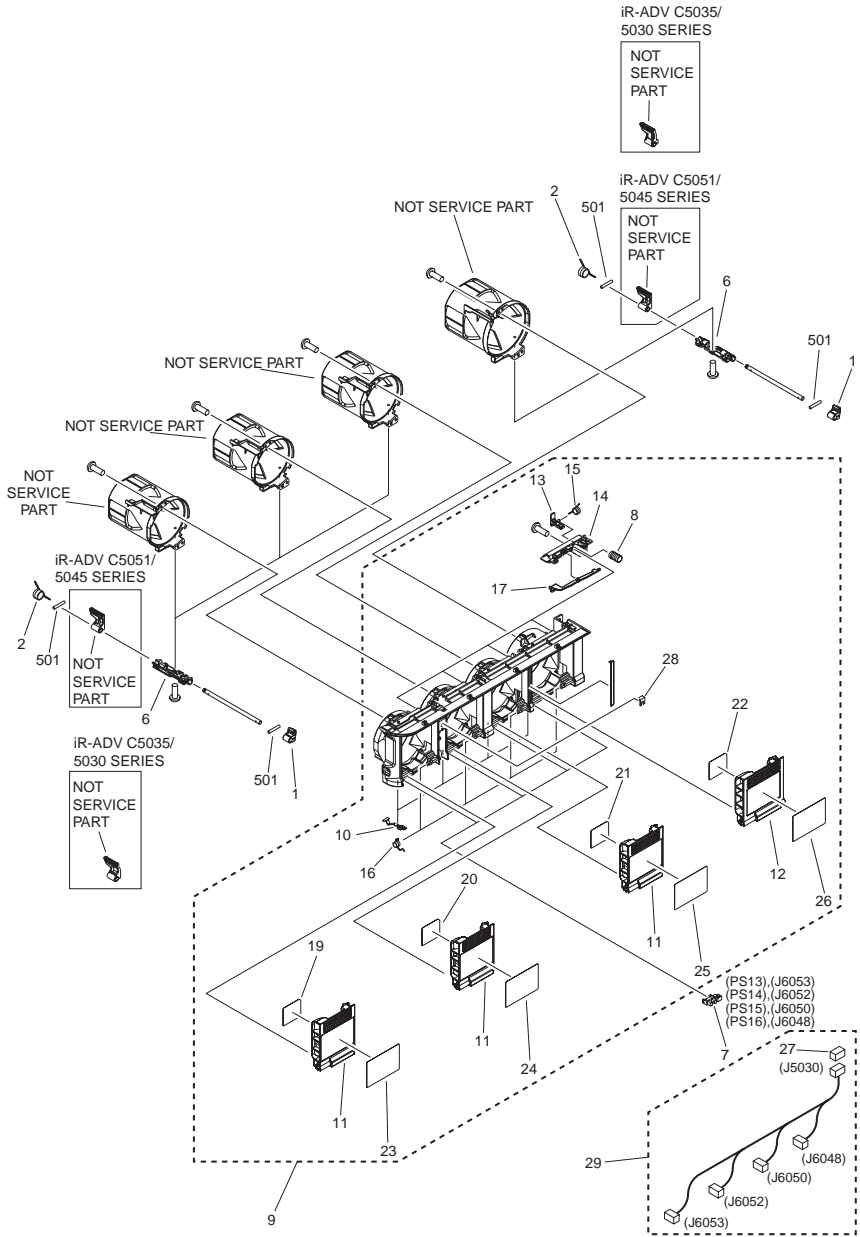


FIGURE & KEY NO.	PARTS NUMBER	RANK	Q'TY	DESCRIPTION	SERIAL NUMBER/REMARKS	SVC
Fig.626	NPN		RF	BOTTLE FRONT INNER DOOR ASS'Y		
1	FC8-4692-000		4	STOPPER,BOTTLE LINK INNER DOOR		
2	FC8-4694-000		4	SPRING, TORSION		
6	FC8-4698-000		4	GUIDE, BOTTLE LINK SHAFT		
7	WG8-5783-000		4	IC,PHOTO-INTERRUPTER,LG248NL1A	PS13,PS14,PS15,PS16	
8	FU7-2459-000		4	SPRING, COMPRESSION		
9	FM3-8899-000		1	BOTTLE FR. DOOR BASE ASSEMBLY		
10	FC8-4646-000		4	SPRING, GROUNDING		
11	FC8-4661-010		3	DOOR,BOTTLE EXCHANGE INNER,CL		
12	FC8-4662-010		1	DOOR, BOTTLE EXCHANGE INNER		
13	FC8-4683-000		4	LATCH, INNER DOOR		
14	FC8-4684-000		4	HOLDER, INNER DOOR LATCH		
15	FC8-4685-000		4	SPRING, TORSION		
16	FC8-4687-000		4	SPRING, TORSION		
17	FC8-4689-000		4	LEVER,INNER DOOR LATCH RELEASE		
19	FC8-4663-000		1	LABEL, COLOR, YELLOW		
20	FC8-4664-000		1	LABEL, COLOR, MAGENTA		
21	FC8-4665-000		1	LABEL, COLOR, CYAN		
22	FC8-4666-000		1	LABEL, COLOR, BLACK		
23	FC8-4667-000		1	LABEL, OPERATOR, YELLOW		
24	FC8-4668-000		1	LABEL, OPERATOR, MAGENTA		
25	FC8-4669-000		1	LABEL, OPERATOR, CYAN		
26	FC8-4670-000		1	LABEL, OPERATOR, BLACK		
27	VS1-8412-013		1	CONNECTOR, SNAP TIGHT, BL		
28	FC0-0212-000		1	SHEET, MAGNET PLATE		
29	FM3-7832-000		1	CABLE, SET ON DOOR SENSOR		
501	XD3-2200-122		8	PIN, DOWEL		

FIGURE 627 BOTTLE BASE ASSEMBLY, BLACK

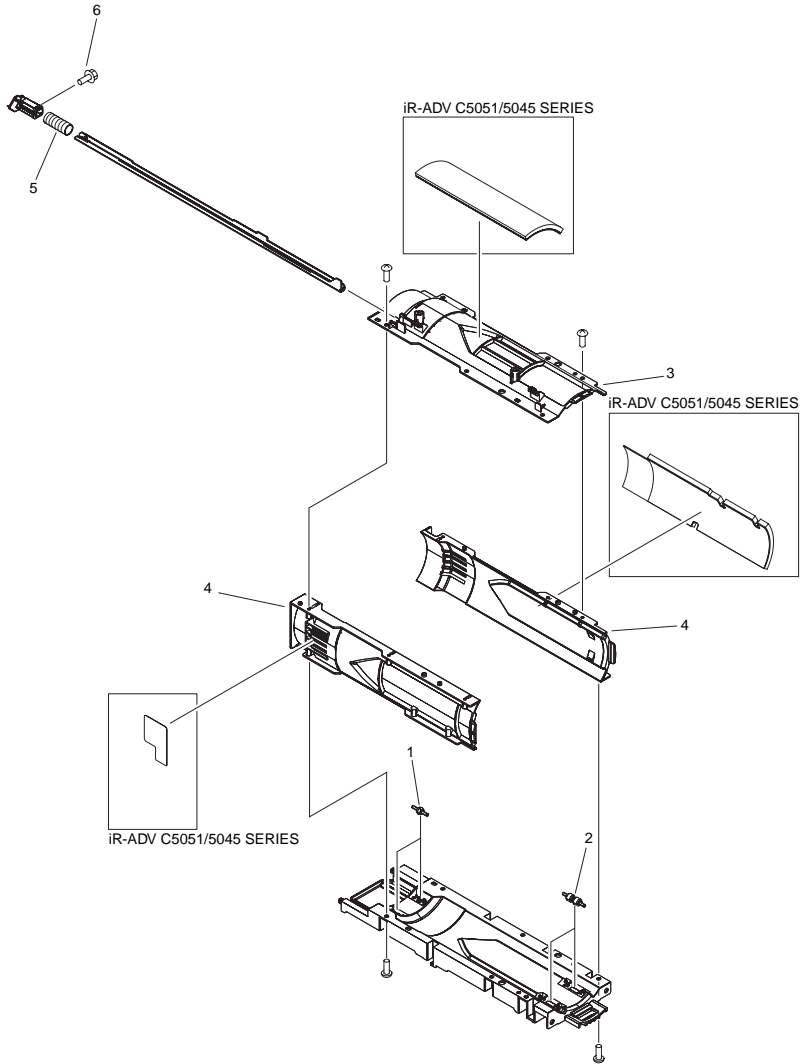


FIGURE & KEY NO.	PARTS NUMBER	R A N K	Q'TY	DESCRIPTION	SERIAL NUMBER/ REMARKS	S V C
Fig.627	FM3-5986-000		1	BOTTLE BASE ASSEMBLY, BLACK	iR-ADV C5051,5045 SERIES	
Fig.627	FM3-5992-000		1	BOTTLE BASE ASSEMBLY, BLACK	iR-ADV C5035,5030 SERIES	
1	FC5-1269-000		2	ROLLER		
2	FC8-4649-000		2	ROLLER, BOTTLE TRAY		
3	FC8-4652-000		1	COVER, BOTTLE, L	iR-ADV C5051,5045 SERIES	
3	FC8-4654-000		1	COVER, BOTTLE, M	iR-ADV C5035,5030 SERIES	
4	FC8-4680-000		2	COVER, BOTTLE SIDE, L	iR-ADV C5051,5045 SERIES	
4	FC8-4681-000		2	COVER, BOTTLE SIDE, M	iR-ADV C5035,5030 SERIES	
5	FU7-2460-000		1	SPRING, COMPRESSION		
6	XA9-1386-000		1	SCREW,RS,M3X8		

FIGURE 628
BOTTLE BASE ASSEMBLY, CL

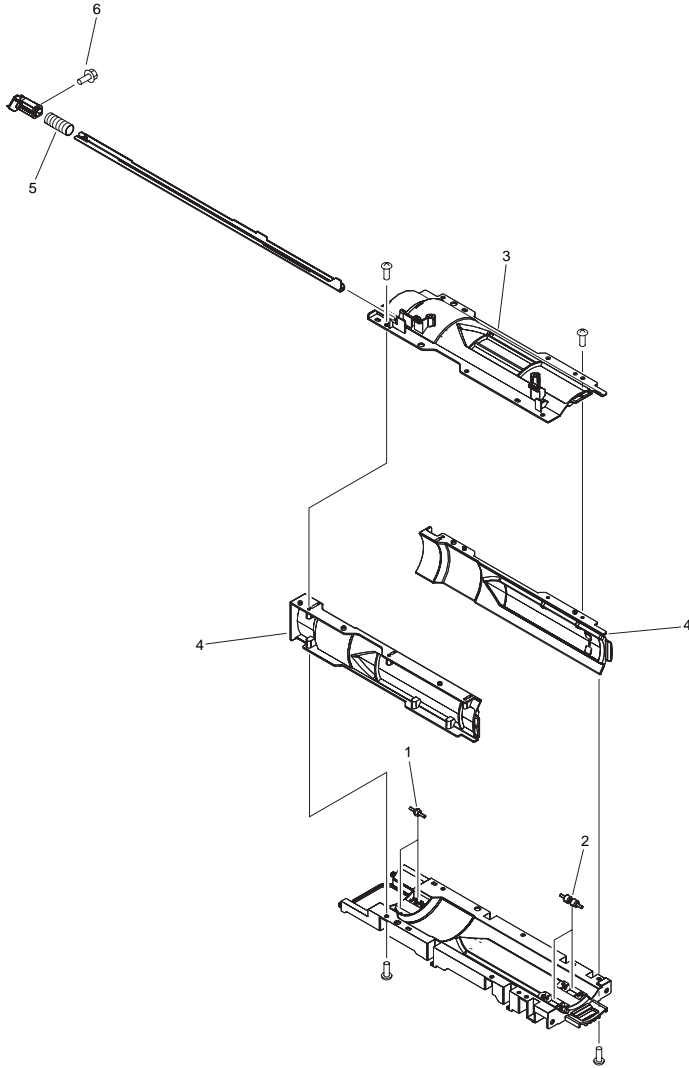


FIGURE & KEY NO.	PARTS NUMBER	R A N K	Q'TY	DESCRIPTION	SERIAL NUMBER/REMARKS	S V C
Fig.628	FM3-5987-000		3	BOTTLE BASE ASSEMBLY, CL	iR-ADV C5051,5045 SERIES	
Fig.628	FM3-5993-000		3	BOTTLE BASE ASSEMBLY, CL	iR-ADV C5035,5030 SERIES	
1	FC5-1269-000		2	ROLLER		
2	FC8-4649-000		2	ROLLER, BOTTLE TRAY		
3	FC8-4654-000		1	COVER, BOTTLE, M	iR-ADV C5051,5045 SERIES	
3	FC8-4656-000		1	COVER, BOTTLE, S	iR-ADV C5035,5030 SERIES	
4	FC8-4681-000		2	COVER, BOTTLE SIDE, M	iR-ADV C5051,5045 SERIES	
4	FC8-4682-000		2	COVER, BOTTLE SIDE, S	iR-ADV C5035,5030 SERIES	
5	FU7-2460-000		1	SPRING, COMPRESSION		
6	XA9-1386-000		1	SCREW,RS,M3X8		

FIGURE 640 DEVELOPING ASSEMBLY

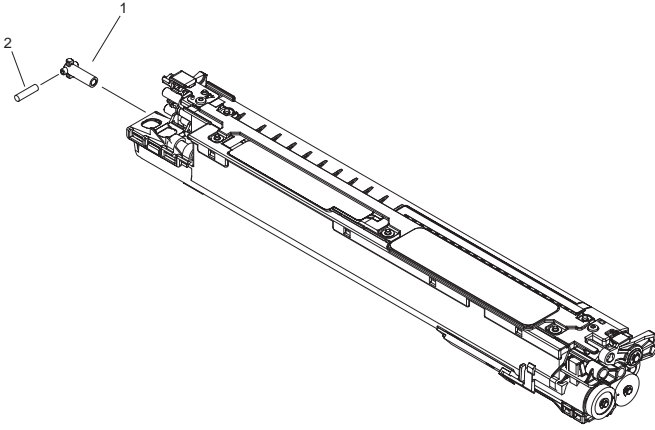


FIGURE & KEY NO.	PARTS NUMBER	RANK	QTY	DESCRIPTION	SERIAL NUMBER/REMARKS	S V C
Fig.640	FM3-8973-010		1	DEVELOPING ASSEMBLY, Y	iR-ADV C5035,5030 SERIES YELLOW[DP]	
Fig.640	FM3-8977-010		1	DEVELOPING ASSEMBLY, Y	iR-ADV C5051,5045 SERIES YELLOW[DP]	
Fig.640	FM3-8974-010		1	DEVELOPING ASSEMBLY, M	iR-ADV C5035,5030 SERIES MAGENTA[DP]	
Fig.640	FM3-8978-010		1	DEVELOPING ASSEMBLY, M	iR-ADV C5051,5045 SERIES MAGENTA[DP]	
Fig.640	FM3-8975-010		1	DEVELOPING ASSEMBLY, C	iR-ADV C5035,5030 SERIES CYAN[DP]	
Fig.640	FM3-8979-010		1	DEVELOPING ASSEMBLY, C	iR-ADV C5051,5045 SERIES CYAN[DP]	
Fig.640	FM3-8939-010		1	DEVELOPING ASSEMBLY, BK	iR-ADV C5051,5045 SERIES BLACK[DP]	
Fig.640	FM3-8976-010		1	DEVELOPING ASSEMBLY, BK	iR-ADV C5035,5030 SERIES BLACK[DP]	
1	FC0-3696-000		4	COUPLING		
2	XD9-0289-000		4	PIN, PARALLEL		

FIGURE 770 WASTE TONER CASE ASSEMBLY

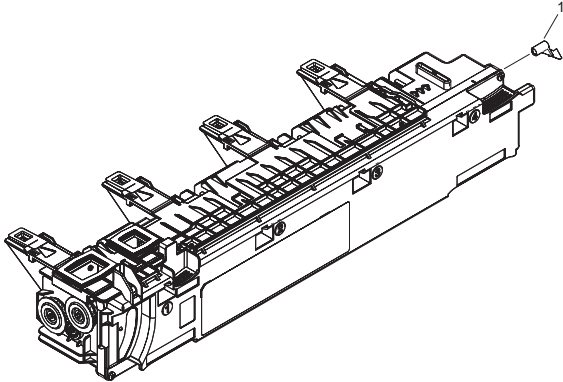
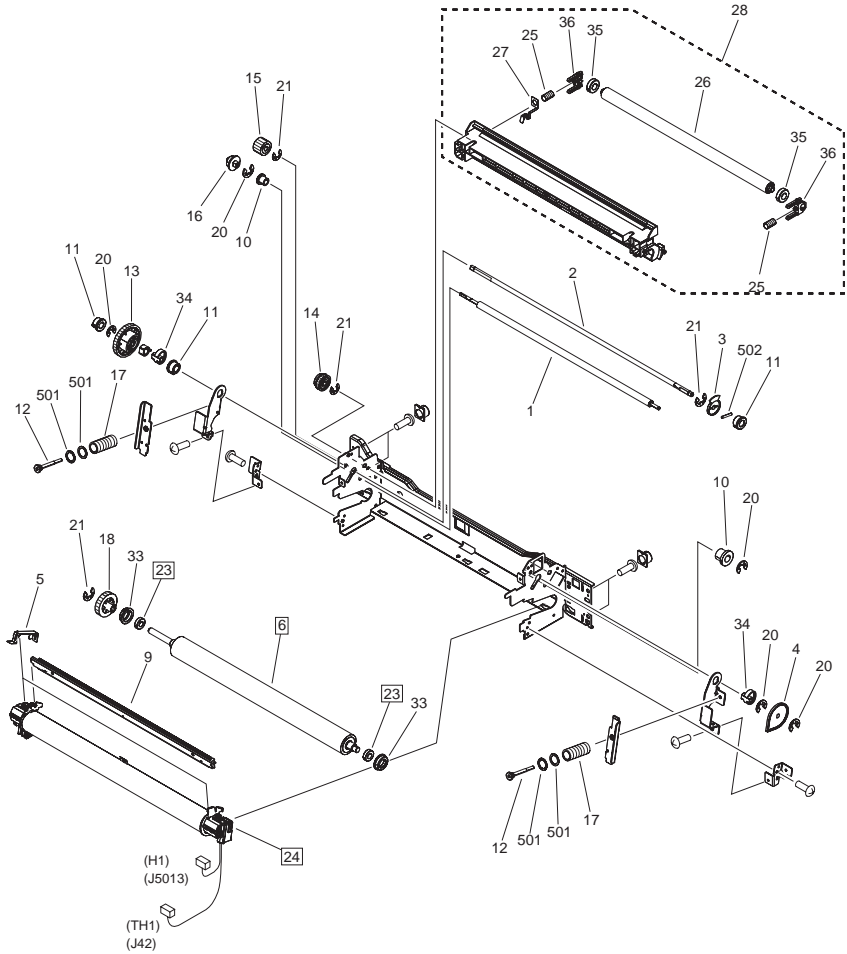


FIGURE & KEY NO.	PARTS NUMBER	RANK	QTY	DESCRIPTION	SERIAL NUMBER/REMARKS	SVC
Fig.770	FM3-5945-030		1	WASTE TONER CASE ASSEMBLY	[DP]	
1	FC8-4571-000		1	FLAG, SCREW		

FIGURE 810 FIXING ASSEMBLY



NOTE : This assembly includes the assemblies shown in Figure 811 and 812.

注 : このユニットはFigure 811, 812のユニットを含みます。

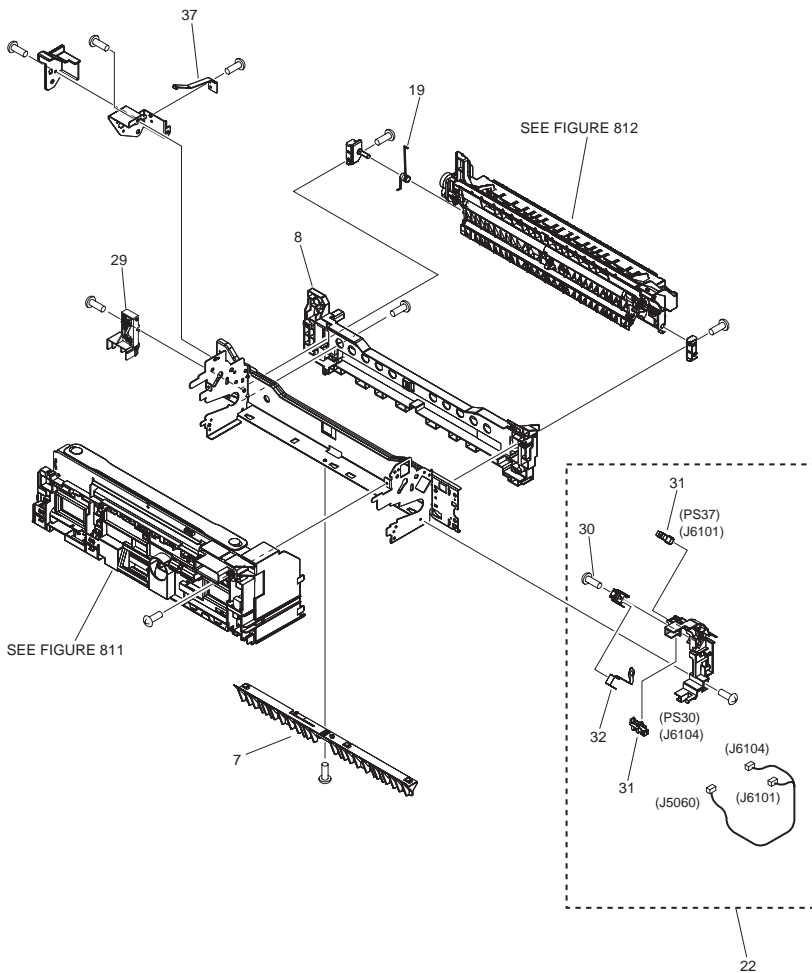
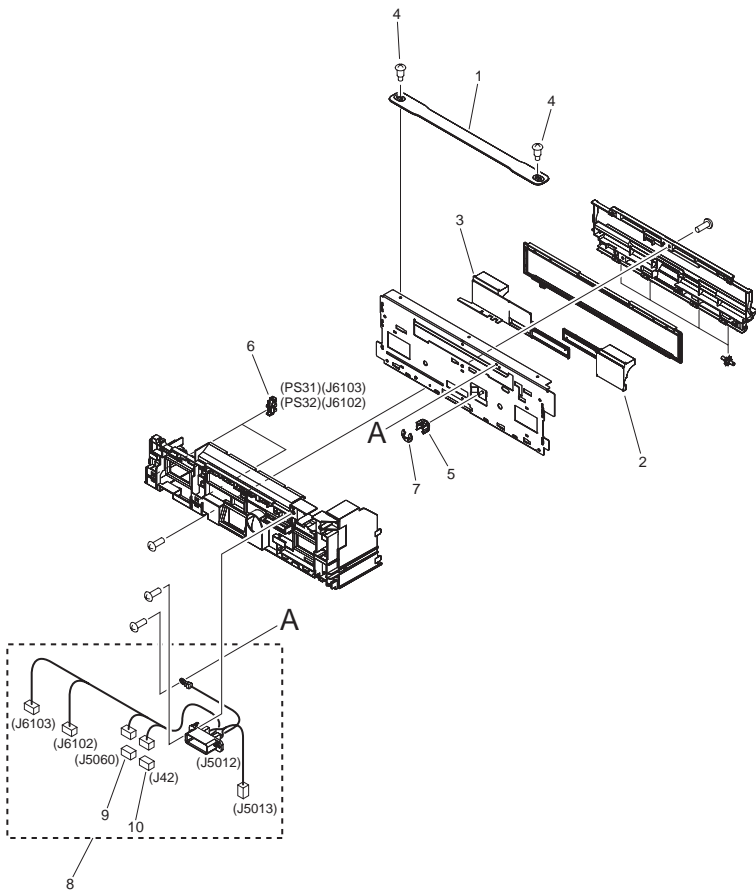


FIGURE & KEY NO.	PARTS NUMBER	R A N K	Q'TY	DESCRIPTION	SERIAL NUMBER/ REMARKS	S V C
Fig.810	NPN		1	FIXING ASSEMBLY		
1	FC6-9268-000		1	ROLLER, INNER PAPER DELIVERY		
2	FC6-9269-000		1	SHAFT		
3	FC6-9272-000		1	FLAG, PRESSURE RELEASE SENSOR		
4	FC6-9274-000		1	LEVER, PRESSURE RELEASE		
5	FC6-9471-000		2	SPRING, LEAF		
6	FC8-4906-000		1	ROLLER, PRESSURE	[DP]	
7	FC8-5025-000		1	GUIDE, FIXING ENTRANCE		
8	FC8-5027-000		1	HANDLE, FIXING DRAWER		
9	FC8-5043-020		1	GUIDE, FIXING SEPARATION		
10	FS1-1528-000		2	BUSHING		
11	FS5-1943-000		3	BUSHING		
12	FU6-0028-000		2	SCREW		
13	FU7-0267-000		1	GEAR, 46T		
14	FU7-0326-000		1	GEAR, 17T/27T		
15	FU7-0327-000		1	GEAR, 19T		
16	FU7-0328-000		1	GEAR, 15T		
17	FU7-2464-000		2	SPRING, COMPRESSION		
18	FU8-0192-000		1	GEAR, 33T		
19	FU8-2279-000		1	SPRING, TORSION		
20	XD9-0134-000		5	RING,E		
21	XD9-0136-000		4	RING,E		
22	FM3-5953-000		1	SENSOR HOLDER ASSEMBLY		
23	XG9-0172-000		2	BALL BEARING, NSK, 688AZZ1MC4E	[DP]	
24	FM3-5949-010		1	FILM ASSEMBLY	100V H1,TH1 [DP]	
24	FM3-5950-010		1	FILM ASSEMBLY	120V H1,TH1 [DP]	
24	FM3-5951-010		1	FILM ASSEMBLY	230V H1,TH1 [DP]	
25	FU6-2644-000		2	SPRING, COMPRESSION		
26	FL2-5277-000		1	ROLLER, SLEEVE		
27	FC6-9304-000		1	SPRING, GROUNDING		
28	FM3-5955-000		1	GUIDE, FIXING DELIVERY, UPPER		
29	FM3-5954-000		1	PRESSURE ROLLER CONTACT ASSY		

FIGURE & KEY NO.	PARTS NUMBER	R A N K	Q'TY	DESCRIPTION	SERIAL NUMBER/ REMARKS	S V C
30	XA9-1510-000		1	SCREW, WW/WASHER TAPPING	PS30,PS37	
31	WG8-5783-000		2	IC,PHOTO-INTERRUPTER,LG248NL1A		
32	FC6-9288-000		1	SPRING, GROUNDING		
33	FC5-7182-000		2	HOUSING,BEARING		
34	FC8-5068-000		2	CAM, PRESSURE RELEASE		
35	XG9-0509-000		2	BEARING, BALL MR128ZZ		
36	FC6-9472-000		2	HOLDER, BUSHING		
37	FC7-4834-000		1	STOPPER, PRESSURE RELEASE		
501	XD1-1108-213		4	SHIM		
502	XD3-2200-122		1	PIN, DOWEL		

FIGURE 811 SHUTTER ASSEMBLY

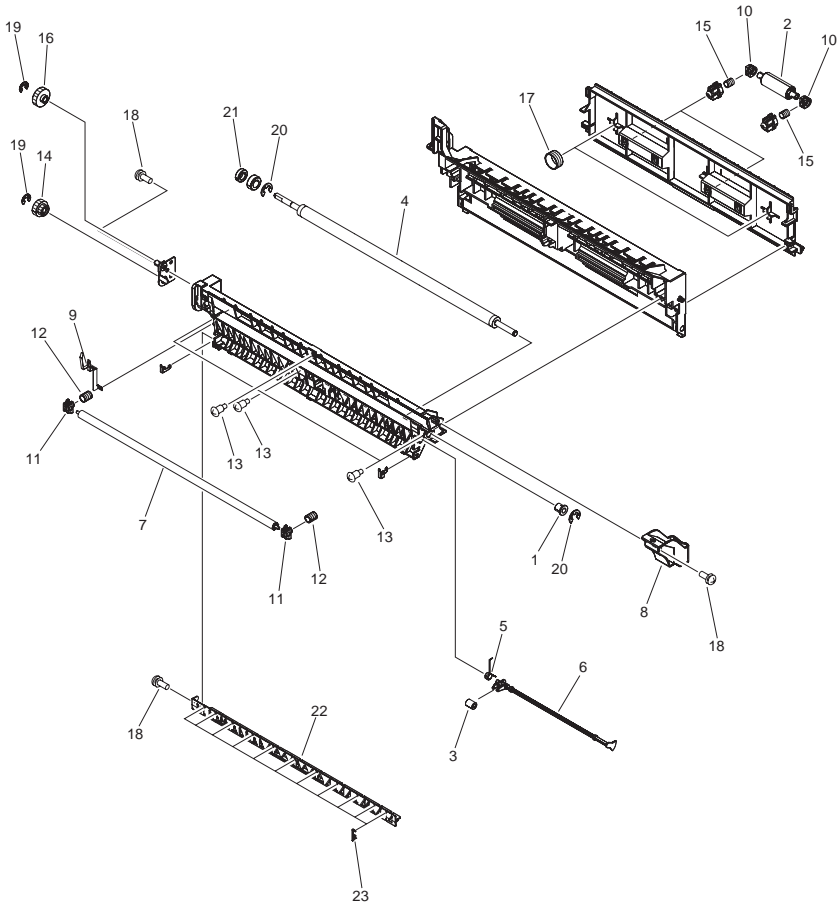


NOTE : This assembly is included in the assembly shown in Figure 810.

注 : このユニットはFigure 810のユニットに含まれます。

FIGURE & KEY NO.	PARTS NUMBER	RANK	Q'TY	DESCRIPTION	SERIAL NUMBER/REMARKS	SVC
Fig.811	FM3-5952-000		1	SHUTTER ASSEMBLY	SEE NOTE	
1	FC8-3975-000		1	HANDLE, FIXING		
2	FC8-5047-000		1	SHUTTER, F		
3	FC8-5048-000		1	SHUTTER, R		
4	FU5-9749-000		2	SCREW, STEPPED, M4		
5	FU7-0270-000		1	PINION, SHUTTER		
6	WG8-5783-000		2	IC.PHOTO-INTERRUPTER,LG248NL1A	PS31,PS32	
7	XD9-0134-000		1	RING,E		
8	FM3-7797-000		1	CABLE, FIXING DRAWER		
9	VS1-7177-006		1	CONNECTOR, SNAP TIGHT, BK		
10	VS1-7177-010		1	CONNECTOR, 10P		

FIGURE 812 GUIDE, FIXING DELIVERY, LOWER



NOTE : This assembly is included in the assembly shown in Figure 810.

注 : このユニットはFigure 810のユニットに含まれます。

FIGURE & KEY NO.	PARTS NUMBER	R A N K	Q'TY	DESCRIPTION	SERIAL NUMBER/ REMARKS	S V C
Fig.812	FM3-5956-000		1	GUIDE, FIXING DELIVERY, LOWER		
1	FA9-4041-005		1	BUSHING		
2	FB6-4873-000		2	ROLLER, PAPER FEED		
3	FB6-7002-000		1	ROLLER, PAPER SENSOR		
4	FC6-9305-000		1	ROLLER, FIXING PAPER DELIVERY		
5	FC6-9309-000		1	SPRING, TORSION		
6	FC6-9473-000		1	FLAG, PAPER DELIVERY SENSOR		
7	FC7-2395-000		1	ROLLER, PAPER DELIVERY		
8	FC8-5029-000		1	HANDLE, JAM CLEARING		
9	FC7-4830-000		1	PLATE, GROUNDING		
10	FU5-1035-000		4	BUSHING		
11	FU5-1559-000		2	BUSHING		
12	FU5-2683-000		2	SPRING, COMPRESSION		
13	FU5-9449-000		4	SCREW, STEPPED, M3		
14	FU7-0329-000		1	GEAR, 17T		
15	FU7-2521-000		4	SPRING, COMPRESSION		
16	FU8-0183-000		1	GEAR, 20T		
17	FU8-2278-000		2	SPRING, COMPRESSION		
18	XA9-1510-000		3	SCREW, WW/WASHER TAPPING		
19	XD9-0134-000		2	RING,E		
20	XD9-0136-000		2	RING,E		
21	XG9-0242-000		1	BEARING, BALL, MR106ZZMC3D4ML		
22	FC7-6978-000		1	GUIDE, INNER PAPER DELIVERY		
23	FC7-6979-000		11	RIB		

FIGURE 813 FIXING DRIVE ASSEMBLY

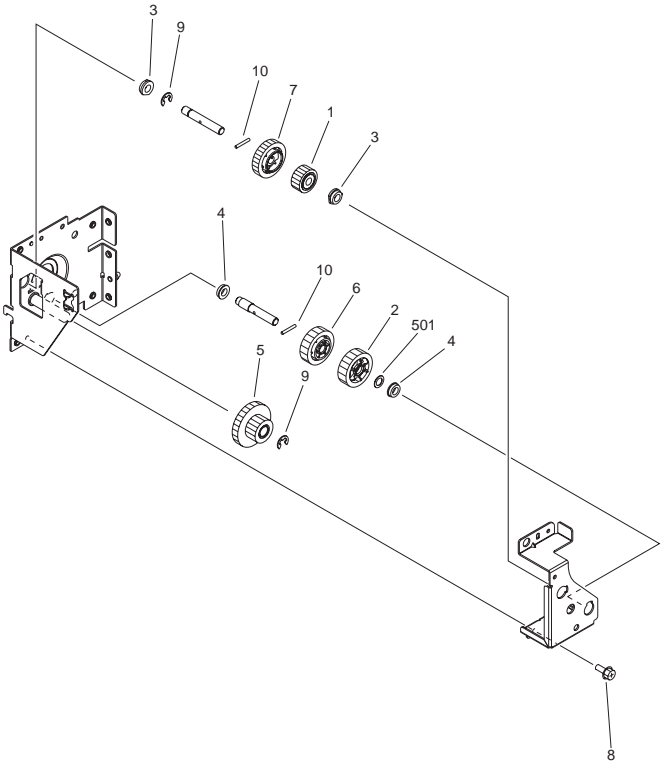


FIGURE & KEY NO.	PARTS NUMBER	R A N K	Q'TY	DESCRIPTION	SERIAL NUMBER/ REMARKS	S V C
Fig.813	FM3-5967-000		1	FIXING DRIVE ASSEMBLY		
1	FL2-4376-000		1	CLUTCH, ONE-WAY		
2	FL3-1198-000		1	GEAR ASSEMBLY		
3	FS1-1508-000		2	BUSHING		
4	XG9-0350-000		2	BALL BEARING, NSK MF106ZZ D4M		
5	FU8-0164-000		1	GEAR, 17T/53T		
6	FU8-0178-000		1	GEAR, 26T		
7	FU8-0179-000		1	GEAR, 27T		
8	XA9-1386-000		4	SCREW,RS,M3X8		
9	XD9-0136-000		3	RING,E		
10	XD9-0290-000		2	PIN, DOWEL		
501	XD1-1106-219		1	SHIM, CIRCULAR		

FIGURE 815 FIXING DELIVERY DRIVE ASSEMBLY

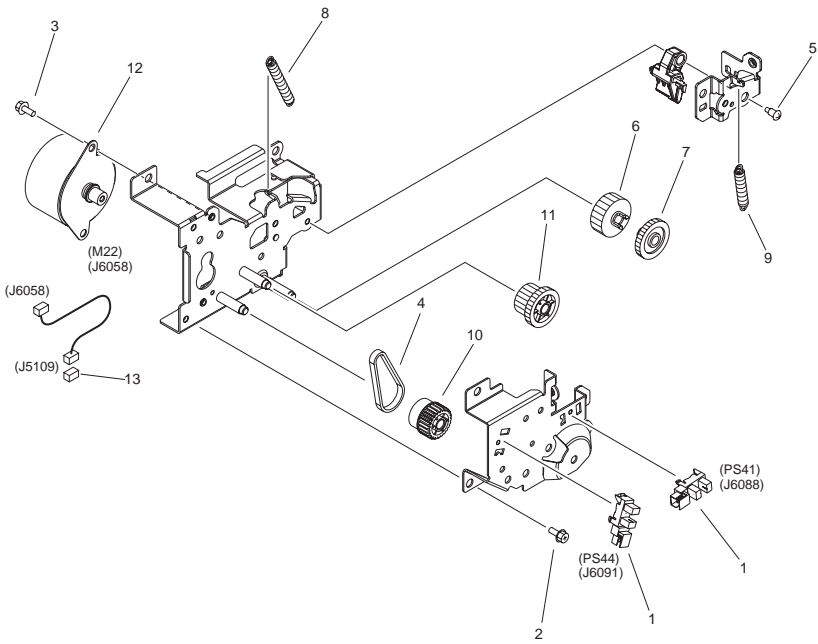


FIGURE & KEY NO.	PARTS NUMBER	R A N K	Q'TY	DESCRIPTION	SERIAL NUMBER/ REMARKS	S V C
Fig.815	FM3-5994-000		1	FIXING DELIVERY DRIVE ASSEMBLY		
1	WG8-5783-000		2	IC,PHOTO-INTERRUPTER,LG248NL1A	PS41,PS44	
2	XA9-0732-010		5	SCREW,RS,M4		
3	XA9-1386-000		2	SCREW,RS,M3X8		
4	XF2-1605-740		1	BELT, TIMING		
5	FS5-9224-020		1	SCREW,STEPPED,M4		
6	FU7-0296-000		1	GEAR, 23T		
7	FU7-0297-000		1	GEAR, 23T		
8	FU7-2481-000		1	SPRING, TENSION		
9	FU7-2534-000		1	SPRING, TENSION		
10	FU8-0150-000		1	PULLEY, 30T		
11	FU8-0156-000		1	GEAR, 29T/17T		
12	FK2-7304-000		1	MOTOR	M22	
13	VS1-7177-004		1	CONNECTOR, SNAP TIGHT, BK		

FIGURE 900 CONTROLLER BOX ASSEMBLY

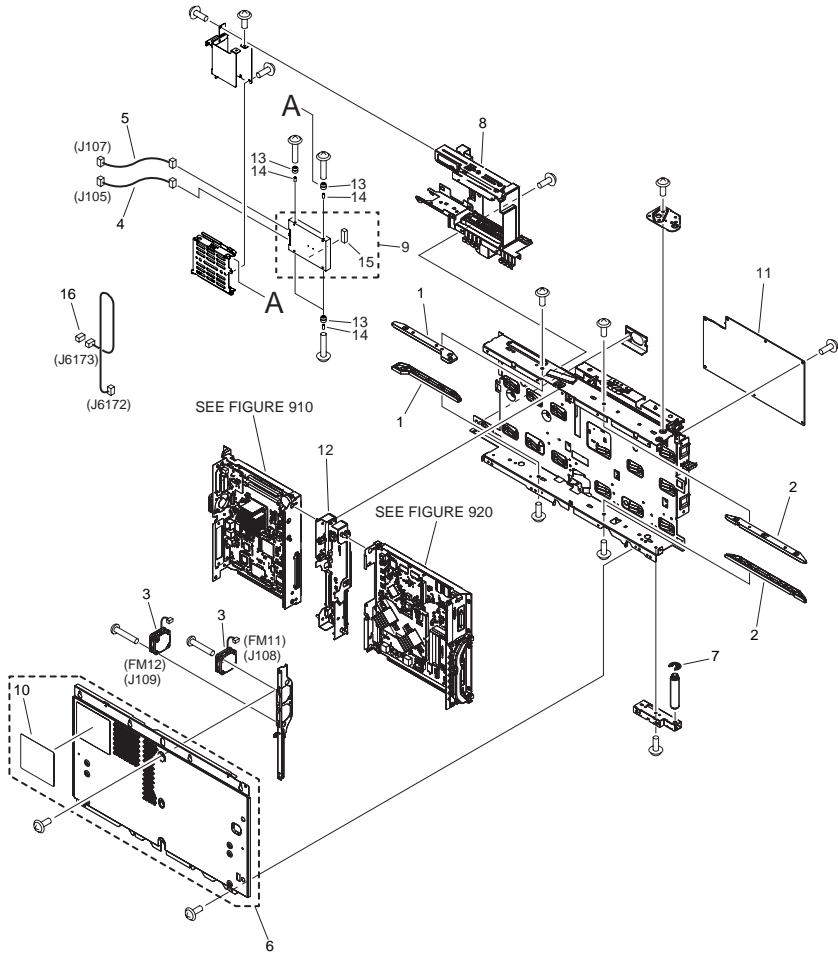


FIGURE & KEY NO.	PARTS NUMBER	RANK	Q'TY	DESCRIPTION	SERIAL NUMBER/REMARKS	SVC
Fig.900	NPN		RF	CONTROLLER BOX ASSEMBLY		
1	FC8-5174-000		2	RAIL, MAIN CONTROLLER, 1		
2	FC8-5175-000		2	RAIL, MAIN CONTROLLER, 2		
3	FK2-8372-000		2	FAN	FM11,FM12	
4	FK2-8430-000		1	CABLE, STANDARD SATA POWER, A		
5	FK2-8432-000		1	CABLE, STANDARD SATA SIGNAL, A		
6	FL3-3168-000		1	COVER, CONTROLLER		
7	XD9-0136-000		1	RING,E		
8	FM3-6023-000		1	HARD DISK DRIVE MOUNT ASSY		
9	FM4-0873-000		1	HARD DISK DRIVE	EXCEPT AU,CN,EUR	
9	FM4-3866-000		1	HARD DISK DRIVE	AU,CN,EUR	
10	FC9-7864-000		1	LABEL, EXTERNAL COVER CAUTION		
11	FM3-7931-000		1	DC CONTROLLER PCB ASSEMBLY		
12	FM4-0795-000		1	RISER PCB ASSEMBLY		
13	XH9-0149-000		4	DAMPER, CUSHION		
14	XZ1-1301-005		4	SPACER		
15	KE8-1134-030		1	GASKET, EMI		
16	VS1-7177-003		1	CONNECTOR, SNAP TIGHT, BK		
IC	FK2-3218-000		1	IC, MB87L8650, GATE ARRAY		
IC	FK2-6450-000		1	IC, FSA0AC211AA		
IC	FK2-7297-000		1	IC, R5F61638N50FPV-FK27297		
IC	FK2-7321-000		1	IC, ASIC, T6UN7EFG-0101(O)		
IC	FK2-7596-000		1	IC, STANDARD CELL, MB8AA		

FIGURE 910 MAIN CONTROLLER PCB ASS'Y, 1

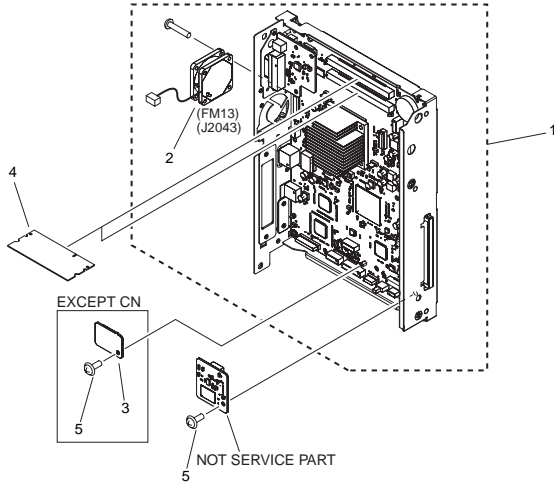


FIGURE & KEY NO.	PARTS NUMBER	RANK	QTY	DESCRIPTION	SERIAL NUMBER/REMARKS	SVC
Fig.910	NPN		RF	MAIN CONTROLLER PCB ASS'Y, 1		
1	FM4-3830-020		1	MAIN CONTROLLER PCB ASS'Y, 1	iR-ADV C5051 SERIES	
1	FM4-3831-020		1	MAIN CONTROLLER PCB ASS'Y, 1	iR-ADV C5045 SERIES	
1	FM4-3832-020		1	MAIN CONTROLLER PCB ASS'Y, 1	iR-ADV C5035 SERIES	
1	FM4-3833-020		1	MAIN CONTROLLER PCB ASS'Y, 1	iR-ADV C5030 SERIES	
2	FK2-8372-000		1	FAN	FM13	
3	FM4-0783-000		1	TPM PCB ASSEMBLY	EXCEPT CN	
4	FM4-0763-000		2	DIMM ASS'Y		
5	XA9-1959-000		2	SCREW, WWASHER, M3X4		
IC	FK2-8272-000		1	IC, LE80578EG009C, MPU		

FIGURE 911 POWER SUPPLY ASSEMBLY

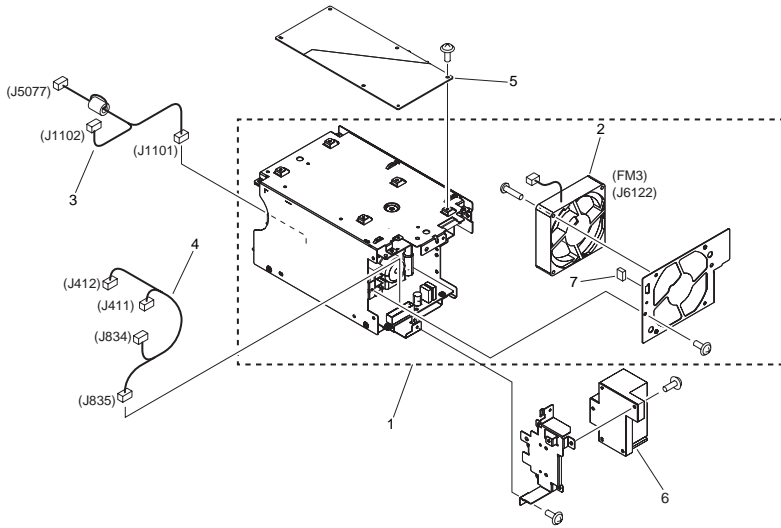


FIGURE & KEY NO.	PARTS NUMBER	RANK	QTY	DESCRIPTION	SERIAL NUMBER/REMARKS	SVC
Fig.911	FM3-6030-000		1	POWER SUPPLY ASSEMBLY		
1	FM3-6031-000		1	POWER SUPPLY BOX ASSEMBLY		
2	FK2-7286-000		1	FAN	FM3	
3	FM3-7801-000		1	CABLE, AC POWER SUPPLY 1		
4	FM3-7802-000		1	CABLE, POWER SUPPLY RELAY, 1		
5	FM3-7935-000		1	RELAY BOARD ASSEMBLY		
6	FM3-7955-000		1	24V POWER SUPPLY PCB ASS'Y		
7	VS1-7177-003		1	CONNECTOR, SNAP TIGHT, BK		

FIGURE 920
MAIN CONTROLLER PCB ASS'Y, 2

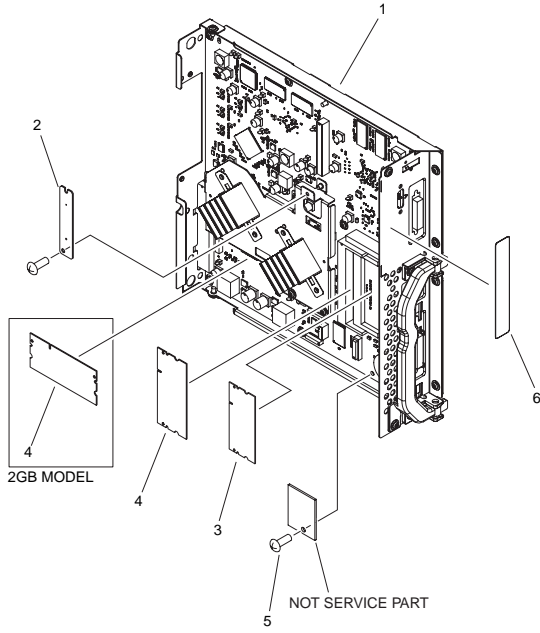


FIGURE & KEY NO.	PARTS NUMBER	R A N K	Q'TY	DESCRIPTION	SERIAL NUMBER/ REMARKS	S V C
Fig.920	NPN		RF	MAIN CONTROLLER PCB ASS'Y, 2		
1	FM4-3838-000		1	MAIN CONTROLLER PCB ASS'Y, 2		
2	FM4-0780-000		1	BYPASS PCB ASS'Y, SUB		
3	FM4-0830-000		1	PCB ASS'Y, DDR-SO-DIMM		
4	FM4-0837-000		2	DIMM ASS'Y	2GB MODEL	
4	FM4-0837-000		1	DIMM ASS'Y	1.5GB MODEL	
5	XA9-1959-000		1	SCREW, W/WASHER, M3X4		
6	FU6-8861-000		1	LABEL, MEMORY CAUTION		
IC	FK2-3218-000		1	IC, MB87L8650, GATE ARRAY		
IC	FK2-9797-000		1	IC, UPD800458F1-611-JN1-A		
IC	FK2-9798-000		1	IC, UPD800459F1-611-MNB-A		
IC	FK2-3745-000		1	IC, R8A03016BG, STANDARD CELL		
IC	FK2-3746-000		1	IC, UPD85809F1-011-JN6-A		
IC	FK2-6757-000		1	IC, FSC0HD200B, STANDARD CELL		
IC	FK2-8275-000		1	IC, R8A03019ABG, STANDARD CELL		
IC	FK2-8321-000		1	IC, MB87S1801		

FIGURE 960 DRUM DRIVER PCB ASSEMBLY

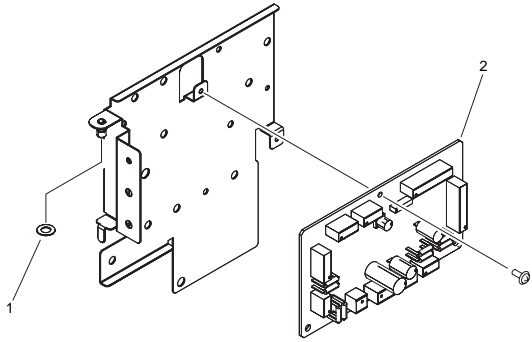


FIGURE & KEY NO.	PARTS NUMBER	RANK	QTY	DESCRIPTION	SERIAL NUMBER/REMARKS	SVC
Fig.960	NPN		RF	DRUM DRIVER PCB ASSEMBLY		
1	FC8-5257-000		1	WASHER		
2	FM3-7934-000		1	DRUM DRIVER PCB ASSEMBLY		
IC	FK2-7321-000		1	IC, ASIC, T6UN7EFG-0101(O)		

FIGURE 961 CASSETTE FEED PCB ASSEMBLY

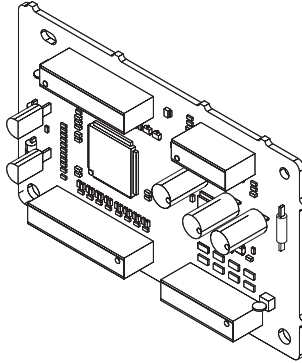


FIGURE & KEY NO.	PARTS NUMBER	RANK	QTY	DESCRIPTION	SERIAL NUMBER/REMARKS	SVC
Fig.961	FM3-7933-000		1	CASSETTE FEED PCB ASSEMBLY		
IC	FK2-1773-000		1	IC,TC200GO2EFG-1031,GATE ARRAY		

FIGURE 962 PAPER FEED DRIVER PCB ASSEMBLY

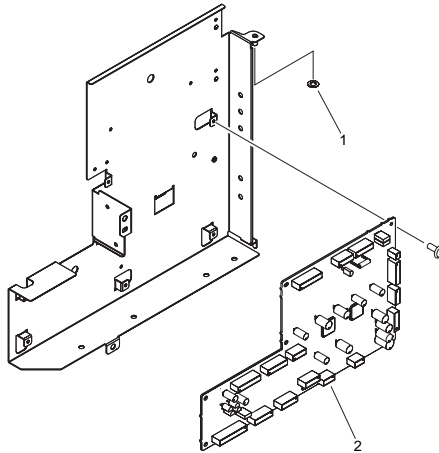


FIGURE & KEY NO.	PARTS NUMBER	RANK	QTY	DESCRIPTION	SERIAL NUMBER/REMARKS	SVC
Fig.962	NPN		RF	PAPER FEED DRIVER PCB ASSEMBLY		
1	FC8-5257-000		1	WASHER		
2	FM3-7932-000		1	PAPER FEED DRIVER PCB ASSEMBLY		
IC	FK2-1773-000		2	IC,TC200GO2EFG-1031,GATE ARRAY		

FIGURE 963 AC DRIVER PCB ASSEMBLY

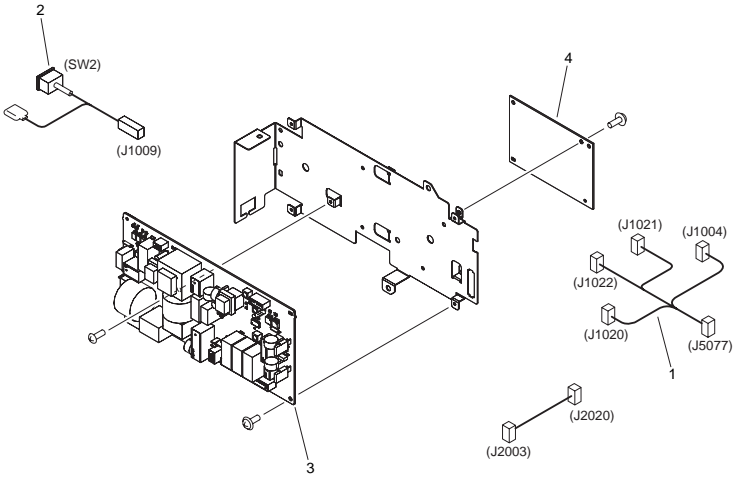


FIGURE & KEY NO.	PARTS NUMBER	RANK	QTY	DESCRIPTION	SERIAL NUMBER/REMARKS	SVC
Fig.963	FM3-6034-000		1	AC DRIVER PCB ASSEMBLY	iR-ADV C5051,5045 SERIES 100V	
Fig.963	FM3-6053-000		1	AC DRIVER PCB ASSEMBLY	iR-ADV C5051,5045 SERIES 120V	
Fig.963	FM3-6054-000		1	AC DRIVER PCB ASSEMBLY	230V	
Fig.963	FM3-6051-000		1	AC DRIVER PCB ASSEMBLY	iR-ADV C5035,5030 SERIES 100V	
Fig.963	FM3-6052-000		1	AC DRIVER PCB ASSEMBLY	iR-ADV C5035,5030 SERIES 120V	
1	FM3-7852-000		1	CABLE, AC SUB		
2	FM3-7792-000		1	CABLE, ENVIRONMENT SWITCH	SW2	
3	FM3-7936-000		1	AC DRIVER PCB ASSEMBLY	iR-ADV C5051,5045 SERIES 100V	
3	FM3-7953-000		1	AC DRIVER PCB ASSEMBLY	iR-ADV C5051,5045 SERIES 120V	
3	FM3-7937-000		1	AC DRIVER PCB ASSEMBLY	230V	
3	FM3-7952-000		1	AC DRIVER PCB ASSEMBLY	iR-ADV C5035,5030 SERIES 100V	

FIGURE & KEY NO.	PARTS NUMBER	RANK	Q'TY	DESCRIPTION	SERIAL NUMBER/REMARKS	SVC
3	FM3-7954-000		1	AC DRIVER PCB ASSEMBLY	iR-ADV C5035,5030 SERIES 120V	
4	FM3-7950-000		1	AC DRIVER SUB PCB ASSEMBLY		
T1	FH3-0636-000		1	TRANSFORMER (220/240V), 0.3VA		
T3	FK2-0681-000		1	TRANSFORMER	EXCEPT iR-ADV C5051,5045 SERIES 100V	
T3	FK2-0681-000		2	TRANSFORMER	EXCEPT iR-ADV C5051,5045 SERIES 100V	

FIGURE 980
4C TRNS, BK DEV/ PRIM HV ASS'Y

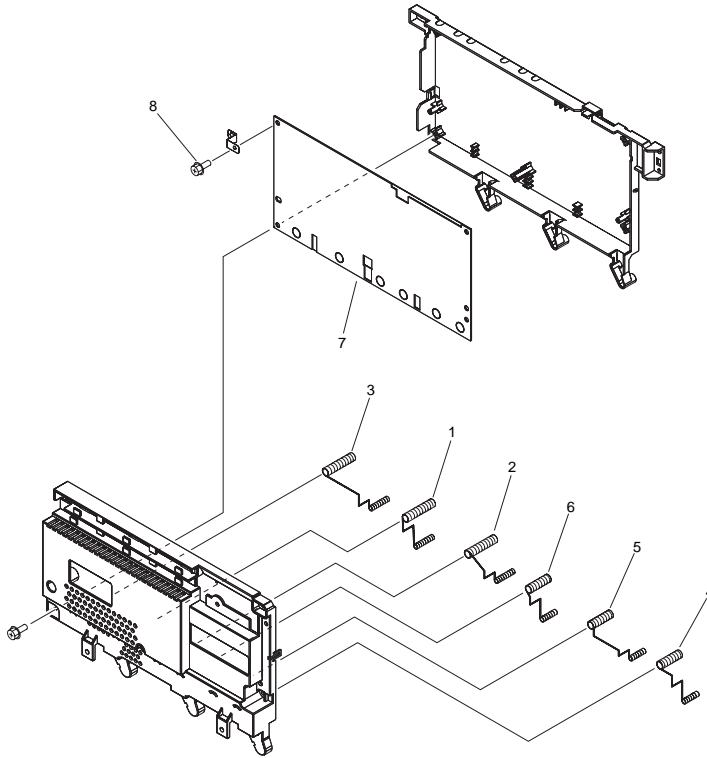


FIGURE & KEY NO.	PARTS NUMBER	R A N K	Q'TY	DESCRIPTION	SERIAL NUMBER/ REMARKS	S V C
Fig.980	FM3-6038-000		1	4C TRNS, BK DEV/ PRIM HV ASS'Y		
1	FC8-4087-000		1	SPRING, COMPRESSION		
2	FC8-4088-000		1	SPRING, COMPRESSION		
3	FC8-4089-000		1	SPRING, COMPRESSION		
4	FC8-5213-000		1	SPRING, COMPRESSION		
5	FC8-5214-000		1	SPRING, COMPRESSION		
6	FC8-5215-000		1	SPRING, COMPRESSION		
7	FK2-7349-000		1	H.V. POWER SUPPLY ASSEMBLY		
8	XA9-1038-000		1	SCREW,P,M4X10		

FIGURE 981 2ND TRNSFR. HIGH VOLTAGE ASS'Y

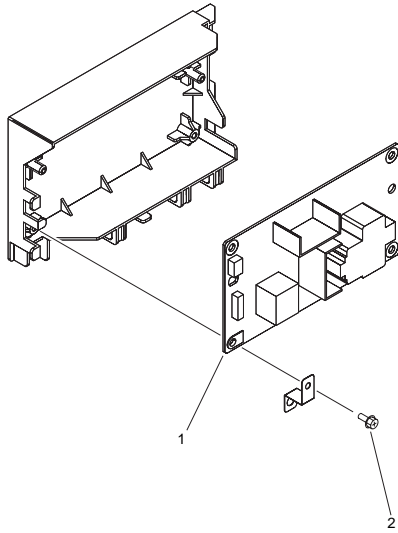


FIGURE & KEY NO.	PARTS NUMBER	RANK	QTY	DESCRIPTION	SERIAL NUMBER/REMARKS	SVC
Fig.981	FM3-6039-000		1	2ND TRNSFR. HIGH VOLTAGE ASS'Y		
1	FK2-7350-000		1	H.V. POWER SUPPLY PCB ASS'Y		
2	XA9-1038-000		4	SCREW,P,M4X10		

FIGURE A01 ATTACHMENT PARTS (REVERSE ADF)

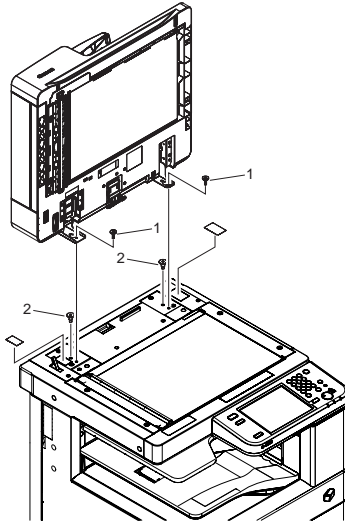


FIGURE & KEY NO.	PARTS NUMBER	RANK	QTY	DESCRIPTION	SERIAL NUMBER/REMARKS	SVC
Fig.A01	NPN		RF	ATTACHMENT PARTS	REVERSE ADF	
1	FU5-9167-000		2	SCREW, FIXED, M4		
2	FU5-9168-000		2	SCREW, STEPPED, M5		

FIGURE A10 ADF MAIN BODY (REVERSE ADF)

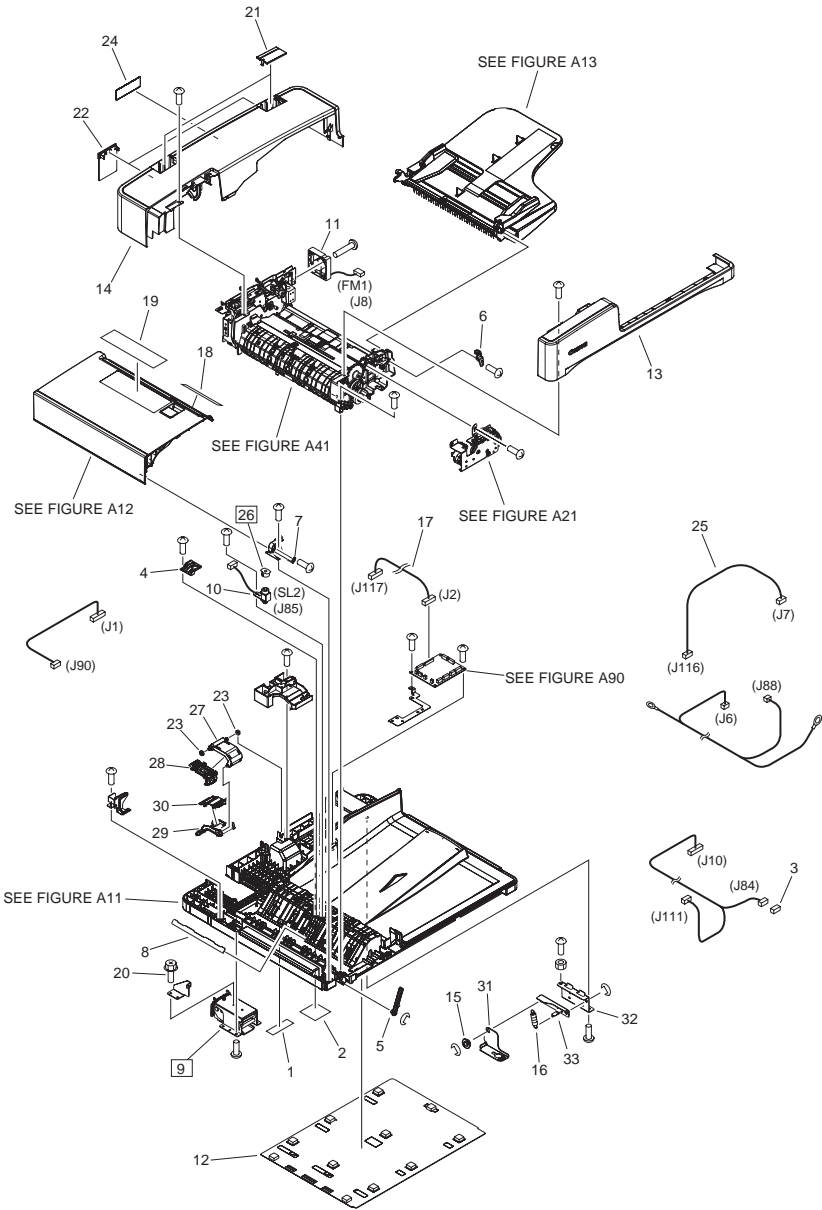


FIGURE & KEY NO.	PARTS NUMBER	R A N K	Q'TY	DESCRIPTION	SERIAL NUMBER/ REMARKS	S V C
Fig.A10	NPN		RF	ADF MAIN BODY	REVERSE ADF	
1	FU7-8142-000		1	LABEL, HINGE CAUTION		
2	FU7-8223-000		1	LABEL, HINGE CAUTION		
3	VS1-7177-002		1	CONNECTOR, SNAP TIGHT, BK		
4	FC8-6311-000		1	COVER, STAMP		
5	FC8-6330-000		1	LEVER, READ 1 ESTRANGEMENT		
6	FC8-6387-000		1	HOLDER, TRAY SUPPORT		
7	FC8-6388-000		1	HOLDER, FEEDER SHAFT		
8	FC8-6405-000		1	SHEET, READ 2 LEAD		
9	FC9-4956-000		1	HINGE, LEFT	[DP]	
10	FK2-0216-000		1	SOLENOID	SL2	
11	FK2-8612-000		1	FAN	FM1	
12	FL3-2861-000		1	COPYBOARD		
13	FC9-4942-000		1	COVER, FRONT		
14	FC9-4943-000		1	COVER, REAR		
15	FU5-1173-000		1	BUSHING		
16	FU7-2651-000		1	SPRING, TENSION		
17	FK2-8614-000		1	CABLE, I/F		
18	FU7-8138-000		1	LABEL, DOCUMENT SIZE		
19	FU7-8135-000		1	LABEL, PROHIBITION DOCUMENT		
20	XA9-0732-010		6	SCREW,RS,M4		
21	FC9-4944-000		2	COVER, HINGE SCREW BLANKING		
22	FM4-1730-000		2	HINGE BLANKING ASSEMBLY		
23	FU5-1168-000		2	BUSHING		
24	FU7-8164-000		1	LABEL,FINGER NIP CAUTION,JAPAN		
25	FM4-1738-000		1	CORD, POWER SUPPLY		
26	FC7-5465-000		1	STAMPER	[DP]	
27	FC9-4948-000		1	ARM, CABLE, UPPER		
28	FC9-4949-000		1	COVER, ARM, UPPER		
29	FC9-4950-000		1	ARM, CABLE, LOWER		
30	FL3-2862-000		1	COVER, ARM, LOWER		
31	FC9-4957-000		1	BASE, HINGE, RIGHT		

FIGURE & KEY NO.	PARTS NUMBER	R A N K	Q'TY	DESCRIPTION	SERIAL NUMBER/ REMARKS	S V C
32	FC9-4985-000		1	ARM, HINGE, RIGHT		
33	FL3-2445-000		1	LINK, HINGE, RIGHT		

FIGURE A11 BASE ASSEMBLY (REVERSE ADF)

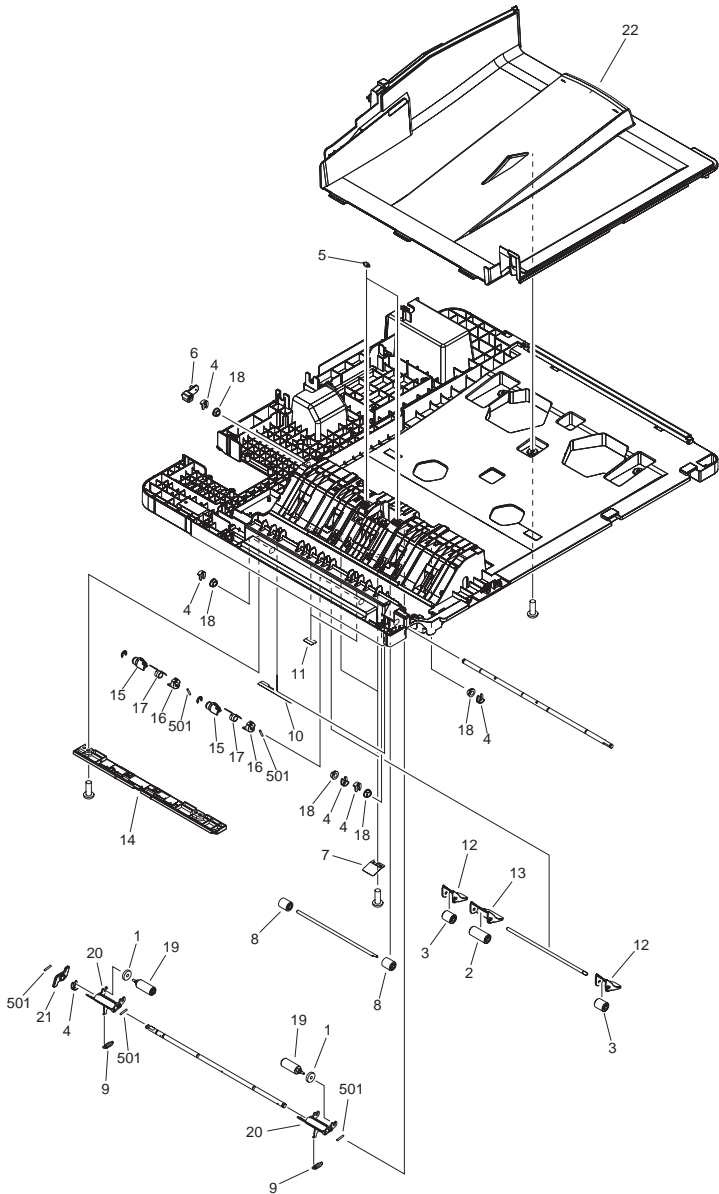


FIGURE & KEY NO.	PARTS NUMBER	R A N K	Q'TY	DESCRIPTION	SERIAL NUMBER/ REMARKS	S V C
Fig.A11	NPN		RF	BASE ASSEMBLY	REVERSE ADF	
1	FC8-6419-000		2	DAMPER, DELIVERY		
2	FC5-4286-000		1	ROLLER, PAPER FEED, 1		
3	FC5-4287-000		2	ROLLER, PAPER FEED, 2		
4	FC5-4425-000		6	CLIP		
5	FC6-8973-000		2	ROLLER, PLATEN		
6	FC8-6319-000		1	HOLDER, SOLENOID		
7	FC8-6322-000		2	SPRING, LEAF		
8	FC8-6404-000		2	ROLLER, READ 2 PINCH		
9	FU7-2652-000		2	SPRING, TENSION		
10	FC8-6422-000		2	SHEET, PAPER FEED		
11	FC8-6423-000		2	SHEET, PAPER FEED		
12	FL2-9933-000		2	HOLDER, ROLLER, SMALL		
13	FL2-9934-000		1	HOLDER, ROLLER, LARGE		
14	FL3-2860-000		1	COVER, BASE, LOWER		
15	FC8-6331-000		2	LEVER, READ 1 PRESSURE		
16	FC8-6332-000		2	COLLAR, READ 1 PRESSURE		
17	FC9-9203-000		2	SPRING, TORSION		
18	FU5-1168-000		5	BUSHING		
19	FC8-6316-000		2	ROLLER, DELIVERY		
20	FC8-6317-000		2	HOLDER, DELIVERY ROLLER		
21	FC8-6318-000		1	CAM, DELIVERY ESTRANGEMENT		
22	FC9-4941-000		1	TRAY, PAPER DELIVERY		
501	XD3-2200-122		5	PIN, DOWEL		

FIGURE A12
 PAPER PICK-UP COVER ASS'Y (REVERSE ADF)

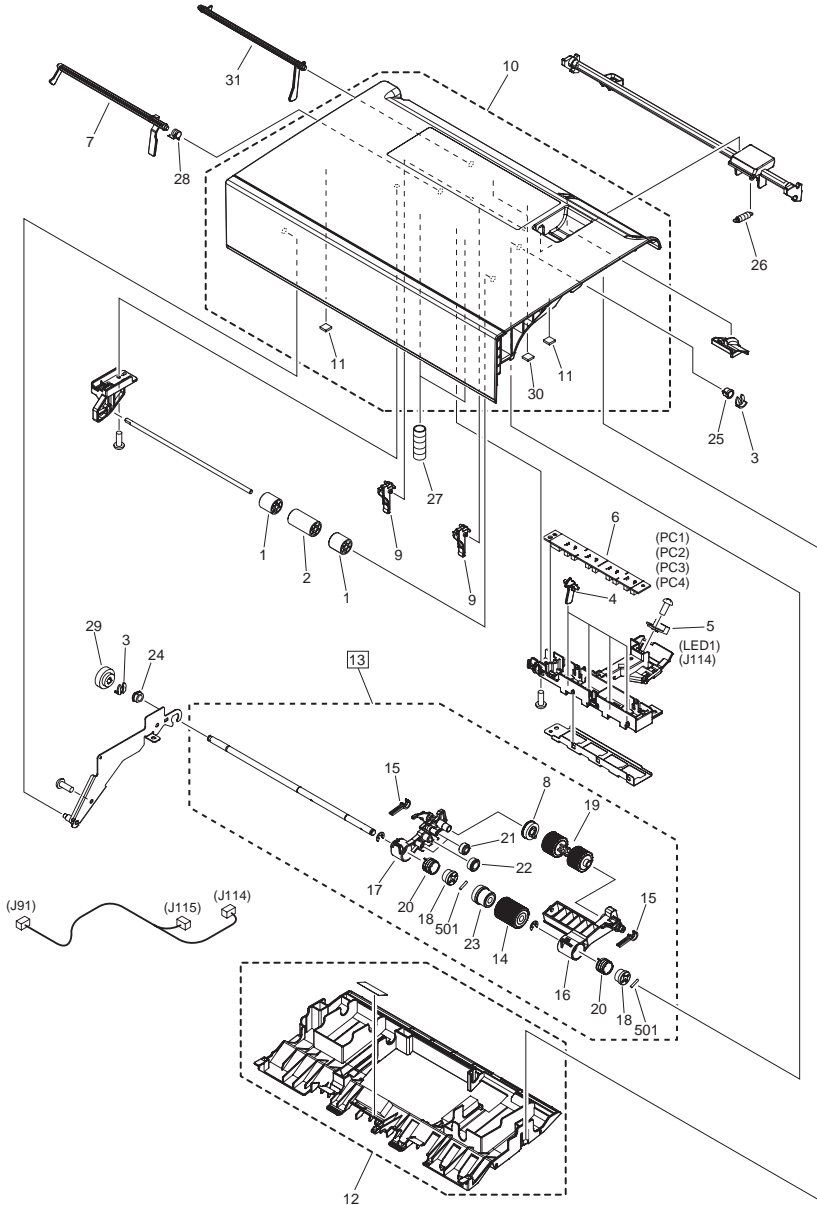


FIGURE & KEY NO.	PARTS NUMBER	R A N K	Q'TY	DESCRIPTION	SERIAL NUMBER/ REMARKS	S V C
Fig.A12	FM4-1727-000		1	PAPER PICK-UP COVER ASS'Y	REVERSE ADF	
1	FC5-4323-000		2	ROLLER, REGISTRATION, 1		
2	FC5-4324-000		1	ROLLER, REGISTRATION, 2		
3	FC5-4425-000		2	CLIP		
4	FC9-4973-000		4	LEVER, WIDTH SENSOR		
5	FM4-1737-000		1	LED PCB UNIT		
6	FM4-1747-000		1	SENSOR PCB ASS'Y	PC1,PC2,PC3,PC4	
7	FC8-6348-000		1	LEVER, TIMING SENSOR		
8	FU8-0890-000		1	GEAR, 33T		
9	FL2-9948-000		2	SHUTTER		
10	FL3-2447-000		1	COVER, PAPER PICK-UP		
11	FC8-6403-000		2	DAMPER, REV. GUIDE RETAINING		
12	FL3-2448-000		1	GUIDE, PAPER PICK-UP, LOWER		
13	FM4-1728-000		1	PAPER PICK-UP ROLLER UNIT	[DP]	
14	FC6-2784-000		1	ROLLER, PAPER SEPARATION		
15	FC6-8971-010		2	LEVER, STOP		
16	FC9-4966-000		1	ARM, PICK, FRONT		
17	FC9-4967-000		1	ARM, PICK, REAR		
18	FC8-6353-000		2	JOINT		
19	FC9-4968-000		1	ROLLER, PICK-UP		
20	FC9-4982-000		2	SPRING, TORSION		
21	FU8-0299-000		2	GEAR, 20T		
22	FU8-0300-000		1	GEAR, 22T		
23	FC9-4970-000		1	GEAR, 33T		
24	FU5-1172-000		1	BUSHING		
25	FU5-1626-000		1	BUSHING		
26	FU7-2654-000		1	SPRING, TENSION		
27	FU7-2655-000		2	SPRING, COMPRESSION		
28	FU7-2656-000		1	SPRING, TORSION		
29	FU8-0302-000		1	GEAR, 24T		
30	FC9-0051-000		2	DAMPER,ROLLER,PICK-UP		
31	FC9-4971-000		1	LEVER, EMPTY SENSOR		

FIGURE & KEY NO.	PARTS NUMBER	R A N K	Q'TY	DESCRIPTION	SERIAL NUMBER/ REMARKS	S V C
501	XD3-2200-102		2	PIN, DOWEL		

FIGURE A13 DOCUMENT TRAY ASS'Y (REVERSE ADF)

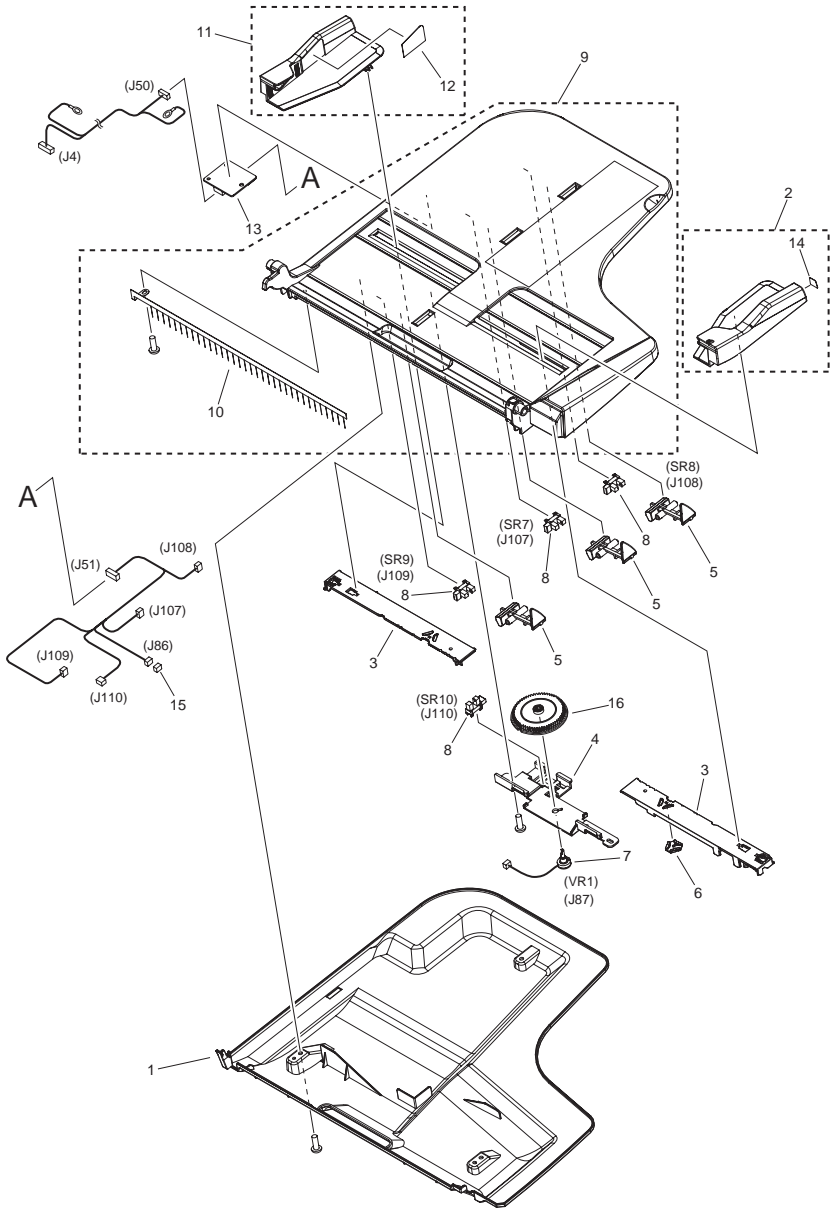


FIGURE & KEY NO.	PARTS NUMBER	R A N K	Q'TY	DESCRIPTION	SERIAL NUMBER/REMARKS	S V C
Fig.A13	FM4-1729-000		1	DOCUMENT TRAY ASSY	REVERSE ADF	
1	FL3-2450-000		1	COVER, TRAY, LOWER		
2	FL3-2451-000		1	GUIDE, TRAY, FRONT		
3	FC9-4983-000		2	RACK, TRAY		
4	FC8-6338-000		1	HOLDER, TRAY VOLUME		
5	FC8-6339-000		3	LEVER, TRAY SENSOR		
6	FC8-6340-000		1	RACK, TRAY		
7	FG3-3757-000		1	VARIABLE RESISTOR UNIT	VR1	
8	WG8-5696-000		4	PHOTO INTERRUPTER, TLP1243	SR7,SR8,SR9,SR10	
9	FL3-2449-000		1	TRAY, DOCUMENT		
10	FC8-6341-000		1	ELIMINATOR, STATIC CHARGE		
11	FL3-2452-000		1	GUIDE, TRAY, REAR		
12	FU7-8134-000		1	LABEL, DOCUMENT MAXIMUM LOAD		
13	FM4-1748-000		1	CONNECTING PCB UNIT		
14	FU7-8133-000		1	LABEL, DOCUMENT MAXIMUM LOAD		
15	VS1-7177-003		1	CONNECTOR, SNAP TIGHT, BK		
16	FC9-4984-000		1	GEAR, 50T		

FIGURE A21 DRIVE ASSEMBLY (REVERSE ADF)

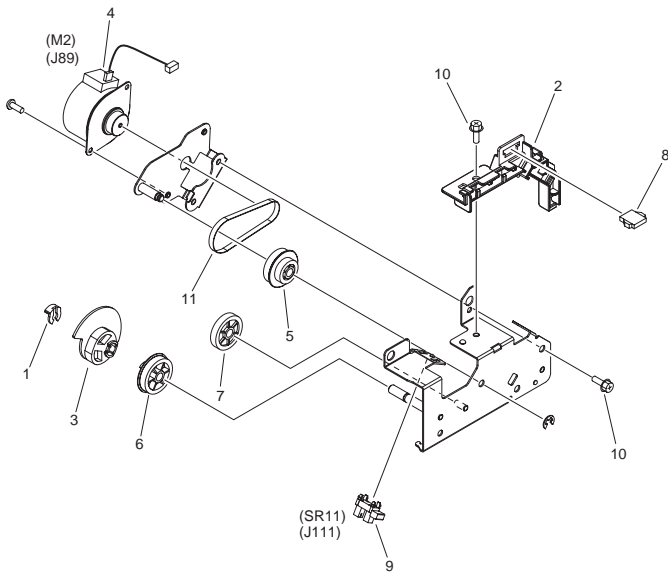
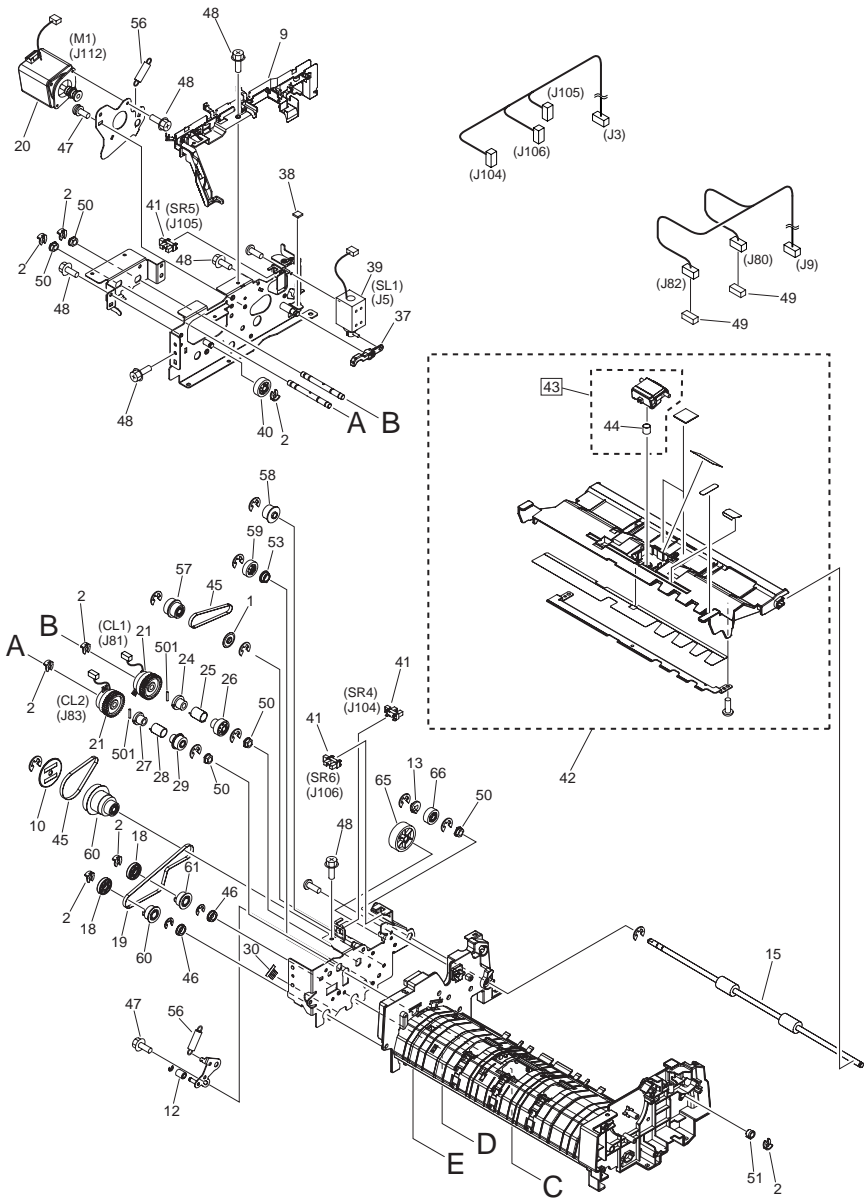


FIGURE & KEY NO.	PARTS NUMBER	R A N K	Q'TY	DESCRIPTION	SERIAL NUMBER/ REMARKS	S V C
Fig.A21	NPN		RF	DRIVE ASSEMBLY		
1	FC5-4425-000		2	CLIP		
2	FC8-6406-000		1	DUCT, ESTRANGEMENT HARNESS		
3	FC8-6407-000		1	CAM, ESTRANGEMENT		
4	FK2-0207-000		1	MOTOR, STEPPING, DC	M2	
5	FU8-0311-000		1	GEAR/PULLEY, 40T/20T		
6	FU8-0319-000		1	GEAR, 31T		
7	FU8-0320-000		1	GEAR, 30T		
8	VS1-7177-004		1	CONNECTOR, SNAP TIGHT, BK		
9	WG8-5696-000		1	PHOTO INTERRUPTER, TLP1243	SR11	
10	XA9-0732-010		3	SCREW,RS,M4		
11	XF2-1607-640		1	BELT, TIMING		

FIGURE A41 FEEDER ASSEMBLY (REVERSE ADF)



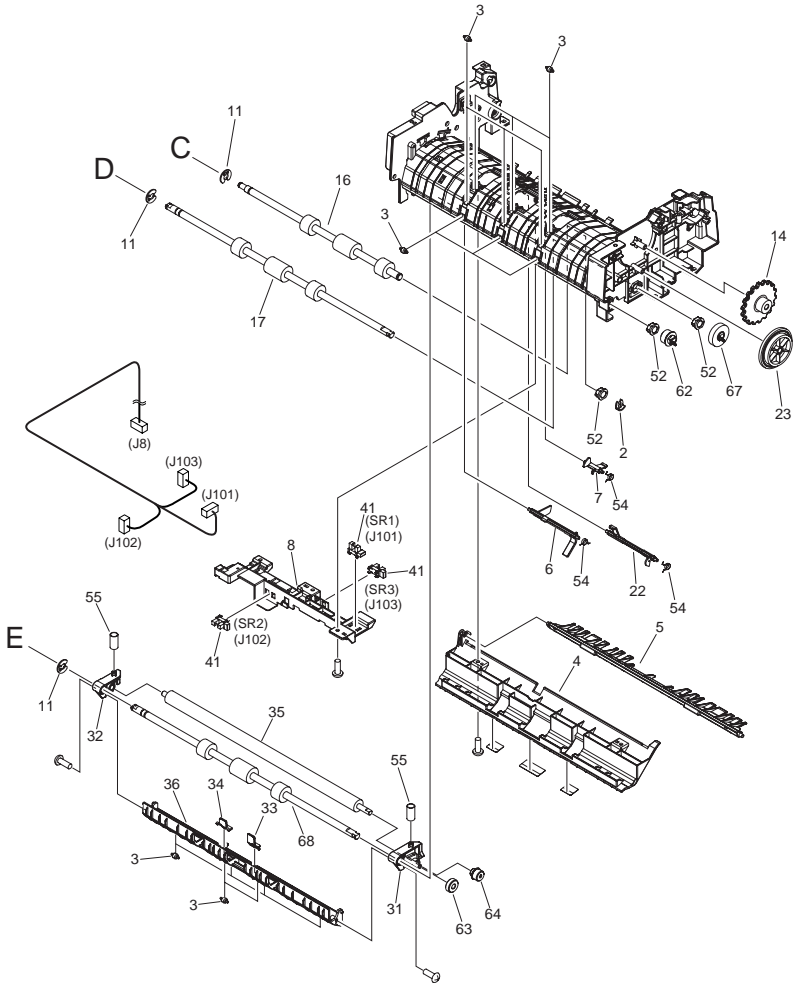


FIGURE & KEY NO.	PARTS NUMBER	R A N K	Q'TY	DESCRIPTION	SERIAL NUMBER/ REMARKS	S V C
Fig.A41	FM4-1724-010		1	FEEDER ASSEMBLY	REVERSE ADF	
1	FC5-4353-000		1	FLANGE, BELT		
2	FC5-4425-000		9	CLIP		
3	FC6-8973-000		15	ROLLER, PLATEN		
4	FC8-6368-000		1	GUIDE, PLATEN, 2		
5	FL2-9949-000		1	FLAPPER, REVERSE		
6	FC8-6371-000		1	LEVER, READ SENSOR		
7	FC8-6372-000		1	LEVER, PAPER DELIVERY SENSOR		
8	FC8-6377-000		1	HOLDER, SENSOR		
9	FC8-6378-020		1	DUCT, HARNESS		
10	FC8-6379-000		1	FLANGE, PULLEY		
11	FC8-6380-000		3	CLIP		
12	FC8-6382-000		1	ROLLER, BELT TENSION		
13	FC8-6385-000		1	JOINT, DELIVERY GEAR		
14	FC8-6386-000		1	DIAL, JAM		
15	FC8-6395-010		1	ROLLER, DELIVERY		
16	FC0-0417-000		1	ROLLER, REGISTRATION		
17	FC0-0418-000		1	ROLLER, READ		
18	FC8-6418-000		2	JOINT, READ PULLEY		
19	FC8-6421-000		1	BELT, TIMING		
20	FK2-8611-000		1	MOTOR, STEPPING, DC	M1	
21	FK2-6870-000		2	CLUTCH, ELECTROMAGNETIC	CL1,CL2	
22	FL2-9937-000		1	FLAG, REGISTRATION SENSOR		
23	FU8-0318-000		1	GEAR, 48T/62T		
24	FC8-6383-000		1	JOINT, PICK-UP		
25	FC8-6411-000		1	SPRING, TORSION		
26	FU8-0304-000		1	GEAR, 22T		
27	FC8-6384-000		1	JOINT, REGISTRATION		
28	FC8-6412-000		1	SPRING, TORSION		
29	FU8-0307-000		1	GEAR, 18T		
30	FC8-6399-000		1	ELIMINATOR, STATIC CHARGE		
31	FC8-6373-000		1	ARM, PLATEN, FRONT		

FIGURE & KEY NO.	PARTS NUMBER	R A N K	Q'TY	DESCRIPTION	SERIAL NUMBER/ REMARKS	S V C
32	FC8-6374-000		1	ARM, PLATEN, REAR		
33	FC8-6375-000		1	SPACER, READ, FRONT		
34	FC8-6376-000		1	SPACER, READ, REAR		
35	FC8-6398-000		1	ROLLER, WHITE		
36	FL2-9939-000		1	GUIDE, PLATEN, 1		
37	FC8-6381-000		1	LINK, SOLENOID		
38	FC8-6403-000		1	DAMPER, REV. GUIDE RETAINING		
39	FK2-6871-000		1	SOLENOID	SL1	
40	FU8-0306-000		1	GEAR, 25T		
41	WG8-5696-000		6	PHOTO INTERRUPTER, TLP1243	SR1,SR2,SR3,SR4,SR5,S R6	
42	FM4-1725-020		1	GUIDE, SEPARATION REVERSE		
43	FM4-1734-000		1	SEPARATION PAD ASSEMBLY	[DP]	
44	FU7-5343-000		1	SPRING, COMPRESSION		
45	XF2-1607-640		2	BELT, TIMING		
46	XG9-0709-000		2	BEARING, BALL, MF128ZZ-3		
47	XA9-0702-000		3	SCREW, WWASHER, M3X6		
48	XA9-1164-000		8	SCREW,RS,M3X6.5		
49	VS1-7177-002		2	CONNECTOR, SNAP TIGHT, BK		
50	FU5-1172-000		5	BUSHING		
51	FU5-1626-000		1	BUSHING		
52	FU6-1088-000		3	BUSHING		
53	FU6-1089-000		1	BUSHING		
54	FU7-2658-000		3	SPRING, TORSION		
55	FU7-2659-000		2	SPRING, COMPRESSION		
56	FU7-2660-000		2	SPRING, TENSION		
57	FU8-0303-000		1	GEAR/PULLEY, 27T/22T		
58	FU8-0305-000		1	GEAR, 18T		
59	FU8-0308-000		1	GEAR, 22T		
60	FU8-0309-000		1	GEAR/PULLEY, 36T/54T/28T		
61	FU8-0310-000		2	PULLEY, 36T		
62	FU8-0312-000		1	GEAR, 18T		

FIGURE & KEY NO.	PARTS NUMBER	R A N K	Q'TY	DESCRIPTION	SERIAL NUMBER/ REMARKS	S V C
63	FU8-0313-000		1	GEAR, 18T		
64	FU8-0314-000		1	GEAR, 14T		
65	FU8-0315-000		1	GEAR, 39T		
66	FU8-0316-000		1	GEAR, 21T		
67	FU8-0317-000		1	GEAR, 32T		
68	FC8-6397-000		1	ROLLER, READ		
501	XD3-2200-122		2	PIN, DOWEL		

FIGURE A90

ADF PCB ASSEMBLY (REVERSE ADF)

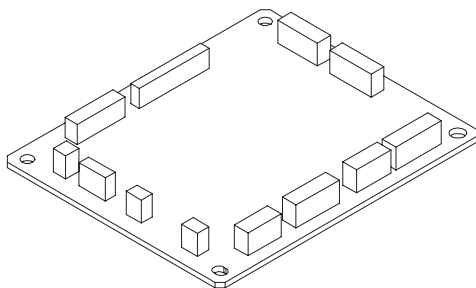


FIGURE & KEY NO.	PARTS NUMBER	RANK	Q'TY	DESCRIPTION	SERIAL NUMBER/REMARKS	SVC
Fig.A90	FM4-1736-000		1	ADF PCB ASSEMBLY	REVERSE ADF	

FIGURE B01 ATTACHMENT PARTS(ONE-PATH ADF)

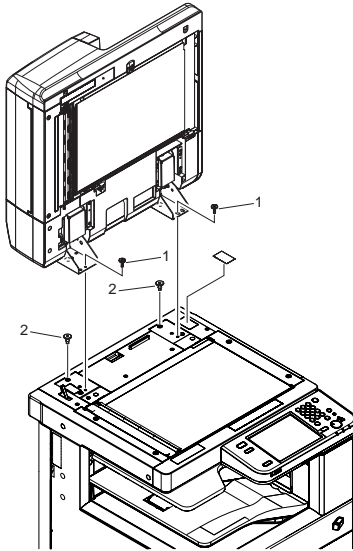


FIGURE & KEY NO.	PARTS NUMBER	RANK	QTY	DESCRIPTION	SERIAL NUMBER/REMARKS	SVC
Fig.B01	NPN		RF	ATTACHMENT PARTS	ONE-PATH ADF MODEL	
1	FU5-9167-000		4	SCREW, FIXED, M4		
2	FU5-9168-000		2	SCREW, STEPPED, M5		

FIGURE B11
INTERNAL COMPONENTS 1(ONE-PATH ADF)

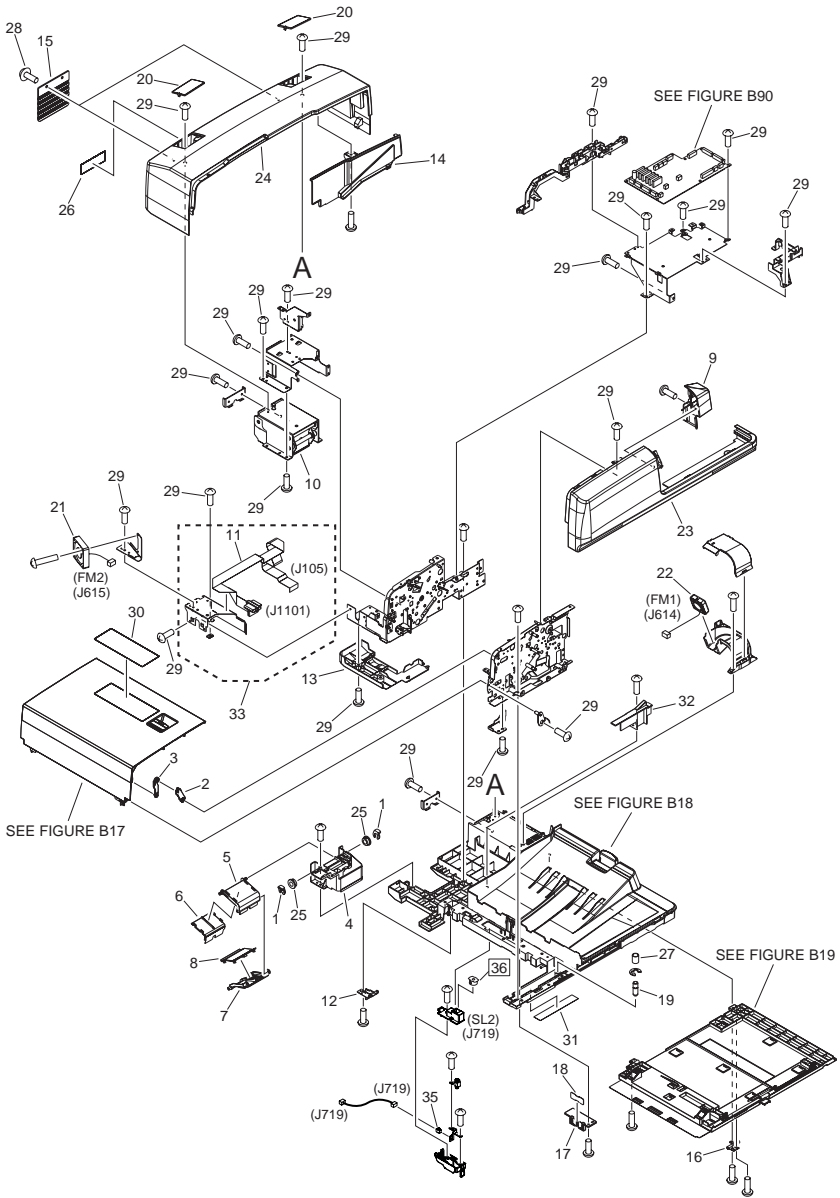


FIGURE & KEY NO.	PARTS NUMBER	R A N K	Q'TY	DESCRIPTION	SERIAL NUMBER/ REMARKS	S V C
Fig.B11	NPN		RF	INTERNAL COMPONENTS 1	ONE-PATH ADF MODEL	
1	FC5-4424-000		2	CLIP		
2	FC8-5528-010		1	STOPPER, OPEN/CLOSE COVER, 1		
3	FC8-5529-000		1	STOPPER, OPEN/CLOSE COVER, 2		
4	FC8-5549-000		1	COVER, FLEXIBLE FLAT CABLE		
5	FL2-9588-000		1	CASE, FLEXIBLE FLAT CABLE, 1A		
6	FL2-9589-000		1	CASE, FLEXIBLE FLAT CABLE, 1B		
7	FC8-5552-000		1	CASE, FLEXIBLE FLAT CABLE, 2A		
8	FC8-5553-000		1	CASE, FLEXIBLE FLAT CABLE, 2B		
9	FC8-5620-010		1	COVER, FRONT, B		
10	FC8-5777-000		1	HINGE, LEFT		
11	FK2-7182-000		1	CABLE, FLEXIBLE FLAT		
12	FC8-5789-010		1	COVER, STAMP CABLE		
13	FC8-5790-000		1	COVER, BASE FRAME, A		
14	FC8-5879-000		1	COVER, REAR, B		
15	FC8-5890-000		2	COVER, HINGE		
16	FC8-5811-000		1	HINGE, PLATE		
17	FC8-5833-000		1	COVER, PAPER DEL. SENSOR, A		
18	FC8-5834-000		1	COVER, PAPER DEL. SENSOR, B		
19	FC8-5837-000		1	PIN		
20	FC8-5889-000		2	COVER, HINGE ADJUSTMENT		
21	FK2-7243-000		1	FAN	FM2	
22	FL2-9587-000		1	FAN	FM1	
23	FL2-9708-000		1	COVER, FRONT, A		
24	FL2-9709-000		1	COVER, REAR, A		
25	FS5-1372-000		2	BUSHING		
26	FU7-8164-000		1	LABEL,FINGER NIP CAUTION,JAPAN		
27	FU7-2560-000		1	SPRING, COMPRESSION		
28	XA9-2019-000		4	SCREW, W/WASHER P, M3X8		
29	XA9-2014-000		90	SCREW, MACH. TRUSS HEAD, M4X6		
30	FU6-8708-000		1	LABEL, PROHIBITION DOCUMENT		
31	FC7-5461-000		1	LABEL, CLEANING PROCESS		

FIGURE & KEY NO.	PARTS NUMBER	RANK	Q'TY	DESCRIPTION	SERIAL NUMBER/REMARKS	SVC
32	FC8-5796-000		1	COVER, BASE FRAME, C		
33	FM3-6213-000		1	FLEXIBLE FLAT CABLE UNIT		
35	VS1-7177-002		1	CONNECTOR, SNAP TIGHT, BK		
36	FC7-5465-000		1	STAMPER	[DP]	

FIGURE B12 INTERNAL COMPONENTS 2(ONE-PATH ADF)

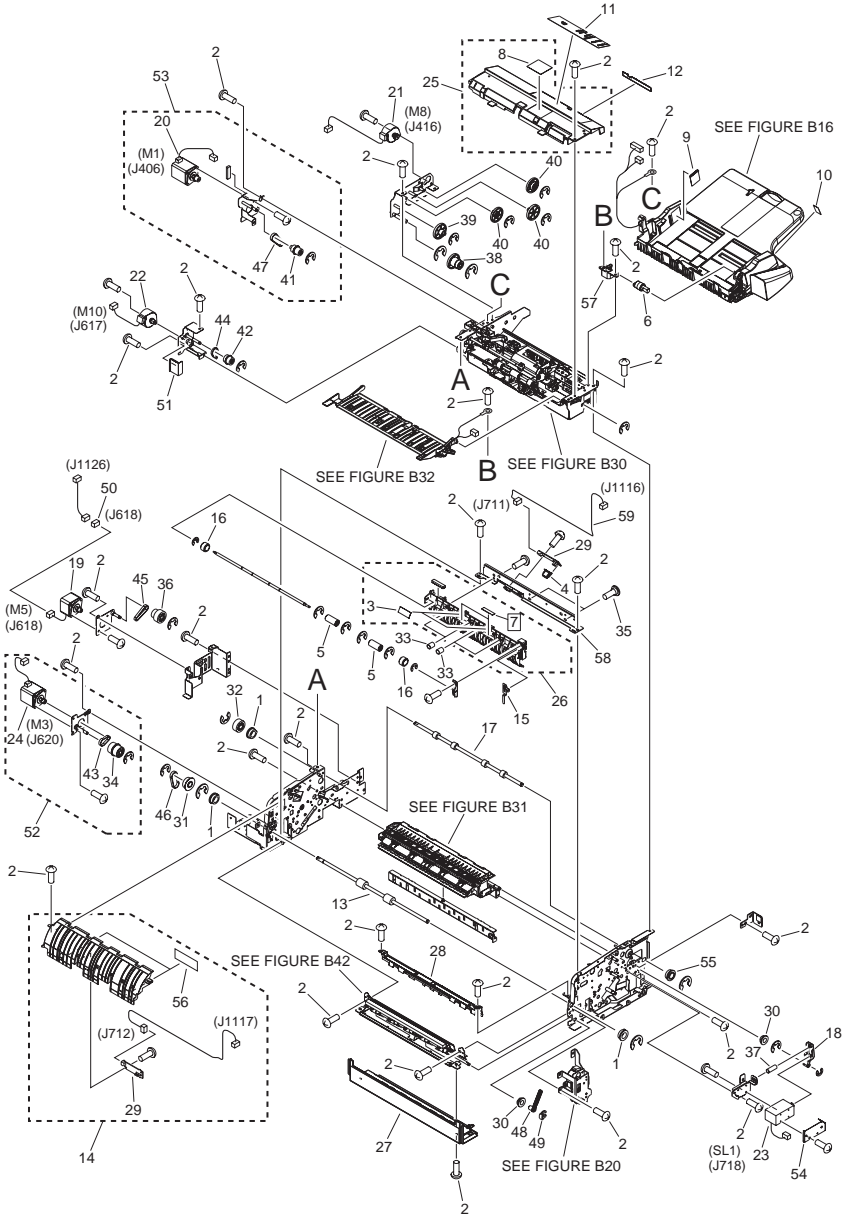


FIGURE & KEY NO.	PARTS NUMBER	R A N K	Q'TY	DESCRIPTION	SERIAL NUMBER/ REMARKS	S V C
Fig.B12	NPN		RF	INTERNAL COMPONENTS 2	ONE-PATH ADF MODEL	
1	FA9-2112-000		3	BUSHING, PL		
2	XA9-2014-000		60	SCREW, MACH. TRUSS HEAD, M4X6		
3	FC5-2954-000		2	SCRAPER		
4	FC5-3131-000		1	HOLDER, SEPARATION SENSOR		
5	FC7-4188-000		2	ROLLER, REGISTRATION		
6	FL3-7438-000		1	DAMPER, DOCUMENT TRAY		
7	FC8-5633-000		2	SHEET, CLEANER DUST	[DP]	
8	FC8-5657-000		1	LABEL, JAM CLEARING		
9	FC8-5669-000		1	LABEL, DOCUMENT HEIGHT, A		
10	FC8-5668-000		1	LABEL, DOCUMENT HEIGHT, B		
11	FC8-5660-000		1	LABEL, DOCUMENT SIZE		
12	FC8-5664-000		1	LABEL, DOCUMENT SIZE		
13	FC8-5680-000		1	ROLLER, REGISTRATION		
14	FM3-6194-010		1	PRE-REG. INNER GUIDE ASSEMBLY		
15	FC8-5739-000		1	SPRING, LEAF		
16	FC8-5776-000		2	ROLLER, PRESSURE		
17	FC8-5814-000		1	ROLLER, DELIVERY		
18	FC8-5828-000		1	LEVER, PAPER DELIVERY SOLENOID		
19	FK2-3714-000		1	MOTOR, STEPPING, DC	M5	
20	FK2-7174-000		1	MOTOR, STEPPING, DC	M1	
21	FK2-7176-000		1	MOTOR, STEPPING, DC	M8	
22	FK2-7177-000		1	MOTOR, STEPPING, DC	M10	
23	FK2-7179-000		1	SOLENOID	SL1	
24	FK2-7181-000		1	MOTOR, STEPPING, DC	M3	
25	FL2-9619-010		1	COVER, PAPER PICK-UP, UPPER		
26	FL2-9663-000		1	GUIDE, REG. INNER, LOWER		
27	FL2-9590-000		1	COVER, SIDE, LEFT		
28	FL2-9670-000		1	GUIDE, REGISTRATION		
29	FM2-1022-000		2	SENSOR PCB UNIT		
30	FS1-1569-000		2	BUSHING		
31	FU5-0338-000		1	PULLEY, 30T		

FIGURE & KEY NO.	PARTS NUMBER	R A N K	Q'TY	DESCRIPTION	SERIAL NUMBER/ REMARKS	S V C
32	FU5-0340-000		1	GEAR, 24T		
33	FU5-2234-000		4	SPRING, COMPRESSION		
34	FU5-3534-000		2	PULLEY, 30T/30T(REG)		
35	FU5-9372-000		2	SCREW, STEPPED, M3X10		
36	FU7-0515-000		1	PULLEY, 24T/GEAR, 24T		
37	FU7-2559-000		1	SPRING, COMPRESSION		
38	FU8-0228-000		1	GEAR, 20T/48T		
39	FU8-0229-000		2	GEAR, 16T/50T		
40	FU8-0230-000		2	GEAR, 25T/48T		
41	FU8-0232-000		1	GEAR, 16T/PULLEY, 30T		
42	FU8-0235-000		1	GEAR, 22T/PULLEY, 32T		
43	XF2-1604-360		1	BELT, TIMING		
44	XF2-1604-440		1	BELT, TIMING		
45	XF2-1605-660		1	BELT, TIMING		
46	XF2-1606-260		1	BELT, TIMING, COGGED		
47	XF2-1606-560		1	BELT, TIMING		
48	FC5-2991-000		1	ARM, RELEASE		
49	FC5-4424-000		1	CLIP		
50	VS1-7177-006		1	CONNECTOR, SNAP TIGHT, BK		
51	FC8-5901-000		1	SHEET, HEAT INSULATING		
52	FM3-6189-000		1	REGISTRATION DRIVE ASSEMBLY		
53	FM3-6212-000		1	PAPER PICK-UP DRIVE ASSEMBLY		
54	FC8-5772-000		1	PLATE, SOLENOID ELEM. PROTECT.		
55	XG9-0709-000		1	BEARING, BALL, MF128ZZ-3		
56	FC8-5765-000		1	SHEET		
57	FC8-5622-000		1	HOLDER,DOCUMENT TRAY DAMPER		
58	FC8-5735-000		1	SUPPORT, INNER GUIDE, REAR		
59	FM3-7565-000		1	CABLE, READER SENSOR		

FIGURE B13 INTERNAL COMPONENTS 3(ONE-PATH ADF)

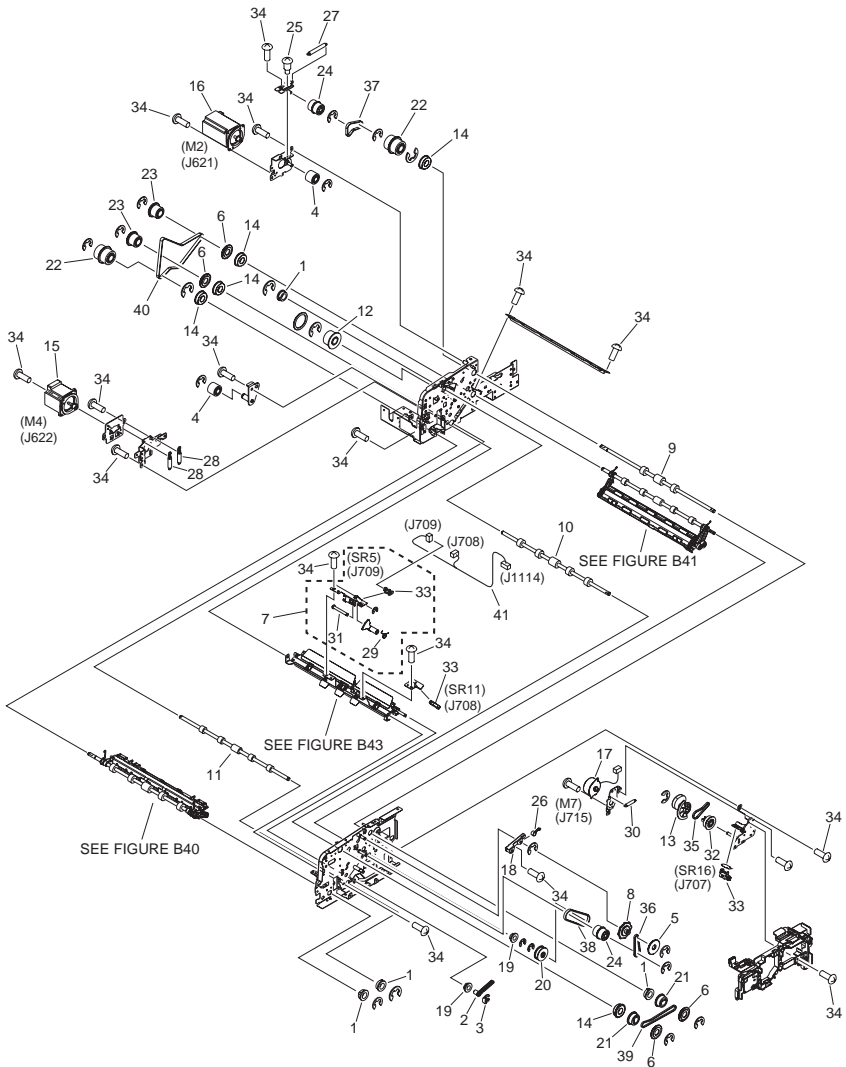


FIGURE & KEY NO.	PARTS NUMBER	R A N K	Q'TY	DESCRIPTION	SERIAL NUMBER/ REMARKS	S V C
Fig.B13	NPN		RF	INTERNAL COMPONENTS 3	ONE-PATH ADF MODEL	
1	FA9-2112-000		4	BUSHING, PL		
2	FC5-2991-000		1	ARM, RELEASE		
3	FC5-4424-000		1	CLIP		
4	FC7-0285-000		2	PULLEY, TENSION		
5	FC7-4185-000		1	STOPPER, BELT		
6	FC8-5484-000		4	FLANGE, PULLEY		
7	FM3-6184-000		1	PHOTO SENSOR ASSEMBLY		
8	FC8-5530-000		1	DIAL, JAM CLEARING		
9	FC8-5580-000		1	ROLLER, EXTRACTION		
10	FC8-5679-000		1	ROLLER, PAPER FEED		
11	FC8-5682-000		1	ROLLER, READ, 2		
12	FC8-5725-000		1	PULLEY, IDLER		
13	FC8-5771-000		1	CAM, RELEASE, B		
14	XG9-0508-000		5	BEARING, BALL, F688ZZ		
15	FK2-7173-000		1	MOTOR, STEPPING, DC	M4	
16	FK2-7175-000		1	MOTOR, STEPPING, DC	M2	
17	FK2-7646-000		1	MOTOR, STEPPING, DC	M7	
18	FL2-9573-000		1	TENSIONER ASSEMBLY, FRONT		
19	FS1-1569-000		2	BUSHING		
20	FS5-3989-000		1	PULLEY, 32T		
21	FU5-0339-000		2	PULLEY, 23T		
22	FU5-3530-000		2	PULLEY, 30T		
23	FU5-3531-000		2	PULLEY, 24T		
24	FU5-3534-000		1	PULLEY, 30T/30T(REG)		
25	FU5-9038-000		1	SCREW, STEPPED, M3		
26	FU7-2552-000		1	SPRING, TORSION		
27	FU7-2553-000		1	SPRING, TENSION		
28	FU7-2554-000		2	SPRING, TENSION		
29	FU7-2561-000		1	SPRING, TORSION		
30	FU7-2564-000		1	SPRING, TENSION		
31	FU7-5186-000		1	SHAFT, SENSOR		

FIGURE & KEY NO.	PARTS NUMBER	RANK	Q'TY	DESCRIPTION	SERIAL NUMBER/REMARKS	SVC
32	FU8-0239-000		1	PULLEY, 33T	SR5,SR11,SR16	
33	WG8-5783-000		3	IC,PHOTO-INTERRUPTER,LG248NL1A		
34	XA9-2014-000		8	SCREW, MACH. TRUSS HEAD, M4X6		
35	XF2-1106-740		1	BELT, TIMING		
36	XF2-1607-640		1	BELT, TIMING		
37	XF2-1607-660		1	BELT, TIMING		
38	XF2-1607-940		1	BELT, TIMING, COGGED		
39	XF2-1613-040		1	BELT, TIMING		
40	XF2-1623-080		1	BELT, TIMING		
41	FM3-7572-000		1	CABLE, READ 2 SENSOR		

FIGURE B14
INTERNAL COMPONENTS 4(ONE-PATH ADF)

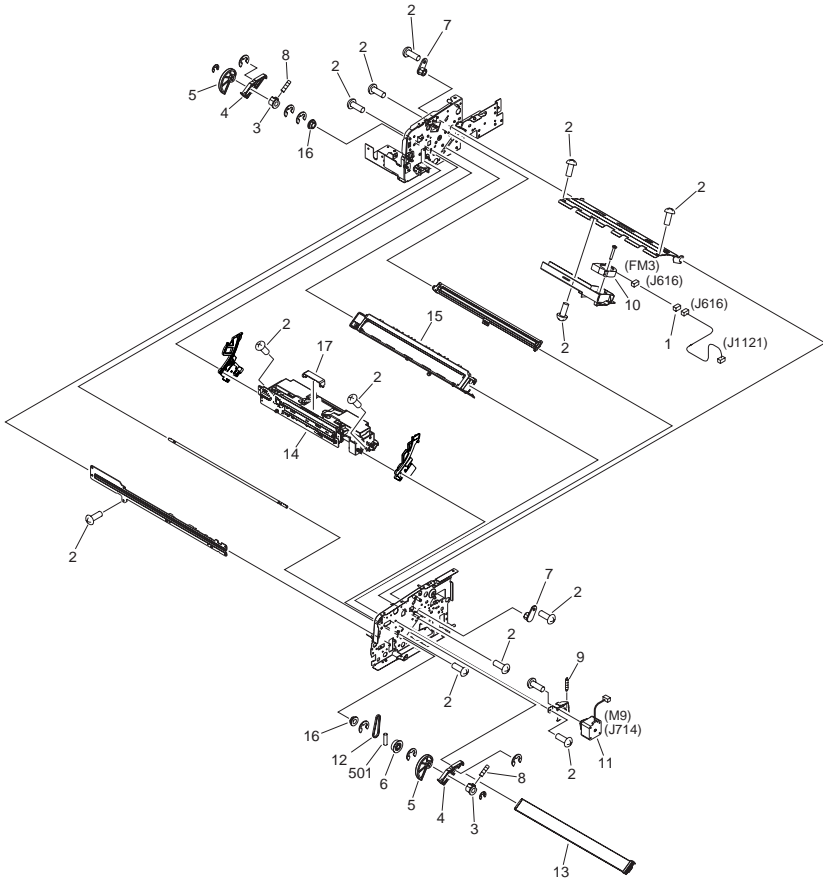


FIGURE & KEY NO.	PARTS NUMBER	R A N K	Q'TY	DESCRIPTION	SERIAL NUMBER/REMARKS	S V C
Fig.B14	NPN		RF	INTERNAL COMPONENTS 4	ONE-PATH ADF MODEL	
1	VS1-7177-003		1	CONNECTOR, SNAP TIGHT, BK		
2	XA9-2014-000		1	SCREW, MACH. TRUSS HEAD, M4X6		
3	FC8-5513-000		2	BUSHING		
4	FC8-5514-000		2	SLIDER		
5	FC8-5516-000		2	CAM, GLASS SHIFT		
6	FU8-0240-000		1	PULLEY		
7	FC8-5538-000		2	PIN, FLOAT		
8	FU7-2551-000		2	SPRING, COMPRESSION		
9	FU7-2550-000		1	SPRING, TENSION		
10	FK2-3149-000		1	FAN	FM3	
11	FK2-7178-000		1	MOTOR, STEPPING, DC	M9	
12	XF2-1607-240		1	BELT, TIMING		
13	FL2-9578-000		1	GLASS, READER		
14	FM3-5490-000		1	SCANNER UNIT, ADF		
15	FM3-6187-000		1	GLASS HOLDER ASSEMBLY		
16	FS1-1569-000		2	BUSHING		
17	FC8-5670-000		1	DUCT, COOLING FAN		
501	XD3-2200-122		1	PIN, DOWEL		

FIGURE B15 INTERNAL COMPONENTS 5(ONE-PATH ADF)

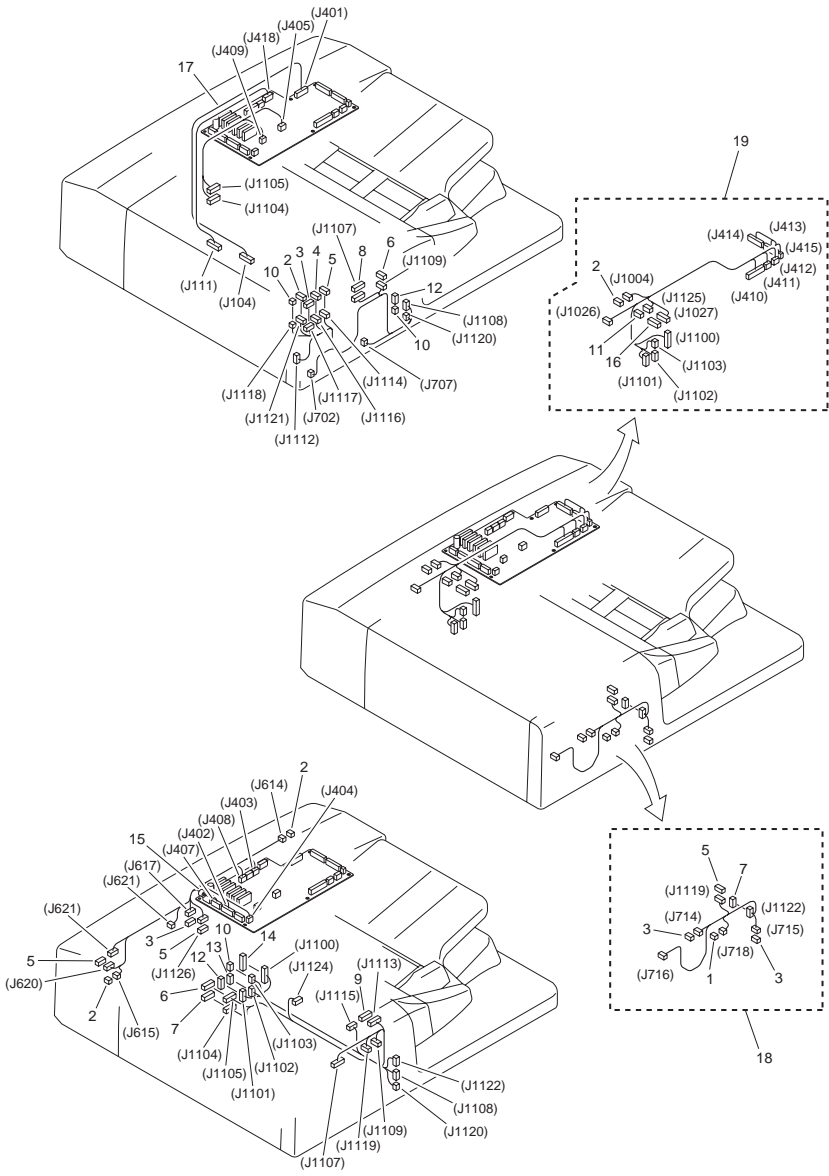


FIGURE & KEY NO.	PARTS NUMBER	R A N K	Q'TY	DESCRIPTION	SERIAL NUMBER/ REMARKS	S V C
Fig.B15	NPN		RF	INTERNAL COMPONENTS 5	ONE-PATH ADF MODEL	
1	VS1-7177-002		1	CONNECTOR, SNAP TIGHT, BK		
2	VS1-7177-003		4	CONNECTOR, SNAP TIGHT, BK		
3	VS1-7177-004		4	CONNECTOR, SNAP TIGHT, BK		
4	VS1-7177-005		1	CONNECTOR, SNAP TIGHT, BK		
5	VS1-7177-006		4	CONNECTOR, SNAP TIGHT, BK		
6	VS1-7177-008		2	CONNECTOR, SNAP TIGHT, BK		
7	VS1-7177-009		2	CONNECTOR, 9P		
8	VS1-7177-012		1	CONNECTOR, SNAP TIGHT, BK		
9	VS1-7177-014		1	CONNECTOR, SNAP TIGHT, BK		
10	VS1-8412-003		3	CONNECTOR, SNAP TIGHT, BK		
11	VS1-8412-007		1	CONNECTOR, SNAP TIGHT, BL		
12	VS1-8412-009		2	CONNECTOR, SNAP TIGHT, BL		
13	VS1-8412-013		1	CONNECTOR, SNAP TIGHT, BL		
14	VS1-8412-027		1	CONNECTOR, SNAP TIGHT, BL		
15	WE8-6139-000		1	CORE, RING		
16	VS1-7177-013		1	CONNECTOR		
17	FK2-7765-000		1	CABLE, COAXIAL		
18	FM3-8309-000		1	CABLE, FRONT MOTOR		
19	FM3-8310-000		1	CABLE, MAIN SENSOR		

FIGURE B16 DOCUMENT TRAY ASSEMBLY(ONE-PATH ADF)

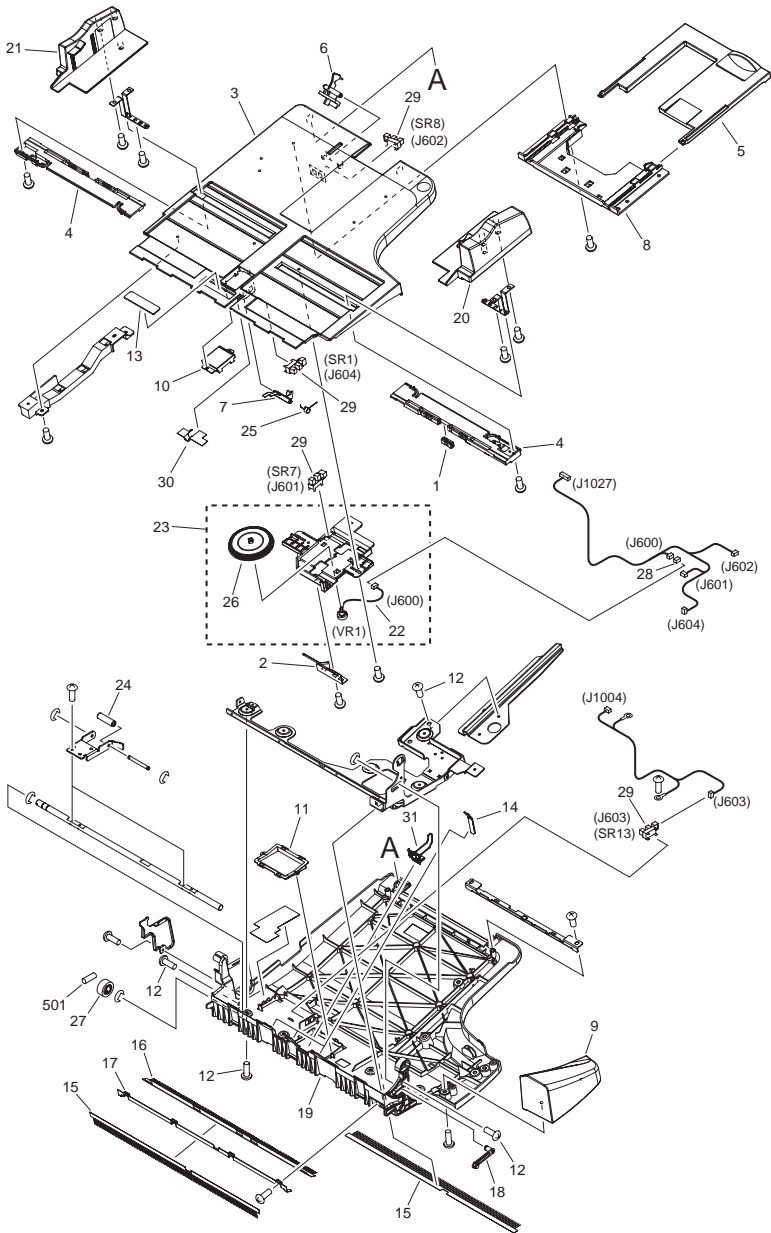


FIGURE & KEY NO.	PARTS NUMBER	R A N K	Q'TY	DESCRIPTION	SERIAL NUMBER/ REMARKS	S V C
Fig.B16	FM3-6210-020		1	DOCUMENT TRAY ASSEMBLY	ONE-PATH ADF MODEL	
1	FC5-3108-000		1	RACK		
2	FC5-3113-000		1	SPRING, LEAF		
3	FC8-5600-000		1	TRAY, DOCUMENT, UPPER		
4	FC8-5604-000		2	RACK, DOCUMENT TRAY		
5	FC8-5605-000		1	TRAY, SLIDE		
6	FC8-5606-000		1	FLAG, TRAY DOCUMENT SENSOR		
7	FC8-5607-010		1	FLAG, DOCUMENT SET SENSOR		
8	FC8-5612-000		1	COVER, DOCUMENT TRAY		
9	FC8-5613-000		1	COVER, DOCUMENT TRAY, FRONT		
10	FC8-5616-000		1	WINDOW, DOCUMENT TRAY, UPPER		
11	FC8-5617-000		1	WINDOW, DOCUMENT TRAY, LOWER		
12	XA9-2014-000		12	SCREW, MACH. TRUSS HEAD, M4X6		
13	FC8-5625-000		1	SHEET, SEPARATION		
14	FC8-5627-000		3	PLATE, SEPARATION		
15	FC8-5841-000		2	ELIMINATOR, STATIC CHARGE		
16	FC8-5842-000		1	ELIMINATOR, STATIC CHARGE		
17	FC8-5846-000		1	PLATE, ELIMINATION		
18	FL2-9614-000		1	PLATE, DOCUMENT TRAY STOPPER		
19	FL2-9622-000		1	TRAY, DOCUMENT, LOWER		
20	FC8-5602-000		1	GUIDE, SIDE, REAR		
21	FC8-5603-000		1	GUIDE, SIDE, FRONT		
22	FM2-1024-000		1	VARIABLE RESISTOR UNIT	VR1	
23	FM3-6211-000		1	HOLDER, VOLUME		
24	FU5-6078-000		2	ROLLER, PLATEN		
25	FU7-2541-000		1	SPRING, TORSION		
26	FU8-0237-000		1	GEAR, 70T		
27	FU8-0238-000		1	GEAR, 20T		
28	VS1-7177-003		1	CONNECTOR, SNAP TIGHT, BK		
29	WG8-5783-000		4	IC,PHOTO-INTERRUPTER,LG248NL1A	SR1,SR7,SR8,SR13	
30	FC8-5773-000		1	SHEET		
31	FM3-6234-000		1	DOCUMENT GUIDE ASSEMBLY		

FIGURE & KEY NO.	PARTS NUMBER	R A N K	Q'TY	DESCRIPTION	SERIAL NUMBER/ REMARKS	S V C
501	XD3-2200-122		1	PIN, DOWEL		

FIGURE B17 OPEN/CLOSE PANEL ASSEMBLY(ONE-PATH ADF)

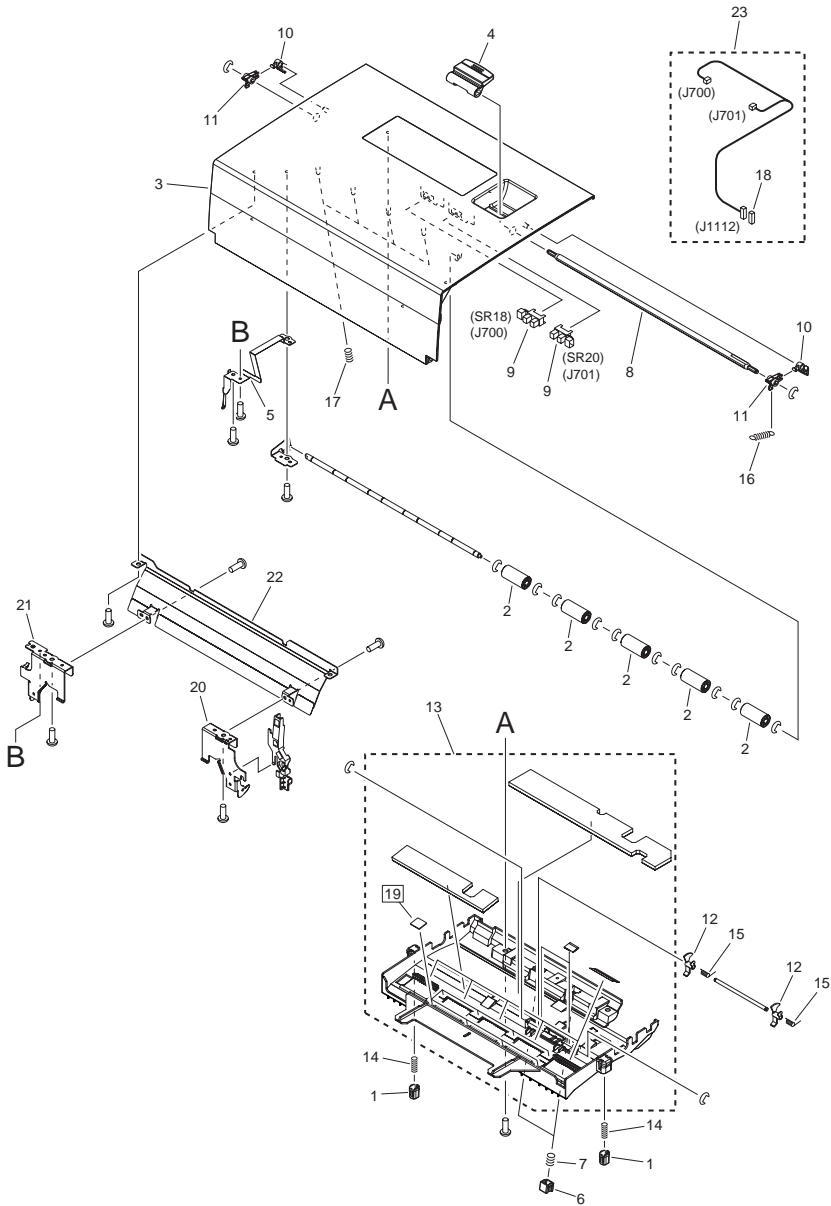


FIGURE & KEY NO.	PARTS NUMBER	RANK	Q'TY	DESCRIPTION	SERIAL NUMBER/REMARKS	SVC
Fig.B17	NPN		RF	OPEN/CLOSE PANEL ASSEMBLY	ONE-PATH ADF MODEL	
1	FC5-2963-000		2	RETAINER, OPEN/CLOSE GUIDE		
2	FC7-4188-000		5	ROLLER, REGISTRATION		
3	FL2-9716-000		1	COVER, OPEN/CLOSE		
4	FC8-5888-000		1	LEVER, OPEN/CLOSE		
5	FC8-5706-000		1	SPRING, LEAF		
6	FC8-5713-000		2	RETAINER, ROLLER		
7	FU7-2566-000		2	SPRING, COMPRESSION		
8	FC8-5699-000		1	SHAFT, OPEN/CLOSE COVER LEVER		
9	WG8-5783-000		2	IC,PHOTO-INTERRUPTER,LG248NL1A	SR18,SR20	
10	FC8-5743-000		2	RATCHET, OPEN/CLOSE COVER		
11	FC8-5744-000		2	ARM, OPEN/CLOSE COVER		
12	FC8-5751-000		2	FLAG, WIDTH SENSING, UPPER		
13	FL2-9650-000		1	GUIDE, OPEN/CLOSE COVER		
14	FU7-2568-000		2	SPRING, COMPRESSION		
15	FU7-2567-000		2	SPRING, TORSION		
16	FU6-2900-000		1	SPRING, TENSION		
17	FU7-2555-000		4	SPRING, COMPRESSION		
18	VS1-7177-006		1	CONNECTOR, SNAP TIGHT, BK		
19	FC8-5727-000		8	SHEET, CLEANER DUST	[DP]	
20	FC8-5740-000		1	SUPPORT, ROLLER RELEASE, FRONT		
21	FC8-5741-000		1	SUPPORT, ROLLER RELEASE, REAR		
22	FL2-9657-000		1	GUIDE, LOOP		
23	FM3-7564-000		1	CABLE, OPEN/CLOSE COVER		

FIGURE B18 BASE FRAME ASSEMBLY(ONE-PATH ADF)

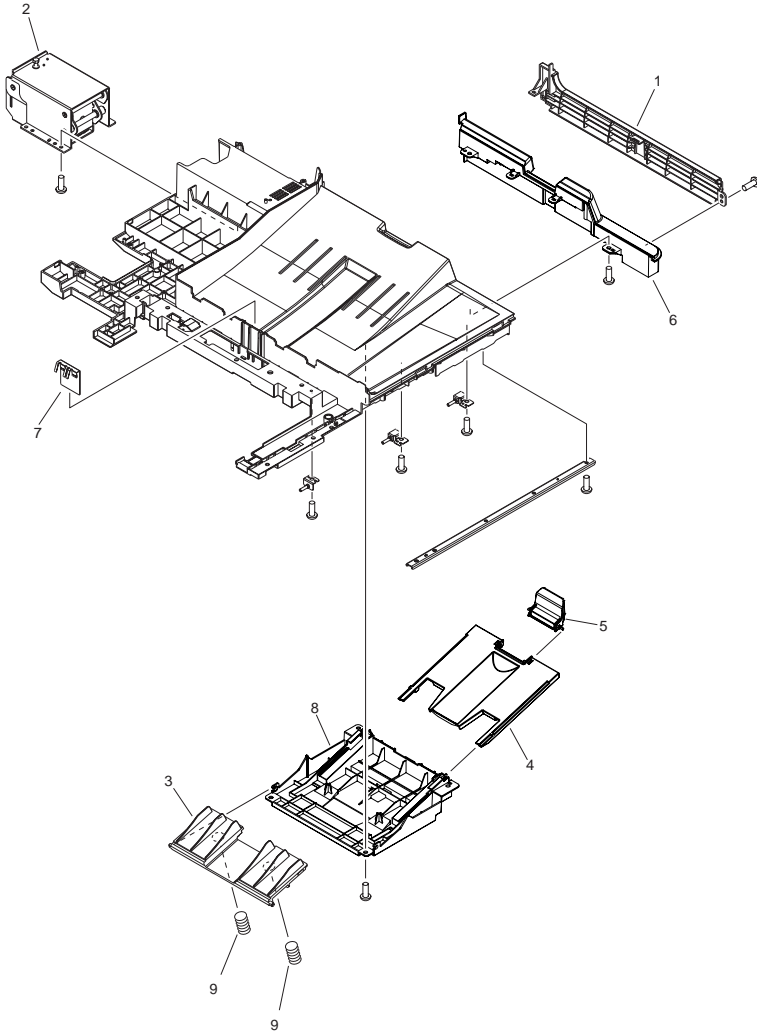


FIGURE & KEY NO.	PARTS NUMBER	RANK	Q'TY	DESCRIPTION	SERIAL NUMBER/REMARKS	SVC
Fig.B18	NPN		RF	BASE FRAME ASSEMBLY	ONE-PATH ADF MODEL	
1	FC8-5885-000		1	COVER, SIDE, RIGHT		
2	FC8-5778-000		1	HINGE, RIGHT		
3	FC8-5797-000		1	STOPPER, PAPER DELIVERY		
4	FC8-5880-000		1	TRAY, PAPER DELIVERY AUX., D		
5	FC8-5881-000		1	TRAY, PAPER DELIVERY AUX., S		
6	FC8-5883-000		1	COVER, BASE FRAME, D		
7	FC8-5898-000		1	PLATE, DELIVERY GROUND		
8	FL2-9710-000		1	COVER, BASE FRAME		
9	FU7-2545-000		2	SPRING, COMPRESSION		

FIGURE B19 WHITE PLATE ASSEMBLY(ONE-PATH ADF)

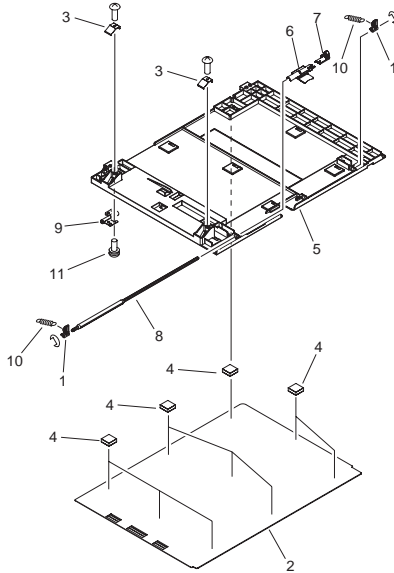


FIGURE & KEY NO.	PARTS NUMBER	RANK	QTY	DESCRIPTION	SERIAL NUMBER/REMARKS	SVC
Fig.B19	FM3-6219-010		1	WHITE PLATE ASSEMBLY	ONE-PATH ADF MODEL	
1	FC5-2957-000		2	LEVER, LATCH		
2	FC5-4265-000		1	PANEL, COPYBOARD		
3	FC7-3156-000		2	SPRING, LEAF		
4	FC8-5895-000		9	SPONGE, SHEET, WHITE		
5	FC8-5802-000		1	SUPPORT, SHEET, WHITE		
6	FC8-5921-000		1	RATCHET, SHEET, WHITE A		
7	FC8-5920-000		1	RATCHET, SHEET, WHITE B		
8	FC8-5810-000		1	SHAFT, RATCHET ROTATION		
9	FC8-5811-000		1	HINGE, PLATE		
10	FU5-2235-020		2	SPRING, TENSION		
11	XA9-2016-000		2	SCREW, W/WASHER, M3X12		

FIGURE B20 ESTRANGEMENT DRIVE ASSEMBLY(ONE-PATH ADF)

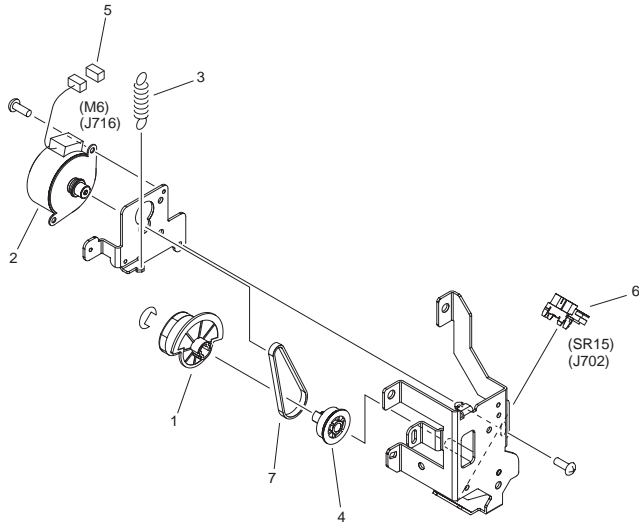


FIGURE & KEY NO.	PARTS NUMBER	R A N K	QTY	DESCRIPTION	SERIAL NUMBER/ REMARKS	S V C
Fig.B20	NPN		RF	ESTRANGEMENT DRIVE ASSEMBLY	ONE-PATH ADF MODEL	
1	FC8-5770-000		1	CAM, RELEASE, A	M6	
2	FK2-7646-000		1	MOTOR, STEPPING, DC		
3	FU7-2564-000		1	SPRING, TENSION		
4	FU8-0239-000		1	PULLEY, 33T		
5	VS1-7177-004		1	CONNECTOR, SNAP TIGHT, BK	SR15	
6	WG8-5783-000		1	IC,PHOTO-INTERRUPTER,LG248NL1A		
7	XF2-1607-240		1	BELT, TIMING		

FIGURE B30 PAPER PICK-UP ASSEMBLY(ONE-PATH ADF)

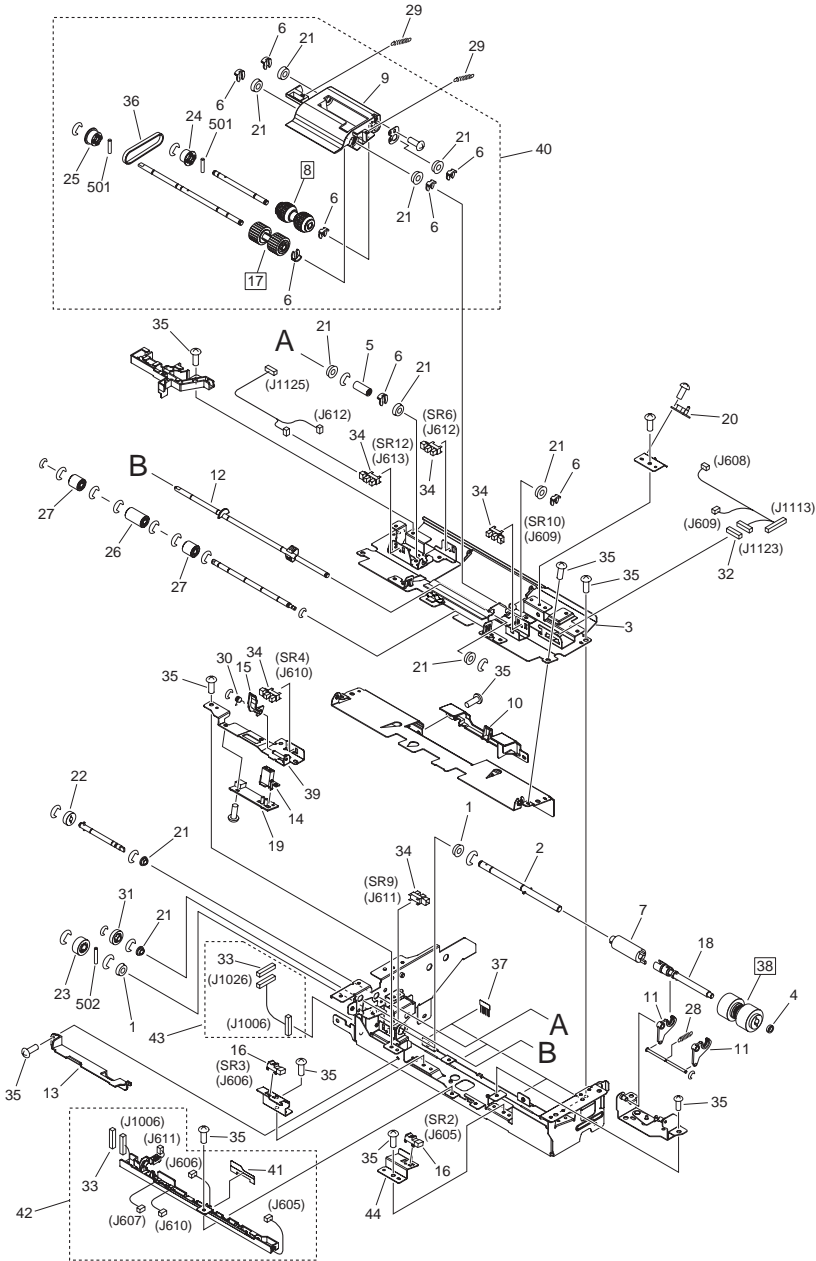


FIGURE & KEY NO.	PARTS NUMBER	R A N K	Q'TY	DESCRIPTION	SERIAL NUMBER/REMARKS	S V C
Fig.B30	NPN		RF	PAPER PICK-UP ASSEMBLY	ONE-PATH ADF MODEL	
1	FA9-2112-000		2	BUSHING, PL		
2	FL2-9615-000		1	SHAFT, TRANSMISSION		
3	FL2-9616-000		1	GUIDE, PAPER PICK-UP, UPPER		
4	XG9-0497-000		1	BEARING, BALL, MR106ZZ		
5	FC5-3163-000		1	JOINT		
6	FC5-4425-000		8	CLIP		
7	FC8-5907-000		1	LIMITER, TORQUE		
8	FC8-5577-000		1	ROLLER, PAPER PICK-UP	[DP]	
9	FC8-5583-000		1	ARM, PAPER PICK-UP ROLLER		
10	FC8-5586-000		1	GUIDE, PAPER PICK-UP LW., FEED		
11	FC8-5594-000		2	ROLLER, LEVER		
12	FC8-5646-000		1	SHAFT,ROLLER ARM DRIVE		
13	FC8-5652-000		1	COVER, SEPARATION SENSOR		
14	FC8-5673-000		1	COVER, SENSOR		
15	FC8-5760-000		1	FLAG, DELAY SENSOR		
16	FK2-6470-000		2	PHOTO-SENSOR, KUA0055C	SR2,SR3	
17	FL2-9608-000		1	ROLLER, PAPER FEED	[DP]	
18	FL2-9623-000		1	SHAFT, ROLLER C DRIVE		
19	FM2-1022-000		1	SENSOR PCB UNIT		
20	FM2-1023-000		1	LED PCB UNIT		
21	FS1-1569-000		10	BUSHING		
22	FU3-0277-000		1	GEAR, 16T		
23	FU3-0313-000		1	GEAR, 20T		
24	FU5-3695-000		1	PULLEY, 22T		
25	FU5-3696-000		1	PULLEY, 25T		
26	FU5-6871-000		1	ROLLER		
27	FU5-6872-000		2	ROLLER		
28	FU7-2542-000		1	SPRING, TENSION		
29	FU7-2544-000		2	SPRING, TENSION		
30	FU7-2563-000		1	SPRING, TORSION		
31	FU8-0236-000		1	GEAR, 22T		

FIGURE & KEY NO.	PARTS NUMBER	R A N K	Q'TY	DESCRIPTION	SERIAL NUMBER/ REMARKS	S V C
32	VS1-7177-009		1	CONNECTOR, 9P	SR4,SR6,SR9,SR10,SR12 [DP]	
33	VS1-8412-017		2	CONNECTOR, SNAP TIGHT, BL		
34	WG8-5783-000		5	IC,PHOTO-INTERRUPTER,LG248NL1A		
35	XA9-2014-000		19	SCREW, MACH. TRUSS HEAD, M4X6		
36	XF2-1106-640		1	BELT, TIMING		
37	FC8-5899-000		4	ELIMINATOR, STATIC CHARGE		
38	FB2-7777-020		1	ROLLER, SEPARATION		
39	FL2-9617-000		1	SUPPORT, SEPARATION SENSOR		
40	FM3-6206-000		1	ARM ASSEMBLY		
41	FC8-5919-010		1	SHEET, CABLE PROTECTION		
42	FM3-6231-010		1	CABLE, PICK-UP, REAR LOWER		
501	XD3-2200-102		2	PIN, DOWEL		
502	XD3-2200-122		1	PIN, DOWEL		
43	FM3-7575-000		1	CABLE, SEP. SENSOR CONNECTING		
44	FC8-5588-000		1	PLATE, SENSOR SEPARATION, 1		

FIGURE B31
DELIVERY CROSSMEMBER ASSEMBLY(ONE-PATH
ADF)

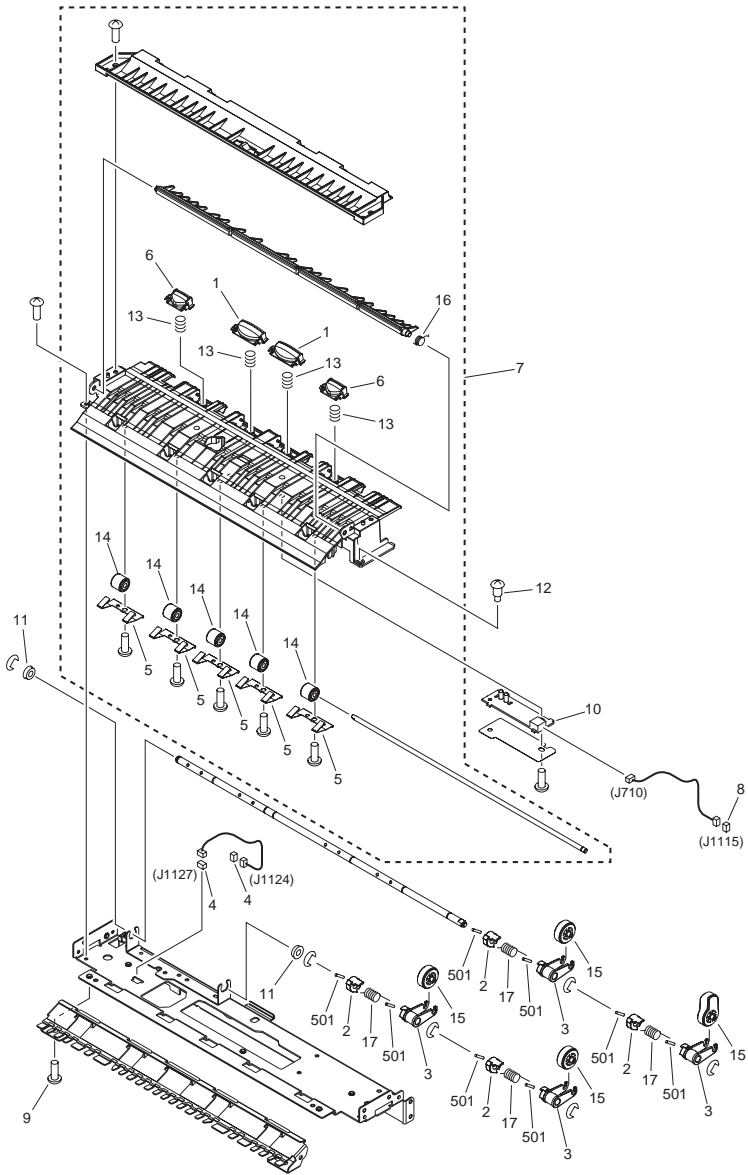


FIGURE & KEY NO.	PARTS NUMBER	R A N K	Q'TY	DESCRIPTION	SERIAL NUMBER/ REMARKS	S V C
Fig.B31	FM3-6180-000		1	DELIVERY CROSSMEMBER ASSEMBLY	ONE-PATH ADF MODEL	
1	FC5-2978-000		2	GUIDE, REFORM		
2	FC5-2988-000		4	RETAINER, ROLLER		
3	FC5-2989-000		4	HOLDER, PAPER DELIVERY ROLLER		
4	VS1-7177-002		2	CONNECTOR, SNAP TIGHT, BK		
5	FC8-5830-000		5	SPRING, LEAF		
6	FC8-5845-000		2	RIB, DELIVERY SHAPE		
7	FM3-6182-000		1	PAPER DELIVERY LW. GUIDE ASS'Y		
8	VS1-7177-004		1	CONNECTOR, SNAP TIGHT, BK		
9	XA9-2014-000		2	SCREW, MACH. TRUSS HEAD, M4X6		
10	FM2-1022-000		1	SENSOR PCB UNIT		
11	FS1-1569-000		2	BUSHING		
12	FS1-9009-020		1	SCREW, STEPPED, M3		
13	FU5-2240-000		4	SPRING, COMPRESSION		
14	FU5-6073-000		5	ROLLER, FEED		
15	FU5-6077-000		4	ROLLER, PAPER DELIVERY		
16	FU6-2740-000		1	SPRING, TORSION		
17	FU7-2562-000		4	SPRING, TORSION		
501	XD3-2200-122		8	PIN, DOWEL		

FIGURE B32 OPEN/CLOSE GUIDE ASSEMBLY(ONE-PATH ADF)

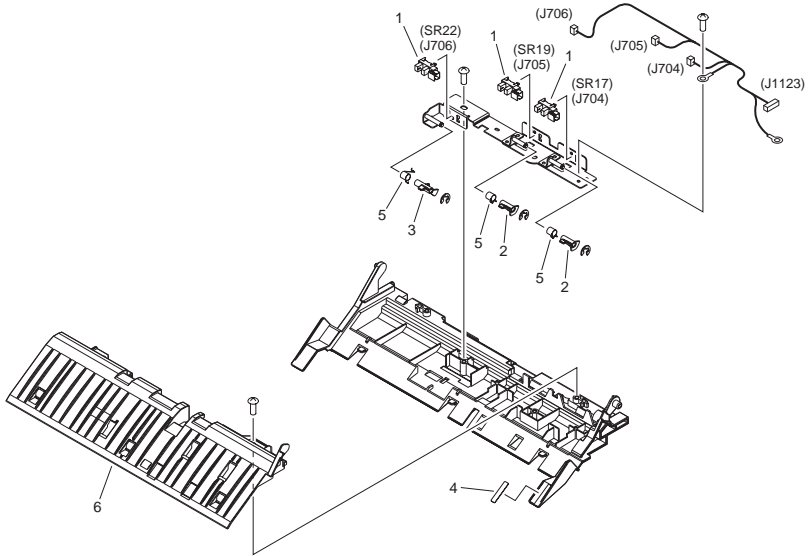


FIGURE & KEY NO.	PARTS NUMBER	RANK	QTY	DESCRIPTION	SERIAL NUMBER/REMARKS	SVC
Fig.B32	NPN		RF	OPEN/CLOSE GUIDE ASSEMBLY	ONE-PATH ADF MODEL	
1	WG8-5783-000		3	IC.PHOTO-INTERRUPTER,LG248NL1A	SR17,SR19,SR22	
2	FC8-5761-000		2	FLAG, WIDTH SENSOR, LOWER		
3	FC8-5762-000		1	FLAG, EDGE SENSING		
4	FC7-4890-000		1	LABEL, OPEN/CLOSE GUIDE		
5	FU7-2556-000		3	SPRING, TORSION		
6	FL2-9627-000		1	GUIDE, OPEN/CLOSE, UPPER		

FIGURE B40 PLATEN ROLLER ASSEMBLY, 1(ONE-PATH ADF)

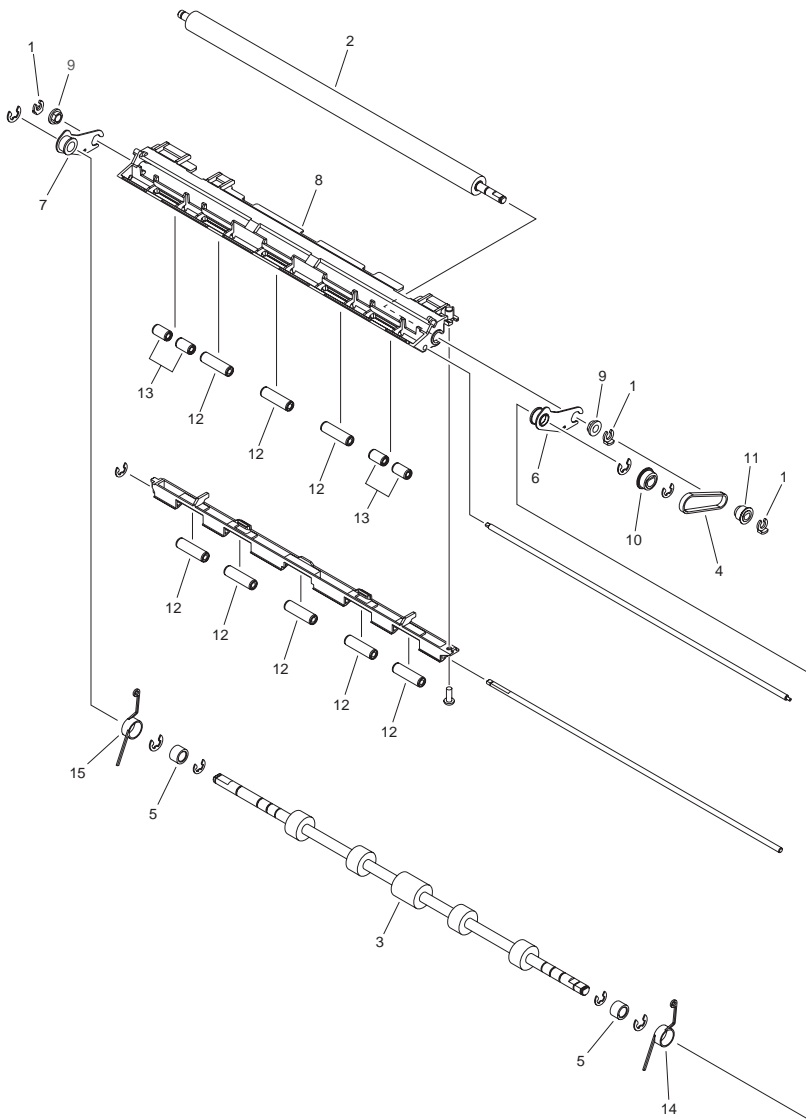


FIGURE & KEY NO.	PARTS NUMBER	R A N K	Q'TY	DESCRIPTION	SERIAL NUMBER/ REMARKS	S V C
Fig.B40	FM3-6176-000		1	PLATEN ROLLER ASSEMBLY, 1	ONE-PATH ADF MODEL	
1	FC5-4424-000		3	CLIP		
2	FC8-5487-000		1	ROLLER, PLATEN, 1		
3	FC8-5681-000		1	ROLLER, READ, 1		
4	XF2-1605-740		1	BELT, TIMING		
5	FC8-5775-000		2	ROLLER, SUPPORT		
6	FL2-9568-000		1	SUPPORT, PLATEN ROLLER, FRONT		
7	FL2-9569-000		1	SUPPORT, PLATEN ROLLER, REAR		
8	FL2-9571-000		1	GUIDE, PLATEN, 1		
9	FS1-1569-000		2	BUSHING		
10	FU5-0339-000		1	PULLEY, 23T		
11	FU5-0341-000		1	PULLEY, 18T		
12	FU5-6078-000		8	ROLLER, PLATEN		
13	FU5-6080-000		4	ROLLER		
14	FU7-2546-000		1	SPRING, TORSION		
15	FU7-2547-000		1	SPRING, TORSION		

FIGURE B41 PLATEN ROLLER ASSEMBLY, 2(ONE-PATH ADF)

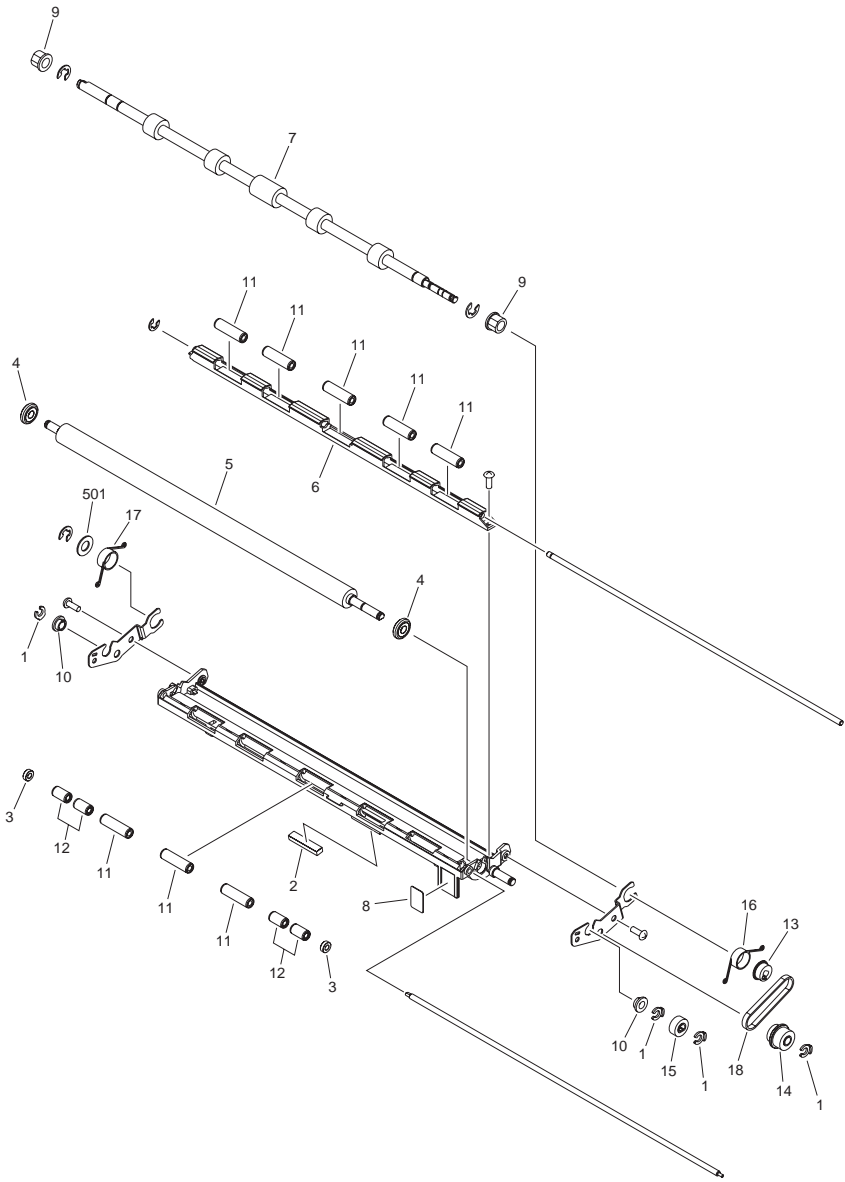


FIGURE & KEY NO.	PARTS NUMBER	R A N K	Q'TY	DESCRIPTION	SERIAL NUMBER/ REMARKS	S V C
Fig.B41	FM3-6179-000		1	PLATEN ROLLER ASSEMBLY, 2	ONE-PATH ADF MODEL	
1	FC5-4424-000		4	CLIP		
2	FC7-4191-000		1	MAGNET		
3	FC8-5485-000		2	ROLLER		
4	FC8-5486-000		2	ROLLER		
5	FC8-5488-000		1	ROLLER, PLATEN, 2		
6	FC8-5490-000		1	GUIDE, PLATEN ROLLER, 2B		
7	FC8-5683-000		1	SHAFT, READ 3 ROLLER		
8	FC8-5545-000		1	LABEL, PLATEN KNOB		
9	FU6-1021-000		2	BUSHING		
10	FS1-1569-000		2	BUSHING		
11	FU5-6078-000		8	ROLLER, PLATEN		
12	FU5-6080-000		4	ROLLER		
13	FU7-0205-000		1	PULLEY, 21T		
14	FU7-0473-000		1	GEAR, 18T/PULLEY, 23T		
15	FU7-0514-000		1	GEAR, 16T		
16	FU7-2548-000		1	SPRING, TORSION		
17	FU7-2549-000		1	SPRING, TORSION		
18	XF2-1606-140		1	BELT, TIMING		
501	XD1-1108-239		1	SHIM		

FIGURE B42 PAPER FEED GUIDE ASSEMBLY, 1(ONE-PATH ADF)

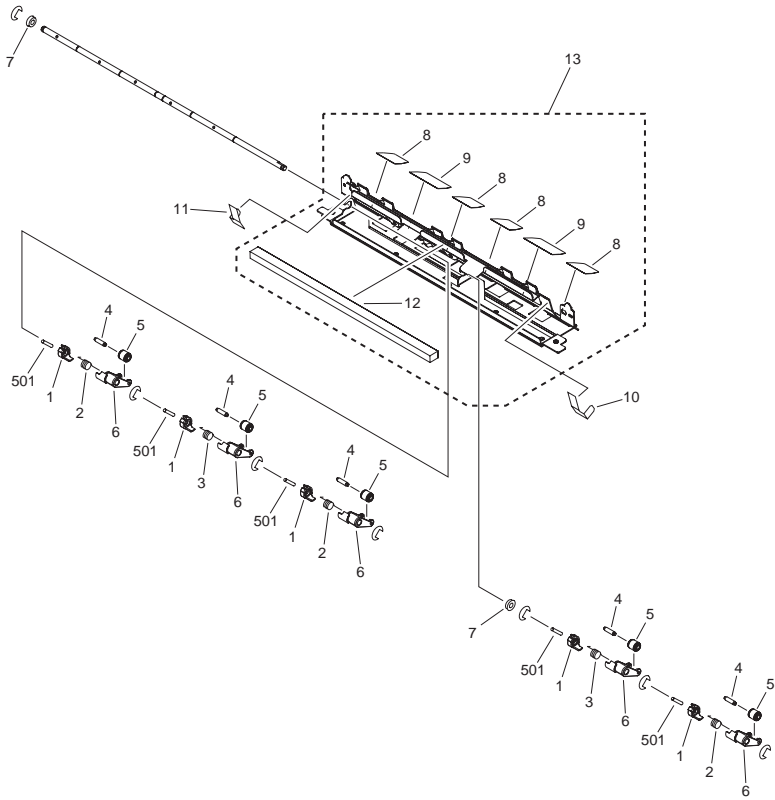


FIGURE & KEY NO.	PARTS NUMBER	R A N K	Q'TY	DESCRIPTION	SERIAL NUMBER/ REMARKS	S V C
Fig.B42	NPN		RF	PAPER FEED GUIDE ASSEMBLY, 1	ONE-PATH ADF MODEL	
1	FC5-2988-000		5	RETAINER, ROLLER		
2	FC5-3021-000		3	SPRING, TORSION		
3	FC5-3026-000		2	SPRING, TORSION		
4	FC8-5520-000		5	SHAFT, READ 1 ROLLER		
5	FC8-5654-000		5	ROLLER, IDLER READ		
6	FL2-0741-000		5	HOLDER, PAPER FEEDER ROLLER		
7	FS1-1569-000		2	BUSHING		
8	FC8-5730-000		4	LABEL, FINGER NIP CAUTION		
9	FC8-5729-000		2	LABEL, FINGER NIP CAUTION		
10	FC8-5767-000		1	SHEET,GUIDE SIDE END FRONT		
11	FC8-5768-000		1	SHEET,GUIDE SIDE END REAR		
12	FC8-5860-000		1	SHEET, NOISE-PROOF		
13	FL2-9671-000		1	GUIDE, PAPER FEED		
501	XD3-2200-122		5	PIN, DOWEL		

FIGURE B43
READ 2 PAPER FEED GUIDE ASS'Y(ONE-PATH ADF)

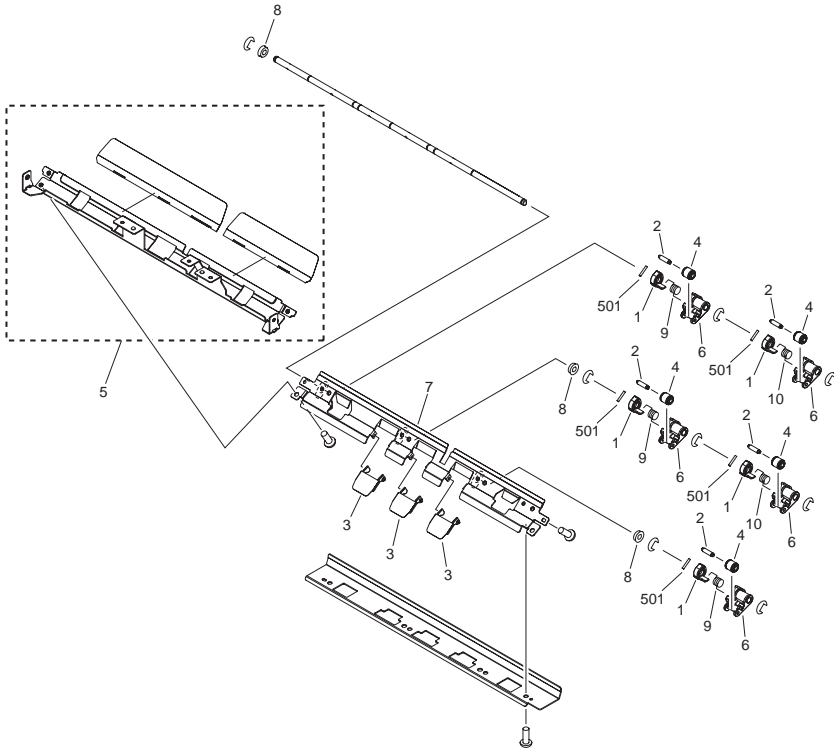


FIGURE & KEY NO.	PARTS NUMBER	R A N K	Q'TY	DESCRIPTION	SERIAL NUMBER/ REMARKS	S V C
Fig.B43	FM3-6177-000		1	READ 2 PAPER FEED GUIDE ASS'Y	ONE-PATH ADF MODEL	
1	FC8-5505-000		5	STOPPER, ROLLER		
2	FC8-5520-000		5	SHAFT, READ 1 ROLLER		
3	FL2-9667-000		3	GUIDE, READ 2 FEED SWING, LW.		
4	FC8-5654-000		5	ROLLER, IDLER READ		
5	FL2-9574-000		1	GUIDE, READ 2 FEED, UPPER		
6	FL2-9575-000		5	HOLDER, READ 2 ROLLER		
7	FL2-9586-000		1	GUIDE, READ 2 FEED, LOWER		
8	FS1-1569-000		3	BUSHING		
9	FU7-2557-000		3	SPRING, TORSION		
10	FU7-2558-000		2	SPRING, TORSION		
501	XD3-2200-122		5	PIN, DOWEL		

FIGURE B90

DADF DRIVER PCB ASSEMBLY(ONE-PATH ADF)

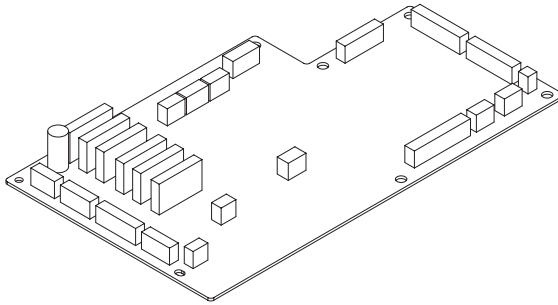


FIGURE & KEY NO.	PARTS NUMBER	RANK	QTY	DESCRIPTION	SERIAL NUMBER/REMARKS	SVC
Fig.B90	FM3-7561-000		1	DADF DRIVER PCB ASSEMBLY	ONE-PATH ADF MODEL	
IC	FK2-1773-000		1	IC,TC200GO2EFG-1031,GATE ARRAY		

FIGURE D01 ATTACHMENT PARTS(READER)

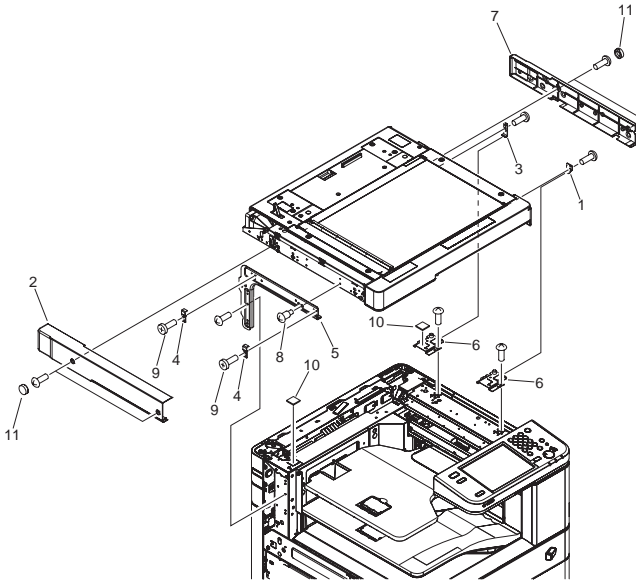


FIGURE & KEY NO.	PARTS NUMBER	RANK	QTY	DESCRIPTION	SERIAL NUMBER/REMARKS	SVC
Fig.D01	NPN		RF	ATTACHMENT PARTS	READER	
1	FC8-6090-000		1	HOOK, FIXED, C		
2	FC8-6077-000		1	COVER, LEFT, B	REVERSE ADF MODEL	
2	FC8-6098-000		1	COVER, LEFT, C	ONE-PATH ADF MODEL	
3	FL2-9802-000		1	HOOK, READER FIXED, A		
4	FL2-9803-000		2	HOOK, READER FIXED, B		
5	FL2-9804-000		1	JOINT, READER, LEFT		
6	FL2-9807-000		2	JOINT, READER, RIGHT		
7	FL2-9817-000		1	COVER, RIGHT, B	REVERSE ADF MODEL	
7	FL2-9818-000		1	COVER, RIGHT, C	ONE-PATH ADF MODEL	
8	FS1-9003-020		1	SCREW, STEPPED		
9	XA9-0271-000		2	SCREW, M4X6		
10	FC8-6091-000		2	DAMPER UNIT, READER, A		
11	FC9-0311-000		4	CAP, RUBBER		

FIGURE D10 EXTERNAL COVERS, PANELS, ETC.(READER)

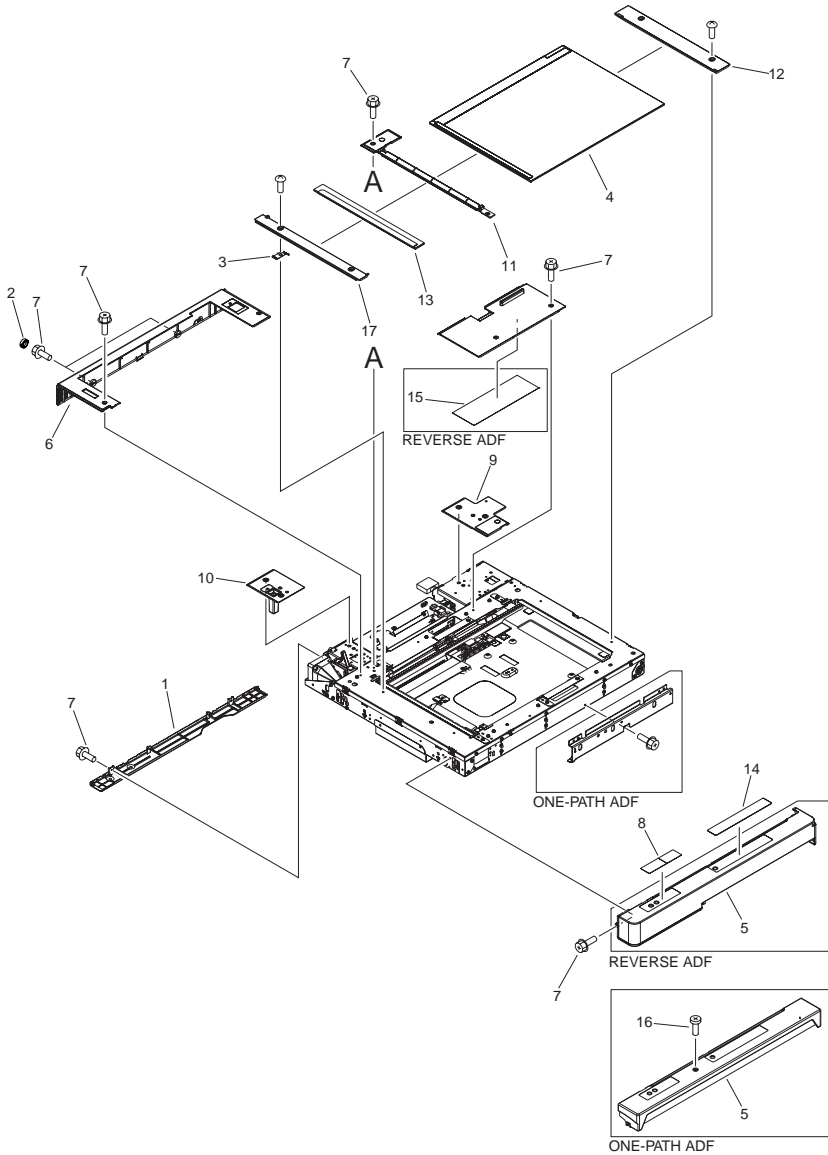


FIGURE & KEY NO.	PARTS NUMBER	R A N K	Q'TY	DESCRIPTION	SERIAL NUMBER/ REMARKS	S V C
Fig.D10	NPN		RF	EXTERNAL COVERS, PANELS, ETC.	READER	
1	FC8-6085-000		1	COVER, REAR, LOWER	REVERSE ADF MODEL	
1	FC8-6099-000		1	COVER, REAR LOWER, C	ONE-PATH ADF MODEL	
2	FC9-0311-000		2	CAP, RUBBER		
3	FC7-1333-000		1	SPRING, GROUNDING		
4	FM3-5495-000		1	GLASS, COPYBOARD		
5	FL3-5419-000		1	COVER, FRONT, B	REVERSE ADF MODEL	
5	FL3-5420-000		1	COVER, FRONT, C	ONE-PATH ADF MODEL	
6	FL2-9826-000		1	COVER, REAR, B	REVERSE ADF MODEL	
6	FL2-9827-000		1	COVER, REAR	ONE-PATH ADF MODEL	
7	XA9-1386-000		28	SCREW,RS,M3X8		
8	FU7-8079-000		1	LABEL, CLEANING POSITION		
9	FC8-6114-000		1	COVER, MOUNT, DF, R		
10	FC8-6115-000		1	COVER, MOUNT, DF, L		
11	FC8-6082-000		1	MOUNT, JUMP, B	REVERSE ADF MODEL	
11	FC8-6120-000		1	MOUNT, JUMP, C		
12	FL2-9815-000		1	COVER, RIGHT UPPER, B		
13	FL2-9620-000		1	GLASS, READER	ONE-PATH ADF MODEL	
13	FL2-9819-000		1	GLASS	REVERSE ADF MODEL	
14	FU7-8084-000		1	LABEL, COPY PROHIBITION, JAPAN		
15	FL2-9820-000		1	LABEL, SERVICE	REVERSE ADF MODEL	
16	XA9-2017-000		1	SCREW, PANHEAD MACHINE M4X6	ONE-PATH ADF MODEL	
17	FC8-6117-000		1	COVER, LEFT UPPER		

FIGURE & KEY NO.	PARTS NUMBER	R A N K	Q'TY	DESCRIPTION	SERIAL NUMBER/ REMARKS	S V C
Fig.D11	NPN		RF	INTERNAL COMPONENTS 1	Duplex Color image Reader Unit-B1	
1	FB5-3087-000		2	PULLEY		
2	FU7-2593-000		1	SPRING, TORSION		
3	FC7-1312-000		2	PULLEY		
4	FC8-6030-000		1	SPRING, LEAF		
5	FC8-6034-000		1	WIRE, FRONT		
6	FC8-6035-000		1	WIRE, REAR		
7	XA9-1386-000		44	SCREW,RS,M3X8		
8	XF9-0774-000		1	BELT, TIMING		
9	FC8-6014-000		1	MOUNT, DF, R		
10	FC8-6062-000		1	HOLDER, OPEN/CLOSE SENSOR		
11	FK2-8515-000		1	CABLE, S, DDI		
12	FK2-0472-010		1	FAN	FM1	
13	FK2-8503-000		1	MOTOR, STEPPING, DC	M1	
14	FM3-5489-000		1	SCANNER UNIT		
15	FM3-8277-000		1	CABLE, READER P.S. LATTICE		
16	FS5-9227-020		1	SCREW,STEPPED,M4		
17	FU5-3705-000		1	PULLEY, 52T		
18	FU7-2591-000		2	SPRING, TENSION		
19	FU7-2592-010		2	SPRING, TENSION		
20	VS1-7177-003		1	CONNECTOR, SNAP TIGHT, BK		
21	WE8-5601-000		1	FERRITE CORE		
22	WG8-5783-000		3	IC,PHOTO-INTERRUPTER,LG248NL1A	SR1,SR2,SR3	
23	XG9-0508-000		2	BEARING, BALL, F688ZZ		
24	FC8-6015-000		1	PLATE,DF MOUNT REINFORCEMENT,L		
25	FC8-6016-000		1	PLATE,DF MOUNT REINFORCEMENT,R		
26	FM4-3246-000		1	DF MOUNT ASSEMBLY, L		
27	FC8-3555-000		1	SHEET, FLEXIBLE FLAT CABLE		

FIGURE D11A INTERNAL COMPONENTS 1(READER)

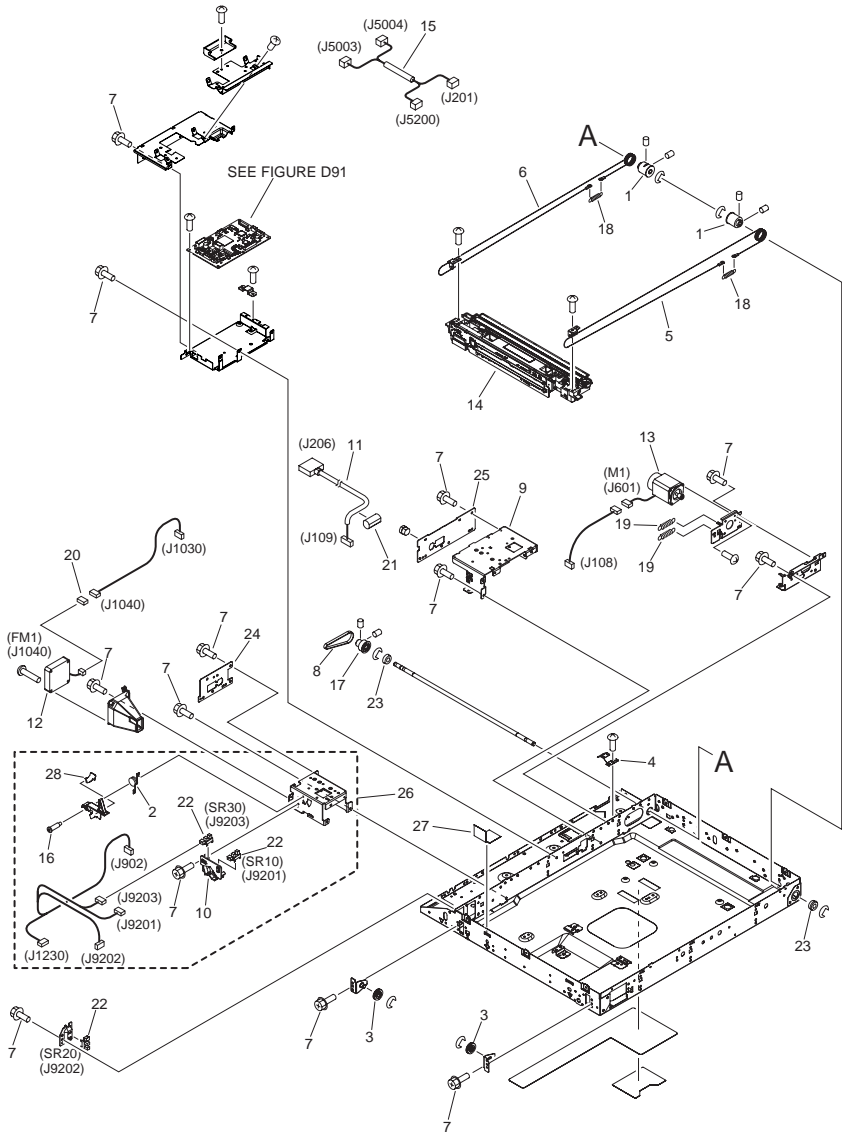


FIGURE & KEY NO.	PARTS NUMBER	R A N K	Q'TY	DESCRIPTION	SERIAL NUMBER/ REMARKS	S V C
Fig.D11A	NPN		RF	INTERNAL COMPONENTS 1	Duplex Color Image Reader Unit-B1	
1	FB5-3087-000		2	PULLEY		
2	FU7-2593-000		1	SPRING, TORSION		
3	FC7-1312-000		2	PULLEY		
4	FC8-6030-000		1	SPRING, LEAF		
5	FC8-6034-000		1	WIRE, FRONT		
6	FC8-6035-000		1	WIRE, REAR		
7	XA9-1386-000		44	SCREW,RS,M3X8		
8	XF9-0774-000		1	BELT, TIMING		
9	FC8-6014-000		1	MOUNT, DF, R		
10	FC8-6062-000		1	HOLDER, OPEN/CLOSE SENSOR		
11	FK2-8515-000		1	CABLE, S, DDI		
12	FK2-0472-010		1	FAN	FM1	
13	FK2-8503-000		1	MOTOR, STEPPING, DC	M1	
14	FM3-5489-000		1	SCANNER UNIT		
15	FM3-8276-000		1	CABLE, READER P.S. LATTICE		
16	FS5-9227-020		1	SCREW,STEPPED,M4		
17	FU5-3705-000		1	PULLEY, 52T		
18	FU7-2591-000		2	SPRING, TENSION		
19	FU7-2592-010		2	SPRING, TENSION		
20	VS1-7177-003		1	CONNECTOR, SNAP TIGHT, BK		
21	WE8-5601-000		1	FERRITE CORE		
22	WG8-5783-000		3	IC,PHOTO-INTERRUPTER,LG248NL1A	SR10,SR20,SR30	
23	XG9-0508-000		2	BEARING, BALL, F688ZZ		
24	FC8-6015-000		1	PLATE,DF MOUNT REINFORCEMENT,L		
25	FC8-6016-000		1	PLATE,DF MOUNT REINFORCEMENT,R		
26	FM4-3263-010		1	DF MOUNT ASSEMBLY, L		
27	FC8-3555-000		1	SHEET, FLEXIBLE FLAT CABLE		
28	FC8-5985-000		1	SHEET		

FIGURE D12 INTERNAL COMPONENTS 2(READER)

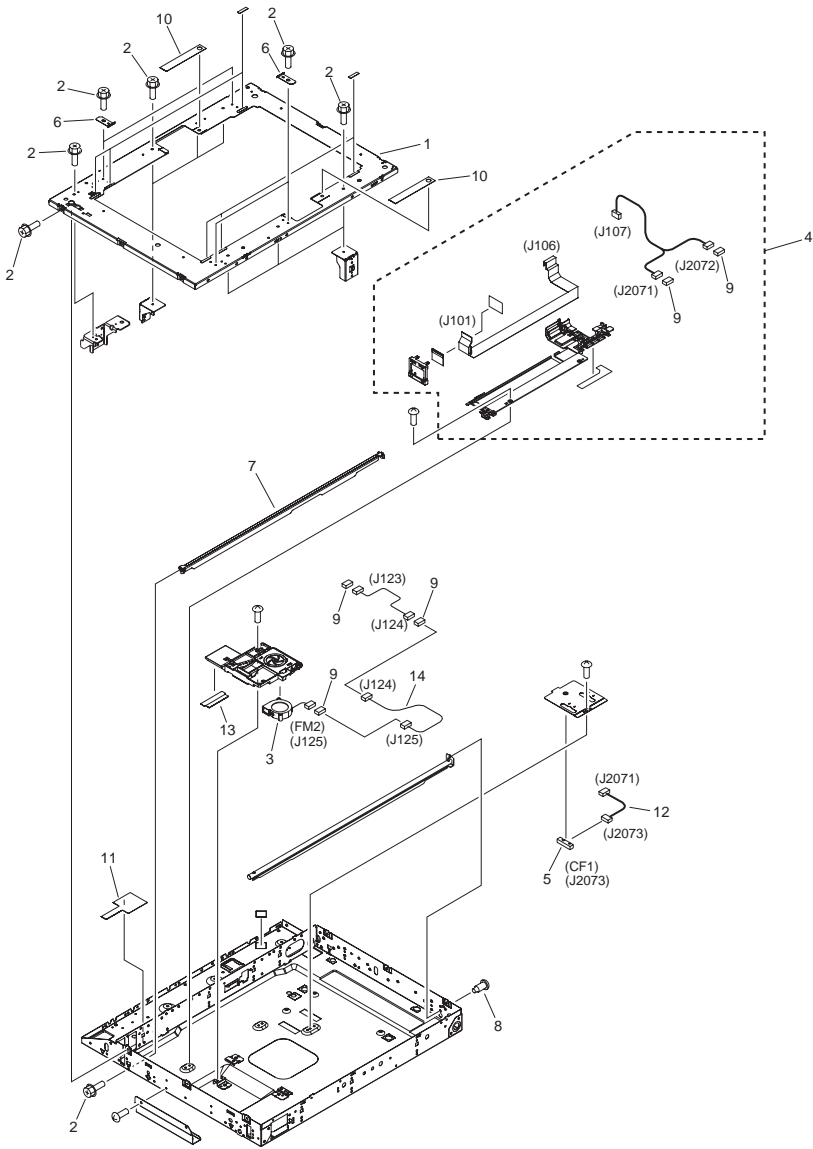


FIGURE & KEY NO.	PARTS NUMBER	R A N K	Q'TY	DESCRIPTION	SERIAL NUMBER/ REMARKS	S V C
Fig.D12	NPN		RF	INTERNAL COMPONENTS 2	READER	
1	FL2-9793-010		1	FRAME, UPPER		
2	XA9-1386-000		40	SCREW,RS,M3X8		
3	FL2-9823-000		1	FAN	FM2	
4	FM3-6295-000		1	FLEXIBLE FLAT CABLE GUIDE UNIT		
5	FK2-7162-000		1	IC,PHOTO SENSOR, DOCUMENT SIZE	CF1	
6	FL2-4856-000		4	PLATE,GLASS SUPPORT		
7	FL2-9788-000		1	RAIL, OPTICAL		
8	FS1-9120-020		1	SCREW,STEPPE		
9	VS1-7177-003		5	CONNECTOR, SNAP TIGHT, BK		
10	FC8-6056-000		2	SHEET, GLASS GAP		
11	FC8-6100-000		1	GUIDE, CABLE		
12	FM3-7552-000		1	CABLE, SIZE DETECT		
13	FC8-3560-000		1	SHEET		
14	FM3-8283-000		1	CABLE, FAN CONNECTING, 3		

FIGURE D90 READER CONTROLLER PCB ASSEMBLY(READER)

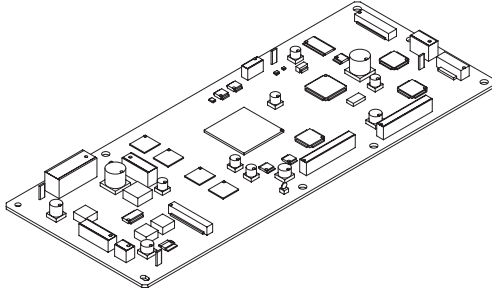


FIGURE & KEY NO.	PARTS NUMBER	RANK	QTY	DESCRIPTION	SERIAL NUMBER/REMARKS	SVC
Fig.D90	FM4-3014-000		1	READER CONTROLLER PCB ASSEMBLY	Duplex Color Image Reader Unit-B1	
IC	FK2-6611-000		1	IC, MB8AA1450RBB-GE1, STANDARD		
IC	FK2-7170-000		1	IC, R5F61638N50FPV-FK27170,		

FIGURE D91 READER CONTROLLER PCB ASSEMBLY(READER)

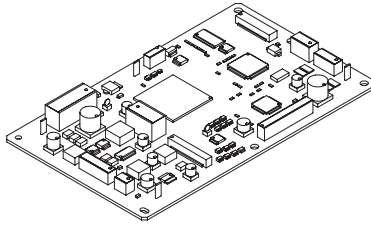
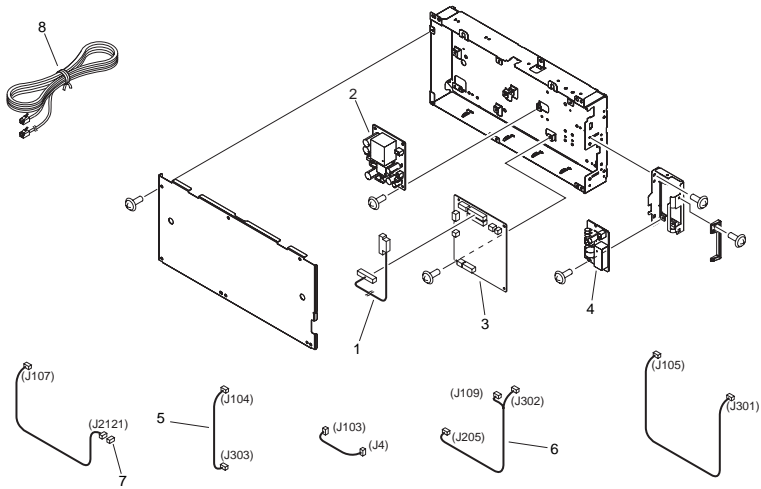


FIGURE & KEY NO.	PARTS NUMBER	RANK	Q'TY	DESCRIPTION	SERIAL NUMBER/REMARKS	SVC
Fig.D91	FM3-7613-000		1	READER CONTROLLER PCB ASSEMBLY	Duplex Color Image Reader Unit-B1	
IC	FK2-6611-000		1	IC, MB8AA1450RBB-GE1, STANDARD		
IC	FK2-7170-000		1	IC, R5F61638N50FPV-FK27170,		

FIGURE T20 G3 FAX ASSEMBLY, 1 LINE(FAX)



NOTE : This assembly does not include the part shown with key No. 8.
注: このユニットにKey No. 8の部品は含まれません。

FIGURE & KEY NO.	PARTS NUMBER	RANK	QTY	DESCRIPTION	SERIAL NUMBER/REMARKS	SVC
Fig.T20	FM3-8941-000		1	G3 FAX ASSEMBLY, 1 LINE	FAX MODEL	
1	FK2-8424-000		1	CABLE, MDR-FX15		
2	FM3-5580-000		1	PSEUDO CI2 PCB ASSEMBLY		
3	FM4-0785-000		1	1 LINE PCB ASS'Y		
4	FM4-0788-000		1	MODULAR PCB ASSEMBLY		
5	FM4-0819-000		1	CABLE, CI POWER SUPPLY		
6	FM4-0821-000		1	CABLE, FAX POWER SUPPLY		
7	VS1-7177-002		1	CONNECTOR, SNAP TIGHT, BK		
8	HH2-2824-000		1	CORD, MODULAR	SEE NOTEFAX MODEL	

FIGURE T21 SPEAKER ASSEMBLY(FAX)

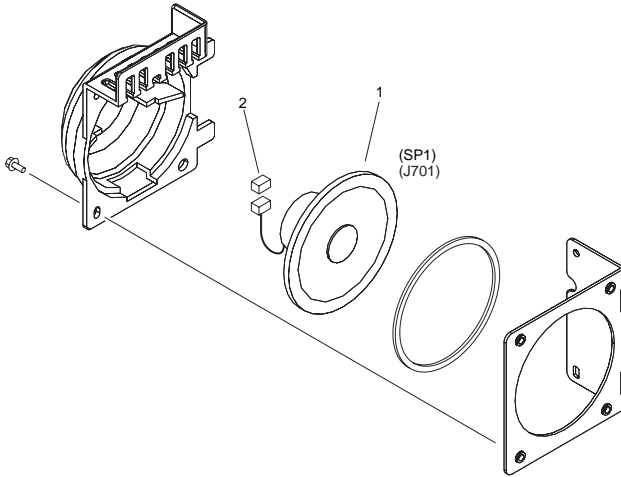


FIGURE & KEY NO.	PARTS NUMBER	RANK	QTY	DESCRIPTION	SERIAL NUMBER/REMARKS	SVC
Fig.T21	FM2-5569-000		1	SPEAKER ASSEMBLY	FAX MODEL	
1	FK2-0428-000		1	SPEAKER	SP1	
2	VS1-7177-002		1	CONNECTOR, SNAP TIGHT, BK		

FIGURE ZZA

MECHANICAL STANDARD PARTS (HOW TO USE)

Mechanical standard parts

機械標準部品

About a mechanical standard parts

A Mechanical standard parts is a mechanical part which not parts peculiar to a product. They are parts which are common to a Canon product and are used, such as a screw and a washer. The Fig No. and parts number of the mechanical standard parts are not listed in the product parts catalog. Refer to the parts catalog of mechanical standard parts when checking the parts number for screw or washer etc. and identify them by part shape or size.

機械標準部品とは

機械標準部品とは、製品特有の部品ではなく、ねじやワッシャなどキヤノン製品共通で使用されている機械部品（メカ部品）のことです。
製品のパーツカタログには、機械標準部品のFig No.や部品番号は記載しておりません。
ねじや、ワッシャ等の部品番号を調べるときは、機械標準部品のパーツカタログを参照し、部品の形状や大きさから判断し、使用している部品を調べてください。

Material and surface treatment of a mechanical standard parts

Material and surface treatment of mechanical standard parts are assigned commonly for each part. Refer to the Table 1 for the parts which material and surface treatment are assigned as numbers.

機械標準部品の材料および表面処理

機械標準部品の材料および表面処理については、各種部品共通で決められています。
材料および表面処理が番号で決められている部品については、表1を参照してください。

Table 1 Material and Surface treatment
表1 材料および表面処理

No. 番号	Material 材料	Surface treatment 表面処理	Color 色
1	Stainless steel ステンレス	Stainless steel black coloring (BC4) ステンレス黒着色(BC4)	Black 黒
2		not to be given なし	White 白
3	Brass 黄銅	Regular nickel plating (NL) 普通ニッケルメッキ(NL)	White 白
4		Black nickel plating (BN) 黒色ニッケルメッキ(BN)	Black 黒
5	Steel 鋼	White zinc trivalent chromate treating (ZC3) 白色亜鉛3価クロメート(ZC3)	White 白
6		Regular nickel chromium plating (NC) 普通ニッケルクロムメッキ(NC)	White 白
7		Regular nickel plating (NL) 普通ニッケルメッキ(NL)	White 白
8		Iron and steel phosphating (P1) 鉄鋼磷酸塩処理(P1)	Black 黒
9		Black zinc trivalent chromate treating (BZ3) 黒色亜鉛3価クロメート(BZ3)	Black 黒

FIGURE ZZB MECHANICAL STANDARD PARTS (SCREWS)

1. Screws ねじ

How to read Parts Numbers
部品番号の見方

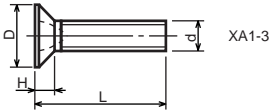
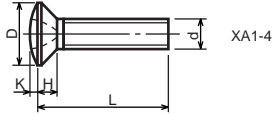
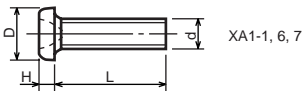
Screws
ねじ

XB1-2400-609

Type No.
類別番号
Normal designation (d)
ねじの呼び(d)
Length (L)
ねじの長さ(L)
Material and Surface treatment
材料および表面処理

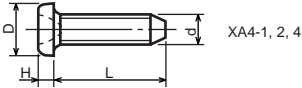
XB1-2 expresses Binding head machine screw.
XB1-2は、バインドねじを表す
40 expresses M4.0.
40は、M4.0を表す
0-60 expresses a length of 6.0mm.
0-60は、6.0mmの長さを表す
9 expresses Steel (Black zinc trivalent chromate
treating) from Table 1.
9は、表1より鋼(黒色亜鉛3価クロメート)を表す

1-1. Cross Recessed Head Screws for Precision Equipments 精密機器用十字穴付き小ねじ

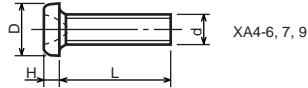


Type No. 類別番号	Type 類別	Head size (mm) 頭部寸法 (mm)							
		M1.4	M1.6	M1.7	M2	M2.5	M2.6		
XA1-1	Pan head Class 1 なべ1種	D	XA1-1	2	2.4	2.5	3	3.8	4
		H	XA1-1	0.5	0.55	0.5	0.6	0.9	0.8
XA1-3	Countersunk head Class 1 さら1種	D	XA1-3	2	2.4	2.5	3	3.8	4
		H	XA1-3	0.48	0.55	0.58	0.73	0.85	0.93
XA1-4	Oval countersunk head Class 1 丸さら1種	D	XA1-4	2	2.4	2.5	3	3.8	4
		H + K	XA1-4	0.68	0.8	0.88	1	1.25	1.3
XA1-6	Pan head Class 3 なべ3種	D	XA1-6	2.5	2.8	3	3.5	4.3	4.5
		H	XA1-6	0.8	0.85	0.9	1	1.3	1.2
XA1-7	Pan head Class 2 なべ2種	D	XA1-7	2.5	2.8	3	3.5	4.3	4.5
		H	XA1-7	0.5	0.55	0.5	0.6	0.9	0.8

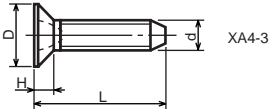
1-2. Precision Tapping Screws
精密用タッピンねじ



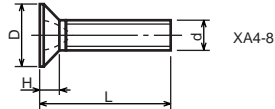
XA4-1, 2, 4



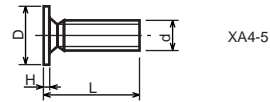
XA4-6, 7, 9



XA4-3



XA4-8



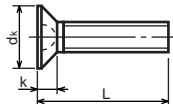
XA4-5

Type No. 類別番号	Type 類別	Head size (mm) 頭部寸法 (mm)						
		M1.4	M1.6	M1.7	M2	M2.5	M2.6	
XA4-1	With tapered end pan head Class 1 絞りなべ1種	D XA4-1	2	2.4	2.5	3	3.8	4
		H XA4-1	0.5	0.55	0.5	0.6	0.9	0.8
XA4-2	With tapered end pan head Class 3 絞りなべ3種	D XA4-2	2.5	2.8	3	3.5	4.3	4.5
		H XA4-2	0.8	0.85	0.9	1	1.3	1.2
XA4-3	With tapered end countersunk head 絞り-さら	D XA4-3	2	2.4	2.5	3	3.8	4
		H XA4-3	0.48	0.55	0.58	0.73	0.85	0.93
XA4-4	With tapered end pan head Class 2 絞りなべ2種	D XA4-4	2.5	2.8	3	3.5	4.3	4.5
		H XA4-4	0.5	0.55	0.5	0.6	0.9	0.8
XA4-5	With parallel end ultra thin head ストレート-超薄頭	D XA4-5	2.5	2.8	3	-	-	-
		H XA4-5	0.2	0.2	0.2	-	-	-
XA4-6	With parallel end pan head Class 1 ストレートなべ1種	D XA4-6	2	2.4	2.5	3	3.8	4
		H XA4-6	0.5	0.55	0.5	0.6	0.9	0.8
XA4-7	With parallel end pan head Class 3 ストレートなべ3種	D XA4-7	2.5	2.8	3	3.5	4.3	4.5
		H XA4-7	0.8	0.85	0.9	1	1.3	1.2
XA4-8	With parallel end countersunk head ストレート-さら	D XA4-8	2	2.4	2.5	3	3.8	4
		H XA4-8	0.48	0.55	0.58	0.73	0.85	0.93
XA4-9	With parallel end pan head Class 2 ストレートなべ2種	D XA4-9	2.5	2.8	3	3.5	4.3	4.5
		H XA4-9	0.5	0.55	0.5	0.6	0.9	0.8

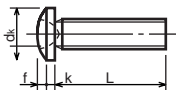
1-3. Cross Recessed Head Screws
一般用十字穴付き小ねじ



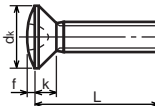
XB1-1



XB1-3



XB1-2

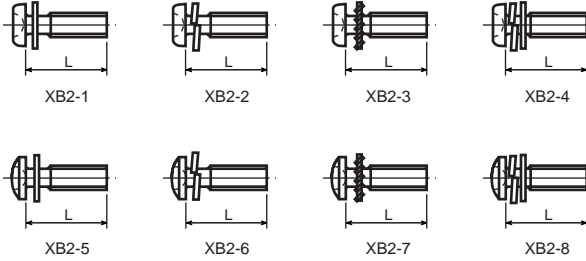


XB1-4

Type No. 類別番号	Type 類別
XB1-1	Pan head なべ
XB1-2	Binding head バインド
XB1-3	Countersunk head さら
XB1-4	Oval countersunk head 丸さら

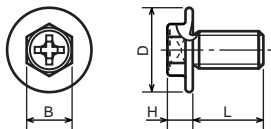
		Head size (mm) 頭部寸法 (mm)					
		M2	M2.5	M2.6	M3	M4	M5
dk	XB1-1	3.5	4.5	4.5	5.5	7	9
k	XB1-1	1.3	1.7	1.7	2	2.6	3.3
dk	XB1-2	4.3	5.3	5.5	6.3	8.3	10.3
k+f	XB1-2	1.2	1.5	1.6	1.9	2.5	3.1
dk	XB1-3	4	5	-	6	8	10
k	XB1-3	1.2	1.45	-	1.75	2.3	2.8
dk	XB1-4	4	5	-	6	8	10
k+f	XB1-4	1.6	2	-	2.45	3.2	4
Screw part length ねじ部長さ b		8	12	12	12	16	20

1-4. Cross Recessed Head Screws with Captive Washer
 座金組込み十字穴付き小ねじ



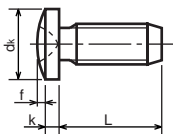
Type No. 類別番号	Type 類別
XB2-1	Pan head + Plain washer (circular bright) なべねじ+平座金
XB2-2	Pan head + Spring washer なべねじ+ばね座金
XB2-3	Pan head + Toothed lock washer なべねじ+歯付座金
XB2-4	Pan head + Spring washer and plain washer (circular bright) なべねじ+(ばね+平)座金
XB2-5	Binding head + Plain washer (circular bright) バインドねじ+平座金
XB2-6	Binding head + Spring washer バインドねじ+ばね座金
XB2-7	Binding head + Toothed lock washer バインドねじ+歯付座金
XB2-8	Binding head + Spring washer and plain washer (circular bright) バインドねじ+(ばね+平)座金

1-5. Hexagon Head Tapping Screws for Metallic Materials
 金属用六角タッピンねじ



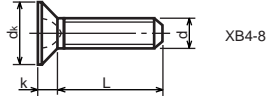
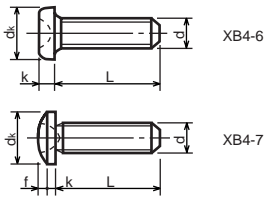
Type No. 類別番号	Type 類別	Head size (mm) 頭部寸法 (mm)	
		M3	M4
XB3-6	For metallic materials 金属用タッピン	D	8 10
		B	5.5 5.5
XB3-7	For metallic materials with clawed 金属用タッピン-つめ付き	H XB3-6	3.1 3.1
		H XB3-7	3.2 3.2

1-6. Special Tapping Screws
 特殊タッピンねじ



Type No. 類別番号	Type 類別	Head size (mm) 頭部寸法 (mm)	
		M3	M4
XB4-5	Binding head バインド	dk	6.3 8.3
		k	1.3 1.7
		k+f	1.9 2.5

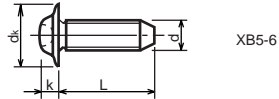
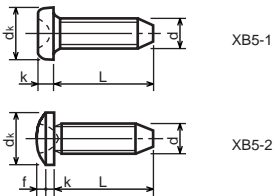
1-7. General Head Tapping Screws
一般用タッピンねじ



Type No. 類別番号	Type 類別
XB4-6	Pan head なべ
XB4-7	Binding head バインド
XB4-8	Countersunk head さら

		Head size (mm) 頭部寸法 (mm)					
		M2	M2.5	M2.6	M3	M4	M5
dk	XB4-6	3.5	4.5	4.5	5.5	7	9
k	XB4-6	1.3	1.7	1.7	2	2.6	3.3
dk	XB4-7	4.3	5.3	5.5	6.3	8.3	10.3
k+f	XB4-7	1.2	1.5	1.6	1.9	2.5	3.1
dk	XB4-8	4	5	5.2	6	8	10
k	XB4-8	1.2	1.45	1.5	1.75	2.3	2.8

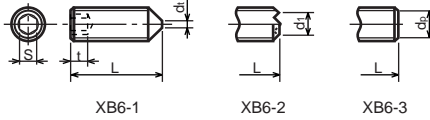
1-8. Tapping Screws for Metallic Materials
金属用タッピンねじ



Type No. 類別番号	Type 類別
XB5-1	Pan head なべ
XB5-2	Binding head バインド
XB5-6	Flanged pan head つば付きなべ

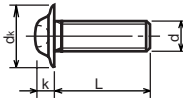
		Head size (mm) 頭部寸法 (mm)				
		M2.5	M2.6	M3	M4	M5
dk	XB5-1	4.5	4.5	5.5	7	9
k	XB5-1	1.7	1.7	2	2.6	3.3
dk	XB5-2	5.5	5.5	6.3	8.3	10.3
k+f	XB5-2	1.6	1.6	1.9	2.5	3.1
dk	XB5-6	6.5	6.5	8	10	12
k	XB5-6	2.1	2.1	1.75	3.2	4

1-9. Hexagon Socket Set Screws
六角穴付止めねじ



Type No. 類別番号	Type 類別	Head size (mm) 頭部寸法 (mm)							
		M1.6 M1.7	M2	M2.5 M2.6	M3	M5	M5	M6	
XB6-1	Cone point とがり先	S	0.7	0.9	1.3	1.5	2	2.5	3
		t	1.5	1.7	2	2	2.5	3	3.5
		$d_{t \max}$ XB6-1	0.4	0.5	0.65	0.75	1	1.25	1.5
		$d_{l \max}$ XB6-2	-	1.2	1.5	1.7	2.2	2.8	3.3
		$d_{l \min}$ XB6-2	-	1	1.2	1.4	1.9	2.4	2.9
		$d_{p \max}$ XB6-3	0.8	1	1.5	2	2.5	3.5	4
		$d_{p \min}$ XB6-3	0.55	0.75	1.25	1.75	2.25	3.2	3.7

1-10. Flanged Pan Head Machine Screws
つば付きなべ小ねじ



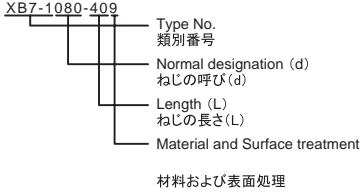
Type No. 類別番号	Type 類別	Head size (mm) 頭部寸法 (mm)					
		M2	M2.5 M2.6	M3	M5	M5	
XB6-7	Flanged pan head つば付きなべ	d_k	5	6.5	8	10	12
		k	1.7	2.1	2.5	3.2	4

FIGURE Z2C MECHANICAL STANDARD PARTS (BOLTS)

2. Bolts (Socket head cap screw) ボルト

How to read Parts Numbers
部品番号の見方

Bolt (Socket head cap screw)
ボルト



XB7-1 expresses Hexagon socket head cap screws.
XB7-1は、六角穴付きボルトを表す

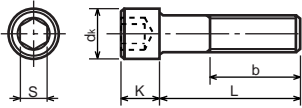
080 expresses M8.0.
080は、M8.0を表す

40 expresses a length of 40mm.
40は、40mmの長さを表す

9 expresses Steel (Black zinc trivalent chromate
treating) from Table 1.

9は、表1より鋼(黒色亜鉛3価クロメート)を表す

2-1. Hexagon socket head cap screws 六角穴付きボルト



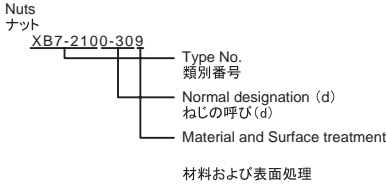
Type No. 類別番号	Type 類別
XB7-1	Hexagon socket head cap screws 六角穴付きボルト

	Head size (mm) 頭部寸法 (mm)						
	M3	M4	M5	M6	M8	M10	M12
S	2.5	3	4	5	6	8	10
d_k	5.5	7	8.5	10	13	16	18
K	3	4	5	6	8	10	12
Screw part length b_{max} ねじ部長さ b_{max}	18	20	22	24	28	32	36

FIGURE ZZD MECHANICAL STANDARD PARTS (NUTS)

3. Nuts ナット

How to read Parts Numbers
部品番号の見方



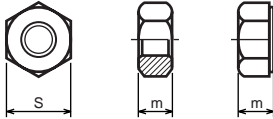
XB7-210 expresses Hexagon nut class 1.
XB7-210は、六角ナット1種を表す

0-30 expresses M3.0.
0-30は、M3.0を表す

9 expresses Steel (Black zinc trivalent chromate
treating) from Table 1.

9は、表1より鋼(黒色亜鉛3価クロメート)を表す

3-1. Hexagon Nuts and Hexagon Thin Nuts 六角ナット



Type No. 類別番号	Type 類別
XB7-210	Hexagon nut Class 1 六角ナット-1種
XB7-220	Hexagon nut Class 3 六角ナット-3種
XB7-230	Hexagon nut Style 1 double chamfered 六角ナット-スタイル1-両面とり
XB7-231	Hexagon nut Style 1 washer faced 六角ナット-スタイル1-座付き
XB7-240	Hexagon nut Style 2 double chamfered 六角ナット-スタイル2-両面とり
XB7-241	Hexagon nut Style 2 washer faced 六角ナット-スタイル2-座付き
XB7-250	Hexagon nut 六角ナット
XB7-260	Hexagon thin nut double chamfered 六角低ナット-両面とり
XB7-270	Hexagon thin nut not chamfered 六角低ナット-面とり無し

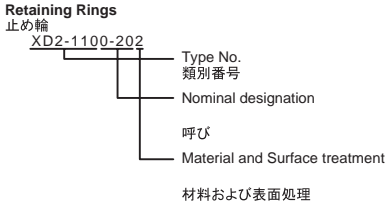
	Head size (mm) 頭部寸法 (mm)						
	M2	M2.5	M3	M4	M5	M6	M8
S	4	5	5.5	7	8	10	13
m XB7-210	1.6	2	2.4	3.2	4	5	6.5
m XB7-220	1.2	1.6	1.8	2.4	3.2	3.6	5
m XB7-230, 231	1.6	2	2.4	3.2	4.7	5.2	6.8
m XB7-240, 241	-	-	-	-	5.1	5.7	7.5
m XB7-250	-	-	-	-	5.6	6.1	7.9
m XB7-260	1.2	1.6	1.8	2.2	2.7	3.2	4
m XB7-270	1.2	1.6	1.8	2.2	2.7	3.2	4

FIGURE ZZE MECHANICAL STANDARD PARTS (RETAINING RINGS)

5. Retaining Rings

止め輪

How to read Parts Numbers
部品番号の見方



XD2-110 expresses retaining ring-E type (Type1).
XD2-110は、E形止め輪(1種)を表す

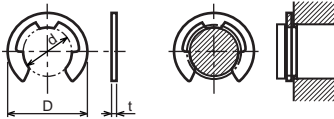
0-20 expresses a 020 of nominal designation.
(See Table 5)

0-20は、呼び020を表す(表5参照)

2 expresses Stainless steel (Surface treatment is not to be given) from Table 1.
2は、表1よりステンレス(表面処理なし)を表す

5-1. Retaining Rings - E type

E形止め輪

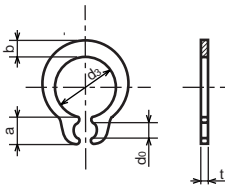


Type No. 類別番号	Type 類別
XD2-110	Retaining ring - E type (Type 1) E形止め輪(1種)
XD2-120	Retaining ring - E type (Type 2) E形止め輪(2種)

Table 5 表5

Type 種類	Nominal designation 呼び	d (mm)	D (mm)	t (mm)
Type 1 1種	007	0.65	2	0.2
	010	0.95	2.8	0.2
	013	1.25	3.3	0.3
	017	1.65	4.2	0.4
	020	1.95	4.6	0.5
	024	2.35	6	0.6
	028	2.74	6.5	0.6
	032	3.14	7.2	0.6
	037	3.64	8	0.7
	040	3.93	10	0.7
	042	4.13	10	0.7
	050	4.93	11	0.7
	058	5.73	12	0.7
	060	5.93	12.7	0.9
	064	6.32	13.5	0.9
074	7.31	15	0.9	
080	7.91	16.5	1	
Type 2 2種	008	0.8	2	0.2
	012	1.2	3	0.3
	015	1.5	4	0.4
	020	2	5	0.4
	025	2.5	6	0.4
	030	3	7	0.6
	040	4	9	0.6
	050	5	11	0.6
	060	6	12	0.8
	070	7	14	0.8
	080	8	16	0.8
	090	9	18	0.8
	100	10	20	1

5-2. Grip Rings
グリップ止め輪

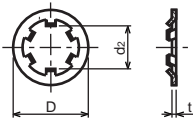


Type No. 類別番号	Type 類別
XD2-210	Grip ring グリップ止め輪

Table 5 表5

Nominal designation 呼び	d ₃ (mm)	t (mm)	b (mm)	a (mm)	d ₀ (mm)
020	1.9	0.5	1	1.8	0.8
025	2.35	0.5	1.2	1.9	0.9
030	2.85	0.6	1.4	1.9	0.9
035	3.3	0.6	1.6	2	0.9
040	3.8	0.8	1.8	2.8	1.2
045	4.25	0.8	2	2.9	1.3
050	4.75	0.8	2.2	2.9	1.3
060	5.7	1	2.4	3.1	1.4
070	6.7	1	2.7	3.3	1.4
080	7.7	1	3	3.5	1.4
090	8.65	1.2	3.3	4.7	1.5
100	9.65	1.2	3.5	4.7	2

5-3. Toothed Retaining Rings
歯付き形止め輪



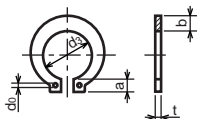
Type No. 類別番号	Type 類別
XD2-230	Toothed retaining ring 歯付き形止め輪

Table 5 表5

Nominal designation 呼び	d _z (mm)	D (mm)	t (mm)	No of teeth 歯数
015	1.4	5.2	0.25	3
020	1.9	6	0.25	3
024	2.3	6.4	0.25	3
030	2.8	8	0.25	4
040	3.8	9	0.25	4
050	4.8	10	0.25	5
060	5.8	11	0.25	5
080	7.8	13	0.25	5
100	9.8	15.4	0.25	6

5-4. Retaining Rings - C Type

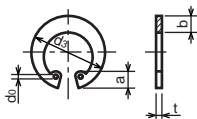
C形止め輪



Type No. 類別番号	Type 類別
XD2-310	Retaining ring - C type for shaft C形止め輪 軸用

Table 5 表5

Nominal designation 呼び	d ₃ (mm)	t (mm)	b (mm)	a (mm)	d ₀ (mm)
010	9.3	1	1.6	3	1.2
012	11.1	1	1.8	3.2	1.5
014	12.9	1	2	3.4	1.7
015	13.8	1	2.1	3.5	1.7
016	14.7	1	2.2	3.6	1.7
017	15.7	1	2.2	3.7	1.7
018	16.5	1.2	2.6	3.8	1.7
020	18.5	1.2	2.7	3.9	2
022	20.5	1.2	2.7	4.1	2
025	23.2	1.2	3.1	4.3	2
028	25.9	1.5	3.1	4.6	2
030	27.9	1.5	3.5	4.8	2
032	29.6	1.5	3.5	5	2.5
035	32.2	1.5	4	5.4	2.5



Type No. 類別番号	Type 類別
XD2-320	Retaining ring - C type for hole C形止め輪 穴用

Table 5 表5

Nominal designation 呼び	d ₃ (mm)	t (mm)	b (mm)	a (mm)	d ₀ (mm)
010	10.7	1	1.8	3.1	1.2
011	11.8	1	1.8	3.2	1.2
012	13	1	1.8	3.3	1.5
014	15.1	1	2	3.6	1.7
016	17.3	1	2	3.7	1.7
018	19.5	1	2.5	4	1.7
019	20.5	1	2.5	4	2
020	21.5	1	2.5	4	2
022	23.5	1	2.5	4.1	2
025	26.9	1.2	3	4.4	2
028	30.1	1.2	3	4.6	2
030	32.1	1.2	3	4.7	2
032	34.4	1.2	3.5	5.2	2.5
035	37.8	1.5	3.5	5.2	2.5
037	39.8	1.5	3.5	5.2	2.5
040	43.5	1.8	4	5.7	2.5
042	45.5	1.8	4	5.8	2.5
045	48.5	1.8	4.5	5.9	2.5
047	50.5	1.8	4.5	6.1	2.5
050	54.2	2	4.5	6.5	2.5
052	56.2	2	5.1	6.5	2.5
055	59.2	2	5.1	6.5	2.5
060	64.2	2	5.1	6.8	2.5
062	66.2	2	5.5	6.9	2.5
068	72.5	2.5	6	7.4	2.5
072	76.5	2.5	6.6	7.4	2.5
075	79.5	2.5	6.6	7.8	2.5
080	85.5	2.5	7	8	2.5
085	90.5	3	7	8	3
090	95.5	3	7.6	8.3	3
095	100.5	3	8	8.5	3

Prepared by
OIP Business Support Group
CANON INC.

Canon