

iR C3200 Series

PARTS CATALOG

REVISION 1

Canon

MAY 2003

FY8-31FW-010

序

このパーツ・カタログは、キヤノン iR C3200シリーズに対するサービス部品調達の
手引として発行します。

サービス部品の要求は、キヤノン販売営業所にお願ひ致します。

製品に大きな変更がある場合は、改訂版のパーツ・カタログを発行しますが、その他
の場合は随時新しい情報をお届けします。

このパーツ・カタログは当社映像事務機デバイス品質保証センターが発行、管理を行
なっています。

キヤノン株式会社
映像事務機デバイス品質保証センター

PREFACE

This Parts Catalog contains listings of parts used in the Canon iR C3200 Series.
Diagrams are provided with the listings to aid the service technician in identifying
clearly, the item to be ordered.

Whenever ordering parts, consult this Parts Catalog for all of the information per-
taining to each item. Be sure to include, in the Parts Request, the full item
description, the item part number, and the quantity.

Canon Inc.

Office Imaging Products Device Quality Assurance Center
5-1, Hakusan 7-chome,
Toride-city, Ibaraki 302-8501, Japan

版權所有、無斷轉載、引用を禁ず。

COPYRIGHT © 2002 CANON INC.

Printed in U.S.A.

Imprimé au U.S.A.

本マニュアルについては、
機密保持等その取扱には十分
注意してください。
万一取扱を誤りますと法律で
処罰されることがあります。
Use of this manual should be
strictly supervised to avoid dis-
closure of confidential infor-
mation.

LIST OF ORDER AND SERIAL NUMBERS
 オーダナンバー / シリアルナンバー一覧表

NAME 名称		REMARKS 備考	ORDER No. オーダーNo.	MIDDLE ORDER No. 中オーダーNo.	SERIAL No. シリアルNo.
Color Image Reader-C1		A SIZE	7761A003AA	F14-2321-000	XLY00001-
		INCH/A SIZE	7761A002AA	F14-2331-000	XLX00001-
		INCH/AB SIZE	7761A004AA	F14-2341-000	XLZ00001-
		INCH/AB SIZE	7761A005AA	F14-2351-000	JGT00001-
iR C3200S	Printer + Reader Model Plain Type	100V 50/60Hz	8063A001AA	F14-2412-000	MLF00001-
		100V 50/60Hz	8063A001BA	F14-2416-000	MLU00001-
S3200	Printer + Reader Model Plain Type	100V 50/60Hz	8063A002AA	F14-2413-000	MLG00001-
		100V 50/60Hz	8063A002BA	F14-2417-000	MLV00001-
V3200	Printer + Reader Model Plain Type	100V 50/60Hz	8063A003AA	F14-2415-000	JFM00001-
					MLG90001-90500
iR C3200	Printer + Reader Model Duplex Type	100V 50/60Hz	8062A001AA	F14-2512-000	MLH00001-
		100V 50/60Hz	8062A001BA	F14-2516-000	MLW00001-
iR C3200N	Printer + Reader Model Duplex Type	100V 50/60Hz	8062A003AA	F14-2514-000	MLT00001-
		100V 50/60Hz	8062A003BA	F14-2518-000	MLX00001-
Color imageRUNNER C3200	Printer + Reader Model Duplex Type	120V 60Hz	8062A002AA	F14-2532-000	MSK00001-
iR C3200	Printer Model Duplex Type	120V 60Hz	7759A010AA	F14-2501-000	MSN00001-
		220V 50Hz	7759A008AA	F14-2541-000	SSY00001-
		240V 50Hz	7759A009AA	F14-2561-000	RLZ00001-
		220V 50Hz	7759A012AA	F14-2570-000	RQZ00001-
CLC3200	Printer Model Duplex Type	220V 50Hz	7759A007AA	F14-2521-000	SSX00001-
		240V 50Hz	7759A004AA	F14-2551-000	QLZ00001-
		220V 50Hz	7759A005AA	F14-2571-000	SLZ00001-
		220V 50Hz	7759A006AA	F14-2581-000	TLZ00001-
		220V 50Hz	7759A003AA	F14-2591-000	UKF00001-

LIST OF ORDER AND SERIAL NUMBERS
 オーダナンバー / シリアルナンバー一覧表

NAME 名称	REMARKS 備考	ORDER No. オーダーNo.	MIDDLE ORDER No. 中オーダーNo.	SERIAL No. シリアルNo.
iR C3200N Printer Model Duplex Type	220V 50Hz	7759A017AA	F14-2524-000	JCK00001-
	220V 50Hz	7759A018AA	F14-2544-000	JCL00001-
	240V 50Hz	7759A014AA	F14-2554-000	JBC00001-
	240V 50Hz	7759A011AA	F14-2560-000	RQY00001-
	220V 50Hz	7759A015AA	F14-2574-000	JBQ00001-
	220V 50Hz	7759A016AA	F14-2584-000	JCJ00001-
	220V 50Hz	7759A013AA	F14-2594-000	JAF00001-
Color imageRUNNER C3200 Printer Model Duplex Type	120V 60Hz	7759A002AA	F14-2531-000	MSL00001-
Paper Deck-P1 サイドペーパーデッキ・P 1	A4 SIZE	7767A001AA	F24-6357-000	XJY00001-
	LTR SIZE	7767A002AA	F24-6367-000	XJZ00001-
Cassette Feeding Unit-X1 2段カセットペディスタル・X 1	100V	7768A001AA	F26-1301-000	MLJ00001-
	100V LSN	7768A006AA	F26-1302-000	MLK00001-
	120V	7768A002AA	F26-1311-000	MSM00001-
	230V	7768A003AA	F26-1321-000	UKG00001-
Plain Pedestal-C1 プレーンペディスタル・C 1	100V	8066A001AA	F32-2702-000	MLM00001-
	120V	8066A002AA	F32-2712-000	MSP00001-
	230V	8066A003AA	F32-2722-000	UKL00001-
LIPS UP-GRADE KIT PDL 拡張キット (L I P S) ・ A 1	100V	7778A001AA	F61-9901-000	

LIST OF ORDER AND SERIAL NUMBERS

オーダーナンバー / シリアルナンバー一覧表

NAME 名称	REMARKS 備考	ORDER No. オーダーNo.	MIDDLE ORDER No. 中オーダーNo.	SERIAL No. シリアルNo.
Super G3 FAX Board-M1 スーパーG3 FAXボード・M1	100V	7773A001AA	F61-9904-000	
	120V	7773A002AA	F61-9914-000	
	230V	7773A003AA	F61-9924-000	
	230V	7773A004AA	F61-9924-000	
	230V	7773A009AA	F61-9934-000	
	230V	7773A007AA	F61-9944-000	
	230V	7773A006AA	F61-9954-000	
	230V	7773A008AA	F61-9964-000	
	230V	7773A005AA	F61-9974-000	
	230V	7773A010AA	F61-9984-000	
	230V	7773A011AA	F61-9994-000	
UFR Printer and Scanner Kit-A1 UFRプリンタ&スキャナキット・A1	100V	7776A004AA	F61-9902-000	
Color Network Multi-PDL Printer Kit-A1 Color Network Printer Expansion Kit-A1	USA	7777A001AA	F61-9913-000	
	ASIA	7777A002AA	F61-9913-000	
	ASIA	7777A003AA	F61-9933-000	
Send 拡張キット・B1P Color Universal Send Kit-A1P Send 拡張キット・B1U Color Universal Send Kit-A1U	JPN	8375A003AA	F61-9919-000	
	USA	8375A001AA	F61-9919-000	
	EUR	8375A002AA	F61-9919-000	
	JPN	7774A001AA	F61-9939-000	
	EUR	7774A002AA	F61-9939-000	

LIST OF ORDER AND SERIAL NUMBERS
 オーダナンバー / シリアルナンバー一覧表

NAME 名称	REMARKS 備考	ORDER No. オーダーNo.	MIDDLE ORDER No. 中オーダーNo.	SERIAL No. シリアルNo.
iR Security Kit-A1P i R セキュリティキット・A 1 P	JPN	8052A003AA	F61-9004-000	
	USA/EUR	8052A002AA	F61-9004-000	
	JPN	8351A002AA	F61-9949-000	
	EUR	8351A001AA	F61-9949-000	

SELF OPERATION KIT セルフ対応キット	JPN	8858A001AA	F26-3901-000	

PS Print Server Unit-C1 P S プリントサーバユニット・C 1	JPN	7792A004AA	F26-3001-000	
	JPN	7792A004BA	F26-3002-000	JFS00001-
imagePASS-C1 イメージP A S S ・ C 1	USA	7792A001AA	F26-3011-000	
	USA	7792A001BA	F26-3012-000	JFN00001-
Color Network Printer Unit-C1 カラーネットワークプリンタユニット・C 1	EUR/ASIA	7792A002AA	F26-3021-000	
	EUR/ASIA	7792A003AA	F26-3021-000	
	EUR/ASIA	7792A003BA	F26-3022-000	JFP00001-

CONTENTS

- Color Image Reader-C1 -	270. DEVELOPING DRIVE ASSEMBLY
A. ASSEMBLY LOCATION DIAGRAM	271. INTERMEDIATE TRANSFER BELT DRIVE ASSEMBLY
001. MOUNTING HARDWARE	272. TONER CARTRIDGE DRIVE ASSEMBLY
100. EXTERNAL COVERS, PANELS, ETC.	280. FIXING DRIVE ASSEMBLY
160. COPYBOARD COVER ASSEMBLY	300. CASSETTE
210. READER ASSEMBLY	305. CASSETTE HEATER ASSEMBLY (OPTION)
420. MIRROR ASSEMBLY 1	310. PAPER PICK-UP ASSEMBLY
430. MIRROR ASSEMBLY 2	315. MULTI FEED ASSEMBLY
931. READER CONTROLLER PCB ASSEMBLY	316. MULTI FEED TRAY ASSEMBLY
941. INTERFACE PCB ASSEMBLY	321. PATTERN READER ASSEMBLY
B. LIST OF CONNECTORS	330. FIXING FEEDER ASSEMBLY (PLAIN TYPE)
	350. FACE-UP DELIVERY ASSEMBLY (PLAIN TYPE)
- iR C3200/C3200N/Color imageRUNNER C3200 /CLC3200 -	351. DELIVERY VERTICAL PATH ASSEMBLY (OLD)
A. ASSEMBLY LOCATION DIAGRAM	351A. DELIVERY VERTICAL PATH ASSEMBLY (NEW)
100. EXTERNAL COVERS, PANELS, ETC.	360. DUPLEXING ASSEMBLY (DUPLEX TYPE)
101. MACHINE FRONT PLATE	361. EXTERNAL DELIVERY COVER ASS'Y (DUPLEX TYPE)
102. INTERNAL COMPONENTS 1	365. MULTI PAPER FEED MOUNT ASSEMBLY
103. INTERNAL COMPONENTS 2	460. LASER UNIT
104. INTERNAL COMPONENTS 3	535. INTERMEDIATE TRANSFER BELT ASSEMBLY
105. INTERNAL COMPONENTS 4	537. TRANSFER CLEANING ASSEMBLY
106. INTERNAL COMPONENTS 5	560. SECONDARY TRANSFER ASSEMBLY
107. MACHINE REAR PLATE 1	810. FIXING ASSEMBLY
108. MACHINE REAR PLATE 2	900. CONTROLLER ASSEMBLY
120. DOOR SWITCH ASSEMBLY	910. DC POWER SUPPLY ASSEMBLY
125. VERTICAL PATH PANEL ASSEMBLY (OLD)	930. DC CONTROLLER PCB ASSEMBLY
125A. VERTICAL PATH PANEL ASSEMBLY (NEW)	980. H.V.TRANSFORMER PCB ASSEMBLY
130. CONTROL PANEL ASSEMBLY	981. 2ND. TRANSFER H.V.T. PCB ASSEMBLY
190. FIXING EXHAUST FAN ASSEMBLY	B. LIST OF CONNECTORS
191. CLEANING COOLING FAN ASSEMBLY	- Paper Deck-P1 -
192. MACHINE EXHAUST FAN ASSEMBLY	RA. ASSEMBLY LOCATION DIAGRAM
193. DELIVERY COOLING FAN ASSEMBLY	R01. MOUNTING HARDWARE
194. MULTI FAN ASSEMBLY (DUPLEX TYPE)	R10. EXTERNAL COVERS, PANELS, ETC.
251. DRUM DRIVE ASSEMBLY	R11. INTERNAL COMPONENTS
260. PICK-UP MOTOR DRIVE ASSEMBLY	

CONTENTS

<p>R30. PAPER STOCK ASSEMBLY</p> <p>R35. PAPER DECK HEATER ASSEMBLY (OPTION)</p> <p>R40. PAPER PICK-UP ASSEMBLY</p> <p>RB. LIST OF CONNECTORS</p> <p style="padding-left: 40px;">- Cassette Feeding Unit-X1 -</p> <p>ZA. ASSEMBLY LOCATION DIAGRAM</p> <p>Z10. EXTERNAL COVERS, PANELS, ETC.</p> <p>Z11. INTERNAL COMPONENTS</p> <p>Z12. RIGHT DOOR ASSEMBLY</p> <p>Z20. PAPER PICK-UP DRIVE ASSEMBLY</p> <p>Z30. CASSETTE</p> <p>Z32. CASSETTE HEATER ASSEMBLY (MLK)</p> <p>Z40. PAPER PICK-UP ASSEMBLY</p> <p>Z90. PEDESTAL CONTROLLER PCB ASSEMBLY</p> <p>Z91. POWER SUPPLY PCB ASSEMBLY</p> <p>ZB. LIST OF CONNECTORS</p> <p style="padding-left: 40px;">- Plain Pedestal-C1 -</p> <p>ZA. ASSEMBLY LOCATION DIAGRAM</p> <p>Z10. EXTERNAL COVERS, PANELS, ETC.</p> <p>Z11. INTERNAL COMPONENTS</p> <p>Z90. PEDESTAL CONTROLLER PCB ASSEMBLY</p> <p>Z91. POWER SUPPLY PCB ASSEMBLY</p> <p>ZB. LIST OF CONNECTORS</p>	<p style="text-align: right;">- LIPS UP-GRADE KIT (100V) -</p> <p>G90. LIPS UP-GRADE KIT (100V)</p> <p style="text-align: right;">- Super G3 FAX Board-M1 -</p> <p>GA. ASSEMBLY LOCATION DIAGRAM</p> <p>G10. FAX ASSEMBLY</p> <p>G20. FAX BOARD PCB ASSEMBLY</p> <p>GB. LIST OF CONNECTORS</p> <p style="text-align: right;">- UFR Printer and Scanner Kit-A1 (100V) -</p> <p>GA. ASSEMBLY LOCATION DIAGRAM</p> <p>G95. UFR PRINTER AND SCANNER KIT-A1 (100V)</p> <p style="text-align: right;">- Color Network Multi-PDL Printer Kit-A1 (120/220/240V) /Color Network Printer Expansion Kit-A1 (120/220/240V) -</p> <p>G96. C.N/W MULTI-PDL PRINTER KIT-A1 (120/220/240V)</p> <p>G97. C.N/W PRINTER EXPANSION KIT-A1 (120/220/240V)</p> <p style="text-align: right;">- Color Universal Send Kit-A1 -</p> <p>Y10. COLOR UNIVERSAL SEND KIT-A1</p> <p style="text-align: right;">- iR Security Kit-A1 -</p> <p>Y10. IR SECURITY KIT-A1</p>
--	--

CONTENTS

- SELF OPERATION KIT (100V) -

Y11. SELF OPERATION KIT (100V)

- imagePASS-C1 (120V)

/Color Network Printer Unit-C1 (220/240V) -

J90. I. PASS-C1/C. PRINT UNIT-C1 (120/220/240V)

C. LIST OF STANDARD FASTENERS

D1. NUMERICAL INDEX

(Color Image Reader-C1)

D2. NUMERICAL INDEX

(iR C3200/C3200N/Color imageRUNNER C3200
/CLC3200)

D3. NUMERICAL INDEX

(Paper Deck-P1)

D4. NUMERICAL INDEX

(Cassette Feeding Unit-X1)

D5. NUMERICAL INDEX

(Plain Pedestal-C1)

D6. NUMERICAL INDEX

(LIPS UP-GRADE KIT (100V))

D7. NUMERICAL INDEX

(Super G3 FAX Board-M1)

D8. NUMERICAL INDEX

(UFR Printer and Scanner Kit-A1 (100V))

D9. NUMERICAL INDEX

(Color Network Multi-PDL Printer Kit-A1
(120/220/240V)
/Color Network Printer Expansion Kit-A1
(120/220/240V))

D10. NUMERICAL INDEX

(Color Universal Send Kit-A1)

D11. NUMERICAL INDEX

(iR Security Kit-A1)

D12. NUMERICAL INDEX

(SELF OPERATION KIT (100V))

D13. NUMERICAL INDEX

(imagePASS-C1 (120V)

/Color Network Printer Unit-C1 (220/240V))

HOW TO USE PART LISTS

Assembly Location Diagrams. These diagrams show the locations of major assemblies of the copier. Their names are identified in rectangular boxes. Below each box is the number of the Figure which shows an exploded view of the assembly.

Finding a Parts Number. Refer to the Assembly Location Diagrams and find the Figure Number of the assembly of interest. Turn to the page(s), locate the part on the exploded view, and find its Key Number. Refer to the Parts List on the page facing the exploded view and find the Key Number, Part Number and quantity required for your type of machine.

Note : While looking for a Part Number, pay particular attention to the voltage listed in the SERIAL NUMBER/REMARKS column to ensure that the Part Number selected is for your type of machine.

Immediate shipping or action regarding the part depends on using its correct Part Number.

Parts List pages. The Parts List pages contain the following columns and information.

(1) Figure and Key Number column. The first column shows the Figure Number of the illustration corresponding to the Parts List, and the Key Number that identifies the part on the illustration.

(2) Part Number. The second column shows the Part Number for the part. This Number must be used when ordering replacement parts. The parts and assemblies identified as "NPN" do not have parts numbers or are not in stock, i.e., they are not available

for ordering.

Note : The last three digits (suffix) of the Parts Number are called the Revision Number.

The Revision Number is changed if the part is modified. Information regarding such changes will be provided by Service Information Bulletins. These Bulletins should be read carefully.

(3) Rank N. Parts marked "N" are service parts, but are not stock items. They are produced on a special-order basis.

(4) Quantity column. The quantity shown in this column is the number of parts used in the Figure. However, the quantity listed for an assembly indicates the number of that assembly per machine.

The letters in this column indicate that the quantity of a part is not specified, allowing the use of the number of parts needed for assembly and that the quantity cannot be mentioned clearly.

R F...listed for reference only.

AR...quantity not specified or cannot be specified; used in quantities as necessary at time of assembly.

(5) Description column. The Description column lists the description that should be used when ordering the part.

(6) Serial Number/Remarks. When there are differences in the specifications of power supply voltage, frequency, etc., the differences are described in words or indicated by one, two or three letters in front of the serial number.

(Example)

Serial number ABC00001
↑ These are the
descriptive indicator.

(2) Figure and Key Number column. The second column lists the Figure and Key Number for each occurrence of the part in the illustrations.

If a modified model and a part are no longer interchangeable, the serial number of copiers for which the part can be used is shown in this column. If there is no indication the part can be used with all models.

Connectors list. Part numbers of connectors used in copiers and designated as Service Parts are listed in numerical order by connector number.

For connectors of which the housing and contacts are a single unit, there are no part numbers for the contact.

Connectors that are mounted on PCBs are indicated as "PCB" in the connector column. The part numbers for these connectors should be looked for in the PCB parts list.

List of Standard Fasteners. This specifications list incorporates screws, nuts, washers and shim washers, retaining rings, pins, and spacers that are used in all copiers (including optional equipment).

Numerical Index. There is a Numerical Index at the end of this catalog; it lists in numerical order every Part Number contained in the Parts Lists. The Numerical Index contains the following columns and information.

(1) Part Number. The first column shows the Part Number.

Color Image Reader-C1

目 次

CONTENTS

A.	主要部品配置図	A.	ASSEMBLY LOCATION DIAGRAM
001.	取り付けキット	001.	MOUNTING HARDWARE
100.	外装カバー	100.	EXTERNAL COVERS, PANELS, ETC.
160.	原稿台カバー部	160.	COPYBOARD COVER ASSEMBLY
210.	リーダ部	210.	READER ASSEMBLY
420.	第1ミラー台部	420.	MIRROR ASSEMBLY 1
430.	第2ミラー台部	430.	MIRROR ASSEMBLY 2
931.	リーダコントローラ回路基板	931.	READER CONTROLLER PCB ASSEMBLY
941.	インターフェース回路基板	941.	INTERFACE PCB ASSEMBLY
B.	コネクタ一覧	B.	LIST OF CONNECTORS
D1.	部品索引表	D1.	NUMERICAL INDEX

FIGURE A ASSEMBLY LOCATION DIAGRAM

主要部品配置図

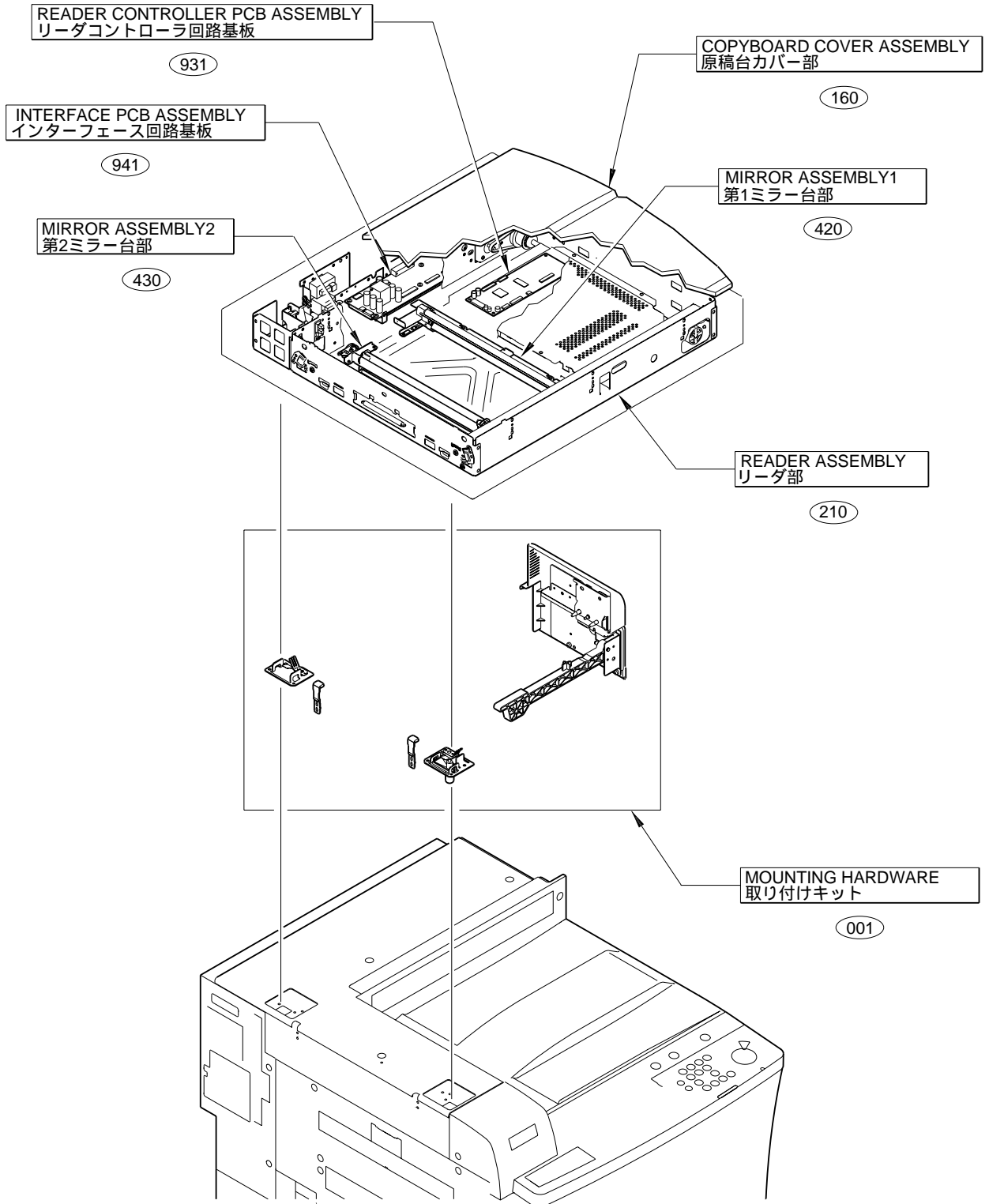


FIGURE 001 MOUNTING HARDWARE 取り付けキット

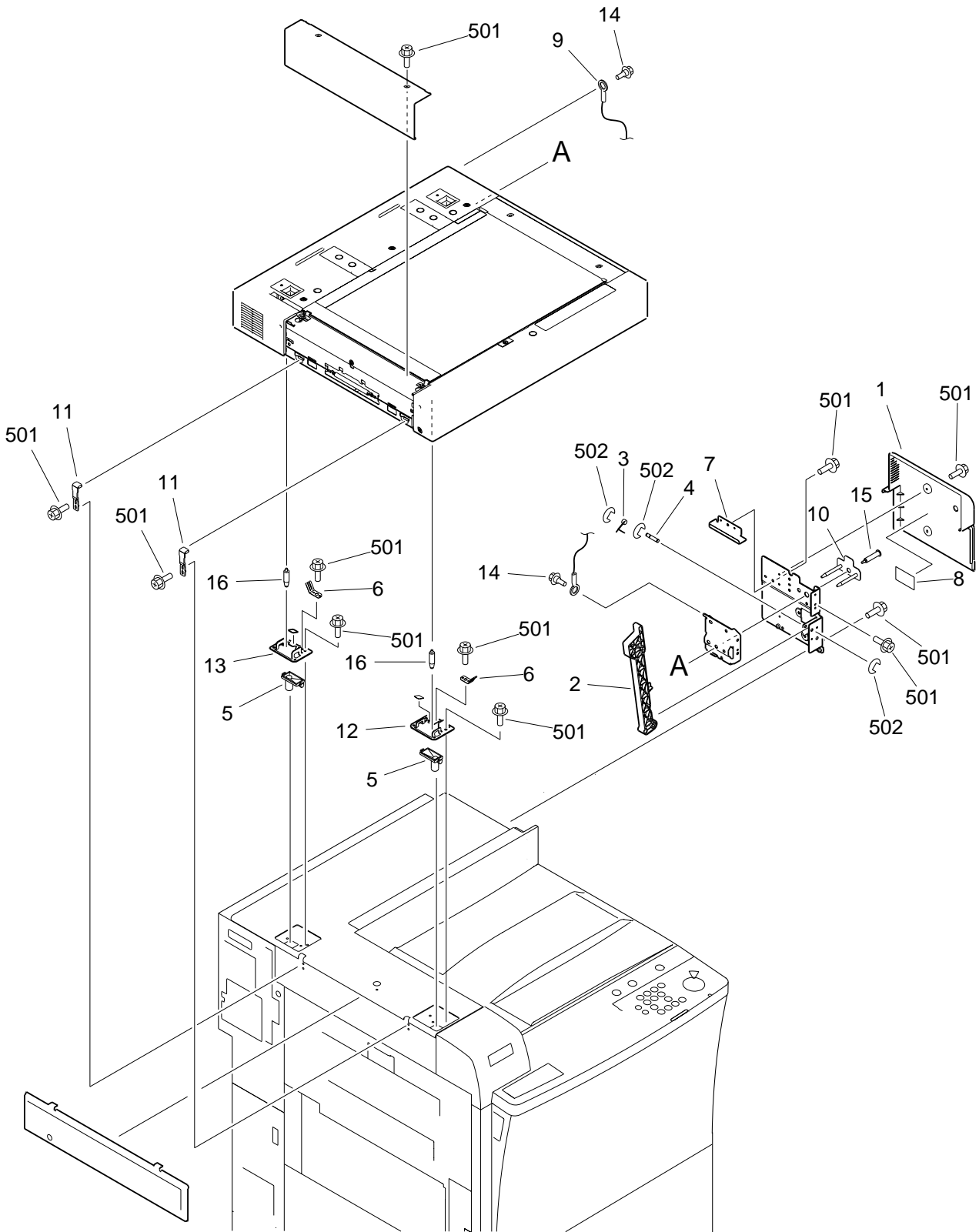


FIGURE & KEY NO.	PART NUMBER	R A N K	Q' T Y	DESCRIPTION	SERIAL NUMBER / REMARKS
001 -	NPN		RF	MOUNTING HARDWARE 取り付けキット	
1	FC5 - 1571 - 000		1	PANEL, READER JOINT UNIT リーダ連結ユニット カバー	
2	FC5 - 1574 - 000		1	ARM, READER SUPPORT リーダ支持アーム	
3	FC5 - 1575 - 000		1	SPRING, TORSION ネジリ バネ	
4	FC5 - 1576 - 000		1	SHAFT, ARM アーム軸	
5	FC5 - 1581 - 000		2	JOINT, READER リーダ ジョイント	
6	FC5 - 1585 - 000		2	PLATE, GROUNDING アース板	
7	FC5 - 1586 - 000		1	COVER, PRINTER プリンタ カバー	
8	FC5 - 4158 - 000		1	LABEL, SERVICE サービス ラベル	
9	FC5 - 4765 - 000		1	WIRE, GUIDE 規制ワイヤ	
10	FL2 - 0382 - 000		1	PLATE, READER FIXING リーダ固定板	
11	FL2 - 0383 - 000		2	HOOK, READER リーダ フック	
12	FL2 - 0384 - 000		1	PLATE, JOINT, FRONT ジョイント板(前)	
13	FL2 - 0385 - 000		1	PLATE, JOINT, REAR ジョイント板(後)	
14	FS5 - 9400 - 000		2	SCREW,RS STEPPED,M5 RS タイト 段ビス	
15	FU5 - 9026 - 000		1	SCREW,RS,STEPPED,M4 RS タイト 段ビス	
16	FU5 - 9028 - 000		2	SCREW, READER POSITIONING リーダ基準ビス	
501	XB3 - 6400 - 800		AR	SCREW,RS,M4X8 RS タイト ネジ	
502	XD2 - 1100 - 502		3	RING,E E リング	

FIGURE 100 EXTERNAL COVERS, PANELS, ETC.
外装カバー

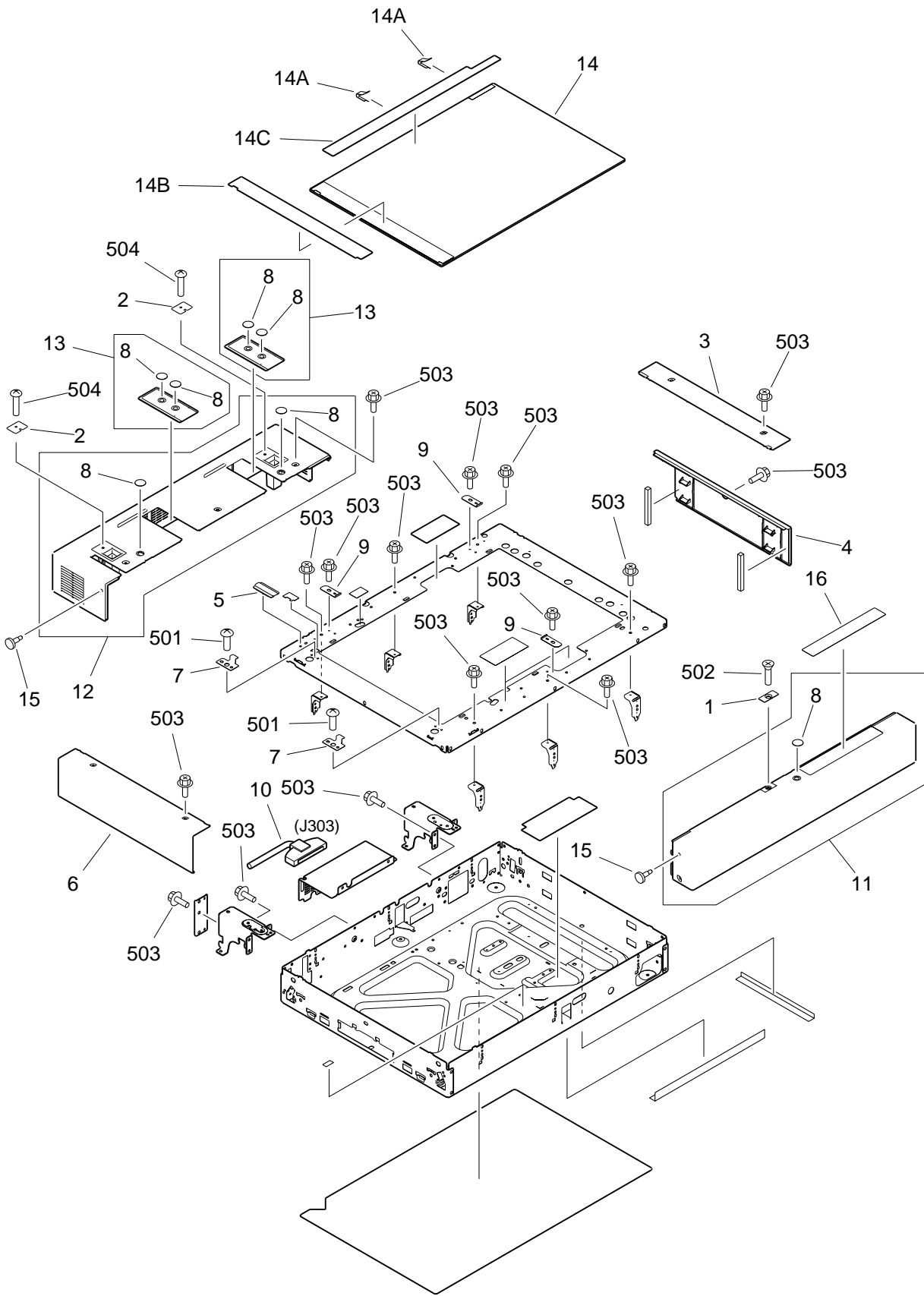


FIGURE & KEY NO.	PART NUMBER	RANK	QTY	DESCRIPTION	SERIAL NUMBER / REMARKS
100 -	NPN		RF	EXTERNAL COVERS, PANELS, ETC. 外装カバー	
1	FA3 - 9315 - 000		1	PLATE, COVER 穴ふさぎ	
2	FB6 - 4845 - 000		2	PLATE, COPYBOARD COVER 圧板固定プレート	
3	FC5 - 0084 - 000		1	PANEL, RIGHT UPPER 右上カバー	
4	FC5 - 0085 - 000		1	PANEL, RIGHT 右カバー	
5	FC5 - 0086 - 000		1	PANEL, FLAG フラグ カバー	
6	FC5 - 0092 - 000		1	PANEL, LEFT 左カバー	
7	FC5 - 0160 - 000		2	RETAINER, GLASS, LEFT 左ガラス押え	
8	FC5 - 0166 - 000		7	SEAL, BLANKING 目隠しシール	
9	FC5 - 2792 - 000		3	PLATE, GLASS SUPPORT ガラス突き当て板	
10	FH2 - 7036 - 000		1	CABLE, DDI-S SERIAL DDI - Sシリアル ケーブル	J303
11	FL2 - 0011 - 000		1	PANEL, FRONT 前カバー	
12	FL2 - 0013 - 000		1	PANEL, REAR 後カバー	
13	FL2 - 0014 - 000		2	PANEL, DF DF カバー	
14	FM2 - 0819 - 000		1	GLASS, COPYBOARD 原稿台ガラス	AB SIZE EXCEPT S3200,V3200
	FM2 - 0817 - 000		1	GLASS, COPYBOARD 原稿台ガラス	AB SIZE S3200,V3200
	FM2 - 0598 - 000		1	GLASS, COPYBOARD 原稿台ガラス	INCH/A SIZE
	FM2 - 0599 - 000		1	GLASS, COPYBOARD 原稿台ガラス	A SIZE
	FM2 - 0600 - 000		1	GLASS, COPYBOARD 原稿台ガラス	INCH/AB SIZE
14 A	FB4 - 0711 - 000		2	SPRING, LEAF アース パネ	
14 B	FC5 - 0110 - 000		1	PLATE, WIDTH INDEX 縦サイズ プレート	AB SIZE S3200,V3200
	FC5 - 0102 - 000		1	PLATE, WIDTH INDEX 縦サイズ プレート	AB SIZE EXCEPT S3200,V3200
	FC5 - 3231 - 000		1	PLATE, WIDTH INDEX 縦サイズ プレート	INCH/A SIZE
	FC5 - 3232 - 000		1	PLATE, WIDTH INDEX 縦サイズ プレート	A SIZE
	FC5 - 3233 - 000		1	PLATE, WIDTH INDEX 縦サイズ プレート	INCH/AB SIZE
14 C	FC5 - 0112 - 000		1	PLATE, LENGTH INDEX 横サイズ プレート	AB SIZE S3200,V3200
	FC5 - 0103 - 000		1	PLATE, LENGTH INDEX 横サイズ プレート	AB SIZE EXCEPT S3200,V3200
	FC5 - 3234 - 000		1	PLATE, LENGTH INDEX 横サイズ プレート	INCH/A SIZE
	FC5 - 3235 - 000		1	PLATE, LENGTH INDEX 横サイズ プレート	A SIZE
	FC5 - 3236 - 000		1	PLATE, LENGTH INDEX 横サイズ プレート	INCH/AB SIZE

FIGURE & KEY NO.	PART NUMBER	RANK	QTY	DESCRIPTION	SERIAL NUMBER / REMARKS
100 - 15	FS5 - 9773 - 000		2	SCREW, MIRROR FIXED ミラー固定ネジ	
16	FU5 - 8203 - 000		1	LABEL, COPY INHIBITED コピー禁止ラベル	JPN
	FU5 - 8204 - 000		1	LABEL, COPY INHIBITED コピー禁止ラベル	USA
	FU5 - 8205 - 000		1	LABEL, COPY INHIBITED コピー禁止ラベル	CAN
	FU5 - 8206 - 000		1	LABEL, COPY INHIBITED コピー禁止ラベル	PRG
	FU5 - 8207 - 000		1	LABEL, COPY INHIBITED コピー禁止ラベル	SPN
	FU5 - 8208 - 000		1	LABEL, COPY INHIBITED コピー禁止ラベル	UK
	FU5 - 8209 - 000		1	LABEL, COPY INHIBITED コピー禁止ラベル	FRN
	FU5 - 8210 - 000		1	LABEL, COPY INHIBITED コピー禁止ラベル	GER
	FU5 - 8211 - 000		1	LABEL, COPY INHIBITED コピー禁止ラベル	ITA
	FU5 - 8215 - 000		1	LABEL, "LEGAL LIMITATION" コピー禁止ラベル	CHN
	FU5 - 8216 - 000		1	LABEL, "LEGAL LIMITATION" コピー禁止ラベル	TWN
	FU5 - 8217 - 000		1	LABEL, "LEGAL LIMITATION" コピー禁止ラベル	KOR
501	XB1 - 2400 - 407		2	SCREW, MACH., TRUSS HEAD, M4X4 バインド ネジ	
502	XB1 - 3400 - 807		1	SCREW, MACH., C.S. HEAD, M4X8 サラ ネジ	
503	XB3 - 6400 - 800		AR	SCREW, RS, M4X8 RS タイト ネジ	
504	XB4 - 5401 - 007		2	SCREW, P, M4X10 P タイト ネジ	

FIGURE 160 COPYBOARD COVER ASSEMBLY

原稿台カバー部

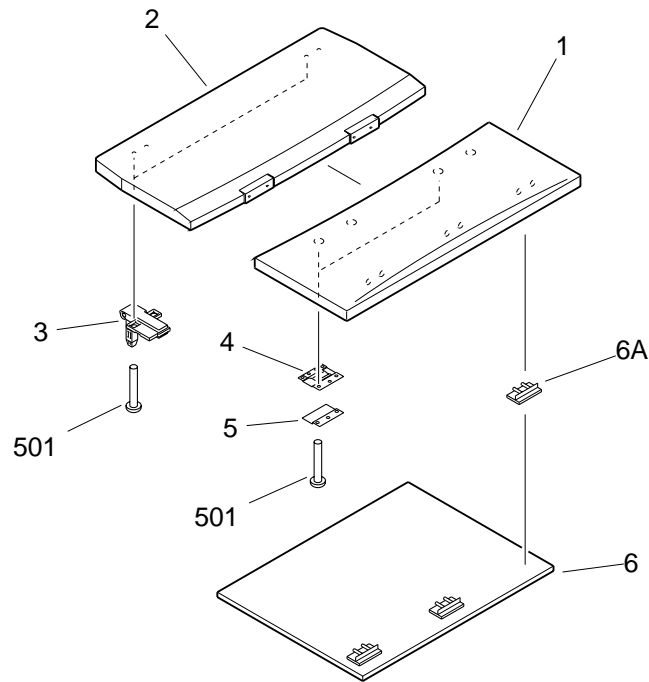


FIGURE & KEY NO.	PART NUMBER	RANK	QTY	DESCRIPTION	SERIAL NUMBER / REMARKS
160 -	FG6 - 9614 - 000		1	COPYBOARD COVER ASSEMBLY 原稿台カバー部	
1	FB6 - 4842 - 000		1	COVER, COPYBOARD, FRONT 原稿台カバー (前)	
2	FB6 - 4843 - 000		1	COVER, COPYBOARD, REAR 原稿台カバー (後)	
3	FB6 - 4844 - 000		2	HINGE, COPYBOARD COVER ヒンジ	
4	FE5 - 3634 - 000		2	PLATE, HINGE ヒンジ板	
5	FE5 - 4380 - 000		2	PLATE, ANGLE ADJUSTMENT 角度調整板	
6	FF6 - 2562 - 000		1	COPYBOARD CUSHION UNIT 圧着シート ユニット	
6A	FE5 - 3633 - 000		3	PLATE, SLIDE スライド板	
501	XB4 - 7401 - 009		16	SCREW, TAPPING, TRUSS HEAD, M4X10 バインド タッピン ネジ	

FIGURE & KEY NO.	PART NUMBER	RANK	QTY	DESCRIPTION	SERIAL NUMBER / REMARKS
210 -	NPN		RF	READER ASSEMBLY リーダ部	
1	FA9 - 3880 - 000		1	PULLEY, 66T 66T プーリ	
2	FA9 - 3881 - 000		1	PULLEY プーリ	
3	FB4 - 0726 - 000		2	SPRING, LEAF 板バネ	
4	FC5 - 0081 - 000		1	WIRE, SCANNER, FRONT 光学ワイヤ(前)	
5	FC5 - 0082 - 000		1	WIRE, SCANNER, REAR 光学ワイヤ(後)	
6	FC5 - 0083 - 000		1	SPACER, PULLEY プーリ スペーサ	
7	FC5 - 0140 - 000		4	PULLY プーリ	
8	FC5 - 0145 - 000		1	COVER, OPEN/CLOSE SENSOR FLAG 開閉検知フラグ カバー	
9	FC5 - 0158 - 000		1	PLATE, GROUNDING アース板	
10	FC5 - 0161 - 000		1	COVER, INLET インレット カバー	
11	FG3 - 2612 - 000		1	CABLE, READER CONTROLLER POWER リーダ コントローラ電源束線	J201,309
11 A	WT2 - 5565 - 000		2	CLAMP, CABLE ソクセン オサエ	
12	FG3 - 2613 - 000		1	CABLE, SENSOR センサ束線	J5,6,310
13	FH2 - 5006 - 000		1	WIRE, GROUNDING アース コード	100V
14	FH2 - 6491 - 000		1	CORD, POWER SUPPLY 電源コード	100V P1,J1
15	FH2 - 6552 - 000		1	COVER, CONNECTOR コネクタ カバー	
16	FH2 - 6718 - 000		1	POWER CORD 電源コード	100V P1,J1
17	FH2 - 6981 - 000		1	CABLE, FLAT, CCD-RCON 1 フラット ケーブル (CCD - RCON 1)	J101,204
18	FH2 - 6982 - 000		1	CABLE, FLAT, CCD-RCON 2 フラット ケーブル (CCD - RCON 2)	J102,205
19	FH2 - 6985 - 000		1	CABLE, FLAT, INVERTER フラット ケーブル (インバータ)	J206,601
20	FH3 - 7213 - 000		1	LAMP REGULATOR PCB ASSEMBLY ランプ レギュレータ回路基板	
21	FH7 - 7462 - 000		2	PHOTO-INTERRUPTER フォトインタラプタ	SR1,2 J6,5
22	FH7 - 7619 - 000		1	SENSOR UNIT, DOCUMENT SIZE 原稿サイズ センサ ユニット	A SIZE CF2 J208
	FH7 - 7619 - 000		2	SENSOR UNIT, DOCUMENT SIZE 原稿サイズ センサ ユニット	INCH/A SIZE INCH/AB SIZE
23	FL2 - 0015 - 000		2	RAIL, SCANNER 光学レール	CF1,2 J207,208
23 A	FC5 - 0101 - 000		1	PLATE, SCANNER RAIL 光学レール プレート	
24	FL2 - 0026 - 000		1	CABLE, FLAT, RCON-I/F フラット ケーブル (RCON - I/F)	J202,203,307,308
25	FL2 - 0615 - 000		1	PIN, POSITIONING 位置決めピン	

FIGURE & KEY NO.	PART NUMBER	RANK	QTY	DESCRIPTION	SERIAL NUMBER / REMARKS
210 - 26	FM2 - 0023 - 000		1	CCD UNIT CCDユニット	
27	FM2 - 0035 - 000		1	CABLE, LATTICE ラティス束線	J3,7,301,305
28	FM2 - 0037 - 000		1	OPEN/CLOSE SENSOR ASSEMBLY 開閉検知部	
29	FM2 - 0040 - 000		1	READER FUSE PCB ASSEMBLY リーダー ヒューズ回路基板	J4
30	FM2 - 0587 - 000		1	PLATE HEATER ASSEMBLY プレート ヒータ	220/240V H1,2 J4
31	FM2 - 0596 - 000		1	MOTOR, SCANNER 光学モータ	M1 J306
32	FS5 - 1599 - 000		1	BUSHING ブッシング	
33	FU5 - 2021 - 000		1	SPRING, TENSION ヒツパリ バネ	
34	XA9 - 0546 - 020		4	SETSCREW,M4X6 ロツカク アナツキ トメネジ	
35	XF9 - 0731 - 000		1	BELT, DRIVE 駆動ベルト	
36	XG9 - 0208 - 000		1	BEARING, BALL ボール ベアリング	
501	XB1 - 2300 - 607		2	SCREW,MACH.,TRUSS HEAD,M3X6 バインド ネジ	
502	XB1 - 2400 - 607		8	SCREW,MACH.,TRUSS HEAD,M4X6 バインド ネジ	
503	XB3 - 6400 - 800		AR	SCREW,RS,M4X8 RS タイト ネジ	
504	XB6 - 7300 - 607		4	SCREW,TP,M3X6 TP ネジ	
505	XD2 - 1100 - 642		AR	RING,E E リング	

FIGURE 420 MIRROR ASSEMBLY 1
第1ミラー台部

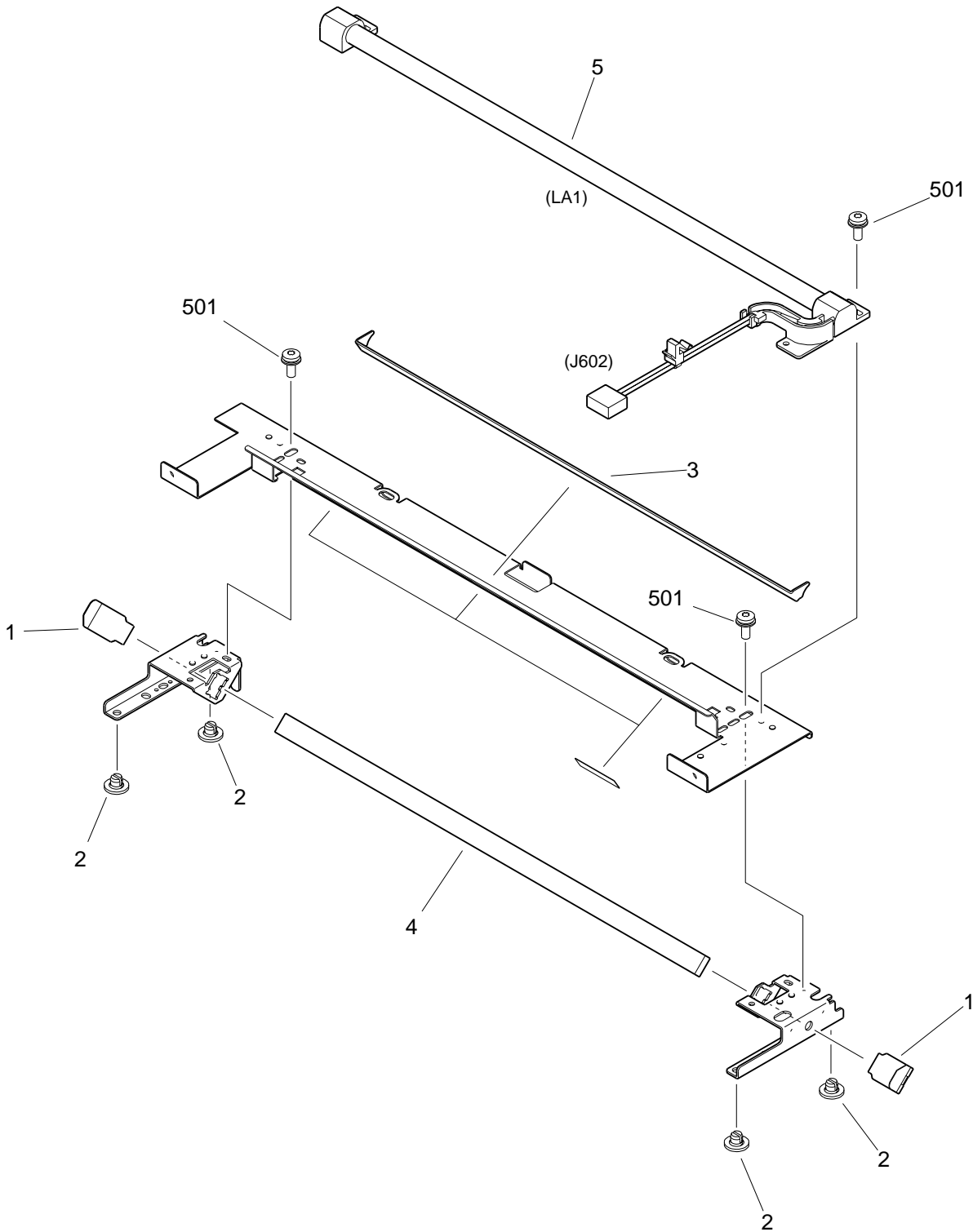


FIGURE & KEY NO.	PART NUMBER	R A N K	Q' T Y	DESCRIPTION	SERIAL NUMBER / REMARKS
420 -	FM2 - 0026 - 000		1	MIRROR ASSEMBLY 1 第1ミラー台部	
1	FB4 - 0799 - 000		2	SPRING, LEAF 板バネ	
2	FC5 - 0127 - 000		4	PIN, SLIDER スライダ ピン	
3	FC5 - 0128 - 000		1	REFLECTOR 反射笠	
4	FL2 - 0020 - 000		1	MIRROR, 1 第1ミラー	
5	FM2 - 0027 - 000		1	LAMP, XENON FLUORESCENT キノセン蛍光ランプ	LA1 J602
501	XB2 - 8300 - 807		5	SCREW, W/WASHER, M3X8 バネツキ バインド ネジ	

FIGURE 430 MIRROR ASSEMBLY 2
第2ミラー台部

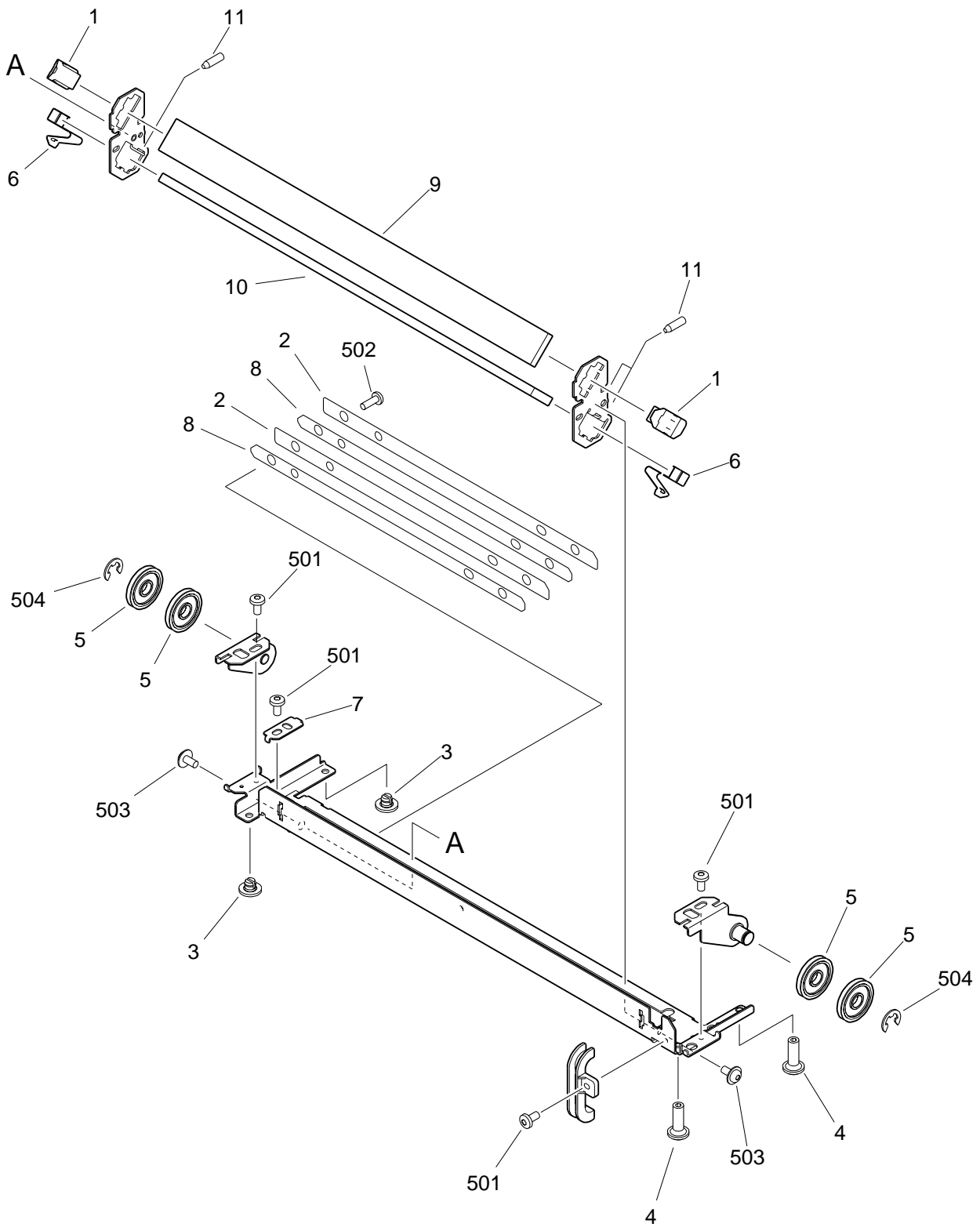


FIGURE & KEY NO.	PART NUMBER	R A N K	Q' T Y	DESCRIPTION	SERIAL NUMBER / REMARKS
430 -	FM2 - 0030 - 000		1	MIRROR ASSEMBLY 2 第2ミラー台部	
1	FB4 - 0864 - 000		2	SPRING, LEAF, MIRROR ミラー押えバネ	
2	FC5 - 0096 - 000		2	HANDLE, MIRROR ASSEMBLY 2 第2ミラー台把手	
3	FC5 - 0127 - 000		2	PIN, SLIDER スライダ ピン	
4	FC5 - 0136 - 000		2	PIN, SLIDER スライダ	
5	FC5 - 0137 - 000		4	PULLEY プーリ	
6	FC5 - 0165 - 000		2	SPRING, LEAF, MIRROR ミラー押えバネ	
7	FC5 - 2789 - 000		1	PLATE, POSITIONING 位置決め板	
8	FC5 - 4763 - 000		2	SHEET, HANDLE SUPPORT ハンドル サポート シート	
9	FN5 - 4117 - 000		1	MIRROR, 2 第2ミラー	
10	FN7 - 4008 - 000		1	MIRROR, 3 第3ミラー	
11	XA9 - 0425 - 000		3	SETSCREW, HEX SOCKET ロック アナツキ トメネジ	
501	XB1 - 2300 - 607		4	SCREW, MACH., TRUSS HEAD, M3X6 バインド ネジ	
502	XB2 - 8300 - 807		2	SCREW, W/WASHER, M3X8 パネツキ バインド ネジ	
503	XB6 - 7300 - 607		2	SCREW, TP, M3X6 TP ネジ	
504	XD2 - 1100 - 642		AR	RING, E E リング	

FIGURE 931 READER CONTROLLER PCB ASSEMBLY

リーダコントローラ回路基板

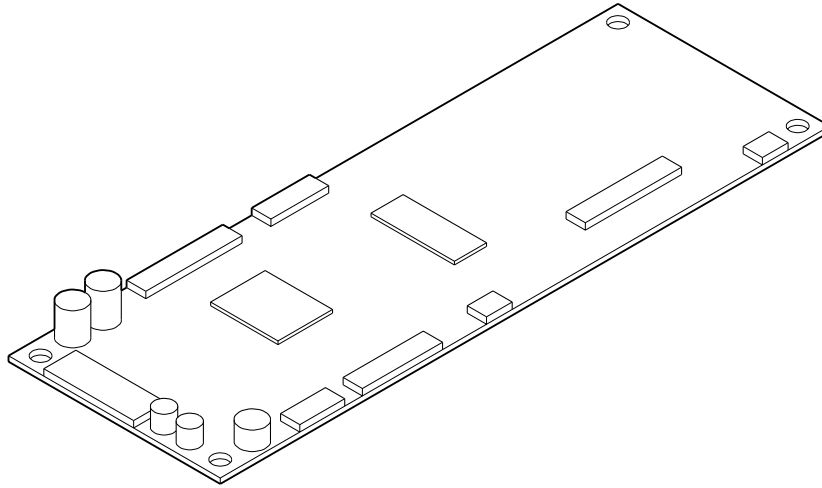


FIGURE & KEY NO.	PART NUMBER	RANK	QTY	DESCRIPTION	SERIAL NUMBER / REMARKS
931 -	FG3 - 2570 - 000		1	READER CONTROLLER PCB ASSEMBLY リーダ コントローラ回路基板	
IC 7	FH4 - 3950 - 000		1	IC, MX23L8103TC, MASK-ROM マスク ロム	
IC 16	FH4 - 6165 - 000		1	IC, MB87J4670, STANDARD CELL スタンダード セルIC	

FIGURE 941 INTERFACE PCB ASSEMBLY

インターフェース回路基板

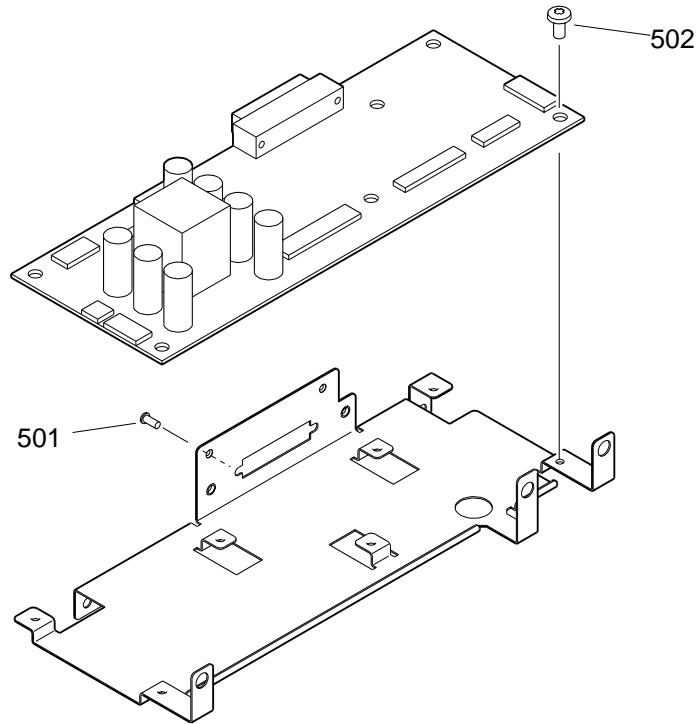


FIGURE & KEY NO.	PART NUMBER	RANK	QTY	DESCRIPTION	SERIAL NUMBER / REMARKS
941 -	FM2 - 0036 - 000		1	INTERFACE PCB ASSEMBLY インターフェース回路基板	
501	XB1 - 2260 - 607		2	SCREW,MACH,TRUSS HEAD,M2.6X6 バインド ネジ	
502	XB1 - 2400 - 607		7	SCREW,MACH.,TRUSS HEAD,M4X6 バインド ネジ	
I C1	FH4 - 6202 - 000		1	IC, SLA7044MC, MOTOR DRIVER ドライバIC	
T3	FH3 - 0969 - 000		1	TRANSFORMER 高周波トランス	

FIGURE B LIST OF CONNECTORS コネクター一覧

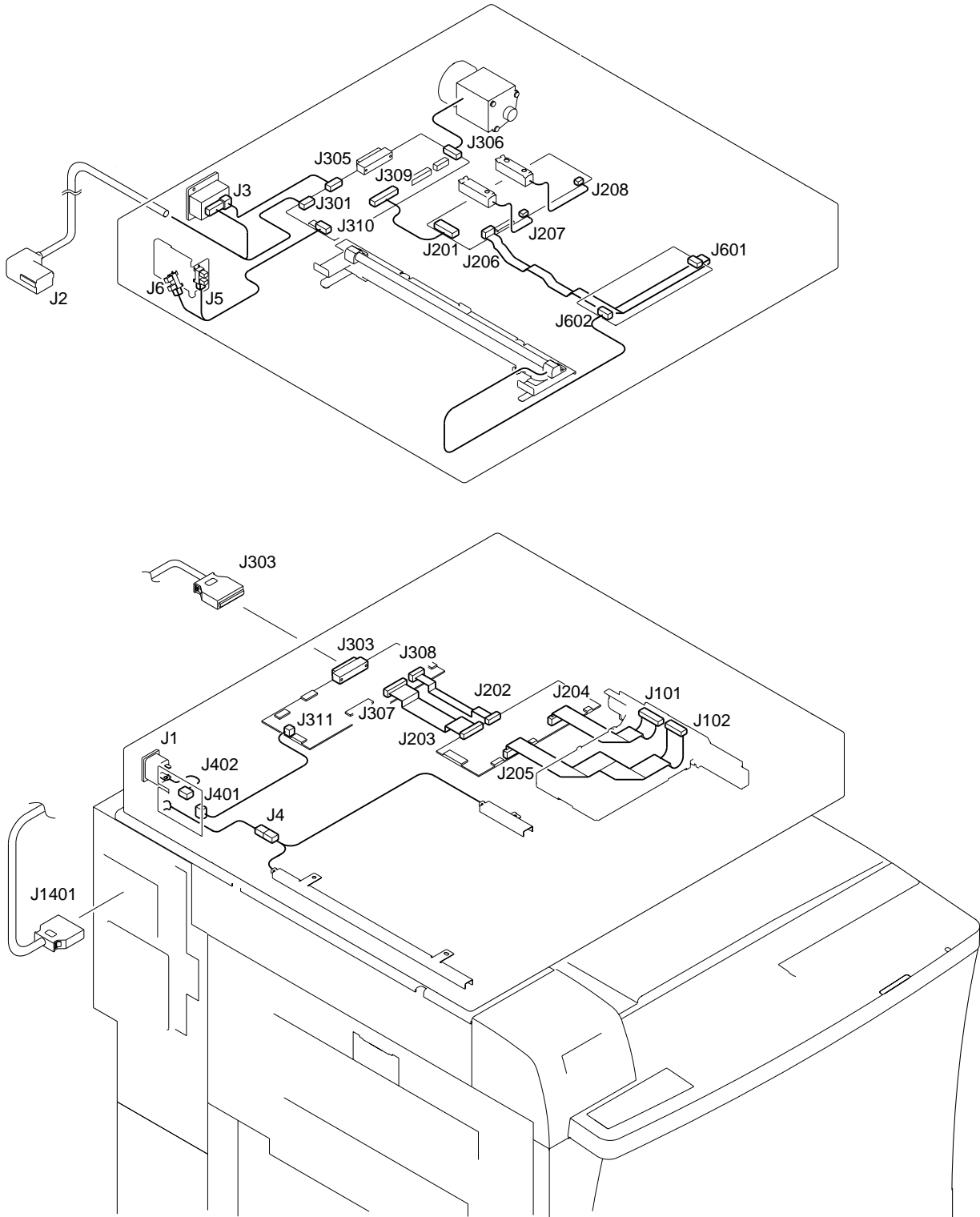


FIGURE & KEY NO.	PART NUMBER	RANK	QTY	DESCRIPTION	SERIAL NUMBER / REMARKS
B -	NPN		RF	LIST OF CONNECTORS コネクタ一覧	
J 1	NPN			POWER CORD SUPPLY 電源コード	P1
	WS5 - 5062 - 000		1	SOCKET, AC AC ソケット	
J 2	FH2 - 5821 - 000		1	CONNECTOR, 12P, FEMALE コネクタ (メス)	
	FH2 - 6986 - 000		1	HOUSING ハウジング	
J 3	WS3 - 5264 - 000		5	SOCKET CONTACT ソケット コンタクト	OPTION
	SYS			TO ADF ADF	
	FH2 - 6480 - 000		1	CONNECTOR, FEMALE コネクタ (メス)	
	VS1 - 5452 - 007		1	CONNECTOR, 7P, FEMALE コネクタ (メス)	
	WS3 - 5596 - 000		3	PIN CONTACT, 18-24AWG ピン コンタクト	
J 4	PCB			READER FUSE リーダ ヒューズ	H1,2
	NPN			CONDENSATION HEATER 結露防止ヒータ	
J 5	NPN			HOME POSITION SENSOR ホーム ポジション検知	SR2
	VS1 - 6321 - 003		1	CONNECTOR, 3P, FEMALE コネクタ (メス)	
J 6	NPN			PRESSING PLATE SENSOR 圧板検知	SR1
J 101	VS1 - 6321 - 003		1	CONNECTOR, 3P, FEMALE コネクタ (メス)	
	PCB			CCD AP CCD AP	
	FH2 - 6981 - 000		1	CABLE, FLAT, CCD-RCON 1 フラット ケーブル (CCD - RCON 1)	
J 102	PCB			CCD AP CCD AP	
	FH2 - 6982 - 000		1	CABLE, FLAT, CCD-RCON 2 フラット ケーブル (CCD - RCON 2)	
J 201	PCB			READER CONTROLLER リーダ コントローラ	
	VS1 - 6534 - 008		1	CONNECTOR, 9P, FEMALE コネクタ (メス)	
	WS3 - 5658 - 000		8	SOCKET CONTACT ソケット コンタクト	
J 202	PCB			READER CONTROLLER リーダ コントローラ	
	FH2 - 6984 - 000		1	CABLE, FLAT, RCON-I/F 2 フラット ケーブル (RCON - I/F 2)	
J 203	PCB			READER CONTROLLER リーダ コントローラ	
	FH2 - 6983 - 000		1	CABLE, FLAT, RCON-I/F 1 フラット ケーブル (RCON - I/F 1)	
J 204	PCB			READER CONTROLLER リーダ コントローラ	
	FH2 - 6981 - 000		1	CABLE, FLAT, CCD-RCON 1 フラット ケーブル (CCD - RCON 1)	
J 205	PCB			READER CONTROLLER リーダ コントローラ	

FIGURE & KEY NO.	PART NUMBER	RANK	QTY	DESCRIPTION	SERIAL NUMBER / REMARKS
B - J 205	FH2 - 6982 - 000		1	CABLE, FLAT, CCD-RCON 2 フラット ケーブル (CCD - RCON 2)	
J 206	PCB			READER CONTROLLER リーダ コントローラ	
	FH2 - 6985 - 000		1	CABLE, FLAT, INVERTER フラット ケーブル (インバータ)	
J 207	PCB			READER CONTROLLER リーダ コントローラ	
	NPN			DOCUMENT SENSOR 原稿検知	CF1
J 208	PCB			READER CONTROLLER リーダ コントローラ	
	NPN			DOCUMENT SENSOR 原稿検知	CF2
J 301	PCB			INTERFACE インターフェース	
	VS3 - 5083 - 003		1	CONNECTOR, 3P, FEMALE コネクタ (メス)	
	WS3 - 5160 - 000		2	SOCKET CONTACT, 18-24AWG ソケット コンタクト	
J 303	PCB			INTERFACE インターフェース	
	FH2 - 7036 - 000		1	CABLE, DDI-S SERIAL DDI - Sシリアル ケーブル	
J 305	PCB			INTERFACE インターフェース	
	VS1 - 5452 - 007		1	CONNECTOR, 7P, FEMALE コネクタ (メス)	
J 306	PCB			INTERFACE インターフェース	
J 307	NPN			SCANNER MOTOR 光学モータ	M1
	PCB			INTERFACE インターフェース	
	FH2 - 6983 - 000		1	CABLE, FLAT, RCON-I/F 1 フラット ケーブル (RCON - I/F 1)	
J 308	PCB			INTERFACE インターフェース	
	FH2 - 6984 - 000		1	CABLE, FLAT, RCON-I/F 2 フラット ケーブル (RCON - I/F 2)	
J 309	PCB			INTERFACE インターフェース	
	VS1 - 6534 - 009		1	CONNECTOR, 9P, FEMALE コネクタ (メス)	
	WS3 - 5658 - 000		8	SOCKET CONTACT ソケット コンタクト	
J 310	PCB			INTERFACE インターフェース	
	VS1 - 6314 - 006		1	CONNECTOR, 6P, FEMALE コネクタ (メス)	
J 311	PCB			INTERFACE インターフェース	100/220/240V
	VS1 - 6314 - 003		1	CONNECTOR, 3P, FEMALE コネクタ (メス)	100/220/240V
J 401	PCB			READER FUSE リーダ ヒューズ	100/220/240V
	VS1 - 6314 - 003		1	CONNECTOR, 3P, FEMALE コネクタ (メス)	100/220/240V
J 402	PCB			READER FUSE リーダ ヒューズ	100/220/240V

FIGURE & KEY NO.	PART NUMBER	RANK	QTY	DESCRIPTION	SERIAL NUMBER / REMARKS
B - J 402	VS3 - 5083 - 003		1	CONNECTOR, 3P, FEMALE コネクタ (メス)	100/220/240V
	WS3 - 5160 - 000		2	SOCKET CONTACT, 18-24AWG ソケット コンタクト	100/220/240V
J 601	PCB			LAMP REGULATOR ランプ レギュレータ	
	FH2 - 6985 - 000		1	CABLE, FLAT, INVERTER フラット ケーブル (インバータ)	
J 602	PCB			LAMP REGULATOR ランプ レギュレータ	
J 1401	NPN			XENON FLUORESCENT LAMP キノセン蛍光ランプ	LA1
	SYS			TO PRINTER プリンタ本体	
	FH2 - 7036 - 000		1	CABLE, DDI-S SERIAL DDI - シリアル ケーブル	

**iR C3200/C3200N/Color imageRUNNER C3200
/CLC3200**

iR C3200/C3200N/C3200S/S3200/V3200

目 次

A.	主要部品配置図	810.	定着器
100.	外装カバー	900.	コントローラ部
101.	本体前側板	910.	D C 電源部
102.	本体機械内部 (1)	930.	D C コントローラ回路基板
103.	本体機械内部 (2)	980.	高圧トランス回路基板
104.	本体機械内部 (3)	981.	二次転写高圧トランス回路基板
105.	本体機械内部 (4)		
106.	本体機械内部 (5)	B.	コネクター一覧
107.	本体後側板 (1)		
108.	本体後側板 (2)	D2.	部品索引表
120.	ドアスイッチ部		
125.	縦バスパネル部 (旧)		
125 A.	縦バスパネル部 (新)		
130.	操作部		
190.	定着排熱ファン部		
191.	クリーナ冷却ファン部		
192.	本体排熱ファン部		
193.	排紙冷却ファン部		
194.	手差しファン部 (両面タイプ)		
251.	ドラム駆動部		
260.	給紙モータ駆動部		
270.	現象駆動部		
271.	中間転写ベルト駆動部		
272.	トナー容器駆動部		
280.	定着駆動部		
300.	カセット		
305.	カセットヒータ部 (オプション)		
310.	給紙部		
315.	手差し給紙部		
316.	手差し部		
321.	パターン読み取り部		
330.	定着搬送部 (片面タイプ)		
350.	フェースアップ排紙部 (片面タイプ)		
351.	排紙縦バス部 (旧)		
351 A.	排紙縦バス部 (新)		
360.	両面部 (両面タイプ)		
361.	外排紙開閉カバー部 (両面タイプ)		
365.	手差し給紙台部		
460.	レーザユニット		
535.	中間転写ベルト部		
537.	転写クリーニング部		
560.	二次転写部		

CONTENTS

A. ASSEMBLY LOCATION DIAGRAM	810. FIXING ASSEMBLY
100. EXTERNAL COVERS, PANELS, ETC.	900. CONTROLLER ASSEMBLY
101. MACHINE FRONT PLATE	910. DC POWER SUPPLY ASSEMBLY
102. INTERNAL COMPONENTS 1	930. DC CONTROLLER PCB ASSEMBLY
103. INTERNAL COMPONENTS 2	980. H.V.TRANSFORMER PCB ASSEMBLY
104. INTERNAL COMPONENTS 3	981. 2ND. TRANSFER H.V.T. PCB ASSEMBLY
105. INTERNAL COMPONENTS 4	
106. INTERNAL COMPONENTS 5	B. LIST OF CONNECTORS
107. MACHINE REAR PLATE 1	
108. MACHINE REAR PLATE 2	
120. DOOR SWITCH ASSEMBLY	D2. NUMERICAL INDEX
125. VERTICAL PATH PANEL ASSEMBLY (OLD)	
125A. VERTICAL PATH PANEL ASSEMBLY (NEW)	
130. CONTROL PANEL ASSEMBLY	
190. FIXING EXHAUST FAN ASSEMBLY	
191. CLEANING COOLING FAN ASSEMBLY	
192. MACHINE EXHAUST FAN ASSEMBLY	
193. DELIVERY COOLING FAN ASSEMBLY	
194. MULTI FAN ASSEMBLY (DUPLEX TYPE)	
251. DRUM DRIVE ASSEMBLY	
260. PICK-UP MOTOR DRIVE ASSEMBLY	
270. DEVELOPING DRIVE ASSEMBLY	
271. INTERMEDIATE TRANSFER BELT DRIVE ASSEMBLY	
272. TONER CARTRIDGE DRIVE ASSEMBLY	
280. FIXING DRIVE ASSEMBLY	
300. CASSETTE	
305. CASSETTE HEATER ASSEMBLY (OPTION)	
310. PAPER PICK-UP ASSEMBLY	
315. MULTI FEED ASSEMBLY	
316. MULTI FEED TRAY ASSEMBLY	
321. PATTERN READER ASSEMBLY	
330. FIXING FEEDER ASSEMBLY (PLAIN TYPE)	
350. FACE-UP DELIVERY ASSEMBLY (PLAIN TYPE)	
351. DELIVERY VERTICAL PATH ASSEMBLY (OLD)	
351A. DELIVERY VERTICAL PATH ASSEMBLY (NEW)	
360. DUPLEXING ASSEMBLY (DUPLEX TYPE)	
361. EXTERNAL DELIVERY COVER ASS'Y (DUPLEX TYPE)	
365. MULTI PAPER FEED MOUNT ASSEMBLY	
460. LASER UNIT	
535. INTERMEDIATE TRANSFER BELT ASSEMBLY	
537. TRANSFER CLEANING ASSEMBLY	
560. SECONDARY TRANSFER ASSEMBLY	

FIGURE A ASSEMBLY LOCATION DIAGRAM (1/5)
 主要部品配置図 (1/5)

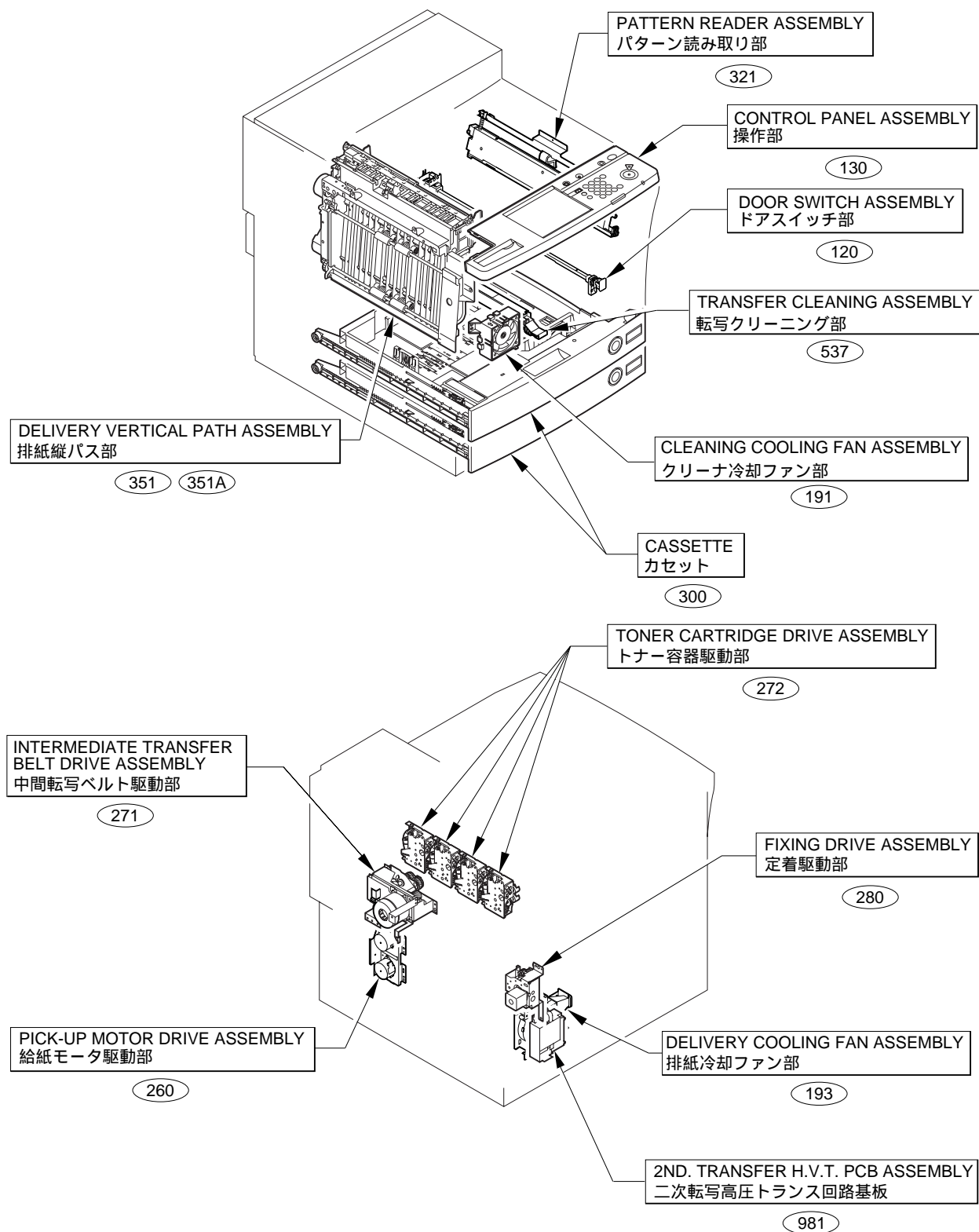


FIGURE A ASSEMBLY LOCATION DIAGRAM (2/5)

主要部品配置図 (2/5)

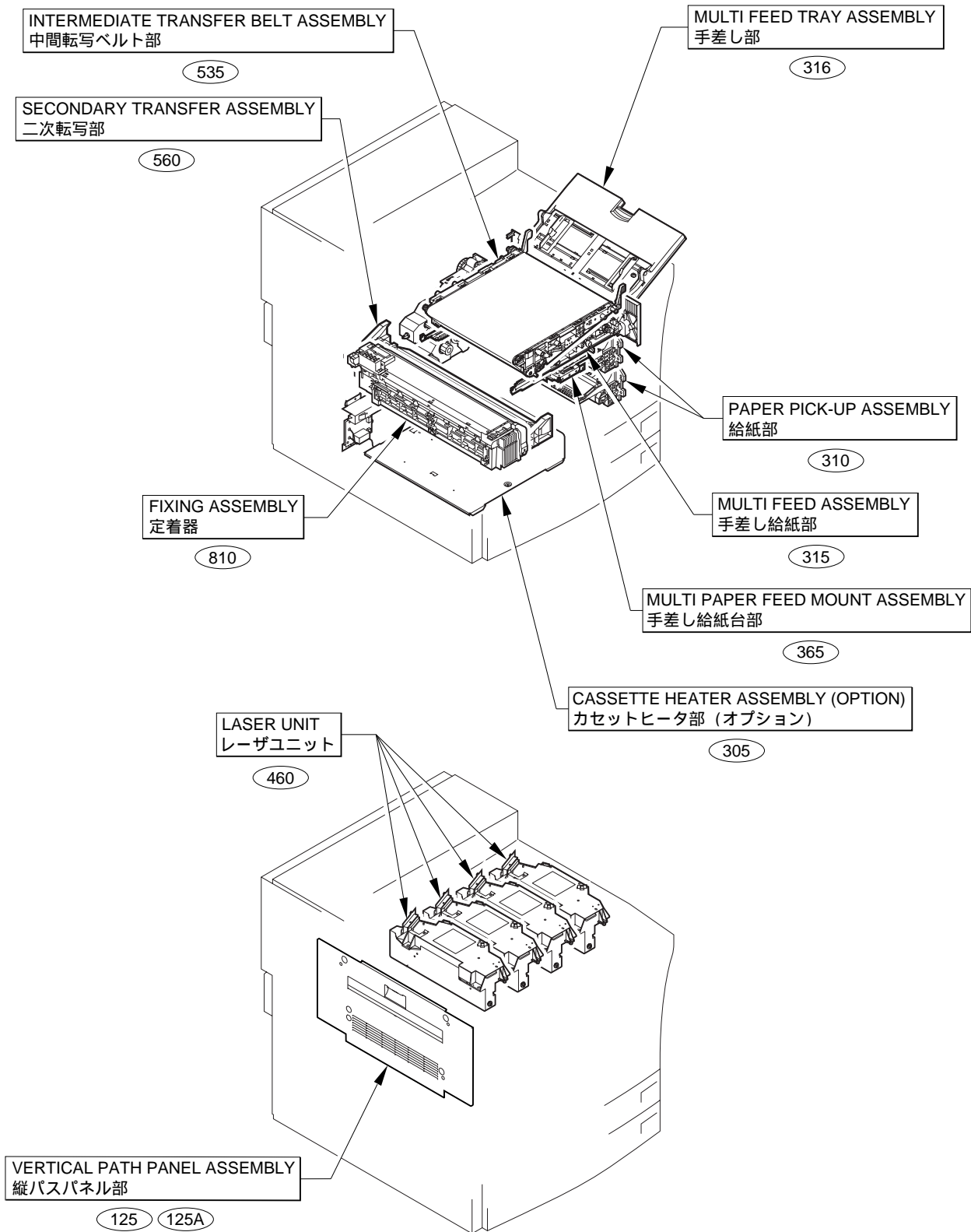


FIGURE A ASSEMBLY LOCATION DIAGRAM (3/5)
 主要部品配置図 (3/5)

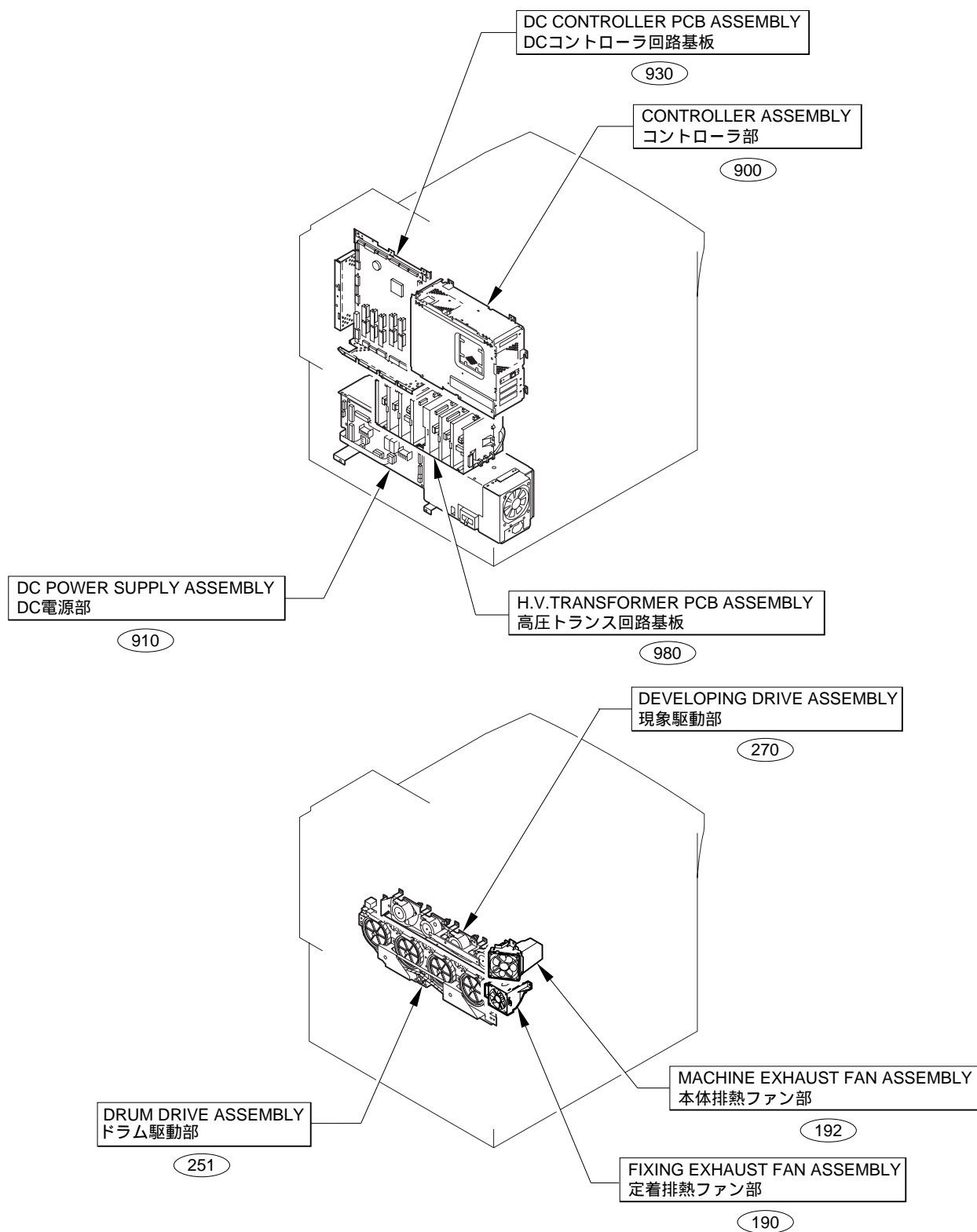
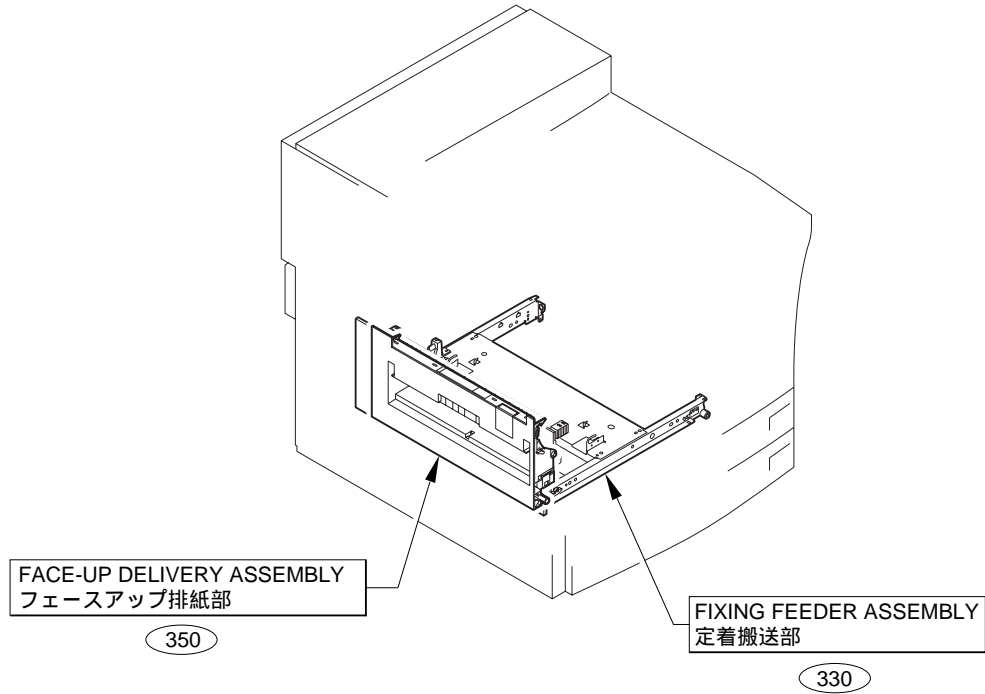


FIGURE A ASSEMBLY LOCATION DIAGRAM (4/5) 主要部品配置図 (4/5)

PLAIN TYPE



DUPLEX TYPE

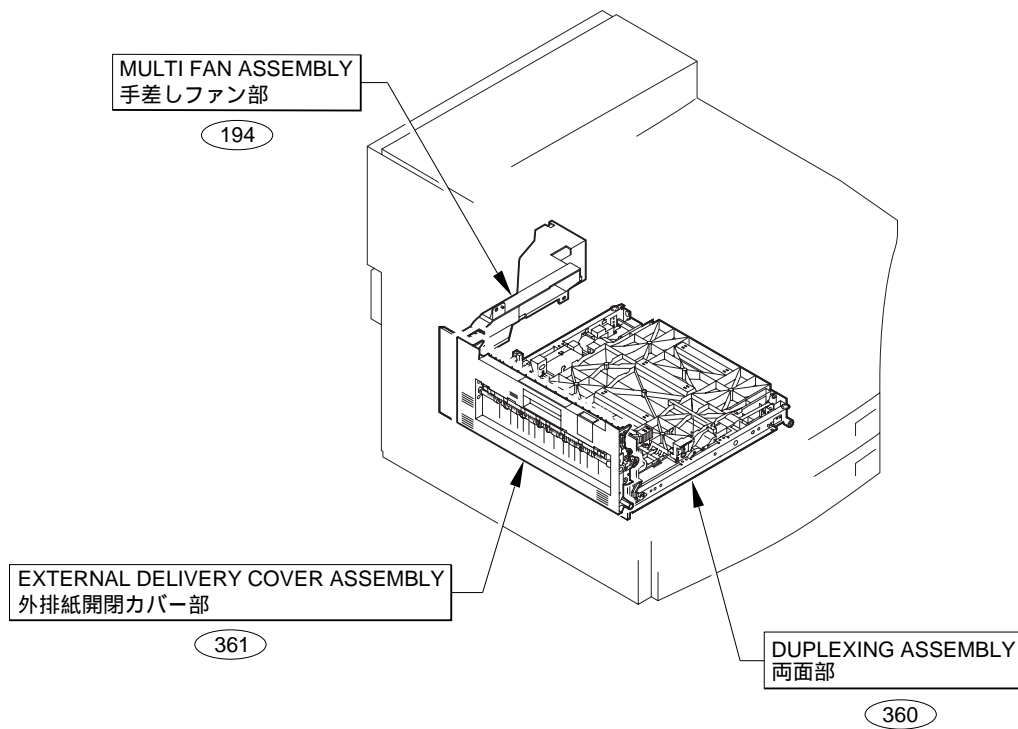


FIGURE A ASSEMBLY LOCATION DIAGRAM (5/5)
主要部品配置図 (5/5)

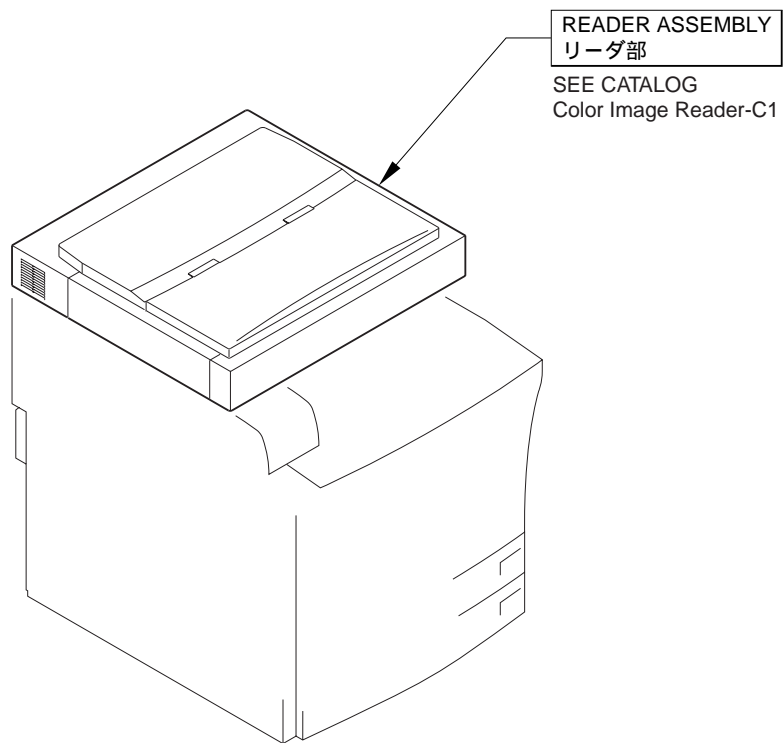


FIGURE 100 EXTERNAL COVERS, PANELS, ETC.

外装カバー

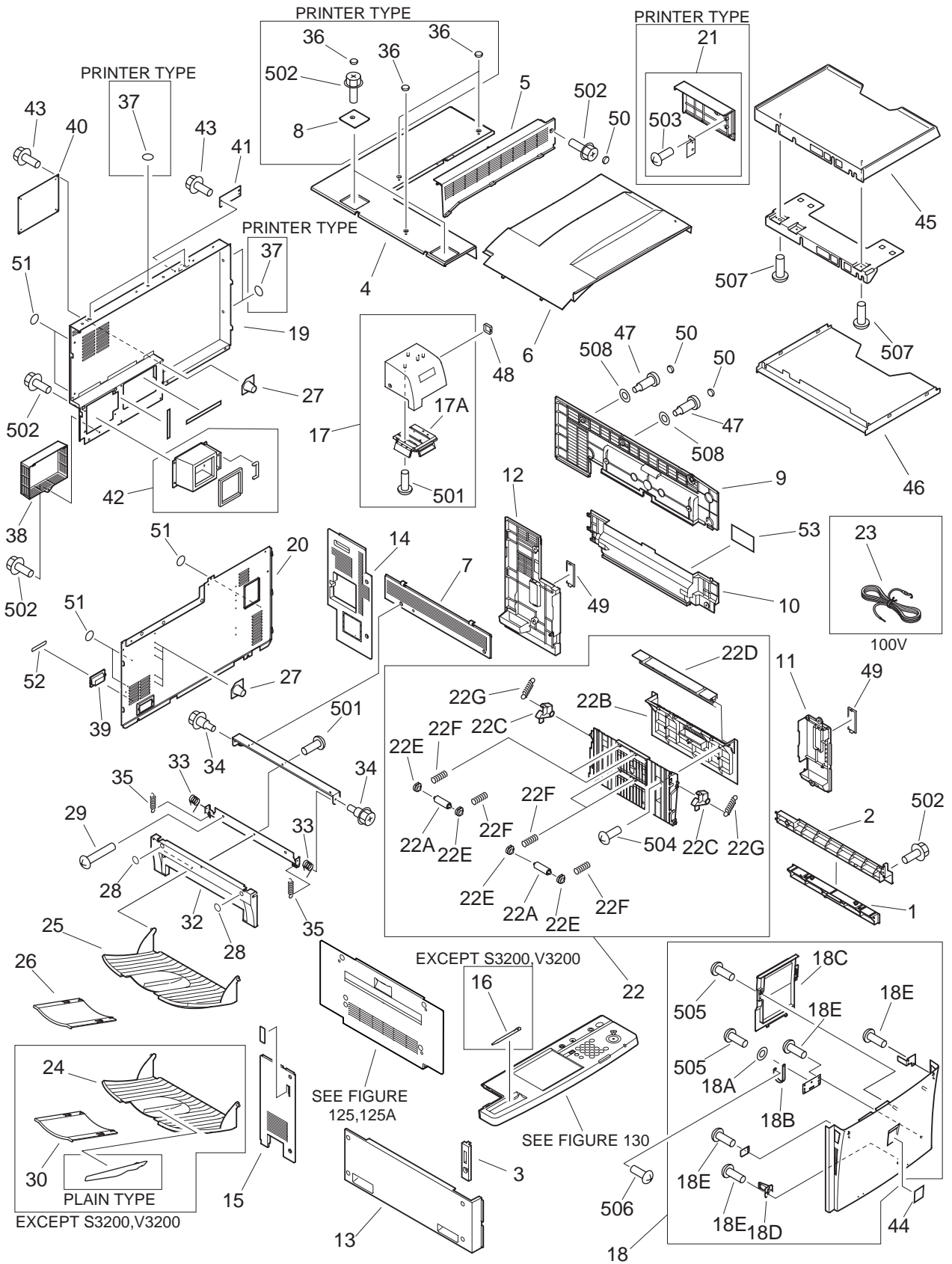


FIGURE & KEY NO.	PART NUMBER	RANK	QTY	DESCRIPTION	SERIAL NUMBER / REMARKS
100 -	NPN		RF	EXTERNAL COVERS, PANELS, ETC. 外装カバー	
1	FB6-3443-000		1	RIGHT PANEL, LOWER 右カバー (下)	
2	FB6-3504-000		1	RIGHT PANEL, LOWER 右カバー (下)	
3	FB6-3722-000		1	PANEL, PAPER DELIVERY, SMALL 排紙カバー (小)	
4	FB6-3765-000		1	UPPER PANEL, 1 上カバー (1)	
5	FB6-3766-000		1	UPPER PANEL, 2 上カバー (2)	
6	FB6-3767-000		1	TRAY, FACE-DOWN フェースダウン トレイ	
7	FB6-3768-000		1	LEFT PANEL, UPPER 左カバー (上)	
8	FB6-3769-000		2	PANEL, SMALL, 1 小カバー (1)	PRINTER TYPE
9	FB6-3775-000		1	RIGHT PANEL, UPPER 右カバー (上)	
10	FB6-3776-000		1	RIGHT PANEL, MIDDLE 右カバー (中)	
11	FB6-3777-000		1	RIGHT PANEL, FRONT 右カバー (前)	
12	FB6-3778-000		1	RIGHT PANEL, REAR 右カバー (後)	
13	FB6-3785-000		1	LEFT PANEL, LOWER 左カバー (下)	
14	FB6-3834-000		1	LEFT PANEL, REAR UPPER 左カバー (後上)	EXCEPT S3200,V3200
	FB6-4870-000		1	LEFT PANEL, REAR UPPER 左カバー (後上)	S3200,V3200
15	FB6-3835-000		1	LEFT PANEL, REAR LOWER 左カバー (後下)	
16	FB6-3950-000		1	PEN, TOUCH PANEL タッチ パネル ペン	EXCEPT S3200,V3200
17	FG6-8927-000		1	UPPER PANEL, LEFT 上カバー (左)	
17A	FB6-3788-000		1	PANEL, CARD カード カバー	
18	FG6-8945-020		1	PANEL, FRONT 前カバー	
18A	FA2-7162-000		1	PLAIN WASHERS バンド ワッシャ	
18B	FB6-2973-000		1	TAPE, FRONT PANEL SUPPORT 前カバー支えテープ	
18C	FB6-2994-000		1	CASE, SERVICE サービス ケース	
18D	FB6-3139-000		1	CLAW, SWING 揺動爪	
18E	XA9-0605-000		8	SCREW,P,M4X8 P タイト ネジ	
19	FB6-3791-020		1	REAR PANEL, UPPER 後カバー (上)	
20	FB6-3792-000		1	REAR PANEL, LOWER 後カバー (下)	
21	FG6-9012-000		1	PANEL, RACK, SMALL ラック カバー (小)	PRINTER TYPE
22	FG6-9019-000		1	RIGHT DOOR ASSEMBLY 右扉部	

FIGURE & KEY NO.	PART NUMBER	RANK	QTY	DESCRIPTION	SERIAL NUMBER / REMARKS
100 - 22A	FB6-3313-000		4	ROLLER, PAPER FEED 従動ローラ	
22B	FB6-3503-000		1	PANEL, RIGHT 右カバー	
22C	FB6-3331-000		2	HOOK, DOOR 扉フック	
22D	FB6-3332-000		1	PANEL, DECK PATH デッキ パス カバー	
22E	FS5-1595-000		8	BLOCK, ROLLER ロ - ラ ジクウケ	
22F	FS7-2788-000		8	SPRING, COMPRESSION アッシュク バネ	
22G	FS7-2789-000		2	SPRING, TENSION ヒッパリ バネ	
23	FH2-5006-000		1	CABLE, GROUNDING ア - ス コ - ド	100V
24	FF6-2130-000		1	TRAY, DELIVERY, 1 排紙トレイ (1)	PLAIN TYPE EXCEPT S3200,V3200
	FB6-3561-000		1	TRAY, DELIVERY, 1 排紙トレイ (1)	DUPLEX TYPE
25	FB6-3561-000		1	TRAY, DELIVERY, 1 排紙トレイ (1)	
26	FB6-3562-000		1	TRAY, DELIVERY, 2 排紙トレイ (2)	
27	FB5-8385-000		6	CAP, DUST-PROOF ダスト キャップ	
28	FB2-4456-000		2	SEAL アナフサギ シ - ル	
29	XA9-0774-000		2	SCREW,RS,M4X16 R S タイト ネジ	
30	FB6-3562-000		1	TRAY, DELIVERY, 2 排紙トレイ (2)	EXCEPT S3200,V3200
32	FB6-3566-000		1	HOLDER, TRAY トレイ ホルダ	
33	FB6-3569-000		2	SPRING, TORSION ネジリ バネ	
34	FS5-9274-000		2	SCREW, STEPPED, M5X2.5 ダン ビス	
35	FS7-2855-000		2	SPRING, TENSION ヒッパリ バネ	
36	FB6-3771-000		7	COVER, RUBBER ゴム カバー	PRINTER TYPE
37	FC5-0166-000		5	SEAL, BLANKING 目隠しシール	PRINTER TYPE
38	FB6-3051-000		1	PANEL, EXHAUST 排熱カバー	
39	FB6-3105-000		1	PANEL, BREAKER ブレーカ カバー	
40	FB6-3106-000		1	PANEL, ASSIST アシスト カバー	
41	FB6-3793-000		1	PANEL, BLANKING, FAX 目隠しカバー (F A X)	
42	FF6-2132-000		1	DUCT, JOINT, FIXING 連結ダクト (定着)	
43	XA9-0633-000		6	SCREW,RS W/WASHER,M4X8 ザツキ ネジ	
44	FB6-3895-000		1	EMBLEM エンブレム	MLF,MLU
	FB6-3896-000		1	EMBLEM エンブレム	MLV,MLG

FIGURE & KEY NO.	PART NUMBER	RANK	QTY	DESCRIPTION	SERIAL NUMBER / REMARKS
100 - 44	FB6-5800-000		1	EMBLEM エンブレム	JFM,MLG 90001-90500
	FB6-4923-000		1	EMBLEM エンブレム	MLT,MLX,JCK,JCL,JBC JBQ,JCJ,JAF,RQY
	FB6-4890-000		1	EMBLEM エンブレム	MSK,MSL
	FB6-3894-000		1	EMBLEM エンブレム	MLH,MLW,MSN,SSY,RLZ, RQZ
	FB6-4920-000		1	EMBLEM エンブレム	UKF,QLZ,SLZ,TLZ,SSX
45	FB6-5450-000		1	TRAY, DOCUMENT, UPPER 原稿置き台(上)	
46	FB6-5451-000		1	TRAY, DOCUMENT, LOWER 原稿置き台(下)	
47	FS5-9161-000		2	SCREW, STEPPED, M4 ダンピス	
48	FB6-3006-000		1	CAP, BLANKING 目隠しキャップ	
49	FB6-3376-000		2	COVER, LATCH, RIGHT ラッチ板カバー(右)	
50	FB6-3771-000		3	COVER, RUBBER ゴム カバー	
51	FC5-0166-000		5	SEAL, BLANKING 目隠しシール	
52	FB6-3886-000		1	LABEL, BREAKER ON/OFF 漏電ブレーカON/OFFラベル	
53	FS7-8332-000		1	LABEL, LASER WARNING レーザー注意ラベル	
501	XB4-5300-807		AR	SCREW,P,M3X8 P タイト ネジ	
502	XB3-6400-800		AR	SCREW,RS,M4X8 RS タイト ネジ	
503	XB4-5400-807		2	SCREW,P,M4X8 P タイト ネジ	PRINTER TYPE
504	XB4-5401-007		5	SCREW,P,M4X10 P タイト ネジ	
505	XB1-2400-807		3	SCREW,MACH.,TRUSS HEAD,M4X8 バインド ネジ	
506	XA9-0783-000		1	SCREW,RS,M4X12 RS タイト セムス ネジ	
507	XB4-7300-609		2	SCREW,TAPPING,TRUSS HEAD,M3X6 バインド タッピン ネジ	
508	XD1-1108-239		2	SHIM ヒヨウジュン ワッシャ	

FIGURE 101

MACHINE FRONT PLATE 本体前側板

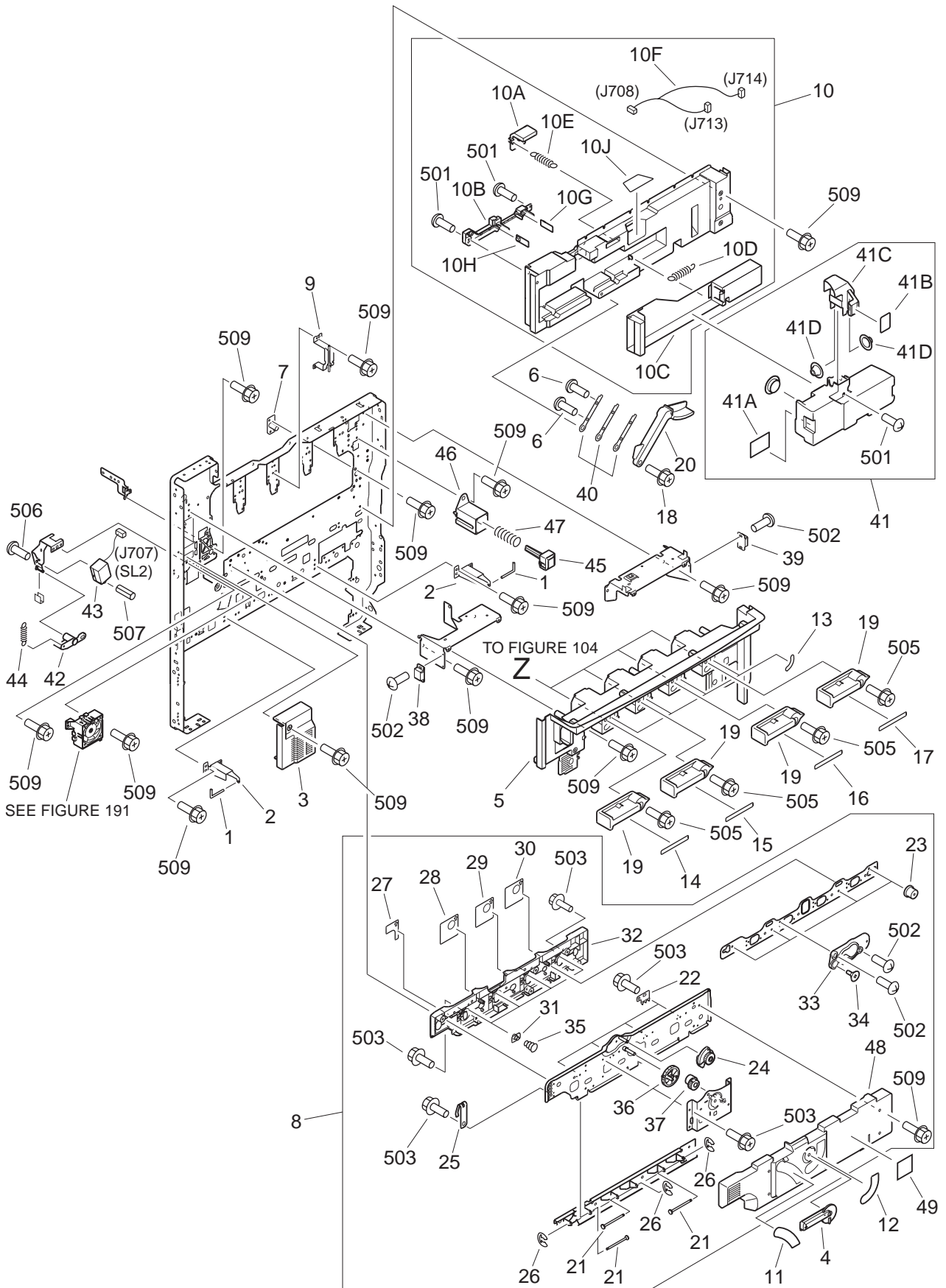


FIGURE & KEY NO.	PART NUMBER	RANK	QTY	DESCRIPTION	SERIAL NUMBER / REMARKS
101 -	NPN		RF	MACHINE FRONT PLATE 本体前側板	
1	FB1-7173-000		2	PIN, HINGE ヒンジ ピン	
2	FB6-2990-000		2	HINGE, FRONT PANEL 前カバー ヒンジ	
3	FB6-3158-000		1	COVER, CLEANING FAN クリーナ ファン カバー	
4	FB6-3195-000		1	HANDLE, DRUM UNIT ドラム ユニット ハンドル	
5	FB6-3196-000		1	COVER, INTERNAL, UPPER 内カバー (上)	
6	XA9-0838-000		2	SCREW, W/WASHER, M4X16 バネツキ バインド ネジ	
7	FF6-2038-000		1	PLATE, POSITIONING 位置決めピン	
8	FG6-9000-000		1	DRUM UNIT COVER ASSEMBLY ドラム ユニット カバー部	
9	FF6-2085-000		1	SUPPORT, LEAD CAM リード カム支板	
10	FG6-8991-000		1	INTERNAL COVER, LOWER 内カバー (下)	
10A	FB6-3124-000		1	FLAG, BOTTLE DETECT ボトル検知フラグ	
10B	FB6-3127-000		1	COVER, SENSOR センサ カバー	
10C	FF6-2114-000		1	COVER, SWING 揺動カバー	
10D	FS7-2844-000		1	SPRING, TENSION ヒツパリ バネ	
10E	FS7-2845-000		1	SPRING, TENSION ヒツパリ バネ	
10F	FG3-2314-000		1	CABLE, WASTE TONER SENSOR 廃トナー検知束線	J708,713,714
10G	FG3-2374-000		1	WASTE TONER SENSOR PCB ASS'Y 廃トナー満検回路基板 (発光)	
10H	FG3-2375-000		1	WASTE TONER SENSOR PCB ASS'Y 廃トナー満検回路基板 (受光)	
10J	FB6-3862-000		1	LABEL, ITB LOCK LEVER ITBロック レバー位置指示ラベル	
11	FB6-3827-000		1	LABEL, ITB LOCK LEVER POSITION ITB ロック レバー位置指示ラベル	
12	FB6-3828-020		1	LABEL, PROCESS HANDLE POSITION プロセス ハンドル位置指示ラベル	
13	FB6-3829-000		4	LABEL, T.CRG. LEVER POSITION トナーCRGレバー位置指示ラベル	
14	FB6-3830-000		1	COLOR LABEL, LEVER, YELLOW レバー色ラベル (イエロー)	
15	FB6-3831-000		1	COLOR LABEL, LEVER, MAGENTA レバー色ラベル (マゼンタ)	
16	FB6-3832-000		1	COLOR LABEL, LEVER, CYAN レバー色ラベル (シアン)	
17	FB6-3833-000		1	COLOR LABEL, LEVER, BLACK レバー色ラベル (ブラック)	
18	XA9-0721-000		1	SCREW, RS, M4X10 RS タイト ネジ	
19	FG6-9005-000		4	LEVER, TONER CARTRIDGE トナー容器レバー	
20	FB6-2987-000		1	LEVER, TRANSFER PRESSURE 転写加圧レバー	

FIGURE & KEY NO.	PART NUMBER	RANK	QTY	DESCRIPTION	SERIAL NUMBER / REMARKS
101 - 21	FB2-7867-020		3	SHAFT, HINGE ヒンジ ジク	
22	FB6-3199-000		4	PLATE, CONTACT 接点板	
23	FB6-3202-000		4	BUSHING ブッシング	
24	FB6-3203-000		1	CAM, LEAD リード カム	
25	FB6-3205-000		1	PLATE, GROUNDING アース板	
26	FB6-3207-000		3	RING, HINGE SHAFT STOP ヒンジ軸ストッパ リング	
27	FB6-3819-020		1	LABEL, COLOR, YELLOW 色ラベル (イエロー)	
28	FB6-3820-020		1	LABEL, COLOR, YELLOW/MAGENTA 色ラベル (イエロー / マゼンタ)	
29	FB6-3821-020		1	LABEL, COLOR, MAGENTA/CYAN 色ラベル (マゼンタ / シアン)	
30	FB6-3822-020		1	LABEL, COLOR, CYAN/BLACK 色ラベル (シアン / ブラック)	
31	FF6-2099-000		4	PIN, THRUST スラスト ピン	
32	FF6-2110-000		1	GUIDE, DRUM UNIT DOOR ドラム ユニット扉ガイド	
33	FS5-6949-000		4	SPACER スペーサ	
34	FS5-9754-000		4	SCREW, MACH., C.S. HEAD, M3X4.5 サラ ネジ	
35	FS7-2826-000		4	SPRING, COMPRESSION アッシュク バネ	
36	FU3-0308-000		1	GEAR, 44T 44T ギア	
37	FU3-0309-000		1	GEAR, 22T 22T ギア	
38	XZ9-0428-000		1	MAGNET CATCH マグネット キャッチ	
39	XZ9-0428-000		1	MAGNET CATCH マグネット キャッチ	
40	FB6-2988-000		3	PLATE, LEVER REINFORCEMENT 把手補強板	
41	FG6-8992-020		1	BOTTLE, WASTE TONER 廃トナー ボトル	
41A	FB6-3882-020		1	LABEL, WASTE TONER WARNING 廃トナー注意ラベル	
41B	FB6-3860-000		1	LABEL, WASTE TONER BOTTLE 廃トナー ボトル ラベル	
41C	FB6-3129-000		1	GRIP, BOTTLE ボトル グリップ	
41D	FB6-3883-000		2	COVER, WASTE TONER SHIELD 廃トナー汚れ防止カバー	
42	FB6-3631-000		1	LINK, SOLENOID ソレノイド リンク	
43	FH6-5054-000		1	SOLENOID ソレノイド	SL2, J707
44	FS7-2833-000		1	SPRING, TENSION ヒツバリ バネ	
45	FB6-3282-000		1	BUTTON, CLEANING 清掃ボタン	
46	FB6-3283-000		1	HOLDER, CLEANING BUTTON 清掃ボタン ホルダ	

FIGURE 102 INTERNAL COMPONENTS 1

本体機械内部 (1)

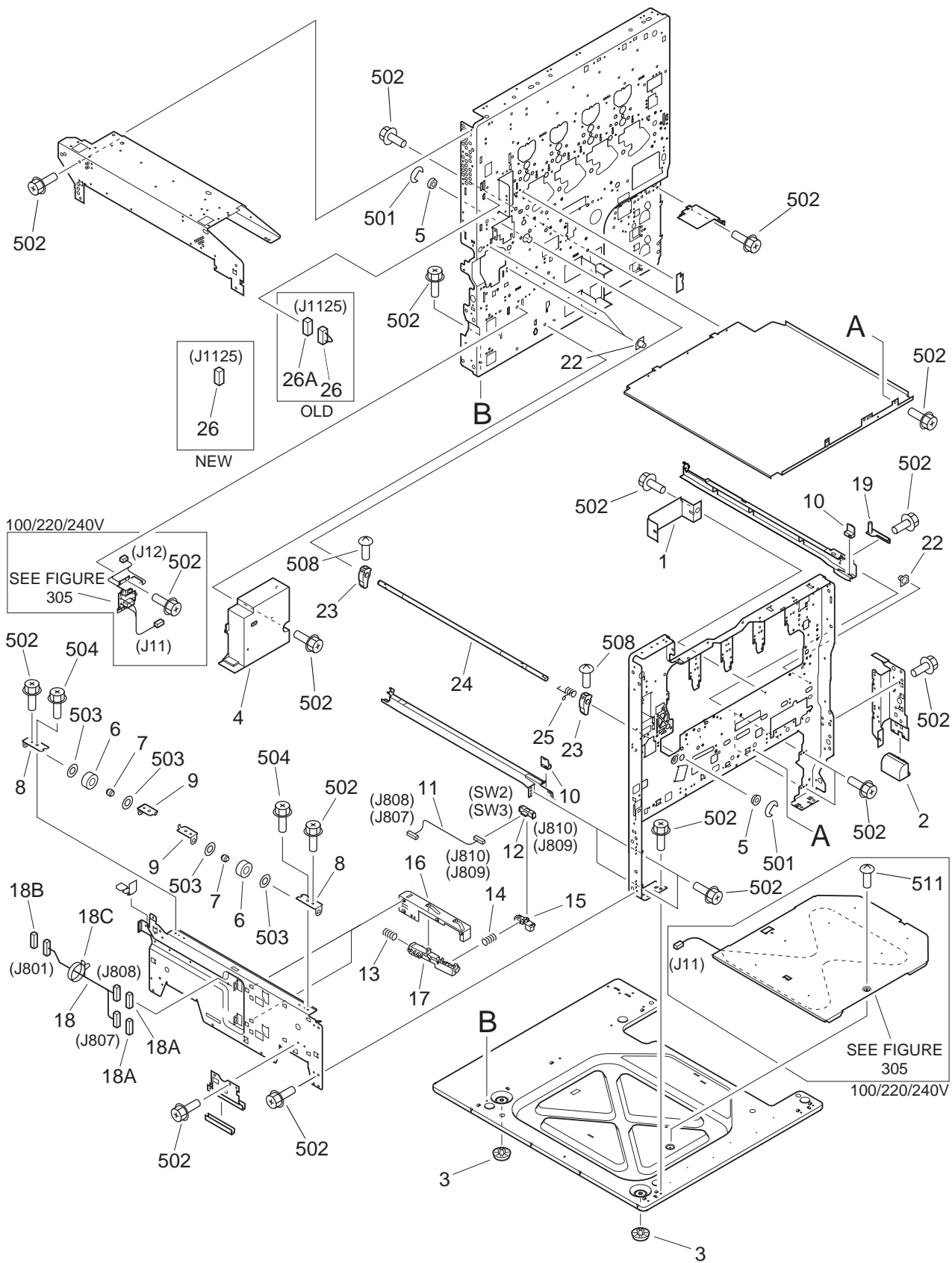


FIGURE & KEY NO.	PART NUMBER	RANK	QTY	DESCRIPTION	SERIAL NUMBER / REMARKS
102 -	NPN		RF	INTERNAL COMPONENTS 1 本体機械内部 (1)	
1	FB6-2992-000		1	PLATE, GROUNDING アース板	
2	FB6-3442-000		1	HANDLE, FRONT 把手 (前)	
3	XH9-0059-000		2	FOOT, RUBBER ゴム足	
4	FB6-5060-000		1	PANEL, HEATER PCB ヒータ基板カバー	
5	XG9-0476-000		2	BUSHING ブッシング	
6	XG9-0177-000		2	BEARING, BALL ベアリング	
7	FB6-3963-000		2	SHAFT, ROLLER コロ軸	
8	FB6-3962-000		2	SUPPORT, ROLLER, LOWER 搬送コロ支板 (下)	
9	FB6-3961-000		2	SUPPORT, ROLLER, UPPER 搬送コロ支板 (上)	
10	FB6-3507-000		4	BLOCK, SWING 揺動ブロック	
11	FG3-2348-000		2	CABLE, CASSETTE SIZE SENSOR カセット サイズ検知束線	J807,808 J809,810
12	WC2-5332-000		2	SWITCH, CASSETTE SIZE カセット サイズ スイッチ	SW2,3 J810,809
13	FS7-2808-000		2	SPRING, COMPRESSION アッシュク バネ	
14	FS7-2807-000		2	SPRING, COMPRESSION アッシュク バネ	
15	FB6-3494-000		2	HOLDER, SWITCH, 3 スイッチ ホルダ (3)	
16	FB6-3493-000		2	HOLDER, SWITCH, 2 スイッチ ホルダ (2)	
17	FB6-3492-000		2	HOLDER, SWITCH, 1 スイッチ ホルダ (1)	
18	FG3-2347-000		1	CABLE, LEFT LOWER CROSSMEMBER 左下ステイ束線	J801,807,808
18A	VS1-6318-005		2	CONNECTOR, SNAP TIGHT チュウケイ コネクタ	J807,808
18B	VS1-6318-010		1	CONNECTOR, SNAP TIGHT チュウケイ コネクタ	J801
18C	WT2-5565-000		1	CLAMP, CABLE ソクセン オサエ	
19	FF6-2063-000		2	PLATE, SIDE REGIST. ADJUSTMENT 横レジ調整板	
22	FB5-8385-000		4	CAP, DUST-PROOF ダスト キャップ	
23	FB6-2986-000		2	CAM, LOCK ロック カム	
24	FB6-2985-000		1	SHAFT, SWING 揺動軸	
25	FS7-2865-000		1	SPRING, TORSION ネジリ バネ	
26	FG9-3985-000		1	CONNECTOR, SHORT ショート コネクタ	OLD J1125
	VS1-6318-003		1	CONNECTOR, SNAP TIGHT チュウケイ コネクタ	NEW J1125
26A	VS1-6318-003		1	CONNECTOR, SNAP TIGHT チュウケイ コネクタ	OLD J1125

FIGURE & KEY NO.	PART NUMBER	RANK	QTY	DESCRIPTION	SERIAL NUMBER / REMARKS
102 - 501	XD2-1100-802		AR	RING,E E リング	
502	XB3-6400-800		AR	SCREW,RS,M4X8 RS タイト ネジ	
503	XD1-1106-222		4	SHIM ヒョウジュン ワッシャ	
504	XB3-6300-600		2	SCREW,RS,M3X6 RS タイト ネジ	
508	XB2-8401-607		2	SCREW,W/WASHER,M4X16 パネツキ バインド ネジ	
511	XB1-2400-407		1	SCREW,MACH.,TRUSS HEAD,M4X4 バインド ネジ	100/220/240V

FIGURE 103

INTERNAL COMPONENTS 2 本体機械内部 (2)

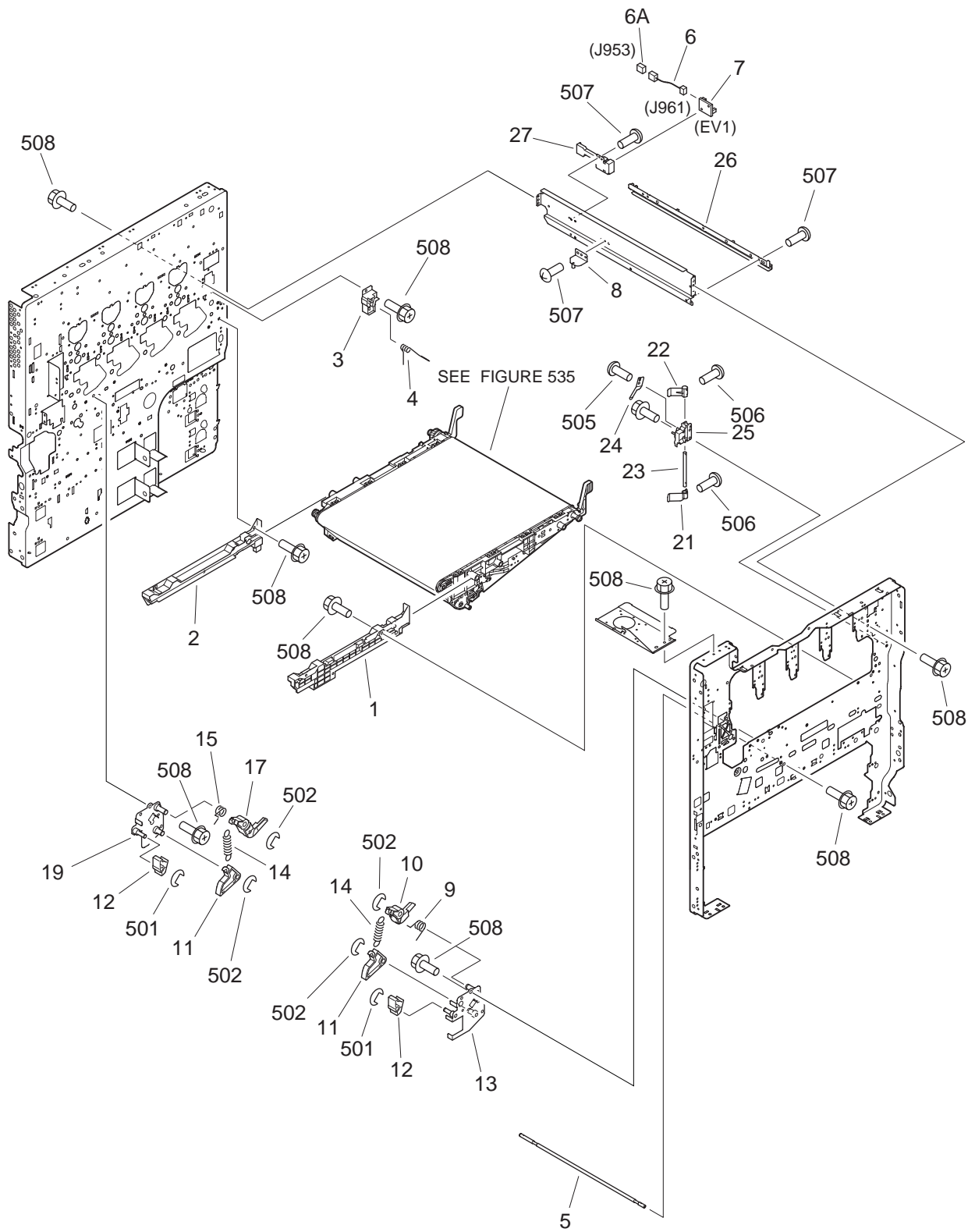


FIGURE & KEY NO.	PART NUMBER	RANK	QTY	DESCRIPTION	SERIAL NUMBER / REMARKS
103 -	NPN		RF	INTERNAL COMPONENTS 2 本体機械内部 (2)	
1	FB6-2991-000		1	RAIL, TRANSFER, FRONT 転写レール (前)	
2	FB6-2993-000		1	RAIL, TRANSFER, REAR 転写レール (後)	
3	FB6-3288-000		1	BLOCK, REG. SENSOR POSITION, R レジスト検知位置決めブロック (後)	
4	FB6-3289-000		1	SPRING, TORSION ネジリ バネ	
5	FB6-3371-000		1	SHAFT, POSITIONING 位置決め軸	
6	FG3-2319-000		1	CABLE, ENVIRONMENT SENSOR 環境センサ束線	J953,961
6A	VS1-6318-004		1	CONNECTOR, SNAP TIGHT チュウケイ コネクタ	J953
7	FH7-7602-000		1	ENVIRONMENT SENSOR UNIT 環境センサ ユニット	EV1 J961
8	FF6-2047-000		1	PLATE, OPEN/CLOSE PIN 開閉ピン板	
9	FB6-2960-000		1	SPRING, TORSION ネジリ バネ	
10	FB6-2961-000		1	ARM, PRESSURE, FRONT 加圧アーム (前)	
11	FB6-2965-000		2	LEVER, LOCK ロック レバー	
12	FB6-2968-000		2	CAM, SWING 揺動カム	
13	FF6-2016-000		1	SUPPORT, SWING SHAFT, FRONT 揺動軸支板 (前)	
14	FS7-2785-000		2	SPRING, TENSION ヒツパリ バネ	
15	FB6-2964-000		1	SPRING, TORSION ネジリ バネ	
17	FB6-2967-000		1	ARM, PRESSURE, REAR 加圧アーム (後)	
19	FF6-2017-000		1	SUPPORT, SWING SHAFT, REAR 揺動軸支板 (後)	
21	FB6-3278-000		1	CAM, CLEANING, 1 清掃カム (1)	
22	FB6-3279-000		1	CAM, CLEANING, 2 清掃カム (2)	
23	FB6-3280-000		1	SHAFT, CLEANING CAM 清掃カム軸	
24	FB6-3281-000		1	SPRING, LEAF 板バネ	
25	FB6-3277-000		1	BLOCK, REG. SENSOR POSITION, F レジスト検知位置決めブロック (前)	
26	FB6-3172-000		1	RAIL, DRUM UNIT ドラム ユニット レール	
27	FB6-3285-000		1	COVER, ENVIRONMENT SENSOR 環境センサ カバー	
501	XD2-1100-502		AR	RING, E E リング	
502	XD2-1100-642		AR	RING, E E リング	
505	XB4-5300-807		1	SCREW, P, M3X8 P タイト ネジ	
506	XB6-7300-807		2	SCREW, TP, M3X8 T P ネジ	

FIGURE & KEY NO.	PART NUMBER	R A N K	Q' T Y	DESCRIPTION	SERIAL NUMBER / REMARKS
103 - 507	XB6-7300-407		5	SCREW,TP,M3X4 T P ネジ	
508	XB3-6400-800		AR	SCREW,RS,M4X8 R S タイト ネジ	

FIGURE 104

INTERNAL COMPONENTS 3 本体機械内部 (3)

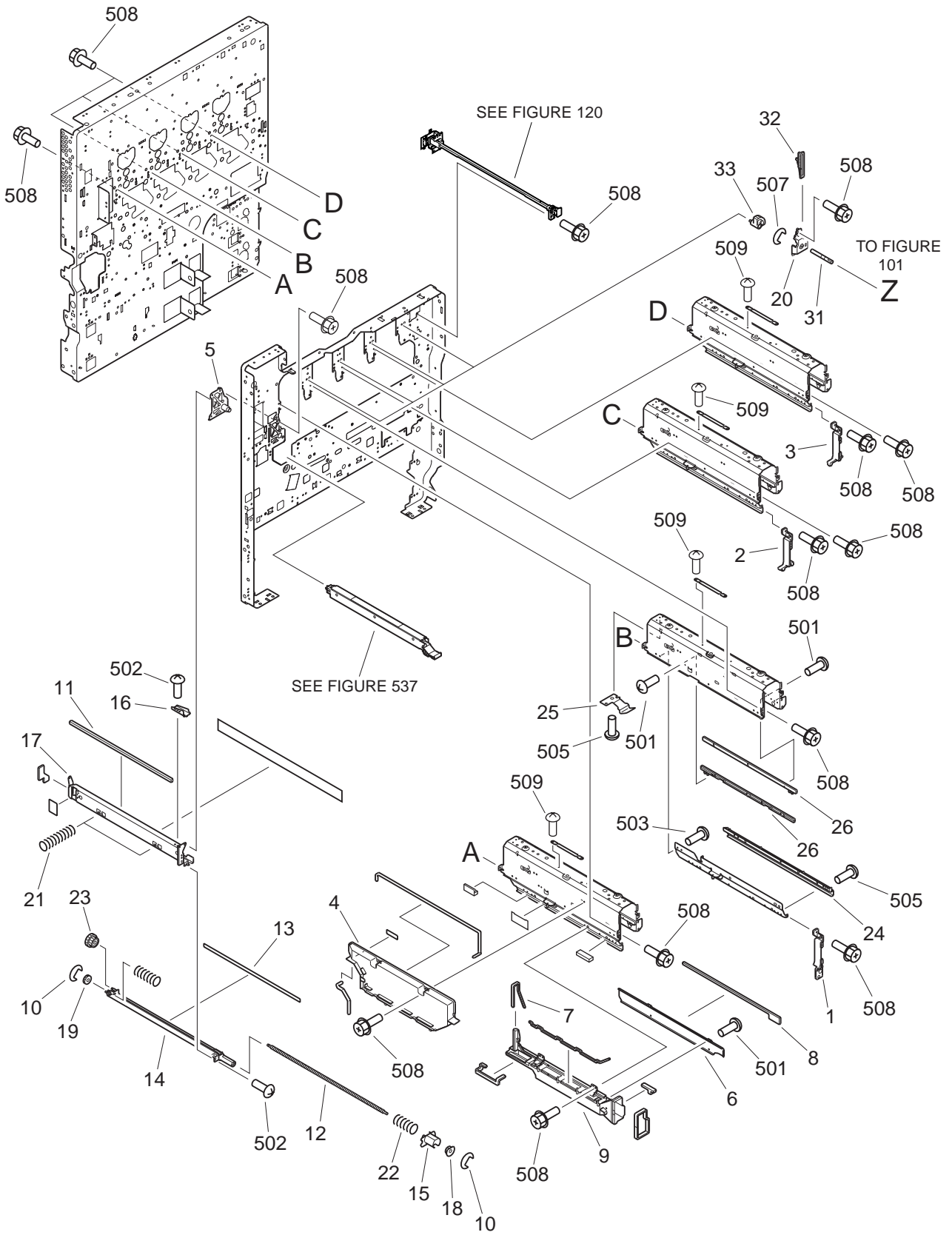


FIGURE & KEY NO.	PART NUMBER	RANK	QTY	DESCRIPTION	SERIAL NUMBER / REMARKS
104 -	NPN		RF	INTERNAL COMPONENTS 3 本体機械内部 (3)	
1	FB6-3187-000		1	RAIL, MAGENTA 色非互換レール (マゼンタ)	
2	FB6-3188-000		1	RAIL, CYAN 色非互換レール (シアン)	
3	FB6-3189-000		1	RAIL, BLACK 色非互換レール (ブラック)	
4	FF6-2107-000		1	DUCT, T. CARTRIDGE SIDE PLATE トナー容器側板ダクト	
5	FF6-2039-000		1	PLATE, POSITIONING, LEFT 位置決めピン (左)	
6	FB6-3800-000		1	PLATE, DUCT SEPARATION ダクト仕切り板	
7	FB6-3801-000		1	SEAL, DUCT, 1 ダクト シール (1)	
8	FB6-3807-000		1	SEAL, DUCT, 7 ダクト シール (7)	
9	FF6-2106-000		1	DUCT, DRUM UNIT ドラム ユニット ダクト	
10	FA3-8727-000		2	RING, RETAINING 止め輪	
11	FB6-3116-000		1	SEAL, DUCT, UPPER ダクト シール (上)	
12	FB6-3117-000		1	FEEDSCREW 搬送スクリュー	
13	FB6-3118-000		1	SHEET スクイ シート	
14	FB6-3119-000		1	CASE, FEEDSCREW スクリュー ケース	
15	FB6-3120-000		1	SHUTTER, CLEANING クリーナ シャッター	
16	FB6-3152-000		1	GUIDE ガイド	
17	FF6-2033-000		1	RAIL, CLEANING SUPPORT クリーナ支持レール	
18	FS6-1060-000		1	BUSHING ブッシング	
19	FS7-0579-000		1	GEAR, 25T 2 5 T ギア	
20	FB6-3190-000		4	BLOCK, TONER CARTRIDGE LEVER トナー容器レバー支持ブロック	
21	FS7-2842-000		2	SPRING, COMPRESSION アッシュク パネ	
22	FS7-2843-000		1	SPRING, COMPRESSION アッシュク パネ	
23	FU3-0343-000		1	GEAR, 28T/28T 2 8 T / 2 8 T ギア	
24	FB6-3172-000		4	RAIL, DRUM UNIT ドラム ユニット レール	
25	FB6-3173-000		4	PLATE, TONER CARTRIDGE LOCK トナー容器ロック板	
26	FB6-3175-000		8	RAIL, TONER CARTRIDGE トナー容器レール	
31	FB6-3192-000		4	SHAFT, TONER CARTRIDGE LEVER トナー容器レバー軸	
32	FB6-3193-000		4	BAR, SLIDE スライド バー	
33	FU3-0345-000		4	GEAR, 32T 3 2 T ギア	

FIGURE 105

INTERNAL COMPONENTS 4 本体機械内部 (4)

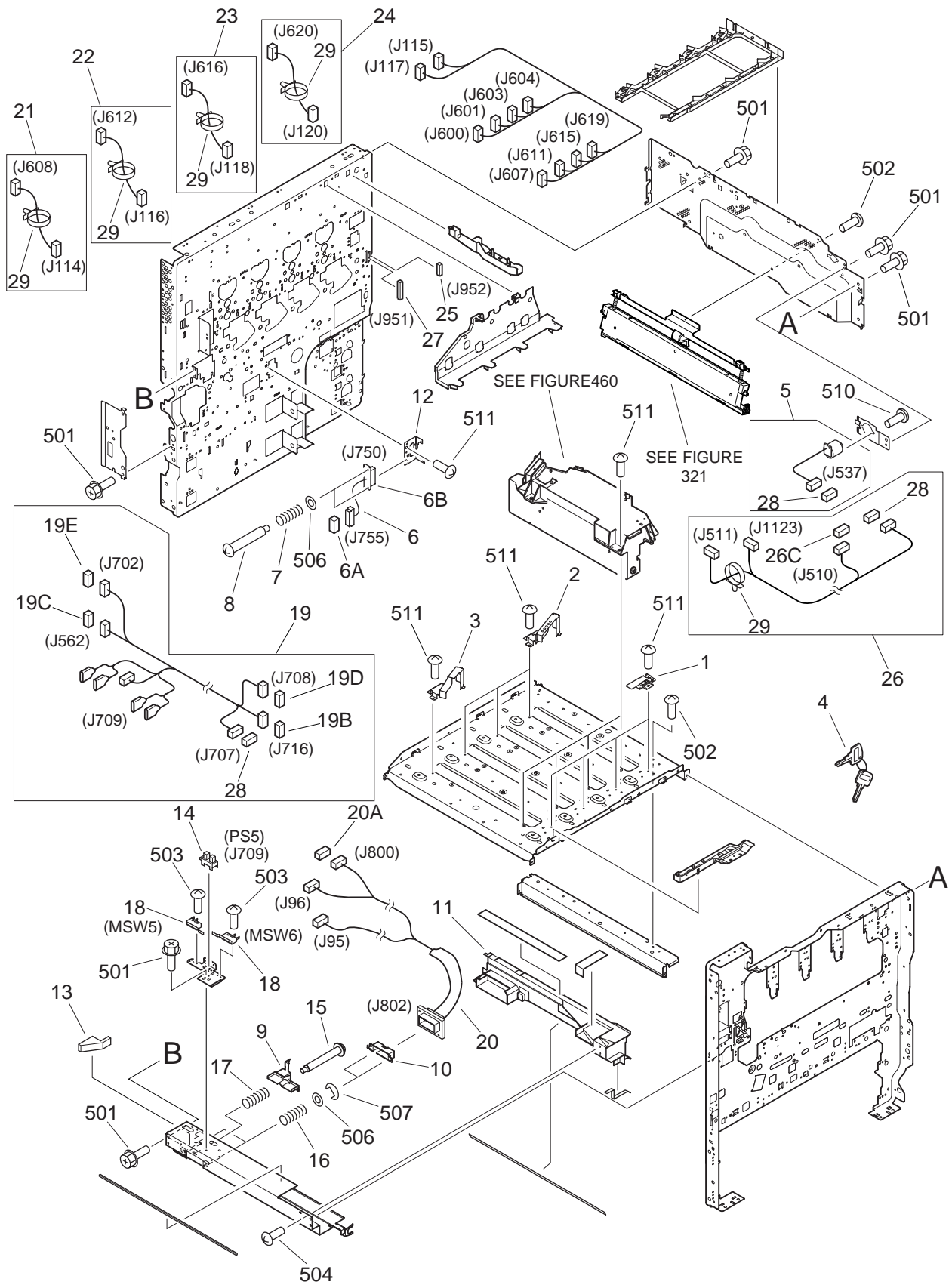


FIGURE & KEY NO.	PART NUMBER	RANK	QTY	DESCRIPTION	SERIAL NUMBER / REMARKS
105 -	NPN		RF	INTERNAL COMPONENTS 4 本体機械内部 (4)	
1	FB6-3261-000		4	PLATE, SCANNER ADJUSTMENT スキャナ傾き調整板	
2	FB6-3262-000		3	COVER, LASER, 1 レーザ カバー (1)	
3	FB6-3263-000		1	COVER, LASER, 2 レーザ カバー (2)	
4	FF2-5915-000		1	KEY, SWITCH スイッチ キ -	
5	FG3-3004-000		1	CABLE, KEY SWITCH キー スイッチ束線	J537
6	FG3-2346-000		1	CABLE, DRAWER ドロワ束線	J750,755
6A	VS1-6319-030		1	CONNECTOR, SNAP TIGHT チュウケイ コネクタ	J755
6B	VS1-6919-031		1	CONNECTOR, DRAWER ドロア コネクタ	J750
7	FS7-2796-000		2	SPRING, COMPRESSION アッシュク バネ	
8	FS5-9758-000		2	SCREW, STEPPED, M3 段ビス	
9	FB6-3143-020		1	FLAG, FIXING/FEEDER SENSOR 定搬検知フラグ	
10	FB6-3145-000		1	COVER, DRAWER CONNECTOR ドロア カバー	
11	FF6-2034-000		1	DUCT, CLEANING クリーナ ダクト	
12	FB6-3366-000		1	MOUNT, DRAWER CABLE ドロア束線台	
13	FB6-3839-000		1	SEAL, DUCT ダクト シール	
14	FH7-7462-000		1	PHOTO-INTERRUPTER フォトインタラプタ	PS5 J709
15	FS5-9760-000		1	SCREW, RS STEPPED, M3 RS タイト 段ビス	
16	FS7-2848-000		2	SPRING, COMPRESSION アッシュク バネ	
17	FS7-2853-000		1	SPRING, COMPRESSION アッシュク バネ	
18	RH7-6037-000		2	SWITCH, INTERLOCK インターロック スイッチ	MSW5,6
19	FG3-2309-000		1	CABLE, FIXING CROSSMEMBER 定着上ステイ束線	J562,702,707-709,716
19B	VS1-5057-003		1	CONNECTOR, SNAP TIGHT チュウケイ コネクタ	J716
19C	VS1-5057-004		1	CONNECTOR, SNAP TIGHT チュウケイ コネクタ	J562
19D	VS1-5057-005		1	CONNECTOR, SNAP TIGHT チュウケイ コネクタ	J708
19E	VS1-6318-013		1	CONNECTOR, SNAP TIGHT 中継コネクタ	J702
20	FG3-2310-000		1	CABLE, FIXING DRAWER 定着ドロア束線	J95,96,800,802
20A	VS1-6318-011		1	CONNECTOR, SNAP TIGHT チュウケイ コネクタ	J800
21	FG3-2352-000		1	CABLE, SCANNER, YELLOW 本体スキャナ束線 (イエロー)	J114,608
22	FG3-2353-000		1	CABLE, SCANNER, MAGENTA 本体スキャナ束線 (マゼンタ)	J116,612

FIGURE & KEY NO.	PART NUMBER	RANK	QTY	DESCRIPTION	SERIAL NUMBER / REMARKS
105 - 23	FG3-2354-000		1	CABLE, SCANNER, CYAN 本体スキャナ束線 (シアン)	J118,616
24	FG3-2364-000		1	CABLE, SCANNER, BLACK 本体スキャナ束線 (ブラック)	J120,620
25	VS1-6318-006		1	CONNECTOR, SNAP TIGHT チュウケイ コネクタ	J952
26	FG3-3005-000		1	CABLE, CONTROLLER 操作部束線	J510,511,537,1123
26C	VS1-6319-036		1	CONNECTOR, SNAP TIGHT 中継コネクタ	J510
27	VS1-6318-014		1	CONNECTOR, SNAP TIGHT 中継コネクタ	J951
28	VS1-5057-002		3	CONNECTOR, SNAP TIGHT チュウケイ コネクタ	J537,707
29	WT2-5565-000		5	CLAMP, CABLE ソクセン オサエ	
501	XB3-6400-800		AR	SCREW,RS,M4X8 RS タイト ネジ	
502	XB1-2400-607		AR	SCREW,MACH.,TRUSS HEAD,M4X6 バインド ネジ	
503	XB2-4231-209		4	SCREW,W/WASHER,M2.3X12 バネツキ ナベ ネジ	
504	XB2-8400-807		2	SCREW,W/WASHER,M4X8 バネツキ バインド ネジ	
506	XD1-1104-135		AR	SHIM ヒョウジュン ワッシャ	
507	XD2-1100-242		2	RING,E E リング	
510	XB4-6260-807		2	SCREW,TAPPING,PAN HEAD,M2.6X8 ナベ タッピン ネジ	
511	XB2-8301-009		AR	SCREW,W/WASHER,M3X10 バネツキ バインド ネジ	

FIGURE 106 INTERNAL COMPONENTS 5
 本体機械内部 (5)

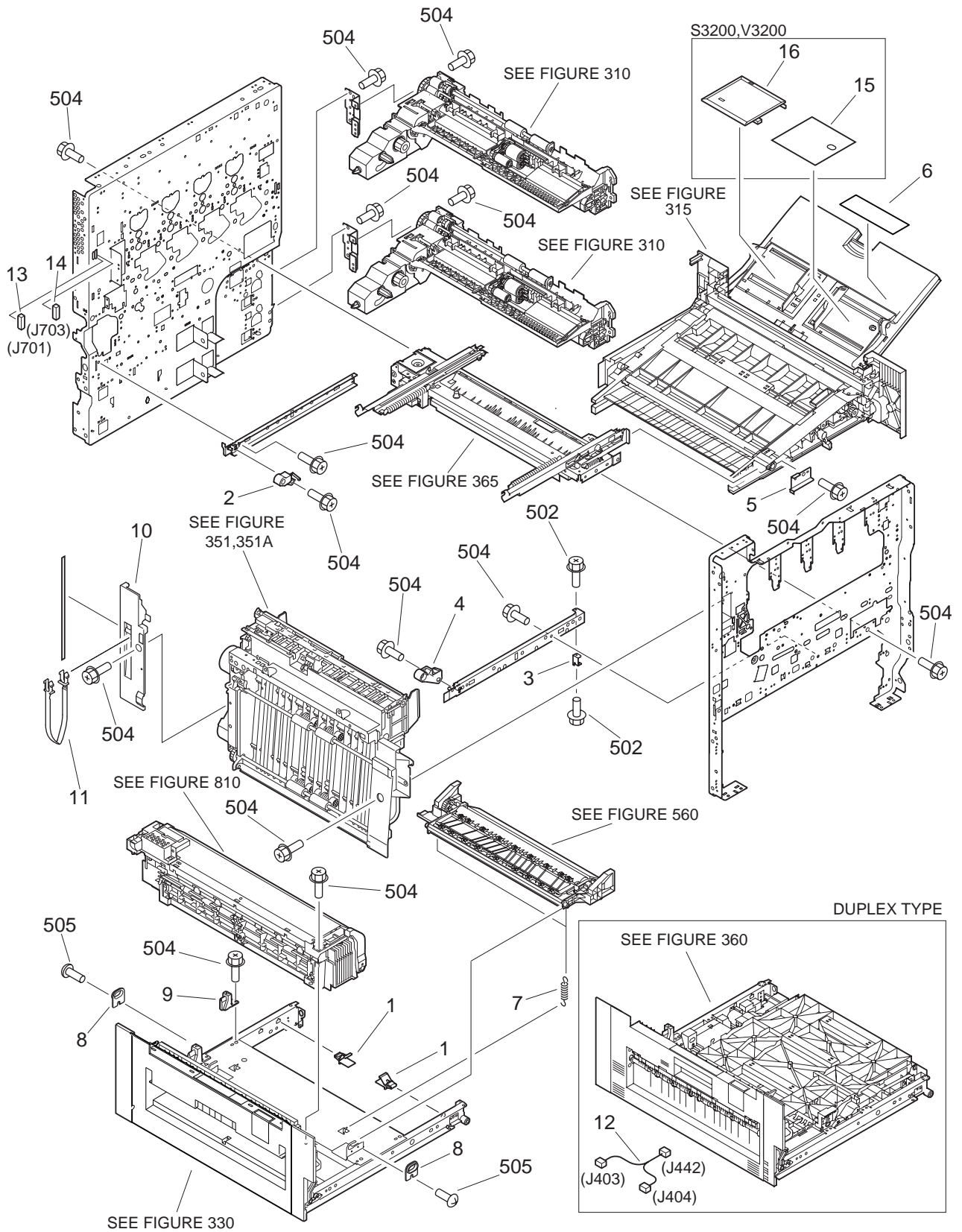


FIGURE & KEY NO.	PART NUMBER	RANK	QTY	DESCRIPTION	SERIAL NUMBER / REMARKS
106 -	NPN		RF	INTERNAL COMPONENTS 5 本体機械内部 (5)	
1	FB6-3679-000		2	BLOCK, FIXING/FEEDER STOP 定搬ストッパ	
2	FB6-3933-000		1	ARM, CLICK, REAR クリック アーム (後)	
3	FB6-3232-000		1	PLATE, STOP 突き当て板	
4	FB6-3932-000		1	ARM, CLICK, FRONT クリック アーム (前)	
5	FB6-3316-000		1	PLATE, REGISTRATION STOP レジスト ストッパ板	
6	FB6-3526-000		1	LABEL, SIZE, MANUAL FEED 手差しサイズ ラベル	JPN EXCEPT S3200,V3200
	FB6-4867-000		1	LABEL, SIZE, MANUAL FEED 手差しサイズ ラベル	JPN S3200,V3200
	FB6-3527-000		1	LABEL, SIZE, MANUAL FEED 手差しサイズ ラベル	US
	FB6-3528-000		1	LABEL, SIZE, MANUAL FEED 手差しサイズ ラベル	EURO
	FB6-3529-000		1	LABEL, SIZE, MANUAL FEED 手差しサイズ ラベル	GENE
7	FS7-2847-000		2	SPRING, TENSION ヒツパリ バネ	
8	FB6-3689-000		2	BUSHING, SLIDE SHAFT スライド軸ブッシング	
9	FB6-3693-000		1	BRACKET, FIXING 定着器着脱ガイド	
10	FF6-2141-000		1	PANEL, DELIVERY, INTERNAL 排紙カバー (内)	
11	RB1-6484-000		1	STOPPER, OPEN/CLOSE カイヘイ ストッパ	
12	FG3-2299-000		1	CABLE, DUPLEXING CONNECT 本体両面基板束線	DUPLEX TYPE J403,404,442
13	VS1-6318-009		1	CONNECTOR, SNAP TIGHT チュウケイ コネクタ	J701
14	VS1-6318-012		1	CONNECTOR, SNAP TIGHT 中継コネクタ	J703
15	FB6-4868-000		1	LABEL, POSTCARD SET はがきセット ラベル	S3200,V3200
16	FB6-4869-000		1	GUIDE, SIZE FIXING サイズ固定ガイド	S3200,V3200
502	XB3-6300-800		2	SCREW,RS,M3X8 R S タイト ネジ	
504	XB3-6400-800	AR	2	SCREW,RS,M4X8 R S タイト ネジ	
505	XA9-1401-000		2	SCREW,P,M3X10 P タイト ネジ	DUPLEX TYPE
	XB3-6300-800		2	SCREW,RS,M3X8 R S タイト ネジ	PLAIN TYPE

FIGURE & KEY NO.	PART NUMBER	RANK	QTY	DESCRIPTION	SERIAL NUMBER / REMARKS
107 -	NPN		RF	MACHINE REAR PLATE 1 本体後側板 (1)	
1	FB6-3440-000		1	HANDLE, REAR 把手 (後)	
2	FG6-8956-000		1	DUCT, ELECTRICAL EXHAUST 電装排気ダクト	
2A	FB6-3169-000		1	DUCT, EXHAUST, SMALL 電装排気ダクト (小)	
3	FG3-2345-000		1	MEMORY PCB ASSEMBLY メモリ回路基板	
4	FH7-7312-000		1	PHOTO-INTERRUPTER フォトインタラプタ	PS28 J768
5	FG3-2383-000		1	CABLE, REGIST. MULTI SENSOR レジスト マルチ センサ束線	J720,768
5A	VS1-5057-004		1	CONNECTOR, SNAP TIGHT チュウケイ コネクタ	J720
6	FG6-9015-000		1	DOUBLE SWITCH PCB ASSEMBLY 2連スイッチ回路基板	
7	FH7-6357-000		1	SWITCH, MAIN メイン スイッチ	SW1
8	FG3-2366-000		1	CABLE, MAIN SWITCH メイン スイッチ束線	J10
9	XA9-1030-000		AR	SCREW, RS, M4X12 RS タイト ネジ	
501	XB2-4300-607		8	SCREW,W/WASHER,M3X6 バネツキ ナベ ネジ	
502	XB3-6300-800		1	SCREW,RS,M3X8 RS タイト ネジ	
503	XB1-2400-607		3	SCREW,MACH.,TRUSS HEAD,M4X6 バインド ネジ	
504	XB3-6400-800		AR	SCREW,RS,M4X8 RS タイト ネジ	

FIGURE & KEY NO.	PART NUMBER	RANK	QTY	DESCRIPTION	SERIAL NUMBER / REMARKS
108 -	NPN		RF	MACHINE REAR PLATE 2 本体後側板 (2)	
1	FB6-3109-000		1	SUPPORT, LOWER PANEL 下カバー支持板	
2	FF6-2100-000		1	SUPPORT, RAIL ROTATING レール回転支板	
3	FG6-8946-000		1	CABLE, TRANSFER H.V. TERMINAL 転写高圧端子台束線	J83
4	FH2-6552-000		1	COVER, CONNECTOR コネクタ カバー	
5	FB6-3137-000		1	BLOCK, DISPATCHING 給電ブロック	
6	FB6-3138-000		1	PLATE, HV CONTACT, 1 高圧板 (1)	
7	FB6-3156-000		1	PLATE, GROUNDING, 1 アース板 (1)	
8	FH2-9249-000		1	CABLE, SECONDARY TRANSFER HV 二次転写高圧束線	
9	FG3-2350-000		1	CABLE, READER LATTICE リーダー ラティス束線	J561,565
10	FG3-2351-000		1	CABLE, C. PEDESTAL LATTICE カセット ペディスタル ラティス束線	J558,950,962,963
10A	VS1-5820-002		1	CONNECTOR, SNAP TIGHT チュウケイ コネクタ	J558
10B	VS1-5820-007		1	CONNECTOR, SNAP TIGHT チュウケイ コネクタ	J962
10C	VS1-5820-008		1	CONNECTOR, SNAP TIGHT チュウケイ コネクタ	J963
11	FG6-9671-000		1	DUPLEXING DRIVER PCB ASSEMBLY 両面ドライバ回路基板	DUPLEX TYPE
12	XA9-0782-000		1	SCREW, M4X8 タップタイト セムスネジ	
13	FH2-5824-000		1	COVER, CONNECTOR, 1 コネクタ カバ (1)	PRINTER TYPE
14	FG3-2390-000		1	CABLE, DC CONTROLLER MOUNT DCコントローラ台束線	J111,769
501	XB3-6400-800		AR	SCREW,RS,M4X8 RS タイト ネジ	
502	XB2-8300-607		3	SCREW,W/WASHER,M3X6 バネツキ ネジ	
503	XB1-2300-807		4	SCREW,MACH.,TRUSS HEAD,M3X8 バインド ネジ	
504	XB1-2400-607		2	SCREW,MACH.,TRUSS HEAD,M4X6 バインド ネジ	
505	XD1-3100-407		2	WASHER,SPRING バネ ザガネ	
506	XB2-8300-807		4	SCREW,W/WASHER,M3X8 バネツキ バインド ネジ	DUPLEX TYPE

FIGURE 120 DOOR SWITCH ASSEMBLY

ドアスイッチ部

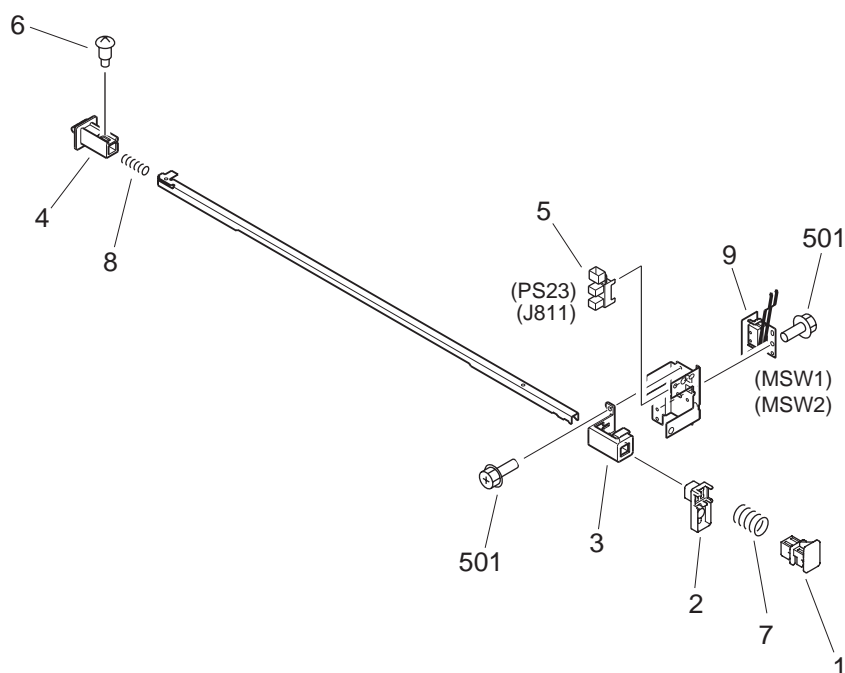


FIGURE & KEY NO.	PART NUMBER	RANK	QTY	DESCRIPTION	SERIAL NUMBER / REMARKS
120 -	FG6-9013-000		1	DOOR SWITCH ASSEMBLY ドア スイッチ部	
1	FB4-3064-000		1	BLOCK, SHAFT PRESSURE 軸加圧ブロック	
2	FB4-3066-000		1	HOLDER, DOOR SWITCH, FRONT ドア スイッチ受け (前)	
3	FB6-3216-000		1	HOLDER, DOOR SWITCH SHAFT ドア スイッチ軸ホルダ	
4	FB6-3218-000		1	BLOCK, SWITCH PUSH スイッチ押しブロック	
5	FH7-7312-000		1	PHOTO-INTERRUPTER フォトインタラプタ	PS23 J811
6	FS1-9010-000		1	SCREW, STEPPED, M3X2.2 ダンピス	
7	FS6-2785-000		1	SPRING, COMPRESSION アッシュク バネ	
8	FS7-2854-000		1	SPRING, COMPRESSION アッシュク バネ	
9	FG6-9015-000		1	DOUBLE SWITCH PCB ASSEMBLY 2連スイッチ回路基板	MSW1,2
501	XB3-6300-800		3	SCREW, RS, M3X8 RS タイト ネジ	

FIGURE 125 VERTICAL PATH PANEL ASSEMBLY (OLD)
縦パスパネル部 (旧)

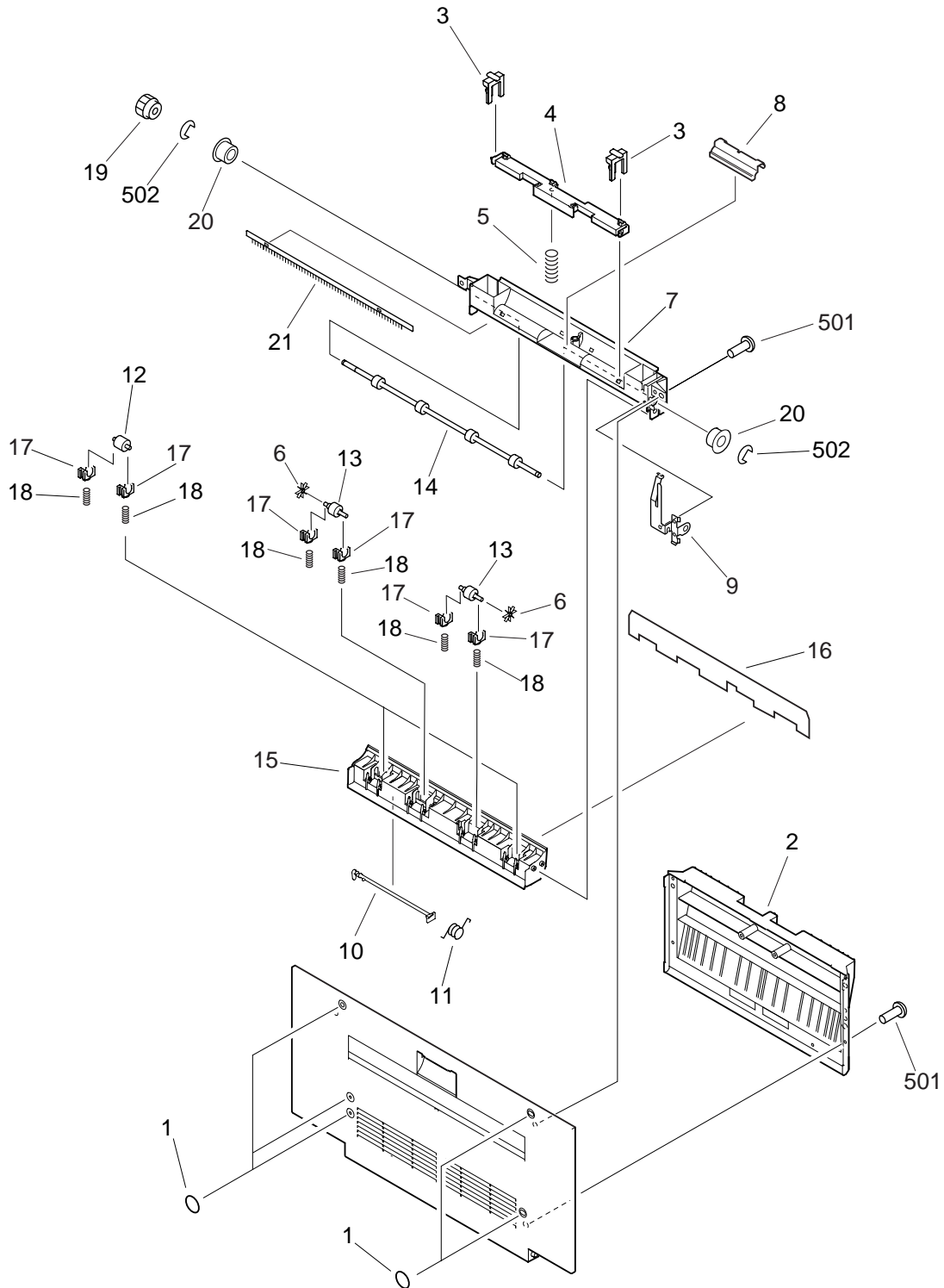


FIGURE & KEY NO.	PART NUMBER	R A N K	Q' T Y	DESCRIPTION	SERIAL NUMBER / REMARKS
125 -	FG6-9052-000		1	VERTICAL PATH PANEL ASSEMBLY 縦パス パネル部	OLD
1	FC5-0166-000		5	SEAL, BLANKING 目隠しシール	
2	FB6-3557-000		1	GUIDE, VERTICAL PATH RIB 縦パス リブ ガイド	
3	FB6-3866-000		2	PIN, LATCH ラッチ止め ピン	
4	FB6-3867-000		1	LEVER, COVER カバー レバー	
5	RB1-6486-000		1	SPRING, COMPRESSION アッシュク バネ	
6	FB4-5967-000		2	FIN, DELIVERY ハイシ フィン	
7	FB6-3547-000		1	GUIDE, VERTICAL PATH DELIVERY 縦パス排紙ガイド	
8	FB6-4919-000		1	GUIDE, SPACER スペーサ ガイド	
9	FB6-3551-020		1	PLATE, GROUNDING アース板	
10	FB6-3552-000		1	FLAG, V. PATH DELIVERY SENSOR 縦パス排紙センサ フラグ	
11	FB6-3553-000		1	SPRING, TORSION ネジリ バネ	
12	FB6-3554-000		2	ROLLER, DELIVERY, 1 排紙ローラ (1)	
13	FB6-3555-000		2	ROLLER, DELIVERY, 2 排紙ローラ (2)	
14	FB6-3876-000		1	ROLLER, VERTICAL PATH DELIVERY 縦パス排紙ローラ	
15	FB6-3549-000		1	GUIDE, V. PATH DELIVERY, LOWER 縦パス排紙ガイド (下)	
16	FB6-3548-000		1	SHEET, V. PATH DELIVERY GUIDE 縦パス排紙ガイド シート	
17	FS6-1059-000		8	BUSHING ブッシング	
18	FS7-2834-000		8	SPRING, COMPRESSION アッシュク バネ	
19	FU3-0325-000		1	GEAR, 17T 17T ギア	
20	RS5-1101-000		2	BUSHING, CONDUCTIVE ドウデン ジクウケ	
21	RB1-6666-000		1	ELIMINATOR, STATIC CHARGE ジョデン バリ	
501	XB4-5300-807		12	SCREW, P, M3X8 P タイト ネジ	
502	XD2-1100-502		2	RING, E E リング	

FIGURE 125A VERTICAL PATH PANEL ASSEMBLY (NEW)
 縦パスパネル部 (新)

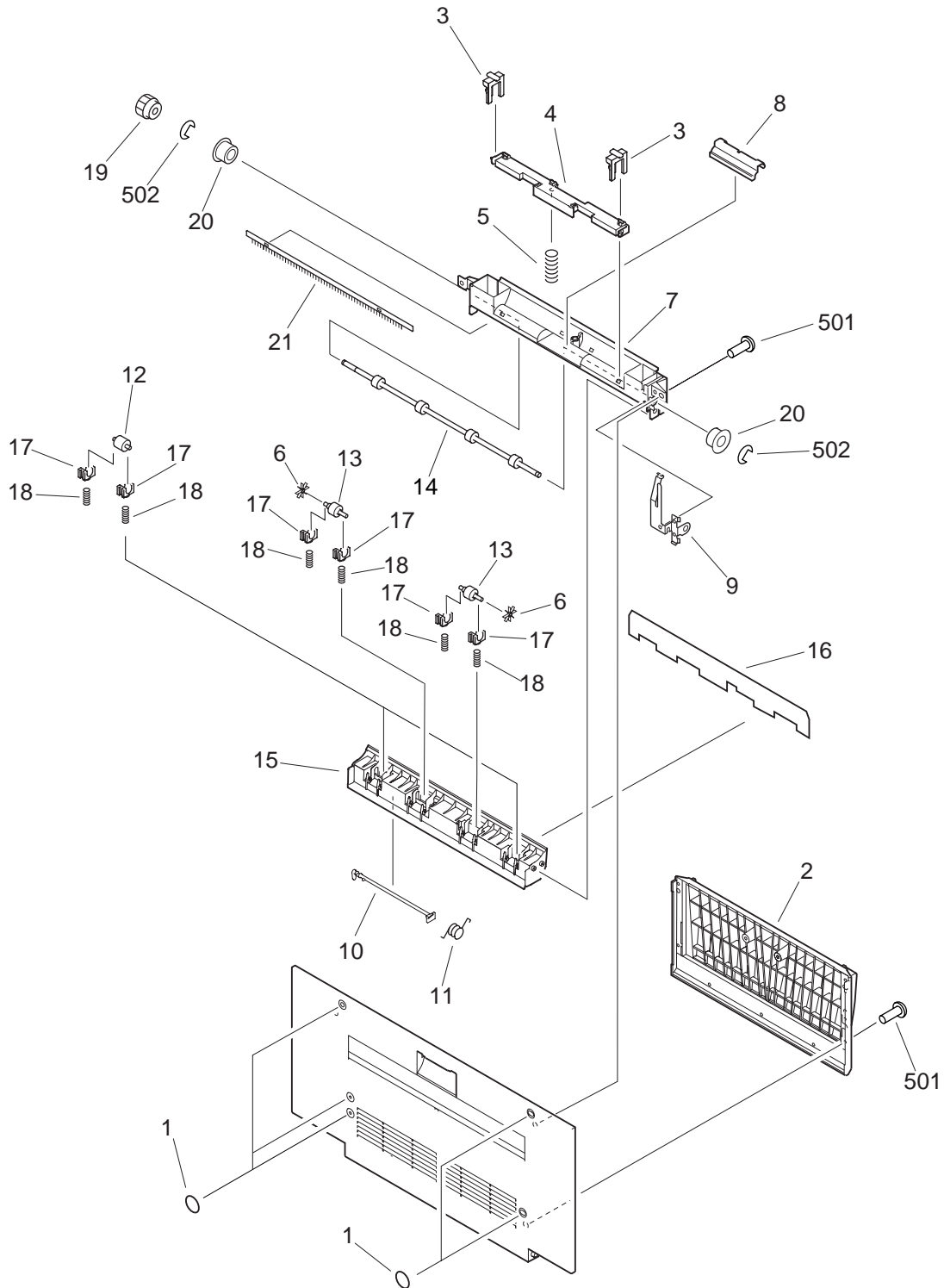


FIGURE & KEY NO.	PART NUMBER	RANK	QTY	DESCRIPTION	SERIAL NUMBER / REMARKS
125A -	FG6-9655-000		1	VERTICAL PATH PANEL ASSEMBLY 縦パス パネル部	NEW
1	FC5-0166-000		5	SEAL, BLANKING 目隠しシール	
2	FB6-5793-000		1	GUIDE, VERTICAL PATH RIB 縦パス リブ ガイド	
3	FB6-3866-000		2	PIN, LATCH ラッチ止め ピン	
4	FB6-3867-000		1	LEVER, COVER カバー レバー	
5	RB1-6486-000		1	SPRING, COMPRESSION アッシュク バネ	
6	FB4-5967-000		2	FIN, DELIVERY ハイシ フィン	
7	FB6-3547-000		1	GUIDE, VERTICAL PATH DELIVERY 縦パス排紙ガイド	
8	FB6-4919-000		1	GUIDE, SPACER スペーサ ガイド	
9	FB6-3551-020		1	PLATE, GROUNDING アース板	
10	FB6-3552-000		1	FLAG, V. PATH DELIVERY SENSOR 縦パス排紙センサ フラグ	
11	FB6-3553-000		1	SPRING, TORSION ネジリ バネ	
12	FB6-3554-000		2	ROLLER, DELIVERY, 1 排紙ローラ (1)	
13	FB6-3555-000		2	ROLLER, DELIVERY, 2 排紙ローラ (2)	
14	FB6-3876-000		1	ROLLER, VERTICAL PATH DELIVERY 縦パス排紙ローラ	
15	FB6-3549-000		1	GUIDE, V. PATH DELIVERY, LOWER 縦パス排紙ガイド (下)	
16	FB6-3548-000		1	SHEET, V. PATH DELIVERY GUIDE 縦パス排紙ガイド シート	
17	FS6-1059-000		8	BUSHING ブッシング	
18	FS7-2834-000		8	SPRING, COMPRESSION アッシュク バネ	
19	FU3-0325-000		1	GEAR, 17T 17T ギア	
20	RS5-1101-000		2	BUSHING, CONDUCTIVE ドウデン ジクウケ	
21	RB1-6666-000		1	ELIMINATOR, STATIC CHARGE ジョデン バリ	
501	XB4-5300-807		12	SCREW, P, M3X8 P タイト ネジ	
502	XD2-1100-502		2	RING, E E リング	

FIGURE 130 CONTROL PANEL ASSEMBLY
操作部

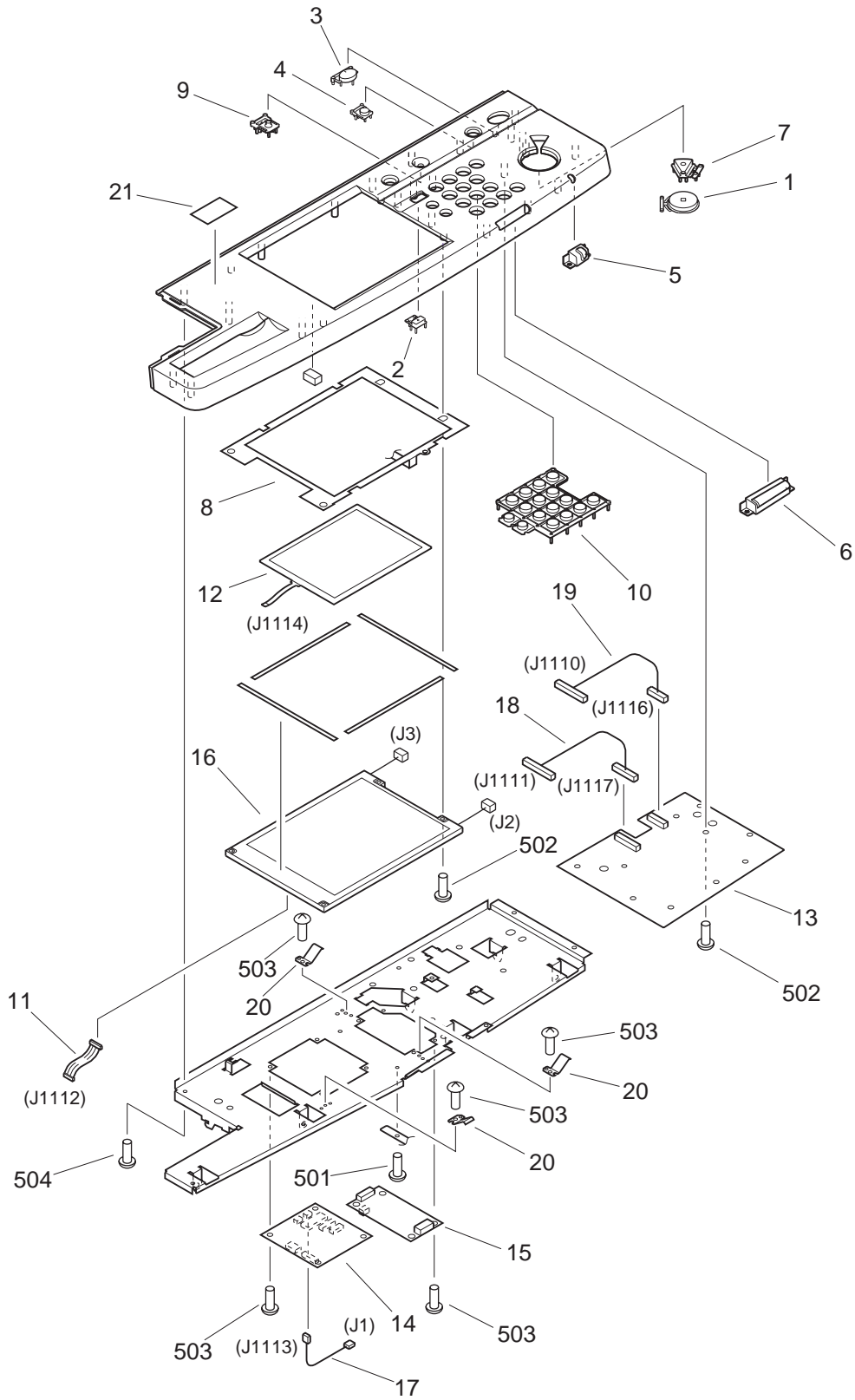


FIGURE & KEY NO.	PART NUMBER	RANK	QTY	DESCRIPTION	SERIAL NUMBER / REMARKS
130 -	FG6-8941-000		1	CONTROL PANEL ASSEMBLY 操作部	JPN
	FG6-8933-000		1	CONTROL PANEL ASSEMBLY 操作部	USA
	FG6-8934-000		1	CONTROL PANEL ASSEMBLY 操作部	MSN,SSX,QLZ,SLZ,TLZ, UKF,JCK,JBC,JBQ,JCJ, JAF
	FG6-8935-000		1	CONTROL PANEL ASSEMBLY 操作部	SSY,RLZ,RQZ,JCL,RQY
1	FB5-2172-000		1	KEY TOP, START スタート キー	
2	FB5-3698-000		1	KEY TOP, RESET リセット キー	
3	FB5-3699-000		1	KEY TOP, POWER SUPPLY デンゲン キー	
4	FB5-3728-000		1	KEY TOP, ENERGY SAVE セツデン キー	
5	FB6-3944-000		1	WINDOW, LAMP パイロットランプ カバー	
6	FB6-3945-000		1	WINDOW, LAMP タリーランプ カバー	
7	FB6-3946-000		1	KEY TOP, STOP ストップ キー	
8	FB6-3947-000		1	SHEET, ELECTROSTATIC 静電シート	
9	FB6-3951-000		1	KEY TOP, COUNTER カウンタ キー	
10	FF6-2104-000		1	KEY TOP, NUMBERS テン キー	
11	FH2-7037-000		1	CABLE, FLAT フラット ケーブル	J1112
12	FH6-0834-000		1	ANALOG TOUCH PANEL UNIT アナログ タッチ パネル ユニット	J1114
13	FG6-8937-000		1	CONTROL PANEL KEY PCB ASSEMBLY 操作部キー回路基板	
14	FG6-8938-000		1	CONTROL PANEL CPU PCB ASSEMBLY 操作部CPU回路基板	
15	FG6-8939-000		1	C. PANEL INVERTER PCB ASSEMBLY 操作部インバータ回路基板	
16	FG6-8936-000		1	LCD CONTROL PANEL UNIT 液晶パネル部	J2,3
17	FG6-9164-000		1	CABLE, C. PANEL INVERTER 操作部インバータ束線	J1,1113
18	FG6-9165-000		1	CABLE, C. PANEL KEY, A 操作部キー束線 (A)	J1111,1117
19	FG6-9166-000		1	CABLE, C. PANEL KEY, B 操作部キー束線 (B)	J1110,1116
20	FB6-3953-000		3	PLATE, GROUNDING アース板	
21	FB6-6213-000		1	LABEL, PAPER SET CAUTION 用紙設定注意ラベル	
501	XB2-8300-607		1	SCREW,W/WASHER,M3X6 バネツキ ネジ	
502	XB4-5300-807		10	SCREW,P,M3X8 P タイト ネジ	
503	XB1-2300-607		11	SCREW,MACH.,TRUSS HEAD,M3X6 バインド ネジ	
504	XB4-5301-007		8	SCREW,P,M3X10 P タイト ネジ	

FIGURE 190 FIXING EXHAUST FAN ASSEMBLY
 定着排熱ファン部

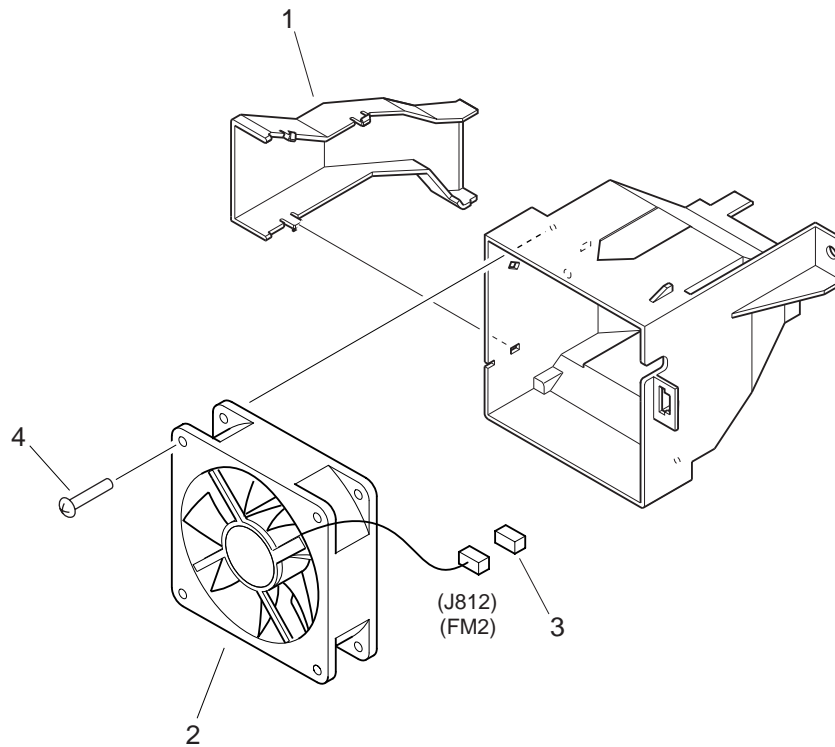


FIGURE & KEY NO.	PART NUMBER	RANK	QTY	DESCRIPTION	SERIAL NUMBER / REMARKS
190 -	FG6-8968-000		1	FIXING EXHAUST FAN ASSEMBLY 定着排熱ファン部	
1	FB6-3167-000		1	DUCT, FIXING EXHAUST FAN 定着排熱ファン ダクト	
2	FH6-1980-000		1	FAN ファン	FM2 J812
3	VS1-5057-003		1	CONNECTOR, SNAP TIGHT チュウケイ コネクタ	J812
4	XB4-5403-507		2	SCREW,P,M4X35 P タイト ネジ	

FIGURE 191 CLEANING COOLING FAN ASSEMBLY
 クリーナ冷却ファン部

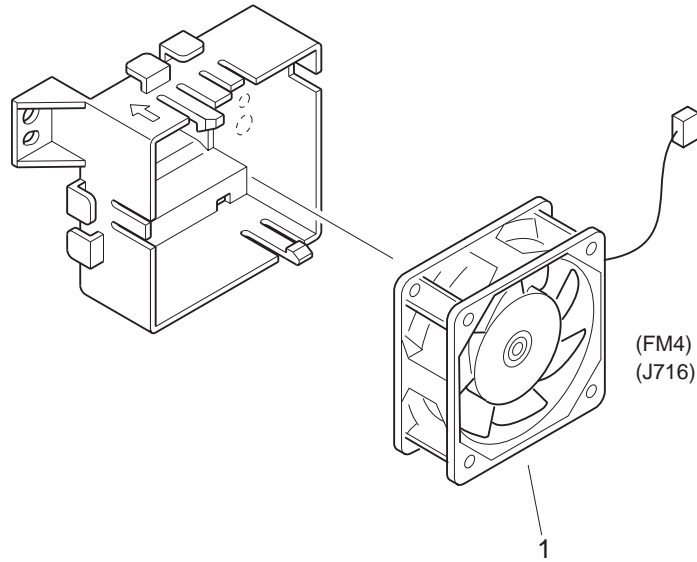


FIGURE & KEY NO.	PART NUMBER	RANK	QTY	DESCRIPTION	SERIAL NUMBER / REMARKS
191 -	FG6-8995-000		1	CLEANING COOLING FAN ASSEMBLY クリーナ冷却ファン部	
1	FH6-1981-000		1	FAN ファン	FM4 J716

FIGURE 192 MACHINE EXHAUST FAN ASSEMBLY

本体排熱ファン部

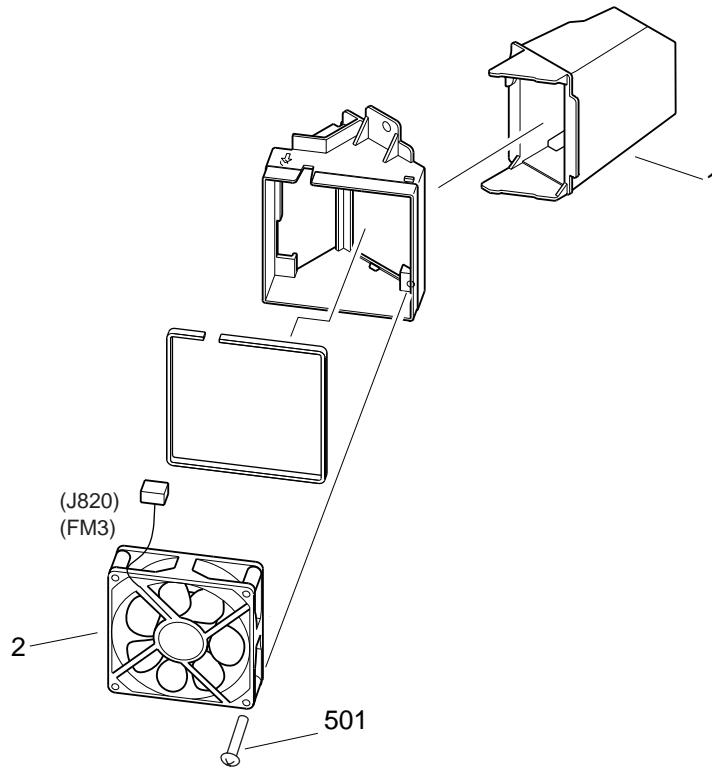


FIGURE & KEY NO.	PART NUMBER	RANK	QTY	DESCRIPTION	SERIAL NUMBER / REMARKS
192 -	FG6-9008-000		1	MACHINE EXHAUST FAN ASSEMBLY 本体排熱ファン部	
1	FB6-3797-000		1	DUCT, JOINT 中継ダクト	
2	FH6-1979-000		1	FAN ファン	FM3 J820
501	XB4-5403-007		2	SCREW, P M4X30 P タイト ネジ	

FIGURE 193

DELIVERY COOLING FAN ASSEMBLY 排紙冷却ファン部

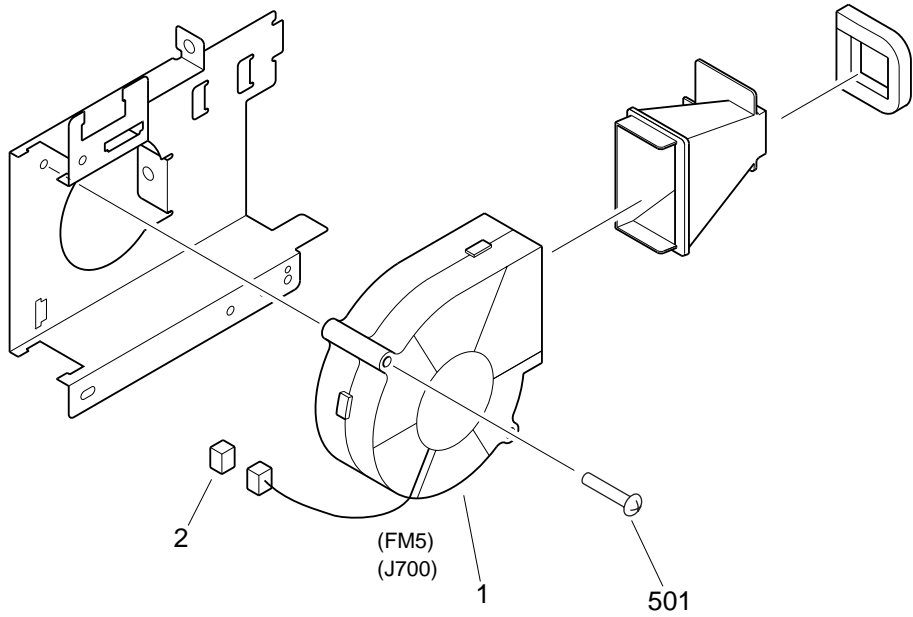


FIGURE & KEY NO.	PART NUMBER	RANK	QTY	DESCRIPTION	SERIAL NUMBER / REMARKS
193 -	FG6-9065-000		1	DELIVERY COOLING FAN ASSEMBLY 排紙冷却ファン部	
1	FH6-1982-000		1	FAN ファン	FM5 J700
2	VS1-5057-003		1	CONNECTOR, SNAP TIGHT チュウケイ コネクタ	J700
501	XB1-2404-007		2	SCREW, MACH., TRUSS HEAD, M4X40 バインド ネジ	

FIGURE 194 MULTI FAN ASSEMBLY (DUPLEX TYPE)
手差しファン部 (両面タイプ)

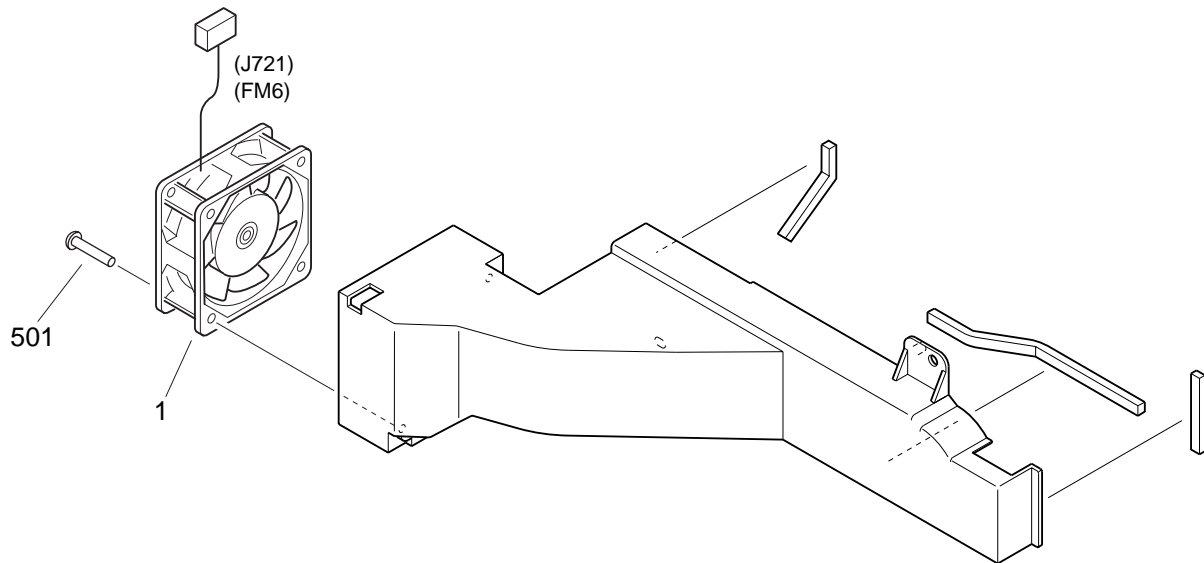


FIGURE & KEY NO.	PART NUMBER	RANK	QTY	DESCRIPTION	SERIAL NUMBER / REMARKS
194 -	FG6-9016-000		1	MULTI FAN ASSEMBLY 手差しファン部	DUPLEX TYPE
1	FH6-1579-000		1	FAN ファン	FM6 J721
501	XB4-5403-507		2	SCREW,P,M4X35 P タイト ネジ	

FIGURE 251

DRUM DRIVE ASSEMBLY ドラム駆動部

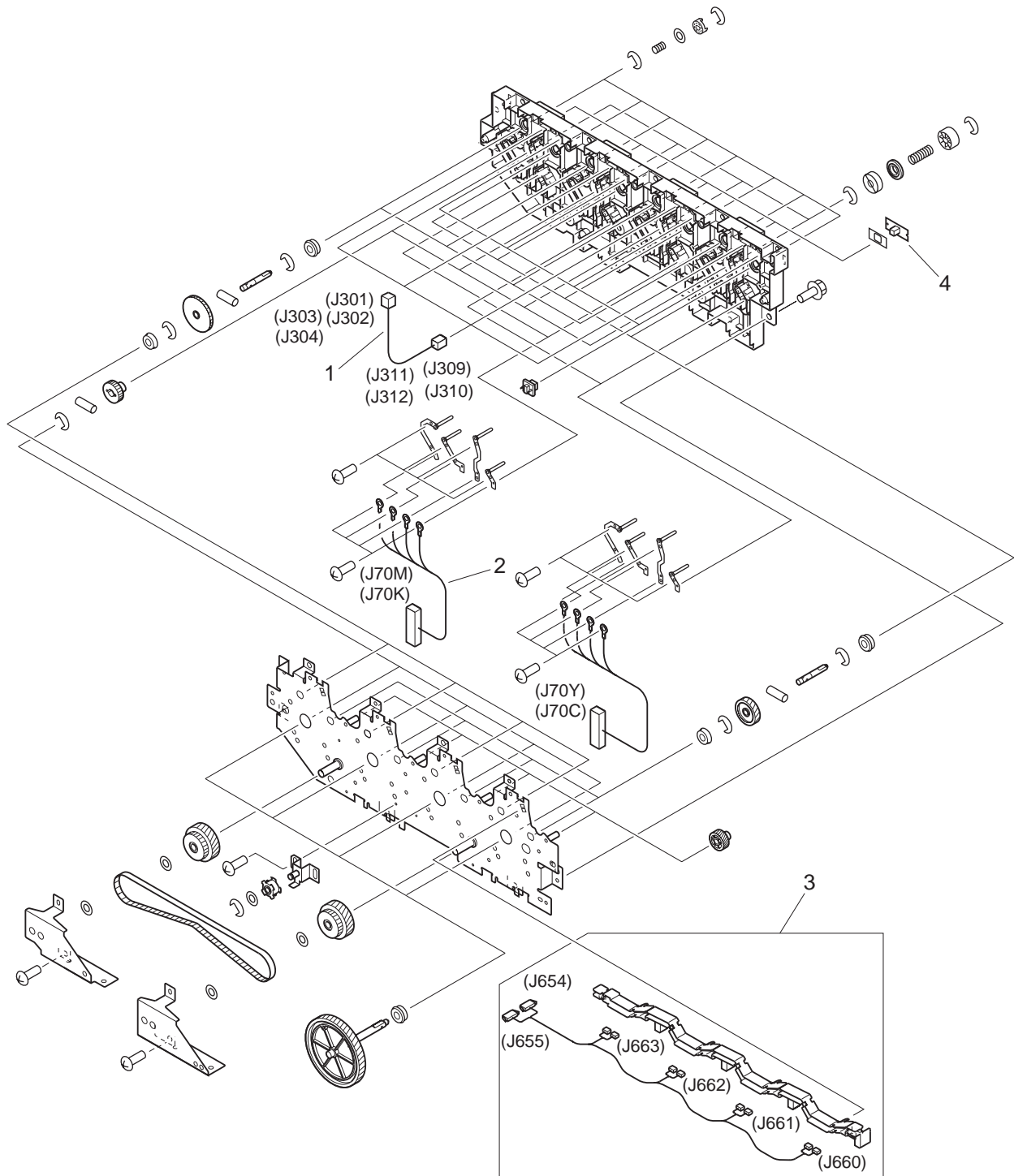


FIGURE 260 PICK-UP MOTOR DRIVE ASSEMBLY 給紙モータ駆動部

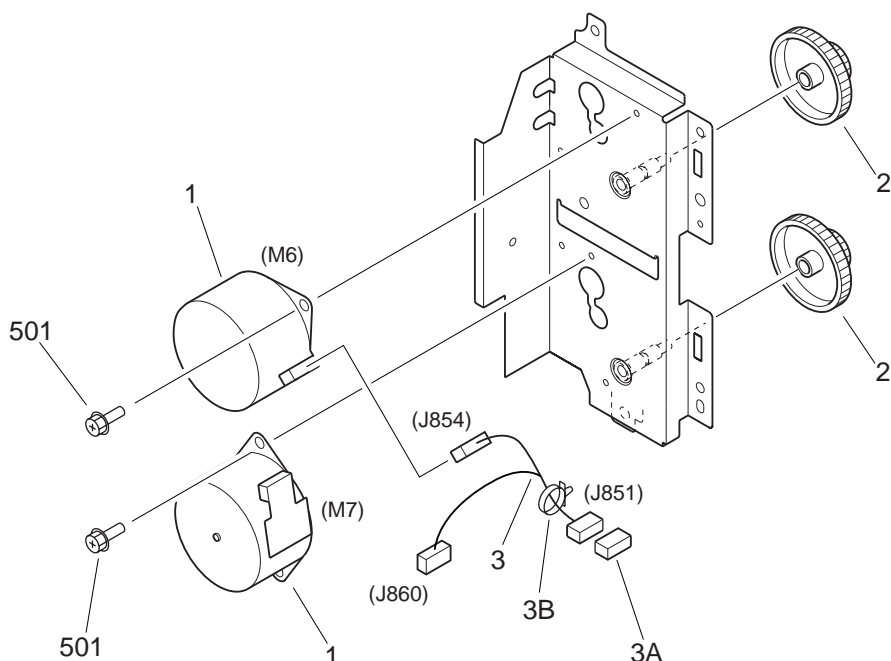


FIGURE & KEY NO.	PART NUMBER	RANK	QTY	DESCRIPTION	SERIAL NUMBER / REMARKS
260 -	FG6-9025-000		1	PICK-UP MOTOR DRIVE ASSEMBLY 給紙モータ駆動部	
1	FH6-1972-000		2	MOTOR, STEPPING ステッピング モータ	M6,7 J854,860
2	FU3-0285-000		2	GEAR, 80T/16T 80T / 16T ギア	
3	FG3-2380-000		1	CABLE, PAPER PICK-UP DRIVE 給紙駆動束線	J851,854,860
3A	VS1-5057-008		1	CONNECTOR, SNAP TIGHT チュウケイ コネクタ	J851
3B	WT2-5565-000		1	CLAMP, CABLE ソクセン オサエ	
501	XB3-6300-600		4	SCREW,RS,M3X6 RS タイト ネジ	

FIGURE 270 DEVELOPING DRIVE ASSEMBLY

現象駆動部

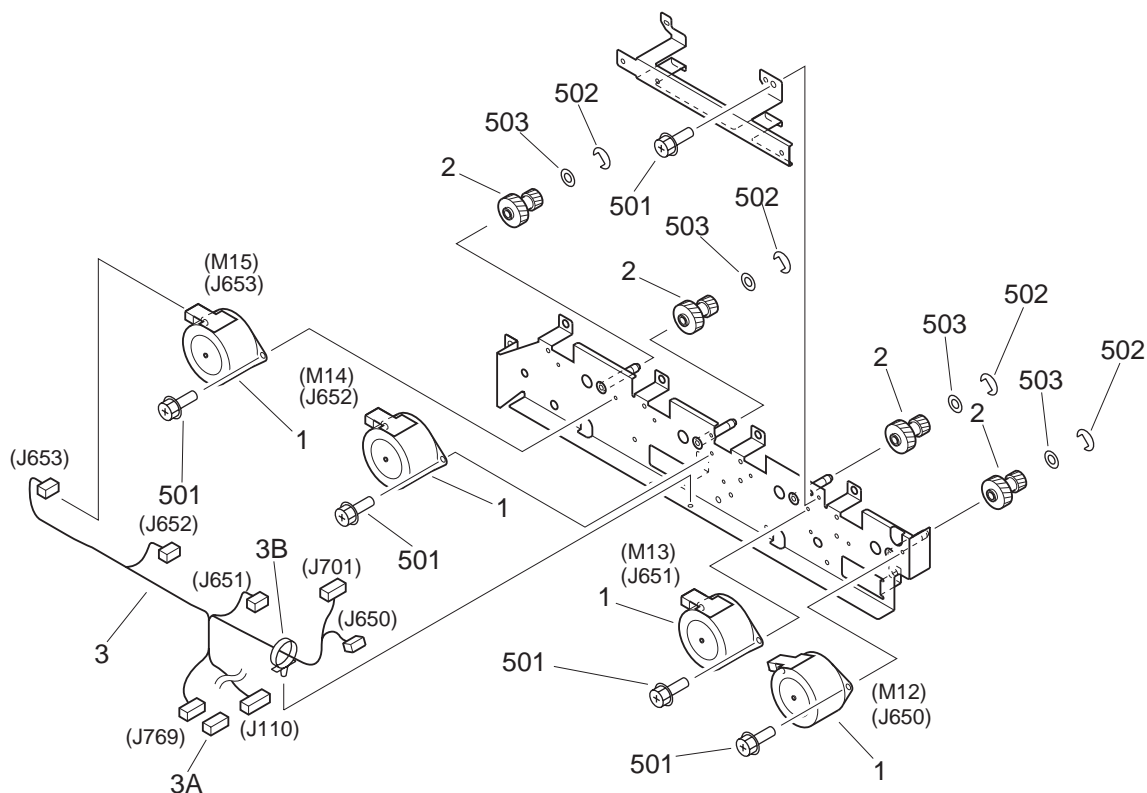


FIGURE & KEY NO.	PART NUMBER	RANK	QTY	DESCRIPTION	SERIAL NUMBER / REMARKS
270 -	FG6-8966-000		1	DEVELOPING DRIVE ASSEMBLY 現象駆動部	
1	FH6-1973-000		4	MOTOR, STEPPING ステッピング モータ	M12-15 J650-653
2	FU3-0337-000		4	GEAR, 42T/27T 42T / 27T ギア	
3	FG3-2326-000		1	CABLE, DEVELOPING DRIVE 現象駆動束線	J110,650-653,701,769
3A	VS1-6318-008		1	CONNECTOR, SNAP TIGHT チュウケイ コネクタ	J769
3B	WT2-5565-000		1	CLAMP, CABLE ソクセン オサエ	
501	XB3-6300-800		12	SCREW,RS,M3X8 RS タイト ネジ	
502	XD2-1100-502		4	RING,E E リング	
503	XD1-1106-212		4	SHIM ヒヨウジュン ワッシャ	

FIGURE 271

INTERMEDIATE TRANSFER BELT DRIVE ASSEMBLY 中間転写ベルト駆動部

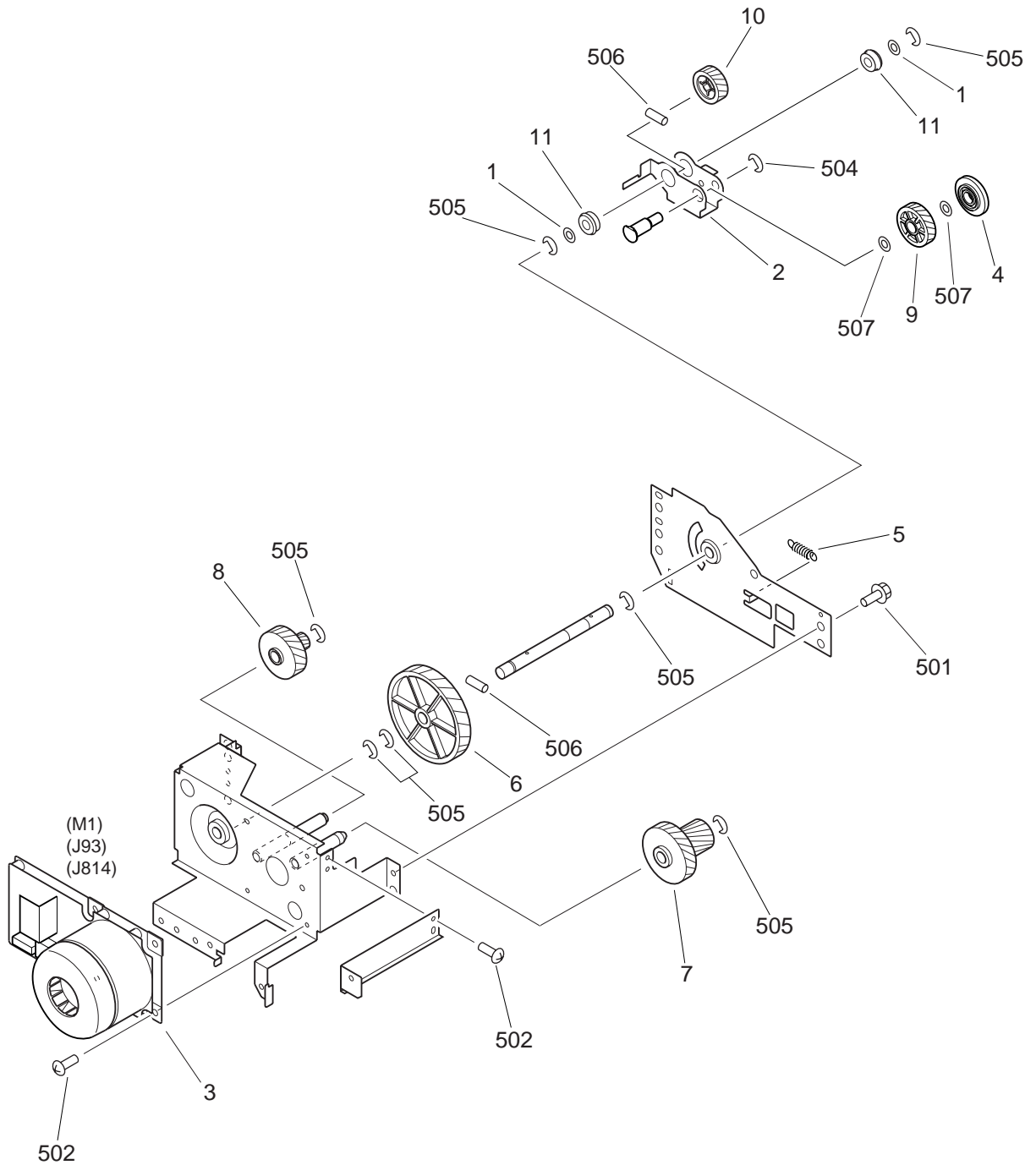


FIGURE & KEY NO.	PART NUMBER	RANK	QTY	DESCRIPTION	SERIAL NUMBER / REMARKS
271 -	FG9-4015-000		1	ITB DRIVE ASSEMBLY 中間転写ベルト駆動部	
1	FB2-6285-000		2	SHIM ヒョウジュン ワッシャ	
2	FB6-3046-000		1	PLATE, ITB SWING 中間転写ベルト揺動板	
3	FH6-1971-000		1	MOTOR, DC BRUSHLESS DC ブラシレス モータ	M1 J93,814
4	FS5-6954-000		1	COLLAR 突き当てコロ	
5	FS7-2838-000		1	SPRING, TENSION ヒツバリ バネ	
6	FU3-0332-000		1	GEAR, 100T 100T ギア	
7	FU3-0333-000		1	GEAR, 30T/60T 30T / 60T ギア	
8	FU3-0334-000		1	GEAR, 20T/50T 20T / 50T ギア	
9	FU3-0356-000		1	GEAR, 42T 42T ギア	
10	FU3-0355-000		1	GEAR, 42T 42T ギア	
11	XG9-0264-000		2	BEARING, BALL ボ-ル ベアリング	
501	XB3-6400-800		2	SCREW,RS,M4X8 RS タイト ネジ	
502	XB6-7300-607		5	SCREW,TP,M3X6 TP ネジ	
504	XD2-1100-502		1	RING,E E リング	
505	XD2-1100-642		7	RING,E E リング	
506	XD3-2200-182		2	PIN,DOWEL ハイコウ ピン	
507	XD1-1109-221		2	SHIM ヒョウジュン ワッシャ	

FIGURE 272

TONER CARTRIDGE DRIVE ASSEMBLY トナー容器駆動部

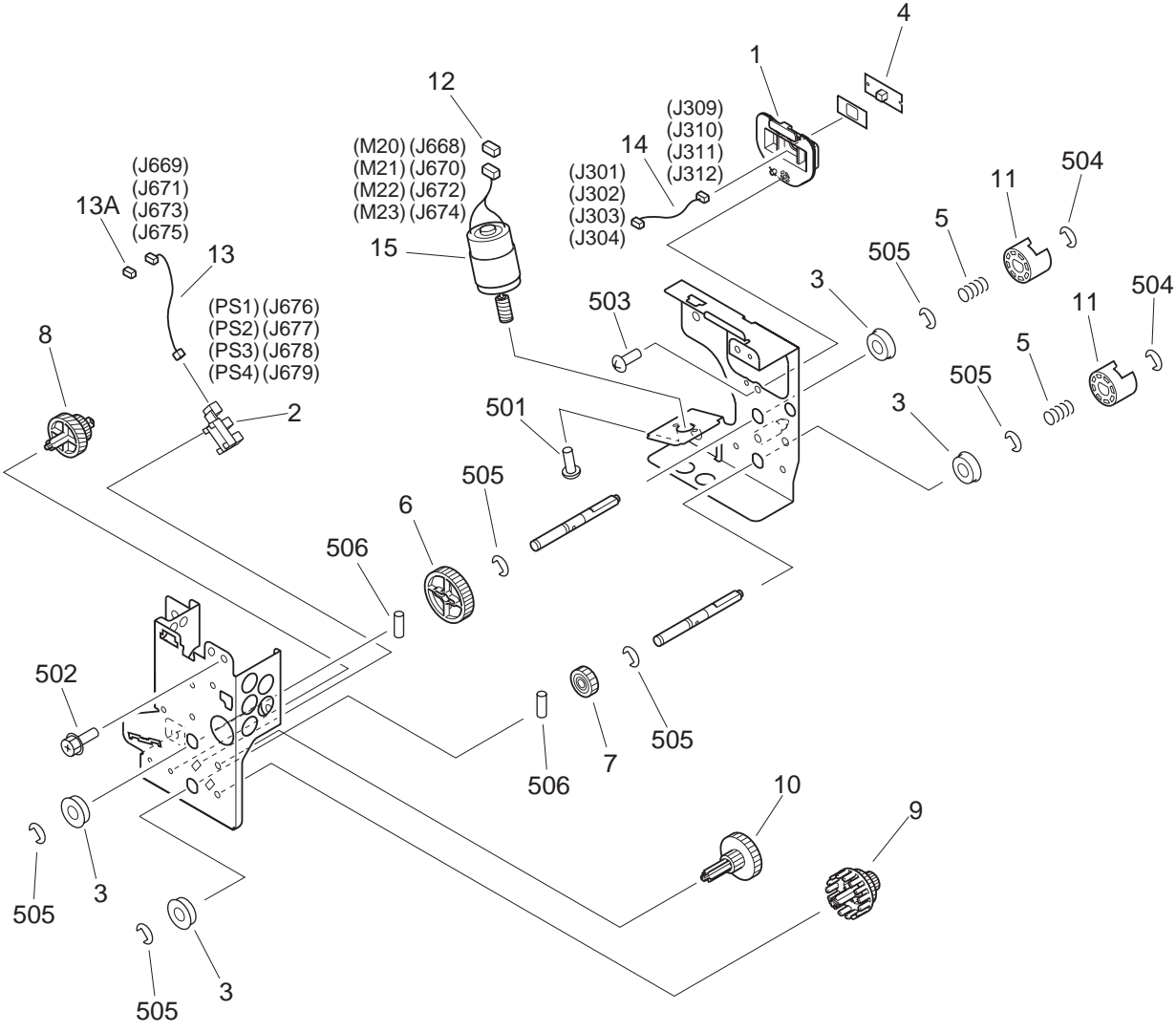


FIGURE & KEY NO.	PART NUMBER	R A N K	Q' T Y	DESCRIPTION	SERIAL NUMBER / REMARKS
272 -	FG6-8999-000		4	TONER CARTRIDGE DRIVE ASSEMBLY トナー容器駆動部	
1	FB6-3163-000		1	MOUNT, ANTENNA アンテナ台	
2	FH7-7312-000		1	PHOTO-INTERRUPTER フォトインタラプタ	PS1-4 J676-679
3	FS5-1581-000		4	BUSHING ブッシング	
4	RG5-5469-000		1	CONNECTING PCB ASSEMBLY 中継回路基板	
5	FS7-2825-000		2	SPRING, COMPRESSION アッシュク バネ	
6	FU3-0302-000		1	GEAR, 58T 58T ギア	
7	FU3-0303-000		1	GEAR, 30T 30T ギア	
8	FU3-0304-000		1	GEAR, 28T/53T 28T / 53T ギア	
9	FU3-0305-000		1	GEAR, 19T/38T 19T / 38T ギア	
10	FU3-0306-000		1	GEAR, 19T/49T 19T / 49T ギア	
11	RB2-7043-000		2	COUPLING カップリング	
12	VS1-5057-002		1	CONNECTOR, SNAP TIGHT チュウケイ コネクタ	J668,670,672,674
13	FG3-2344-000		1	CABLE, TONER CARTRIDGE トナー容器束線	J669,671,673,675 J676-679
13A	VS1-5057-003		1	CONNECTOR, SNAP TIGHT チュウケイ コネクタ	J669,671,673,675
14	FG3-2372-000		1	CABLE, CONNECTING 中継束線	J301-304 J309-312
15	FG6-9004-000		1	MOTOR, DC BRUSH DC ブラシ モータ	M20-23 J668,670,672,674
501	XB1-2260-407		2	SCREW BH 2.6X4 バインド ネジ	
502	XB3-6300-800		1	SCREW,RS,M3X8 RS タイト ネジ	
503	XB4-5300-807		1	SCREW,P,M3X8 P タイト ネジ	
504	XD2-1100-322		2	RING,E E リング	
505	XD2-1100-502		6	RING,E E リング	
506	XD3-2200-142		2	PIN,DOWEL ヘイコウ ピン	

FIGURE 280 FIXING DRIVE ASSEMBLY

定着駆動部

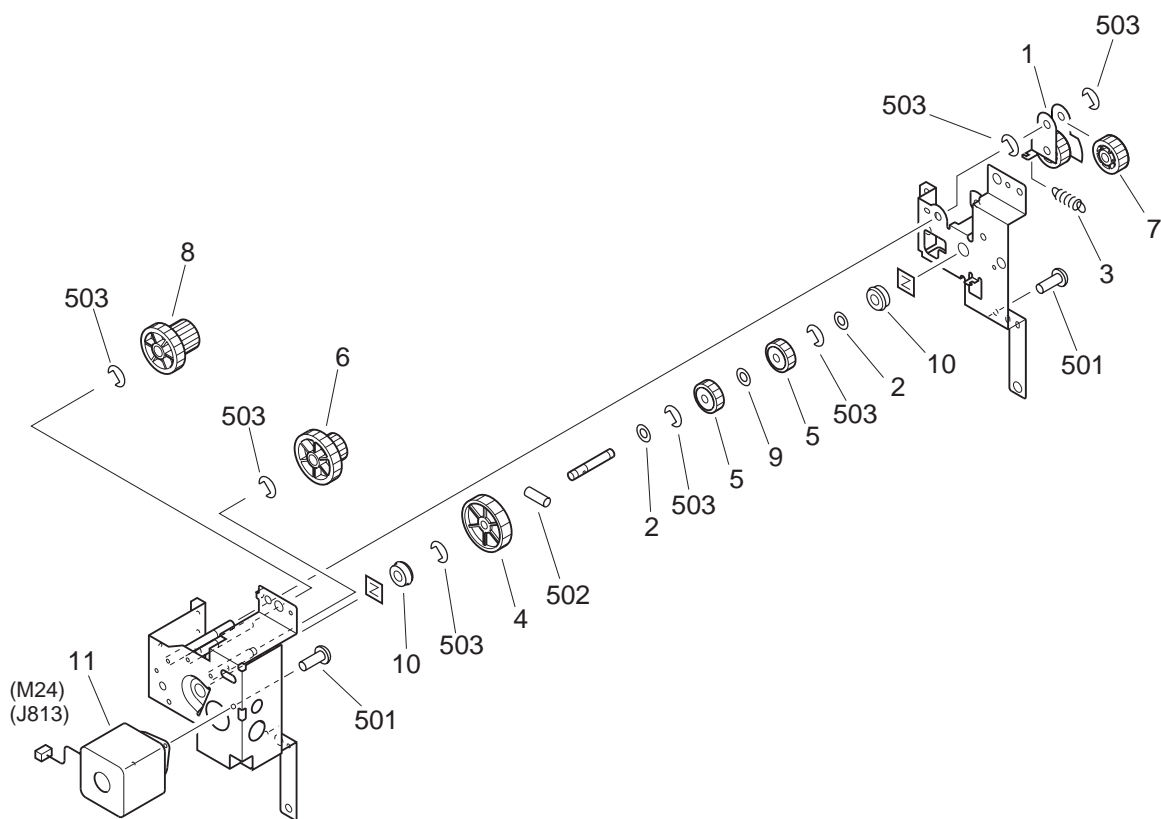
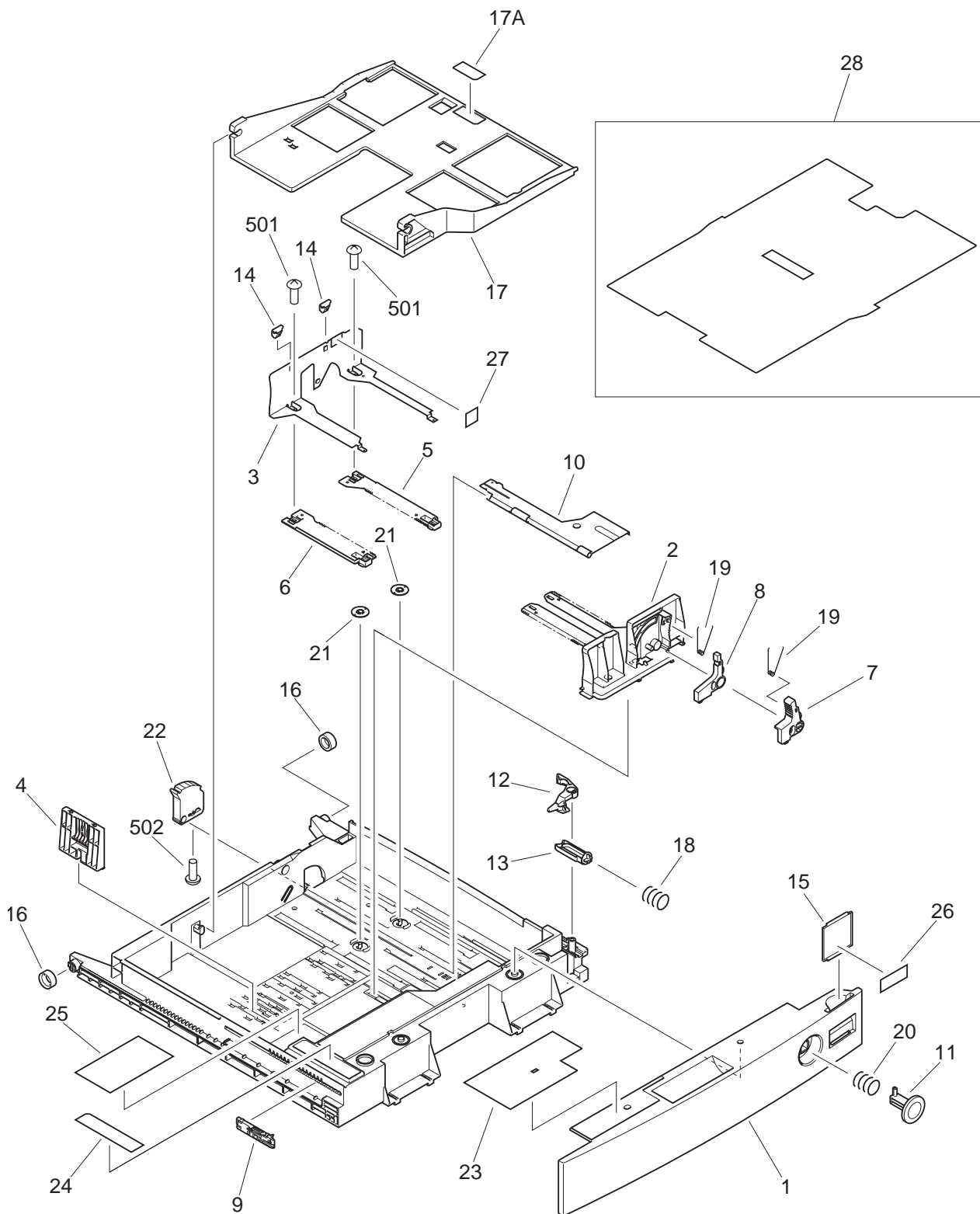


FIGURE & KEY NO.	PART NUMBER	RANK	QTY	DESCRIPTION	SERIAL NUMBER / REMARKS
280 -	FG6-9011-000		1	FIXING DRIVE ASSEMBLY 定着駆動部	
1	FF6-2044-000		1	ARM, FIXING SWING 定着揺動アーム	
2	FS5-6488-000		2	WASHER ワッシャ	
3	FS7-2835-000		1	SPRING, TENSION ヒツパリ パネ	
4	FU3-0338-000		1	GEAR, 72T 72T ギア	
5	FU3-0339-000		2	GEAR, 20T 20T ギア	
6	FU3-0340-000		1	GEAR, 36T/18T 36T / 18T ギア	
7	FU3-0341-000		1	GEAR, 23T 23T ギア	
8	FU3-0342-000		1	GEAR, 33T/20T 33T / 20T ギア	
9	FB6-3237-000		1	WASHER ワッシャ	
10	XG9-0407-000		2	BEARING, BALL, UGF106P12ZZD4ML ボール ベアリング	
11	FG6-9079-000		1	MOTOR, STEPPING ステッピング モータ	M24 J813
501	XB6-7300-607		5	SCREW, TP, M3X6 TP ネジ	
502	XD3-2200-162		1	PIN, DOWEL ヘイコウ ピン	
503	XD2-1100-502		7	RING, E E リング	

FIGURE 300 CASSETTE カセット

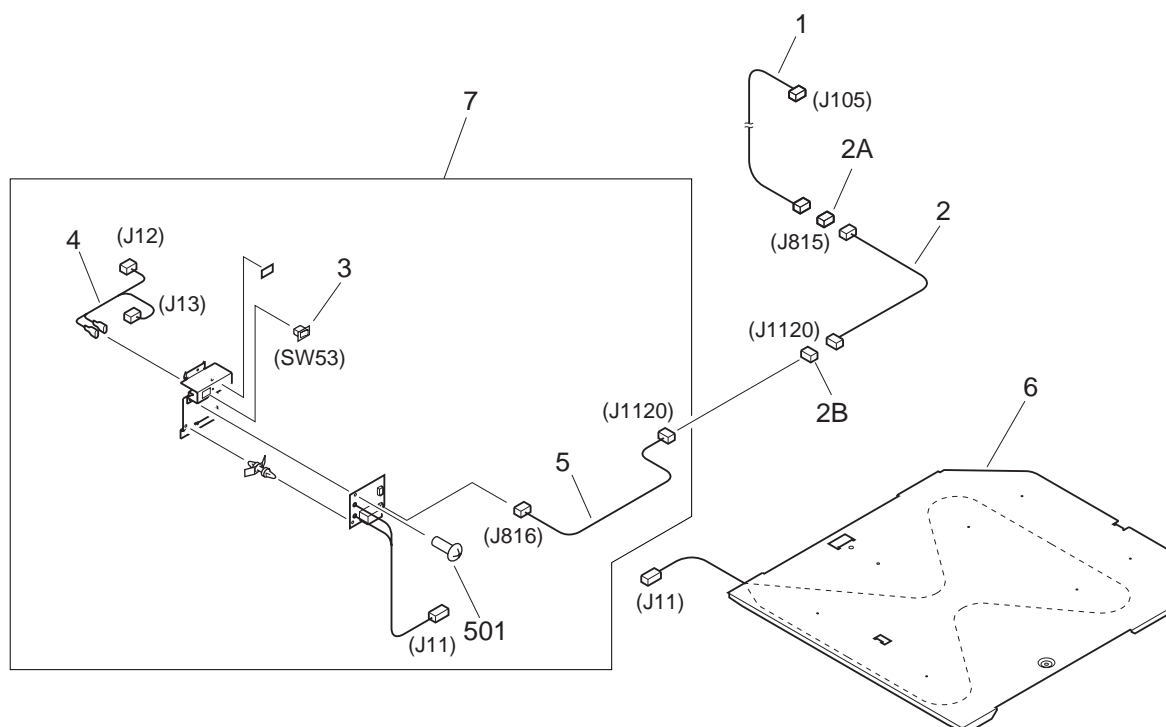


NOTE : This assembly does not include the parts shown with key No. 26 and 28.

注 : このユニットにKey No. 26, 28の部品は含まれません。

FIGURE & KEY NO.	PART NUMBER	RANK	QTY	DESCRIPTION	SERIAL NUMBER / REMARKS
300 -	FG6-9044-000		2	CASSETTE カセット	EXCEPT RQY,RQZ
	FM1-0350-000		2	CASSETTE カセット	RQY,RQZ
1	FB6-3475-000		1	PANEL, CASSETTE, FRONT カセット前カバー	
2	FB6-3478-000		1	PLATE, SIDE GUIDE, FRONT サイド規制板 (前)	
3	FB6-3479-000		1	PLATE, SIDE GUIDE, REAR サイド規制板 (後)	
4	FB6-3480-000		1	PLATE, END GUIDE 後端規制板	
5	FB6-3481-000		1	RACK, 1 ラック (1)	
6	FB6-3482-000		1	RACK, 2 ラック (2)	
7	FB6-3483-000		1	KNOB, SIDE GUIDE PLATE, 1 サイド規制板つまみ (1)	
8	FB6-3484-000		1	KNOB, SIDE GUIDE PLATE, 2 サイド規制板つまみ (2)	
9	FB6-3485-000		1	COVER, PAPER SIZE SELECT 紙サイズ選択カバー	
10	FB6-3486-000		1	PLATE, LIFTER リフタ板	
11	FB6-3487-000		1	BUTTON, PUSH 押しボタン	
12	FB6-3488-000		1	ARM, LOCK ロック アーム	
13	FB6-3489-000		1	LINK, RELEASE 解除リンク	
14	FB6-3490-000		2	CLAW, SIDE PLATE GUIDE サイド規制板爪	
15	FB6-3491-000		1	PLATE, CASSETTE PAPER SIZE カセット サイズ プレート	
16	FB6-3506-000		2	COLLAR, CASSETTE SWING カセット揺動コロ	
17	FF6-2064-000		1	PLATE, PAPER LIFTING カセット中板	
17A	FB6-3499-000		1	SHEET, SEPARATION 分離シート	
18	FS7-2804-000		1	SPRING, COMPRESSION アッシュク バネ	
19	FS7-2805-000		2	SPRING, TORSION ネジリ バネ	
20	FS7-2806-000		1	SPRING, COMPRESSION アッシュク バネ	
21	FU3-0293-000		2	GEAR, 16T 16T ギア	
22	FU3-0294-000		1	GEAR, 7T 7T ギア	
23	FB6-3522-000		1	LABEL, PAPER SET 用紙セット ラベル	EXCEPT RQY,RQZ
	FB6-6214-000		1	LABEL, PAPER SET 用紙セット ラベル	RQY,RQZ
24	FB6-3523-000		1	LABEL, CASSETTE SIZE カセット サイズ ラベル	
25	FB6-3524-000		1	LABEL, PAPER SIZE SELECT サイズ限定ラベル	EXCEPT RQY,RQZ
	FB6-6215-000		1	LABEL, PAPER SIZE SELECT サイズ限定ラベル	RQY,RQZ

FIGURE 305 CASSETTE HEATER ASSEMBLY (OPTION)
カセットヒータ部 (オプション)



NOTE : These parts are included in the main body.

注 : これらの部品は本体に含まれます。

FIGURE & KEY NO.	PART NUMBER	RANK	QTY	DESCRIPTION	SERIAL NUMBER / REMARKS
305 -	NPN		RF	CASSETTE HEATER ASSEMBLY カセット ヒータ部	OPTION 100/220/240V
1	FG3-2381-000		1	CABLE, MACHINE CASSETTE HEATER 本体カセット ヒータ中継束線	SEE NOTE 100V J105,815
	FG3-2393-000		1	CABLE, MACHINE CASSETTE HEATER 本体カセット ヒータ中継束線	SEE NOTE 220/240V J105,815
2	FG3-2395-000		1	CABLE, CASSETTE HEATER RELAY カセット ヒータ リレー束線	SEE NOTE J815,1120
2A	VS1-5057-002		1	CONNECTOR, SNAP TIGHT チュウケイ コネクタ	SEE NOTE J815
2B	VS1-5057-003		1	CONNECTOR, SNAP TIGHT チュウケイ コネクタ	SEE NOTE J1120
3	WC1-5129-000		1	SWITCH, ROCKER ロック スイッチ	SW53
4	FG3-2340-000		1	CABLE, CASSETTE HEATER SWITCH カセット ヒータ スイッチ束線	100V J12,13
	FG3-2341-000		1	CABLE, CASSETTE HEATER SWITCH カセット ヒータ スイッチ束線	220/240V J12,13
5	FG3-2342-000		1	CABLE, CASSETTE HEATER CONTROL カセット ヒータ制御束線	J816,1120
6	FH7-4742-000		1	HEATER, CASSETTE カセット ヒータ	220/240V J11
7	FG6-9749-000		1	CASSETTE HEATER PCB ASSEMBLY カセット ヒータ回路基板	220/240V
501	XB1-2400-607		1	SCREW, MACH., TRUSS HEAD, M4X6 バインド ネジ	

FIGURE 310

PAPER PICK-UP ASSEMBLY

給紙部

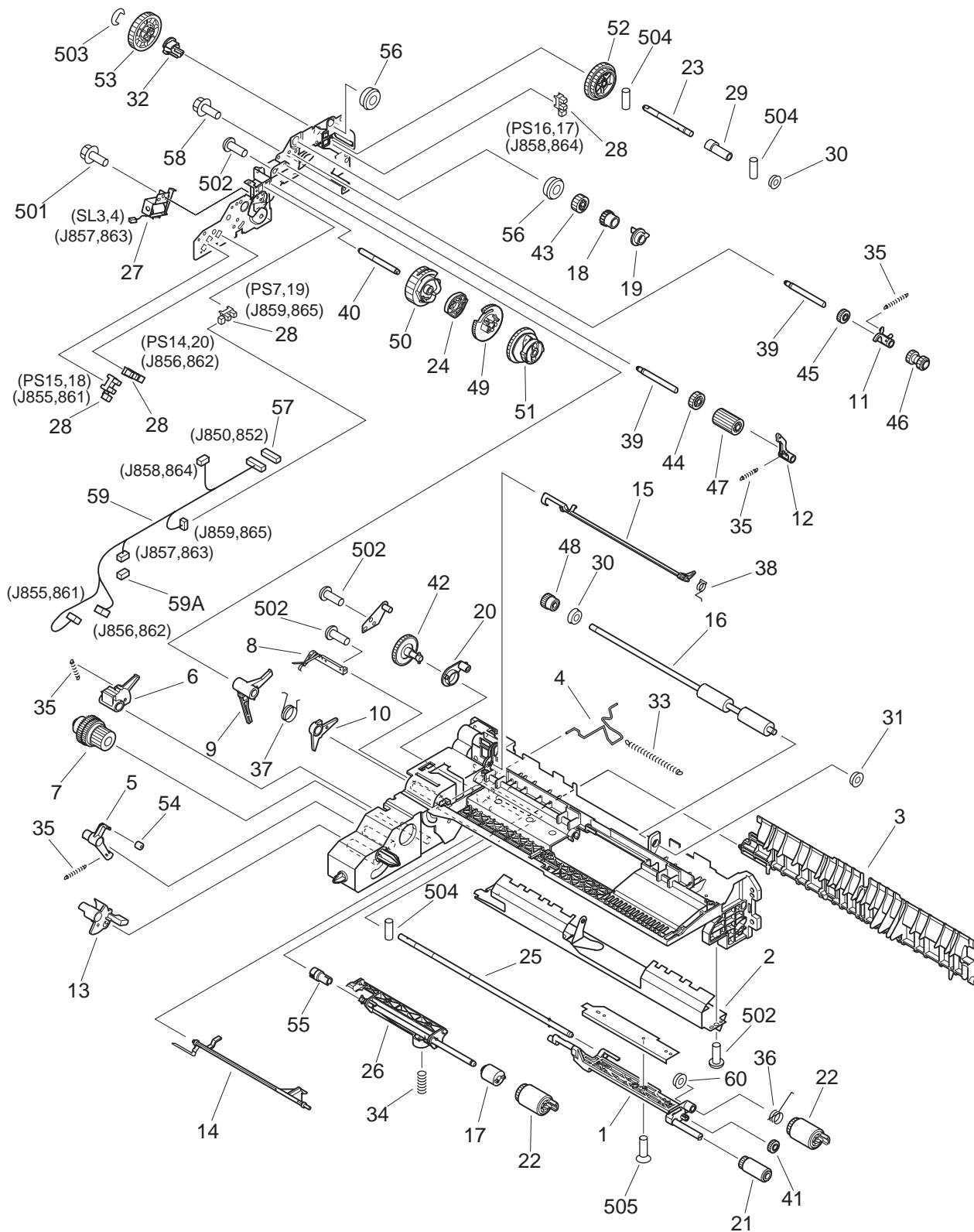
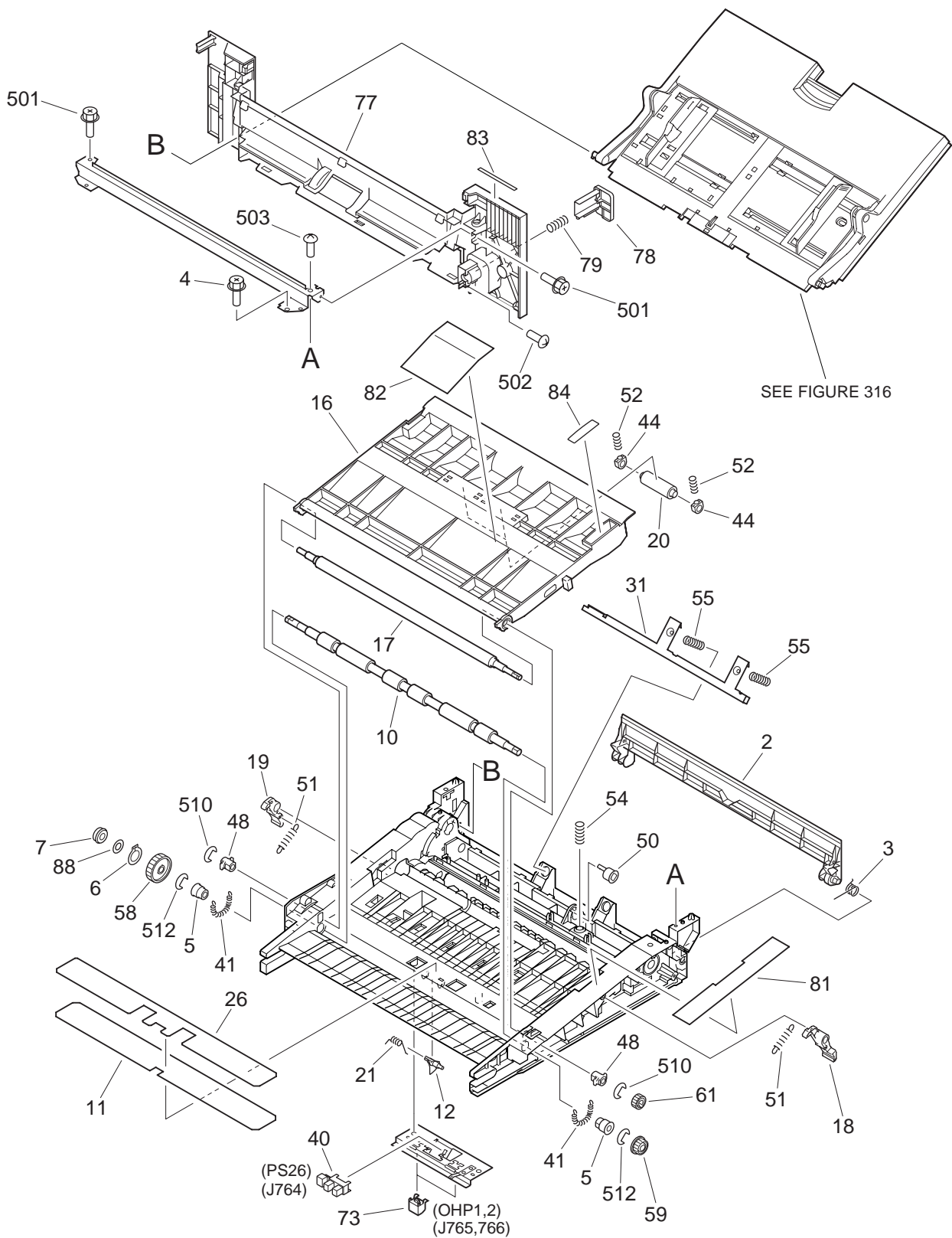


FIGURE & KEY NO.	PART NUMBER	R A N K	Q' T Y	DESCRIPTION	SERIAL NUMBER / REMARKS
310 -	FG6-9028-000		2	PAPER PICK-UP ASSEMBLY 給紙部	
1	FB6-3380-000		1	HOLDER, PAPER PICK-UP ROLLER 給紙ローラ ホルダ	
2	FB6-3386-000		1	GUIDE, RETARD リタード ガイド	
3	FB6-3387-000		1	GUIDE, VERTICAL PATH 縦パス ガイド	
4	FB6-3388-000		1	ROD, SEPARATION ROLLER RELEASE 分離ローラ解除ロッド	
5	FB6-3389-000		1	CLAW, PICK-UP ピックアップ爪	
6	FB6-3390-000		1	CLAW, PAPER PICK-UP 給紙爪	
7	FB6-3391-000		1	GEAR, RATCHET ラチェット ギア	
8	FB6-3392-000		1	SPRING, LEAF 板バネ	
9	FB6-3393-000		1	ARM, PICK-UP ピックアップ アーム	
10	FB6-3394-000		1	ARM, LIFTING リフタ アーム	
11	FB6-3395-000		1	ARM, PAPER FEED SHAFT 搬送軸アーム	
12	FB6-3396-000		1	LOCK, PICK-UP ピックアップ ロック	
13	FB6-3397-000		1	FLAG, PAPER SENSOR 残量検知センサ フラグ	
14	FB6-3398-020		1	FLAG, PAPER DETECT SENSOR 紙検知センサ フラグ	
15	FB6-3399-000		1	FLAG, REGISTRATION SENSOR レジスト センサ フラグ	
16	FB6-4852-000		1	ROLLER, VERTICAL PATH 縦パス ローラ	
17	FB6-3410-000		1	LIMITER, TORQUE トルク リミッタ	
18	FB6-3402-000		1	GEAR, RATCHET ラチェット ギア	
19	FB6-3403-000		1	COUPLING, FEED SHAFT STOP 搬送軸ストッパ	
20	FB6-3404-000		1	COUPLING, SEPARATION SHAFT 分離軸押え	
21	FB6-3405-000		1	ROLLER, PAPER PICK-UP 給紙ローラ	
22	FB6-3407-000		2	ROLLER, FEED/SEPARATION 搬送/分離 ローラ	JPN
	FB6-3406-000		2	ROLLER, FEED/SEPARATION 搬送/分離 ローラ	
23	FB6-3408-000		1	SHAFT, PAPER PICK-UP DRIVE 給紙駆動軸	
24	FB6-3411-000		1	CAM, LOCK ロック カム	
25	FF6-2058-000		1	SHAFT, PAPER FEED ROLLER 搬送ローラ軸	
26	FF6-2059-000		1	HOLDER, SEPARATION ROLLER 分離ローラ ホルダ	
27	FH6-5055-000		1	SOLENOID ソレノイド	SL3,4 J857,863
28	FH7-7312-000		4	PHOTO-INTERRUPTER フォトインタラプタ	PS7,14-20 J859,856,855,858

FIGURE & KEY NO.	PART NUMBER	RANK	QTY	DESCRIPTION	SERIAL NUMBER / REMARKS
310 - 28	FH7-7312-000		4	PHOTO-INTERRUPTER フォトインタラプタ	J864,861,865,862
29	FB6-3413-000		1	COLLAR, PAPER PICK-UP SHAFT 給紙軸カラー	
30	FS1-1205-000		2	BUSHING ブッシング	
31	FS5-1597-000		1	BUSHING ブッシング	
32	FS6-1063-000		1	BUSHING ブッシング	
33	FS7-2797-000		1	SPRING, TENSION ヒッバリ バネ	
34	FS7-2798-000		1	SPRING, COMPRESSION アッシュク バネ	
35	FS7-2800-000		4	SPRING, TENSION ヒッバリ バネ	
36	FS7-2801-000		1	SPRING, TORSION ネジリ バネ	
37	FS7-2802-000		1	SPRING, TORSION ネジリ バネ	
38	FS7-2803-000		1	SPRING, TORSION ネジリ バネ	
39	FS7-5909-000		2	SHAFT, IDLER, 2 アイドラ軸 (2)	
40	FS7-5910-000		1	SHAFT, IDLER, 3 アイドラ軸 (3)	
41	FU3-0280-000		1	GEAR, 15T 1 5 T ギア	
42	FU3-0349-000		1	GEAR, 41T 4 1 T ギア	
43	FU3-0282-000		1	GEAR, 21T 2 1 T ギア	
44	FU3-0283-000		1	GEAR, 21T 2 1 T ギア	
45	FU3-0284-000		1	GEAR, 16T 1 6 T ギア	
46	FU3-0352-000		1	GEAR, 16T/16T 1 6 T / 1 6 T ギア	
47	FU3-0288-000		1	GEAR, 21T 2 1 T ギア	
48	FU3-0289-000		1	GEAR, 14T 1 4 T ギア	
49	FU3-0290-000		1	GEAR, 46T 4 6 T ギア	
50	FU3-0291-000		1	GEAR, 51T 5 1 T ギア	
51	FU3-0292-000		1	GEAR, 42T 4 2 T ギア	
52	FU3-0350-000		1	GEAR, 41T/41T 4 1 T / 4 1 T ギア	
53	FU3-0347-000		1	GEAR, 41T 4 1 T ギア	
54	RB1-6539-000		1	DAMPER ダンパ	
55	RB1-8945-000		1	JOINT ジョイント	
56	RS5-1567-000		2	BUSHING ブッシング	
57	VS1-6318-014		1	CONNECTOR, SNAP TIGHT 中継コネクタ	J850,852

FIGURE 315 MULTI FEED ASSEMBLY (1/2)

手差し給紙部 (1/2)



NOTE : This assembly includes the assembly shown in Figure 316.

注 : このユニットはFigure 316のユニットを含みます。

FIGURE 315 MULTI FEED ASSEMBLY (2/2)

手差し給紙部 (2/2)

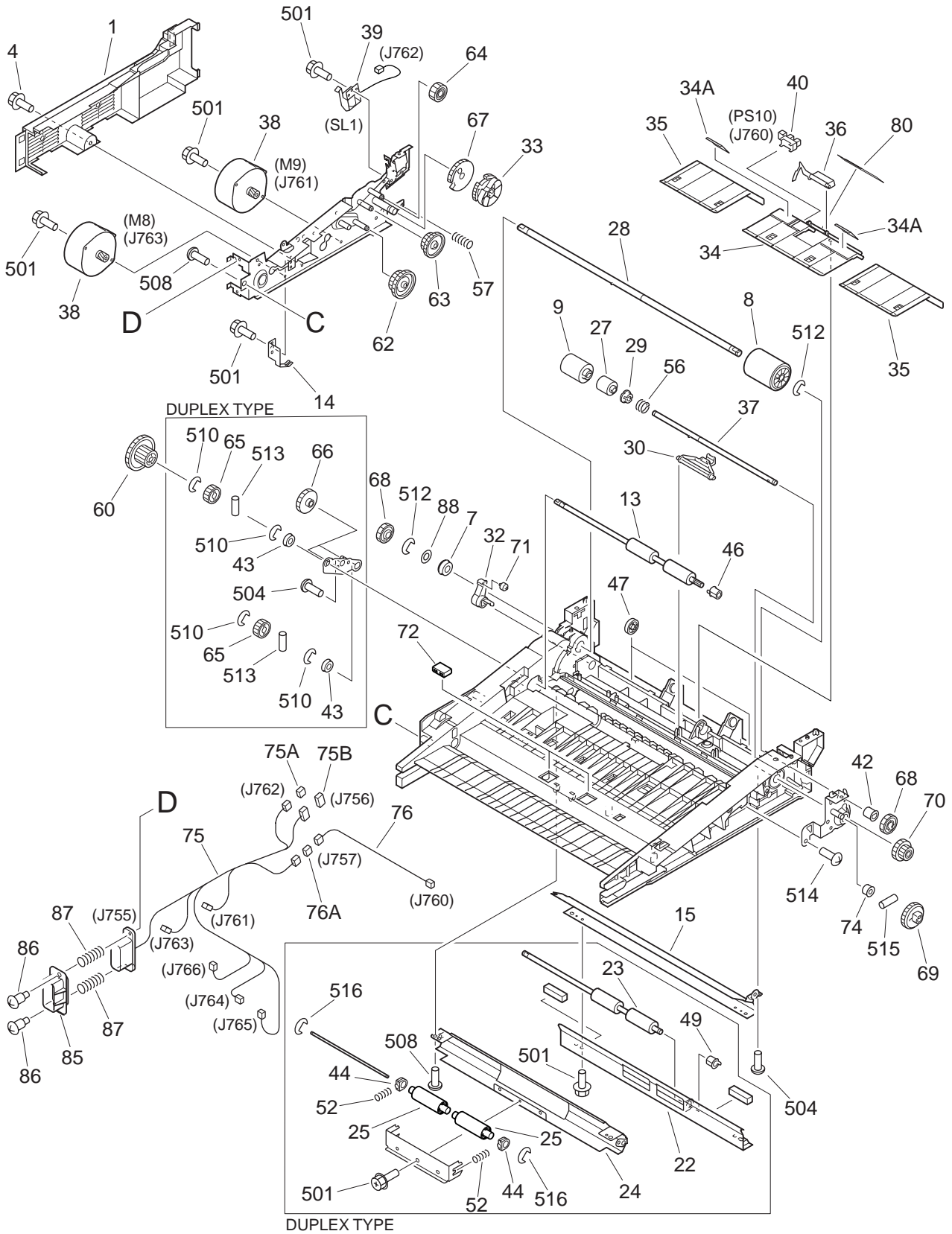


FIGURE & KEY NO.	PART NUMBER	RANK	QTY	DESCRIPTION	SERIAL NUMBER / REMARKS
315 -	FG6-9080-000		1	MULTI FEED ASSEMBLY 手差し給紙部	PLAIN TYPE SEE NOTE
	FG6-9081-000		1	MULTI FEED ASSEMBLY 手差し給紙部	DUPLEX TYPE EXCEPT RQY,RQZ SEE NOTE
	FM1-0354-000		1	MULTI FEED ASSEMBLY 手差し給紙部	DUPLEX TYPE RQY,RQZ SEE NOTE
1	FB6-3314-000		1	DUCT, CORD コード ダクト	
2	FB6-3472-000		1	PANEL, BLANKING 目隠しパネル	
3	FS7-2811-000		1	SPRING, TORSION ネジリ バネ	
4	XA9-0721-000		2	SCREW,RS,M4X10 RS タイト ネジ	
5	FA1-0056-000		2	BUSHING ブッシング	
6	FA4-1159-000		1	RING, RETAINING 止め輪	
7	XG9-0211-000		2	BALL BEARING, MF128ZZ1MC3D4M ボ-ル ベアリング	
8	FB1-8581-000		1	ROLLER, PAPER PICK-UP 給紙口-ラ	
9	FB5-0873-000		1	ROLLER, SEPARATION ブンリ ロ-ラ	
10	FB6-4849-000		1	ROLLER, REGISTRATION, LOWER レジスト ローラ(下)	
11	FB6-3302-000		1	SHEET, REGISTRATION, LOWER レジスト シート(下)	
12	FB6-3303-000		1	FLAG, REGISTRATION SENSOR レジスト センサ フラグ	
13	FB6-4850-000		1	ROLLER, REGISTRATION, FRONT レジスト ローラ(前)	
14	FB6-3305-000		1	PLATE, GROUNDING アース板	
15	FB6-3306-000		1	GUIDE, INLET 入口ガイド	
16	FB6-3308-000		1	GUIDE, REGISTRATION, UPPER レジスト ガイド(上)	
17	FB6-3309-000		1	ROLLER, REGISTRATION, UPPER レジスト ローラ(上)	
18	FB6-3310-000		1	LEVER, PRESSURE, FRONT 加圧レバー(前)	
19	FB6-3311-000		1	LEVER, PRESSURE, REAR 加圧レバー(後)	
20	FB6-3313-000		2	ROLLER, PAPER FEED 従動ローラ	
21	FB6-3315-000		1	SPRING, TORSION ネジリ バネ	
22	FB6-3320-000		1	GUIDE, DUPLEXING, EXTERNAL 両面ガイド(外)	DUPLEX TYPE
23	FB6-4851-000		1	ROLLER, RE-PICK UP 再給紙ローラ	DUPLEX TYPE
24	FB6-3323-000		1	GUIDE, DUPLEXING, INTERNAL 両面ガイド(内)	DUPLEX TYPE
25	FB6-4873-000		2	ROLLER, PAPER FEED 搬送ローラ	DUPLEX TYPE

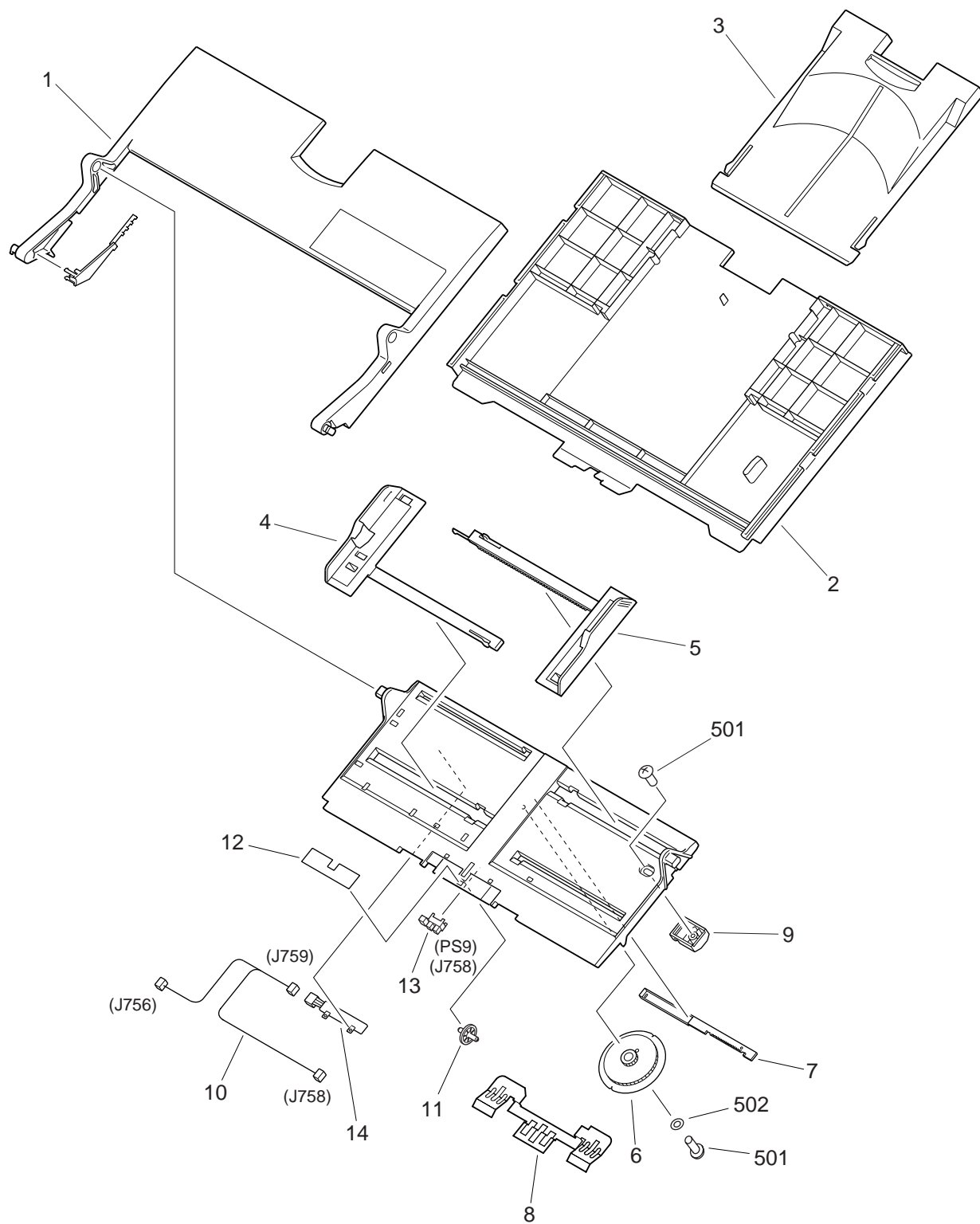
FIGURE & KEY NO.	PART NUMBER	RANK	QTY	DESCRIPTION	SERIAL NUMBER / REMARKS
315 - 26	FB6-3317-000		1	SHEET, REGISTRATION, LOWER レジスト シート(下)	
27	FB6-3410-000		1	LIMITER, TORQUE トルク リミッタ	
28	FF6-2136-000		1	SHAFT, ROLLER ローラ軸	
29	FB6-3463-000		1	CLUTCH クラッチ	
30	FB6-3464-000		1	HOLDER, SEPARATION ROLLER 分離ローラ ホルダ	
31	FB6-3465-000		1	ARM, LIFTING PLATE PRESSURE 中板加圧アーム	
32	FB6-3466-000		1	CAM, JOINT 連結カム	
33	FB6-3467-000		1	GEAR, 27T 27T ギア	
34	FF6-2134-000		1	GUIDE, MAIN メイン ガイド	
34A	FB6-3878-000		2	SHEET, PUSH-ON 突き当てシート	
35	FB6-3470-000		2	GUIDE, SUB サブ ガイド	
36	FB6-3471-000		1	FLAG, PAPER SENSOR 紙無し検知フラグ	
37	FF6-2065-000		1	SHAFT, SEPARATION ROLLER 分離ローラ軸	
38	FH6-1973-000		2	MOTOR, STEPPING ステッピング モータ	M8,9 J763,761
39	FH6-5053-000		1	SOLENOID ソレノイド	SL1 J762
40	FH7-7312-000		2	PHOTO-INTERRUPTER フォトインタラプタ	PS10,26 J760,764
41	FS2-2783-000		2	SPRING, TENSION ヒツパリ バネ	
42	FS5-1209-000		1	BUSHING ブッシング	
43	FS1-1512-000		2	BUSHING ブッシング	DUPLEX TYPE
44	FS5-1595-000		4	BLOCK, ROLLER ロ - ラ ジクウケ	PLAIN TYPE
	FS5-1595-000		6	BLOCK, ROLLER ロ - ラ ジクウケ	DUPLEX TYPE
46	FS5-1597-000		1	BUSHING ブッシング	
47	FS5-6945-000		2	COLLAR, REGISTRATION MULTI レジスト マルチ コロ	
48	FS6-1055-000		2	BUSHING ブッシング	
49	FS6-1057-000		1	BUSHING ブッシング	DUPLEX TYPE
50	FS6-1058-000		1	BUSHING ブッシング	
51	FS7-2787-000		2	SPRING, TENSION ヒツパリ バネ	
52	FS7-2860-000		4	SPRING, COMPRESSION アッシュク バネ	PLAIN TYPE
	FS7-2860-000		6	SPRING, COMPRESSION アッシュク バネ	DUPLEX TYPE
54	FS7-2809-000		1	SPRING, COMPRESSION アッシュク バネ	

FIGURE & KEY NO.	PART NUMBER	RANK	QTY	DESCRIPTION	SERIAL NUMBER / REMARKS
315 - 55	FS7-2810-000		2	SPRING, COMPRESSION アッシュク バネ	
56	FS7-2812-000		1	SPRING, TORSION ネジリ バネ	
57	FS7-2839-000		1	SPRING, COMPRESSION アッシュク バネ	
58	FU3-0270-000		1	GEAR, 63T 63T ギア	
59	FU3-0271-000		1	GEAR, 32T 32T ギア	
60	FU3-0272-000		1	GEAR, 23T/75T 23T / 75T ギア	
61	FU3-0273-000		1	GEAR, 28T 28T ギア	
62	FU3-0274-000		1	GEAR, 43T/31T 43T / 31T ギア	
63	FU3-0275-000		1	GEAR, 39T/26T 39T / 26T ギア	
64	FU3-0276-000		1	GEAR, 25T 25T ギア	
65	FU3-0277-000		2	GEAR, 16T 16T ギア	DUPLEX TYPE
66	FU3-0278-000		2	GEAR, 23T 23T ギア	DUPLEX TYPE
67	FU3-0295-000		1	GEAR, 44T 44T ギア	
68	FU3-0296-000		2	GEAR, 24T 24T ギア	
69	FU3-0297-000		1	GEAR, 36T 36T ギア	
70	FU3-0298-000		1	GEAR, 27T/18T 27T / 18T ギア	
71	RB1-2152-000		1	ROLLER, ARM ア - ム コロ	
72	RB2-5850-000		2	PRISM プリズム	
73	RH7-7129-000		2	OHT SENSOR UNIT OHT センサ ユニット	OHP1,2 J765,766
74	RS5-1567-000		1	BUSHING ブッシング	
75	FG3-2303-000		1	CABLE, REGIST. MULTI, 1 レジスト マルチ束線 (1)	J755-757,761-766
75A	VS1-5057-002		1	CONNECTOR, SNAP TIGHT チュウケイ コネクタ	J762
75B	VS1-5057-006		1	CONNECTOR, SNAP TIGHT チュウケイ コネクタ	J756
76	FG3-2304-000		1	CABLE, REGIST. MULTI, 2 レジスト マルチ束線 (2)	J757,760
76A	VS1-5057-003		1	CONNECTOR, SNAP TIGHT チュウケイ コネクタ	J757
77	FB6-3473-000		1	PANEL, REGIST. MULTI, RIGHT レジスト マルチ カバー (右)	
78	FB6-3474-000		1	BUTTON, REGIST. MULTI PUSH レジスト マルチ押しボタン	
79	FS7-2813-000		1	SPRING, COMPRESSION アッシュク バネ	
80	FB6-4938-000		1	PLATE, SHEET SUPPORT 分離シート支板	
81	FB6-3858-000		1	LABEL, SAFETY OPERATION 安全操作ラベル	EXCEPT RQZ,RQY

FIGURE & KEY NO.	PART NUMBER	RANK	QTY	DESCRIPTION	SERIAL NUMBER / REMARKS
315 - 81	FB6-6217-000		1	LABEL, SAFETY OPERATION 安全操作ラベル	RQZ,RQY
82	FB6-3859-000		1	LABEL, JAM PAPER ジャム紙確認ラベル	EXCEPT RQZ,RQY
	FB6-6218-000		1	LABEL, JAM PAPER ジャム処理確認ラベル	RQZ,RQY
83	FB6-3863-000		1	LABEL, MULTI HANDLE マルチ把手ラベル	
84	FB6-3864-000		1	LABEL, GUIDE HANDLE ガイド把手ラベル	
85	FB6-4863-000		1	HOLDER, CONNECTOR コネクタ ホルダ	
86	FS5-9761-000		2	SCREW, STEPPED, M3 段ビス	
87	FS7-2863-000		2	SPRING, COMPRESSION アッシュク パネ	
88	FB2-6285-000		2	SHIM ヒョウジュン ワッシャ	
501	XB3-6300-800		AR	SCREW, RS, M3X8 RS タイト ネジ	
502	XB4-5301-007		1	SCREW, P, M3X10 P タイト ネジ	
503	XB4-5401-007		1	SCREW, P, M4X10 P タイト ネジ	
504	XB2-8400-807		AR	SCREW, W/WASHER, M4X8 パネツキ バインド ネジ	
508	XB4-5400-807		AR	SCREW, P, M4X8 P タイト ネジ	
510	XD2-1100-502		AR	RING, E E リング	
512	XD2-1100-642		4	RING, E E リング	
513	XD3-2200-102		2	PIN, DOWEL ヘイコウ ピン	DUPLEX TYPE
514	XB2-8401-007		2	SCREW, W/WASHER, M4X10 パネツキ バインド ネジ	
515	XD3-2200-142		1	PIN, DOWEL ヘイコウ ピン	
516	XD2-1100-282		2	RING, E E リング	DUPLEX TYPE

FIGURE 316 MULTI FEED TRAY ASSEMBLY

手差し部



NOTE : This assembly is included in the assembly shown in Figure 315.

注 : このユニットはFigure 315のユニットに含まれます。

FIGURE & KEY NO.	PART NUMBER	RANK	QTY	DESCRIPTION	SERIAL NUMBER / REMARKS
316 -	FG6-9042-000		1	MULTI FEED TRAY ASSEMBLY 手差し部	SEE NOTE
1	FB6-3450-000		1	TRAY, MULTI FEEDER, UPPER マルチ手差しトレイ (上)	
2	FB6-3451-000		1	TRAY, MULTI FEEDER, LOWER マルチ手差しトレイ (下)	
3	FB6-3452-000		1	TRAY, SECOND セカンド トレイ	
4	FB6-3454-000		1	RACK, SIDE PLATE, REAR サイド規制板 (後)	
5	FB6-3455-000		1	RACK, SIDE PLATE, FRONT サイド規制板 (前)	
6	FB6-3456-000		1	GEAR, 46T/20T 46T / 20T ギア	
7	FB6-3457-000		1	RACK ラック	
8	FB6-3458-000		1	SPRING, LEAF 板バネ	
9	FB6-3459-000		1	BLOCK, SIDE REGIST. ADJUSTING 横レジ調整ブロック	
10	FG3-2301-000		1	CABLE, MULTI TRAY マルチトレイ束線	J756,758,759
11	FB6-3508-000		1	ROLLER, PAPER DETECT 紙検知コロ	
12	FB6-4937-000		1	SHEET, SEPARATION 分離シート	
13	FH7-7312-000		1	PHOTO-INTERRUPTER フォトインタラプタ	PS9 J758
14	FH7-7600-000		1	SLIDE VOLUME SENSOR UNIT スライド ボリューム センサ ユニット	J759
501	XB4-5400-807		2	SCREW,P,M4X8 P タイト ネジ	
502	XD1-1106-235		1	SHIM ヒョウジュン ワッシャ	

FIGURE 321 PATTERN READER ASSEMBLY

パターン読み取り部

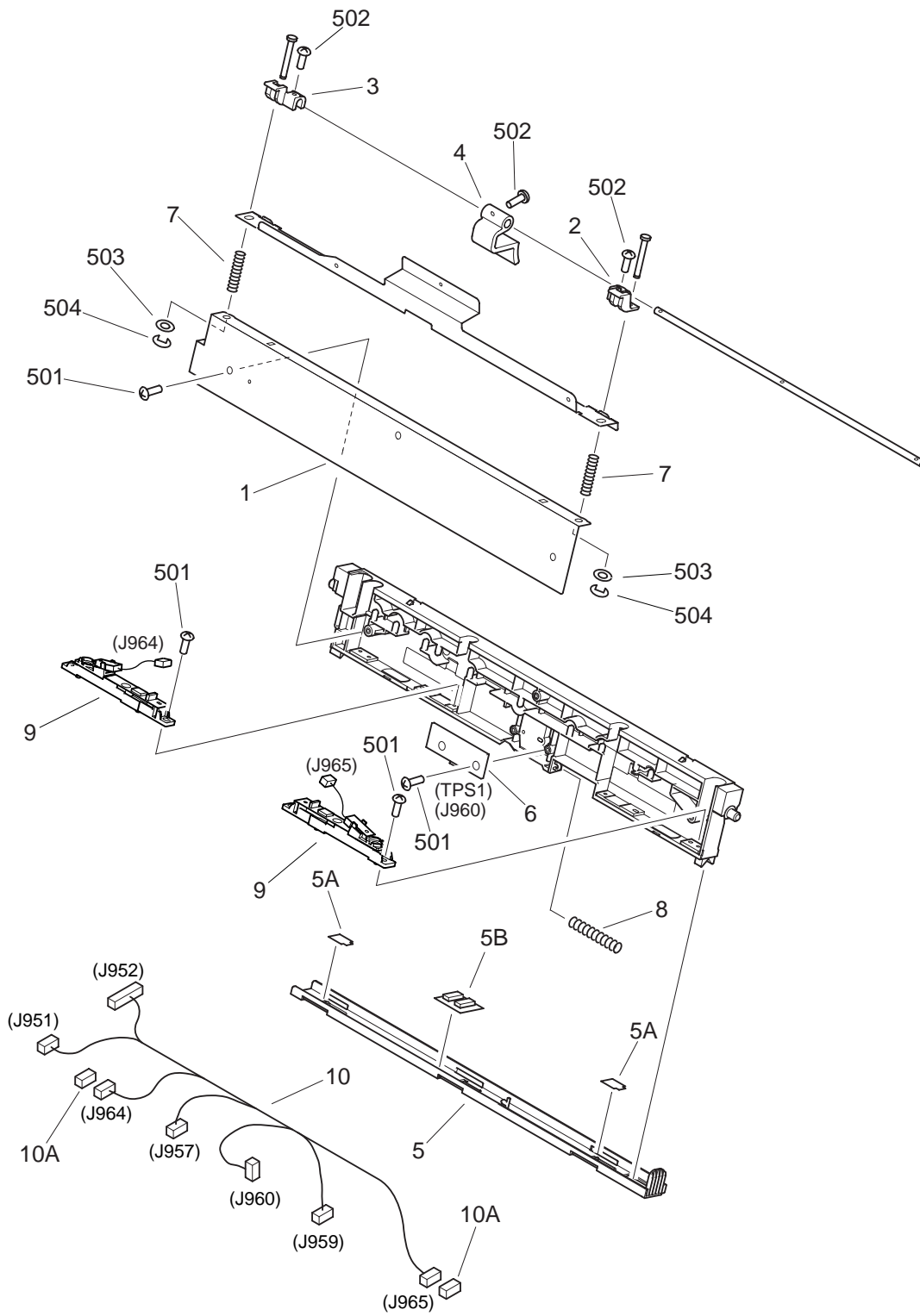


FIGURE & KEY NO.	PART NUMBER	RANK	QTY	DESCRIPTION	SERIAL NUMBER / REMARKS
321 -	FG6-8960-000		1	PATTERN READER ASSEMBLY パターン読み取り部	
1	FB6-3273-000		1	COVER, REGISTRATION SENSOR レジスト検知カバー	
2	FB6-3291-000		1	CAM, RELEASE, 1 解除カム (1)	
3	FB6-3292-000		1	CAM, RELEASE, 2 解除カム (2)	
4	FB6-3293-000		1	LEVER, RELEASE 解除レバー	
5	FF6-2046-000		1	HOLDER, CLEANING 清掃ホルダ	
5A	FB6-3275-000		2	PAD UNIT, CLEANING 清掃パッド	
5B	RB2-6925-000		1	BRUSH, CLEANING クリーニング ブラシ	
6	FH7-7601-000		1	SALT SENSOR UNIT S A L T センサ	TPS1 J960
7	FS7-2850-000		2	SPRING, COMPRESSION アッシュク バネ	
8	FS7-2851-000		1	SPRING, COMPRESSION アッシュク バネ	
9	FG3-2315-000		2	REGIST. SENSOR PCB ASSEMBLY レジスト検知センサ回路基板	J964,965
10	FG3-2318-000		1	CABLE, REGIST. PAPER DETECT レジスト検知束線	J951,952,957,959,960 J964,965
10A	VS1-6318-003		2	CONNECTOR, SNAP TIGHT チュウケイ コネクタ	J964,965
501	XB4-5300-807		9	SCREW,P,M3X8 P タイト ネジ	
502	XB6-7300-607		3	SCREW,TP,M3X6 T P ネジ	
503	XD1-1104-135		2	SHIM ヒョウジュン ワッシャ	
504	XD2-1100-322		2	RING,E E リング	

FIGURE 330

FIXING FEEDER ASSEMBLY (PLAIN TYPE) 定着搬送部 (片面タイプ)

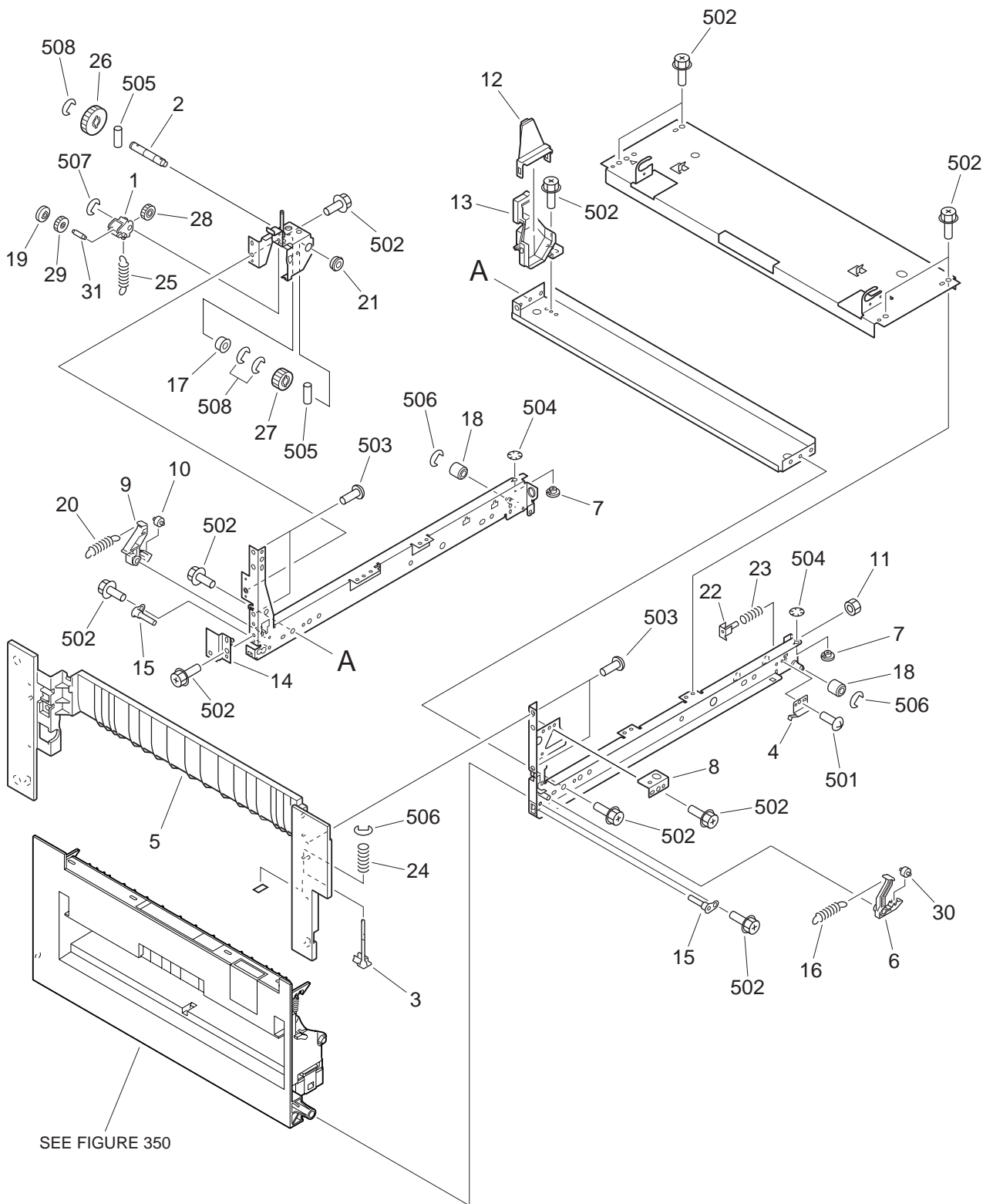


FIGURE & KEY NO.	PART NUMBER	R A N K	Q' T Y	DESCRIPTION	SERIAL NUMBER / REMARKS
330 -	NPN		RF	FIXING FEEDER ASSEMBLY 定着搬送部	PLAIN TYPE
1	FB6-3579-000		1	ARM, SWING 揺動アーム	
2	FB6-3588-000		1	SHAFT, IDLER GEAR, 1 アイドル ギア軸 (1)	
3	FB6-3600-000		1	PIN, ADJUSTMENT 制御ピン	
4	FB6-3638-000		1	PLATE, GROUNDING アース板	
5	FB6-3683-000		1	COVER, PAPER FEED 搬送カバー	
6	FB6-3684-000		1	LEVER, CLICK, FRONT クリック レバー (前)	
7	FB6-3686-000		2	PIN, SLIDE スライド ピン	
8	FB6-3698-000		1	PLATE, FIXING POSITIONING 定着位置決め板	
9	FB6-4908-000		1	LEVER, CLICK, REAR クリック レバー (後)	
10	FB6-4918-000		1	ROLLER, LEVER, REAR レバー コロ (後)	
11	XA9-1412-000		1	NUT, HEX, M5 六角ナット	
12	FB6-3694-000		1	DUCT, CONNECTING, UPPER 連結ダクト (上)	
13	FB6-3695-000		1	DUCT, CONNECTING, LOWER 連結ダクト (下)	
14	FF6-2079-000		1	PLATE, POSITIONING 位置決め板	
15	FF6-2081-000		2	SHAFT, DELIVERY OPEN/CLOSE 排紙開閉軸	
16	FS7-2862-000		1	SPRING, TENSION ヒッパリ バネ	
17	FS1-1465-000		1	BUSHING ブッシング	
18	FS5-6948-000		2	COLLAR, RAIL レール コロ	
19	FS5-6950-000		1	COLLAR 突き当てコロ	
20	FS7-2818-000		1	SPRING, TENSION ヒッパリ バネ	
21	XG9-0479-000		1	BEARING, BALL ボール ベアリング	
22	FF6-2143-000		1	PLATE, ADJUSTMENT 調整板	
23	FS7-2861-000		1	SPRING, COMPRESSION アッシュク バネ	
24	FS7-2822-000		1	SPRING, COMPRESSION アッシュク バネ	
25	FS7-2829-000		1	SPRING, TENSION ヒッパリ バネ	
26	FU3-0312-000		1	GEAR, 30T 30T ギア	
27	FU3-0313-000		1	GEAR, 20T 20T ギア	
28	FU3-0314-000		1	GEAR, 15T 15T ギア	
29	FU3-0315-000		1	GEAR, 15T 15T ギア	

FIGURE & KEY NO.	PART NUMBER	RANK	QTY	DESCRIPTION	SERIAL NUMBER / REMARKS
350 -	FG6-9068-000		1	FACE-UP DELIVERY ASSEMBLY フェースアップ排紙部	PLAIN TYPE
1	FB6-3610-000		1	HOOK, DELIVERY, FRONT 排紙開閉フック(前)	
2	FB6-3611-000		1	HOOK, DELIVERY, REAR 排紙開閉フック(後)	
3	FB6-3612-000		1	KNOB, DELIVERY 排紙開閉把手	
4	FB6-3700-000		1	PANEL, DELIVERY 排紙カバー	
5	FB6-3702-000		1	GUIDE, FIXING DELIVERY 定着排紙ガイド	
6	FB6-3703-000		1	DEFLECTOR, FACE-UP フェースアップ フラッパ	
7	FB6-3935-000		1	ROLLER, DELIVERY 排紙ローラ	
8	FB6-3705-000		1	PLATE, GROUNDING 排紙アース板	
9	FB6-3706-000		1	DUCT, DELIVERY, UPPER 排紙冷却ダクト(上)	
10	FB6-3707-000		1	DUCT, DELIVERY, LOWER 排紙冷却ダクト(下)	
11	FS5-6946-000		1	ROLLER, 2 突き当てコロ(2)	
12	FS7-0128-000		1	GEAR, 32T 32T ギア	
13	FS7-2823-000		1	SPRING, TORSION ネジリ バネ	
14	FS7-2828-000		1	SPRING, TENSION ヒツパリ バネ	
15	FU3-0301-000		1	GEAR, 16T/13T 16T / 13T ギア	
16	FU3-0317-000		1	GEAR, 21T 21T ギア	
17	RS5-1060-000		1	BUSHING ブッシング	
18	RS5-1325-000		1	BUSHING, CONDUCTIVE ドウデン シクウケ	
19	FB6-3846-000		1	LABEL, FIXING DOOR OPEN/CLOSE 定着扉開閉ラベル	
20	FB6-3847-000		1	LABEL, FIXING LEVER OPEN/CLOSE 定着レバー開閉ラベル	
21	FB6-3848-000		1	LABEL, FIXING JAM 定着ジャム処理ラベル	
22	FB6-3936-000		3	PAD 突き当てパッド	
501	XB6-7400-607		1	SCREW, TP, M4X6 TP ネジ	
502	XB4-5400-807		5	SCREW, P, M4X8 P タイト ネジ	
503	XD2-1100-502		3	RING, E E リング	
504	XD2-2300-402		4	RING, TOOTHED LOCK ハツキ トメワ	

FIGURE & KEY NO.	PART NUMBER	RANK	QTY	DESCRIPTION	SERIAL NUMBER / REMARKS
351 -	FG6-9050-000		1	DELIVERY VERTICAL PATH ASS'Y 排紙縦バス部	OLD
1	FF5-6279-000		1	PIN, GUIDE シングル ピン	
2	FB5-4896-000		4	HOLDER, ROLLER コロ ホルダ	
3	FB5-9570-000		4	ROLLER, FACE DOWN フェイスダウン排紙コロ	
4	FB5-9803-000		4	RING リング	
5	FB6-3532-000		1	PLATE, GROUNDING アース板	
6	FB6-3875-000		2	ROLLER, REVERSE 反転ローラ	
7	FB6-3534-000		1	FLAG, DELIVERY SENSOR 排紙センサ レバー	
8	FB6-3877-000		2	COLLAR コロ	
9	FF6-2145-000		4	ROLLER, DELIVERY FEEDER 排紙搬送コロ	
10	FB6-3541-000		1	GUIDE, INLET 入口ガイド	
11	FB6-3544-000		1	ARM, SENSOR センサ アーム	
12	FB6-3545-000		1	SPRING, TORSION ネジリ バネ	
13	FB6-3564-000		1	SPRING, TORSION ネジリ バネ	
14	FF6-2131-000		2	PLATE, PAPER FULL SENSOR 満載検知板	
15	FF6-2070-000		1	GUIDE, PAPER FEED 搬送ガイド	
16	FH6-1975-000		2	MOTOR, STEPPING ステッピング モータ	M10,11 J704,705
17	FH7-7312-000		4	PHOTO-INTERRUPTER フォトインタラプタ	PS6,8,12,13 J706,710,711,712
18	FS1-1187-000		2	BUSHING ブッシング	
19	FS2-1544-000		1	BUSHING ブッシング	
20	FS5-0353-000		4	GEAR, 22T 2 2 T ギア	
21	FS5-3989-000		2	PULLEY, 32T 3 2 T プーリ	
22	FU3-0319-000		1	GEAR, 16T 1 6 T ギア	
23	FU3-0322-000		1	GEAR, 17T/51T 1 7 T / 5 1 T ギア	
24	FU3-0323-000		1	GEAR, 28T 2 8 T ギア	
25	FU3-0324-000		1	GEAR, 31T/17T 3 1 T / 1 7 T ギア	
26	RB1-6666-000		1	ELIMINATOR, STATIC CHARGE ジョデン バリ	
27	FB6-3897-000		4	RETAINER, FEEDER ROLLER 搬送コロ押え	
28	RS5-1324-000		1	BUSHING ブッシング	
29	RS5-1325-000		2	BUSHING, CONDUCTIVE ドウデン ジクウケ	

FIGURE & KEY NO.	PART NUMBER	R A N K	Q' T Y	DESCRIPTION	SERIAL NUMBER / REMARKS
351 - 30	FS7-2859-000		4	SPRING, COMPRESSION アッシュク バネ	
31	XF9-0736-000		1	BELT, TIMING タイミング ベルト	
32	FG3-2311-000		1	CABLE, DELIVERY PATH 排紙縦バス束線	J701,703-706,710-712
35	XA9-0724-000		2	SCREW,RS,M3X8 R S タイト ネジ	
36	FB6-3869-000		1	FLAG, PAPER FULL SENSOR 満載検知フラグ	
37	FB6-3874-000		1	ROLLER, FACE-DOWN DELIVERY フェースダウン 排紙ローラ	
501	XB3-6300-800		2	SCREW,RS,M3X8 R S タイト ネジ	
502	XB3-6400-800		7	SCREW,RS,M4X8 R S タイト ネジ	
503	XB4-5300-807		5	SCREW,P,M3X8 P タイト ネジ	
504	XD2-1100-502		1	RING,E E リング	
505	XD2-1100-642		1	RING,E E リング	
506	XD2-1100-242		3	RING,E E リング	

FIGURE 351A

DELIVERY VERTICAL PATH ASSEMBLY (NEW) (2/2) 排紙縦パス部 (新) (2/2)

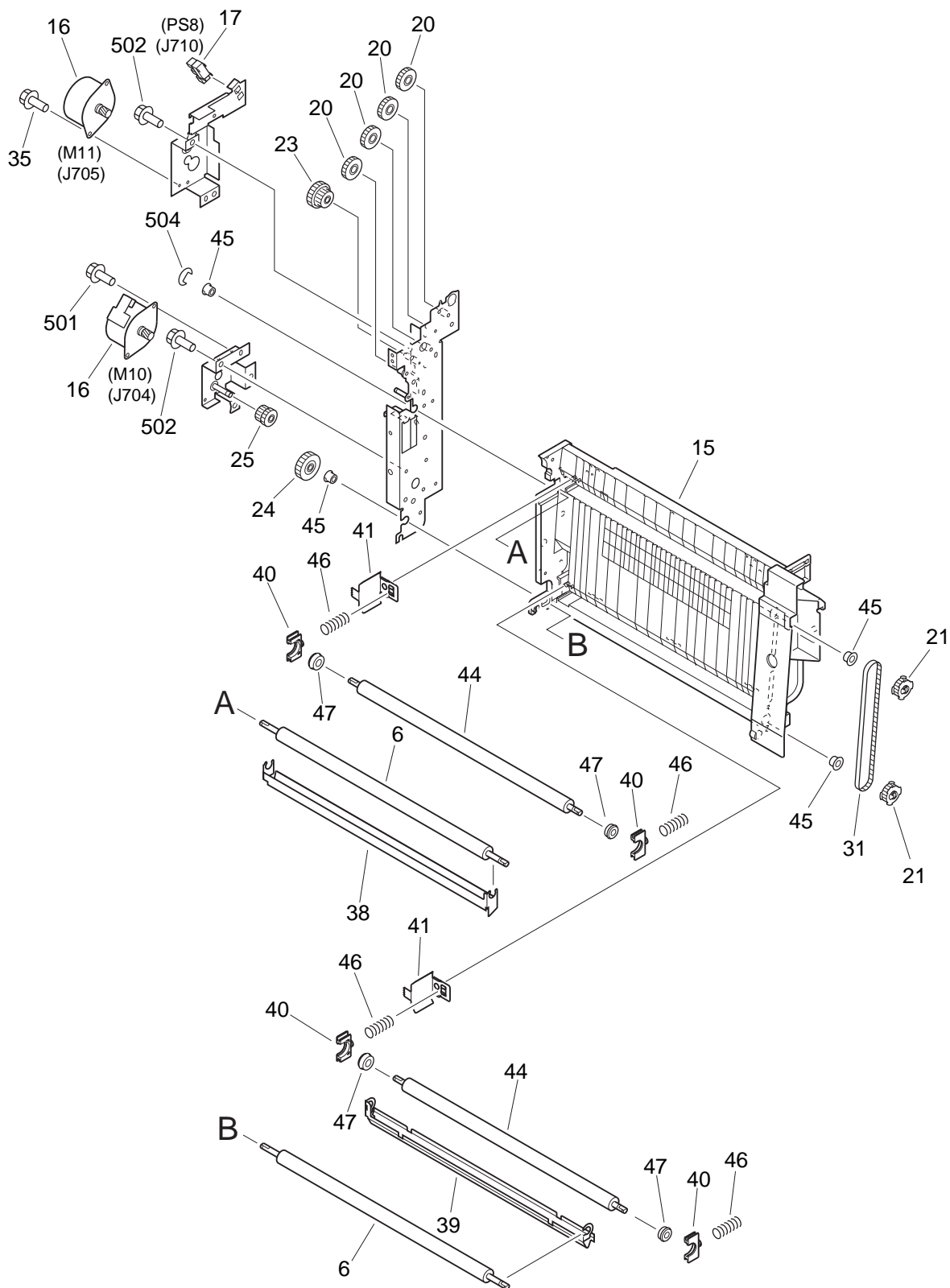
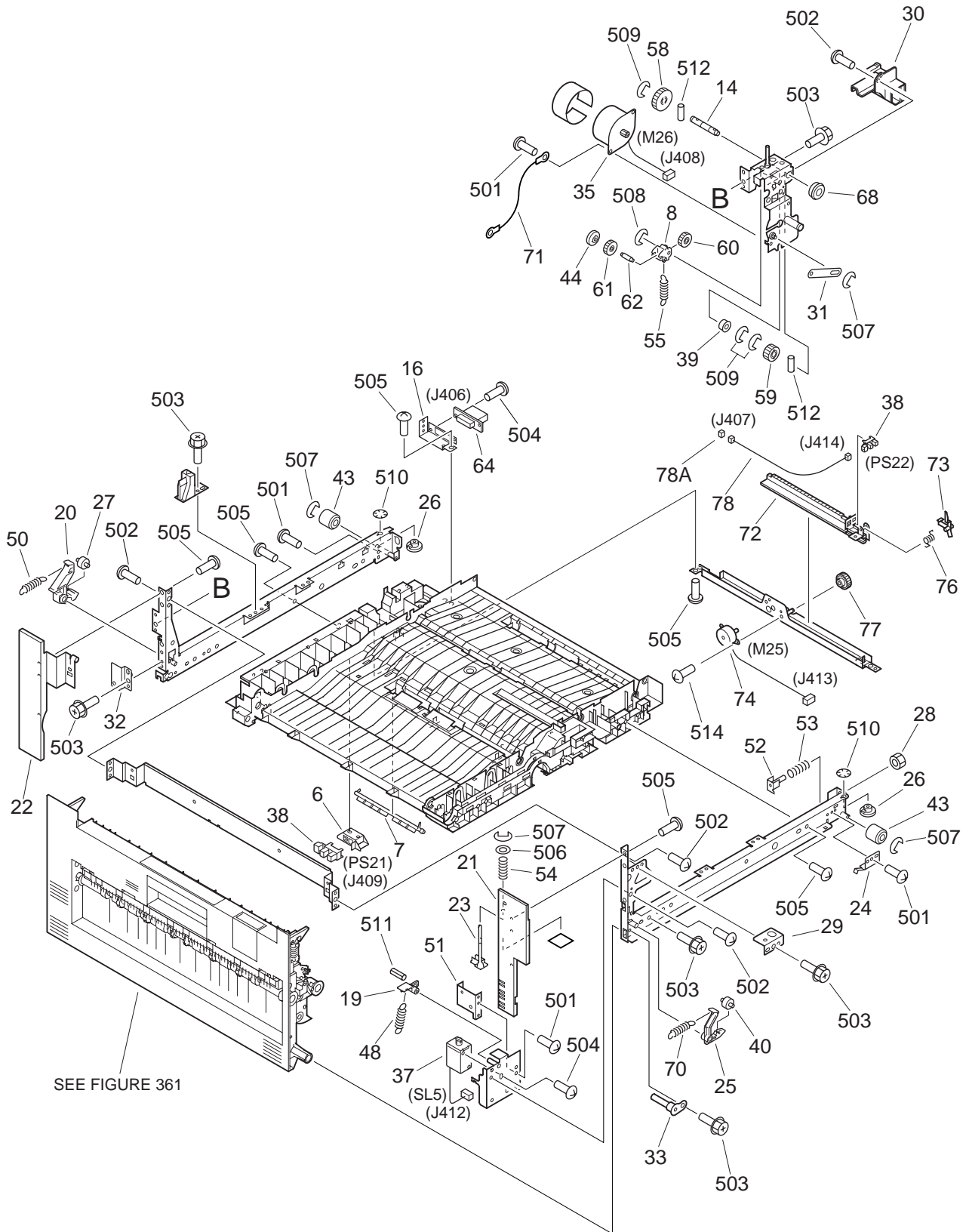


FIGURE & KEY NO.	PART NUMBER	RANK	QTY	DESCRIPTION	SERIAL NUMBER / REMARKS
351A -	FG6-9654-000		1	DELIVERY VERTICAL PATH ASS'Y 排紙縦パス部	NEW
2	FB5-4896-000		4	HOLDER, ROLLER コロ ホルダ	
3	FB6-5796-000		4	ROLLER, PAPER DELIVERY 排紙コロ	
4	FB5-9803-000		8	RING リング	
5	FB6-3532-000		1	PLATE, GROUNDING アース板	
6	FB6-5781-000		2	ROLLER, REVERSE 反転ローラ	
7	FB6-3534-000		1	FLAG, DELIVERY SENSOR 排紙センサ レバー	
8	FB6-3877-000		2	COLLAR コロ	
11	FB6-3544-000		1	ARM, SENSOR センサ アーム	
12	FB6-3545-000		1	SPRING, TORSION ネジリ バネ	
13	FB6-3564-000		1	SPRING, TORSION ネジリ バネ	
14	FF6-2131-000		2	PLATE, PAPER FULL SENSOR 満載検知板	
15	FF6-2344-000		1	GUIDE, PAPER FEED 搬送ガイド	
16	FH6-1975-000		2	MOTOR, STEPPING ステッピング モータ	M10,11 J704,705
17	FH7-7312-000		4	PHOTO-INTERRUPTER フォトインタラプタ	PS6,8,12,13 J706,710,711,712
19	FS2-1544-000		1	BUSHING ブッシング	
20	FS5-0353-000		4	GEAR, 22T 22T ギア	
21	FS5-3989-000		2	PULLEY, 32T 32T プーリ	
22	FU3-0319-000		1	GEAR, 16T 16T ギア	
23	FU3-0322-000		1	GEAR, 17T/51T 17T / 51T ギア	
24	FU3-0323-000		1	GEAR, 28T 28T ギア	
25	FU3-0324-000		1	GEAR, 31T/17T 31T / 17T ギア	
26	RB1-6666-000		1	ELIMINATOR, STATIC CHARGE ジョデンバリ	
28	RS5-1324-000		1	BUSHING ブッシング	
30	FS7-2859-000		4	SPRING, COMPRESSION アッシュク バネ	
31	XF9-0736-000		1	BELT, TIMING タイミング ベルト	
32	FG3-2311-000		1	CABLE, DELIVERY PATH 排紙縦パス束線	J701,703-706,710-712
35	XA9-0724-000		2	SCREW,RS,M3X8 RS タイト ネジ	
36	FB6-3869-000		1	FLAG, PAPER FULL SENSOR 満載検知フラグ	
37	FB6-3874-000		1	ROLLER, FACE-DOWN DELIVERY フェースダウン 排紙ローラ	

FIGURE & KEY NO.	PART NUMBER	R A N K	Q' T Y	DESCRIPTION	SERIAL NUMBER / REMARKS
351A - 38	FB6-5786-000		1	GUIDE, INLET, UPPER 反転ローラ入口ガイド(上)	
39	FB6-5787-000		1	GUIDE, INLET, LOWER 反転ローラ入口ガイド(下)	
40	FB6-5790-000		4	BUSHING ブッシング	
41	FB6-5791-000		2	PLATE, STATIC ELIMINATOR 従動ローラ除電板	
42	FB6-5792-000		1	DUCT, VERTICAL PATH FAN 排紙縦パス ファン ダクト	
43	FB6-5795-000		1	SHEET, CABLE RETAINER 束線押さえシート	
44	FF6-2345-000		2	ROLLER, SLAVE 従動ローラ	
45	FS6-1067-000		4	BUSHING ブッシング	
46	FS7-2866-000		4	SPRING, COMPRESSION 圧縮バネ	
47	XG9-0513-000		4	BEARING, BALL ボール ベアリング	
48	FG3-3010-000		1	CABLE, VERTICAL PATH FAN 排紙縦パス ファン束線	J1125,1126
48A	VS1-5057-003		1	CONNECTOR, SNAP TIGHT チュウケイ コネクタ	J1126
49	FH6-1984-000		1	FAN ファン	FM8 J1126
50	XZ9-0556-000		1	BUSHING ブッシング	
501	XB3-6300-800		3	SCREW,RS,M3X8 R S タイト ネジ	
502	XB3-6400-800		6	SCREW,RS,M4X8 R S タイト ネジ	
503	XB4-5300-807		13	SCREW,P,M3X8 P タイト ネジ	
504	XD2-1100-502		1	RING,E E リング	
505	XD2-1100-642		1	RING,E E リング	
506	XD2-1100-242		3	RING,E E リング	
507	XB1-2300-607		2	SCREW,MACH.,TRUSS HEAD,M3X6 バインド ネジ	
508	XD1-1104-635		1	SHIM ヒョウジュン ワッシャ	
509	XZ1-1300-605		1	SPACER スペ - サ	
510	XB6-7300-805		1	SCREW,TP,M3X8 T P ネジ	

FIGURE 360

DUPLEXING ASSEMBLY (DUPLEX TYPE) (1/2) 両面部 (両面タイプ) (1/2)



NOTE : This assembly includes the assembly shown in Figure 361.

注 : このユニットはFigure 361のユニットを含みます。

FIGURE 360

DUPLEXING ASSEMBLY (DUPLEX TYPE) (2/2) 両面部 (両面タイプ) (2/2)

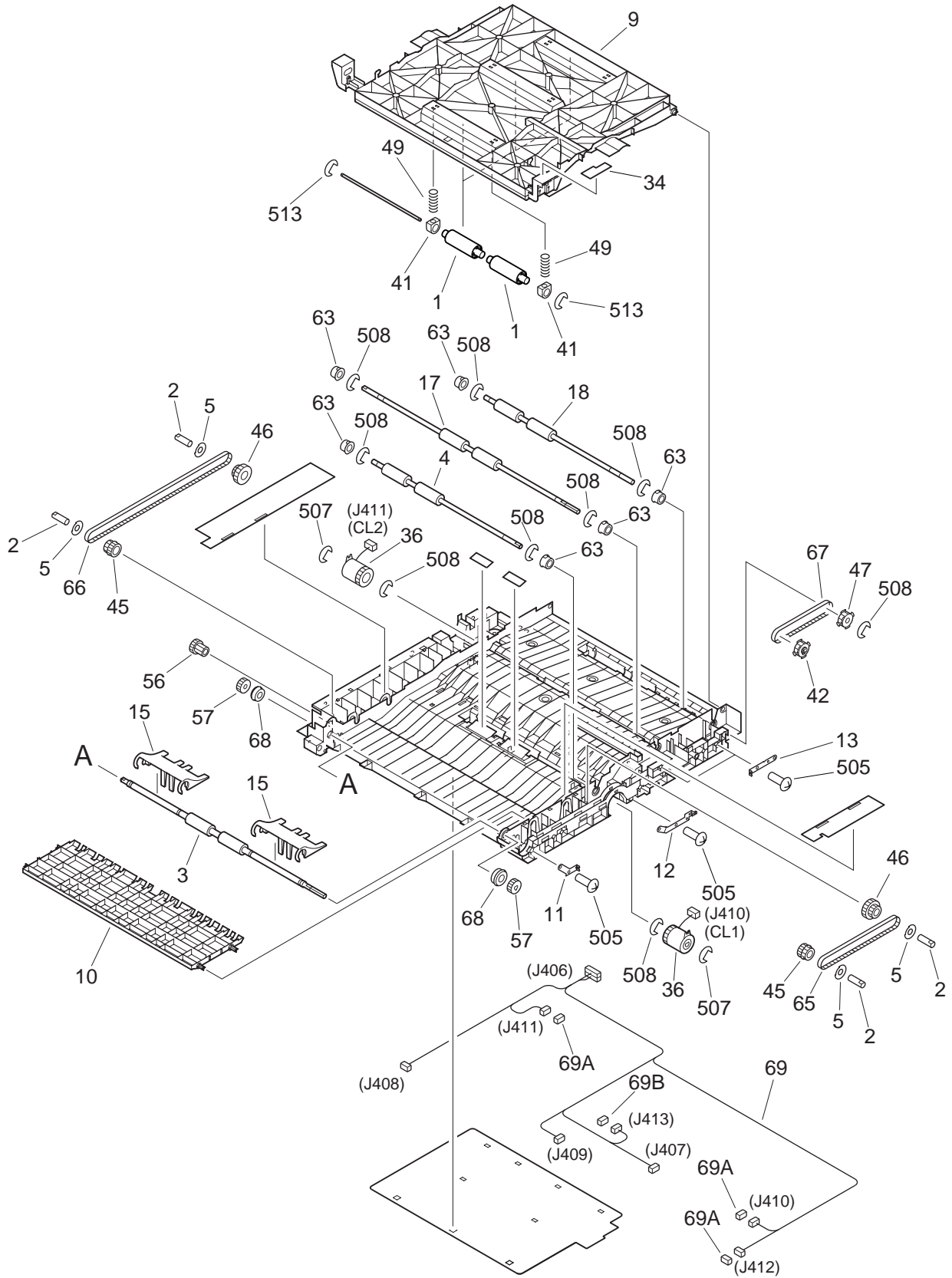


FIGURE & KEY NO.	PART NUMBER	R A N K	Q' T Y	DESCRIPTION	SERIAL NUMBER / REMARKS
360 -	FG6-9058-000		1	DUPLEXING ASSEMBLY 両面部	DUPLEX TYPE EXCEPT RQZ,RQY SEE NOTE
	FM1-0352-000		1	DUPLEXING ASSEMBLY 両面部	DUPLEX TYPE RQY,RQZ SEE NOTE
1	FB6-4873-000		6	ROLLER, PAPER FEED 搬送ローラ	
2	FB6-3572-000		4	SHAFT, DUPLEXING IDLER 両面アイドラ軸	
3	FB6-3888-000		1	ROLLER, DUPLEXING FEEDER, 1 両面搬送ローラ (1)	
4	FB6-3889-000		1	ROLLER, DUPLEXING FEEDER, 2 両面搬送ローラ (2)	
5	FB6-3576-000		4	SPACER スペーサ	
6	FB6-3577-000		1	HOLDER, DUPLEXING SENSOR 両面センサ ホルダ	
7	FB6-3578-000		1	FLAG, DUPLEXING SENSOR 両面センサ フラグ	
8	FB6-3579-000		1	ARM, SWING 揺動アーム	
9	FB6-3580-000		1	GUIDE, DUPLEXING OPEN/CLOSE 両面開閉ガイド	
10	FB6-3581-000		1	GUIDE, DUPLEXING, UPPER 両面ガイド (上)	
11	FB6-3583-000		1	PLATE, GROUNDING, 1 アース板 (1)	
12	FB6-3584-000		1	PLATE, GROUNDING, 2 アース板 (2)	
13	FB6-3585-000		2	PLATE, GROUNDING, 3 アース板 (3)	
14	FB6-3588-000		1	SHAFT, IDLER GEAR, 1 アイドラ ギア軸 (1)	
15	FB6-3589-000		2	GUIDE, DUPLEXING AUXILIARY 両面補助ガイド	
16	FB6-3590-000		1	SUPPORT, DRAWER CABLE ドロア支板	
17	FB6-3890-000		1	ROLLER, DUPLEXING FEEDER, 3 両面搬送ローラ (3)	
18	FB6-3891-000		1	ROLLER, DUPLEXING FEEDER, 4 両面搬送ローラ (4)	
19	FB6-3595-000		1	LINK, SOLENOID, 1 ソレノイド リンク (1)	
20	FB6-4908-000		1	LEVER, CLICK, REAR クリック レバー (後)	
21	FF6-2147-000		1	PANEL, EX. DELIVERY FIX, FRONT 外排紙固定カバー (前)	
22	FB6-3599-000		1	PANEL, DELIVERY, REAR 外排紙カバー (後)	
23	FB6-3600-000		1	PIN, ADJUSTMENT 制御ピン	
24	FB6-3638-000		1	PLATE, GROUNDING アース板	
25	FB6-3684-000		1	LEVER, CLICK, FRONT クリック レバー (前)	
26	FB6-3686-000		2	PIN, SLIDE スライド ピン	

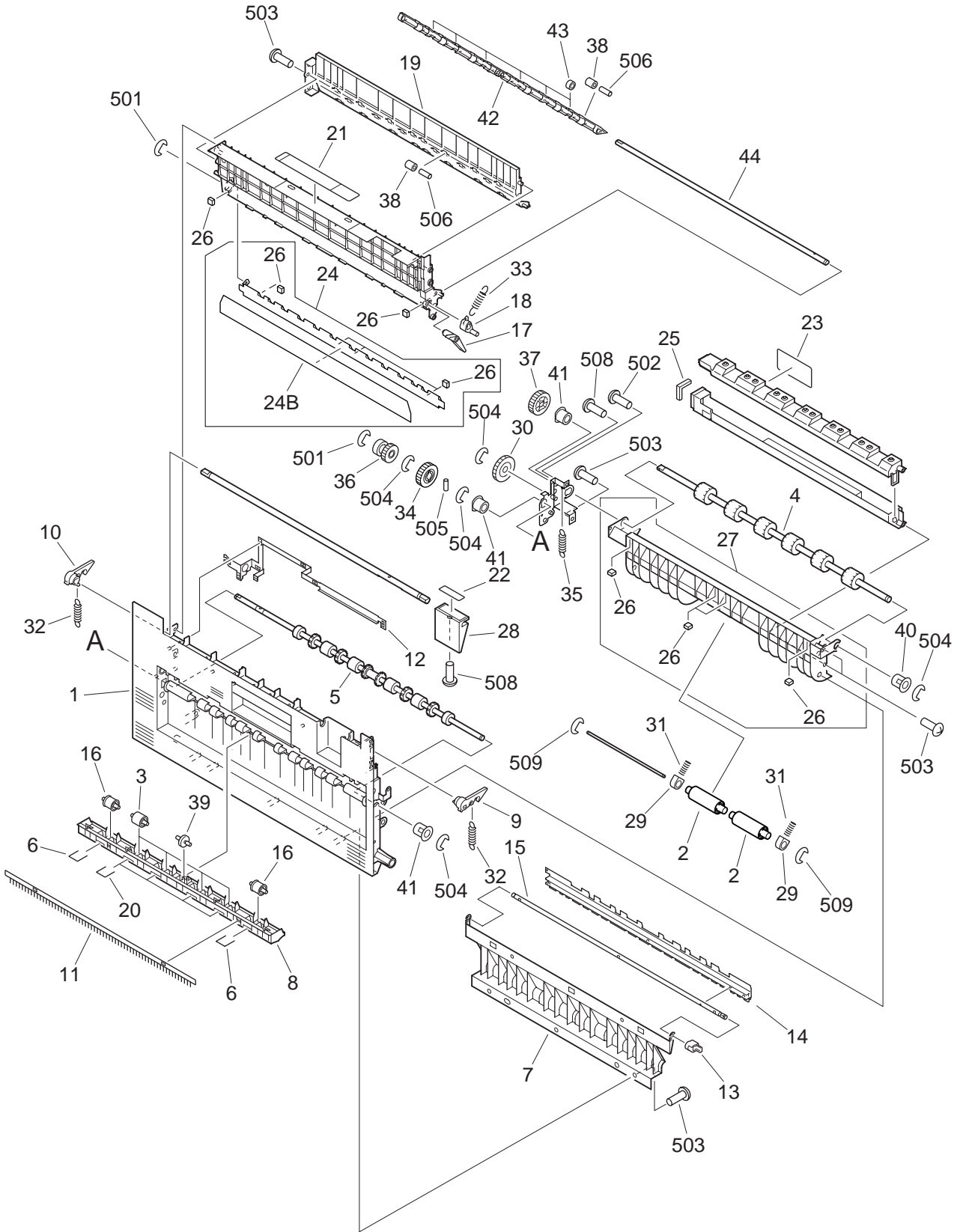
FIGURE & KEY NO.	PART NUMBER	RANK	QTY	DESCRIPTION	SERIAL NUMBER / REMARKS
360 - 27	FB6-4918-000		1	ROLLER, LEVER, REAR レバー コロ (後)	
28	XA9-1412-000		1	NUT, HEX, M5 六角ナット	
29	FB6-3698-000		1	PLATE, FIXING POSITIONING 定着位置決め板	
30	FB6-3880-000		1	DUCT, JOINT 連結ダクト	
31	FB6-3728-000		1	LINK, DELIVERY OPEN/CLOSE 外排紙開閉リンク	
32	FF6-2079-000		1	PLATE, POSITIONING 位置決め板	
33	FF6-2081-000		1	SHAFT, DELIVERY OPEN/CLOSE 排紙開閉軸	
34	FB6-3893-000		1	LABEL, DUPLEXING HANDLE 両面開閉把手ラベル	
35	FH6-1974-000		1	MOTOR, STEPPING ステッピング モータ	M26 J408
36	FH6-5052-000		2	CLUTCH, ELECTRO-MAGNETIC 電磁クラッチ	CL1,2 J410,411
37	FH6-5056-000		1	SOLENOID ソレノイド	SL5 J412
38	FH7-7312-000		2	PHOTO-INTERRUPTER フォトインタラプタ	PS21,22 J409,414
39	FS1-1465-000		1	BUSHING ブッシング	
40	FB6-3934-000		1	ROLLER, LEVER, FRONT レバー コロ (前)	
41	FS5-1595-000		6	BLOCK, ROLLER ロ - ラ ジクウケ	
42	FS5-3989-000		1	PULLEY, 32T 3 2 T プーリ	
43	FS5-6948-000		2	COLLAR, RAIL レール コロ	
44	FS5-6950-000		1	COLLAR 突き当てコロ	
45	FS6-3001-000		2	PULLEY, 28T/GEAR, 35T 2 8 T プーリ / 3 5 T ギア	
46	FS6-3002-000		2	PULLEY, 28T/GEAR, 24T 2 8 T プーリ / 2 4 T ギア	
47	FS6-3003-000		1	PULLEY, 32T 3 2 T プーリ	
48	FS7-2360-000		1	SPRING, TENSION ヒッパリ バネ	
49	FS7-2788-000		6	SPRING, COMPRESSION アッシュク バネ	
50	FS7-2867-000		1	SPRING, TENSION ヒッパリ バネ	
51	FB6-3964-000		1	PLATE, POSITIONING, FRONT 位置決め板 (前)	
52	FF6-2143-000		1	PLATE, ADJUSTMENT 調整板	
53	FS7-2861-000		1	SPRING, COMPRESSION アッシュク バネ	
54	FS7-2822-000		1	SPRING, COMPRESSION アッシュク バネ	
55	FS7-2829-000		1	SPRING, TENSION ヒッパリ バネ	
56	FU3-0310-000		1	GEAR, 35T/24T 3 5 T / 2 4 T ギア	

FIGURE & KEY NO.	PART NUMBER	RANK	QTY	DESCRIPTION	SERIAL NUMBER / REMARKS
360 - 57	FU3-0311-000		2	GEAR, 35T 3 5 T ギア	
58	FU3-0312-000		1	GEAR, 30T 3 0 T ギア	
59	FU3-0313-000		1	GEAR, 20T 2 0 T ギア	
60	FU3-0314-000		1	GEAR, 15T 1 5 T ギア	
61	FU3-0315-000		1	GEAR, 15T 1 5 T ギア	
62	RB1-6653-000		1	SHAFT, GEAR ギア シク	
63	RS5-1325-000		6	BUSHING, CONDUCTIVE ドウデン シクウケ	
64	VS1-6920-025		1	CONNECTOR, 25P, MALE コネクタ (オス)	J406
65	XF9-0733-000		1	BELT, TIMING タイミング ベルト	
66	XF9-0734-000		1	BELT, TIMING タイミング ベルト	
67	XF9-0735-000		1	BELT, TIMING タイミング ベルト	
68	XG9-0479-000		3	BEARING, BALL ボール ベアリング	
69	FG3-2312-000		1	CABLE, DUPLEXING 両面束線	J406-413
69A	VS1-5057-002		3	CONNECTOR, SNAP TIGHT チュウケイ コネクタ	J410-412
69B	VS1-5057-006		1	CONNECTOR, SNAP TIGHT チュウケイ コネクタ	J413
70	FS7-2862-000		1	SPRING, TENSION ヒツパリ パネ	
71	FG3-3002-000		1	CABLE, GROUNDING アース束線	
72	FB6-3629-020		1	RACK, SLIDE スライド ラック	
73	FB6-3630-000		1	FLAG, REG. SENSOR 横レジセンサフラグ	
74	FH6-1253-000		1	MOTOR, STEPPING, DC24V ステッピング モ - タ	M25 J413
76	FS7-2832-000		1	SPRING, TORSION ネジリ パネ	
77	FU3-0318-000		1	GEAR, 36T/12T 3 6 T / 1 2 T ギア	
78	FG3-2313-000		1	CABLE, SIDE REGIST. SENSOR レジスト センサ束線	J407,414
78A	VS1-5057-003		1	CONNECTOR, SNAP TIGHT チュウケイ コネクタ	J407
501	XB1-2300-407		6	SCREW, MACH., TRUSS HEAD, M3X4 バインド ネジ	
502	XB1-2400-607		5	SCREW, MACH., TRUSS HEAD, M4X6 バインド ネジ	
503	XB3-6400-800		5	SCREW, RS, M4X8 R S タイト ネジ	
504	XB1-2300-807		2	SCREW, MACH., TRUSS HEAD, M3X8 バインド ネジ	
505	XB4-5400-807		16	SCREW, P, M4X8 P タイト ネジ	
506	XD1-1104-135		1	SHIM ヒョウジュン ワッシャ	

FIGURE & KEY NO.	PART NUMBER	RANK	QTY	DESCRIPTION	SERIAL NUMBER / REMARKS
360 - 507	XD2-1100-322		2	RING,E E リング	
508	XD2-1100-502		9	RING,E E リング	
509	XD2-1100-642		3	RING,E E リング	
510	XD2-2300-602		2	RING,TOOTHED LOCK ハツキ トメワ	
511	XD3-1300-102		1	PIN,SPRING スプリング ピン	
512	XD3-2200-122		2	PIN,DOWEL ヘイコウ ピン	
513	XD2-1100-282		6	RING,E E リング	
514	XB1-2300-407		2	SCREW,MACH.,TRUSS HEAD,M3X4 バインド ネジ	

FIGURE 361

EXTERNAL DELIVERY COVER ASS'Y (DUPLEX TYPE) 外排紙開閉カバー部 (両面タイプ)



NOTE : This assembly is included in the assembly shown in Figure 360.

注：このユニットはFigure 360のユニットに含まれます。

FIGURE & KEY NO.	PART NUMBER	RANK	QTY	DESCRIPTION	SERIAL NUMBER / REMARKS
361 -	FG6-9059-000		1	EXTERNAL DELIVERY COVER ASS'Y 外排紙開閉カバー部	DUPLEX TYPE EXCEPT RQY,RQZ SEE NOTE
	FM1-0351-000		1	EXTERNAL DELIVERY COVER ASS'Y 外排紙開閉カバー部	DUPLEX TYPE RQY,RQZ SEE NOTE
	1	FB6-3604-000	1	PANEL, EXTERNAL DELIVERY 外排紙開閉カバー	
2	FB6-4873-000		2	ROLLER, PAPER FEED 搬送ローラ	
3	FB6-3555-000		4	ROLLER, DELIVERY, 2 排紙ローラ (2)	
4	FB6-4862-000		1	ROLLER, INTERNAL DELIVERY 内排紙ローラ	
5	FB6-3602-000		1	ROLLER, EXTERNAL DELIVERY 外排紙ローラ	
6	FB6-3603-000		2	PIN, ROLLER HOLDING ローラ固定ピン	
7	FB6-3606-000		1	GUIDE, EXTERNAL DELIV., LOWER 外排紙開閉ガイド (下)	
8	FF6-2117-000		1	HOLDER, EXTERNAL DELIV. ROLLER 外排紙ローラ ホルダ	
9	FB6-3610-000		1	HOOK, DELIVERY, FRONT 排紙開閉フック (前)	
10	FB6-3611-000		1	HOOK, DELIVERY, REAR 排紙開閉フック (後)	
11	FB6-3613-000		1	ELIMINATOR, STATIC CHARGE 除電針	
12	FB6-3614-000		1	PLATE, GROUNDING アース板	
13	FB6-3618-000		1	LINK, SOLENOID, 2 ソレノイド リンク (2)	
14	FF6-2118-000		1	DEFLECTOR, FACE-UP/DUPLEX フェースアップ / 両面フラッパ	
15	FB6-3620-000		1	SHAFT, FU/DUPLEX DEFLECTOR フェースアップ / 両面フラッパ軸	
16	FB6-3621-000		2	ROLLER, EXTERNAL DELIVERY 外排紙ローラ	
17	FB6-3623-000		1	LINK, DEFLECTOR フラッパ リンク	
18	FB6-3626-000		1	LINK, FACE-UP DEFLECTOR, 2 フェースアップ フラッパ リンク (2)	
19	FB6-3729-000		1	GUIDE, EXTERNAL DELIV., UPPER 外排紙開閉ガイド (上)	
20	FB6-3843-000		4	PIN, ROLLER HOLDING ローラ固定ピン	
21	FB6-3846-000		1	LABEL, FIXING DOOR OPEN/CLOSE 定着扉開閉ラベル	EXCEPT RQY,RQZ
	FB6-6216-000		1	LABEL, FIXING DOOR OPEN/CLOSE 定着扉開閉ラベル	RQY,RQZ
22	FB6-3847-000		1	LABEL, FIXING LEVER OPEN/CLOSE 定着レバー開閉ラベル	
23	FB6-3848-000		1	LABEL, FIXING JAM 定着ジャム処理ラベル	
24	FF6-2075-030		1	GUIDE, FACE-UP FIXING フェースアップ固定ガイド	
24B	FB6-3617-000		1	SHEET, DUPLEXING REVERSE 両面反転シート	

FIGURE & KEY NO.	PART NUMBER	RANK	QTY	DESCRIPTION	SERIAL NUMBER / REMARKS
361 - 25	FB6-3627-000		1	DAMPER, DUCT, 2 ダクト ダンパ (2)	
26	FB6-3586-000		10	DAMPER, NOISE INSULATION 防音ダンパ	
27	FF6-2116-000		1	GUIDE, EXTERNAL DELIV., LOWER 外排紙開閉ガイド (下)	
28	FB6-3612-000		1	KNOB, DELIVERY 排紙開閉把手	
29	FS5-1595-000		2	BLOCK, ROLLER ロ - ラ ジクウケ	
30	FS7-0128-000		1	GEAR, 32T 3 2 T ギア	
31	FS7-2788-000		2	SPRING, COMPRESSION アッシュク バネ	
32	FS7-2828-000		2	SPRING, TENSION ヒッバリ バネ	
33	FS7-2830-000		1	SPRING, TENSION ヒッバリ バネ	
34	FU3-0277-000		1	GEAR, 16T 1 6 T ギア	
35	FS7-2831-000		1	SPRING, TENSION ヒッバリ バネ	
36	FU3-0316-000		1	GEAR, 13T 1 3 T ギア	
37	FU3-0317-000		1	GEAR, 21T 2 1 T ギア	
38	RB2-0493-000		30	ROLLER, PAPER SENSOR カミ センサ ロ - ラ	
39	RB9-0255-000		1	ROLLER コロ	
40	RS5-1060-000		1	BUSHING ブッシング	
41	RS5-1325-000		3	BUSHING, CONDUCTIVE ドウデン ジクウケ	
42	FB6-3622-000		1	DEFLECTOR, FACE-UP, DUPLEXING フェースアップ フラップ (両面)	
43	FB6-3892-000		6	ROLLER, FACE-UP DEFLECTOR フェースアップ フラップ コロ	
44	FF6-2128-000		1	SHAFT, FACE-UP DEFLECTOR フェースアップ フラップ軸	
501	XD2-1100-402		2	RING, E E リング	
502	XB2-8300-807		1	SCREW, W/WASHER, M3X8 バネツキ バインド ネジ	
503	XB4-5300-807		7	SCREW, P, M3X8 P タイト ネジ	
504	XD2-1100-502		5	RING, E E リング	
505	XD3-2200-102		1	PIN, DOWEL ヘイコウ ピン	
506	XD3-2200-122		AR	PIN, DOWEL ヘイコウ ピン	
508	XB6-7400-607		1	SCREW, TP, M4X6 TP ネジ	
509	XD2-1100-282		2	RING, E E リング	

FIGURE 365

MULTI PAPER FEED MOUNT ASSEMBLY 手差し給紙台部

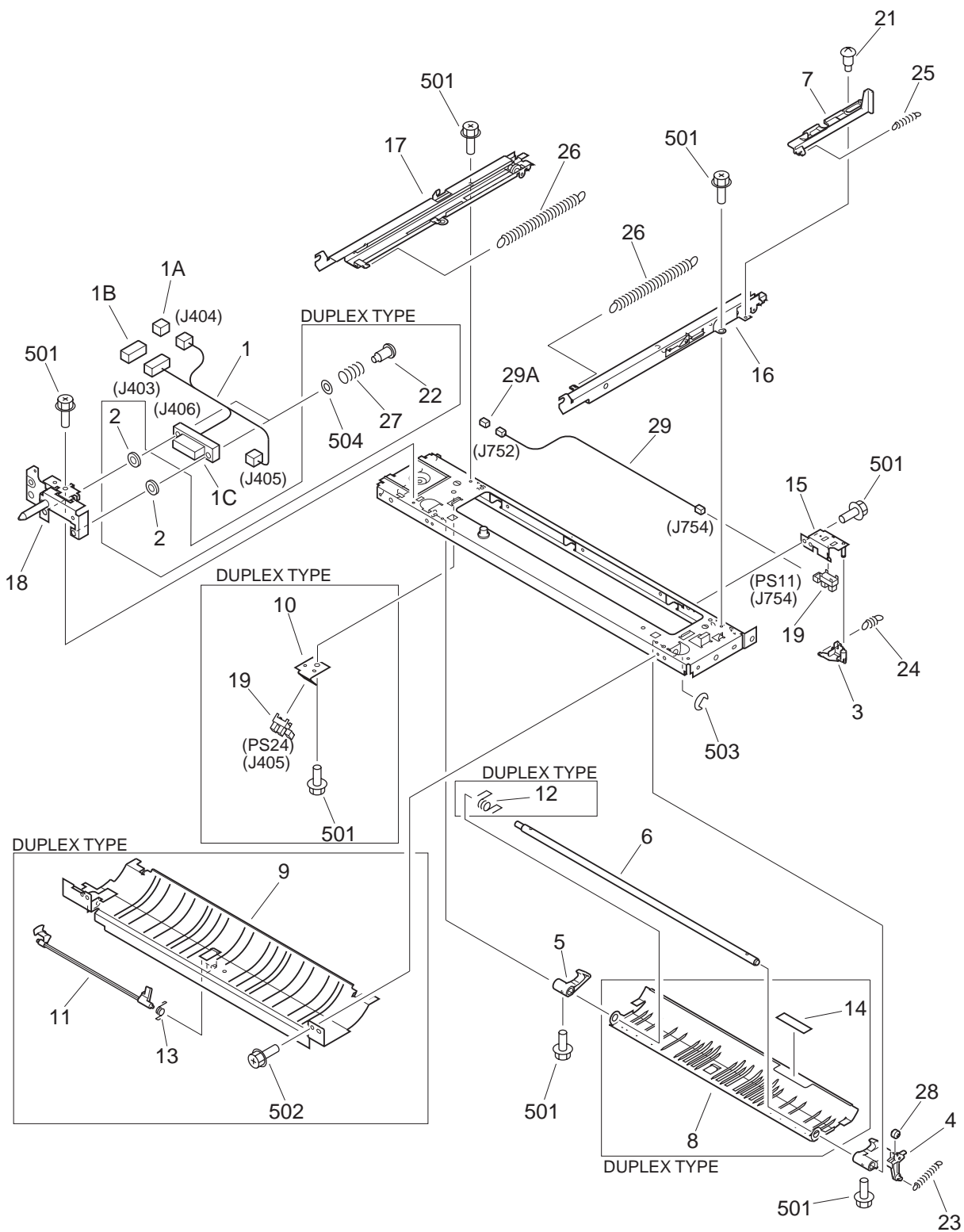
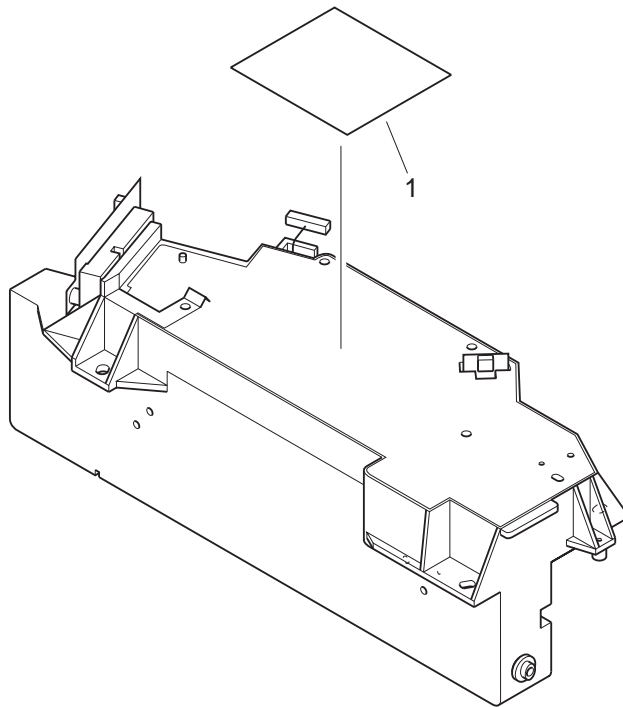


FIGURE & KEY NO.	PART NUMBER	RANK	QTY	DESCRIPTION	SERIAL NUMBER / REMARKS
365 - 1 1A 1B	FG6-9021-000		1	MULTI PAPER FEED MOUNT ASS'Y 手差し給紙台部	PLAIN TYPE
	FG6-9022-000		1	MULTI PAPER FEED MOUNT ASS'Y 手差し給紙台部	DUPLEX TYPE
	FG3-2306-000		1	CABLE, DUPLEXING DRAWER 両面ドロア束線	J403-406
	VS1-6318-004		1	CONNECTOR, SNAP TIGHT チュウケイ コネクタ	J404
	VS1-6319-026		1	CONNECTOR, SNAP TIGHT チュウケイ コネクタ	J403
1C	VS1-6919-025		1	CONNECTOR, DRAWER ドロア コネクタ	J406
2	FS5-6955-000		2	SPACER スペーサ	DUPLEX TYPE
3	FB6-3346-000		1	FLAG, OPEN/CLOSE SENSOR 開閉センサ フラグ	
4	FB6-3348-000		1	HOOK, REGISTRATION, FRONT レジスト フック(前)	
5	FB6-3349-000		1	HOOK, REGISTRATION, REAR レジスト フック(後)	
6	FB6-3350-000		1	SHAFT, HOOK フック軸	
7	FB6-3351-000		1	LEVER, RELEASE 解除レバー	
8	FB6-3356-000		1	GUIDE, RE-PICK UP, UPPER 再給紙ガイド(上)	DUPLEX TYPE
9	FB6-3357-000		1	GUIDE, RE-PICK UP, LOWER 再給紙ガイド(下)	DUPLEX TYPE
10	FB6-3358-000		1	SUPPORT, DUPLEXING SENSOR 両面センサ支板	DUPLEX TYPE
11	FB6-3359-000		1	FLAG, RE-PICK UP SENSOR 再給紙センサ フラグ	DUPLEX TYPE
12	FB6-3360-000		1	SPRING, TORSION ネジリ バネ	DUPLEX TYPE
13	FB6-3361-000		1	SPRING, TORSION ネジリ バネ	DUPLEX TYPE
14	FB6-3864-000		1	LABEL, GUIDE HANDLE ガイド把手ラベル	DUPLEX TYPE
15	FF6-2054-000		1	SUPPORT, OPEN/CLOSE SENSOR 開閉センサ支板	
16	FF6-2101-000		1	RAIL, FRONT 固定レール(前)	
17	FF6-2102-000		1	RAIL, REAR 固定レール(後)	
18	FF6-2129-000		1	SUPPORT, FEEDER POSITIONING 定着/搬送位置決め支板	
19	FH7-7312-000		1	PHOTO-INTERRUPTER フォトインタラプタ	PLAIN TYPE PS11 J754
	FH7-7312-000		2	PHOTO-INTERRUPTER フォトインタラプタ	DUPLEX TYPE PS11,24 J754,405
21	FS5-9753-000		1	SCREW, STEPPED, M3 段ビス	
22	FS5-9758-000		2	SCREW, STEPPED, M3 段ビス	DUPLEX TYPE
23	FS7-2790-000		1	SPRING, TENSION ヒツパリ バネ	
24	FS7-2791-000		1	SPRING, TENSION ヒツパリ バネ	
25	FS7-2792-000		1	SPRING, TENSION ヒツパリ バネ	

FIGURE & KEY NO.	PART NUMBER	RANK	QTY	DESCRIPTION	SERIAL NUMBER / REMARKS
365 - 26	FS7-2793-000		2	SPRING, TENSION ヒッバリ パネ	
27	FS7-2796-000		2	SPRING, COMPRESSION アッシュク パネ	DUPLEX TYPE
28	RB1-2152-000		1	ROLLER, ARM ア - ム コロ	
29	FG3-2305-000		1	CABLE, RAIL MOUNT レール台束線	J752,754
29A	VS1-6318-003		1	CONNECTOR, SNAP TIGHT チュウケイ コネクタ	J752
501	XB3-6300-800		AR	SCREW,RS,M3X8 RS タイト ネジ	
503	XD2-1100-502		1	RING,E E リング	
504	XD1-1104-137		2	SHIM ヒョウジュン ワッシャ	DUPLEX TYPE

FIGURE 460 LASER UNIT レーザユニット



NOTE : This assembly does not include the part shown with key No. 1.

注 : このユニットにKey No. 1の部品は含まれません。

FIGURE & KEY NO.	PART NUMBER	RANK	QTY	DESCRIPTION	SERIAL NUMBER / REMARKS
460 -	FG6-8962-000		4	LASER UNIT レーザ ユニット	
1	FS7-8329-000		4	LABEL, LASER WARNING レーザ注意ラベル	SEE NOTE EXCEPT RQZ,RQY
	FS7-8335-000		4	LABEL, LASER WARNING レーザ注意ラベル	SEE NOTE RQZ,RQY

FIGURE 535

INTERMEDIATE TRANSFER BELT ASSEMBLY

中間転写ベルト部

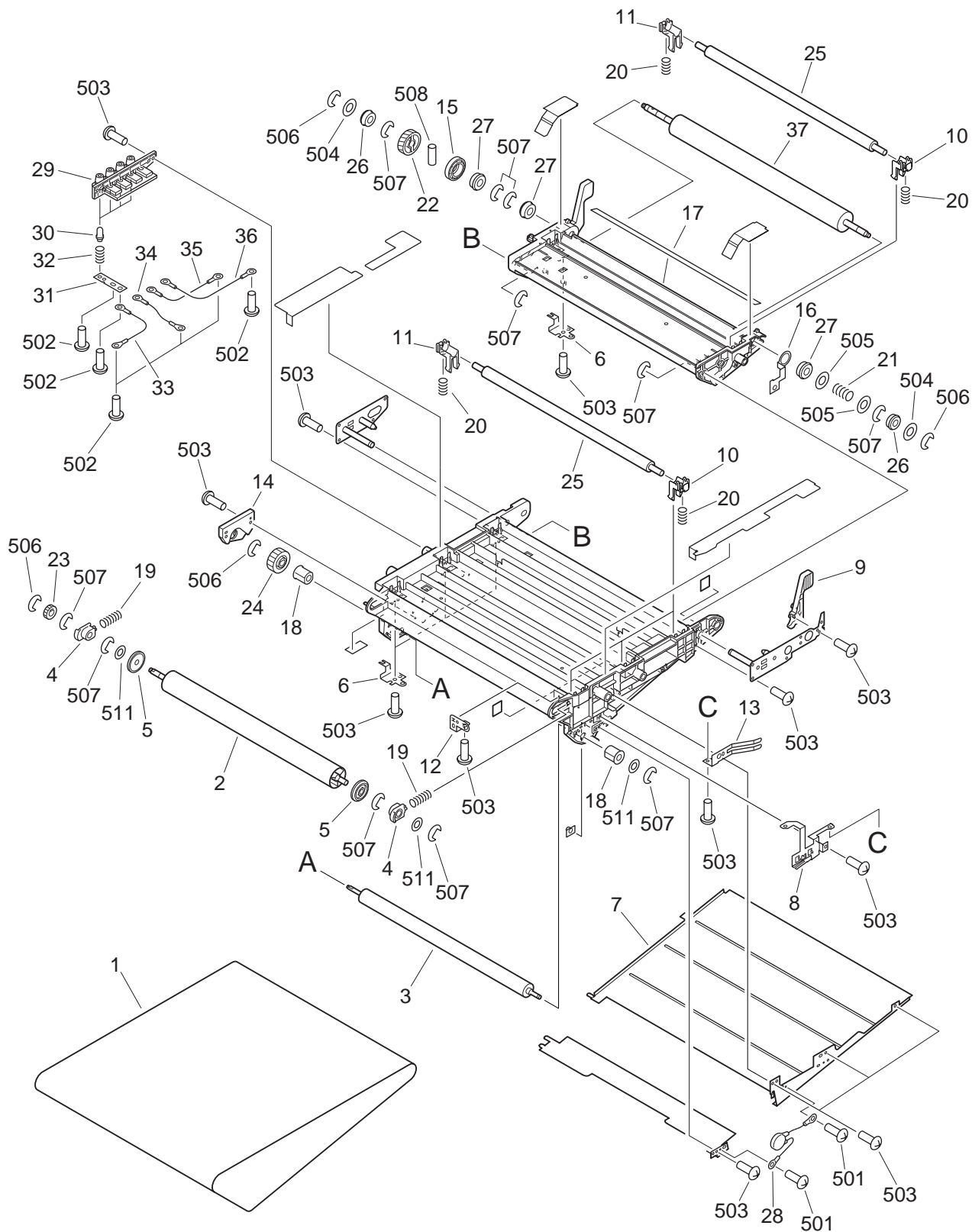


FIGURE & KEY NO.	PART NUMBER	R A N K	Q' T Y	DESCRIPTION	SERIAL NUMBER / REMARKS
535 -	FG6-8942-000		1	INTER. TRANSFER BELT ASSEMBLY 中間転写ベルト部	
1	FB6-2930-000		1	BELT, TRANSFER 転写ベルト体	
2	FB6-2932-000		1	ROLLER, TENSION テンション ローラ	
3	FB6-2934-000		1	ROLLER, TRANSFER, 2 転写ローラ (2)	
4	FB6-2936-000		2	BUSHING ブッシング	
5	FB6-2938-000		2	COLLAR, LIMIT 規制カラー	
6	FB6-2939-000		4	PLATE, CONTACT 接点板	
7	FB6-2940-000		1	COVER, BELT ベルト カバー	
8	FB6-2941-000		1	PLATE, GROUNDING アース板	
9	FB6-2942-000		1	HANDLE, FRONT 把手 (前)	
10	FB6-2944-000		4	BUSHING ブッシング	
11	FB6-2945-000		4	BUSHING ブッシング	
12	FB6-2947-000		1	PLATE, GROUNDING アース板	
13	FB6-2948-000		1	SPRING, LEAF イタ バネ	
14	FB6-2951-000		1	COVER, GEAR ギア カバー	
15	FB6-2957-000		1	ROLLER 突き当てコロ	
16	FB6-2958-000		1	PLATE, GROUNDING アース板	
17	FB6-2974-000		1	SCRAPER スクレーパ	
18	FS6-1062-000		2	BUSHING ブッシング	
19	FS7-2781-000		2	SPRING, COMPRESSION アッシュク バネ	
20	FS7-2782-000		8	SPRING, COMPRESSION アッシュク バネ	
21	FS7-2783-000		1	SPRING, COMPRESSION アッシュク バネ	
22	FU3-0354-000		1	GEAR, 42T 4 2 T ギア	
23	FU3-0267-000		1	GEAR, 18T 1 8 T ギア	
24	FU3-0268-000		1	GEAR, 40T 4 0 T ギア	
25	RB2-6870-000		4	ROLLER, TRANSFER 転写ローラ	
26	XG9-0245-000		2	BEARING, BALL ボ - ル ベアリング	
27	XG9-0415-000		3	BEARING, BALL ボール ベアリング	
28	FG3-2365-000		1	CABLE, VARISTOR バリスタ束線	
29	FB6-2953-000		1	HOLDER, CONTACT 接点台	

FIGURE & KEY NO.	PART NUMBER	R A N K	Q' T Y	DESCRIPTION	SERIAL NUMBER / REMARKS
535 - 30	FB6-2954-000		4	CONTACT 接点	
31	FB6-2955-000		4	PLATE, SUPPORT SPRING バネ座板	
32	FS7-2784-000		4	SPRING, COMPRESSION アッシュク バネ	
33	FG3-2320-000		1	CABLE, HV, YELLOW 高圧束線 (イエロー)	
34	FG3-2321-000		1	CABLE, HV, MAGENTA 高圧束線 (マゼンタ)	
35	FG3-2367-000		1	CABLE, HV, CYAN 高圧束線 (シアン)	
36	FG3-2368-000		1	CABLE, HV, BLACK 高圧束線 (ブラック)	
37	FB6-2931-000		1	ROLLER, DRIVE 駆動ローラ	
501	XB1-2300-607		2	SCREW, MACH., TRUSS HEAD, M3X6 バインド ネジ	
502	XB2-8300-607		AR	SCREW, W/WASHER, M3X6 バネツキ ネジ	
503	XB4-5300-807		AR	SCREW, P, M3X8 P タイト ネジ	
504	XD1-1106-212		2	SHIM ヒョウジュン ワッシャ	
505	XD1-1108-225		2	SHIM ヒョウジュン ワッシャ	
506	XD2-1100-502		4	RING, E E リング	
507	XD2-1100-642		11	RING, E E リング	
508	XD3-2200-202		1	PIN, DOWEL ヘイコウ ピン	
511	XD1-1108-212		3	SHIM ヒョウジュン ワッシャ	

FIGURE 537 TRANSFER CLEANING ASSEMBLY

転写クリーニング部

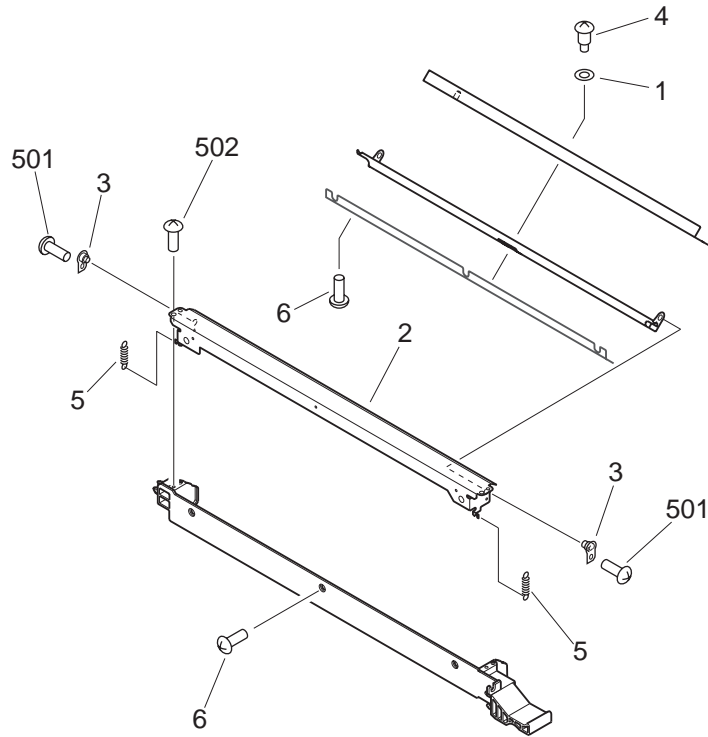


FIGURE & KEY NO.	PART NUMBER	RANK	QTY	DESCRIPTION	SERIAL NUMBER / REMARKS
537 -	FG6-8989-000		1	TRANSFER CLEANING ASSEMBLY 転写クリーニング部	
1	FS5-6957-000		1	WASHER, WAVE 波ワッシャ	
2	FB6-3113-000		1	COVER, CLEANING クリーニング カバー	
3	FF6-2032-000		2	SUPPORT, BLADE SWING ブレード回転支板	
4	FS1-9010-000		1	SCREW, STEPPED, M3X2.2 ダンピス	
5	FS7-2840-000		2	SPRING, TENSION アッシュク パネ	
6	XA9-0624-000		9	SCREW, M3X4 ネジ	
501	XB1-2300-407		2	SCREW, MACH., TRUSS HEAD, M3X4 バインド ネジ	
502	XB4-5300-807		2	SCREW, P, M3X8 P タイト ネジ	

FIGURE 560 SECONDARY TRANSFER ASSEMBLY 二次転写部

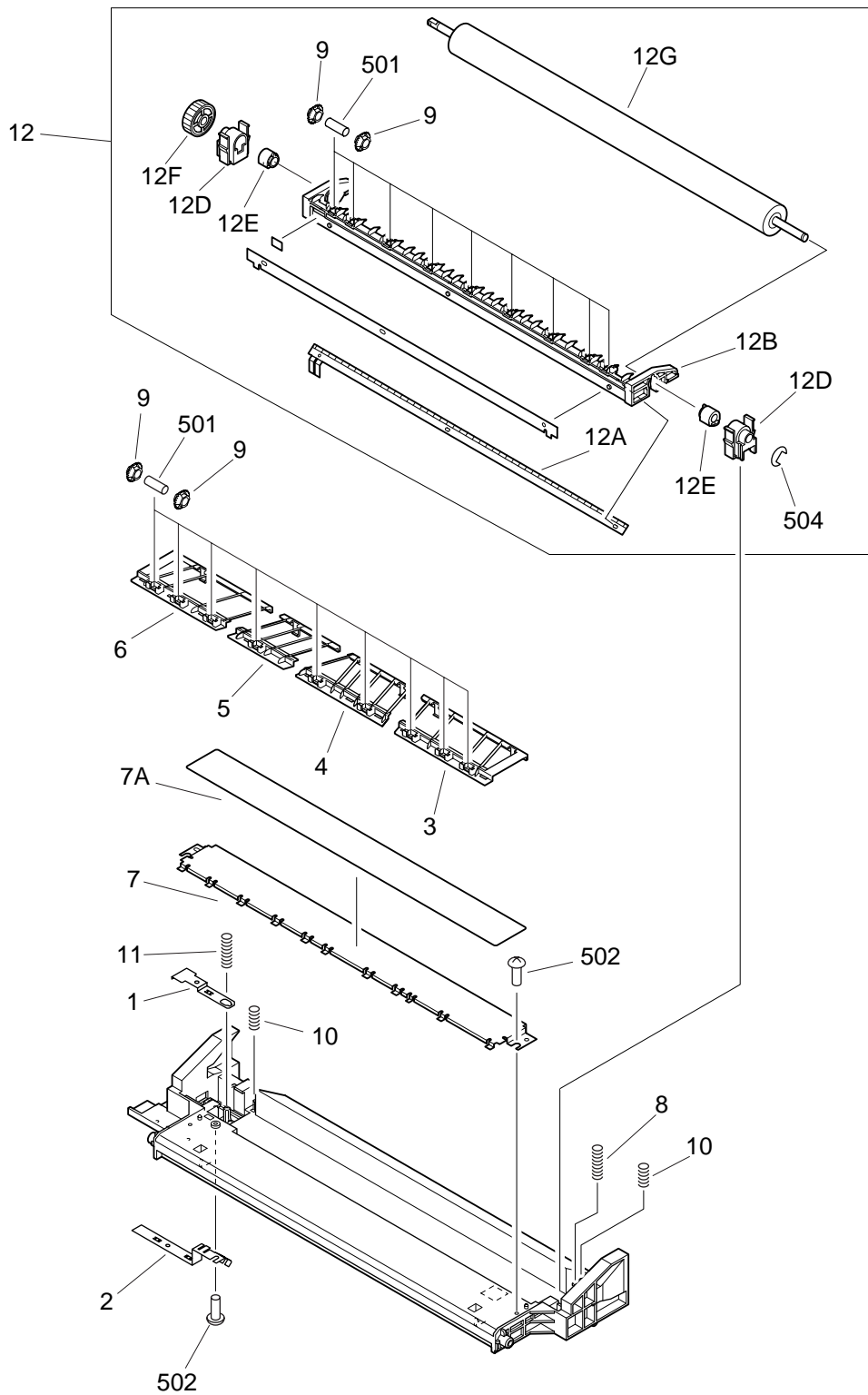


FIGURE & KEY NO.	PART NUMBER	R A N K	Q' T Y	DESCRIPTION	SERIAL NUMBER / REMARKS
560 -	FG6-8993-000		1	SECONDARY TRANSFER ASSEMBLY 二次転写部	
1	FB6-3135-000		1	PLATE, HV CONTACT, 2 高压板 (2)	
2	FB6-3136-000		1	PLATE, GROUNDING, 2 アース板 (2)	
3	FB6-3146-000		1	GUIDE, SECONDARY TRANSFER, 1 二次転写ガイド (1)	
4	FB6-3853-000		1	GUIDE, SECONDARY TRANSFER, 2 二次転写ガイド (2)	
5	FB6-3854-000		1	GUIDE, SECONDARY TRANSFER, 3 二次転写ガイド (3)	
6	FB6-3855-000		1	GUIDE, SECONDARY TRANSFER, 4 二次転写ガイド (4)	
7	FF6-2127-000		1	PLATE, ATTRACTION 吸着板	
7A	FB6-3850-000		1	SHEET, SECONDARY TRANSFER 二次転写シート	
8	FS7-2846-000		1	SPRING, COMPRESSION アッシュク バネ	
9	FB6-3150-000		36	COLLAR, TRANSFER 転写コロ	
10	FS7-2856-000		2	SPRING, COMPRESSION アッシュク バネ	
11	FS7-2857-000		1	SPRING, COMPRESSION アッシュク バネ	
12	FG6-8997-000		1	SECONDARY TRANSFER ROLLER UNIT 二次転写外ローラ ユニット	
12A	FB6-3134-000		1	ELIMINATOR, STATIC CHARGE 除電針	
12B	FB6-3149-000		1	HOLDER, STATIC CHARGE 除電針ホルダ	
12D	FB6-3939-000		2	HOLDER, BUSHING ブッシング ホルダ	
12E	FS6-1066-000		2	BUSHING ブッシング	
12F	FU3-0344-000		1	GEAR, 48T 48T ギア	
12G	FB6-3131-000		1	ROLLER, SECONDARY TRANSFER 二次転写ローラ	
501	XD3-2200-102		AR	PIN, DOWEL ヘイコウ ピン	
502	XB4-5300-607		3	SCREW, P, M3X6 P タイト ネジ	
504	XD2-1100-502		1	RING, E E リング	

FIGURE 810 FIXING ASSEMBLY 定着器

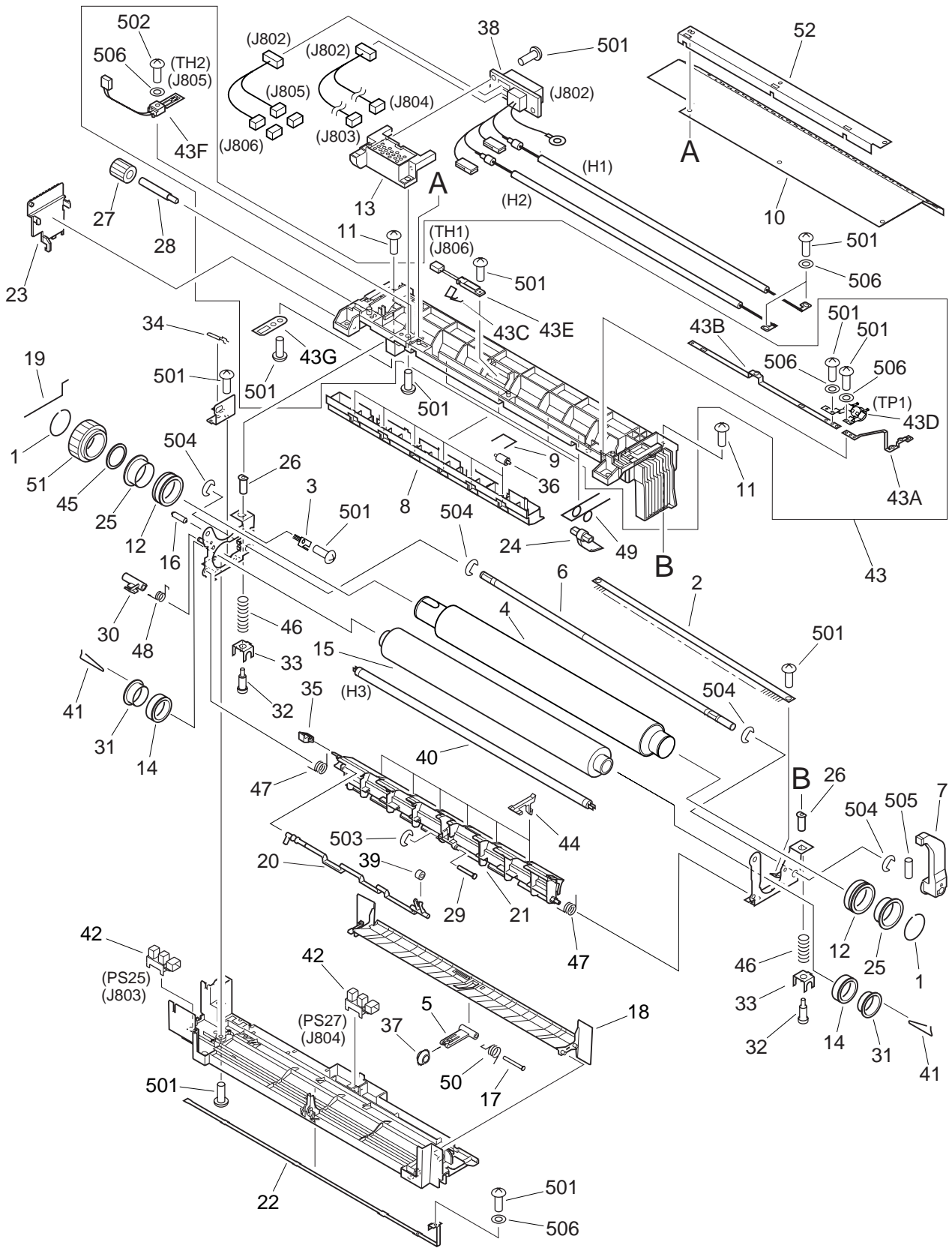


FIGURE & KEY NO.	PART NUMBER	R A N K	Q' T Y	DESCRIPTION	SERIAL NUMBER / REMARKS
810 -	FG6-9700-000		1	FIXING ASSEMBLY 定着器	100V
	FG6-9069-000		1	FIXING ASSEMBLY 定着器	120V
	FG6-9070-000		1	FIXING ASSEMBLY 定着器	220/240V
1	FA3-8894-000		2	RING, RETAINING トメワ	
2	FB1-7234-000		1	ELIMINATOR, STATIC CHARGE ジョデンバリ	
3	FB2-4375-000		1	BRUSH, GROUNDING アースブラシ	
4	FB6-3641-000		1	ROLLER, FIXING 定着ローラ	
5	FB6-3879-000		1	LEVER, INLET 入口レバー	
6	FB6-3643-000		1	SHAFT, PRESSURE RELEASE 圧解除軸	
7	FB6-3644-000		1	LEVER, PRESSURE RELEASE 圧解除レバー	
8	FB6-3645-020		1	GUIDE, FIXING DELIVERY, UPPER 定着排紙ガイド(上)	
9	FB6-3646-000		6	RETAINER, DELIVERY COLLAR 排紙コロ押え	
10	FB6-3647-020		1	COVER, FIXING, UPPER 定着カバー(上)	
11	XA9-1484-000		2	SCREW, TP, M4X20 TPネジ	
12	XG9-0477-000		2	BEARING, BALL ボールベアリング	
13	FB6-3651-000		1	MOUNT, DRAWER ドロワー台	
14	XG9-0478-000		2	BEARING, BALL ボールベアリング	
15	FB6-3653-000		1	ROLLER, PRESSURE 加圧ローラ	
16	FB6-3657-000		1	PIN, JOINT, FRONT 連結ピン(前)	
17	FB6-3658-000		1	SHAFT, INLET LEVER 入口レバー軸	
18	FB6-3659-000		1	GUIDE, FIXING INLET 定着入口ガイド	
19	FB6-3660-000		1	RETAINER, UPPER HEATER 上ヒータ押え	
20	FB6-3662-000		1	LEVER, DELIVERY, 1 排紙センサレバー(1)	
21	FB6-3663-000		1	GUIDE, FIXING DELIVERY, LOWER 定着排紙ガイド(下)	
22	FB6-3664-000		1	PLATE, CONDUCTIVE, 3 導通板(3)	
23	FB6-3665-000		1	COVER, FIXING, REAR 定着カバー(後)	
24	FB6-3666-000		4	CLAW, SEPARATION 上分離爪	
25	FB6-3667-000		2	BUSHING ブッシング	
26	FB6-3668-000		2	SHAFT, PRESSURE, UPPER 加圧軸(上)	
27	FA9-3941-000		1	GEAR, 20T 20Tギア	

FIGURE & KEY NO.	PART NUMBER	RANK	QTY	DESCRIPTION	SERIAL NUMBER / REMARKS
810 - 28	FB6-3670-000		1	PIN, JOINT, REAR 連結ピン (後)	
29	FB6-3671-000		1	SHAFT, LOWER GUIDE 下ガイド押え軸	
30	FB6-3673-000		1	LEVER, INTERNAL DELIVERY, 2 内排紙レバー (2)	
31	FA3-0652-000		2	BUSHING ダンネツ ブッシュ	
32	FB6-3675-000		2	SHAFT, PRESSURE, LOWER 加圧軸 (下)	
33	FB6-3676-000		2	PLATE, PRESSURE SLIDE 加圧スライド板	
34	FB6-3677-000		1	SPRING, GROUNDING アース バネ	
35	FB6-3678-000		1	KNOB, GUIDE ガイドつまみ	
36	FB6-3710-000		6	ROLLER, FIXING DELIVERY 定着排紙ローラ	
37	FB6-3150-000		1	COLLAR, TRANSFER 転写コロ	
38	FG6-9644-000		1	FIXING DRAWER CABLE ASSEMBLY 定着ドロア束線部	100V H1,H2 J802
	FG6-9646-000		1	FIXING DRAWER CABLE ASSEMBLY 定着ドロア束線部	120V H1,H2 J802
	FG6-9647-000		1	FIXING DRAWER CABLE ASSEMBLY 定着ドロア束線部	220/240V H1,H2 J802
39	RB2-0493-000		1	ROLLER, PAPER SENSOR カミ センサ ロ - ラ	
40	FH7-4739-000		1	QUARTZ HEATER ガラス管ヒータ	H3
41	FB6-4909-000		2	SPRING, GROUNDING アース バネ	
42	FH7-7312-000		2	PHOTO-INTERRUPTER フォトインタラプタ	PS25,27 J803,804
43	FG6-9645-020		1	UPPER FRAME ASSEMBLY 上フレーム部	
43A	FB6-3649-000		1	PLATE, CONDUCTIVE, 1 導通板 (1)	
43B	FB6-3650-000		1	PLATE, CONDUCTIVE, 2 導通板 (2)	
43C	FB6-3669-000		1	RETAINER, THERMISTOR サーミスタ押え	
43D	FH7-6345-000		1	THERMOSTAT サーモスタット	TP1
43E	FH7-7586-020		1	THERMISTOR UNIT サーミスタ	TH1 J806
43F	FH7-7587-000		1	THERMISTOR UNIT サーミスタ	TH2 J805
43G	FB6-3652-000		1	PLATE, FIXING 固定板	
44	FB6-3885-000		6	RIB, PAPER DELIVERY 排紙リブ	
45	FS5-6947-000		1	SPACER スペーサ	
46	FS7-2814-000		2	SPRING, COMPRESSION アッシュク バネ	
47	FS7-2815-000		2	SPRING, TORSION ネジリ バネ	
48	FS7-2816-000		1	SPRING, TORSION ネジリ バネ	

FIGURE 900

CONTROLLER ASSEMBLY

コントローラ部

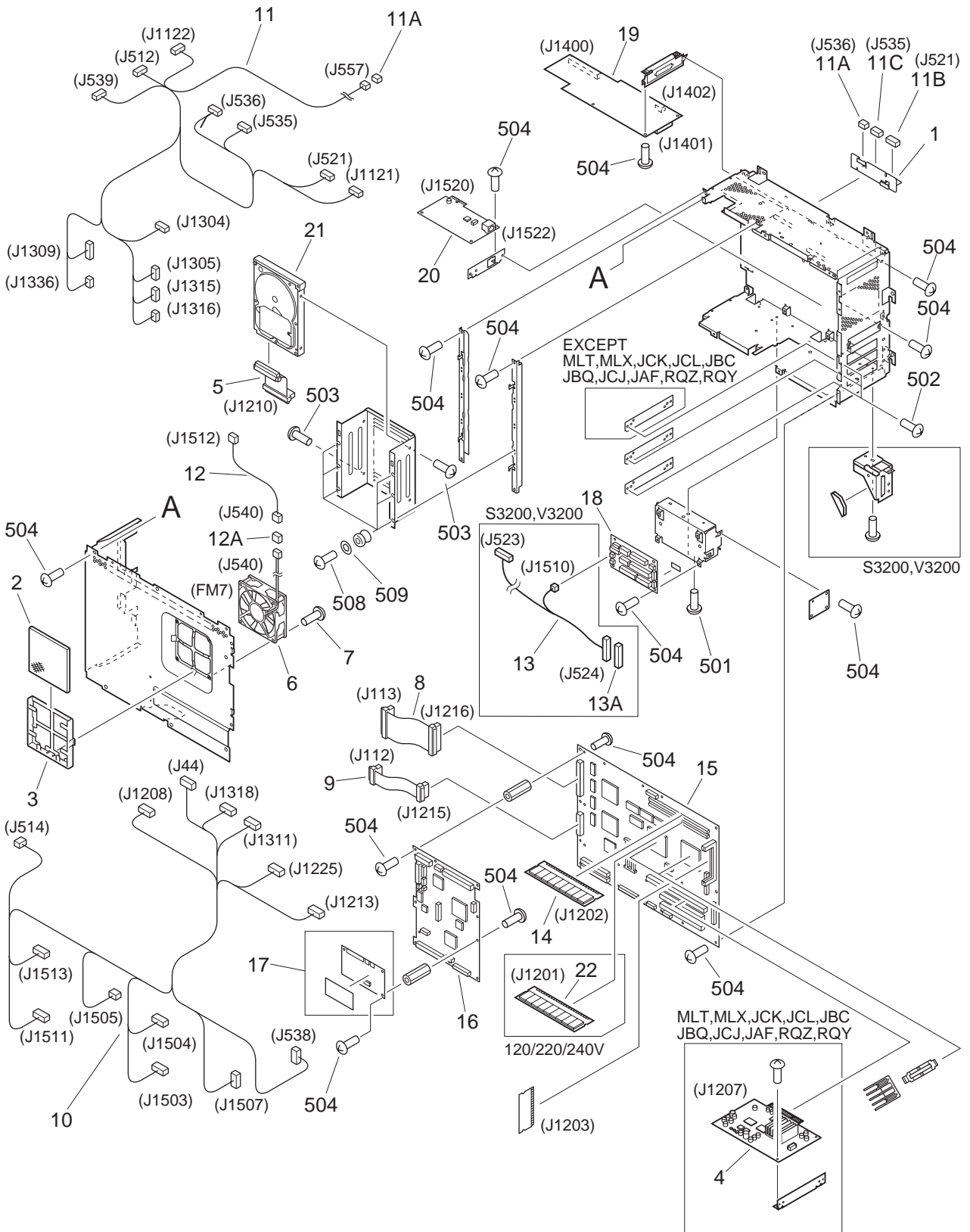


FIGURE & KEY NO.	PART NUMBER	RANK	QTY	DESCRIPTION	SERIAL NUMBER / REMARKS
900 -	NPN		RF	CONTROLLER ASSEMBLY コントローラ部	
1	FB6-3073-000		1	MOUNT, PANEL パネル マウント	
2	FB6-3076-000		1	FILTER, DUST 防塵フィルタ	
3	FB6-3104-000		1	MOUNT, FILTER 防塵フィルター台	
4	FG3-2729-000		1	UFR BOARD PCB ASSEMBLY U F R ボード回路基板	MLT,MLX,JCK,JCL,JBC JBQ,JCJ,JAf,RQZ,RQY
5	FH2-7019-000		1	FLAT CABLE, HDD, 2 ハードディスク フラット ケーブル (2)	J1207 J1210
6	FH6-1983-000		1	FAN ファン	FM7 J540
7	XA9-0896-000		4	SCREW バインド ネジ	
8	FG3-2362-000		1	FLAT CABLE, DDI-P, 1 D D I - P フラット ケーブル (1)	J113,1216
9	FG3-2363-000		1	FLAT CABLE, DDI-P, 2 D D I - P フラット ケーブル (2)	J112,1215
10	FG3-2644-000		1	CABLE, CONTROLLER-POWER SUPPLY コントローラ - 電源束線	J44,514,538,1208, J1213,1225,1311,1318 J1503-1505 J1507,1511,1513
11	FG3-2645-000		1	CABLE, CONTROLLER-I/O コントローラ - I / O 束線	J512,521,535,536,539 J557,1121,1122,1304 J1305,1309,1315,1316 J1336
11A	VS1-5057-002		2	CONNECTOR, SNAP TIGHT チュウケイ コネクタ	J536,557
11B	VS1-5057-010		1	CONNECTOR, SNAP TIGHT チュウケイ コネクタ	J521
11C	VS1-6318-008		1	CONNECTOR, SNAP TIGHT チュウケイ コネクタ	J535
12	FG3-2646-020		1	CABLE, CONTROLLER-FAN コントローラ - ファン束線	J540,1512
12A	VS1-5057-003		1	CONNECTOR, SNAP TIGHT チュウケイ コネクタ	J540
13	FG3-3287-000		1	CABLE, COIN VENDER コイン ベンダ束線	S3200,V3200 J523,524,1510
13A	VS1-5057-012		1	CONNECTOR, SNAP TIGHT チュウケイ コネクタ	S3200,V3200 J524
14	WA7-2326-000		1	DIMM ASS'Y D I M M	J1202
15	FG3-2854-000		1	MAIN CONTROLLER PCB ASSEMBLY メイン コントローラ回路基板	
16	FG3-2855-000		1	SUB CONTROLLER BOARD ASSEMBLY サブ コントローラ回路基板	
17	FG3-2856-000		1	SRAM BOARD PCB ASSEMBLY S R A M ボード回路基板	
18	FG6-9676-000		1	DISTRIBUTION BOARD ASSEMBLY 分電盤回路基板	
19	FG3-3136-000		1	DDI-S BOARD PCB ASSEMBLY D D I - S ボード回路基板	J1400,1401,1402
20	FG3-3135-000		1	NETWORK BOARD PCB ASSEMBLY ネットワークボード回路基板	J1520,1522
21	WM2-5188-000		1	HDD, IC35L060AVV207-0 ハード ディスク ドライブ	

FIGURE & KEY NO.	PART NUMBER	RANK	QTY	DESCRIPTION	SERIAL NUMBER / REMARKS
900 - 22	WA7-2383-000		1	DIMM, M390S3253DT1-C7A, SD-RAM D I M M	120/220/240V J1201
501	XB1-2260-807		2	SCREW, MACH., TRUSS HEAD, M2.6X8 バインド ネジ	
502	XB1-2400-607		6	SCREW, MACH., TRUSS HEAD, M4X6 バインド ネジ	
503	XB1-2403-009		4	SCREW, MACH., TRUSS HEAD, M4X30 バインド ネジ	
504	XB6-7300-607		AR	SCREW, TP, M3X6 T P ネジ	
508	XB6-7301-607		6	SCREW, TP, M3X16 T P ネジ	
509	XD1-1105-235		6	SHIM ヒヨウジュン ワッシャ	

FIGURE 910 DC POWER SUPPLY ASSEMBLY

DC電源部

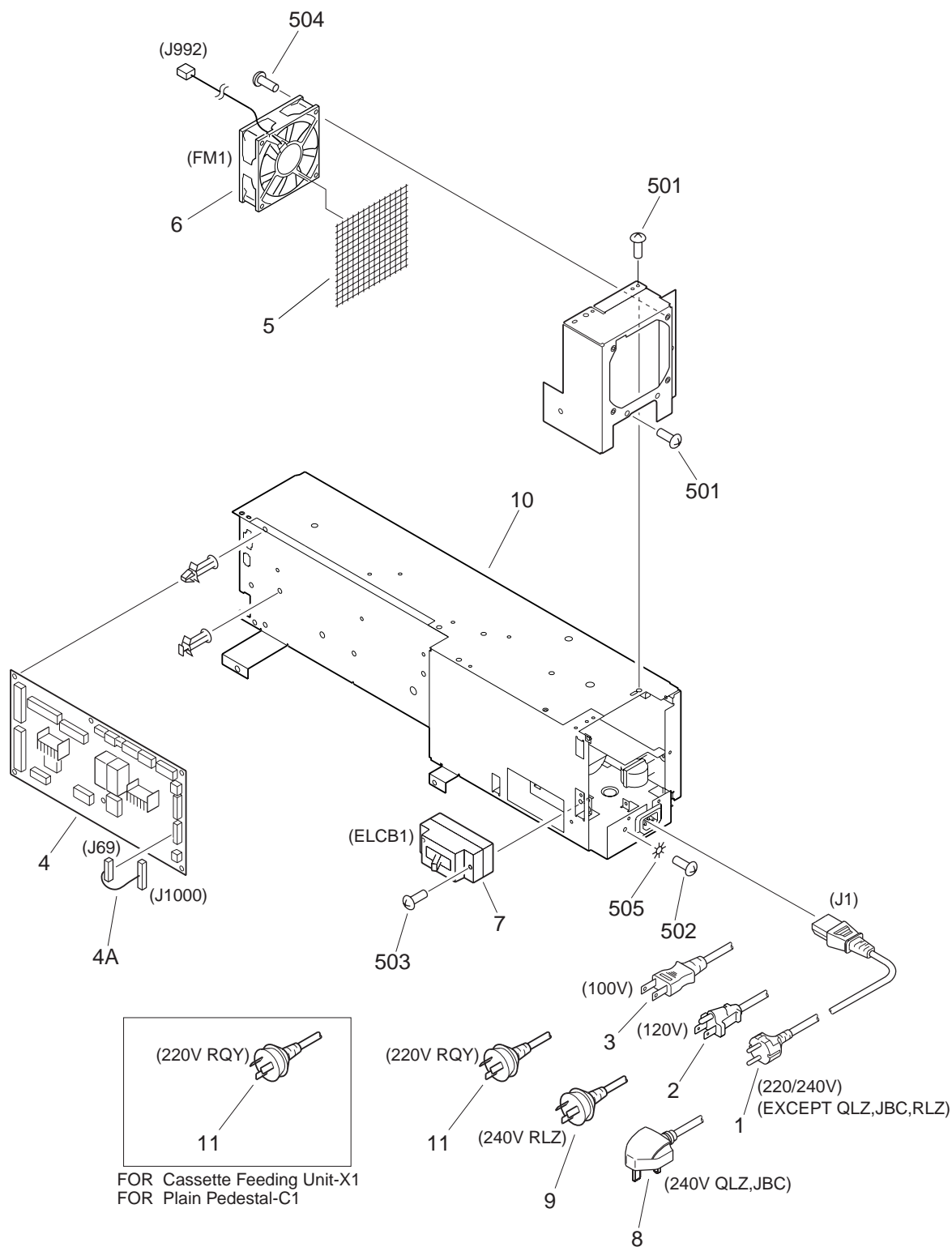
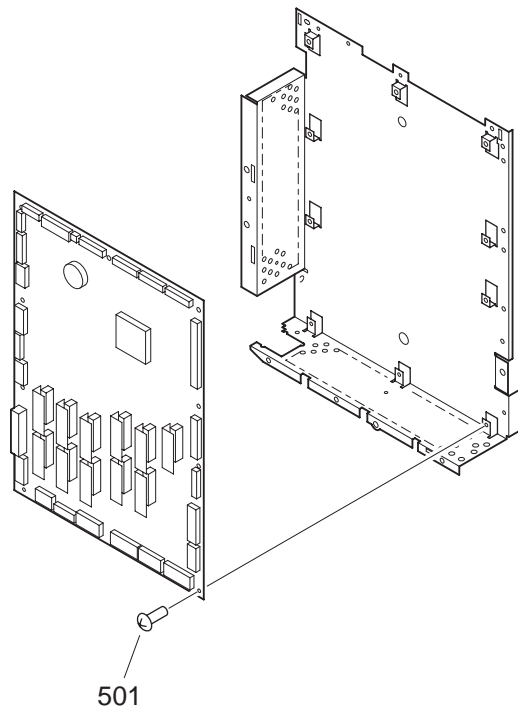


FIGURE & KEY NO.	PART NUMBER	R A N K	Q' T Y	DESCRIPTION	SERIAL NUMBER / REMARKS
910 -	NPN		RF	DC POWER SUPPLY ASSEMBLY D C 電源部	
1	FH2-5761-020		1	CORD, POWER SUPPLY 電源コード	220/240V EXCEPT QLZ,JBC,RLZ J1
2	FH2-6719-000		1	POWER CORD デンゲン コード	120V J1
3	FH2-6718-000		1	POWER CORD デンゲン コード	100V J1
4	FG3-2337-000		1	DC FUSE PCB ASSEMBLY D C ヒューズ回路基板	
4A	FF3-4436-000		1	CABLE, HEATER CONTROL ヒータ制御束線	J69,1000
5	FB6-3235-000		1	SHEET, MESH メッシュ シート	
6	FH6-1979-000		1	FAN ファン	FM1 J992
7	FH7-7528-000		1	BREAKER, CIRCUIT サーキット ブレーカ	100/120V ELCB1
	FH7-7527-000		1	BREAKER, CIRCUIT サーキット ブレーカ	220/240V ELCB1
8	FH2-6941-000		1	POWER CORD 電源コード	240V QLZ,JBC J1
9	FH2-5763-000		1	POWER CORD デンゲン コード	240V RLZ J1
10	FG6-8970-000		1	DC POWER SUPPLY PCB ASSEMBLY D C 電源回路基板	100/120V
	FG6-8971-000		1	DC POWER SUPPLY PCB ASSEMBLY D C 電源回路基板	220/240V
11	FH2-6488-000		2	CORD, POWER SUPPLY デンゲン コード	220V RQY
501	XB1-2300-607		17	SCREW,MACH.,TRUSS HEAD,M3X6 バインド ネジ	
502	XB1-2400-603		1	SCREW,MACH.,TRUSS HEAD,M4X6 バインド ネジ	
503	XB1-2402-007		2	SCREW,MACH.,TRUSS HEAD,M4X20 バインド ネジ	
504	XB1-2403-007		4	SCREW,MACH.,TRUSS HEAD, M4X30 バインド ネジ	
505	XD1-4200-402		1	WASHER,TOOTHED LOCK ハツキ ザガネ	

FIGURE 930 DC CONTROLLER PCB ASSEMBLY D C コントローラ回路基板



NOTE : This assembly does not include the part shown with key No. 501.

注：このユニットにKey No. 501の部品は含まれません。

FIGURE & KEY NO.	PART NUMBER	RANK	QTY	DESCRIPTION	SERIAL NUMBER / REMARKS
930 -	FG3-2356-000		1	DC CONTROLLER PCB ASSEMBLY D C コントローラ回路基板	SEE NOTE
501	XB1-2400-607		10	SCREW,MACH.,TRUSS HEAD,M4X6 バインド ネジ	

FIGURE 980 H.V.TRANSFORMER PCB ASSEMBLY
 高圧トランス回路基板

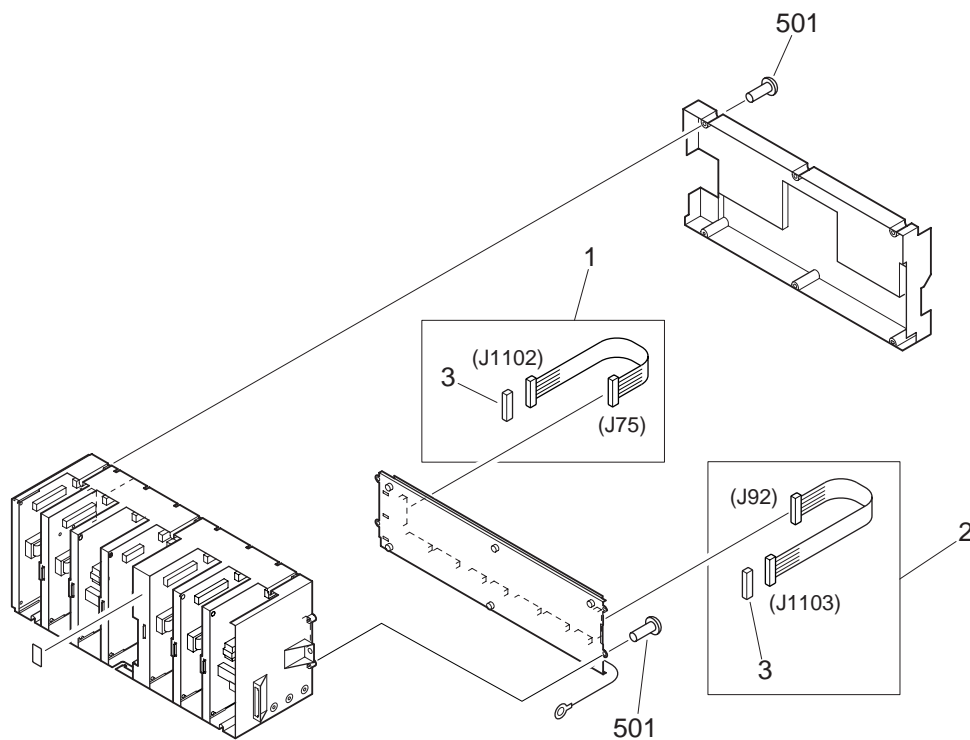


FIGURE & KEY NO.	PART NUMBER	RANK	QTY	DESCRIPTION	SERIAL NUMBER / REMARKS
980 -	FG6-9673-000		1	H.V.TRANSFORMER PCB ASSEMBLY 高圧トランス回路基板	
1	FG3-2387-000		1	CABLE, H.V. 1-SUB 高圧1 - サブ束線	J75,1102
2	FG3-2396-000		1	CABLE, H.V. 1-SUB, 2 高圧1 - サブ束線 (2)	J92,1103
3	VS1-6318-020		2	CONNECTOR, SNAP TIGHT チュウケイ コネクタ	J1102,1103
501	XB4-5300-807		AR	SCREW,P,M3X8 P タイト ネジ	

FIGURE 981

2ND. TRANSFER H.V.T. PCB ASSEMBLY

二次転写高圧トランス回路基板

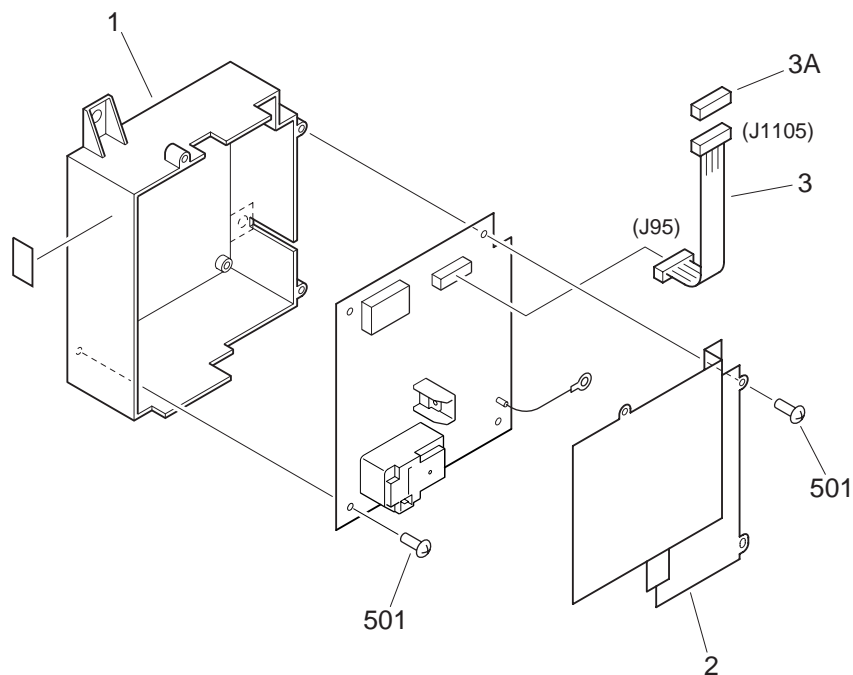


FIGURE & KEY NO.	PART NUMBER	RANK	QTY	DESCRIPTION	SERIAL NUMBER / REMARKS
981 -	FG6-9674-000		1	2ND. TRANSFER H.V.T. PCB ASS'Y 二次転写高圧トランス回路基板	
1	FB6-3095-000		1	CASE, 2ND TRANSFER H.V.T. 二次転写高圧トランス ケース	
2	FB6-3096-000		1	COVER, 2ND TRANSFER H.V.T. 二次転写高圧トランス カバー	
3	FG3-2385-000		1	CABLE, H.V., 3 高圧束線 (3)	J95,1105
3A	VS1-6318-010		1	CONNECTOR, SNAP TIGHT チュウケイ コネクタ	J1105
501	XB4-5300-807		AR	SCREW,P,M3X8 P タイト ネジ	

FIGURE B LIST OF CONNECTORS (1/7)

コネクタ一覧 (1/7)

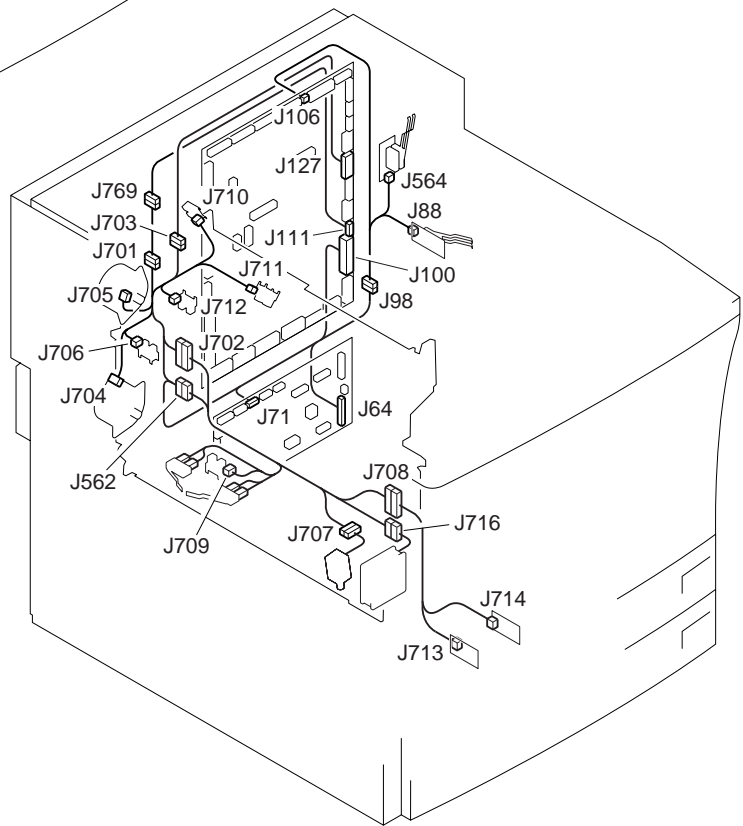
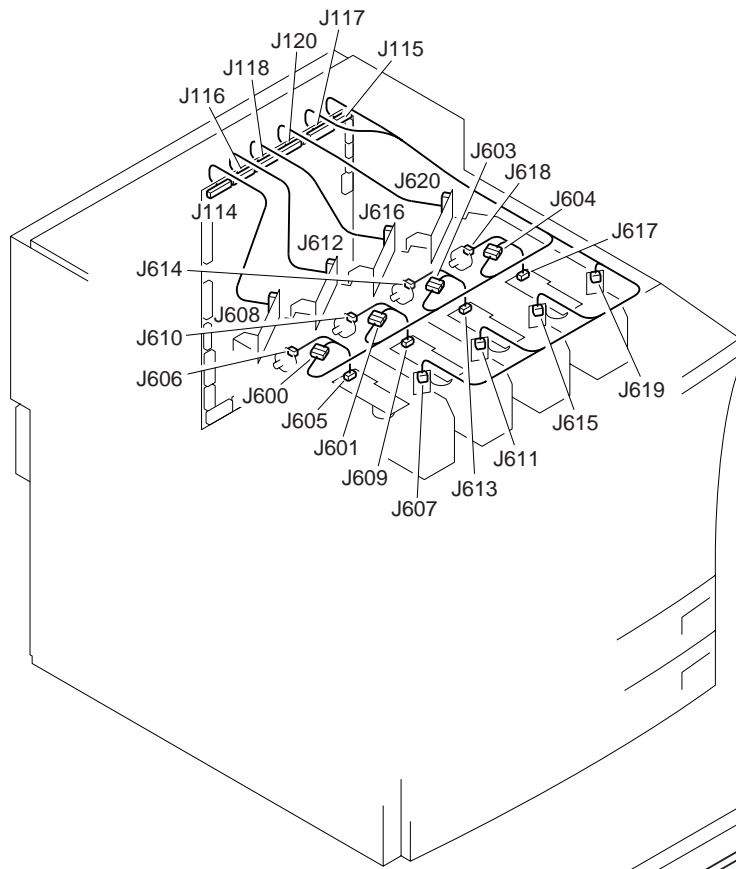
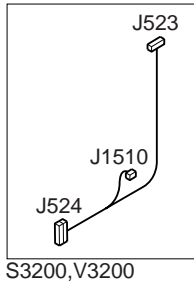
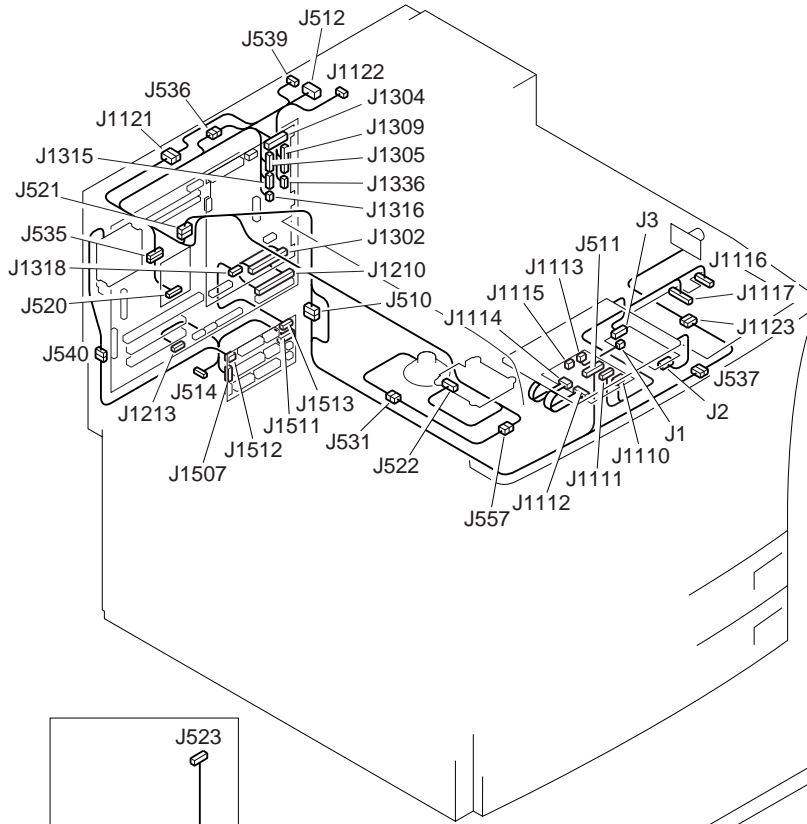


FIGURE B LIST OF CONNECTORS (2/7) コネクタ一覧 (2/7)



S3200, V3200

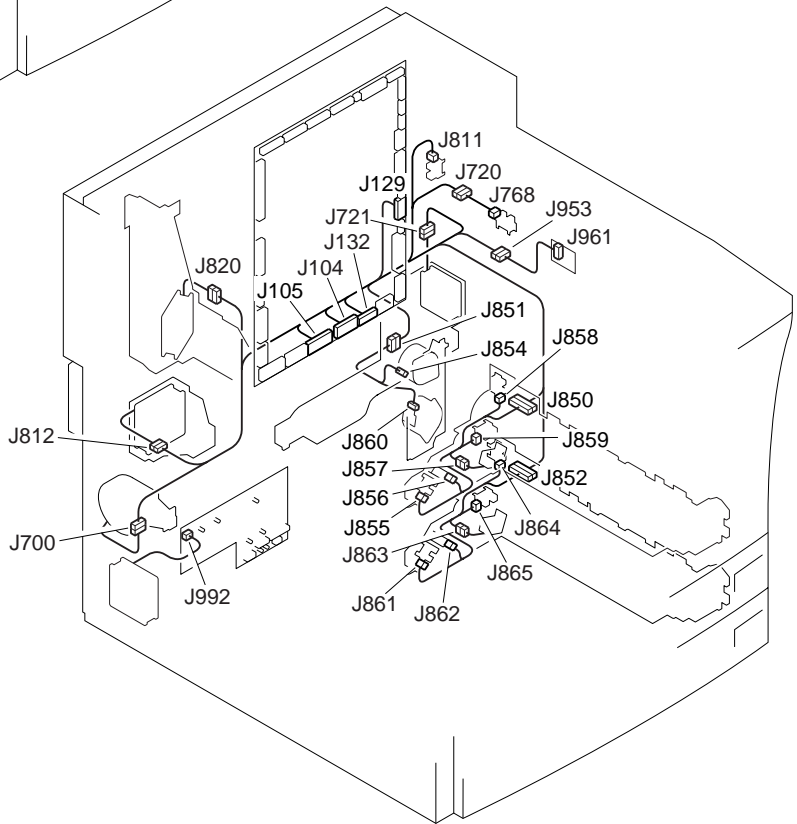


FIGURE B LIST OF CONNECTORS (3/7) コネクタ一覧 (3/7)

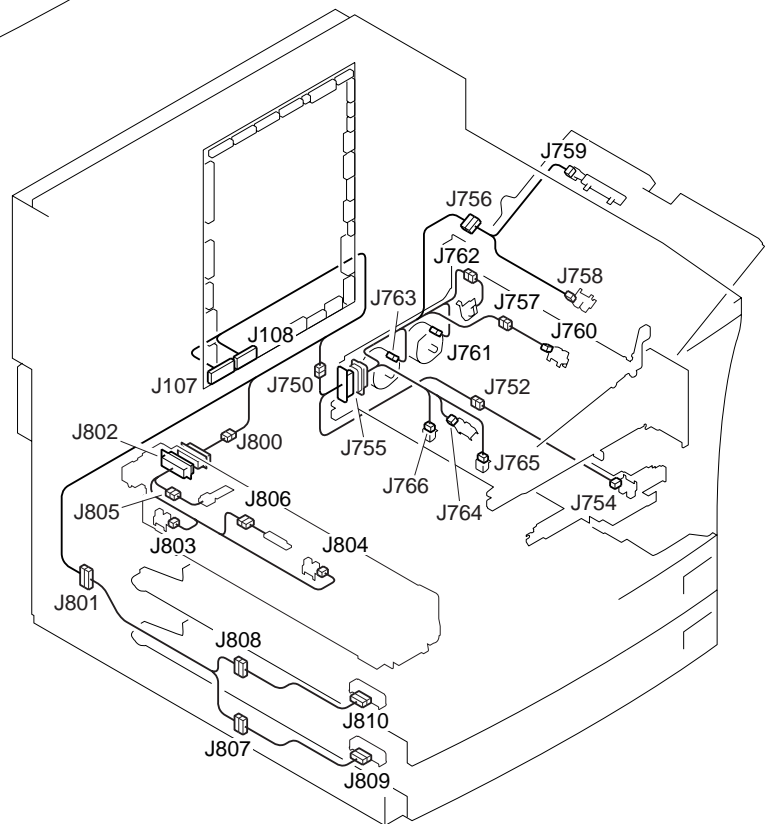
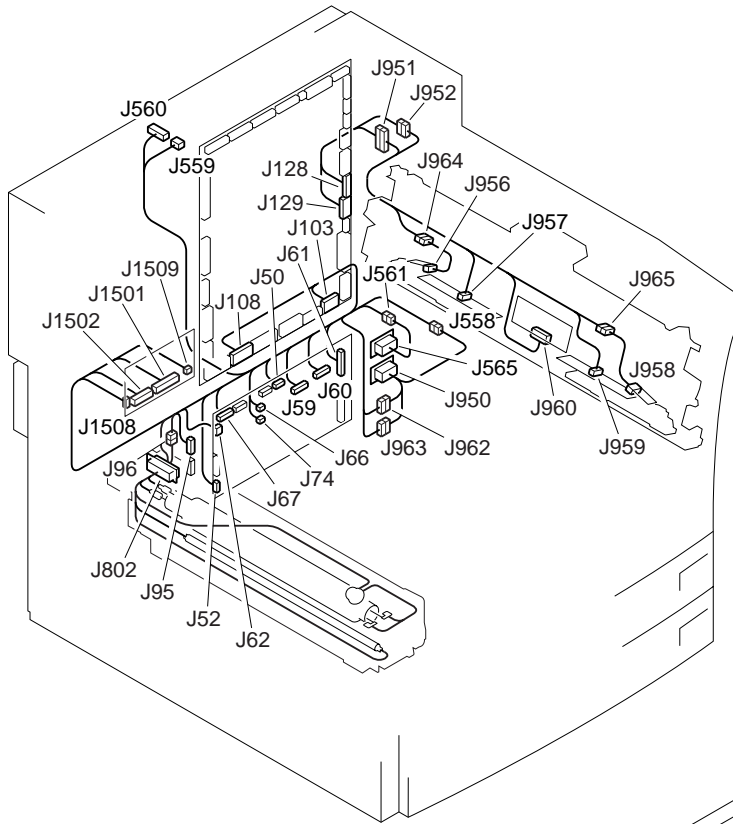


FIGURE B LIST OF CONNECTORS (4/7) コネクタ一覧 (4/7)

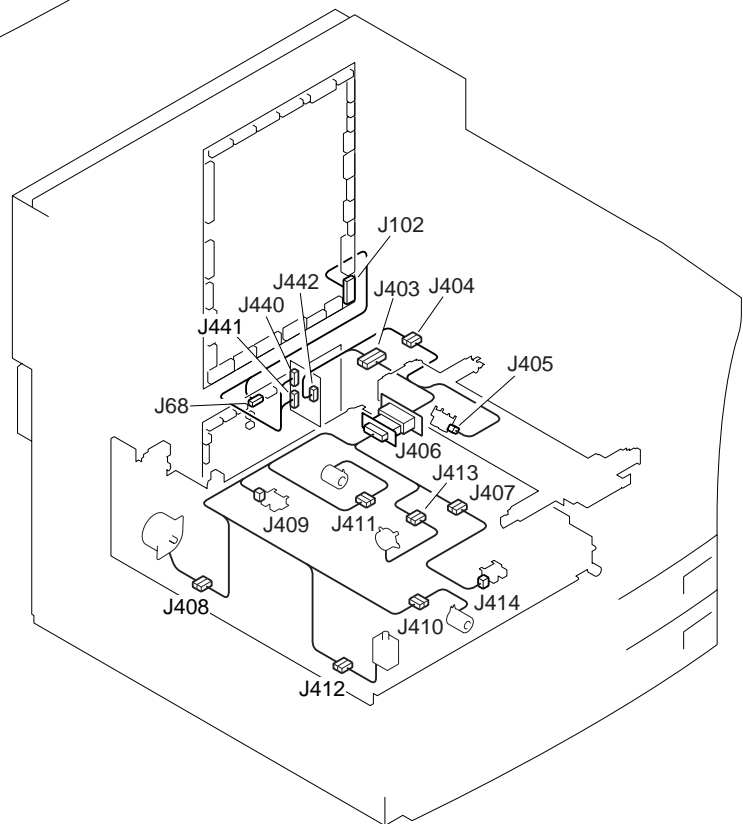
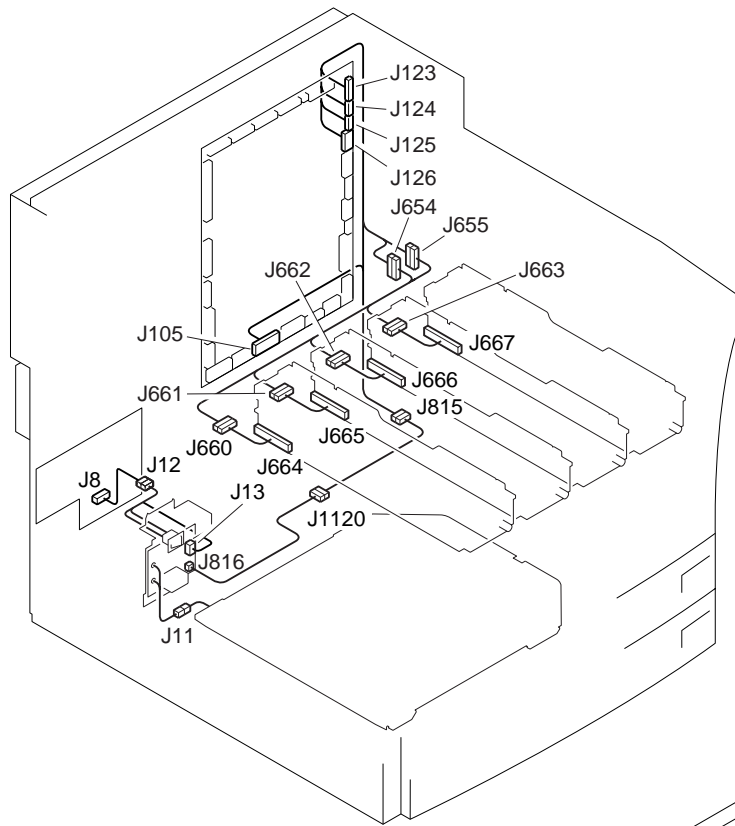


FIGURE B LIST OF CONNECTORS (5/7) コネクタ一覧 (5/7)

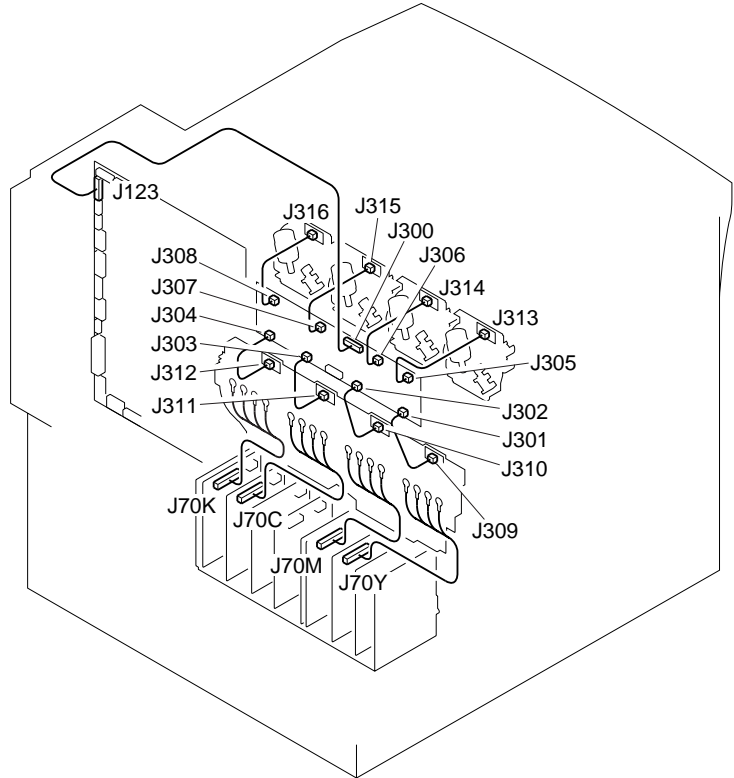
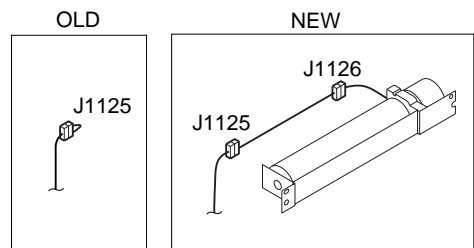
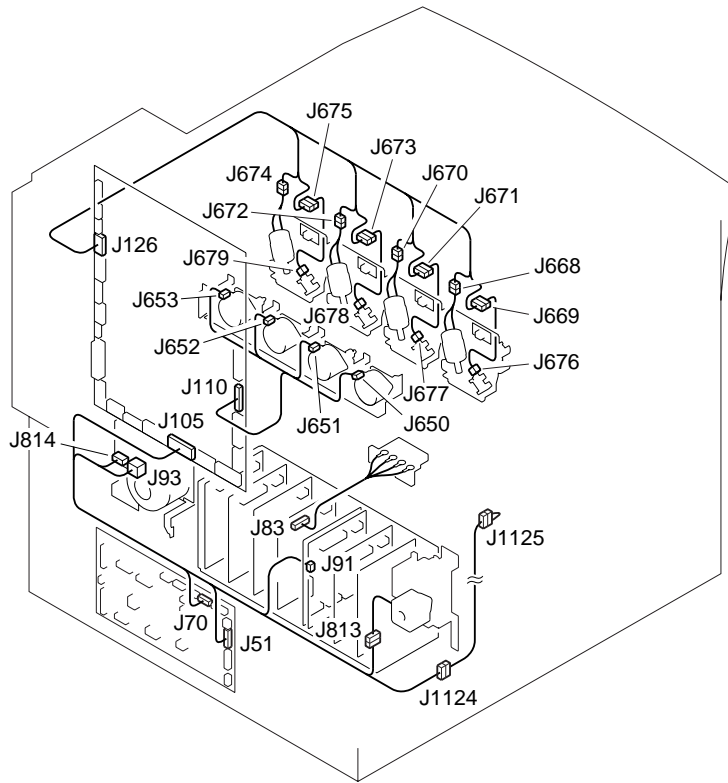


FIGURE B LIST OF CONNECTORS (6/7) コネクタ一覧 (6/7)

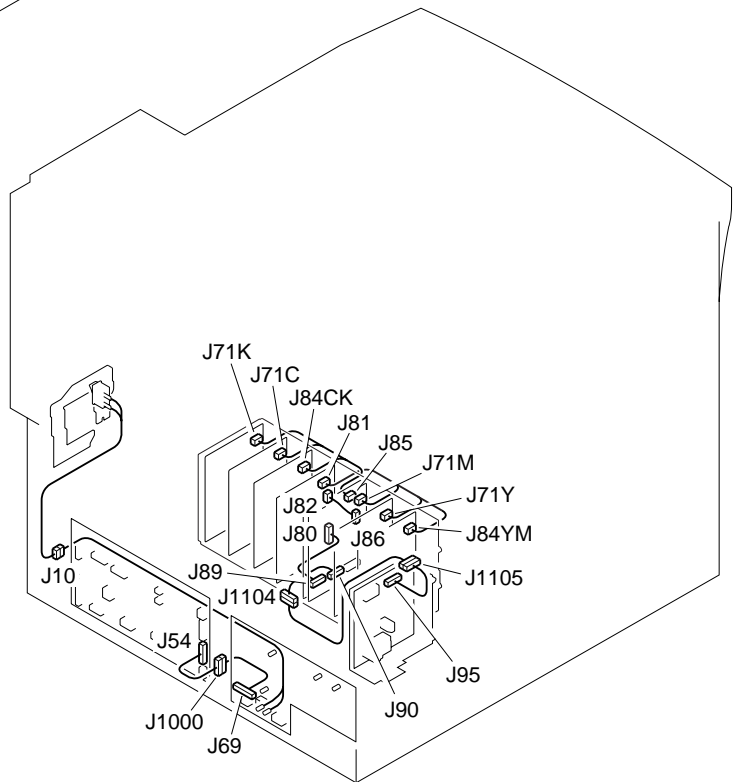
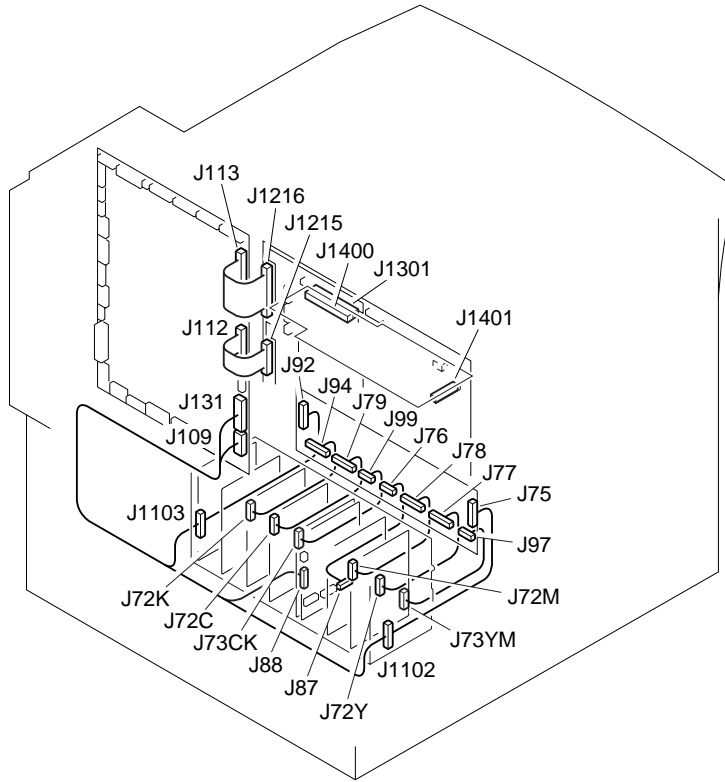


FIGURE B LIST OF CONNECTORS (7/7) コネクタ一覧 (7/7)

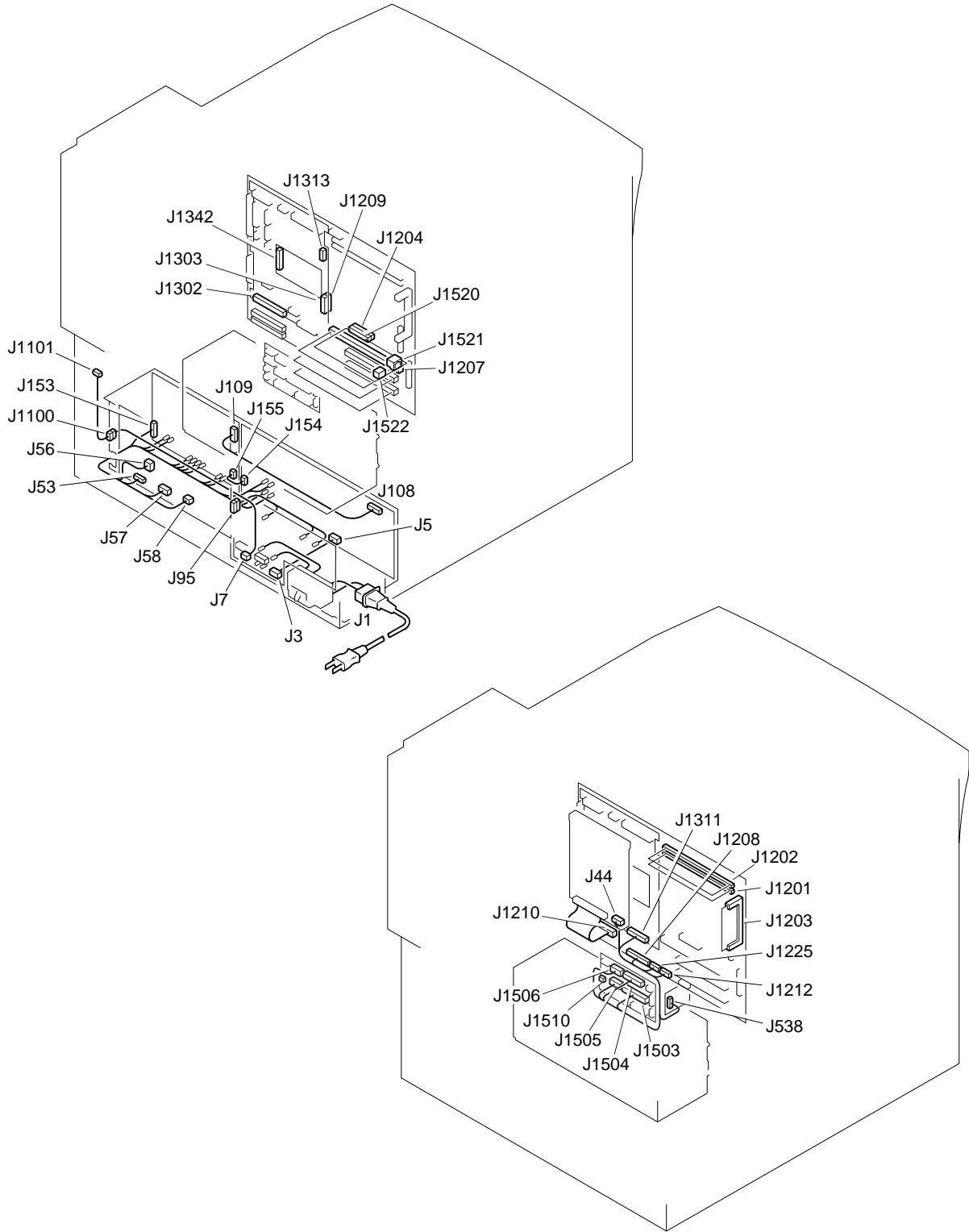


FIGURE & KEY NO.	PART NUMBER	RANK	QTY	DESCRIPTION	SERIAL NUMBER / REMARKS
B -	NPN		RF	LIST OF CONNECTORS コネクタ一覧	
J1	PCB			INVERTER インバータ	
	VS1-6321-002		1	CONNECTOR, 2P, FEMALE コネクタ (メス)	
	WS5-5074-000		1	CONNECTOR, INLET インレット コネクタ	
J2	PCB			INVERTER インバータ	
J3	NPN			LCD CONTROL PANEL 液晶パネル	
	PCB			INVERTER インバータ	
	NPN			LCD CONTROL PANEL 液晶パネル	
	PCB			HEATER DRIVER BOARD ヒータ制御	
	VS3-5084-003		1	CONNECTOR, 3P, FEMALE コネクタ (メス)	
J5	WS3-5159-000		2	PIN CONTACT, 18-22AWG ピン コンタクト	
	PCB			DCP1 DC電源 1	
	VS3-5083-003		1	CONNECTOR, 3P, FEMALE コネクタ (メス)	
	WS3-5160-000		2	SOCKET CONTACT, 18-24AWG ソケット コンタクト	
J7	PCB			HEATER DRIVER BOARD ヒータ制御	
J8	VS3-5084-002		1	CONNECTOR, 2P, FEMALE コネクタ (メス)	
	WS3-5159-000		2	PIN CONTACT, 18-22AWG ピン コンタクト	
	PCB			HEATER DRIVER BOARD ヒータ制御	
	VS3-5084-004		1	CONNECTOR, 4P, FEMALE コネクタ (メス)	
	WS3-5159-000		2	PIN CONTACT, 18-22AWG ピン コンタクト	
J10	VS1-6380-002		1	CONNECTOR, 2P, MALE コネクタ (オス)	
	VS3-5121-002		1	CONNECTOR, 2P, MALE コネクタ (オス)	
	WS3-5291-000		2	PIN CONTACT ピン コンタクト	
	WS3-5292-000		2	SOCKET CONTACT ソケット コンタクト	
J11	PCB			CASSETTE HEATER カセット ヒータ	
J12	NPN			CASSETTE HEATER カセット ヒータ	
	VS4-0001-003		1	CONNECTOR, 3P, MALE コネクタ (オス)	
	VS4-0002-003		1	CONNECTOR, 3P, FEMALE コネクタ (メス)	
	WS4-0217-000		2	SOCKET CONTACT, 22-18AWG ソケット コンタクト	
	WS4-0219-000		2	PIN CONTACT, 18-22AWG ピン コンタクト	

FIGURE & KEY NO.	PART NUMBER	RANK	QTY	DESCRIPTION	SERIAL NUMBER / REMARKS
B - J13	PCB			CASSETTE HEATER カセット ヒータ	
	VS4-0002-003		1	CONNECTOR, 3P, FEMALE コネクタ (メス)	
	WS4-0217-000		2	SOCKET CONTACT, 22-18AWG ソケット コンタクト	
	J44	NPN		HARD DISC 0 ハード ディスク (0)	
	X62-5133-000		4	SOCKET, MATE-N-LOCK ソケット	
	X65-5854-000		1	CONNECTOR, 4P, FEMALE コネクタ (メス)	
J50	PCB			FUSE BOARD ヒューズ	
	VS1-6314-005		1	CONNECTOR, 5P, FEMALE コネクタ (メス)	
J51	PCB			FUSE BOARD ヒューズ	
	VS1-6314-014		1	CONNECTOR, 14P, MALE コネクタ (オス)	
J52	PCB			FUSE BOARD ヒューズ	
	VS3-5080-002		1	CONNECTOR, 2P, MALE コネクタ (オス)	
	WT1-5155-000		2	TERMINAL タ - ミナル	
J53	PCB			FUSE BOARD ヒューズ	
	VS1-0842-009		1	CONNECTOR, 9P, FEMALE コネクタ (メス)	
J54	PCB			FUSE BOARD ヒューズ	
	VS1-5976-012		1	CONNECTOR, 12P, FEMALE コネクタ (メス)	
J56	PCB			FUSE BOARD ヒューズ	
	VS1-6380-006		1	CONNECTOR, 6P, MALE コネクタ (オス)	
	WS3-5292-000		6	SOCKET CONTACT ソケット コンタクト	
J57	PCB			FUSE BOARD ヒューズ	
	VS1-6380-003		1	CONNECTOR, 3P, FEMALE コネクタ (メス)	
	WS3-5292-000		2	SOCKET CONTACT ソケット コンタクト	
J58	PCB			FUSE BOARD ヒューズ	
	VS1-6380-004		1	CONNECTOR, 4P, MALE コネクタ (オス)	
J59	PCB			FUSE BOARD ヒューズ	
	WS3-5292-000		4	SOCKET CONTACT ソケット コンタクト	
	VS1-6361-006		1	CONNECTOR, 6P, MALE コネクタ (オス)	
	WS3-5592-000		6	SOCKET CONTACT, 16-18AWG ソケット コンタクト	
J60	PCB			FUSE BOARD ヒューズ	

FIGURE & KEY NO.	PART NUMBER	RANK	QTY	DESCRIPTION	SERIAL NUMBER / REMARKS
B - J60	VS1-6361-008		1	CONNECTOR, 8P, MALE コネクタ (オス)	
	WS3-5592-000		8	SOCKET CONTACT, 16-18AWG ソケット コンタクト	
	J61 PCB			FUSE BOARD ヒューズ	
	VS1-6302-014		1	CONNECTOR, 14P, MALE コネクタ (オス)	
	WS3-5680-000		12	SOCKET CONTACT, 20-24AWG ソケット コンタクト	
J62	PCB			FUSE BOARD ヒューズ	
	VS3-5083-002		1	CONNECTOR, 2P, FEMALE コネクタ (メス)	
	WS3-5160-000		2	SOCKET CONTACT, 18-24AWG ソケット コンタクト	
J64	PCB			FUSE BOARD ヒューズ	
	VS3-5083-012		1	CONNECTOR, 12P, FEMALE コネクタ (メス)	
J66	WS3-5160-000		12	SOCKET CONTACT, 18-24AWG ソケット コンタクト	
	PCB			FUSE BOARD ヒューズ	
	VS1-5824-002		1	CONNECTOR, 2P, FEMALE コネクタ (メス)	
J67	WS3-5358-000		2	SOCKET CONTACT, 22-26AWG ソケット コンタクト	
	PCB			FUSE BOARD ヒューズ	
J68	VS3-5083-005		1	CONNECTOR, 5P, FEMALE コネクタ (メス)	
	WS3-5160-000		4	SOCKET CONTACT, 18-24AWG ソケット コンタクト	
	PCB			FUSE BOARD ヒューズ	
	VS1-6302-004		1	CONNECTOR, 4P, MALE コネクタ (オス)	
	WS3-5680-000		4	SOCKET CONTACT, 20-24AWG ソケット コンタクト	
J69	PCB			HEATER DRIVER BOARD ヒータ制御	
J70	VS1-5976-012		1	CONNECTOR, 12P, FEMALE コネクタ (メス)	
	PCB			FUSE BOARD ヒューズ	
	VS1-6361-004		1	CONNECTOR, 4P, MALE コネクタ (オス)	
J70C	WS3-5759-000		4	PIN CONTACT ピン コンタクト	
	PCB			HVT1 HVT 1	CYAN
J70K	VS3-5083-013		1	CONNECTOR, 13P, FEMALE コネクタ (メス)	CYAN
	WS3-5160-000		4	SOCKET CONTACT, 18-24AWG ソケット コンタクト	CYAN
	PCB			HVT1 HVT 1	BLACK
	VS3-5083-013		1	CONNECTOR, 13P, FEMALE コネクタ (メス)	BLACK

FIGURE & KEY NO.	PART NUMBER	RANK	QTY	DESCRIPTION	SERIAL NUMBER / REMARKS
B - J70K J70M	WS3-5160-000		4	SOCKET CONTACT, 18-24AWG ソケット コンタクト	BLACK
	PCB			HVT1 HVT 1	MAGENTA
	VS3-5083-013		1	CONNECTOR, 13P, FEMALE コネクタ (メス)	MAGENTA
	WS3-5160-000		4	SOCKET CONTACT, 18-24AWG ソケット コンタクト	MAGENTA
J70Y	PCB			HVT1 HVT 1	YELLOW

J71	VS3-5083-013		1	CONNECTOR, 13P, FEMALE コネクタ (メス)	YELLOW
	WS3-5160-000		4	SOCKET CONTACT, 18-24AWG ソケット コンタクト	YELLOW
	PCB			FUSE BOARD ヒューズ	
	VS1-6302-006		1	CONNECTOR, 6P, MALE コネクタ (オス)	
	WS3-5569-000		4	PIN, CONTACT ピン コンタクト	

J71C	PCB			HVT1 HVT 1	CYAN
	VS3-5083-003		1	CONNECTOR, 3P, FEMALE コネクタ (メス)	CYAN
J71K	WS3-5160-000		2	SOCKET CONTACT, 18-24AWG ソケット コンタクト	CYAN
	PCB			HVT1 HVT 1	BLACK
	VS3-5083-003		1	CONNECTOR, 3P, FEMALE コネクタ (メス)	BLACK

J71M	WS3-5160-000		2	SOCKET CONTACT, 18-24AWG ソケット コンタクト	BLACK
	PCB			HVT1 HVT 1	MAGENTA
J71Y	VS3-5083-003		1	CONNECTOR, 3P, FEMALE コネクタ (メス)	MAGENTA
	WS3-5160-000		2	SOCKET CONTACT, 18-24AWG ソケット コンタクト	MAGENTA
	PCB			HVT1 HVT 1	YELLOW

J72C	VS3-5083-003		1	CONNECTOR, 3P, FEMALE コネクタ (メス)	YELLOW
	WS3-5160-000		2	SOCKET CONTACT, 18-24AWG ソケット コンタクト	YELLOW
	PCB			HVT1 HVT 1	CYAN
J72K	VS1-6314-016		1	CONNECTOR, 16P, FEMALE コネクタ (メス)	CYAN
	PCB			HVT1 HVT 1	BLACK

J72M	VS1-6314-016		1	CONNECTOR, 16P, FEMALE コネクタ (メス)	BLACK
	PCB			HVT1 HVT 1	MAGENTA
J72Y	VS1-6314-016		1	CONNECTOR, 16P, FEMALE コネクタ (メス)	MAGENTA
	PCB			HVT1 HVT 1	YELLOW
	VS1-6314-016		1	CONNECTOR, 16P, FEMALE コネクタ (メス)	YELLOW

FIGURE & KEY NO.	PART NUMBER	RANK	QTY	DESCRIPTION	SERIAL NUMBER / REMARKS
B - J73CK	PCB			HVT4 HVT 4	CYAN/BLACK
	VS1-6314-010		1	CONNECTOR, 10P, FEMALE コネクタ (メス)	CYAN/BLACK
J73YM	PCB			HVT4 HVT 4	YELLOW/MAGENTA
	VS1-6314-010		1	CONNECTOR, 10P, FEMALE コネクタ (メス)	YELLOW/MAGENTA
J74	PCB			FUSE BOARD ヒューズ	
	VS1-5824-002		1	CONNECTOR, 2P, FEMALE コネクタ (メス)	
	WS3-5358-000		2	SOCKET CONTACT, 22-26AWG ソケット コンタクト	
J75	PCB			HVT1-SUB HVT 1 サブ	
	VS1-6314-020		1	CONNECTOR, 20P, FEMALE コネクタ (メス)	
J76	PCB			HVT1-SUB HVT 1サブ	
	VS1-6314-012		1	CONNECTOR, 12P, FEMALE コネクタ (メス)	
J77	PCB			HVT1-SUB HVT 1サブ	
	VS1-6314-016		1	CONNECTOR, 16P, FEMALE コネクタ (メス)	
J78	PCB			HVT1-SUB HVT 1サブ	
	VS1-6314-016		1	CONNECTOR, 16P, FEMALE コネクタ (メス)	
J79	PCB			HVT1-SUB HVT 1サブ	
	VS1-6314-016		1	CONNECTOR, 16P, FEMALE コネクタ (メス)	
J80	PCB			HVT2 HVT 2	
	VS1-6314-013		1	CONNECTOR, 13P, FEMALE コネクタ (メス)	
J81	PCB			HVT2 HVT 2	
	VS3-5083-004		1	CONNECTOR, 4P, FEMALE コネクタ (メス)	
	WS3-5160-000		3	SOCKET CONTACT, 18-24AWG ソケット コンタクト	
J82	PCB			HVT2 HVT 2	
	VS3-5083-005		1	CONNECTOR, 5P, FEMALE コネクタ (メス)	
	WS3-5160-000		3	SOCKET CONTACT, 18-24AWG ソケット コンタクト	
J83	PCB			HVT2 HVT 2	
	VS3-5083-007		1	CONNECTOR, 7P, FEMALE コネクタ (メス)	
	WS3-5160-000		4	SOCKET CONTACT, 18-24AWG ソケット コンタクト	
J84CK	PCB			HVT4 HVT 4	CYAN/BLACK
	VS3-5083-005		1	CONNECTOR, 5P, FEMALE コネクタ (メス)	CYAN/BLACK

FIGURE & KEY NO.	PART NUMBER	RANK	QTY	DESCRIPTION	SERIAL NUMBER / REMARKS
B - J84CK J84YM	WS3-5160-000		3	SOCKET CONTACT, 18-24AWG ソケット コンタクト	CYAN/BLACK
	PCB			HVT4 HVT 4	YELLOW/MAGENTA
	VS3-5083-005		1	CONNECTOR, 5P, FEMALE コネクタ (メス)	YELLOW/MAGENTA
	WS3-5160-000		3	SOCKET CONTACT, 18-24AWG ソケット コンタクト	YELLOW/MAGENTA
J85	PCB			HVT2-SUB HVT 2サブ	

J86	VS3-5083-004		1	CONNECTOR, 4P, FEMALE コネクタ (メス)	
	WS3-5160-000		3	SOCKET CONTACT, 18-24AWG ソケット コンタクト	
	PCB			HVT2-SUB HVT 2サブ	
	VS3-5083-005		1	CONNECTOR, 5P, FEMALE コネクタ (メス)	
J87	WS3-5160-000		3	SOCKET CONTACT, 18-24AWG ソケット コンタクト	
	PCB			HVT2-SUB HVT 2サブ	
J88	VS1-6314-012		1	CONNECTOR, 12P, FEMALE コネクタ (メス)	
	PCB			MICRO SWITCH マイクロスイッチ	
	WS3-5358-000		2	SOCKET CONTACT, 22-26AWG ソケット コンタクト	
J89	VS1-5824-003		1	CONNECTOR, 3P, FEMALE コネクタ (メス)	
	PCB			HVT2-SUB HVT 2サブ	
J90	VS1-6314-020		1	CONNECTOR, 20P, FEMALE コネクタ (メス)	
	PCB			HVT2-SUB HVT 2サブ	
J91	VS1-6314-013		1	CONNECTOR, 13P, FEMALE コネクタ (メス)	
	PCB			HVT2-SUB HVT 2サブ	
J92	VS1-6314-010		1	CONNECTOR, 10P, FEMALE コネクタ (メス)	
	PCB			HV2-SUB HVT 2サブ	
	VS1-6302-002		1	CONNECTOR, 2P, MALE コネクタ (オス)	
J93	WS3-5680-000		2	SOCKET CONTACT, 20-24AWG ソケット コンタクト	
	PCB			HVT1-SUB HVT 1サブ	
J94	VS1-6313-020		1	CONNECTOR, 20P, FEMALE コネクタ (メス)	M1
	NPN			DRUM ITB MOTOR ドラムITBモータ	
J94	VS1-6361-002		1	CONNECTOR, 2P, MALE コネクタ (オス)	
	WS3-5759-000		2	PIN CONTACT ピン コンタクト	
J94	PCB			HVT1-SUB HVT 1サブ	

FIGURE & KEY NO.	PART NUMBER	RANK	QTY	DESCRIPTION	SERIAL NUMBER / REMARKS
B - J94	VS1-6314-016		1	CONNECTOR, 16P, FEMALE コネクタ (メス)	
J95	PCB			HVT3 HVT 3	
	VS1-6314-010		1	CONNECTOR, 10P, FEMALE コネクタ (メス)	
	VS1-6380-003		1	CONNECTOR, 3P, FEMALE コネクタ (メス)	
	VS3-5121-003		1	CONNECTOR, 3P, MALE コネクタ (オス)	
	WS3-5291-000		3	PIN CONTACT ピン コンタクト	
	WS3-5292-000		3	SOCKET CONTACT ソケット コンタクト	
J96	VS1-5729-002		1	CONNECTOR, 2P, MALE コネクタ (オス)	
	VS3-5083-002		1	CONNECTOR, 2P, FEMALE コネクタ (メス)	
	WS3-5160-000		2	SOCKET CONTACT, 18-24AWG ソケット コンタクト	
	WS3-5301-000		2	PIN CONTACT ピン コンタクト	
J97	PCB			HVT1-SUB HVT 1サブ	
	VS1-6314-010		1	CONNECTOR, 10P, FEMALE コネクタ (メス)	
J98	VS1-5057-006		1	CONNECTOR, SNAP TIGHT チュウケイ コネクタ	
	VS1-5824-006		2	CONNECTOR, 6P, FEMALE コネクタ (メス)	
	WS3-5358-000		8	SOCKET CONTACT, 22-26AWG ソケット コンタクト	
J99	PCB			HVT1-SUB HVT 1サブ	
	VS1-6314-010		1	CONNECTOR, 10P, FEMALE コネクタ (メス)	
J100	PCB			DC CONTROLLER DCコントローラ	
	VS3-5083-012		1	CONNECTOR, 12P, FEMALE コネクタ (メス)	
	WS3-5160-000		12	SOCKET CONTACT, 18-24AWG ソケット コンタクト	
J102	PCB			DC CONTROLLER DCコントローラ	
	VS1-6313-013		1	CONNECTOR, 13P, FEMALE コネクタ (メス)	
	VS1-6314-013		1	CONNECTOR, 13P, FEMALE コネクタ (メス)	
	VT2-5161-026		1	HOLDER, CONNECTOR, 26P コネクタ ホルダ	
J103	PCB			DC CONTROLLER DCコントローラ	
	VS1-5452-007		1	CONNECTOR, 7P, FEMALE コネクタ (メス)	
	VS1-6084-007		1	CONNECTOR, 7P, FEMALE コネクタ (メス)	
	VS1-6197-014		1	CONNECTOR HOUSING コネクタ ホルダ	
J104	PCB			DC CONTROLLER DCコントローラ	

FIGURE & KEY NO.	PART NUMBER	RANK	QTY	DESCRIPTION	SERIAL NUMBER / REMARKS
B - J104	VS1-6313-014		1	CONNECTOR, 14P, FEMALE コネクタ (メス)	
	VS1-6314-014		1	CONNECTOR, 14P, MALE コネクタ (オス)	
	VT2-5161-028		1	HOLDER, CONNECTOR, 28P コネクタ ホルダ	
	J105 PCB			DC CONTROLLER D C コントローラ	
	VS1-6313-017		1	CONNECTOR, 17P, FEMALE コネクタ (メス)	
J106	VS1-6314-017		1	CONNECTOR, 17P, FEMALE コネクタ (メス)	
	VT2-5161-034		1	HOLDER, CONNECTOR, 34P コネクタ ホルダ	
	J106 PCB			DC CONTROLLER D C コントローラ	
	VS1-5824-002		1	CONNECTOR, 2P, FEMALE コネクタ (メス)	
	WS3-5358-000		2	SOCKET CONTACT, 22-26AWG ソケット コンタクト	
J107	J107 PCB			DC CONTROLLER D C コントローラ	
	VS1-6313-016		1	CONNECTOR, 16P, FEMALE コネクタ (メス)	
	VS1-6314-016		1	CONNECTOR, 16P, FEMALE コネクタ (メス)	
	VT2-5161-032		1	HOLDER, CONNECTOR, 32P コネクタ ホルダ	
J108	J108 PCB			D C P1 D C 電源 1	
J109	WS3-5231-000		5	PIN CONTACT ピン コンタクト	
	VS3-0276-007		1	CONNECTOR, 7P, FEMALE コネクタ (メス)	
	J109 PCB			DC CONTROLLER D C コントローラ	
	VT2-5161-026		1	HOLDER, CONNECTOR, 26P コネクタ ホルダ	
	VS1-6313-013		1	CONNECTOR, 13P, FEMALE コネクタ (メス)	
J110	VS1-6314-013		1	CONNECTOR, 13P, FEMALE コネクタ (メス)	
	J109 PCB			D C P2 D C 電源 2	
	WS3-5569-000		5	PIN, CONTACT ピン コンタクト	
	VS1-6302-007		1	CONNECTOR, 7P, FEMALE コネクタ (メス)	
J110	J110 PCB			DC CONTROLLER D C コントローラ	
J110	VT2-5161-022		1	HOLDER, CONNECTOR, 22P コネクタ ホルダ	
	VS1-6313-011		1	CONNECTOR, 11P, FEMALE コネクタ (メス)	
	VS1-6314-011		1	CONNECTOR, 11P, FEMALE コネクタ (メス)	
	J110 PCB			DC CONTROLLER D C コントローラ	
J110	VS1-6314-016		1	CONNECTOR, 16P, FEMALE コネクタ (メス)	

FIGURE & KEY NO.	PART NUMBER	RANK	QTY	DESCRIPTION	SERIAL NUMBER / REMARKS
B - J111	PCB			DC CONTROLLER D C コントローラ	
	VS1-6314-008		1	CONNECTOR, 8P, FEMALE コネクタ (メス)	
J112	PCB			DC CONTROLLER D C コントローラ	
	VS1-6407-032		1	CONNECTOR, 32P, FEMALE コネクタ (メス)	
J113	PCB			DC CONTROLLER D C コントローラ	
	VS1-6407-080		1	CONNECTOR, 80P, FEMALE コネクタ (メス)	
J114	PCB			DC CONTROLLER D C コントローラ	
	VS1-5824-013		1	CONNECTOR, 13P, FEMALE コネクタ (メス)	
	WS3-5358-000		12	SOCKET CONTACT, 22-26AWG ソケット コンタクト	
J115	PCB			DC CONTROLLER D C コントローラ	
	VS1-6225-012		1	CONNECTOR, 12P, FEMALE コネクタ (メス)	
J116	PCB			DC CONTROLLER D C コントローラ	
	VS1-5824-012		1	CONNECTOR, 12P コネクタ	
	WS3-5358-000		12	SOCKET CONTACT, 22-26AWG ソケット コンタクト	
J117	PCB			DC CONTROLLER D C コントローラ	
	VS1-6225-018		1	CONNECTOR, 18P, FEMALE コネクタ (メス)	
	VS1-6226-036		1	HOLDER, CONNECTOR, 36P コネクタ ホルダ	
	VS1-6507-018		1	CONNECTOR, 18P, FEMALE コネクタ (メス)	
J118	PCB			DC CONTROLLER D C コントローラ	
	VS1-5824-013		1	CONNECTOR, 13P, FEMALE コネクタ (メス)	
	WS3-5358-000		12	SOCKET CONTACT, 22-26AWG ソケット コンタクト	
J120	PCB			DC CONTROLLER D C コントローラ	
	VS1-5824-012		1	CONNECTOR, 12P コネクタ	
	WS3-5358-000		12	SOCKET CONTACT, 22-26AWG ソケット コンタクト	
J123	PCB			DC CONTROLLER D C コントローラ	
	VS1-6314-014		1	CONNECTOR, 14P, MALE コネクタ (オス)	
J124	PCB			DC CONTROLLER D C コントローラ	
	VS1-6930-008		1	CONNECTOR, 8P, FEMALE コネクタ (メス)	
J125	PCB			DC CONTROLLER D C コントローラ	
	VS1-6930-009		1	CONNECTOR, 9P, FEMALE コネクタ (メス)	

FIGURE & KEY NO.	PART NUMBER	RANK	QTY	DESCRIPTION	SERIAL NUMBER / REMARKS
B - J126	PCB			DC CONTROLLER D C コントローラ	
	VS1-6313-010		1	CONNECTOR, 10P, FEMALE コネクタ (メス)	
	VS1-6314-010		1	CONNECTOR, 10P, FEMALE コネクタ (メス)	
J127	VT2-5161-020		1	HOLDER, CONNECTOR, 20P コネクタ ホルダ	
	PCB			DC CONTROLLER D C コントローラ	
J128	VS1-6313-013		1	CONNECTOR, 13P, FEMALE コネクタ (メス)	
	VS1-6314-013		1	CONNECTOR, 13P, FEMALE コネクタ (メス)	
	VT2-5161-026		1	HOLDER, CONNECTOR, 26P コネクタ ホルダ	
	PCB			DC CONTROLLER D C コントローラ	
J129	VS1-6314-014		1	CONNECTOR, 14P, MALE コネクタ (オス)	
	PCB			DC CONTROLLER D C コントローラ	
J131	VS1-6313-010		1	CONNECTOR, 10P, FEMALE コネクタ (メス)	
	VS1-6314-010		1	CONNECTOR, 10P, FEMALE コネクタ (メス)	
	VT2-5161-020		1	HOLDER, CONNECTOR, 20P コネクタ ホルダ	
	PCB			DC CONTROLLER D C コントローラ	
J132	VS1-6313-020		1	CONNECTOR, 20P, FEMALE コネクタ (メス)	
	VS1-6314-020		1	CONNECTOR, 20P, FEMALE コネクタ (メス)	
	VT2-5161-040		1	HOLDER, CONNECTOR, 40P コネクタ ホルダ	
	PCB			DC CONTROLLER D C コントローラ	
J153	VS1-6314-014		1	CONNECTOR, 14P, MALE コネクタ (オス)	
	PCB			D C 電源 2	
J154	VS1-5976-009		1	CONNECTOR, 9P, FEMALE コネクタ (メス)	
	PCB			D C 電源 1	
J155	VS1-5976-004		1	CONNECTOR, 4P, MALE コネクタ (オス)	
	PCB			D C 電源 2	
J300	VS1-0842-004		1	CONNECTOR, 4P, FEMALE コネクタ (メス)	
	PCB			MEMORY SWITCH メモリ スイッチ	
J301	VS1-6314-014		1	CONNECTOR, 14P, MALE コネクタ (オス)	
	PCB			MEMORY SWITCH メモリ スイッチ	
	VS1-0842-003		1	CONNECTOR, 3P, FEMALE コネクタ (メス)	

FIGURE & KEY NO.	PART NUMBER	RANK	QTY	DESCRIPTION	SERIAL NUMBER / REMARKS
B - J302	PCB			MEMORY SWITCH メモリ スイッチ	
	VS1-0842-003		1	CONNECTOR, 3P, FEMALE コネクタ (メス)	
J303	PCB			MEMORY SWITCH メモリ スイッチ	
	VS1-0842-003		1	CONNECTOR, 3P, FEMALE コネクタ (メス)	
J304	PCB			MEMORY SWITCH メモリ スイッチ	
	VS1-0842-003		1	CONNECTOR, 3P, FEMALE コネクタ (メス)	
J305	PCB			MEMORY SWITCH メモリ スイッチ	
	VS1-0842-003		1	CONNECTOR, 3P, FEMALE コネクタ (メス)	
J306	PCB			MEMORY SWITCH メモリ スイッチ	
	VS1-0842-003		1	CONNECTOR, 3P, FEMALE コネクタ (メス)	
J307	PCB			MEMORY SWITCH メモリ スイッチ	
	VS1-0842-003		1	CONNECTOR, 3P, FEMALE コネクタ (メス)	
J308	PCB			MEMORY SWITCH メモリ スイッチ	
	VS1-0842-003		1	CONNECTOR, 3P, FEMALE コネクタ (メス)	
J309	NPN			DRUM UNIT ANTENNA ドラム ユニット アンテナ	YELLOW
J310	NPN			DRUM UNIT ANTENNA ドラム ユニット アンテナ	MAGENTA
	VS1-6225-003		1	CONNECTOR, 3P, FEMALE コネクタ (メス)	MEGENTA
J311	NPN			DRUM UNIT ANTENNA ドラム ユニット アンテナ	CYAN
	VS1-6225-003		1	CONNECTOR, 3P, FEMALE コネクタ (メス)	CYAN
J312	NPN			DRUM UNIT ANTENNA ドラム ユニット アンテナ	BLACK
	VS1-6225-003		1	CONNECTOR, 3P, FEMALE コネクタ (メス)	BLACK
J313	NPN			TONER CARTRIDGE ANTENNA トナー容器アンテナ	YELLOW
	VS1-0842-003		1	CONNECTOR, 3P, FEMALE コネクタ (メス)	YELLOW
J314	NPN			TONER CARTRIDGE ANTENNA トナー容器アンテナ	MAGENTA
J315	NPN			TONER CARTRIDGE ANTENNA トナー容器アンテナ	CYAN
	VS1-0842-003		1	CONNECTOR, 3P, FEMALE コネクタ (メス)	CYAN
J316	NPN			TONER CARTRIDGE ANTENNA トナー容器アンテナ	BLACK
	VS1-0842-003		1	CONNECTOR, 3P, FEMALE コネクタ (メス)	BLACK

FIGURE & KEY NO.	PART NUMBER	RANK	QTY	DESCRIPTION	SERIAL NUMBER / REMARKS
B - J403	VS1-6313-013		2	CONNECTOR, 13P, FEMALE コネクタ (メス)	DUPLEX TYPE
	VS1-6314-013		2	CONNECTOR, 13P, FEMALE コネクタ (メス)	DUPLEX TYPE
	VS1-6319-026		1	CONNECTOR, SNAP TIGHT チュウケイ コネクタ	DUPLEX TYPE
	VT2-5161-026		2	HOLDER, CONNECTOR, 26P コネクタ ホルダ	DUPLEX TYPE
	J404	VS1-6314-004		2	CONNECTOR, 4P, FEMALE コネクタ (メス)
J405	VS1-6318-004		1	CONNECTOR, SNAP TIGHT チュウケイ コネクタ	DUPLEX TYPE
	NPN			DUPLEXING PICK-UP SENSOR 両面給紙センサ	DUPLEX TYPE PS24
	VS1-6321-003		1	CONNECTOR, 3P, FEMALE コネクタ (メス)	DUPLEX TYPE
J406	VS1-6313-012		2	CONNECTOR, 12P, FEMALE コネクタ (メス)	DUPLEX TYPE
	VS1-6314-013		2	CONNECTOR, 13P, FEMALE コネクタ (メス)	DUPLEX TYPE
J407	VS1-6919-025		1	CONNECTOR, DRAWER ドロア コネクタ	DUPLEX TYPE
	VS1-5057-003		1	CONNECTOR, SNAP TIGHT チュウケイ コネクタ	DUPLEX TYPE
	VS1-5824-003		1	CONNECTOR, 3P, FEMALE コネクタ (メス)	DUPLEX TYPE
	VS1-6321-003		1	CONNECTOR, 3P, FEMALE コネクタ (メス)	DUPLEX TYPE
	WS3-5358-000		3	SOCKET CONTACT, 22-26AWG ソケット コンタクト	DUPLEX TYPE
J408	NPN			DUPLEXING FEED MOTOR 両面搬送モータ	DUPLEX TYPE M26
	VS1-6321-005		1	CONNECTOR, 5P, FEMALE コネクタ (メス)	DUPLEX TYPE
J409	NPN			DUPLEXING REGIST SENSOR 両面レジスト センサ	DUPLEX TYPE PS21
	VS1-6321-003		1	CONNECTOR, 3P, FEMALE コネクタ (メス)	DUPLEX TYPE
J410	NPN			DUPLEXING REGIST CLUTCH 両面レジスト クラッチ	DUPLEX TYPE CL1
J411	VS1-5057-002		1	CONNECTOR, SNAP TIGHT チュウケイ コネクタ	DUPLEX TYPE
	VS1-6321-002		1	CONNECTOR, 2P, FEMALE コネクタ (メス)	DUPLEX TYPE
	NPN			DUPLEXING PICK-UP CLUTCH 両面給紙クラッチ	DUPLEX TYPE CL2
	VS1-5057-002		1	CONNECTOR, SNAP TIGHT チュウケイ コネクタ	DUPLEX TYPE
	VS1-6321-002		1	CONNECTOR, 2P, FEMALE コネクタ (メス)	DUPLEX TYPE
J412	NPN			CROSS PASS SOLENOID 2 排紙パス切り換えソレノイド 2	DUPLEX TYPE SL5
	VS1-5057-002		1	CONNECTOR, SNAP TIGHT チュウケイ コネクタ	DUPLEX TYPE
	VS1-6321-002		1	CONNECTOR, 2P, FEMALE コネクタ (メス)	DUPLEX TYPE
J413	NPN			SIDE REGIST MOTOR 横レジスト モータ	DUPLEX TYPE M25
	VS1-5057-006		1	CONNECTOR, SNAP TIGHT チュウケイ コネクタ	DUPLEX TYPE

FIGURE & KEY NO.	PART NUMBER	RANK	QTY	DESCRIPTION	SERIAL NUMBER / REMARKS
B - J413	VS1-6321-006		1	CONNECTOR, 6P, FEMALE コネクタ (メス)	DUPLEX TYPE
J414	NPN			DUPLEXING SIDE REGIST SENSOR 両面横レジスト センサ	DUPLEX TYPE PS22
	VS1-5824-003		1	CONNECTOR, 3P, FEMALE コネクタ (メス)	DUPLEX TYPE
	WS3-5358-000		3	SOCKET CONTACT, 22-26AWG ソケット コンタクト	DUPLEX TYPE
J440	PCB			DUPLEX BOARD 両面ドライバ	DUPLEX TYPE
	VS1-6302-004		1	CONNECTOR, 4P, MALE コネクタ (オス)	
	WS3-5680-000		4	SOCKET CONTACT, 20-24AWG ソケット コンタクト	
J441	PCB			DUPLEX DRIVER 両面ドライバ	DUPLEX TYPE
	VS1-6313-013		1	CONNECTOR, 13P, FEMALE コネクタ (メス)	
	VS1-6314-013		1	CONNECTOR, 13P, FEMALE コネクタ (メス)	
	VT2-5161-026		1	HOLDER, CONNECTOR, 26P コネクタ ホルダ	
J442	PCB			DUPLEX DRIVER 両面ドライバ	DUPLEX TYPE
	VS1-6313-014		1	CONNECTOR, 14P, FEMALE コネクタ (メス)	DUPLEX TYPE
	VS1-6314-014		1	CONNECTOR, 14P, MALE コネクタ (オス)	DUPLEX TYPE
	VT2-5161-028		1	HOLDER, CONNECTOR, 28P コネクタ ホルダ	DUPLEX TYPE
J510	VS1-6313-018		2	CONNECTOR, 18P, FEMALE コネクタ (メス)	
	VS1-6314-018		2	CONNECTOR, 18P, MALE コネクタ (オス)	
	VS1-6319-036		1	CONNECTOR, SNAP TIGHT 中継コネクタ	
	VT2-5161-036		2	HOLDER, CONNECTOR, 36P コネクタ フォルダ	
J511	PCB			OPERATION CPU 操作部CPU	
	VS1-6313-018		1	CONNECTOR, 18P, FEMALE コネクタ (メス)	
	VS1-6314-018		1	CONNECTOR, 18P, MALE コネクタ (オス)	
	VT2-5161-036		1	HOLDER, CONNECTOR, 36P コネクタ フォルダ	
J512	SYS			TO FAX BOARD FAXボード	OPTION
	VS1-6313-020		1	CONNECTOR, 20P, FEMALE コネクタ (メス)	
	VS1-6314-020		1	CONNECTOR, 20P, FEMALE コネクタ (メス)	
	VS1-6319-040		1	CONNECTOR, SNAP TIGHT 中継コネクタ	
	VT2-5161-040		1	HOLDER, CONNECTOR, 40P コネクタ ホルダ	
J514	PCB			ASSIST アシスト	
	VS1-6321-008		1	CONNECTOR, 8P, FEMALE コネクタ (メス)	

FIGURE & KEY NO.	PART NUMBER	RANK	QTY	DESCRIPTION	SERIAL NUMBER / REMARKS
B - J520	PCB			ECO-ID BOARD E C O - I Dボード	
	VS1-6314-009		1	CONNECTOR, 9P, FEMALE コネクタ (メス)	
J521	VS1-5057-010		1	CONNECTOR, SNAP TIGHT チュウケイ コネクタ	
	VS1-6321-010		2	CONNECTOR, 10P, FEMALE コネクタ (メス)	
J522	SYS			TO CARD READER カード リーダ	OPTION
	VS1-6314-005		1	CONNECTOR, 5P, FEMALE コネクタ (メス)	
J523	VS1-6321-010		1	CONNECTOR, 10P, FEMALE コネクタ (メス)	S3200,V3200
J524	SYS			TO COIN VENDER コイン ベンダ	OPTION
	VS1-5057-012		1	CONNECTOR, SNAP TIGHT チュウケイ コネクタ	S3200,V3200
	VS1-6321-012		1	CONNECTOR, 12P, MALE コネクタ (オス)	S3200,V3200
J531	SYS			TO FAX BOARD F A X ボード	OPTION
	VS1-5057-002		1	CONNECTOR, SNAP TIGHT チュウケイ コネクタ	
	VS1-6321-002		1	CONNECTOR, 2P, FEMALE コネクタ (メス)	
J535	VS1-6314-008		2	CONNECTOR, 8P, FEMALE コネクタ (メス)	
	VS1-6318-008		1	CONNECTOR, SNAP TIGHT チュウケイ コネクタ	
J536	VS1-5057-002		1	CONNECTOR, SNAP TIGHT チュウケイ コネクタ	
	VS1-6321-002		2	CONNECTOR, 2P, FEMALE コネクタ (メス)	
J537	VS1-5057-002		1	CONNECTOR, SNAP TIGHT チュウケイ コネクタ	
	VS1-6321-002		2	CONNECTOR, 2P, FEMALE コネクタ (メス)	
J538	PCB			FRAM COUNTER BOARD F R A Mカウンタ ボード	
J539	VS1-6314-006		1	CONNECTOR, 6P, FEMALE コネクタ (メス)	OPTION
	SYS			TO FAX BOARD F A X ボード	
	VS1-6314-004		1	CONNECTOR, 4P, FEMALE コネクタ (メス)	
J540	NPN			CONTROLLER FAN コントローラ ファン	FM7
	VS1-5057-003		1	CONNECTOR, SNAP TIGHT チュウケイ コネクタ	
J557	VS1-6321-003		1	CONNECTOR, 3P, FEMALE コネクタ (メス)	OPTION
	SYS			TO FAX BOARD F A X ボード	
	VS1-5057-002		1	CONNECTOR, SNAP TIGHT チュウケイ コネクタ	
	VS1-6321-002		2	CONNECTOR, 2P, FEMALE コネクタ (メス)	
J558	VS1-5820-002		1	CONNECTOR, SNAP TIGHT チュウケイ コネクタ	

FIGURE & KEY NO.	PART NUMBER	RANK	QTY	DESCRIPTION	SERIAL NUMBER / REMARKS
B - J558	VS3-5080-002		2	CONNECTOR, 2P, MALE コネクタ (オス)	
	WT1-5155-000		4	TERMINAL タ - ミナル	
	J559 NPN			FAX PCIP F A X P C I P	
	VS1-5824-002		1	CONNECTOR, 2P, FEMALE コネクタ (メス)	
	WS3-5358-000		2	SOCKET CONTACT, 22-26AWG ソケット コンタクト	
J560	SYS			TO FAX BOARD F A X ボード	OPTION
	VS1-6302-012		1	CONNECTOR, 12P, MALE コネクタ (オス)	
	WS3-5680-000		12	SOCKET CONTACT, 20-24AWG ソケット コンタクト	
J561	VS1-5729-004		1	CONNECTOR, 4P, MALE コネクタ (オス)	
	VS3-5083-004		1	CONNECTOR, 4P, FEMALE コネクタ (メス)	
	WS3-5160-000		4	SOCKET CONTACT, 18-24AWG ソケット コンタクト	
	WS3-5301-000		4	PIN CONTACT ピン コンタクト	
J562	VS1-5057-004		1	CONNECTOR, SNAP TIGHT チュウケイ コネクタ	
	VS1-5824-004		2	CONNECTOR, 4P, FEMALE コネクタ (メス)	
	WS3-5358-000		4	SOCKET CONTACT, 22-26AWG ソケット コンタクト	
J564	PCB			MICRO SWITCH マイクロスイッチ	
	VS1-5824-003		1	CONNECTOR, 3P, FEMALE コネクタ (メス)	
	WS3-5358-000		2	SOCKET CONTACT, 22-26AWG ソケット コンタクト	
J565	NPN			TO READER リーダー	
	FH2-5825-000		5	PIN CONTACT, 16-20AWG ピン コンタクト	
J600	FH2-6855-000		1	CONNECTOR, 12P, FEMALE コネクタ (メス)	
	VS1-6225-009		2	CONNECTOR, 9P, FEMALE コネクタ (メス)	
	VS1-6492-009		1	CONNECTOR, SNAP TIGHT 中継コネクタ	
J601	VS1-6225-009		2	CONNECTOR, 9P, FEMALE コネクタ (メス)	
	VS1-6492-009		1	CONNECTOR, SNAP TIGHT 中継コネクタ	
J603	VS1-6225-009		2	CONNECTOR, 9P, FEMALE コネクタ (メス)	
	VS1-6492-009		1	CONNECTOR, SNAP TIGHT 中継コネクタ	
J604	VS1-6225-009		2	CONNECTOR, 9P, FEMALE コネクタ (メス)	
	VS1-6492-009		1	CONNECTOR, SNAP TIGHT 中継コネクタ	
J605	NPN			SCANNER MOTOR スキャナ モータ	YELLOW M2

FIGURE & KEY NO.	PART NUMBER	RANK	QTY	DESCRIPTION	SERIAL NUMBER / REMARKS
B - J605	VS1-6225-004		1	CONNECTOR, 4P, FEMALE コネクタ (メス)	YELLOW
J606	NPN			LED MOTOR LED モータ	YELLOW M16
	VS1-6225-005		1	CONNECTOR, 5P, FEMALE コネクタ (メス)	YELLOW
J607	PCB			BD SENSOR BD検知	YELLOW
	VS1-6225-003		1	CONNECTOR, 3P, FEMALE コネクタ (メス)	YELLOW
J608	NPN			LASER SCANNER UNIT レーザ スキャナ	YELLOW
	VS3-5080-012		1	CONNECTOR, 12P, FEMALE コネクタ (メス)	YELLOW
	WT1-5155-000		12	TERMINAL タ - ミナル	YELLOW
J609	NPN			SCANNER MOTOR スキャナ モータ	MAGENTA M3
	VS1-6225-004		1	CONNECTOR, 4P, FEMALE コネクタ (メス)	MAGENTA
J610	NPN			LED MOTOR LED モータ	MAGENTA M17
	VS1-6225-005		1	CONNECTOR, 5P, FEMALE コネクタ (メス)	MAGENTA
J611	PCB			BD SENSOR BD検知	MAGENTA
	VS1-6225-003		1	CONNECTOR, 3P, FEMALE コネクタ (メス)	MAGENTA
J612	NPN			LASER SCANNER UNIT レーザ スキャナ	MAGENTA
	VS3-5080-012		1	CONNECTOR, 12P, FEMALE コネクタ (メス)	MAGENTA
	WT1-5155-000		12	TERMINAL タ - ミナル	MAGENTA
J613	NPN			SCANNER MOTOR スキャナ モータ	CYAN M4
	VS1-6225-004		1	CONNECTOR, 4P, FEMALE コネクタ (メス)	CYAN
J614	NPN			LED MOTOR LED モータ	CYAN M18
	VS1-6225-005		1	CONNECTOR, 5P, FEMALE コネクタ (メス)	CYAN
J615	PCB			BD SENSOR BD検知	CYAN
	VS1-6225-003		1	CONNECTOR, 3P, FEMALE コネクタ (メス)	CYAN
J616	NPN			LASER SCANNER UNIT レーザ スキャナ	CYAN
	VS3-5080-012		1	CONNECTOR, 12P, FEMALE コネクタ (メス)	CYAN
J617	NPN		12	TERMINAL タ - ミナル	CYAN
	VS1-6225-004		1	SCANNER MOTOR スキャナ モータ	BLACK M5
J618	NPN			CONNECTOR, 4P, FEMALE コネクタ (メス)	BLACK
	VS1-6225-005		1	LED MOTOR LED モータ	BLACK M19
	VS1-6225-005		1	CONNECTOR, 5P, FEMALE コネクタ (メス)	BLACK

FIGURE & KEY NO.	PART NUMBER	RANK	QTY	DESCRIPTION	SERIAL NUMBER / REMARKS
B - J619	PCB			BD SENSOR BD検知	BLACK
	VS1-6225-003		1	CONNECTOR, 3P, FEMALE コネクタ (メス)	BLACK
J620	NPN			LASER SCANNER UNIT レーザ スキャナ	BLACK
	VS3-5080-012		1	CONNECTOR, 12P, FEMALE コネクタ (メス)	BLACK
	WT1-5155-000		12	TERMINAL タ - ミナル	BLACK
J650	NPN			DEVELOPING MOTOR 現像モータ	YELLOW M12
	VS1-6321-004		1	CONNECTOR, 4P, FEMALE コネクタ (メス)	YELLOW
J651	NPN			DEVELOPING MOTOR 現像モータ	MAGENTA M13
	VS1-6321-004		1	CONNECTOR, 4P, FEMALE コネクタ (メス)	MAGENTA
J652	NPN			DEVELOPING MOTOR 現像モータ	CYAN M14
J653	NPN			DEVELOPING MOTOR 現像モータ	BLACK M15
	VS1-6321-004		1	CONNECTOR, 4P, FEMALE コネクタ (メス)	BLACK
J654				CONNECTOR, SNAP TIGHT 中継コネクタ	
	VS1-6910-008		1	CONNECTOR, SNAP TIGHT 中継コネクタ	
	VS1-6930-008		2	CONNECTOR, 8P, FEMALE コネクタ (メス)	
J655				CONNECTOR, SNAP TIGHT 中継コネクタ	
	VS1-6910-009		1	CONNECTOR, SNAP TIGHT 中継コネクタ	
	VS1-6930-009		2	CONNECTOR, 9P, FEMALE コネクタ (メス)	
J660	NPN			DRUM UNIT ドラム ユニット	YELLOW
	VS1-6930-002		1	CONNECTOR, 2P, FEMALE コネクタ (メス)	YELLOW
	VS1-6930-003		1	CONNECTOR, 3P, FEMALE コネクタ (メス)	YELLOW
J661	NPN			DRUM UNIT ドラム ユニット	MAGENTA
	VS1-6930-002		1	CONNECTOR, 2P, FEMALE コネクタ (メス)	MAGENTA
	VS1-6930-003		1	CONNECTOR, 3P, FEMALE コネクタ (メス)	MAGENTA
J662	NPN			DRUM UNIT ドラム ユニット	CYAN
	VS1-6930-002		1	CONNECTOR, 2P, FEMALE コネクタ (メス)	CYAN
J663	NPN			DRUM UNIT ドラム ユニット	BLACK
	VS1-6930-002		1	CONNECTOR, 2P, FEMALE コネクタ (メス)	BLACK
	VS1-6930-003		1	CONNECTOR, 3P, FEMALE コネクタ (メス)	BLACK
J668	NPN			TONER CARTRIDGE MOTOR トナー容器モータ	YELLOW M20

FIGURE & KEY NO.	PART NUMBER	RANK	QTY	DESCRIPTION	SERIAL NUMBER / REMARKS
B - J668	VS1-5057-002		1	CONNECTOR, SNAP TIGHT チュウケイ コネクタ	YELLOW
	VS1-6321-002		1	CONNECTOR, 2P, FEMALE コネクタ (メス)	YELLOW
	J669	VS1-5057-003	1	CONNECTOR, SNAP TIGHT チュウケイ コネクタ	
		VS1-6321-003	2	CONNECTOR, 3P, FEMALE コネクタ (メス)	
J670	NPN		TONER CARTRIDGE MOTOR トナー容器モータ	MAGENTA M21	
J671	VS1-5057-002		1	CONNECTOR, SNAP TIGHT チュウケイ コネクタ	MAGENTA
	VS1-6321-002		1	CONNECTOR, 2P, FEMALE コネクタ (メス)	MAGENTA
	VS1-5057-003	1	CONNECTOR, SNAP TIGHT チュウケイ コネクタ		
	VS1-6321-003	2	CONNECTOR, 3P, FEMALE コネクタ (メス)		
J672	NPN		TONER CARTRIDGE MOTOR トナー容器モータ	CYAN M22	
J673	VS1-5057-002		1	CONNECTOR, SNAP TIGHT チュウケイ コネクタ	CYAN
	VS1-6321-002		1	CONNECTOR, 2P, FEMALE コネクタ (メス)	CYAN
	VS1-5057-003	1	CONNECTOR, SNAP TIGHT チュウケイ コネクタ		
	VS1-6321-003	2	CONNECTOR, 3P, FEMALE コネクタ (メス)		
J674	NPN		TONER CARTRIDGE MOTOR トナー容器モータ	BLACK M23	
J675	VS1-5057-002		1	CONNECTOR, SNAP TIGHT チュウケイ コネクタ	BLACK
	VS1-6321-002		1	CONNECTOR, 2P, FEMALE コネクタ (メス)	BLACK
	VS1-5057-003	1	CONNECTOR, SNAP TIGHT チュウケイ コネクタ		
	VS1-6321-003	2	CONNECTOR, 3P, FEMALE コネクタ (メス)		
J676	NPN		SCREW ROTATE SENSOR スクリュ回転検知センサ	YELLOW PS1	
J677	VS1-6321-003		1	CONNECTOR, 3P, FEMALE コネクタ (メス)	YELLOW
	NPN			SCREW ROTATE SENSOR スクリュ回転検知センサ	MAGENTA PS2
J678	VS1-6321-003		1	CONNECTOR, 3P, FEMALE コネクタ (メス)	MAGENTA
	NPN			SCREW ROTATE SENSOR スクリュ回転検知センサ	CYAN PS3
J679	VS1-6321-003		1	CONNECTOR, 3P, FEMALE コネクタ (メス)	CYAN
	NPN			SCREW ROTATE SENSOR スクリュ回転検知センサ	BLACK PS4
J700	VS1-6321-003		1	CONNECTOR, 3P, FEMALE コネクタ (メス)	BLACK
	NPN			DELECT COOLING FAN 排紙冷却ファン	FM5
	VS1-5057-003	1	CONNECTOR, SNAP TIGHT チュウケイ コネクタ		
	VS1-6321-003	1	CONNECTOR, 3P, FEMALE コネクタ (メス)		

FIGURE & KEY NO.	PART NUMBER	RANK	QTY	DESCRIPTION	SERIAL NUMBER / REMARKS
B - J701	VS1-6314-009		2	CONNECTOR, 9P, FEMALE コネクタ (メス)	
	VS1-6318-012		1	CONNECTOR, SNAP TIGHT 中継コネクタ	
J702	VS1-6314-013		2	CONNECTOR, 13P, FEMALE コネクタ (メス)	
	VS1-6318-013		1	CONNECTOR, SNAP TIGHT 中継コネクタ	
J703	VS1-6314-012		2	CONNECTOR, 12P, FEMALE コネクタ (メス)	
	VS1-6318-009		1	CONNECTOR, SNAP TIGHT チュウケイ コネクタ	
J704	NPN			VERTICAL PASS MOTOR 排紙縦パス モータ	M10
	VS1-6321-005		1	CONNECTOR, 5P, FEMALE コネクタ (メス)	
J705	NPN			FACE DOWN DELIVERY MOTOR フェースダウン排紙モータ	M11
	VS1-6321-005		1	CONNECTOR, 5P, FEMALE コネクタ (メス)	
J706	NPN			FACE DOWN DELIVERY SENSOR 2 フェース ダウン排紙センサ (2)	PS6
	VS1-6321-003		1	CONNECTOR, 3P, FEMALE コネクタ (メス)	
J707	NPN			DELIVERY SWITCHING SOLENOID 1 排紙パス切り換えソレノイド (1)	SL2
	VS1-5057-002		1	CONNECTOR, SNAP TIGHT チュウケイ コネクタ	
	VS1-6321-002		1	CONNECTOR, 2P, FEMALE コネクタ (メス)	
J708	VS1-5057-005		1	CONNECTOR, SNAP TIGHT チュウケイ コネクタ	
	VS1-6321-005		2	CONNECTOR, 5P, FEMALE コネクタ (メス)	
J709	NPN			FIXING FEED OPEN SENSOR 定着搬送ユニット開閉センサ	PS5
	VS1-6321-003		1	CONNECTOR, 3P, FEMALE コネクタ (メス)	
J710	NPN			DELIVERY TRAY FULL SENSOR センタ排紙トレイ満載センサ	PS8
J711	VS1-6321-003		1	CONNECTOR, 3P, FEMALE コネクタ (メス)	
	NPN			FACE DOWN DELIVERY SENSOR 1 フェース ダウン排紙センサ (1)	PS12
	VS1-6321-003		1	CONNECTOR, 3P, FEMALE コネクタ (メス)	
J712	NPN			DELIVERY VERTICAL OPEN SENSOR 排紙縦パス カバー開閉センサ	PS13
	VS1-6321-003		1	CONNECTOR, 3P, FEMALE コネクタ (メス)	
J713	PCB			WASTE TONER DETECT 廃トナー検知 (受光)	
	VS1-6321-003		1	CONNECTOR, 3P, FEMALE コネクタ (メス)	
J714	PCB			WASTE TONER LED 廃トナー検知 (発光)	
	VS1-6321-002		1	CONNECTOR, 2P, FEMALE コネクタ (メス)	
J716	NPN			CLEANING FAN クリーナ ファン	FM4

FIGURE & KEY NO.	PART NUMBER	RANK	QTY	DESCRIPTION	SERIAL NUMBER / REMARKS
B - J716	VS1-5057-003		1	CONNECTOR, SNAP TIGHT チュウケイ コネクタ	FM6
	VS1-6321-003		1	CONNECTOR, 3P, FEMALE コネクタ (メス)	
J720	VS1-5057-004		1	CONNECTOR, SNAP TIGHT チュウケイ コネクタ	
	VS1-6321-004		2	CONNECTOR, 4P, FEMALE コネクタ (メス)	
J721	NPN			MANUAL COOLING FAN 手差し冷却ファン	
	VS1-5057-003		1	CONNECTOR, SNAP TIGHT チュウケイ コネクタ	
	VS1-6321-003		1	CONNECTOR, 3P, FEMALE コネクタ (メス)	
J750	VS1-6313-015		2	CONNECTOR, 15P, FEMALE コネクタ (メス)	
	VS1-6314-015		2	CONNECTOR, 15P, FEMALE コネクタ (メス)	
	VS1-6319-030		1	CONNECTOR, SNAP TIGHT チュウケイ コネクタ	
J752	VT2-5161-030		2	HOLDER, CONNECTOR, 30P コネクタ ホルダ	PS11
	VS1-6314-003		2	CONNECTOR, 3P, MALE コネクタ (オス)	
J754	VS1-6318-003		1	CONNECTOR, SNAP TIGHT チュウケイ コネクタ	
	NPN			VERTICAL PASS OPEN SENSOR 給紙縦バス カバー開閉センサ	
	VS1-6321-003		1	CONNECTOR, 3P, FEMALE コネクタ (メス)	PS9
J755	VS1-6313-015		2	CONNECTOR, 15P, FEMALE コネクタ (メス)	
	VS1-6314-016		2	CONNECTOR, 16P, FEMALE コネクタ (メス)	
	VS1-6919-031		1	CONNECTOR, DRAWER ドロア コネクタ	
	VS1-6920-031		1	CONNECTOR, 31P, MALE コネクタ (オス)	
J756	VS1-5057-006		1	CONNECTOR, SNAP TIGHT チュウケイ コネクタ	
J757	VS1-6321-006		2	CONNECTOR, 6P, FEMALE コネクタ (メス)	PS9
	VS1-5057-003		1	CONNECTOR, SNAP TIGHT チュウケイ コネクタ	
J758	VS1-6321-003		2	CONNECTOR, 3P, FEMALE コネクタ (メス)	
	NPN			MULTI FEED LAST SENSOR 手差しラスト紙センサ	
	VS1-6321-003		1	CONNECTOR, 3P, FEMALE コネクタ (メス)	PS10
J759	PCB			SLIDE VOLUME SENSOR スライド ボリューム センサ	
	VS1-6321-003		1	CONNECTOR, 3P, FEMALE コネクタ (メス)	
J760	NPN			MULTI PAPER SENSOR 手差し紙センサ	
	VS1-6321-003		1	CONNECTOR, 3P, FEMALE コネクタ (メス)	
J761	NPN			REGIST MOTOR レジスト モータ	M9

FIGURE & KEY NO.	PART NUMBER	RANK	QTY	DESCRIPTION	SERIAL NUMBER / REMARKS
B - J761	VS1-6321-004		1	CONNECTOR, 4P, FEMALE コネクタ (メス)	
J762	NPN			MANUAL FEED SOLENOID 手差し給紙ソレノイド	SL1
	VS1-5057-002		1	CONNECTOR, SNAP TIGHT チュウケイ コネクタ	
	VS1-6321-002		1	CONNECTOR, 2P, FEMALE コネクタ (メス)	
J763	NPN			REGIST FRONT MOTOR レジスト前モータ	M8
J764	VS1-6321-004		1	CONNECTOR, 4P, FEMALE コネクタ (メス)	
	NPN			REGIST SENSOR レジスト センサ	PS26
	VS1-6320-003		1	CONNECTOR, 3P, MALE コネクタ (オス)	
J765	NPN			FRONT OHP SENSOR OHPセンサ(前)	OHP1
	VS1-6321-003		1	CONNECTOR, 3P, FEMALE コネクタ (メス)	
J766	NPN			REAR OHP SENSOR OHPセンサ(奥)	OHP2
	VS1-6321-003		1	CONNECTOR, 3P, FEMALE コネクタ (メス)	
J768	NPN			MANUAL FEED OPEN SENSOR 手差しユニット開閉センサ	PS28
	VS1-6321-003		1	CONNECTOR, 3P, FEMALE コネクタ (メス)	
J769	VS1-6314-008		2	CONNECTOR, 8P, FEMALE コネクタ (メス)	
J800	VS1-6318-008		1	CONNECTOR, SNAP TIGHT チュウケイ コネクタ	
	VS1-6314-011		2	CONNECTOR, 11P, FEMALE コネクタ (メス)	
	VS1-6318-011		1	CONNECTOR, SNAP TIGHT チュウケイ コネクタ	
J801	VS1-6313-010		1	CONNECTOR, 10P, FEMALE コネクタ (メス)	
	VS1-6314-010		1	CONNECTOR, 10P, FEMALE コネクタ (メス)	
J802	VS1-6318-010		1	CONNECTOR, SNAP TIGHT チュウケイ コネクタ	
	VS1-6313-009		1	CONNECTOR, 9P, FEMALE コネクタ (メス)	
	VS1-6314-010		1	CONNECTOR, 10P, FEMALE コネクタ (メス)	
	VS1-6757-009		1	CONNECTOR, 9P コネクタ	
	VS1-6757-010		1	CONNECTOR, 10P, FEMALE コネクタ(メス)	
	VS1-6917-019		1	CONNECTOR, 19P, FEMALE コネクタ(メス)	
	VS1-6918-019		1	CONNECTOR, 19P, FEMALE コネクタ(メス)	
	WS3-5721-000		14	SOCKET CONTACT ソケット コンタクト	
	WS3-5822-000		3	PIN, CONTACT, AWG 14-18 ピン コンタクト	
	WS3-5824-000		2	SOCKET, CONTACT AWG 20-24 ソケットコンタクト	

FIGURE & KEY NO.	PART NUMBER	RANK	QTY	DESCRIPTION	SERIAL NUMBER / REMARKS
B - J803	NPN			FIXING DELI SENSOR 定着排紙センサ	PS25
	VS1-5824-003		1	CONNECTOR, 3P, FEMALE コネクタ (メス)	
J804	WS3-5730-000		3	SOCKET CONTACT AWG 36-26 ソケット コンタクト	PS27
	NPN			FIXING ENTRANS SENSOR 定着入口センサ	
J805	VS1-5824-003		1	CONNECTOR, 3P, FEMALE コネクタ (メス)	TH2
	WS3-5730-000		3	SOCKET CONTACT AWG 36-26 ソケット コンタクト	
J806	NPN			FIXING SUB THERMISTOR 定着サブ サーミスタ	TH1
	VS1-5057-002		1	CONNECTOR, SNAP TIGHT チュウケイ コネクタ	
J807	VS1-5824-002		1	CONNECTOR, 2P, FEMALE コネクタ (メス)	SW3
	WS3-5730-000		2	SOCKET CONTACT AWG 36-26 ソケット コンタクト	
J808	NPN			FIXING MAIN THERMISTOR 定着メイン サーミスタ	SW2
	VS1-5057-003		1	CONNECTOR, SNAP TIGHT チュウケイ コネクタ	
J809	VS1-5824-003		1	CONNECTOR, 3P, FEMALE コネクタ (メス)	PS23
	WS3-5730-000		3	SOCKET CONTACT AWG 36-26 ソケット コンタクト	
J810	VS1-6314-005		2	CONNECTOR, 5P, FEMALE コネクタ (メス)	FM2
	NPN			CASSETTE 2 SIZE SWITCH カセット2サイズ検知スイッチ	
J811	VS1-6318-005		1	CONNECTOR, SNAP TIGHT チュウケイ コネクタ	M24
	VS1-6314-005		2	CONNECTOR, 5P, FEMALE コネクタ (メス)	
J812	VS1-6318-005		1	CONNECTOR, SNAP TIGHT チュウケイ コネクタ	PS25
	NPN			CASSETTE 1 SIZE SWITCH カセット1サイズ検知スイッチ	
J813	VS1-6321-005		1	CONNECTOR, 5P, FEMALE コネクタ (メス)	PS27
	NPN			FRONT DOOR OPEN SENSOR 前ドア開閉センサ	
J814	VS1-6321-003		1	CONNECTOR, 3P, FEMALE コネクタ (メス)	FM2
	NPN			FIXING FAN 定着排熱ファン	
J815	VS1-5057-003		1	CONNECTOR, SNAP TIGHT チュウケイ コネクタ	M24
	VS1-6321-003		1	CONNECTOR, 3P, FEMALE コネクタ (メス)	
J816	NPN			FIXING MOTOR 定着モータ	PS23
	VS1-5057-004		1	CONNECTOR, SNAP TIGHT チュウケイ コネクタ	
J817	VS1-6321-004		1	CONNECTOR, 4P, FEMALE コネクタ (メス)	FM2
	NPN			FIXING FAN 定着排熱ファン	

FIGURE & KEY NO.	PART NUMBER	RANK	QTY	DESCRIPTION	SERIAL NUMBER / REMARKS
B - J814	NPN			DRUM ITB MOTOR ドラム I T B モーター	M1
	VS1-6321-008		1	CONNECTOR, 8P, FEMALE コネクタ (メス)	
J815	VS1-5057-002		1	CONNECTOR, SNAP TIGHT チュウケイ コネクタ	
	VS1-6321-002		2	CONNECTOR, 2P, FEMALE コネクタ (メス)	
J816	PCB			CASSETTE HEATER カセット ヒーター	
	VS1-6321-002		1	CONNECTOR, 2P, FEMALE コネクタ (メス)	
J820	NPN			EXHAUST FAN 本体排熱ファン	FM3
	VS1-5057-003		1	CONNECTOR, SNAP TIGHT チュウケイ コネクタ	
	VS1-6321-003		1	CONNECTOR, 3P, FEMALE コネクタ (メス)	
J850	VS1-6314-014		2	CONNECTOR, 14P, MALE コネクタ (オス)	
	VS1-6318-014		1	CONNECTOR, SNAP TIGHT 中継コネクタ	
J851	VS1-5057-008		1	CONNECTOR, SNAP TIGHT チュウケイ コネクタ	
	VS1-6321-008		2	CONNECTOR, 8P, FEMALE コネクタ (メス)	
J852	VS1-6313-014		1	CONNECTOR, 14P, FEMALE コネクタ (メス)	
	VS1-6314-014		1	CONNECTOR, 14P, MALE コネクタ (オス)	
	VS1-6318-014		1	CONNECTOR, SNAP TIGHT 中継コネクタ	
J854	NPN			CASSETTE 1 PICK-UP MOTOR カセット 1 給紙モーター	M6
	VS1-6321-004		1	CONNECTOR, 4P, FEMALE コネクタ (メス)	
J855	NPN			CASSETTE 1 LEVEL B SENSOR カセット 1 用紙残量センサ (B)	PS15
	VS1-6321-003		1	CONNECTOR, 3P, FEMALE コネクタ (メス)	
J856	NPN			CASSETTE 1 LEVEL A SENSOR カセット 1 用紙残量センサ (A)	PS14
	VS1-6321-003		1	CONNECTOR, 3P, FEMALE コネクタ (メス)	
J857	NPN			CASSETTE 1 PICK-UP SOLENOID カセット 1 給紙ソレノイド	SL3
	VS1-5057-002		1	CONNECTOR, SNAP TIGHT チュウケイ コネクタ	
	VS1-6321-002		1	CONNECTOR, 2P, FEMALE コネクタ (メス)	
J858	NPN			CASSETTE 1 RETRY SENSOR カセット 1 リトライ紙センサ	PS16
	VS1-6321-003		1	CONNECTOR, 3P, FEMALE コネクタ (メス)	
J859	NPN			CASSETTE 1 PAPER SENSOR カセット 1 紙有無センサ	PS7
	VS1-6321-003		1	CONNECTOR, 3P, FEMALE コネクタ (メス)	
J860	NPN			CASSETTE 2 PICK-UP MOTOR カセット 2 給紙モーター	M7

FIGURE & KEY NO.	PART NUMBER	RANK	QTY	DESCRIPTION	SERIAL NUMBER / REMARKS
B - J860	VS1-6321-004		1	CONNECTOR, 4P, FEMALE コネクタ (メス)	
J861	NPN			CASSETTE 2 LEVEL B SENSOR カセット 2用紙残量センサ (B)	PS18
	VS1-6321-003		1	CONNECTOR, 3P, FEMALE コネクタ (メス)	
J862	NPN			CASSETTE 2 LEVEL A SENSOR カセット 2用紙残量センサ (A)	PS20
	VS1-6321-003		1	CONNECTOR, 3P, FEMALE コネクタ (メス)	
J863	NPN			CASSETTE 2 PICK-UP SOLENOID カセット 2 給紙ソレノイド	SL4
	VS1-5057-002		1	CONNECTOR, SNAP TIGHT チュウケイ コネクタ	
	VS1-6321-002		1	CONNECTOR, 2P, FEMALE コネクタ (メス)	
J864	NPN			CASSETTE 2 RETRY SENSOR カセット 2リトライ紙センサ	PS17
	VS1-6321-003		1	CONNECTOR, 3P, FEMALE コネクタ (メス)	
J865	NPN			CASSETTE 2 PAPER SENSOR カセット 2 紙有無センサ	PS19
	VS1-6321-003		1	CONNECTOR, 3P, FEMALE コネクタ (メス)	
J950	SYS			TO CASSETTE PEDESTAL カセット ベディスタル	OPTION
	FH2-6480-000		1	CONNECTOR, FEMALE コネクタ (メス)	
	VS1-5452-007		1	CONNECTOR, 7P, FEMALE コネクタ (メス)	
	VS1-5452-008		1	CONNECTOR, 8P, FEMALE コネクタ (メス)	
	WS3-5596-000		3	PIN CONTACT, 18-24AWG ピン コンタクト	
J951	VS1-6314-014		2	CONNECTOR, 14P, MALE コネクタ (オス)	
	VS1-6318-014		1	CONNECTOR, SNAP TIGHT 中継コネクタ	
J952	VS1-6314-006		2	CONNECTOR, 6P, FEMALE コネクタ (メス)	
J953	VS1-6318-006		1	CONNECTOR, SNAP TIGHT チュウケイ コネクタ	
	VS1-6314-004		2	CONNECTOR, 4P, FEMALE コネクタ (メス)	
	VS1-6318-004		1	CONNECTOR, SNAP TIGHT チュウケイ コネクタ	
J956	PCB			REAR REGIST SENSOR 後レジスト検知 (発光)	
	VS1-6314-003		1	CONNECTOR, 3P, MALE コネクタ (オス)	
J957	PCB			REAR REGIST SENSOR 後レジスト検知 (受光)	
	VS1-6314-005		1	CONNECTOR, 5P, FEMALE コネクタ (メス)	
J958	PCB			FRONT REGIST SENSOR 前レジスト検知 (発光)	
	VS1-6314-003		1	CONNECTOR, 3P, MALE コネクタ (オス)	
J959	PCB			FRONT REGIST SENSOR 前レジスト検知 (受光)	

FIGURE & KEY NO.	PART NUMBER	RANK	QTY	DESCRIPTION	SERIAL NUMBER / REMARKS
B - J959	VS1-6314-005		1	CONNECTOR, 5P, FEMALE コネクタ (メス)	
J960	NPN			SALT SENSOR S A L T センサ	TPS1
	VS1-6314-006		1	CONNECTOR, 6P, FEMALE コネクタ (メス)	
J961	NPN			ENV. SENSOR 環境センサ	EV1
	VS1-6321-004		1	CONNECTOR, 4P, FEMALE コネクタ (メス)	
J962	VS1-5452-008		2	CONNECTOR, 8P, FEMALE コネクタ (メス)	
	VS1-5820-008		1	CONNECTOR, SNAP TIGHT チュウケイ コネクタ	
J963	VS1-5452-007		2	CONNECTOR, 7P, FEMALE コネクタ (メス)	
	VS1-5820-007		1	CONNECTOR, SNAP TIGHT チュウケイ コネクタ	
J964	VS1-6314-003		2	CONNECTOR, 3P, MALE コネクタ (オス)	
J965	VS1-6318-003		1	CONNECTOR, SNAP TIGHT チュウケイ コネクタ	
	VS1-6314-003		2	CONNECTOR, 3P, MALE コネクタ (オス)	
	VS1-6318-003		1	CONNECTOR, SNAP TIGHT チュウケイ コネクタ	
J992	PCB			HEATER DRIVER BOARD ヒータ制御	
	NPN			DC POWER FAN 電源冷却ファン	FM1
J1000	VS1-0842-012		2	CONNECTOR, 12P, FEMALE コネクタ (メス)	
	VS1-5057-012		1	CONNECTOR, SNAP TIGHT チュウケイ コネクタ	
J1100	VS1-5729-002		1	CONNECTOR, 2P, MALE コネクタ (オス)	
	VS3-5083-002		1	CONNECTOR, 2P, FEMALE コネクタ (メス)	
	WS3-5160-000		1	SOCKET CONTACT, 18-24AWG ソケット コンタクト	
J1101	WS3-5301-000		2	PIN CONTACT ピン コンタクト	
	SYS			TO FAX BOARD F A X ボード	OPTION
	VS3-5083-002		1	CONNECTOR, 2P, FEMALE コネクタ (メス)	
	WS3-5160-000		1	SOCKET CONTACT, 18-24AWG ソケット コンタクト	
J1102	VS1-6314-020		2	CONNECTOR, 20P, FEMALE コネクタ (メス)	
J1103	VS1-6318-020		1	CONNECTOR, SNAP TIGHT チュウケイ コネクタ	
	VS1-6313-020		2	CONNECTOR, 20P, FEMALE コネクタ (メス)	
	VS1-6318-020		1	CONNECTOR, SNAP TIGHT チュウケイ コネクタ	
J1104	VS1-6314-010		2	CONNECTOR, 10P, FEMALE コネクタ (メス)	
	VS1-6318-010		1	CONNECTOR, SNAP TIGHT チュウケイ コネクタ	

FIGURE & KEY NO.	PART NUMBER	RANK	QTY	DESCRIPTION	SERIAL NUMBER / REMARKS
B - J1105	VS1-6314-010		2	CONNECTOR, 10P, FEMALE コネクタ (メス)	
	VS1-6318-010		1	CONNECTOR, SNAP TIGHT チュウケイ コネクタ	
	J1110 PCB			OPERATION CPU 操作部CPU	
	VS1-6314-011		1	CONNECTOR, 11P, FEMALE コネクタ (メス)	
J1111	PCB			OPERATION CPU 操作部CPU	
J1112	VS1-6314-013		1	CONNECTOR, 13P, FEMALE コネクタ (メス)	
	PCB			OPERATION CPU 操作部CPU	
J1113	NPN			LCD CONTROL PANEL 液晶パネル	
	PCB			OPERATION CPU 操作部CPU	
J1114	VS1-6321-003		1	CONNECTOR, 3P, FEMALE コネクタ (メス)	OPTION
	PCB			OPERATION CPU 操作部CPU	
	NPN			LCD CONTROL PANEL 液晶パネル	
	J1115 SYS			TO FOOT SWITCH フットスイッチ	
J1116	PCB			OPERATION CPU 操作部CPU	
	PCB			OPERATION KEY 操作部キー	
J1117	VS1-6314-011		1	CONNECTOR, 11P, FEMALE コネクタ (メス)	
	PCB			OPERATION KEY 操作部キー	
J1120	VS1-6314-013		1	CONNECTOR, 13P, FEMALE コネクタ (メス)	
	VS1-5057-003		1	CONNECTOR, SNAP TIGHT チュウケイ コネクタ	
	VS1-6321-003		2	CONNECTOR, 3P, FEMALE コネクタ (メス)	
J1121	VS1-6313-018		2	CONNECTOR, 18P, FEMALE コネクタ (メス)	
	VS1-6314-018		2	CONNECTOR, 18P, MALE コネクタ (オス)	
	VS1-6319-036		1	CONNECTOR, SNAP TIGHT 中継コネクタ	
	VT2-5161-036		2	HOLDER, CONNECTOR, 36P コネクタ フォルダ	
J1122	SYS			TO FAX BOARD FAX ボード	OPTION
J1123	VS1-6321-002		1	CONNECTOR, 2P, FEMALE コネクタ (メス)	
	PCB			KEY SWITCH キー スイッチ	
J1124	VS1-6321-002		1	CONNECTOR, 2P, FEMALE コネクタ (メス)	
	VS1-6314-003		2	CONNECTOR, 3P, MALE コネクタ (オス)	
	VS1-6318-003		1	CONNECTOR, SNAP TIGHT チュウケイ コネクタ	

FIGURE & KEY NO.	PART NUMBER	RANK	QTY	DESCRIPTION	SERIAL NUMBER / REMARKS
B - J1125	VS1-6314-003		2	CONNECTOR, 3P, MALE コネクタ (オス)	
	VS1-6318-003		1	CONNECTOR, SNAP TIGHT チュウケイ コネクタ	
J1126	NPN		RF	VERTICAL PATH FAN 縦パス ファン	NEW FM8
	VS1-6321-003		1	CONNECTOR, 3P, FEMALE コネクタ (メス)	NEW
	VS1-5057-003		1	CONNECTOR, SNAP TIGHT チュウケイ コネクタ	NEW
J1204	PCB			CONTROLLER MAIN BOARD コントローラメイン	
J1207	SYS			TO SURF BOARD サーフ ボード	OPTION
	PCB			CONTROLLER MAIN BOARD コントローラメイン	
J1208	PCB			CONTROLLER MAIN BOARD コントローラメイン	
	VS1-6361-010		1	CONNECTOR, 10P, FEMALE コネクタ (メス)	
J1209	WS3-5592-000		10	SOCKET CONTACT, 16-18AWG ソケット コンタクト	
	PCB			CONTROLLER MAIN BOARD コントローラメイン	
	PCB			PC INTERFACE P C インターフェース	
J1210	PCB			CONTROLLER MAIN BOARD コントローラメイン	
	FH2-7019-000		1	FLAT CABLE, HDD, 2 ハードディスク フラット ケーブル (2)	
J1213	PCB			CONTROLLER MAIN BOARD コントローラメイン	
	VS1-6314-008		1	CONNECTOR, 8P, FEMALE コネクタ (メス)	
J1215	PCB			CONTROLLER MAIN BOARD コントローラメイン	
	VS1-6407-032		1	CONNECTOR, 32P, FEMALE コネクタ (メス)	
J1216	PCB			CONTROLLER MAIN BOARD コントローラメイン	
J1225	VS1-6407-080		1	CONNECTOR, 80P, FEMALE コネクタ (メス)	
	PCB			CONTROLLER MAIN BOARD コントローラメイン	
	VS1-6314-006		1	CONNECTOR, 6P, FEMALE コネクタ (メス)	
J1301	PCB			CONTROLLER SUB BOARD コントローラサブ	
J1302	PCB			CONTROLLER SUB BOARD コントローラサブ	
J1303	PCB			CONTROLLER SUB BOARD コントローラサブ	
J1304	PCB			CONTROLLER SUB BOARD コントローラサブ	
	VS1-6313-018		1	CONNECTOR, 18P, FEMALE コネクタ (メス)	
	VS1-6314-018		1	CONNECTOR, 18P, MALE コネクタ (オス)	
	VT2-5161-036		1	HOLDER, CONNECTOR, 36P コネクタ フォルダ	

FIGURE & KEY NO.	PART NUMBER	RANK	QTY	DESCRIPTION	SERIAL NUMBER / REMARKS
B - J1305	PCB			CONTROLLER SUB BOARD コントローラサブ	
	VS1-6314-010		1	CONNECTOR, 10P, FEMALE コネクタ (メス)	
J1309	PCB			CONTROLLER SUB BOARD コントローラサブ	
	VS1-6313-020		1	CONNECTOR, 20P, FEMALE コネクタ (メス)	
	VS1-6314-020		1	CONNECTOR, 20P, FEMALE コネクタ (メス)	
J1311	VT2-5161-040		1	HOLDER, CONNECTOR, 40P コネクタ ホルダ	
	PCB			CONTROLLER SUB BOARD コントローラサブ	
	VS1-6302-012		1	CONNECTOR, 12P, MALE コネクタ (オス)	
	WS3-5680-000		12	SOCKET CONTACT, 20-24AWG ソケット コンタクト	
J1315	PCB			CONTROLLER SUB BOARD コントローラサブ	
J1316	VS1-6314-008		1	CONNECTOR, 8P, FEMALE コネクタ (メス)	
	PCB			CONTROLLER SUB BOARD コントローラサブ	
	VS1-6314-002		1	CONNECTOR, 2P, FEMALE コネクタ (メス)	
J1318	PCB			CONTROLLER SUB BOARD コントローラサブ	
	VS1-6314-006		1	CONNECTOR, 6P, FEMALE コネクタ (メス)	
J1336	PCB			CONTROLLER SUB BOARD コントローラサブ	
	VS1-6314-004		1	CONNECTOR, 4P, FEMALE コネクタ (メス)	
J1342	PCB			CONTROLLER SUB BOARD コントローラサブ	
	PCB			SRAM BOARD S R A Mボード	
J1400	PCB			DDI-S BOARD D D I - S ボード	
J1401	NPN			TO READER リーダ	
	PCB			DDI-S BOARD D D I - S ボード	
J1501	PCB			DISTRIBUTE BOARD 分電	
	VS1-6361-008		1	CONNECTOR, 8P, MALE コネクタ (オス)	
	WS3-5592-000		8	SOCKET CONTACT, 16-18AWG ソケット コンタクト	
J1502	PCB			DISTRIBUTE BOARD 分電	
	VS1-6361-006		1	CONNECTOR, 6P, MALE コネクタ (オス)	
	WS3-5592-000		6	SOCKET CONTACT, 16-18AWG ソケット コンタクト	
J1503	PCB			DISTRIBUTE BOARD 分電	
	VS1-6361-010		1	CONNECTOR, 10P, FEMALE コネクタ (メス)	

FIGURE & KEY NO.	PART NUMBER	RANK	QTY	DESCRIPTION	SERIAL NUMBER / REMARKS
B - J1503	WS3-5592-000		10	SOCKET CONTACT, 16-18AWG ソケット コンタクト	
J1504	PCB			DISTRIBUTE BOARD 分電	
	VS1-6302-012		1	CONNECTOR, 12P, MALE コネクタ (オス)	
J1505	WS3-5680-000		12	SOCKET CONTACT, 20-24AWG ソケット コンタクト	
	PCB			DISTRIBUTE BOARD 分電	
	VS1-6361-004		1	CONNECTOR, 4P, MALE コネクタ (オス)	
J1507	WS3-5759-000		4	PIN CONTACT ピン コンタクト	
	PCB			DISTRIBUTE BOARD 分電	
J1508	VS1-6314-008		1	CONNECTOR, 8P, FEMALE コネクタ (メス)	
	PCB			DISTRIBUTE BOARD 分電	
J1509	VS1-6314-005		1	CONNECTOR, 5P, FEMALE コネクタ (メス)	
	PCB			DISTRIBUTE BOARD 分電	
J1510	VS1-5824-002		1	CONNECTOR, 2P, FEMALE コネクタ (メス)	
	WS3-5358-000		2	SOCKET CONTACT, 22-26AWG ソケット コンタクト	
	PCB			DISTRIBUTE BOARD 分電	
J1511	VS1-6321-002		1	CONNECTOR, 2P, FEMALE コネクタ (メス)	S3200,V3200
	PCB			DISTRIBUTE BOARD 分電	
J1512	VS1-6321-008		1	CONNECTOR, 8P, FEMALE コネクタ (メス)	
	PCB			DISTRIBUTE BOARD 分電	
J1513	VS1-6321-003		1	CONNECTOR, 3P, FEMALE コネクタ (メス)	
	PCB			DISTRIBUTE BOARD 分電	
J1520	VS1-6314-006		1	CONNECTOR, 6P, FEMALE コネクタ (メス)	
	SYS			TO USB INTERFACE BOARD USBインターフェースボード	OPTION

Paper Deck-P1

サイドペーパーデッキ・P1

目 次

CONTENTS

R A . 主要部品配置図	RA. ASSEMBLY LOCATION DIAGRAM
R 01 . 取付キット	R01. MOUNTING HARDWARE
R 10 . 外装カバー	R10. EXTERNAL COVERS, PANELS, ETC.
R 11 . 本体機械内部	R11. INTERNAL COMPONENTS
R 30 . 収納庫部	R30. PAPER STOCK ASSEMBLY
R 35 . デッキヒータ部 (オプション)	R35. PAPER DECK HEATER ASSEMBLY (OPTION)
R 40 . 給紙部	R40. PAPER PICK-UP ASSEMBLY
R B . コネクター一覧	RB. LIST OF CONNECTORS
D 3 . 部品索引表	D3. NUMERICAL INDEX

FIGURE RA ASSEMBLY LOCATION DIAGRAM

主要部品配置図

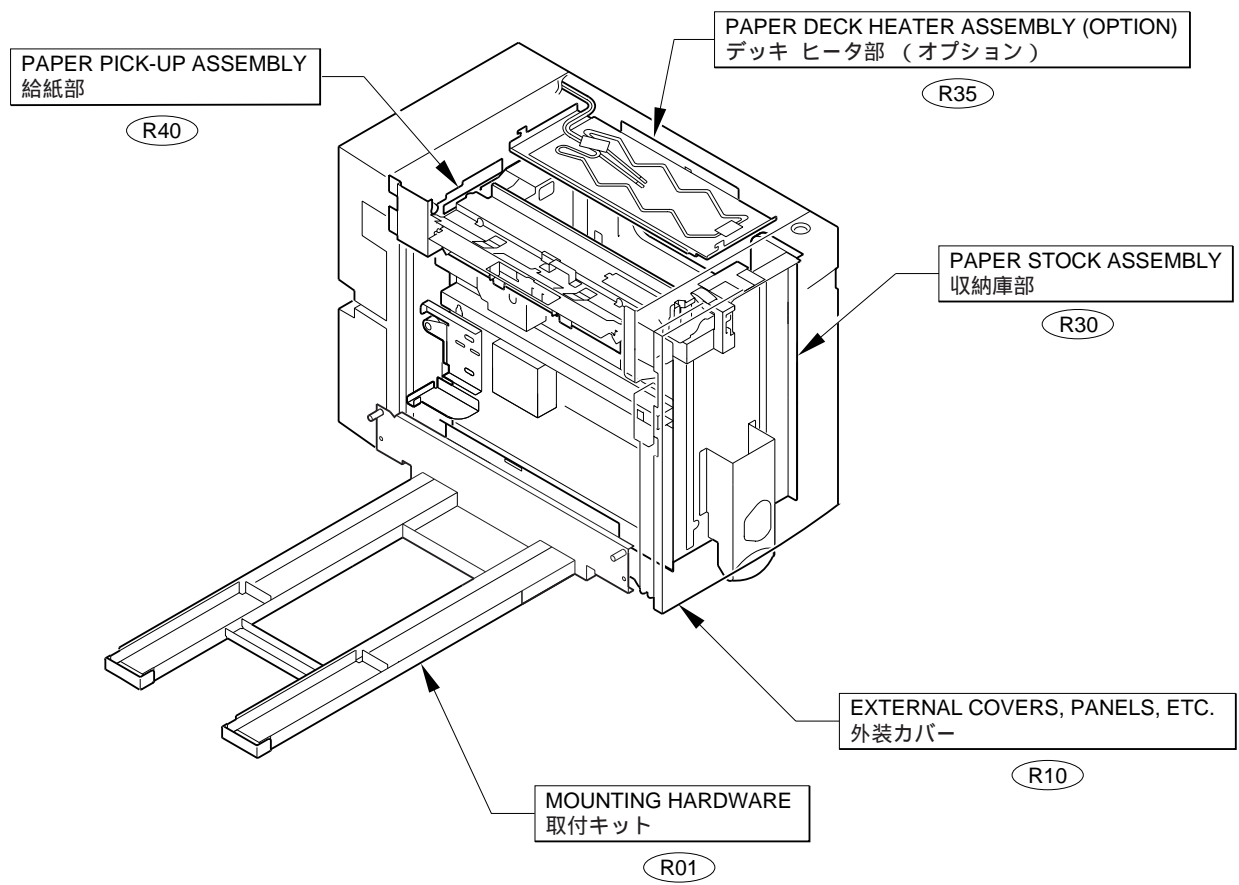


FIGURE R01 MOUNTING HARDWARE 取付キット

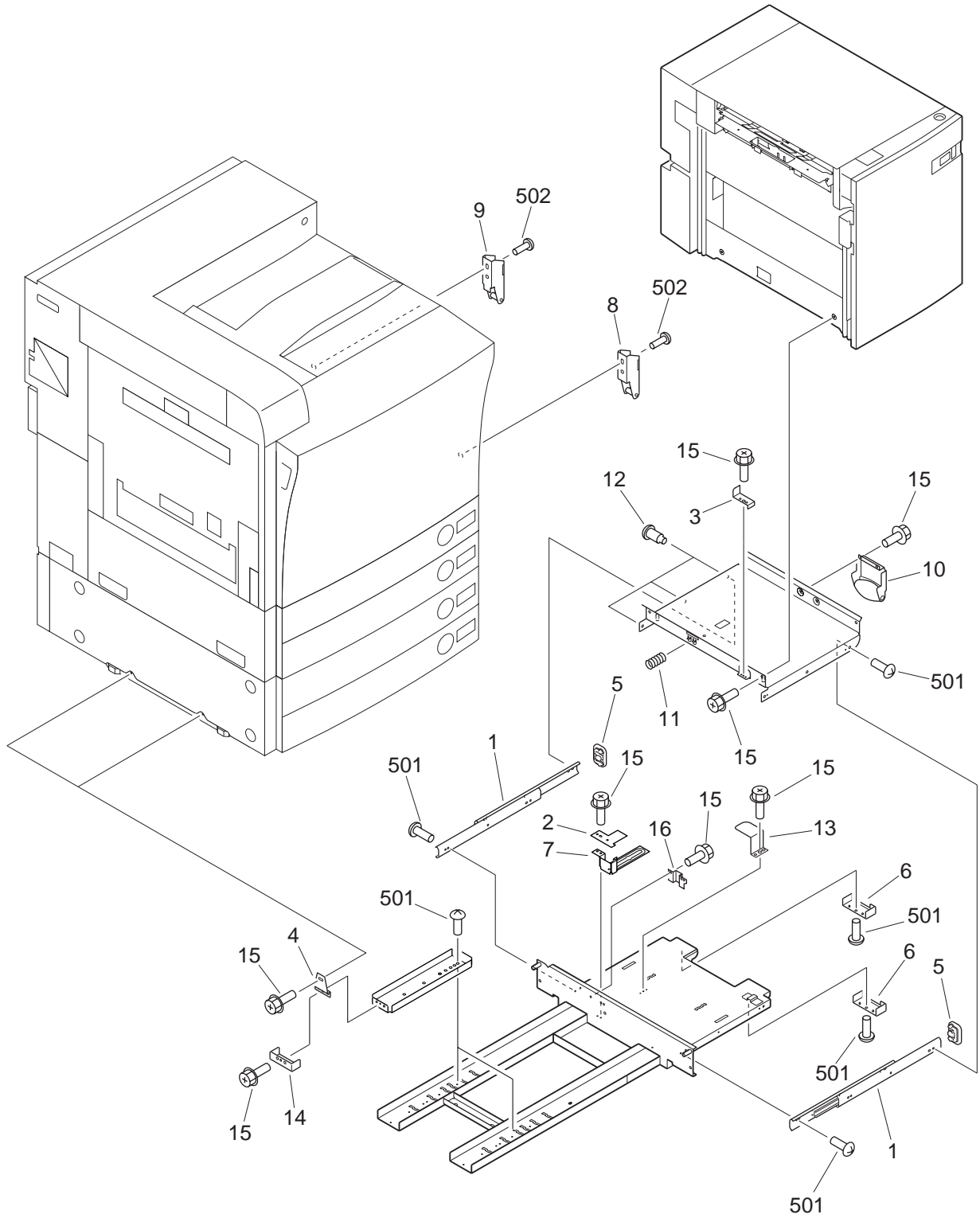


FIGURE & KEY NO.	PART NUMBER	R A N K	Q' T Y	DESCRIPTION	SERIAL NUMBER / REMARKS
R01 -	NPN		RF	MOUNTING HARDWARE 取付キット	
1	FB4-4867-000		2	RAIL, FRAME SLIDE フレーム スライド レール	
2	FB4-4937-000		1	FLAG, SLIDE, UPPER スライド フラグ (ウエ)	
3	FB4-4919-000		1	PLATE, DECK STOPPER デッキ ストップバ バン	
4	FB6-3925-000		2	PLATE, FIXING, LEFT 固定板 (左)	
5	FB4-4932-000		2	CAP, RAIL レール キャップ	
6	FB4-4933-000		2	COVER, BOTTOM CROSSMEMBER ソコ ステイ カバ-	
7	FB4-4938-000		1	FLAG, SLIDE, LOWER スライド フラグ (シタ)	
8	FF6-2121-000		1	PLATE, LATCH, FRONT ラッチ板 (前)	
9	FF6-2122-000		1	PLATE, LATCH, REAR ラッチ板 (後)	
10	FF6-0315-000		1	SUPPORT, ROLLER コロ支板	
11	FS6-2897-000		1	SPRING, COMPRESSION アッシュク バネ	
12	FS1-9002-000		3	SCREW, STEPPED, M4X5 ダンピス	
13	FB4-4918-000		1	PLATE, DECK SENSOR FLAG デッキ検知フラグ板	
14	FB4-4939-000		2	COVER, BOTTOM CROSSMEMBER, 2 底ステイ カバー (2)	
15	XA9-0732-000		10	SCREW, RS, M4X8 RS タイト ネジ	
16	FB6-4872-000		1	SPACER, DECK DETECT デッキ検知スペーサ	
501	XB1-2400-609		15	SCREW, MACH., TRUSS HEAD, M4X6 バインド ネジ	
502	XB1-2400-809		4	SCREW, MACH., TRUSS HEAD, M4X8 バインド ネジ	

FIGURE R10 EXTERNAL COVERS, PANELS, ETC. 外装カバー

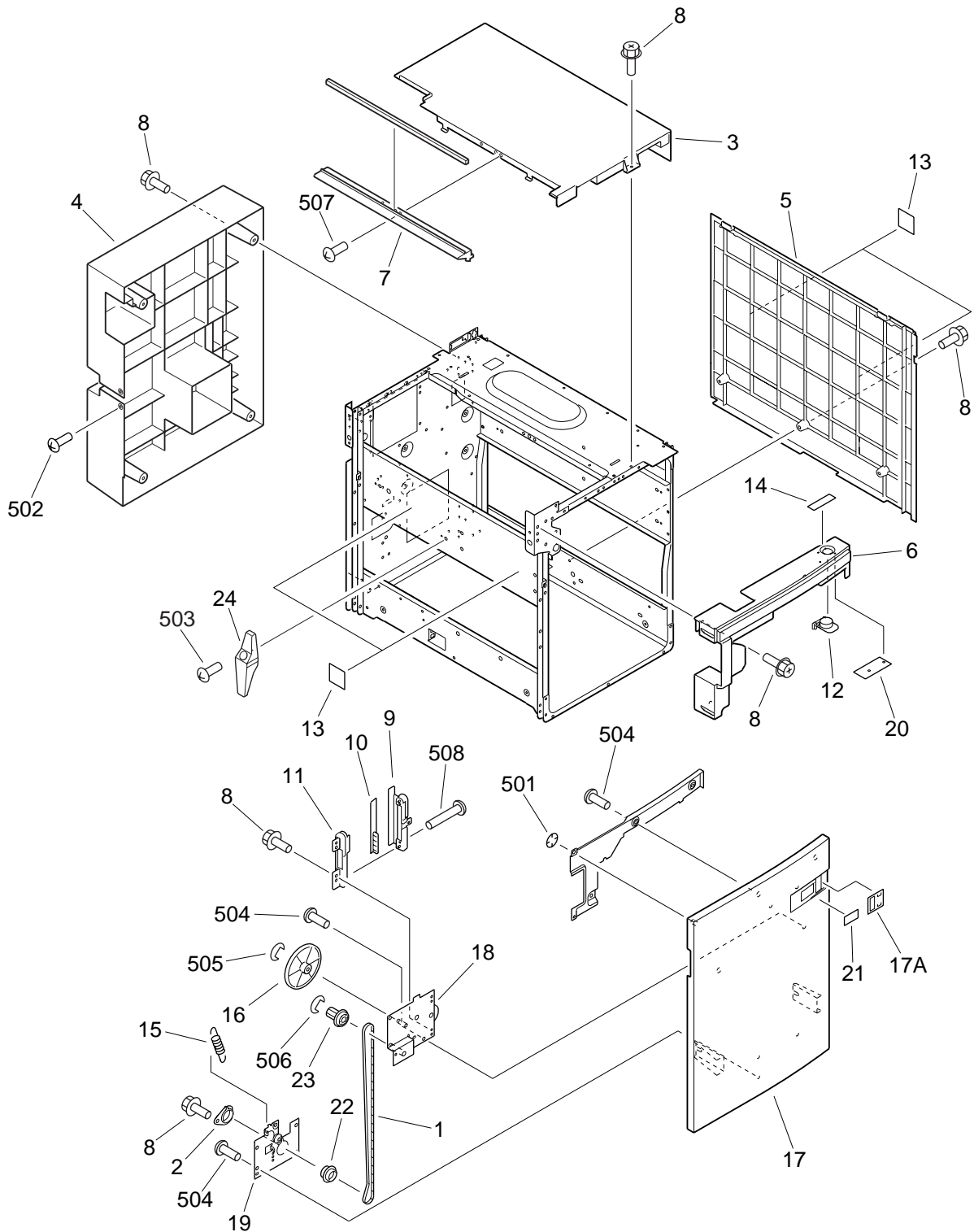


FIGURE & KEY NO.	PART NUMBER	R A N K	Q' T Y	DESCRIPTION	SERIAL NUMBER / REMARKS
R10 -	NPN		RF	EXTERNAL COVERS, PANELS, ETC. 外装カバー	
1	XF2-3228-532		1	BELT,DRIVE 駆動ベルト	
2	FB3-9270-000		1	BUSHING ブッシング	
3	FB6-3905-000		1	PANEL, UPPER 上カバー	
4	FB6-3900-000		1	PANEL, REAR 後カバー	
5	FB6-3901-000		1	PANEL, RIGHT 右カバー	
6	FB6-3915-000		1	COVER, SWITCH スイッチ カバー	
7	FF6-2120-000		1	GUIDE, DECK デッキ ガイド	
8	XA9-0732-000		15	SCREW,RS,M4X8 RS タイト ネジ	
9	FB3-9291-000		1	MOUNT, PAPER INDEX, RIGHT ザンリョウ ヒョウジ ダイ (ミギ)	
10	FB3-9292-000		1	TAPE, PAPER INDEX ザンリョウ ヒョウジ テ-ブ	
11	FB3-9293-000		1	MOUNT, PAPER INDEX, LEFT ザンリョウ ヒョウジ ダイ (ヒダリ)	
12	FB3-9711-000		1	BUTTON, RELEASE カイジョ ボタン	
13	FB3-9749-000		4	LABEL, "HANDLE" トッテ シジ ラベル	
14	FB6-3904-000		1	LABEL, "DECK OPEN" デッキ オープン ラベル	
15	FS6-2677-000		1	SPRING, TENSION ヒツパリ バネ	
16	FS6-0913-000		1	GEAR, 18T/96T 18T/96T ギア	
17	FF6-2119-000		1	PANEL, FRONT 前カバー	
17A	FB3-9732-000		1	PANEL, PAPER INDEX ザンリョウ ヒョウジ パネル	
18	FF5-6163-000		1	PAPER QUANTITY INDICATOR UNIT ザンリョウ ヒョウジ ユニット	
19	FF5-6164-020		1	TENSIONER テンショナ	
20	FG5-9288-000		1	SWITCH PCB ASSEMBLY スイッチ カイロ キバン	
21	FS7-8327-000		1	LABEL, PAPER SIZE 紙サイズ ラベル	
22	FS7-0423-000		1	PULLEY,41T 41T プーリ	
23	FS6-0912-000		1	PULLEY, 32T/GEAR, 15T 32T プ-リ/15T ギア	
24	FB6-3924-000		1	GUIDE, SLOPE スローブ ガイド	
501	XD2-2300-402		1	RING, TOOTHED LOCK ハツキ トメワ	
502	XB1-2300-806		2	SCREW,MACH.,TRUSS HEAD,M3X8 バインド ネジ	
503	XB1-2400-806		1	SCREW,MACH.,TRUSS HEAD,M4X8 バインド ネジ	
504	XB4-7400-807		8	SCREW,TAPPING,TRUSS HEAD,M4X8 バインド タッピン ネジ	

FIGURE R11

INTERNAL COMPONENTS

本体機械内部

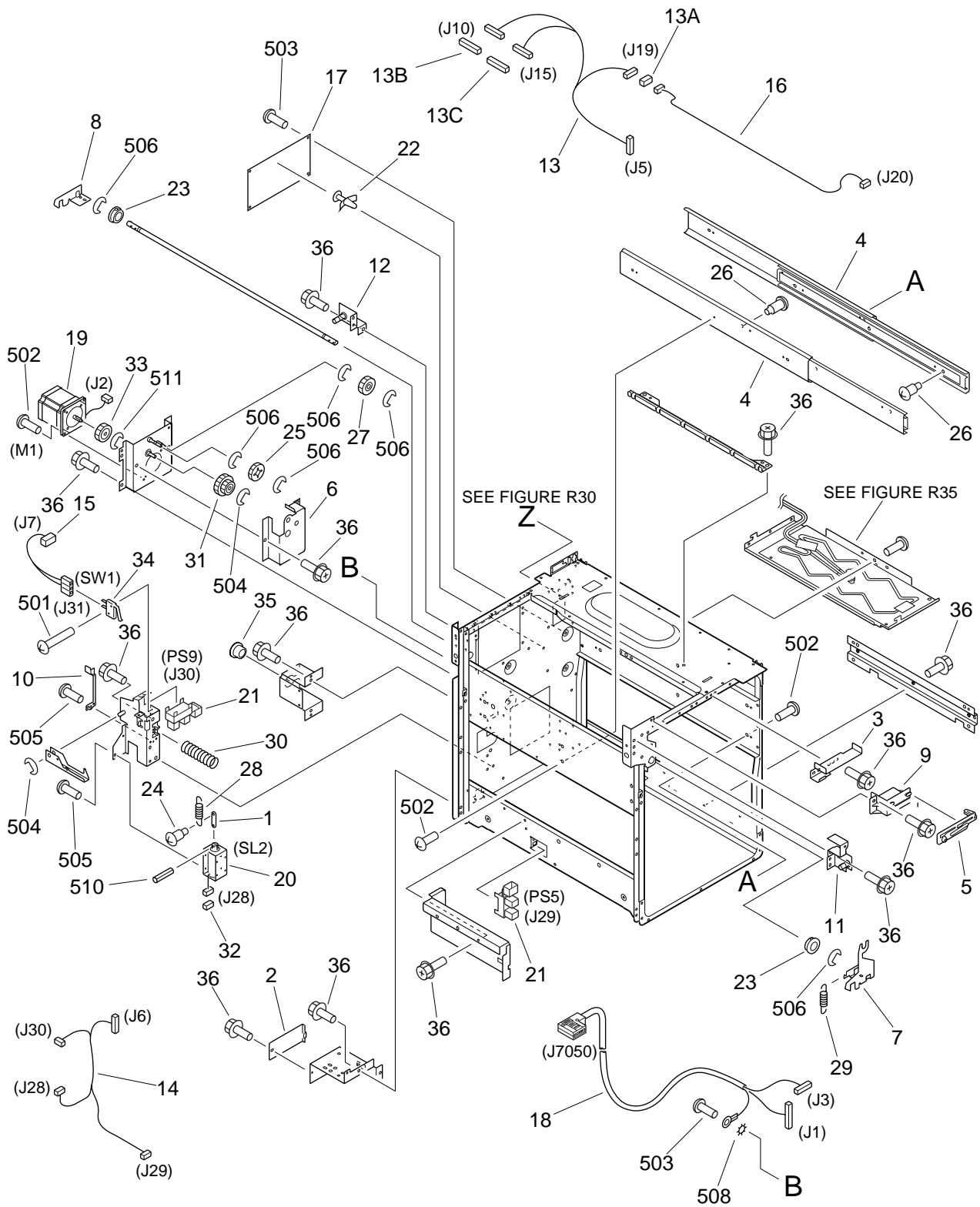
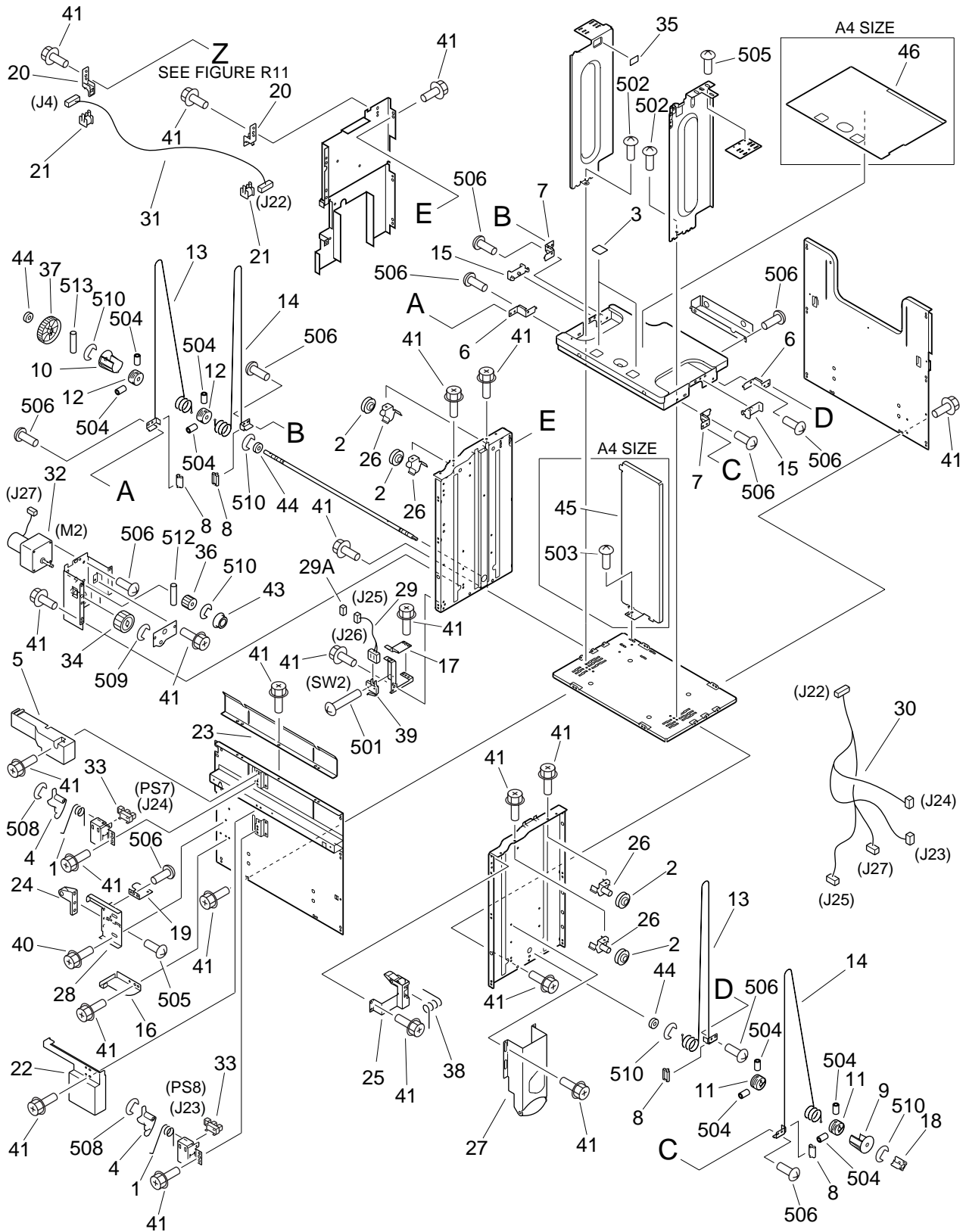


FIGURE & KEY NO.	PART NUMBER	RANK	QTY	DESCRIPTION	SERIAL NUMBER / REMARKS
R11 -	NPN		RF	INTERNAL COMPONENTS 本体機械内部	
1	FA6-7751-000		1	ARM, LOCK レンケツ パン	
2	FB6-3907-000		1	COVER, CONNECTOR コネクタ カバー	
3	FB3-9260-000		1	PLATE, CAM RELEASE カム カイジヨ パン	
4	FB3-9261-000		2	RAIL, SLIDE スライド レ - ル	
5	FB3-9290-000		1	LINK, RELEASE LEVER カイジヨ レバ - リンク	
6	FB5-5422-000		1	COVER, GEAR ギア カバー	
7	FB4-4877-000		1	HOOK, FRONT フック (マエ)	
8	FB4-4878-000		1	HOOK, REAR フック (ウシロ)	
9	FB6-3910-000		1	COVER, RELEASE LEVER 解除レバー カバー	
10	FB4-4929-000		1	SPRING, LEAF イタ バネ	
11	FF5-7535-000		1	PIN, DECK, FRONT デッキ ピン (マエ)	
12	FF5-7536-000		1	PIN, DECK, REAR デッキ ピン (ウシロ)	
13	FG3-1712-000		1	CABLE, FRAME, 1 フレーム束線 (1)	J5,10,15,19
13A	VS1-5057-004		1	CONNECTOR, SNAP TIGHT チュウケイ コネクタ	J19
13B	VS1-5057-010		1	CONNECTOR, SNAP TIGHT チュウケイ コネクタ	J10
13C	VS1-5057-014		1	CONNECTOR, SNAP TIGHT チュウケイ コネクタ	J15
14	FG6-2528-000		1	CABLE, FRAME, 2 フレ - ム ソクセン (2)	J6,28,29,30
15	FG6-2529-000		1	CABLE, PAPER STOCK SWITCH 収納庫開閉スイッチ束線	J7,31
16	FG6-1646-000		1	CABLE, LED SWITCH LEDソクセン	J19,20
17	FG3-1711-000		1	DECK CONTROLLER PCB ASSEMBLY デッキ コントローラ回路基板	
18	FG3-1713-000		1	CABLE, INTERFACE インターフェース束線	J1,3,7050
19	FH6-1915-000		1	MOTOR, STEPPING ステッピング モータ	M1 J2
20	FH7-5828-000		1	SOLENOID, DC24V ソレノイド	SL2 J28
21	FH7-7462-000		2	PHOTO-INTERRUPTER フォトインタラプタ	PS5,9 J29,30
22	VT2-0002-003		1	SPACER, SUPPORT サポ - ト スベ - サ	
23	FS1-1189-000		2	BUSHING ブッシング	
24	FS1-9009-000		1	SCREW, STEPPED, M3 ダンピス	
25	FS2-0544-000		1	GEAR, 24T 24T ギア	
26	FS2-9343-000		4	SCREW, STEPPED, M4 ダンピス	

FIGURE & KEY NO.	PART NUMBER	RANK	QTY	DESCRIPTION	SERIAL NUMBER / REMARKS
R11 - 27	FS2-0545-000		1	GEAR, 28T 28T ギア	
28	FS6-2593-000		1	SPRING, TENSION ヒツパリ バネ	
29	FS6-2674-000		1	SPRING, TENSION ヒツパリ バネ	
30	FS6-2676-000		1	SPRING, COMPRESSION アッシュク バネ	
31	FS7-0802-000		1	GEAR, 20T/35T 20T / 35T ギア	
32	VS1-5057-002		1	CONNECTOR, SNAP TIGHT チュウケイ コネクタ	J28
33	FS7-0801-000		1	GEAR, 24T 24T ギア	
34	WC4-5153-000		1	MICRO SWITCH マイクロ スイッチ	SW1 J31
35	X62-6825-000		1	BUSHING ブッシング	
36	XA9-0732-000		AR	SCREW,RS,M4X8 RS タイト ネジ	
501	XB1-2231-009		1	SCREW,MACH.,TRUSS HEAD,M2.3X10 バインド ネジ	
502	XB1-2400-609		AR	SCREW,MACH.,TRUSS HEAD,M4X6 バインド ネジ	
503	XB1-2400-806		8	SCREW,MACH.,TRUSS HEAD,M4X8 バインド ネジ	
504	XD2-1100-502		AR	RING,E E リング	
505	XB6-7300-409		3	SCREW,TP,M3X4 TP ネジ	
506	XD2-1100-642		6	RING,E E リング	
508	XD1-4200-402		1	WASHER,TOOTHED LOCK ハツキ ザガネ	
510	XD3-1300-102		1	PIN,SPRING スプリング ピン	
511	XD2-1100-402		1	RING,E E リング	

FIGURE R30

PAPER STOCK ASSEMBLY 収納庫部



NOTE: This assembly does not include the parts shown with key No. 16, 18, 27, 45, 46 and 503.

注：このユニットにKey No.16, 18, 27, 45, 46, 503の部品は含まれません。

FIGURE & KEY NO.	PART NUMBER	RANK	QTY	DESCRIPTION	SERIAL NUMBER / REMARKS
R30 -	FG6-9637-000		1	PAPER STOCK ASSEMBLY 収納庫部	
1	FB5-0553-000		2	SPRING, TORSION ネジリ バネ	
2	FA6-8257-000		4	PULLEY プ - リ	
3	FB6-4854-000		2	SHEET, SEPARATION 分離シート	
4	FB2-9248-000		2	ARM, PAPER SENSOR カミ センサ ア - ム	
5	FB3-9235-000		1	COVER, SENSOR センサ カバ -	
6	FB3-9237-000		2	PLATE, WIRE STOP, RIGHT ワイヤ トメ イタ (ミギ)	
7	FB3-9238-000		2	PLATE, WIRE STOP, LEFT ワイヤ トメ イタ (ヒダリ)	
8	FB3-9240-000		4	BLOCK, WIRE GUIDE ワイヤ ガイド	
9	FB3-9241-000		1	GUIDE, PULLEY, FRONT プ - リ ガイド (マエ)	
10	FB3-9242-000		1	GUIDE, PULLEY, REAR プ - リ ガイド (ウシロ)	
11	FB3-9243-000		2	PULLEY, DRIVE, FRONT クドウ プ - リ (マエ)	
12	FB3-9244-000		2	PULLEY, DRIVE, REAR クドウ プ - リ (ウシロ)	
13	FB4-9706-000		2	WIRE, DRIVE, RIGHT クドウ ワイヤ (ミギ)	
14	FB4-9705-000		2	WIRE, DRIVE, LEFT クドウ ワイヤ (ヒダリ)	
15	FB3-9714-000		2	BLOCK, LIFTER PLATE SLIDE ナカイタ スライド ブロック	
16	FB3-9720-000		1	PLATE, PAPER STOCK STOP シュウノウコ ストッパ パン	SEE NOTE
17	FB3-9723-000		1	SPRING, LEAF イタ バネ	
18	FB3-9735-000		1	COUPLING カップリング	SEE NOTE
19	FB3-9742-000		1	FLAG, PAPER STOCK SENSOR シュウノウコ ケンチ フラグ	
20	FB4-4873-000		2	CLAMP, CORD, UPPER コ - ド クランプ (ウエ)	
21	FB4-4874-000		2	CLAMP, CORD, LOWER コ - ド クランプ (シタ)	
22	FB4-4882-000		1	COVER, SENSOR, LOWER センサ カバ - (シタ)	
23	FB4-4928-000		1	PLATE, SEPARATION ブンリ パン	
24	FF5-5282-030		1	HOLDER, LATCH ラッチ ホルダ	
25	FF5-6148-000		1	LEVER, RELEASE カイジョ レバ -	
26	FF5-6160-000		4	MOUNT, PULLEY プ - リ ダイ	
27	FF5-6161-000		1	MOUNT, ROLLER ロ - ラ ダイ	SEE NOTE
28	FF5-6171-000		1	PLATE, LOCK ロック パン	
29	FG6-1642-000		1	CABLE, SWITCH スイッチ ソクセン	J25,26

FIGURE & KEY NO.	PART NUMBER	RANK	QTY	DESCRIPTION	SERIAL NUMBER / REMARKS
R30 - 29A	VS1-5057-003		1	CONNECTOR, SNAP TIGHT チュウケイ コネクタ	J25
30	FG6-2534-000		1	CABLE, PAPER STOCK シュウノウコ ソクセン	J22-25,27
31	FG6-2531-000		1	CABLE, PAPER STOCK CONNECTING シュウノウコ チュウケイ ソクセン	J4,22
32	FH7-1791-020		1	MOTOR, DC24V DC モ - タ	M2 J27
33	FH7-7312-000		2	PHOTO-INTERRUPTER フォトインタラプタ	PS7,8 J24,23
34	FS2-0450-000		1	GEAR, 32T 3 2 T ギア	
35	FS5-8618-000		1	LABEL, "MAXIMUM LOAD" セキサイ セイゲン ラベル	
36	FS6-0722-000		1	GEAR, 19T 1 9 T ギア	
37	FS6-0909-000		1	GEAR, 58T 5 8 T ギア	
38	FS6-2673-000		1	SPRING, TORSION ネジリ バネ	
39	WC4-0153-000		1	MICROSWITCH マイクロ スイッチ	SW2 J26
40	XA9-0721-000		2	SCREW,RS,M4X10 R S タイト ネジ	
41	XA9-0732-000		49	SCREW,RS,M4X8 R S タイト ネジ	
43	XG3-6012-405		1	BALL BEARING, NSK MF126ZZ ボ - ル ベアリング	
44	XG9-0250-000		3	BEARING, BALL ボ - ル ベアリング	
45	FB4-9713-000		1	PLATE, END LIMIT コウタン キセイ パン	A4 SIZE SEE NOTE
46	FB5-7009-000		1	SHEET, DECK デッキ シート	A4 SIZE SEE NOTE
501	XB1-2231-009		1	SCREW,MACH.,TRUSS HEAD,M2.3X10 バインド ネジ	
502	XB1-2400-609		2	SCREW,MACH.,TRUSS HEAD,M4X6 バインド ネジ	
503	XB1-2400-609		1	SCREW,MACH.,TRUSS HEAD,M4X6 バインド ネジ	A4 SIZE SEE NOTE
504	XB6-2400-808		8	SETSCREW,M4X8 ロツカク アナツキ トメネジ	
505	XB6-7400-609		5	SCREW,TP,M4X6 T P ネジ	
506	XB6-7400-809	AR		SCREW,TP,M4X8 T P ネジ	
508	XD2-1100-242		2	RING,E E リング	
509	XD2-1100-502		1	RING,E E リング	
510	XD2-1100-642		AR	RING,E E リング	
512	XD3-2200-122		1	PIN,DOWEL ハイコウ ピン	
513	XD3-2200-182		1	PIN,DOWEL ハイコウ ピン	

FIGURE R35 PAPER DECK HEATER ASSEMBLY (OPTION) デッキヒータ部 (オプション)

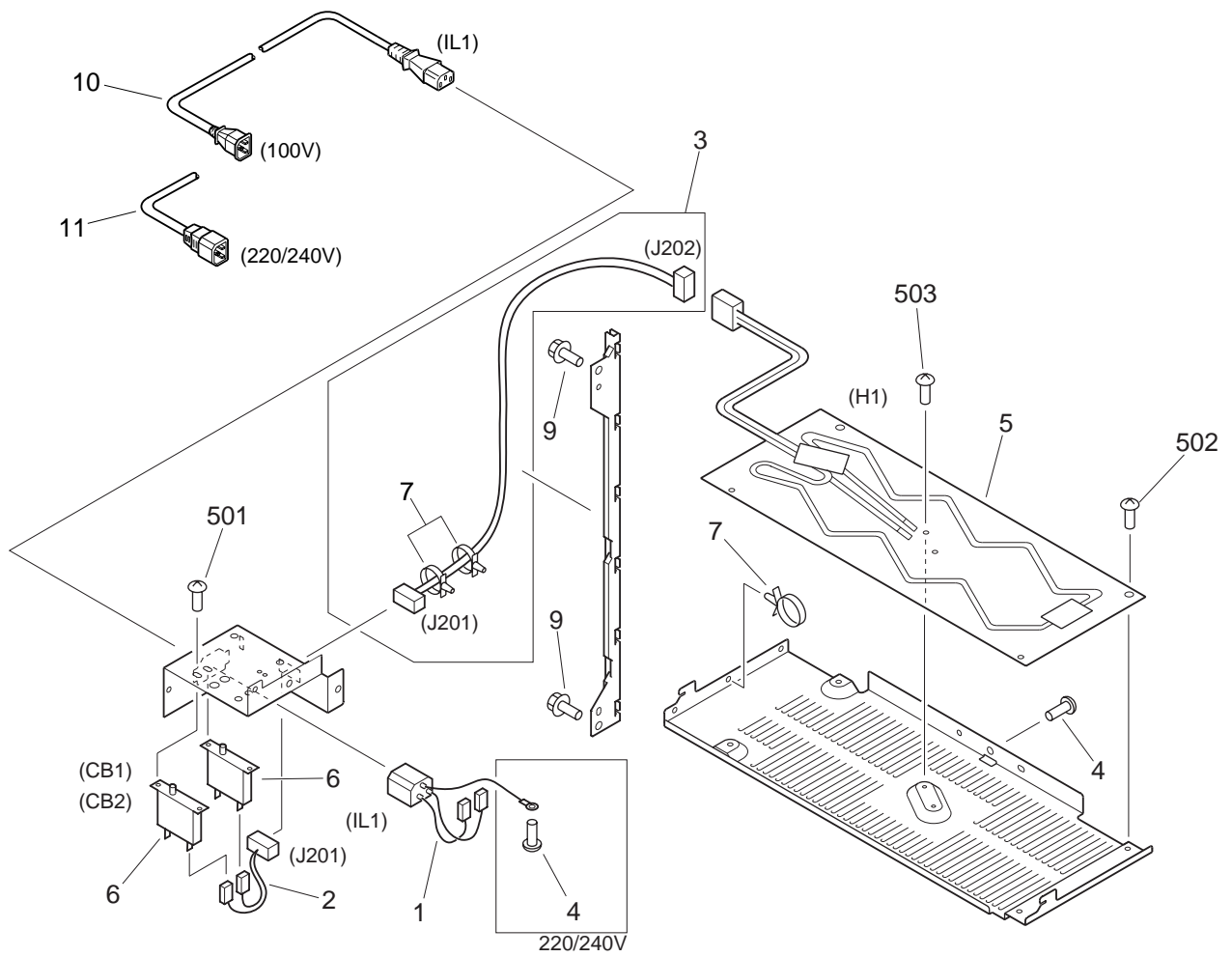
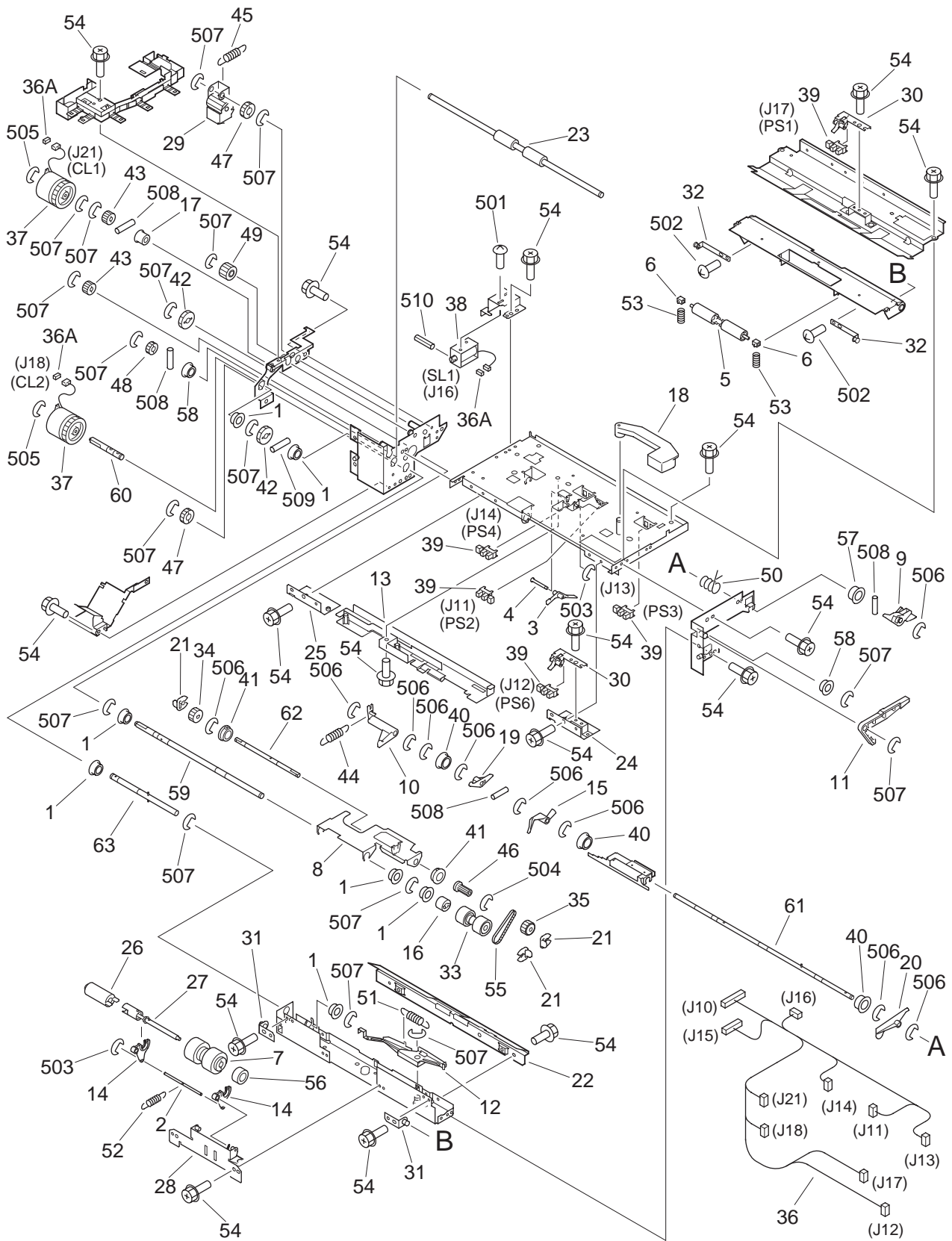


FIGURE & KEY NO.	PART NUMBER	RANK	QTY	DESCRIPTION	SERIAL NUMBER / REMARKS
R35 -	NPN		RF	PAPER DECK HEATER ASSEMBLY デッキ ヒータ部	OPTION
1	FF3-3462-000		1	CABLE, SOCKET ソケット束線	100V IL1
	FF3-3463-000		1	CABLE, SOCKET ソケット束線	220/240V IL1
2	FF3-3464-000		1	CABLE, RELAY 中継束線	100V J201
	FF3-3465-000		1	CABLE, RELAY 中継束線	220/240V J201
3	FG6-2956-000		1	CABLE, CASSETTE HEATER カセット ヒータ ソクセン	J201,202
4	XA9-0266-000		1	SCREW,W/WASHER,M4X8 キクザツキ バインド ネジ	100V
	XA9-0266-000		2	SCREW,W/WASHER,M4X8 キクザツキ バインド ネジ	220/240V
5	FH7-4584-000		1	HEATER, CASSETTE カセット ヒータ	100/120V H1 J202
	FH7-4585-000		1	HEATER, CASSETTE カセット ヒータ	220/240V H1 J202
6	VD7-0502-001		2	BREAKER, CIRCUIT, 125VAC 3A ブレ-カ	100V CB1,2
	WD3-5057-000		2	BREAKER, CIRCUIT サ-キット ブレ-カ	220/240V CB1,2
7	WT2-5041-000		3	TIE, CABLE ソクセン バンド	
9	XA9-0628-000		2	SCREW,RS,M4X8 RS タイト ネジ	
10	FH2-6584-000		1	CORD, POWER SUPPLY デンゲン コ-ド	100V IL1
11	FH2-6586-000		1	CABLE, POWER CORD デンゲン コ-ド	220/240V IL1
501	XB1-2300-409		4	SCREW,MACH.,TRUSS HEAD,M3X4 バインド ネジ	
502	XB1-2400-409		4	SCREW,MACH.,TRUSS HEAD,M4X4 バインド ネジ	
503	XB6-7300-409		1	SCREW,TP,M3X4 TP ネジ	

FIGURE R40

PAPER PICK-UP ASSEMBLY 給紙部



NOTE: This assembly does not include the part shown with key No. 18.

注：このユニットにKey No.18の部品は含まれません。

FIGURE & KEY NO.	PART NUMBER	RANK	QTY	DESCRIPTION	SERIAL NUMBER / REMARKS
R40 -	FG6-9260-000		1	PAPER PICK-UP ASSEMBLY 給紙部	
1	FA9-2112-000		7	BUSHING ブッシング	
2	FB4-6227-000		1	SHAFT, COUNTER カウンタ ジク	
3	FB2-7720-000		1	LEVER, PAPER シメン レバ -	
4	FB2-7721-000		1	SHAFT, LEVER シメン レバ - ジク	
5	FG6-9259-000		1	ROLLER コロ	
6	FB2-7755-000		2	BUSHING ブッシング	
7	FB2-7777-020		1	ROLLER, SEPARATION ブンリ ロ - ラ	
8	FB3-9188-020		1	PLATE, PAPER PICK-UP キュウシ パン	
9	FB3-9192-020		1	CAM, FRONT カム (マエ)	
10	FB3-9193-020		1	ARM, SOLENOID ソレノイド ア - ム	
11	FB3-9195-020		1	ARM, SEPARATION RELEASE 分離解除アーム	
12	FB3-9196-020		1	LEVER, SEPARATION RELEASE ブンリ カイジョ レバ -	
13	FB3-9206-000		1	COVER, SENSOR センサ カバ -	
14	FB3-9207-030		2	ARM, SEPARATION ROLLER 分離ローラ アーム	
15	FB3-9214-000		1	FLAG, PAPER SENSOR カミ ケンチ フラッグ	
16	FB3-9216-000		1	CLUTCH, ONE-WAY, 1 ワンウェイ クラッチ (1)	
17	FB3-9217-000		1	CLUTCH, ONE-WAY, 2 ワンウェイ クラッチ (2)	
18	FB3-9289-000		1	LEVER, RELEASE カイジョ レバ -	SEE NOTE
19	FB3-9713-000		1	LEVER, PAPER PICK-UP キュウシ レバ -	
20	FB3-9752-000		1	LEVER, LIMITER リミッタ レバ -	
21	FB4-2007-000		3	RING, RETAINING トメ ワ	
22	FB4-2013-000		1	GUIDE, PICK-UP INLET キュウシ イリグチ ガイド	
23	FB4-4868-000		1	ROLLER, PAPER FEED ハンソウ ロ - ラ	
24	FB4-4898-000		1	PLATE, PAPER FEED GUIDE, FRONT 搬送ガイド板 (前)	
25	FB4-4899-000		1	PLATE, PAPER FEED GUIDE, REAR ハンソウ ガイド パン (ウシロ)	
26	FB6-0775-000		1	TORQUE, LIMITER トルク リミッタ	
27	FF5-6338-000		1	SHAFT, SEPARATION 分離軸	
28	FF5-6157-020		1	MOUNT, SEPARATION ROLLER ブンリ ロ - ラ ダイ	
29	FF5-7529-000		1	SWING GEAR, 20T 20T ヨウドウ ギア	

FIGURE & KEY NO.	PART NUMBER	RANK	QTY	DESCRIPTION	SERIAL NUMBER / REMARKS
R40 - 30	FF5-7530-000		2	MOUNT, VERT. PATH SENSOR FLAG タテパス ケンチ フラグ ダイ	
31	FF5-7532-000		2	SUPPORT, GUIDE, LOWER シタ ガイド シパン	
32	FF6-1976-000		2	SUPPORT, ROLLER コ口支板	
33	FF5-7541-000		1	ROLLER, PAPER FEED ハンソウ ロ - ラ	
34	FF5-7829-000		1	ROLLER, PAPER PICK-UP, 1 キュウシ ロ - ラ (1)	
35	FF5-7830-000		1	ROLLER, PAPER PICK-UP, 2 キュウシ ロ - ラ (2)	
36	FG6-1641-000		1	CABLE, PAPER PICK-UP 給紙束線	J10-18,21
36A	VS1-5057-002		3	CONNECTOR, SNAP TIGHT チュウケイ コネクタ	J16,18,21
37	FH7-5826-000		2	CLUTCH, ELECTROMAGNETIC デンジ クラッチ	CL1,2 J21,18
38	FH7-5827-000		1	SOLENOID ソレノイド	SL1 J16
39	FH7-7312-000		5	PHOTO-INTERRUPTER フォトインタラプタ	PS1-4,6 J17,11,13,14,12
40	FS1-1512-000		3	BUSHING ブッシング	
41	FS1-1569-000		2	BUSHING ブッシング	
42	FS2-0484-000		2	GEAR, 25T 2 5 T ギア	
43	FS5-0338-000		2	GEAR, 16T 1 6 T ギア	
44	FS5-2291-000		1	SPRING, TENSION ヒツパリ バネ	
45	FS5-2885-000		1	SPRING, TENSION ヒツパリ バネ	
46	FS5-3333-000		1	PULLEY, 16T 1 6 T プ - リ	
47	FS6-0053-020		2	GEAR, 20T 2 0 T ギア	
48	FS6-0091-000		1	GEAR, 16T 1 6 T ギア	
49	FS6-0907-000		1	GEAR, 20T 2 0 T ギア	
50	FS5-7441-000		1	SPRING, TORSION ネジリ バネ	
51	FS6-2675-000		1	SPRING, TENSION ヒツパリ バネ	
52	FS6-2678-000		1	SPRING, TENSION ヒツパリ バネ	
53	FS6-2895-000		2	SPRING, COMPRESSION アッシュク バネ	
54	XA9-0732-000		27	SCREW,RS,M4X8 R S タイト ネジ	
55	XF9-0525-000		1	BELT, TIMING, 59T タイミング ベルト	
56	XG9-0242-000		1	BEARING, BALL ボ - ル ベアリング	
57	FS5-7442-000		1	BUSHING ブッシング	
58	FS1-1189-000		2	BUSHING ブッシング	

FIGURE & KEY NO.	PART NUMBER	RANK	QTY	DESCRIPTION	SERIAL NUMBER / REMARKS
R40 - 59	FB4-4887-000		1	SHAFT, PAPER FEEDER ハンソウ ジク	
60	FB4-4894-000		1	SHAFT, CLUTCH クラッチ軸	
61	FF5-6137-000		1	SHAFT, PAPER PICK-UP 給紙軸	
62	FB2-7702-000		1	SHAFT, PICK-UP キュウシ ジク	
63	FF5-7540-000		1	SHAFT, SEPARATION DRIVE 分離駆動軸	
501	XB1-2300-409		2	SCREW, MACH., TRUSS HEAD, M3X4 バインド ネジ	
502	XB1-2400-609		2	SCREW, MACH., TRUSS HEAD, M4X6 バインド ネジ	
503	XD2-1100-242		2	RING, E E リング	
504	XD2-1100-372		1	RING, E E リング	
505	XD2-1100-402		2	RING, E E リング	
506	XD2-1100-502		10	RING, E E リング	
507	XD2-1100-642		17	RING, E E リング	
508	XD3-2200-102		4	PIN, DOWEL ヘイコウ ピン	
509	XD3-2200-142		1	PIN, DOWEL ヘイコウ ピン	
510	XD3-1300-082		1	PIN, SPRING スプリング ピン	

FIGURE RB LIST OF CONNECTORS コネクタ一覧

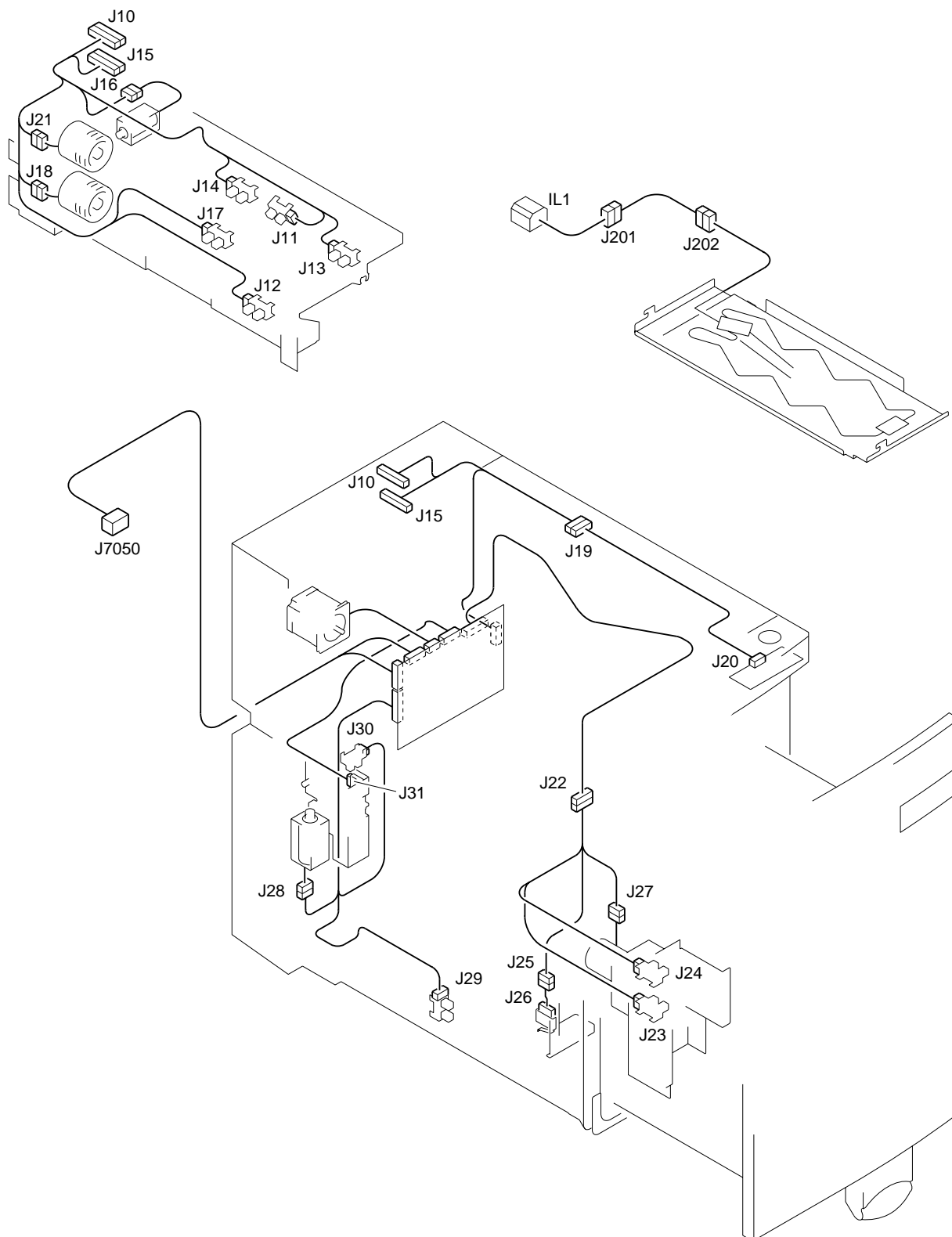


FIGURE & KEY NO.	PART NUMBER	RANK	QTY	DESCRIPTION	SERIAL NUMBER / REMARKS
R B -	NPN		RF	LIST OF CONNECTORS コネクタ イチラン	
IL1	NPN			POWER CORD SUPPLY 電源コード	OPTION
	WS5-5025-000		1	SOCKET, AC A C ソケット	OPTION
J1	PCB			SIDE DECK DRIVER サイド デッキ ドライバ	
	VS1-0852-007		1	CONNECTOR, 7P, FEMALE コネクタ (メス)	
J2	PCB			SIDE DECK DRIVER サイド デッキ ドライバ	
	NPN			DECK MAIN MOTOR デッキ メイン モータ	M1
J3	PCB			SIDE DECK DRIVER サイド デッキ ドライバ	
	VS3-5083-003		1	CONNECTOR, 3P, FEMALE コネクタ (メス)	
	WS3-5160-000		3	SOCKET CONTACT, 18-24AWG ソケット コンタクト	
J4	PCB			SIDE DECK DRIVER サイド デッキ ドライバ	
	VS1-6302-010		1	CONNECTOR, 10P, FEMALE コネクタ (メス)	
	WS3-5569-000		10	PIN, CONTACT ピン コンタクト	
J5	PCB			SIDE DECK DRIVER サイド デッキ ドライバ	
	VS1-6313-013		1	CONNECTOR, 13P, FEMALE コネクタ (メス)	
	VS1-6314-013		1	CONNECTOR, 13P, FEMALE コネクタ (メス)	
	VT2-5161-026		1	HOLDER, CONNECTOR, 26P コネクタ ホルダ	
J6	PCB			SIDE DECK DRIVER サイド デッキ ドライバ	
	VS1-6314-008		1	CONNECTOR, 8P, FEMALE コネクタ (メス)	
J7	PCB			SIDE DECK DRIVER サイド デッキ ドライバ	
	VS1-6302-003		1	CONNECTOR, 3P, FEMALE コネクタ (メス)	
	WS3-5569-000		2	PIN, CONTACT ピン コンタクト	
J10	VS1-5057-010		1	CONNECTOR, SNAP TIGHT チュウケイ コネクタ	
	VS1-6320-010		1	CONNECTOR, 10P, FEMALE コネクタ (メス)	
	VS1-6321-010		1	CONNECTOR, 10P, FEMALE コネクタ (メス)	
J11	NPN			DECK PAPER EMPTY SENSOR デッキ紙無し検知	PS2
	VS1-6321-003		1	CONNECTOR, 3P, FEMALE コネクタ (メス)	
J12	NPN			DECK PAPER FEED SENSOR デッキ搬送センサ	PS6
	VS1-6321-003		1	CONNECTOR, 3P, FEMALE コネクタ (メス)	
J13	NPN			DECK LIFTER UPPER LIMIT SENSOR デッキ リフト上限センサ	PS3

FIGURE & KEY NO.	PART NUMBER	RANK	QTY	DESCRIPTION	SERIAL NUMBER / REMARKS
R B - J13	VS1-6321-003		1	CONNECTOR, 3P, FEMALE コネクタ (メス)	
J14	NPN			DECK LIFTER POSITION SENSOR デッキ リフタ位置センサ	PS4
	VS1-6321-003		1	CONNECTOR, 3P, FEMALE コネクタ (メス)	
J15	VS1-5057-014		1	CONNECTOR, SNAP TIGHT チュウケイ コネクタ	
	VS1-6320-014		1	CONNECTOR, 14P, FEMALE コネクタ (メス)	
J16	VS1-6321-014		1	CONNECTOR, 14P, FEMALE コネクタ (メス)	
	NPN			DECK ROLLER RELEASE SOLENOID デッキ ローラ解除ソレノイド	SL1
	VS1-5057-002		1	CONNECTOR, SNAP TIGHT チュウケイ コネクタ	
	VS1-6321-002		1	CONNECTOR, 2P, FEMALE コネクタ (メス)	
J17	NPN			DECK PAPER PICK-UP SENSOR デッキ給紙センサ	PS1
J18	VS1-6321-003		1	CONNECTOR, 3P, FEMALE コネクタ (メス)	
	NPN			DECK PAPER PICK-UP CLUTCH デッキ給紙クラッチ	CL2
	VS1-5057-002		1	CONNECTOR, SNAP TIGHT チュウケイ コネクタ	
	VS1-6321-002		1	CONNECTOR, 2P, FEMALE コネクタ (メス)	
J19	VS1-5057-004		1	CONNECTOR, SNAP TIGHT チュウケイ コネクタ	
J20	VS1-6320-004		1	CONNECTOR, 4P, FEMALE コネクタ (メス)	
	VS1-6321-004		1	CONNECTOR, 4P, FEMALE コネクタ (メス)	
	PCB			LED SWITCH LEDスイッチ	
	VS1-6321-004		1	CONNECTOR, 4P, FEMALE コネクタ (メス)	
J21	NPN			DECK PAPER FEED CLUTCH デッキ搬送クラッチ	CL1
J22	VS1-5057-002		1	CONNECTOR, SNAP TIGHT チュウケイ コネクタ	
	VS1-6321-002		1	CONNECTOR, 2P, FEMALE コネクタ (メス)	
	VS1-6372-010		1	CONNECTOR, 10P, FEMALE コネクタ (メス)	
	VS1-6373-010		1	CONNECTOR, 10P, FEMALE コネクタ (メス)	
	WS3-5569-000		10	PIN, CONTACT ピン コンタクト	
J23	WS3-5598-000		10	PIN CONTACT ピン コンタクト	
	NPN			DECK PAPER SENSOR デッキ用紙残量センサ	PS8
	VS1-6321-003		1	CONNECTOR, 3P, FEMALE コネクタ (メス)	
J24	NPN			DECK PAPER POSITION SENSOR デッキ用紙補給位置センサ	PS7
	VS1-6321-003		1	CONNECTOR, 3P, FEMALE コネクタ (メス)	

FIGURE & KEY NO.	PART NUMBER	RANK	QTY	DESCRIPTION	SERIAL NUMBER / REMARKS
R B - J25	VS1-5057-003		1	CONNECTOR, SNAP TIGHT チュウケイ コネクタ	
	VS1-6321-003		2	CONNECTOR, 3P, FEMALE コネクタ (メス)	
	J26	NPN		DECK LOWER DETECT SWITCH デッキ リフト下限検知スイッチ	SW2
	RH2-5283-000		1	CONNECTOR, 2P, FEMALE コネクタ (メス)	
	WS3-5419-000		2	SOCKET CONTACT, 22-26AWG ソケット コンタクト	
J27	NPN			DECK LIFTER MOTOR デッキ リフト モータ	M2
	VS1-0279-002		1	CONNECTOR, 2P, FEMALE コネクタ (メス)	
	WS3-0437-000		2	SOCKET CONTACT, 20-30AWG ソケット コンタクト	
J28	NPN			DECK OPEN SOLENOID デッキ オープン ソレノイド	SL2
	VS1-6321-002		1	CONNECTOR, 2P, FEMALE コネクタ (メス)	
J29	NPN			DECK POSITION SENSOR デッキ セット センサ	PS5
	VS1-6321-003		1	CONNECTOR, 3P, FEMALE コネクタ (メス)	
J30	NPN			DECK OPEN SENSOR デッキ オープン センサ	PS9
	VS1-6321-003		1	CONNECTOR, 3P, FEMALE コネクタ (メス)	
J31	NPN			DECK OPEN DETECT SWITCH デッキ オープン検知スイッチ	SW1
J201	RH2-5283-000		1	CONNECTOR, 2P, FEMALE コネクタ (メス)	
	WS3-5419-000		2	SOCKET CONTACT, 22-26AWG ソケット コンタクト	
	VS4-0001-003		1	CONNECTOR, 3P, MALE コネクタ (オス)	OPTION
	VS4-0002-003		1	CONNECTOR, 3P, FEMALE コネクタ (メス)	OPTION
	WS4-0217-000		2	SOCKET CONTACT, 22-18AWG ソケット コンタクト	OPTION
J202	WS4-0219-000		2	PIN CONTACT, 18-22AWG ピン コンタクト	OPTION
	NPN			DECK HEATER デッキ ヒータ	OPTION H1
	VS4-0001-003		1	CONNECTOR, 3P, MALE コネクタ (オス)	OPTION
J7050	WS4-0219-000		2	PIN CONTACT, 18-22AWG ピン コンタクト	OPTION
	SYS			COPIER 複写機	
	FH2-6481-000		1	HOUSING ハウジング	
	VS1-5452-008		1	CONNECTOR, 8P, FEMALE コネクタ (メス)	
	WS3-5018-000		4	SOCKET CONTACT, AWG18-24 ソケット コンタクト	

Cassette Feeding Unit-X1

2 段カセットペディスタル・X1

目 次

CONTENTS

Z A . 主要部品配置図	ZA. ASSEMBLY LOCATION DIAGRAM
Z 10. 外装カバー	Z10. EXTERNAL COVERS, PANELS, ETC.
Z 11. 本体機械内部	Z11. INTERNAL COMPONENTS
Z 12. 右扉部	Z12. RIGHT DOOR ASSEMBLY
Z 20. 給紙駆動部	Z20. PAPER PICK-UP DRIVE ASSEMBLY
Z 30. カセット	Z30. CASSETTE
Z 32. カセットヒータ部 (M L K)	Z32. CASSETTE HEATER ASSEMBLY (MLK)
Z 40. 給紙部	Z40. PAPER PICK-UP ASSEMBLY
Z 90. ペディスタルコントローラ回路基板	Z90. PEDESTAL CONTROLLER PCB ASSEMBLY
Z 91. 電源回路基板	Z91. POWER SUPPLY PCB ASSEMBLY
Z B . コネクタ一覧	ZB. LIST OF CONNECTORS
D4. 部品索引表	D4. NUMERICAL INDEX

FIGURE ZA ASSEMBLY LOCATION DIAGRAM
 主要部品配置図

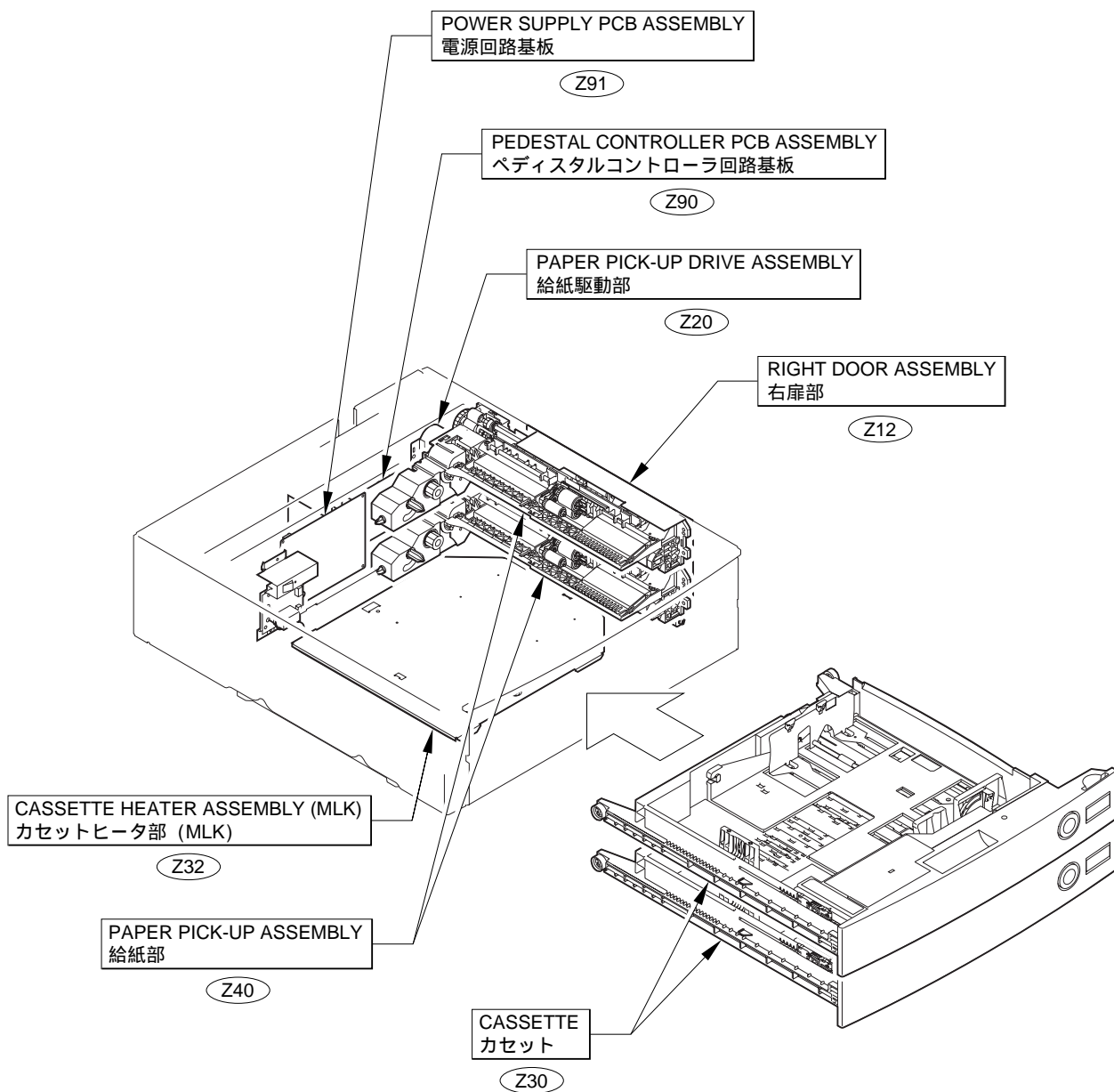


FIGURE Z10 EXTERNAL COVERS, PANELS, ETC. 外装カバー

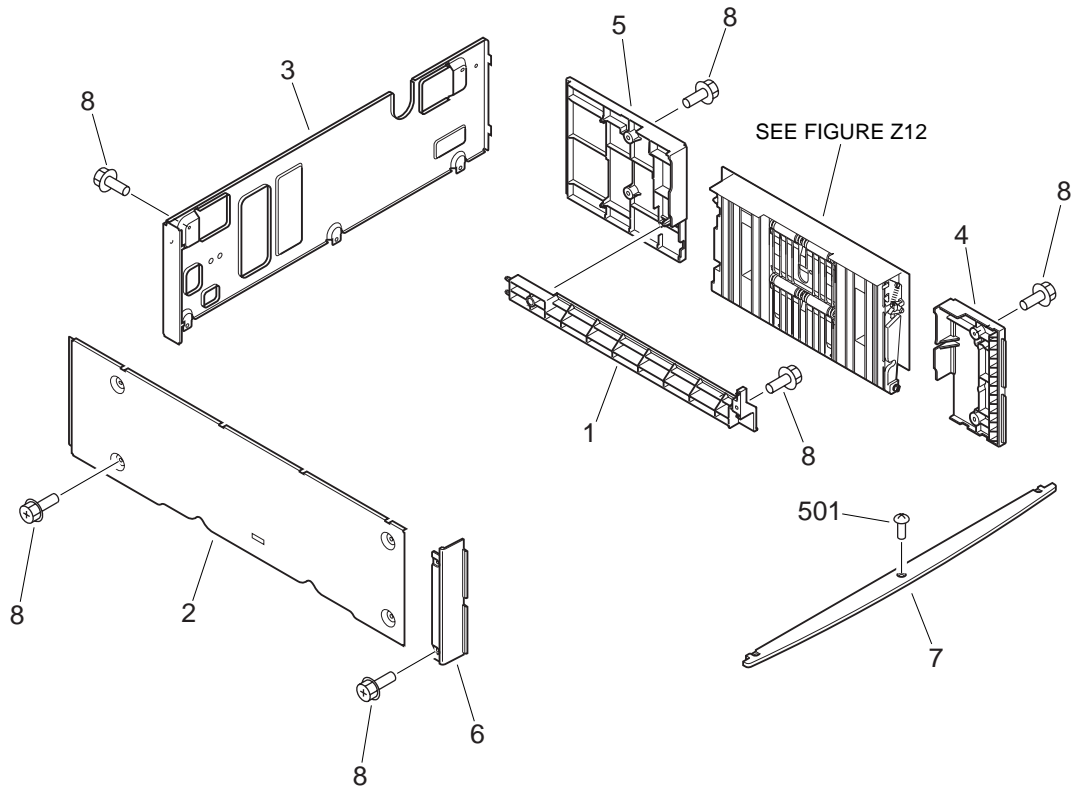


FIGURE & KEY NO.	PART NUMBER	RANK	QTY	DESCRIPTION	SERIAL NUMBER / REMARKS
Z10 -	NPN		RF	EXTERNAL COVERS, PANELS, ETC. 外装カバー	
1	FB6-3504-000		1	RIGHT PANEL, LOWER 右カバー（下）	
2	FB6-4030-000		1	PANEL, LEFT 左カバー	
3	FB6-4031-000		1	PANEL, REAR 後カバー	
4	FB6-4032-000		1	RIGHT PANEL, FRONT 右カバー（前）	
5	FB6-4033-000		1	RIGHT PANEL, REAR 右カバー（後）	
6	FB6-4035-000		1	LEFT PANEL, FRONT 左カバー（前）	
7	FB6-4036-000		1	PANEL, GAP G A Pカバー	
8	XA9-0633-000		9	SCREW,RS W/WASHER,M4X8 ザツキ ネジ	
501	XB1-2400-407		3	SCREW,MACH.,TRUSS HEAD,M4X4 バインド ネジ	

FIGURE Z11 INTERNAL COMPONENTS (1/2)

本体機械内部 (1/2)

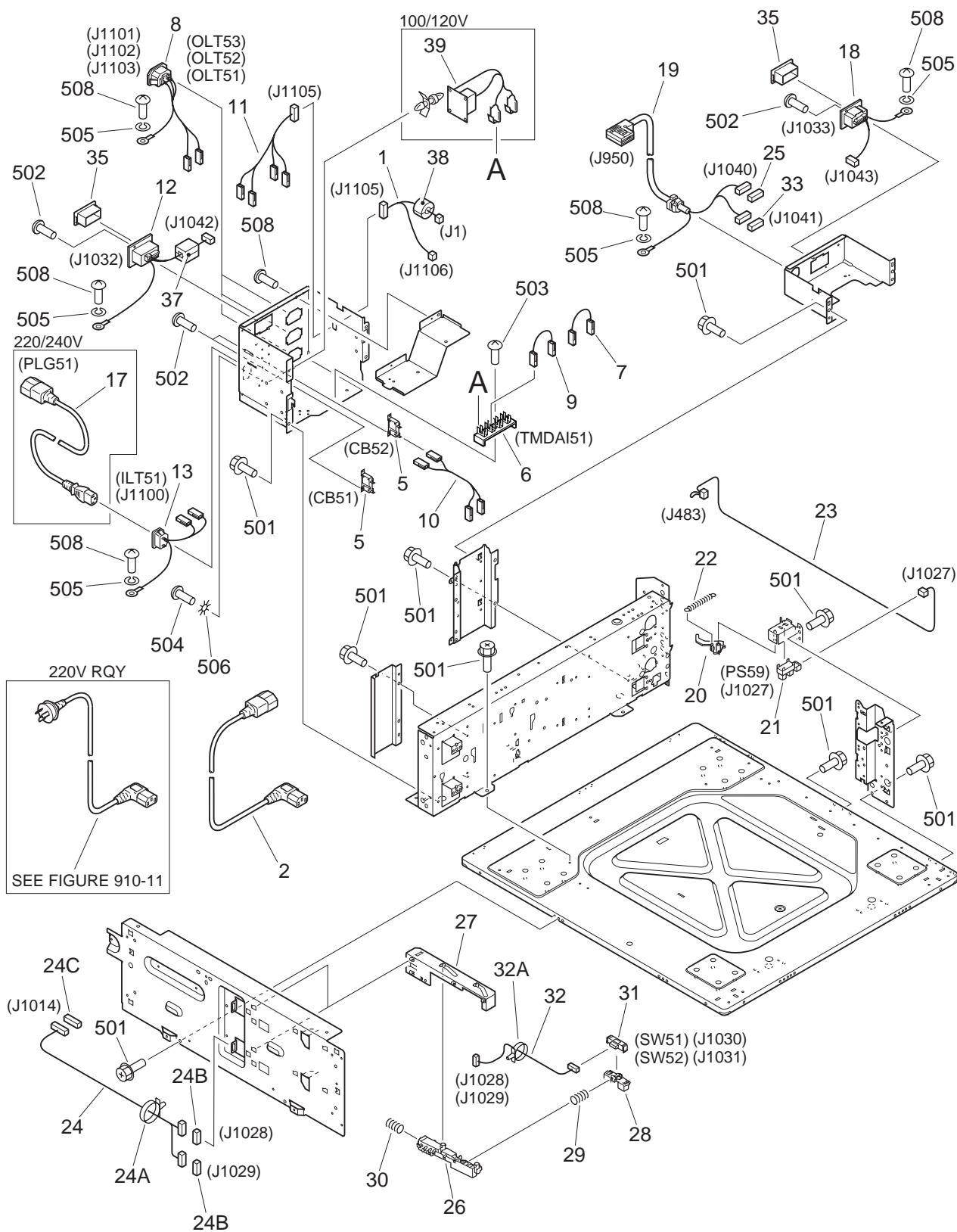


FIGURE Z11 INTERNAL COMPONENTS (2/2)

本体機械内部 (2/2)

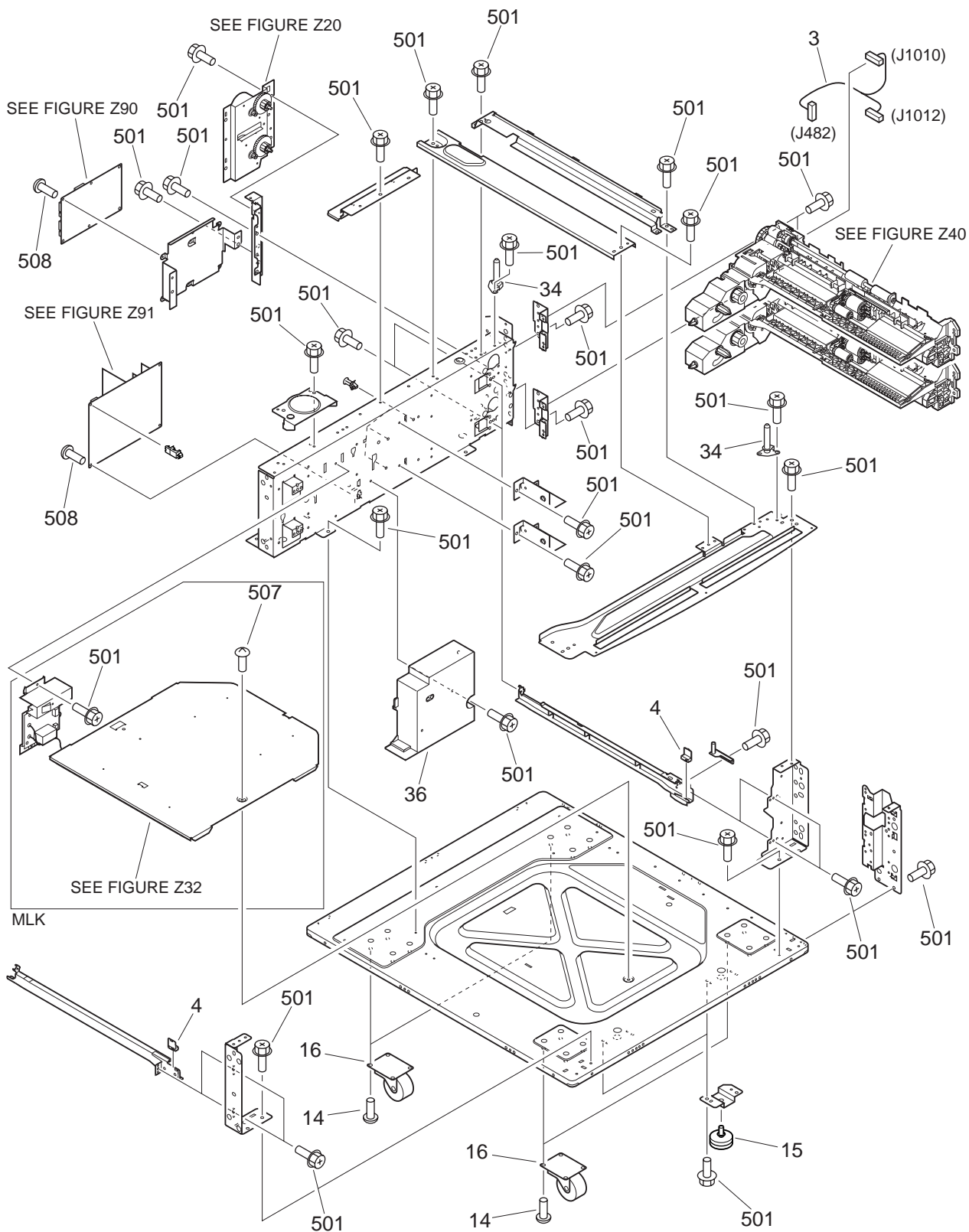


FIGURE & KEY NO.	PART NUMBER	RANK	QTY	DESCRIPTION	SERIAL NUMBER / REMARKS
Z11 -	NPN		RF	INTERNAL COMPONENTS 本体機械内部	
1	FG3-2450-000		1	CABLE, AC A C 束線	100/120V J1,1105,1106
	FG3-2460-000		1	CABLE, AC A C 束線	220/240V J1,1105,1106
2	FH2-7040-000		1	CORD, POWER SUPPLY 電源コード	100V
	FH2-7060-000		1	CORD, POWER SUPPLY 電源コード	120V
	FH2-7041-000		1	CORD, POWER SUPPLY 電源コード	220/240V
3	FG3-2458-000		1	CABLE, PAPER PICK-UP 給紙束線	J482,1010,1012
4	FB6-3507-000		4	BLOCK, SWING 揺動ブロック	
5	VD7-2431-502		2	BREAKER, CIRCUIT サーキット ブレーカ	100/120V CB51,52
	VD7-2431-002		2	BREAKER, CIRCUIT サーキット ブレーカ	220/240V CB51,52
6	WT1-5381-000		1	MOUNT, TERMINAL 端子台	TMDAI51
7	FG3-2445-000		1	CABLE, GROUNDING アース線	
8	FG3-2446-000		3	CABLE, OUTLET アウトレット束線	OLT53,52,51 J1101,1102,1103
9	FG3-2447-000		1	CABLE, GROUNDING アース線	
10	FG3-2448-000		1	CABLE, BREAKER GROUNDING ブレーカ アース線	
11	FG3-2449-000		1	CABLE, AC MOUNT A C 台束線	J1105
12	FG3-2451-000		1	CABLE, FINISHER LATTICE フィニッシャ ラティス束線	J1032,1042
13	FG3-2452-000		1	CABLE, INLET インレット束線	ILT51 J1100
14	FE9-0290-000		16	SCREW, W/WASHER ワッシャ ツキ スクリュ	
15	XZ9-0494-000		2	ADJUSTER アジャスタ	
16	XZ9-0508-000		4	CASTER キャスト	
17	FH2-6492-000		1	CORD, POWER SUPPLY 電源コード	220/240V PLG51
18	FG3-2453-000		1	CABLE, LATTICE ラティス束線	J1033,1043
19	FG3-2454-000		1	CABLE, INTERFACE インターフェース束線	J950,1040,1041
20	FB6-4044-000		1	FLAG, OPEN/CLOSE SENSOR 開閉センサ フラグ	
21	FH7-7312-000		1	PHOTO-INTERRUPTER フォトインタラプタ	PS59 J1027
22	FS7-2800-000		1	SPRING, TENSION ヒツパリ バネ	
23	FG3-2457-000		1	CABLE, RIGHT LOWER DOOR SENSOR 右下ドア検知束線	J483,1027
24	FG3-2456-000		1	CABLE, LEFT LOWER CROSSMEMBER 左下ステー束線	J1014,1028,1029
24A	WT2-5565-000		1	CLAMP, CABLE ソクセン オサエ	

FIGURE & KEY NO.	PART NUMBER	RANK	QTY	DESCRIPTION	SERIAL NUMBER / REMARKS
Z11 - 24B	VS1-6318-005		2	CONNECTOR, SNAP TIGHT チュウケイ コネクタ	J1028,1029
24C	VS1-6318-010		1	CONNECTOR, SNAP TIGHT チュウケイ コネクタ	J1014
25	VS1-5820-007		1	CONNECTOR, SNAP TIGHT チュウケイ コネクタ	J1040
26	FB6-3492-000		2	HOLDER, SWITCH, 1 スイッチ ホルダ (1)	
27	FB6-3493-000		2	HOLDER, SWITCH, 2 スイッチ ホルダ (2)	
28	FB6-3494-000		2	HOLDER, SWITCH, 3 スイッチ ホルダ (3)	
29	FS7-2807-000		2	SPRING, COMPRESSION アッシュク パネ	
30	FS7-2808-000		2	SPRING, COMPRESSION アッシュク パネ	
31	WC2-5332-000		2	SWITCH, CASSETTE SIZE カセット サイズ スイッチ	SW51 J1030 SW52 J1031
32	FG3-2348-000		2	CABLE, CASSETTE SIZE SENSOR カセット サイズ検知束線	J1028,1030 J1029,1031
32A	WT2-5041-000		2	TIE, CABLE ソクセン バンド	
33	VS1-5820-008		1	CONNECTOR, SNAP TIGHT チュウケイ コネクタ	J1041
34	FF6-2168-000		2	PIN, POSITIONING 位置決めピン	
35	FH2-6552-000		2	COVER, CONNECTOR コネクタ カバー	
36	FB6-5060-000		1	PANEL, HEATER PCB ヒータ基板カバー	
37	WE8-6047-000		1	CORE, FERRITE フェライト コア	
38	WE8-6048-000		1	CORE, FERRITE フェライト コア	
39	FG3-3008-000		1	CAPACITOR PCB ASSEMBLY コンデンサ回路基板	100/120V
501	XB3-6400-800	AR		SCREW,RS,M4X8 RS タイト ネジ	
502	XB1-2300-807		8	SCREW,MACH.,TRUSS HEAD,M3X8 バインド ネジ	
503	XB1-2400-803		1	SCREW,MACH.,TRUSS HEAD,M4X8 バインド ネジ	
504	XB1-2401-007		1	SCREW,MACH.,TRUSS HEAD,M4X10 バインド ネジ	
505	XD1-3100-407		7	WASHER,SPRING パネ ザガネ	
506	XD1-4200-402		1	WASHER,TOOTHED LOCK ハツキ ザガネ	
507	XB1-2400-407		1	SCREW,MACH.,TRUSS HEAD,M4X4 バインド ネジ	MLK
508	XB1-2400-607		18	SCREW,MACH.,TRUSS HEAD,M4X6 バインド ネジ	

FIGURE Z12 RIGHT DOOR ASSEMBLY 右扉部

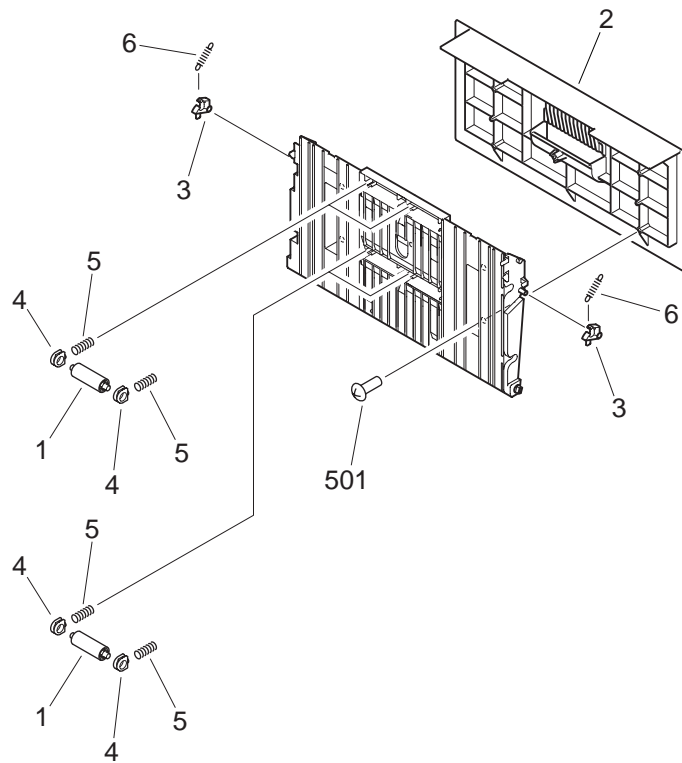


FIGURE & KEY NO.	PART NUMBER	RANK	QTY	DESCRIPTION	SERIAL NUMBER / REMARKS
Z12 -	FG6-9151-000		1	RIGHT DOOR ASSEMBLY 右扉部	
1	FB6-3313-000		4	ROLLER, PAPER FEED 従動ローラ	
2	FB6-4037-000		1	PANEL, RIGHT 右カバー	
3	FB6-3331-000		2	HOOK, DOOR 扉フック	
4	FS5-1595-000		8	BLOCK, ROLLER ローラ ジクウケ	
5	FS7-2788-000		8	SPRING, COMPRESSION アッシュク バネ	
6	FS7-2789-000		2	SPRING, TENSION ヒツパリ バネ	
501	XB4-5401-007		5	SCREW, P, M4X10 P タイト ネジ	

FIGURE Z20 PAPER PICK-UP DRIVE ASSEMBLY

給紙駆動部

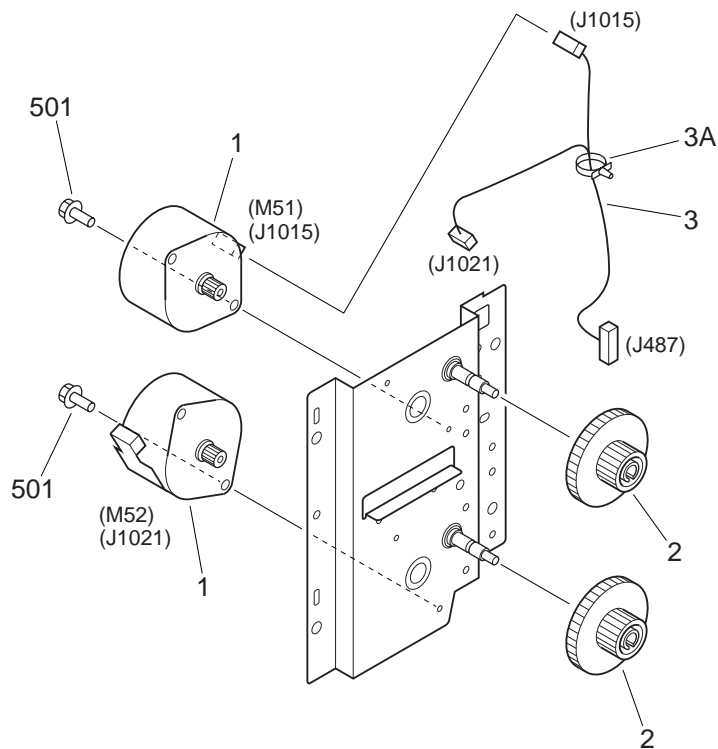
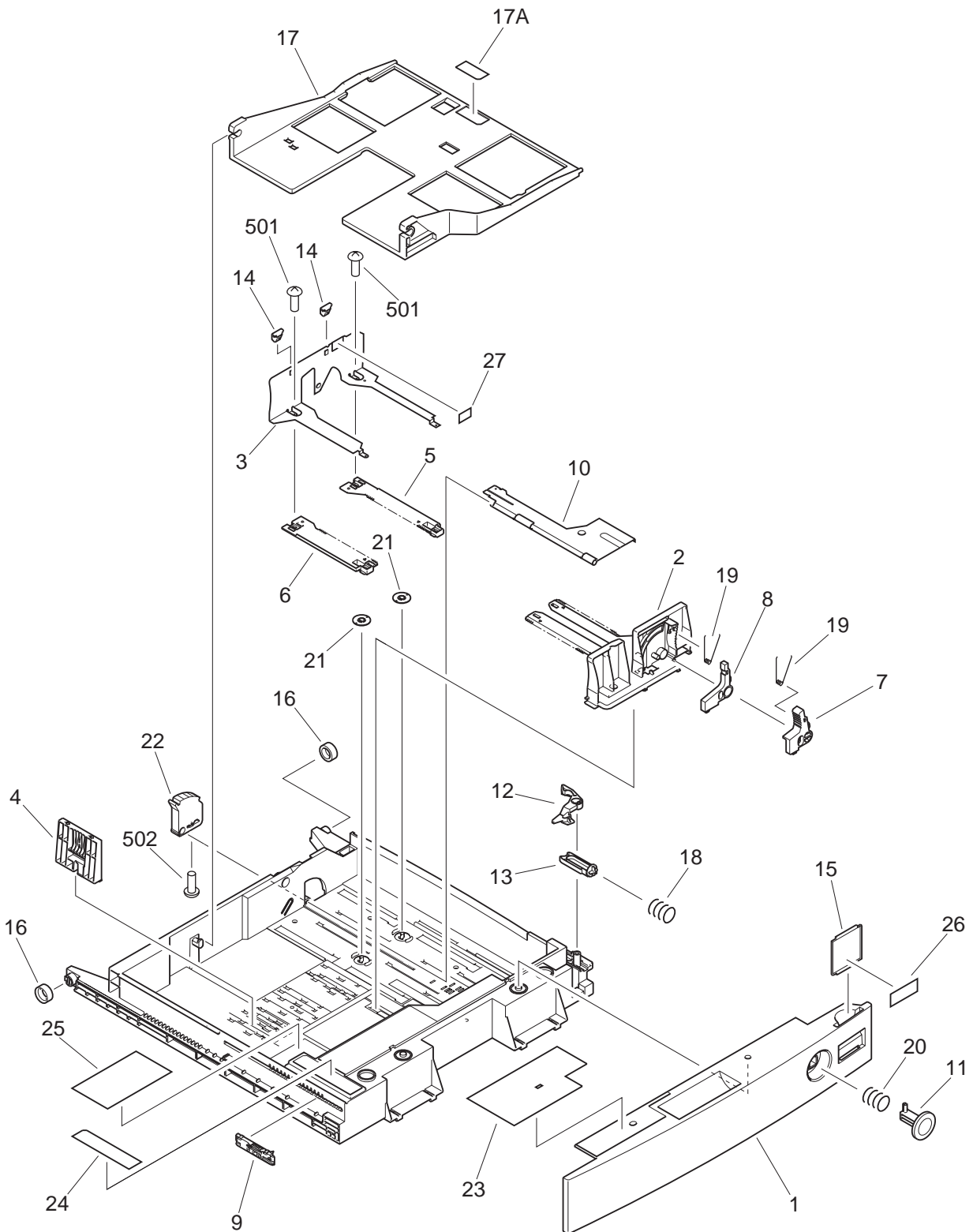


FIGURE & KEY NO.	PART NUMBER	RANK	QTY	DESCRIPTION	SERIAL NUMBER / REMARKS
Z20 -	FG6-9157-000		1	PAPER PICK-UP DRIVE ASSEMBLY 給紙駆動部	
1	FH6-1972-000		2	MOTOR, STEPPING ステッピング モータ	M51 J1015 M52 J1021
2	FU3-0285-000		2	GEAR, 80T/16T 80T / 16T ギア	
3	FG3-2459-000		1	CABLE, PAPER PICK-UP DRIVE 給紙駆動束線	J487,1015,1021
3A	WT2-5565-000		1	CLAMP, CABLE ソクセン オサエ	
501	XB3-6300-600		4	SCREW,RS,M3X6 RS タイト ネジ	

FIGURE Z30 CASSETTE カセット



NOTE : This assembly does not include the part shown with key No. 24.

注：このユニットにKey No. 24の部品は含まれません。

FIGURE & KEY NO.	PART NUMBER	RANK	QTY	DESCRIPTION	SERIAL NUMBER / REMARKS
Z30 -	FG6-9044-000		2	CASSETTE カセット	
1	FB6-3475-000		1	PANEL, CASSETTE, FRONT カセット前カバー	
2	FB6-3478-000		1	PLATE, SIDE GUIDE, FRONT サイド規制板 (前)	
3	FB6-3479-000		1	PLATE, SIDE GUIDE, REAR サイド規制板 (後)	
4	FB6-3480-000		1	PLATE, END GUIDE 後端規制板	
5	FB6-3481-000		1	RACK, 1 ラック (1)	
6	FB6-3482-000		1	RACK, 2 ラック (2)	
7	FB6-3483-000		1	KNOB, SIDE GUIDE PLATE, 1 サイド規制板つまみ (1)	
8	FB6-3484-000		1	KNOB, SIDE GUIDE PLATE, 2 サイド規制板つまみ (2)	
9	FB6-3485-000		1	COVER, PAPER SIZE SELECT 紙サイズ選択カバー	
10	FB6-3486-000		1	PLATE, LIFTER リフタ板	
11	FB6-3487-000		1	BUTTON, PUSH 押しボタン	
12	FB6-3488-000		1	ARM, LOCK ロック アーム	
13	FB6-3489-000		1	LINK, RELEASE 解除リンク	
14	FB6-3490-000		2	CLAW, SIDE PLATE GUIDE サイド規制板爪	
15	FB6-3491-000		1	PLATE, CASSETTE PAPER SIZE カセット サイズ プレート	
16	FB6-3506-000		2	COLLAR, CASSETTE SWING カセット揺動コロ	
17	FF6-2064-000		1	PLATE, PAPER LIFTING カセット中板	
17A	FB6-3499-000		1	SHEET, SEPARATION 分離シート	
18	FS7-2804-000		1	SPRING, COMPRESSION アッシュク パネ	
19	FS7-2805-000		2	SPRING, TORSION ネジリ パネ	
20	FS7-2806-000		1	SPRING, COMPRESSION アッシュク パネ	
21	FU3-0293-000		2	GEAR, 16T 16T ギア	
22	FU3-0294-000		1	GEAR, 7T 7T ギア	
23	FB6-3522-000		1	LABEL, PAPER SET 用紙セット ラベル	
24	FB6-3523-000		1	LABEL, CASSETTE SIZE カセット サイズ ラベル	SEE NOTE
25	FB6-3524-000		1	LABEL, PAPER SIZE SELECT サイズ限定ラベル	
26	FS7-8328-000		2	LABEL, CASSETTE SIZE カセット サイズ ラベル	
27	FS6-8116-000		1	LABEL, "PAPER HEIGHT" セキサイ セイゲン ラベル	
501	XB2-8300-607		4	SCREW, W/WASHER, M3X6 バネツキ ネジ	

FIGURE & KEY NO.	PART NUMBER	R A N K	Q' T Y	DESCRIPTION	SERIAL NUMBER / REMARKS
Z30 - 502	XB6-7300-807		1	SCREW,TP,M3X8 T P ネジ	

FIGURE Z32 CASSETTE HEATER ASSEMBLY (MLK)
カセットヒータ部 (MLK)

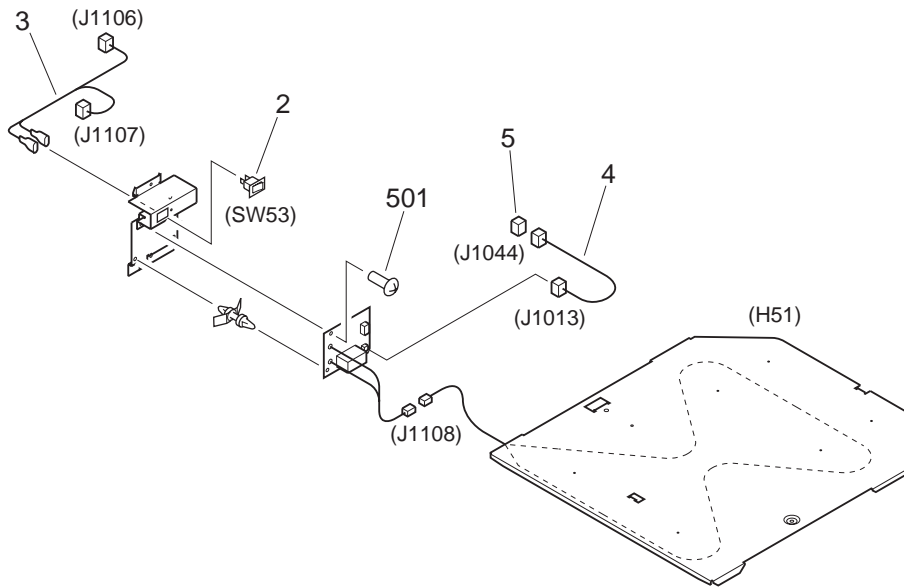


FIGURE & KEY NO.	PART NUMBER	RANK	QTY	DESCRIPTION	SERIAL NUMBER / REMARKS
Z32 -	NPN		RF	CASSETTE HEATER ASSEMBLY カセット ヒータ部	MLK
2	WC1-5129-000		1	SWITCH, ROCKER ロック スイッチ	SW53
3	FG3-2340-000		1	CABLE, CASSETTE HEATER SWITCH カセット ヒータ スイッチ束線	J1106,1107
4	FG3-2342-000		1	CABLE, CASSETTE HEATER CONTROL カセット ヒータ制御束線	J1013,1044
5	VS1-5057-003		1	CONNECTOR, SNAP TIGHT チュウケイ コネクタ	J1044
501	XB1-2400-607		1	SCREW, MACH., TRUSS HEAD, M4X6 バインド ネジ	

FIGURE Z40 PAPER PICK-UP ASSEMBLY 給紙部

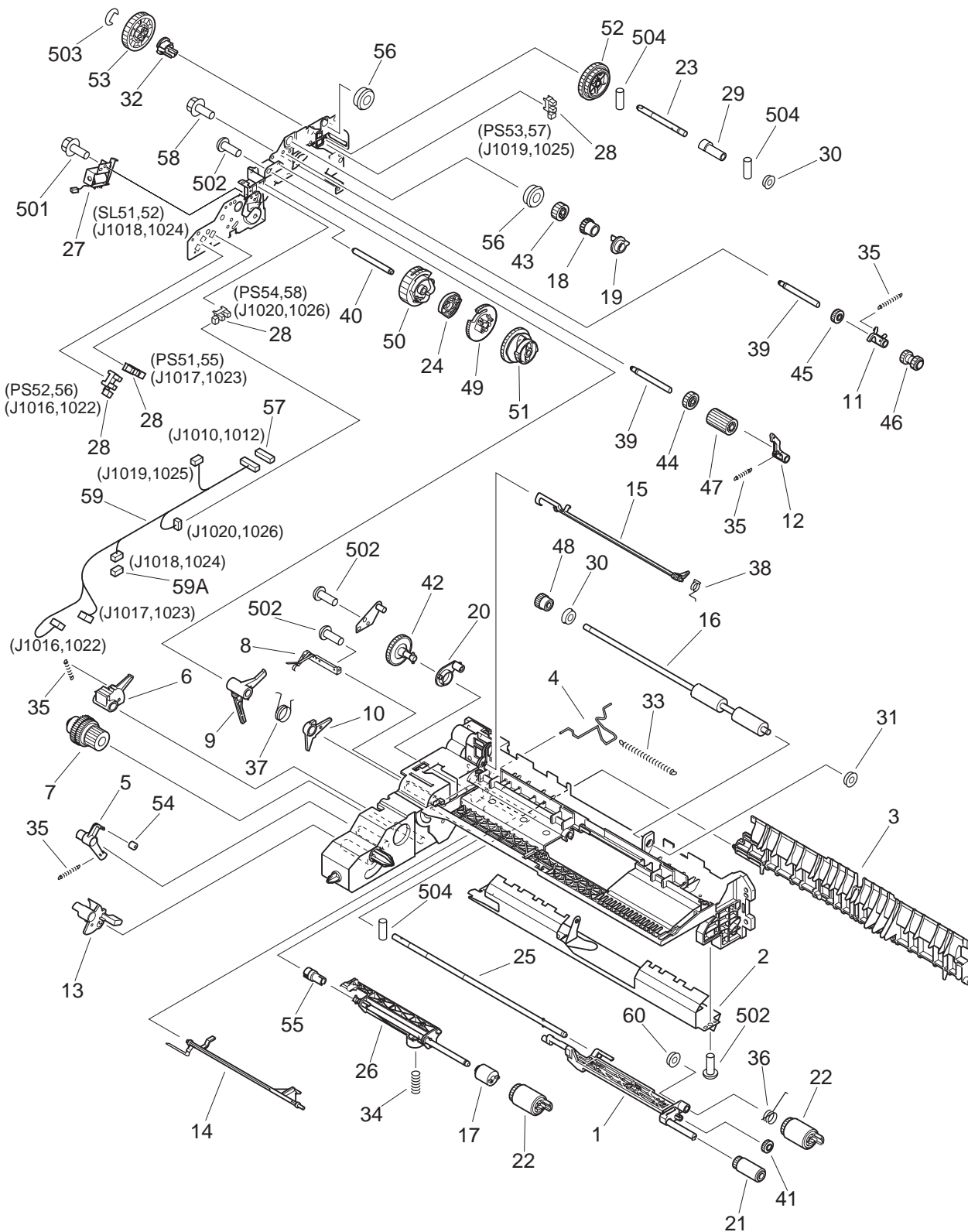


FIGURE & KEY NO.	PART NUMBER	RANK	QTY	DESCRIPTION	SERIAL NUMBER / REMARKS
Z40 -	FG6-9028-000		2	PAPER PICK-UP ASSEMBLY 給紙部	
1	FB6-3380-000		1	HOLDER, PAPER PICK-UP ROLLER 給紙ローラ ホルダ	
2	FB6-3386-000		1	GUIDE, RETARD リタード ガイド	
3	FB6-3387-000		1	GUIDE, VERTICAL PATH 縦パス ガイド	
4	FB6-3388-000		1	ROD, SEPARATION ROLLER RELEASE 分離ローラ解除ロッド	
5	FB6-3389-000		1	CLAW, PICK-UP ピックアップ爪	
6	FB6-3390-000		1	CLAW, PAPER PICK-UP 給紙爪	
7	FB6-3391-000		1	GEAR, RATCHET ラチェット ギア	
8	FB6-3392-000		1	SPRING, LEAF 板バネ	
9	FB6-3393-000		1	ARM, PICK-UP ピックアップ アーム	
10	FB6-3394-000		1	ARM, LIFTING リフタ アーム	
11	FB6-3395-000		1	ARM, PAPER FEED SHAFT 搬送軸アーム	
12	FB6-3396-000		1	LOCK, PICK-UP ピックアップ ロック	
13	FB6-3397-000		1	FLAG, PAPER SENSOR 残量検知センサ フラグ	
14	FB6-3398-000		1	FLAG, PAPER DETECT SENSOR 紙検知センサ フラグ	
15	FB6-3399-000		1	FLAG, REGISTRATION SENSOR レジスト センサ フラグ	
16	FB6-4852-000		1	ROLLER, VERTICAL PATH 縦パス ローラ	
17	FB6-3410-000		1	LIMITER, TORQUE トルク リミッタ	
18	FB6-3402-000		1	GEAR, RATCHET ラチェット ギア	
19	FB6-3403-000		1	COUPLING, FEED SHAFT STOP 搬送軸ストッパ	
20	FB6-3404-000		1	COUPLING, SEPARATION SHAFT 分離軸押え	
21	FB6-3405-000		1	ROLLER, PAPER PICK-UP 給紙ローラ	
22	FB6-3407-000		2	ROLLER, FEED/SEPARATION 搬送/分離 ローラ	JPN
	FB6-3406-000		2	ROLLER, FEED/SEPARATION 搬送/分離 ローラ	
23	FB6-3408-000		1	SHAFT, PAPER PICK-UP DRIVE 給紙駆動軸	
24	FB6-3411-000		1	CAM, LOCK ロック カム	
25	FF6-2058-000		1	SHAFT, PAPER FEED ROLLER 搬送ローラ軸	
26	FF6-2059-000		1	HOLDER, SEPARATION ROLLER 分離ローラ ホルダ	
27	FH6-5055-000		1	SOLENOID ソレノイド	SL51,52 J1018,1024
28	FH7-7312-000		4	PHOTO-INTERRUPTER フォトインタラプタ	PS51,52,53,54 J1017,1016,1019,1020

FIGURE & KEY NO.	PART NUMBER	R A N K	Q' T Y	DESCRIPTION	SERIAL NUMBER / REMARKS
Z40 - 28	FH7-7312-000		4	PHOTO-INTERRUPTER フォトインタラプタ	PS55,56,57,58 J1023,1022,1025,1026
29	FB6-3413-000		1	COLLAR, PAPER PICK-UP SHAFT 給紙軸カラー	
30	FS1-1205-000		2	BUSHING ブッシング	
31	FS5-1597-000		1	BUSHING ブッシング	
32	FS6-1063-000		1	BUSHING ブッシング	
33	FS7-2797-000		1	SPRING, TENSION ヒッバリ バネ	
34	FS7-2798-000		1	SPRING, COMPRESSION アッシュク バネ	
35	FS7-2800-000		4	SPRING, TENSION ヒッバリ バネ	
36	FS7-2801-000		1	SPRING, TORSION ネジリ バネ	
37	FS7-2802-000		1	SPRING, TORSION ネジリ バネ	
38	FS7-2803-000		1	SPRING, TORSION ネジリ バネ	
39	FS7-5909-000		2	SHAFT, IDLER, 2 アイドラ軸 (2)	
40	FS7-5910-000		1	SHAFT, IDLER, 3 アイドラ軸 (3)	
41	FU3-0280-000		1	GEAR, 15T 1 5 T ギア	
42	FU3-0349-000		1	GEAR, 41T 4 1 T ギア	
43	FU3-0282-000		1	GEAR, 21T 2 1 T ギア	
44	FU3-0283-000		1	GEAR, 21T 2 1 T ギア	
45	FU3-0284-000		1	GEAR, 16T 1 6 T ギア	
46	FU3-0352-000		1	GEAR, 16T/16T 1 6 T / 1 6 T ギア	
47	FU3-0288-000		1	GEAR, 21T 2 1 T ギア	
48	FU3-0289-000		1	GEAR, 14T 1 4 T ギア	
49	FU3-0290-000		1	GEAR, 46T 4 6 T ギア	
50	FU3-0291-000		1	GEAR, 51T 5 1 T ギア	
51	FU3-0292-000		1	GEAR, 42T 4 2 T ギア	
52	FU3-0350-000		1	GEAR, 41T/41T 4 1 T / 4 1 T ギア	
53	FU3-0347-000		1	GEAR, 41T 4 1 T ギア	
54	RB1-6539-000		1	DAMPER ダンパ	
55	RB1-8945-000		1	JOINT ジョイント	
56	RS5-1567-000		2	BUSHING ブッシング	
57	VS1-6318-014		1	CONNECTOR, SNAP TIGHT 中継コネクタ	J1010,1012

FIGURE Z90 PEDESTAL CONTROLLER PCB ASSEMBLY ペディスタルコントローラ回路基板

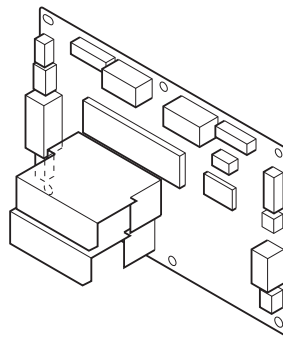


FIGURE & KEY NO.	PART NUMBER	RANK	QTY	DESCRIPTION	SERIAL NUMBER / REMARKS
Z90 -	FG3-2441-000		1	PEDESTAL CONTROLLER PCB ASS'Y ペディスタル コントローラ回路基板	
CP1	FH9-0186-000		1	PIN, CHECK チェック ピン	
CP2	FH9-0186-000		1	PIN, CHECK チェック ピン	
IC5	FH4-1427-000		1	IC, M30800FCFP, MPU M P U	

FIGURE Z91 POWER SUPPLY PCB ASSEMBLY 電源回路基板

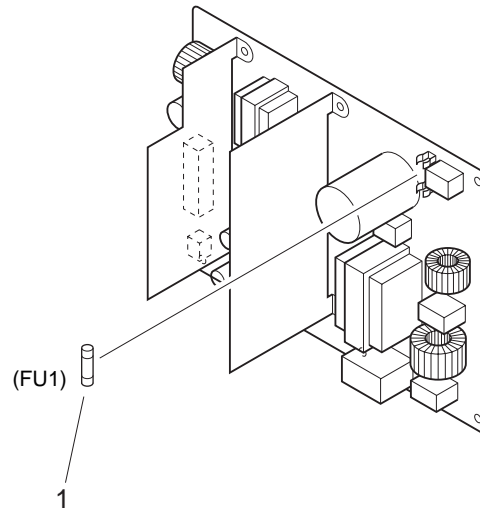


FIGURE & KEY NO.	PART NUMBER	RANK	QTY	DESCRIPTION	SERIAL NUMBER / REMARKS
Z91 -	FG3-2443-000		1	POWER SUPPLY PCB ASSEMBLY 電源回路基板	100/120V
	FG3-2444-000		1	POWER SUPPLY PCB ASSEMBLY 電源回路基板	220/240V
1	VD7-0216-001		1	FUSE, 125V, 6A ヒューズ	FU1 100/120V
	VD7-0643-151		1	FUSE, 250V, 3.15A ヒューズ	FU1 220/240V
L1	FH7-9245-000		1	COIL, CHOKE チョーク コイル	
L2	RH7-9021-000		1	FILTER, LINE ライン フィルタ	100/120V
L5	FH3-0975-000		1	INDUCTOR インダクタ	
L181	FH3-0725-000		1	COIL, CHOKE チョーク コイル	
RL1	RH7-6066-000		1	RELAY リレー	
T1	FH3-0695-000		1	TRANSFORMER トランス	100/120V

FIGURE ZB LIST OF CONNECTORS コネクター一覧

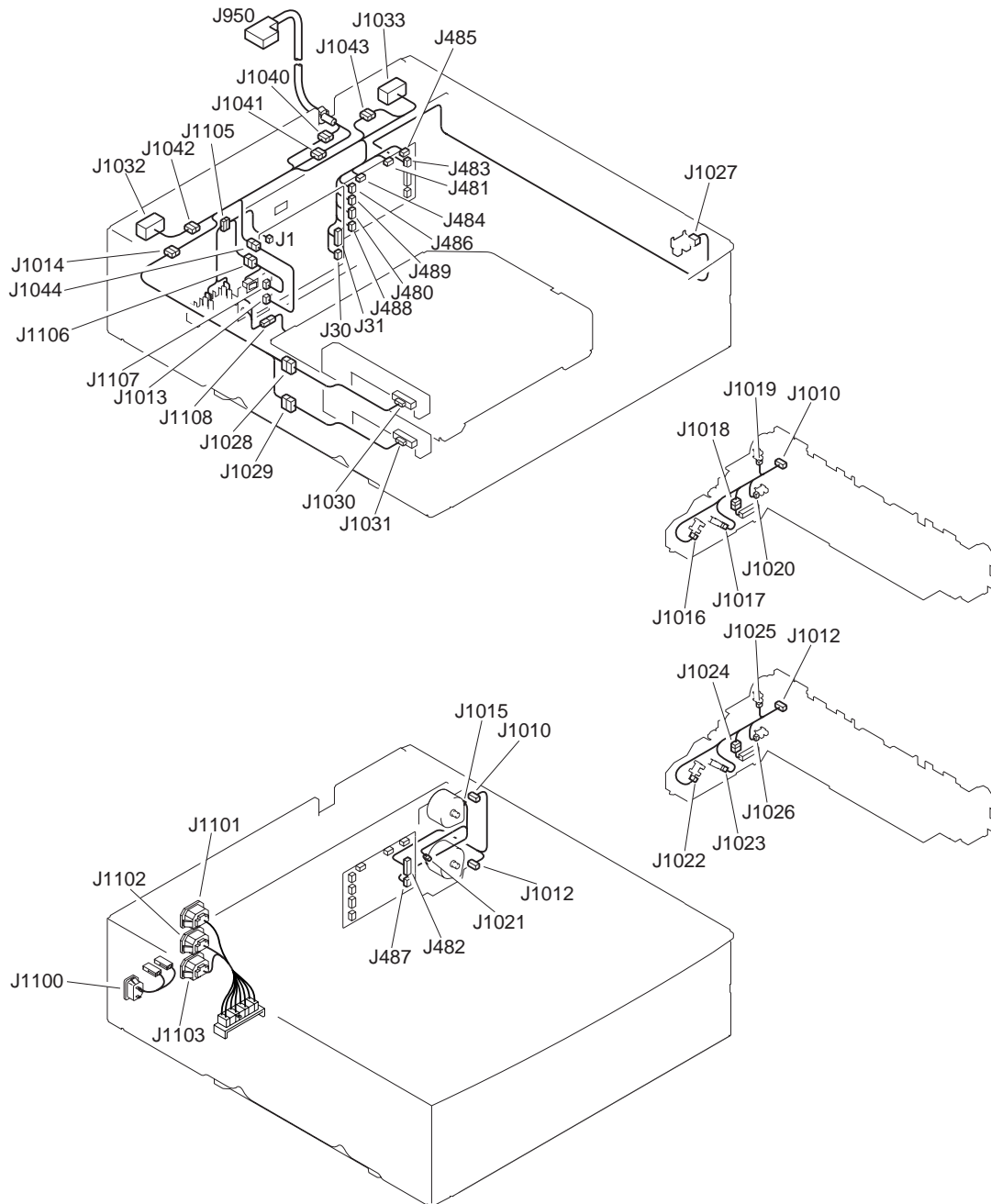


FIGURE & KEY NO.	PART NUMBER	RANK	QTY	DESCRIPTION	SERIAL NUMBER / REMARKS
Z B -	NPN		RF	LIST OF CONNECTORS コネクタ一覧	
J1	PCB			CASSETTE PEDESTAL POWER カセット ペディスタル電源	
	VS3-5083-000		1	CONNECTOR, 3P, FEMALE コネクタ (メス)	
	WS3-5160-000		2	SOCKET CONTACT, 18-24AWG ソケット コンタクト	
J30	PCB			CASSETTE PEDESTAL POWER カセット ペディスタル電源	
J31	PCB		1	CONNECTOR, 3P, FEMALE コネクタ (メス)	
	VS3-5083-009		1	CONNECTOR, 9P, FEMALE コネクタ (メス)	
	WS3-5160-000		9	SOCKET CONTACT, 18-24AWG ソケット コンタクト	
J480	PCB			CASSETTE PEDESTAL CONTROLLER カセット ペディスタル コントローラ	
J481	PCB		1	CONNECTOR, 4P, FEMALE コネクタ (メス)	
	WS3-5160-000		4	SOCKET CONTACT, 18-24AWG ソケット コンタクト	
	VS1-5452-007		1	CONNECTOR, 7P, FEMALE コネクタ (メス)	
	VS1-6084-007		1	CONNECTOR, 7P, FEMALE コネクタ (メス)	
J482	PCB		1	CONNECTOR HOUSING コネクタ ホルダ	
	VS1-6313-014		1	CONNECTOR, 14P, FEMALE コネクタ (メス)	
	VS1-6314-014		1	CONNECTOR, 14P, MALE コネクタ (オス)	
	VT2-5161-028		1	HOLDER, CONNECTOR, 28P コネクタ ホルダ	
J483	PCB			CASSETTE PEDESTAL CONTROLLER カセット ペディスタル コントローラ	
	VS1-6314-005		1	CONNECTOR, 5P, FEMALE コネクタ (メス)	
J484	PCB			CASSETTE PEDESTAL CONTROLLER カセット ペディスタル コントローラ	
	VS1-6314-010		1	CONNECTOR, 10P, FEMALE コネクタ (メス)	
J485	PCB			CASSETTE PEDESTAL CONTROLLER カセット ペディスタル コントローラ	
J486	PCB		1	CONNECTOR, 8P, FEMALE コネクタ (メス)	
	VS1-5452-007		1	CONNECTOR, 7P, FEMALE コネクタ (メス)	
J487	PCB			CASSETTE PEDESTAL CONTROLLER カセット ペディスタル コントローラ	
	VS1-6314-008		1	CONNECTOR, 8P, FEMALE コネクタ (メス)	

FIGURE & KEY NO.	PART NUMBER	RANK	QTY	DESCRIPTION	SERIAL NUMBER / REMARKS
Z B - J488	PCB			CASSETTE PEDESTAL CONTROLLER カセット ベディスタル コントローラ	
	VS1-6321-003		1	CONNECTOR, 3P, FEMALE コネクタ (メス)	
J489	PCB			CASSETTE PEDESTAL CONTROLLER カセット ベディスタル コントローラ	
	VS1-5824-002		1	CONNECTOR, 2P, FEMALE コネクタ (メス)	
	WS3-5358-000		2	SOCKET CONTACT, 22-26AWG ソケット コンタクト	
J950	SYS			TO PRINTER DC CONTROLLER 複写機本体DCコントローラ	
	FH2-6481-000		1	HOUSING ハウジング	
	WS3-5044-000		1	SOCKET, CONTACT, 18-24AWG ソケット コンタクト	
	VS1-5452-007		1	CONNECTOR, 7P, FEMALE コネクタ (メス)	
	VS1-5452-008		1	CONNECTOR, 8P, FEMALE コネクタ (メス)	
J1010	VS1-6314-014		2	CONNECTOR, 14P, MALE コネクタ (オス)	
	VS1-6318-014		1	CONNECTOR, SNAP TIGHT 中継コネクタ	
J1012	VS1-6313-014		1	CONNECTOR, 14P, FEMALE コネクタ (メス)	
	VS1-6314-014		1	CONNECTOR, 14P, MALE コネクタ (オス)	
	VS1-6318-014		1	CONNECTOR, SNAP TIGHT 中継コネクタ	
J1013	PCB			CASSETTE HEATER CONTROLLER カセット ヒータ制御	
	VS1-6321-002		1	CONNECTOR, 2P, FEMALE コネクタ (メス)	
J1014	VS1-6314-010		2	CONNECTOR, 10P, FEMALE コネクタ (メス)	
	VS1-6318-010		1	CONNECTOR, SNAP TIGHT チュウケイ コネクタ	
J1015	NPN			PAPER PICK-UP 3 MOTOR 給紙3モータ	
J1016	VS1-6321-004		1	CONNECTOR, 4P, FEMALE コネクタ (メス)	
	NPN			CASSETTE 3 LEVEL B SENSOR カセット3レベルBセンサ	
	VS1-6321-003		1	CONNECTOR, 3P, FEMALE コネクタ (メス)	
J1017	NPN			CASSETTE 3 LEVER A SENSOR カセット3レベルAセンサ	
	VS1-6321-003		1	CONNECTOR, 3P, FEMALE コネクタ (メス)	
J1018	NPN			PAPER PICK-UP 3 SOLENOID 給紙3ソレノイド	
	VS1-5057-002		1	CONNECTOR, SNAP TIGHT チュウケイ コネクタ	
	VS1-6321-002		1	CONNECTOR, 2P, FEMALE コネクタ (メス)	
J1019	NPN			CASSETTE 3 RETRY SENSOR カセット3リトライ センサ	
	VS1-6321-003		1	CONNECTOR, 3P, FEMALE コネクタ (メス)	

FIGURE & KEY NO.	PART NUMBER	RANK	QTY	DESCRIPTION	SERIAL NUMBER / REMARKS
Z B - J1020	NPN			CASSETTE 3 PAPER SENSOR カセット3紙検	
	VS1-6321-003		1	CONNECTOR, 3P, FEMALE コネクタ (メス)	
	J1021 NPN			PAPER PICK-UP 4 MOTOR 給紙4モータ	
J1022	VS1-6321-004		1	CONNECTOR, 4P, FEMALE コネクタ (メス)	
	NPN			CASSETTE 4 LEVEL B SENSOR カセット4レベルBセンサ	
J1023	VS1-6321-003		1	CONNECTOR, 3P, FEMALE コネクタ (メス)	
	NPN			CASSETTE 3 LEVER A SENSOR カセット4レベルAセンサ	
J1024	VS1-6321-003		1	CONNECTOR, 3P, FEMALE コネクタ (メス)	
	NPN			PAPER PICK-UP 4 SOLENOID 給紙4ソレノイド	
J1025	VS1-5057-002		1	CONNECTOR, SNAP TIGHT チュウケイ コネクタ	
	NPN			CASSETTE 4 RETRY SENSOR カセット4リトライ センサ	
J1026	VS1-6321-003		1	CONNECTOR, 3P, FEMALE コネクタ (メス)	
	NPN			CASSETTE 4 PAPER SENSOR カセット4紙検	
J1027	VS1-6321-003		1	CONNECTOR, 3P, FEMALE コネクタ (メス)	
	NPN			RIGHT DOOR OPEN/CLOSE SENSOR 右ドア開閉検知	
J1028	VS1-6321-003		1	CONNECTOR, 3P, FEMALE コネクタ (メス)	
	VS1-6314-005		2	CONNECTOR, 5P, FEMALE コネクタ (メス)	
J1029	VS1-6318-005		1	CONNECTOR, SNAP TIGHT チュウケイ コネクタ	
	VS1-6314-005		2	CONNECTOR, 5P, FEMALE コネクタ (メス)	
	VS1-6318-005		1	CONNECTOR, SNAP TIGHT チュウケイ コネクタ	
J1030	VS1-6321-005		1	CONNECTOR, 5P, FEMALE コネクタ (メス)	
	NPN			CASSETTE 3 SIZE SWITCH カセット3サイズ検知	
J1031	VS1-6321-005		1	CONNECTOR, 5P, FEMALE コネクタ (メス)	
	NPN			CASSETTE 4 SIZE SWITCH カセット4サイズ検知	
J1032	VS1-6321-005		1	CONNECTOR, 5P, FEMALE コネクタ (メス)	
	SYS			TO FINISHER フィニッシャ	
J1033	FH2-6480-000		1	CONNECTOR, FEMALE コネクタ (メス)	
	VS1-5452-007		1	CONNECTOR, 7P, FEMALE コネクタ (メス)	
	WS3-5596-000		3	PIN CONTACT, 18-24AWG ピン コンタクト	
	SYS			TO 2.5K PAPER DECK 2.5Kペーパー デッキ	
	FH2-6480-000		1	CONNECTOR, FEMALE コネクタ (メス)	

FIGURE & KEY NO.	PART NUMBER	RANK	QTY	DESCRIPTION	SERIAL NUMBER / REMARKS
Z B - J1033	VS1-5452-008		1	CONNECTOR, 8P, FEMALE コネクタ (メス)	
	WS3-5596-000		4	PIN CONTACT, 18-24AWG ピン コンタクト	
	J1040 VS1-5452-007		2	CONNECTOR, 7P, FEMALE コネクタ (メス)	
	VS1-5820-007		1	CONNECTOR, SNAP TIGHT チュウケイ コネクタ	
J1041	VS1-5452-008		2	CONNECTOR, 8P, FEMALE コネクタ (メス)	
J1042	VS1-5820-008		1	CONNECTOR, SNAP TIGHT チュウケイ コネクタ	
	VS1-5729-002		1	CONNECTOR, 2P, MALE コネクタ (オス)	
	VS3-5083-002		1	CONNECTOR, 2P, FEMALE コネクタ (メス)	
	WS3-5160-000		2	SOCKET CONTACT, 18-24AWG ソケット コンタクト	
	WS3-5301-000		2	PIN CONTACT ピン コンタクト	
J1043	VS1-5729-003		1	CONNECTOR, 3P, MALE コネクタ (オス)	
	VS3-5083-003		1	CONNECTOR, 3P, FEMALE コネクタ (メス)	
	WS3-5160-000		3	SOCKET CONTACT, 18-24AWG ソケット コンタクト	
	WS3-5301-000		3	PIN CONTACT ピン コンタクト	
J1044	VS1-5057-003		1	CONNECTOR, SNAP TIGHT チュウケイ コネクタ	
J1100	VS1-5824-003		1	CONNECTOR, 3P, FEMALE コネクタ (メス)	
	VS1-6321-003		1	CONNECTOR, 3P, FEMALE コネクタ (メス)	
	WS3-5358-000		2	SOCKET CONTACT, 22-26AWG ソケット コンタクト	
	FH2-7040-000		1	CORD, POWER SUPPLY 電源コード	100V
	FH2-7060-000		1	CORD, POWER SUPPLY 電源コード	120V
J1101	FH2-7041-000		1	CORD, POWER SUPPLY 電源コード	220/240V
	WS5-5074-000		1	CONNECTOR, INLET インレット コネクタ	
	SYS			TO READER HEATER リーダ ヒータ	
	WS5-5077-000		1	CONNECTOR, OUTLET アウトレット コネクタ	
J1102	SYS			TO PRINTER 複写機本体	
J1103	WS5-5077-000		1	CONNECTOR, OUTLET アウトレット コネクタ	
	SYS			TO 2.5K PAPER DECK HEATER 2.5Kペーパー デッキ ヒータ	
J1105	WS5-5077-000		1	CONNECTOR, OUTLET アウトレット コネクタ	
	VS1-5729-005		1	CONNECTOR, 5P, MALE コネクタ (オス)	
	VS3-5083-005		1	CONNECTOR, 5P, FEMALE コネクタ (メス)	

FIGURE & KEY NO.	PART NUMBER	RANK	QTY	DESCRIPTION	SERIAL NUMBER / REMARKS
Z B - J1105	WS3-5160-000		4	SOCKET CONTACT, 18-24AWG ソケット コンタクト	
J1106	VS4-0001-003		1	CONNECTOR, 3P, MALE コネクタ (オス)	
	VS4-0002-003		1	CONNECTOR, 3P, FEMALE コネクタ (メス)	
	WS4-0217-000		2	SOCKET CONTACT, 22-18AWG ソケット コンタクト	
	WS4-0219-000		2	PIN CONTACT, 18-22AWG ピン コンタクト	
J1107	PCB			CASSETTE HEATER CONTROLLER カセット ヒータ制御	
	VS3-5083-003		1	CONNECTOR, 3P, FEMALE コネクタ (メス)	
	WS3-5160-000		2	SOCKET CONTACT, 18-24AWG ソケット コンタクト	
J1108	FH7-4740-000		1	HEATER, CASSETTE カセット ヒータ	
	VS4-0002-002		1	CONNECTOR, 2P, FEMALE コネクタ (メス)	
	WS4-0217-000		2	SOCKET CONTACT, 22-18AWG ソケット コンタクト	

Plain Pedestal-C1

プレーンペディスタル・C1

目 次

CONTENTS

Z A . 主要部品配置図	ZA. ASSEMBLY LOCATION DIAGRAM
Z 10 . 外装カバー	Z10. EXTERNAL COVERS, PANELS, ETC.
Z 11 . 本体機械内部	Z11. INTERNAL COMPONENTS
Z 90 . ペディスタルコントローラ回路基板	Z90. PEDESTAL CONTROLLER PCB ASSEMBLY
Z 91 . 電源回路基板	Z91. POWER SUPPLY PCB ASSEMBLY
Z B . コネクター一覧	ZB. LIST OF CONNECTORS
D 5 . 部品索引表	D5. NUMERICAL INDEX

FIGURE ZA ASSEMBLY LOCATION DIAGRAM

主要部品配置図

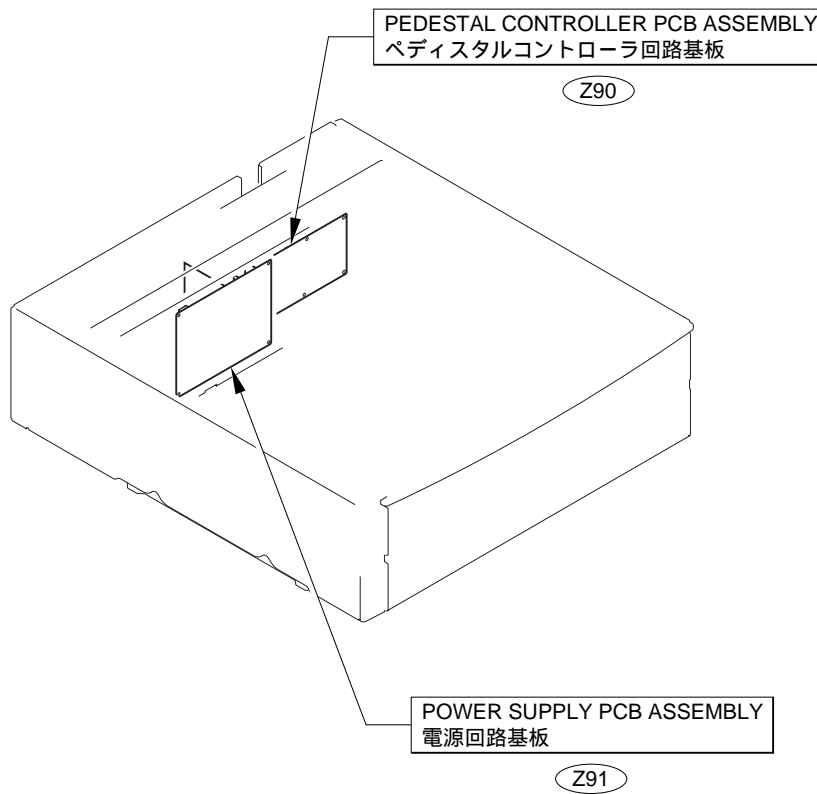


FIGURE Z10 EXTERNAL COVERS, PANELS, ETC. 外装カバー

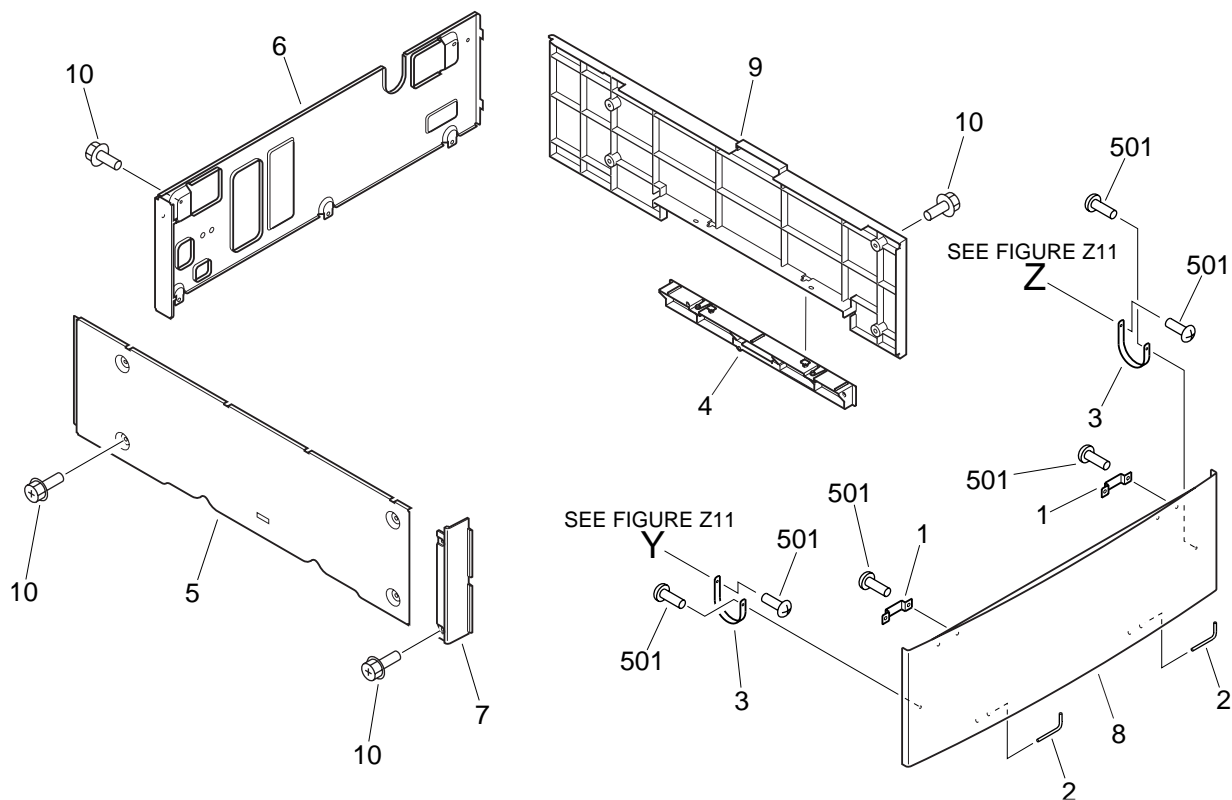


FIGURE & KEY NO.	PART NUMBER	RANK	QTY	DESCRIPTION	SERIAL NUMBER / REMARKS
Z10 -	NPN		RF	EXTERNAL COVERS, PANELS, ETC. 外装カバー	
1	FB1-6053-000		2	PLATE, CATCH キャッチ パン	
2	FB3-2224-000		2	PIN, HINGE ヒンジ ピン	
3	FB3-4168-000		2	STRAP, DOOR SUPPORT ホールド テープ	
4	FB6-3443-000		1	RIGHT PANEL, LOWER 右カバー (下)	
5	FB6-4030-000		1	PANEL, LEFT 左カバー	
6	FB6-4031-000		1	PANEL, REAR 後カバー	
7	FB6-4035-000		1	LEFT PANEL, FRONT 左カバー (前)	
8	FB6-5051-000		1	PANEL, FRONT 前カバー	
9	FB6-5054-000		1	PANEL, RIGHT 右カバー	
10	XA9-0633-000		9	SCREW,RS W/WASHER,M4X8 ザツキ ネジ	
501	XB4-5400-807		8	SCREW,P,M4X8 P タイト ネジ	

FIGURE Z11 INTERNAL COMPONENTS (1/2)

本体機械内部 (1/2)

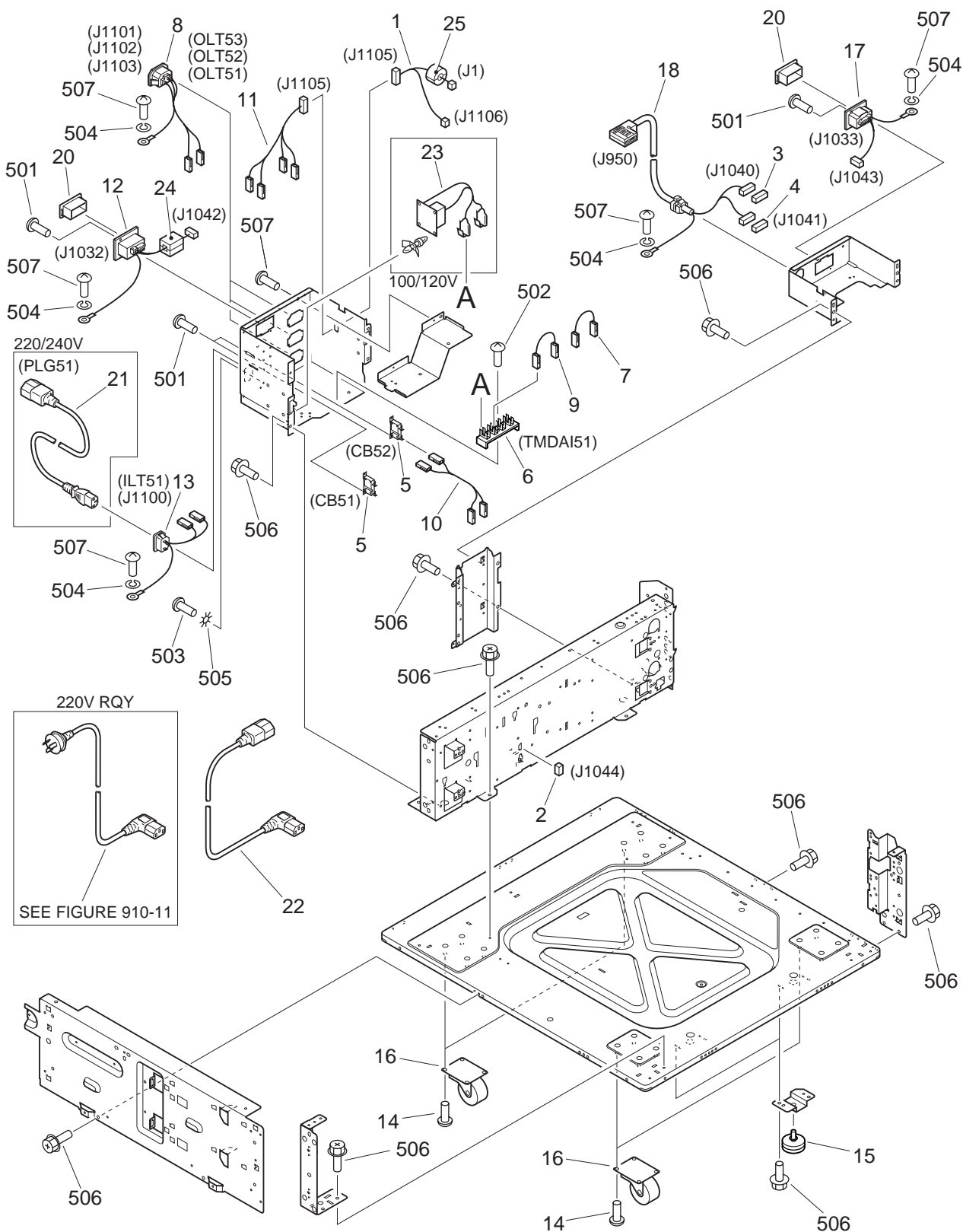


FIGURE Z11 INTERNAL COMPONENTS (2/2)

本体機械内部 (2/2)

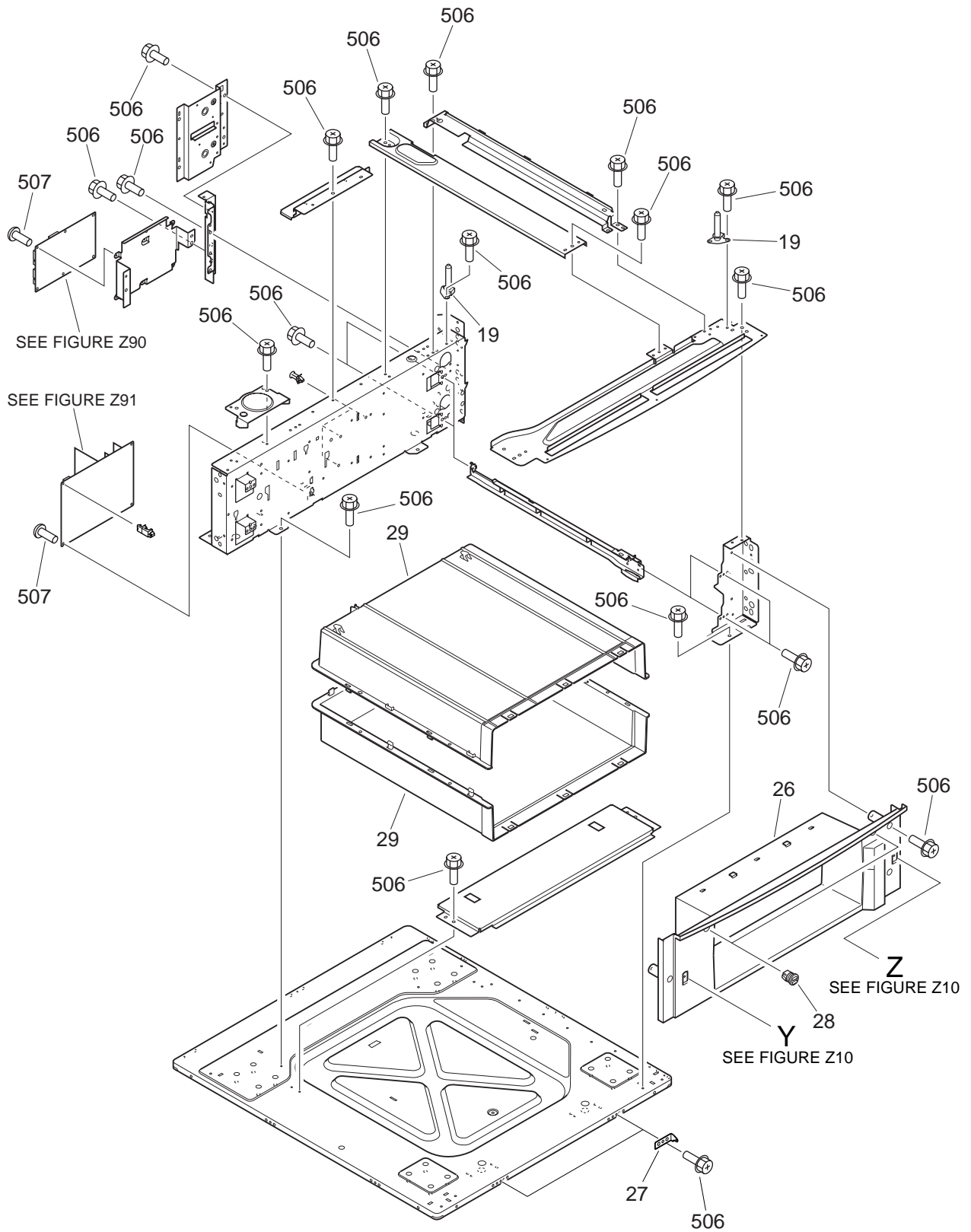


FIGURE & KEY NO.	PART NUMBER	RANK	QTY	DESCRIPTION	SERIAL NUMBER / REMARKS
Z11 -	NPN		RF	INTERNAL COMPONENTS 本体機械内部	
1	FG3-2450-000		1	CABLE, AC A C 束線	100/120V J1,1105,1106
	FG3-2460-000		1	CABLE, AC A C 束線	220/240V J1,1105,1106
2	VS1-5057-003		1	CONNECTOR, SNAP TIGHT チュウケイ コネクタ	J1044
3	VS1-5820-007		1	CONNECTOR, SNAP TIGHT チュウケイ コネクタ	J1040
4	VS1-5820-008		1	CONNECTOR, SNAP TIGHT チュウケイ コネクタ	J1041
5	VD7-2431-502		2	BREAKER, CIRCUIT サーキット ブレーカ	100/120V CB51,52
	VD7-2431-002		2	BREAKER, CIRCUIT サーキット ブレーカ	220/240V CB51,52
6	WT1-5381-000		1	MOUNT, TERMINAL 端子台	TMDAI51
7	FG3-2445-000		1	CABLE, GROUNDING アース線	
8	FG3-2446-000		3	CABLE, OUTLET アウトレット束線	OLT53,52,51 J1101,1102,1103
9	FG3-2447-000		1	CABLE, GROUNDING アース線	
10	FG3-2448-000		1	CABLE, BREAKER GROUNDING ブレーカ アース線	
11	FG3-2449-000		1	CABLE, AC MOUNT A C 台束線	J1105
12	FG3-2451-000		1	CABLE, FINISHER LATTICE フィニッシャ ラティス束線	J1032,1042
13	FG3-2452-000		1	CABLE, INLET インレット束線	ILT51 J1100
14	FE9-0290-000		16	SCREW, W/WASHER ワッシャ ツキ スクリュ	
15	XZ9-0494-000		2	ADJUSTER アジャスタ	
16	XZ9-0508-000		4	CASTER キャスト	
17	FG3-2453-000		1	CABLE, LATTICE ラティス束線	J1033,1043
18	FG3-2454-000		1	CABLE, INTERFACE インターフェース束線	J950,1040,1041
19	FF6-2168-000		2	PIN, POSITIONING 位置決めピン	
20	FH2-6552-000		2	COVER, CONNECTOR コネクタ カバー	
21	FH2-6492-000		1	CORD, POWER SUPPLY 電源コード	220/240V PLG51
22	FH2-7040-000		1	CORD, POWER SUPPLY 電源コード	100V
	FH2-7060-000		1	CORD, POWER SUPPLY 電源コード	120V
	FH2-7041-000		1	CORD, POWER SUPPLY 電源コード	220/240V
23	FG3-3008-000		1	CAPACITOR PCB ASSEMBLY コンデンサ回路基板	100/120V
24	WE8-6047-000		1	CORE, FERRITE フェライト コア	
25	WE8-6048-000		1	CORE, FERRITE フェライト コア	

FIGURE & KEY NO.	PART NUMBER	RANK	QTY	DESCRIPTION	SERIAL NUMBER / REMARKS
Z11 - 26	FB6-5052-000		1	COVER, INNER 内カバー	
27	FB3-4171-000		2	HINGE ヒンジ	
28	FB3-7217-000		2	MAGNET CATCH マグネット キヤッチ	
29	FB6-5053-000		2	CASE, PAPER STOCK 収納庫	
501	XB1-2300-807		8	SCREW, MACH., TRUSS HEAD, M3X8 バインド ネジ	
502	XB1-2400-803		1	SCREW, MACH., TRUSS HEAD, M4X8 バインド ネジ	
503	XB1-2401-007		1	SCREW, MACH., TRUSS HEAD, M4X10 バインド ネジ	
504	XD1-3100-407		7	WASHER, SPRING バネ ザガネ	
505	XD1-4200-402		1	WASHER, TOOTHED LOCK ハツキ ザガネ	
506	XB3-6400-800	AR		SCREW, RS, M4X8 R S タイト ネジ	
507	XB1-2400-607		18	SCREW, MACH., TRUSS HEAD, M4X6 バインド ネジ	

FIGURE Z90 PEDESTAL CONTROLLER PCB ASSEMBLY ペディスタルコントローラ回路基板

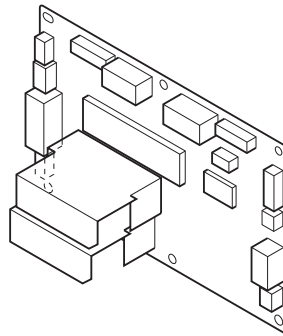


FIGURE & KEY NO.	PART NUMBER	RANK	QTY	DESCRIPTION	SERIAL NUMBER / REMARKS
Z90 -	FG3-2441-000		1	PEDESTAL CONTROLLER PCB ASS'Y ペディスタル コントローラ回路基板	
CP1	FH9-0186-000		1	PIN, CHECK チェック ピン	
CP2	FH9-0186-000		1	PIN, CHECK チェック ピン	
IC5	FH4-1427-000		1	IC, M30800FCFP, MPU M P U	

FIGURE Z91 POWER SUPPLY PCB ASSEMBLY 電源回路基板

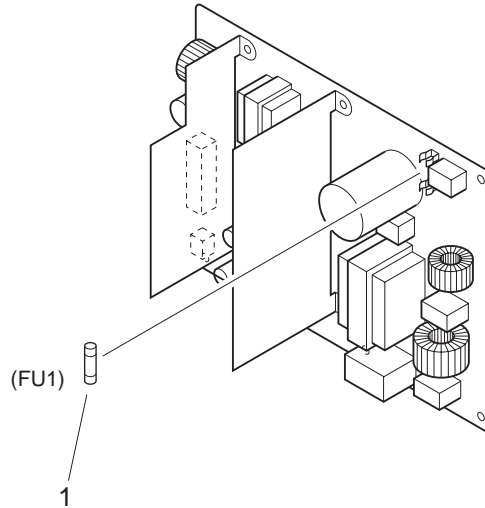


FIGURE & KEY NO.	PART NUMBER	RANK	QTY	DESCRIPTION	SERIAL NUMBER / REMARKS
Z91 -	FG3-2443-000		1	POWER SUPPLY PCB ASSEMBLY 電源回路基板	100/120V
	FG3-2444-000		1	POWER SUPPLY PCB ASSEMBLY 電源回路基板	220/240V
1	VD7-0216-001		1	FUSE, 125V, 6A ヒューズ	FU1 100/120V
	VD7-0643-151		1	FUSE, 250V, 3.15A ヒューズ	FU1 220/240V
L1	FH7-9245-000		1	COIL, CHOKE チョーク コイル	
L2	RH7-9021-000		1	FILTER, LINE ライン フィルタ	100/120V
L5	FH3-0975-000		1	INDUCTOR インダクタ	
L181	FH3-0725-000		1	COIL, CHOKE チョーク コイル	
RL1	RH7-6066-000		1	RELAY リレー	
T1	FH3-0695-000		1	TRANSFORMER トランス	100/120V

FIGURE ZB LIST OF CONNECTORS コネクター一覧

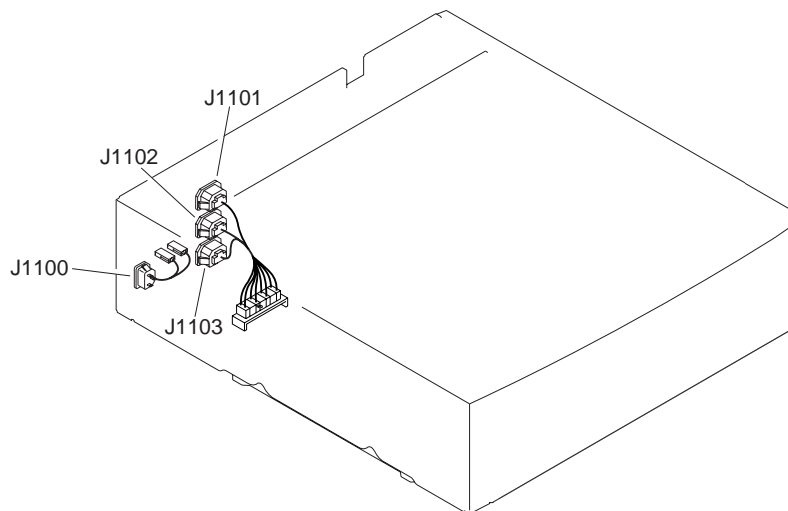
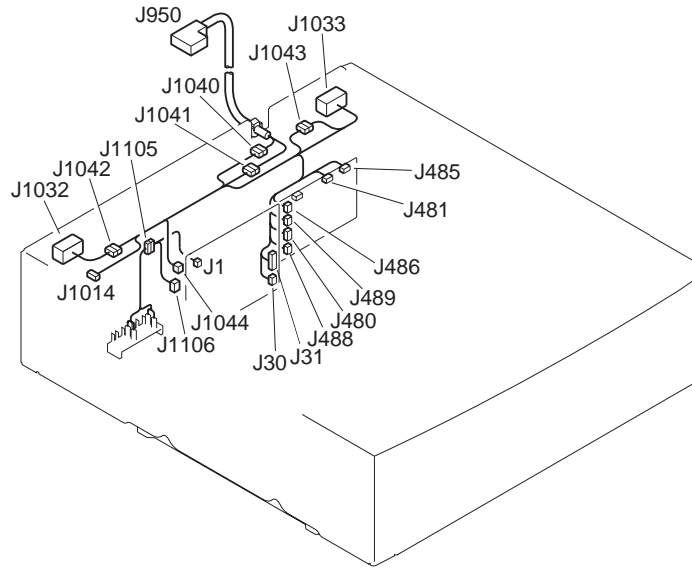


FIGURE & KEY NO.	PART NUMBER	RANK	QTY	DESCRIPTION	SERIAL NUMBER / REMARKS
Z B -	NPN		RF	LIST OF CONNECTORS コネクタ一覧	
J1	PCB			CASSETTE PEDESTAL POWER カセット ペディスタル電源	
	VS3-5083-000		1	CONNECTOR, 3P, FEMALE コネクタ (メス)	
	WS3-5160-000		2	SOCKET CONTACT, 18-24AWG ソケット コンタクト	
J30	PCB			CASSETTE PEDESTAL POWER カセット ペディスタル電源	
J31	PCB		1	CONNECTOR, 3P, FEMALE コネクタ (メス)	
	VS3-5083-009		1	CONNECTOR, 9P, FEMALE コネクタ (メス)	
	WS3-5160-000		9	SOCKET CONTACT, 18-24AWG ソケット コンタクト	
J480	PCB			CASSETTE PEDESTAL CONTROLLER カセット ペディスタル コントローラ	
J481	PCB		1	CONNECTOR, 4P, FEMALE コネクタ (メス)	
	WS3-5160-000		4	SOCKET CONTACT, 18-24AWG ソケット コンタクト	
	VS1-5452-007		1	CONNECTOR, 7P, FEMALE コネクタ (メス)	
	VS1-6084-007		1	CONNECTOR, 7P, FEMALE コネクタ (メス)	
J485	PCB		1	CONNECTOR HOUSING コネクタ ホルダ	
	VS1-5452-008		1	CONNECTOR, 8P, FEMALE コネクタ (メス)	
J486	PCB			CASSETTE PEDESTAL CONTROLLER カセット ペディスタル コントローラ	
	VS1-5452-007		1	CONNECTOR, 7P, FEMALE コネクタ (メス)	
J488	PCB			CASSETTE PEDESTAL CONTROLLER カセット ペディスタル コントローラ	
J489	PCB		1	CONNECTOR, 3P, FEMALE コネクタ (メス)	
	VS1-5824-002		1	CONNECTOR, 2P, FEMALE コネクタ (メス)	
	WS3-5358-000		2	SOCKET CONTACT, 22-26AWG ソケット コンタクト	
J950	SYS			TO PRINTER DC CONTROLLER 複写機本体DCコントローラ	
	VS1-5452-007		1	CONNECTOR, 7P, FEMALE コネクタ (メス)	
	VS1-5452-008		1	CONNECTOR, 8P, FEMALE コネクタ (メス)	
	WS3-5044-000		1	SOCKET CONTACT, 18-24AWG ソケット コンタクト	
	FH2-6481-000		1	HOUSING ハウジング	

FIGURE & KEY NO.	PART NUMBER	RANK	QTY	DESCRIPTION	SERIAL NUMBER / REMARKS
Z B - J1014	VS1-6314-010		1	CONNECTOR, 10P, FEMALE コネクタ (メス)	
J1032	SYS			TO FINISHER フィニッシャ	
	VS1-5452-007		1	CONNECTOR, 7P, FEMALE コネクタ (メス)	
	WS3-5596-000		3	PIN CONTACT, 18-24AWG ピン コンタクト	
	FH2-6480-000		1	CONNECTOR, FEMALE コネクタ (メス)	
J1033	SYS			TO 2.5K PAPER DECK 2.5Kペーパー デッキ	
	VS1-5452-008		1	CONNECTOR, 8P, FEMALE コネクタ (メス)	
	WS3-5596-000		4	PIN CONTACT, 18-24AWG ピン コンタクト	
	FH2-6480-000		1	CONNECTOR, FEMALE コネクタ (メス)	
J1040	VS1-5452-007		2	CONNECTOR, 7P, FEMALE コネクタ (メス)	
J1041	VS1-5820-007		1	CONNECTOR, SNAP TIGHT チュウケイ コネクタ	
	VS1-5452-008		2	CONNECTOR, 8P, FEMALE コネクタ (メス)	
	VS1-5820-008		1	CONNECTOR, SNAP TIGHT チュウケイ コネクタ	
J1042	VS1-5729-002		1	CONNECTOR, 2P, MALE コネクタ (オス)	
	VS3-5083-002		1	CONNECTOR, 2P, FEMALE コネクタ (メス)	
J1043	WS3-5160-000		2	SOCKET CONTACT, 18-24AWG ソケット コンタクト	
	WS3-5301-000		2	PIN CONTACT ピン コンタクト	
	VS1-5729-003		1	CONNECTOR, 3P, MALE コネクタ (オス)	
	VS3-5083-003		1	CONNECTOR, 3P, FEMALE コネクタ (メス)	
	WS3-5160-000		3	SOCKET CONTACT, 18-24AWG ソケット コンタクト	
J1044	WS3-5301-000		3	PIN CONTACT ピン コンタクト	
	VS1-5057-003		1	CONNECTOR, SNAP TIGHT チュウケイ コネクタ	
	VS1-5824-003		1	CONNECTOR, 3P, FEMALE コネクタ (メス)	
	WS3-5358-000		2	SOCKET CONTACT, 22-26AWG ソケット コンタクト	
J1100	FH2-7040-000		1	CORD, POWER SUPPLY 電源コード	100V
J1101	FH2-7060-000		1	CORD, POWER SUPPLY 電源コード	120V
	FH2-7041-000		1	CORD, POWER SUPPLY 電源コード	220/240V
	WS5-5074-000		1	CONNECTOR, INLET インレット コネクタ	
	SYS			TO READER HEATER リーダ ヒータ	
	WS5-5077-000		1	CONNECTOR, OUTLET アウトレット コネクタ	

FIGURE & KEY NO.	PART NUMBER	RANK	QTY	DESCRIPTION	SERIAL NUMBER / REMARKS
Z B - J1102	SYS			TO PRINTER 複写機本体	
	WS5-5077-000		1	CONNECTOR, OUTLET アウトレット コネクタ	
J1103	SYS			TO 2.5K PAPER DECK HEATER 2.5Kペーパー デッキ ヒータ	
	WS5-5077-000		1	CONNECTOR, OUTLET アウトレット コネクタ	
J1105	VS1-5729-005		1	CONNECTOR, 5P, MALE コネクタ (オス)	
	VS3-5083-005		1	CONNECTOR, 5P, FEMALE コネクタ (メス)	
	WS3-5160-000		4	SOCKET CONTACT, 18-24AWG ソケット コンタクト	
J1106	VS4-0002-003		1	CONNECTOR, 3P, FEMALE コネクタ (メス)	
	WS4-0217-000		2	SOCKET CONTACT, 22-18AWG ソケット コンタクト	

LIPS UP-GRADE KIT (100V)

PDL 拡張キット (LIPS)・A1 (100V)

目 次

CONTENTS

G90. PDL拡張キット(LIPS)・A1(100V)

G90. LIPS UP-GRADE KIT (100V)

D6. 部品索引表

D6. NUMERICAL INDEX

FIGURE G90 LIPS UP-GRADE KIT (100V) PDL拡張キット (LIPS) ・ A1 (100V)

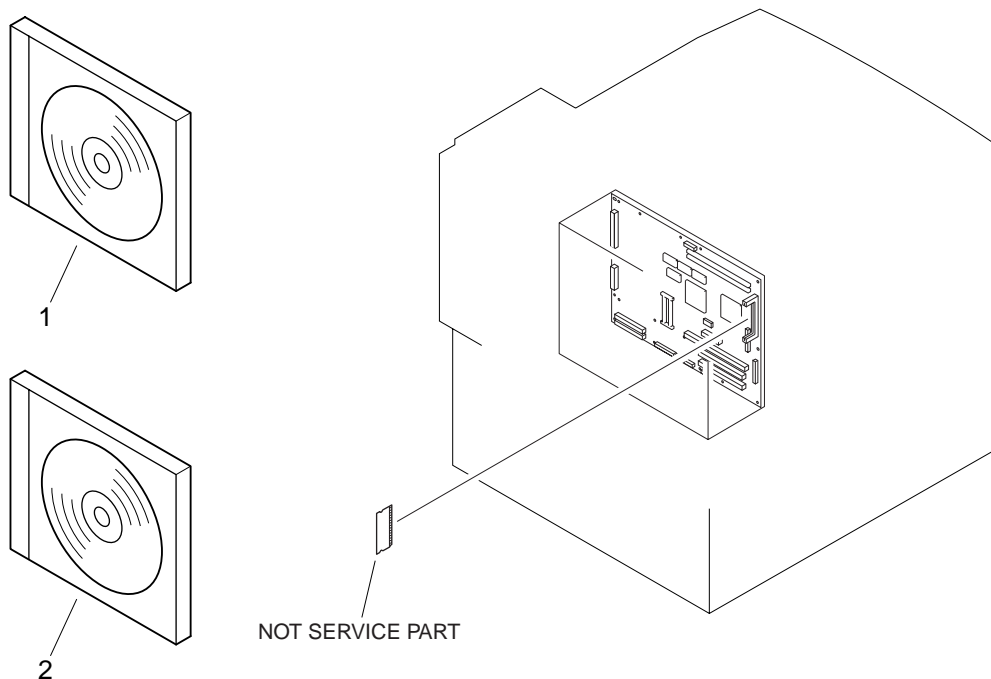


FIGURE & KEY NO.	PART NUMBER	RANK	QTY	DESCRIPTION	SERIAL NUMBER / REMARKS
G90 -	NPN		RF	LIPS UP-GRADE KIT PDL拡張キット (LIPS) ・ A1	100V
1	FH5-3402-000		1	CD-ROM, IV USER SOFTWARE IVユーザ ソフトウェア CD-ROM	
2	FH5-3403-000		1	CD-ROM, NETSPOT DOWN-LOADER NETSPOTダウンロード CD-ROM	

Super G3 FAX Board-M1

スーパー G3 FAX ボード・M1

目 次

CONTENTS

G A . 主要部品配置図

GA. ASSEMBLY LOCATION DIAGRAM

G 10 . F A X 部

G10. FAX ASSEMBLY

G 20 . F A X ボード回路基板

G20. FAX BOARD PCB ASSEMBLY

G B . コネクター一覧

GB. LIST OF CONNECTORS

D 7 . 部品索引表

D7. NUMERICAL INDEX

FIGURE GA ASSEMBLY LOCATION DIAGRAM
主要部品配置図

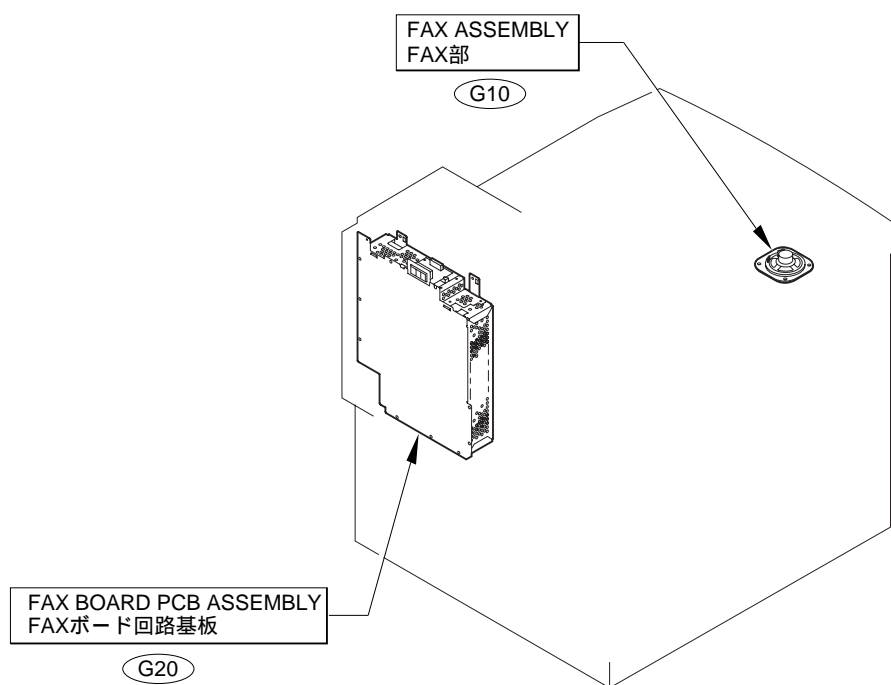


FIGURE G10 FAX ASSEMBLY

FAX部

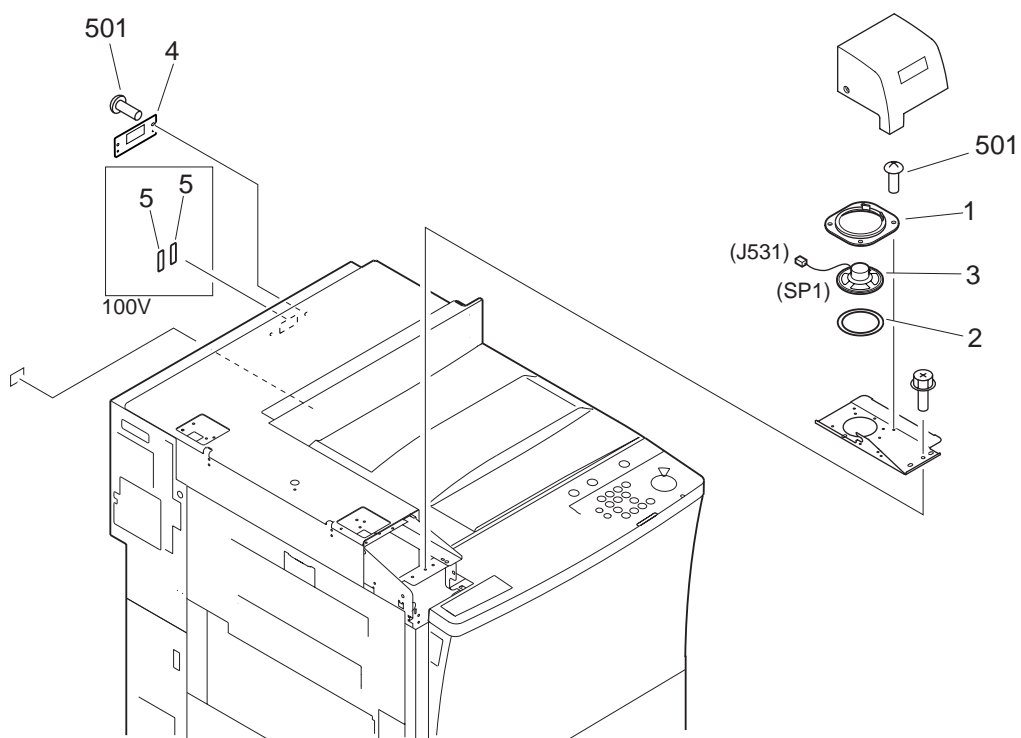


FIGURE & KEY NO.	PART NUMBER	RANK	QTY	DESCRIPTION	SERIAL NUMBER / REMARKS
G10 -	NPN		RF	FAX ASSEMBLY F A X 部	
1	FB6-5459-000		1	HOLDER, SPEAKER スピーカ ホルダ	
2	FB5-5130-000		1	DAMPER, RUBBER 防振ダンパ	
3	FH5-3218-000		1	SPEAKER スピーカ	SP1 J531
4	FB6-5455-000		1	COVER, MODULAR モジュラ カバー	100V
5	FB6-5456-000		1	COVER, MODULAR モジュラ カバー	120/220/240V
5	FB6-5460-000		2	SHEET, JACK COVER ジャック カバー シート	100V
501	XB6-7400-607		8	SCREW, TP, M4X6 T P ネジ	

FIGURE & KEY NO.	PART NUMBER	RANK	QTY	DESCRIPTION	SERIAL NUMBER / REMARKS
G20 -	NPN		RF	FAX BOARD PCB ASSEMBLY FAXボード回路基板	
1	FG3-3060-000		1	CABLE, FAX CONTROL FAX制御束線	J31,105,512,557
2	FH5-3400-000		1	CD-ROM, FAX DRIVER FAXドライバCD-ROM	100V
3	FG3-3061-000		1	CABLE, G3 ANALOG G3アナログ束線	100V J2,101
	FG3-3286-000		1	CABLE, G3 ANALOG G3アナログ束線	120/220/240V J2,101
3A	WE8-5193-000		1	CORE, FERRITE フェライトコア	120/220/240V
4	FG3-3138-000		1	G3 MODULAR PCB ASSEMBLY G3モジュラ回路基板	100V
	FG3-1992-000		1	G3 MODULAR PCB ASSEMBLY G3モジュラ回路基板	120V
	FG3-1583-020		1	G3 MODULAR PCB ASSEMBLY G3モジュラ回路基板	220V
	FG3-1584-020		1	G3 MODULAR PCB ASSEMBLY G3モジュラ回路基板	240V
5	FG3-1605-000		1	PSEUDO CI PCB ASSEMBLY 疑似CI回路基板	100V
6	FG3-1587-000		1	G3 FAX CONTROL PCB ASSEMBLY G3 FAX制御回路基板	
7	FG3-3139-000		1	DIMM ASS'Y DIMM	100V
	FG3-3140-000		1	DIMM ASS'Y DIMM	120V
	FG3-3141-000		1	DIMM ASS'Y DIMM	220V
	FG3-3142-000		1	DIMM ASS'Y DIMM	240V
8	HG5-1866-000		1	NCU PCB ASSEMBLY NCU回路基板	100V
	HG1-4365-000		1	NCU PCB ASSEMBLY NCU回路基板	120V
	HG5-2587-000		1	NCU PCB ASSEMBLY NCU回路基板	220V
	HG5-2598-000		1	NCU PCB ASSEMBLY NCU回路基板	240V
9	WT8-5076-000		2	SPACER, MODULAR モジュラスペーサ	100/120V
10	FG3-3062-000		1	CABLE, MODULAR モジュラ束線	100V J3,911
	FG3-3069-000		1	CABLE, MODULAR モジュラ束線	120V J10,911
	FG3-3070-000		1	CABLE, MODULAR モジュラ束線	220/240V J3,911
11	FG3-3063-000		1	CABLE, FAX POWER SUPPLY FAX電源束線	J104,560
12	FG3-3065-000		1	CABLE, GROUNDING アレスターース束線	100V J1101
13	FG3-3066-000		1	CABLE, HIGH VOLTAGE 高圧束線	100V J4,714
14	FG3-3067-000		1	CABLE, PSEUDO CI POWER SUPPLY 疑似CI電源束線	100V J559,713
15	FG3-3068-000		1	CABLE, PSEUDO CI 疑似CI束線	100V J539,712
15A	VS1-6318-004		1	CONNECTOR, SNAP TIGHT チュウケイコネクタ	100V J539

FIGURE & KEY NO.	PART NUMBER	RANK	QTY	DESCRIPTION	SERIAL NUMBER / REMARKS
G20 - 16	FH2-7032-000		1	CABLE, FLAT, 1 フラット束線 (1)	J1,102
17	FH2-7033-000		1	CABLE, FLAT, 2 フラット束線 (2)	220/240V J6,103
18	HH2-2830-000		1	CORD, MODULAR モジュラ コード	100/120V
	HH2-1914-000		1	MODULAR CABLE モジュラ ケーブル	220V
	HH2-2074-000		1	MODULAR CABLE モジュラ ケーブル	220V GER
	HH2-2219-000		1	MODULAR CABLE モジュラ ケーブル	220V FRN
	HH2-2478-000		1	MODULAR CORD モジュラ コード	240V
19	VS1-5057-002		2	CONNECTOR, SNAP TIGHT チュウケイ コネクタ	100V J557,559
	VS1-5057-002		1	CONNECTOR, SNAP TIGHT チュウケイ コネクタ	120/220/240V J557
501	XB6-7300-607		AR	SCREW,TP,M3X6 TP ネジ	

FIGURE GB LIST OF CONNECTORS コネクタ一覧

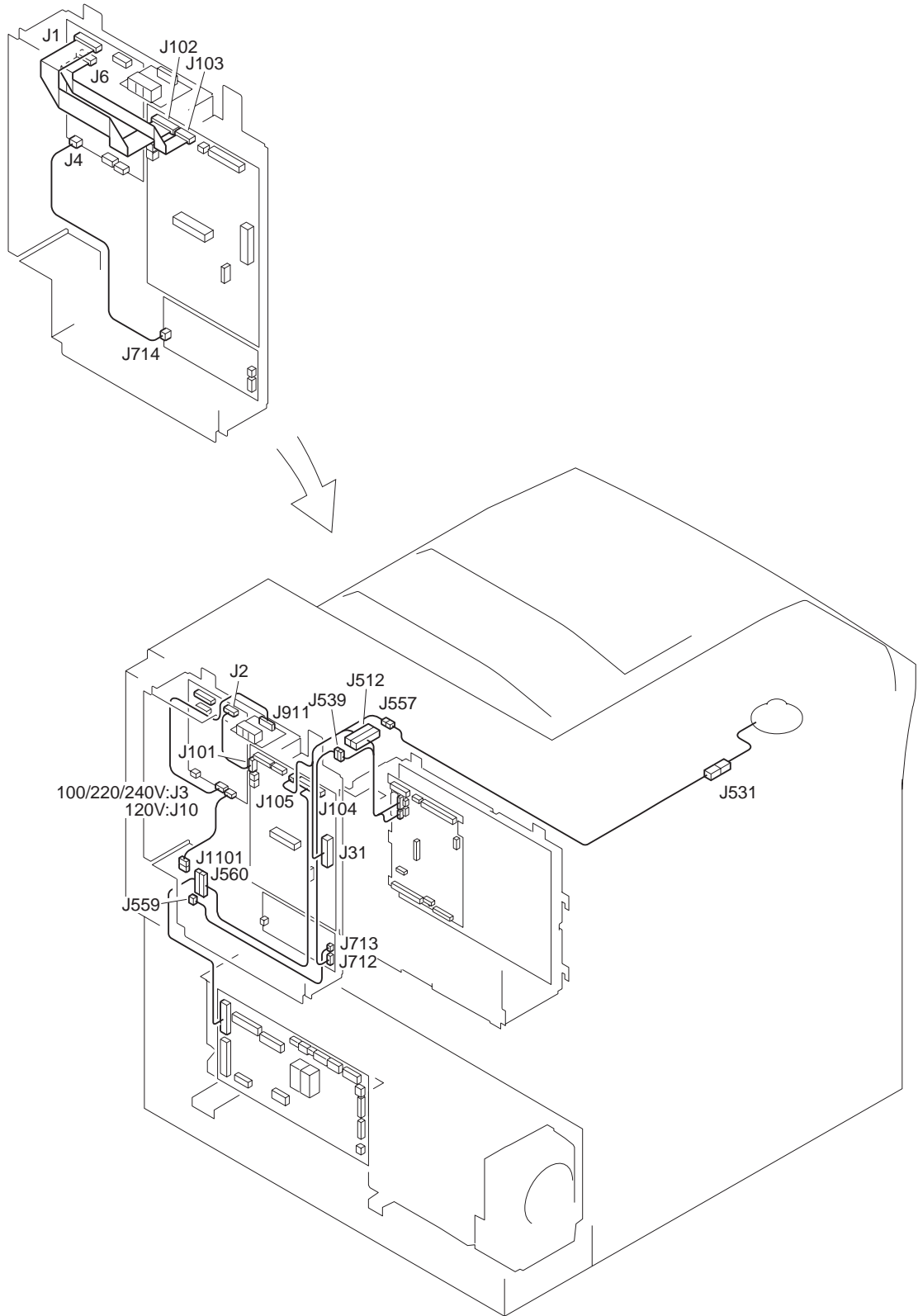


FIGURE & KEY NO.	PART NUMBER	RANK	QTY	DESCRIPTION	SERIAL NUMBER / REMARKS
GB -	NPN		RF	LIST OF CONNECTORS コネクタ一覧	
J1	PCB			NCU BOARD NCUボード	
	FH2-7032-000		1	CABLE, FLAT, 1 フラット束線 (1)	
J2	PCB			NCU BOARD NCUボード	
	VS1-5452-006		1	CONNECTOR, 6P, FEMALE コネクタ (メス)	
J3	PCB			NCU BOARD NCUボード	100/220/240V
	VS3-5080-007		1	CONNECTOR, 7P, FEMALE コネクタ (メス)	100V
	WT1-5155-000		4	TERMINAL タ - ミナル	100V
	VS3-0143-006		1	CONNECTOR, 6P, FEMALE コネクタ (メス)	220/240V
	WS3-5251-000		6	SOCKET CONTACT ソケット コンタクト	220/240V
J4	PCB			NCU BOARD NCUボード	
	VS3-5080-002		1	CONNECTOR, 2P, MALE コネクタ (オス)	100V
	WT1-5155-000		2	TERMINAL タ - ミナル	100V
J6	PCB			NCU BOARD NCUボード	220/240V
	FH2-7033-000		1	CABLE, FLAT, 2 フラット束線 (2)	220/240V
J10	PCB			NCU BOARD NCUボード	120V
	VS3-5080-005		1	CONNECTOR, 5P, FEMALE コネクタ (メス)	120V
	WT1-5155-000		2	TERMINAL タ - ミナル	120V
J31	PCB			G3 FAX CONTROL G 3 F A Xコントロール	
	VS1-6313-020		1	CONNECTOR, 20P, FEMALE コネクタ (メス)	
	VS1-6314-020		1	CONNECTOR, 20P, FEMALE コネクタ (メス)	
	VT2-5161-040		1	HOLDER, CONNECTOR, 40P コネクタ ホルダ	
J101	PCB			G3 FAX CONTROL G 3 F A Xコントロール	
	VS1-5452-006		1	CONNECTOR, 6P, FEMALE コネクタ (メス)	
J102	PCB			G3 FAX CONTROL G 3 F A Xコントロール	
J103	PCB			G3 FAX CONTROL G 3 F A Xコントロール	220/240V
	FH2-7032-000		1	CABLE, FLAT, 1 フラット束線 (1)	
	FH2-7033-000		1	CABLE, FLAT, 2 フラット束線 (2)	220/240V
J104	PCB			G3 FAX CONTROL G 3 F A Xコントロール	
	VS1-6302-014		1	CONNECTOR, 14P, MALE コネクタ (オス)	

FIGURE & KEY NO.	PART NUMBER	RANK	QTY	DESCRIPTION	SERIAL NUMBER / REMARKS
G B - J104 J105	WS3-5569-000		12	PIN, CONTACT ピン コンタクト	
	PCB			G3 FAX CONTROL G 3 F A Xコントロール	
	VS3-0143-002		1	CONNECTOR, 2P, FEMALE コネクタ (メス)	
	WS3-1105-000		2	SOCKET CONTACT ソケット コンタクト	
J512	SYS		TO COPIER 複写機本体		
J531	VS1-6313-020		1	CONNECTOR, 20P, FEMALE コネクタ (メス)	
	VS1-6314-020		1	CONNECTOR, 20P, FEMALE コネクタ (メス)	
	VS1-6319-040		1	CONNECTOR, SNAP TIGHT 中継コネクタ	
	VT2-5161-040		1	HOLDER, CONNECTOR, 40P コネクタ ホルダ	
	SYS			TO COPIER 複写機本体	
J539	NPN		SPEAKER スピーカ	SP1	
J557	SYS		TO COPIER 複写機本体		
J559	VS1-6314-004		1	CONNECTOR, 4P, FEMALE コネクタ (メス)	100V
	VS1-6318-004		1	CONNECTOR, SNAP TIGHT チュウケイ コネクタ	100V
	SYS			TO COPIER 複写機本体	
	VS1-5057-002		1	CONNECTOR, SNAP TIGHT チュウケイ コネクタ	100V
	VS1-5824-002		1	CONNECTOR, 2P, FEMALE コネクタ (メス)	100V
J560	WS3-5358-000		2	SOCKET CONTACT, 22-26AWG ソケット コンタクト	100V
	SYS			TO COPIER 複写機本体	
	VS1-6702-012		1	CONNECTOR, 12P, FEMALE コネクタ (メス)	
	WS3-5720-000		12	SOCKET CONTACT, 22-28AWG ソケット コンタクト	
	J712	PCB		PSEUDO CI 疑似C I	100V
J713	VS1-6314-004		1	CONNECTOR, 4P, FEMALE コネクタ (メス)	100V
	PCB			PSEUDO CI 疑似C I	100V
	VS3-5083-002		1	CONNECTOR, 2P, FEMALE コネクタ (メス)	100V
	WS3-5160-000		2	SOCKET CONTACT, 18-24AWG ソケット コンタクト	100V
J714	PCB		PSEUDO CI 疑似C I	100V	

FIGURE & KEY NO.	PART NUMBER	RANK	QTY	DESCRIPTION	SERIAL NUMBER / REMARKS
G B - J714 J911	VS3-5083-003		1	CONNECTOR, 3P, FEMALE コネクタ (メス)	100V
	WS3-5160-000		2	SOCKET CONTACT, 18-24AWG ソケット コンタクト	100V
	PCB			G3 MODULAR G3モジュラ	
	VS3-5080-007		1	CONNECTOR, 7P, FEMALE コネクタ (メス)	100/120V
	WT1-5155-000		4	TERMINAL タ-ミナル	100V
J1101	WT1-5155-000		2	TERMINAL タ-ミナル	120V
	VS3-0143-011		1	CONNECTOR, 11P, FEMALE コネクタ(メス)	220/240V
	WS3-5251-000		6	SOCKET CONTACT ソケット コンタクト	220/240V
	PCB			NCU BOARD NCUボード	100V
	VS1-5729-002		1	CONNECTOR, 2P, MALE コネクタ (オス)	100V
	WS3-5301-000		1	PIN CONTACT ピン コンタクト	100V

UFR Printer and Scanner Kit-A1 (100V)

UFR プリンタ&スキャナキット・A1 (100V)

目 次

CONTENTS

G A . 主要部品配置図

GA. ASSEMBLY LOCATION DIAGRAM

G 95 . UFRプリンタ&スキャナキット・A1(100V)

G95. UFR PRINTER AND SCANNER KIT-A1 (100V)

D 8 . 部品索引表

D8. NUMERICAL INDEX

FIGURE GA ASSEMBLY LOCATION DIAGRAM
主要部品配置図

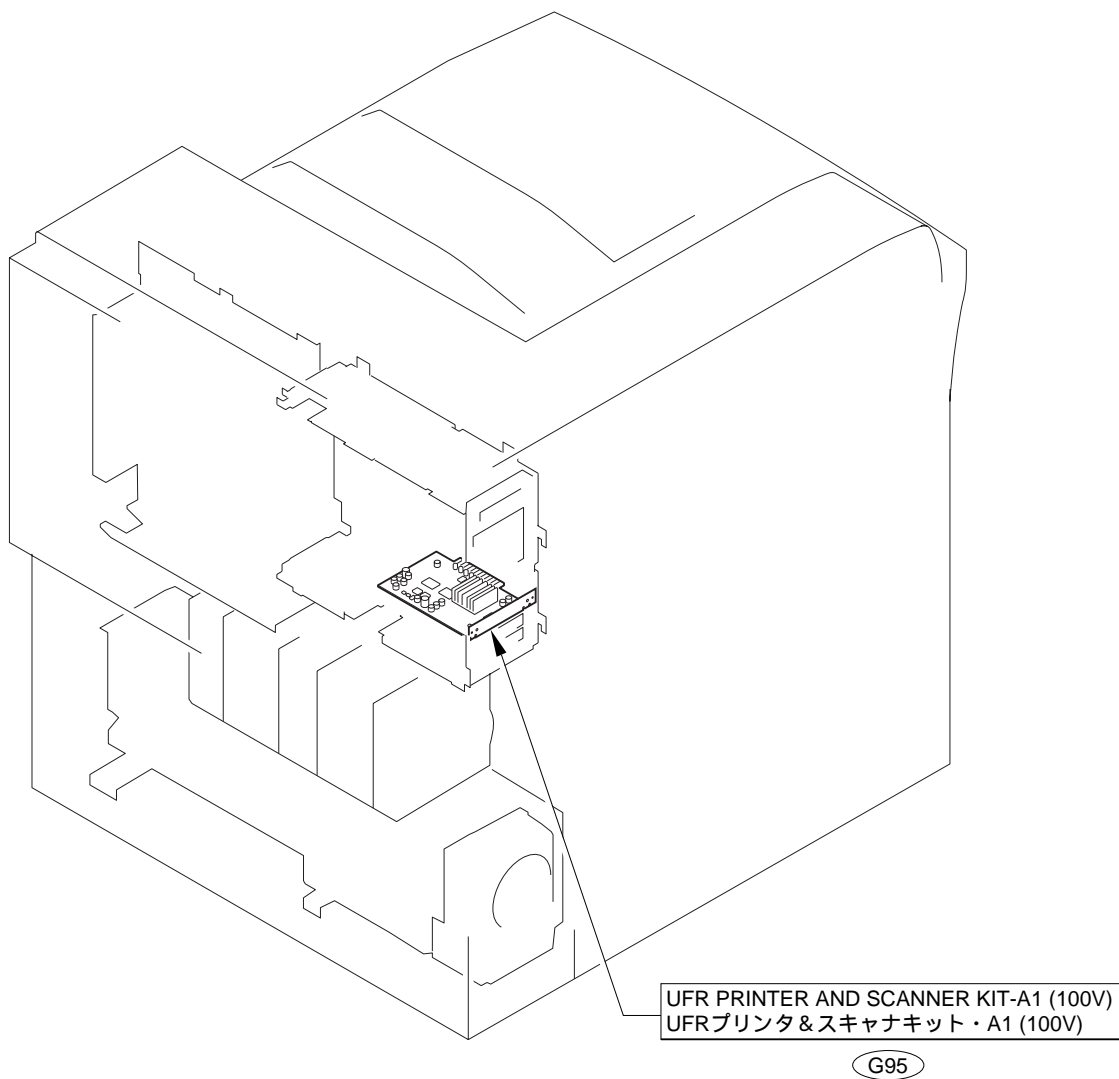


FIGURE G95 UFR PRINTER AND SCANNER KIT-A1 (100V) UFRプリンタ&スキャナキット・A1 (100V)

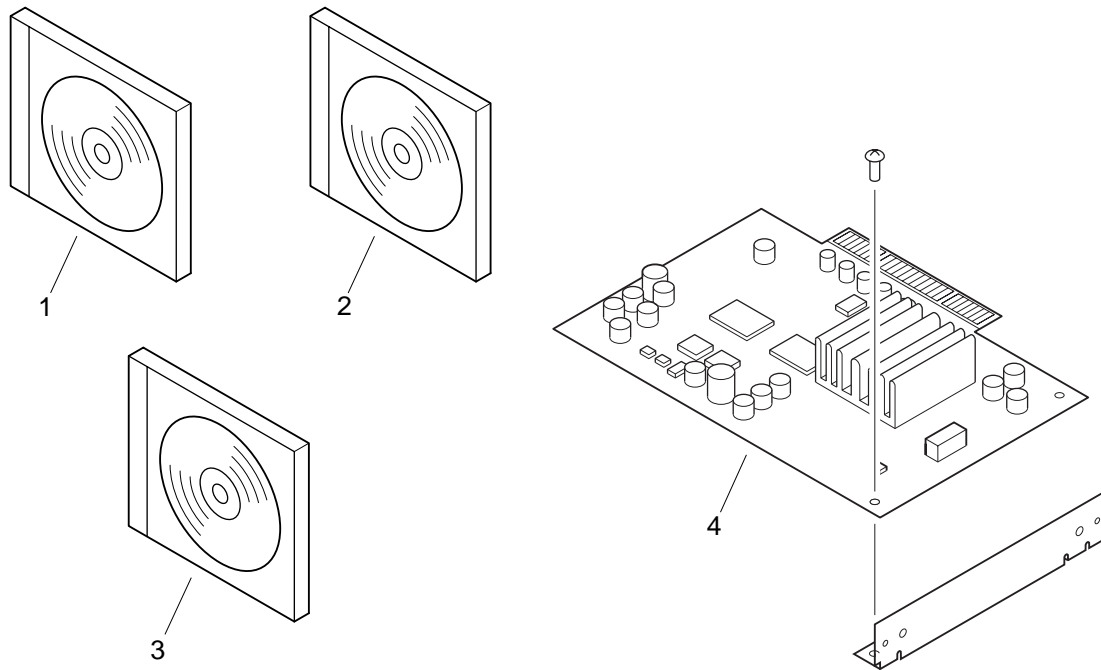


FIGURE & KEY NO.	PART NUMBER	RANK	QTY	DESCRIPTION	SERIAL NUMBER / REMARKS
G95 -	NPN		RF	UFR PRINTER AND SCANNER KIT-A1 UFRプリンタ&スキャナキット・A1	100V
1	FH5-3395-000		1	CD-ROM, SYSTEM システムCD-ROM	
2	FH5-3399-000		1	CD-ROM, UFR USER SOFTWARE UFRユーザソフトウェアCD-ROM	
3	FH5-3401-000		1	CD-ROM, COLOR NETWORK SCAN GEAR カラーN/W S.GEAR CD-ROM	
4	FG3-2729-000		1	UFR BOARD PCB ASSEMBLY UFRボード回路基板	

**Color Network Multi-PDL Printer Kit-A1 (120/220/240V)/
Color Network Printer Expansion Kit-A1 (120/220/240V)**

**N/WマルチPDLプリンタキット・A1 (120/220/240V)/
N/Wプリンタ拡張キット・A1 (120/220/240V)**

目 次

CONTENTS

- G96. N/WマルチPDLプリンタキット・A1
(120/220/240V)
- G97. N/Wプリンタ拡張キット・A1
(120/220/240V)

D9. 部品索引表

- G96. C.N/W MULTI-PDL PRINTER KIT-A1
(120/220/240V)**
- G97. C.N/W PRINTER EXPANSION KIT-A1
(120/220/240V)**

D9. NUMERICAL INDEX

FIGURE G96

C.N/W MULTI-PDL PRINTER KIT-A1 (120/220/240V) N/WマルチPDLプリンタキット・A1 (120/220/240V)

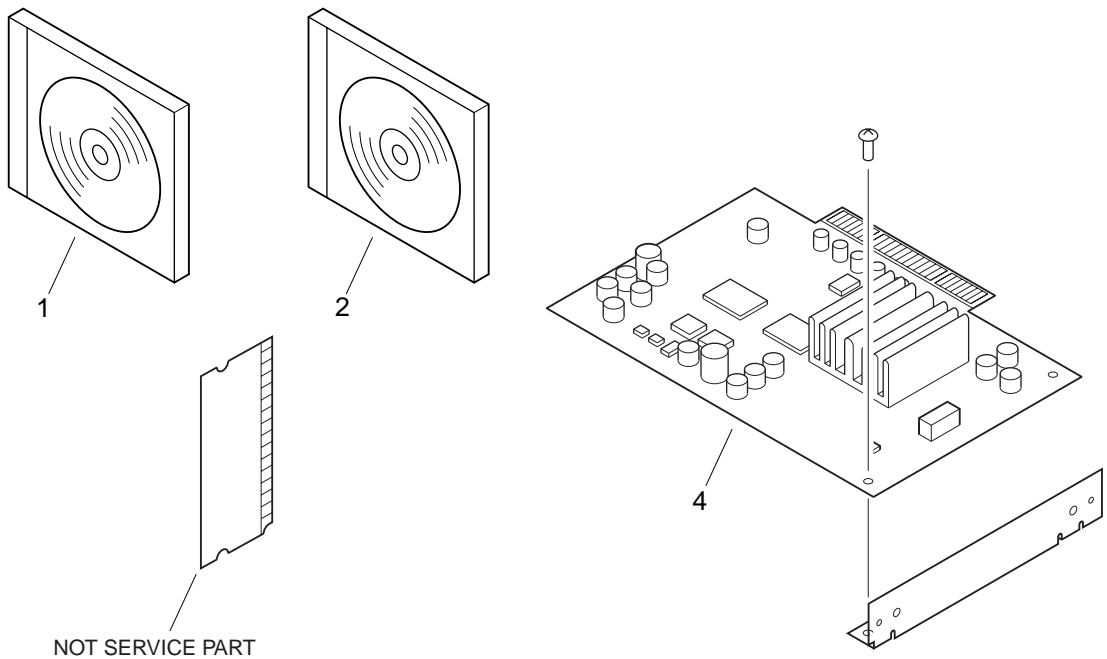


FIGURE & KEY NO.	PART NUMBER	RANK	QTY	DESCRIPTION	SERIAL NUMBER / REMARKS
G96 -	NPN		RF	C.N/W MULTI-PDL PRINTER KIT-A1 N/WマルチPDLプリンタキット・A1	120/220/240V
1	FH5-3428-000		1	CD-ROM, USER SOFTWARE ユーザ ソフトウェアCD-ROM	
2	FH5-3425-000		1	CD-ROM,COLOR NETWORK SCAN GEAR N/W SCAN GEAR CD-ROM	
4	FG3-2729-000		1	UFR BOARD PCB ASSEMBLY UFRボード回路基板	

FIGURE G97 C.N/W PRINTER EXPANSION KIT-A1(120/220/240V) N/Wプリンタ拡張キット・A1 (120/220/240V)

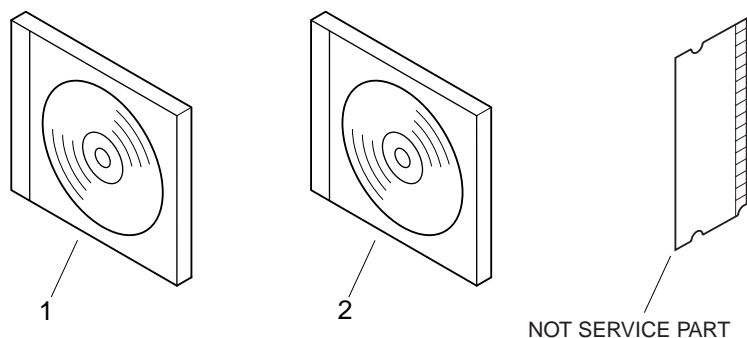


FIGURE & KEY NO.	PART NUMBER	RANK	QTY	DESCRIPTION	SERIAL NUMBER / REMARKS
G97 -	NPN		RF	C.N/W PRINTER EXPANSION KIT-A1 N/Wプリンタ拡張キット・A1	120/220/240V
1	FH5-3428-000		1	CD-ROM, USER SOFTWARE ユーザ ソフトウェア CD - ROM	
2	FH5-3425-000		1	CD-ROM, COLOR NETWORK SCAN GEAR N/W SCAN GEAR CD - ROM	

Color Universal Send Kit-A1

Send 拡張キット・B1

目 次

CONTENTS

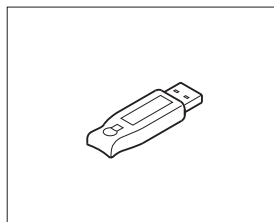
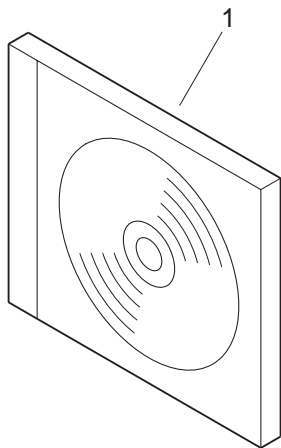
Y10. S E N D 拡張キット・B 1

Y10. COLOR UNIVERSAL SEND KIT-A1

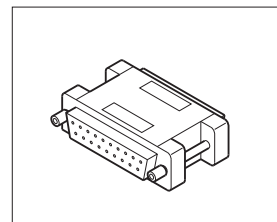
D10. 部品索引表

D10. NUMERICAL INDEX

FIGURE Y10 COLOR UNIVERSAL SEND KIT-A1 SEND拡張キット・B1



USB TYPE



PARALLEL TYPE

FIGURE & KEY NO.	PART NUMBER	RANK	QTY	DESCRIPTION	SERIAL NUMBER / REMARKS
Y10 - 1	NPN FH5-3393-000		RF 1	COLOR UNIVERSAL SEND KIT-A1 SEND拡張キット・B1 CD-ROM, SET-UP TOOL セットアップ ツールCD-ROM	
<hr/>					
<hr/>					

iR Security Kit-A1

iR セキュリティキット・A1

目 次

CONTENTS

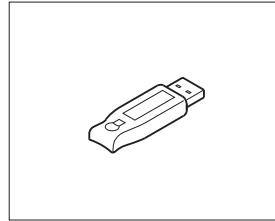
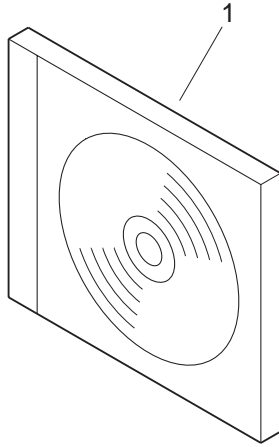
Y10. IRセキュリティキット・A1

Y10. IR SECURITY KIT-A1

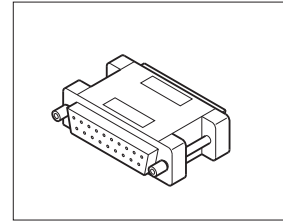
D11. 部品索引表

D11. NUMERICAL INDEX

FIGURE Y10 IR SECURITY KIT-A1 IRセキュリティキット・A1



USB TYPE



PARALLEL TYPE

FIGURE & KEY NO.	PART NUMBER	RANK	QTY	DESCRIPTION	SERIAL NUMBER / REMARKS
Y10 - 1	NPN FH5-3394-000		RF 1	IR SECURITY KIT-A1 IRセキュリティキット・A1 CD-ROM, SET-UP TOOL セットアップ ツール CD-ROM	
<hr/>					
<hr/>					

SELF OPERATION KIT (100V)

セルフ対応キット (100V)

目 次

CONTENTS

Y11. セルフ対応キット (1 0 0 V)

Y11. SELF OPERATION KIT (100V)

D12. 部品索引表

D12. NUMERICAL INDEX

FIGURE Y11 SELF OPERATION KIT (100V) セルフ対応キット (100V)

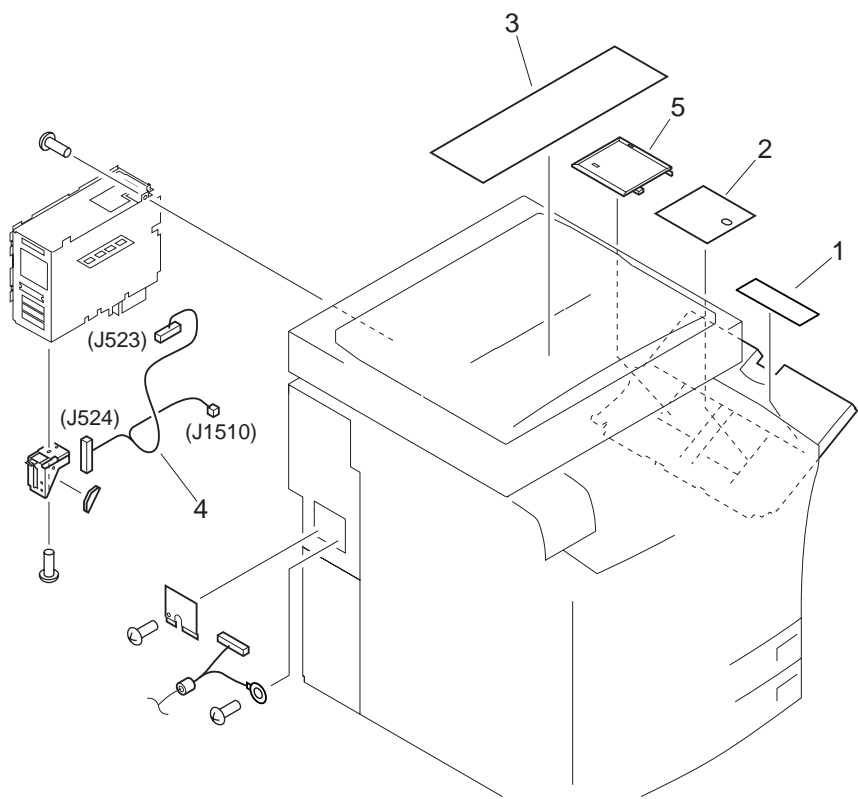


FIGURE & KEY NO.	PART NUMBER	RANK	QTY	DESCRIPTION	SERIAL NUMBER / REMARKS
Y11 -	NPN		RF	SELF OPERATION KIT セルフ対応キット	100V
1	FB6-4867-000		1	LABEL, SIZE, MANUAL FEED 手差しサイズ ラベル	
2	FB6-4868-000		1	LABEL, POSTCARD SET はがきセット ラベル	
3	FC5-0114-000		1	SEAL, COPYBOARD COVER 原稿台カバー シール	
4	FG3-3287-000		1	CABLE, COIN VENDER コイン ベンダ束線	J523,524,1510
5	FB6-4869-000		1	GUIDE, SIZE FIXING サイズ固定ガイド	

imagePASS-C1 (120V)

/Color Network Printer Unit-C1 (220/240V)

PSプリントサーバユニット・C1 (100V)

目 次

CONTENTS

J90. P S プリントサーバユニット・C1 (100V)

J90. LPASS-C1/C. PRINT UNIT-C1 (120/220/240V)

D13. 部品索引表

D13. NUMERICAL INDEX

FIGURE J90

I.PASS-C1/C.PRINT UNIT-C1 (120/220/240V)
PSプリントサーバユニット・C1 (100V)

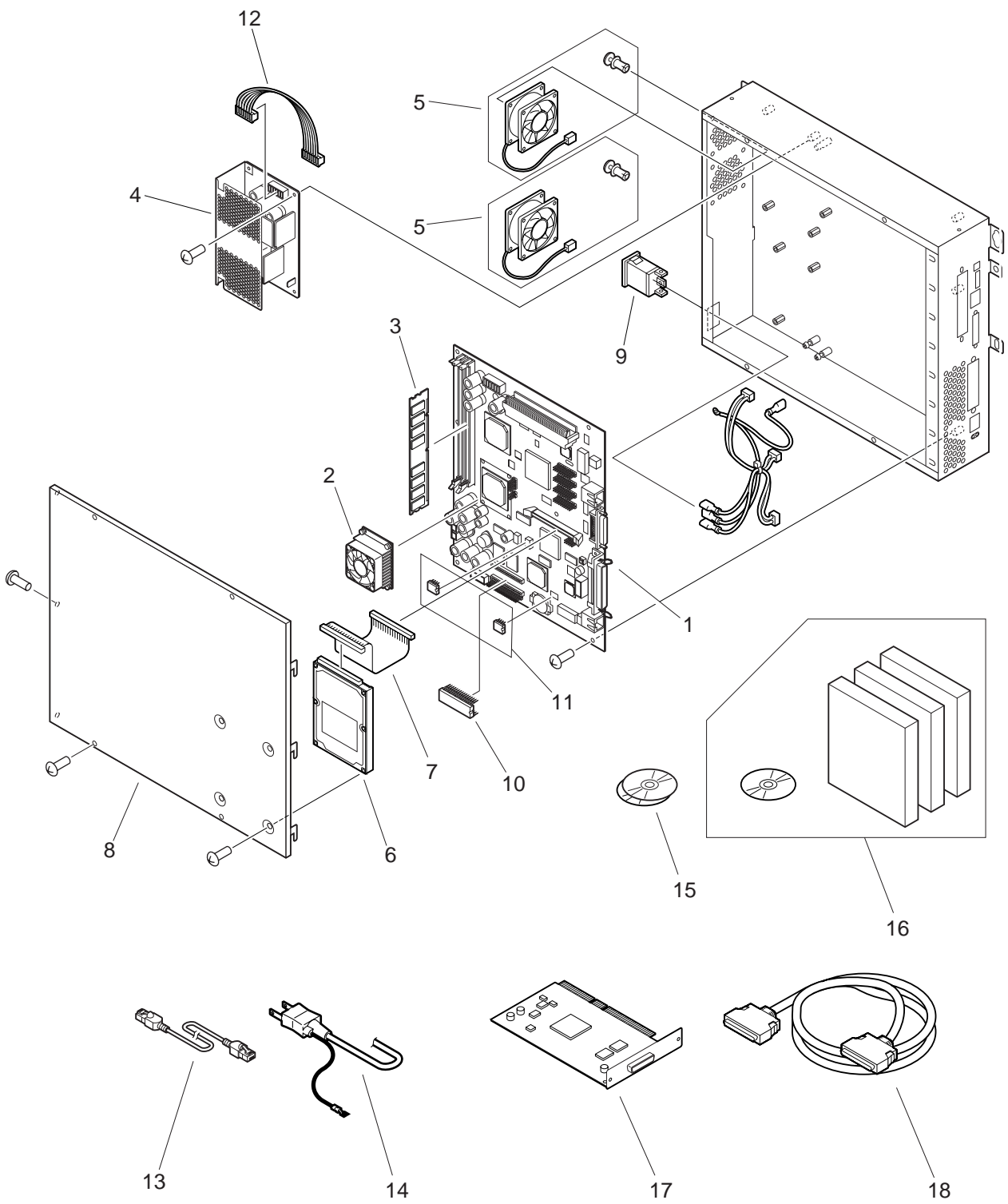


FIGURE & KEY NO.	PART NUMBER	RANK	QTY	DESCRIPTION	SERIAL NUMBER / REMARKS
J90 -	NPN		RF	I.PASS-C1/C. PRINT UNIT-C1 P S プリントサーバユニット・C 1	
1	FE1-5774-000		1	MOTHER BOARD PCB ASSEMBLY マザー ボード回路基板	
2	FE1-5803-000		1	HEATSINK WITH CPU FAN ファン	
3	FE1-5759-000		1	DIMM,UG516T6648JC-PLEF,D-RAM D I M M	
4	FE1-5776-000		1	POWER SUPPLY UNIT 電源ユニット	
5	FE1-5802-000		2	FAN ファン	
6	FE1-5668-000		1	HDD,10GB ハードディスク	
7	FE1-5779-000		1	CABLE, HDD IDE ハードディスク I D E 束線	
8	FE1-5801-000		1	COVER, TOP トップ カバー	
9	FE1-5777-000		1	LINE FILTER ラインフィルタ	
10	FE1-5804-000		1	BIOS CHIP バイオス チップ	
11	FE1-5805-000		1	E EP-ROM (2 ROMS INCLUDED) E E P - R O M	
12	FE1-5807-000		1	CABLE, POWER SUPPLY 電源束線	
13	FE1-5780-000		1	CABLE, CROSS クロス束線	
14	FE1-4600-000		1	POWER CORD, 100V デンゲン コ - ド	100V
	FE1-4538-000		1	POWER CORD, 125VAC デンゲン コ - ド	120V
	FE1-4546-000		1	POWER CORD, 240VAC デンゲン コ - ド	220/240V
	FE1-4547-000		1	POWER CORD, 240VAC デンゲン コ - ド	220/240V
15	FE1-5768-000		1	CD-ROM, SYSTEM S/W, ROMAN V1.0 システム S / W C D - R O M	ROMAN
	FE1-5769-000		1	CD-ROM, SYSTEM S/W, KANJI V1.0 システム S / W C D - R O M	KANJI
16	FE1-5772-000		1	CD-ROM, MEDIAPACK, JPN V1.0 メディアパック C D - R O M	JPN
	FE1-5770-000		1	CD-ROM, MEDIAPACK, USA V1.0 メディアパック C D - R O M	USA
	FE1-5771-000		1	CD-ROM, MEDIAPACK, EUR V1.0 メディアパック C D - R O M	EUR
	FE1-5806-000		1	CD-ROM, MEDIAPACK, UK V1.0 メディアパック C D - R O M	UK
17	FG6-9991-000		1	OPEN INTERFACE BOARD PCB ASS'Y オープン インターフェース ボード回路基板	
18	FH2-7042-000		1	CABLE, OPEN INTERFACE オープン インターフェース束線	

C LIST OF STANDARD FASTENERS

機械標準部品一覧表

I. SCREWS	C - 2	I. ネジ	C - 2
A. Machine screws		A. 精密機器用小ネジ	C - 3
(for precision use)	C - 3	B. ナベ小ネジ	C - 3
B. Pan head machine screws	C - 3	E. バインド小ネジ	C - 3
E. Binding head machine screws	C - 3	F. サラ小ネジ	C - 3
F. Flat head machine screws	C - 3	G. タッピンネジ	C - 3
G. Self-tapping screws	C - 3	H. パネ座金付き十字ナベ小ネジ	C - 3
H. Pan head machine screws with		K. TP小ネジ	C - 4
captive spring washer	C - 3	L. 六角穴付き止めネジおよび	
K. Washer head machine screws	C - 4	六角穴付きボルト	C - 4
L. Hex socket setscrews and		II. ナット	C - 4
socket head cap screws	C - 4	M. 六角ナット	C - 4
II. NUTS	C - 4	III. ワッシャ	C - 5
M. Hexagon nuts	C - 4	N. S & T. 標準ワッシャ	C - 5
III. WASHERS AND SHIM WASHERS	C - 5	U. 平座金、パネ座金および	
N. S&T. Shim washers	C - 5	歯付き座金	C - 6
U. Plain Washers, spring washers&		IV. 止め輪	C - 7
toothed lock washers	C - 6	V. E形止め輪	C - 7
IV. RETAINING RINGS	C - 7	W. グリップ止め輪	C - 7
V. E rings	C - 7	X. C形止め輪	C - 8
W. Grip rings	C - 7	V. ピン	C - 9
X. C rings	C - 8	Y. スプリングピンおよび	
V. PINS	C - 9	平行ピン	C - 9
Y. Spring and dowel pins	C - 9	VI. スペーサ	C - 9
VI. SPACERS	C - 9	Z. スペーサ	C - 9
Z. Spacers	C - 9		

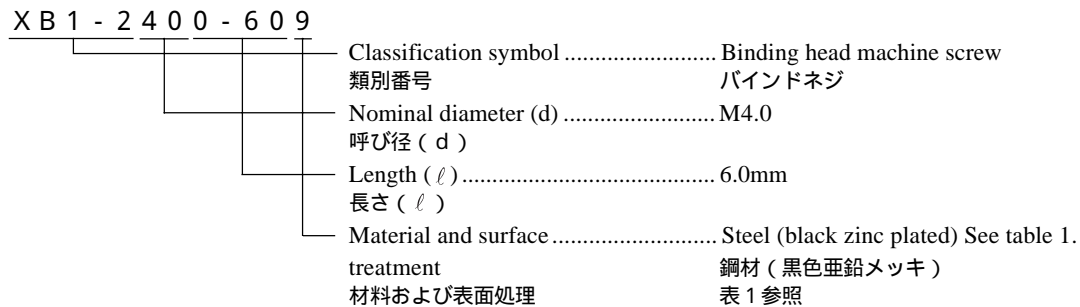
I. SCREWS ネジ

How to read Part Numbers

部品番号の見方

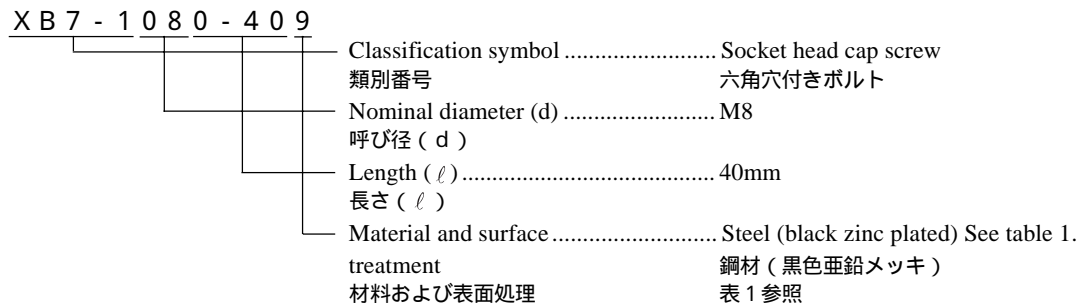
Screws (except socket head cap screws)

ネジ (六角穴付ボルトを除く)



Socket head cap screws

六角穴付ボルト



Material and surface treatment

No.	Material	Surface treatment	Color
1	Stainless	Blackened	Black
2		Without surface treatment	White
3	Brass	Nickel plated	White
4		Black nickel plated	Black
5	Steel	Zinc plated	Yellow
6		Nickel and chrome plated	White
7		Nickel plated	White
8		Phosphated	Black
9		Black zinc plated	Black

Table 1

材料および表面処理

番号	材質	表面処理	色
1	ステンレス	黒 着 色	黒
2		な し	白
3	黄銅	ニ ッ ケ ル メ ッ キ	白
4		黒 色 ニ ッ ケ ル メ ッ キ	黒
5	鋼	亜 鉛 メ ッ キ	黄
6		ニ ッ ケ ル ク ロ ム メ ッ キ	白
7		ニ ッ ケ ル メ ッ キ	白
8		鉄 鋼 燐 酸 塩 被 膜	黒
9		黒 色 亜 鉛 メ ッ キ	黒

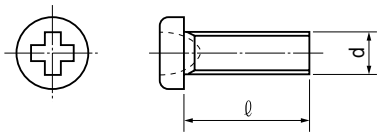
表 1

A . MACHINE SCREWS (FOR PRECISION USE)

精密機器用小ネジ

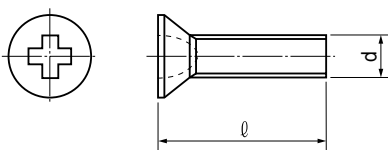
Pan head machine Screws

ナベ小ネジ



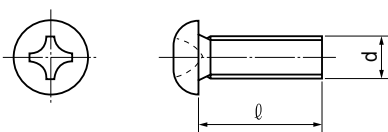
Flat head machine Screws

サラ小ネジ



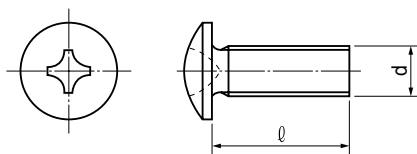
B . PAN HEAD MACHINE SCREWS

ナベ小ネジ



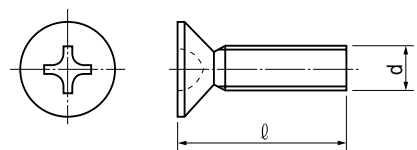
E . BINDING HEAD MACHINE SCREWS

バインド小ネジ



F . FLAT HEAD MACHINE SCREWS

サラ小ネジ

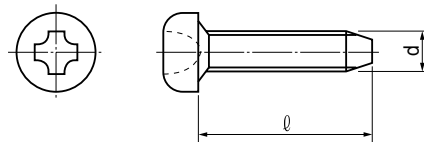


G . SELF-TAPPING SCREWS

タッピンネジ

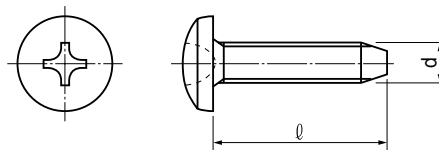
Pan head self-tapping screws

ナベタッピンネジ



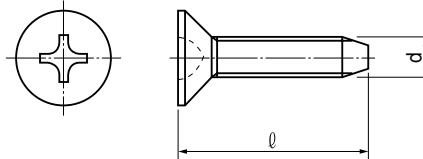
Binding head self-tapping screws

バインドタッピンネジ



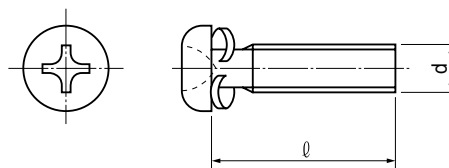
Flat head self-tapping screws

サラタッピンネジ



H . PAN HEAD MACHINE SCREWS WITH CAPTIVE SPRING WASHER

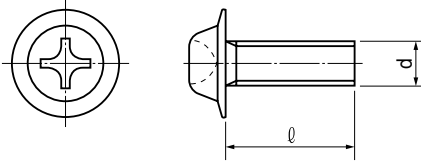
バネ座金付き十字ナベ小ネジ



K - L

K . WASHER HEAD MACHINE SCREWS

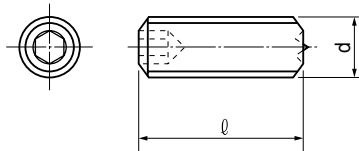
TP小ネジ



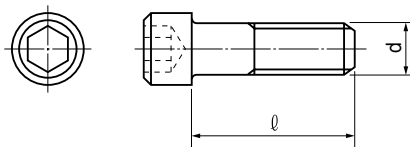
L . HEX SOCKET SETSCREWS AND SOCKET HEAD CAP SCREWS

六角穴付き止めネジおよび六角穴付きボルト

Hex socket setscrews
六角穴付き止めネジ



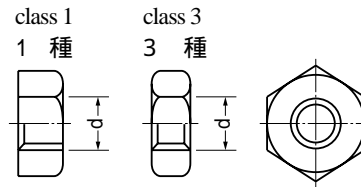
Socket head cap screws
六角穴付きボルト



II. NUTS
ナット

M . HEXAGON NUTS

六角ナット



How to read Part Numbers

部品番号の見方

XB7 - 2100 - 309		Nominal diameter (d) .. M3 呼び径 (d)
Hexagon nut 六角ナット	Material and surface treatment	Steel (black zinc plated) 鋼材 (黒色亜鉛メッキ)

XB7 - 210class 1
1種
XB7 - 220class 3
3種

III. WASHERS AND SHIM WASHERS

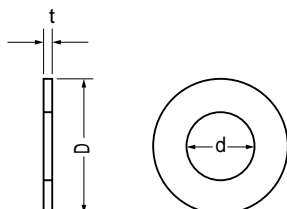
ワッシャ

N . S&T . SHIM WASHERS

標準ワッシャ

How to read Part Numbers

部品番号の見方



X D 1 - 1 1 0 2 - 6 2 5

Shim washer
標準ワッシャ

Inner diameter (d) ... 2.6mm
内径 (d)
Outer diameter (D) .. Class 2 (See table 2)
外径 (D) 2種 (表2参照)
Thickness code (t) ... 0.5mm
板厚番号 (t) See table 3.
表3参照

* Material : Brass
材料 : 黄銅

d (mm)	D (mm)		
	Class 1 1種	Class 2 2種	Class 3 3種
1.5	—	2.6	3.2
1.8	2.7	3.1	3.7
2.1	3.2	3.6	4.2
2.3	3.6	4	4.6
2.6	4	4.4	5
3.1	4.6	5	5.6
3.6	5.4	5.8	6.4
4.1	5.7	6.6	8
4.6	6.4	7.4	9
5.2	7.2	8.2	10
5.7	7.8	9	11
6.2	8.5	9.8	12
6.7	9.2	10.5	13
7.2	10	11.4	14
7.7	10.6	12.2	15
8.2	11.4	13	16
8.7	12	13.8	17
9.2	12.8	14.6	18
9.7	13.5	15.4	19

Table 2 表2

Thickness code 板厚番号	t (mm)
0	0.05
1	0.1
2	0.2
3	0.3
4	0.4
5	0.5
6	0.6
7	0.7
8	0.8
9	1

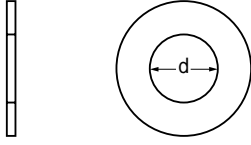
Table 3 表3

U

U . PLAIN WASHERS, SPRING WASHERS & TOOTHED LOCK WASHERS

平座金、バネ座金および歯付き座金

Plain washers
平座金



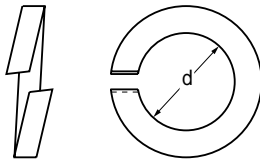
How to read Part Numbers
部品番号の見方

X D 1 - 2 1 0 0 - 3 0 7

Plain washer
平座金

Inner diameter (d) 3.0mm
呼び径 (d)
Material and surface
treatment Steel (nickel plated)
材料および表面処理 鋼材 (ニッケルメッキ)

Spring washers
バネ座金



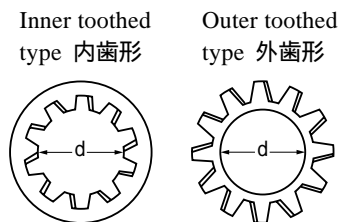
How to read Part Numbers
部品番号の見方

X D 1 - 3 1 0 0 - 5 0 7

Spring washer
バネ座金

Inner diameter (d) 5.0mm
呼び径 (d)
Material and surface
treatment Steel (nickel plated)
材料および表面処理 鋼材 (ニッケルメッキ)

Toothed lock washers
歯付き座金



How to read Part Numbers
部品番号の見方

X D 1 - 4 1 0 0 - 3 0 2

Toothed lock washer
歯付き座金

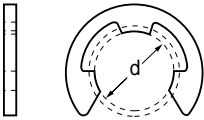
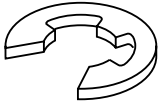
Inner diameter (d) 3mm
呼び径 (d)
Material and surface
treatment Stainless (without
surface treatment)
材料および表面処理 ステンレス
(表面処理なし)

X D 1 - 4 1 0 . . . Inner toothed type
内歯形

X D 1 - 4 2 0 . . . Outer toothed type
外歯形

IV. RETAINING RINGS 止め輪

V. E RINGS E形止め輪



How to read Part Numbers
部品番号の見方

X D 2 - 1 1 0 0 - 1 7 2

E ring
E形止め輪

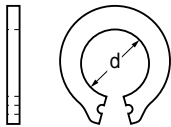
Inner diameter (d) 1.7mm
呼び径 (d)
Material and surface treatment
材料および表面処理

X D 2 - 1 1 0 ... class 1
1種

X D 2 - 1 2 0 ... class 2
2種

2 Stainless (without surface treatment)
ステンレス (表面処理なし)
7 Steel (nickel plated)
鋼材 (ニッケルメッキ)

W. GRIP RINGS グリップ止め輪



How to read Part Numbers
部品番号の見方

X D 2 - 2 1 0 0 - 5 0 2

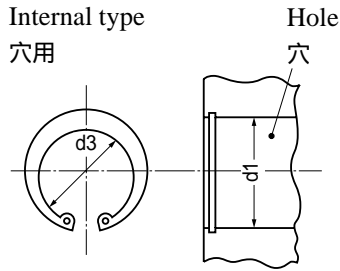
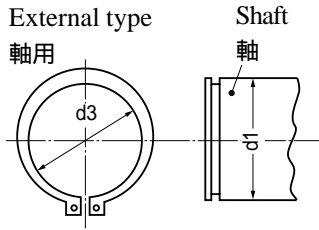
Grip ring
グリップ止め輪

Inner diameter (d) 5.0mm
呼び径 (d)

Material and surface treatment Stainless (without surface treatment)
材料および表面処理 ステンレス (表面処理なし)

X . C RINGS

C形止め輪



How to read Part Numbers

部品番号の見方

X D 2 - 3 1 0 0 - 2 0 2

C ring
C形止め輪

Nominal diameter (d) . 20mm
呼び径 (d)

Material and surface treatment
材料および表面処理

- 2 Stainless (without surface treatment)
ステンレス (表面処理なし)
- 8 Steel (phosphated)
鋼材 (鉄鋼磷酸塩被膜)

XD 2 - 3 1 0 ... External type
軸用

XD 2 - 3 2 0 ... Internal type
穴用

External type
軸用

Nominal diameter 呼び径	d1 (mm)	d3 (mm)
010	10	9.3
012	12	11.1
014	14	12.9
015	15	13.8
016	16	14.7
017	17	15.7
018	18	16.5
020	20	18.5
022	22	20.5
025	25	23.2
028	28	25.9
030	30	27.9
032	32	29.6
035	35	32.2

Table 4 表 4

Internal type
穴用

Nominal diameter 呼び径	d1 (mm)	d3 (mm)	Nominal diameter 呼び径	d1 (mm)	d3 (mm)
010	10	10.7	040	40	43.5
011	11	11.8	042	42	45.5
012	12	13	045	45	48.5
014	14	15.1	047	47	50.5
016	16	17.3	050	50	54.2
018	18	19.5	052	52	56.2
019	19	20.5	055	55	59.2
020	20	21.5	060	60	64.2
022	22	23.5	062	62	66.2
025	25	26.9	068	68	72.5
028	28	30.1	072	72	76.5
030	30	32.1	075	75	79.5
032	32	34.4	080	80	85.5
035	35	37.8	085	85	90.5
037	37	39.8	090	90	95.5
			095	95	100.5

Table 5 表 5

D1 NUMERICAL INDEX (Color Image Reader-C1)

部品索引表

PART NUMBER	FIGURE & KEY NO.	PART NUMBER	FIGURE & KEY NO.	PART NUMBER	FIGURE & KEY NO.
FA3 - 9315 - 000	100 - 1	FH3 - 0969 - 000	941 - T3	XB3 - 6400 - 800	100 - 503
FA9 - 3880 - 000	210 - 1	FH3 - 7213 - 000	210 - 20		210 - 503
FA9 - 3881 - 000	210 - 2	FH4 - 3950 - 000	931 - I C 7	XB4 - 5401 - 007	100 - 504
FB4 - 0711 - 000	100 - 14 A	FH4 - 6165 - 000	931 - I C 16	XB4 - 7401 - 009	160 - 501
FB4 - 0726 - 000	210 - 3	FH4 - 6202 - 000	941 - I C 1	XB6 - 7300 - 607	210 - 504
FB4 - 0799 - 000	420 - 1	FH7 - 7462 - 000	210 - 21		430 - 503
FB4 - 0864 - 000	430 - 1	FH7 - 7619 - 000	210 - 22	XD2 - 1100 - 502	001 - 502
FB6 - 4842 - 000	160 - 1		210 - 22	XD2 - 1100 - 642	210 - 505
FB6 - 4843 - 000	160 - 2	FL2 - 0011 - 000	100 - 11		430 - 504
FB6 - 4844 - 000	160 - 3	FL2 - 0013 - 000	100 - 12	XF9 - 0731 - 000	210 - 35
FB6 - 4845 - 000	100 - 2	FL2 - 0014 - 000	100 - 13	XG9 - 0208 - 000	210 - 36
FC5 - 0081 - 000	210 - 4	FL2 - 0015 - 000	210 - 23		
FC5 - 0082 - 000	210 - 5	FL2 - 0020 - 000	420 - 4		
FC5 - 0083 - 000	210 - 6	FL2 - 0026 - 000	210 - 24		
FC5 - 0084 - 000	100 - 3	FL2 - 0382 - 000	001 - 10		
FC5 - 0085 - 000	100 - 4	FL2 - 0383 - 000	001 - 11		
FC5 - 0086 - 000	100 - 5	FL2 - 0384 - 000	001 - 12		
FC5 - 0092 - 000	100 - 6	FL2 - 0385 - 000	001 - 13		
FC5 - 0096 - 000	430 - 2	FL2 - 0615 - 000	210 - 25		
FC5 - 0101 - 000	210 - 23 A	FM2 - 0023 - 000	210 - 26		
FC5 - 0102 - 000	100 - 14 B	FM2 - 0026 - 000	420 -		
FC5 - 0103 - 000	100 - 14 C	FM2 - 0027 - 000	420 - 5		
FC5 - 0110 - 000	100 - 14 B	FM2 - 0030 - 000	430 -		
FC5 - 0112 - 000	100 - 14 C	FM2 - 0035 - 000	210 - 27		
FC5 - 0127 - 000	420 - 2	FM2 - 0036 - 000	941 -		
	430 - 3	FM2 - 0037 - 000	210 - 28		
FC5 - 0128 - 000	420 - 3	FM2 - 0040 - 000	210 - 29		
FC5 - 0136 - 000	430 - 4	FM2 - 0587 - 000	210 - 30		
FC5 - 0137 - 000	430 - 5	FM2 - 0596 - 000	210 - 31		
FC5 - 0140 - 000	210 - 7	FM2 - 0598 - 000	100 - 14		
FC5 - 0145 - 000	210 - 8	FM2 - 0599 - 000	100 - 14		
FC5 - 0158 - 000	210 - 9	FM2 - 0600 - 000	100 - 14		
FC5 - 0160 - 000	100 - 7	FM2 - 0817 - 000	100 - 14		
FC5 - 0161 - 000	210 - 10	FM2 - 0819 - 000	100 - 14		
FC5 - 0165 - 000	430 - 6	FN5 - 4117 - 000	430 - 9		
FC5 - 0166 - 000	100 - 8	FN7 - 4008 - 000	430 - 10		
FC5 - 1571 - 000	001 - 1	FS5 - 1599 - 000	210 - 32		
FC5 - 1574 - 000	001 - 2	FS5 - 9400 - 000	001 - 14		
FC5 - 1575 - 000	001 - 3	FS5 - 9773 - 000	100 - 15		
FC5 - 1576 - 000	001 - 4	FU5 - 2021 - 000	210 - 33		
FC5 - 1581 - 000	001 - 5	FU5 - 8203 - 000	100 - 16		
FC5 - 1585 - 000	001 - 6	FU5 - 8204 - 000	100 - 16		
FC5 - 1586 - 000	001 - 7	FU5 - 8205 - 000	100 - 16		
FC5 - 2789 - 000	430 - 7	FU5 - 8206 - 000	100 - 16		
FC5 - 2792 - 000	100 - 9	FU5 - 8207 - 000	100 - 16		
FC5 - 3231 - 000	100 - 14 B	FU5 - 8208 - 000	100 - 16		
FC5 - 3232 - 000	100 - 14 B	FU5 - 8209 - 000	100 - 16		
FC5 - 3233 - 000	100 - 14 B	FU5 - 8210 - 000	100 - 16		
FC5 - 3234 - 000	100 - 14 C	FU5 - 8211 - 000	100 - 16		
FC5 - 3235 - 000	100 - 14 C	FU5 - 8215 - 000	100 - 16		
FC5 - 3236 - 000	100 - 14 C	FU5 - 8216 - 000	100 - 16		
FC5 - 4158 - 000	001 - 8	FU5 - 8217 - 000	100 - 16		
FC5 - 4763 - 000	430 - 8	FU5 - 9026 - 000	001 - 15		
FC5 - 4765 - 000	001 - 9	FU5 - 9028 - 000	001 - 16		
FE5 - 3633 - 000	160 - 6 A	VS1 - 5452 - 007	B - J 3		
FE5 - 3634 - 000	160 - 4		B - J 305		
FE5 - 4380 - 000	160 - 5	VS1 - 6314 - 003	B - J 311		
FF6 - 2562 - 000	160 - 6		B - J 401		
FG3 - 2570 - 000	931 -	VS1 - 6314 - 006	B - J 310		
FG3 - 2612 - 000	210 - 11	VS1 - 6321 - 003	B - J 5		
FG3 - 2613 - 000	210 - 12		B - J 6		
FG6 - 9614 - 000	160 -	VS1 - 6534 - 008	B - J 201		
FH2 - 5006 - 000	210 - 13	VS1 - 6534 - 009	B - J 309		
FH2 - 5821 - 000	B - J 2	VS3 - 5083 - 003	B - J 301		
FH2 - 6480 - 000	B - J 3		B - J 402		
FH2 - 6491 - 000	210 - 14	WS3 - 5160 - 000	B - J 301		
FH2 - 6552 - 000	210 - 15		B - J 402		
FH2 - 6718 - 000	210 - 16	WS3 - 5264 - 000	B - J 2		
FH2 - 6981 - 000	210 - 17	WS3 - 5596 - 000	B - J 3		
	B - J 101	WS3 - 5658 - 000	B - J 201		
	B - J 204		B - J 309		
FH2 - 6982 - 000	210 - 18	WS5 - 5062 - 000	B - J 1		
	B - J 102	WT2 - 5565 - 000	210 - 11 A		
	B - J 205	XA9 - 0425 - 000	430 - 11		
FH2 - 6983 - 000	B - J 203	XA9 - 0546 - 020	210 - 34		
	B - J 307	XB1 - 2260 - 607	941 - 501		
FH2 - 6984 - 000	B - J 202	XB1 - 2300 - 607	210 - 501		
	B - J 308		430 - 501		
FH2 - 6985 - 000	210 - 19	XB1 - 2400 - 407	100 - 501		
	B - J 206	XB1 - 2400 - 607	210 - 502		
	B - J 601		941 - 502		
FH2 - 6986 - 000	B - J 2	XB1 - 3400 - 807	100 - 502		
FH2 - 7036 - 000	100 - 10	XB2 - 8300 - 807	420 - 501		
	B - J 303		430 - 502		
	B - J 1401	XB3 - 6400 - 800	001 - 501		

PART NUMBER	FIGURE & KEY NO.	PART NUMBER	FIGURE & KEY NO.	PART NUMBER	FIGURE & KEY NO.
FA1-0056-000	315 - 5	FB6-3120-000	104 - 15	FB6-3350-000	365 - 6
FA2-7162-000	100 - 18A	FB6-3124-000	101 - 10A	FB6-3351-000	365 - 7
FA3-0652-000	810 - 31	FB6-3127-000	101 - 10B	FB6-3356-000	365 - 8
FA3-8727-000	104 - 10	FB6-3129-000	101 - 41C	FB6-3357-000	365 - 9
FA3-8894-000	810 - 1	FB6-3131-000	560 - 12G	FB6-3358-000	365 - 10
FA4-1159-000	315 - 6	FB6-3134-000	560 - 12A	FB6-3359-000	365 - 11
FA9-3941-000	810 - 27	FB6-3135-000	560 - 1	FB6-3360-000	365 - 12
FA9-3942-000	810 - 51	FB6-3136-000	560 - 2	FB6-3361-000	365 - 13
FB1-7173-000	101 - 1	FB6-3137-000	108 - 5	FB6-3366-000	105 - 12
FB1-7234-000	810 - 2	FB6-3138-000	108 - 6	FB6-3371-000	103 - 5
FB1-8581-000	315 - 8	FB6-3139-000	100 - 18D	FB6-3376-000	100 - 49
FB2-4375-000	810 - 3	FB6-3143-020	105 - 9	FB6-3380-000	310 - 1
FB2-4456-000	100 - 28	FB6-3145-000	105 - 10	FB6-3386-000	310 - 2
FB2-6285-000	271 - 1	FB6-3146-000	560 - 3	FB6-3387-000	310 - 3
	315 - 88	FB6-3149-000	560 - 12B	FB6-3388-000	310 - 4
FB2-7867-020	101 - 21	FB6-3150-000	560 - 9	FB6-3389-000	310 - 5
FB4-3064-000	120 - 1		810 - 37	FB6-3390-000	310 - 6
FB4-3066-000	120 - 2	FB6-3152-000	104 - 16	FB6-3391-000	310 - 7
FB4-5967-000	125 - 6	FB6-3156-000	108 - 7	FB6-3392-000	310 - 8
	125A - 6	FB6-3158-000	101 - 3	FB6-3393-000	310 - 9
FB5-0873-000	315 - 9	FB6-3163-000	272 - 1	FB6-3394-000	310 - 10
FB5-2172-000	130 - 1	FB6-3167-000	190 - 1	FB6-3395-000	310 - 11
FB5-3698-000	130 - 2	FB6-3169-000	107 - 2A	FB6-3396-000	310 - 12
FB5-3699-000	130 - 3	FB6-3172-000	103 - 26	FB6-3397-000	310 - 13
FB5-3728-000	130 - 4		104 - 24	FB6-3398-020	310 - 14
FB5-4896-000	351 - 2	FB6-3173-000	104 - 25	FB6-3399-000	310 - 15
	351A - 2	FB6-3175-000	104 - 26	FB6-3402-000	310 - 18
FB5-8385-000	100 - 27	FB6-3187-000	104 - 1	FB6-3403-000	310 - 19
	102 - 22	FB6-3188-000	104 - 2	FB6-3404-000	310 - 20
FB5-9570-000	351 - 3	FB6-3189-000	104 - 3	FB6-3405-000	310 - 21
FB5-9803-000	351 - 4	FB6-3190-000	104 - 20	FB6-3406-000	310 - 22
	351A - 4	FB6-3192-000	104 - 31	FB6-3407-000	310 - 22
FB6-2930-000	535 - 1	FB6-3193-000	104 - 32	FB6-3408-000	310 - 23
FB6-2931-000	535 - 37	FB6-3194-000	101 - 48	FB6-3410-000	310 - 17
FB6-2932-000	535 - 2	FB6-3195-000	101 - 4		315 - 27
FB6-2934-000	535 - 3	FB6-3196-000	101 - 5	FB6-3411-000	310 - 24
FB6-2936-000	535 - 4	FB6-3199-000	101 - 22	FB6-3413-000	310 - 29
FB6-2938-000	535 - 5	FB6-3202-000	101 - 23	FB6-3440-000	107 - 1
FB6-2939-000	535 - 6	FB6-3203-000	101 - 24	FB6-3442-000	102 - 2
FB6-2940-000	535 - 7	FB6-3205-000	101 - 25	FB6-3443-000	100 - 1
FB6-2941-000	535 - 8	FB6-3207-000	101 - 26	FB6-3450-000	316 - 1
FB6-2942-000	535 - 9	FB6-3216-000	120 - 3	FB6-3451-000	316 - 2
FB6-2944-000	535 - 10	FB6-3218-000	120 - 4	FB6-3452-000	316 - 3
FB6-2945-000	535 - 11	FB6-3232-000	106 - 3	FB6-3454-000	316 - 4
FB6-2947-000	535 - 12	FB6-3235-000	910 - 5	FB6-3455-000	316 - 5
FB6-2948-000	535 - 13	FB6-3237-000	280 - 9	FB6-3456-000	316 - 6
FB6-2951-000	535 - 14	FB6-3261-000	105 - 1	FB6-3457-000	316 - 7
FB6-2953-000	535 - 29	FB6-3262-000	105 - 2	FB6-3458-000	316 - 8
FB6-2954-000	535 - 30	FB6-3263-000	105 - 3	FB6-3459-000	316 - 9
FB6-2955-000	535 - 31	FB6-3273-000	321 - 1	FB6-3463-000	315 - 29
FB6-2957-000	535 - 15	FB6-3275-000	321 - 5A	FB6-3464-000	315 - 30
FB6-2958-000	535 - 16	FB6-3277-000	103 - 25	FB6-3465-000	315 - 31
FB6-2960-000	103 - 9	FB6-3278-000	103 - 21	FB6-3466-000	315 - 32
FB6-2961-000	103 - 10	FB6-3279-000	103 - 22	FB6-3467-000	315 - 33
FB6-2964-000	103 - 15	FB6-3280-000	103 - 23	FB6-3470-000	315 - 35
FB6-2965-000	103 - 11	FB6-3281-000	103 - 24	FB6-3471-000	315 - 36
FB6-2967-000	103 - 17	FB6-3282-000	101 - 45	FB6-3472-000	315 - 2
FB6-2968-000	103 - 12	FB6-3283-000	101 - 46	FB6-3473-000	315 - 77
FB6-2973-000	100 - 18B	FB6-3285-000	103 - 27	FB6-3474-000	315 - 78
FB6-2974-000	535 - 17	FB6-3288-000	103 - 3	FB6-3475-000	300 - 1
FB6-2985-000	102 - 24	FB6-3289-000	103 - 4	FB6-3478-000	300 - 2
FB6-2986-000	102 - 23	FB6-3291-000	321 - 2	FB6-3479-000	300 - 3
FB6-2987-000	101 - 20	FB6-3292-000	321 - 3	FB6-3480-000	300 - 4
FB6-2988-000	101 - 40	FB6-3293-000	321 - 4	FB6-3481-000	300 - 5
FB6-2990-000	101 - 2	FB6-3302-000	315 - 11	FB6-3482-000	300 - 6
FB6-2991-000	103 - 1	FB6-3303-000	315 - 12	FB6-3483-000	300 - 7
FB6-2992-000	102 - 1	FB6-3305-000	315 - 14	FB6-3484-000	300 - 8
FB6-2993-000	103 - 2	FB6-3306-000	315 - 15	FB6-3485-000	300 - 9
FB6-2994-000	100 - 18C	FB6-3308-000	315 - 16	FB6-3486-000	300 - 10
FB6-3006-000	100 - 48	FB6-3309-000	315 - 17	FB6-3487-000	300 - 11
FB6-3046-000	271 - 2	FB6-3310-000	315 - 18	FB6-3488-000	300 - 12
FB6-3051-000	100 - 38	FB6-3311-000	315 - 19	FB6-3489-000	300 - 13
FB6-3073-000	900 - 1	FB6-3313-000	100 - 22A	FB6-3490-000	300 - 14
FB6-3076-000	900 - 2		315 - 20	FB6-3491-000	300 - 15
FB6-3095-000	981 - 1	FB6-3314-000	315 - 1	FB6-3492-000	102 - 17
FB6-3096-000	981 - 2	FB6-3315-000	315 - 21	FB6-3493-000	102 - 16
FB6-3104-000	900 - 3	FB6-3316-000	106 - 5	FB6-3494-000	102 - 15
FB6-3105-000	100 - 39	FB6-3317-000	315 - 26	FB6-3499-000	300 - 17A
FB6-3106-000	100 - 40	FB6-3320-000	315 - 22	FB6-3503-000	100 - 22B
FB6-3109-000	108 - 1	FB6-3323-000	315 - 24	FB6-3504-000	100 - 2
FB6-3113-000	537 - 2	FB6-3331-000	100 - 22C	FB6-3506-000	300 - 16
FB6-3116-000	104 - 11	FB6-3332-000	100 - 22D	FB6-3507-000	102 - 10
FB6-3117-000	104 - 12	FB6-3346-000	365 - 3	FB6-3508-000	316 - 11
FB6-3118-000	104 - 13	FB6-3348-000	365 - 4	FB6-3522-000	300 - 23
FB6-3119-000	104 - 14	FB6-3349-000	365 - 5	FB6-3523-000	300 - 24

PART NUMBER	FIGURE & KEY NO.	PART NUMBER	FIGURE & KEY NO.	PART NUMBER	FIGURE & KEY NO.
FB6-3524-000	300 - 25	FB6-3641-000	810 - 4	FB6-3835-000	100 - 15
FB6-3526-000	106 - 6	FB6-3643-000	810 - 6	FB6-3839-000	105 - 13
FB6-3527-000	106 - 6	FB6-3644-000	810 - 7	FB6-3843-000	361 - 20
FB6-3528-000	106 - 6	FB6-3645-020	810 - 8	FB6-3846-000	350 - 19
FB6-3529-000	106 - 6	FB6-3646-000	810 - 9		361 - 21
FB6-3532-000	351 - 5	FB6-3647-020	810 - 10	FB6-3847-000	350 - 20
	351A - 5	FB6-3648-000	810 - 52		361 - 22
FB6-3534-000	351 - 7	FB6-3649-000	810 - 43A	FB6-3848-000	350 - 21
	351A - 7	FB6-3650-000	810 - 43B		361 - 23
FB6-3541-000	351 - 10	FB6-3651-000	810 - 13	FB6-3850-000	560 - 7A
FB6-3544-000	351 - 11	FB6-3652-000	810 - 43G	FB6-3853-000	560 - 4
	351A - 11	FB6-3653-000	810 - 15	FB6-3854-000	560 - 5
FB6-3545-000	351 - 12	FB6-3657-000	810 - 16	FB6-3855-000	560 - 6
	351A - 12	FB6-3658-000	810 - 17	FB6-3858-000	315 - 81
FB6-3547-000	125 - 7	FB6-3659-000	810 - 18	FB6-3859-000	315 - 82
	125A - 7	FB6-3660-000	810 - 19	FB6-3860-000	101 - 41B
FB6-3548-000	125 - 16	FB6-3662-000	810 - 20	FB6-3862-000	101 - 10J
	125A - 16	FB6-3663-000	810 - 21	FB6-3863-000	315 - 83
FB6-3549-000	125 - 15	FB6-3664-000	810 - 22	FB6-3864-000	315 - 84
	125A - 15	FB6-3665-000	810 - 23		365 - 14
FB6-3551-020	125 - 9	FB6-3666-000	810 - 24	FB6-3866-000	125 - 3
	125A - 9	FB6-3667-000	810 - 25		125A - 3
FB6-3552-000	125 - 10	FB6-3668-000	810 - 26	FB6-3867-000	125 - 4
	125A - 10	FB6-3669-000	810 - 43C		125A - 4
FB6-3553-000	125 - 11	FB6-3670-000	810 - 28	FB6-3869-000	351 - 36
	125A - 11	FB6-3671-000	810 - 29		351A - 36
FB6-3554-000	125 - 12	FB6-3673-000	810 - 30	FB6-3874-000	351 - 37
	125A - 12	FB6-3675-000	810 - 32		351A - 37
FB6-3555-000	125 - 13	FB6-3676-000	810 - 33	FB6-3875-000	351 - 6
	125A - 13	FB6-3677-000	810 - 34	FB6-3876-000	125 - 14
	361 - 3	FB6-3678-000	810 - 35		125A - 14
FB6-3557-000	125 - 2	FB6-3679-000	106 - 1	FB6-3877-000	351 - 8
FB6-3561-000	100 - 24	FB6-3683-000	330 - 5		351A - 8
	100 - 25	FB6-3684-000	330 - 6	FB6-3878-000	315 - 34A
FB6-3562-000	100 - 26		360 - 25	FB6-3879-000	810 - 5
	100 - 30	FB6-3686-000	330 - 7	FB6-3880-000	360 - 30
FB6-3564-000	351 - 13		360 - 26	FB6-3882-020	101 - 41A
	351A - 13	FB6-3689-000	106 - 8	FB6-3883-000	101 - 41D
FB6-3566-000	100 - 32	FB6-3693-000	106 - 9	FB6-3885-000	810 - 44
FB6-3569-000	100 - 33	FB6-3694-000	330 - 12	FB6-3886-000	100 - 52
FB6-3572-000	360 - 2	FB6-3695-000	330 - 13	FB6-3888-000	360 - 3
FB6-3576-000	360 - 5	FB6-3698-000	330 - 8	FB6-3889-000	360 - 4
FB6-3577-000	360 - 6		360 - 29	FB6-3890-000	360 - 17
FB6-3578-000	360 - 7	FB6-3700-000	350 - 4	FB6-3891-000	360 - 18
FB6-3579-000	330 - 1	FB6-3702-000	350 - 5	FB6-3892-000	361 - 43
	360 - 8	FB6-3703-000	350 - 6	FB6-3893-000	360 - 34
FB6-3580-000	360 - 9	FB6-3705-000	350 - 8	FB6-3894-000	100 - 44
FB6-3581-000	360 - 10	FB6-3706-000	350 - 9	FB6-3895-000	100 - 44
FB6-3583-000	360 - 11	FB6-3707-000	350 - 10	FB6-3896-000	100 - 44
FB6-3584-000	360 - 12	FB6-3710-000	810 - 36	FB6-3897-000	351 - 27
FB6-3585-000	360 - 13	FB6-3722-000	100 - 3	FB6-3932-000	106 - 4
FB6-3586-000	361 - 26	FB6-3728-000	360 - 31	FB6-3933-000	106 - 2
FB6-3588-000	330 - 2	FB6-3729-000	361 - 19	FB6-3934-000	330 - 30
	360 - 14	FB6-3765-000	100 - 4		360 - 40
FB6-3589-000	360 - 15	FB6-3766-000	100 - 5	FB6-3935-000	350 - 7
FB6-3590-000	360 - 16	FB6-3767-000	100 - 6	FB6-3936-000	350 - 22
FB6-3595-000	360 - 19	FB6-3768-000	100 - 7	FB6-3939-000	560 - 12D
FB6-3599-000	360 - 22	FB6-3769-000	100 - 8	FB6-3944-000	130 - 5
FB6-3600-000	330 - 3	FB6-3771-000	100 - 36	FB6-3945-000	130 - 6
	360 - 23		100 - 50	FB6-3946-000	130 - 7
FB6-3602-000	361 - 5	FB6-3775-000	100 - 9	FB6-3947-000	130 - 8
FB6-3603-000	361 - 6	FB6-3776-000	100 - 10	FB6-3950-000	100 - 16
FB6-3604-000	361 - 1	FB6-3777-000	100 - 11	FB6-3951-000	130 - 9
FB6-3606-000	361 - 7	FB6-3778-000	100 - 12	FB6-3953-000	130 - 20
FB6-3610-000	350 - 1	FB6-3785-000	100 - 13	FB6-3961-000	102 - 9
	361 - 9	FB6-3788-000	100 - 17A	FB6-3962-000	102 - 8
FB6-3611-000	350 - 2	FB6-3791-020	100 - 19	FB6-3963-000	102 - 7
	361 - 10	FB6-3792-000	100 - 20	FB6-3964-000	360 - 51
FB6-3612-000	350 - 3	FB6-3793-000	100 - 41	FB6-4849-000	315 - 10
	361 - 28	FB6-3797-000	192 - 1	FB6-4850-000	315 - 13
FB6-3613-000	361 - 11	FB6-3800-000	104 - 6	FB6-4851-000	315 - 23
FB6-3614-000	361 - 12	FB6-3801-000	104 - 7	FB6-4852-000	310 - 16
FB6-3617-000	361 - 24B	FB6-3807-000	104 - 8	FB6-4862-000	361 - 4
FB6-3618-000	361 - 13	FB6-3819-020	101 - 27	FB6-4863-000	315 - 85
FB6-3620-000	361 - 15	FB6-3820-020	101 - 28	FB6-4867-000	106 - 6
FB6-3621-000	361 - 16	FB6-3821-020	101 - 29	FB6-4868-000	106 - 15
FB6-3622-000	361 - 42	FB6-3822-020	101 - 30	FB6-4869-000	106 - 16
FB6-3623-000	361 - 17	FB6-3827-000	101 - 11	FB6-4870-000	100 - 14
FB6-3626-000	361 - 18	FB6-3828-020	101 - 12	FB6-4873-000	315 - 25
FB6-3627-000	361 - 25	FB6-3829-000	101 - 13		360 - 1
FB6-3629-020	360 - 72	FB6-3830-000	101 - 14		361 - 2
FB6-3630-000	360 - 73	FB6-3831-000	101 - 15	FB6-4890-000	100 - 44
FB6-3631-000	101 - 42	FB6-3832-000	101 - 16	FB6-4908-000	330 - 9
FB6-3638-000	330 - 4	FB6-3833-000	101 - 17		360 - 20
	360 - 24	FB6-3834-000	100 - 14	FB6-4909-000	810 - 41

PART NUMBER	FIGURE & KEY NO.	PART NUMBER	FIGURE & KEY NO.	PART NUMBER	FIGURE & KEY NO.
FB6-4918-000	330 - 10	FG3-2299-000	106 - 12	FG6-8964-000	251 -
	360 - 27	FG3-2301-000	316 - 10	FG6-8966-000	270 -
FB6-4919-000	125 - 8	FG3-2302-000	310 - 59	FG6-8968-000	190 -
	125A - 8	FG3-2303-000	315 - 75	FG6-8970-000	910 - 10
FB6-4920-000	100 - 44	FG3-2304-000	315 - 76	FG6-8971-000	910 - 10
FB6-4923-000	100 - 44	FG3-2305-000	365 - 29	FG6-8981-000	251 - 3
FB6-4937-000	316 - 12	FG3-2306-000	365 - 1	FG6-8989-000	537 -
FB6-4938-000	315 - 80	FG3-2309-000	105 - 19	FG6-8991-000	101 - 10
FB6-5060-000	102 - 4	FG3-2310-000	105 - 20	FG6-8992-020	101 - 41
FB6-5450-000	100 - 45	FG3-2311-000	351 - 32	FG6-8993-000	560 -
FB6-5451-000	100 - 46		351A - 32	FG6-8995-000	191 -
FB6-5781-000	351A - 6	FG3-2312-000	360 - 69	FG6-8997-000	560 - 12
FB6-5786-000	351A - 38	FG3-2313-000	360 - 78	FG6-8999-000	272 -
FB6-5787-000	351A - 39	FG3-2314-000	101 - 10F	FG6-9000-000	101 - 8
FB6-5790-000	351A - 40	FG3-2315-000	321 - 9	FG6-9004-000	272 - 15
FB6-5791-000	351A - 41	FG3-2318-000	321 - 10	FG6-9005-000	101 - 19
FB6-5792-000	351A - 42	FG3-2319-000	103 - 6	FG6-9008-000	192 -
FB6-5793-000	125A - 2	FG3-2320-000	535 - 33	FG6-9011-000	280 -
FB6-5795-000	351A - 43	FG3-2321-000	535 - 34	FG6-9012-000	100 - 21
FB6-5796-000	351A - 3	FG3-2326-000	270 - 3	FG6-9013-000	120 -
FB6-5800-000	100 - 44	FG3-2337-000	910 - 4	FG6-9015-000	107 - 6
FB6-6213-000	130 - 21	FG3-2340-000	305 - 4		120 - 9
FB6-6214-000	300 - 23	FG3-2341-000	305 - 4	FG6-9016-000	194 -
FB6-6215-000	300 - 25	FG3-2342-000	305 - 5	FG6-9019-000	100 - 22
FB6-6216-000	361 - 21	FG3-2344-000	272 - 13	FG6-9021-000	365 -
FB6-6217-000	315 - 81	FG3-2345-000	107 - 3	FG6-9022-000	365 -
FB6-6218-000	315 - 82	FG3-2346-000	105 - 6	FG6-9025-000	260 -
FC5-0166-000	100 - 37	FG3-2347-000	102 - 18	FG6-9028-000	310 -
	100 - 51	FG3-2348-000	102 - 11	FG6-9041-000	300 - 28
	125 - 1	FG3-2350-000	108 - 9	FG6-9042-000	316 -
	125A - 1	FG3-2351-000	108 - 10	FG6-9044-000	300 -
FF2-5915-000	105 - 4	FG3-2352-000	105 - 21	FG6-9050-000	351 -
FF3-4436-000	910 - 4A	FG3-2353-000	105 - 22	FG6-9052-000	125 -
FF5-6279-000	351 - 1	FG3-2354-000	105 - 23	FG6-9058-000	360 -
FF6-2016-000	103 - 13	FG3-2356-000	930 -	FG6-9059-000	361 -
FF6-2017-000	103 - 19	FG3-2362-000	900 - 8	FG6-9065-000	193 -
FF6-2032-000	537 - 3	FG3-2363-000	900 - 9	FG6-9068-000	350 -
FF6-2033-000	104 - 17	FG3-2364-000	105 - 24	FG6-9069-000	810 -
FF6-2034-000	105 - 11	FG3-2365-000	535 - 28	FG6-9070-000	810 -
FF6-2038-000	101 - 7	FG3-2366-000	107 - 8	FG6-9079-000	280 - 11
FF6-2039-000	104 - 5	FG3-2367-000	535 - 35	FG6-9080-000	315 -
FF6-2044-000	280 - 1	FG3-2368-000	535 - 36	FG6-9081-000	315 -
FF6-2046-000	321 - 5	FG3-2372-000	251 - 1	FG6-9164-000	130 - 17
FF6-2047-000	103 - 8		272 - 14	FG6-9165-000	130 - 18
FF6-2054-000	365 - 15	FG3-2374-000	101 - 10G	FG6-9166-000	130 - 19
FF6-2058-000	310 - 25	FG3-2375-000	101 - 10H	FG6-9644-000	810 - 38
FF6-2059-000	310 - 26	FG3-2380-000	260 - 3	FG6-9645-020	810 - 43
FF6-2063-000	102 - 19	FG3-2381-000	305 - 1	FG6-9646-000	810 - 38
FF6-2064-000	300 - 17	FG3-2383-000	107 - 5	FG6-9647-000	810 - 38
FF6-2065-000	315 - 37	FG3-2385-000	981 - 3	FG6-9654-000	351A -
FF6-2070-000	351 - 15	FG3-2387-000	980 - 1	FG6-9655-000	125A -
FF6-2075-030	361 - 24	FG3-2390-000	108 - 14	FG6-9671-000	108 - 11
FF6-2079-000	330 - 14	FG3-2392-000	251 - 2	FG6-9673-000	980 -
	360 - 32	FG3-2393-000	305 - 1	FG6-9674-000	981 -
FF6-2081-000	330 - 15	FG3-2395-000	305 - 2	FG6-9676-000	900 - 18
	360 - 33	FG3-2396-000	980 - 2	FG6-9700-000	810 -
FF6-2085-000	101 - 9	FG3-2644-000	900 - 10	FG6-9749-000	305 - 7
FF6-2099-000	101 - 31	FG3-2645-000	900 - 11	FG9-3985-000	102 - 26
FF6-2100-000	108 - 2	FG3-2646-020	900 - 12	FG9-4015-000	271 -
FF6-2101-000	365 - 16	FG3-2729-000	900 - 4	FH2-5006-000	100 - 23
FF6-2102-000	365 - 17	FG3-2854-000	900 - 15	FH2-5761-020	910 - 1
FF6-2104-000	130 - 10	FG3-2855-000	900 - 16	FH2-5763-000	910 - 9
FF6-2106-000	104 - 9	FG3-2856-000	900 - 17	FH2-5824-000	108 - 13
FF6-2107-000	104 - 4	FG3-3002-000	360 - 71	FH2-5825-000	B - J565
FF6-2110-000	101 - 32	FG3-3004-000	105 - 5	FH2-6480-000	B - J950
FF6-2114-000	101 - 10C	FG3-3005-000	105 - 26	FH2-6488-000	910 - 11
FF6-2116-000	361 - 27	FG3-3010-000	351A - 48	FH2-6552-000	108 - 4
FF6-2117-000	361 - 8	FG3-3135-000	900 - 20	FH2-6718-000	910 - 3
FF6-2118-000	361 - 14	FG3-3136-000	900 - 19	FH2-6719-000	910 - 2
FF6-2127-000	560 - 7	FG3-3287-000	900 - 13	FH2-6855-000	B - J565
FF6-2128-000	361 - 44	FG6-8927-000	100 - 17	FH2-6941-000	910 - 8
FF6-2129-000	365 - 18	FG6-8933-000	130 -	FH2-7019-000	900 - 5
FF6-2130-000	100 - 24	FG6-8934-000	130 -		B - J1210
FF6-2131-000	351 - 14	FG6-8935-000	130 -	FH2-7037-000	130 - 11
	351A - 14	FG6-8936-000	130 - 16	FH2-9249-000	108 - 8
FF6-2132-000	100 - 42	FG6-8937-000	130 - 13	FH6-0834-000	130 - 12
FF6-2134-000	315 - 34	FG6-8938-000	130 - 14	FH6-1253-000	360 - 74
FF6-2136-000	315 - 28	FG6-8939-000	130 - 15	FH6-1579-000	194 - 1
FF6-2141-000	106 - 10	FG6-8941-000	130 -	FH6-1971-000	271 - 3
FF6-2143-000	330 - 22	FG6-8942-000	535 -	FH6-1972-000	260 - 1
	360 - 52	FG6-8945-020	100 - 18	FH6-1973-000	270 - 1
FF6-2145-000	351 - 9	FG6-8946-000	108 - 3		315 - 38
FF6-2147-000	360 - 21	FG6-8956-000	107 - 2	FH6-1974-000	360 - 35
FF6-2344-000	351A - 15	FG6-8960-000	321 -	FH6-1975-000	351 - 16
FF6-2345-000	351A - 44	FG6-8962-000	460 -		351A - 16

PART NUMBER	FIGURE & KEY NO.	PART NUMBER	FIGURE & KEY NO.	PART NUMBER	FIGURE & KEY NO.
FH6-1979-000	192 - 2	FS6-1055-000	315 - 48	FS7-2852-000	810 - 50
	910 - 6	FS6-1057-000	315 - 49	FS7-2853-000	105 - 17
FH6-1980-000	190 - 2	FS6-1058-000	315 - 50	FS7-2854-000	120 - 8
FH6-1981-000	191 - 1	FS6-1059-000	125 - 17	FS7-2855-000	100 - 35
FH6-1982-000	193 - 1		125A - 17	FS7-2856-000	560 - 10
FH6-1983-000	900 - 6	FS6-1060-000	104 - 18	FS7-2857-000	560 - 11
FH6-1984-000	351A - 49	FS6-1062-000	535 - 18	FS7-2859-000	351 - 30
FH6-5052-000	360 - 36	FS6-1063-000	310 - 32		351A - 30
FH6-5053-000	315 - 39	FS6-1066-000	560 - 12E	FS7-2860-000	315 - 52
FH6-5054-000	101 - 43	FS6-1067-000	351A - 45		315 - 52
FH6-5055-000	310 - 27	FS6-2785-000	120 - 7	FS7-2861-000	330 - 23
FH6-5056-000	360 - 37	FS6-3001-000	360 - 45		360 - 53
FH7-4739-000	810 - 40	FS6-3002-000	360 - 46	FS7-2862-000	330 - 16
FH7-4742-000	305 - 6	FS6-3003-000	360 - 47		360 - 70
FH7-6345-000	810 - 43D	FS6-8116-000	300 - 27	FS7-2863-000	315 - 87
FH7-6357-000	107 - 7	FS7-0128-000	350 - 12	FS7-2865-000	102 - 25
FH7-7312-000	107 - 4		361 - 30	FS7-2866-000	351A - 46
	120 - 5	FS7-0579-000	104 - 19	FS7-2867-000	360 - 50
	272 - 2	FS7-2360-000	360 - 48	FS7-5909-000	310 - 39
	310 - 28	FS7-2781-000	535 - 19	FS7-5910-000	310 - 40
	315 - 40	FS7-2782-000	535 - 20	FS7-8328-020	300 - 26
	316 - 13	FS7-2783-000	535 - 21	FS7-8329-000	460 - 1
	351 - 17	FS7-2784-000	535 - 32	FS7-8332-000	100 - 53
	351A - 17	FS7-2785-000	103 - 14		101 - 49
	360 - 38	FS7-2787-000	315 - 51	FS7-8335-000	460 - 1
	365 - 19	FS7-2788-000	100 - 22F	FU3-0267-000	535 - 23
	365 - 19		360 - 49	FU3-0268-000	535 - 24
	810 - 42		361 - 31	FU3-0270-000	315 - 58
FH7-7462-000	105 - 14	FS7-2789-000	100 - 22G	FU3-0271-000	315 - 59
FH7-7527-000	910 - 7	FS7-2790-000	365 - 23	FU3-0272-000	315 - 60
FH7-7528-000	910 - 7	FS7-2791-000	365 - 24	FU3-0273-000	315 - 61
FH7-7586-020	810 - 43E	FS7-2792-000	365 - 25	FU3-0274-000	315 - 62
FH7-7587-000	810 - 43F	FS7-2793-000	365 - 26	FU3-0275-000	315 - 63
FH7-7600-000	316 - 14	FS7-2796-000	105 - 7	FU3-0276-000	315 - 64
FH7-7601-000	321 - 6		365 - 27	FU3-0277-000	315 - 65
FH7-7602-000	103 - 7	FS7-2797-000	310 - 33		361 - 34
FM1-0350-000	300 -	FS7-2798-000	310 - 34	FU3-0278-000	315 - 66
FM1-0351-000	361 -	FS7-2800-000	310 - 35	FU3-0280-000	310 - 41
FM1-0352-000	360 -	FS7-2801-000	310 - 36	FU3-0282-000	310 - 43
FM1-0354-000	315 -	FS7-2802-000	310 - 37	FU3-0283-000	310 - 44
FS1-1187-000	351 - 18	FS7-2803-000	310 - 38	FU3-0284-000	310 - 45
FS1-1205-000	310 - 30	FS7-2804-000	300 - 18	FU3-0285-000	260 - 2
FS1-1213-000	310 - 60	FS7-2805-000	300 - 19	FU3-0288-000	310 - 47
FS1-1465-000	330 - 17	FS7-2806-000	300 - 20	FU3-0289-000	310 - 48
	360 - 39	FS7-2807-000	102 - 14	FU3-0290-000	310 - 49
FS1-1512-000	315 - 43	FS7-2808-000	102 - 13	FU3-0291-000	310 - 50
FS1-9010-000	120 - 6	FS7-2809-000	315 - 54	FU3-0292-000	310 - 51
	537 - 4	FS7-2810-000	315 - 55	FU3-0293-000	300 - 21
FS2-1544-000	351 - 19	FS7-2811-000	315 - 3	FU3-0294-000	300 - 22
	351A - 19	FS7-2812-000	315 - 56	FU3-0295-000	315 - 67
FS2-2783-000	315 - 41	FS7-2813-000	315 - 79	FU3-0296-000	315 - 68
FS5-0353-000	351 - 20	FS7-2814-000	810 - 46	FU3-0297-000	315 - 69
	351A - 20	FS7-2815-000	810 - 47	FU3-0298-000	315 - 70
FS5-1209-000	315 - 42	FS7-2816-000	810 - 48	FU3-0301-000	350 - 15
FS5-1581-000	272 - 3	FS7-2817-000	810 - 49	FU3-0302-000	272 - 6
FS5-1595-000	100 - 22E	FS7-2818-000	330 - 20	FU3-0303-000	272 - 7
	315 - 44	FS7-2822-000	330 - 24	FU3-0304-000	272 - 8
	315 - 44		360 - 54	FU3-0305-000	272 - 9
	360 - 41	FS7-2823-000	350 - 13	FU3-0306-000	272 - 10
	361 - 29	FS7-2825-000	272 - 5	FU3-0308-000	101 - 36
FS5-1597-000	310 - 31	FS7-2826-000	101 - 35	FU3-0309-000	101 - 37
	315 - 46	FS7-2828-000	350 - 14	FU3-0310-000	360 - 56
FS5-3989-000	351 - 21		361 - 32	FU3-0311-000	360 - 57
	351A - 21	FS7-2829-000	330 - 25	FU3-0312-000	330 - 26
	360 - 42		360 - 55		360 - 58
FS5-6488-000	280 - 2	FS7-2830-000	361 - 33	FU3-0313-000	330 - 27
FS5-6945-000	315 - 47	FS7-2831-000	361 - 35		360 - 59
FS5-6946-000	350 - 11	FS7-2832-000	360 - 76	FU3-0314-000	330 - 28
FS5-6947-000	810 - 45	FS7-2833-000	101 - 44		360 - 60
FS5-6948-000	330 - 18	FS7-2834-000	125 - 18	FU3-0315-000	330 - 29
	360 - 43		125A - 18		360 - 61
FS5-6949-000	101 - 33	FS7-2835-000	280 - 3	FU3-0316-000	361 - 36
FS5-6950-000	330 - 19	FS7-2838-000	271 - 5	FU3-0317-000	350 - 16
	360 - 44	FS7-2839-000	315 - 57		361 - 37
FS5-6954-000	271 - 4	FS7-2840-000	537 - 5	FU3-0318-000	360 - 77
FS5-6955-000	365 - 2	FS7-2842-000	104 - 21	FU3-0319-000	351 - 22
FS5-6957-000	537 - 1	FS7-2843-000	104 - 22		351A - 22
FS5-9161-000	100 - 47	FS7-2844-000	101 - 10D	FU3-0322-000	351 - 23
FS5-9274-000	100 - 34	FS7-2845-000	101 - 10E		351A - 23
FS5-9753-000	365 - 21	FS7-2846-000	560 - 8	FU3-0323-000	351 - 24
FS5-9754-000	101 - 34	FS7-2847-000	106 - 7		351A - 24
FS5-9758-000	105 - 8	FS7-2848-000	105 - 16	FU3-0324-000	351 - 25
	365 - 22	FS7-2849-000	101 - 47		351A - 25
FS5-9760-000	105 - 15	FS7-2850-000	321 - 7	FU3-0325-000	125 - 19
FS5-9761-000	315 - 86	FS7-2851-000	321 - 8		125A - 19

PART NUMBER	FIGURE & KEY NO.	PART NUMBER	FIGURE & KEY NO.	PART NUMBER	FIGURE & KEY NO.
FU3-0332-000	271 - 6	PCB	B - J99	PCB	B - J1303
FU3-0333-000	271 - 7		B - J100		B - J1304
FU3-0334-000	271 - 8		B - J102		B - J1305
FU3-0337-000	270 - 2		B - J103		B - J1309
FU3-0338-000	280 - 4		B - J104		B - J1311
FU3-0339-000	280 - 5		B - J105		B - J1315
FU3-0340-000	280 - 6		B - J106		B - J1316
FU3-0341-000	280 - 7		B - J107		B - J1318
FU3-0342-000	280 - 8		B - J108		B - J1336
FU3-0343-000	104 - 23		B - J108		B - J1342
FU3-0344-000	560 - 12F		B - J109		B - J1342
FU3-0345-000	104 - 33		B - J109		B - J1400
FU3-0347-000	310 - 53		B - J110		B - J1401
FU3-0349-000	310 - 42		B - J111		B - J1501
FU3-0350-000	310 - 52		B - J112		B - J1502
FU3-0352-000	310 - 46		B - J113		B - J1503
FU3-0354-000	535 - 22		B - J114		B - J1504
FU3-0355-000	271 - 10		B - J115		B - J1505
FU3-0356-000	271 - 9		B - J116		B - J1507
PCB	B - J1		B - J117		B - J1508
	B - J2		B - J118		B - J1509
	B - J3		B - J120		B - J1510
	B - J3		B - J123		B - J1511
	B - J5		B - J124		B - J1512
	B - J7		B - J125		B - J1513
	B - J8		B - J126		RB1-2152-000 315 - 71
	B - J11		B - J127		365 - 28
	B - J13		B - J128		RB1-6484-000 106 - 11
	B - J50		B - J129		RB1-6486-000 125 - 5
	B - J51		B - J131		125A - 5
	B - J52		B - J132		RB1-6539-000 310 - 54
	B - J53		B - J153		RB1-6653-000 330 - 31
	B - J54		B - J154		360 - 62
	B - J56		B - J155		RB1-6666-000 125 - 21
	B - J57		B - J300		125A - 21
	B - J58		B - J301		351 - 26
	B - J59		B - J302		351A - 26
	B - J60		B - J303		RB1-8945-000 310 - 55
	B - J61		B - J304		RB2-0493-000 361 - 38
	B - J62		B - J305		810 - 39
	B - J64		B - J306		RB2-5850-000 315 - 72
	B - J66		B - J307		RB2-6870-000 535 - 25
	B - J67		B - J308		RB2-6925-000 321 - 5B
	B - J68		B - J440		RB2-7043-000 272 - 11
	B - J69		B - J441		RB9-0255-000 361 - 39
	B - J70		B - J442		RG5-5469-000 251 - 4
	B - J70C		B - J511		272 - 4
	B - J70K		B - J514		RH7-6037-000 105 - 18
	B - J70M		B - J520		RH7-7129-000 315 - 73
	B - J70Y		B - J538		RS5-1060-000 350 - 17
	B - J71		B - J564		361 - 40
	B - J71C		B - J607		RS5-1101-000 125 - 20
	B - J71K		B - J611		125A - 20
	B - J71M		B - J615		RS5-1324-000 351 - 28
	B - J71Y		B - J619		351A - 28
	B - J72C		B - J713		RS5-1325-000 350 - 18
	B - J72K		B - J714		351 - 29
	B - J72M		B - J759		360 - 63
	B - J72Y		B - J816		361 - 41
	B - J73CK		B - J956		RS5-1567-000 310 - 56
	B - J73YM		B - J957		315 - 74
	B - J74		B - J958		VS1-0842-003 B - J301
	B - J75		B - J959		B - J302
	B - J76		B - J992		B - J303
	B - J77		B - J1110		B - J304
	B - J78		B - J1111		B - J305
	B - J79		B - J1112		B - J306
	B - J80		B - J1113		B - J307
	B - J81		B - J1114		B - J308
	B - J82		B - J1115		B - J313
	B - J83		B - J1116		B - J314
	B - J84CK		B - J1117		B - J315
	B - J84YM		B - J1123		B - J316
	B - J85		B - J1204		B - J155
	B - J86		B - J1207		VS1-0842-004 B - J53
	B - J87		B - J1208		VS1-0842-009 B - J1000
	B - J88		B - J1209		VS1-0842-012 105 - 28
	B - J88		B - J1209		VS1-5057-002 272 - 12
	B - J89		B - J1210		305 - 2A
	B - J90		B - J1213		310 - 59A
	B - J91		B - J1215		315 - 75A
	B - J92		B - J1216		360 - 69A
	B - J94		B - J1225		900 - 11A
	B - J95		B - J1301		B - J410
	B - J97		B - J1302		B - J411

PART NUMBER	FIGURE & KEY NO.	PART NUMBER	FIGURE & KEY NO.	PART NUMBER	FIGURE & KEY NO.
VS1-5057-002	B - J412 B - J531 B - J536 B - J537 B - J557 B - J668 B - J670 B - J672 B - J674 B - J707 B - J762 B - J805 B - J815 B - J857 B - J863	VS1-5824-004 VS1-5824-006 VS1-5824-012 VS1-5824-013 VS1-5976-004 VS1-5976-009 VS1-5976-012 VS1-6084-007 VS1-6197-014 VS1-6225-003	B - J562 B - J98 B - J116 B - J120 B - J114 B - J118 B - J154 B - J153 B - J54 B - J69 B - J103 B - J103 B - J309 B - J310 B - J311 B - J312 B - J607 B - J611 B - J615 B - J619 B - J605 B - J609 B - J613 B - J617 B - J606 B - J610 B - J614 B - J618 B - J600 B - J601 B - J603 B - J604 B - J115 B - J117 B - J117 B - J91 B - J68 B - J440 B - J71 B - J109 B - J560 B - J1311 B - J1504 B - J61 B - J802 B - J126 B - J129 B - J801 B - J109 B - J108 B - J127 B - J403 B - J441 B - J104 B - J442 B - J852 B - J750 B - J755 B - J107 B - J105 B - J510 B - J511 B - J1121 B - J1304 B - J92 B - J131 B - J512 B - J1103 B - J1309 B - J1316 B - J752 B - J956 B - J958 B - J964 B - J965 B - J1124 B - J1125 B - J404 B - J539 B - J953 B - J1336 B - J50 B - J522	VS1-6314-005 VS1-6314-006 VS1-6314-008 VS1-6314-009 VS1-6314-010 VS1-6314-011 VS1-6314-012 VS1-6314-013 VS1-6314-014 VS1-6314-015 VS1-6314-016 VS1-6314-017 VS1-6314-018 VS1-6314-020 VS1-6314-020 VS1-6318-003	B - J807 B - J808 B - J957 B - J959 B - J1508 B - J538 B - J952 B - J960 B - J1225 B - J1318 B - J1513 B - J111 B - J535 B - J769 B - J1213 B - J1315 B - J1507 B - J520 B - J701 B - J73CK B - J73YM B - J90 B - J95 B - J97 B - J99 B - J126 B - J129 B - J801 B - J802 B - J1104 B - J1105 B - J1305 B - J109 B - J800 B - J1110 B - J1116 B - J76 B - J87 B - J703 B - J80 B - J89 B - J102 B - J108 B - J127 B - J403 B - J406 B - J441 B - J702 B - J1111 B - J1117 B - J51 B - J104 B - J123 B - J128 B - J132 B - J300 B - J442 B - J850 B - J852 B - J951 B - J750 B - J72C B - J72K B - J72M B - J72Y B - J77 B - J78 B - J79 B - J94 B - J107 B - J110 B - J755 B - J105 B - J510 B - J511 B - J1121 B - J1304 B - J75 B - J88 B - J131 B - J512 B - J1102 B - J1309 102 - 26 102 - 26A
VS1-5057-003	105 - 19B 190 - 3 193 - 2 272 - 13A 305 - 2B 315 - 76A 351A - 48A 360 - 78A 900 - 12A B - J407 B - J540 B - J669 B - J671 B - J673 B - J675 B - J700 B - J716 B - J721 B - J757 B - J806 B - J812 B - J820 B - J1120 B - J1126	VS1-6225-004 VS1-6225-005 VS1-6225-009 VS1-6225-012 VS1-6225-018 VS1-6226-036 VS1-6302-002 VS1-6302-004 VS1-6302-006 VS1-6302-007 VS1-6302-012 VS1-6302-014 VS1-6313-009 VS1-6313-010 VS1-6313-011 VS1-6313-012 VS1-6313-013 VS1-6313-014 VS1-6313-015 VS1-6313-016 VS1-6313-017 VS1-6313-018 VS1-6313-020 VS1-6314-002 VS1-6314-003 VS1-6314-004 VS1-6314-005	VS1-5057-004 VS1-5057-005 VS1-5057-006 VS1-5057-008 VS1-5057-010 VS1-5057-012 VS1-5452-007 VS1-5452-008 VS1-5729-002 VS1-5729-004 VS1-5820-002 VS1-5820-007 VS1-5820-008 VS1-5824-002 VS1-5824-003	105 - 19C 107 - 5A B - J562 B - J720 B - J813 105 - 19D B - J708 315 - 75B 360 - 69B B - J98 B - J413 B - J756 260 - 3A B - J851 900 - 11B B - J521 900 - 13A B - J524 B - J1000 B - J103 B - J950 B - J963 B - J950 B - J962 B - J96 B - J1100 B - J561 108 - 10A B - J558 108 - 10B B - J963 108 - 10C B - J962 B - J66 B - J74 B - J106 B - J559 B - J805 B - J1509 B - J88 B - J407 B - J414 B - J564 B - J803 B - J804 B - J806	

PART NUMBER	FIGURE & KEY NO.	PART NUMBER	FIGURE & KEY NO.	PART NUMBER	FIGURE & KEY NO.
WS3-5159-000	B - J8	WT1-5155-000	B - J616	XB3-6300-800	351 - 501
WS3-5160-000	B - J5		B - J620		351A - 501
	B - J62	WT2-5565-000	102 - 18C	XB3-6400-800	365 - 501
	B - J64		105 - 29		100 - 502
	B - J67		260 - 3B		101 - 509
	B - J70C		270 - 3B		102 - 502
	B - J70K	X62-5133-000	B - J44		103 - 508
	B - J70M	X65-5854-000	B - J44		104 - 508
	B - J70Y	XA9-0605-000	100 - 18E		105 - 501
	B - J71C	XA9-0624-000	537 - 6		106 - 504
	B - J71K	XA9-0633-000	100 - 43		107 - 504
	B - J71M	XA9-0656-000	310 - 58		108 - 501
	B - J71Y	XA9-0721-000	101 - 18		271 - 501
	B - J81		315 - 4		330 - 502
	B - J82	XA9-0724-000	351 - 35		351 - 502
	B - J83		351A - 35		351A - 502
	B - J84CK	XA9-0774-000	100 - 29		360 - 503
	B - J84YM	XA9-0782-000	108 - 12	XB4-5300-607	104 - 501
	B - J85	XA9-0783-000	100 - 506		560 - 502
	B - J86	XA9-0838-000	101 - 6	XB4-5300-807	100 - 501
	B - J96	XA9-0896-000	900 - 7		101 - 501
	B - J100	XA9-1030-000	107 - 9		103 - 505
	B - J561	XA9-1401-000	106 - 505		125 - 501
	B - J1100	XA9-1412-000	330 - 11		125A - 501
	B - J1101		360 - 28		130 - 502
WS3-5231-000	B - J108	XA9-1484-000	810 - 11		272 - 503
WS3-5291-000	B - J10	XB1-2260-407	272 - 501		321 - 501
	B - J95	XB1-2260-807	900 - 501		351 - 503
WS3-5292-000	B - J10	XB1-2300-407	101 - 506		351A - 503
	B - J56		330 - 501		361 - 503
	B - J57		360 - 501		535 - 503
	B - J58		360 - 514		537 - 502
	B - J95		537 - 501		980 - 501
WS3-5301-000	B - J96	XB1-2300-507	104 - 509		981 - 501
	B - J561	XB1-2300-607	104 - 502	XB4-5301-007	130 - 504
	B - J1100		130 - 503		315 - 502
WS3-5358-000	B - J66		351A - 507	XB4-5400-807	100 - 503
	B - J74		535 - 501		315 - 508
	B - J88		910 - 501		316 - 501
	B - J98	XB1-2300-807	108 - 503		330 - 503
	B - J106		360 - 504		350 - 502
	B - J114	XB1-2400-407	102 - 511		360 - 505
	B - J116	XB1-2400-603	910 - 502	XB4-5401-007	100 - 504
	B - J118	XB1-2400-607	105 - 502		315 - 503
	B - J120		107 - 503	XB4-5401-207	310 - 502
	B - J407		108 - 504	XB4-5403-007	192 - 501
	B - J414		305 - 501	XB4-5403-507	190 - 4
	B - J559		360 - 502		194 - 501
	B - J562		900 - 502	XB4-6260-807	105 - 510
	B - J564		930 - 501	XB4-7300-609	100 - 507
	B - J1509	XB1-2400-807	100 - 505	XB6-7300-407	103 - 507
WS3-5569-000	B - J71	XB1-2402-007	910 - 503		104 - 505
	B - J109	XB1-2403-007	910 - 504	XB6-7300-607	271 - 502
WS3-5592-000	B - J59	XB1-2403-009	900 - 503		280 - 501
	B - J60	XB1-2404-007	193 - 501		321 - 502
	B - J1208	XB1-3300-607	310 - 505		900 - 504
	B - J1501	XB2-4231-209	105 - 503	XB6-7300-805	351A - 510
	B - J1502	XB2-4300-607	107 - 501	XB6-7300-807	103 - 506
	B - J1503	XB2-8300-607	108 - 502		300 - 502
WS3-5596-000	B - J950		130 - 501	XB6-7301-607	900 - 508
WS3-5680-000	B - J61		300 - 501	XB6-7400-607	350 - 501
	B - J68		535 - 502		361 - 508
	B - J91	XB2-8300-807	101 - 502	XD1-1104-135	105 - 506
	B - J440		108 - 506		321 - 503
	B - J560		361 - 502		360 - 506
	B - J1311		810 - 501	XD1-1104-137	365 - 504
	B - J1504	XB2-8301-009	101 - 505	XD1-1104-138	810 - 506
WS3-5721-000	B - J802		105 - 511	XD1-1104-635	351A - 508
WS3-5730-000	B - J803	XB2-8301-207	810 - 502	XD1-1105-235	900 - 509
	B - J804	XB2-8400-807	105 - 504	XD1-1106-212	270 - 503
	B - J805		315 - 504		535 - 504
	B - J806	XB2-8401-007	315 - 514	XD1-1106-222	102 - 503
WS3-5759-000	B - J70	XB2-8401-607	102 - 508	XD1-1106-235	316 - 502
	B - J93	XB3-6300-600	101 - 503	XD1-1108-212	535 - 511
	B - J1505		102 - 504	XD1-1108-225	535 - 505
WS3-5822-000	B - J802		260 - 501	XD1-1108-239	100 - 508
WS3-5824-000	B - J802		310 - 501	XD1-1109-221	271 - 507
WS4-0217-000	B - J12	XB3-6300-800	104 - 503	XD1-3100-407	108 - 505
	B - J13		106 - 502	XD1-4200-402	910 - 505
WS4-0219-000	B - J12		106 - 505	XD2-1100-242	105 - 507
WS5-5074-000	B - J1		107 - 502		351 - 506
WT1-5155-000	B - J52		120 - 501		351A - 506
	B - J558		270 - 501	XD2-1100-282	315 - 516
	B - J608		272 - 502		360 - 513
	B - J612		315 - 501		361 - 509

PART NUMBER	FIGURE & KEY NO.	PART NUMBER	FIGURE & KEY NO.	PART NUMBER	FIGURE & KEY NO.
XD2-1100-322	272 - 504				
	321 - 504				
	330 - 506				
	360 - 507				
	810 - 503				
XD2-1100-402	361 - 501				
XD2-1100-502	103 - 501				
	104 - 507				
	125 - 502				
	125A - 502				
	270 - 502				
	271 - 504				
	272 - 505				
	280 - 503				
	310 - 503				
	315 - 510				
	330 - 507				
	350 - 503				
	351 - 504				
	351A - 504				
	360 - 508				
	361 - 504				
	365 - 503				
	535 - 506				
	560 - 504				
XD2-1100-642	103 - 502				
	271 - 505				
	315 - 512				
	330 - 508				
	351 - 505				
	351A - 505				
	360 - 509				
	535 - 507				
	810 - 504				
XD2-1100-802	102 - 501				
XD2-2300-402	350 - 504				
XD2-2300-602	330 - 504				
	360 - 510				
XD3-1300-102	101 - 507				
	360 - 511				
XD3-2200-102	315 - 513				
	361 - 505				
	560 - 501				
XD3-2200-122	310 - 504				
	330 - 505				
	360 - 512				
	361 - 506				
XD3-2200-142	272 - 506				
	315 - 515				
XD3-2200-162	280 - 502				
XD3-2200-182	271 - 506				
XD3-2200-202	535 - 508				
XD3-2300-142	810 - 505				
XF9-0733-000	360 - 65				
XF9-0734-000	360 - 66				
XF9-0735-000	360 - 67				
XF9-0736-000	351 - 31				
	351A - 31				
XG9-0177-000	102 - 6				
XG9-0211-000	315 - 7				
XG9-0245-000	535 - 26				
XG9-0264-000	271 - 11				
XG9-0407-000	280 - 10				
XG9-0415-000	535 - 27				
XG9-0476-000	102 - 5				
XG9-0477-000	810 - 12				
XG9-0478-000	810 - 14				
XG9-0479-000	330 - 21				
	360 - 68				
XG9-0513-000	351A - 47				
XH9-0059-000	102 - 3				
XZ1-1300-605	351A - 509				
XZ9-0428-000	101 - 38				
	101 - 39				
XZ9-0556-000	351A - 50				

D3

NUMERICAL INDEX (Paper Deck-P1)
部品索引表 (サイドペーパーデッキ・P1)

PART NUMBER	FIGURE & KEY NO.	PART NUMBER	FIGURE & KEY NO.	PART NUMBER	FIGURE & KEY NO.
FA6-7751-000	R11 - 1	FB6-4872-000	R01 - 16	FS6-2674-000	R11 - 29
FA6-8257-000	R30 - 2	FF3-3462-000	R35 - 1	FS6-2675-000	R40 - 51
FA9-2112-000	R40 - 1	FF3-3463-000	R35 - 1	FS6-2676-000	R11 - 30
FB2-7702-000	R40 - 62	FF3-3464-000	R35 - 2	FS6-2677-000	R10 - 15
FB2-7720-000	R40 - 3	FF3-3465-000	R35 - 2	FS6-2678-000	R40 - 52
FB2-7721-000	R40 - 4	FF5-5282-030	R30 - 24	FS6-2895-000	R40 - 53
FB2-7755-000	R40 - 6	FF5-6137-000	R40 - 61	FS6-2897-000	R01 - 11
FB2-7777-020	R40 - 7	FF5-6148-000	R30 - 25	FS7-0423-000	R10 - 22
FB2-9248-000	R30 - 4	FF5-6157-020	R40 - 28	FS7-0801-000	R11 - 33
FB3-9188-020	R40 - 8	FF5-6160-000	R30 - 26	FS7-0802-000	R11 - 31
FB3-9192-020	R40 - 9	FF5-6161-000	R30 - 27	FS7-8327-000	R10 - 21
FB3-9193-020	R40 - 10	FF5-6163-000	R10 - 18	PCB	R B - J1
FB3-9195-020	R40 - 11	FF5-6164-020	R10 - 19		R B - J2
FB3-9196-020	R40 - 12	FF5-6171-000	R30 - 28		R B - J3
FB3-9206-000	R40 - 13	FF5-6338-000	R40 - 27		R B - J4
FB3-9207-030	R40 - 14	FF5-7529-000	R40 - 29		R B - J5
FB3-9214-000	R40 - 15	FF5-7530-000	R40 - 30		R B - J6
FB3-9216-000	R40 - 16	FF5-7532-000	R40 - 31		R B - J7
FB3-9217-000	R40 - 17	FF5-7535-000	R11 - 11		R B - J20
FB3-9235-000	R30 - 5	FF5-7536-000	R11 - 12	RH2-5283-000	R B - J26
FB3-9237-000	R30 - 6	FF5-7540-000	R40 - 63		R B - J31
FB3-9238-000	R30 - 7	FF5-7541-000	R40 - 33	VD7-0502-001	R35 - 6
FB3-9240-000	R30 - 8	FF5-7829-000	R40 - 34	VS1-0279-002	R B - J27
FB3-9241-000	R30 - 9	FF5-7830-000	R40 - 35	VS1-0852-007	R B - J1
FB3-9242-000	R30 - 10	FF6-0315-000	R01 - 10	VS1-5057-002	R11 - 32
FB3-9243-000	R30 - 11	FF6-1976-000	R40 - 32		R40 - 36A
FB3-9244-000	R30 - 12	FF6-2119-000	R10 - 17		R B - J16
FB3-9260-000	R11 - 3	FF6-2120-000	R10 - 7		R B - J18
FB3-9261-000	R11 - 4	FF6-2121-000	R01 - 8		R B - J21
FB3-9270-000	R10 - 2	FF6-2122-000	R01 - 9	VS1-5057-003	R30 - 29A
FB3-9289-000	R40 - 18	FG3-1711-000	R11 - 17		R B - J25
FB3-9290-000	R11 - 5	FG3-1712-000	R11 - 13	VS1-5057-004	R11 - 13A
FB3-9291-000	R10 - 9	FG3-1713-000	R11 - 18		R B - J19
FB3-9292-000	R10 - 10	FG5-9288-000	R10 - 20	VS1-5057-010	R11 - 13B
FB3-9293-000	R10 - 11	FG6-1641-000	R40 - 36		R B - J10
FB3-9711-000	R10 - 12	FG6-1642-000	R30 - 29	VS1-5057-014	R11 - 13C
FB3-9713-000	R40 - 19	FG6-1646-000	R11 - 16		R B - J15
FB3-9714-000	R30 - 15	FG6-2528-000	R11 - 14	VS1-5452-008	R B - J7050
FB3-9720-000	R30 - 16	FG6-2529-000	R11 - 15	VS1-6302-003	R B - J7
FB3-9723-000	R30 - 17	FG6-2531-000	R30 - 31	VS1-6302-010	R B - J4
FB3-9732-000	R10 - 17A	FG6-2534-000	R30 - 30	VS1-6313-013	R B - J5
FB3-9735-000	R30 - 18	FG6-2956-000	R35 - 3	VS1-6314-008	R B - J6
FB3-9742-000	R30 - 19	FG6-9259-000	R40 - 5	VS1-6314-013	R B - J5
FB3-9749-000	R10 - 13	FG6-9260-000	R40 -	VS1-6320-004	R B - J19
FB3-9752-000	R40 - 20	FG6-9637-000	R30 -	VS1-6320-010	R B - J10
FB4-2007-000	R40 - 21	FH2-6481-000	R B - J7050	VS1-6320-014	R B - J15
FB4-2013-000	R40 - 22	FH2-6584-000	R35 - 10	VS1-6321-002	R B - J16
FB4-4867-000	R01 - 1	FH2-6586-000	R35 - 11		R B - J18
FB4-4868-000	R40 - 23	FH6-1915-000	R11 - 19		R B - J21
FB4-4873-000	R30 - 20	FH7-1791-020	R30 - 32		R B - J28
FB4-4874-000	R30 - 21	FH7-4584-000	R35 - 5	VS1-6321-003	R B - J11
FB4-4877-000	R11 - 7	FH7-4585-000	R35 - 5		R B - J12
FB4-4878-000	R11 - 8	FH7-5826-000	R40 - 37		R B - J13
FB4-4882-000	R30 - 22	FH7-5827-000	R40 - 38		R B - J14
FB4-4887-000	R40 - 59	FH7-5828-000	R11 - 20		R B - J17
FB4-4894-000	R40 - 60	FH7-7312-000	R30 - 33		R B - J23
FB4-4898-000	R40 - 24		R40 - 39		R B - J24
FB4-4899-000	R40 - 25	FH7-7462-000	R11 - 21		R B - J25
FB4-4918-000	R01 - 13	FS1-1189-000	R11 - 23		R B - J29
FB4-4919-000	R01 - 3		R40 - 58		R B - J30
FB4-4928-000	R30 - 23	FS1-1512-000	R40 - 40	VS1-6321-004	R B - J19
FB4-4929-000	R11 - 10	FS1-1569-000	R40 - 41		R B - J20
FB4-4932-000	R01 - 5	FS1-9002-000	R01 - 12	VS1-6321-010	R B - J10
FB4-4933-000	R01 - 6	FS1-9009-000	R11 - 24	VS1-6321-014	R B - J15
FB4-4937-000	R01 - 2	FS2-0450-000	R30 - 34	VS1-6372-010	R B - J22
FB4-4938-000	R01 - 7	FS2-0484-000	R40 - 42	VS1-6373-010	R B - J22
FB4-4939-000	R01 - 14	FS2-0544-000	R11 - 25	VS3-5083-003	R B - J3
FB4-6227-000	R40 - 2	FS2-0545-000	R11 - 27	VS4-0001-003	R B - J201
FB4-9705-000	R30 - 14	FS2-9343-000	R11 - 26		R B - J202
FB4-9706-000	R30 - 13	FS5-0338-000	R40 - 43		R B - J201
FB4-9713-000	R30 - 45	FS5-2291-000	R40 - 44	VS4-0002-003	R11 - 22
FB5-0553-000	R30 - 1	FS5-2885-000	R40 - 45	VT2-0002-026	R B - J5
FB5-5422-000	R11 - 6	FS5-3333-000	R40 - 46	WC4-0153-000	R30 - 39
FB5-7009-000	R30 - 46	FS5-7441-000	R40 - 50	WC4-5153-000	R11 - 34
FB6-0775-000	R40 - 26	FS5-7442-000	R40 - 57	WD3-5057-000	R35 - 6
FB6-3900-000	R10 - 4	FS5-8618-000	R30 - 35	WS3-0437-000	R B - J27
FB6-3901-000	R10 - 5	FS6-0053-020	R40 - 47	WS3-5018-000	R B - J7050
FB6-3904-000	R10 - 14	FS6-0091-000	R40 - 48	WS3-5160-000	R B - J3
FB6-3905-000	R10 - 3	FS6-0722-000	R30 - 36	WS3-5419-000	R B - J26
FB6-3907-000	R11 - 2	FS6-0907-000	R40 - 49		R B - J31
FB6-3910-000	R11 - 9	FS6-0909-000	R30 - 37	WS3-5569-000	R B - J4
FB6-3915-000	R10 - 6	FS6-0912-000	R10 - 23		R B - J7
FB6-3924-000	R10 - 24	FS6-0913-000	R10 - 16		R B - J22
FB6-3925-000	R01 - 4	FS6-2593-000	R11 - 28	WS3-5598-000	R B - J22
FB6-4854-000	R30 - 3	FS6-2673-000	R30 - 38	WS4-0217-000	R B - J201

PART NUMBER	FIGURE & KEY NO.	PART NUMBER	FIGURE & KEY NO.	PART NUMBER	FIGURE & KEY NO.
WS4-0219-000	R B - J201				
	R B - J202				
WS5-5025-000	R B - IL1				
WT2-5041-000	R35 - 7				
X62-6825-000	R11 - 35				
XA9-0266-000	R35 - 4				
	R35 - 4				
XA9-0628-000	R35 - 9				
XA9-0721-000	R30 - 40				
XA9-0732-000	R01 - 15				
	R10 - 8				
	R11 - 36				
	R30 - 41				
	R40 - 54				
XB1-2231-009	R11 - 501				
	R30 - 501				
XB1-2300-409	R35 - 501				
	R40 - 501				
XB1-2300-806	R10 - 502				
XB1-2400-409	R35 - 502				
XB1-2400-609	R01 - 501				
	R11 - 502				
	R30 - 502				
	R30 - 503				
	R40 - 502				
XB1-2400-806	R10 - 503				
	R11 - 503				
XB1-2400-809	R01 - 502				
XB4-7301-209	R10 - 508				
XB4-7400-807	R10 - 504				
XB4-7401-006	R10 - 507				
XB6-2400-808	R30 - 504				
XB6-7300-409	R11 - 505				
	R35 - 503				
XB6-7400-609	R30 - 505				
XB6-7400-809	R30 - 506				
XD1-4200-402	R11 - 508				
XD2-1100-242	R30 - 508				
	R40 - 503				
XD2-1100-372	R40 - 504				
XD2-1100-402	R11 - 511				
	R40 - 505				
XD2-1100-502	R10 - 505				
	R11 - 504				
	R30 - 509				
	R40 - 506				
XD2-1100-642	R10 - 506				
	R11 - 506				
	R30 - 510				
	R40 - 507				
XD2-2300-402	R10 - 501				
XD3-1300-082	R40 - 510				
XD3-1300-102	R11 - 510				
XD3-2200-102	R40 - 508				
XD3-2200-122	R30 - 512				
XD3-2200-142	R40 - 509				
XD3-2200-182	R30 - 513				
XF2-3228-532	R10 - 1				
XF9-0525-000	R40 - 55				
XG3-6012-405	R30 - 43				
XG9-0242-000	R40 - 56				
XG9-0250-000	R30 - 44				

D4 NUMERICAL INDEX (Cassette Feeding Unit-X1)

部品索引表 (2 段カセットペディスタル・X 1)

PART NUMBER	FIGURE & KEY NO.	PART NUMBER	FIGURE & KEY NO.	PART NUMBER	FIGURE & KEY NO.
FB6-3313-000	Z12 - 1	FG3-2457-000	Z11 - 23	PCB	Z B - J1107
FB6-3331-000	Z12 - 3	FG3-2458-000	Z11 - 3	RB1-6539-000	Z40 - 54
FB6-3380-000	Z40 - 1	FG3-2459-000	Z20 - 3	RB1-8945-000	Z40 - 55
FB6-3386-000	Z40 - 2	FG3-2460-000	Z11 - 1	RH7-6066-000	Z91 - RL1
FB6-3387-000	Z40 - 3	FG3-3008-000	Z11 - 39	RH7-9021-000	Z91 - L2
FB6-3388-000	Z40 - 4	FG6-9028-000	Z40 -	RS5-1567-000	Z40 - 56
FB6-3389-000	Z40 - 5	FG6-9044-000	Z30 -	VD7-0216-001	Z91 - 1
FB6-3390-000	Z40 - 6	FG6-9151-000	Z12 -	VD7-0643-151	Z91 - 1
FB6-3391-000	Z40 - 7	FG6-9157-000	Z20 -	VD7-2431-002	Z11 - 5
FB6-3392-000	Z40 - 8	FH2-6480-000	Z B - J1032	VD7-2431-502	Z11 - 5
FB6-3393-000	Z40 - 9		Z B - J1033	VS1-5057-002	Z40 - 59A
FB6-3394-000	Z40 - 10	FH2-6481-000	Z B - J950		Z B - J1018
FB6-3395-000	Z40 - 11	FH2-6492-000	Z11 - 17		Z B - J1024
FB6-3396-000	Z40 - 12	FH2-6552-000	Z11 - 35	VS1-5057-003	Z32 - 5
FB6-3397-000	Z40 - 13	FH2-7040-000	Z11 - 2		Z B - J1044
FB6-3398-000	Z40 - 14		Z B - J1100	VS1-5452-007	Z B - J481
FB6-3399-000	Z40 - 15	FH2-7041-000	Z11 - 2		Z B - J486
FB6-3402-000	Z40 - 18		Z B - J1100		Z B - J950
FB6-3403-000	Z40 - 19	FH2-7060-000	Z11 - 2		Z B - J1032
FB6-3404-000	Z40 - 20		Z B - J1100		Z B - J1040
FB6-3405-000	Z40 - 21	FH3-0695-000	Z91 - T1	VS1-5452-008	Z B - J485
FB6-3406-000	Z40 - 22	FH3-0725-000	Z91 - L181		Z B - J950
FB6-3407-000	Z40 - 22	FH3-0975-000	Z91 - L5		Z B - J1033
FB6-3408-000	Z40 - 23	FH4-1427-000	Z90 - IC5		Z B - J1041
FB6-3410-000	Z40 - 17	FH6-1972-000	Z20 - 1	VS1-5729-002	Z B - J1042
FB6-3411-000	Z40 - 24	FH6-5055-000	Z40 - 27	VS1-5729-003	Z B - J1043
FB6-3413-000	Z40 - 29	FH7-4740-000	Z B - J1108	VS1-5729-005	Z B - J1105
FB6-3475-000	Z30 - 1	FH7-7312-000	Z11 - 21	VS1-5820-007	Z11 - 25
FB6-3478-000	Z30 - 2		Z40 - 28		Z B - J1040
FB6-3479-000	Z30 - 3	FH7-9245-000	Z91 - L1	VS1-5820-008	Z11 - 33
FB6-3480-000	Z30 - 4	FH9-0186-000	Z90 - CP1		Z B - J1041
FB6-3481-000	Z30 - 5		Z90 - CP2	VS1-5824-002	Z B - J489
FB6-3482-000	Z30 - 6	FS1-1205-000	Z40 - 30	VS1-5824-003	Z B - J1044
FB6-3483-000	Z30 - 7	FS1-1213-000	Z40 - 60	VS1-6084-007	Z B - J481
FB6-3484-000	Z30 - 8	FS5-1595-000	Z12 - 4	VS1-6197-014	Z B - J481
FB6-3485-000	Z30 - 9	FS5-1597-000	Z40 - 31	VS1-6313-014	Z B - J482
FB6-3486-000	Z30 - 10	FS6-1063-000	Z40 - 32		Z B - J1012
FB6-3487-000	Z30 - 11	FS6-8116-000	Z30 - 27	VS1-6314-005	Z B - J483
FB6-3488-000	Z30 - 12	FS7-2788-000	Z12 - 5		Z B - J1028
FB6-3489-000	Z30 - 13	FS7-2789-000	Z12 - 6		Z B - J1029
FB6-3490-000	Z30 - 14	FS7-2797-000	Z40 - 33	VS1-6314-008	Z B - J487
FB6-3491-000	Z30 - 15	FS7-2798-000	Z40 - 34	VS1-6314-010	Z B - J484
FB6-3492-000	Z11 - 26	FS7-2800-000	Z11 - 22		Z B - J1014
FB6-3493-000	Z11 - 27		Z40 - 35	VS1-6314-014	Z B - J482
FB6-3494-000	Z11 - 28	FS7-2801-000	Z40 - 36		Z B - J1010
FB6-3499-000	Z30 - 17A	FS7-2802-000	Z40 - 37		Z B - J1012
FB6-3504-000	Z10 - 1	FS7-2803-000	Z40 - 38	VS1-6318-005	Z11 - 24B
FB6-3506-000	Z30 - 16	FS7-2804-000	Z30 - 18		Z B - J1028
FB6-3507-000	Z11 - 4	FS7-2805-000	Z30 - 19		Z B - J1029
FB6-3522-000	Z30 - 23	FS7-2806-000	Z30 - 20	VS1-6318-010	Z11 - 24C
FB6-3523-000	Z30 - 24	FS7-2807-000	Z11 - 29		Z B - J1014
FB6-3524-000	Z30 - 25	FS7-2808-000	Z11 - 30	VS1-6318-014	Z40 - 57
FB6-4030-000	Z10 - 2	FS7-5909-000	Z40 - 39		Z B - J1010
FB6-4031-000	Z10 - 3	FS7-5910-000	Z40 - 40		Z B - J1012
FB6-4032-000	Z10 - 4	FS7-8328-000	Z30 - 26	VS1-6321-002	Z B - J1013
FB6-4033-000	Z10 - 5	FU3-0280-000	Z40 - 41		Z B - J1018
FB6-4035-000	Z10 - 6	FU3-0282-000	Z40 - 43	VS1-6321-003	Z B - J30
FB6-4036-000	Z10 - 7	FU3-0283-000	Z40 - 44		Z B - J488
FB6-4037-000	Z12 - 2	FU3-0284-000	Z40 - 45		Z B - J1016
FB6-4044-000	Z11 - 20	FU3-0285-000	Z20 - 2		Z B - J1017
FB6-4852-000	Z40 - 16	FU3-0288-000	Z40 - 47		Z B - J1019
FB6-5060-000	Z11 - 36	FU3-0289-000	Z40 - 48		Z B - J1020
FE9-0290-000	Z11 - 14	FU3-0290-000	Z40 - 49		Z B - J1022
FF6-2058-000	Z40 - 25	FU3-0291-000	Z40 - 50		Z B - J1023
FF6-2059-000	Z40 - 26	FU3-0292-000	Z40 - 51		Z B - J1025
FF6-2064-000	Z30 - 17	FU3-0293-000	Z30 - 21		Z B - J1026
FF6-2168-000	Z11 - 34	FU3-0294-000	Z30 - 22		Z B - J1027
FG3-2302-000	Z40 - 59	FU3-0347-000	Z40 - 53		Z B - J1044
FG3-2340-000	Z32 - 3	FU3-0349-000	Z40 - 42	VS1-6321-004	Z B - J1015
FG3-2342-000	Z32 - 4	FU3-0350-000	Z40 - 52		Z B - J1021
FG3-2348-000	Z11 - 32	FU3-0352-000	Z40 - 46	VS1-6321-005	Z B - J1030
FG3-2441-000	Z90 -	PCB	Z B - J1		Z B - J1031
FG3-2443-000	Z91 -		Z B - J30	VS3-5083-000	Z B - J1
FG3-2444-000	Z91 -		Z B - J31	VS3-5083-002	Z B - J1042
FG3-2445-000	Z11 - 7		Z B - J480	VS3-5083-003	Z B - J1043
FG3-2446-000	Z11 - 8		Z B - J481		Z B - J1107
FG3-2447-000	Z11 - 9		Z B - J482	VS3-5083-004	Z B - J480
FG3-2448-000	Z11 - 10		Z B - J483	VS3-5083-005	Z B - J1105
FG3-2449-000	Z11 - 11		Z B - J484	VS3-5083-009	Z B - J31
FG3-2450-000	Z11 - 1		Z B - J485	VS4-0001-003	Z B - J1106
FG3-2451-000	Z11 - 12		Z B - J486	VS4-0002-002	Z B - J1108
FG3-2452-000	Z11 - 13		Z B - J487	VS4-0002-003	Z B - J1106
FG3-2453-000	Z11 - 18		Z B - J488	VT2-5161-028	Z B - J482
FG3-2454-000	Z11 - 19		Z B - J489	WC1-5129-000	Z32 - 2
FG3-2456-000	Z11 - 24		Z B - J1013	WC2-5332-000	Z11 - 31

PART NUMBER	FIGURE & KEY NO.	PART NUMBER	FIGURE & KEY NO.	PART NUMBER	FIGURE & KEY NO.
WE8-6047-000	Z11 - 37				
WE8-6048-000	Z11 - 38				
WS3-5044-000	Z B - J950				
WS3-5160-000	Z B - J1				
	Z B - J31				
	Z B - J480				
	Z B - J1042				
	Z B - J1043				
	Z B - J1105				
	Z B - J1107				
WS3-5301-000	Z B - J1042				
	Z B - J1043				
WS3-5358-000	Z B - J489				
	Z B - J1044				
WS3-5596-000	Z B - J1032				
	Z B - J1033				
WS4-0217-000	Z B - J1106				
	Z B - J1108				
WS4-0219-000	Z B - J1106				
WS5-5074-000	Z B - J1100				
WS5-5077-000	Z B - J1101				
	Z B - J1102				
	Z B - J1103				
WT1-5381-000	Z11 - 6				
WT2-5041-000	Z11 - 32A				
WT2-5565-000	Z11 - 24A				
	Z20 - 3A				
XA9-0633-000	Z10 - 8				
XA9-0656-000	Z40 - 58				
XB1-2300-807	Z11 - 502				
XB1-2400-407	Z10 - 501				
	Z11 - 507				
XB1-2400-607	Z11 - 508				
	Z32 - 501				
XB1-2400-803	Z11 - 503				
XB1-2401-007	Z11 - 504				
XB2-8300-607	Z30 - 501				
XB3-6300-600	Z20 - 501				
	Z40 - 501				
XB3-6400-800	Z11 - 501				
XB4-5401-007	Z12 - 501				
XB4-5401-207	Z40 - 502				
XB6-7300-807	Z30 - 502				
XD1-3100-407	Z11 - 505				
XD1-4200-402	Z11 - 506				
XD2-1100-502	Z40 - 503				
XD3-2200-122	Z40 - 504				
XZ9-0494-000	Z11 - 15				
XZ9-0508-000	Z11 - 16				

D5 NUMERICAL INDEX (Plain Pedestal-C1)

部品索引表 (プレーンペディスタル・C1)

PART NUMBER	FIGURE & KEY NO.	PART NUMBER	FIGURE & KEY NO.	PART NUMBER	FIGURE & KEY NO.
FB1-6053-000	Z10 - 1	VS1-6314-010	Z B - J1014		
FB3-2224-000	Z10 - 2	VS1-6321-003	Z B - J30		
FB3-4168-000	Z10 - 3		Z B - J488		
FB3-4171-000	Z11 - 27	VS3-5083-000	Z B - J1		
FB3-7217-000	Z11 - 28	VS3-5083-002	Z B - J1042		
FB6-3443-000	Z10 - 4	VS3-5083-003	Z B - J1043		
FB6-4030-000	Z10 - 5	VS3-5083-004	Z B - J480		
FB6-4031-000	Z10 - 6	VS3-5083-005	Z B - J1105		
FB6-4035-000	Z10 - 7	VS3-5083-009	Z B - J31		
FB6-5051-000	Z10 - 8	VS4-0002-003	Z B - J1106		
FB6-5052-000	Z11 - 26	WE8-6047-000	Z11 - 24		
FB6-5053-000	Z11 - 29	WE8-6048-000	Z11 - 25		
FB6-5054-000	Z10 - 9	WS3-5044-000	Z B - J950		
FE9-0290-000	Z11 - 14	WS3-5160-000	Z B - J1		
FF6-2168-000	Z11 - 19		Z B - J31		
FG3-2441-000	Z90 -		Z B - J480		
FG3-2443-000	Z91 -		Z B - J1042		
FG3-2444-000	Z91 -		Z B - J1043		
FG3-2445-000	Z11 - 7		Z B - J1105		
FG3-2446-000	Z11 - 8	WS3-5301-000	Z B - J1042		
FG3-2447-000	Z11 - 9		Z B - J1043		
FG3-2448-000	Z11 - 10	WS3-5358-000	Z B - J489		
FG3-2449-000	Z11 - 11		Z B - J1044		
FG3-2450-000	Z11 - 1	WS3-5596-000	Z B - J1032		
FG3-2451-000	Z11 - 12		Z B - J1033		
FG3-2452-000	Z11 - 13	WS4-0217-000	Z B - J1106		
FG3-2453-000	Z11 - 17	WS5-5074-000	Z B - J1100		
FG3-2454-000	Z11 - 18	WS5-5077-000	Z B - J1101		
FG3-2460-000	Z11 - 1		Z B - J1102		
FG3-3008-000	Z11 - 23		Z B - J1103		
FH2-6480-000	Z B - J1032	WT1-5381-000	Z11 - 6		
	Z B - J1033	XA9-0633-000	Z10 - 10		
FH2-6481-000	Z B - J950	XB1-2300-807	Z11 - 501		
FH2-6492-000	Z11 - 21	XB1-2400-607	Z11 - 507		
FH2-6552-000	Z11 - 20	XB1-2400-803	Z11 - 502		
FH2-7040-000	Z11 - 22	XB1-2401-007	Z11 - 503		
	Z B - J1100	XB3-6400-800	Z11 - 506		
FH2-7041-000	Z11 - 22	XB4-5400-807	Z10 - 501		
	Z B - J1100	XD1-3100-407	Z11 - 504		
FH2-7060-000	Z11 - 22	XD1-4200-402	Z11 - 505		
	Z B - J1100	XZ9-0494-000	Z11 - 15		
FH3-0695-000	Z91 - T1	XZ9-0508-000	Z11 - 16		
FH3-0725-000	Z91 - L181				
FH3-0975-000	Z91 - L5				
FH4-1427-000	Z90 - IC5				
FH7-9245-000	Z91 - L1				
FH9-0186-000	Z90 - CP1				
	Z90 - CP2				
PCB	Z B - J1				
	Z B - J30				
	Z B - J31				
	Z B - J480				
	Z B - J481				
	Z B - J485				
	Z B - J486				
	Z B - J488				
	Z B - J489				
RH7-6066-000	Z91 - RL1				
RH7-9021-000	Z91 - L2				
VD7-0216-001	Z91 - 1				
VD7-0643-151	Z91 - 1				
VD7-2431-002	Z11 - 5				
VD7-2431-502	Z11 - 5				
VS1-5057-003	Z11 - 2				
	Z B - J1044				
VS1-5452-007	Z B - J481				
	Z B - J486				
	Z B - J950				
	Z B - J1032				
	Z B - J1040				
VS1-5452-008	Z B - J485				
	Z B - J950				
	Z B - J1033				
	Z B - J1041				
VS1-5729-002	Z B - J1042				
VS1-5729-003	Z B - J1043				
VS1-5729-005	Z B - J1105				
VS1-5820-007	Z11 - 3				
	Z B - J1040				
VS1-5820-008	Z11 - 4				
	Z B - J1041				
VS1-5824-002	Z B - J489				
VS1-5824-003	Z B - J1044				
VS1-6084-007	Z B - J481				
VS1-6197-014	Z B - J481				

D6

NUMERICAL INDEX (LIPS UP-GRADE KIT (100V))

部品索引表 (P D L 拡張キット (L I P S) ・ A 1 (1 0 0 V))

PART NUMBER	FIGURE & KEY NO.	PART NUMBER	FIGURE & KEY NO.	PART NUMBER	FIGURE & KEY NO.
FH5-3402-000 FH5-3403-000	G90 - 1 G90 - 2				

D7 NUMERICAL INDEX (Super G3 FAX Board-M1)

部品索引表 (スーパー G3 FAX ボード・M1)

PART NUMBER	FIGURE & KEY NO.	PART NUMBER	FIGURE & KEY NO.	PART NUMBER	FIGURE & KEY NO.
FB5-5130-000	G10 - 2	VS3-5080-007	G B - J3		
FB6-5455-000	G10 - 4		G B - J911		
FB6-5456-000	G10 - 4	VS3-5083-002	G B - J713		
FB6-5459-000	G10 - 1	VS3-5083-003	G B - J714		
FB6-5460-000	G10 - 5	VT2-5161-040	G B - J31		
FG3-1583-020	G20 - 4		G B - J512		
FG3-1584-020	G20 - 4	WE8-5193-000	G20 - 3A		
FG3-1587-000	G20 - 6	WS3-1105-000	G B - J105		
FG3-1605-000	G20 - 5	WS3-5160-000	G B - J713		
FG3-1992-000	G20 - 4		G B - J714		
FG3-3060-000	G20 - 1	WS3-5251-000	G B - J3		
FG3-3061-000	G20 - 3		G B - J911		
FG3-3062-000	G20 - 10	WS3-5301-000	G B - J1101		
FG3-3063-000	G20 - 11	WS3-5358-000	G B - J557		
FG3-3065-000	G20 - 12		G B - J559		
FG3-3066-000	G20 - 13	WS3-5569-000	G B - J104		
FG3-3067-000	G20 - 14	WS3-5720-000	G B - J560		
FG3-3068-000	G20 - 15	WT1-5155-000	G B - J3		
FG3-3069-000	G20 - 10		G B - J4		
FG3-3070-000	G20 - 10		G B - J10		
FG3-3138-000	G20 - 4		G B - J911		
FG3-3139-000	G20 - 7		G B - J911		
FG3-3140-000	G20 - 7	WT8-5076-000	G20 - 9		
FG3-3141-000	G20 - 7	XB6-7300-607	G20 - 501		
FG3-3142-000	G20 - 7	XB6-7400-607	G10 - 501		
FG3-3286-000	G20 - 3				
FH2-7032-000	G20 - 16				
	G B - J1				
	G B - J102				
FH2-7033-000	G20 - 17				
	G B - J6				
	G B - J103				
FH5-3218-000	G10 - 3				
FH5-3400-000	G20 - 2				
HG1-4365-000	G20 - 8				
HG5-1866-000	G20 - 8				
HG5-2587-000	G20 - 8				
HG5-2598-000	G20 - 8				
HH2-1914-000	G20 - 18				
HH2-2074-000	G20 - 18				
HH2-2219-000	G20 - 18				
HH2-2478-000	G20 - 18				
HH2-2830-000	G20 - 18				
PCB	G B - J1				
	G B - J2				
	G B - J3				
	G B - J4				
	G B - J6				
	G B - J10				
	G B - J31				
	G B - J101				
	G B - J102				
	G B - J103				
	G B - J104				
	G B - J105				
	G B - J712				
	G B - J713				
	G B - J714				
	G B - J911				
	G B - J1101				
VS1-5057-002	G20 - 19				
	G20 - 19				
	G B - J557				
	G B - J559				
VS1-5452-006	G B - J2				
	G B - J101				
VS1-5729-002	G B - J1101				
VS1-5824-002	G B - J557				
	G B - J559				
VS1-6302-014	G B - J104				
VS1-6313-020	G B - J31				
	G B - J512				
VS1-6314-004	G B - J539				
	G B - J712				
VS1-6314-020	G B - J31				
	G B - J512				
VS1-6318-004	G20 - 15A				
	G B - J539				
VS1-6319-040	G B - J512				
VS1-6702-012	G B - J560				
VS3-0143-002	G B - J105				
VS3-0143-006	G B - J3				
VS3-0143-011	G B - J911				
VS3-5080-002	G B - J4				
VS3-5080-005	G B - J10				

D8

NUMERICAL INDEX (UFR Printer and Scanner Kit-A1 (100V)) 部品索引表 (U F R プ リ ン タ & ス キ ャ ナ キ ャ ッ ト ・ A 1 (1 0 0 V))

PART NUMBER	FIGURE & KEY NO.	PART NUMBER	FIGURE & KEY NO.	PART NUMBER	FIGURE & KEY NO.
FG3-2729-000	G95 - 4				
FH5-3395-000	G95 - 1				
FH5-3399-000	G95 - 2				
FH5-3401-000	G95 - 3				

D9

NUMERICAL INDEX (Color Network Multi-PDL Printer Kit-A1 (120/220/240V) /
Color Network Printer Expansion Kit-A1 (120/220/240V) /
部品索引表 (N/WマルチPDLプリンタキット・A1 (120/220/240V) /
N/Wプリンタ拡張キット・A1 (120/220/240V))

PART NUMBER	FIGURE & KEY NO.	PART NUMBER	FIGURE & KEY NO.	PART NUMBER	FIGURE & KEY NO.
FG3-2729-000	G96 - 4				
FH5-3425-000	G96 - 2				
	G97 - 2				
FH5-3428-000	G96 - 1				
	G97 - 1				

D10 NUMERICAL INDEX (Color Universal Send Kit-A1)

部品索引表 (S e n d 拡張キット・B 1)

PART NUMBER	FIGURE & KEY NO.	PART NUMBER	FIGURE & KEY NO.	PART NUMBER	FIGURE & KEY NO.
FH5-3393-000	Y10 - 1				

D11 NUMERICAL INDEX (iR Security Kit-A1)

部品索引表 (i R セキュリティキット・A 1)

PART NUMBER	FIGURE & KEY NO.	PART NUMBER	FIGURE & KEY NO.	PART NUMBER	FIGURE & KEY NO.
FH5-3394-000	Y10 - 1				

D12 NUMERICAL INDEX (SELF OPERATION KIT (100V))

部品索引表 (セルフ対応キット (100V))

PART NUMBER	FIGURE & KEY NO.	PART NUMBER	FIGURE & KEY NO.	PART NUMBER	FIGURE & KEY NO.
FB6-4867-000	Y11 - 1				
FB6-4868-000	Y11 - 2				
FB6-4869-000	Y11 - 5				
FC5-0114-000	Y11 - 3				
FG3-3287-000	Y11 - 4				

PART NUMBER	FIGURE & KEY NO.	PART NUMBER	FIGURE & KEY NO.	PART NUMBER	FIGURE & KEY NO.
FE1-4538-000	J90 - 14				
FE1-4546-000	J90 - 14				
FE1-4547-000	J90 - 14				
FE1-4600-000	J90 - 14				
FE1-5668-000	J90 - 6				
FE1-5759-000	J90 - 3				
FE1-5768-000	J90 - 15				
FE1-5769-000	J90 - 15				
FE1-5770-000	J90 - 16				
FE1-5771-000	J90 - 16				
FE1-5772-000	J90 - 16				
FE1-5774-000	J90 - 1				
FE1-5776-000	J90 - 4				
FE1-5777-000	J90 - 9				
FE1-5779-000	J90 - 7				
FE1-5780-000	J90 - 13				
FE1-5801-000	J90 - 8				
FE1-5802-000	J90 - 5				
FE1-5803-000	J90 - 2				
FE1-5804-000	J90 - 10				
FE1-5805-000	J90 - 11				
FE1-5806-000	J90 - 16				
FE1-5807-000	J90 - 12				
FG6-9991-000	J90 - 17				
FH2-7042-000	J90 - 18				

〒302-8501

茨城県取手市白山7-5-1

キヤノン株式会社

映像事務機デバイス品質保証センター

2002年11月初版発行

2003年5月改訂版1発行

Prepared by
OFFICE IMAGING PRODUCTS DEVICE QUALITY ASSURANCE CENTER
CANON INC.
Printed in U.S.A.

REVISION 0 [NOV. 2002]
REVISION 1 [MAY 2003]

5-1, Hakusan 7-chome, Toride-shi, Ibaraki 302-8501, Japan



This publication is
printed on 100%
recycled paper.

Canon

A5 : 50 × 90.5mm

	PARTS CATALOG	iRC3200Series		PARTS CATALOG	iRC3200Series
	PARTS CATALOG	iRC3200Series		PARTS CATALOG	iRC3200Series
	PARTS CATALOG	iRC3200Series		PARTS CATALOG	iRC3200Series
	PARTS CATALOG	iRC3200Series		PARTS CATALOG	iRC3200Series