

PARTS CATALOG

**iR C3100/C3100F/C3100i/
C3100N/C3170/C3170F/
C3170i/C2570/C2570F/
C2570i**

Canon

Aug 23 2005

PREFACE

This Parts Catalog contains listings of parts used

Diagrams are provided with the listings to aid the service technician in identifying clearly, the item to be ordered.

Whenever ordering parts, consult this Parts Catalog for all of the information pertaining to each item. Be sure to include, in the Parts Request, the full item description, the item part number, and the quantity.

COPYRIGHT (C) 1999 CANON INC.

Use of this manual should be strictly supervised to avoid disclosure of confidential information.

Contents

NUMERICAL INDEX

iR C3100/C3100F/C3100i/C3100N/C3170/C3170F/C3170i/C2570/C2570F/
C2570i 1-1

iR C3100/C3100F/C3100i/C3100N/C3170/C3170F/C3170i/C2570/
C2570F/C2570i

A	ASSEMBLY LOCATION DIAGRAM	2-1
001	ACCESSORIES	2-9
100	EXTERNAL COVERS, PANELS, ETC.	2-11
101	MACHINE FRONT PANEL	2-15
102	INTERNAL COMPONENTS 1	2-18
103	INTERNAL COMPONENTS 2	2-21
104	INTERNAL COMPONENTS 3	2-23
105	INTERNAL COMPONENTS 4	2-26
106	MACHINE REAR PLATE 1	2-28
107	MACHINE REAR PLATE 2	2-31
110	POWER CORD TERMINAL ASSEMBLY	2-33
130	CONTROL PANEL ASSEMBLY	2-35
140	RIGHT DOOR ASSEMBLY	2-37
141	PAPER FEEDER FRAME ASSEMBLY	2-42
145	RIGHT LOWER DOOR ASSEMBLY	2-44
190	ITB COOLING FAN ASSEMBLY	2-46
210	READER ASSEMBLY	2-47
250	MAIN DRIVE ASSEMBLY	2-53
260	PAPER DELIVERY DRIVE ASSEMBLY	2-54
261	MULTI DRIVE ASSEMBLY	2-55
300	CASSETTE (MIDDLE)	2-57
301	CASSETTE (LARGE)	2-60
310	PAPER PICK-UP ASSEMBLY (MIDDLE)	2-63
311	PAPER PICK-UP ASSEMBLY (LARGE)	2-67
315	MULTI FEED TRAY ASSEMBLY	2-71
350	PAPER DELIVERY ASSEMBLY	2-73
460	LASER SCANNER ASSEMBLY	2-75
535	TRANSFER BELT FRAME ASSEMBLY	2-76
630	ROTARY ASSEMBLY	2-79
640	DEVELOPING ASSEMBLY (BLACK)	2-81
641	DEVELOPING ASSEMBLY (YELLOW)	2-84
642	DEVELOPING ASSEMBLY (MAGENTA)	2-87
643	DEVELOPING ASSEMBLY (CYAN)	2-90

Contents

680	ATR SENSOR ASSEMBLY	2-93
780	TRANSFER CLEANING ASSEMBLY	2-94
810	FIXING ASSEMBLY	2-96
900	CONTROLLER BOX ASSEMBLY	2-101
910	MAIN POWER SUPPLY PCB ASSEMBLY	2-106
911	MAIN CONTROLLER POWER SUPPLY ASSEMBLY	2-107
930	DC CONTROLLER PCB ASSEMBLY	2-108
931	READER CONTROLLER PCB ASSEMBLY	2-109
980	H.V. TRANSFORMER PCB ASSEMBLY	2-110
990	FAX ASSEMBLY	2-111
991	SPEAKER ASSEMBLY	2-113
992	FAX BOARD PCB ASSEMBLY	2-114
B	LIST OF CONNECTORS	2-117

NUMERICAL INDEX

iR C3100/C3100F/C3100i/C3100N/C3170/C3170F/C3170i/C2570/C2570F/C

PARTS NUMBER	FIGURE & KEY NO.	PARTS NUMBER	FIGURE & KEY NO.	PARTS NUMBER	FIGURE & KEY NO.
FA3-8894-040	810 - 1	FB6-3399-000	310 - 14	FC5-0166-000	210 - 4
FA4-1159-000	140 - 35	FB6-3399-000	311 - 14	FC5-0191-000	105 - 7
FA9-2112-000	103 - 23	FB6-3402-000	310 - 15	FC5-0197-000	105 - 9
FA9-2112-000	104 - 12	FB6-3402-000	311 - 15	FC5-0201-000	105 - 13
FA9-2112-000	261 - 1	FB6-3403-000	310 - 16	FC5-0207-000	101 - 4
FA9-2112-000	630 - 1	FB6-3403-000	311 - 16	FC5-0214-000	104 - 1
FA9-3988-000	100 - 9	FB6-3404-000	310 - 17	FC5-0215-000	104 - 2
FB1-8581-000	140 - 36	FB6-3404-000	311 - 17	FC5-0226-020	640 - 1
FB2-4375-000	810 - 54	FB6-3405-000	310 - 18	FC5-0226-020	641 - 1
FB3-1781-000	930 - 3	FB6-3405-000	311 - 18	FC5-0226-020	642 - 1
FB3-2224-000	101 - 32	FB6-3408-000	310 - 20	FC5-0226-020	643 - 1
FB3-2411-000	210 - 36	FB6-3408-000	311 - 20	FC5-0227-020	641 - 2
FB3-3192-020	102 - 1	FB6-3410-000	310 - 21	FC5-0227-020	642 - 2
FB5-4773-000	140 - 50	FB6-3410-000	311 - 21	FC5-0227-020	643 - 2
FB5-4773-000	810 - 67	FB6-3411-000	310 - 22	FC5-0228-000	640 - 3
FB5-4858-000	350 - 6	FB6-3411-000	311 - 22	FC5-0228-000	641 - 3
FB5-4896-000	350 - 12	FB6-3413-000	310 - 23	FC5-0228-000	642 - 3
FB5-4986-000	810 - 47	FB6-3413-000	311 - 23	FC5-0228-000	643 - 3
FB5-5269-000	810 - 48	FB6-3478-000	300 - 1	FC5-0233-000	640 - 4
FB5-6264-000	102 - 32	FB6-3478-000	301 - 1	FC5-0233-000	641 - 4
FB6-1321-000	210 - 1	FB6-3479-000	300 - 2	FC5-0233-000	642 - 4
FB6-1339-000	210 - 47	FB6-3479-000	301 - 2	FC5-0233-000	643 - 4
FB6-1357-000	210 - 2	FB6-3480-000	300 - 3	FC5-0234-000	640 - 5
FB6-1358-000	210 - 3	FB6-3480-000	301 - 3	FC5-0234-000	641 - 21
FB6-3150-000	810 - 72	FB6-3481-000	300 - 4	FC5-0234-000	642 - 21
FB6-3313-000	105 - 15	FB6-3481-000	301 - 4	FC5-0234-000	643 - 21
FB6-3313-000	145 - 1	FB6-3482-000	300 - 5	FC5-0238-000	640 - 6
FB6-3380-000	310 - 1	FB6-3482-000	301 - 5	FC5-0239-020	640 - 34
FB6-3380-000	311 - 1	FB6-3483-000	300 - 6	FC5-0240-000	640 - 7
FB6-3386-000	310 - 2	FB6-3483-000	301 - 6	FC5-0241-020	640 - 8
FB6-3386-000	311 - 2	FB6-3484-000	300 - 7	FC5-0242-000	640 - 9
FB6-3387-000	311 - 25	FB6-3484-000	301 - 7	FC5-0242-000	641 - 5
FB6-3388-000	310 - 3	FB6-3486-000	300 - 8	FC5-0242-000	642 - 5
FB6-3388-000	311 - 3	FB6-3486-000	301 - 8	FC5-0242-000	643 - 5
FB6-3389-000	310 - 4	FB6-3490-000	300 - 9	FC5-0271-000	641 - 6
FB6-3389-000	311 - 4	FB6-3490-000	301 - 9	FC5-0271-000	642 - 6
FB6-3390-000	310 - 5	FB6-3499-000	300 - 31	FC5-0271-000	643 - 6
FB6-3390-000	311 - 5	FB6-3499-000	301 - 12	FC5-0272-000	641 - 30
FB6-3391-000	310 - 6	FB6-3506-000	300 - 10	FC5-0272-000	642 - 30
FB6-3391-000	311 - 6	FB6-3506-000	301 - 10	FC5-0272-000	643 - 30
FB6-3392-000	310 - 7	FB6-3507-000	102 - 2	FC5-0273-000	641 - 7
FB6-3392-000	311 - 7	FB6-3524-000	301 - 31	FC5-0273-000	642 - 7
FB6-3393-000	310 - 8	FB6-3666-000	810 - 2	FC5-0273-000	643 - 7
FB6-3393-000	311 - 8	FB6-3674-000	810 - 4	FC5-0279-000	640 - 30
FB6-3394-000	310 - 9	FB6-3950-000	100 - 2	FC5-0284-000	640 - 10
FB6-3394-000	311 - 9	FB6-4852-000	310 - 24	FC5-0284-000	641 - 8
FB6-3395-000	310 - 10	FB6-4852-000	311 - 24	FC5-0284-000	642 - 8
FB6-3395-000	311 - 10	FB6-6381-000	810 - 55	FC5-0284-000	643 - 8
FB6-3396-010	310 - 11	FB6-6519-000	810 - 3	FC5-0286-000	641 - 9
FB6-3396-010	311 - 11	FB6-6638-000	930 - 3	FC5-0286-000	642 - 9
FB6-3397-000	310 - 12	FB6-7002-000	810 - 64	FC5-0286-000	643 - 9
FB6-3397-000	311 - 12	FC5-0166-000	100 - 34	FC5-0289-000	640 - 31

NUMERICAL INDEX

iR C3100/C3100F/C3100i/C3100N/C3170/C3170F/C3170i/C2570/C2570F/C

PARTS NUMBER	FIGURE & KEY NO.	PARTS NUMBER	FIGURE & KEY NO.	PARTS NUMBER	FIGURE & KEY NO.
FC5-0293-000	640 - 32	FC5-0469-000	780 - 6	FC5-0592-000	145 - 5
FC5-0298-000	630 - 2	FC5-0470-000	780 - 7	FC5-0593-000	145 - 6
FC5-0299-020	630 - 5	FC5-0477-000	315 - 3	FC5-0594-000	145 - 7
FC5-0301-000	630 - 3	FC5-0478-000	315 - 4	FC5-0595-000	310 - 25
FC5-0303-000	103 - 7	FC5-0479-000	315 - 5	FC5-0596-000	105 - 16
FC5-0305-020	103 - 1	FC5-0480-000	315 - 6	FC5-0598-000	300 - 14
FC5-0306-000	103 - 2	FC5-0481-000	315 - 7	FC5-0598-000	301 - 14
FC5-0310-000	630 - 4	FC5-0484-000	104 - 15	FC5-0605-000	301 - 16
FC5-0320-000	103 - 8	FC5-0487-000	140 - 59	FC5-0622-000	300 - 15
FC5-0328-000	640 - 11	FC5-0488-000	140 - 37	FC5-0624-000	301 - 15
FC5-0328-000	641 - 10	FC5-0489-000	140 - 38	FC5-0635-000	300 - 16
FC5-0328-000	642 - 10	FC5-0490-000	140 - 39	FC5-0636-000	300 - 17
FC5-0328-000	643 - 10	FC5-0491-000	140 - 1	FC5-0637-000	301 - 17
FC5-0334-000	535 - 1	FC5-0496-000	140 - 2	FC5-0641-000	102 - 3
FC5-0337-030	535 - 3	FC5-0497-000	315 - 8	FC5-0651-000	140 - 12
FC5-0338-000	535 - 4	FC5-0503-000	300 - 30	FC5-0652-000	140 - 13
FC5-0341-020	535 - 5	FC5-0503-000	301 - 30	FC5-0653-020	140 - 14
FC5-0342-000	535 - 6	FC5-0516-000	104 - 16	FC5-0655-000	810 - 77
FC5-0343-000	535 - 7	FC5-0520-000	315 - 16	FC5-0657-000	140 - 51
FC5-0344-000	535 - 8	FC5-0521-000	140 - 8	FC5-0658-000	140 - 52
FC5-0346-000	102 - 31	FC5-0522-000	140 - 9	FC5-0659-000	140 - 15
FC5-0347-000	102 - 28	FC5-0523-000	103 - 4	FC5-0661-030	141 - 1
FC5-0351-020	535 - 9	FC5-0524-000	140 - 10	FC5-0662-000	141 - 2
FC5-0358-000	102 - 10	FC5-0525-000	140 - 11	FC5-0663-000	141 - 18
FC5-0364-000	102 - 26	FC5-0526-000	315 - 9	FC5-0664-000	141 - 3
FC5-0365-000	102 - 25	FC5-0527-000	315 - 10	FC5-0665-020	141 - 4
FC5-0368-020	780 - 1	FC5-0529-000	140 - 60	FC5-0666-020	141 - 5
FC5-0372-020	780 - 14	FC5-0530-000	315 - 17	FC5-0669-000	141 - 6
FC5-0374-000	780 - 2	FC5-0540-000	104 - 18	FC5-0670-000	104 - 33
FC5-0389-000	535 - 10	FC5-0541-000	315 - 11	FC5-0671-000	140 - 58
FC5-0390-000	535 - 11	FC5-0542-000	140 - 42	FC5-0672-000	102 - 27
FC5-0437-000	102 - 9	FC5-0543-000	140 - 61	FC5-0673-000	102 - 18
FC5-0444-000	900 - 1	FC5-0544-000	315 - 1	FC5-0674-000	140 - 16
FC5-0445-000	900 - 2	FC5-0545-000	315 - 2	FC5-0676-000	140 - 17
FC5-0446-000	930 - 1	FC5-0546-000	315 - 19	FC5-0677-000	140 - 18
FC5-0449-000	101 - 26	FC5-0547-000	104 - 19	FC5-0680-000	141 - 7
FC5-0450-000	101 - 27	FC5-0548-000	141 - 23	FC5-0682-000	140 - 19
FC5-0451-000	101 - 28	FC5-0549-000	141 - 14	FC5-0684-020	104 - 25
FC5-0452-000	101 - 29	FC5-0550-000	141 - 11	FC5-0685-000	140 - 20
FC5-0455-000	101 - 30	FC5-0563-000	300 - 30	FC5-0686-000	102 - 19
FC5-0456-000	101 - 31	FC5-0563-000	301 - 30	FC5-0687-000	102 - 20
FC5-0457-000	107 - 1	FC5-0567-000	102 - 15	FC5-0688-000	102 - 21
FC5-0458-000	107 - 2	FC5-0568-000	102 - 16	FC5-0689-000	102 - 22
FC5-0459-000	100 - 35	FC5-0575-000	105 - 1	FC5-0690-000	140 - 21
FC5-0461-000	640 - 12	FC5-0576-000	100 - 3	FC5-0691-000	140 - 53
FC5-0461-000	641 - 11	FC5-0583-000	300 - 11	FC5-0701-000	104 - 26
FC5-0461-000	642 - 11	FC5-0583-000	301 - 11	FC5-0702-000	104 - 27
FC5-0461-000	643 - 11	FC5-0584-000	301 - 13	FC5-0703-000	140 - 62
FC5-0463-000	535 - 12	FC5-0585-000	300 - 12	FC5-0715-000	535 - 14
FC5-0464-000	535 - 13	FC5-0588-000	145 - 2	FC5-0721-000	535 - 15
FC5-0467-000	780 - 4	FC5-0590-000	145 - 4	FC5-0723-000	103 - 9
FC5-0468-000	780 - 5	FC5-0591-000	300 - 13	FC5-0726-000	810 - 5

NUMERICAL INDEX

iR C3100/C3100F/C3100i/C3100N/C3170/C3170F/C3170i/C2570/C2570F/C

PARTS NUMBER	FIGURE & KEY NO.	PARTS NUMBER	FIGURE & KEY NO.	PARTS NUMBER	FIGURE & KEY NO.
FC5-0727-000	810 - 6	FC5-0889-000	100 - 5	FC5-1442-000	210 - 54
FC5-0735-000	810 - 58	FC5-0895-000	105 - 3	FC5-1443-000	210 - 55
FC5-0736-000	810 - 7	FC5-0895-020	105 -	FC5-1446-000	210 - 13
FC5-0737-020	810 - 59	FC5-0936-000	100 - 7	FC5-1447-000	210 - 14
FC5-0738-000	810 - 56	FC5-0937-000	100 - 8	FC5-1467-000	104 - 28
FC5-0739-000	810 - 57	FC5-0941-000	101 - 13	FC5-1473-000	210 - 15
FC5-0740-000	810 - 73	FC5-0942-000	100 - 10	FC5-1479-000	210 - 39
FC5-0741-000	810 - 8	FC5-0943-000	100 - 11	FC5-1492-000	210 - 51
FC5-0742-000	810 - 9	FC5-0944-000	100 - 12	FC5-1499-000	210 - 16
FC5-0746-000	810 - 69	FC5-0946-000	100 - 13	FC5-4458-000	130 - 2
FC5-0756-000	810 - 10	FC5-0953-000	100 - 14	FC5-4460-000	130 - 3
FC5-0757-000	810 - 74	FC5-0954-000	100 - 32	FC5-5462-000	100 - 17
FC5-0761-000	810 - 60	FC5-0955-000	100 - 15	FC5-5466-000	680 - 1
FC5-0765-000	810 - 11	FC5-0956-000	100 - 16	FC5-5468-000	680 - 2
FC5-0766-000	810 - 12	FC5-0956-020	100 -	FC5-5472-000	991 - 1
FC5-0767-000	810 - 13	FC5-0957-000	100 - 24	FC5-5473-000	991 - 2
FC5-0768-000	810 - 14	FC5-0958-000	104 - 3	FC5-5475-000	641 - 12
FC5-0769-000	810 - 15	FC5-0959-000	104 - 4	FC5-5476-000	642 - 12
FC5-0770-000	810 - 16	FC5-0972-000	140 - 24	FC5-5477-000	643 - 12
FC5-0771-000	810 - 17	FC5-0973-000	103 - 20	FC5-5490-000	640 - 13
FC5-0772-000	810 - 18	FC5-1037-000	210 - 7	FC5-5490-000	641 - 13
FC5-0775-000	810 - 19	FC5-1057-000	130 - 13	FC5-5490-000	642 - 13
FC5-0776-000	810 - 20	FC5-1059-000	130 - 14	FC5-5490-000	643 - 13
FC5-0778-000	810 - 21	FC5-1060-000	130 - 15	FC5-5491-000	103 - 17
FC5-0780-000	810 - 22	FC5-1061-000	130 - 16	FC5-5498-000	101 - 15
FC5-0783-000	810 - 61	FC5-1064-000	130 - 17	FC5-5500-000	640 - 14
FC5-0784-000	810 - 23	FC5-1065-000	130 - 18	FC5-5504-020	141 - 19
FC5-0785-000	810 - 24	FC5-1066-000	130 - 19	FC5-5505-000	141 - 20
FC5-0790-000	210 - 56	FC5-1067-000	130 - 1	FC5-6541-000	535 - 27
FC5-0792-000	210 - 5	FC5-1107-000	100 - 25	FC5-6542-000	630 - 6
FC5-0798-000	350 - 1	FC5-1111-000	100 - 26	FC5-6542-000	641 - 16
FC5-0800-000	350 - 3	FC5-1142-000	992 - 1	FC5-6543-000	630 - 7
FC5-0803-000	140 - 22	FC5-1146-000	102 - 29	FC5-6543-000	642 - 16
FC5-0805-000	350 - 4	FC5-1147-000	990 - 5	FC5-6544-000	630 - 8
FC5-0806-000	350 - 5	FC5-1162-000	992 - 2	FC5-6544-000	643 - 16
FC5-0807-000	140 - 23	FC5-1168-000	110 - 6	FC5-6555-000	103 - 10
FC5-0808-000	100 - 22	FC5-1186-000	101 - 7	FC5-6556-000	103 - 11
FC5-0809-000	100 - 4	FC5-1354-000	140 - 25	FC5-6566-000	102 - 24
FC5-0810-000	107 - 3	FC5-1420-000	102 - 12	FC5-6568-020	641 - 17
FC5-0812-000	100 - 23	FC5-1422-020	300 - 18	FC5-6568-020	642 - 17
FC5-0836-000	261 - 2	FC5-1422-020	301 - 18	FC5-6568-020	643 - 17
FC5-0837-000	261 - 3	FC5-1423-000	300 - 19	FC5-6569-000	810 - 78
FC5-0838-000	261 - 4	FC5-1423-000	301 - 19	FC5-6571-000	640 - 17
FC5-0839-000	261 - 5	FC5-1424-020	300 - 20	FC5-6571-000	641 - 18
FC5-0840-020	261 - 6	FC5-1424-020	301 - 20	FC5-6571-000	642 - 18
FC5-0843-000	107 - 8	FC5-1425-000	300 - 21	FC5-6571-000	643 - 18
FC5-0845-000	104 - 29	FC5-1425-000	301 - 21	FC5-6576-020	535 - 2
FC5-0846-000	104 - 30	FC5-1426-000	210 - 8	FC5-6581-000	810 - 53
FC5-0847-000	104 - 31	FC5-1427-000	210 - 9	FC5-6583-000	105 - 2
FC5-0854-000	103 - 5	FC5-1439-000	210 - 10	FC5-6893-000	104 - 23
FC5-0868-000	101 - 35	FC5-1440-000	210 - 11	FC5-6910-000	630 - 9
FC5-0879-000	102 - 4	FC5-1441-000	210 - 12	FC5-6912-000	100 - 1

NUMERICAL INDEX

iR C3100/C3100F/C3100i/C3100N/C3170/C3170F/C3170i/C2570/C2570F/C

PARTS NUMBER	FIGURE & KEY NO.	PARTS NUMBER	FIGURE & KEY NO.	PARTS NUMBER	FIGURE & KEY NO.
FC5-6916-020	810 - 46	FG3-2814-000	106 - 5	FG6-9678-020	900 - 13
FC5-6920-020	535 - 24	FG3-2820-000	992 - 5	FH2-5821-000	B - J5001
FC5-6934-000	310 - 19	FG3-2821-000	992 - 26	FH2-5825-000	B - J2017
FC5-6934-000	311 - 19	FG3-2824-020	990 - 9	FH2-6488-000	110 - 10
FC5-7413-000	145 - 12	FG3-2826-000	992 - 6	FH2-6552-000	100 - 19
FC6-2529-000	640 - 2	FG3-2828-020	992 - 7	FH2-6552-000	100 - 19
FC6-2535-000	100 - 8	FG3-2829-000	106 - 7	FH2-6855-000	B - J2017
FC6-2537-000	930 - 1	FG3-2834-000	130 - 7	FH2-7018-000	900 - 3
FC6-2851-000	900 - 26	FG3-2835-000	130 - 8	FH2-7018-000	B - J1110
FC6-2852-000	900 - 29	FG3-2836-000	130 - 9	FH2-7018-000	B - J2121
FC6-2859-000	900 - 30	FG3-2837-000	130 - 10	FH2-7036-000	100 - 21
FC6-2861-000	900 - 27	FG3-2851-000	990 - 1	FH2-7036-000	B - J502
FC6-2865-000	102 -	FG3-2875-000	992 - 9	FH2-7036-000	B - J1302
FC6-4010-000	105 - 4	FG3-3152-000	210 - 46	FH2-7037-000	130 - 4
FC6-4015-000	140 - 49	FG3-3153-000	210 - 29	FH2-7037-000	B - J1112
FC6-4015-000	810 - 66	FG3-3154-000	210 - 34	FH2-7054-000	210 - 17
FC6-5037-000	100 - 33	FG3-3155-000	210 - 57	FH2-7054-000	B - J510
FC6-5051-000	104 - 32	FG3-3156-000	210 - 44	FH2-7061-000	103 - 19
FC6-5062-000	104 - 17	FG3-3157-000	210 - 35	FH2-7072-000	992 - 3
FC6-5075-000	100 - 38	FG3-3158-000	210 - 45	FH2-7072-000	B - J1
FC6-5076-000	100 - 38	FG3-3159-000	931 -	FH2-7072-000	B - J102
FC6-7308-000	105 - 8	FG3-3171-000	900 - 9	FH2-7080-000	110 - 1
FF3-4525-000	110 - 5	FG3-3172-000	900 - 10	FH2-7082-000	110 - 3
FF3-4526-000	110 - 4	FG3-3174-000	106 - 15	FH2-9252-000	106 - 1
FF3-4527-000	110 - 7	FG3-3176-000	990 - 10	FH3-2692-000	106 - 2
FF3-4529-000	104 - 20	FG3-3178-020	106 - 22	FH3-2693-000	106 - 2
FF6-2058-000	310 - 26	FG3-3180-000	106 - 12	FH3-7215-000	210 - 18
FF6-2058-000	311 - 26	FG3-3181-000	103 - 15	FH4-1429-000	931 - IC519
FF6-2059-000	310 - 27	FG3-3182-000	260 - 5	FH4-6186-000	900 - IC17
FF6-2059-000	311 - 27	FG3-3185-000	105 - 6	FH4-6208-050	900 - IC3
FF6-2064-000	300 - 22	FG3-3187-000	315 - 15	FH4-6213-000	900 - IC15
FF6-2064-000	301 - 22	FG3-3188-000	140 - 48	FH4-6214-000	900 - IC1
FF6-2363-000	310 - 13	FG3-3189-020	140 - 33	FH4-6222-000	930 - IC37
FF6-2363-000	310 - 63	FG3-3193-000	104 - 24	FH4-6227-000	931 - IC515
FF6-2363-000	311 - 13	FG3-3195-000	107 - 12	FH4-6235-000	900 - IC1
FF6-2363-000	311 - 63	FG3-3196-000	261 - 20	FH4-6237-000	900 - IC1
FG3-1587-000	992 - 8	FG3-3198-000	101 - 8	FH4-6239-000	900 - IC1
FG3-2302-020	310 - 28	FG3-3199-000	810 - 45	FH4-6243-000	900 - IC2
FG3-2302-020	311 - 28	FG3-3202-000	101 - 14	FH4-6247-000	900 - IC18
FG3-2374-000	101 - 5	FG3-3221-000	900 - 11	FH4-6248-000	900 - IC2
FG3-2375-000	101 - 6	FG3-3223-000	900 - 16	FH4-6248-000	900 - IC21
FG3-2728-000	900 - 17	FG3-3225-000	900 - 12	FH4-6257-000	900 - IC8
FG3-2787-000	810 - 25	FG3-3464-000	990 - 3	FH4-6258-000	900 - IC4
FG3-2790-000	810 - 25	FG3-3584-000	911 - 2	FH4-6260-000	900 - IC21
FG3-2791-000	810 - 25	FG3-3589-000	106 - 21	FH4-6284-000	930 - IC30
FG3-2792-000	911 - 1	FG3-3843-000	911 - 1	FH4-6300-000	900 - IC10
FG3-2796-040	980 - 1	FG3-3844-000	992 - 16	FH4-6300-000	900 - IC19
FG3-2801-000	992 - 4	FG3-3846-030	930 - 2	FH4-6300-000	930 - IC19
FG3-2807-000	106 - 4	FG3-3847-000	930 - 2	FH4-6302-000	900 - IC45
FG3-2809-000	990 - 8	FG3-3851-000	900 - 10	FH5-1001-000	250 - 1
FG3-2811-020	106 - 19	FG6-8938-000	130 - 11	FH5-1004-040	250 - 2
FG3-2813-000	680 - 5	FG6-8939-000	130 - 12	FH5-1006-030	250 - 3

NUMERICAL INDEX

iR C3100/C3100F/C3100i/C3100N/C3170/C3170F/C3170i/C2570/C2570F/C

PARTS NUMBER	FIGURE & KEY NO.	PARTS NUMBER	FIGURE & KEY NO.	PARTS NUMBER	FIGURE & KEY NO.
FH5-1028-000	210 - 48	FK2-0340-000	106 - 24	FL2-0219-000	103 - 6
FH5-1111-000	900 - 4	FK2-0341-000	106 - 24	FL2-0220-000	210 - 23
FH5-3468-000	001 - 1	FK2-0408-000	310 - 29	FL2-0223-000	210 - 24
FH5-3469-000	001 - 1	FK2-0408-000	311 - 29	FL2-0224-000	210 - 24
FH5-3470-000	001 - 2	FK2-0428-000	991 - 3	FL2-0225-000	210 - 24
FH5-3471-000	001 - 2	FK2-0724-000	900 - 23	FL2-0230-000	103 - 14
FH5-3472-000	001 - 3	FK2-0730-000	900 - 3	FL2-0273-000	210 - 24
FH5-3474-000	001 - 4	FK2-0732-000	100 - 21	FL2-0279-000	210 - 25
FH5-3475-000	001 - 4	FK2-0733-000	900 - 8	FL2-0351-000	350 - 2
FH5-3476-000	001 - 5	FK2-1422-000	001 - 8	FL2-1148-000	130 - 6
FH5-3477-000	001 - 5	FK2-1424-000	001 - 7	FL2-1450-000	210 - 37
FH5-3492-000	001 - 2	FK2-1425-000	001 - 3	FL2-1450-000	210 - 37
FH5-3493-000	001 - 6	FK2-1472-000	001 - 1	FL2-1450-000	210 - 37
FH5-3494-000	001 - 6	FK2-1475-000	001 - 9	FL2-1450-000	210 - 37
FH5-3495-000	001 - 6	FK2-1476-000	001 - 9	FL2-1460-000	100 - 6
FH5-3496-000	001 - 1	FK2-1477-000	001 - 9	FL2-1499-000	640 - 16
FH6-1885-020	190 - 2	FK2-1478-000	001 - 7	FL2-1499-000	641 - 19
FH6-1997-020	260 - 1	FK2-1479-000	001 - 7	FL2-1499-000	642 - 19
FH6-1998-020	140 - 26	FL2-0033-000	105 - 14	FL2-1499-000	643 - 19
FH6-1999-020	107 - 4	FL2-0059-000	640 - 18	FM2-0041-040	460 -
FH6-5005-020	261 - 7	FL2-0059-000	641 - 20	FM2-0064-000	640 - 29
FH6-5075-020	107 - 6	FL2-0059-000	642 - 20	FM2-0065-000	641 - 15
FH6-5076-020	261 - 8	FL2-0059-000	643 - 20	FM2-0065-000	642 - 15
FH6-5078-020	680 - 6	FL2-0069-000	210 - 6	FM2-0065-000	643 - 15
FH7-4763-000	810 - 27	FL2-0075-000	102 - 11	FM2-0080-000	103 - 3
FH7-6367-000	810 - 28	FL2-0076-000	535 - 16	FM2-0081-080	535 -
FH7-7569-000	210 - 20	FL2-0079-000	535 - 17	FM2-0082-020	780 -
FH7-7623-020	110 - 9	FL2-0081-000	535 - 18	FM2-0083-000	101 - 23
FH7-7624-020	110 - 9	FL2-0082-000	535 - 19	FM2-0084-000	190 -
FH7-7625-000	110 - 9	FL2-0084-000	780 - 8	FM2-0086-000	101 - 17
FH7-7629-020	103 - 13	FL2-0085-000	780 - 9	FM2-0096-000	680 -
FH7-7631-000	810 - 30	FL2-0101-000	140 - 41	FM2-0102-000	110 -
FH7-7632-000	810 - 31	FL2-0104-000	104 - 6	FM2-0103-000	992 - 10
FH7-9334-000	210 - 62	FL2-0105-000	141 - 8	FM2-0111-000	140 - 34
FK2-0134-000	930 - IC23	FL2-0106-000	140 - 3	FM2-0112-000	315 -
FK2-0140-000	110 - 8	FL2-0108-000	141 - 9	FM2-0130-000	107 - 7
FK2-0149-000	101 - 2	FL2-0116-000	102 - 13	FM2-0131-000	145 -
FK2-0149-000	103 - 21	FL2-0126-000	145 - 3	FM2-0150-000	140 -
FK2-0149-000	104 - 21	FL2-0127-000	210 - 21	FM2-0154-000	141 -
FK2-0149-000	140 - 40	FL2-0128-000	210 - 22	FM2-0172-000	810 -
FK2-0149-000	210 - 19	FL2-0138-000	140 - 57	FM2-0173-000	810 -
FK2-0149-000	210 - 40	FL2-0140-000	141 - 10	FM2-0174-000	810 -
FK2-0149-000	260 - 2	FL2-0143-000	140 - 55	FM2-0176-000	810 - 26
FK2-0149-000	310 - 30	FL2-0144-000	810 - 68	FM2-0177-000	350 - 13
FK2-0149-000	311 - 30	FL2-0159-000	100 - 18	FM2-0186-000	350 -
FK2-0149-000	810 - 29	FL2-0167-000	810 - 62	FM2-0187-000	260 -
FK2-0155-000	107 - 15	FL2-0178-000	350 - 7	FM2-0197-000	250 -
FK2-0160-000	103 - 12	FL2-0189-000	105 - 20	FM2-0198-000	261 -
FK2-0161-000	535 - 26	FL2-0203-000	101 - 12	FM2-0209-000	900 - 14
FK2-0246-000	130 - 5	FL2-0203-000	107 - 5	FM2-0210-000	900 - 15
FK2-0247-000	B - J2022	FL2-0211-000	100 - 27	FM2-0217-000	911 -
FK2-0247-000	B - J5006	FL2-0212-000	100 - 28	FM2-0220-020	980 -

NUMERICAL INDEX

iR C3100/C3100F/C3100i/C3100N/C3170/C3170F/C3170i/C2570/C2570F/C

PARTS NUMBER	FIGURE & KEY NO.	PARTS NUMBER	FIGURE & KEY NO.	PARTS NUMBER	FIGURE & KEY NO.
FM2-0224-000	100 - 30	FM2-3821-000	992 - 22	FS7-2801-000	310 - 39
FM2-0238-000	130 -	FM2-3822-000	992 - 24	FS7-2801-000	311 - 39
FM2-0240-000	130 -	FM2-3859-000	110 -	FS7-2802-000	310 - 40
FM2-0259-000	110 -	FM2-3861-000	992 -	FS7-2802-000	311 - 40
FM2-0262-000	106 - 20	FM2-3892-000	900 -	FS7-2803-000	310 - 41
FM2-0270-000	991 -	FM2-3893-000	250 -	FS7-2803-000	311 - 41
FM2-0271-000	992 -	FM2-4563-000	110 -	FS7-2805-000	300 - 24
FM2-0275-000	110 -	FM2-4564-000	100 - 30	FS7-2805-000	301 - 24
FM2-0305-000	102 - 30	FM2-4565-000	100 - 30	FS7-2817-000	810 - 34
FM2-0342-000	991 -	FM2-4570-000	100 - 30	FS7-5909-000	310 - 42
FM2-0815-000	130 -	FM2-4571-000	100 - 30	FS7-5909-000	311 - 42
FM2-1116-000	130 - 20	FM2-4572-000	100 - 30	FS7-5910-000	310 - 43
FM2-1118-000	130 -	FM2-4574-000	100 - 30	FS7-5910-000	311 - 43
FM2-1563-000	210 - 38	FM2-4576-000	100 - 30	FS8-8194-000	100 - 37
FM2-1564-000	100 - 30	FM2-4577-000	100 - 30	FU3-0280-000	310 - 44
FM2-1565-000	100 - 30	FM2-4578-000	100 - 30	FU3-0280-000	311 - 44
FM2-1566-000	100 - 30	FM2-4579-000	100 - 30	FU3-0282-000	310 - 45
FM2-1577-000	310 -	FM2-4580-000	100 - 30	FU3-0282-000	311 - 45
FM2-1578-000	311 -	FS1-1187-000	311 - 31	FU3-0283-000	310 - 46
FM2-1741-000	100 - 30	FS1-1187-000	780 - 13	FU3-0283-000	311 - 46
FM2-1742-000	100 - 30	FS1-1205-000	310 - 32	FU3-0284-000	310 - 47
FM2-1743-000	100 - 30	FS1-1205-000	311 - 32	FU3-0284-000	311 - 47
FM2-1751-000	640 -	FS1-9003-020	103 - 18	FU3-0285-000	107 - 13
FM2-1752-000	641 -	FS5-1209-000	140 - 43	FU3-0288-000	310 - 48
FM2-1753-000	642 -	FS5-1595-000	105 - 17	FU3-0288-000	311 - 48
FM2-1754-000	643 -	FS5-1595-000	145 - 8	FU3-0289-000	310 - 49
FM2-2768-000	315 - 14	FS5-1597-000	310 - 34	FU3-0289-000	311 - 49
FM2-2770-000	102 - 17	FS5-1597-000	311 - 34	FU3-0290-000	310 - 50
FM2-2773-000	992 - 10	FS5-1943-000	310 - 33	FU3-0290-000	311 - 50
FM2-2789-000	992 - 18	FS5-1943-000	311 - 33	FU3-0291-000	310 - 51
FM2-2790-000	992 - 19	FS5-1943-000	350 - 8	FU3-0291-000	311 - 51
FM2-2795-000	992 - 11	FS5-1943-000	810 - 32	FU3-0292-000	310 - 52
FM2-2973-000	990 - 1	FS5-6947-000	810 - 33	FU3-0292-000	311 - 52
FM2-2996-000	911 -	FS5-9227-020	210 - 41	FU3-0293-000	300 - 25
FM2-3000-000	910 -	FS5-9282-020	100 - 20	FU3-0293-000	301 - 25
FM2-3001-000	910 -	FS5-9664-000	105 - 21	FU3-0294-000	300 - 26
FM2-3002-000	910 -	FS5-9752-030	810 - 49	FU3-0294-000	301 - 26
FM2-3003-000	910 -	FS6-1063-000	310 - 35	FU3-0347-000	310 - 53
FM2-3536-000	101 - 25	FS6-1063-000	311 - 35	FU3-0347-000	311 - 53
FM2-3537-000	101 - 20	FS6-2790-000	140 - 44	FU3-0349-000	310 - 54
FM2-3675-000	900 - 11	FS6-2791-000	140 - 45	FU3-0349-000	311 - 54
FM2-3676-000	900 - 24	FS6-8116-000	300 - 23	FU3-0350-000	310 - 55
FM2-3677-000	900 - 21	FS6-8116-000	301 - 23	FU3-0350-000	311 - 55
FM2-3678-000	900 - 22	FS6-8992-000	101 - 22	FU3-0352-000	310 - 56
FM2-3680-000	900 - 25	FS7-2788-000	105 - 18	FU3-0352-000	311 - 56
FM2-3681-000	900 - 31	FS7-2788-000	145 - 9	FU5-0006-000	140 - 27
FM2-3686-000	992 - 21	FS7-2797-000	310 - 36	FU5-0007-000	261 - 10
FM2-3741-000	990 - 3	FS7-2797-000	311 - 36	FU5-0009-000	261 - 11
FM2-3817-000	990 - 8	FS7-2798-000	310 - 37	FU5-0010-000	260 - 3
FM2-3818-000	990 - 9	FS7-2798-000	311 - 37	FU5-0019-000	101 - 33
FM2-3819-000	990 - 10	FS7-2800-000	310 - 38	FU5-0020-000	101 - 34
FM2-3820-000	992 - 23	FS7-2800-000	311 - 38	FU5-0027-000	104 - 7

NUMERICAL INDEX

iR C3100/C3100F/C3100i/C3100N/C3170/C3170F/C3170i/C2570/C2570F/C

PARTS NUMBER	FIGURE & KEY NO.	PARTS NUMBER	FIGURE & KEY NO.	PARTS NUMBER	FIGURE & KEY NO.
FU5-0031-000	261 - 12	FU5-2032-000	300 - 27	FU5-8012-000	101 - 11
FU5-0032-000	261 - 13	FU5-2033-000	301 - 27	FU5-8013-000	101 - 11
FU5-0033-000	261 - 14	FU5-2034-000	140 - 47	FU5-8014-000	105 - 19
FU5-0036-000	261 - 15	FU5-2035-000	104 - 22	FU5-8015-000	101 - 24
FU5-0037-000	261 - 16	FU5-2037-000	141 - 15	FU5-8019-000	100 - 33
FU5-0041-000	810 - 35	FU5-2038-000	105 - 10	FU5-8021-000	100 - 31
FU5-0042-000	810 - 63	FU5-2042-000	810 - 40	FU5-8022-000	101 - 11
FU5-0043-000	810 - 36	FU5-2044-000	140 - 56	FU5-8203-000	210 - 28
FU5-0044-000	810 - 37	FU5-2045-000	140 - 4	FU5-8204-000	210 - 28
FU5-0045-000	640 - 19	FU5-2048-000	810 - 75	FU5-8205-000	210 - 28
FU5-0045-000	641 - 22	FU5-2049-000	535 - 21	FU5-8206-000	210 - 28
FU5-0045-000	642 - 22	FU5-2050-000	535 - 22	FU5-8207-000	210 - 28
FU5-0045-000	643 - 22	FU5-2052-000	535 - 23	FU5-8208-000	210 - 28
FU5-0046-000	640 - 20	FU5-2053-020	780 - 11	FU5-8209-000	210 - 28
FU5-0047-000	640 - 21	FU5-2054-000	780 - 12	FU5-8210-000	210 - 28
FU5-0048-000	640 - 22	FU5-2055-000	105 - 22	FU5-8211-000	210 - 28
FU5-0048-000	641 - 23	FU5-2057-000	210 - 42	FU5-8215-000	210 - 28
FU5-0048-000	642 - 23	FU5-2062-000	810 - 41	FU5-8216-000	210 - 28
FU5-0048-000	643 - 23	FU5-2063-000	140 - 29	FU5-8217-000	210 - 28
FU5-0049-000	640 - 33	FU5-2064-000	102 - 23	FU5-9006-020	210 - 30
FU5-0049-000	641 - 24	FU5-2066-000	105 - 5	HH2-2830-000	990 - 7
FU5-0049-000	642 - 24	FU5-2067-000	140 - 7	KE8-1014-080	900 - 6
FU5-0049-000	643 - 24	FU5-2068-030	350 - 10	KE8-1028-058	210 - 53
FU5-0050-000	640 - 23	FU5-2069-000	101 - 19	KE8-1029-031	210 - 52
FU5-0050-000	641 - 25	FU5-2070-000	101 - 18	KE8-1029-064	931 - 1
FU5-0050-000	642 - 25	FU5-2071-000	141 - 16	KE8-1049-100	900 - 18
FU5-0050-000	643 - 25	FU5-2072-000	141 - 17	KE8-1056-095	900 - 19
FU5-0051-000	640 - 24	FU5-2073-000	810 - 70	ME1-0059-000	100 - 36
FU5-0051-000	641 - 26	FU5-2074-000	350 - 11	NPN	001 -
FU5-0051-000	642 - 26	FU5-2075-000	680 - 3	NPN	100 -
FU5-0051-000	643 - 26	FU5-2083-000	810 - 71	NPN	101 -
FU5-0052-000	640 - 25	FU5-2091-000	210 - 26	NPN	102 -
FU5-0052-000	641 - 27	FU5-2097-000	300 - 28	NPN	103 -
FU5-0052-000	642 - 27	FU5-2097-000	301 - 28	NPN	104 -
FU5-0052-000	643 - 27	FU5-2103-000	210 - 27	NPN	105 -
FU5-0061-000	140 - 46	FU5-2104-000	300 - 29	NPN	106 -
FU5-0062-000	315 - 12	FU5-2104-000	301 - 29	NPN	107 -
FU5-0063-000	315 - 13	FU5-2105-000	210 - 63	NPN	210 -
FU5-0067-000	810 - 38	FU5-2611-000	141 - 22	NPN	300 -
FU5-0068-000	810 - 39	FU5-3016-000	140 - 30	NPN	301 -
FU5-0070-000	640 - 26	FU5-3030-000	210 - 49	NPN	630 -
FU5-0073-000	780 - 10	FU5-5031-000	810 - 76	NPN	930 -
FU5-0128-000	350 - 9	FU5-6014-000	140 - 5	NPN	990 -
FU5-0977-000	535 - 20	FU5-8001-000	210 - 58	NPN	B -
FU5-1006-000	140 - 28	FU5-8002-000	210 - 59	NPN	B - J2
FU5-1009-000	141 - 12	FU5-8003-000	210 - 58	NPN	B - J3
FU5-1010-000	104 - 8	FU5-8004-000	210 - 59	NPN	B - J1113
FU5-1011-000	104 - 9	FU5-8005-000	210 - 58	NPN	B - J1114
FU5-1615-000	261 - 9	FU5-8006-000	210 - 59	NPN	B - J2004
FU5-2027-000	141 - 13	FU5-8007-000	210 - 58	NPN	B - J2005
FU5-2028-000	810 - 50	FU5-8008-000	210 - 59	NPN	B - J2007
FU5-2030-000	145 - 10	FU5-8011-000	145 - 11	NPN	B - J2008

NUMERICAL INDEX

iR C3100/C3100F/C3100i/C3100N/C3170/C3170F/C3170i/C2570/C2570F/C

PARTS NUMBER	FIGURE & KEY NO.	PARTS NUMBER	FIGURE & KEY NO.	PARTS NUMBER	FIGURE & KEY NO
NPN	B - J2009	NPN	B - J2132	PCB	B - J261
NPN	B - J2015	NPN	B - J2133	PCB	B - J280
NPN	B - J2027	NPN	B - J2134	PCB	B - J281
NPN	B - J2028	NPN	B - J2150	PCB	B - J282
NPN	B - J2029	NPN	B - J5002	PCB	B - J301
NPN	B - J2031	NPN	B - J5005	PCB	B - J303
NPN	B - J2032	NPN	B - J5007	PCB	B - J304
NPN	B - J2034	NPN	B - J5010	PCB	B - J305
NPN	B - J2036	NPN	B - J5011	PCB	B - J306
NPN	B - J2037	NPN	B - J5012	PCB	B - J307
NPN	B - J2039	NPN	B - J5013	PCB	B - J308
NPN	B - J2041	NPN	B - J5019	PCB	B - J309
NPN	B - J2043	PCB	B - J1	PCB	B - J310
NPN	B - J2044	PCB	B - J1	PCB	B - J311
NPN	B - J2047	PCB	B - J1	PCB	B - J312
NPN	B - J2049	PCB	B - J2	PCB	B - J313
NPN	B - J2050	PCB	B - J2	PCB	B - J314
NPN	B - J2051	PCB	B - J3	PCB	B - J315
NPN	B - J2052	PCB	B - J3	PCB	B - J316
NPN	B - J2053	PCB	B - J4	PCB	B - J317
NPN	B - J2054	PCB	B - J31	PCB	B - J318
NPN	B - J2055	PCB	B - J101	PCB	B - J319
NPN	B - J2056	PCB	B - J102	PCB	B - J320
NPN	B - J2057	PCB	B - J104	PCB	B - J321
NPN	B - J2058	PCB	B - J105	PCB	B - J322
NPN	B - J2059	PCB	B - J201	PCB	B - J323
NPN	B - J2061	PCB	B - J202	PCB	B - J324
NPN	B - J2063	PCB	B - J203	PCB	B - J325
NPN	B - J2066	PCB	B - J204	PCB	B - J326
NPN	B - J2072	PCB	B - J204	PCB	B - J327
NPN	B - J2073	PCB	B - J205	PCB	B - J328
NPN	B - J2074	PCB	B - J205	PCB	B - J329
NPN	B - J2083	PCB	B - J210	PCB	B - J500
NPN	B - J2084	PCB	B - J211	PCB	B - J501
NPN	B - J2086	PCB	B - J212	PCB	B - J501
NPN	B - J2087	PCB	B - J213	PCB	B - J502
NPN	B - J2093	PCB	B - J214	PCB	B - J502
NPN	B - J2095	PCB	B - J215	PCB	B - J503
NPN	B - J2096	PCB	B - J217	PCB	B - J504
NPN	B - J2097	PCB	B - J218	PCB	B - J504
NPN	B - J2098	PCB	B - J221	PCB	B - J505
NPN	B - J2099	PCB	B - J222	PCB	B - J505
NPN	B - J2101	PCB	B - J223	PCB	B - J506
NPN	B - J2102	PCB	B - J224	PCB	B - J506
NPN	B - J2103	PCB	B - J225	PCB	B - J510
NPN	B - J2104	PCB	B - J250	PCB	B - J511
NPN	B - J2105	PCB	B - J251	PCB	B - J512
NPN	B - J2121	PCB	B - J252	PCB	B - J601
NPN	B - J2122	PCB	B - J253	PCB	B - J640
NPN	B - J2127	PCB	B - J254	PCB	B - J641
NPN	B - J2128	PCB	B - J255	PCB	B - J642
NPN	B - J2131	PCB	B - J260	PCB	B - J643

NUMERICAL INDEX

iR C3100/C3100F/C3100i/C3100N/C3170/C3170F/C3170i/C2570/C2570F/C

PARTS NUMBER	FIGURE & KEY NO.	PARTS NUMBER	FIGURE & KEY NO.	PARTS NUMBER	FIGURE & KEY NO
PCB	B - J644	PCB	B - J2112	VS1-5824-003	B - J2004
PCB	B - J645	PCB	B - J2115	VS1-5824-003	B - J2005
PCB	B - J647	PCB	B - J5015	VS1-5824-003	B - J2046
PCB	B - J701	PCB	B - J5018	VS1-5824-003	B - J2048
PCB	B - J702	PCB	B - J6801	VS1-5824-003	B - J2050
PCB	B - J705	PCB	B - J6802	VS1-5824-003	B - J2051
PCB	B - J706	RB1-6539-000	310 - 57	VS1-5824-003	B - J2052
PCB	B - J782	RB1-6539-000	311 - 57	VS1-5824-004	B - J1205
PCB	B - J911	RB1-8945-000	310 - 58	VS1-5824-004	B - J2007
PCB	B - J1101	RB1-8945-000	311 - 58	VS1-5824-004	B - J5007
PCB	B - J1101	RB2-5850-000	140 - 6	VS1-5824-005	B - J2008
PCB	B - J1102	RH7-5168-000	104 - 10	VS1-5824-006	B - J309
PCB	B - J1102	RH7-7129-020	104 - 13	VS1-5824-006	B - J2003
PCB	B - J1103	RS1-1087-000	810 - 65	VS1-5824-007	B - J2006
PCB	B - J1103	RS1-9025-000	105 - 23	VS1-5824-008	B - J306
PCB	B - J1104	RS5-1567-000	310 - 59	VS1-5824-013	B - J601
PCB	B - J1104	RS5-1567-000	311 - 59	VS1-5824-014	B - J329
PCB	B - J1104	RS6-8382-000	460 - 1	VS1-6302-002	B - J214
PCB	B - J1105	SYS	B - J2013	VS1-6302-002	B - J281
PCB	B - J1105	SYS	B - J2014	VS1-6302-002	B - J643
PCB	B - J1106	SYS	B - J2018	VS1-6302-002	B - J1506
PCB	B - J1106	SYS	B - J2019	VS1-6302-003	B - J218
PCB	B - J1110	SYS	B - J2021	VS1-6302-003	B - J282
PCB	B - J1110	SYS	B - J2022	VS1-6302-003	B - J647
PCB	B - J1111	SYS	B - J2111	VS1-6302-004	B - J223
PCB	B - J1111	SYS	B - J2111	VS1-6302-004	B - J260
PCB	B - J1112	SYS	B - J2113	VS1-6302-004	B - J505
PCB	B - J1113	SYS	B - J2121	VS1-6302-004	B - J644
PCB	B - J1113	SYS	B - J2125	VS1-6302-004	B - J645
PCB	B - J1114	SYS	B - J5006	VS1-6302-004	B - J1202
PCB	B - J1201	SYS	B - J5016	VS1-6302-004	B - J2023
PCB	B - J1202	SYS	B - J5017	VS1-6302-006	B - J221
PCB	B - J1203	VR8-2610-103	261 - 17	VS1-6302-006	B - J313
PCB	B - J1204	VS1-0279-004	B - J2121	VS1-6302-006	B - J2011
PCB	B - J1205	VS1-0280-004	B - J2121	VS1-6302-007	B - J251
PCB	B - J1206	VS1-5452-002	B - J641	VS1-6302-007	B - J324
PCB	B - J1207	VS1-5452-005	B - J303	VS1-6302-008	B - J261
PCB	B - J1208	VS1-5452-005	B - J504	VS1-6302-014	B - J104
PCB	B - J1209	VS1-5452-006	B - J2	VS1-6313-009	B - J320
PCB	B - J1210	VS1-5452-006	B - J101	VS1-6313-009	B - J2026
PCB	B - J1211	VS1-5452-006	B - J305	VS1-6313-011	B - J321
PCB	B - J1212	VS1-5452-006	B - J2030	VS1-6313-012	B - J311
PCB	B - J1213	VS1-5452-007	B - J304	VS1-6313-013	B - J316
PCB	B - J1302	VS1-5452-007	B - J503	VS1-6313-014	B - J322
PCB	B - J1403	VS1-5452-007	B - J2014	VS1-6313-014	B - J2100
PCB	B - J1403	VS1-5452-007	B - J2022	VS1-6313-016	B - J326
PCB	B - J2069	VS1-5452-007	B - J2025	VS1-6313-017	B - J1502
PCB	B - J2076	VS1-5452-007	B - J5016	VS1-6313-018	B - J1212
PCB	B - J2080	VS1-5452-008	B - J2022	VS1-6313-018	B - J2116
PCB	B - J2080	VS1-5452-008	B - J5017	VS1-6313-018	B - J2117
PCB	B - J2110	VS1-5729-004	B - J2013	VS1-6313-020	B - J31
PCB	B - J2112	VS1-5824-002	B - J2127	VS1-6313-020	B - J1210

NUMERICAL INDEX

iR C3100/C3100F/C3100i/C3100N/C3170/C3170F/C3170i/C2570/C2570F/C

PARTS NUMBER	FIGURE & KEY NO.	PARTS NUMBER	FIGURE & KEY NO.	PARTS NUMBER	FIGURE & KEY NO.
VS1-6313-020	B - J2119	VS1-6314-016	B - J326	VS1-6321-003	B - J2073
VS1-6314-002	B - J280	VS1-6314-016	B - J1501	VS1-6321-003	B - J2074
VS1-6314-002	B - J2120	VS1-6314-016	B - J6802	VS1-6321-003	B - J2093
VS1-6314-003	B - J217	VS1-6314-017	B - J308	VS1-6321-003	B - J2095
VS1-6314-003	B - J512	VS1-6314-018	B - J1212	VS1-6321-003	B - J2096
VS1-6314-003	B - J1203	VS1-6314-018	B - J2116	VS1-6321-003	B - J2097
VS1-6314-003	B - J1211	VS1-6314-018	B - J2117	VS1-6321-003	B - J2098
VS1-6314-003	B - J2039	VS1-6314-020	B - J31	VS1-6321-003	B - J2101
VS1-6314-003	B - J2041	VS1-6314-020	B - J1210	VS1-6321-003	B - J2102
VS1-6314-003	B - J2043	VS1-6314-020	B - J2119	VS1-6321-003	B - J2103
VS1-6314-003	B - J2061	VS1-6318-002	992 - 13	VS1-6321-003	B - J2104
VS1-6314-003	B - J2063	VS1-6318-002	B - J2120	VS1-6321-003	B - J2106
VS1-6314-003	B - J5015	VS1-6318-006	980 - 2	VS1-6321-003	B - J2118
VS1-6314-004	B - J222	VS1-6318-006	B - J507	VS1-6321-003	B - J2128
VS1-6314-004	B - J511	VS1-6318-008	106 - 3	VS1-6321-003	B - J2138
VS1-6314-005	B - J224	VS1-6318-008	B - J2129	VS1-6321-003	B - J2150
VS1-6314-005	B - J254	VS1-6318-010	103 - 22	VS1-6321-003	B - J5010
VS1-6314-005	B - J328	VS1-6318-010	260 - 6	VS1-6321-003	B - J5011
VS1-6314-005	B - J2064	VS1-6318-010	B - J2071	VS1-6321-003	B - J5012
VS1-6314-005	B - J2066	VS1-6318-010	B - J2085	VS1-6321-003	B - J5013
VS1-6314-006	B - J1	VS1-6318-015	106 - 14	VS1-6321-004	B - J2035
VS1-6314-006	B - J507	VS1-6318-015	B - J2045	VS1-6321-004	B - J2072
VS1-6314-006	B - J511	VS1-6319-036	B - J2116	VS1-6321-004	B - J2083
VS1-6314-006	B - J1213	VS1-6319-040	992 - 14	VS1-6321-006	B - J1206
VS1-6314-006	B - J2110	VS1-6319-040	B - J2119	VS1-6321-006	B - J2003
VS1-6314-007	B - J2075	VS1-6320-002	B - J2060	VS1-6321-006	B - J2054
VS1-6314-007	B - J2076	VS1-6320-004	B - J2084	VS1-6321-006	B - J2130
VS1-6314-008	B - J307	VS1-6321-002	B - J2032	VS1-6321-006	B - J2132
VS1-6314-008	B - J1207	VS1-6321-002	B - J2040	VS1-6321-006	B - J2134
VS1-6314-008	B - J2129	VS1-6321-002	B - J2042	VS1-6321-006	B - J5008
VS1-6314-009	B - J320	VS1-6321-002	B - J2044	VS1-6321-006	B - J5009
VS1-6314-009	B - J506	VS1-6321-002	B - J2059	VS1-6321-007	B - J2006
VS1-6314-009	B - J2026	VS1-6321-002	B - J2060	VS1-6321-007	B - J2056
VS1-6314-009	B - J2115	VS1-6321-002	B - J2062	VS1-6321-008	B - J2123
VS1-6314-010	B - J210	VS1-6321-002	B - J2099	VS1-6321-008	B - J2125
VS1-6314-010	B - J310	VS1-6321-002	B - J2105	VS1-6321-010	B - J2111
VS1-6314-010	B - J314	VS1-6321-002	B - J2131	VS1-6534-004	B - J253
VS1-6314-010	B - J1209	VS1-6321-002	B - J2137	VS1-6702-004	B - J2023
VS1-6314-010	B - J2071	VS1-6321-003	B - J2027	VS1-6702-006	B - J2011
VS1-6314-010	B - J2085	VS1-6321-003	B - J2028	VS1-6702-006	B - J2057
VS1-6314-011	B - J321	VS1-6321-003	B - J2029	VS1-6702-010	B - J2018
VS1-6314-011	B - J2139	VS1-6321-003	B - J2031	VS1-6702-012	B - J2019
VS1-6314-012	B - J311	VS1-6321-003	B - J2033	VS1-6757-006	B - J507
VS1-6314-013	B - J316	VS1-6321-003	B - J2034	VS1-6757-006	B - J2086
VS1-6314-013	B - J325	VS1-6321-003	B - J2036	VS1-6757-010	B - J2085
VS1-6314-013	B - J2140	VS1-6321-003	B - J2037	VS1-6757-015	B - J2045
VS1-6314-014	B - J322	VS1-6321-003	B - J2038	VS1-6982-002	B - J2012
VS1-6314-014	B - J2094	VS1-6321-003	B - J2046	VS1-6982-002	B - J2020
VS1-6314-014	B - J2100	VS1-6321-003	B - J2047	VS1-6982-002	B - J2024
VS1-6314-014	B - J6801	VS1-6321-003	B - J2048	VS1-6982-004	B - J2001
VS1-6314-015	B - J317	VS1-6321-003	B - J2049	VS1-6982-004	B - J2002
VS1-6314-015	B - J2045	VS1-6321-003	B - J2058	VS1-6982-005	B - J2016

NUMERICAL INDEX

iR C3100/C3100F/C3100i/C3100N/C3170/C3170F/C3170i/C2570/C2570F/C

PARTS NUMBER	FIGURE & KEY NO.	PARTS NUMBER	FIGURE & KEY NO.	PARTS NUMBER	FIGURE & KEY NO
VS1-7110-002	B - J315	VS1-7177-003	140 - 54	VS1-7507-007	107 - 11
VS1-7110-002	B - J500	VS1-7177-003	190 - 1	VS1-7507-007	B - J2014
VS1-7110-002	B - J642	VS1-7177-003	B - J2027	VS1-7507-007	B - J2025
VS1-7110-002	B - J782	VS1-7177-003	B - J2033	VS3-0053-002	B - J5004
VS1-7110-002	B - J2012	VS1-7177-003	B - J2038	VS3-0143-002	B - J2126
VS1-7110-002	B - J2020	VS1-7177-003	B - J2046	VS3-5002-004	B - J5018
VS1-7110-002	B - J2024	VS1-7177-003	B - J2048	VS3-5080-002	B - J4
VS1-7110-002	B - J2053	VS1-7177-003	B - J2051	VS3-5080-007	B - J3
VS1-7110-002	B - J2055	VS1-7177-003	B - J2052	VS3-5080-007	B - J911
VS1-7110-002	B - J2133	VS1-7177-003	B - J2067	VS3-5083-002	B - J255
VS1-7110-003	B - J203	VS1-7177-003	B - J2068	VS3-5083-004	B - J212
VS1-7110-003	B - J640	VS1-7177-003	B - J2106	VS3-5083-004	B - J1111
VS1-7110-003	B - J705	VS1-7177-003	B - J2118	VS3-5083-006	B - J211
VS1-7110-003	B - J706	VS1-7177-003	B - J2128	VS3-5083-007	B - J250
VS1-7110-003	B - J1504	VS1-7177-004	104 - 11	VS3-5083-010	B - J252
VS1-7110-004	B - J312	VS1-7177-004	210 - 60	VS3-5083-010	B - J1201
VS1-7110-004	B - J323	VS1-7177-004	810 - 51	VS3-5094-004	B - J2087
VS1-7110-004	B - J501	VS1-7177-004	B - J2007	VS3-5116-003	B - J2009
VS1-7110-004	B - J702	VS1-7177-004	B - J2035	VS3-5207-003	B - J2009
VS1-7110-004	B - J2001	VS1-7177-004	B - J5007	VS4-0001-002	B - J5003
VS1-7110-004	B - J2002	VS1-7177-005	810 - 52	VS4-0001-012	B - J2010
VS1-7110-005	B - J202	VS1-7177-005	B - J2008	VS4-0002-002	B - J2015
VS1-7110-005	B - J1505	VS1-7177-007	106 - 10	VS4-0002-002	B - J5002
VS1-7110-005	B - J2016	VS1-7177-007	B - J2006	VS4-0002-002	B - J5005
VS1-7110-007	B - J225	VS1-7177-008	101 - 9	VS4-0002-003	B - J5019
VS1-7164-018	101 - 1	VS1-7177-008	B - J2123	VS4-0002-012	B - J2010
VS1-7164-018	B - J2026	VS1-7177-010	106 - 11	VT2-5161-018	B - J320
VS1-7173-005	B - J2064	VS1-7177-010	B - J2111	VT2-5161-018	B - J2026
VS1-7173-007	102 - 8	VS1-7178-002	B - J215	VT2-5161-022	B - J321
VS1-7173-007	B - J2075	VS1-7178-002	B - J701	VT2-5161-024	B - J311
VS1-7173-014	310 - 60	VS1-7178-002	B - J1208	VT2-5161-026	B - J316
VS1-7173-014	311 - 60	VS1-7178-002	B - J2113	VT2-5161-028	B - J322
VS1-7173-014	B - J2094	VS1-7178-003	B - J213	VT2-5161-032	B - J326
VS1-7173-014	B - J2100	VS1-7178-003	B - J327	VT2-5161-036	B - J1212
VS1-7177-002	104 - 5	VS1-7178-003	B - J2067	VT2-5161-036	B - J2116
VS1-7177-002	107 - 9	VS1-7178-003	B - J2068	VT2-5161-036	B - J2117
VS1-7177-002	310 - 31	VS1-7178-003	B - J2069	VT2-5161-040	B - J31
VS1-7177-002	311 - 62	VS1-7178-004	B - J319	VT2-5161-040	B - J1210
VS1-7177-002	680 - 4	VS1-7188-002	B - J2059	VT2-5161-040	B - J2119
VS1-7177-002	992 - 12	VS1-7208-006	B - J2021	WA7-2847-000	900 - 7
VS1-7177-002	B - J2040	VS1-7208-008	B - J318	WA7-3543-000	900 - 28
VS1-7177-002	B - J2042	VS1-7208-008	B - J2021	WA7-3859-000	900 - 5
VS1-7177-002	B - J2044	VS1-7440-006	102 - 7	WC2-5327-000	101 - 10
VS1-7177-002	B - J2060	VS1-7440-006	106 - 9	WE8-5184-000	110 -
VS1-7177-002	B - J2099	VS1-7440-006	210 - 61	WE8-5193-000	992 - 20
VS1-7177-002	B - J2105	VS1-7440-006	680 - 7	WE8-5600-000	992 - 25
VS1-7177-002	B - J2127	VS1-7440-006	B - J2003	WE8-6094-000	106 - 23
VS1-7177-002	B - J2131	VS1-7440-006	B - J2130	WE8-6096-000	992 - 15
VS1-7177-003	101 - 3	VS1-7440-006	B - J5009	WM2-5222-020	900 - 8
VS1-7177-003	105 - 12	VS1-7507-006	106 - 13	WS3-1105-000	B - J2126
VS1-7177-003	106 - 8	VS1-7507-006	B - J2030	WS3-1226-000	B - J5018
VS1-7177-003	107 - 10	VS1-7507-007	106 - 16	WS3-5016-000	B - J2121

NUMERICAL INDEX

iR C3100/C3100F/C3100i/C3100N/C3170/C3170F/C3170i/C2570/C2570F/C

PARTS NUMBER	FIGURE & KEY NO.	PARTS NUMBER	FIGURE & KEY NO.	PARTS NUMBER	FIGURE & KEY NO
WS3-5160-000	B - J211	WS3-5719-000	B - J2023	WS4-0218-000	B - J2010
WS3-5160-000	B - J212	WS3-5719-000	B - J2057	WS4-0218-000	B - J5002
WS3-5160-000	B - J250	WS3-5720-000	B - J2011	WS4-0218-000	B - J5004
WS3-5160-000	B - J252	WS3-5720-000	B - J2018	WS4-0218-000	B - J5005
WS3-5160-000	B - J255	WS3-5720-000	B - J2019	WS4-0219-000	B - J2010
WS3-5160-000	B - J1111	WS3-5721-000	B - J507	WS4-0220-000	B - J2010
WS3-5160-000	B - J1201	WS3-5721-000	B - J2045	WS4-0220-000	B - J5003
WS3-5174-000	B - J2009	WS3-5721-000	B - J2085	WT1-5155-000	B - J3
WS3-5263-000	B - J5001	WS3-5721-000	B - J2086	WT1-5155-000	B - J4
WS3-5264-000	B - J5001	WS3-5730-000	B - J2003	WT1-5155-000	B - J911
WS3-5301-000	B - J2013	WS3-5730-000	B - J2004	WT1-5208-000	B - J2087
WS3-5354-000	B - J2009	WS3-5730-000	B - J2005	WT2-5565-000	106 - 17
WS3-5358-000	B - J306	WS3-5730-000	B - J2006	WT2-5565-000	110 - 11
WS3-5358-000	B - J309	WS3-5730-000	B - J2007	WT2-5565-000	140 - 31
WS3-5358-000	B - J329	WS3-5730-000	B - J2008	WT2-5565-000	210 - 43
WS3-5358-000	B - J601	WS3-5744-000	B - J2001	WT2-5565-000	315 - 18
WS3-5358-000	B - J1205	WS3-5744-000	B - J2002	WT2-5565-000	990 - 4
WS3-5358-000	B - J2046	WS3-5744-000	B - J2012	WT8-5076-000	990 - 2
WS3-5358-000	B - J2048	WS3-5744-000	B - J2016	X62-5133-000	B - J2122
WS3-5358-000	B - J2050	WS3-5815-000	B - J2001	X65-5854-000	B - J2122
WS3-5358-000	B - J2051	WS3-5815-000	B - J2002	XA9-0265-000	106 - 18
WS3-5358-000	B - J2052	WS3-5815-000	B - J2020	XA9-0265-000	106 - 18
WS3-5358-000	B - J2127	WS3-5815-000	B - J2024	XA9-0656-000	311 - 61
WS3-5358-000	B - J5007	WS3-5817-000	B - J2021	XA9-0882-000	810 - 42
WS3-5569-000	B - J104	WS3-5858-000	B - J312	XA9-0962-000	310 - 61
WS3-5569-000	B - J214	WS3-5858-000	B - J315	XA9-1386-000	100 - 29
WS3-5569-000	B - J218	WS3-5858-000	B - J323	XA9-1386-000	101 - 21
WS3-5569-000	B - J221	WS3-5858-000	B - J642	XA9-1386-000	102 - 14
WS3-5569-000	B - J223	WS3-5858-000	B - J782	XA9-1386-000	103 - 16
WS3-5569-000	B - J251	WS3-5858-000	B - J1504	XA9-1386-000	104 - 14
WS3-5569-000	B - J260	WS3-5858-000	B - J1505	XA9-1386-000	105 - 11
WS3-5569-000	B - J261	WS3-5858-000	B - J2001	XA9-1386-000	106 - 6
WS3-5569-000	B - J281	WS3-5858-000	B - J2002	XA9-1386-000	107 - 14
WS3-5569-000	B - J282	WS3-5858-000	B - J2024	XA9-1386-000	110 - 2
WS3-5569-000	B - J313	WS3-5858-000	B - J2053	XA9-1386-000	210 - 31
WS3-5569-000	B - J324	WS3-5858-000	B - J2055	XA9-1386-000	260 - 4
WS3-5569-000	B - J505	WS3-5858-000	B - J2133	XA9-1386-000	261 - 18
WS3-5569-000	B - J643	WS3-5859-000	B - J202	XA9-1386-000	310 - 62
WS3-5569-000	B - J645	WS3-5859-000	B - J203	XA9-1386-000	911 - 3
WS3-5569-000	B - J647	WS3-5859-000	B - J225	XA9-1386-000	990 - 6
WS3-5569-000	B - J1202	WS3-5859-000	B - J500	XA9-1386-000	991 - 4
WS3-5569-000	B - J2011	WS3-5859-000	B - J501	XA9-1415-000	210 - 32
WS3-5569-000	B - J2023	WS3-5859-000	B - J640	XA9-1433-000	261 - 19
WS3-5592-000	B - J702	WS3-5859-000	B - J705	XA9-1468-000	102 - 6
WS3-5592-000	B - J706	WS3-5859-000	B - J2001	XA9-1494-000	780 - 15
WS3-5592-000	B - J2020	WS3-5859-000	B - J2002	XA9-1496-000	900 - 20
WS3-5596-000	B - J2022	WS3-5859-000	B - J2012	XB1-2300-402	640 - 502
WS3-5596-000	B - J5006	WS3-5859-000	B - J2016	XB1-2300-409	680 - 501
WS3-5658-000	B - J253	WS3-5892-000	B - J2021	XB1-2300-607	104 - 501
WS3-5680-000	B - J644	WS4-0217-000	B - J2010	XB1-2300-607	106 - 502
WS3-5680-000	B - J1506	WS4-0217-000	B - J2015	XB1-2300-607	210 - 506
WS3-5688-000	B - J201	WS4-0217-000	B - J5019	XB1-2300-607	780 - 501

NUMERICAL INDEX

iR C3100/C3100F/C3100i/C3100N/C3170/C3170F/C3170i/C2570/C2570F/C

PARTS NUMBER	FIGURE & KEY NO.	PARTS NUMBER	FIGURE & KEY NO.	PARTS NUMBER	FIGURE & KEY NO.
XB1-2300-609	641 - 502	XB4-5400-807	145 - 501	XD2-1100-502	310 - 506
XB1-2300-609	642 - 502	XB4-5400-807	310 - 504	XD2-1100-502	311 - 506
XB1-2300-609	643 - 502	XB4-5400-807	311 - 504	XD2-1100-502	350 - 502
XB1-2300-807	310 - 501	XB4-5400-807	350 - 501	XD2-1100-502	535 - 502
XB1-2300-807	311 - 501	XB4-5400-809	140 - 503	XD2-1100-502	640 - 510
XB1-2400-603	106 - 503	XB4-5401-007	140 - 501	XD2-1100-502	641 - 508
XB1-2400-603	110 - 504	XB4-5401-007	141 - 501	XD2-1100-502	642 - 508
XB1-2400-607	102 - 502	XB4-5401-007	190 - 501	XD2-1100-502	643 - 508
XB1-2400-607	310 - 508	XB4-5401-007	315 - 501	XD2-1100-502	780 - 502
XB1-2400-607	311 - 508	XB4-5401-207	310 - 505	XD2-1100-502	810 - 506
XB1-2400-609	210 - 501	XB4-5401-207	311 - 505	XD2-1100-642	103 - 501
XB1-2400-807	810 - 501	XB4-5402-209	190 - 502	XD2-1100-642	104 - 502
XB1-2401-407	102 - 503	XB6-2400-609	105 - 501	XD2-1100-642	261 - 501
XB1-2402-007	104 - 505	XB6-7300-407	210 - 508	XD2-1100-642	535 - 503
XB1-2402-007	110 - 501	XB6-7300-607	102 - 504	XD2-1100-642	630 - 502
XB1-2403-007	900 - 501	XB6-7300-607	106 - 501	XD2-1100-642	640 - 504
XB1-2500-603	110 - 502	XB6-7300-607	110 - 505	XD2-1100-642	641 - 509
XB1-3300-607	310 - 502	XB6-7300-607	130 - 502	XD2-1100-642	642 - 509
XB1-3300-607	311 - 502	XB6-7300-607	210 - 503	XD2-1100-642	643 - 509
XB2-8300-607	300 - 501	XB6-7300-607	250 - 501	XD2-1100-642	810 - 507
XB2-8300-607	301 - 501	XB6-7300-607	630 - 501	XD2-2100-602	640 - 501
XB2-8300-607	640 - 503	XB6-7300-607	900 - 502	XD2-2100-802	641 - 501
XB2-8300-806	810 - 508	XB6-7300-607	911 - 501	XD2-2100-802	642 - 501
XB2-8300-807	210 - 502	XB6-7300-607	930 - 501	XD2-2100-802	643 - 501
XB2-8300-807	810 - 502	XB6-7300-607	980 - 501	XD3-1300-122	680 - 502
XB2-8301-209	810 - 503	XB6-7300-607	990 - 501	XD3-2160-162	104 - 503
XB2-8400-807	210 - 507	XB6-7300-607	992 - 501	XD3-2160-162	140 - 505
XB3-6300-600	310 - 503	XB6-7300-807	101 - 502	XD3-2200-102	140 - 504
XB3-6300-600	311 - 503	XB6-7300-807	300 - 503	XD3-2200-122	310 - 507
XB4-5300-807	300 - 502	XB6-7300-807	301 - 503	XD3-2200-122	311 - 507
XB4-5300-807	300 -	XB6-7301-407	900 - 503	XD3-2200-162	350 - 503
XB4-5300-807	301 - 502	XB6-7500-807	210 - 504	XD3-2200-162	535 - 504
XB4-5300-807	301 -	XD1-1104-135	300 - 504	XD3-2250-142	104 - 504
XB4-5300-809	640 - 505	XD1-1104-135	301 - 504	XF2-4112-240	140 - 32
XB4-5300-809	641 - 503	XD1-1105-235	900 - 504	XF2-4606-740	210 - 50
XB4-5300-809	642 - 503	XD1-1106-219	535 - 28	XF9-0743-000	210 - 33
XB4-5300-809	643 - 503	XD1-1108-215	640 - 508	XG9-0111-000	640 - 15
XB4-5301-007	102 - 501	XD1-1108-215	641 - 506	XG9-0111-000	641 - 28
XB4-5301-007	130 - 501	XD1-1108-215	642 - 506	XG9-0111-000	642 - 28
XB4-5301-007	535 - 501	XD1-1108-215	643 - 506	XG9-0111-000	643 - 28
XB4-5301-007	640 - 506	XD1-1108-218	640 - 509	XG9-0428-000	810 - 43
XB4-5301-007	641 - 504	XD1-1108-218	641 - 507	XG9-0491-000	640 - 27
XB4-5301-007	642 - 504	XD1-1108-218	642 - 507	XG9-0491-000	641 - 29
XB4-5301-007	643 - 504	XD1-1108-218	643 - 507	XG9-0491-000	642 - 29
XB4-5303-009	640 - 507	XD1-4200-402	106 - 504	XG9-0491-000	643 - 29
XB4-5303-009	641 - 505	XD1-4200-402	110 - 506	XG9-0495-000	640 - 28
XB4-5303-009	642 - 505	XD1-4200-502	110 - 503	XG9-0495-000	641 - 14
XB4-5303-009	643 - 505	XD2-1100-242	810 - 505	XG9-0495-000	642 - 14
XB4-5400-807	100 - 501	XD2-1100-322	101 - 503	XG9-0495-000	643 - 14
XB4-5400-807	101 - 501	XD2-1100-322	810 - 504	XG9-0497-000	141 - 21
XB4-5400-807	104 - 506	XD2-1100-422	140 - 502	XG9-0511-000	535 - 25
XB4-5400-807	107 - 501	XD2-1100-502	210 - 505	XG9-0522-000	810 - 44

NUMERICAL INDEX

iR C3100/C3100F/C3100i/C3100N/C3170/C3170F/C3170i/C2570/C2570F/C

PARTS NUMBER	FIGURE & KEY NO.	PARTS NUMBER	FIGURE & KEY NO.	PARTS NUMBER	FIGURE & KEY NO.
XH9-0125-000	102 - 5				
XZ1-1400-305	300 -				
XZ1-1400-305	301 -				
XZ9-0421-000	101 - 16				
XZ9-0582-000	101 - 16				

iR C3100/C3100F/C3100i/C3100N/ C3170/C3170F/C3170i/C2570/C2570F/ C2570i

iRC2570

100V	F14-7116-000	KLH00001-
230V	F14-7146-000	KNN00001-
230V AU	F14-7166-000	KNP00001-
230V EUR	F14-7196-000	KNM00001-

iRC2570F

100V	F14-7126-000	KLJ00001-
-------------	---------------------	------------------

iRC2570i

230V	F14-7148-000	KNR00001-
230V EUR	F14-7197-000	KNQ00001-

iRC3170

100V	F14-7111-000	KLF00001-
120V	F14-7133-000	KNE00001-
230V	F14-7141-000	KNC00001-
230V AU	F14-7161-000	KND00001-
230V EUR	F14-7191-000	KNB00001-

iRC3170F

100V	F14-7121-000	KLG00001-
-------------	---------------------	------------------

iRC3170i

120V	F14-7132-000	KNF00001-
230V	F14-7143-000	KNH00001-
230V EUR	F14-7192-000	KNG00001-

iR C3100

120V 60Hz	F14-3001-000	---
100V 50/60Hz	F14-3011-000	JEJ00001-
100V 50/60Hz	F14-3019-000	JDT00001-
120V 60Hz	F14-3031-000	JGX00001-
220V 50Hz	F14-3041-000	JGZ00001-
220V 50Hz	F14-3048-000	JJP00001-
240V 50Hz	F14-3060-000	---
240V 50Hz	F14-3061-000	JHB00001-
240V 50Hz	F14-3068-000	JJQ00001-
220V 60Hz	F14-3070-000	---
220V 50Hz	F14-3091-000	JGY00001-

iR C3100F

100V 50/60Hz	F14-3012-000	JEK00001-
100V 50/60Hz	F14-3029-000	JDU00001-

iR C3100N

100V 50/60Hz	F14-3014-000	JEM00001-
220V 50Hz	F14-3044-000	JHD00001-
100V 50/60Hz	F14-3049-000	JEL00001-
220V 50Hz	F14-3078-000	JJN00001-
220V 50Hz	F14-3094-000	JHC00001-

iR C3100i

100V 50/60Hz F14-3015-000 JEP00001-

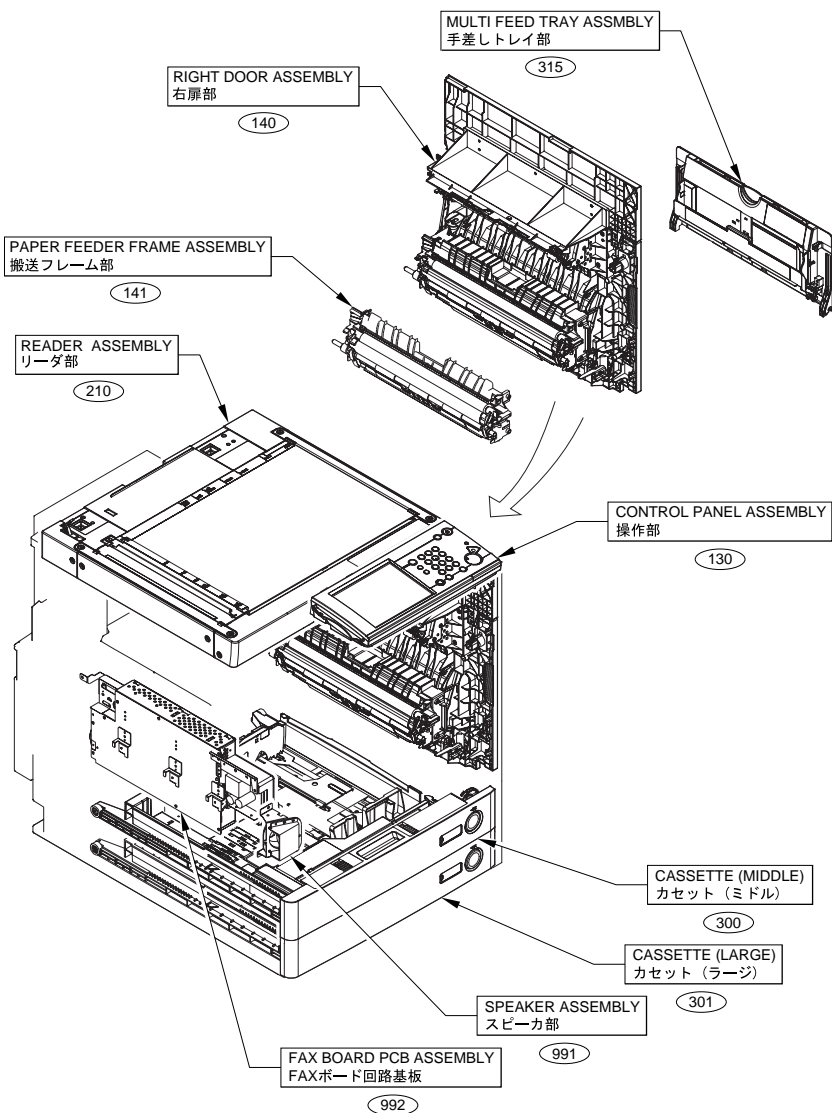
100V 50/60Hz F14-3059-000 JEN00001-

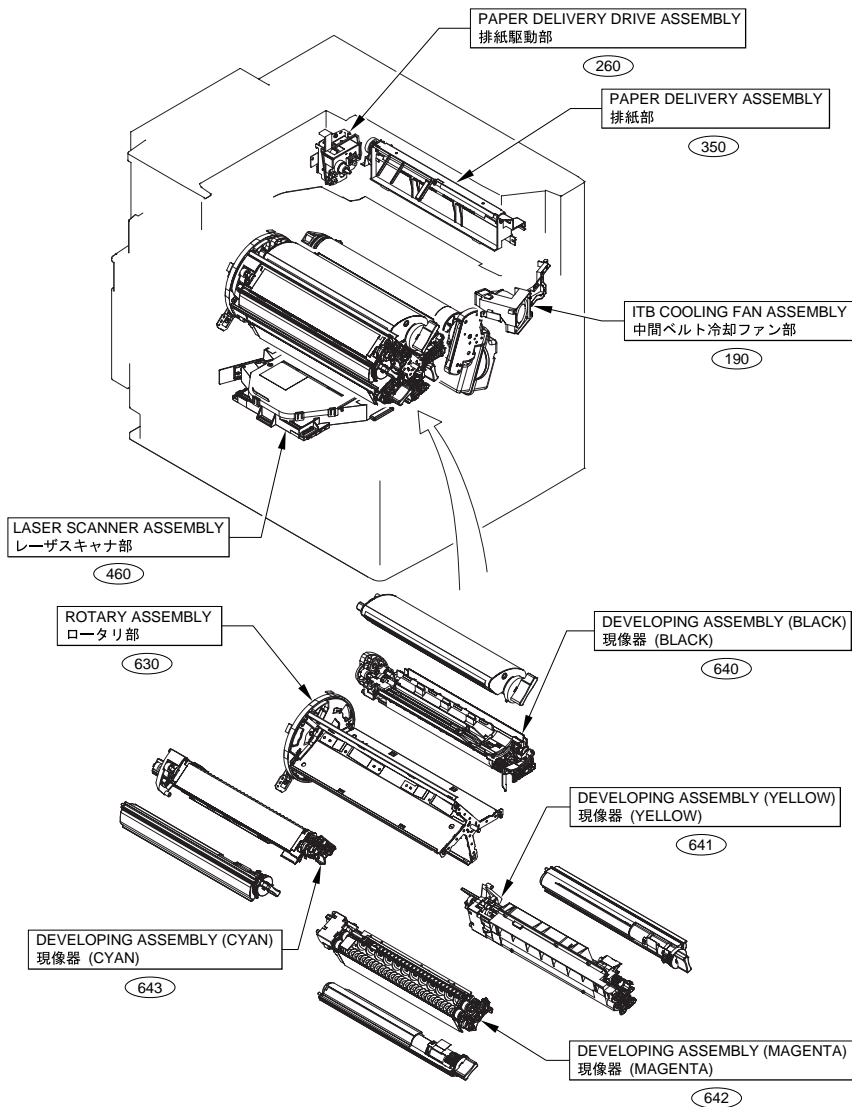
Contents

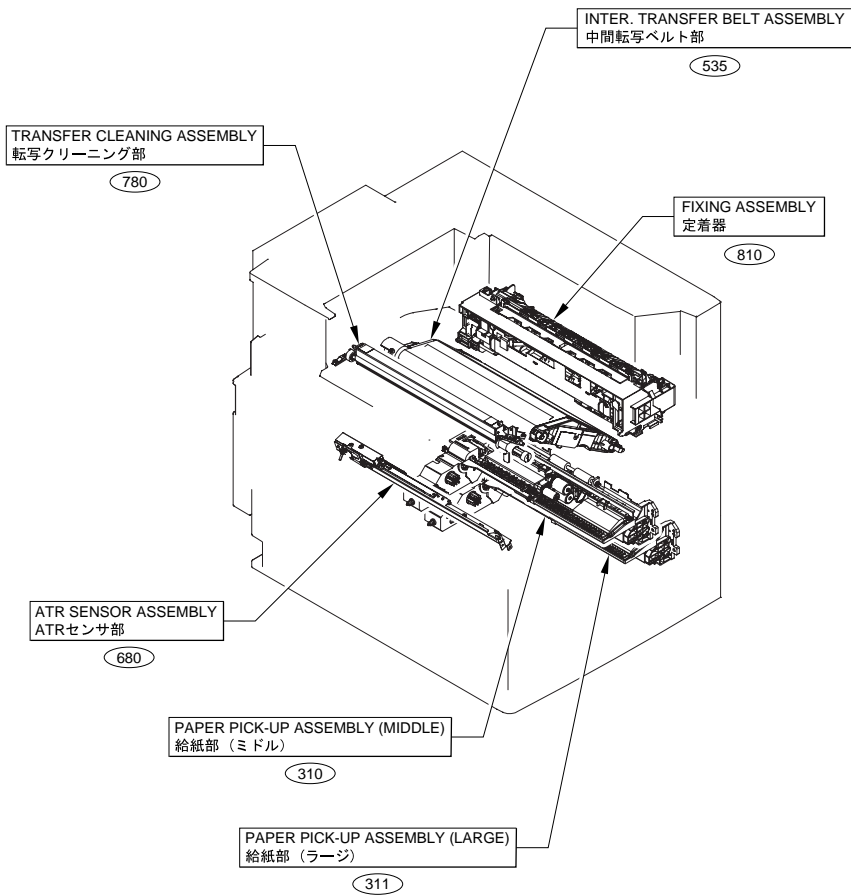
A	ASSEMBLY LOCATION DIAGRAM	2-1
001	ACCESSORIES	2-9
100	EXTERNAL COVERS, PANELS, ETC.	2-11
101	MACHINE FRONT PANEL	2-15
102	INTERNAL COMPONENTS 1	2-18
103	INTERNAL COMPONENTS 2	2-21
104	INTERNAL COMPONENTS 3	2-23
105	INTERNAL COMPONENTS 4	2-26
106	MACHINE REAR PLATE 1	2-28
107	MACHINE REAR PLATE 2	2-31
110	POWER CORD TERMINAL ASSEMBLY	2-33
130	CONTROL PANEL ASSEMBLY	2-35
140	RIGHT DOOR ASSEMBLY	2-37
141	PAPER FEEDER FRAME ASSEMBLY	2-42
145	RIGHT LOWER DOOR ASSEMBLY	2-44
190	ITB COOLING FAN ASSEMBLY	2-46
210	READER ASSEMBLY	2-47
250	MAIN DRIVE ASSEMBLY	2-53
260	PAPER DELIVERY DRIVE ASSEMBLY	2-54
261	MULTI DRIVE ASSEMBLY	2-55
300	CASSETTE (MIDDLE)	2-57
301	CASSETTE (LARGE)	2-60
310	PAPER PICK-UP ASSEMBLY (MIDDLE)	2-63
311	PAPER PICK-UP ASSEMBLY (LARGE)	2-67
315	MULTI FEED TRAY ASSEMBLY	2-71
350	PAPER DELIVERY ASSEMBLY	2-73
460	LASER SCANNER ASSEMBLY	2-75
535	TRANSFER BELT FRAME ASSEMBLY	2-76
630	ROTARY ASSEMBLY	2-79
640	DEVELOPING ASSEMBLY (BLACK)	2-81
641	DEVELOPING ASSEMBLY (YELLOW)	2-84
642	DEVELOPING ASSEMBLY (MAGENTA)	2-87
643	DEVELOPING ASSEMBLY (CYAN)	2-90
680	ATR SENSOR ASSEMBLY	2-93
780	TRANSFER CLEANING ASSEMBLY	2-94
810	FIXING ASSEMBLY	2-96
900	CONTROLLER BOX ASSEMBLY	2-101
910	MAIN POWER SUPPLY PCB ASSEMBLY	2-106
911	MAIN CONTROLLER POWER SUPPLY ASSEMBLY	2-107
930	DC CONTROLLER PCB ASSEMBLY	2-108
931	READER CONTROLLER PCB ASSEMBLY	2-109
980	H.V.TRANSFORMER PCB ASSEMBLY	2-110
990	FAX ASSEMBLY	2-111
991	SPEAKER ASSEMBLY	2-113
992	FAX BOARD PCB ASSEMBLY	2-114

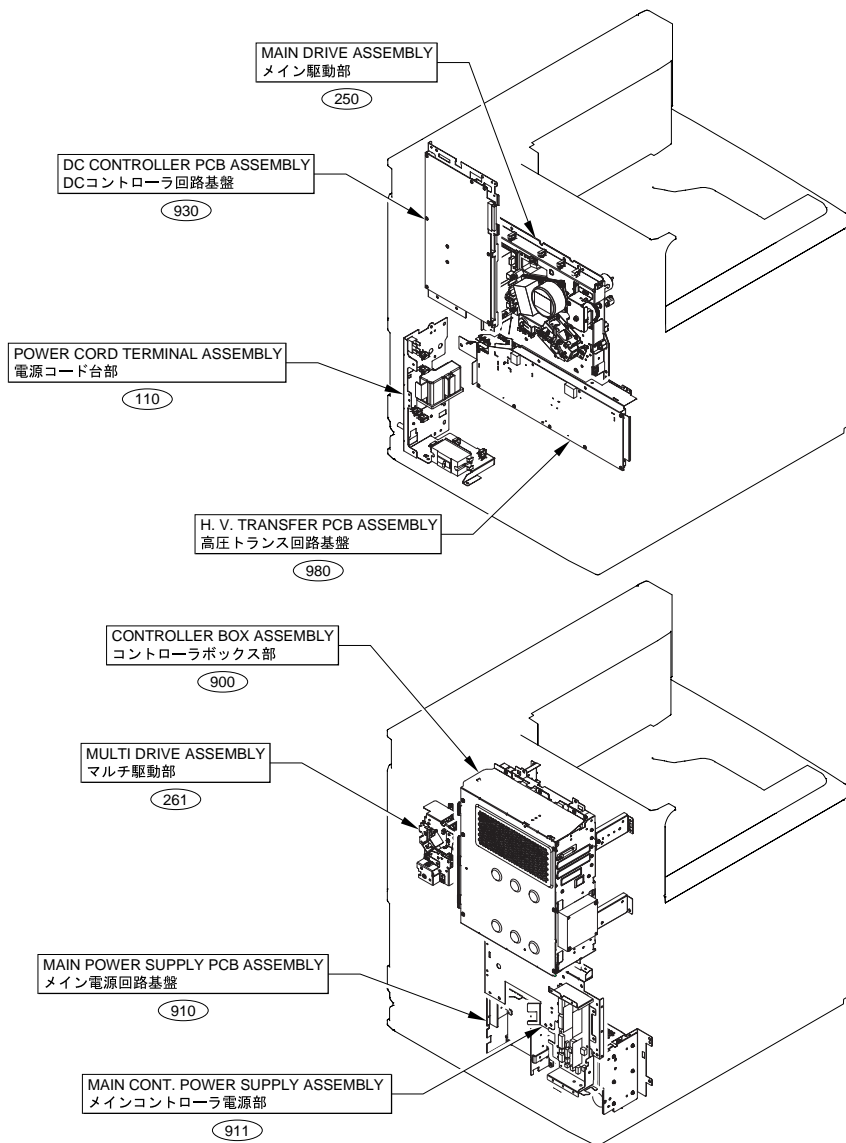
B LIST OF CONNECTORS.....2-117

FIGURE A ASSEMBLY LOCATION DIAGRAM

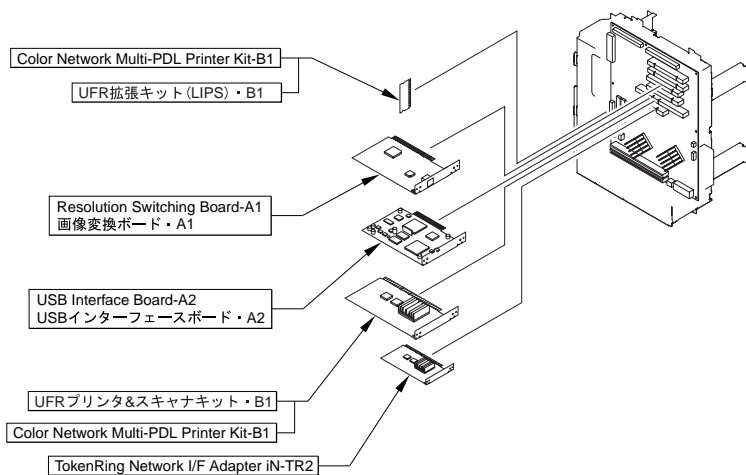
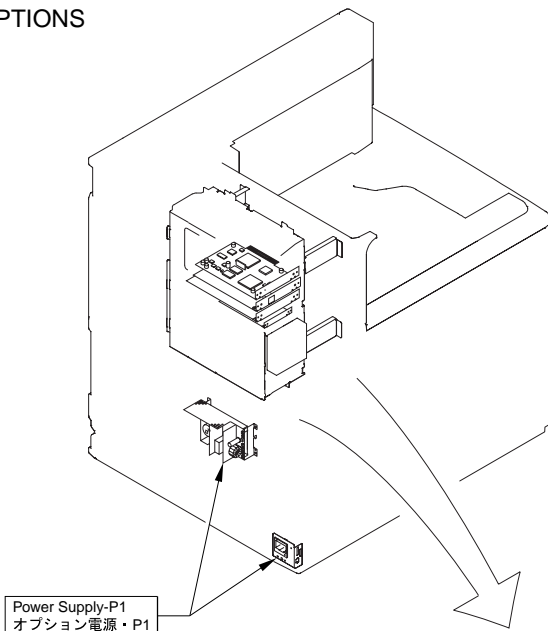




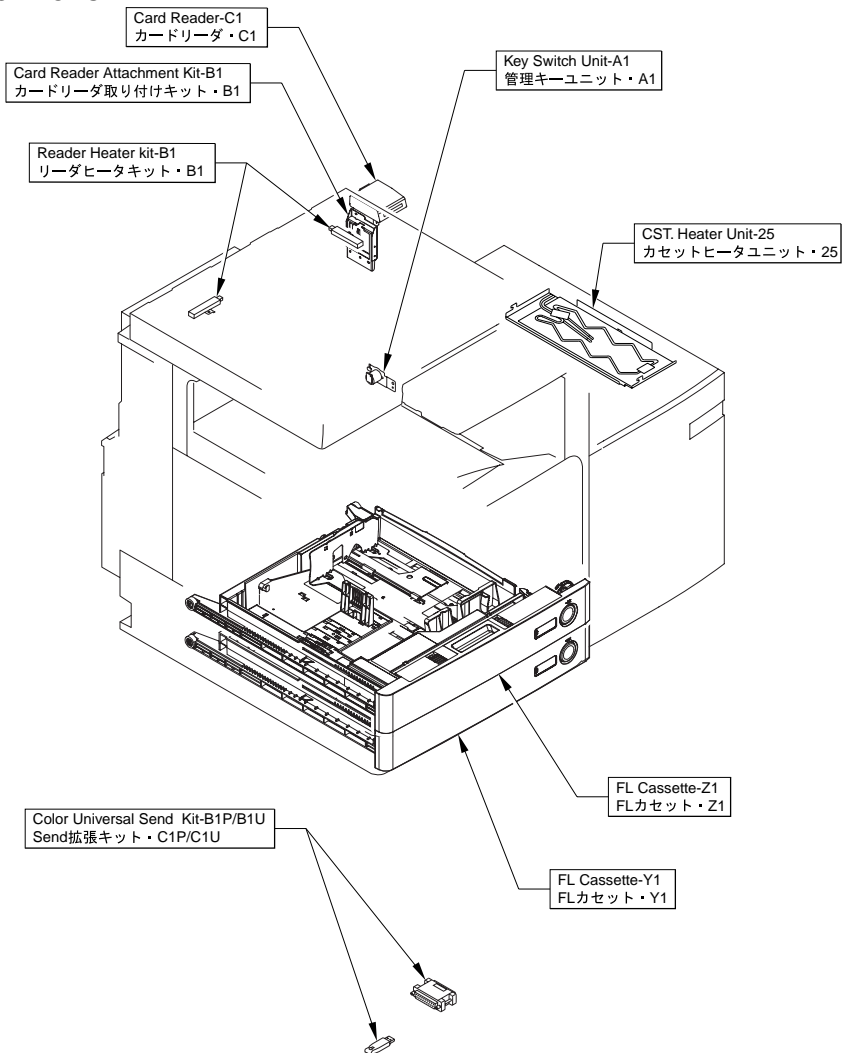




OPTIONS

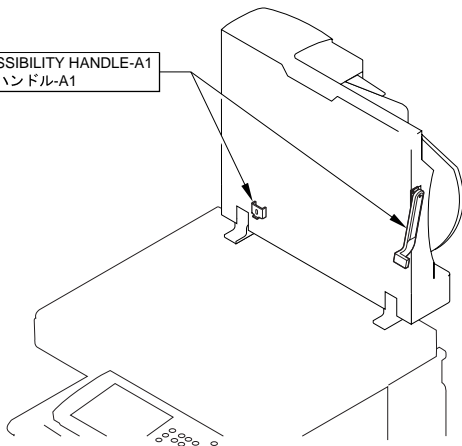


OPTIONS

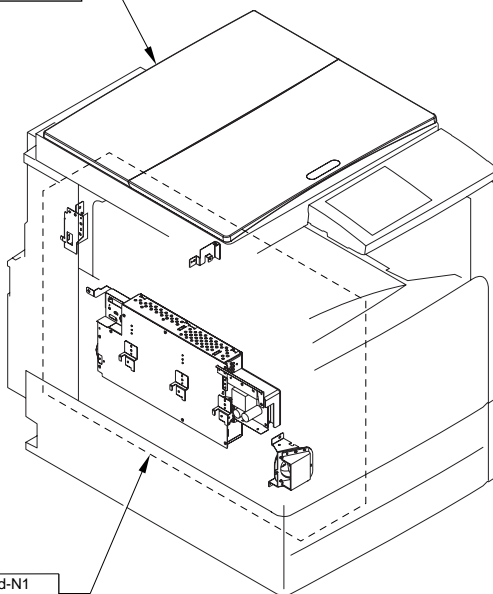


OPTIONS

ACCESSIBILITY HANDLE-A1
DADFハンドル-A1



Platen Cover Type H
原稿カバータイプH



Super G3 FAX Board-N1
スーパーG3FAXボード・N1



OPTIONS

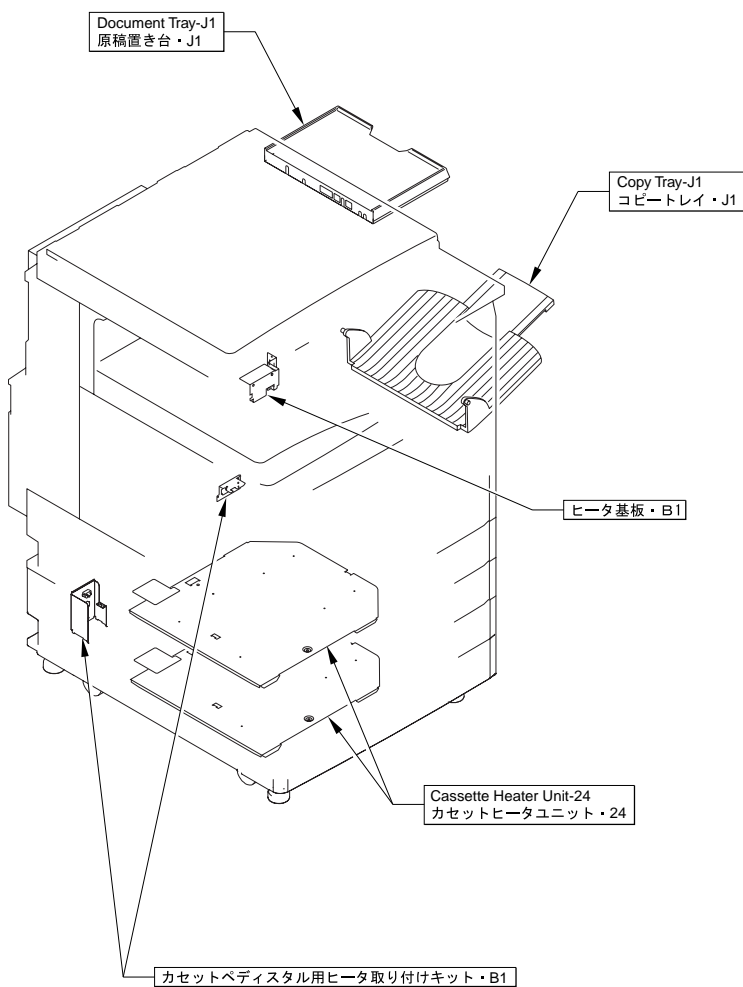


FIGURE 001 ACCESSORIES

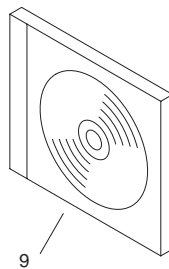
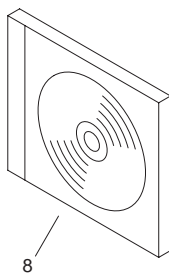
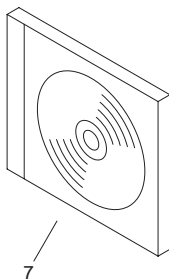
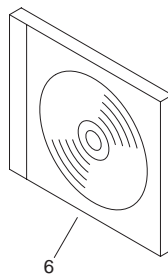
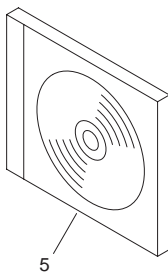
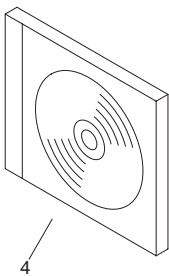
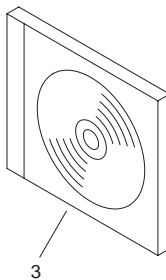
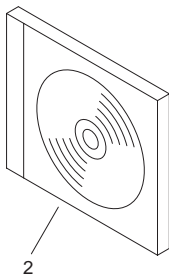
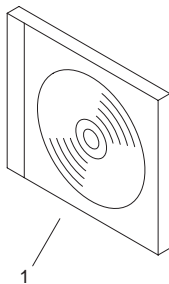


FIGURE & KEY NO.	PARTS NUMBER	RANK	Q'TY	DESCRIPTION	SERIAL NUMBER/REMARKS	SVC
Fig.001	NPN		RF	ACCESSORIES		
1	FH5-3468-000		1	CD-ROM, UFR USER SOFTWARE	JDU,JEL,JEN	
1	FH5-3469-000		1	CD-ROM, UFR SOFTWARE	JEK,JEM,JEP	
1	FH5-3496-000		1	CD-ROM,UFR USER SOFTWARE	JJN	
1	FK2-1472-000		1	CD-ROM,UFR SOFTWARE	C3170 US,C3170I US/ 230V,C2570I 230V	
2	FH5-3470-000		1	CD-ROM,COLOR NETWORK SCAN GEAR	JDU,JEL,JEN	
2	FH5-3471-000		1	CD-ROM, NETWORK SCAN GEAR	JEK,JEM,JEP,KLG	
2	FH5-3492-000		1	CD-ROM,COLOR NETWORK SCAN GEAR	JJN	
3	FH5-3472-000		1	CD-ROM, FAX SOFTWARE	C3100F,C3100I	
3	FK2-1425-000		1	CD-ROM, FAX SOFTWARE	C2570F	
4	FH5-3474-000		1	CD-ROM, IV USER SOFTWARE	JEN ONLY	
4	FH5-3475-000		1	CD-ROM, IV USER SOFTWARE	JEP ONLY	
5	FH5-3476-000		1	CD-ROM, NETSPOT DOWN-LOADER	JEN ONLY	
5	FH5-3477-000		1	CD-ROM, NETSPOT DOWN-LOADER	JEP ONLY	
6	FH5-3493-000		1	CD-ROM, UFR/PSPCL U.SOFTWARE	JHC	
6	FH5-3494-000		1	CD-ROM, UFR/PSPCL U.SOFTWARE	JHC	
6	FH5-3495-000		1	CD-ROM, UFR/PSPCL U.SOFTWARE	JHC	
7	FK2-1424-000		1	CD-ROM,MEAP ADMIN	C3170 JP C3170F C2570 JP C2570F	
7	FK2-1478-000		1	CD-ROM,MEAP ADMIN	C3170I20V C3170I 120V/ EUR C2570I 230V	
7	FK2-1479-000		1	CD-ROM,MEAP ADMIN	C3170 230V/AU/EUR C3170I EUR C2570 230V/ EUR/AU C2570I EUR	
8	FK2-1422-000		1	CD-ROM,BDL SOFTWARE	C3170F,C2570F	
9	FK2-1475-000		1	CD-ROM,UFR II PCL PS SOFTWARE	C3170N 120V/230V C2570I 230V	
9	FK2-1476-000		1	CD-ROM,UFR II PCL PS SOFTWARE	C3170I/C2570I EUR	
9	FK2-1477-000		1	CD-ROM,UFR II PCL PS SOFTWARE	C3170I/C2570I EUR	

FIGURE 100 EXTERNAL COVERS, PANELS, ETC.

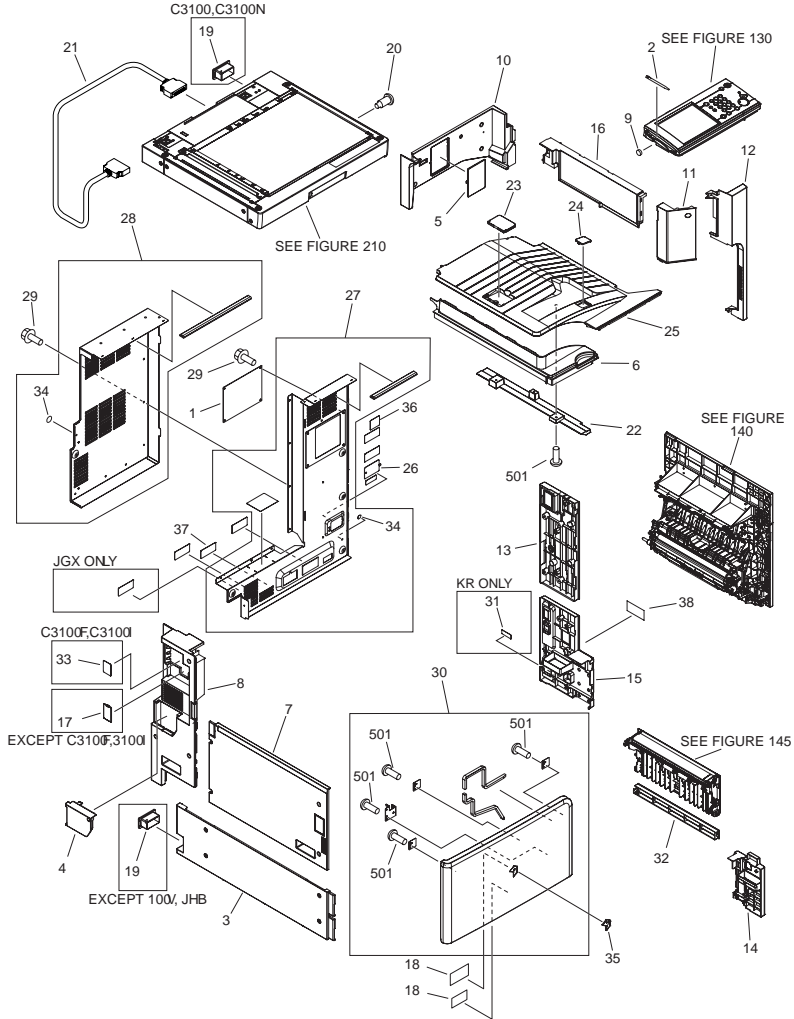


FIGURE & KEY NO.	PARTS NUMBER	RANK	QTY	DESCRIPTION	SERIAL NUMBER/REMARKS	SVC
Fig.100	NPN		RF	EXTERNAL COVERS, PANELS, ETC.	C3170N 230V C2570I 230V	
1	FC5-6912-000		1	COVER, BLANKING, REAR		
2	FB6-3950-000		1	PEN, TOUCH PANEL		
3	FC5-0576-000		1	PANEL, LEFT		

FIGURE & KEY NO.	PARTS NUMBER	R A N K	Q'TY	DESCRIPTION	SERIAL NUMBER/ REMARKS	S V C
4	FC5-0809-000		1	COVER, LEFT, REAR		
5	FC5-0889-000		1	COVER, BLANKING		
6	FL2-1460-000		1	PANEL, INTERNAL PAPER DELIVERY		
7	FC5-0936-000		1	PANEL, LEFT, MIDDLE		
8	FC5-0937-000		1	PANEL, LEFT, REAR	C3100,3100F,C3100N,C3100N	
8	FC6-2535-000		1	PANEL, LEFT, REAR	C3170,3170F,3170I C2570,2570F,2570I	
9	FA9-3988-000		1	BUBBER, COVER		
10	FC5-0942-000		1	PANEL, INNER, REAR		
11	FC5-0943-000		1	PANEL, INNER, RIGHT		
12	FC5-0944-000		1	PANEL, RIGHT, FRONT UPPER		
13	FC5-0946-000		1	PANEL, RIGHT, REAR		
14	FC5-0953-000		1	PANEL, RIGHT, FRONT LOWER		
15	FC5-0955-000		1	PANEL, RIGHT, REAR LOWER		
16	FC5-0956-000		1	PANEL, INNER, RIGHT MIDDLE		
17	FC5-5462-000		1	COVER, CONNECTOR	C3100,C3100N C3170 JP/ EUR/230V/AU C3150I EUR/230V C2570	
18	FL2-0159-000		1	LABEL, SERVICE		
19	FH2-6552-000		1	COVER, CONNECTOR	C3100,C3100N C3170 JP/ EUR/230V/AU C3150I EUR/230V C2570	
19	FH2-6552-000		1	COVER, CONNECTOR	EXCEPT 100V JHB	
20	FS5-9282-020		1	SCREW, STEPPED		
21	FH2-7036-000		1	CABLE, DDI-S SERIAL	C3100,3100F,C3100N,C3100N	
21	FK2-0732-000		1	CABLE, DDI-S SERIAL	C3170,3170F,3170I C2570,2570F,2570I	
22	FC5-0808-000		1	PLATE, UPPER BLOCKING		
23	FC5-0812-000		1	STOPPER, PUSHING		
24	FC5-0957-000		1	CAP, INTERNAL PAPER DELIVERY		
25	FC5-1107-000		1	PANEL, INTERNAL PAPER DELIVERY		
26	FC5-1111-000		1	COVER, OUTLET		
27	FL2-0211-000		1	PANEL, REAR, 1		
28	FL2-0212-000		1	PANEL, REAR, 2		

FIGURE & KEY NO.	PARTS NUMBER	R A N K	Q'TY	DESCRIPTION	SERIAL NUMBER/ REMARKS	S V C
29	XA9-1386-000		9	SCREW,RS,M3X8		
30	FM2-0224-000		1	PANEL, FRONT	C3100 EXCEPT JGY,JGX	
30	FM2-1564-000		1	PANEL, FRONT	C3100I	
30	FM2-1565-000		1	PANEL, FRONT	C3100N EXCEPT JHC	
30	FM2-1566-000		1	PANEL, FRONT	C3100F	
30	FM2-1741-000		1	PANEL, FRONT	JGX	
30	FM2-1742-000		1	PANEL, FRONT	JGY	
30	FM2-1743-000		1	PANEL, FRONT	JHC	
30	FM2-4570-000		1	PANEL, FRONT	C3170 JP/EUR/AU C3170I 230V C2570 JP	
30	FM2-4571-000		1	PANEL, FRONT	C3170F	
30	FM2-4574-000		1	PANEL, FRONT	C3170 US,C3170I US	
30	FM2-4576-000		1	PANEL, FRONT	C3170 EUR,C3170 EUR,2570	
30	FM2-4572-000		1	PANEL, FRONT	C3170I 230V	
30	FM2-4577-000		1	PANEL, FRONT	C3170I EUR	
30	FM2-4564-000		1	PANEL, FRONT	C2570 EUR	
30	FM2-4565-000		1	PANEL, FRONT	2570I 230V	
30	FM2-4578-000		1	PANEL, FRONT	C2570 JP/AU/230V	
30	FM2-4579-000		1	PANEL, FRONT	C2570F	
30	FM2-4580-000		1	PANEL, FRONT	C2570I 230V	
31	FU5-8021-000		1	LABEL, GROUNDING CAUTION	KOREAN	
32	FC5-0954-000		1	PANEL, RIGHT, LOWER		
33	FU5-8019-000		1	LABEL, FAX CONNECTOR	C3100F,C3100I	
33	FC6-5037-000		1	LABEL, FAX CONNECTOR	C3170F,C2570F	
34	FC5-0166-000		2	SEAL, BLANKING		
35	FC5-0459-000		1	EMBLEM, IMAGERUNNER		
36	ME1-0059-000		1	LABEL, NOISE		
37	FS8-8194-000		1	LABEL, 'WARNING CONNECTOR'		
38	FC6-5075-000		1	LABEL, SHUT, DOWN A	C3170 US/AU/EUR C3170I US/EUR C2570 EUR/AU C2570I EUR	
38	FC6-5076-000		1	LABEL, SHUT, DOWN B	C3170 JP/230V C3170I 230V C2570 JP/EUR C2570F C2570I EUR	

FIGURE & KEY NO.	PARTS NUMBER	R A N K	Q'TY	DESCRIPTION	SERIAL NUMBER/ REMARKS	S V C
501	XB4-5400-807		AR	SCREW,P,M4X8		
	FC5-0956-020		1	PANEL, INNER, RIGHT MIDDLE		

FIGURE 101 MACHINE FRONT PANEL

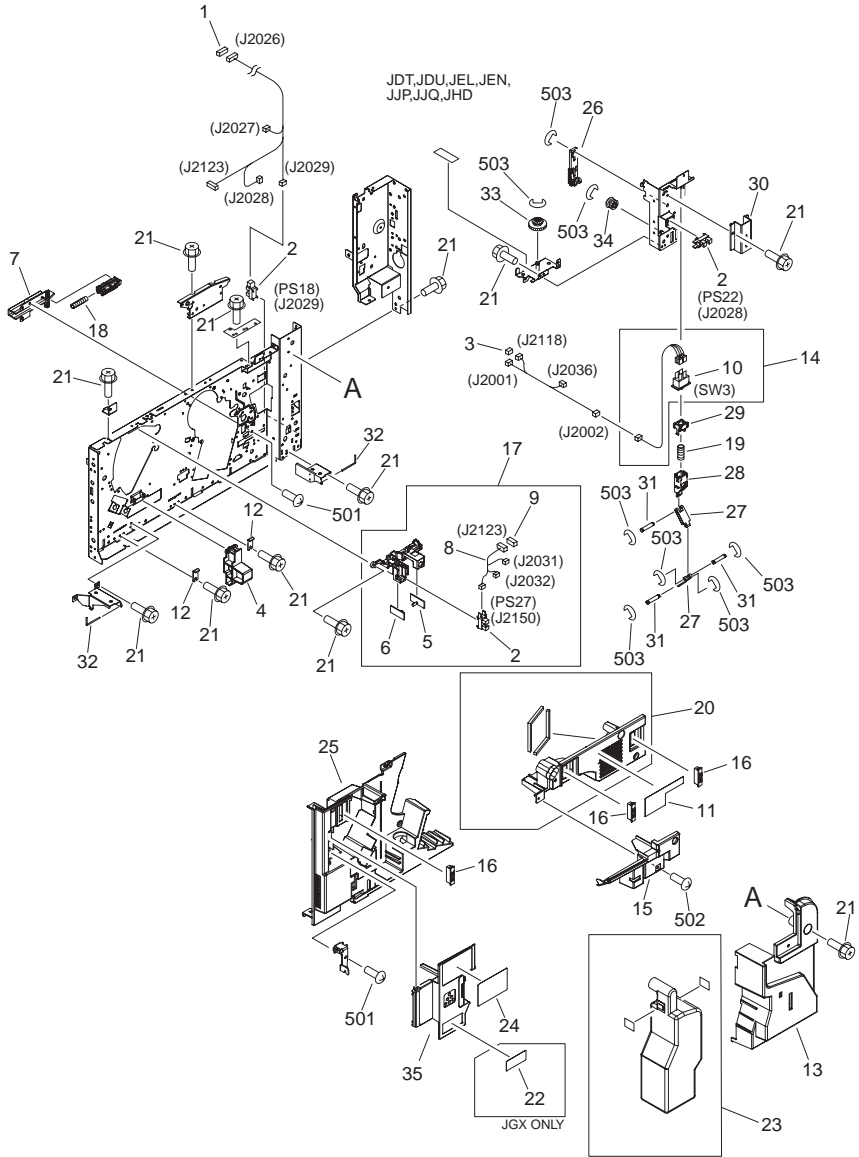


FIGURE & KEY NO.	PARTS NUMBER	R A N K	Q'TY	DESCRIPTION	SERIAL NUMBER/ REMARKS	S V C
Fig.101	NPN		RF	MACHINE FRONT PLATE		
1	VS1-7164-018		1	CONNECTOR, SNAP TIGHT	J2026	
2	FK2-0149-000		3	PHOTO-INTERRUPTER	PS18,22,27 J2029,2028,2150	
3	VS1-7177-003		1	CONNECTOR, SNAP TIGHT	J2118	
4	FC5-0207-000		1	LINK, SHUTTER		
5	FG3-2374-000		1	WASTE TONER SENSOR PCB ASS'Y		
6	FG3-2375-000		1	WASTE TONER SENSOR PCB ASS'Y		
7	FC5-1186-000		1	GUIDE, SIDE LINK SHAFT		
8	FG3-3198-000		1	CABLE, WASTE TONER DETECT	J2031,2032,2123,2150	
9	VS1-7177-008		1	CONNECTOR, SNAP TIGHT	J2123	
10	WC2-5327-000		1	SWITCH,KNOB	SW3	
11	FU5-8012-000		1	LABEL, LASER CAUTION	100/120V	
11	FU5-8013-000		1	LABEL, LASER CAUTION	220/240V	
11	FU5-8022-000		1	LABEL, LASER CAUTION	220/240V	
12	FL2-0203-000		2	PIN, POSITIONING		
13	FC5-0941-000		1	COVER, INNER, 2		
14	FG3-3202-000		1	CABLE, DOOR SWITCH	J2002	
15	FC5-5498-000		1	HOLDER, WASTE TONER BOTTLE		
16	XZ9-0421-000		3	CATCH, MAGNET		
17	FM2-0086-000		1	W. TONER REMNANT DETECT ASS'Y		
18	FU5-2070-000		1	SPRING, COMPRESSION		
19	FU5-2069-000		1	SPRING, TENSION		
20	FM2-3537-000		1	COVER, INNER, MIDDLE		
21	XA9-1386-000		24	SCREW,RS,M3X8		
22	FS6-8992-000		1	LABEL, TONER	JGX,KNE,KNF	
23	FM2-0083-000		1	WASTE TONER ASSEMBLY		
24	FU5-8015-000		1	LABEL, TONER EXCHANGE CAUTION		
25	FM2-3536-000		1	COVER, INNER, 1		
26	FC5-0449-000		1	SLIDER, VERTICAL		
27	FC5-0450-000		2	LINK, SLIDER		
28	FC5-0451-000		1	SLIDER, SPRING, LOWER		

FIGURE & KEY NO.	PARTS NUMBER	R A N K	Q'TY	DESCRIPTION	SERIAL NUMBER/ REMARKS	S V C
29	FC5-0452-000		1	SLIDER, SPRING, UPPER		
30	FC5-0455-000		1	GUIDE, SLIDER		
31	FC5-0456-000		3	SHAFT, DOOR SWITCH		
32	FB3-2224-000		2	PIN, HINGE		
33	FU5-0019-000		1	GEAR, BEVEL, 20T/GEAR, 32T		
34	FU5-0020-000		1	GEAR, BEVEL, 20T/GEAR, 16T		
35	FC5-0868-000		1	COVER,TONER CONTAINER EXCHANGE		
501	XB4-5400-807		AR	SCREW,P,M4X8		
502	XB6-7300-807		AR	SCREW,TP,M3X8		
503	XD2-1100-322		AR	RING,E		
16	XZ9-0582-000		3	CATCH, MAGNET		

FIGURE 102 INTERNAL COMPONENTS 1

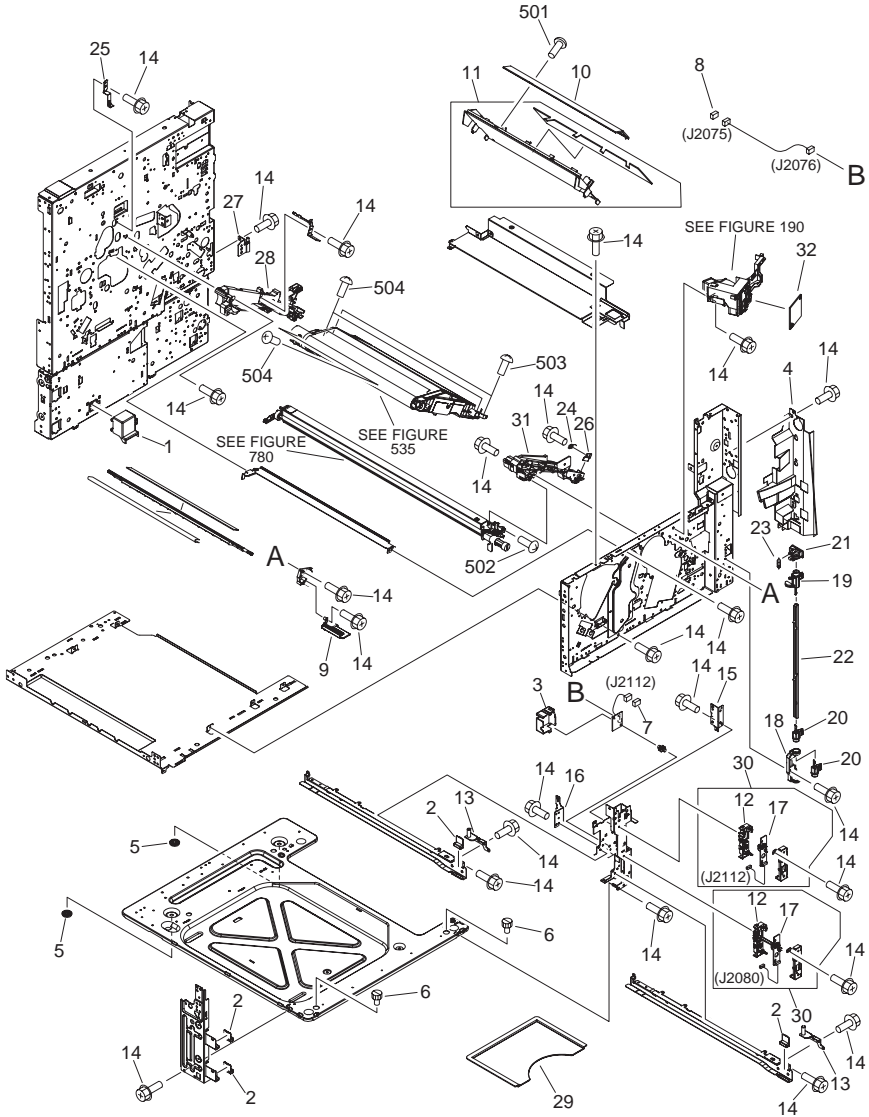


FIGURE & KEY NO.	PARTS NUMBER	R A N K	Q'TY	DESCRIPTION	SERIAL NUMBER/ REMARKS	S V C
Fig.102	NPN		RF	INTERNAL COMPONENTS 1		
1	FB3-3192-020		1	COVER, HEATER CONNECTOR		
2	FB6-3507-000		4	BLOCK, SWING		
3	FC5-0641-000		1	COVER, PCB		
4	FC5-0879-000		1	COVER, INNER, RIGHT		
5	XH9-0125-000		2	FOOT, RUBBER		
6	XA9-1468-000		2	SCREW, KNURLED, M6X10		
7	VS1-7440-006		1	CONNECTOR, SNAP TIGHT	J2112	
8	VS1-7173-007		1	CONNECTOR, SNAP TIGHT	J2075	
9	FC5-0437-000		1	LEVER, RELEASE		
10	FC5-0358-000		1	DUCT, INTER. TRANSFER BELT, 2		
11	FL2-0075-000		1	DUCT, INTER. TRANSFER BELT, 1		
12	FC5-1420-000		2	HOLDER, SIZE DETECT		
13	FL2-0116-000		2	PIN, SIDE REGIST. POSITIONING		
14	XA9-1386-000		61	SCREW,RS,M3X8		
15	FC5-0567-000		1	PLATE, PICK-UP ASS'Y MOUNT, U		
16	FC5-0568-000		1	PLATE, PICK-UP ASS'Y MOUNT, L		
17	FM2-2770-000		2	SIZE SENSOR PCB ASSEMBLY	J2080,2112	
18	FC5-0673-000		1	SUPPORT, HOOK POSITIONING		
19	FC5-0686-000		1	HOOK, RIGHT DOOR, UPPER		
20	FC5-0687-000		2	HOOK, RIGHT DOOR, LOWER		
21	FC5-0688-000		1	BUSHING		
22	FC5-0689-000		1	SHAFT, HOOK		
23	FU5-2064-000		1	SPRING, TENSION		
24	FC5-6566-000		1	COVER, CONTACT PROTECTIVE		
25	FC5-0365-000		1	PLATE, ROLLER STATIC CHARGE		
26	FC5-0364-000		1	PLATE, ROLLER STATIC CHARGE		
27	FC5-0672-000		1	HINGE, RIGHT DOOR, LOWER		
28	FC5-0347-000		1	SUPPORT, I.T.B. FRAME, REAR		
29	FC5-1146-000		1	HOLDER, SERVICE BOOK		
30	FM2-0305-000		2	CASSETTE SIZE SENSOR ASSEMBLY		
31	FC5-0346-000		1	SUPPORT, I.T.B. FRAME, FRONT		

FIGURE & KEY NO.	PARTS NUMBER	RANK	Q'TY	DESCRIPTION	SERIAL NUMBER/REMARKS	SVC
32	FB5-6264-000		1	FILTER, DUST-PROOF		
501	XB4-5301-007		AR	SCREW,P,M3X10		
502	XB1-2400-607		AR	SCREW,MACH.,TRUSS HEAD,M4X6		
503	XB1-2401-407		AR	SCREW,MACH.,TRUSS HEAD,M4X14		
504	XB6-7300-607		AR	SCREW,TP,M3X6		
	FC6-2865-000		1	PAD, SUPPORT		

FIGURE & KEY NO.	PARTS NUMBER	R A N K	Q'TY	DESCRIPTION	SERIAL NUMBER/ REMARKS	S V C
Fig.103	NPN		RF	INTERNAL COMPONENTS 2		
1	FC5-0305-020		1	ARM, ROTARY LOCK		
2	FC5-0306-000		1	SPRING, TENSION		
3	FM2-0080-000		1	MOTOR, STEPPING, DC		
4	FC5-0523-000		1	SPRING, GROUNDING		
5	FC5-0854-000		1	PLATE, TRANSFER STATIC CHARGE		
6	FL2-0219-000		1	COVER, RIGHT DOOR CONNECTOR		
7	FC5-0303-000		1	MOUNT, HOME POSITION SENSOR		
8	FC5-0320-000		1	BUSHING		
9	FC5-0723-000		1	COVER, ENVIRONMENT SENSOR		
10	FC5-6555-000		1	RAIL, ROTARY UPPER COVER, F.		
11	FC5-6556-000		1	RAIL, ROTARY UPPER COVER, R.		
12	FK2-0160-000		1	HYGROMETER SENSOR UNIT	HU1 J2087	
13	FH7-7629-020		1	PHOTO-SENSOR UNIT	PS23 J2086	
14	FL2-0230-000		1	COVER, ROTARY UPPER		
15	FG3-3181-000		1	CABLE, PATCH/ENV. SENSOR	J2085,J2086,2087	
16	XA9-1386-000		20	SCREW,RS,M3X8		
17	FC5-5491-000		4	ROLLER, DEVELOPING CONTAINER		
18	FS1-9003-020		4	SCREW,STEPPED,M4		
19	FH2-7061-000		1	CORD, GROUNDING	100V ONLY	
20	FC5-0973-000		1	COVER, PATCH		
21	FK2-0149-000		1	PHOTO-INTERRUPTER	PS24 J2058	
22	VS1-6318-010		1	CONNECTOR, SNAP TIGHT	J2085	
23	FA9-2112-000		1	BUSHING		
501	XD2-1100-642		AR	RING,E		

FIGURE 104
INTERNAL COMPONENTS 3

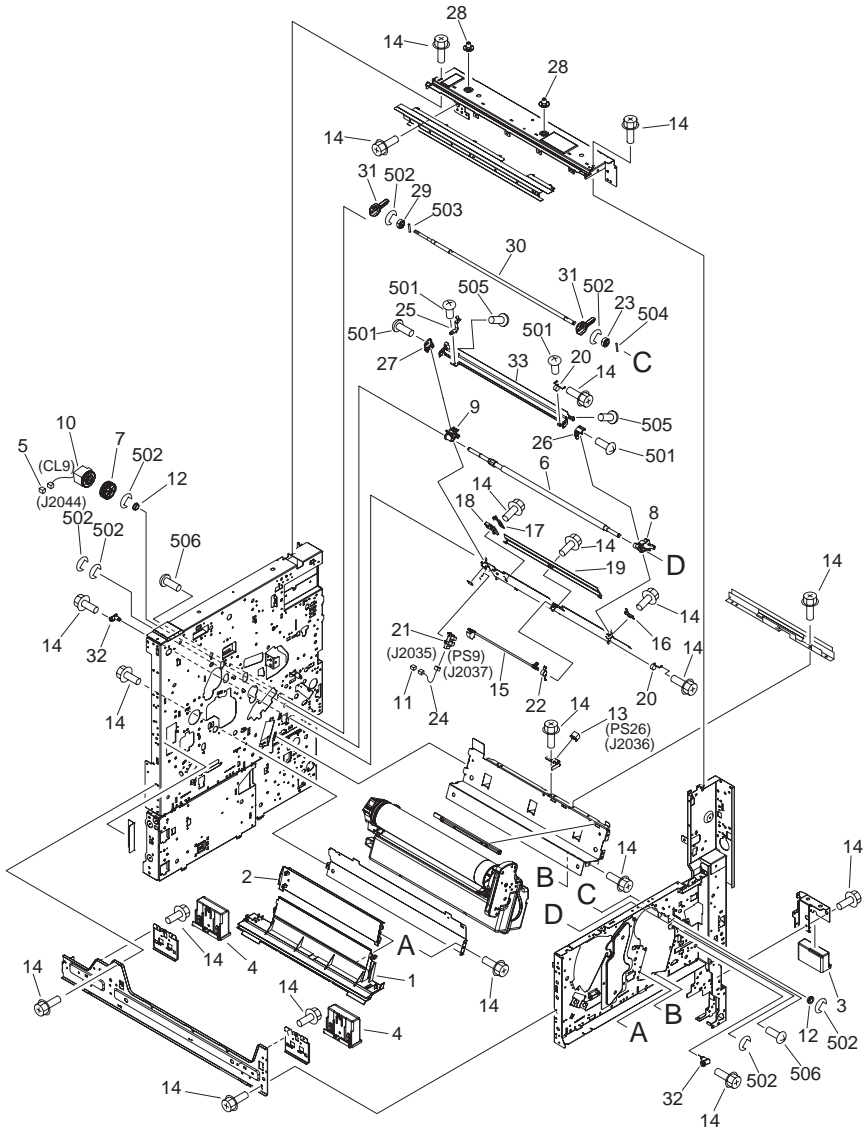


FIGURE & KEY NO.	PARTS NUMBER	R A N K	Q'TY	DESCRIPTION	SERIAL NUMBER/ REMARKS	S V C
Fig.104	NPN		RF	INTERNAL COMPONENTS 3		
1	FC5-0214-000		1	HOOD, SCANNER, 1		
2	FC5-0215-000		1	HOOD, SCANNER, 2		
3	FC5-0958-000		1	GRIP, RIGHT FRONT		
4	FC5-0959-000		2	GRIP, LEFT		
5	VS1-7177-002		1	CONNECTOR, SNAP TIGHT	J2044	
6	FL2-0104-000		1	ROLLER, REGISTRATION HARD		
7	FU5-0027-000		1	GEAR, 38T		
8	FU5-1010-000		1	BUSHING		
9	FU5-1011-000		1	BUSHING		
10	RH7-5168-000		1	CLUTCH, ELECTROMAGNETIC	CL9 J2044	
11	VS1-7177-004		1	CONNECTOR, SNAP TIGHT	J2035	
12	FA9-2112-000		2	BUSHING		
13	RH7-7129-020		1	OHT SENSOR UNIT	PS26 J2036	
14	XA9-1386-000		7	SCREW,RS,M3X8		
15	FC5-0484-000		1	FLAG, PRE-REGISTRATION SENSOR		
16	FC5-0516-000		1	SPRING, GROUNDING		
17	FC6-5062-000		1	SPRING, GROUNDING		
18	FC5-0540-000		1	HOLDER, GROUNDING SPRING		
19	FC5-0547-000		1	GUIDE, PRE-REGISTRATION PAPER		
20	FF3-4529-000		2	CABLE, VARISTOR		
21	FK2-0149-000		1	PHOTO-INTERRUPTER	PS9 J2037	
22	FU5-2035-000		1	SPRING, TORSION		
23	FC5-6893-000		1	CAM, TRANSFER PRESSURE		
24	FG3-3193-000		1	CABLE, PRE-REGISTRATION SENSOR	J2035,2037	
25	FC5-0684-020		1	TERMINAL, 2ND TRANSFER F.GUIDE		
26	FC5-0701-000		1	SUPPORT, GUIDE, FRONT		
27	FC5-0702-000		1	SUPPORT, GUIDE, REAR		
28	FC5-1467-000		2	PIN, READER POSITIONING		
29	FC5-0845-000		1	CAM, TRANSFER PRESSURE		
30	FC5-0846-000		1	SHAFT, TRANSFER PRESSURE CAM		
31	FC5-0847-000		2	ARM, TRANSFER PRESSURE		

FIGURE & KEY NO.	PARTS NUMBER	RANK	Q'TY	DESCRIPTION	SERIAL NUMBER/REMARKS	SVC
32	FC6-5051-000		2	PIN, POSITIONING		
33	FC5-0670-000		1	GUIDE, 2ND PRE-TRANSFER INNER		
501	XB1-2300-607		AR	SCREW,MACH.,TRUSS HEAD,M3X6		
502	XD2-1100-642		AR	RING,E		
503	XD3-2160-162		AR	PIN,DOWEL		
504	XD3-2250-142		AR	PIN,DOWEL		
505	XB1-2402-007		AR	SCREW,MACH.,TRUSS HEAD,M4X20		
506	XB4-5400-807		AR	SCREW,P,M4X8		

FIGURE 105 INTERNAL COMPONENTS 4

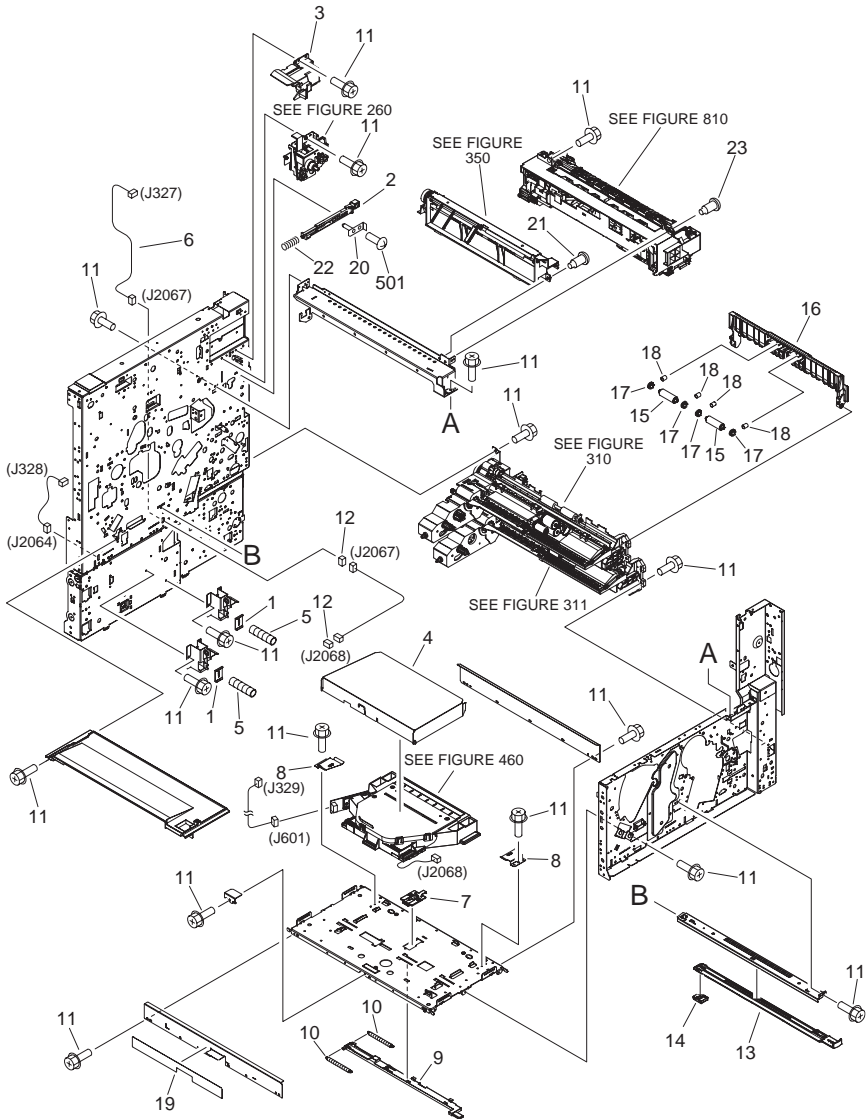


FIGURE & KEY NO.	PARTS NUMBER	R A N K	Q'TY	DESCRIPTION	SERIAL NUMBER/ REMARKS	S V C
Fig.105	NPN		RF	INTERNAL COMPONENTS 4		
1	FC5-0575-000		2	SUPPORT, SPRING		
2	FC5-6583-000		1	ARM, DRIVE RELEASE		
3	FC5-0895-000		1	COVER, CONNECTOR		
4	FC6-4010-000		1	COVER, SCANNER DUST-PROOF		
5	FU5-2066-000		2	SPRING, COMPRESSION		
6	FG3-3185-000		1	CABLE, BEAM DETECT, 1	J327,2067	
7	FC5-0191-000		1	GUIDE, POSITIONING		
8	FC6-7308-000		2	SPRING, LEAF		
9	FC5-0197-000		1	LINK, SHUTTER, 1		
10	FU5-2038-000		2	SPRING, TORSION		
11	XA9-1386-000		27	SCREW,RS,M3X8		
12	VS1-7177-003		2	CONNECTOR, SNAP TIGHT	J2067,2068	
13	FC5-0201-000		1	PLATE, CLEANING		
14	FL2-0033-000		1	CLEANING PAD UNIT		
15	FB6-3313-000		2	ROLLER, PAPER FEED		
16	FC5-0596-000		1	DOOR, RIGHT LOWER INNER		
17	FS5-1595-000		4	BLOCK, ROLLER		
18	FS7-2788-000		4	SPRING, COMPRESSION		
19	FU5-8014-000		1	LABEL, LASER CAUTION		
20	FL2-0189-000		1	PIN, POSITIONING		
21	FS5-9664-000		2	SCREW,RS STEPPED,M3		
22	FU5-2055-000		1	SPRING, COMPRESSION		
23	RS1-9025-000		2	SCREW, STEPPED, M3		
501	XB6-2400-609		AR	SETSCREW,M4X6		
	FC5-0895-020		1	COVER, CONNECTOR		

FIGURE & KEY NO.	PARTS NUMBER	RANK	Q'TY	DESCRIPTION	SERIAL NUMBER/REMARKS	SVC
Fig.106	NPN		RF	MACHINE REAR PLATE 1		
1	FH2-9252-000		1	CABLE, HIGH VOLTAGE		
2	FH3-2692-000		1	SWITCHING P. SUPPLY PCB ASS'Y	120V	
2	FH3-2693-000		1	SWITCHING P. SUPPLY PCB ASS'Y	220/240V	
3	VS1-6318-008		1	CONNECTOR, SNAP TIGHT	J2129	
4	FG3-2807-000		1	CABLE, ECO-ID	J1207,2115	
5	FG3-2814-000		1	CABLE, H. P. SENSOR CONNECTING	J2058,2106,2129,2130 J2131	
6	XA9-1386-000		20	SCREW,RS,M3X8		
7	FG3-2829-000		1	CABLE, READER LATTICE	J2012,2016,2017	
8	VS1-7177-003		1	CONNECTOR, SNAP TIGHT	J2106	
9	VS1-7440-006		1	CONNECTOR, SNAP TIGHT	J2003	
10	VS1-7177-007		1	CONNECTOR, SNAP TIGHT	J2006	
11	VS1-7177-010		1	CONNECTOR, SNAP TIGHT	J2111	
12	FG3-3180-000		1	CABLE, 1ST TRANSFER H.V.	J2,1504	
13	VS1-7507-006		1	CONNECTOR, SNAP TIGHT	220/240V ONLY J2030	
14	VS1-6318-015		1	CONNECTOR,SNAP TIGHT	J2045	
15	FG3-3174-000		1	CABLE, AC CONNECT	220/240V ONLY J203,640	
16	VS1-7507-007		1	CONNECTOR, SNAP TIGHT	220/240V ONLY J2025	
17	WT2-5565-000		2	CLAMP, CABLE		
18	XA9-0265-000		1	SCREW,W/WASHER,TRUSS HEAD		
18	XA9-0265-000		1	SCREW,W/WASHER,TRUSS HEAD	220/240V ONLY	
19	FG3-2811-020		1	CABLE, LATTICE	220/240V ONLY J2022,2024,2025,2030	
20	FM2-0262-000		1	READER POWER MOUNT ASSEMBLY		
21	FG3-3589-000		1	CABLE, HIGH VOLTAGE CONNECTING	J1,507	
22	FG3-3178-020		1	CABLE, LATTICE	J2021,2023	
23	WE8-6094-000		1	CORE, FERRITE	220/240V ONLY	
24	FK2-0340-000		1	ALL DAY POWER PCB ASSEMBLY	C3170 JP/US C3170F C3170I US C2570 JP C2570F	
24	FK2-0341-000		1	ALL DAY POWER PCB ASSEMBLY	C3170/3170I/C2570/ C2570I	
501	XB6-7300-607		AR	SCREW,TP,M3X6		

FIGURE & KEY NO.	PARTS NUMBER	R A N K	Q'TY	DESCRIPTION	SERIAL NUMBER/ REMARKS	S V C
502	XB1-2300-607		AR	SCREW,MACH.,TRUSS HEAD,M3X6		
503	XB1-2400-603		AR	SCREW,MACH.,TRUSS HEAD,M4X6		
504	XD1-4200-402		AR	WASHER,TOOTHED LOCK		

FIGURE 107
MACHINE REAR PLATE 2

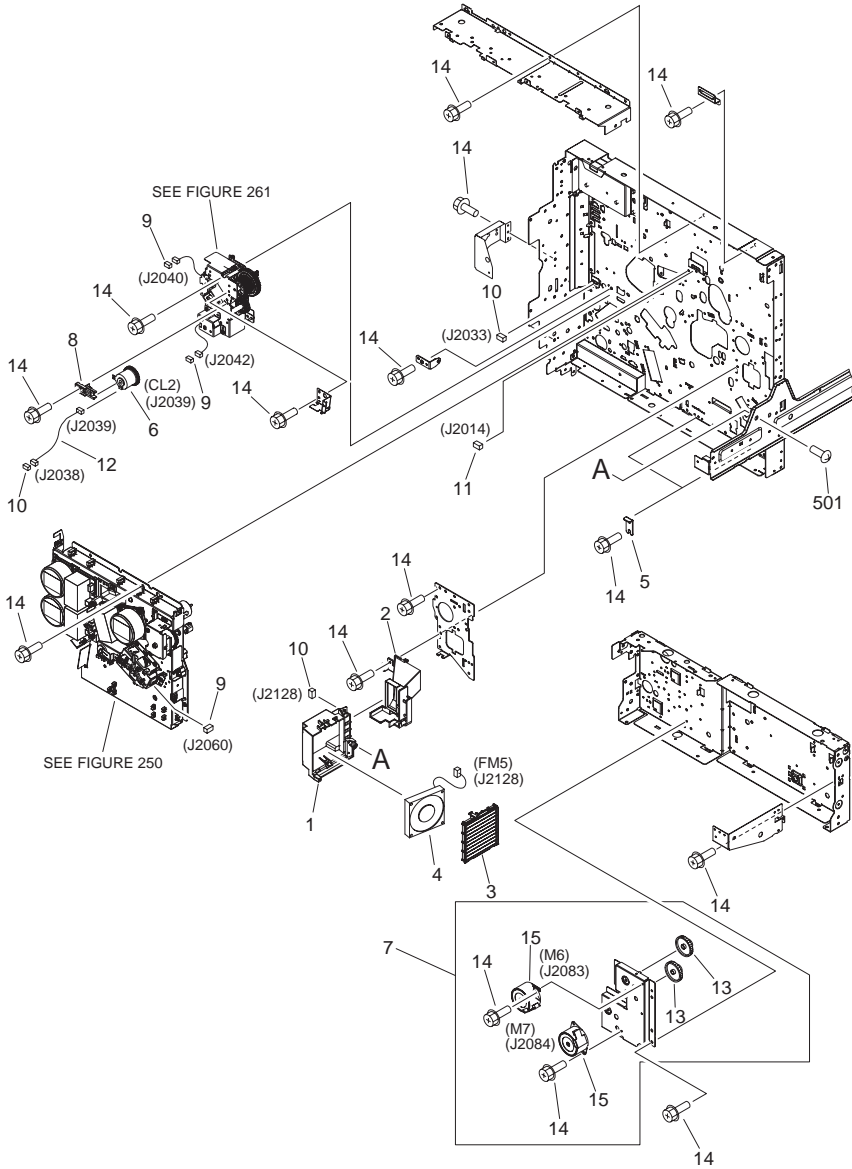
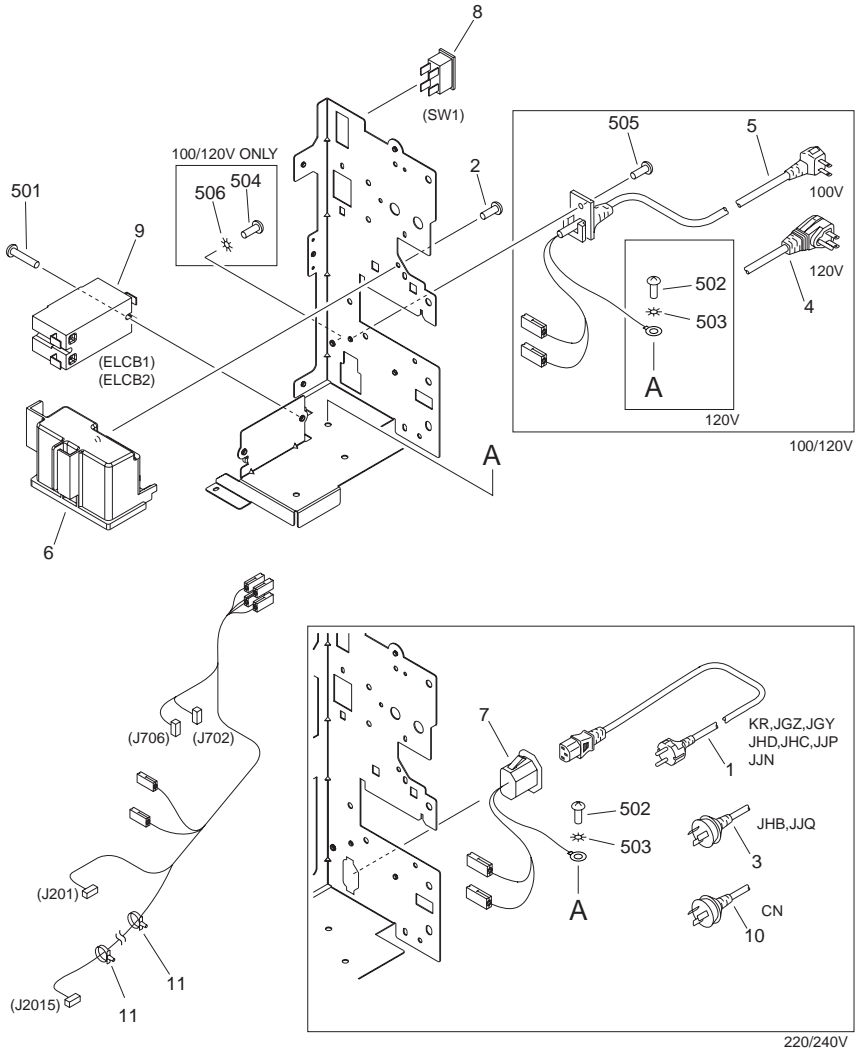


FIGURE & KEY NO.	PARTS NUMBER	R A N K	Q'TY	DESCRIPTION	SERIAL NUMBER/ REMARKS	S V C
Fig.107	NPN		RF	MACHINE REAR PLATE 2		
1	FC5-0457-000		1	DUCT, FAN, 1		
2	FC5-0458-000		1	DUCT, FAN, 2		
3	FC5-0810-000		1	FILTER, AIR		
4	FH6-1999-020		1	FAN	FM5 J2128	
5	FL2-0203-000		2	PIN, POSITIONING		
6	FH6-5075-020		1	CLUTCH, ELECTROMAGNETIC	CL2 J2039	
7	FM2-0130-000		1	PAPER PICK-UP MOTOR UNIT		
8	FC5-0843-000		1	SPACER, CLUTCH		
9	VS1-7177-002		3	CONNECTOR, SNAP TIGHT	J2040,2042,2060	
10	VS1-7177-003		3	CONNECTOR, SNAP TIGHT	J2033,2038,2128	
11	VS1-7507-007		1	CONNECTOR, SNAP TIGHT	J2014	
12	FG3-3195-000		1	CABLE, CLUTCH, 2	J2038,2039	
13	FU3-0285-000		2	GEAR, 80T/16T		
14	XA9-1386-000		24	SCREW,RS,M3X8		
15	FK2-0155-000		2	MOTOR, STEPPING	M6,7 J2083,2084	
501	XB4-5400-807		AR	SCREW,P,M4X8		

FIGURE 110 POWER CORD TERMINAL ASSEMBLY



NOTE : This assembly does not include the parts shown with key No. 1, 3 and 10.
 注 : このユニットにKey No. 1, 3, 10の部品は含まれません。

FIGURE & KEY NO.	PARTS NUMBER	R A N K	Q'TY	DESCRIPTION	SERIAL NUMBER/ REMARKS	S V C
Fig.110	FM2-0102-000		1	POWER CORD TERMINAL ASSEMBLY	120V	
Fig.110	FM2-0259-000		1	POWER CORD TERMINAL ASSEMBLY	C3100/C3100F/C3100I 100V	
Fig.110	FM2-0275-000		1	POWER CORD TERMINAL ASSEMBLY	C3100 220/240V	
Fig.110	FM2-3859-000		1	POWER CORD TERMINAL ASSEMBLY	C3170/3170I/C2570/ C2570I	
Fig.110	FM2-4563-000		1	POWER CORD TERMINAL ASSEMBLY	C3170 JP C3170F C2570 JP C2570F	
1	FH2-7080-000		1	CORD, POWER SUPPLY	SEE NOTE KR,JGZ,JGY JHD,JHC,JJP,JJN KNC,KNB,KNG,KNH,KNM KNN,KNQ,KNR	
2	XA9-1386-000		2	SCREW,RS,M3X8		
3	FH2-7082-000		1	POWER CORD	SEE NOTE JHB,JJQ,KND	
4	FF3-4526-000		1	CORD, POWER SUPPLY	120V	
5	FF3-4525-000		1	CORD, POWER SUPPLY	100V	
6	FC5-1168-000		1	HANDLE, RIGHT REAR		
7	FF3-4527-000		1	CABLE, SOCKET	220/240V	
8	FK2-0140-000		1	SWITCH, MAIN	SW1	
9	FH7-7623-020		1	BREAKER, ELECTRIC LEAKAGE	220/240V ELCB2	
9	FH7-7625-000		1	BREAKER, ELECTRIC LEAKAGE	C3170/3170I/C2570/ C2570I ELCB2	
9	FH7-7624-020		1	BREAKER, ELECTRIC LEAKAGE	100/120V ELCB1	
10	FH2-6488-000		1	CORD, POWER SUPPLY	SEE NOTE CHINESE	
11	WT2-5565-000		2	CLAMP, CABLE		
501	XB1-2402-007		AR	SCREW,MACH.,TRUSS HEAD,M4X20		
502	XB1-2500-603		AR	SCREW,MACH.,TRUSS HEAD,M5X6		
503	XD1-4200-502		AR	WASHER,TOOTHED LOCK		
504	XB1-2400-603		AR	SCREW,MACH.,TRUSS HEAD,M4X6		
505	XB6-7300-607		AR	SCREW,TP,M3X6		
506	XD1-4200-402		AR	WASHER,TOOTHED LOCK		
	WE8-5184-000		1	FERRITE CORE	C3100/C3100F/C3100I 100V	

FIGURE 130 CONTROL PANEL ASSEMBLY

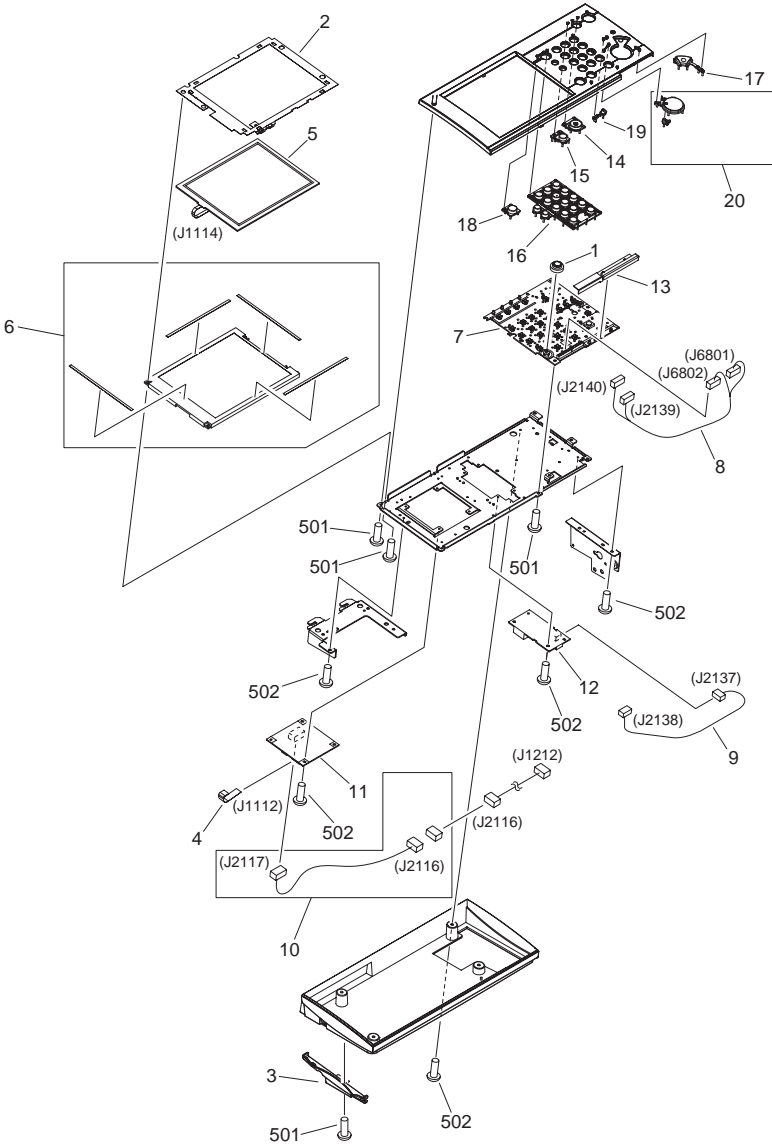
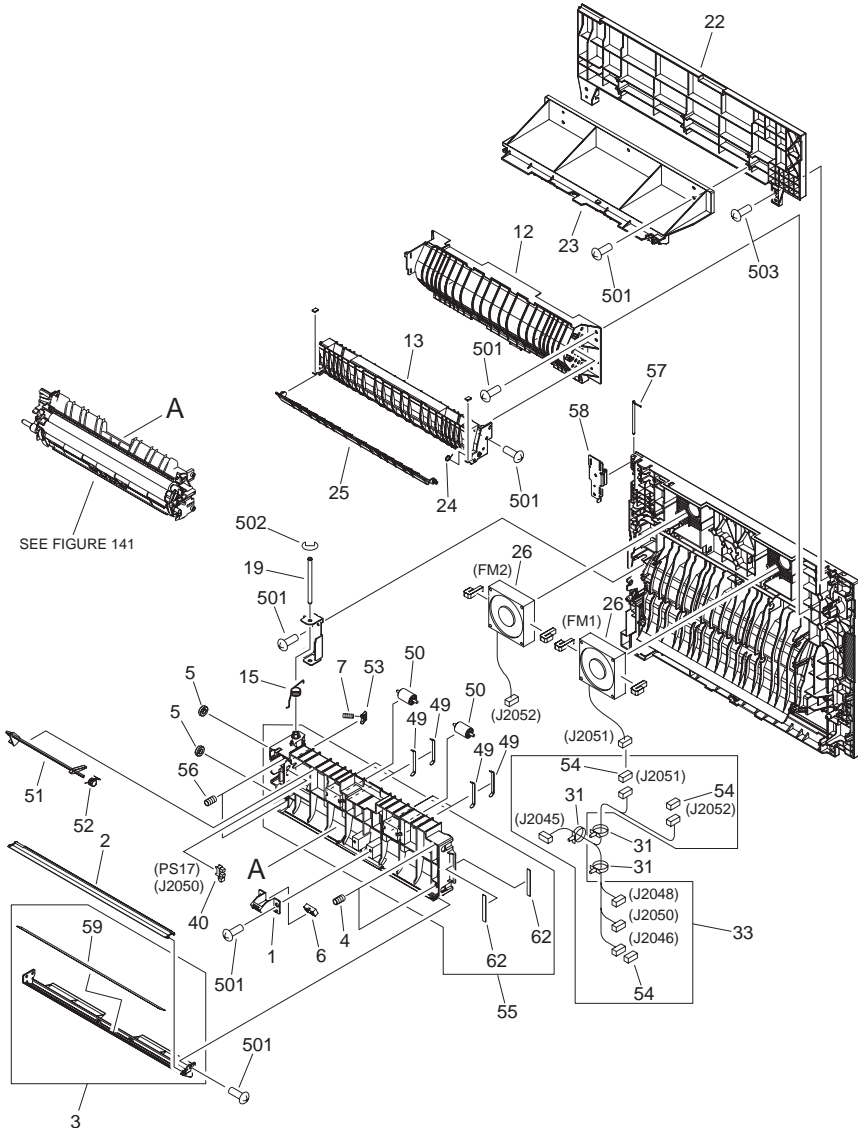


FIGURE & KEY NO.	PARTS NUMBER	R A N K	Q'TY	DESCRIPTION	SERIAL NUMBER/ REMARKS	S V C
Fig.130	FM2-0238-000		1	CONTROL PANEL ASSEMBLY	ENGLISH JGX,KNE,KNF	
Fig.130	FM2-0240-000		1	CONTROL PANEL ASSEMBLY	ENGLISH/CHINESE/ KOREAN/ILLUSTRATION	
Fig.130	FM2-0815-000		1	CONTROL PANEL ASSEMBLY	JAPANESE	
Fig.130	FM2-1118-000		1	CONTROL PANEL ASSEMBLY	ENGLISH JGZ,JHB,JHD, ENGLISH JJP,JJQ,JJN	
1	FC5-1067-000		1	KNOB, VOLUME		
2	FC5-4458-000		1	SHEET, LCD ELECTROSTATIC		
3	FC5-4460-000		1	HOLDER, PEN		
4	FH2-7037-000		1	CABLE, FLAT	J1112	
5	FK2-0246-000		1	ANALOG TOUCH PANEL UNIT		
6	FL2-1148-000		1	LCD CONTROL PANEL UNIT		
7	FG3-2834-000		1	PANEL SWITCH PCB ASSEMBLY		
8	FG3-2835-000		1	CABLE, SWITCH	J2139,2140,6801,6802	
9	FG3-2836-000		1	CABLE, PANEL INVERTER	J2137,2138	
10	FG3-2837-000		1	CABLE, CONTROL PANEL CONNECT	J2116,2117	
11	FG6-8938-000		1	CONTROL PANEL CPU PCB ASSEMBLY		
12	FG6-8939-000		1	C. PANEL INVERTER PCB ASSEMBLY		
13	FC5-1057-000		1	WINDOW, LAMP		
14	FC5-1059-000		1	KEY TOP, POWER SUPPLY		
15	FC5-1060-000		1	KEY TOP, ENERGY SAVE		
16	FC5-1061-000		1	KEY TOP, NUMBERS		
17	FC5-1064-000		1	KEY TOP, STOP		
18	FC5-1065-000		1	KEY TOP, RESET		
19	FC5-1066-000		1	KEY TOP, COUNTER		
20	FM2-1116-000		1	START KEY TOP ASSEMBLY		
501	XB4-5301-007		AR	SCREW,P,M3X10		
502	XB6-7300-607		AR	SCREW,TP,M3X6		

FIGURE 140 RIGHT DOOR ASSEMBLY



NOTE : This assembly includes the assemblies shown in Figure 141 and 315.
 注 : このユニットはFigure 141, 315のユニットを含みます。

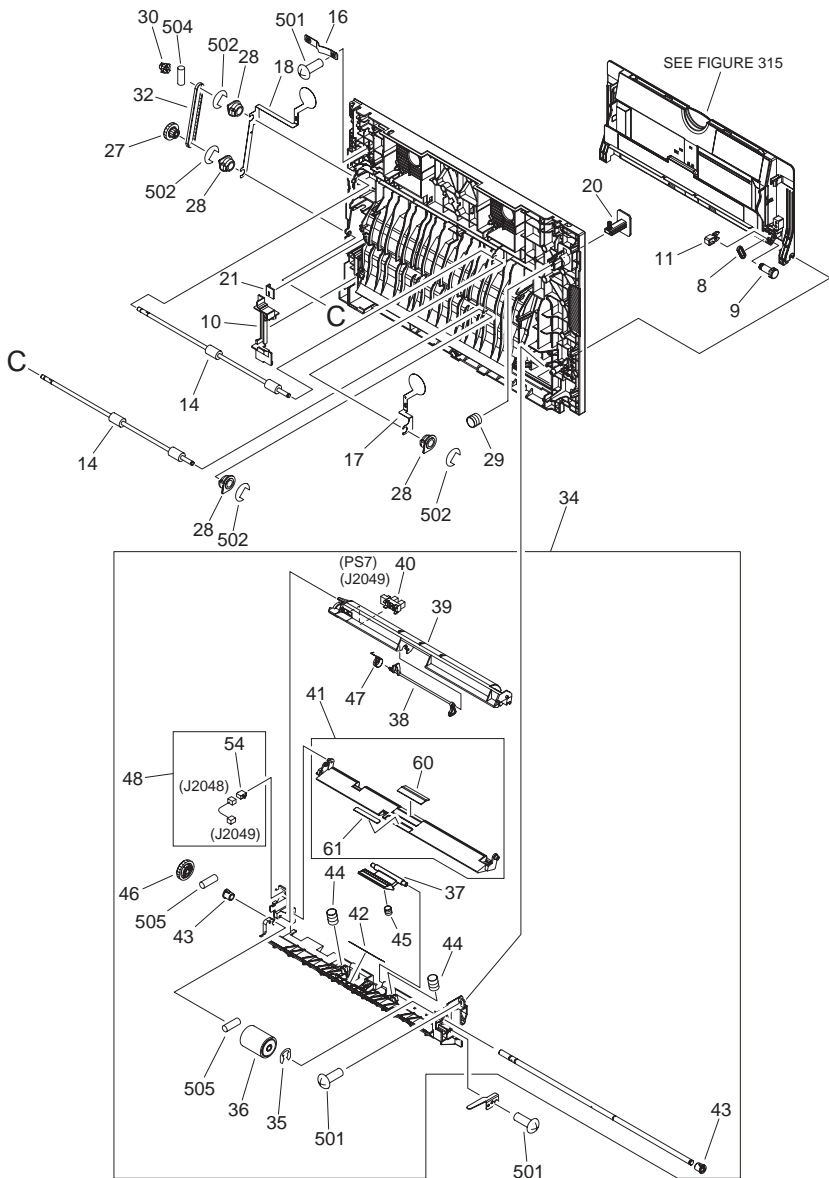
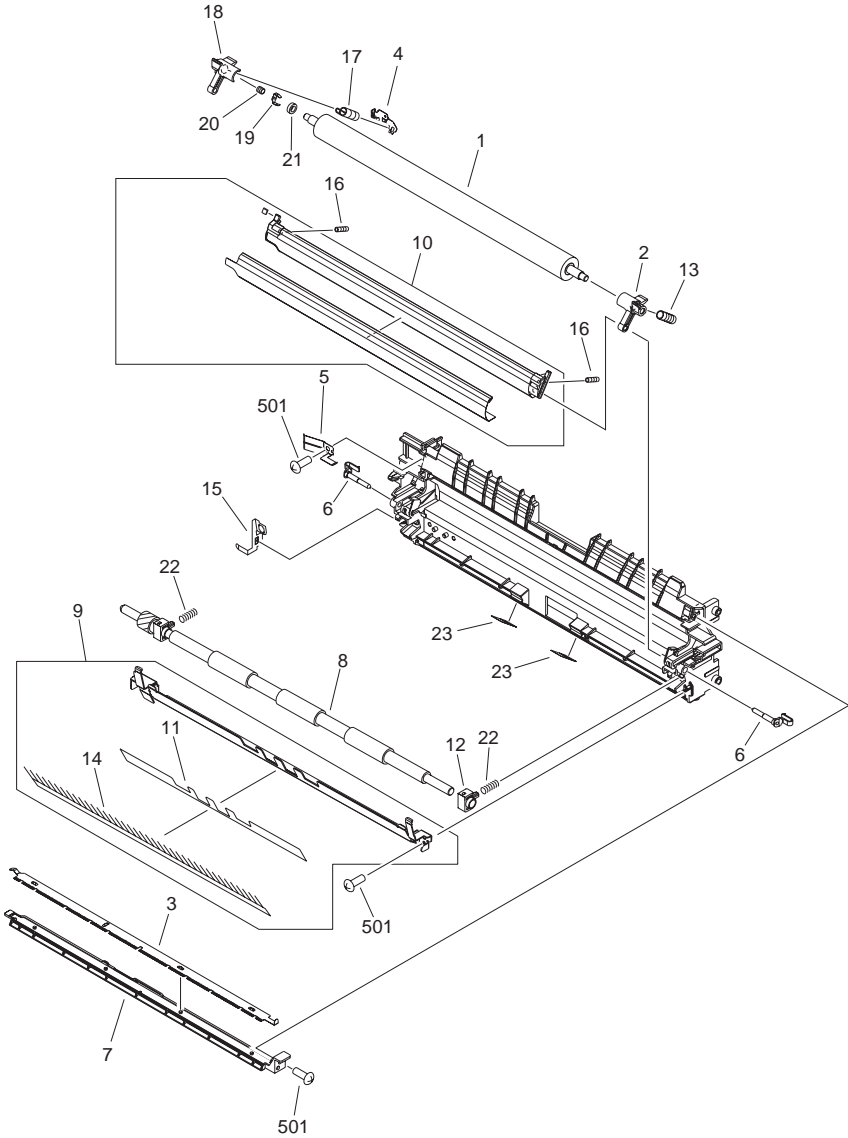


FIGURE & KEY NO.	PARTS NUMBER	R A N K	Q'TY	DESCRIPTION	SERIAL NUMBER/ REMARKS	S V C
Fig.140	FM2-0150-000		1	RIGHT DOOR ASSEMBLY	SEE NOTE	
1	FC5-0491-000		1	HOLDER, OHP SENSOR		
2	FC5-0496-000		1	GUIDE, PRE-REGIST. AUX., UPPER		
3	FL2-0106-000		1	GUIDE, PRE-REGIST. AUXILIARY		
4	FU5-2045-000		2	SPRING, COMPRESSION		
5	FU5-6014-000		2	COLLAR		
6	RB2-5850-000		1	PRISM		
7	FU5-2067-000		1	SPRING, COMPRESSION		
8	FC5-0521-000		1	LINK, MULTI FEED HAND LEVER		
9	FC5-0522-000		1	PIN, LEVER HINGE		
10	FC5-0524-000		1	COVER, MULTI FEED CONNECTOR		
11	FC5-0525-000		1	RING, RETAINING		
12	FC5-0651-000		1	GUIDE, DUPLEXING FEEDER, 1		
13	FC5-0652-000		1	GUIDE, DUPLEXING FEEDER, 2		
14	FC5-0653-020		2	ROLLER, DUPLEXING FEEDER		
15	FC5-0659-000		1	SPRING, TORSION		
16	FC5-0674-000		1	STRAP, RIGHT DOOR		
17	FC5-0676-000		1	PLATE, GROUNDING		
18	FC5-0677-000		1	PLATE, GROUNDING		
19	FC5-0682-000		1	PIN, INNER DOOR HINGE		
20	FC5-0685-000		1	BUTTON, RIGHT DOOR		
21	FC5-0690-000		1	PLATE, SHOCK ABSORBER		
22	FC5-0803-000		1	PANEL, RIGHT UPPER		
23	FC5-0807-000		1	GUIDE, 1ST DELIVERY FIXING		
24	FC5-0972-000		1	SPRING, TORSION		
25	FC5-1354-000		1	FLAPPER, FIXING DELIVERY REV.		
26	FH6-1998-020		2	FAN	FM1,2 J2051,2052	
27	FU5-0006-000		1	GEAR, 26T/PULLEY, 24T		
28	FU5-1006-000		4	BUSHING		
29	FU5-2063-000		1	SPRING, COMPRESSION		
30	FU5-3016-000		1	PULLEY, 24T		
31	WT2-5565-000		3	CLAMP, CABLE		

FIGURE & KEY NO.	PARTS NUMBER	R A N K	Q'TY	DESCRIPTION	SERIAL NUMBER/ REMARKS	S V C
32	XF2-4112-240		1	BELT, TIMING, COGGED		
33	FG3-3189-020		1	CABLE, RIGHT DOOR UNIT	J2045,2046,2048, J2050,2051,2052	
34	FM2-0111-000		1	MULTI FEED FRAME ASSEMBLY		
35	FA4-1159-000		1	RING, RETAINING		
36	FB1-8581-000		1	ROLLER, PAPER PICK-UP		
37	FC5-0488-000		1	PAD, MULTI FEED SEPARATION		
38	FC5-0489-000		1	FLAG, MULTI FEED SENSOR		
39	FC5-0490-000		1	COVER, MULTI FEED ROLLER		
40	FK2-0149-000		2	PHOTO-INTERRUPTER	PS7,17 J2049,2050	
41	FL2-0101-000		1	PLATE, MULTI FEED, LIFTER		
42	FC5-0542-000		1	SHEET, MULTI FEED OUTLET		
43	FS5-1209-000		2	BUSHING		
44	FS6-2790-000		2	SPRING, COMPRESSION		
45	FS6-2791-000		1	SPRING, COMPRESSION		
46	FU5-0061-000		1	GEAR, 31T		
47	FU5-2034-000		1	SPRING, TORSION		
48	FG3-3188-000		1	CABLE, MULTI SENSOR	J2048,2049	
49	FC6-4015-000		4	SPRING, LEAF		
50	FB5-4773-000		2	ROLLER, DUPLEXING		
51	FC5-0657-000		1	FLAG, DUPLEXING FEEDER SENSOR		
52	FC5-0658-000		1	SPRING, TORSION		
53	FC5-0691-000		1	STOPPER, DOOR		
54	VS1-7177-003		4	CONNECTOR, SNAP TIGHT	J2046,2048,2051,5052	
55	FL2-0143-000		1	GUIDE, DUPLEXING INTERNAL		
56	FU5-2044-000		2	SPRING, COMPRESSION		
57	FL2-0138-000		1	PIN, HINGE		
58	FC5-0671-000		1	HINGE, RIGHT DOOR, UPPER		
59	FC5-0487-000		1	SHEET, PRE-REGIST. AUX. GUIDE		
60	FC5-0529-000		1	SHEET, SEPARATION		
61	FC5-0543-000		1	SHEET, SEPARATION		
62	FC5-0703-000		2	LABEL, RIGHT INSIDE DOOR GRIP		

FIGURE & KEY NO.	PARTS NUMBER	R A N K	Q'TY	DESCRIPTION	SERIAL NUMBER/ REMARKS	S V C
501	XB4-5401-007		AR	SCREW,P,M4X10		
502	XD2-1100-422		AR	RING,E		
503	XB4-5400-809		AR	SCREW,P,M4X8		
504	XD3-2200-102		AR	PIN,DOWEL		
505	XD3-2160-162		AR	PIN,DOWEL		

FIGURE 141 PAPER FEEDER FRAME ASSEMBLY



NOTE : This assembly is included in the assembly shown in Figure 140.
 注 : このユニットはFigure 140のユニットに含まれます。

FIGURE & KEY NO.	PARTS NUMBER	R A N K	Q'TY	DESCRIPTION	SERIAL NUMBER/ REMARKS	S V C
Fig.141	FM2-0154-000		1	PAPER FEEDER FRAME ASSEMBLY	SEE NOTE	
1	FC5-0661-030		1	ROLLER, 2ND TRANSFER		
2	FC5-0662-000		1	ARM, 2ND TRANSFER, FRONT		
3	FC5-0664-000		1	ELIMINATOR, STATIC CHARGE		
4	FC5-0665-020		1	PLATE, GROUNDING		
5	FC5-0666-020		1	PLATE, GROUNDING		
6	FC5-0669-000		2	PIN, 2ND TRANSFER HINGE		
7	FC5-0680-000		1	HOLDER, STATIC CHARGE ELIMI.		
8	FL2-0105-000		1	ROLLER, REGISTRATION		
9	FL2-0108-000		1	GUIDE, PRE-REGIST. DOOR SIDE		
10	FL2-0140-000		1	GUIDE, 2ND TRANSFER FRONT		
11	FC5-0550-000		1	SHEET, PRE-REGIST. DOOR SIDE		
12	FU5-1009-000		1	BUSHING		
13	FU5-2027-000		1	SPRING, COMPRESSION		
14	FC5-0549-000		1	ELIMINATOR, STATIC CHARGE		
15	FU5-2037-000		1	PLATE, GROUNDING		
16	FU5-2071-000		2	SPRING, COMPRESSION		
17	FU5-2072-000		1	SPRING, COMPRESSION		
18	FC5-0663-000		1	ARM, 2ND TRANSFER, REAR		
19	FC5-5504-020		1	TERMINAL, POWER DISPATCHING		
20	FC5-5505-000		1	SPRING, COMPRESSION		
21	XG9-0497-000		1	BEARING, BALL, MR106ZZ		
22	FU5-2611-000		2	SPRING, COMPRESSION		
23	FC5-0548-000		2	SHEET, PRE-REGISTRATION		
501	XB4-5401-007		AR	SCREW,P,M4X10		

FIGURE 145 RIGHT LOWER DOOR ASSEMBLY

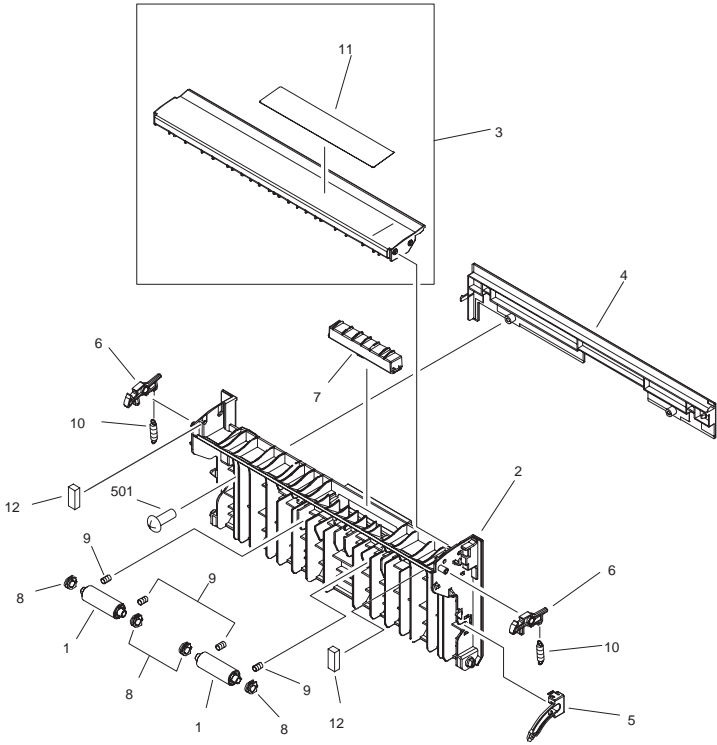


FIGURE & KEY NO.	PARTS NUMBER	R A N K	Q'TY	DESCRIPTION	SERIAL NUMBER/ REMARKS	S V C
Fig.145	FM2-0131-000		1	RIGHT LOWER DOOR ASSEMBLY		
1	FB6-3313-000		2	ROLLER, PAPER FEED		
2	FC5-0588-000		1	DOOR, RIGHT LOWER		
3	FL2-0126-000		1	GUIDE, DECK PATH		
4	FC5-0590-000		1	PANEL, BLANKING		
5	FC5-0592-000		1	STOPPER, RIGHT LOWER DOOR		
6	FC5-0593-000		2	HOOK, RIGHT LOWER DOOR		
7	FC5-0594-000		1	GRIP, RIGHT LOWER DOOR		
8	FS5-1595-000		4	BLOCK, ROLLER		
9	FS7-2788-000		4	SPRING, COMPRESSION		
10	FU5-2030-000		2	SPRING, TENSION		
11	FU5-8011-000		1	LABEL, LASER CAUTION		
12	FC5-7413-000		1	SHEET LOWER DOOR	C3170,3170F,3170I C2570,2570F,2570I	
501	XB4-5400-807		AR	SCREW,P,M4X8		

FIGURE 190 ITB COOLING FAN ASSEMBLY

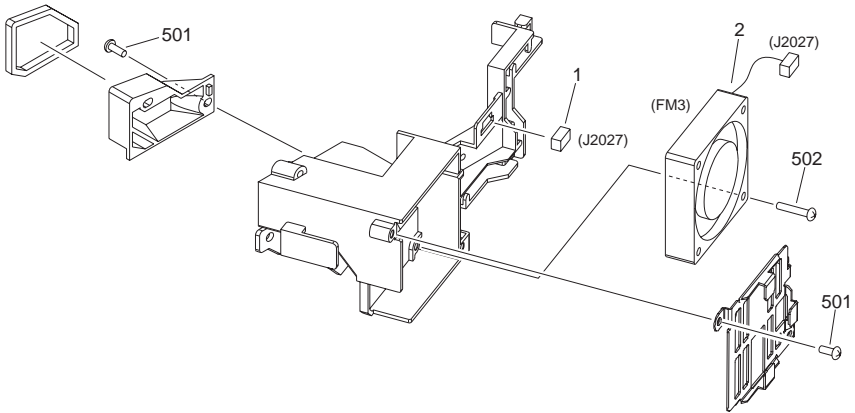
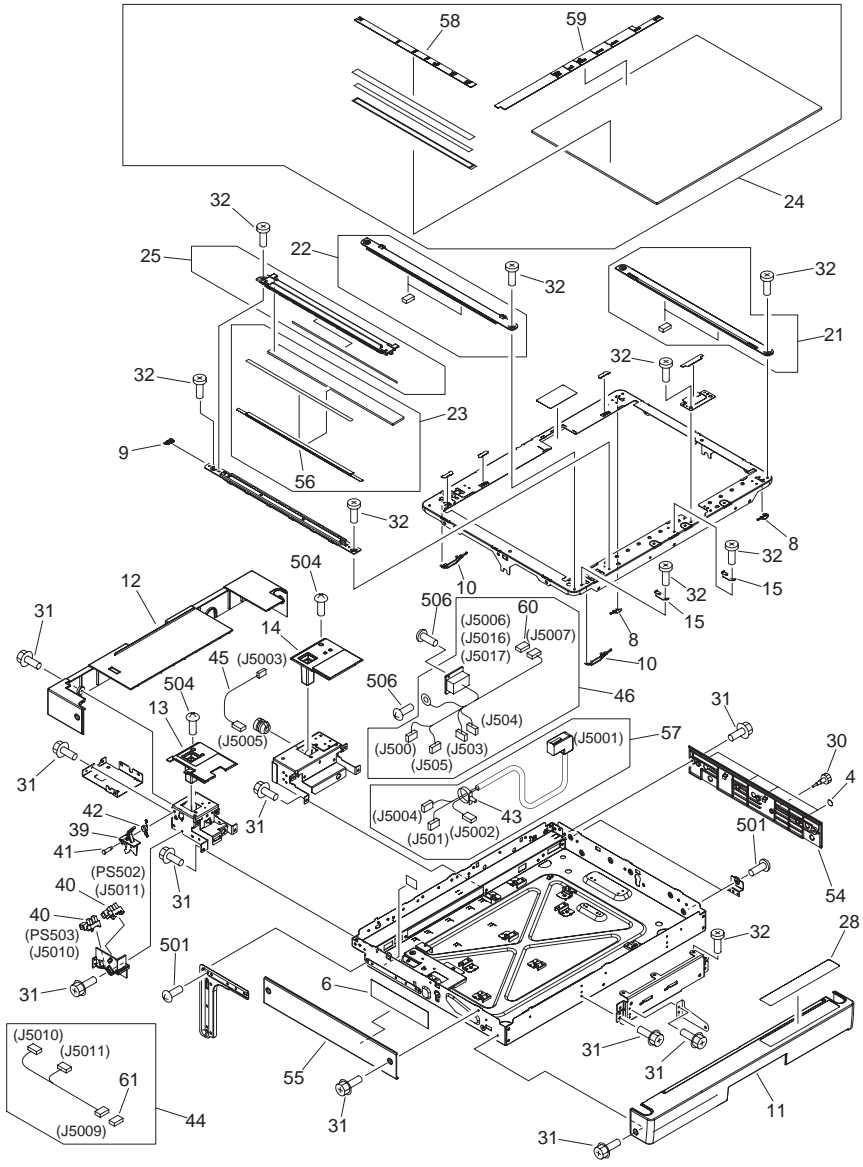


FIGURE & KEY NO.	PARTS NUMBER	RANK	Q'TY	DESCRIPTION	SERIAL NUMBER/REMARKS	SVC
Fig.190	FM2-0084-000		1	ITB COOLING FAN ASSEMBLY		
1	VS1-7177-003		1	CONNECTOR, SNAP TIGHT	J2027	
2	FH6-1885-020		1	FAN	FM3 J2027	
501	XB4-5401-007		AR	SCREW,P,M4X10		
502	XB4-5402-209		AR	SCREW, P, M4X22		

FIGURE 210 READER ASSEMBLY



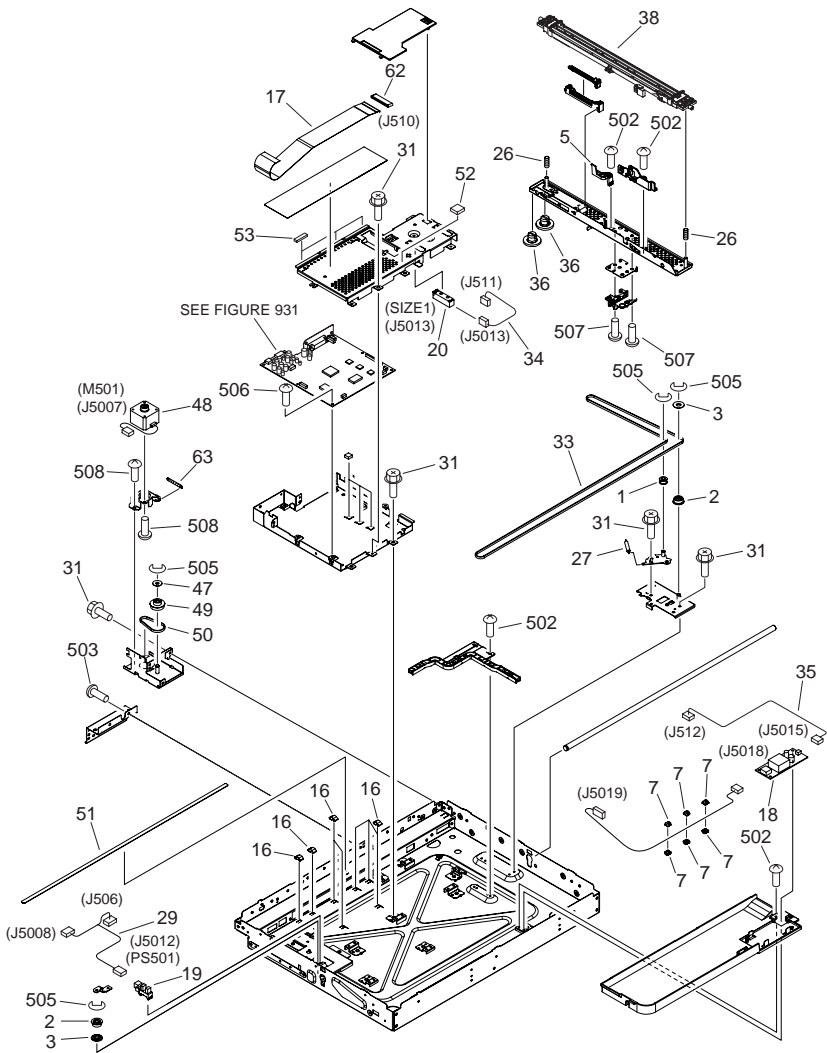


FIGURE & KEY NO.	PARTS NUMBER	R A N K	Q'TY	DESCRIPTION	SERIAL NUMBER/ REMARKS	S V C
Fig.210	NPN		RF	READER ASSEMBLY		
1	FB6-1321-000		1	PULLEY, TENSION		
2	FB6-1357-000		2	PULLEY, IDLER		
3	FB6-1358-000		2	FLANGE		
4	FC5-0166-000		4	SEAL, BLANKING		
5	FC5-0792-000		1	RETAINER, BELT		
6	FL2-0069-000		1	LABEL, SERVICE		
7	FC5-1037-000		6	HOLDER, CABLE		
8	FC5-1426-000		2	GUIDE, CARRIAGE, RIGHT		
9	FC5-1427-000		1	COVER, EDGE		
10	FC5-1439-000		2	GUIDE, CARRIAGE, LEFT		
11	FC5-1440-000		1	PANEL, READER, FRONT		
12	FC5-1441-000		1	PANEL, READER, REAR		
13	FC5-1446-000		1	PANEL, DF SUPPORT, LEFT		
14	FC5-1447-000		1	PANEL, DF SUPPORT, RIGHT		
15	FC5-1473-000		2	RETAINER, GLASS		
16	FC5-1499-000		7	PLATE, GROUNDING		
17	FH2-7054-000		1	CABLE, FLEXIBLE FLAT	J510	
18	FH3-7215-000		1	LAMP REGULATOR PCB ASSEMBLY		
19	FK2-0149-000		1	PHOTO-INTERRUPTER	PS501 J5012	
20	FH7-7569-000		1	DOCUMENT SIZE SENSOR UNIT	SIZE1 J5013	
21	FL2-0127-000		1	RETAINER, GLASS, RIGHT		
22	FL2-0128-000		1	RETAINER, GLASS, LEFT		
23	FL2-0220-000		1	GLASS, READER		
24	FL2-0223-000		1	GLASS, COPYBOARD	INCH/A SIZE	
24	FL2-0224-000		1	GLASS, COPYBOARD	A SIZE	
24	FL2-0225-000		1	GLASS, COPYBOARD	INCH/AB SIZE	
24	FL2-0273-000		1	GLASS, COPYBOARD	AB SIZE	
25	FL2-0279-000		1	GUIDE, PAPER		
26	FU5-2091-000		2	SPRING, COMPRESSION		
27	FU5-2103-000		1	SPRING, TENSION		
28	FU5-8203-000		1	LABEL, COPY INHIBITED	JAPANESE	

FIGURE & KEY NO.	PARTS NUMBER	R A N K	Q'TY	DESCRIPTION	SERIAL NUMBER/ REMARKS	S V C
28	FU5-8204-000		1	LABEL, COPY INHIBITED	ENGLISH	
28	FU5-8205-000		1	LABEL, COPY INHIBITED	ENGLISH JGX	
28	FU5-8206-000		1	LABEL, COPY INHIBITED	ENGLISH JGX,KNE,KNF	
28	FU5-8207-000		1	LABEL, COPY INHIBITED	ENGLISH JGX,JGZ,,JHD, ENGLISH JJP,,JJN KNE,KNC,KNN,KNR	
28	FU5-8208-000		1	LABEL, COPY INHIBITED	ENGLISH JGY,JHC,KNB,KNG,KNM, KNQ	
28	FU5-8209-000		1	LABEL, COPY INHIBITED	ENGLISH JGY,JHC,KNB,KNG,KNM, KNQ	
28	FU5-8210-000		1	LABEL, COPY INHIBITED	ENGLISH JGY,JHC,KNB,KNG,KNM, KNQ	
28	FU5-8211-000		1	LABEL, COPY INHIBITED	ENGLISH JGY,JHC,KNB,KNG	
28	FU5-8215-000		1	LABEL, 'LEGAL LIMITATION'	CHINESE	
28	FU5-8216-000		1	LABEL, 'LEGAL LIMITATION'	ENGLISH TW	
28	FU5-8217-000		1	LABEL, 'LEGAL LIMITATION'	KOREAN	
29	FG3-3153-000		1	CABLE, HOME POSITION SENSOR	J506,5008,5012	
30	FU5-9006-020		1	SCREW, FIXED, M4		
31	XA9-1386-000		67	SCREW,RS,M3X8		
32	XA9-1415-000		14	SCREW, FLAT HEAD, M4		
33	XF9-0743-000		1	BELT, TIMING, COGGED		
34	FG3-3154-000		1	CABLE, SIZE DETECT	J511,5013	
35	FG3-3157-000		1	CABLE, INVERTER	J512,5015	
36	FB3-2411-000		2	PIN, SLIDE		
37	FL2-1450-000		1	SHEET, WHITE	A SIZE	
37	FL2-1450-000		1	SHEET, WHITE	AB SIZE	
37	FL2-1450-000		1	SHEET, WHITE	INCH/A SIZE	
37	FL2-1450-000		1	SHEET, WHITE	INCH/AB SIZE	
38	FM2-1563-000		1	CONTACT IMAGE SENSOR ASSEMBLY		
39	FC5-1479-000		1	FLAG, SENSOR		
40	FK2-0149-000		2	PHOTO-INTERRUPTER	PS502,503 J5011,5010	
41	FS5-9227-020		1	SCREW,STEPPED,M4		

FIGURE & KEY NO.	PARTS NUMBER	R A N K	Q'TY	DESCRIPTION	SERIAL NUMBER/ REMARKS	S V C
42	FU5-2057-000		1	SPRING, TORSION		
43	WT2-5565-000		1	CLAMP, CABLE		
44	FG3-3156-000		1	CABLE, PLATE DETECT SENSOR	J5009-5011	
45	FG3-3158-000		1	CABLE, HEATER CONNECTING	J5003,5005	
46	FG3-3152-000		1	CABLE, READER	J500,503-505 J5006,5007,5016,5017	
47	FB6-1339-000		1	FLANGE		
48	FH5-1028-000		1	MOTOR, STEPPING, DC	M501 J5007	
49	FU5-3030-000		1	PULLEY, 24T/41T		
50	XF2-4606-740		1	BELT, TIMING, COGGED		
51	FC5-1492-000		1	PLATE, RAIL		
52	KE8-1029-031		1	GASKET		
53	KE8-1028-058		3	GASKET		
54	FC5-1442-000		1	PANEL, READER, RIGHT		
55	FC5-1443-000		1	PANEL, READER, LEFT		
56	FC5-0790-000		1	SHEET, GROUNDING		
57	FG3-3155-000		1	CABLE, DDI-S POWER SUPPLY	J501,5001,5002,5004	
58	FU5-8001-000		1	PLATE, WIDTH INDEX	AB SIZE	
58	FU5-8003-000		1	PLATE, WIDTH INDEX	INCH/A SIZE	
58	FU5-8005-000		1	PLATE, WIDTH INDEX	A SIZE	
58	FU5-8007-000		1	PLATE, WIDTH INDEX	INCH/AB SIZE	
59	FU5-8002-000		1	PLATE, LENGTH INDEX	AB SIZE	
59	FU5-8004-000		1	PLATE, LENGTH INDEX	INCH/A SIZE	
59	FU5-8006-000		1	PLATE, LENGTH INDEX	A SIZE	
59	FU5-8008-000		1	PLATE, LENGTH INDEX	INCH/AB SIZE	
60	VS1-7177-004		1	CONNECTOR, SNAP TIGHT	J5007	
61	VS1-7440-006		1	CONNECTOR, SNAP TIGHT	J5009	
62	FH7-9334-000		1	CORE, FERRITE		
63	FU5-2105-000		1	SPRING, TENSION		
501	XB1-2400-609		AR	SCREW,MACH.,TRUSS HEAD,M4X6		
502	XB2-8300-807		AR	SCREW,W/WASHER,M3X8		
503	XB6-7300-607		AR	SCREW,TP,M3X6		

FIGURE & KEY NO.	PARTS NUMBER	R A N K	Q'TY	DESCRIPTION	SERIAL NUMBER/ REMARKS	S V C
504	XB6-7500-807		AR	SCREW,TP,M5X8		
505	XD2-1100-502		AR	RING,E		
506	XB1-2300-607		AR	SCREW,MACH.,TRUSS HEAD,M3X6		
507	XB2-8400-807		AR	SCREW,W/WASHER,M4X8		
508	XB6-7300-407		AR	SCREW,TP,M3X4		

FIGURE 250 MAIN DRIVE ASSEMBLY

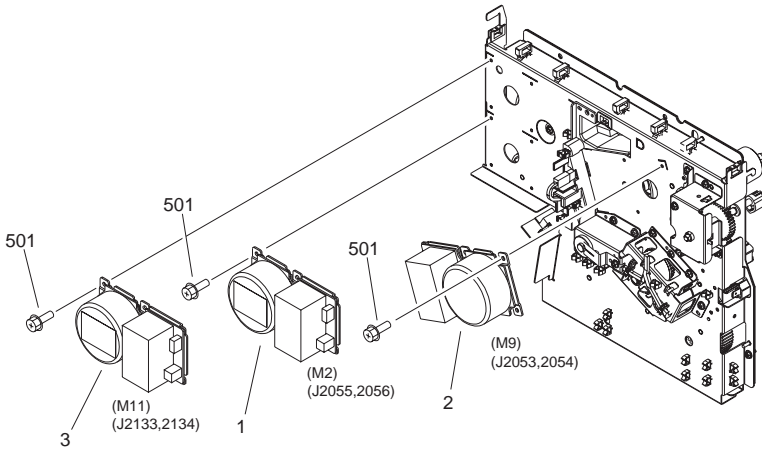


FIGURE & KEY NO.	PARTS NUMBER	RANK	Q'TY	DESCRIPTION	SERIAL NUMBER/REMARKS	SVC
Fig.250	FM2-0197-000		1	MAIN DRIVE ASSEMBLY		
1	FH5-1001-000		1	MOTOR, DC	M2 J2055,2056	
2	FH5-1004-040		1	MOTOR, DC	M9 J2053,2054	
3	FH5-1006-030		1	MOTOR, DC	M11 J2133,2134	
501	XB6-7300-607		AR	SCREW, TP, M3X6		
	FM2-3893-000		1	BRAKE, CAM		

FIGURE 260 PAPER DELIVERY DRIVE ASSEMBLY

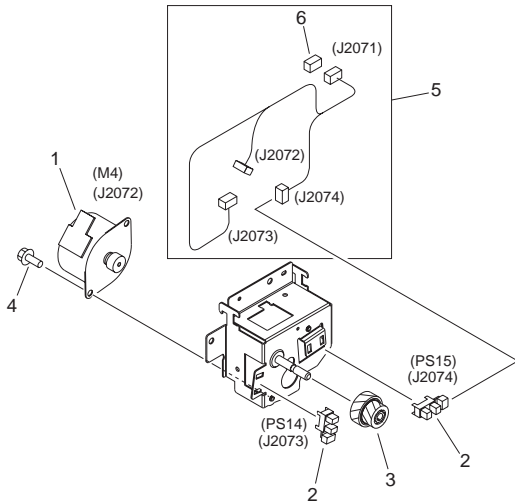


FIGURE & KEY NO.	PARTS NUMBER	R A N K	Q'TY	DESCRIPTION	SERIAL NUMBER/ REMARKS	S V C
Fig.260	FM2-0187-000		1	PAPER DELIVERY DRIVE ASSEMBLY		
1	FH6-1997-020		1	MOTOR, STEPPING, DC	M4 J2072	
2	FK2-0149-000		2	PHOTO-INTERRUPTER	PS14,15 J2073,2074	
3	FU5-0010-000		1	GEAR, 28T/20T		
4	XA9-1386-000		2	SCREW,RS,M3X8		
5	FG3-3182-000		1	CABLE,1ST PAPER DELIVERY DRIVE	J2071-2074	
6	VS1-6318-010		1	CONNECTOR, SNAP TIGHT	J2071	

FIGURE 261
MULTI DRIVE ASSEMBLY

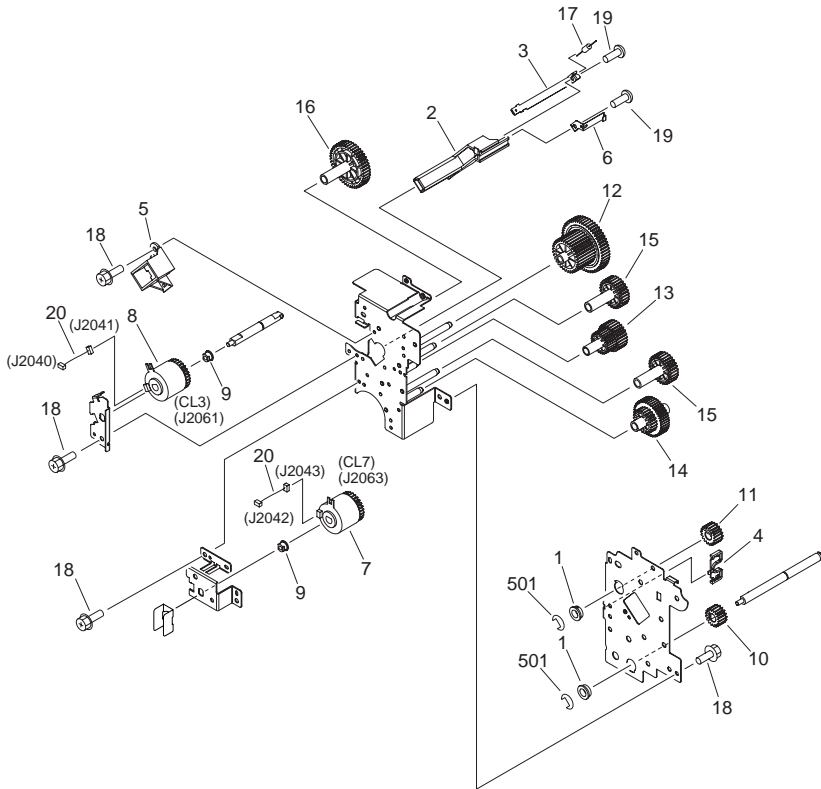


FIGURE & KEY NO.	PARTS NUMBER	RANK	Q'TY	DESCRIPTION	SERIAL NUMBER/REMARKS	SVC
Fig.261	FM2-0198-000		1	MULTI DRIVE ASSEMBLY		
1	FA9-2112-000		2	BUSHING		
2	FC5-0836-000		1	GUIDE, TERMINAL		
3	FC5-0837-000		1	TERMINAL, 2ND TRANSFER		
4	FC5-0838-000		1	CASE, POSITIONING		
5	FC5-0839-000		1	GUIDE, TERMINAL		
6	FC5-0840-020		1	TERMINAL, 2ND TRANSFER		
7	FH6-5005-020		1	CLUTCH, ELECTRO MAGNETIC	CL7 J2063	
8	FH6-5076-020		1	CLUTCH, ELECTRO MAGNETIC	CL3 J2061	
9	FU5-1615-000		2	BUSHING		
10	FU5-0007-000		1	GEAR, 17T		
11	FU5-0009-000		1	GEAR, 18T		
12	FU5-0031-000		1	GEAR, 33T/53T		
13	FU5-0032-000		1	GEAR, 26T/26T		
14	FU5-0033-000		1	GEAR, 45T/23T		
15	FU5-0036-000		2	GEAR, 28T		
16	FU5-0037-000		1	GEAR, 44T		
17	VR8-2610-103		1	RESISTOR, 10KOHM, 1/2W		
18	XA9-1386-000		8	SCREW,RS,M3X8		
19	XA9-1433-000		2	SCREW, WWASHER, M3X6		
20	FG3-3196-000		2	CABLE, CLUTCH, 1	J2040-2043	
501	XD2-1100-642		AR	RING,E		

FIGURE 300
CASSETTE (MIDDLE)

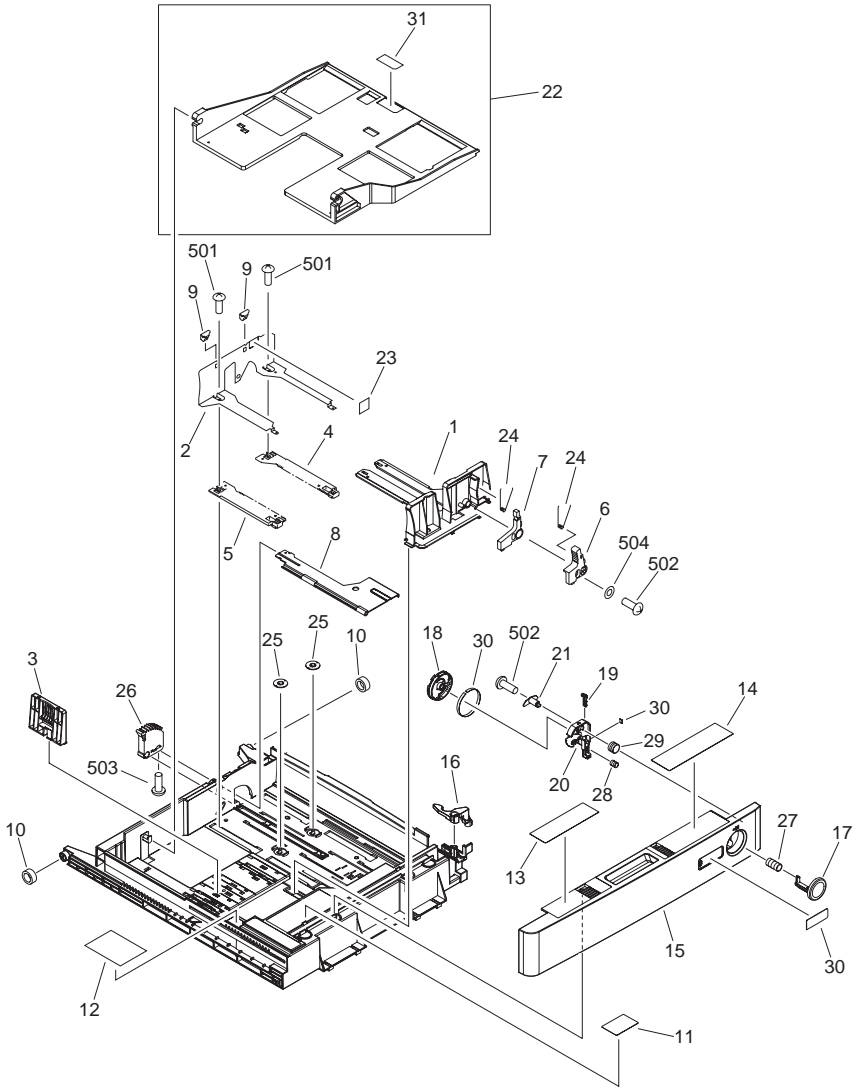


FIGURE & KEY NO.	PARTS NUMBER	R A N K	Q'TY	DESCRIPTION	SERIAL NUMBER/ REMARKS	S V C
Fig.300	NPN		RF	CASSETTE	MIDDLE	
1	FB6-3478-000		1	PLATE, SIDE GUIDE, FRONT		
2	FB6-3479-000		1	PLATE, SIDE GUIDE, REAR		
3	FB6-3480-000		1	PLATE, END GUIDE		
4	FB6-3481-000		1	RACK, 1		
5	FB6-3482-000		1	RACK, 2		
6	FB6-3483-000		1	KNOB, SIDE GUIDE PLATE, 1		
7	FB6-3484-000		1	KNOB, SIDE GUIDE PLATE, 2		
8	FB6-3486-000		1	PLATE, LIFTER		
9	FB6-3490-000		2	CLAW, SIDE PLATE GUIDE		
10	FB6-3506-000		2	COLLAR, CASSETTE SWING		
11	FC5-0583-000		1	LABEL, PAPER SET		
12	FC5-0585-000		1	LABEL, PAPER SET CAUTION		
13	FC5-0591-000		1	LABEL, SIZE CHANGE		
14	FC5-0598-000		1	LABEL, DIAL SET		
15	FC5-0622-000		1	PANEL, CASSETTE FRONT		
16	FC5-0635-000		1	ARM, LOCK		
17	FC5-0636-000		1	BUTTON, PUSH		
18	FC5-1422-020		1	DIAL, SIZE DETECT		
19	FC5-1423-000		1	SLIDER, CONVERT		
20	FC5-1424-020		1	HOLDER, DIAL		
21	FC5-1425-000		1	PIN, FLOAT GUIDE		
22	FF6-2064-000		1	PLATE, PAPER LIFTING		
23	FS6-8116-000		1	LABEL, 'PAPER HEIGHT'		
24	FS7-2805-000		2	SPRING, TORSION		
25	FU3-0293-000		2	GEAR, 16T		
26	FU3-0294-000		1	GEAR, 7T		
27	FU5-2032-000		1	SPRING, COMPRESSION		
28	FU5-2097-000		1	SPRING, COMPRESSION		
29	FU5-2104-000		1	SPRING, COMPRESSION		
30	FC5-0563-000		1	LABEL, CASSETTE SIZE, PANEL		
31	FB6-3499-000		1	SHEET, SEPARATION		

FIGURE & KEY NO.	PARTS NUMBER	RANK	Q'TY	DESCRIPTION	SERIAL NUMBER/REMARKS	SVC
501	XB2-8300-607		AR	SCREW,W/WASHER,M3X6		
502	XB4-5300-807		AR	SCREW,P,M3X8		
503	XB6-7300-807		AR	SCREW,TP,M3X8		
504	XD1-1104-135		AR	SHIM		
	XZ1-1400-305		1	COLLAR		
	XB4-5300-807		1	SCREW,P,M3X8		
30	FC5-0503-000		1	LABEL, CASSETTE SIZE, DIAL		

FIGURE 301
CASSETTE (LARGE)

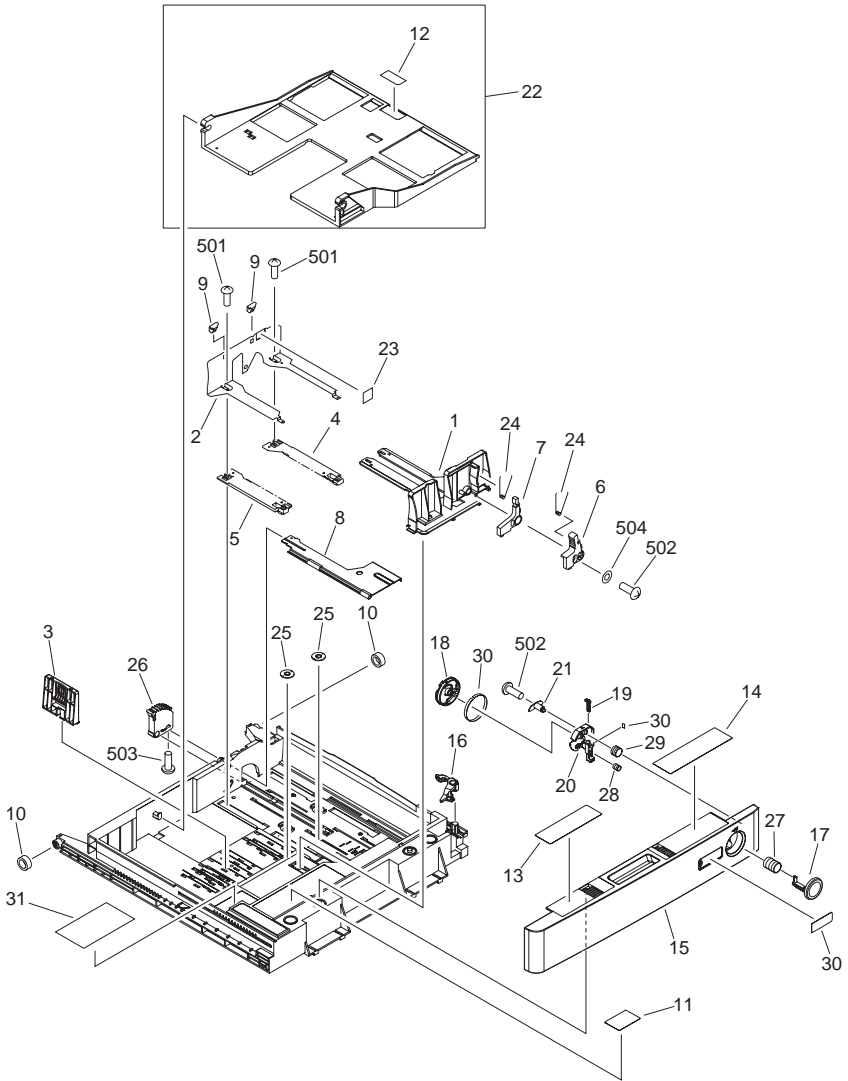


FIGURE & KEY NO.	PARTS NUMBER	RANK	Q'TY	DESCRIPTION	SERIAL NUMBER/REMARKS	SVC
Fig.301	NPN		RF	CASSETTE	LARGE	
1	FB6-3478-000		1	PLATE, SIDE GUIDE, FRONT		
2	FB6-3479-000		1	PLATE, SIDE GUIDE, REAR		
3	FB6-3480-000		1	PLATE, END GUIDE		
4	FB6-3481-000		1	RACK, 1		
5	FB6-3482-000		1	RACK, 2		
6	FB6-3483-000		1	KNOB, SIDE GUIDE PLATE, 1		
7	FB6-3484-000		1	KNOB, SIDE GUIDE PLATE, 2		
8	FB6-3486-000		1	PLATE, LIFTER		
9	FB6-3490-000		2	CLAW, SIDE PLATE GUIDE		
10	FB6-3506-000		2	COLLAR, CASSETTE SWING		
11	FC5-0583-000		1	LABEL, PAPER SET		
12	FB6-3499-000		1	SHEET, SEPARATION		
13	FC5-0584-000		1	LABEL, SIZE CHANGE		
14	FC5-0598-000		1	LABEL, DIAL SET		
15	FC5-0624-000		1	PANEL, CASSETTE FRONT		
16	FC5-0605-000		1	ARM, LOCK		
17	FC5-0637-000		1	BUTTON, PUSH		
18	FC5-1422-020		1	DIAL, SIZE DETECT		
19	FC5-1423-000		1	SLIDER, CONVERT		
20	FC5-1424-020		1	HOLDER, DIAL		
21	FC5-1425-000		1	PIN, FLOAT GUIDE		
22	FF6-2064-000		1	PLATE, PAPER LIFTING		
23	FS6-8116-000		1	LABEL, 'PAPER HEIGHT'		
24	FS7-2805-000		2	SPRING, TORSION		
25	FU3-0293-000		2	GEAR, 16T		
26	FU3-0294-000		1	GEAR, 7T		
27	FU5-2033-000		1	SPRING, COMPRESSION		
28	FU5-2097-000		1	SPRING, COMPRESSION		
29	FU5-2104-000		1	SPRING, COMPRESSION		
30	FC5-0563-000		1	LABEL, CASSETTE SIZE, PANEL		
31	FB6-3524-000		1	LABEL, PAPER SIZE SELECT		

FIGURE & KEY NO.	PARTS NUMBER	RANK	Q'TY	DESCRIPTION	SERIAL NUMBER/REMARKS	SVC
501	XB2-8300-807		AR	SCREW,W/WASHER,M3X6		
502	XB4-5300-807		AR	SCREW,P,M3X8		
503	XB6-7300-807		AR	SCREW,TP,M3X8		
504	XD1-1104-135		AR	SHIM		
	XZ1-1400-305		1	COLLAR		
	XB4-5300-807		1	SCREW,P,M3X8		
30	FC5-0503-000		1	LABEL, CASSETTE SIZE, DIAL		

FIGURE 310 PAPER PICK-UP ASSEMBLY (MIDDLE)

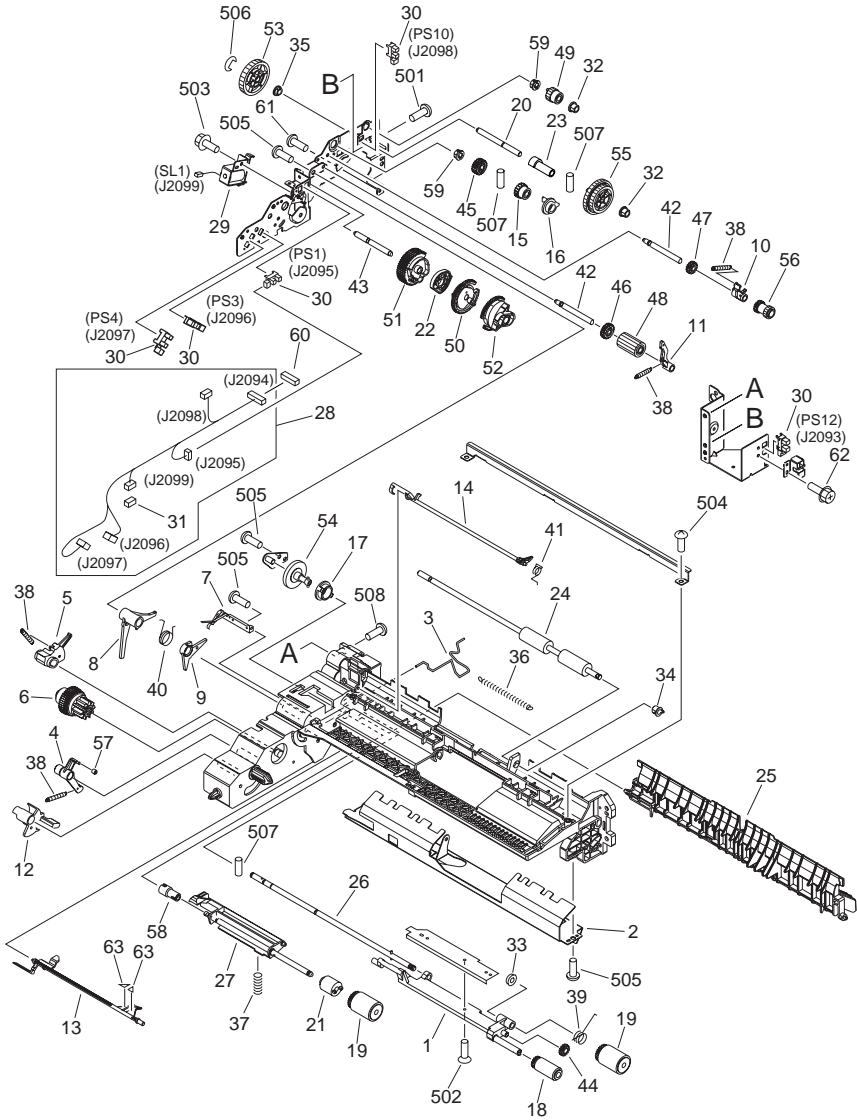


FIGURE & KEY NO.	PARTS NUMBER	R A N K	Q'TY	DESCRIPTION	SERIAL NUMBER/ REMARKS	S V C
Fig.310	FM2-1577-000		1	PAPER PICK-UP ASSEMBLY	MIDDLE	
1	FB6-3380-000		1	HOLDER, PAPER PICK-UP ROLLER		
2	FB6-3386-000		1	GUIDE, RETARD		
3	FB6-3388-000		1	ROD, SEPARATION ROLLER RELEASE		
4	FB6-3389-000		1	CLAW, PICK-UP		
5	FB6-3390-000		1	CLAW, PAPER PICK-UP		
6	FB6-3391-000		1	GEAR, RATCHET		
7	FB6-3392-000		1	SPRING, LEAF		
8	FB6-3393-000		1	ARM, PICK-UP		
9	FB6-3394-000		1	ARM, LIFTING		
10	FB6-3395-000		1	ARM, PAPER FEED SHAFT		
11	FB6-3396-010		1	LOCK, PICK-UP		
12	FB6-3397-000		1	FLAG, PAPER SENSOR		
13	FF6-2363-000		1	FLAG, PAPER DETECT SENSOR		
14	FB6-3399-000		1	FLAG, REGISTRATION SENSOR		
15	FB6-3402-000		1	GEAR, RATCHET		
16	FB6-3403-000		1	COUPLING, FEED SHAFT STOP		
17	FB6-3404-000		1	COUPLING, SEPARATION SHAFT		
18	FB6-3405-000		1	ROLLER, PAPER PICK-UP		
19	FC5-6934-000		2	ROLLER, FEED/SEPARATION		
20	FB6-3408-000		1	SHAFT, PAPER PICK-UP DRIVE		
21	FB6-3410-000		1	LIMITER, TORQUE		
22	FB6-3411-000		1	CAM, LOCK		
23	FB6-3413-000		1	COLLAR, PAPER PICK-UP SHAFT		
24	FB6-4852-000		1	ROLLER, VERTICAL PATH		
25	FC5-0595-000		1	GUIDE, VERTICAL PATH		
26	FF6-2058-000		1	SHAFT, PAPER FEED ROLLER		
27	FF6-2059-000		1	HOLDER, SEPARATION ROLLER		
28	FG3-2302-020		1	CABLE, PAPER PICK-UP	J2094-2099	
29	FK2-0408-000		1	SOLENOID	SL1 J2099	
30	FK2-0149-000		5	PHOTO-INTERRUPTER	PS1,3,4,10,12 J2095,2096,2097,2098 J2093	

FIGURE & KEY NO.	PARTS NUMBER	R A N K	Q'TY	DESCRIPTION	SERIAL NUMBER/ REMARKS	S V C
31	VS1-7177-002		1	CONNECTOR, SNAP TIGHT	J2099	
32	FS1-1205-000		2	BUSHING		
33	FS5-1943-000		1	BUSHING		
34	FS5-1597-000		1	BUSHING		
35	FS6-1063-000		1	BUSHING		
36	FS7-2797-000		1	SPRING, TENSION		
37	FS7-2798-000		1	SPRING, COMPRESSION		
38	FS7-2800-000		4	SPRING, TENSION		
39	FS7-2801-000		1	SPRING, TORSION		
40	FS7-2802-000		1	SPRING, TORSION		
41	FS7-2803-000		1	SPRING, TORSION		
42	FS7-5909-000		2	SHAFT, IDLER, 2		
43	FS7-5910-000		1	SHAFT, IDLER, 3		
44	FU3-0280-000		1	GEAR, 15T		
45	FU3-0282-000		1	GEAR, 21T		
46	FU3-0283-000		1	GEAR, 21T		
47	FU3-0284-000		1	GEAR, 16T		
48	FU3-0288-000		1	GEAR, 21T		
49	FU3-0289-000		1	GEAR, 14T		
50	FU3-0290-000		1	GEAR, 46T		
51	FU3-0291-000		1	GEAR, 51T		
52	FU3-0292-000		1	GEAR, 42T		
53	FU3-0347-000		1	GEAR, 41T		
54	FU3-0349-000		1	GEAR, 41T		
55	FU3-0350-000		1	GEAR, 41T/41T		
56	FU3-0352-000		1	GEAR, 16T/16T		
57	RB1-6539-000		1	DAMPER		
58	RB1-8945-000		1	JOINT		
59	RS5-1567-000		2	BUSHING		
60	VS1-7173-014		1	CONNECTOR, SNAP TIGHT	J2094	
61	XA9-0962-000		1	SCREW,RS,M3X10		
62	XA9-1386-000		1	SCREW,RS,M3X8		

FIGURE & KEY NO.	PARTS NUMBER	RANK	Q'TY	DESCRIPTION	SERIAL NUMBER/REMARKS	SVC
63	FF6-2363-000		1	FLAG, PAPER DETECT SENSOR		
501	XB1-2300-807		AR	SCREW,MACH.,TRUSS HEAD,M3X8		
502	XB1-3300-607		AR	SCREW,MACH.,C.S.HEAD,M3X6		
503	XB3-6300-600		AR	SCREW,RS,M3X6		
504	XB4-5400-807		AR	SCREW,P,M4X8		
505	XB4-5401-207		AR	SCREW,P,M4X12		
506	XD2-1100-502		AR	RING,E		
507	XD3-2200-122		AR	PIN,DOWEL		
508	XB1-2400-607		AR	SCREW,MACH.,TRUSS HEAD,M4X6		

FIGURE 311 PAPER PICK-UP ASSEMBLY (LARGE)

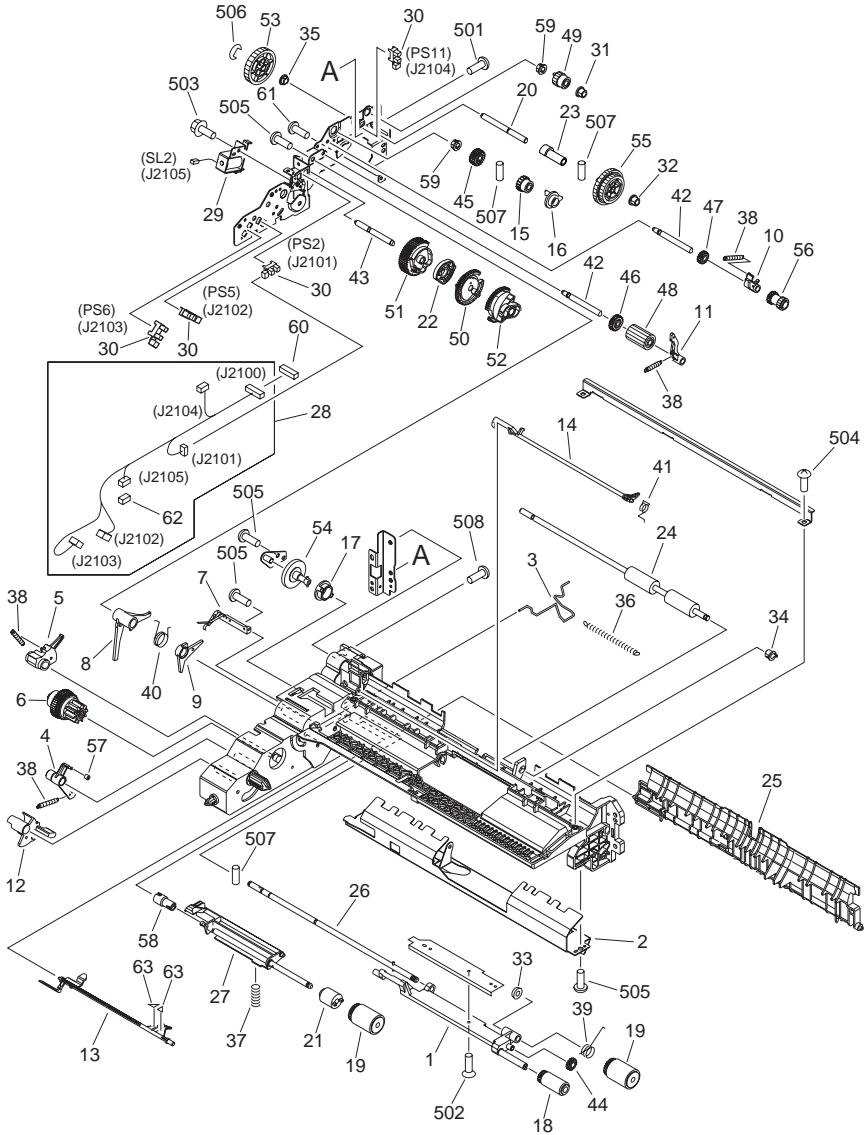
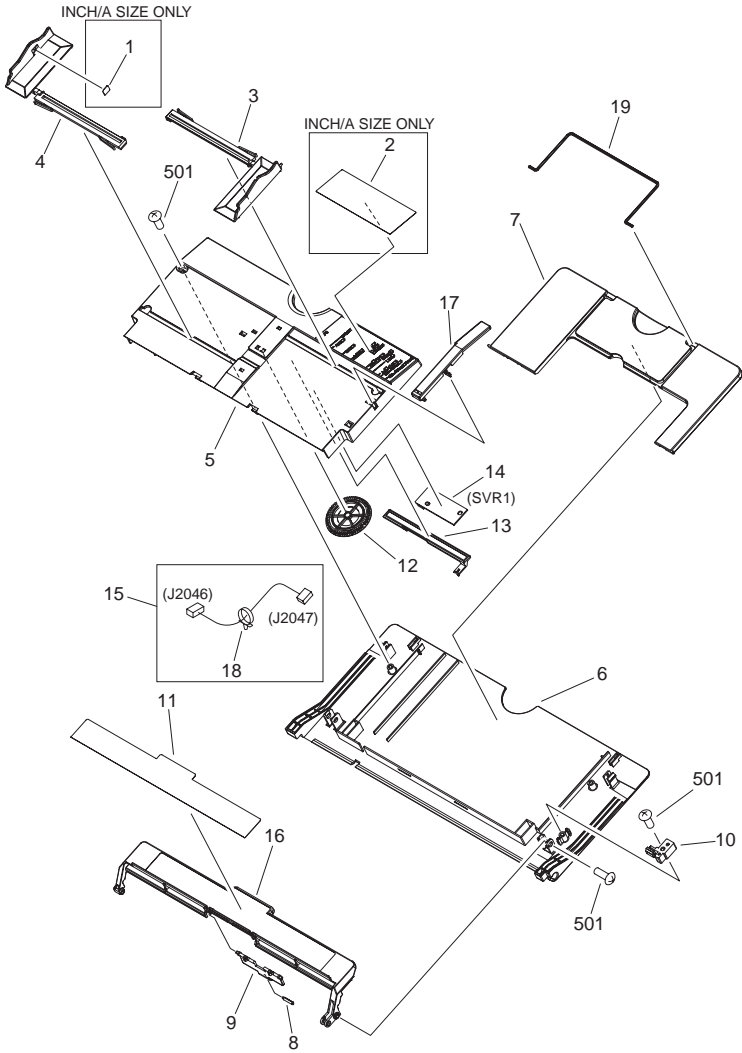


FIGURE & KEY NO.	PARTS NUMBER	R A N K	Q'TY	DESCRIPTION	SERIAL NUMBER/ REMARKS	S V C
Fig.311	FM2-1578-000		1	PAPER PICK-UP ASSEMBLY	LARGE	
1	FB6-3380-000		1	HOLDER, PAPER PICK-UP ROLLER		
2	FB6-3386-000		1	GUIDE, RETARD		
3	FB6-3388-000		1	ROD, SEPARATION ROLLER RELEASE		
4	FB6-3389-000		1	CLAW, PICK-UP		
5	FB6-3390-000		1	CLAW, PAPER PICK-UP		
6	FB6-3391-000		1	GEAR, RATCHET		
7	FB6-3392-000		1	SPRING, LEAF		
8	FB6-3393-000		1	ARM, PICK-UP		
9	FB6-3394-000		1	ARM, LIFTING		
10	FB6-3395-000		1	ARM, PAPER FEED SHAFT		
11	FB6-3396-010		1	LOCK, PICK-UP		
12	FB6-3397-000		1	FLAG, PAPER SENSOR		
13	FF6-2363-000		1	FLAG, PAPER DETECT SENSOR		
14	FB6-3399-000		1	FLAG, REGISTRATION SENSOR		
15	FB6-3402-000		1	GEAR, RATCHET		
16	FB6-3403-000		1	COUPLING, FEED SHAFT STOP		
17	FB6-3404-000		1	COUPLING, SEPARATION SHAFT		
18	FB6-3405-000		1	ROLLER, PAPER PICK-UP		
19	FC5-6934-000		2	ROLLER, FEED/SEPARATION		
20	FB6-3408-000		1	SHAFT, PAPER PICK-UP DRIVE		
21	FB6-3410-000		1	LIMITER, TORQUE		
22	FB6-3411-000		1	CAM, LOCK		
23	FB6-3413-000		1	COLLAR, PAPER PICK-UP SHAFT		
24	FB6-4852-000		1	ROLLER, VERTICAL PATH		
25	FB6-3387-000		1	GUIDE, VERTICAL PATH		
26	FF6-2058-000		1	SHAFT, PAPER FEED ROLLER		
27	FF6-2059-000		1	HOLDER, SEPARATION ROLLER		
28	FG3-2302-020		1	CABLE, PAPER PICK-UP	J2100-2105	
29	FK2-0408-000		1	SOLENOID	SL2 J2105	
30	FK2-0149-000		4	PHOTO-INTERRUPTER	PS2,5,6,11 J2101,2102,2103,2104	

FIGURE & KEY NO.	PARTS NUMBER	R A N K	Q'TY	DESCRIPTION	SERIAL NUMBER/ REMARKS	S V C
31	FS1-1187-000		1	BUSHING		
32	FS1-1205-000		1	BUSHING		
33	FS5-1943-000		1	BUSHING		
34	FS5-1597-000		1	BUSHING		
35	FS6-1063-000		1	BUSHING		
36	FS7-2797-000		1	SPRING, TENSION		
37	FS7-2798-000		1	SPRING, COMPRESSION		
38	FS7-2800-000		4	SPRING, TENSION		
39	FS7-2801-000		1	SPRING, TORSION		
40	FS7-2802-000		1	SPRING, TORSION		
41	FS7-2803-000		1	SPRING, TORSION		
42	FS7-5909-000		2	SHAFT, IDLER, 2		
43	FS7-5910-000		1	SHAFT, IDLER, 3		
44	FU3-0280-000		1	GEAR, 15T		
45	FU3-0282-000		1	GEAR, 21T		
46	FU3-0283-000		1	GEAR, 21T		
47	FU3-0284-000		1	GEAR, 16T		
48	FU3-0288-000		1	GEAR, 21T		
49	FU3-0289-000		1	GEAR, 14T		
50	FU3-0290-000		1	GEAR, 46T		
51	FU3-0291-000		1	GEAR, 51T		
52	FU3-0292-000		1	GEAR, 42T		
53	FU3-0347-000		1	GEAR, 41T		
54	FU3-0349-000		1	GEAR, 41T		
55	FU3-0350-000		1	GEAR, 41T/41T		
56	FU3-0352-000		1	GEAR, 16T/16T		
57	RB1-6539-000		1	DAMPER		
58	RB1-8945-000		1	JOINT		
59	RS5-1567-000		2	BUSHING		
60	VS1-7173-014		1	CONNECTOR, SNAP TIGHT	J2100	
61	XA9-0656-000		1	SCREW,RS,M3X10		
62	VS1-7177-002		1	CONNECTOR, SNAP TIGHT	J2105	

FIGURE & KEY NO.	PARTS NUMBER	RANK	Q'TY	DESCRIPTION	SERIAL NUMBER/REMARKS	SVC
63	FF6-2363-000		1	FLAG, PAPER DETECT SENSOR		
501	XB1-2300-807		AR	SCREW,MACH.,TRUSS HEAD,M3X8		
502	XB1-3300-607		AR	SCREW,MACH.,C.S.HEAD,M3X6		
503	XB3-6300-600		AR	SCREW,RS,M3X6		
504	XB4-5400-807		AR	SCREW,P,M4X8		
505	XB4-5401-207		AR	SCREW,P,M4X12		
506	XD2-1100-502		AR	RING,E		
507	XD3-2200-122		AR	PIN,DOWEL		
508	XB1-2400-607		AR	SCREW,MACH.,TRUSS HEAD,M4X6		

FIGURE 315 MULTI FEED TRAY ASSEMBLY



NOTE 1 : This assembly is included in the assembly shown in Figure 140.
 NOTE 2 : This assembly does not include the part shown with key No. 1, 2 and 17.
 注 1 : このユニットはFigure 140のユニットに含まれます。
 注 2 : このユニットにKey No. 1, 2, 17の部品は含まれません。

FIGURE & KEY NO.	PARTS NUMBER	R A N K	Q'TY	DESCRIPTION	SERIAL NUMBER/ REMARKS	S V C
Fig.315	FM2-0112-000		1	MULTI FEED TRAY ASSEMBLY	SEE NOTE 1	
1	FC5-0544-000		1	LABEL, MAXIMUM LOAD	SEE NOTE 2 INCH/A SIZE ONLY	
2	FC5-0545-000		1	LABEL, PAPER SIZE	SEE NOTE 2 INCH/A SIZE ONLY	
3	FC5-0477-000		1	PLATE, PAPER SIDE END, FRONT		
4	FC5-0478-000		1	PLATE, PAPER SIDE END, REAR		
5	FC5-0479-000		1	TRAY, MULTI FEED, UPPER		
6	FC5-0480-000		1	TRAY, MULTI FEED, LOWER		
7	FC5-0481-000		1	TRAY, MULTI FEED AUXILIARY		
8	FC5-0497-000		1	ROLLER, NEEDLE		
9	FC5-0526-000		1	STOPPER, MULTI FEED SHEET		
10	FC5-0527-000		1	STOPPER, MULTI FEED HANDLE		
11	FC5-0541-000		1	LABEL, PAPER SET INDICATION		
12	FU5-0062-000		1	GEAR, 18T/62T		
13	FU5-0063-000		1	RACK, MULTI FEED SIZE DETECT		
14	FM2-2768-000		1	MULTI FEED SIZE PCB ASSEMBLY	SVR1	
15	FG3-3187-000		1	CABLE, PAPER WIDTH SENSOR	J2046,2047	
16	FC5-0520-000		1	LEVER, MULTI FEED		
17	FC5-0530-000		1	COVER	SEE NOTE 2	
18	WT2-5565-000		2	CLAMP, CABLE		
19	FC5-0546-000		1	TRAY, WIRE AUXILIARY		
501	XB4-5401-007		AR	SCREW,P,M4X10		

FIGURE 350 PAPER DELIVERY ASSEMBLY

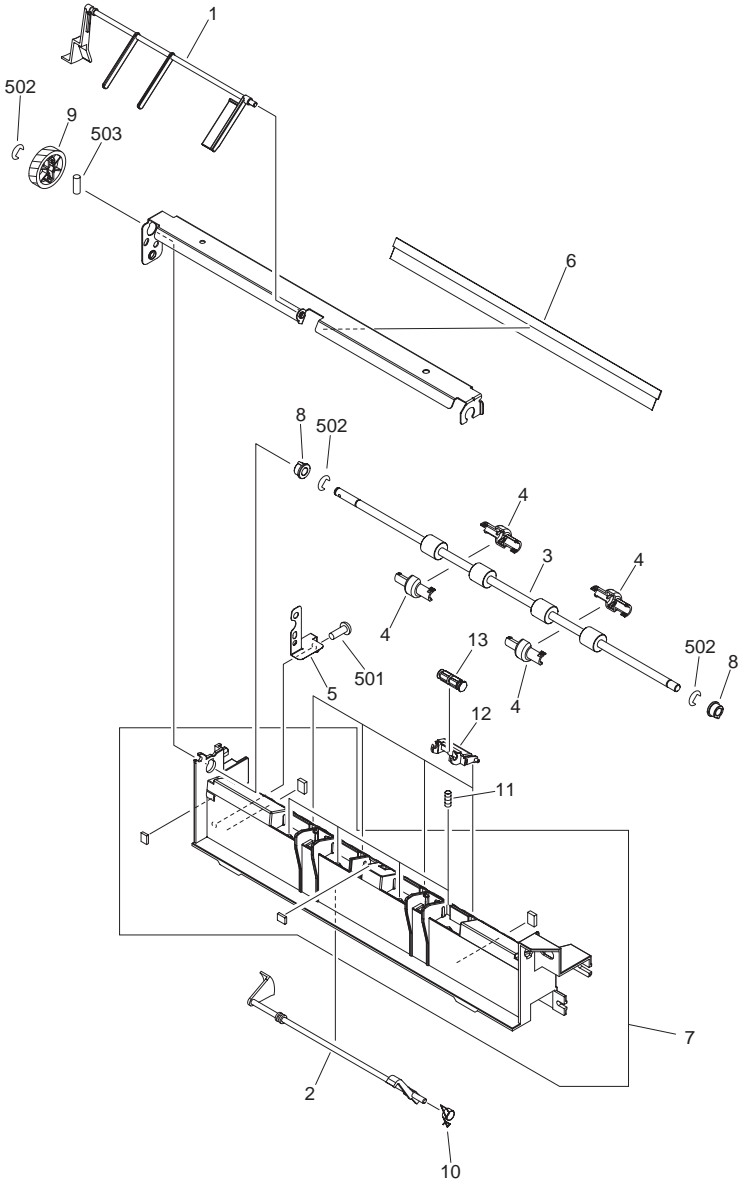


FIGURE & KEY NO.	PARTS NUMBER	R A N K	Q'TY	DESCRIPTION	SERIAL NUMBER/ REMARKS	S V C
Fig.350	FM2-0186-000		1	PAPER DELIVERY ASSEMBLY		
1	FC5-0798-000		1	FLAG, FULL DETECT		
2	FL2-0351-000		1	FLAG, 1ST DELIVERY SENSOR		
3	FC5-0800-000		1	ROLLER, PAPER DELIVERY		
4	FC5-0805-000		4	ROLLER, REFORM		
5	FC5-0806-000		1	PLATE, GROUNDING		
6	FB5-4858-000		1	ELIMINATOR, STATIC CHARGE		
7	FL2-0178-000		1	GUIDE, PAPER DELIVERY		
8	FS5-1943-000		2	BUSHING		
9	FU5-0128-000		1	GEAR, 35T		
10	FU5-2068-030		1	SPRING, TORSION		
11	FU5-2074-000		4	SPRING, COMPRESSION		
12	FB5-4896-000		4	HOLDER, ROLLER		
13	FM2-0177-000		4	O RING ROLLER UNIT		
501	XB4-5400-807		AR	SCREW,P,M4X8		
502	XD2-1100-502		AR	RING,E		
503	XD3-2200-162		AR	PIN,DOWEL		

FIGURE 460 LASER SCANNER ASSEMBLY

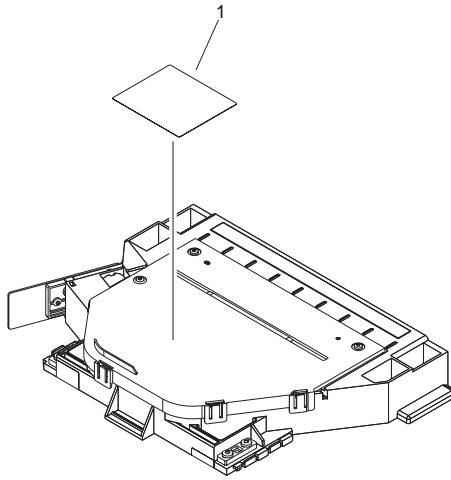


FIGURE & KEY NO.	PARTS NUMBER	RANK	Q'TY	DESCRIPTION	SERIAL NUMBER/REMARKS	SVC
Fig.460	FM2-0041-040		1	LASER SCANNER ASSEMBLY		
1	RS6-8382-000		1	LABEL, 'WARNING LASER'		

FIGURE 535 TRANSFER BELT FRAME ASSEMBLY

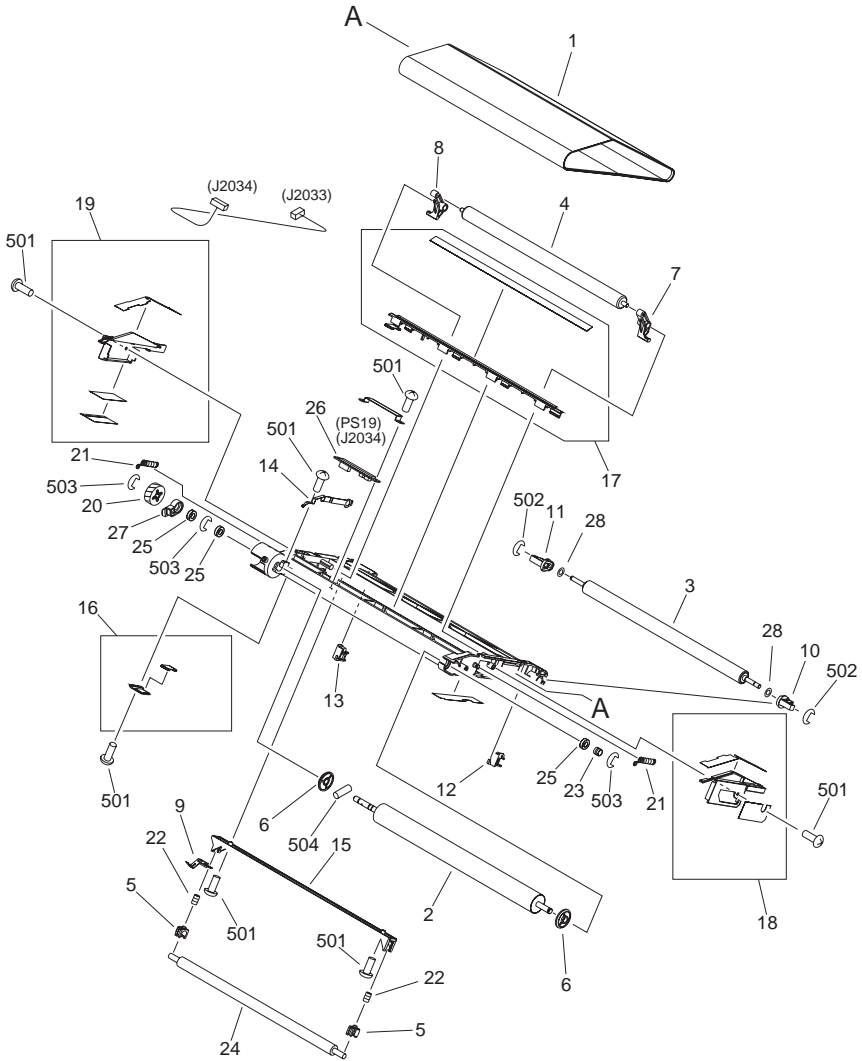


FIGURE & KEY NO.	PARTS NUMBER	R A N K	Q'TY	DESCRIPTION	SERIAL NUMBER/ REMARKS	S V C
Fig.535	FM2-0081-080		1	INTER. TRANSFER BELT ASSEMBLY		
1	FC5-0334-000		1	BELT, TRANSFER		
2	FC5-6576-020		1	ROLLER, DRIVE		
3	FC5-0337-030		1	ROLLER, INSIDE		
4	FC5-0338-000		1	ROLLER, TENSION		
5	FC5-0341-020		2	BUSHING		
6	FC5-0342-000		2	FLANGE, RIB LIMIT		
7	FC5-0343-000		1	ARM, TENSION, FRONT		
8	FC5-0344-000		1	ARM, TENSION, REAR		
9	FC5-0351-020		1	TERMINAL, 1ST TRANSFER H.V.		
10	FC5-0389-000		1	BUSHING		
11	FC5-0390-000		1	BUSHING		
12	FC5-0463-000		1	BLOCK, ROLLER SUPPORT, FRONT		
13	FC5-0464-000		1	BLOCK, ROLLER SUPPORT, REAR		
14	FC5-0715-000		1	PLATE, GROUNDING		
15	FC5-0721-000		1	HOLDER, 1ST TRANSFER		
16	FL2-0076-000		1	HOLDER, BACKUP		
17	FL2-0079-000		1	BLADE, INSIDE		
18	FL2-0081-000		1	BASE, SHEET, FRONT		
19	FL2-0082-000		1	BASE, SHEET, REAR		
20	FU5-0977-000		1	GEAR, 32T		
21	FU5-2049-000		2	SPRING, TENSION		
22	FU5-2050-000		2	SPRING, COMPRESSION		
23	FU5-2052-000		1	SPRING, COMPRESSION		
24	FC5-6920-020		1	ROLLER, TRANSFER		
25	XG9-0511-000		3	BEARING, BALL		
26	FK2-0161-000		1	SENSOR UNIT, PHOTO MICRO	PS19 J2034	
27	FC5-6541-000		1	SUPPORT, SHAFT GAP FIXED		
28	XD1-1106-219		2	SHIM		
501	XB4-5301-007		AR	SCREW,P,M3X10		
502	XD2-1100-502		AR	RING,E		
503	XD2-1100-642		AR	RING,E		

FIGURE & KEY NO.	PARTS NUMBER	R A N K	Q'TY	DESCRIPTION	SERIAL NUMBER/ REMARKS	S V C
504	XD3-2200-162		AR	PIN,DOWEL		

FIGURE 630
ROTARY ASSEMBLY

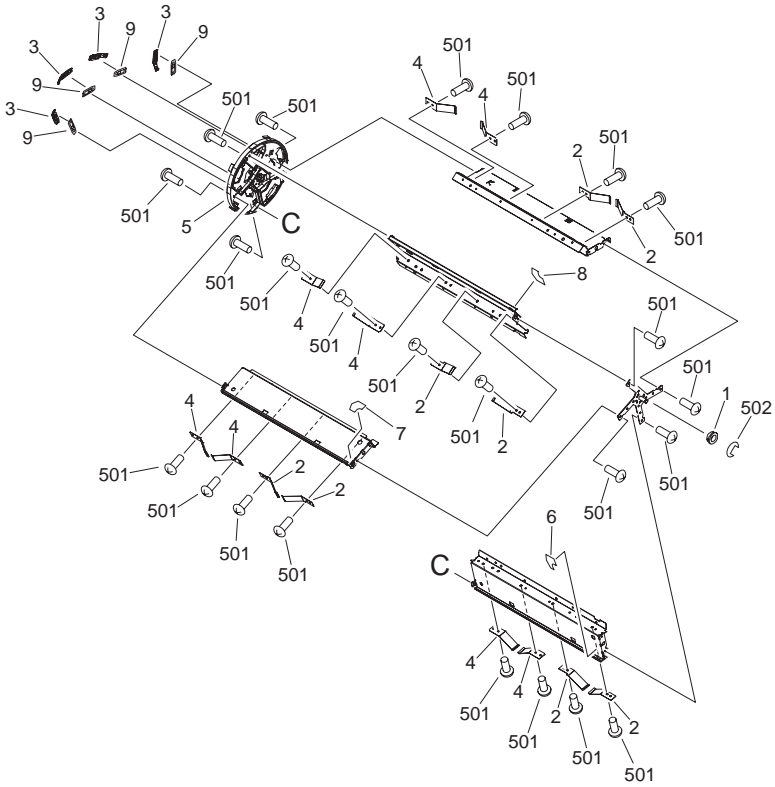


FIGURE & KEY NO.	PARTS NUMBER	R A N K	Q'TY	DESCRIPTION	SERIAL NUMBER/ REMARKS	S V C
Fig.630	NPN		RF	ROTARY ASSEMBLY		
1	FA9-2112-000		1	BUSHING		
2	FC5-0298-000		8	SPRING, LEAF		
3	FC5-0301-000		4	TERMINAL, ROTARY		
4	FC5-0310-000		8	SPRING, LEAF		
5	FC5-0299-020		1	FLANGE, ROTARY, REAR		
6	FC5-6542-000		1	LABEL, CARTRIDGE LOCK POSITION		
7	FC5-6543-000		1	LABEL, CARTRIDGE LOCK POSITION		
8	FC5-6544-000		1	LABEL, CARTRIDGE LOCK POSITION		
9	FC5-6910-000		4	SPRING, LEAF		
501	XB6-7300-607		AR	SCREW,TP,M3X6		
502	XD2-1100-642		AR	RING,E		

FIGURE 640 DEVELOPING ASSEMBLY (BLACK)

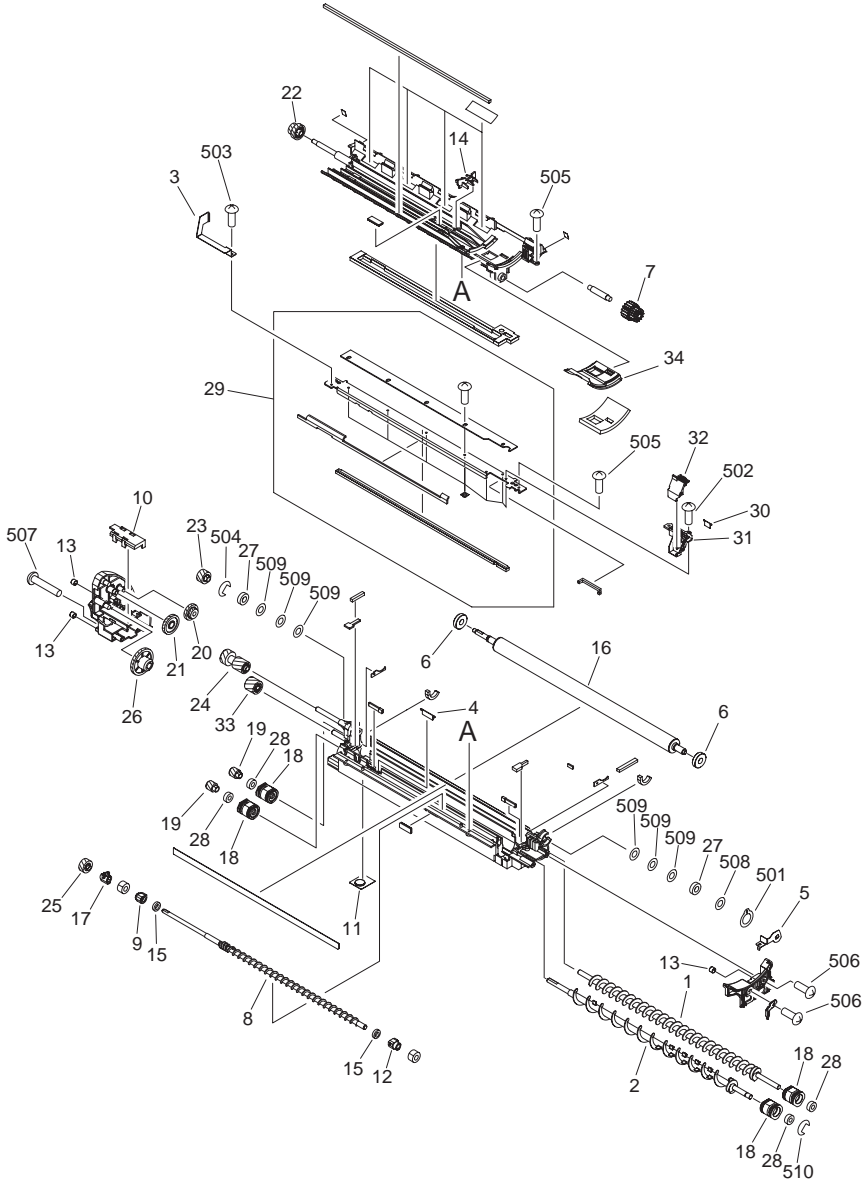


FIGURE & KEY NO.	PARTS NUMBER	R A N K	Q'TY	DESCRIPTION	SERIAL NUMBER/ REMARKS	S V C
Fig.640	FM2-1751-000		1	DEVELOPING ASSEMBLY	BLACK	
1	FC5-0226-020		1	FEEDSCREW, TONER, 1		
2	FC6-2529-000		1	FEEDSCREW, TONER, 2		
3	FC5-0228-000		1	TERMINAL, BIAS, 1		
4	FC5-0233-000		1	SHUTTER, SUPPLY		
5	FC5-0234-000		1	PLATE, TERMINAL, 1		
6	FC5-0238-000		2	ROLLER, SD		
7	FC5-0240-000		1	GEAR, 16T/13T		
8	FC5-0241-020		1	FEEDSCREW, TONER		
9	FC5-0242-000		1	BUSHING		
10	FC5-0284-000		1	COVER, BIAS		
11	FC5-0328-000		1	LID, DEVELOPING CASE		
12	FC5-0461-000		1	BUSHING		
13	FC5-5490-000		3	ROLLER, DEV. CASE, 1		
14	FC5-5500-000		1	BLOCK, NOT COMPATIBLE, BLACK		
15	XG9-0111-000		2	SEAL, OIL		
16	FL2-1499-000		1	CYLINDER, DEVELOPING		
17	FC5-6571-000		1	BRAKE, SUPPLY SCREW		
18	FL2-0059-000		4	BUSHING		
19	FU5-0045-000		2	GEAR, 17T		
20	FU5-0046-000		1	GEAR, 28T/17T		
21	FU5-0047-000		1	GEAR, 16T/35T		
22	FU5-0048-000		1	GEAR, 31T/19T		
23	FU5-0050-000		1	GEAR, 21T		
24	FU5-0051-000		1	GEAR, 16T/21T		
25	FU5-0052-000		1	GEAR, 14T		
26	FU5-0070-000		1	GEAR, 43T/15T		
27	XG9-0491-000		2	BEARING, BALL		
28	XG9-0495-000		4	BEARING, BALL, 686ADDMC3 D4ML		
29	FM2-0064-000		1	DEVELOPING BLADE ASSEMBLY		
30	FC5-0279-000		1	VALVE, COLLECTION		
31	FC5-0289-000		1	NOZZLE, COLLECTION		

FIGURE & KEY NO.	PARTS NUMBER	RANK	Q'TY	DESCRIPTION	SERIAL NUMBER/REMARKS	SVC
32	FC5-0293-000		1	COVER, COLLECTION		
33	FU5-0049-000		1	GEAR, 27T		
34	FC5-0239-020		1	SHUTTER,DEVELOPING,BLACK		
501	XD2-2100-602		AR	RING,GRIP		
502	XB1-2300-402		AR	SCREW,MACH.,TRUSS HEAD,M3X4		
503	XB2-8300-607		AR	SCREW,W/WASHER,M3X6		
504	XD2-1100-642		AR	RING,E		
505	XB4-5300-809		AR	SCREW,P,M3X8		
506	XB4-5301-007		AR	SCREW,P,M3X10		
507	XB4-5303-009		AR	SCREW,P,M3X30		
508	XD1-1108-215		AR	SHIM		
509	XD1-1108-218		AR	SHIM		
510	XD2-1100-502		AR	RING,E		

FIGURE 641
DEVELOPING ASSEMBLY (YELLOW)

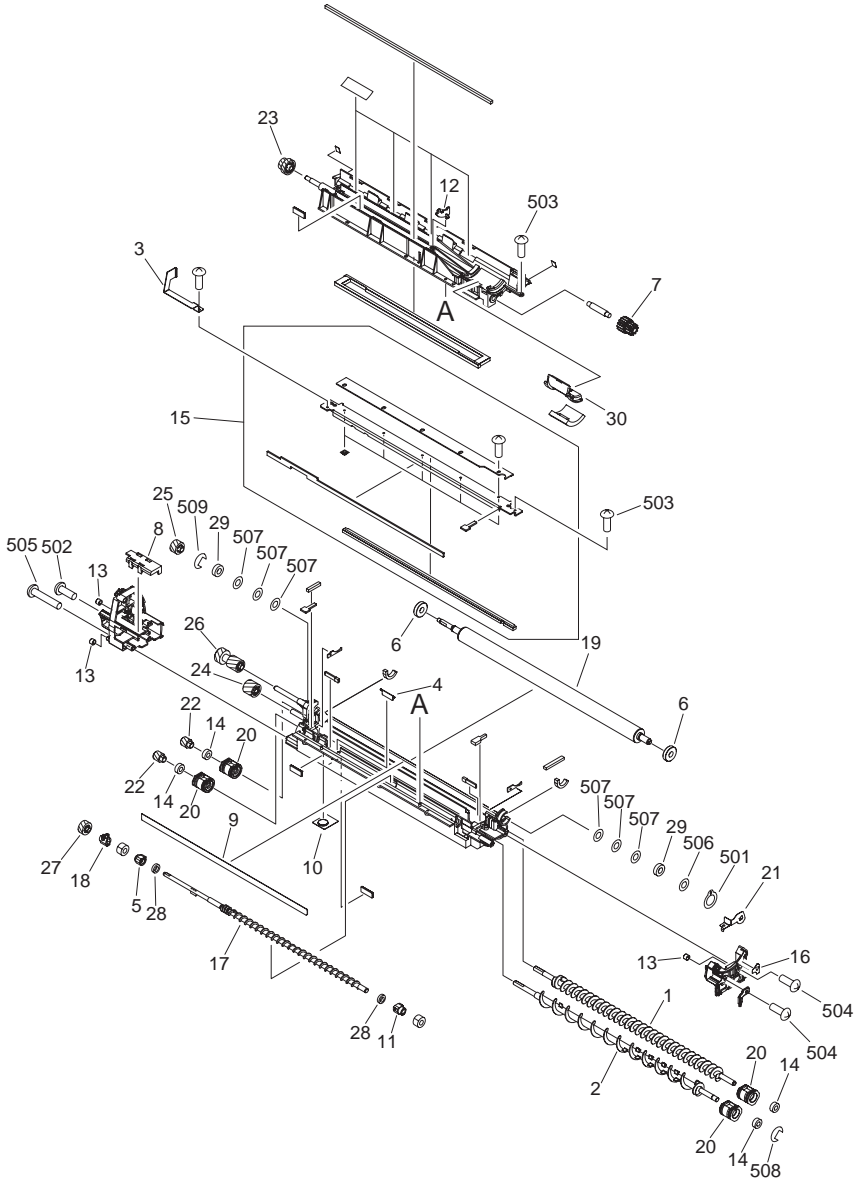


FIGURE & KEY NO.	PARTS NUMBER	R A N K	Q'TY	DESCRIPTION	SERIAL NUMBER/ REMARKS	S V C
Fig.641	FM2-1752-000		1	DEVELOPING ASSEMBLY	YELLOW	
1	FC5-0226-020		1	FEEDSCREW, TONER, 1		
2	FC5-0227-020		1	FEEDSCREW, TONER, 2		
3	FC5-0228-000		1	TERMINAL, BIAS, 1		
4	FC5-0233-000		1	SHUTTER, SUPPLY		
5	FC5-0242-000		1	BUSHING		
6	FC5-0271-000		2	ROLLER, SD		
7	FC5-0273-000		1	GEAR, 11T/14T		
8	FC5-0284-000		1	COVER, BIAS		
9	FC5-0286-000		1	PLATE, CARRIER RETAINING		
10	FC5-0328-000		1	LID, DEVELOPING CASE		
11	FC5-0461-000		1	BUSHING		
12	FC5-5475-000		1	BLOCK, NOT COMPATIBLE, YELLOW		
13	FC5-5490-000		3	ROLLER, DEV. CASE, 1		
14	XG9-0495-000		4	BEARING, BALL, 686ADDMC3 D4ML		
15	FM2-0065-000		1	DEVELOPING BLADE ASSEMBLY		
16	FC5-6542-000		1	LABEL, CARTRIDGE LOCK POSITION		
17	FC5-6568-020		1	FEEDSCREW, TONER		
18	FC5-6571-000		1	BRAKE, SUPPLY SCREW		
19	FL2-1499-000		1	CYLINDER, DEVELOPING		
20	FL2-0059-000		4	BUSHING		
21	FC5-0234-000		1	PLATE, TERMINAL, 1		
22	FU5-0045-000		2	GEAR, 17T		
23	FU5-0048-000		1	GEAR, 31T/19T		
24	FU5-0049-000		1	GEAR, 27T		
25	FU5-0050-000		1	GEAR, 21T		
26	FU5-0051-000		1	GEAR, 16T/21T		
27	FU5-0052-000		1	GEAR, 14T		
28	XG9-0111-000		2	SEAL, OIL		
29	XG9-0491-000		2	BEARING, BALL		
30	FC5-0272-000		1	SHUTTER,DEVELOPING,COLOR		
501	XD2-2100-802		AR	RING,GRIP		

FIGURE & KEY NO.	PARTS NUMBER	RANK	Q'TY	DESCRIPTION	SERIAL NUMBER/REMARKS	SVC
502	XB1-2300-609		AR	SCREW,MACH.,TRUSS HEAD,M3X6		
503	XB4-5300-809		AR	SCREW,P,M3X8		
504	XB4-5301-007		AR	SCREW,P,M3X10		
505	XB4-5303-009		AR	SCREW,P,M3X30		
506	XD1-1108-215		AR	SHIM		
507	XD1-1108-218		AR	SHIM		
508	XD2-1100-502		AR	RING,E		
509	XD2-1100-642		AR	RING,E		

FIGURE 642
DEVELOPING ASSEMBLY (MAGENTA)

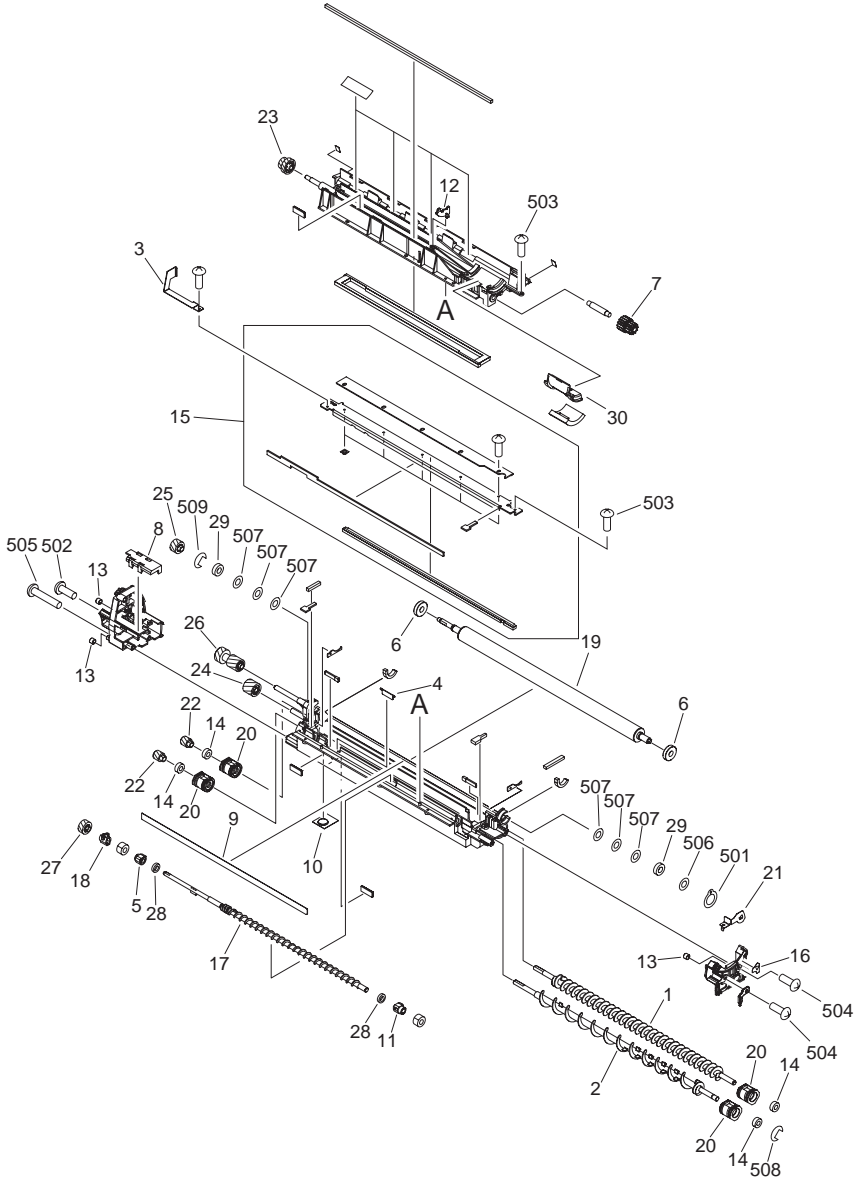


FIGURE & KEY NO.	PARTS NUMBER	R A N K	Q'TY	DESCRIPTION	SERIAL NUMBER/ REMARKS	S V C
Fig.642	FM2-1753-000		1	DEVELOPING ASSEMBLY	MAGENTA	
1	FC5-0226-020		1	FEEDSCREW, TONER, 1		
2	FC5-0227-020		1	FEEDSCREW, TONER, 2		
3	FC5-0228-000		1	TERMINAL, BIAS, 1		
4	FC5-0233-000		1	SHUTTER, SUPPLY		
5	FC5-0242-000		1	BUSHING		
6	FC5-0271-000		2	ROLLER, SD		
7	FC5-0273-000		1	GEAR, 11T/14T		
8	FC5-0284-000		1	COVER, BIAS		
9	FC5-0286-000		1	PLATE, CARRIER RETAINING		
10	FC5-0328-000		1	LID, DEVELOPING CASE		
11	FC5-0461-000		1	BUSHING		
12	FC5-5476-000		1	BLOCK, NOT COMPATIBLE, MAGENTA		
13	FC5-5490-000		3	ROLLER, DEV. CASE, 1		
14	XG9-0495-000		4	BEARING, BALL, 686ADDMC3 D4ML		
15	FM2-0065-000		1	DEVELOPING BLADE ASSEMBLY		
16	FC5-6543-000		1	LABEL, CARTRIDGE LOCK POSITION		
17	FC5-6568-020		1	FEEDSCREW, TONER		
18	FC5-6571-000		1	BRAKE, SUPPLY SCREW		
19	FL2-1499-000		1	CYLINDER, DEVELOPING		
20	FL2-0059-000		4	BUSHING		
21	FC5-0234-000		1	PLATE, TERMINAL, 1		
22	FU5-0045-000		2	GEAR, 17T		
23	FU5-0048-000		1	GEAR, 31T/19T		
24	FU5-0049-000		1	GEAR, 27T		
25	FU5-0050-000		1	GEAR, 21T		
26	FU5-0051-000		1	GEAR, 16T/21T		
27	FU5-0052-000		1	GEAR, 14T		
28	XG9-0111-000		2	SEAL, OIL		
29	XG9-0491-000		2	BEARING, BALL		
30	FC5-0272-000		1	SHUTTER,DEVELOPING,COLOR		
501	XD2-2100-802		AR	RING,GRIP		

FIGURE & KEY NO.	PARTS NUMBER	RANK	Q'TY	DESCRIPTION	SERIAL NUMBER/REMARKS	SVC
502	XB1-2300-609		AR	SCREW,MACH.,TRUSS HEAD,M3X6		
503	XB4-5300-809		AR	SCREW,P,M3X8		
504	XB4-5301-007		AR	SCREW,P,M3X10		
505	XB4-5303-009		AR	SCREW,P,M3X30		
506	XD1-1108-215		AR	SHIM		
507	XD1-1108-218		AR	SHIM		
508	XD2-1100-502		AR	RING,E		
509	XD2-1100-642		AR	RING,E		

FIGURE 643
DEVELOPING ASSEMBLY (CYAN)

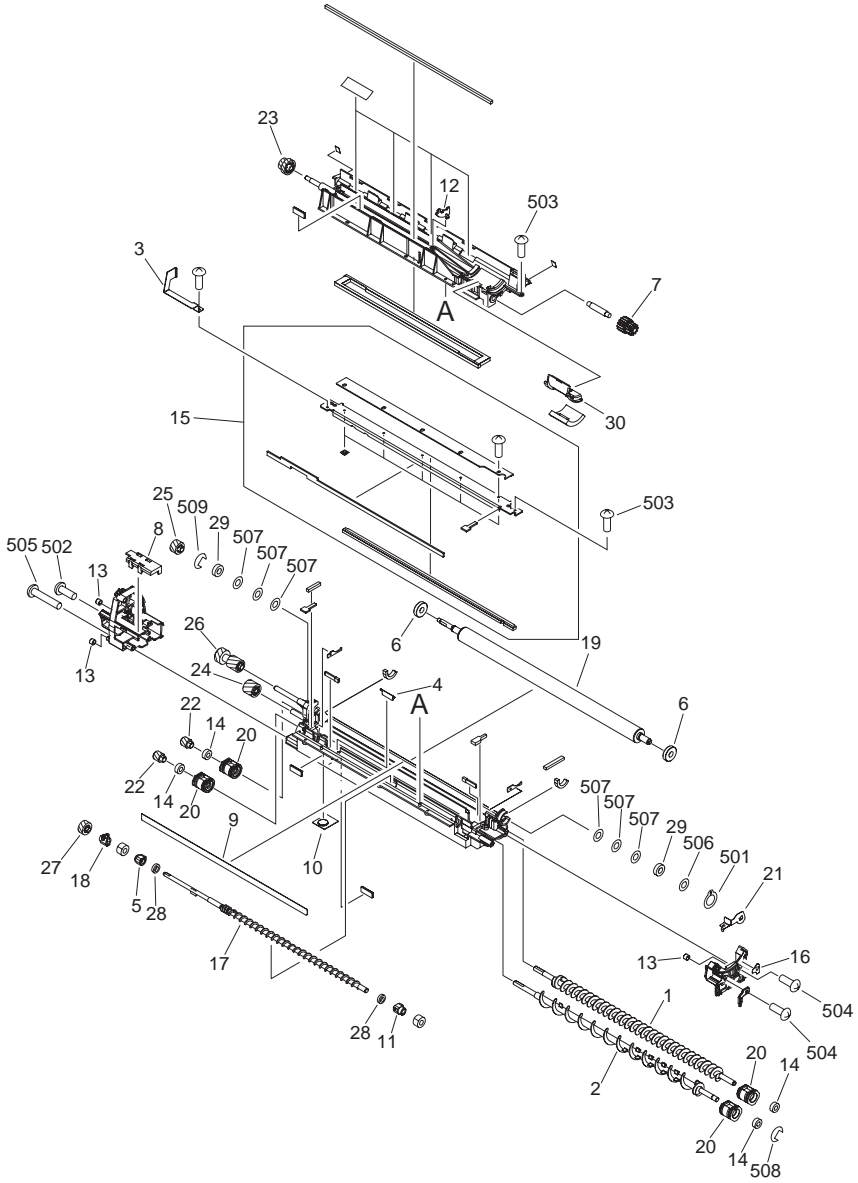


FIGURE & KEY NO.	PARTS NUMBER	R A N K	Q'TY	DESCRIPTION	SERIAL NUMBER/ REMARKS	S V C
Fig.643	FM2-1754-000		1	DEVELOPING ASSEMBLY	CYAN	
1	FC5-0226-020		1	FEEDSCREW, TONER, 1		
2	FC5-0227-020		1	FEEDSCREW, TONER, 2		
3	FC5-0228-000		1	TERMINAL, BIAS, 1		
4	FC5-0233-000		1	SHUTTER, SUPPLY		
5	FC5-0242-000		1	BUSHING		
6	FC5-0271-000		2	ROLLER, SD		
7	FC5-0273-000		1	GEAR, 11T/14T		
8	FC5-0284-000		1	COVER, BIAS		
9	FC5-0286-000		1	PLATE, CARRIER RETAINING		
10	FC5-0328-000		1	LID, DEVELOPING CASE		
11	FC5-0461-000		1	BUSHING		
12	FC5-5477-000		1	BLOCK, NOT COMPATIBLE, CYAN		
13	FC5-5490-000		3	ROLLER, DEV. CASE, 1		
14	XG9-0495-000		4	BEARING, BALL, 686ADDMC3 D4ML		
15	FM2-0065-000		1	DEVELOPING BLADE ASSEMBLY		
16	FC5-6544-000		1	LABEL, CARTRIDGE LOCK POSITION		
17	FC5-6568-020		1	FEEDSCREW, TONER		
18	FC5-6571-000		1	BRAKE, SUPPLY SCREW		
19	FL2-1499-000		1	CYLINDER, DEVELOPING		
20	FL2-0059-000		4	BUSHING		
21	FC5-0234-000		1	PLATE, TERMINAL, 1		
22	FU5-0045-000		2	GEAR, 17T		
23	FU5-0048-000		1	GEAR, 31T/19T		
24	FU5-0049-000		1	GEAR, 27T		
25	FU5-0050-000		1	GEAR, 21T		
26	FU5-0051-000		1	GEAR, 16T/21T		
27	FU5-0052-000		1	GEAR, 14T		
28	XG9-0111-000		2	SEAL, OIL		
29	XG9-0491-000		2	BEARING, BALL		
30	FC5-0272-000		1	SHUTTER,DEVELOPING,COLOR		
501	XD2-2100-802		AR	RING,GRIP		

FIGURE & KEY NO.	PARTS NUMBER	R A N K	Q'TY	DESCRIPTION	SERIAL NUMBER/ REMARKS	S V C
502	XB1-2300-609		AR	SCREW,MACH.,TRUSS HEAD,M3X6		
503	XB4-5300-809		AR	SCREW,P,M3X8		
504	XB4-5301-007		AR	SCREW,P,M3X10		
505	XB4-5303-009		AR	SCREW,P,M3X30		
506	XD1-1108-215		AR	SHIM		
507	XD1-1108-218		AR	SHIM		
508	XD2-1100-502		AR	RING,E		
509	XD2-1100-642		AR	RING,E		

FIGURE 680 ATR SENSOR ASSEMBLY

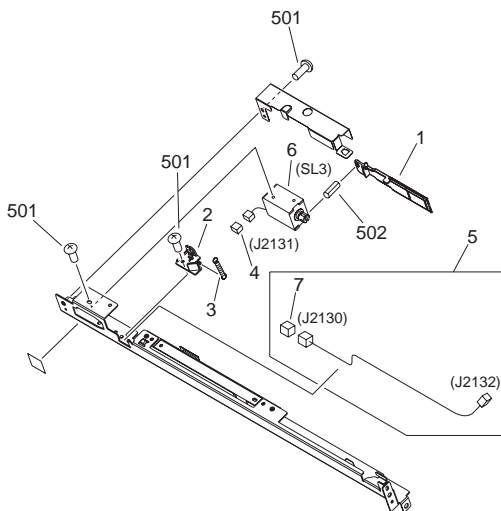


FIGURE & KEY NO.	PARTS NUMBER	RANK	Q'TY	DESCRIPTION	SERIAL NUMBER/REMARKS	SVC
Fig.680	FM2-0096-000		1	ATR SENSOR ASSEMBLY		
1	FC5-5466-000		1	SHUTTER, ATR		
2	FC5-5468-000		1	SUPPORT, SHUTTER		
3	FU5-2075-000		1	SPRING, TENSION		
4	VS1-7177-002		1	CONNECTOR, SNAP TIGHT	J2131	
5	FG3-2813-000		1	CABLE, ATR	J2130,2132	
6	FH6-5078-020		1	SOLENOID	SL3 J2131	
7	VS1-7440-006		1	CONNECTOR, SNAP TIGHT	J2130	
501	XB1-2300-409		AR	SCREW,MACH.,TRUSS HEAD,M3X4		
502	XD3-1300-122		AR	PIN,SPRING		

FIGURE 780 TRANSFER CLEANING ASSEMBLY

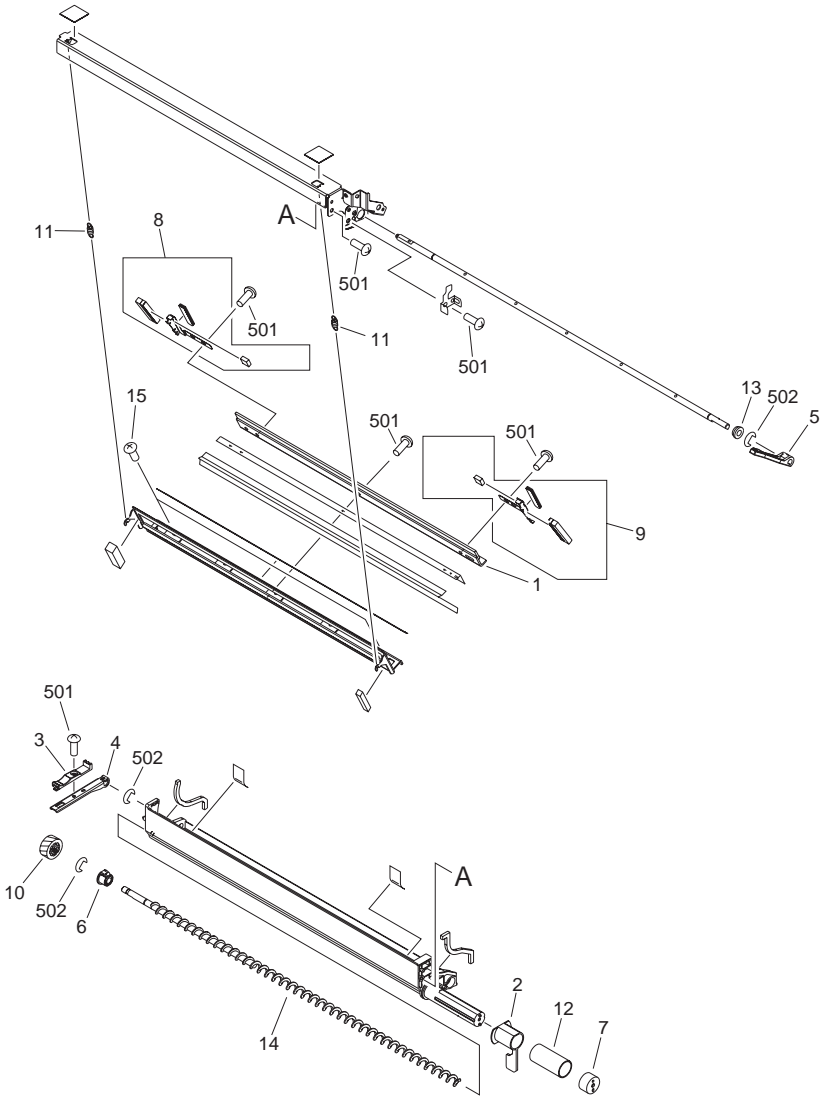
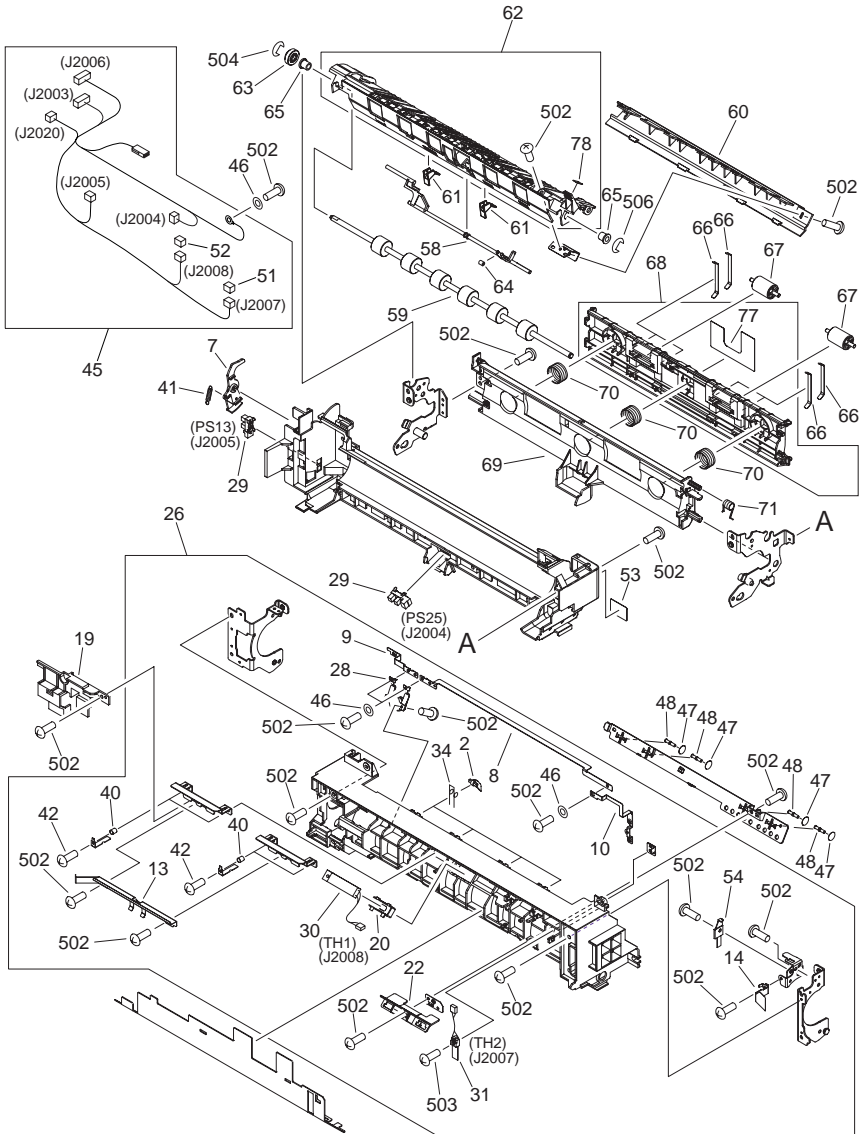


FIGURE & KEY NO.	PARTS NUMBER	R A N K	Q'TY	DESCRIPTION	SERIAL NUMBER/ REMARKS	S V C
Fig.780	FM2-0082-020		1	TRANSFER CLEANING ASSEMBLY		
1	FC5-0368-020		1	BLADE, TRANSFER CLEANER		
2	FC5-0374-000		1	SHUTTER		
4	FC5-0467-000		1	SUPPORT, PRESSURE RELEASE		
5	FC5-0468-000		1	ARM, TRANSFER CLEANING		
6	FC5-0469-000		1	BUSHING		
7	FC5-0470-000		1	STOPPER, SHUTTER		
8	FL2-0084-000		1	PLATE, BLADE SHEET, FRONT		
9	FL2-0085-000		1	PLATE, BLADE SHEET, REAR		
10	FU5-0073-000		1	GEAR, 21T		
11	FU5-2053-020		2	SPRING, TENSION		
12	FU5-2054-000		1	SPRING, COMPRESSION		
13	FS1-1187-000		1	BUSHING		
14	FC5-0372-020		1	FEEDSCREW, WASTE TONER		
15	XA9-1494-000		2	SCREW, M3X6.7		
501	XB1-2300-607		AR	SCREW,MACH.,TRUSS HEAD,M3X6		
502	XD2-1100-502		AR	RING,E		

FIGURE 810 FIXING ASSEMBLY



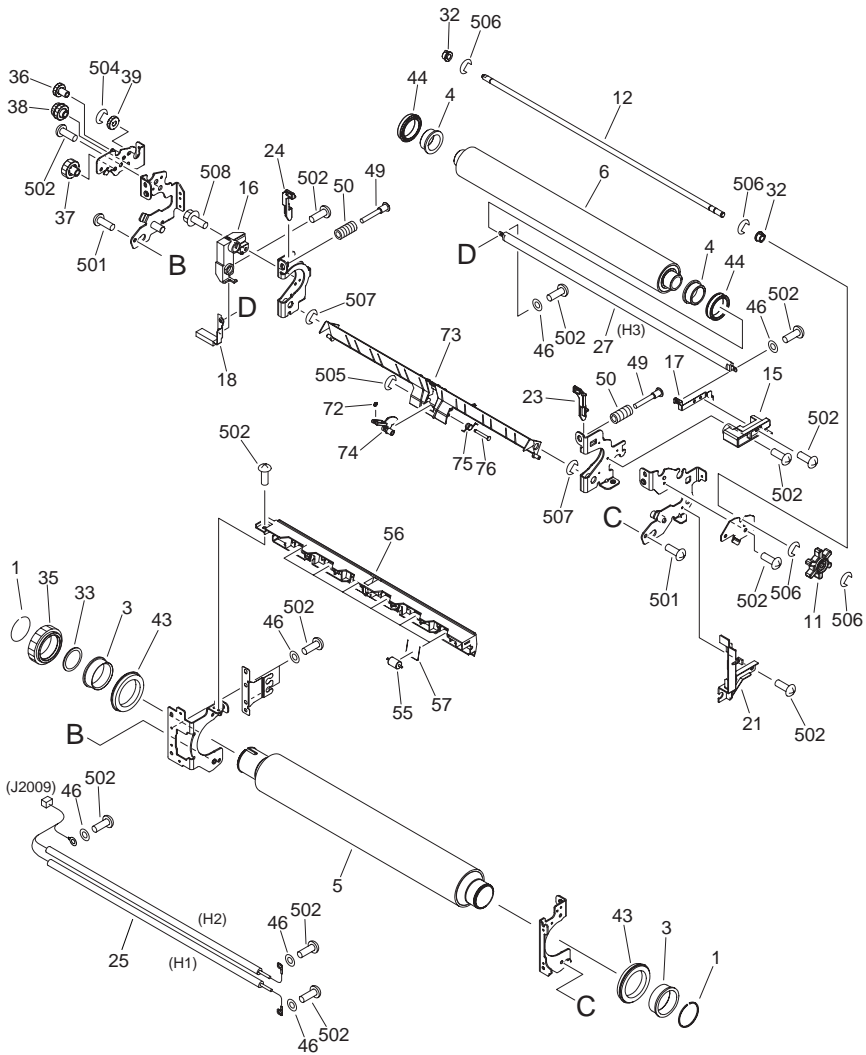
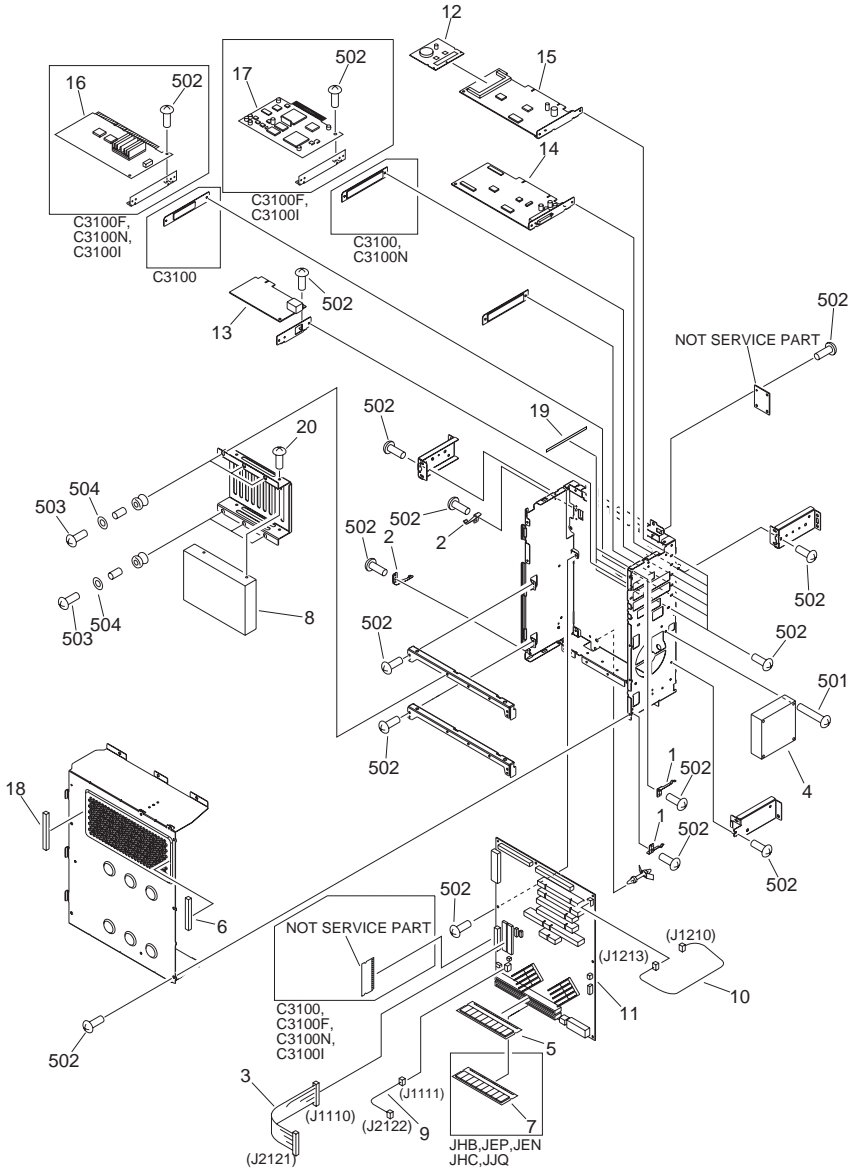


FIGURE & KEY NO.	PARTS NUMBER	R A N K	Q'TY	DESCRIPTION	SERIAL NUMBER/ REMARKS	S V C
Fig.810	FM2-0172-000		1	FIXING ASSEMBLY	100V	
Fig.810	FM2-0173-000		1	FIXING ASSEMBLY	120V	
Fig.810	FM2-0174-000		1	FIXING ASSEMBLY	220/240V	
1	FA3-8894-040		2	RING, RETAINING		
2	FB6-3666-000		4	CLAW, SEPARATION		
3	FB6-6519-000		2	BUSHING		
4	FB6-3674-000		2	BUSHING		
5	FC5-0726-000		1	ROLLER, FIXING		
6	FC5-0727-000		1	ROLLER, PRESSURE		
7	FC5-0736-000		1	FLAG, INTERNAL DELIVERY SENSOR		
8	FC5-0741-000		1	TERMINAL, 1		
9	FC5-0742-000		1	TERMINAL, 2		
10	FC5-0756-000		1	TERMINAL, 3		
11	FC5-0765-000		1	KNOB, JAM OPERATION		
12	FC5-0766-000		1	SHAFT, KNOB		
13	FC5-0767-000		1	RETAINER, THERMISTOR		
14	FC5-0768-000		1	PLATE, GROUNDING		
15	FC5-0769-000		1	HOLDER, HEATER, FRONT		
16	FC5-0770-000		1	HOLDER, HEATER, REAR		
17	FC5-0771-000		1	TERMINAL, FRONT		
18	FC5-0772-000		1	TERMINAL, REAR		
19	FC5-0775-000		1	COVER, SWITCH		
20	FC5-0776-000		1	COVER, THERMISTOR		
21	FC5-0778-000		1	COVER, WIND-BLOCKING		
22	FC5-0780-000		1	MOUNT, SNAP TIGHT CONNECTOR		
23	FC5-0784-000		1	SPACER, PRESSURE RELEASE, FRONT		
24	FC5-0785-000		1	SPACER, PRESSURE RELEASE, REAR		
25	FG3-2787-000		1	FIXING HEATER UNIT	100V H1,2 J2009	
25	FG3-2790-000		1	FIXING HEATER UNIT	120V H1,2 J2009	
25	FG3-2791-000		1	FIXING HEATER UNIT	220/240V H1,2 J2009	
26	FM2-0176-000		1	FIXING UPPER FRAME ASSEMBLY		
27	FH7-4763-000		1	HEATER, QUARTZ	H3	

FIGURE & KEY NO.	PARTS NUMBER	R A N K	Q'TY	DESCRIPTION	SERIAL NUMBER/ REMARKS	S V C
28	FH7-6367-000		1	THERMOSTAT		
29	FK2-0149-000		2	PHOTO-INTERRUPTER	PS13,25 J2005,2004	
30	FH7-7631-000		1	THERMISTOR UNIT	TH1 J2008	
31	FH7-7632-000		1	THERMISTOR UNIT	TH2 J2007	
32	FS5-1943-000		2	BUSHING		
33	FS5-6947-000		1	SPACER		
34	FS7-2817-000		4	SPRING, TORSION		
35	FU5-0041-000		1	GEAR, 44T		
36	FU5-0043-000		1	GEAR, 14T		
37	FU5-0044-000		1	GEAR, 20T		
38	FU5-0067-000		1	GEAR, 17T/14T		
39	FU5-0068-000		1	GEAR, 14T		
40	FU5-2042-000		4	SPRING, COMPRESSION		
41	FU5-2062-000		1	SPRING, TENSION		
42	XA9-0882-000		4	SCREW,MACH.,TRUSS HEAD,M3X12		
43	XG9-0428-000		2	BEARING, BALL, P0 47MM		
44	XG9-0522-000		2	BEARING, BALL, NSK P0 37MM		
45	FG3-3199-000		1	CABLE, FIXING DC	J2003-2008,2020	
46	FC5-6916-020		11	WASHER, PLAIN		
47	FB5-4986-000		4	ROWEL, 1		
48	FB5-5269-000		4	SHAFT, ROWEL		
49	FS5-9752-030		2	SCREW,M5		
50	FU5-2028-000		2	SPRING, COMPRESSION		
51	VS1-7177-004		1	CONNECTOR, SNAP TIGHT	J2007	
52	VS1-7177-005		1	CONNECTOR, SNAP TIGHT	J2008	
53	FC5-6581-000		1	LABEL, FIXING KNOB		
54	FB2-4375-000		1	BRUSH, GROUNDING		
55	FB6-6381-000		6	ROLLER, FIXING DELIVERY		
56	FC5-0738-000		1	GUIDE, INTERNAL DELIVERY, U.		
57	FC5-0739-000		6	SPRING, ROLLER RETAINING		
58	FC5-0735-000		1	ARM, INTERNAL DELIVERY SENSOR		
59	FC5-0737-020		1	ROLLER, INTERNAL DELIVERY		

FIGURE & KEY NO.	PARTS NUMBER	R A N K	Q'TY	DESCRIPTION	SERIAL NUMBER/ REMARKS	S V C
60	FC5-0761-000		1	PLATE, PARTITION		
61	FC5-0783-000		2	SPACER, INTERNAL DELIV. SWING		
62	FL2-0167-000		1	GUIDE, INTERNAL DELIVERY, L.		
63	FU5-0042-000		1	GEAR, 17T		
64	FB6-7002-000		1	ROLLER, PAPER SENSOR		
65	RS1-1087-000		2	BUSHING		
66	FC6-4015-000		4	SPRING, LEAF		
67	FB5-4773-000		2	ROLLER, DUPLEXING		
68	FL2-0144-000		1	GUIDE, DUPLEXING FEEDER, UPPER		
69	FC5-0746-000		1	MOUNT, DUPLEXING FEEDER GUIDE		
70	FU5-2073-000		3	SPRING, COMPRESSION		
71	FU5-2083-000		1	SPRING, TORSION		
72	FB6-3150-000		1	COLLAR, TRANSFER		
73	FC5-0740-000		1	GUIDE, FIXING INLET		
74	FC5-0757-000		1	FLAG, INLET SENSOR		
75	FU5-2048-000		1	SPRING, TORSION		
76	FU5-5031-000		1	SHAFT, FLAG		
77	FC5-0655-000		1	LABEL, HIGH TEMP. CAUTION		
78	FC5-6569-000		1	LABEL, GUIDE GRIP		
501	XB1-2400-807		AR	SCREW,MACH.,TRUSS HEAD,M4X8		
502	XB2-8300-807		AR	SCREW,W/WASHER,M3X8		
503	XB2-8301-209		AR	SCREW,W/WASHER,M3X12		
504	XD2-1100-322		AR	RING,E		
505	XD2-1100-242		AR	RING,E		
506	XD2-1100-502		AR	RING,E		
507	XD2-1100-642		AR	RING,E		
508	XB2-8300-806		AR	SCREW,W/WASHER,M3X8		

FIGURE 900 CONTROLLER BOX ASSEMBLY



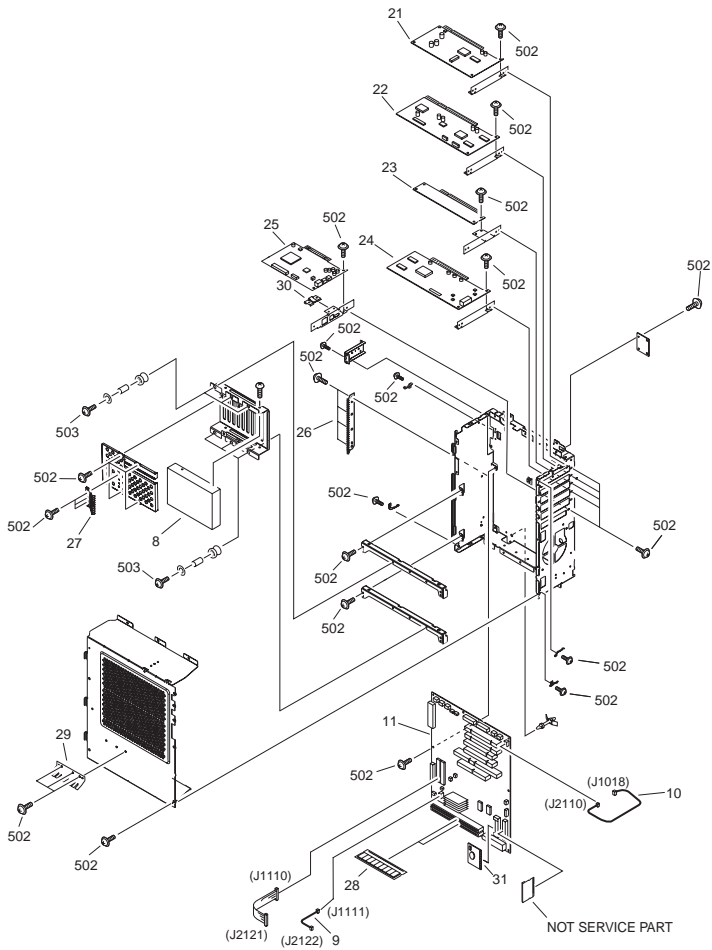


FIGURE & KEY NO.	PARTS NUMBER	RANK	Q'TY	DESCRIPTION	SERIAL NUMBER/REMARKS	SVC
1	FC5-0444-000		2	PLATE, GROUNDING		
2	FC5-0445-000		2	PLATE, GROUNDING		
3	FH2-7018-000		1	FLAT CABLE, HDD, 1	C3100,3100F,C3100N,C3100N J1110,2121	
3	FK2-0730-000		1	FLAT CABLE, HDD, 1	C3170,3170F,3170I C2570,2570F,2570I J1110,2121	
4	FH5-1111-000		1	FAN		
5	WA7-3859-000		1	DIMM, SMS-51228QN1P-H, SD-RAM	C3100,3100F,C3100N,C3100N	
6	KE8-1014-080		1	GASKET		
7	WA7-2847-000		1	DIMM, C256M6815SRN-MA81,SD-RAM	JHB,JEP,JEN,JHC,JJQ,KN D	
8	WM2-5222-020		1	HDD, HDS728040PLAT20	C3100,3100F,C3100N,C3100N	
8	FK2-0733-000		1	HDD, HDS728040PLAT20	C3170,3170F,3170I C2570,2570F,2570I	
9	FG3-3171-000		1	CABLE, HARD DISK POWER SUPPLY	J1111,2122	
10	FG3-3172-000		1	CABLE, FRAM	C3100,3100F,C3100N,C3100N J1210,1213	
10	FG3-3851-000		1	CABLE, FRAM	C3170,3170F,3170I C2570,2570F,2570I J1210,1213	
11	FG3-3221-000		1	MAIN BOARD PCB ASSEMBLY	C3100,3100F,C3100N,C3100N	
11	FM2-3675-000		1	MAIN BOARD PCB ASSEMBLY	C3170,3170F,3170I C2570,2570F,2570I	
12	FG3-3225-000		1	SRAM BOARD PCB ASSEMBLY	C3100,3100F,C3100N,C3100N	
13	FG6-9678-020		1	NETWORK BOARD PCB ASSEMBLY	ALL VERSION	
14	FM2-0209-000		1	SCANNER BOARD PCB ASSEMBLY	C3100,3100F,C3100N,C3100N	
15	FM2-0210-000		1	EX-BUS BOARD PCB ASSEMBLY	C3100,3100F,C3100N,C3100N	
16	FG3-3223-000		1	UFR BOARD PCB ASSEMBLY	C3100F,C3100N,C3100I	
17	FG3-2728-000		1	RESOLUTION SWITCH B. PCB ASS'Y	C3100F,C3100I	
18	KE8-1049-100		1	GASKET		
19	KE8-1056-095		3	GASKET		
20	XA9-1496-000		4	SCREW,M3X6.4		

FIGURE & KEY NO.	PARTS NUMBER	RANK	Q'TY	DESCRIPTION	SERIAL NUMBER/REMARKS	SVC
21	FM2-3677-000		1	MAIN CONTROLLER PCB ASS'Y,R-A	C3170,3170F,3170I C2570,2570F,2570I	
22	FM2-3678-000		1	MAIN CONTROLLER PCB ASS'Y,R-A	C3170,3170F,3170I C2570,2570F,2570I	
23	FK2-0724-000		1	REIAY PCB ASSEMBLY(GU-SHORT)	C3170,3170F,3170I C2570,2570F,2570I	
24	FM2-3676-000		1	MAIN CONTROLLER PCB ASS'Y,SJ-A	C3170,3170F,3170I C2570,2570F,2570I	
25	FM2-3680-000		1	MAIN CONTROLLER PCB ASS'Y,L-A	C3170,3170F,3170I C2570,2570F,2570I	
26	FC6-2851-000		1	SPRING, GROUNDING	C3170,3170F,3170I C2570,2570F,2570I	
27	FC6-2861-000		1	PLATE, GROUNDING	C3170,3170F,3170I C2570,2570F,2570I	
28	WA7-3543-000		1	DIMM ASS'Y DD333-412HDJ512M	C3170,C3170F,C3170I US/EUR C2570,C2570F,C2570I EUR	
29	FC6-2852-000		1	PLATE, GROUNDING	C3170,3170F,3170I C2570,2570F,2570I	
30	FC6-2859-000		1	PLATE, GROUNDING	C3170,3170F,3170I C2570,2570F,2570I	
31	FM2-3681-000		1	SRAM PCB ASSEMBLY	C3170,3170F,3170I C2570,2570F,2570I	
501	XB1-2403-007		AR	SCREW,MACH.,TRUSS HEAD, M4X30		
502	XB6-7300-607		AR	SCREW,TP,M3X6		
503	XB6-7301-407		AR	SCREW,TP,M3X14		
504	XD1-1105-235		AR	SHIM		
IC1	FH4-6214-000		1	IC, TC240E4804AF-42,GATE ARRAY	C3170,3170F,3170I C2570,2570F,2570I	
IC1	FH4-6235-000		1	IC,UB08D800606S1 STANDARD,CELL	C3170,3170F,3170I C2570,2570F,2570I	
IC1	FH4-6237-000		1	IC, UPD800607S1, STANDARD CELL	C3170,C3170F,C3170I 230V/EUR C2570,C2570F,C2570I	
IC1	FH4-6239-000		1	IC,UPD800008S1-011-F6-A	C3170,C3170F,C3170I C2570 JP/EUR/ AU,2570F,2570I	
IC2	FH4-6243-000		1	IC,1.7A1860,STANDARDCELL	C3170,C3170I EUR/230V C2570,C2570F,C2570I	
IC2	FH4-6248-000		1	IC,HG76C026 HFV,STANDARD, CELL	C3170I 120V	
IC3	FH4-6208-050		1	IC, EPM7032AETC44-4, ASIC	C3100F,C3100I	

FIGURE & KEY NO.	PARTS NUMBER	R A N K	Q'TY	DESCRIPTION	SERIAL NUMBER/ REMARKS	S V C
IC4	FH4-6258-000		1	IC, MB87L1791, GATE ARRAY	C3100F,C3100I	
IC8	FH4-6257-000		1	IC, UPD65948GN-053-LMU	C3100F,C3100I	
IC10	FH4-6300-000		1	IC, M38871M2-010GP, MCU	C3100,3100F,C3100N,C3100N	
IC15	FH4-6213-000		1	IC, HG75C017ABT, GATE ARRAY	C3100,3100F,C3100N,C3100N	
IC17	FH4-6186-000		1	IC, M66446FP, STANDARD CELL		
IC18	FH4-6247-000		1	IC, FUAA119AA	C3170,3170F,3170I C2570,2570F,2570I	
IC19	FH4-6300-000		1	IC, M38871M2-010GP, MCU	C3170F,C2570F	
IC21	FH4-6248-000		1	IC,HG76C026 HFV,STANDARD, CELL	C3170/C2570 JP	
IC21	FH4-6260-000		1	IC, M66446FP, STANDARD CELL	C3170,C3170F,C3170I US/EUR C2570,C2570F,C2570I EUR	
IC45	FH4-6302-000		1	IC,S1L50552F32L000,ASIC	C3170,3170F,3170I C2570,2570F,2570I	
	FM2-3892-000		1	NETWORK BOARD PCB ASSEMBLY	SYSTEM V30.06 BOOT V21.04 OR LATER	

FIGURE 910 MAIN POWER SUPPLY PCB ASSEMBLY

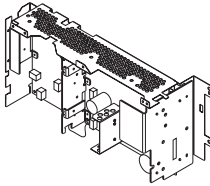


FIGURE & KEY NO.	PARTS NUMBER	RANK	Q'TY	DESCRIPTION	SERIAL NUMBER/REMARKS	SVC
Fig.910	FM2-3001-000		1	MAIN POWER SUPPLY PCB ASSEMBLY	220/240V	
Fig.910	FM2-3000-000		1	MAIN POWER SUPPLY PCB ASSEMBLY	100/120V	
	FM2-3002-00		1	MAIN POWER SUPPLY PCB ASSEMBLY	100V/120V	
	FM2-3003-000		1	MAIN POWER SUPPLY PCB ASSEMBLY	230V	

FIGURE 911 MAIN CONTROLLER POWER SUPPLY ASSEMBLY

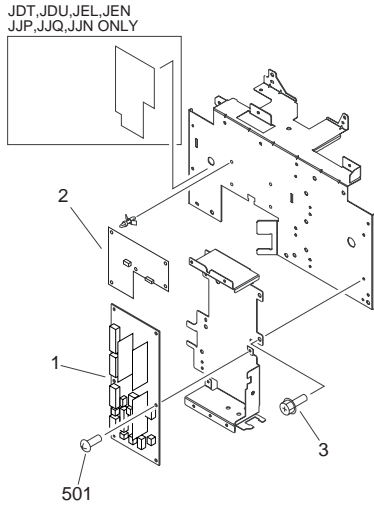


FIGURE & KEY NO.	PARTS NUMBER	RANK	QTY	DESCRIPTION	SERIAL NUMBER/REMARKS	SVC
Fig.911	FM2-0217-000		1	MAIN CONT. POWER SUPPLY ASS'Y	C3100,3100F,C3100N,C3100N	
Fig.911	FM2-2996-000		1	MAIN CONT. POWER SUPPLY ASS'Y	C3170,3170F,3170I C2570,2570F,2570I	
1	FG3-2792-000		1	MAIN CONT. PS PCB ASSEMBLY	C3100,3100F,C3100N,C3100N	
1	FG3-3843-000		1	MAIN CONT. PS PCB ASSEMBLY	C3170,3170F,3170I C2570,2570F,2570I	
2	FG3-3584-000		1	HVT SUB PCB		
3	XA9-1386-000		5	SCREW,RS,M3X8		
501	XB6-7300-607		AR	SCREW,TP,M3X6		

FIGURE 930 DC CONTROLLER PCB ASSEMBLY

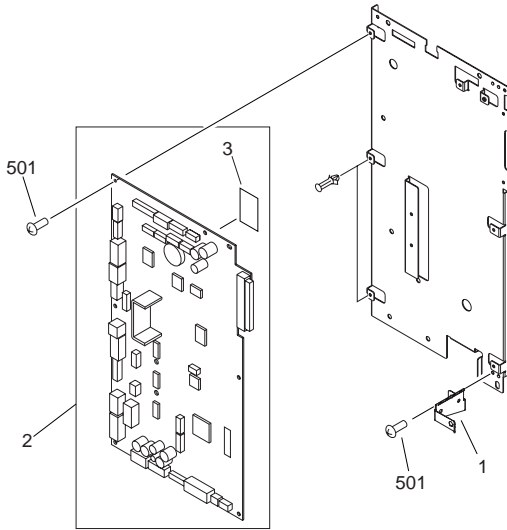


FIGURE & KEY NO.	PARTS NUMBER	RANK	Q'TY	DESCRIPTION	SERIAL NUMBER/REMARKS	SVC
Fig.930	NPN		RF	DC CONTROLLER PCB ASSEMBLY		
1	FC5-0446-000		1	PLATE, GROUNDING	C3100,3100F,C3100N,C3100N	
1	FC6-2537-000		1	PLATE, GROUNDING	C3170,3170F,3170I C2570,2570F,2570I	
2	FG3-3846-030		1	DC CONTROLLER PCB ASSEMBLY	C3100,3100F,C3100N,C3100N	
2	FG3-3847-000		1	DC CONTROLLER PCB ASSEMBLY	C3170,3170F,3170I C2570,2570F,2570I	
3	FB3-1781-000		1	SHEET, INSULATING	C3100,3100F,C3100N,C3100N	
3	FB6-6638-000		1	SHEET, INSULATING	C3170,3170F,3170I C2570,2570F,2570I	
501	XB6-7300-607		AR	SCREW,TP,M3X6		
IC19	FH4-6300-000		1	IC, M38871M2-010GP, MCU		
IC23	FK2-0134-000		1	IC, HD6432323A02F, MCU		
IC30	FH4-6284-000		1	IC,UPD65882GC-015-8EU-A, ASIC	C3170,3170F,3170I C2570,2570F,2570I	
IC37	FH4-6222-000		1	IC, GATE ARRAY, FUJITSU DEVICE		

FIGURE 931 READER CONTROLLER PCB ASSEMBLY

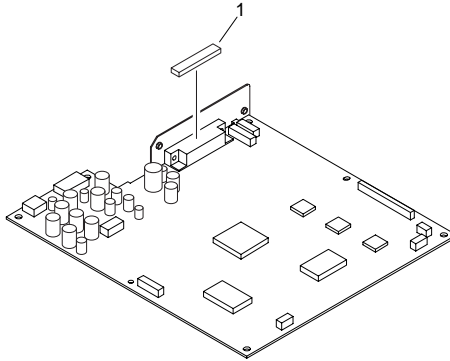


FIGURE & KEY NO.	PARTS NUMBER	RANK	Q'TY	DESCRIPTION	SERIAL NUMBER/REMARKS	SVC
Fig.931	FG3-3159-000		1	READER CONTROLLER PCB ASSEMBLY		
1	KE8-1029-064		1	GASKET		
IC515	FH4-6227-000		1	IC, MB87M1570, STANDARD CELL		
IC519	FH4-1429-000		1	IC, HD6432323A01F, MCU		

FIGURE 980 H.V.TRANSFORMER PCB ASSEMBLY

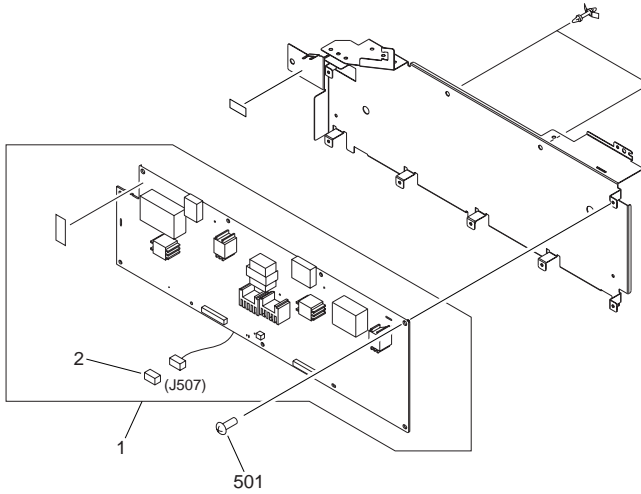


FIGURE & KEY NO.	PARTS NUMBER	RANK	Q'TY	DESCRIPTION	SERIAL NUMBER/REMARKS	SVC
Fig.980	FM2-0220-020		1	H. V. TRANSFER PCB ASSEMBLY		
1	FG3-2796-040		1	H. V. TRANSFER PCB ASSEMBLY		
2	VS1-6318-006		1	CONNECTOR, SNAP TIGHT	J507	
501	XB6-7300-607		AR	SCREW,TP,M3X6		

FIGURE 990 FAX ASSEMBLY

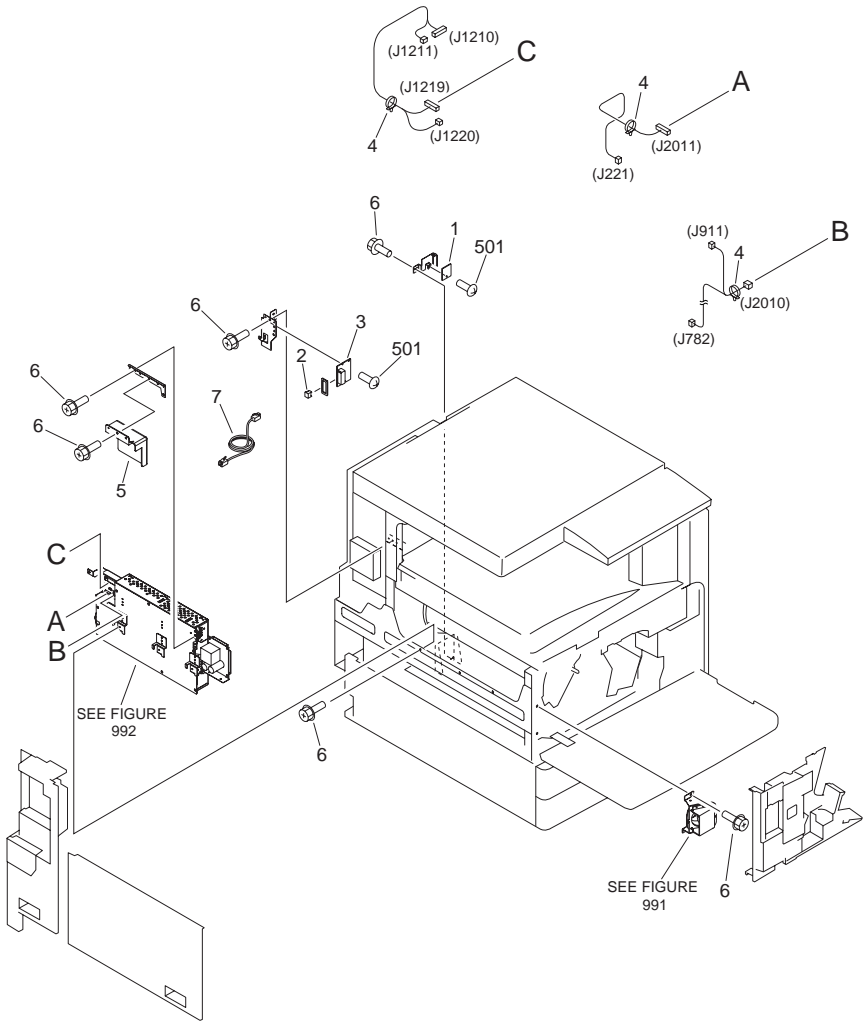


FIGURE & KEY NO.	PARTS NUMBER	R A N K	Q'TY	DESCRIPTION	SERIAL NUMBER/REMARKS	S V C
Fig.990	NPN		RF	FAX ASSEMBLY	C3100F,C3100I,C3170F,C2570F	
1	FG3-2851-000		1	ARRESTER PCB ASSEMBLY		
1	FM2-2973-000		1	ARRESTER PCB ASSEMBLY	C3170F,C2570F	
2	WT8-5076-000		1	SPACER, MODULAR		
3	FG3-3464-000		1	G3 MODULAR PCB ASSEMBLY		
3	FM2-3741-000		1	G3 MODULAR PCB ASSEMBLY	C3170F,C2570F	
4	WT2-5565-000		3	CLAMP, CABLE		
5	FC5-1147-000		1	COVER, PSEUDO CI		
6	XA9-1386-000		9	SCREW,RS,M3X8		
7	HH2-2830-000		1	CORD, MODULAR		
8	FG3-2809-000		1	CABLE, FAX POWER SUPPLY	C3100F,C3100I	
8	FM2-3817-000		1	CABLE, FAX POWER SUPPLY	C3170F,C2570F	
9	FG3-2824-020		1	CABLE, ARRESTER/MODULAR	C3100F,C3100I	
9	FM2-3818-000		1	CABLE, ARRESTER/MODULAR	C3170F,C2570F	
10	FG3-3176-000		1	CABLE, FAX COMMUNICATE	C3100F,C3100I	
10	FM2-3819-000		1	CABLE, FAX COMMUNICATE	C3170F,C2570F	
501	XB6-7300-607		AR	SCREW,TP,M3X6		

FIGURE 991 SPEAKER ASSEMBLY

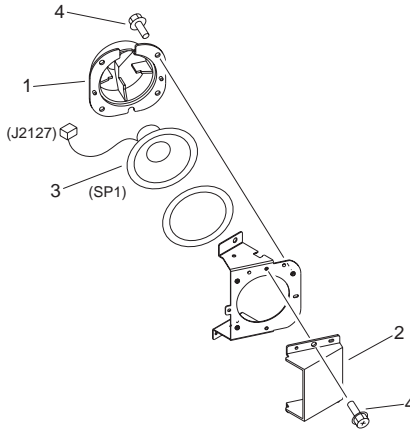
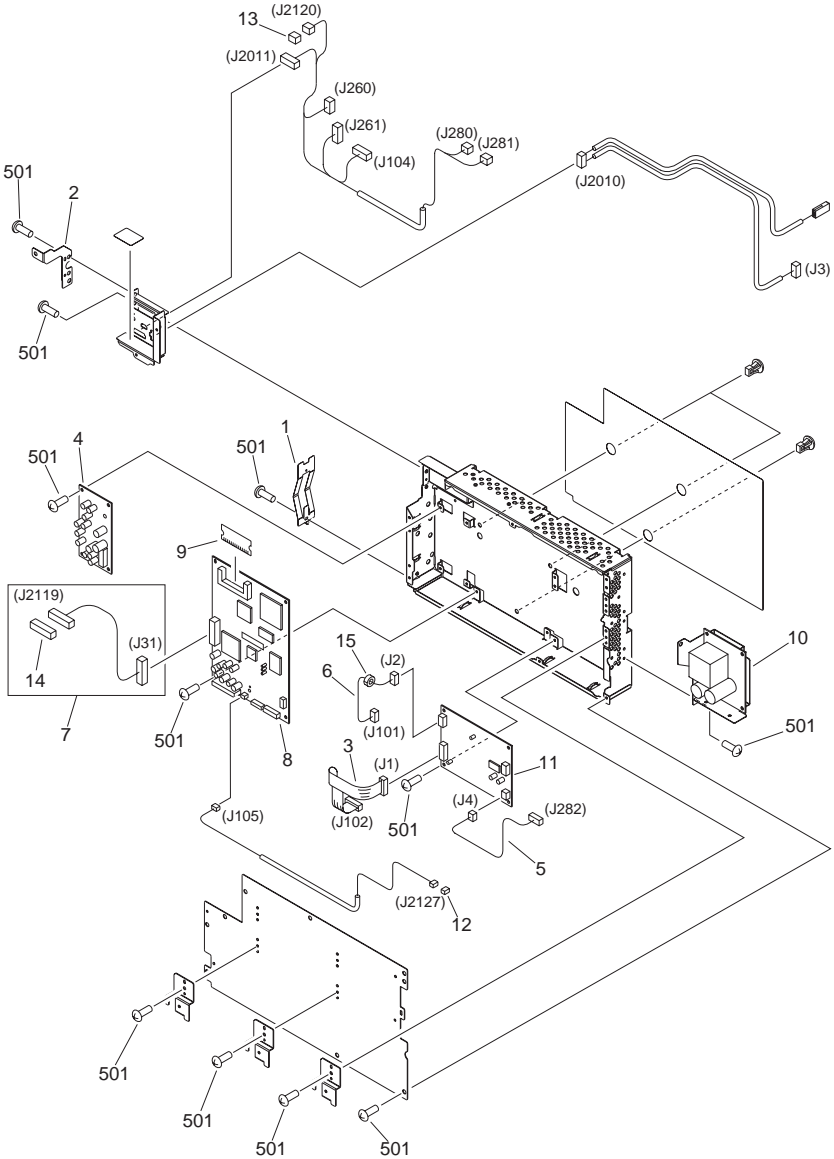


FIGURE & KEY NO.	PARTS NUMBER	RANK	Q'TY	DESCRIPTION	SERIAL NUMBER/REMARKS	SVC
Fig.991	FM2-0270-000		1	SPEAKER ASSEMBLY	C3100F,C3100I	
Fig.991	FM2-0342-000		1	SPEAKER ASSEMBLY	C3170F,C2570F	
1	FC5-5472-000		1	HOLDER, SPEAKER		
2	FC5-5473-000		1	DUCT, SPEAKER		
3	FK2-0428-000		1	SPEAKER	SP1 J2127	
4	XA9-1386-000		6	SCREW,RS,M3X8		

FIGURE 992 FAX BOARD PCB ASSEMBLY



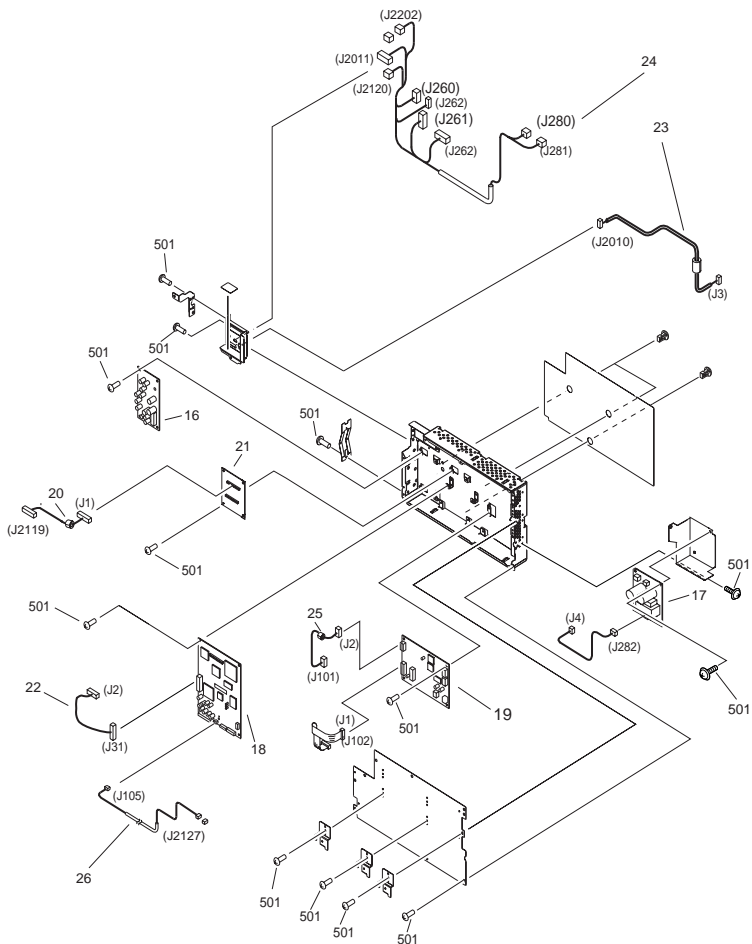
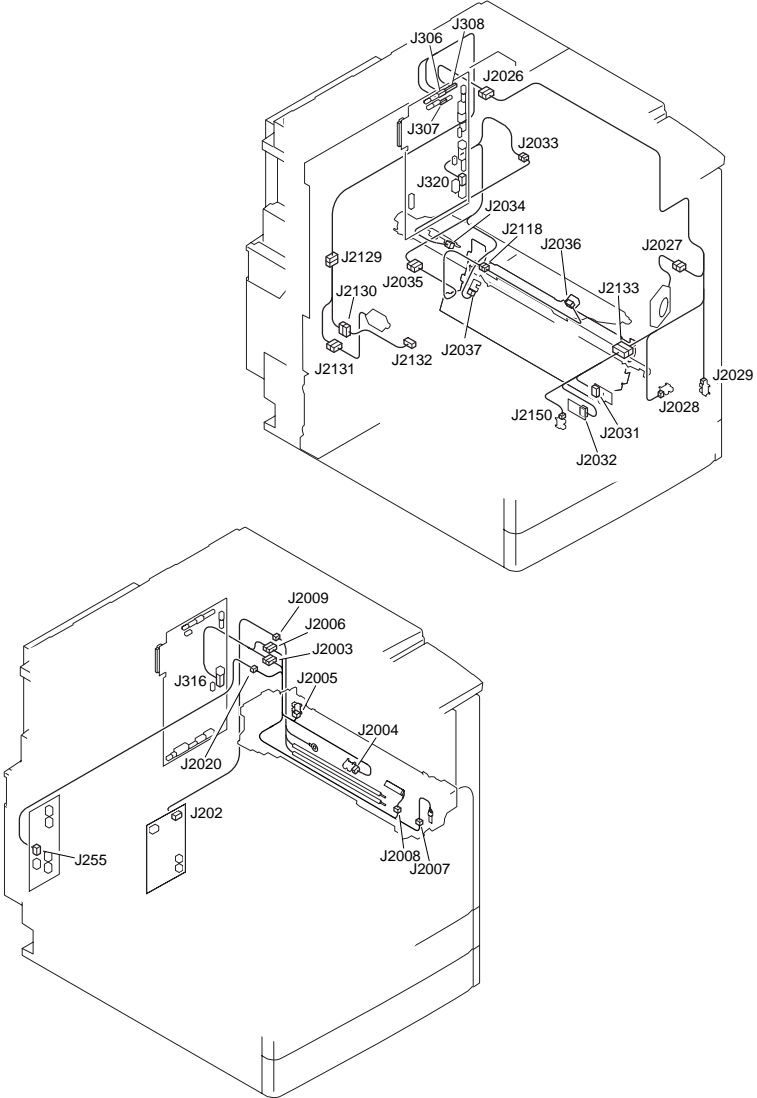
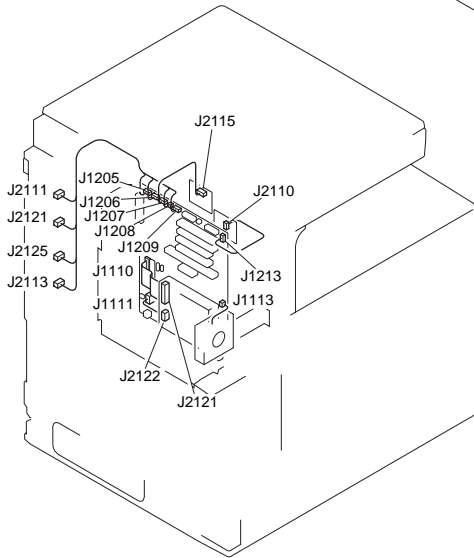
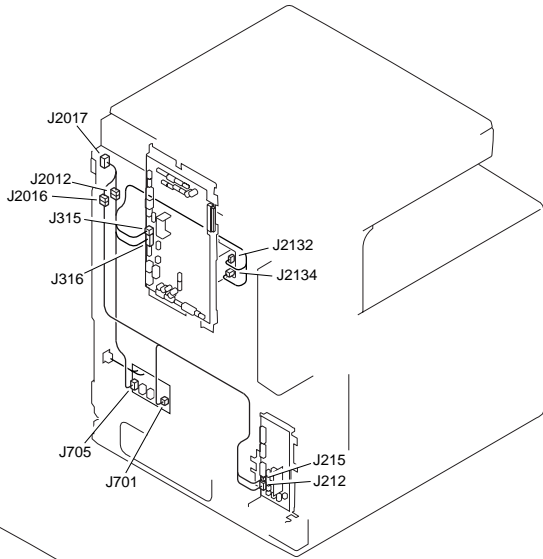
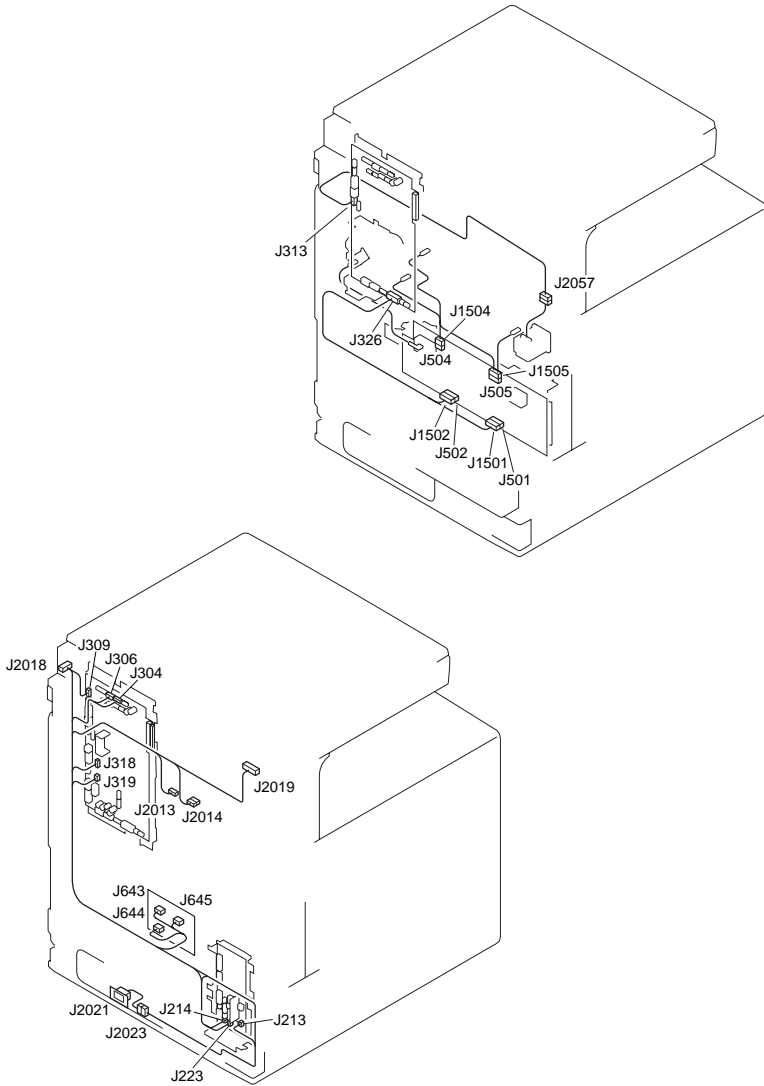


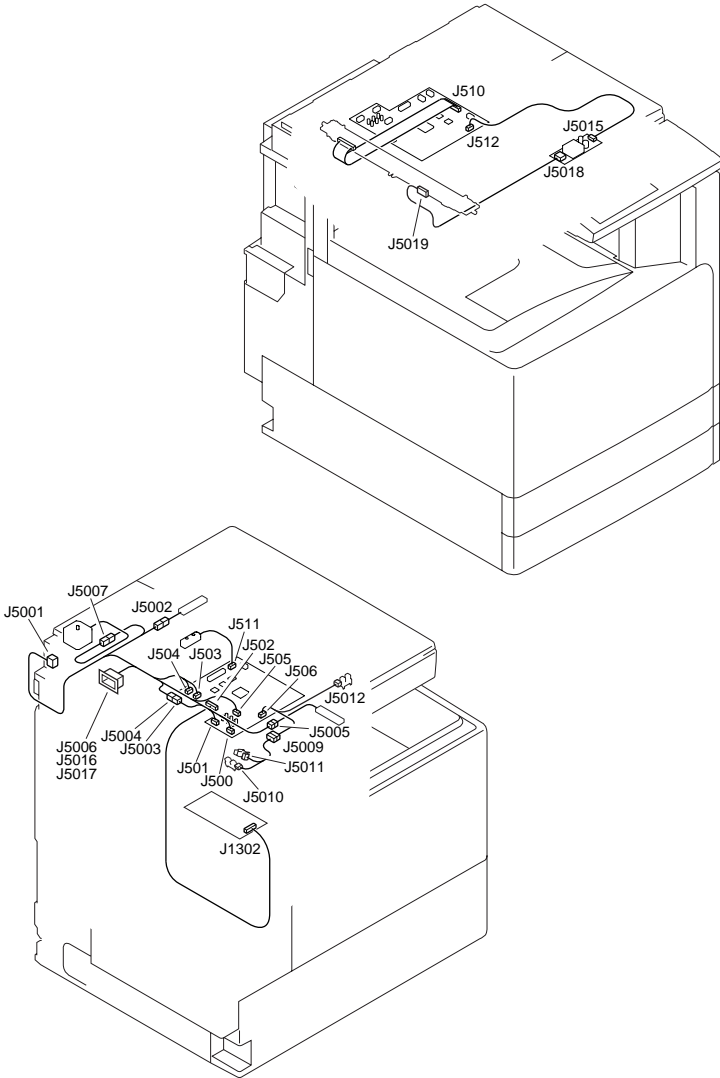
FIGURE & KEY NO.	PARTS NUMBER	R A N K	Q'TY	DESCRIPTION	SERIAL NUMBER/ REMARKS	S V C
Fig.992	FM2-0271-000		1	FAX BOARD PCB ASSEMBLY	C3100F,C3100I	
Fig.992	FM2-3861-000		1	FAX BOARD PCB ASSEMBLY	C3170F,C2570F	
1	FC5-1142-000		1	PLATE, GROUNDING		
2	FC5-1162-000		1	PLATE, GROUNDING		
3	FH2-7072-000		1	CABLE, FLEXIBLE	J1,102	
4	FG3-2801-000		1	G3 FAX PS PCB ASSEMBLY	C3100F,C3100I	
5	FG3-2820-000		1	CABLE, PSEUDO CI HIGH VOLTAGE	J4,282	
6	FG3-2826-000		1	CABLE, G3 ANALOG	J2,101	
7	FG3-2828-020		1	CABLE, FAX INNER CONTROL	J31,2119	
8	FG3-1587-000		1	G3 FAX CONTROL PCB ASSEMBLY	C3100F,C3100I,C3170F	
9	FG3-2875-000		1	DIMM ASS'Y	C3100F,C3100I	
10	FM2-0103-000		1	PSEUDO CI ASSEMBLY	C3100F,C3100I	
10	FM2-2773-000		1	PSEUDO CI ASSEMBLY	C3170F,C2570F	
11	FM2-2795-000		1	NCU PCB ASSEMBLY	C3100F,C3100I	
12	VS1-7177-002		1	CONNECTOR, SNAP TIGHT	J2127	
13	VS1-6318-002		1	CONNECTOR, SNAP TIGHT	J2120	
14	VS1-6319-040		1	CONNECTOR, SNAP TIGHT	J2119	
15	WE8-6096-000		1	CORE, FERRITE		
16	FG3-3844-000		1	G3 FAX PS PCB ASSEMBLY	C3170F,C2570F	
18	FM2-2789-000		1	MODEM PCB ASSEMBLY	C3170F,C2570F	
19	FM2-2790-000		1	NCU PCB ASSEMBLY	C3170F,C2570F	
20	WE8-5193-000		1	CORE, FERRITE	C3170F,C2570F	
21	FM2-3686-000		1	RESOLUTION SWITCH B. PCB ASS'Y	C3170F,C2570F	
22	FM2-3821-000		1	CABLE, MODEM	C3170F,C2570F	
23	FM2-3820-000		1	CABLE, FAX INNER M.J.	C3170F,C2570F	
24	FM2-3822-000		1	CABLE, FAX INNER POWER SUPPLY	C3170F,C2570F	
25	WE8-5600-000		1	RING CORE	C3170F,C2570F	
26	FG3-2821-000		1	CABLE, SPEAKER	C3170F,C2570F	
501	XB6-7300-607		AR	SCREW,TP,M3X6		

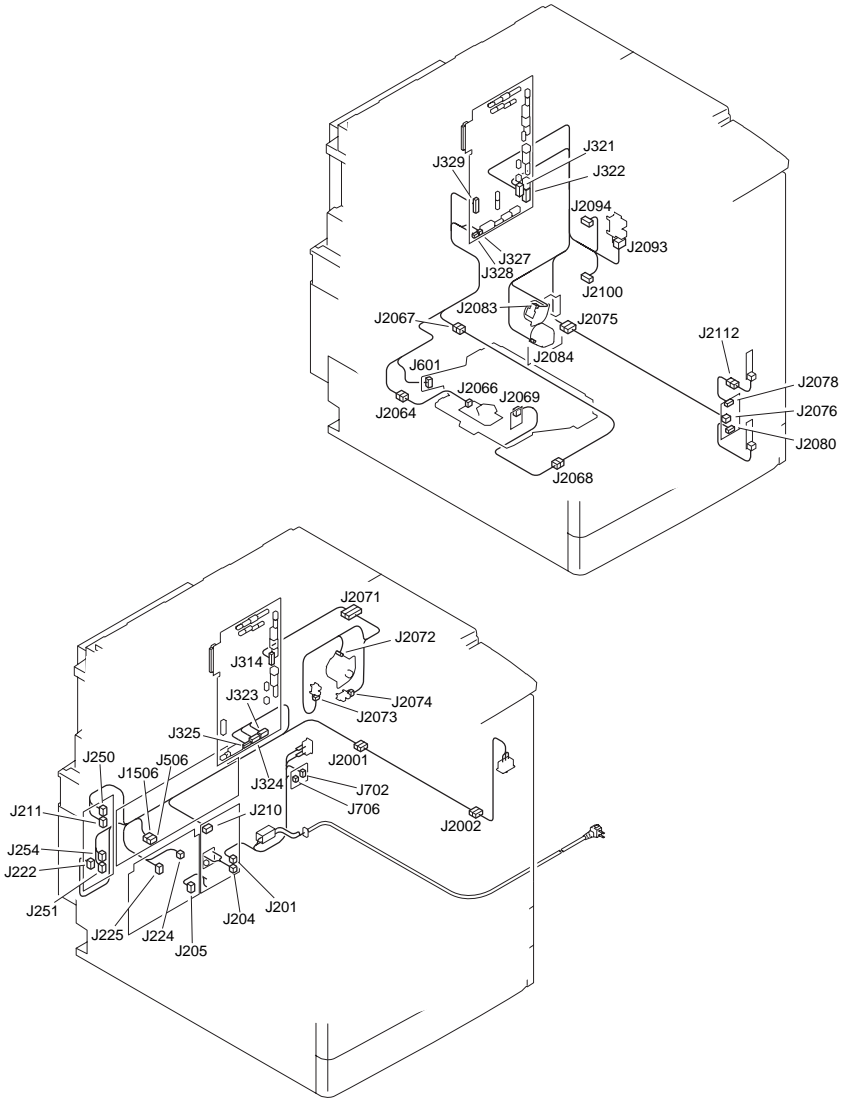
FIGURE B LIST OF CONNECTORS

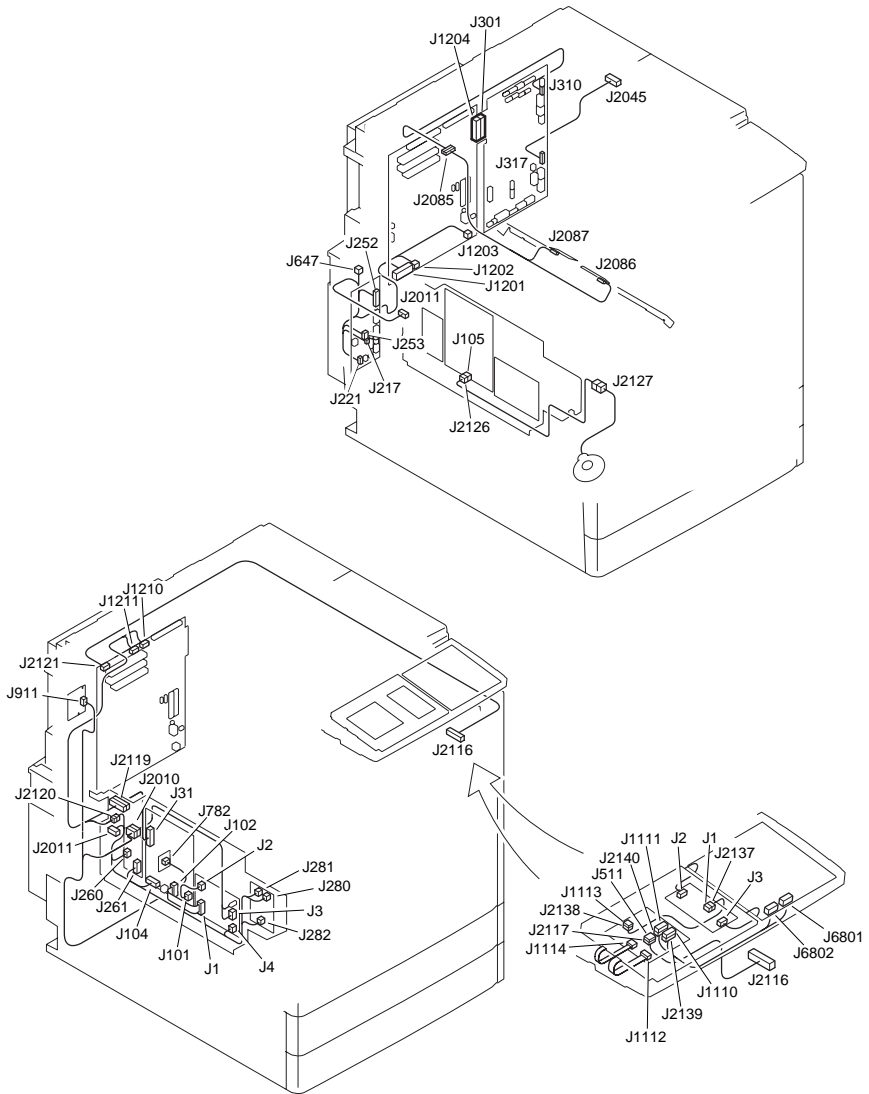












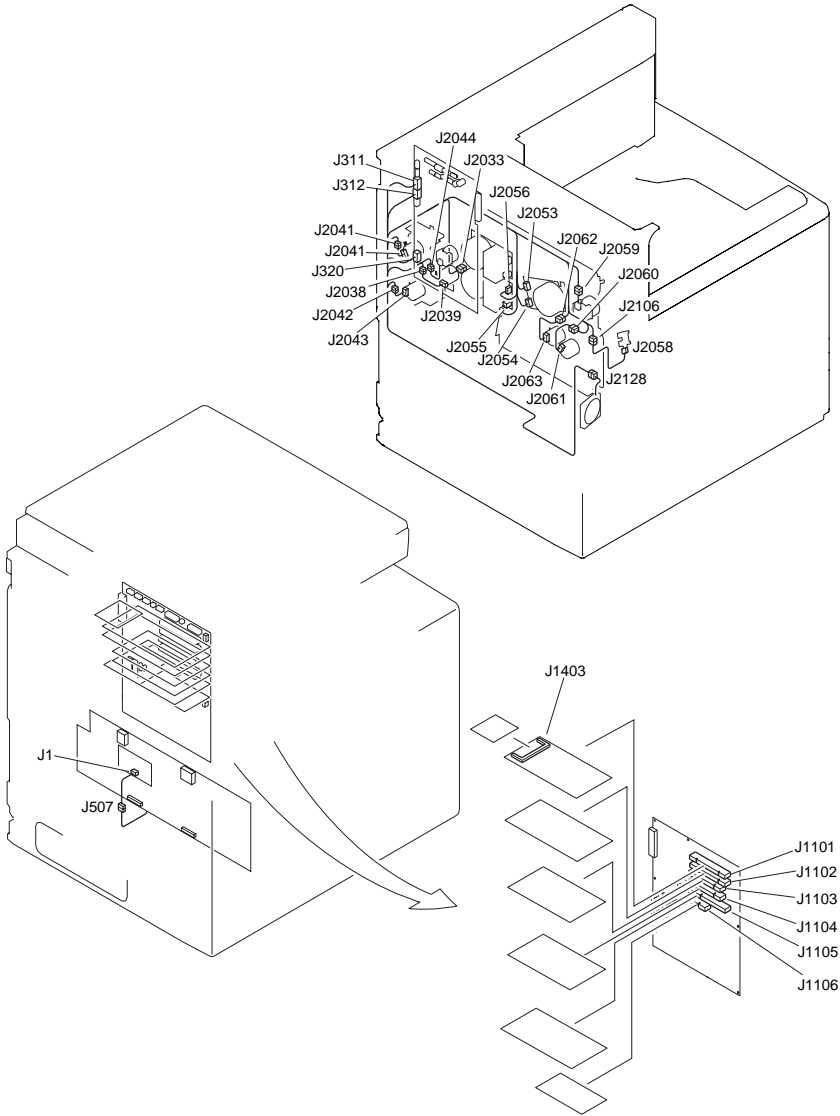


FIGURE & KEY NO.	PARTS NUMBER	RANK	Q'TY	DESCRIPTION	SERIAL NUMBER/REMARKS	SVC
Fig.B	NPN		RF	LIST OF CONNECTORS		
J1	FH2-7072-000		1	CABLE, FLEXIBLE	C3100F,C3100I ONLY	
J1	PCB			HIGH VOLTAGE SUB		
J1	PCB			CONTROL PANEL INVERTER		
J1	PCB			FAX BOARD	C3100F,C3100I ONLY	
J1	VS1-6314-006		1	CONNECTOR, 6P, FEMALE		
J2	PCB			CONTROL PANEL INVERTER		
J2	PCB			NCU	C3100F,C3100I ONLY	
J2	NPN			LCD CONTROL PANEL	LCD1	
J2	VS1-5452-006		1	CONNECTOR, 6P, FEMALE	C3100F,C3100I ONLY	
J3	PCB			CONTROL PANEL INVERTER		
J3	NPN			LCD CONTROL PANEL	LCD1	
J3	PCB			NCU	C3100F,C3100I ONLY	
J3	VS3-5080-007		1	CONNECTOR, 7P, FEMALE	C3100F,C3100I ONLY	
J3	WT1-5155-000		4	TERMINAL	C3100F,C3100I ONLY	
J4	PCB			NCU	C3100F,C3100I ONLY	
J4	VS3-5080-002		1	CONNECTOR, 2P, MALE	C3100F,C3100I ONLY	
J4	WT1-5155-000		2	TERMINAL	C3100F,C3100I ONLY	
J31	PCB			FAX BOARD	C3100F,C3100I ONLY	
J31	VS1-6313-020		1	CONNECTOR, 20P, FEMALE	C3100F,C3100I ONLY	
J31	VS1-6314-020		1	CONNECTOR, 20P, FEMALE	C3100F,C3100I ONLY	
J31	VT2-5161-040		1	HOLDER, CONNECTOR, 40P	C3100F,C3100I ONLY	
J101	PCB			FAX BOARD	C3100F,C3100I ONLY	
J101	VS1-5452-006		1	CONNECTOR, 6P, FEMALE	C3100F,C3100I ONLY	
J102	PCB			FAX BOARD	C3100F,C3100I ONLY	
J102	FH2-7072-000		1	CABLE, FLEXIBLE	C3100F,C3100I ONLY	
J104	PCB			NCU	C3100F,C3100I ONLY	
J104	VS1-6302-014		1	CONNECTOR, 14P, MALE	C3100F,C3100I ONLY	
J104	WS3-5569-000		8	PIN, CONTACT	C3100F,C3100I ONLY	
J105	PCB			FAX BOARD	C3100F,C3100I ONLY	
J201	PCB			AC DRIVER		
J201	WS3-5688-000		2	CONTACT, SOCKET, 14-16AWG		

FIGURE & KEY NO.	PARTS NUMBER	RANK	Q'TY	DESCRIPTION	SERIAL NUMBER/REMARKS	SVC
J202	PCB			AC DRIVER		
J202	VS1-7110-005		1	CONNECTOR, 5P, FEMALE, W		
J202	WS3-5859-000		3	CONTACT, SOCKET, 16-18AWG		
J203	PCB			AC DRIVER		
J203	VS1-7110-003		1	CONNECTOR, 3P, FEMALE, W		
J203	WS3-5859-000		2	CONTACT, SOCKET, 16-18AWG		
J204	PCB			AC DRIVER		
J204	PCB			ARRESTER	C3100F,C3100I ONLY	
J205	PCB			AC DRIVER		
J205	PCB			PRINTER POWER SUPPLY		
J210	PCB			AC DRIVER		
J210	VS1-6314-010		1	CONNECTOR, 10P, FEMALE		
J211	PCB			MAIN CONTROLLER POWER SUPPLY		
J211	VS3-5083-006		1	CONNECTOR, 6P, FEMALE		
J211	WS3-5160-000		5	SOCKET CONTACT, 18-24AWG		
J212	PCB			MAIN CONTROLLER POWER SUPPLY		
J212	VS3-5083-004		1	CONNECTOR, 4P, FEMALE		
J212	WS3-5160-000		4	SOCKET CONTACT, 18-24AWG		
J213	PCB			MAIN CONTROLLER POWER SUPPLY		
J213	VS1-7178-003		1	CONNECTOR, 3P, FEMALE		
J214	PCB			MAIN CONTROLLER POWER SUPPLY		
J214	VS1-6302-002		1	CONNECTOR, 2P, MALE		
J214	WS3-5569-000		2	PIN, CONTACT		
J215	PCB			MAIN CONTROLLER POWER SUPPLY		
J215	VS1-7178-002		1	CONNECTOR, 2P, FEMALE		
J217	PCB			MAIN CONTROLLER POWER SUPPLY		
J217	VS1-6314-003		1	CONNECTOR, 3P, MALE		
J218	PCB			MAIN CONTROLLER POWER SUPPLY		
J218	VS1-6302-003		1	CONNECTOR, 3P, FEMALE		
J218	WS3-5569-000		3	PIN, CONTACT		
J221	PCB			MAIN CONTROLLER POWER SUPPLY		
J221	VS1-6302-006		1	CONNECTOR, 6P, MALE	C3100F,C3100I ONLY	

FIGURE & KEY NO.	PARTS NUMBER	RANK	Q'TY	DESCRIPTION	SERIAL NUMBER/REMARKS	SVC
J221	WS3-5569-000		6	PIN, CONTACT	C3100F,C3100I ONLY	
J222	PCB			MAIN CONTROLLER POWER SUPPLY		
J222	VS1-6314-004		1	CONNECTOR, 4P, FEMALE		
J223	PCB			MAIN CONTROLLER POWER SUPPLY		
J223	VS1-6302-004		1	CONNECTOR, 4P, MALE		
J223	WS3-5569-000		4	PIN, CONTACT		
J224	PCB			PRINTER POWER SUPPLY		
J224	VS1-6314-005		1	CONNECTOR, 5P, FEMALE		
J225	PCB			PRINTER POWER SUPPLY		
J225	VS1-7110-007		1	CONNECTOR, 7P, FEMALE, W		
J225	WS3-5859-000		7	CONTACT, SOCKET, 16-18AWG		
J250	PCB			MAIN CONTROLLER POWER SUPPLY		
J250	VS3-5083-007		1	CONNECTOR, 7P, FEMALE		
J250	WS3-5160-000		7	SOCKET CONTACT, 18-24AWG		
J251	PCB			MAIN CONTROLLER POWER SUPPLY		
J251	VS1-6302-007		1	CONNECTOR, 7P, FEMALE		
J251	WS3-5569-000		7	PIN, CONTACT		
J252	PCB			MAIN CONTROLLER POWER SUPPLY		
J252	VS3-5083-010		1	CONNECTOR, 10P, FEMALE		
J252	WS3-5160-000		10	SOCKET CONTACT, 18-24AWG		
J253	PCB			MAIN CONTROLLER POWER SUPPLY		
J253	VS1-6534-004		1	CONNECTOR, 4P, FEMALE		
J253	WS3-5658-000		4	SOCKET CONTACT		
J254	PCB			MAIN CONTROLLER POWER SUPPLY		
J254	VS1-6314-005		1	CONNECTOR, 5P, FEMALE		
J255	PCB			MAIN CONTROLLER POWER SUPPLY		
J255	VS3-5083-002		1	CONNECTOR, 2P, FEMALE		
J255	WS3-5160-000		2	SOCKET CONTACT, 18-24AWG		
J260	PCB			G3 FAX PS	C3100F,C3100I ONLY	
J260	VS1-6302-004		1	CONNECTOR, 4P, MALE	C3100F,C3100I ONLY	
J260	WS3-5569-000		4	PIN, CONTACT	C3100F,C3100I ONLY	
J261	PCB			G3 FAX PS	C3100F,C3100I ONLY	

FIGURE & KEY NO.	PARTS NUMBER	R A N K	Q'TY	DESCRIPTION	SERIAL NUMBER/REMARKS	S V C
J261	VS1-6302-008		1	CONNECTOR, 8P, MALE	C3100F,C3100I ONLY	
J261	WS3-5569-000		8	PIN, CONTACT	C3100F,C3100I ONLY	
J280	PCB			PSEUDO CI	C3100F,C3100I ONLY	
J280	VS1-6314-002		1	CONNECTOR, 2P, FEMALE	C3100F,C3100I ONLY	
J281	PCB			PSEUDO CI	C3100F,C3100I ONLY	
J281	VS1-6302-002		1	CONNECTOR, 2P, MALE	C3100F,C3100I ONLY	
J281	WS3-5569-000		2	PIN, CONTACT	C3100F,C3100I ONLY	
J282	PCB			PSEUDO CI	C3100F,C3100I ONLY	
J282	VS1-6302-003		1	CONNECTOR, 3P, FEMALE	C3100F,C3100I ONLY	
J282	WS3-5569-000		2	PIN, CONTACT	C3100F,C3100I ONLY	
J301	PCB			DC CONTROLLER		
J303	PCB			DC CONTROLLER		
J303	VS1-5452-005		1	CONNECTOR, 5P, FEMALE		
J304	PCB			DC CONTROLLER		
J304	VS1-5452-007		1	CONNECTOR, 7P, FEMALE		
J305	PCB			DC CONTROLLER		
J305	VS1-5452-006		1	CONNECTOR, 6P, FEMALE		
J306	PCB			DC CONTROLLER		
J306	VS1-5824-008		1	CONNECTOR, 8P, FEMALE		
J306	WS3-5358-000		8	SOCKET CONTACT, 22-26AWG		
J307	PCB			DC CONTROLLER		
J307	VS1-6314-008		1	CONNECTOR, 8P, FEMALE		
J308	PCB			DC CONTROLLER		
J308	VS1-6314-017		1	CONNECTOR, 17P, FEMALE		
J309	PCB			DC CONTROLLER		
J309	VS1-5824-006		1	CONNECTOR, 6P, FEMALE		
J309	WS3-5358-000		6	SOCKET CONTACT, 22-26AWG		
J310	PCB			DC CONTROLLER		
J310	VS1-6314-010		1	CONNECTOR, 10P, FEMALE		
J311	PCB			DC CONTROLLER		
J311	VS1-6313-012		1	CONNECTOR, 12P, FEMALE		
J311	VS1-6314-012		1	CONNECTOR, 12P, FEMALE		

FIGURE & KEY NO.	PARTS NUMBER	RANK	Q'TY	DESCRIPTION	SERIAL NUMBER/REMARKS	SVC
J311	VT2-5161-024		1	CONNECTOR, 24P, FEMALE		
J312	PCB			DC CONTROLLER		
J312	VS1-7110-004		1	CONNECTOR, 4P, FEMALE, W		
J312	WS3-5858-000		4	CONTACT, SOCKET, 20-22AWG		
J313	PCB			DC CONTROLLER		
J313	VS1-6302-006		1	CONNECTOR, 6P, MALE		
J313	WS3-5569-000		6	PIN, CONTACT		
J314	PCB			DC CONTROLLER		
J314	VS1-6314-010		1	CONNECTOR, 10P, FEMALE		
J315	PCB			DC CONTROLLER		
J315	VS1-7110-002		1	CONNECTOR, 2P, FEMALE, W		
J315	WS3-5858-000		2	CONTACT, SOCKET, 20-22AWG		
J316	PCB			DC CONTROLLER		
J316	VS1-6313-013		1	CONNECTOR, 13P, FEMALE		
J316	VS1-6314-013		1	CONNECTOR, 13P, FEMALE		
J316	VT2-5161-026		1	HOLDER, CONNECTOR, 26P		
J317	PCB			DC CONTROLLER		
J317	VS1-6314-015		1	CONNECTOR, 15P, FEMALE		
J318	PCB			DC CONTROLLER		
J318	VS1-7208-008		1	CONNECTOR, 8P, FEMALE		
J319	PCB			DC CONTROLLER		
J319	VS1-7178-004		1	CONNECTOR, 4P, FEMALE		
J320	PCB			DC CONTROLLER		
J320	VS1-6313-009		1	CONNECTOR, 9P, FEMALE		
J320	VS1-6314-009		1	CONNECTOR, 9P, FEMALE		
J320	VT2-5161-018		1	HOLDER, CONNECTOR, 18P		
J321	PCB			DC CONTROLLER		
J321	VS1-6313-011		1	CONNECTOR, 11P, FEMALE		
J321	VS1-6314-011		1	CONNECTOR, 11P, FEMALE		
J321	VT2-5161-022		1	HOLDER, CONNECTOR, 22P		
J322	PCB			DC CONTROLLER		
J322	VS1-6313-014		1	CONNECTOR, 14P, FEMALE		

FIGURE & KEY NO.	PARTS NUMBER	RANK	Q'TY	DESCRIPTION	SERIAL NUMBER/REMARKS	SVC
J322	VS1-6314-014		1	CONNECTOR, 14P, MALE		
J322	VT2-5161-028		1	HOLDER, CONNECTOR, 28P		
J323	PCB			DC CONTROLLER		
J323	VS1-7110-004		1	CONNECTOR, 4P, FEMALE, W		
J323	WS3-5858-000		4	CONTACT, SOCKET, 20-22AWG		
J324	PCB			DC CONTROLLER		
J324	VS1-6302-007		1	CONNECTOR, 7P, FEMALE		
J324	WS3-5569-000		7	PIN, CONTACT		
J325	PCB			DC CONTROLLER		
J325	VS1-6314-013		1	CONNECTOR, 13P, FEMALE		
J326	PCB			DC CONTROLLER		
J326	VS1-6313-016		1	CONNECTOR, 16P, FEMALE		
J326	VS1-6314-016		1	CONNECTOR, 16P, FEMALE		
J326	VT2-5161-032		1	HOLDER, CONNECTOR, 32P		
J327	PCB			DC CONTROLLER		
J327	VS1-7178-003		1	CONNECTOR, 3P, FEMALE		
J328	PCB			DC CONTROLLER		
J328	VS1-6314-005		1	CONNECTOR, 5P, FEMALE		
J329	PCB			DC CONTROLLER		
J329	VS1-5824-014		1	CONNECTOR, 14P, FEMALE		
J329	WS3-5358-000		13	SOCKET CONTACT, 22-26AWG		
J500	PCB			READER CONTROLLER		
J500	VS1-7110-002		1	CONNECTOR, 2P, FEMALE, W		
J500	WS3-5859-000		2	CONTACT, SOCKET, 16-18AWG		
J501	PCB			HIGH VOLTAGE TRANSFER		
J501	PCB			READER CONTROLLER		
J501	VS1-7110-004		1	CONNECTOR, 4P, FEMALE, W		
J501	WS3-5859-000		4	CONTACT, SOCKET, 16-18AWG		
J502	PCB			HIGH VOLTAGE TRANSFER		
J502	PCB			READER CONTROLLER		
J502	FH2-7036-000		1	CABLE, DDI-S SERIAL		
J503	PCB			READER CONTROLLER		

FIGURE & KEY NO.	PARTS NUMBER	RANK	Q'TY	DESCRIPTION	SERIAL NUMBER/REMARKS	SVC
J503	VS1-5452-007		1	CONNECTOR, 7P, FEMALE		
J504	PCB			HIGH VOLTAGE TRANSFER		
J504	PCB			READER CONTROLLER		
J504	VS1-5452-005		1	CONNECTOR, 5P, FEMALE		
J505	PCB			HIGH VOLTAGE TRANSFER		
J505	PCB			READER CONTROLLER		
J505	VS1-6302-004		1	CONNECTOR, 4P, MALE		
J505	WS3-5569-000		4	PIN, CONTACT		
J506	PCB			HIGH VOLTAGE TRANSFER		
J506	PCB			READER CONTROLLER		
J506	VS1-6314-009		1	CONNECTOR, 9P, FEMALE		
J507	VS1-6314-006		1	CONNECTOR, 6P, FEMALE		
J507	VS1-6318-006		1	CONNECTOR, SNAP TIGHT		
J507	VS1-6757-006		1	CONNECTOR, 6P, FEMALE		
J507	WS3-5721-000		5	SOCKET CONTACT		
J510	PCB			READER CONTROLLER		
J510	FH2-7054-000		1	CABLE, FLEXIBLE FLAT		
J511	PCB			READER CONTROLLER		
J511	VS1-6314-004		1	CONNECTOR, 4P, FEMALE		
J511	VS1-6314-006		1	CONNECTOR, 6P, FEMALE		
J512	PCB			READER CONTROLLER		
J512	VS1-6314-003		1	CONNECTOR, 3P, MALE		
J601	PCB			LASER DRIVER		
J601	VS1-5824-013		1	CONNECTOR, 13P, FEMALE		
J601	WS3-5358-000		13	SOCKET CONTACT, 22-26AWG		
J640	PCB			SWITCHING POWER SUPPLY		
J640	VS1-7110-003		1	CONNECTOR, 3P, FEMALE, W		
J640	WS3-5859-000		2	CONTACT, SOCKET, 16-18AWG		
J641	PCB			SWITCHING POWER SUPPLY		
J641	VS1-5452-002		1	CONNECTOR, 2P, FEMALE		
J642	PCB			SWITCHING POWER SUPPLY		
J642	VS1-7110-002		1	CONNECTOR, 2P, FEMALE, W		

FIGURE & KEY NO.	PARTS NUMBER	RANK	Q'TY	DESCRIPTION	SERIAL NUMBER/REMARKS	SVC
J642	WS3-5858-000		2	CONTACT, SOCKET, 20-22AWG		
J643	PCB			SWITCHING POWER SUPPLY		
J643	VS1-6302-002		1	CONNECTOR, 2P, MALE		
J643	WS3-5569-000		2	PIN, CONTACT		
J644	PCB			SWITCHING POWER SUPPLY		
J644	VS1-6302-004		1	CONNECTOR, 4P, MALE		
J644	WS3-5680-000		4	SOCKET CONTACT, 20-24AWG		
J645	PCB			SWITCHING POWER SUPPLY		
J645	VS1-6302-004		1	CONNECTOR, 4P, MALE		
J645	WS3-5569-000		4	PIN, CONTACT		
J647	PCB			SWITCHING POWER SUPPLY		
J647	VS1-6302-003		1	CONNECTOR, 3P, FEMALE		
J647	WS3-5569-000		3	PIN, CONTACT		
J701	PCB			HEATER SWITCH	OPTION	
J701	VS1-7178-002		1	CONNECTOR, 2P, FEMALE		
J702	PCB			HEATER SWITCH	OPTION	
J702	VS1-7110-004		1	CONNECTOR, 4P, FEMALE, W		
J702	WS3-5592-000		2	SOCKET CONTACT, 16-18AWG		
J705	PCB			HEATER SWITCH	OPTION	
J705	VS1-7110-003		1	CONNECTOR, 3P, FEMALE, W		
J705	WS3-5859-000		2	CONTACT, SOCKET, 16-18AWG		
J706	PCB			HEATER SWITCH	OPTION	
J706	VS1-7110-003		1	CONNECTOR, 3P, FEMALE, W		
J706	WS3-5592-000		2	SOCKET CONTACT, 16-18AWG		
J782	PCB			ARRESTER	C3100F,C3100I ONLY	
J782	VS1-7110-002		1	CONNECTOR, 2P, FEMALE, W	C3100F,C3100I ONLY	
J782	WS3-5858-000		1	CONTACT, SOCKET, 20-22AWG	C3100F,C3100I ONLY	
J911	PCB			G3 MODULAR	C3100F,C3100I ONLY	
J911	VS3-5080-007		1	CONNECTOR, 7P, FEMALE	C3100F,C3100I ONLY	
J911	WT1-5155-000		4	TERMINAL	C3100F,C3100I ONLY	
J1101	PCB			MAIN BOARD		
J1101	PCB			EX-BUS BOARD		

FIGURE & KEY NO.	PARTS NUMBER	R A N K	Q'TY	DESCRIPTION	SERIAL NUMBER/ REMARKS	S V C
J1102	PCB			MAIN BOARD	FM4	
J1102	PCB			SCANNER BOARD		
J1103	PCB			MAIN BOARD		
J1103	PCB			RESOLUTION SWITCH BOARD		
J1104	PCB			MAIN BOARD		
J1104	PCB			USB INTERFACE BOARD		
J1104	PCB			TOKENRING		
J1105	PCB			MAIN BOARD		
J1105	PCB			UFR		
J1106	PCB			MAIN BOARD		
J1106	PCB			NETWORK BOARD		
J1110	PCB			CONTROL PANEL CPU		
J1110	PCB			MAIN BOARD		
J1110	FH2-7018-000		1	FLAT CABLE, HDD, 1		
J1111	PCB			CONTROL PANEL CPU		
J1111	PCB			MAIN BOARD		
J1111	VS3-5083-004		1	CONNECTOR, 4P, FEMALE		
J1111	WS3-5160-000		4	SOCKET CONTACT, 18-24AWG		
J1112	FH2-7037-000		1	CABLE, FLAT		
J1112	PCB			CONTROL PANEL CPU		
J1113	NPN			CONTROLLER FAN		
J1113	PCB			CONTROL PANEL CPU		
J1113	PCB			MAIN BOARD		
J1114	NPN			ANALOG TOUCH PANEL UNIT		
J1114	PCB			CONTROL PANEL CPU		
J1201	PCB			MAIN BOARD		
J1201	VS3-5083-010		1	CONNECTOR, 10P, FEMALE		
J1201	WS3-5160-000		10	SOCKET CONTACT, 18-24AWG		
J1202	PCB			MAIN BOARD		
J1202	VS1-6302-004		1	CONNECTOR, 4P, MALE		
J1202	WS3-5569-000		4	PIN, CONTACT		
J1203	PCB			MAIN BOARD		

FIGURE & KEY NO.	PARTS NUMBER	RANK	Q'TY	DESCRIPTION	SERIAL NUMBER/REMARKS	SVC
J1203	VS1-6314-003		1	CONNECTOR, 3P, MALE		
J1204	PCB			MAIN BOARD		
J1205	PCB			MAIN BOARD		
J1205	VS1-5824-004		1	CONNECTOR, 4P, FEMALE		
J1205	WS3-5358-000		4	SOCKET CONTACT, 22-26AWG		
J1206	PCB			MAIN BOARD		
J1206	VS1-6321-006		1	CONNECTOR, 6P, FEMALE		
J1207	PCB			MAIN BOARD		
J1207	VS1-6314-008		1	CONNECTOR, 8P, FEMALE		
J1208	PCB			MAIN BOARD		
J1208	VS1-7178-002		1	CONNECTOR, 2P, FEMALE		
J1209	PCB			MAIN BOARD		
J1209	VS1-6314-010		1	CONNECTOR, 10P, FEMALE		
J1210	PCB			MAIN BOARD		
J1210	VS1-6313-020		1	CONNECTOR, 20P, FEMALE	C3100F,C3100I ONLY	
J1210	VS1-6314-020		1	CONNECTOR, 20P, FEMALE	C3100F,C3100I ONLY	
J1210	VT2-5161-040		1	HOLDER, CONNECTOR, 40P	C3100F,C3100I ONLY	
J1211	PCB			MAIN BOARD		
J1211	VS1-6314-003		1	CONNECTOR, 3P, MALE	C3100F,C3100I ONLY	
J1212	PCB			MAIN BOARD		
J1212	VS1-6313-018		1	CONNECTOR, 18P, FEMALE		
J1212	VS1-6314-018		1	CONNECTOR, 18P, MALE		
J1212	VT2-5161-036		1	HOLDER, CONNECTOR, 36P		
J1213	PCB			MAIN BOARD		
J1213	VS1-6314-006		1	CONNECTOR, 6P, FEMALE		
J1302	PCB			SCANNER BOARD		
J1302	FH2-7036-000		1	CABLE, DDI-S SERIAL		
J1403	PCB			EX-BUS BOARD		
J1403	PCB			SRAM BOARD		
J1501	VS1-6314-016		1	CONNECTOR, 16P, FEMALE		
J1502	VS1-6313-017		1	CONNECTOR, 17P, FEMALE		
J1504	VS1-7110-003		1	CONNECTOR, 3P, FEMALE, W		

FIGURE & KEY NO.	PARTS NUMBER	R A N K	Q'TY	DESCRIPTION	SERIAL NUMBER/ REMARKS	S V C
J1504	WS3-5858-000		1	CONTACT, SOCKET, 20-22AWG		
J1505	VS1-7110-005		1	CONNECTOR, 5P, FEMALE, W		
J1505	WS3-5858-000		2	CONTACT, SOCKET, 20-22AWG		
J1506	VS1-6302-002		1	CONNECTOR, 2P, MALE		
J1506	WS3-5680-000		2	SOCKET CONTACT, 20-24AWG		
J2001	VS1-6982-004		1	CONNECTOR, 4P, MALE, W		
J2001	VS1-7110-004		1	CONNECTOR, 4P, FEMALE, W		
J2001	WS3-5744-000		2	CONTACT, PIN, 16-18AWG		
J2001	WS3-5815-000		2	CONTACT, PIN, 20-22AWG		
J2001	WS3-5858-000		2	CONTACT, SOCKET, 20-22AWG		
J2001	WS3-5859-000		2	CONTACT, SOCKET, 16-18AWG		
J2002	VS1-6982-004		1	CONNECTOR, 4P, MALE, W		
J2002	VS1-7110-004		1	CONNECTOR, 4P, FEMALE, W		
J2002	WS3-5744-000		2	CONTACT, PIN, 16-18AWG		
J2002	WS3-5815-000		2	CONTACT, PIN, 20-22AWG		
J2002	WS3-5858-000		2	CONTACT, SOCKET, 20-22AWG		
J2002	WS3-5859-000		2	CONTACT, SOCKET, 16-18AWG		
J2003	VS1-7440-006		1	CONNECTOR, SNAP TIGHT		
J2003	VS1-5824-006		1	CONNECTOR, 6P, FEMALE		
J2003	VS1-6321-006		1	CONNECTOR, 6P, FEMALE		
J2003	WS3-5730-000		6	SOCKET CONTACT AWG 36-26		
J2004	NPN			FIXING INLET SENSOR	PS25	
J2004	VS1-5824-003		1	CONNECTOR, 3P, FEMALE		
J2004	WS3-5730-000		3	SOCKET CONTACT AWG 36-26		
J2005	NPN			FIXING PAPER DELIVERY SENSOR	PS13	
J2005	VS1-5824-003		1	CONNECTOR, 3P, FEMALE		
J2005	WS3-5730-000		3	SOCKET CONTACT AWG 36-26		
J2006	VS1-7177-007		1	CONNECTOR, SNAP TIGHT		
J2006	VS1-5824-007		1	CONNECTOR, 7P, FEMALE		
J2006	VS1-6321-007		1	CONNECTOR, 7P, FEMALE		
J2006	WS3-5730-000		7	SOCKET CONTACT AWG 36-26		
J2007	NPN			FIXING SUB THERMISTOR		

FIGURE & KEY NO.	PARTS NUMBER	RANK	Q'TY	DESCRIPTION	SERIAL NUMBER/REMARKS	SVC
J2007	VS1-7177-004		1	CONNECTOR, SNAP TIGHT		
J2007	VS1-5824-004		1	CONNECTOR, 4P, FEMALE		
J2007	WS3-5730-000		4	SOCKET CONTACT AWG 36-26		
J2008	NPN			FIXING MAIN THERMISTOR	TH1	
J2008	VS1-7177-005		1	CONNECTOR, SNAP TIGHT		
J2008	VS1-5824-005		1	CONNECTOR, 5P, FEMALE		
J2008	WS3-5730-000		5	SOCKET CONTACT AWG 36-26		
J2009	NPN			MAIN/SUB HEATER	H1,2	
J2009	VS3-5116-003		1	CONNECTOR (3P)		
J2009	VS3-5207-003		1	CONNECTOR, 3P, MALE		
J2009	WS3-5174-000		1	SOCKET CONTACT, 16-20AWG		
J2009	WS3-5354-000		3	PIN CONTACT, 16-20AWG		
J2010	VS4-0001-012		1	CONNECTOR, 12P, MALE	C3100F,C3100I ONLY	
J2010	VS4-0002-012		1	CONNECTOR, 12P, FEMALE	C3100F,C3100I ONLY	
J2010	WS4-0217-000		1	SOCKET CONTACT, 22-18AWG	C3100F,C3100I ONLY	
J2010	WS4-0218-000		4	SOCKET CONTACT, 22-26AWG	C3100F,C3100I ONLY	
J2010	WS4-0219-000		1	PIN CONTACT, 18-22AWG	C3100F,C3100I ONLY	
J2010	WS4-0220-000		4	PIN CONTACT, 22-26AWG	C3100F,C3100I ONLY	
J2011	VS1-6302-006		1	CONNECTOR, 6P, MALE	C3100F,C3100I ONLY	
J2011	VS1-6702-006		1	CONNECTOR, 6P, W	C3100F,C3100I ONLY	
J2011	WS3-5569-000		6	PIN, CONTACT	C3100F,C3100I ONLY	
J2011	WS3-5720-000		6	SOCKET CONTACT, 22-28AWG	C3100F,C3100I ONLY	
J2012	VS1-6982-002		1	CONNECTOR, 2P, MALE, W		
J2012	VS1-7110-002		1	CONNECTOR, 2P, FEMALE, W		
J2012	WS3-5744-000		2	CONTACT, PIN, 16-18AWG		
J2012	WS3-5859-000		2	CONTACT, SOCKET, 16-18AWG		
J2013	SYS			TO FINISHER-P1		
J2013	VS1-5729-004		1	CONNECTOR, 4P, MALE		
J2013	WS3-5301-000		4	PIN CONTACT		
J2014	SYS			TO FINISHER-P1		
J2014	VS1-5452-007		1	CONNECTOR, 7P, FEMALE		
J2014	VS1-7507-007		1	CONNECTOR, SNAP TIGHT		

FIGURE & KEY NO.	PARTS NUMBER	R A N K	Q'TY	DESCRIPTION	SERIAL NUMBER/ REMARKS	S V C
J2015	NPN			CASSETTE HEATER	H4	
J2015	VS4-0002-002		1	CONNECTOR, 2P, FEMALE		
J2015	WS4-0217-000		2	SOCKET CONTACT, 22-18AWG		
J2016	VS1-6982-005		1	CONNECTOR, 5P, MALE, W		
J2016	VS1-7110-005		1	CONNECTOR, 5P, FEMALE, W		
J2016	WS3-5744-000		4	CONTACT, PIN, 16-18AWG		
J2016	WS3-5859-000		4	CONTACT, SOCKET, 16-18AWG		
J2017	FH2-5825-000		7	PIN CONTACT, 16-20AWG		
J2017	FH2-6855-000		1	CONNECTOR, 12P, FEMALE		
J2018	SYS			TO INNER 2WAY TRAY-C1		
J2018	VS1-6702-010		1	CONNECTOR, 10P		
J2018	WS3-5720-000		10	SOCKET CONTACT, 22-28AWG		
J2019	SYS			TO BUFFER PASS-C1		
J2019	VS1-6702-012		1	CONNECTOR, 12P		
J2019	WS3-5720-000		12	SOCKET CONTACT, 22-28AWG		
J2020	VS1-6982-002		1	CONNECTOR, 2P, MALE, W		
J2020	VS1-7110-002		1	CONNECTOR, 2P, FEMALE, W		
J2020	WS3-5592-000		2	SOCKET CONTACT, 16-18AWG		
J2020	WS3-5815-000		2	CONTACT, PIN, 20-22AWG		
J2021	SYS			TO CF-Y1/PD-Q1		
J2021	VS1-7208-006		1	CONNECTOR, 6P, FEMALE		
J2021	VS1-7208-008		1	CONNECTOR, 8P, FEMALE		
J2021	WS3-5817-000		4	CONTACT, SOCKET, 16-20AWG		
J2021	WS3-5892-000		1	CONNECTOR, 4P, FEMALE, GRY		
J2022	SYS			TO FINISHER-Q1/Q2		
J2022	VS1-5452-007		1	CONNECTOR, 7P, FEMALE		
J2022	VS1-5452-008		1	CONNECTOR, 8P, FEMALE		
J2022	WS3-5596-000		3	PIN CONTACT, 18-24AWG		
J2022	FK2-0247-000		1	CONNECTOR, FEMALE		
J2023	VS1-6302-004		1	CONNECTOR, 4P, MALE		
J2023	VS1-6702-004		1	CONNECTOR, 4P		
J2023	WS3-5569-000		4	PIN, CONTACT		

FIGURE & KEY NO.	PARTS NUMBER	RANK	Q'TY	DESCRIPTION	SERIAL NUMBER/REMARKS	SVC
J2023	WS3-5719-000		4	PIN CONTACT, 20-24AWG		
J2024	VS1-6982-002		1	CONNECTOR, 2P, MALE, W	220/240V ONLY	
J2024	VS1-7110-002		1	CONNECTOR, 2P, FEMALE, W		
J2024	WS3-5815-000		2	CONTACT, PIN, 20-22AWG	220/240V ONLY	
J2024	WS3-5858-000		2	CONTACT, SOCKET, 20-22AWG		
J2025	VS1-5452-007		2	CONNECTOR, 7P, FEMALE		
J2025	VS1-7507-007		1	CONNECTOR, SNAP TIGHT		
J2026	VS1-6313-009		2	CONNECTOR, 9P, FEMALE		
J2026	VS1-6314-009		2	CONNECTOR, 9P, FEMALE		
J2026	VS1-7164-018		1	CONNECTOR, SNAP TIGHT		
J2026	VT2-5161-018		2	HOLDER, CONNECTOR, 18P		
J2027	NPN			ITB DUCT FAN	FM3	
J2027	VS1-7177-003		1	CONNECTOR, SNAP TIGHT		
J2027	VS1-6321-003		1	CONNECTOR, 3P, FEMALE		
J2028	NPN			FRONT DOOR SENSOR	PS22	
J2028	VS1-6321-003		1	CONNECTOR, 3P, FEMALE		
J2029	NPN			PAPER FEEDER DOOR SENSOR	PS18	
J2029	VS1-6321-003		1	CONNECTOR, 3P, FEMALE		
J2030	VS1-5452-006		2	CONNECTOR, 6P, FEMALE		
J2030	VS1-7507-006		1	CONNECTOR, SNAP TIGHT		
J2031	NPN			WASTE TONER SENSOR	PS21	
J2031	VS1-6321-003		1	CONNECTOR, 3P, FEMALE		
J2032	NPN			WASTE TONER SENSOR	PS20	
J2032	VS1-6321-002		1	CONNECTOR, 2P, FEMALE		
J2033	VS1-7177-003		1	CONNECTOR, SNAP TIGHT		
J2033	VS1-6321-003		2	CONNECTOR, 3P, FEMALE		
J2034	NPN			ITB HOME POSITION SENSOR	PS19	
J2034	VS1-6321-003		1	CONNECTOR, 3P, FEMALE		
J2035	VS1-7177-004		1	CONNECTOR, SNAP TIGHT		
J2035	VS1-6321-004		2	CONNECTOR, 4P, FEMALE		
J2036	NPN			OHP SENSOR	PS26	
J2036	VS1-6321-003		1	CONNECTOR, 3P, FEMALE		

FIGURE & KEY NO.	PARTS NUMBER	RANK	Q'TY	DESCRIPTION	SERIAL NUMBER/REMARKS	SVC
J2037	NPN			PRE-REGISTRATION SENSOR	PS9	
J2037	VS1-6321-003		1	CONNECTOR, 3P, FEMALE		
J2038	VS1-7177-003		1	CONNECTOR, SNAP TIGHT		
J2038	VS1-6321-003		2	CONNECTOR, 3P, FEMALE		
J2039	NPN			REGISTRATION CLUTCH	CL2	
J2039	VS1-6314-003		1	CONNECTOR, 3P, MALE		
J2040	VS1-7177-002		1	CONNECTOR, SNAP TIGHT		
J2040	VS1-6321-002		2	CONNECTOR, 2P, FEMALE		
J2041	NPN			MANUAL FEED PICK-UP CLUTCH	CL1	
J2041	VS1-6314-003		1	CONNECTOR, 3P, MALE		
J2042	VS1-7177-002		1	CONNECTOR, SNAP TIGHT		
J2042	VS1-6321-002		2	CONNECTOR, 2P, FEMALE		
J2043	NPN			DUPLEXING FEEDER CLUTCH	CL6	
J2043	VS1-6314-003		1	CONNECTOR, 3P, MALE		
J2044	NPN			2ND TRANSFER DESORPTION CLUTCH	CL9	
J2044	VS1-7177-002		1	CONNECTOR, SNAP TIGHT		
J2044	VS1-6321-002		1	CONNECTOR, 2P, FEMALE		
J2045	VS1-6314-015		1	CONNECTOR, 15P, FEMALE		
J2045	VS1-6318-015		1	CONNECTOR, SNAP TIGHT		
J2045	VS1-6757-015		1	CONNECTOR, 15P, FEMALE		
J2045	WS3-5721-000		15	SOCKET CONTACT		
J2046	VS1-7177-003		1	CONNECTOR, SNAP TIGHT		
J2046	VS1-5824-003		1	CONNECTOR, 3P, FEMALE		
J2046	VS1-6321-003		1	CONNECTOR, 3P, FEMALE		
J2046	WS3-5358-000		3	SOCKET CONTACT, 22-26AWG		
J2047	NPN			MANUAL FEED PAPER SIZE SENSOR	SVR1	
J2047	VS1-6321-003		1	CONNECTOR, 3P, FEMALE		
J2048	VS1-7177-003		1	CONNECTOR, SNAP TIGHT		
J2048	VS1-5824-003		1	CONNECTOR, 3P, FEMALE		
J2048	VS1-6321-003		1	CONNECTOR, 3P, FEMALE		
J2048	WS3-5358-000		3	SOCKET CONTACT, 22-26AWG		
J2049	NPN			MANUAL FEED PAPER SENSOR	PS7	

FIGURE & KEY NO.	PARTS NUMBER	RANK	Q'TY	DESCRIPTION	SERIAL NUMBER/REMARKS	SVC
J2049	VS1-6321-003		1	CONNECTOR, 3P, FEMALE		
J2050	NPN			DUPLEXING FEEDER SENSOR	PS17	
J2050	VS1-5824-003		1	CONNECTOR, 3P, FEMALE		
J2050	WS3-5358-000		3	SOCKET CONTACT, 22-26AWG		
J2051	NPN			PAPER DELIVERY REAR FAN	FM1	
J2051	VS1-7177-003		1	CONNECTOR, SNAP TIGHT		
J2051	VS1-5824-003		1	CONNECTOR, 3P, FEMALE		
J2051	WS3-5358-000		3	SOCKET CONTACT, 22-26AWG		
J2052	NPN			PAPER DELIVERY FRONT FAN	FM2	
J2052	VS1-7177-003		1	CONNECTOR, SNAP TIGHT		
J2052	VS1-5824-003		1	CONNECTOR, 3P, FEMALE		
J2052	WS3-5358-000		3	SOCKET CONTACT, 22-26AWG		
J2053	NPN			DRUM MOTOR	M9	
J2053	VS1-7110-002		1	CONNECTOR, 2P, FEMALE, W		
J2053	WS3-5858-000		2	CONTACT, SOCKET, 20-22AWG		
J2054	NPN			DRUM MOTOR	M9	
J2054	VS1-6321-006		1	CONNECTOR, 6P, FEMALE		
J2055	NPN			MAIN MOTOR	M2	
J2055	VS1-7110-002		1	CONNECTOR, 2P, FEMALE, W		
J2055	WS3-5858-000		2	CONTACT, SOCKET, 20-22AWG		
J2056	NPN			MAIN MOTOR	M2	
J2056	VS1-6321-007		1	CONNECTOR, 7P, FEMALE		
J2057	NPN			ROTARY MOTOR	M8	
J2057	VS1-6702-006		1	CONNECTOR, 6P, W		
J2057	WS3-5719-000		6	PIN CONTACT, 20-24AWG		
J2058	NPN			ROTARY SENSOR	PS24	
J2058	VS1-6321-003		1	CONNECTOR, 3P, FEMALE		
J2059	NPN			ITB CLEANING DESORPTION CLUTCH	CL8	
J2059	VS1-7188-002		1	CONNECTOR, SNAP TIGHT		
J2059	VS1-6321-002		1	CONNECTOR, 2P, FEMALE		
J2060	VS1-7177-002		1	CONNECTOR, SNAP TIGHT		
J2060	VS1-6320-002		1	CONNECTOR, 2P, FEMALE		

FIGURE & KEY NO.	PARTS NUMBER	RANK	Q'TY	DESCRIPTION	SERIAL NUMBER/REMARKS	SVC
J2060	VS1-6321-002		1	CONNECTOR, 2P, FEMALE		
J2061	NPN			SLEEVE CLUTCH	CL3	
J2061	VS1-6314-003		1	CONNECTOR, 3P, MALE		
J2062	VS1-6321-002		3	CONNECTOR, 2P, FEMALE		
J2063	NPN			TONER SUPPLY CLUTCH	CL7	
J2063	VS1-6314-003		1	CONNECTOR, 3P, MALE		
J2064	VS1-6314-005		2	CONNECTOR, 5P, FEMALE		
J2064	VS1-7173-005		1	CONNECTOR, SNAP TIGHT		
J2066	NPN			POLYGON MOTOR	M1	
J2066	VS1-6314-005		1	CONNECTOR, 5P, FEMALE		
J2067	VS1-7178-003		2	CONNECTOR, 3P, FEMALE		
J2067	VS1-7177-003		1	CONNECTOR, SNAP TIGHT		
J2068	VS1-7178-003		2	CONNECTOR, 3P, FEMALE		
J2068	VS1-7177-003		1	CONNECTOR, SNAP TIGHT		
J2069	PCB			BEAM DETECTOR		
J2069	VS1-7178-003		1	CONNECTOR, 3P, FEMALE		
J2071	VS1-6314-010		2	CONNECTOR, 10P, FEMALE		
J2071	VS1-6318-010		1	CONNECTOR, SNAP TIGHT		
J2072	NPN			PAPER DELIVERY 1 MOTOR	M4	
J2072	VS1-6321-004		1	CONNECTOR, 4P, FEMALE		
J2073	NPN			PAPER DELIVERY SENSOR 1	PS14	
J2073	VS1-6321-003		1	CONNECTOR, 3P, FEMALE		
J2074	NPN			PAPER DELIVERY FULL SENSOR 1	PS15	
J2074	VS1-6321-003		1	CONNECTOR, 3P, FEMALE		
J2075	VS1-6314-007		2	CONNECTOR, 7P, FEMALE		
J2075	VS1-7173-007		1	CONNECTOR, SNAP TIGHT		
J2076	PCB			CASSETTE SIZE RELAY		
J2076	VS1-6314-007		1	CONNECTOR, 7P, FEMALE		
J2080	PCB			CASSETTE SIZE RELAY		
J2080	PCB			CASSETTE 1 SIZE SENSOR		
J2083	NPN			CASSETTE 1 PAPER PICK-UP MOTOR	M6	
J2083	VS1-6321-004		1	CONNECTOR, 4P, FEMALE		

FIGURE & KEY NO.	PARTS NUMBER	R A N K	Q'TY	DESCRIPTION	SERIAL NUMBER/ REMARKS	S V C
J2084	NPN			CASSETTE 2 PAPER PICK-UP MOTOR	M7	
J2084	VS1-6320-004		1	CONNECTOR, 4P, FEMALE		
J2085	VS1-6314-010		1	CONNECTOR, 10P, FEMALE		
J2085	VS1-6318-010		1	CONNECTOR, SNAP TIGHT		
J2085	VS1-6757-010		1	CONNECTOR, 10P, FEMALE		
J2085	WS3-5721-000		10	SOCKET CONTACT		
J2086	NPN			PATCH SENSOR	PS23	
J2086	VS1-6757-006		1	CONNECTOR, 6P, FEMALE		
J2086	WS3-5721-000		6	SOCKET CONTACT		
J2087	NPN			ENVIRONMENT SENSOR	HU1	
J2087	VS3-5094-004		1	CONNECTOR 4P		
J2087	WT1-5208-000		4	CONTACT, SOCKET		
J2093	NPN			PAPER PICK-UP DOOR SENSOR	PS12	
J2093	VS1-6321-003		1	CONNECTOR, 3P, FEMALE		
J2094	VS1-6314-014		2	CONNECTOR, 14P, MALE		
J2094	VS1-7173-014		1	CONNECTOR, SNAP TIGHT		
J2095	NPN			CASSETTE 1 PAPER SENSOR	PS1	
J2095	VS1-6321-003		1	CONNECTOR, 3P, FEMALE		
J2096	NPN			CST. 1 PAPER LEVEL A SENSOR	PS3	
J2096	VS1-6321-003		1	CONNECTOR, 3P, FEMALE		
J2097	NPN			CST. 1 PAPER LEVEL B SENSOR	PS4	
J2097	VS1-6321-003		1	CONNECTOR, 3P, FEMALE		
J2098	NPN			CASSETTE 1 RETRY SENSOR	PS10	
J2098	VS1-6321-003		1	CONNECTOR, 3P, FEMALE		
J2099	NPN			PICK-UP SOLENOID 1	SL1	
J2099	VS1-7177-002		1	CONNECTOR, SNAP TIGHT		
J2099	VS1-6321-002		1	CONNECTOR, 2P, FEMALE		
J2100	VS1-6313-014		1	CONNECTOR, 14P, FEMALE		
J2100	VS1-6314-014		1	CONNECTOR, 14P, MALE		
J2100	VS1-7173-014		1	CONNECTOR, SNAP TIGHT		
J2101	NPN			CASSETTE 2 PAPER SENSOR	PS2	
J2101	VS1-6321-003		1	CONNECTOR, 3P, FEMALE		

FIGURE & KEY NO.	PARTS NUMBER	R A N K	Q'TY	DESCRIPTION	SERIAL NUMBER/ REMARKS	S V C
J2102	NPN			CST. 2 PAPER LEVEL A SENSOR	PS5	
J2102	VS1-6321-003		1	CONNECTOR, 3P, FEMALE		
J2103	NPN			CST. 2 PAPER LEVEL B SENSOR	PS6	
J2103	VS1-6321-003		1	CONNECTOR, 3P, FEMALE		
J2104	NPN			CASSETTE 2 RETRY SENSOR	PS11	
J2104	VS1-6321-003		1	CONNECTOR, 3P, FEMALE		
J2105	NPN			PICK-UP SOLENOID 2	SL2	
J2105	VS1-7177-002		1	CONNECTOR, SNAP TIGHT		
J2105	VS1-6321-002		1	CONNECTOR, 2P, FEMALE		
J2106	VS1-7177-003		1	CONNECTOR, SNAP TIGHT		
J2106	VS1-6321-003		2	CONNECTOR, 3P, FEMALE		
J2110	PCB			COUNTER ROM		
J2110	VS1-6314-006		1	CONNECTOR, 6P, FEMALE		
J2111	SYS			TO NEW COIN ROBO		
J2111	SYS			TO CARD READER-C1		
J2111	VS1-7177-010		1	CONNECTOR, SNAP TIGHT		
J2111	VS1-6321-010		1	CONNECTOR, 10P, FEMALE		
J2112	PCB			CASSETTE SIZE RELAY		
J2112	PCB			CASSETTE 2 SIZE SENSOR		
J2113	SYS			TO KEY SWITCH UNIT-A1		
J2113	VS1-7178-002		1	CONNECTOR, 2P, FEMALE		
J2115	PCB			ECO-ID		
J2115	VS1-6314-009		1	CONNECTOR, 9P, FEMALE		
J2116	VS1-6313-018		2	CONNECTOR, 18P, FEMALE		
J2116	VS1-6314-018		2	CONNECTOR, 18P, MALE		
J2116	VS1-6319-036		1	CONNECTOR, SNAP TIGHT		
J2116	VT2-5161-036		2	HOLDER, CONNECTOR, 36P		
J2117	VS1-6313-018		1	CONNECTOR, 18P, FEMALE		
J2117	VS1-6314-018		1	CONNECTOR, 18P, MALE		
J2117	VT2-5161-036		1	HOLDER, CONNECTOR, 36P		
J2118	VS1-7177-003		1	CONNECTOR, SNAP TIGHT		
J2118	VS1-6321-003		2	CONNECTOR, 3P, FEMALE		

FIGURE & KEY NO.	PARTS NUMBER	RANK	Q'TY	DESCRIPTION	SERIAL NUMBER/REMARKS	SVC
J2119	VS1-6313-020		2	CONNECTOR, 20P, FEMALE	C3100F,C3100I ONLY	
J2119	VS1-6314-020		2	CONNECTOR, 20P, FEMALE	C3100F,C3100I ONLY	
J2119	VS1-6319-040		1	CONNECTOR, SNAP TIGHT	C3100F,C3100I ONLY	
J2119	VT2-5161-040		2	HOLDER, CONNECTOR, 40P	C3100F,C3100I ONLY	
J2120	VS1-6314-002		2	CONNECTOR, 2P, FEMALE	C3100F,C3100I ONLY	
J2120	VS1-6318-002		1	CONNECTOR, SNAP TIGHT	C3100F,C3100I ONLY	
J2121	SYS			TO CC4		
J2121	NPN			HARD DISK DRIVE 1		
J2121	FH2-7018-000		1	FLAT CABLE, HDD, 1		
J2121	VS1-0279-004		1	CONNECTOR, 4P, FEMALE		
J2121	VS1-0280-004		1	CONNECTOR, 4P, FEMALE		
J2121	WS3-5016-000		4	PIN CONTACT, 30-26AWG		
J2122	NPN			HARD DISK DRIVE 1		
J2122	X62-5133-000		4	SOCKET, MATE-N-LOCK		
J2122	X65-5854-000		1	CONNECTOR, 4P, FEMALE		
J2123	VS1-7177-008		1	CONNECTOR, SNAP TIGHT		
J2123	VS1-6321-008		2	CONNECTOR, 8P, FEMALE		
J2125	SYS			TO ASSIST		
J2125	VS1-6321-008		1	CONNECTOR, 8P, FEMALE		
J2126	VS3-0143-002		1	CONNECTOR, 2P, FEMALE	C3100F,C3100I ONLY	
J2126	WS3-1105-000		2	SOCKET CONTACT	C3100F,C3100I ONLY	
J2127	NPN			SPEAKER	C3100F,C3100I ONLY	
J2127	VS1-7177-002		1	CONNECTOR, SNAP TIGHT	C3100F,C3100I ONLY	
J2127	VS1-5824-002		1	CONNECTOR, 2P, FEMALE	C3100F,C3100I ONLY	
J2127	WS3-5358-000		2	SOCKET CONTACT, 22-26AWG	C3100F,C3100I ONLY	
J2128	NPN			TONER COLLECTION FAN	FM5	
J2128	VS1-7177-003		1	CONNECTOR, SNAP TIGHT		
J2128	VS1-6321-003		1	CONNECTOR, 3P, FEMALE		
J2129	VS1-6314-008		2	CONNECTOR, 8P, FEMALE		
J2129	VS1-6318-008		1	CONNECTOR, SNAP TIGHT		
J2130	VS1-7440-006		1	CONNECTOR, SNAP TIGHT		
J2130	VS1-6321-006		2	CONNECTOR, 6P, FEMALE		

FIGURE & KEY NO.	PARTS NUMBER	RANK	Q'TY	DESCRIPTION	SERIAL NUMBER/REMARKS	SVC
J2131	NPN			ATR SHUTTER SOLENOID	SL3	
J2131	VS1-7177-002		1	CONNECTOR, SNAP TIGHT		
J2131	VS1-6321-002		1	CONNECTOR, 2P, FEMALE		
J2132	NPN			ATR SENSOR	PS27	
J2132	VS1-6321-006		1	CONNECTOR, 6P, FEMALE		
J2133	NPN			FIXING MOTOR	M11	
J2133	VS1-7110-002		1	CONNECTOR, 2P, FEMALE, W		
J2133	WS3-5858-000		2	CONTACT, SOCKET, 20-22AWG		
J2134	NPN			FIXING MOTOR	M11	
J2134	VS1-6321-006		1	CONNECTOR, 6P, FEMALE		
J2137	VS1-6321-002		1	CONNECTOR, 2P, FEMALE		
J2138	VS1-6321-003		1	CONNECTOR, 3P, FEMALE		
J2139	VS1-6314-011		1	CONNECTOR, 11P, FEMALE		
J2140	VS1-6314-013		1	CONNECTOR, 13P, FEMALE		
J2150	NPN			PHOTO-INTERRUPTER	PS27	
J2150	VS1-6321-003		1	CONNECTOR, 3P, FEMALE		
J5001	FH2-5821-000		1	CONNECTOR, 12P, MALE		
J5001	WS3-5263-000		2	SOCKET CONTACT		
J5001	WS3-5264-000		4	SOCKET CONTACT		
J5002	NPN			PLATE HEATER	H6	
J5002	VS4-0002-002		1	CONNECTOR, 2P, FEMALE		
J5002	WS4-0218-000		2	SOCKET CONTACT, 22-26AWG		
J5003	VS4-0001-002		1	CONNECTOR, 2P, MALE		
J5003	WS4-0220-000		2	PIN CONTACT, 22-26AWG		
J5004	VS3-0053-002		1	CONNECTOR, 2P, FEMALE		
J5004	WS4-0218-000		2	SOCKET CONTACT, 22-26AWG		
J5005	NPN			PLATE HEATER	H5	
J5005	VS4-0002-002		1	CONNECTOR, 2P, FEMALE		
J5005	WS4-0218-000		2	SOCKET CONTACT, 22-26AWG		
J5006	SYS			TO DADF-L1		
J5006	WS3-5596-000		3	PIN CONTACT, 18-24AWG		
J5006	FK2-0247-000		1	CONNECTOR, FEMALE		

FIGURE & KEY NO.	PARTS NUMBER	R A N K	Q'TY	DESCRIPTION	SERIAL NUMBER/ REMARKS	S V C
J5007	NPN			READER MOTOR	M501	
J5007	VS1-7177-004		1	CONNECTOR, SNAP TIGHT		
J5007	VS1-5824-004		1	CONNECTOR, 4P, FEMALE		
J5007	WS3-5358-000		4	SOCKET CONTACT, 22-26AWG		
J5008	VS1-6321-006		1	CONNECTOR, 6P, FEMALE		
J5009	VS1-7440-006		1	CONNECTOR, SNAP TIGHT		
J5009	VS1-6321-006		1	CONNECTOR, 6P, FEMALE		
J5010	NPN			PLATE OPEN/CLOSE SENSOR 1	PS503	
J5010	VS1-6321-003		1	CONNECTOR, 3P, FEMALE		
J5011	NPN			PLATE OPEN/CLOSE SENSOR 0	PS502	
J5011	VS1-6321-003		1	CONNECTOR, 3P, FEMALE		
J5012	NPN			READER HOME POSITION SENSOR	PS501	
J5012	VS1-6321-003		1	CONNECTOR, 3P, FEMALE		
J5013	NPN			DOCUMENT SIZE SENSOR	SIZE1	
J5013	VS1-6321-003		1	CONNECTOR, 3P, FEMALE		
J5015	PCB			LAMP REGULATOR		
J5015	VS1-6314-003		1	CONNECTOR, 3P, MALE		
J5016	SYS			TO DADF-L1		
J5016	VS1-5452-007		1	CONNECTOR, 7P, FEMALE		
J5017	SYS			TO DADF-L1		
J5017	VS1-5452-008		1	CONNECTOR, 8P, FEMALE		
J5018	PCB			LAMP REGULATOR		
J5018	VS3-5002-004		1	CONNECTOR, 4P, FEMALE		
J5018	WS3-1226-000		2	CONTACT, SOCKET		
J5019	NPN			CONTACT IMAGE SENSOR	IS1	
J5019	VS4-0002-003		1	CONNECTOR, 3P, FEMALE		
J5019	WS4-0217-000		2	SOCKET CONTACT, 22-18AWG		
J6801	PCB			PANEL SWITCH		
J6801	VS1-6314-014		1	CONNECTOR, 14P, MALE		
J6802	PCB			PANEL SWITCH		
J6802	VS1-6314-016		1	CONNECTOR, 16P, FEMALE		

Prepared by
OIP HFE Promotion Center
CANON INC.

Canon