

imageRUNNER 7105/7095/7086

PARTS CATALOG



Canon

DU7-3150-000

DEC. 2005

PREFACE

This Parts Catalog contains listings of parts used

Diagrams are provided with the listings to aid the service technician in identifying clearly, the item to be ordered.

Whenever ordering parts, consult this Parts Catalog for all of the information pertaining to each item. Be sure to include, in the Parts Request, the full item description, the item part number, and the quantity.

COPYRIGHT (C) 1999 CANON INC.

Use of this manual should be strictly supervised to avoid disclosure of confidential information.

Contents

NUMERICAL INDEX

iR7086/7095/7105 1-1

iR7086/7095/7105

A	ASSEMBLY LOCATION DIAGRAM	2-1
100	EXTERNAL COVERS, PANELS, ETC.	2-8
101	MACHINE FRONT PLATE	2-12
102	INTERNAL COMPONENTS 1	2-14
103	INTERNAL COMPONENTS 2	2-18
104	INTERNAL COMPONENTS 3	2-22
105	INTERNAL COMPONENTS 3	2-26
106	MACHINE REAR PLATE 1	2-30
107	MACHINE REAR PLATE 2	2-32
108	MACHINE BOTTOM PLATE	2-34
110	POWER CORD TERMINAL ASSEMBLY	2-36
120	DOOR SWITCH MOUNT ASSEMBLY	2-39
130	CONTROL PANEL ASSEMBLY	2-40
160	EXTERNAL COVERS, PANELS, ETC.	2-44
161	FRAME ASSEMBLY	2-46
162	PAPER PICK-UP TRAY ASSEMBLY	2-52
163	UPPER COVER ASSEMBLY	2-54
164A	PAPER PICK-UP ASSEMBLY	2-56
164B	SEPARATION ASSEMBLY	2-66
164C	PAPER DELIVERY ASSEMBLY	2-70
165	SEPARATION MOTOR ASSEMBLY	2-74
166	BELT MOTOR ASSEMBLY	2-75
167	MULTI TRAY ASSEMBLY	2-76
168	DELIVERY LOWER GUIDE ASSEMBLY	2-78
190	SEPARATION FIXING FAN ASS'Y	2-80
194	PRI. POLYGON LASER FAN ASS'Y	2-82
195	DRUM FAN STAY ASSEMBLY	2-84
210	READER ASSEMBLY	2-86
211	READER FRAME ASSEMBLY	2-88
230	VERTICAL PATH DRIVE ASSEMBLY	2-92
231	LIFTER DRIVE ASSEMBLY	2-93
250	MAIN DRIVE ASSEMBLY	2-94
251	DRUM DRIVE ASSEMBLY	2-97
260	PICK-UP MAIN DRIVE ASSEMBLY	2-98
261	PICK-UP DRIVE ASSEMBLY	2-100

Contents

263	LEFT PICK-UP DRIVE ASSEMBLY	2-101
264	MULTI FEED DRIVE ASSEMBLY	2-102
265	EXTRACTION ROLLER ASSEMBLY	2-104
270	DEV. DRIVE ASSEMBLY	2-108
280	CLEANER DRIVE ASSEMBLY	2-110
300	CASSETTE	2-112
302	RIGHT PAPER STOCK ASSEMBLY	2-116
303	LEFT PAPER STOCK ASSEMBLY	2-120
305	CASSETTE HEATER UNIT	2-123
311	CASSETTE PICK-UP ASSEMBLY	2-124
312	FRONT DECK RIGHT PICK-UP ASSEMBLY	2-128
313	FRONT DECK LEFT PICK-UP ASS'Y	2-132
315	MULTI FEEDER ASSEMBLY	2-136
316	MULTI TRAY ASSEMBLY	2-140
320	FIXING/FEEDER FRAME ASSEMBLY	2-142
325	REGIST. TRANSFER ASSEMBLY	2-152
330	FEEDER ASSEMBLY	2-155
350	INTERNAL DELIVERY UPPER ASS'Y	2-156
351	EXTERNAL DELIVERY UPPER ASS'Y	2-158
360	DUPLEX ASSEMBLY	2-160
420	1 MIRROR MOUNT ASSEMBLY	2-168
430	2 MIRROR MOUNT ASSEMBLY	2-170
460	SCANNER ASSEMBLY	2-172
510	PHOTO-SENSITIVE DRUM ASSEMBLY	2-174
550	PRIMARY CORONA ASSEMBLY	2-176
570	PRE-TRANSFER CORONA ASSEMBLY	2-178
580	TRANSFER/SEPARATE CORONA ASS'Y	2-180
600	AP KIT ASSEMBLY	2-184
620	HOPPER ASSEMBLY	2-190
640	DEVELOPING ASSEMBLY	2-196
645	BUFFER ASSEMBLY	2-200
720	PAPER FEED CLAW ASS'Y	2-202
770	WASTE TONER ASSEMBLY	2-204
775	WASTE TONER PIPE ASSEMBLY	2-206
810	FIXING ASSEMBLY	2-208
900	CONTROLLER BOX ASSEMBLY	2-216
910	MAIN BODY POWER SUPPLY ASS'Y	2-220
930	DC CONTROLLER PCB ASSEMBLY	2-222
935	READER CONTROLLER PCB ASSEMBLY	2-223
940	POTENTIAL MEASURING PCB ASS'Y	2-224
941	INTERFACE, PCB ASSEMBLY	2-226
945	INVERTER PCB ASSEMBLY	2-227
960	AC DRIVER PCB ASSEMBLY	2-228
961	REVERSE MOTOR DRIVER PCB ASS'Y	2-229
980	H.V. AC TRANSFORMER PCB ASS'Y	2-230
985	H. V. T. PCB ASSEMBLY	2-231
986	FIXING SENSOR DRIVE ASSEMBLY	2-232

NUMERICAL INDEX

IR7086/7095/7105

PARTS NUMBER	FIGURE & KEY NO.	PARTS NUMBER	FIGURE & KEY NO.	PARTS NUMBER	FIGURE & KEY NO.
97-5527-000	550 - 1	FA9-2112-000	261 - 1	FB2-7593-000	312 - 3
F4-7663-000	164A - 40	FA9-2112-000	302 - 8	FB2-7603-040	312 - 4
FA2-1498-000	550 - 2	FA9-2112-000	303 - 8	FB2-7605-000	311 - 5
FA2-1498-000	580 - 1	FA9-2112-000	311 - 2	FB2-7605-000	312 - 5
FA2-9037-000	810 - 1	FA9-2112-000	312 - 1	FB2-7606-000	311 - 6
FA3-0515-000	640 - 1	FA9-2112-000	313 - 2	FB2-7606-000	312 - 6
FA3-2118-000	550 - 4	FA9-3389-010	100 - 114	FB2-7607-020	311 - 7
FA3-2128-000	570 - 5	FA9-3622-020	105 - 18	FB2-7614-000	312 - 7
FA3-2471-000	720 - 2	FA9-3674-000	300 - 1	FB2-7620-020	311 - 9
FA3-2472-000	720 - 3	FA9-3684-000	100 - 73	FB2-7623-020	313 - 4
FA3-2473-000	720 - 4	FA9-3684-000	195 - 1	FB2-7624-020	311 - 10
FA3-2474-000	720 - 5	FA9-3691-020	312 - 2	FB2-7624-020	312 - 78
FA3-2475-000	720 - 6	FA9-3730-020	600 - 4	FB2-7624-020	313 - 5
FA3-2476-000	720 - 7	FA9-3784-020	100 - 42	FB2-7630-000	312 - 10
FA3-2477-000	720 - 8	FA9-3822-000	104 - 3	FB2-7631-030	311 - 11
FA3-2478-000	720 - 9	FA9-3822-000	230 - 1	FB2-7632-000	311 - 12
FA3-2479-000	720 - 10	FA9-3822-000	251 - 1	FB2-7632-000	312 - 9
FA3-2482-000	720 - 11	FA9-3822-000	264 - 1	FB2-7633-020	312 - 11
FA3-2483-000	720 - 12	FA9-3822-000	580 - 4	FB2-7641-040	312 - 12
FA3-2565-000	570 - 18	FA9-3822-000	810 - 6	FB2-7642-000	312 - 13
FA3-2764-020	350 - 1	FA9-3827-000	311 - 3	FB2-7696-000	311 - 15
FA3-4725-000	161 - 40	FA9-4008-000	320 - 4	FB2-7696-000	312 - 14
FA3-8004-000	570 - 4	FA9-4008-000	325 - 8	FB2-7696-000	313 - 6
FA3-8727-000	315 - 1	FA9-4039-000	260 - 12	FB2-7702-020	312 - 15
FA3-8894-040	810 - 2	FB1-6833-000	810 - 67	FB2-7702-020	313 - 17
FA4-0207-000	645 - 1	FB1-7070-000	313 - 3	FB2-7704-000	313 - 20
FA4-1159-000	164B - 1	FB1-8619-000	316 - 2	FB2-7715-020	313 - 7
FA4-1819-000	600 - 1	FB1-8620-000	316 - 3	FB2-7716-020	313 - 8
FA4-2037-000	600 - 2	FB1-8621-000	316 - 4	FB2-7717-030	313 - 9
FA4-8609-000	940 - 7	FB1-8625-000	316 - 5	FB2-7718-030	313 - 10
FA5-1876-000	580 - 3	FB1-8735-000	107 - 13	FB2-7719-000	313 - 37
FA5-2872-000	313 - 1	FB1-8737-000	107 - 14	FB2-7720-000	313 - 11
FA5-2924-020	104 - 2	FB2-1035-000	320 - 5	FB2-7721-020	313 - 12
FA5-3771-020	640 - 2	FB2-1047-000	250 - 3	FB2-7722-000	313 - 13
FA5-4266-000	315 - 2	FB2-2139-020	360 - 5	FB2-7723-000	313 - 14
FA5-4403-000	810 - 3	FB2-6285-020	325 - 4	FB2-7724-000	313 - 15
FA5-5499-030	161 - 49	FB2-6285-020	775 - 2	FB2-7740-020	302 - 48
FA6-3071-020	810 - 4	FB2-6850-000	580 - 5	FB2-7740-020	303 - 48
FA6-6457-000	311 - 1	FB2-6897-000	600 - 9	FB2-7740-020	316 - 7
FA6-7728-000	315 - 3	FB2-7096-000	580 - 6	FB2-7750-000	100 - 92
FA6-7737-000	315 - 4	FB2-7137-000	351 - 1	FB2-7755-000	100 - 79
FA6-7822-020	640 - 4	FB2-7163-000	350 - 2	FB2-7755-000	100 - 93
FA6-7865-000	600 - 3	FB2-7238-000	810 - 7	FB2-7755-000	360 - 6
FA6-7939-000	360 - 2	FB2-7261-000	810 - 8	FB2-7841-000	260 - 2
FA6-8003-000	810 - 5	FB2-7264-000	810 - 9	FB2-7899-020	108 - 3
FA6-8071-000	315 - 5	FB2-7515-020	315 - 7	FB2-7900-000	108 - 4
FA6-8304-000	250 - 1	FB2-7537-000	315 - 8	FB2-7981-000	775 - 3
FA6-9988-020	302 - 6	FB2-7542-000	315 - 9	FB2-8003-000	102 - 31
FA6-9988-020	303 - 6	FB2-7545-000	315 - 10	FB2-8010-000	102 - 3
FA9-0648-040	510 - 1	FB2-7558-000	315 - 11	FB2-8041-000	103 - 20
FA9-1969-000	104 - 14	FB2-7560-030	101 - 10	FB2-8094-020	100 - 24
FA9-2112-000	164C - 2	FB2-7593-000	311 - 4	FB2-8094-020	105 - 9

NUMERICAL INDEX

iR7086/7095/7105

PARTS NUMBER	FIGURE & KEY NO.	PARTS NUMBER	FIGURE & KEY NO.	PARTS NUMBER	FIGURE & KEY NO.
FB2-8098-000	101 - 24	FB4-1334-020	108 - 6	FB4-1693-000	570 - 15
FB2-8192-000	320 - 19	FB4-1339-020	108 - 7	FB4-1693-000	580 - 11
FB2-8204-000	320 - 20	FB4-1340-000	108 - 9	FB4-1694-000	570 - 10
FB2-8213-000	320 - 9	FB4-1350-020	102 - 14	FB4-1695-000	570 - 11
FB2-8214-000	320 - 21	FB4-1354-000	106 - 1	FB4-1696-000	570 - 12
FB2-8217-020	320 - 10	FB4-1355-020	104 - 4	FB4-1697-000	570 - 13
FB2-8227-000	315 - 12	FB4-1358-000	315 - 18	FB4-1719-000	325 - 7
FB2-8248-020	105 - 1	FB4-1410-000	103 - 6	FB4-1750-030	106 - 2
FB2-8266-020	312 - 20	FB4-1411-000	103 - 7	FB4-1753-000	106 - 3
FB2-8302-000	600 - 7	FB4-1418-020	103 - 8	FB4-1766-000	250 - 4
FB2-8345-000	101 - 21	FB4-1418-020	103 - 8	FB4-1766-000	250 - 4
FB2-8376-000	320 - 22	FB4-1418-020	103 - 8	FB4-1766-000	250 - 4
FB2-8384-000	315 - 13	FB4-1418-020	103 - 8	FB4-1766-000	250 - 4
FB2-8402-000	775 - 4	FB4-1418-020	103 - 8	FB4-1766-000	250 - 4
FB2-8410-000	311 - 17	FB4-1418-020	103 - 8	FB4-1766-000	250 - 4
FB2-8410-000	312 - 16	FB4-1418-020	103 - 8	FB4-1766-000	250 - 4
FB2-8436-000	311 - 18	FB4-1418-020	103 - 8	FB4-1766-000	250 - 4
FB2-8465-000	302 - 10	FB4-1418-020	103 - 8	FB4-1766-000	250 - 4
FB2-8465-000	303 - 10	FB4-1418-020	103 - 8	FB4-1766-000	250 - 4
FB2-8506-020	108 - 5	FB4-1418-020	103 - 8	FB4-1766-000	250 - 4
FB2-8512-000	311 - 19	FB4-1418-020	103 - 8	FB4-1766-000	250 - 4
FB2-8512-000	312 - 17	FB4-1418-020	103 - 8	FB4-1766-000	250 - 4
FB2-8512-000	313 - 16	FB4-1418-020	103 - 8	FB4-1766-000	250 - 4
FB2-9248-000	231 - 3	FB4-1418-020	103 - 8	FB4-1766-000	250 - 4
FB3-2331-020	320 - 23	FB4-1418-020	103 - 8	FB4-1766-000	250 - 4
FB3-5006-000	640 - 5	FB4-1418-020	103 - 8	FB4-1766-000	250 - 4
FB3-8333-000	311 - 20	FB4-1418-020	103 - 8	FB4-1766-000	250 - 4
FB3-8369-000	350 - 6	FB4-1418-020	103 - 8	FB4-1766-000	250 - 4
FB3-8398-020	320 - 24	FB4-1418-020	103 - 8	FB4-1766-000	250 - 4
FB3-8409-000	810 - 10	FB4-1418-020	103 - 8	FB4-1766-000	250 - 4
FB3-8411-020	810 - 11	FB4-1418-020	103 - 8	FB4-1766-000	250 - 4
FB3-8412-000	810 - 12	FB4-1418-020	103 - 8	FB4-1766-000	250 - 4
FB3-8414-000	350 - 7	FB4-1418-020	103 - 8	FB4-1766-000	250 - 4
FB3-8508-000	302 - 3	FB4-1418-020	103 - 8	FB4-1766-000	250 - 4
FB3-8508-000	303 - 3	FB4-1418-020	103 - 8	FB4-1766-000	250 - 4
FB3-8572-020	315 - 26	FB4-1418-020	103 - 8	FB4-1766-000	250 - 4
FB3-8616-000	261 - 2	FB4-1418-020	103 - 8	FB4-1766-000	250 - 4
FB3-9308-000	300 - 8	FB4-1418-020	103 - 8	FB4-1766-000	250 - 4
FB3-9316-000	300 - 14	FB4-1418-020	103 - 8	FB4-1766-000	250 - 4
FB3-9319-000	300 - 15	FB4-1418-020	103 - 8	FB4-1766-000	250 - 4
FB3-9321-000	300 - 44	FB4-1418-020	103 - 8	FB4-1766-000	250 - 4
FB3-9322-020	300 - 17	FB4-1418-020	103 - 8	FB4-1766-000	250 - 4
FB3-9323-020	300 - 18	FB4-1418-020	103 - 8	FB4-1766-000	250 - 4
FB3-9345-020	104 - 28	FB4-1418-020	103 - 8	FB4-1766-000	250 - 4
FB3-9356-000	104 - 15	FB4-1418-020	103 - 8	FB4-1766-000	250 - 4
FB3-9361-000	107 - 6	FB4-1418-020	103 - 8	FB4-1766-000	250 - 4
FB3-9362-020	107 - 7	FB4-1418-020	103 - 8	FB4-1766-000	250 - 4
FB3-9364-000	107 - 15	FB4-1418-020	103 - 8	FB4-1766-000	250 - 4
FB3-9372-000	810 - 13	FB4-1418-020	103 - 8	FB4-1766-000	250 - 4
FB4-0650-000	104 - 29	FB4-1418-020	103 - 8	FB4-1766-000	250 - 4
FB4-0726-000	210 - 1	FB4-1418-020	103 - 8	FB4-1766-000	250 - 4
FB4-1202-000	311 - 21	FB4-1418-020	103 - 8	FB4-1766-000	250 - 4
		FB4-1430-020	101 - 11	FB4-1793-000	775 - 7
		FB4-1432-020	120 - 1	FB4-1794-000	775 - 6
		FB4-1494-000	900 - 12	FB4-1797-000	775 - 8
		FB4-1513-030	105 - 32	FB4-1806-000	250 - 5
		FB4-1542-000	770 - 1	FB4-1806-000	270 - 1
		FB4-1575-020	600 - 28	FB4-1821-030	640 - 6
		FB4-1576-000	600 - 11	FB4-1824-000	640 - 7
		FB4-1577-000	600 - 12	FB4-1825-000	640 - 8
		FB4-1579-000	600 - 101	FB4-1828-020	640 - 9
		FB4-1584-000	600 - 13	FB4-1829-020	640 - 10
		FB4-1585-000	600 - 14	FB4-1831-000	640 - 11
		FB4-1590-000	600 - 15	FB4-1837-000	640 - 12
		FB4-1592-000	600 - 16	FB4-1842-000	645 - 2
		FB4-1594-000	600 - 17	FB4-1849-000	645 - 3
		FB4-1595-000	600 - 18	FB4-1856-000	645 - 5
		FB4-1600-000	600 - 19	FB4-1857-000	645 - 6
		FB4-1607-000	600 - 20	FB4-1858-000	645 - 7
		FB4-1609-000	600 - 21	FB4-1900-000	265 - 2
		FB4-1611-000	600 - 22	FB4-1933-000	550 - 6
		FB4-1612-000	600 - 23	FB4-1941-000	550 - 7
		FB4-1612-000	910 - 2	FB4-1947-000	940 - 2
		FB4-1613-000	600 - 24	FB4-1948-000	940 - 3
		FB4-1616-000	600 - 5	FB4-1953-000	106 - 5
		FB4-1617-000	600 - 25	FB4-1969-020	100 - 81
		FB4-1618-000	600 - 26	FB4-1972-000	100 - 95
		FB4-1619-020	600 - 10	FB4-1982-000	311 - 22
		FB4-1620-000	510 - 3	FB4-1989-000	312 - 18
		FB4-1621-000	510 - 4	FB4-2000-000	312 - 19
		FB4-1622-000	510 - 5	FB4-2007-000	311 - 25
		FB4-1648-000	580 - 7	FB4-2007-000	312 - 21
		FB4-1650-000	580 - 8	FB4-2007-000	313 - 18
		FB4-1656-000	580 - 9	FB4-2007-000	315 - 14
		FB4-1657-000	580 - 10	FB4-2009-000	312 - 22
		FB4-1667-000	325 - 25	FB4-2010-000	312 - 23
		FB4-1670-000	325 - 5	FB4-2012-000	312 - 24
		FB4-1679-000	325 - 6	FB4-2019-020	104 - 5
		FB4-1680-020	570 - 6	FB4-2023-000	104 - 6
		FB4-1681-020	570 - 7	FB4-2024-000	104 - 7
		FB4-1682-000	570 - 8	FB4-2031-000	313 - 19
		FB4-1693-000	550 - 5	FB4-2035-000	315 - 15

NUMERICAL INDEX

iR7086/7095/7105

PARTS NUMBER	FIGURE & KEY NO.	PARTS NUMBER	FIGURE & KEY NO.	PARTS NUMBER	FIGURE & KEY NO.
FB4-2042-000	103 - 4	FB4-2326-020	360 - 122	FB4-7605-000	163 - 4
FB4-2062-000	320 - 26	FB4-2327-000	320 - 44	FB4-7606-000	163 - 5
FB4-2077-000	320 - 28	FB4-3687-000	550 - 20	FB4-7607-000	163 - 6
FB4-2088-000	330 - 1	FB4-3687-000	580 - 2	FB4-7617-020	164A - 90
FB4-2090-000	330 - 2	FB4-3700-000	311 - 26	FB4-7620-000	164A - 34
FB4-2093-000	330 - 3	FB4-3728-000	260 - 4	FB4-7625-020	164A - 35
FB4-2094-000	330 - 4	FB4-3729-000	260 - 5	FB4-7626-000	164A - 96
FB4-2106-000	360 - 7	FB4-3732-020	102 - 53	FB4-7637-020	164B - 19
FB4-2113-020	360 - 8	FB4-3740-020	102 - 54	FB4-7640-000	164B - 3
FB4-2114-030	360 - 9	FB4-3743-000	102 - 24	FB4-7646-020	164B - 22
FB4-2122-000	360 - 11	FB4-3747-020	315 - 16	FB4-7647-030	164B - 23
FB4-2124-000	360 - 12	FB4-3767-000	265 - 3	FB4-7648-000	164B - 24
FB4-2131-000	360 - 13	FB4-3811-020	103 - 10	FB4-7650-000	164B - 25
FB4-2132-000	360 - 14	FB4-3822-020	102 - 4	FB4-7651-000	164B - 26
FB4-2133-020	360 - 15	FB4-3823-020	102 - 5	FB4-7655-000	164A - 117
FB4-2134-020	360 - 124	FB4-3850-000	325 - 10	FB4-7657-000	164A - 118
FB4-2135-000	360 - 16	FB4-3851-000	325 - 11	FB4-7660-020	164A - 38
FB4-2136-020	360 - 17	FB4-3852-000	325 - 12	FB4-7662-000	164A - 39
FB4-2145-020	360 - 18	FB4-3858-000	325 - 13	FB4-7664-000	164A - 41
FB4-2152-020	360 - 21	FB4-3860-000	325 - 14	FB4-7668-000	164B - 9
FB4-2153-020	360 - 22	FB4-5253-020	300 - 4	FB4-7669-000	164A - 42
FB4-2155-020	360 - 23	FB4-5257-020	101 - 26	FB4-7670-000	164A - 43
FB4-2156-020	360 - 24	FB4-5311-000	100 - 43	FB4-7675-020	164C - 4
FB4-2159-000	360 - 25	FB4-5335-000	104 - 16	FB4-7678-000	164C - 5
FB4-2159-000	810 - 14	FB4-6214-030	311 - 13	FB4-7684-000	164C - 32
FB4-2164-000	360 - 26	FB4-7003-000	161 - 14	FB4-7685-020	164C - 31
FB4-2191-000	810 - 15	FB4-7481-000	360 - 28	FB4-7687-000	168 - 1
FB4-2195-020	810 - 16	FB4-7486-000	265 - 4	FB4-7689-020	168 - 9
FB4-2196-020	810 - 17	FB4-7486-000	360 - 29	FB4-7692-000	164C - 41
FB4-2224-000	320 - 29	FB4-7559-000	164A - 3	FB4-7693-000	164C - 7
FB4-2225-000	320 - 30	FB4-7560-020	164A - 4	FB4-7694-000	164C - 8
FB4-2235-000	320 - 31	FB4-7561-030	164A - 5	FB4-7697-000	164C - 47
FB4-2236-000	320 - 32	FB4-7562-020	164A - 6	FB4-7706-000	164C - 37
FB4-2237-000	320 - 33	FB4-7563-020	164A - 7	FB4-7707-000	164C - 11
FB4-2239-000	810 - 18	FB4-7564-020	164A - 8	FB4-7710-000	162 - 1
FB4-2249-000	810 - 65	FB4-7570-030	164A - 13	FB4-7711-000	162 - 2
FB4-2254-000	320 - 34	FB4-7571-020	164A - 14	FB4-7718-000	162 - 12
FB4-2263-000	350 - 10	FB4-7572-030	164A - 15	FB4-7719-000	162 - 3
FB4-2284-000	351 - 7	FB4-7578-000	164A - 18	FB4-7733-000	168 - 10
FB4-2288-020	351 - 8	FB4-7579-020	164A - 19	FB4-7734-000	168 - 11
FB4-2289-020	351 - 9	FB4-7582-000	164A - 129	FB4-7745-000	164A - 44
FB4-2293-000	351 - 10	FB4-7584-020	164A - 20	FB4-7746-000	164A - 45
FB4-2294-000	351 - 11	FB4-7585-020	164A - 21	FB4-7747-000	161 - 6
FB4-2299-000	320 - 35	FB4-7588-020	164A - 24	FB4-7749-000	161 - 7
FB4-2300-000	320 - 36	FB4-7589-020	164A - 25	FB4-7755-000	161 - 8
FB4-2305-020	320 - 37	FB4-7590-000	164A - 26	FB4-7756-000	161 - 9
FB4-2306-020	320 - 38	FB4-7596-000	164A - 32	FB4-7761-020	161 - 65
FB4-2307-020	320 - 39	FB4-7596-000	164C - 3	FB4-7762-000	161 - 66
FB4-2308-020	320 - 40	FB4-7597-000	164B - 6	FB4-7763-000	161 - 11
FB4-2312-000	320 - 41	FB4-7598-000	164A - 78	FB4-7764-000	161 - 52
FB4-2314-000	320 - 42	FB4-7599-000	164A - 33	FB4-7767-020	166 - 3
FB4-2317-000	320 - 43	FB4-7604-000	163 - 3	FB4-7768-000	164A - 46

NUMERICAL INDEX

iR7086/7095/7105

PARTS NUMBER	FIGURE & KEY NO.	PARTS NUMBER	FIGURE & KEY NO.	PARTS NUMBER	FIGURE & KEY NO.
FB4-7782-000	161 - 53	FB5-2596-000	106 - 7	FB5-7562-000	810 - 37
FB4-7788-000	161 - 5	FB5-2598-020	600 - 59	FB5-7656-020	320 - 51
FB4-7791-000	161 - 20	FB5-2618-020	320 - 49	FB5-7657-000	351 - 16
FB4-7792-000	161 - 21	FB5-2837-000	315 - 21	FB5-7660-000	810 - 38
FB4-7834-000	104 - 1	FB5-2838-000	315 - 22	FB5-7662-000	351 - 17
FB4-7835-000	311 - 29	FB5-3087-000	211 - 3	FB5-7663-000	351 - 18
FB4-7839-020	102 - 7	FB5-3105-000	580 - 17	FB5-7664-000	351 - 12
FB4-7846-020	108 - 10	FB5-3365-000	300 - 26	FB5-7666-000	350 - 12
FB4-8012-020	600 - 53	FB5-3365-000	302 - 37	FB5-7668-020	350 - 3
FB4-8013-000	600 - 29	FB5-3365-000	303 - 37	FB5-7671-000	320 - 6
FB4-8014-000	600 - 30	FB5-3395-000	351 - 13	FB5-7672-000	320 - 7
FB4-8018-000	600 - 31	FB5-3407-000	320 - 63	FB5-7673-020	320 - 8
FB4-8030-000	163 - 7	FB5-3410-000	351 - 14	FB5-7676-000	325 - 17
FB4-8031-000	164A - 49	FB5-3421-000	351 - 15	FB5-8717-020	350 - 4
FB4-8032-000	164A - 50	FB5-3625-000	350 - 11	FB5-8729-000	350 - 9
FB4-8033-000	164A - 51	FB5-4339-000	312 - 30	FB5-8735-000	104 - 8
FB4-8034-000	164A - 119	FB5-5599-000	300 - 35	FB5-8817-000	600 - 42
FB4-8040-000	162 - 17	FB5-5620-000	312 - 31	FB5-9097-000	100 - 2
FB4-8042-000	162 - 9	FB5-5621-000	311 - 33	FB5-9518-000	164B - 20
FB4-8046-000	167 - 1	FB5-6586-000	311 - 34	FB5-9525-000	164C - 52
FB4-8048-000	167 - 2	FB5-6586-000	312 - 32	FB5-9529-020	162 - 4
FB4-8057-000	163 - 8	FB5-6586-000	313 - 24	FB5-9530-000	164A - 108
FB4-8062-000	162 - 18	FB5-6833-000	810 - 21	FB5-9531-000	164A - 107
FB4-8064-000	164A - 112	FB5-6856-000	600 - 38	FB5-9532-000	164A - 131
FB4-8074-000	167 - 4	FB5-6857-000	600 - 39	FB5-9533-000	164A - 111
FB4-8075-020	164A - 98	FB5-6868-000	600 - 40	FB5-9538-000	161 - 10
FB4-9029-000	311 - 30	FB5-6882-030	106 - 8	FB5-9541-000	161 - 54
FB4-9029-000	312 - 27	FB5-6884-000	106 - 9	FB5-9542-000	161 - 55
FB4-9029-000	313 - 21	FB5-6895-000	250 - 6	FB5-9542-000	164C - 1
FB4-9030-000	360 - 133	FB5-6910-020	360 - 123	FB5-9549-000	164C - 44
FB4-9032-000	106 - 6	FB5-6925-020	360 - 31	FB5-9554-000	161 - 27
FB4-9043-000	311 - 31	FB5-6930-000	810 - 22	FB5-9648-000	580 - 18
FB4-9043-000	312 - 28	FB5-6931-020	810 - 23	FB6-0397-000	100 - 58
FB4-9043-000	313 - 22	FB5-6934-000	810 - 25	FB6-0432-000	105 - 12
FB4-9355-020	580 - 12	FB5-6935-020	810 - 26	FB6-0433-000	105 - 13
FB4-9360-000	810 - 68	FB5-6936-020	810 - 27	FB6-0439-020	130 - 1
FB4-9511-000	770 - 2	FB5-6941-020	810 - 28	FB6-0450-000	105 - 14
FB4-9515-000	325 - 16	FB5-6944-000	810 - 29	FB6-0474-020	325 - 1
FB4-9524-000	810 - 20	FB5-6945-000	810 - 30	FB6-0480-020	320 - 52
FB4-9525-000	600 - 34	FB5-6951-000	810 - 31	FB6-0484-000	330 - 5
FB4-9526-000	600 - 35	FB5-6957-000	810 - 32	FB6-0485-000	330 - 6
FB4-9799-000	770 - 3	FB5-6973-000	810 - 33	FB6-0502-020	580 - 19
FB5-0529-000	580 - 13	FB5-6976-020	350 - 13	FB6-0513-000	311 - 36
FB5-0530-000	580 - 14	FB5-7010-000	325 - 46	FB6-0513-000	312 - 34
FB5-0553-000	231 - 4	FB5-7013-020	311 - 14	FB6-0519-000	312 - 35
FB5-1844-000	600 - 36	FB5-7013-020	312 - 25	FB6-0524-020	313 - 26
FB5-2063-000	311 - 32	FB5-7076-000	320 - 50	FB6-0525-020	360 - 32
FB5-2063-000	312 - 29	FB5-7374-000	270 - 18	FB6-0528-000	100 - 83
FB5-2063-000	313 - 23	FB5-7375-020	270 - 19	FB6-0529-020	102 - 39
FB5-2394-000	580 - 15	FB5-7558-000	810 - 34	FB6-0534-000	360 - 33
FB5-2512-000	100 - 82	FB5-7559-000	810 - 35	FB6-0559-000	360 - 34
FB5-2515-000	580 - 16	FB5-7560-000	810 - 36	FB6-0560-020	360 - 35

NUMERICAL INDEX

iR7086/7095/7105

PARTS NUMBER	FIGURE & KEY NO.	PARTS NUMBER	FIGURE & KEY NO.	PARTS NUMBER	FIGURE & KEY NO
FB6-0575-020	360 - 37	FB6-7051-000	360 - 27	FC5-2840-000	430 - 5
FB6-0579-000	360 - 39	FB6-7105-000	320 - 1	FC5-5091-000	620 - 4
FB6-0581-000	250 - 7	FB6-7106-000	351 - 3	FC5-5129-000	100 - 115
FB6-0599-000	350 - 8	FB6-7107-000	350 - 5	FC5-5130-000	100 - 116
FB6-0603-000	100 - 44	FB6-7112-000	101 - 2	FC5-6264-000	620 - 5
FB6-0615-000	311 - 38	FB6-7113-000	100 - 8	FC6-0940-000	162 - 6
FB6-0615-000	312 - 36	FB6-7114-000	100 - 9	FC6-0946-000	164A - 1
FB6-0615-000	313 - 27	FC1-3044-000	161 - 33	FC6-0951-000	167 - 5
FB6-0623-000	360 - 40	FC1-5061-000	302 - 11	FC6-0952-000	167 - 6
FB6-0624-000	360 - 41	FC1-5061-000	303 - 11	FC6-0953-000	167 - 7
FB6-0625-000	360 - 42	FC1-5081-000	302 - 13	FC6-0954-000	167 - 8
FB6-0776-000	100 - 60	FC1-5081-000	303 - 13	FC6-0955-000	167 - 9
FB6-0782-000	900 - 3	FC1-6140-000	810 - 39	FC6-0956-000	167 - 12
FB6-0783-000	770 - 4	FC1-6179-000	162 - 5	FC6-0957-000	167 - 11
FB6-0784-000	107 - 46	FC1-6853-020	194 - 1	FC6-0972-000	160 - 1
FB6-2369-020	104 - 9	FC1-7438-000	351 - 6	FC6-0973-000	160 - 2
FB6-2370-020	640 - 15	FC2-1191-000	161 - 56	FC6-0974-000	160 - 3
FB6-2373-000	320 - 53	FC2-1195-000	161 - 61	FC6-0975-000	160 - 4
FB6-2374-000	810 - 45	FC2-1196-000	161 - 62	FC6-0979-000	161 - 15
FB6-2376-000	320 - 54	FC2-1197-000	161 - 63	FC6-0983-000	163 - 12
FB6-2377-000	312 - 37	FC2-1204-000	161 - 57	FC6-0989-000	164A - 2
FB6-2378-000	325 - 43	FC2-1206-000	161 - 58	FC6-0991-000	164A - 86
FB6-2380-000	600 - 43	FC2-1208-020	161 - 41	FC6-3752-000	302 - 1
FB6-2385-000	600 - 44	FC2-1209-020	161 - 59	FC6-3752-000	303 - 1
FB6-2390-000	600 - 45	FC2-1227-000	164B - 27	FC6-3753-000	302 - 22
FB6-2397-000	100 - 84	FC2-1258-000	164B - 28	FC6-3762-000	302 - 40
FB6-2397-000	360 - 47	FC2-1302-000	168 - 3	FC6-3762-000	303 - 40
FB6-2400-000	600 - 46	FC2-1351-000	164A - 52	FC6-3763-000	302 - 7
FB6-2402-000	600 - 47	FC2-1369-000	164B - 29	FC6-3763-000	303 - 7
FB6-2418-000	163 - 1	FC2-1370-000	164B - 30	FC6-3764-000	302 - 2
FB6-2886-000	316 - 1	FC2-1371-000	164B - 31	FC6-3764-000	303 - 2
FB6-2887-000	316 - 9	FC2-1473-000	164A - 110	FC6-3767-000	302 - 9
FB6-3771-000	100 - 3	FC2-1475-000	164C - 13	FC6-3767-000	303 - 9
FB6-3953-000	130 - 5	FC2-2146-000	163 - 9	FC6-3768-000	302 - 14
FB6-4057-000	312 - 38	FC2-3245-000	163 - 10	FC6-3768-000	303 - 14
FB6-4059-000	312 - 39	FC5-0127-000	420 - 1	FC6-3769-000	302 - 18
FB6-4081-000	570 - 20	FC5-0127-000	430 - 1	FC6-3769-000	303 - 18
FB6-4248-000	265 - 5	FC5-0136-000	430 - 2	FC6-3778-000	102 - 66
FB6-4303-000	211 - 4	FC5-0165-000	430 - 3	FC6-3784-000	303 - 22
FB6-5889-000	251 - 2	FC5-1280-000	100 - 10	FC6-3785-000	303 - 53
FB6-6573-000	311 - 8	FC5-1282-000	100 - 11	FC6-3853-000	302 - 32
FB6-6573-000	312 - 8	FC5-1305-000	900 - 4	FC6-3853-000	303 - 32
FB6-6578-000	102 - 32	FC5-1904-000	620 - 66	FC6-4003-000	211 - 6
FB6-6864-000	900 - 2	FC5-1912-000	620 - 67	FC6-4598-000	211 - 7
FB6-6960-000	300 - 45	FC5-1913-000	620 - 68	FC6-4600-000	210 - 2
FB6-6961-000	300 - 48	FC5-1945-000	620 - 2	FC6-4941-000	130 - 6
FB6-6962-000	300 - 32	FC5-1949-000	620 - 3	FC6-4942-000	130 - 7
FB6-6965-000	300 - 22	FC5-1950-000	620 - 81	FC6-4943-000	130 - 8
FB6-6966-000	300 - 31	FC5-2719-000	100 - 85	FC6-4945-000	130 - 9
FB6-6968-000	300 - 19	FC5-2810-000	430 - 4	FC6-4946-000	130 - 10
FB6-6975-000	100 - 4	FC5-2834-000	211 - 5	FC6-4947-000	130 - 11
FB6-7044-000	305 - 2	FC5-2835-000	420 - 2	FC6-4949-000	130 - 12

NUMERICAL INDEX

iR7086/7095/7105

PARTS NUMBER	FIGURE & KEY NO.	PARTS NUMBER	FIGURE & KEY NO.	PARTS NUMBER	FIGURE & KEY NO.
FC6-4950-000	130 - 13	FC6-5529-000	100 - 77	FC6-5703-000	103 - 43
FC6-4951-000	130 - 14	FC6-5530-000	100 - 76	FC6-5704-000	103 - 44
FC6-4952-000	130 - 15	FC6-5531-000	302 - 45	FC6-5706-000	100 - 74
FC6-4954-000	130 - 16	FC6-5532-000	303 - 45	FC6-5713-000	100 - 52
FC6-4955-000	130 - 17	FC6-5533-000	300 - 6	FC6-5715-000	100 - 53
FC6-4956-000	130 - 18	FC6-5534-000	300 - 9	FC6-5716-000	105 - 8
FC6-4957-000	130 - 19	FC6-5536-000	104 - 27	FC6-5721-000	103 - 45
FC6-4958-000	130 - 29	FC6-5537-000	104 - 17	FC6-5722-000	103 - 53
FC6-4959-000	130 - 30	FC6-5541-000	620 - 20	FC6-5731-000	105 - 15
FC6-4960-000	130 - 31	FC6-5542-000	620 - 21	FC6-5732-000	100 - 54
FC6-4961-000	130 - 32	FC6-5546-000	265 - 6	FC6-6824-000	130 - 20
FC6-4964-000	130 - 7	FC6-5547-000	265 - 7	FC6-7114-000	420 - 3
FC6-4965-000	130 - 7	FC6-5548-000	265 - 8	FC6-7119-000	210 - 27
FC6-5117-000	211 - 37	FC6-5549-000	265 - 9	FC6-7122-000	211 - 10
FC6-5118-000	211 - 38	FC6-5550-000	265 - 10	FC6-7123-000	210 - 9
FC6-5133-000	210 - 3	FC6-5551-000	265 - 11	FC6-7144-000	100 - 18
FC6-5134-000	210 - 4	FC6-5552-000	265 - 12	FC6-7145-000	100 - 19
FC6-5135-000	210 - 5	FC6-5554-000	265 - 13	FC6-7147-000	900 - 6
FC6-5138-000	210 - 21	FC6-5555-000	265 - 35	FC6-7152-000	302 - 16
FC6-5139-000	210 - 22	FC6-5558-000	265 - 14	FC6-7152-000	303 - 16
FC6-5141-000	210 - 13	FC6-5561-000	265 - 15	FC6-7157-000	100 - 20
FC6-5142-000	210 - 6	FC6-5564-000	265 - 16	FC6-7158-000	100 - 21
FC6-5143-000	210 - 7	FC6-5565-000	103 - 48	FC6-7164-000	900 - 1
FC6-5144-000	210 - 8	FC6-5566-000	103 - 54	FC6-7169-000	103 - 37
FC6-5153-000	211 - 8	FC6-5570-000	103 - 41	FC6-7170-000	315 - 29
FC6-5156-000	211 - 9	FC6-5571-000	103 - 42	FC6-7171-000	100 - 62
FC6-5449-000	900 - 5	FC6-5572-000	103 - 49	FC6-8942-000	316 - 10
FC6-5458-000	810 - 62	FC6-5578-000	316 - 6	FC6-8943-000	316 - 13
FC6-5461-000	810 - 42	FC6-5582-000	103 - 34	FC6-8944-000	316 - 17
FC6-5474-000	325 - 50	FC6-5583-000	103 - 35	FC6-8946-000	316 - 20
FC6-5475-000	325 - 3	FC6-5584-000	103 - 36	FC6-8948-000	100 - 63
FC6-5476-000	620 - 28	FC6-5586-000	620 - 22	FC6-8951-000	315 - 19
FC6-5477-000	620 - 29	FC6-5592-000	620 - 1	FC6-8962-000	320 - 55
FC6-5478-000	620 - 30	FC6-5600-000	100 - 15	FC6-8964-000	103 - 1
FC6-5479-000	620 - 31	FC6-5601-000	100 - 16	FC6-8969-000	265 - 19
FC6-5481-000	620 - 32	FC6-5605-000	100 - 45	FC6-8970-000	103 - 2
FC6-5482-000	620 - 38	FC6-5607-000	100 - 46	FC6-9696-000	810 - 43
FC6-5484-000	620 - 6	FC6-5608-000	100 - 47	FC6-9697-000	810 - 44
FC6-5489-000	900 - 8	FC6-5609-000	100 - 48	FC6-9704-000	600 - 108
FC6-5492-000	105 - 19	FC6-5610-000	100 - 49	FC6-9705-000	900 - 23
FC6-5501-000	620 - 7	FC6-5611-000	100 - 50	FC6-9706-000	320 - 72
FC6-5502-000	620 - 8	FC6-5612-000	105 - 3	FC6-9710-000	325 - 49
FC6-5503-000	620 - 9	FC6-5614-000	105 - 4	FC6-9715-000	320 - 80
FC6-5504-000	620 - 10	FC6-5615-000	105 - 5	FC7-0069-000	620 - 12
FC6-5507-000	620 - 11	FC6-5644-000	105 - 6	FC7-0071-000	620 - 33
FC6-5516-000	620 - 39	FC6-5666-000	105 - 7	FC7-0072-000	620 - 34
FC6-5517-000	620 - 40	FC6-5671-000	265 - 17	FC7-0073-000	620 - 13
FC6-5518-000	620 - 41	FC6-5672-000	265 - 18	FC7-0074-000	265 - 20
FC6-5519-000	620 - 42	FC6-5681-000	600 - 87	FC7-0075-000	265 - 21
FC6-5521-000	620 - 43	FC6-5694-000	105 - 20	FC7-0076-000	265 - 22
FC6-5522-000	620 - 44	FC6-5695-000	105 - 21	FC7-0077-000	265 - 23
FC6-5526-000	620 - 45	FC6-5699-000	100 - 17	FC7-0078-000	265 - 24

NUMERICAL INDEX

iR7086/7095/7105

PARTS NUMBER	FIGURE & KEY NO.	PARTS NUMBER	FIGURE & KEY NO.	PARTS NUMBER	FIGURE & KEY NO.
FC7-0080-000	265 - 25	FF5-2993-000	313 - 51	FF5-8099-000	164B - 38
FC7-0081-000	265 - 26	FF5-3003-000	101 - 4	FF5-8114-000	168 - 6
FC7-0084-000	103 - 38	FF5-3004-020	101 - 5	FF5-8115-000	164C - 15
FC7-0085-000	265 - 27	FF5-3063-030	311 - 41	FF5-8117-000	164C - 17
FC7-0087-000	103 - 28	FF5-3154-000	320 - 56	FF5-8118-000	164C - 18
FC7-0207-000	315 - 35	FF5-3220-000	311 - 42	FF5-8139-000	101 - 29
FC7-0208-000	265 - 28	FF5-3221-000	313 - 29	FF5-8141-000	102 - 23
FC7-0209-000	265 - 29	FF5-5894-000	311 - 43	FF5-8147-000	102 - 56
FC7-0210-000	265 - 36	FF5-6000-000	320 - 11	FF5-8152-000	101 - 30
FC7-0222-000	105 - 16	FF5-6883-000	550 - 9	FF5-8194-000	102 - 34
FC7-0223-000	105 - 17	FF5-6883-000	580 - 20	FF5-8194-000	103 - 13
FC7-1775-000	600 - 105	FF5-6884-000	550 - 10	FF5-8200-000	360 - 49
FC7-1796-000	100 - 55	FF5-6884-000	580 - 21	FF5-8202-000	360 - 50
FC7-1797-000	100 - 22	FF5-6885-000	550 - 11	FF5-8210-000	161 - 45
FC7-1798-000	265 - 30	FF5-6885-000	580 - 22	FF5-8211-000	161 - 50
FC7-1799-000	265 - 31	FF5-6904-000	311 - 46	FF5-8736-000	320 - 59
FC7-1800-000	264 - 2	FF5-6905-000	311 - 47	FF5-8787-000	320 - 60
FC7-1801-000	600 - 107	FF5-7540-000	313 - 58	FF5-8796-000	325 - 26
FC7-1802-000	102 - 22	FF5-7658-000	101 - 28	FF5-8895-030	103 - 22
FC7-2023-000	620 - 46	FF5-7665-000	107 - 40	FF5-9551-000	315 - 32
FC7-2024-000	600 - 27	FF5-7667-000	102 - 55	FF5-9552-000	570 - 17
FC7-2025-000	300 - 3	FF5-7674-000	315 - 27	FF5-9561-000	315 - 33
FC7-2026-000	302 - 4	FF5-7675-000	315 - 28	FF5-9784-000	311 - 50
FC7-2027-000	303 - 4	FF5-7682-000	600 - 50	FF5-9784-000	312 - 47
FC7-2047-000	100 - 23	FF5-7693-000	102 - 40	FF5-9784-000	313 - 35
FC7-2048-000	100 - 23	FF5-7701-000	640 - 17	FF5-9892-000	104 - 19
FC7-2494-000	311 - 37	FF5-7705-000	550 - 12	FF6-1016-000	600 - 51
FC7-2494-000	313 - 25	FF5-7706-000	550 - 13	FF6-1029-000	351 - 5
FC7-2495-000	315 - 6	FF5-7726-000	105 - 33	FF6-1034-000	300 - 33
FC7-2672-000	100 - 23	FF5-7736-000	360 - 45	FF6-1044-000	350 - 14
FC7-2674-000	100 - 23	FF5-7737-020	360 - 46	FF6-1051-020	300 - 10
FC7-2675-000	100 - 23	FF5-7743-000	104 - 18	FF6-1052-020	300 - 10
FC7-2676-000	100 - 23	FF5-7829-030	311 - 48	FF6-1053-000	325 - 28
FC7-2678-000	100 - 23	FF5-7829-030	312 - 43	FF6-1082-000	810 - 46
FC7-2679-000	100 - 23	FF5-7829-030	313 - 32	FF6-1298-000	165 - 2
FC7-2680-000	100 - 23	FF5-7830-000	311 - 49	FF6-1300-000	164A - 59
FC7-2685-000	101 - 31	FF5-7830-000	312 - 44	FF6-1306-020	164C - 6
FC7-2687-000	110 - 1	FF5-7830-000	313 - 33	FF6-1307-000	164A - 56
FC7-3058-000	320 - 138	FF5-7832-000	312 - 45	FF6-1333-000	300 - 36
FC7-3065-000	265 - 1	FF5-7833-040	312 - 46	FF6-1502-000	194 - 2
FC7-3066-000	900 - 14	FF5-7840-020	313 - 34	FF6-1509-000	320 - 61
FC7-3070-000	810 - 24	FF5-7846-000	320 - 57	FF6-1519-000	360 - 51
FC7-3082-000	100 - 59	FF5-7850-000	320 - 58	FF6-1520-000	360 - 52
FE6-3059-000	164B - 32	FF5-7877-000	325 - 23	FF6-1533-000	311 - 51
FF2-2891-000	600 - 48	FF5-7878-000	325 - 24	FF6-1534-000	312 - 48
FF3-3330-000	550 - 8	FF5-7885-000	102 - 41	FF6-1535-000	313 - 36
FF3-4190-000	311 - 40	FF5-7891-020	580 - 23	FF6-1764-000	315 - 56
FF3-4190-000	312 - 40	FF5-8090-000	164A - 57	FF6-1851-040	810 - 115
FF3-4190-000	313 - 28	FF5-8091-000	164A - 58	FF6-1856-000	315 - 34
FF5-2939-000	315 - 23	FF5-8093-000	164A - 122	FF6-1860-000	570 - 19
FF5-2942-020	570 - 16	FF5-8094-000	164A - 127	FF6-2568-000	313 - 30
FF5-2943-000	315 - 24	FF5-8096-000	164A - 92	FF6-2849-000	100 - 113

NUMERICAL INDEX

iR7086/7095/7105

PARTS NUMBER	FIGURE & KEY NO.	PARTS NUMBER	FIGURE & KEY NO.	PARTS NUMBER	FIGURE & KEY NO
FF6-2857-000	320 - 2	FG6-2295-000	510 - 6	FG6-8592-000	313 - 38
FF6-2859-000	360 - 53	FG6-2305-000	102 - 26	FG6-8593-000	360 - 145
FF6-2861-000	103 - 23	FG6-2328-020	101 - 12	FG6-8594-020	600 - 56
FF9-1763-000	315 - 51	FG6-2330-020	101 - 13	FG6-8595-000	600 - 57
FF9-1910-020	360 - 57	FG6-2331-020	102 - 37	FG6-8600-000	910 - 3
FG1-3472-000	720 -	FG6-2334-000	104 - 20	FG6-8605-000	311 - 54
FG2-9361-000	164A - 124	FG6-2335-020	311 - 44	FG6-8605-000	312 - 51
FG2-9362-000	164A - 115	FG6-2421-000	161 - 70	FG6-8605-000	313 - 39
FG2-9368-000	162 - 13	FG6-2779-000	164C - 42	FG6-8605-000	360 - 140
FG2-9371-000	161 - 17	FG6-2786-000	168 - 4	FG6-8608-000	910 - 3
FG2-9372-030	164C - 12	FG6-2791-000	161 - 60	FG6-8616-030	360 - 141
FG2-9373-040	164C - 14	FG6-2792-000	161 - 64	FG6-8617-020	360 - 143
FG2-9374-020	161 - 18	FG6-3569-020	106 - 24	FG6-8619-000	360 - 69
FG2-9380-000	164B - 37	FG6-3570-000	251 - 3	FG6-8620-000	102 - 45
FG2-9381-000	164A - 125	FG6-3572-020	264 - 3	FG6-8621-000	320 - 66
FG2-9382-040	164A - 22	FG6-5043-020	313 - 40	FG6-8622-020	194 - 4
FG2-9383-000	164A - 87	FG6-5396-000	102 - 43	FG6-8623-000	230 - 2
FG2-9385-000	164A - 88	FG6-5407-000	101 - 19	FG6-8623-000	264 - 4
FG2-9811-000	305 -	FG6-6728-030	770 - 5	FG6-8623-000	265 - 32
FG3-1816-000	162 - 7	FG6-6866-020	770 - 6	FG6-8723-030	600 - 33
FG3-2265-000	162 - 14	FG6-6879-000	325 - 30	FG6-8733-020	580 -
FG3-4067-000	940 -	FG6-6885-020	251 - 4	FG9-3888-000	311 -
FG5-1946-000	316 - 18	FG6-6887-000	190 - 1	FG9-3890-000	313 -
FG5-1957-000	107 - 8	FG6-6892-030	600 - 99	FG9-3955-020	325 - 2
FG5-1958-000	316 - 11	FG6-6894-020	600 - 95	FH2-6570-020	110 - 5
FG5-4449-050	261 -	FG6-7185-000	570 - 1	FH2-6807-030	106 - 19
FG6-1817-020	120 - 6	FG6-7200-000	810 - 49	FH2-6877-000	110 - 5
FG6-1839-020	360 - 58	FG6-7203-000	570 - 14	FH2-6901-000	110 - 5
FG6-1840-020	360 - 59	FG6-7204-000	600 - 54	FH2-6919-000	110 - 5
FG6-1841-020	360 - 60	FG6-7207-000	110 - 2	FH2-6920-000	110 - 5
FG6-1843-020	360 - 61	FG6-7211-000	106 - 11	FH2-6921-000	110 - 5
FG6-1854-000	640 - 19	FG6-7214-000	270 - 2	FH2-7053-000	110 - 5
FG6-1858-020	550 - 14	FG6-7285-000	110 - 3	FH2-9231-020	985 - 1
FG6-1866-020	315 - 31	FG6-7313-000	550 -	FH2-9232-000	106 - 20
FG6-1867-020	102 - 25	FG6-7366-000	351 -	FH2-9233-020	106 - 21
FG6-1871-000	320 - 81	FG6-7429-000	600 - 55	FH2-9235-020	106 - 22
FG6-1875-020	810 - 48	FG6-7429-040	980 -	FH2-9242-020	580 - 24
FG6-1879-020	320 - 62	FG6-7725-000	164B - 35	FH3-1546-020	910 - 6
FG6-1880-000	810 - 66	FG6-7727-000	161 - 19	FH5-1138-000	550 - 15
FG6-1881-000	810 - 69	FG6-7729-000	164A - 89	FH5-1138-000	570 - 21
FG6-1887-020	910 - 4	FG6-7730-000	165 -	FH5-1138-000	580 - 25
FG6-1888-020	231 - 1	FG6-7745-000	810 - 50	FH6-1486-020	161 - 36
FG6-1891-020	645 - 26	FG6-7770-000	162 - 8	FH6-1490-020	360 - 70
FG6-1892-020	101 - 6	FG6-7817-000	910 - 3	FH6-1542-020	320 - 75
FG6-1896-020	103 - 11	FG6-7999-000	194 -	FH6-1542-020	360 - 71
FG6-1904-000	107 - 12	FG6-8008-000	251 -	FH6-1543-020	620 - 55
FG6-1906-000	104 - 10	FG6-8033-000	330 -	FH6-1543-020	645 - 11
FG6-1941-000	104 - 11	FG6-8576-000	190 -	FH6-1545-030	190 - 4
FG6-1996-000	263 -	FG6-8577-000	230 -	FH6-1546-020	194 - 6
FG6-2020-020	775 - 1	FG6-8585-000	360 - 63	FH6-1547-020	195 - 2
FG6-2214-000	164B - 18	FG6-8590-000	311 - 53	FH6-1547-020	600 - 93
FG6-2243-000	231 -	FG6-8591-000	312 - 50	FH6-1548-040	320 - 67

NUMERICAL INDEX

iR7086/7095/7105

PARTS NUMBER	FIGURE & KEY NO.	PARTS NUMBER	FIGURE & KEY NO.	PARTS NUMBER	FIGURE & KEY NO
FH6-1550-000	195 - 3	FH7-7036-000	100 - 27	FK2-1646-000	130 - 23
FH6-1637-040	165 - 3	FH7-7196-020	360 - 75	FK9-1196-000	166 - 1
FH6-1638-030	164C - 49	FH7-7426-020	101 - 22	FL2-0647-000	430 - 6
FH6-1740-020	105 - 22	FH7-7464-000	810 - 59	FL2-2547-000	160 - 5
FH6-1877-040	105 - 10	FH7-7553-000	810 - 117	FL2-2549-000	162 - 10
FH6-1878-020	900 - 22	FH7-7668-000	102 - 46	FL2-2550-000	162 - 15
FH6-1934-020	251 - 5	FK2-0014-000	110 - 6	FL2-2551-000	163 - 11
FH6-1935-020	250 - 9	FK2-0015-000	620 - 69	FL2-2553-000	162 - 11
FH6-1936-020	260 - 6	FK2-0017-000	231 - 7	FL2-2554-000	164C - 46
FH6-1939-020	360 - 72	FK2-0126-000	312 - 71	FL2-2555-000	164A - 91
FH6-1940-020	360 - 73	FK2-0126-000	313 - 55	FL2-2615-000	130 - 24
FH6-1942-020	320 - 68	FK2-0149-000	101 - 8	FL2-2616-000	130 - 25
FH6-1960-020	101 - 23	FK2-0149-000	102 - 29	FL2-3064-000	300 - 13
FH6-5013-020	325 - 32	FK2-0149-000	103 - 16	FL2-3065-000	300 - 20
FH6-5014-020	264 - 5	FK2-0149-000	211 - 11	FL2-3075-000	302 - 23
FH6-5014-020	311 - 55	FK2-0149-000	231 - 5	FL2-3075-000	303 - 23
FH6-5014-020	312 - 52	FK2-0149-000	265 - 34	FL2-3076-000	302 - 19
FH6-5014-020	320 - 14	FK2-0149-000	311 - 58	FL2-3076-000	303 - 19
FH6-5014-020	360 - 74	FK2-0149-000	312 - 54	FL2-3077-000	302 - 5
FH6-5015-020	270 - 3	FK2-0149-000	313 - 41	FL2-3077-000	303 - 5
FH6-5016-020	264 - 6	FK2-0149-000	315 - 37	FL2-3079-000	302 - 47
FH6-5017-020	270 - 4	FK2-0149-000	320 - 132	FL2-3079-000	303 - 47
FH6-5043-020	230 - 3	FK2-0149-000	325 - 33	FL2-3080-000	302 - 49
FH6-5043-020	264 - 7	FK2-0149-000	360 - 76	FL2-3080-000	303 - 49
FH6-5043-020	265 - 33	FK2-0149-000	620 - 24	FL2-3081-000	302 - 50
FH6-5043-020	311 - 56	FK2-0149-000	770 - 8	FL2-3081-000	303 - 50
FH6-5043-020	312 - 53	FK2-0149-000	810 - 61	FL2-3154-000	420 - 4
FH7-3395-020	600 - 41	FK2-0158-000	620 - 47	FL2-3421-000	210 - 11
FH7-4584-000	305 - 1	FK2-0158-000	640 - 20	FL2-3422-000	210 - 26
FH7-4707-001	810 - 57	FK2-0158-000	645 - 21	FL2-3424-000	210 - 14
FH7-4708-001	810 - 57	FK2-0234-000	211 - 12	FL2-3425-000	430 - 9
FH7-4709-001	810 - 57	FK2-0238-000	210 - 10	FL2-3426-000	211 - 15
FH7-4710-001	810 - 58	FK2-0248-000	941 - IC	FL2-3427-000	211 - 17
FH7-4711-001	810 - 58	FK2-0384-000	620 - 25	FL2-3470-000	100 - 56
FH7-4712-001	810 - 58	FK2-0967-000	910 - 3	FL2-3471-000	325 - 18
FH7-4713-000	510 - 7	FK2-0968-000	105 - 30	FL2-3478-000	315 - 59
FH7-4719-001	810 - 57	FK2-0974-000	620 - 56	FL2-3481-000	302 - 38
FH7-4720-001	810 - 57	FK2-0999-000	325 - 48	FL2-3482-000	303 - 38
FH7-4723-001	810 - 58	FK2-0999-000	600 - 106	FL2-3483-000	103 - 50
FH7-4724-001	810 - 58	FK2-1002-000	320 - 114	FL2-3488-000	315 - 20
FH7-5702-050	311 - 57	FK2-1005-000	102 - 49	FL2-3492-000	195 - 4
FH7-5837-030	320 - 69	FK2-1182-000	211 - 13	FL2-3494-000	100 - 71
FH7-5838-030	315 - 36	FK2-1188-000	211 - 18	FL2-3495-000	100 - 72
FH7-5840-020	645 - 12	FK2-1189-000	211 - 16	FL2-3496-000	103 - 18
FH7-5844-020	320 - 15	FK2-1197-000	164A - 48	FL2-3497-000	103 - 19
FH7-5845-030	320 - 70	FK2-1198-000	164A - 54	FL2-3503-000	810 - 70
FH7-5873-020	164A - 130	FK2-1251-000	945 -	FL2-3505-000	100 - 29
FH7-5874-020	165 - 6	FK2-1256-000	210 - 19	FL2-3507-000	100 - 111
FH7-5875-020	164A - 128	FK2-1257-000	210 - 20	FL2-3508-000	100 - 30
FH7-5876-020	164C - 48	FK2-1634-000	102 - 50	FL2-3509-000	620 - 35
FH7-6253-020	120 - 2	FK2-1636-000	130 - 21	FL2-3510-000	620 - 14
FH7-6327-020	105 - 23	FK2-1645-000	130 - 22	FL2-3511-000	620 - 15

NUMERICAL INDEX

iR7086/7095/7105

PARTS NUMBER	FIGURE & KEY NO.	PARTS NUMBER	FIGURE & KEY NO.	PARTS NUMBER	FIGURE & KEY NO
FL2-3512-000	620 - 70	FM2-2575-000	130 -	FM2-4390-000	265 - 37
FL2-3513-000	645 - 22	FM2-2576-000	130 -	FM2-4391-000	106 - 25
FL2-3515-000	100 - 32	FM2-3785-000	305 - 3	FM2-4392-000	620 - 57
FL2-3516-000	100 - 91	FM2-3786-000	107 - 16	FM2-4394-000	105 - 27
FL2-3517-000	620 - 16	FM2-3796-000	900 - 7	FM2-4397-000	105 - 29
FL2-3518-000	620 - 17	FM2-3924-000	211 - 22	FM2-4736-000	164B - 15
FL2-3520-000	325 - 47	FM2-3925-000	211 - 36	FM2-4737-000	164A - 84
FL2-3521-000	316 - 19	FM2-3929-000	211 - 41	FM2-4740-000	161 - 79
FL2-3522-000	315 - 60	FM2-3930-000	211 - 34	FM2-4741-000	161 - 80
FL2-3533-000	300 - 7	FM2-3931-000	211 - 19	FM2-4742-000	210 - 18
FL2-3533-000	302 - 39	FM2-3937-000	210 - 17	FM2-4747-000	420 -
FL2-3533-000	303 - 39	FM2-4063	620 -	FM2-4753-000	430 -
FL2-3534-000	100 - 66	FM2-4064-000	100 - 41	FM2-4759-000	420 - 5
FL2-3535-000	107 - 20	FM2-4068-000	315 -	FM2-4819-000	935 - 1
FL2-3536-000	620 - 48	FM2-4069-000	316 -	FM2-4820-000	941 -
FL2-3537-000	620 - 49	FM2-4081-000	810 -	FM2-4821-000	211 - 1
FL2-3538-000	620 - 18	FM2-4087-000	315 - 25	FM2-4823-000	211 - 20
FL2-3539-000	325 - 29	FM2-4089-000	250 -	FM2-4824-000	211 - 35
FL2-3541-000	600 - 100	FM2-4090-000	103 - 27	FM2-4826-000	211 - 25
FL2-3542-000	100 - 67	FM2-4091-000	103 - 33	FM2-4867-000	620 - 54
FL2-3545-000	100 - 34	FM2-4093-000	110 -	FM2-4868-000	620 - 65
FL2-3546-000	315 - 53	FM2-4098-000	110 -	FM2-4871-000	645 -
FL2-3747-000	430 - 7	FM2-4101-000	105 - 11	FM2-4872-000	640 -
FL2-3748-000	430 - 8	FM2-4104-000	195 -	FM2-4877-000	280 -
FL2-3846-000	210 - 28	FM2-4105-000	107 - 27	FM2-4878-000	260 -
FL2-3849-000	210 - 23	FM2-4108-000	100 - 70	FM2-4879-000	320 - 74
FL2-4611-000	302 - 20	FM2-4109-000	270 -	FM2-5063-000	960 -
FL2-4611-000	303 - 20	FM2-4120-000	620 - 27	FM2-5065-000	986 - 1
FL2-4623-000	315 - 49	FM2-4351-000	985 -	FM2-5077-000	110 -
FL2-4624-000	100 - 57	FM2-4354-000	900 - 9	FM2-5078-000	110 -
FL2-5525-000	300 - 11	FM2-4355-000	930 - 1	FM2-5079-000	110 -
FL2-5586-000	600 - 49	FM2-4356-000	320 - 139	FM2-5081-000	110 -
FL2-5589-000	600 - 102	FM2-4357-000	600 - 111	FM2-5089-000	105 - 31
FM1-0659-000	325 - 20	FM2-4358-000	110 - 19	FM2-5093-000	770 -
FM1-0661-000	103 - 24	FM2-4360-000	510 - 2	FM2-5094-000	250 - 8
FM1-0670-000	350 -	FM2-4361-000	910 - 1	FM2-5096-000	325 - 15
FM2-1106-000	210 - 16	FM2-4362-000	910 - 1	FM2-5097-000	320 - 77
FM2-2402-000	161 - 38	FM2-4363-000	910 - 1	FM2-5098-000	320 - 78
FM2-2407-000	162 -	FM2-4364-000	910 - 1	FM2-5099-000	195 - 5
FM2-2411-000	168 -	FM2-4369-000	110 - 16	FM2-5100-000	195 - 7
FM2-2415-000	164A - 47	FM2-4370-000	620 - 26	FM2-5423-000	900 - 11
FM2-2419-000	161 - 42	FM2-4371-000	105 - 24	FM2-5427-000	900 - 16
FM2-2421-000	961 -	FM2-4374-000	320 - 141	FM2-5428-000	900 - 17
FM2-2423-000	164A - 53	FM2-4376-000	600 - 109	FM2-5439-000	130 - 26
FM2-2429-000	164B - 8	FM2-4378-000	810 - 63	FM2-5440-000	130 - 27
FM2-2431-000	164A - 61	FM2-4379-000	320 - 76	FM2-5441-000	130 - 28
FM2-2434-000	164C - 51	FM2-4381-000	320 - 71	FM2-5446-000	161 - 1
FM2-2436-000	164A - 85	FM2-4383-000	105 - 26	FM2-5449-000	460 -
FM2-2442-000	164A -	FM2-4384-000	102 - 62	FM2-5461-000	130 - 2
FM2-2443-000	164B -	FM2-4385-000	770 - 9	FM2-5462-000	130 - 3
FM2-2444-000	164C -	FM2-4388-000	620 - 53	FM2-5463-000	130 - 4
FM2-2574-000	130 -	FM2-4389-000	103 - 29	FM2-5854-000	325 - 22

NUMERICAL INDEX

iR7086/7095/7105

PARTS NUMBER	FIGURE & KEY NO.	PARTS NUMBER	FIGURE & KEY NO.	PARTS NUMBER	FIGURE & KEY NO.
FM2-5855-000	320 - 79	FS1-1512-000	313 - 42	FS3-0940-000	550 - 16
FM2-5857-000	570 -	FS1-1528-000	164A - 63	FS3-0940-000	570 - 22
FM2-5861-000	325 -	FS1-1569-000	264 - 13	FS3-0940-000	580 - 27
FM2-5865-000	810 -	FS1-1569-000	311 - 60	FS3-2044-000	107 - 25
FM2-5866-000	810 -	FS1-1569-000	312 - 56	FS3-2159-000	320 - 87
FM2-5867-000	810 -	FS1-1569-000	313 - 43	FS3-2887-000	600 - 63
FM2-5868-000	810 -	FS1-1569-000	315 - 38	FS4-0012-000	302 - 25
FM2-5869-000	810 -	FS1-1569-000	620 - 59	FS4-0012-000	303 - 25
FM2-5870-000	600 -	FS1-1569-000	810 - 78	FS4-0014-000	261 - 4
FM2-5872-000	360 -	FS1-2834-000	810 - 90	FS4-0014-000	264 - 8
FM2-5873-000	320 - 113	FS1-9009-020	164A - 103	FS4-0145-000	261 - 5
FM2-5874-000	320 -	FS1-9010-020	164A - 64	FS4-0157-000	270 - 7
FM2-5875-000	320 -	FS1-9051-020	810 - 91	FS4-0160-000	302 - 26
FM2-5876-000	320 -	FS1-9102-020	161 - 34	FS4-0160-000	303 - 26
FM2-5991-000	102 - 63	FS1-9199-000	161 - 32	FS4-0177-000	162 - 16
FM2-5992-000	102 - 64	FS1-9199-000	320 - 16	FS4-2048-000	320 - 88
FM2-5993-000	102 - 67	FS1-9199-000	351 - 19	FS4-2136-000	302 - 27
FM2-5994-000	102 - 68	FS2-0087-020	720 - 13	FS4-2136-000	303 - 27
FM2-6123-000	320 -	FS2-0088-000	720 - 14	FS4-2360-000	161 - 31
FM2-6125-000	100 - 112	FS2-0089-000	720 - 15	FS5-0070-000	360 - 91
FM2-6129-000	105 - 35	FS2-0090-000	720 - 16	FS5-0338-000	311 - 61
FM2-6136-000	302 -	FS2-0091-000	720 - 17	FS5-0338-000	312 - 57
FM2-6137-000	303 -	FS2-0441-000	320 - 64	FS5-0338-000	313 - 45
FM2-6146-000	320 -	FS2-0485-000	270 - 5	FS5-0338-000	360 - 78
FM2-6960-000	264 -	FS2-0544-000	313 - 44	FS5-0351-000	265 - 39
FM2-6981-000	110 -	FS2-0566-000	102 - 19	FS5-0398-000	230 - 6
FM2-6999-000	320 -	FS2-0875-000	645 - 16	FS5-0514-000	102 - 15
FM2-7517-000	900 - 11	FS2-1014-000	640 - 21	FS5-0514-000	263 - 3
FM2-8260-000	303 - 51	FS2-1256-000	810 - 92	FS5-0514-000	360 - 79
FN5-4070-000	168 - 12	FS2-1357-000	315 - 39	FS5-0532-000	300 - 37
FN7-4057-000	210 - 24	FS2-1463-000	600 - 62	FS5-0710-000	360 - 80
FS1-0542-000	320 - 83	FS2-1610-000	164C - 19	FS5-0714-000	360 - 81
FS1-1046-000	161 - 37	FS2-1617-000	161 - 69	FS5-0748-000	620 - 60
FS1-1189-000	164B - 11	FS2-2001-000	720 - 18	FS5-1004-000	351 - 20
FS1-1189-000	230 - 4	FS2-2002-000	720 - 19	FS5-1372-000	350 - 16
FS1-1189-000	260 - 7	FS2-2058-000	720 - 20	FS5-1474-000	320 - 89
FS1-1189-000	263 - 1	FS2-2551-000	580 - 26	FS5-1474-000	620 - 72
FS1-1189-000	264 - 12	FS2-3494-020	261 - 3	FS5-1787-000	104 - 12
FS1-1202-000	645 - 14	FS2-3494-020	263 - 2	FS5-1800-000	600 - 64
FS1-1376-000	164A - 62	FS2-3495-000	250 - 10	FS5-1801-000	600 - 65
FS1-1401-000	350 - 15	FS2-3495-000	280 - 1	FS5-1803-000	320 - 90
FS1-1401-000	360 - 77	FS2-9001-020	320 - 85	FS5-2322-000	107 - 10
FS1-1433-000	620 - 58	FS2-9267-020	320 - 86	FS5-2323-020	107 - 11
FS1-1449-000	260 - 8	FS2-9327-030	107 - 24	FS5-2328-000	300 - 38
FS1-1449-000	810 - 77	FS2-9343-010	103 - 5	FS5-2650-000	300 - 39
FS1-1503-000	645 - 15	FS2-9394-020	164A - 65	FS5-2907-020	320 - 91
FS1-1508-000	164B - 12	FS2-9410-020	770 - 11	FS5-2911-000	312 - 58
FS1-1508-000	320 - 84	FS2-9475-000	168 - 7	FS5-2914-000	312 - 59
FS1-1510-000	161 - 77	FS3-0046-000	270 - 6	FS5-2919-000	313 - 46
FS1-1510-000	620 - 71	FS3-0137-000	164B - 17	FS5-2921-000	100 - 88
FS1-1512-000	311 - 59	FS3-0165-000	230 - 5	FS5-2922-000	100 - 89
FS1-1512-000	312 - 55	FS3-0165-000	260 - 10	FS5-2928-000	120 - 3

NUMERICAL INDEX

iR7086/7095/7105

PARTS NUMBER	FIGURE & KEY NO.	PARTS NUMBER	FIGURE & KEY NO.	PARTS NUMBER	FIGURE & KEY NO.
FS5-2940-000	810 - 95	FS5-6650-000	164C - 45	FS6-0977-000	600 - 73
FS5-2944-000	351 - 21	FS5-6651-000	168 - 2	FS6-0978-000	600 - 74
FS5-2946-000	350 - 17	FS5-8618-000	300 - 21	FS6-0979-000	640 - 25
FS5-2947-000	320 - 17	FS5-8618-000	302 - 46	FS6-0980-000	640 - 26
FS5-2949-000	320 - 82	FS5-8618-000	303 - 46	FS6-0981-000	640 - 27
FS5-2950-000	810 - 96	FS5-8619-000	300 - 12	FS6-0982-000	640 - 28
FS5-2953-020	350 - 18	FS5-9161-020	100 - 117	FS6-0983-000	640 - 29
FS5-2958-000	101 - 15	FS5-9166-020	101 - 16	FS6-0984-000	640 - 30
FS5-2959-000	280 - 2	FS5-9210-020	320 - 96	FS6-0985-000	640 - 31
FS5-2965-000	107 - 41	FS5-9214-020	985 - 2	FS6-0988-000	645 - 17
FS5-2978-000	250 - 11	FS5-9216-020	101 - 17	FS6-0989-000	645 - 18
FS5-2982-000	351 - 22	FS5-9282-000	302 - 43	FS6-0990-000	645 - 19
FS5-3177-000	316 - 12	FS5-9216-020	303 - 43	FS6-0991-000	320 - 98
FS5-3314-000	360 - 82	FS5-9221-020	360 - 90	FS6-0992-000	320 - 99
FS5-3331-000	315 - 40	FS5-9282-020	107 - 42	FS6-0993-000	320 - 100
FS5-3333-000	311 - 62	FS5-9284-020	351 - 23	FS6-0994-000	320 - 101
FS5-3333-000	312 - 60	FS5-9398-020	770 - 12	FS6-0995-000	320 - 102
FS5-3333-000	313 - 47	FS5-9439-000	168 - 8	FS6-0996-000	320 - 103
FS5-3609-000	250 - 12	FS5-9570-000	161 - 23	FS6-0997-000	320 - 104
FS5-3610-000	280 - 3	FS5-9571-000	161 - 51	FS6-0998-000	320 - 105
FS5-3612-000	250 - 13	FS5-9619-020	810 - 98	FS6-0999-000	320 - 106
FS5-3613-000	360 - 83	FS5-9752-030	810 - 99	FS6-1025-000	600 - 75
FS5-3615-000	320 - 92	FS5-9760-020	303 - 24	FS6-1149-000	106 - 29
FS5-3617-000	360 - 84	FS5-9772-020	211 - 27	FS6-1149-000	320 - 107
FS5-3731-000	164A - 66	FS6-0048-000	311 - 63	FS6-2667-000	104 - 21
FS5-3732-000	165 - 4	FS6-0049-000	311 - 64	FS6-2668-020	311 - 68
FS5-3733-000	161 - 30	FS6-0051-000	311 - 65	FS6-2670-000	311 - 69
FS5-3734-000	164C - 20	FS6-0053-020	311 - 66	FS6-2678-030	311 - 70
FS5-3735-000	164C - 21	FS6-0053-020	312 - 61	FS6-2678-030	312 - 63
FS5-3736-000	161 - 75	FS6-0053-020	313 - 48	FS6-2678-030	313 - 49
FS5-3890-000	250 - 14	FS6-0055-000	261 - 6	FS6-2691-030	300 - 28
FS5-3942-000	360 - 85	FS6-0056-000	261 - 7	FS6-2692-000	300 - 41
FS5-3943-000	360 - 86	FS6-0056-000	263 - 4	FS6-2693-000	300 - 42
FS5-3945-000	360 - 87	FS6-0056-000	311 - 67	FS6-2694-000	300 - 43
FS5-6323-000	164C - 22	FS6-0056-000	312 - 62	FS6-2742-000	311 - 71
FS5-6323-000	165 - 1	FS6-0056-000	325 - 35	FS6-2748-000	600 - 76
FS5-6487-000	250 - 15	FS6-0081-000	320 - 121	FS6-2749-000	600 - 77
FS5-6487-000	265 - 40	FS6-0096-000	260 - 15	FS6-2750-010	640 - 32
FS5-6487-000	320 - 93	FS6-0103-000	810 - 80	FS6-2751-000	640 - 33
FS5-6487-000	325 - 34	FS6-0106-000	810 - 82	FS6-2752-000	280 - 5
FS5-6487-000	360 - 88	FS6-0121-000	600 - 86	FS6-2756-000	775 - 9
FS5-6487-000	810 - 97	FS6-0134-000	810 - 83	FS6-2759-000	940 - 6
FS5-6488-000	265 - 41	FS6-0136-000	600 - 67	FS6-2760-000	770 - 13
FS5-6488-000	270 - 9	FS6-0138-000	600 - 68	FS6-2769-020	360 - 94
FS5-6488-000	280 - 4	FS6-0145-000	360 - 92	FS6-2770-000	360 - 95
FS5-6488-000	320 - 94	FS6-0557-000	360 - 93	FS6-2771-000	360 - 96
FS5-6488-000	360 - 89	FS6-0857-000	640 - 24	FS6-2772-020	360 - 97
FS5-6574-000	640 - 22	FS6-0899-000	320 - 97	FS6-2773-020	360 - 98
FS5-6575-000	320 - 95	FS6-0972-000	600 - 69	FS6-2776-020	260 - 16
FS5-6579-000	640 - 23	FS6-0973-000	600 - 70	FS6-2777-020	360 - 99
FS5-6581-000	315 - 41	FS6-0975-000	600 - 71	FS6-2825-000	102 - 47
FS5-6583-000	810 - 79	FS6-0976-000	600 - 72	FS6-2826-000	100 - 90

NUMERICAL INDEX

iR7086/7095/7105

PARTS NUMBER	FIGURE & KEY NO.	PARTS NUMBER	FIGURE & KEY NO.	PARTS NUMBER	FIGURE & KEY NO
FS6-2828-000	102 - 48	FS7-0040-000	315 - 46	FS7-2995-000	720 - 1
FS6-2830-020	360 - 100	FS7-0041-000	315 - 47	FU3-0037-000	164B - 13
FS6-2831-020	360 - 101	FS7-0048-000	600 - 82	FU3-0038-000	161 - 74
FS6-2832-000	360 - 102	FS7-0050-000	600 - 83	FU3-0039-000	164C - 16
FS6-2833-000	320 - 73	FS7-0072-000	270 - 12	FU3-0040-000	164C - 23
FS6-2847-000	104 - 22	FS7-0312-000	164A - 67	FU3-0415-000	280 - 10
FS6-2885-000	351 - 24	FS7-0313-000	164A - 68	FU3-0416-000	280 - 11
FS6-2886-000	351 - 25	FS7-0314-000	164A - 69	FU5-0199-000	620 - 79
FS6-2888-020	102 - 58	FS7-0315-000	164A - 70	FU5-0273-000	620 - 80
FS6-2889-020	102 - 59	FS7-0317-000	164A - 113	FU5-2284-000	211 - 28
FS6-2892-000	315 - 42	FS7-0322-000	164B - 14	FU5-3433-000	302 - 17
FS6-2893-000	315 - 43	FS7-0891-000	810 - 85	FU5-3433-000	303 - 17
FS6-2980-000	360 - 103	FS7-0893-000	810 - 86	FU5-3434-000	280 - 12
FS6-2981-000	600 - 78	FS7-0894-000	810 - 87	FU5-3435-000	260 - 9
FS6-2982-020	320 - 108	FS7-0895-000	810 - 88	FU5-3436-000	270 - 8
FS6-2985-000	315 - 44	FS7-0896-000	250 - 22	FU5-8636-000	210 - 25
FS6-2990-000	810 - 84	FS7-0897-000	250 - 23	FU5-8655-000	620 - 19
FS6-2991-020	600 - 79	FS7-0898-000	250 - 24	FU5-8656-000	105 - 36
FS6-2992-000	265 - 42	FS7-0899-000	320 - 111	FU5-8656-000	250 - 2
FS6-2992-000	360 - 104	FS7-0901-000	325 - 36	FU5-8656-000	260 - 1
FS6-2993-020	320 - 109	FS7-2022-000	161 - 29	FU5-8656-000	270 - 10
FS6-2994-000	600 - 80	FS7-2023-000	166 - 4	FU5-8656-000	320 - 120
FS6-2996-000	311 - 72	FS7-2025-000	161 - 28	FU5-8656-000	600 - 103
FS6-2997-000	312 - 64	FS7-2026-000	161 - 26	FU5-8656-000	770 - 14
FS6-2999-000	260 - 17	FS7-2028-000	164A - 71	FU5-8658-000	316 - 22
FS6-4243-020	104 - 23	FS7-2029-000	164A - 72	FU5-8662-000	300 - 2
FS6-6649-000	164C - 39	FS7-2030-000	164A - 104	FU5-8663-000	300 - 46
FS6-8399-000	600 - 81	FS7-2032-000	164A - 109	FU5-8664-000	300 - 25
FS6-8703-000	320 - 3	FS7-2033-000	164A - 73	FU5-9370-000	211 - 39
FS6-8704-000	360 - 54	FS7-2034-000	164A - 114	FU5-9371-000	211 - 14
FS7-0002-000	320 - 110	FS7-2035-000	164A - 116	FU5-9508-000	302 - 51
FS7-0006-000	320 - 119	FS7-2036-000	164A - 74	FU5-9508-000	303 - 52
FS7-0007-000	810 - 100	FS7-2037-000	164A - 121	FU6-0951-000	265 - 44
FS7-0008-000	810 - 101	FS7-2038-000	164A - 75	FU6-0952-000	265 - 45
FS7-0010-000	251 - 6	FS7-2043-000	164A - 94	FU6-0954-000	620 - 61
FS7-0011-000	106 - 18	FS7-2045-000	164A - 82	FU6-0955-000	620 - 62
FS7-0012-000	250 - 16	FS7-2049-000	164C - 24	FU6-0956-000	620 - 50
FS7-0014-000	250 - 17	FS7-2050-000	164C - 25	FU6-0959-000	280 - 14
FS7-0016-000	250 - 18	FS7-2051-000	164C - 26	FU6-0961-000	260 - 13
FS7-0017-000	250 - 19	FS7-2054-000	161 - 73	FU6-0961-000	270 - 11
FS7-0018-000	250 - 20	FS7-2055-000	164A - 76	FU6-0962-000	270 - 14
FS7-0019-000	250 - 21	FS7-2057-000	315 - 48	FU6-0963-000	260 - 14
FS7-0021-000	280 - 6	FS7-2319-000	350 - 19	FU6-0964-000	260 - 11
FS7-0022-000	280 - 7	FS7-2523-020	810 - 102	FU6-0967-000	265 - 46
FS7-0026-000	280 - 8	FS7-2524-020	810 - 103	FU6-0968-000	265 - 47
FS7-0027-000	775 - 10	FS7-2530-020	810 - 89	FU6-0969-000	265 - 48
FS7-0033-000	264 - 10	FS7-2531-000	250 - 25	FU6-0970-000	264 - 9
FS7-0034-000	264 - 11	FS7-2532-000	104 - 24	FU6-2109-000	302 - 44
FS7-0034-000	265 - 43	FS7-2533-000	313 - 50	FU6-2109-000	303 - 44
FS7-0035-020	260 - 18	FS7-2675-000	165 - 5	FU6-2110-000	302 - 21
FS7-0036-000	260 - 19	FS7-2902-000	600 - 84	FU6-2110-000	303 - 21
FS7-0039-000	315 - 45	FS7-2994-000	720 - 21	FU6-2137-000	211 - 29

NUMERICAL INDEX

iR7086/7095/7105

PARTS NUMBER	FIGURE & KEY NO.	PARTS NUMBER	FIGURE & KEY NO.	PARTS NUMBER	FIGURE & KEY NO
FU6-2268-000	620 - 36	VS1-7173-002	270 - 21	VS1-7177-004	211 - 24
FU6-2270-000	620 - 23	VS1-7173-003	620 - 74	VS1-7177-004	313 - 56
FU6-2271-000	103 - 46	VS1-7173-004	620 - 75	VS1-7177-004	320 - 134
FU6-2272-000	265 - 49	VS1-7173-004	900 - 24	VS1-7177-004	600 - 88
FU6-2273-000	103 - 40	VS1-7173-005	600 - 104	VS1-7177-005	103 - 30
FU6-2274-000	620 - 51	VS1-7173-006	320 - 137	VS1-7177-006	211 - 26
FU6-2277-000	620 - 37	VS1-7173-006	810 - 114	VS1-7177-006	231 - 2
FU6-2279-000	320 - 112	VS1-7173-006	910 - 5	VS1-7177-006	320 - 136
FU6-2282-000	810 - 93	VS1-7173-007	810 - 72	VS1-7177-006	810 - 76
FU6-2363-000	211 - 40	VS1-7173-008	105 - 25	VS1-7177-007	270 - 22
FU6-2397-000	161 - 25	VS1-7177-00	230 - 9	VS1-7177-007	320 - 140
FU6-5089-000	620 - 63	VS1-7177-002	101 - 20	VS1-7177-007	770 - 15
FU6-5090-000	620 - 64	VS1-7177-002	162 - 19	VS1-7177-008	312 - 41
FU7-0468-000	302 - 41	VS1-7177-002	251 - 11	VS1-7177-008	620 - 78
FU7-0468-000	303 - 41	VS1-7177-002	264 - 15	VS1-7177-012	103 - 31
FY1-0883-000	550 - 21	VS1-7177-002	265 - 38	VS1-7177-014	103 - 32
FY1-1157-000	810 - 116	VS1-7177-002	270 - 13	VS1-7188-003	161 - 81
NPN	100 -	VS1-7177-002	311 - 45	VS1-7440-002	161 - 82
NPN	101 -	VS1-7177-002	312 - 70	VS1-7440-003	161 - 83
NPN	102 -	VS1-7177-002	313 - 59	VS1-7440-004	161 - 84
NPN	103 -	VS1-7177-002	320 - 135	VS1-7440-006	164A - 123
NPN	104 -	VS1-7177-002	325 - 45	VS1-7440-006	164B - 4
NPN	105 -	VS1-7177-002	550 - 17	VT2-0006-014	161 - 76
NPN	106 -	VS1-7177-002	550 - 19	WC4-0153-000	120 - 4
NPN	107 -	VS1-7177-002	570 - 2	WC4-5153-000	101 - 18
NPN	108 -	VS1-7177-002	580 - 28	WE8-5800-000	102 - 42
NPN	120 -	VS1-7177-002	600 - 8	WG8-5593-000	161 - 24
NPN	160 -	VS1-7177-002	620 - 76	WG8-5593-000	164A - 95
NPN	161 -	VS1-7177-002	645 - 10	WG8-5593-000	164B - 36
NPN	163 -	VS1-7177-002	770 - 10	WG8-5593-000	164C - 35
NPN	166 -	VS1-7177-002	810 - 74	WG8-5708-000	161 - 71
NPN	167 -	VS1-7177-003	101 - 14	WG8-5708-000	164C - 53
NPN	210 -	VS1-7177-003	103 - 12	WG8-5708-000	166 - 2
NPN	211 -	VS1-7177-003	104 - 26	WM2-5231-000	900 - 21
NPN	265 -	VS1-7177-003	107 - 21	WS3-5610-000	110 - 7
NPN	300 -	VS1-7177-003	161 - 68	WS3-5613-000	110 - 8
NPN	312 -	VS1-7177-003	190 - 3	WT2-0184-000	102 - 30
NPN	510 -	VS1-7177-003	194 - 5	WT2-5665-000	194 - 3
NPN	775 -	VS1-7177-003	195 - 6	X62-7921-000	775 - 11
NPN	900 -	VS1-7177-003	211 - 23	X71-9310-000	600 - 90
NPN	910 -	VS1-7177-003	315 - 58	X71-9310-000	640 - 34
NPN	930 -	VS1-7177-003	316 - 15	X71-9310-000	645 - 20
NPN	935 -	VS1-7177-003	320 - 133	XA1-1170-207	600 - 520
NPN	986 -	VS1-7177-003	360 - 110	XA1-1260-605	900 - 504
RA1-7807-000	316 - 14	VS1-7177-003	600 - 86	XA9-0034-000	580 - 29
RS1-9025-000	164C - 38	VS1-7177-003	620 - 77	XA9-0189-000	190 - 2
RS6-0057-000	251 - 7	VS1-7177-003	645 - 13	XA9-0207-000	106 - 32
VS1-6318-010	810 - 73	VS1-7177-003	770 - 7	XA9-0228-000	550 - 18
VS1-6319-020	313 - 31	VS1-7177-003	810 - 75	XA9-0228-000	580 - 30
VS1-7164-020	900 - 18	VS1-7177-004	101 - 7	XA9-0249-000	360 - 105
VS1-7164-026	900 - 19	VS1-7177-004	105 - 28	XA9-0253-000	161 - 39
VS1-7164-028	900 - 20	VS1-7177-004	107 - 23	XA9-0253-000	325 - 37

NUMERICAL INDEX

iR7086/7095/7105

PARTS NUMBER	FIGURE & KEY NO.	PARTS NUMBER	FIGURE & KEY NO.	PARTS NUMBER	FIGURE & KEY NO
XA9-0265-000	107 - 48	XA9-0685-000	303 - 42	XB1-2300-406	430 - 501
XA9-0265-000	211 - 2	XA9-0721-010	302 - 33	XB1-2300-407	311 - 501
XA9-0265-000	311 - 74	XA9-0721-010	303 - 33	XB1-2300-407	312 - 501
XA9-0265-000	312 - 66	XA9-0732-000	161 - 72	XB1-2300-407	313 - 501
XA9-0266-000	100 - 75	XA9-0739-000	110 - 9	XB1-2300-407	320 - 512
XA9-0266-000	103 - 47	XA9-0774-000	107 - 28	XB1-2300-407	570 - 502
XA9-0266-000	620 - 82	XA9-0807-000	810 - 113	XB1-2300-407	620 - 512
XA9-0271-000	312 - 67	XA9-0813-000	251 - 9	XB1-2300-409	164A - 506
XA9-0425-030	430 - 10	XA9-0836-000	900 - 15	XB1-2300-409	164B - 503
XA9-0465-000	900 - 10	XA9-0894-000	164A - 126	XB1-2300-409	164C - 503
XA9-0591-000	300 - 49	XA9-0894-000	164B - 7	XB1-2300-409	165 - 502
XA9-0591-000	311 - 75	XA9-0899-000	360 - 108	XB1-2300-409	312 - 502
XA9-0591-000	570 - 9	XA9-0908-000	315 - 50	XB1-2300-409	315 - 501
XA9-0596-000	104 - 13	XA9-0908-000	320 - 126	XB1-2300-409	325 - 501
XA9-0596-000	570 - 3	XA9-0908-000	360 - 109	XB1-2300-409	350 - 502
XA9-0605-000	300 - 47	XA9-0915-000	103 - 52	XB1-2300-409	360 - 501
XA9-0605-000	302 - 12	XA9-0915-000	550 - 3	XB1-2300-409	645 - 501
XA9-0605-000	303 - 12	XA9-0915-000	580 - 31	XB1-2300-409	810 - 513
XA9-0605-000	311 - 76	XA9-0922-000	164C - 55	XB1-2300-602	600 - 502
XA9-0605-000	312 - 68	XA9-0924-000	103 - 25	XB1-2300-603	550 - 501
XA9-0605-000	320 - 123	XA9-0925-000	810 - 107	XB1-2300-604	640 - 503
XA9-0605-000	330 - 7	XA9-0940-000	320 - 131	XB1-2300-606	161 - 501
XA9-0605-000	360 - 107	XA9-0962-000	251 - 10	XB1-2300-606	164A - 504
XA9-0605-000	600 - 91	XA9-1013-000	164A - 100	XB1-2300-606	211 - 504
XA9-0626-000	325 - 38	XA9-1013-000	300 - 29	XB1-2300-607	103 - 504
XA9-0628-000	102 - 13	XA9-1028-000	164B - 33	XB1-2300-607	105 - 511
XA9-0628-000	105 - 34	XA9-1030-000	250 - 27	XB1-2300-607	110 - 503
XA9-0628-000	108 - 8	XA9-1030-000	260 - 21	XB1-2300-607	320 - 537
XA9-0628-000	230 - 7	XA9-1030-000	320 - 130	XB1-2300-607	600 - 521
XA9-0628-000	231 - 8	XA9-1030-000	325 - 40	XB1-2300-607	900 - 502
XA9-0628-000	250 - 26	XA9-1035-000	164A - 120	XB1-2300-607	910 - 504
XA9-0628-000	251 - 8	XA9-1091-000	106 - 31	XB1-2300-607	986 - 501
XA9-0628-000	260 - 3	XA9-1249-000	161 - 47	XB1-2300-609	102 - 503
XA9-0628-000	263 - 5	XA9-1271-000	167 - 10	XB1-2300-609	103 - 503
XA9-0628-000	264 - 16	XA9-1278-000	106 - 28	XB1-2300-609	107 - 502
XA9-0628-000	270 - 20	XA9-1302-000	164C - 10	XB1-2300-609	161 - 510
XA9-0628-000	280 - 15	XA9-1331-000	103 - 26	XB1-2300-609	164A - 508
XA9-0628-000	300 - 5	XA9-1386-000	265 - 51	XB1-2300-609	164C - 502
XA9-0628-000	312 - 77	XA9-1415-000	211 - 30	XB1-2300-609	300 - 501
XA9-0628-000	313 - 57	XA9-1521-000	211 - 31	XB1-2300-609	311 - 502
XA9-0628-000	315 - 17	XA9-1659-000	165 - 8	XB1-2300-609	312 - 503
XA9-0628-000	320 - 124	XB1-1300-609	164B - 504	XB1-2300-609	313 - 502
XA9-0628-000	325 - 41	XB1-2200-409	302 - 506	XB1-2300-609	320 - 513
XA9-0628-000	360 - 128	XB1-2200-409	303 - 508	XB1-2300-609	351 - 502
XA9-0629-000	107 - 45	XB1-2200-809	120 - 501	XB1-2300-609	550 - 502
XA9-0630-000	107 - 33	XB1-2230-809	101 - 501	XB1-2300-609	570 - 506
XA9-0633-000	311 - 78	XB1-2231-009	250 - 501	XB1-2300-609	580 - 501
XA9-0633-000	312 - 69	XB1-2260-407	320 - 530	XB1-2300-609	600 - 503
XA9-0633-000	325 - 39	XB1-2260-806	211 - 507	XB1-2300-609	810 - 514
XA9-0679-000	161 - 4	XB1-2260-807	900 - 501	XB1-2300-609	940 - 501
XA9-0679-000	265 - 50	XB1-2300-402	570 - 501	XB1-2300-809	320 - 501
XA9-0685-000	302 - 42	XB1-2300-402	640 - 501	XB1-2300-809	600 - 504

NUMERICAL INDEX

iR7086/7095/7105

PARTS NUMBER	FIGURE & KEY NO.	PARTS NUMBER	FIGURE & KEY NO.	PARTS NUMBER	FIGURE & KEY NO.
XB1-2300-809	645 - 503	XB1-2400-809	161 - 507	XB4-2400-608	264 - 501
XB1-2301-007	600 - 505	XB1-2400-809	166 - 502	XB4-5300-807	620 - 510
XB1-2301-207	550 - 503	XB1-2400-809	810 - 519	XB4-5301-007	130 - 502
XB1-2301-407	620 - 504	XB1-2401-009	360 - 505	XB4-5400-805	194 - 501
XB1-2301-407	770 - 501	XB1-2401-009	810 - 520	XB4-5400-807	315 - 504
XB1-2301-603	570 - 503	XB1-2401-409	320 - 515	XB4-5400-807	620 - 507
XB1-2302-007	620 - 515	XB1-2401-609	161 - 506	XB4-5401-009	162 - 503
XB1-2302-503	550 - 504	XB1-2401-609	600 - 508	XB4-7300-509	600 - 511
XB1-2302-507	195 - 501	XB1-2402-007	900 - 507	XB4-7300-606	167 - 501
XB1-2400-407	302 - 505	XB1-2402-009	110 - 502	XB4-7300-607	300 - 503
XB1-2400-407	303 - 505	XB1-2402-009	360 - 506	XB4-7300-609	101 - 503
XB1-2400-407	320 - 514	XB1-2403-005	211 - 505	XB4-7300-609	162 - 501
XB1-2400-407	570 - 504	XB1-2403-009	910 - 501	XB4-7300-609	163 - 501
XB1-2400-407	810 - 516	XB1-2403-509	105 - 501	XB4-7300-609	164A - 501
XB1-2400-409	103 - 501	XB1-2404-009	320 - 516	XB4-7300-609	164B - 508
XB1-2400-409	104 - 502	XB1-3400-807	210 - 503	XB4-7300-609	164C - 506
XB1-2400-409	161 - 502	XB2-4300-605	910 - 502	XB4-7300-609	316 - 502
XB1-2400-409	164A - 514	XB2-7300-607	325 - 502	XB4-7300-806	167 - 503
XB1-2400-409	165 - 501	XB2-7300-607	550 - 505	XB4-7300-809	168 - 501
XB1-2400-409	305 - 501	XB2-7300-607	580 - 502	XB4-7300-809	320 - 502
XB1-2400-409	320 - 531	XB2-7300-607	600 - 509	XB4-7300-809	640 - 505
XB1-2400-409	810 - 517	XB2-7400-607	360 - 507	XB4-7300-809	645 - 504
XB1-2400-505	210 - 501	XB2-7400-607	770 - 503	XB4-7301-207	302 - 502
XB1-2400-606	110 - 501	XB2-7400-607	940 - 503	XB4-7301-207	303 - 502
XB1-2400-606	162 - 502	XB2-7400-607	985 - 502	XB4-7301-209	360 - 510
XB1-2400-606	316 - 501	XB2-8300-607	420 - 501	XB4-7301-209	720 - 501
XB1-2400-607	211 - 501	XB2-8300-607	430 - 502	XB4-7301-609	320 - 503
XB1-2400-607	325 - 510	XB2-8300-607	900 - 506	XB4-7303-009	600 - 512
XB1-2400-607	325 - 511	XB2-8300-805	360 - 508	XB4-7400-807	315 - 512
XB1-2400-607	600 - 522	XB2-8300-809	164B - 511	XB4-7400-809	107 - 501
XB1-2400-607	900 - 503	XB2-8400-807	100 - 505	XB4-7401-609	231 - 501
XB1-2400-607	930 - 501	XB2-8400-807	130 - 501	XB6-2300-408	302 - 503
XB1-2400-609	102 - 505	XB2-8400-809	510 - 503	XB6-2300-408	303 - 503
XB1-2400-609	104 - 501	XB2-8401-007	101 - 505	XB6-2400-409	161 - 505
XB1-2400-609	161 - 511	XB2-8401-007	105 - 509	XB6-2400-508	211 - 502
XB1-2400-609	164C - 508	XB2-8401-007	620 - 517	XB6-2400-509	311 - 505
XB1-2400-609	300 - 502	XB2-8401-009	810 - 521	XB6-2400-509	312 - 505
XB1-2400-609	311 - 503	XB2-8401-209	810 - 522	XB6-2400-509	320 - 517
XB1-2400-609	312 - 504	XB3-6300-605	620 - 506	XB6-2400-509	360 - 511
XB1-2400-609	313 - 503	XB3-6300-805	120 - 502	XB6-2400-609	325 - 503
XB1-2400-609	315 - 502	XB3-6300-805	265 - 501	XB6-2401-008	260 - 501
XB1-2400-609	320 - 505	XB3-6400-805	103 - 505	XB6-7300-405	164A - 503
XB1-2400-609	350 - 503	XB3-6400-805	105 - 506	XB6-7300-409	164A - 516
XB1-2400-609	360 - 503	XB3-6400-805	106 - 502	XB6-7300-409	164B - 502
XB1-2400-609	510 - 502	XB3-6400-805	108 - 502	XB6-7300-409	166 - 501
XB1-2400-609	600 - 506	XB3-6400-805	195 - 502	XB6-7300-409	305 - 502
XB1-2400-609	770 - 502	XB3-6400-805	210 - 502	XB6-7300-607	110 - 504
XB1-2400-609	810 - 503	XB3-6400-805	211 - 506	XB6-7300-607	130 - 503
XB1-2400-609	940 - 502	XB3-6400-805	620 - 513	XB6-7300-607	900 - 505
XB1-2400-609	985 - 501	XB3-6400-809	100 - 511	XB6-7300-609	164A - 512
XB1-2400-805	105 - 503	XB3-6400-809	102 - 513	XB6-7300-609	350 - 504
XB1-2400-806	900 - 508	XB3-6400-809	320 - 532	XB6-7300-609	550 - 506

NUMERICAL INDEX

iR7086/7095/7105

PARTS NUMBER	FIGURE & KEY NO.	PARTS NUMBER	FIGURE & KEY NO.	PARTS NUMBER	FIGURE & KEY NO.
XB6-7300-609	810 - 504	XD2-1100-322	164B - 509	XD2-1100-642	251 - 501
XB6-7300-805	620 - 518	XD2-1100-322	265 - 504	XD2-1100-642	260 - 502
XB6-7400-607	265 - 502	XD2-1100-322	280 - 502	XD2-1100-642	261 - 501
XB6-7400-609	166 - 503	XD2-1100-322	315 - 503	XD2-1100-642	263 - 502
XB6-7400-609	320 - 518	XD2-1100-322	320 - 522	XD2-1100-642	265 - 507
XB6-7400-609	600 - 514	XD2-1100-322	325 - 505	XD2-1100-642	270 - 502
XB6-7400-809	300 - 504	XD2-1100-322	600 - 516	XD2-1100-642	280 - 504
XB7-2100-309	320 - 519	XD2-1100-322	620 - 514	XD2-1100-642	312 - 509
XB7-2100-409	161 - 512	XD2-1100-372	311 - 509	XD2-1100-642	320 - 507
XB7-2200-409	810 - 525	XD2-1100-372	312 - 507	XD2-1100-642	325 - 508
XD1-1100-642	264 - 502	XD2-1100-402	104 - 503	XD2-1100-642	330 - 501
XD1-1103-137	320 - 520	XD2-1100-402	161 - 503	XD2-1100-642	360 - 515
XD1-1103-139	640 - 506	XD2-1100-402	164A - 502	XD2-1100-642	430 - 503
XD1-1103-139	645 - 505	XD2-1100-402	164C - 501	XD2-1100-642	600 - 513
XD1-1103-633	107 - 504	XD2-1100-402	165 - 505	XD2-1100-642	620 - 509
XD1-1104-132	311 - 506	XD2-1100-402	265 - 505	XD2-1100-642	645 - 508
XD1-1104-133	107 - 505	XD2-1100-402	325 - 506	XD2-1100-642	775 - 501
XD1-1104-135	101 - 502	XD2-1100-402	351 - 503	XD2-1100-642	810 - 509
XD1-1104-138	770 - 504	XD2-1100-402	600 - 517	XD2-1100-802	164B - 506
XD1-1104-139	360 - 512	XD2-1100-502	102 - 507	XD2-1100-802	320 - 524
XD1-1105-235	105 - 508	XD2-1100-502	104 - 504	XD2-1100-802	330 - 502
XD1-1105-236	265 - 503	XD2-1100-502	108 - 501	XD2-1100-802	600 - 519
XD1-1105-239	105 - 510	XD2-1100-502	164A - 513	XD2-1100-802	620 - 501
XD1-1106-218	102 - 506	XD2-1100-502	164B - 507	XD2-1100-802	810 - 528
XD1-1106-221	645 - 506	XD2-1100-502	164C - 505	XD2-1200-902	810 - 502
XD1-1106-222	640 - 507	XD2-1100-502	250 - 502	XD2-2100-302	167 - 502
XD1-1106-222	810 - 505	XD2-1100-502	265 - 506	XD2-2100-402	164A - 519
XD1-1106-223	102 - 509	XD2-1100-502	270 - 501	XD2-2100-402	164C - 507
XD1-1106-235	107 - 506	XD2-1100-502	280 - 503	XD2-2100-402	165 - 503
XD1-1106-235	600 - 515	XD2-1100-502	300 - 506	XD2-2100-502	351 - 504
XD1-1108-212	325 - 504	XD2-1100-502	315 - 505	XD2-2100-602	162 - 504
XD1-1108-217	810 - 507	XD2-1100-502	320 - 523	XD2-2100-602	164A - 520
XD1-1108-219	263 - 501	XD2-1100-502	325 - 507	XD2-2100-602	645 - 502
XD1-1108-222	280 - 501	XD2-1100-502	350 - 505	XD2-2100-802	161 - 513
XD1-1108-223	313 - 504	XD2-1100-502	360 - 514	XD2-2100-802	164A - 510
XD1-1108-225	164A - 507	XD2-1100-502	600 - 518	XD2-2100-802	164B - 510
XD1-1108-226	313 - 505	XD2-1100-502	620 - 503	XD2-2100-802	164C - 509
XD1-1108-229	360 - 513	XD2-1100-502	640 - 508	XD2-2100-802	311 - 512
XD1-1108-235	300 - 505	XD2-1100-502	645 - 507	XD2-2100-802	312 - 510
XD1-2100-307	550 - 507	XD2-1100-502	720 - 502	XD2-2100-802	313 - 510
XD1-3100-805	108 - 503	XD2-1100-502	770 - 505	XD2-2100-802	320 - 534
XD1-4200-502	110 - 4	XD2-1100-502	810 - 508	XD2-2100-802	600 - 510
XD2-1100-172	320 - 510	XD2-1100-602	320 - 533	XD2-2102-002	640 - 509
XD2-1100-242	320 - 521	XD2-1100-642	102 - 501	XD2-2300-302	351 - 501
XD2-1100-242	550 - 508	XD2-1100-642	105 - 502	XD2-2300-602	600 - 507
XD2-1100-242	570 - 505	XD2-1100-642	161 - 515	XD2-3100-102	640 - 510
XD2-1100-242	580 - 503	XD2-1100-642	164A - 517	XD2-3100-202	106 - 501
XD2-1100-242	600 - 523	XD2-1100-642	164B - 505	XD3-0300-082	311 - 513
XD2-1100-242	810 - 526	XD2-1100-642	164C - 511	XD3-0300-082	312 - 511
XD2-1100-322	103 - 507	XD2-1100-642	211 - 503	XD3-1200-102	313 - 511
XD2-1100-322	161 - 509	XD2-1100-642	230 - 501	XD3-1200-102	315 - 506
XD2-1100-322	164A - 505	XD2-1100-642	250 - 503	XD3-1200-102	320 - 525

NUMERICAL INDEX

iR7086/7095/7105

PARTS NUMBER	FIGURE & KEY NO.	PARTS NUMBER	FIGURE & KEY NO.	PARTS NUMBER	FIGURE & KEY NO
XD3-1200-122	315 - 507	XD3-2200-162	320 - 536	XG9-0143-000	600 - 97
XD3-1200-122	350 - 501	XD3-2200-162	330 - 504	XG9-0192-000	265 - 53
XD3-1300-082	320 - 526	XD3-2200-162	360 - 509	XG9-0192-000	360 - 116
XD3-1300-102	164A - 511	XD3-2200-182	161 - 508	XG9-0208-000	261 - 8
XD3-1300-102	313 - 512	XD3-2200-182	250 - 507	XG9-0211-000	164B - 34
XD3-1300-122	164C - 504	XD3-2200-182	360 - 504	XG9-0211-000	265 - 52
XD3-1300-142	810 - 510	XD3-2200-182	775 - 502	XG9-0211-000	312 - 73
XD3-1300-162	164A - 509	XD3-2200-202	320 - 528	XG9-0211-000	320 - 128
XD3-2200-082	164C - 510	XD3-2200-262	620 - 508	XG9-0211-000	360 - 117
XD3-2200-082	315 - 508	XD3-2300-142	250 - 508	XG9-0211-000	775 - 12
XD3-2200-102	164B - 501	XD3-2300-142	260 - 505	XG9-0211-000	810 - 108
XD3-2200-102	311 - 514	XD3-2300-182	260 - 506	XG9-0237-000	161 - 2
XD3-2200-102	312 - 512	XD3-2300-202	320 - 529	XG9-0237-000	164A - 83
XD3-2200-102	313 - 513	XD3-2300-322	320 - 504	XG9-0237-000	164C - 29
XD3-2200-102	315 - 509	XD9-0104-000	302 - 35	XG9-0248-000	106 - 30
XD3-2200-102	320 - 527	XD9-0104-000	303 - 35	XG9-0249-000	102 - 16
XD3-2200-122	102 - 502	XD9-0133-000	231 - 6	XG9-0249-000	230 - 8
XD3-2200-122	161 - 504	XD9-0135-000	302 - 34	XG9-0249-000	260 - 22
XD3-2200-122	164A - 515	XD9-0135-000	303 - 34	XG9-0249-000	263 - 6
XD3-2200-122	250 - 504	XD9-0136-000	107 - 22	XG9-0249-000	264 - 14
XD3-2200-122	263 - 503	XD9-0137-000	302 - 36	XG9-0249-000	270 - 15
XD3-2200-122	264 - 503	XD9-0137-000	303 - 36	XG9-0249-000	360 - 118
XD3-2200-122	265 - 508	XD9-0151-000	161 - 3	XG9-0250-000	102 - 17
XD3-2200-122	270 - 503	XD9-0152-000	164A - 105	XG9-0250-000	250 - 28
XD3-2200-122	280 - 505	XD9-0153-000	164A - 79	XG9-0250-000	260 - 20
XD3-2200-122	311 - 515	XF2-1604-560	161 - 67	XG9-0250-000	270 - 16
XD3-2200-122	312 - 513	XF2-1607-150	165 - 7	XG9-0250-000	280 - 16
XD3-2200-122	313 - 514	XF2-1611-080	360 - 112	XG9-0250-000	312 - 74
XD3-2200-122	315 - 510	XF2-1612-680	360 - 113	XG9-0250-000	320 - 65
XD3-2200-122	320 - 535	XF2-4610-840	211 - 32	XG9-0250-000	330 - 8
XD3-2200-122	360 - 516	XF9-0354-000	164A - 101	XG9-0250-000	360 - 119
XD3-2200-122	620 - 511	XF9-0358-000	164C - 28	XG9-0250-000	600 - 94
XD3-2200-122	810 - 511	XF9-0359-000	164C - 50	XG9-0291-000	360 - 120
XD3-2200-142	164A - 518	XF9-0393-000	316 - 16	XG9-0307-000	510 - 8
XD3-2200-142	250 - 505	XF9-0502-000	315 - 54	XG9-0350-000	280 - 17
XD3-2200-142	260 - 503	XF9-0525-000	311 - 52	XG9-0362-000	360 - 121
XD3-2200-142	261 - 502	XF9-0525-000	312 - 72	XG9-0366-000	810 - 109
XD3-2200-142	263 - 504	XF9-0525-000	313 - 52	XG9-0390-000	161 - 46
XD3-2200-142	270 - 504	XF9-0663-000	360 - 114	XG9-0395-000	270 - 17
XD3-2200-142	280 - 506	XF9-0682-000	164A - 80	XG9-0406-000	810 - 110
XD3-2200-142	320 - 508	XF9-0683-000	164A - 81	XG9-0407-000	311 - 79
XD3-2200-142	325 - 509	XF9-0684-000	164B - 16	XG9-0407-000	312 - 75
XD3-2200-142	330 - 503	XF9-0685-000	161 - 78	XG9-0407-000	313 - 53
XD3-2200-142	360 - 517	XF9-0699-000	164A - 102	XG9-0421-000	810 - 111
XD3-2200-142	620 - 516	XF9-0723-000	303 - 507	XG9-0424-000	161 - 13
XD3-2200-162	230 - 502	XG2-8012-355	360 - 115	XG9-0447-000	810 - 112
XD3-2200-162	250 - 506	XG3-6012-405	102 - 508	XG9-0472-000	325 - 42
XD3-2200-162	260 - 504	XG3-6012-405	320 - 127	XG9-0508-000	211 - 33
XD3-2200-162	261 - 503	XG9-0111-000	600 - 89	XH9-0111-000	166 - 5
XD3-2200-162	263 - 505	XG9-0111-000	640 - 36	XH9-0134-000	302 - 28
XD3-2200-162	264 - 504	XG9-0120-000	640 - 35	XH9-0134-000	303 - 28
XD3-2200-162	265 - 509	XG9-0143-000	600 - 6	XZ9-0251-000	120 - 5

NUMERICAL INDEX
iR7086/7095/7105

PARTS NUMBER	FIGURE & KEY NO.	PARTS NUMBER	FIGURE & KEY NO.	PARTS NUMBER	FIGURE & KEY NO
XZ9-0367-000	108 - 11				
XZ9-0472-000	620 - 73				
XZ9-0487-000	164C - 30				
XZ9-0564-000	300 - 40				
XZ9-0582-000	316 - 21				

iR7086/7095/7105

iR7086imageRUNNER 7086

208V UL F14-7533-000 SJD00000-

iR7086iR7086

230V GB F14-7553-000

230V AU F14-7563-000 SJF00000-

230V EUR F14-7593-000

230V EUR T2 F14-7593-000

iR7086NiR7086N

100V/20A F14-7510-000 SJC00000-

iR7095imageRUNNER 7095

208V UL F14-7532-000 SHX00000-

iR7095iR7095

230V A/B F14-7542-000 SHY00000-

220V CN F14-7550-000 SJB00000-

230V GB F14-7552-000

230V AU F14-7562-000 SHZ00000-

230V EUR F14-7592-000

230V EUR T2 F14-7592-000

iR7095iiR7095i

200V/15A	F14-7512-000	SHW00000-
----------	--------------	-----------

iR7105imageRUNNER 7105

208V UL	F14-7531-000	SHS00000-
---------	--------------	-----------

iR7105iR7105

230V A/B	F14-7541-000	SHT00000-
----------	--------------	-----------

230V GB	F14-7551-000	SXL00000-
---------	--------------	-----------

220V CN	F14-7560-000	SHV00000-
---------	--------------	-----------

230V AU	F14-7561-000	SHU00000-
---------	--------------	-----------

230V EUR	F14-7591-000	SXK00000-
----------	--------------	-----------

iR7105iiR7105i

200V/15A	F14-7511-000	SHR00000-
----------	--------------	-----------

Contents

A	ASSEMBLY LOCATION DIAGRAM	2-1
100	EXTERNAL COVERS, PANELS, ETC.	2-8
101	MACHINE FRONT PLATE	2-12
102	INTERNAL COMPONENTS 1	2-14
103	INTERNAL COMPONENTS 2	2-18
104	INTERNAL COMPONENTS 3	2-22
105	INTERNAL COMPONENTS 3	2-26
106	MACHINE REAR PLATE 1	2-30
107	MACHINE REAR PLATE 2	2-32
108	MACHINE BOTTOM PLATE	2-34
110	POWER CORD TERMINAL ASSEMBLY	2-36
120	DOOR SWITCH MOUNT ASSEMBLY	2-39
130	CONTROL PANEL ASSEMBLY	2-40
160	EXTERNAL COVERS, PANELS, ETC.	2-44
161	FRAME ASSEMBLY	2-46
162	PAPER PICK-UP TRAY ASSEMBLY	2-52
163	UPPER COVER ASSEMBLY	2-54
164A	PAPER PICK-UP ASSEMBLY	2-56
164B	SEPARATION ASSEMBLY	2-66
164C	PAPER DELIVERY ASSEMBLY	2-70
165	SEPARATION MOTOR ASSEMBLY	2-74
166	BELT MOTOR ASSEMBLY	2-75
167	MULTI TRAY ASSEMBLY	2-76
168	DELIVERY LOWER GUIDE ASSEMBLY	2-78
190	SEPARATION FIXING FAN ASS'Y	2-80
194	PRI. POLYGON LASER FAN ASS'Y	2-82
195	DRUM FAN STAY ASSEMBLY	2-84
210	READER ASSEMBLY	2-86
211	READER FRAME ASSEMBLY	2-88
230	VERTICAL PATH DRIVE ASSEMBLY	2-92
231	LIFTER DRIVE ASSEMBLY	2-93
250	MAIN DRIVE ASSEMBLY	2-94
251	DRUM DRIVE ASSEMBLY	2-97
260	PICK-UP MAIN DRIVE ASSEMBLY	2-98
261	PICK-UP DRIVE ASSEMBLY	2-100
263	LEFT PICK-UP DRIVE ASSEMBLY	2-101
264	MULTI FEED DRIVE ASSEMBLY	2-102
265	EXTRACTION ROLLER ASSEMBLY	2-104
270	DEV. DRIVE ASSEMBLY	2-108
280	CLEANER DRIVE ASSEMBLY	2-110
300	CASSETTE	2-112
302	RIGHT PAPER STOCK ASSEMBLY	2-116
303	LEFT PAPER STOCK ASSEMBLY	2-120
305	CASSETTE HEATER UNIT	2-123
311	CASSETTE PICK-UP ASSEMBLY	2-124

312	FRONT DECK RIGHT PICK-UP ASSEMBLY	2-128
313	FRONT DECK LEFT PICK-UP AASS'Y	2-132
315	MULTI FEEDER ASSEMBLY	2-136
316	MULTI TRAY ASSEMBLY	2-140
320	FIXING/FEEDER FRAME ASSEMBLY	2-142
325	REGIST. TRANSFER ASSEMBLY	2-152
330	FEEDER ASSEMBLY	2-155
350	INTERNAL DELIVERY UPPER ASS'Y	2-156
351	EXTERNAL DELIVERY UPPER ASS'Y	2-158
360	DUPLEX ASSEMBLY	2-160
420	1 MIRROR MOUNT ASSEMBLY	2-168
430	2 MIRROR MOUNT ASSEMBLY	2-170
460	SCANNER ASSEMBLY	2-172
510	PHOTO-SENSITIVE DRUM ASSEMBLY	2-174
550	PRIMARY CORONA ASSEMBLY	2-176
570	PRE-TRANSFER CORONA ASSEMBLY	2-178
580	TRANSFER/SEPARATE CORONA ASS'Y	2-180
600	AP KIT ASSEMBLY	2-184
620	HOPPER ASSEMBLY	2-190
640	DEVELOPING ASSEMBLY	2-196
645	BUFFER ASSEMBLY	2-200
720	PAPER FEED CLAW ASS'Y	2-202
770	WASTE TONER ASSEMBLY	2-204
775	WASTE TONER PIPE ASSEMBLY	2-206
810	FIXING ASSEMBLY	2-208
900	CONTROLLER BOX ASSEMBLY	2-216
910	MAIN BODY POWER SUPPLY ASS'Y	2-220
930	DC CONTROLLER PCB ASSEMBLY	2-222
935	READER CONTROLLER PCB ASSEMBLY	2-223
940	POTENTIAL MEASURING PCB ASS'Y	2-224
941	INTERFACE, PCB ASSEMBLY	2-226
945	INVERTER PCB ASSEMBLY	2-227
960	AC DRIVER PCB ASSEMBLY	2-228
961	REVERSE MOTOR DRIVER PCB ASS'Y	2-229
980	H.V. AC TRANSFORMER PCB ASS'Y	2-230
985	H. V. T. PCB ASSEMBLY	2-231
986	FIXING SENSOR DRIVE ASSEMBLY	2-232

FIGURE A ASSEMBLY LOCATION DIAGRAM

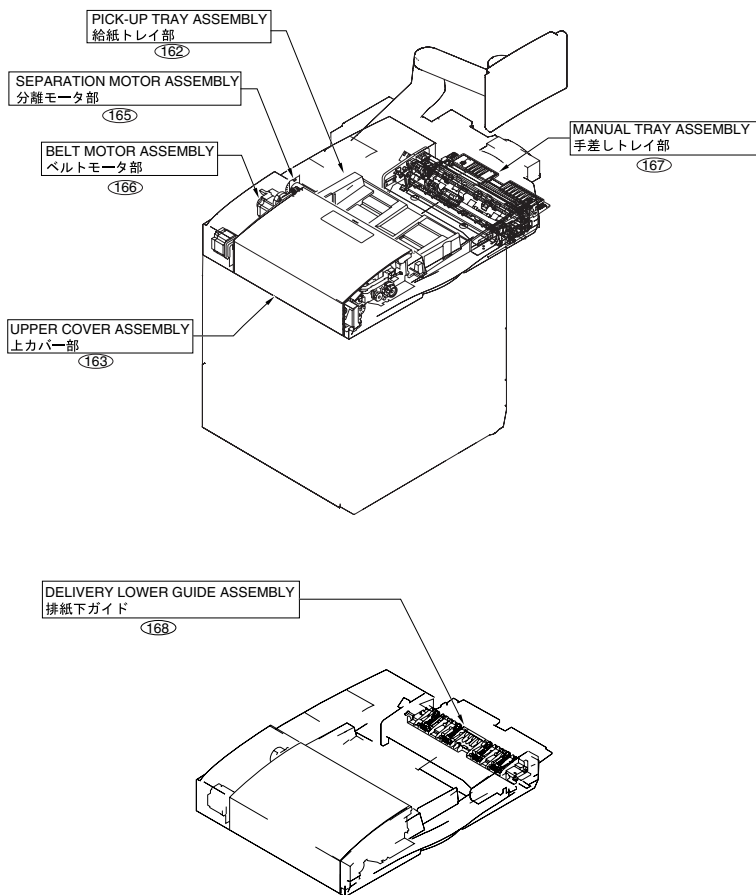


FIGURE A ASSEMBLY LOCATION DIAGRAM

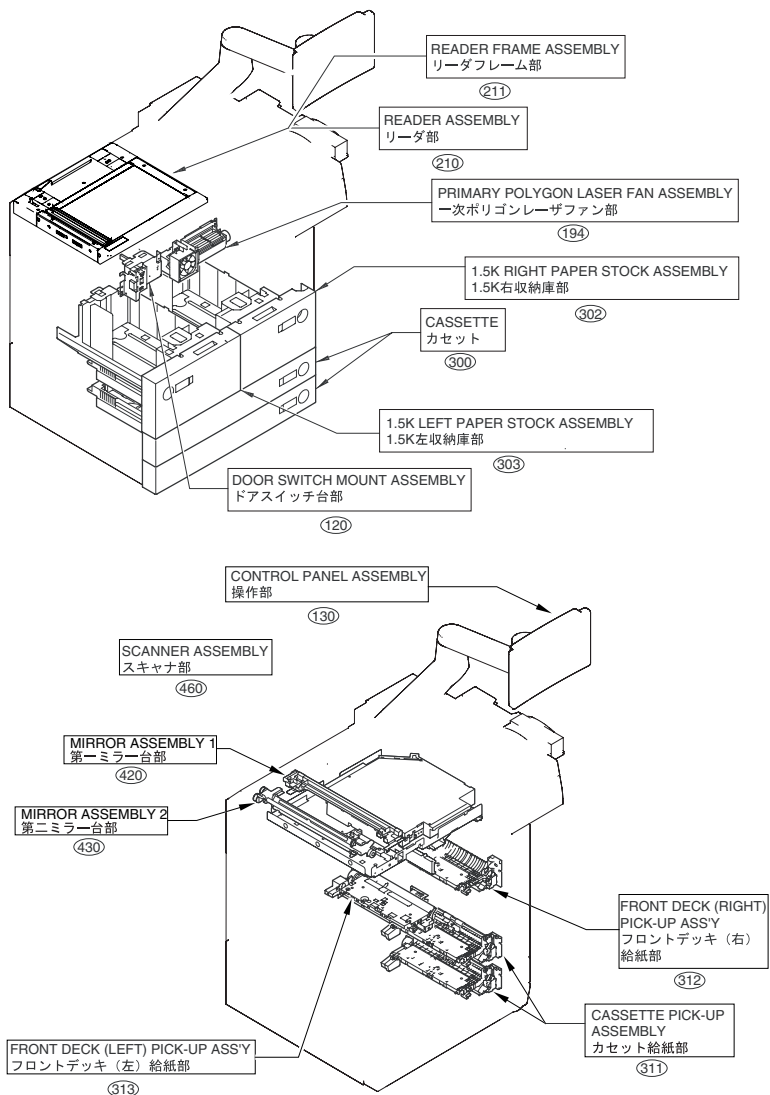


FIGURE A ASSEMBLY LOCATION DIAGRAM

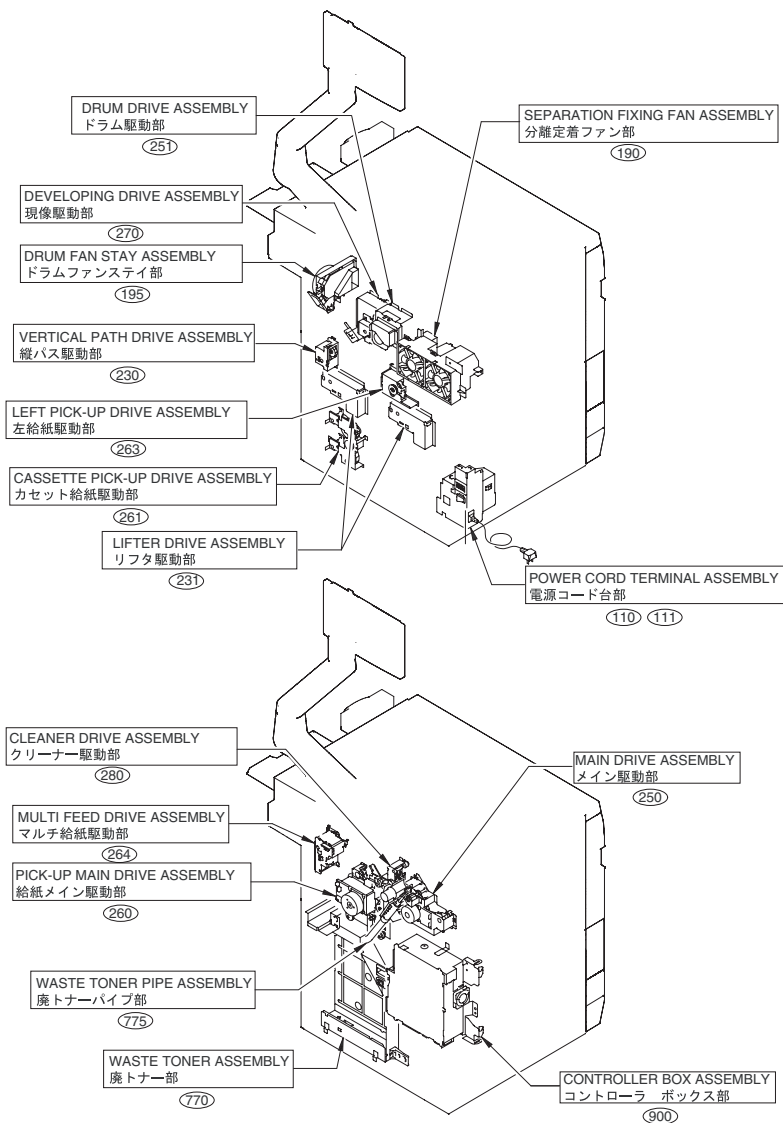


FIGURE A ASSEMBLY LOCATION DIAGRAM

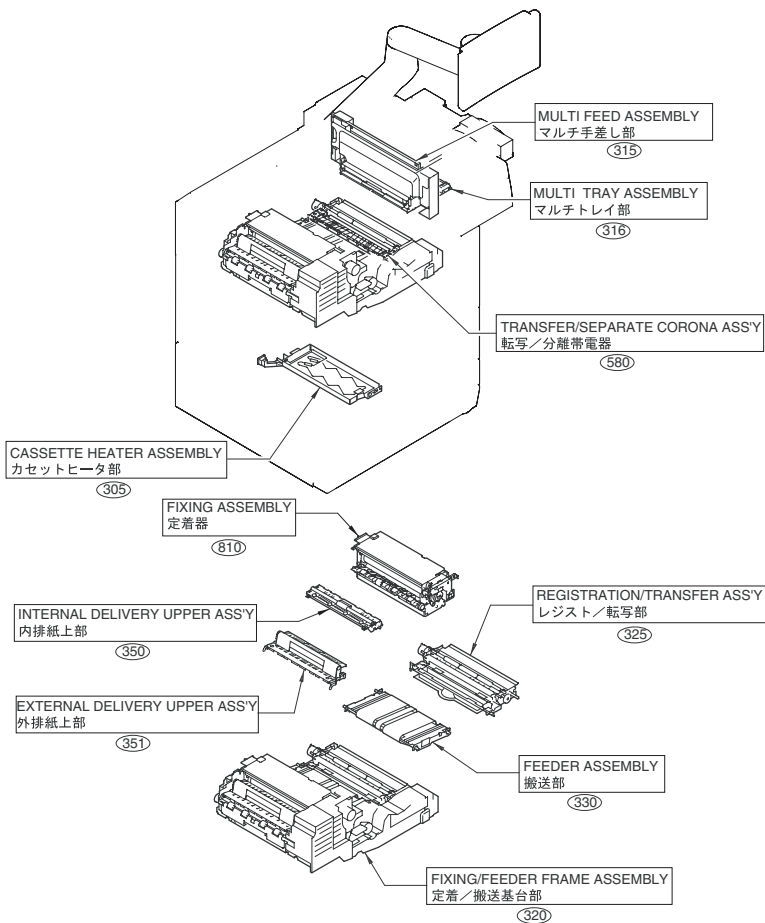


FIGURE A ASSEMBLY LOCATION DIAGRAM

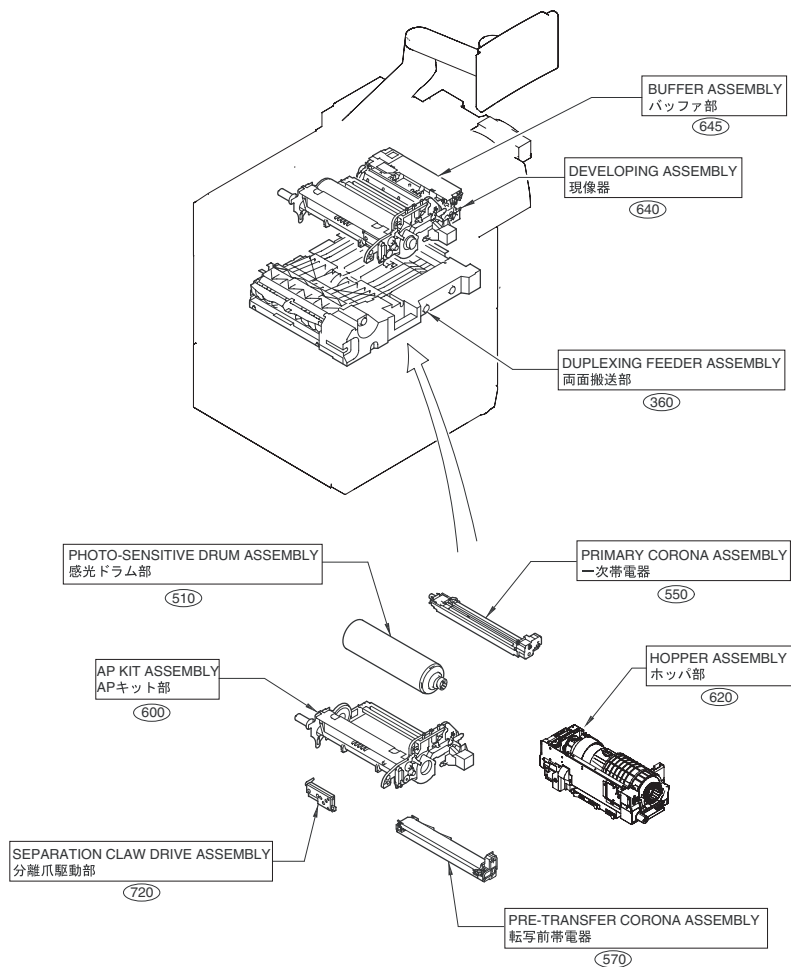


FIGURE A ASSEMBLY LOCATION DIAGRAM

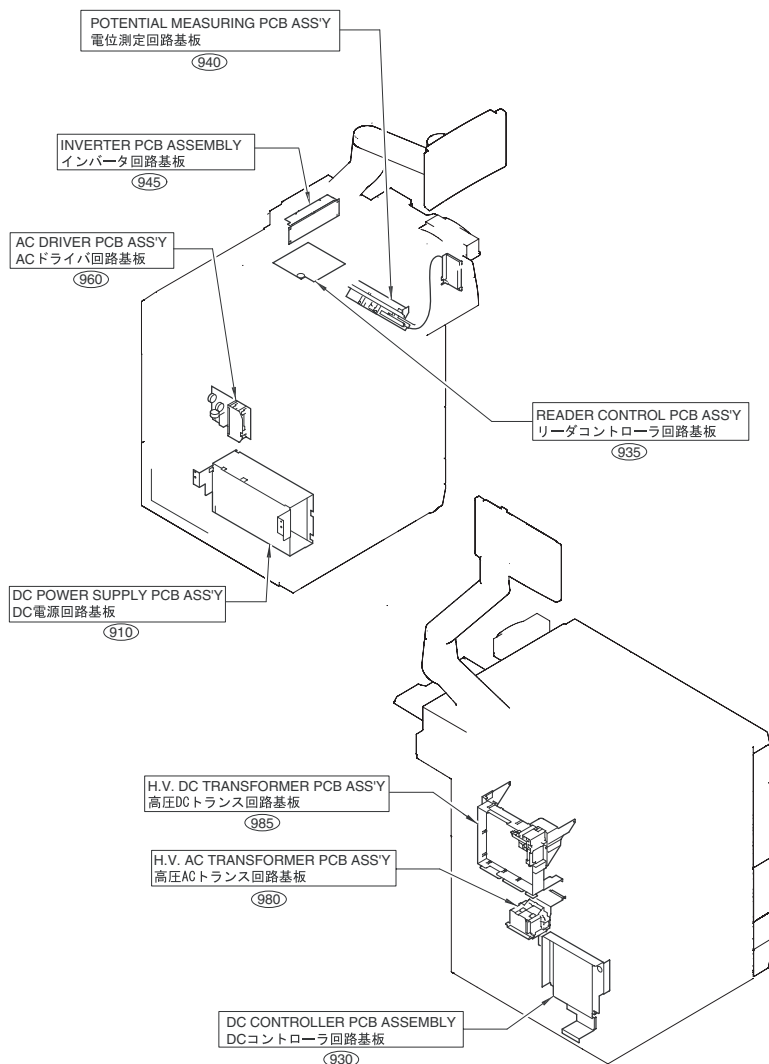


FIGURE 100 EXTERNAL COVERS, PANELS, ETC.

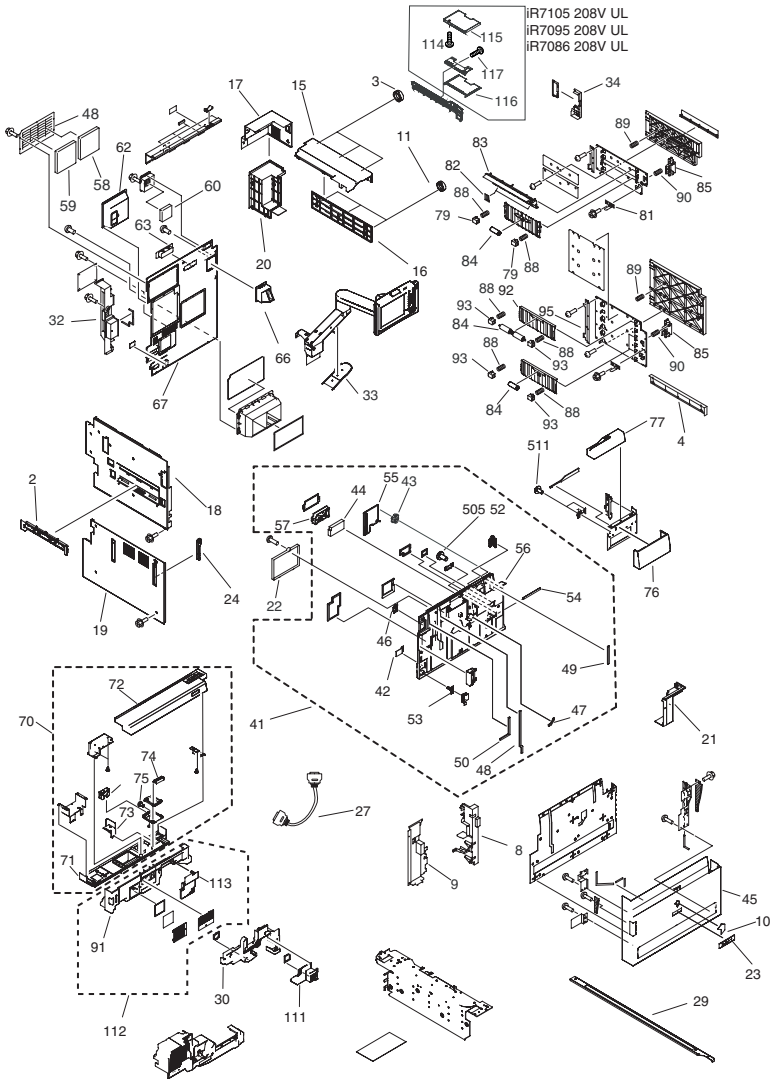


FIGURE & KEY NO.	PARTS NUMBER	R A N K	Q'TY	DESCRIPTION	SERIAL NUMBER/ REMARKS	S V C
Fig.100	NPN		RF	EXTERNAL COVERS, PANELS, ETC.		
2	FB5-9097-000		1	GUIDE, AUXILIARY		
3	FB6-3771-000		3	COVER, RUBBER		
4	FB6-6975-000		1	COVER, RIGHT LOWER		
8	FB6-7113-000		1	COVER, RIGHT LOWER, INSIDE		
9	FB6-7114-000		1	COVER, LEFT LOWER, INSIDE		
10	FC5-1280-000		1	EMBLEM		
11	FC5-1282-000		3	RUBBER, COVER		
15	FC6-5600-000		1	COVER, UNIT, UPPER		
16	FC6-5601-000		1	COVER, UNIT, LOWER		
17	FC6-5699-000		1	COVER, RIGHT REAR, UPPER		
18	FC6-7144-000		1	COVER, LEFT, UPPER		
19	FC6-7145-000		1	COVER, LEFT, LOWER		
20	FC6-7157-000		1	COVER, RIGHT, REAR		
21	FC6-7158-000		1	COVER, RIGHT FRONT		
22	FC7-1797-000		1	COVER, SERVICE BOOK		
23	FC7-2672-000		1	PLATE, NAME	iR7086N 100V	
23	FC7-2047-000		1	PLATE, NAME	iR7105i 200V	
23	FC7-2048-000		1	PLATE, NAME	iR7095i 200V	
23	FC7-2674-000		1	PLATE, NAME	iR7105 208V UL	
23	FC7-2675-000		1	PLATE, NAME	iR7095 208V UL	
23	FC7-2676-000		1	PLATE, NAME	iR7086 208V UL	
23	FC7-2678-000		1	PLATE, NAME	iR7105 230V	
23	FC7-2679-000		1	PLATE, NAME	iR7195 230V	
23	FC7-2680-000		1	PLATE, NAME	iR7086 230V GB iR7086 230V AU iR7086 230V EUR	
24	FB2-8094-020		1	KNOB, 1		
27	FH7-7036-000		1	CABLE, DDI-S SERIAL		
29	FL2-3505-000		1	GLASS, DUST-PROOF		
30	FL2-3508-000		1	COVER, IN		
32	FL2-3515-000		1	COVER, SYSTEM CONNECTOR		
34	FL2-3545-000		1	COVER, REAR UPPER		

FIGURE & KEY NO.	PARTS NUMBER	R A N K	Q'TY	DESCRIPTION	SERIAL NUMBER/ REMARKS	S V C
41	FM2-4064-000		1	FRONT COVER ASSEMBLY		
42	FA9-3784-020		1	CATCH, MAGNET		
43	FB4-5311-000		1	KNOB, DRUM		
44	FB6-0603-000		1	FILTER, AIR, PRIMARY		
45	FC6-5605-000		1	COVER FRONT		
46	FC6-5607-000		1	ACTUATOR		
47	FC6-5608-000		1	SEAL, 1		
48	FC6-5609-000		1	SEAL, 2		
49	FC6-5610-000		1	SEAL, 3		
50	FC6-5611-000		1	SEAL, 4		
52	FC6-5713-000		1	HINGE, COVER, FRONT		
53	FC6-5715-000		1	GUIDE, COVER, FRONT		
54	FC6-5732-000		1	BELT,STOPPER		
55	FC7-1796-000		1	COVER, TOOL		
56	FL2-3470-000		1	COVER, DUCT, FRONT		
57	FL2-4624-000		1	CASE, AIR FILTER		
58	FB6-0397-000		1	FILTER, OZONE, SEPARATION		
59	FC7-3082-000		1	FILTER, OZONE, FIXING		
60	FB6-0776-000		1	FILTER, OZONE, DRUM		
62	FC6-7171-000		1	COVER, LATTICE		
63	FC6-8948-000		1	HANDLE		
66	FL2-3534-000		1	DUCT, DRUM		
67	FL2-3542-000		1	COVER, REAR		
70	FM2-4108-000		1	FRONT UPPER COVER ASSEMBLY		
71	FL2-3494-000		1	COVER, FRONT UPPER, LOWER		
72	FL2-3495-000		1	COVER, FRONT UPPER, UPPER		
73	FA9-3684-000		1	CUP		
74	FC6-5706-000		1	COVER, ENTRANCE		
75	XA9-0266-000		1	SCREW		
76	FC6-5530-000		1	DOOR, FRONT, LOWER		
77	FC6-5529-000		1	DOOR, FRONT, UPPER		
79	FB2-7755-000		2	BUSHING		

FIGURE & KEY NO.	PARTS NUMBER	R A N K	Q'TY	DESCRIPTION	SERIAL NUMBER/ REMARKS	S V C
81	FB4-1969-020		1	FLAG, RIGHT DOOR SENSOR		
82	FB5-2512-000		2	SHEET, VERTICAL PATH		
83	FB6-0528-000		1	GUIDE, REGISTRATION, SWING		
84	FB6-2397-000		1	ROLLER		
85	FC5-2719-000		1	HANDLE, RIGHT DOOR		
88	FS5-2921-000		2	SPRING, COMPRESSION		
89	FS5-2922-000		4	SPRING, COMPRESSION		
90	FS6-2826-000		1	SPRING, COMPRESSION		
91	FL2-3516-000		1	COVER, INTERNAL, UPPER		
92	FB2-7750-000		1	GUIDE, VERTICAL PATH		
93	FB2-7755-000		6	BUSHING		
95	FB4-1972-000		1	HINGE, RIGHT DOOR, LOWER		
111	FL2-3507-000		1	COVER, POST, INNER		
112	FM2-6125-000		1	INNER COVER UPPER ASSEMBLY		
113	FF6-2849-000		1	COVER, FILTER		
114	FA9-3389-010		1	SUPPORT, DOCUMENT TABLE	iR7105 208V UL iR7095 208V UL iR7086 208V UL	
115	FC5-5129-000		1	TRAY, DOCUMENT, UPPER	iR7105 208V UL iR7095 208V UL iR7086 208V UL	
116	FC5-5130-000		1	TRAY, DOCUMENT, LOWER	iR7105 208V UL iR7095 208V UL iR7086 208V UL	
117	FS5-9161-020		2	SCREW, STEPPED, M4	iR7105 208V UL iR7095 208V UL iR7086 208V UL	
505	XB2-8400-807		1	SCREW, WWASHER, M4X8		
511	XB3-6400-809		2	SCREW,RS,M4		

FIGURE 101 MACHINE FRONT PLATE

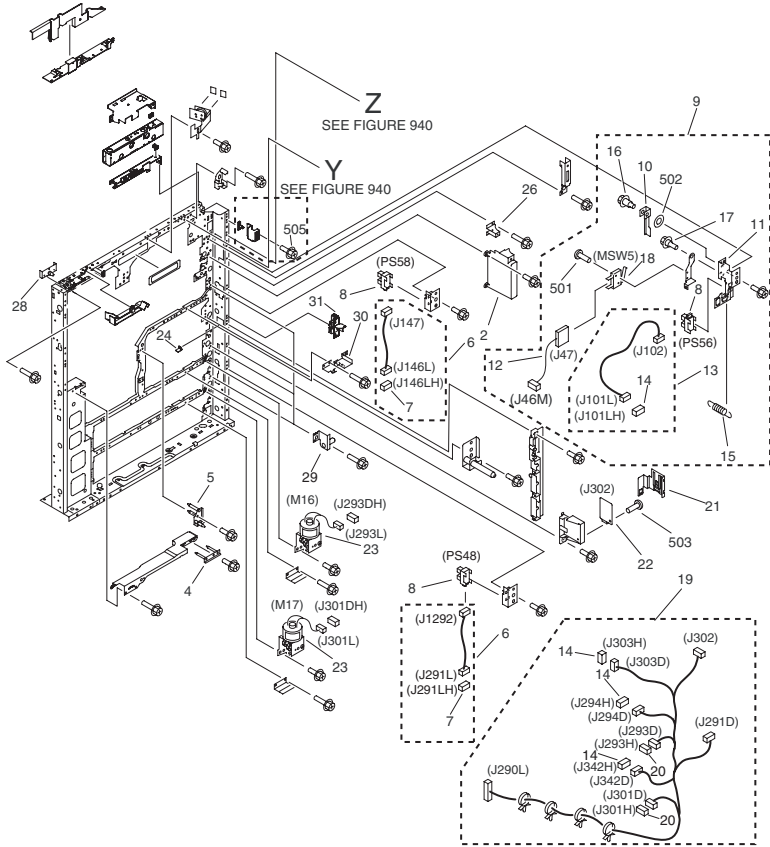


FIGURE & KEY NO.	PARTS NUMBER	R A N K	Q'TY	DESCRIPTION	SERIAL NUMBER/ REMARKS	S V C
Fig.101	NPN		RF	MACHINE FRONT PLATE		
2	FB6-7112-000		1	COVER, INTERNAL, RIGHT LOWER		
4	FF5-3003-000		1	SUPPORT, PAPER PICK-UP		
5	FF5-3004-020		1	SUPPORT, PAPER PICK-UP, LOWER		
6	FG6-1892-020		2	CABLE, RIGHT DOOR OPEN/CLOSE		
7	VS1-7177-004		2	CONNECTOR, SNAP TIGHT, BK		
8	FK2-0149-000		2	PHOTO-INTERRUPTER, TLP1253(C6)		
10	FB2-7560-030		1	COVER, SWITCH		
11	FB4-1430-020		1	HOLDER, DOOR SENSOR		
12	FG6-2328-020		1	CABLE, MULTI DOOR INTERLOCK		
13	FG6-2330-020		1	CABLE, MULTI DOOR, CONNECTING		
14	VS1-7177-003		4	CONNECTOR, SNAP TIGHT, BK		
15	FS5-2958-000		1	SPRING, TENSION		
16	FS5-9166-020		1	SCREW, STEPPED, M4		
17	FS5-9216-020		1	SCREW, STEPPED, M4X6		
18	WC4-5153-000		1	MICRO SWITCH		
19	FG6-5407-000		1	CABLE, MAIN BODY, FRONT LOWER		
20	VS1-7177-002		2	CONNECTOR, SNAP TIGHT, BK		
21	FB2-8345-000		1	PLATE, GROUNDING		
22	FH7-7426-020		1	SENSOR, HUMIDITY		
23	FH6-1960-020		2	MOTOR, DC		
24	FB2-8098-000		1	SUPPORT, KNOB		
26	FB4-5257-020		1	PLATE, TAPE		
28	FF5-7658-000		1	PLATE, POSITIONING, FIXING		
29	FF5-8139-000		3	PLATE, POSITIONING, FRONT		
30	FF5-8152-000		1	PLATE, LOCK, RIGHT		
31	FC7-2685-000		1	MOUNT, HINGE		
501	XB1-2230-809		2	SCREW,MACH,TRUSS HEAD,M2.3X8		
502	XD1-1104-135		1	WASHER,COP		
503	XB4-7300-609		1	SCREW, TAP, BINDING HEAD, M3X6		
505	XB2-8401-007		2	SCREW,W/WASHER,M4X10		

FIGURE & KEY NO.	PARTS NUMBER	R A N K	Q'TY	DESCRIPTION	SERIAL NUMBER/ REMARKS	S V C
Fig.102	NPN		RF	INTERNAL COMPONENTS 1		
3	FB2-8010-000		2	PIN, GUIDE, POSITIONING		
4	FB4-3822-020		1	PLATE, HOLDER, FRONT		
5	FB4-3823-020		1	PLATE, HOLDER, REAR		
7	FB4-7839-020		1	PLATE, SHAFT STOP		
13	XA9-0628-000		8	SCREW, RS, M4X8		
14	FB4-1350-020		1	ROLLER, VERTICAL PATH		
15	FS5-0514-000		1	GEAR, 20T		
16	XG9-0249-000		1	BALL BEARING,608ZZ1NR*MC3ED4ML		
17	XG9-0250-000		7	BALL BEARING, 688AZZNR*MC3D4M		
18	FB4-1420-000		1	ROLLER, VERTICAL PATH		
19	FS2-0566-000		2	GEAR, 18T		
22	FC7-1802-000		1	GUIDE, CURL		
23	FF5-8141-000		1	GUIDE, DELIVERY		
24	FB4-3743-000		1	SHEET, GUIDE		
25	FG6-1867-020		1	CABLE, MULTI CURL INLET SENSOR		
26	FG6-2305-000		1	CURL SENSOR UNIT		
29	FK2-0149-000		2	PHOTO-INTERRUPTER, TLP1253(C6)		
30	WT2-0184-000		2	BUSHING		
31	FB2-8003-000		2	GUIDE, SWING		
32	FB6-6578-000		1	GUIDE, VERTICAL PATH, MIDDLE		
34	FF5-8194-000		1	MOUNT, PAPER PATH SENSOR		
37	FG6-2331-020		1	CABLE, PATH SENSOR CONNECTING		
39	FB6-0529-020		1	GUIDE, VERTICAL PATH, 2		
40	FF5-7693-000		1	SIDE PLATE,FRONT,VERTICAL PATH		
41	FF5-7885-000		1	SIDE PLATE,REAR,VERTICAL PATH		
42	WE8-5800-000		1	CORE, FERRITE		
43	FG6-5396-000		2	ROLLER ASSEMBLY		
45	FG6-8620-000		1	CABLE, WRITING SENSOR		
46	FH7-7668-000		1	PHOTO-INTERRUPTER		
47	FS6-2825-000		2	SPRING, TENSION		
48	FS6-2828-000		2	SPRING, TENSION		

FIGURE & KEY NO.	PARTS NUMBER	R A N K	Q'TY	DESCRIPTION	SERIAL NUMBER/ REMARKS	S V C
49	FK2-1005-000		1	CABLE, VIDEO		
50	FK2-1634-000		1	CABLE, CONTOROL		
53	FB4-3732-020		2	ARM, PRESSURE		
54	FB4-3740-020		1	SHAFT, FULCRUM		
55	FF5-7667-000		1	ARM, RELEASE, REAR		
56	FF5-8147-000		1	ARM, RELEASE, FRONT		
58	FS6-2888-020		2	SPRING, TENSION		
59	FS6-2889-020		2	SPRING, TENSION		
62	FM2-4384-000		1	CABLE, AC		
63	FM2-5991-000		1	RAIL, RIGHT PAPER STOCK, RIGHT		
64	FM2-5992-000		1	RAIL, RIGHT PAPER STOCK, LEFT		
66	FC6-3778-000		2	PLATE,RAIL MOUNTING,LEFT F.		
67	FM2-5993-000		1	RAIL, LEFT PAPER STOCK, RIGHT		
68	FM2-5994-000		1	RAIL, LEFT PAPER STOCK, LEFT		
501	XD2-1100-642		AR	RING,E		
502	XD3-2200-122		3	PIN, DOWEL		
503	XB1-2300-609		9	SCREW, MACHINE M3X6		
505	XB1-2400-609		AR	SCREW,NACH.,TRUSS HEAD,M4X6		
506	XD1-1106-218		2	WASHER		
507	XD2-1100-502		AR	RETAINING RING (E-TYPE)		
508	XG3-6012-405		4	BALL BEARING, NSK MF126ZZ		
509	XD1-1106-223		2	WASHER,COP		
513	XB3-6400-809		AR	SCREW,RS,M4		

FIGURE 103
INTERNAL COMPONENTS 2

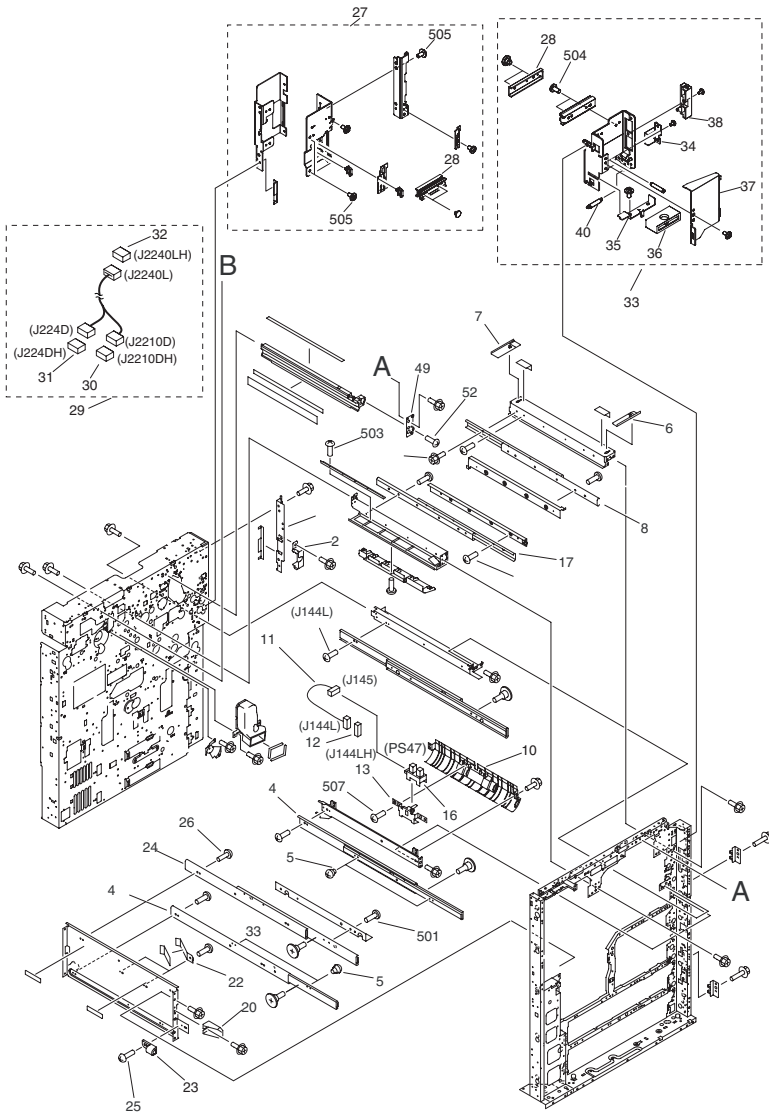


FIGURE 103
INTERNAL COMPONENTS 2

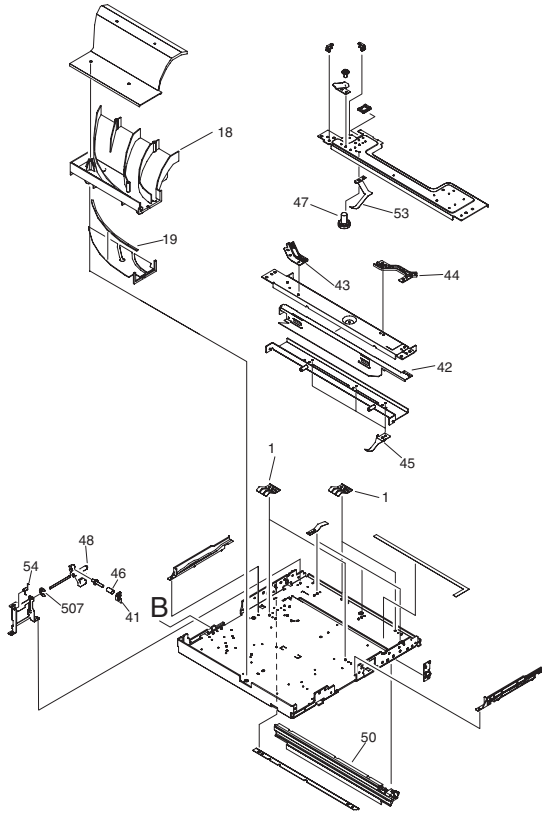


FIGURE & KEY NO.	PARTS NUMBER	R A N K	Q'TY	DESCRIPTION	SERIAL NUMBER/ REMARKS	S V C
Fig.103	NPN		RF	INTERNAL COMPONENTS 2		
1	FC6-8964-000		4	SPRING, GROUNDING		
2	FC6-8970-000		1	COVER, MULTI CONNECTOR		
4	FB4-2042-000		2	RAIL, SLIDE, DUPLEXING		
5	FS2-9343-010		4	SCREW, STEPPED, M4		
6	FB4-1410-000		1	RAIL, SLIDE, FRONT		
7	FB4-1411-000		1	RAIL, SLIDE, REAR		
8	FB4-1418-020		1	RAIL, SLIDE		
10	FB4-3811-020		1	GUIDE, VERTICAL PATH		
11	FG6-1896-020		1	CABLE, PATH SENSOR CONNECTING		
12	VS1-7177-003		1	CONNECTOR, SNAP TIGHT, BK		
13	FF5-8194-000		1	MOUNT, PAPER PATH SENSOR		
16	FK2-0149-000		1	PHOTO-INTERRUPTER, TLP1253(C6)		
17	FB4-1418-020		1	RAIL, SLIDE		
18	FL2-3496-000		1	DUCT, LASER COOLING, LOWER		
19	FL2-3497-000		1	DUCT, LASER COOLING, UPPER		
20	FB2-8041-000		1	BLOCK		
22	FF5-8895-030		2	SPRING, LEAF		
23	FF6-2861-000		1	MOUNT,MAGNET		
24	FM1-0661-000		1	RAIL, SLIDE, FIXING/FEEDER		
25	XA9-0924-000		1	SCREW, W/WASHER, M3X8		
26	XA9-1331-000		3	SCREW,MACH.,TRUSS HEAD,M4X4		
27	FM2-4090-000		1	ROLLER SUPPORT ASSEMBLY		
28	FC7-0087-000		2	RAIL		
29	FM2-4389-000		1	CABLE, MULTI CONNECT		
30	VS1-7177-005		1	CONNECTOR, SNAP TIGHT, BK		
31	VS1-7177-012		1	CONNECTOR, SNAP TIGHT, BK		
32	VS1-7177-014		1	CONNECTOR, SNAP TIGHT, BK		
33	FM2-4091-000		1	ROLLER SUPPORT ASSEMBLY, FRONT		
34	FC6-5582-000		1	PLATE, PRESSURE RELEASE		
35	FC6-5583-000		1	LEVER, DOOR SWITCH		
36	FC6-5584-000		1	BLOCK, DOOR SWITCH LEVER		

FIGURE & KEY NO.	PARTS NUMBER	R A N K	Q'TY	DESCRIPTION	SERIAL NUMBER/ REMARKS	S V C
37	FC6-7169-000		1	PLATE, REINFORCEMENT		
38	FC7-0084-000		1	HOOK, DOOR		
40	FU6-2273-000		1	SPRING, TENSION		
41	FC6-5570-000		1	STOPPER		
42	FC6-5571-000		1	BAR, SHUTTER		
43	FC6-5703-000		1	GUIDE, CABLE, 1		
44	FC6-5704-000		1	GUIDE, CABLE, 2		
45	FC6-5721-000		3	SPRING, GROUNDING PLATE		
46	FU6-2271-000		1	SPRING, COMPRESSION		
47	XA9-0266-000		4	SCREW		
48	FC6-5565-000		1	LEVER, SHUTTER		
49	FC6-5572-000		1	PLATE, RAIL POSITIONING		
50	FL2-3483-000		1	RAIL, RIGHT		
52	XA9-0915-000		1	SCREW, M3X6		
53	FC6-5722-000		1	SPRING, GROUND PLATE		
54	FC6-5566-000		1	SPRING, TORSION		
501	XB1-2400-409		AR	SCREW, MACH., TRUSS HEAD, M4X4		
503	XB1-2300-609		5	SCREW, MACHINE M3X6		
504	XB1-2300-607		4	SCREW, BH3X6(S)		
505	XB3-6400-805		AR	SCREW, RS, M4X8		
507	XD2-1100-322		2	RETAINING RING (E-TYPE)		

FIGURE & KEY NO.	PARTS NUMBER	R A N K	Q'TY	DESCRIPTION	SERIAL NUMBER/ REMARKS	S V C
Fig.104	NPN		RF	INTERNAL COMPONENTS 3		
1	FB4-7834-000		1	COVER, CONNECTOR, CURL		
2	FA5-2924-020		1	PIN, DOWEL		
3	FA9-3822-000		1	LABEL, DISCRIMINATE		
4	FB4-1355-020		1	PLATE, LIFTING		
5	FB4-2019-020		1	PLATE, SUPPORT, GEAR		
6	FB4-2023-000		1	HOLDER, PAPER SENSOR PCB		
7	FB4-2024-000		1	COUPLING		
8	FB5-8735-000		1	GEAR, 16T		
9	FB6-2369-020		1	SHAFT, CASSETTE LIFT		
10	FG6-1906-000		1	CABLE, CASSETTE PAPER SENSOR		
11	FG6-1941-000		1	PAPER SENSOR PCB ASSEMBLY		
12	FS5-1787-000		1	BUSHING		
13	XA9-0596-000		1	SCREW, TP, M3X6		
14	FA9-1969-000		1	ROLLER, TRANSFER		
15	FB3-9356-000		1	LEVER, CASSETTE, RIGHT		
16	FB4-5335-000		1	ROLLER, CAM		
17	FC6-5537-000		1	RAIL, RIGHT		
18	FF5-7743-000		1	PLATE, CASSETTE SUPPORT		
19	FF5-9892-000		1	SUPPORT, RAIL, RIGHT FRONT		
20	FG6-2334-000		1	CABLE, CASSETTE PAPER SENSOR		
21	FS6-2667-000		2	SPRING, TENSION		
22	FS6-2847-000		1	SPRING, TENSION		
23	FS6-4243-020		2	SHAFT, ROLLER		
24	FS7-2532-000		1	SPRING, COMPRESSION		
26	VS1-7177-003		1	CONNECTOR, SNAP TIGHT, BK		
27	FC6-5536-000		1	RAIL, LEFT		
28	FB3-9345-020		1	SUPPORT, RAIL, LEFT FRONT		
29	FB4-0650-000		1	LEVER, CASSETTE, LEFT		
501	XB1-2400-609		3	SCREW, NACH., TRUSS HEAD, M4X6		
502	XB1-2400-409		AR	SCREW, MACH., TRUSS HEAD, M4X4		
503	XD2-1100-402		2	RETAINING RING(E-TYPE)		

FIGURE & KEY NO.	PARTS NUMBER	R A N K	Q'TY	DESCRIPTION	SERIAL NUMBER/ REMARKS	S V C
504	XD2-1100-502		3	RETAINING RING(E-TYPE)		

FIGURE 105 INTERNAL COMPONENTS 3

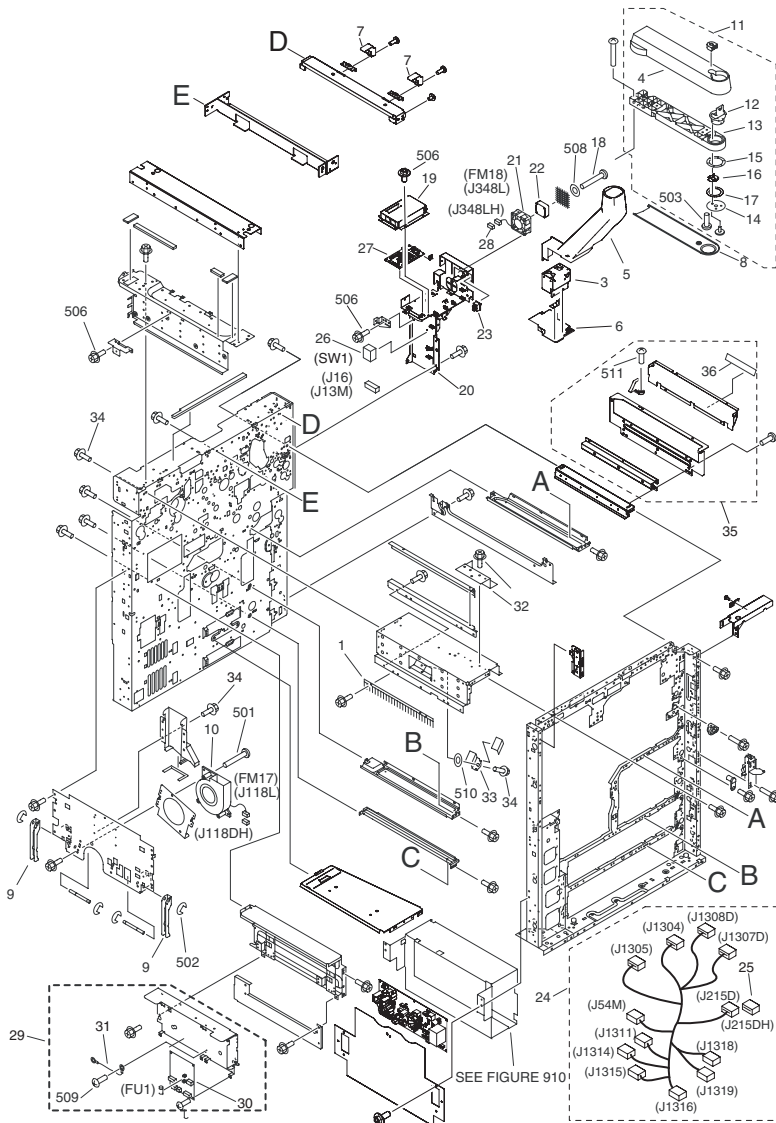


FIGURE 105 INTERNAL COMPONENTS 3

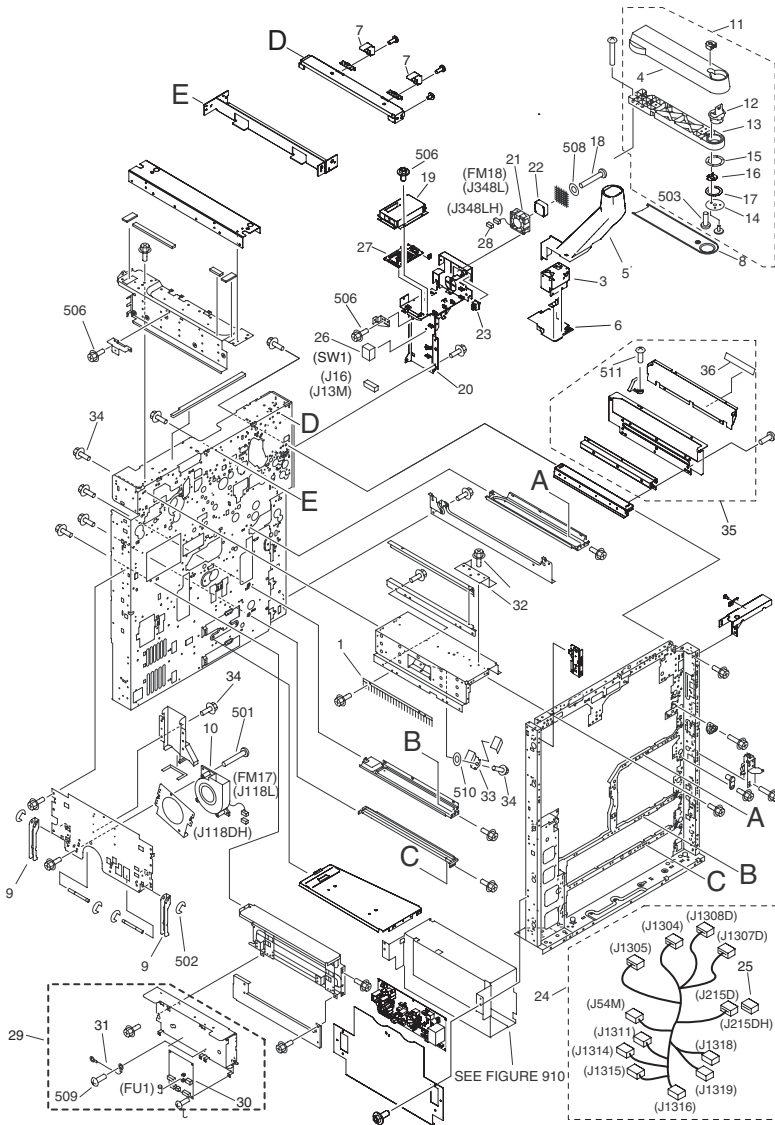


FIGURE & KEY NO.	PARTS NUMBER	R A N K	Q'TY	DESCRIPTION	SERIAL NUMBER/ REMARKS	S V C
Fig.105	NPN		RF	INTERNAL COMPONENTS 3		
1	FB2-8248-020		1	ELIMINATOR, STATIC CHARGE		
3	FC6-5612-000		1	MOUNT, ARM		
4	FC6-5614-000		1	COVER, ARM, 1		
5	FC6-5615-000		1	COVER, ARM, 2		
6	FC6-5644-000		1	COVER, PRIMARY, IN		
7	FC6-5666-000		2	SPRING, FIXING		
8	FC6-5716-000		1	COVER, ARM, 4		
9	FB2-8094-020		2	KNOB, 1		
10	FH6-1877-040		1	FAN		
11	FM2-4101-000		1	ARM ASSEMBLY		
12	FB6-0432-000		1	SUPPORT, SHAFT		
13	FB6-0433-000		1	ARM		
14	FB6-0450-000		1	WASHER		
15	FC6-5731-000		1	WASHER,WAVE		
16	FC7-0222-000		1	SPACER		
17	FC7-0223-000		1	SHEET		
18	FA9-3622-020		2	SCREW, TAPPING, PIN HEAD, M4X3		
19	FC6-5492-000		1	COVER, SHIELD		
20	FC6-5694-000		1	MOUNT, MAIN SWITCH		
21	FC6-5695-000		1	DUCT, EXHAUST FAN		
22	FH6-1740-020		1	FAN		
23	FH7-6327-020		1	SWITCH, POWER SUPPLY		
24	FM2-4371-000		1	CABLE, LASER DRIVER, 1		
25	VS1-7173-008		1	CONNECTOR, SNAP TIGHT, 8P, W		
26	FM2-4383-000		1	CABLE, MAIN SWITCH		
27	FM2-4394-000		1	LASER DRIVER PCB ASSEMBLY		
28	VS1-7177-004		1	CONNECTOR, SNAP TIGHT, BK		
29	FM2-4397-000		1	AC POWER SUPPLY ASSEMBLY		
30	FK2-0968-000		1	ALL DAY POWER PCB ASSEMBLY		
31	FM2-5089-000		1	CABLE, GROUNDING		
32	FB4-1513-030		1	COVER, LEVER		

FIGURE & KEY NO.	PARTS NUMBER	R A N K	Q'TY	DESCRIPTION	SERIAL NUMBER/ REMARKS	S V C
33	FF5-7726-000		1	SPRING, LEAF		
34	XA9-0628-000		AR	SCREW, RS, M4X8		
35	FM2-6129-000		1	DEVELOPING PRESS ASSEMBLY		
36	FU5-8656-000		1	LABEL, DISCRIMINATE		
501	XB1-2403-509		2	SCREW, M4X35		
502	XD2-1100-642		4	RING,E		
503	XB1-2400-805		3	SCREW, MACHINE M4X8 (S)		
506	XB3-6400-805		AR	SCREW,RS,M4X8		
508	XD1-1105-235		2	WASHER,COP		
509	XB2-8401-007		5	SCREW,W/WASHER,M4X10		
510	XD1-1105-239		1	WASHER,COP		
511	XB1-2300-607		1	SCREW, BH3X6(S)		

FIGURE 106 MACHINE REAR PLATE 1

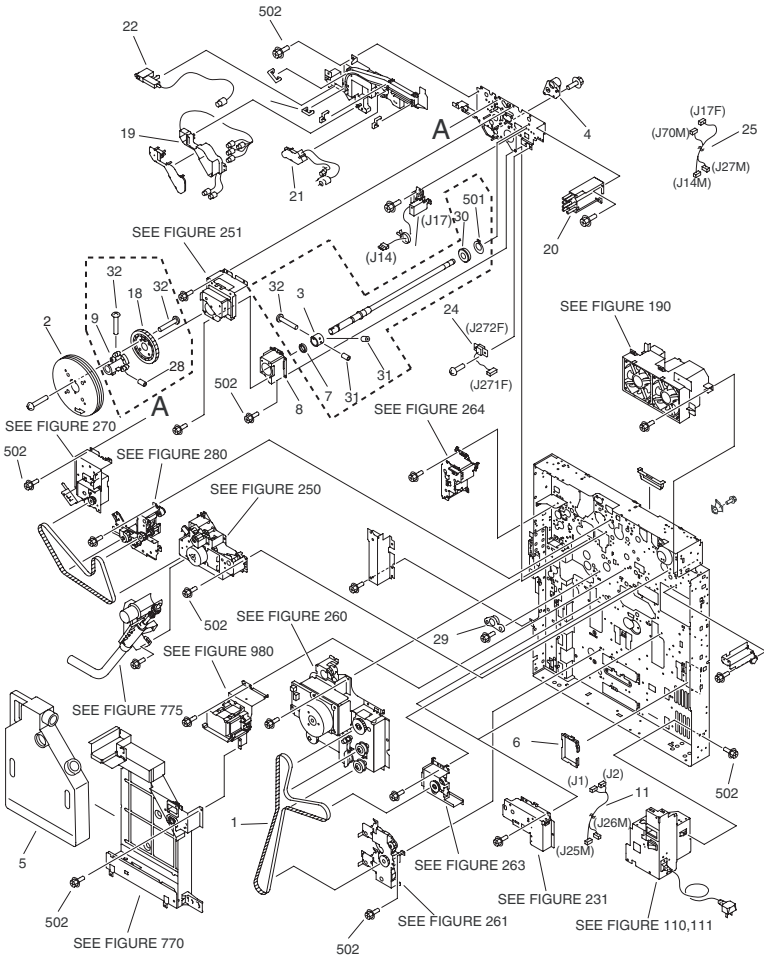


FIGURE & KEY NO.	PARTS NUMBER	R A N K	Q'TY	DESCRIPTION	SERIAL NUMBER/ REMARKS	S V C
Fig.106	NPN		RF	MACHINE REAR PLATE 1		
1	FB4-1354-000		1	BELT, DRIVE, PAPER PICK-UP		
2	FB4-1750-030		1	FLYWHEEL		
3	FB4-1753-000		1	COLLAR, THRUST STOP		
4	FB4-1781-000		1	HOLDER, POSITIONING, REAR		
5	FB4-1953-000		1	BOTTLE, WASTE TONER		
6	FB4-9032-000		1	COVER, EDGE		
7	FB5-2596-000		1	SPACER, DRUM SHAFT		
8	FB5-6882-030		1	SUPPORT, BEARING, REAR		
9	FB5-6884-000		1	SUPPORT, FLYWHEEL		
11	FG6-7211-000		1	CABLE, AC INPUT		
18	FS7-0011-000		1	GEAR, 90T		
19	FH2-6807-030		1	HOLDER, CONNECTOR		
20	FH2-9232-000		1	CONNECTOR, JOINT,1		
21	FH2-9233-020		1	JOINT CONNECTOR UNIT, 2		
22	FH2-9235-020		1	JOINT CONNECTOR UNIT, 4		
24	FG6-3569-020		1	CABLE, BIAS SEPARATION CLAW		
25	FM2-4391-000		1	CABLE, DRUM HEATER CONNECT		
28	XA9-1278-000		2	SETSCREW,M6X10		
29	FS6-1149-000		1	BUSHING		
30	XG9-0248-000		1	BEARING, BALL, 6004ZZNR*C3		
31	XA9-1091-000		2	SETSCREW,M4X8		
32	XA9-0207-000		3	SCREW		
501	XD2-3100-202		2	C RING		
502	XB3-6400-805		7	SCREW, RS, M4X8		

FIGURE 107 MACHINE REAR PLATE 2

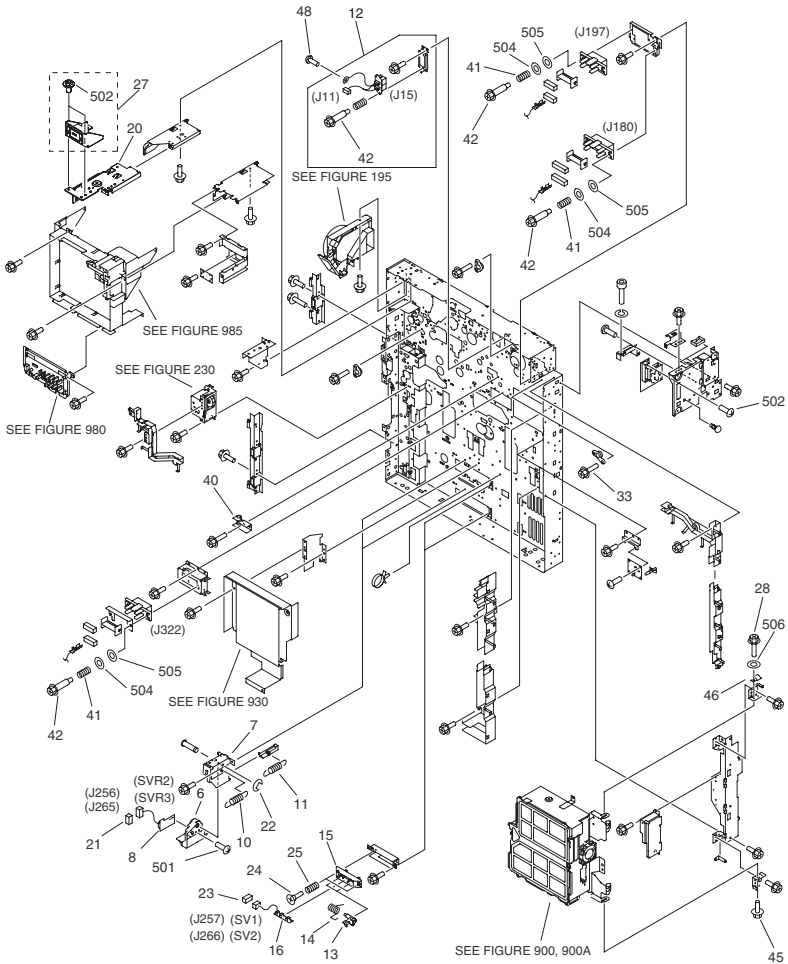


FIGURE & KEY NO.	PARTS NUMBER	R A N K	Q'TY	DESCRIPTION	SERIAL NUMBER/ REMARKS	S V C
Fig.107	NPN		RF	MACHINE REAR PLATE 2		
6	FB3-9361-000		1	HOLDER, CASSETTE VR PCB		
7	FB3-9362-020		1	MOUNT, VR HOLDER		
8	FG5-1957-000		1	CASSETTE VR PCB ASSEMBLY		
10	FS5-2322-000		1	SPRING, TENSION		
11	FS5-2323-020		1	SPRING, TENSION		
12	FG6-1904-000		1	CABLE, FIXING DRAWER CONNECT		
13	FB1-8735-000		2	ARM, SENSOR		
14	FB1-8737-000		2	SPRING, TORSION		
15	FB3-9364-000		1	HOLDER, SWITCH		
16	FM2-3786-000		1	CASSETTE PAPER SENSOR ASSEMBLY		
20	FL2-3535-000		1	GUIDE, HIGH VOLTAGE DC		
21	VS1-7177-003		1	CONNECTOR, SNAP TIGHT, BK		
22	XD9-0136-000		1	RING, E		
23	VS1-7177-004		1	CONNECTOR, SNAP TIGHT, BK		
24	FS2-9327-030		2	SCREW, STEPPED, M4		
25	FS3-2044-000		2	SPRING, COMPRESSION (SUS)		
27	FM2-4105-000		1	LATTICE CONNECTOR MOUNT ASSY		
28	XA9-0774-000		1	SCREW, RS, M4X16		
33	XA9-0630-000		10	SCREW, M4X10		
40	FF5-7665-000		1	HOLDER, STOP		
41	FS5-2965-000		6	SPRING, COMPRESSION		
42	FS5-9282-020		6	SCREW, STEPPED		
45	XA9-0629-000		3	SCREW, RS, M4X8		
46	FB6-0784-000		1	SPRING, LEAF, GROUNDING		
48	XA9-0265-000		1	SCREW, W/TOOTHED WASHER, (S)		
501	XB4-7400-809		1	SCREW,TAPPING,TRUISS HEAD,M4X8		
502	XB1-2300-609		2	SCREW, MACHINE M3X6		
504	XD1-1103-633		4	SHIM WASHERS, COP		
505	XD1-1104-133		4	WASHER,COP		
506	XD1-1106-235		1	WASHER,COP		

FIGURE 108 MACHINE BOTTOM PLATE

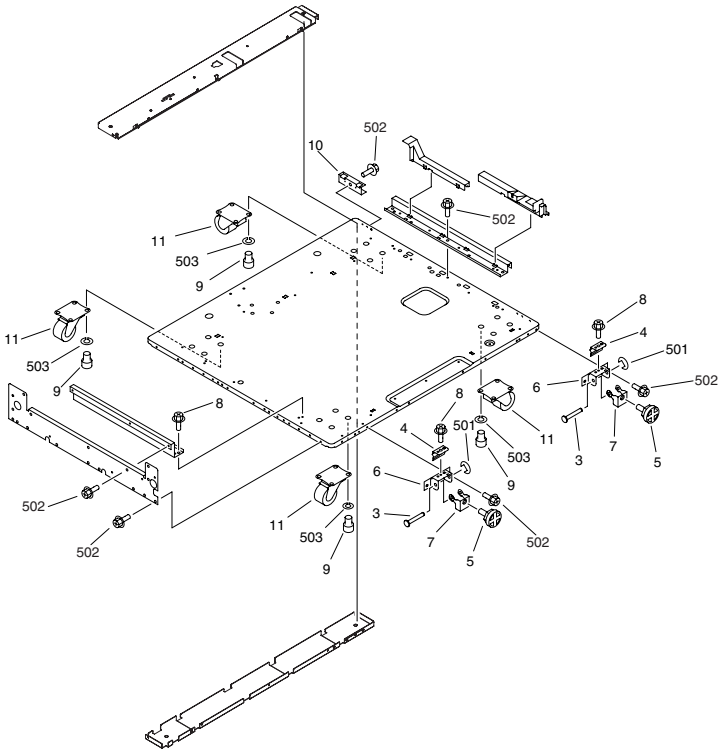


FIGURE & KEY NO.	PARTS NUMBER	R A N K	Q'TY	DESCRIPTION	SERIAL NUMBER/ REMARKS	S V C
Fig.108	NPN		RF	MACHINE BOTTOM PLATE		
3	FB2-7899-020		2	SHAFT, PIVOT, FRONT		
4	FB2-7900-000		2	SPRING, LEAF		
5	FB2-8506-020		2	ADJUSTER		
6	FB4-1334-020		2	PLATE, ADJUSTING, FRONT		
7	FB4-1339-020		2	PLATE, PIVOT		
8	XA9-0628-000		16	SCREW, RS, M4X8		
9	FB4-1340-000		16	SCREW, ALLEN HEAD, M8X10		
10	FB4-7846-020		1	PLATE, WASTE TONER HOLD		
11	XZ9-0367-000		4	CASTER		
501	XD2-1100-502		2	RETAINING RING (E-TYPE)		
502	XB3-6400-805		5	SCREW, RS, M4X8		
503	XD1-3100-805		AR	WASHER, SPRING		

FIGURE 110 POWER CORD TERMINAL ASSEMBLY

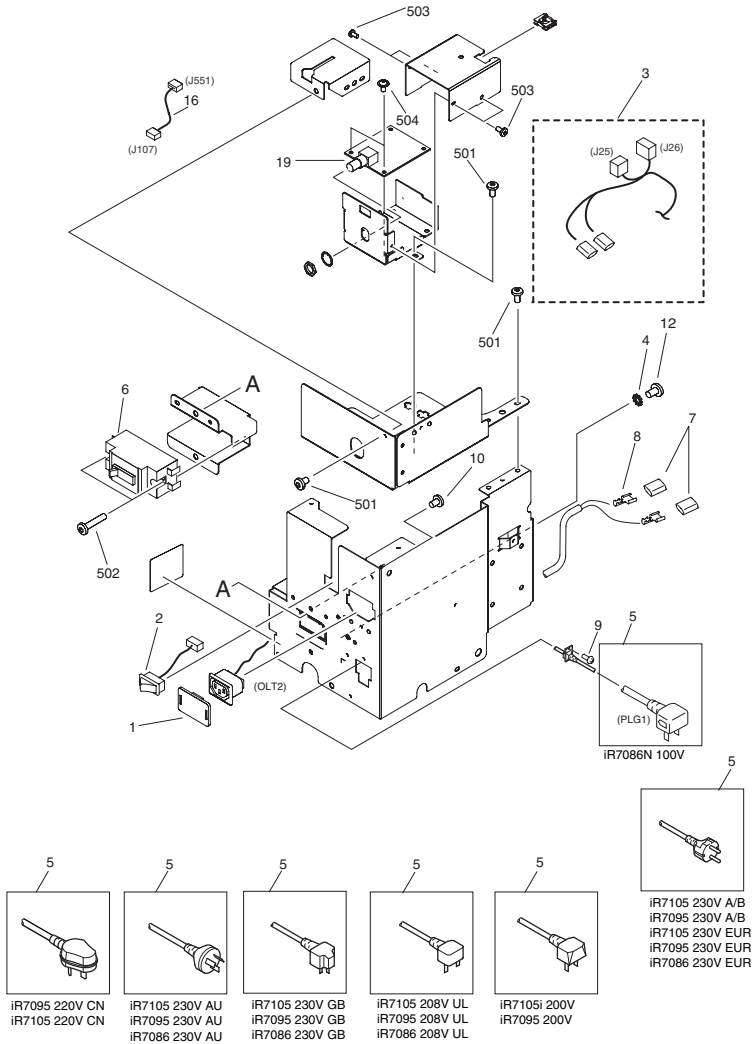


FIGURE & KEY NO.	PARTS NUMBER	RANK	Q'TY	DESCRIPTION	SERIAL NUMBER/REMARKS	SVC
Fig.110	FM2-5081-000		1	POWER CORD TERMINAL ASSEMBLY	iR7086N 100V	
Fig.110	FM2-4093-000		1	POWER CORD TERMINAL ASSEMBLY	iR7105i 200V,iR7095 200V	
Fig.110	FM2-4098-000		1	POWER CORD TERMINAL ASSEMBLY	iR7105 208V UL,iR7095 208V UL,iR7086 208V UL	
Fig.110	FM2-5077-000		1	POWER CORD TERMINAL ASSEMBLY	iR7105 230V A/B,iR7095 230V A/B,iR7105 230V EUR,iR7095 230V EUR,iR7086 230V EUR	
Fig.110	FM2-5078-000		1	POWER CORD TERMINAL ASSEMBLY	iR7105 230V GB iR7095 230V GB iR7086 230V GB	
Fig.110	FM2-5079-000		1	POWER CORD TERMINAL ASSEMBLY	iR7105 230V AU,iR7095 230V AU,iR7086 230V AU	
	FM2-6981-000		1	POWER CORD TERMINAL ASSEMBLY	iR7095 220V CN iR7105 220V CN	
1	FC7-2687-000		1	COVER, OUTLET		
2	FG6-7207-000		1	CABLE, ENVIRONMENT SWITCH		
3	FG6-7285-000		1	CABLE, OUTLET		
4	XD1-4200-502		1	LOCK WASHER (SUS)		
5	FH2-6570-020		1	CORD, POWER, 125V 20A	iR7086N 100V	
5	FH2-6877-000		1	CORD, POWER, 250V 15A	iR7105i 200V,iR7095 200V	
5	FH2-6901-000		1	CORD, POWER, 250V 15A	iR7105 208V UL,iR7095 208V UL,iR7086 208V UL	
5	FH2-6919-000		1	CORD, POWER, 250V 16A	iR7105 230V A/B,iR7095 230V A/B,iR7105 230V EUR,iR7095 230V EUR,iR7086 230V EUR	
5	FH2-6920-000		1	CORD, POWER, 250V 13A	iR7105 230V GB iR7095 230V GB iR7086 230V GB	
5	FH2-6921-000		1	CORD, POWER, 250V 15A	iR7105 230V AU,iR7095 230V AU,iR7086 230V AU	
5	FH2-7053-000		1	CORD, POWER, 250V 16A	iR7095 220V CN iR7105 220V CN	
6	FK2-0014-000		1	BRAKER, ELECTRIC LEAKAGE		
7	WS3-5610-000		2	CONNECTOR, 1P, FEMALE		
8	WS3-5613-000		2	CONNECTOR, 1P, FEMALE		
9	XA9-0739-000		1	SCREW, TP, M4X8		
16	FM2-4369-000		1	CABLE, INTERFACE		
19	FM2-4358-000		1	INTERFACE PCB ASSEMBLY		

FIGURE & KEY NO.	PARTS NUMBER	R A N K	Q'TY	DESCRIPTION	SERIAL NUMBER/ REMARKS	S V C
501	XB1-2400-606		5	SCREW, MACHINE M4X6		
502	XB1-2402-009		2	SCREW, MACHINE M4X20 (S)		
503	XB1-2300-607		4	SCREW, BH3X6(S)		
504	XB6-7300-607		2	SCREW, CROSS-RECESS, FCH		

FIGURE 120 DOOR SWITCH MOUNT ASSEMBLY

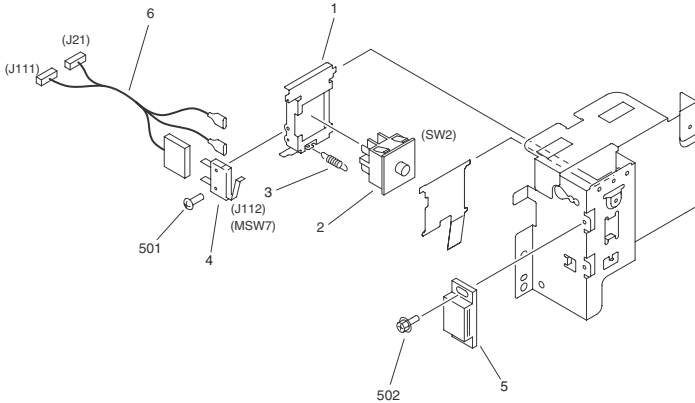


FIGURE & KEY NO.	PARTS NUMBER	R A N K	QTY	DESCRIPTION	SERIAL NUMBER/ REMARKS	S V C
Fig.120	NPN		RF	DOOR SWITCH MOUNT ASSEMBLY		
1	FB4-1432-020		1	HOLDER, DOOR SWITCH		
2	FH7-6253-020		1	SWITCH DOOR		
3	FS5-2928-000		1	SPRING, TENSION		
4	WC4-0153-000		1	MICROSWITCH		
5	XZ9-0251-000		1	CATCH, MAGNET-ACTION (CATCH)		
6	FG6-1817-020		1	CABLE, FRONT DOOR SWITCH, DC		
501	XB1-2200-809		1	SCREW,MACH,TRUSS HEAD,M2.3X8		
502	XB3-6300-805		2	SCREW,RS,M3X8		

FIGURE 130 CONTROL PANEL ASSEMBLY

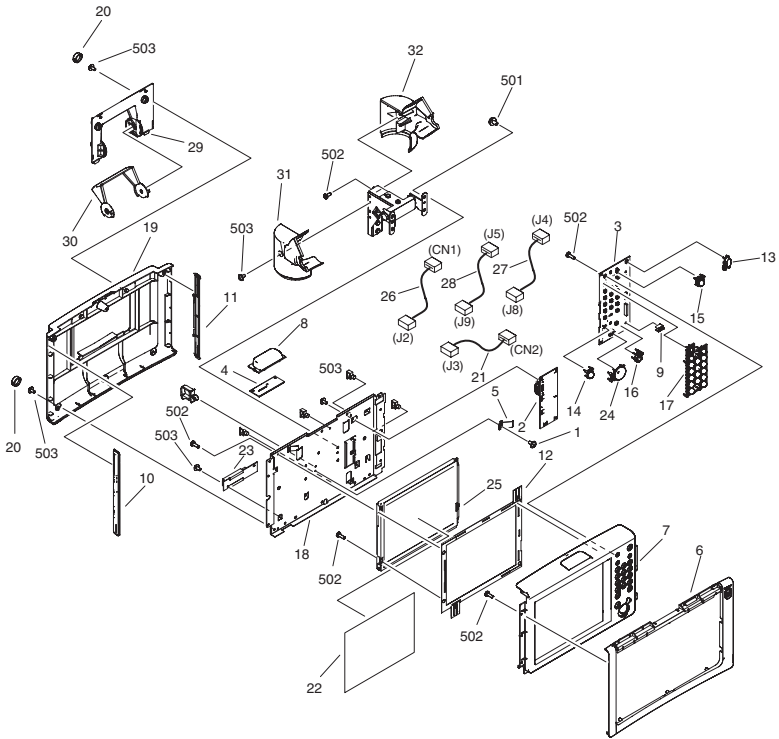


FIGURE & KEY NO.	PARTS NUMBER	R A N K	Q'TY	DESCRIPTION	SERIAL NUMBER/ REMARKS	S V C
Fig.130	FM2-2574-000		1	CONTROL PANEL ASSEMBLY	iR7086N 100V iR7105i 200V iR7095 200V	
Fig.130	FM2-2575-000		1	CONTROL PANEL ASSEMBLY	iR7105 208V UL iR7095 208V UL iR7086 208V UL iR7105 230V A/B iR7095 230V A/B iR7105 230V AU iR7095 230V AU iR7086 230V AU	
Fig.130	FM2-2576-000		1	CONTROL PANEL ASSEMBLY	iR7095 220V CN iR7105 230V GB iR7095 230V GB iR7086 230V GB iR7105 220V CN iR7105 230V EUR iR7095 230V EUR iR7086 230V EUR	
1	FB6-0439-020		1	SCREW,M4		
2	FM2-5461-000		1	CPU PCB ASSEMBLY		
3	FM2-5462-000		1	KEY PCB ASSEMBLY		
4	FM2-5463-000		1	TALLY PCB ASSEMBLY		
5	FB6-3953-000		1	PLATE, GROUNDING		
6	FC6-4941-000		1	COVER, FRONT		
7	FC6-4942-000		1	PANEL, CONTROL	iR7086N 100V iR7105i 200V iR7095 200V	
7	FC6-4964-000		1	PANEL, CONTROL	iR7105 208V UL iR7095 208V UL iR7086 208V UL iR7105 230V A/B iR7095 230V A/B iR7105 230V AU iR7095 230V AU iR7086 230V AU	
7	FC6-4965-000		1	PANEL, CONTROL	iR7095 220V CN iR7105 230V GB iR7095 230V GB iR7086 230V GB iR7105 220V CN iR7105 230V EUR iR7095 230V EUR iR7086 230V EUR	
8	FC6-4943-000		1	COVER, INDICATOR LAMP		
9	FC6-4945-000		1	COVER, POWER LAMP		
10	FC6-4946-000		1	COVER, SIDE, LEFT		
11	FC6-4947-000		1	COVER, SIDE, RIGHT		
12	FC6-4949-000		1	SHEET, ELECTROSTATIC		
13	FC6-4950-000		1	KEY TOP, POWER		
14	FC6-4951-000		1	KEY TOP, RESET		
15	FC6-4952-000		1	KEY TOP, ENERGY SAVING		
16	FC6-4954-000		1	KEY TOP, STOP		

FIGURE & KEY NO.	PARTS NUMBER	R A N K	Q'TY	DESCRIPTION	SERIAL NUMBER/ REMARKS	S V C
17	FC6-4955-000		1	KEY TOP, NUMBERS		
18	FC6-4956-000		1	STAY, CONTROL PANEL ASSEMBLY		
19	FC6-4957-000		1	COVER, REAR		
20	FC6-6824-000		7	COVER, RUBBER		
21	FK2-1636-000		1	CABLE, LCD		
22	FK2-1645-000		1	PANEL, TOUCH		
23	FK2-1646-000		1	INVERTER PCB ASSEMBLY		
24	FL2-2615-000		1	START KEY ASSEMBLY		
25	FL2-2616-000		1	LCD CONTROL PANEL UNIT		
26	FM2-5439-000		1	CABLE, INVERTER		
27	FM2-5440-000		1	CABLE, KEY		
28	FM2-5441-000		1	CABLE, TALLY		
29	FC6-4958-000		1	COVER, HINGE		
30	FC6-4959-000		1	COVER, SLIDE		
31	FC6-4960-000		1	COVER, HINGE, LEFT		
32	FC6-4961-000		1	COVER, HINGE, RIGHT		
501	XB2-8400-807		4	SCREW,W/WASHER,M4X8		
502	XB4-5301-007		17	SCREW, P, M3X10		
503	XB6-7300-607		17	SCREW, CROSS-RECESS, FCH		

FIGURE 160
EXTERNAL COVERS, PANELS, ETC.

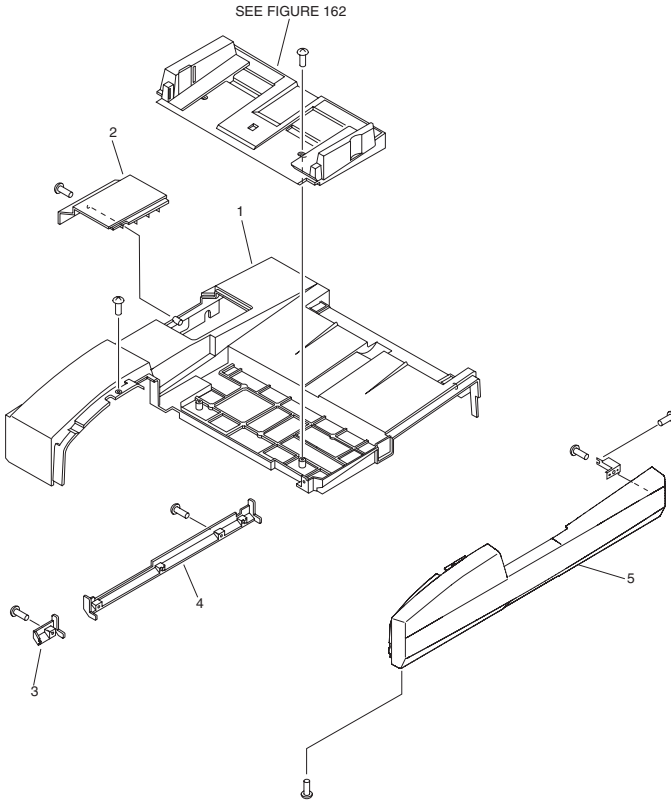


FIGURE & KEY NO.	PARTS NUMBER	RANK	Q'TY	DESCRIPTION	SERIAL NUMBER/REMARKS	SVC
Fig.160	NPN		RF	EXTERNAL COVERS, PANELS, ETC.		
1	FC6-0972-000		1	COVER, TOP		
2	FC6-0973-000		1	COVER, POCKAT		
3	FC6-0974-000		1	COVER, REAR, LEFT		
4	FC6-0975-000		1	COVER, REAR, RIGHT		
5	FL2-2547-000		1	COVER, FRONT		

FIGURE 161 FRAME ASSEMBLY

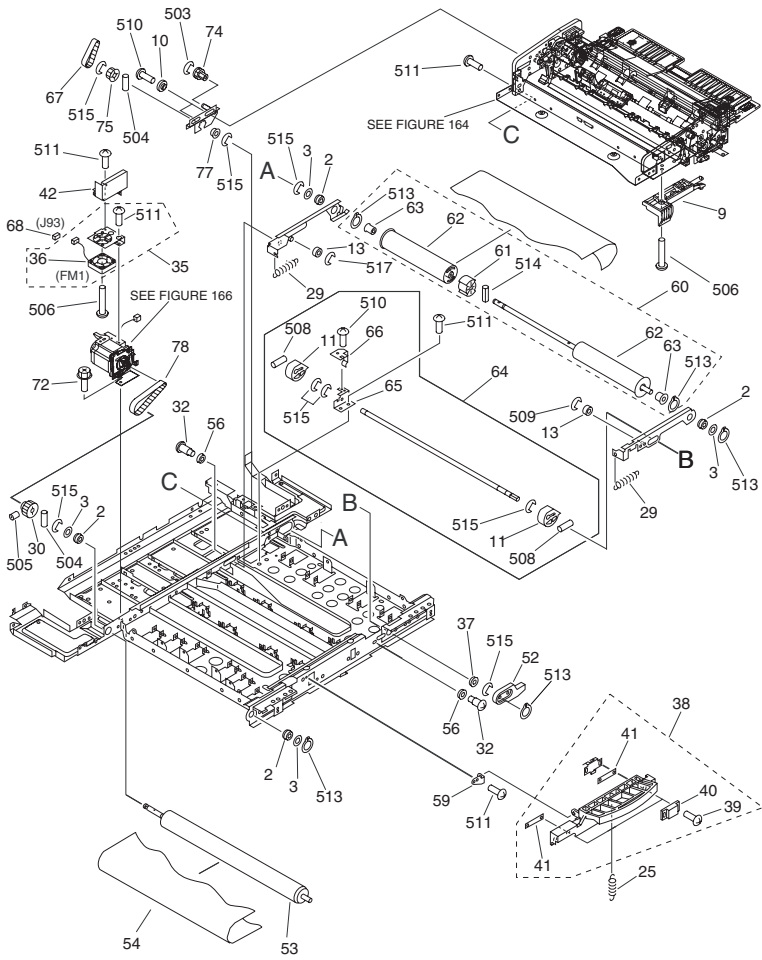


FIGURE & KEY NO.	PARTS NUMBER	R A N K	Q'TY	DESCRIPTION	SERIAL NUMBER/ REMARKS	S V C
Fig.161	NPN		RF	FRAME ASSEMBLY		
1	FM2-5446-000		1	ADF CONTROLLER PCB ASSEMBLY		
2	XG9-0237-000		4	BALL BEARING, LNR-1680HHR		
3	XD9-0151-000		4	WASHER		
4	XA9-0679-000		4	SCREW, MACH., FLAT HEAD, M3X4		
5	FB4-7788-000		1	GUIDE, BELT		
6	FB4-7747-000		1	GUIDE, CABLE, 1		
7	FB4-7749-000		1	GUIDE, CABLE, 3		
8	FB4-7755-000		1	JOINT, LEFT		
9	FB4-7756-000		1	JOINT, RIGHT		
10	FB5-9538-000		2	COLLAR, SLIDE		
11	FB4-7763-000		2	CAM, RELEASE		
13	XG9-0424-000		2	PLAIN SHAFT BEARING		
14	FB4-7003-000		3	SPRING, COMPRESSION		
15	FC6-0979-000		1	GUIDE, CABLE		
17	FG2-9371-000		1	DELIVERY CABLE		
18	FG2-9374-020		1	DELIVERY LOCK CABLE		
19	FG6-7727-000		1	UPPER COVER SENSOR ASSEMBLY		
20	FB4-7791-000		1	FLAG, UPPER COVER SENSOR		
21	FB4-7792-000		1	SPRING, TORSION		
23	FS5-9570-000		1	SCREW, STEPPED, M4		
24	WG8-5593-000		1	PHOTO INTERRUPTER TLP1242		
25	FU6-2397-000		1	SPRING, TENSION		
26	FS7-2026-000		4	SPRING, TENSION		
27	FB5-9554-000		3	ROLLER, BELT GUIDE		
28	FS7-2025-000		6	SPRING, TENSION		
29	FS7-2022-000		2	SPRING, TENSION		
30	FS5-3733-000		1	PULLEY, 46T		
31	FS4-2360-000		4	SPRING, TENSION		
32	FS1-9199-000		2	SCREW, M4		
33	FC1-3044-000		2	FOOT, RUBBER (NBR)		
34	FS1-9102-020		6	SCREW, STEPPED, M3		

FIGURE & KEY NO.	PARTS NUMBER	R A N K	Q'TY	DESCRIPTION	SERIAL NUMBER/ REMARKS	S V C
36	FH6-1486-020		1	FAN, COOLING		
37	FS1-1046-000		1	BUSHING, POM		
38	FM2-2402-000		1	HANDLE ASSEMBLY		
39	XA9-0253-000		4	SCREW, MACH., PAN HEAD, M3X8		
40	FA3-4725-000		2	LATCH, MAGNET		
41	FC2-1208-020		2	NUT, CATCH		
42	FM2-2419-000		1	BELT MOTOR DRIVER PCB ASSEMBLY		
45	FF5-8210-000		1	PILLAR, LEFT		
46	XG9-0390-000		2	BEARING		
47	XA9-1249-000		4	SCREW, TP M4X8		
49	FA5-5499-030		1	SCREW, ADJUSTING		
50	FF5-8211-000		1	PILLAR, RIGHT		
51	FS5-9571-000		4	SCREW, STEPPED, M4		
52	FB4-7764-000		1	LEVER, RELEASE		
53	FB4-7782-000		1	ROLLER, BELT DRIVE		
54	FB5-9541-000		1	BELT, DOCUMENT FEED, C		
55	FB5-9542-000		2	ELIMINATOR, STATIC CHARGE		
56	FC2-1191-000		2	SPACER		
57	FC2-1204-000		4	ROLLER		
58	FC2-1206-000		10	ROLLER		
59	FC2-1209-020		1	SUPPORT, HANDLE		
60	FG6-2791-000		1	TURN ROLLER ASSEMBLY		
61	FC2-1195-000		1	BUSHING		
62	FC2-1196-000		2	ROLLER, TURN		
63	FC2-1197-000		2	BUSHING		
64	FG6-2792-000		1	RELEASE CAM ASSEMBLY		
65	FB4-7761-020		1	HOLDER, RELEASE		
66	FB4-7762-000		1	SPRING, LEAF		
67	XF2-1604-560		1	BELT, TIMING		
68	VS1-7177-003		1	CONNECTOR, SNAP TIGHT, BK		
69	FS2-1617-000		2	BEARING, BALL		
70	FG6-2421-000		1	REVERSE MOTOR DRIVER PCB ASS'Y		

FIGURE & KEY NO.	PARTS NUMBER	R A N K	Q'TY	DESCRIPTION	SERIAL NUMBER/ REMARKS	S V C
71	WG8-5708-000		1	PHOTO INTERRUPTER		
72	XA9-0732-000		18	SCREW,RS,M4		
73	FS7-2054-000		1	SPRING, TENSION		
74	FU3-0038-000		1	GEAR, 14T/PULLY, 15T		
75	FS5-3736-000		1	PULLEY, 27T		
76	VT2-0006-014		5	SUPPORT, PCB		
77	FS1-1510-000		1	BUSHING, 8,4, (COP)		
78	XF9-0685-000		1	BELT, TIMING, 113T		
79	FM2-4740-000		1	CABLE, INTERFACE		
80	FM2-4741-000		1	CABLE, MAIN		
81	VS1-7188-003		1	CONNECTOR, SNAP TIGHT		
82	VS1-7440-002		1	CONNECTOR, SNAP TIGHT		
83	VS1-7440-003		2	CONNECTOR, SNAP TIGHT		
84	VS1-7440-004		1	CONNECTOR, SNAP TIGHT		
501	XB1-2300-606		AR	SCREW, MACHINE M3X6		
502	XB1-2400-409		7	SCREW,MACH.,TRUSS HEAD,M4X4		
503	XD2-1100-402		1	RETAINING RING (E-TYPE)		
504	XD3-2200-122		2	PIN, DOWEL		
505	XB6-2400-409		2	SCREW, FP SET, SH4X4 (S) S		
506	XB1-2401-609		2	SCREW, MACHINE M4X16		
507	XB1-2400-809		4	SCREW, MACHINE M4X8		
508	XD3-2200-182		5	PIN, DOWEL		
509	XD2-1100-322		2	RETAINING RING(E-TYPE)		
510	XB1-2300-609		AR	SCREW, MACHINE M3X6		
511	XB1-2400-609		AR	SCREW,NACH.,TRUSS HEAD,M4X6		
512	XB7-2100-409		1	NUT, HEX M4		
513	XD2-2100-802		5	GRIP RING (D=8)		
515	XD2-1100-642		5	RING,E		

FIGURE 162 PAPER PICK-UP TRAY ASSEMBLY

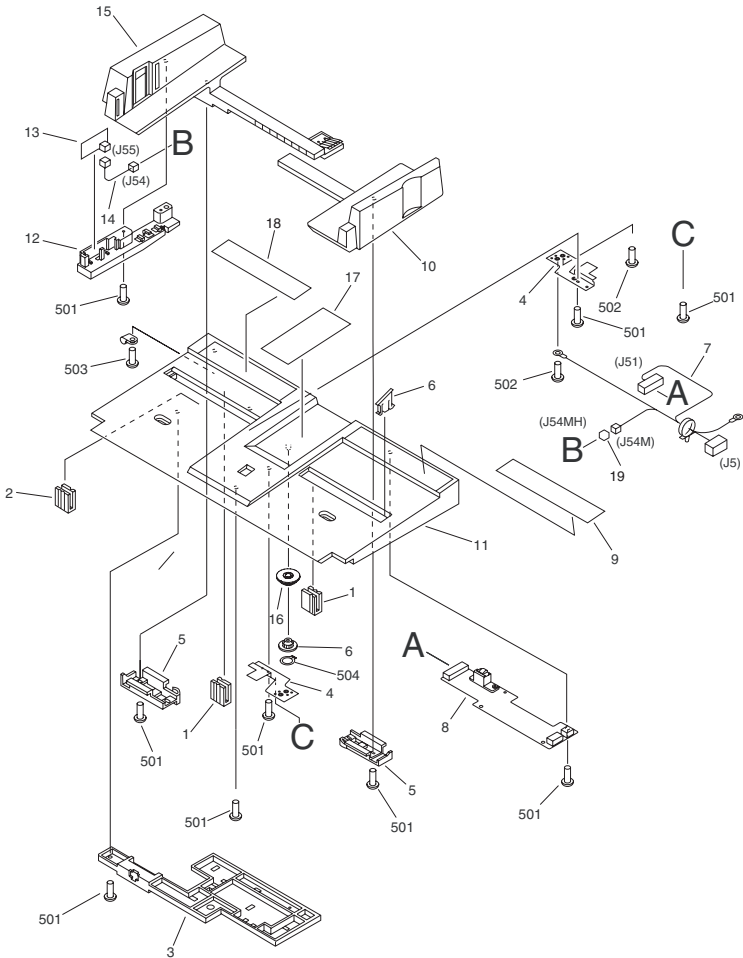
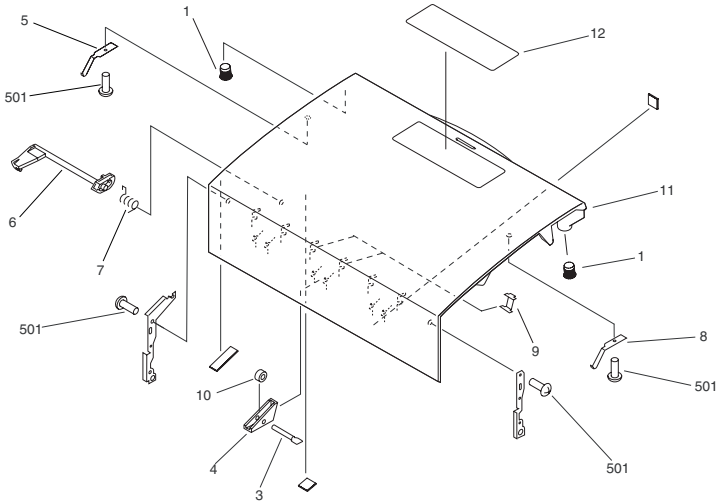


FIGURE & KEY NO.	PARTS NUMBER	R A N K	Q'TY	DESCRIPTION	SERIAL NUMBER/ REMARKS	S V C
Fig.162	FM2-2407-000		1	PAPER PICK-UP TRAY ASSEMBLY		
1	FB4-7710-000		2	BLOCK, TRAY LACK, A4R		
2	FB4-7711-000		2	BLOCK, TRAY LACK, LTR-R		
3	FB4-7719-000		1	COVER, SLIDE SWITCH		
4	FB5-9529-020		1	PLATE, GROUNDING		
5	FC1-6179-000		2	CLAMP, GUIDE		
6	FC6-0940-000		1	BLOCK, LIMITER		
7	FG3-1816-000		1	CABLE, PICK-UP TRAY		
8	FG6-7770-000		1	PICK-UP TRAY PCB ASSEMBLY		
9	FB4-8042-000		1	LABEL, DOCUMENT SIZE		
10	FL2-2549-000		1	GUIDE, SLIDE, FRONT		
11	FL2-2553-000		1	TRAY, PAPER PICK-UP		
12	FB4-7718-000		1	HOLDER, PCB, DISPLAY LED		
13	FG2-9368-000		1	INDICATOR PCB ASSEMBLY		
14	FG3-2265-000		1	CABLE, DISPLAY LED		
15	FL2-2550-000		1	GUIDE, SLIDE, REAR		
16	FS4-0177-000		1	GEAR, 16T		
17	FB4-8040-000		1	LABEL, DOCUMENT SET		
18	FB4-8062-000		1	LABEL, COVER		
19	VS1-7177-002		1	CONNECTOR, SNAP TIGHT, BK		
501	XB4-7300-609		13	SCREW, TAP, BINDING HEAD, M3X6		
502	XB1-2400-606		1	SCREW, MACHINE M4X6		
503	XB4-5401-009		1	SCREW, TAP, M4X10		
504	XD2-2100-602		1	GRIP RING (D=6)		

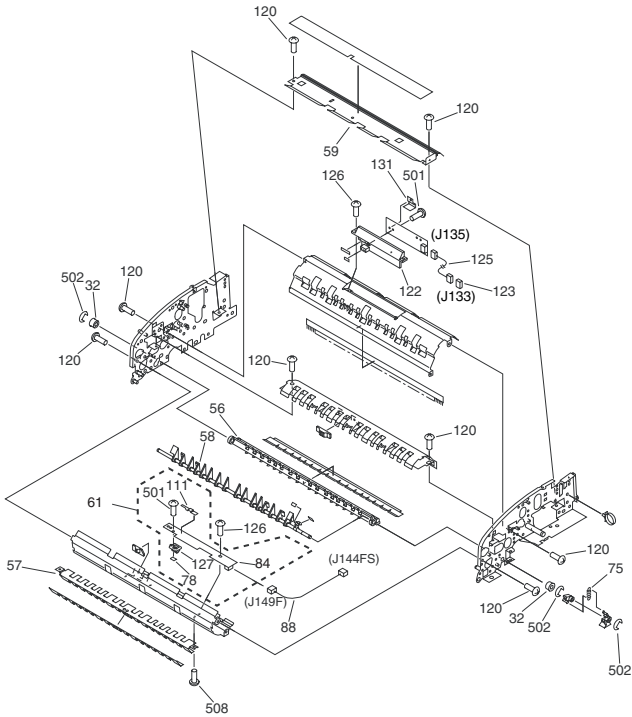
FIGURE 163 UPPER COVER ASSEMBLY



NOTE : This assembly is included in the assembly shown in Figure 164.
注 : このユニットはFigure 164のユニットに含まれます。

FIGURE & KEY NO.	PARTS NUMBER	RANK	QTY	DESCRIPTION	SERIAL NUMBER/REMARKS	SVC
Fig.163	NPN		RF	UPPER COVER ASSEMBLY		
1	FB6-2418-000		2	CATCH, MAGNET		
3	FB4-7604-000		1	ROD		
4	FB4-7605-000		1	GUIDE		
5	FB4-7606-000		1	SPRING, LEAF		
6	FB4-7607-000		1	FLAG, SENSOR, PRE-REVERSE		
7	FB4-8030-000		1	SPRING, TORSION		
8	FB4-8057-000		1	SPRING, LEAF		
9	FC2-2146-000		6	SPRING, LEAF		
10	FC2-3245-000		3	ROLLER		
11	FL2-2551-000		1	COVER, OPEN/CLOSE		
12	FC6-0983-000		1	LABEL, PROHIBITION DOCUMENT		
501	XB4-7300-609		6	SCREW, TAP, BINDING HEAD, M3X6		

FIGURE 164A PAPER PICK-UP ASSEMBLY



NOTE 1 : This assembly includes the assemblies shown in Figure P13 and P31.

NOTE 2 : This assembly does not include the parts shown with key No. 153 and 154.

注 1 : このユニットはFigure P13, P31のユニットを含みます。

注 2 : このユニットにKey No. 153, 154の部品は含まれません。

FIGURE 164A PAPER PICK-UP ASSEMBLY

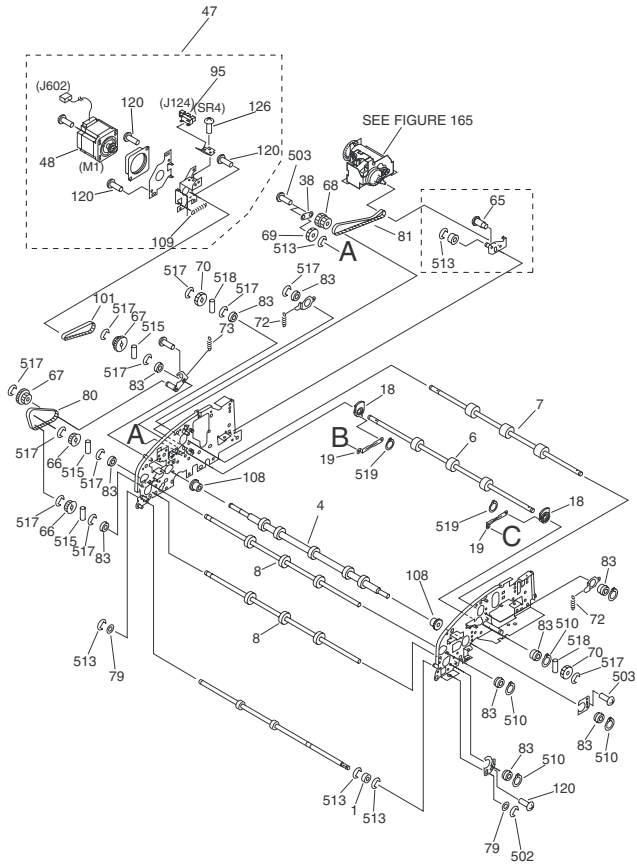


FIGURE 164A PAPER PICK-UP ASSEMBLY

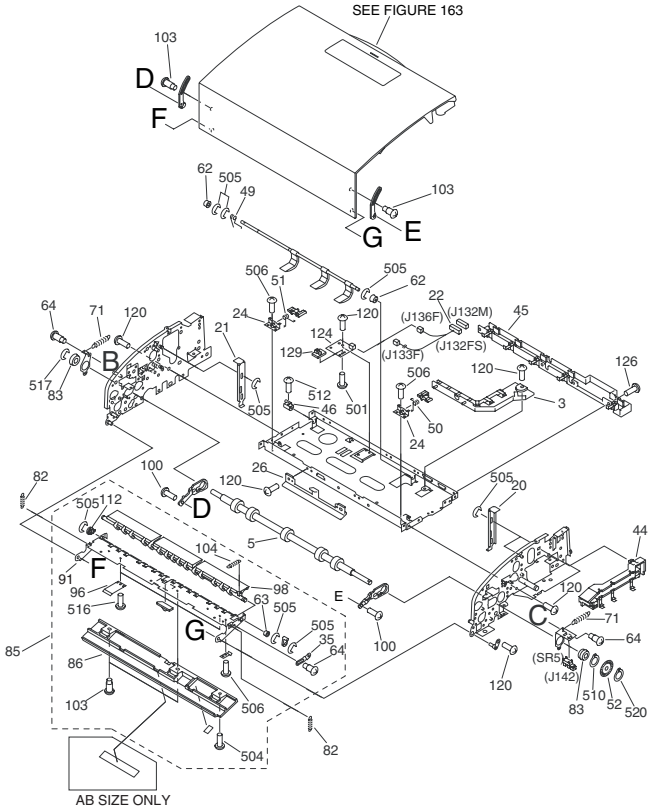


FIGURE & KEY NO.	PARTS NUMBER	R A N K	Q'TY	DESCRIPTION	SERIAL NUMBER/ REMARKS	S V C
Fig.164A	FM2-2442-000		1	PAPER PICK-UP ASSEMBLY		
1	FC6-0946-000		3	ROLLER, GUIDE, LOWER		
2	FC6-0989-000		2	LEVER, RELEASE		
3	FB4-7559-000		1	GUIDE, PICK-UP CABLE		
4	FB4-7560-020		1	ROLLER, REGISTRATION		
5	FB4-7561-030		1	ROLLER, REGISTRATION PRESSURE		
6	FB4-7562-020		1	ROLLER, PICK-UP		
7	FB4-7563-020		1	ROLLER, PICK-UP PRESSURE		
8	FB4-7564-020		2	ROLLER, REVERSE		
13	FB4-7570-030		1	UPPER GUIDE, PICK-UP, A		
14	FB4-7571-020		1	UPPER GUIDE, PICK-UP, B		
15	FB4-7572-030		1	UPPER GUIDE, PICK-UP, C		
18	FB4-7578-000		2	CAM, PICK-UP RELEASE		
19	FB4-7579-020		2	LINK, PICK-UP RELEASE		
20	FB4-7584-020		1	LINK, FRONT		
21	FB4-7585-020		1	LINK, REAR		
22	FG2-9382-040		1	REGISTRATION SENSOR SUB CABLE		
24	FB4-7588-020		2	HOLDER, ARM		
25	FB4-7589-020		1	HOLDER, SENSOR		
26	FB4-7590-000		1	GUARD, SENSOR		
32	FB4-7596-000		2	BUSHING		
33	FB4-7599-000		1	COVER, INTERNAL		
34	FB4-7620-000		1	LINK, SOLENOID		
35	FB4-7625-020		1	STOPPER, LOWER GUIDE		
38	FB4-7660-020		1	SUPPORT PLATE, GEAR, REAR		
39	FB4-7662-000		1	RING, CLUTCH		
40	F4-7663-000		1	RING, GEAR, A		
41	FB4-7664-000		1	RING, GEAR, B		
42	FB4-7669-000		1	GEAR, 24T		
43	FB4-7670-000		1	GEAR, 24T		
44	FB4-7745-000		1	GUIDE, CABLE, 1		
45	FB4-7746-000		1	GUIDE, CABLE, 2		

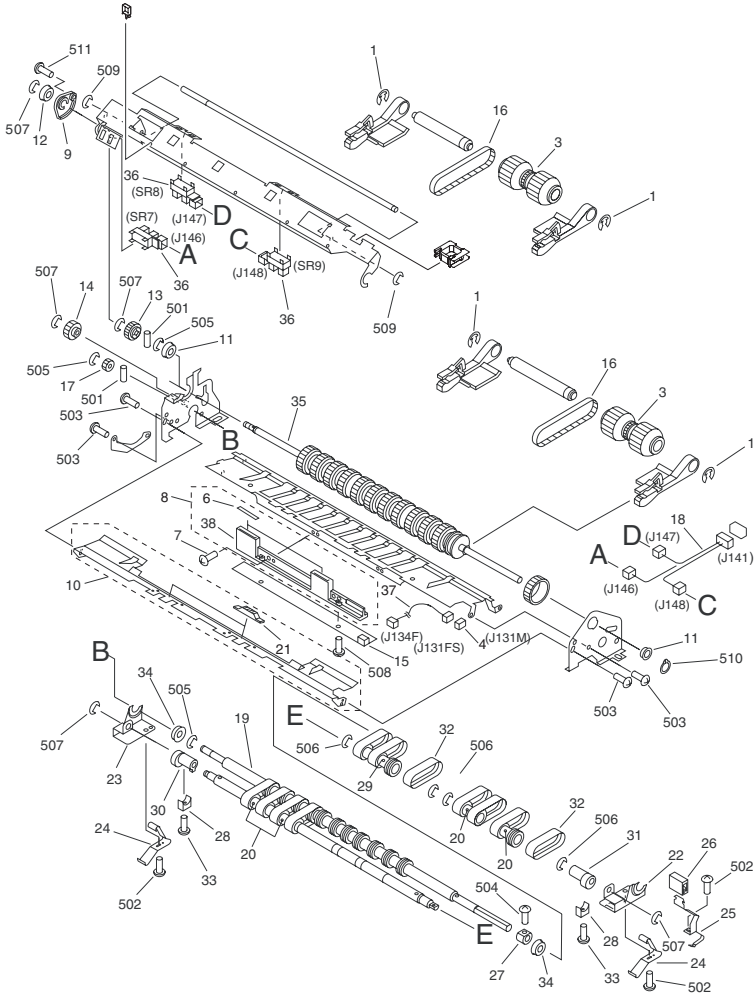
FIGURE & KEY NO.	PARTS NUMBER	R A N K	Q'TY	DESCRIPTION	SERIAL NUMBER/ REMARKS	S V C
46	FB4-7768-000		1	LINK, SHUTTER		
47	FM2-2415-000		1	REVERSE MOTOR ASSEMBLY		
48	FK2-1197-000		1	MOTOR, STEPPING, DC		
49	FB4-8031-000		1	SPRING, TORSION		
50	FB4-8032-000		1	SPRING, TORSION		
51	FB4-8033-000		1	SPRING, TORSION		
52	FC2-1351-000		1	DISK, CLOCK		
53	FM2-2423-000		1	PICK-UP MOTOR ASSEMBLY		
54	FK2-1198-000		1	MOTOR, STEPPING, DC		
56	FF6-1307-000		1	GUIDE, CENTER		
57	FF5-8090-000		1	GUIDE, PRE-REVERSE		
58	FF5-8091-000		1	FLAPPER, PRE-REVERSE		
59	FF6-1300-000		1	GUIDE, PAPER PICK-UP		
61	FM2-2431-000		1	REVERSE SENSOR ASSEMBLY		
62	FS1-1376-000		2	BUSHING, POM		
63	FS1-1528-000		1	BUSHING, PL		
64	FS1-9010-020		3	SCREW, STEPPED, M3		
65	FS2-9394-020		2	SCREW, STEPPED, M3X1.4		
66	FS5-3731-000		2	PULLEY, 28T		
67	FS7-0312-000		2	GEAR, 25T/PULLEY, 28T		
68	FS7-0313-000		1	GEAR, 22T/PULLEY, 27T		
69	FS7-0314-000		2	GEAR, 24T		
70	FS7-0315-000		2	GEAR, 24T		
71	FS7-2028-000		2	SPRING, TENSION		
72	FS7-2029-000		2	SPRING, TENSION		
73	FS7-2033-000		1	SPRING, TENSION		
74	FS7-2036-000		1	SPRING, TENSION		
75	FS7-2038-000		1	SPRING, TENSION		
76	FS7-2055-000		1	SPRING, COMPRESSION		
78	FB4-7598-000		1	SHEET, B		
79	XD9-0153-000		2	WASHER		
80	XF9-0682-000		1	BELT, TIMING, 95T		

FIGURE & KEY NO.	PARTS NUMBER	R A N K	Q'TY	DESCRIPTION	SERIAL NUMBER/ REMARKS	S V C
81	XF9-0683-000		1	BELT, TIMING, 130T		
82	FS7-2045-000		2	SPRING,TENSION		
83	XG9-0237-000		12	BALL BEARING, LNR-1680HHR		
84	FM2-4737-000		1	REVERSE SENSOR PCB ASSEMBLY		
85	FM2-2436-000		1	LOWER GUIDE ASSEMBLY		
86	FC6-0991-000		1	COVER, GUIDE, LOWER		
87	FG2-9383-000		1	ENP SENSOR CABLE		
88	FG2-9385-000		1	REVERSE SENSOR CABLE		
89	FG6-7729-000		1	PRE-REGISTRATION GUIDE ASS'Y		
90	FB4-7617-020		1	FLAPPER, REVERSE		
91	FL2-2555-000		1	GUIDE, LOWER		
92	FF5-8096-000		1	GUIDE, REGISTRATION		
94	FS7-2043-000		1	SPRING, COMPRESSION		
95	WG8-5593-000		3	PHOTO INTERRUPTER TLP1242		
96	FB4-7626-000		2	SPRING, LEAF		
98	FB4-8075-020		1	DEFLECTOR, REVERSE		
100	XA9-1013-000		2	SCREW, M3X8		
101	XF9-0354-000		1	BELT, TIMING		
102	XF9-0699-000		1	BELT, TIMING, 74T		
103	FS1-9009-020		4	SCREW,STEPPED,M3		
104	FS7-2030-000		1	SPRING, TENSION		
105	XD9-0152-000		4	WASHER, SHIM		
107	FB5-9531-000		2	COVER, HOOK		
108	FB5-9530-000		2	COLLAR, REGISTRATION LINK		
109	FS7-2032-000		2	SPRING, TENSION		
110	FC2-1473-000		1	PULLEY		
111	FB5-9533-000		1	SHEET, REV. SENSOR PROTECTIVE		
112	FB4-8064-000		1	BUSHING		
113	FS7-0317-000		1	GEAR, 16T/PULLEY, 54T		
114	FS7-2034-000		1	SPRING, TENSION		
115	FG2-9362-000		1	LED PCB ASSEMBLY		
116	FS7-2035-000		1	SPRING, TENSION		

FIGURE & KEY NO.	PARTS NUMBER	R A N K	Q'TY	DESCRIPTION	SERIAL NUMBER/ REMARKS	S V C
117	FB4-7655-000		1	LINK, SOLENOID, A		
118	FB4-7657-000		1	LINK, SOLENOID, B		
119	FB4-8034-000		1	SPRING, TORSION		
120	XA9-1035-000		37	SCREW,M4X4		
121	FS7-2037-000		1	SPRING, TENSION		
122	FF5-8093-000		1	HOLDER, SENSOR		
123	VS1-7440-006		1	CONNECTOR, SNAP TIGHT		
124	FG2-9361-000		1	PHOTOTRANSISTER PCB ASSEMBLY		
125	FG2-9381-000		1	REGISTRATION SENSOR CABLE		
126	XA9-0894-000		19	SCREW,M3X6		
127	FF5-8094-000		1	COVER, SENSOR		
128	FH7-5875-020		1	SOLENOID, DC24V		
129	FB4-7582-000		1	CAP, EMP SENSOR		
130	FH7-5873-020		1	SOLENOID, DC24V		
131	FB5-9532-000		1	SHEET, REGI. SENSOR PROTECTIVE		
501	XB4-7300-609		5	SCREW, TAP, BINDING HEAD, M3X6		
502	XD2-1100-402		5	RETAINING RING (E-TYPE)		
503	XB6-7300-405		5	SCREW, TP, M3X4		
504	XB1-2300-606		1	SCREW, MACHINE M3X6		
505	XD2-1100-322		17	RETAINING RING (E-TYPE)		
506	XB1-2300-409		5	SCREW, MACHINE M3X4		
507	XD1-1108-225		2	WASHER,COP		
508	XB1-2300-609		2	SCREW, MACHINE M3X6		
509	XD3-1300-162		1	PIN, SPRING		
510	XD2-2100-802		7	GRIP RING (D=8)		
511	XD3-1300-102		1	PIN, SPRING		
512	XB6-7300-609		1	SCREW, MACH,PAN HEAD, M3X8		
513	XD2-1100-502		12	RETAINING RING (E-TYPE)		
514	XB1-2400-409		2	SCREW,MACH.,TRUSS HEAD,M4X4		
515	XD3-2200-122		3	PIN, DOWEL		
516	XB6-7300-409		2	SCREW, MACHINE, M3X4		
517	XD2-1100-642		14	RING,E		

FIGURE & KEY NO.	PARTS NUMBER	R A N K	Q'TY	DESCRIPTION	SERIAL NUMBER/ REMARKS	S V C
518	XD3-2200-142		2	PIN, PARALLEL		
519	XD2-2100-402		2	GRIP RING (D=4)		
520	XD2-2100-602		1	GRIP RING (D=6)		

FIGURE 164B SEPARATION ASSEMBLY



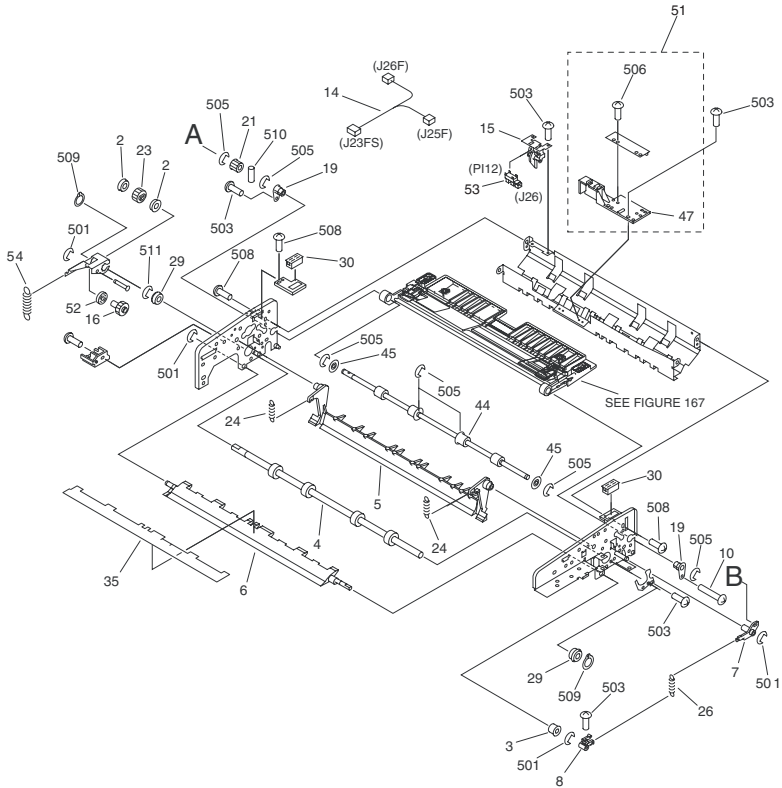
NOTE : This assembly is included in the assembly shown in Figure 164.

注 : このユニットはFigure 164のユニットに含まれます。

FIGURE & KEY NO.	PARTS NUMBER	R A N K	Q'TY	DESCRIPTION	SERIAL NUMBER/ REMARKS	S V C
Fig.164B	FM2-2443-000		1	SEPARATION ASSEMBLY		
1	FA4-1159-000		1	RETAINING RING		
3	FB4-7640-000		2	ROLLER, PICK-UP		
4	VS1-7440-006		1	CONNECTOR, SNAP TIGHT		
6	FB4-7597-000		2	SHEET, DUST-PROOF, A		
7	XA9-0894-000		2	SCREW,M3X6		
8	FM2-2429-000		1	SEPARATION SENSOR ASSEMBLY		
9	FB4-7668-000		1	GEAR, 54T		
11	FS1-1189-000		2	BUSHING, ABS		
12	FS1-1508-000		12	BUSHING		
13	FU3-0037-000		1	GEAR, 20T		
14	FS7-0322-000		1	GEAR, 20T		
15	FM2-4736-000		1	SEPARATION SENSOR PCB ASSEMBLY		
16	XF9-0684-000		2	BELT, TIMING, 92T		
17	FS3-0137-000		1	GEAR, 20T (POM)		
18	FG6-2214-000		1	PICK-UP SENSOR CABLE		
19	FB4-7637-020		1	ROLLER, SEPARATION		
20	FB5-9518-000		4	PULLEY, SEPARATION		
22	FB4-7646-020		1	HOLDER, SEPARATION, FRONT		
23	FB4-7647-030		1	HOLDER, SEPARATION, REAR		
24	FB4-7648-000		2	SPRING, LEAF		
25	FB4-7650-000		1	LEVER		
26	FB4-7651-000		1	CAP		
27	FC2-1227-000		1	STOPPER, THRUST		
28	FC2-1258-000		2	CLAMP, PITCH, SEPARATION		
29	FC2-1369-000		1	PULLEY, SEPARATION		
30	FC2-1370-000		1	RING, PITCH, A		
31	FC2-1371-000		1	RING, PITCH, B		
32	FE6-3059-000		1	BELT, SEPARATION		
33	XA9-1028-000		2	SCREW,ALLEN HEAD,M3X10		
34	XG9-0211-000		2	BALL BEARING, MF128ZZ1MC3D4M		
35	FG6-7725-000		1	FEED ROLLER ASSEMBLY		

FIGURE & KEY NO.	PARTS NUMBER	R A N K	Q'TY	DESCRIPTION	SERIAL NUMBER/ REMARKS	S V C
36	WG8-5593-000		3	PHOTO INTERRUPTER TLP1242		
37	FG2-9380-000		1	SEPARATION SENSOR CABLE		
38	FF5-8099-000		1	HOLDER, SENSOR		
501	XD3-2200-102		2	PIN, PARALLEL		
502	XB6-7300-409		2	SCREW, MACHINE, M3X4		
503	XB1-2300-409		9	SCREW, MACHINE M3X4		
504	XB1-1300-609		1	SCREW, MACHINE M3X6 (S)		
505	XD2-1100-642		3	RING,E		
506	XD2-1100-802		10	RETAINING RING (E-TYPE)		
507	XD2-1100-502		5	RETAINING RING (E-TYPE)		
508	XB4-7300-609		2	SCREW, TAP, BINDING HEAD, M3X6		
509	XD2-1100-322		2	RETAINING RING (E-TYPE)		
510	XD2-2100-802		1	GRIP RING (D=8)		
511	XB2-8300-809		1	SCREW, MACHINE M3X6		

FIGURE 164C PAPER DELIVERY ASSEMBLY



NOTE : This assembly includes the assemblies shown in Figure 167 and 168.
 注 : このユニットはFigure167, 168のユニットを含みます。

FIGURE 164C PAPER DELIVERY ASSEMBLY

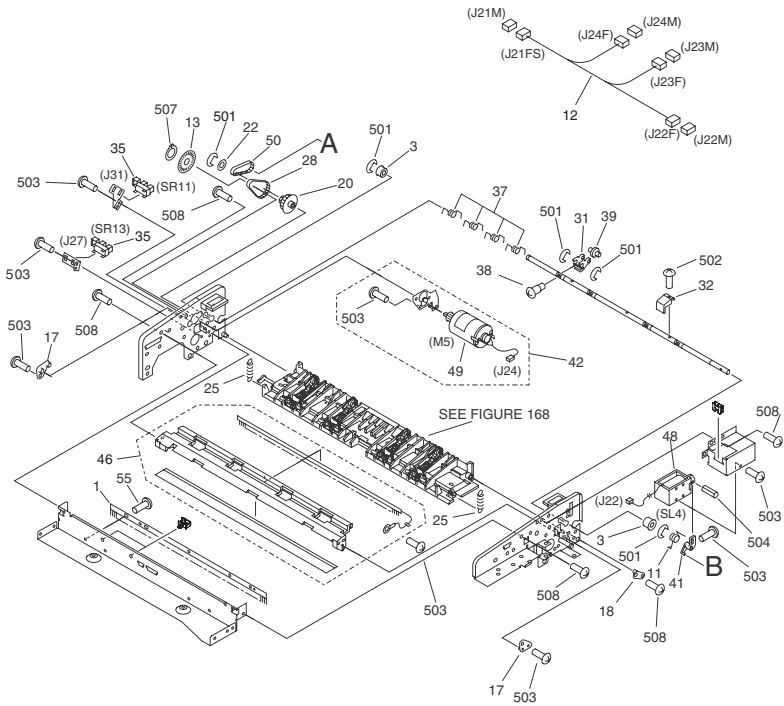


FIGURE & KEY NO.	PARTS NUMBER	R A N K	Q'TY	DESCRIPTION	SERIAL NUMBER/ REMARKS	S V C
Fig.164C	FM2-2444-000		1	PAPER DELIVERY ASSEMBLY		
1	FB5-9542-000		1	ELIMINATOR, STATIC CHARGE		
2	FA9-2112-000		2	BUSHING, PL		
3	FB4-7596-000		3	BUSHING		
4	FB4-7675-020		1	ROLLER, MANUAL REGISTRATION		
5	FB4-7678-000		1	GUIDE, SWING		
6	FF6-1306-020		1	DEFLECTOR, DELIVERY		
7	FB4-7693-000		1	LINK, SOLENOID, B		
8	FB4-7694-000		1	LINK, SOLENOID, C		
10	XA9-1302-000		1	SCREW,MACH.,TRUSS HEAD,M3X14		
11	FB4-7707-000		1	SPRING, TORSION		
12	FG2-9372-030		1	DELIVERY SUB CABLE		
13	FC2-1475-000		1	DISK, CLOCK		
14	FG2-9373-040		1	DELIVERY SENOR CABLE		
15	FF5-8115-000		1	FLAG, MANUAL SENSING		
16	FU3-0039-000		1	GEAR, 18T		
17	FF5-8117-000		2	SUPPORT, GUIDE, CENTER		
18	FF5-8118-000		2	SUPPORT, GUIDE, LOWER		
19	FS2-1610-000		2	SUPPORT, SHAFT		
20	FS5-3734-000		1	PULLEY, 36T/15T		
21	FS5-3735-000		1	PULLEY, 20T		
22	FS5-6323-000		1	FLANGE		
23	FU3-0040-000		1	GEAR, 14T		
24	FS7-2049-000		2	SPRING, TENSION		
25	FS7-2050-000		2	SPRING, TENSION		
26	FS7-2051-000		1	SPRING, TENSION		
28	XF9-0358-000		1	BELT, TIMING		
29	XG9-0237-000		2	BALL BEARING, LNR-1680HHR		
30	XZ9-0487-000		2	CATCH, MAGNET		
31	FB4-7685-020		4	STOPPER, MANUAL		
32	FB4-7684-000		3	STOPPER, MANUAL		
35	WG8-5593-000		2	PHOTO INTERRUPTER TLP1242		

FIGURE & KEY NO.	PARTS NUMBER	R A N K	Q'TY	DESCRIPTION	SERIAL NUMBER/ REMARKS	S V C
37	FB4-7706-000		4	SPRING, TORSION		
38	RS1-9025-000		38	SCREW, STEPPED, M3		
39	FS6-6649-000		4	SPRING, TORSION		
41	FB4-7692-000		1	LINK, SOLENOID, A		
42	FG6-2779-000		1	DELIVERY MOTOR ASSEMBLY		
44	FB5-9549-000		1	ROLLER, DELIVERY		
45	FS5-6650-000		2	FLANGE		
46	FL2-2554-000		1	GUIDE, DELIVERY, INTERMEDIATE		
47	FB4-7697-000		1	COVER, SENSOR		
48	FH7-5876-020		1	SOLENOID, DC24V		
49	FH6-1638-030		1	MOTOR, DC24V		
50	XF9-0359-000		1	BELT, TIMING		
51	FM2-2434-000		1	FEED REGIST. SENSOR PCB ASS'Y		
52	FB5-9525-000		1	FLANGE		
53	WG8-5708-000		1	PHOTO-INTERRUPTER		
55	XA9-0922-000		4	SCREW, TP, M3X8		
501	XD2-1100-402		15	RETAINING RING (E-TYPE)		
502	XB1-2300-609		3	SCREW, MACHINE M3X6		
503	XB1-2300-409		10	SCREW, MACHINE M3X4		
504	XD3-1300-122		1	PIN, SPRING		
505	XD2-1100-502		7	RETAINING RING (E-TYPE)		
506	XB4-7300-609		2	SCREW, TAP, BINDING HEAD, M3X6		
507	XD2-2100-402		1	GRIP RING (D=4)		
508	XB1-2400-609		15	SCREW,NACH.,TRUSS HEAD,M4X6		
509	XD2-2100-802		2	GRIP RING (D=8)		
510	XD3-2200-082		1	PIN, PARALLEL		
511	XD2-1100-642		1	RING,E		

FIGURE 165 SEPARATION MOTOR ASSEMBLY

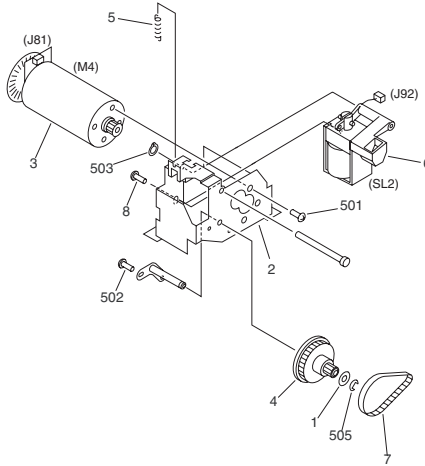


FIGURE & KEY NO.	PARTS NUMBER	R A N K	QTY	DESCRIPTION	SERIAL NUMBER/ REMARKS	S V C
Fig.165	FG6-7730-000		1	SEPARATION MOTOR ASSEMBLY		
1	FS5-6323-000		1	FLANGE		
2	FF6-1298-000		1	BRACKET, SEPARATION SHUTTER		
3	FH6-1637-040		1	MOTOR, DC24V		
4	FS5-3732-000		1	PULLEY, 18T/55T		
5	FS7-2675-000		1	SPRING, TENSION		
6	FH7-5874-020		1	SOLENOID, DC24V		
7	XF2-1607-150		1	BELT, TIMING, TOOTHED BELT		
8	XA9-1659-000		2	SCREW, M3X4		
501	XB1-2400-409		3	SCREW,MACH.,TRUSS HEAD,M4X4		
502	XB1-2300-409		2	SCREW, MACHINE M3X4		
503	XD2-2100-402		1	GRIP RING (D=4)		
505	XD2-1100-402		1	RETAINING RING (E-TYPE)		

FIGURE 166 BELT MOTOR ASSEMBLY

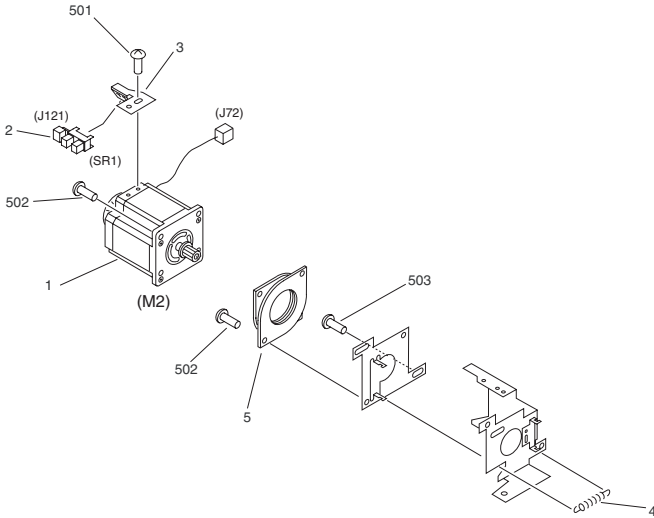
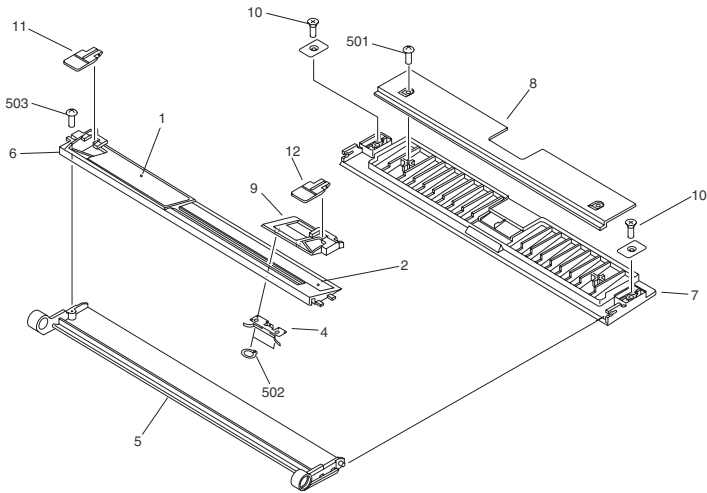


FIGURE & KEY NO.	PARTS NUMBER	R A N K	QTY	DESCRIPTION	SERIAL NUMBER/ REMARKS	S V C
Fig.166	NPN		RF	BELT MOTOR ASSEMBLY		
1	FK9-1196-000		1	MOTOR, STEPPING, DC		
2	WG8-5708-000		1	PHOTO-INTERRUPTER		
3	FB4-7767-020		1	MOUNT, SENSOR		
4	FS7-2023-000		2	SPRING, TENSION		
5	XH9-0111-000		1	DAMPER		
501	XB6-7300-409		1	SCREW, MACHINE, M3X4		
502	XB1-2400-809		4	SCREW, MACHINE M4X8		
503	XB6-7400-609		2	SCREW, MACHINE M4X6		

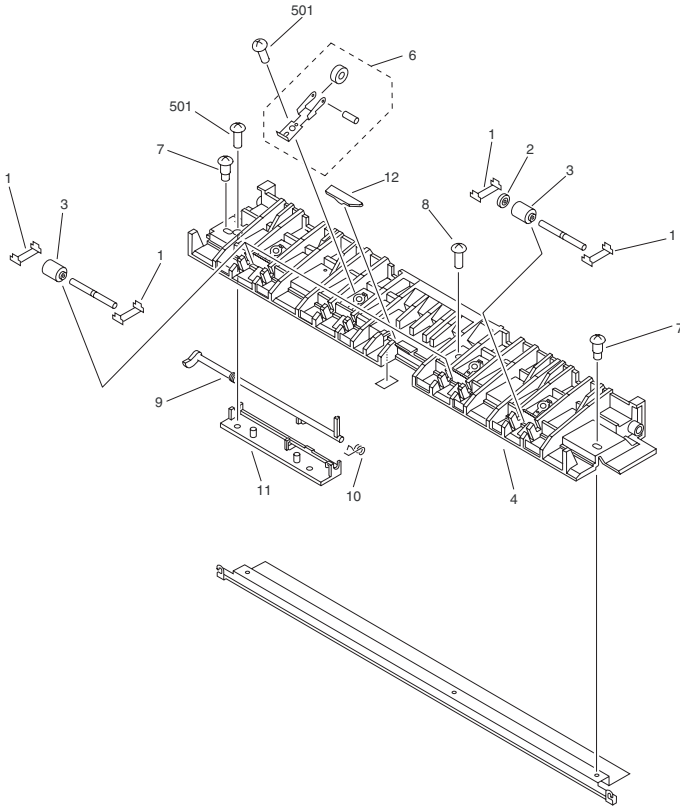
FIGURE 167 MULTI TRAY ASSEMBLY



NOTE : This assembly is included in the assembly shown in Figure 164.
注 : このユニットはFigure 164のユニットに含まれます。

FIGURE & KEY NO.	PARTS NUMBER	RANK	QTY	DESCRIPTION	SERIAL NUMBER/REMARKS	SVC
Fig.167	NPN		RF	MULTI TRAY ASSEMBLY		
1	FB4-8046-000		1	LABEL, SET		
2	FB4-8048-000		1	LABEL, SIZE		
4	FB4-8074-000		1	SPRING, LEAF		
5	FC6-0951-000		1	TRAY, FEEDER, 1		
6	FC6-0952-000		1	TRAY, FEEDER, 2		
7	FC6-0953-000		1	TRAY, FEEDER, 3		
8	FC6-0954-000		1	TRAY, FEEDER, 4		
9	FC6-0955-000		1	GUIDE, FEEDER SLIDE		
10	XA9-1271-000		2	SCREW,TAPPING,C.S.HEAD,M3X5.8		
11	FC6-0957-000		1	GUIDE, FEEDER		
12	FC6-0956-000		1	GUIDE, FEEDER		
501	XB4-7300-606		2	SCREW, TAP, BINDING HEAD, M3X6		
502	XD2-2100-302		2	GRIP RING MD3 (SUS)		
503	XB4-7300-806		1	SCREW, TAP, BINDING HEAD, M3X8		

FIGURE 168 DELIVERY LOWER GUIDE ASSEMBLY



NOTE : This assembly is included in the assembly shown in Figure 164.
注 : このユニットはFigure 164のユニットに含まれます。

FIGURE & KEY NO.	PARTS NUMBER	R A N K	Q'TY	DESCRIPTION	SERIAL NUMBER/ REMARKS	S V C
Fig.168	FM2-2411-000		1	DELIVERY LOWER GUIDE ASSEMBLY		
1	FB4-7687-000		8	SPRING, LEAF		
2	FS5-6651-000		1	ROLLER		
3	FC2-1302-000		4	ROLLER		
4	FG6-2786-000		1	PAPER DELIVERY SENSOR ASSEMBLY		
6	FF5-8114-000		4	ROLLER		
7	FS2-9475-000		2	SCREW, STEPPED, M3X3.2		
8	FS5-9439-000		1	SCREW,MACH.,TRUSS HEAD,M3X4		
9	FB4-7689-020		1	FLAG, DELIVERY SENSOR		
10	FB4-7733-000		1	SPRING, TORSION		
11	FB4-7734-000		1	HOLDER, DELIVERY SENSOR		
12	FN5-4070-000		1	PRISM		
501	XB4-7300-809		6	SCREW, TAP, BINDING HEAD, M3X8		

FIGURE 190 SEPARATION FIXING FAN ASS'Y

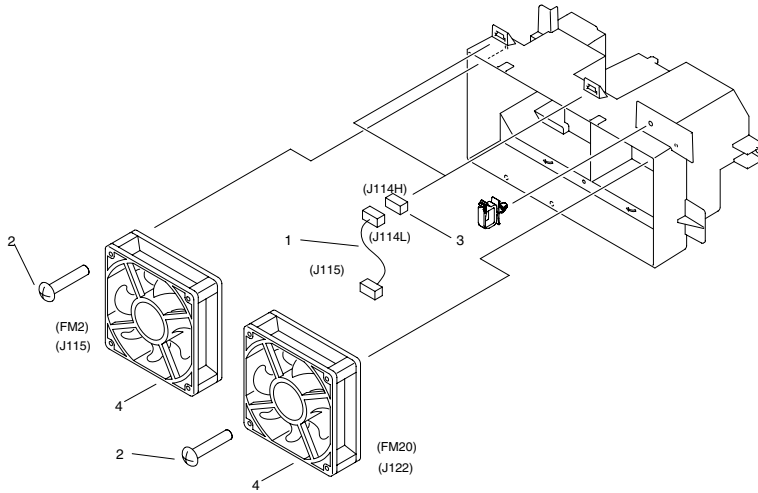


FIGURE & KEY NO.	PARTS NUMBER	RANK	Q'TY	DESCRIPTION	SERIAL NUMBER/REMARKS	SVC
Fig.190	FG6-8576-000		1	SEPARATION FIXING FAN ASS'Y		
1	FG6-6887-000		2	CABLE, FAN CONNECT		
2	XA9-0189-000		4	SCREW		
3	VS1-7177-003		1	CONNECTOR, SNAP TIGHT, BK		
4	FH6-1545-030		2	FAN, COOLING		

FIGURE 194 PRI. POLYGON LASER FAN ASS'Y

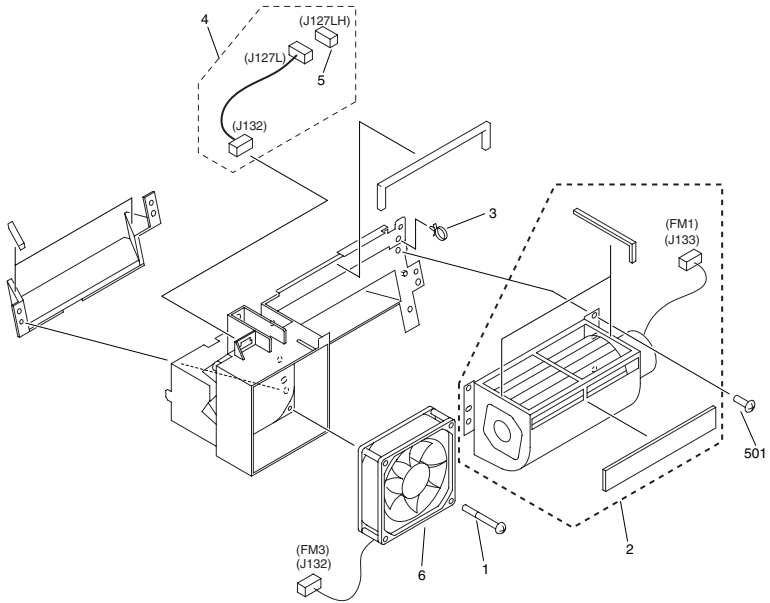


FIGURE & KEY NO.	PARTS NUMBER	RANK	Q'TY	DESCRIPTION	SERIAL NUMBER/REMARKS	SVC
Fig.194	FG6-7999-000		1	PRI. POLYGON LASER FAN ASS'Y		
1	FC1-6853-020		2	SCREW, M4X35		
2	FF6-1502-000		1	FAN, PRIMARY POLYGON		
3	WT2-5565-000		1	CLAMP, CABLE		
4	FG6-8622-020		1	CABLE, PRI. CORONA FAN CONNECT		
5	VS1-7177-003		1	CONNECTOR, SNAP TIGHT, BK		
6	FH6-1546-020		1	FAN, COOLING		
501	XB4-5400-805		6	SCREW,P,M4X8		

FIGURE 195 DRUM FAN STAY ASSEMBLY

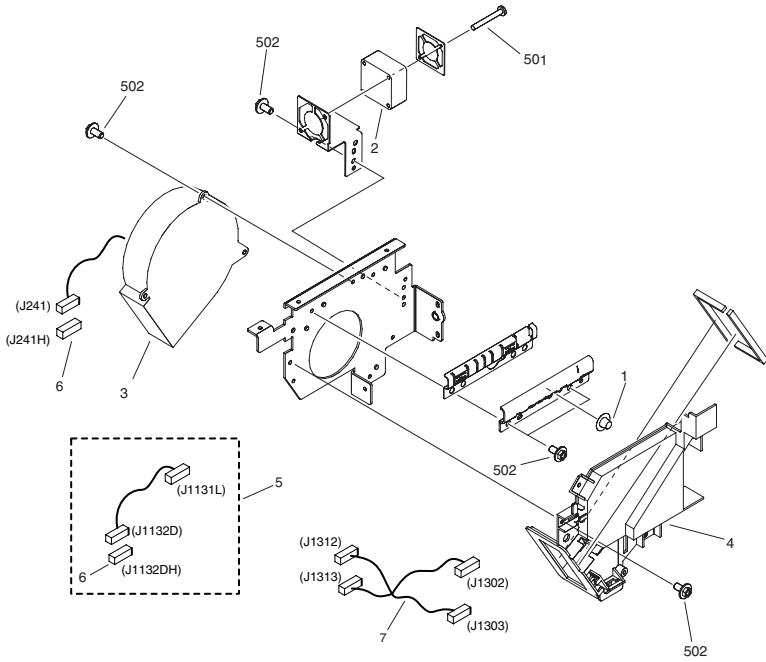


FIGURE & KEY NO.	PARTS NUMBER	R A N K	Q'TY	DESCRIPTION	SERIAL NUMBER/ REMARKS	S V C
Fig.195	FM2-4104-000		1	DRUM FAN STAY ASSEMBLY		
1	FA9-3684-000		1	CUP		
2	FH6-1547-020		1	FAN, COOLING		
3	FH6-1550-000		1	FAN, INTAKE		
4	FL2-3492-000		1	DUCT, DRUM FAN		
5	FM2-5099-000		1	CABLE, EXHAUST FAN CONNECT		
6	VS1-7177-003		2	CONNECTOR, SNAP TIGHT, BK		
7	FM2-5100-000		1	LASER DRIVER CABLE UNIT		
501	XB1-2302-507		2	SCREW, MACH, TRUSS HEAD, M3X25		
502	XB3-6400-805		9	SCREW,RS,M4X8		

FIGURE 210 READER ASSEMBLY

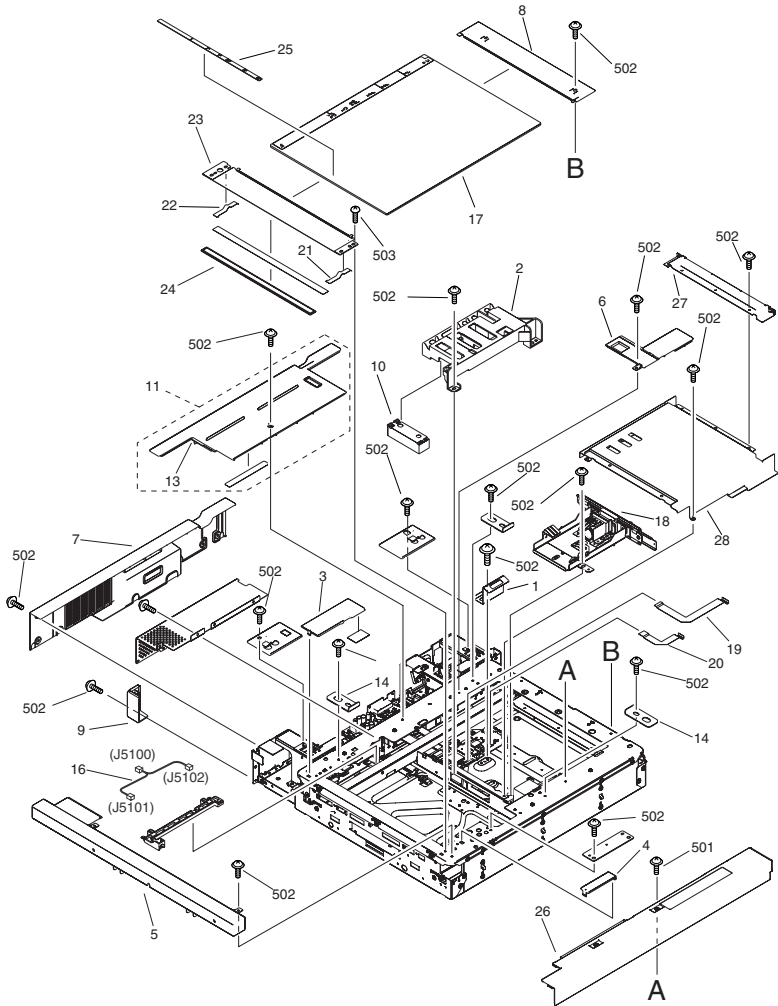
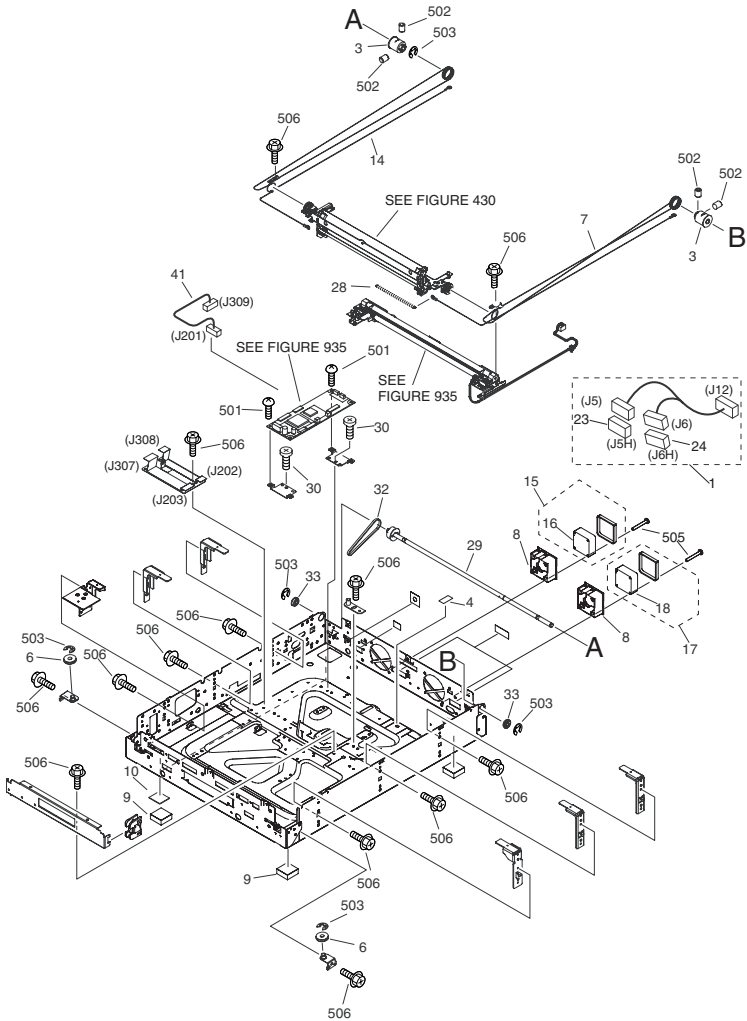


FIGURE & KEY NO.	PARTS NUMBER	R A N K	Q'TY	DESCRIPTION	SERIAL NUMBER/ REMARKS	S V C
Fig.210	NPN		RF	READER ASSEMBLY		
1	FB4-0726-000		2	SPRING, LEAF		
2	FC6-4600-000		1	MOUNT, LENGTH SIZE SENSOR		
3	FC6-5133-000		1	COVER, SMALL		
4	FC6-5134-000		1	COVER, SMALL		
5	FC6-5135-000		1	COVER, LEFT		
6	FC6-5142-000		1	COVER, SMALL		
7	FC6-5143-000		1	COVER, REAR		
8	FC6-5144-000		1	RETAINER, GLASS, RIGHT		
9	FC6-7123-000		1	COVER, REAR LOWER, LEFT		
10	FK2-0238-000		1	DOCUMENT SIZE SENSOR UNIT		
11	FL2-3421-000		1	COVER, REAR UPPER		
13	FC6-5141-000		1	COVER, REAR UPPER		
14	FL2-3424-000		3	PLATE, GLASS POSITIONING		
16	FM2-1106-000		1	CABLE, HEATER CONNECTING		
17	FM2-3937-000		1	GLASS, COPYBOARD		
18	FM2-4742-000		1	CCD ASSEMBLY		
19	FK2-1256-000		1	CABLE, FLAT, 1		
20	FK2-1257-000		1	CABLE, FLAT, 2		
21	FC6-5138-000		1	RETAINER, GLASS, FRONT		
22	FC6-5139-000		1	RETAINER, GLASS, REAR		
23	FL2-3849-000		1	RETAINER, GLASS, LEFT		
24	FN7-4057-000		1	MIRROR, 3		
25	FU5-8636-000		1	PLATE, SIZE INDEX		
26	FL2-3422-000		1	COVER, FRONT		
27	FC6-7119-000		1	HOOD, LIGHT-BLOCKING		
28	FL2-3846-000		1	HOOD, LIGHT-BLOCKING		
501	XB1-2400-505		4	SCREW, BH4X5 (S)		
502	XB3-6400-805		AR	SCREW,RS,M4X8		
503	XB1-3400-807		2	SCREW, MACHINE, M4X8		

FIGURE 211 READER FRAME ASSEMBLY



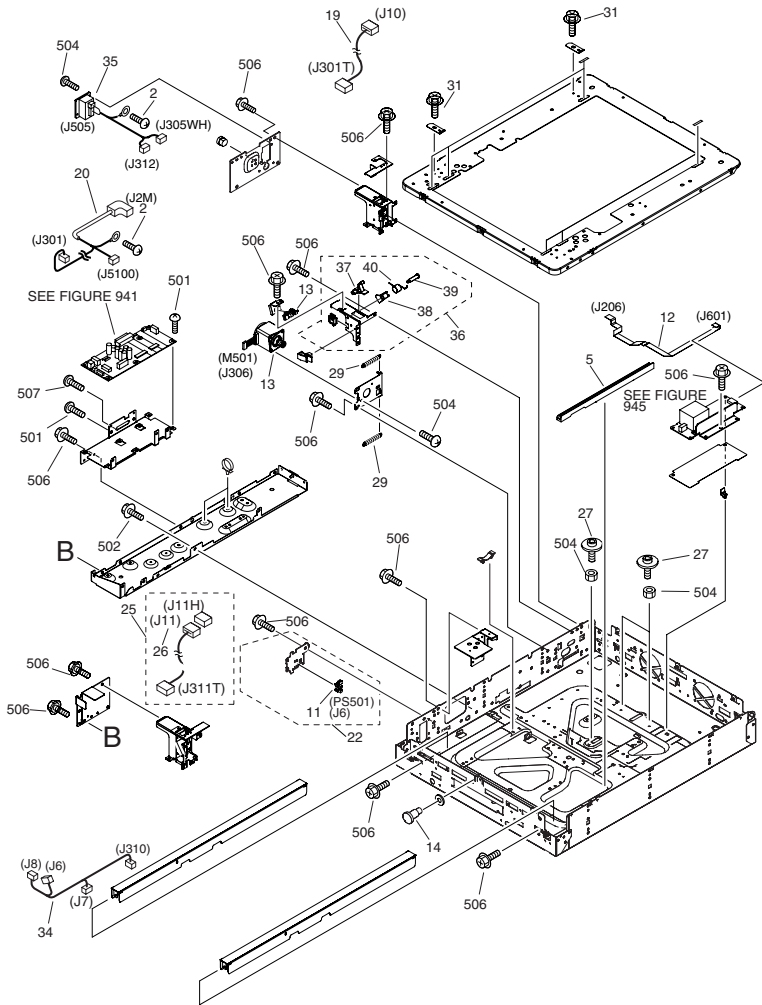
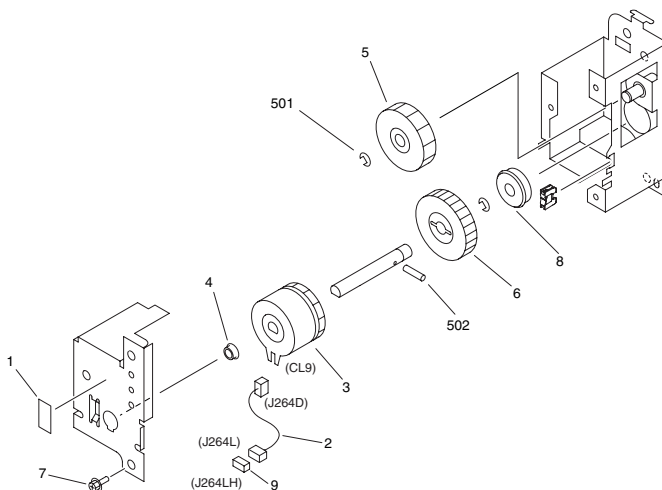


FIGURE & KEY NO.	PARTS NUMBER	R A N K	Q'TY	DESCRIPTION	SERIAL NUMBER/ REMARKS	S V C
Fig.211	NPN		RF	READER FRAME ASSEMBLY		
1	FM2-4821-000		1	CABLE, FAN CONNECTING		
2	XA9-0265-000		2	SCREW, W/TOOTHED WASHER, (S)		
3	FB5-3087-000		2	PULLEY		
4	FB6-4303-000		1	LABEL, 'WARNING, HIGH VOLTAGE'		
5	FC5-2834-000		1	GUIDE, CABLE		
6	FC6-4003-000		2	PULLEY		
7	FC6-4598-000		1	WIRE, FRONT		
8	FC6-5153-000		1	HOLDER, FAN		
9	FC6-5156-000		4	DAMPER		
10	FC6-7122-000		2	SPACER		
11	FK2-0149-000		2	PHOTO-INTERRUPTER, TLP1253(C6)		
12	FK2-0234-000		1	CABLE, FLAT		
13	FK2-1182-000		1	MOTOR, STEPPING, DC		
14	FU5-9371-000		1	SCREW, FIXED		
15	FL2-3426-000		1	FAN, REAR		
16	FK2-1189-000		1	FAN		
17	FL2-3427-000		1	FAN, FRONT		
18	FK2-1188-000		1	FAN		
19	FM2-3931-000		1	CABLE, LID		
20	FM2-4823-000		1	CALBE, READER LATTICE		
22	FM2-3924-000		1	HP SENSOR ASSEMBLY		
23	VS1-7177-003		1	CONNECTOR, SNAP TIGHT, BK		
24	VS1-7177-004		1	CONNECTOR, SNAP TIGHT, BK		
25	FM2-4826-000		1	CABLE, FAN CONNECTING		
26	VS1-7177-006		1	CONNECTOR, SNAP TIGHT, BK		
27	FS5-9772-020		3	SCREW, HEIGHT ADJUSTING		
28	FU5-2284-000		1	SPRING, TENSION		
29	FU6-2137-000		2	SPRING		
30	XA9-1415-000		2	SCREW, FLAT HEAD, M4		
31	XA9-1521-000		7	SCREW,RS,M3X6		
32	XF2-4610-840		1	BELT, TIMING		

FIGURE & KEY NO.	PARTS NUMBER	R A N K	Q'TY	DESCRIPTION	SERIAL NUMBER/ REMARKS	S V C
33	XG9-0508-000		2	BEARING, BALL, F688ZZ		
34	FM2-3930-000		1	CABLE, SENSOR, HP		
35	FM2-4824-000		1	CABLE, ADF LATTICE		
36	FM2-3925-000		1	OPEN/CLOSE DETECT ASSEMBLY		
37	FC6-5117-000		1	LEVER, SENSOR, 1		
38	FC6-5118-000		1	LEVER, SENSOR, 2		
39	FU5-9370-000		1	SCREW, STEPPED, M4		
40	FU6-2363-000		1	SPRING, TORSION		
41	FM2-3929-000		1	CABLE, READER CONTROLLER POWER		
501	XB1-2400-607		19	SCREW, CROSS-RECESS, FCH		
502	XB6-2400-508		4	SETSCREW, HEX SKT. M4X5		
503	XD2-1100-642		6	RING, E		
504	XB1-2300-606		4	SCREW, MACHINE M3X6		
505	XB1-2403-005		4	SCREW, BH4X30 (S)		
506	XB3-6400-805		AR	SCREW, RS, M4X8		
507	XB1-2260-806		2	SCREW, MACH. TRUSS HEAD M2.6X8		

FIGURE 230 VERTICAL PATH DRIVE ASSEMBLY



NOTE : This assembly does not include the part shown with key No. 9.
注 : このユニットにKey No.9の部品は含まれません。

FIGURE & KEY NO.	PARTS NUMBER	RANK	QTY	DESCRIPTION	SERIAL NUMBER/REMARKS	SVC
Fig.230	FG6-8577-000		1	VERTICAL PATH DRIVE ASSEMBLY		
1	FA9-3822-000		1	LABEL, DISCRIMINATE		
2	FG6-8623-000		1	CABLE, CLUTCH		
3	FH6-5043-020		1	CLUTCH, ELECTROMAGNETIC		
4	FS1-1189-000		1	BUSHING, ABS		
5	FS3-0165-000		1	GEAR, 40T		
6	FS5-0398-000		1	GEAR, 40T		
7	XA9-0628-000		3	SCREW,RS,M4X8		
8	XG9-0249-000		1	BALL BEARING,608ZZ1NR*MC3ED4ML		
9	VS1-7177-00		1	CONNECTOR, SNAP TIGHT, BK		
501	XD2-1100-642		2	RING,E		
502	XD3-2200-162		1	PIN, PARALLEL		

FIGURE 231 LIFTER DRIVE ASSEMBLY

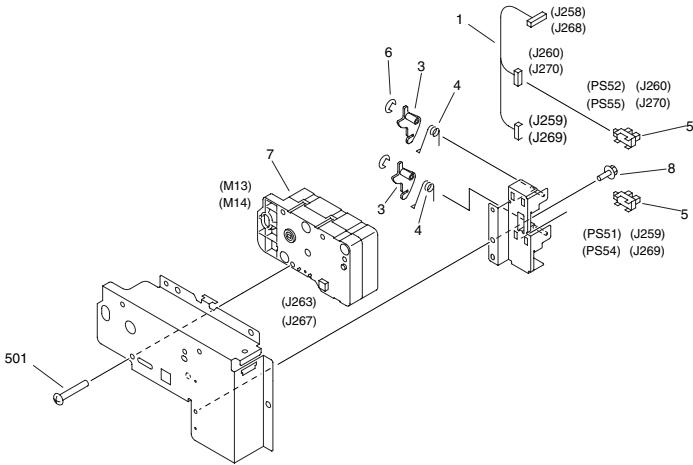


FIGURE & KEY NO.	PARTS NUMBER	R A N K	QTY	DESCRIPTION	SERIAL NUMBER/ REMARKS	S V C
Fig.231	FG6-2243-000		2	LIFTER DRIVE ASSEMBLY		
1	FG6-1888-020		1	CABLE, DECK SENSOR		
2	VS1-7177-006		1	CONNECTOR, SNAP TIGHT, BK		
3	FB2-9248-000		2	ARM, PAPER SENSOR		
4	FB5-0553-000		2	SPRING, TORSION		
5	FK2-0149-000		2	PHOTO-INTERRUPTER, TLP1253(C6)		
6	XD9-0133-000		2	RING, E		
7	FK2-0017-000		1	MOTOR, DC		
8	XA9-0628-000		1	SCREW,RS,M4X8		
501	XB4-7401-609		3	SCREW, TAPPING, TRUSS HEAD, M4		

FIGURE 250 MAIN DRIVE ASSEMBLY

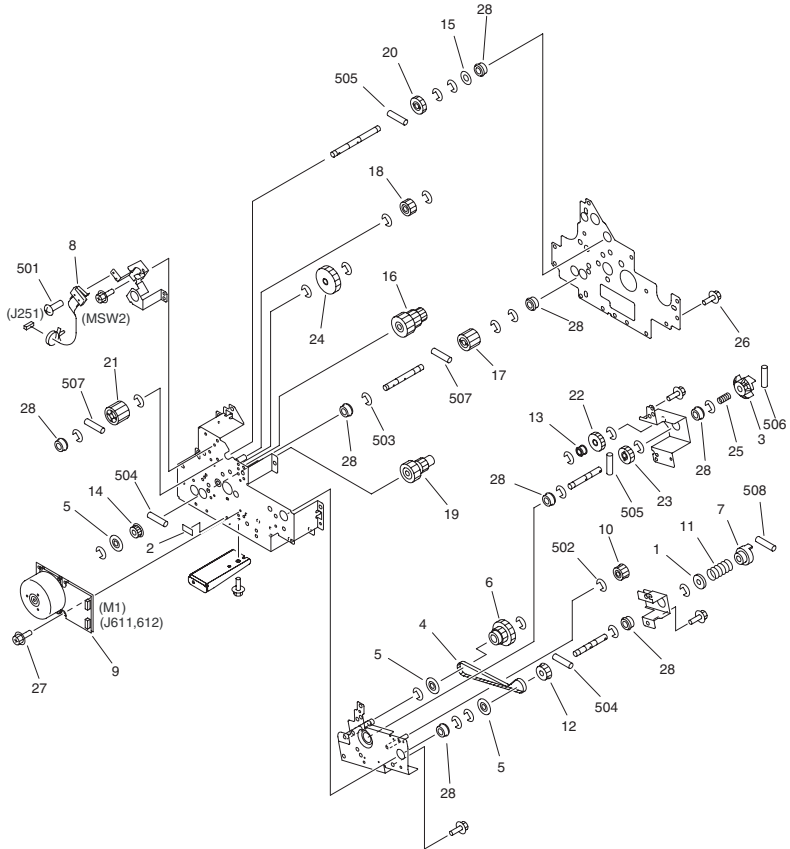


FIGURE & KEY NO.	PARTS NUMBER	R A N K	Q'TY	DESCRIPTION	SERIAL NUMBER/ REMARKS	S V C
Fig.250	FM2-4089-000		1	MAIN DRIVE ASSEMBLY		
1	FA6-8304-000		1	WASHER,SPRING		
2	FU5-8656-000		1	LABEL, DISCRIMINATE		
3	FB2-1047-000		1	COUPLING, INPUT		
4	FB4-1766-000		1	BELT, TIMING		
5	FB4-1806-000		3	FLANGE		
6	FB5-6895-000		1	GEAR, 38T/36T/PULLY, 22T		
7	FB6-0581-000		1	COUPLING		
8	FM2-5094-000		1	CABLE, WASTE TONER DETECT		
9	FH6-1935-020		1	MOTOR, BRUSHLESS		
10	FS2-3495-000		1	PULLEY		
11	FS5-2978-000		1	SPRING, COMPRESSION		
12	FS5-3609-000		1	PULLEY, 22T		
13	FS5-3612-000		1	PULLEY		
14	FS5-3890-000		1	PULLEY, 18T		
15	FS5-6487-000		1	WASHER		
16	FS7-0012-000		1	GEAR, 50T/24T/18T		
17	FS7-0014-000		1	GEAR, 24T		
18	FS7-0016-000		1	GEAR, 20T		
19	FS7-0017-000		1	GEAR, 18T/27T		
20	FS7-0018-000		1	GEAR, 24T		
21	FS7-0019-000		1	GEAR, 26T		
22	FS7-0896-000		1	GEAR, 44T		
23	FS7-0897-000		1	GEAR, 40T		
24	FS7-0898-000		1	GEAR, 39T		
25	FS7-2531-000		1	SPRING, COMPRESSION		
26	XA9-0628-000		12	SCREW,RS,M4X8		
27	XA9-1030-000		4	SCREW, RS, M4X12		
28	XG9-0250-000		8	BALL BEARING, 688AZZNR*MC3D4M		
501	XB1-2231-009		1	SCREW, MACH, TRUSS HEAD,		
502	XD2-1100-502		1	RETAINING RING (E-TYPE)		
503	XD2-1100-642		18	RING,E		

FIGURE & KEY NO.	PARTS NUMBER	R A N K	Q'TY	DESCRIPTION	SERIAL NUMBER/ REMARKS	S V C
504	XD3-2200-122		2	PIN, DOWEL		
505	XD3-2200-142		2	PIN, PARALLEL		
506	XD3-2200-162		2	PIN, PARALLEL		
507	XD3-2200-182		2	PIN, DOWEL		
508	XD3-2300-142		1	PIN, DOWEL		

FIGURE 251 DRUM DRIVE ASSEMBLY

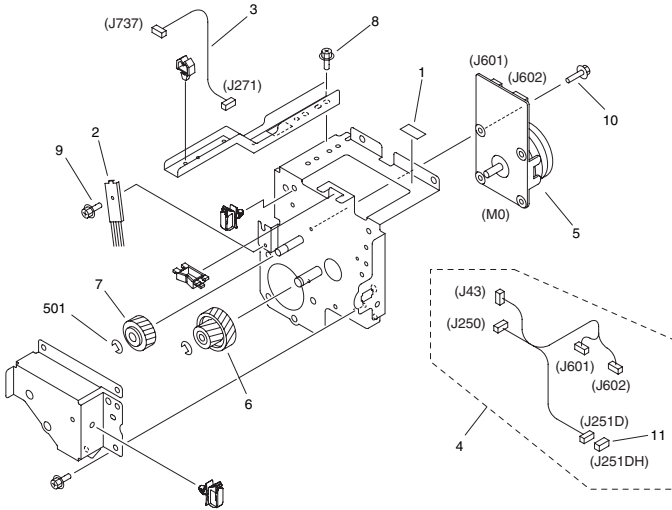


FIGURE & KEY NO.	PARTS NUMBER	R A N K	QTY	DESCRIPTION	SERIAL NUMBER/ REMARKS	S V C
Fig.251	FG6-8008-000		1	DRUM DRIVE ASSEMBLY		
1	FA9-3822-000		1	LABEL, DISCRIMINATE		
2	FB6-5889-000		1	ELIMINATOR, STATIC CHARGE		
3	FG6-3570-000		1	CABLE, SEPARATION CLAW CONNECT		
4	FG6-6885-020		1	CABLE, DRUM MOTOR DRIVE		
5	FH6-1934-020		1	MOTOR, BRUSHLESS		
6	FS7-0010-000		1	GEAR, 19T/63T		
7	RS6-0057-000		1	GEAR, 49T		
8	XA9-0628-000		7	SCREW,RS,M4X8		
9	XA9-0813-000		1	SCREW, RS, M3X8		
10	XA9-0962-000		4	SCREW, RS, M3X10		
11	VS1-7177-002		1	CONNECTOR, SNAP TIGHT, BK		
501	XD2-1100-642		2	RING,E		

FIGURE 260 PICK-UP MAIN DRIVE ASSEMBLY

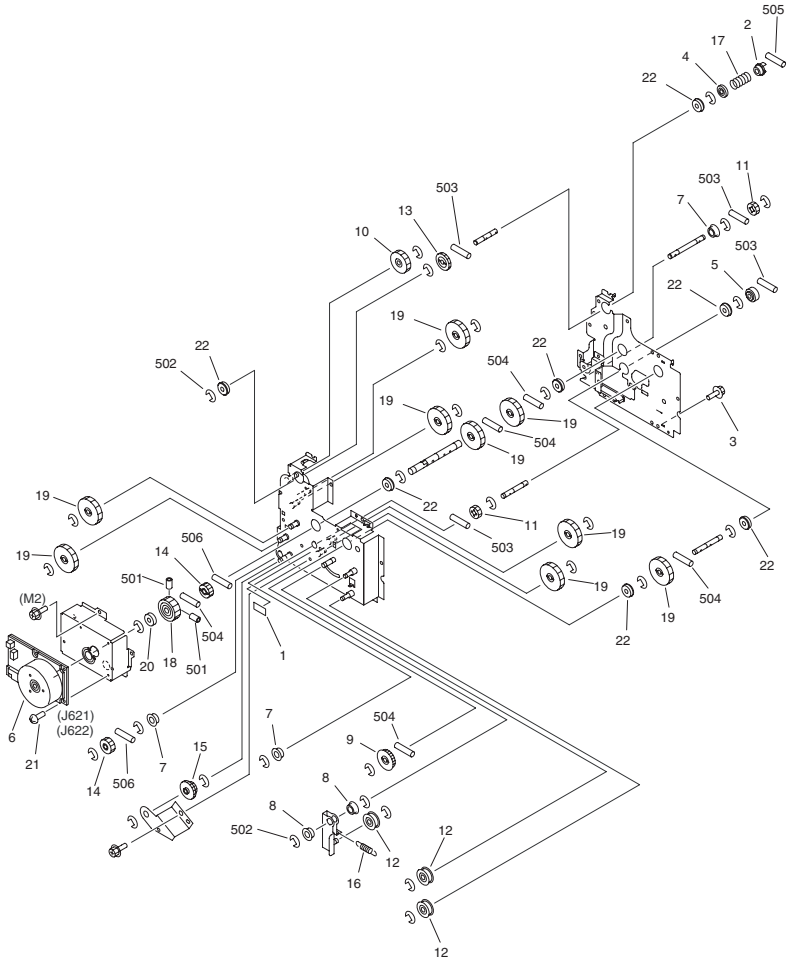


FIGURE & KEY NO.	PARTS NUMBER	R A N K	Q'TY	DESCRIPTION	SERIAL NUMBER/ REMARKS	S V C
Fig.260	FM2-4878-000		1	PICK-UP MAIN DRIVE ASSEMBLY		
1	FU5-8656-000		1	LABEL, DISCRIMINATE		
2	FB2-7841-000		1	COUPLING, REGISTRATION		
3	XA9-0628-000		12	SCREW, RS,M4X8		
4	FB4-3728-000		1	SUPPORT, COUPLING		
5	FB4-3729-000		1	COUPLING		
6	FH6-1936-020		1	MOTOR, BRUSHLESS		
7	FS1-1189-000		3	BUSHING, ABS		
8	FS1-1449-000		2	BUSHING, PL		
9	FU5-3435-000		1	PULLEY		
10	FS3-0165-000		1	GEAR, 40T		
11	FU6-0964-000		2	GEAR, 20T		
12	FA9-4039-000		3	PULLEY, IDLER		
13	FU6-0961-000		1	GEAR, 32T		
14	FU6-0963-000		2	GEAR, 25T		
15	FS6-0096-000		1	GEAR, 20T/32T		
16	FS6-2776-020		1	SPRING, TENSION		
17	FS6-2999-000		1	SPRING, COMPRESSION		
18	FS7-0035-020		1	GEAR, 68T		
19	FS7-0036-000		9	GEAR, 50T		
20	XG9-0250-000		1	BALL BEARING, 688AZZNR*MC3D4M		
21	XA9-1030-000		4	SCREW, RS, M4X12		
22	XG9-0249-000		7	BALL BEARING,608ZZ1NR*MC3ED4ML		
501	XB6-2401-008		2	SETSCREW, M4X10		
502	XD2-1100-642		31	RING,E		
503	XD3-2200-142		4	PIN, PARALLEL		
504	XD3-2200-162		5	PIN, PARALLEL		
505	XD3-2300-142		1	PIN, DOWEL		
506	XD3-2300-182		2	PIN, DOWEL		

FIGURE 261 PICK-UP DRIVE ASSEMBLY

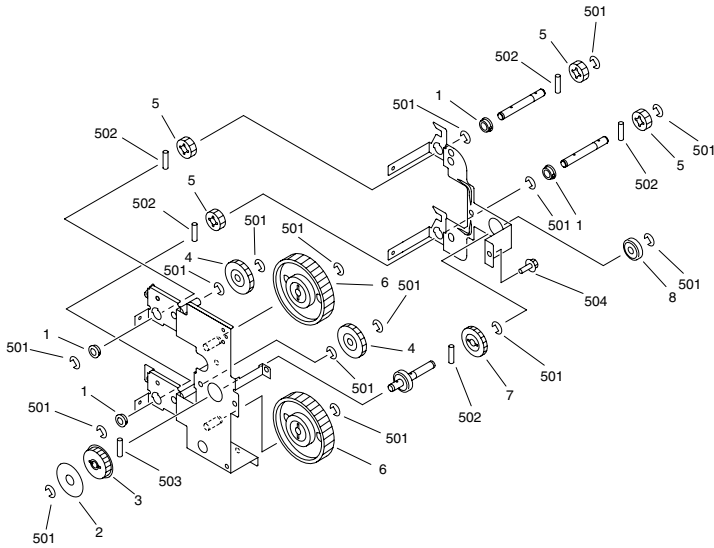


FIGURE & KEY NO.	PARTS NUMBER	RANK	QTY	DESCRIPTION	SERIAL NUMBER/REMARKS	SVC
Fig.261	FG5-4449-050		1	PICK-UP DRIVE ASSEMBLY		
1	FA9-2112-000		4	BUSHING, PL		
2	FB3-8616-000		1	FLANGE		
3	FS2-3494-020		1	PULLEY, 39T		
4	FS4-0014-000		2	GEAR, 36T		
5	FS4-0145-000		4	GEAR, 20T		
6	FS6-0055-000		2	GEAR, 76T		
7	FS6-0056-000		1	GEAR, 32T		
8	XG9-0208-000		1	BALL BEARING, NMB, 608X6ZZNR		
501	XD2-1100-642		15	RING,E		
502	XD3-2200-142		5	PIN, PARALLEL		
503	XD3-2200-162		1	PIN, PARALLEL		

FIGURE 263 LEFT PICK-UP DRIVE ASSEMBLY

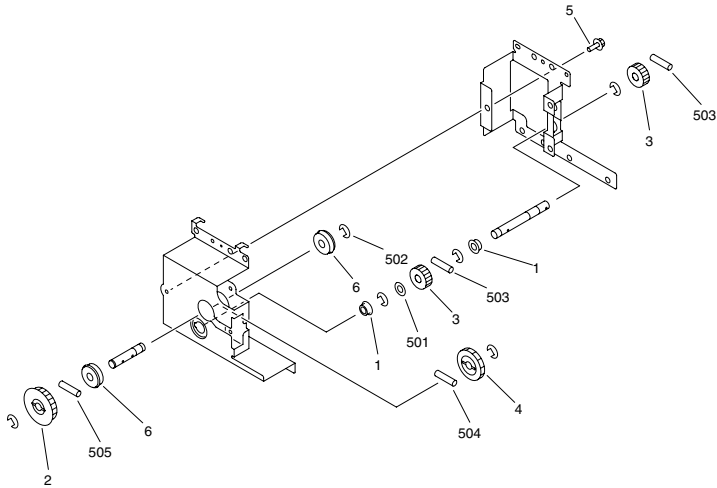
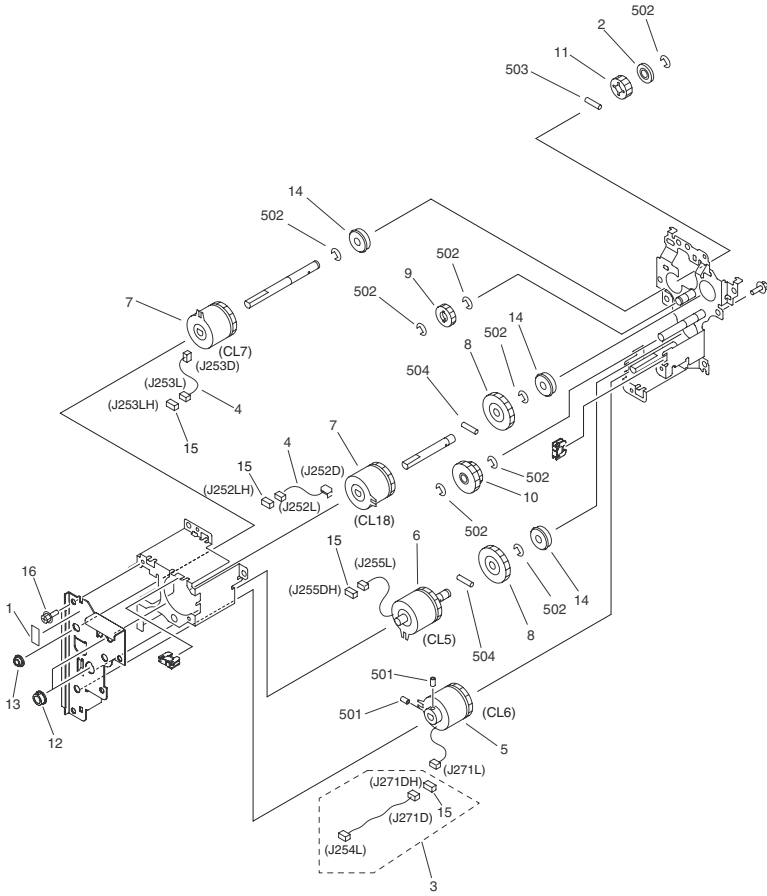


FIGURE & KEY NO.	PARTS NUMBER	R A N K	QTY	DESCRIPTION	SERIAL NUMBER/ REMARKS	S V C
Fig.263	FG6-1996-000		1	LEFT PICK-UP DRIVE ASSEMBLY		
1	FS1-1189-000		2	BUSHING, ABS		
2	FS2-3494-020		1	PULLEY, 39T		
3	FS5-0514-000		2	GEAR, 20T		
4	FS6-0056-000		1	GEAR, 32T		
5	XA9-0628-000		5	SCREW,RS,M4X8		
6	XG9-0249-000		2	BALL BEARING,608ZZ1NR*MC3ED4ML		
501	XD1-1108-219		1	WASHER,COP		
502	XD2-1100-642		6	RING,E		
503	XD3-2200-122		2	PIN, DOWEL		
504	XD3-2200-142		1	PIN, PARALLEL		
505	XD3-2200-162		1	PIN, PARALLEL		

FIGURE 264
MULTI FEED DRIVE ASSEMBLY



NOTE : This assembly does not include the part shown with key No. 17.
注 : このユニットにKey No. 17の部品は含まれません。

FIGURE & KEY NO.	PARTS NUMBER	R A N K	Q'TY	DESCRIPTION	SERIAL NUMBER/ REMARKS	S V C
Fig.264	FM2-6960-000		1	MULTI FEED DRIVE ASSEMBLY		
1	FA9-3822-000		1	LABEL, DISCRIMINATE		
2	FC7-1800-000		1	COLLAR, PUSH-ON		
3	FG6-3572-020		1	CABLE, MULTI FEED DRIVE		
4	FG6-8623-000		2	CABLE, CLUTCH		
5	FH6-5014-020		1	CLUTCH, ELECTROMAGNETIC		
6	FH6-5016-020		1	CLUTCH, ELECTROMAGNETIC		
7	FH6-5043-020		2	CLUTCH, ELECTROMAGNETIC		
8	FS4-0014-000		2	GEAR, 36T		
9	FU6-0970-000		1	GEAR, 20T		
10	FS7-0033-000		1	GEAR, 24T/30T		
11	FS7-0034-000		1	GEAR, 20T		
12	FS1-1189-000		2	BUSHING, ABS		
13	FS1-1569-000		1	BUSHING		
14	XG9-0249-000		3	BALL BEARING,608ZZ1NR*MC3ED4ML		
15	VS1-7177-002		4	CONNECTOR, SNAP TIGHT, BK		
16	XA9-0628-000		7	SCREW, RS, M4X8		
501	XB4-2400-608		2	SCREW, RS,M4X8		
502	XD1-1100-642		9	RING, E		
503	XD3-2200-122		1	PIN, DOWEL		
504	XD3-2200-162		2	PIN, PARALLEL		

FIGURE 265 EXTRACTION ROLLER ASSEMBLY

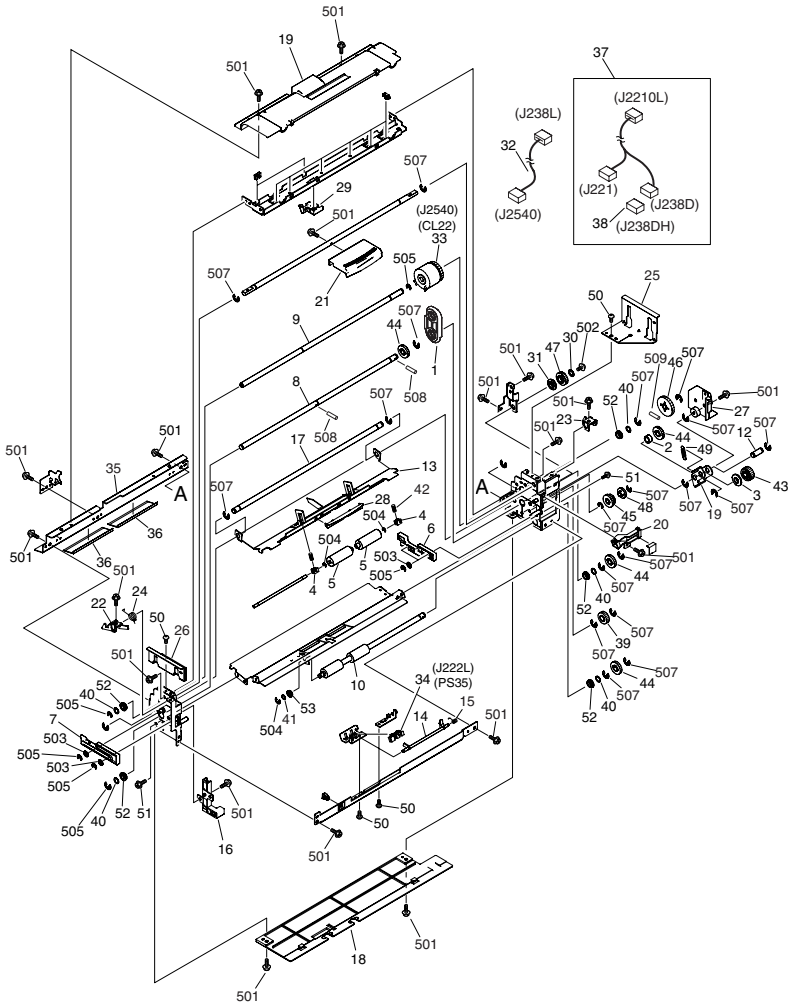


FIGURE & KEY NO.	PARTS NUMBER	R A N K	Q'TY	DESCRIPTION	SERIAL NUMBER/ REMARKS	S V C
Fig.265	NPN		RF	EXTRACTION ROLLER ASSEMBLY		
1	FC7-3065-000		1	SUPPORT, DRIVE SHAFT		
2	FB4-1900-000		1	ROLLER		
3	FB4-3767-000		1	COLLAR, PUSH-ON		
4	FB4-7486-000		2	BUSHING		
5	FB6-4248-000		2	ROLLER, DRIVEN		
6	FC6-5546-000		1	ARM, ROLLER PRESSURE, REAR		
7	FC6-5547-000		1	ARM, ROLLER PRESSURE, FRONT		
8	FC6-5548-000		1	SHAFT, DRIVE		
9	FC6-5549-000		1	SHAFT, CLUTCH		
10	FC6-5550-000		1	ROLLER		
11	FC6-5551-000		1	ARM, SWING GEAR		
12	FC6-5552-000		1	SHAFT, SWING GEAR		
13	FC6-5554-000		1	GUIDE, SWING		
14	FC6-5558-000		1	FLAG, SENSOR		
15	FC6-5561-000		1	SPRING, TORSION		
16	FC6-5564-000		1	GUIDE, CABLE		
17	FC6-5671-000		1	SHAFT, SWING GUIDE		
18	FC6-5672-000		1	COVER, BOTTOM		
19	FC6-8969-000		1	COVER, MULTI, INTERNAL		
20	FC7-0074-000		1	GUIDE, CABLE, REAR		
21	FC7-0075-000		1	LEVER		
22	FC7-0076-000		1	HOOK,FRONT		
23	FC7-0077-000		1	HOOK,REAR		
24	FC7-0078-000		1	SPRING, TORSION		
25	FC7-0080-000		1	SLIDER, REAR		
26	FC7-0081-000		1	SLIDER, FRONT		
27	FC7-0085-000		1	GUIDE, CABLE		
28	FC7-0208-000		1	HANDLE		
29	FC7-0209-000		1	COVER, CONNECTOR		
30	FC7-1798-000		1	WASHER, GEAR		
31	FC7-1799-000		1	ROLLER		

FIGURE & KEY NO.	PARTS NUMBER	R A N K	Q'TY	DESCRIPTION	SERIAL NUMBER/ REMARKS	S V C
32	FG6-8623-000		1	CABLE, CLUTCH		
33	FH6-5043-020		1	CLUTCH, ELECTROMAGNETIC		
34	FK2-0149-000		1	PHOTO-INTERRUPTER, TLP1253(C6)		
35	FC6-5555-000		1	GUIDE, OUTLET, UPPER		
36	FC7-0210-000		2	SHEET, GUIDE		
37	FM2-4390-000		1	CABLE, MULTI PAPER		
38	VS1-7177-002		1	CONNECTOR, SNAP TIGHT, BK		
39	FS5-0351-000		1	GEAR, 18T		
40	FS5-6487-000		5	WASHER		
41	FS5-6488-000		4	WASHER		
42	FS6-2992-000		2	SPRING, COMPRESSION		
43	FS7-0034-000		1	GEAR, 20T		
44	FU6-0951-000		4	GEAR, 20T		
45	FU6-0952-000		1	GEAR, 20T/25T		
46	FU6-0967-000		1	GEAR, 32T		
47	FU6-0968-000		1	GEAR, 20T		
48	FU6-0969-000		1	GEAR, 20T		
49	FU6-2272-000		1	SPRING, TENSION		
50	XA9-0679-000		6	SCREW, MACH., FLAT HEAD, M3X4		
51	XA9-1386-000		2	SCREW, RS, M3X8		
52	XG9-0211-000		5	BALL BEARING, MF128ZZ1MC3D4M		
53	XG9-0192-000		1	BALL BEARING, NMB DDLF-1060ZZH		
501	XB3-6300-805		AR	SCREW,RS,M3X8		
502	XB6-7400-607		1	SCREW, TP M4X6		
503	XD1-1105-236		4	WASHER,COP		
504	XD2-1100-322		2	RETAINING RING (E-TYPE)		
505	XD2-1100-402		6	RETAINING RING (E-TYPE)		
506	XD2-1100-502		1	RETAINING RING (E-TYPE)		
507	XD2-1100-642		AR	RING,E		
508	XD3-2200-122		2	PIN, DOWEL		
509	XD3-2200-162		1	PIN, PARALLEL		

FIGURE 270 DEV. DRIVE ASSEMBLY

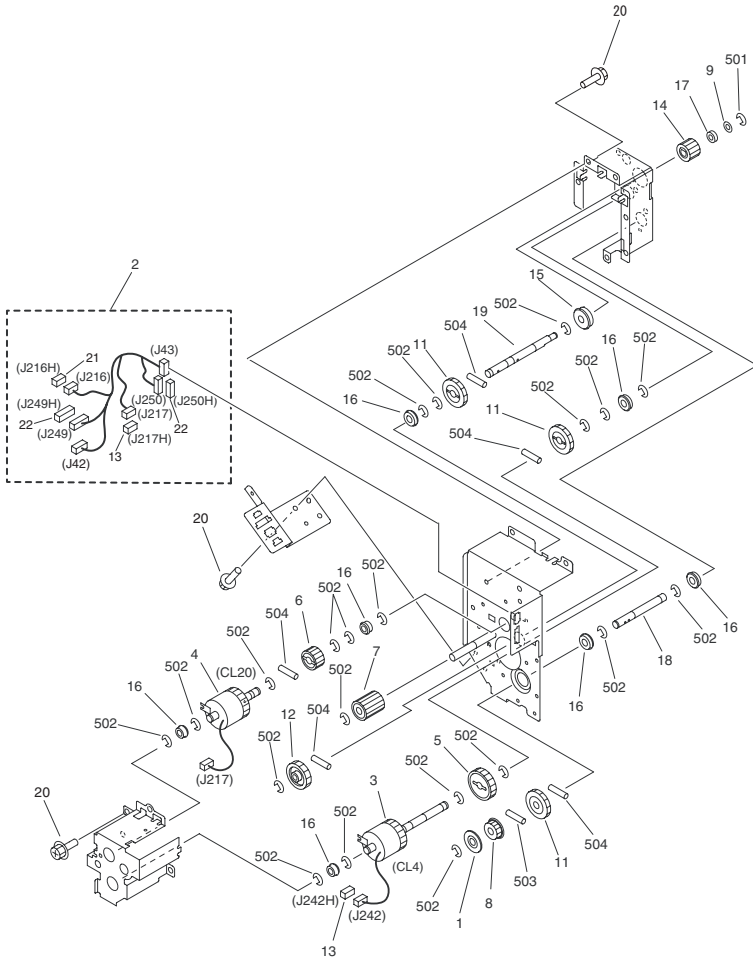


FIGURE & KEY NO.	PARTS NUMBER	R A N K	Q'TY	DESCRIPTION	SERIAL NUMBER/ REMARKS	S V C
Fig.270	FM2-4109-000		1	DEV. DRIVE ASSEMBLY		
1	FB4-1806-000		3	FLANGE		
2	FG6-7214-000		1	CABLE, MAIN DRIVE		
3	FH6-5015-020		1	CLUTCH,ELECTROMAGNETIC		
4	FH6-5017-020		1	CLUTCH,ELECTROMAGNETIC		
5	FS2-0485-000		1	GEAR, 32T		
6	FS3-0046-000		1	GEAR, 20T (POM)		
7	FS4-0157-000		1	GEAR, 20T		
8	FU5-3436-000		1	PULLEY		
9	FS5-6488-000		1	WASHER		
10	FU5-8656-000		1	LABEL, DISCRIMINATE		
11	FU6-0961-000		3	GEAR, 32T		
12	FS7-0072-000		1	GEAR, 27T		
13	VS1-7177-002		2	CONNECTOR, SNAP TIGHT, BK		
14	FU6-0962-000		1	GEAR, 23T		
15	XG9-0249-000		1	BALL BEARING,608ZZ1NR*MC3ED4ML		
16	XG9-0250-000		7	BALL BEARING, 688AZZNR*MC3D4M		
17	XG9-0395-000		1	BEARING, BALL		
18	FB5-7374-000		1	SHAFT, DEVELOPING DRIVE, 1		
19	FB5-7375-020		1	SHAFT,DEVELOPING DRIVE,3		
20	XA9-0628-000		13	SCREW,RS,M4X8		
21	VS1-7173-002		1	CONNECTOR, SNAP TIGHT		
22	VS1-7177-007		2	CONNECTOR, SNAP TIGHT, BK		
501	XD2-1100-502		1	RETAINING RING (E-TYPE)		
502	XD2-1100-642		22	RING,E		
503	XD3-2200-122		1	PIN, DOWEL		
504	XD3-2200-142		5	PIN, PARALLEL		

FIGURE 280 CLEANER DRIVE ASSEMBLY

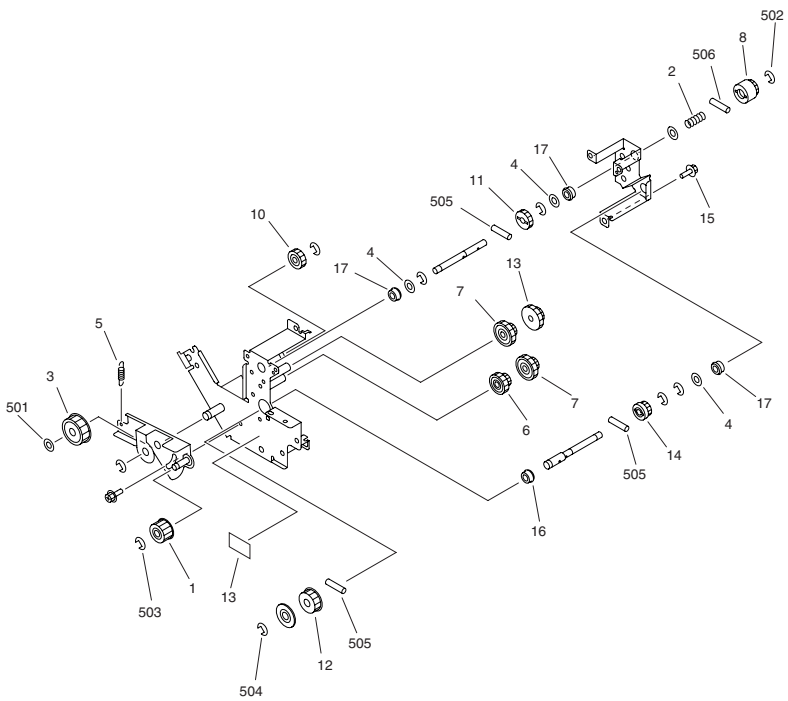


FIGURE & KEY NO.	PARTS NUMBER	R A N K	Q'TY	DESCRIPTION	SERIAL NUMBER/ REMARKS	S V C
Fig.280	FM2-4877-000		1	CLEANER DRIVE ASSEMBLY		
1	FS2-3495-000		1	PULLEY		
2	FS5-2959-000		1	SPRING, TORSION		
3	FS5-3610-000		1	PULLEY, 30T		
4	FS5-6488-000		3	WASHER		
5	FS6-2752-000		1	SPRING, TENSION		
6	FS7-0021-000		1	GEAR, 24T/40T		
7	FS7-0022-000		1	GEAR, 24T/48T		
8	FS7-0026-000		1	GEAR, 18T		
10	FU3-0415-000		1	GEAR, 36T		
11	FU3-0416-000		1	GEAR, 36T		
12	FU5-3434-000		1	PULLEY		
14	FU6-0959-000		1	GEAR, 29T		
15	XA9-0628-000		4	SCREW,RS,M4X8		
16	XG9-0250-000		1	BALL BEARING, 688AZZNR*MC3D4M		
17	XG9-0350-000		3	BALL BEARING, NSK MF106ZZ D4M		
501	XD1-1108-222		1	WASHER,COP		
502	XD2-1100-322		1	RETAINING RING (E-TYPE)		
503	XD2-1100-502		6	RETAINING RING (E-TYPE)		
504	XD2-1100-642		2	RING,E		
505	XD3-2200-122		3	PIN, DOWEL		
506	XD3-2200-142		1	PIN, PARALLEL		

FIGURE 300 CASSETTE

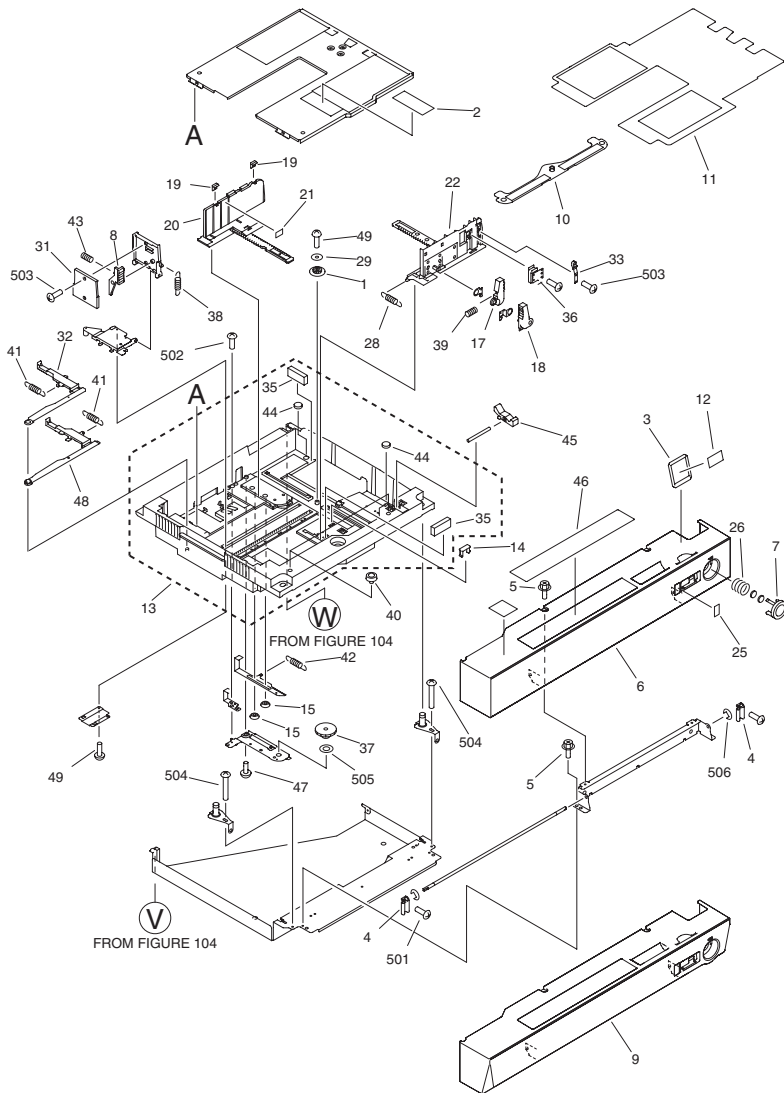
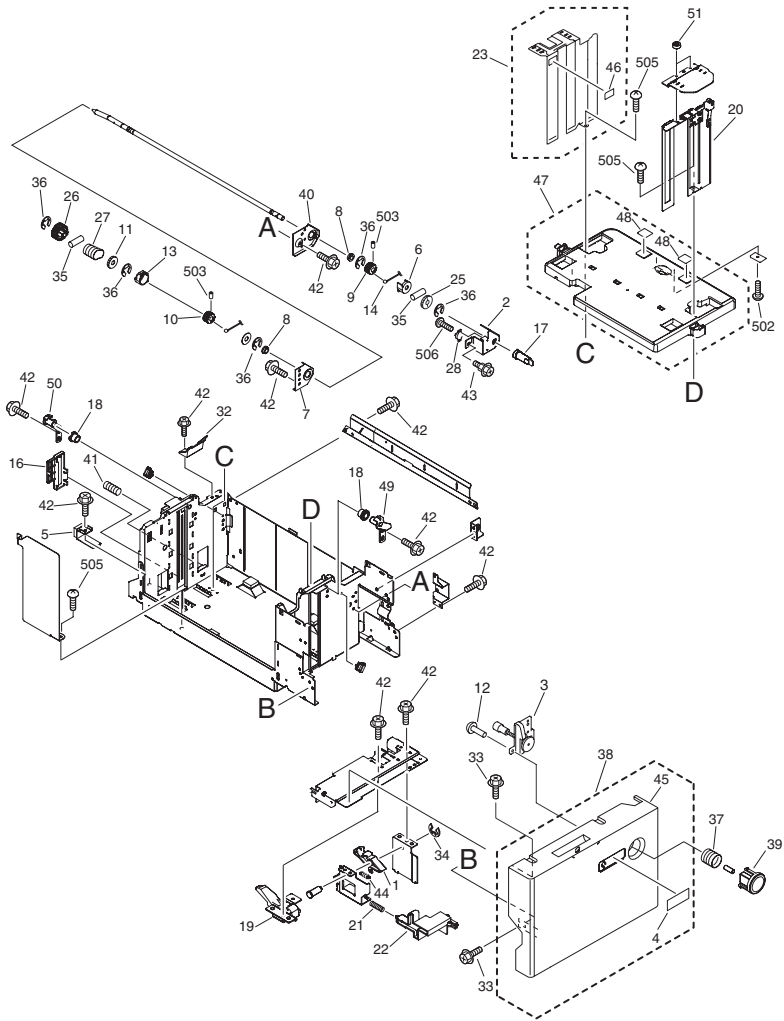


FIGURE & KEY NO.	PARTS NUMBER	R A N K	Q'TY	DESCRIPTION	SERIAL NUMBER/ REMARKS	S V C
Fig.300	NPN		RF	CASSETTE		
1	FA9-3674-000		1	GEAR,17T		
2	FU5-8662-000		2	LABEL,PAPER SIZE		
3	FC7-2025-000		2	PLATE,SIZE		
4	FB4-5253-020		2	LINK,CASSETTE		
5	XA9-0628-000		5	SCREW,RS,M4X8		
6	FC6-5533-000		1	COVER, CASSETTE, FRONT		
7	FL2-3533-000		2	BUTTON, PUSH		
8	FB3-9308-000		1	LEVER, END GUIDE		
9	FC6-5534-000		1	COVER, CASSETTE FRONT, LOWER		
10	FF6-1052-020		1	INDEX PAPER ATTACHMENT	A4 TYPE	
10	FF6-1051-020		1	INDEX PAPER ATTACHMENT	LTR TYPE	
11	FL2-5525-000		1	SHEET, TAB		
12	FS5-8619-000		1	LABEL, SIZE		
13	FL2-3064-000		1	BODY, CASSETTE		
14	FB3-9316-000		4	CLAW, SENSING		
15	FB3-9319-000		2	BUSHING		
17	FB3-9322-020		1	KNOB,SIDE GUIDE,1		
18	FB3-9323-020		1	KNOB,SIDE GUIDE,2		
19	FB6-6968-000		2	CLAW, SIDE		
20	FL2-3065-000		1	PLATE,SIDE GUIDE,REAR		
21	FS5-8618-000		1	MAXIMUM LOAD LABEL		
22	FB6-6965-000		1	PLATE, SIDE GUIDE, FRONT		
25	FU5-8664-000		1	LABEL, NUMBER		
26	FB5-3365-000		2	SPRING, COMPRESSION		
28	FS6-2691-030		1	SPRING, TENSION		
29	XA9-1013-000		1	SCREW, M3X8		
31	FB6-6966-000		1	COVER, END GUIDE		
32	FB6-6962-000		1	CAM, END PLATE SENSING, 2		
33	FF6-1034-000		1	SPRING, LEAF, 1		
35	FB5-5599-000		2	PAD		
36	FF6-1333-000		1	SPRING, LEAF, 2		

FIGURE & KEY NO.	PARTS NUMBER	RANK	Q'TY	DESCRIPTION	SERIAL NUMBER/REMARKS	SVC
37	FS5-0532-000		1	GEAR, 15T/42T		
38	FS5-2328-000		1	SPRING, TENSION		
39	FS5-2650-000		1	SPRING, COMPRESSION		
40	XZ9-0564-000		2	SUPPORT, ONE-TOUCH		
41	FS6-2692-000		2	SPRING, TENSION		
42	FS6-2693-000		1	SPRING, TENSION		
43	FS6-2694-000		1	SPRING, COMPRESSION		
44	FB3-9321-000		2	DAMPER		
45	FB6-6960-000		1	LEVER, RELEASE		
46	FU5-8663-000		2	LABEL,CASSETTE OPERATION		
47	XA9-0605-000		2	SCREW, M4X8		
48	FB6-6961-000		1	CAM, END PLATE SENSING, 1		
49	XA9-0591-000		2	SCREW, M3X8		
501	XB1-2300-609		2	SCREW, MACHINE M3X6		
502	XB1-2400-609		1	SCREW,NACH.,TRUSS HEAD,M4X6		
503	XB4-7300-607		4	SCREW		
504	XB6-7400-809		2	SCREW, MACHINE M4X8		
505	XD1-1108-235		1	WASHER,COP		
506	XD2-1100-502		2	RETAINING RING (E-TYPE)		

FIGURE 302 RIGHT PAPER STOCK ASSEMBLY

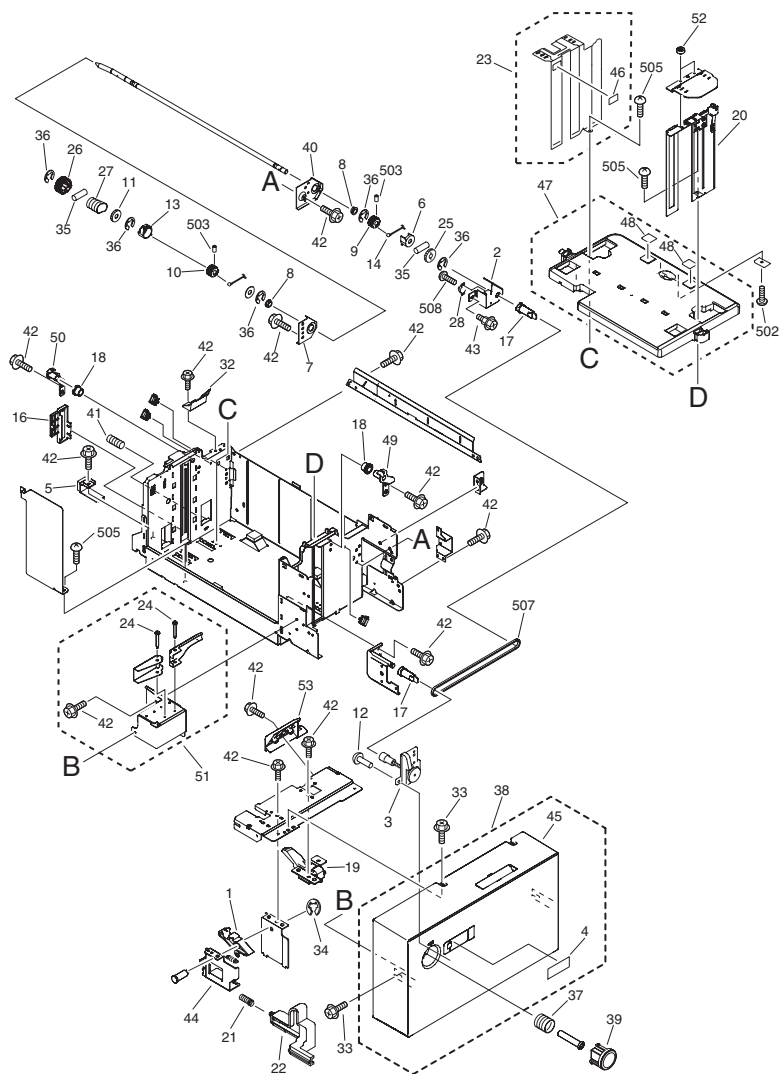


NOTE: This assembly does not include the parts shown with key No. 37, 38, 39.
 注：このユニットにKey No. 37, 38, 39.の部品は含まれません。

FIGURE & KEY NO.	PARTS NUMBER	R A N K	Q'TY	DESCRIPTION	SERIAL NUMBER/ REMARKS	S V C
Fig.302	FM2-6136-000		1	RIGHT PAPER STOCK ASSEMBLY		
1	FC6-3752-000		1	HOOK		
2	FC6-3764-000		1	HOLDER,DAMPER		
3	FB3-8508-000		1	PAPER QUANTITY INDICATOR UJINT		
4	FC7-2026-000		1	PLATE, INDEX, PAPER		
5	FL2-3077-000		1	STOPPER,DECK		
6	FA6-9988-020		1	FLANGE, LIFTER		
7	FC6-3763-000		1	SUPPORT,SHAFT,REAR		
8	FA9-2112-000		2	BUSHING, PL		
9	FC6-3767-000		1	PULLEY,LIFTING		
10	FB2-8465-000		1	PULLEY, LIFTING		
11	FC1-5061-000		1	GEAR RING, 28T		
12	XA9-0605-000		2	SCREW, M4X8		
13	FC1-5081-000		1	FLANGE, REAR		
14	FC6-3768-000		1	WIRE,LIFTING		
16	FC6-7152-000		1	BLOCK		
17	FU5-3433-000		1	PULLEY		
18	FC6-3769-000		2	PULLEY		
19	FL2-3076-000		1	LEVER,CAM RELEASE		
20	FL2-4611-000		1	SUPPORT,PAPER GUIDE,FRONT		
21	FU6-2110-000		1	SPRING, COMPRESSION		
22	FC6-3753-000		1	LEVER,RELEASE,RIGHT		
23	FL2-3075-000		1	SUPPORT,PAPER GUIDE,REAR		
25	FS4-0012-000		1	GEAR, 27T		
26	FS4-0160-000		1	GEAR, 28T		
27	FS4-2136-000		1	SPRING, COMPRESSION		
28	XH9-0134-000		1	DAMPER,OIL		
32	FC6-3853-000		1	STOPPER, JAM		
33	XA9-0721-010		6	SCREW,RS,M4X10		
34	XD9-0135-000		1	RING, E		
35	XD9-0104-000		3	PIN, DOWEL		
36	XD9-0137-000		5	RING, E		

FIGURE & KEY NO.	PARTS NUMBER	R A N K	Q'TY	DESCRIPTION	SERIAL NUMBER/ REMARKS	S V C
37	FB5-3365-000		1	SPRING, COMPRESSION		
38	FL2-3481-000		1	COVER, DECK, RIGHT		
39	FL2-3533-000		1	BUTTON, PUSH		
40	FC6-3762-000		1	SUPPORT, SHAFT, FRONT		
41	FU7-0468-000		1	SPRING, COMPRESSION		
42	XA9-0685-000		17	SCREW, M4X6 SWCH		
43	FS5-9216-020		1	SCREW, STEPPED, M4X6		
44	FU6-2109-000		1	SPRING, TENSION		
45	FC6-5531-000		1	COVER, DECK, RIGHT		
46	FS5-8618-000		1	MAXIMUM LOAD LABEL		
47	FL2-3079-000		1	PLATE,LIFTER		
48	FB2-7740-020		2	SHEET, SEPARATION		
49	FL2-3080-000		1	SUPPORT,FRONT		
50	FL2-3081-000		1	SUPPORT,REAR		
51	FU5-9508-000		2	ROLLER, PULLER		
502	XB4-7301-207		2	SCREW,TAPPING,TRUSS HEAD,M3X12		
503	XB6-2300-408		2	SET SCREW		
505	XB1-2400-407		3	SCREW,MACH.,TRUSS HEAD,M4X4		
506	XB1-2200-409		2	SCREW,MACH.,TRUSS HEAD,M2X4		

FIGURE 303 LEFT PAPER STOCK ASSEMBLY



NOTE: This assembly does not include the parts shown with key No. 37, 38, 39.
注：このユニットにKey No. 37, 38, 39. の部品は含まれません。

FIGURE & KEY NO.	PARTS NUMBER	R A N K	Q'TY	DESCRIPTION	SERIAL NUMBER/ REMARKS	S V C
Fig.303	FM2-6137-000		1	LEFT PAPER STOCK ASSEMBLY		
1	FC6-3752-000		1	HOOK		
2	FC6-3764-000		2	HOLDER,DAMPER		
3	FB3-8508-000		1	PAPER QUANTITY INDICATOR UJINT		
4	FC7-2027-000		1	PLATE, INDEX, PAPER		
5	FL2-3077-000		1	STOPPER,DECK		
6	FA6-9988-020		1	FLANGE, LIFTER		
7	FC6-3763-000		1	SUPPORT,SHAFT,REAR		
8	FA9-2112-000		2	BUSHING, PL		
9	FC6-3767-000		1	PULLEY,LIFTING		
10	FB2-8465-000		1	PULLEY, LIFTING		
11	FC1-5061-000		1	GEAR RING, 28T		
12	XA9-0605-000		2	SCREW, M4X8		
13	FC1-5081-000		1	FLANGE, REAR		
14	FC6-3768-000		1	WIRE,LIFTING		
16	FC6-7152-000		1	BLOCK		
17	FU5-3433-000		2	PULLEY		
18	FC6-3769-000		2	PULLEY		
19	FL2-3076-000		1	LEVER,CAM RELEASE		
20	FL2-4611-000		1	SUPPORT,PAPER GUIDE,FRONT		
21	FU6-2110-000		1	SPRING, COMPRESSION		
22	FC6-3784-000		1	LEVER,RELEASE,LEFT		
23	FL2-3075-000		1	SUPPORT,PAPER GUIDE,REAR		
24	FS5-9760-020		2	SCREW,RS STEPPED,M3		
25	FS4-0012-000		1	GEAR, 27T		
26	FS4-0160-000		1	GEAR, 28T		
27	FS4-2136-000		1	SPRING, COMPRESSION		
28	XH9-0134-000		1	DAMPER,OIL		
32	FC6-3853-000		1	STOPPER, JAM		
33	XA9-0721-010		6	SCREW,RS,M4X10		
34	XD9-0135-000		1	RING, E		
35	XD9-0104-000		3	PIN, DOWEL		

FIGURE & KEY NO.	PARTS NUMBER	R A N K	Q'TY	DESCRIPTION	SERIAL NUMBER/ REMARKS	S V C
36	XD9-0137-000		5	RING, E		
37	FB5-3365-000		1	SPRING, COMPRESSION		
38	FL2-3482-000		1	COVER, DECK, LEFT		
39	FL2-3533-000		1	BUTTON, PUSH		
40	FC6-3762-000		1	SUPPORT, SHAFT, FRONT		
41	FU7-0468-000		1	SPRING, COMPRESSION		
42	XA9-0685-000		17	SCREW, M4X6 SWCH		
43	FS5-9216-020		1	SCREW, STEPPED, M4X6		
44	FU6-2109-000		1	SPRING, TENSION		
45	FC6-5532-000		1	COVER, DECK, LEFT		
46	FS5-8618-000		1	MAXIMUM LOAD LABEL		
47	FL2-3079-000		1	PLATE,LIFTER		
48	FB2-7740-020		2	SHEET, SEPARATION		
49	FL2-3080-000		1	SUPPORT,FRONT		
50	FL2-3081-000		1	SUPPORT,REAR		
51	FM2-8260-000		1	LINK ASSEMBLY		
52	FU5-9508-000		1	ROLLER, PULLER		
53	FC6-3785-000		1	LEVER, RELEASE		
502	XB4-7301-207		2	SCREW,TAPPING,TRUSS HEAD,M3X12		
503	XB6-2300-408		2	SET SCREW		
505	XB1-2400-407		3	SCREW,MACH.,TRUSS HEAD,M4X4		
507	XF9-0723-000		1	BELT, TIMING		
508	XB1-2200-409		2	SCREW, BH M2X4		

FIGURE 305 CASSETTE HEATER UNIT

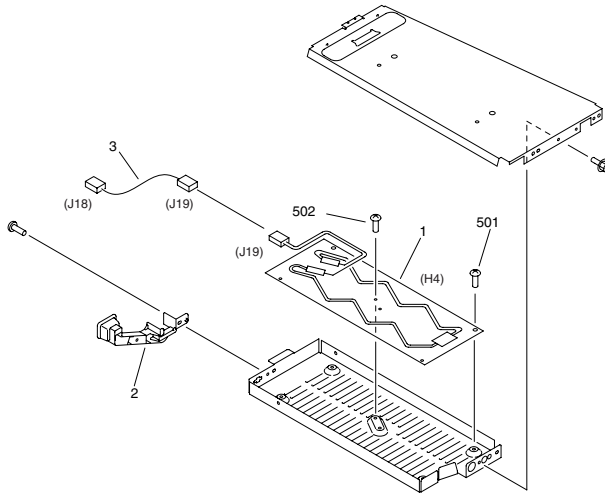


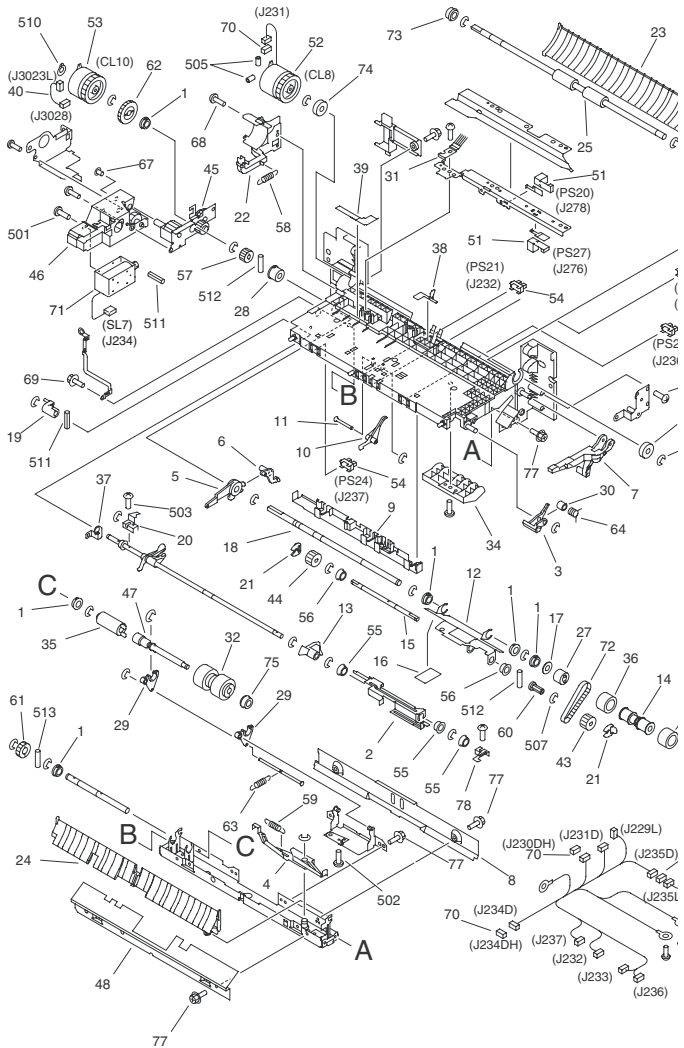
FIGURE & KEY NO.	PARTS NUMBER	R A N K	QTY	DESCRIPTION	SERIAL NUMBER/ REMARKS	S V C
Fig.305	FG2-9811-000		1	CASSETTE HEATER UNIT		
1	FH7-4584-000		1	HEATER, CASSETTE		
2	FB6-7044-000		1	GUIDE,HEATER CABLE		
3	FM2-3785-000		1	CABLE,HEATER		
501	XB1-2400-409		4	SCREW,MACH.,TRUSS HEAD,M4X4		
502	XB6-7300-409		1	SCREW, MACHINE, M3X4		

FIGURE & KEY NO.	PARTS NUMBER	R A N K	Q'TY	DESCRIPTION	SERIAL NUMBER/ REMARKS	S V C
Fig.311	FG9-3888-000		2	CASSETTE PICK-UP ASSEMBLY		
1	FA6-6457-000		1	SCREW, M3X5		
2	FA9-2112-000		8	BUSHING, PL		
3	FA9-3827-000		1	GEAR, 17T/58T		
4	FB2-7593-000		1	CAM		
5	FB2-7605-000		1	LINK, UP, 1		
6	FB2-7606-000		1	LINK, UP, 2		
7	FB2-7607-020		1	PLATE, LIMIT		
8	FB6-6573-000		1	GUIDE, FEED		
9	FB2-7620-020		1	SHAFT, LIFT, UPPER		
10	FB2-7624-020		1	PLATE, PICK-UP, FRONT		
11	FB2-7631-030		1	PLATE,RELEASE		
12	FB2-7632-000		1	GUIDE		
13	FB4-6214-030		1	LEVER, SEPARATION RELEASE, 2		
14	FB5-7013-020		1	ROLLER, FEED		
15	FB2-7696-000		1	COLLAR,PAPER FEED ROLLER		
17	FB2-8410-000		1	SHEET, PICK-UP		
18	FB2-8436-000		1	BUSHING, MOTOR		
19	FB2-8512-000		1	SPACER		
20	FB3-8333-000		1	CAM, PICK-UP RELEASE		
21	FB4-1202-000		1	FLAG, PAPER		
22	FB4-1982-000		1	GUIDE, OPEN/CLOSE		
25	FB4-2007-000		3	RING,RETAINING		
26	FB4-3700-000		1	LEVER, LIFTER RELEASE		
29	FB4-7835-000		3	COVER, CONNECTOR, PICK-UP		
30	FB4-9029-000		1	CLUTCH, ONE-WAY		
31	FB4-9043-000		1	CLUTCH, ONE-WAY		
32	FB5-2063-000		2	ARM, SEPARATION ROLLER		
33	FB5-5621-000		1	ELIMINATOR, STATIC CHARGE		
34	FB5-6586-000		1	ROLLER, SEPARATION		
36	FB6-0513-000		1	GUIDE, UPPER		
37	FC7-2494-000		1	TORQUE LIMITER		

FIGURE & KEY NO.	PARTS NUMBER	R A N K	Q'TY	DESCRIPTION	SERIAL NUMBER/ REMARKS	S V C
38	FB6-0615-000		2	ROLLER, FEED		
40	FF3-4190-000		1	CABLE, CLUTCH		
41	FF5-3063-030		1	PLATE, LIFT		
42	FF5-3220-000		1	SHAFT, PAPER PICK-UP		
43	FF5-5894-000		1	PLATE, SUPPORT, LOWER		
44	FG6-2335-020		1	CABLE, SOLENOID CONNECTING		
45	VS1-7177-002		4	CONNECTOR, SNAP TIGHT, BK		
46	FF5-6904-000		1	LEVER, SEPARATION RELEASE		
47	FF5-6905-000		1	SUPPORT, LIFTER GEAR		
48	FF5-7829-030		1	ROLLER, PICK-UP		
49	FF5-7830-000		1	ROLLER, PAPER PICK-UP, REAR		
50	FF5-9784-000		1	SHAFT, SEPARATION ROLLER		
51	FF6-1533-000		1	GUIDE, PICK-UP INLET, RIGHT		
52	XF9-0525-000		1	BELT, TIMING, 59T		
53	FG6-8590-000		1	CABLE, PAPER PICK-UP		
54	FG6-8605-000		2	OPTICAL SENSOR PCB ASSEMBLY		
55	FH6-5014-020		1	CLUTCH, ELECTROMAGNETIC		
56	FH6-5043-020		1	CLUTCH, ELECTROMAGNETIC		
57	FH7-5702-050		1	SOLENOID		
58	FK2-0149-000		3	PHOTO-INTERRUPTER, TLP1253(C6)		
59	FS1-1512-000		4	BUSHING, PL		
60	FS1-1569-000		2	BUSHING		
61	FS5-0338-000		1	GEAR, 16T		
62	FS5-3333-000		1	PULLEY, 16T		
63	FS6-0048-000		1	GEAR, 16T/46T		
64	FS6-0049-000		1	GEAR, 48T		
65	FS6-0051-000		1	GEAR, 17T/20T		
66	FS6-0053-020		1	GEAR, 20T		
67	FS6-0056-000		1	GEAR, 32T		
68	FS6-2668-020		1	SPRING, TENSION		
69	FS6-2670-000		1	SPRING, TENSION		
70	FS6-2678-030		1	SPRING, TENSION		

FIGURE & KEY NO.	PARTS NUMBER	R A N K	Q'TY	DESCRIPTION	SERIAL NUMBER/ REMARKS	S V C
71	FS6-2742-000		1	SPRING, TENSION		
72	FS6-2996-000		1	SPRING, TORSION		
74	XA9-0265-000		2	SCREW, W/TOOTHED WASHER, (S)		
75	XA9-0591-000		2	SCREW, M3X8		
76	XA9-0605-000		4	SCREW, M4X8		
78	XA9-0633-000		1	SCREW,RS,W/WASHER,M4X8		
79	XG9-0407-000		1	BEARING, BALL, UGF106P12ZZD4ML		
501	XB1-2300-407		2	SCREW, BH3X4 (S)		
502	XB1-2300-609		2	SCREW, MACHINE M3X6		
503	XB1-2400-609		4	SCREW,NACH.,TRUSS HEAD,M4X6		
505	XB6-2400-509		2	SETSCREW, HEXAGON SOCKET		
506	XD1-1104-132		1	SHIM, CIRCULAR		
509	XD2-1100-372		1	RETAINING RING (E-TYPE)		
512	XD2-2100-802		1	GRIP RING (D=8)		
513	XD3-0300-082		1	PIN, SPRING		
514	XD3-2200-102		2	PIN, PARALLEL		
515	XD3-2200-122		1	PIN, DOWEL		

FIGURE 312 FRONT DECK RIGHT PICK-UP ASSEMBLY



NOTE : This assembly does not include the part shown with key No. 26,65 and 71.
このユニットにKey No. 26、65、71の部品は含まれません。

FIGURE & KEY NO.	PARTS NUMBER	R A N K	Q'TY	DESCRIPTION	SERIAL NUMBER/ REMARKS	S V C
Fig.312	NPN		RF	FRONT DECK RIGHT PICK-UP ASS'Y		
1	FA9-2112-000		6	BUSHING, PL		
2	FA9-3691-020		1	PLATE, PAPER FLAG RELEASE		
3	FB2-7593-000		1	CAM		
4	FB2-7603-040		1	LEVER, RELEASE		
5	FB2-7605-000		1	LINK, UP, 1		
6	FB2-7606-000		1	LINK, UP, 2		
7	FB2-7614-000		1	LEVER, RELEASE		
8	FB6-6573-000		1	GUIDE, FEED		
9	FB2-7632-000		1	GUIDE		
10	FB2-7630-000		1	FLAG, PAPER		
11	FB2-7633-020		1	SHAFT, SENSOR		
12	FB2-7641-040		1	PLATE, PICK-UP		
13	FB2-7642-000		1	ARM, PAPER		
14	FB2-7696-000		1	COLLAR,PAPER FEED ROLLER		
15	FB2-7702-020		1	SHAFT, PAPER PICK-UP		
16	FB2-8410-000		1	SHEET, PICK-UP		
17	FB2-8512-000		1	SPACER		
18	FB4-1989-000		1	SHAFT, PAPER FEED ROLLER		
19	FB4-2000-000		1	CAM, PICK-UP RELEASE, REAR		
20	FB2-8266-020		1	PLATE, PICK-UP, REAR		
21	FB4-2007-000		3	RING, RETAINING		
22	FB4-2009-000		1	PLATE, CLUTCH LIMIT, RIGHT		
23	FB4-2010-000		1	GUIDE, JOINT		
24	FB4-2012-000		1	GUIDE, OPEN/CLOSE, RIGHT		
25	FB5-7013-020		1	ROLLER, FEED		
27	FB4-9029-000		1	CLUTCH, ONE-WAY		
28	FB4-9043-000		1	CLUTCH, ONE-WAY		
29	FB5-2063-000		2	ARM, SEPARATION ROLLER		
30	FB5-4339-000		1	SPACER, CAM		
31	FB5-5620-000		1	ELIMINATOR, STATIC CHARGE		
32	FB5-6586-000		1	ROLLER, SEPARATION		

FIGURE & KEY NO.	PARTS NUMBER	R A N K	Q'TY	DESCRIPTION	SERIAL NUMBER/ REMARKS	S V C
34	FB6-0513-000		1	GUIDE, UPPER		
35	FB6-0519-000		1	TORQUE LIMITER		
36	FB6-0615-000		2	ROLLER, FEED		
37	FB6-2377-000		1	PLATE, PICK-UP GROUNDING		
38	FB6-4057-000		1	PARTITION, RIGHT EXTRACTION		
39	FB6-4059-000		1	COVER, RIGHT LOWER, 2		
40	FF3-4190-000		1	CABLE, CLUTCH		
41	VS1-7177-008		1	CONNECTOR, SNAP TIGHT, BK		
43	FF5-7829-030		1	ROLLER, PICK-UP		
44	FF5-7830-000		1	ROLLER, PAPER PICK-UP, REAR		
45	FF5-7832-000		1	SUPPORT, PLATE, RIGHT		
46	FF5-7833-040		1	MOUNT, SOLENOID, RIGHT		
47	FF5-9784-000		1	SHAFT, SEPARATION ROLLER		
48	FF6-1534-000		1	GUIDE, PICK-UP INLET, RIGHT		
50	FG6-8591-000		1	CABLE, RIGHT DECK		
51	FG6-8605-000		2	OPTICAL SENSOR PCB ASSEMBLY		
52	FH6-5014-020		1	CLUTCH, ELECTROMAGNETIC		
53	FH6-5043-020		1	CLUTCH, ELECTROMAGNETIC		
54	FK2-0149-000		4	PHOTO-INTERRUPTER, TLP1253(C6)		
55	FS1-1512-000		3	BUSHING, PL		
56	FS1-1569-000		2	BUSHING		
57	FS5-0338-000		2	GEAR, 16T		
58	FS5-2911-000		1	SPRING, TENSION		
59	FS5-2914-000		1	SPRING, TENSION		
60	FS5-3333-000		1	PULLEY, 16T		
61	FS6-0053-020		1	GEAR, 20T		
62	FS6-0056-000		1	GEAR, 32T		
63	FS6-2678-030		1	SPRING, TENSION		
64	FS6-2997-000		1	SPRING, TORSION		
66	XA9-0265-000		2	SCREW, W/TOOTHED WASHER, (S)		
67	XA9-0271-000		1	SCREW, PANHEAD MACHINE		
68	XA9-0605-000		6	SCREW, M4X8		

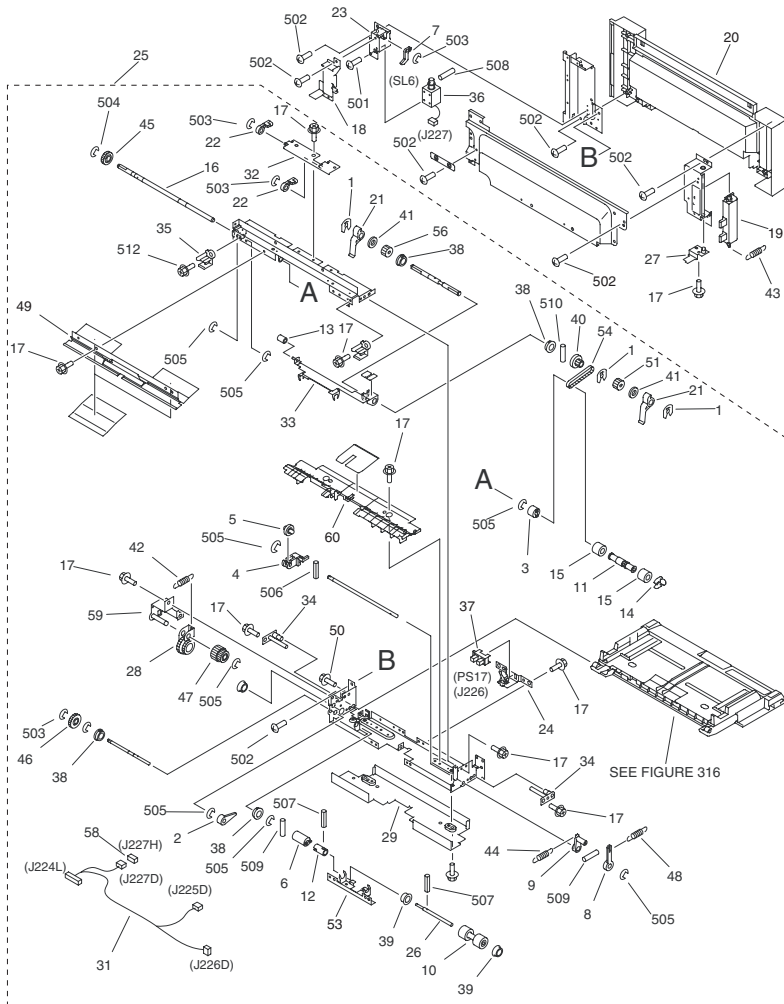
FIGURE & KEY NO.	PARTS NUMBER	R A N K	Q'TY	DESCRIPTION	SERIAL NUMBER/ REMARKS	S V C
69	XA9-0633-000		1	SCREW,RS,W/WASHER,M4X8		
70	VS1-7177-002		3	CONNECTOR, SNAP TIGHT, BK		
71	FK2-0126-000		1	SOLENOID		
72	XF9-0525-000		1	BELT, TIMING, 59T		
73	XG9-0211-000		2	BALL BEARING, MF128ZZ1MC3D4M		
74	XG9-0250-000		2	BALL BEARING, 688AZZNR*MC3D4M		
75	XG9-0407-000		1	BEARING, BALL, UGF106P12ZZD4ML		
77	XA9-0628-000		9	SCREW,RS,M4X8		
78	FB2-7624-020		1	PLATE, PICK-UP, FRONT		
501	XB1-2300-407		2	SCREW, BH3X4 (S)		
502	XB1-2300-409		1	SCREW, MACHINE M3X4		
503	XB1-2300-609		2	SCREW, MACHINE M3X6		
504	XB1-2400-609		2	SCREW,NACH.,TRUSS HEAD,M4X6		
505	XB6-2400-509		2	SETSCREW, HEXAGON SOCKET		
507	XD2-1100-372		1	RETAINING RING (E-TYPE)		
509	XD2-1100-642		2	RING,E		
510	XD2-2100-802		1	GRIP RING (D=8)		
511	XD3-0300-082		1	PIN, SPRING		
512	XD3-2200-102		2	PIN, PARALLEL		
513	XD3-2200-122		1	PIN, DOWEL		

FIGURE & KEY NO.	PARTS NUMBER	R A N K	Q'TY	DESCRIPTION	SERIAL NUMBER/ REMARKS	S V C
Fig.313	FG9-3890-000		1	FRONT DECK LEFT PICK-UP AASS'Y		
1	FA5-2872-000		1	ARM,REL.PICK-UP ROLLER,FRONT		
2	FA9-2112-000		5	BUSHING, PL		
3	FB1-7070-000		1	SPRING, TORSION		
4	FB2-7623-020		1	PLATE, PICK-UP, REAR		
5	FB2-7624-020		1	PLATE, PICK-UP, FRONT		
6	FB2-7696-000		1	COLLAR,PAPER FEED ROLLER		
7	FB2-7715-020		1	LINK, RELEASE		
8	FB2-7716-020		1	PLATE, RELEASE		
9	FB2-7717-030		1	PLATE, RELEASE		
10	FB2-7718-030		1	PLATE, RELEASE LEVER		
11	FB2-7720-000		1	LEVER, PAPER		
12	FB2-7721-020		1	LEVER, LIMITER		
13	FB2-7722-000		1	LEVER, PAPER SENSOR		
14	FB2-7723-000		1	LEVER, LIMITER		
15	FB2-7724-000		1	GUIDE, CABLE		
16	FB2-8512-000		3	SPACER		
17	FB2-7702-020		1	AHAFT, PAPER PICK-UP		
18	FB4-2007-000		3	RING, RETAINING		
19	FB4-2031-000		1	CAM, PICK-UP RELEASE, REAR		
20	FB2-7704-000		1	PLATE, PICK-UP		
21	FB4-9029-000		1	CLUTCH, ONE-WAY		
22	FB4-9043-000		1	CLUTCH, ONE-WAY		
23	FB5-2063-000		2	ARM, SEPARATION ROLLER		
24	FB5-6586-000		1	ROLLER, SEPARATION		
25	FC7-2494-000		1	TORQUE LIMITER		
26	FB6-0524-020		1	GUIDE, PICK-UP, LOWER		
27	FB6-0615-000		2	ROLLER, FEED		
28	FF3-4190-000		1	CABLE, CLUTCH		
29	FF5-3221-000		1	SHAFT, PICK-UP, LEFT		
30	FF6-2568-000		1	MOUNT, SEPARATION ROLLER		
31	VS1-6319-020		1	CONNECTOR, SNAP TIGHT		

FIGURE & KEY NO.	PARTS NUMBER	R A N K	Q'TY	DESCRIPTION	SERIAL NUMBER/ REMARKS	S V C
32	FF5-7829-030		1	ROLLER, PICK-UP		
33	FF5-7830-000		1	ROLLER, PAPER PICK-UP, REAR		
34	FF5-7840-020		1	MOUNT, SOLENOID, LEFT		
35	FF5-9784-000		1	SHAFT, SEPARATION ROLLER		
36	FF6-1535-000		1	GUIDE, PICK-UP, UPPER		
37	FB2-7719-000		1	COVER, SENSOR		
38	FG6-8592-000		1	CABLE, LEFT DECK		
39	FG6-8605-000		1	OPTICAL SENSOR PCB ASSEMBLY		
40	FG6-5043-020		1	CLUTCH, ELECTROMAGNETIC		
41	FK2-0149-000		4	PHOTO-INTERRUPTER, TLP1253(C6)		
42	FS1-1512-000		4	BUSHING, PL		
43	FS1-1569-000		2	BUSHING		
44	FS2-0544-000		1	GEAR, 24T		
45	FS5-0338-000		2	GEAR, 16T		
46	FS5-2919-000		1	SPRING, TENSION		
47	FS5-3333-000		1	PULLEY, 16T		
48	FS6-0053-020		1	GEAR, 20T		
49	FS6-2678-030		1	SPRING, TENSION		
50	FS7-2533-000		1	SPRING, TENSION		
51	FF5-2993-000		1	PLATE, PICK-UP, LOWER		
52	XF9-0525-000		1	BELT, TIMING, 59T		
53	XG9-0407-000		1	BEARING, BALL, UGF106P12ZZD4ML		
55	FK2-0126-000		1	SOLENOID		
56	VS1-7177-004		1	CONNECTOR, SNAP TIGHT, BK		
57	XA9-0628-000		AR	SCREW, RS, M4X8		
58	FF5-7540-000		1	SHAFT, SEPARATION DRIVE		
59	VS1-7177-002		2	CONNECTOR, SNAP TIGHT, BK		
501	XB1-2300-407		2	SCREW, BH3X4 (S)		
502	XB1-2300-609		3	SCREW, MACHINE M3X6		
503	XB1-2400-609		2	SCREW,NACH.,TRUSS HEAD,M4X6		
504	XD1-1108-223		1	WASHER,COP		
505	XD1-1108-226		1	WASHER		

FIGURE & KEY NO.	PARTS NUMBER	R A N K	Q'TY	DESCRIPTION	SERIAL NUMBER/ REMARKS	S V C
510	XD2-2100-802		1	GRIP RING (D=8)		
511	XD3-1200-102		1	SPRING PIN		
512	XD3-1300-102		1	PIN, SPRING		
513	XD3-2200-102		2	PIN, PARALLEL		
514	XD3-2200-122		1	PIN, DOWEL		

FIGURE 315 MULTI FEEDER ASSEMBLY



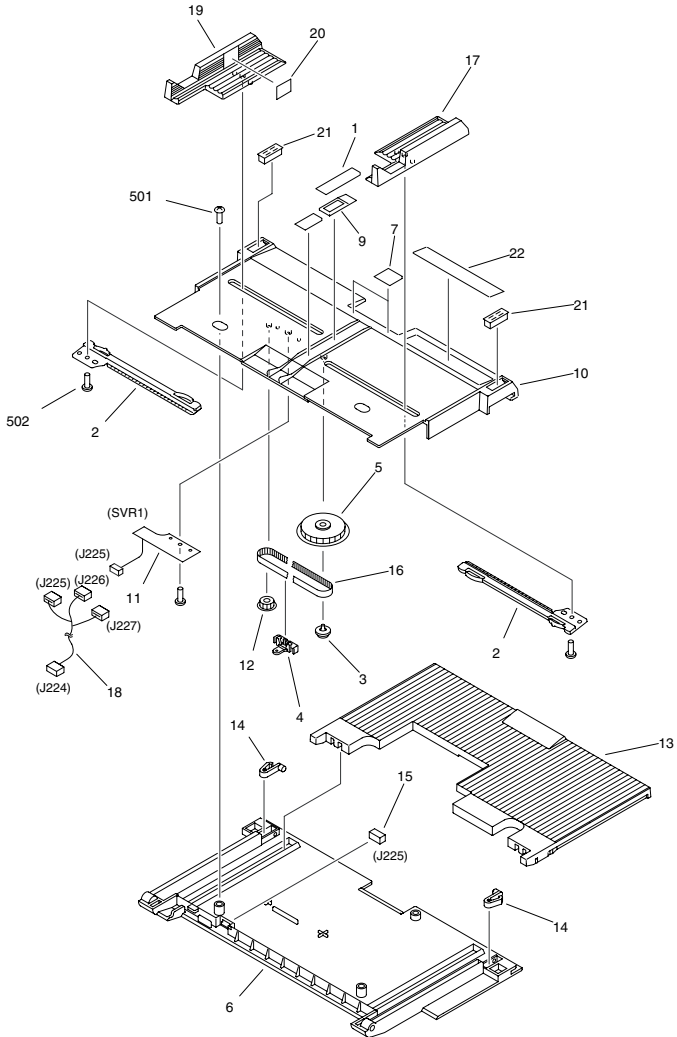
NOTE 1 : This assembly includes the assembly shown in Figure 316.
 NOTE 2 : This assembly does not include the part shown with key No.49.
 注1 : このユニットにFigure316のユニットを含みます。
 注2 : このユニットにKey No.49の部品は含まれません。

FIGURE & KEY NO.	PARTS NUMBER	R A N K	Q'TY	DESCRIPTION	SERIAL NUMBER/ REMARKS	S V C
Fig.315	FM2-4068-000		1	MULTI FEEDER ASSEMBLY		
1	FA3-8727-000		3	RETAINING RING		
2	FA5-4266-000		1	ARM		
3	FA6-7728-000		1	COLLAR, B-ROLLER		
4	FA6-7737-000		1	ARM, RETURDE		
5	FA6-8071-000		1	ROLLER		
6	FC7-2495-000		1	TORQUE LIMIT		
7	FB2-7515-020		1	ARM, PICK-UP		
8	FB2-7537-000		1	LEVER, PRESSURE		
9	FB2-7542-000		1	LEVER, RELEASE		
10	FB2-7545-000		1	ROLLER, SPONGE		
11	FB2-7558-000		1	SPACER, ROLLER		
12	FB2-8227-000		1	COUPLING		
13	FB2-8384-000		1	ROLLER, PICK-UP		
14	FB4-2007-000		2	RING, RETAINING		
15	FB4-2035-000		2	ROLLER, FEED ROLLER		
16	FB4-3747-020		1	SHAFT, FEEDER ROLLER		
17	XA9-0628-000		29	SCREW,RS,M4X8		
18	FB4-1358-000		1	COVER, SOLENOID		
19	FC6-8951-000		1	HANDLE		
20	FL2-3488-000		1	DOOR, MULTI		
21	FB5-2837-000		2	SHUTTER		
22	FB5-2838-000		2	BLOCK, SHUTTER STOP		
23	FF5-2939-000		1	PLATE, SOLENOID		
24	FF5-2943-000		1	MOUNT, SENSOR		
25	FM2-4087-000		1	MULTI PAPER PICK-UP ASSEMBLY		
26	FB3-8572-020		1	SHAFT, SEPARATION ROLLER, 1		
27	FF5-7674-000		1	PLATE, MULTI FEED DOOR SWITCH		
28	FF5-7675-000		1	GEAR, SWING		
29	FC6-7170-000		1	COVER, MULTI		
31	FG6-1866-020		1	CABLE, MULTI		
32	FF5-9551-000		1	PLATE, SHUTTER		

FIGURE & KEY NO.	PARTS NUMBER	R A N K	Q'TY	DESCRIPTION	SERIAL NUMBER/ REMARKS	S V C
33	FF5-9561-000		1	PLATE, PICK-UP		
34	FF6-1856-000		2	SUPPORT, TRAY FIXING		
35	FC7-0207-000		1	GUIDE, POSITIONING		
36	FH7-5838-030		1	SOLENOID		
37	FK2-0149-000		1	PHOTO-INTERRUPTER, TLP1253(C6)		
38	FS1-1569-000		9	BUSHING		
39	FS2-1357-000		2	BUSHING (POM, UL94)		
40	FS5-3331-000		1	PULLEY, 14T		
41	FS5-6581-000		2	SPACER, PICK-UP SHAFT		
42	FS6-2892-000		1	SPRING, TENSION		
43	FS6-2893-000		1	SPRING, TENSION		
44	FS6-2985-000		1	SPRING, TENSION		
45	FS7-0039-000		1	GEAR, 16T		
46	FS7-0040-000		1	GEAR, 20T		
47	FS7-0041-000		1	GEAR, 16T/20T		
48	FS7-2057-000		1	SPRING, TENSION		
49	FL2-4623-000		1	GUIDE, UPPER		
50	XA9-0908-000		1	SCREW PS,M4X8		
51	FF9-1763-000		1	ROLLER,PAPER PICK-UP,FRONT		
53	FL2-3546-000		1	MOUNT, ROLLER		
54	XF9-0502-000		1	BELT, TIMING		
56	FF6-1764-000		1	ROLLER,PAPER PICK-UP,REAR		
58	VS1-7177-003		1	CONNECTOR, SNAP TIGHT, BK		
59	FL2-3478-000		1	SUPPORT, IDLER GEAR		
60	FL2-3522-000		1	GUIDE, PAPER		
501	XB1-2300-409		4	SCREW, MACHINE M3X4		
502	XB1-2400-609		5	SCREW,NACH.,TRUSS HEAD,M4X6		
503	XD2-1100-322		5	RETAINING RING (E-TYPE)		
504	XB4-5400-807		6	SCREW,P,M4X8		
505	XD2-1100-502		11	RETAINING RING (E-TYPE)		
506	XD3-1200-102		1	SPRING PIN		
507	XD3-1200-122		2	SPRING PIN		

FIGURE & KEY NO.	PARTS NUMBER	RANK	Q'TY	DESCRIPTION	SERIAL NUMBER/REMARKS	SVC
508	XD3-2200-082		1	PIN, PARALLEL		
509	XD3-2200-102		3	PIN, PARALLEL		
510	XD3-2200-122		1	PIN, DOWEL		
512	XB4-7400-807		2	SCREW,TAPPING,TRUSS HEAD,M4X8		

FIGURE 316 MULTI TRAY ASSEMBLY



NOTE 1 : This assembly is included in the assembly shown in Figure 315.

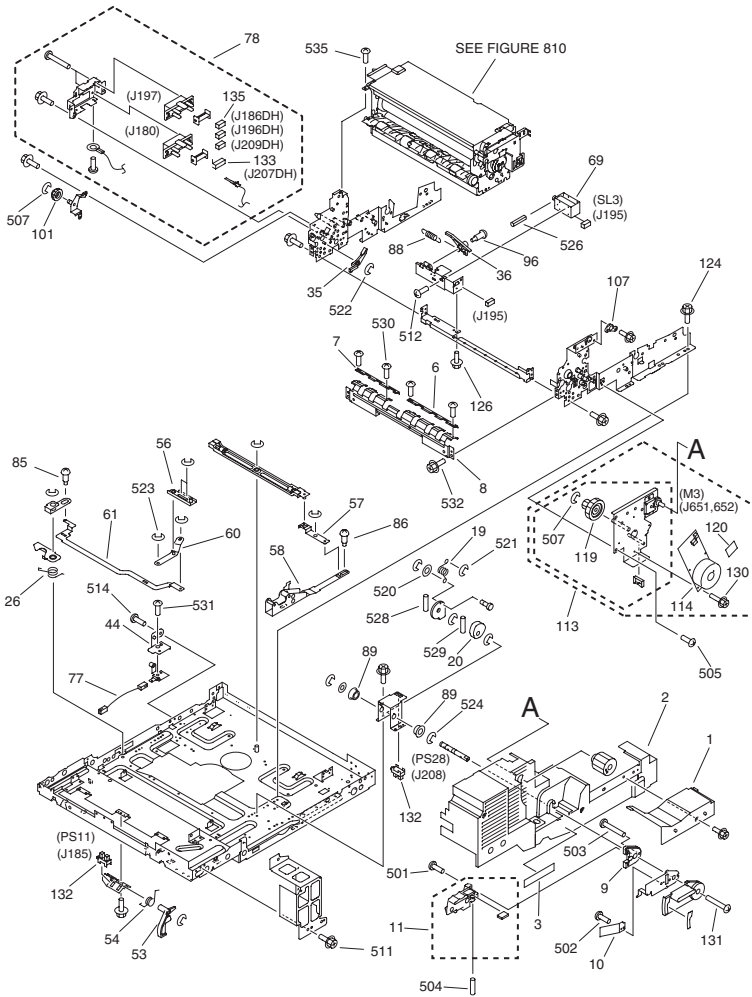
NOTE 2 : This assembly does not include the part shown with key No.13.

注1 : このユニットはFigure315のユニットに含まれます。

注2 : このユニットにKey No.13の部品は含まれません。

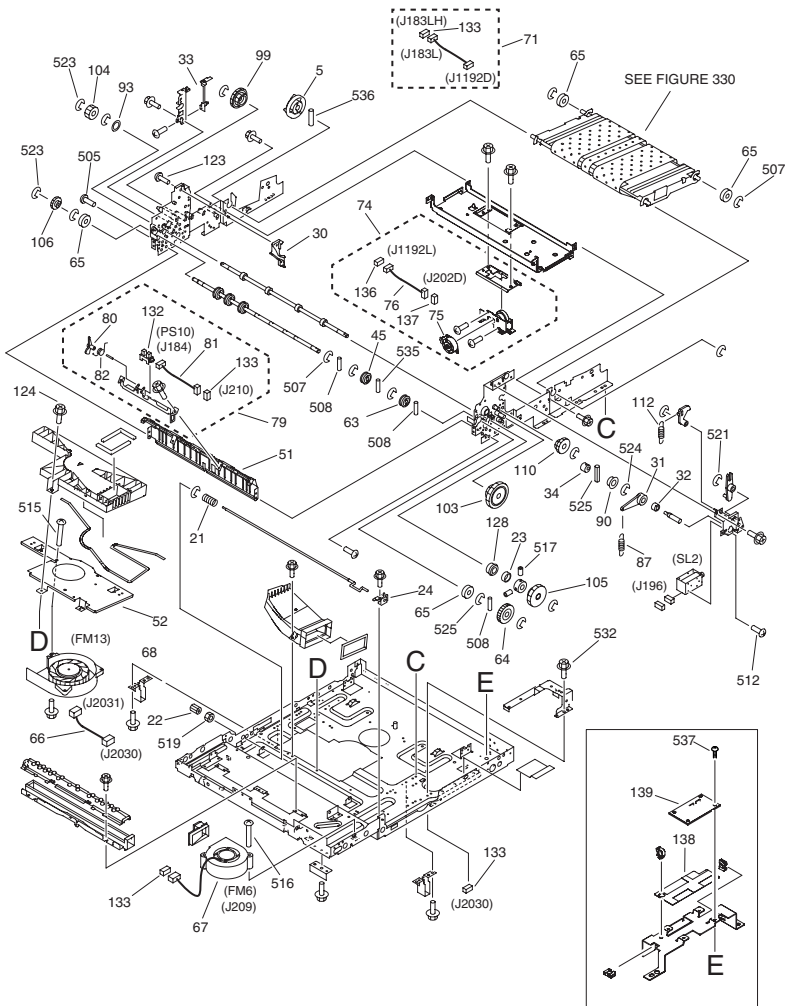
FIGURE & KEY NO.	PARTS NUMBER	R A N K	Q'TY	DESCRIPTION	SERIAL NUMBER/ REMARKS	S V C
Fig.316	FM2-4069-000		1	MULTI TRAY ASSEMBLY		
1	FB6-2886-000		1	PAD, MULTI SEPARATION		
2	FB1-8619-000		2	RACK		
3	FB1-8620-000		1	RING, PULLEY		
4	FB1-8621-000		1	PLATE, LOCK		
5	FB1-8625-000		1	GEAR, 18T		
6	FC6-5578-000		1	BASE, TRAY		
7	FB2-7740-020		2	SHEET, SEPARATION		
9	FB6-2887-000		1	SUPPORT, MULTI PAD		
10	FC6-8942-000		1	TRAY, FIXING		
11	FG5-1958-000		1	MULTI VR PCB ASSEMBLY		
12	FS5-3177-000		1	PULLEY, IDLER		
13	FC6-8943-000		1	TRAY, MOVABLE		
14	RA1-7807-000		2	CLIP		
15	VS1-7177-003		1	CONNECTOR, SNAP TIGHT, BK		
16	XF9-0393-000		1	BELT, TIMING		
17	FC6-8944-000		1	PLATE, PAPER SIDE END, FRONT		
18	FG5-1946-000		1	CABLE		
19	FL2-3521-000		1	PLATE, PAPER SIDE END, REAR		
20	FC6-8946-000		1	LABEL, 'LIMIT,PAPER HEIGHT'		
21	XZ9-0582-000		2	CATCH, MAGNET		
22	FU5-8658-000		1	LABEL, PAPER SIZE		
501	XB1-2400-606		2	SCREW, MACHINE M4X6		
502	XB4-7300-609		2	SCREW, TAP, BINDING HEAD, M3X6		

FIGURE 320 FIXING/FEEDEE FRAME ASSEMBLY



NOTE 1 : This assembly includes the assemblies shown in Figure 325,330,350,351 and 810.
 NOTE 2 : This assembly does not include the parts shown with key No.1,2,3.
 注 1 : このユニットはFigure 325、 330、 350、 351、 810のユニットを含みます。
 注 2 : このユニットにKey No. 1、 2、 3の部品は含まれません。

FIGURE 320 F XING/FEEDER FRAME ASSEMBLY



IR7105 208V UL
 IR7095 208V UL
 IR7086 208V UL

FIGURE & KEY NO.	PARTS NUMBER	RANK	Q'TY	DESCRIPTION	SERIAL NUMBER/REMARKS	SVC
Fig.320	FM2-5875-000		1	FIXING/FEEDER FRAME ASSEMBLY	iR7086N 100V	
Fig.320	FM2-5874-000		1	FIXING/FEEDER FRAME ASSEMBLY	iR7105i 200V iR7095 200V	
Fig.320	FM2-6146-000		1	FIXING/FEEDER FRAME ASSEMBLY	iR7105 208V UL iR7095 208V UL	
Fig.320	FM2-6999-000		1	FIXING/FEEDER FRAME ASSEMBLY	iR7086 208V UL	
Fig.320	FM2-5876-000		1	FIXING/FEEDER FRAME ASSEMBLY	iR7105 230V A/B iR7095 230V A/B iR7095 220V CN iR7105 230V GB iR7095 230V GB iR7105 220V CN iR7105 230V AU iR7095 230V AU iR7105 230V EUR iR7095 230V EUR	
Fig.320	FM2-6123-000		1	FIXING/FEEDER FRAME ASSEMBLY	iR7086 230V GB iR7086 230V AU iR7086 230V EUR	
1	FB6-7105-000		1	COVER, TRANSFER		
2	FF6-2857-000		1	COVER, FIXING/FEEDER		
3	FS6-8703-000		1	LABEL, FIXING UNIT NUMBER		
4	FA9-4008-000		1	BUSHING		
5	FB2-1035-000		1	COUPLING, DRIVE		
6	FB5-7671-000		1	GUIDE, PAPER PASS, 1		
7	FB5-7672-000		1	GUIDE, PAPER PASS, 2		
8	FB5-7673-020		1	GUIDE, STOP		
9	FB2-8213-000		1	COVER, HANDLE, REAR		
10	FB2-8217-020		1	SPRING, LEAF		
11	FF5-6000-000		1	LEVER		
14	FH6-5014-020		1	CLUTCH, ELECTROMAGNETIC		
15	FH7-5844-020		1	CLUTCH, ELECTROMAGNETIC		
16	FS1-9199-000		2	SCREW, M4		
17	FS5-2947-000		2	SPRING, TENSION		
19	FB2-8192-000		1	SPRING, TORSION		
20	FB2-8204-000		1	CAM, REGISTRATION		
21	FB2-8214-000		1	SPRING, COMPRESSION		
22	FB2-8376-000		1	GUIDE, SHAFT		
23	FB3-2331-020		1	SPACER		
24	FB3-8398-020		1	GUIDE, HANDLE		

FIGURE & KEY NO.	PARTS NUMBER	R A N K	Q'TY	DESCRIPTION	SERIAL NUMBER/ REMARKS	S V C
26	FB4-2062-000		1	SPRING, TORSION		
28	FB4-2077-000		1	HOOK, LOCK		
29	FB4-2224-000		1	GUIDE, CLAW, FRONT 2		
30	FB4-2225-000		1	GUIDE, CLAW, REAR		
31	FB4-2235-000		1	CAM, ONE-WAY, 1		
32	FB4-2236-000		1	CAM, ONE-WAY, 2		
33	FB4-2237-000		1	TERMINAL, FIXING BIAS		
34	FB4-2254-000		1	CAM, RECIPROCATING INPUT		
35	FB4-2299-000		1	LEVER, DEFLECTOR, 1		
36	FB4-2300-000		1	LEVER, DEFLECTOR, 2		
37	FB4-2305-020		2	DEFLECTOR, 1		
38	FB4-2306-020		2	DEFLECTOR, 2		
39	FB4-2307-020		1	DEFLECTOR, 3		
40	FB4-2308-020		1	DEFLECTOR, 4		
41	FB4-2312-000		2	ROLLER, DELIVERY AUXILIARY		
42	FB4-2314-000		2	BELT, TIMING		
43	FB4-2317-000		2	SPRING, LEAF		
44	FB4-2327-000		1	TERMINAL, BIAS		
49	FB5-2618-020		1	COVER,GEAR		
50	FB5-7076-000		2	ROLLER, REVERSE AUXILIARY		
51	FB5-7656-020		1	GUIDE, DELIVERY REVERSE		
52	FB6-0480-020		1	COVER, SEPARATION DUCT		
53	FB6-2373-000		1	FLAG, SENSOR		
54	FB6-2376-000		1	SPRING, TORSION		
55	FC6-8962-000		1	COVER, LOWER		
56	FF5-3154-000		1	LINK, RELEASE, 2		
57	FF5-7846-000		1	LINK, ROTATING		
58	FF5-7850-000		1	LINK, SLIDE		
59	FF5-8736-000		1	GUIDE, DELIVERY, LOWER, 2		
60	FF5-8787-000		1	LINK,LATCH RELEASE,1		
61	FF6-1509-000		1	LINK, LOCK RELEASE		
62	FG6-1879-020		1	CABLE, LOCK SOLENOID		

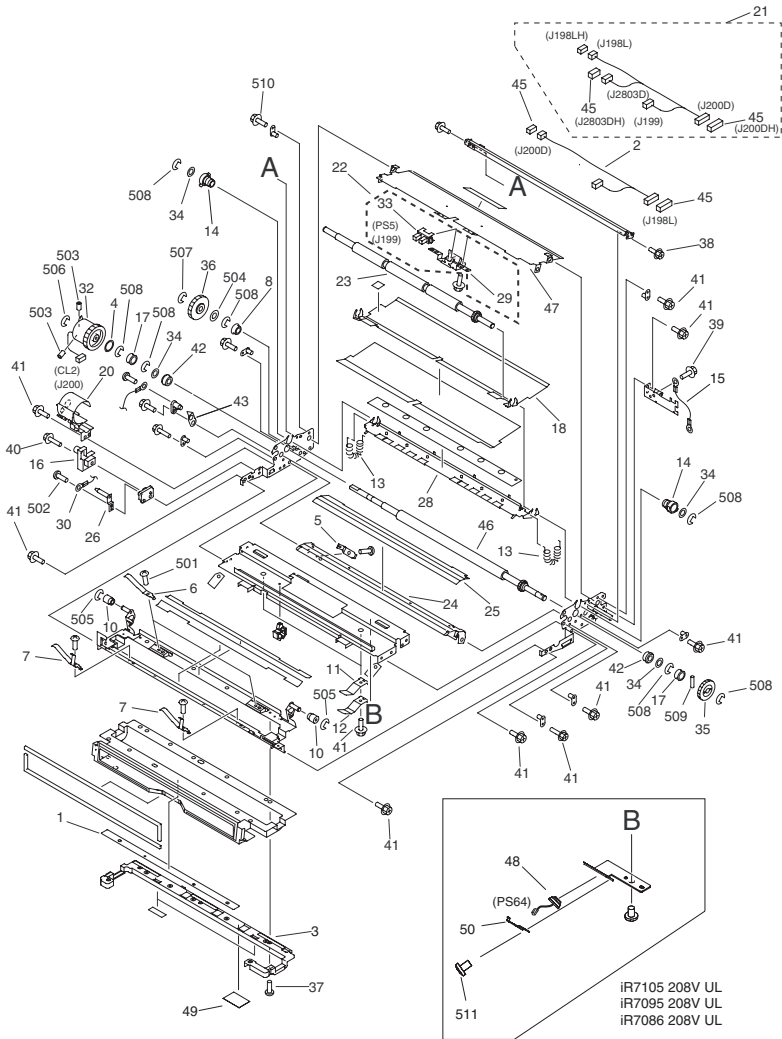
FIGURE & KEY NO.	PARTS NUMBER	R A N K	Q'TY	DESCRIPTION	SERIAL NUMBER/ REMARKS	S V C
63	FB5-3407-000		6	ROLLER, DELIVERY, OUTER		
64	FS2-0441-000		1	GEAR, 28T		
65	XG9-0250-000		1	BALL BEARING, 688AZZNR*MC3D4M		
66	FG6-8621-000		1	CABLE, SEPARATION FAN		
67	FH6-1548-040		1	FAN, COOLING		
68	FH6-1942-020		1	FAN, COOLING		
69	FH7-5837-030		1	SOLENOID		
70	FH7-5845-030		1	SOLENOID		
71	FM2-4381-000		1	CABLE, JAM SENSOR CONNECTING		
72	FC6-9706-000		1	LEVER, SENSOR		
73	FS6-2833-000		1	SPRING, TORSION		
74	FM2-4879-000		1	ENTRANCE MOTOR ASSEMBLY		
75	FH6-1542-020		1	MOTOR, STEPPING, DC, 2.9W		
76	FM2-4379-000		1	CABLE, ENTRANCE MOTOR		
77	FM2-5097-000		1	CABLE, HIGH VOLTAGE		
78	FM2-5098-000		1	CABLE, HIGH VOLTAGE		
79	FM2-5855-000		1	EXTERNAL DELIVERY SENSOR ASS'Y		
80	FC6-9715-000		1	LEVER		
81	FG6-1871-000		1	CABLE, EXT. DELIVERY SENSOR		
82	FS5-2949-000		1	SPRING, DEL. SENSING, SUS		
83	FS1-0542-000		1	GEAR, 22T		
84	FS1-1508-000		2	BUSHING		
85	FS2-9001-020		1	SCREW, STEPPED, M4		
86	FS2-9267-020		2	SCREW, STEPPED, M4		
87	FS3-2159-000		1	SPRING, TENSION		
88	FS4-2048-000		1	SPRING, TENSION		
89	FS5-1474-000		2	BUSHING COP		
90	FS5-1803-000		1	BUSHING		
91	FS5-2907-020		1	SPRING, TORSION		
92	FS5-3615-000		2	PULLEY, 18T		
93	FS5-6487-000		1	WASHER		
94	FS5-6488-000		4	WASHER		

FIGURE & KEY NO.	PARTS NUMBER	R A N K	Q'TY	DESCRIPTION	SERIAL NUMBER/ REMARKS	S V C
95	FS5-6575-000		1	ROLLER, BACKLASH		
96	FS5-9210-020		1	SCREW, STEPPED, M4		
97	FS6-0899-000		1	GEAR, 38T		
98	FS6-0991-000		1	GEAR, 37T		
99	FS6-0992-000		1	GEAR, 28T/45T		
100	FS6-0993-000		1	GEAR, 39T/46T		
101	FS6-0994-000		1	GEAR, 16T/26T		
102	FS6-0995-000		1	GEAR, 21T		
103	FS6-0996-000		1	GEAR, 20T/38T		
104	FS6-0997-000		1	GEAR, 18T		
105	FS6-0998-000		1	GEAR, 15T/32T		
106	FS6-0999-000		1	GEAR, 30T		
107	FS6-1149-000		1	BUSHING		
108	FS6-2982-020		4	SPRING, TENSION		
109	FS6-2993-020		2	SPRING, TENSION		
110	FS7-0002-000		1	GEAR, 22T		
111	FS7-0899-000		1	GEAR, 20T		
112	FU6-2279-000		1	SPRING, TENSION		
113	FM2-5873-000		1	M3 MOTOR ASSEMBLY		
114	FK2-1002-000		1	MOTOR, BRUSHLESS		
119	FS7-0006-000		1	GEAR, 25T/75T		
120	FU5-8656-000		1	LABEL, DISCRIMINATE		
121	FS6-0081-000		1	GEAR, 20T		
123	XA9-0605-000		13	SCREW, M4X8		
124	XA9-0628-000		AR	SCREW, RS, M4X8		
126	XA9-0908-000		2	SCREW PS, M4X8		
127	XG3-6012-405		2	BALL BEARING, NSK MF126ZZ		
128	XG9-0211-000		4	BALL BEARING, MF128ZZ1MC3D4M		
130	XA9-1030-000		4	SCREW, RS, M4X12		
131	XA9-0940-000		1	SCREW, W/WASHER, M4X12		
132	FK2-0149-000		4	PHOTO-INTERRUPTER, TLP1253(C6)		
133	VS1-7177-003		4	CONNECTOR, SNAP TIGHT, BK		

FIGURE & KEY NO.	PARTS NUMBER	R A N K	Q'TY	DESCRIPTION	SERIAL NUMBER/ REMARKS	S V C
134	VS1-7177-004		1	CONNECTOR, SNAP TIGHT, BK		
135	VS1-7177-002		3	CONNECTOR, SNAP TIGHT, BK		
136	VS1-7177-006		1	CONNECTOR, SNAP TIGHT, BK		
137	VS1-7173-006		1	CONNECTOR, SNAP TIGHT, 6P, W		
138	FC7-3058-000		1	SHEET, CABLE PROTECTIVE	iR7105 208V UL iR7095 208V UL iR7086 208V UL	
139	FM2-4356-000		1	TRANSMISSION PCB ASSEMBLY	iR7105 208V UL iR7095 208V UL iR7086 208V UL	
140	VS1-7177-007		1	CONNECTOR, 7P, FEMALE, BK	iR7105 208V UL iR7095 208V UL iR7086 208V UL	
141	FM2-4374-000		1	CABLE, TRANSMISSION	iR7105 208V UL iR7095 208V UL iR7086 208V UL	
501	XB1-2300-809		2	SCREW, MACHINE M3X8		
502	XB4-7300-809		2	SCREW, TAP, BINDING HEAD, M3X8		
503	XB4-7301-609		1	SCREW, TAPPING M3X16		
504	XD3-2300-322		1	PIN		
505	XB1-2400-609		AR	SCREW,NACH.,TRUSS HEAD,M4X6		
507	XD2-1100-642		AR	RING,E		
508	XD3-2200-142		7	PIN, PARALLEL		
510	XD2-1100-172		1	RETAINING RING (E-TYPE), M1.7		
512	XB1-2300-407		8	SCREW, BH3X4 (S)		
513	XB1-2300-609		1	SCREW, MACHINE M3X6		
514	XB1-2400-407		1	SCREW,MACH.,TRUSS HEAD,M4X4		
515	XB1-2401-409		3	SCREW, BINDING HEAD MACHINE		
516	XB1-2404-009		2	SCREW, MACHINE M4X40		
517	XB6-2400-509		2	SETSCREW, HEXAGON SOCKET		
518	XB6-7400-609		5	SCREW, MACHINE M4X6		
519	XB7-2100-309		1	NUT, HEX M3		
520	XD1-1103-137		1	WASHER PLAIN M3.1, COP		
521	XD2-1100-242		3	WASHER, RETAINING		
522	XD2-1100-322		5	RETAINING RING (E-TYPE)		
523	XD2-1100-502		AR	RETAINING RING (E-TYPE)		
524	XD2-1100-802		15	RETAINING RING (E-TYPE)		
525	XD3-1200-102		1	SPRING PIN		

FIGURE & KEY NO.	PARTS NUMBER	RANK	Q'TY	DESCRIPTION	SERIAL NUMBER/REMARKS	SVC
526	XD3-1300-082		1	PIN, SPRING		
527	XD3-2200-102		3	PIN, PARALLEL		
528	XD3-2200-202		1	PIN, M2 X20		
529	XD3-2300-202		1	PIN, PARALLEL		
530	XB1-2260-407		4	SCREW BH 2.6X4		
531	XB1-2400-409		4	SCREW,MACH.,TRUSS HEAD,M4X4		
532	XB3-6400-809		AR	SCREW,RS,M4		
533	XD2-1100-602		1	RETAINING RING (E-TYPE)		
534	XD2-2100-802		1	GRIP RING (D=8)		
535	XD3-2200-122		1	PIN, DOWEL		
536	XD3-2200-162		1	PIN, PARALLEL		
537	XB1-2300-607		4	SCREW, BH3X6(S)		

FIGURE 325 REGIST. TRANSFER ASSEMBLY

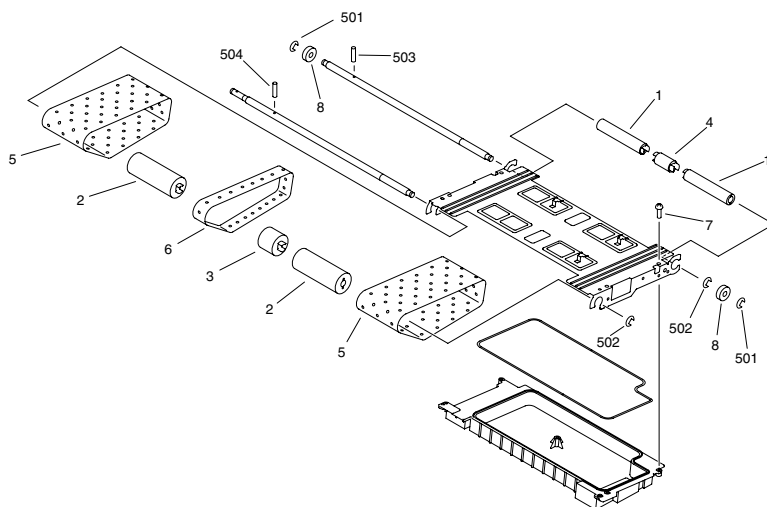


NOTE : This assembly is included in the assembly shown in Figure 320.
 注 : このユニットはFigure320のユニットに含まれます。

FIGURE & KEY NO.	PARTS NUMBER	R A N K	Q'TY	DESCRIPTION	SERIAL NUMBER/ REMARKS	S V C
Fig.325	FM2-5861-000		1	REGIST. TRANSFER ASSEMBLY		
1	FB6-0474-020		1	RETAINER, DUCT, 2		
2	FG9-3955-020		1	CABLE, REGISTRATION		
3	FC6-5475-000		1	RETAINER, DUCT		
4	FB2-6285-020		1	SHIM		
5	FB4-1670-000		1	TERMINAL, LOWER GUIDE		
6	FB4-1679-000		2	SPRING, LEAF		
7	FB4-1719-000		2	SPRING, LEAF		
8	FA9-4008-000		1	BUSHING		
10	FB4-3850-000		2	COLLAR, POSITIONING		
11	FB4-3851-000		2	SPRING, LEAF		
12	FB4-3852-000		2	SPRING, LEAF		
13	FB4-3858-000		2	SPRING, TENSION		
14	FB4-3860-000		2	BUSHING		
15	FM2-5096-000		1	CABLE, GROUNDING		
16	FB4-9515-000		1	COVER, TERMINAL		
17	FB5-7676-000		2	COLLAR, REGISTRATION, LOWER		
18	FL2-3471-000		1	GUIDE, PRE-REGISTRATION, UPPER		
20	FM1-0659-000		1	COVER, CLUTCH		
22	FM2-5854-000		1	PAPER FEEDER SENSOR ASSEMBLY		
23	FF5-7877-000		1	ROLLER, REGISTRATION, UPPER		
24	FF5-7878-000		1	GUIDE, PRE-TRANSFER, LOWER		
25	FB4-1667-000		1	SHEET, PROTECTIVE		
26	FF5-8796-000		1	TERMINAL, PAPER FEED		
28	FF6-1053-000		1	GUIDE, PRE-TRANSFER, UPPER		
29	FL2-3539-000		1	SENSOR UNIT, PAPER FEEDER		
30	FG6-6879-000		1	CABLE, FEEDER HIGH-VOLTAGE		
32	FH6-5013-020		1	CLUTCH, ELECTROMAGNETIC		
33	FK2-0149-000		1	PHOTO-INTERRUPTER, TLP1253(C6)		
34	FS5-6487-000		4	WASHER		
35	FS6-0056-000		1	GEAR, 32T		
36	FS7-0901-000		1	GEAR, 38T		

FIGURE & KEY NO.	PARTS NUMBER	R A N K	Q'TY	DESCRIPTION	SERIAL NUMBER/ REMARKS	S V C
37	XA9-0253-000		7	SCREW, MACH., PAN HEAD, M3X8		
38	XA9-0626-000		2	SCREW,M3X6		
39	XA9-0633-000		1	SCREW,RS,W/WASHER,M4X8		
40	XA9-1030-000		3	SCREW, RS, M4X12		
41	XA9-0628-000		21	SCREW,RS,M4X8		
42	XG9-0472-000		2	BALL BEARING, MF128ZZ1MC3EECZZ		
43	FB6-2378-000		1	SHEET, REGISTRATION, LOWER		
45	VS1-7177-002		3	CONNECTOR, SNAP TIGHT, BK		
46	FB5-7010-000		1	ROLLER, REGISTRATION, LOWER		
47	FL2-3520-000		1	GUIDE, PRE-REGISTRATION, LOWER		
48	FK2-0999-000		2	SENSOR	iR7105 208V UL iR7095 208V UL iR7086 208V UL	
49	FC6-9710-000		1	SHEET, CABLE PROTECTIVE	iR7105 208V UL iR7095 208V UL iR7086 208V UL	
50	FC6-5474-000		1	HOLDER, SENSOR	iR7105 208V UL iR7095 208V UL iR7086 208V UL	
501	XB1-2300-409		4	SCREW, MACHINE M3X4		
502	XB2-7300-607		5	SCREW, W/WASHER, M3X6		
503	XB6-2400-609		2	HEX SOCKET SCREW		
504	XD1-1108-212		1	WASHER,COP		
505	XD2-1100-322		2	RETAINING RING (E-TYPE)		
506	XD2-1100-402		1	RETAINING RING (E-TYPE)		
507	XD2-1100-502		1	RETAINING RING (E-TYPE)		
508	XD2-1100-642		8	RING,E		
509	XD3-2200-142		1	PIN, PARALLEL		
510	XB1-2400-607		1	SCREW, CROSS-RECESS, FCH		
511	XB1-2400-607		10	SCREW, CROSS-RECESS, FCH		

FIGURE 330 FEEDER ASSEMBLY

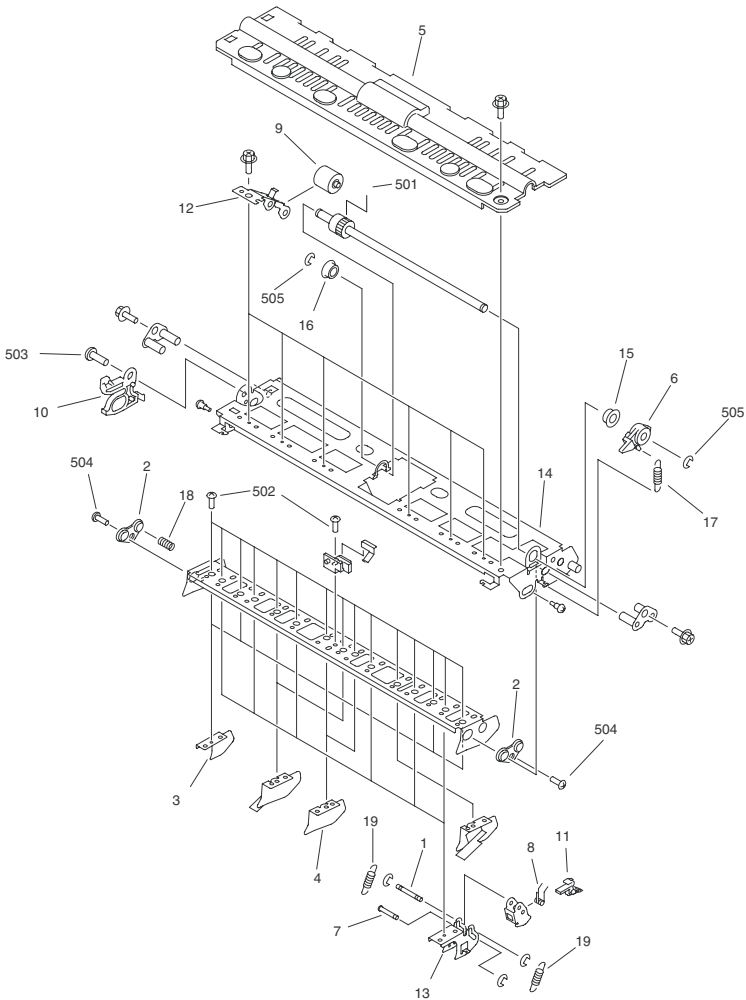


NOTE : This assembly is included in the assembly shown in Figure 320.

注 : このユニットはFigure320のユニットに含まれます。

FIGURE & KEY NO.	PARTS NUMBER	R A N K	QTY	DESCRIPTION	SERIAL NUMBER/ REMARKS	S V C
Fig.330	FG6-8033-000		1	FEEDER ASSEMBLY		
1	FB4-2088-000		2	ROLLER, IDLER		
2	FB4-2090-000		2	ROLLER, FEEDER BELT DRIVE		
3	FB4-2093-000		1	ROLLER, FEEDER BELT DRIVE		
4	FB4-2094-000		1	ROLLER, IDLER		
5	FB6-0484-000		2	BELT, PAPER FEED		
6	FB6-0485-000		1	BELT, PAPER FEED		
7	XA9-0605-000		5	SCREW, M4X8		
8	XG9-0250-000		2	BALL BEARING, 688AZZNR*MC3D4M		
501	XD2-1100-642		2	RING,E		
502	XD2-1100-802		2	RETAINING RING (E-TYPE)		
503	XD3-2200-142		1	PIN, PARALLEL		
504	XD3-2200-162		1	PIN, PARALLEL		

FIGURE 350 INTERNAL DELIVERY UPPER ASS'Y

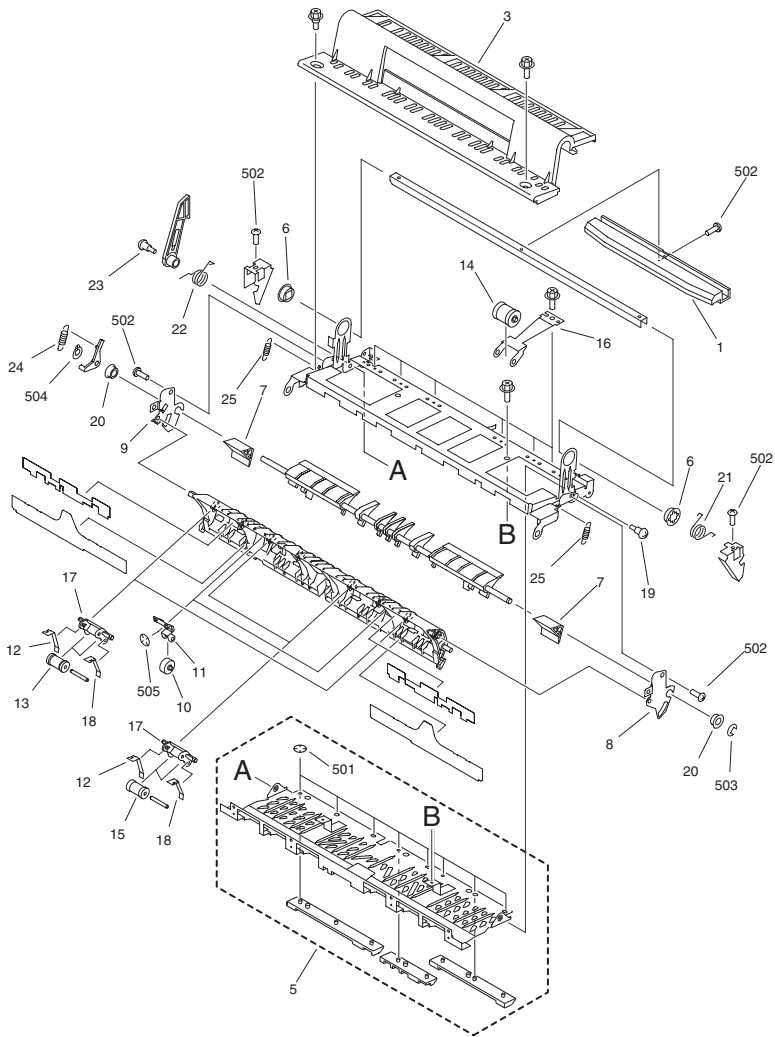


NOTE : This assembly is included in the assembly shown in Figure 320.

注：このユニットはFigure320のユニットに含まれます。

FIGURE & KEY NO.	PARTS NUMBER	R A N K	Q'TY	DESCRIPTION	SERIAL NUMBER/ REMARKS	S V C
Fig.350	FM1-0670-000		1	INTERNAL DELIVERY UPPER ASSY		
1	FA3-2764-020		6	ROD 2, SEPARATION CLAW, UPPER		
2	FB2-7163-000		2	BUSHING		
3	FB5-7668-020		4	GUIDE, UPPER, 1		
4	FB5-8717-020		2	GUIDE, UPPER, 2		
5	FB6-7107-000		1	COVER,INTERNAL,DELIVERY,UPPER		
6	FB3-8369-000		1	LEVER, ONE-WAY		
7	FB3-8414-000		6	ROD 1, SEPARATION CLAW, UPPER		
8	FB6-0599-000		6	SPRING, TORSION		
9	FB5-8729-000		6	ROLLER, INSIDE DELIVERY		
10	FB4-2263-000		1	GUIDE, LOCK		
11	FB5-3625-000		6	CLAW, SEPARATING		
12	FB5-7666-000		6	HOLDER, FEEDER ROLLER		
13	FB5-6976-020		6	SUPPORT, SEPARATION CLAW		
14	FF6-1044-000		1	GUIDE, UPPER		
15	FS1-1401-000		1	BUSHING, PL		
16	FS5-1372-000		1	BUSHING		
17	FS5-2946-000		1	SPRING, TENSION		
18	FS5-2953-020		1	SPRING, COMPRESSION		
19	FS7-2319-000		12	SPRING,TENSION		
501	XD3-1200-122		1	SPRING PIN		
502	XB1-2300-409		22	SCREW, MACHINE M3X4		
503	XB1-2400-609		4	SCREW,NACH.,TRUSS HEAD,M4X6		
504	XB6-7300-609		2	SCREW, MACH,PAN HEAD, M3X8		
505	XD2-1100-502		2	RETAINING RING (E-TYPE)		

FIGURE 351 EXTERNAL DELIVERY UPPER ASS'Y



NOTE 1 : This assembly is included in the assembly shown in Figure 320.

NOTE 2 : This assembly does not include the parts shown with key No.3,27, and 505.

注1 : このユニットはFigure320のユニットに含まれます。

注2 : このユニットにKey No.3、27、505の部品は含まれません。

FIGURE & KEY NO.	PARTS NUMBER	R A N K	Q'TY	DESCRIPTION	SERIAL NUMBER/ REMARKS	S V C
Fig.351	FG6-7366-000		1	EXTERNAL DELIVERY UPPER ASS'Y		
1	FB2-7137-000		1	HANDLE, FEEDER		
3	FB6-7106-000		1	COVER,EXTERNAL DELIVERY,UPPER		
5	FF6-1029-000		1	GUIDE, EXTERNAL DELIVERY		
6	FC1-7438-000		2	BUSHING		
7	FB4-2284-000		2	GUIDE, AUXILIARY, 1		
8	FB4-2288-020		1	SUPPORT, DEFLECTOR, FRONT		
9	FB4-2289-020		1	SUPPORT, DEFLECTOR, REAR		
10	FB4-2293-000		2	ROLLER, IDLER		
11	FB4-2294-000		2	HOLDER, ROLLER		
12	FB5-7664-000		4	SPRING, LEAF		
13	FB5-3395-000		4	ROLLER		
14	FB5-3410-000		6	ROLLER		
15	FB5-3421-000		4	ROLLER, CURL		
16	FB5-7657-000		6	HOLDER, FEEDER ROLLER		
17	FB5-7662-000		4	HOLDER, ROLLER		
18	FB5-7663-000		4	SPRING, LEAF		
19	FS1-9199-000		1	SCREW, M4		
20	FS5-1004-000		2	BUSHING, POLYACETAR		
21	FS5-2944-000		1	SPRING, TORSION		
22	FS5-2982-000		1	SPRING, TORSION, SUS		
23	FS5-9284-020		1	SCREW, STEPPED		
24	FS6-2885-000		1	SPRING, TENSION		
25	FS6-2886-000		2	SPRING, TENSION		
501	XD2-2300-302		8	WASHER, RETAINING 3.0MM (SUS)		
502	XB1-2300-609		15	SCREW, MACHINE M3X6		
503	XD2-1100-402		1	RETAINING RING (E-TYPE)		
504	XD2-2100-502		1	GRIP RING		

FIGURE 360 DUPLEX ASSEMBLY

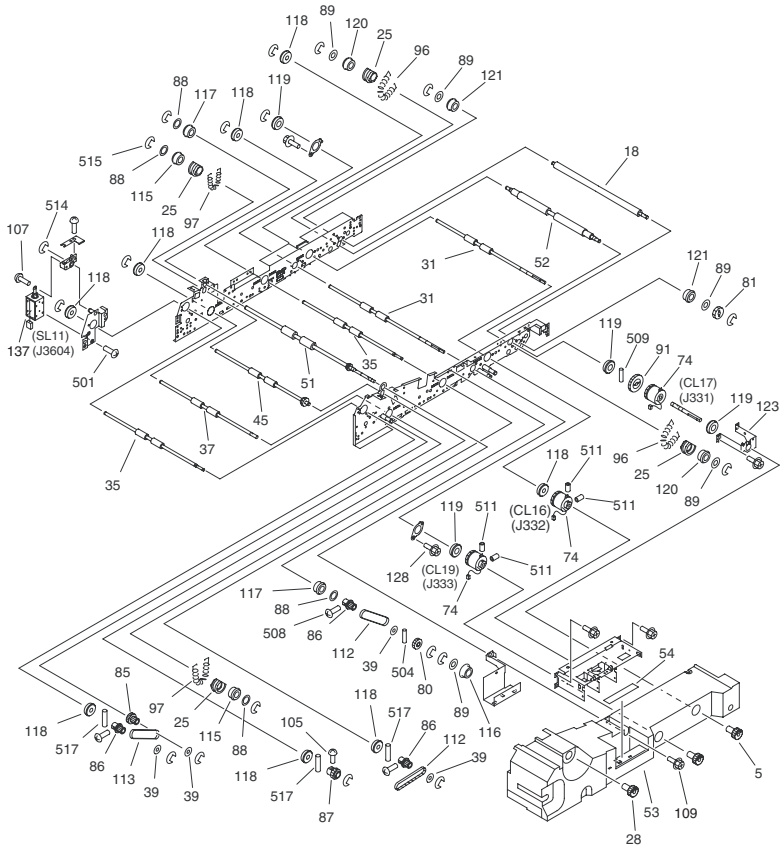


FIGURE 360 DUPLEX ASSEMBLY

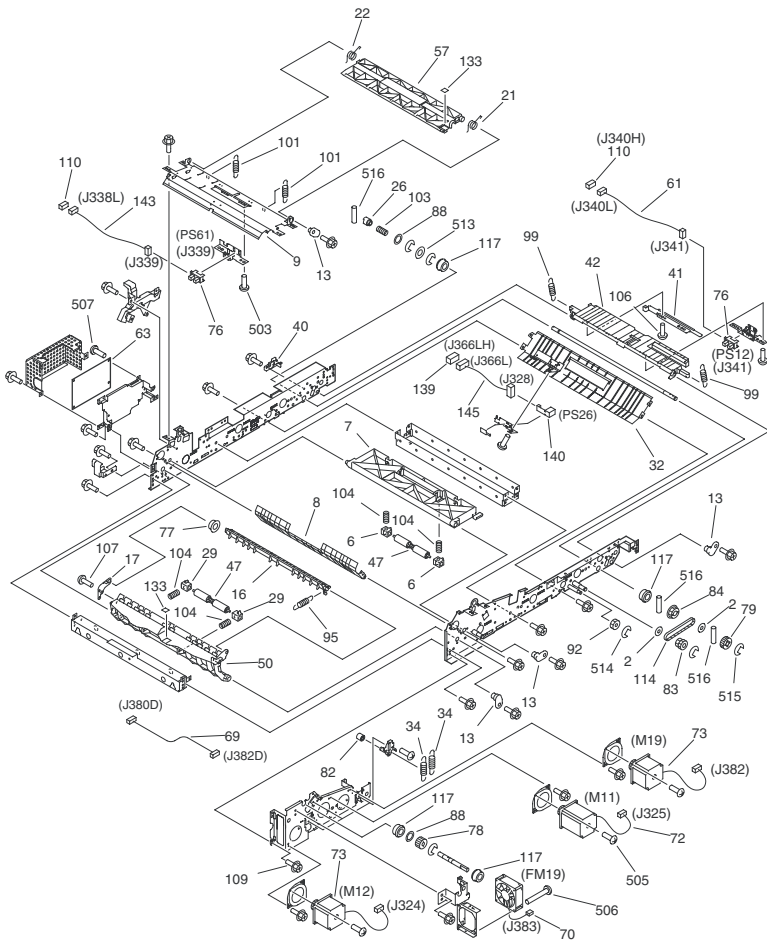


FIGURE 360 DUPLEX ASSEMBLY

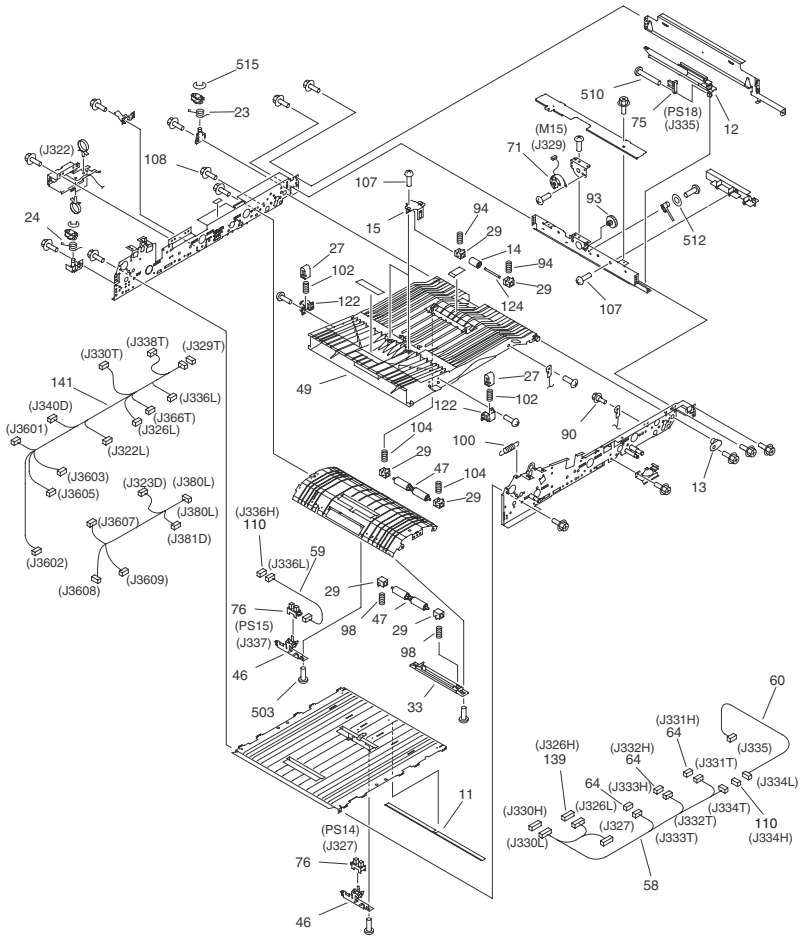


FIGURE & KEY NO.	PARTS NUMBER	R A N K	Q'TY	DESCRIPTION	SERIAL NUMBER/ REMARKS	S V C
Fig.360	FM2-5872-000		1	DUPLEX ASSEMBLY		
2	FA6-7939-000		2	FLANGE, PULLEY, 2		
5	FB2-2139-020		2	KNOB		
6	FB2-7755-000		2	BUSHING		
7	FB4-2106-000		1	GUIDE, REVERSE DELIVERY		
8	FB4-2113-020		1	GUIDE, REVERSING, LOWER		
9	FB4-2114-030		1	GUIDE, REVERSING, UPPER		
11	FB4-2122-000		1	SHEET, FEEDER, LOWER		
12	FB4-2124-000		1	GUIDE, SIDE REGISTRATION SLIDE		
13	FB4-2131-000		5	GUIDE, HINGE		
14	FB4-2132-000		2	ROLLER, FEED		
15	FB4-2133-020		2	HOLDER, ROLLER		
16	FB4-2135-000		1	DEFLECTOR		
17	FB4-2136-020		1	SUPPORT, DEFLECTOR		
18	FB4-2145-020		1	ROLLER, STEEL		
21	FB4-2152-020		1	SPRING, TORSION		
22	FB4-2153-020		1	SPRING, TORSION		
23	FB4-2155-020		1	SPRING, TORSION		
24	FB4-2156-020		1	SPRING, TORSION		
25	FB4-2159-000		4	HOLDER, BUSHING		
26	FB4-2164-000		1	COUPLING		
27	FB6-7051-000		2	BLOCK, GUIDE PRESSURE		
28	FB4-7481-000		1	KNOB, DUPLEXING FEEDER		
29	FB4-7486-000		10	BUSHING		
31	FB5-6925-020		2	ROLLER, FEEDER		
32	FB6-0525-020		1	GUIDE, LEFT DECK, UPPER		
33	FB6-0534-000		1	HOLDER, ROLLER		
34	FB6-0559-000		6	SPRING, TENSION		
35	FB6-0560-020		2	ROLLER, FEEDER		
37	FB6-0575-020		1	ROLLER, FEEDER		
39	FB6-0579-000		4	FLANGE, PULLEY		
40	FB6-0623-000		1	COVER, CABLE PROTECTIVE		

FIGURE & KEY NO.	PARTS NUMBER	R A N K	Q'TY	DESCRIPTION	SERIAL NUMBER/ REMARKS	S V C
41	FB6-0624-000		1	COVER, GUIDE LOWER		
42	FB6-0625-000		1	GUIDE, DUPLEXING OUTLET		
45	FF5-7736-000		1	ROLLER, REVERSE,1		
46	FF5-7737-020		2	PLATE, SENSOR SUPPORT		
47	FB6-2397-000		4	ROLLER		
49	FF5-8200-000		1	GUIDE, LOWER FEEDER, UPPER		
50	FF5-8202-000		1	GUIDE, LEFT		
51	FF6-1519-000		1	ROLLER, REVERSE		
52	FF6-1520-000		1	ROLLER, SPONGE, DUPLEXING		
53	FF6-2859-000		1	FRONT COVER, DUPLEXING		
54	FS6-8704-000		1	LABEL, DUPLEXING UNIT NUMBER		
57	FF9-1910-020		1	GUIDE, REVERSING		
58	FG6-1839-020		1	CABLE, DUPLEXING FEEDER		
59	FG6-1840-020		1	CABLE, CONFLUENT SENSOR CONNECT		
60	FG6-1841-020		1	CABLE, REGIST SENSOR CONNECT		
61	FG6-1843-020		1	CABLE, REVERSING SENSOR		
63	FG6-8585-000		1	THROUGH-PATH PCB ASSEMBLY		
69	FG6-8619-000		1	CABLE, MOTOR CONNECTING, 2		
70	FH6-1490-020		1	FAN, COOLING		
71	FH6-1542-020		1	MOTOR, STEPPING, DC, 2.9W		
72	FH6-1939-020		1	MOTOR, STEPPING		
73	FH6-1940-020		2	MOTOR, STEPPING		
74	FH6-5014-020		3	CLUTCH, ELECTROMAGNETIC		
75	FH7-7196-020		1	IC, EE-SX419-P12 <6>		
76	FK2-0149-000		4	PHOTO-INTERRUPTER, TLP1253(C6)		
77	FS1-1401-000		1	BUSHING, PL		
78	FS5-0338-000		1	GEAR, 16T		
79	FS5-0514-000		1	GEAR, 20T		
80	FS5-0710-000		1	GEAR, 16T		
81	FS5-0714-000		1	GEAR, 20T		
82	FS5-3314-000		3	PULLEY, 14T		

FIGURE & KEY NO.	PARTS NUMBER	RANK	Q'TY	DESCRIPTION	SERIAL NUMBER/REMARKS	SVC
83	FS5-3613-000		1	GEAR, 16T/24T		
84	FS5-3617-000		1	PULLEY, 30T		
85	FS5-3942-000		1	GEAR, 18T/16T		
86	FS5-3943-000		3	PULLEY, 18T		
87	FS5-3945-000		1	GEAR, 16T		
88	FS5-6487-000		7	WASHER		
89	FS5-6488-000		4	WASHER		
90	FS5-9221-020		1	SCREW,RS STEPPED,M3		
91	FS5-0070-000		1	GEAR, 40T		
92	FS6-0145-000		1	GEAR, 16T		
93	FS6-0557-000		1	GEAR, 12T/36T		
94	FS6-2769-020		4	SPRING, COMPRESSION		
95	FS6-2770-000		1	SPRING, TENSION		
96	FS6-2771-000		2	SPRING, TENSION		
97	FS6-2772-020		2	SPRING, TENSION		
98	FS6-2773-020		2	SPRING, COMPRESSION		
99	FS6-2777-020		2	SPRING, TENSION		
100	FS6-2830-020		1	SPRING, TENSION		
101	FS6-2831-020		2	SPRING, TENSION		
102	FS6-2832-000		2	SPRING, COMPRESSION		
103	FS6-2980-000		1	SPRING, COMPRESSION		
104	FS6-2992-000		6	SPRING, COMPRESSION		
105	XA9-0249-000		1	SCREW, M4X8		
107	XA9-0605-000		6	SCREW, M4X8		
108	XA9-0899-000		1	SCREW,RS,M4X10		
109	XA9-0908-000		10	SCREW PS,M4X8		
110	VS1-7177-003		3	CONNECTOR, SNAP TIGHT, BK		
112	XF2-1611-080		2	BELT, TIMING		
113	XF2-1612-680		1	BELT, TIMING		
114	XF9-0663-000		1	BELT, TIMING		
115	XG2-8012-355		2	BALL BEARING, NSK MR128ZZ1MC3		
116	XG9-0192-000		1	BALL BEARING, NMB DDLF-1060ZZH		

FIGURE & KEY NO.	PARTS NUMBER	RANK	Q'TY	DESCRIPTION	SERIAL NUMBER/REMARKS	SVC
117	XG9-0211-000		4	BALL BEARING, MF128ZZ1MC3D4M		
118	XG9-0249-000		8	BALL BEARING,608ZZ1NR*MC3ED4ML		
119	XG9-0250-000		4	BALL BEARING, 688AZZNR*MC3D4M		
120	XG9-0291-000		2	BEARING, BALL, LOWER ROLLER		
121	XG9-0362-000		2	BEARING,BALL		
122	FB4-2326-020		2	HOLDER,GUIDE		
123	FB5-6910-020		1	COVER, CLUTCH		
124	FB4-2134-020		2	SHAFT, PAPER FEEDER ROLLER		
128	XA9-0628-000		47	SCREW,RS,M4X8		
133	FB4-9030-000		1	LABEL, GUIDE		
140	FG6-8605-000		1	OPTICAL SENSOR PCB ASSEMBLY		
141	FG6-8616-030		1	CABLE, THROUGH-PATH DRAWER		
143	FG6-8617-020		1	CABLE, OUTLET SENSOR CONNECT		
145	FG6-8593-000		1	CABLE, DECK SENSOR CONNECTING		
501	XB1-2300-409		6	SCREW, MACHINE M3X4		
503	XB1-2400-609		21	SCREW,NACH.,TRUSS HEAD,M4X6		
504	XD3-2200-182		1	PIN, DOWEL		
505	XB1-2401-009		6	SCREW, MACHINE M4X10		
506	XB1-2402-009		2	SCREW, MACHINE M4X20 (S)		
507	XB2-7400-607		4	SCREW, TOOTHED WASHER, M4X6		
508	XB2-8300-805		3	SCREW, MACH, PAN HEAD, M3X8		
509	XD3-2200-162		2	PIN, PARALLEL		
510	XB4-7301-209		1	SCREW, SELF-TAPPING		
511	XB6-2400-509		6	SETSCREW, HEXAGON SOCKET		
512	XD1-1104-139		1	WASHER,COP		
513	XD1-1108-229		1	WASHER,COP		
514	XD2-1100-502		2	RETAINING RING (E-TYPE)		
515	XD2-1100-642		34	RING,E		
516	XD3-2200-122		3	PIN, DOWEL		
517	XD3-2200-142		3	PIN, PARALLEL		

FIGURE 420 1 MIRROR MOUNT ASSEMBLY

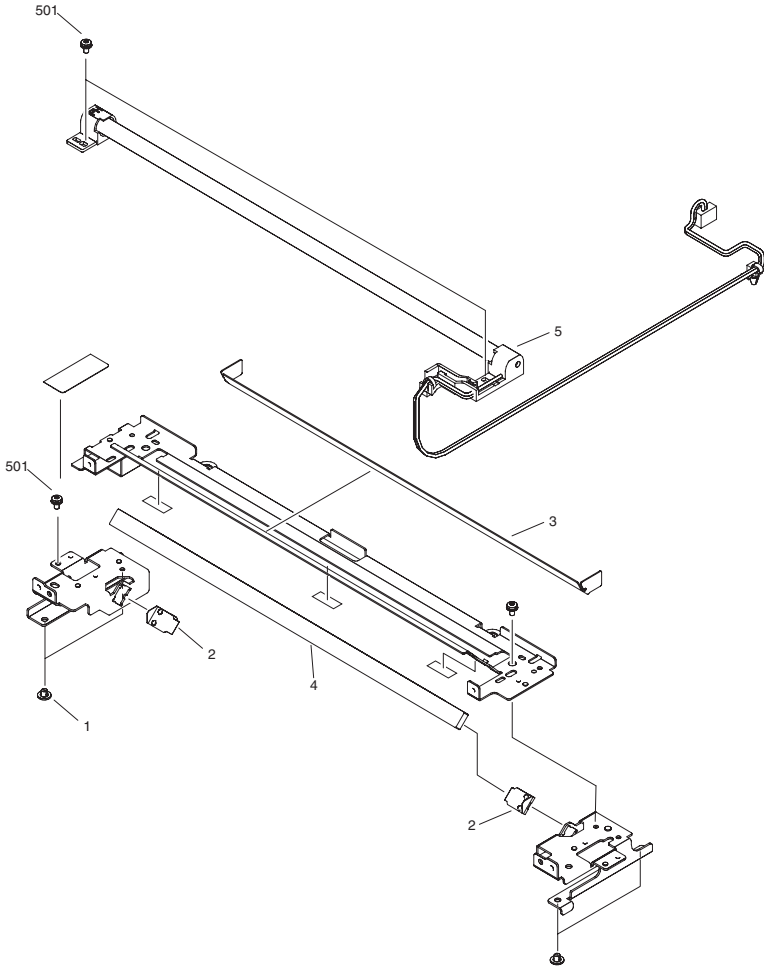


FIGURE & KEY NO.	PARTS NUMBER	RANK	Q'TY	DESCRIPTION	SERIAL NUMBER/REMARKS	SVC
Fig.420	FM2-4747-000		1	1 MIRROR MOUNT ASSEMBLY		
1	FC5-0127-000		4	PIN, SLIDER		
2	FC5-2835-000		2	SPRING, LEAF, MIRROR		
3	FC6-7114-000		1	REFLECTOR		
4	FL2-3154-000		1	MIRROR, 1		
5	FM2-4759-000		1	XENON LAMP ASSEMBLY		
501	XB2-8300-607		4	SCREW, M3X6, S		

FIGURE 430 2 MIRROR MOUNT ASSEMBLY

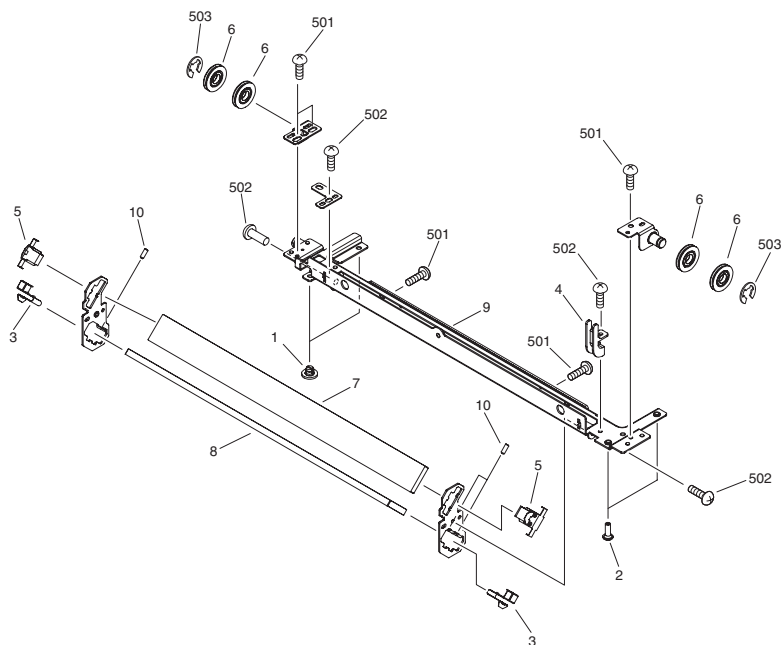


FIGURE & KEY NO.	PARTS NUMBER	R A N K	Q'TY	DESCRIPTION	SERIAL NUMBER/ REMARKS	S V C
Fig.430	FM2-4753-000		1	2 MIRROR MOUNT ASSEMBLY		
1	FC5-0127-000		2	PIN, SLIDER		
2	FC5-0136-000		2	PIN, SLIDER		
3	FC5-0165-000		2	SPRING, LEAF, MIRROR		
4	FC5-2810-000		1	GUIDE,2 CABLE		
5	FC5-2840-000		2	SPRING, LEAF, MIRROR		
6	FL2-0647-000		4	PULLEY		
7	FL2-3747-000		1	MIRROR, 2		
8	FL2-3748-000		1	MIRROR, 3		
9	FL2-3425-000		1	FRAME, 2		
10	XA9-0425-030		3	SETSCREW,HEX SOCKET		
501	XB1-2300-406		5	SCREW, MACHINE, TRUSS HEAD,		
502	XB2-8300-607		4	SCREW, M3X6, S		
503	XD2-1100-642		2	RING,E		

FIGURE 460 SCANNER ASSEMBLY

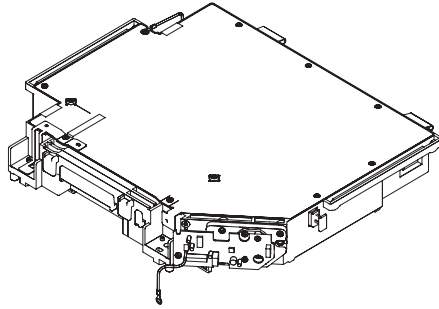


FIGURE & KEY NO.	PARTS NUMBER	R A N K	QTY	DESCRIPTION	SERIAL NUMBER/ REMARKS	S V C
Fig.460	FM2-5449-000		RF	SCANNER ASSEMBLY		

FIGURE 510 PHOTO-SENSITIVE DRUM ASSEMBLY

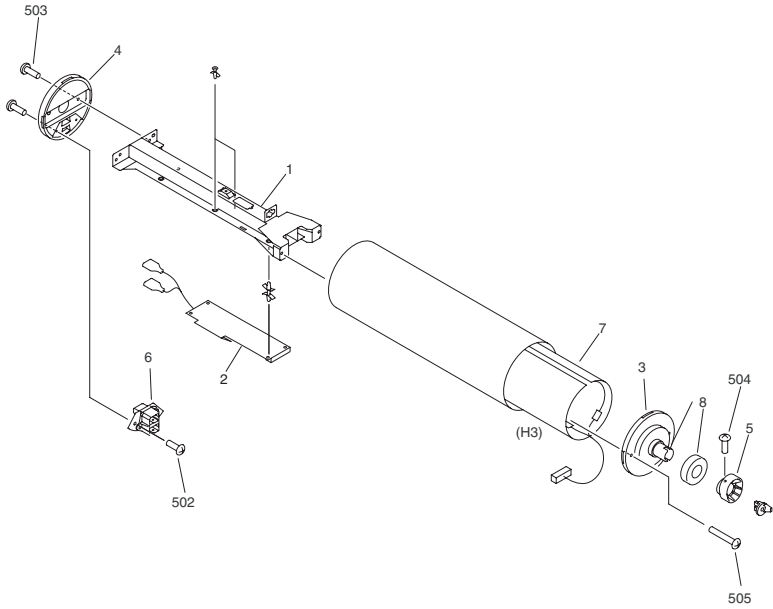
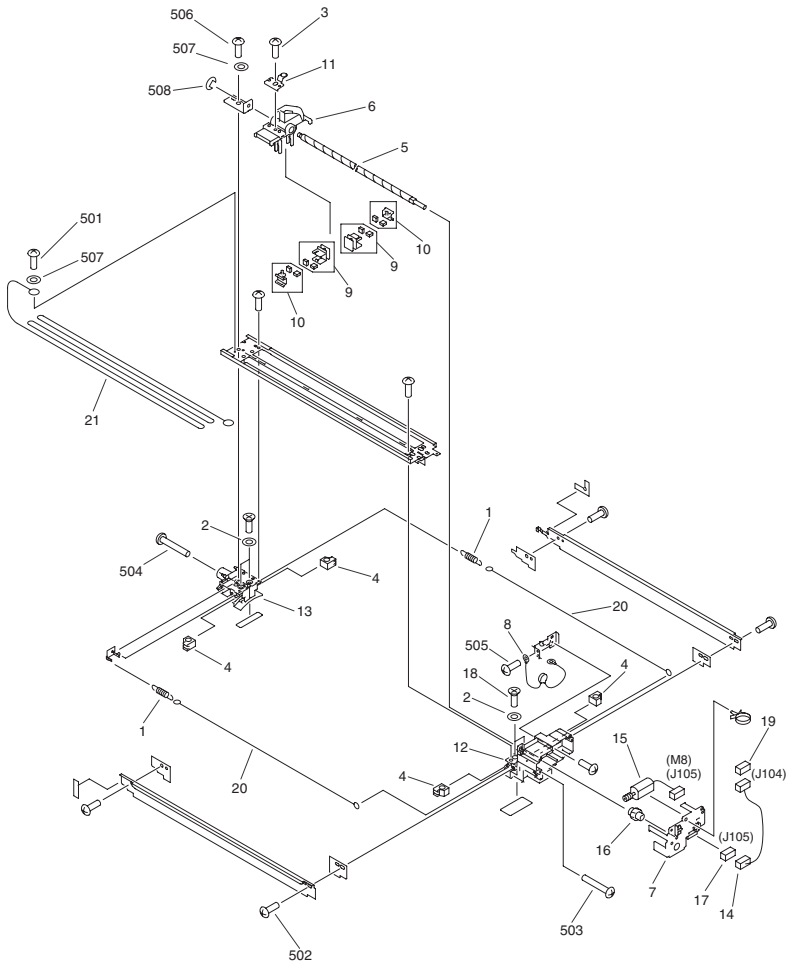


FIGURE & KEY NO.	PARTS NUMBER	RANK	Q'TY	DESCRIPTION	SERIAL NUMBER/REMARKS	SVC
Fig.510	NPN		RF	PHOTO-SENSITIVE DRUM ASSEMBLY		
1	FA9-0648-040		1	GUIDE, DRUM		
2	FM2-4360-000		1	HEATER CONTROL PCB ASSEMBLY		
3	FB4-1620-000		1	FLANGE, DRUM, FRONT		
4	FB4-1621-000		1	FLANGE, DRUM, REAR		
5	FB4-1622-000		1	CAM		
6	FG6-2295-000		1	BRUSH UNIT		
7	FH7-4713-000		1	HEATER, DRUM		
8	XG9-0307-000		1	BEARING. BALL		
502	XB1-2400-609		4	SCREW,NACH.,TRUSS HEAD,M4X6		
503	XB2-8400-809		1	SCREW WITH WASHER		

FIGURE 550 PRIMARY CORONA ASSEMBLY



NOTE : This assembly does not include the part shown with key No. 19.
このユニットにKey No. 19の部品は含まれません。

FIGURE & KEY NO.	PARTS NUMBER	R A N K	Q'TY	DESCRIPTION	SERIAL NUMBER/ REMARKS	S V C
Fig.550	FG6-7313-000		1	PRIMARY CORONA ASSEMBLY		
1	97-5527-000		2	SPRING, TENSION, CORONA WIRE		
2	FA2-1498-000		4	WASHER		
3	XA9-0915-000		3	SCREW, M3X6		
4	FA3-2118-000		4	GUIDE, CORONA WIRE		
5	FB4-1693-000		1	SCREW, SHAFT		
6	FB4-1933-000		1	HOLDER, PRIMARY CORONA		
7	FB4-1941-000		1	COVER, MOTOR		
8	FF3-3330-000		1	VARISTOR UNIT		
9	FF5-6883-000		2	BLOCK, WIRE CLEANING PAD		
10	FF5-6884-000		2	BLOCK, WIRE CLEANING PAD		
11	FF5-6885-000		1	GUIDE, PIN		
12	FF5-7705-000		1	BLOCK, PRIMARY CORONA, FRONT		
13	FF5-7706-000		1	BLOCK, PRIMARY CORONA, REAR		
14	FG6-1858-020		1	CABLE, SORTER CONNECTING		
15	FH5-1138-000		1	MOTOR, DC, 1.36W		
16	FS3-0940-000		1	GEAR, 18T		
17	VS1-7177-002		1	CONNECTOR, SNAP TIGHT, BK		
18	XA9-0228-000		4	SCREW, INSUL., C.S.HEAD		
19	VS1-7177-002		1	CONNECTOR, SNAP TIGHT, BK		
20	FB4-3687-000		AR	WIRE, CORONA, 0.06MM (20M)		
21	FY1-0883-000		AR	WIRE, CORONA, 0.1MM (100M)		
501	XB1-2300-603		1	SCREW, MACHINE M3X6		
502	XB1-2300-609		12	SCREW, MACHINE M3X6		
503	XB1-2301-207		1	SCREW, BH3X12 (S)		
504	XB1-2302-503		1	SCREW, MACH, TRVRR HEAD, M3X5		
505	XB2-7300-607		2	SCREW, W/WASHER, M3X6		
506	XB6-7300-609		1	SCREW, MACH,PAN HEAD, M3X8		
507	XD1-2100-307		1	WASHER,PLAIN		
508	XD2-1100-242		1	WASHER, RETAINING		

FIGURE 570 PRE-TRANSFER CORONA ASSEMBLY

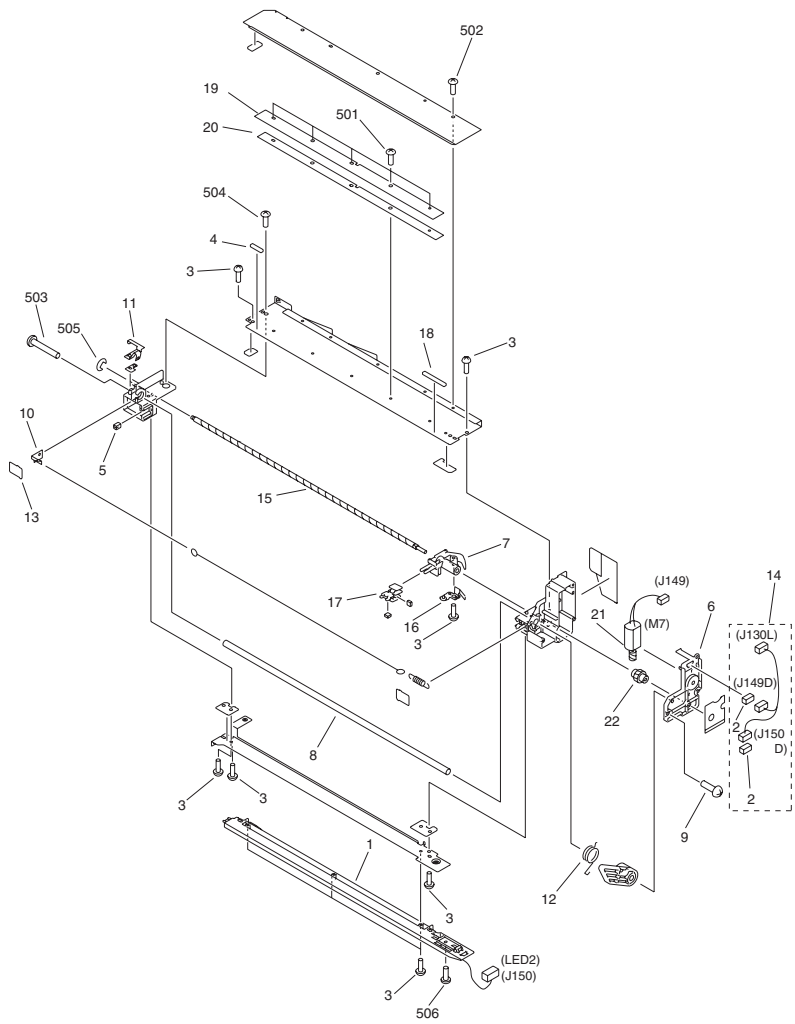


FIGURE & KEY NO.	PARTS NUMBER	R A N K	Q'TY	DESCRIPTION	SERIAL NUMBER/ REMARKS	S V C
Fig.570	FM2-5857-000		1	PRE-TRANSFER CORONA ASSEMBLY		
1	FG6-7185-000		1	PRE-TRANSFER EXPOSURE UNIT		
2	VS1-7177-002		2	CONNECTOR, SNAP TIGHT, BK		
3	XA9-0596-000		9	SCREW, TP, M3X6		
4	FA3-8004-000		1	BRUSH, REAR		
5	FA3-2128-000		1	DAMPER (SPONGE RUBBER)		
6	FB4-1680-020		1	COVER,PRE-TRANSFER MOTOR		
7	FB4-1681-020		1	HOLDER, SHAFT SCREW		
8	FB4-1682-000		1	ROLLER, BIAS		
9	XA9-0591-000		2	SCREW, M3X8		
10	FB4-1694-000		1	TERMINAL, CORONA		
11	FB4-1695-000		1	TERMINAL, BIAS ROLLER		
12	FB4-1696-000		1	SPRING, TORSION		
13	FB4-1697-000		2	LID, POST BLOCK		
14	FG6-7203-000		1	CABLE, PRE-TRANSFER CONNECTING		
15	FB4-1693-000		1	SCREW, SHAFT		
16	FF5-2942-020		1	PLATE, PRESSURE		
17	FF5-9552-000		1	HOLDER, WIRE CLEANING		
18	FA3-2565-000		1	BRUSH, FRONT		
19	FF6-1860-000		1	MOUNT, PRE-TRANSFER SCRAPER		
20	FB6-4081-000		1	PLATE, SCRAPER RETAINING		
21	FH5-1138-000		1	MOTOR, DC, 1.36W		
22	FS3-0940-000		1	GEAR, 18T		
501	XB1-2300-402		5	SCREW		
502	XB1-2300-407		3	SCREW, BH3X4 (S)		
503	XB1-2301-603		1	SCREW, MACHINE M3X16		
504	XB1-2400-407		1	SCREW,MACH.,TRUSS HEAD,M4X4		
505	XD2-1100-242		1	WASHER, RETAINING		
506	XB1-2300-609		1	SCREW, MACHINE M3X6		

FIGURE 580 TRANSFER/SEPARATE CORONA ASS'Y

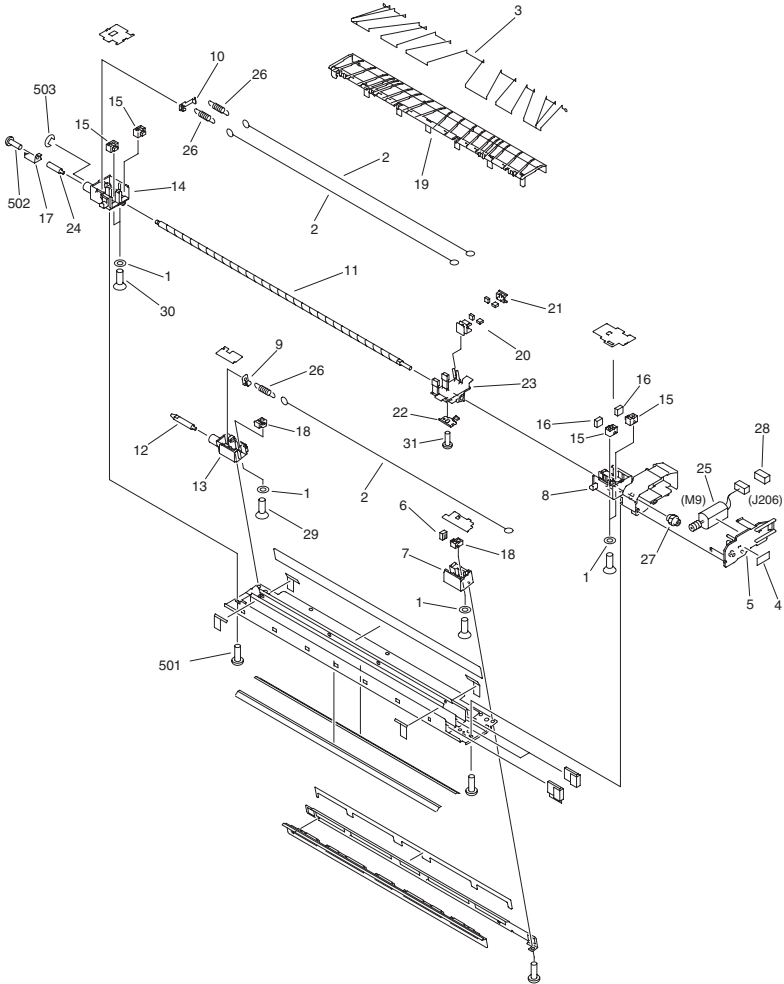
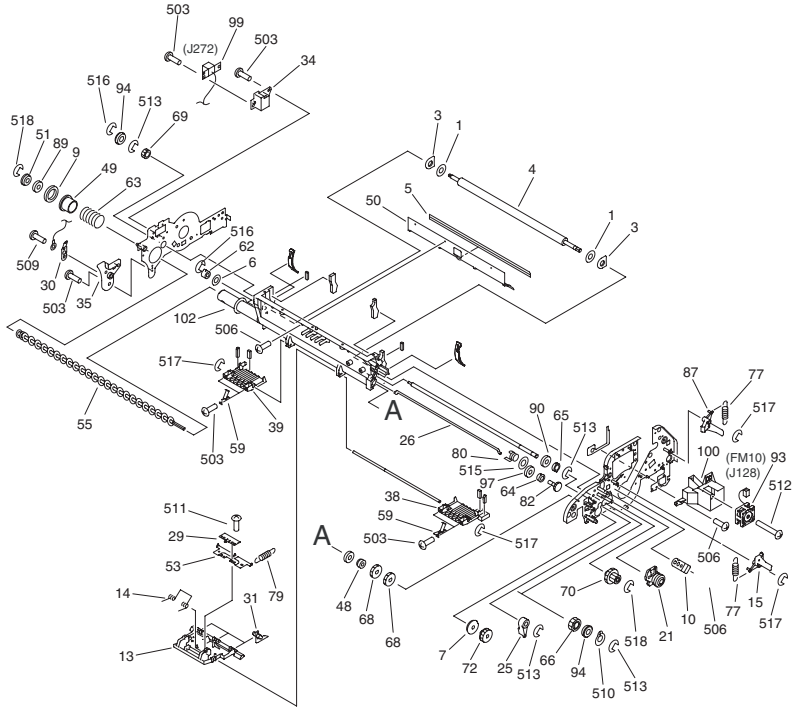


FIGURE & KEY NO.	PARTS NUMBER	R A N K	Q'TY	DESCRIPTION	SERIAL NUMBER/ REMARKS	S V C
Fig.580	FG6-8733-020		1	TRANSFER/SEPARATE CORONA ASSY		
1	FA2-1498-000		6	WASHER		
2	FB4-3687-000		AR	WIRE, CORONA, 0.06MM (20M)		
3	FA5-1876-000		160	GUIDE WIRE, AMIRAN, 0.148MM		
4	FA9-3822-000		1	LABEL, DISCRIMINATE		
5	FB2-6850-000		1	COVER, MOTOR		
6	FB2-7096-000		3	PAD		
7	FB4-1648-000		1	BLOCK, TRANSFER, FRONT		
8	FB4-1650-000		1	BLOCK, SEPARATION, FRONT		
9	FB4-1656-000		1	HOOK, SPRING, 1		
10	FB4-1657-000		1	HOOK, SPRING, 2		
11	FB4-1693-000		1	SCREW, SHAFT		
12	FB4-9355-020		1	PIN, TRANSFER/SEPARATION		
13	FB5-0529-000		1	BLOCK,TRANSFER, REAR		
14	FB5-0530-000		1	BLOCK, SEPARATION, REAR		
15	FB5-2394-000		4	BLOCK. ADJUSTING		
16	FB5-2515-000		2	PAD, CUSHION		
17	FB5-3105-000		1	PLATE CONTACT, SEPARATION		
18	FB5-9648-000		2	GUIDE, CORONA WIRE		
19	FB6-0502-020		1	GUIDE, PAPER SEPARATION		
20	FF5-6883-000		1	BLOCK, WIRE CLEANING PAD		
21	FF5-6884-000		1	BLOCK, WIRE CLEANING PAD		
22	FF5-6885-000		1	GUIDE, PIN		
23	FF5-7891-020		1	HOLDER, FELT		
24	FH2-9242-020		1	PIN, RESISTANCE		
25	FH5-1138-000		1	MOTOR, DC, 1.36W		
26	FS2-2551-000		3	SPRING, TENSION, CORONA WIRE		
27	FS3-0940-000		1	GEAR, 18T		
28	VS1-7177-002		1	CONNECTOR, SNAP TIGHT, BK		
29	XA9-0034-000		2	SCREW, M4X15		
30	XA9-0228-000		4	SCREW, INSUL., C.S.HEAD		
31	XA9-0915-000		1	SCREW, M3X6		

FIGURE & KEY NO.	PARTS NUMBER	R A N K	Q'TY	DESCRIPTION	SERIAL NUMBER/ REMARKS	S V C
501	XB1-2300-609		8	SCREW, MACHINE M3X6		
502	XB2-7300-607		1	SCREW, WWASHER, M3X6		
503	XD2-1100-242		1	WASHER, RETAINING		

FIGURE 600 AP KIT ASSEMBLY



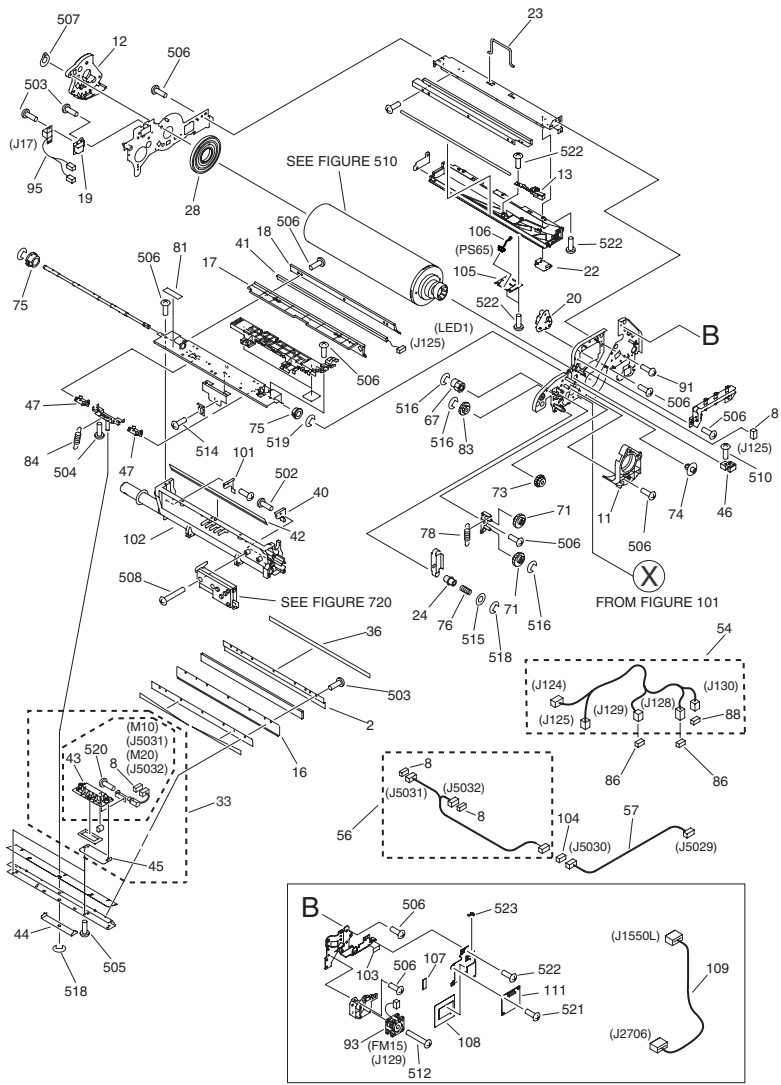
NOTE 1 : This assembly includes the assembly shown in Figure 720.

NOTE 2 : This assembly does not include the parts shown with key No.11,20,28 and 506.

注1 : このユニットはFigure720のユニットを含みます。

注2 : このユニットにKey No.11、20、28、506の部品は含まれません。

FIGURE 600 AP KIT ASSEMBLY



IR7105 208V UL, IR7095 208V UL, IR7086 208V UL

FIGURE & KEY NO.	PARTS NUMBER	R A N K	Q'TY	DESCRIPTION	SERIAL NUMBER/ REMARKS	S V C
Fig.600	FM2-5870-000		1	AP KIT ASSEMBLY		
1	FA4-1819-000		2	SPACER		
2	FA4-2037-000		1	RETAINER, BLADE		
3	FA6-7865-000		2	FELT, LOWER		
4	FA9-3730-020		1	ROLLER, MAGNET		
5	FB4-1616-000		1	SHEET, SCRAPER		
6	XG9-0143-000		1	SEAL, OIL		
7	FB2-8302-000		1	BUSHINGPOM		
8	VS1-7177-002		3	CONNECTOR, SNAP TIGHT, BK		
9	FB2-6897-000		1	SEAL, SHUTTER		
10	FB4-1619-020		1	RETAINER, BEARING		
11	FB4-1576-000		1	BLOCK, TRANSFER FIXING, FRONT		
12	FB4-1577-000		1	BLOCK, TRANSFER FIXING, REAR		
13	FB4-1584-000		1	HOLDER, CLAW		
14	FB4-1585-000		1	SPRING, TORSION		
15	FB4-1590-000		1	SUPPORT, CORONA FIXING		
16	FB4-1592-000		1	PLATE, BLADE BACKING		
17	FB4-1594-000		1	HOLDER, PRECONDITIONING, A		
18	FB4-1595-000		1	HOLDER, PRECONDITIONING, B		
19	FB4-1600-000		1	HOLDER, CONNECTOR		
20	FB4-1607-000		1	HOLDER, POSITIONING, FRONT		
21	FB4-1609-000		1	LIMITER, TORQUE		
22	FB4-1611-000		1	COVER, PRE-TRANSFER DUCT		
23	FB4-1612-000		1	HANDLE		
24	FB4-1613-000		1	SPACER		
25	FB4-1617-000		1	ARM, ROLLER		
26	FB4-1618-000		1	SHAFT, CLEANER STRRING		
27	FC7-2024-000		1	BLADE, CLEANING		
28	FB4-1575-020		1	SUPPORT, DRUM SIDE		
29	FB4-8013-000		1	PLATE, GROUNDING, 1		
30	FB4-8014-000		1	PLATE, GROUNDING, 2		
31	FB4-8018-000		3	CLAW, SEPARATION		

FIGURE & KEY NO.	PARTS NUMBER	R A N K	Q'TY	DESCRIPTION	SERIAL NUMBER/ REMARKS	S V C
33	FG6-8723-030		2	VIBRATION MOTOR UNIT		
34	FB4-9525-000		1	HOLDER, CONNECTOR		
35	FB4-9526-000		1	HOLDER, BIAS SUPPORT		
36	FB5-1844-000		1	LABEL, 'BLADE CHANGE'		
38	FB5-6856-000		1	GUIDE, CLEANER COOLING, FRONT		
39	FB5-6857-000		1	GUIDE, CLEANER COOLING, REAR		
40	FB5-6868-000		1	SCRAPER, FRONT		
41	FH7-3395-020		1	LED ARRAY UNIT		
42	FB5-8817-000		1	SHEET, SCRAPER, LOWER		
43	FB6-2380-000		1	HOUSING, MOTOR		
44	FB6-2385-000		1	SPRING, LEAF		
45	FB6-2390-000		1	COVER, MOTOR		
46	FB6-2400-000		1	ARM, RECIPROCATING		
47	FB6-2402-000		2	RETAINER, SWING PLATE		
48	FF2-2891-000		1	BUSHING, 1 (POM)		
49	FL2-5586-000		1	SHUTTER, WASTE TONER		
50	FF5-7682-000		1	SCRAPER		
51	FF6-1016-000		1	BUSHING		
53	FB4-8012-020		1	PLATE, SEPARATION CLAW		
54	FG6-7204-000		1	CABLE, AP KIT		
55	FG6-7429-000		1	SCREW, CLEANING		
56	FG6-8594-020		1	CABLE, VIB. MOTOR CONNECT, 1		
57	FG6-8595-000		1	CABLE, VIB. MOTOR CONNECT, 2		
59	FB5-2598-020		4	PLATE, HOLDER SUPPORT		
62	FS2-1463-000		1	BUSHING, POM		
63	FS3-2887-000		1	SPRING, COMPRESSION		
64	FS5-1800-000		1	BUSHING		
65	FS5-1801-000		1	BUSHING		
66	FS6-0121-000		1	GEAR, 14T		
67	FS6-0136-000		1	GEAR, 18T		
68	FS6-0138-000		2	GEAR, 30T		
69	FS6-0972-000		1	GEAR, 14T		

FIGURE & KEY NO.	PARTS NUMBER	R A N K	Q'TY	DESCRIPTION	SERIAL NUMBER/ REMARKS	S V C
70	FS6-0973-000		1	GEAR, 14T/26T		
71	FS6-0975-000		2	GEAR, 21T		
72	FS6-0976-000		1	GEAR, 20T		
73	FS6-0977-000		1	GEAR, 14T/26T		
74	FS6-0978-000		1	GEAR, 14T		
75	FS6-1025-000		2	BUSHING		
76	FS6-2748-000		1	SPRING, COMPRESSION		
77	FS6-2749-000		2	SPRING, TENSION		
78	FS6-2981-000		1	SPRING, TENSION		
79	FS6-2991-020		3	SPRING, TENSION		
80	FS6-2994-000		1	SPRING,STIRRER		
81	FS6-8399-000		1	GREASE TYPE CAUTION LABEL		
82	FS7-0048-000		1	GEAR, 26T		
83	FS7-0050-000		1	GEAR, 23T/39T		
84	FS7-2902-000		1	SPRING, TENSION		
86	VS1-7177-003		2	CONNECTOR, SNAP TIGHT, BK		
87	FC6-5681-000		1	CLAMP, CHARGE		
88	VS1-7177-004		1	CONNECTOR, SNAP TIGHT, BK		
89	XG9-0111-000		2	SEAL, OIL		
90	X71-9310-000		1	SEAL, OIL		
91	XA9-0605-000		4	SCREW, M4X8		
93	FH6-1547-020		2	FAN, COOLING		
94	XG9-0250-000		2	BALL BEARING, 688AZZR*MC3D4M		
95	FG6-6894-020		1	CABLE, DRUM HEATER		
97	XG9-0143-000		1	SEAL, OIL		
99	FG6-6892-030		1	CABLE, SEPARATION CLAW		
100	FL2-3541-000		1	DUCT, POST FAN		
101	FB4-1579-000		1	SCRAPER, REAR		
102	FL2-5589-000		1	CASE, CLEANER		
103	FU5-8656-000		1	LABEL, DISCRIMINATE		
104	VS1-7173-005		1	CONNECTOR, SNAP TIGHT		

FIGURE & KEY NO.	PARTS NUMBER	R A N K	Q'TY	DESCRIPTION	SERIAL NUMBER/ REMARKS	S V C
105	FC7-1775-000		1	CASE, SENSOR	iR7105 208V UL iR7095 208V UL iR7086 208V UL	
106	FK2-0999-000		2	SENSOR	iR7105 208V UL iR7095 208V UL iR7086 208V UL	
107	FC7-1801-000		1	SHEET, PROTECTIVE	iR7105 208V UL iR7095 208V UL iR7086 208V UL	
108	FC6-9704-000		1	SHEET	iR7105 208V UL iR7095 208V UL iR7086 208V UL	
109	FM2-4376-000		1	CABLE, RECEPTION	iR7105 208V UL iR7095 208V UL iR7086 208V UL	
111	FM2-4357-000		1	RECEPTION PCB ASSEMBLY	iR7105 208V UL iR7095 208V UL iR7086 208V UL	
502	XB1-2300-602		2	SCREW, MACHINE, M3X6		
503	XB1-2300-609		23	SCREW, MACHINE M3X6		
504	XB1-2300-809		4	SCREW, MACHINE M3X8		
505	XB1-2301-007		4	SCREW, BH3X10 (S)		
506	XB1-2400-609		AR	SCREW,NACH.,TRUSS HEAD,M4X6		
507	XD2-2300-602		3	GRIP RING		
508	XB1-2401-609		2	SCREW, MACHINE M4X16		
509	XB2-7300-607		1	SCREW, WWASHER, M3X6		
510	XD2-2100-802		1	GRIP RING (D=8)		
511	XB4-7300-509		1	SCREW, TAPPING, M3X5		
512	XB4-7303-009		4	SCREW,TAPPING,TRUSS HEAD,M3X30		
513	XD2-1100-642		4	RING,E		
514	XB6-7400-609		1	SCREW, MACHINE M4X6		
515	XD1-1106-235		2	WASHER,COP		
516	XD2-1100-322		6	RETAINING RING (E-TYPE)		
517	XD2-1100-402		8	RETAINING RING (E-TYPE)		
518	XD2-1100-502		6	RETAINING RING (E-TYPE)		
519	XD2-1100-802		2	RETAINING RING (E-TYPE)		
520	XA1-1170-207		2	SCREW, CROSS-RECESS, PH		
521	XB1-2300-607		4	SCREW, BH3X6(S)		
522	XB1-2400-607		10	SCREW, CROSS-RECESS, FCH		
523	XD2-1100-242		1	WASHER, RETAINING		

FIGURE 620 HOPPER ASSEMBLY

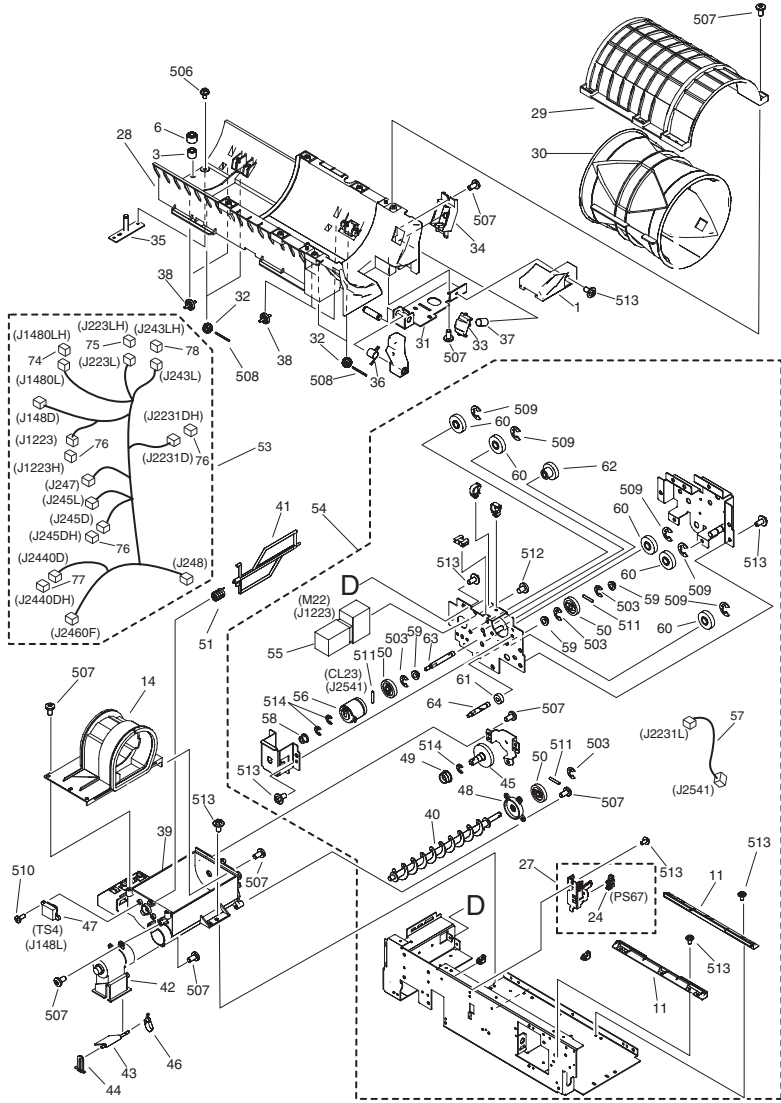


FIGURE 620 HOPPER ASSEMBLY

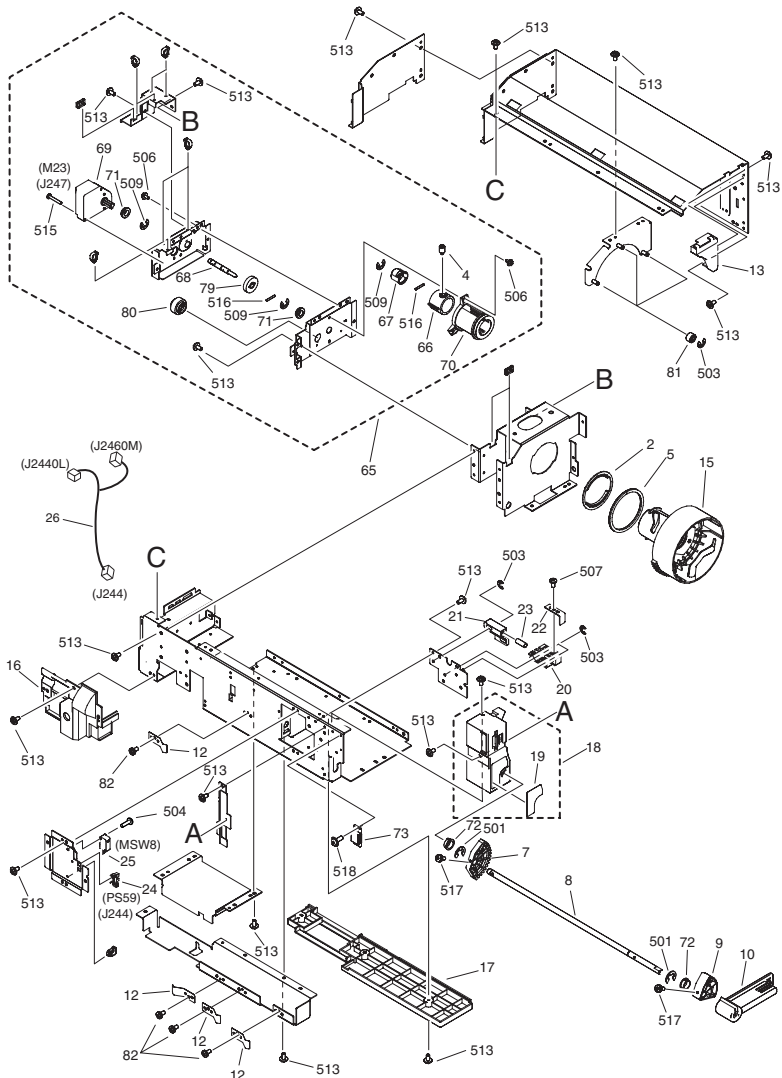


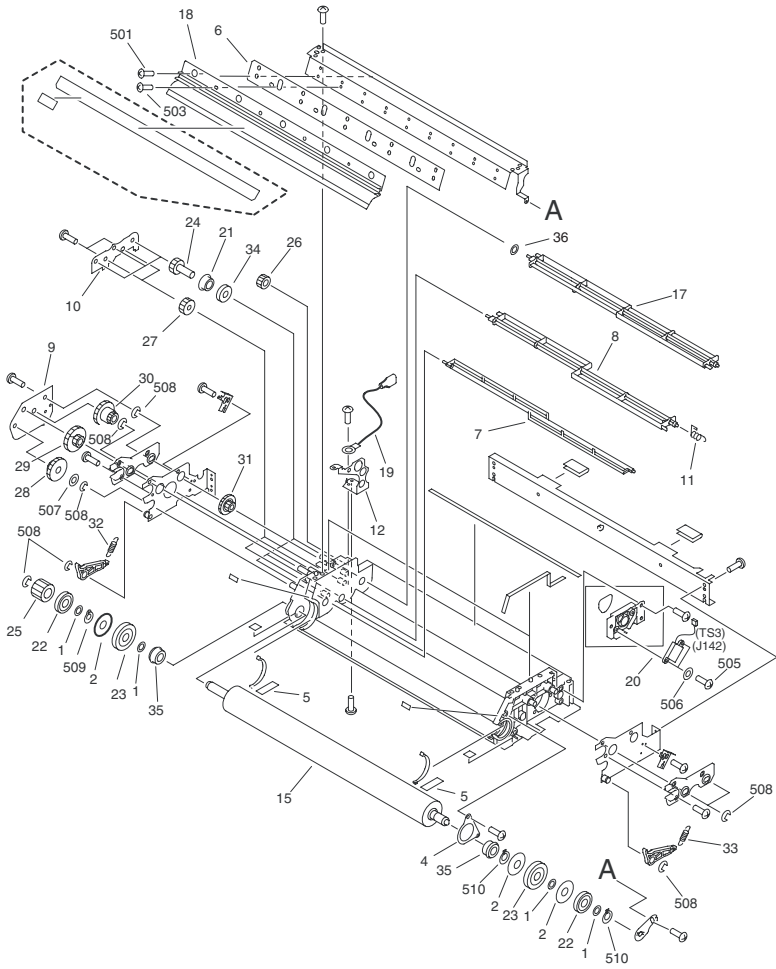
FIGURE & KEY NO.	PARTS NUMBER	R A N K	Q'TY	DESCRIPTION	SERIAL NUMBER/ REMARKS	S V C
Fig.620	FM2-4063		1	HOPPER ASSEMBLY		
1	FC6-5592-000		1	COVER, BOTTLE BASE, LOWER		
2	FC5-1945-000		1	HOLDER, RING		
3	FC5-1949-000		1	ROLLER, SHAFT		
4	FC5-5091-000		1	SHAFT, RING		
5	FC5-6264-000		1	SEAL, RING CATCH		
6	FC6-5484-000		1	STOPPER, FRONT		
7	FC6-5501-000		1	GEAR, 40T		
8	FC6-5502-000		1	SHAFT, OPERATOR		
9	FC6-5503-000		1	CAM, STOPPER, REAR		
10	FC6-5504-000		1	LEVER		
11	FC6-5507-000		2	RAIL		
12	FC7-0069-000		4	PLATE, GROUNDING		
13	FC7-0073-000		1	COVER, INTERNAL, RIGHT FRONT		
14	FL2-3510-000		1	HOPPER, SUB, UPPER		
15	FL2-3511-000		1	CAM		
16	FL2-3517-000		1	COVER, INTERNAL		
17	FL2-3518-000		1	COVER, FRAME, LOWER		
18	FL2-3538-000		1	COVER, INNER, FRONT		
19	FU5-8655-000		1	LABEL, POSITION INDICATION		
20	FC6-5541-000		1	SWITCH, DOOR, 1		
21	FC6-5542-000		1	SWITCH, DOOR, 2		
22	FC6-5586-000		1	PLATE, SWITCH		
23	FU6-2270-000		1	SPRING, COMPRESSION		
24	FK2-0149-000		2	PHOTO-INTERRUPTER, TLP1253(C6)		
25	FK2-0384-000		1	SWITCH, MICRO		
26	FM2-4370-000		1	CABLE, SET ON DOOR		
27	FM2-4120-000		1	BOTTLE SENSOR ASSEMBLY		
28	FC6-5476-000		1	BASE, BOTTLE, LOWER		
29	FC6-5477-000		1	BASE, BOTTLE, UPPER		
30	FC6-5478-000		1	RING, HOLDER		
31	FC6-5479-000		1	STOPPER, REAR		

FIGURE & KEY NO.	PARTS NUMBER	R A N K	Q'TY	DESCRIPTION	SERIAL NUMBER/ REMARKS	S V C
32	FC6-5481-000		4	ROLLER		
33	FC7-0071-000		1	STOPPER, BOTTLE		
34	FC7-0072-000		1	STOPPER, BOTTLE, 2		
35	FL2-3509-000		1	SUPPORT, STOPPER, FRONT		
36	FU6-2268-000		1	SPRING, TORSION		
37	FU6-2277-000		1	SPRING, COMPRESSION		
38	FC6-5482-000		4	ROLLER		
39	FC6-5516-000		1	HOPPER, SUB		
40	FC6-5517-000		1	SCREW		
41	FC6-5518-000		1	ROD, STIRRING		
42	FC6-5519-000		1	PIPE, 1		
43	FC6-5521-000		1	SHUTTER, SUB HOPPER		
44	FC6-5522-000		1	BUSHING		
45	FC6-5526-000		1	GEAR, 40T		
46	FC7-2023-000		1	LEVER, SHUTTER		
47	FK2-0158-000		1	TONER SENSOR UNIT		
48	FL2-3536-000		1	PIPE, 2		
49	FL2-3537-000		1	BUSHING		
50	FU6-0956-000		3	GEAR, 30T		
51	FU6-2274-000		1	SPRING, COMPRESSION		
53	FM2-4388-000		1	CABLE, SET ON		
54	FM2-4867-000		1	SUB HOPPER DRIVE ASSEMBLY		
55	FH6-1543-020		1	MOTOR, DC 16.8W		
56	FK2-0974-000		1	CLUTCH, ELECTROMAGNETIC		
57	FM2-4392-000		1	CABLE, TONER CLUTCH		
58	FS1-1433-000		1	BUSHING		
59	FS1-1569-000		3	BUSHING		
60	FS5-0748-000		5	GEAR, IDLER, 30T		
61	FU6-0954-000		1	GEAR, 15T		
62	FU6-0955-000		1	GEAR, 15T/28T		
63	FU6-5089-000		1	SHAFT, CLUTCH SUPPORT		
64	FU6-5090-000		1	SHAFT, STIRRING DRIVE		

FIGURE & KEY NO.	PARTS NUMBER	R A N K	Q'TY	DESCRIPTION	SERIAL NUMBER/ REMARKS	S V C
65	FM2-4868-000		1	BOTTLE DRIVE ASSEMBLY		
66	FC5-1904-000		1	GUIDE, RELEASE		
67	FC5-1912-000		1	CAP, DOCKING POINT		
68	FC5-1913-000		1	SHAFT, BOTTLE DRIVE		
69	FK2-0015-000		1	MOTOR, DC24V		
70	FL2-3512-000		1	RAIL, RING		
71	FS1-1510-000		2	BUSHING, 8,4, (COP)		
72	FS5-1474-000		2	BUSHING COP		
73	XZ9-0472-000		1	CATCH, MAGNET		
74	VS1-7173-003		1	CONNECTOR, SNAP TIGHT, 3P, W		
75	VS1-7173-004		1	CONNECTOR, SNAP TIGHT		
76	VS1-7177-002		3	CONNECTOR, SNAP TIGHT, BK		
77	VS1-7177-003		1	CONNECTOR, SNAP TIGHT, BK		
78	VS1-7177-008		1	CONNECTOR, SNAP TIGHT, BK		
79	FU5-0199-000		1	GEAR, 36T		
80	FU5-0273-000		1	GEAR, 35T		
81	FC5-1950-000		3	ROLLER, BOTTLE STOP		
82	XA9-0266-000		4	SCREW		
501	XD2-1100-802		2	RETAINING RING (E-TYPE)		
503	XD2-1100-502		11	RETAINING RING (E-TYPE)		
504	XB1-2301-407		1	SCREW, MACH.,TRUS HEAD, M3X14		
506	XB3-6300-605		18	SCREW,RS,M3X6		
507	XB4-5400-807		13	SCREW,P,M4X8		
508	XD3-2200-262		4	PIN, DOWEL		
509	XD2-1100-642		11	RING,E		
510	XB4-5300-807		2	SCREW, P, M3X8		
511	XD3-2200-122		3	PIN, DOWEL		
512	XB1-2300-407		3	SCREW, BH3X4 (S)		
513	XB3-6400-805		AR	SCREW,RS,M4X8		
514	XD2-1100-322		3	RETAINING RING (E-TYPE)		
515	XB1-2302-007		3	SCREW, BH3X20 (S)		
516	XD3-2200-142		2	PIN, PARALLEL		

FIGURE & KEY NO.	PARTS NUMBER	R A N K	Q'TY	DESCRIPTION	SERIAL NUMBER/ REMARKS	S V C
517	XB2-8401-007		3	SCREW,W/WASHER,M4X10		
518	XB6-7300-805		2	SCREW, BH3X8 S		

FIGURE 640 DEVELOPING ASSEMBLY

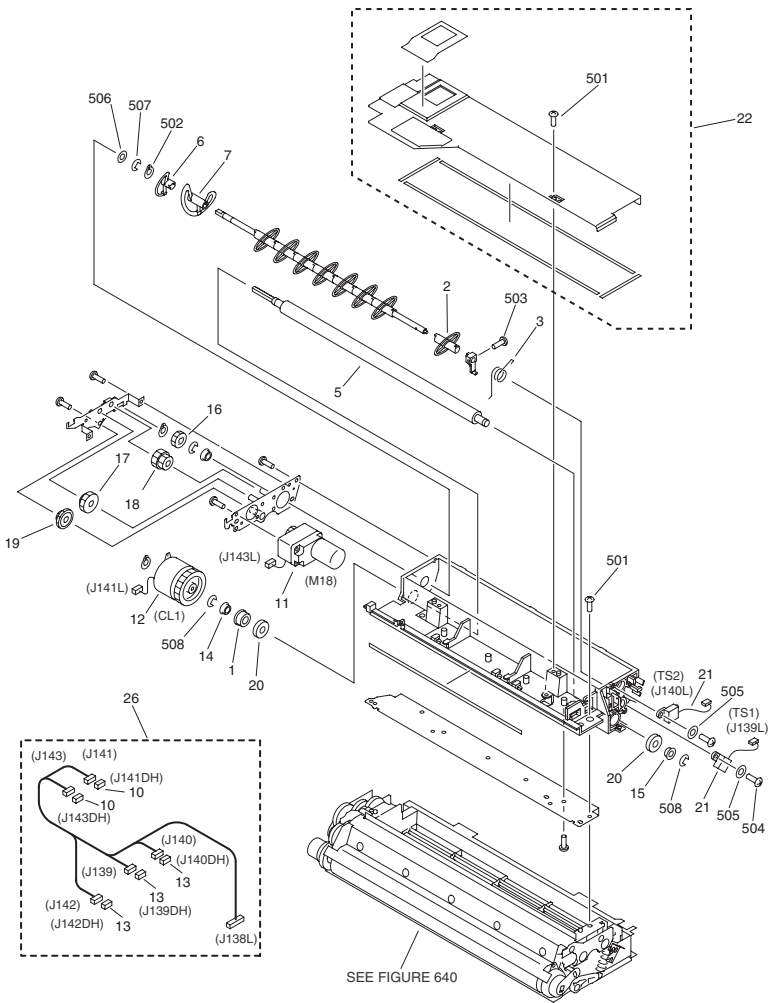


NOTE : This assembly includes the assembly shown in Figure 645.
 注 : このユニットはFigure645のユニットを含みます。

FIGURE & KEY NO.	PARTS NUMBER	R A N K	Q'TY	DESCRIPTION	SERIAL NUMBER/ REMARKS	S V C
Fig.640	FM2-4872-000		1	DEVELOPING ASSEMBLY		
1	FA3-0515-000		4	WASHER(COP)		
2	FA5-3771-020		3	WASHER(COP)		
4	FA6-7822-020		1	MOUNT, BUSHING		
5	FB3-5006-000		2	SHEET		
6	FB4-1821-030		1	BLADE, MAGNET		
7	FB4-1824-000		1	ROD, STIRRING, 1		
8	FB4-1825-000		1	ROD, STIRRING, 2		
9	FB4-1828-020		1	RETAINER, REDUCTION GEAR		
10	FB4-1829-020		1	RETAINER, STIRRER DRIVE GEAR		
11	FB4-1831-000		1	SPRING, TORSION		
12	FB4-1837-000		1	TERMINAL, BIAS		
15	FB6-2370-020		1	CYLINDER, DEVELOPING		
17	FF5-7701-000		1	ROD, STIRRING, 3		
19	FG6-1854-000		1	CABLE, HV, DEVELOPING UNIT		
20	FK2-0158-000		1	TONER SENSOR UNIT		
21	FS2-1014-000		3	BUSHING, PL		
22	FS5-6574-000		2	ROLLER, PRESSURE		
23	FS5-6579-000		2	COLLAR		
24	FS6-0857-000		3	GEAR, 20T		
25	FS6-0979-000		1	GEAR, 24T		
26	FS6-0980-000		1	GEAR, 19T		
27	FS6-0981-000		2	GEAR, 21T		
28	FS6-0982-000		1	GEAR, 16T/31T		
29	FS6-0983-000		1	GEAR, 14T/34T		
30	FS6-0984-000		1	GEAR, 14T/32T		
31	FS6-0985-000		1	GEAR, 16T/34T		
32	FS6-2750-010		1	SPRING, TENSION		
33	FS6-2751-000		1	SPRING, TENSION		
34	X71-9310-000		3	SEAL, OIL		
35	XG9-0120-000		2	BALL BEARING, NSK 6900DDNXR*		
36	XG9-0111-000		1	SEAL, OIL		

FIGURE & KEY NO.	PARTS NUMBER	RANK	Q'TY	DESCRIPTION	SERIAL NUMBER/REMARKS	SVC
501	XB1-2300-402		5	SCREW		
503	XB1-2300-604		4	SCREW, MACHINE M3X6		
505	XB4-7300-809		2	SCREW, TAP, BINDING HEAD, M3X8		
506	XD1-1103-139		2	WASHER,COP		
507	XD1-1106-222		1	WASHER,COP		
508	XD2-1100-502		8	RETAINING RING (E-TYPE)		
509	XD2-2102-002		1	GRIP RING (D=10)		
510	XD2-3100-102		2	RETAINING RING(C TYPE)		

FIGURE 645 BUFFER ASSEMBLY



NOTE 1 : This assembly is included in the assembly shown in Figure 640.

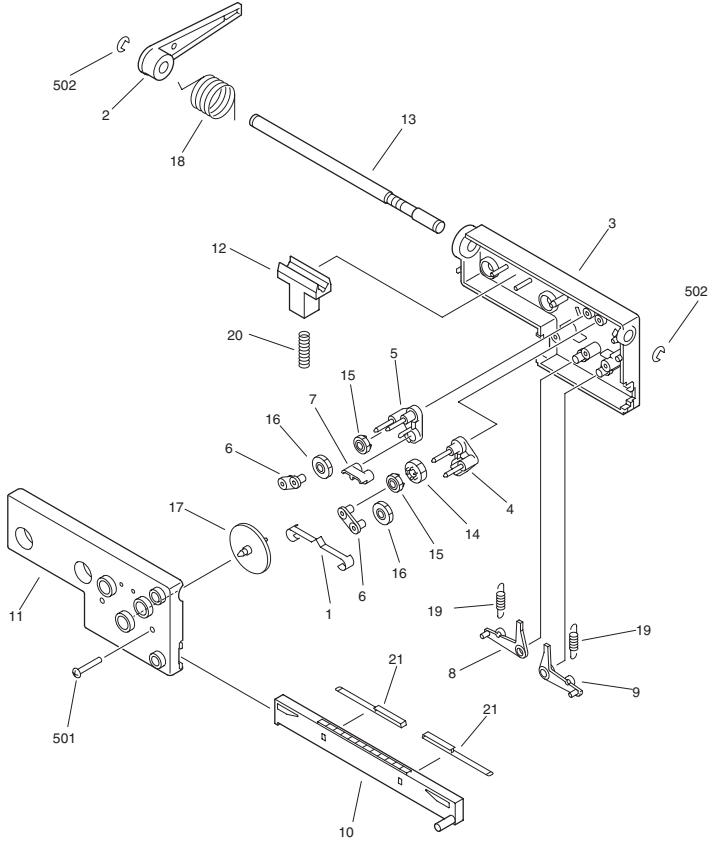
NOTE 2 : This assembly does not include the part shown with key No.501.

注1 : このユニットはFigure640のユニットに含まれます。

注2 : このユニットにKey No. 501の部品は含まれません。

FIGURE & KEY NO.	PARTS NUMBER	R A N K	Q'TY	DESCRIPTION	SERIAL NUMBER/ REMARKS	S V C
Fig.645	FM2-4871-000		1	BUFFER ASSEMBLY		
1	FA4-0207-000		1	HOLDER, SEAL		
2	FB4-1842-000		8	BLADE, STIRRING		
3	FB4-1849-000		1	SPRING, TORSION		
5	FB4-1856-000		1	ROLLER, MAGNET		
6	FB4-1857-000		1	BLADE, STIRRING		
7	FB4-1858-000		1	BLADE, STIRRING		
10	VS1-7177-002		2	CONNECTOR, SNAP TIGHT, BK		
11	FH6-1543-020		1	MOTOR, DC 16.8W		
12	FH7-5840-020		1	CLUTCH, ELECTROMAGNETIC		
13	VS1-7177-003		3	CONNECTOR, SNAP TIGHT, BK		
14	FS1-1202-000		1	BUSHING, 8MM, NYLON (R), OL-10		
15	FS1-1503-000		1	BUSHING		
16	FS2-0875-000		1	GEAR,16T		
17	FS6-0988-000		1	GEAR, 14T/27T		
18	FS6-0989-000		1	GEAR, 18T/19T		
19	FS6-0990-000		1	GEAR, 14T/27T		
20	X71-9310-000		2	SEAL, OIL		
21	FK2-0158-000		2	TONER SENSOR UNIT		
22	FL2-3513-000		1	COVER, BUFFER		
26	FG6-1891-020		1	CABLE, BUFFER UNIT		
501	XB1-2300-409		13	SCREW, MACHINE M3X4		
502	XD2-2100-602		3	GRIP RING (D=6)		
503	XB1-2300-809		1	SCREW, MACHINE M3X8		
504	XB4-7300-809		9	SCREW, TAP, BINDING HEAD, M3X8		
505	XD1-1103-139		4	WASHER,COP		
506	XD1-1106-221		1	WASHER,COP		
507	XD2-1100-502		2	RETAINING RING (E-TYPE)		
508	XD2-1100-642		2	RING,E		

FIGURE 720 PAPER FEED CLAW ASS'Y



NOTE : This assembly is included in the assembly shown in Figure 600.
 注 : このユニットはFigure 600のユニットに含まれます。

FIGURE & KEY NO.	PARTS NUMBER	R A N K	QTY	DESCRIPTION	SERIAL NUMBER/REMARKS	S V C
Fig.720	FG1-3472-000		1	PAPER FEED CLAW ASS'Y		
1	FS7-2995-000		1	SPRING, LEAF		
2	FA3-2471-000		1	BASE PLATE		
3	FA3-2472-000		1	LEVER		
4	FA3-2473-000		1	LINK, LEFT		
5	FA3-2474-000		1	LINK, RIGHT		

FIGURE & KEY NO.	PARTS NUMBER	R A N K	Q'TY	DESCRIPTION	SERIAL NUMBER/ REMARKS	S V C
6	FA3-2475-000		2	BRACE		
7	FA3-2476-000		1	LINK		
8	FA3-2477-000		1	LEVER, RESET, RIGHT		
9	FA3-2478-000		1	LEVER, RESET, LEFT		
10	FA3-2479-000		1	RACK		
11	FA3-2482-000		1	COVER, TOP		
12	FA3-2483-000		1	BRAKE		
13	FS2-0087-020		1	SHAFT, WORM		
14	FS2-0088-000		1	GEAR, 20T		
15	FS2-0089-000		2	GEAR, 20T		
16	FS2-0090-000		2	GEAR, 25T		
17	FS2-0091-000		1	GEAR, 60T		
18	FS2-2001-000		1	SPRING, TORSION		
19	FS2-2002-000		2	SPRING		
20	FS2-2058-000		1	SPRING, COMPRESSION		
21	FS7-2994-000		2	SPRING, LEAF		
501	XB4-7301-209		2	SCREW, SELF-TAPPING		
502	XD2-1100-502		2	RETAINING RING (E-TYPE)		

FIGURE & KEY NO.	PARTS NUMBER	R A N K	Q'TY	DESCRIPTION	SERIAL NUMBER/ REMARKS	S V C
Fig.770	FM2-5093-000		1	WASTE TONER ASSEMBLY		
1	FB4-1542-000		1	SPACER, LATTICE CABLE		
2	FB4-9511-000		1	SUPPORT,SPRING		
3	FB4-9799-000		1	GUIDE, CABLE		
4	FB6-0783-000		1	SPRING, LEAF, GROUNDING		
5	FG6-6728-030		1	CABLE, MAIN SWITCH CONNECTING		
6	FG6-6866-020		1	CABLE, WASTE TONER SENSOR		
7	VS1-7177-003		1	CONNECTOR, SNAP TIGHT, BK		
8	FK2-0149-000		1	PHOTO-INTERRUPTER, TLP1253(C6)		
9	FM2-4385-000		1	CABLE, LATTICE		
10	VS1-7177-002		1	CONNECTOR, SNAP TIGHT, BK		
11	FS2-9410-020		1	SCREW, STEPPED, M4X12.7		
12	FS5-9398-020		1	SCREW, SIDE REGIST., M3X8		
13	FS6-2760-000		1	SPRING, COMPRESSION		
14	FU5-8656-000		1	LABEL, DISCRIMINATE		
15	VS1-7177-007		1	CONNECTOR, SNAP TIGHT, BK		
501	XB1-2301-407		2	SCREW, MACH, TRUS HEAD, M3X14		
502	XB1-2400-609		5	SCREW,NACH.,TRUSS HEAD,M4X6		
503	XB2-7400-607		2	SCREW, TOOTHED WASHER, M4X6		
504	XD1-1104-138		2	WASHER, SHIM MD4.1		
505	XD2-1100-502		2	RETAINING RING (E-TYPE)		

FIGURE 775 WASTE TONER PIPE ASSEMBLY

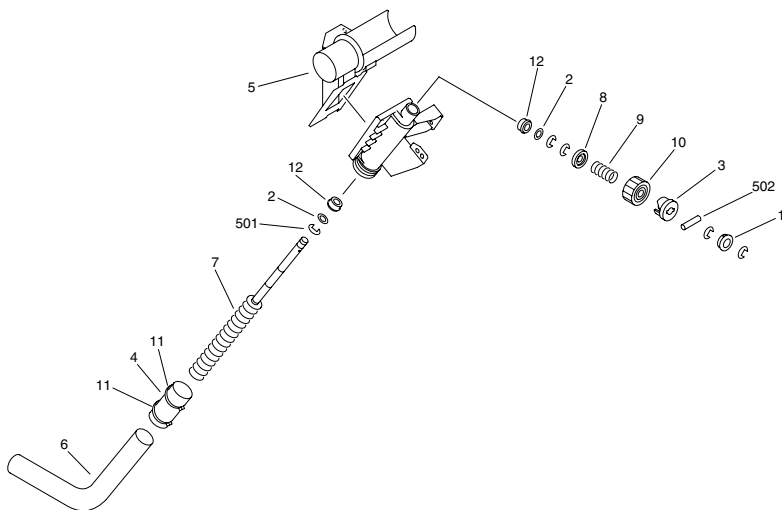
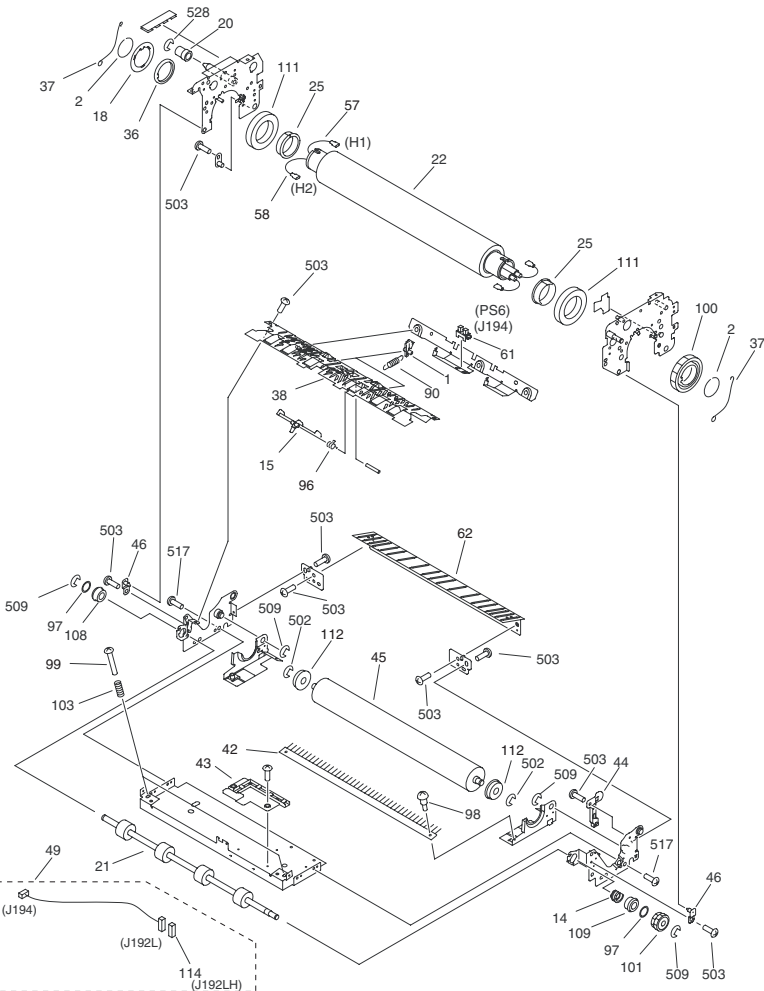


FIGURE & KEY NO.	PARTS NUMBER	R A N K	Q'TY	DESCRIPTION	SERIAL NUMBER/ REMARKS	S V C
Fig.775	NPN		RF	WASTE TONER PIPE ASSEMBLY		
1	FG6-2020-020		1	WASTE TONER PIPE ASSEMBLY		
2	FB2-6285-020		2	SHIM		
3	FB2-7981-000		1	CAM		
4	FB2-8402-000		1	TUBE		
5	FB4-1792-000		1	CAP, WASTE TONER, 1		
6	FB4-1794-000		1	PIPE, WASTE TONER		
7	FB4-1793-000		1	CAP, WASTE TONER		
8	FB4-1797-000		1	SUPPORT, SPRING		
9	FS6-2756-000		1	SPRING, COMPRESSION		
10	FS7-0027-000		1	GEAR, 26T		
11	X62-7921-000		2	WIRE TIES, 140MM		
12	XG9-0211-000		2	BALL BEARING, MF128ZZ1MC3D4M		
501	XD2-1100-642		5	RING,E		
502	XD3-2200-182		1	PIN, DOWEL		

FIGURE 810 FIXING ASSEMBLY



NOTE : This assembly is included in the assembly shown in Figure 320.
 注 : このユニットはFigure 320のユニットに含まれます。

FIGURE 810 FIXING ASSEMBLY

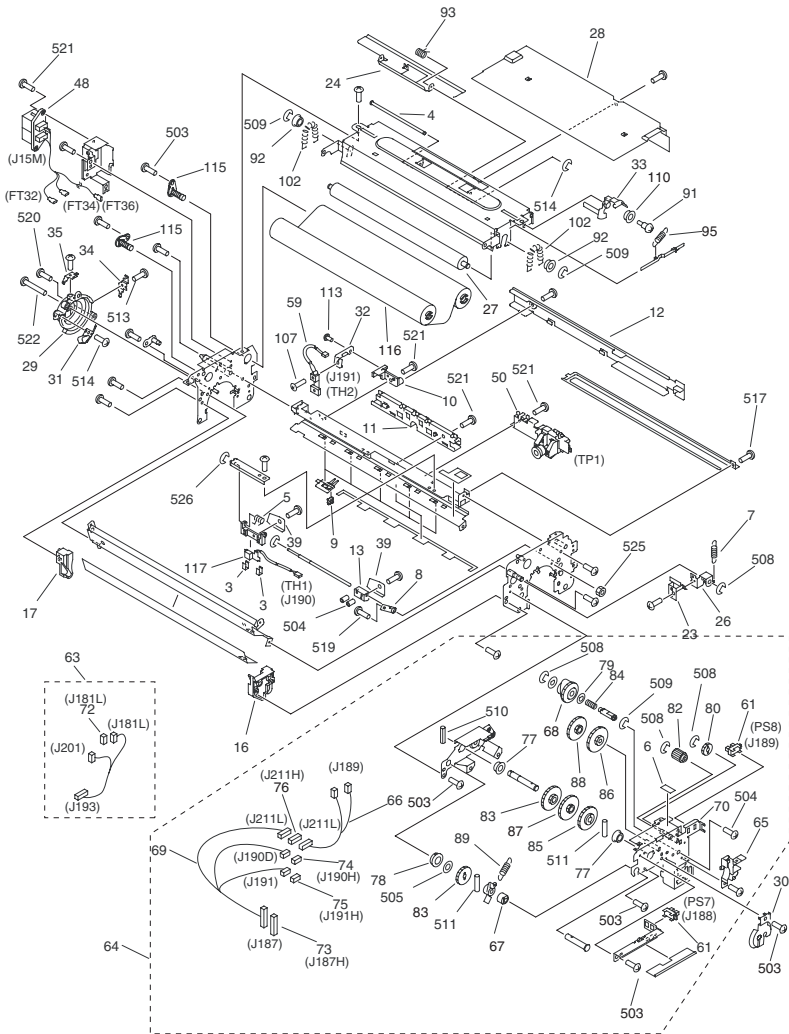


FIGURE & KEY NO.	PARTS NUMBER	RANK	Q'TY	DESCRIPTION	SERIAL NUMBER/REMARKS	SVC
Fig.810	FM2-5866-000		1	FIXING ASSEMBLY	iR7086N 100V	
Fig.810	FM2-5865-000		1	FIXING ASSEMBLY	iR7105i 200V iR7095 200V	
Fig.810	FM2-4081-000		1	FIXING ASSEMBLY	iR7105 208V UL iR7095 208V UL	
Fig.810	FM2-5868-000		1	FIXING ASSEMBLY	iR7086 208V UL	
Fig.810	FM2-5867-000		1	FIXING ASSEMBLY	iR7105 230V A/B iR7095 230V A/B iR7095 220V CN iR7105 230V GB iR7095 230V GB iR7105 220V CN iR7105 230V AU iR7095 230V AU iR7105 230V EUR iR7095 230V EUR	
Fig.810	FM2-5869-000		1	FIXING ASSEMBLY	iR7086 230V GB iR7086 230V AU iR7086 230V EUR	
1	FA2-9037-000		2	SEPARATION CLAW, LOWER		
2	FA3-8894-040		2	RING, RETAINING		
3	FA5-4403-000		2	SPRING		
4	FA6-3071-020		1	ROD, PLATE MOUNTING		
5	FA6-8003-000		1	SPRING, TORSION		
6	FA9-3822-000		1	LABEL, DISCRIMINATE		
7	FB2-7238-000		1	SPRING, TENSION		
8	FB2-7261-000		1	BUSHING, PET(F) 9.5X32		
9	FB2-7264-000		5	ROWEL, SMALL		
10	FB3-8409-000		1	HOLDER, THERMISTOR, 2		
11	FB3-8411-020		1	GUIDE, CABLE		
12	FB3-8412-000		1	COVER, CROSSMEMBER		
13	FB3-9372-000		1	BLOCK, MOUNTING		
14	FB4-2159-000		1	HOLDER, BUSHING		
15	FB4-2191-000		1	LEVER, PAPER JAM SENSOR		
16	FB4-2195-020		1	BLOCK, CLAW STOP, FRONT		
17	FB4-2196-020		1	BLOCK, CLAW STOP, REAR		
18	FB4-2239-000		1	RING, BIAS		
20	FB4-9524-000		1	COLLAR		
21	FB5-6833-000		1	ROLLER, INTERNAL DELIVERY		
22	FB5-6930-000		1	ROLLER, FIXING		

FIGURE & KEY NO.	PARTS NUMBER	R A N K	Q'TY	DESCRIPTION	SERIAL NUMBER/ REMARKS	S V C
23	FB5-6931-020		1	PLATE, LIMIT, ARM		
24	FC7-3070-000		1	SUPPORT, WEB RETAINER		
25	FB5-6934-000		2	BUSHING		
26	FB5-6935-020		1	PLATE, LIMIT, ARM, 2		
27	FB5-6936-020		1	ROLLER, CLEANING		
28	FB5-6941-020		1	COVER, FIXING, UPPER		
29	FB5-6944-000		1	HOLDER, HEATER		
30	FB5-6945-000		1	SUPPORT, HEATER		
31	FB5-6951-000		1	TERMINAL, BIAS		
32	FB5-6957-000		1	HOLDER, THERMISTOR, 1		
33	FB5-6973-000		1	LEVER, PAPER SENSOR		
34	FB5-7558-000		1	TERMINAL, HEATER, LARGE		
35	FB5-7559-000		1	TERMINAL, HEATER, SMALL		
36	FB5-7560-000		1	COLLAR, FIXING ROLLER		
37	FB5-7562-000		2	SUPPORT, BEARING		
38	FB5-7660-000		1	GUIDE, DELIVERY, LOWER		
39	FC1-6140-000		1	SUPPORT, CABLE		
42	FC6-5461-000		1	ELIMINATOR, STATIC CHARGE		
43	FC6-9696-000		2	GUIDE, FIXING CABLE, 1		
44	FC6-9697-000		1	GUIDE, FIXING CABLE, 2		
45	FB6-2374-000		1	ROLLER, PRESSURE		
46	FF6-1082-000		2	SUPPORT, FIXING POSITION		
48	FG6-1875-020		1	CABLE, AC, FIXING/FEEDER		
49	FG6-7200-000		1	CABLE, DC, FIXING		
50	FG6-7745-000		1	THERMOSWITCH HOLDER UNIT		
57	FH7-4707-001		1	HEATER, MAIN	iR7086N 100V	
57	FH7-4719-001		1	HEATER, MAIN	iR7105i 200V iR7095 200V iR7105 208V UL iR7095 208V UL	
57	FH7-4708-001		1	HEATER, MAIN	iR7086 208V UL	

FIGURE & KEY NO.	PARTS NUMBER	R A N K	Q'TY	DESCRIPTION	SERIAL NUMBER/ REMARKS	S V C
57	FH7-4720-001		1	HEATER, MAIN	iR7105 230V A/B iR7095 230V A/B iR7095 220V CN iR7105 230V GB iR7095 230V GB iR7105 220V CN iR7105 230V AU iR7095 230V AU iR7105 230V EUR iR7095 230V EUR	
57	FH7-4709-001		1	HEATER, MAIN	iR7086 230V GB iR7086 230V AU iR7086 230V EUR	
58	FH7-4710-001		1	HEATER, SUB	iR7086N 100V	
58	FH7-4723-001		1	HEATER, SUB	iR7105i 200V iR7095 200V iR7105 208V UL iR7095 208V UL	
58	FH7-4711-001		1	HEATER, SUB	iR7086 208V UL	
58	FH7-4724-001		1	HEATER, SUB	iR7105 230V A/B iR7095 230V A/B iR7095 220V CN iR7105 230V GB iR7095 230V GB iR7105 220V CN iR7105 230V AU iR7095 230V AU iR7105 230V EUR iR7095 230V EUR	
58	FH7-4712-001		1	HEATER, SUB	iR7086 230V GB iR7086 230V AU iR7086 230V EUR	
59	FH7-7464-000		1	SUB THERMISTOR ASSEMBLY		
61	FK2-0149-000		6	PHOTO-INTERRUPTER, TLP1253(C6)		
62	FC6-5458-000		1	GUIDE, ENTRANCE		
63	FM2-4378-000		1	CABLE, ENTRANCE SENSOR		
65	FB4-2249-000		1	GUIDE, FIXING CABLE 3		
66	FG6-1880-000		1	CABLE, CLEANING BELT SENSOR		
67	FB1-6833-000		1	BUSHING		
68	FB4-9360-000		1	GEAR CAM, 50T		
69	FG6-1881-000		1	CABLE, DC, FIXING, UPPER		
70	FL2-3503-000		1	SUPPORT, WEB DRIVE		
72	VS1-7173-007		1	CONNECTOR, SNAP TIGHT, 7P		
73	VS1-6318-010		1	CONNECTOR, SNAP TIGHT		
74	VS1-7177-002		1	CONNECTOR, SNAP TIGHT, BK		
75	VS1-7177-003		2	CONNECTOR, SNAP TIGHT, BK		
76	VS1-7177-006		1	CONNECTOR, SNAP TIGHT, BK		
77	FS1-1449-000		2	BUSHING, PL		

FIGURE & KEY NO.	PARTS NUMBER	R A N K	Q'TY	DESCRIPTION	SERIAL NUMBER/ REMARKS	S V C
78	FS1-1569-000		1	BUSHING		
79	FS5-6583-000		2	SPACER		
80	FS6-0103-000		1	GEAR, 28T		
82	FS6-0106-000		1	GEAR, 23T		
83	FS6-0134-000		1	GEAR		
84	FS6-2990-000		1	SPRING, COMPRESSION		
85	FS7-0891-000		1	GEAR, 60T		
86	FS7-0893-000		1	GEAR, 22T/63T		
87	FS7-0894-000		1	GEAR, 19T/63T		
88	FS7-0895-000		1	GEAR, 19T/60T		
89	FS7-2530-020		1	SPRING, TENSION		
90	FS1-2834-000		2	SPRING, TENSION		
91	FS1-9051-020		1	SCREW, STEPPED		
92	FS2-1256-000		2	BUSHING		
93	FU6-2282-000		1	SPRING, TORSION		
95	FS5-2940-000		1	SPRING, TENSION		
96	FS5-2950-000		1	SPRING, TORSION		
97	FS5-6487-000		2	WASHER		
98	FS5-9619-020		4	SCREW, STEPPED, M3		
99	FS5-9752-030		2	SCREW, M5		
100	FS7-0007-000		1	GEAR, 52T		
101	FS7-0008-000		1	GEAR, 23T		
102	FS7-2523-020		2	SPRING, TENSION		
103	FS7-2524-020		2	SPRING, COMPRESSION		
107	XA9-0925-000		1	SCREW, MACH., TRUSS HEAD, M3X10		
108	XG9-0211-000		1	BALL BEARING, MF128ZZ1MC3D4M		
109	XG9-0366-000		1	BEARING, BALL		
110	XG9-0406-000		1	BEARING, BALL NMB		
111	XG9-0421-000		2	BEARING, BALL		
112	XG9-0447-000		2	BEARING, BALL		
113	XA9-0807-000		1	SCREW, W/SEAL, M3X6		
114	VS1-7173-006		1	CONNECTOR, SNAP TIGHT, 6P, W		

FIGURE & KEY NO.	PARTS NUMBER	R A N K	Q'TY	DESCRIPTION	SERIAL NUMBER/ REMARKS	S V C
115	FF6-1851-040		2	HOLDER, WEB		
116	FY1-1157-000		1	CLEANER SUPPLY ROLL		
117	FH7-7553-000		1	THERMISTOR ASSEMBLY, MAIN		
502	XD2-1200-902		2	WASHER,RETAINING (SUS)		
503	XB1-2400-609		AR	SCREW,NACH.,TRUSS HEAD,M4X6		
504	XB6-7300-609		2	SCREW, MACH,PAN HEAD, M3X8		
505	XD1-1106-222		2	WASHER,COP		
507	XD1-1108-217		2	SHIM		
508	XD2-1100-502		AR	RETAINING RING (E-TYPE)		
509	XD2-1100-642		8	RING,E		
510	XD3-1300-142		2	PIN, SPRING		
511	XD3-2200-122		4	PIN, DOWEL		
513	XB1-2300-409		7	SCREW, MACHINE M3X4		
514	XB1-2300-609		3	SCREW, MACHINE M3X6		
516	XB1-2400-407		1	SCREW,MACH.,TRUSS HEAD,M4X4		
517	XB1-2400-409		7	SCREW,MACH.,TRUSS HEAD,M4X4		
519	XB1-2400-809		3	SCREW, MACHINE M4X8		
520	XB1-2401-009		2	SCREW, MACHINE M4X10		
521	XB2-8401-009		5	SCREW,W/WASHER,M4X10		
522	XB2-8401-209		2	SCREW,W/WASHER,M4X12		
525	XB7-2200-409		1	NUT, HEX M4 (S)		
526	XD2-1100-242		1	WASHER, RETAINING		
528	XD2-1100-802		1	RETAINING RING (E-TYPE)		

FIGURE 900 CONTROLLER BOX ASSEMBLY

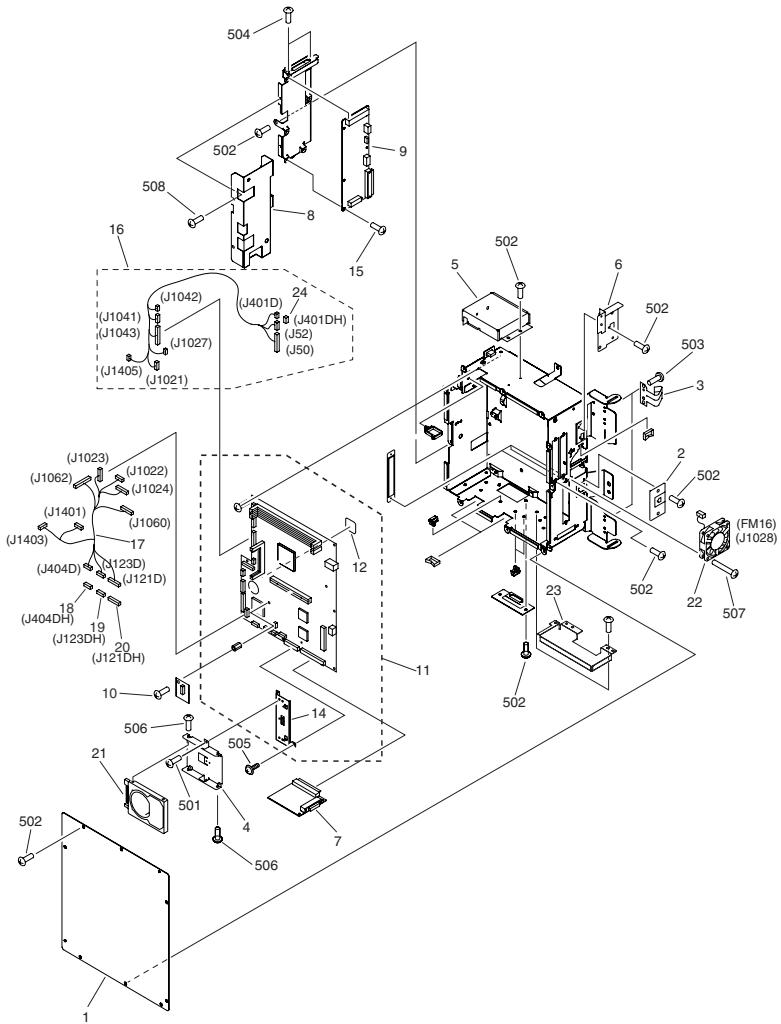


FIGURE & KEY NO.	PARTS NUMBER	R A N K	Q'TY	DESCRIPTION	SERIAL NUMBER/ REMARKS	S V C
Fig.900	NPN		RF	CONTROLLER BOX ASSEMBLY		
1	FC6-7164-000		1	COVER, CONTROLLER		
2	FB6-6864-000		1	COVER, LAN		
3	FB6-0782-000		2	SPRING, LEAF		
4	FC5-1305-000		1	HOLDER,HDD		
5	FC6-5449-000		1	COVER, CORD		
6	FC6-7147-000		1	COVER, USB		
7	FM2-3796-000		1	DDIS PCB ASSEMBLY		
8	FC6-5489-000		1	COVER, SHIELD		
9	FM2-4354-000		1	VIDEO PCB ASSEMBLY		
10	XA9-0465-000		1	SCREW, WWASHER, M3X4		
11	FM2-5423-000		1	MAIN CONTROLLER PCB ASSY	iR7086N 100V iR7095i 200V iR7095 208V UL iR7086 208V UL iR7086 230V GB iR7086 230V AU iR7095 230V EUR iR7086 230V EUR	
11	FM2-7517-000		1	MAIN CONTROLLER PCB ASSY	iR7105i 200V iR7105 208V UL iR7105 230V A/B iR7095 230V A/B iR7095 220V CN iR7105 230V GB iR7095 230V GB iR7105 220V CN iR7105 230V AU iR7095 230V AU iR7105 230V EUR	
12	FB4-1494-000		1	SHEET, PROTECTIVE		
14	FC7-3066-000		1	BASE, HDD		
15	XA9-0836-000		AR	SCREW, TP, M3X6		
16	FM2-5427-000		1	CABLE, CONTROLLER		
17	FM2-5428-000		1	CABLE, CONVERSION		
18	VS1-7164-020		1	CONNECTOR, SNAP TIGHT, BK		
19	VS1-7164-026		1	CONNECTOR, SNAP TIGHT, 26P, W		
20	VS1-7164-028		1	CONNECTOR, SNAP TIGHT, BK		
21	WM2-5231-000		1	HARD DISK		
22	FH6-1878-020		1	FAN		
23	FC6-9705-000		1	PLATE, GROUNDING		
24	VS1-7173-004		1	CONNECTOR, SNAP TIGHT		
501	XB1-2260-807		2	SCREW,MACH.,TRUSS HEAD,M2.6X8		

FIGURE & KEY NO.	PARTS NUMBER	RANK	Q'TY	DESCRIPTION	SERIAL NUMBER/REMARKS	SVC
502	XB1-2300-607		AR	SCREW, BH3X6(S)		
503	XB1-2400-607		4	SCREW, CROSS-RECESS, FCH		
504	XA1-1260-605		AR	SCREW,S		
505	XB6-7300-607		3	SCREW, CROOSS-RECESS, FCH		
506	XB2-8300-607		4	SCREW, M3X6, S		
507	XB1-2402-007		2	SCREW, BH4X20 (S)		
508	XB1-2400-806		AR	SCREW, MACHINE M4X8		

FIGURE & KEY NO.	PARTS NUMBER	R A N K	Q'TY	DESCRIPTION	SERIAL NUMBER/ REMARKS	S V C
Fig.910	NPN		RF	MAIN BODY POWER SUPPLY ASSY		
1	FM2-4361-000		1	RELAY PCB ASSEMBLY	iR7086N 100V	
1	FM2-4362-000		1	RELAY PCB ASSEMBLY	iR7105i 200V iR7095 200V	
1	FM2-4363-000		1	RELAY PCB ASSEMBLY	iR7105 208V UL iR7095 208V UL iR7086 208V UL	
1	FM2-4364-000		1	RELAY PCB ASSEMBLY	iR7105 230V A/B iR7095 230V A/B iR7105 230V EUR iR7095 230V EUR iR7086 230V EUR iR7105 230V GB iR7095 230V GB iR7086 230V GB iR7105 230V AU iR7095 230V AU iR7086 230V AU iR7095 220V CN iR7105 220V CN	
2	FB4-1612-000		1	HANDLE		
3	FK2-0967-000		1	POWER SUPPLY PCB ASS'Y	iR7086N 100V	
3	FG6-8608-000		1	POWER SUPPLY PCB ASS'Y	iR7105i 200V iR7095 200V	
3	FG6-8600-000		1	POWER SUPPLY PCB ASS'Y	iR7105 208V UL iR7095 208V UL iR7086 208V UL	
3	FG6-7817-000		1	POWER SUPPLY PCB ASS'Y	iR7105 230V A/B iR7095 230V A/B iR7105 230V EUR iR7095 230V EUR iR7086 230V EUR iR7105 230V GB iR7095 230V GB iR7086 230V GB iR7105 230V AU iR7095 230V AU iR7086 230V AU iR7095 220V CN iR7105 220V CN	
4	FG6-1887-020		1	CABLE, POWER SUPPLY FAN		
5	VS1-7173-006		1	CONNECTOR, SNAP TIGHT, 6P, W		
6	FH3-1546-020		2	FAN, COOLING		
501	XB1-2403-009		4	SCREW, MACHINE M4X30		
502	XB2-4300-605		13	SCREW, W/WASHER, M3X6		
504	XB1-2300-607		1	SCREW, BH3X6(S)		

FIGURE 930 DC CONTROLLER PCB ASSEMBLY

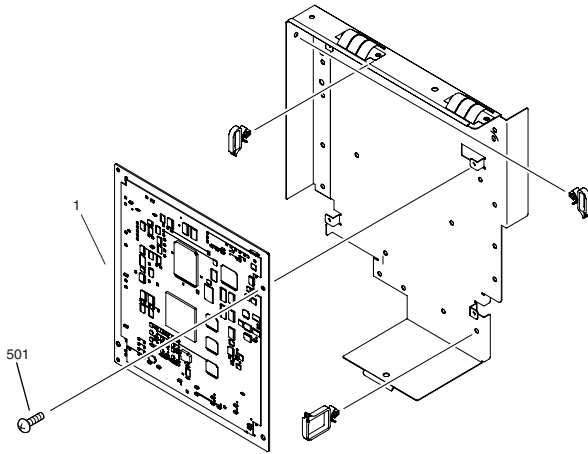


FIGURE & KEY NO.	PARTS NUMBER	RANK	QTY	DESCRIPTION	SERIAL NUMBER/REMARKS	SVC
Fig.930	NPN		RF	DC CONTROLLER PCB ASSEMBLY		
1	FM2-4355-000		1	DC CONTROLLER PCB ASSEMBLY		
501	XB1-2400-607		4	SCREW, CROSS-RECESS, FCH		

FIGURE 935 READER CONTROLLER PCB ASSEMBLY

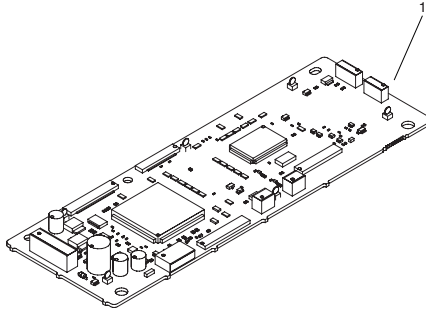


FIGURE & KEY NO.	PARTS NUMBER	R A N K	QTY	DESCRIPTION	SERIAL NUMBER/ REMARKS	S V C
Fig.935	NPN		RF	READER CONTROLLER PCB ASSEMBLY		
1	FM2-4819-000		1	READER CONTROLLER PCB ASSEMBLY		

FIGURE 940 POTENTIAL MEASURING PCB ASS'Y

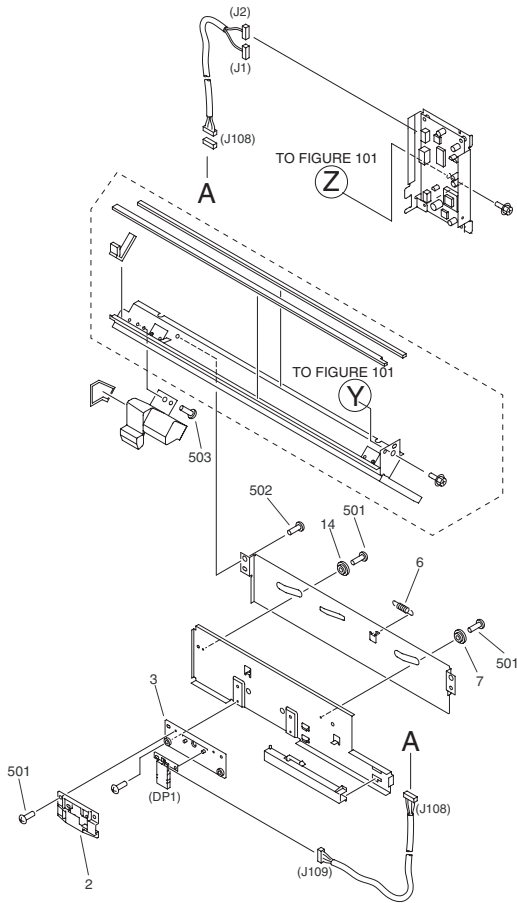


FIGURE & KEY NO.	PARTS NUMBER	RANK	Q'TY	DESCRIPTION	SERIAL NUMBER/REMARKS	SVC
Fig.940	FG3-4067-000		1	POTENTIAL MEASURING PCB ASS'Y		
2	FB4-1947-000		1	MOUNT, SENSOR, UPPER		
3	FB4-1948-000		1	MOUNT, SENSOR, LOWER		
6	FS6-2759-000		1	SPRING, TENSION		
7	FA4-8609-000		2	SPACER		
501	XB1-2300-609		6	SCREW, MACHINE M3X6		
502	XB1-2400-609		3	SCREW,NACH.,TRUSS HEAD,M4X6		
503	XB2-7400-607			SCREW, TOOTHED WASHER, M4X6		

FIGURE 941 INTERFACE, PCB ASSEMBLY

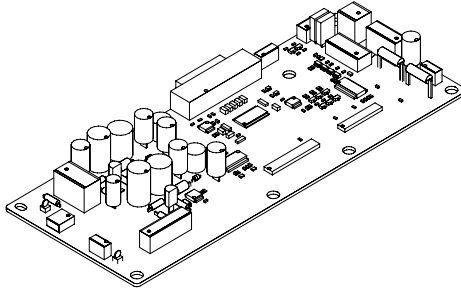


FIGURE & KEY NO.	PARTS NUMBER	RANK	Q'TY	DESCRIPTION	SERIAL NUMBER/REMARKS	SVC
Fig.941	FM2-4820-000		1	INTERFACE, PCB ASSEMBLY		
IC	FK2-0248-000		1	IC, SLA7044MCRP, MOTOR DRIVER		

FIGURE 945 INVERTER PCB ASSEMBLY

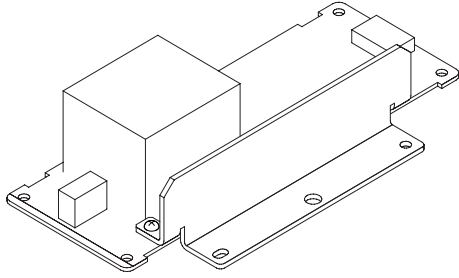


FIGURE & KEY NO.	PARTS NUMBER	R A N K	QTY	DESCRIPTION	SERIAL NUMBER/ REMARKS	S V C
Fig.945	FK2-1251-000		1	INVERTER PCB ASSEMBLY		

FIGURE 960 AC DRIVER PCB ASSEMBLY

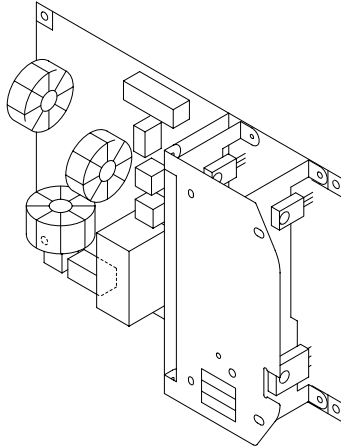


FIGURE & KEY NO.	PARTS NUMBER	RANK	QTY	DESCRIPTION	SERIAL NUMBER/REMARKS	SVC
Fig.960	FM2-5063-000		1	AC DRIVER PCB ASSEMBLY		

FIGURE 961 REVERSE MOTOR DRIVER PCB ASS'Y

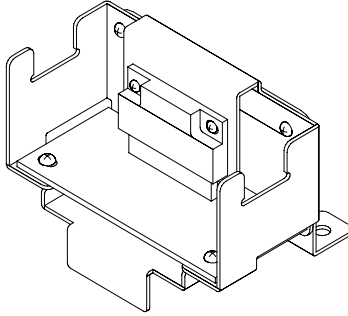
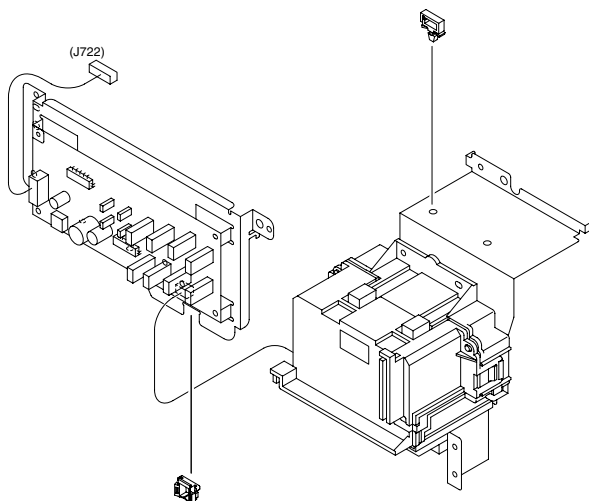


FIGURE & KEY NO.	PARTS NUMBER	R A N K	QTY	DESCRIPTION	SERIAL NUMBER/ REMARKS	S V C
Fig.961	FM2-2421-000		1	REVERSE MOTOR DRIVER PCB ASS'Y		

FIGURE 980 H.V. AC TRANSFORMER PCB ASS'Y



NOTE 1 : Replace this assembly does include with all the parts at the same time
 注1 : このユニットに含まれる全ての部品は同時交換すること。

FIGURE & KEY NO.	PARTS NUMBER	RANK	QTY	DESCRIPTION	SERIAL NUMBER/REMARKS	SVC
Fig.980	FG6-7429-040		1	H.V. AC TRANSFORMER PCB ASS'Y		

FIGURE 985 H. V. T. PCB ASSEMBLY

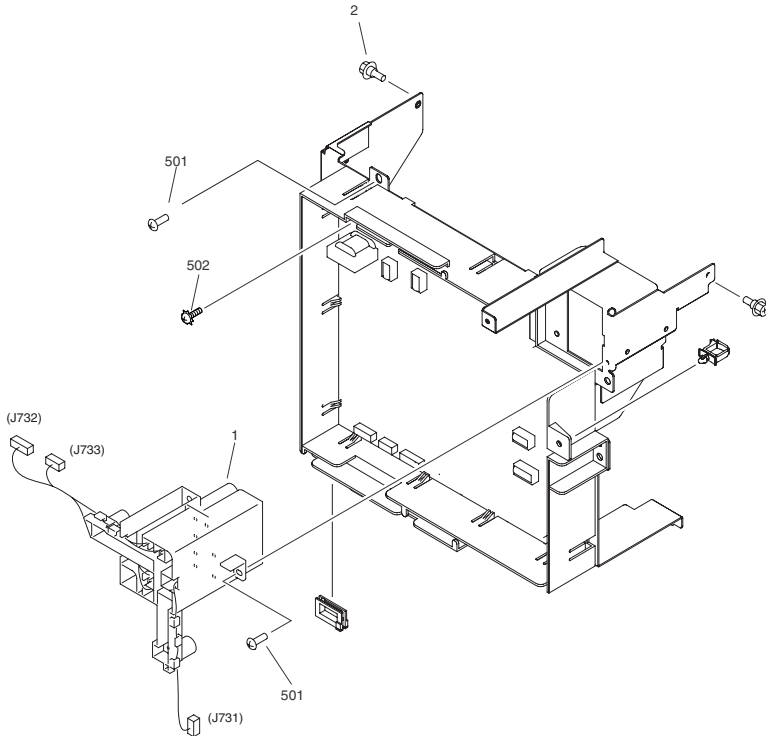


FIGURE & KEY NO.	PARTS NUMBER	R A N K	Q'TY	DESCRIPTION	SERIAL NUMBER/ REMARKS	S V C
Fig.985	FM2-4351-000		1	H. V. T. PCB ASSEMBLY		
1	FH2-9231-020		1	JOINT CONNECTOR UNIT		
2	FS5-9214-020		2	SCREW, RS STEPPED, M4		
501	XB1-2400-609		4	SCREW,NACH.,TRUSS HEAD,M4X6		
502	XB2-7400-607		1	SCREW, TOOTHED WASHER, M4X6		

FIGURE 986 FIXING SENSOR DRIVE ASSEMBLY

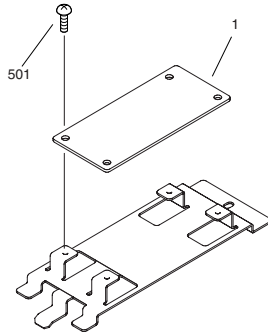


FIGURE & KEY NO.	PARTS NUMBER	RANK	QTY	DESCRIPTION	SERIAL NUMBER/REMARKS	SVC
Fig.986	NPN		RF	FIXING SENSOR DRIVE ASSEMBLY		
1	FM2-5065-000		1	FIXING SENSOR PCB ASSEMBLY		
501	XB1-2300-607		4	SCREW, BH3X6(S)		

Prepared by
OIP HFE Promotion Center
CANON INC.

Canon