

# IR5000/IR6000

# PARTS CATALOG

REVISION 0

**Canon**

JUNE 2000

**FY8-31EV-000**

## PREFACE

This Parts Catalog contains listings of parts used in the Canon iR5000/iR6000. Diagrams are provided with the listings to aid the service technician in identifying clearly, the item to be ordered.

Whenever ordering parts, consult this Parts Catalog for all of the information pertaining to each item. Be sure to include, in the Parts Request, the full item description, the item part number, and the quantity.

Canon Inc.

Office Imaging Products Technical Support Div.  
5-1, Hakusan 7-chome,  
Toride-city, Ibaraki 302-8501, Japan

*COPYRIGHT © 2000 CANON INC.*

*Printed in Japan*

*Imprimé au Japon*

Use of this manual should be strictly supervised to avoid disclosure of confidential information.

# CONTENTS

- iR5000/6000 -	
A. ASSEMBLY LOCATION DIAGRAM	
020. SPECIAL TOOLS	
100. EXTERNAL COVERS, PANELS, ETC.	
101. MACHINE FRONT PLATE	
102. INTERNAL COMPONENTS 1	
103. INTERNAL COMPONENTS 2	
104. INTERNAL COMPONENTS 3	
105. MACHINE REAR PLATE 1	
106. MACHINE REAR PLATE 2	
107. MACHINE BOTTOM PLATE	
110. POWER CORD TERMINAL ASSEMBLY(100/120V)	
111. POWER CORD TERMINAL ASSEMBLY(220/240V)	
130. CONTROL PANEL ASSEMBLY	
190. MACHINE EXHAUST FAN ASSEMBLY	
191. PRIMARY FAN DUCT ASSEMBLY	
192. FEEDER FAN ASSEMBLY	
210. READER ASSEMBLY	
215. SCANNER MOUNT ASSEMBLY	
230. VERTICAL PATH DRIVE ASSEMBLY	
231. VERTICAL PATH DUPLEXING FEED DRIVE ASSEMBLY	
232. LIFTER DRIVE ASSEMBLY	
250. MAIN DRIVE ASSEMBLY	
260. PRE-REGIST DRIVE ASSEMBLY	
261. CASSETTE PICK-UP DRIVE ASSEMBLY	
265. DUPLEXING FEED DRIVE ASSEMBLY	
280. WASTE TONER ASSEMBLY	
281. MAIN MOTOR DRIVE ASSEMBLY	
300. CASSETTE	
302. 1.5K RIGHT PAPER DECK ASSEMBLY	
303. 1.5K LEFT PAPER DECK ASSEMBLY	
305. CASSETTE HEATER ASSEMBLY	
310. CASSETTE PICK-UP ASSEMBLY	
312. DECK RIGHT PICK-UP ASSEMBLY	
313. DECK LEFT PICK-UP ASSEMBLY	
315. MULTI FEED ASSEMBLY	
316. MULTI FEEDER TRAY ASSEMBLY	
320. FIXING/FEEDER FRAME ASSEMBLY	
325. REGISTRATION TRANSFER ASSEMBLY	
330. FEEDER ASSEMBLY	
350. INTERNAL DELIVERY UPPER ASSEMBLY	
351. EXTERNAL DELIVERY UPPER ASSEMBLY	
360. DUPLEXING FEEDER ASSEMBLY	
420. MIRROR ASSEMBLY 1	
430. MIRROR ASSEMBLY 2	
460. LASER SCANNER ASSEMBLY	
510. PHOTO-SENSITIVE DRUM ASSEMBLY	
550. PRIMARY CORONA ASSEMBLY	
570. PRE-TRANSFER CORONA ASSEMBLY	
580. TRANSFER/SEPARATE CORONA ASSEMBLY	
600. AP KIT ASSEMBLY	
620. HOPPER ASSEMBLY	
640. DEVELOPING ASSEMBLY	
720. SEPARATION CLAW DRIVE ASSEMBLY	
810. FIXING ASSEMBLY	
920. CONTROL PANEL CPU PCB ASSEMBLY	
925. CONTROL PANEL INVERTER PCB ASSEMBLY	
930. DC CONTROLLER PCB ASSEMBLY	
931. AC DRIVER PCB ASSEMBLY	
932. MAIN CONTROLLER PCB ASSEMBLY	
933. ANTI-RUSH CURRENT PCB ASSEMBLY	
935. READER CONTROLLER PCB ASSEMBLY	
940. POTENTIAL MEASURING PCB ASSEMBLY	
960. MOTOR DRIVER PCB ASSEMBLY	
980. H.V.TRANSFORMER PCB ASSEMBLY	
B. LIST OF CONNECTORS	
- SHIFT TRAY - B1 -	
QA. ASSEMBLY LOCATION DIAGRAM	
Q10. SHIFT TRAY ASSEMBLY	
Q20. SHIFT DRIVE ASSEMBLY	
QB. LIST OF CONNECTORS	

# CONTENTS

## **-NETWORK MULTI-PDL PRINTER KIT-A1-**

**FA. ASSEMBLY LOCATION DIAGRAM**

**F10. NETWORK MULTI-PDL PRINTER KIT ASSEMBLY**

## **-NETWORK LIPS PRINTER KIT-A1-**

**UA. ASSEMBLY LOCATION DIAGRAM**

**U10. NETWORK LIPS PRINTER KIT ASSEMBLY**

**C. LIST OF STANDARD FASTENERS**

**D1. NUMERICAL INDEX**

**(iR5000/6000)**

**D2. NUMERICAL INDEX**

**(SHIFT TRAY - B1)**

**D3. NUMERICAL INDEX**

**(NETWORK MULTI-PDL PRINTER KIT-A1)**

**D4. NUMERICAL INDEX**

**(NETWORK LIPS PRINTER KIT-A1)**

# iR5000/iR6000

## iR5000

F13-9112	100V	50/60Hz	LQH00001 -
F13-9122	220V	50Hz	PKK00001 -
F13-9132	120V	50Hz	NRF00001 -
F13-9142	220V	50Hz	PKL00001 -
F13-9152	240V	50Hz	QCW00001 -
F13-9162	240V	50Hz	RBZ00001 -
F13-9172	220V	50Hz	SCK00001 -
F13-9182	220V	50Hz	TBZ00001 -
F13-9192	220V	50Hz	UFM00001 -

## iR6000

F13-9412	100V	50/60Hz	LQK00001 -
F13-9422	220V	50Hz	PKZ00001 -
F13-9432	120V	50Hz	NRH00001 -
F13-9442	220V	50Hz	PLH00001 -
F13-9452	240V	50Hz	QCX00001 -
F13-9462	240V	50Hz	RCY00001 -
F13-9472	220V	50Hz	SCL00001 -
F13-9482	220V	50Hz	TCM00001 -
F13-9492	220V	50Hz	UFN00001 -

# FIGURE 020 SPECIAL TOOLS

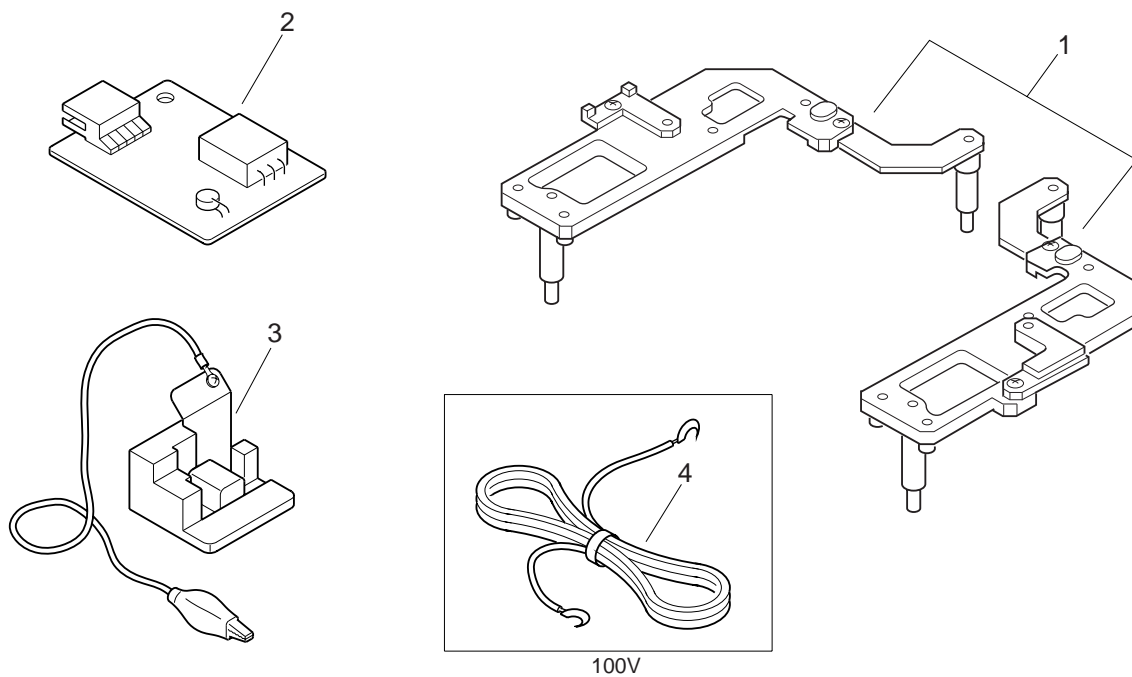


FIGURE & KEY NO.	PART NUMBER	RANK	QTY	DESCRIPTION	SERIAL NUMBER / REMARKS
020 -	NPN		RF	SPECIAL TOOLS	
1	FY9-3009-040		1	MIRROR POSITIONING TOOLS	
2	FY9-3014-000		1	ENVIRONMENT SENSOR TOOL	
3	FY9-3012-000		1	TERMINAL, POTENTIAL SENSOR	
4	FH2-5006-000		1	CABLE, GROUNDING	100V

# FIGURE 100

## EXTERNAL COVERS, PANELS, ETC.

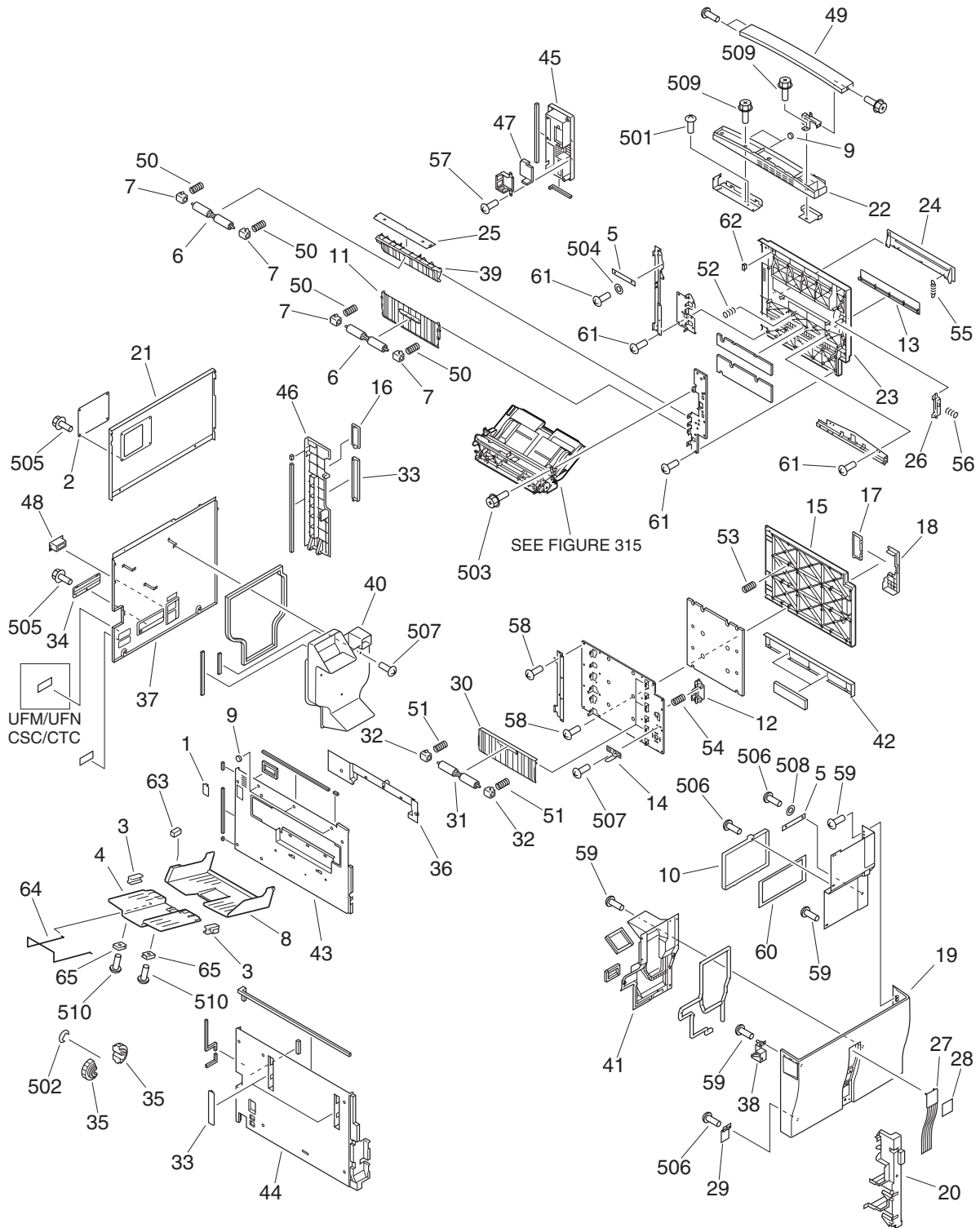


FIGURE & KEY NO.	PART NUMBER	R A N K	Q' T Y	DESCRIPTION	SERIAL NUMBER / REMARKS
100 -	NPN		RF	EXTERNAL COVERS, PANELS, ETC.	
1	FA6-8847-000		1	PLATE, MAGNET	
2	FB1-7157-000		1	COVER, BLANKING, REAR	
3	FB1-7197-000		2	GUIDE, TRAY, COPY	
4	FB5-5598-000		1	TRAY, COPY, 2	
5	FB2-7551-000		2	TAPE, SUPPORT	
6	FB2-7754-030		2	ROLLER	
7	FB2-7755-000		4	BUSHING	
8	FB3-2032-000		1	TRAY, COPY, 1	
9	FB3-6085-000		7	COVER	
10	FB4-1727-000		1	COVER, SERVICE BOOK	
11	FB4-1964-000		1	GUIDE, VERTICAL PATH SWING	
12	FB4-1965-000		1	HANDLE, RIGHT DOOR	
13	FB4-1967-000		1	PLATE, BLANKING	
14	FB4-1969-000		1	FLAG, RIGHT DOOR SENSOR	
15	FB4-1970-000		1	RIGHT DOOR, LOWER	
16	FB4-7478-000		1	COVER, LATCH, RIGHT	
17	FB4-7882-000		1	COVER, LATCH BLANKING	
18	FB4-7883-000		1	COVER, HANDLE	
19	FB5-2852-000		1	COVER, FRONT	
20	FB5-2860-000		1	PANEL, INTERNAL, RIGHT LOWER	
21	FB5-2866-000		1	PANEL, REAR UPPER	
22	FB5-2876-000		1	UPPER, PANEL, RIGHT, LOVER	
23	FB5-2906-000		1	RIGHT DOOR, UPPER	
24	FB5-2911-000		1	RIGHT DOOR, CENTER	
25	FB5-2913-000		1	SHEET, REGISTRATION	
26	FB5-2914-000		1	HANDLE	
27	FB5-3358-000		1	PLATE, FRONT COVER	
28	FB5-3359-000		1	EMBLEM	IR5000 EXCEPT NRF,MPL
	FB5-5588-000		1	EMBLEM	IR5000 NRF,MPL



FIGURE & KEY NO.	PART NUMBER	RANK	QTY	DESCRIPTION	SERIAL NUMBER / REMARKS
100 - 28	FB5-5557-000		1	EMBLEM	IR6000 EXCEPT NRH,NSN
	FB5-5589-000		1	EMBLEM	IR6000 NRH,NSN
29	FB2-7864-000		1	PLATE, MAGNET	
30	FB2-7750-000		3	GUIDE, VERT. PATH SWING	
31	FB2-7754-030		3	ROLLER	
32	FB2-7755-000		6	BUSHING	
33	FB2-8102-000		3	COVER, HANDLE, 1	
34	FB2-8247-000		1	COVER, FILTER CASE	
35	FB5-3419-000		2	ROLLER, WOODRUFF	
36	FB5-3492-000		1	PANEL, DELIVERY	
37	FB5-3542-000		1	PANEL, REAR LOWER	
38	FB5-3576-000		1	ACTUATOR	
39	FF5-9841-000		1	GUIDE, REGISTRATION, SWING	
40	FF5-9864-000		1	DUCT, LINK	
41	FF5-9909-000		1	DUCT, FRONT	
42	FF5-9916-000		1	PANEL, RIGHT LOWER	
43	FF5-9918-000		1	PANEL, LEFT, UPPER	
44	FF5-9919-000		1	PANEL, LEFT, LOWER	
45	FF5-9920-000		1	COVER, CONNECTOR	LQH,PKK,NRF,PKL,QCW RBZ,SCK,TBZ,UFM LQK,PKZ,NRH,PLH,QCX RCY,SCL,TCM,UFN
	FF5-9978-000		1	COVER, CONNECTOR	MPM,LQJ,FSC,MPL,PPX PLM,PNF,DSC,RDY,BSC ASC,CSC,MPN,LQL,FTC NSN,PPY,PNQ,PSW,DTC REH,BTC,ATC,CTC
46	FF5-9921-000		1	PANEL, WASTE TONER	
47	FF5-9967-000		1	FILTER, AIR	
48	FH2-6552-000		2	COVER, CONNECTOR	
49	FB5-2875-000		1	PANEL, UPPER, RIGHT	
50	FS5-2921-000		4	SPRING, COMPRESSION	
51	FS5-2921-000		6	SPRING, COMPRESSION	
52	FS5-2922-000		4	SPRING, COMPRESSION	

FIGURE & KEY NO.	PART NUMBER	RANK	QTY	DESCRIPTION	SERIAL NUMBER / REMARKS
100 - 53	FS5-2922-000		6	SPRING, COMPRESSION	
54	FS6-2826-000		1	SPRING, COMPRESSION	
55	FS7-2325-000		2	SPRING, TENSION	
56	FS7-2326-000		1	SPRING, COMPRESSION	
57	XA9-0605-000		2	SCREW,P,M4X8	LQH,PKK,NRF,PKL,QCW RBZ,SCK,TBZ,UFM
	XA9-0605-000		3	SCREW,P,M4X8	LQK,PKZ,NRH,PLH,QCX RCY,SCL,TCM,UFN MPM,LQJ,FSC,MPL,PPX PLM,PNF,DSC,RDY,BSC ASC,CSC,MPN,LQL,FTC NSN,PPY,PNQ,PSW,DTC REH,BTC,ATC,CTC
58	XA9-0605-000		15	SCREW,P,M4X8	
59	XA9-0615-000		21	SCREW,P,M4X8	
60	FB5-5586-000		1	LABEL, SERVICE	
61	XA9-0870-000		11	SCREW,P,M4X10	
62	XZ9-0516-000		2	CATCH, MAGNET	
63	XZ9-0406-000		1	CATCH, MAGNET	
64	FB5-5597-000		1	BAR, COPY TRAY	
65	FB5-5596-000		2	HOLDER, BAR	
501	XB1-2400-409		1	SCREW,MACH.,TRUSS HEAD,M4X4	
502	XD2-1100-642		1	RING,E	
503	XB3-6400-805		9	SCREW,RS,M4X8	
504	XD1-1104-135		2	SHIM	
505	XB3-6400-800		2	SCREW,RS,M4X8	
506	XB1-2400-607		AR	SCREW,MACH.,TRUSS HEAD,M4X6	
507	XB1-2400-609		AR	SCREW,MACH.,TRUSS HEAD,M4X6	
508	XD1-4200-602		1	WASHER,TOOTHED LOCK	
509	XB3-6401-005		AR	SCREW,RS,M4X10	
510	XB4-7400-809		2	SCREW,TAPPING,TRUSS HEAD,M4X8	

# FIGURE 101 MACHINE FRONT PLATE

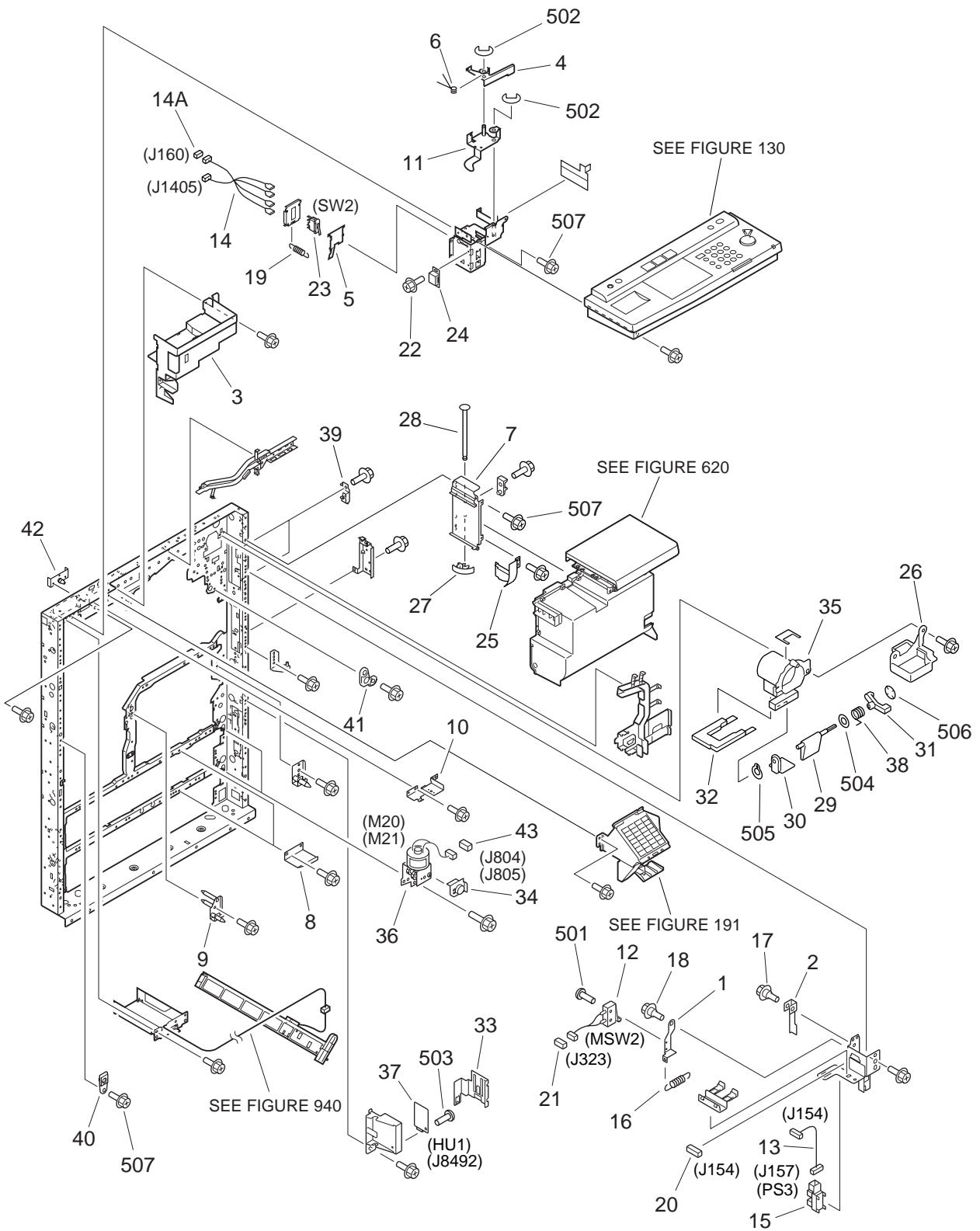


FIGURE & KEY NO.	PART NUMBER	R A N K	Q T Y	DESCRIPTION	SERIAL NUMBER / REMARKS
101 -	NPN		RF	MACHINE FRONT PLATE	
1	FB2-7559-000		1	MOUNT, SWITCH	
2	FB2-7560-000		1	COVER, SWITCH	
3	FB5-2856-000		1	PANEL, INTERNAL, LEFT	
4	FB5-2983-000		1	LEVER	
5	FB5-2985-000		1	PLATE, DOOR SWITCH	
6	FB5-2986-000		1	SPRING, TORSION	
7	FB5-3376-000		1	PLATE, HINGE, FRONT	
8	FB5-5627-000		2	PLATE, RELEASE	
9	FF5-3004-020		1	SUPPORT, PAPER PICK-UP, LOWER	
10	FF5-8152-000		1	PLATE, LOCK, RIGHT	
11	FF5-9808-000		1	LEVER, CRANK	
12	FG2-6932-000		1	H.V. DOOR SWITCH UNIT	MSW2 J323
13	FG2-7383-000		1	CABLE, DOOR CONNECTING	J154,157
14	FG6-5453-000		1	CABLE, DOOR SWITCH	J160,1405
14A	VS1-5057-002		1	CONNECTOR, SNAP TIGHT	J160
15	FH7-7394-000		1	PHOTO-INTERRUPTER	PS3 J157
16	FS5-2958-000		1	SPRING, TENSION	
17	FS5-9166-000		1	SCREW, STEPPED, M4	
18	FS5-9216-000		1	SCREW,STEPPED,M4X6	
19	FS7-2341-000		1	SPRING, TENSION	
20	VS1-5057-004		1	CONNECTOR, SNAP TIGHT	J154
21	VS1-5057-002		1	CONNECTOR, SNAP TIGHT	J323
22	XA9-0656-000		2	SCREW,RS,M3X10	
23	WC4-5125-000		1	SWITCH,SENSITIVE	SW2
24	XZ9-0251-000		1	CATCH, MAGNET	
25	FB2-7012-000		1	COVER, CONNECTOR	
26	FB2-7027-000		1	COVER, TONER	
27	FB2-7866-000		1	PLATE, HINGE STOP	
28	FB2-7867-020		1	SHAFT, HINGE	

FIGURE & KEY NO.	PART NUMBER	R A N K	Q T Y	DESCRIPTION	SERIAL NUMBER / REMARKS
101 - 29	FB2-8118-000		1	SHUTTER	
30	FB2-8119-000		1	SUPPORT, SHUTTER	
31	FB2-8120-000		1	LEVER, SHUTTER	
32	FB2-8122-000		1	SEAL, 2	
33	FB2-8345-000		1	PLATE, GROUNDING	
34	FB4-2623-000		2	COVER, LIFT MOTOR	
35	FF5-3124-000		1	PIPE, CONNECT	
36	FH6-1441-000		2	MOTOR, DC 7.2W	M20,21 J804,805
37	FH7-7342-000		1	SENSOR, HUMIDITY	HU1 J8492
38	FS5-2901-000		1	SPRING TORSION	
39	FB5-2953-000		2	HOOK, DOOR	
40	FB5-3334-000		1	BUSHING	
41	FS5-1932-000		1	BUSHING	
42	FF5-7658-000		1	PLATE, POSITIONING, FIXING	
43	VS1-5057-002		2	CONNECTOR, SNAP TIGHT	J804,805
501	XB1-2230-809		2	SCREW,MACH.,TRUSS HEAD,M2.3X8	
502	XD2-1100-642		2	RING,E	
503	XB4-7300-609		1	SCREW,TAPPING,TRUSS HEAD,M3X6	
504	XD1-1105-224		1	SHIM	
505	XD2-2100-302		1	RING,GRIP	
506	XD2-2300-302		1	RING,TOOTHED LOCK	
507	XB3-6400-800		AR	SCREW,RS,M4X8	

# FIGURE 102

## INTERNAL COMPONENTS 1

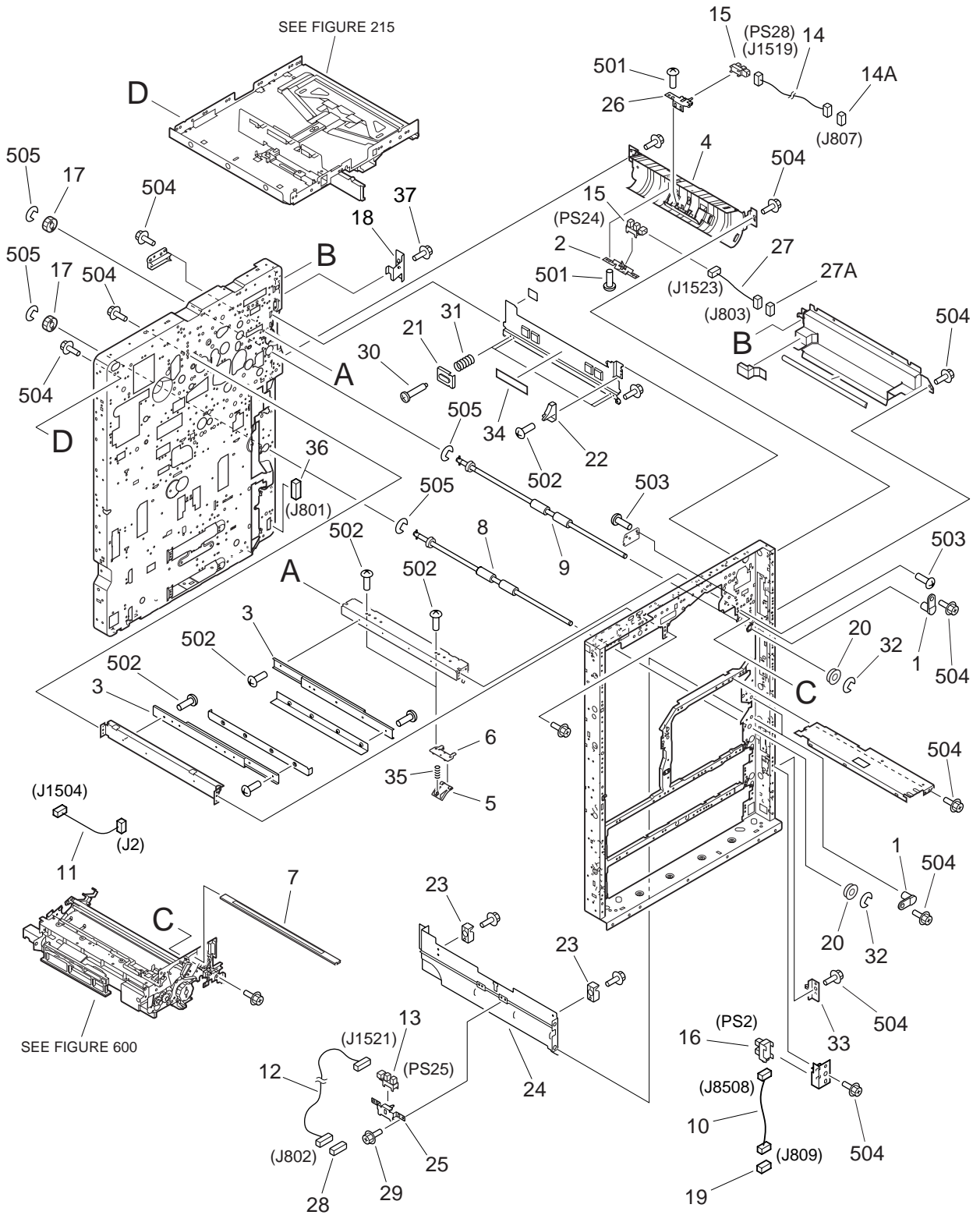


FIGURE & KEY NO.	PART NUMBER	RANK	QTY	DESCRIPTION	SERIAL NUMBER / REMARKS
102 -	NPN		RF	INTERNAL COMPONENTS 1	
1	FB2-8010-000		3	PIN, GUIDE, POSITIONING	
2	FF5-9842-000		1	PLATE, SENSING	
3	FB2-8169-020		2	RAIL	
4	FB5-2916-000		1	GUIDE, VERTICAL PATH	
5	FB5-2951-000		2	BLOCK, GUIDE PRESSURE, 1	
6	FB5-2957-000		2	BLOCK, GUIDE PRESSURE, 2	
7	FF5-9899-000		1	GLASS, DUST-PROOF	
8	FF5-9964-000		1	ROLLER, VERTICAL PATH, 0	
9	FF5-9965-000		1	ROLLER, VERTICAL PATH, 1	
10	FG5-5049-000		1	CABLE, RIGHT DOOR	J809,8508
11	FG6-5435-000		1	CABLE, DRUM HEATER	J2,1504
12	FG6-5460-000		1	CABLE, VERTICAL PATH, 2	J802,1521
13	FH7-7394-000		1	PHOTO-INTERRUPTER	PS25 J1521
14	FG6-5462-000		1	CABLE, SENSOR	J807,1519
14A	VS1-5057-003		1	CONNECTOR, SNAP TIGHT	J807
15	FH7-7394-000		2	PHOTO-INTERRUPTER	PS24,28 J1523,1519
16	FH7-7462-000		1	PHOTO-INTERRUPTER	PS2 J8508
17	FS7-0641-000		2	GEAR, 24T	
18	FB2-8132-020		1	SUPPORT, TAPE	
19	VS1-5057-004		1	CONNECTOR, SNAP TIGHT	J809
20	FA9-2112-000		2	BUSHING	
21	FB2-6956-000		2	PLATE, PRESSURE, BLACK	
22	FB2-6957-000		1	BLOCK, HOPPER STOP	
23	FB2-8003-000		2	GUIDE, SWING	
24	FB2-8002-030		1	GUIDE, VERTICAL PATH, MIDDLE	
25	FF5-2990-020		1	MOUNT, FEEDER SENSOR	
26	FF5-3002-030		1	PLATE, VERTICAL PATH SENSING	
27	FG6-5454-000		1	CABLE, VERTICAL PATH, 1	J803,1523
27A	VS1-5057-003		1	CONNECTOR, SNAP TIGHT	J803

FIGURE & KEY NO.	PART NUMBER	R A N K	Q T Y	DESCRIPTION	SERIAL NUMBER / REMARKS
102 - 28	VS1-5057-003		1	CONNECTOR, SNAP TIGHT	J802
29	XA9-0628-000		4	SCREW,RS,M4X8	
30	FS5-9274-000		4	SCREW,STEPPED,M5X2.5	
31	FS6-2001-000		4	SPRING, COMPRESSION	
32	XD9-0137-000		2	RING,E	
33	FB4-1421-000		1	MOUNT, LATCH	
34	FS6-8820-000		1	LABEL, "WARNING LASER"	100/120V
	FS5-8623-000		1	LABEL, "WARNING LASER"	220/240V
35	FS7-2330-000		2	SPRING, COMPRESSION	
36	VS1-6319-030		1	CONNECTOR, SNAP TIGHT	J801
37	XA9-0629-000		1	SCREW,RS,M4X8	
501	XB1-2400-609		3	SCREW,MACH.,TRUSS HEAD,M4X6	
502	XB1-2300-409		AR	SCREW,MACH.,TRUSS HEAD,M3X4	
503	XB4-7400-809		2	SCREW,TAPPING,TRUSS HEAD,M4X8	
504	XB3-6400-800		AR	SCREW,RS,M4X8	
505	XD2-1100-642		5	RING,E	



# FIGURE 103

## INTERNAL COMPONENTS 2

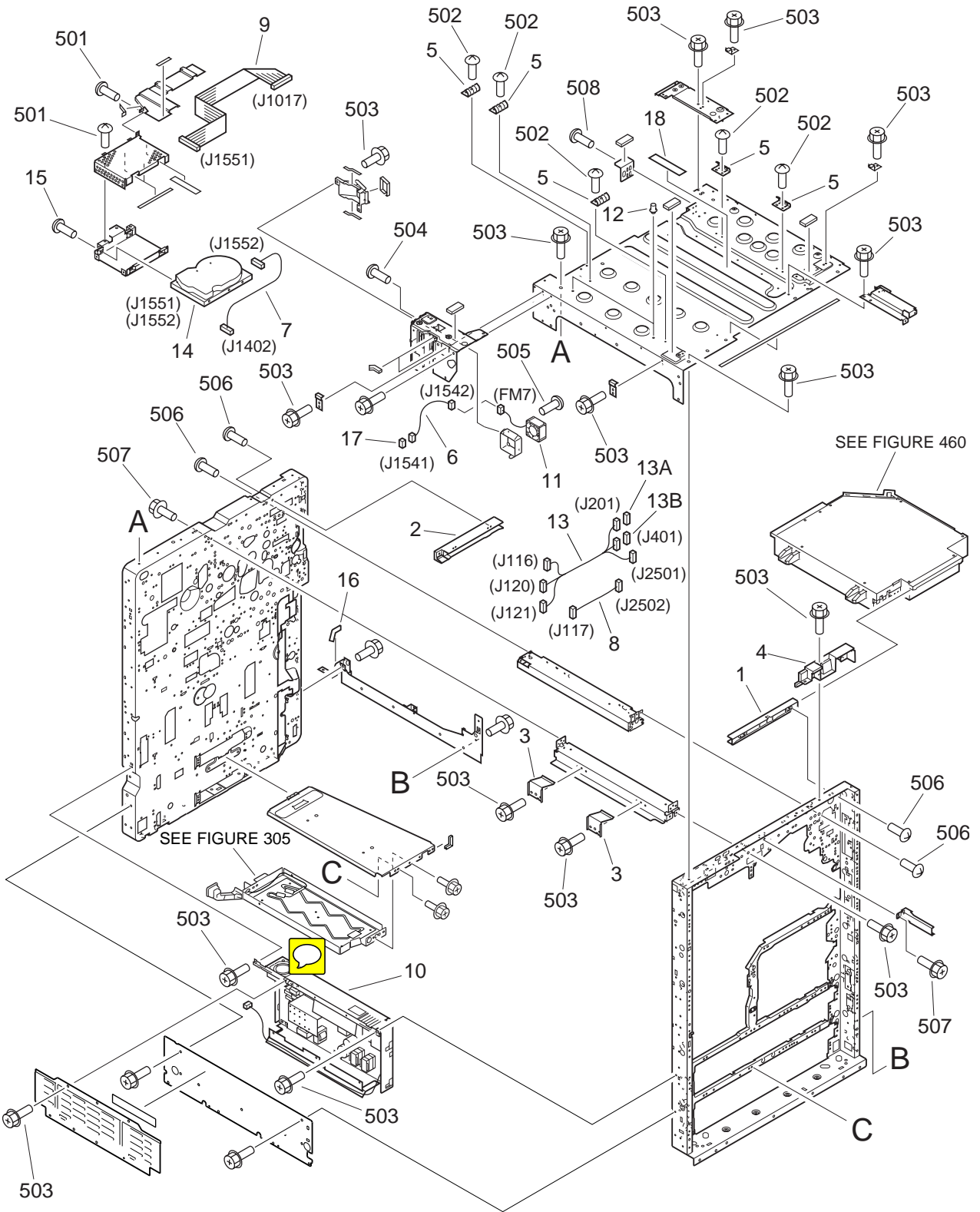


FIGURE & KEY NO.	PART NUMBER	RANK	QTY	DESCRIPTION	SERIAL NUMBER / REMARKS
103 -	NPN		RF	INTERNAL COMPONENTS 2	
1	FB5-2972-000		1	RAIL, FRONT	
2	FB5-2973-000		1	RAIL, REAR	
3	FB5-2974-000		2	SPRING, LEAF	
4	FB5-3485-000		1	COVER, HOPPER, REAR	
5	FB5-3680-000		5	SPRING, GROUNDING	
6	FF3-4029-000		1	CABLE, HDD FAN	J1541,1542
7	FG6-5463-000		1	CABLE, HDD	J1402,1552
8	FG6-5461-000		1	CABLE, LASER SHIELD	J117,2502
9	FG6-5465-000		1	CABLE, HDD	J1017,1551
10	FH3-2590-000		1	REGULATOR, SWITCHING	100/120V
	FH3-2591-000		1	REGULATOR, SWITCHING	220/240V
11	FH6-1742-000		1	FAN, COOLING	FM7 J1542
12	FS6-4798-000		2	SCREW,M6	
13	FG6-5449-000		1	CABLE, READER CONNECTOR	J116,120,121 J201,401,2501
13A	VS1-5057-005		1	CONNECTOR, SNAP TIGHT	J201
13B	VS1-6318-004		1	CONNECTOR, SNAP, TIGHT	J401
14	WM2-5137-000		1	HARD DISK DRIVE	J1551,1552
15	XA9-0896-000		4	SCREW,M3.2X4.8	
16	FB3-9784-000		1	TAPE, PROTECT	
17	VS1-6318-005		1	CONNECTOR, SNAP TIGHT	J1541
18	FS6-8820-000		1	LABEL, "WARNING LASER"	100/120V
	FS5-8623-000		1	LABEL, "WARNING LASER"	220/240V
501	XB1-2400-607		2	SCREW,MACH.,TRUSS HEAD,M4X6	
502	XB2-7400-607		20	SCREW,W/WASHER,M4X6	
503	XB3-6400-800		AR	SCREW,RS,M4X8	
504	XB4-7400-609		1	SCREW,TAPPING,TRUSS HEAD,M4X6	
505	XB4-7402-009		2	SCREW,TAPPING,TRUSS HEAD,M4X20	
506	XB6-7400-809		4	SCREW,TP,M4X8	
507	XB3-6401-000		2	SCREW,RS,M4X10	

FIGURE & KEY NO.	PART NUMBER	R A N K	Q T Y	DESCRIPTION	SERIAL NUMBER / REMARKS
103 - 508	XB1-2400-809		1	SCREW,MACH.,TRUSS HEAD,M4X8	

# FIGURE 104

## INTERNAL COMPONENTS 3

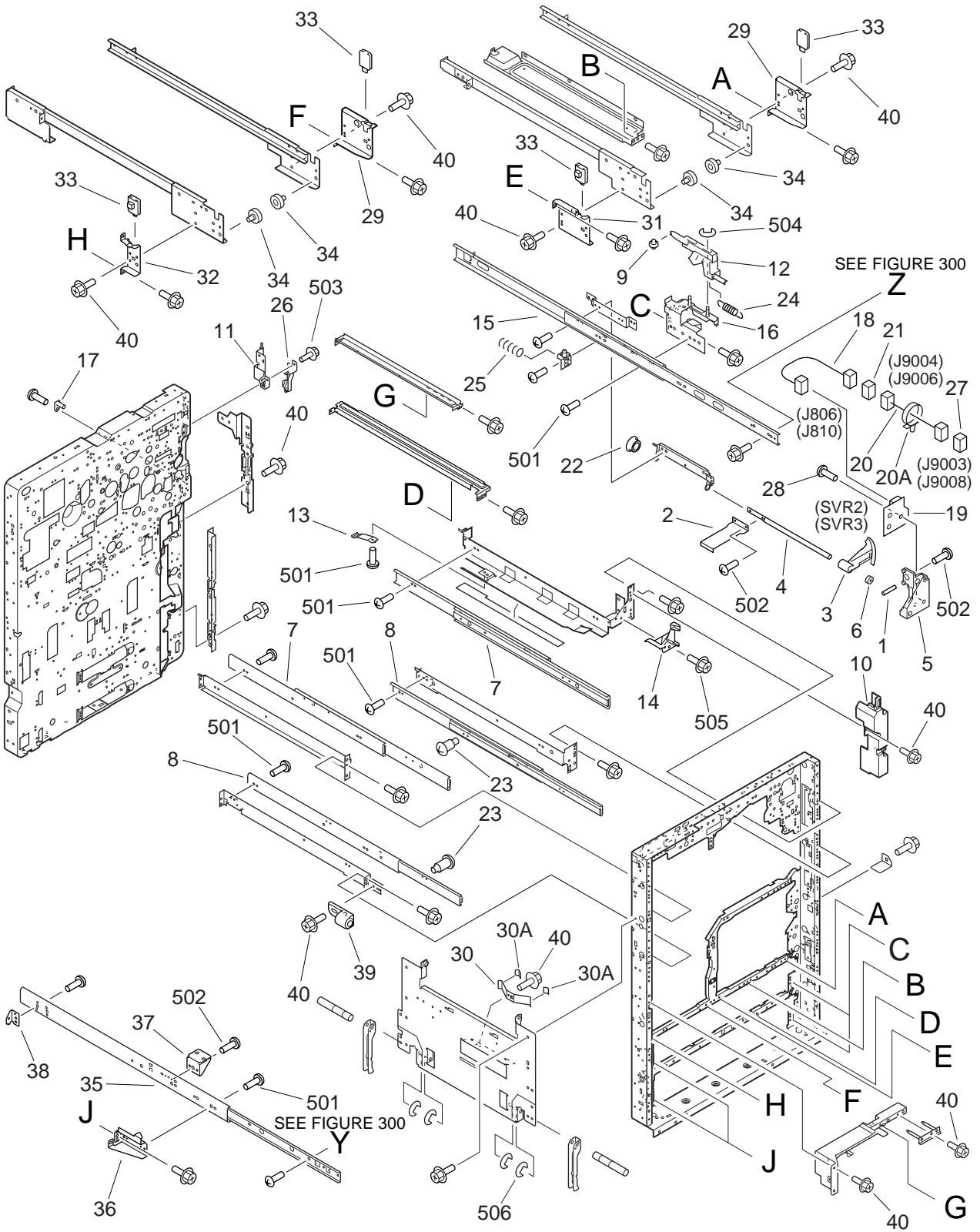


FIGURE & KEY NO.	PART NUMBER	R A N K	Q T Y	DESCRIPTION	SERIAL NUMBER / REMARKS
104 -	NPN		RF	INTERNAL COMPONENTS 3	
1	FA5-2924-000		2	PIN,DOWEL	
2	FB4-1355-000		2	PLATE, LIFTING	
3	FB4-2018-000		2	GEAR, 16T	
4	FB4-2020-000		2	SHAFT, CASSETTE LIFT	
5	FB4-2023-000		2	HOLDER, PAPER SENSOR PCB	
6	FB4-2024-000		2	COUPLING	
7	FB4-2041-000		2	RAIL, SLIDE, FIXING/FEEDER	
8	FB4-2042-000		2	RAIL, SLIDE, DUPLEXING	
9	FB4-5335-000		2	ROLLER, CAM	
10	FB5-2873-000		1	PANEL, INTERNAL, RIGHT	
11	FB5-2955-000		1	PLATE, HINGE, UPPER	
12	FB5-3351-000		2	BUTTON	
13	FB5-3614-000		1	SPRING, LEAF	
14	FB5-3616-000		1	GUIDE, RAIL	
15	FB5-5626-000		2	RAIL, SLIDE	
16	FF5-9892-000		2	SUPPORT, RAIL, RIGHT FRONT	
17	FF5-9905-000		1	PIN, POSITIONING	
18	FG6-1906-000		2	CABLE, CASSETTE PAPER SENSOR	J806,810,9004,9006
19	FG6-1941-000		2	PAPER SENSOR PCB ASSEMBLY	SVR2,3 J806,810
20	FG6-5484-000		2	CABLE, CASSETTE PAPER SENSOR	J9003,9004,9006,9008
20A	WT2-5565-000		2	CLAMP, CABLE	
21	VS1-5057-003		2	CONNECTOR, SNAP TIGHT	J9004,9006
22	FS5-1787-000		2	BUSHING	
23	FS5-9643-000		4	SCREW,STEPPED,M4	
24	FS6-2740-000		2	SPRING, TENSION	
25	FS6-2746-000		2	SPRING, COMPRESSION	
26	FB5-2959-000		1	COVER, CABLE	
27	VS1-5057-003		2	CONNECTOR, SNAP TIGHT	J9003,9008
28	XA9-0596-000		2	SCREW,P,M3X6	

FIGURE & KEY NO.	PART NUMBER	R A N K	Q T Y	DESCRIPTION	SERIAL NUMBER / REMARKS
104 - 29	FB2-7887-020		2	SUPPORT, RAIL, 1	
30	FF5-9969-000		1	SPRING, LEAF	
30A	FB5-3346-000		2	SHEET	
31	FB2-7888-020		1	SUPPORT, RAIL, 2	
32	FB2-7891-000		1	SUPPORT, LEFT	
33	FB2-8033-020		4	BLOCK, DECK RAIL STOP	
34	XG9-0224-000		4	BEARING	
35	FB3-9343-000		2	RAIL, SLIDE	
36	FB3-9345-000		2	SUPPORT, RAIL, LEFT FRONT	
37	FB3-9359-000		2	SUPPORT, CASSETTE, REAR	
38	FB4-1201-000		2	SUPPORT, RAIL, LEFT REAR	
39	FF5-2930-000		1	MOUNT, MAGNET	
40	XA9-0628-000		AR	SCREW,RS,M4X8	
501	XB1-2400-409		29	SCREW,MACH.,TRUSS HEAD,M4X4	
502	XB1-2400-609		8	SCREW,MACH.,TRUSS HEAD,M4X6	
503	XB3-6400-800		2	SCREW,RS,M4X8	
504	XD2-1100-402		4	RING,E	
505	XB3-6400-600		1	SCREW,RS,M4X6	
506	XD2-1100-642		4	RING,E	

# FIGURE 105 MACHINE REAR PLATE 1

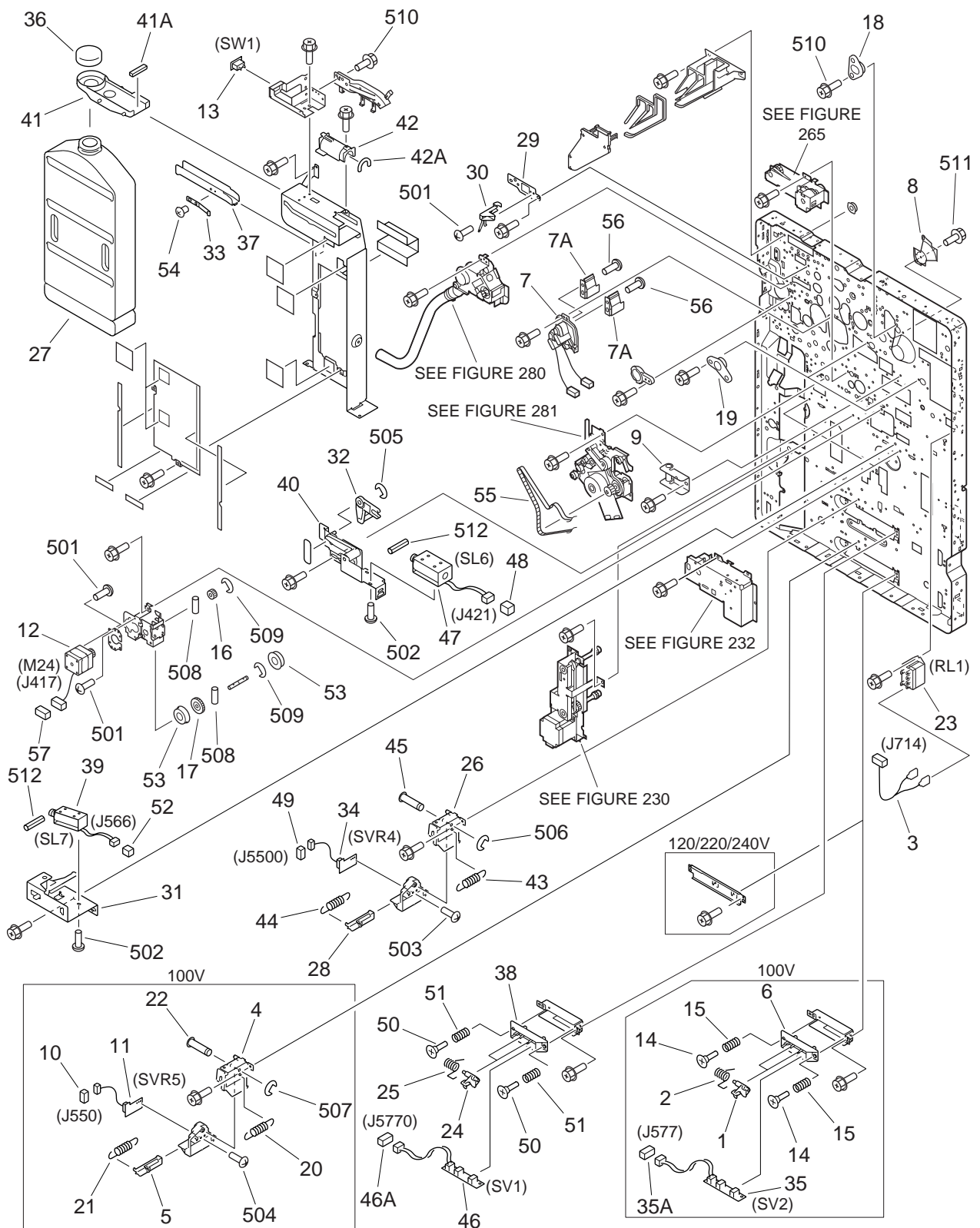


FIGURE & KEY NO.	PART NUMBER	RANK	QTY	DESCRIPTION	SERIAL NUMBER / REMARKS
105 -	NPN		RF	MACHINE REAR PLATE 1	
1	FB1-8735-000		2	ARM, SENSOR	100V
2	FB1-8737-000		2	SPRING, TORSION	100V
3	FG6-5452-000		1	CABLE, DC RELAY	J714
4	FB3-9362-000		1	MOUNT, VR HOLDER	100V
5	FB3-9363-000		1	SHAFT, SLIDE	100V
6	FB3-9364-000		1	HOLDER, SWITCH	100V
7	FG6-5057-000		1	CABLE, HIGH VOLTAGE	
7A	FB5-3678-000		2	SPRING, LEAF	
8	FB5-5635-000		1	COVER, PROTECT	
9	FF5-3045-000		1	PLATE, STOP	
10	VS1-5057-003		1	CONNECTOR, SNAP TIGHT	100V J550
11	FG5-1957-000		1	CASSETTE VR PCB ASSEMBLY	100V SVR5 J550
12	FH6-1717-000		1	MOTOR, STEPPING, DC 24V	M24 J417
13	FH7-6316-000		1	SWITCH, MAIN	SW1
14	FS2-9327-000		2	SCREW, STEPPED, M4	100V
15	FS3-2044-000		2	SPRING, COMPRESSION	100V
16	FS4-0145-000		1	GEAR, 20T	
17	FS5-0662-000		1	GEAR, 36T	
18	FS5-1933-000		1	BUSHING	
19	FS5-1934-000		2	BUSHING	
20	FS5-2322-000		1	SPRING, TENSION	100V
21	FS5-2323-020		1	SPRING, TENSION	100V
22	FS5-7128-000		1	SHAFT	100V
23	WB1-5176-000		1	RELAY, POWER	RL1
24	FB1-8735-000		2	ARM, SENSOR	
25	FB1-8737-000		2	SPRING, TORSION	
26	FB3-9362-000		1	MOUNT, VR HOLDER	
27	FB2-6793-000		1	BOTTLE, WASTE TONER	
28	FB3-9363-000		1	SHAFT, SLIDE	



FIGURE & KEY NO.	PART NUMBER	RANK	QTY	DESCRIPTION	SERIAL NUMBER / REMARKS
105 - 29	FB2-6954-000		1	PLATE, BIAS CONNECTOR	
30	FB2-6958-000		1	CONNECTOR	
31	FF5-3190-000		1	MOUNT, SOLENOID	
32	FB2-7908-000		1	ARM, SOLENOID, 2	
33	FB2-8344-000		1	SPRING, LEAF	
34	FG5-1957-000		1	CASSETTE VR PCB ASSEMBLY	SVR4 J5500
35	FG5-8221-000		1	CASSETTE PAPER SENSOR ASSEMBLY	100V SV2 J577
35A	VS1-5057-004		1	CONNECTOR, SNAP TIGHT	J577
36	FB2-8408-000		1	CAP, WASTE TONER	
37	FB2-8513-000		1	KNOB, 2	
38	FB3-9364-000		1	HOLDER, SWITCH	
39	FH7-5712-000		1	SOLENOID	SL7 J566
40	FF5-3070-020		1	MOUNT, SOLENOID	
41	FF5-3172-000		1	CAP, BOTTLE, 1	
41A	FB2-8272-000		1	SEAL	
42	FF5-3173-000		1	CAP, BOTTLE, 2	
42A	FB2-8272-000		1	SEAL	
43	FS5-2322-000		1	SPRING, TENSION	
44	FS5-2323-020		1	SPRING, TENSION	
45	FS5-7128-000		1	SHAFT	
46	FG5-8221-000		1	CASSETTE PAPER SENSOR ASSEMBLY	SV1 J5770
46A	VS1-5057-004		1	CONNECTOR, SNAP TIGHT	J5770
47	FH7-5712-000		1	SOLENOID	SL6 J421
48	VS1-5057-002		1	CONNECTOR, SNAP TIGHT	J421
49	VS1-5057-003		1	CONNECTOR, SNAP TIGHT	J5500
50	FS2-9327-000		2	SCREW, STEPPED, M4	
51	FS3-2044-000		2	SPRING, COMPRESSION	
52	VS1-5057-002		1	CONNECTOR, SNAP TIGHT	J566
53	FA9-2112-000		2	BUSHING	
54	XA9-0624-000		1	SCREW, M3X4	

FIGURE & KEY NO.	PART NUMBER	RANK	QTY	DESCRIPTION	SERIAL NUMBER / REMARKS
105 - 55	XF2-1823-360		1	BELT, TIMING	
56	XA9-1259-000		2	SCREW,W/WASHER,M3X4	
57	VS1-5057-006		1	CONNECTOR, SNAP TIGHT	J417
501	XB1-2300-409		7	SCREW,MACH.,TRUSS HEAD,M3X4	
502	XB1-2300-609		4	SCREW,MACH.,TRUSS HEAD,M3X6	
503	XB4-7400-809		1	SCREW,TAPPING,TRUSS HEAD,M4X8	
504	XB4-7400-809		1	SCREW,TAPPING,TRUSS HEAD,M4X8	100V
505	XD2-1100-402		1	RING,E	
506	XD2-1100-502		1	RING,E	
507	XD2-1100-502		1	RING,E	100V
508	XD3-2200-142		2	PIN,DOWEL	
509	XD2-1100-642		2	RING,E	
510	XB2-8300-405		2	SCREW,W/WASHER,M3X4	
511	XB3-6400-800		AR	SCREW,RS,M4X8	
512	XD3-0300-102		2	PIN, SPRING	



FIGURE & KEY NO.	PART NUMBER	R A N K	Q T Y	DESCRIPTION	SERIAL NUMBER / REMARKS
106 -	NPN		RF	MACHINE REAR PLATE 2	
1	FG6-5445-000		1	CABLE, ACC POWER	J707,3502,3504,9013
1A	VS1-5057-002		1	CONNECTOR, SNAP TIGHT	J9013
2	FF3-4036-000		1	CABLE, SHIFT TRAY	J114,123,753,754
2A	VS1-6318-010		1	CONNECTOR, SNAP TIGHT	J753
3	FF5-9905-000		1	PIN, POSITIONING	
4	FG6-5464-000		1	CABLE, DUPLEXING DRAWER	J107,222,322,712
5	FH3-2592-000		1	REGULATOR, SWITCHING	100/120V
	FH3-2593-000		1	REGULATOR, SWITCHING	220/240V
6	FS5-2965-000		2	SPRING, COMPRESSION	
7	FS5-2965-000		2	SPRING, COMPRESSION	
8	FS5-9282-000		2	SCREW, STEPPED	
9	FS5-9282-000		2	SCREW, STEPPED	
10	FB5-3670-000		1	GUIDE, MAIN CABLE	
11	FB5-3671-000		1	GUIDE, CABLE	
12	FB5-3657-000		1	PLATE, PCB SUPPORT	
13	FB5-5518-000		1	FLYWHEEL	
14	WS3-5512-000		1	CONNECTOR, 6P, MALE	J1
15	WS3-5483-000		4	PIN CONTACT, AWG14-16	J1
16	FS5-2964-000		2	SPRING, COMPRESSION	
17	FS5-9282-000		2	SCREW, STEPPED	
18	VS1-6314-020		1	CONNECTOR, 20P, FEMALE	J251
19	VS1-6313-020		1	CONNECTOR, 20P, FEMALE	J251
20	VT2-5161-040		1	HOLDER, CONNECTOR, 40P	J251
21	VS1-6328-040		1	HOLDER, CONNECTOR, 40P	J251
22	WS3-5607-000		4	SOCKET CONTACT, 20-24AWG	J251
23	XF2-1609-440		1	BELT, TIMING	
24	FF5-9861-000		1	DUCT, EXHAUST FAN	
25	FG3-1188-000		1	SERIAL NUMBER PCB ASSEMBLY	
501	XB3-6400-800		AR	SCREW, RS, M4X8	

FIGURE & KEY NO.	PART NUMBER	R A N K	Q T Y	DESCRIPTION	SERIAL NUMBER / REMARKS
106 - 502	XB3-6401-000		1	SCREW,RS,M4X10	
503	XD1-1104-135		2	SHIM	
504	XB2-7400-607		1	SCREW,W/WASHER,M4X6	

# FIGURE 107 MACHINE BOTTOM PLATE

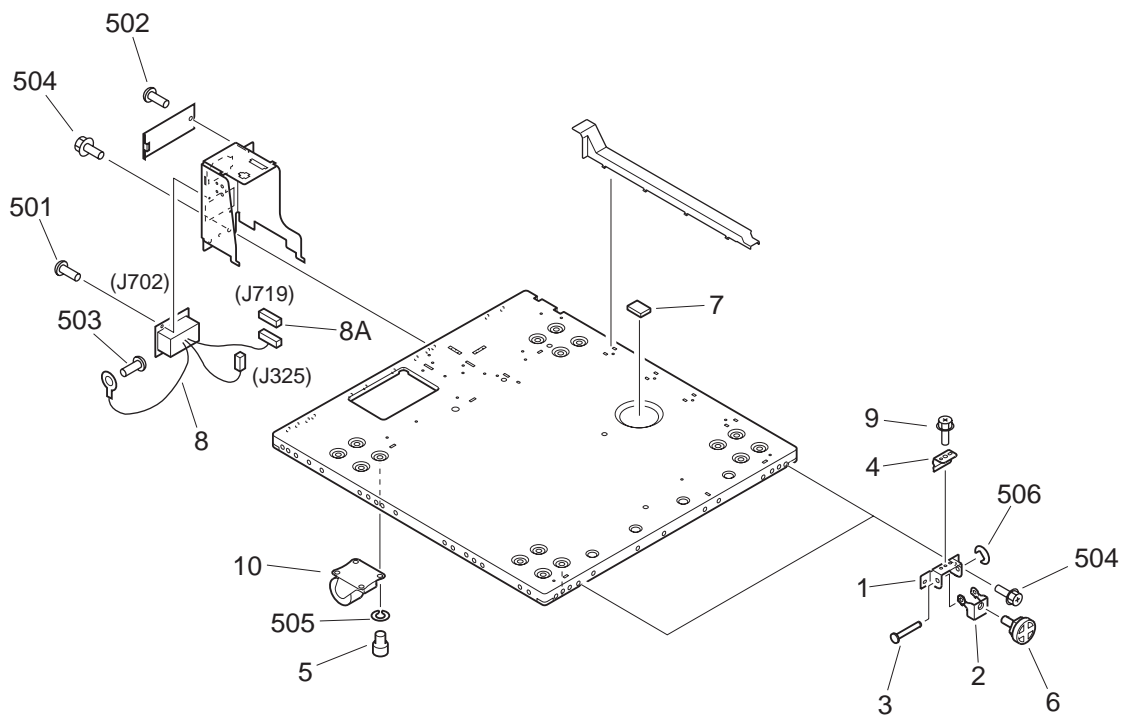


FIGURE & KEY NO.	PART NUMBER	R A N K	Q T Y	DESCRIPTION	SERIAL NUMBER / REMARKS
107 -	NPN		RF	MACHINE BOTTOM PLATE	
1	FB2-7897-000		2	PLATE, ADJUSTING, FRONT	
2	FB2-7898-000		2	PLATE, PIVOT, FRONT	
3	FB2-7899-000		2	SHAFT, PIVOT, FRONT	
4	FB2-7900-000		2	SPRING, LEAF	
5	FB2-8323-000		16	SCREW, ALLEN HEAD, M8X10	
6	FB5-3540-000		2	ADJUSTER	
7	FB5-5618-000		1	DAMPER	
8	FG6-5444-000		1	CABLE, 3.5K PAPER DECK	J325,702,719
8A	VS1-5057-007		1	CONNECTOR, SNAP TIGHT	J719
9	XA9-0628-000		2	SCREW, RS, M4X8	
10	XZ9-0409-000		4	CASTER	
501	XB1-2300-807		2	SCREW, MACH., TRUSS HEAD, M3X8	
502	XB1-2400-407		1	SCREW, MACH., TRUSS HEAD, M4X4	
503	XB2-7400-607		1	SCREW, W/WASHER, M4X6	
504	XB3-6401-000		4	SCREW, RS, M4X10	
505	XD1-3100-809		16	WASHER, SPRING	
506	XD2-1100-502		2	RING, E	

# FIGURE 110 POWER CORD TERMINAL ASSEMBLY (100/120V)

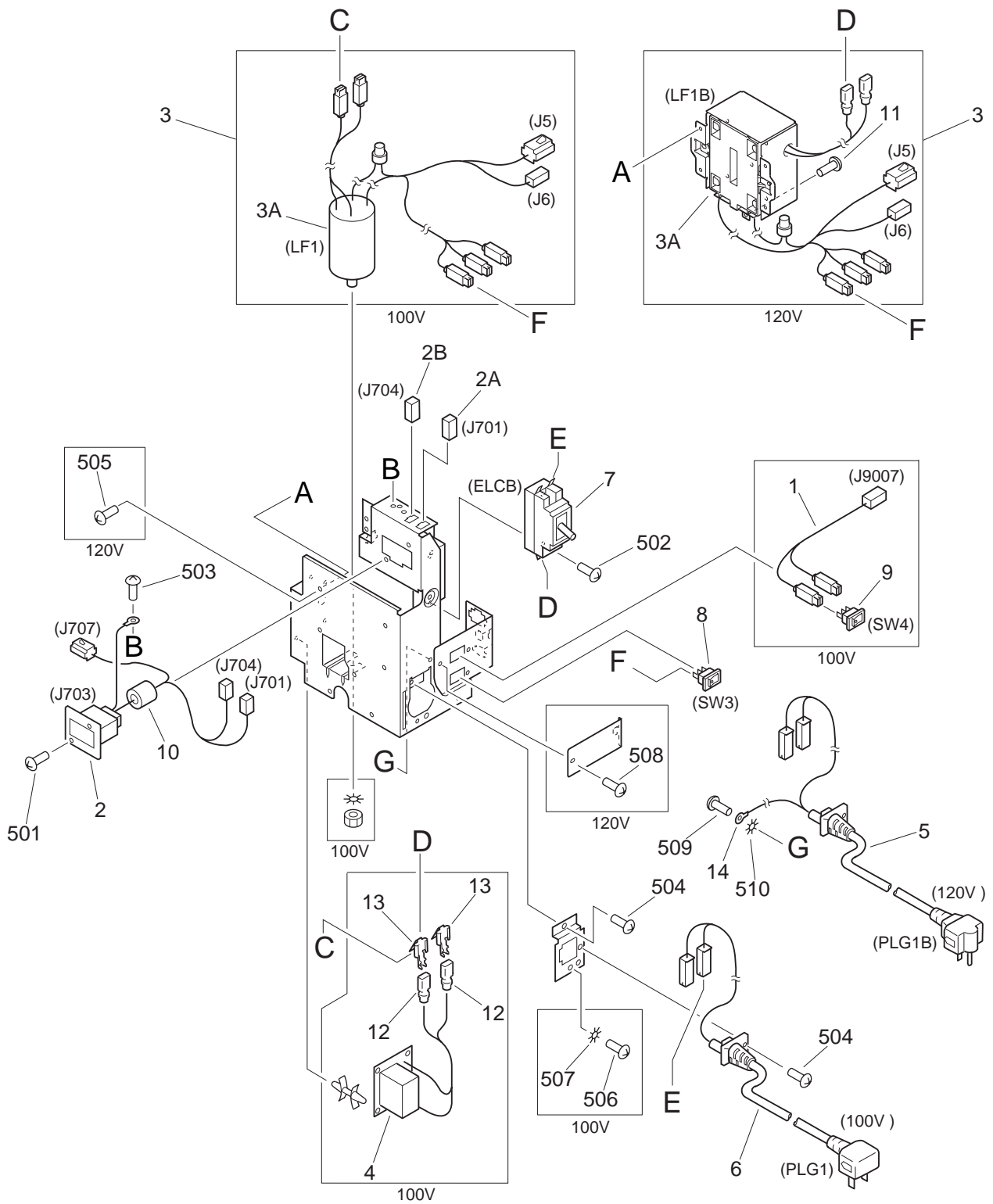




FIGURE & KEY NO.	PART NUMBER	RANK	QTY	DESCRIPTION	SERIAL NUMBER / REMARKS
110 -	FG6-5051-000	N	1	POWER CORD TERMINAL ASSEMBLY	100V
	FG6-4963-000	N	1	POWER CORD TERMINAL ASSEMBLY	120V
1	FG6-4969-000		1	CABLE, HEATER SWITCH	100V J9007
2	FG6-5443-000		1	CABLE, FINISHER	J701,703,704,707
2A	VS1-5057-003		1	CONNECTOR, SNAP TIGHT	J701
2B	VS1-5057-002		1	CONNECTOR, SNAP TIGHT	J704
3	FG6-5438-000		1	CABLE, POWER CORD TERMINAL	100V J5,6
	FG6-5488-000		1	CABLE, POWER CORD TERMINAL	120V J5,6
3A	FH7-9217-000		1	FILTER, NOISE	100V LF1
	FG6-5613-000		1	NOISE FILTER UNIT	120V LF1B
4	FG6-6512-000		1	CAPACITOR PCB ASSEMBLY	100V
5	FH2-6569-000		1	CORD, POWER	100V PLG1
6	FH2-6571-000		1	CORD, POWER, 125V 20A	120V PLG1B
7	FH7-6310-000		1	BREAKER, ELECTRIC LEAKAGE	100V ELCB
	FH7-7522-000		1	BREAKER, CIRCUIT	120V ELCB
8	WC1-5131-000		1	SWITCH, TOGGLE	SW3
9	WC1-5131-000		1	SWITCH, TOGGLE	100V SW4
10	WE8-5765-000		1	CORE, FERRITE	
11	XA9-0385-000		1	SCREW,W/WASHER,M3X6	120V
12	WS3-5610-000		2	CONNECTOR, 1P, FEMALE	100V
13	WS3-5613-000		2	PIN CONTACT	100V
14	WT1-5480-000		1	TERMINAL, RING	120V
501	XB1-2300-609		2	SCREW,MACH.,TRUSS HEAD,M3X6	
502	XB1-2402-009		2	SCREW,MACH.,TRUSS HEAD,M4X20	
503	XB2-7400-607		1	SCREW,W/WASHER,M4X6	
504	XB1-2400-809		2	SCREW,MACH.,TRUSS HEAD,M4X8	
505	XB1-2400-809		4	SCREW,MACH.,TRUSS HEAD,M4X8	120V
506	XB1-2400-603		1	SCREW,MACH.,TRUSS HEAD,M4X6	100V
507	XD1-4200-402		1	WASHER,TOOTHED LOCK	100V
508	XB1-2400-607		1	SCREW,MACH.,TRUSS HEAD,M4X6	120V

FIGURE & KEY NO.	PART NUMBER	R A N K	Q T Y	DESCRIPTION	SERIAL NUMBER / REMARKS
110 - 509	XB1-2500-606		1	SCREW,MACH.,TRUSS HEAD,M5X6	120V
510	XD1-4200-502		1	WASHER,TOOTHED LOCK	120V

# FIGURE 111 POWER CORD TERMINAL ASSEMBLY (220/240V)

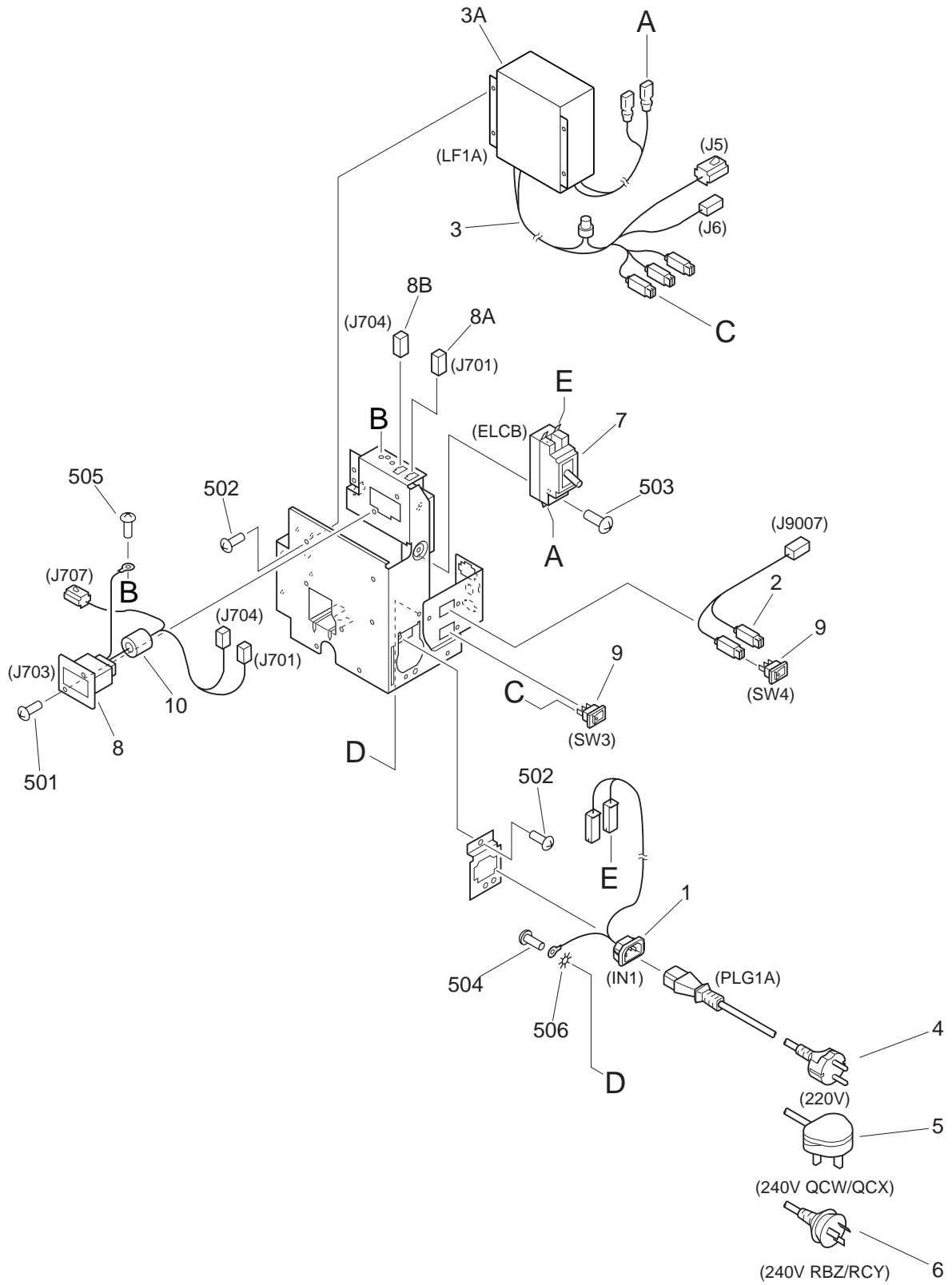
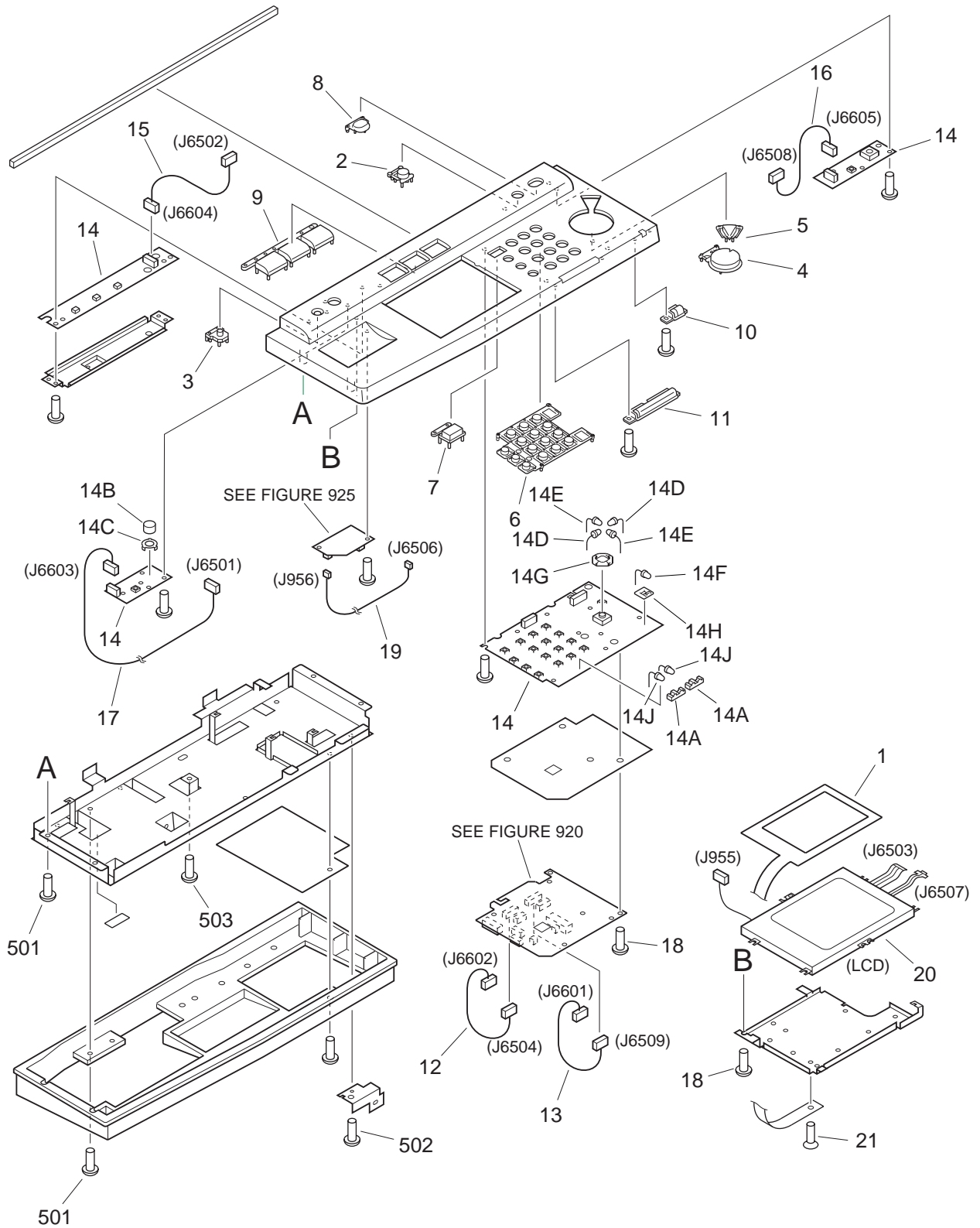


FIGURE & KEY NO.	PART NUMBER	R A N K	Q T Y	DESCRIPTION	SERIAL NUMBER / REMARKS
111 -	FG6-4964-000	N	1	POWER CORD TERMINAL ASSEMBLY	220/240V
1	FG6-4968-000		1	CABLE, INLET	IN1
2	FG6-4969-000		1	CABLE, HEATER SWITCH	J9007
3	FG6-5437-000		1	CABLE, POWER CORD TERMINAL	J5,6
3A	FH7-9299-020		1	FILTER, NOISE	LF1A
4	FH2-5761-020		1	POWER CORD	220V
5	FH2-5762-000		1	POWER CORD	240V QCW/QCX
6	FH2-5763-000		1	POWER CORD	240V RBZ/RCY
7	FH7-6311-000		1	BREAKER, ELECTRIC LEAKAGE	ELCB
8	FG6-5443-000		1	CABLE, FINISHER	J701,703,704,707
8A	VS1-5057-003		1	CONNECTOR, SNAP TIGHT	J701
8B	VS1-5057-002		1	CONNECTOR, SNAP TIGHT	J704
9	WC1-5131-000		2	SWITCH, TOGGLE	SW3,4
10	WE8-5765-000		1	CORE, FERRITE	
501	XB1-2300-609		2	SCREW,MACH.,TRUSS HEAD,M3X6	
502	XB1-2400-809		5	SCREW,MACH.,TRUSS HEAD,M4X8	
503	XB1-2402-009		2	SCREW,MACH.,TRUSS HEAD,M4X20	
504	XB1-2500-606		1	SCREW,MACH.,TRUSS HEAD,M5X6	
505	XB2-7400-607		1	SCREW,W/WASHER,M4X6	
506	XD1-4200-502		1	WASHER,TOOTHED LOCK	

# FIGURE 130

## CONTROL PANEL ASSEMBLY

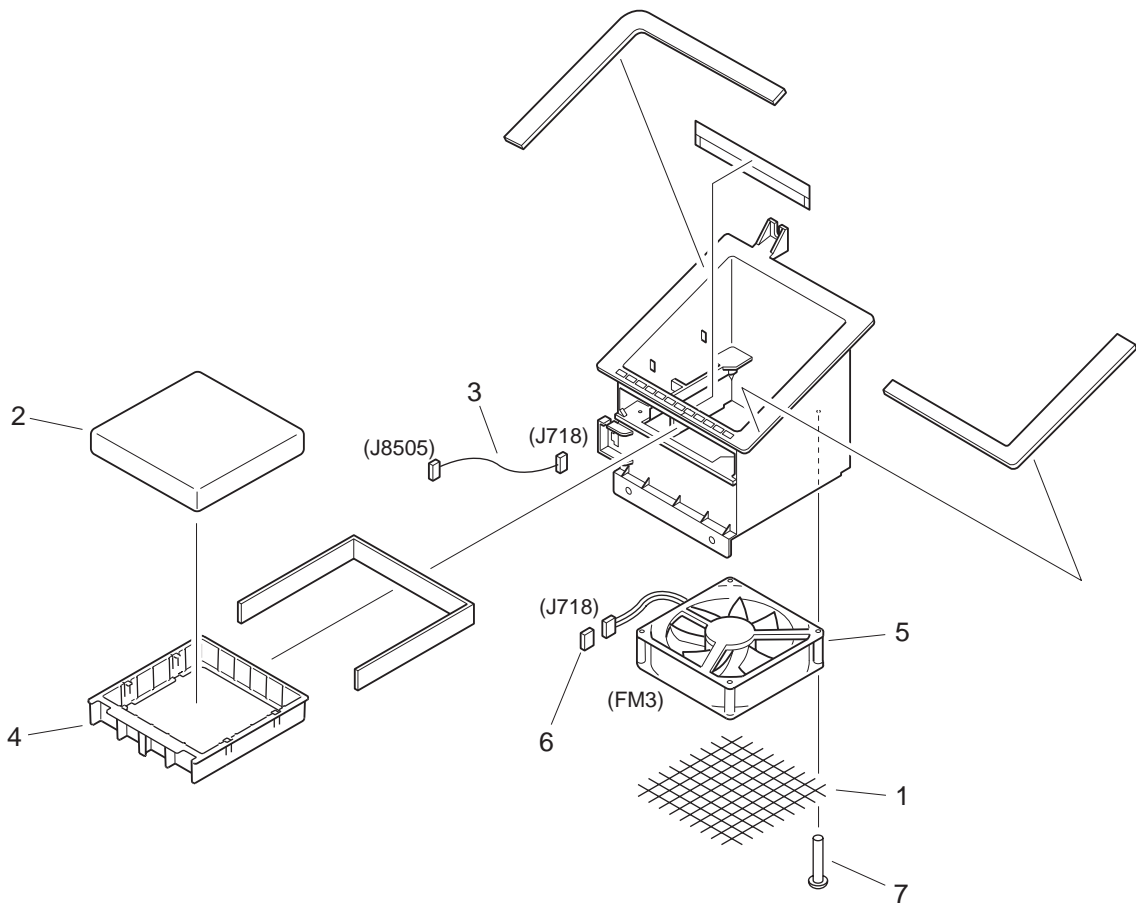


NOTE : This assembly includes the assemblies shown in Figure 920 and 925.

FIGURE & KEY NO.	PART NUMBER	R A N K	Q T Y	DESCRIPTION	SERIAL NUMBER / REMARKS
130 -	FG6-4911-000		1	CONTROL PANEL ASSEMBLY	JAPANESE SEE NOTE
	FG6-5153-000		1	CONTROL PANEL ASSEMBLY	ENGLISH 120V SEE NOTE
	FG6-5157-000		1	CONTROL PANEL ASSEMBLY	ENGLISH QCW/QCX SEE NOTE
	FG6-5155-000		1	CONTROL PANEL ASSEMBLY	ENGLISH PKL/RBZ/PLH ENGLISH RCY SEE NOTE
	FG6-5159-000		1	CONTROL PANEL ASSEMBLY	FRENCH SEE NOTE
	FG6-5161-000		1	CONTROL PANEL ASSEMBLY	GERMAN SEE NOTE
	FG6-5163-000		1	CONTROL PANEL ASSEMBLY	ILLUSTRATION SEE NOTE
1	FB4-6704-000		1	SHEET, GROUNDING	
2	FB5-3728-000		1	KEY TOP, ENERGY SAVE	
3	FB4-5005-000		1	KEY TOP, COUNTER	
4	FB5-2172-000		1	KEY TOP, START	
5	FB5-2173-000		1	KEY TOP, STOP	
6	FB5-3697-000		1	KEY TOP, NUMBERS	
7	FB5-3698-000		1	KEY TOP, RESET	
8	FB5-3699-000		1	KEY TOP, POWER SUPPLY	
9	FB5-3707-000		1	KEY TOP, FUNCTION	JAPANESE
	FB5-3723-000		1	KEY TOP, FUNCTION	ENGLISH 120V
	FB5-3724-000		1	KEY TOP, FUNCTION	ENGLISH 220/240V
	FB5-3725-000		1	KEY TOP, FUNCTION	FRENCH
	FB5-3726-000		1	KEY TOP, FUNCTION	GERMAN
	FB5-3727-000		1	KEY TOP, FUNCTION	ILLUSTRATION
10	FB5-3708-000		1	COVER, LAMP FILTER	
11	FB5-3709-000		1	COVER, LAMP	
12	FG6-5148-000		1	CABLE, KEY, A	J6504,6602
13	FG6-5149-000		1	CABLE, KEY, B	J6509,6601
14	FG6-5164-000		1	CONTROL PANEL PCB ASSEMBLY	
14A	FB5-2174-000		2	HOLDER, LED	
14B	FB5-3718-000		1	KNOB, CONTRAST	
14C	FB3-8320-000		1	PLATE, GROUNDING	
14D	FH6-0767-000		2	LED UNIT	

FIGURE & KEY NO.	PART NUMBER	RANK	QTY	DESCRIPTION	SERIAL NUMBER / REMARKS
130 - 14E	FH6-0768-000		2	LED UNIT	
14F	WG1-5301-000		17	LED, SEL6410E	
14G	FB5-2195-000		1	HOLDER, LED	
14H	FB5-3730-000		1	HOLDER, LED	
14J	WG1-5645-000		2	LED, SEL6814A	
15	FG6-5425-000		1	CABLE, FUNCTION KEY	J6502,6604
16	FG6-5426-000		1	CABLE, MAIN SWITCH	J6508,6605
17	FG6-5427-000		1	CABLE, COUNTER-VR	J6501,6603
18	XA9-0591-000		42	SCREW,M3X8	
19	FG6-5166-000		1	CABLE, CONTROL PANEL INVERTER	J956,6506
20	FG6-5428-000		1	LCD CONTROL PANEL UNIT	LCD J955,6503,6507
21	XA9-0670-000		1	SCREW,MACH.,FLAT HEAD,M3X8	
501	XB1-2300-607		6	SCREW,MACH.,TRUSS HEAD,M3X6	
502	XB1-2400-607		1	SCREW,MACH.,TRUSS HEAD,M4X6	
503	XB2-7400-607		1	SCREW,W/WASHER,M4X6	

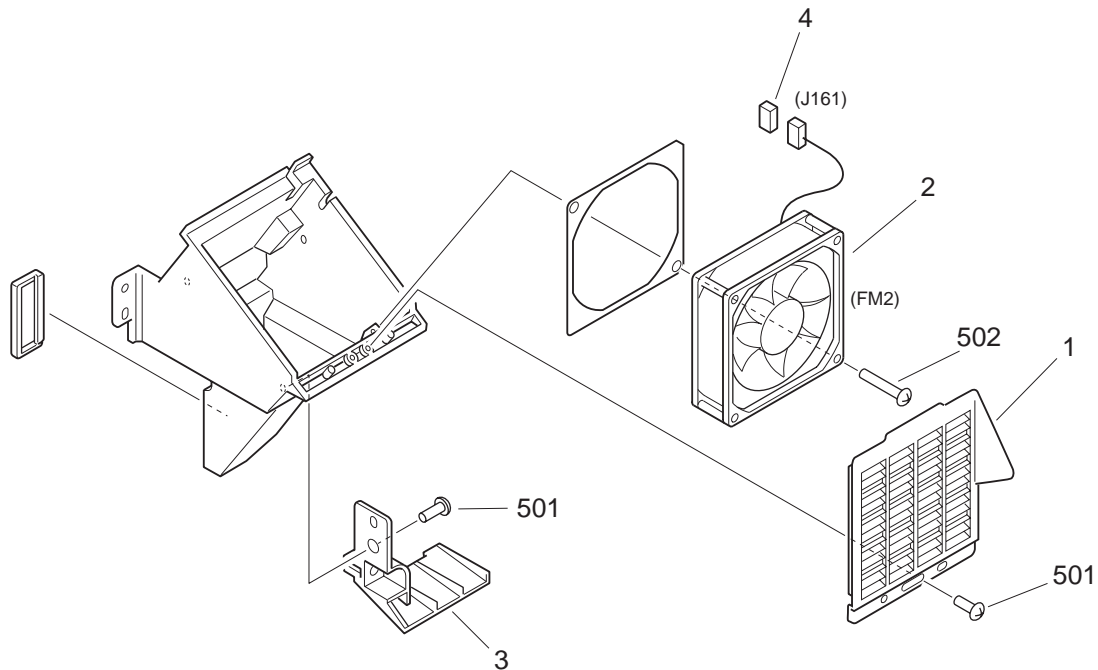
# FIGURE 190 MACHINE EXHAUST FAN ASSEMBLY







# FIGURE 191 PRIMARY FAN DUCT ASSEMBLY



NOTE : This assembly does not include the part shown with key No. 4.

FIGURE & KEY NO.	PART NUMBER	RANK	QTY	DESCRIPTION	SERIAL NUMBER / REMARKS
191 -	FG6-4895-000		1	PRIMARY FAN DUCT ASSEMBLY	
1	FB5-3526-000		1	FILTER, DUST-PROOF	
2	FH6-1844-000		1	FAN, COOLING	FM2 J161
3	FB5-5538-000		1	COVER, PAPER GUIDE	
4	VS1-5057-003		1	CONNECTOR, SNAP TIGHT	SEE NOTE J161
501	XB4-7400-609		2	SCREW,TAPPING,TRUSS HEAD,M4X6	
502	XB4-7403-009		2	SCREW,TAPPING,TRUSS HEAD,M4X30	

# FIGURE 192 FEEDER FAN ASSEMBLY

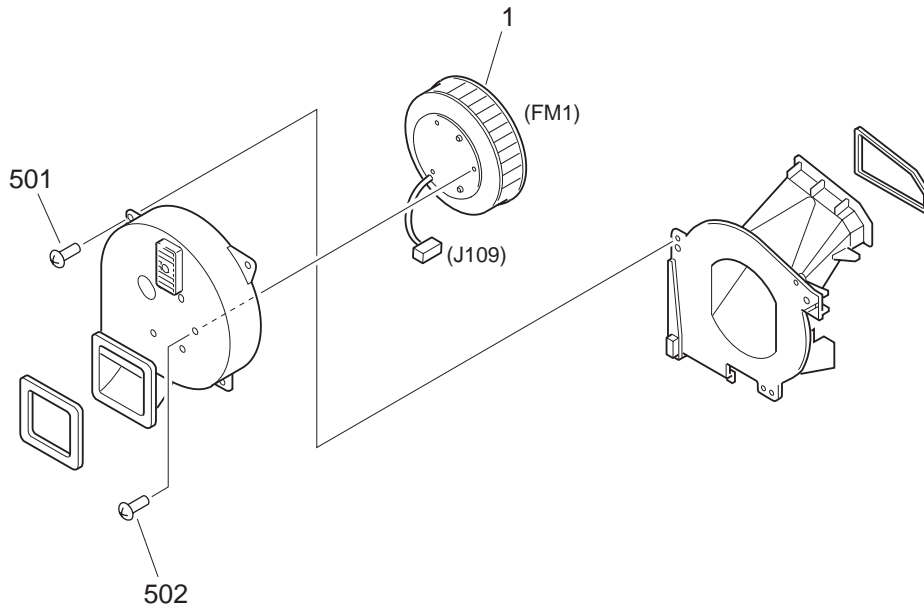
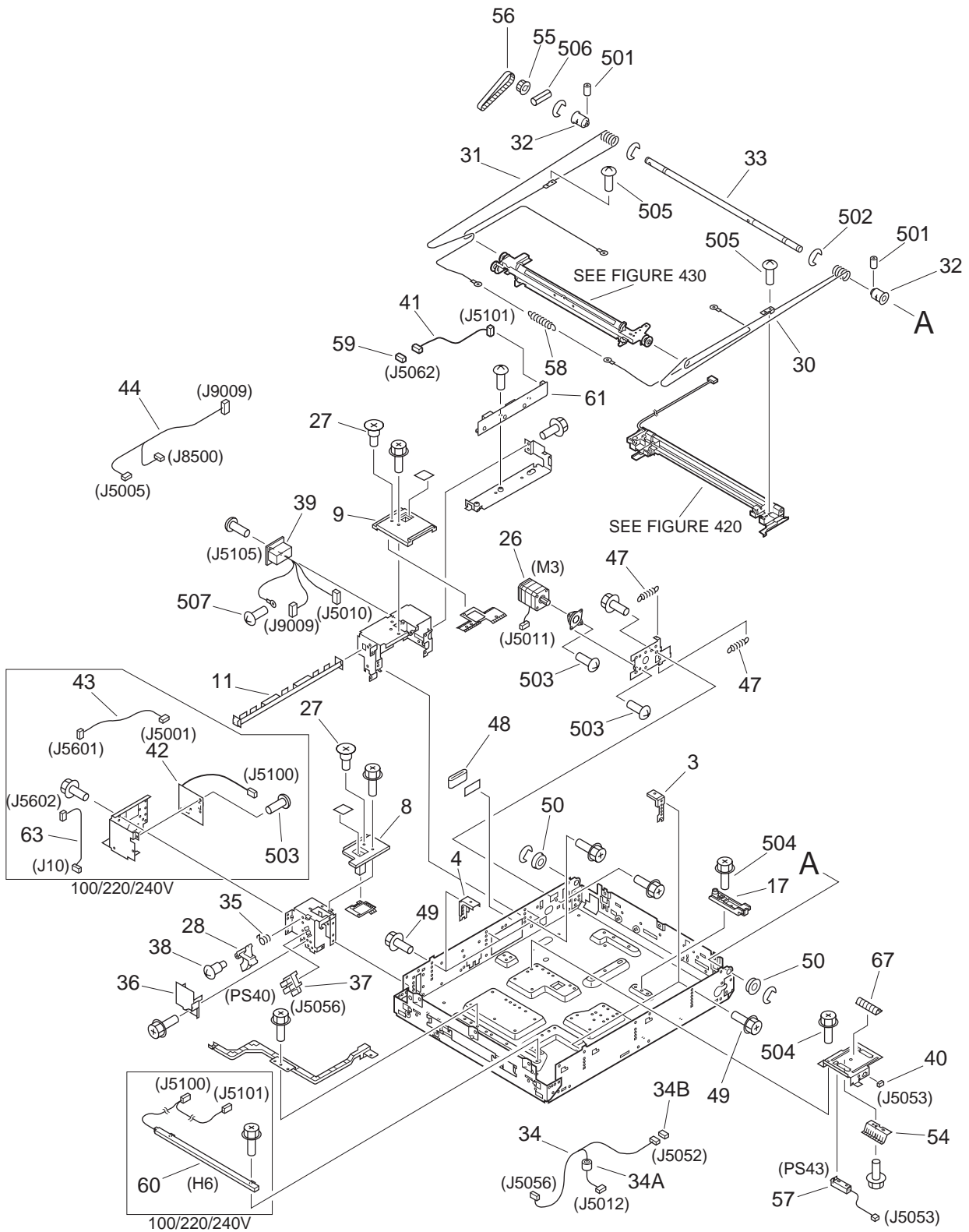


FIGURE & KEY NO.	PART NUMBER	RANK	QTY	DESCRIPTION	SERIAL NUMBER / REMARKS
192 -	FG6-4893-000		1	FEEDER FAN ASSEMBLY	
1	FH6-1549-000		1	FAN, FEEDER	FM1 J109
501	XB4-7400-809		3	SCREW,TAPPING,TRUSS HEAD,M4X8	
502	XB6-7300-607		3	SCREW,TP,M3X6	
-----					
-----					

# FIGURE 210

## READER ASSEMBLY (1/2)



# FIGURE 210 READER ASSEMBLY (2/2)

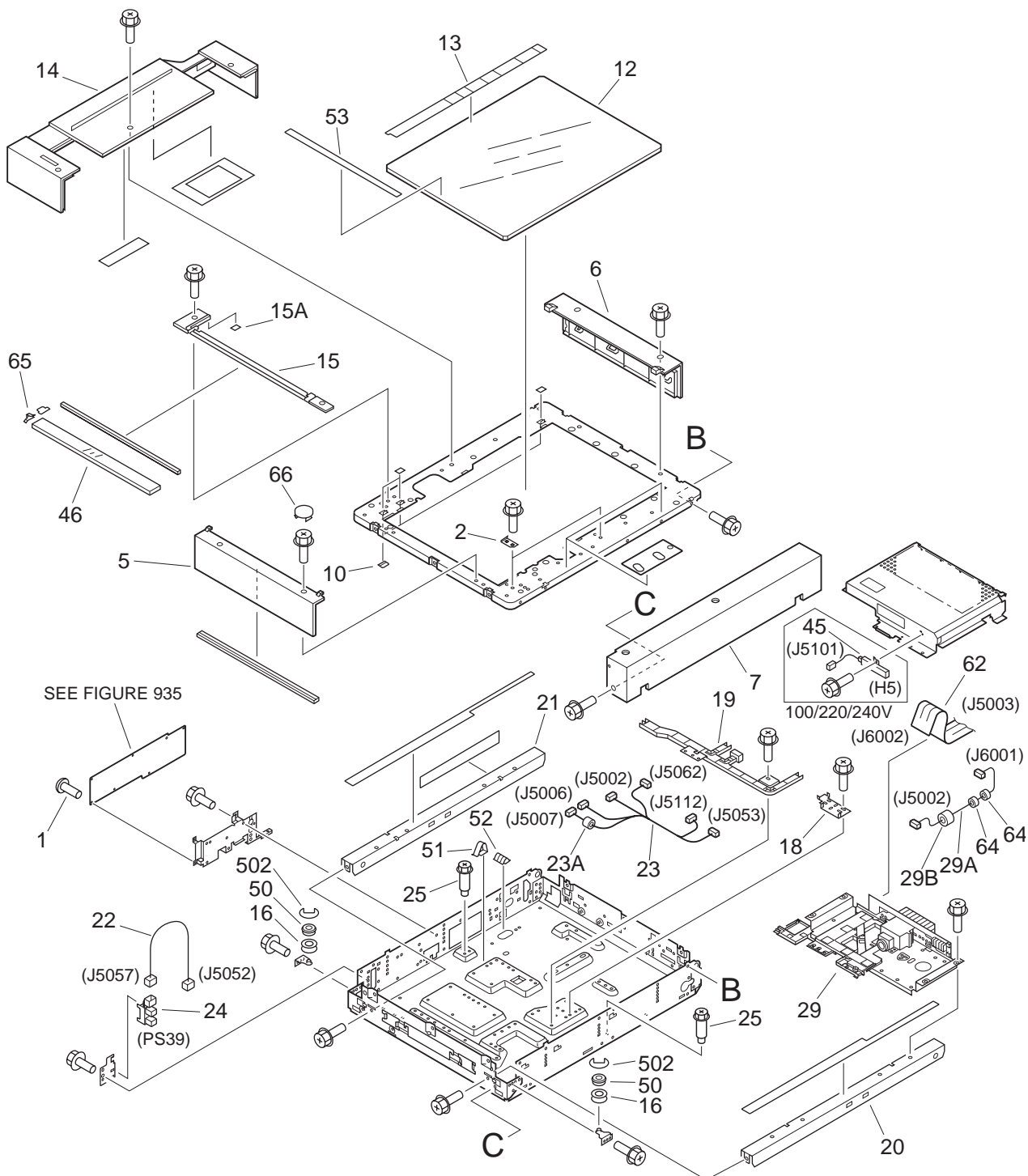


FIGURE & KEY NO.	PART NUMBER	R A N K	Q T Y	DESCRIPTION	SERIAL NUMBER / REMARKS
210 -	NPN		RF	READER ASSEMBLY	
1	FA9-1449-000		7	CAPTIVE SCREW M3X6	
2	FB4-5402-000		2	PLATE, GLASS	
3	FB5-3049-000		3	PLATE, FRONT	
4	FB5-3050-000		3	PLATE, REAR	
5	FF5-9959-000		1	RETAINER, GLASS, LEFT	
6	FB5-3055-000		1	RETAINER, GLASS, RIGHT	
7	FB5-3056-000		1	PANEL, FRONT	
8	FF5-9956-000		1	COVER, POCKET, LEFT	
9	FF5-9957-000		1	COVER, POCKET, RIGHT	
10	FB5-3502-000		3	SHEET	
11	FB5-3641-000		1	GUIDE, CABLE	
12	FF5-9811-000		1	GLASS, COPYBOARD	AB SIZE
	FF5-9812-000		1	GLASS, COPYBOARD	INCH/A SIZE
	FF5-9813-000		1	GLASS, COPYBOARD	A SIZE
	FF5-9814-000		1	GLASS, COPYBOARD	AB/INCH SIZE
13	FB5-4535-000		1	PLATE, LENGTH INDEX	AB SIZE
	FB5-4553-000		1	PLATE, LENGTH INDEX	INCH/A SIZE
	FB5-4554-000		1	PLATE, LENGTH INDEX	A SIZE
14	FF5-9819-000		1	PANEL, REAR	AB/INCH SIZE
15	FF5-9854-000		1	GUIDE, PAPER	
15A	FB5-3502-000		1	SHEET	
16	FB1-7109-000		2	PULLEY	
17	FB3-2398-000		1	LEVER	
18	FB5-3046-000		1	PLATE, SKEW ADJUSTMENT	
19	FB5-3642-000		1	GUIDE, BOTTOM CABLE	
20	FF5-9820-000		1	RAIL, SCANNER, FRONT	
21	FF5-9821-000		1	RAIL, SCANNER, REAR	
22	FG6-4971-000		1	CABLE, HOME POSITION SENSOR	J5052,5057
23	FG6-5475-000		1	CABLE, DOCUMENT CONNECTING	J5002,5006,5007 J5053,5062,5112

FIGURE & KEY NO.	PART NUMBER	R A N K	Q T Y	DESCRIPTION	SERIAL NUMBER / REMARKS
210 - 23A	WE8-5406-000		1	CORE, FERRITE	
24	FH7-7312-000		1	PHOTO-INTERRUPTER	PS39 J5057
25	FS5-9642-000		2	SCREW, STEPPED, M4	
26	FH6-1734-000		1	MOTOR, STEPPING, DC 24V	M3 J5011
27	FS5-9646-000		2	SCREW, STEPPED, M4	
28	FB5-3090-000		1	LEVER, SENSOR	
29	FG6-4853-000		1	CCD UNIT	
29A	FG6-4973-000		1	CABLE, CCD POWER	J5002,6001
29B	WE8-5622-000		1	CORE, RING	
30	FB5-3085-000		1	WIRE, SCANNER, FRONT (MECH)	
31	FB5-3086-000		1	WIRE, SCANNER, REAR (MECH)	
32	FB5-3087-000		2	PULLEY	
33	FF5-9830-000		1	SHAFT, DRIVE	
34	FG6-5480-000		1	CABLE, ADF SENSOR	J5012,5052,5056
34A	WE8-5406-000		1	CORE, FERRITE	
34B	VS1-5057-003		1	CONNECTOR, SNAP TIGHT	J5051
35	FB5-3636-000		1	SPRING, TORSION	
36	FB5-3635-000		1	COVER, SENSOR	
37	FH7-7312-000		1	PHOTO-INTERRUPTER	PS40 J5056
38	FS5-9227-000		1	SCREW, STEPPED, M4	
39	FG6-5479-000		1	CABLE, READER CONT./ADF POWER	J5010,5105,9909
40	VS1-5057-003		1	CONNECTOR, SNAP TIGHT	J5053
41	FG6-5476-000		1	CABLE, INVERTER	J5062,5101
42	FG6-4988-000		1	FUSE PCB ASSEMBLY	100/220/240V
43	FG6-5958-000		1	CABLE, FUSE PCB	100/220/240V J5001,5601
44	FG6-4970-000		1	CABLE, ADF POWER CONNECTING	J5005,8500,9009
45	FH7-4666-000		1	HEATER, PLATE	100V H5 J5101
	FH7-4668-000		1	HEATER, PLATE	220/240V H5 J5101
46	FF5-9816-000		1	GLASS, READER	
47	FS7-2324-000		2	SPRING, TENSION	

FIGURE & KEY NO.	PART NUMBER	R A N K	Q T Y	DESCRIPTION	SERIAL NUMBER / REMARKS
210 - 48	WE8-5266-000		1	FERRITE CORE SSC-33.5-12-F	
49	XA9-0642-000		6	SCREW,RS,M3X6	
50	XG9-0250-000		4	BEARING, BALL	
51	FB5-5544-000		1	SPRING, LEAF	
52	FB5-5547-000		1	SPRING, GROUNDING	
53	FB5-3052-000		1	PLATE, WIDTH INDEX	AB SIZE
	FB5-4557-000		1	PLATE, WIDTH INDEX	INCH/A SIZE
	FB5-4558-000		1	PLATE, WIDTH INDEX	A SIZE AB/INCH SIZE
54	FB5-5551-000		1	SPRING, LEAF	
55	FS5-3804-000		1	PULLEY, 33T	
56	XF9-0716-000		1	BELT, MOTOR DRIVE	
57	FH7-7386-000		1	SENSOR, DOCUMENT SIZE	PS43 J5053
58	FS6-2913-000		1	SPRING, TENSION	
59	VS1-6318-005		1	CONNECTOR, SNAP TIGHT	J5062
60	FG6-5917-000		1	HEATER, PLATE	100V H6 J5100,5101
61	FG6-7224-000		1	HEATER, PLATE	220/240V H6 J5100,5101
	FH3-7208-000		1	INVERTER PCB UNIT	100/220/240V
	FH3-7209-000		1	INVERTER PCB UNIT	120V
62	FH2-6853-000		1	CABLE, FLAT	J5003,6002
63	FF3-4120-000		1	AC CABLE, FUSE PCB	100/220/240V J10,5602
64	WE8-5791-000		2	CORE, FERRITE	
65	FB5-4586-000		1	SPRING, GROUNDING	
66	FB5-5555-000		2	COVER, BLANKING	
67	FB5-5550-000		1	SPRING, GROUNDING	
501	XB6-2400-508		4	SETSCREW,M4X5	
502	XD2-1100-642		8	RING,E	
503	XB1-2300-609		AR	SCREW,MACH.,TRUSS HEAD,M3X6	
504	XB3-6400-800		AR	SCREW,RS,M4X8	
505	XB6-7300-409		2	SCREW,TP,M3X4	
506	XD3-1300-142		1	PIN,SPRING	



FIGURE & KEY NO.	PART NUMBER	R A N K	Q T Y	DESCRIPTION	SERIAL NUMBER / REMARKS
210 - 507	XB2-7400-609		1	SCREW,W/WASHER,M4X6	

# FIGURE 215 SCANNER MOUNT ASSEMBLY

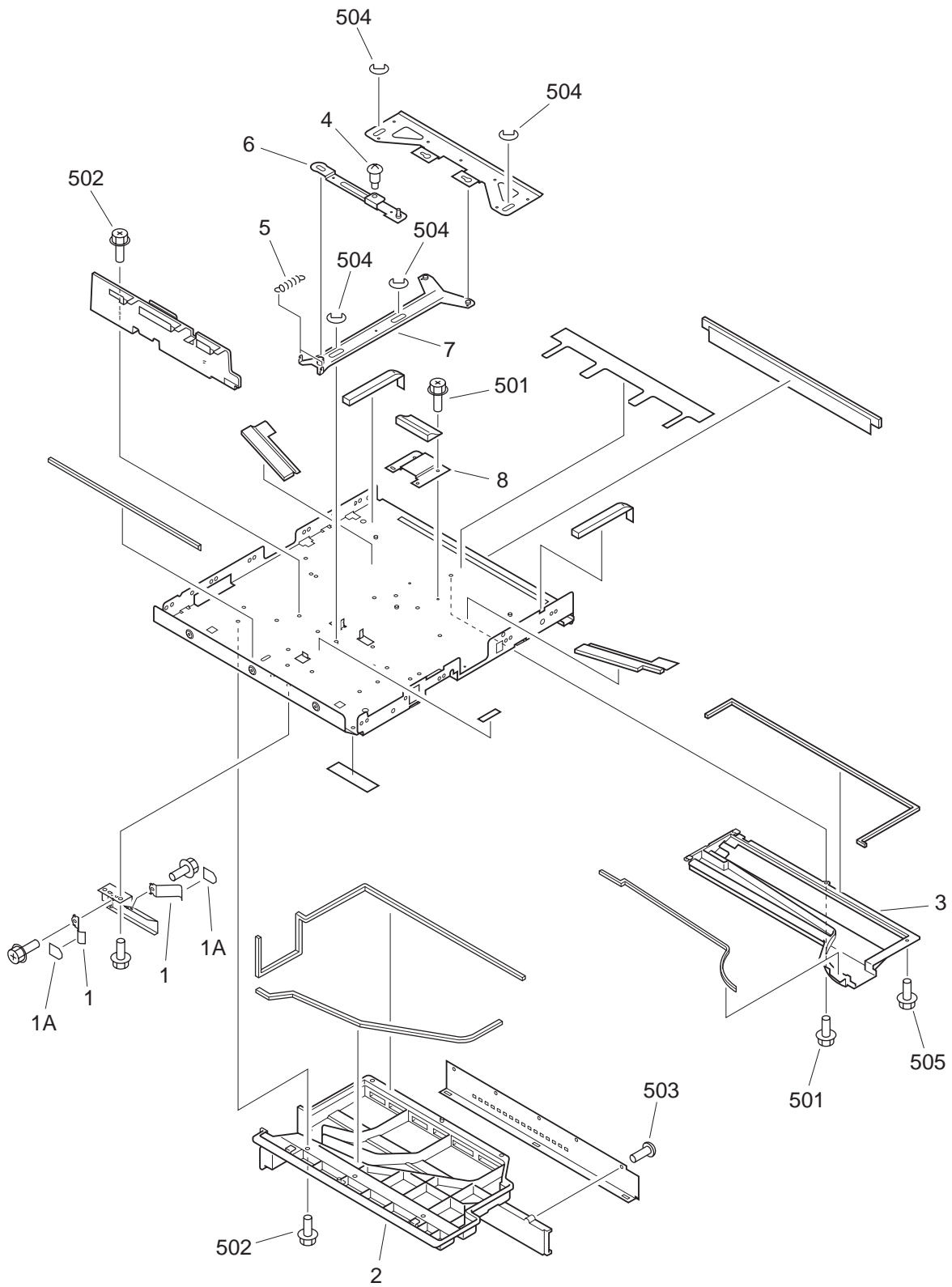


FIGURE & KEY NO.	PART NUMBER	R A N K	Q T Y	DESCRIPTION	SERIAL NUMBER / REMARKS
215 -	NPN		RF	SCANNER MOUNT ASSEMBLY	
1	FF5-9958-000		2	SPRING, LEAF	
1A	FB5-5638-000		1	SHEET	
2	FF5-9809-000		1	DUCT, FIXING CLEANER	
3	FF5-9831-000		1	DUCT, PRIMARY AIR	
4	FS5-9219-000		1	SCREW, STEPPED, M4	
5	FS7-2342-000		2	SPRING, TENSION	
6	FF5-9804-000		1	PLATE, LINK, 1	
7	FF5-9805-000		1	PLATE, LINK, 2	
8	FF5-9806-000		1	PLATE, BRIDGE	
501	XB3-6300-609		3	SCREW, RS, M3X6	
502	XB3-6400-800		11	SCREW, RS, M4X8	
503	XB4-7400-609		3	SCREW, TAPPING, TRUSS HEAD, M4X6	
504	XD2-1100-502		4	RING, E	
505	XB3-6300-800		2	SCREW, RS, M4X8	

# FIGURE 230 VERTICAL PATH DRIVE ASSEMBLY

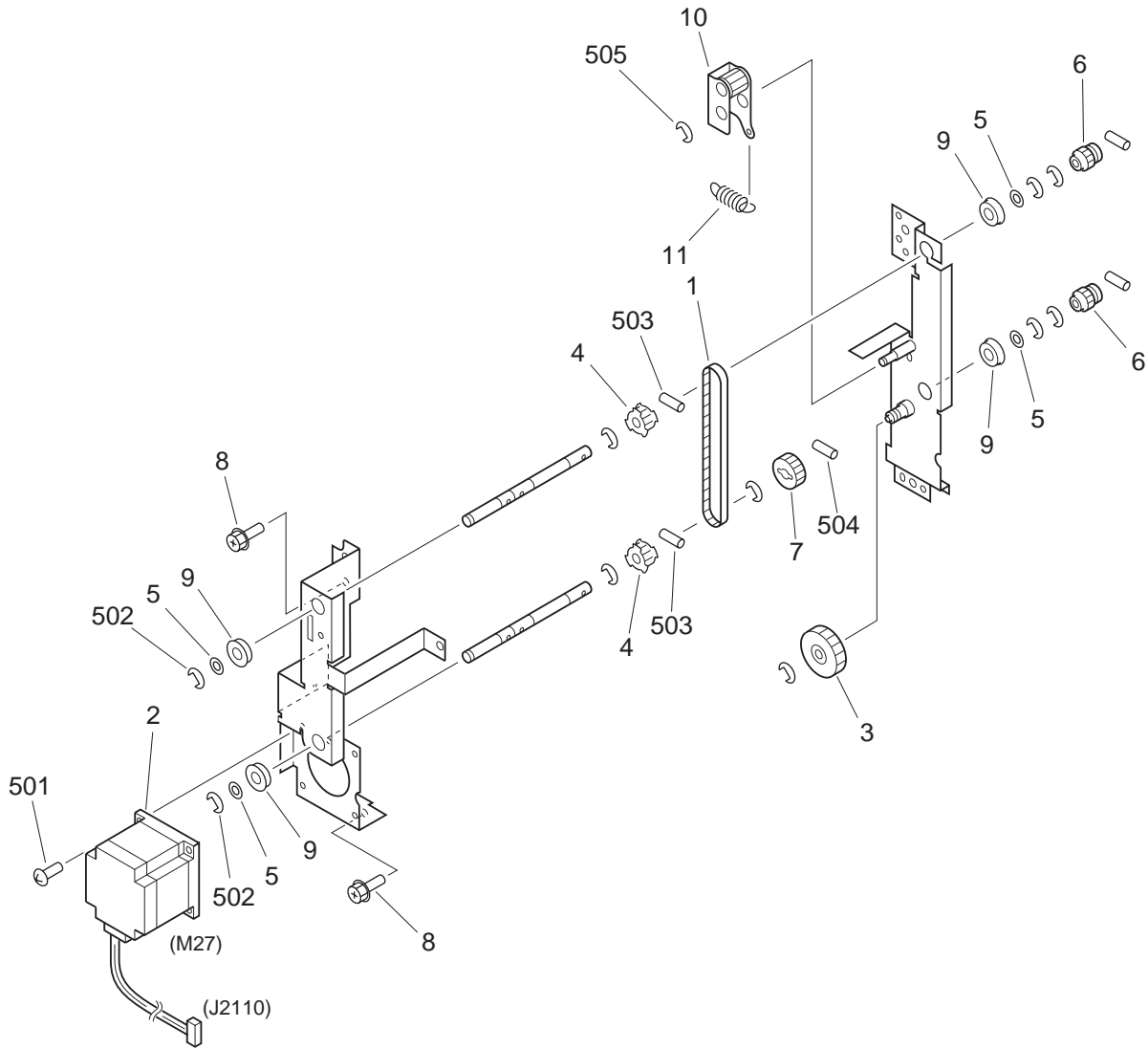
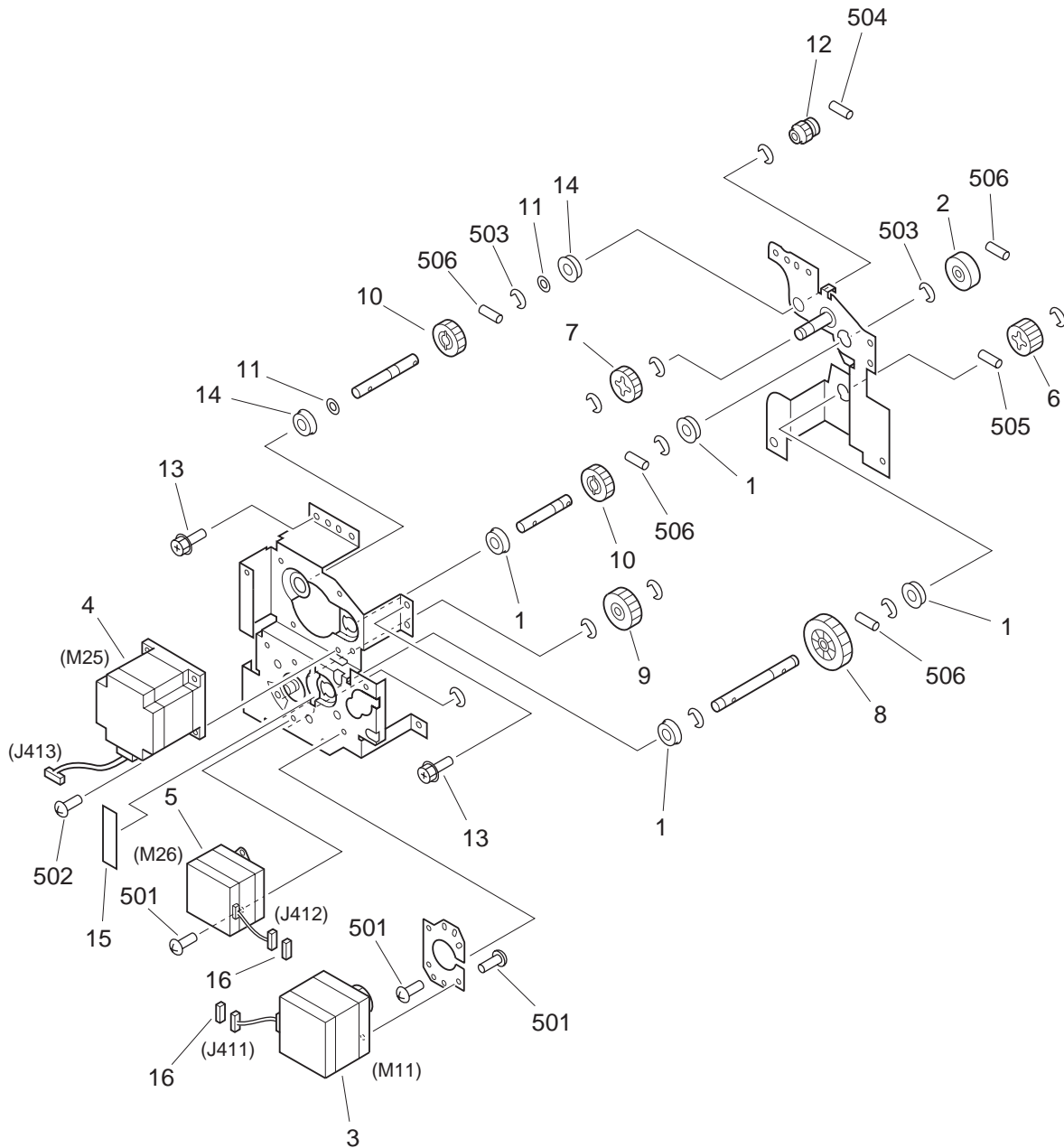


FIGURE & KEY NO.	PART NUMBER	R A N K	Q T Y	DESCRIPTION	SERIAL NUMBER / REMARKS
230 -	FG6-4880-000		1	VERTICAL PATH DRIVE ASSEMBLY	
1	FB5-3018-000		1	BELT, TIMING	
2	FH6-1720-000		1	MOTOR, STEPPING, DC 24V	M27 J2110
3	FS5-0728-000		1	GEAR, 40T	
4	FS5-3805-000		2	PULLEY, 28T	
5	FS5-6487-000		4	WASHER	
6	FS7-0640-000		2	GEAR, 18T	
7	FS7-0641-000		1	GEAR, 24T	
8	XA9-0628-000		2	SCREW,RS,M4X8	
9	XG9-0403-000		4	BEARING, BALL	
10	FF5-9954-000		1	PLATE, TENSION	
11	FS7-2320-000		1	SPRING, TENSION	
501	XB1-2400-809		4	SCREW,MACH.,TRUSS HEAD,M4X8	
502	XD2-1100-642		10	RING,E	
503	XD3-2200-122		4	PIN,DOWEL	
504	XD3-2200-142		1	PIN,DOWEL	
505	XD2-1100-402		1	RING,E	

# FIGURE 231

## VERTICAL PATH DUPLEXING FEED DRIVE ASSEMBLY



NOTE : This assembly does not include the part shown with key No. 16.

FIGURE & KEY NO.	PART NUMBER	RANK	QTY	DESCRIPTION	SERIAL NUMBER / REMARKS
231 -	FG6-4881-000		1	V.PATH DUPLEX FEED DRIVE ASS'Y	
1	FA9-2112-000		4	BUSHING	
2	FB5-3023-000		1	COUPLING	
3	FH6-1717-000		1	MOTOR, STEPPING, DC 24V	M11 J411
4	FH6-1719-000		1	MOTOR, STEPPING, DC 24V	M25 J413
5	FH6-1721-000		1	MOTOR, STEPPING, DC 24V	M26 J412
6	FS4-0145-000		1	GEAR, 20T	
7	FS5-0514-000		1	GEAR, 20T	
8	FS5-0662-000		1	GEAR, 36T	
9	FS5-0748-000		1	GEAR, IDLER, 30T	
10	FS5-0875-000		2	GEAR, 24T	
11	FS5-6487-000		2	WASHER	
12	FS7-0640-000		1	GEAR, 18T	
13	XA9-0628-000		2	SCREW,RS,M4X8	
14	XG9-0403-000		2	BEARING, BALL	
15	FB5-5594-000		1	SHEET, PROTECTION	
16	VS1-5057-006		2	CONNECTOR, SNAP TIGHT	SEE NOTE J411,412
501	XB1-2300-409		8	SCREW,MACH.,TRUSS HEAD,M3X4	
502	XB1-2400-809		2	SCREW,MACH.,TRUSS HEAD,M4X8	
503	XD2-1100-642		12	RING,E	
504	XD3-2200-122		2	PIN,DOWEL	
505	XD3-2200-142		1	PIN,DOWEL	
506	XD3-2200-162		4	PIN,DOWEL	

# FIGURE 232 LIFTER DRIVE ASSEMBLY

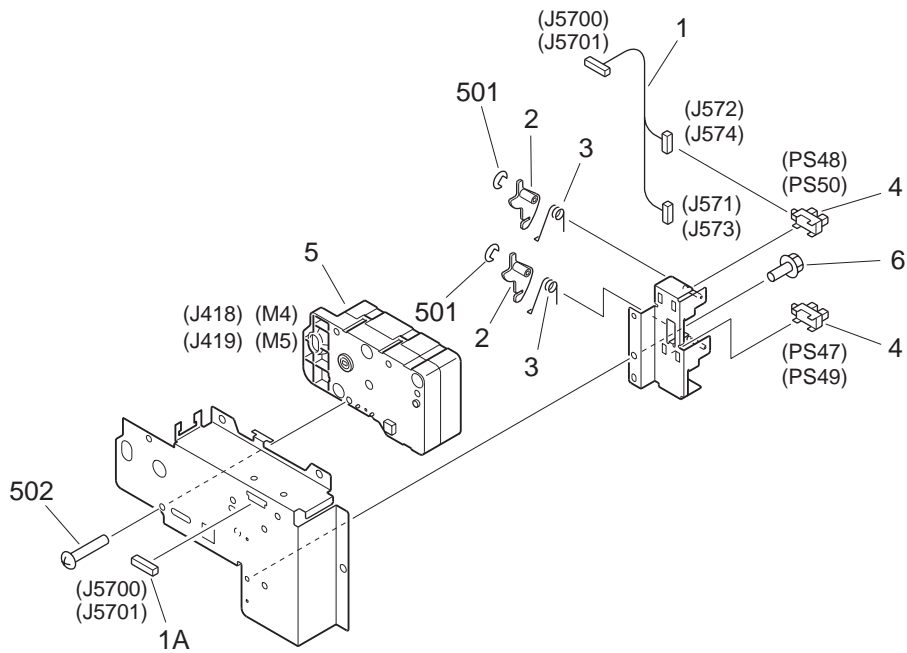
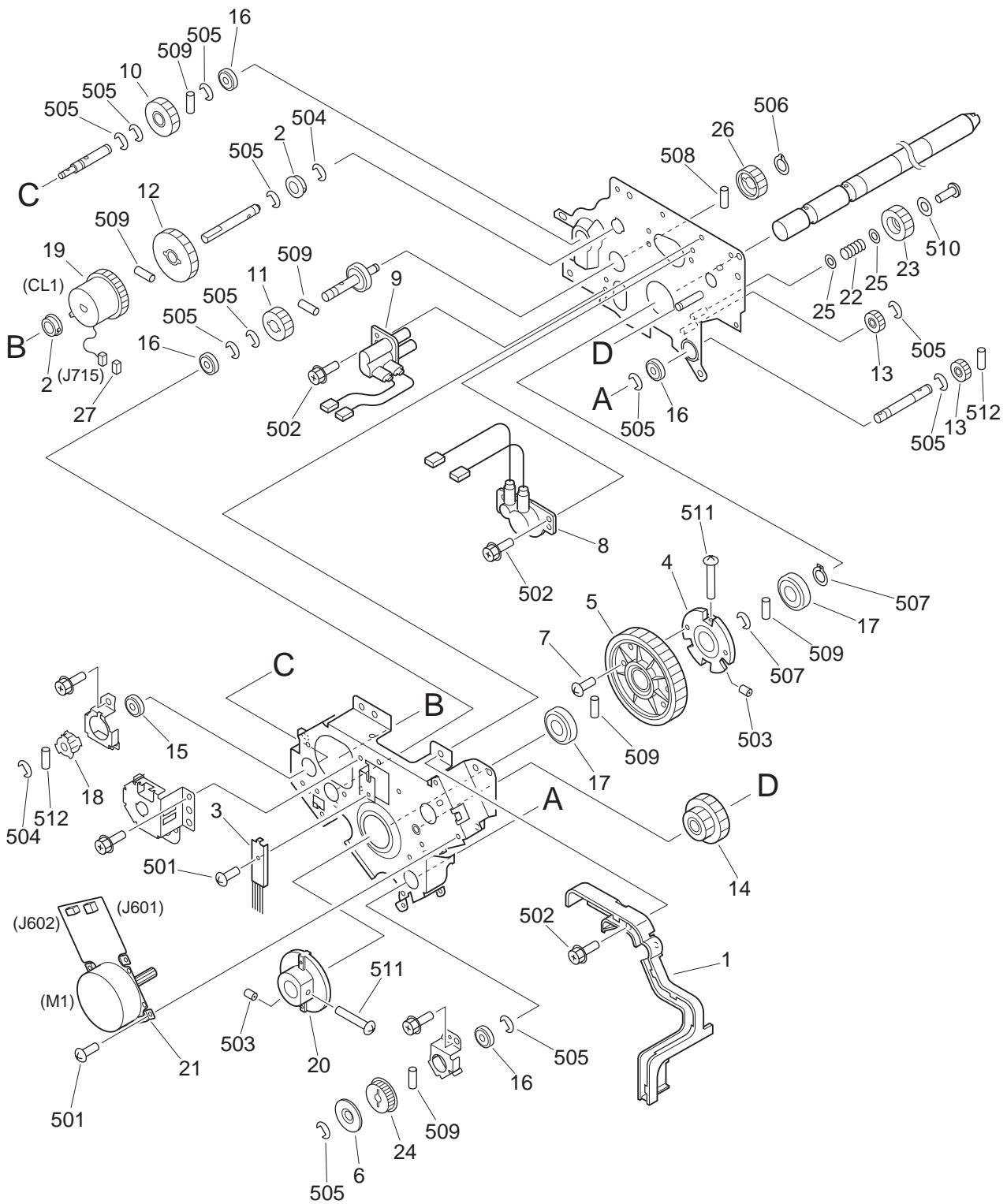


FIGURE & KEY NO.	PART NUMBER	RANK	QTY	DESCRIPTION	SERIAL NUMBER / REMARKS
232 -	FG6-5039-000		2	LIFTER DRIVE ASSEMBLY	
1	FG6-1888-000		1	CABLE, DECK SENSOR	J571-574,5700,5701
1A	VS1-5057-006		1	CONNECTOR, SNAP TIGHT	J5700,5701
2	FB2-9248-000		2	ARM, PAPER SENSOR	
3	FB5-0553-000		2	SPRING, TORSION	
4	FH7-7462-000		2	PHOTO-INTERRUPTER	PS47-50 J571-574
5	FH6-1541-000		1	MOTOR, DC 19.2W	M4,5 J418,419
6	XA9-0628-000		1	SCREW,RS,M4X8	
501	XD2-1100-242		2	RING,E	
502	XB5-6401-609		3	SCREW,CT,M4X16	



# FIGURE 250 MAIN DRIVE ASSEMBLY

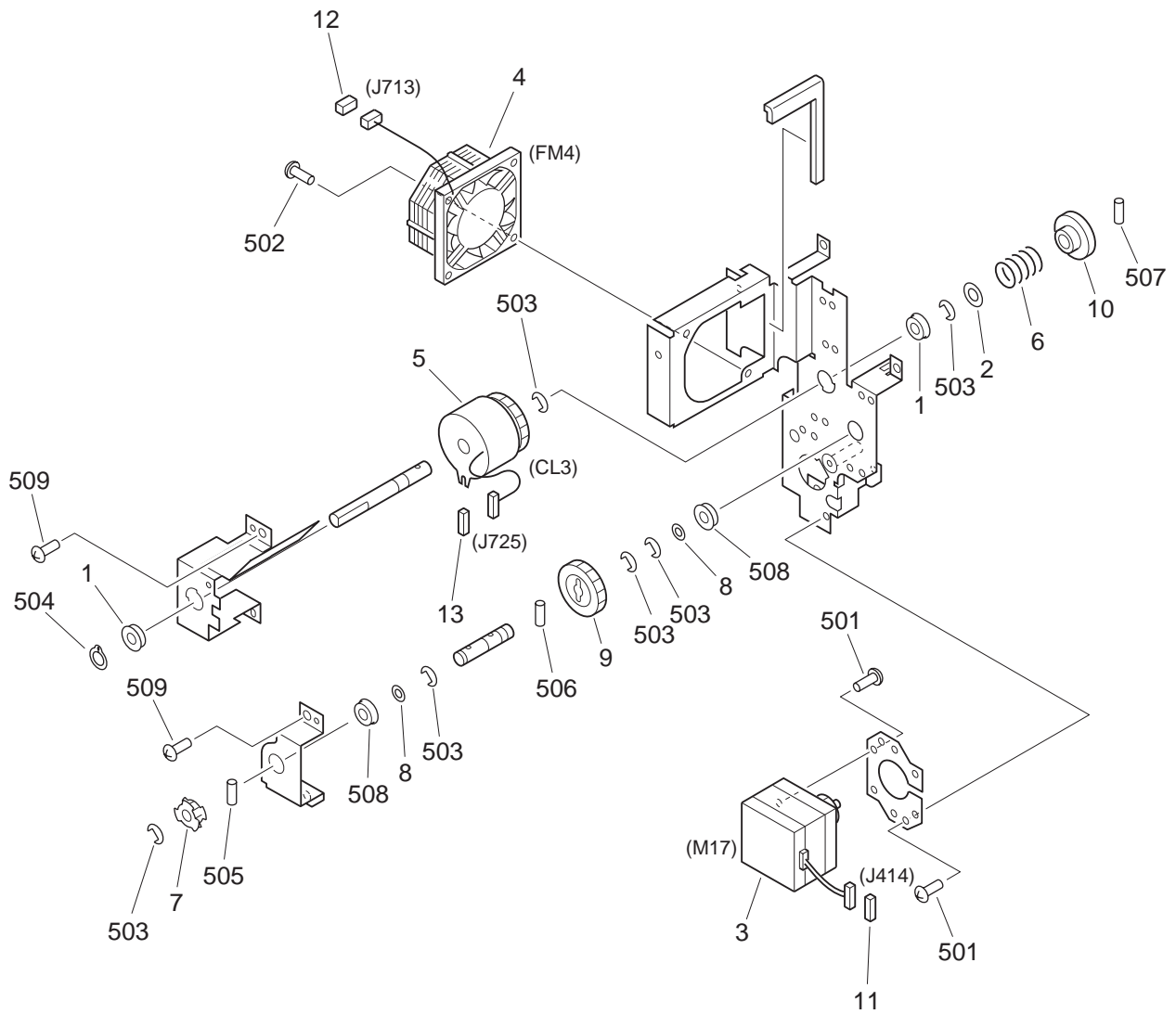


NOTE : This assembly does not include the part shown with key No. 27.

FIGURE & KEY NO.	PART NUMBER	R A N K	Q T Y	DESCRIPTION	SERIAL NUMBER / REMARKS
250 -	FG6-4875-000		1	MAIN DRIVE ASSEMBLY	
1	FB5-2998-000		1	GUIDE, CORD	
2	FA9-2112-000		2	BUSHING	
3	FC1-1117-000		1	ELIMINATOR, STATIC CHARGE	
4	FB5-4562-000		1	FLANGE	
5	FS7-0645-000		1	GEAR, 89T	
6	FB2-7851-000		1	FLANGE	
7	XA9-0207-000		2	SCREW	
8	FH2-9243-000		1	CONNECTOR, HIGH VOLTAGE	
9	FH2-9245-000		1	CONNECTOR, HIGH VOLTAGE	
10	FS3-0167-000		1	GEAR, 30T	
11	FS5-0685-000		1	GEAR, 24T	
12	FS6-0070-000		1	GEAR, 40T	
13	FS6-0091-000		2	GEAR, 16T	
14	FS7-0646-000		1	GEAR, 76T/27T	
15	XG9-0013-000		2	BEARING, BALL	
16	XG9-0250-000		4	BEARING, BALL	
17	XG9-0298-000		2	BEARING, BALL	
18	FS5-3807-000		1	PULLEY, 18T	
19	FF3-3964-000		1	CLUTCH, ELECTROMAGNETIC	CL1 J715
20	FB5-3005-000		1	BOSS, FLYWHEEL	
21	FH6-1712-000		1	MOTOR	M1 J601,602
22	FS5-2959-000		1	SPRING, COMPRESSION	
23	FS6-0127-000		1	GEAR, 18T	
24	FS6-0084-000		1	PULLEY, 26T	
25	FS5-6328-000		2	WASHER	
26	FS6-0076-020		1	GEAR, 18T	
27	VS1-5057-002		1	CONNECTOR, SNAP TIGHT	SEE NOTE J715
501	XB1-2300-809		5	SCREW, MACH., TRUSS HEAD, M3X8	
502	XB3-6400-805		13	SCREW, RS, M4X8	



# FIGURE 260 PRE-REGIST DRIVE ASSEMBLY

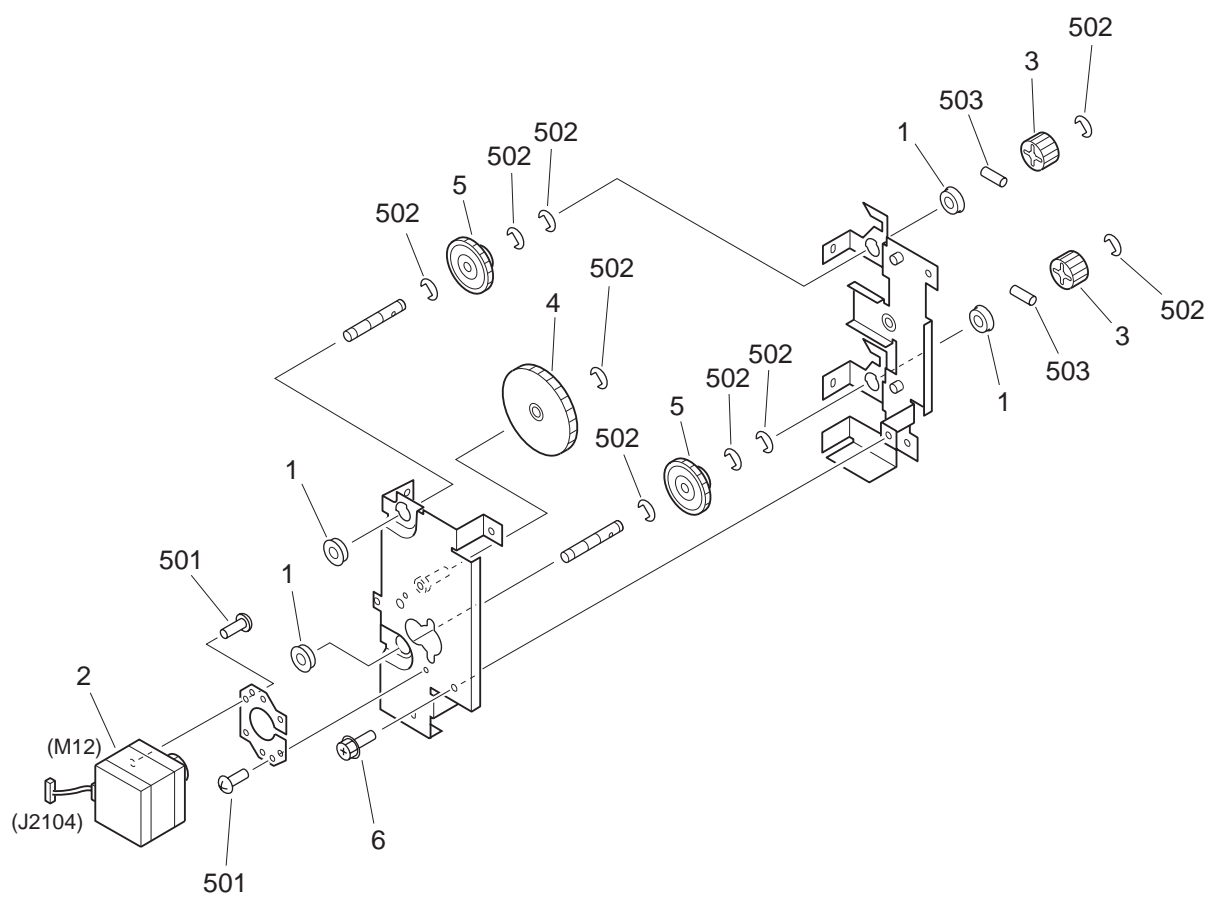


NOTE : This assembly does not include the parts shown with key No. 11, 12 and 13.

FIGURE & KEY NO.	PART NUMBER	R A N K	Q T Y	DESCRIPTION	SERIAL NUMBER / REMARKS
260 -	FG6-4879-000		1	PRE-REGIST DRIVE ASSEMBLY	
1	FA9-2112-000		2	BUSHING	
2	FB2-7816-000		1	HOLDER, SPRING	
3	FH6-1784-000		1	MOTOR, STEPPING, DC 24V	M17 J414
4	FH6-1752-000		1	FAN	FM4 J713
5	FH7-5729-000		1	CLUTCH, ELECTROMAGNETIC	CL3 J725
6	FS5-2925-000		1	SPRING, COMPRESSION	
7	FS5-3805-000		1	PULLEY, 28T	
8	FS5-6487-000		2	WASHER	
9	FS6-0056-000		1	GEAR, 32T	
10	FB5-3481-000		1	COUPLING	
11	VS1-5057-006		1	CONNECTOR, SNAP TIGHT	SEE NOTE J414
12	VS1-5057-003		1	CONNECTOR, SNAP TIGHT	SEE NOTE J713
13	VS1-5057-002		1	CONNECTOR, SNAP TIGHT	SEE NOTE J725
501	XB1-2300-409		5	SCREW,MACH.,TRUSS HEAD,M3X4	
502	XB1-2401-009		2	SCREW,MACH.,TRUSS HEAD,M4X10	
503	XD2-1100-642		6	RING,E	
504	XD2-2100-802		1	RING,GRIP	
505	XD3-2200-122		1	PIN,DOWEL	
506	XD3-2200-142		1	PIN,DOWEL	
507	XD3-2300-122		1	PIN,DOWEL	
508	XG9-0403-000		2	BEARING, BALL	
509	XB1-2400-609		4	SCREW,MACH.,TRUSS HEAD,M4X6	

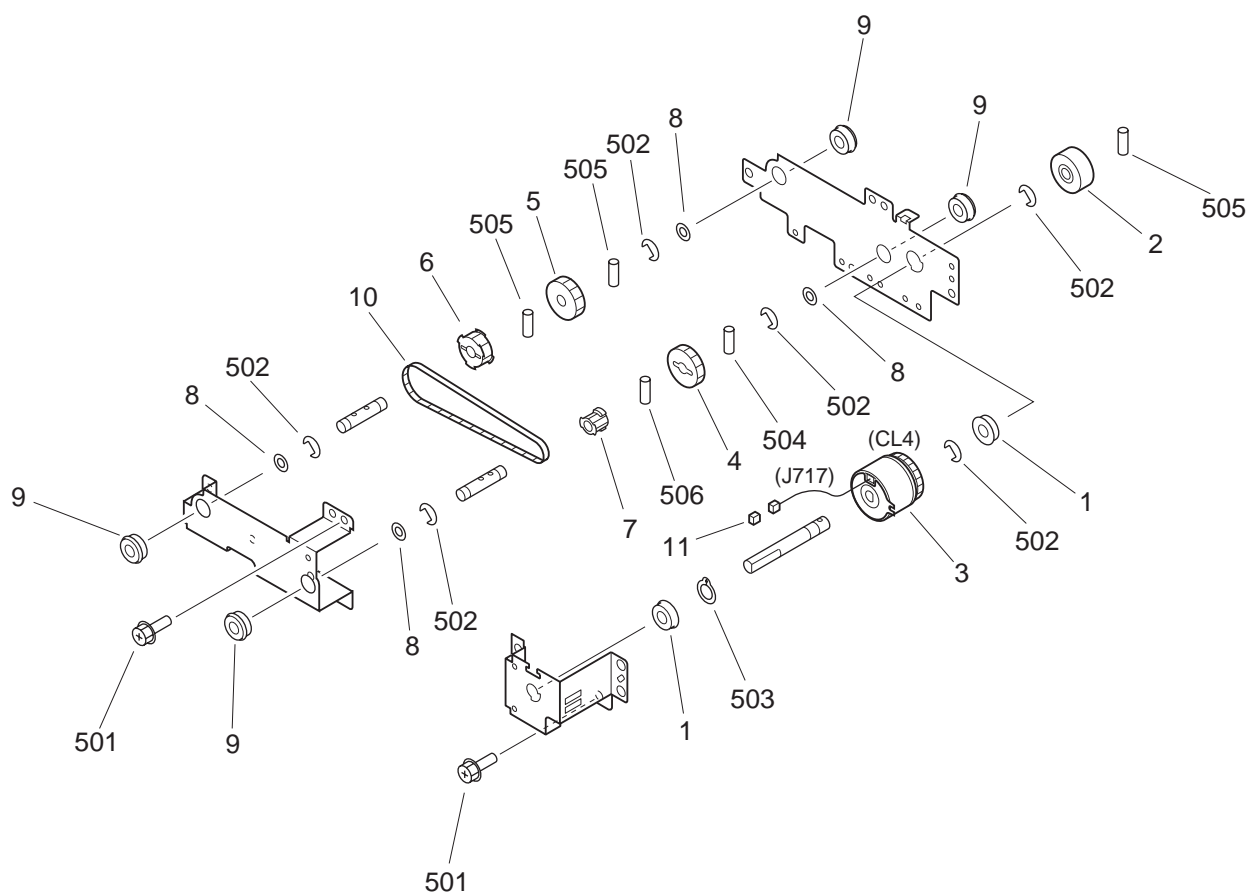
# FIGURE 261

## CASSETTE PICK-UP DRIVE ASSEMBLY





# FIGURE 265 DUPLEXING FEED DRIVE ASSEMBLY



NOTE : This assembly does not include the part shown with key No. 11.



FIGURE & KEY NO.	PART NUMBER	RANK	QTY	DESCRIPTION	SERIAL NUMBER / REMARKS
265 -	FG6-4878-000		1	DUPLEXING FEED DRIVE ASSEMBLY	
1	FA9-2112-000		2	BUSHING	
2	FB5-3023-000		1	COUPLING	
3	FH7-5729-000		1	CLUTCH, ELECTROMAGNETIC	CL4 J717
4	FS5-0341-000		1	GEAR, 23T	
5	FS5-0685-000		1	GEAR, 24T	
6	FS5-3808-000		1	PULLEY, 36T	
7	FS5-3810-000		1	PULLEY, 20T	
8	FS5-6487-000		4	WASHER	
9	XG9-0403-000		4	BEARING, BALL	
10	XF2-1611-540		1	BELT, TIMING	
11	VS1-5057-002		1	CONNECTOR, SNAP TIGHT	SEE NOTE J717
501	XB3-6400-805		5	SCREW,RS,M4X8	
502	XD2-1100-642		6	RING,E	
503	XD2-2100-802		1	RING,GRIP	
504	XD3-2200-142		1	PIN,DOWEL	
505	XD3-2200-162		3	PIN,DOWEL	
506	XD3-2300-122		1	PIN,DOWEL	

# FIGURE 280 WASTE TONER ASSEMBLY

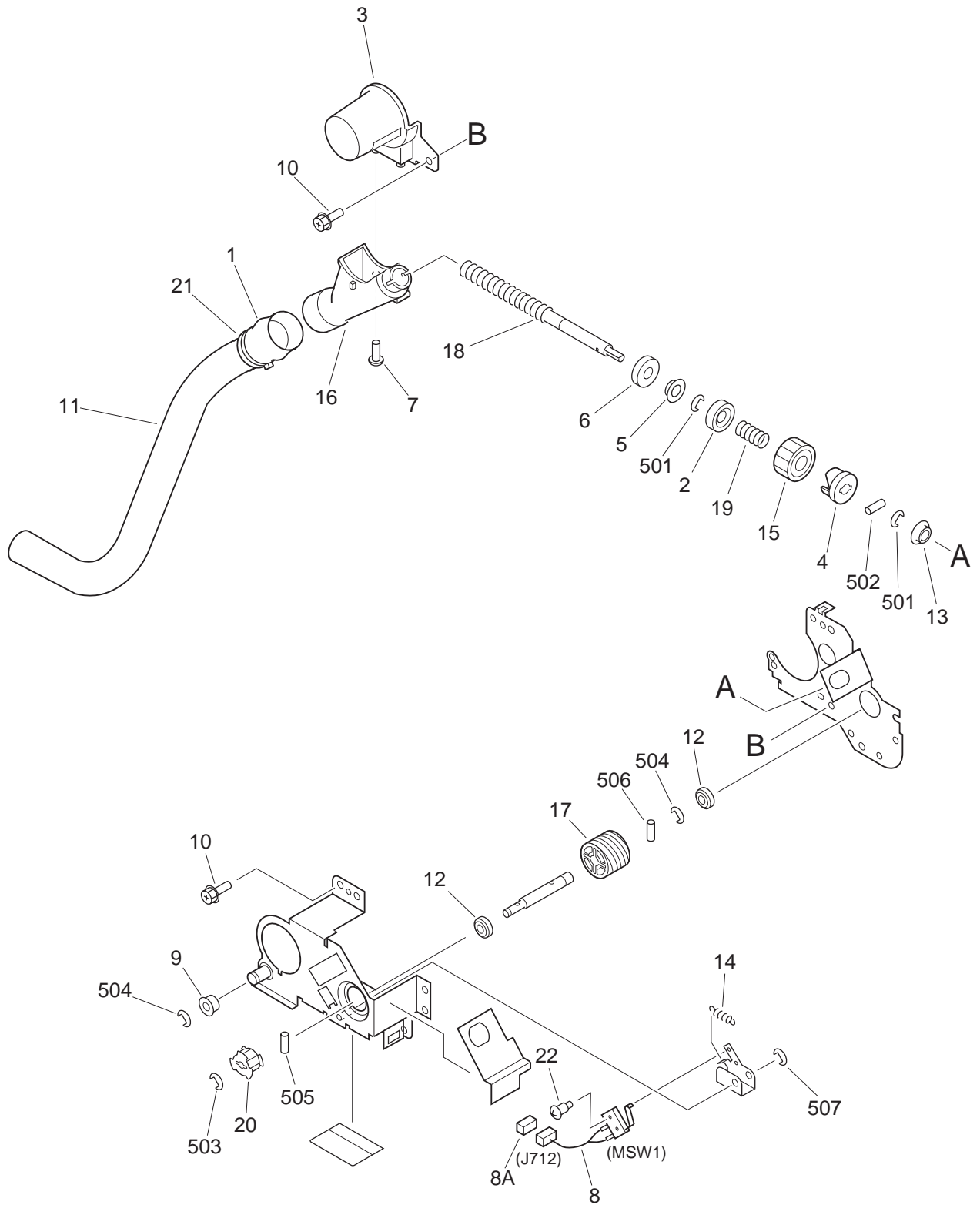


FIGURE & KEY NO.	PART NUMBER	RANK	QTY	DESCRIPTION	SERIAL NUMBER / REMARKS
280 -	FG6-4876-000		1	WASTE TONER ASSEMBLY	
1	FB2-8402-000		1	TUBE	
2	FB4-1797-000		1	SUPPORT, SPRING	
3	FB5-2989-000		1	CAP, WASTE TONER	
4	FB2-7981-000		1	CAM	
5	FS1-1462-000		1	BUSHING	
6	X71-9310-000		1	SEAL, OIL	
7	XA9-0591-000		2	SCREW,M3X8	
8	FG6-5481-000		1	CABLE, WASTE TONER SWITCH	MSW1 J712
8A	VS1-6318-002		1	CONNECTOR, SNAP TIGHT	J712
9	FS2-6458-000		1	ROLLER	
10	XA9-0628-000		5	SCREW,RS,M4X8	
11	FB5-2991-000		1	PIPE, WASTE TONER	
12	XG9-0013-000		2	BEARING, BALL	
13	FB5-2993-000		1	BUSHING, ONE-WAY	
14	FS7-2344-000		1	SPRING, TENSION	
15	FS6-0014-000		1	GEAR, 26T	
16	FB5-2990-000		1	PIPE, JOINT	
17	FS6-0064-000		1	WORM GEAR	
18	FB5-2992-000		1	FEEDSCREW	
19	FS7-2338-000		1	SPRING, COMPRESSION	
20	FS5-3807-000		1	PULLEY, 18T	
21	X62-7921-000		1	CLAMP, CABLE, 4N	
22	XA9-0944-000		1	SCREW,STEPPED,M2	
501	XD2-1100-642		2	RING,E	
502	XD3-2200-182		1	PIN,DOWEL	
503	XD2-1100-502		1	RING,E	
504	XD2-1100-642		2	RING,E	
505	XD3-2200-102		1	PIN,DOWEL	
506	XD3-2200-202		1	PIN,DOWEL	

FIGURE & KEY NO.	PART NUMBER	R A N K	Q T Y	DESCRIPTION	SERIAL NUMBER / REMARKS
280 - 507	XD2-1100-322		1	RING,E	

# FIGURE 281 MAIN MOTOR DRIVE ASSEMBLY

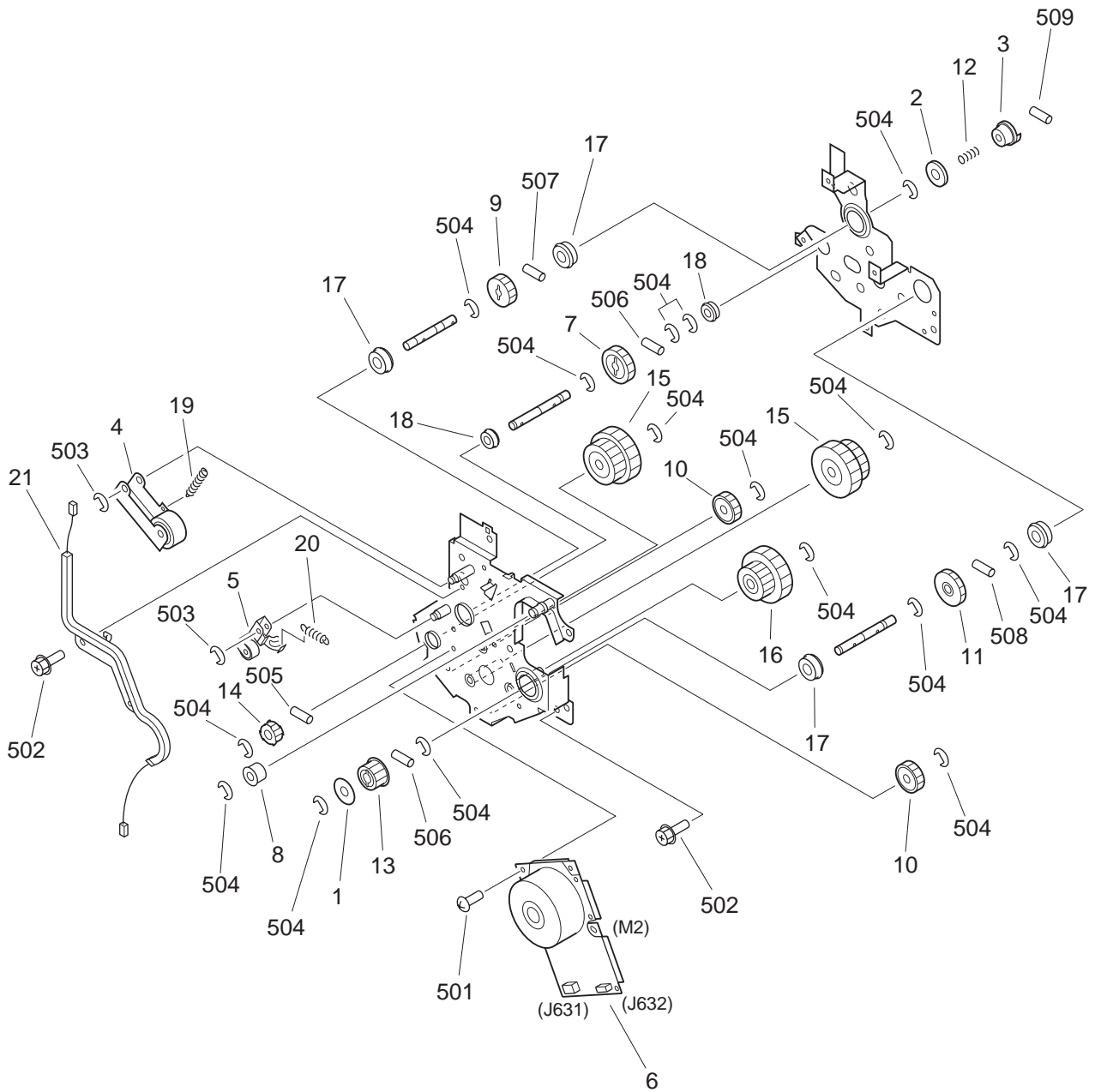


FIGURE & KEY NO.	PART NUMBER	R A N K	Q T Y	DESCRIPTION	SERIAL NUMBER / REMARKS
281 -	FG6-5070-000		1	MAIN MOTOR DRIVE ASSEMBLY	
1	FA6-7939-000		1	FLANGE, PULLEY, 2	
2	FA6-8304-000		1	WASHER, SPRING	
3	FB2-7841-000		1	COUPLING, REGISTRATION	
4	FF5-2957-020		1	ARM, TENSIONING	
5	FF5-9857-000		1	PLATE, TENSION	
6	FH6-1713-000		1	MOTOR, DC 24V	M2 J631,632
7	FS2-0441-000		1	GEAR, 28T	
8	FS2-6458-000		1	ROLLER	
9	FS5-0677-000		1	GEAR, 26T	
10	FS5-0685-000		2	GEAR, 24T	
11	FS7-0667-000		1	GEAR, 31T	
12	FS5-2957-000		1	SPRING, COMPRESSION	
13	FS5-3321-000		1	PULLEY, 22T	
14	FS5-3805-000		1	PULLEY, 28T	
15	FS7-0656-000		2	GEAR, 32T/64T	
16	FS7-0657-000		1	GEAR, 26T/64T	
17	XG9-0013-000		4	BEARING, BALL	
18	XG9-0250-000		2	BEARING, BALL	
19	FS7-2336-000		1	SPRING, TENSION	
20	FS7-2337-000		1	SPRING, TENSION	
21	FH2-9247-000		1	CABLE, DEVELOPING HV	
501	XB1-2300-809		3	SCREW,MACH.,TRUSS HEAD,M3X8	
502	XB3-6400-805		6	SCREW,RS,M4X8	
503	XD2-1100-502		2	RING,E	
504	XD2-1100-642		17	RING,E	
505	XD3-2200-122		1	PIN,DOWEL	
506	XD3-2200-142		1	PIN,DOWEL	
507	XD3-2200-162		2	PIN,DOWEL	
508	XD3-2200-182		1	PIN,DOWEL	

FIGURE & KEY NO.	PART NUMBER	R A N K	Q T Y	DESCRIPTION	SERIAL NUMBER / REMARKS
281 - 509	XD3-2300-142		1	PIN,DOWEL	

# FIGURE 300 CASSETTE

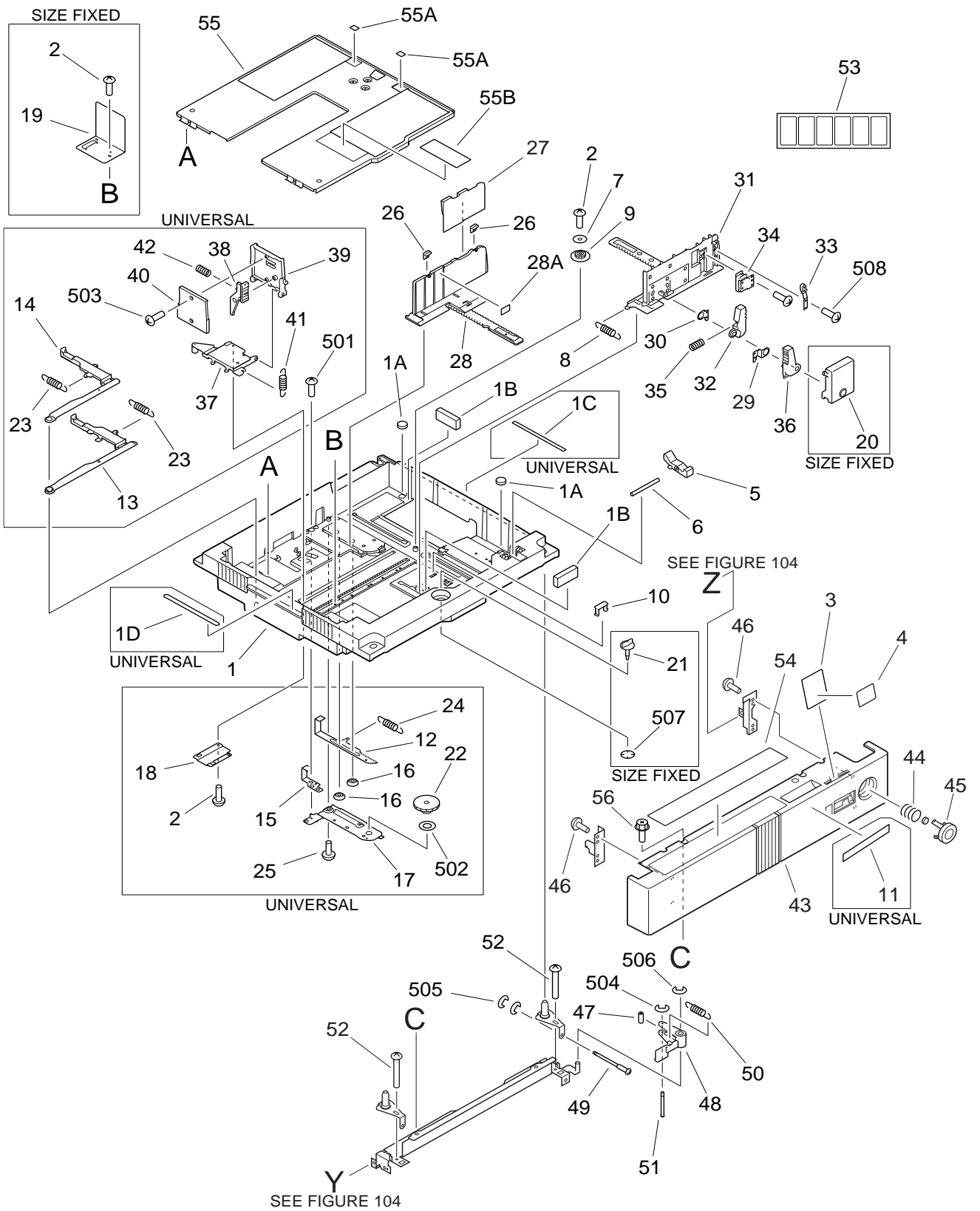




FIGURE & KEY NO.	PART NUMBER	RANK	QTY	DESCRIPTION	SERIAL NUMBER / REMARKS
300 -	NPN		RF	CASSETTE	
1	FF5-9973-000		1	BODY, CASSETTE	UNIVERSAL
	FF5-9974-000		1	BODY, CASSETTE	SIZE FIXED
1A	FB3-9321-000		2	DAMPER	
1B	FB5-5599-000		2	PAD	
1C	FB3-9329-000		1	LABEL, CASSETTE GRIP, RIGHT	UNIVERSAL
1D	FB3-9333-000		1	LABEL, CASSETTE GRIP, LEFT	UNIVERSAL
2	XA9-0591-000		3	SCREW,M3X8	
3	FB1-8736-000		1	PLATE, SIZE	
4	FS6-8710-000		1	LABEL, SIZE	
5	FB3-9314-000		1	LEVER, RELEASE	
6	FB3-9315-000		1	SHAFT, RELEASE LEVER	
7	FB3-9335-000		1	RING, GEAR STOP	
8	FS6-2691-000		1	SPRING, TENSION	
9	FA9-3674-000		1	GEAR, 16T	
10	FB3-9316-000		3	CLAW, SENSING	
11	FS6-8411-000		1	LABEL, UNIVERSAL CASSETTE	UNIVERSAL
12	FB3-9305-000		1	PLATE, VOLUME RACK	UNIVERSAL
13	FB3-9311-000		1	CAM, END PLATE SENSING, 1	UNIVERSAL
14	FB3-9312-000		1	CAM, END PLATE SENSING, 2	UNIVERSAL
15	FB3-9313-000		1	PLATE, VOLUME	UNIVERSAL
16	FB3-9319-000		2	BUSHING	UNIVERSAL
17	FB3-9320-000		1	PLATE, COVER, LOWER	UNIVERSAL
18	FB3-9326-000		1	PLATE, END GUIDE, LOWER	UNIVERSAL
19	FB3-9330-000		1	PLATE, END GUIDE	SIZE FIXED
20	FB3-9332-000		1	COVER, SIDE GUIDE	SIZE FIXED
21	FB3-9331-000		1	SCREW, CASSETTE FIXING	SIZE FIXED
22	FS5-0532-000		1	GEAR, 15T/42T	UNIVERSAL
23	FS6-2692-000		2	SPRING, TENSION	UNIVERSAL
24	FS6-2693-000		1	SPRING, TENSION	UNIVERSAL

FIGURE & KEY NO.	PART NUMBER	R A N K	Q T Y	DESCRIPTION	SERIAL NUMBER / REMARKS
300 - 25	XA9-0605-000		2	SCREW,P,M4X8	UNIVERSAL
26	FB3-9337-000		2	CLAW, SIDE	
27	FB3-9340-000		1	COVER, SIDE GUIDE PLATE	
28	FF5-6189-000		1	PLATE, SIDE GUIDE, REAR	
28A	FS5-8618-000		1	LABEL, "MAXIMUM LOAD"	
29	FB2-6043-000		1	PLATE, STOP, 1	
30	FB2-6044-000		1	PLATE, STOP, 2	
31	FB3-9303-020		1	PLATE, SIDE GUIDE, FRONT	
32	FB3-9322-020		1	KNOB, SIDE GUIDE, 1	
33	FF5-6186-000		1	SPRING, LEAF, 1	
34	FF5-6187-000		1	SPRING, LEAF, 2	
35	FS5-2650-000		1	SPRING, COMPRESSION	
36	FB3-9323-030		1	KNOB, SIDE GUIDE, 2	
37	FB3-9306-000		1	MOUNT, END GUIDE	UNIVERSAL
38	FB3-9308-000		1	LEVER, END GUIDE	UNIVERSAL
39	FB3-9307-000		1	PLATE, END GUIDE	UNIVERSAL
40	FB3-9327-000		1	COVER, END GUIDE PLATE	UNIVERSAL
41	FS5-2328-000		1	SPRING, TENSION	UNIVERSAL
42	FS6-2694-000		1	SPRING, COMPRESSION	UNIVERSAL
43	FB5-2855-000		1	COVER, CASSETTE FRONT	
44	FB5-3365-000		1	SPRING, COMPRESSION	
45	FF5-9906-000		1	BUTTON, PUSH	
46	XA9-0605-000		4	SCREW,P,M4X8	
47	FA9-1969-000		1	ROLLER, TRANSFER	
48	FB3-9356-000		1	LEVER, CASSETTE, RIGHT	
49	FB3-9358-000		1	SCREW, REGISTRATION ADJUSTING	
50	FS6-2667-000		1	SPRING, TENSION	
51	FS6-4243-000		1	SHAFT, ROLLER	
52	XA9-0207-000		2	SCREW	
53	FS6-8980-000		1	LABEL, NUMBER	

FIGURE & KEY NO.	PART NUMBER	RANK	QTY	DESCRIPTION	SERIAL NUMBER / REMARKS
300 - 54	FS6-8982-000		1	LABEL, CASSETTE OPERATION	UNIVERSAL
	FS6-8984-000		1	LABEL, INSTRUCTION	SIZE FIXED
55	FF5-9550-000		1	PLATE, PAPER LIFTING	
55A	FB1-8497-000		2	SHEET, FRICTION	
55B	FS5-8619-000		1	LABEL, SIZE	
56	XA9-0721-000		2	SCREW,RS,M4X10	
501	XB1-2400-609		1	SCREW,MACH.,TRUSS HEAD,M4X6	UNIVERSAL
502	XD1-1108-225		1	SHIM	UNIVERSAL
503	XB4-7300-607		2	SCREW,TAPPING,TRUSS HEAD,M3X6	UNIVERSAL
504	XD2-1100-132		1	RING,E	
505	XD2-1100-322		2	RING,E	
506	XD2-1100-502		1	RING,E	
507	XD2-2300-502		1	RING,TOOTHED LOCK	SIZE FIXED
508	XB4-7300-607		1	SCREW,TAPPING,TRUSS HEAD,M3X6	

# FIGURE 302

## 1.5K RIGHT PAPER DECK ASSEMBLY

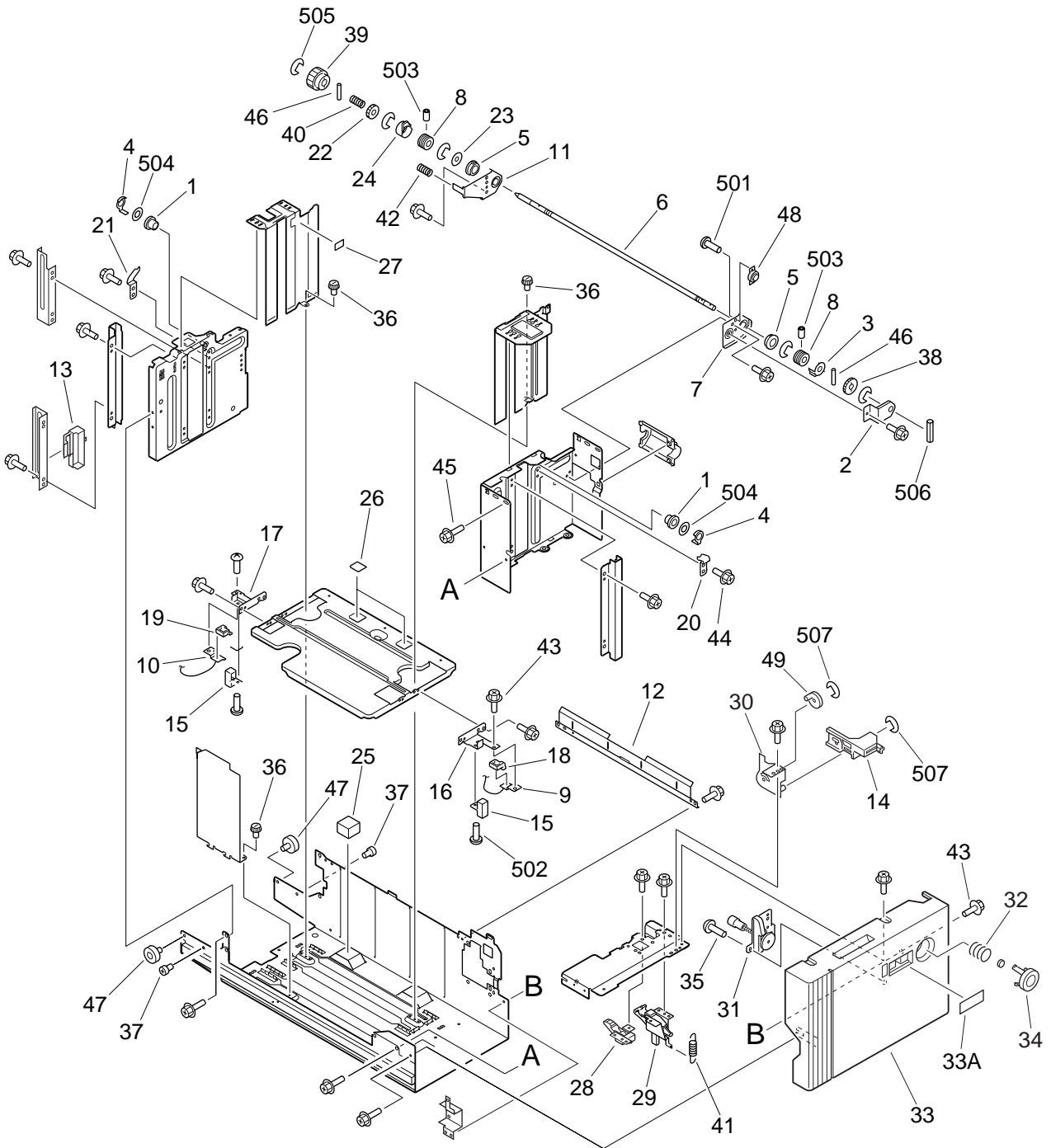


FIGURE & KEY NO.	PART NUMBER	R A N K	Q T Y	DESCRIPTION	SERIAL NUMBER / REMARKS
302 -	FG6-5040-000		1	1.5K RIGHT PAPER DECK ASSEMBLY	
1	FA6-9971-000		2	PULLEY, IDLER	
2	FA6-9986-000		1	HOLDER, DAMPER	
3	FA6-9988-020		1	FLANGE, LIFTER	
4	FA6-9989-000		2	FLANGE, IDLER	
5	FA9-2112-000		2	BUSHING	
6	FB2-7625-000		1	SHAFT, LIFT	
7	FB2-7652-000		1	SUPPORT, SHAFT, FRONT	
8	FB2-8465-000		2	PULLEY, LIFTING	
9	FB2-8466-000		1	WIRE, LIFTING, FRONT	
10	FB2-8467-000		1	WIRE, LIFTING, REAR	
11	FB4-5268-000		1	SUPPORT, SHAFT, REAR	
12	FB4-6215-000		1	PLATE, SEPARATION	
13	FB5-3452-000		1	BRACKET	
14	FB5-3569-000		1	LEVER, HOOK RELEASE	
15	FC1-5049-000		2	BRACKET	
16	FC1-5053-000		1	HOOK, WIRE, FRONT	
17	FC1-5054-000		1	HOOK, WIRE	
18	FC1-5055-000		1	HOLDER, CABLE, FRONT	
19	FC1-5056-000		1	HOLDER, CABLE, REAR	
20	FC1-5059-000		1	SUPPORT, FRONT	
21	FC1-5060-000		1	SUPPORT, REAR	
22	FC1-5061-000		1	GEAR, 28T	
23	FC1-5080-000		1	PLATE, LIMIT, WIRE	
24	FC1-5081-000		1	FLANGE, REAR	
25	FC1-5066-000		3	PAD	
26	FB2-7740-020		2	SHEET, SEPARATION	
27	FS5-8618-000		1	LABEL, "MAXIMUM LOAD"	
28	FF5-8150-000		1	LEVER, CAM RELEASE	
29	FF5-8151-000		1	HOOK	

FIGURE & KEY NO.	PART NUMBER	R A N K	Q T Y	DESCRIPTION	SERIAL NUMBER / REMARKS
302 - 30	FF5-9791-000		1	PLATE, LEVER SUPPORT	
31	FB3-8508-000		1	PAPER QUANTITY INDICATOR UNIT	
32	FB5-3365-000		1	SPRING, COMPRESSION	
33	FF5-9790-000		1	FRONT PANEL, RIGHT	
33A	FB5-3366-000		1	PLATE, INDEX, PAPER	
34	FF5-9906-000		1	BUTTON, PUSH	
35	XA9-0605-000		2	SCREW,P,M4X8	
36	FS2-9427-000		3	SCREW, M4X10	
37	FS2-9428-000		2	SCREW, M6X6	
38	FS4-0012-000		1	GEAR, 27T	
39	FS4-0160-000		1	GEAR, 28T	
40	FS4-2136-000		1	SPRING, COMPRESSION	
41	FS6-2983-000		1	SPRING, TENSION	
42	FS6-2984-000		1	SPRING, COMPRESSION	
43	XA9-0629-000		4	SCREW,RS,M4X8	
44	XA9-0685-000		35	SCREW,RS,M4X6	
45	XA9-0721-000		10	SCREW,RS,M4X10	
46	XD9-0104-000		2	PIN,DOWEL	
47	XG9-0254-000		2	ROLLER	
48	XH9-0082-000		1	DAMPER, OIL	
49	FB5-3370-000		1	LEVER, HOOK RELEASE	
501	XB1-2200-409		2	SCREW,MACH.,TRUSS HEAD,M2X4	
502	XB1-2400-609		2	SCREW,MACH.,TRUSS HEAD,M4X6	
503	XB6-2300-408		4	SETSCREW,M3X4	
504	XD1-1108-239		2	SHIM	
505	XD2-1100-642		5	RING,E	
506	XD3-1200-122		1	PIN,SPRING	
507	XD2-1100-402		2	RING,E	

# FIGURE 303 1.5K LEFT PAPER DECK ASSEMBLY

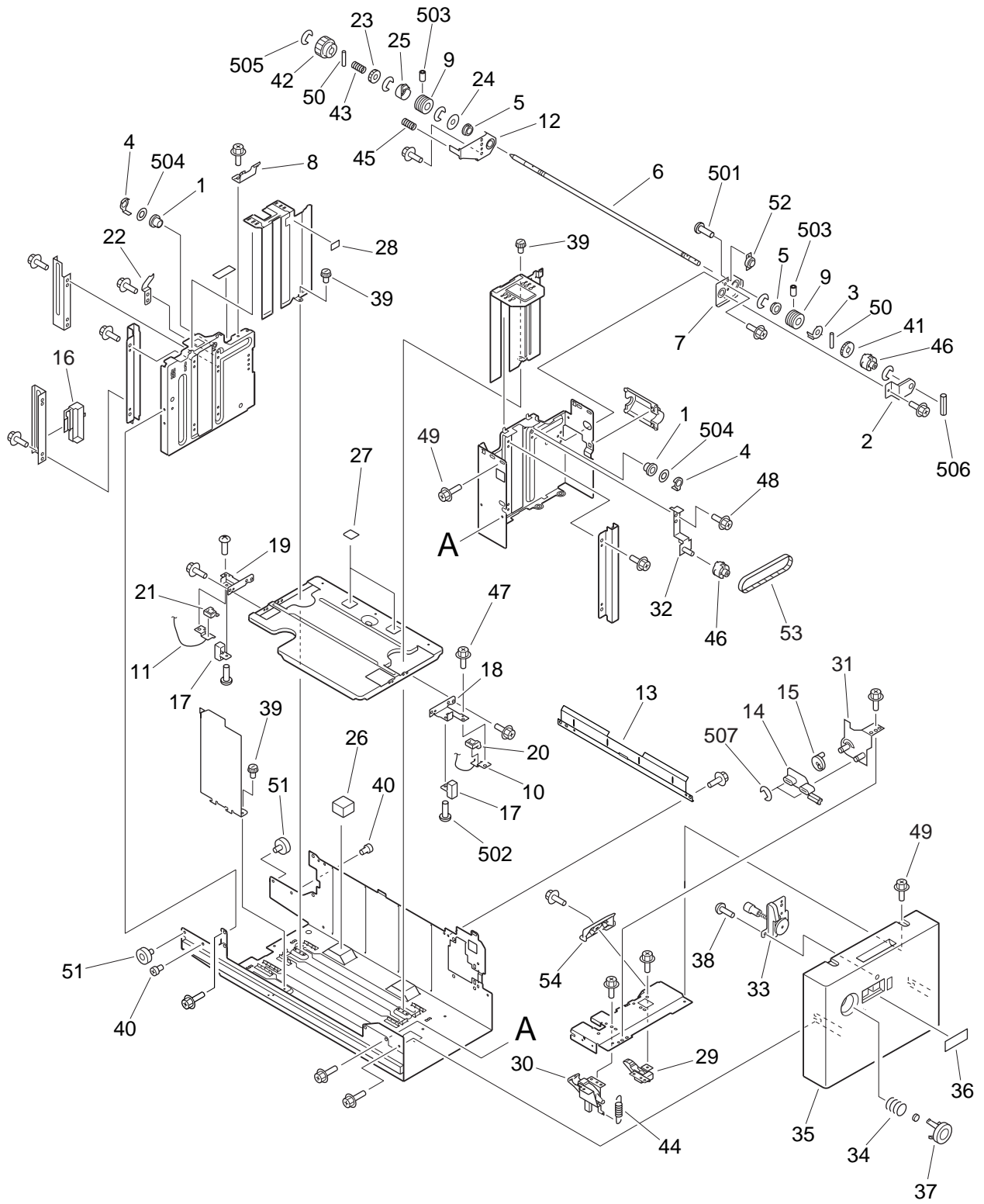


FIGURE & KEY NO.	PART NUMBER	R A N K	Q T Y	DESCRIPTION	SERIAL NUMBER / REMARKS
303 -	FG6-5041-000		1	1.5K LEFT PAPER DECK ASSEMBLY	
1	FA6-9971-000		2	PULLEY, IDLER	
2	FA6-9986-000		1	HOLDER, DAMPER	
3	FA6-9988-020		1	FLANGE, LIFTER	
4	FA6-9989-000		2	FLANGE, IDLER	
5	FA9-2112-000		2	BUSHING	
6	FB2-7625-000		1	SHAFT, LIFT	
7	FB2-7652-000		1	SUPPORT, SHAFT, FRONT	
8	FB2-7758-000		1	PLATE, JAM STOP, 1	
9	FB2-8465-000		2	PULLEY, LIFTING	
10	FB2-8466-000		1	WIRE, LIFTING, FRONT	
11	FB2-8467-000		1	WIRE, LIFTING, REAR	
12	FB4-5268-000		1	SUPPORT, SHAFT, REAR	
13	FB4-6215-000		1	PLATE, SEPARATION	
14	FB5-3369-000		1	LEVER, HOOK RELEASE	
15	FB5-3370-000		1	LEVER, HOOK RELEASE	
16	FB5-3452-000		1	BRACKET	
17	FC1-5049-000		2	BRACKET	
18	FC1-5053-000		1	HOOK, WIRE, FRONT	
19	FC1-5054-000		1	HOOK, WIRE	
20	FC1-5055-000		1	HOLDER, CABLE, FRONT	
21	FC1-5056-000		1	HOLDER, CABLE, REAR	
22	FC1-5060-000		1	SUPPORT, REAR	
23	FC1-5061-000		1	GEAR, 28T	
24	FC1-5080-000		1	PLATE, LIMIT, WIRE	
25	FC1-5081-000		1	FLANGE, REAR	
26	FC1-5066-000		3	PAD	
27	FB2-7740-020		2	SHEET, SEPARATION	
28	FS5-8618-000		1	LABEL, "MAXIMUM LOAD"	
29	FF5-8150-000		1	LEVER, CAM RELEASE	



FIGURE & KEY NO.	PART NUMBER	R A N K	Q T Y	DESCRIPTION	SERIAL NUMBER / REMARKS
303 - 30	FF5-8151-000		1	HOOK	
31	FF5-9793-000		1	PLATE, LEVER SUPPORT	
32	FF5-9794-000		1	PLATE, PULLEY	
33	FB3-8508-000		1	PAPER QUANTITY INDICATOR UNIT	
34	FB5-3365-000		1	SPRING, COMPRESSION	
35	FF5-9792-000		1	FRONT PANEL, LEFT	
36	FB5-3367-000		1	PLATE, INDEX, PAPER	
37	FF5-9906-000		1	BUTTON, PUSH	
38	XA9-0605-000		2	SCREW,P,M4X8	
39	FS2-9427-000		3	SCREW, M4X10	
40	FS2-9428-000		2	SCREW, M6X6	
41	FS4-0012-000		1	GEAR, 27T	
42	FS4-0160-000		1	GEAR, 28T	
43	FS4-2136-000		1	SPRING, COMPRESSION	
44	FS6-2983-000		1	SPRING, TENSION	
45	FS6-2984-000		1	SPRING, COMPRESSION	
46	FS7-0662-000		2	PULLEY, 25T	
47	XA9-0629-000		6	SCREW,RS,M4X8	
48	XA9-0685-000		33	SCREW,RS,M4X6	
49	XA9-0721-000		10	SCREW,RS,M4X10	
50	XD9-0104-000		2	PIN,DOWEL	
51	XG9-0254-000		2	ROLLER	
52	XH9-0082-000		1	DAMPER, OIL	
53	XF2-1612-840		1	BELT, TIMING	
54	FB4-5267-000		1	LEVER, SEPARATION RELEASE	
501	XB1-2200-409		2	SCREW,MACH.,TRUSS HEAD,M2X4	
502	XB1-2400-609		5	SCREW,MACH.,TRUSS HEAD,M4X6	
503	XB6-2300-408		4	SETSCREW,M3X4	
504	XD1-1108-239		1	SHIM	
505	XD2-1100-642		5	RING,E	

FIGURE & KEY NO.	PART NUMBER	R A N K	Q T Y	DESCRIPTION	SERIAL NUMBER / REMARKS
303 - 506	XD3-1200-122		1	PIN,SPRING	
507	XD2-1100-402		2	RING,E	

# FIGURE 305 CASSETTE HEATER ASSEMBLY

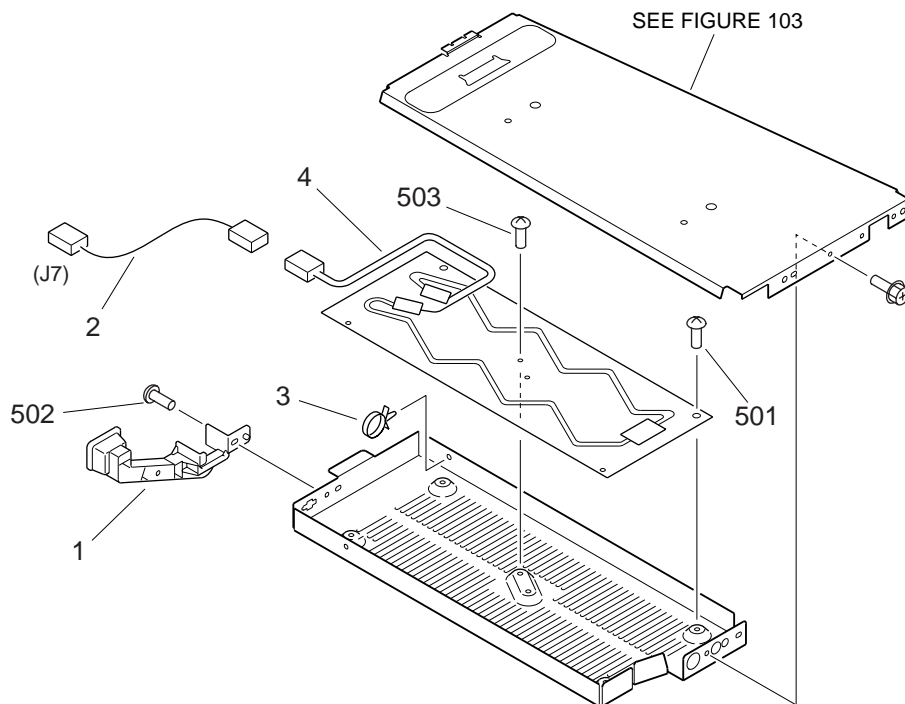
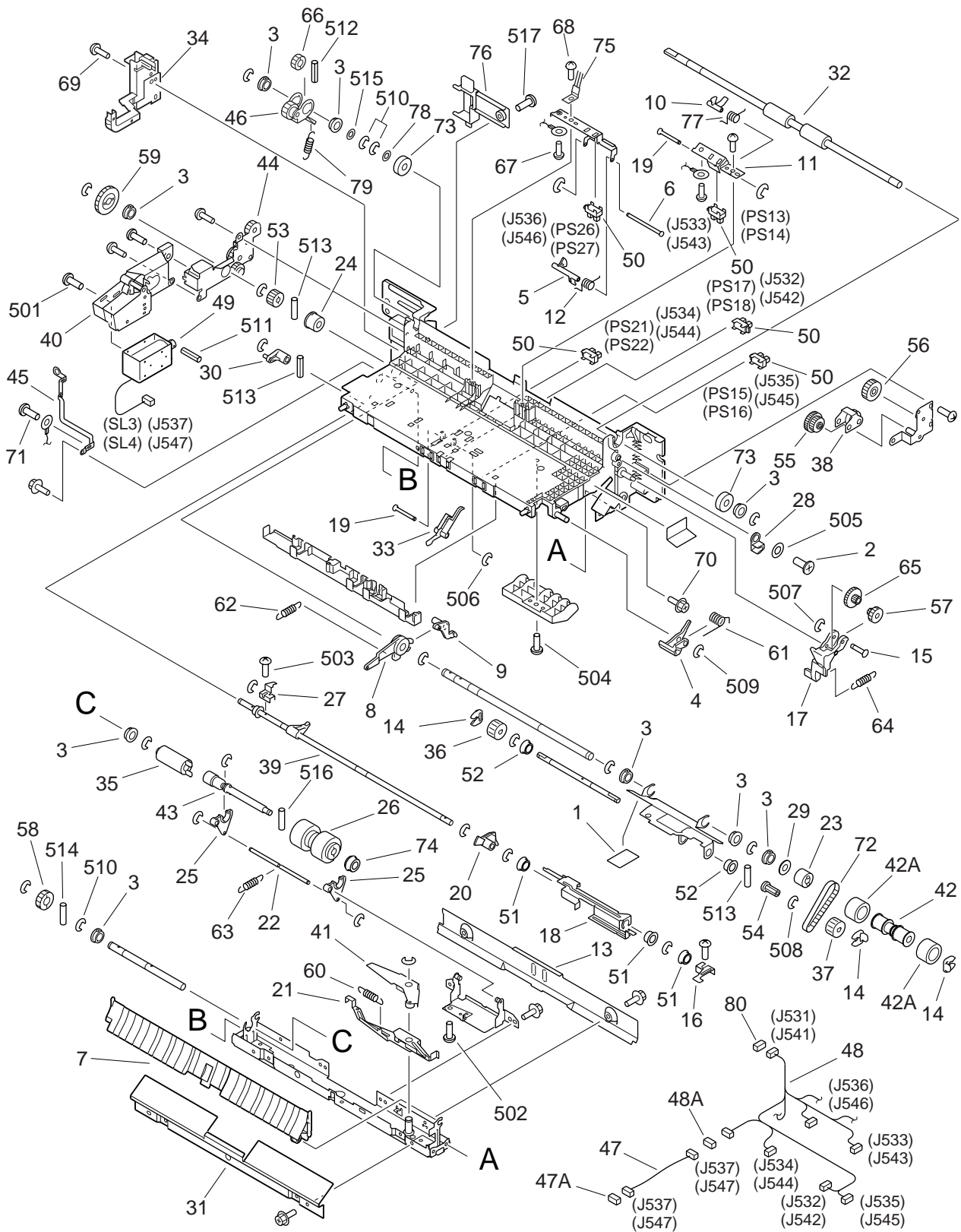


FIGURE & KEY NO.	PART NUMBER	RANK	QTY	DESCRIPTION	SERIAL NUMBER / REMARKS
305 -	NPN		RF	CASSETTE HEATER ASSEMBLY	100V ACCESSORY 220/240V
1	FG2-9195-000		1	CORD GUIDE ASSEMBLY	
2	FG5-9419-000		1	CABLE, HEATER	J7
3	WT2-5041-000		1	TIE, CABLE	
4	FH7-4584-000		1	HEATER, CASSETTE	100V H4 J7
	FH7-4585-000		1	HEATER, CASSETTE	220/240V H4 J7
501	XB1-2400-409		4	SCREW, MACH., TRUSS HEAD, M4X4	
502	XB6-7400-609		1	SCREW, TP, M4X6	
503	XB6-7300-409		1	SCREW, TP, M3X4	

# FIGURE 310 CASSETTE PICK-UP ASSEMBLY



NOTE : This assembly does not include the parts shown with key No. 76, 80 and 517.

FIGURE & KEY NO.	PART NUMBER	R A N K	Q T Y	DESCRIPTION	SERIAL NUMBER / REMARKS
310 -	FG6-5035-000		2	CASSETTE PICK-UP ASSEMBLY	
1	FB2-8410-000		1	SHEET, PICK-UP	
2	FA6-6457-000		2	SCREW, M3X5	
3	FA9-2112-000		8	BUSHING	
4	FB2-7593-000		1	CAM	
5	FB4-1978-020		1	LEVER, PICK-UP SENSOR	
6	FB4-1980-000		1	SHAFT, PICK-UP SENSOR	
7	FB4-1982-000		1	GUIDE, OPEN/CLOSE	
8	FB2-7605-000		1	LINK, UP, 1	
9	FB2-7606-000		1	LINK, UP, 2	
10	FB2-7611-000		1	LEVER, SENSOR	
11	FB2-7613-000		1	MOUNT, SENSOR	
12	FB4-1995-000		2	SPRING, TORSION	
13	FB2-7616-000		1	GUIDE, FEED	
14	FB4-2007-000		3	RING, RETAINING	
15	FB2-7620-000		1	SHAFT, LIFT, UPPER	
16	FB2-7624-000		1	PLATE, PICK-UP, FRONT	
17	FB4-3700-000		1	LEVER, LIFTER RELEASE	
18	FB2-7631-000		1	PLATE, RELEASE	
19	FB2-7633-000		2	SHAFT, SENSOR	
20	FB2-7642-000		1	ARM, PAPER	
21	FB4-6214-000		1	LEVER, SEPARATION RELEASE, 2	
22	FB4-6227-000		1	SHAFT, COUNTER	
23	FB4-9029-000		1	CLUTCH, ONE-WAY, 1	
24	FB4-9043-000		1	CLUTCH, ONE-WAY, 2	
25	FB5-2063-000		2	ARM, SEPARATION ROLLER	
26	FB2-7777-020		1	ROLLER, SEPARATION	
27	FB2-8266-000		1	PLATE, PICK-UP, REAR	
28	FB2-8436-000		1	BUSHING, MOTOR	
29	FB2-8512-000		1	SPACER	

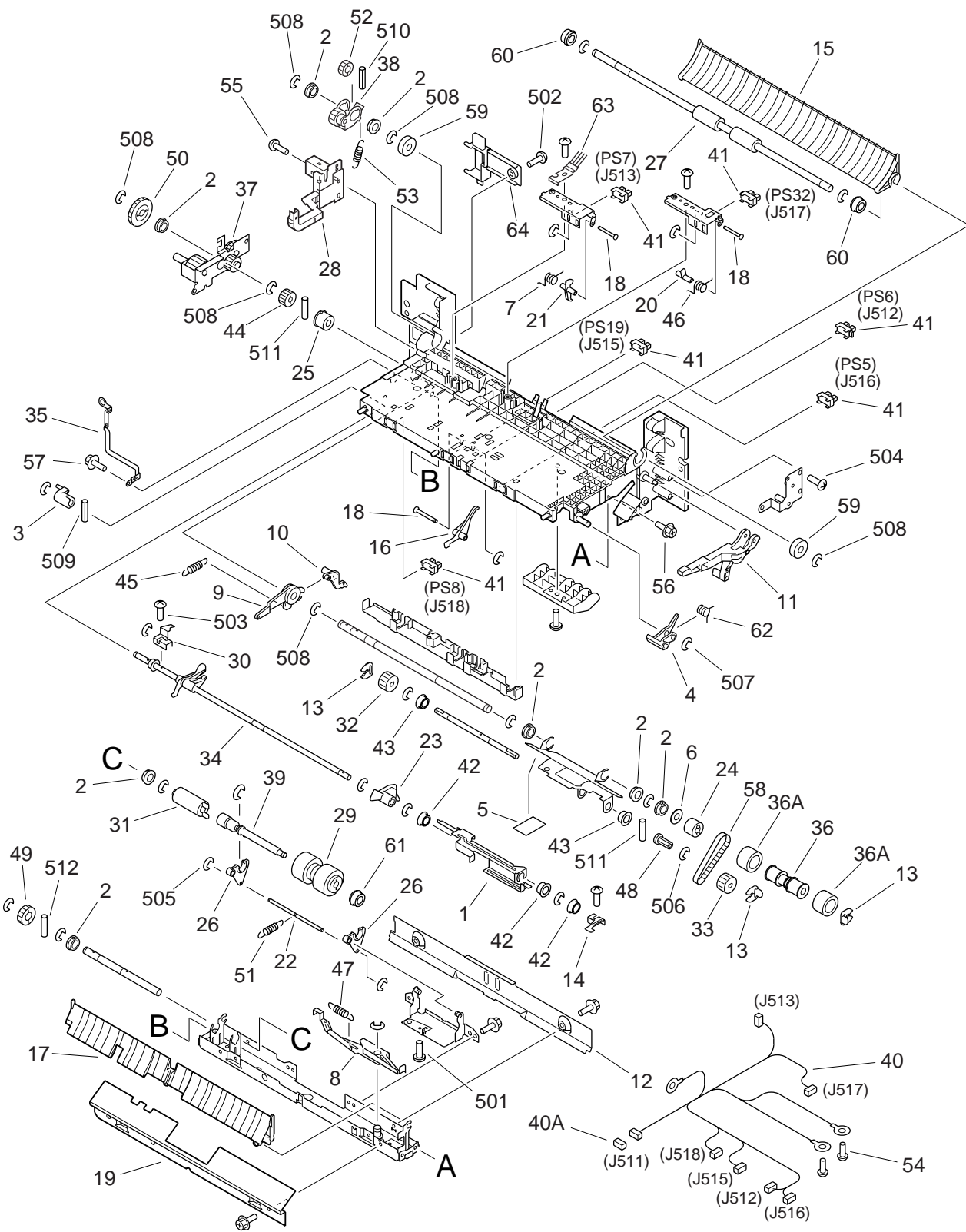
FIGURE & KEY NO.	PART NUMBER	RANK	QTY	DESCRIPTION	SERIAL NUMBER / REMARKS
310 - 30	FB3-8333-000		1	CAM, PICK-UP RELEASE	
31	FB3-9367-000		1	GUIDE, PICK-UP INLET, RIGHT	
32	FB5-3433-000		1	ROLLER, PULL-OFF	
33	FB4-1202-000		1	FLAG, PAPER	
34	FB5-3442-000		1	GUIDE, CASSETTE CABLE	
35	FB5-4563-000		1	TORQUE LIMITER	
36	FF5-1220-000		1	ROLLER, PICK-UP, FRONT	
37	FF5-1221-000		1	ROLLER, PICK-UP, REAR	
38	FF5-3063-030		1	PLATE, LIFT	
39	FF5-3220-000		1	SHAFT, PAPER PICK-UP	
40	FF5-5895-000		1	MOUNT, PICK-UP SOLENOID	
41	FF5-6904-000		1	LEVER, SEPARATION RELEASE, 1	
42	FF5-9779-000		1	ROLLER, FEED	
42A	FB5-3435-000		2	ROLLER, FEED	
43	FF5-9784-000		1	SHAFT, SEPARATION ROLLER	
44	FF5-9787-000		1	PLATE, SUPPORT, LOWER	
45	FB4-2004-000		1	PLATE, GROUNDING	
46	FF5-9789-000		1	PLATE, SWING, 2	
47	FG6-2335-000		1	CABLE, SOLENOID CONNECTING	J537,547
47A	VS1-5057-002		1	CONNECTOR, SNAP TIGHT	J537,547
48	FG6-5441-000		1	CABLE, CASSETTE	J531-537,541-547
48A	VS1-5057-002		1	CONNECTOR, SNAP TIGHT	J537,547
49	FH7-5702-000		1	SOLENOID	SL3,4 J537,547
50	FH7-7462-000		5	PHOTO-INTERRUPTER	PS13-18,21,22,26,27 J533,543,535,545,532 J542,534,544,536,546
51	FS1-1512-000		3	BUSHING	
52	FS1-1569-000		2	BUSHING	
53	FS5-0338-000		1	GEAR, 16T	
54	FS5-3333-000		1	PULLEY, 16T	
55	FS6-0048-000		1	GEAR, 16T/46T	

FIGURE & KEY NO.	PART NUMBER	R A N K	Q T Y	DESCRIPTION	SERIAL NUMBER / REMARKS
310 - 56	FS6-0049-000		1	GEAR, 48T	
57	FS6-0051-000		1	GEAR, 17T/20T	
58	FS6-0053-000		1	GEAR, 20T	
59	FS6-0056-000		1	GEAR, 32T	
60	FS6-2668-000		1	SPRING, TENSION	
61	FS6-2669-000		1	SPRING, TORSION	
62	FS6-2670-000		1	SPRING, TENSION	
63	FS6-2678-000		1	SPRING, TENSION	
64	FS6-2742-000		1	SPRING, TENSION	
65	FS7-0052-000		1	GEAR, 17T/58T	
66	FS7-0652-000		1	GEAR, 18T	
67	XA9-0265-000		2	SCREW,W/WASHER,TRUSS HEAD	
68	XA9-0591-000		2	SCREW,M3X8	
69	XA9-0605-000		4	SCREW,P,M4X8	
70	XA9-0628-000		7	SCREW,RS,M4X8	
71	XA9-0633-000		1	SCREW,W/WASHER,M4X8	
72	XF9-0525-000		1	BELT, TIMING, 59T	
73	XG9-0403-000		2	BEARING, BALL	
74	XG9-0407-000		1	BEARING, BALL, UGF106P12ZZD4ML	
75	FB5-5621-000		1	ELIMINATOR, STATIC CHARGE	
76	FB4-7835-000		1	COVER, CONNECTOR, PICK-UP	SEE NOTE
77	FS5-2913-000		1	SPRING, TORSION	
78	FS5-6487-000		1	WASHER	
79	FS7-2332-000		1	SPRING, TENSION	
80	VS1-6319-018		2	CONNECTOR, SNAP, TIGHT	SEE NOTE J531,541
501	XB1-2300-409		1	SCREW,MACH.,TRUSS HEAD,M3X4	
502	XB1-2300-409		3	SCREW,MACH.,TRUSS HEAD,M3X4	
503	XB1-2300-609		2	SCREW,MACH.,TRUSS HEAD,M3X6	
504	XB1-2400-609		4	SCREW,MACH.,TRUSS HEAD,M4X6	
505	XD1-1104-132		1	SHIM	

FIGURE & KEY NO.	PART NUMBER	RANK	QTY	DESCRIPTION	SERIAL NUMBER / REMARKS
310 - 506	XD2-1100-242		4	RING,E	
507	XD2-1100-322		1	RING,E	
508	XD2-1100-372		1	RING,E	
509	XD2-1100-502		6	RING,E	
510	XD2-1100-642		11	RING,E	
511	XD3-0300-082		1	PIN, SPRING	
512	XD3-1300-102		1	PIN,SPRING	
513	XD3-2200-102		3	PIN,DOWEL	
514	XD3-2200-122		1	PIN,DOWEL	
515	XD1-1108-229		1	SHIM	
516	XD3-2200-142		1	PIN,DOWEL	
517	XB1-2400-609		1	SCREW,MACH.,TRUSS HEAD,M4X6	SEE NOTE



# FIGURE 312 DECK RIGHT PICK-UP ASSEMBLY



NOTE : This assembly does not include the parts shown with key No. 64 and 502.

FIGURE & KEY NO.	PART NUMBER	R A N K	Q T Y	DESCRIPTION	SERIAL NUMBER / REMARKS
312 -	FG6-5032-000		1	DECK RIGHT PICK-UP ASSEMBLY	
1	FA9-3691-000		1	PLATE, PAPER FLAG RELEASE	
2	FA9-2112-000		8	BUSHING	
3	FB2-7592-000		1	CAM, RELEASE, REAR	
4	FB2-7593-000		1	CAM	
5	FB2-8410-000		1	SHEET, PICK-UP	
6	FB2-8512-000		1	SPACER	
7	FB4-1995-000		1	SPRING, TORSION	
8	FB2-7603-000		1	LEVER, RELEASE	
9	FB2-7605-000		1	LINK, UP, 1	
10	FB2-7606-000		1	LINK, UP, 2	
11	FB2-7614-000		1	LEVER, RELEASE	
12	FB2-7616-000		1	GUIDE, FEED	
13	FB4-2007-000		3	RING, RETAINING	
14	FB2-7624-000		1	PLATE, PICK-UP, FRONT	
15	FB4-2010-000		1	GUIDE, JOINT	
16	FB2-7630-000		1	FLAG, PAPER	
17	FB4-2012-000		1	GUIDE, OPEN/CLOSE, RIGHT	
18	FB2-7633-000		3	SHAFT, SENSOR	
19	FB4-2013-000		1	GUIDE, PICK-UP INLET	
20	FB4-2014-000		1	LEVER, SENSOR	
21	FB4-2016-000		1	LEVER, PICK-UP SENSOR, RIGHT	
22	FB4-6227-000		1	SHAFT, COUNTER	
23	FB2-7642-000		1	ARM, PAPER	
24	FB4-9029-000		1	CLUTCH, ONE-WAY, 1	
25	FB4-9043-000		1	CLUTCH, ONE-WAY, 2	
26	FB5-2063-000		2	ARM, SEPARATION ROLLER	
27	FB5-3433-000		1	ROLLER, PULL-OFF	
28	FB5-3436-000		1	GUIDE, PAPER PICK-UP CABLE	
29	FB2-7777-020		1	ROLLER, SEPARATION	

FIGURE & KEY NO.	PART NUMBER	R A N K	Q T Y	DESCRIPTION	SERIAL NUMBER / REMARKS
312 - 30	FB2-8266-000		1	PLATE, PICK-UP, REAR	
31	FB5-4563-000		1	TORQUE LIMITER	
32	FF5-1220-000		1	ROLLER, PICK-UP, FRONT	
33	FF5-1221-000		1	ROLLER, PICK-UP, REAR	
34	FF5-3228-000		1	SHAFT, PICK-UP, UPPER	
35	FB4-2004-000		1	PLATE, GROUNDING	
36	FF5-9779-000		1	ROLLER, FEED	
36A	FB5-3435-000		2	ROLLER, FEED	
37	FF5-9781-000		1	SUPPORT, PLATE, RIGHT	
38	FF5-9783-000		1	PLATE, SWING	
39	FF5-9784-000		1	SHAFT, SEPARATION ROLLER	
40	FG6-5439-000		1	CABLE, RIGHT DECK	J511-513, 515-518
40A	VS1-6319-018		1	CONNECTOR, SNAP, TIGHT	J511
41	FH7-7462-000		6	PHOTO-INTERRUPTER	PS5-8,19,32 J516,512 J513,518,515,517
42	FS1-1512-000		3	BUSHING	
43	FS1-1569-000		2	BUSHING	
44	FS5-0338-000		1	GEAR, 16T	
45	FS5-2911-000		1	SPRING, TENSION	
46	FS5-2913-000		1	SPRING, TORSION	
47	FS5-2914-000		1	SPRING, TENSION	
48	FS5-3333-000		1	PULLEY, 16T	
49	FS6-0053-000		1	GEAR, 20T	
50	FS6-0056-000		1	GEAR, 32T	
51	FS6-2678-000		1	SPRING, TENSION	
52	FS7-0652-000		1	GEAR, 18T	
53	FS7-2331-000		1	SPRING, TENSION	
54	XA9-0265-000		2	SCREW,W/WASHER,TRUSS HEAD	
55	XA9-0605-000		6	SCREW,P,M4X8	
56	XA9-0628-000		9	SCREW,RS,M4X8	
57	XA9-0633-000		1	SCREW,W/WASHER,M4X8	

FIGURE & KEY NO.	PART NUMBER	RANK	QTY	DESCRIPTION	SERIAL NUMBER / REMARKS
312 - 58	XF9-0525-000		1	BELT, TIMING, 59T	
59	XG9-0250-000		2	BEARING, BALL	
60	XG9-0403-000		2	BEARING, BALL	
61	XG9-0407-000		1	BEARING, BALL, UGF106P12ZZD4ML	
62	FS5-2915-020		1	SPRING, TORSION	
63	FB5-5620-000		1	ELIMINATOR, STATIC CHARGE	
64	FB4-7835-000		1	COVER, CONNECTOR, PICK-UP	SEE NOTE
501	XB1-2300-407		1	SCREW, MACH., TRUSS HEAD, M3X4	
502	XB1-2400-609		1	SCREW, MACH., TRUSS HEAD, M4X6	SEE NOTE
503	XB1-2300-609		3	SCREW, MACH., TRUSS HEAD, M3X6	
504	XB1-2400-609		4	SCREW, MACH., TRUSS HEAD, M4X6	
505	XD2-1100-242		4	RING, E	
506	XD2-1100-322		1	RING, E	
507	XD2-1100-502		8	RING, E	
508	XD2-1100-642		13	RING, E	
509	XD3-1200-102		1	PIN, SPRING	
510	XD3-1300-102		1	PIN, SPRING	
511	XD3-2200-102		5	PIN, DOWEL	
512	XD3-2200-122		1	PIN, DOWEL	

# FIGURE 313 DECK LEFT PICK-UP ASSEMBLY

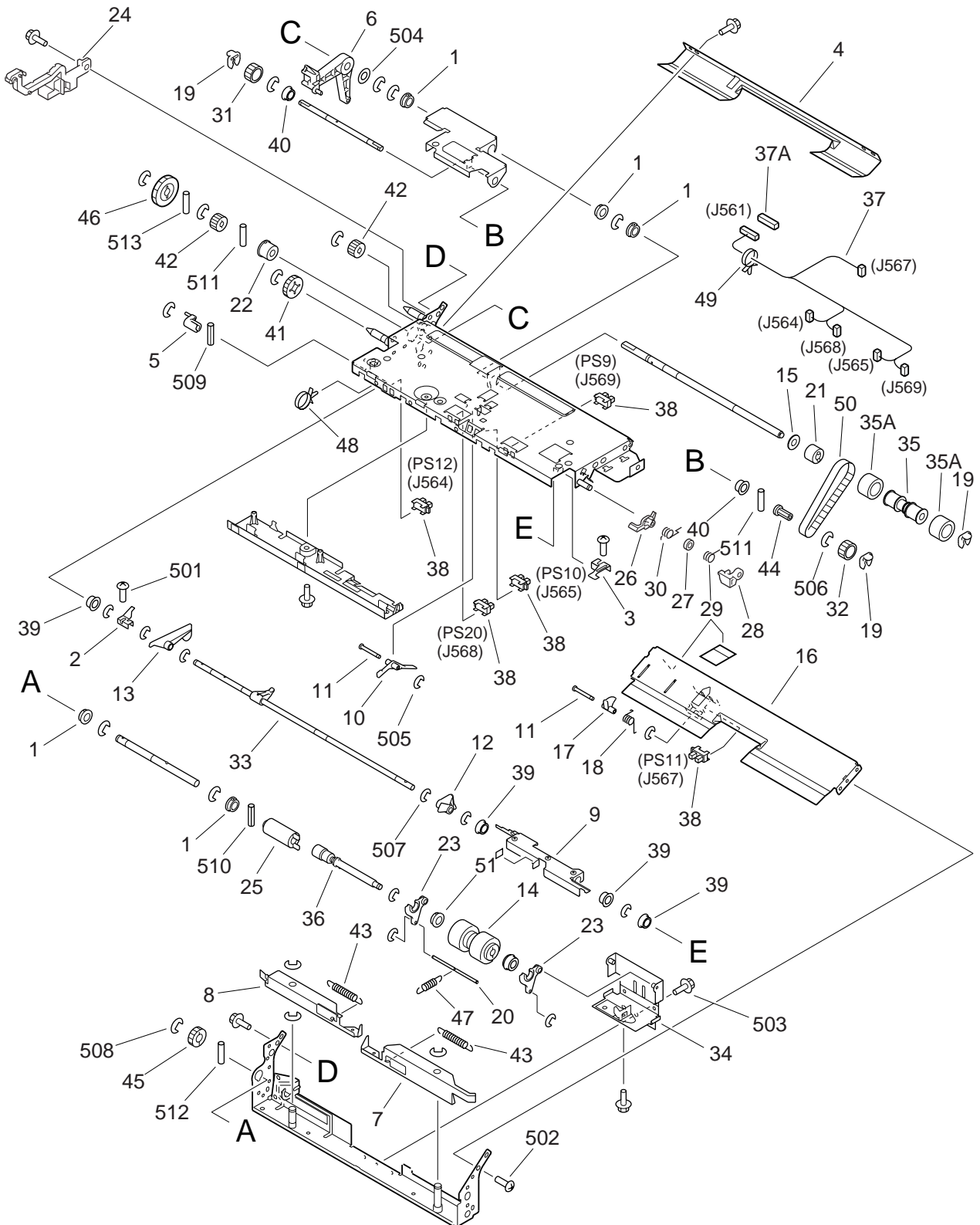


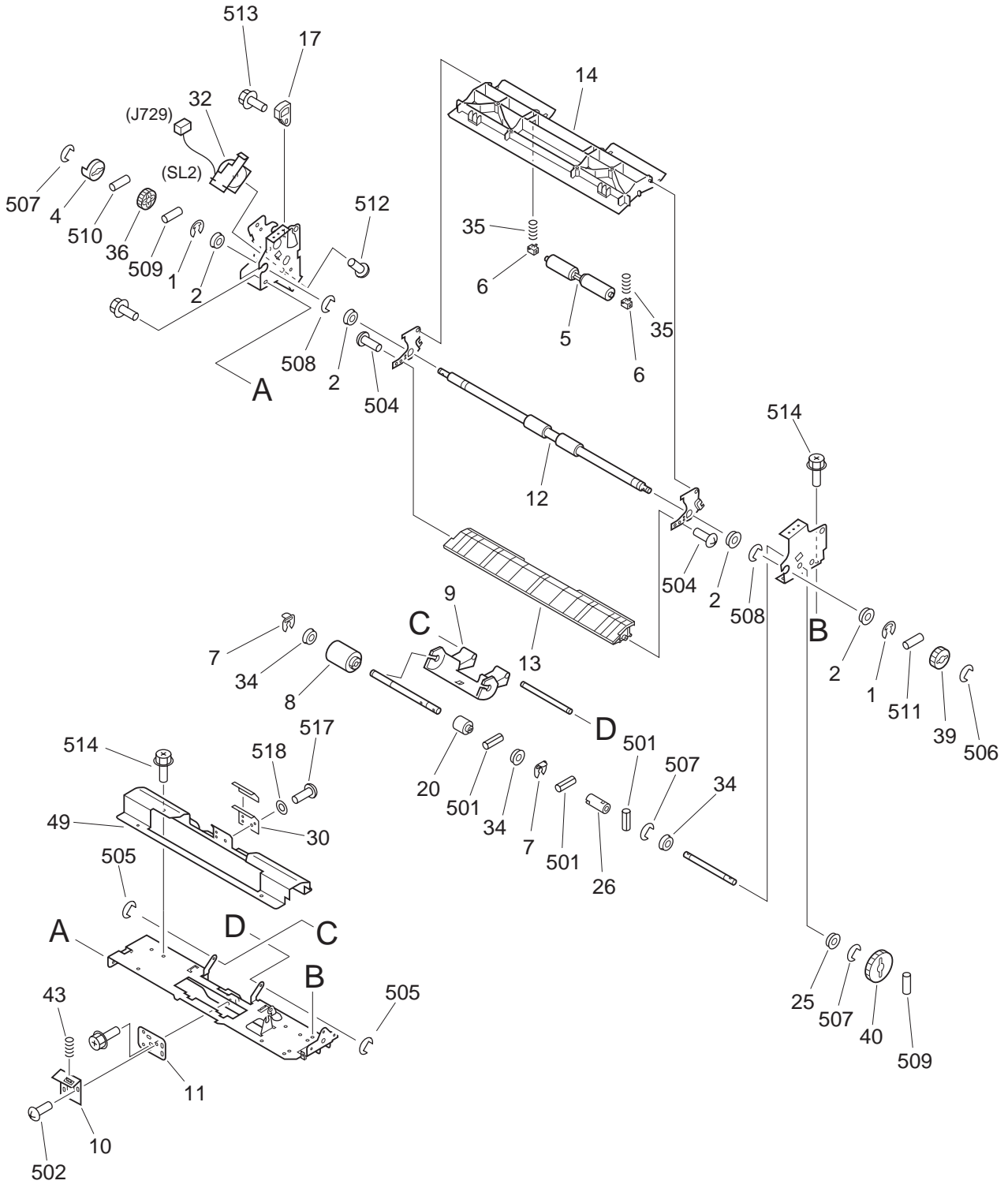
FIGURE & KEY NO.	PART NUMBER	R A N K	Q T Y	DESCRIPTION	SERIAL NUMBER / REMARKS
313 -	FG6-5034-000		1	DECK LEFT PICK-UP ASSEMBLY	
1	FA9-2112-000		5	BUSHING	
2	FB2-7623-000		1	PLATE, UP, REAR	
3	FB2-7624-000		1	PLATE, PICK-UP, FRONT	
4	FB2-7693-000		1	GUIDE, PICK-UP, UPPER	
5	FB2-7706-000		1	LEVER, PICK-UP SOLENOID	
6	FB2-7715-020		1	LINK, RELEASE	
7	FB2-7716-000		1	PLATE, RELEASE	
8	FB2-7717-000		1	PLATE, RELEASE	
9	FB2-7718-000		1	PLATE, RELEASE	
10	FB2-7720-000		1	LEVER, PAPER	
11	FB2-7721-000		2	SHAFT, LEVER	
12	FB2-7722-000		1	LEVER, PAPER SENSOR	
13	FB2-7723-000		1	LEVER, LIMITER	
14	FB2-7777-020		1	ROLLER, SEPARATION	
15	FB2-8512-000		1	SPACER	
16	FB4-1992-000		1	GUIDE, PICK-UP, LOWER	
17	FB4-1994-000		1	LEVER, PICK-UP SENSOR, LEFT	
18	FB4-1996-000		1	SPRING, TORSION	
19	FB4-2007-000		3	RING, RETAINING	
20	FB4-6227-000		1	SHAFT, COUNTER	
21	FB4-9029-000		1	CLUTCH, ONE-WAY, 1	
22	FB4-9043-000		1	CLUTCH, ONE-WAY, 2	
23	FB5-2063-000		2	ARM, SEPARATION ROLLER	
24	FB5-3440-000		1	GUIDE, CABLE	
25	FB5-4563-000		1	TORQUE LIMITER	
26	FB5-5613-000		1	LEVER, RELEASE	
27	FB5-5614-000		1	SPACER	
28	FB5-5615-000		1	CAM	
29	FB5-5616-000		1	SPRING, TORSION	

FIGURE & KEY NO.	PART NUMBER	R A N K	Q T Y	DESCRIPTION	SERIAL NUMBER / REMARKS
313 - 30	FB5-5617-000		1	SPRING, TORSION	
31	FF5-1220-000		1	ROLLER, PICK-UP, FRONT	
32	FF5-1221-000		1	ROLLER, PICK-UP, REAR	
33	FF5-3221-000		1	SHAFT, PICK-UP, LEFT	
34	FF5-6890-000		1	MOUNT, SEPARATION ROLLER	
35	FF5-9779-000		1	ROLLER, FEED	
35A	FB5-3435-000		2	ROLLER, FEED	
36	FF5-9784-000		1	SHAFT, SEPARATION ROLLER	
37	FG6-5440-000		1	CABLE, LEFT DECK	J561,564,565,567-569
37A	VS1-6318-015		1	CONNECTOR,SNAP TIGHT	J561
38	FH7-7312-000		5	PHOTO-INTERRUPTER	PS9-12,20 J569,565,567,564,568
39	FS1-1512-000		4	BUSHING	
40	FS1-1569-000		2	BUSHING	
41	FS2-0544-000		1	GEAR, 24T	
42	FS5-0338-000		2	GEAR, 16T	
43	FS5-2919-000		2	SPRING, TENSION	
44	FS5-3333-000		1	PULLEY, 16T	
45	FS6-0053-000		1	GEAR, 20T	
46	FS6-0056-000		1	GEAR, 32T	
47	FS6-2678-000		1	SPRING, TENSION	
48	WT2-5178-000		2	CLIP, CABLE	
49	WT2-5565-000		5	CLAMP, CABLE	
50	XF9-0525-000		1	BELT, TIMING, 59T	
51	XG9-0407-000		1	BEARING, BALL, UGF106P12ZZD4ML	
501	XB1-2300-609		3	SCREW,MACH.,TRUSS HEAD,M3X6	
502	XB1-2400-609		1	SCREW,MACH.,TRUSS HEAD,M4X6	
503	XB3-6400-800		8	SCREW,RS,M4X8	
504	XD1-1108-223		1	SHIM	
505	XD2-1100-242		3	RING,E	
506	XD2-1100-322		1	RING,E	

FIGURE & KEY NO.	PART NUMBER	RANK	QTY	DESCRIPTION	SERIAL NUMBER / REMARKS
313 - 507	XD2-1100-502		9	RING,E	
508	XD2-1100-642		13	RING,E	
509	XD3-1200-102		1	PIN,SPRING	
510	XD3-1300-102		1	PIN,SPRING	
511	XD3-2200-102		2	PIN,DOWEL	
512	XD3-2200-122		1	PIN,DOWEL	
513	XD3-2200-142		1	PIN,DOWEL	



# FIGURE 315 MULTI FEED ASSEMBLY (1/2)



NOTE1 : This assembly includes the assembly shown in Figure 316.

NOTE2 : This assembly does not include the part shown with key No. 48.

# FIGURE 315 MULTI FEED ASSEMBLY (2/2)

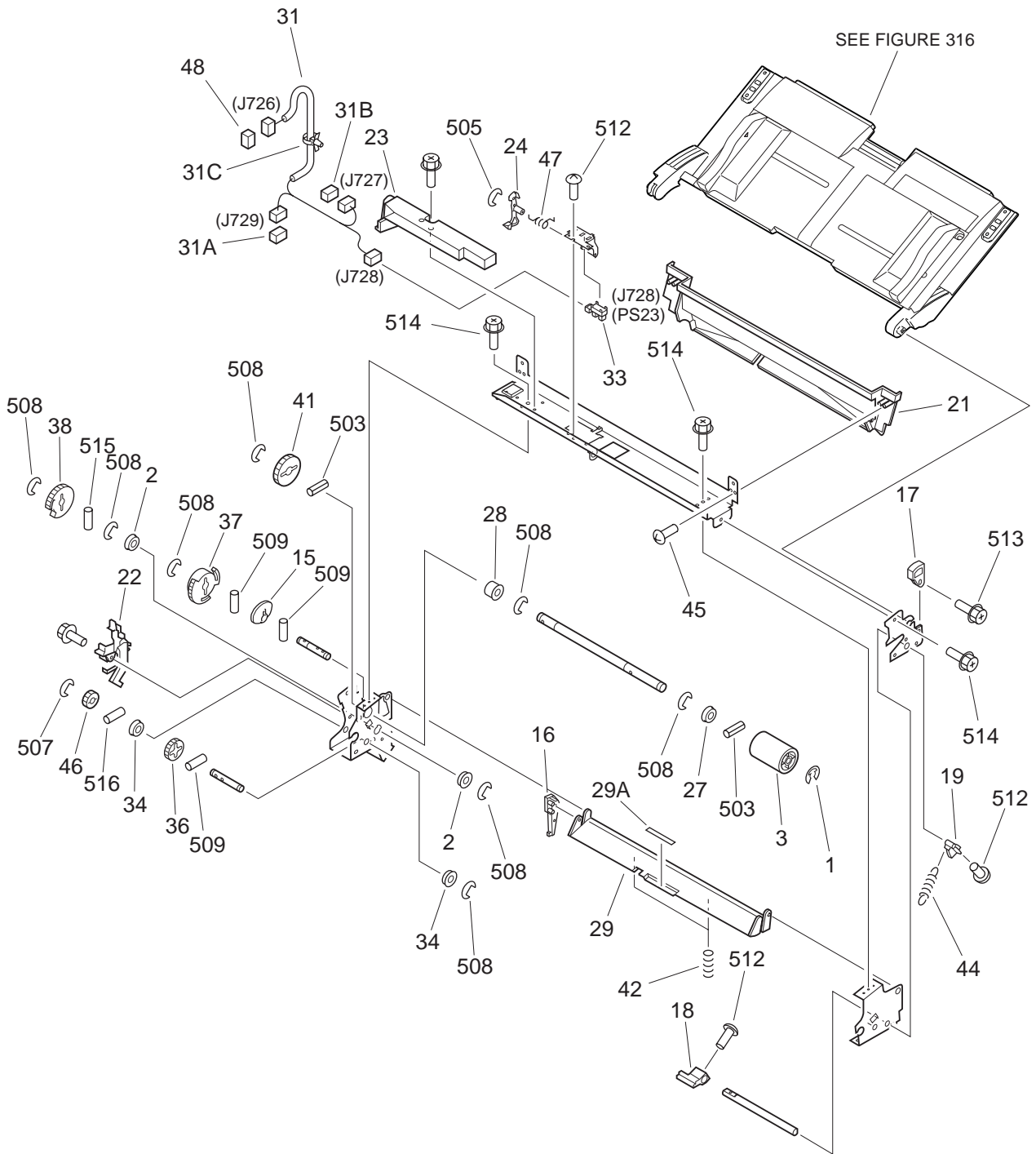
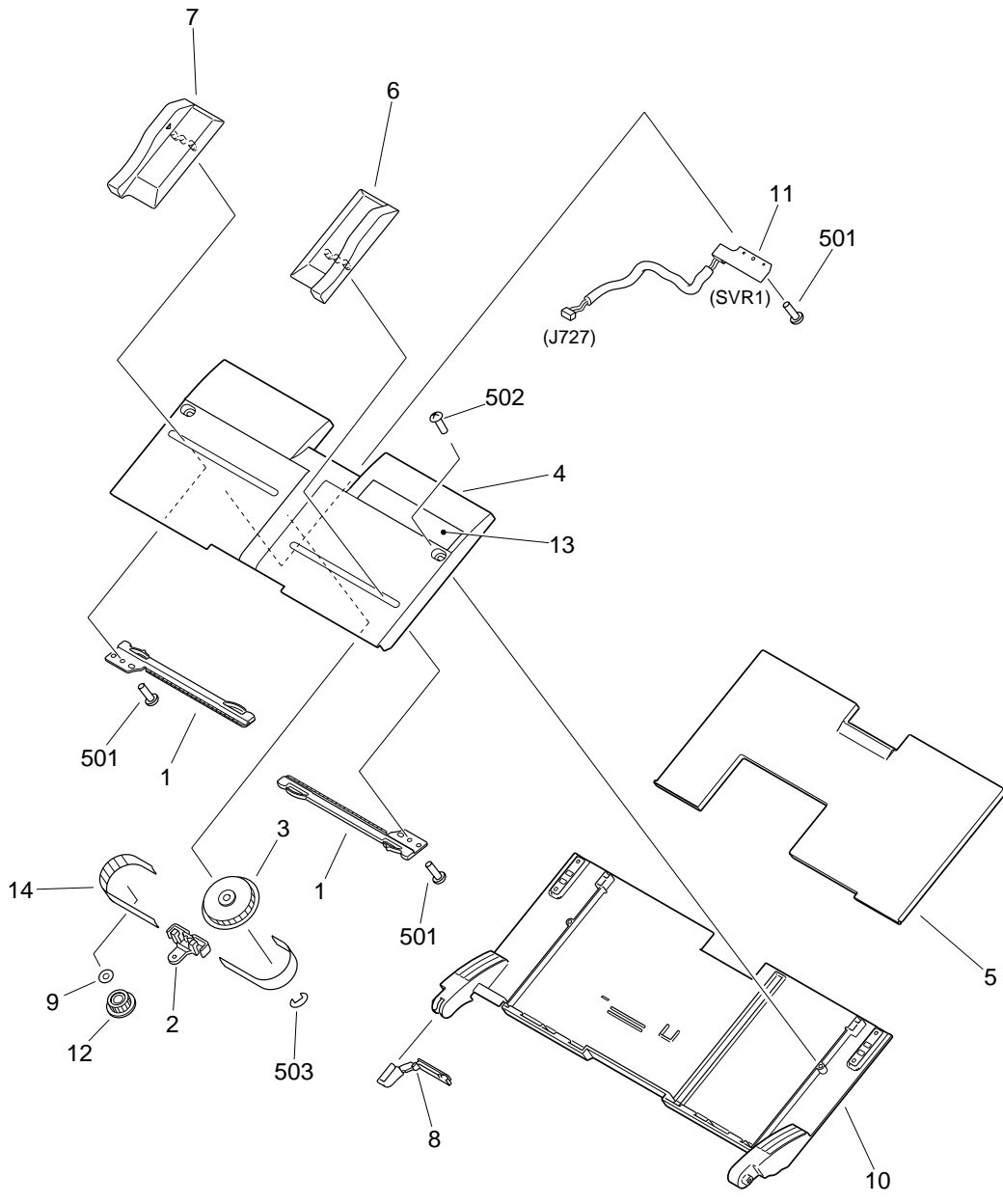


FIGURE & KEY NO.	PART NUMBER	R A N K	Q T Y	DESCRIPTION	SERIAL NUMBER / REMARKS
315 -	FG6-4904-000		1	MULTI FEED ASSEMBLY	SEE NOTE 1
1	FA4-1159-000		3	RING, RETAINING	
2	FA9-2112-000		6	BUSHING	
3	FB1-8581-000		1	ROLLER	
4	FB2-7540-000		1	BUSHING	
5	FB2-7754-000		1	ROLLER	
6	FB2-7755-000		2	BUSHING	
7	FB4-2007-000		2	RING, RETAINING	
8	FB5-0873-000		1	ROLLER, SEPARATION	
9	FB5-2921-000		1	ARM, RETARD	
10	FB5-2926-000		1	PLATE, SPRING SUPPORT	
11	FB5-2927-000		1	PLATE, SPRING SUPPORT	
12	FB5-2930-000		1	ROLLER, MULTI	
13	FB5-2934-000		1	GUIDE, LOWER	
14	FB5-2935-000		1	GUIDE, UPPER	
15	FB5-2940-000		1	CAM	
16	FB5-2920-000		1	PLATE, CAM	
17	FB5-2941-000		2	BLOCK, TRAY	
18	FB5-2944-000		1	LEVER, RELEASE, 1	
19	FB5-2945-000		1	LEVER, RELEASE, 2	
20	FB5-2946-000		1	TORQUE LIMITER	
21	FB5-2948-000		1	COVER, MULTI	
22	FB5-2949-000		1	GUIDE, CABLE, 1	
23	FB5-2950-000		1	GUIDE, CABLE, 2	
24	FB5-3573-000		1	LEVER, PAPER SENSOR	
25	FS1-1569-000		1	BUSHING	
26	RB1-6571-000		1	JOINT	
27	FA9-2112-000		1	BUSHING	
28	FS2-1464-000		1	BUSHING, ONE-WAY	
29	FF5-9843-000		1	PLATE, GUIDE PAPER	

FIGURE & KEY NO.	PART NUMBER	R A N K	Q T Y	DESCRIPTION	SERIAL NUMBER / REMARKS
315 - 29A	FB1-8584-000		1	SHEET, MANUAL FEED PLATE	
30	FF5-9910-000		1	PLATE, SEPARATION	
31	FG6-5457-000		1	CABLE, MULTI	J726-729
31A	VS1-5057-002		1	CONNECTOR, SNAP TIGHT	J729
31B	VS1-5057-003		1	CONNECTOR, SNAP TIGHT	J727
31C	WT2-5565-000		2	CLAMP, CABLE	
32	FH7-5969-000		1	SOLENOID	SL2 J729
33	FH7-7394-000		1	PHOTO-INTERRUPTER	PS23 J728
34	FS1-1569-000		5	BUSHING	
35	FS5-2921-000		2	SPRING, COMPRESSION	
36	FS6-0538-000		2	GEAR, 24T	
37	FS7-0647-000		1	GEAR, 19T	
38	FS7-0648-000		1	GEAR, 33T	
39	FS7-0649-000		1	GEAR, 15T	
40	FS7-0650-000		1	GEAR, 45T	
41	FS7-0651-000		1	GEAR, 38T	
42	FS7-2327-000		2	SPRING, COMPRESSION	
43	FS7-2328-000		1	SPRING, COMPRESSION	
44	FS7-2329-000		1	SPRING, TENSION	
45	XA9-0870-000		2	SCREW,P,M4X10	
46	FS5-0710-000		1	GEAR, 16T	
47	FS7-2321-000		1	SPRING, TORSION	
48	VS1-5057-008		1	CONNECTOR, SNAP TIGHT	SEE NOTE 2 J726
49	FB5-2928-000		1	PLATE, SEPARATION	
501	XD3-1200-142		3	PIN,SPRING	
502	XB1-2400-609		1	SCREW,MACH.,TRUSS HEAD,M4X6	
503	XD3-1160-162		2	PIN,SPRING	
504	XB4-7300-609		2	SCREW,TAPPING,TRUSS HEAD,M3X6	
505	XD2-1100-322		3	RING,E	
506	XD2-1100-402		1	RING,E	

FIGURE & KEY NO.	PART NUMBER	R A N K	Q T Y	DESCRIPTION	SERIAL NUMBER / REMARKS
315 - 507	XD2-1100-502		5	RING,E	
508	XD2-1100-642		8	RING,E	
509	XD3-2200-142		5	PIN,DOWEL	
510	XD3-2300-122		1	PIN,DOWEL	
511	XD3-2200-082		1	PIN,DOWEL	
512	XB1-2300-609		3	SCREW,MACH.,TRUSS HEAD,M3X6	
513	XB3-6300-600		2	SCREW,RS,M3X6	
514	XB3-6400-508		15	SCREW,RS,M4X8	
515	XD3-2200-162		1	PIN,DOWEL	
516	XD3-2200-102		1	PIN,DOWEL	
517	XB1-2300-409		1	SCREW,MACH.,TRUSS HEAD,M3X4	
518	XD1-1104-139		1	SHIM	

# FIGURE 316 MULTI FEEDER TRAY ASSEMBLY



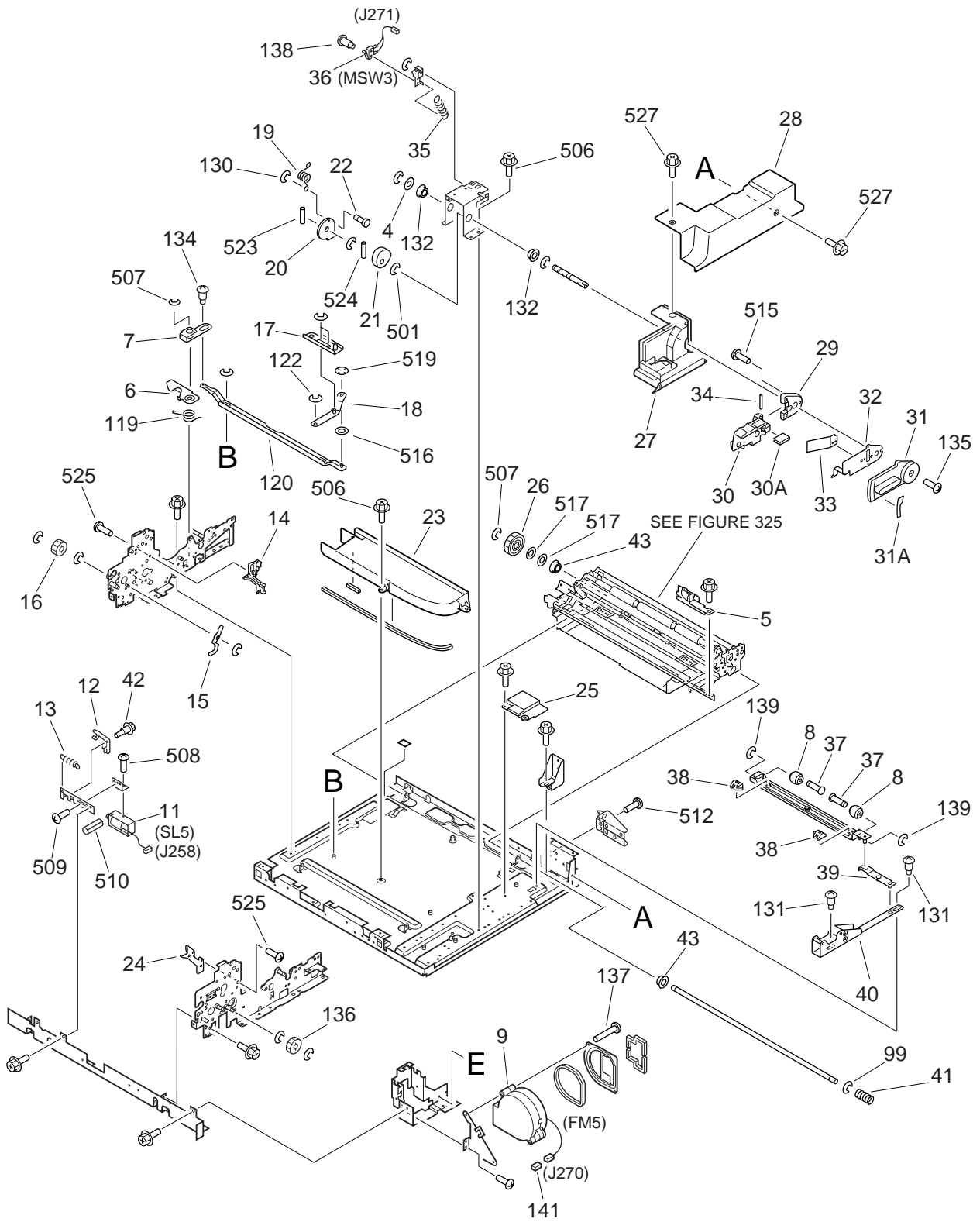
NOTE1 : This assembly is included in the assembly shown in Figure 315.

NOTE2 : This assembly does not include the part shown with key No. 13.

FIGURE & KEY NO.	PART NUMBER	R A N K	Q T Y	DESCRIPTION	SERIAL NUMBER / REMARKS
316 -	FG6-5887-000		1	MULTIFEED TRAY ASSEMBLY	SEE NOTE 1
1	FB1-8619-000		2	RACK	
2	FB1-8621-000		1	PLATE, LOCK	
3	FB1-8625-000		1	GEAR, 18T	
4	FB3-2822-000		1	TRAY, MULTI FEED	
5	FB3-2824-000		1	TRAY, SLIDE	
6	FB5-3577-000		1	PLATE, PAPER END, FRONT	
7	FB5-3578-000		1	PLATE, PAPER END, REAR	
8	FB3-2832-000		1	GUIDE, MULTI FEEDER CABLE	
9	FB3-2836-000		1	BELT MOUNT	
10	FF5-4489-000		1	COVER, MULTI FEED TRAY	
11	FG5-6289-000		1	MULTI PAPER SIZE PCB ASSEMBLY	SVR1 J727
12	FS5-3177-000		1	PULLEY, IDLER	
13	FS6-8985-000		1	LABEL, SIZE	SEE NOTE 2 AB SIZE
	FS6-8986-000		1	LABEL, SIZE	SEE NOTE 2 A/INCH SIZE
	FS6-8987-000		1	LABEL, SIZE	SEE NOTE 2 A SIZE
	FS6-8988-000		1	LABEL, SIZE	SEE NOTE 2 AB/INCH SIZE
14	XF9-0353-000		1	BELT, TIMING, 112T	
501	XB4-7300-609		3	SCREW,TAPPING,TRUSS HEAD,M3X6	
502	XB4-7401-007		2	SCREW,TAPPING,TRUSS HEAD,M4X10	
503	XD2-2100-502		1	RING,GRIP	

# FIGURE 320

## FIXING/FEEDER FRAME ASSEMBLY (1/3)



NOTE1 : This assembly includes the assemblies shown in Figure 325, 330, 350, 351 and 810.

NOTE2 : This assembly does not include the parts shown with key No. 5, 28, 94, 104, 104A, 105, 106, 107, 108, 502, and 527.





# FIGURE 320 FIXING/FEEDER FRAME ASSEMBLY (3/3)

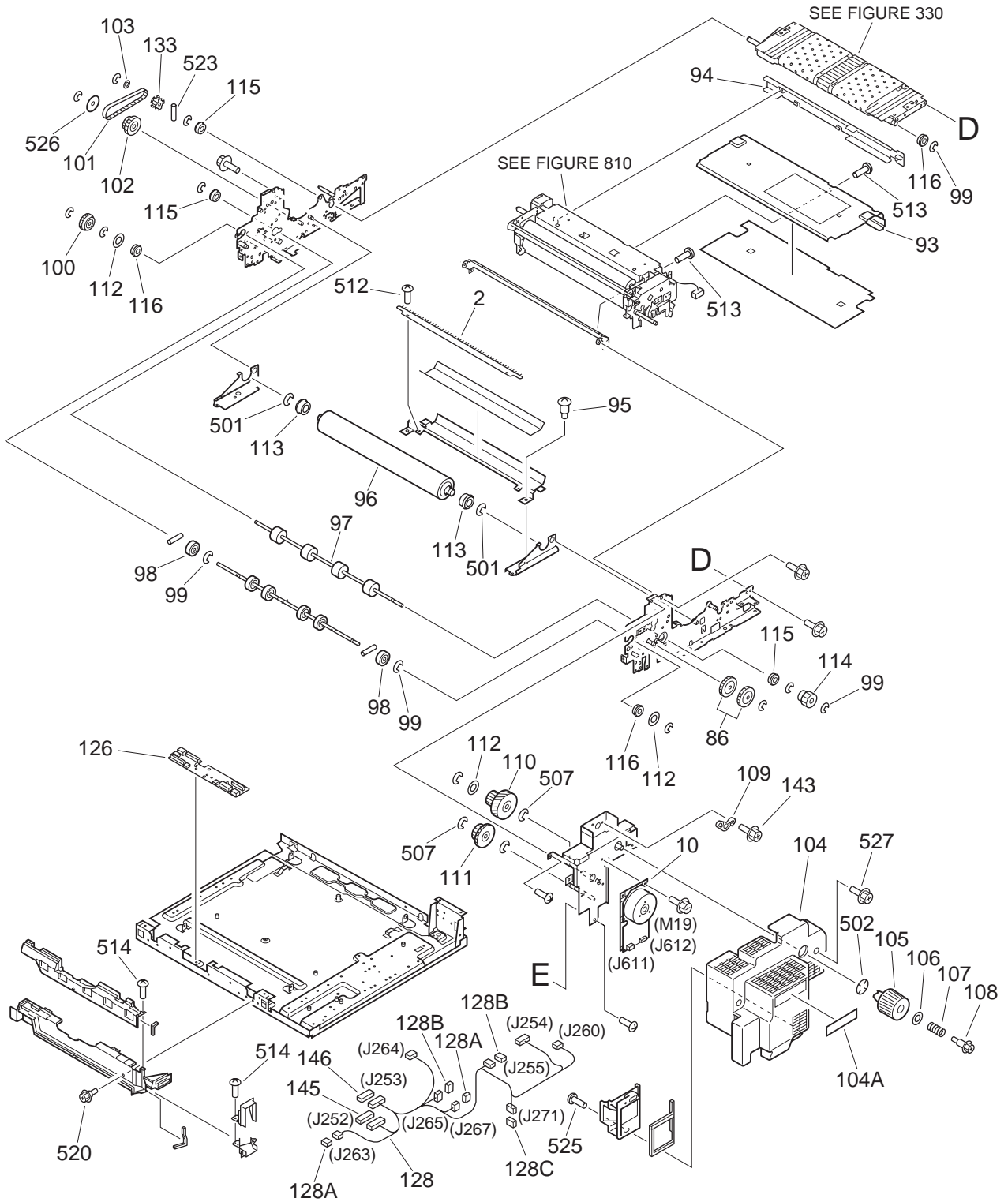


FIGURE & KEY NO.	PART NUMBER	RANK	QTY	DESCRIPTION	SERIAL NUMBER / REMARKS
320 -	FG6-4929-000		1	FIXING/FEEDER FRAME ASSEMBLY	100V SEE NOTE 1
	FG6-5086-000		1	FIXING/FEEDER FRAME ASSEMBLY	120V SEE NOTE 1
	FG6-5087-000		1	FIXING/FEEDER FRAME ASSEMBLY	220/240V SEE NOTE 1
1	FB2-8248-020		1	ELIMINATOR, STATIC CHARGE	
2	FB5-3621-000		1	ELIMINATOR, STATIC CHARGE	
3	FA2-9037-000		2	CLAW, SEPARATION, LOWER	
4	FS5-6329-000		1	SHIM, HANDLE	
5	FB2-7051-040		1	GUIDE, RAIL	SEE NOTE 2
6	FB2-7055-000		1	LATCH	
7	FB2-7056-000		1	PLATE, JOINT	
8	FB2-7066-000		2	ROLLER, PRESSURE	
9	FH6-1548-000		1	FAN	FM5 J270
10	FH6-1714-000		1	MOTOR, DC24V	M19 J611,612
11	FH7-5982-000		1	SOLENOID	SL5 J258
12	FB5-3630-000		1	LEVER, FLAPPER	
13	FS7-2347-000		1	SPRING, TENSION	
14	FB3-8383-020		1	RAIL, DELIVERY, REAR	
15	FB3-8389-020		1	LEVER, DEFLECTOR, 1	
16	FS6-0025-000		2	GEAR, 19T	
17	FF5-3154-000		1	LINK, RELEASE, 2	
18	FF5-3153-000		1	LINK, RELEASE ,1	
19	FB2-8192-000		1	SPRING, TORSION	
20	FB2-8196-020		1	PLATE, HANDLE STOP	
21	FB2-8204-000		1	CAM, REGISTRATION	
22	FB2-8198-000		1	SHAFT, SUPPORT, SPRING	
23	FF5-3032-000		1	DUCT, SEPARATION, LOWER	
24	FB3-8382-000		1	RAIL, DELIVERY, FRONT	
25	FB2-8334-000		1	COVER, SLIDE, LINK	
26	FS6-0042-000		1	GEAR, 26T	
27	FB5-2871-000		1	COVER, FIXING/FEED	

FIGURE & KEY NO.	PART NUMBER	R A N K	Q T Y	DESCRIPTION	SERIAL NUMBER / REMARKS
320 - 28	FB4-2500-020		1	COVER, FEEDER, RIGHT	SEE NOTE 2
29	FB2-8213-000		1	COVER, HANDLE, REAR	
30	FF5-6000-000		1	LEVER	
30A	FS6-8386-000		1	LABEL, HANDLE, 2	
31	FF5-6007-020		1	HANDLE	
31A	FS6-8387-000		1	LABEL, HANDLE, 1	
32	FB2-8208-040		1	PLATE, HANDLE, SUPPORT	
33	FB2-8217-020		1	SPRING, LEAF	
34	FB2-8216-000		1	SHAFT, HANDLE	
35	FS5-2958-000		1	SPRING, TENSION	
36	FG6-5483-000		1	CABLE, FIXING/FEEDER SENSOR	MSW3 J271
37	FB3-8569-000		2	SHAFT, REGISTRATION PRESSURE	
38	FB3-8566-000		2	BLOCK, TRANSFER PRESSURE	
39	FF5-3149-000		1	LINK, ROTATING	
40	FF5-9884-000		1	LINK, SLIDE	
41	FS5-2970-000		1	SPRING, COMPRESSION	
42	FS5-9210-000		1	SCREW, STEPPED, M4	
43	FS1-1462-000		2	BUSHING	
44	FH6-1716-000		1	MOTOR, STEPPING	M13 J268
45	FF5-9885-000		1	GUIDE, INTERNAL DELIVERY	
46	FB5-5530-000		2	HOLDER, SHAFT	
47	FS1-2834-000		2	SPRING, TENSION	
48	FB2-7150-000		1	SUPPORT, CLAW, SEPARATION	
49	FB3-8405-020		1	PLATE, HEIGHT ADJUSTING, REAR	
50	FB3-8404-020		1	PLATE, HEIGHT ADJUSTING, FRONT	
51	FF5-5920-000		1	LEVER	
52	FB3-8406-000		1	SHAFT, MOVABLE GUIDE	
53	FF5-3211-000		1	PIN, GUIDE, POSITIONING	
54	FB3-8400-000		1	GUIDE, MOVABLE	
55	FB3-8401-000		1	BLOCK, GUIDE, FRONT	

FIGURE & KEY NO.	PART NUMBER	R A N K	Q T Y	DESCRIPTION	SERIAL NUMBER / REMARKS
320 - 56	FB3-8402-000		1	BLOCK, GUIDE, REAR	
57	FB3-8403-020		1	BLOCK, INLET GUIDE	
58	FS5-2977-020		2	SPRING, COMPRESSION	
59	FS5-1755-000		2	BUSHING	
60	XA9-0628-000		5	SCREW,RS,M4X8	
61	FG5-8650-050		1	MOUNT, DELIVERY SENSING	
61A	FH7-7394-000		2	PHOTO-INTERRUPTER	PS4,35 J256,257
62	FB3-8398-000		1	GUIDE, HANDLE	
63	FB5-3389-000		6	FLAPPER	
64	FS7-2340-000		6	SPRING, TENSION	
65	FB5-3381-000		1	GUIDE, DELIVERY, LOWER	
66	FF5-9877-000		1	SHAFT, SEPARATION CLAW DRIVE	
67	FS5-2976-000		1	SPRING, TENSION	
68	FS1-1569-000		2	BUSHING	
69	FB2-7249-000		1	ARM, SOLENOID	
70	FB2-7250-020		1	ARM, LINK	
71	XD9-0134-000		1	RING,E	
72	XD9-0136-000		1	RING,E	
73	FB5-3388-000		1	ROLLER, INVERTER	
74	FS5-9217-000		2	SCREW,STEPPED,M4	
75	FS5-2947-000		2	SPRING, TENSION	
76	FB5-3379-000		1	GUIDE, INVERTER	
77	FF5-9886-000		1	MOUNT, PAPER REVERSE SENSING	
78	FB2-7155-000		1	LEVER, REVERSING SENSOR	
79	FS5-2943-000		1	SPRING, TORSION	
80	FH7-7394-000		2	PHOTO-INTERRUPTER	PS36,46 J259,273
81	FB2-8214-000		1	SPRING, COMPRESSION	
82	FB2-8376-000		1	GUIDE, SHAFT	
83	FF5-3095-000		1	MOUNT, FEEDER, SUPPORT	
84	FH7-5820-000		1	SOLENOID	SL1 J255

FIGURE & KEY NO.	PART NUMBER	R A N K	Q T Y	DESCRIPTION	SERIAL NUMBER / REMARKS
320 - 85	FH7-5713-000		1	SOLENOID	SL9 J263
86	FS3-0081-000		3	GEAR, 15T/35T	
87	FS3-0082-000		1	GEAR, 35T	
88	FB2-7242-000		1	ARM, SOLENOID, 1	
89	FB2-7243-000		1	ARM, SOLENOID, 2	
90	FS5-2967-000		1	SPRING, TENSION	
91	FB4-1200-000		2	COLLAR, SPRING	
92	FS6-2661-000		2	SPRING, COMPRESSION	
93	FF5-9880-000		1	COVER, UPPER	
94	FB3-8412-000		1	COVER, CROSSMEMBER	SEE NOTE 2
95	FS5-9162-000		2	SCREW, STEPPED	
96	FB5-3619-000		1	ROLLER, LOWER	
97	FB5-3595-000		1	ROLLER, DELIVERY, INNER	
98	FB5-3407-000		6	ROLLER, DELIVERY, OUTER	
99	XD9-0137-000		24	RING, E	
100	FS7-0664-000		1	GEAR, 27T	
101	XF2-1112-840		1	BELT, TIMING	
102	FS5-3809-000		1	GEAR, 31T/PULLEY, 41T	
103	FS5-6150-000		1	FLANGE	
104	FF5-9933-000		1	COVER, FIXING/FEED	SEE NOTE 2
104A	FS6-8983-000		1	LABEL, NUMBER	SEE NOTE 2
105	FB4-7490-000		1	KNOB	SEE NOTE 2
106	FS5-6328-000		1	WASHER	SEE NOTE 2
107	FS5-2974-000		1	SPRING, COMPRESSION	SEE NOTE 2
108	FS5-9275-000		1	SCREW, STEPPED, M4X30	SEE NOTE 2
109	FS5-1467-020		1	BUSHING, 3	
110	FS7-0658-000		1	GEAR, 75T/22T	
111	FS7-0659-000		1	GEAR, 27T/44T	
112	FS5-6487-000		3	WASHER	
113	XG9-0383-000		2	BEARING, BALL, NSK	

FIGURE & KEY NO.	PART NUMBER	R A N K	Q T Y	DESCRIPTION	SERIAL NUMBER / REMARKS
320 - 114	FS7-0660-000		1	GEAR, 15T	
115	XG9-0237-000		4	BEARING, BALL	
116	XG9-0403-000		5	BEARING, BALL	
117	FB3-8457-000		1	SHAFT, HANDLE LOCK	
118	FS1-1449-000		2	BUSHING	
119	FS5-2981-020		1	SPRING, TORSION	
120	FF5-3151-000		1	LINK, RELEASE	
121	XA9-0626-000		3	SCREW,RS,M3X6	
122	XD9-0136-000		3	RING,E	
123	VS1-6327-040		1	CONNECTOR, 40P, FEMALE	J251
124	VS1-6313-020		1	CONNECTOR, 20P, FEMALE	J251
125	VS1-6314-020		1	CONNECTOR, 20P, FEMALE	J251
126	FG6-4979-000		1	FIXING/FEED CONNECT PCB ASS'Y	
127	FG6-4984-000		2	CABLE, EXTERNAL DELIVERY, 2	J256,284,257,286
128	FG6-5473-000		1	CABLE, FIXING	J252-255,260,263-265 J267,271
128A	VS1-5057-002		2	CONNECTOR, SNAP TIGHT	J263,267
128B	VS1-5057-003		2	CONNECTOR, SNAP TIGHT	J255,265
128C	VS1-5057-004		1	CONNECTOR, SNAP TIGHT	J271
129	FG6-5474-000		1	CABLE, EXTERNAL DELIVERY	J258,259,273,274
129A	VS1-5057-002		1	CONNECTOR, SNAP TIGHT	J258
129B	VS1-5057-008		1	CONNECTOR, SNAP TIGHT	J274
130	XD9-0133-000		1	RING,E	
131	FS1-9076-000		2	SCREW,STEPPED,M4	
132	FS5-1474-000		2	BUSHING	
133	FS5-3805-000		1	PULLEY, 28T	
134	FS2-9001-000		1	SCREW,STEPPED,M4	
135	XA9-0207-000		1	SCREW	
136	FS6-0081-000		1	GEAR, 20T	
137	XA9-0446-000		2	SCREW, M4X40	
138	XA9-0944-000		2	SCREW,STEPPED,M2	

FIGURE & KEY NO.	PART NUMBER	R A N K	Q T Y	DESCRIPTION	SERIAL NUMBER / REMARKS
320 - 139	XD9-0134-000		3	RING,E	
140	WS3-5609-000		4	SOCKET CONTACT, 12-14AWG	J251
141	VS1-5057-003		1	CONNECTOR, SNAP TIGHT	J270
142	VT2-5161-040		1	HOLDER, CONNECTOR, 40P	J251
143	XA9-0949-000		2	SCREW,RS,M4X10	
144	VS1-5057-006		1	CONNECTOR, SNAP TIGHT	J268
145	VS1-5057-013		1	CONNECTOR, SNAP TIGHT	J252
146	VS1-5057-010		1	CONNECTOR, SNAP TIGHT	J253
501	XD2-1100-802		52	RING,E	
502	XD2-2300-502		1	RING,TOOTHED LOCK	SEE NOTE 2
503	XB1-2300-609		7	SCREW,MACH.,TRUSS HEAD,M3X6	
504	XD2-1100-502		1	RING,E	
505	XB1-2300-809		2	SCREW,MACH.,TRUSS HEAD,M3X8	
506	XB3-6400-805		59	SCREW,RS,M4X8	
507	XD2-1100-642		7	RING,E	
508	XB1-2300-409		2	SCREW,MACH.,TRUSS HEAD,M3X4	
509	XB1-2400-409		6	SCREW,MACH.,TRUSS HEAD,M4X4	
510	XD3-1300-102		1	PIN,SPRING	
511	XB1-1405-007		2	SCREW,MACH.,PAN HEAD,M4X50	
512	XB1-2400-609		13	SCREW,MACH.,TRUSS HEAD,M4X6	
513	XB1-2400-806		5	SCREW,MACH.,TRUSS HEAD,M4X8	
514	XB4-7300-809		6	SCREW,TAPPING,TRUSS HEAD,M3X8	
515	XB1-2300-509		1	SCREW,MACH.,TRUSS HEAD,M3X5	
516	XD1-1104-133		1	SHIM	
517	XD1-1108-215		3	SHIM	
518	XD3-2200-122		2	PIN,DOWEL	
519	XD2-2300-402		1	RING,TOOTHED LOCK	
520	XB3-6400-805		1	SCREW,RS,M4X8	
521	XB1-2400-405		2	SCREW,MACH.,TRUSS HEAD,M4X4	
522	XB7-2100-309		1	NUT,HEX,M3	



FIGURE & KEY NO.	PART NUMBER	R A N K	Q T Y	DESCRIPTION	SERIAL NUMBER / REMARKS
320 - 523	XD3-2200-202		2	PIN,DOWEL	
524	XD3-2300-202		1	PIN,DOWEL	
525	XB4-7400-809		4	SCREW,TAPPING,TRUSS HEAD,M4X8	
526	XD1-1104-137		1	SHIM	
527	XB3-6400-800		2	SCREW,RS,M4X8	SEE NOTE 2

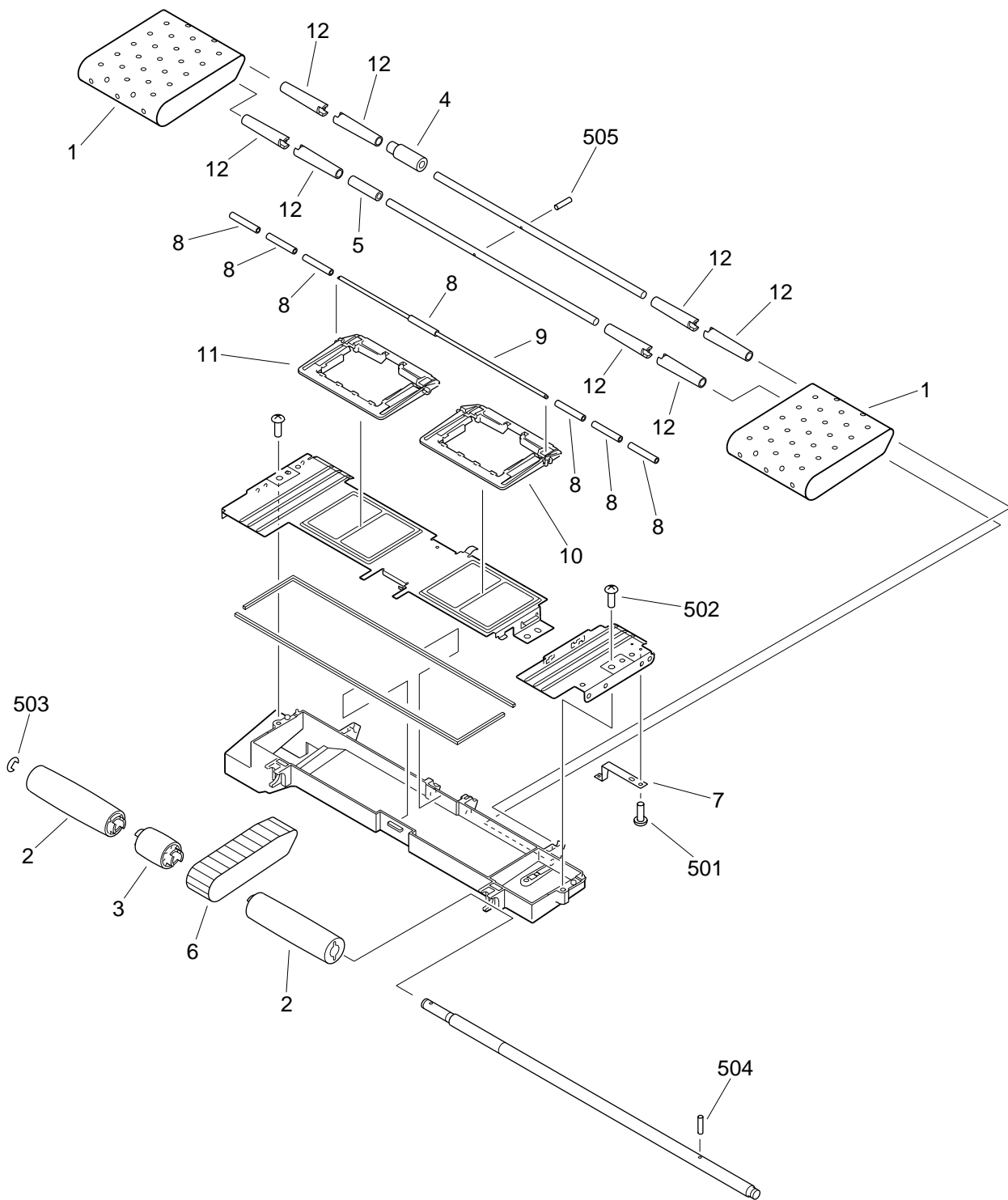


FIGURE & KEY NO.	PART NUMBER	R A N K	Q T Y	DESCRIPTION	SERIAL NUMBER / REMARKS
325 -	FG6-5079-000		1	REGISTRATION/TRANSFER ASSEMBLY	SEE NOTE
1	FA2-1753-000		1	COLLAR	
2	FA2-6923-000		1	PIN	
3	FA3-9120-000		4	PIN, GUIDE	
4	FA4-1149-000		3	PIN, PLATE	
5	FB2-7068-000		1	SHEET, DUCT	
6	FH2-9246-000		1	CONNECTOR, HIGH-VOLTAGE	
7	FB5-5581-000		1	ROLLER, REGISTRATION UPPER	
8	FB5-5582-000		1	ROLLER, REGISTRATION LOWER	
9	FB2-7104-000		4	GUIDE, PLATE	
10	FB2-7105-000		2	SHEET, RAIL, RIGHT	
11	FB2-7106-000		1	SHEET, RAIL, LEFT	
12	FB2-8200-000		2	SPRING, LEAF	
13	FB2-8202-000		2	SPRING, LEAF	
14	FB2-8306-000		1	SHEET, REGISTRATION, FRONT	
15	FB3-8551-000		2	SPRING, LEAF	
16	FB3-8552-000		2	SPRING, LEAF	
17	FB3-8564-020		1	CROSSMEMBER, REGISTRATION	
18	FB3-8585-000		1	GUIDE, REGISTRATION, LOWER	
19	FC1-3975-020		1	SPRING, LEAF	
20	FC1-3976-000		2	PAD, BRAKE	
21	FF3-0153-000		1	VARISTOR	
22	FF5-2990-020		1	MOUNT, FEEDER SENSOR	
23	FF5-3033-000		1	GUIDE, TRANSFER, LOWER	
24	FF5-5902-020		1	GUIDE, REGISTRATION, UPPER	
25	FF5-5908-000		1	GUIDE, TRANSFER, UPPER	
25A	FB2-7109-000		1	SHEET, TRANSFER GUIDE	
26	FG2-7380-000		2	CABLE, GROUNDING	
27	FG5-8856-000		1	CABLE, REGISTRATION	J254,261,262
27A	VS1-5057-002		1	CONNECTOR, SNAP TIGHT	J261

FIGURE & KEY NO.	PART NUMBER	R A N K	Q T Y	DESCRIPTION	SERIAL NUMBER / REMARKS
325 - 27B	VS1-5057-007		1	CONNECTOR, SNAP TIGHT	J254
28	FH7-5728-000		1	CLUTCH	CL2 J261
29	FH7-7394-000		1	PHOTO-INTERRUPTER	PS29 J262
30	FS5-2906-000		2	SPRING, TENSION	
31	FS5-6322-000		2	BUSHING	
32	FS6-0044-000		1	GEAR, 26T	
33	FS6-0044-000		1	GEAR, 26T	
34	FS6-0117-000		1	GEAR, 25T	
35	WT2-5178-000		3	CLIP, CABLE	
36	XA9-0271-000		2	SCREW, M4X6	
37	FB3-8659-000		1	SPRING, TORSION	
38	XA9-0628-000		18	SCREW,RS,M4X8	
39	XA9-0630-000		1	SCREW,RS,M4X10	
40	XA9-0633-000		2	SCREW,W/WASHER,M4X8	
41	XA9-0724-000		4	SCREW,RS,M3X8	
42	XG9-0211-000		2	BALL BEARING, MF128ZZ1MC3D4M	
43	XG9-0335-000		2	BEARING, BALL	
501	XB1-2300-409		4	SCREW,MACH.,TRUSS HEAD,M3X4	
502	XB1-2300-609		2	SCREW,MACH.,TRUSS HEAD,M3X6	
503	XB1-2400-409		1	SCREW,MACH.,TRUSS HEAD,M4X4	
504	XB6-2400-809		2	SETSCREW,M4X8	
505	XB6-7402-009		1	SCREW,TP,M4X20	
506	XD1-1104-635		2	SHIM	
507	XD1-1108-215		4	SHIM	
508	XD1-4100-402		1	WASHER,TOOTHED LOCK	
509	XZ1-1800-605		1	SPACER	
510	XD2-1100-642		5	RING,E	
511	XD3-1160-142		1	PIN,SPRING	
512	XD3-1160-142		1	PIN,SPRING	
513	XZ1-1401-805		1	SPACER	

FIGURE & KEY NO.	PART NUMBER	R A N K	Q T Y	DESCRIPTION	SERIAL NUMBER / REMARKS
325 - 514	XD1-4200-302		1	WASHER, TOOTHED LOCK	

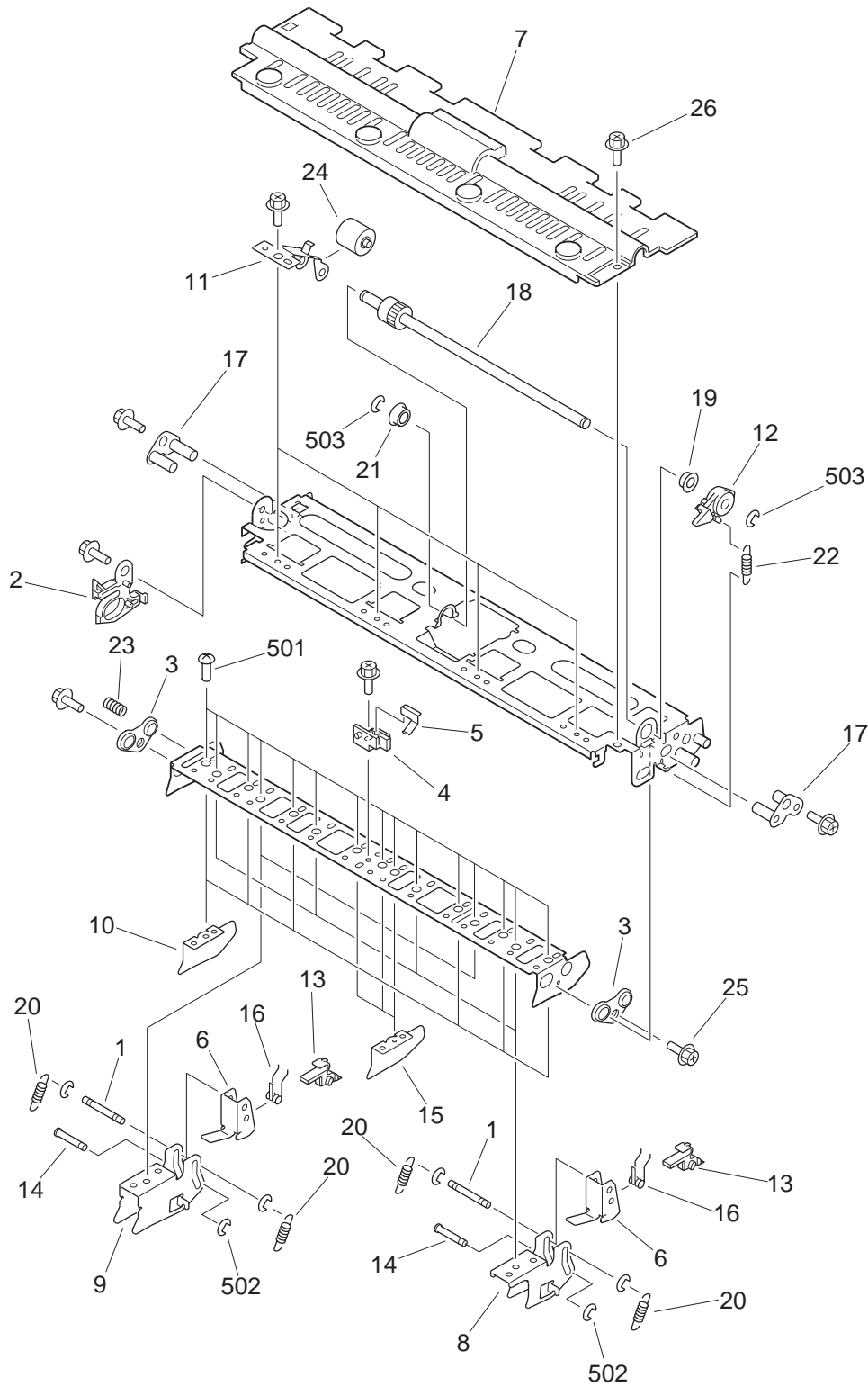
# FIGURE 330 FEEDER ASSEMBLY



NOTE : This assembly is included in the assembly shown in Figure 320.

FIGURE & KEY NO.	PART NUMBER	R A N K	Q T Y	DESCRIPTION	SERIAL NUMBER / REMARKS
330 -	FG6-5910-000		1	FEEDER ASSEMBLY	SEE NOTE
1	FB5-5522-000		2	BELT, PAPER FEED	
2	FB2-7099-000		2	ROLLER, DRIVE	
3	FB3-8502-000		1	PULLEY, PAPER FEED DRIVE	
4	FB3-8503-000		1	PULLEY, IDLER	
5	FB3-8504-000		1	PULLEY, IDLER	
6	FB3-8505-000		1	BELT, PAPER FEED	
7	FB4-0684-000		1	PLATE, GROUNDING	
8	FB4-2466-000		7	ROLLER, FEED	
9	FB4-2467-000		1	SHAFT, FEED, UPPER	
10	FB4-2468-000		1	PLATE, FEED ROLLER, FRONT	
11	FB4-2469-000		1	PLATE, FEED ROLLER, REAR	
12	FB4-6201-000		8	ROLLER, IDLER	
501	XB1-2300-409		1	SCREW, MACH., TRUSS HEAD, M3X4	
502	XB4-7401-009		3	SCREW, TAPPING, TRUSS HEAD, M4X10	
503	XD2-1100-802		1	RING, E	
504	XD3-2200-162		1	PIN, DOWEL	
505	XD3-2200-222		1	PIN, DOWEL	

# FIGURE 350 INTERNAL DELIVERY UPPER ASSEMBLY



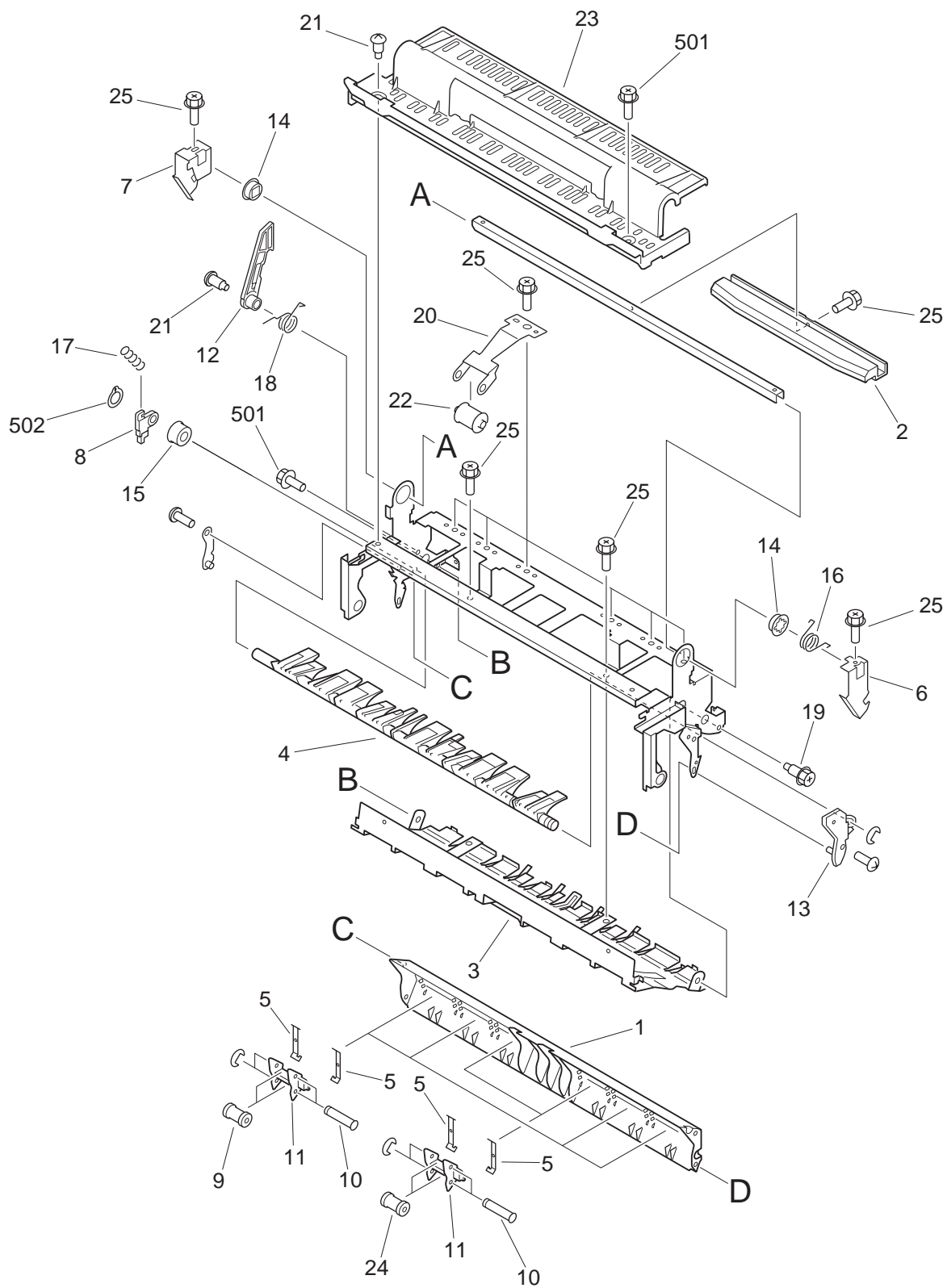
NOTE : This assembly is included in the assembly shown in Figure 320.



FIGURE & KEY NO.	PART NUMBER	R A N K	Q T Y	DESCRIPTION	SERIAL NUMBER / REMARKS
350 -	FG6-4932-000		1	INTERNAL DELIVERY UPPER ASS'Y	SEE NOTE
1	FA3-2764-020		6	ROD 2, SEPARATION CLAW, UPPER	
2	FB5-3399-000		1	GUIDE, LOCK	
3	FB2-7163-000		2	BUSHING	
4	FB2-7168-000		1	MOUNT, PIN	
5	FB2-7169-000		1	PLATE, RATCHET	
6	FB5-5634-000		6	MOUNT, CLAW, UPPER	
7	FB5-3414-000		1	COVER, UPPER	
8	FB3-8363-000		4	SUPPORT, SEPARATION CLAW	
9	FB3-8364-000		2	SUPPORT, SEPARATION CLAW	
10	FB3-8365-000		6	PLATE, GUIDE, UPPER	
11	FB3-8366-000		4	HOLDER, FEEDER ROLLER	
12	FB3-8369-000		1	LEVER, ONE-WAY	
13	FB5-3625-000		6	CLAW, SEPARATION	
14	FB3-8414-000		6	ROD 1, SEPARATION CLAW, UPPER	
15	FB4-0644-000		3	PLATE, UPPER GUIDE, MIDDLE	
16	FS7-2339-000		6	SPRING, TORSION	
17	FF5-3055-000		2	SUPPORT, PLATE	
18	FF5-5914-000		1	SHAFT, RECIPROCATION	
19	FS1-1401-000		1	BUSHING	
20	FS7-2319-000		12	SPRING, TENSION	
21	FS5-1372-000		1	BUSHING	
22	FS5-2946-000		1	SPRING, TENSION	
23	FS5-2953-020		1	SPRING, COMPRESSION	
24	FS5-6327-000		4	ROLLER, FEED	
25	XA9-0626-000		7	SCREW,RS,M3X6	
26	XA9-0628-000		4	SCREW,RS,M4X8	
501	XB1-2300-609		15	SCREW,MACH.,TRUSS HEAD,M3X6	
502	XD2-1100-242		18	RING,E	
503	XD2-1100-502		2	RING,E	

# FIGURE 351

## EXTERNAL DELIVERY UPPER ASSEMBLY



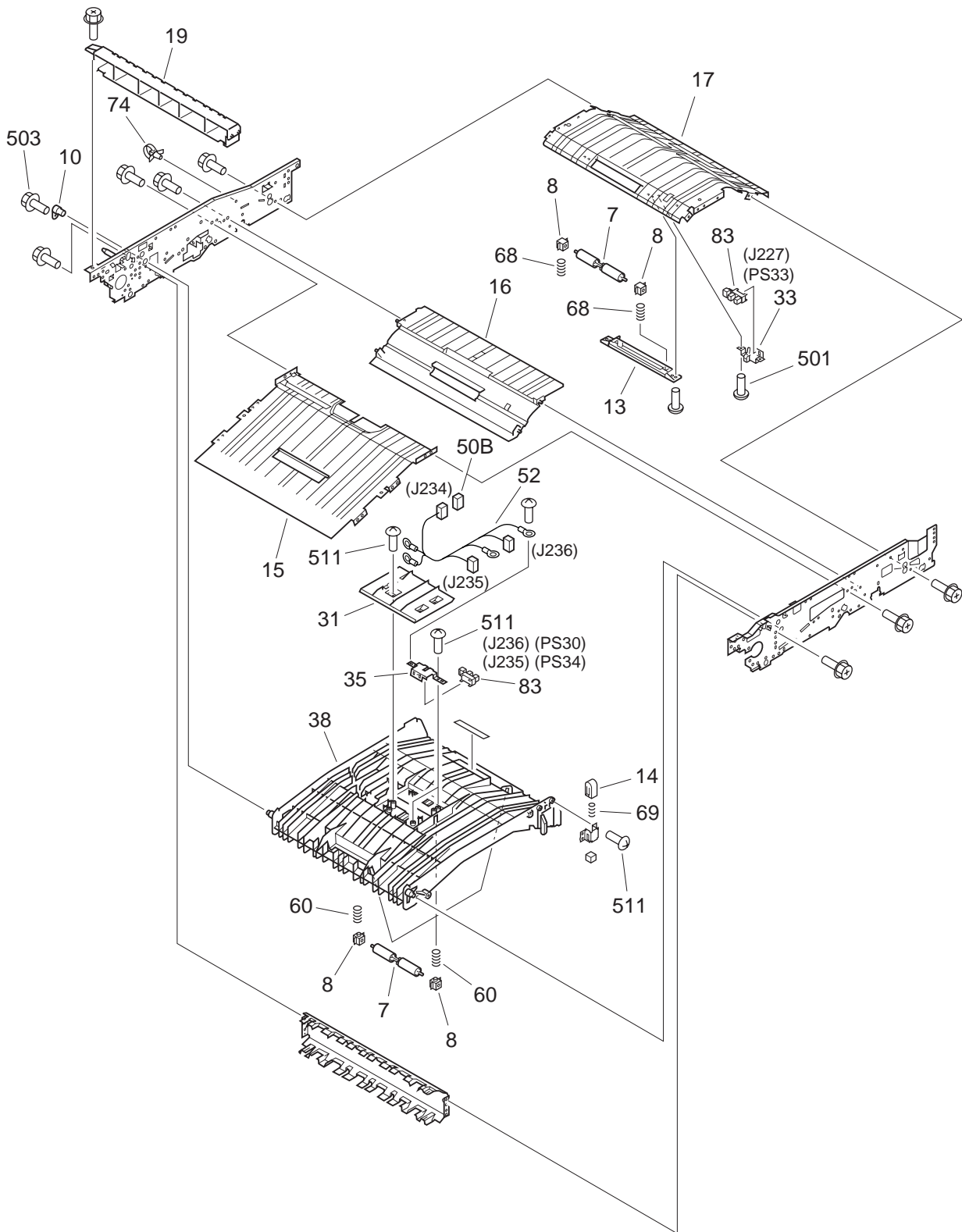
NOTE1 : This assembly is included in the assembly shown in Figure 320.

NOTE2 : This assembly does not include the part shown with key No. 20.

FIGURE & KEY NO.	PART NUMBER	R A N K	Q T Y	DESCRIPTION	SERIAL NUMBER / REMARKS	
351 -	FG6-4933-000		1	EXTERNAL DELIVERY UPPER ASS'Y	100V SEE NOTE 1	
	FG6-5930-000		1	EXTERNAL DELIVERY UPPER ASS'Y	120/220/240V SEE NOTE 1	
	1	FB5-3382-000		1	GUIDE, ROLLER	
	2	FB5-3420-000		1	HANDLE, FEEDER	
	3	FB5-3384-000		1	GUIDE, UPPER	
4	FB5-3387-000		1	FLAPPER		
5	FB5-3390-000		12	SPRING, LEAF	100V	
	FB5-3423-000		12	SPRING, LEAF	120/220/240V	
6	FB5-3392-000		1	CLAW, LOCK		
7	FB5-3393-000		1	CLAW, LOCK		
8	FB5-3394-000		1	ARM, FLAPPER		
9	FB5-3395-000		8	ROLLER	100V	
	FB5-3421-000		8	ROLLER, CURL	120/220/240V	
10	FB5-3396-000		12	PIN, ROLLER		
11	FB5-3397-000		6	HOLDER, ROLLER		
12	FB5-3400-000		1	BLOCK, LOCK		
13	FB5-3408-000		1	MOUNT, FLAPPER		
14	FC1-7438-000		2	BUSHING		
15	FS5-1004-000		2	BUSHING		
16	FS5-2944-000		1	SPRING, TORSION		
17	FS5-2980-000		1	SPRING, TENSION		
18	FS5-2982-000		1	SPRING, TORSION		
19	FS5-9277-000		1	SCREW, STEPPED, M4		
20	FB5-3409-000		6	HOLDER, ROLLER	FOR FINISHER	
	FB2-8385-000		2	SPRING, LEAF, 2	SEE NOTE 2 FOR TRAY	
21	FS5-9284-000		1	SCREW, STEPPED		
22	FB5-3410-000		6	ROLLER		
23	FB5-3413-000		1	COVER, UPPER		
24	FB5-3421-000		4	ROLLER, CURL		
25	XA9-0626-000		AR	SCREW, RS, M3X6		

FIGURE & KEY NO.	PART NUMBER	R A N K	Q T Y	DESCRIPTION	SERIAL NUMBER / REMARKS
351 - 501	XB3-6400-800		2	SCREW,RS,M4X8	
502	XD2-2100-502		1	RING,GRIP	

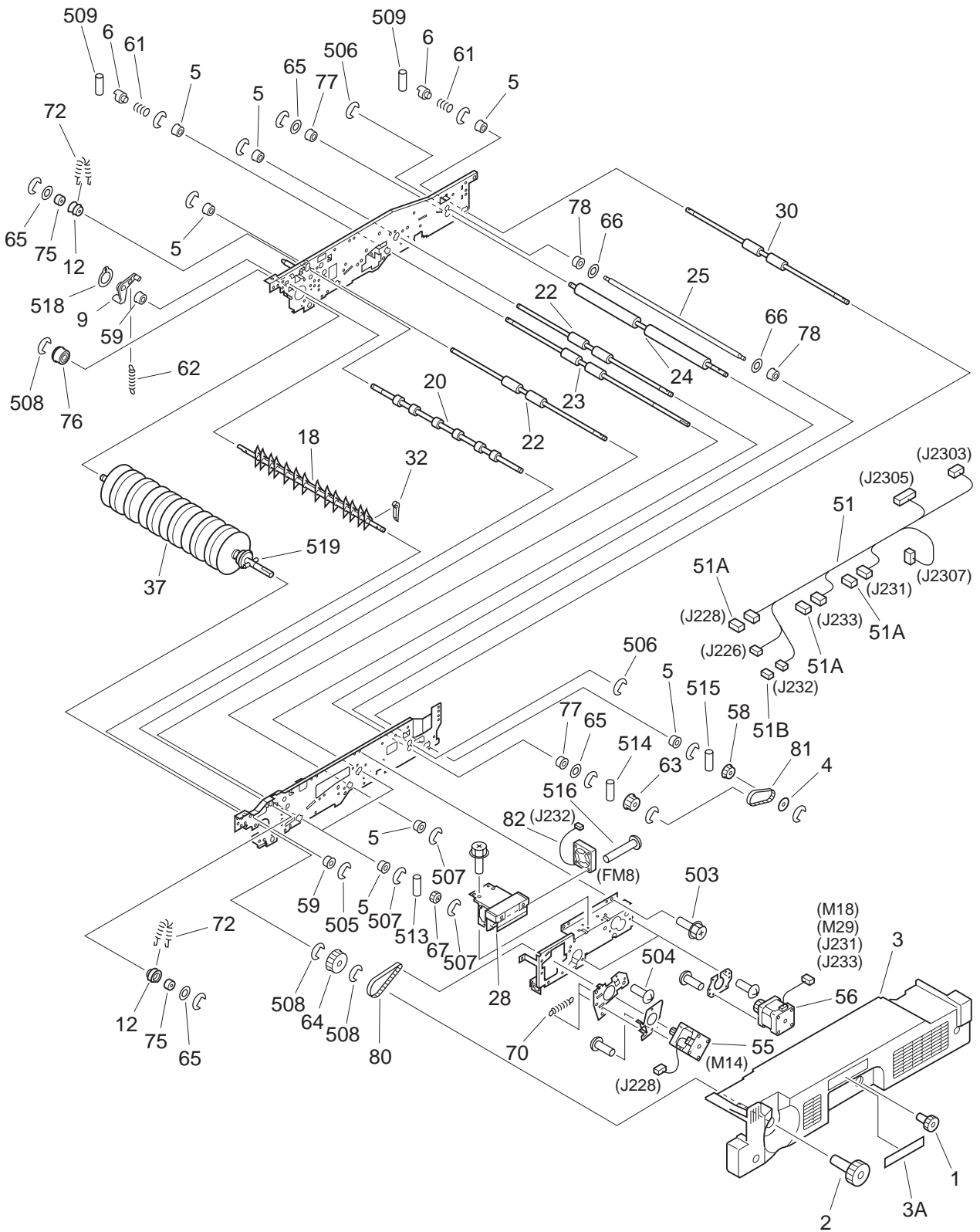
# FIGURE 360 DUPLEXING FEEDER ASSEMBLY (1/3)



NOTE : This assembly does not include the parts shown with key No. 1, 2, 3 and 3A.

# FIGURE 360

## DUPLEXING FEEDER ASSEMBLY (2/3)



# FIGURE 360

## DUPLEXING FEEDER ASSEMBLY (3/3)

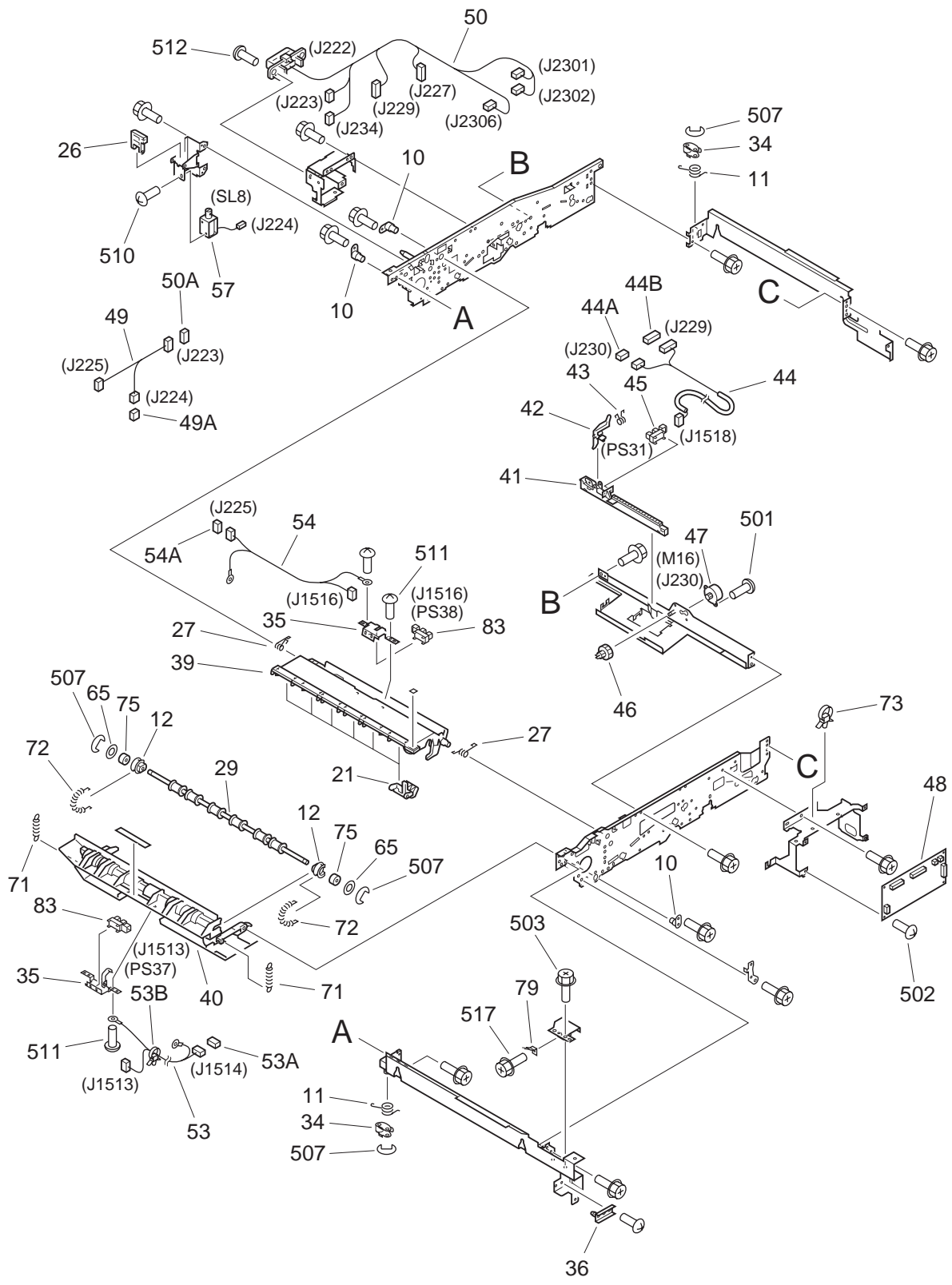


FIGURE & KEY NO.	PART NUMBER	R A N K	Q T Y	DESCRIPTION	SERIAL NUMBER / REMARKS
360 -	FG6-4906-000		1	DUPLEXING FEEDER ASSEMBLY	
1	FB4-7481-000		1	KNOB, DUPLEXING FEEDER	SEE NOTE
2	FB5-3331-000		1	KNOB	SEE NOTE
3	FF5-9904-000		1	COVER, DUPLEXING, FRONT	SEE NOTE
3A	FS6-8704-000		1	LABEL, DUPLEXING UNIT NUMBER	SEE NOTE
4	FA6-7939-000		1	FLANGE, PULLEY, 2	
5	FA9-2112-000		8	BUSHING	
6	FB2-7432-000		2	ROLLER	
7	FB2-7754-000		4	ROLLER	
8	FB2-7755-000		8	BUSHING	
9	FB3-8374-000		1	ARM, DEFLECTOR	
10	FB4-2131-000		4	PIN, HINGE GUIDE	
11	FB4-2155-000		2	SPRING, TORSION	
12	FB4-2159-000		4	HOLDER, BUSHING	
13	FB4-2161-000		1	HOLDER, ROLLER	
14	FB4-2325-000		1	BLOCK, GUIDE PRESSURE	
15	FB5-3301-000		1	GUIDE, DUPLEXING LOWER	
16	FB5-3302-000		1	GUIDE, DUPLEXING LOWER, CENTER	
17	FB5-3303-000		1	GUIDE, DUPLEXING LOWER, RIGHT	
18	FB5-3304-000		1	FLAPPER, DUPLEXING	
19	FB5-3307-000		1	GUIDE, DUPLEXING INLET, LEFT	
20	FB5-3312-000		1	ROLLER, REVERSE	
21	FB5-3313-000		6	FLAPPER, DUPLEXING, 2	
22	FB5-3316-000		2	ROLLER, DUPLEXING FEEDER	
23	FB5-3317-000		1	ROLLER, DECK, LEFT	
24	FB5-3321-000		1	ROLLER, SPONGE	
25	FB5-3322-000		1	ROLLER, STEEL	
26	FB5-3324-000		1	LEVER, SOLENOID	
27	FB5-3328-000		2	SPRING, TORSION	
28	FB5-3338-000		1	HANDLE, DUPLEXING	



FIGURE & KEY NO.	PART NUMBER	RANK	QTY	DESCRIPTION	SERIAL NUMBER / REMARKS
360 - 29	FB5-3341-000		1	ROLLER, REVERSE	
30	FB5-3342-000		1	ROLLER, DUPLEXING OUTLET	
31	FB5-3343-000		1	COVER, UPPER GUIDE	
32	FB5-3345-000		12	DEFLECTOR, DUPLEXING, 3	
33	FF5-2237-000		1	MOUNT, PAPER SENSOR	
34	FF5-7734-000		2	PLATE, LOCK	
35	FF5-9844-000		4	PLATE, FEED SENSOR SUPPORT	
36	FF5-9845-000		1	PLATE, RAIL ADJUSTING	
37	FF5-9849-000		1	ROLLER, DUPLEXING FEED, LARGE	
38	FF5-9874-000		1	GUIDE, DUPLEXING UPPER	
39	FF5-9875-000		1	GUIDE, DUPLEXING INLET, RIGHT	
40	FF5-9876-000		1	GUIDE, DUPLEXING, LEFT	
41	FB3-2994-000		1	BLOCK, SLIDE	
42	FB5-3335-000		1	FLAG, REGIST SENSOR	
43	FB5-3337-000		1	SPRING, TORSION	
44	FG6-5469-000		1	CABLE, DUPLEXING REGIST	J229,230,1518
44A	VS1-5057-006		1	CONNECTOR, SNAP TIGHT	J230
44B	VS1-5057-009		1	CONNECTOR, SNAP TIGHT	J229
45	FH7-7462-000		1	PHOTO-INTERRUPTER	PS31 J1518
46	FS6-0557-000		1	GEAR, 12T/36T	
47	FH6-1253-000		1	MOTOR, STEPPING, DC24V	M16 J230
48	FG6-4951-000		1	DUPLEXING PATH PCB ASSEMBLY	
49	FG6-5466-000		1	CABLE, U-TURN SENSOR	J223-225
49A	VS1-5057-002		1	CONNECTOR, SNAP TIGHT	J224
50	FG6-5467-000		1	CABLE, DUPLEXING PATH	J222,223,227,229 J234,2301,2302,2306
50A	VS1-5057-005		1	CONNECTOR, SNAP TIGHT	J223
50B	VS1-5057-006		1	CONNECTOR, SNAP TIGHT	J234
51	FG6-5485-000		1	CABLE, DUPLEX MOTOR	J226,228,231-233 J2303,2305,2307
51A	VS1-5057-006		3	CONNECTOR, SNAP TIGHT	J228,231,233
51B	VS1-5057-003		1	CONNECTOR, SNAP TIGHT	J232

FIGURE & KEY NO.	PART NUMBER	RANK	QTY	DESCRIPTION	SERIAL NUMBER / REMARKS
360 - 52	FG6-5468-000		1	CABLE, DUPLEXING SENSOR	J234-236
53	FG6-5470-000		1	CABLE, DUPLEXING REVERSE, 1	J1513,1514
53A	VS1-5057-004		1	CONNECTOR, SNAP TIGHT	J1514
53B	WT2-5565-000		1	CLAMP, CABLE	
54	FG6-5471-000		1	CABLE, DUPLEXING REVERSE, 2	J225,1516
54A	VS1-5057-003		1	CONNECTOR, SNAP TIGHT	J225
55	FH6-1715-000		1	MOTOR, STEPPING, DC 24V	M14 J228
56	FH6-1718-000		2	MOTOR, STEPPING, DC 24V	M18,29 J231,233
57	FH7-5012-000		1	SOLENOID	SL8 J224
58	FS2-3488-000		1	PULLEY, 32T	
59	FS5-1004-000		2	BUSHING	
60	FS5-2931-000		6	SPRING, COMPRESSION	
61	FS5-2933-000		2	SPRING, COMPRESSION	
62	FS5-2980-000		1	SPRING, TENSION	
63	FS5-3243-000		1	PULLEY, 36T	
64	FS5-3806-000		1	PULLEY, 60T	
65	FS5-6487-000		6	WASHER	
66	FS5-6488-000		2	WASHER	
67	FS6-0091-000		2	GEAR, 16T	
68	FS6-2773-000		2	SPRING, COMPRESSION	
69	FS6-2832-000		1	SPRING, COMPRESSION	
70	FS7-2333-000		2	SPRING, TENSION	
71	FS7-2334-000		2	SPRING, TENSION	
72	FS7-2335-000		4	SPRING, TENSION	
73	WT2-5178-000		7	CLIP, CABLE	
74	WT2-5565-000		1	CLAMP, CABLE	
75	XG9-0366-000		4	BEARING, BALL	
76	XG9-0420-000		1	BEARING, BALL 6001ZZNR	
77	XG9-0211-000		2	BALL BEARING, MF128ZZ1MC3D4M	
78	XG9-0192-000		2	BALL BEARING, NMB DDLF-1060ZZH	

FIGURE & KEY NO.	PART NUMBER	RANK	QTY	DESCRIPTION	SERIAL NUMBER / REMARKS
360 - 79	FB5-5621-000		1	ELIMINATOR, STATIC CHARGE	
80	XF2-1610-010		1	BELT, TIMING	
81	XF2-1607-640		1	BELT, TIMING	
82	FH6-1742-000		1	FAN, COOLING	FM8 J232
83	FH7-7394-000		5	PHOTO-INTERRUPTER	PS30,33,34,37,38 J236,227,235
<hr style="border-top: 1px dashed black;"/>					
501	XB1-2300-609		13	SCREW,MACH.,TRUSS HEAD,M3X6	J1513,1516
502	XB1-2300-607		4	SCREW,MACH.,TRUSS HEAD,M3X6	
503	XB3-6400-600		53	SCREW,RS,M4X6	
504	XB1-2400-609		10	SCREW,MACH.,TRUSS HEAD,M4X6	
<hr style="border-top: 1px dashed black;"/>					
505	XD2-1100-402		1	RING,E	
506	XD2-1100-502		2	RING,E	
507	XD2-1100-642		21	RING,E	
508	XD2-1200-902		3	RING,E	
509	XD3-2200-122		2	PIN,DOWEL	
<hr style="border-top: 1px dashed black;"/>					
510	XB1-2300-409		2	SCREW,MACH.,TRUSS HEAD,M3X4	
511	XB4-7400-609		13	SCREW,TAPPING,TRUSS HEAD,M4X6	
512	XB1-2400-809		2	SCREW,MACH.,TRUSS HEAD,M4X8	
513	XD3-2200-102		2	PIN,DOWEL	
514	XD3-2200-162		1	PIN,DOWEL	
<hr style="border-top: 1px dashed black;"/>					
515	XD3-2200-142		1	PIN,DOWEL	
516	XB1-2401-406		2	SCREW,MACH.,TRUSS HEAD,M4X14	
517	XB3-6400-800		1	SCREW,RS,M4X8	
518	XD2-2100-502		1	RING,GRIP	
519	XD3-1300-082		1	PIN,SPRING	
<hr style="border-top: 1px dashed black;"/>					

# FIGURE 420 MIRROR ASSEMBLY 1

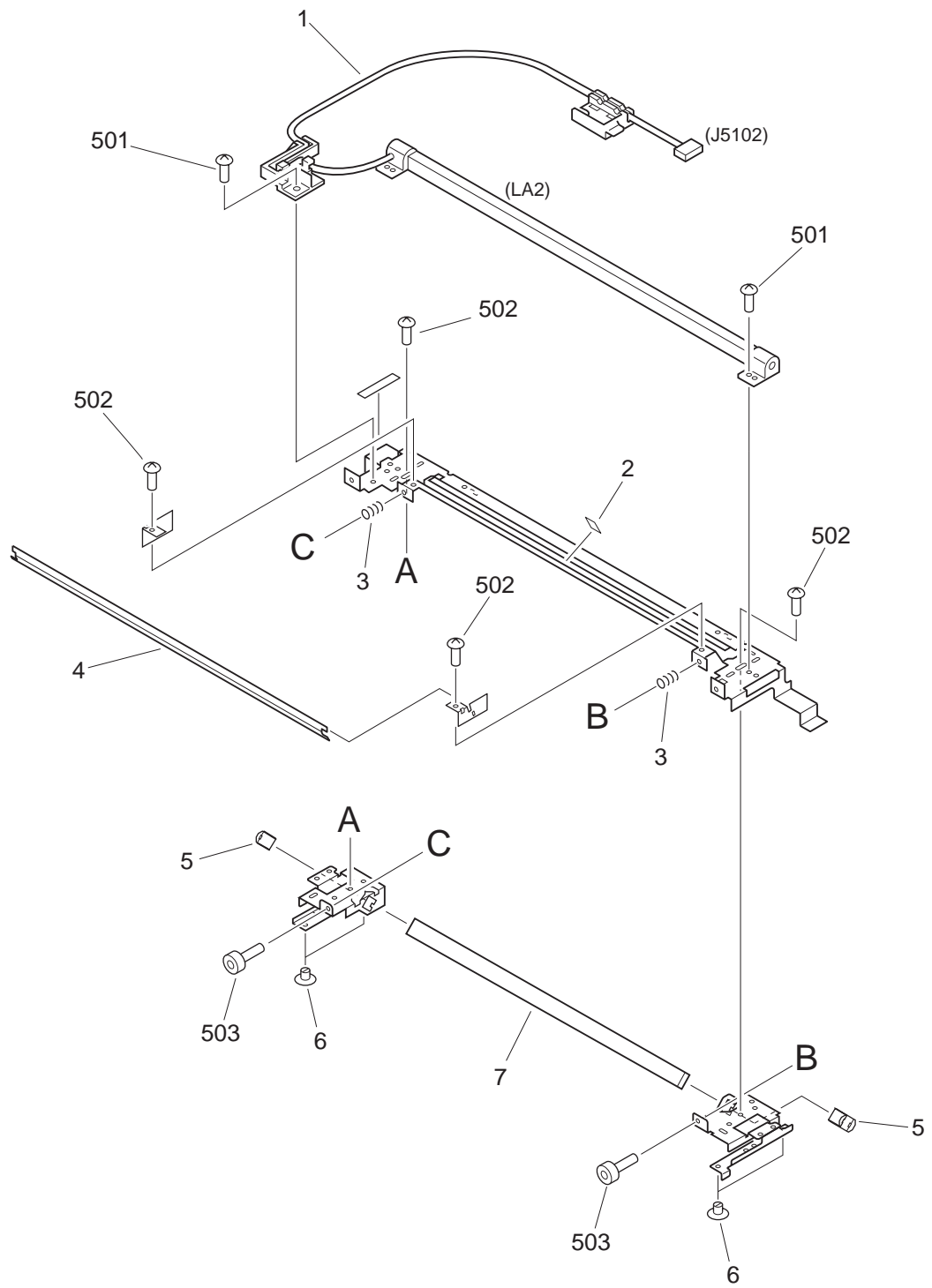
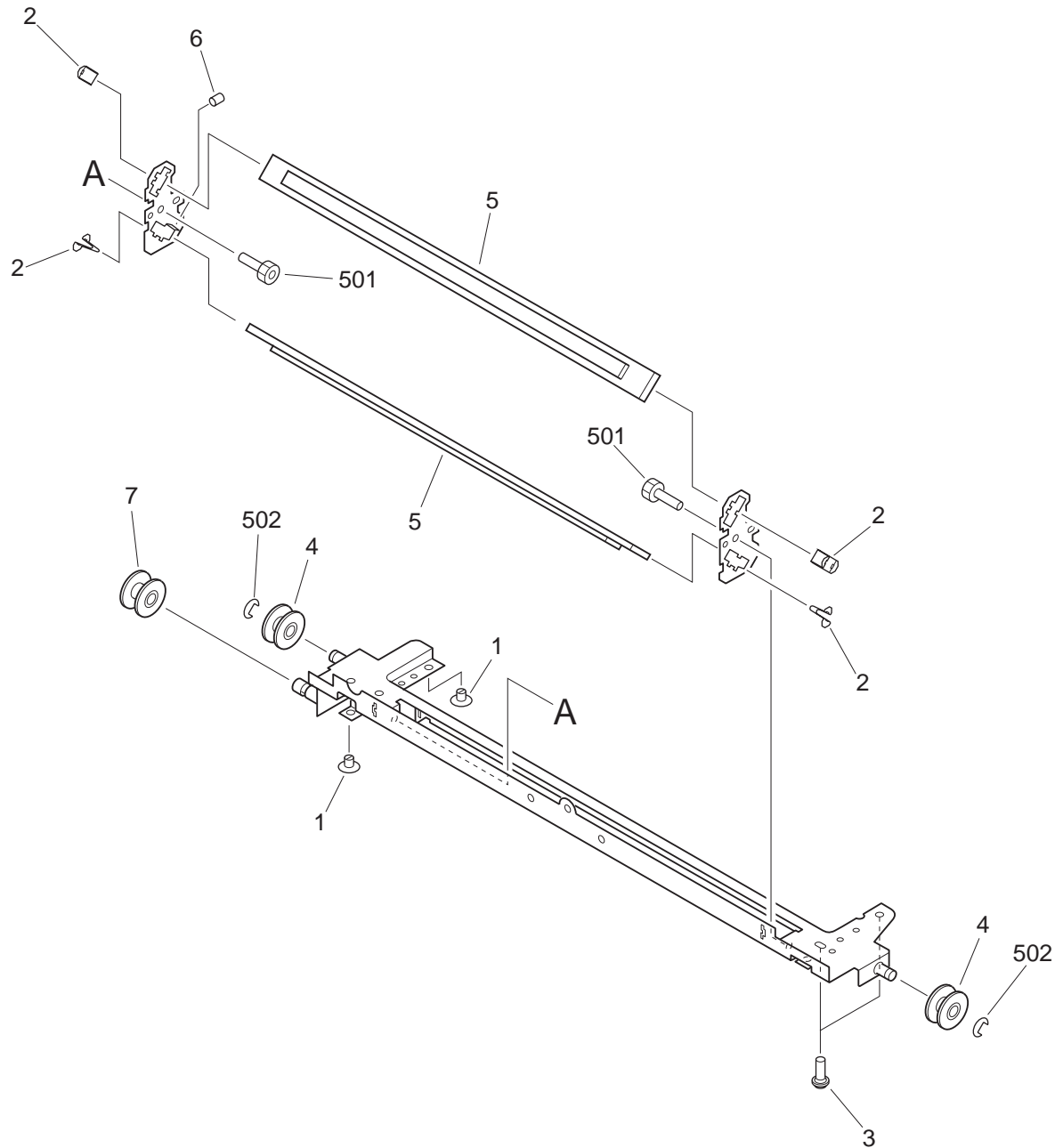


FIGURE & KEY NO.	PART NUMBER	RANK	QTY	DESCRIPTION	SERIAL NUMBER / REMARKS
420 -	FG6-5918-000		1	MIRROR ASSEMBLY 1	100/220/240V
	FG6-4851-000		1	MIRROR ASSEMBLY 1	120V
1	FG6-5943-000		1	LAMP ASSEMBLY	100/220/240V LA2 J5102
	FG6-4864-000		1	LAMP ASSEMBLY	120V LA2 J5102
2	FB5-3069-000		1	PAD, REFLECTOR	
3	FS6-2341-000		2	SPRING, COMPRESSION	
4	FB5-3068-000		1	REFLECTOR	
5	FB4-5434-000		2	SPRING, LEAF	
6	FB3-2411-000		4	PIN, SLIDE	
7	FF5-9825-000		1	MIRROR, 1	
501	XB2-8300-809		3	SCREW,W/WASHER,M3X8	
502	XB6-7300-409		4	SCREW,TP,M3X4	
503	XB7-1030-169		2	SCREW,ALLEN HEAD,M3X16	

# FIGURE 430 MIRROR ASSEMBLY 2





# FIGURE 460 SCANNER ASSEMBLY

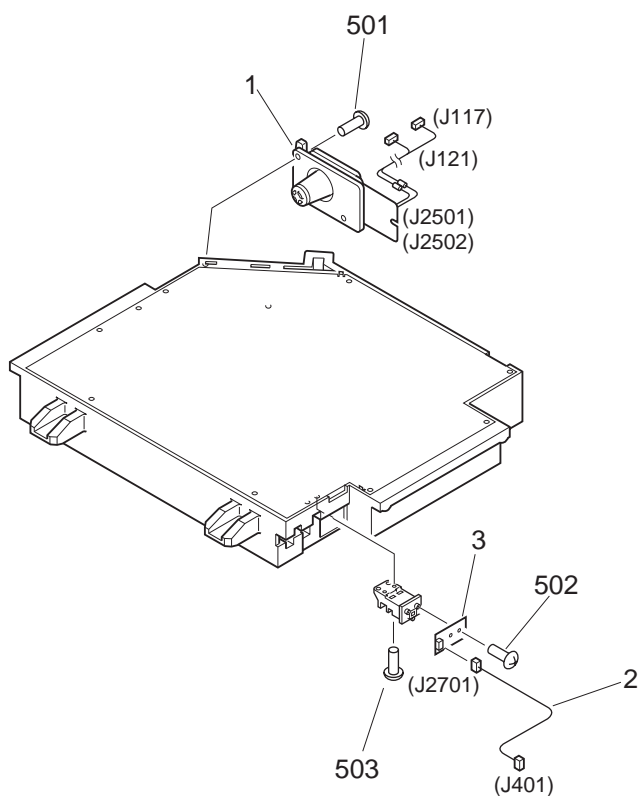


FIGURE & KEY NO.	PART NUMBER	RANK	QTY	DESCRIPTION	SERIAL NUMBER / REMARKS
460 -	FG6-4870-000		1	LASER SCANNER ASSEMBLY	
1	FG6-4872-000		1	LASER UNIT	J117,121,2501,2502
2	FG6-5456-000		1	CABLE, BEAM DETECT	J401,2701
3	FG6-4957-000		1	BEAM DETECT PCB ASSEMBLY	
501	XB1-2301-009		2	SCREW,MACH.,TRUSS HEAD,M3X10	
502	XB4-7300-809		2	SCREW,TAPPING,TRUSS HEAD,M3X8	
503	XB1-2301-409		2	SCREW,MACH.,TRUSS HEAD,M3X14	



# FIGURE 510 PHOTO-SENSITIVE DRUM ASSEMBLY

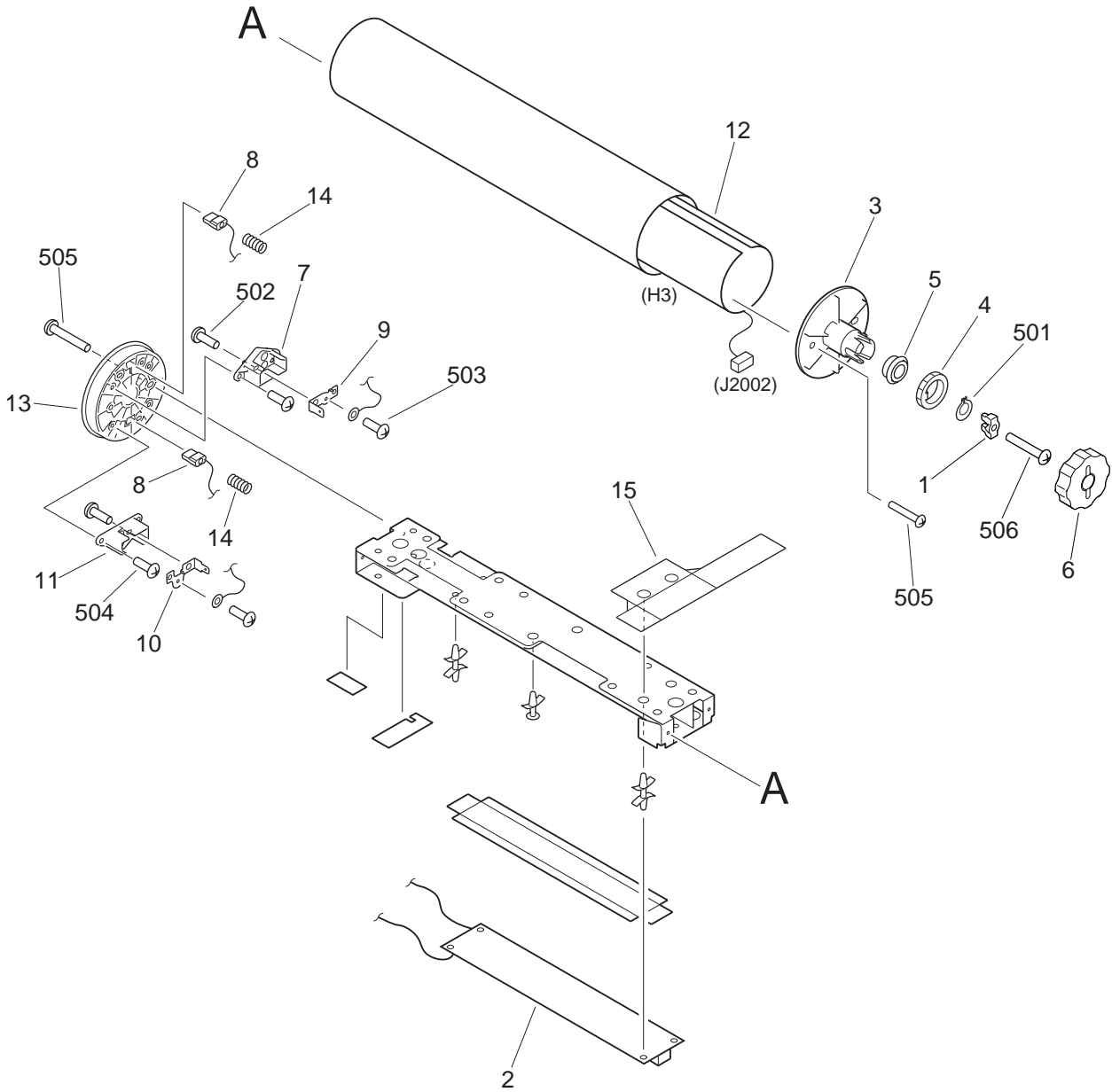


FIGURE & KEY NO.	PART NUMBER	RANK	QTY	DESCRIPTION	SERIAL NUMBER / REMARKS
510 -	NPN		RF	PHOTO-SENSITIVE DRUM ASSEMBLY	
1	FB2-8182-000		1	SUPPORT, DRUM	
2	FG6-4949-000		1	HEATER CONTROL PCB ASSEMBLY	100/120V
	FG6-4950-000		1	HEATER CONTROL PCB ASSEMBLY	220/240V
3	FB3-8345-000		1	FLANGE, DRUM, FRONT	
4	FS6-0015-000		1	GEAR, 27T	
5	XG9-0324-000		1	BEARING	
6	FB2-8321-000		1	STOPPER, DRUM SUPPORT	
7	FB2-8185-000		1	MOUNT, BRUSH, 1	
8	FB2-8184-000		2	BRUSH	
9	FB2-8187-000		1	TERMINAL, 1	
10	FB2-8190-000		1	TERMINAL, 2	
11	FB2-8331-000		1	MOUNT, BRUSH, 2	
12	FH7-4531-000		1	HEATER	100V H3 J2002
	FH7-4532-000		1	HEATER	120V H3 J2002
	FH7-4533-000		1	HEATER	220/240V H3 J2002
13	FB3-8346-000		1	FLANGE, DRUM, REAR	
14	FS2-2036-020		2	SPRING, COMPRESSION	
15	FB3-8344-000		1	SHEET, PROTECTIVE	
501	XD2-3100-202		1	RING,C,EXTERNAL	
502	XB1-2300-609		2	SCREW,MACH.,TRUSS HEAD,M3X6	
503	XB2-6300-609		2	SCREW,W/WASHER,M3X6	
504	XB4-7300-609		4	SCREW,TAPPING,TRUSS HEAD,M3X6	
505	XB6-7401-209		4	SCREW,TP,M4X12	
506	XB1-2502-009		1	SCREW,MACH.,TRUSS HEAD,M5X20	

# FIGURE 550 PRIMARY CORONA ASSEMBLY

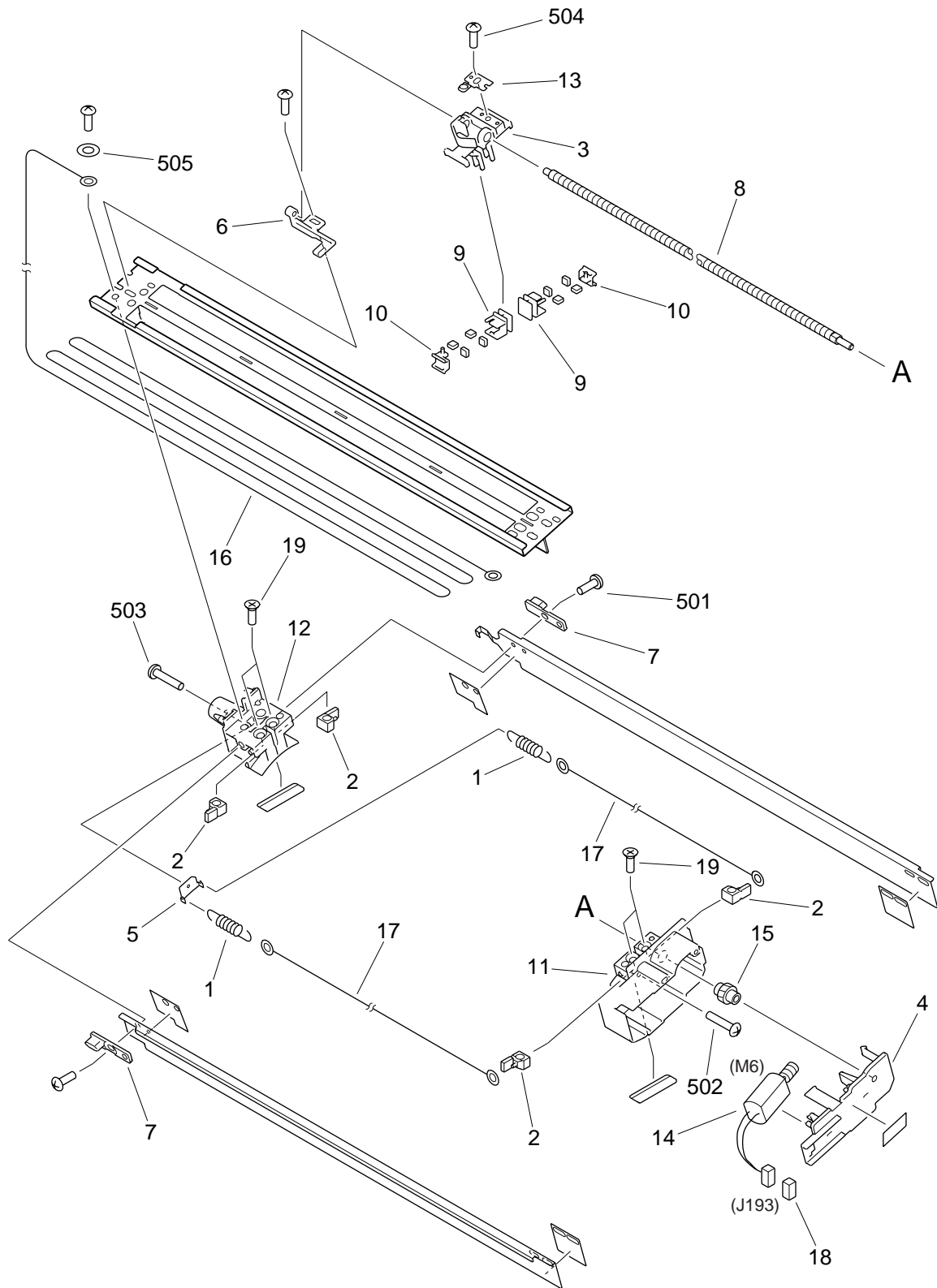


FIGURE & KEY NO.	PART NUMBER	R A N K	Q T Y	DESCRIPTION	SERIAL NUMBER / REMARKS
550 -	FG6-5927-000		1	PRIMARY CORONA ASSEMBLY	
1	97-5527-000		2	SPRING, TENSION	
2	FA2-8884-000		4	GUIDE, CORONA WIRE	
3	FB2-6849-030		1	HOLDER, PRIMARY CORONA	
4	FB2-6850-000		1	COVER, MOTOR	
5	FB2-6857-000		1	PLATE, SPRING	
6	FB2-6859-030		1	BUSHING	
7	FB2-6912-000		2	BLOCK, GUIDE	
8	FB2-8493-000		1	SCREW, SHAFT	
9	FF5-6883-000		2	BLOCK, WIRE CLEANING PAD	
10	FF5-6884-000		2	BLOCK, WIRE CLEANING PAD	
11	FF5-2973-020		1	BLOCK, FRONT	
12	FF5-2974-030		1	BLOCK, REAR	
13	FF5-6885-000		1	GUIDE, PIN	
14	FH6-1135-000		1	MOTOR, DC, 1.36W	M6 J193
15	FS6-0115-000		1	GEAR, 18T	
16	FY1-0883-000		AR	WIRE, CORONA, 0.1MM (100M)	
17	FB4-3687-000		AR	WIRE, CORONA, 0.06MM (20M)	
18	VS1-5057-002		1	CONNECTOR, SNAP TIGHT	J193
19	XA9-0228-000		4	SCREW,INSUL.,C.S.HEAD,M4X18	
501	XB1-2300-609		10	SCREW,MACH.,TRUSS HEAD,M3X6	
502	XB1-2301-409		1	SCREW,MACH.,TRUSS HEAD,M3X14	
503	XB1-2302-003		1	SCREW,MACH.,TRUSS HEAD,M3X20	
504	XB4-7300-609		1	SCREW,TAPPING,TRUSS HEAD,M3X6	
505	XD1-2100-307		1	WASHER,PLAIN	

# FIGURE 570 PRE-TRANSFER CORONA ASSEMBLY

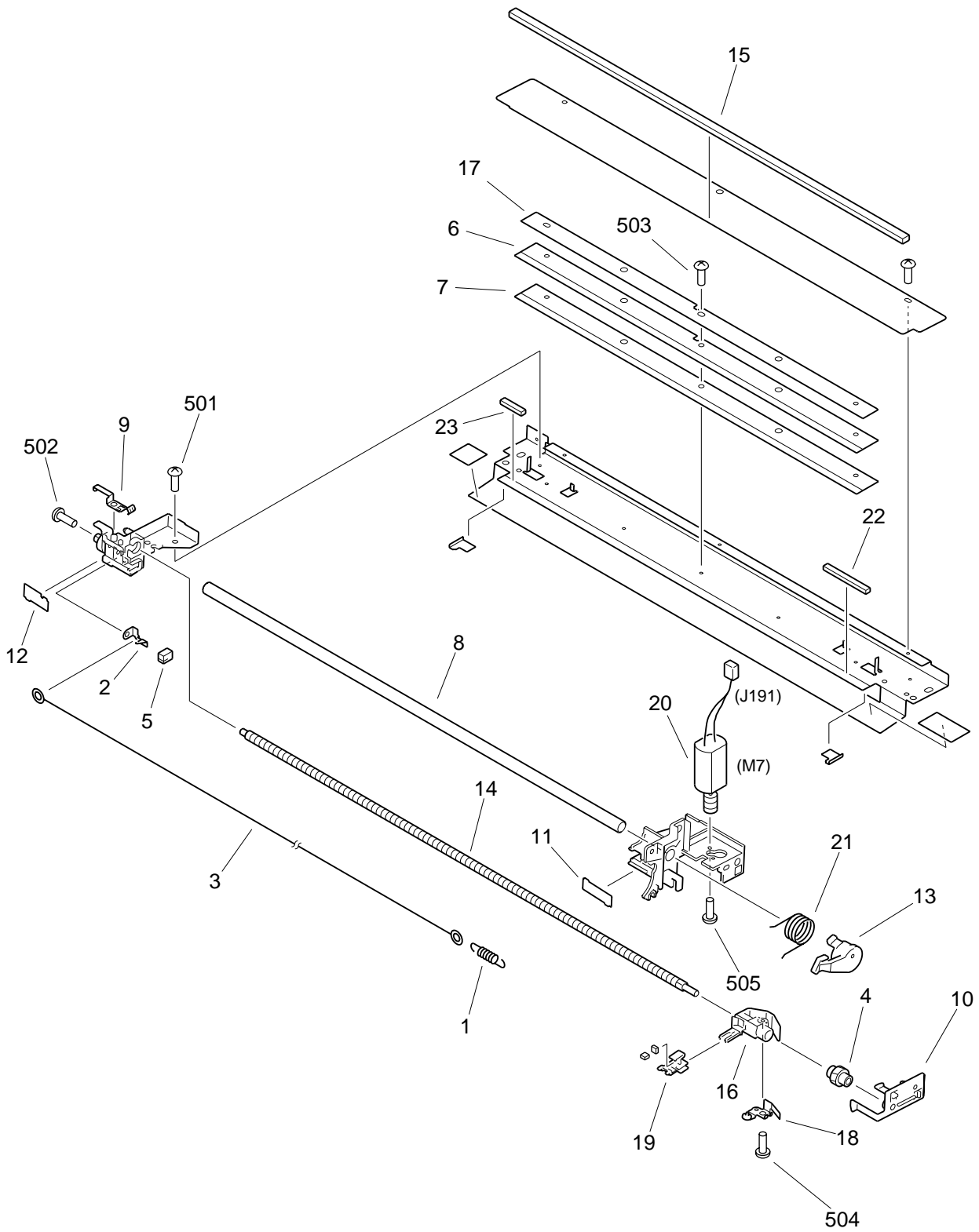


FIGURE & KEY NO.	PART NUMBER	R A N K	Q T Y	DESCRIPTION	SERIAL NUMBER / REMARKS
570 -	FG6-5045-000		1	PRE-TRANSFER CORONA ASSEMBLY	
1	97-5527-000		1	SPRING, TENSION	
2	FA3-2127-000		1	TERMINAL, CORONA WIRE	
3	FB4-3687-000		1	WIRE, CORONA, 0.06MM (20M)	
4	FS6-0115-000		1	GEAR, 18T	
5	FA4-1864-000		1	DAMPER	
6	FA4-1867-000		1	SCRAPER, PRE-TRANSFER	
7	FA6-6804-000		1	MOUNT, SCRAPER	
8	FB2-6839-000		1	ROLLER, BIAS	
9	FB2-6840-000		1	TERMINAL, BIAS	
10	FB2-6842-000		1	BUSHING	
11	FB2-6843-000		1	COVER, FRONT	
12	FB2-6844-020		1	COVER, REAR	
13	FB2-6847-000		1	ARM, ROLLER	
14	FB2-6862-000		1	SCREW, SHAFT	
15	FB2-6930-000		1	SEAL, POST	
16	FB3-8348-020		1	HOLDER, FELT	
17	FC1-7435-000		1	SUPPORT, POST	
18	FF5-2942-020		1	PLATE, PRESSURE	
19	FF5-3090-000		1	HOLDER, WIRE CLEANING	
20	FH6-1135-000		1	MOTOR, DC, 1.36W	M7 J191
21	FS5-2896-000		1	SPRING, TORSION	
22	FA3-2565-000		1	BRUSH, FRONT	
23	FA3-8004-000		1	BRUSH, REAR	
501	XB1-2300-409		8	SCREW,MACH.,TRUSS HEAD,M3X4	
502	XB1-2301-603		1	SCREW,MACH.,TRUSS HEAD,M3X16	
503	XB2-5300-609		5	SCREW,W/WASHER,M3X6	
504	XB4-7300-609		1	SCREW,TAPPING,TRUSS HEAD,M3X6	
505	XB6-7200-409		2	SCREW,TP,M2X4	

# FIGURE 580

## TRANSFER/SEPARATE CORONA ASSEMBLY

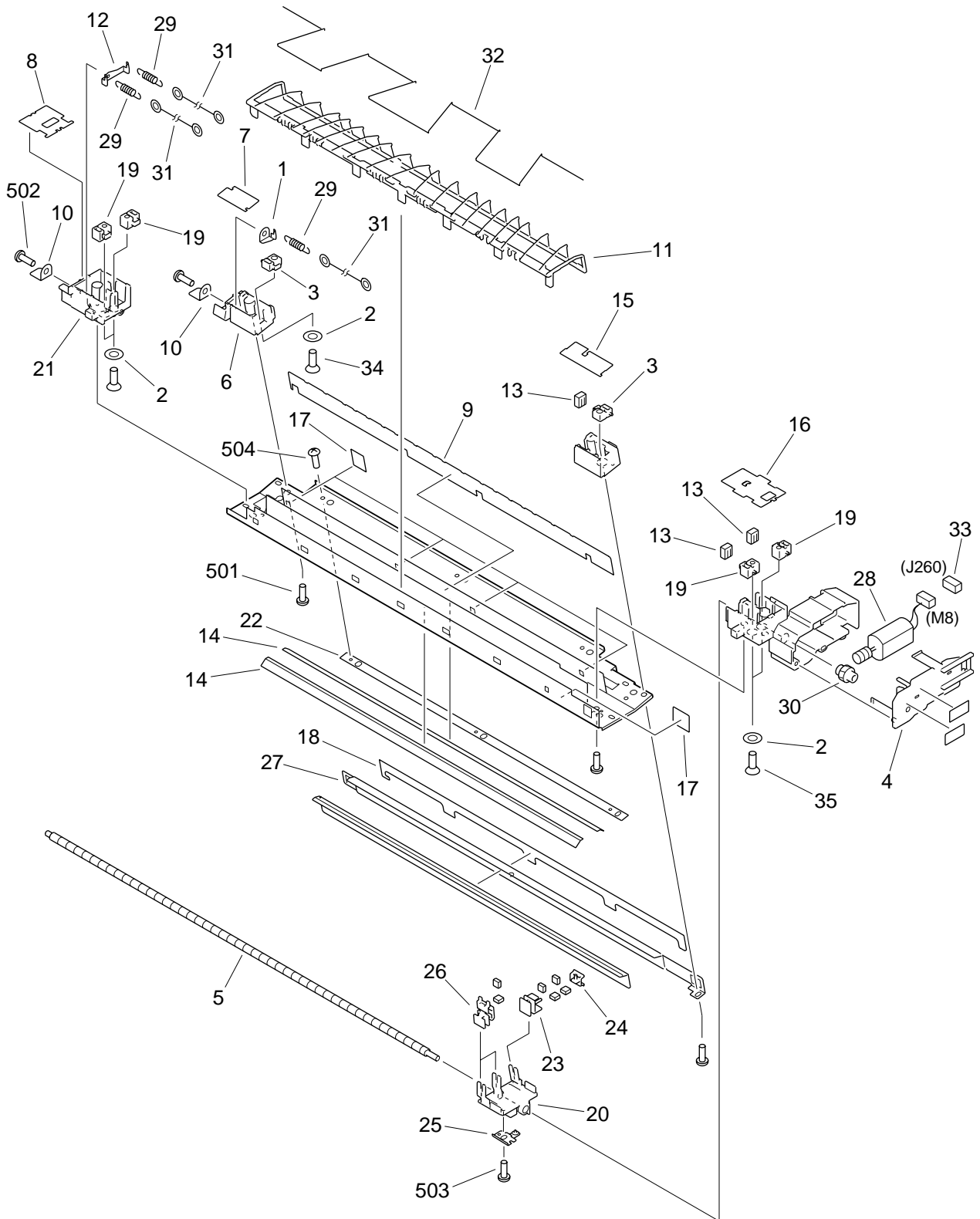
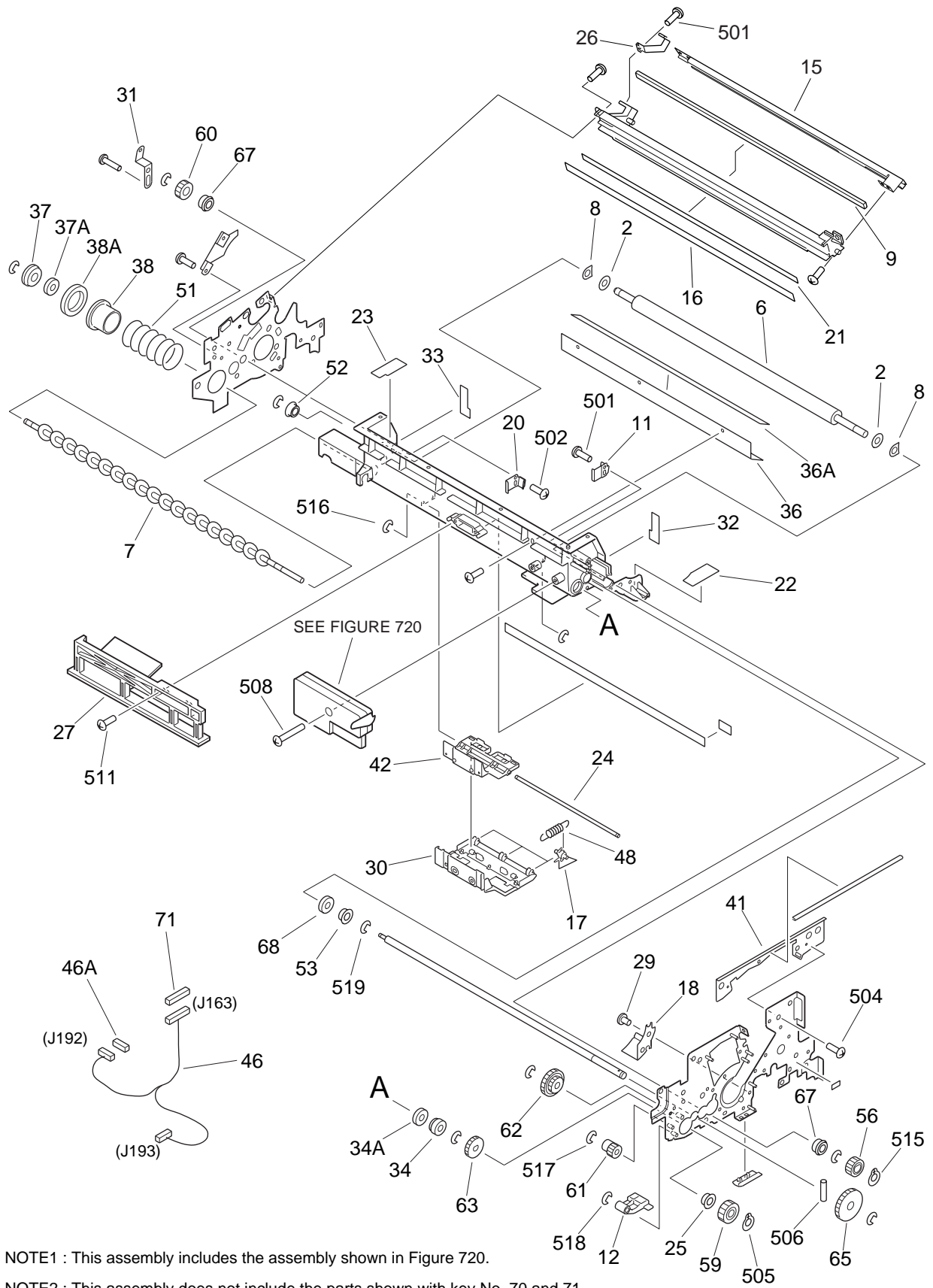


FIGURE & KEY NO.	PART NUMBER	R A N K	Q T Y	DESCRIPTION	SERIAL NUMBER / REMARKS
580 -	FG6-5911-000		1	TRANSFER/SEPARATE CORONA ASS'Y	
1	87-2584-020		1	TERMINAL, CORONA WIRE	
2	FA2-1498-000		6	WASHER	
3	FA3-8828-000		2	GUIDE, CORONA WIRE	
4	FB2-6850-000		1	COVER, MOTOR	
5	FB2-6862-000		1	SCREW, SHAFT	
6	FB2-7083-020		1	BLOCK, TRANSFER, REAR	
7	FB2-7088-000		1	COVER, BLOCK	
8	FB2-7089-020		1	COVER, BLOCK	
9	FB2-7090-000		1	SHEET, INSULATING	
10	FB2-7092-000		2	PLATE, HIGH VOLTAGE	
11	FB2-7093-020		1	GUIDE, PAPER	
12	FB2-7095-000		1	HOOK, SPRING	
13	FB2-7096-000		3	PAD	
14	FB2-7108-000		2	SHEET, CORONA	
15	FB2-7111-000		1	COVER, BLOCK, 1	
16	FB2-7112-020		1	COVER, BLOCK, 2	
17	FB2-7968-000		4	SHEET, CORONA, 2	
18	FB2-8260-020		1	SHEET, INSULATING, 2	
19	FB2-8469-000		4	GUIDE, CORONA WIRE	
20	FB3-8349-000		1	HOLDER, FELT	
21	FB3-8587-000		1	BLOCK, SEPARATION, REAR	
22	FB4-0638-000		1	PLATE, SHIELD ADJUSTING	
23	FF5-6883-000		1	BLOCK, WIRE CLEANING PAD	
24	FF5-6884-000		1	BLOCK, WIRE CLEANING PAD	
25	FF5-6885-000		1	GUIDE, PIN	
26	FF5-3090-000		2	HOLDER, WIRE CLEANING	
27	FF5-9946-000		1	PLATE, SHIELD, RIGHT	
28	FH6-1135-000		1	MOTOR, DC, 1.36W	M8 J260
29	FS2-2551-000		3	SPRING, TENSION, CORONA WIRE	





# FIGURE 600 AP KIT ASSEMBLY (1/2)



NOTE1 : This assembly includes the assembly shown in Figure 720.

NOTE2 : This assembly does not include the parts shown with key No. 70 and 71.

# FIGURE 600 AP KIT ASSEMBLY (2/2)

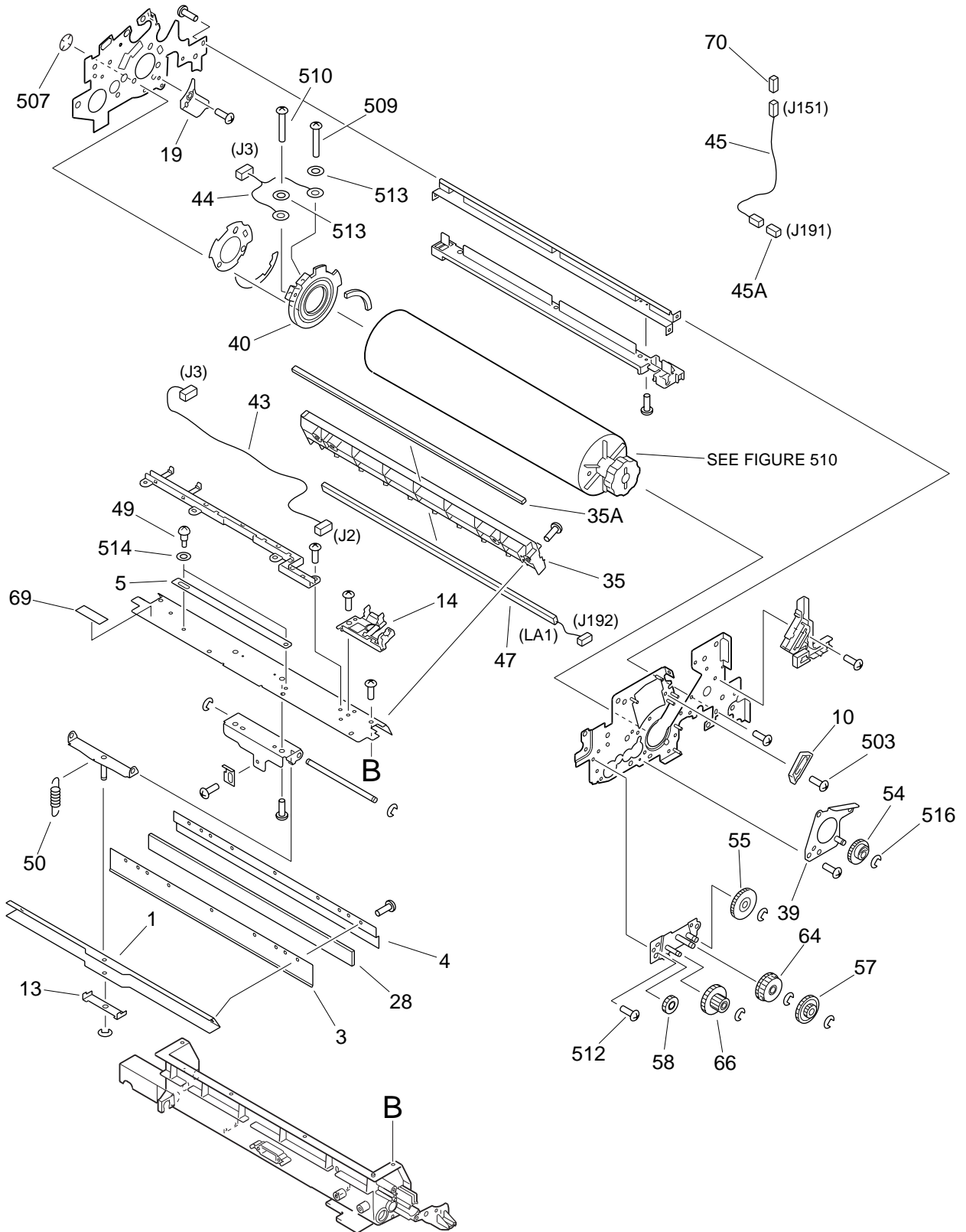


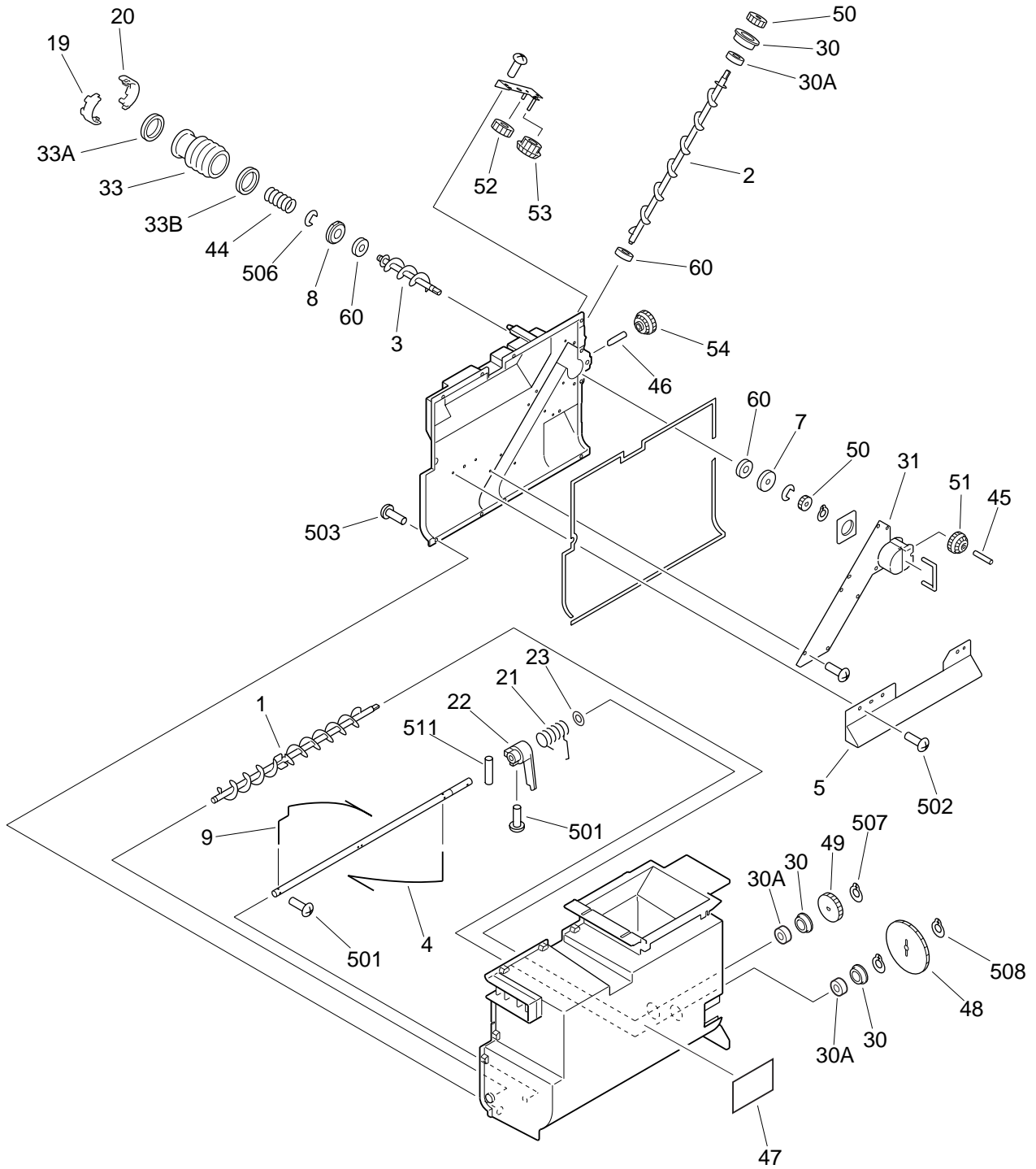
FIGURE & KEY NO.	PART NUMBER	R A N K	Q T Y	DESCRIPTION	SERIAL NUMBER / REMARKS
600 -	FG6-4927-000		1	AP KIT ASSEMBLY	SEE NOTE 1
1	FA3-2434-020	N	1	MOUNT, CLEANING BLADE	
2	FA4-1819-000		2	SPACER	
3	FA4-2035-000	N	1	PLATE, BLADE BACKING	
4	FA4-2037-000		1	RETAINER, BLADE	
5	FB2-3000-000		1	SHEET, GRIP	
6	FB2-6863-000		1	ROLLER, MAGNET	
7	FB2-6867-000		1	SCREW, CLEANING	
8	FB2-6872-000		2	SEAL, FELT	
9	FB2-6874-000		1	SEAL, CR	
10	FB2-6883-000		1	PLATE, PRE. TR. CORONA STOP	
11	FB2-6888-020		1	SCRAPER, SIDE, FRONT	
12	FB2-6889-000		1	BLOCK, PROCESSING UNIT	
13	FB2-6890-000		1	SPRING, LEAF	
14	FB2-6892-020		1	HOLDER, SWITCH	
15	FB2-6895-000		1	CROSSMEMBER, LED	
16	FB2-6898-000		1	SHEET, 1	
17	FB2-6899-000		3	CLAW, SEPARATION	
18	FB2-6913-020		1	BLOCK, FRONT	
19	FB2-6914-000		1	BLOCK, REAR	
20	FB2-6915-020		1	SCRAPER, SIDE, REAR	
21	FB2-6918-000		1	SHEET, BACK-UP	
22	FB2-6919-000		1	SHEET, DRUM, FRONT	
23	FB2-6920-000		1	SHEET, DRUM, REAR	
24	FB2-8301-000		1	SHAFT, CLAW HOLDER	
25	FB2-8302-000		1	BUSHING	
26	FB2-8335-000		1	SPRING, LEAF	
27	FB5-3549-000		1	GUIDE, AIR	
28	FB2-8453-000		1	PLATE, BLADE	
29	FB2-8509-000		2	SCREW, FLAT HEAD, M4X6	

FIGURE & KEY NO.	PART NUMBER	RANK	QTY	DESCRIPTION	SERIAL NUMBER / REMARKS
600 - 30	FB3-8538-020		1	HOLDER, CLAW	
31	FB3-8617-000		1	PLATE, GROUNDING	
32	FB4-6209-000		1	SEAL, SIDE, FRONT	
33	FB4-6210-000		1	SEAL, SIDE, REAR	
34	FF2-2891-000		1	BUSHING	
34A	XG9-0111-000		1	SEAL, OIL	
35	FF5-2978-000		1	CASE, EXPOSURE	
35A	FB2-6874-000		1	SEAL, CR	
36	FF5-2981-000		1	SCRAPER	
36A	FB2-6877-000		1	SHEET, SCRAPER	
37	FF5-2983-000		1	BUSHING	
37A	XG9-0111-000		1	SEAL, OIL	
38	FF5-2986-000		1	SHUTTER, WASTE TONER	
38A	FB2-6897-000		1	SEAL, SHUTTER	
39	FF5-3146-000		1	SUPPORT, BEARING	
40	FF5-3175-030		1	RING, DRUM SIDE	
41	FF5-9891-000		1	PLATE, CONNECTING	
42	FF5-5936-020		1	HOLDER, CLAW	
43	FG2-7671-000		1	CABLE, DRUM HEATER	J2,3
44	FG5-5017-020		1	CABLE, DRUM HEATER	J3
45	FG6-5458-000		1	CABLE, AP KIT, 1	J151,191
45A	VS1-5057-002		1	CONNECTOR, SNAP TIGHT	J191
46	FG6-5459-000		1	CABLE, AP KIT, 2	J163,192,193
46A	VS1-5057-003		1	CONNECTOR, SNAP TIGHT	J192
47	FH7-3391-000		1	LED ARRAY	LA1 J192
48	FS2-2450-000		3	SPRING, TENSION	
49	FS2-9015-000		2	SCREW, STEPPED, M4	
50	FS3-2886-020		1	SPRING, TENSION	
51	FS3-2887-000		1	SPRING, COMPRESSION	
52	FS5-1473-000		1	BUSHING	

FIGURE & KEY NO.	PART NUMBER	R A N K	Q T Y	DESCRIPTION	SERIAL NUMBER / REMARKS
600 - 53	FS5-1756-000		1	BUSHING	
54	FS6-0023-000		1	GEAR, 20T	
55	FS6-0120-000		1	GEAR, 20T/26T	
56	FS6-0121-000		1	GEAR, 14T	
57	FS6-0122-000		1	GEAR, 18T/40T	
58	FS6-0124-000		1	GEAR, 24T	
59	FS6-0125-000		1	GEAR, 30T	
60	FS6-0129-000		1	GEAR, 14T	
61	FS6-0136-000		1	GEAR, 18T	
62	FS6-0137-000		1	GEAR, 23T/39T	
63	FS6-0138-000		1	GEAR, 30T	
64	FS6-0859-000		1	GEAR, 35T/40T	
65	FS6-0860-000		1	GEAR, 47T	
66	FS6-0862-000		1	GEAR, 42T/14T/20T	
67	XG9-0250-000		2	BEARING, BALL	
68	XG9-0346-000		1	SEAL, OIL	
69	FS6-8399-000		1	LABEL, "GREASE TYPE CAUTION"	
70	VS1-5057-002		1	CONNECTOR, SNAP TIGHT	SEE NOTE J151
71	VS1-5057-004		1	CONNECTOR, SNAP TIGHT	SEE NOTE J163
501	XB1-2300-603		4	SCREW, MACH., TRUSS HEAD, M3X6	
502	XB1-2300-609		5	SCREW, MACH., TRUSS HEAD, M3X6	
503	XB1-2400-409		3	SCREW, MACH., TRUSS HEAD, M4X4	
504	XB1-2400-609		40	SCREW, MACH., TRUSS HEAD, M4X6	
505	XD2-2100-602		1	RING, GRIP	
506	XD3-2200-162		1	PIN, DOWEL	
507	XD2-2300-602		3	RING, TOOTHED LOCK	
508	XB1-2402-009		2	SCREW, MACH., TRUSS HEAD, M4X20	
509	XB2-8260-607		1	SCREW, W/WASHER, M2.6X6	
510	XB2-8300-607		1	SCREW, W/WASHER, M3X6	
511	XB4-7400-809		4	SCREW, TAPPING, TRUSS HEAD, M4X8	

FIGURE & KEY NO.	PART NUMBER	R A N K	Q T Y	DESCRIPTION	SERIAL NUMBER / REMARKS
600 - 512	XB6-7400-505		2	SCREW,TP,M4X5	
513	XD1-1103-638		2	SHIM	
514	XD1-1106-239		2	SHIM	
515	XD2-2100-802		1	RING,GRIP	
516	XD2-1100-322		4	RING,E	
517	XD2-1100-402		2	RING,E	
518	XD2-1100-502		10	RING,E	
519	XD2-1100-642		3	RING,E	

# FIGURE 620 HOPPER ASSEMBLY (1/2)



NOTE : This assembly does not include the parts shown with key No. 47 and 59.



# FIGURE 620 HOPPER ASSEMBLY (2/2)

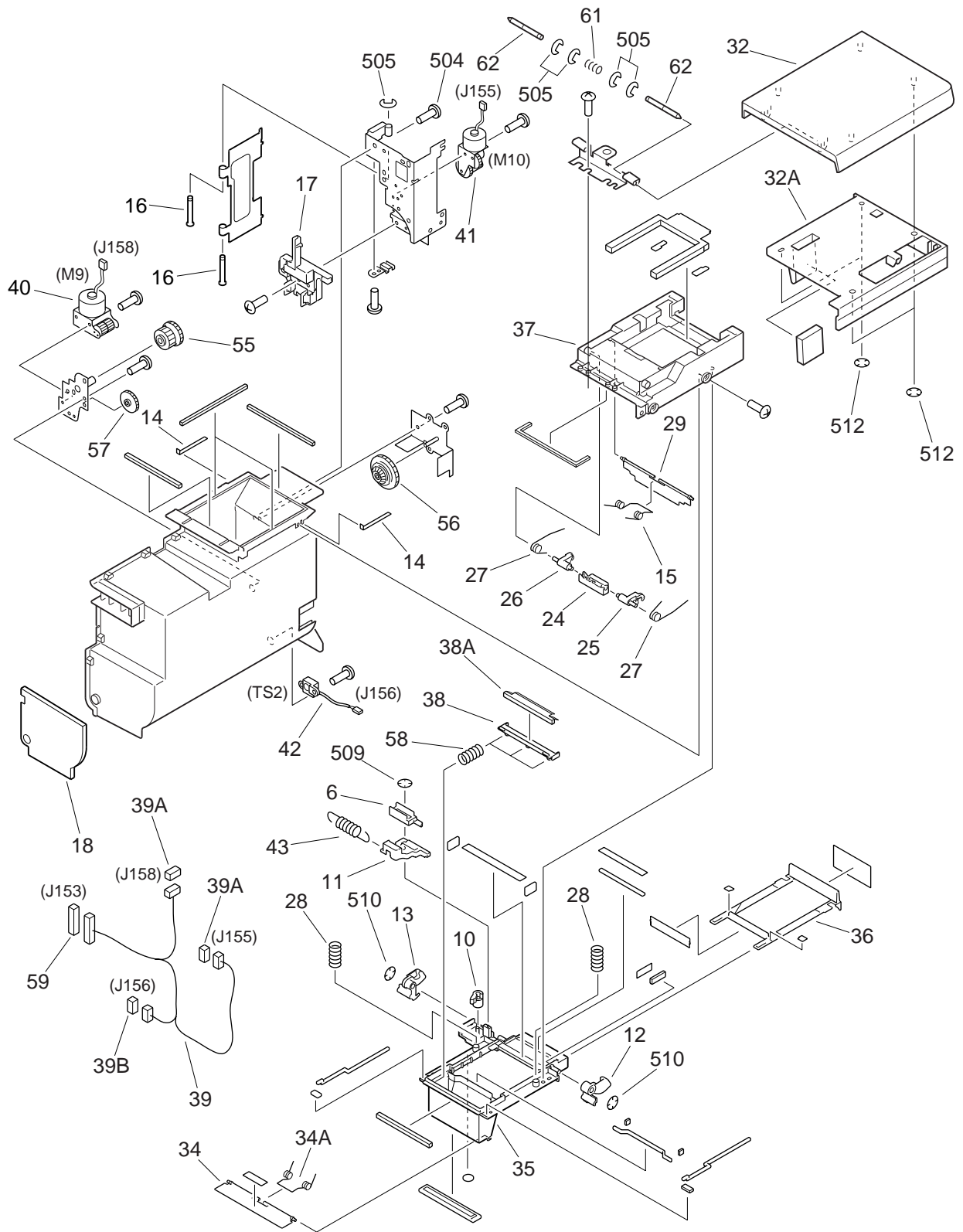


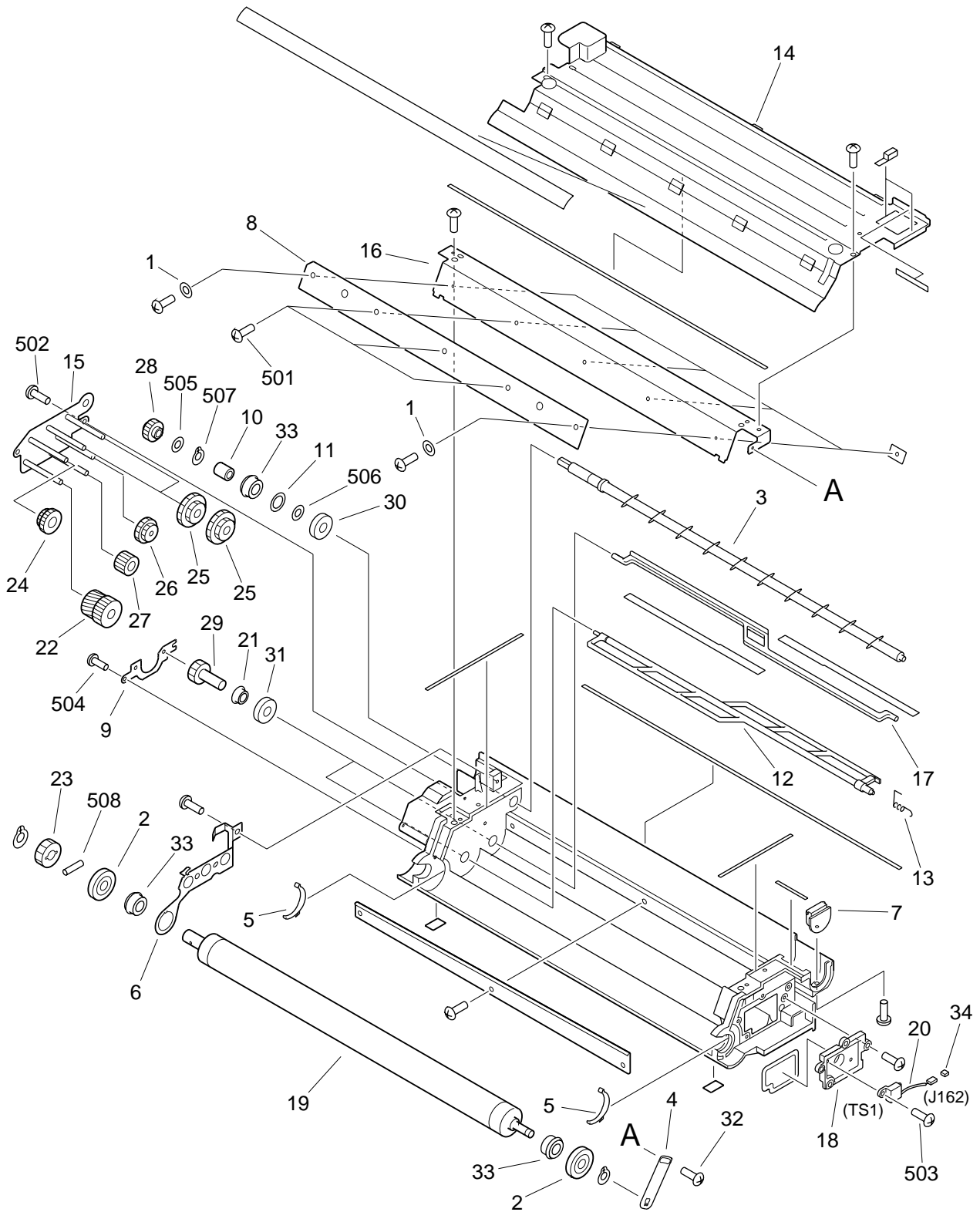
FIGURE & KEY NO.	PART NUMBER	R A N K	Q T Y	DESCRIPTION	SERIAL NUMBER / REMARKS
620 -	FG6-4898-000		1	HOPPER ASSEMBLY	
1	FB2-6974-000		1	SCREW, FEED	
2	FB2-6975-000		1	FEEDSCREW, TONER	
3	FB2-6976-000		1	SCREW	
4	FB2-6978-000		1	ROD, STIRRING, 1	
5	FB2-6981-000		1	COVER, SCREW	
6	FB2-6985-000		1	BLOCK, SLIDE STOP	
7	FB2-6994-000		1	BUSHING	
8	FB2-6996-000		1	BUSHING	
9	FB2-7000-000		1	ROD, STIRRING, 2	
10	FB2-7002-000		1	SLIDER, STOP	
11	FB2-7003-000		1	BLOCK, SHUTTER STOP	
12	FB2-7004-020		1	LOCK, FRONT	
13	FB2-7005-020		1	LOCK, REAR	
14	FB2-7006-000		4	SPRING, LEAF	
15	FB2-7010-000		1	SPRING, TORSION	
16	FB2-7017-020		2	SHAFT, HOPPER	
17	FB2-7019-000		1	GUIDE, CABLE	
18	FB2-8367-000		1	DAMPER, FRONT	
19	FB2-8442-000		1	COLLAR, HOPPER, 1	
20	FB2-8443-000		1	COLLAR, HOPPER, 2	
21	FB2-8525-000		1	SPRING, STIRRING	
22	FB2-8526-000		1	HOLDER, SPRING, STIRRING	
23	FB2-8527-000		1	WASHER	
24	FB3-8462-000		1	HOLDER, CAM	
25	FB3-8523-000		1	ARM, LOCK, FRONT	
26	FB3-8524-000		1	ARM, LOCK, REAR	
27	FB3-8526-000		2	SPRING, TORSION	
28	FB3-8528-000		2	SPRING, COMPRESSION	
29	FB5-3486-000		1	COVER, INLET	

FIGURE & KEY NO.	PART NUMBER	R A N K	Q T Y	DESCRIPTION	SERIAL NUMBER / REMARKS
620 - 30	FF1-5896-000		3	BUSHING	
30A	XG9-0111-000		1	SEAL, OIL	
31	FF5-3115-000		1	PIPE, SCREW	
32	FF5-9890-000		1	COVER, HOPPER	
32A	FB5-3484-000		1	COVER, HOPPER INTERNAL	
33	FF5-3120-000		1	COVER, DELIVERY	
33A	FB2-7001-000		1	SEAL, DELIVERY, 1	
33B	FB2-7037-000		1	SEAL, DELIVERY, 2	
34	FF5-3176-000		1	COVER, BUFFER	
34A	FB2-7011-000		1	SPRING, TORSION	
35	FF5-9871-000		1	LID, TONER HOPPER, UPPER	
36	FF5-9872-000		1	COVER, SLIDE	
37	FF5-9873-000		1	MOUNT, BOTTLE SUPPORT	
38	FF5-5934-000		1	COVER, BUFFER	
38A	FB3-8527-000		1	SEAL, BUFFER COVER	
39	FG5-5016-000		1	CABLE, HOPPER	J153,155,156,158
39A	VS1-5057-002		2	CONNECTOR, SNAP TIGHT	J155,158
39B	VS1-5057-003		1	CONNECTOR, SNAP TIGHT	J156
40	FH6-1434-000		1	MOTOR, DC, 4.3W	M9 J158
41	FH6-1435-000		1	MOTOR, DC, 4.3W	M10 J155
42	FH7-7337-000		1	SENSOR, TONER	TS2 J156
43	FS5-2903-000		2	SPRING, TENSION	
44	FS5-2972-000		1	SPRING, COMPRESSION	
45	FS5-5725-000		1	SHAFT, GEAR, 1	
46	FS5-5731-000		1	SHAFT, GEAR, 7	
47	FS6-8821-000		1	LABEL, "WARNING LASER"	SEE NOTE 100/120V
	FS6-8822-000		1	LABEL, "WARNING LASER"	SEE NOTE 220/240V
48	FS6-0032-000		1	GEAR, 60T	
49	FS6-0033-000		1	GEAR, 30T	
50	FS6-0034-000		2	GEAR, 18T	

FIGURE & KEY NO.	PART NUMBER	R A N K	Q T Y	DESCRIPTION	SERIAL NUMBER / REMARKS
620 - 51	FS6-0035-000		1	GEAR, 27T/20T	
52	FS6-0036-000		1	GEAR, 20T	
53	FS6-0037-000		1	GEAR, 18T/20T	
54	FS6-0038-000		1	GEAR, 24T/20T	
55	FS6-0039-000		1	GEAR, 22T/27T	
56	FS6-0040-000		1	GEAR, 20T/26T/39T	
57	FS6-0041-000		1	GEAR, 24T	
58	FS6-2617-000		3	SPRING, COMPRESSION	
59	VS1-5057-007		1	CONNECTOR, SNAP TIGHT	SEE NOTE J153
60	XG9-0111-000		3	SEAL, OIL	
61	FS7-2346-000		1	SPRING, COMPRESSION	
62	FB5-3490-000		2	SHAFT, HINGE	
501	XB1-2300-409		8	SCREW, MACH., TRUSS HEAD, M3X4	
502	XB4-7300-609		22	SCREW, TAPPING, TRUSS HEAD, M3X6	
503	XB4-7300-809		20	SCREW, TAPPING, TRUSS HEAD, M3X8	
504	XB4-7400-609		4	SCREW, TAPPING, TRUSS HEAD, M4X6	
505	XD2-1100-322		6	RING, E	
506	XD2-1100-502		2	RING, E	
507	XD2-2100-502		3	RING, GRIP	
508	XD2-2100-602		2	RING, GRIP	
509	XD2-2300-202		1	RING, TOOTHED LOCK	
510	XD2-2300-502		2	RING, TOOTHED LOCK	
511	XD3-2200-202		1	PIN, DOWEL	
512	XD2-2300-402		4	RING, TOOTHED LOCK	

# FIGURE 640

## DEVELOPING ASSEMBLY

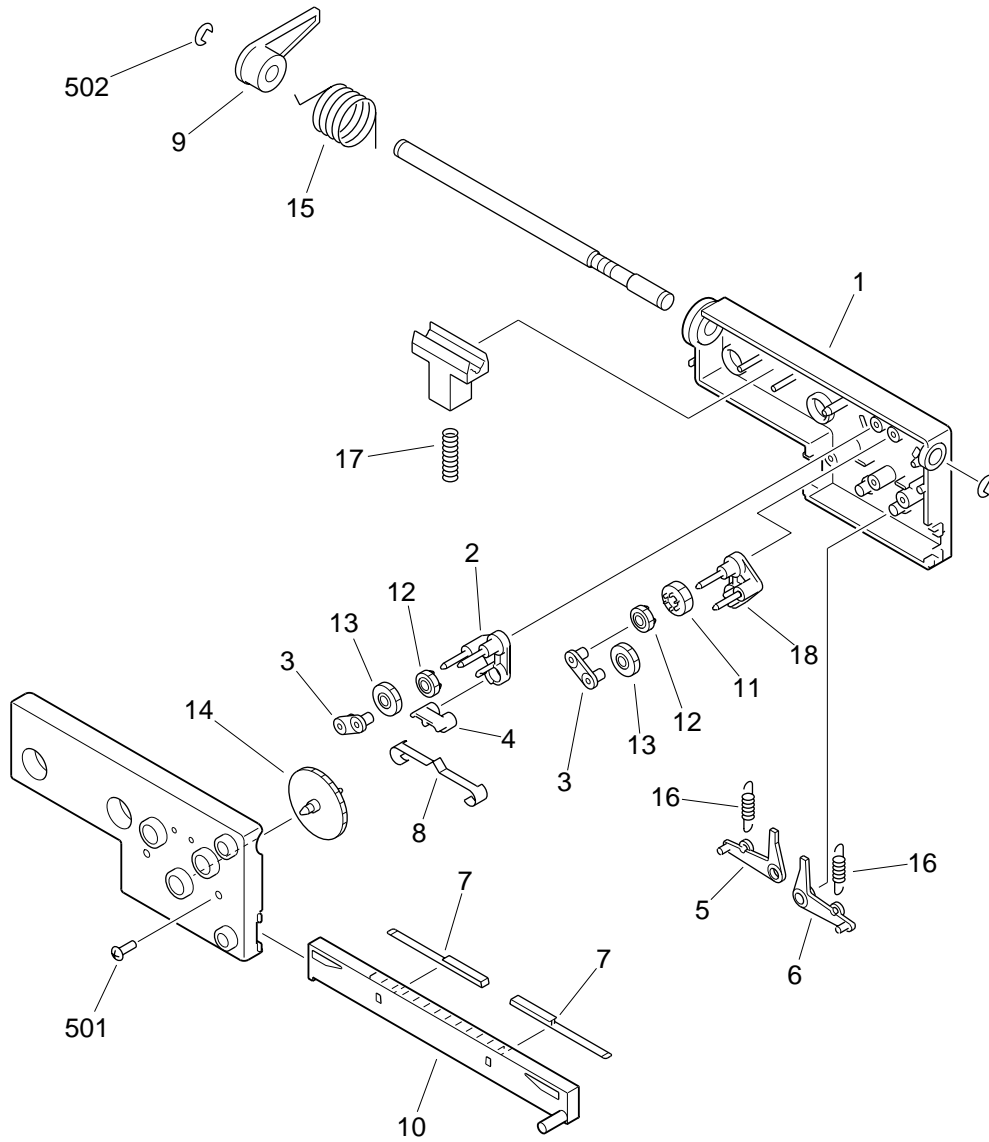


NOTE : This assembly does not include the part shown with key No. 34.

FIGURE & KEY NO.	PART NUMBER	R A N K	Q T Y	DESCRIPTION	SERIAL NUMBER / REMARKS
640 -	FG5-8628-030		1	DEVELOPING ASSEMBLY	
1	FA9-0488-000		2	WASHER	
2	FB2-8519-000		2	ROLLER, SPACER	
3	FB2-6934-000		1	SCREW, FEED	
4	FB2-6935-000		1	PLATE, TERMINAL	
5	FB2-6936-000		2	SHEET, MAGNET	
6	FB2-6939-020		1	TERMINAL, BIAS	
7	FB2-6943-000		1	SUPPORT, SCREW	
8	FB2-6950-000		1	BLADE, MAGNET	
9	FB2-6952-000		1	SUPPORT, GEAR	
10	FB2-8342-000		1	SPACER	
11	FB2-8437-000		1	WASHER, PLAIN	
12	FB3-8542-000		1	ROD, STIRRING, 1	
13	FB3-8546-000		1	SPRING, TORSION	
14	FF5-2947-020		1	COVER, UPPER	
15	FF5-2948-000		1	SUPPORT, GEAR	
16	FF5-2949-000		1	PLATE, BLADE	
17	FF5-5930-000		1	ROD, STIRRING, 2	
18	FF5-5988-000		1	MOUNT, TONER SENSOR	
19	FG5-8235-000		1	CYLINDER, DEVELOPING	
20	FH7-7337-000		1	SENSOR, TONER	TS1 J162
21	FS2-1014-000		2	BUSHING	
22	FS6-0908-000		1	GEAR, 20T/21T	
23	FS6-0025-000		1	GEAR, 19T	
24	FS6-0853-000		1	GEAR, 18T/17T	
25	FS6-0027-000		4	GEAR, 32T/20T	
26	FS6-0028-000		1	GEAR, 23T/16T	
27	FS6-0029-000		1	GEAR, 19T	
28	FS6-0031-000		1	GEAR, 19T	
29	FS6-0857-000		2	GEAR, 20T	

FIGURE & KEY NO.	PART NUMBER	RANK	QTY	DESCRIPTION	SERIAL NUMBER / REMARKS
640 - 30	XG9-0333-000		1	SEAL, OIL	
31	X71-9310-000		2	SEAL, OIL	
32	XA9-0194-000		1	SCREW,W/TOOTHED WASHER,M3X6	
33	XG9-0218-000		3	BEARING, BALL	
34	VS1-5057-003		1	CONNECTOR, SNAP TIGHT	SEE NOTE J162
501	XB1-2300-402		5	SCREW,MACH.,TRUSS HEAD,M3X4	
502	XB1-2300-409		6	SCREW,MACH.,TRUSS HEAD,M3X4	
503	XB4-7300-609		2	SCREW,TAPPING,TRUSS HEAD,M3X6	
504	XB4-7300-809		13	SCREW,TAPPING,TRUSS HEAD,M3X8	
505	XD1-1102-629		6	SHIM	
506	XD1-1108-231		1	SHIM	
507	XD2-2100-802		3	RING,GRIP	
508	XD3-2200-122		1	PIN,DOWEL	

# FIGURE 720 SEPARATION CLAW DRIVE ASSEMBLY

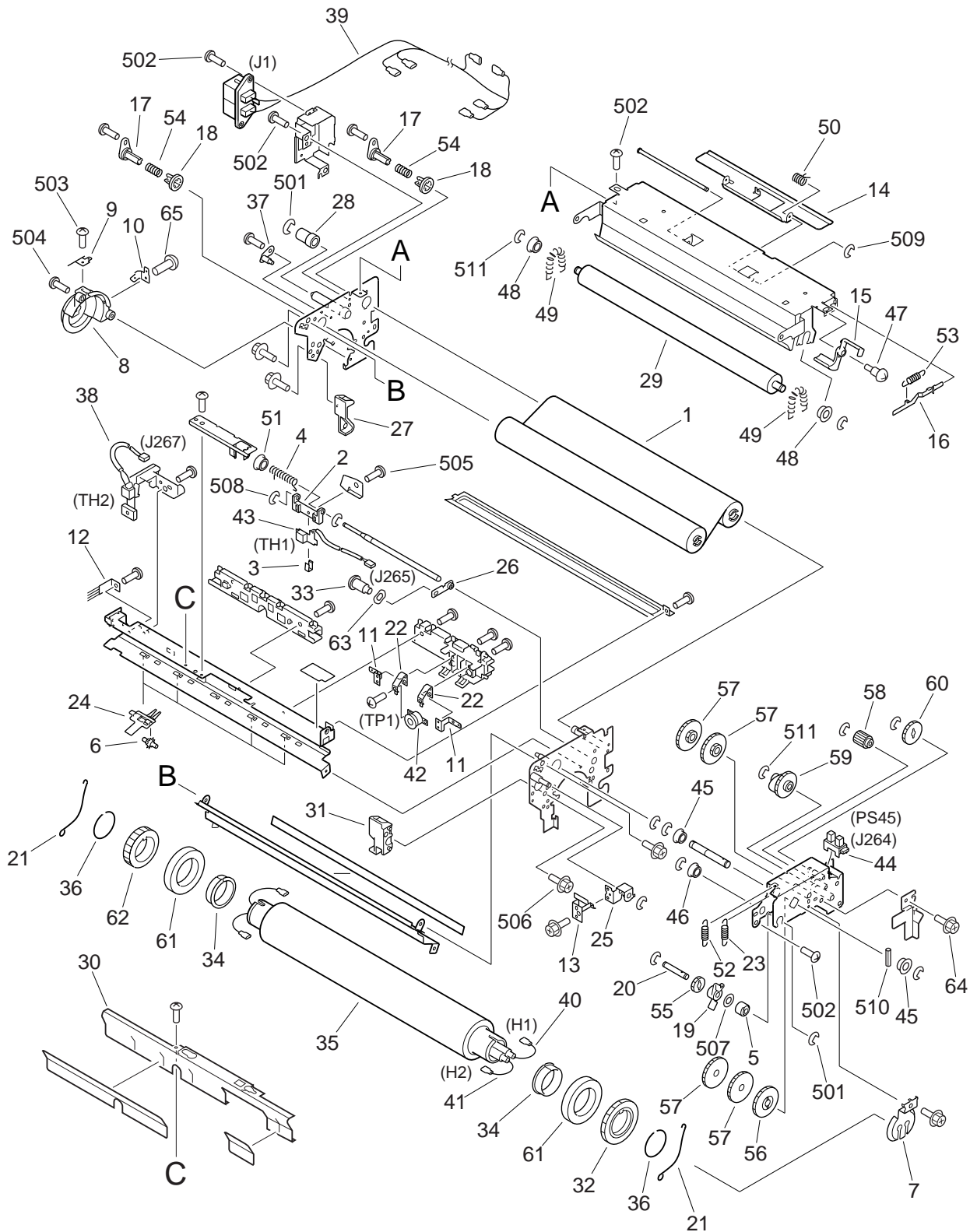


NOTE : This assembly is included in the assembly shown in Figure 600.



FIGURE & KEY NO.	PART NUMBER	R A N K	Q T Y	DESCRIPTION	SERIAL NUMBER / REMARKS
720 -	FG5-5789-000		1	SEPARATION CLAW DRIVE ASSEMBLY	SEE NOTE
1	FA3-2471-000		1	BASE	
2	FA3-2474-000		1	LINK, LEFT	
3	FA3-2475-000		2	BRACE	
4	FA3-2476-000		1	LINK	
5	FA3-2477-000		1	LEVER, RIGHT	
6	FA3-2478-000		1	LEVER, LEFT	
7	FA3-2480-000		2	SPRING, LEAF	
8	FA3-2481-000		1	SPRING, LEAF	
9	FB2-8298-000		1	LEVER, DRIVE	
10	FB2-8299-000		1	RACK	
11	FS2-0088-000		1	GEAR, 20T	
12	FS2-0089-000		2	GEAR, 20T	
13	FS2-0090-000		2	GEAR, 25T	
14	FS2-0091-000		1	GEAR, 60T	
15	FS2-2001-000		1	SPRING, TORSION	
16	FS2-2002-000		2	SPRING, TENSION	
17	FS2-2058-000		1	SPRING, COMPRESSION	
18	FA3-2473-000		1	LINK, RIGHT	
501	XB4-7301-209		2	SCREW,TAPPING,TRUSS HEAD,M3X12	
502	XD2-1100-502		2	RING,E	

# FIGURE 810 FIXING ASSEMBLY



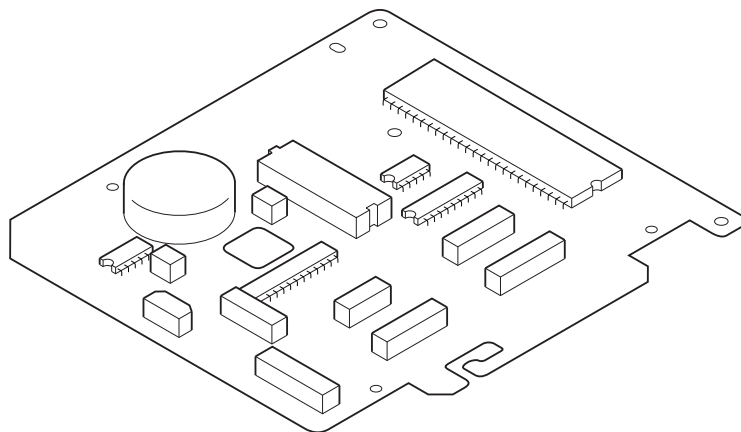
NOTE : This assembly is included in the assembly shown in Figure 320.

FIGURE & KEY NO.	PART NUMBER	R A N K	Q T Y	DESCRIPTION	SERIAL NUMBER / REMARKS
810 -	FG6-5029-000		1	FIXING ASSEMBLY	100V SEE NOTE
	FG6-5084-000		1	FIXING ASSEMBLY	120V SEE NOTE
	FG6-5085-000		1	FIXING ASSEMBLY	220/240V SEE NOTE
1	FY1-1157-000		1	ROLLER, CLEANING BELT	
2	FA5-4400-000		1	MOUNT, THERMISTOR	
3	FA5-4403-000		2	SPRING, LEAF	
4	FA6-8003-000		1	SPRING, TORSION	
5	FB1-6833-000		1	BUSHING	
6	FB1-8776-000		4	ROWEL	
7	FB2-7207-000		1	MOUNT, SUPPORT, HEATER	
8	FB2-7208-030		1	COVER, HEATER	
9	FB2-7209-000		1	TERMINAL, HEATER	
10	FB2-7210-000		1	TERMINAL, HEATER	
11	FB2-7217-000		2	TERMINAL, SWITCH	
12	FB2-7218-000		1	STATIC CHARGE ELIMINATOR	
13	FB2-7219-020		1	PLATE, LIMIT, ARM	
14	FB2-7221-000		1	PLATE, SUPPORT	
15	FB2-7222-020		1	LEVER, PAPER SENSOR	
16	FB2-7223-020		1	PLATE, LIMIT, LEVER	
17	FB2-7224-030		2	SUPPORT, SHAFT	
18	FB2-7225-030		2	FLANGE, SHAFT	
19	FB2-7228-000		1	ARM, ONE-WAY	
20	FB2-7230-000		1	SHAFT, ONE-WAY	
21	FB2-7231-000		2	SUPPORT, BEARING	
22	FB2-7232-000		2	PLATE, TERMINAL	
23	FB2-7238-000		1	SPRING, TENSION	
24	FB5-3617-000		4	HOLDER, ROLLER	
25	FB2-7260-000		1	PLATE, LIMIT, ARM, 2	
26	FB5-5521-000		1	HOLDER, SHAFT	
27	FB3-8386-030		1	BLOCK, CLAW STOP, REAR	

FIGURE & KEY NO.	PART NUMBER	R A N K	Q T Y	DESCRIPTION	SERIAL NUMBER / REMARKS
810 - 28	FB3-8416-000		1	COLLAR, POSITIONING PIN	
29	FB2-7233-000		1	ROLLER, CLEANING	
30	FF5-9922-000		1	REFLECTOR	
31	FB3-8385-040		1	BLOCK, CLAW STOP, FRONT	
32	FS7-0661-000		1	GEAR, 52T	
33	FS5-9162-000		1	SCREW, STEPPED	
34	FB5-3613-000		2	BUSHING	
35	FB4-3690-000		1	ROLLER, FIXING	
36	FB4-3692-000		2	RING, RETAINING	
37	FF5-2925-000		1	PLATE, SUPPORT	
38	FG5-8812-040		1	SUB, THERMISTOR UNIT	TH2 J267
39	FG5-8857-000		1	CABLE, FIXING ASSEMBLY	J1
40	FH7-4662-000		1	HALOGEN HEATER	100V H1
	FH7-4549-000		1	HALOGEN HEATER	120V H1
	FH7-4551-000		1	HALOGEN HEATER	220/240V H1
41	FH7-4664-000		1	HALOGEN HEATER	100V H2
	FH7-4550-000		1	HALOGEN HEATER	120V H2
	FH7-4552-000		1	HALOGEN HEATER	220/240V H2
42	FH7-7154-000		1	THERMOSWITCH	TP1
43	FH7-7529-000		1	THERMISTOR	TH1 J265
44	FH7-7394-000		1	PHOTO-INTERRUPTER	PS45 J264
45	FS1-1449-000		2	BUSHING	
46	FS1-1569-000		1	BUSHING	
47	FS1-9009-000		1	SCREW, STEPPED, M3	
48	FS2-1256-000		2	BUSHING	
49	FS2-2325-000		2	SPRING, TENSION	
50	FS3-2053-000		1	SPRING, TORSION	
51	FS5-1477-000		1	BUSHING	
52	FS5-2939-000		1	SPRING, TENSION	
53	FS5-2940-000		1	SPRING, TENSION	

FIGURE & KEY NO.	PART NUMBER	RANK	QTY	DESCRIPTION	SERIAL NUMBER / REMARKS
810 - 54	FS5-2941-000		2	SPRING, COMPRESSION	
55	FS6-0103-000		1	GEAR, 28T	
56	FS6-0104-000		1	GEAR, 60T	
57	FS6-0105-000		4	GEAR, 22T/60T	
58	FS6-0106-000		1	GEAR, 23T	
59	FS6-0107-000		1	GEAR, 50T	
60	FS6-0134-000		1	GEAR, 44T	
61	XG9-0421-000		2	BEARING, BALL	
62	FS7-0666-000		1	GEAR, 45T	
63	XD9-0196-000		1	WASHER, WAVE	
64	XA9-0249-000		4	SCREW, M4X8	
65	XA9-0192-000		1	SCREW, W/TOOTHED WASHER, M4X6	
501	XD2-1100-502		6	RING,E	
502	XB1-2400-609		13	SCREW,MACH.,TRUSS HEAD,M4X6	
503	XB1-2300-609		1	SCREW,MACH.,TRUSS HEAD,M3X6	
504	XB1-2401-209		2	SCREW,MACH.,TRUSS HEAD,M4X12	
505	XB2-8300-607		7	SCREW,W/WASHER,M3X6	
506	XB3-6400-805		9	SCREW,RS,M4X8	
507	XD1-1106-225		1	SHIM	
508	XD2-1100-242		1	RING,E	
509	XD2-1100-322		2	RING,E	
510	XD3-1300-122		1	PIN,SPRING	
511	XD2-1100-642		6	RING,E	

# FIGURE 920 CONTROL PANEL CPU PCB ASSEMBLY

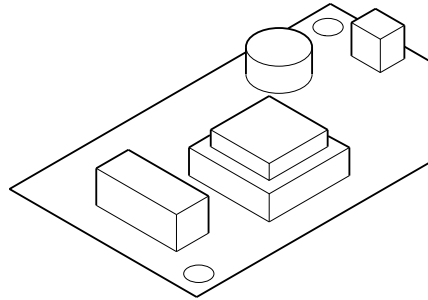


NOTE : This assembly is included in the assembly shown in Figure 130.

FIGURE & KEY NO.	PART NUMBER	RANK	QTY	DESCRIPTION	SERIAL NUMBER / REMARKS
920 -	FG6-5165-000		1	CONTROL PANEL CPU PCB ASS'Y	SEE NOTE
IC6501	FH4-3738-000		1	IC, MB89P637, M-PRO	

# FIGURE 925

## CONTROL PANEL INVERTER PCB ASSEMBLY



NOTE : This assembly is included in the assembly shown in Figure 130.

FIGURE & KEY NO.	PART NUMBER	RANK	QTY	DESCRIPTION	SERIAL NUMBER / REMARKS
925 -	FG3-1230-000		1	CONT. PANEL INVERTER PCB ASS'Y	SEE NOTE
F 1	VD5-0321-001		1	FUSE, 1A, 125V	
T 1	FH3-0775-000		1	TRANSFORMER, INVERTER	
-----					
-----					

# FIGURE 930 DC CONTROLLER PCB ASSEMBLY

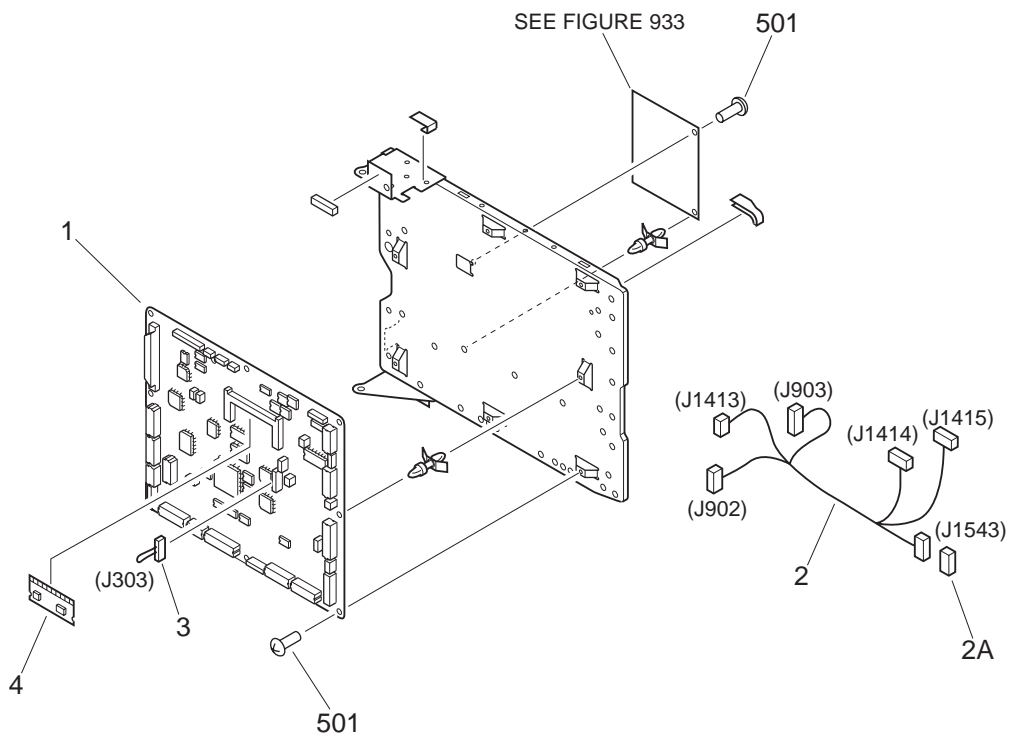




FIGURE & KEY NO.	PART NUMBER	RANK	QTY	DESCRIPTION	SERIAL NUMBER / REMARKS
930 -	NPN		RF	DC CONTROLLER PCB ASSEMBLY	
1	FG6-4941-000		1	DC CONTROLLER PCB ASSEMBLY	
2	FG6-5953-000		1	CABLE, SOFT-START, CONNECTING	J902,903,1413-1415 J1543
2A	VS1-6318-003		1	CONNECTOR, SNAP TIGHT	J1543
3	FF3-4122-000		1	CONNECTOR, SHORT	100V J303
	FF3-4123-000		1	CONNECTOR, SHORT	120V J303
	FF3-4124-000		1	CONNECTOR, SHORT	220/240V J303
4	FG9-3813-000		1	DIMM ASSEMBLY	
501	XB1-2300-607		9	SCREW,MACH.,TRUSS HEAD,M3X6	
CP101	FH9-0186-000		1	PIN, CHECK	
CP102	FH9-0186-000		1	PIN, CHECK	
CP103	FH9-0186-000		1	PIN, CHECK	
CP104	FH9-0186-000		1	PIN, CHECK	
CP105	FH9-0186-000		1	PIN, CHECK	
CP106	FH9-0186-000		1	PIN, CHECK	
CP107	FH9-0186-000		1	PIN, CHECK	
CP108	FH9-0186-000		1	PIN, CHECK	
CP109	FH9-0186-000		1	PIN, CHECK	
CP110	FH9-0186-000		1	PIN, CHECK	
CP111	FH9-0186-000		1	PIN, CHECK	
IC104	WA7-1119-000		1	IC, S-93C66ADP,EEP-ROM,4K	
IC105	WA7-1119-000		1	IC, S-93C66ADP,EEP-ROM,4K	
IC109	WA7-1119-000		1	IC, S-93C66ADP,EEP-ROM,4K	
IC110	WA7-1119-000		1	IC, S-93C66ADP,EEP-ROM,4K	
IC112	FH4-6105-000		1	IC, KZ4E052E11CFP, GATE ARRAY	
IC120	FH4-6123-000		1	IC, M38871M2-010GP, MCU	
IC126	FH4-6104-000		1	IC, SLA517TH, GATE ARRAY	
IC127	WA7-0097-000		1	IC, UPD65625GC-052-7EA, CMOS	
IC129	WA7-1119-000		1	IC, S-93C66ADP,EEP-ROM,4K	
IC130	WA7-1119-000		1	IC, S-93C66ADP,EEP-ROM,4K	

FIGURE & KEY NO.	PART NUMBER	R A N K	Q T Y	DESCRIPTION	SERIAL NUMBER / REMARKS
930 - IC132	WA4-0953-000		1	IC,AN1393S, VOLTAGE COMPARATOR	
IC133	WA8-5341-000		1	IC, W42C31-03, CLOCK DRIVER	
IC138	WA4-6190-000		1	IC, M62359FP, D/A CONVERTER	
IC139	WA4-6197-000		1	IC, AN1358S, OPE AMP	
IC143	WA7-1121-000		1	IC, TC74LCX14F, CMOS	

# FIGURE 931 AC DRIVER PCB ASSEMBLY

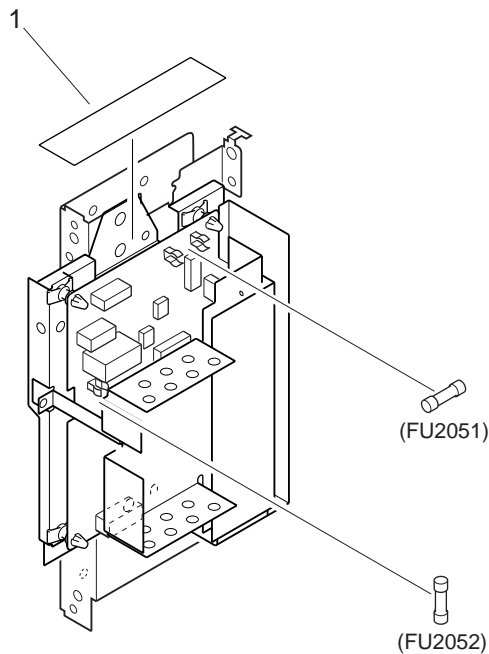


FIGURE & KEY NO.	PART NUMBER	RANK	QTY	DESCRIPTION	SERIAL NUMBER / REMARKS
931 -	FG6-4944-000		1	AC DRIVER PCB ASSEMBLY	100V
	FG6-4945-000		1	AC DRIVER PCB ASSEMBLY	120V
	FG6-4946-000		1	AC DRIVER PCB ASSEMBLY	220/240V
1	FB2-8370-000		1	SHEET, PROTECT	
FU2051	VD7-1822-001		1	FUSE, 2A, 250V	
FU2052	VD7-1822-001		1	FUSE, 2A, 250V	
Q 2052	FH4-5920-000		1	TRIAC, BCR30AM-12LB	100V
SQ2051	X62-8249-000		1	FILTER, NOISE, AU-1201	
SQ2052	X62-8249-000		1	FILTER, NOISE, AU-1201	
SQ2053	X62-8249-000		1	FILTER, NOISE, AU-1201	100V
SQ2054	X62-8249-000		1	FILTER, NOISE, AU-1201	100V

# FIGURE 932

## MAIN CONTROLLER PCB ASSEMBLY

MPM,LQJ,FSC,MPL,PPX,PLM,  
 PNF,DSC,RDY,BSC,ASC,CSC,  
 MPN,LQL,FTC,NSN,PPY,PNQ,  
 PSW,DTC,REH,BTC,ATC,CTC

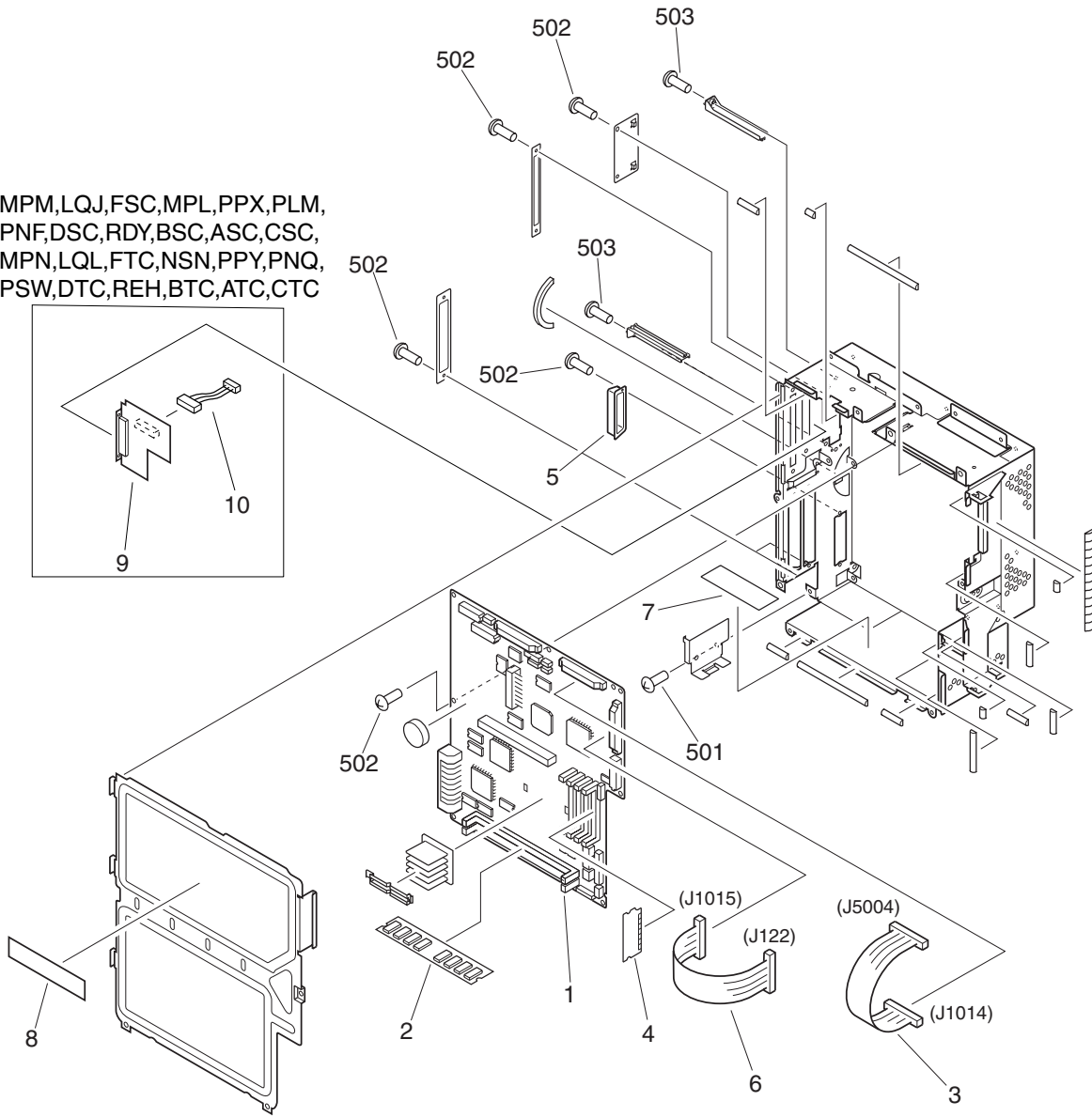


FIGURE & KEY NO.	PART NUMBER	R A N K	Q' T Y	DESCRIPTION	SERIAL NUMBER / REMARKS
932 -	NPN		RF	MAIN CONTROLLER PCB ASSEMBLY	
1	FG6-6531-000		1	MAIN CONTROLLER PCB ASSEMBLY	LQH,PKK,NRF,PKL,QCW RBZ,SCK,TBZ,UFM LQK,PKZ,NRH,PLH,QCX RCY,SCL,TCM,UFN
	FG6-7904-000		1	MAIN CONTROLLER PCB ASSEMBLY	MPM,LQJ,FSC,MPL,PPX PLM,PNF,DSC,RDY,BSC ASC,CSC,MPN,LQL,FTC NSN,PPY,PNQ,PSW,DTC
2	WA7-1373-000		1	DIMM ASSEMBLY	REH,BTC,ATC,CTC LQH,PKK,NRF,PKL,QCW RBZ,SCK,TBZ,UFM LQK,PKZ,NRH,PLH,QCX RCY,SCL,TCM,UFN
	WA7-1497-000		1	DIMM, MT4LSDT864AG-133	MPM,LQJ,FSC,MPL,PPX PLM,PNF,DSC,RDY,BSC ASC,CSC,MPN,LQL,FTC NSN,PPY,PNQ,PSW,DTC
3	WA7-1498-000		1	DIMM, MT8LSDT1664AG-133	REH,BTC,ATC,CTC 64M BYTE MPM,LQJ,FSC,MPL,PPX PLM,PNF,DSC,RDY,BSC ASC,CSC,MPN,LQL,FTC NSN,PPY,PNQ,PSW,DTC REH,BTC,ATC,CTC 128M BYTE
	FG6-5478-000		1	CABLE, FLAT, READER CONTROLLER	J1014,5004
4	FG3-1192-000		1	FLASH MEMORY PCB ASSEMBLY	LQH,PKK,NRF,PKL,QCW RBZ,SCK,TBZ,UFM LQK,PKZ,NRH,PLH,QCX RCY,SCL,TCM,UFN
5	WT2-5546-000		1	COVER, DUST	
6	FG6-5954-000		1	FLAT CABLE	J122,1015
7	FS7-8143-000		1	LABEL,COUNTER	
8	FS5-8623-000		1	LABEL, "WARNING LASER"	220/240V
	FS6-8820-000		1	LABEL, "WARNING LASER"	100/120V
9	FG3-2154-000		1	CENTRONICS CONNECTOR PCB ASS'Y	MPM,LQJ,FSC,MPL,PPX PLM,PNF,DSC,RDY,BSC ASC,CSC,MPN,LQL,FTC NSN,PPY,PNQ,PSW,DTC REH,BTC,ATC,CTC
10	FG6-7915-000		1	CABLE, CENTRONICS, CONNECTING	MPM,LQJ,FSC,MPL,PPX PLM,PNF,DSC,RDY,BSC ASC,CSC,MPN,LQL,FTC NSN,PPY,PNQ,PSW,DTC REH,BTC,ATC,CTC
501	XB1-2400-607		1	SCREW,MACH.,TRUSS HEAD,M4X6	
502	XB1-2300-607		19	SCREW,MACH.,TRUSS HEAD,M3X6	

FIGURE & KEY NO.	PART NUMBER	R A N K	Q' T Y	DESCRIPTION	SERIAL NUMBER / REMARKS
932 - 503	XB4-7400-807		2	SCREW,TAPPING,TRUSS HEAD,M4X8	

# FIGURE 933

## ANTI-RUSH CURRENT PCB ASSEMBLY

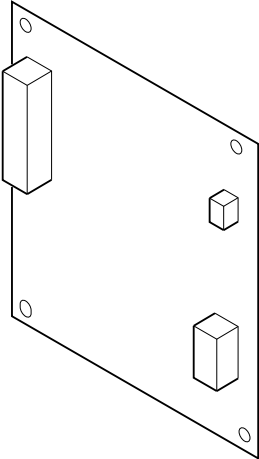


FIGURE & KEY NO.	PART NUMBER	RANK	QTY	DESCRIPTION	SERIAL NUMBER / REMARKS
933 -	FG6-4978-000		1	ANTI-RUSH CURRENT PCB ASSEMBLY	
CP701	FH9-0186-000		1	PIN, CHECK	
-----	-----	-----	-----	-----	-----
-----	-----	-----	-----	-----	-----

# FIGURE 935 READER CONTROLLER PCB ASSEMBLY

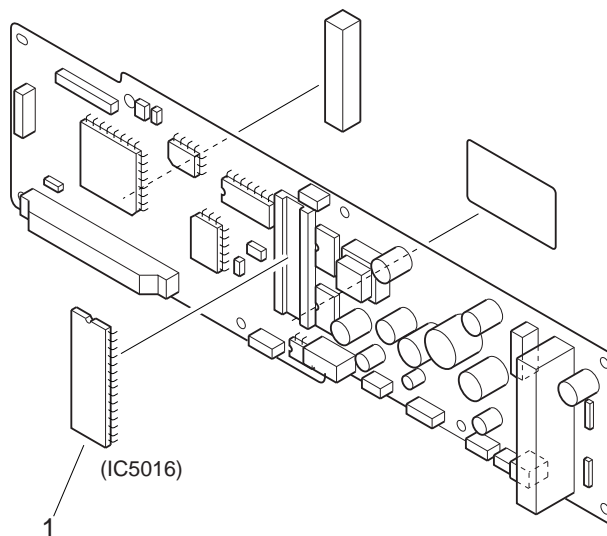


FIGURE & KEY NO.	PART NUMBER	RANK	QTY	DESCRIPTION	SERIAL NUMBER / REMARKS
935 -	FG6-4954-000		1	READER CONTROLLER PCB ASSEMBLY	
1	FF3-3952-000		1	IC, HN27C4096AHG-85, EP-ROM	IC5016
IC5005	FH4-5855-000		1	IC, H8D2760A, PWM CONTROL	
IC5021	FH4-6123-000		1	IC, M38871M2-010GP, MCU	
IC5023	FH4-6102-000		1	IC, UPD82425GD-001-LML	
IC5027	WA7-1119-000		1	IC, S-93C66ADP,EEP-ROM,4K	
L5002	FH3-0932-000		1	COIL, CHOKE	



# FIGURE 940 POTENTIAL MEASURING PCB ASSEMBLY

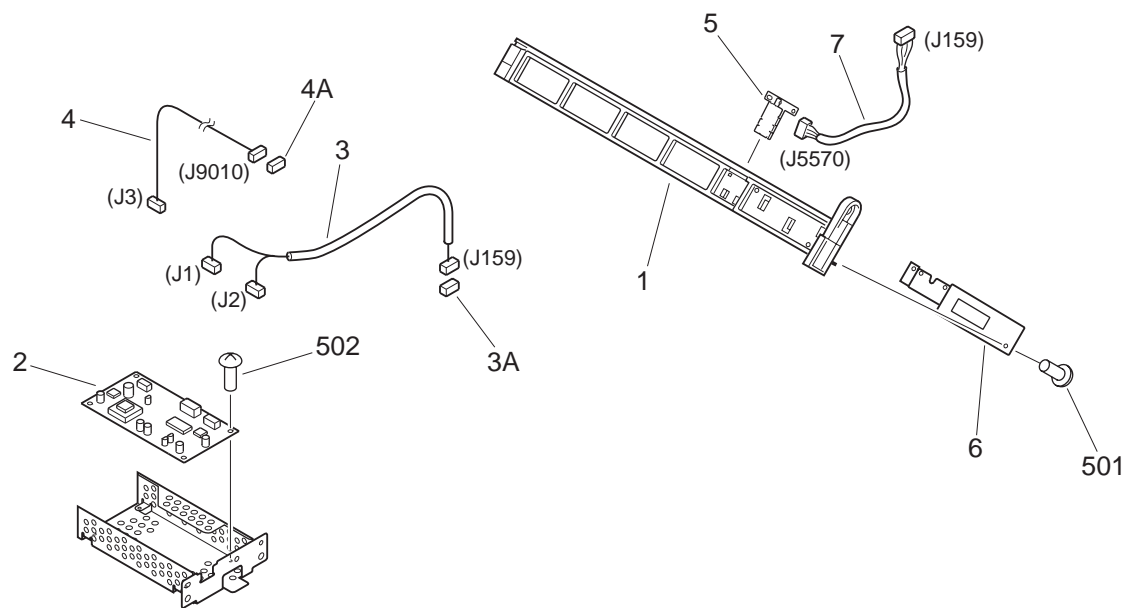


FIGURE & KEY NO.	PART NUMBER	RANK	QTY	DESCRIPTION	SERIAL NUMBER / REMARKS
940 -	FG6-5080-000		1	POTENTIAL SENSOR ASSEMBLY	
1	FB5-3476-000		1	MOUNT, POTENTIAL SENSOR	
2	FG6-6517-000		1	POTENTIAL MEASURING PCB ASS'Y	
3	FG6-5952-000		1	CABLE, POTENTIAL CONTROLLER	J1,2,159
3A	VS1-5057-006		1	CONNECTOR, SNAP TIGHT	J159
4	FG6-5450-000		1	CABLE, POTENTIAL COTROLLER	J3,9010
4A	VS1-5057-004		1	CONNECTOR, SNAP TIGHT	J9010
5	FH4-6019-000		1	POTENTIAL SENSOR UNIT	
6	FB2-6921-040		1	MOUNT, SENSOR	
7	FG5-5216-000		1	CABLE, POTENTIAL MEASURING	J159,5570
501	XB4-7300-809		2	SCREW,TAPPING,TRUSS HEAD,M3X8	
502	XB1-2300-607		4	SCREW,MACH.,TRUSS HEAD,M3X6	
RA1	FH4-9181-000		1	RESISTOR ARRAY	
T 1	FH3-0242-000		1	TRANSFORMER	

# FIGURE 960 MOTOR DRIVER PCB ASSEMBLY

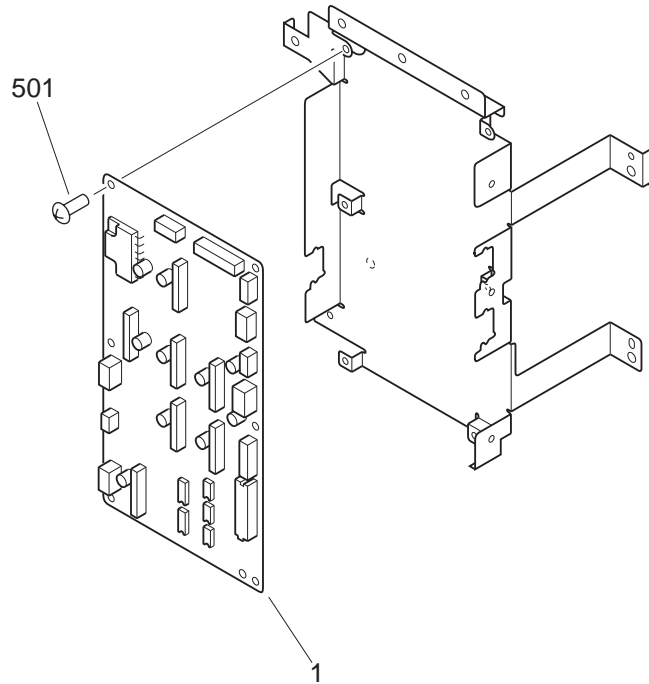


FIGURE & KEY NO.	PART NUMBER	RANK	QTY	DESCRIPTION	SERIAL NUMBER / REMARKS
960 -	NPN		RF	MOTOR DRIVER PCB ASSEMBLY	
1	FG6-4947-000		1	MOTOR DRIVER PCB ASSEMBLY	
501	XB1-2400-606		6	SCREW,MACH.,TRUSS HEAD,M4X6	
-----					
-----					

# FIGURE 980 H.V. TRANSFORMER PCB ASSEMBLY

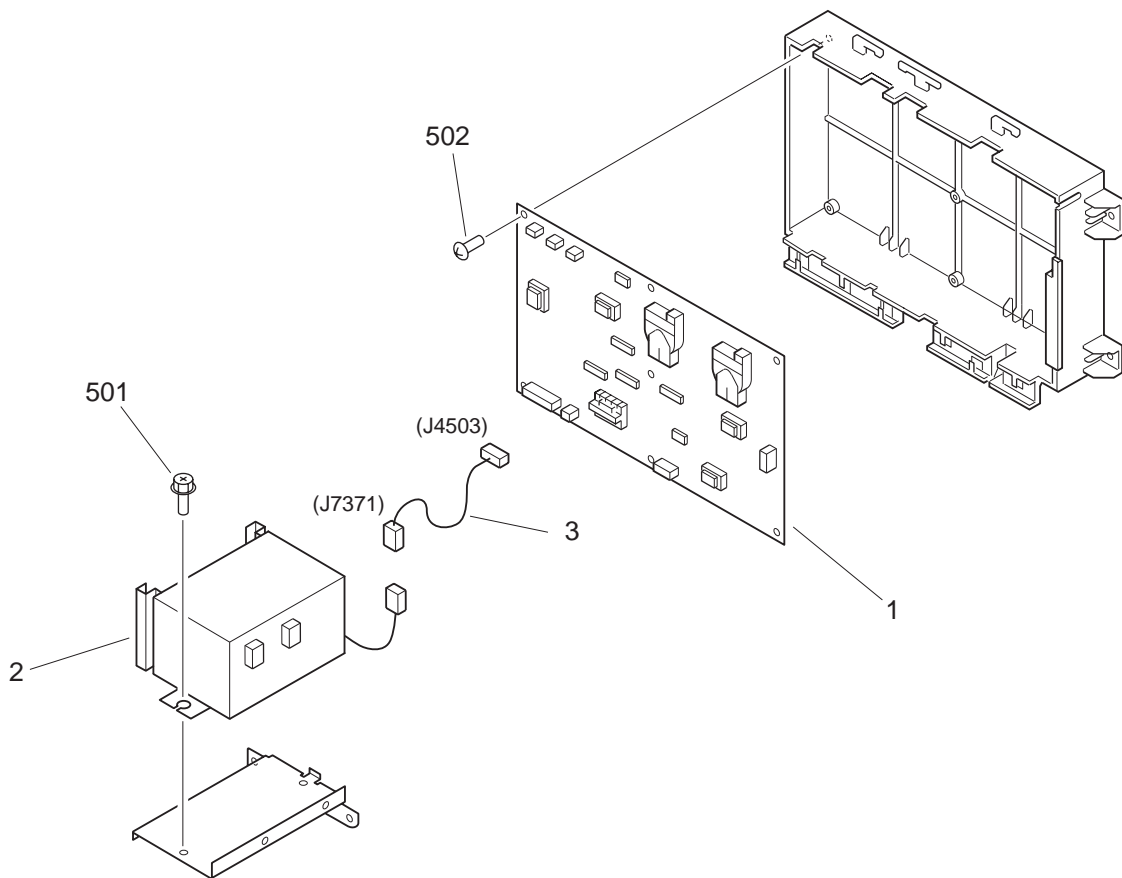
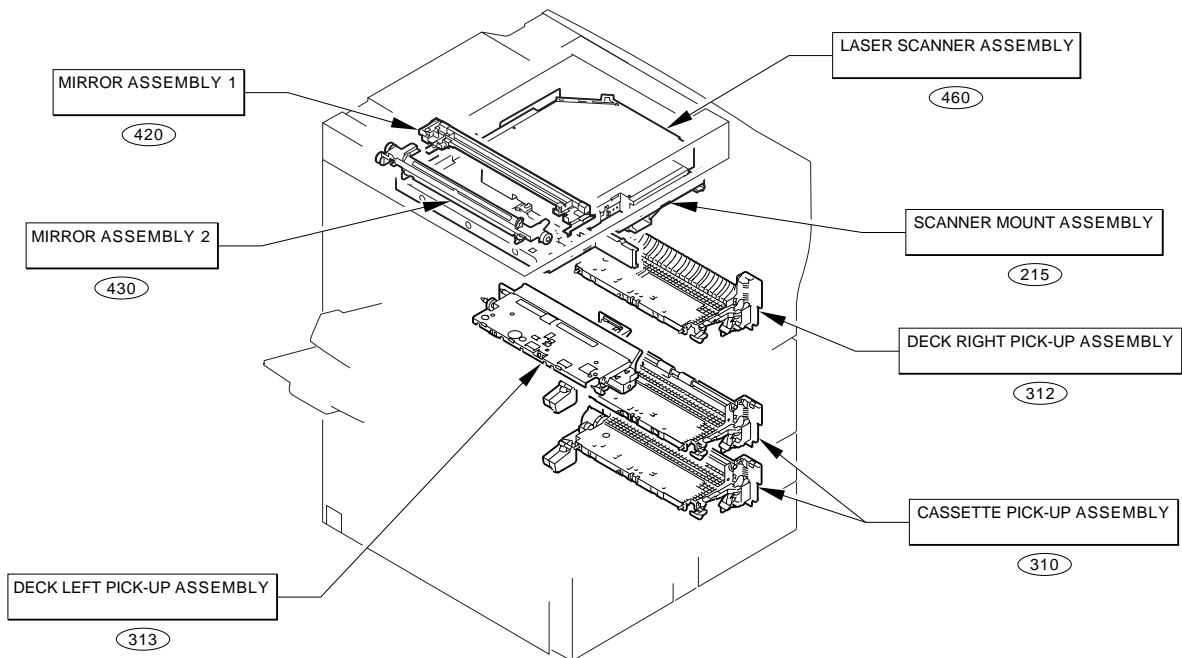
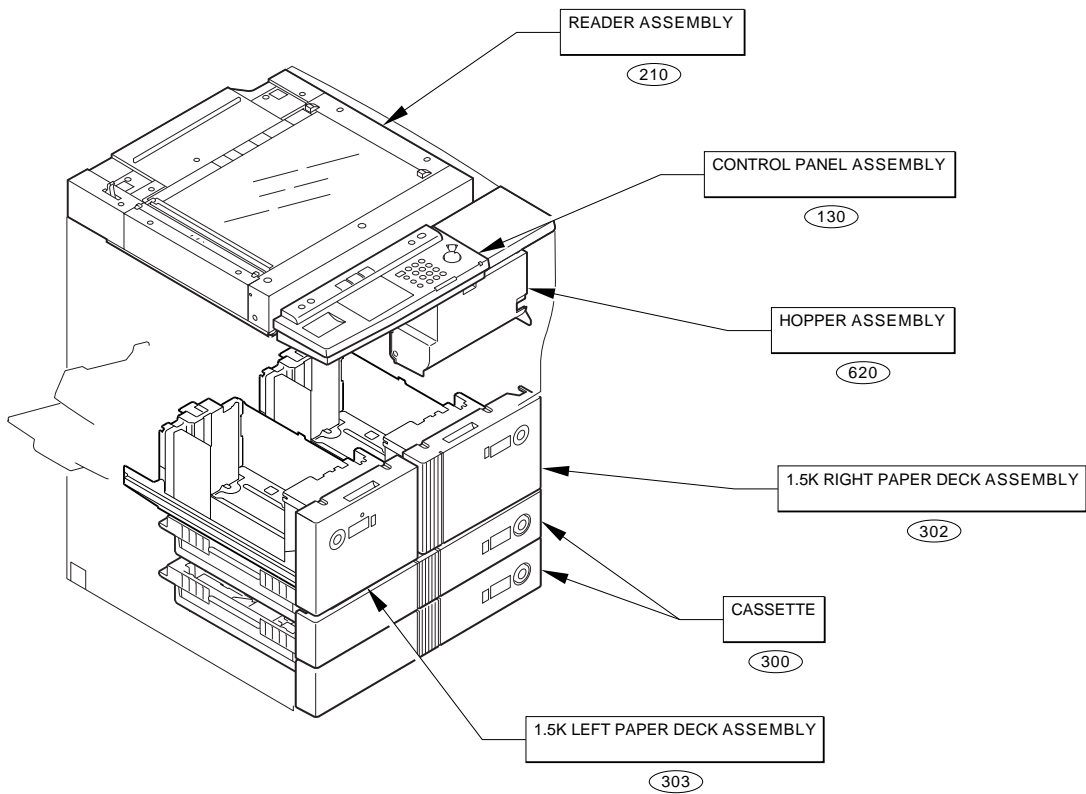
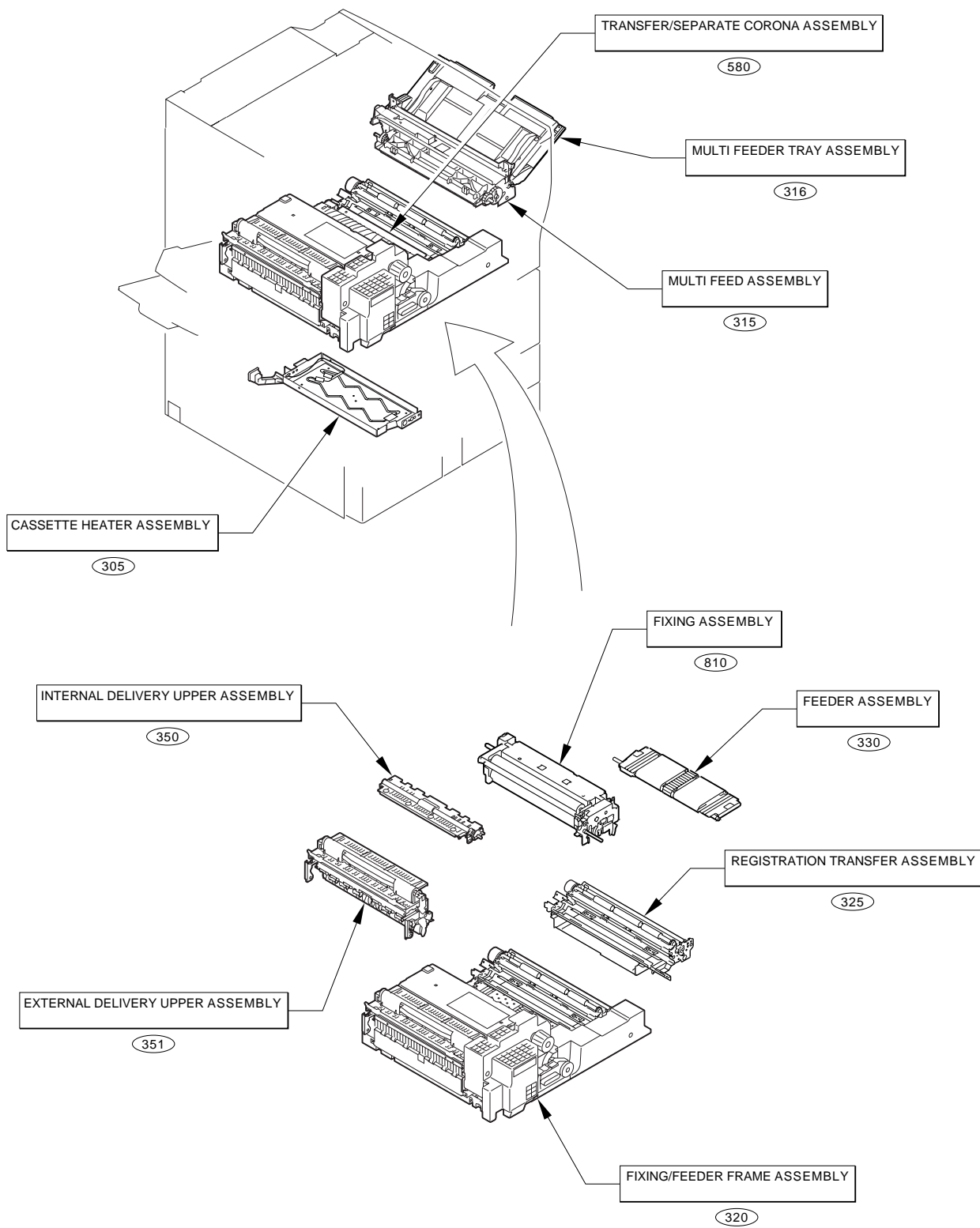


FIGURE & KEY NO.	PART NUMBER	RANK	QTY	DESCRIPTION	SERIAL NUMBER / REMARKS
980 -	FG6-5052-000		1	H. V. TRANSFORMER PCB ASSEMBLY	
1	FG6-4948-000		1	H. V. TRANSFORMER PCB ASSEMBLY	
2	FH3-0765-000		1	AC TRANSFORMER PCB UNIT	
3	FG6-5451-000		1	CABLE, H. V. TRANSFORMER	J4503,7371
501	XB3-6400-800		2	SCREW,RS,M4X8	
502	XB4-7400-809		7	SCREW,TAPPING,TRUSS HEAD,M4X8	
IC4506	FH4-6121-000		1	IC M68662, HYBRID	
IC4508	FH4-6122-000		1	IC, H8D3016, HYBRID	
Q4515	FH5-3080-000		1	TRANSISTOR, 2SC4913-04	
Q4529	FH5-3080-000		1	TRANSISTOR, 2SC4913-04	
R4656	FH4-9206-000		1	RESISTOR, 44MOHM, 0.6W	
T4502	FH3-0515-000		1	TRANSFORMER	
T4503	RH3-5016-000		1	TRANSFORMER	
T4504	RH3-5016-000		1	TRANSFORMER	
T4505	FH3-0577-000		1	TRANSFORMER	
T4506	FH3-0766-000		1	TRANSFORMER	
T4507	FH3-0767-000		1	TRANSFORMER	
T4508	RH3-5016-000		1	TRANSFORMER	

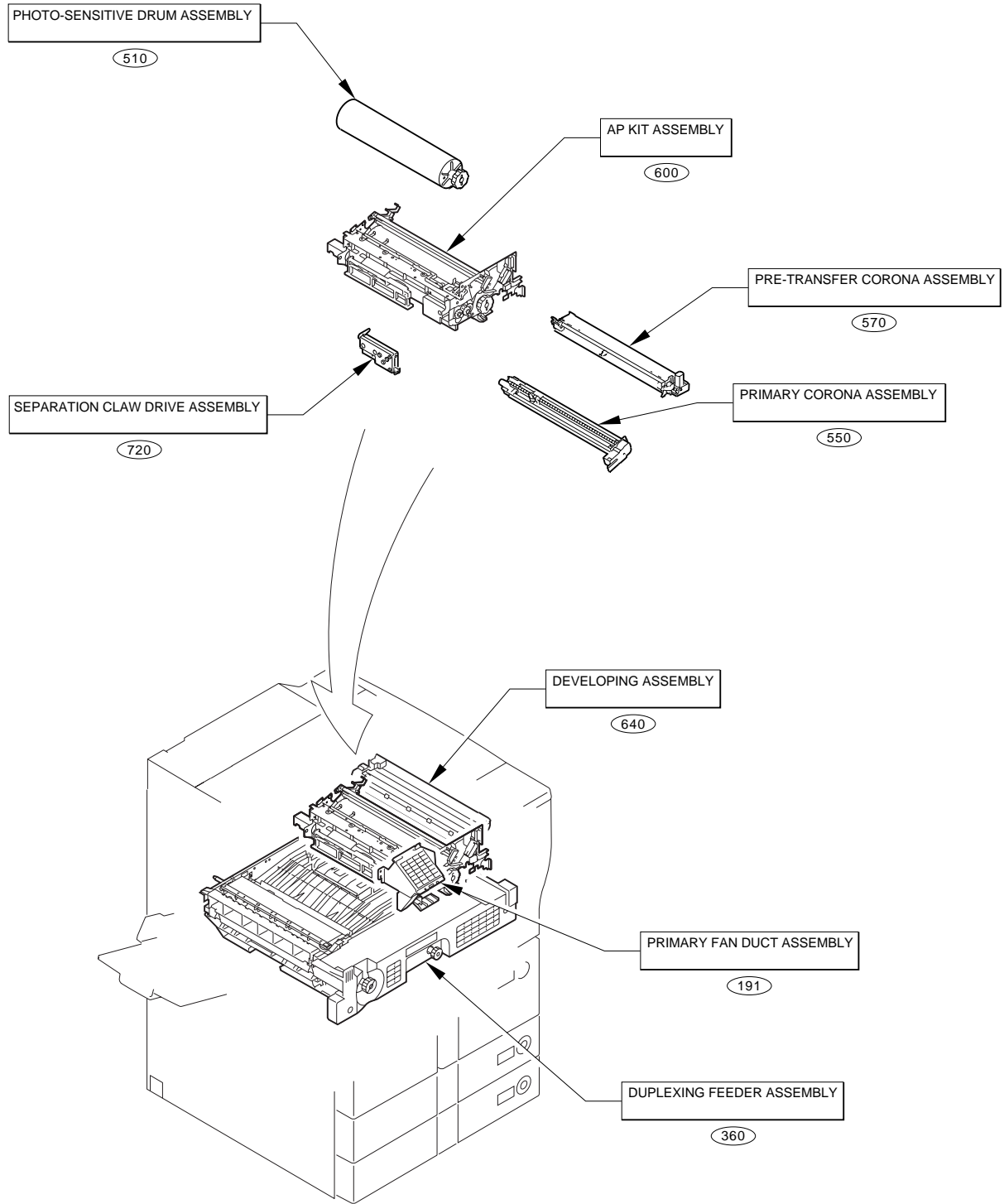
# FIGURE A ASSEMBLY LOCATION DIAGRAM (1/5)



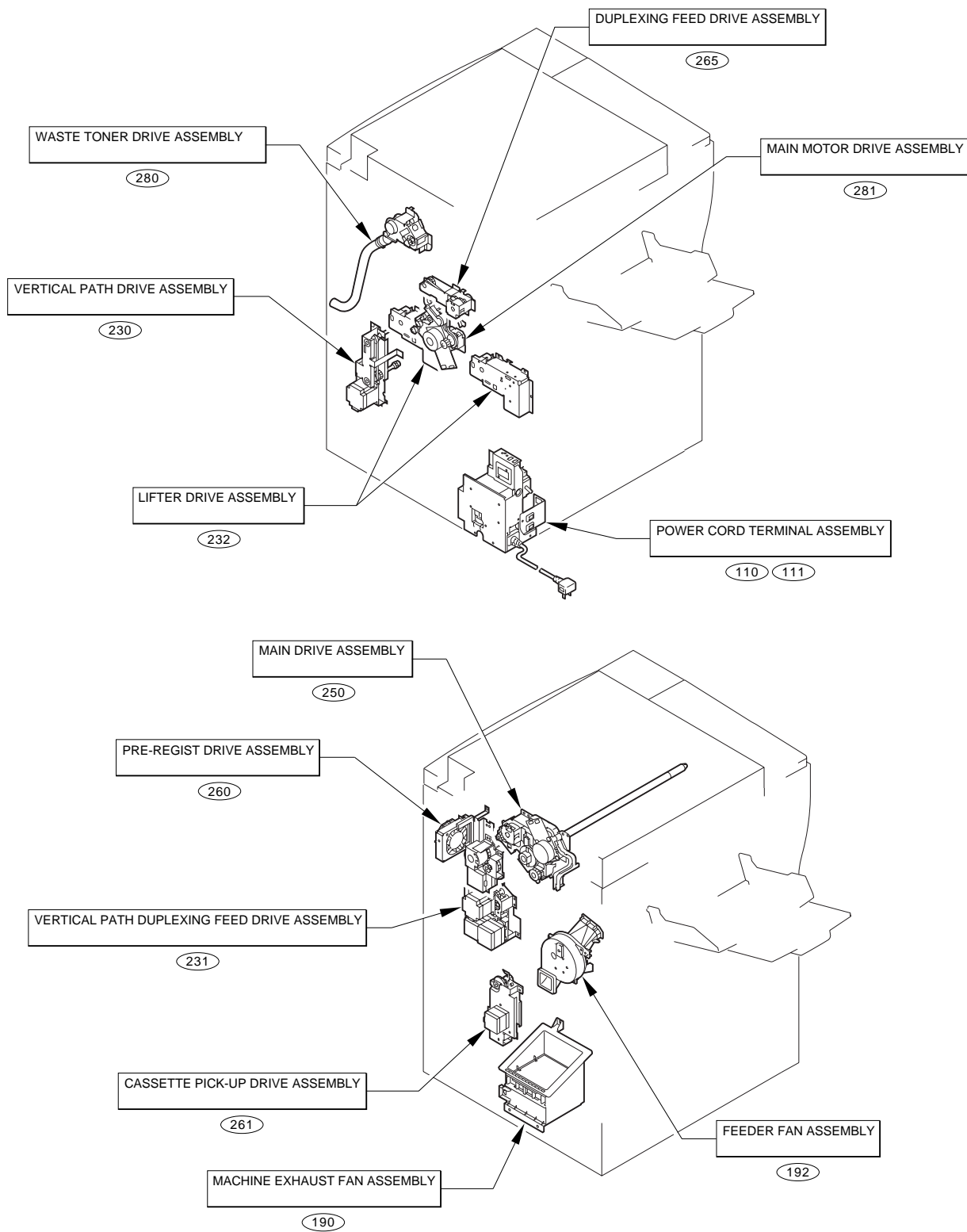
# FIGURE A ASSEMBLY LOCATION DIAGRAM (2/5)



# FIGURE A ASSEMBLY LOCATION DIAGRAM (3/5)

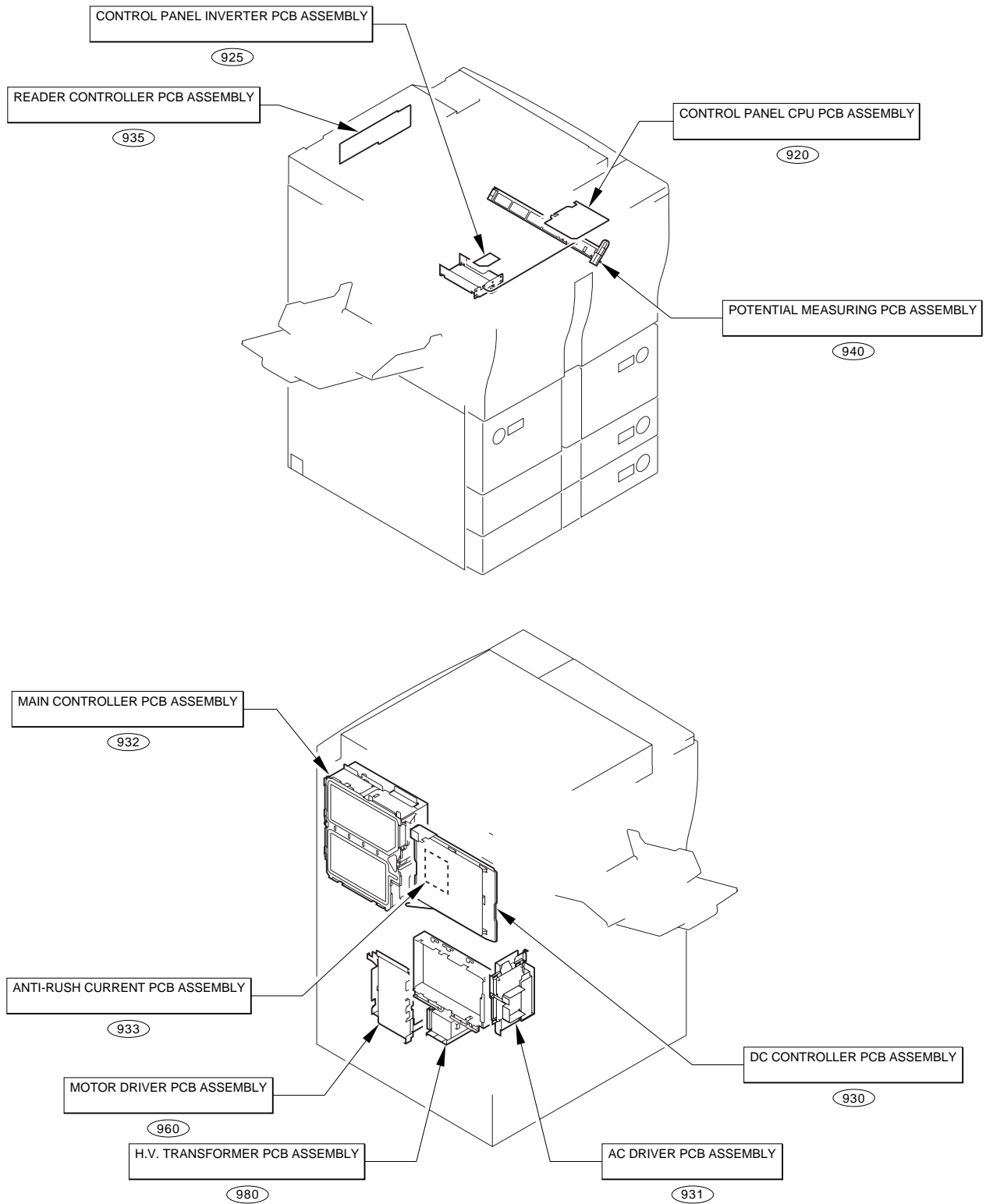


# FIGURE A ASSEMBLY LOCATION DIAGRAM (4/5)

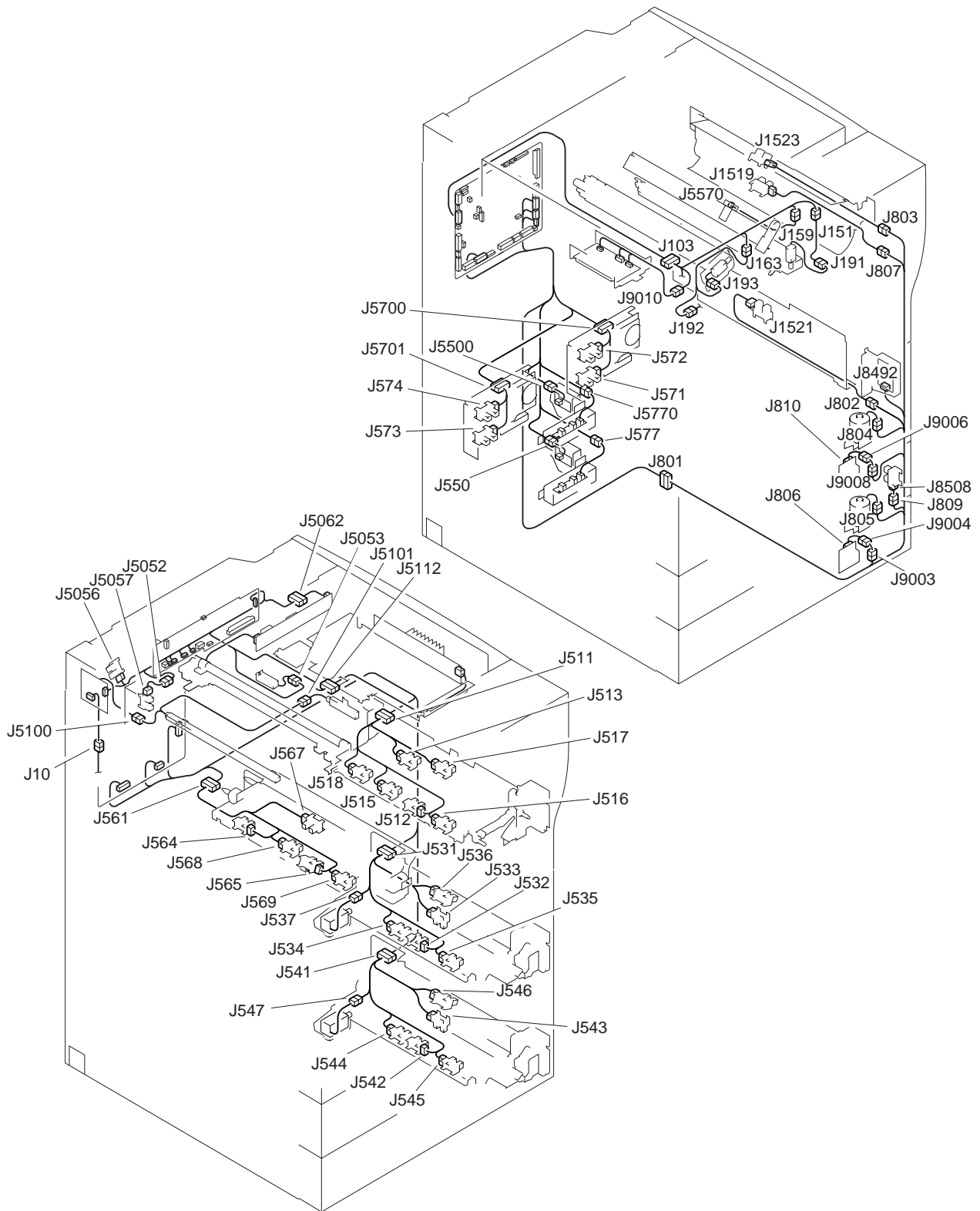




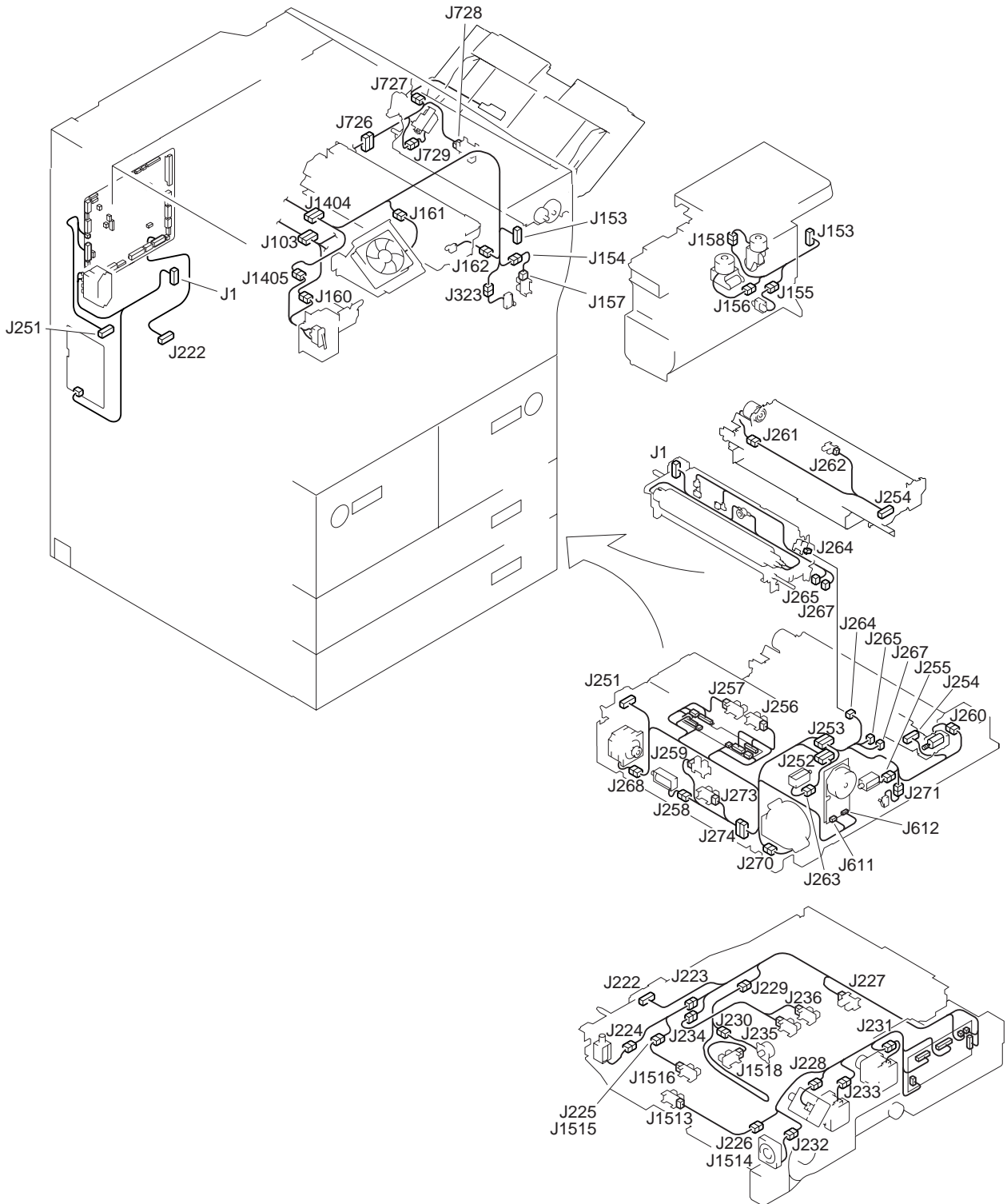
# FIGURE A ASSEMBLY LOCATION DIAGRAM (5/5)



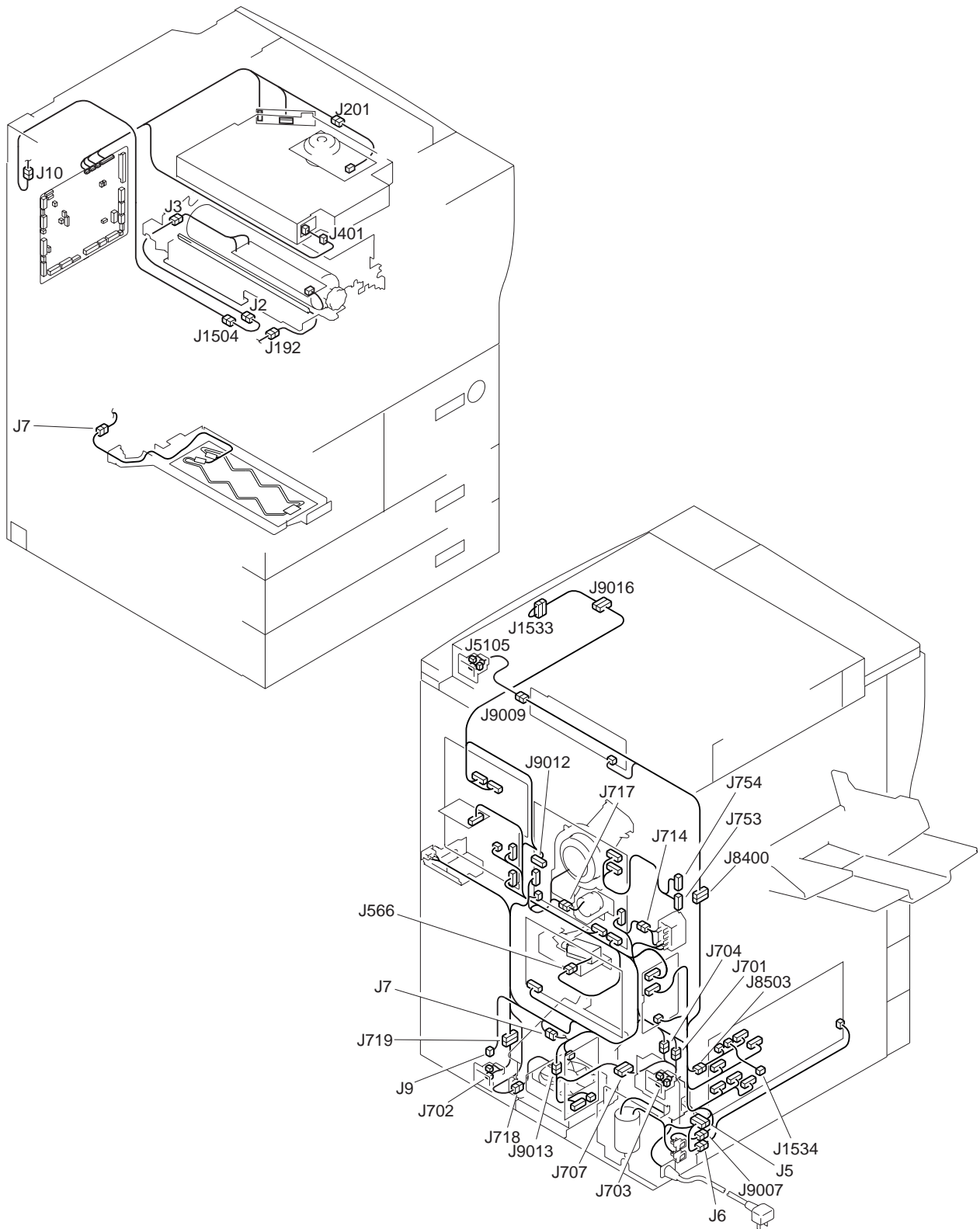
# FIGURE B LIST OF CONNECTORS (1/4)



# FIGURE B LIST OF CONNECTORS (2/4)



# FIGURE B LIST OF CONNECTORS (3/4)



# FIGURE B LIST OF CONNECTORS (4/4)

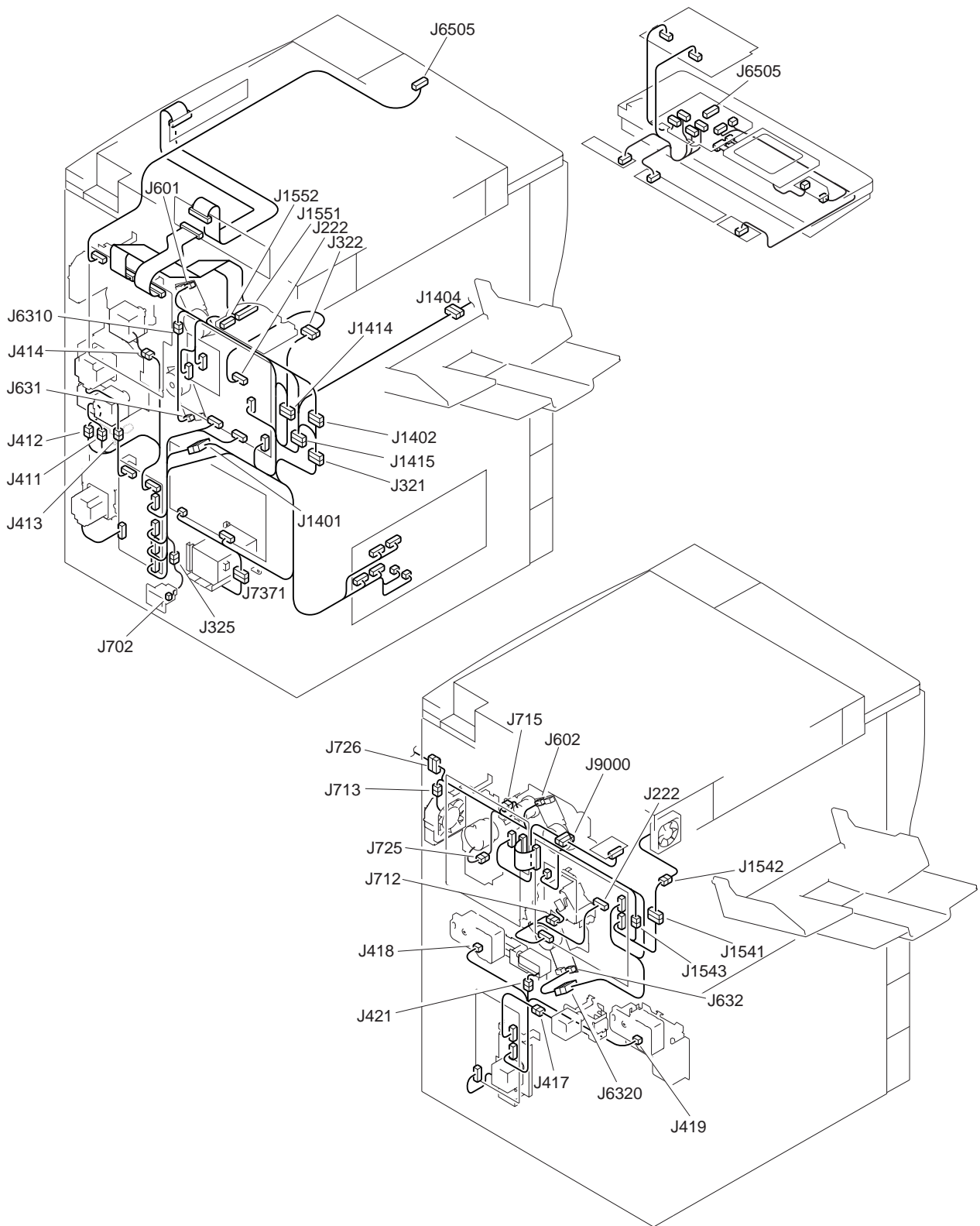


FIGURE & KEY NO.	PART NUMBER	R A N K	Q T Y	DESCRIPTION	SERIAL NUMBER / REMARKS
B -	NPN		RF	LIST OF CONNECTORS	
J 1	PCB			POTENTIAL CONTROLLER	
	VS1-0279-005		1	CONNECTOR, 5P, FEMALE	
	WS3-0437-000		2	SOCKET CONTACT, 20-30AWG	
	WS3-0469-000		1	SOCKET CONTACT, 26-30AWG	
	WS3-5511-000		1	CONNECTOR, 6P, MALE	
	WS3-5512-000		1	CONNECTOR, 6P, MALE	
	WS3-5482-000		4	PIN CONTACT, AWG14-16	
	WS3-5483-000		4	PIN CONTACT, AWG14-16	
J 2	PCB			POTENTIAL CONTROLLER	
	VS1-0279-004		1	CONNECTOR, 4P, FEMALE	
	WS3-0469-000		3	SOCKET CONTACT, 26-30AWG	
	VS1-5729-003		1	CONNECTOR, 3P, MALE	
	VS3-5058-003		1	CONNECTOR, 3P, MALE	
	WS3-5160-000		2	SOCKET CONTACT, 18-24AWG	
J 3	WS3-5301-000		2	PIN CONTACT	
	PCB			POTENTIAL CONTROLLER	
	VS1-6321-004		1	CONNECTOR, 4P, FEMALE	
	VS1-5729-003		1	CONNECTOR, 3P, MALE	
	VS3-5058-003		1	CONNECTOR, 3P, MALE	
J 5	WS3-5160-000		2	SOCKET CONTACT, 18-24AWG	
	WS3-5301-000		2	PIN CONTACT	
	VS1-6380-006		1	CONNECTOR, 6P, MALE	
	VS3-5121-006		1	CONNECTOR, 6P, MALE	
	WS3-5291-000		6	PIN CONTACT	
J 6	WS3-5292-000		6	SOCKET CONTACT	
	PCB			DC POWER SUPPLY	
	VS3-5121-002		1	CONNECTOR, 2P, MALE	
	WS3-5291-000		2	PIN CONTACT	
J 7	NPN			CASSETTE HEATER	H4 100V

FIGURE & KEY NO.	PART NUMBER	RANK	QTY	DESCRIPTION	SERIAL NUMBER / REMARKS
B - J 7	VS3-0053-003		1	CONNECTOR, 3P, FEMALE	100V
	WS4-0217-000		2	SOCKET CONTACT, 22-18AWG	100V
	J 9	-----		3.5K SIDE PAPER DECK HEATER	ACCESSORY
	VS3-0053-003		1	CONNECTOR, 3P, FEMALE	
	WS4-0217-000		2	SOCKET CONTACT, 22-18AWG	
J 10	VS4-0001-003		1	CONNECTOR, 3P, MALE	100/220/240V
	VS3-0053-003		1	CONNECTOR, 3P, FEMALE	100/220/240V
	WS4-0217-000		2	SOCKET CONTACT, 22-18AWG	100/220/240V
	PCB			SERIAL NUMBER	
	VS1-6314-011		1	CONNECTOR, 11P, FEMALE	
J 101	PCB			DC CONTROLLER	
	VS3-5083-008		1	CONNECTOR, 8P, FEMALE	
	WS3-5160-000		8	SOCKET CONTACT, 18-24AWG	
J 102	PCB			DC CONTROLLER	
	VS1-6313-016		1	CONNECTOR, 16P, FEMALE	
J 103	VS1-6314-016		1	CONNECTOR, 16P, FEMALE	
	VT2-5161-032		1	HOLDER, CONNECTOR, 32P	
	VS1-6313-015		2	CONNECTOR, 15P, FEMALE	
	VS1-6314-015		2	CONNECTOR, 15P, FEMALE	
	VT2-5161-030		2	HOLDER, CONNECTOR, 30P	
J 104	VS1-6319-030		1	CONNECTOR, SNAP TIGHT	
	PCB			DC CONTROLLER	
	VS1-6313-020		1	CONNECTOR, 20P, FEMALE	
	VS1-6314-020		1	CONNECTOR, 20P, FEMALE	
	VT2-5161-040		1	HOLDER, CONNECTOR, 40P	
J 105	PCB			DC CONTROLLER	
	VS1-6314-013		1	CONNECTOR, 13P, FEMALE	
J 106	PCB			DC CONTROLLER	
	VS1-6313-020		1	CONNECTOR, 20P, FEMALE	
	VS1-6314-020		1	CONNECTOR, 20P, FEMALE	

FIGURE & KEY NO.	PART NUMBER	RANK	QTY	DESCRIPTION	SERIAL NUMBER / REMARKS
B - J 106	VT2-5161-040		1	HOLDER, CONNECTOR, 40P	
J 107	PCB			DC CONTROLLER	
	VS1-6313-018		1	CONNECTOR, 18P, FEMALE	
	VS1-6314-018		1	CONNECTOR, 18P, FEMALE	
	VT2-5161-036		1	HOLDER, CONNECTOR, 36P	
J 108	PCB			DC CONTROLLER	
	VS1-6313-012		1	CONNECTOR, 12P, FEMALE	
	VS1-6314-012		1	CONNECTOR, 12P, FEMALE	
	VT2-5161-024		1	HOLDER, CONNECTOR, 24P	
J 109	PCB			DC CONTROLLER	
J 110	NPN			FEEDING FAN	FM1
	PCB			DC CONTROLLER	
	VS1-6313-017		1	CONNECTOR, 17P, FEMALE	
	VS1-6314-017		1	CONNECTOR, 17P, FEMALE	
	VT2-5161-034		1	HOLDER, CONNECTOR, 34P	
J 111	PCB			DC CONTROLLER	
	VS1-6313-010		1	CONNECTOR, 10P, FEMALE	
	VS1-6314-010		1	CONNECTOR, 10P, FEMALE	
	VT2-5161-020		1	HOLDER, CONNECTOR, 20P	
J 112	PCB			DC CONTROLLER	
J 113	VS1-6313-009		1	CONNECTOR, 9P, FEMALE	
	VS1-6314-009		1	CONNECTOR, 9P, FEMALE	
	VT2-5161-018		1	HOLDER, CONNECTOR, 18P	
	PCB			DC CONTROLLER	
	VS1-6313-015		1	CONNECTOR, 15P, FEMALE	
J 114	VS1-6314-015		1	CONNECTOR, 15P, FEMALE	
	VT2-5161-030		1	HOLDER, CONNECTOR, 30P	
	PCB			DC CONTROLLER	
	VS1-6534-005		1	CONNECTOR, 5P, MALE	
	WS3-5658-000		5	SOCKET CONTACT	



FIGURE & KEY NO.	PART NUMBER	RANK	QTY	DESCRIPTION	SERIAL NUMBER / REMARKS
B - J 115	PCB			DC CONTROLLER	
	VS1-6313-015		1	CONNECTOR, 15P, FEMALE	
	VS1-6314-015		1	CONNECTOR, 15P, FEMALE	
	VT2-5161-030		1	HOLDER, CONNECTOR, 30P	
J 116	PCB		DC CONTROLLER		
J 117	VS1-6321-005		1	CONNECTOR, 5P, FEMALE	
	PCB			DC CONTROLLER	
J 118	VS1-6321-004		1	CONNECTOR, 4P, FEMALE	
	PCB			DC CONTROLLER	
J 119	VS1-6534-002		1	CONNECTOR, 2P, FEMALE	
	WS3-5658-000		2	SOCKET CONTACT	
J 120	PCB			DC CONTROLLER	
	VS1-6534-004		1	CONNECTOR, 4P, FEMALE	
	WS3-5658-000		4	SOCKET CONTACT	
J 121	PCB			DC CONTROLLER	
	VS1-6314-004		1	CONNECTOR, 4P, FEMALE	
	VS1-6314-020		1	CONNECTOR, 20P, FEMALE	
J 122	PCB			DC CONTROLLER	
	VS1-6407-080		1	CONNECTOR, 80P, FEMALE	
J 123	PCB			DC CONTROLLER	
	VS1-6314-010		1	CONNECTOR, 10P, FEMALE	
J 124	PCB			DC CONTROLLER	
	VS1-6314-008		1	CONNECTOR, 8P, FEMALE	
J 125	PCB		DC CONTROLLER		
J 126	VS1-6314-009		1	CONNECTOR, 9P, FEMALE	100V
	PCB			DC CONTROLLER	
J 151	VS1-6314-006		1	CONNECTOR, 6P, FEMALE	
	VS1-6321-002		2	CONNECTOR, 2P, FEMALE	
	VS1-5057-002		1	CONNECTOR, SNAP TIGHT	

FIGURE & KEY NO.	PART NUMBER	RANK	QTY	DESCRIPTION	SERIAL NUMBER / REMARKS
B - J 153	VS1-0842-007		1	CONNECTOR, 7P, FEMALE	
	VS1-6321-007		1	CONNECTOR, 7P, FEMALE	
J 154	VS1-5057-007		1	CONNECTOR, SNAP TIGHT	
	VS1-0842-004		1	CONNECTOR, 4P, FEMALE	
	VS1-6321-004		1	CONNECTOR, 4P, FEMALE	
J 155	VS1-5057-004		1	CONNECTOR, SNAP TIGHT	
	NPN			HOPPER SUPPLY MOTOR	M10
	VS1-0842-002		1	CONNECTOR, 2P, FEMALE	
J 156	VS1-5057-002		1	CONNECTOR, SNAP TIGHT	
	NPN			HOPPER TONER SENSOR	TS2
J 157	VS1-0842-003		1	CONNECTOR, 3P, FEMALE	
	VS1-5057-003		1	CONNECTOR, SNAP TIGHT	
	NPN			MANUAL TRAY OPEN/CLOSE SENSOR	PS3
J 158	VS1-0842-003		1	CONNECTOR, 3P, FEMALE	
	NPN			HOPPER STIRRING MOTOR	M9
J 159	VS1-0842-002		1	CONNECTOR, 2P, FEMALE	
	VS1-5057-002		1	CONNECTOR, SNAP TIGHT	
	VS1-0842-006		1	CONNECTOR, 6P, FEMALE	
	VS3-5009-006		1	CONNECTOR, 6P, FEMALE	
	WS1-5019-000		6	SOCKET CONTACT	
J 160	VS1-5057-006		1	CONNECTOR, SNAP TIGHT	
	VS1-6321-002		2	CONNECTOR, 2P, FEMALE	
	VS1-5057-002		1	CONNECTOR, SNAP TIGHT	
J 161	NPN			PRIMARY CORONA COOLING FAN	FM2
	VS1-6321-003		1	CONNECTOR, 3P, FEMALE	
J 162	VS1-5057-003		1	CONNECTOR, SNAP TIGHT	
	NPN			DEVELOPING TONER SENSOR	TS1
	VS1-6321-003		1	CONNECTOR, 3P, FEMALE	
J 163	VS1-5057-003		1	CONNECTOR, SNAP TIGHT	
	VS1-6321-004		2	CONNECTOR, 4P, FEMALE	

FIGURE & KEY NO.	PART NUMBER	RANK	QTY	DESCRIPTION	SERIAL NUMBER / REMARKS
B - J 163	VS1-5057-004		1	CONNECTOR, SNAP TIGHT	
J 191	NPN			POST WIRE CLEANING MOTOR	M7
	VS1-6321-002		1	CONNECTOR, 2P, FEMALE	
	VS1-5057-002		1	CONNECTOR, SNAP TIGHT	
J 192	NPN			PRE-EXPOSURE LAMP	LA1
	VS1-6321-003		1	CONNECTOR, 3P, FEMALE	
	VS1-5057-003		1	CONNECTOR, SNAP TIGHT	
J 193	NPN			PRIMARY WIRE CLEANING MOTOR	M6
	VS1-6321-002		1	CONNECTOR, 2P, FEMALE	
	VS1-5057-002		1	CONNECTOR, SNAP TIGHT	
J 201	NPN			POLYGON MOTOR	M15
	VS1-6321-005		1	CONNECTOR, 5P, FEMALE	
	VS1-5057-005		1	CONNECTOR, SNAP TIGHT	
J 222	VS1-6313-016		2	CONNECTOR, 16P, FEMALE	
	VS1-6314-016		2	CONNECTOR, 16P, FEMALE	
	VT2-5161-032		2	HOLDER, CONNECTOR, 32P	
	VS1-6327-032		1	CONNECTOR, 32P, FEMALE	
	VS1-6328-032		1	HOLDER, CONNECTOR, 32P	
	WS3-5607-000		4	SOCKET CONTACT, 20-24AWG	
	WS3-5609-000		4	SOCKET CONTACT, 12-14AWG	
J 223	VS1-6321-005		2	CONNECTOR, 5P, FEMALE	
	VS1-5057-005		1	CONNECTOR, SNAP TIGHT	
J 224	NPN			REVERSING FLAPPER SOLENOID	SL8
	VS1-6321-002		1	CONNECTOR, 2P, FEMALE	
	VS1-5057-002		1	CONNECTOR, SNAP TIGHT	
J 225	VS1-6321-003		1	CONNECTOR, 3P, FEMALE	TO J1515
	VS1-5057-003		1	CONNECTOR, SNAP TIGHT	TO J1515
J 226	VS1-6321-004		1	CONNECTOR, 4P, FEMALE	TO J1514
J 227	NPN			LEFT DECK FEED PAPER SENSOR	PS33
	VS1-6321-003		1	CONNECTOR, 3P, FEMALE	

FIGURE & KEY NO.	PART NUMBER	R A N K	Q T Y	DESCRIPTION	SERIAL NUMBER / REMARKS
B - J 228	NPN			REVERSAL MOTOR	M14
	VS1-6321-006		1	CONNECTOR, 6P, FEMALE	
	VS1-5057-006		1	CONNECTOR, SNAP TIGHT	
J 229	VS1-6321-009		1	CONNECTOR, 9P, FEMALE	
	VS1-5824-009		1	CONNECTOR, 9P, FEMALE	
J 230	WS3-5358-000		9	SOCKET CONTACT, 22-26AWG	
	NPN			DUPLEX HORIZONTAL REGIST MOTOR	M16
	VS1-5824-006		1	CONNECTOR, 6P, FEMALE	
	VS1-5057-006		1	CONNECTOR, SNAP TIGHT	
	WS3-5358-000		6	SOCKET CONTACT, 22-26AWG	
J 231	NPN			DUPLEXING FEEDING RIGHT MOTOR	M18
	VS1-6321-006		1	CONNECTOR, 6P, FEMALE	
	VS1-5057-006		1	CONNECTOR, SNAP TIGHT	
J 232	NPN			DUPLEXING FEEDING FAN	FM8
	VS1-6321-003		1	CONNECTOR, 3P, FEMALE	
J 233	VS1-5057-003		1	CONNECTOR, SNAP TIGHT	
	NPN			DUPLEXING FEEDING LEFT MOTOR	M29
	VS1-6321-006		1	CONNECTOR, 6P, FEMALE	
	VS1-5057-006		1	CONNECTOR, SNAP TIGHT	
J 234	VS1-6321-006		2	CONNECTOR, 6P, FEMALE	
J 235	VS1-5057-006		1	CONNECTOR, SNAP TIGHT	
	NPN			DUPLEXING PAPER SENSOR	PS34
	VS1-6321-003		1	CONNECTOR, 3P, FEMALE	
J 236	NPN			DUPLEX PRE-REGISTRATION SENSOR	PS30
	VS1-6321-003		1	CONNECTOR, 3P, FEMALE	
J 251	VS1-6313-020		2	CONNECTOR, 20P, FEMALE	
	VS1-6314-020		2	CONNECTOR, 20P, FEMALE	
	VT2-5161-040		2	HOLDER, CONNECTOR, 40P	
	VS1-6327-040		1	CONNECTOR, 40P, FEMALE	
	VS1-6328-040		1	HOLDER, CONNECTOR, 40P	

FIGURE & KEY NO.	PART NUMBER	RANK	QTY	DESCRIPTION	SERIAL NUMBER / REMARKS
B - J 251	WS3-5607-000		4	SOCKET CONTACT, 20-24AWG	
	WS3-5609-000		4	SOCKET CONTACT, 12-14AWG	
J 252	VS1-6321-013		2	CONNECTOR, 13P, FEMALE	
	VS1-5057-013		1	CONNECTOR, SNAP TIGHT	
J 253	VS1-6321-010		2	CONNECTOR, 10P, FEMALE	
J 254	VS1-5057-010		1	CONNECTOR, SNAP TIGHT	
	VS1-6321-007		1	CONNECTOR, 7P, FEMALE	
	VS1-0842-007		1	CONNECTOR, 7P, FEMALE	
	VS1-5057-007		1	CONNECTOR, SNAP TIGHT	
J 255	NPN		FIXING INLET GUIDE SOLENOID	SL1	
J 256	VS1-6321-003		1	CONNECTOR, 3P, FEMALE	
	VS1-5057-003		1	CONNECTOR, SNAP TIGHT	
	NPN			CLAW JAM SENSOR	PS4
J 257	NPN		INTERNAL DELIVERY SENSOR	PS35	
J 258	VS1-6321-003		1	CONNECTOR, 3P, FEMALE	
	NPN			DELIVERY FLAPPER SOLENOID	SL5
	VS1-6321-002		1	CONNECTOR, 2P, FEMALE	
	VS1-5057-002		1	CONNECTOR, SNAP TIGHT	
J 259	NPN		EXTERNAL DELIVERY SENSOR	PS36	
J 260	VS1-6321-003		1	CONNECTOR, 3P, FEMALE	
	NPN			TRA./SEP. CLEANING MOTOR	M8
J 261	VS1-6321-002		1	CONNECTOR, 2P, FEMALE	
	NPN			REGISTRATION ROLLER CLUTCH	CL2
J 262	VS1-0842-002		1	CONNECTOR, 2P, FEMALE	
	VS1-5057-002		1	CONNECTOR, SNAP TIGHT	
	NPN			REGISTRATION PAPER SENSOR	PS29
J 263	VS1-0842-003		1	CONNECTOR, 3P, FEMALE	
	NPN			FIXING WEB SOLENOID	SL9
	VS1-6321-002		1	CONNECTOR, 2P, FEMALE	

FIGURE & KEY NO.	PART NUMBER	RANK	QTY	DESCRIPTION	SERIAL NUMBER / REMARKS
B - J 263	VS1-5057-002		1	CONNECTOR, SNAP TIGHT	
J 264	NPN			FIXING WEB LEVEL SENSOR	PS45
	VS1-6321-003		1	CONNECTOR, 3P, FEMALE	
J 265	NPN			FIXING HEATER MAIN THERMISTOR	TH1
	VS1-6321-003		1	CONNECTOR, 3P, FEMALE	
J 267	VS1-5057-003		1	CONNECTOR, SNAP TIGHT	
	NPN			FIXING HEATER SUB THERMISTOR	TH2
	VS1-6321-002		1	CONNECTOR, 2P, FEMALE	
	VS1-5057-002		1	CONNECTOR, SNAP TIGHT	
J 268	NPN			DELIVERY MOTOR	M13
J 270	VS1-6321-006		1	CONNECTOR, 6P, FEMALE	
	VS1-5057-006		1	CONNECTOR, SNAP TIGHT	
	NPN			DE-CURLING FAN	FM5
	VS1-6321-003		1	CONNECTOR, 3P, FEMALE	
	VS1-5057-003		1	CONNECTOR, SNAP TIGHT	
J 271	NPN			FIXING/FEEDING UNIT DETECTION	MSW3
	VS1-6321-004		1	CONNECTOR, 4P, FEMALE	
	VS1-5057-004		1	CONNECTOR, SNAP TIGHT	
J 272	VS1-6314-006		2	CONNECTOR, 6P, FEMALE	
	VS1-6318-006		1	CONNECTOR, SNAP TIGHT	
J 273	NPN			DELIVERY ASSEMBLY JAM SENSOR	PS46
	VS1-6321-003		1	CONNECTOR, 3P, FEMALE	
J 274	VS1-6321-008		2	CONNECTOR, 8P, FEMALE	
	VS1-5057-008		1	CONNECTOR, SNAP TIGHT	
J 281	PCB			FIXING/FEEDING RELAY	
J 282	VS1-6321-014		1	CONNECTOR, 14P, FEMALE	
	PCB			FIXING/FEEDING RELAY	
	VS1-6313-013		1	CONNECTOR, 13P, FEMALE	
	VS1-6314-013		1	CONNECTOR, 13P, FEMALE	
	VT2-5161-026		1	HOLDER, CONNECTOR, 26P	

FIGURE & KEY NO.	PART NUMBER	RANK	QTY	DESCRIPTION	SERIAL NUMBER / REMARKS
B - J 283	PCB			FIXING/FEEDING RELAY	
	VS1-6321-013		1	CONNECTOR, 13P, FEMALE	
J 284	PCB			FIXING/FEEDING RELAY	
	VS1-6321-003		1	CONNECTOR, 3P, FEMALE	
J 285	PCB			FIXING/FEEDING RELAY	
	VS1-6534-002		1	CONNECTOR, 2P, FEMALE	
	WS3-5658-000		2	SOCKET CONTACT	
J 286	PCB			FIXING/FEEDING RELAY	
	VS1-6321-003		1	CONNECTOR, 3P, FEMALE	
J 287	PCB			FIXING/FEEDING RELAY	
	VS1-6314-020		1	CONNECTOR, 20P, FEMALE	
J 303	PCB			DC CONTROLLER	
	VS1-6314-012		1	CONNECTOR, 12P, FEMALE	
J 321	VS1-5729-008		1	CONNECTOR, 8P, MALE	
	VS3-5083-008		1	CONNECTOR, 8P, FEMALE	
	WS3-5301-000		8	PIN CONTACT	
	WS3-5160-000		8	SOCKET CONTACT, 18-24AWG	
J 322	VS4-0001-004		1	CONNECTOR, 4P, MALE	
	VS4-0002-004		1	CONNECTOR, 4P, FEMALE	
	WS4-0219-000		4	PIN CONTACT, 18-22AWG	
	WS4-0217-000		4	SOCKET CONTACT, 22-18AWG	
J 323	NPN			MP TRAY OPEN/CLOSE DETECTION	MSW2
	VS1-5824-002		1	CONNECTOR, 2P, FEMALE	
	WS3-5358-000		2	SOCKET CONTACT, 22-26AWG	
J 325	VS4-0001-002		1	CONNECTOR, 2P, MALE	
	VS4-0002-002		1	CONNECTOR, 2P, FEMALE	
	WS4-0219-000		2	PIN CONTACT, 18-22AWG	
	WS4-0218-000		2	SOCKET CONTACT, 22-26AWG	
J 401	VS1-6314-004		2	CONNECTOR, 4P, FEMALE	
	VS1-6318-004		1	CONNECTOR, SNAP, TIGHT	

FIGURE & KEY NO.	PART NUMBER	RANK	QTY	DESCRIPTION	SERIAL NUMBER / REMARKS
B - J 411	NPN			RIGHT DECK PICKUP MOTOR	M11
	VS1-6321-006		1	CONNECTOR, 6P, FEMALE	
	VS1-5057-006		1	CONNECTOR, SNAP TIGHT	
J 412	NPN			VERTICAL PATH UPPER MOTOR	M26
	VS1-6321-006		1	CONNECTOR, 6P, FEMALE	
J 413	VS1-5057-006		1	CONNECTOR, SNAP TIGHT	
	NPN			VERTICAL PATH DUPLEXING MOTOR	M25
	VS1-0280-006		1	CONNECTOR, 6P, MALE	
J 414	WS3-0885-000		6	PIN CONTACT, 20-30AWG	
	NPN			PRE-REGISTRATION MOTOR	M17
J 417	VS1-6321-006		1	CONNECTOR, 6P, FEMALE	
	VS1-5057-006		1	CONNECTOR, SNAP TIGHT	
	NPN			LEFT DECK PICK-UP MOTOR	M24
	VS1-6321-006		1	CONNECTOR, 6P, FEMALE	
	VS1-5057-006		1	CONNECTOR, SNAP TIGHT	
J 418	NPN			RIGHT DECK LIFTER MOTOR	M5
	VS1-6321-002		1	CONNECTOR, 2P, FEMALE	
J 419	NPN			LEFT DECK LIFTER MOTOR	M4
	VS1-6321-002		1	CONNECTOR, 2P, FEMALE	
J 421	NPN			RIGHT DECK PICK-UP SOLENOID	SL6
J 511	VS1-6321-002		1	CONNECTOR, 2P, FEMALE	
	VS1-6313-009		2	CONNECTOR, 9P, FEMALE	
	VS1-6314-009		2	CONNECTOR, 9P, FEMALE	
	VT2-5161-018		2	HOLDER, CONNECTOR, 18P	
J 512	VS1-6319-018		1	CONNECTOR, SNAP, TIGHT	
	NPN			RIGHT DECK LIFTER SENSOR	PS6
J 513	VS1-6321-003		1	CONNECTOR, 3P, FEMALE	
	NPN			RIGHT DECK PAPER SENSOR	PS7
J 515	VS1-6321-003		1	CONNECTOR, 3P, FEMALE	
	NPN			RIGHT DECK RETRY SENSOR	PS19



FIGURE & KEY NO.	PART NUMBER	RANK	QTY	DESCRIPTION	SERIAL NUMBER / REMARKS
B - J 515	VS1-6321-003		1	CONNECTOR, 3P, FEMALE	
J 516	NPN			RIGHT DECK OPEN/CLOSE SENSOR	PS5
	VS1-6321-003		1	CONNECTOR, 3P, FEMALE	
J 517	NPN			RIGHT DECK FEED PAPER SENSOR	PS32
	VS1-6321-003		1	CONNECTOR, 3P, FEMALE	
J 518	NPN			RIGHT DECK LIMIT SENSOR	PS8
	VS1-6321-003		1	CONNECTOR, 3P, FEMALE	
J 531	VS1-6313-009		2	CONNECTOR, 9P, FEMALE	
	VS1-6314-009		2	CONNECTOR, 9P, FEMALE	
	VT2-5161-018		2	HOLDER, CONNECTOR, 18P	
J 532	VS1-6319-018		1	CONNECTOR, SNAP, TIGHT	
	NPN			CASSETTE 3 LIFTER SENSOR	PS17
	VS1-6321-003		1	CONNECTOR, 3P, FEMALE	
J 533	NPN			CASSETTE 3 PAPER SENSOR	PS13
	VS1-6321-003		1	CONNECTOR, 3P, FEMALE	
J 534	NPN			CASSETTE 3 RETRY SENSOR	PS21
	VS1-6321-003		1	CONNECTOR, 3P, FEMALE	
J 535	NPN			CASSETTE 3 OPEN/CLOSE SENSOR	PS15
	VS1-6321-003		1	CONNECTOR, 3P, FEMALE	
J 536	NPN			VERTICAL PATH 3 PAPER SENSOR	PS26
J 537	VS1-6321-003		1	CONNECTOR, 3P, FEMALE	
	NPN			CASSETTE 3 PICK-UP SOLENOID	SL3
	VS1-6321-002		1	CONNECTOR, 2P, FEMALE	
	VS1-5057-002		1	CONNECTOR, SNAP TIGHT	
J 541	VS1-6313-009		2	CONNECTOR, 9P, FEMALE	
J 542	VS1-6314-009		2	CONNECTOR, 9P, FEMALE	
	VT2-5161-018		2	HOLDER, CONNECTOR, 18P	
	VS1-6319-018		1	CONNECTOR, SNAP, TIGHT	
	NPN			CASSETTE 4 LIFTER SENSOR	PS18
	VS1-6321-003		1	CONNECTOR, 3P, FEMALE	

FIGURE & KEY NO.	PART NUMBER	RANK	QTY	DESCRIPTION	SERIAL NUMBER / REMARKS
B - J 543	NPN			CASSETTE 4 PAPER SENSOR	PS14
	VS1-6321-003		1	CONNECTOR, 3P, FEMALE	
J 544	NPN			CASSETTE 4 RETRY SENSOR	PS22
	VS1-6321-003		1	CONNECTOR, 3P, FEMALE	
J 545	NPN			CASSETTE 4 OPEN/CLOSE SENSOR	PS16
	VS1-6321-003		1	CONNECTOR, 3P, FEMALE	
J 546	NPN			VERTICAL PATH 4 PAPER SENSOR	PS27
	VS1-6321-003		1	CONNECTOR, 3P, FEMALE	
J 547	NPN			CASSETTE 4 PICK-UP SOLENOID	SL4
	VS1-6321-002		1	CONNECTOR, 2P, FEMALE	
J 550	NPN			CASSETTE 4 PAPER WIDTH DETEC	100V SVR5
	VS1-6321-003		1	CONNECTOR, 3P, FEMALE	
J 561	VS1-6314-015		2	CONNECTOR, 15P, FEMALE	
	VS1-6318-015		1	CONNECTOR, SNAP TIGHT	
J 564	NPN			LEFT DECK LIMIT SENSOR	PS12
	VS1-6321-003		1	CONNECTOR, 3P, FEMALE	
J 565	NPN			LEFT DECK LIFTER SENSOR	PS10
	VS1-6321-003		1	CONNECTOR, 3P, FEMALE	
J 566	NPN			LEFT DECK PICK-UP SOLENOID	SL7
J 567	NPN			LEFT DECK PAPER SENSOR	PS11
	VS1-6321-003		1	CONNECTOR, 3P, FEMALE	
J 568	NPN			LEFT DECK RETRY SENSOR	PS20
	VS1-6321-003		1	CONNECTOR, 3P, FEMALE	
J 569	NPN			LEFT DECK OPEN/CLOSE SENSOR	PS9
	VS1-6321-003		1	CONNECTOR, 3P, FEMALE	
J 571	NPN			RIGHT DECK LEVEL UPPER SENSOR	PS47
	VS1-6321-003		1	CONNECTOR, 3P, FEMALE	
J 572	NPN			RIGHT DECK LEVEL LOWER SENSOR	PS48

FIGURE & KEY NO.	PART NUMBER	RANK	QTY	DESCRIPTION	SERIAL NUMBER / REMARKS
B - J 572	VS1-6321-003		1	CONNECTOR, 3P, FEMALE	
J 573	NPN			LEFT DECK LEVEL UPPER SENSOR	PS49
	VS1-6321-003		1	CONNECTOR, 3P, FEMALE	
J 574	NPN			LEFT DECK LEVEL LOWER SENSOR	PS50
	VS1-6321-003		1	CONNECTOR, 3P, FEMALE	
J 577	NPN			CASSETTE 4 PAPER LENGTH DETECT	100V SV2
	VS1-6321-004		1	CONNECTOR, 4P, FEMALE	
	VS1-5057-004		1	CONNECTOR, SNAP TIGHT	100V
J 601	NPN			DRUM MOTOR	M1
	VS3-5083-002		1	CONNECTOR, 2P, FEMALE	
J 602	NPN			DRUM MOTOR	M1
	VS1-6321-004		1	CONNECTOR, 4P, FEMALE	
J 611	NPN			FIXING MOTOR	M19
	VS3-5083-002		1	CONNECTOR, 2P, FEMALE	
J 612	NPN			FIXING MOTOR	M19
	VS1-6321-004		1	CONNECTOR, 4P, FEMALE	
J 631	NPN			MAIN MOTOR	M2
	VS3-5083-002		1	CONNECTOR, 2P, FEMALE	
J 632	NPN			MAIN MOTOR	M2
	VS1-6321-004		1	CONNECTOR, 4P, FEMALE	
J 701	VS1-6321-003		2	CONNECTOR, 3P, FEMALE	
	VS1-5057-003		1	CONNECTOR, SNAP TIGHT	
J 702	-----			3.5K PAPER DECK	ACCESSORY
	FH2-6480-000		1	CONNECTOR, MALE	
	VS1-5452-008		1	CONNECTOR, 8P, FEMALE	
J 703	-----			FINISHER	ACCESSORY
	WS3-5596-000		3	PIN CONTACT, 18-24AWG	

FIGURE & KEY NO.	PART NUMBER	RANK	QTY	DESCRIPTION	SERIAL NUMBER / REMARKS	
B - J 703	FH2-6480-000		1	CONNECTOR, MALE		
	VS1-5452-007		1	CONNECTOR, 7P, FEMALE		
	WS3-5596-000		13	PIN CONTACT, 18-24AWG		
	J 704	VS1-5824-002		1	CONNECTOR, 2P, FEMALE	
		VS1-6321-002		1	CONNECTOR, 2P, FEMALE	
J 707	VS1-5057-002		1	CONNECTOR, SNAP TIGHT		
	VS4-0001-004		1	CONNECTOR, 4P, MALE		
	VS4-0002-004		1	CONNECTOR, 4P, FEMALE		
	WS4-0220-000		4	PIN CONTACT, 22-26AWG		
	WS4-0218-000		4	SOCKET CONTACT, 22-26AWG		
J 712	NPN			WASTE TONER SCREW DETECTION	MSW1	
	VS1-6314-002		1	CONNECTOR, 2P, FEMALE		
J 713	VS1-6318-002		1	CONNECTOR, SNAP TIGHT		
	NPN			CONTROLLER COOLING FAN	FM4	
	VS1-6321-003		1	CONNECTOR, 3P, FEMALE		
J 714	VS1-5057-003		1	CONNECTOR, SNAP TIGHT		
	VS1-6535-002		1	CONNECTOR, 2P, MALE		
	VS1-6534-002		1	CONNECTOR, 2P, FEMALE		
	WS3-5659-000		2	PIN CONTACT		
	WS3-5358-000		2	SOCKET CONTACT, 22-26AWG		
J 715	NPN			DEVELOPING CLUTCH	CL1	
	VS1-6321-002		1	CONNECTOR, 2P, FEMALE		
J 717	VS1-5057-002		1	CONNECTOR, SNAP TIGHT		
	NPN			LEFT DECK PULL-OFF CLUTCH	CL4	
	VS1-6321-002		1	CONNECTOR, 2P, FEMALE		
J 718	VS1-5057-002		1	CONNECTOR, SNAP TIGHT		
	NPN			HEATER DISCHARGE FAN	FM3	
J 719	VS1-6321-003		1	CONNECTOR, 3P, FEMALE		
	VS1-6321-007		2	CONNECTOR, 7P, FEMALE		
	VS1-5057-007		1	CONNECTOR, SNAP TIGHT		

FIGURE & KEY NO.	PART NUMBER	RANK	QTY	DESCRIPTION	SERIAL NUMBER / REMARKS
B - J 725	NPN			MANUAL FEED PICK-UP CLUTCH	CL3
	VS1-6321-002		1	CONNECTOR, 2P, FEMALE	
	VS1-5057-002		1	CONNECTOR, SNAP TIGHT	
J 726	VS1-6321-008		2	CONNECTOR, 8P, FEMALE	
	VS1-5057-008		1	CONNECTOR, SNAP TIGHT	
J 727	NPN			MP TRAY PAPER WIDTH DETECTION	SVR1
	VS1-6321-003		1	CONNECTOR, 3P, FEMALE	
	VS1-5057-003		1	CONNECTOR, SNAP TIGHT	
J 728	NPN			MANUAL FEED PAPER SENSOR	PS23
	VS1-6321-003		1	CONNECTOR, 3P, FEMALE	
J 729	NPN			MANUAL FEED RELEASING SOLENOID	SL2
	VS1-6321-002		1	CONNECTOR, 2P, FEMALE	
	VS1-5057-002		1	CONNECTOR, SNAP TIGHT	
J 753	-----			SHIFT TRAY	ACCESSORY
	VS1-6314-010		1	CONNECTOR, 10P, FEMALE	
J 754	VS1-6318-010		1	CONNECTOR, SNAP TIGHT	
	-----			SHIFT TRAY	ACCESSORY
	VS1-6535-004		1	CONNECTOR, 4P, MALE	
	WS3-5659-000		4	PIN CONTACT	
J 801	VS1-6313-015		2	CONNECTOR, 15P, FEMALE	
	VS1-6314-015		2	CONNECTOR, 15P, FEMALE	
	VT2-5161-030		2	HOLDER, CONNECTOR, 30P	
J 802	VS1-6319-030		1	CONNECTOR, SNAP TIGHT	
	VS1-6321-003		2	CONNECTOR, 3P, FEMALE	
	VS1-5057-003		1	CONNECTOR, SNAP TIGHT	
J 803	VS1-6321-003		2	CONNECTOR, 3P, FEMALE	
	VS1-5057-003		1	CONNECTOR, SNAP TIGHT	
J 804	NPN			CASSETTE 3 LIFTER MOTOR	M20
	VS1-6321-002		1	CONNECTOR, 2P, FEMALE	
	VS1-5057-002		1	CONNECTOR, SNAP TIGHT	

FIGURE & KEY NO.	PART NUMBER	RANK	QTY	DESCRIPTION	SERIAL NUMBER / REMARKS
B - J 805	NPN			CASSETTE 4 LIFTER MOTOR	M21
	VS1-6321-002		1	CONNECTOR, 2P, FEMALE	
	VS1-5057-002		1	CONNECTOR, SNAP TIGHT	
J 806	NPN			CASSETTE 3 PAPER LEVEL DETECT	SVR2
	VS1-0842-003		1	CONNECTOR, 3P, FEMALE	
J 807	VS1-6320-003		2	CONNECTOR, 3P, FEMALE	
	VS1-5057-003		1	CONNECTOR, SNAP TIGHT	
J 809	VS1-6321-004		1	CONNECTOR, 4P, FEMALE	
	VS1-0842-004		1	CONNECTOR, 4P, FEMALE	
	VS1-5057-004		1	CONNECTOR, SNAP TIGHT	
J 810	NPN			CASSETTE 4 PAPER LEVEL DETECT	SVR3
	VS1-0842-003		1	CONNECTOR, 3P, FEMALE	
J 881	PCB			HVT	
	VS3-5083-002		1	CONNECTOR, 2P, FEMALE	
	WS3-5160-000		2	SOCKET CONTACT, 18-24AWG	
J 902	PCB			RUSH CURRENT	
	VS3-5083-004		1	CONNECTOR, 4P, FEMALE	
	WS3-5160-000		4	SOCKET CONTACT, 18-24AWG	
J 903	PCB			RUSH CURRENT	
	VS3-5083-009		1	CONNECTOR, 9P, FEMALE	
J 955	WS3-5160-000		9	SOCKET CONTACT, 18-24AWG	
	PCB			CONTROL PANEL INVERTER	
	NPN			LCD	
J1011	PCB			CONTROLLER	
	PCB		1	ETHERNET	ACCESSORY
J1012	PCB			CONTROLLER	
	VS1-6313-015		1	CONNECTOR, 15P, FEMALE	
	VS1-6314-015		1	CONNECTOR, 15P, FEMALE	
	VT2-5161-030		1	HOLDER, CONNECTOR, 30P	
J1014	PCB			CONTROLLER	

FIGURE & KEY NO.	PART NUMBER	R A N K	Q T Y	DESCRIPTION	SERIAL NUMBER / REMARKS
B - J1014	VS1-6407-080		1	CONNECTOR, 80P, FEMALE	
J1015	PCB			CONTROLLER	
	VS1-6407-080		1	CONNECTOR, 80P, FEMALE	
J1017	PCB			CONTROLLER	
	VS1-6619-040		1	CONNECTOR, 40P, FEMALE	
J1018	PCB			CONTROLLER	
	VS1-6313-018		1	CONNECTOR, 18P, FEMALE	
	VS1-6314-018		1	CONNECTOR, 18P, FEMALE	
	VT2-5161-036		1	HOLDER, CONNECTOR, 36P	
J1020	PCB			CONTROLLER	
	VS1-6302-015		1	CONNECTOR, 15P, MALE	
	WS3-5680-000		15	SOCKET CONTACT, 20-24AWG	
J1021	PCB			CONTROLLER	
	VS1-6314-003		1	CONNECTOR, 3P, FEMALE	
J1022	PCB			CONTROLLER	
J1023	PCB			CONTROLLER	
	VS1-6314-007		1	CONNECTOR, 7P, FEMALE	
	VS1-6314-011		1	CONNECTOR, 11P, FEMALE	
J1024	PCB			CONTROLLER	
	VS1-6314-012		1	CONNECTOR, 12P, FEMALE	
J1026	PCB			CONTROLLER	
	VS1-6302-004		1	CONNECTOR, 4P, MALE	
	WS3-5680-000		4	SOCKET CONTACT, 20-24AWG	
J1060	PCB			CONTROLLER	
	VS1-6321-004		1	CONNECTOR, 4P, FEMALE	
J1401	VS4-0001-006		1	CONNECTOR, 6P, MALE	
	VS4-0002-006		1	CONNECTOR, 6P, FEMALE	
	WS4-0219-000		6	PIN CONTACT, 18-22AWG	
	WS4-0217-000		6	SOCKET CONTACT, 22-18AWG	
J1402	VS3-5083-004		1	CONNECTOR, 4P, FEMALE	

FIGURE & KEY NO.	PART NUMBER	RANK	QTY	DESCRIPTION	SERIAL NUMBER / REMARKS	
B - J1402	X65-5854-000		1	CONNECTOR, 4P, FEMALE		
	WS3-5160-000		4	SOCKET CONTACT, 18-24AWG		
	X62-5133-000		4	SOCKET, MATE-N-LOCK		
	J1403	VS1-5729-004		1	CONNECTOR, 4P, MALE	
		VS3-5083-004		1	CONNECTOR, 4P, FEMALE	
J1404	WS3-5301-000		4	PIN CONTACT		
	WS3-5160-000		4	SOCKET CONTACT, 18-24AWG		
	VS1-5729-004		1	CONNECTOR, 4P, MALE		
	VS3-5083-004		1	CONNECTOR, 4P, FEMALE		
	WS3-5301-000		4	PIN CONTACT		
J1405	WS3-5160-000		4	SOCKET CONTACT, 18-24AWG		
	VS1-5729-002		1	CONNECTOR, 2P, MALE		
	VS3-5083-002		1	CONNECTOR, 2P, FEMALE		
	WS3-5301-000		2	PIN CONTACT		
	WS3-5160-000		2	SOCKET CONTACT, 18-24AWG		
J1413	PCB			RUSH CURRENT		
	VS1-6314-003		1	CONNECTOR, 3P, FEMALE		
J1414	VS1-5730-004		1	CONNECTOR, 4P, MALE		
	VS3-5083-004		1	CONNECTOR, 4P, FEMALE		
	WS3-5301-000		4	PIN CONTACT		
J1415	WS3-5160-000		4	SOCKET CONTACT, 18-24AWG		
	VS1-5730-009		1	CONNECTOR, 9P, MALE		
	VS3-5083-009		1	CONNECTOR, 9P, FEMALE		
	WS3-5301-000		9	PIN CONTACT		
J1504	WS3-5160-000		9	SOCKET CONTACT, 18-24AWG		
	VS1-5729-003		1	CONNECTOR, 3P, MALE		
	VS3-5083-003		1	CONNECTOR, 3P, FEMALE		
	WS3-5301-000		2	PIN CONTACT		
J1513	WS3-5160-000		2	SOCKET CONTACT, 18-24AWG		
	NPN			REVERSAL SENSOR 1	PS37	



FIGURE & KEY NO.	PART NUMBER	RANK	QTY	DESCRIPTION	SERIAL NUMBER / REMARKS
B - J1513	VS1-6321-003		1	CONNECTOR, 3P, FEMALE	
J1514	VS1-5057-004		1	CONNECTOR, SNAP TIGHT	TO J226
	VS1-6321-004		1	CONNECTOR, 4P, FEMALE	TO J226
J1515	VS1-6321-003		1	CONNECTOR, 3P, FEMALE	TO J225
J1516	NPN			REVERSAL SENSOR 2	PS38
J1518	VS1-6321-003		1	CONNECTOR, 3P, FEMALE	
	NPN			DUPLEXING HORIZONTAL SENSOR	PS31
	VS1-5824-003		1	CONNECTOR, 3P, FEMALE	
	WS3-5358-000		3	SOCKET CONTACT, 22-26AWG	
J1519	NPN			LASER WRITE START SENSOR	PS28
J1521	VS1-6320-003		1	CONNECTOR, 3P, FEMALE	
	NPN			VERTICAL PATH 2 PAPER SENSOR	PS25
J1523	VS1-6321-003		1	CONNECTOR, 3P, FEMALE	
	NPN			VERTICAL PATH 1 PAPER SENSOR	PS24
	VS1-6321-003		1	CONNECTOR, 3P, FEMALE	
J1530	-----			ASSIST	ACCESSORY
J1533	VS1-6321-008		1	CONNECTOR, 8P, FEMALE	
	VS1-0279-004		1	CONNECTOR, 4P, FEMALE	
	VS1-0280-004		1	CONNECTOR, 4P, FEMALE	
	WS3-5016-000		4	PIN CONTACT, 30-26AWG	
J1534	WS3-0469-000		2	SOCKET CONTACT, 26-30AWG	
	-----			COIN ROBOT	ACCESSORY
	VS1-6321-004		1	CONNECTOR, 4P, FEMALE	
	VS1-5057-004		1	CONNECTOR, SNAP TIGHT	
J1536	-----			CC-X CARD READER	ACCESSORY
J1541	VS1-6321-009		1	CONNECTOR, 9P, FEMALE	
	VS1-6314-005		2	CONNECTOR, 5P, FEMALE	
	VS1-6318-005		1	CONNECTOR, SNAP TIGHT	
J1542	NPN			HDD FAN	FM7
	VS1-6321-003		1	CONNECTOR, 3P, FEMALE	

FIGURE & KEY NO.	PART NUMBER	RANK	QTY	DESCRIPTION	SERIAL NUMBER / REMARKS
B - J1542	VS1-5057-003		1	CONNECTOR, SNAP TIGHT	
J1543	VS1-6314-003		2	CONNECTOR, 3P, FEMALE	
	VS1-6318-003		1	CONNECTOR, SNAP TIGHT	
J1551	NPN			HARD DISK	
	VS1-6619-040		1	CONNECTOR, 40P, FEMALE	
J1552	NPN			HARD DISK	
	X65-5854-000		1	CONNECTOR, 4P, FEMALE	
	X62-5133-000		4	SOCKET, MATE-N-LOCK	
J2002	PCB			DRUM HEATER CONTROL	
	NPN			DRUM HEATER	H3
J2051	PCB			AC DRIVER	
	VS1-0511-003		1	CONNECTOR, 3P, MALE	
	WS4-0073-000		3	SOCKET CONTACT, 14-20AWG	
J2052	PCB			AC DRIVER	
	VS1-6321-008		1	CONNECTOR, 8P, FEMALE	
J2053	PCB			AC DRIVER	
	VS3-5083-004		1	CONNECTOR, 4P, FEMALE	
	WS4-5160-000		4	PIN CONTACT, 18-22AWG	
J2101	PCB			MOTOR DRIVER	
	VS1-6313-020		1	CONNECTOR, 20P, FEMALE	
	VS1-6314-020		1	CONNECTOR, 20P, FEMALE	
	VT2-5161-040		1	HOLDER, CONNECTOR, 40P	
J2102	PCB			MOTOR DRIVER	
	VS1-6314-018		1	CONNECTOR, 18P, FEMALE	
J2103	PCB			MOTOR DRIVER	
J2104	VS1-6321-007		1	CONNECTOR, 7P, FEMALE	
	PCB			MOTOR DRIVER	
	NPN			CASSETTE 3/4 PICK-UP MOTOR	M12
J2105	PCB			MOTOR DRIVER	
	VS1-6314-006		1	CONNECTOR, 6P, FEMALE	

FIGURE & KEY NO.	PART NUMBER	RANK	QTY	DESCRIPTION	SERIAL NUMBER / REMARKS
B - J2106	PCB			MOTOR DRIVER	
	VS1-6314-004		1	CONNECTOR, 4P, FEMALE	
J2107	PCB			MOTOR DRIVER	
	VS1-6314-007		1	CONNECTOR, 7P, FEMALE	
J2108	PCB			MOTOR DRIVER	
	VS1-6314-013		1	CONNECTOR, 13P, FEMALE	
J2109	PCB			MOTOR DRIVER	
	VS3-5083-004		1	CONNECTOR, 4P, FEMALE	
	WS3-5160-000		4	SOCKET CONTACT, 18-24AWG	
J2110	PCB			MOTOR DRIVER	
J2112	NPN			VERTICAL PATH LOWER MOTOR	M27
	PCB			MOTOR DRIVER	
	VS1-0279-006		1	CONNECTOR, 6P, FEMALE	
	WS3-0437-000		6	SOCKET CONTACT, 20-30AWG	
J2301	PCB			DUPLEXING DRIVER	
	VS1-0279-004		1	CONNECTOR, 4P, FEMALE	
	WS3-0437-000		4	SOCKET CONTACT, 20-30AWG	
J2302	PCB			DUPLEXING DRIVER	
	VS1-6313-016		1	CONNECTOR, 16P, FEMALE	
	VS1-6314-016		1	CONNECTOR, 16P, FEMALE	
J2303	VT2-5161-032		1	HOLDER, CONNECTOR, 32P	
	PCB			DUPLEXING DRIVER	
	VS1-6321-003		1	CONNECTOR, 3P, FEMALE	
J2305	PCB			DUPLEXING DRIVER	
	VS1-6314-015		1	CONNECTOR, 15P, FEMALE	
J2306	PCB			DUPLEXING DRIVER	
	VS1-6313-012		1	CONNECTOR, 12P, FEMALE	
	VS1-6314-012		1	CONNECTOR, 12P, FEMALE	
	VT2-5161-024		1	HOLDER, CONNECTOR, 24P	
J2307	PCB			DUPLEXING DRIVER	

FIGURE & KEY NO.	PART NUMBER	RANK	QTY	DESCRIPTION	SERIAL NUMBER / REMARKS
B - J2307	VS1-6321-006		1	CONNECTOR, 6P, FEMALE	
J2501	PCB			LASER DRIVER	
	VS1-6314-020		1	CONNECTOR, 20P, FEMALE	
J2502	PCB			LASER DRIVER	
	VS1-6321-003		1	CONNECTOR, 3P, FEMALE	
J2701	PCB			BD DETECTION	
	VS1-6314-004		1	CONNECTOR, 4P, FEMALE	
J3501	PCB			ACCESSORIES POWER SUPPLY	
	VS3-5083-003		1	CONNECTOR, 3P, FEMALE	
	WS3-5160-000		2	SOCKET CONTACT, 18-24AWG	
J3502	PCB			ACC DC SUPPLY	
	VS1-6321-002		1	CONNECTOR, 2P, FEMALE	
J3504	PCB			ACC DC SUPPLY	
	VS3-5083-004		1	CONNECTOR, 4P, FEMALE	
	WS3-5160-000		4	SOCKET CONTACT, 18-24AWG	
J4002	PCB			DC POWER SUPPLY	
	VS1-6321-003		1	CONNECTOR, 3P, FEMALE	
J4003	PCB			DC POWER SUPPLY	
	VS3-5083-008		1	CONNECTOR, 8P, FEMALE	
	WS3-5160-000		8	SOCKET CONTACT, 18-24AWG	
J4004	PCB			DC POWER SUPPLY	
	VS3-5083-004		1	CONNECTOR, 4P, FEMALE	
	WS3-5160-000		4	SOCKET CONTACT, 18-24AWG	
J4005	PCB			DC POWER SUPPLY	
	VS3-5083-002		1	CONNECTOR, 2P, FEMALE	
J4006	PCB			DC POWER SUPPLY	
	WS3-5160-000		2	SOCKET CONTACT, 18-24AWG	
	VS3-5083-003		1	CONNECTOR, 3P, FEMALE	
	WS3-5160-000		2	SOCKET CONTACT, 18-24AWG	
J4007	PCB			DC POWER SUPPLY	

FIGURE & KEY NO.	PART NUMBER	RANK	QTY	DESCRIPTION	SERIAL NUMBER / REMARKS
B - J4007	VS3-5083-005		1	CONNECTOR, 5P, FEMALE	
	WS3-5160-000		4	SOCKET CONTACT, 18-24AWG	
	J4008 PCB			DC POWER SUPPLY	
	VS1-0279-004		1	CONNECTOR, 4P, FEMALE	
	WS3-0437-000		4	SOCKET CONTACT, 20-30AWG	
J4009	PCB			DC POWER SUPPLY	
	VS3-5083-004		1	CONNECTOR, 4P, FEMALE	
	WS3-5160-000		4	SOCKET CONTACT, 18-24AWG	
J4010	PCB			DC POWER SUPPLY	
	VS1-6321-002		1	CONNECTOR, 2P, FEMALE	
J4011	PCB			DC POWER SUPPLY	
	VS1-6321-007		1	CONNECTOR, 7P, FEMALE	
J4013	PCB			DC POWER SUPPLY	
	VS1-6321-005		1	CONNECTOR, 5P, FEMALE	
J4014	PCB			DC POWER SUPPLY	
J4015	VS1-6302-011		1	CONNECTOR, 11P, MALE	
	WS3-5680-000		10	SOCKET CONTACT, 20-24AWG	
	PCB			DC POWER SUPPLY	
	VS1-6302-005		1	CONNECTOR, 5P, MALE	
	WS3-5680-000		5	SOCKET CONTACT, 20-24AWG	
J4016	PCB			DC POWER SUPPLY	
	VS1-6302-004		1	CONNECTOR, 4P, MALE	
	WS3-5680-000		4	SOCKET CONTACT, 20-24AWG	
J4017	PCB			DC POWER SUPPLY	
	VS1-6302-010		1	CONNECTOR, 10P, FEMALE	
J4502	WS3-5680-000		10	SOCKET CONTACT, 20-24AWG	
	PCB			HVT	
	VS1-6321-013		1	CONNECTOR, 13P, FEMALE	
J4503	PCB			HVT	
	VS1-0279-005		1	CONNECTOR, 5P, FEMALE	

FIGURE & KEY NO.	PART NUMBER	RANK	QTY	DESCRIPTION	SERIAL NUMBER / REMARKS
B - J4503	WS3-0437-000		5	SOCKET CONTACT, 20-30AWG	
J5001	PCB			READER CONTROLLER	
	VS1-6314-003		1	CONNECTOR, 3P, FEMALE	100V
J5002	PCB			READER CONTROLLER	
	VS3-5083-004		1	CONNECTOR, 4P, FEMALE	
J5003	WS3-5160-000		4	SOCKET CONTACT, 18-24AWG	
	PCB			READER CONTROLLER	
	FH2-6853-000		1	CABLE, FLAT	
J5004	PCB			READER CONTROLLER	
	VS1-6407-080		1	CONNECTOR, 80P, FEMALE	
J5005	PCB			READER CONTROLLER	
	VS3-5083-002		1	CONNECTOR, 2P, FEMALE	
	WS3-5160-000		2	SOCKET CONTACT, 18-24AWG	
J5006	PCB			READER CONTROLLER	
	VS1-6314-004		1	CONNECTOR, 4P, FEMALE	
J5007	PCB			READER CONTROLLER	
	VS1-6314-005		1	CONNECTOR, 5P, FEMALE	
J5010	PCB			READER CONTROLLER	
	VS1-5452-007		1	CONNECTOR, 7P, FEMALE	
J5011	PCB			READER CONTROLLER	
J5012	NPN			SCANNER MOTOR	M3
	PCB			READER CONTROLLER	
	VS1-6314-006		1	CONNECTOR, 6P, FEMALE	
J5052	VS1-6321-003		2	CONNECTOR, 3P, FEMALE	
	VS1-5057-003		1	CONNECTOR, SNAP TIGHT	
J5053	NPN			DOCUMENT SENSOR	PS43
	VS1-6321-003		1	CONNECTOR, 3P, FEMALE	
J5056	NPN			COPYBOARD COVER SENSOR	PS40
	VS1-6321-003		1	CONNECTOR, 3P, FEMALE	
J5057	NPN			SCANNER HOME POSITION SENSOR	PS39

FIGURE & KEY NO.	PART NUMBER	RANK	QTY	DESCRIPTION	SERIAL NUMBER / REMARKS
B - J5057	VS1-6320-003		1	CONNECTOR, 3P, FEMALE	
J5062	VS1-6314-005		2	CONNECTOR, 5P, FEMALE	
	VS1-6318-005		1	CONNECTOR, SNAP TIGHT	
J5100	PCB			FUSE	
	NPN			MIRROR HEATER	H6
J5101	PCB			INVERTER	
	VS1-6313-005		1	CONNECTOR, 5P, FEMALE	
J5102	PCB			INVERTER	
	NPN			SCANNING LAMP	LA2
J5105	-----			ADF	
J5112	FH2-6480-000		1	CONNECTOR, MALE	
	VS1-5452-007		1	CONNECTOR, 7P, FEMALE	
	WS3-5596-000		3	PIN CONTACT, 18-24AWG	
	VS1-5729-004		1	CONNECTOR, 4P, MALE	
	VS3-5083-004		1	CONNECTOR, 4P, FEMALE	
J5500	WS3-5301-000		4	PIN CONTACT	
	WS3-5160-000		4	SOCKET CONTACT, 18-24AWG	
	NPN			CASSETTE 3 PAPER WIDTH DETECT	SVR4
	VS1-6321-003		1	CONNECTOR, 3P, FEMALE	
J5570	NPN			VOLTAGE SENSOR	VS1
J5601	VS3-5203-005		1	CONNECTOR, MALE	
	WS3-5365-000		5	PIN CONTACT 28-32AWG	
	PCB			FUSE	
	VS1-6314-003		1	CONNECTOR, 3P, FEMALE	100/220/240V
J5602	PCB			FUSE	
J5700	VS3-5083-003		1	CONNECTOR, 3P, FEMALE	100/220/240V
	WS3-5160-000		3	SOCKET CONTACT, 18-24AWG	100/220/240V
	VS1-6321-006		2	CONNECTOR, 6P, FEMALE	
	VS1-5057-006		1	CONNECTOR, SNAP TIGHT	
J5701	VS1-6321-006		2	CONNECTOR, 6P, FEMALE	

FIGURE & KEY NO.	PART NUMBER	RANK	QTY	DESCRIPTION	SERIAL NUMBER / REMARKS
B - J5701	VS1-5057-006		1	CONNECTOR, SNAP TIGHT	
J5770	NPN			CASSETTE 3 PAPER LENGTH DETEC	SV2
	VS1-6321-004		1	CONNECTOR, 4P, FEMALE	
	VS1-5057-004		1	CONNECTOR, SNAP TIGHT	
J6001	PCB			CCD/AP	
	VS3-5083-004		1	CONNECTOR, 4P, FEMALE	
	WS3-5160-000		4	SOCKET CONTACT, 18-24AWG	
J6002	PCB			CCD/AP	
	FH2-6853-000		1	CABLE, FLAT	
J6310	VS1-5730-002		1	CONNECTOR, 2P, MALE	
	VS3-5083-002		1	CONNECTOR, 2P, FEMALE	
	WS3-5301-000		2	PIN CONTACT	
	WS3-5160-000		2	SOCKET CONTACT, 18-24AWG	
J6320	VS1-6321-004		2	CONNECTOR, 4P, FEMALE	
	VS1-5057-004		1	CONNECTOR, SNAP TIGHT	
J6501	PCB			CONTROL PANEL CPU	
	VS1-6314-008		1	CONNECTOR, 8P, FEMALE	
J6502	PCB			CONTROL PANEL KEY	
	VS1-6314-009		1	CONNECTOR, 9P, FEMALE	
J6503	PCB			CONTROL PANEL CPU	
J6504	NPN			LCD	
	PCB			CONTROL PANEL CPU	
	VS1-6314-010		1	CONNECTOR, 10P, FEMALE	
J6505	PCB			CONTROL PANEL CPU	
	VS1-6313-015		1	CONNECTOR, 15P, FEMALE	
	VS1-6314-015		1	CONNECTOR, 15P, FEMALE	
	VT2-5161-030		1	HOLDER, CONNECTOR, 30P	
J6506	PCB			CONTROL PANEL CPU	
	VS1-0842-003		1	CONNECTOR, 3P, FEMALE	
J6507	PCB			CONTROL PANEL CPU	



FIGURE & KEY NO.	PART NUMBER	RANK	QTY	DESCRIPTION	SERIAL NUMBER / REMARKS
B - J6507	NPN			LCD	
J6508	PCB			CONTROL PANEL CPU	
	VS1-6314-006		1	CONNECTOR, 6P, FEMALE	
J6509	PCB			CONTROL PANEL CPU	
	VS1-6314-011		1	CONNECTOR, 11P, FEMALE	
J6601	PCB			CONTROL PANEL KEY	
	VS1-6314-011		1	CONNECTOR, 11P, FEMALE	
J6602	PCB			CONTROL PANEL KEY	
	VS1-6314-010		1	CONNECTOR, 10P, FEMALE	
J6603	PCB			CONTROL PANEL KEY	
J6604	PCB			CONTROL PANEL CPU	
	VS1-6314-008		1	CONNECTOR, 8P, FEMALE	
	VS1-6314-009		1	CONNECTOR, 9P, FEMALE	
J6605	PCB			CONTROL PANEL KEY	
	VS1-6314-006		1	CONNECTOR, 6P, FEMALE	
J6801	PCB			CONTROL PANEL CPU	
	VS1-6314-018		1	CONNECTOR, 18P, FEMALE	
	VS1-6313-018		1	CONNECTOR, 18P, FEMALE	
	VT2-5161-036		1	HOLDER, CONNECTOR, 36P	
J7371	NPN			HVT	L1
J8400	VS1-0279-005		1	CONNECTOR, 5P, FEMALE	
	WS3-0437-000		5	SOCKET CONTACT, 20-30AWG	
	VS1-5729-005		1	CONNECTOR, 5P, MALE	
	VS3-5083-005		1	CONNECTOR, 5P, FEMALE	
	WS3-5301-000		4	PIN CONTACT	
J8492	VS3-5160-000		4	SOCKET CONTACT, 18-24AWG	
	NPN			TEMPERATURE/HUMIDITY SENSOR	HU1
	VS1-6321-005		1	CONNECTOR, 5P, FEMALE	
J8503	VS1-6321-002		2	CONNECTOR, 2P, FEMALE	
	VS1-5057-002		1	CONNECTOR, SNAP TIGHT	

FIGURE & KEY NO.	PART NUMBER	RANK	QTY	DESCRIPTION	SERIAL NUMBER / REMARKS
B - J8508	NPN			RIGHT DOOR OPEN/CLOSE SENSOR	PS2
	VS1-0842-003		1	CONNECTOR, 3P, FEMALE	
J9000	VS1-6314-011		2	CONNECTOR, 11P, FEMALE	
	VS1-6318-011		1	CONNECTOR, SNAP TIGHT	
J9001	PCB			CONTROLLER	
	PCB			RAISER	ACCESSORY
J9002	PCB			RAISER	ACCESSORY
	PCB			RIP1	ACCESSORY
J9003	VS1-6321-003		2	CONNECTOR, 3P, FEMALE	
	VS1-5057-003		1	CONNECTOR, SNAP TIGHT	
J9004	PCB			RAISER	ACCESSORY
	PCB			LIPS	ACCESSORY
	VS1-6321-003		2	CONNECTOR, 3P, FEMALE	
	VS1-5057-003		1	CONNECTOR, SNAP TIGHT	
J9005	PCB			RAISER	
	VS1-6302-010		1	CONNECTOR, 10P, FEMALE	
	WS3-5680-000		10	SOCKET CONTACT, 20-24AWG	
J9006	VS1-6321-003		2	CONNECTOR, 3P, FEMALE	
	VS1-5057-003		1	CONNECTOR, SNAP TIGHT	
J9007	VS4-0001-002		1	CONNECTOR, 2P, MALE	100/220/240V
	VS4-0002-002		1	CONNECTOR, 2P, FEMALE	100/220/240V
	WS4-0219-000		2	PIN CONTACT, 18-22AWG	100/220/240V
	WS4-0217-000		2	SOCKET CONTACT, 22-18AWG	100/220/240V
J9008	VS1-6321-003		2	CONNECTOR, 3P, FEMALE	
	VS1-5057-003		1	CONNECTOR, SNAP TIGHT	
J9009	VS1-5729-002		1	CONNECTOR, 2P, MALE	
	VS3-5083-002		1	CONNECTOR, 2P, FEMALE	
	WS3-5301-000		2	PIN CONTACT	
	WS3-5160-000		2	SOCKET CONTACT, 18-24AWG	
J9010	VS1-6321-004		2	CONNECTOR, 4P, FEMALE	

FIGURE & KEY NO.	PART NUMBER	RANK	QTY	DESCRIPTION	SERIAL NUMBER / REMARKS
B - J90 10	VS1-5057-004		1	CONNECTOR, SNAP TIGHT	
J90 11	-----			ASSIST	ACCESSORY
	VS1-6321-009		1	CONNECTOR, 9P, FEMALE	
J90 12	VS1-6321-006		2	CONNECTOR, 6P, FEMALE	
	VS1-5057-006		1	CONNECTOR, SNAP TIGHT	
J90 13	VS1-6321-002		2	CONNECTOR, 2P, FEMALE	
	VS1-5057-002		1	CONNECTOR, SNAP TIGHT	
J90 16	VS1-6321-004		1	CONNECTOR, 4P, FEMALE	
	VS1-5824-004		1	CONNECTOR, 4P, FEMALE	
	WS3-5358-000		4	SOCKET CONTACT, 22-26AWG	
	VS1-5057-004		1	CONNECTOR, SNAP TIGHT	

# SHIFT TRAY-B1

SHIFT TRAY-B1

{ F25-5201

XCS00001 - }

# CONTENTS

- SHIFT TRAY - B1 -

QA. ASSEMBLY LOCATION DIAGRAM

Q10. SHIFT TRAY ASSEMBLY

Q20. SHIFT DRIVE ASSEMBLY

QB. LIST OF CONNECTORS

D2. NUMERICAL INDEX  
(SHIFT TRAY - B1)

# FIGURE Q10 SHIFT TRAY ASSEMBLY

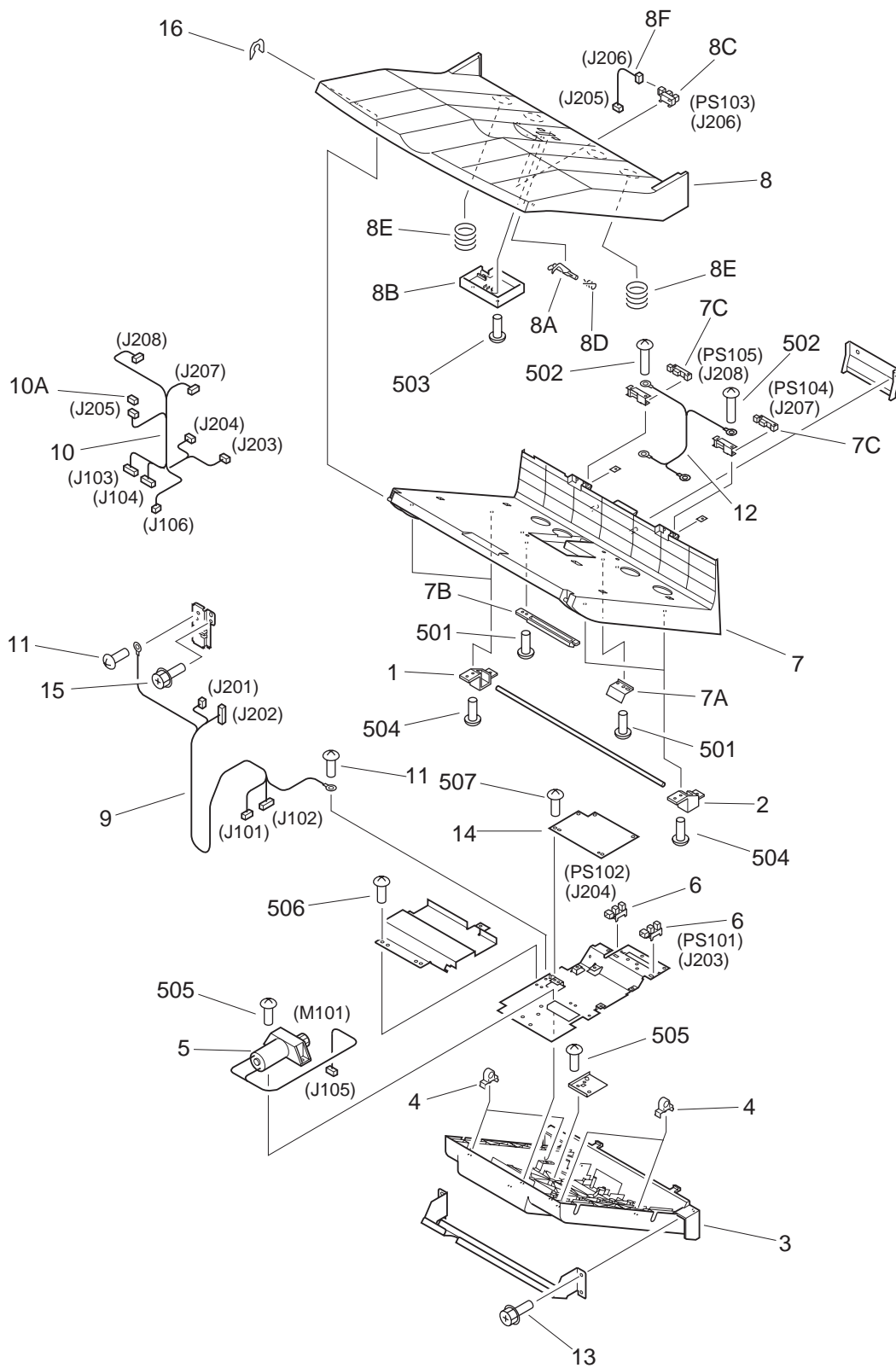
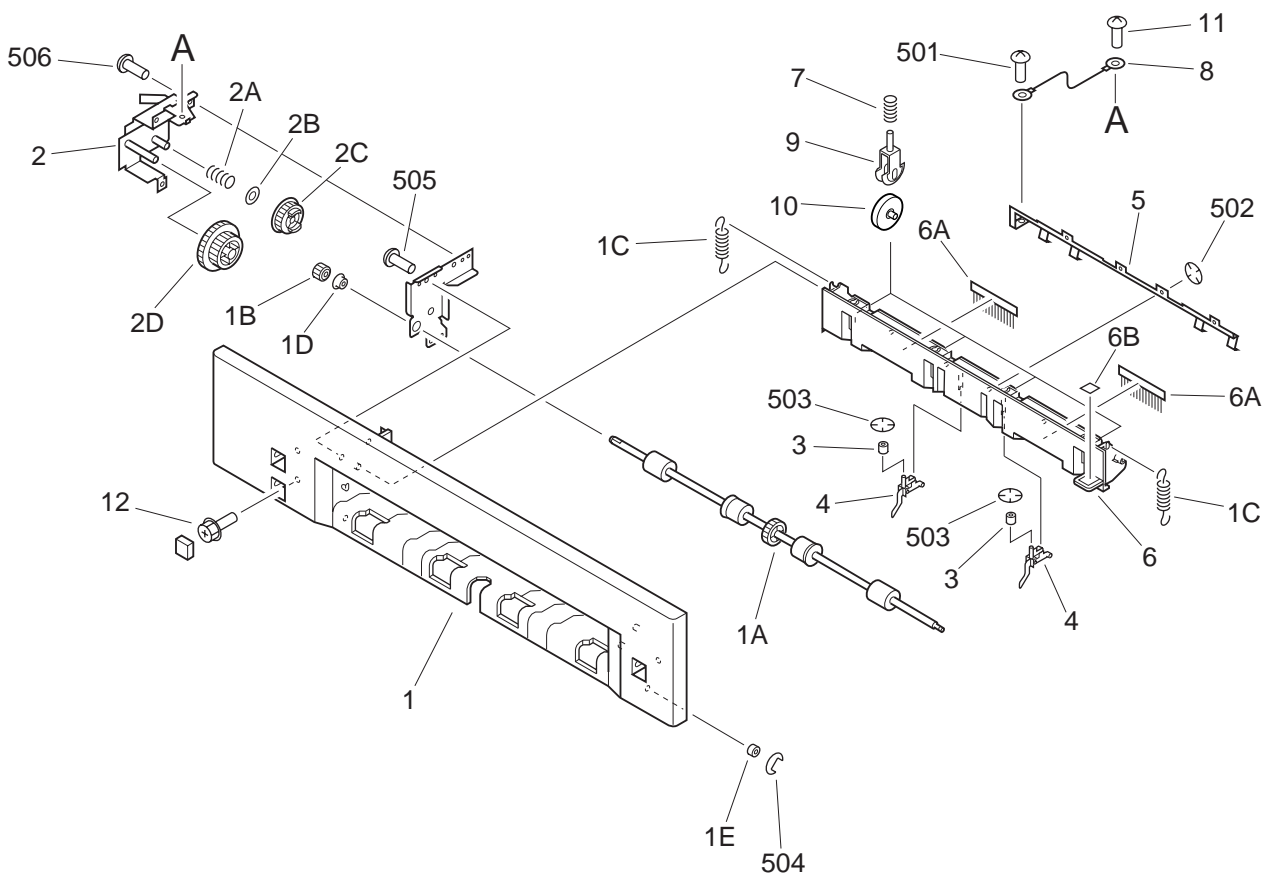


FIGURE & KEY NO.	PART NUMBER	R A N K	Q T Y	DESCRIPTION	SERIAL NUMBER / REMARKS
Q10 -	NPN		RF	SHIFT TRAY ASSEMBLY	
1	FB5-7569-000		2	BLOCK, SHAFT RETAINING	
2	FB5-7573-000		2	BLOCK, SHAFT RETAINING	
3	FB5-7564-000		1	COVER, LOWER	
4	FB5-7568-000		4	HOLDER, BUSHING	
5	FH6-1829-000		1	MOTOR, DC 24V	M101 J105
6	FH7-7462-000		2	PHOTO-INTERRUPTER	PS101,102 J203,204
7	FG6-6835-000		1	TRAY MOUNT ASSEMBLY	
7A	FB5-7579-000		1	PLATE, SENSOR	
7B	FS7-0906-000		1	RACK	
7C	WG8-5485-000		2	IC, GP2A25D, PHOTO-REFLECTOR	PS104,105 J207,208
8	FG6-6836-000		1	TRAY ASSEMBLY	
8A	FB3-7307-000		1	LEVER, SENSOR	
8B	FB5-7585-000		1	COVER, SENSOR	
8C	FH7-7462-000		1	PHOTO-INTERRUPTER	PS103 J206
8D	FS6-2556-000		1	SPRING, TORSION	
8E	FS7-2539-000		2	SPRING, COMPRESSION	
8F	FG6-6845-000		1	CABLE, PAPER SENSOR	J205,206
9	FG6-6842-000		1	CABLE, MAIN BODY ASSEMBLY	J101,102,201,202
10	FG6-6843-000		1	CABLE, SENSOR	J103,104,106,203-205 J207,208
10A	VS1-5057-004		1	CONNECTOR, SNAP TIGHT	J205
11	XA9-0265-000		3	SCREW,W/WASHER,TRUSS HEAD	
12	FG6-6844-000		1	CABLE, GROUNDING	
13	XA9-0871-000		3	SCREW,RS,M4X20	
14	FG6-6841-000		1	SHIFT TRAY DRIVER PCB ASSEMBLY	
15	XA9-0732-000		1	SCREW,RS,M4X8	
16	XD9-0204-000		1	RING, E	
501	XB4-5400-809		2	SCREW,P,M4X8	
502	XB1-2301-606		2	SCREW,MACH.,TRUSS HEAD,M3X16	
503	XB4-5400-809		1	SCREW,P,M4X8	

FIGURE & KEY NO.	PART NUMBER	R A N K	Q T Y	DESCRIPTION	SERIAL NUMBER / REMARKS
Q10 - 504	XB4-5400-809		4	SCREW,P,M4X8	
505	XB4-5400-809		6	SCREW,P,M4X8	
506	XB1-2400-609		3	SCREW,MACH.,TRUSS HEAD,M4X6	
507	XB1-2400-606		5	SCREW,MACH.,TRUSS HEAD,M4X6	



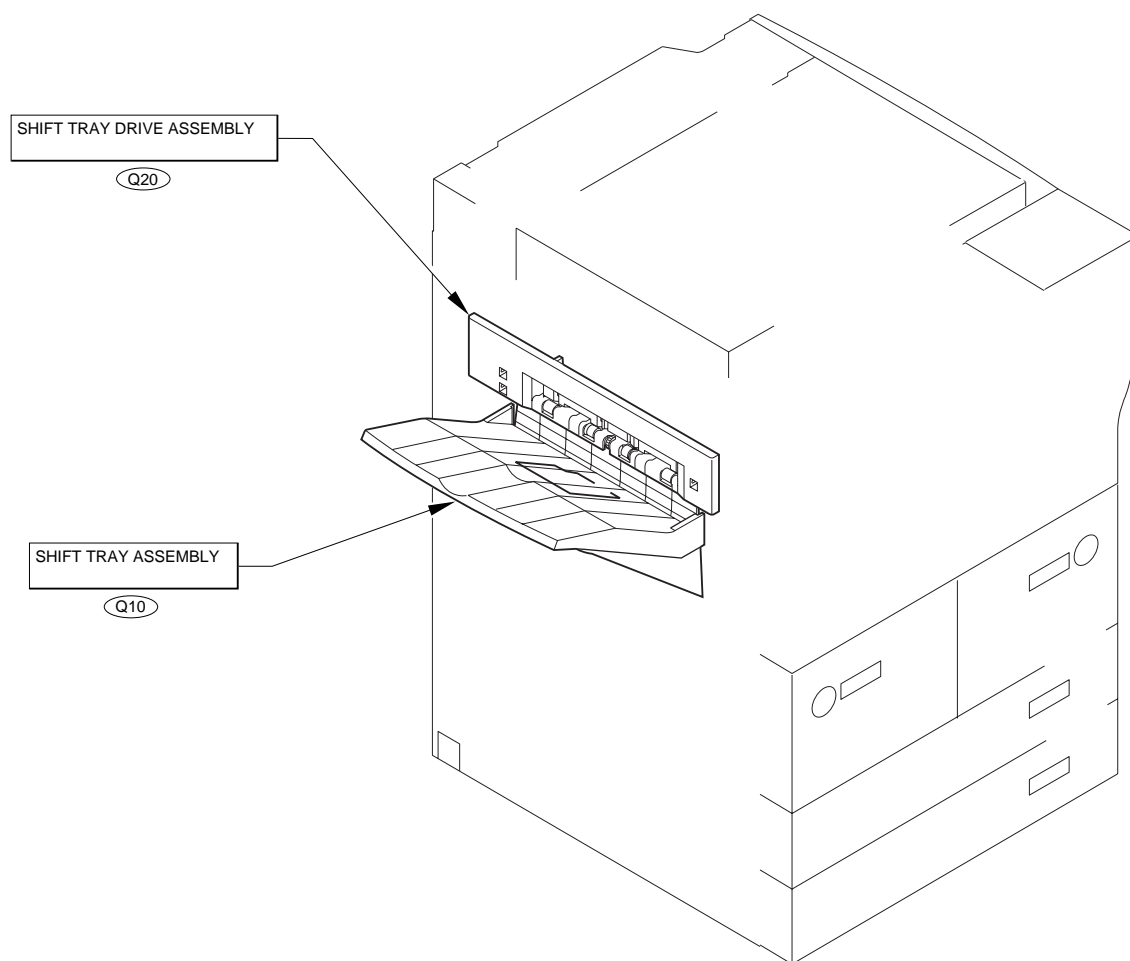
# FIGURE Q20 SHIFT DRIVE ASSEMBLY



NOTE : This assembly does not include the part shown with key No.12.

FIGURE & KEY NO.	PART NUMBER	R A N K	Q T Y	DESCRIPTION	SERIAL NUMBER / REMARKS
Q20 -	FG6-6838-000		1	SHIFT DRIVE ASSEMBLY	
1	FG6-6831-000		1	DELIVERY ASSEMBLY	
1A	FB5-7598-000		1	ROLLER, DELIVERY	
1B	FS7-0909-000		1	GEAR, 15T	
1C	FS7-2540-000		2	SPRING, TENSION	
1D	XG9-0334-000		1	BEARING, BALL	
1E	XG9-0414-000		1	BEARING, BALL	
2	FG6-6832-000		1	DELIVERY DRIVE ASSEMBLY	
2A	FS5-2933-000		1	SPRING, COMPRESSION	
2B	FS5-6878-000		1	WASHER	
2C	FS7-0907-000		1	GEAR, 24T	
2D	FS7-0908-000		1	GEAR, 42T/32T	
3	FB3-7258-000		2	WEIGHT, GUIDE END	
4	FB5-7596-000		2	ARM, LIMIT	
5	FB5-7597-000		1	PLATE, GROUNDING	
6	FF6-0825-000		1	GUIDE, DELIVERY UPPER	
6A	FB3-7279-000		2	ELIMINATOR, STATIC CHARGE,A	
6B	FB4-9030-000		1	LABEL, GUIDE	
7	FS6-2541-000		4	SPRING, COMPRESSION	
8	FG6-6846-000		1	CABLE, GROUNDING	
9	FB4-8153-000		4	HOLDER, ROLLER	
10	FS5-6531-000		4	ROLLER	
11	XA9-0265-000		1	SCREW,W/WASHER,TRUSS HEAD	
12	XA9-0732-000		3	SCREW,RS,M4X8	SEE NOTE
501	XB4-5400-806		1	SCREW,P,M4X8	
502	XD2-2300-242		4	RING, TOOTHED LOCK	
503	XD2-2300-302		2	RING,TOOTHED LOCK	
504	XD2-1100-322		2	RING,E	
505	XB4-5400-609		3	SCREW,P,M4X6	
506	XB1-2400-609		3	SCREW,MACH.,TRUSS HEAD,M4X6	

# FIGURE QA ASSEMBLY LOCATION DIAGRAM



# FIGURE QB LIST OF CONNECTORS

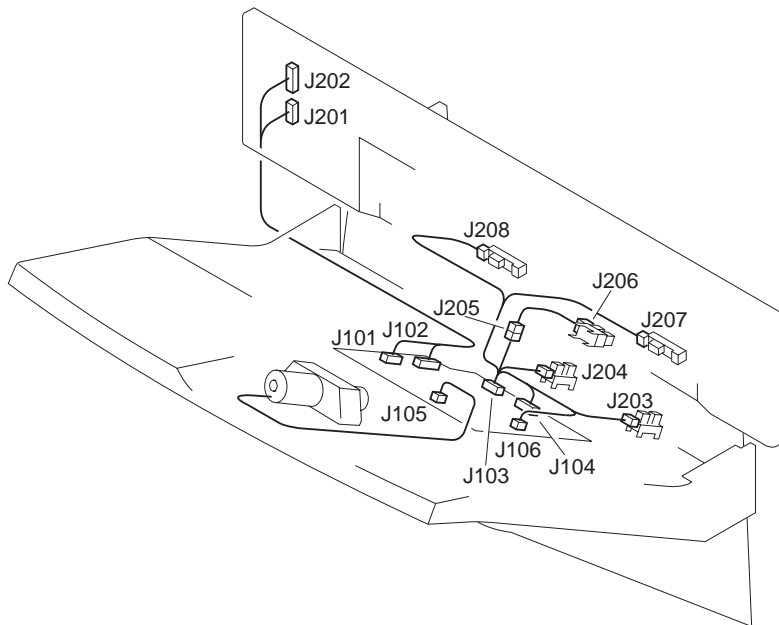


FIGURE & KEY NO.	PART NUMBER	RANK	QTY	DESCRIPTION	SERIAL NUMBER / REMARKS
Q B -	NPN		RF	LIST OF CONNECTORS	
J101	PCB			SHIFT TRAY DRIVER	
	VS1-6534-004		1	CONNECTOR, 4P, FEMALE	
	WS3-5658-000		4	SOCKET CONTACT	
J102	PCB			SHIFT TRAY DRIVER	
J103	PCB		1	CONNECTOR, 10P, FEMALE	
	VS1-6321-010			SHIFT TRAY DRIVER	
	VS1-0842-006		1	CONNECTOR, 6P, FEMALE	
J104	PCB			SHIFT TRAY DRIVER	
	VS1-0842-007		1	CONNECTOR, 7P, FEMALE	
J105	PCB			SHIFT TRAY DRIVER	
	NPN			SHIFT MOTOR	M101
J106	PCB			SHIFT TRAY DRIVER	
	VS1-0842-004		1	CONNECTOR, 4P, FEMALE	
J201	SYS			TO COPIER	
J202	SYS			TO COPIER	
	VS1-6534-004		1	CONNECTOR, 4P, FEMALE	
	WS3-5658-000		4	SOCKET CONTACT	
	VS1-6314-010		1	CONNECTOR, 10P, FEMALE	
J203	NPN			RIGHT SHIFT TRAY HP SENEOR	PS101
J204	NPN		1	CONNECTOR, 3P, FEMALE	PS102
	VS1-0842-003			LEFT SHIFT TRAY HP SENSOR	
	VS1-0842-003		1	CONNECTOR, 3P, FEMALE	
J205	VS1-0842-004		2	CONNECTOR, 4P, FEMALE	
	VS1-5057-004		1	CONNECTOR, SNAP TIGHT	
J206	NPN			PAPER EXIST DETECT SENSOR	PS103
	VS1-0842-003		1	CONNECTOR, 3P, FEMALE	
J207	NPN			CENTER FULL DETECT SENSOR	PS104
	VS1-0842-003		1	CONNECTOR, 3P, FEMALE	
J208	NPN			SIDE FULL DETECT SENSOR	PS105

FIGURE & KEY NO.	PART NUMBER	R A N K	Q T Y	DESCRIPTION	SERIAL NUMBER / REMARKS
Q B -J208	VS1-0842-003		1	CONNECTOR, 3P, FEMALE	

# Network LIPS Printer Kit - A1

[ F61-8521 ]

# CONTENTS

**-NETWORK LIPS PRINTER KIT - A1-**

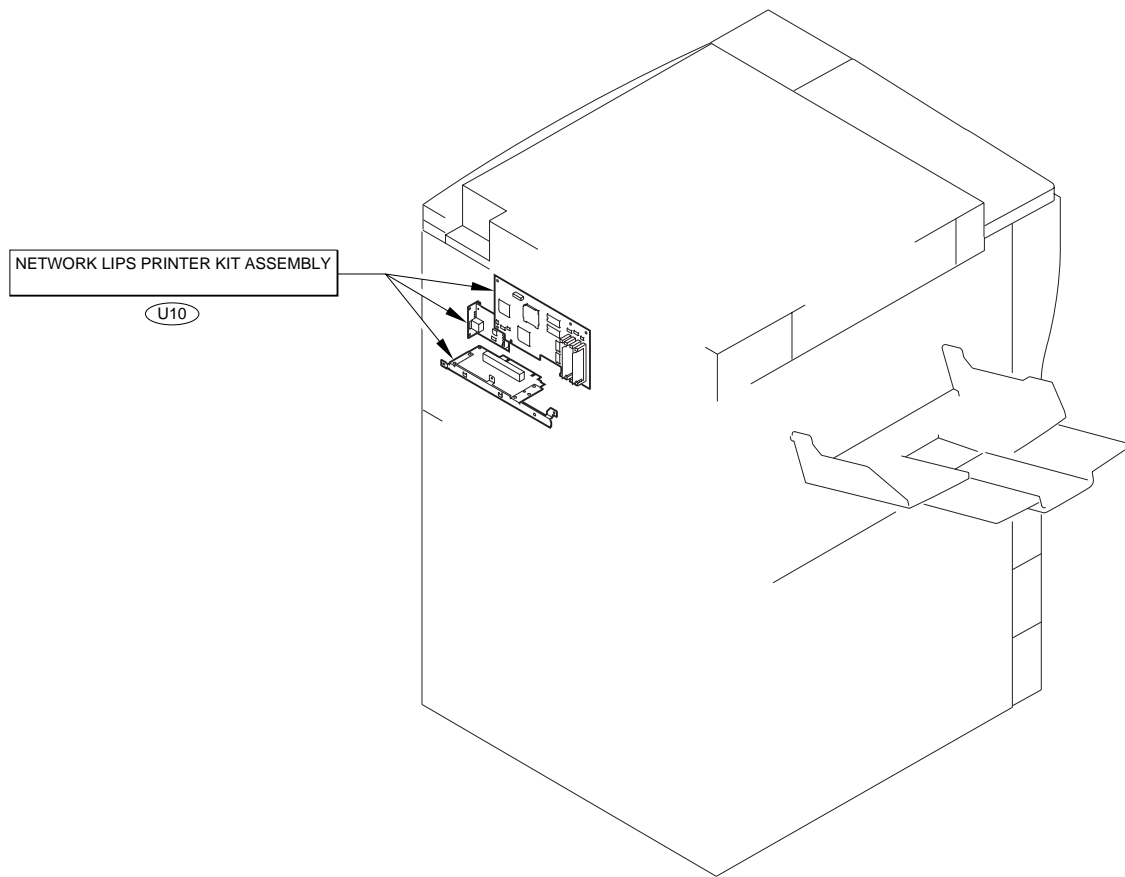
**UA. ASSEMBLY LOCATION DIAGRAM**

**U10. NETWORK LIPS PRINTER KIT ASSEMBLY**

**D4. NUMERICAL INDEX  
(NETWORK LIPS PRINTER KIT - A1)**



# FIGURE UA ASSEMBLY LOCATION DIAGRAM



# FIGURE U10 NETWORK LIPS PRINTER KIT ASSEMBLY

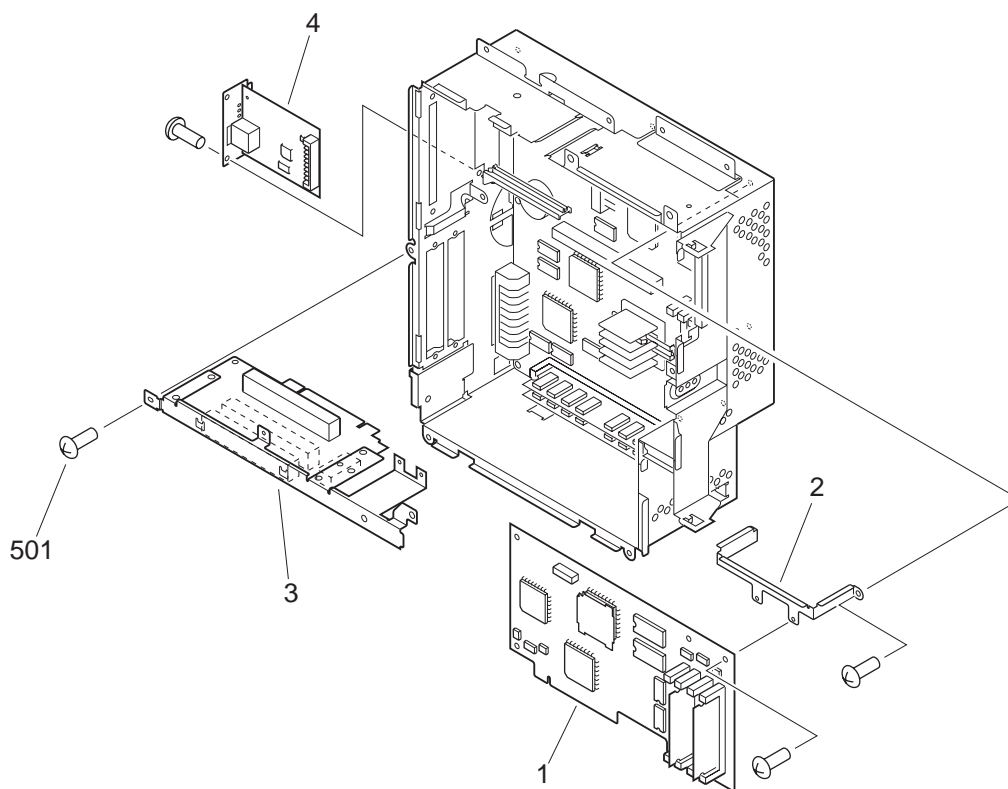


FIGURE & KEY NO.	PART NUMBER	RANK	QTY	DESCRIPTION	SERIAL NUMBER / REMARKS
U10 -	NPN		RF	LIPS PRINTER KIT ASSEMBLY	
1	FG3-1242-000		1	LIPS BOARD PCB ASSEMBLY	
2	FB5-6612-000		1	PLATE, PCB FIXING	
3	FG6-5060-000		1	RAISER BOARD PCB ASSEMBLY	
4	FG6-5964-000		1	ETHERNET BOARD PCB ASSEMBLY	
501	XB1-2300-607		8	SCREW,MACH.,TRUSS HEAD,M3X6	

# Network Multi-PDL Printer Kit - A1

Network Multi-PDL Printer Kit - A1

[ F61-8522 ]

# CONTENTS

**-NETWORK MULTI-PDL PRINTER KIT - A1-**

**ASSEMBLY LOCATION DIAGRAM**

**FA.**

**NETWORK MULTI PRINTER KIT ASSEMBLY**

**F10.**

**NUMERICAL INDEX**

**D3. (NETWORK MULTI-PDL PRINTER KIT-A1)**

# FIGURE F10 NETWORK MULTI PDL PRINTER KIT ASSEMBLY

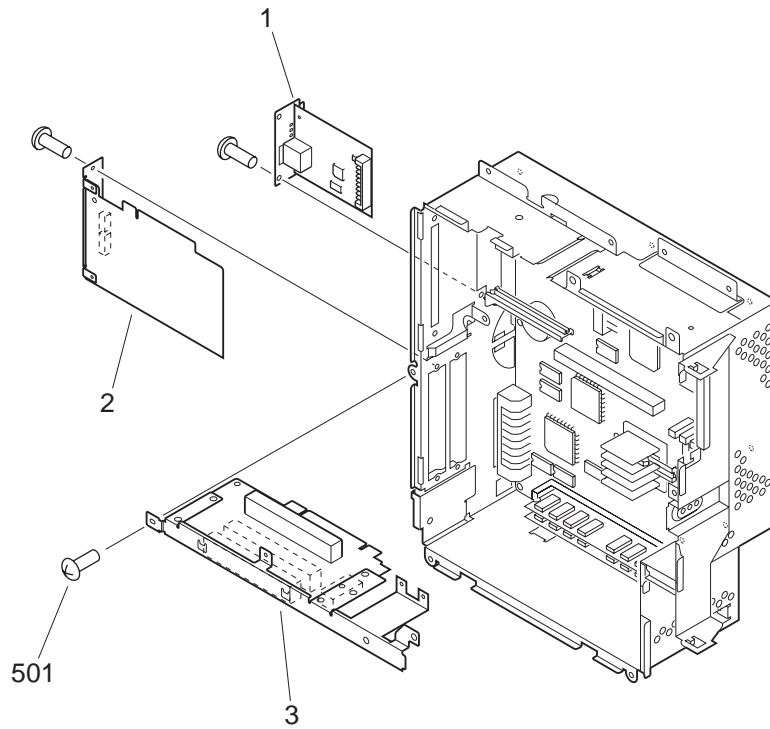
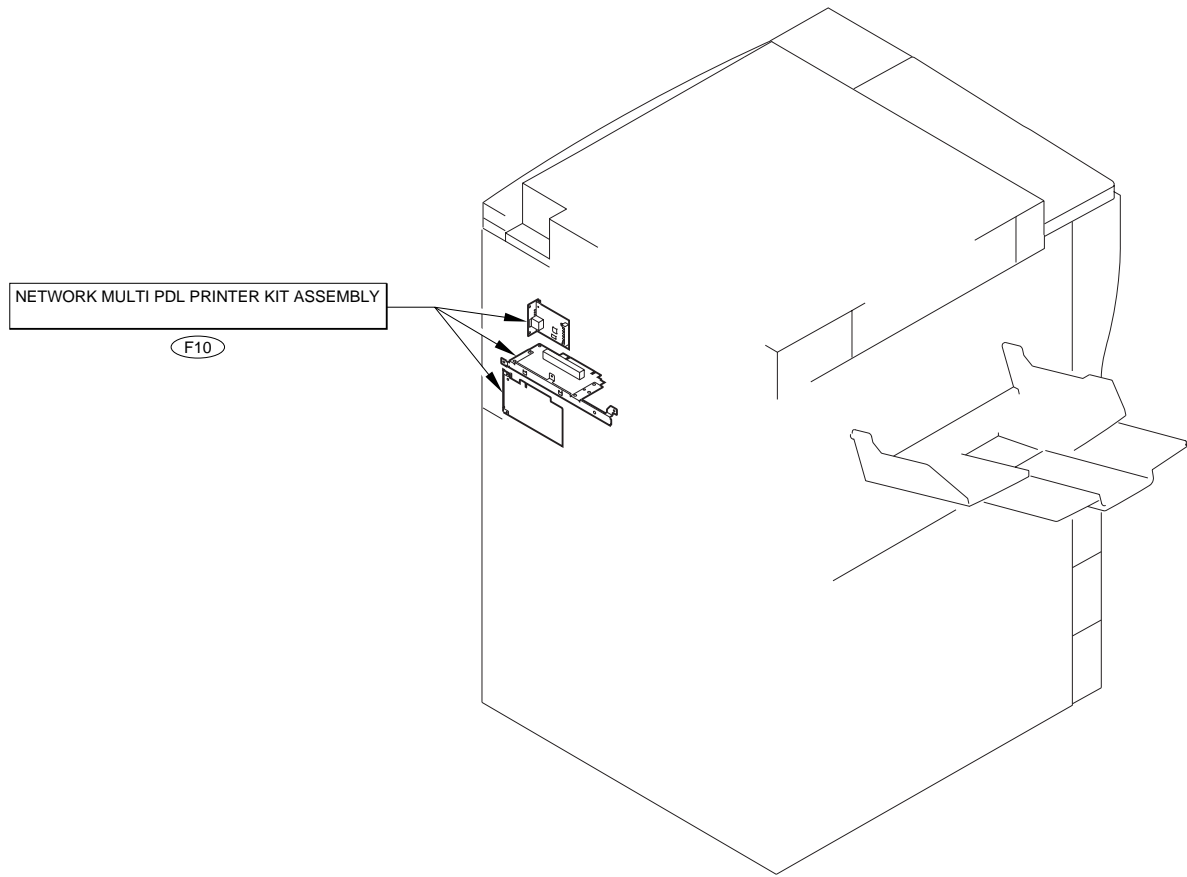


FIGURE & KEY NO.	PART NUMBER	RANK	QTY	DESCRIPTION	SERIAL NUMBER / REMARKS
F10 -	NPN		RF	MULTI PDL PRINTER KIT ASSEMBLY	
1	FG6-5964-000		1	ETHERNET BOARD PCB ASSEMBLY	
2	FG6-5965-000		1	RIP1 BOARD PCB ASSEMBLY	
3	FG6-5060-000		1	RAISER BOARD PCB ASSEMBLY	
501	XB1-2300-607		2	SCREW,MACH.,TRUSS HEAD,M3X6	
-----					
-----					

# FIGURE FA ASSEMBLY LOCATION DIAGRAM



# D1 NUMERICAL INDEX(iR5000/6000)

PART NUMBER	FIGURE & KEY NO.	PART NUMBER	FIGURE & KEY NO.	PART NUMBER	FIGURE & KEY NO.
87 - 2584 - 020	580 - 1	FB2 - 3000 - 000	600 - 5	FB2 - 7095 - 000	580 - 12
97 - 5527 - 000	550 - 1	FB2 - 6043 - 000	300 - 29	FB2 - 7096 - 000	580 - 13
	570 - 1	FB2 - 6044 - 000	300 - 30	FB2 - 7099 - 000	330 - 2
FA2 - 1498 - 000	580 - 2	FB2 - 6793 - 000	105 - 27	FB2 - 7104 - 000	325 - 9
FA2 - 1753 - 000	325 - 1	FB2 - 6839 - 000	570 - 8	FB2 - 7105 - 000	325 - 10
FA2 - 6923 - 000	325 - 2	FB2 - 6840 - 000	570 - 9	FB2 - 7106 - 000	325 - 11
FA2 - 8884 - 000	550 - 2	FB2 - 6842 - 000	570 - 10	FB2 - 7108 - 000	580 - 14
FA2 - 9037 - 000	320 - 3	FB2 - 6843 - 000	570 - 11	FB2 - 7109 - 000	325 - 25A
FA3 - 2127 - 000	570 - 2	FB2 - 6844 - 020	570 - 12	FB2 - 7111 - 000	580 - 15
FA3 - 2434 - 020	600 - 1	FB2 - 6847 - 000	570 - 13	FB2 - 7112 - 020	580 - 16
FA3 - 2471 - 000	720 - 1	FB2 - 6849 - 030	550 - 3	FB2 - 7150 - 000	320 - 48
FA3 - 2473 - 000	720 - 18	FB2 - 6850 - 000	550 - 4	FB2 - 7155 - 000	320 - 78
FA3 - 2474 - 000	720 - 2		580 - 4	FB2 - 7163 - 000	350 - 3
FA3 - 2475 - 000	720 - 3	FB2 - 6857 - 000	550 - 5	FB2 - 7168 - 000	350 - 4
FA3 - 2476 - 000	720 - 4	FB2 - 6859 - 030	550 - 6	FB2 - 7169 - 000	350 - 5
FA3 - 2477 - 000	720 - 5	FB2 - 6862 - 000	570 - 14	FB2 - 7207 - 000	810 - 7
FA3 - 2478 - 000	720 - 6		580 - 5	FB2 - 7208 - 030	810 - 8
FA3 - 2480 - 000	720 - 7	FB2 - 6863 - 000	600 - 6	FB2 - 7209 - 000	810 - 9
FA3 - 2481 - 000	720 - 8	FB2 - 6867 - 000	600 - 7	FB2 - 7210 - 000	810 - 10
FA3 - 2565 - 000	570 - 22	FB2 - 6872 - 000	600 - 8	FB2 - 7217 - 000	810 - 11
FA3 - 2764 - 020	350 - 1	FB2 - 6874 - 000	600 - 9	FB2 - 7218 - 000	810 - 12
FA3 - 8004 - 000	570 - 23		600 - 35A	FB2 - 7219 - 020	810 - 13
FA3 - 8828 - 000	580 - 3	FB2 - 6877 - 000	600 - 36A	FB2 - 7221 - 000	810 - 14
FA3 - 9120 - 000	325 - 3	FB2 - 6883 - 000	600 - 10	FB2 - 7222 - 020	810 - 15
FA4 - 1149 - 000	325 - 4	FB2 - 6888 - 020	600 - 11	FB2 - 7223 - 020	810 - 16
FA4 - 1159 - 000	315 - 1	FB2 - 6889 - 000	600 - 12	FB2 - 7224 - 030	810 - 17
FA4 - 1819 - 000	600 - 2	FB2 - 6890 - 000	600 - 13	FB2 - 7225 - 030	810 - 18
FA4 - 1864 - 000	570 - 5	FB2 - 6892 - 020	600 - 14	FB2 - 7228 - 000	810 - 19
FA4 - 1867 - 000	570 - 6	FB2 - 6895 - 000	600 - 15	FB2 - 7230 - 000	810 - 20
FA4 - 2035 - 000	600 - 3	FB2 - 6897 - 000	600 - 38A	FB2 - 7231 - 000	810 - 21
FA4 - 2037 - 000	600 - 4	FB2 - 6898 - 000	600 - 16	FB2 - 7232 - 000	810 - 22
FA5 - 2924 - 000	104 - 1	FB2 - 6899 - 000	600 - 17	FB2 - 7233 - 000	810 - 29
FA5 - 4400 - 000	810 - 2	FB2 - 6912 - 000	550 - 7	FB2 - 7238 - 000	810 - 23
FA5 - 4403 - 000	810 - 3	FB2 - 6913 - 020	600 - 18	FB2 - 7242 - 000	320 - 88
FA6 - 6457 - 000	310 - 2	FB2 - 6914 - 000	600 - 19	FB2 - 7243 - 000	320 - 89
FA6 - 6804 - 000	570 - 7	FB2 - 6915 - 020	600 - 20	FB2 - 7249 - 000	320 - 69
FA6 - 7939 - 000	281 - 1	FB2 - 6918 - 000	600 - 21	FB2 - 7250 - 020	320 - 70
	360 - 4	FB2 - 6919 - 000	600 - 22	FB2 - 7260 - 000	810 - 25
FA6 - 8003 - 000	810 - 4	FB2 - 6920 - 000	600 - 23	FB2 - 7432 - 000	360 - 6
FA6 - 8304 - 000	281 - 2	FB2 - 6921 - 040	940 - 6	FB2 - 7540 - 000	315 - 4
FA6 - 8847 - 000	100 - 1	FB2 - 6930 - 000	570 - 15	FB2 - 7551 - 000	100 - 5
FA6 - 9971 - 000	302 - 1	FB2 - 6934 - 000	640 - 3	FB2 - 7559 - 000	101 - 1
	303 - 1	FB2 - 6935 - 000	640 - 4	FB2 - 7560 - 000	101 - 2
FA6 - 9986 - 000	302 - 2	FB2 - 6936 - 000	640 - 5	FB2 - 7592 - 000	312 - 3
	303 - 2	FB2 - 6939 - 020	640 - 6	FB2 - 7593 - 000	310 - 4
FA6 - 9988 - 020	302 - 3	FB2 - 6943 - 000	640 - 7		312 - 4
	303 - 3	FB2 - 6950 - 000	640 - 8	FB2 - 7603 - 000	312 - 8
FA6 - 9989 - 000	302 - 4	FB2 - 6952 - 000	640 - 9	FB2 - 7605 - 000	310 - 8
	303 - 4	FB2 - 6954 - 000	105 - 29		312 - 9
FA9 - 0488 - 000	640 - 1	FB2 - 6956 - 000	102 - 21	FB2 - 7606 - 000	310 - 9
FA9 - 1449 - 000	210 - 1	FB2 - 6957 - 000	102 - 22		312 - 10
FA9 - 1969 - 000	300 - 47	FB2 - 6958 - 000	105 - 30	FB2 - 7611 - 000	310 - 10
FA9 - 2112 - 000	102 - 20	FB2 - 6974 - 000	620 - 1	FB2 - 7613 - 000	310 - 11
	105 - 53	FB2 - 6975 - 000	620 - 2	FB2 - 7614 - 000	312 - 11
	231 - 1	FB2 - 6976 - 000	620 - 3	FB2 - 7616 - 000	310 - 13
	250 - 2	FB2 - 6978 - 000	620 - 4		312 - 12
	260 - 1	FB2 - 6981 - 000	620 - 5	FB2 - 7620 - 000	310 - 15
	261 - 1	FB2 - 6985 - 000	620 - 6	FB2 - 7623 - 000	313 - 2
	265 - 1	FB2 - 6994 - 000	620 - 7	FB2 - 7624 - 000	310 - 16
	302 - 5	FB2 - 6996 - 000	620 - 8		312 - 14
	303 - 5	FB2 - 7000 - 000	620 - 9		313 - 3
	310 - 3	FB2 - 7001 - 000	620 - 33A	FB2 - 7625 - 000	302 - 6
	312 - 2	FB2 - 7002 - 000	620 - 10		303 - 6
	313 - 1	FB2 - 7003 - 000	620 - 11	FB2 - 7630 - 000	312 - 16
	315 - 2	FB2 - 7004 - 020	620 - 12	FB2 - 7631 - 000	310 - 18
	315 - 27	FB2 - 7005 - 020	620 - 13	FB2 - 7633 - 000	310 - 19
	360 - 5	FB2 - 7006 - 000	620 - 14		312 - 18
FA9 - 3674 - 000	300 - 9	FB2 - 7010 - 000	620 - 15	FB2 - 7642 - 000	310 - 20
FA9 - 3691 - 000	312 - 1	FB2 - 7011 - 000	620 - 34A		312 - 23
FB1 - 6833 - 000	810 - 5	FB2 - 7012 - 000	101 - 25	FB2 - 7652 - 000	302 - 7
FB1 - 7109 - 000	210 - 16	FB2 - 7017 - 020	620 - 16		303 - 7
FB1 - 7157 - 000	100 - 2	FB2 - 7019 - 000	620 - 17	FB2 - 7693 - 000	313 - 4
FB1 - 7197 - 000	100 - 3	FB2 - 7027 - 000	101 - 26	FB2 - 7706 - 000	313 - 5
FB1 - 8497 - 000	300 - 55A	FB2 - 7037 - 000	620 - 33B	FB2 - 7715 - 020	313 - 6
FB1 - 8581 - 000	315 - 3	FB2 - 7051 - 040	320 - 5	FB2 - 7716 - 000	313 - 7
FB1 - 8584 - 000	315 - 29A	FB2 - 7055 - 000	320 - 6	FB2 - 7717 - 000	313 - 8
FB1 - 8619 - 000	316 - 1	FB2 - 7056 - 000	320 - 7	FB2 - 7718 - 000	313 - 9
FB1 - 8621 - 000	316 - 2	FB2 - 7066 - 000	320 - 8	FB2 - 7720 - 000	313 - 10
FB1 - 8625 - 000	316 - 3	FB2 - 7068 - 000	325 - 5	FB2 - 7721 - 000	313 - 11
FB1 - 8735 - 000	105 - 1	FB2 - 7083 - 020	580 - 6	FB2 - 7722 - 000	313 - 12
	105 - 24	FB2 - 7088 - 000	580 - 7	FB2 - 7723 - 000	313 - 13
FB1 - 8736 - 000	300 - 3	FB2 - 7089 - 020	580 - 8	FB2 - 7740 - 020	302 - 26
FB1 - 8737 - 000	105 - 2	FB2 - 7090 - 000	580 - 9		303 - 27
	105 - 25	FB2 - 7092 - 000	580 - 10	FB2 - 7750 - 000	100 - 30
FB1 - 8776 - 000	810 - 6	FB2 - 7093 - 020	580 - 11	FB2 - 7754 - 000	100 - 6

PART NUMBER	FIGURE & KEY NO.	PART NUMBER	FIGURE & KEY NO.	PART NUMBER	FIGURE & KEY NO.
FB2 - 7754 - 000	100 - 31	FB2 - 8437 - 000	640 - 11	FB3 - 8659 - 000	325 - 37
	315 - 5	FB2 - 8442 - 000	620 - 19	FB3 - 9303 - 020	300 - 31
	360 - 7	FB2 - 8443 - 000	620 - 20	FB3 - 9305 - 000	300 - 12
FB2 - 7755 - 000	100 - 7	FB2 - 8453 - 000	600 - 28	FB3 - 9306 - 000	300 - 37
	100 - 32	FB2 - 8465 - 000	302 - 8	FB3 - 9307 - 000	300 - 39
	315 - 6		303 - 9	FB3 - 9308 - 000	300 - 38
	360 - 8	FB2 - 8466 - 000	302 - 9	FB3 - 9311 - 000	300 - 13
FB2 - 7758 - 000	303 - 8		303 - 10	FB3 - 9312 - 000	300 - 14
FB2 - 7777 - 020	310 - 26	FB2 - 8467 - 000	302 - 10	FB3 - 9313 - 000	300 - 15
	312 - 29		303 - 11	FB3 - 9314 - 000	300 - 5
	313 - 14	FB2 - 8469 - 000	580 - 19	FB3 - 9315 - 000	300 - 6
FB2 - 7816 - 000	260 - 2	FB2 - 8493 - 000	550 - 8	FB3 - 9316 - 000	300 - 10
FB2 - 7841 - 000	281 - 3	FB2 - 8509 - 000	600 - 29	FB3 - 9319 - 000	300 - 16
FB2 - 7851 - 000	250 - 6	FB2 - 8512 - 000	310 - 29	FB3 - 9320 - 000	300 - 17
FB2 - 7864 - 000	100 - 29		312 - 6	FB3 - 9321 - 000	300 - 1A
FB2 - 7866 - 000	101 - 27		313 - 15	FB3 - 9322 - 020	300 - 32
FB2 - 7867 - 020	101 - 28	FB2 - 8513 - 000	105 - 37	FB3 - 9323 - 030	300 - 36
FB2 - 7887 - 020	104 - 29	FB2 - 8519 - 000	640 - 2	FB3 - 9326 - 000	300 - 18
FB2 - 7888 - 020	104 - 31	FB2 - 8525 - 000	620 - 21	FB3 - 9327 - 000	300 - 40
FB2 - 7891 - 000	104 - 32	FB2 - 8526 - 000	620 - 22	FB3 - 9329 - 000	300 - 1C
FB2 - 7897 - 000	107 - 1	FB2 - 8527 - 000	620 - 23	FB3 - 9330 - 000	300 - 19
FB2 - 7898 - 000	107 - 2	FB2 - 9248 - 000	232 - 2	FB3 - 9331 - 000	300 - 21
FB2 - 7899 - 000	107 - 3	FB3 - 2032 - 000	100 - 8	FB3 - 9332 - 000	300 - 20
FB2 - 7900 - 000	107 - 4	FB3 - 2398 - 000	210 - 17	FB3 - 9333 - 000	300 - 1D
FB2 - 7908 - 000	105 - 32	FB3 - 2411 - 000	420 - 6	FB3 - 9335 - 000	300 - 7
FB2 - 7968 - 000	580 - 17		430 - 1	FB3 - 9337 - 000	300 - 26
FB2 - 7970 - 000	190 - 1	FB3 - 2822 - 000	316 - 4	FB3 - 9340 - 000	300 - 27
FB2 - 7981 - 000	280 - 4	FB3 - 2824 - 000	316 - 5	FB3 - 9343 - 000	104 - 35
FB2 - 8002 - 030	102 - 24	FB3 - 2832 - 000	316 - 8	FB3 - 9345 - 000	104 - 36
FB2 - 8003 - 000	102 - 23	FB3 - 2836 - 000	316 - 9	FB3 - 9356 - 000	300 - 48
FB2 - 8010 - 000	102 - 1	FB3 - 2994 - 000	360 - 41	FB3 - 9358 - 000	300 - 49
FB2 - 8033 - 020	104 - 33	FB3 - 6085 - 000	100 - 9	FB3 - 9359 - 000	104 - 37
FB2 - 8081 - 020	190 - 4	FB3 - 8320 - 000	130 - 14C	FB3 - 9362 - 000	105 - 4
FB2 - 8102 - 000	100 - 33	FB3 - 8333 - 000	310 - 30		105 - 26
FB2 - 8118 - 000	101 - 29	FB3 - 8344 - 000	510 - 15	FB3 - 9363 - 000	105 - 5
FB2 - 8119 - 000	101 - 30	FB3 - 8345 - 000	510 - 3		105 - 28
FB2 - 8120 - 000	101 - 31	FB3 - 8346 - 000	510 - 13	FB3 - 9364 - 000	105 - 6
FB2 - 8122 - 000	101 - 32	FB3 - 8348 - 020	570 - 16		105 - 38
FB2 - 8132 - 020	102 - 18	FB3 - 8349 - 000	580 - 20	FB3 - 9367 - 000	310 - 31
FB2 - 8169 - 020	102 - 3	FB3 - 8363 - 000	350 - 8	FB3 - 9784 - 000	103 - 16
FB2 - 8182 - 000	510 - 1	FB3 - 8364 - 000	350 - 9	FB4 - 0638 - 000	580 - 22
FB2 - 8184 - 000	510 - 8	FB3 - 8365 - 000	350 - 10	FB4 - 0644 - 000	350 - 15
FB2 - 8185 - 000	510 - 7	FB3 - 8366 - 000	350 - 11	FB4 - 0684 - 000	330 - 7
FB2 - 8187 - 000	510 - 9	FB3 - 8369 - 000	350 - 12	FB4 - 1200 - 000	320 - 91
FB2 - 8190 - 000	510 - 10	FB3 - 8374 - 000	360 - 9	FB4 - 1201 - 000	104 - 38
FB2 - 8192 - 000	320 - 19	FB3 - 8382 - 000	320 - 24	FB4 - 1202 - 000	310 - 33
FB2 - 8196 - 020	320 - 20	FB3 - 8383 - 020	320 - 14	FB4 - 1355 - 000	104 - 2
FB2 - 8198 - 000	320 - 22	FB3 - 8385 - 040	810 - 31	FB4 - 1421 - 000	102 - 33
FB2 - 8200 - 000	325 - 12	FB3 - 8386 - 030	810 - 27	FB4 - 1727 - 000	100 - 10
FB2 - 8202 - 000	325 - 13	FB3 - 8389 - 020	320 - 15	FB4 - 1797 - 000	280 - 2
FB2 - 8204 - 000	320 - 21	FB3 - 8398 - 000	320 - 62	FB4 - 1964 - 000	100 - 11
FB2 - 8208 - 040	320 - 32	FB3 - 8400 - 000	320 - 54	FB4 - 1965 - 000	100 - 12
FB2 - 8213 - 000	320 - 29	FB3 - 8401 - 000	320 - 55	FB4 - 1967 - 000	100 - 13
FB2 - 8214 - 000	320 - 81	FB3 - 8402 - 000	320 - 56	FB4 - 1969 - 000	100 - 14
FB2 - 8216 - 000	320 - 34	FB3 - 8403 - 020	320 - 57	FB4 - 1970 - 000	100 - 15
FB2 - 8217 - 020	320 - 33	FB3 - 8404 - 020	320 - 50	FB4 - 1978 - 020	310 - 5
FB2 - 8247 - 000	100 - 34	FB3 - 8405 - 020	320 - 49	FB4 - 1980 - 000	310 - 6
FB2 - 8248 - 020	320 - 1	FB3 - 8406 - 000	320 - 52	FB4 - 1982 - 000	310 - 7
FB2 - 8260 - 020	580 - 18	FB3 - 8412 - 000	320 - 94	FB4 - 1992 - 000	313 - 16
FB2 - 8266 - 000	310 - 27	FB3 - 8414 - 000	350 - 14	FB4 - 1994 - 000	313 - 17
	312 - 30	FB3 - 8416 - 000	810 - 28	FB4 - 1995 - 000	310 - 12
FB2 - 8272 - 000	105 - 41A	FB3 - 8457 - 000	320 - 117		312 - 7
	105 - 42A	FB3 - 8462 - 000	620 - 24	FB4 - 1996 - 000	313 - 18
FB2 - 8298 - 000	720 - 9	FB3 - 8502 - 000	330 - 3	FB4 - 2004 - 000	310 - 45
FB2 - 8299 - 000	720 - 10	FB3 - 8503 - 000	330 - 4		312 - 35
FB2 - 8301 - 000	600 - 24	FB3 - 8504 - 000	330 - 5	FB4 - 2007 - 000	310 - 14
FB2 - 8302 - 000	600 - 25	FB3 - 8505 - 000	330 - 6		312 - 13
FB2 - 8306 - 000	325 - 14	FB3 - 8508 - 000	302 - 31		313 - 19
FB2 - 8321 - 000	510 - 6		303 - 33		315 - 7
FB2 - 8323 - 000	107 - 5	FB3 - 8523 - 000	620 - 25	FB4 - 2010 - 000	312 - 15
FB2 - 8331 - 000	510 - 11	FB3 - 8524 - 000	620 - 26	FB4 - 2012 - 000	312 - 17
FB2 - 8334 - 000	320 - 25	FB3 - 8526 - 000	620 - 27	FB4 - 2013 - 000	312 - 19
FB2 - 8335 - 000	600 - 26	FB3 - 8527 - 000	620 - 38A	FB4 - 2014 - 000	312 - 20
FB2 - 8342 - 000	640 - 10	FB3 - 8528 - 000	620 - 28	FB4 - 2016 - 000	312 - 21
FB2 - 8344 - 000	105 - 33	FB3 - 8538 - 020	600 - 30	FB4 - 2018 - 000	104 - 3
FB2 - 8345 - 000	101 - 33	FB3 - 8542 - 000	640 - 12	FB4 - 2020 - 000	104 - 4
FB2 - 8367 - 000	620 - 18	FB3 - 8546 - 000	640 - 13	FB4 - 2023 - 000	104 - 5
FB2 - 8370 - 000	931 - 1	FB3 - 8551 - 000	325 - 15	FB4 - 2024 - 000	104 - 6
FB2 - 8376 - 000	320 - 82	FB3 - 8552 - 000	325 - 16	FB4 - 2041 - 000	104 - 7
FB2 - 8385 - 000	351 - 20	FB3 - 8564 - 020	325 - 17	FB4 - 2042 - 000	104 - 8
FB2 - 8402 - 000	280 - 1	FB3 - 8566 - 000	320 - 38	FB4 - 2131 - 000	360 - 10
FB2 - 8408 - 000	105 - 36	FB3 - 8569 - 000	320 - 37	FB4 - 2155 - 000	360 - 11
FB2 - 8410 - 000	310 - 1	FB3 - 8585 - 000	325 - 18	FB4 - 2159 - 000	360 - 12
	312 - 5	FB3 - 8587 - 000	580 - 21	FB4 - 2161 - 000	360 - 13
FB2 - 8436 - 000	310 - 28	FB3 - 8617 - 000	600 - 31	FB4 - 2325 - 000	360 - 14



PART NUMBER	FIGURE & KEY NO.	PART NUMBER	FIGURE & KEY NO.	PART NUMBER	FIGURE & KEY NO.
FB4 - 2466 - 000	330 - 8	FB5 - 2955 - 000	104 - 11	FB5 - 3409 - 000	351 - 20
FB4 - 2467 - 000	330 - 9	FB5 - 2957 - 000	102 - 6	FB5 - 3410 - 000	351 - 22
FB4 - 2468 - 000	330 - 10	FB5 - 2959 - 000	104 - 26	FB5 - 3413 - 000	351 - 23
FB4 - 2469 - 000	330 - 11	FB5 - 2972 - 000	103 - 1	FB5 - 3414 - 000	350 - 7
FB4 - 2500 - 020	320 - 28	FB5 - 2973 - 000	103 - 2	FB5 - 3419 - 000	100 - 35
FB4 - 2623 - 000	101 - 34	FB5 - 2974 - 000	103 - 3	FB5 - 3420 - 000	351 - 2
FB4 - 3687 - 000	550 - 17	FB5 - 2983 - 000	101 - 4	FB5 - 3421 - 000	351 - 9
	570 - 3	FB5 - 2985 - 000	101 - 5		351 - 24
	580 - 31	FB5 - 2986 - 000	101 - 6	FB5 - 3423 - 000	351 - 5
FB4 - 3690 - 000	810 - 35	FB5 - 2989 - 000	280 - 3	FB5 - 3433 - 000	310 - 32
FB4 - 3692 - 000	810 - 36	FB5 - 2990 - 000	280 - 16		312 - 27
FB4 - 3700 - 000	310 - 17	FB5 - 2991 - 000	280 - 11	FB5 - 3435 - 000	310 - 42A
FB4 - 5005 - 000	130 - 3	FB5 - 2992 - 000	280 - 18		312 - 36A
FB4 - 5267 - 000	303 - 54	FB5 - 2993 - 000	280 - 13		313 - 35A
FB4 - 5268 - 000	302 - 11	FB5 - 2998 - 000	250 - 1	FB5 - 3436 - 000	312 - 28
	303 - 12	FB5 - 3005 - 000	250 - 20	FB5 - 3440 - 000	313 - 24
FB4 - 5335 - 000	104 - 9	FB5 - 3018 - 000	230 - 1	FB5 - 3442 - 000	310 - 34
FB4 - 5402 - 000	210 - 2	FB5 - 3023 - 000	231 - 2	FB5 - 3452 - 000	302 - 13
FB4 - 5434 - 000	420 - 5		265 - 2		303 - 16
	430 - 2	FB5 - 3046 - 000	210 - 18	FB5 - 3476 - 000	940 - 1
FB4 - 5435 - 000	430 - 3	FB5 - 3049 - 000	210 - 3	FB5 - 3481 - 000	260 - 10
FB4 - 6201 - 000	330 - 12	FB5 - 3050 - 000	210 - 4	FB5 - 3484 - 000	620 - 32A
FB4 - 6209 - 000	600 - 32	FB5 - 3052 - 000	210 - 53	FB5 - 3485 - 000	103 - 4
FB4 - 6210 - 000	600 - 33	FB5 - 3055 - 000	210 - 6	FB5 - 3486 - 000	620 - 29
FB4 - 6214 - 000	310 - 21	FB5 - 3056 - 000	210 - 7	FB5 - 3490 - 000	620 - 62
FB4 - 6215 - 000	302 - 12	FB5 - 3068 - 000	420 - 4	FB5 - 3492 - 000	100 - 36
	303 - 13	FB5 - 3069 - 000	420 - 2	FB5 - 3502 - 000	210 - 10
FB4 - 6227 - 000	310 - 22	FB5 - 3077 - 000	430 - 4		210 - 15A
	312 - 22	FB5 - 3085 - 000	210 - 30	FB5 - 3526 - 000	191 - 1
	313 - 20	FB5 - 3086 - 000	210 - 31	FB5 - 3540 - 000	107 - 6
FB4 - 6704 - 000	130 - 1	FB5 - 3087 - 000	210 - 32	FB5 - 3542 - 000	100 - 37
FB4 - 7478 - 000	100 - 16	FB5 - 3090 - 000	210 - 28	FB5 - 3549 - 000	600 - 27
FB4 - 7481 - 000	360 - 1	FB5 - 3301 - 000	360 - 15	FB5 - 3569 - 000	302 - 14
FB4 - 7490 - 000	320 - 105	FB5 - 3302 - 000	360 - 16	FB5 - 3573 - 000	315 - 24
FB4 - 7835 - 000	310 - 76	FB5 - 3303 - 000	360 - 17	FB5 - 3576 - 000	100 - 38
	312 - 64	FB5 - 3304 - 000	360 - 18	FB5 - 3577 - 000	316 - 6
FB4 - 7882 - 000	100 - 17	FB5 - 3307 - 000	360 - 19	FB5 - 3578 - 000	316 - 7
FB4 - 7883 - 000	100 - 18	FB5 - 3312 - 000	360 - 20	FB5 - 3595 - 000	320 - 97
FB4 - 9029 - 000	310 - 23	FB5 - 3313 - 000	360 - 21	FB5 - 3613 - 000	810 - 34
	312 - 24	FB5 - 3316 - 000	360 - 22	FB5 - 3614 - 000	104 - 13
	313 - 21	FB5 - 3317 - 000	360 - 23	FB5 - 3616 - 000	104 - 14
FB4 - 9043 - 000	310 - 24	FB5 - 3321 - 000	360 - 24	FB5 - 3617 - 000	810 - 24
	312 - 25	FB5 - 3322 - 000	360 - 25	FB5 - 3619 - 000	320 - 96
	313 - 22	FB5 - 3324 - 000	360 - 26	FB5 - 3621 - 000	320 - 2
FB5 - 0553 - 000	232 - 3	FB5 - 3328 - 000	360 - 27	FB5 - 3625 - 000	350 - 13
FB5 - 0873 - 000	315 - 8	FB5 - 3331 - 000	360 - 2	FB5 - 3630 - 000	320 - 12
FB5 - 2063 - 000	310 - 25	FB5 - 3334 - 000	101 - 40	FB5 - 3635 - 000	210 - 36
	312 - 26	FB5 - 3335 - 000	360 - 42	FB5 - 3636 - 000	210 - 35
	313 - 23	FB5 - 3337 - 000	360 - 43	FB5 - 3641 - 000	210 - 11
FB5 - 2172 - 000	130 - 4	FB5 - 3338 - 000	360 - 28	FB5 - 3642 - 000	210 - 19
FB5 - 2173 - 000	130 - 5	FB5 - 3341 - 000	360 - 29	FB5 - 3657 - 000	106 - 12
FB5 - 2174 - 000	130 - 14A	FB5 - 3342 - 000	360 - 30	FB5 - 3670 - 000	106 - 10
FB5 - 2195 - 000	130 - 14G	FB5 - 3343 - 000	360 - 31	FB5 - 3671 - 000	106 - 11
FB5 - 2852 - 000	100 - 19	FB5 - 3345 - 000	360 - 32	FB5 - 3678 - 000	105 - 7A
FB5 - 2855 - 000	300 - 43	FB5 - 3346 - 000	104 - 30A	FB5 - 3680 - 000	103 - 5
FB5 - 2856 - 000	101 - 3	FB5 - 3351 - 000	104 - 12	FB5 - 3697 - 000	130 - 6
FB5 - 2860 - 000	100 - 20	FB5 - 3358 - 000	100 - 27	FB5 - 3698 - 000	130 - 7
FB5 - 2866 - 000	100 - 21	FB5 - 3359 - 000	100 - 28	FB5 - 3699 - 000	130 - 8
FB5 - 2871 - 000	320 - 27	FB5 - 3365 - 000	300 - 44	FB5 - 3707 - 000	130 - 9
FB5 - 2873 - 000	104 - 10		302 - 32	FB5 - 3708 - 000	130 - 10
FB5 - 2875 - 000	100 - 49		303 - 34	FB5 - 3709 - 000	130 - 11
FB5 - 2876 - 000	100 - 22	FB5 - 3366 - 000	302 - 33A	FB5 - 3718 - 000	130 - 14B
FB5 - 2906 - 000	100 - 23	FB5 - 3367 - 000	303 - 36	FB5 - 3723 - 000	130 - 9
FB5 - 2911 - 000	100 - 24	FB5 - 3369 - 000	303 - 14	FB5 - 3724 - 000	130 - 9
FB5 - 2913 - 000	100 - 25	FB5 - 3370 - 000	302 - 49	FB5 - 3725 - 000	130 - 9
FB5 - 2914 - 000	100 - 26		303 - 15	FB5 - 3726 - 000	130 - 9
FB5 - 2916 - 000	102 - 4	FB5 - 3376 - 000	101 - 7	FB5 - 3727 - 000	130 - 9
FB5 - 2920 - 000	315 - 16	FB5 - 3379 - 000	320 - 76	FB5 - 3728 - 000	130 - 2
FB5 - 2921 - 000	315 - 9	FB5 - 3381 - 000	320 - 65	FB5 - 3730 - 000	130 - 14H
FB5 - 2926 - 000	315 - 10	FB5 - 3382 - 000	351 - 1	FB5 - 4535 - 000	210 - 13
FB5 - 2927 - 000	315 - 11	FB5 - 3384 - 000	351 - 3	FB5 - 4553 - 000	210 - 13
FB5 - 2928 - 000	315 - 49	FB5 - 3387 - 000	351 - 4	FB5 - 4554 - 000	210 - 13
FB5 - 2930 - 000	315 - 12	FB5 - 3388 - 000	320 - 73	FB5 - 4557 - 000	210 - 53
FB5 - 2934 - 000	315 - 13	FB5 - 3389 - 000	320 - 63	FB5 - 4558 - 000	210 - 53
FB5 - 2935 - 000	315 - 14	FB5 - 3390 - 000	351 - 5	FB5 - 4562 - 000	250 - 4
FB5 - 2940 - 000	315 - 15	FB5 - 3392 - 000	351 - 6	FB5 - 4563 - 000	310 - 35
FB5 - 2941 - 000	315 - 17	FB5 - 3393 - 000	351 - 7		312 - 31
FB5 - 2944 - 000	315 - 18	FB5 - 3394 - 000	351 - 8		313 - 25
FB5 - 2945 - 000	315 - 19	FB5 - 3395 - 000	351 - 9	FB5 - 4586 - 000	210 - 65
FB5 - 2946 - 000	315 - 20	FB5 - 3396 - 000	351 - 10	FB5 - 4588 - 000	430 - 7
FB5 - 2948 - 000	315 - 21	FB5 - 3397 - 000	351 - 11	FB5 - 5518 - 000	106 - 13
FB5 - 2949 - 000	315 - 22	FB5 - 3399 - 000	350 - 2	FB5 - 5521 - 000	810 - 26
FB5 - 2950 - 000	315 - 23	FB5 - 3400 - 000	351 - 12	FB5 - 5522 - 000	330 - 1
FB5 - 2951 - 000	102 - 5	FB5 - 3407 - 000	320 - 98	FB5 - 5530 - 000	320 - 46
FB5 - 2953 - 000	101 - 39	FB5 - 3408 - 000	351 - 13	FB5 - 5538 - 000	191 - 3

PART NUMBER	FIGURE & KEY NO.	PART NUMBER	FIGURE & KEY NO.	PART NUMBER	FIGURE & KEY NO.
FB5 - 5544 - 000	210 - 51	FF5 - 2983 - 000	600 - 37	FF5 - 9813 - 000	210 - 12
FB5 - 5547 - 000	210 - 52	FF5 - 2986 - 000	600 - 38	FF5 - 9814 - 000	210 - 12
FB5 - 5550 - 000	210 - 67	FF5 - 2990 - 020	102 - 25	FF5 - 9816 - 000	210 - 46
FB5 - 5551 - 000	210 - 54		325 - 22	FF5 - 9819 - 000	210 - 14
FB5 - 5555 - 000	210 - 66	FF5 - 3002 - 030	102 - 26	FF5 - 9820 - 000	210 - 20
FB5 - 5557 - 000	100 - 28	FF5 - 3004 - 020	101 - 9	FF5 - 9821 - 000	210 - 21
FB5 - 5570 - 000	190 - 2	FF5 - 3032 - 000	320 - 23	FF5 - 9825 - 000	420 - 7
FB5 - 5581 - 000	325 - 7	FF5 - 3033 - 000	325 - 23	FF5 - 9827 - 000	430 - 5
FB5 - 5582 - 000	325 - 8	FF5 - 3045 - 000	105 - 9	FF5 - 9830 - 000	210 - 33
FB5 - 5586 - 000	100 - 60	FF5 - 3055 - 000	350 - 17	FF5 - 9831 - 000	215 - 3
FB5 - 5588 - 000	100 - 28	FF5 - 3063 - 030	310 - 38	FF5 - 9841 - 000	100 - 39
FB5 - 5589 - 000	100 - 28	FF5 - 3070 - 020	105 - 40	FF5 - 9842 - 000	102 - 2
FB5 - 5594 - 000	231 - 15	FF5 - 3090 - 000	570 - 19	FF5 - 9843 - 000	315 - 29
FB5 - 5597 - 000	100 - 64		580 - 26	FF5 - 9844 - 000	360 - 35
FB5 - 5599 - 000	300 - 1B	FF5 - 3095 - 000	320 - 83	FF5 - 9845 - 000	360 - 36
FB5 - 5613 - 000	313 - 26	FF5 - 3115 - 000	620 - 31	FF5 - 9849 - 000	360 - 37
FB5 - 5614 - 000	313 - 27	FF5 - 3120 - 000	620 - 33	FF5 - 9854 - 000	210 - 15
FB5 - 5615 - 000	313 - 28	FF5 - 3124 - 000	101 - 35	FF5 - 9857 - 000	281 - 5
FB5 - 5616 - 000	313 - 29	FF5 - 3146 - 000	600 - 39	FF5 - 9861 - 000	106 - 24
FB5 - 5617 - 000	313 - 30	FF5 - 3149 - 000	320 - 39	FF5 - 9864 - 000	100 - 40
FB5 - 5618 - 000	107 - 7	FF5 - 3151 - 000	320 - 120	FF5 - 9871 - 000	620 - 35
FB5 - 5620 - 000	312 - 63	FF5 - 3153 - 000	320 - 18	FF5 - 9872 - 000	620 - 36
FB5 - 5621 - 000	310 - 75	FF5 - 3154 - 000	320 - 17	FF5 - 9873 - 000	620 - 37
	360 - 79	FF5 - 3172 - 000	105 - 41	FF5 - 9874 - 000	360 - 38
FB5 - 5626 - 000	104 - 15	FF5 - 3173 - 000	105 - 42	FF5 - 9875 - 000	360 - 39
FB5 - 5627 - 000	101 - 8	FF5 - 3175 - 030	600 - 40	FF5 - 9876 - 000	360 - 40
FB5 - 5634 - 000	350 - 6	FF5 - 3176 - 000	620 - 34	FF5 - 9877 - 000	320 - 66
FB5 - 5635 - 000	105 - 8	FF5 - 3190 - 000	105 - 31	FF5 - 9880 - 000	320 - 93
FB5 - 5638 - 000	215 - 1A	FF5 - 3211 - 000	320 - 53	FF5 - 9884 - 000	320 - 40
FC1 - 1117 - 000	250 - 3	FF5 - 3220 - 000	310 - 39	FF5 - 9885 - 000	320 - 45
FC1 - 3975 - 020	325 - 19	FF5 - 3221 - 000	313 - 33	FF5 - 9886 - 000	320 - 77
FC1 - 3976 - 000	325 - 20	FF5 - 3228 - 000	312 - 34	FF5 - 9890 - 000	620 - 32
FC1 - 5049 - 000	302 - 15	FF5 - 4489 - 000	316 - 10	FF5 - 9891 - 000	600 - 41
	303 - 17	FF5 - 5895 - 000	310 - 40	FF5 - 9892 - 000	104 - 16
FC1 - 5053 - 000	302 - 16	FF5 - 5902 - 020	325 - 24	FF5 - 9899 - 000	102 - 7
	303 - 18	FF5 - 5908 - 000	325 - 25	FF5 - 9904 - 000	360 - 3
FC1 - 5054 - 000	302 - 17	FF5 - 5914 - 000	350 - 18	FF5 - 9905 - 000	104 - 17
	303 - 19	FF5 - 5920 - 000	320 - 51		106 - 3
FC1 - 5055 - 000	302 - 18	FF5 - 5930 - 000	640 - 17	FF5 - 9906 - 000	300 - 45
	303 - 20	FF5 - 5934 - 000	620 - 38		302 - 34
FC1 - 5056 - 000	302 - 19	FF5 - 5936 - 020	600 - 42		303 - 37
	303 - 21	FF5 - 5988 - 000	640 - 18	FF5 - 9909 - 000	100 - 41
FC1 - 5059 - 000	302 - 20	FF5 - 6000 - 000	320 - 30	FF5 - 9910 - 000	315 - 30
FC1 - 5060 - 000	302 - 21	FF5 - 6007 - 020	320 - 31	FF5 - 9916 - 000	100 - 42
	303 - 22	FF5 - 6186 - 000	300 - 33	FF5 - 9918 - 000	100 - 43
FC1 - 5061 - 000	302 - 22	FF5 - 6187 - 000	300 - 34	FF5 - 9919 - 000	100 - 44
	303 - 23	FF5 - 6189 - 000	300 - 28	FF5 - 9920 - 000	100 - 45
FC1 - 5066 - 000	302 - 25	FF5 - 6883 - 000	550 - 9	FF5 - 9921 - 000	100 - 46
	303 - 26		580 - 23	FF5 - 9922 - 000	810 - 30
FC1 - 5080 - 000	302 - 23	FF5 - 6884 - 000	550 - 10	FF5 - 9933 - 000	320 - 104
	303 - 24		580 - 24	FF5 - 9946 - 000	580 - 27
FC1 - 5081 - 000	302 - 24	FF5 - 6885 - 000	550 - 13	FF5 - 9954 - 000	230 - 10
	303 - 25		580 - 25	FF5 - 9956 - 000	210 - 8
FC1 - 7435 - 000	570 - 17	FF5 - 6890 - 000	313 - 34	FF5 - 9957 - 000	210 - 9
FC1 - 7438 - 000	351 - 14	FF5 - 6904 - 000	310 - 41	FF5 - 9958 - 000	215 - 1
FF1 - 5896 - 000	620 - 30	FF5 - 7658 - 000	101 - 42	FF5 - 9959 - 000	210 - 5
FF2 - 2891 - 000	600 - 34	FF5 - 7734 - 000	360 - 34	FF5 - 9964 - 000	102 - 8
FF3 - 0153 - 000	325 - 21	FF5 - 8150 - 000	302 - 28	FF5 - 9965 - 000	102 - 9
FF3 - 3952 - 000	935 - 1		303 - 29	FF5 - 9967 - 000	100 - 47
FF3 - 3964 - 000	250 - 19	FF5 - 8151 - 000	302 - 29	FF5 - 9969 - 000	104 - 30
FF3 - 4029 - 000	103 - 6		303 - 30	FF5 - 9972 - 000	100 - 4
FF3 - 4030 - 000	190 - 3	FF5 - 8152 - 000	101 - 10	FF5 - 9973 - 000	300 - 1
FF3 - 4036 - 000	106 - 2	FF5 - 9550 - 000	300 - 55	FF5 - 9974 - 000	300 - 1
FF3 - 4120 - 000	210 - 63	FF5 - 9779 - 000	310 - 42	FG2 - 6932 - 000	101 - 12
FF3 - 4122 - 000	930 - 3		312 - 36	FG2 - 7380 - 000	325 - 26
FF3 - 4123 - 000	930 - 3		313 - 35	FG2 - 7383 - 000	101 - 13
FF3 - 4124 - 000	930 - 3	FF5 - 9781 - 000	312 - 37	FG2 - 7671 - 000	600 - 43
FF5 - 1220 - 000	310 - 36	FF5 - 9783 - 000	312 - 38	FG2 - 9195 - 000	305 - 1
	312 - 32	FF5 - 9784 - 000	310 - 43	FG3 - 1188 - 000	106 - 25
	313 - 31		312 - 39	FG3 - 1192 - 000	932 - 4
FF5 - 1221 - 000	310 - 37		313 - 36	FG3 - 1230 - 000	925 -
	312 - 33	FF5 - 9787 - 000	310 - 44	FG5 - 1957 - 000	105 - 11
	313 - 32	FF5 - 9789 - 000	310 - 46		105 - 34
FF5 - 2237 - 000	360 - 33	FF5 - 9790 - 000	302 - 33	FG5 - 5016 - 000	620 - 39
FF5 - 2925 - 000	810 - 37	FF5 - 9791 - 000	302 - 30	FG5 - 5017 - 020	600 - 44
FF5 - 2930 - 000	104 - 39	FF5 - 9792 - 000	303 - 35	FG5 - 5049 - 000	102 - 10
FF5 - 2942 - 020	570 - 18	FF5 - 9793 - 000	303 - 31	FG5 - 5216 - 000	940 - 7
FF5 - 2947 - 020	640 - 14	FF5 - 9794 - 000	303 - 32	FG5 - 5789 - 000	720 -
FF5 - 2948 - 000	640 - 15	FF5 - 9804 - 000	215 - 6	FG5 - 6289 - 000	316 - 11
FF5 - 2949 - 000	640 - 16	FF5 - 9805 - 000	215 - 7	FG5 - 8221 - 000	105 - 35
FF5 - 2957 - 020	281 - 4	FF5 - 9806 - 000	215 - 8		105 - 46
FF5 - 2973 - 020	550 - 11	FF5 - 9808 - 000	101 - 11	FG5 - 8235 - 000	640 - 19
FF5 - 2974 - 030	550 - 12	FF5 - 9809 - 000	215 - 2	FG5 - 8628 - 030	640 -
FF5 - 2978 - 000	600 - 35	FF5 - 9811 - 000	210 - 12	FG5 - 8650 - 050	320 - 61
FF5 - 2981 - 000	600 - 36	FF5 - 9812 - 000	210 - 12	FG5 - 8812 - 040	810 - 38

PART NUMBER	FIGURE & KEY NO.	PART NUMBER	FIGURE & KEY NO.	PART NUMBER	FIGURE & KEY NO.
FG5 - 8856 - 000	325 - 27	FG6 - 5427 - 000	130 - 17	FH3 - 0766 - 000	980 - T4506
FG5 - 8857 - 000	810 - 39	FG6 - 5428 - 000	130 - 20	FH3 - 0767 - 000	980 - T4507
FG5 - 9419 - 000	305 - 2	FG6 - 5435 - 000	102 - 11	FH3 - 0775 - 000	925 - T 1
FG6 - 1888 - 000	232 - 1	FG6 - 5437 - 000	111 - 3	FH3 - 0932 - 000	935 - L5002
FG6 - 1906 - 000	104 - 18	FG6 - 5438 - 000	110 - 3	FH3 - 2590 - 000	103 - 10
FG6 - 1941 - 000	104 - 19	FG6 - 5439 - 000	312 - 40	FH3 - 2591 - 000	103 - 10
FG6 - 2335 - 000	310 - 47	FG6 - 5440 - 000	313 - 37	FH3 - 2592 - 000	106 - 5
FG6 - 4851 - 000	420 -	FG6 - 5441 - 000	310 - 48	FH3 - 2593 - 000	106 - 5
FG6 - 4852 - 000	430 -	FG6 - 5443 - 000	110 - 2	FH3 - 7208 - 000	210 - 61
FG6 - 4853 - 000	210 - 29		111 - 8	FH3 - 7209 - 000	210 - 61
FG6 - 4864 - 000	420 - 1	FG6 - 5444 - 000	107 - 8	FH4 - 3738 - 000	920 - IC6501
FG6 - 4870 - 000	460 -	FG6 - 5445 - 000	106 - 1	FH4 - 5855 - 000	935 - IC5005
FG6 - 4872 - 000	460 - 1	FG6 - 5449 - 000	103 - 13	FH4 - 5920 - 000	931 - Q 2052
FG6 - 4875 - 000	250 -	FG6 - 5450 - 000	940 - 4	FH4 - 6019 - 000	940 - 5
FG6 - 4876 - 000	280 -	FG6 - 5451 - 000	980 - 3	FH4 - 6102 - 000	935 - IC5023
FG6 - 4878 - 000	265 -	FG6 - 5452 - 000	105 - 3	FH4 - 6104 - 000	930 - IC126
FG6 - 4879 - 000	260 -	FG6 - 5453 - 000	101 - 14	FH4 - 6105 - 000	930 - IC112
FG6 - 4880 - 000	230 -	FG6 - 5454 - 000	102 - 27	FH4 - 6121 - 000	980 - IC4506
FG6 - 4881 - 000	231 -	FG6 - 5456 - 000	460 - 2	FH4 - 6122 - 000	980 - IC4508
FG6 - 4893 - 000	192 -	FG6 - 5457 - 000	315 - 31	FH4 - 6123 - 000	930 - IC120
FG6 - 4894 - 000	190 -	FG6 - 5458 - 000	600 - 45		935 - IC5021
FG6 - 4895 - 000	191 -	FG6 - 5459 - 000	600 - 46	FH4 - 9181 - 000	940 - RA1
FG6 - 4898 - 000	620 -	FG6 - 5460 - 000	102 - 12	FH4 - 9206 - 000	980 - R4656
FG6 - 4904 - 000	315 -	FG6 - 5461 - 000	103 - 8	FH5 - 3080 - 000	980 - Q4515
FG6 - 4906 - 000	360 -	FG6 - 5462 - 000	102 - 14		980 - Q4529
FG6 - 4911 - 000	130 -	FG6 - 5463 - 000	103 - 7	FH6 - 0767 - 000	130 - 14D
FG6 - 4927 - 000	600 -	FG6 - 5464 - 000	106 - 4	FH6 - 0768 - 000	130 - 14E
FG6 - 4929 - 000	320 -	FG6 - 5465 - 000	103 - 9	FH6 - 1135 - 000	550 - 14
FG6 - 4932 - 000	350 -	FG6 - 5466 - 000	360 - 49		570 - 20
FG6 - 4933 - 000	351 -	FG6 - 5467 - 000	360 - 50		580 - 28
FG6 - 4941 - 000	930 - 1	FG6 - 5468 - 000	360 - 52	FH6 - 1253 - 000	360 - 47
FG6 - 4944 - 000	931 -	FG6 - 5469 - 000	360 - 44	FH6 - 1434 - 000	620 - 40
FG6 - 4945 - 000	931 -	FG6 - 5470 - 000	360 - 53	FH6 - 1435 - 000	620 - 41
FG6 - 4946 - 000	931 -	FG6 - 5471 - 000	360 - 54	FH6 - 1441 - 000	101 - 36
FG6 - 4947 - 000	960 - 1	FG6 - 5473 - 000	320 - 128	FH6 - 1541 - 000	232 - 5
FG6 - 4948 - 000	980 - 1	FG6 - 5474 - 000	320 - 129	FH6 - 1545 - 000	190 - 5
FG6 - 4949 - 000	510 - 2	FG6 - 5475 - 000	210 - 23	FH6 - 1548 - 000	320 - 9
FG6 - 4950 - 000	510 - 2	FG6 - 5476 - 000	210 - 41	FH6 - 1549 - 000	192 - 1
FG6 - 4951 - 000	360 - 48	FG6 - 5478 - 000	932 - 3	FH6 - 1712 - 000	250 - 21
FG6 - 4954 - 000	935 -	FG6 - 5479 - 000	210 - 39	FH6 - 1713 - 000	281 - 6
FG6 - 4957 - 000	460 - 3	FG6 - 5480 - 000	210 - 34	FH6 - 1714 - 000	320 - 10
FG6 - 4963 - 000	110 -	FG6 - 5481 - 000	280 - 8	FH6 - 1715 - 000	360 - 55
FG6 - 4964 - 000	111 -	FG6 - 5483 - 000	320 - 36	FH6 - 1716 - 000	320 - 44
FG6 - 4968 - 000	111 - 1	FG6 - 5484 - 000	104 - 20	FH6 - 1717 - 000	105 - 12
FG6 - 4969 - 000	110 - 1	FG6 - 5485 - 000	360 - 51		231 - 3
	111 - 2	FG6 - 5488 - 000	110 - 3		261 - 2
FG6 - 4970 - 000	210 - 44	FG6 - 5613 - 000	110 - 3A	FH6 - 1718 - 000	360 - 56
FG6 - 4971 - 000	210 - 22	FG6 - 5887 - 000	316 -	FH6 - 1719 - 000	231 - 4
FG6 - 4973 - 000	210 - 29A	FG6 - 5910 - 000	330 -	FH6 - 1720 - 000	230 - 2
FG6 - 4978 - 000	933 -	FG6 - 5911 - 000	580 -	FH6 - 1721 - 000	231 - 5
FG6 - 4979 - 000	320 - 126	FG6 - 5917 - 000	210 - 60	FH6 - 1734 - 000	210 - 26
FG6 - 4984 - 000	320 - 127	FG6 - 5918 - 000	420 -	FH6 - 1742 - 000	103 - 11
FG6 - 4988 - 000	210 - 42	FG6 - 5927 - 000	550 -		360 - 82
FG6 - 5029 - 000	810 -	FG6 - 5930 - 000	351 -	FH6 - 1752 - 000	260 - 4
FG6 - 5032 - 000	312 -	FG6 - 5943 - 000	420 - 1	FH6 - 1784 - 000	260 - 3
FG6 - 5034 - 000	313 -	FG6 - 5952 - 000	940 - 3	FH6 - 1844 - 000	191 - 2
FG6 - 5035 - 000	310 -	FG6 - 5953 - 000	930 - 2	FH7 - 3391 - 000	600 - 47
FG6 - 5036 - 000	261 -	FG6 - 5954 - 000	932 - 6	FH7 - 4531 - 000	510 - 12
FG6 - 5039 - 000	232 -	FG6 - 5958 - 000	210 - 43	FH7 - 4532 - 000	510 - 12
FG6 - 5040 - 000	302 -	FG6 - 5961 - 000	932 - 1	FH7 - 4533 - 000	510 - 12
FG6 - 5041 - 000	303 -	FG6 - 6512 - 000	110 - 4	FH7 - 4549 - 000	810 - 40
FG6 - 5045 - 000	570 -	FG6 - 6517 - 000	940 - 2	FH7 - 4550 - 000	810 - 41
FG6 - 5051 - 000	110 -	FG6 - 7224 - 000	210 - 60	FH7 - 4551 - 000	810 - 40
FG6 - 5052 - 000	980 -	FG9 - 3813 - 000	930 - 4	FH7 - 4552 - 000	810 - 41
FG6 - 5057 - 000	105 - 7	FH2 - 5006 - 000	020 - 4	FH7 - 4584 - 000	305 - 4
FG6 - 5070 - 000	281 -	FH2 - 5761 - 020	111 - 4	FH7 - 4585 - 000	305 - 4
FG6 - 5079 - 000	325 -	FH2 - 5762 - 000	111 - 5	FH7 - 4662 - 000	810 - 40
FG6 - 5080 - 000	940 -	FH2 - 5763 - 000	111 - 6	FH7 - 4664 - 000	810 - 41
FG6 - 5084 - 000	810 -	FH2 - 6480 - 000	B - J 702	FH7 - 4666 - 000	210 - 45
FG6 - 5085 - 000	810 -		B - J 703	FH7 - 4668 - 000	210 - 45
FG6 - 5086 - 000	320 -		B - J5105	FH7 - 5012 - 000	360 - 57
FG6 - 5087 - 000	320 -			FH7 - 5702 - 000	310 - 49
FG6 - 5148 - 000	130 - 12	FH2 - 6552 - 000	100 - 48	FH7 - 5712 - 000	105 - 39
FG6 - 5149 - 000	130 - 13	FH2 - 6569 - 000	110 - 5		105 - 47
FG6 - 5153 - 000	130 -	FH2 - 6571 - 000	110 - 6	FH7 - 5713 - 000	320 - 85
FG6 - 5155 - 000	130 -	FH2 - 6853 - 000	B - J5003	FH7 - 5728 - 000	325 - 28
FG6 - 5157 - 000	130 -		B - J6002		260 - 5
FG6 - 5159 - 000	130 -				265 - 3
FG6 - 5161 - 000	130 -	FH2 - 9243 - 000	250 - 8		320 - 84
FG6 - 5163 - 000	130 -	FH2 - 9245 - 000	250 - 9	FH7 - 5820 - 000	315 - 32
FG6 - 5164 - 000	130 - 14	FH2 - 9246 - 000	325 - 6	FH7 - 5969 - 000	320 - 11
FG6 - 5165 - 000	920 -	FH2 - 9247 - 000	281 - 21	FH7 - 5982 - 000	110 - 7
FG6 - 5166 - 000	130 - 19	FH3 - 0242 - 000	940 - T 1	FH7 - 6310 - 000	111 - 7
FG6 - 5425 - 000	130 - 15	FH3 - 0515 - 000	980 - T4502	FH7 - 6311 - 000	105 - 13
FG6 - 5426 - 000	130 - 16	FH3 - 0577 - 000	980 - T4505	FH7 - 6316 - 000	810 - 42
		FH3 - 0765 - 000	980 - 2		

PART NUMBER	FIGURE & KEY NO.	PART NUMBER	FIGURE & KEY NO.	PART NUMBER	FIGURE & KEY NO.
FH7 - 7312 - 000	210 - 24	FS3 - 2044 - 000	105 - 15	FS5 - 2974 - 000	320 - 107
	210 - 37		105 - 51	FS5 - 2976 - 000	320 - 67
	313 - 38	FS3 - 2053 - 000	810 - 50	FS5 - 2977 - 020	320 - 58
FH7 - 7337 - 000	620 - 42	FS3 - 2886 - 020	600 - 50	FS5 - 2980 - 000	351 - 17
	640 - 20	FS3 - 2887 - 000	600 - 51		360 - 62
FH7 - 7342 - 000	101 - 37	FS4 - 0012 - 000	302 - 38	FS5 - 2981 - 020	320 - 119
FH7 - 7386 - 000	210 - 57		303 - 41	FS5 - 2982 - 000	351 - 18
FH7 - 7394 - 000	101 - 15	FS4 - 0145 - 000	105 - 16	FS5 - 3177 - 000	316 - 12
	102 - 13		231 - 6	FS5 - 3243 - 000	360 - 63
	102 - 15		261 - 3	FS5 - 3321 - 000	281 - 13
	315 - 33	FS4 - 0160 - 000	302 - 39	FS5 - 3333 - 000	310 - 54
	320 - 61A		303 - 42		312 - 48
	320 - 80	FS4 - 2136 - 000	302 - 40		313 - 44
	325 - 29		303 - 43	FS5 - 3804 - 000	210 - 55
	360 - 83	FS5 - 0338 - 000	310 - 53	FS5 - 3805 - 000	230 - 4
	810 - 44		312 - 44		260 - 7
FH7 - 7462 - 000	102 - 16		313 - 42		281 - 14
	232 - 4	FS5 - 0341 - 000	265 - 4		320 - 133
	310 - 50	FS5 - 0514 - 000	231 - 7	FS5 - 3806 - 000	360 - 64
	312 - 41	FS5 - 0532 - 000	300 - 22	FS5 - 3807 - 000	250 - 18
	360 - 45	FS5 - 0662 - 000	105 - 17		280 - 20
FH7 - 7522 - 000	110 - 7		231 - 8	FS5 - 3808 - 000	265 - 6
FH7 - 7529 - 000	810 - 43	FS5 - 0677 - 000	281 - 9	FS5 - 3809 - 000	320 - 102
FH7 - 9217 - 000	110 - 3A	FS5 - 0685 - 000	250 - 11	FS5 - 3810 - 000	265 - 7
FH7 - 9299 - 020	111 - 3A		265 - 5	FS5 - 5725 - 000	620 - 45
FH9 - 0186 - 000	930 - CP101		281 - 10	FS5 - 5731 - 000	620 - 46
	930 - CP102	FS5 - 0710 - 000	315 - 46	FS5 - 6150 - 000	320 - 103
	930 - CP103	FS5 - 0728 - 000	230 - 3	FS5 - 6322 - 000	325 - 31
	930 - CP104	FS5 - 0748 - 000	231 - 9	FS5 - 6327 - 000	350 - 24
	930 - CP105	FS5 - 0875 - 000	231 - 10	FS5 - 6328 - 000	250 - 25
	930 - CP106	FS5 - 1004 - 000	351 - 15		320 - 106
	930 - CP107		360 - 59	FS5 - 6329 - 000	320 - 4
	930 - CP108	FS5 - 1372 - 000	350 - 21	FS5 - 6487 - 000	230 - 5
	930 - CP109	FS5 - 1467 - 020	320 - 109		231 - 11
	930 - CP110	FS5 - 1473 - 000	600 - 52		260 - 8
	930 - CP111	FS5 - 1474 - 000	320 - 132		265 - 8
	933 - CP701	FS5 - 1477 - 000	810 - 51		310 - 78
FS1 - 1401 - 000	350 - 19	FS5 - 1755 - 000	320 - 59		320 - 112
FS1 - 1449 - 000	320 - 118	FS5 - 1756 - 000	600 - 53		360 - 65
	810 - 45	FS5 - 1787 - 000	104 - 22	FS5 - 6488 - 000	360 - 66
FS1 - 1462 - 000	280 - 5	FS5 - 1932 - 000	101 - 41	FS5 - 7128 - 000	105 - 22
	320 - 43	FS5 - 1933 - 000	105 - 18		105 - 45
FS1 - 1512 - 000	310 - 51	FS5 - 1934 - 000	105 - 19	FS5 - 8618 - 000	300 - 28A
	312 - 42	FS5 - 2322 - 000	105 - 20		302 - 27
	313 - 39		105 - 43		303 - 28
FS1 - 1569 - 000	310 - 52	FS5 - 2323 - 020	105 - 21	FS5 - 8619 - 000	300 - 55B
	312 - 43		105 - 44	FS5 - 8623 - 000	102 - 34
	313 - 40	FS5 - 2328 - 000	300 - 41		103 - 18
	315 - 25	FS5 - 2650 - 000	300 - 35		932 - 8
	315 - 34	FS5 - 2896 - 000	570 - 21	FS5 - 9162 - 000	320 - 95
	320 - 68	FS5 - 2901 - 000	101 - 38		810 - 33
	810 - 46	FS5 - 2903 - 000	620 - 43	FS5 - 9166 - 000	101 - 17
FS1 - 2834 - 000	320 - 47	FS5 - 2906 - 000	325 - 30	FS5 - 9210 - 000	320 - 42
FS1 - 9009 - 000	810 - 47	FS5 - 2911 - 000	312 - 45	FS5 - 9216 - 000	101 - 18
FS1 - 9076 - 000	320 - 131	FS5 - 2913 - 000	310 - 77	FS5 - 9217 - 000	320 - 74
FS2 - 0088 - 000	720 - 11		312 - 46	FS5 - 9219 - 000	215 - 4
FS2 - 0089 - 000	720 - 12	FS5 - 2914 - 000	312 - 47	FS5 - 9227 - 000	210 - 38
FS2 - 0090 - 000	720 - 13	FS5 - 2915 - 020	312 - 62	FS5 - 9274 - 000	102 - 30
FS2 - 0091 - 000	720 - 14	FS5 - 2919 - 000	313 - 43	FS5 - 9275 - 000	320 - 108
FS2 - 0441 - 000	281 - 7	FS5 - 2921 - 000	100 - 50	FS5 - 9277 - 000	351 - 19
FS2 - 0544 - 000	313 - 41		100 - 51	FS5 - 9282 - 000	106 - 8
FS2 - 1014 - 000	640 - 21		315 - 35		106 - 9
FS2 - 1256 - 000	810 - 48	FS5 - 2922 - 000	100 - 52		106 - 17
FS2 - 1464 - 000	315 - 28		100 - 53	FS5 - 9284 - 000	351 - 21
FS2 - 2001 - 000	720 - 15	FS5 - 2925 - 000	260 - 6	FS5 - 9642 - 000	210 - 25
FS2 - 2002 - 000	720 - 16	FS5 - 2931 - 000	360 - 60	FS5 - 9643 - 000	104 - 23
FS2 - 2036 - 020	510 - 14	FS5 - 2933 - 000	360 - 61	FS5 - 9646 - 000	210 - 27
FS2 - 2058 - 000	720 - 17	FS5 - 2939 - 000	810 - 52	FS6 - 0014 - 000	280 - 15
FS2 - 2325 - 000	810 - 49	FS5 - 2940 - 000	810 - 53	FS6 - 0015 - 000	510 - 4
FS2 - 2450 - 000	600 - 48	FS5 - 2941 - 000	810 - 54	FS6 - 0023 - 000	600 - 54
FS2 - 2551 - 000	580 - 29	FS5 - 2943 - 000	320 - 79	FS6 - 0025 - 000	320 - 16
FS2 - 3488 - 000	360 - 58	FS5 - 2944 - 000	351 - 16		640 - 23
FS2 - 6458 - 000	280 - 9	FS5 - 2946 - 000	350 - 22	FS6 - 0027 - 000	640 - 25
	281 - 8	FS5 - 2947 - 000	320 - 75	FS6 - 0028 - 000	640 - 26
FS2 - 9001 - 000	320 - 134	FS5 - 2953 - 020	350 - 23	FS6 - 0029 - 000	640 - 27
FS2 - 9015 - 000	600 - 49	FS5 - 2957 - 000	281 - 12	FS6 - 0031 - 000	640 - 28
FS2 - 9327 - 000	105 - 14	FS5 - 2958 - 000	101 - 16	FS6 - 0032 - 000	620 - 48
	105 - 50		320 - 35	FS6 - 0033 - 000	620 - 49
FS2 - 9427 - 000	302 - 36	FS5 - 2959 - 000	250 - 22	FS6 - 0034 - 000	620 - 50
	303 - 39	FS5 - 2964 - 000	106 - 16	FS6 - 0035 - 000	620 - 51
FS2 - 9428 - 000	302 - 37	FS5 - 2965 - 000	106 - 6	FS6 - 0036 - 000	620 - 52
	303 - 40		106 - 7	FS6 - 0037 - 000	620 - 53
FS3 - 0081 - 000	320 - 86	FS5 - 2967 - 000	320 - 90	FS6 - 0038 - 000	620 - 54
FS3 - 0082 - 000	320 - 87	FS5 - 2970 - 000	320 - 41	FS6 - 0039 - 000	620 - 55
FS3 - 0167 - 000	250 - 10	FS5 - 2972 - 000	620 - 44	FS6 - 0040 - 000	620 - 56

PART NUMBER	FIGURE & KEY NO.	PART NUMBER	FIGURE & KEY NO.	PART NUMBER	FIGURE & KEY NO.
FS6 - 0041 - 000	620 - 57	FS6 - 8820 - 000	103 - 18	PCB	B - J 114
FS6 - 0042 - 000	320 - 26		932 - 8		B - J 115
FS6 - 0044 - 000	325 - 32	FS6 - 8821 - 000	620 - 47		B - J 116
	325 - 33	FS6 - 8822 - 000	620 - 47		B - J 117
FS6 - 0048 - 000	310 - 55	FS6 - 8980 - 000	300 - 53		B - J 118
FS6 - 0049 - 000	310 - 56	FS6 - 8982 - 000	300 - 54		B - J 119
FS6 - 0051 - 000	310 - 57	FS6 - 8983 - 000	320 - 104A		B - J 120
FS6 - 0053 - 000	310 - 58	FS6 - 8984 - 000	300 - 54		B - J 121
	312 - 49	FS6 - 8985 - 000	316 - 13		B - J 122
	313 - 45	FS6 - 8986 - 000	316 - 13		B - J 123
FS6 - 0056 - 000	260 - 9	FS6 - 8987 - 000	316 - 13		B - J 124
	310 - 59	FS6 - 8988 - 000	316 - 13		B - J 125
	312 - 50	FS7 - 0052 - 000	310 - 65		B - J 126
	313 - 46	FS7 - 0640 - 000	230 - 6		B - J 281
FS6 - 0064 - 000	280 - 17		231 - 12		B - J 282
FS6 - 0065 - 020	261 - 4	FS7 - 0641 - 000	102 - 17		B - J 283
FS6 - 0070 - 000	250 - 12		230 - 7		B - J 284
FS6 - 0076 - 020	250 - 26	FS7 - 0645 - 000	250 - 5		B - J 285
FS6 - 0081 - 000	320 - 136	FS7 - 0646 - 000	250 - 14		B - J 286
FS6 - 0084 - 000	250 - 24	FS7 - 0647 - 000	315 - 37		B - J 287
FS6 - 0091 - 000	250 - 13	FS7 - 0648 - 000	315 - 38		B - J 303
	360 - 67	FS7 - 0649 - 000	315 - 39		B - J 881
FS6 - 0103 - 000	810 - 55	FS7 - 0650 - 000	315 - 40		B - J 902
FS6 - 0104 - 000	810 - 56	FS7 - 0651 - 000	315 - 41		B - J 903
FS6 - 0105 - 000	810 - 57	FS7 - 0652 - 000	310 - 66		B - J 955
FS6 - 0106 - 000	810 - 58		312 - 52		B - J1011
FS6 - 0107 - 000	810 - 59	FS7 - 0653 - 000	261 - 5		B - J1012
FS6 - 0115 - 000	550 - 15	FS7 - 0656 - 000	281 - 15		B - J1014
	570 - 4	FS7 - 0657 - 000	281 - 16		B - J1015
	580 - 30	FS7 - 0658 - 000	320 - 110		B - J1017
FS6 - 0117 - 000	325 - 34	FS7 - 0659 - 000	320 - 111		B - J1018
FS6 - 0120 - 000	600 - 55	FS7 - 0660 - 000	320 - 114		B - J1020
FS6 - 0121 - 000	600 - 56	FS7 - 0661 - 000	810 - 32		B - J1021
FS6 - 0122 - 000	600 - 57	FS7 - 0662 - 000	303 - 46		B - J1022
FS6 - 0124 - 000	600 - 58	FS7 - 0664 - 000	320 - 100		B - J1023
FS6 - 0125 - 000	600 - 59	FS7 - 0666 - 000	810 - 62		B - J1024
FS6 - 0127 - 000	250 - 23	FS7 - 0667 - 000	281 - 11		B - J1026
FS6 - 0129 - 000	600 - 60	FS7 - 2319 - 000	350 - 20		B - J1060
FS6 - 0134 - 000	810 - 60	FS7 - 2320 - 000	230 - 11		B - J1413
FS6 - 0136 - 000	600 - 61	FS7 - 2321 - 000	315 - 47		B - J2002
FS6 - 0137 - 000	600 - 62	FS7 - 2324 - 000	210 - 47		B - J2051
FS6 - 0138 - 000	600 - 63	FS7 - 2325 - 000	100 - 55		B - J2052
FS6 - 0538 - 000	315 - 36	FS7 - 2326 - 000	100 - 56		B - J2053
FS6 - 0557 - 000	360 - 46	FS7 - 2327 - 000	315 - 42		B - J2101
FS6 - 0853 - 000	640 - 24	FS7 - 2328 - 000	315 - 43		B - J2102
FS6 - 0857 - 000	640 - 29	FS7 - 2329 - 000	315 - 44		B - J2103
FS6 - 0859 - 000	600 - 64	FS7 - 2330 - 000	102 - 35		B - J2104
FS6 - 0860 - 000	600 - 65	FS7 - 2331 - 000	312 - 53		B - J2105
FS6 - 0862 - 000	600 - 66	FS7 - 2332 - 000	310 - 79		B - J2106
FS6 - 0908 - 000	640 - 22	FS7 - 2333 - 000	360 - 70		B - J2107
FS6 - 2001 - 000	102 - 31	FS7 - 2334 - 000	360 - 71		B - J2108
FS6 - 2341 - 000	420 - 3	FS7 - 2335 - 000	360 - 72		B - J2109
FS6 - 2617 - 000	620 - 58	FS7 - 2336 - 000	281 - 19		B - J2110
FS6 - 2661 - 000	320 - 92	FS7 - 2337 - 000	281 - 20		B - J2112
FS6 - 2667 - 000	300 - 50	FS7 - 2338 - 000	280 - 19		B - J2301
FS6 - 2668 - 000	310 - 60	FS7 - 2339 - 000	350 - 16		B - J2302
FS6 - 2669 - 000	310 - 61	FS7 - 2340 - 000	320 - 64		B - J2303
FS6 - 2670 - 000	310 - 62	FS7 - 2341 - 000	101 - 19		B - J2305
FS6 - 2678 - 000	310 - 63	FS7 - 2342 - 000	215 - 5		B - J2306
	312 - 51	FS7 - 2344 - 000	280 - 14		B - J2307
	313 - 47	FS7 - 2346 - 000	620 - 61		B - J2501
FS6 - 2691 - 000	300 - 8	FS7 - 2347 - 000	320 - 13		B - J2502
FS6 - 2692 - 000	300 - 23	FS7 - 8143 - 000	932 - 7		B - J2701
FS6 - 2693 - 000	300 - 24	FY1 - 0883 - 000	550 - 16		B - J3501
FS6 - 2694 - 000	300 - 42	FY1 - 1157 - 000	810 - 1		B - J3502
FS6 - 2740 - 000	104 - 24	FY9 - 3009 - 040	020 - 1		B - J3504
FS6 - 2742 - 000	310 - 64	FY9 - 3012 - 000	020 - 3		B - J4002
FS6 - 2746 - 000	104 - 25	FY9 - 3014 - 000	020 - 2		B - J4003
FS6 - 2773 - 000	360 - 68	PCB	B - J 1		B - J4004
FS6 - 2826 - 000	100 - 54		B - J 2		B - J4005
FS6 - 2832 - 000	360 - 69		B - J 3		B - J4006
FS6 - 2913 - 000	210 - 58		B - J 6		B - J4007
FS6 - 2983 - 000	302 - 41		B - J 10		B - J4008
	303 - 44		B - J 101		B - J4009
FS6 - 2984 - 000	302 - 42		B - J 102		B - J4010
	303 - 45		B - J 104		B - J4011
FS6 - 4243 - 000	300 - 51		B - J 105		B - J4013
FS6 - 4798 - 000	103 - 12		B - J 106		B - J4014
FS6 - 8386 - 000	320 - 30A		B - J 107		B - J4015
FS6 - 8387 - 000	320 - 31A		B - J 108		B - J4016
FS6 - 8399 - 000	600 - 69		B - J 109		B - J4017
FS6 - 8411 - 000	300 - 11		B - J 110		B - J4502
FS6 - 8704 - 000	360 - 3A		B - J 111		B - J4503
FS6 - 8710 - 000	300 - 4		B - J 112		B - J5001
FS6 - 8820 - 000	102 - 34		B - J 113		B - J5002

PART NUMBER	FIGURE & KEY NO.	PART NUMBER	FIGURE & KEY NO.	PART NUMBER	FIGURE & KEY NO.
PCB	B - J5003	VS1 - 5057 - 002	B - J 729	VS1 - 5057 - 004	105 - 46A
	B - J5004		B - J 804		320 - 128C
	B - J5005		B - J 805		360 - 53A
	B - J5006		B - J8503		600 - 71
	B - J5007		B - J9013		940 - 4A
	B - J5010		101 - 14A	VS1 - 5057 - 005	B - J 201
	B - J5011		101 - 21		B - J 223
	B - J5012		101 - 43		103 - 13A
	B - J5100		105 - 48		360 - 50A
	B - J5101		105 - 52	VS1 - 5057 - 006	B - J 159
	B - J5102		106 - 1A		B - J 228
	B - J5601		110 - 2B		B - J 230
	B - J5602		111 - 8B		B - J 231
	B - J6001		250 - 27		B - J 233
	B - J6002		260 - 13		B - J 234
	B - J6501		265 - 11		B - J 268
	B - J6502		310 - 47A		B - J 411
	B - J6503		310 - 48A		B - J 412
	B - J6504		315 - 31A		B - J 414
	B - J6505		320 - 128A		B - J 417
	B - J6506		320 - 129A		B - J5700
	B - J6507		325 - 27A		B - J5701
	B - J6508		360 - 49A		B - J9012
	B - J6509		550 - 18		105 - 57
	B - J6601		580 - 33		231 - 16
	B - J6602		600 - 45A		232 - 1A
	B - J6603		600 - 70		260 - 11
	B - J6604		620 - 39A		320 - 144
	B - J6605	VS1 - 5057 - 003	B - J 156		360 - 44A
	B - J6801		B - J 161		360 - 50B
	B - J9001		B - J 162		360 - 51A
	B - J9002		B - J 192		940 - 3A
	B - J9004		B - J 225	VS1 - 5057 - 007	B - J 153
	B - J9005		B - J 232		B - J 254
RB1 - 6571 - 000	315 - 26		B - J 255		B - J 719
RH3 - 5016 - 000	980 - T4503		B - J 265		107 - 8A
	980 - T4504		B - J 270		325 - 27B
	980 - T4508		B - J 701		620 - 59
	580 - 32		B - J 713	VS1 - 5057 - 008	B - J 274
RY1 - 1502 - 000	925 - F 1		B - J 727		B - J 726
VD5 - 0321 - 001	931 - FU2051		B - J 802		315 - 48
VD7 - 1822 - 001	931 - FU2052		B - J 803		320 - 129B
VS1 - 0279 - 004	B - J 2		B - J 807	VS1 - 5057 - 009	360 - 44B
	B - J1533		B - J1542	VS1 - 5057 - 010	B - J 253
	B - J2301		B - J5052		320 - 146
	B - J4008		B - J9003	VS1 - 5057 - 013	B - J 252
VS1 - 0279 - 005	B - J 1		B - J9004		320 - 145
	B - J4503		B - J9006	VS1 - 5452 - 007	B - J 703
	B - J7371		B - J9008		B - J5010
VS1 - 0279 - 006	B - J2112		102 - 14A		B - J5105
VS1 - 0280 - 004	B - J1533		102 - 27A	VS1 - 5452 - 008	B - J 702
VS1 - 0280 - 006	B - J 413		102 - 28	VS1 - 5729 - 002	B - J1405
VS1 - 0511 - 003	B - J2051		104 - 21		B - J9009
VS1 - 0842 - 002	B - J 155		104 - 27	VS1 - 5729 - 003	B - J 2
	B - J 158		105 - 10		B - J 3
	B - J 261		105 - 49		B - J1504
VS1 - 0842 - 003	B - J 156		110 - 2A	VS1 - 5729 - 004	B - J1403
	B - J 157		111 - 8A		B - J1404
	B - J 262		190 - 6		B - J5112
	B - J 806		191 - 4	VS1 - 5729 - 005	B - J8400
	B - J 810		210 - 34B	VS1 - 5729 - 008	B - J 321
	B - J6506		210 - 40	VS1 - 5730 - 002	B - J6310
	B - J8508		260 - 12	VS1 - 5730 - 004	B - J1414
VS1 - 0842 - 004	B - J 154		315 - 31B	VS1 - 5730 - 009	B - J1415
	B - J 809		320 - 128B	VS1 - 5824 - 002	B - J 323
VS1 - 0842 - 006	B - J 159		320 - 141		B - J 704
VS1 - 0842 - 007	B - J 153		360 - 51B	VS1 - 5824 - 003	B - J1518
	B - J 254		360 - 54A	VS1 - 5824 - 004	B - J9016
VS1 - 5057 - 002	B - J 151		600 - 46A	VS1 - 5824 - 006	B - J 230
	B - J 155		620 - 39B	VS1 - 5824 - 009	B - J 229
	B - J 158		640 - 34	VS1 - 6302 - 004	B - J1026
	B - J 160	VS1 - 5057 - 004	B - J 154		B - J4016
	B - J 191		B - J 163	VS1 - 6302 - 005	B - J4015
	B - J 193		B - J 271	VS1 - 6302 - 010	B - J4017
	B - J 224		B - J 577		B - J9005
	B - J 258		B - J 809	VS1 - 6302 - 011	B - J4014
	B - J 261		B - J1514	VS1 - 6302 - 015	B - J1020
	B - J 263		B - J1534	VS1 - 6313 - 005	B - J5101
	B - J 267		B - J5770	VS1 - 6313 - 009	B - J 112
	B - J 537		B - J6320		B - J 511
	B - J 547		B - J9010		B - J 531
	B - J 704		B - J9016		B - J 541
	B - J 715		101 - 20	VS1 - 6313 - 010	B - J 111
	B - J 717		102 - 19	VS1 - 6313 - 012	B - J 108
	B - J 725		105 - 35A		B - J2306

PART NUMBER	FIGURE & KEY NO.	PART NUMBER	FIGURE & KEY NO.	PART NUMBER	FIGURE & KEY NO.
VS1 - 6313 - 013	B - J 282	VS1 - 6314 - 020	B - J 104	VS1 - 6321 - 003	B - J 518
VS1 - 6313 - 015	B - J 103		B - J 106		B - J 532
	B - J 113		B - J 121		B - J 533
	B - J 115		B - J 251		B - J 534
	B - J 801		B - J 287		B - J 535
	B - J1012		B - J2101		B - J 536
	B - J6505		B - J2501		B - J 542
VS1 - 6313 - 016	B - J 102		106 - 18		B - J 543
	B - J 222	VS1 - 6318 - 002	320 - 125		B - J 544
	B - J2302		B - J 712		B - J 545
VS1 - 6313 - 017	B - J 110		280 - 8A		B - J 546
VS1 - 6313 - 018	B - J 107	VS1 - 6318 - 003	B - J1543		B - J 550
	B - J1018		930 - 2A		B - J 564
	B - J6801	VS1 - 6318 - 004	B - J 401		B - J 565
VS1 - 6313 - 020	B - J 104		103 - 13B		B - J 567
	B - J 106	VS1 - 6318 - 005	B - J1541		B - J 568
	B - J 251		B - J5062		B - J 569
	B - J2101		103 - 17		B - J 571
	106 - 19		210 - 59		B - J 572
	320 - 124	VS1 - 6318 - 006	B - J 272		B - J 573
VS1 - 6314 - 002	B - J 712	VS1 - 6318 - 010	B - J 753		B - J 574
VS1 - 6314 - 003	B - J1021		106 - 2A		B - J 701
	B - J1413	VS1 - 6318 - 011	B - J9000		B - J 713
	B - J1543	VS1 - 6318 - 015	B - J 561		B - J 718
	B - J5001		313 - 37A		B - J 727
	B - J5601	VS1 - 6319 - 018	B - J 511		B - J 728
VS1 - 6314 - 004	B - J 120		B - J 531		B - J 802
	B - J 401		B - J 541		B - J 803
	B - J2106		310 - 80		B - J1513
	B - J2701		312 - 40A		B - J1515
	B - J5006	VS1 - 6319 - 030	B - J 103		B - J1516
VS1 - 6314 - 005	B - J1541		B - J 801		B - J1521
	B - J5007		102 - 36		B - J1523
	B - J5062	VS1 - 6320 - 003	B - J 807		B - J1542
VS1 - 6314 - 006	B - J 126		B - J1519		B - J2303
	B - J 272		B - J5057		B - J2502
	B - J2105	VS1 - 6321 - 002	B - J 151		B - J4002
	B - J5012		B - J 160		B - J5052
	B - J6508		B - J 191		B - J5053
	B - J6605		B - J 193		B - J5056
VS1 - 6314 - 007	B - J1022		B - J 224		B - J5500
	B - J2107		B - J 258		B - J9003
VS1 - 6314 - 008	B - J 124		B - J 260		B - J9004
	B - J6501		B - J 263		B - J9006
	B - J6603		B - J 267		B - J9008
VS1 - 6314 - 009	B - J 112		B - J 418	VS1 - 6321 - 004	B - J 3
	B - J 125		B - J 419		B - J 117
	B - J 511		B - J 421		B - J 154
	B - J 531		B - J 537		B - J 163
	B - J 541		B - J 547		B - J 226
	B - J6502		B - J 566		B - J 271
	B - J6604		B - J 704		B - J 577
VS1 - 6314 - 010	B - J 111		B - J 715		B - J 602
	B - J 123		B - J 717		B - J 612
	B - J 753		B - J 725		B - J 632
	B - J6504		B - J 729		B - J 809
	B - J6602		B - J 804		B - J1060
VS1 - 6314 - 011	B - J 10		B - J 805		B - J1514
	B - J1023		B - J3502		B - J1534
	B - J6509		B - J4010		B - J5770
	B - J6601		B - J8503		B - J6320
	B - J9000		B - J9013		B - J9010
VS1 - 6314 - 012	B - J 108	VS1 - 6321 - 003	B - J 161		B - J9016
	B - J 303		B - J 162	VS1 - 6321 - 005	B - J 116
	B - J1024		B - J 192		B - J 201
	B - J2306		B - J 225		B - J 223
VS1 - 6314 - 013	B - J 105		B - J 227		B - J4013
	B - J 282		B - J 232		B - J8492
	B - J2108		B - J 235	VS1 - 6321 - 006	B - J 228
VS1 - 6314 - 015	B - J 103		B - J 236		B - J 231
	B - J 113		B - J 255		B - J 233
	B - J 115		B - J 256		B - J 234
	B - J 561		B - J 257		B - J 268
	B - J 801		B - J 259		B - J 411
	B - J1012		B - J 264		B - J 412
	B - J2305		B - J 265		B - J 414
	B - J6505		B - J 270		B - J 417
VS1 - 6314 - 016	B - J 102		B - J 273		B - J2307
	B - J 222		B - J 284		B - J5700
	B - J2302		B - J 286		B - J5701
VS1 - 6314 - 017	B - J 110		B - J 512	VS1 - 6321 - 007	B - J9012
VS1 - 6314 - 018	B - J 107		B - J 513		B - J 153
	B - J1018		B - J 515		B - J 254
	B - J2102		B - J 516		B - J 719
	B - J6801		B - J 517		B - J2103

PART NUMBER	FIGURE & KEY NO.	PART NUMBER	FIGURE & KEY NO.	PART NUMBER	FIGURE & KEY NO.
VS1 - 6321 - 007	B - J4011	VS4 - 0002 - 006	B - J1401	WS3 - 5160 - 000	B - J1504
VS1 - 6321 - 008	B - J 274	VT2 - 5161 - 018	B - J 112		B - J2109
	B - J 726		B - J 511		B - J3501
	B - J1530		B - J 531		B - J3504
	B - J2052		B - J 541		B - J4003
VS1 - 6321 - 009	B - J 229	VT2 - 5161 - 020	B - J 111		B - J4004
	B - J1536	VT2 - 5161 - 024	B - J 108		B - J4005
	B - J9011		B - J2306		B - J4006
VS1 - 6321 - 010	B - J 253	VT2 - 5161 - 026	B - J 282		B - J4007
VS1 - 6321 - 013	B - J 252	VT2 - 5161 - 030	B - J 103		B - J4009
	B - J 283		B - J 113		B - J5002
	B - J4502		B - J 115		B - J5005
VS1 - 6321 - 014	B - J 281		B - J 801		B - J5112
VS1 - 6327 - 032	B - J 222		B - J1012		B - J5602
VS1 - 6327 - 040	B - J 251		B - J6505		B - J6001
	320 - 123	VT2 - 5161 - 032	B - J 102		B - J6310
VS1 - 6328 - 032	B - J 222		B - J 222		B - J8400
VS1 - 6328 - 040	B - J 251		B - J2302		B - J9009
	106 - 21	VT2 - 5161 - 034	B - J 110	WS3 - 5291 - 000	B - J 5
VS1 - 6380 - 006	B - J 5	VT2 - 5161 - 036	B - J 107		B - J 6
VS1 - 6407 - 080	B - J 122		B - J1018	WS3 - 5292 - 000	B - J 5
	B - J1014		B - J6801	WS3 - 5301 - 000	B - J 2
	B - J1015	VT2 - 5161 - 040	B - J 104		B - J 3
	B - J5004		B - J 106		B - J 321
VS1 - 6534 - 002	B - J 118		B - J 251		B - J1403
	B - J 285		B - J2101		B - J1404
	B - J 714		106 - 20		B - J1405
	B - J 119		320 - 142		B - J1414
VS1 - 6534 - 004	B - J 114	WA4 - 0953 - 000	930 - IC132		B - J1415
VS1 - 6534 - 005	B - J 114	WA4 - 6190 - 000	930 - IC138		B - J1504
VS1 - 6535 - 002	B - J 714	WA4 - 6197 - 000	930 - IC139		B - J5112
VS1 - 6535 - 004	B - J 754	WA7 - 0097 - 000	930 - IC127		B - J6310
VS1 - 6619 - 040	B - J1017	WA7 - 1119 - 000	930 - IC104		B - J8400
	B - J1551		930 - IC105		B - J9009
VS3 - 0053 - 003	B - J 7		930 - IC109	WS3 - 5358 - 000	B - J 229
	B - J 9		930 - IC110		B - J 230
	B - J 10		930 - IC129		B - J 323
VS3 - 5009 - 006	B - J 159		930 - IC130		B - J 714
VS3 - 5058 - 003	B - J 2		935 - IC5027		B - J1518
	B - J 3		930 - IC143		B - J9016
VS3 - 5083 - 002	B - J 601	WA7 - 1121 - 000	932 - 2	WS3 - 5365 - 000	B - J5570
	B - J 611	WA7 - 1134 - 000	930 - IC133	WS3 - 5482 - 000	B - J 1
	B - J 631	WA8 - 5341 - 000	105 - 23	WS3 - 5483 - 000	B - J 1
	B - J 881	WB1 - 5176 - 000	110 - 8		106 - 15
	B - J1405	WC1 - 5131 - 000	110 - 9	WS3 - 5511 - 000	B - J 1
	B - J4005		111 - 9	WS3 - 5512 - 000	B - J 1
	B - J5005	WC4 - 5125 - 000	101 - 23		106 - 14
	B - J6310	WE8 - 5266 - 000	210 - 48	WS3 - 5596 - 000	B - J 702
	B - J9009	WE8 - 5406 - 000	210 - 23A		B - J 703
VS3 - 5083 - 003	B - J1504		210 - 34A		B - J5105
	B - J3501	WE8 - 5622 - 000	210 - 29B	WS3 - 5607 - 000	B - J 222
	B - J4006	WE8 - 5765 - 000	110 - 10		B - J 251
	B - J5602		111 - 10		106 - 22
VS3 - 5083 - 004	B - J 902	WE8 - 5791 - 000	210 - 64	WS3 - 5609 - 000	B - J 222
	B - J1402	WG1 - 5301 - 000	130 - 14F		B - J 251
	B - J1403	WG1 - 5645 - 000	130 - 14J		320 - 140
	B - J1404	WM2 - 5137 - 000	103 - 14	WS3 - 5610 - 000	110 - 12
	B - J1414	WS1 - 5019 - 000	B - J 159	WS3 - 5613 - 000	110 - 13
	B - J2053	WS3 - 0437 - 000	B - J 1	WS3 - 5658 - 000	B - J 114
	B - J2109		B - J2112		B - J 118
	B - J3504		B - J2301		B - J 119
	B - J4004		B - J4008		B - J 285
	B - J4009		B - J4503	WS3 - 5659 - 000	B - J 714
	B - J5002		B - J7371		B - J 754
	B - J5112	WS3 - 0469 - 000	B - J 1	WS3 - 5680 - 000	B - J1020
	B - J6001		B - J 2		B - J1026
VS3 - 5083 - 005	B - J4007		B - J1533		B - J4014
	B - J8400	WS3 - 0885 - 000	B - J 413		B - J4015
VS3 - 5083 - 008	B - J 101	WS3 - 5016 - 000	B - J1533		B - J4016
	B - J 321	WS3 - 5160 - 000	B - J 2		B - J4017
	B - J4003		B - J 3		B - J9005
VS3 - 5083 - 009	B - J 903		B - J 101	WS4 - 0073 - 000	B - J2051
	B - J1415		B - J 321	WS4 - 0217 - 000	B - J 7
VS3 - 5121 - 002	B - J 6		B - J 601		B - J 9
VS3 - 5121 - 006	B - J 5		B - J 611		B - J 10
VS3 - 5203 - 005	B - J5570		B - J 631		B - J 322
VS4 - 0001 - 002	B - J 325		B - J 881		B - J1401
	B - J9007		B - J 902		B - J9007
VS4 - 0001 - 003	B - J 10		B - J 903	WS4 - 0218 - 000	B - J 325
VS4 - 0001 - 004	B - J 322		B - J1402		B - J 707
	B - J 707		B - J1403	WS4 - 0219 - 000	B - J 322
VS4 - 0001 - 006	B - J1401		B - J1404		B - J 325
VS4 - 0002 - 002	B - J 325		B - J1405		B - J1401
	B - J9007		B - J1414		B - J9007
VS4 - 0002 - 004	B - J 322		B - J1415	WS4 - 0220 - 000	B - J 707
	B - J 707				



PART NUMBER	FIGURE & KEY NO.	PART NUMBER	FIGURE & KEY NO.	PART NUMBER	FIGURE & KEY NO.
WS4 - 5160 - 000	B - J2053	XA9 - 0724 - 000	325 - 41	XB1 - 2400 - 609	310 - 504
WT1 - 5480 - 000	110 - 14	XA9 - 0870 - 000	100 - 61		310 - 517
WT2 - 5041 - 000	305 - 3		315 - 45		312 - 502
WT2 - 5178 - 000	313 - 48	XA9 - 0896 - 000	103 - 15		312 - 504
	325 - 35	XA9 - 0944 - 000	280 - 22		313 - 502
	360 - 73		320 - 138		315 - 502
WT2 - 5546 - 000	932 - 5	XA9 - 0949 - 000	320 - 143		320 - 512
WT2 - 5565 - 000	104 - 20A	XA9 - 1259 - 000	105 - 56		360 - 504
	313 - 49	XB1 - 1300 - 407	580 - 504		600 - 504
	315 - 31C	XB1 - 1405 - 007	320 - 511		810 - 502
	360 - 53B	XB1 - 2200 - 409	302 - 501	XB1 - 2400 - 806	320 - 513
	360 - 74		303 - 501	XB1 - 2400 - 809	103 - 508
X62 - 5133 - 000	B - J1402	XB1 - 2230 - 809	101 - 501		110 - 504
	B - J1552	XB1 - 2300 - 402	640 - 501		110 - 505
X62 - 7921 - 000	280 - 21	XB1 - 2300 - 407	312 - 501		111 - 502
X62 - 8249 - 000	931 - SQ2051	XB1 - 2300 - 409	102 - 502		230 - 501
	931 - SQ2052		105 - 501		231 - 502
	931 - SQ2053		231 - 501		360 - 512
	931 - SQ2054		260 - 501	XB1 - 2401 - 009	260 - 502
X65 - 5854 - 000	B - J1402		261 - 501	XB1 - 2401 - 209	810 - 504
	B - J1552		310 - 501	XB1 - 2401 - 406	360 - 516
X71 - 9310 - 000	280 - 6		310 - 502	XB1 - 2401 - 809	250 - 511
	640 - 31		315 - 517	XB1 - 2402 - 009	110 - 502
XA9 - 0034 - 000	580 - 34		320 - 508		111 - 503
XA9 - 0189 - 000	190 - 7		325 - 501		600 - 508
XA9 - 0192 - 000	810 - 65		330 - 501	XB1 - 2500 - 606	110 - 509
XA9 - 0194 - 000	640 - 32		360 - 510		111 - 504
XA9 - 0207 - 000	250 - 7		570 - 501	XB1 - 2502 - 009	510 - 506
	300 - 52		620 - 501	XB2 - 5300 - 609	570 - 503
	320 - 135		640 - 502	XB2 - 6300 - 609	510 - 503
XA9 - 0228 - 000	550 - 19	XB1 - 2300 - 509	320 - 515	XB2 - 7300 - 807	580 - 502
	580 - 35	XB1 - 2300 - 603	600 - 501	XB2 - 7400 - 607	103 - 502
XA9 - 0249 - 000	810 - 64	XB1 - 2300 - 607	130 - 501		106 - 504
XA9 - 0265 - 000	310 - 67		360 - 502		107 - 503
	312 - 54		930 - 501		110 - 503
XA9 - 0271 - 000	325 - 36		932 - 502		111 - 505
XA9 - 0385 - 000	110 - 11		940 - 502		130 - 503
XA9 - 0425 - 000	430 - 6	XB1 - 2300 - 609	105 - 502	XB2 - 7400 - 609	210 - 507
XA9 - 0446 - 000	320 - 137		110 - 501	XB2 - 8260 - 607	600 - 509
XA9 - 0591 - 000	130 - 18		111 - 501	XB2 - 8300 - 405	105 - 510
	280 - 7		210 - 503	XB2 - 8300 - 607	600 - 510
	300 - 2		310 - 503		810 - 505
	310 - 68		312 - 503	XB2 - 8300 - 809	420 - 501
XA9 - 0596 - 000	104 - 28		313 - 501	XB3 - 6300 - 600	315 - 513
XA9 - 0605 - 000	100 - 57		315 - 512	XB3 - 6300 - 609	215 - 501
	100 - 58		320 - 503	XB3 - 6300 - 800	215 - 505
	300 - 25		325 - 502	XB3 - 6400 - 508	315 - 514
	300 - 46		350 - 501	XB3 - 6400 - 600	104 - 505
	302 - 35		360 - 501		360 - 503
	303 - 38		510 - 502	XB3 - 6400 - 800	100 - 505
	310 - 69		550 - 501		101 - 507
	312 - 55		580 - 501		102 - 504
XA9 - 0615 - 000	100 - 59		600 - 502		103 - 503
XA9 - 0624 - 000	105 - 54		810 - 503		104 - 503
XA9 - 0626 - 000	320 - 121	XB1 - 2300 - 807	107 - 501		105 - 511
	350 - 25	XB1 - 2300 - 809	250 - 501		106 - 501
	351 - 25		281 - 501		210 - 504
XA9 - 0628 - 000	102 - 29		320 - 505		215 - 502
	104 - 40	XB1 - 2301 - 009	460 - 501		313 - 503
	107 - 9	XB1 - 2301 - 409	460 - 503		320 - 527
	230 - 8		550 - 502		351 - 501
	231 - 13	XB1 - 2301 - 603	570 - 502		360 - 517
	232 - 6	XB1 - 2302 - 003	550 - 503		980 - 501
	261 - 6	XB1 - 2400 - 405	320 - 521	XB3 - 6400 - 805	100 - 503
	280 - 10	XB1 - 2400 - 407	107 - 502		250 - 502
	310 - 70	XB1 - 2400 - 409	100 - 501		265 - 501
	312 - 56		104 - 501		281 - 502
	320 - 60		305 - 501		320 - 506
	325 - 38		320 - 509		320 - 520
	350 - 26		325 - 503		810 - 506
XA9 - 0629 - 000	102 - 37		600 - 503	XB3 - 6401 - 000	103 - 507
	302 - 43	XB1 - 2400 - 603	110 - 506		106 - 502
	303 - 47	XB1 - 2400 - 606	960 - 501		107 - 504
XA9 - 0630 - 000	325 - 39	XB1 - 2400 - 607	100 - 506	XB3 - 6401 - 005	100 - 509
XA9 - 0633 - 000	310 - 71		103 - 501	XB4 - 7300 - 607	300 - 503
	312 - 57		110 - 508		300 - 508
	325 - 40		130 - 502	XB4 - 7300 - 609	101 - 503
XA9 - 0642 - 000	210 - 49		932 - 501		315 - 504
XA9 - 0656 - 000	101 - 22	XB1 - 2400 - 609	100 - 507		316 - 501
XA9 - 0670 - 000	130 - 21		102 - 501		510 - 504
XA9 - 0685 - 000	302 - 44		104 - 502		550 - 504
	303 - 48		260 - 509		570 - 504
XA9 - 0721 - 000	300 - 56		300 - 501		580 - 503
	302 - 45		302 - 502		620 - 502
	303 - 49		303 - 502		640 - 503



PART NUMBER	FIGURE & KEY NO.	PART NUMBER	FIGURE & KEY NO.	PART NUMBER	FIGURE & KEY NO.
XG9 - 0013 - 000	250 - 15				
	280 - 12				
	281 - 17				
XG9 - 0111 - 000	600 - 34A				
	600 - 37A				
	620 - 30A				
	620 - 60				
XG9 - 0192 - 000	360 - 78				
XG9 - 0211 - 000	325 - 42				
	360 - 77				
XG9 - 0218 - 000	640 - 33				
XG9 - 0224 - 000	104 - 34				
XG9 - 0237 - 000	320 - 115				
XG9 - 0250 - 000	210 - 50				
	250 - 16				
	281 - 18				
	312 - 59				
	600 - 67				
XG9 - 0254 - 000	302 - 47				
	303 - 51				
XG9 - 0298 - 000	250 - 17				
XG9 - 0324 - 000	510 - 5				
XG9 - 0333 - 000	640 - 30				
XG9 - 0335 - 000	325 - 43				
XG9 - 0346 - 000	600 - 68				
XG9 - 0366 - 000	360 - 75				
XG9 - 0383 - 000	320 - 113				
XG9 - 0403 - 000	230 - 9				
	231 - 14				
	260 - 508				
	265 - 9				
	310 - 73				
	312 - 60				
	320 - 116				
XG9 - 0407 - 000	310 - 74				
	312 - 61				
	313 - 51				
XG9 - 0420 - 000	360 - 76				
XG9 - 0421 - 000	810 - 61				
XH9 - 0082 - 000	302 - 48				
	303 - 52				
XZ1 - 1401 - 805	325 - 513				
XZ1 - 1800 - 605	325 - 509				
XZ9 - 0251 - 000	101 - 24				
XZ9 - 0406 - 000	100 - 63				
XZ9 - 0409 - 000	107 - 10				
XZ9 - 0516 - 000	100 - 62				

# D2 NUMERICAL INDEX(SHIFT TRAY-B1)

PART NUMBER	FIGURE & KEY NO.	PART NUMBER	FIGURE & KEY NO.	PART NUMBER	FIGURE & KEY NO.
FB3-7258-000	Q20 - 3				
FB3-7279-000	Q20 - 6A				
FB3-7307-000	Q10 - 8A				
FB4-8153-000	Q20 - 9				
FB4-9030-000	Q20 - 6B				
FB5-7564-000	Q10 - 3				
FB5-7568-000	Q10 - 4				
FB5-7569-000	Q10 - 1				
FB5-7573-000	Q10 - 2				
FB5-7579-000	Q10 - 7A				
FB5-7585-000	Q10 - 8B				
FB5-7596-000	Q20 - 4				
FB5-7597-000	Q20 - 5				
FB5-7598-000	Q20 - 1A				
FF6-0825-000	Q20 - 6				
FG6-6831-000	Q20 - 1				
FG6-6832-000	Q20 - 2				
FG6-6835-000	Q10 - 7				
FG6-6836-000	Q10 - 8				
FG6-6838-000	Q20 -				
FG6-6841-000	Q10 - 14				
FG6-6842-000	Q10 - 9				
FG6-6843-000	Q10 - 10				
FG6-6844-000	Q10 - 12				
FG6-6845-000	Q10 - 8F				
FG6-6846-000	Q20 - 8				
FH6-1829-000	Q10 - 5				
FH7-7462-000	Q10 - 6				
	Q10 - 8C				
FS5-2933-000	Q20 - 2A				
FS5-6531-000	Q20 - 10				
FS5-6878-000	Q20 - 2B				
FS6-2541-000	Q20 - 7				
FS6-2556-000	Q10 - 8D				
FS7-0906-000	Q10 - 7B				
FS7-0907-000	Q20 - 2C				
FS7-0908-000	Q20 - 2D				
FS7-0909-000	Q20 - 1B				
FS7-2539-000	Q10 - 8E				
FS7-2540-000	Q20 - 1C				
PCB	Q B - J101				
	Q B - J102				
	Q B - J103				
	Q B - J104				
	Q B - J105				
	Q B - J106				
VS1-0842-003	Q B - J203				
	Q B - J204				
	Q B - J206				
	Q B - J207				
	Q B - J208				
VS1-0842-004	Q B - J106				
	Q B - J205				
VS1-0842-006	Q B - J103				
VS1-0842-007	Q B - J104				
VS1-5057-004	Q10 - 10A				
	Q B - J205				
VS1-6314-010	Q B - J202				
VS1-6321-010	Q B - J102				
VS1-6534-004	Q B - J101				
	Q B - J201				
WG8-5485-000	Q10 - 7C				
WS3-5658-000	Q B - J101				
	Q B - J201				
XA9-0265-000	Q10 - 11				
	Q20 - 11				
XA9-0732-000	Q10 - 15				
	Q20 - 12				
XA9-0871-000	Q10 - 13				
XB1-2301-606	Q10 - 502				
XB1-2400-606	Q10 - 507				
XB1-2400-609	Q10 - 506				
	Q20 - 506				
XB4-5400-609	Q20 - 505				
XB4-5400-806	Q20 - 501				
XB4-5400-809	Q10 - 501				
	Q10 - 503				
	Q10 - 504				
	Q10 - 505				
XD2-1100-322	Q20 - 504				
XD2-2300-242	Q20 - 502				
XD2-2300-302	Q20 - 503				
XD9-0204-000	Q10 - 16				
XG9-0334-000	Q20 - 1D				
XG9-0414-000	Q20 - 1E				

# D3 NUMERICAL INDEX(NETWORK MULTI-PDL PRINTER KIT-A1)

PART NUMBER	FIGURE & KEY NO.	PART NUMBER	FIGURE & KEY NO.	PART NUMBER	FIGURE & KEY NO.
FG6 - 5060 - 000 FG6 - 5964 - 000 FG6 - 5965 - 000 XB1 - 2300 - 607	F10 - 3 F10 - 1 F10 - 2 F10 - 501				

# D4 NUMERICAL INDEX(NETWORK LIPS PRINTER KIT A-1)

PART NUMBER	FIGURE & KEY NO.	PART NUMBER	FIGURE & KEY NO.	PART NUMBER	FIGURE & KEY NO.
FG6 - 5060 - 000 FG6 - 5964 - 000 FG6 - 5965 - 000 XB1 - 2300 - 607	F10 - 3 F10 - 1 F10 - 2 F10 - 501				

Prepared by  
OFFICE IMAGING PRODUCTS TECHNICAL SUPPORT DIV.  
CANON INC.  
Printed in Japan

REVISION 0 [ JUNE 2000 ]

5-1, Hakusan 7-chome, Toride-city, Ibaraki 302-8501, Japan

**Canon**