

# **PARTS CATALOG**

**iR 3245/3235/3230/3225  
Series**

**Canon**

**Dec 19 2008**



## **PREFACE**

This Parts Catalog contains listings of parts used

Diagrams are provided with the listings to aid the service technician in identifying clearly, the item to be ordered.

Whenever ordering parts, consult this Parts Catalog for all of the information pertaining to each item. Be sure to include, in the Parts Request, the full item description, the item part number, and the quantity.

***COPYRIGHT (C) 1999 CANON INC.***

Use of this manual should be strictly supervised to avoid disclosure of confidential information.





# Contents

## NUMERICAL INDEX

iR3245/3235/3230/3225 Series(Numerical Index)..... 1-1

## iR3245/3235/3230/3225 Series(Parts Catalog)

|     |  |      |
|-----|--|------|
| A1  | ASSEMBLY LOCATION DIAGRAM .....                          | 2-1  |
| A2  | OPTION PARTS CATALOG LIST .....                          | 2-7  |
| 001 | ACCESSORIES .....  | 2-8  |
| 100 | EXTERNAL COVERS, PANELS, ETC. ....                       | 2-10 |
| 101 | MACHINE FRONT PLATE .....                                | 2-15 |
| 102 | INTERNAL COMPONENTS 1 .....                              | 2-17 |
| 103 | INTERNAL COMPONENTS 2 .....                              | 2-20 |
| 104 | INTERNAL COMPONENTS 3 .....                              | 2-22 |
| 105 | MACHINE REAR PLATE 1 .....                               | 2-24 |
| 106 | MACHINE REAR PLATE 2 .....                               | 2-26 |
| 107 | MACHINE REAR PLATE 3 .....                               | 2-28 |
| 115 | RIGHT DOOR ASSEMBLY .....                                | 2-30 |
| 116 | PAPER FEEDER FRAME ASSEMBLY .....                        | 2-35 |
| 130 | CONTROL PANEL ASSEMBLY .....                             | 2-37 |
| 140 | POWER CORD TERMINAL ASSEMBLY .....                       | 2-39 |
| 145 | RIGHT LOWER DOOR ASSEMBLY .....                          | 2-41 |
| 250 | MAIN DRIVE ASSEMBLY (iR3225 Series) .....                | 2-43 |
| 251 | MAIN DRIVE ASSEMBLY (iR3245/3235/3230 Series) .....      | 2-45 |
| 261 | DUPLEXING DRIVE ASSEMBLY (iR3245/3235/3230 Series) ..... | 2-47 |
| 281 | FIXING DELIVERY DRIVE ASSEMBLY .....                     | 2-49 |
| 300 | CASSETTE 1 .....   | 2-51 |
| 301 | CASSETTE 2 .....   | 2-54 |
| 310 | PAPER PICK-UP ASSEMBLY 1 .....                           | 2-57 |
| 311 | PAPER PICK-UP ASSEMBLY 2 .....                           | 2-61 |
| 315 | MULTI FEED TRAY ASSEMBLY .....                           | 2-65 |
| 350 | PAPER DELIVERY ASSEMBLY .....                            | 2-67 |
| 351 | 2ND/3RD DELIVERY ASSEMBLY .....                          | 2-69 |
| 352 | 2ND UPPER DELIVERY ASSEMBLY .....                        | 2-71 |
| 353 | 2ND DELIVERY FRAME ASSEMBLY .....                        | 2-73 |
| 354 | 3RD DELIVERY FRAME ASSEMBLY .....                        | 2-76 |
| 370 | CASSETTE HEATER ASSEMBLY .....                           | 2-79 |
| 400 | READER ASSEMBLY .....                                    | 2-81 |
| 460 | LASER SCANNER ASSEMBLY .....                             | 2-86 |
| 500 | DRUM CARTRIDGE ASSEMBLY .....                            | 2-87 |
| 621 | HOPPER ASSEMBLY .....                                    | 2-88 |

## Contents

|     |  |       |
|-----|--|-------|
| 640 | DEVELOPING ASSEMBLY .....                      | 2-91  |
| 810 | FIXING ASSEMBLY .....                          | 2-94  |
| 900 | CONTROLLER BOX ASSEMBLY .....                  | 2-99  |
| 910 | MAIN POWER SUPPLY PCB ASSEMBLY .....           | 2-101 |
| 930 | DC CONTROLLER PCB ASSEMBLY .....               | 2-102 |
| 931 | READER CONTROLLER PCB ASSEMBLY .....           | 2-103 |
| 932 | MAIN CONTROLLER PCB ASSEMBLY .....             | 2-104 |
| 950 | IMAGE PCB ASSEMBLY .....                       | 2-105 |
| 994 | RELAY DELIVERY CONT. PCB ASS'Y .....           | 2-106 |
| A01 | DADF MOUNTING HARDWARE (ADF model) .....       | 2-107 |
| A10 | INTERNAL COMPONENTS (ADF model) .....          | 2-109 |
| A11 | BASE ASSEMBLY (ADF model) .....                | 2-112 |
| A12 | PAPER PICK-UP COVER ASSEMBLY (ADF model) ..... | 2-114 |
| A13 | DOCUMENT TRAY ASSEMBLY (ADF model) .....       | 2-117 |
| A21 | DRIVE ASSEMBLY (ADF model) .....               | 2-119 |
| A41 | FEEDER ASSEMBLY (ADF model) .....              | 2-121 |
| A90 | ADF CONTROLLER PCB ASSEMBLY (ADF model) .....  | 2-126 |
| T21 | ATTACHMENT PARTS (FAX model) .....             | 2-127 |
| T22 | FAX ASSEMBLY (FAX model) .....                 | 2-128 |
| T23 | SPEAKER ASSEMBLY (FAX model) .....             | 2-130 |

# NUMERICAL INDEX

## IR3245/3235/3230/3225 Series(Numerical Index)

| PARTS NUMBER | FIGURE & KEY NO. | PARTS NUMBER | FIGURE & KEY NO. | PARTS NUMBER | FIGURE & KEY NO |
|--------------|------------------|--------------|------------------|--------------|-----------------|
| FA3-8727-000 | 621 - 8          | FB6-3479-000 | 301 - 2          | FC5-0588-010 | 145 - 2         |
| FA9-2112-000 | 250 - 6          | FB6-3480-000 | 300 - 3          | FC5-0590-000 | 145 - 4         |
| FA9-2112-000 | 251 - 6          | FB6-3480-000 | 301 - 3          | FC5-0591-000 | 300 - 13        |
| FA9-2112-000 | 261 - 1          | FB6-3481-000 | 300 - 4          | FC5-0592-000 | 145 - 5         |
| FA9-2112-000 | 621 - 28         | FB6-3481-000 | 301 - 4          | FC5-0593-000 | 145 - 6         |
| FB1-8581-000 | 115 - 23         | FB6-3482-000 | 300 - 5          | FC5-0594-000 | 145 - 7         |
| FB5-4754-000 | 352 - 7          | FB6-3482-000 | 301 - 5          | FC5-0595-010 | 310 - 25        |
| FB5-4754-000 | 353 - 1          | FB6-3483-000 | 300 - 6          | FC5-0598-000 | 300 - 14        |
| FB5-4931-000 | 810 - 1          | FB6-3483-000 | 301 - 6          | FC5-0598-000 | 301 - 14        |
| FB5-9325-000 | 354 - 1          | FB6-3484-000 | 300 - 7          | FC5-0605-000 | 301 - 16        |
| FB6-3313-000 | 104 - 2          | FB6-3484-000 | 301 - 7          | FC5-0622-000 | 300 - 15        |
| FB6-3313-000 | 145 - 1          | FB6-3486-000 | 300 - 8          | FC5-0624-000 | 301 - 15        |
| FB6-3380-020 | 310 - 1          | FB6-3486-000 | 301 - 8          | FC5-0635-000 | 300 - 16        |
| FB6-3380-020 | 311 - 1          | FB6-3490-000 | 300 - 9          | FC5-0636-000 | 300 - 17        |
| FB6-3386-010 | 310 - 2          | FB6-3490-000 | 301 - 9          | FC5-0637-000 | 301 - 17        |
| FB6-3386-010 | 311 - 2          | FB6-3499-000 | 300 - 30         | FC5-0652-000 | 115 - 6         |
| FB6-3387-000 | 311 - 25         | FB6-3499-000 | 301 - 12         | FC5-0653-020 | 115 - 7         |
| FB6-3388-000 | 310 - 3          | FB6-3506-000 | 300 - 10         | FC5-0655-000 | 810 - 26        |
| FB6-3388-000 | 311 - 3          | FB6-3506-000 | 301 - 10         | FC5-0657-000 | 115 - 42        |
| FB6-3389-000 | 310 - 4          | FB6-3507-000 | 102 - 2          | FC5-0658-000 | 115 - 43        |
| FB6-3389-000 | 311 - 4          | FB6-3524-000 | 301 - 30         | FC5-0659-000 | 115 - 9         |
| FB6-3391-000 | 310 - 6          | FB6-3771-000 | 100 - 1          | FC5-0673-000 | 101 - 7         |
| FB6-3391-000 | 311 - 6          | FB6-3950-000 | 100 - 31         | FC5-0674-000 | 115 - 10        |
| FB6-3392-020 | 310 - 7          | FB6-4852-000 | 310 - 24         | FC5-0676-000 | 115 - 11        |
| FB6-3392-020 | 311 - 7          | FB6-4852-000 | 311 - 24         | FC5-0681-000 | 115 - 60        |
| FB6-3394-000 | 310 - 9          | FB6-7078-000 | 310 - 22         | FC5-0682-000 | 115 - 13        |
| FB6-3394-000 | 311 - 9          | FB6-7078-000 | 311 - 22         | FC5-0685-000 | 115 - 14        |
| FB6-3395-000 | 310 - 10         | FC5-0166-000 | 100 - 32         | FC5-0686-010 | 101 - 8         |
| FB6-3395-000 | 311 - 10         | FC5-0191-000 | 104 - 6          | FC5-0687-000 | 101 - 9         |
| FB6-3396-010 | 310 - 11         | FC5-0479-030 | 315 - 5          | FC5-0688-000 | 101 - 10        |
| FB6-3396-010 | 311 - 11         | FC5-0481-000 | 315 - 7          | FC5-0689-000 | 101 - 11        |
| FB6-3397-000 | 310 - 12         | FC5-0489-000 | 115 - 25         | FC5-0690-000 | 115 - 15        |
| FB6-3397-000 | 311 - 12         | FC5-0490-000 | 115 - 26         | FC5-0691-000 | 115 - 44        |
| FB6-3398-000 | 310 - 13         | FC5-0496-000 | 115 - 38         | FC5-0693-000 | 115 - 5         |
| FB6-3398-000 | 311 - 13         | FC5-0529-000 | 115 - 30         | FC5-0697-000 | 810 - 32        |
| FB6-3402-000 | 310 - 15         | FC5-0540-000 | 102 - 39         | FC5-0703-000 | 115 - 46        |
| FB6-3402-000 | 311 - 15         | FC5-0542-000 | 115 - 32         | FC5-0798-000 | 104 - 22        |
| FB6-3403-000 | 310 - 16         | FC5-0543-000 | 115 - 31         | FC5-0800-000 | 350 - 4         |
| FB6-3403-000 | 311 - 16         | FC5-0544-000 | 315 - 13         | FC5-0805-000 | 353 - 17        |
| FB6-3404-000 | 310 - 17         | FC5-0546-000 | 315 - 11         | FC5-0806-000 | 350 - 6         |
| FB6-3404-000 | 311 - 17         | FC5-0547-000 | 102 - 40         | FC5-0812-000 | 100 - 17        |
| FB6-3405-000 | 310 - 18         | FC5-0548-000 | 116 - 1          | FC5-0859-000 | 351 - 1         |
| FB6-3405-000 | 311 - 18         | FC5-0549-000 | 116 - 13         | FC5-0860-020 | 100 - 43        |
| FB6-3408-000 | 310 - 20         | FC5-0563-020 | 001 - 2          | FC5-0862-000 | 354 - 9         |
| FB6-3408-000 | 311 - 20         | FC5-0567-010 | 102 - 17         | FC5-0870-000 | 352 - 8         |
| FB6-3410-000 | 310 - 21         | FC5-0568-000 | 102 - 18         | FC5-0871-000 | 353 - 19        |
| FB6-3410-000 | 311 - 21         | FC5-0571-010 | 102 - 3          | FC5-0872-000 | 354 - 2         |
| FB6-3413-000 | 310 - 23         | FC5-0573-000 | 104 - 17         | FC5-0873-000 | 353 - 20        |
| FB6-3413-000 | 311 - 23         | FC5-0583-000 | 300 - 11         | FC5-0888-020 | 351 - 2         |
| FB6-3478-000 | 300 - 1          | FC5-0583-000 | 301 - 11         | FC5-0889-000 | 100 - 20        |
| FB6-3478-000 | 301 - 1          | FC5-0584-000 | 301 - 13         | FC5-0953-000 | 100 - 3         |
| FB6-3479-000 | 300 - 2          | FC5-0585-000 | 300 - 12         | FC5-0954-000 | 100 - 37        |

# NUMERICAL INDEX

## iR3245/3235/3230/3225 Series(Numerical Index)

| PARTS NUMBER | FIGURE & KEY NO. | PARTS NUMBER | FIGURE & KEY NO. | PARTS NUMBER | FIGURE & KEY NO |
|--------------|------------------|--------------|------------------|--------------|-----------------|
| FC5-0957-000 | 100 - 18         | FC5-1118-000 | 101 - 20         | FC5-1423-000 | 301 - 19        |
| FC5-0958-000 | 102 - 49         | FC5-1120-000 | 116 - 2          | FC5-1424-020 | 300 - 20        |
| FC5-0959-000 | 103 - 1          | FC5-1121-000 | 116 - 3          | FC5-1424-020 | 301 - 20        |
| FC5-0972-000 | 115 - 16         | FC5-1124-000 | 116 - 4          | FC5-1425-000 | 300 - 21        |
| FC5-0974-000 | 353 - 5          | FC5-1125-000 | 116 - 5          | FC5-1425-000 | 301 - 21        |
| FC5-0976-000 | 354 - 14         | FC5-1126-000 | 116 - 6          | FC5-1516-000 | 106 - 4         |
| FC5-0977-000 | 354 - 10         | FC5-1127-000 | 116 - 7          | FC5-1517-000 | 106 - 5         |
| FC5-0978-020 | 351 - 3          | FC5-1130-000 | 104 - 1          | FC5-1518-000 | 106 - 6         |
| FC5-0985-020 | 352 - 20         | FC5-1131-000 | 810 - 2          | FC5-1533-000 | 104 - 16        |
| FC5-0987-000 | 352 - 1          | FC5-1146-000 | 100 - 51         | FC5-1535-000 | 101 - 17        |
| FC5-0988-000 | 352 - 2          | FC5-1168-000 | 140 - 1          | FC5-1535-000 | 104 - 8         |
| FC5-0989-020 | 352 - 3          | FC5-1208-000 | 621 - 1          | FC5-1536-000 | 116 - 8         |
| FC5-0991-000 | 352 - 21         | FC5-1209-000 | 621 - 2          | FC5-1539-000 | 102 - 23        |
| FC5-0996-000 | 353 - 6          | FC5-1210-000 | 621 - 10         | FC5-1540-000 | 102 - 24        |
| FC5-0997-000 | 353 - 7          | FC5-1211-000 | 621 - 11         | FC5-1541-000 | 102 - 25        |
| FC5-0998-000 | 353 - 18         | FC5-1214-000 | 621 - 9          | FC5-1545-000 | 102 - 26        |
| FC5-0999-030 | 353 - 16         | FC5-1217-000 | 621 - 32         | FC5-1552-000 | 116 - 14        |
| FC5-1003-040 | 354 - 15         | FC5-1221-000 | 621 - 3          | FC5-1558-000 | 116 - 9         |
| FC5-1005-000 | 354 - 16         | FC5-1239-000 | 640 - 2          | FC5-1559-000 | 116 - 10        |
| FC5-1006-000 | 354 - 17         | FC5-1243-000 | 103 - 10         | FC5-1562-000 | 102 - 34        |
| FC5-1009-000 | 354 - 11         | FC5-1246-000 | 640 - 3          | FC5-1564-000 | 102 - 41        |
| FC5-1010-000 | 354 - 30         | FC5-1247-000 | 640 - 9          | FC5-4285-030 | A11 - 1         |
| FC5-1011-000 | 354 - 31         | FC5-1249-000 | 640 - 4          | FC5-4286-000 | A11 - 2         |
| FC5-1012-000 | 354 - 3          | FC5-1254-000 | 640 - 8          | FC5-4287-000 | A11 - 3         |
| FC5-1013-000 | 352 - 22         | FC5-1262-000 | 103 - 11         | FC5-4323-000 | A12 - 1         |
| FC5-1013-000 | 354 - 18         | FC5-1265-000 | 621 - 12         | FC5-4324-000 | A12 - 2         |
| FC5-1014-000 | 354 - 19         | FC5-1269-000 | 621 - 30         | FC5-4353-000 | A41 - 1         |
| FC5-1017-000 | 353 - 8          | FC5-1274-000 | 621 - 13         | FC5-4396-000 | A10 - 25        |
| FC5-1019-020 | 351 - 5          | FC5-1277-000 | 100 - 12         | FC5-4397-000 | A10 - 25        |
| FC5-1020-020 | 354 - 4          | FC5-1282-000 | 100 - 14         | FC5-4399-000 | A10 - 2         |
| FC5-1023-000 | 354 - 5          | FC5-1340-000 | 810 - 39         | FC5-4400-000 | A10 - 3         |
| FC5-1024-000 | 354 - 35         | FC5-1341-010 | 810 - 13         | FC5-4425-000 | A11 - 4         |
| FC5-1025-000 | 352 - 4          | FC5-1343-000 | 810 - 54         | FC5-4425-000 | A12 - 3         |
| FC5-1038-000 | 352 - 5          | FC5-1345-000 | 810 - 57         | FC5-4425-000 | A21 - 1         |
| FC5-1053-000 | 353 - 9          | FC5-1346-000 | 810 - 50         | FC5-4425-000 | A41 - 2         |
| FC5-1054-000 | 354 - 36         | FC5-1348-000 | 810 - 51         | FC5-4427-000 | A01 - 4         |
| FC5-1059-000 | 130 - 1          | FC5-1351-000 | 810 - 4          | FC5-4458-010 | 130 - 6         |
| FC5-1061-000 | 130 - 2          | FC5-1353-000 | 810 - 52         | FC5-5472-000 | T23 - 1         |
| FC5-1064-000 | 130 - 3          | FC5-1354-000 | 115 - 17         | FC5-5473-000 | T23 - 2         |
| FC5-1065-000 | 130 - 4          | FC5-1356-000 | 810 - 21         | FC5-5474-000 | 353 - 10        |
| FC5-1066-000 | 130 - 5          | FC5-1358-000 | 810 - 6          | FC5-6003-000 | 352 - 12        |
| FC5-1087-000 | 102 - 53         | FC5-1360-000 | 810 - 7          | FC5-6003-000 | 354 - 24        |
| FC5-1100-000 | 100 - 24         | FC5-1367-000 | 810 - 8          | FC5-6004-000 | 351 - 14        |
| FC5-1101-000 | 100 - 5          | FC5-1368-000 | 810 - 9          | FC5-6006-000 | 354 - 6         |
| FC5-1106-000 | 100 - 8          | FC5-1382-000 | 810 - 53         | FC5-6008-020 | 354 - 20        |
| FC5-1108-000 | 100 - 9          | FC5-1383-000 | 810 - 10         | FC5-6010-000 | 352 - 9         |
| FC5-1109-000 | 100 - 10         | FC5-1384-000 | 810 - 11         | FC5-6011-000 | 351 - 6         |
| FC5-1111-000 | 100 - 29         | FC5-1413-000 | 101 - 2          | FC5-6012-010 | 354 - 32        |
| FC5-1113-000 | 101 - 1          | FC5-1420-000 | 102 - 15         | FC5-6014-000 | 353 - 21        |
| FC5-1114-000 | 100 - 19         | FC5-1422-020 | 300 - 18         | FC5-6019-000 | 354 - 21        |
| FC5-1115-000 | 100 - 25         | FC5-1422-020 | 301 - 18         | FC5-6540-000 | 100 - 15        |
| FC5-1117-000 | 100 - 11         | FC5-1423-000 | 300 - 19         | FC5-6899-000 | 370 - 2         |

# NUMERICAL INDEX

## iR3245/3235/3230/3225 Series(Numerical Index)

| PARTS NUMBER | FIGURE & KEY NO. | PARTS NUMBER | FIGURE & KEY NO. | PARTS NUMBER | FIGURE & KEY NO |
|--------------|------------------|--------------|------------------|--------------|-----------------|
| FC5-7156-000 | 810 - 33         | FC6-5061-000 | 353 - 3          | FC8-1092-000 | 103 - 2         |
| FC5-7160-000 | 810 - 12         | FC6-5061-000 | 354 - 28         | FC8-1093-000 | 100 - 7         |
| FC5-7181-000 | 102 - 53         | FC6-5062-000 | 102 - 38         | FC8-1094-000 | 100 - 13        |
| FC5-7182-000 | 810 - 42         | FC6-5067-000 | 100 - 41         | FC8-1110-000 | 621 - 41        |
| FC5-7195-000 | 102 - 52         | FC6-5085-000 | 810 - 20         | FC8-1111-000 | 621 - 42        |
| FC5-7207-010 | 810 - 5          | FC6-6661-000 | 310 - 61         | FC8-1112-000 | 621 - 43        |
| FC5-7216-020 | 300 - 31         | FC6-6661-000 | 311 - 61         | FC8-1113-000 | 621 - 25        |
| FC5-7216-020 | 301 - 31         | FC6-7083-000 | 310 - 19         | FC8-1117-000 | 621 - 24        |
| FC5-7217-000 | 315 - 14         | FC6-7083-000 | 311 - 19         | FC8-1119-000 | 101 - 5         |
| FC5-7228-000 | 810 - 50         | FC6-7308-000 | 104 - 7          | FC8-1120-000 | 106 - 2         |
| FC5-7257-000 | 261 - 4          | FC6-8971-000 | A12 - 15         | FC8-1126-000 | 621 - 34        |
| FC5-7260-000 | 250 - 16         | FC6-8973-000 | A11 - 5          | FC8-1130-000 | 621 - 29        |
| FC5-7260-000 | 251 - 16         | FC6-8973-000 | A41 - 3          | FC8-1131-000 | 103 - 4         |
| FC5-7261-000 | 250 - 17         | FC6-9571-000 | 130 - 7          | FC8-1132-000 | 100 - 6         |
| FC5-7261-000 | 251 - 17         | FC6-9604-000 | 115 - 2          | FC8-1134-000 | 100 - 44        |
| FC6-2784-000 | A12 - 14         | FC6-9606-000 | 315 - 3          | FC8-1140-000 | 621 - 33        |
| FC6-2899-000 | 621 - 37         | FC6-9607-000 | 315 - 4          | FC8-1144-000 | 621 - 31        |
| FC6-2902-000 | 115 - 18         | FC6-9613-000 | 106 - 16         | FC8-1157-000 | 100 - 2         |
| FC6-2915-000 | 350 - 1          | FC6-9625-000 | 115 - 4          | FC8-1164-000 | 100 - 45        |
| FC6-2915-000 | 353 - 2          | FC6-9867-000 | 310 - 68         | FC8-1165-000 | 100 - 47        |
| FC6-2915-000 | 354 - 27         | FC6-9867-000 | 311 - 67         | FC8-1166-000 | 100 - 46        |
| FC6-2918-000 | 101 - 18         | FC7-0242-000 | 810 - 5          | FC8-1178-000 | 310 - 5         |
| FC6-2920-010 | 810 - 3          | FC7-1740-000 | 315 - 12         | FC8-1178-000 | 311 - 5         |
| FC6-2924-000 | 810 - 14         | FC7-2178-000 | 351 - 13         | FC8-1179-000 | 310 - 8         |
| FC6-2925-000 | 810 - 15         | FC7-2385-000 | 250 - 19         | FC8-1179-000 | 311 - 8         |
| FC6-2927-000 | 810 - 16         | FC7-2385-000 | 251 - 19         | FC8-1201-000 | 100 - 40        |
| FC6-2928-000 | 810 - 45         | FC7-2665-000 | 500 - 2          | FC8-1202-000 | 310 - 57        |
| FC6-2929-000 | 810 - 17         | FC7-2667-000 | 104 - 21         | FC8-1202-000 | 311 - 57        |
| FC6-2937-000 | 640 - 6          | FC7-4155-000 | 115 - 3          | FC8-1205-000 | 310 - 67        |
| FC6-2941-000 | 810 - 22         | FC7-4467-000 | 351 - 4          | FC8-1205-000 | 311 - 66        |
| FC6-2943-000 | 810 - 23         | FC7-4740-000 | 354 - 25         | FC8-1206-000 | 300 - 32        |
| FC6-2993-000 | 250 - 18         | FC7-5845-000 | 310 - 64         | FC8-1206-000 | 301 - 32        |
| FC6-2993-000 | 251 - 18         | FC7-5845-000 | 311 - 31         | FC8-1250-000 | 130 - 9         |
| FC6-4009-000 | 350 - 7          | FC7-5875-000 | 100 - 36         | FC8-6163-000 | 400 - 29        |
| FC6-4012-000 | 353 - 4          | FC7-5878-000 | 115 - 55         | FC8-6167-000 | 400 - 33        |
| FC6-4012-000 | 354 - 29         | FC7-5906-000 | 104 - 18         | FC8-6169-000 | 400 - 32        |
| FC6-4015-000 | 115 - 40         | FC7-5907-000 | 104 - 20         | FC8-6170-000 | 400 - 27        |
| FC6-4015-000 | 810 - 29         | FC7-5910-000 | 101 - 22         | FC8-6171-000 | 400 - 10        |
| FC6-4026-000 | 115 - 12         | FC7-6968-000 | 100 - 21         | FC8-6175-000 | 400 - 16        |
| FC6-4391-000 | 100 - 22         | FC7-6969-000 | 100 - 4          | FC8-6176-000 | 400 - 26        |
| FC6-4513-000 | 400 - 49         | FC7-6970-000 | 100 - 28         | FC8-6177-000 | 400 - 14        |
| FC6-4624-000 | 103 - 5          | FC7-7394-000 | 100 - 30         | FC8-6178-000 | 400 - 15        |
| FC6-4627-000 | 810 - 49         | FC7-9358-000 | 115 - 61         | FC8-6180-000 | 400 - 30        |
| FC6-4824-000 | 101 - 21         | FC7-9370-000 | 102 - 22         | FC8-6183-000 | 400 - 18        |
| FC6-5046-000 | 115 - 22         | FC7-9481-000 | 115 - 24         | FC8-6185-000 | 400 - 17        |
| FC6-5050-000 | 640 - 1          | FC7-9522-000 | 315 - 6          | FC8-6187-000 | 400 - 1         |
| FC6-5051-000 | 102 - 47         | FC8-0959-000 | 100 - 50         | FC8-6188-000 | 400 - 9         |
| FC6-5052-000 | 100 - 23         | FC8-1053-000 | 130 - 9          | FC8-6189-000 | 400 - 37        |
| FC6-5053-000 | 102 - 1          | FC8-1054-000 | 130 - 10         | FC8-6196-000 | 400 - 42        |
| FC6-5055-000 | 115 - 41         | FC8-1055-000 | 100 - 42         | FC8-6197-000 | 400 - 43        |
| FC6-5055-000 | 810 - 30         | FC8-1057-000 | 130 - 11         | FC8-6198-000 | 400 - 44        |
| FC6-5059-000 | T23 - 3          | FC8-1058-000 | 130 - 12         | FC8-6202-000 | 400 - 34        |

# NUMERICAL INDEX

## iR3245/3235/3230/3225 Series(Numerical Index)

| PARTS NUMBER | FIGURE & KEY NO. | PARTS NUMBER | FIGURE & KEY NO. | PARTS NUMBER | FIGURE & KEY NO |
|--------------|------------------|--------------|------------------|--------------|-----------------|
| FC8-6311-000 | A10 - 4          | FC8-6402-000 | A11 - 9          | FH6-5005-020 | 250 - 7         |
| FC8-6312-000 | A01 - 1          | FC8-6402-000 | A41 - 23         | FH6-5075-021 | 102 - 7         |
| FC8-6316-000 | A11 - 19         | FC8-6403-000 | A12 - 11         | FH7-7557-020 | 351 - 10        |
| FC8-6317-000 | A11 - 20         | FC8-6403-000 | A41 - 38         | FH7-7557-020 | 352 - 6         |
| FC8-6318-000 | A11 - 21         | FC8-6404-000 | A11 - 8          | FH7-7557-020 | 353 - 12        |
| FC8-6319-000 | A11 - 6          | FC8-6405-000 | A10 - 8          | FH7-7557-020 | 354 - 22        |
| FC8-6322-000 | A11 - 7          | FC8-6406-000 | A21 - 2          | FH7-7569-000 | 400 - 19        |
| FC8-6330-000 | A10 - 5          | FC8-6407-000 | A21 - 3          | FH7-7625-030 | 140 - 3         |
| FC8-6331-000 | A11 - 15         | FC8-6410-000 | A12 - 20         | FH7-7626-000 | 140 - 3         |
| FC8-6332-000 | A11 - 16         | FC8-6411-000 | A41 - 25         | FK2-0146-000 | 140 - 10        |
| FC8-6335-000 | A13 - 2          | FC8-6412-000 | A41 - 28         | FK2-0148-000 | 140 - 11        |
| FC8-6336-000 | A13 - 11         | FC8-6418-000 | A41 - 18         | FK2-0149-000 | 101 - 16        |
| FC8-6337-000 | A13 - 3          | FC8-6419-000 | A11 - 22         | FK2-0149-000 | 115 - 28        |
| FC8-6338-000 | A13 - 4          | FC8-6420-000 | A10 - 9          | FK2-0149-000 | 310 - 30        |
| FC8-6339-000 | A13 - 5          | FC8-6421-000 | A41 - 19         | FK2-0149-000 | 311 - 30        |
| FC8-6340-000 | A13 - 6          | FC8-6422-000 | A11 - 10         | FK2-0149-000 | 621 - 4         |
| FC8-6341-000 | A13 - 10         | FC8-6423-000 | A11 - 11         | FK2-0149-000 | 810 - 18        |
| FC8-6345-000 | A12 - 4          | FC8-6920-000 | 100 - 38         | FK2-0207-000 | A21 - 4         |
| FC8-6346-000 | A12 - 5          | FC8-6922-000 | 100 - 38         | FK2-0216-000 | A10 - 10        |
| FC8-6347-000 | A12 - 6          | FC8-6926-000 | 100 - 38         | FK2-0329-000 | 130 - 13        |
| FC8-6348-000 | A12 - 7          | FC8-6931-000 | 100 - 38         | FK2-0340-000 | 105 - 1         |
| FC8-6349-000 | A12 - 8          | FC8-9326-000 | T21 - 4          | FK2-0341-020 | 105 - 1         |
| FC8-6350-000 | A12 - 9          | FC8-9329-000 | 130 - 24         | FK2-0349-000 | 931 - IC5       |
| FC8-6351-000 | A12 - 16         | FC8-9747-000 | 100 - 52         | FK2-0358-000 | 621 - 14        |
| FC8-6352-000 | A12 - 17         | FC8-9748-000 | 100 - 52         | FK2-0358-000 | 640 - 7         |
| FC8-6353-000 | A12 - 18         | FC8-9749-000 | 100 - 52         | FK2-0360-000 | 115 - 20        |
| FC8-6355-000 | A12 - 19         | FC8-9752-000 | 100 - 52         | FK2-0360-000 | 910 - 1         |
| FC8-6368-000 | A41 - 4          | FC8-9753-000 | 100 - 52         | FK2-0361-000 | 102 - 7         |
| FC8-6369-000 | A41 - 5          | FC8-9754-000 | 100 - 52         | FK2-0365-000 | 281 - 2         |
| FC8-6371-000 | A41 - 6          | FF6-0345-000 | 350 - 5          | FK2-0379-000 | 621 - 5         |
| FC8-6372-000 | A41 - 7          | FF6-2058-000 | 310 - 26         | FK2-0384-000 | 102 - 27        |
| FC8-6373-000 | A41 - 31         | FF6-2058-000 | 311 - 26         | FK2-0408-000 | 310 - 29        |
| FC8-6374-000 | A41 - 32         | FF6-2059-010 | 310 - 27         | FK2-0408-000 | 311 - 29        |
| FC8-6375-000 | A41 - 33         | FF6-2059-010 | 311 - 27         | FK2-0428-000 | T23 - 4         |
| FC8-6376-000 | A41 - 34         | FF6-2064-020 | 300 - 22         | FK2-0979-000 | 001 - 4         |
| FC8-6377-000 | A41 - 8          | FF6-2064-020 | 301 - 22         | FK2-1773-000 | 930 - IC23      |
| FC8-6378-000 | A41 - 9          | FF6-2397-000 | 310 - 50         | FK2-2070-000 | 250 - 20        |
| FC8-6379-000 | A41 - 10         | FF6-2397-000 | 311 - 50         | FK2-2070-000 | 251 - 20        |
| FC8-6380-000 | A41 - 11         | FG3-2302-020 | 310 - 28         | FK2-2509-000 | 140 - 4         |
| FC8-6381-000 | A41 - 37         | FG3-2302-020 | 311 - 28         | FK2-4825-000 | 001 - 1         |
| FC8-6382-000 | A41 - 12         | FG3-3187-000 | 315 - 1          | FK2-4826-000 | 001 - 1         |
| FC8-6383-000 | A41 - 24         | FG3-3188-000 | 115 - 27         | FK2-4827-000 | 001 - 1         |
| FC8-6384-000 | A41 - 27         | FG3-3294-000 | 351 - 7          | FK2-4828-000 | 001 - 1         |
| FC8-6385-000 | A41 - 13         | FG3-3295-000 | 354 - 7          | FK2-4829-000 | 001 - 1         |
| FC8-6386-000 | A41 - 14         | FG3-3297-000 | 351 - 8          | FK2-4830-000 | 001 - 1         |
| FC8-6387-000 | A10 - 6          | FG3-3299-020 | 353 - 11         | FK2-4831-000 | 001 - 1         |
| FC8-6388-000 | A10 - 7          | FG3-3301-000 | 351 - 9          | FK2-4832-000 | 001 - 1         |
| FC8-6395-000 | A41 - 15         | FG3-3757-000 | A13 - 7          | FK2-4833-000 | 001 - 1         |
| FC8-6396-000 | A41 - 16         | FH2-6552-000 | 105 - 17         | FK2-4843-000 | 001 - 1         |
| FC8-6397-000 | A41 - 17         | FH4-6204-000 | 994 - IC10       | FK2-4903-000 | 932 - IC15      |
| FC8-6398-000 | A41 - 35         | FH5-1021-010 | 352 - 10         | FK2-5758-000 | 932 - IC45      |
| FC8-6399-000 | A41 - 30         | FH5-1108-010 | 352 - 11         | FK2-5788-000 | 950 - IC3       |

# NUMERICAL INDEX

## iR3245/3235/3230/3225 Series(Numerical Index)

| PARTS NUMBER | FIGURE & KEY NO. | PARTS NUMBER | FIGURE & KEY NO. | PARTS NUMBER | FIGURE & KEY NO |
|--------------|------------------|--------------|------------------|--------------|-----------------|
| FK2-5794-000 | 370 - 1          | FL2-0330-000 | 102 - 48         | FL3-0193-000 | 100 - 38        |
| FK2-6297-000 | 105 - 2          | FL2-0351-000 | 350 - 3          | FL3-0196-000 | 100 - 38        |
| FK2-6298-000 | 105 - 2          | FL2-0352-000 | 100 - 39         | FL3-0197-000 | 100 - 38        |
| FK2-6299-000 | 251 - 2          | FL2-0379-000 | 350 - 8          | FL3-0198-000 | 100 - 38        |
| FK2-6300-000 | 250 - 2          | FL2-1200-000 | 352 - 23         | FL3-0199-000 | 100 - 38        |
| FK2-6301-000 | 106 - 1          | FL2-1201-040 | 353 - 13         | FL3-0201-000 | 100 - 38        |
| FK2-6305-000 | 250 - 8          | FL2-1202-000 | 353 - 14         | FL3-0202-000 | 100 - 38        |
| FK2-6305-000 | 251 - 7          | FL2-1203-010 | 353 - 15         | FL3-0203-000 | 100 - 38        |
| FK2-6306-000 | 250 - 1          | FL2-1205-010 | 354 - 37         | FL3-0204-000 | 100 - 38        |
| FK2-6306-000 | 251 - 1          | FL2-1206-010 | 354 - 8          | FL3-0205-000 | 100 - 38        |
| FK2-6308-000 | 100 - 16         | FL2-1207-020 | 354 - 23         | FL3-0489-000 | 130 - 17        |
| FK2-6316-000 | 106 - 12         | FL2-1208-030 | 354 - 13         | FL3-1370-000 | 100 - 38        |
| FK2-6317-000 | 910 - 2          | FL2-1209-030 | 354 - 24         | FL3-2594-000 | 130 - 8         |
| FK2-6319-000 | 910 - 3          | FL2-1210-020 | 354 - 43         | FL3-2595-000 | 130 - 8         |
| FK2-6321-000 | 930 - IC17       | FL2-1517-000 | 102 - 8          | FL3-2596-000 | 130 - 8         |
| FK2-6324-000 | 105 - 1          | FL2-1518-000 | 102 - 13         | FM2-0141-000 | 300 -           |
| FK2-6326-000 | 103 - 6          | FL2-3265-000 | 102 - 45         | FM2-0142-000 | 301 -           |
| FK2-6450-000 | 930 - IC3        | FL2-3266-000 | 261 - 2          | FM2-0177-000 | 350 - 2         |
| FK2-6609-000 | 931 - IC6        | FL2-4399-000 | 115 - 29         | FM2-0242-000 | 281 -           |
| FK2-6627-000 | 130 - 14         | FL2-4520-000 | 102 - 37         | FM2-0252-000 | 116 -           |
| FK2-6691-000 | 900 - 1          | FL2-6580-000 | 310 - 14         | FM2-0287-000 | 640 -           |
| FK2-6692-000 | 932 - IC51       | FL2-6580-000 | 311 - 14         | FM2-0289-000 | 640 - 11        |
| FK2-6693-000 | 900 - 2          | FL2-8435-000 | 100 - 34         | FM2-0290-000 | 621 - 7         |
| FK2-6698-000 | 900 - 3          | FL2-8441-000 | 621 - 27         | FM2-0299-000 | 810 - 35        |
| FK2-6721-000 | 100 - 48         | FL2-9008-000 | 140 - 8          | FM2-0303-000 | 101 - 4         |
| FK2-6722-000 | 130 - 16         | FL2-9009-000 | 140 - 9          | FM2-0338-000 | 106 - 7         |
| FK2-6869-000 | A41 - 20         | FL2-9010-000 | 140 - 5          | FM2-0339-000 | 106 - 3         |
| FK2-6870-000 | A41 - 21         | FL2-9838-000 | 400 - 20         | FM2-0355-010 | 115 - 58        |
| FK2-6871-000 | A41 - 39         | FL2-9839-000 | 400 - 20         | FM2-0389-000 | 102 - 14        |
| FK2-6872-000 | A10 - 11         | FL2-9840-000 | 400 - 20         | FM2-1116-000 | 130 - 18        |
| FK2-6919-000 | 400 - 23         | FL2-9841-000 | 400 - 20         | FM2-1328-050 | 352 -           |
| FL2-0106-000 | 115 - 1          | FL2-9842-000 | 400 - 11         | FM2-1331-080 | 353 -           |
| FL2-0116-010 | 102 - 21         | FL2-9843-000 | 400 - 21         | FM2-1335-160 | 354 -           |
| FL2-0143-000 | 115 - 45         | FL2-9845-000 | 400 - 22         | FM2-1340-030 | 354 - 26        |
| FL2-0203-000 | 101 - 19         | FL2-9933-000 | A11 - 12         | FM2-1578-130 | 311 -           |
| FL2-0203-000 | 106 - 15         | FL2-9934-000 | A11 - 13         | FM2-1771-000 | 281 -           |
| FL2-0245-000 | 102 - 42         | FL2-9935-000 | A11 - 14         | FM2-1775-020 | 810 - 35        |
| FL2-0247-000 | 116 - 11         | FL2-9937-000 | A41 - 22         | FM2-1776-040 | 810 - 38        |
| FL2-0250-000 | 116 - 12         | FL2-9938-000 | A12 - 10         | FM2-1777-000 | 810 - 28        |
| FL2-0251-000 | 116 - 15         | FL2-9939-000 | A41 - 36         | FM2-2768-000 | 315 - 8         |
| FL2-0267-000 | 101 - 3          | FL2-9940-000 | A12 - 12         | FM2-2769-000 | 810 - 40        |
| FL2-0290-000 | 640 - 10         | FL2-9941-000 | A13 - 1          | FM2-2770-000 | 102 - 16        |
| FL2-0295-000 | 621 - 26         | FL2-9942-000 | A41 - 43         | FM2-2776-000 | 103 - 7         |
| FL2-0298-000 | 115 - 59         | FL2-9943-000 | A13 - 9          | FM2-2816-000 | 281 - 3         |
| FL2-0304-020 | 640 - 21         | FL2-9945-000 | A10 - 12         | FM2-2838-000 | 261 - 3         |
| FL2-0307-000 | 621 - 15         | FL2-9946-000 | A10 - 13         | FM2-2842-000 | 250 - 3         |
| FL2-0309-000 | 621 - 6          | FL2-9947-000 | A10 - 14         | FM2-2851-000 | 102 - 9         |
| FL2-0313-000 | 621 - 16         | FL3-0187-000 | 100 - 38         | FM2-2858-000 | 102 - 46        |
| FL2-0314-000 | 102 - 50         | FL3-0188-000 | 100 - 38         | FM2-3265-000 | 350 -           |
| FL2-0315-000 | 100 - 26         | FL3-0189-000 | 100 - 38         | FM2-5540-000 | 315 -           |
| FL2-0320-000 | 640 - 22         | FL3-0191-000 | 100 - 38         | FM3-0009-000 | 310 -           |
| FL2-0322-000 | 500 - 1          | FL3-0192-000 | 100 - 38         | FM3-1283-000 | 115 - 21        |

# NUMERICAL INDEX

## iR3245/3235/3230/3225 Series(Numerical Index)

| PARTS NUMBER | FIGURE & KEY NO. | PARTS NUMBER | FIGURE & KEY NO. | PARTS NUMBER | FIGURE & KEY NO |
|--------------|------------------|--------------|------------------|--------------|-----------------|
| FM3-1296-000 | 145 -            | FM3-6145-000 | 910 -            | FM3-9216-000 | 130 - 19        |
| FM3-1297-000 | 104 - 3          | FM3-6153-000 | 250 -            | FM3-9441-000 | 115 - 54        |
| FM3-1298-000 | 145 - 3          | FM3-6165-000 | 810 -            | FM4-0024-000 | 400 - 8         |
| FM3-1319-000 | 994 -            | FM3-6166-000 | 810 - 19         | FM4-0074-000 | 130 - 20        |
| FM3-3772-000 | 370 - 1          | FM3-6338-000 | 400 - 7          | FM4-1245-000 | 932 -           |
| FM3-3911-000 | 104 - 19         | FM3-6887-000 | A41 -            | FM4-1246-000 | 932 -           |
| FM3-4386-000 | 130 -            | FM3-6890-000 | A13 -            | FM4-1247-000 | 932 -           |
| FM3-4387-000 | 251 -            | FM3-6891-000 | A12 -            | FM4-1248-000 | 932 -           |
| FM3-4389-000 | 104 - 14         | FM3-6892-000 | A12 - 13         | FS1-9009-020 | 810 - 27        |
| FM3-4391-000 | 370 - 4          | FM3-6898-000 | A41 - 42         | FS5-1943-000 | 310 - 33        |
| FM3-4396-000 | 621 -            | FM3-6914-000 | A90 -            | FS5-1943-000 | 311 - 33        |
| FM3-4400-000 | 140 -            | FM3-6915-000 | A13 - 13         | FS5-1943-000 | 350 - 9         |
| FM3-4401-000 | 140 -            | FM3-6916-000 | A41 - 45         | FS5-1943-000 | 352 - 25        |
| FM3-4403-000 | 900 - 5          | FM3-6929-000 | A10 - 17         | FS5-1943-000 | 353 - 22        |
| FM3-4405-000 | 115 -            | FM3-6930-000 | A41 - 46         | FS5-1943-000 | 354 - 38        |
| FM3-5041-000 | 460 -            | FM3-6931-000 | A41 - 47         | FS5-1945-000 | 810 - 36        |
| FM3-5046-000 | 370 - 3          | FM3-6932-000 | A13 - 14         | FS5-6448-000 | 640 - 12        |
| FM3-5047-000 | 370 - 3          | FM3-6933-000 | A13 - 16         | FS5-6488-000 | 353 - 23        |
| FM3-5048-000 | 370 - 3          | FM3-6934-000 | A41 - 48         | FS5-9664-020 | 104 - 15        |
| FM3-5050-000 | 105 - 7          | FM3-6935-000 | A10 - 21         | FS6-1063-000 | 310 - 35        |
| FM3-5051-000 | 930 -            | FM3-6936-000 | A10 - 23         | FS6-1063-000 | 311 - 35        |
| FM3-5052-000 | 930 -            | FM3-6954-000 | 931 -            | FS6-2791-000 | 115 - 35        |
| FM3-5057-000 | 910 - 5          | FM3-6955-000 | 400 - 12         | FS6-8116-000 | 300 - 23        |
| FM3-5058-000 | 810 - 43         | FM3-6956-000 | 400 - 5          | FS6-8116-000 | 301 - 23        |
| FM3-5059-000 | 105 - 10         | FM3-6957-000 | 400 - 4          | FS7-2797-000 | 310 - 36        |
| FM3-5061-000 | 370 - 6          | FM3-7052-000 | 370 - 5          | FS7-2797-000 | 311 - 36        |
| FM3-5063-000 | 104 - 24         | FM3-7054-000 | 100 - 35         | FS7-2800-000 | 310 - 38        |
| FM3-5066-000 | 140 - 2          | FM3-7059-000 | 810 - 38         | FS7-2800-000 | 311 - 38        |
| FM3-5070-000 | 104 - 24         | FM3-7060-000 | 810 - 28         | FS7-2801-000 | 310 - 39        |
| FM3-5071-000 | 140 - 7          | FM3-7061-000 | 810 -            | FS7-2801-000 | 311 - 39        |
| FM3-5072-000 | 102 - 29         | FM3-7062-000 | 810 - 19         | FS7-2802-000 | 310 - 40        |
| FM3-5073-000 | 104 - 9          | FM3-7063-000 | 810 -            | FS7-2802-000 | 311 - 40        |
| FM3-5074-000 | 115 - 19         | FM3-7064-000 | 810 -            | FS7-2803-000 | 310 - 41        |
| FM3-5076-000 | 621 - 35         | FM3-7066-000 | 810 -            | FS7-2803-000 | 311 - 41        |
| FM3-5077-000 | 250 - 15         | FM3-7067-000 | 810 -            | FS7-2805-000 | 300 - 24        |
| FM3-5077-000 | 251 - 15         | FM3-7068-000 | 810 - 19         | FS7-2805-000 | 301 - 24        |
| FM3-5080-000 | 105 - 11         | FM3-7069-000 | 810 - 19         | FS7-2859-000 | 353 - 24        |
| FM3-5082-000 | 105 - 8          | FM3-7070-000 | 810 - 19         | FS7-2859-000 | 354 - 34        |
| FM3-5083-000 | 105 - 9          | FM3-7071-000 | 810 - 19         | FS7-5909-000 | 310 - 42        |
| FM3-5085-000 | 370 - 3          | FM3-7129-000 | 400 - 6          | FS7-5909-000 | 311 - 42        |
| FM3-5086-000 | 102 - 51         | FM3-7130-000 | 400 - 6          | FS7-5910-000 | 310 - 43        |
| FM3-5101-000 | T22 - 2          | FM3-7131-000 | 400 - 45         | FS7-5910-000 | 311 - 43        |
| FM3-5464-000 | 460 -            | FM3-7132-000 | 400 - 46         | FS7-8107-000 | 900 - 7         |
| FM3-5535-000 | 130 - 22         | FM3-7133-000 | 400 - 2          | FS7-8143-020 | 900 - 8         |
| FM3-5580-000 | T22 - 1          | FM3-7134-000 | 400 - 3          | FU3-0280-000 | 310 - 44        |
| FM3-5586-000 | T22 - 5          | FM3-7135-000 | 400 - 6          | FU3-0280-000 | 311 - 44        |
| FM3-5587-000 | T22 - 6          | FM3-7260-000 | 140 -            | FU3-0282-000 | 310 - 45        |
| FM3-5617-000 | T21 - 1          | FM3-7261-000 | 130 -            | FU3-0282-000 | 311 - 45        |
| FM3-5634-000 | 900 - 5          | FM3-7262-000 | 130 -            | FU3-0283-000 | 310 - 46        |
| FM3-5743-000 | 130 - 23         | FM3-7390-000 | 105 - 4          | FU3-0283-000 | 311 - 46        |
| FM3-5744-000 | 130 - 15         | FM3-7391-000 | 105 - 3          | FU3-0284-000 | 310 - 47        |
| FM3-5745-000 | 130 - 21         | FM3-7395-000 | 950 -            | FU3-0284-000 | 311 - 47        |



# NUMERICAL INDEX

## iR3245/3235/3230/3225 Series(Numerical Index)

| PARTS NUMBER | FIGURE & KEY NO. | PARTS NUMBER | FIGURE & KEY NO. | PARTS NUMBER | FIGURE & KEY NO |
|--------------|------------------|--------------|------------------|--------------|-----------------|
| FU3-0285-000 | 106 - 8          | FU5-1035-000 | 104 - 4          | FU5-3178-000 | 102 - 11        |
| FU3-0288-000 | 310 - 48         | FU5-1035-000 | 145 - 8          | FU5-3180-000 | 102 - 20        |
| FU3-0288-000 | 311 - 48         | FU5-1168-000 | A11 - 23         | FU5-3710-000 | 400 - 31        |
| FU3-0289-000 | 310 - 49         | FU5-1172-000 | A12 - 24         | FU5-6014-000 | 115 - 57        |
| FU3-0289-000 | 311 - 49         | FU5-1172-000 | A41 - 50         | FU5-6643-000 | 106 - 14        |
| FU3-0293-000 | 300 - 25         | FU5-1173-000 | A10 - 15         | FU5-8011-000 | 145 - 11        |
| FU3-0293-000 | 301 - 25         | FU5-1453-000 | 810 - 55         | FU5-8021-000 | 100 - 54        |
| FU3-0294-000 | 300 - 26         | FU5-1615-000 | 250 - 4          | FU5-8203-000 | 400 - 48        |
| FU3-0294-000 | 301 - 26         | FU5-1615-000 | 251 - 4          | FU5-8204-000 | 400 - 48        |
| FU3-0347-000 | 310 - 53         | FU5-1626-000 | A12 - 25         | FU5-8205-000 | 400 - 48        |
| FU3-0347-000 | 311 - 53         | FU5-1626-000 | A41 - 51         | FU5-8206-000 | 400 - 48        |
| FU3-0349-000 | 310 - 54         | FU5-1737-000 | 115 - 33         | FU5-8207-000 | 400 - 48        |
| FU3-0349-000 | 311 - 54         | FU5-1760-000 | 115 - 56         | FU5-8208-000 | 400 - 48        |
| FU3-0350-000 | 310 - 55         | FU5-1763-000 | 310 - 34         | FU5-8209-000 | 400 - 48        |
| FU3-0350-000 | 311 - 55         | FU5-1763-000 | 311 - 34         | FU5-8210-000 | 400 - 48        |
| FU5-0006-000 | 115 - 48         | FU5-2032-000 | 300 - 27         | FU5-8211-000 | 400 - 48        |
| FU5-0007-000 | 106 - 13         | FU5-2033-000 | 301 - 27         | FU5-8329-000 | 100 - 54        |
| FU5-0054-000 | 352 - 12         | FU5-2034-000 | 115 - 37         | FU5-8795-000 | 315 - 2         |
| FU5-0062-000 | 315 - 10         | FU5-2035-000 | 102 - 43         | FU5-8802-000 | 100 - 53        |
| FU5-0063-000 | 315 - 9          | FU5-2037-000 | 116 - 16         | FU5-8803-000 | 100 - 53        |
| FU5-0076-000 | 353 - 25         | FU5-2038-000 | 104 - 10         | FU5-8853-000 | 400 - 38        |
| FU5-0077-000 | 352 - 13         | FU5-2044-000 | 116 - 17         | FU5-8854-000 | 400 - 38        |
| FU5-0078-000 | 352 - 14         | FU5-2045-000 | 116 - 18         | FU5-9139-000 | A01 - 2         |
| FU5-0087-000 | 250 - 9          | FU5-2063-000 | 115 - 50         | FU5-9140-000 | A01 - 3         |
| FU5-0087-000 | 251 - 8          | FU5-2064-000 | 101 - 12         | FU6-0019-000 | 281 - 4         |
| FU5-0095-000 | 281 - 4          | FU5-2066-000 | 104 - 13         | FU6-0020-000 | 281 - 8         |
| FU5-0096-000 | 281 - 5          | FU5-2067-000 | 115 - 47         | FU6-0021-000 | 810 - 48        |
| FU5-0097-000 | 281 - 6          | FU5-2068-030 | 350 - 11         | FU6-0022-000 | 810 - 46        |
| FU5-0098-000 | 250 - 10         | FU5-2073-000 | 810 - 34         | FU6-0023-000 | 810 - 24        |
| FU5-0098-000 | 251 - 9          | FU5-2074-000 | 350 - 12         | FU6-0024-000 | 261 - 5         |
| FU5-0101-000 | 281 - 7          | FU5-2076-000 | 116 - 19         | FU6-0029-000 | 250 - 21        |
| FU5-0108-000 | 621 - 18         | FU5-2079-000 | 250 - 11         | FU6-0029-000 | 261 - 6         |
| FU5-0109-000 | 621 - 19         | FU5-2079-000 | 251 - 10         | FU6-0036-000 | 250 - 22        |
| FU5-0110-000 | 640 - 13         | FU5-2089-000 | 621 - 21         | FU6-0036-000 | 251 - 12        |
| FU5-0111-000 | 640 - 14         | FU5-2090-000 | 103 - 8          | FU6-0040-000 | 102 - 12        |
| FU5-0112-000 | 640 - 15         | FU5-2096-000 | 101 - 15         | FU6-0041-000 | 250 - 23        |
| FU5-0113-000 | 640 - 16         | FU5-2097-000 | 300 - 28         | FU6-0041-000 | 251 - 21        |
| FU5-0114-000 | 640 - 17         | FU5-2097-000 | 301 - 28         | FU6-0054-000 | 250 - 24        |
| FU5-0115-000 | 621 - 20         | FU5-2102-000 | 810 - 37         | FU6-0054-000 | 251 - 11        |
| FU5-0126-000 | 281 - 8          | FU5-2104-000 | 300 - 29         | FU6-0710-000 | 310 - 56        |
| FU5-0127-000 | 810 - 48         | FU5-2104-000 | 301 - 29         | FU6-0710-000 | 311 - 56        |
| FU5-0128-000 | 350 - 10         | FU5-2611-000 | 116 - 20         | FU6-1088-000 | A41 - 52        |
| FU5-0129-000 | 810 - 46         | FU5-2652-000 | 102 - 10         | FU6-1089-000 | A41 - 53        |
| FU5-1006-000 | 115 - 49         | FU5-2653-000 | 104 - 11         | FU6-2009-000 | 102 - 28        |
| FU5-1026-000 | 640 - 18         | FU5-3016-000 | 115 - 51         | FU6-2011-000 | 103 - 9         |
| FU5-1028-000 | 102 - 36         | FU5-3018-000 | 354 - 39         | FU6-2012-000 | 621 - 38        |
| FU5-1029-000 | 102 - 35         | FU5-3019-000 | 353 - 26         | FU6-2016-000 | 101 - 14        |
| FU5-1030-000 | 103 - 12         | FU5-3020-000 | 352 - 15         | FU6-2020-000 | 116 - 21        |
| FU5-1031-000 | 640 - 19         | FU5-3020-000 | 353 - 27         | FU6-2020-000 | 810 - 47        |
| FU5-1033-000 | 310 - 32         | FU5-3021-000 | 352 - 26         | FU6-2022-000 | 115 - 34        |
| FU5-1033-000 | 311 - 32         | FU5-3021-000 | 354 - 40         | FU6-2684-000 | 310 - 37        |
| FU5-1034-000 | 621 - 17         | FU5-3022-000 | 352 - 16         | FU6-2684-000 | 311 - 37        |

# NUMERICAL INDEX

## iR3245/3235/3230/3225 Series(Numerical Index)

| PARTS NUMBER | FIGURE & KEY NO. | PARTS NUMBER | FIGURE & KEY NO. | PARTS NUMBER | FIGURE & KEY NO |
|--------------|------------------|--------------|------------------|--------------|-----------------|
| FU6-2784-000 | 310 - 63         | FU8-0312-000 | A41 - 62         | VS1-7177-003 | 910 - 4         |
| FU6-2784-000 | 311 - 63         | FU8-0313-000 | A41 - 63         | VS1-7177-003 | A13 - 15        |
| FU6-2924-000 | 104 - 5          | FU8-0314-000 | A41 - 64         | VS1-7177-003 | T22 - 4         |
| FU6-2924-000 | 145 - 9          | FU8-0315-000 | A41 - 65         | VS1-7177-004 | 105 - 13        |
| FU6-2974-000 | 145 - 10         | FU8-0316-000 | A41 - 66         | VS1-7177-004 | 261 - 9         |
| FU6-8726-000 | 400 - 25         | FU8-0317-000 | A41 - 67         | VS1-7177-004 | A10 - 24        |
| FU6-8727-000 | 400 - 25         | FU8-0318-000 | A41 - 68         | VS1-7177-004 | A21 - 8         |
| FU6-8728-000 | 400 - 25         | FU8-0319-000 | A21 - 6          | VS1-7177-005 | 107 - 2         |
| FU6-8729-000 | 400 - 25         | FU8-0320-000 | A21 - 7          | VS1-7177-006 | 102 - 33        |
| FU6-8730-000 | 400 - 28         | HH2-2824-000 | T21 - 5          | VS1-7177-006 | 621 - 39        |
| FU6-8731-000 | 400 - 28         | NPN          | 001 -            | VS1-7177-006 | 640 - 24        |
| FU6-8732-000 | 400 - 28         | NPN          | 100 -            | VS1-7177-008 | 105 - 14        |
| FU6-8733-000 | 400 - 28         | NPN          | 101 -            | VS1-7177-009 | 107 - 3         |
| FU6-8741-000 | A13 - 12         | NPN          | 102 -            | VS1-7177-010 | 107 - 4         |
| FU6-8744-000 | A10 - 19         | NPN          | 103 -            | VS1-7177-012 | 105 - 15        |
| FU6-8745-000 | A10 - 19         | NPN          | 104 -            | VS1-7177-012 | 810 - 44        |
| FU6-8746-000 | A10 - 18         | NPN          | 105 -            | VS1-7207-003 | 250 - 12        |
| FU6-8747-000 | A10 - 18         | NPN          | 106 -            | VS1-7207-003 | 251 - 3         |
| FU6-8748-000 | A10 - 18         | NPN          | 107 -            | VS1-7507-005 | 107 - 5         |
| FU6-8749-000 | A10 - 18         | NPN          | 261 -            | VS1-7507-007 | 105 - 16        |
| FU7-0342-000 | 115 - 36         | NPN          | 351 -            | VS1-8412-003 | 107 - 8         |
| FU7-0445-000 | 310 - 52         | NPN          | 370 -            | VS1-8412-003 | 140 - 6         |
| FU7-0445-000 | 311 - 52         | NPN          | 400 -            | VS1-8412-013 | 102 - 30        |
| FU7-0848-000 | 310 - 51         | NPN          | 500 -            | VS1-8412-015 | 107 - 9         |
| FU7-0848-000 | 311 - 51         | NPN          | 900 -            | VS1-8412-027 | 107 - 6         |
| FU7-2256-000 | 621 - 40         | NPN          | A01 -            | VT2-5198-016 | T21 - 2         |
| FU7-2596-000 | 400 - 35         | NPN          | A10 -            | WA7-5211-000 | 900 - 6         |
| FU7-2597-000 | 400 - 36         | NPN          | A11 -            | WE8-5600-000 | 400 - 47        |
| FU7-2651-000 | A10 - 16         | NPN          | A21 -            | WE8-5689-000 | 001 - 3         |
| FU7-2652-000 | A11 - 24         | NPN          | T21 -            | WG8-5696-000 | A13 - 8         |
| FU7-2653-000 | A11 - 17         | NPN          | T22 -            | WG8-5696-000 | A21 - 9         |
| FU7-2654-000 | A12 - 26         | NPN          | T23 -            | WG8-5696-000 | A41 - 41        |
| FU7-2655-000 | A12 - 27         | RB1-8945-000 | 310 - 58         | WG8-5776-000 | 400 - 24        |
| FU7-2656-000 | A12 - 28         | RB1-8945-000 | 311 - 58         | WG8-5783-000 | 102 - 44        |
| FU7-2657-000 | A41 - 44         | RS1-1087-000 | 810 - 25         | WG8-5783-000 | 115 - 62        |
| FU7-2658-000 | A41 - 54         | RS5-1446-000 | 810 - 41         | WG8-5783-000 | 281 - 1         |
| FU7-2659-000 | A41 - 55         | RS5-1567-000 | 310 - 59         | WP2-5264-000 | 101 - 6         |
| FU7-2660-000 | A41 - 56         | RS5-1567-000 | 311 - 59         | WT2-0255-000 | A10 - 1         |
| FU8-0298-000 | A13 - 17         | VS1-7173-010 | 281 - 10         | WT2-5694-000 | A11 - 18        |
| FU8-0299-000 | A12 - 21         | VS1-7173-014 | 310 - 66         | WT8-5099-000 | 105 - 18        |
| FU8-0300-000 | A12 - 22         | VS1-7173-014 | 311 - 65         | X71-9310-000 | 640 - 20        |
| FU8-0301-000 | A12 - 23         | VS1-7177-002 | 105 - 12         | XA9-0265-010 | 105 - 5         |
| FU8-0302-000 | A12 - 29         | VS1-7177-002 | 107 - 7          | XA9-0465-000 | 900 - 4         |
| FU8-0303-000 | A41 - 57         | VS1-7177-002 | 310 - 65         | XA9-0656-000 | 310 - 60        |
| FU8-0304-000 | A41 - 26         | VS1-7177-002 | 311 - 64         | XA9-0656-000 | 311 - 60        |
| FU8-0305-000 | A41 - 58         | VS1-7177-002 | 621 - 44         | XA9-0702-000 | 810 - 31        |
| FU8-0306-000 | A41 - 40         | VS1-7177-002 | A10 - 22         | XA9-0732-000 | A10 - 20        |
| FU8-0307-000 | A41 - 29         | VS1-7177-002 | A41 - 49         | XA9-0732-000 | A21 - 10        |
| FU8-0308-000 | A41 - 59         | VS1-7177-002 | T22 - 3          | XA9-0813-000 | 100 - 49        |
| FU8-0309-000 | A41 - 60         | VS1-7177-003 | 107 - 1          | XA9-0894-010 | 115 - 39        |
| FU8-0310-000 | A41 - 61         | VS1-7177-003 | 115 - 8          | XA9-1164-000 | 104 - 23        |
| FU8-0311-000 | A21 - 5          | VS1-7177-003 | 621 - 45         | XA9-1164-000 | 250 - 5         |

# NUMERICAL INDEX

## iR3245/3235/3230/3225 Series(Numerical Index)

| PARTS NUMBER | FIGURE & KEY NO. | PARTS NUMBER | FIGURE & KEY NO. | PARTS NUMBER | FIGURE & KEY NO |
|--------------|------------------|--------------|------------------|--------------|-----------------|
| XA9-1164-000 | 251 - 5          | XB1-3301-207 | 300 - 505        | XB6-7300-607 | 370 - 501       |
| XA9-1164-000 | 281 - 9          | XB1-3301-207 | 301 - 505        | XB6-7300-607 | 640 - 502       |
| XA9-1164-000 | A41 - 69         | XB2-6300-607 | 370 - 503        | XB6-7300-607 | 900 - 501       |
| XA9-1386-000 | 100 - 33         | XB2-8300-607 | 300 - 501        | XB6-7300-607 | 910 - 502       |
| XA9-1386-000 | 101 - 13         | XB2-8300-607 | 301 - 501        | XB6-7300-607 | T21 - 501       |
| XA9-1386-000 | 102 - 6          | XB3-6300-605 | 310 - 503        | XB6-7300-607 | T22 - 501       |
| XA9-1386-000 | 103 - 3          | XB3-6300-605 | 311 - 503        | XB6-7300-609 | 281 - 501       |
| XA9-1386-000 | 104 - 12         | XB3-6400-805 | 102 - 507        | XB6-7300-807 | 300 - 503       |
| XA9-1386-000 | 105 - 6          | XB4-5300-607 | 621 - 501        | XB6-7300-807 | 301 - 503       |
| XA9-1386-000 | 106 - 11         | XB4-5300-607 | 640 - 501        | XB7-2300-405 | A10 - 502       |
| XA9-1386-000 | 115 - 52         | XB4-5300-607 | 810 - 502        | XD1-1104-135 | 300 - 504       |
| XA9-1386-000 | 310 - 31         | XB4-5300-805 | 351 - 502        | XD1-1104-135 | 301 - 504       |
| XA9-1386-000 | 351 - 11         | XB4-5300-805 | 354 - 501        | XD1-1104-634 | 640 - 503       |
| XA9-1386-000 | 352 - 17         | XB4-5300-807 | 103 - 502        | XD1-1106-215 | 640 - 505       |
| XA9-1386-000 | 354 - 41         | XB4-5300-807 | 300 - 502        | XD1-1106-219 | 116 - 502       |
| XA9-1386-000 | 370 - 7          | XB4-5300-807 | 301 - 502        | XD1-1108-215 | 102 - 502       |
| XA9-1386-000 | 621 - 22         | XB4-5300-807 | 621 - 503        | XD1-1108-215 | 640 - 508       |
| XA9-1386-000 | T21 - 3          | XB4-5301-005 | A10 - 506        | XD1-4200-402 | 140 - 504       |
| XA9-1386-000 | T23 - 5          | XB4-5301-005 | A11 - 503        | XD1-4200-502 | 140 - 506       |
| XA9-1415-000 | 400 - 41         | XB4-5301-005 | A12 - 501        | XD2-1100-322 | A41 - 505       |
| XA9-1468-000 | 102 - 5          | XB4-5301-005 | A13 - 501        | XD2-1100-402 | 102 - 501       |
| XA9-1668-000 | 102 - 31         | XB4-5301-005 | A41 - 503        | XD2-1100-402 | A10 - 503       |
| XB1-1300-607 | 400 - 502        | XB4-5301-007 | 130 - 501        | XD2-1100-402 | A11 - 501       |
| XB1-2300-309 | A21 - 501        | XB4-5400-805 | 351 - 503        | XD2-1100-402 | A12 - 502       |
| XB1-2300-309 | A41 - 504        | XB4-5400-807 | 100 - 501        | XD2-1100-402 | A21 - 502       |
| XB1-2300-405 | 351 - 501        | XB4-5400-807 | 101 - 502        | XD2-1100-402 | A41 - 501       |
| XB1-2300-405 | 353 - 501        | XB4-5400-807 | 102 - 505        | XD2-1100-422 | 115 - 502       |
| XB1-2300-405 | 354 - 502        | XB4-5400-807 | 145 - 501        | XD2-1100-502 | 100 - 503       |
| XB1-2300-407 | 103 - 501        | XB4-5400-807 | 250 - 501        | XD2-1100-502 | 621 - 504       |
| XB1-2300-409 | 810 - 501        | XB4-5400-807 | 251 - 501        | XD2-1100-642 | 102 - 504       |
| XB1-2300-607 | 101 - 501        | XB4-5400-807 | 310 - 504        | XD2-1100-642 | 115 - 505       |
| XB1-2300-607 | 104 - 501        | XB4-5400-807 | 311 - 504        | XD2-1100-642 | A41 - 506       |
| XB1-2300-607 | 106 - 501        | XB4-5400-807 | 350 - 501        | XD2-2100-602 | 810 - 503       |
| XB1-2300-607 | 145 - 503        | XB4-5400-807 | 351 - 504        | XD2-2100-802 | 640 - 507       |
| XB1-2300-607 | 900 - 502        | XB4-5401-007 | 115 - 501        | XD3-1200-102 | 102 - 506       |
| XB1-2300-807 | 310 - 501        | XB4-5401-007 | 116 - 501        | XD3-2160-162 | 115 - 504       |
| XB1-2300-807 | 311 - 501        | XB4-5401-007 | 315 - 501        | XD3-2200-102 | 115 - 503       |
| XB1-2301-407 | 102 - 503        | XB4-5401-205 | 352 - 502        | XD3-2200-102 | A12 - 503       |
| XB1-2302-007 | 106 - 503        | XB4-5401-205 | 353 - 502        | XD3-2200-122 | 261 - 503       |
| XB1-2400-603 | 140 - 501        | XB4-5401-205 | 354 - 503        | XD3-2200-122 | 310 - 507       |
| XB1-2400-607 | 310 - 506        | XB4-5401-205 | A10 - 507        | XD3-2200-122 | 311 - 507       |
| XB1-2400-607 | 311 - 506        | XB4-5401-205 | A11 - 504        | XD3-2200-122 | 352 - 501       |
| XB1-2400-607 | 370 - 502        | XB4-5401-207 | 310 - 505        | XD3-2200-122 | 354 - 504       |
| XB1-2400-609 | A10 - 504        | XB4-5401-207 | 311 - 505        | XD3-2200-122 | A11 - 502       |
| XB1-2400-807 | 100 - 502        | XB4-7300-807 | 104 - 502        | XD3-2200-122 | A41 - 502       |
| XB1-2401-406 | A10 - 501        | XB4-7300-807 | 145 - 502        | XD3-2200-142 | 640 - 506       |
| XB1-2402-007 | 140 - 502        | XB6-7300-606 | 400 - 501        | XD3-2200-162 | 350 - 502       |
| XB1-2403-006 | 900 - 503        | XB6-7300-607 | 105 - 501        | XD3-2200-162 | 621 - 505       |
| XB1-2403-007 | 910 - 501        | XB6-7300-607 | 106 - 502        | XD3-2200-182 | 261 - 502       |
| XB1-2500-603 | 140 - 505        | XB6-7300-607 | 130 - 502        | XD3-2300-142 | 621 - 502       |
| XB1-3300-607 | 310 - 502        | XB6-7300-607 | 140 - 503        | XD9-0134-000 | 810 - 58        |
| XB1-3300-607 | 311 - 502        | XB6-7300-607 | 261 - 501        | XD9-0136-000 | 102 - 32        |

# NUMERICAL INDEX

## iR3245/3235/3230/3225 Series(Numerical Index)

| PARTS NUMBER | FIGURE<br>&<br>KEY NO. | PARTS NUMBER | FIGURE<br>&<br>KEY NO. | PARTS NUMBER | FIGURE<br>&<br>KEY NO |
|--------------|------------------------|--------------|------------------------|--------------|-----------------------|
| XD9-0136-000 | 250 - 13               |              |                        |              |                       |
| XD9-0136-000 | 251 - 13               |              |                        |              |                       |
| XD9-0136-000 | 281 - 12               |              |                        |              |                       |
| XD9-0136-000 | 310 - 62               |              |                        |              |                       |
| XD9-0136-000 | 311 - 62               |              |                        |              |                       |
| XD9-0136-000 | 350 - 13               |              |                        |              |                       |
| XD9-0136-000 | 351 - 12               |              |                        |              |                       |
| XD9-0136-000 | 352 - 27               |              |                        |              |                       |
| XD9-0136-000 | 353 - 30               |              |                        |              |                       |
| XD9-0136-000 | 354 - 33               |              |                        |              |                       |
| XD9-0136-000 | 640 - 23               |              |                        |              |                       |
| XD9-0136-000 | 810 - 59               |              |                        |              |                       |
| XD9-0137-010 | 250 - 14               |              |                        |              |                       |
| XD9-0137-010 | 251 - 14               |              |                        |              |                       |
| XD9-0137-010 | 261 - 7                |              |                        |              |                       |
| XD9-0137-010 | 281 - 13               |              |                        |              |                       |
| XD9-0137-010 | 621 - 36               |              |                        |              |                       |
| XD9-0137-010 | 810 - 60               |              |                        |              |                       |
| XF2-1605-760 | 261 - 8                |              |                        |              |                       |
| XF2-1607-640 | A21 - 11               |              |                        |              |                       |
| XF2-1607-640 | A41 - 507              |              |                        |              |                       |
| XF2-1607-840 | 106 - 9                |              |                        |              |                       |
| XF2-1608-860 | 102 - 19               |              |                        |              |                       |
| XF2-1609-040 | 106 - 10               |              |                        |              |                       |
| XF2-4104-040 | 281 - 11               |              |                        |              |                       |
| XF2-4104-240 | 352 - 18               |              |                        |              |                       |
| XF2-4107-940 | 353 - 28               |              |                        |              |                       |
| XF2-4108-240 | 352 - 19               |              |                        |              |                       |
| XF2-4109-240 | 354 - 42               |              |                        |              |                       |
| XF2-4112-240 | 115 - 53               |              |                        |              |                       |
| XF2-4606-740 | 400 - 40               |              |                        |              |                       |
| XF2-4668-040 | 400 - 39               |              |                        |              |                       |
| XG9-0111-000 | 621 - 23               |              |                        |              |                       |
| XG9-0387-000 | 810 - 56               |              |                        |              |                       |
| XG9-0491-000 | 640 - 5                |              |                        |              |                       |
| XG9-0507-000 | A41 - 508              |              |                        |              |                       |
| XG9-0520-000 | 353 - 29               |              |                        |              |                       |
| XG9-0521-000 | 640 - 504              |              |                        |              |                       |
| XH9-0125-000 | 102 - 4                |              |                        |              |                       |
| XZ9-0603-000 | 100 - 27               |              |                        |              |                       |

# iR3245/3235/3230/3225 Catalog)

## Series(Parts

### iR3245F

|      |              |     |               |
|------|--------------|-----|---------------|
| 100V | F15-2013-000 | DHH | ADF/FAX model |
|------|--------------|-----|---------------|

### iR3245N

|          |              |     |           |
|----------|--------------|-----|-----------|
| 230V EUR | F15-2094-000 | DHM | ADF model |
|----------|--------------|-----|-----------|

### iR3245

|          |              |     |           |
|----------|--------------|-----|-----------|
| 100V     | F15-2011-000 | DHA |           |
| 230V     | F15-2041-000 | DHN |           |
| 230V AU  | F15-2061-000 | DHP | ADF model |
| 230V EUR | F15-2091-000 | DHL |           |

### imageRUNNER3245i

|      |              |     |           |
|------|--------------|-----|-----------|
| 120V | F15-2035-000 | DHK | ADF model |
|------|--------------|-----|-----------|

### imageRUNNER3245

|      |              |     |                      |
|------|--------------|-----|----------------------|
| 120V | F15-2031-000 | DHJ | ADF model            |
| 120V | F15-2032-000 | DQA | GOVERNMENT/ADF model |

### iR3235F

|      |              |     |               |
|------|--------------|-----|---------------|
| 100V | F15-2113-000 | DFV | ADF/FAX model |
|------|--------------|-----|---------------|

## iR3235i

|             |                     |            |           |
|-------------|---------------------|------------|-----------|
| <b>120V</b> | <b>F15-2135-000</b> | <b>DGA</b> | ADF model |
|-------------|---------------------|------------|-----------|

## iR3235N

|                 |                     |            |           |
|-----------------|---------------------|------------|-----------|
| <b>230V EUR</b> | <b>F15-2194-000</b> | <b>DGJ</b> | ADF model |
|-----------------|---------------------|------------|-----------|

## iR3235

|                 |                     |            |           |
|-----------------|---------------------|------------|-----------|
| <b>100V</b>     | <b>F15-2111-000</b> | <b>DFU</b> |           |
| <b>230V</b>     | <b>F15-2141-000</b> | <b>DGR</b> |           |
| <b>230V AU</b>  | <b>F15-2161-000</b> | <b>DGY</b> | ADF model |
| <b>230V EUR</b> | <b>F15-2191-000</b> | <b>DGH</b> |           |

## imageRUNNER3235

|             |                     |            |                      |
|-------------|---------------------|------------|----------------------|
| <b>120V</b> | <b>F15-2131-000</b> | <b>DFW</b> | ADF model            |
| <b>120V</b> | <b>F15-2132-000</b> | <b>DPZ</b> | GOVERNMENT/ADF model |

## iR3230

|                |                     |            |  |
|----------------|---------------------|------------|--|
| <b>230V</b>    | <b>F15-2241-000</b> | <b>DFS</b> |  |
| <b>230V AU</b> | <b>F15-2261-000</b> | <b>DFT</b> |  |

## imageRUNNER3230

|             |                     |            |                      |
|-------------|---------------------|------------|----------------------|
| <b>120V</b> | <b>F15-2231-000</b> | <b>DFR</b> |                      |
| <b>120V</b> | <b>F15-2232-000</b> | <b>DPY</b> | GOVERNMENT/ADF model |

## iR3225F

|             |                     |            |               |
|-------------|---------------------|------------|---------------|
| <b>100V</b> | <b>F15-2313-000</b> | <b>DFF</b> | ADF/FAX model |
|-------------|---------------------|------------|---------------|

## iR3225N

|                 |                     |            |                  |
|-----------------|---------------------|------------|------------------|
| <b>230V EUR</b> | <b>F15-2394-000</b> | <b>DFK</b> | <b>ADF model</b> |
|-----------------|---------------------|------------|------------------|

## iR3225

|             |                     |            |
|-------------|---------------------|------------|
| <b>100V</b> | <b>F15-2311-000</b> | <b>DFE</b> |
|-------------|---------------------|------------|

|             |                     |            |
|-------------|---------------------|------------|
| <b>230V</b> | <b>F15-2341-000</b> | <b>DFL</b> |
|-------------|---------------------|------------|

|                |                     |            |
|----------------|---------------------|------------|
| <b>230V AU</b> | <b>F15-2361-000</b> | <b>DFQ</b> |
|----------------|---------------------|------------|

|                 |                     |            |
|-----------------|---------------------|------------|
| <b>230V EUR</b> | <b>F15-2391-000</b> | <b>DFJ</b> |
|-----------------|---------------------|------------|

## imageRUNNER3225

|             |                     |            |
|-------------|---------------------|------------|
| <b>120V</b> | <b>F15-2331-000</b> | <b>DFH</b> |
|-------------|---------------------|------------|

|             |                     |            |                             |
|-------------|---------------------|------------|-----------------------------|
| <b>120V</b> | <b>F15-2332-000</b> | <b>DPW</b> | <b>GOVERNMENT/ADF model</b> |
|-------------|---------------------|------------|-----------------------------|



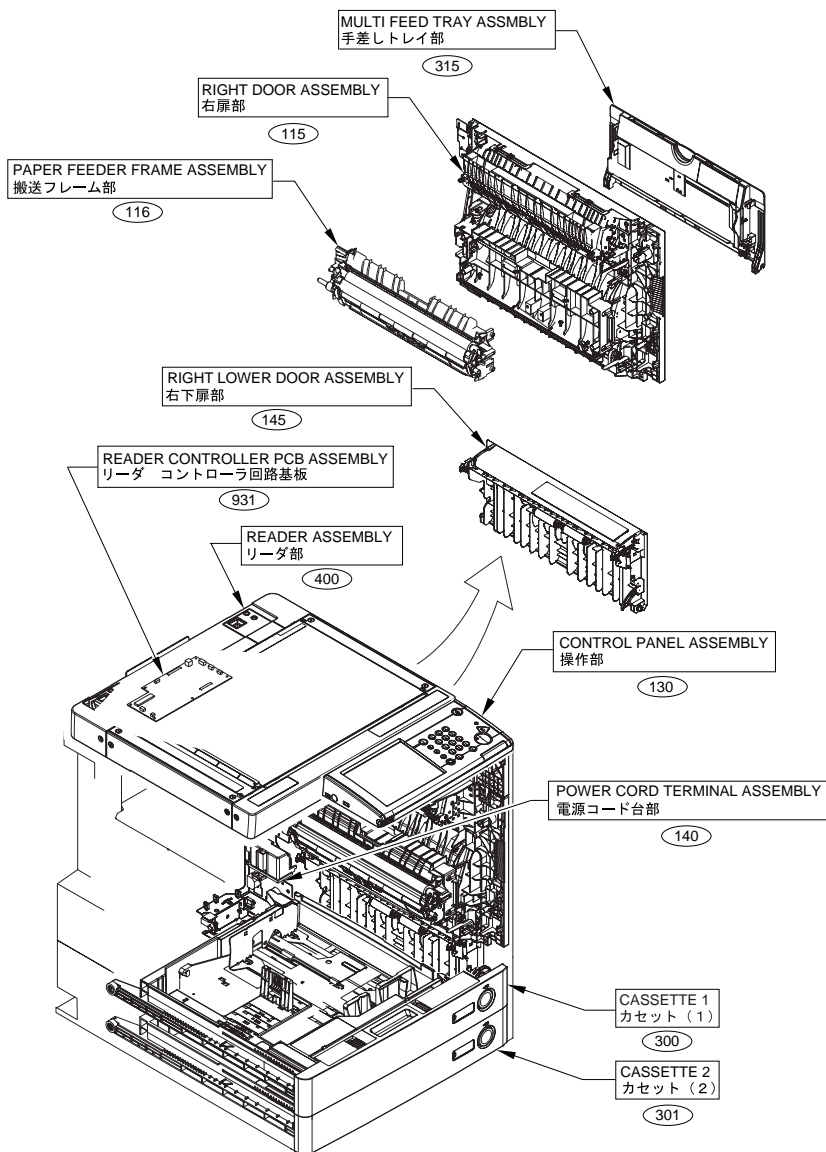


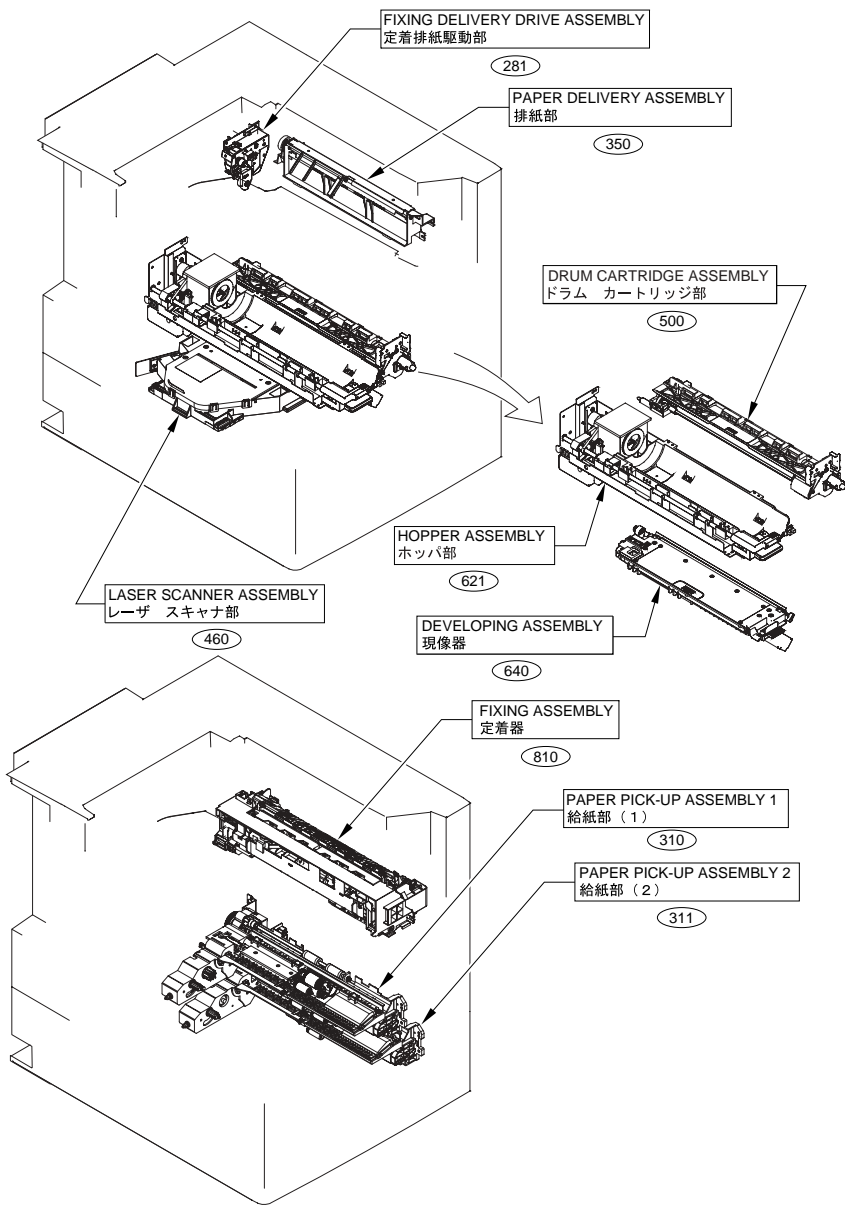
# Contents

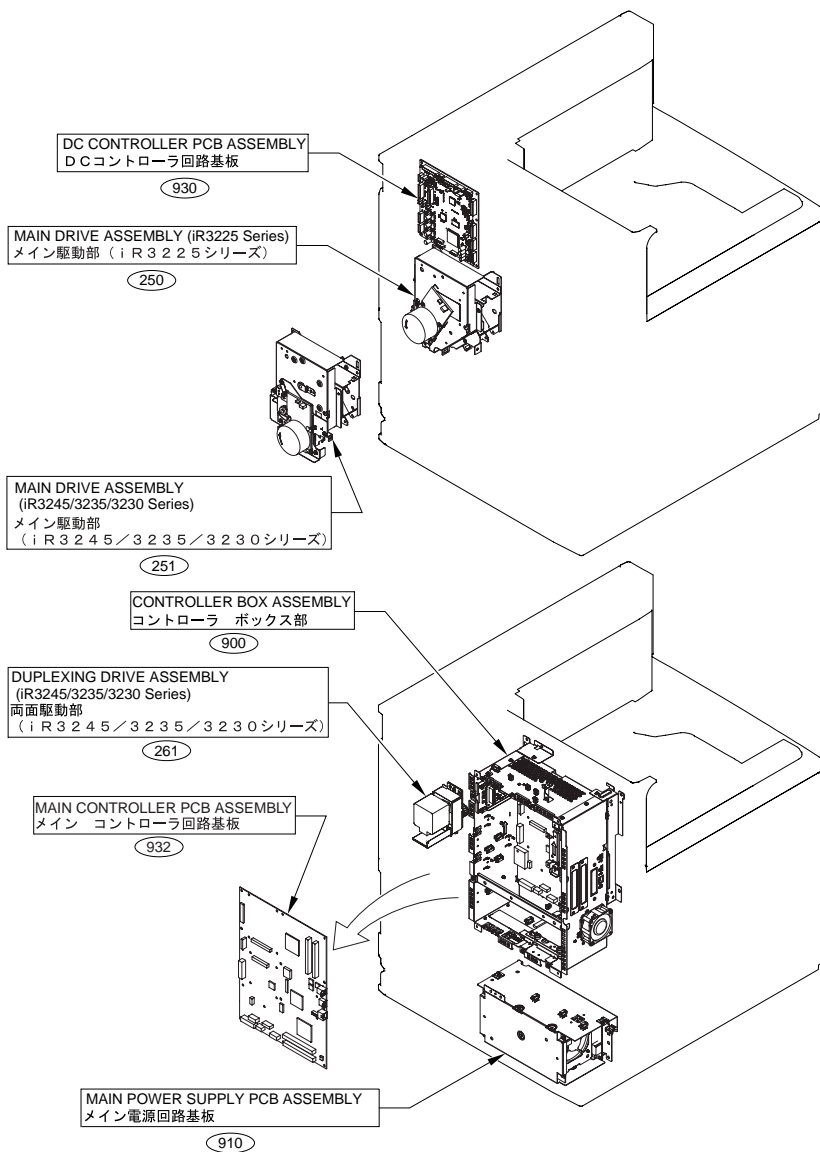
|     |   |       |
|-----|---|-------|
| A1  | ASSEMBLY LOCATION DIAGRAM .....                         | 2-1   |
| A2  | OPTION PARTS CATALOG LIST .....                         | 2-7   |
| 001 | ACCESSORIES .....                                       | 2-8   |
| 100 | EXTERNAL COVERS, PANELS, ETC. ....                      | 2-10  |
| 101 | MACHINE FRONT PLATE .....                               | 2-15  |
| 102 | INTERNAL COMPONENTS 1 .....                             | 2-17  |
| 103 | INTERNAL COMPONENTS 2 .....                             | 2-20  |
| 104 | INTERNAL COMPONENTS 3 .....                             | 2-22  |
| 105 | MACHINE REAR PLATE 1 .....                              | 2-24  |
| 106 | MACHINE REAR PLATE 2 .....                              | 2-26  |
| 107 | MACHINE REAR PLATE 3 .....                              | 2-28  |
| 115 | RIGHT DOOR ASSEMBLY .....                               | 2-30  |
| 116 | PAPER FEEDER FRAME ASSEMBLY .....                       | 2-35  |
| 130 | CONTROL PANEL ASSEMBLY .....                            | 2-37  |
| 140 | POWER CORD TERMINAL ASSEMBLY .....                      | 2-39  |
| 145 | RIGHT LOWER DOOR ASSEMBLY .....                         | 2-41  |
| 250 | MAIN DRIVE ASSEMBLY (iR3225 Series).....                | 2-43  |
| 251 | MAIN DRIVE ASSEMBLY (iR3245/3235/3230 Series).....      | 2-45  |
| 261 | DUPLEXING DRIVE ASSEMBLY (iR3245/3235/3230 Series)..... | 2-47  |
| 281 | FIXING DELIVERY DRIVE ASSEMBLY .....                    | 2-49  |
| 300 | CASSETTE 1 .....  | 2-51  |
| 301 | CASSETTE 2 .....  | 2-54  |
| 310 | PAPER PICK-UP ASSEMBLY 1 .....                          | 2-57  |
| 311 | PAPER PICK-UP ASSEMBLY 2 .....                          | 2-61  |
| 315 | MULTI FEED TRAY ASSEMBLY .....                          | 2-65  |
| 350 | PAPER DELIVERY ASSEMBLY .....                           | 2-67  |
| 351 | 2ND/3RD DELIVERY ASSEMBLY .....                         | 2-69  |
| 352 | 2ND UPPER DELIVERY ASSEMBLY .....                       | 2-71  |
| 353 | 2ND DELIVERY FRAME ASSEMBLY .....                       | 2-73  |
| 354 | 3RD DELIVERY FRAME ASSEMBLY .....                       | 2-76  |
| 370 | CASSETTE HEATER ASSEMBLY .....                          | 2-79  |
| 400 | READER ASSEMBLY .....                                   | 2-81  |
| 460 | LASER SCANNER ASSEMBLY .....                            | 2-86  |
| 500 | DRUM CARTRIDGE ASSEMBLY .....                           | 2-87  |
| 621 | HOPPER ASSEMBLY .....                                   | 2-88  |
| 640 | DEVELOPING ASSEMBLY .....                               | 2-91  |
| 810 | FIXING ASSEMBLY .....                                   | 2-94  |
| 900 | CONTROLLER BOX ASSEMBLY .....                           | 2-99  |
| 910 | MAIN POWER SUPPLY PCB ASSEMBLY .....                    | 2-101 |
| 930 | DC CONTROLLER PCB ASSEMBLY .....                        | 2-102 |
| 931 | READER CONTROLLER PCB ASSEMBLY .....                    | 2-103 |
| 932 | MAIN CONTROLLER PCB ASSEMBLY .....                      | 2-104 |
| 950 | IMAGE PCB ASSEMBLY .....                                | 2-105 |
| 994 | RELAY DELIVERY CONT. PCB ASS'Y .....                    | 2-106 |
| A01 | DADF MOUNTING HARDWARE (ADF model) .....                | 2-107 |

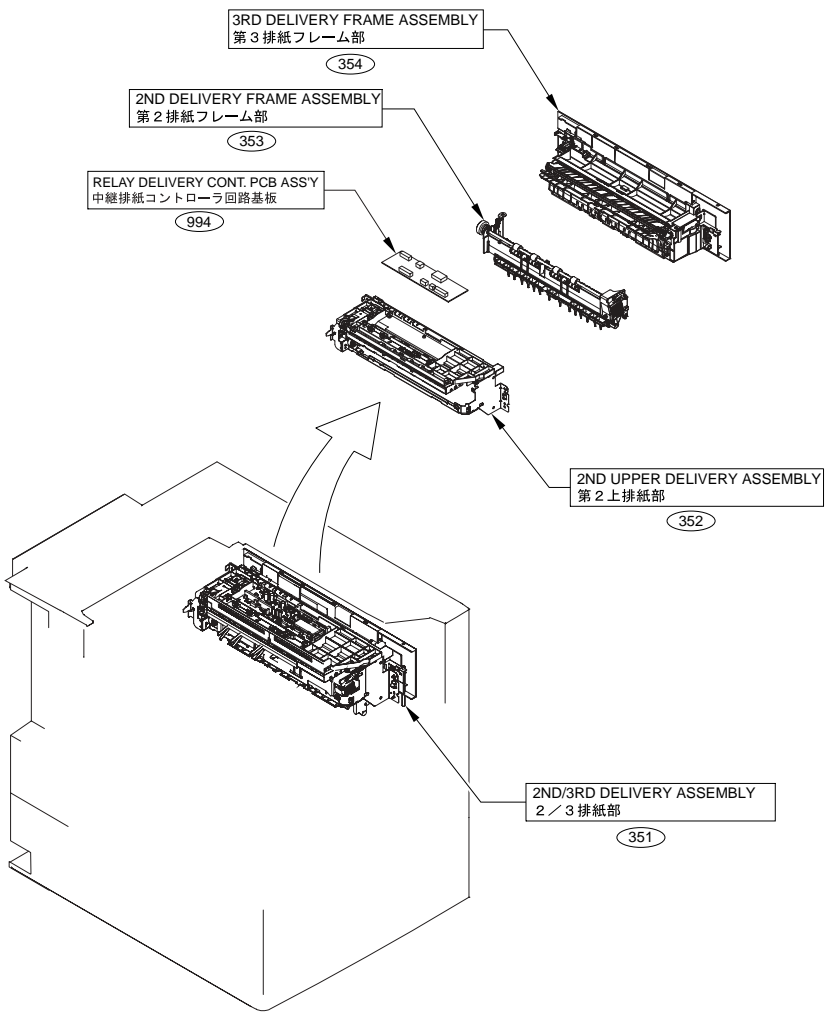
|     |   |       |
|-----|---|-------|
| A10 | INTERNAL COMPONENTS (ADF model) .....         | 2-109 |
| A11 | BASE ASSEMBLY (ADF model).....                | 2-112 |
| A12 | PAPER PICK-UP COVER ASSEMBLY (ADF model)..... | 2-114 |
| A13 | DOCUMENT TRAY ASSEMBLY (ADF model) .....      | 2-117 |
| A21 | DRIVE ASSEMBLY (ADF model) .....              | 2-119 |
| A41 | FEEDER ASSEMBLY (ADF model).....              | 2-121 |
| A90 | ADF CONTROLLER PCB ASSEMBLY (ADF model) ..... | 2-126 |
| T21 | ATTACHMENT PARTS (FAX model) .....            | 2-127 |
| T22 | FAX ASSEMBLY (FAX model) .....                | 2-128 |
| T23 | SPEAKER ASSEMBLY (FAX model) .....            | 2-130 |

# FIGURE A1 ASSEMBLY LOCATION DIAGRAM

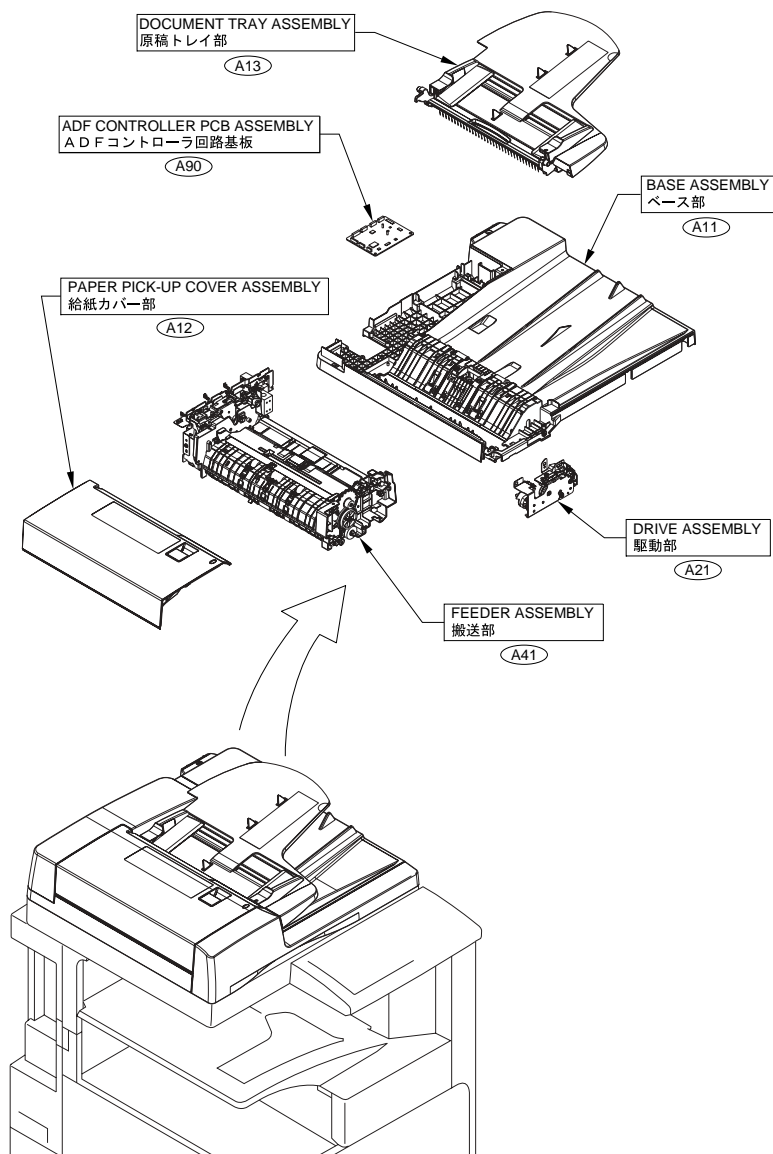




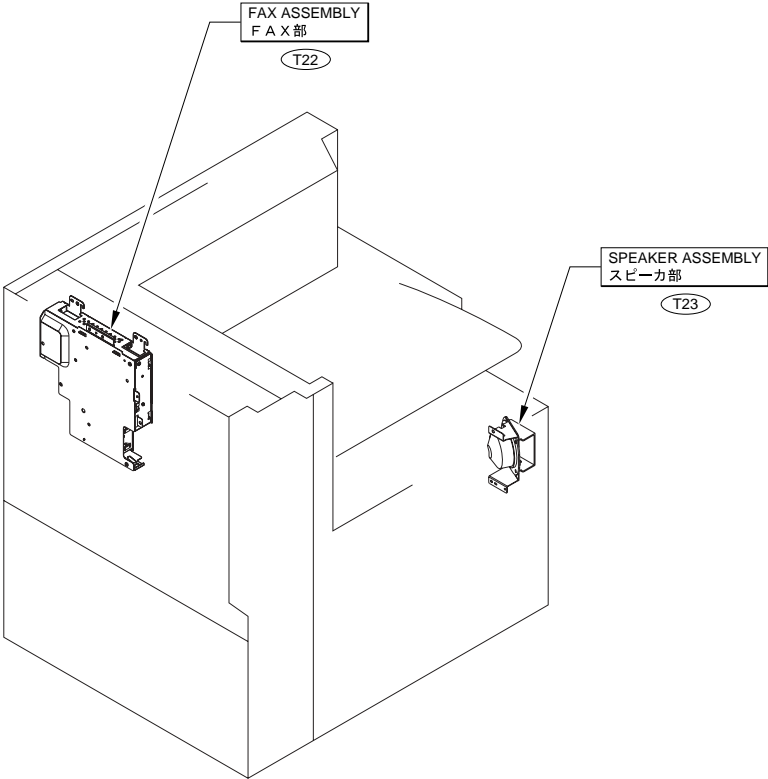




ADF model



FAX model





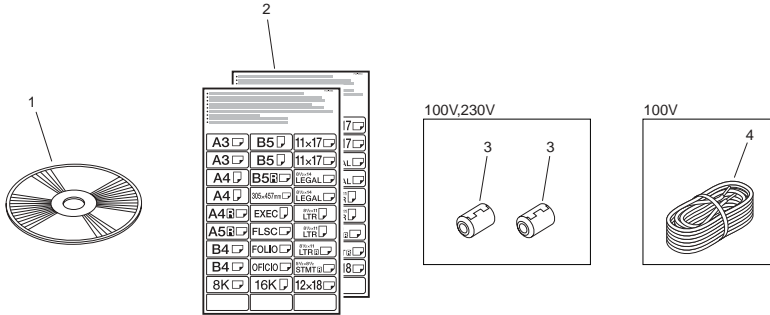
# FIGURE A2

## OPTION PARTS CATALOG LIST

This is the table of the machine's options whose parts catalog is issued.  
 本機のオプションで、パーツカタログが発行されている機種の一覧である。

| No. | Model Name(English)  | Model Name(Japanese)                      |
|-----|--|---|
| 1   | DADF-U1  | DADF-U1                                   |
| 2   | ADF Access Handle-A1   | ADFアクセスハンドル・A1                            |
| 3   | Platen Cover Type M  | 原稿台カバータイプM                                |
| 4   | 3 Way Unit-A1/A2   | 拡張排紙キット・A1/A2                             |
| 5   | INNER 2 WAY TRAY-D1  | INNER 2 WAY TRAY-D1                       |
| 6   | Copy Tray-J1   | コピートレイ・J1                                 |
| 7   | Document Tray-J1   | 原稿置き台・J1                                  |
| 8   | Finisher-S1  | フィニッシャー・S1                                |
| 9   | ADDITIONAL FINISHER TRAY-B1                                      | フィニッシャー用追加トレイ・B1                          |
| 10  | Puncher Unit-Q1/R1/S1/T1   | パンチャーユニット・Q1/R1/S1/T1                     |
| 11  | Finisher-AE1/<br>Ssddle Finisher-AE2                             | フィニッシャー・AE1/<br>サドルフィニッシャー・AE2            |
| 12  | Finisher-Q1/Q3/R1<br>Saddle Finisher-Q2/Q4/R2                    | フィニッシャー・Q1/Q3/R1<br>サドルフィニッシャー・Q2/Q4/R2   |
| 13  | BUFFER PASS UNIT-E1/E2   | BUFFER PASS UNIT-E1/E2                    |
| 14  | Puncher Unit-<br>L1/M1/N1/P1/AG1/AH1/AJ1/AK1                     | パンチャーユニット・<br>L1/M1/N1/P1/AG1/AH1/AJ1/AK1 |
| 15  | Paper Deck-Q1  | サイドペーパーデッキ・Q1                             |
| 16  | Cassette Feeding Unit-Y1/Y2/Y3/Y3H                               | 2段カセットベディスタル・<br>Y1/Y2/Y3/Y3H             |
| 17  | FL Cassette-Y1/Z1  | FLカセット・Y1/Z1                              |
| 18  | POWER SUPPLY UNIT-T1   | オプション電源・T1                                |
| 19  | Expansion Bus-E1   | PCIバス拡張キット・E1                             |
| 20  | Super G3 FAX Board-AC1   | スーパーG3FAXボード・AC1                          |
| 22  | CARD READER-C1_D1 Rev.00-00                                      | カードリーダー-C1_D1 Rev.00-00                   |
| 23  | Card Reader Attachment-B1/B2/B3                                  | カードリーダー取付けキット・B1/B2/B3                    |
| 24  | Cassette Heater Unit-29  | カセットヒーターユニット・29                           |
| 25  | CST Heater Unit-31/32  | カセットヒーターユニット31/32                         |
| 26  | Cassette Heater Unit-36  | カセットヒーターユニット・36                           |
| 27  | Cassette Heater Attachment-B1/D1/D2                              | カセットベディスタル用ヒーター取付けキット・<br>B1/D1/D2        |
| 28  | Reader Heater Kit-B1   | リーダーヒーターキット・B1                            |
| 29  | Serial Interface Kit-G1  | シリアルインターフェースキット・G1                        |
| 30  | Voice Guidance Kit-A2/B1/D1/<br>Voice Guidance Attachment Kit-A1 | 音声ガイダンスキット・A2/B1/D1/<br>音声ガイダンス取付けキット・A1  |
| 31  | Voice Operation Kit-B1   | 音声操作キット・B1                                |
| 32  | Wireless LAN Board-A1  | 無線LANボード・A1                               |
| 33  | IPSec Board-A1   | IPSecセキュリティボード・A1                         |
| 34  | HAND SET-G2  | ハンドセット・G2                                 |
| 35  | HDD Data Encryption Kit-B5                                       | HDDデータ暗号化キット・B5                           |

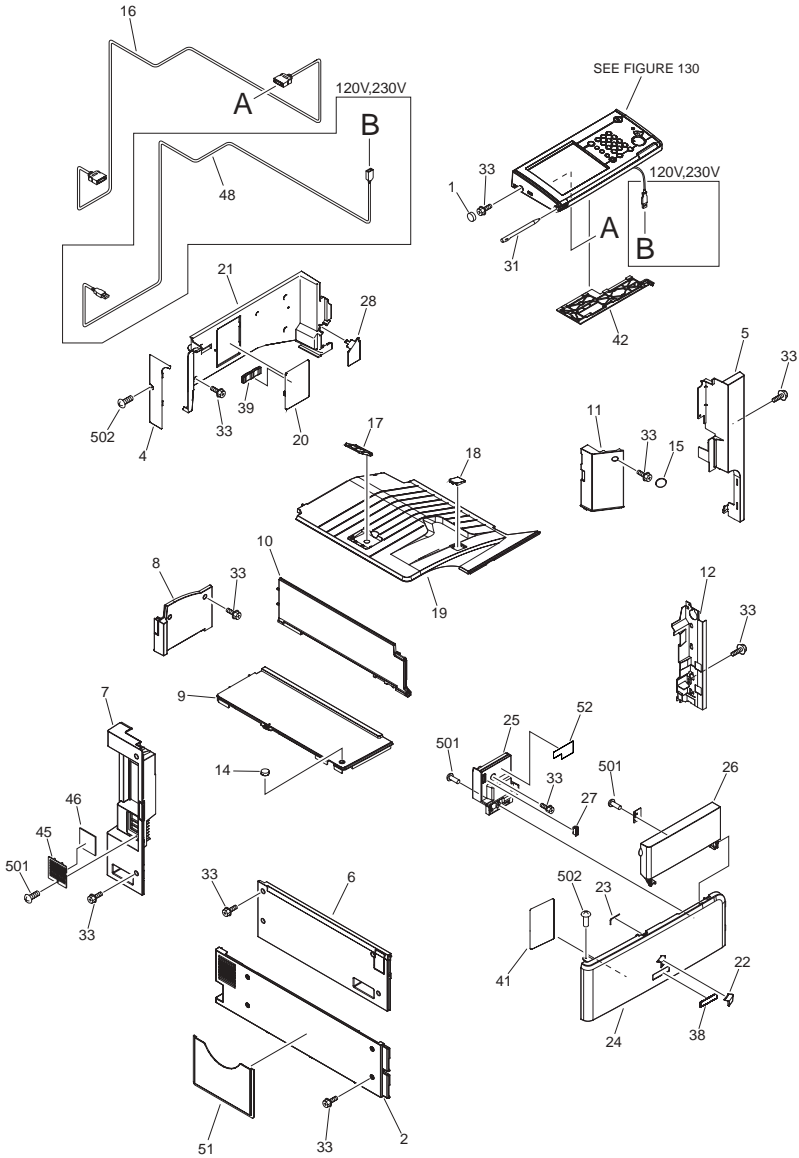
# FIGURE 001 ACCESSORIES

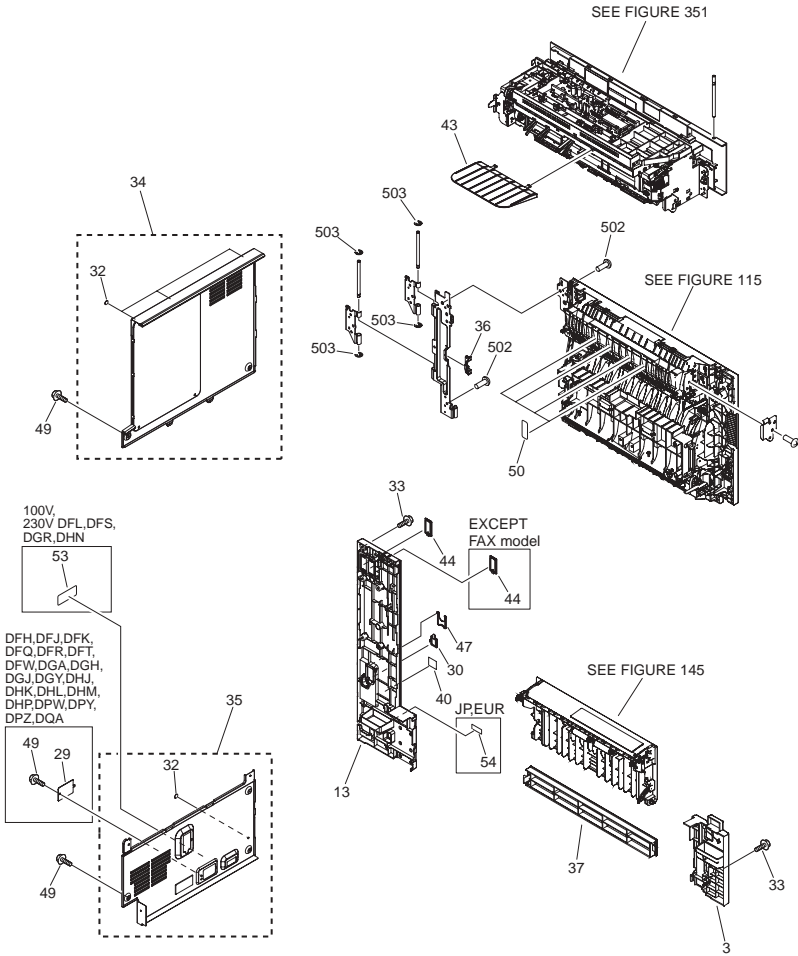


| FIGURE & KEY NO. | PARTS NUMBER | RANK | QTY | DESCRIPTION                   | SERIAL NUMBER/REMARKS                                | SVC |
|------------------|--------------|------|-----|-------------------------------|--|-----|
| Fig.001          | NPN          |      | RF  | ACCESSORIES                   |  |     |
| 1                | FK2-4825-000 |      | 1   | CD-ROM, MEAP SOFTWARE         | JP   |     |
| 1                | FK2-4828-000 |      | 1   | CD-ROM, MEAP SOFTWARE         | EXCEPT JP, EUR                                       |     |
| 1                | FK2-4831-000 |      | 1   | CD-ROM, MEAP SOFTWARE         | EUR  |     |
| 1                | FK2-4829-000 |      | 1   | CD-ROM, UFR II/UTILITY        | imageRUNNER3245,3235<br>imageRUNNER3230,3225 English |     |
| 1                | FK2-4830-000 |      | 1   | CD-ROM, UFR II/PCL/UTILITY    | iR3245N,3235N,3225N English                          |     |
| 1                | FK2-4832-000 |      | 1   | CD-ROM, UFR II/PCL/UTILITY    | iR3245N,3235N,3225N French/Spanish                   |     |
| 1                | FK2-4833-000 |      | 1   | CD-ROM, UFR II/PCL/UTILITY    | iR3245N,3235N,3225N German/Italian                   |     |
| 1                | FK2-4843-000 |      | 1   | CD-ROM, UFR II/PCL/PS/UTILITY | imageRUNNER3245i,3235i English                       |     |
| 1                | FK2-4826-000 |      | 1   | CD-ROM, LIPS LX               | iR3245F,3235F,3225F Japanese                         |     |
| 1                | FK2-4827-000 |      | 1   | CD-ROM, FAX DRIVER            | iR3245F,3235F,3225F Japanese                         |     |

| FIGURE & KEY NO. | PARTS NUMBER | RANK | Q'TY | DESCRIPTION                 | SERIAL NUMBER/REMARKS | SVC |
|------------------|--------------|------|------|-----------------------------|-----------------------|-----|
| 2                | FC5-0563-020 |      | 2    | LABEL, CASSETTE SIZE, PANEL |                       |     |
| 3                | WE8-5689-000 |      | 2    | FILTER, NOISE(RING CORE)    | 100V,230V             |     |
| 4                | FK2-0979-000 |      | 1    | CABLE, GROUNDING            | 100V                  |     |

# FIGURE 100 EXTERNAL COVERS, PANELS, ETC.





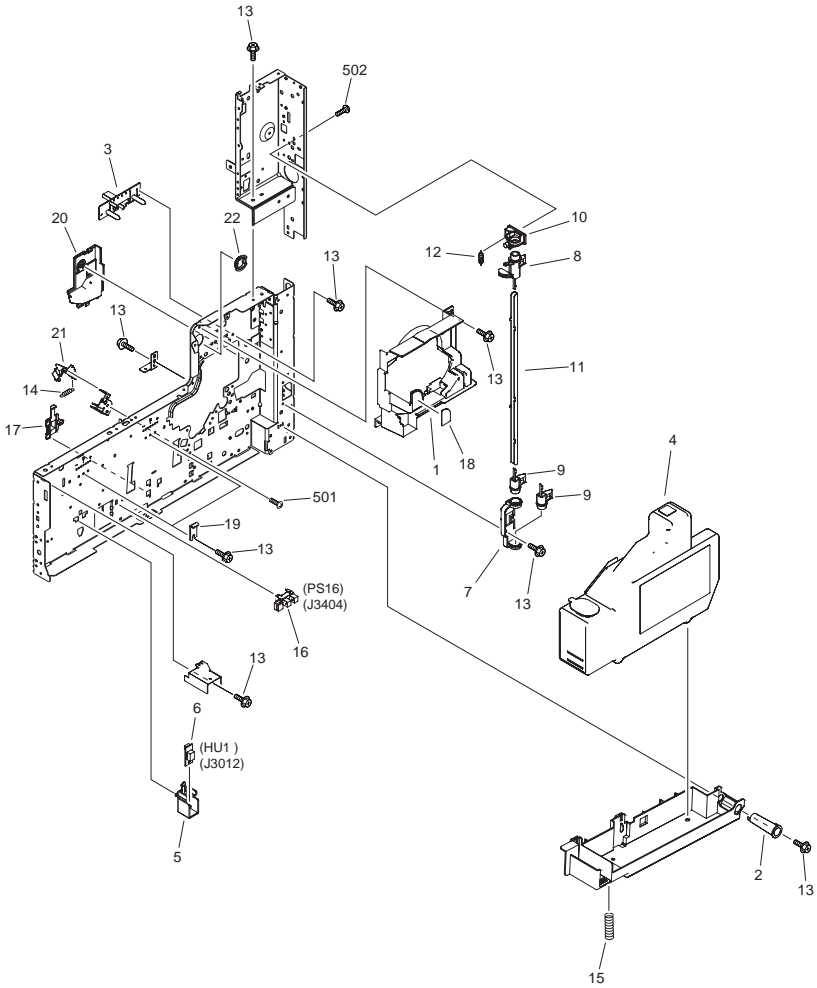
| FIGURE & KEY NO. | PARTS NUMBER | R<br>A<br>N<br>K | Q'TY | DESCRIPTION                    | SERIAL NUMBER/<br>REMARKS   | S<br>V<br>C |
|------------------|--------------|------------------|------|--------------------------------|---|-------------|
| Fig.100          | NPN          |                  | RF   | EXTERNAL COVERS, PANELS, ETC.  |   |             |
| 1                | FB6-3771-000 |                  | 1    | COVER, RUBBER                  |   |             |
| 2                | FC8-1157-000 |                  | 1    | PANEL, LEFT                    |   |             |
| 3                | FC5-0953-000 |                  | 1    | PANEL, RIGHT, FRONT LOWER      |   |             |
| 4                | FC7-6969-000 |                  | 1    | PANEL, READER CROSSMEMBER      |   |             |
| 5                | FC5-1101-000 |                  | 1    | PANEL, RIGHT, FRONT            |   |             |
| 6                | FC8-1132-000 |                  | 1    | PANEL, LEFT, MIDDLE            |   |             |
| 7                | FC8-1093-000 |                  | 1    | COVER, LEFT UPPER, REAR        |   |             |
| 8                | FC5-1106-000 |                  | 1    | PANEL, INNER, REAR LOWER       |   |             |
| 9                | FC5-1108-000 |                  | 1    | PANEL, INNER, LEFT LOWER       |   |             |
| 10               | FC5-1109-000 |                  | 1    | PANEL, INNER, MIDDLE           |   |             |
| 11               | FC5-1117-000 |                  | 1    | PANEL, INNER, RIGHT            |   |             |
| 12               | FC5-1277-000 |                  | 1    | PANEL, INNER, RIGHT            |   |             |
| 13               | FC8-1094-000 |                  | 1    | COVER, RIGHT, REAR             |   |             |
| 14               | FC5-1282-000 |                  | 1    | RUBBER, COVER                  |   |             |
| 15               | FC5-6540-000 |                  | 1    | COVER, SCREW                   |   |             |
| 16               | FK2-6308-000 |                  | 1    | CABLE, CONTROL PANEL           |   |             |
| 17               | FC5-0812-000 |                  | 1    | STOPPER, PUSHING               |   |             |
| 18               | FC5-0957-000 |                  | 1    | CAP, INTERNAL PAPER DELIVERY   |   |             |
| 19               | FC5-1114-000 |                  | 1    | COVER, INTERNAL PAPER DELIVERY |   |             |
| 20               | FC5-0889-000 |                  | 1    | COVER, BLANKING                |   |             |
| 21               | FC7-6968-000 |                  | 1    | PANEL, INNER, REAR             |   |             |
| 22               | FC6-4391-000 |                  | 1    | EMBLEM                         |   |             |
| 23               | FC6-5052-000 |                  | 1    | PIN,HINGE                      |   |             |
| 24               | FC5-1100-000 |                  | 1    | COVER, FRONT                   |   |             |
| 25               | FC5-1115-000 |                  | 1    | COVER, FRONT, SMALL            |   |             |
| 26               | FL2-0315-000 |                  | 1    | DOOR, SUPPLY                   |   |             |
| 27               | XZ9-0603-000 |                  | 1    | CATCH, MAGNET                  |   |             |
| 28               | FC7-6970-000 |                  | 1    | COVER, SENSOR                  |   |             |
| 29               | FC5-1111-000 |                  | 1    | COVER, OUTLET                  | DFH,DFJ,DFK,DFQ,DFR,<br>DFT,DFW,DGA,DGH,DGJ<br>.DGY,DHJ,DHK,DHL,DHM<br>.DHP,DPW,DPY,DPZ,DQ<br>A |             |

| FIGURE & KEY NO. | PARTS NUMBER | R<br>A<br>N<br>K | Q'TY | DESCRIPTION         | SERIAL NUMBER/<br>REMARKS                     | S<br>V<br>C |
|------------------|--------------|------------------|------|---------------------|---|-------------|
| 30               | FC7-7394-000 |                  | 1    | COVER,HEATER SW     |   |             |
| 31               | FB6-3950-000 |                  | 1    | PEN, TOUCH PANEL    |   |             |
| 32               | FC5-0166-000 |                  | 4    | SEAL, BLANKING      |   |             |
| 33               | XA9-1386-000 |                  | AR   | SCREW,RS,M3X8       |   |             |
| 34               | FL2-8435-000 |                  | 1    | PANEL, REAR, UPPER  |   |             |
| 35               | FM3-7054-000 |                  | 1    | PANEL, REAR, LOWER  |   |             |
| 36               | FC7-5875-000 |                  | 1    | COVER, EDGE         |   |             |
| 37               | FC5-0954-000 |                  | 1    | PANEL, RIGHT, LOWER |   |             |
| 38               | FL3-0203-000 |                  | 1    | PLATE, NAME         | iR3245F                                       |             |
| 38               | FL3-1370-000 |                  | 1    | PLATE, NAME         | iR3245N                                       |             |
| 38               | FL3-0202-000 |                  | 1    | PLATE, NAME         | iR3245  |             |
| 38               | FL3-0205-000 |                  | 1    | PLATE, NAME         | imageRUNNER3245i                              |             |
| 38               | FL3-0204-000 |                  | 1    | PLATE, NAME         | imageRUNNER3245<br>EXCEPT GOVERNMENT<br>model |             |
| 38               | FC8-6931-000 |                  | 1    | PLATE, NAME         | imageRUNNER3245<br>GOVERNMENT model           |             |
| 38               | FL3-0197-000 |                  | 1    | PLATE, NAME         | iR3235F                                       |             |
| 38               | FL3-0201-000 |                  | 1    | PLATE, NAME         | iR3235N                                       |             |
| 38               | FL3-0196-000 |                  | 1    | PLATE, NAME         | iR3235  |             |
| 38               | FL3-0199-000 |                  | 1    | PLATE, NAME         | imageRUNNER3235i                              |             |
| 38               | FL3-0198-000 |                  | 1    | PLATE, NAME         | imageRUNNER3235<br>EXCEPT GOVERNMENT<br>model |             |
| 38               | FC8-6926-000 |                  | 1    | PLATE, NAME         | imageRUNNER3235<br>GOVERNMENT model           |             |
| 38               | FL3-0192-000 |                  | 1    | PLATE, NAME         | iR3230  |             |
| 38               | FL3-0193-000 |                  | 1    | PLATE, NAME         | imageRUNNER3230<br>EXCEPT GOVERNMENT<br>model |             |
| 38               | FC8-6922-000 |                  | 1    | PLATE, NAME         | imageRUNNER3230<br>GOVERNMENT model           |             |
| 38               | FL3-0188-000 |                  | 1    | PLATE, NAME         | iR3225F                                       |             |
| 38               | FL3-0191-000 |                  | 1    | PLATE, NAME         | iR3225N                                       |             |
| 38               | FL3-0187-000 |                  | 1    | PLATE, NAME         | iR3225  |             |

| FIGURE & KEY NO. | PARTS NUMBER | R<br>A<br>N<br>K | Q'TY | DESCRIPTION                 | SERIAL NUMBER/<br>REMARKS                     | S<br>V<br>C |
|------------------|--------------|------------------|------|-----------------------------|---|-------------|
| 38               | FL3-0189-000 |                  | 1    | PLATE, NAME                 | imageRUNNER3225<br>EXCEPT GOVERNMENT<br>model |             |
| 38               | FC8-6920-000 |                  | 1    | PLATE, NAME                 | imageRUNNER3225<br>GOVERNMENT model           |             |
| 39               | FL2-0352-000 |                  | 1    | SHEET,RETAINING             |   |             |
| 40               | FC8-1201-000 |                  | 1    | LABEL,SHUT.DOWN AB          |   |             |
| 41               | FC6-5067-000 |                  | 1    | LABEL,TONER BOTTLE CAUTION  |   |             |
| 42               | FC8-1055-000 |                  | 1    | COVER, CONTROL PANEL, LOWER |   |             |
| 43               | FC5-0860-020 |                  | 1    | GUIDE, REVERSE BACK END     |   |             |
| 44               | FC8-1134-000 |                  | 2    | COVER, FAX MODULAR          |   |             |
| 45               | FC8-1164-000 |                  | 1    | COVER, FILTER               |   |             |
| 46               | FC8-1166-000 |                  | 1    | FILTER, DUST                |   |             |
| 47               | FC8-1165-000 |                  | 1    | COVER, POWER SUPPLY SWITCH  |   |             |
| 48               | FK2-6721-000 |                  | 1    | CABLE, USB                  | 120V,230V                                     |             |
| 49               | XA9-0813-000 |                  | 15   | SCREW, RS, M3X8             |   |             |
| 50               | FC8-0959-000 |                  | 4    | SHEET, FEED AUX             |   |             |
| 51               | FC5-1146-000 |                  | 1    | HOLDER, SERVICE BOOK        |   |             |
| 52               | FC8-9752-000 |                  | 1    | LABEL, TONER INSTRUCTION    | 45/35 PPM US model                            |             |
| 52               | FC8-9747-000 |                  | 1    | LABEL, TONER INSTRUCTION    | 30/25 PPM US model                            |             |
| 52               | FC8-9754-000 |                  | 1    | LABEL, TONER INSTRUCTION    | 45/35 PPM JP,AU model                         |             |
| 52               | FC8-9749-000 |                  | 1    | LABEL, TONER INSTRUCTION    | 30/25 PPM JP,AU model                         |             |
| 52               | FC8-9753-000 |                  | 1    | LABEL, TONER INSTRUCTION    | 45/35 PPM EUR model                           |             |
| 52               | FC8-9748-000 |                  | 1    | LABEL, TONER INSTRUCTION    | 30/25 PPM EUR model                           |             |
| 53               | FU5-8802-000 |                  | 1    | LABEL,OUTLET                | 100V  |             |
| 53               | FU5-8803-000 |                  | 1    | LABEL,OUTLET                | 230V DFL,DFS,DGR,DHN                          |             |
| 54               | FU5-8329-000 |                  | 1    | LABEL, GROUNDING CAUTION    | JP  |             |
| 54               | FU5-8021-000 |                  | 1    | LABEL, GROUNDING CAUTION    | EUR   |             |
| 501              | XB4-5400-807 |                  | 3    | SCREW,P,M4X8                |   |             |
| 502              | XB1-2400-807 |                  | 7    | SCREW, M4X8                 |   |             |
| 503              | XD2-1100-502 |                  | 2    | RETAINING RING (E-TYPE)     |   |             |



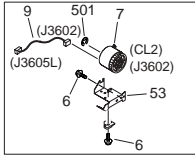
# FIGURE 101 MACHINE FRONT PLATE



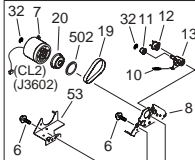
| FIGURE & KEY NO. | PARTS NUMBER | R<br>A<br>N<br>K | Q'TY | DESCRIPTION                    | SERIAL NUMBER/<br>REMARKS | S<br>V<br>C |
|------------------|--------------|------------------|------|--------------------------------|---------------------------|-------------|
| Fig.101          | NPN          |                  | RF   | MACHINE FRONT PLATE            |                           |             |
| 1                | FC5-1113-000 |                  | 1    | PANEL,INNER                    |                           |             |
| 2                | FC5-1413-000 |                  | 1    | PIN STAY                       |                           |             |
| 3                | FL2-0267-000 |                  | 1    | PIN,POSITIONING                |                           |             |
| 4                | FM2-0303-000 |                  | 1    | BOX, WASTE TONER               |                           |             |
| 5                | FC8-1119-000 |                  | 1    | MOUNT, ENVIRONMENT SENSOR      |                           |             |
| 6                | WP2-5264-000 |                  | 1    | ENVIRONMENT AL SENSOR UNIT     | HU1                       |             |
| 7                | FC5-0673-000 |                  | 1    | SUPPORT, HOOK POSITIONING      |                           |             |
| 8                | FC5-0686-010 |                  | 1    | HOOK, RIGHT DOOR, UPPER        |                           |             |
| 9                | FC5-0687-000 |                  | 2    | HOOK, RIGHT DOOR, LOWER        |                           |             |
| 10               | FC5-0688-000 |                  | 1    | BUSHING                        |                           |             |
| 11               | FC5-0689-000 |                  | 1    | SHAFT, HOOK                    |                           |             |
| 12               | FU5-2064-000 |                  | 1    | SPRING, TENSION                |                           |             |
| 13               | XA9-1386-000 |                  | AR   | SCREW,RS,M3X8                  |                           |             |
| 14               | FU6-2016-000 |                  | 1    | SPRING, STOPPER                |                           |             |
| 15               | FU5-2096-000 |                  | 1    | SPRING                         |                           |             |
| 16               | FK2-0149-000 |                  | 1    | PHOTO-INTERRUPTER, TLP1252(C6) | PS16                      |             |
| 17               | FC5-1535-000 |                  | 1    | GUIDE, WIRE                    |                           |             |
| 18               | FC6-2918-000 |                  | 1    | LABEL, LOCK UNLOCK             |                           |             |
| 19               | FL2-0203-000 |                  | 2    | PIN, POSITIONING               |                           |             |
| 20               | FC5-1118-000 |                  | 1    | COVER, RIGHT IN, SMALL         |                           |             |
| 21               | FC6-4824-000 |                  | 1    | STOPPER BOX                    |                           |             |
| 22               | FC7-5910-000 |                  | 1    | BUSHING                        |                           |             |
| 501              | XB1-2300-607 |                  | 1    | SCREW, BH3X6                   |                           |             |
| 502              | XB4-5400-807 |                  | 2    | SCREW,P,M4X8                   |                           |             |

# FIGURE 102 INTERNAL COMPONENTS 1

iR3225 Series

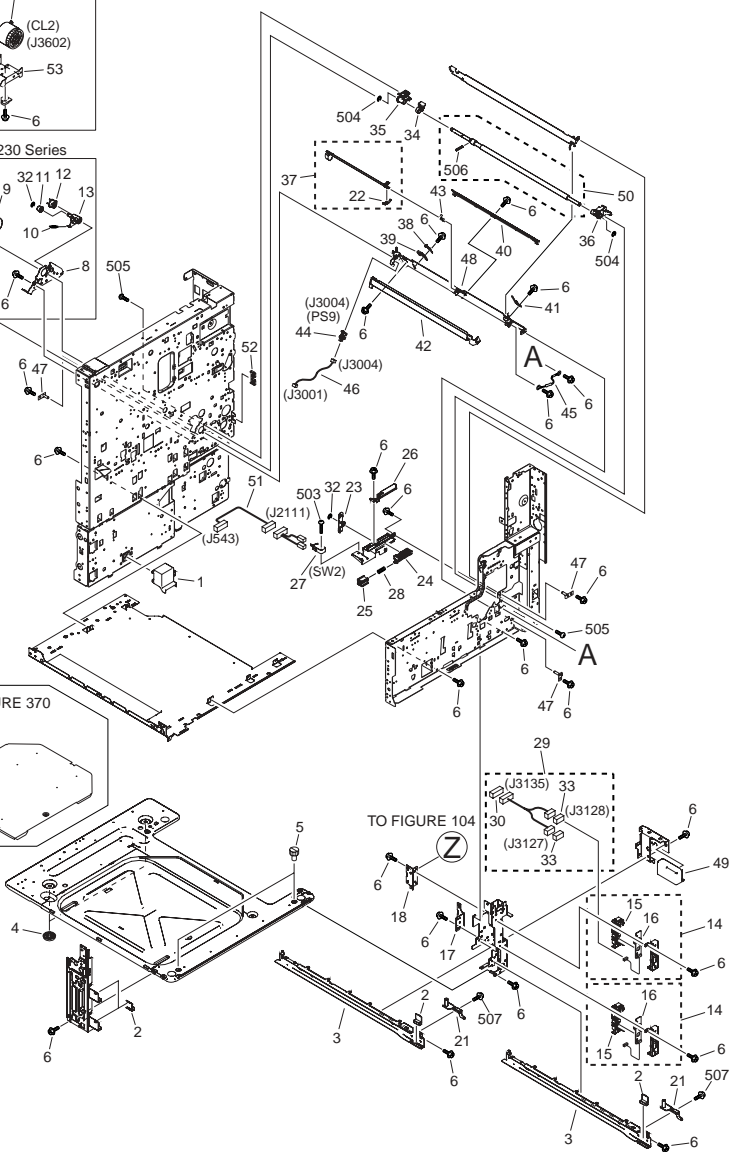
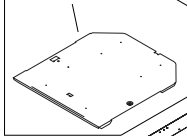


iR3245, 3235, 3230 Series



230V

SEE FIGURE 370

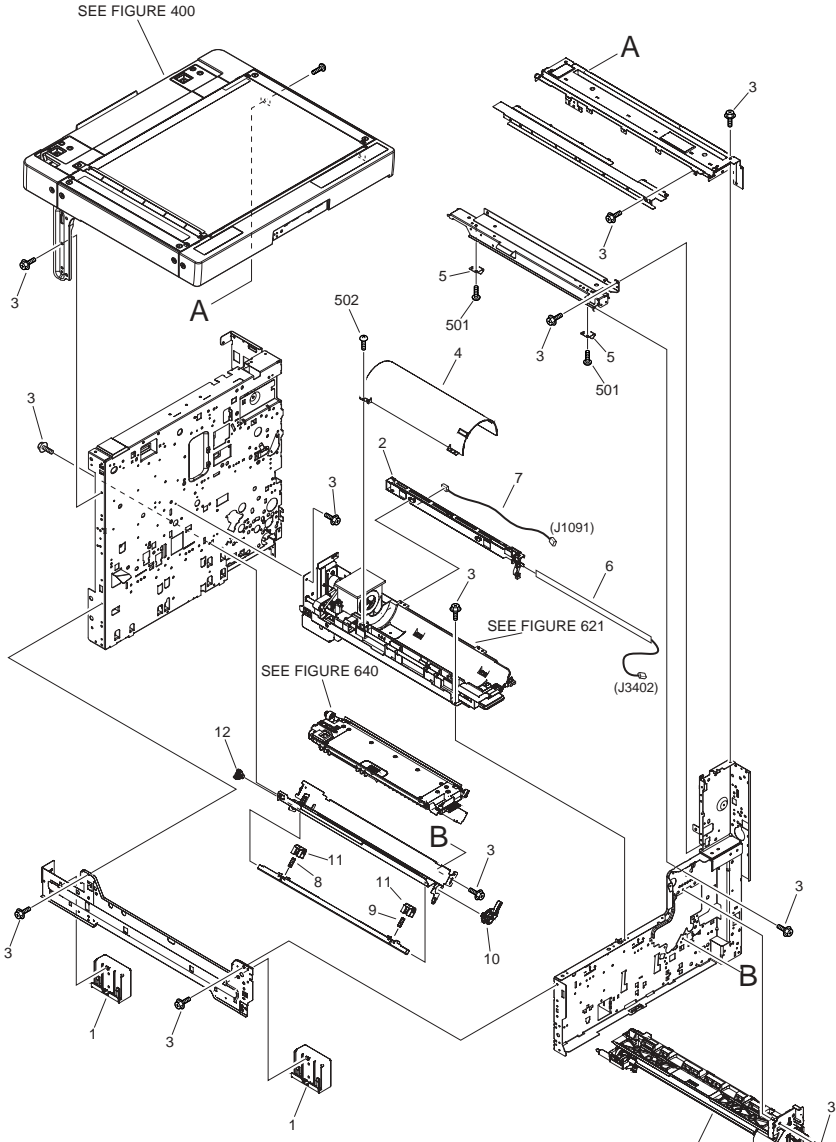


| FIGURE & KEY NO. | PARTS NUMBER | R<br>A<br>N<br>K | Q'TY | DESCRIPTION                    | SERIAL NUMBER/<br>REMARKS      | S<br>V<br>C |
|------------------|--------------|------------------|------|--------------------------------|--------------------------------|-------------|
| Fig.102          | NPN          |                  | RF   | INTERNAL COMPONENTS 1          |                                |             |
| 1                | FC6-5053-000 |                  | 1    | COVER, HEATER CONNECTOR        |                                |             |
| 2                | FB6-3507-000 |                  | 4    | BLOCK, SWING                   |                                |             |
| 3                | FC5-0571-010 |                  | 2    | RAIL, RIGHT                    |                                |             |
| 4                | XH9-0125-000 |                  | 2    | FOOT                           |                                |             |
| 5                | XA9-1468-000 |                  | 2    | SCREW, KNURLED, M6X10          |                                |             |
| 6                | XA9-1386-000 |                  | AR   | SCREW,RS,M3X8                  |                                |             |
| 7                | FK2-0361-000 |                  | 1    | CLUTCH, ELECTROMAGNETIC        | iR3245,3235,3230 Series<br>CL2 |             |
| 7                | FH6-5075-021 |                  | 1    | CLUTCH, ELECTROMAGNETIC        | iR3225 Series CL2              |             |
| 8                | FL2-1517-000 |                  | 1    | SUPPORT, REGIST. CLUTCH        | iR3245,3235,3230 Series        |             |
| 9                | FM2-2851-000 |                  | 1    | CABLE,REGISTRATION CLUTCH      | iR3225 Series                  |             |
| 10               | FU5-2652-000 |                  | 1    | SPRING                         | iR3245,3235,3230 Series        |             |
| 11               | FU5-3178-000 |                  | 1    | PULLEY, 20T                    | iR3245,3235,3230 Series        |             |
| 12               | FU6-0040-000 |                  | 1    | PULLEY, 28T                    | iR3245,3235,3230 Series        |             |
| 13               | FL2-1518-000 |                  | 1    | SUPPORT, REGIST. TENSION       | iR3245,3235,3230 Series        |             |
| 14               | FM2-0389-000 |                  | 2    | CASSETTE SIZE DETECT ASSEMBLY  |                                |             |
| 15               | FC5-1420-000 |                  | 1    | HOLDER, SIZE DETECT            |                                |             |
| 16               | FM2-2770-000 |                  | 1    | SIZE SENSOR PCB ASSEMBLY       |                                |             |
| 17               | FC5-0567-010 |                  | 1    | PLATE, PICK-UP ASS'Y MOUNT, U  |                                |             |
| 18               | FC5-0568-000 |                  | 1    | PLATE, PICK-UP ASS'Y MOUNT, L  |                                |             |
| 19               | XF2-1608-860 |                  | 1    | BELT, TIMING                   | iR3245,3235,3230 Series        |             |
| 20               | FU5-3180-000 |                  | 1    | PULLEY,36T                     | iR3245,3235,3230 Series        |             |
| 21               | FL2-0116-010 |                  | 2    | PIN, SIDE REGIST. POSITIONING  |                                |             |
| 22               | FC7-9370-000 |                  | 1    | PLATE,FLAG,REGISTRATION SENSOR |                                |             |
| 23               | FC5-1539-000 |                  | 1    | PLATE, ACTUATOR                |                                |             |
| 24               | FC5-1540-000 |                  | 1    | SLIDER                         |                                |             |
| 25               | FC5-1541-000 |                  | 1    | BLOCK, SWITCH PRESSURE         |                                |             |
| 26               | FC5-1545-000 |                  | 1    | GUIDE, ACTUATOR                |                                |             |
| 27               | FK2-0384-000 |                  | 1    | SWITCH, MICRO                  | SW2                            |             |
| 28               | FU6-2009-000 |                  | 1    | SPRING, LEAF                   |                                |             |
| 29               | FM3-5072-000 |                  | 1    | CABLE,CST.SIZE DETECT CONNECT  |                                |             |

| FIGURE & KEY NO. | PARTS NUMBER | RANK | Q'TY | DESCRIPTION                    | SERIAL NUMBER/REMARKS   | SVC |
|------------------|--------------|------|------|--------------------------------|-------------------------|-----|
| 30               | VS1-8412-013 |      | 1    | CONNECTOR, SNAP TIGHT, BL      |                         |     |
| 31               | XA9-1668-000 |      | 1    | SCREW,RS,M3X8.5                |                         |     |
| 32               | XD9-0136-000 |      | 2    | RING, E                        |                         |     |
| 33               | VS1-7177-006 |      | 2    | CONNECTOR, SNAP TIGHT, BK      |                         |     |
| 34               | FC5-1562-000 |      | 1    | HOLDER, TRANSFER GUIDE, UPPER  |                         |     |
| 35               | FU5-1029-000 |      | 1    | BUSHING                        |                         |     |
| 36               | FU5-1028-000 |      | 1    | BUSHING                        |                         |     |
| 37               | FL2-4520-000 |      | 1    | FLAG, PRE-REGISTRATION SENSOR  |                         |     |
| 38               | FC6-5062-000 |      | 1    | SPRING, GROUNDING              |                         |     |
| 39               | FC5-0540-000 |      | 1    | HOLDER, GROUNDING SPRING       |                         |     |
| 40               | FC5-0547-000 |      | 1    | GUIDE, PRE-REGISTRATION PAPER  |                         |     |
| 41               | FC5-1564-000 |      | 1    | SPRING, LEAF                   |                         |     |
| 42               | FL2-0245-000 |      | 1    | SHEET, PAPER DUST RELEASE      |                         |     |
| 43               | FU5-2035-000 |      | 1    | SPRING, TORSION                |                         |     |
| 44               | WG8-5783-000 |      | 1    | PHOTO-INTERRUPTER, TLP1252(C6) | PS9                     |     |
| 45               | FL2-3265-000 |      | 1    | H.V.RESISTOR UNIT              |                         |     |
| 46               | FM2-2858-000 |      | 1    | CABLE, PRE-REGISTRATION SENSOR |                         |     |
| 47               | FC6-5051-000 |      | 3    | PIN, POSITIONING               |                         |     |
| 48               | FL2-0330-000 |      | 1    | GUIDE,PRE-REGIST.MAIN BODY     |                         |     |
| 49               | FC5-0958-000 |      | 1    | GRIP, RIGHT FRONT              |                         |     |
| 50               | FL2-0314-000 |      | 1    | ROLLER, REGISTRATION HARD      |                         |     |
| 51               | FM3-5086-000 |      | 1    | CABLE, INTERLOCK               |                         |     |
| 52               | FC5-7195-000 |      | 1    | COVER, DOOR POSITIONING, RIGHT |                         |     |
| 53               | FC5-7181-000 |      | 1    | PLATE                          | iR3245,3235,3230 Series |     |
| 53               | FC5-1087-000 |      | 1    | PLATE                          | iR3225 Series           |     |
| 501              | XD2-1100-402 |      | 1    | RETAINING RING (E-TYPE)        | iR3225 Series           |     |
| 502              | XD1-1108-215 |      | 1    | WASHER,COP                     |                         |     |
| 503              | XB1-2301-407 |      | 1    | SCREW, MACH.,TRUS HEAD, M3X14  |                         |     |
| 504              | XD2-1100-642 |      | 2    | RING,E                         |                         |     |
| 505              | XB4-5400-807 |      | 2    | SCREW,P,M4X8                   |                         |     |
| 506              | XD3-1200-102 |      | 1    | SPRING PIN                     |                         |     |
| 507              | XB3-6400-805 |      | 2    | SCREW,RS,M4X8                  |                         |     |

# FIGURE 103 INTERNAL COMPONENTS 2

FIGURE 103 INTERNAL COMPONENTS 2  
本体機械内部（2）



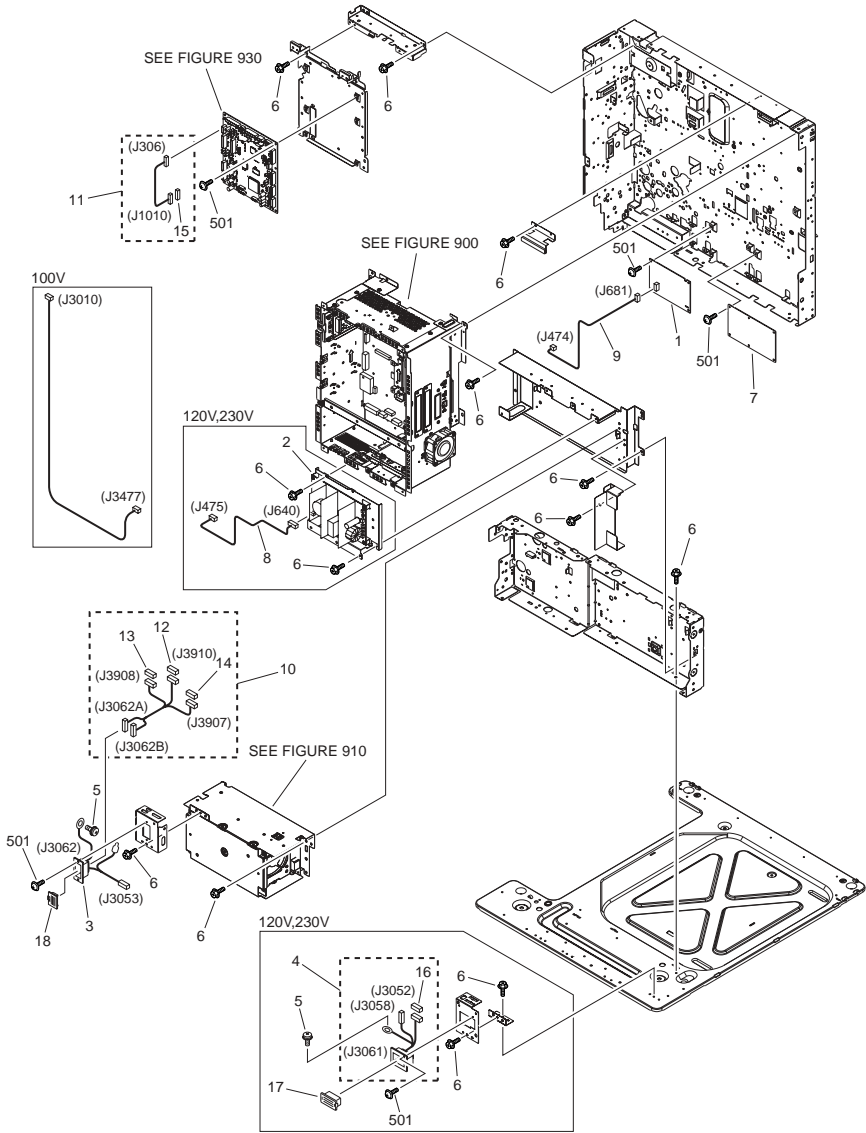
| FIGURE & KEY NO. | PARTS NUMBER | RANK | Q'TY | DESCRIPTION              | SERIAL NUMBER/REMARKS | SVC |
|------------------|--------------|------|------|--------------------------|-----------------------|-----|
| Fig.103          | NPN          |      | RF   | INTERNAL COMPONENTS 2    |                       |     |
| 1                | FC5-0959-000 |      | 2    | GRIP, LEFT               |                       |     |
| 2                | FC8-1092-000 |      | 1    | HOLDER, PRECONDITIONING  |                       |     |
| 3                | XA9-1386-000 |      | AR   | SCREW,RS,M3X8            |                       |     |
| 4                | FC8-1131-000 |      | 1    | COVER, BOTTLE            |                       |     |
| 5                | FC6-4624-000 |      | 2    | SPRING,LEAF              |                       |     |
| 6                | FK2-6326-000 |      | 1    | LED ARRAY                |                       |     |
| 7                | FM2-2776-000 |      | 1    | BOARD, DRUM THERMISTOR   |                       |     |
| 8                | FU5-2090-000 |      | 1    | SPRING                   |                       |     |
| 9                | FU6-2011-000 |      | 1    | SPRING                   |                       |     |
| 10               | FC5-1243-000 |      | 1    | HANDLE, PRESSURE         |                       |     |
| 11               | FC5-1262-000 |      | 2    | CAM, DEVELOPING PRESSURE |                       |     |
| 12               | FU5-1030-000 |      | 1    | BUSHING                  |                       |     |
| 501              | XB1-2300-407 |      | 2    | SCREW, BH3X4 (S)         |                       |     |
| 502              | XB4-5300-807 |      | 4    | SCREW, P, M3X8           |                       |     |





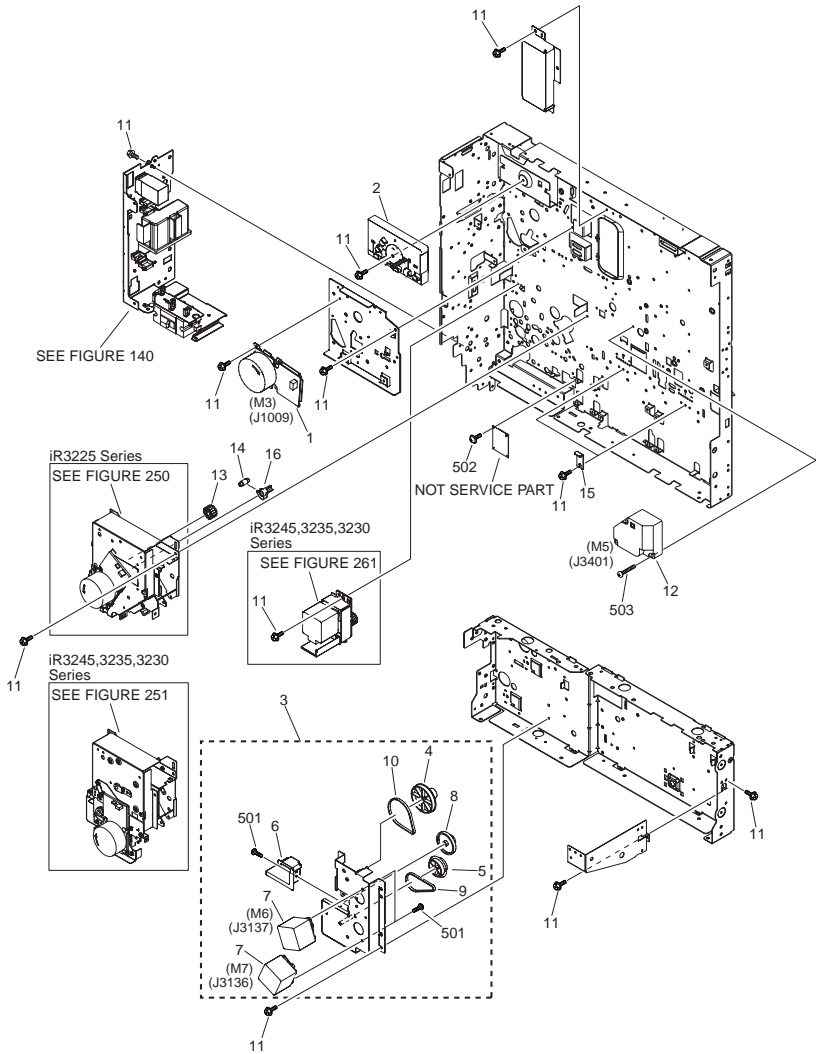
| FIGURE & KEY NO. | PARTS NUMBER | R<br>A<br>N<br>K | Q'TY | DESCRIPTION                  | SERIAL NUMBER/<br>REMARKS | S<br>V<br>C |
|------------------|--------------|------------------|------|------------------------------|---------------------------|-------------|
| Fig.104          | NPN          |                  | RF   | INTERNAL COMPONENTS 3        |                           |             |
| 1                | FC5-1130-000 |                  | 1    | COVER, FIXING CONNECTOR      |                           |             |
| 2                | FB6-3313-000 |                  | 2    | ROLLER, PAPER FEED           |                           |             |
| 3                | FM3-1297-000 |                  | 1    | RIGHT LOWER INNER DOOR ASS'Y |                           |             |
| 4                | FU5-1035-000 |                  | 4    | BUSHING                      |                           |             |
| 5                | FU6-2924-000 |                  | 4    | SPRING, COMPRESSION          |                           |             |
| 6                | FC5-0191-000 |                  | 1    | GUIDE, POSITIONING           |                           |             |
| 7                | FC6-7308-000 |                  | 2    | SPRING, LEAF                 |                           |             |
| 8                | FC5-1535-000 |                  | 1    | GUIDE, WIRE                  |                           |             |
| 9                | FM3-5073-000 |                  | 1    | CABLE, LASER BEAM DETECT     |                           |             |
| 10               | FU5-2038-000 |                  | 2    | SPRING, TORSION              |                           |             |
| 11               | FU5-2653-000 |                  | 1    | SPRING                       |                           |             |
| 12               | XA9-1386-000 |                  | AR   | SCREW,RS,M3X8                |                           |             |
| 13               | FU5-2066-000 |                  | 2    | SPRING, COMPRESSION          |                           |             |
| 14               | FM3-4389-000 |                  | 1    | H. V. TRANSFER PCB ASSEMBLY  |                           |             |
| 15               | FS5-9664-020 |                  | 2    | SCREW,RS STEPPED,M3          |                           |             |
| 16               | FC5-1533-000 |                  | 1    | LINK,SHUTTER                 |                           |             |
| 17               | FC5-0573-000 |                  | 2    | MOUNT, CASSETTE PUSH SPRING  |                           |             |
| 18               | FC7-5906-000 |                  | 1    | SPRING, LEAF                 |                           |             |
| 19               | FM3-3911-000 |                  | 1    | CABLE, GROUNDING             |                           |             |
| 20               | FC7-5907-000 |                  | 2    | SPRING, GROUNDING            |                           |             |
| 21               | FC7-2667-000 |                  | 1    | WIRE, SHUTTER                |                           |             |
| 22               | FC5-0798-000 |                  | 1    | FLAG, FULL DETECT            |                           |             |
| 23               | XA9-1164-000 |                  | 1    | SCREW,RS,M3X6.5              |                           |             |
| 24               | FM3-5063-000 |                  | 1    | CABLE, FIXING AC             | iR3245,3235,3230 Series   |             |
| 24               | FM3-5070-000 |                  | 1    | CABLE, FIXING AC             | iR3225 Series             |             |
| 501              | XB1-2300-607 |                  | AR   | SCREW, BH3X6                 |                           |             |
| 502              | XB4-7300-807 |                  | 3    | SCREW, BH3X6                 |                           |             |

# FIGURE 105 MACHINE REAR PLATE 1



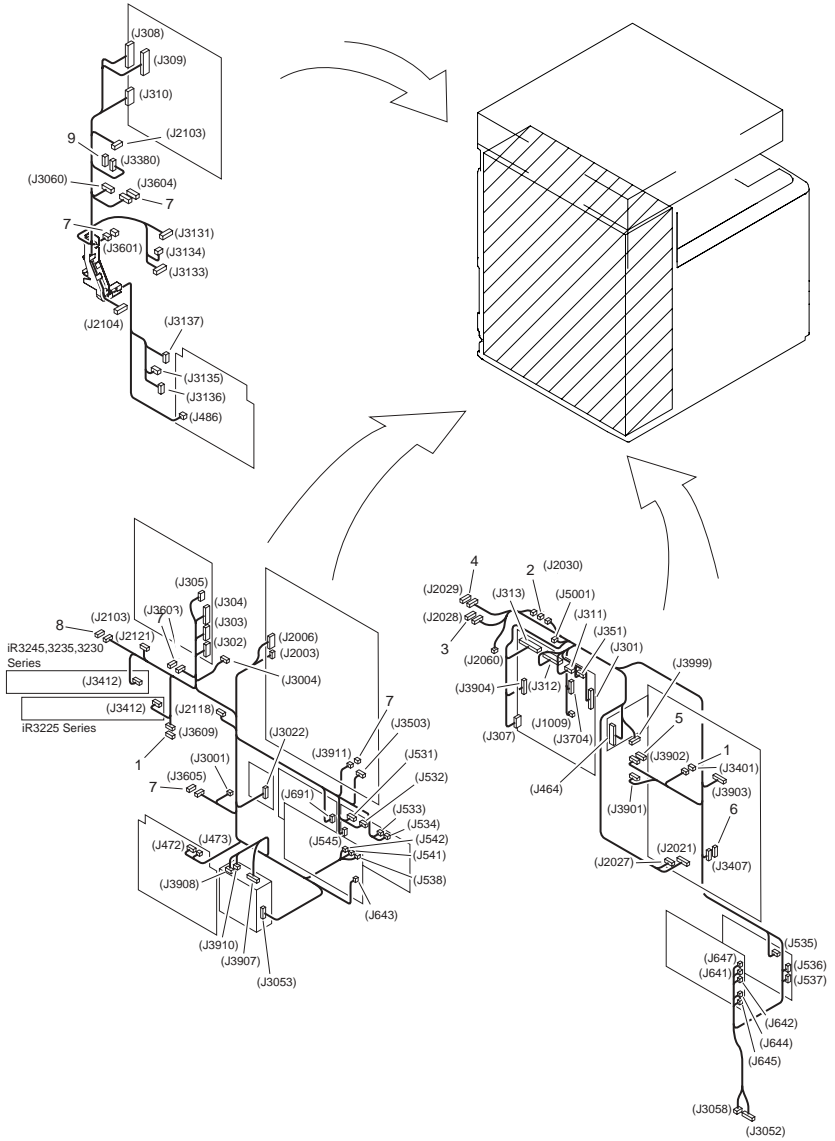
| FIGURE & KEY NO. | PARTS NUMBER | R<br>A<br>N<br>K | Q'TY | DESCRIPTION                   | SERIAL NUMBER/<br>REMARKS         | S<br>V<br>C |
|------------------|--------------|------------------|------|-------------------------------|-----------------------------------|-------------|
| Fig.105          | NPN          |                  | RF   | MACHINE REAR PLATE 1          |                                   |             |
| 1                | FK2-6324-000 |                  | 1    | ALL DAY POWER PCB             | 100V,120V EXCEPT GOVERNMENT model |             |
| 1                | FK2-0340-000 |                  | 1    | ALL DAY POWER PCB             | 120V GOVERNMENT model             |             |
| 1                | FK2-0341-020 |                  | 1    | ALL DAY POWER PCB             | 230V                              |             |
| 2                | FK2-6297-000 |                  | 1    | ACC POWER SUPPLY UNIT         | 120V                              |             |
| 2                | FK2-6298-000 |                  | 1    | ACC POWER SUPPLY UNIT         | 230V                              |             |
| 3                | FM3-7391-000 |                  | 1    | CABLE, LATTICE                |                                   |             |
| 4                | FM3-7390-000 |                  | 1    | CABLE, LATTICE                | 120V,230V                         |             |
| 5                | XA9-0265-010 |                  | 2    | SCREW,W/WASHER,TRUSS HEAD     |                                   |             |
| 6                | XA9-1386-000 |                  | AR   | SCREW,RS,M3X8                 |                                   |             |
| 7                | FM3-5050-000 |                  | 1    | RELAY PCB ASSEMBLY            |                                   |             |
| 8                | FM3-5082-000 |                  | 1    | CABLE,ACCESSORY POWER SUPPLY  | 120V,230V                         |             |
| 9                | FM3-5083-000 |                  | 1    | CABLE, ALL NIGHT POWER SUPPLY |                                   |             |
| 10               | FM3-5059-000 |                  | 1    | CABLE, LATTICE                |                                   |             |
| 11               | FM3-5080-000 |                  | 1    | CABLE, FIXING CONNECT         |                                   |             |
| 12               | VS1-7177-002 |                  | 1    | CONNECTOR, SNAP TIGHT, BK     |                                   |             |
| 13               | VS1-7177-004 |                  | 1    | CONNECTOR, SNAP TIGHT, BK     |                                   |             |
| 14               | VS1-7177-008 |                  | 1    | CONNECTOR, SNAP TIGHT, BK     |                                   |             |
| 15               | VS1-7177-012 |                  | 1    | CONNECTOR, SNAP TIGHT, BK     |                                   |             |
| 16               | VS1-7507-007 |                  | 1    | CONNECTOR, SNAP TIGHT, BK     |                                   |             |
| 17               | FH2-6552-000 |                  | 1    | COVER, CONNECTOR              | 120V,230V                         |             |
| 18               | WT8-5099-000 |                  | 1    | COVER, DUST                   |                                   |             |
| 501              | XB6-7300-607 |                  | AR   | SCREW, CROOSS-RECESS, FCH     |                                   |             |

# FIGURE 106 MACHINE REAR PLATE 2



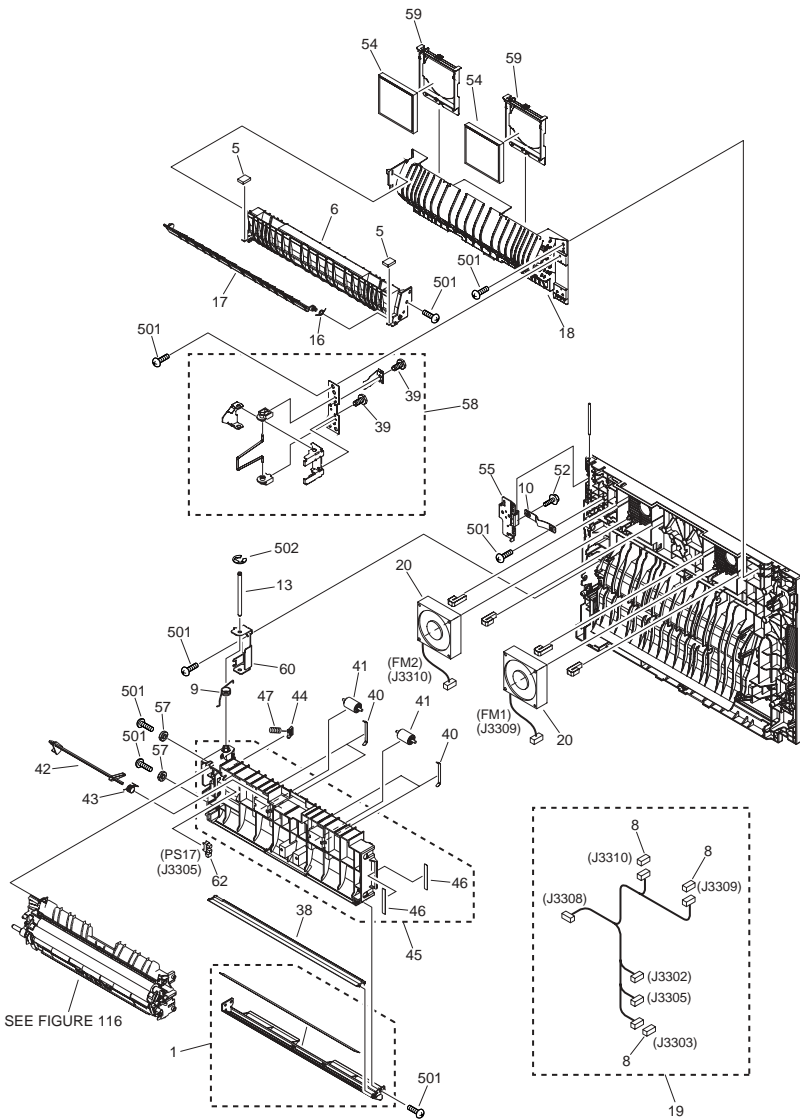
| FIGURE & KEY NO. | PARTS NUMBER | R<br>A<br>N<br>K | Q'TY | DESCRIPTION                  | SERIAL NUMBER/<br>REMARKS | S<br>V<br>C |
|------------------|--------------|------------------|------|------------------------------|---------------------------|-------------|
| Fig.106          | NPN          |                  | RF   | MACHINE REAR PLATE 2         |                           |             |
| 1                | FK2-6301-000 |                  | 1    | MOTOR, DC24V                 | M3                        |             |
| 2                | FC8-1120-000 |                  | 1    | COVER, DC NETWORK BACK       |                           |             |
| 3                | FM2-0339-000 |                  | 1    | PAPER PICK-UP MOTOR UNIT     |                           |             |
| 4                | FC5-1516-000 |                  | 1    | PULLEY, 80T                  |                           |             |
| 5                | FC5-1517-000 |                  | 1    | PULLEY, 50T                  |                           |             |
| 6                | FC5-1518-000 |                  | 1    | COVER, PICK-UP MOTOR SUPPORT |                           |             |
| 7                | FM2-0338-000 |                  | 2    | MOTOR, DC                    | M6,M7                     |             |
| 8                | FU3-0285-000 |                  | 1    | GEAR, 80T/16T                |                           |             |
| 9                | XF2-1607-840 |                  | 1    | BELT, TIMING                 |                           |             |
| 10               | XF2-1609-040 |                  | 1    | BELT,TIMING                  |                           |             |
| 11               | XA9-1386-000 |                  | AR   | SCREW,RS,M3X8                |                           |             |
| 12               | FK2-6316-000 |                  | 1    | MOTOR, DC24V                 | M5                        |             |
| 13               | FU5-0007-000 |                  | 1    | GEAR, 17T                    |                           |             |
| 14               | FU5-6643-000 |                  | 1    | ROLLER                       |                           |             |
| 15               | FL2-0203-000 |                  | 2    | PIN, POSITIONING             |                           |             |
| 16               | FC6-9613-000 |                  | 1    | CAM, RELEASE                 |                           |             |
| 501              | XB1-2300-607 |                  | 7    | SCREW, BH3X6                 |                           |             |
| 502              | XB6-7300-607 |                  | 4    | SCREW, CROSS-RECESS, FCH     |                           |             |
| 503              | XB1-2302-007 |                  | 3    | SCREW, BH3X20 (S)            |                           |             |

# FIGURE 107 MACHINE REAR PLATE 3



| FIGURE & KEY NO. | PARTS NUMBER | RANK | Q'TY | DESCRIPTION               | SERIAL NUMBER/REMARKS | SVC |
|------------------|--------------|------|------|---------------------------|-----------------------|-----|
| Fig.107          | NPN          |      | RF   | MACHINE REAR PLATE 3      |                       |     |
| 1                | VS1-7177-003 |      | 2    | CONNECTOR, SNAP TIGHT, BK |                       |     |
| 2                | VS1-7177-005 |      | 1    | CONNECTOR, SNAP TIGHT, BK |                       |     |
| 3                | VS1-7177-009 |      | 1    | CONNECTOR, SNAP TIGHT, BK |                       |     |
| 4                | VS1-7177-010 |      | 1    | CONNECTOR, SNAP TIGHT, BK |                       |     |
| 5                | VS1-7507-005 |      | 1    | CONNECTOR, SNAP TIGHT, BK |                       |     |
| 6                | VS1-8412-027 |      | 1    | CONNECTOR, SNAP TIGHT, BL |                       |     |
| 7                | VS1-7177-002 |      | 5    | CONNECTOR, SNAP TIGHT, BK |                       |     |
| 8                | VS1-8412-003 |      | 1    | CONNECTOR, SNAP TIGHT, BL |                       |     |
| 9                | VS1-8412-015 |      | 1    | CONNECTOR, SNAP TIGHT, BL |                       |     |

# FIGURE 115 RIGHT DOOR ASSEMBLY



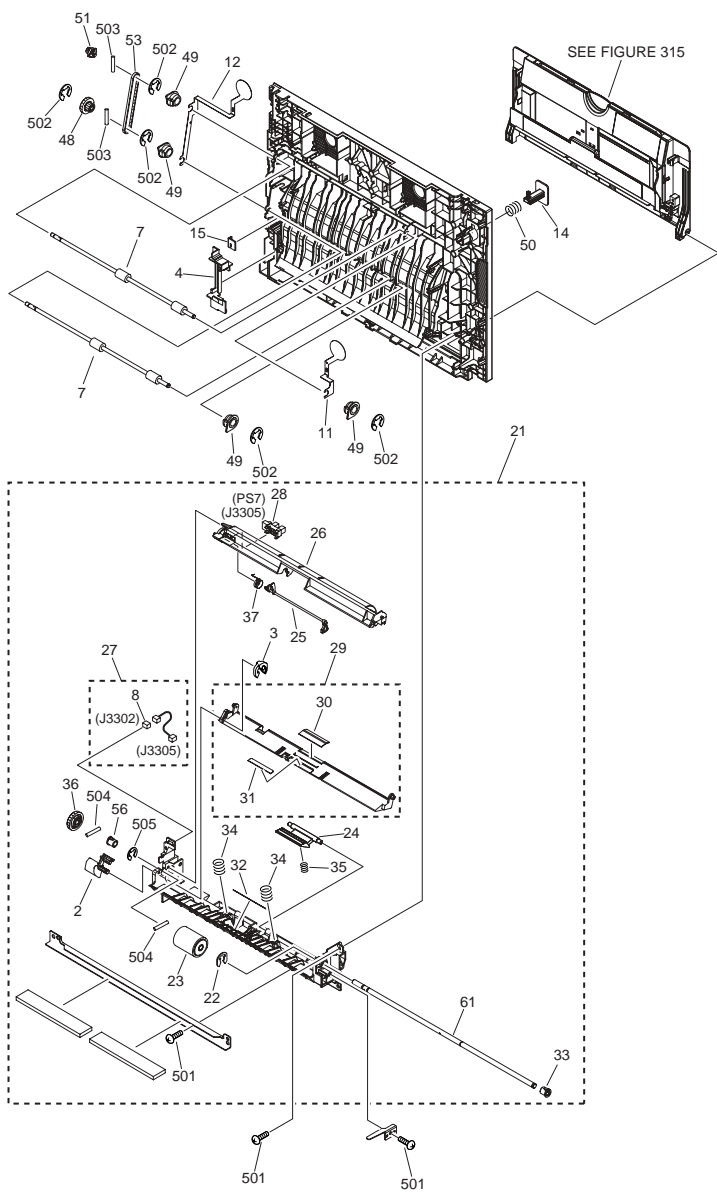
NOTE 1: This assembly includes the assemblies shown in Figure 116 and 315.

NOTE 2: This assembly does not include the part shown with Key No. 54.

注1: このユニットはFigure 116, 315のユニットを含みます。

注2: このユニットにKey No. 54の部品は含まれません。



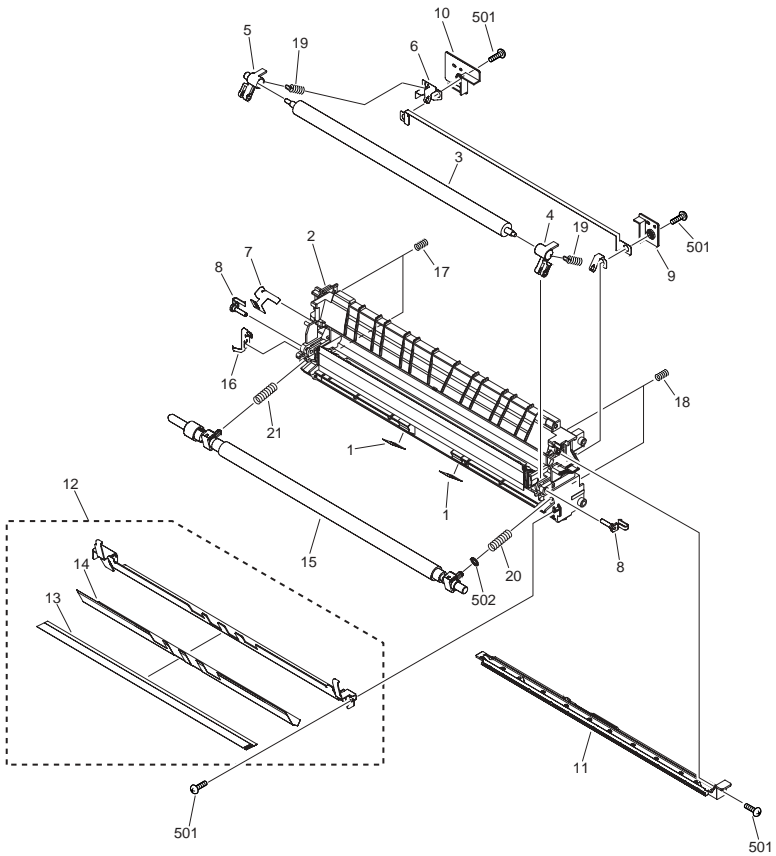


| FIGURE & KEY NO. | PARTS NUMBER | R<br>A<br>N<br>K | Q'TY | DESCRIPTION                    | SERIAL NUMBER/<br>REMARKS | S<br>V<br>C |
|------------------|--------------|------------------|------|--------------------------------|---------------------------|-------------|
| Fig.115          | FM3-4405-000 |                  | 1    | RIGHT DOOR ASSEMBLY            | SEE NOTE 1                |             |
| 1                | FL2-0106-000 |                  | 1    | GUIDE, PRE-REGIST. AUXILIARY   |                           |             |
| 2                | FC6-9604-000 |                  | 1    | LEVER, RELEASE                 |                           |             |
| 3                | FC7-4155-000 |                  | 1    | RING, E                        |                           |             |
| 4                | FC6-9625-000 |                  | 1    | COVER, MULTI FEED CONNECTOR    |                           |             |
| 5                | FC5-0693-000 |                  | 2    | DAMPER, FLAPPER                |                           |             |
| 6                | FC5-0652-000 |                  | 1    | GUIDE, DUPLEXING FEEDER, 2     |                           |             |
| 7                | FC5-0653-020 |                  | 2    | ROLLER, DUPLEXING FEEDER       |                           |             |
| 8                | VS1-7177-003 |                  | 4    | CONNECTOR, SNAP TIGHT, BK      |                           |             |
| 9                | FC5-0659-000 |                  | 1    | SPRING, TORSION                |                           |             |
| 10               | FC5-0674-000 |                  | 1    | STRAP, RIGHT DOOR              |                           |             |
| 11               | FC5-0676-000 |                  | 1    | PLATE, GROUNDING               |                           |             |
| 12               | FC6-4026-000 |                  | 1    | PLATE, GROUNDING               |                           |             |
| 13               | FC5-0682-000 |                  | 1    | PIN, INNER DOOR HINGE          |                           |             |
| 14               | FC5-0685-000 |                  | 1    | BUTTON, RIGHT DOOR             |                           |             |
| 15               | FC5-0690-000 |                  | 1    | PLATE, SHOCK ABSORBER          |                           |             |
| 16               | FC5-0972-000 |                  | 1    | SPRING, TORSION                |                           |             |
| 17               | FC5-1354-000 |                  | 1    | FLAPPER, FIXING DELIVERY REV.  |                           |             |
| 18               | FC6-2902-000 |                  | 1    | GUIDE, DUPLEXING FEEDER        |                           |             |
| 19               | FM3-5074-000 |                  | 1    | CABLE, RIGHT DOOR              |                           |             |
| 20               | FK2-0360-000 |                  | 2    | FAN                            | FM1,FM2                   |             |
| 21               | FM3-1283-000 |                  | 1    | MULTI FEED FRAME ASSEMBLY      |                           |             |
| 22               | FC6-5046-000 |                  | 1    | RING, RETAINING                |                           |             |
| 23               | FB1-8581-000 |                  | 1    | ROLLER                         |                           |             |
| 24               | FC7-9481-000 |                  | 1    | PAD, MULTI FEED SEPARATION     |                           |             |
| 25               | FC5-0489-000 |                  | 1    | FLAG, MULTI FEED SENSOR        |                           |             |
| 26               | FC5-0490-000 |                  | 1    | COVER, MULTI FEED ROLLER       |                           |             |
| 27               | FG3-3188-000 |                  | 1    | CABLE, MULTI SENSOR            |                           |             |
| 28               | FK2-0149-000 |                  | 1    | PHOTO-INTERRUPTER, TLP1252(C6) | PS7,J3304                 |             |
| 29               | FL2-4399-000 |                  | 1    | PLATE, MULTI FEED, LIFTER      |                           |             |
| 30               | FC5-0529-000 |                  | 1    | SHEET, SEPARATION              |                           |             |
| 31               | FC5-0543-000 |                  | 1    | SHEET, SEPARATION              |                           |             |

| FIGURE & KEY NO. | PARTS NUMBER | R<br>A<br>N<br>K | Q'TY | DESCRIPTION                    | SERIAL NUMBER/<br>REMARKS | S<br>V<br>C |
|------------------|--------------|------------------|------|--------------------------------|---------------------------|-------------|
| 32               | FC5-0542-000 |                  | 1    | SHEET, MULTI FEED OUTLET       |                           |             |
| 33               | FU5-1737-000 |                  | 1    | BUSHING                        |                           |             |
| 34               | FU6-2022-000 |                  | 2    | SPRING, COMPRESSION            |                           |             |
| 35               | FS6-2791-000 |                  | 1    | SPRING, COMPRESSION            |                           |             |
| 36               | FU7-0342-000 |                  | 1    | GEAR, 31T                      |                           |             |
| 37               | FU5-2034-000 |                  | 1    | SPRING, TORSION                |                           |             |
| 38               | FC5-0496-000 |                  | 1    | GUIDE, PRE-REGIST. AUX., UPPER |                           |             |
| 39               | XA9-0894-010 |                  | 3    | SCREW,M3X6                     |                           |             |
| 40               | FC6-4015-000 |                  | 4    | SPRING, LEAF                   |                           |             |
| 41               | FC6-5055-000 |                  | 2    | ROLLER, DUPLEXING              |                           |             |
| 42               | FC5-0657-000 |                  | 1    | FLAG, DUPLEXING FEEDER SENSOR  |                           |             |
| 43               | FC5-0658-000 |                  | 1    | SPRING, TORSION                |                           |             |
| 44               | FC5-0691-000 |                  | 1    | STOPPER, DOOR                  |                           |             |
| 45               | FL2-0143-000 |                  | 1    | GUIDE, DUPLEXING INTERNAL      |                           |             |
| 46               | FC5-0703-000 |                  | 2    | LABEL, RIGHT INSIDE DOOR GRIP  |                           |             |
| 47               | FU5-2067-000 |                  | 1    | SPRING, COMPRESSION            |                           |             |
| 48               | FU5-0006-000 |                  | 1    | GEAR, 26T/PULLEY, 24T          |                           |             |
| 49               | FU5-1006-000 |                  | 4    | BUSHING                        |                           |             |
| 50               | FU5-2063-000 |                  | 1    | SPRING, COMPRESSION            |                           |             |
| 51               | FU5-3016-000 |                  | 1    | PULLEY, 24T                    |                           |             |
| 52               | XA9-1386-000 |                  | 1    | SCREW,RS,M3X8                  |                           |             |
| 53               | XF2-4112-240 |                  | 1    | BELT, TIMING, COGGED           |                           |             |
| 54               | FM3-9441-000 |                  | 2    | FILTER, HEAT DISCHARGE FAN     | SEE NOTE 2                |             |
| 55               | FC7-5878-000 |                  | 1    | PLATE, HINGE                   |                           |             |
| 56               | FU5-1760-000 |                  | 1    | BUSHING                        |                           |             |
| 57               | FU5-6014-000 |                  | 2    | COLLAR                         |                           |             |
| 58               | FM2-0355-010 |                  | 1    | HOOK HOLDER UNIT               |                           |             |
| 59               | FL2-0298-000 |                  | 2    | HOLDER, FILTER                 |                           |             |
| 60               | FC5-0681-000 |                  | 1    | PLATE,INTERNAL DOOR HINGE,     |                           |             |
| 61               | FC7-9358-000 |                  | 1    | SHAFT,MULTIFEED ROLLER         |                           |             |
| 62               | WG8-5783-000 |                  | 1    | PHOTO-INTERRUPTER, TLP1252(C6) | PS17                      |             |
| 501              | XB4-5401-007 |                  | AR   | SCREW, M4X10                   |                           |             |

| FIGURE & KEY NO. | PARTS NUMBER | RANK | Q'TY | DESCRIPTION             | SERIAL NUMBER/REMARKS | SVC |
|------------------|--------------|------|------|-------------------------|-----------------------|-----|
| 502              | XD2-1100-422 |      | 5    | RETAINING RING (E-TYPE) |                       |     |
| 503              | XD3-2200-102 |      | 2    | PIN, PARALLEL           |                       |     |
| 504              | XD3-2160-162 |      | 2    | PIN,DOWEL               |                       |     |
| 505              | XD2-1100-642 |      | 1    | RING,E                  |                       |     |

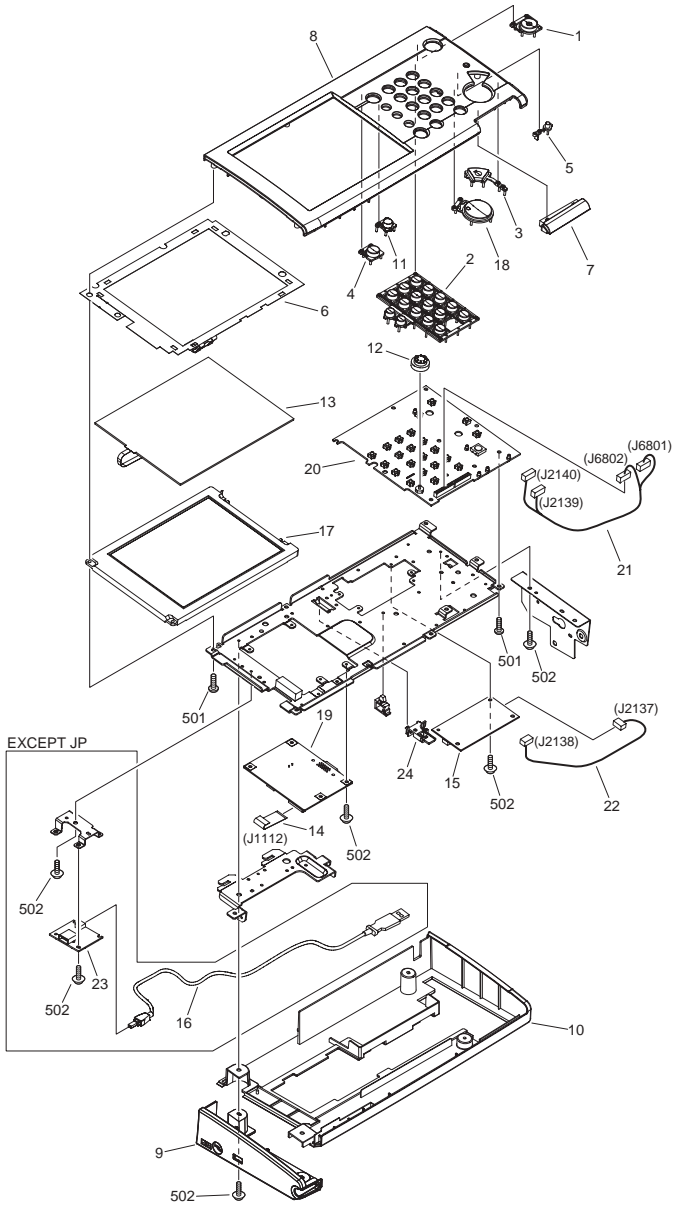
# FIGURE 116 PAPER FEEDER FRAME ASSEMBLY



NOTE : This assembly is included in the assembly shown in Figure 115.  
注 : このユニットはFigure 115のユニットに含まれます。

| FIGURE & KEY NO. | PARTS NUMBER | R<br>A<br>N<br>K | Q'TY | DESCRIPTION                    | SERIAL NUMBER/<br>REMARKS | S<br>V<br>C |
|------------------|--------------|------------------|------|--------------------------------|---------------------------|-------------|
| Fig.116          | FM2-0252-000 |                  | 1    | PAPER FEEDER FRAME ASSEMBLY    | SEE NOTE                  |             |
| 1                | FC5-0548-000 |                  | 2    | SHEET, PRE-REGISTRATION        |                           |             |
| 2                | FC5-1120-000 |                  | 1    | FRAME, FEEDER                  |                           |             |
| 3                | FC5-1121-000 |                  | 1    | ROLLER, TRANSFER               |                           |             |
| 4                | FC5-1124-000 |                  | 1    | ARM, TRANSFER, FRONT           |                           |             |
| 5                | FC5-1125-000 |                  | 1    | ARM, TRANSFER, REAR            |                           |             |
| 6                | FC5-1126-000 |                  | 1    | PLATE, TRANSFER ELECTRODE, R.  |                           |             |
| 7                | FC5-1127-000 |                  | 1    | PLATE, STATIC CHARGE ELECTRODE |                           |             |
| 8                | FC5-1536-000 |                  | 2    | PIN, TRANSFER HINGE            |                           |             |
| 9                | FC5-1558-000 |                  | 1    | COVER,ELECTRODE PLATE,FRONT    |                           |             |
| 10               | FC5-1559-000 |                  | 1    | COVER,ELECTRODE PLATE,REAR     |                           |             |
| 11               | FL2-0247-000 |                  | 1    | HOLDER,STATIC CHARGE ELIMI.    |                           |             |
| 12               | FL2-0250-000 |                  | 1    | GUIDE, PRE-REGIST. DOOR SIDE   |                           |             |
| 13               | FC5-0549-000 |                  | 1    | ELIMINATOR, STATIC CHARGE      |                           |             |
| 14               | FC5-1552-000 |                  | 1    | SHEET, PRE-REGIST. DOOR SIDE   |                           |             |
| 15               | FL2-0251-000 |                  | 1    | ROLLER, REGISTRATION SOFT      |                           |             |
| 16               | FU5-2037-000 |                  | 1    | PLATE, GROUNDING               |                           |             |
| 17               | FU5-2044-000 |                  | 2    | SPRING, COMPRESSION            |                           |             |
| 18               | FU5-2045-000 |                  | 2    | SPRING, COMPRESSION            |                           |             |
| 19               | FU5-2076-000 |                  | 2    | SPRING                         |                           |             |
| 20               | FU5-2611-000 |                  | 1    | SPRING, COMPRESSION            |                           |             |
| 21               | FU6-2020-000 |                  | 1    | SPRING, COMPRESSION            |                           |             |
| 501              | XB4-5401-007 |                  | 5    | SCREW, M4X10                   |                           |             |
| 502              | XD1-1106-219 |                  | 1    | SHIM, CIRCULAR                 |                           |             |

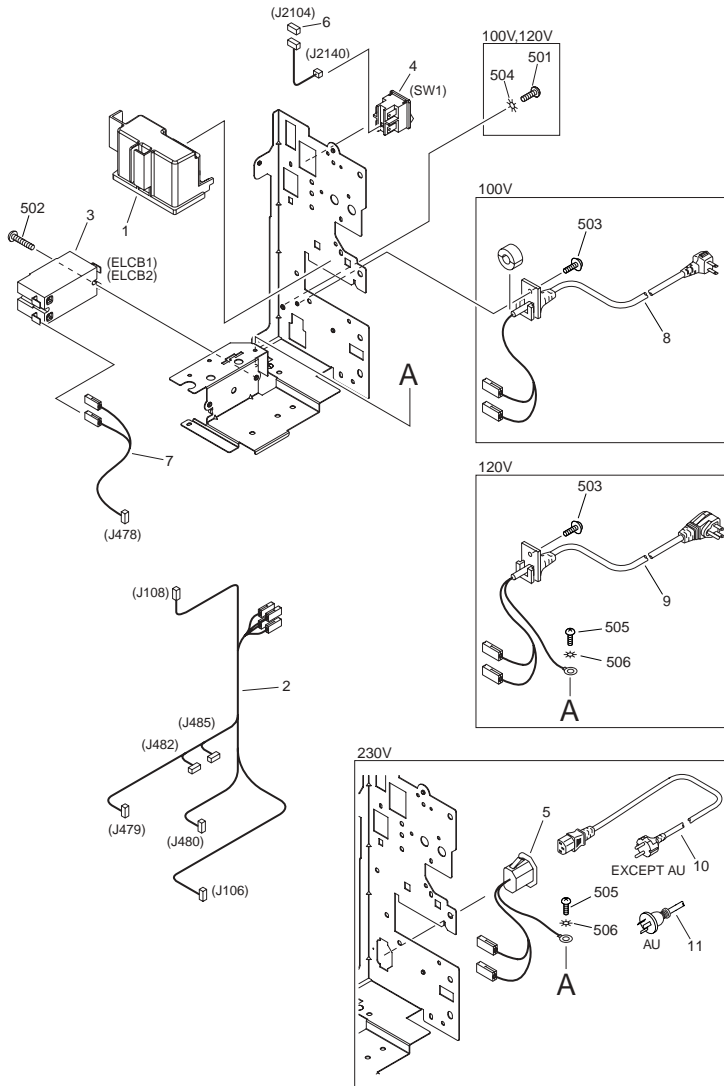
# FIGURE 130 CONTROL PANEL ASSEMBLY



| FIGURE & KEY NO. | PARTS NUMBER | R<br>A<br>N<br>K | Q'TY | DESCRIPTION                    | SERIAL NUMBER/<br>REMARKS | S<br>V<br>C |
|------------------|--------------|------------------|------|--------------------------------|---------------------------|-------------|
| Fig.130          | FM3-4386-000 |                  | 1    | CONTROL PANEL ASSEMBLY         | JP                        |             |
| Fig.130          | FM3-7261-000 |                  | 1    | CONTROL PANEL ASSEMBLY         | EXCEPT JP, EUR            |             |
| Fig.130          | FM3-7262-000 |                  | 1    | CONTROL PANEL ASSEMBLY         | EUR                       |             |
| 1                | FC5-1059-000 |                  | 1    | KEY TOP, POWER SUPPLY          |                           |             |
| 2                | FC5-1061-000 |                  | 1    | KEY TOP, NUMBERS               |                           |             |
| 3                | FC5-1064-000 |                  | 1    | KEY TOP, STOP                  |                           |             |
| 4                | FC5-1065-000 |                  | 1    | KEY TOP, RESET                 |                           |             |
| 5                | FC5-1066-000 |                  | 1    | KEY TOP, COUNTER               |                           |             |
| 6                | FC5-4458-010 |                  | 1    | SHEET, LCD ELECTROSTATIC       |                           |             |
| 7                | FC6-9571-000 |                  | 1    | WINDOW, LAMP                   |                           |             |
| 8                | FL3-2594-000 |                  | 1    | COVER, CONTROL PANEL, UPPER    | JP                        |             |
| 8                | FL3-2595-000 |                  | 1    | COVER, CONTROL PANEL, UPPER    | EXCEPT JP, EUR            |             |
| 8                | FL3-2596-000 |                  | 1    | COVER, CONTROL PANEL, UPPER    | EUR                       |             |
| 9                | FC8-1250-000 |                  | 1    | COVER, CONTROL PANEL SIDE      | JP                        |             |
| 9                | FC8-1053-000 |                  | 1    | COVER, CONTROL PANEL SIDE      | EXCEPT JP                 |             |
| 10               | FC8-1054-000 |                  | 1    | COVER, CONTROL PANEL, LOWER    |                           |             |
| 11               | FC8-1057-000 |                  | 1    | KEYTOP, VOLUME ADJUSTER        |                           |             |
| 12               | FC8-1058-000 |                  | 1    | KNOB, VOLUME                   |                           |             |
| 13               | FK2-0329-000 |                  | 1    | ANALOG TOUCH PANEL UNIT        |                           |             |
| 14               | FK2-6627-000 |                  | 1    | CABLE, FLAT                    |                           |             |
| 15               | FM3-5744-000 |                  | 1    | INVERTER PCB ASSEMBLY          |                           |             |
| 16               | FK2-6722-000 |                  | 1    | USB CABLE                      | EXCEPT JP                 |             |
| 17               | FL3-0489-000 |                  | 1    | LCD CONTROL PANEL UNIT         |                           |             |
| 18               | FM2-1116-000 |                  | 1    | START KEY TOP ASSEMBLY         |                           |             |
| 19               | FM3-9216-000 |                  | 1    | CONTROL PANEL CPU PCB ASSEMBLY |                           |             |
| 20               | FM4-0074-000 |                  | 1    | PANEL SWITCH PCB ASSEMBLY      |                           |             |
| 21               | FM3-5745-000 |                  | 1    | CABLE, PANEL INVERTER          |                           |             |
| 22               | FM3-5535-000 |                  | 1    | CABLE, SWITCH                  |                           |             |
| 23               | FM3-5743-000 |                  | 1    | CONTROL PANEL USB PCB ASSEMBLY | EXCEPT JP                 |             |
| 24               | FC8-9329-000 |                  | 1    | GUIDE, INVERTER CABLE          |                           |             |
| 501              | XB4-5301-007 |                  | 13   | SCREW, P, M3X10                |                           |             |
| 502              | XB6-7300-607 |                  | AR   | SCREW, CROOSS-RECESS, FCH      |                           |             |



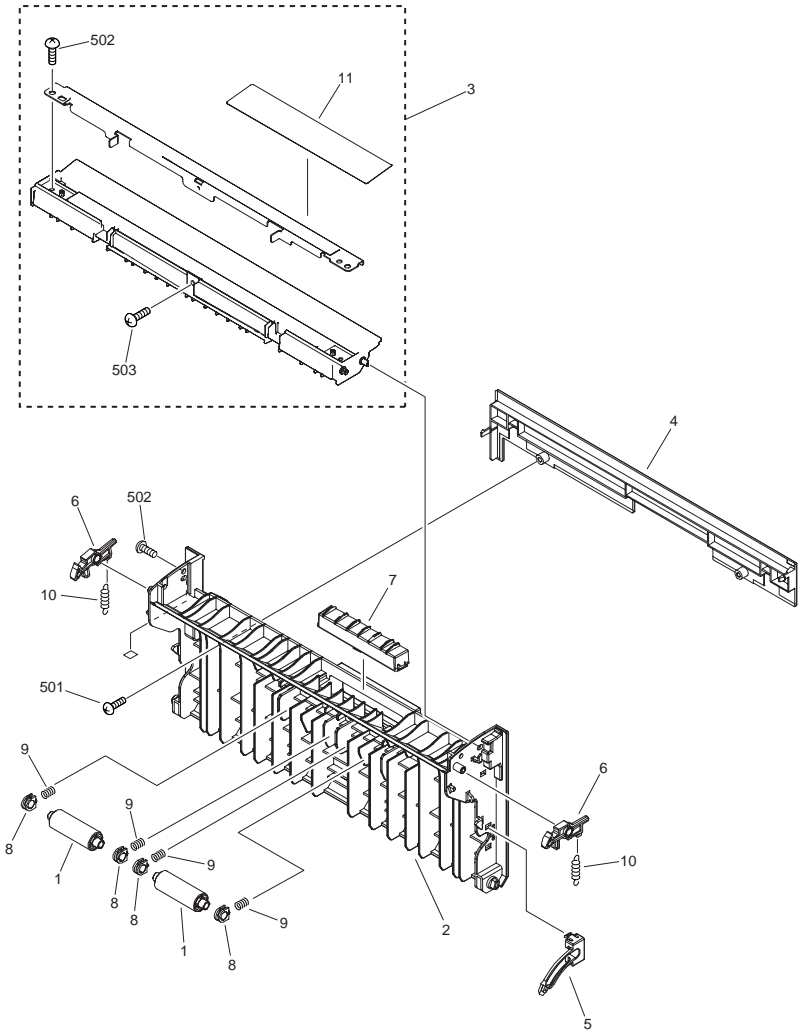
# FIGURE 140 POWER CORD TERMINAL ASSEMBLY



NOTE : This assembly does not include the parts shown with key No. 10 and 11.  
注 : このユニットにKey No. 10, 11の部品は含まれません。

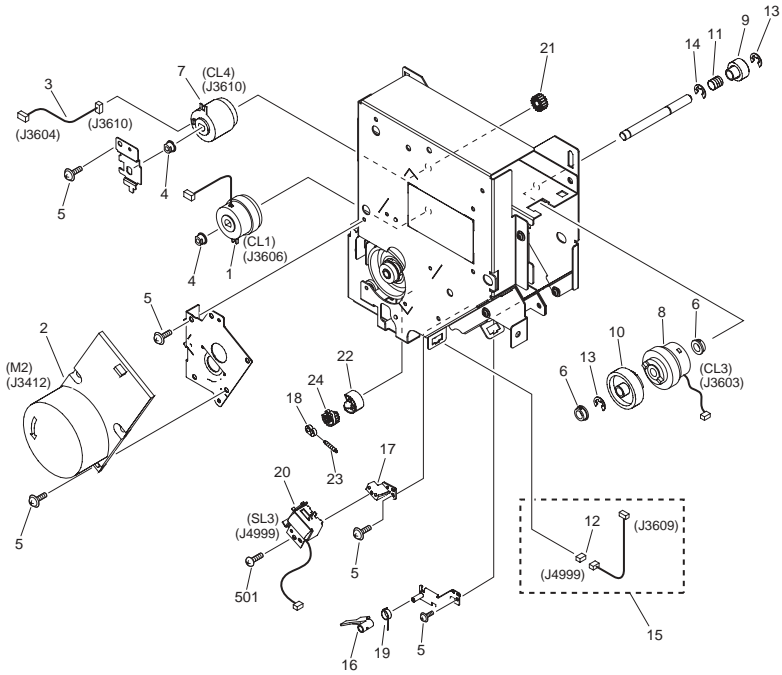
| FIGURE & KEY NO. | PARTS NUMBER | R<br>A<br>N<br>K | Q'TY | DESCRIPTION                  | SERIAL NUMBER/<br>REMARKS | S<br>V<br>C |
|------------------|--------------|------------------|------|------------------------------|---------------------------|-------------|
| Fig.140          | FM3-4400-000 |                  | 1    | POWER CORD TERMINAL ASSEMBLY | 100V                      |             |
| Fig.140          | FM3-7260-000 |                  | 1    | POWER CORD TERMINAL ASSEMBLY | 120V                      |             |
| Fig.140          | FM3-4401-000 |                  | 1    | POWER CORD TERMINAL ASSEMBLY | 230V                      |             |
| 1                | FC5-1168-000 |                  | 1    | HANDLE, RIGHT REAR           |                           |             |
| 2                | FM3-5066-000 |                  | 1    | CABLE, AC MAIN               |                           |             |
| 3                | FH7-7626-000 |                  | 1    | BREAKER,ELECTRIC LEAKAGE     | 100V,120V                 |             |
| 3                | FH7-7625-030 |                  | 1    | BREAKER,ELECTRIC LEAKAGE     | 230V                      |             |
| 4                | FK2-2509-000 |                  | 1    | SWITCH, MAIN                 | SW1                       |             |
| 5                | FL2-9010-000 |                  | 1    | CABLE, SOCKET                | 230V                      |             |
| 6                | VS1-8412-003 |                  | 1    | CONNECTOR, SNAP TIGHT, BL    |                           |             |
| 7                | FM3-5071-000 |                  | 1    | CABLE, MAIN SWITCH           |                           |             |
| 8                | FL2-9008-000 |                  | 1    | CORD, POWER SUPPLY           | 100V                      |             |
| 9                | FL2-9009-000 |                  | 1    | CORD, POWER SUPPLY           | 120V                      |             |
| 10               | FK2-0146-000 |                  | 1    | CORD, POWER SUPPLY           | SEE NOTE 230V EXCEPT AU   |             |
| 11               | FK2-0148-000 |                  | 1    | CORD, POWER SUPPLY           | SEE NOTE 230V AU          |             |
| 501              | XB1-2400-603 |                  | 1    | SCREW, MACHINE M4X6 (COP)    | 100V,120V                 |             |
| 502              | XB1-2402-007 |                  | 2    | SCREW, BH4X20 (S)            |                           |             |
| 503              | XB6-7300-607 |                  | 1    | SCREW, CROOSS-RECESS, FCH    | 100V,120V                 |             |
| 504              | XD1-4200-402 |                  | 1    | WASHER, TOOTHED LOCK, M4     | 100V,120V                 |             |
| 505              | XB1-2500-603 |                  | 1    | SCREW, M5X6                  | 120V,230V                 |             |
| 506              | XD1-4200-502 |                  | 1    | LOCK WASHER (SUS)            | 120V,230V                 |             |

# FIGURE 145 RIGHT LOWER DOOR ASSEMBLY



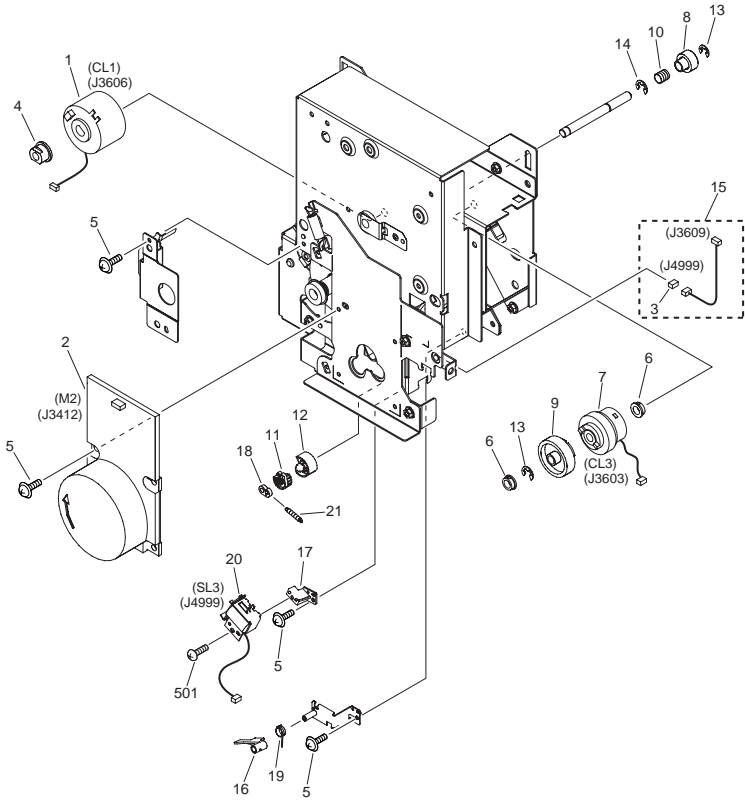
| FIGURE & KEY NO. | PARTS NUMBER | R<br>A<br>N<br>K | Q'TY | DESCRIPTION                    | SERIAL NUMBER/<br>REMARKS | S<br>V<br>C |
|------------------|--------------|------------------|------|--------------------------------|---------------------------|-------------|
| Fig.145          | FM3-1296-000 |                  | 1    | RIGHT LOWER DOOR ASSEMBLY      |                           |             |
| 1                | FB6-3313-000 |                  | 2    | ROLLER, PAPER FEED             |                           |             |
| 2                | FC5-0588-010 |                  | 1    | DOOR, RIGHT LOWER              |                           |             |
| 3                | FM3-1298-000 |                  | 1    | RIGHT LW. DOOR DECK PATH ASS'Y |                           |             |
| 4                | FC5-0590-000 |                  | 1    | PANEL, BLANKING                |                           |             |
| 5                | FC5-0592-000 |                  | 1    | STOPPER, RIGHT LOWER DOOR      |                           |             |
| 6                | FC5-0593-000 |                  | 2    | HOOK, RIGHT LOWER DOOR         |                           |             |
| 7                | FC5-0594-000 |                  | 1    | GRIP, RIGHT LOWER DOOR         |                           |             |
| 8                | FU5-1035-000 |                  | 4    | BUSHING                        |                           |             |
| 9                | FU6-2924-000 |                  | 4    | SPRING, COMPRESSION            |                           |             |
| 10               | FU6-2974-000 |                  | 2    | SPRING, TENSION                |                           |             |
| 11               | FU5-8011-000 |                  | 1    | LABEL, LASER CAUTION           |                           |             |
| 501              | XB4-5400-807 |                  | 2    | SCREW,P,M4X8                   |                           |             |
| 502              | XB4-7300-807 |                  | 3    | SCREW, TAP TIGHT, BINDING HEAD |                           |             |
| 503              | XB1-2300-607 |                  | 1    | SCREW, BH3X6                   |                           |             |

**FIGURE 250**  
**MAIN DRIVE ASSEMBLY (iR3225 Series)**



| FIGURE & KEY NO. | PARTS NUMBER | R<br>A<br>N<br>K | Q'TY | DESCRIPTION                    | SERIAL NUMBER/<br>REMARKS | S<br>V<br>C |
|------------------|--------------|------------------|------|--------------------------------|---------------------------|-------------|
| Fig.250          | FM3-6153-000 |                  | 1    | MAIN DRIVE ASSEMBLY            | iR3225 Series             |             |
| 1                | FK2-6306-000 |                  | 1    | CLUTCH, ELECTROMAGNETIC        | CL1                       |             |
| 2                | FK2-6300-000 |                  | 1    | MOTOR, DC24V                   | M2                        |             |
| 3                | FM2-2842-000 |                  | 1    | CABLE, CLUTCH                  |                           |             |
| 4                | FU5-1615-000 |                  | 2    | BUSHING                        |                           |             |
| 5                | XA9-1164-000 |                  | 9    | SCREW,RS,M3X6.5                |                           |             |
| 6                | FA9-2112-000 |                  | 2    | BUSHING, PL                    |                           |             |
| 7                | FH6-5005-020 |                  | 1    | CLUTCH, ELECTRO MAGNETIC       | CL4                       |             |
| 8                | FK2-6305-000 |                  | 1    | CLUTCH, ELECTROMAGNETIC        | CL3                       |             |
| 9                | FU5-0087-000 |                  | 1    | GEAR,20T                       |                           |             |
| 10               | FU5-0098-000 |                  | 1    | GEAR,43T                       |                           |             |
| 11               | FU5-2079-000 |                  | 1    | SPRING                         |                           |             |
| 12               | VS1-7207-003 |                  | 1    | CONNECTOR, SNAP TIGHT, BK      |                           |             |
| 13               | XD9-0136-000 |                  | 2    | RING, E                        |                           |             |
| 14               | XD9-0137-010 |                  | 1    | RING, E                        |                           |             |
| 15               | FM3-5077-000 |                  | 1    | CABLE, MULTI SOLENOID CONNECT. |                           |             |
| 16               | FC5-7260-000 |                  | 1    | LEVER, RELEASE                 |                           |             |
| 17               | FC5-7261-000 |                  | 1    | MOUNT, SOLENOID                |                           |             |
| 18               | FC6-2993-000 |                  | 1    | COLLAR, SPRING                 |                           |             |
| 19               | FC7-2385-000 |                  | 1    | SPRING, TORSION                |                           |             |
| 20               | FK2-2070-000 |                  | 1    | SOLENOID, FLAPPER              | SL3                       |             |
| 21               | FU6-0029-000 |                  | 1    | GEAR, 18T                      |                           |             |
| 22               | FU6-0036-000 |                  | 1    | CAM                            |                           |             |
| 23               | FU6-0041-000 |                  | 1    | SPRING, TENSION                |                           |             |
| 24               | FU6-0054-000 |                  | 1    | GEAR, 15T                      |                           |             |
| 501              | XB4-5400-807 |                  | 1    | SCREW,P,M4X8                   |                           |             |

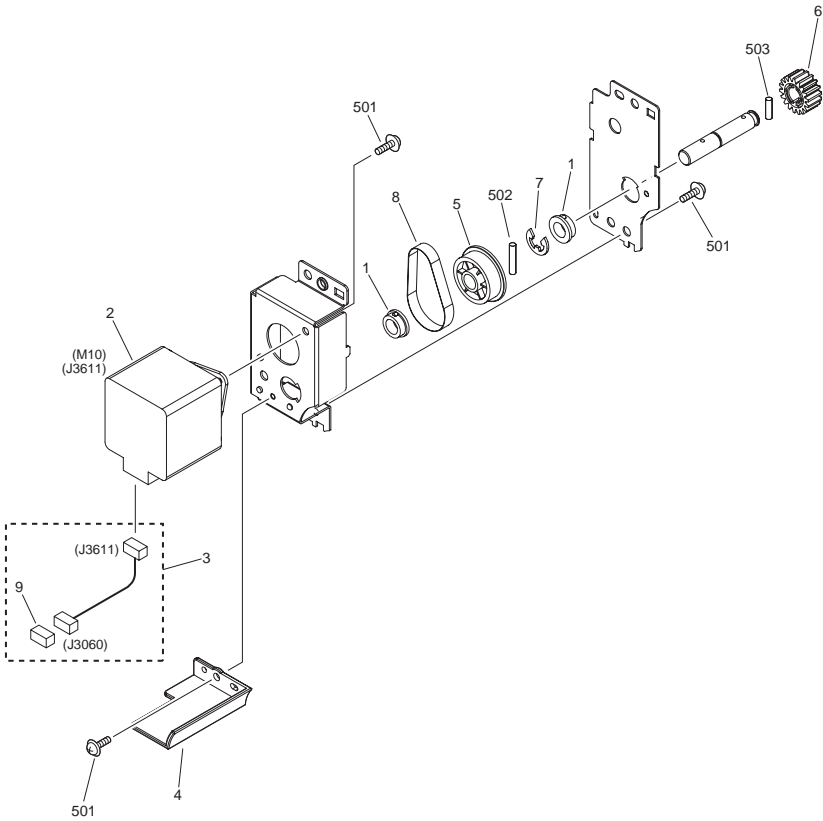
**FIGURE 251**  
**MAIN DRIVE ASSEMBLY (iR3245/3235/3230 Series)**



| FIGURE & KEY NO. | PARTS NUMBER | R<br>A<br>N<br>K | Q'TY | DESCRIPTION                    | SERIAL NUMBER/<br>REMARKS | S<br>V<br>C |
|------------------|--------------|------------------|------|--------------------------------|---------------------------|-------------|
| Fig.251          | FM3-4387-000 |                  | 1    | MAIN DRIVE ASSEMBLY            | IR3245,3235,3230 Series   |             |
| 1                | FK2-6306-000 |                  | 1    | CLUTCH, ELECTROMAGNETIC        | CL1                       |             |
| 2                | FK2-6299-000 |                  | 1    | MOTOR, DC24V                   | M2                        |             |
| 3                | VS1-7207-003 |                  | 1    | CONNECTOR, SNAP TIGHT, BK      |                           |             |
| 4                | FU5-1615-000 |                  | 1    | BUSHING                        |                           |             |
| 5                | XA9-1164-000 |                  | 8    | SCREW,RS,M3X6.5                |                           |             |
| 6                | FA9-2112-000 |                  | 2    | BUSHING, PL                    |                           |             |
| 7                | FK2-6305-000 |                  | 1    | CLUTCH, ELECTROMAGNETIC        | CL3                       |             |
| 8                | FU5-0087-000 |                  | 1    | GEAR,20T                       |                           |             |
| 9                | FU5-0098-000 |                  | 1    | GEAR,43T                       |                           |             |
| 10               | FU5-2079-000 |                  | 1    | SPRING                         |                           |             |
| 11               | FU6-0054-000 |                  | 1    | GEAR, 15T                      |                           |             |
| 12               | FU6-0036-000 |                  | 1    | CAM                            |                           |             |
| 13               | XD9-0136-000 |                  | 2    | RING, E                        |                           |             |
| 14               | XD9-0137-010 |                  | 1    | RING, E                        |                           |             |
| 15               | FM3-5077-000 |                  | 1    | CABLE, MULTI SOLENOID CONNECT. |                           |             |
| 16               | FC5-7260-000 |                  | 1    | LEVER, RELEASE                 |                           |             |
| 17               | FC5-7261-000 |                  | 1    | MOUNT, SOLENOID                |                           |             |
| 18               | FC6-2993-000 |                  | 1    | COLLAR, SPRING                 |                           |             |
| 19               | FC7-2385-000 |                  | 1    | SPRING, TORSION                |                           |             |
| 20               | FK2-2070-000 |                  | 1    | SOLENOID, FLAPPER              | SL3                       |             |
| 21               | FU6-0041-000 |                  | 1    | SPRING, TENSION                |                           |             |
| 501              | XB4-5400-807 |                  | 1    | SCREW,P,M4X8                   |                           |             |

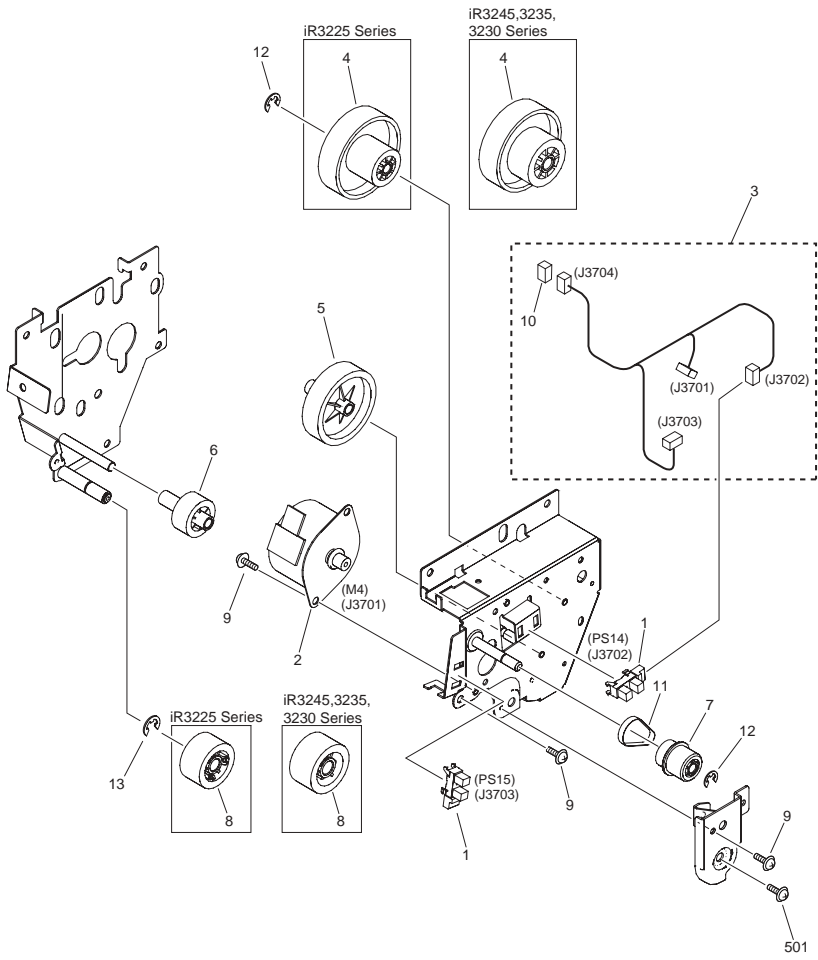


FIGURE 261  
DUPLEXING DRIVE ASSEMBLY (iR3245/3235/3230  
Series)



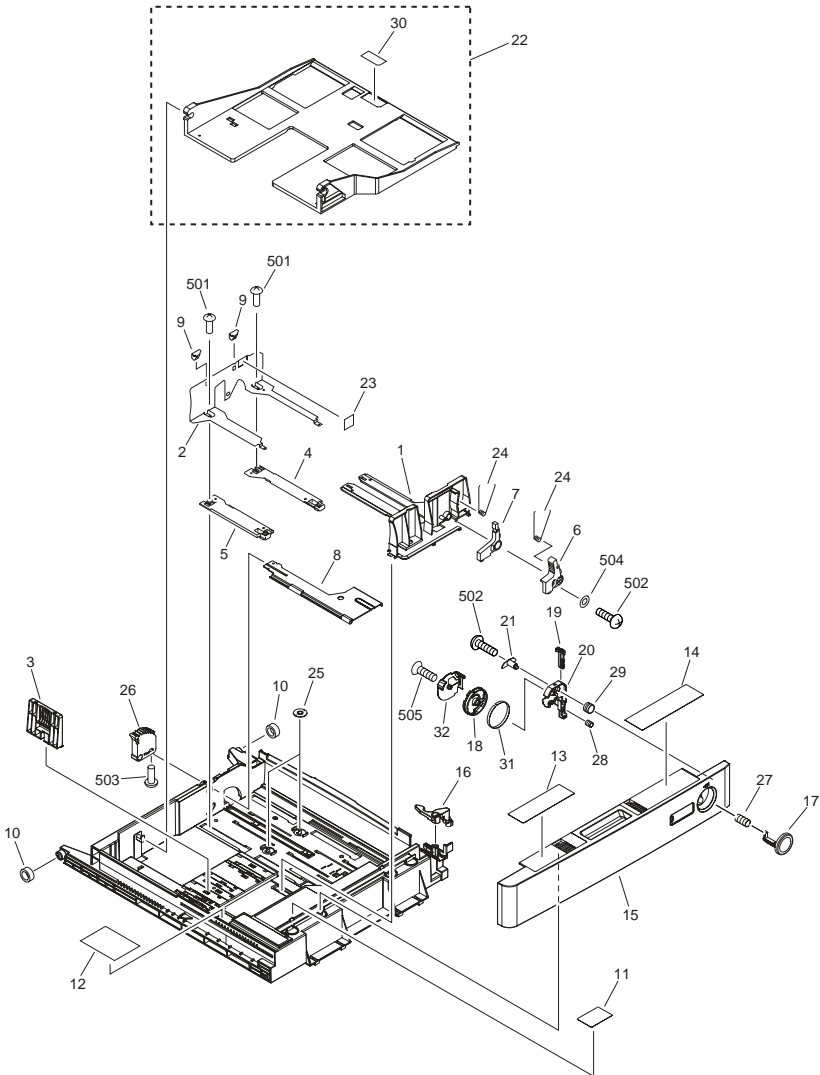
| FIGURE & KEY NO. | PARTS NUMBER | R<br>A<br>N<br>K | Q'TY | DESCRIPTION               | SERIAL NUMBER/<br>REMARKS | S<br>V<br>C |
|------------------|--------------|------------------|------|---------------------------|---------------------------|-------------|
| Fig.261          | NPN          |                  | RF   | DUPLEXING DRIVE ASSEMBLY  | iR3245,3235,3230 Series   |             |
| 1                | FA9-2112-000 |                  | 2    | BUSHING, PL               |                           |             |
| 2                | FL2-3266-000 |                  | 1    | MOTOR,STEPPING,DC         | M10                       |             |
| 3                | FM2-2838-000 |                  | 1    | CABLE, DUPLEXING MOTOR    |                           |             |
| 4                | FC5-7257-000 |                  | 1    | COVER, DUPLEX CONNECTOR   |                           |             |
| 5                | FU6-0024-000 |                  | 1    | PULLEY, 40T               |                           |             |
| 6                | FU6-0029-000 |                  | 1    | GEAR, 18T                 |                           |             |
| 7                | XD9-0137-010 |                  | 1    | RING, E                   |                           |             |
| 8                | XF2-1605-760 |                  | 1    | BELT, TIMING              |                           |             |
| 9                | VS1-7177-004 |                  | 1    | CONNECTOR, SNAP TIGHT, BK |                           |             |
| 501              | XB6-7300-607 |                  | 4    | SCREW, CROSS-RECESS, FCH  |                           |             |
| 502              | XD3-2200-182 |                  | 1    | PIN, DOWEL                |                           |             |
| 503              | XD3-2200-122 |                  | 1    | PIN, DOWEL                |                           |             |

# FIGURE 281 FIXING DELIVERY DRIVE ASSEMBLY



| FIGURE & KEY NO. | PARTS NUMBER | R<br>A<br>N<br>K | Q'TY | DESCRIPTION                    | SERIAL NUMBER/<br>REMARKS | S<br>V<br>C |
|------------------|--------------|------------------|------|--------------------------------|---------------------------|-------------|
| Fig.281          | FM2-1771-000 |                  | 1    | FIXING DELIVERY DRIVE ASSEMBLY | iR3245,3235,3230 Series   |             |
| Fig.281          | FM2-0242-000 |                  | 1    | FIXING DELIVERY DRIVE ASSEMBLY | iR3225 Series             |             |
| 1                | WG8-5783-000 |                  | 2    | PHOTO-INTERRUPTER, TLP1252(C6) | PS14,PS15                 |             |
| 2                | FK2-0365-000 |                  | 1    | MOTOR, STEPPING, DC            | M4                        |             |
| 3                | FM2-2816-000 |                  | 1    | CABLE, FIXING DRIVE            |                           |             |
| 4                | FU6-0019-000 |                  | 1    | GEAR, 24T                      | iR3245,3235,3230 Series   |             |
| 4                | FU5-0095-000 |                  | 1    | GEAR, 17T/103T                 | iR3225 Series             |             |
| 5                | FU5-0096-000 |                  | 1    | GEAR, 36T                      |                           |             |
| 6                | FU5-0097-000 |                  | 1    | GEAR, 17T                      |                           |             |
| 7                | FU5-0101-000 |                  | 1    | GEAR, 20T/PULLEY 28T           |                           |             |
| 8                | FU6-0020-000 |                  | 1    | GEAR, 24T                      | iR3245,3235,3230 Series   |             |
| 8                | FU5-0126-000 |                  | 1    | GEAR, 21T                      | iR3225 Series             |             |
| 9                | XA9-1164-000 |                  | 6    | SCREW,RS,M3X6.5                |                           |             |
| 10               | VS1-7173-010 |                  | 1    | CONNECTOR, SNAP TIGHT, 10P, W  |                           |             |
| 11               | XF2-4104-040 |                  | 1    | BELT, TIMING                   |                           |             |
| 12               | XD9-0136-000 |                  | 2    | RING, E                        |                           |             |
| 13               | XD9-0137-010 |                  | 1    | RING, E                        |                           |             |
| 501              | XB6-7300-609 |                  | 1    | SCREW, MACH,PAN HEAD, M3X8     |                           |             |

# FIGURE 300 CASSETTE 1

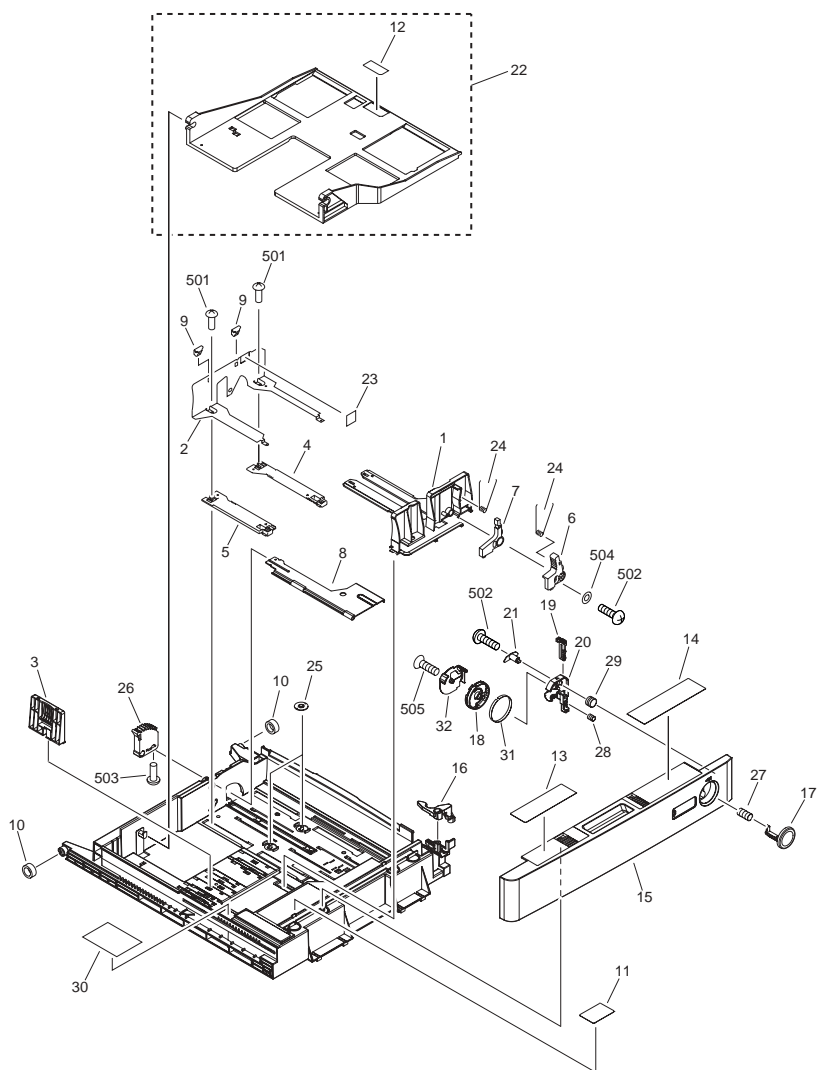


NOTE : Several kinds of labels are attached on the board for the parts of Key No. 31. The same parts as Fig-Key No. 301-31  
 注 : Key No. 31の部品は台紙に数種類のラベルが付いています。Fig-Key No. 301-31と同一部品です。

| FIGURE & KEY NO. | PARTS NUMBER | R<br>A<br>N<br>K | Q'TY | DESCRIPTION                | SERIAL NUMBER/<br>REMARKS | S<br>V<br>C |
|------------------|--------------|------------------|------|----------------------------|---------------------------|-------------|
| Fig.300          | FM2-0141-000 |                  | 1    | CASSETTE                   |                           |             |
| 1                | FB6-3478-000 |                  | 1    | PLATE, SIDE GUIDE, FRONT   |                           |             |
| 2                | FB6-3479-000 |                  | 1    | PLATE, SIDE GUIDE, REAR    |                           |             |
| 3                | FB6-3480-000 |                  | 1    | PLATE, END GUIDE           |                           |             |
| 4                | FB6-3481-000 |                  | 1    | RACK, 1                    |                           |             |
| 5                | FB6-3482-000 |                  | 1    | RACK, 2                    |                           |             |
| 6                | FB6-3483-000 |                  | 1    | KNOB, SIDE GUIDE PLATE, 1  |                           |             |
| 7                | FB6-3484-000 |                  | 1    | KNOB, SIDE GUIDE PLATE, 2  |                           |             |
| 8                | FB6-3486-000 |                  | 1    | PLATE, LIFTER              |                           |             |
| 9                | FB6-3490-000 |                  | 2    | CLAW, SIDE PLATE GUIDE     |                           |             |
| 10               | FB6-3506-000 |                  | 2    | COLLAR, CASSETTE SWING     |                           |             |
| 11               | FC5-0583-000 |                  | 1    | LABEL, PAPER SET           |                           |             |
| 12               | FC5-0585-000 |                  | 1    | LABEL, PAPER SET CAUTION   |                           |             |
| 13               | FC5-0591-000 |                  | 1    | LABEL, SIZE CHANGE         |                           |             |
| 14               | FC5-0598-000 |                  | 1    | LABEL, DIAL SET            |                           |             |
| 15               | FC5-0622-000 |                  | 1    | PANEL, CASSETTE FRONT      |                           |             |
| 16               | FC5-0635-000 |                  | 1    | ARM, LOCK                  |                           |             |
| 17               | FC5-0636-000 |                  | 1    | BUTTON, PUSH               |                           |             |
| 18               | FC5-1422-020 |                  | 1    | DIAL, SIZE DETECT          |                           |             |
| 19               | FC5-1423-000 |                  | 1    | SLIDER, CONVERT            |                           |             |
| 20               | FC5-1424-020 |                  | 1    | HOLDER, DIAL               |                           |             |
| 21               | FC5-1425-000 |                  | 1    | PIN, FLOAT GUIDE           |                           |             |
| 22               | FF6-2064-020 |                  | 1    | PLATE, PAPER LIFTING       |                           |             |
| 23               | FS6-8116-000 |                  | 1    | LABEL, "PAPER HEIGHT"      |                           |             |
| 24               | FS7-2805-000 |                  | 2    | SPRING, TORSION            |                           |             |
| 25               | FU3-0293-000 |                  | 2    | GEAR, 16T                  |                           |             |
| 26               | FU3-0294-000 |                  | 1    | GEAR, 7T                   |                           |             |
| 27               | FU5-2032-000 |                  | 1    | SPRING, COMPRESSION        |                           |             |
| 28               | FU5-2097-000 |                  | 1    | SPRING, COMPRESSION        |                           |             |
| 29               | FU5-2104-000 |                  | 1    | SPRING, COMPRESSION        |                           |             |
| 30               | FB6-3499-000 |                  | 1    | SHEET, SEPARATION          |                           |             |
| 31               | FC5-7216-020 |                  | 1    | LABEL, CASSETTE SIZE, DIAL | SEE NOTE                  |             |

| FIGURE<br>& KEY<br>NO. | PARTS<br>NUMBER | R<br>A<br>N<br>K | Q'TY | DESCRIPTION                 | SERIAL NUMBER/<br>REMARKS | S<br>V<br>C |
|------------------------|-----------------|------------------|------|-----------------------------|---------------------------|-------------|
| 32                     | FC8-1206-000    |                  | 1    | PROTECTOR, DIAL             |                           |             |
| 501                    | XB2-8300-607    |                  | 4    | SCREW, M3X6, S              |                           |             |
| 502                    | XB4-5300-807    |                  | 2    | SCREW, P, M3X8              |                           |             |
| 503                    | XB6-7300-807    |                  | 1    | SCREW, TP, M3X8             |                           |             |
| 504                    | XD1-1104-135    |                  | 1    | WASHER,COP                  |                           |             |
| 505                    | XB1-3301-207    |                  | 1    | SCREW,MACH.,C.S. HEAD,M3X12 |                           |             |

# FIGURE 301 CASSETTE 2



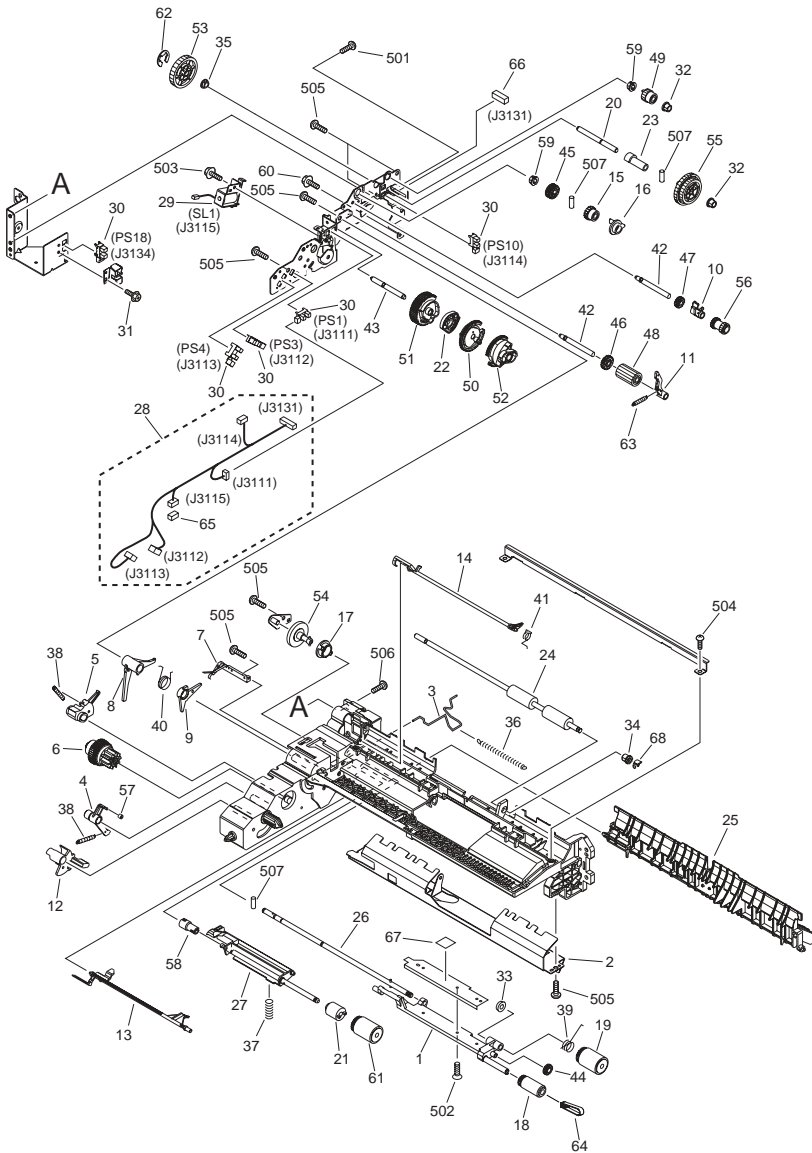
NOTE : Several kinds of labels are attached on the board for the parts of Key No. 31. The same parts as Fig-Key No. 300-31  
 注 : Key No. 31の部品は台紙に数種類のラベルが付いています。Fig-Key No. 300-31と同一部品です。



| FIGURE & KEY NO. | PARTS NUMBER | R<br>A<br>N<br>K | Q'TY | DESCRIPTION                | SERIAL NUMBER/<br>REMARKS | S<br>V<br>C |
|------------------|--------------|------------------|------|----------------------------|---------------------------|-------------|
| Fig.301          | FM2-0142-000 |                  | 1    | CASSETTE                   |                           |             |
| 1                | FB6-3478-000 |                  | 1    | PLATE, SIDE GUIDE, FRONT   |                           |             |
| 2                | FB6-3479-000 |                  | 1    | PLATE, SIDE GUIDE, REAR    |                           |             |
| 3                | FB6-3480-000 |                  | 1    | PLATE, END GUIDE           |                           |             |
| 4                | FB6-3481-000 |                  | 1    | RACK, 1                    |                           |             |
| 5                | FB6-3482-000 |                  | 1    | RACK, 2                    |                           |             |
| 6                | FB6-3483-000 |                  | 1    | KNOB, SIDE GUIDE PLATE, 1  |                           |             |
| 7                | FB6-3484-000 |                  | 1    | KNOB, SIDE GUIDE PLATE, 2  |                           |             |
| 8                | FB6-3486-000 |                  | 1    | PLATE, LIFTER              |                           |             |
| 9                | FB6-3490-000 |                  | 2    | CLAW, SIDE PLATE GUIDE     |                           |             |
| 10               | FB6-3506-000 |                  | 2    | COLLAR, CASSETTE SWING     |                           |             |
| 11               | FC5-0583-000 |                  | 1    | LABEL, PAPER SET           |                           |             |
| 12               | FB6-3499-000 |                  | 1    | SHEET, SEPARATION          |                           |             |
| 13               | FC5-0584-000 |                  | 1    | LABEL, SIZE CHANGE         |                           |             |
| 14               | FC5-0598-000 |                  | 1    | LABEL, DIAL SET            |                           |             |
| 15               | FC5-0624-000 |                  | 1    | PANEL, CASSETTE FRONT      |                           |             |
| 16               | FC5-0605-000 |                  | 1    | ARM, LOCK                  |                           |             |
| 17               | FC5-0637-000 |                  | 1    | BUTTON, PUSH               |                           |             |
| 18               | FC5-1422-020 |                  | 1    | DIAL, SIZE DETECT          |                           |             |
| 19               | FC5-1423-000 |                  | 1    | SLIDER, CONVERT            |                           |             |
| 20               | FC5-1424-020 |                  | 1    | HOLDER, DIAL               |                           |             |
| 21               | FC5-1425-000 |                  | 1    | PIN, FLOAT GUIDE           |                           |             |
| 22               | FF6-2064-020 |                  | 1    | PLATE, PAPER LIFTING       |                           |             |
| 23               | FS6-8116-000 |                  | 1    | LABEL, "PAPER HEIGHT"      |                           |             |
| 24               | FS7-2805-000 |                  | 2    | SPRING, TORSION            |                           |             |
| 25               | FU3-0293-000 |                  | 2    | GEAR, 16T                  |                           |             |
| 26               | FU3-0294-000 |                  | 1    | GEAR, 7T                   |                           |             |
| 27               | FU5-2033-000 |                  | 1    | SPRING, COMPRESSION        |                           |             |
| 28               | FU5-2097-000 |                  | 1    | SPRING, COMPRESSION        |                           |             |
| 29               | FU5-2104-000 |                  | 1    | SPRING, COMPRESSION        |                           |             |
| 30               | FB6-3524-000 |                  | 1    | LABEL, PAPER SIZE SELECT   |                           |             |
| 31               | FC5-7216-020 |                  | 1    | LABEL, CASSETTE SIZE, DIAL | SEE NOTE                  |             |

| FIGURE<br>& KEY<br>NO. | PARTS<br>NUMBER | R<br>A<br>N<br>K | Q'TY | DESCRIPTION                 | SERIAL NUMBER/<br>REMARKS | S<br>V<br>C |
|------------------------|-----------------|------------------|------|-----------------------------|---------------------------|-------------|
| 32                     | FC8-1206-000    |                  | 1    | PROTECTOR, DIAL             |                           |             |
| 501                    | XB2-8300-607    |                  | 4    | SCREW, M3X6, S              |                           |             |
| 502                    | XB4-5300-807    |                  | 2    | SCREW, P, M3X8              |                           |             |
| 503                    | XB6-7300-807    |                  | 1    | SCREW, TP, M3X8             |                           |             |
| 504                    | XD1-1104-135    |                  | 1    | WASHER,COP                  |                           |             |
| 505                    | XB1-3301-207    |                  | 1    | SCREW,MACH.,C.S. HEAD,M3X12 |                           |             |

FIGURE 310  
PAPER PICK-UP ASSEMBLY 1

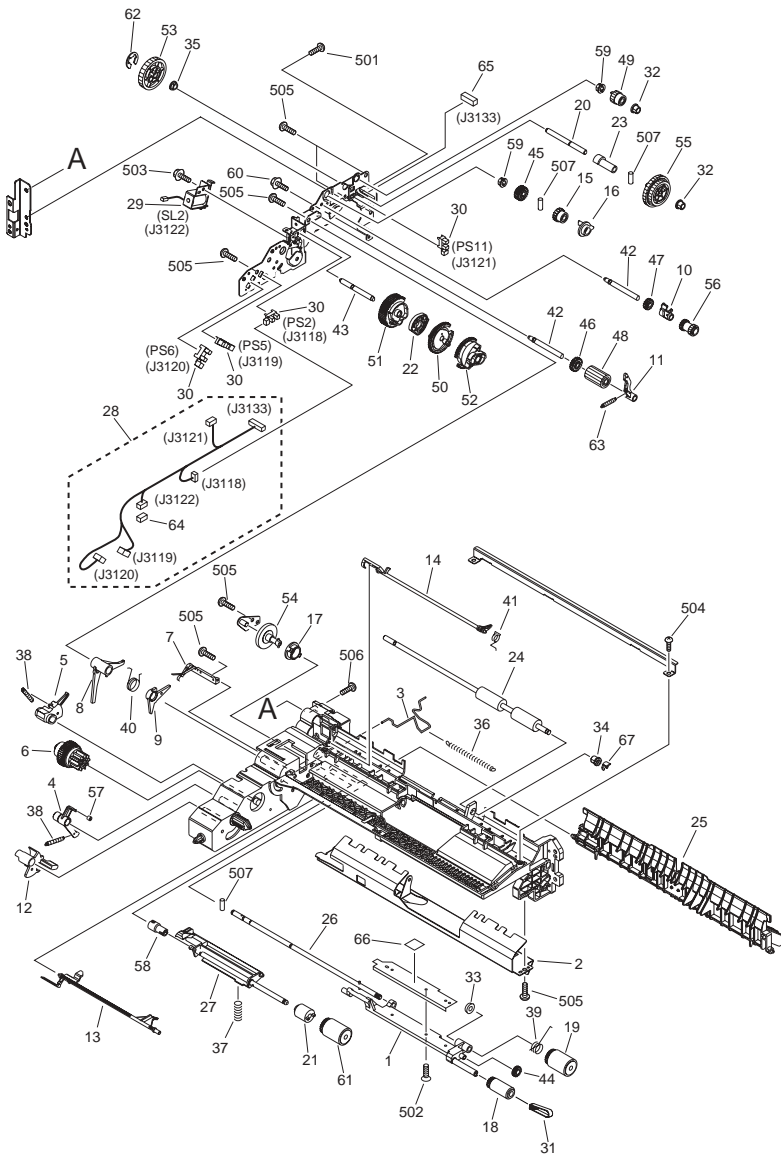


| FIGURE & KEY NO. | PARTS NUMBER | R<br>A<br>N<br>K | Q'TY | DESCRIPTION                    | SERIAL NUMBER/<br>REMARKS | S<br>V<br>C |
|------------------|--------------|------------------|------|--------------------------------|---------------------------|-------------|
| Fig.310          | FM3-0009-000 |                  | 1    | PAPER PICK-UP ASSEMBLY         |                           |             |
| 1                | FB6-3380-020 |                  | 1    | HOLDER, PAPER PICK-UP ROLLER   |                           |             |
| 2                | FB6-3386-010 |                  | 1    | GUIDE, RETARD                  |                           |             |
| 3                | FB6-3388-000 |                  | 1    | ROD, SEPARATION ROLLER RELEASE |                           |             |
| 4                | FB6-3389-000 |                  | 1    | CLAW, PICK-UP                  |                           |             |
| 5                | FC8-1178-000 |                  | 1    | CLAW, PAPER PICK-UP            |                           |             |
| 6                | FB6-3391-000 |                  | 1    | GEAR, RATCHET                  |                           |             |
| 7                | FB6-3392-020 |                  | 1    | SPRING, LEAF                   |                           |             |
| 8                | FC8-1179-000 |                  | 1    | ARM, PICK-UP                   |                           |             |
| 9                | FB6-3394-000 |                  | 1    | ARM, LIFTING                   |                           |             |
| 10               | FB6-3395-000 |                  | 1    | ARM, PAPER FEED SHAFT          |                           |             |
| 11               | FB6-3396-010 |                  | 1    | LOCK, PICK-UP                  |                           |             |
| 12               | FB6-3397-000 |                  | 1    | FLAG, PAPER SENSOR             |                           |             |
| 13               | FB6-3398-000 |                  | 1    | FLAG, PAPER DETECT SENSOR      |                           |             |
| 14               | FL2-6580-000 |                  | 1    | FLAG, REGISTRATION SENSOR      |                           |             |
| 15               | FB6-3402-000 |                  | 1    | GEAR, RATCHET                  |                           |             |
| 16               | FB6-3403-000 |                  | 1    | COUPLING, FEED SHAFT STOP      |                           |             |
| 17               | FB6-3404-000 |                  | 1    | COUPLING, SEPARATION SHAFT     |                           |             |
| 18               | FB6-3405-000 |                  | 1    | ROLLER, PAPER PICK-UP          |                           |             |
| 19               | FC6-7083-000 |                  | 1    | ROLLER, FEED/SEPARATION        |                           |             |
| 20               | FB6-3408-000 |                  | 1    | SHAFT, PAPER PICK-UP DRIVE     |                           |             |
| 21               | FB6-3410-000 |                  | 1    | LIMITER, TORQUE                |                           |             |
| 22               | FB6-7078-000 |                  | 1    | CAM, LOCK                      |                           |             |
| 23               | FB6-3413-000 |                  | 1    | COLLAR, PAPER PICK-UP SHAFT    |                           |             |
| 24               | FB6-4852-000 |                  | 1    | ROLLER, VERTICAL PATH          |                           |             |
| 25               | FC5-0595-010 |                  | 1    | GUIDE, VERTICAL PATH           |                           |             |
| 26               | FF6-2058-000 |                  | 1    | SHAFT, PAPER FEED ROLLER       |                           |             |
| 27               | FF6-2059-010 |                  | 1    | HOLDER, SEPARATION ROLLER      |                           |             |
| 28               | FG3-2302-020 |                  | 1    | CABLE, PAPER PICK-UP           |                           |             |
| 29               | FK2-0408-000 |                  | 1    | SOLENOID                       | SL1                       |             |
| 30               | FK2-0149-000 |                  | 4    | IC, EE-SX4235A-P2,             | PS1,PS3,PS4,PS10,PS18     |             |
| 31               | XA9-1386-000 |                  | 1    | SCREW,RS,M3X8                  |                           |             |

| FIGURE & KEY NO. | PARTS NUMBER | R<br>A<br>N<br>K | Q'TY | DESCRIPTION         | SERIAL NUMBER/<br>REMARKS | S<br>V<br>C |
|------------------|--------------|------------------|------|---------------------|---------------------------|-------------|
| 32               | FU5-1033-000 |                  | 2    | BUSHING             |                           |             |
| 33               | FS5-1943-000 |                  | 1    | BUSHING             |                           |             |
| 34               | FU5-1763-000 |                  | 1    | BUSHING             |                           |             |
| 35               | FS6-1063-000 |                  | 1    | BUSHING             |                           |             |
| 36               | FS7-2797-000 |                  | 1    | SPRING, TENSION     |                           |             |
| 37               | FU6-2684-000 |                  | 1    | SPRING, COMPRESSION |                           |             |
| 38               | FS7-2800-000 |                  | 2    | SPRING, TENSION     |                           |             |
| 39               | FS7-2801-000 |                  | 1    | SPRING, TORSION     |                           |             |
| 40               | FS7-2802-000 |                  | 1    | SPRING, TORSION     |                           |             |
| 41               | FS7-2803-000 |                  | 1    | SPRING, TORSION     |                           |             |
| 42               | FS7-5909-000 |                  | 2    | SHAFT, IDLER, 2     |                           |             |
| 43               | FS7-5910-000 |                  | 1    | SHAFT, IDLER, 3     |                           |             |
| 44               | FU3-0280-000 |                  | 1    | GEAR, 15T           |                           |             |
| 45               | FU3-0282-000 |                  | 1    | GEAR, 21T           |                           |             |
| 46               | FU3-0283-000 |                  | 1    | GEAR, 21T           |                           |             |
| 47               | FU3-0284-000 |                  | 1    | GEAR, 16T           |                           |             |
| 48               | FU3-0288-000 |                  | 1    | GEAR, 21T           |                           |             |
| 49               | FU3-0289-000 |                  | 1    | GEAR, 14T           |                           |             |
| 50               | FF6-2397-000 |                  | 1    | GEAR, 46T           |                           |             |
| 51               | FU7-0848-000 |                  | 1    | GEAR, 51T           |                           |             |
| 52               | FU7-0445-000 |                  | 1    | GEAR, 42T           |                           |             |
| 53               | FU3-0347-000 |                  | 1    | GEAR, 41T           |                           |             |
| 54               | FU3-0349-000 |                  | 1    | GEAR, 41T           |                           |             |
| 55               | FU3-0350-000 |                  | 1    | GEAR, 41T/41T       |                           |             |
| 56               | FU6-0710-000 |                  | 1    | GEAR, 16T/16T       |                           |             |
| 57               | FC8-1202-000 |                  | 1    | DAMPER              |                           |             |
| 58               | RB1-8945-000 |                  | 1    | JOINT               |                           |             |
| 59               | RS5-1567-000 |                  | 2    | BUSHING             |                           |             |
| 60               | XA9-0656-000 |                  | 1    | SCREW,RS,M3X10      |                           |             |
| 61               | FC6-6661-000 |                  | 1    | ROLLER, SEPARATION  |                           |             |
| 62               | XD9-0136-000 |                  | 1    | RING, E             |                           |             |
| 63               | FU6-2784-000 |                  | 1    | SPRING, TENSION     |                           |             |

| FIGURE<br>& KEY<br>NO. | PARTS<br>NUMBER | R<br>A<br>N<br>K | Q'TY | DESCRIPTION                   | SERIAL NUMBER/<br>REMARKS | S<br>V<br>C |
|------------------------|-----------------|------------------|------|-------------------------------|---------------------------|-------------|
| 64                     | FC7-5845-000    |                  | 1    | STOPPER, ROLLER               |                           |             |
| 65                     | VS1-7177-002    |                  | 1    | CONNECTOR, SNAP TIGHT, BK     |                           |             |
| 66                     | VS1-7173-014    |                  | 1    | CONNECTOR, SNAP TIGHT, 14P, W |                           |             |
| 67                     | FC8-1205-000    |                  | 1    | PAD, PAPER PICK-UP HOLDER     |                           |             |
| 68                     | FC6-9867-000    |                  | 1    | RING, RETAINING               |                           |             |
| 501                    | XB1-2300-807    |                  | 1    | SCREW, CROSS-RECESS, FCH      |                           |             |
| 502                    | XB1-3300-607    |                  | 3    | SCREW, FTH3X6                 |                           |             |
| 503                    | XB3-6300-605    |                  | 2    | SCREW,RS,M3X6                 |                           |             |
| 504                    | XB4-5400-807    |                  | 2    | SCREW,P,M4X8                  |                           |             |
| 505                    | XB4-5401-207    |                  | 7    | SCREW,P,M4X12                 |                           |             |
| 506                    | XB1-2400-607    |                  | 2    | SCREW, CROSS-RECESS, FCH      |                           |             |
| 507                    | XD3-2200-122    |                  | 3    | PIN, DOWEL                    |                           |             |

**FIGURE 311**  
**PAPER PICK-UP ASSEMBLY 2**



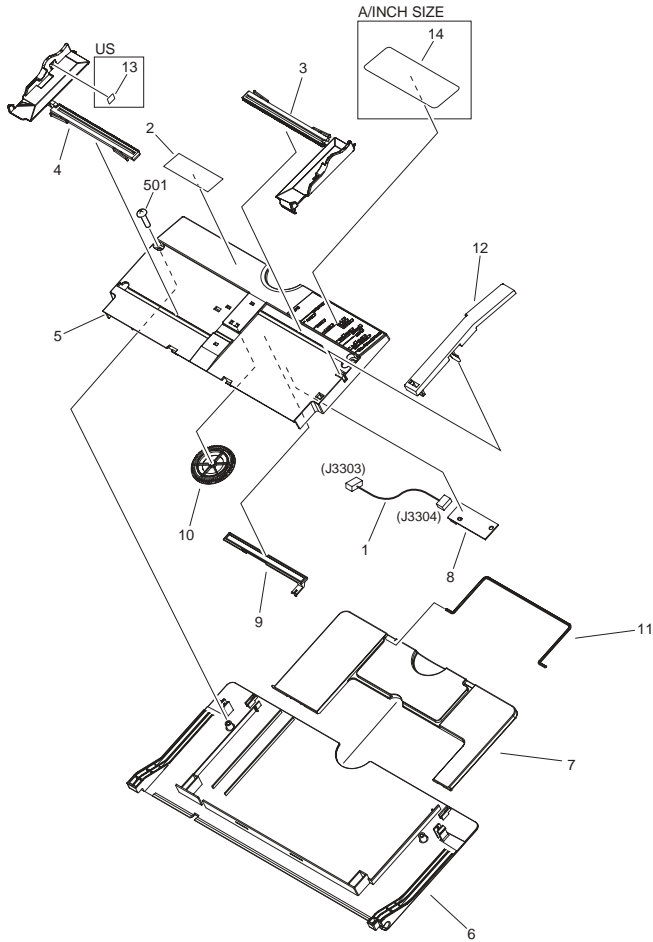
| FIGURE & KEY NO. | PARTS NUMBER | R<br>A<br>N<br>K | Q'TY | DESCRIPTION                    | SERIAL NUMBER/<br>REMARKS | S<br>V<br>C |
|------------------|--------------|------------------|------|--------------------------------|---------------------------|-------------|
| Fig.311          | FM2-1578-130 |                  | 1    | PAPER PICK-UP ASSEMBLY         |                           |             |
| 1                | FB6-3380-020 |                  | 1    | HOLDER, PAPER PICK-UP ROLLER   |                           |             |
| 2                | FB6-3386-010 |                  | 1    | GUIDE, RETARD                  |                           |             |
| 3                | FB6-3388-000 |                  | 1    | ROD, SEPARATION ROLLER RELEASE |                           |             |
| 4                | FB6-3389-000 |                  | 1    | CLAW, PICK-UP                  |                           |             |
| 5                | FC8-1178-000 |                  | 1    | CLAW, PAPER PICK-UP            |                           |             |
| 6                | FB6-3391-000 |                  | 1    | GEAR, RATCHET                  |                           |             |
| 7                | FB6-3392-020 |                  | 1    | SPRING, LEAF                   |                           |             |
| 8                | FC8-1179-000 |                  | 1    | ARM, PICK-UP                   |                           |             |
| 9                | FB6-3394-000 |                  | 1    | ARM, LIFTING                   |                           |             |
| 10               | FB6-3395-000 |                  | 1    | ARM, PAPER FEED SHAFT          |                           |             |
| 11               | FB6-3396-010 |                  | 1    | LOCK, PICK-UP                  |                           |             |
| 12               | FB6-3397-000 |                  | 1    | FLAG, PAPER SENSOR             |                           |             |
| 13               | FB6-3398-000 |                  | 1    | FLAG, PAPER DETECT SENSOR      |                           |             |
| 14               | FL2-6580-000 |                  | 1    | FLAG, REGISTRATION SENSOR      |                           |             |
| 15               | FB6-3402-000 |                  | 1    | GEAR, RATCHET                  |                           |             |
| 16               | FB6-3403-000 |                  | 1    | COUPLING, FEED SHAFT STOP      |                           |             |
| 17               | FB6-3404-000 |                  | 1    | COUPLING, SEPARATION SHAFT     |                           |             |
| 18               | FB6-3405-000 |                  | 1    | ROLLER, PAPER PICK-UP          |                           |             |
| 19               | FC6-7083-000 |                  | 1    | ROLLER, FEED/SEPARATION        |                           |             |
| 20               | FB6-3408-000 |                  | 1    | SHAFT, PAPER PICK-UP DRIVE     |                           |             |
| 21               | FB6-3410-000 |                  | 1    | LIMITER, TORQUE                |                           |             |
| 22               | FB6-7078-000 |                  | 1    | CAM, LOCK                      |                           |             |
| 23               | FB6-3413-000 |                  | 1    | COLLAR, PAPER PICK-UP SHAFT    |                           |             |
| 24               | FB6-4852-000 |                  | 1    | ROLLER, VERTICAL PATH          |                           |             |
| 25               | FB6-3387-000 |                  | 1    | GUIDE, VERTICAL PATH           |                           |             |
| 26               | FF6-2058-000 |                  | 1    | SHAFT, PAPER FEED ROLLER       |                           |             |
| 27               | FF6-2059-010 |                  | 1    | HOLDER, SEPARATION ROLLER      |                           |             |
| 28               | FG3-2302-020 |                  | 1    | CABLE, PAPER PICK-UP           |                           |             |
| 29               | FK2-0408-000 |                  | 1    | SOLENOID                       | SL2                       |             |
| 30               | FK2-0149-000 |                  | 4    | IC, EE-SX4235A-P2,             | PS2,PS5,PS6,PS11          |             |
| 31               | FC7-5845-000 |                  | 1    | STOPPER, ROLLER                |                           |             |



| FIGURE & KEY NO. | PARTS NUMBER | R<br>A<br>N<br>K | Q'TY | DESCRIPTION         | SERIAL NUMBER/<br>REMARKS | S<br>V<br>C |
|------------------|--------------|------------------|------|---------------------|---------------------------|-------------|
| 32               | FU5-1033-000 |                  | 2    | BUSHING             |                           |             |
| 33               | FS5-1943-000 |                  | 1    | BUSHING             |                           |             |
| 34               | FU5-1763-000 |                  | 1    | BUSHING             |                           |             |
| 35               | FS6-1063-000 |                  | 1    | BUSHING             |                           |             |
| 36               | FS7-2797-000 |                  | 1    | SPRING, TENSION     |                           |             |
| 37               | FU6-2684-000 |                  | 1    | SPRING, COMPRESSION |                           |             |
| 38               | FS7-2800-000 |                  | 2    | SPRING, TENSION     |                           |             |
| 39               | FS7-2801-000 |                  | 1    | SPRING, TORSION     |                           |             |
| 40               | FS7-2802-000 |                  | 1    | SPRING, TORSION     |                           |             |
| 41               | FS7-2803-000 |                  | 1    | SPRING, TORSION     |                           |             |
| 42               | FS7-5909-000 |                  | 2    | SHAFT, IDLER, 2     |                           |             |
| 43               | FS7-5910-000 |                  | 1    | SHAFT, IDLER, 3     |                           |             |
| 44               | FU3-0280-000 |                  | 1    | GEAR, 15T           |                           |             |
| 45               | FU3-0282-000 |                  | 1    | GEAR, 21T           |                           |             |
| 46               | FU3-0283-000 |                  | 1    | GEAR, 21T           |                           |             |
| 47               | FU3-0284-000 |                  | 1    | GEAR, 16T           |                           |             |
| 48               | FU3-0288-000 |                  | 1    | GEAR, 21T           |                           |             |
| 49               | FU3-0289-000 |                  | 1    | GEAR, 14T           |                           |             |
| 50               | FF6-2397-000 |                  | 1    | GEAR, 46T           |                           |             |
| 51               | FU7-0848-000 |                  | 1    | GEAR, 51T           |                           |             |
| 52               | FU7-0445-000 |                  | 1    | GEAR, 42T           |                           |             |
| 53               | FU3-0347-000 |                  | 1    | GEAR, 41T           |                           |             |
| 54               | FU3-0349-000 |                  | 1    | GEAR, 41T           |                           |             |
| 55               | FU3-0350-000 |                  | 1    | GEAR, 41T/41T       |                           |             |
| 56               | FU6-0710-000 |                  | 1    | GEAR, 16T/16T       |                           |             |
| 57               | FC8-1202-000 |                  | 1    | DAMPER              |                           |             |
| 58               | RB1-8945-000 |                  | 1    | JOINT               |                           |             |
| 59               | RS5-1567-000 |                  | 2    | BUSHING             |                           |             |
| 60               | XA9-0656-000 |                  | 1    | SCREW,RS,M3X10      |                           |             |
| 61               | FC6-6661-000 |                  | 1    | ROLLER, SEPARATION  |                           |             |
| 62               | XD9-0136-000 |                  | 1    | RING, E             |                           |             |
| 63               | FU6-2784-000 |                  | 1    | SPRING, TENSION     |                           |             |

| FIGURE & KEY NO. | PARTS NUMBER | R<br>A<br>N<br>K | Q'TY | DESCRIPTION                   | SERIAL NUMBER/<br>REMARKS | S<br>V<br>C |
|------------------|--------------|------------------|------|-------------------------------|---------------------------|-------------|
| 64               | VS1-7177-002 |                  | 1    | CONNECTOR, SNAP TIGHT, BK     |                           |             |
| 65               | VS1-7173-014 |                  | 1    | CONNECTOR, SNAP TIGHT, 14P, W |                           |             |
| 66               | FC8-1205-000 |                  | 1    | PAD, PAPER PICK-UP HOLDER     |                           |             |
| 67               | FC6-9867-000 |                  | 1    | RING, RETAINING               |                           |             |
| 501              | XB1-2300-807 |                  | 1    | SCREW, CROSS-RECESS, FCH      |                           |             |
| 502              | XB1-3300-607 |                  | 3    | SCREW, FTH3X6                 |                           |             |
| 503              | XB3-6300-605 |                  | 2    | SCREW,RS,M3X6                 |                           |             |
| 504              | XB4-5400-807 |                  | 2    | SCREW,P,M4X8                  |                           |             |
| 505              | XB4-5401-207 |                  | 7    | SCREW,P,M4X12                 |                           |             |
| 506              | XB1-2400-607 |                  | 2    | SCREW, CROSS-RECESS, FCH      |                           |             |
| 507              | XD3-2200-122 |                  | 3    | PIN, DOWEL                    |                           |             |

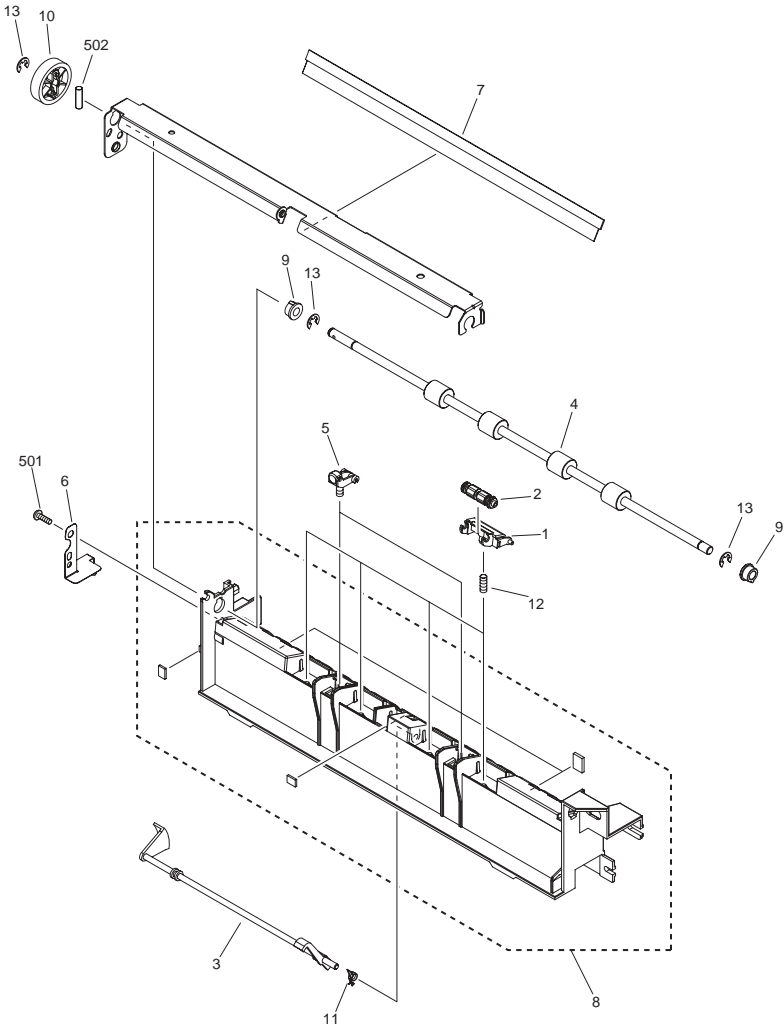
# FIGURE 315 MULTI FEED TRAY ASSEMBLY



NOTE 1 : This assembly is included in the assembly shown in Figure 115.  
 NOTE 2 : This assembly does not include the parts shown with key No. 2, 12, 13 and 14.  
 注 1 : このユニットはFigure 115のユニットに含まれます。  
 注 2 : このユニットにKey No. 2, 12, 13, 14の部品は含まれません。

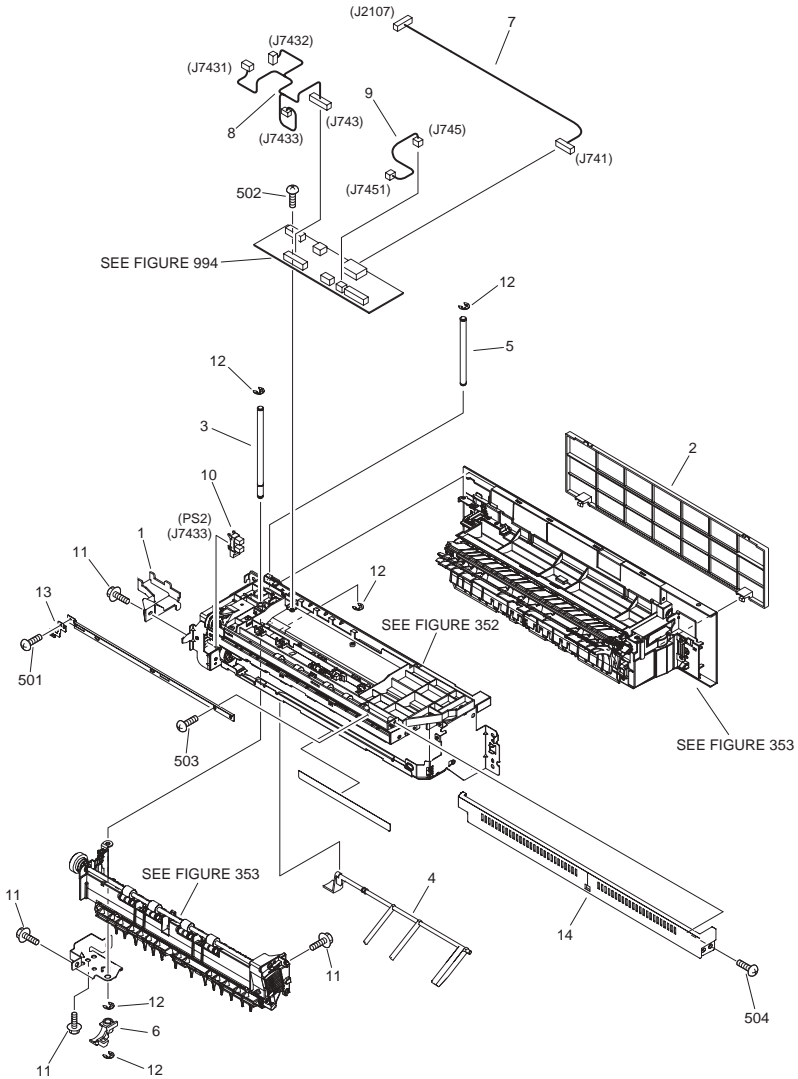
| FIGURE & KEY NO. | PARTS NUMBER | R<br>A<br>N<br>K | Q'TY | DESCRIPTION                  | SERIAL NUMBER/<br>REMARKS | S<br>V<br>C |
|------------------|--------------|------------------|------|------------------------------|---------------------------|-------------|
| Fig.315          | FM2-5540-000 |                  | 1    | MULTI FEED TRAY ASSEMBLY     | SEE NOTE                  |             |
| 1                | FG3-3187-000 |                  | 1    | CABLE, PAPER WIDTH SENSOR    |                           |             |
| 2                | FU5-8795-000 |                  | 1    | LABEL, PAPER SET INSTRUCTION | SEE NOTE                  |             |
| 3                | FC6-9606-000 |                  | 1    | PLATE, PAPER SIDE END, FRONT |                           |             |
| 4                | FC6-9607-000 |                  | 1    | PLATE, PAPER SIDE END, REAR  |                           |             |
| 5                | FC5-0479-030 |                  | 1    | TRAY, MULTI FEED, UPPER      |                           |             |
| 6                | FC7-9522-000 |                  | 1    | TRAY, MULTI FEED, LOWER      |                           |             |
| 7                | FC5-0481-000 |                  | 1    | TRAY, MULTI FEED AUXILIARY   |                           |             |
| 8                | FM2-2768-000 |                  | 1    | MULTI FEED SIZE PCB ASSEMBLY |                           |             |
| 9                | FU5-0063-000 |                  | 1    | RACK, MULTI FEED SIZE DETECT |                           |             |
| 10               | FU5-0062-000 |                  | 1    | GEAR, 18T/62T                |                           |             |
| 11               | FC5-0546-000 |                  | 1    | TRAY, WIRE AUXILIARY         |                           |             |
| 12               | FC7-1740-000 |                  | 1    | COVER                        | SEE NOTE                  |             |
| 13               | FC5-0544-000 |                  | 1    | LABEL, MAXIMUM LOAD          | SEE NOTE US               |             |
| 14               | FC5-7217-000 |                  | 1    | LABEL, PAPER SIZE            | SEE NOTE A/INCH SIZE      |             |
| 501              | XB4-5401-007 |                  | 2    | SCREW, M4X10                 |                           |             |

# FIGURE 350 PAPER DELIVERY ASSEMBLY



| FIGURE & KEY NO. | PARTS NUMBER | R<br>A<br>N<br>K | Q'TY | DESCRIPTION               | SERIAL NUMBER/<br>REMARKS | S<br>V<br>C |
|------------------|--------------|------------------|------|---------------------------|---------------------------|-------------|
| Fig.350          | FM2-3265-000 |                  | 1    | PAPER DELIVERY ASSEMBLY   |                           |             |
| 1                | FC6-2915-000 |                  | 4    | HOLDER,ROLLER             |                           |             |
| 2                | FM2-0177-000 |                  | 4    | O RING ROLLER UNIT        |                           |             |
| 3                | FL2-0351-000 |                  | 1    | FLAG, 1ST DELIVERY SENSOR |                           |             |
| 4                | FC5-0800-000 |                  | 1    | ROLLER, PAPER DELIVERY    |                           |             |
| 5                | FF6-0345-000 |                  | 2    | DELIVERY COLLAR UNIT      |                           |             |
| 6                | FC5-0806-000 |                  | 1    | PLATE, GROUNDING          |                           |             |
| 7                | FC6-4009-000 |                  | 1    | ELIMINATOR,STATIC CHARGE  |                           |             |
| 8                | FL2-0379-000 |                  | 1    | GUIDE, PAPER DELIVERY     |                           |             |
| 9                | FS5-1943-000 |                  | 2    | BUSHING                   |                           |             |
| 10               | FU5-0128-000 |                  | 1    | GEAR, 35T                 |                           |             |
| 11               | FU5-2068-030 |                  | 1    | SPRING, TORSION           |                           |             |
| 12               | FU5-2074-000 |                  | 4    | SPRING, COMPRESSION       |                           |             |
| 13               | XD9-0136-000 |                  | 3    | RING, E                   |                           |             |
| 501              | XB4-5400-807 |                  | 1    | SCREW,P,M4X8              |                           |             |
| 502              | XD3-2200-162 |                  | 1    | PIN, PARALLEL             |                           |             |

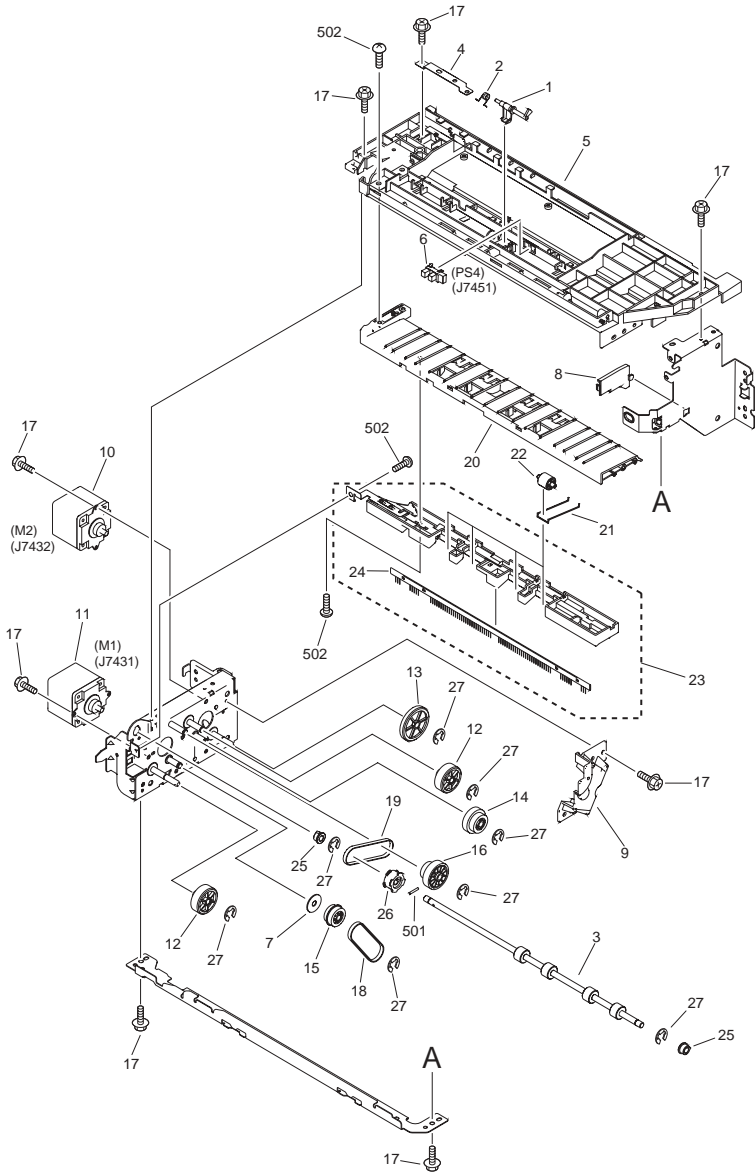
# FIGURE 351 2ND/3RD DELIVERY ASSEMBLY



| FIGURE & KEY NO. | PARTS NUMBER | R<br>A<br>N<br>K | Q'TY | DESCRIPTION                    | SERIAL NUMBER/<br>REMARKS | S<br>V<br>C |
|------------------|--------------|------------------|------|--------------------------------|---------------------------|-------------|
| Fig.351          | NPN          |                  | RF   | 2ND/3RD DELIVERY ASSEMBLY      |                           |             |
| 1                | FC5-0859-000 |                  | 1    | COVER, CONNECTOR               |                           |             |
| 2                | FC5-0888-020 |                  | 1    | PANEL, 2ND DELIVERY BLANKING   |                           |             |
| 3                | FC5-0978-020 |                  | 1    | SHAFT, 2ND DELIVERY HINGE      |                           |             |
| 4                | FC7-4467-000 |                  | 1    | FLAG, PAPER FULL SENSOR        |                           |             |
| 5                | FC5-1019-020 |                  | 1    | SHAFT, 3RD DELIVERY HINGE      |                           |             |
| 6                | FC5-6011-000 |                  | 1    | COVER, GEAR                    |                           |             |
| 7                | FG3-3294-000 |                  | 1    | CABLE, INTERFACE               |                           |             |
| 8                | FG3-3297-000 |                  | 1    | CABLE, MOTOR                   |                           |             |
| 9                | FG3-3301-000 |                  | 1    | CABLE, SENSOR                  |                           |             |
| 10               | FH7-7557-020 |                  | 1    | IC,LG-248L1, PHOTO-INTERRUPTER | PS2                       |             |
| 11               | XA9-1386-000 |                  | 5    | SCREW,RS,M3X8                  |                           |             |
| 12               | XD9-0136-000 |                  | 5    | RING, E                        |                           |             |
| 13               | FC7-2178-000 |                  | 1    | PLATE, GROUNDING               |                           |             |
| 14               | FC5-6004-000 |                  | 1    | COVER, PROTECTIVE              |                           |             |
| 501              | XB1-2300-405 |                  | 1    | SCREW, MACH. BH, M3X4          |                           |             |
| 502              | XB4-5300-805 |                  | 2    | SCREW,P,M3X8                   |                           |             |
| 503              | XB4-5400-805 |                  | 1    | SCREW,P,M4X8                   |                           |             |
| 504              | XB4-5400-807 |                  | 1    | SCREW,P,M4X8                   |                           |             |

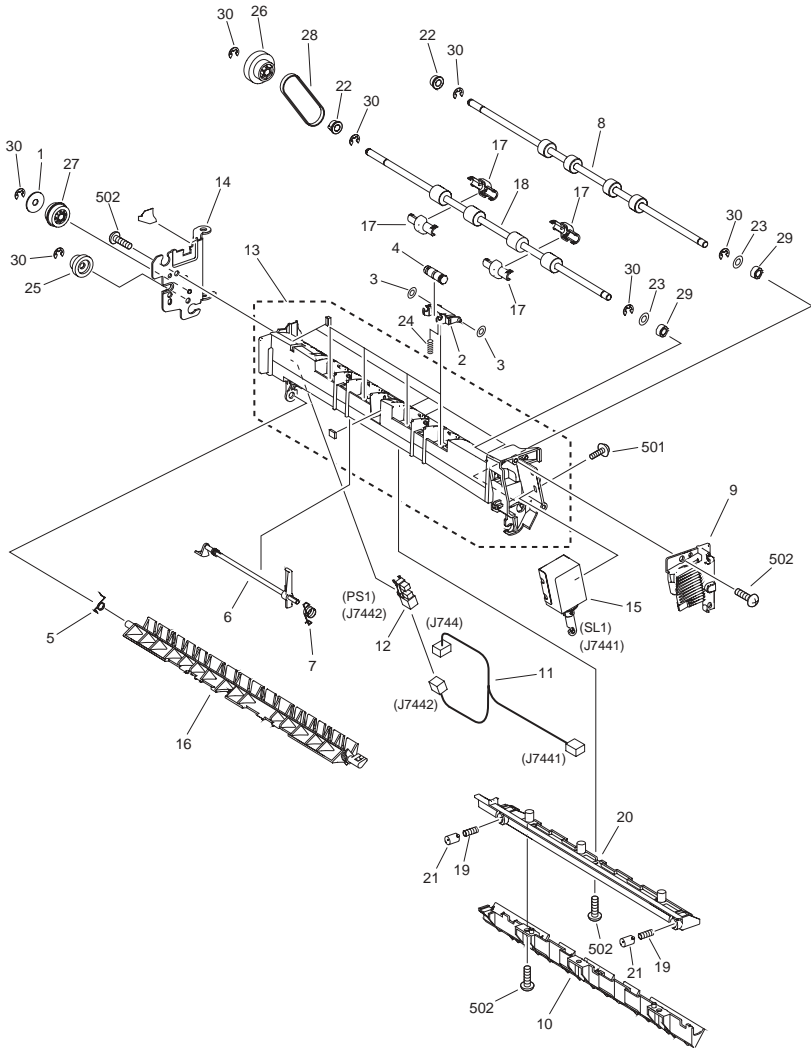


# FIGURE 352 2ND UPPER DELIVERY ASSEMBLY



| FIGURE & KEY NO. | PARTS NUMBER | R<br>A<br>N<br>K | Q'TY | DESCRIPTION                    | SERIAL NUMBER/<br>REMARKS | S<br>V<br>C |
|------------------|--------------|------------------|------|--------------------------------|---------------------------|-------------|
| Fig.352          | FM2-1328-050 |                  | 1    | 2ND UPPER DELIVERY ASSEMBLY    |                           |             |
| 1                | FC5-0987-000 |                  | 1    | FLAG, REVERSE SENSOR           |                           |             |
| 2                | FC5-0988-000 |                  | 1    | SPRING, TORSION                |                           |             |
| 3                | FC5-0989-020 |                  | 1    | ROLLER, REVERSE                |                           |             |
| 4                | FC5-1025-000 |                  | 1    | PLATE, GROUNDING               |                           |             |
| 5                | FC5-1038-000 |                  | 1    | GUIDE, 2ND DELIVERY, UPPER     |                           |             |
| 6                | FH7-7557-020 |                  | 1    | IC,LG-248L1, PHOTO-INTERRUPTER | PS4                       |             |
| 7                | FB5-4754-000 |                  | 1    | SPACER                         |                           |             |
| 8                | FC5-0870-000 |                  | 1    | GUIDE, SLIDE                   |                           |             |
| 9                | FC5-6010-000 |                  | 1    | COVER, GEAR, 1                 |                           |             |
| 10               | FH5-1021-010 |                  | 1    | MOTOR, STEPPING, AC            | M2                        |             |
| 11               | FH5-1108-010 |                  | 1    | MOTOR, STEPPING, AC            | M1                        |             |
| 12               | FU5-0054-000 |                  | 2    | GEAR, 35T                      |                           |             |
| 13               | FU5-0077-000 |                  | 1    | GEAR, 46T                      |                           |             |
| 14               | FU5-0078-000 |                  | 1    | GEAR, 30T/24T                  |                           |             |
| 15               | FU5-3020-000 |                  | 1    | GEAR, 24T/PULLEY, 30T          |                           |             |
| 16               | FU5-3022-000 |                  | 1    | PULLEY, 30T/GEAR, 35T          |                           |             |
| 17               | XA9-1386-000 |                  | AR   | SCREW,RS,M3X8                  |                           |             |
| 18               | XF2-4104-240 |                  | 1    | BELT, TIMING, COGGED           |                           |             |
| 19               | XF2-4108-240 |                  | 1    | BELT, TIMING, COGGED           |                           |             |
| 20               | FC5-0985-020 |                  | 1    | GUIDE, REVERSE LOWER           |                           |             |
| 21               | FC5-0991-000 |                  | 4    | SPRING                         |                           |             |
| 22               | FC5-1013-000 |                  | 4    | ROLLER                         |                           |             |
| 23               | FL2-1200-000 |                  | 1    | GUIDE, REVERSE LOWER AUXILIARY |                           |             |
| 24               | FC5-6003-000 |                  | 1    | ELIMINATOR, STATIC-CHARGE      |                           |             |
| 25               | FS5-1943-000 |                  | 2    | BUSHING                        |                           |             |
| 26               | FU5-3021-000 |                  | 1    | PULLEY, 30T                    |                           |             |
| 27               | XD9-0136-000 |                  | 8    | RING, E                        |                           |             |
| 501              | XD3-2200-122 |                  | 1    | PIN, DOWEL                     |                           |             |
| 502              | XB4-5401-205 |                  | 6    | SCREW,P,M4X12                  |                           |             |

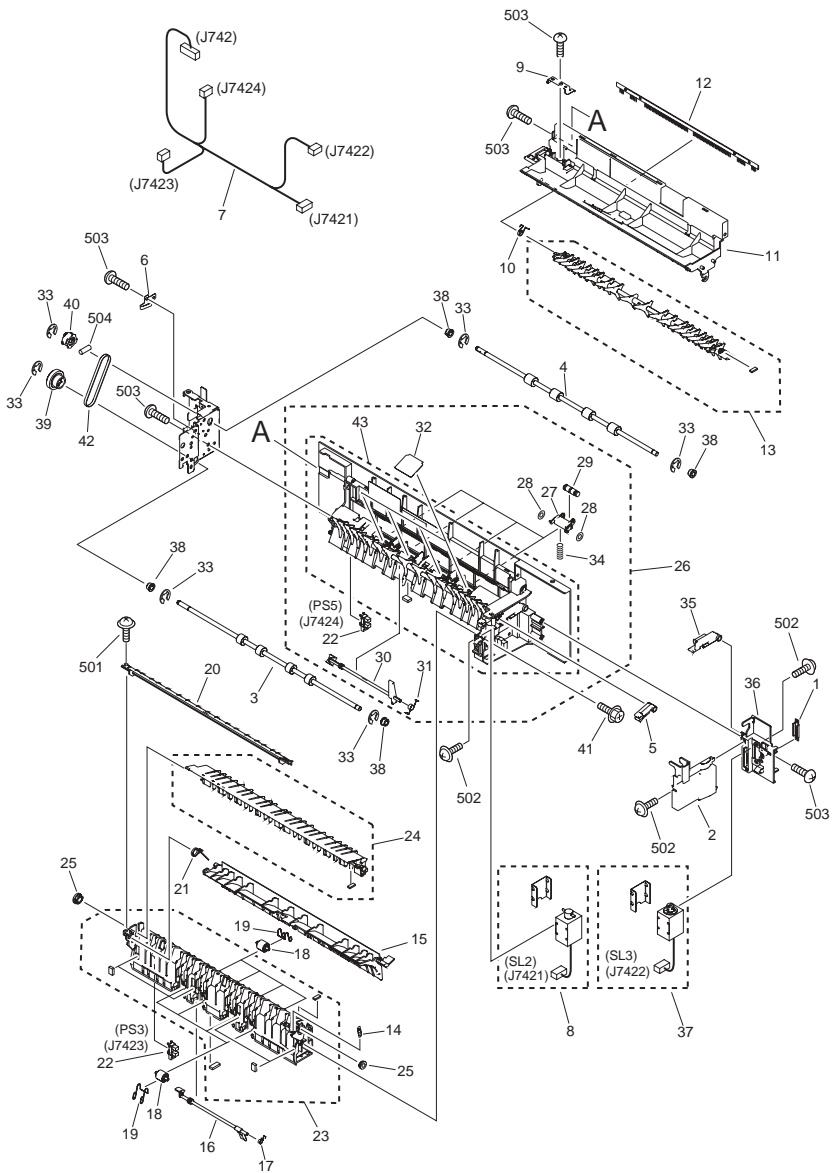
# FIGURE 353 2ND DELIVERY FRAME ASSEMBLY



| FIGURE & KEY NO. | PARTS NUMBER | RANK | Q'TY | DESCRIPTION                    | SERIAL NUMBER/REMARKS | SVC |
|------------------|--------------|------|------|--------------------------------|-----------------------|-----|
| Fig.353          | FM2-1331-080 |      | 1    | 2ND DELIVERY FRAME ASSEMBLY    |                       |     |
| 1                | FB5-4754-000 |      | 1    | SPACER                         |                       |     |
| 2                | FC6-2915-000 |      | 4    | HOLDER,ROLLER                  |                       |     |
| 3                | FC6-5061-000 |      | 8    | RING                           |                       |     |
| 4                | FC6-4012-000 |      | 4    | ROLLER, PAPER DELIVERY         |                       |     |
| 5                | FC5-0974-000 |      | 1    | SPRING, TORSION                |                       |     |
| 6                | FC5-0996-000 |      | 1    | FLAG, 2ND DELIVERY SENSOR      |                       |     |
| 7                | FC5-0997-000 |      | 1    | SPRING, TORSION                |                       |     |
| 8                | FC5-1017-000 |      | 1    | ROLLER, 2ND VERTICAL PATH      |                       |     |
| 9                | FC5-1053-000 |      | 1    | COVER, SOLENOID, 1             |                       |     |
| 10               | FC5-5474-000 |      | 1    | GUIDE, 2ND DELIVERY ENTRANCE   |                       |     |
| 11               | FG3-3299-020 |      | 1    | CABLE,2ND PAPER DELIVERY       |                       |     |
| 12               | FH7-7557-020 |      | 1    | IC,LG-248L1, PHOTO-INTERRUPTER | PS1                   |     |
| 13               | FL2-1201-040 |      | 1    | GUIDE, 2ND PAPER DELIVERY      |                       |     |
| 14               | FL2-1202-000 |      | 1    | HINGE, 2ND DELIVERY            |                       |     |
| 15               | FL2-1203-010 |      | 1    | SOLENOID                       | SL1                   |     |
| 16               | FC5-0999-030 |      | 1    | FLAPPER, 1ST PAPER DELIVERY    |                       |     |
| 17               | FC5-0805-000 |      | 4    | ROLLER, REFORM                 |                       |     |
| 18               | FC5-0998-000 |      | 1    | ROLLER, 2ND PAPER DELIVERY     |                       |     |
| 19               | FC5-0871-000 |      | 2    | SPRING, COMPRESSION            |                       |     |
| 20               | FC5-0873-000 |      | 1    | COVER, 2ND DELIVERY FRAME      |                       |     |
| 21               | FC5-6014-000 |      | 2    | CAP, SPRING                    |                       |     |
| 22               | FS5-1943-000 |      | 2    | BUSHING                        |                       |     |
| 23               | FS5-6488-000 |      | 2    | WASHER                         |                       |     |
| 24               | FS7-2859-000 |      | 4    | SPRING, COMPRESSION            |                       |     |
| 25               | FU5-0076-000 |      | 1    | GEAR, 24T                      |                       |     |
| 26               | FU5-3019-000 |      | 1    | PULLEY, 30T/GEAR, 35T          |                       |     |
| 27               | FU5-3020-000 |      | 1    | GEAR, 24T/PULLEY, 30T          |                       |     |
| 28               | XF2-4107-940 |      | 1    | BELT, TIMING, COGGED           |                       |     |
| 29               | XG9-0520-000 |      | 2    | BEARING, BALL, MF106ZZS        |                       |     |
| 30               | XD9-0136-000 |      | 7    | RING, E                        |                       |     |
| 501              | XB1-2300-405 |      | 2    | SCREW, MACH. BH, M3X4          |                       |     |

| FIGURE<br>& KEY<br>NO. | PARTS<br>NUMBER | R<br>A<br>N<br>K | Q'TY | DESCRIPTION   | SERIAL NUMBER/<br>REMARKS | S<br>V<br>C |
|------------------------|-----------------|------------------|------|---------------|---------------------------|-------------|
| 502                    | XB4-5401-205    |                  | 11   | SCREW,P,M4X12 |                           |             |

# FIGURE 354 3RD DELIVERY FRAME ASSEMBLY

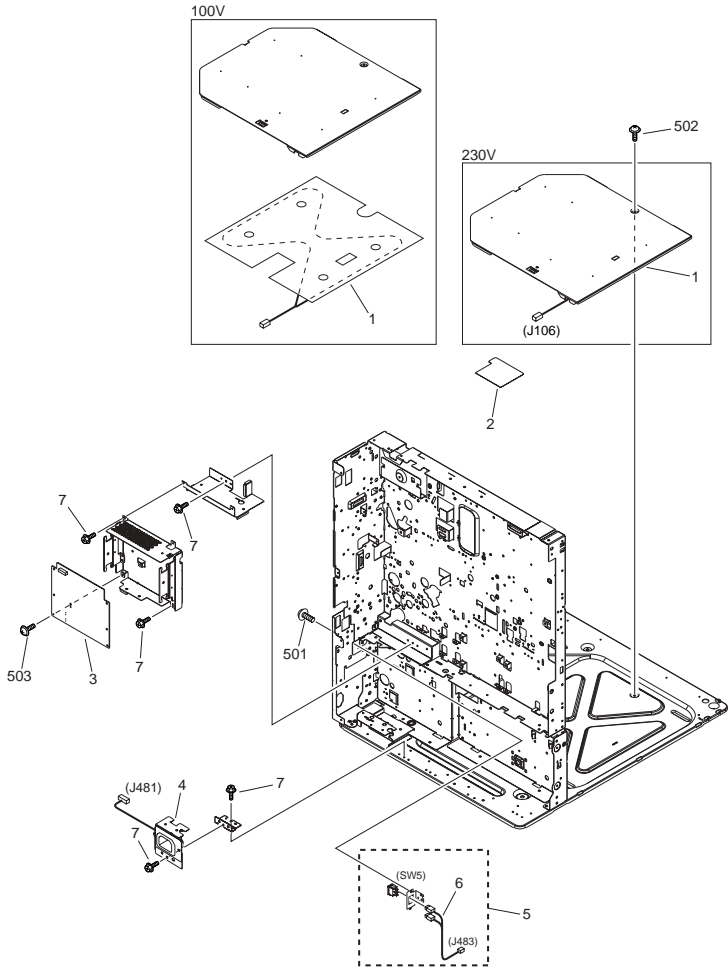


| FIGURE & KEY NO. | PARTS NUMBER | R<br>A<br>N<br>K | Q'TY | DESCRIPTION                    | SERIAL NUMBER/<br>REMARKS | S<br>V<br>C |
|------------------|--------------|------------------|------|--------------------------------|---------------------------|-------------|
| Fig.354          | FM2-1335-160 |                  | 1    | 3RD DELIVERY FRAME ASSEMBLY    |                           |             |
| 1                | FB5-9325-000 |                  | 1    | MAGNET, 3RD                    |                           |             |
| 2                | FC5-0872-000 |                  | 1    | COVER, DELIVERY SOLENOID, 2    |                           |             |
| 3                | FC5-1012-000 |                  | 1    | ROLLER, DUPLEXING ENTRANCE     |                           |             |
| 4                | FC5-1020-020 |                  | 1    | ROLLER, 3RD DELIVERY           |                           |             |
| 5                | FC5-1023-000 |                  | 1    | ARM, SOLENOID, 2               |                           |             |
| 6                | FC5-6006-000 |                  | 1    | PLATE, GROUNDING               |                           |             |
| 7                | FG3-3295-000 |                  | 1    | CABLE, 3RD DELIVERY            |                           |             |
| 8                | FL2-1206-010 |                  | 1    | SOLENOID                       | SL2                       |             |
| 9                | FC5-0862-000 |                  | 1    | PLATE, GROUNDING               |                           |             |
| 10               | FC5-0977-000 |                  | 1    | SPRING, TORSION                |                           |             |
| 11               | FC5-1009-000 |                  | 1    | GUIDE, 3RD DELIVERY, UPPER     |                           |             |
| 12               | FC5-6003-000 |                  | 1    | ELIMINATOR, STATIC-CHARGE      |                           |             |
| 13               | FL2-1208-030 |                  | 1    | FLAPPER,3RD PAPER DELIVERY     |                           |             |
| 14               | FC5-0976-000 |                  | 1    | SPRING, TENSION                |                           |             |
| 15               | FC5-1003-040 |                  | 1    | FLAPPER, 2ND PAPER DELIVERY    |                           |             |
| 16               | FC5-1005-000 |                  | 1    | FLAG, DUPLEX ENTRANCE SENSOR   |                           |             |
| 17               | FC5-1006-000 |                  | 1    | SPRING, TORSION                |                           |             |
| 18               | FC5-1013-000 |                  | 8    | ROLLER                         |                           |             |
| 19               | FC5-1014-000 |                  | 8    | SPRING                         |                           |             |
| 20               | FC5-6008-020 |                  | 1    | GUIDE, DUPLEXING ENTRANCE, 2   |                           |             |
| 21               | FC5-6019-000 |                  | 1    | SPRING, TORSION                |                           |             |
| 22               | FH7-7557-020 |                  | 1    | IC,LG-248L1, PHOTO-INTERRUPTER | PS3,PS5                   |             |
| 23               | FL2-1207-020 |                  | 1    | GUIDE, DUPLEXING ENTRANCE      |                           |             |
| 24               | FL2-1209-030 |                  | 1    | FLAPPER, REVERSE               |                           |             |
| 25               | FC7-4740-000 |                  | 2    | BUSHING                        |                           |             |
| 26               | FM2-1340-030 |                  | 1    | 3RD DELIVERY FRAME ASSEMBLY    |                           |             |
| 27               | FC6-2915-000 |                  | 4    | HOLDER,ROLLER                  |                           |             |
| 28               | FC6-5061-000 |                  | 8    | RING                           |                           |             |
| 29               | FC6-4012-000 |                  | 4    | ROLLER, PAPER DELIVERY         |                           |             |
| 30               | FC5-1010-000 |                  | 1    | FLAG, 3RD DELIVERY SENSOR      |                           |             |
| 31               | FC5-1011-000 |                  | 1    | SPRING, TORSION                |                           |             |

| FIGURE & KEY NO. | PARTS NUMBER | RANK | Q'TY | DESCRIPTION                 | SERIAL NUMBER/REMARKS | SVC |
|------------------|--------------|------|------|-----------------------------|-----------------------|-----|
| 32               | FC5-6012-010 |      | 4    | SHEET,HOLDER                | SL3                   |     |
| 33               | XD9-0136-000 |      | 6    | RING, E                     |                       |     |
| 34               | FS7-2859-000 |      | 4    | SPRING, COMPRESSION         |                       |     |
| 35               | FC5-1024-000 |      | 1    | ARM, SOLENOID, 3            |                       |     |
| 36               | FC5-1054-000 |      | 1    | COVER, DELIVERY SOLENOID, 1 |                       |     |
| 37               | FL2-1205-010 |      | 1    | SOLENOID                    |                       |     |
| 38               | FS5-1943-000 |      | 4    | BUSHING                     |                       |     |
| 39               | FU5-3018-000 |      | 1    | PULLEY, 30T/GEAR, 35T       |                       |     |
| 40               | FU5-3021-000 |      | 1    | PULLEY, 30T                 |                       |     |
| 41               | XA9-1386-000 |      | 1    | SCREW,RS,M3X8               |                       |     |
| 42               | XF2-4109-240 |      | 1    | BELT, TIMING, COGGED        |                       |     |
| 43               | FL2-1210-020 |      | 1    | FRAME, 3RD DELIVERY         |                       |     |
| 501              | XB4-5300-805 |      | 2    | SCREW,P,M3X8                |                       |     |
| 502              | XB1-2300-405 |      | 5    | SCREW, MACH. BH, M3X4       |                       |     |
| 503              | XB4-5401-205 |      | AR   | SCREW,P,M4X12               |                       |     |
| 504              | XD3-2200-122 |      | 1    | PIN, DOWEL                  |                       |     |

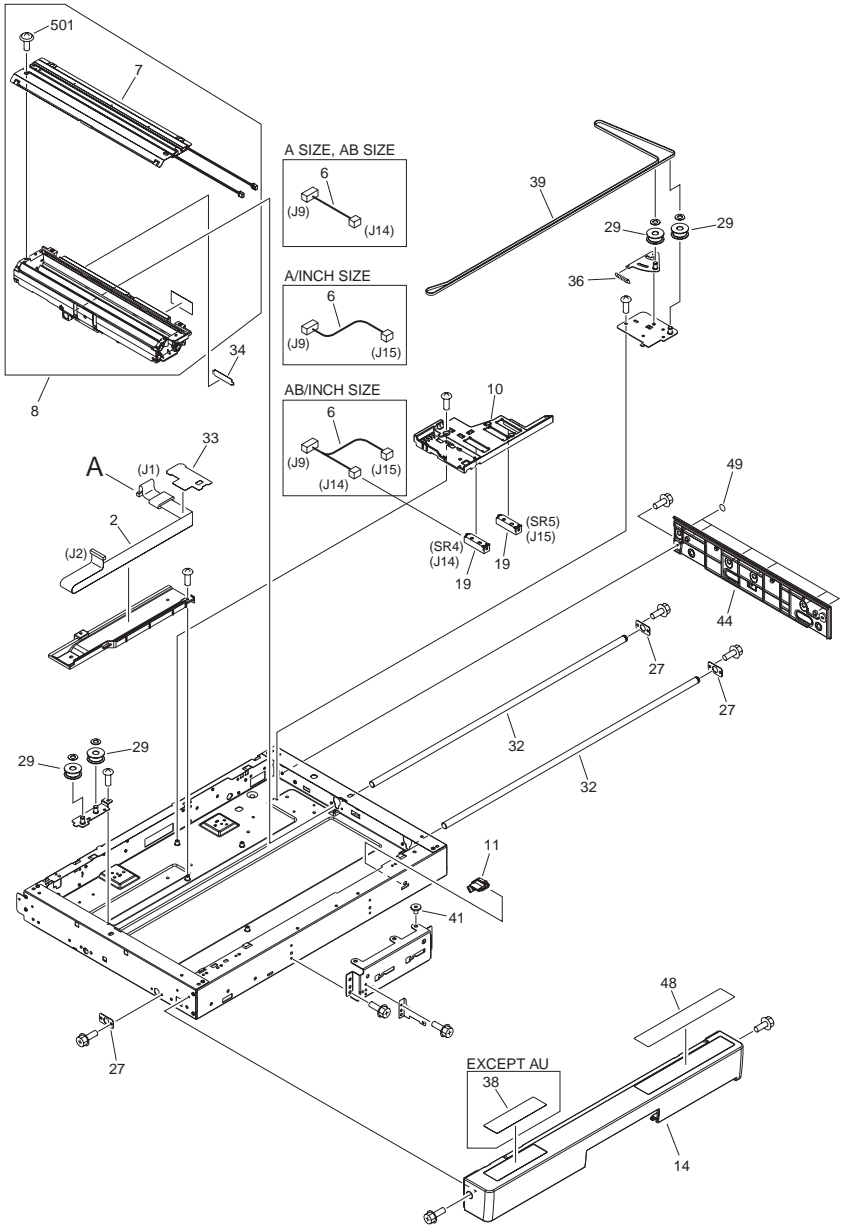


# FIGURE 370 CASSETTE HEATER ASSEMBLY



| FIGURE & KEY NO. | PARTS NUMBER | R A N K | Q'TY | DESCRIPTION                 | SERIAL NUMBER/REMARKS              | S V C |
|------------------|--------------|---------|------|-----------------------------|------------------------------------|-------|
| Fig.370          | NPN          |         | RF   | CASSETTE HEATER UNIT        |                                    |       |
| 1                | FK2-5794-000 |         | 1    | HEATER, CASSETTE            | 100V                               |       |
| 1                | FM3-3772-000 |         | 1    | HEATER, CASSETTE            | 230V                               |       |
| 2                | FC5-6899-000 |         | 1    | COVER,HEATER                |                                    |       |
| 3                | FM3-5046-000 |         | 1    | AC DRIVER PCB ASSEMBLY      | 100V                               |       |
| 3                | FM3-5047-000 |         | 1    | AC DRIVER PCB ASSEMBLY      | 120V MODEL WITHOUT CASSETTE HEATER |       |
| 3                | FM3-5085-000 |         | 1    | AC DRIVER PCB ASSEMBLY      | 230V MODEL WITH CASSETTE HEATER    |       |
| 3                | FM3-5048-000 |         | 1    | AC DRIVER PCB ASSEMBLY      | 230V MODEL WITHOUT CASSETTE HEATER |       |
| 4                | FM3-4391-000 |         | 1    | OUTLET CABLE ASS'Y          |                                    |       |
| 5                | FM3-7052-000 |         | 1    | ENVIRONMENT SWITCH ASSEMBLY |                                    |       |
| 6                | FM3-5061-000 |         | 1    | CABLE, ENVIRONMENT SWITCH   |                                    |       |
| 7                | XA9-1386-000 |         | AR   | SCREW,RS,M3X8               |                                    |       |
| 501              | XB6-7300-607 |         | 1    | SCREW, CROSS-RECESS, FCH    |                                    |       |
| 502              | XB1-2400-607 |         | 1    | SCREW, CROSS-RECESS, FCH    | 100V,230V                          |       |
| 503              | XB2-6300-607 |         | 5    | SCREW,W/WASHER,M3X6         |                                    |       |



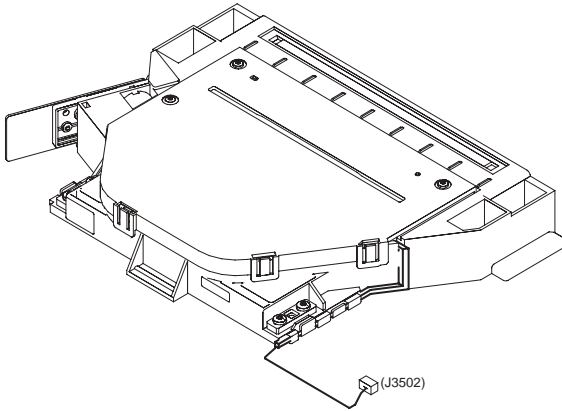


| FIGURE & KEY NO. | PARTS NUMBER | R<br>A<br>N<br>K | Q'TY | DESCRIPTION                  | SERIAL NUMBER/<br>REMARKS | S<br>V<br>C |
|------------------|--------------|------------------|------|------------------------------|---------------------------|-------------|
| Fig.400          | NPN          |                  | RF   | READER ASSEMBLY              |                           |             |
| 1                | FC8-6187-000 |                  | 1    | ARM, OPEN/CLOSE SENSOR       |                           |             |
| 2                | FM3-7133-000 |                  | 1    | CABLE,CCD                    |                           |             |
| 3                | FM3-7134-000 |                  | 1    | CABLE,HEATER                 |                           |             |
| 4                | FM3-6957-000 |                  | 1    | CABLE,HOME&COVER OPEN SENSOR |                           |             |
| 5                | FM3-6956-000 |                  | 1    | CABLE,MOTOR&POWER SUPPLY     |                           |             |
| 6                | FM3-7130-000 |                  | 1    | CABLE,PAPER SIZE SENSOR      | A SIZE, AB SIZE           |             |
| 6                | FM3-7129-000 |                  | 1    | CABLE,PAPER SIZE SENSOR      | A/INCH SIZE               |             |
| 6                | FM3-7135-000 |                  | 1    | CABLE,PAPER SIZE SENSOR      | AB/INCH SIZE              |             |
| 7                | FM3-6338-000 |                  | 1    | CARRIAGE COVER UNIT          |                           |             |
| 8                | FM4-0024-000 |                  | 1    | CARRIAGE UNIT                |                           |             |
| 9                | FC8-6188-000 |                  | 1    | CASE, OPEN/CLOSE SENSOR      |                           |             |
| 10               | FC8-6171-000 |                  | 1    | CASE, PAPER SIZE SENSOR      |                           |             |
| 11               | FL2-9842-000 |                  | 1    | CCD MIRROR CLEANING UNIT     |                           |             |
| 12               | FM3-6955-000 |                  | 1    | CABLE, ADF CONNECTION        |                           |             |
| 14               | FC8-6177-000 |                  | 1    | COVER, FRONT                 |                           |             |
| 15               | FC8-6178-000 |                  | 2    | COVER, GLASS RETAINING       |                           |             |
| 16               | FC8-6175-000 |                  | 1    | COVER, GLASS SUPPORT         |                           |             |
| 17               | FC8-6185-000 |                  | 1    | COVER, HINGE, LEFT           |                           |             |
| 18               | FC8-6183-000 |                  | 1    | COVER, HINGE, RIGHT          |                           |             |
| 19               | FH7-7569-000 |                  | 2    | DOCUMENT SIZE SENSOR UNIT    |                           |             |
| 20               | FL2-9838-000 |                  | 1    | GLASS, COPYBOARD             | AB SIZE                   |             |
| 20               | FL2-9839-000 |                  | 1    | GLASS, COPYBOARD             | A SIZE                    |             |
| 20               | FL2-9840-000 |                  | 1    | GLASS, COPYBOARD             | A/INCH SIZE               |             |
| 20               | FL2-9841-000 |                  | 1    | GLASS, COPYBOARD             | AB/INCH SIZE              |             |
| 21               | FL2-9843-000 |                  | 1    | GLASS, READER                |                           |             |
| 22               | FL2-9845-000 |                  | 1    | LABEL, SERVICE               |                           |             |
| 23               | FK2-6919-000 |                  | 1    | MOTOR, STEPPING, DC          |                           |             |
| 24               | WG8-5776-000 |                  | 3    | PHOTOINTERRUPTER             |                           |             |
| 25               | FU6-8726-000 |                  | 1    | PLATE, LENGTH INDEX          | AB SIZE                   |             |
| 25               | FU6-8727-000 |                  | 1    | PLATE, LENGTH INDEX          | A SIZE                    |             |
| 25               | FU6-8728-000 |                  | 1    | PLATE, LENGTH INDEX          | A/INCH SIZE               |             |

| FIGURE & KEY NO. | PARTS NUMBER | R<br>A<br>N<br>K | Q'TY | DESCRIPTION                    | SERIAL NUMBER/<br>REMARKS | S<br>V<br>C |
|------------------|--------------|------------------|------|--------------------------------|---------------------------|-------------|
| 25               | FU6-8729-000 |                  | 1    | PLATE, LENGTH INDEX            | AB/INCH SIZE              |             |
| 26               | FC8-6176-000 |                  | 3    | PLATE, SCANNER GLASS RETAINING |                           |             |
| 27               | FC8-6170-000 |                  | 3    | PLATE, SHAFT RETAINING         |                           |             |
| 28               | FU6-8730-000 |                  | 1    | PLATE, WIDTH INDEX             | AB SIZE                   |             |
| 28               | FU6-8731-000 |                  | 1    | PLATE, WIDTH INDEX             | A SIZE                    |             |
| 28               | FU6-8732-000 |                  | 1    | PLATE, WIDTH INDEX             | A/INCH SIZE               |             |
| 28               | FU6-8733-000 |                  | 1    | PLATE, WIDTH INDEX             | AB/INCH SIZE              |             |
| 29               | FC8-6163-000 |                  | 4    | PULLEY                         |                           |             |
| 30               | FC8-6180-000 |                  | 1    | PULLEY                         |                           |             |
| 31               | FU5-3710-000 |                  | 1    | PULLEY, 24T/41T                |                           |             |
| 32               | FC8-6169-000 |                  | 2    | SHAFT, CARRIAGE DRIVE          |                           |             |
| 33               | FC8-6167-000 |                  | 1    | SHEET, CCD CABLE RETAINING     |                           |             |
| 34               | FC8-6202-000 |                  | 1    | SHEET, CCD CABLE RETAINING     |                           |             |
| 35               | FU7-2596-000 |                  | 1    | SPRING, TENSION                |                           |             |
| 36               | FU7-2597-000 |                  | 1    | SPRING, TENSION                |                           |             |
| 37               | FC8-6189-000 |                  | 1    | SPRING, TORSION                |                           |             |
| 38               | FU5-8854-000 |                  | 1    | LABEL, CLEANING POSITION       | JP                        |             |
| 38               | FU5-8853-000 |                  | 1    | LABEL, CLEANING POSITION       | EXCEPT JP,AU              |             |
| 39               | XF2-4668-040 |                  | 1    | BELT, TIMING                   |                           |             |
| 40               | XF2-4606-740 |                  | 1    | BELT, TIMING, COGGED           |                           |             |
| 41               | XA9-1415-000 |                  | AR   | SCREW, FLAT HEAD, M4           |                           |             |
| 42               | FC8-6196-000 |                  | 1    | COVER, READER, REAR            |                           |             |
| 43               | FC8-6197-000 |                  | 1    | COVER, READER, LEFT            |                           |             |
| 44               | FC8-6198-000 |                  | 1    | COVER, READER, RIGHT           |                           |             |
| 45               | FM3-7131-000 |                  | 1    | LED DRIVER PCB ASSEMBLY        |                           |             |
| 46               | FM3-7132-000 |                  | 1    | CABLE, LED DRIVER              |                           |             |
| 47               | WE8-5600-000 |                  | 1    | FERRITE CORE, RING TYPE        |                           |             |
| 48               | FU5-8203-000 |                  | 1    | LABEL, COPY INHIBITED          | Japanese                  |             |
| 48               | FU5-8204-000 |                  | 1    | LABEL, COPY INHIBITED          | US English                |             |
| 48               | FU5-8205-000 |                  | 1    | LABEL, COPY INHIBITED          | Canadian French           |             |
| 48               | FU5-8206-000 |                  | 1    | LABEL, COPY INHIBITED          | Portuguese                |             |
| 48               | FU5-8207-000 |                  | 1    | LABEL, COPY INHIBITED          | Spanish                   |             |

| FIGURE & KEY NO. | PARTS NUMBER | RANK | Q'TY | DESCRIPTION           | SERIAL NUMBER/REMARKS | SVC |
|------------------|--------------|------|------|-----------------------|-----------------------|-----|
| 48               | FU5-8208-000 |      | 1    | LABEL, COPY INHIBITED | UK English            |     |
| 48               | FU5-8209-000 |      | 1    | LABEL, COPY INHIBITED | French                |     |
| 48               | FU5-8210-000 |      | 1    | LABEL, COPY INHIBITED | German                |     |
| 48               | FU5-8211-000 |      | 1    | LABEL, COPY INHIBITED | Italian               |     |
| 49               | FC6-4513-000 |      | 6    | SEAL                  |                       |     |
| 501              | XB6-7300-606 |      | AR   | SCREW, TP, M3X6       |                       |     |
| 502              | XB1-1300-607 |      | 9    | SCREW, PH3X6 (S)      |                       |     |

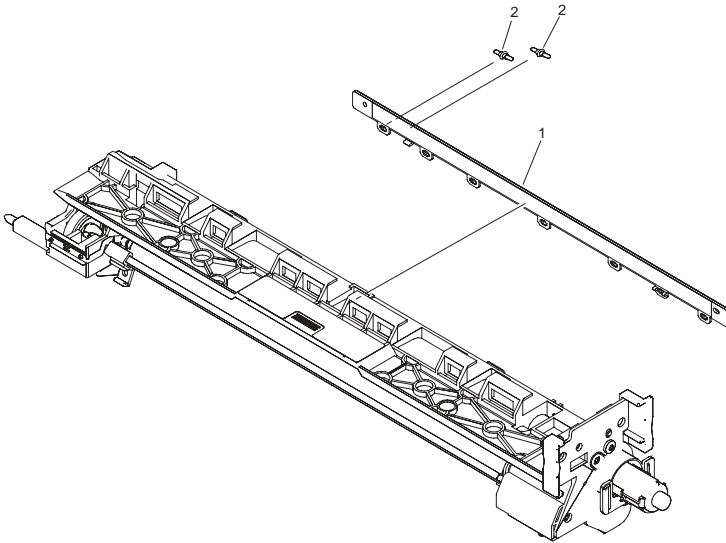
# FIGURE 460 LASER SCANNER ASSEMBLY



| FIGURE & KEY NO. | PARTS NUMBER | RANK | Q'TY | DESCRIPTION            | SERIAL NUMBER/REMARKS   | SVC |
|------------------|--------------|------|------|------------------------|-------------------------|-----|
| Fig.460          | FM3-5041-000 |      | 1    | LASER SCANNER ASSEMBLY | iR3245,3235,3230 Series |     |
| Fig.460          | FM3-5464-000 |      | 1    | LASER SCANNER ASSEMBLY | iR3225 Series           |     |

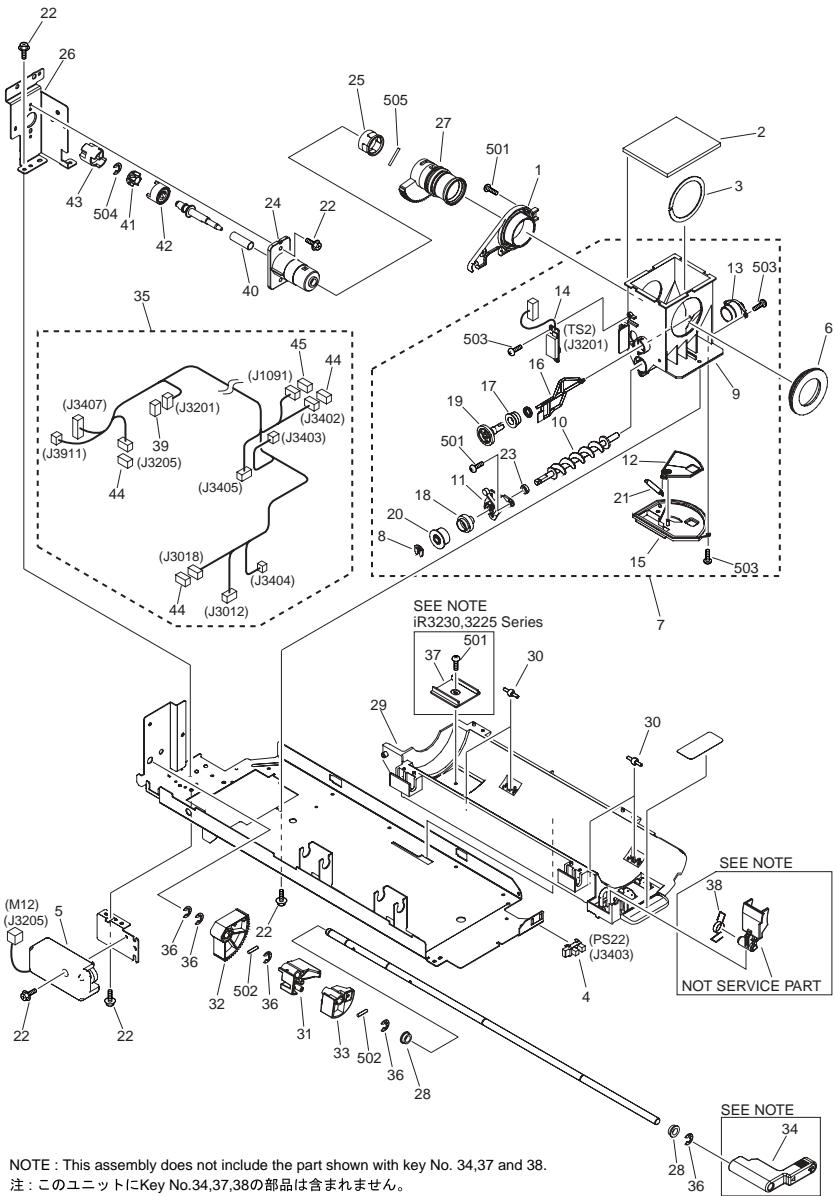


# FIGURE 500 DRUM CARTRIDGE ASSEMBLY



| FIGURE & KEY NO. | PARTS NUMBER | RANK | QTY | DESCRIPTION             | SERIAL NUMBER/REMARKS | SVC |
|------------------|--------------|------|-----|-------------------------|-----------------------|-----|
| Fig.500          | NPN          |      | RF  | DRUM CARTRIDGE ASSEMBLY |                       |     |
| 1                | FL2-0322-000 |      | 1   | MOUNT,ROWEL             |                       |     |
| 2                | FC7-2665-000 |      | 13  | ROWEL                   |                       |     |

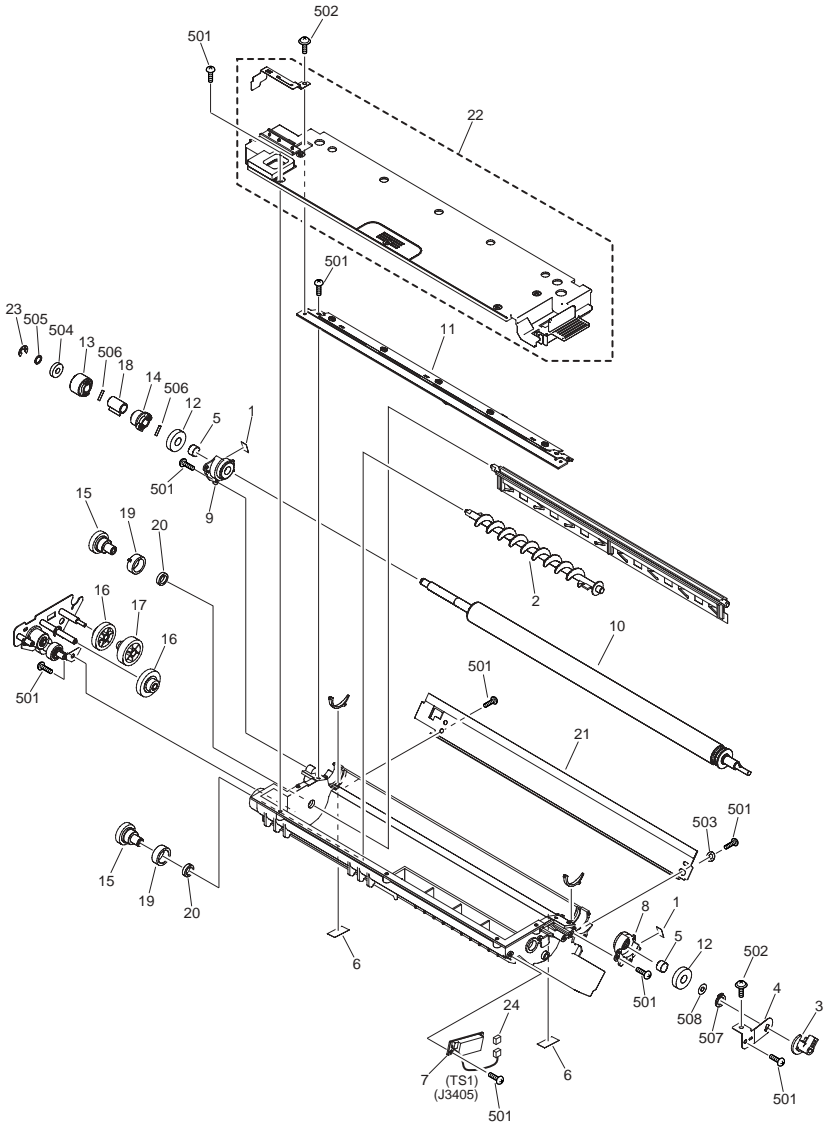
# FIGURE 621 HOPPER ASSEMBLY



| FIGURE & KEY NO. | PARTS NUMBER | R<br>A<br>N<br>K | Q'TY | DESCRIPTION                    | SERIAL NUMBER/<br>REMARKS | S<br>V<br>C |
|------------------|--------------|------------------|------|--------------------------------|---------------------------|-------------|
| Fig.621          | FM3-4396-000 |                  | 1    | HOPPER ASSEMBLY                |                           |             |
| 1                | FC5-1208-000 |                  | 1    | HOLDER, GUIDE                  |                           |             |
| 2                | FC5-1209-000 |                  | 1    | COVER, HOPPER                  |                           |             |
| 3                | FC5-1221-000 |                  | 1    | RING, SEAL                     |                           |             |
| 4                | FK2-0149-000 |                  | 1    | PHOTO-INTERRUPTER, TLP1252(C6) | PS22                      |             |
| 5                | FK2-0379-000 |                  | 1    | MOTOR, DC                      | M12                       |             |
| 6                | FL2-0309-000 |                  | 1    | BASE, SEAL                     |                           |             |
| 7                | FM2-0290-000 |                  | 1    | SUB HOPPER UNIT                |                           |             |
| 8                | FA3-8727-000 |                  | 1    | RETAINING RING                 |                           |             |
| 9                | FC5-1214-000 |                  | 1    | HOPPER, SUB                    |                           |             |
| 10               | FC5-1210-000 |                  | 1    | SCREW                          |                           |             |
| 11               | FC5-1211-000 |                  | 1    | FLANGE, SCREW                  |                           |             |
| 12               | FC5-1265-000 |                  | 1    | SHUTTER                        |                           |             |
| 13               | FC5-1274-000 |                  | 1    | CAP, SCREW                     |                           |             |
| 14               | FK2-0358-000 |                  | 1    | SENSOR, TONER                  | TS2                       |             |
| 15               | FL2-0307-000 |                  | 1    | MOUNT, SHUTTER                 |                           |             |
| 16               | FL2-0313-000 |                  | 1    | ROD, STIRRING                  |                           |             |
| 17               | FU5-1034-000 |                  | 1    | BUSHING                        |                           |             |
| 18               | FU5-0108-000 |                  | 1    | GEAR, 18T                      |                           |             |
| 19               | FU5-0109-000 |                  | 1    | GEAR, 22T                      |                           |             |
| 20               | FU5-0115-000 |                  | 1    | GEAR, 17T                      |                           |             |
| 21               | FU5-2089-000 |                  | 1    | SPRING                         |                           |             |
| 22               | XA9-1386-000 |                  | 9    | SCREW,RS,M3X8                  |                           |             |
| 23               | XG9-0111-000 |                  | 1    | SEAL, OIL                      |                           |             |
| 24               | FC8-1117-000 |                  | 1    | BUSHING                        |                           |             |
| 25               | FC8-1113-000 |                  | 1    | BUSHING                        |                           |             |
| 26               | FL2-0295-000 |                  | 1    | MOUNT, BUSHING                 |                           |             |
| 27               | FL2-8441-000 |                  | 1    | HOLDER, RELEASE                |                           |             |
| 28               | FA9-2112-000 |                  | 2    | BUSHING, PL                    |                           |             |
| 29               | FC8-1130-000 |                  | 1    | BASE, BOTTLE                   |                           |             |
| 30               | FC5-1269-000 |                  | 4    | ROLLER                         |                           |             |
| 31               | FC8-1144-000 |                  | 1    | CAM, BOTTLE SLIDE              |                           |             |

| FIGURE & KEY NO. | PARTS NUMBER | R A N K | Q'TY | DESCRIPTION               | SERIAL NUMBER/REMARKS       | S V C |
|------------------|--------------|---------|------|---------------------------|-----------------------------|-------|
| 32               | FC5-1217-000 |         | 1    | GEAR                      |                             |       |
| 33               | FC8-1140-000 |         | 1    | CAM, BOTTLE SLIDE         |                             |       |
| 34               | FC8-1126-000 |         | 1    | LEVER, SET                | SEE NOTE                    |       |
| 35               | FM3-5076-000 |         | 1    | CABLE, HOPPER             |                             |       |
| 36               | XD9-0137-010 |         | 5    | RING, E                   |                             |       |
| 37               | FC6-2899-000 |         | 1    | BASE, BOTTLE              | SEE NOTE iR3230,3225 Series |       |
| 38               | FU6-2012-000 |         | 1    | SPRING                    | SEE NOTE                    |       |
| 39               | VS1-7177-006 |         | 1    | CONNECTOR, SNAP TIGHT, BK |                             |       |
| 40               | FU7-2256-000 |         | 1    | SPRING, COMPRESSION       |                             |       |
| 41               | FC8-1110-000 |         | 1    | COUPLING, INNER           |                             |       |
| 42               | FC8-1111-000 |         | 1    | COUPLING, DRIVE           |                             |       |
| 43               | FC8-1112-000 |         | 1    | COUPLING, MOTOR           |                             |       |
| 44               | VS1-7177-002 |         | 3    | CONNECTOR, SNAP TIGHT, BK |                             |       |
| 45               | VS1-7177-003 |         | 1    | CONNECTOR, SNAP TIGHT, BK |                             |       |
| 501              | XB4-5300-607 |         | 6    | SCREW,P,M3X6              |                             |       |
| 502              | XD3-2300-142 |         | 2    | PIN, DOWEL                |                             |       |
| 503              | XB4-5300-807 |         | 6    | SCREW, P, M3X8            |                             |       |
| 504              | XD2-1100-502 |         | 1    | RETAINING RING (E-TYPE)   |                             |       |
| 505              | XD3-2200-162 |         | 1    | PIN, PARALLEL             |                             |       |

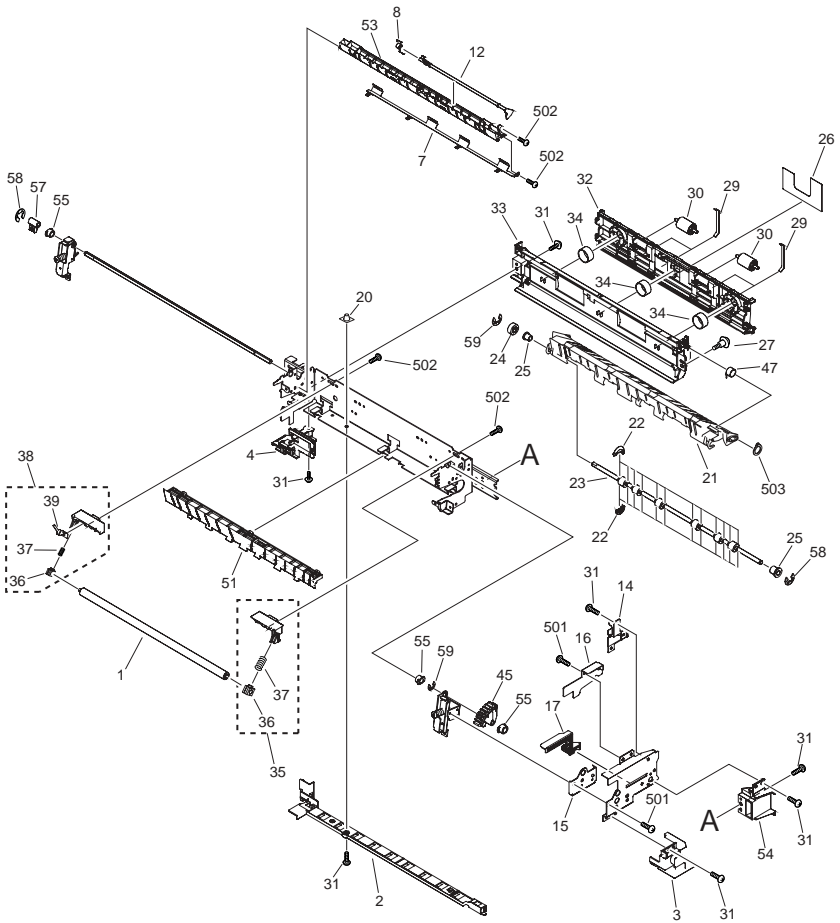
FIGURE 640  
DEVELOPING ASSEMBLY



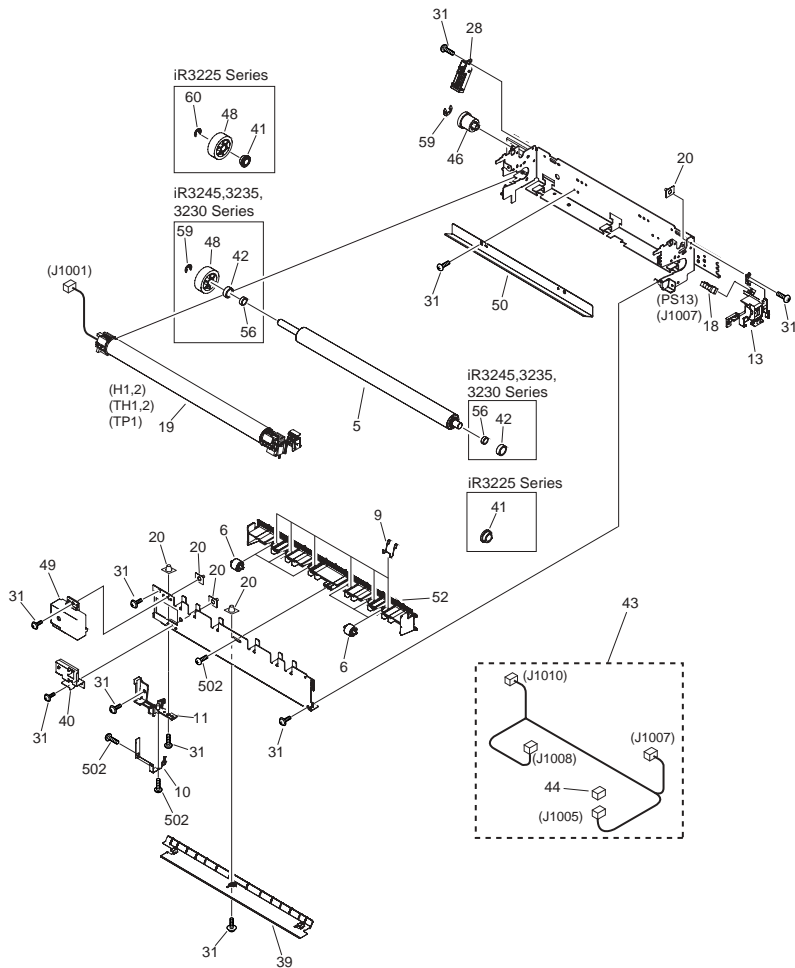
| FIGURE & KEY NO. | PARTS NUMBER | R<br>A<br>N<br>K | Q'TY | DESCRIPTION                | SERIAL NUMBER/<br>REMARKS | S<br>V<br>C |
|------------------|--------------|------------------|------|----------------------------|---------------------------|-------------|
| Fig.640          | FM2-0287-000 |                  | 1    | DEVELOPING ASSEMBLY        |                           |             |
| 1                | FC6-5050-000 |                  | 2    | SHEET                      |                           |             |
| 2                | FC5-1239-000 |                  | 1    | SCREW                      |                           |             |
| 3                | FC5-1246-000 |                  | 1    | GUIDE, SLEEVE, FRONT       |                           |             |
| 4                | FC5-1249-000 |                  | 1    | PLATE, ANGLE ADJUSTMENT    |                           |             |
| 5                | XG9-0491-000 |                  | 2    | BEARING, BALL, NSK P0 16MM |                           |             |
| 6                | FC6-2937-000 |                  | 2    | TAPE,PLATE END SEAL        |                           |             |
| 7                | FK2-0358-000 |                  | 1    | SENSOR, TONER              | TS1                       |             |
| 8                | FC5-1254-000 |                  | 1    | HOLDER, SLEEVE, FRONT      |                           |             |
| 9                | FC5-1247-000 |                  | 1    | HOLDER, SLEEVE, REAR       |                           |             |
| 10               | FL2-0290-000 |                  | 1    | DEVELOPING CYLINDER UNIT   |                           |             |
| 11               | FM2-0289-000 |                  | 1    | BLADE UNIT                 |                           |             |
| 12               | FS5-6448-000 |                  | 2    | ROLLER, 1                  |                           |             |
| 13               | FU5-0110-000 |                  | 1    | GEAR, 20T                  |                           |             |
| 14               | FU5-0111-000 |                  | 1    | GEAR, 16T                  |                           |             |
| 15               | FU5-0112-000 |                  | 2    | GEAR, 24T                  |                           |             |
| 16               | FU5-0113-000 |                  | 2    | GEAR, 31T/13T              |                           |             |
| 17               | FU5-0114-000 |                  | 1    | GEAR, 31T/13T              |                           |             |
| 18               | FU5-1026-000 |                  | 1    | BUSHING                    |                           |             |
| 19               | FU5-1031-000 |                  | 2    | BUSHING                    |                           |             |
| 20               | X71-9310-000 |                  | 2    | SEAL, OIL                  |                           |             |
| 21               | FL2-0304-020 |                  | 1    | GUIDE , UPPER TRANSFER     |                           |             |
| 22               | FL2-0320-000 |                  | 1    | COVER,TOP                  |                           |             |
| 23               | XD9-0136-000 |                  | 1    | RING, E                    |                           |             |
| 24               | VS1-7177-006 |                  | 1    | CONNECTOR, SNAP TIGHT, BK  |                           |             |
| 501              | XB4-5300-607 |                  | 17   | SCREW,P,M3X6               |                           |             |
| 502              | XB6-7300-607 |                  | 2    | SCREW, CROOSS-RECESS, FCH  |                           |             |
| 503              | XD1-1104-634 |                  | 1    | WASHER,COP                 |                           |             |
| 504              | XG9-0521-000 |                  | 1    | BEARING, BALL, MR126ZZ     |                           |             |
| 505              | XD1-1106-215 |                  | 1    | WASHER,COP                 |                           |             |
| 506              | XD3-2200-142 |                  | 2    | PIN, PARALLEL              |                           |             |
| 507              | XD2-2100-802 |                  | 1    | GRIP RING (D=8)            |                           |             |

| FIGURE<br>& KEY<br>NO. | PARTS<br>NUMBER | R<br>A<br>N<br>K | Q'TY | DESCRIPTION | SERIAL NUMBER/<br>REMARKS | S<br>V<br>C |
|------------------------|-----------------|------------------|------|-------------|---------------------------|-------------|
| 508                    | XD1-1108-215    |                  | 1    | WASHER,COP  |                           |             |

FIGURE 810  
FIXING ASSEMBLY





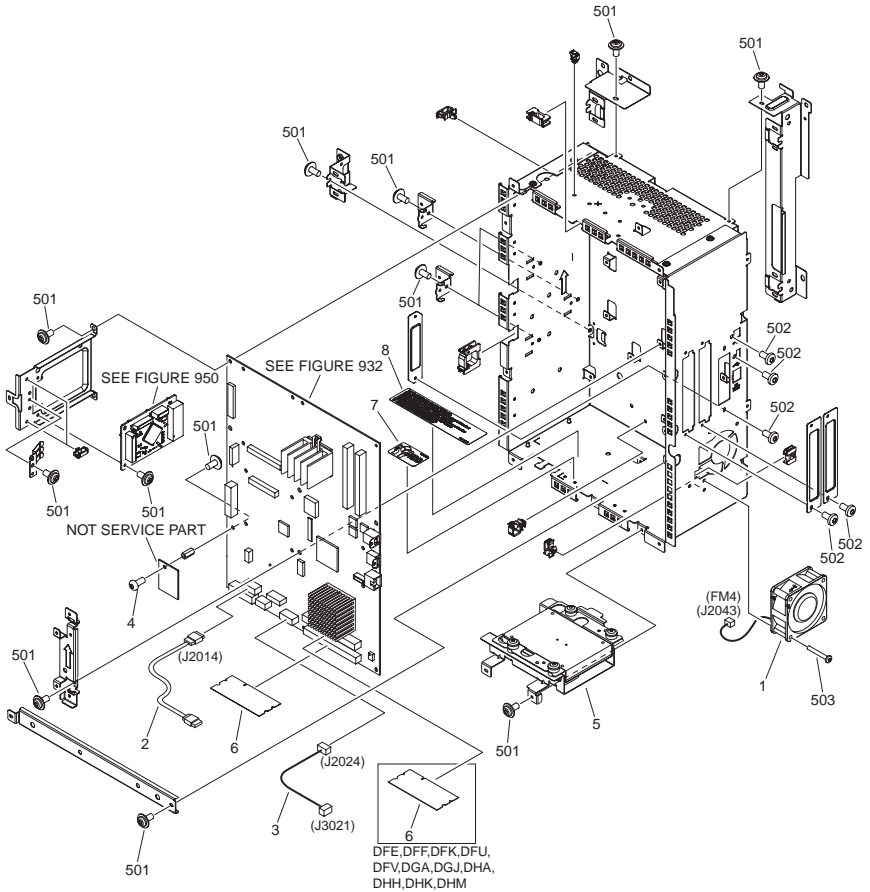


| FIGURE & KEY NO. | PARTS NUMBER | R A N K | Q'TY | DESCRIPTION                    | SERIAL NUMBER/ REMARKS                      | S V C |
|------------------|--------------|---------|------|--------------------------------|---|-------|
| Fig.810          | FM3-6165-000 |         | 1    | FIXING ASSEMBLY                | 100V iR3245,3235,3230 Series                |       |
| Fig.810          | FM3-7061-000 |         | 1    | FIXING ASSEMBLY                | 100V iR3225 Series                          |       |
| Fig.810          | FM3-7066-000 |         | 1    | FIXING ASSEMBLY                | 120V iR3245,3235,3230 Series                |       |
| Fig.810          | FM3-7063-000 |         | 1    | FIXING ASSEMBLY                | 120V iR3225 Series                          |       |
| Fig.810          | FM3-7067-000 |         | 1    | FIXING ASSEMBLY                | 230V iR3245,3235,3230 Series                |       |
| Fig.810          | FM3-7064-000 |         | 1    | FIXING ASSEMBLY                | 230V iR3225 Series                          |       |
| 1                | FB5-4931-000 |         | 1    | ROLLER, FIXING HEATSINK        |   |       |
| 2                | FC5-1131-000 |         | 1    | GUIDE, FIXING CABLE, LOWER     |   |       |
| 3                | FC6-2920-010 |         | 1    | COVER, AC CONNECTOR            |   |       |
| 4                | FC5-1351-000 |         | 1    | GUARD, FILM SENSOR             |   |       |
| 5                | FC7-0242-000 |         | 1    | ROLLER, PRESSURE               | iR3225 Series                               |       |
| 5                | FC5-7207-010 |         | 1    | ROLLER, PRESSURE               | iR3245,3235,3230 Series                     |       |
| 6                | FC5-1358-000 |         | 6    | COLLAR, FIXING DELIVERY        |   |       |
| 7                | FC5-1360-000 |         | 1    | ELIMINATOR, STATIC CHARGE      |   |       |
| 8                | FC5-1367-000 |         | 1    | SPRING,SENSOR LEVER            |   |       |
| 9                | FC5-1368-000 |         | 6    | SPRING                         |   |       |
| 10               | FC5-1383-000 |         | 1    | BRUSH, FILM BIAS               |   |       |
| 11               | FC5-1384-000 |         | 1    | GUIDE, FILM BIAS               |   |       |
| 12               | FC5-7160-000 |         | 1    | LEVER, SENSOR                  |   |       |
| 13               | FC5-1341-010 |         | 1    | GUIDE, FIXING CABLE, FRONT     |   |       |
| 14               | FC6-2924-000 |         | 1    | GUIDE, RELEASE                 |   |       |
| 15               | FC6-2925-000 |         | 1    | PLATE, PRESSURE ADJUST, SMALL  |   |       |
| 16               | FC6-2927-000 |         | 1    | PLATE, RACK AUXILIARY          |   |       |
| 17               | FC6-2929-000 |         | 1    | RACK, PRESSURE RELEASE         |   |       |
| 18               | FK2-0149-000 |         | 1    | PHOTO-INTERRUPTER, TLP1252(C6) | PS13  |       |
| 19               | FM3-6166-000 |         | 1    | FIXING FILM UNIT               | 100V iR3245,3235,3230 Series H1,2 TH1,2 TP1 |       |
| 19               | FM3-7062-000 |         | 1    | FIXING FILM UNIT               | 100V iR3225 Series H1,2 TH1,2 TP1           |       |
| 19               | FM3-7070-000 |         | 1    | FIXING FILM UNIT               | 120V iR3245,3235,3230 Series H1,2 TH1,2 TP1 |       |

| FIGURE & KEY NO. | PARTS NUMBER | RANK | Q'TY | DESCRIPTION                    | SERIAL NUMBER/REMARKS                       | SVC |
|------------------|--------------|------|------|--------------------------------|---|-----|
| 19               | FM3-7068-000 |      | 1    | FIXING FILM UNIT               | 120V iR3225 Series H1,2 TH1,2 TP1           |     |
| 19               | FM3-7071-000 |      | 1    | FIXING FILM UNIT               | 230V iR3245,3235,3230 Series H1,2 TH1,2 TP1 |     |
| 19               | FM3-7069-000 |      | 1    | FIXING FILM UNIT               | 230V iR3225 Series H1,2 TH1,2 TP1           |     |
| 20               | FC6-5085-000 |      | 6    | CAP,DUST                       |   |     |
| 21               | FC5-1356-000 |      | 1    | GUIDE, FIXING DELIVERY, LOWER  |   |     |
| 22               | FC6-2941-000 |      | 24   | ROLLER                         |   |     |
| 23               | FC6-2943-000 |      | 1    | ROLLER, FIXING DELIVERY        |   |     |
| 24               | FU6-0023-000 |      | 1    | GEAR, 15T                      |   |     |
| 25               | RS1-1087-000 |      | 2    | BUSHING                        |   |     |
| 26               | FC5-0655-000 |      | 1    | LABEL, HIGH TEMP. CAUTION      |   |     |
| 27               | FS1-9009-020 |      | 1    | SCREW,STEPPED,M3               |   |     |
| 28               | FM3-7060-000 |      | 1    | RESISTOR HOLDER MOUNTING UNIT  | iR3225 Series                               |     |
| 28               | FM2-1777-000 |      | 1    | RESISTOR HOLDER MOUNTING UNIT  | iR3245,3235,3230 Series                     |     |
| 29               | FC6-4015-000 |      | 4    | SPRING, LEAF                   |   |     |
| 30               | FC6-5055-000 |      | 2    | ROLLER, DUPLEXING              |   |     |
| 31               | XA9-0702-000 |      | 21   | SCREW, W/WASHER, M3X6          |   |     |
| 32               | FC5-0697-000 |      | 1    | GUIDE, DUPLEXING FEEDER, UPPER |   |     |
| 33               | FC5-7156-000 |      | 1    | MOUNT, DUPLEXING FEEDER        |   |     |
| 34               | FU5-2073-000 |      | 3    | SPRING, COMPRESSION            |   |     |
| 35               | FM2-0299-000 |      | 1    | CLEANING ROLLER MOUNT UNIT,F.  | iR3225 Series                               |     |
| 35               | FM2-1775-020 |      | 1    | CLEANING ROLLER MOUNT UNIT,F.  | iR3245,3235,3230 Series                     |     |
| 36               | FS5-1945-000 |      | 2    | BUSHING                        |   |     |
| 37               | FU5-2102-000 |      | 2    | SPRING                         |   |     |
| 38               | FM3-7059-000 |      | 1    | CLEANING ROLLER MOUNT UNIT,R.  | iR3225 Series                               |     |
| 38               | FM2-1776-040 |      | 1    | CLEANING ROLLER MOUNT UNIT,R.  | iR3245,3235,3230 Series                     |     |
| 39               | FC5-1340-000 |      | 1    | GUIDE, INLET                   |   |     |
| 40               | FM2-2769-000 |      | 1    | FIXING SPEED SENSOR PCB UNIT   |   |     |
| 41               | RS5-1446-000 |      | 2    | BUSHING                        | iR3225 Series                               |     |
| 42               | FC5-7182-000 |      | 2    | HOUSING,BEARING                | iR3245,3235,3230 Series                     |     |
| 43               | FM3-5058-000 |      | 1    | CABLE, FIXING                  |   |     |

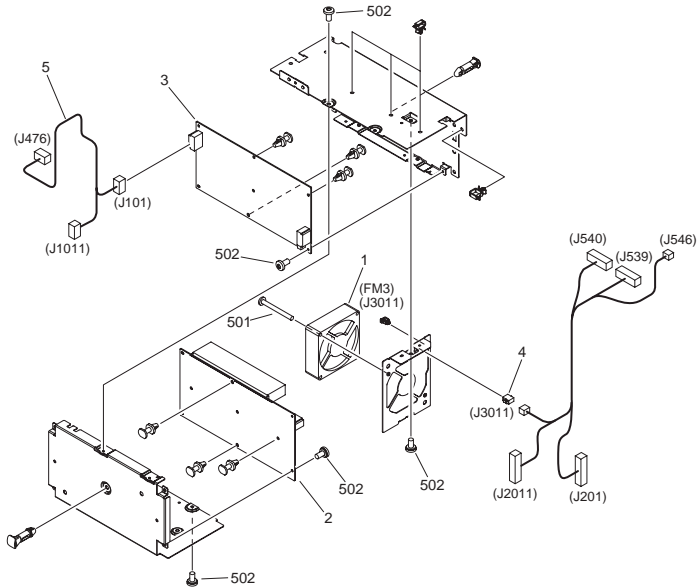
| FIGURE & KEY NO. | PARTS NUMBER | RANK | Q'TY | DESCRIPTION                    | SERIAL NUMBER/REMARKS   | SVC |
|------------------|--------------|------|------|--------------------------------|-------------------------|-----|
| 44               | VS1-7177-012 |      | 1    | CONNECTOR, SNAP TIGHT, BK      |                         |     |
| 45               | FC6-2928-000 |      | 1    | GEAR, 36T                      |                         |     |
| 46               | FU5-0129-000 |      | 1    | GEAR, 17T/19T                  | iR3225 Series           |     |
| 46               | FU6-0022-000 |      | 1    | GEAR, 15T/20T                  | iR3245,3235,3230 Series |     |
| 47               | FU6-2021-000 |      | 1    | SPRING, FIXING GUIDE, LOWER    |                         |     |
| 48               | FU5-0127-000 |      | 1    | GEAR, 27T                      | iR3225 Series           |     |
| 48               | FU6-0021-000 |      | 1    | GEAR, 27T                      | iR3245,3235,3230 Series |     |
| 49               | FC6-4627-000 |      | 1    | COVER, SENSOR                  |                         |     |
| 50               | FC5-1346-000 |      | 1    | ELIMINATOR, STATIC CHARGE      | iR3225 Series           |     |
| 50               | FC5-7228-000 |      | 1    | ELIMINATOR, STATIC CHARGE      | iR3245,3235,3230 Series |     |
| 51               | FC5-1348-000 |      | 1    | GUIDE, FIXING INLET            |                         |     |
| 52               | FC5-1353-000 |      | 1    | GUIDE, FIXING DELIVERY, UPPER  |                         |     |
| 53               | FC5-1382-000 |      | 1    | GUIDE, FIXING DELIVERY FIX, L. |                         |     |
| 54               | FC5-1343-000 |      | 1    | COVER, FIXING FRAME            |                         |     |
| 55               | FU5-1453-000 |      | 3    | BUSHING                        |                         |     |
| 56               | XG9-0387-000 |      | 2    | BEARING, BALL, L-1680HH LY13   | iR3245,3235,3230 Series |     |
| 57               | FC5-1345-000 |      | 1    | LEVER, PRESSURE                |                         |     |
| 58               | XD9-0134-000 |      | 2    | RING, E                        |                         |     |
| 59               | XD9-0136-000 |      | 4    | RING, E                        |                         |     |
| 60               | XD9-0137-010 |      | 1    | RING, E                        | iR3225 Series           |     |
| 501              | XB1-2300-409 |      | 6    | SCREW, MACHINE M3X4            |                         |     |
| 502              | XB4-5300-607 |      | 5    | SCREW, P, M3X6                 |                         |     |
| 503              | XD2-2100-602 |      | 1    | GRIP RING (D=6)                |                         |     |

# FIGURE 900 CONTROLLER BOX ASSEMBLY



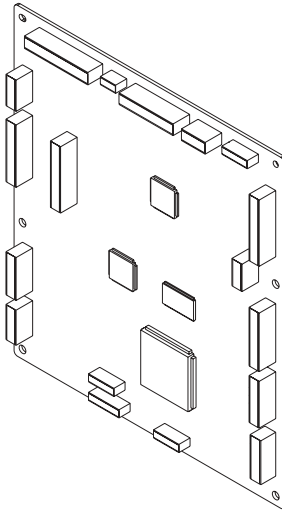
| FIGURE & KEY NO. | PARTS NUMBER | RANK | Q'TY | DESCRIPTION                   | SERIAL NUMBER/REMARKS | SVC |
|------------------|--------------|------|------|-------------------------------|-----------------------|-----|
| Fig.900          | NPN          |      | RF   | CONTROLLER BOX ASSEMBLY       |                       |     |
| 1                | FK2-6691-000 |      | 1    | FAN                           | FM4                   |     |
| 2                | FK2-6693-000 |      | 1    | CABLE, HDD INTERFACE          |                       |     |
| 3                | FK2-6698-000 |      | 1    | CABLE, HDD POWER SUPPLY       |                       |     |
| 4                | XA9-0465-000 |      | 1    | SCREW, WWASHER, M3X4          |                       |     |
| 5                | FM3-4403-000 |      | 1    | HARD DISC DRIVE UNIT          | JP                    |     |
| 5                | FM3-5634-000 |      | 1    | HARD DISC DRIVE UNIT          | EXCEPT JP             |     |
| 6                | WA7-5211-000 |      | 2    | DIMM, D2X533BWS512EBA6, 512MB |                       |     |
| 7                | FS7-8107-000 |      | 1    | LABEL, HD WARNING             |                       |     |
| 8                | FS7-8143-020 |      | 1    | LABEL,COUNTER                 |                       |     |
| 501              | XB6-7300-607 |      | AR   | SCREW, CROSS-RECESS, FCH      |                       |     |
| 502              | XB1-2300-607 |      | 8    | SCREW, BH3X6                  |                       |     |
| 503              | XB1-2403-006 |      | 2    | SCREW, BINDING HEAD MACHINE,  |                       |     |

# FIGURE 910 MAIN POWER SUPPLY PCB ASSEMBLY



| FIGURE & KEY NO. | PARTS NUMBER | RANK | QTY | DESCRIPTION                    | SERIAL NUMBER/REMARKS | SVC |
|------------------|--------------|------|-----|--------------------------------|-----------------------|-----|
| Fig.910          | FM3-6145-000 |      | 1   | MAIN POWER SUPPLY PCB ASSEMBLY |                       |     |
| 1                | FK2-0360-000 |      | 1   | FAN                            | FM3                   |     |
| 2                | FK2-6317-000 |      | 1   | 24V POWER SUPPLY PCB ASSEMBLY  |                       |     |
| 3                | FK2-6319-000 |      | 1   | 12V POWER SUPPLY PCB ASSEMBLY  |                       |     |
| 4                | VS1-7177-003 |      | 1   | CONNECTOR, SNAP TIGHT, BK      |                       |     |
| 5                | FM3-5057-000 |      | 1   | CABLE, AC POWER SUPPLY         |                       |     |
| 501              | XB1-2403-007 |      | 2   | SCREW, BH 4X30 (S)             |                       |     |
| 502              | XB6-7300-607 |      | 14  | SCREW, CROSS-RECESS, FCH       |                       |     |

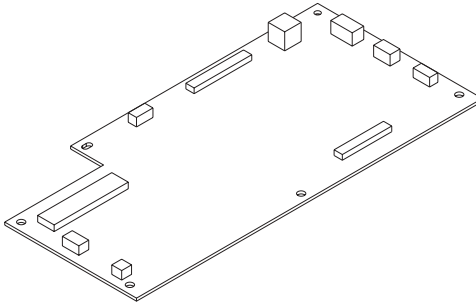
# FIGURE 930 DC CONTROLLER PCB ASSEMBLY



| FIGURE & KEY NO. | PARTS NUMBER | RANK | Q'TY | DESCRIPTION                    | SERIAL NUMBER/REMARKS   | S<br>V<br>C |
|------------------|--------------|------|------|--------------------------------|-------------------------|-------------|
| Fig.930          | FM3-5051-000 |      | 1    | DC CONTROLLER PCB ASSEMBLY     | iR3245,3235,3230 Series |             |
| Fig.930          | FM3-5052-000 |      | 1    | DC CONTROLLER PCB ASSEMBLY     | iR3225 Series           |             |
| IC23             | FK2-1773-000 |      | 1    | IC,TC200GO2EFG-1031,GATE ARRAY |                         |             |
| IC3              | FK2-6450-000 |      | 1    | IC, FSA0AC211AA                |                         |             |
| IC17             | FK2-6321-000 |      | 1    | IC, R5F61638N50FPV-FK26321,MCU |                         |             |

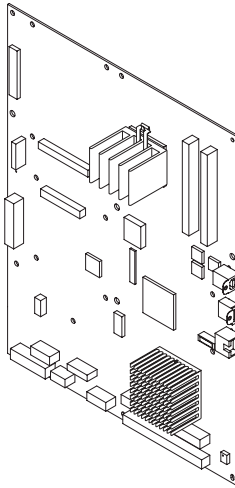


# FIGURE 931 READER CONTROLLER PCB ASSEMBLY



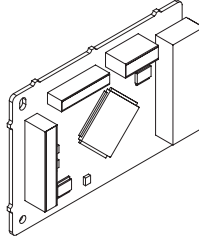
| FIGURE & KEY NO. | PARTS NUMBER | RANK | QTY | DESCRIPTION                    | SERIAL NUMBER/REMARKS | SVC |
|------------------|--------------|------|-----|--------------------------------|-----------------------|-----|
| Fig.931          | FM3-6954-000 |      | 1   | READER CONTROLLER PCB ASSEMBLY |                       |     |
| IC5              | FK2-0349-000 |      | 1   | IC,MB87M4430,ASIC              |                       |     |
| IC6              | FK2-6609-000 |      | 1   | IC, MB87M8290PMC1-G-BNDE1      |                       |     |

# FIGURE 932 MAIN CONTROLLER PCB ASSEMBLY



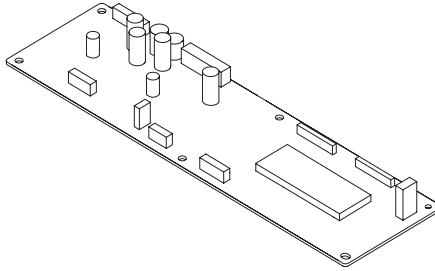
| FIGURE & KEY NO. | PARTS NUMBER | RANK | QTY | DESCRIPTION                  | SERIAL NUMBER/REMARKS | SVC |
|------------------|--------------|------|-----|------------------------------|-----------------------|-----|
| Fig.932          | FM4-1245-000 |      | 1   | MAIN CONTROLLER PCB ASSEMBLY | iR3225 Series (25ppm) |     |
| Fig.932          | FM4-1246-000 |      | 1   | MAIN CONTROLLER PCB ASSEMBLY | iR3230 Series (30ppm) |     |
| Fig.932          | FM4-1247-000 |      | 1   | MAIN CONTROLLER PCB ASSEMBLY | iR3235 Series (40ppm) |     |
| Fig.932          | FM4-1248-000 |      | 1   | MAIN CONTROLLER PCB ASSEMBLY | iR3245 Series (45ppm) |     |
| IC15             | FK2-4903-000 |      | 1   | IC, MB87S4030, ASIC, FUJITSU |                       |     |
| IC45             | FK2-5758-000 |      | 1   | IC, UPD 808000F1-641-RN4-A   |                       |     |
| IC51             | FK2-6692-000 |      | 1   | IC, LE80578EG800C            |                       |     |

# FIGURE 950 IMAGE PCB ASSEMBLY



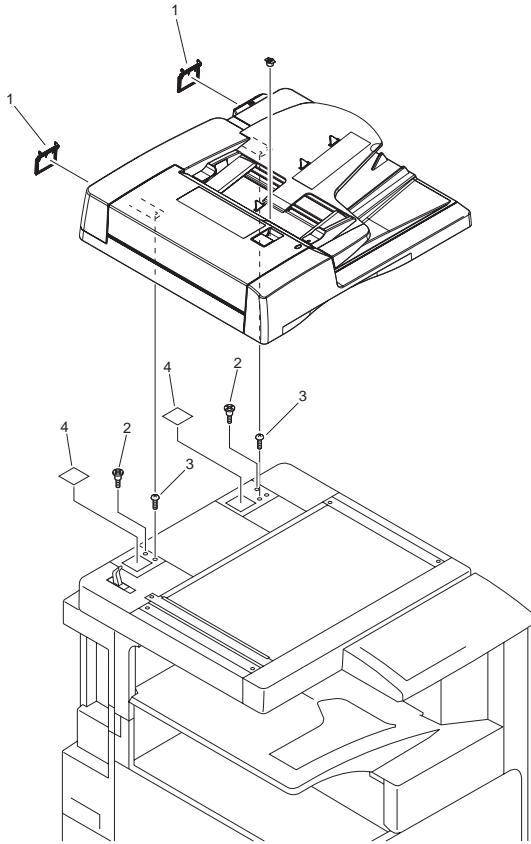
| FIGURE & KEY NO. | PARTS NUMBER | RANK | QTY | DESCRIPTION        | SERIAL NUMBER/REMARKS | SVC |
|------------------|--------------|------|-----|--------------------|-----------------------|-----|
| Fig.950          | FM3-7395-000 |      | 1   | IMAGE PCB ASSEMBLY |                       |     |
| IC3              | FK2-5788-000 |      | 1   | IC, T6TH5EFG-00001 |                       |     |

# FIGURE 994 RELAY DELIVERY CONT. PCB ASS'Y



| FIGURE & KEY NO. | PARTS NUMBER | RANK | QTY | DESCRIPTION                    | SERIAL NUMBER/REMARKS | SVC |
|------------------|--------------|------|-----|--------------------------------|-----------------------|-----|
| Fig.994          | FM3-1319-000 |      | 1   | DELIVERY CONTROLLER PCB ASS'Y  |                       |     |
| IC10             | FH4-6204-000 |      | 1   | IC, S1L50993F22H000,GATE-ARRAY |                       |     |

FIGURE A01  
DADF MOUNTING HARDWARE (ADF model)



| FIGURE & KEY NO. | PARTS NUMBER | RANK | Q'TY | DESCRIPTION            | SERIAL NUMBER/REMARKS | SVC |
|------------------|--------------|------|------|------------------------|-----------------------|-----|
| Fig.A01          | NPN          |      | RF   | DADF MOUNTING HARDWARE | ADF model             |     |
| 1                | FC8-6312-000 |      | 2    | COVER, HINGE BLANKING  |                       |     |
| 2                | FU5-9139-000 |      | 2    | SCREW, STEPPED, M5X6   |                       |     |
| 3                | FU5-9140-000 |      | 2    | SCREW, STEPPED, M4X10  |                       |     |
| 4                | FC5-4427-000 |      | 2    | SHEET, BLANKING        |                       |     |



| FIGURE & KEY NO. | PARTS NUMBER | R<br>A<br>N<br>K | Q'TY | DESCRIPTION                 | SERIAL NUMBER/<br>REMARKS | S<br>V<br>C |
|------------------|--------------|------------------|------|-----------------------------|---------------------------|-------------|
| Fig.A10          | NPN          |                  | RF   | INTERNAL COMPONENTS         | ADF model                 |             |
| 1                | WT2-0255-000 |                  | 1    | WIRE CLAMP                  |                           |             |
| 2                | FC5-4399-000 |                  | 1    | LABEL, HINGE CAUTION        |                           |             |
| 3                | FC5-4400-000 |                  | 1    | LABEL, HINGE CAUTION        |                           |             |
| 4                | FC8-6311-000 |                  | 1    | COVER, STAMP                |                           |             |
| 5                | FC8-6330-000 |                  | 1    | LEVER, READ 1 ESTRANGEMENT  |                           |             |
| 6                | FC8-6387-000 |                  | 1    | HOLDER, TRAY SUPPORT        |                           |             |
| 7                | FC8-6388-000 |                  | 1    | HOLDER, FEEDER SHAFT        |                           |             |
| 8                | FC8-6405-000 |                  | 1    | SHEET, READ 2 LEAD          |                           |             |
| 9                | FC8-6420-000 |                  | 1    | HINGE, LEFT                 |                           |             |
| 10               | FK2-0216-000 |                  | 1    | SOLENOID                    | SL1,J85                   |             |
| 11               | FK2-6872-000 |                  | 1    | FAN                         | FM1,J8                    |             |
| 12               | FL2-9945-000 |                  | 1    | COVER, COPYBOARD            |                           |             |
| 13               | FL2-9946-000 |                  | 1    | COVER, FRONT                |                           |             |
| 14               | FL2-9947-000 |                  | 1    | COVER, REAR                 |                           |             |
| 15               | FU5-1173-000 |                  | 1    | BUSHING                     |                           |             |
| 16               | FU7-2651-000 |                  | 1    | SPRING, TENSION             |                           |             |
| 17               | FM3-6929-000 |                  | 1    | CABLE, I/F                  | J9,J11                    |             |
| 18               | FU6-8746-000 |                  | 1    | LABEL, DOCUMENT SIZE        | A/B SIZE                  |             |
| 18               | FU6-8747-000 |                  | 1    | LABEL, DOCUMENT SIZE        | A SIZE                    |             |
| 18               | FU6-8748-000 |                  | 1    | LABEL, DOCUMENT SIZE        | A/INCH SIZE               |             |
| 18               | FU6-8749-000 |                  | 1    | LABEL, DOCUMENT SIZE        | AB/INCH/K SIZE            |             |
| 19               | FU6-8744-000 |                  | 1    | LABEL, PROHIBITION DOCUMENT | EUR                       |             |
| 19               | FU6-8745-000 |                  | 1    | LABEL, PROHIBITION DOCUMENT | EXCEPT EUR                |             |
| 20               | XA9-0732-000 |                  | 6    | SCREW,RS,M4                 |                           |             |
| 21               | FM3-6935-000 |                  | 1    | CABLE, BASE                 | J5,J84,J111,J114          |             |
| 22               | VS1-7177-002 |                  | 1    | CONNECTOR, SNAP TIGHT, BK   |                           |             |
| 23               | FM3-6936-000 |                  | 1    | CABLE, REG. MOTOR           | J14,J88                   |             |
| 24               | VS1-7177-004 |                  | 1    | CONNECTOR, SNAP TIGHT, BK   |                           |             |
| 25               | FC5-4396-000 |                  | 1    | LABEL, HINGE CAUTION        | JP                        |             |
| 25               | FC5-4397-000 |                  | 1    | LABEL, HINGE CAUTION        | EXCEPT JP                 |             |
| 501              | XB1-2401-406 |                  | 1    | BINDING HEAD MACHINE SCREW  |                           |             |

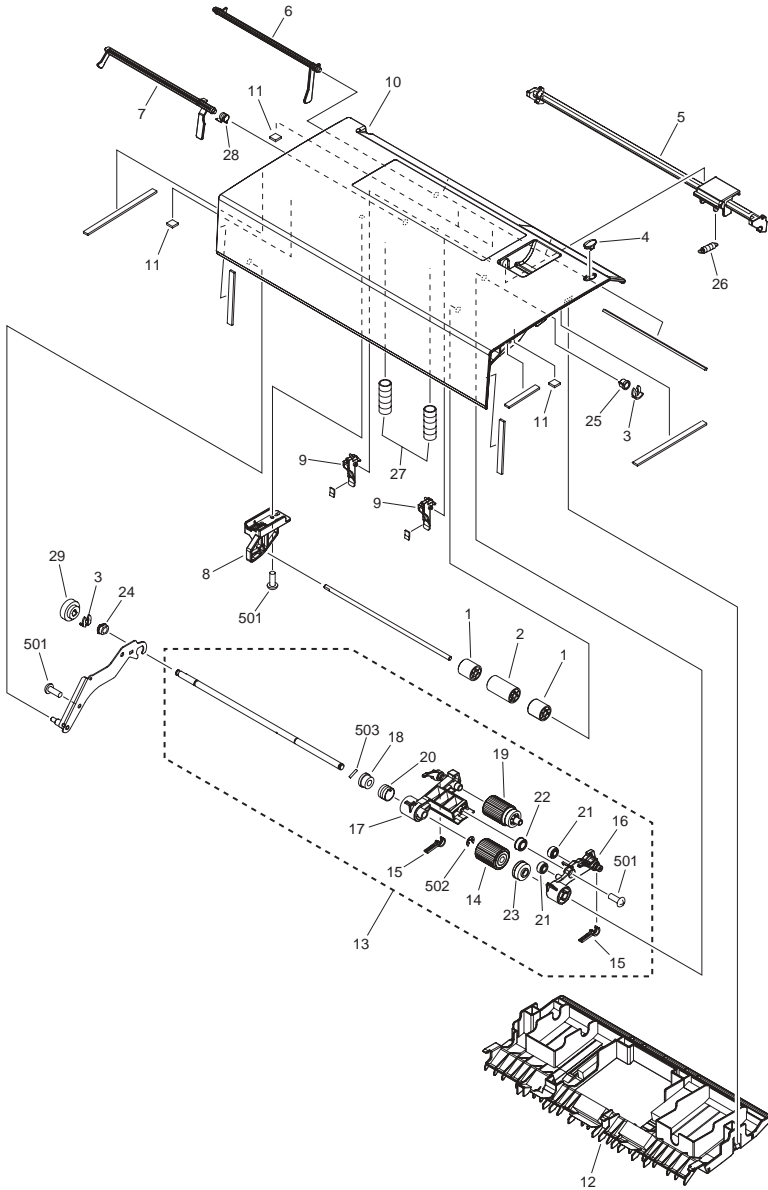


| FIGURE & KEY NO. | PARTS NUMBER | RANK | Q'TY | DESCRIPTION                 | SERIAL NUMBER/REMARKS | SVC |
|------------------|--------------|------|------|-----------------------------|-----------------------|-----|
| 502              | XB7-2300-405 |      | 1    | NUT,S                       |                       |     |
| 503              | XD2-1100-402 |      | 3    | RETAINING RING (E-TYPE)     |                       |     |
| 504              | XB1-2400-609 |      | 1    | SCREW,NACH.,TRUSS HEAD,M4X6 |                       |     |
| 506              | XB4-5301-005 |      | 2    | SCREW,P,M3X10               |                       |     |
| 507              | XB4-5401-205 |      | 25   | SCREW,P,M4X12               |                       |     |



| FIGURE & KEY NO. | PARTS NUMBER | R<br>A<br>N<br>K | Q'TY | DESCRIPTION                | SERIAL NUMBER/<br>REMARKS | S<br>V<br>C |
|------------------|--------------|------------------|------|----------------------------|---------------------------|-------------|
| Fig.A11          | NPN          |                  | RF   | BASE ASSEMBLY              | ADF model                 |             |
| 1                | FC5-4285-030 |                  | 2    | SHAFT, PAPER FEED ROLLER   |                           |             |
| 2                | FC5-4286-000 |                  | 1    | ROLLER, PAPER FEED, 1      |                           |             |
| 3                | FC5-4287-000 |                  | 2    | ROLLER, PAPER FEED, 2      |                           |             |
| 4                | FC5-4425-000 |                  | 6    | CLIP                       |                           |             |
| 5                | FC6-8973-000 |                  | 2    | ROLLER, PLATEN             |                           |             |
| 6                | FC8-6319-000 |                  | 1    | HOLDER, SOLENOID           |                           |             |
| 7                | FC8-6322-000 |                  | 2    | SPRING, LEAF               |                           |             |
| 8                | FC8-6404-000 |                  | 2    | ROLLER, READ 2 PINCH       |                           |             |
| 9                | FC8-6402-000 |                  | 2    | DAMPER, SENSOR LEVER       |                           |             |
| 10               | FC8-6422-000 |                  | 2    | SHEET, PAPER FEED          |                           |             |
| 11               | FC8-6423-000 |                  | 2    | SHEET, PAPER FEED          |                           |             |
| 12               | FL2-9933-000 |                  | 2    | HOLDER, ROLLER, SMALL      |                           |             |
| 13               | FL2-9934-000 |                  | 1    | HOLDER, ROLLER, LARGE      |                           |             |
| 14               | FL2-9935-000 |                  | 1    | COVER, BASE, LOWER         |                           |             |
| 15               | FC8-6331-000 |                  | 2    | LEVER, READ 1 PRESSURE     |                           |             |
| 16               | FC8-6332-000 |                  | 2    | COLLAR, READ 1 PRESSURE    |                           |             |
| 17               | FU7-2653-000 |                  | 2    | SPRING, TORSION            |                           |             |
| 18               | WT2-5694-000 |                  | 1    | CLIP CLAMP, WIRE           |                           |             |
| 19               | FC8-6316-000 |                  | 2    | ROLLER, DELIVERY           |                           |             |
| 20               | FC8-6317-000 |                  | 2    | HOLDER, DELIVERY ROLLER    |                           |             |
| 21               | FC8-6318-000 |                  | 1    | CAM, DELIVERY ESTRANGEMENT |                           |             |
| 22               | FC8-6419-000 |                  | 2    | DAMPER, DELIVERY           |                           |             |
| 23               | FU5-1168-000 |                  | 5    | BUSHING                    |                           |             |
| 24               | FU7-2652-000 |                  | 2    | SPRING, TENSION            |                           |             |
| 501              | XD2-1100-402 |                  | 2    | RETAINING RING (E-TYPE)    |                           |             |
| 502              | XD3-2200-122 |                  | 5    | PIN, DOWEL                 |                           |             |
| 503              | XB4-5301-005 |                  | 2    | SCREW,P,M3X10              |                           |             |
| 504              | XB4-5401-205 |                  | 2    | SCREW,P,M4X12              |                           |             |

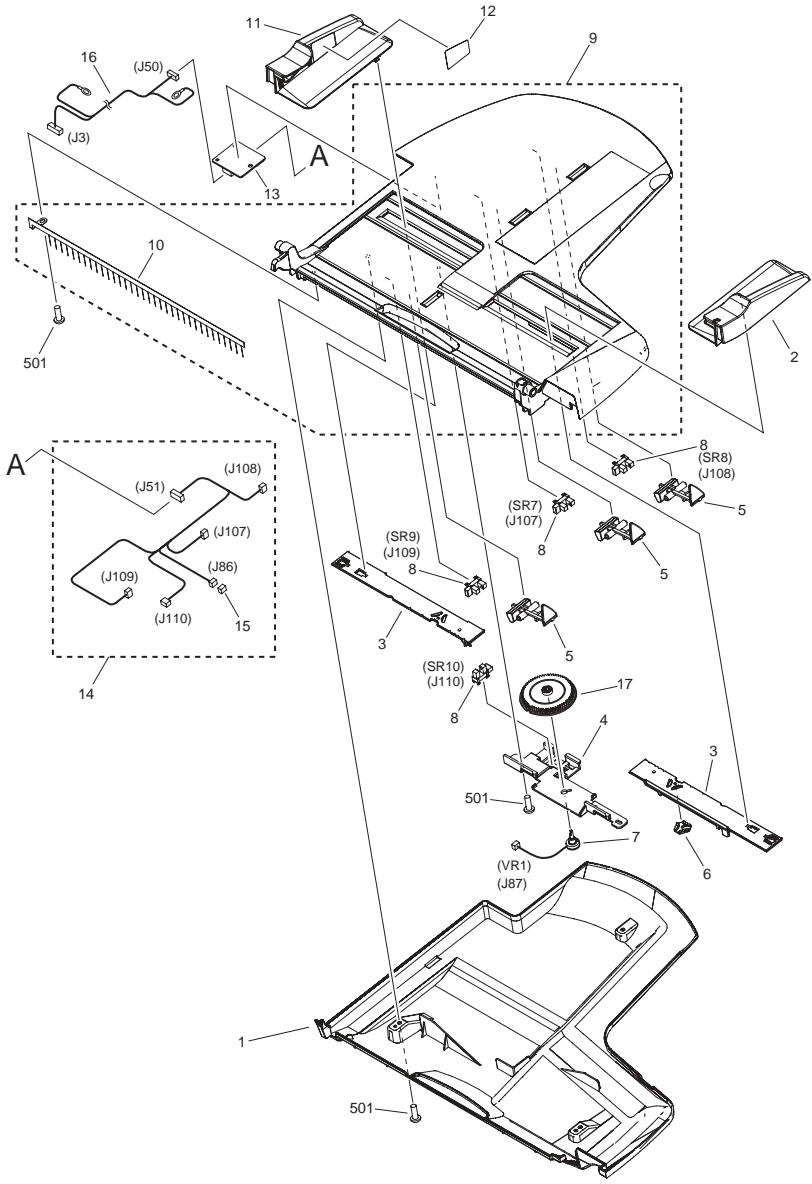
FIGURE A12  
PAPER PICK-UP COVER ASSEMBLY (ADF model)



| FIGURE & KEY NO. | PARTS NUMBER | R<br>A<br>N<br>K | Q'TY | DESCRIPTION                  | SERIAL NUMBER/<br>REMARKS | S<br>V<br>C |
|------------------|--------------|------------------|------|------------------------------|---------------------------|-------------|
| Fig.A12          | FM3-6891-000 |                  | 1    | PAPER PICK-UP COVER ASSEMBLY | ADF model                 |             |
| 1                | FC5-4323-000 |                  | 2    | ROLLER, REGISTRATION, 1      |                           |             |
| 2                | FC5-4324-000 |                  | 1    | ROLLER, REGISTRATION, 2      |                           |             |
| 3                | FC5-4425-000 |                  | 2    | CLIP                         |                           |             |
| 4                | FC8-6345-000 |                  | 1    | CASE, LED                    |                           |             |
| 5                | FC8-6346-000 |                  | 1    | KNOB, PAPER PICK-UP COVER    |                           |             |
| 6                | FC8-6347-000 |                  | 1    | LEVER, EMPTY SENSOR          |                           |             |
| 7                | FC8-6348-000 |                  | 1    | LEVER, TIMING SENSOR         |                           |             |
| 8                | FC8-6349-000 |                  | 1    | HOLDER, REG. ROLLER SHAFT    |                           |             |
| 9                | FC8-6350-000 |                  | 2    | SHUTTER                      |                           |             |
| 10               | FL2-9938-000 |                  | 1    | COVER, PAPER PICK-UP         |                           |             |
| 11               | FC8-6403-000 |                  | 4    | DAMPER, REV. GUIDE RETAINING |                           |             |
| 12               | FL2-9940-000 |                  | 1    | GUIDE, PAPER PICK-UP, LOWER  |                           |             |
| 13               | FM3-6892-000 |                  | 1    | PAPER PICK-UP ROLLER UNIT    |                           |             |
| 14               | FC6-2784-000 |                  | 1    | ROLLER, PAPER SEPARATION     |                           |             |
| 15               | FC6-8971-000 |                  | 2    | LEVER, STOP                  |                           |             |
| 16               | FC8-6351-000 |                  | 1    | ARM, PICK, FRONT             |                           |             |
| 17               | FC8-6352-000 |                  | 1    | ARM, PICK, REAR              |                           |             |
| 18               | FC8-6353-000 |                  | 1    | JOINT                        |                           |             |
| 19               | FC8-6355-000 |                  | 1    | ROLLER, PICK-UP              |                           |             |
| 20               | FC8-6410-000 |                  | 1    | SPRING, TORSION              |                           |             |
| 21               | FU8-0299-000 |                  | 2    | GEAR, 20T                    |                           |             |
| 22               | FU8-0300-000 |                  | 1    | GEAR, 22T                    |                           |             |
| 23               | FU8-0301-000 |                  | 1    | GEAR, 33T                    |                           |             |
| 24               | FU5-1172-000 |                  | 1    | BUSHING                      |                           |             |
| 25               | FU5-1626-000 |                  | 1    | BUSHING                      |                           |             |
| 26               | FU7-2654-000 |                  | 1    | SPRING, TENSION              |                           |             |
| 27               | FU7-2655-000 |                  | 2    | SPRING, COMPRESSION          |                           |             |
| 28               | FU7-2656-000 |                  | 1    | SPRING, TORSION              |                           |             |
| 29               | FU8-0302-000 |                  | 1    | GEAR, 24T                    |                           |             |
| 501              | XB4-5301-005 |                  | 4    | SCREW,P,M3X10                |                           |             |
| 502              | XD2-1100-402 |                  | 1    | RETAINING RING (E-TYPE)      |                           |             |

| FIGURE<br>& KEY<br>NO. | PARTS<br>NUMBER | R<br>A<br>N<br>K | Q'TY | DESCRIPTION   | SERIAL NUMBER/<br>REMARKS | S<br>V<br>C |
|------------------------|-----------------|------------------|------|---------------|---------------------------|-------------|
| 503                    | XD3-2200-102    |                  | 1    | PIN, PARALLEL |                           |             |

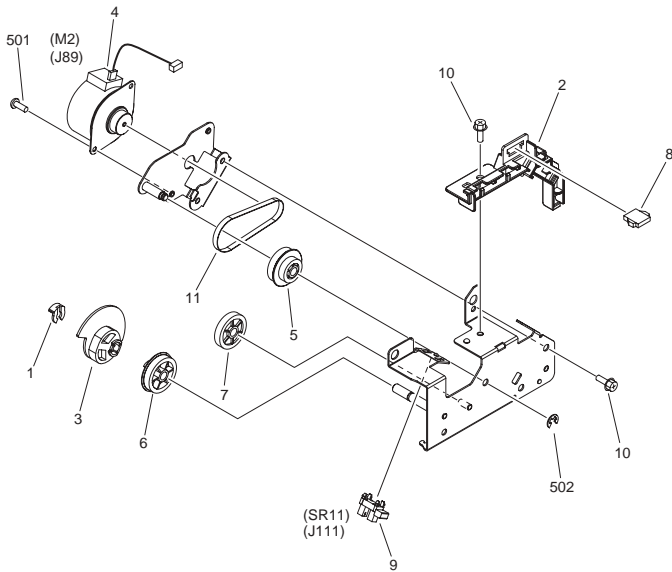
# FIGURE A13 DOCUMENT TRAY ASSEMBLY (ADF model)



| FIGURE & KEY NO. | PARTS NUMBER | R<br>A<br>N<br>K | Q'TY | DESCRIPTION                  | SERIAL NUMBER/<br>REMARKS               | S<br>V<br>C |
|------------------|--------------|------------------|------|------------------------------|---|-------------|
| Fig.A13          | FM3-6890-000 |                  | 1    | DOCUMENT TRAY ASSEMBLY       | ADF model                               |             |
| 1                | FL2-9941-000 |                  | 1    | COVER, TRAY, LOWER           |   |             |
| 2                | FC8-6335-000 |                  | 1    | GUIDE, TRAY, FRONT           |   |             |
| 3                | FC8-6337-000 |                  | 2    | RACK, TRAY                   |   |             |
| 4                | FC8-6338-000 |                  | 1    | HOLDER, TRAY VOLUME          |   |             |
| 5                | FC8-6339-000 |                  | 3    | LEVER, TRAY SENSOR           |   |             |
| 6                | FC8-6340-000 |                  | 1    | RACK, TRAY                   |   |             |
| 7                | FG3-3757-000 |                  | 1    | VARIABLE RESISTOR UNIT       | VR1,J87                                 |             |
| 8                | WG8-5696-000 |                  | 4    | PHOTO INTERRUPTER, TLP1243   | SR7,J107 SR8,J108<br>SR9,J109 SR10,J110 |             |
| 9                | FL2-9943-000 |                  | 1    | TRAY, DOCUMENT               |   |             |
| 10               | FC8-6341-000 |                  | 1    | ELIMINATOR, STATIC CHARGE    |   |             |
| 11               | FC8-6336-000 |                  | 1    | GUIDE, TRAY, REAR            |   |             |
| 12               | FU6-8741-000 |                  | 1    | LABEL, DOCUMENT MAXIMUM LOAD |   |             |
| 13               | FM3-6915-000 |                  | 1    | CONNECTING PCB               |   |             |
| 14               | FM3-6932-000 |                  | 1    | CABLE, TRAY SENSOR           | J107,J108,J109,J110                     |             |
| 15               | VS1-7177-003 |                  | 1    | CONNECTOR, SNAP TIGHT, BK    |   |             |
| 16               | FM3-6933-000 |                  | 1    | CABLE, RELAY                 | J3,J50                                  |             |
| 17               | FU8-0298-000 |                  | 1    | GEAR, 62T                    |   |             |
| 501              | XB4-5301-005 |                  | 6    | SCREW,P,M3X10                |   |             |

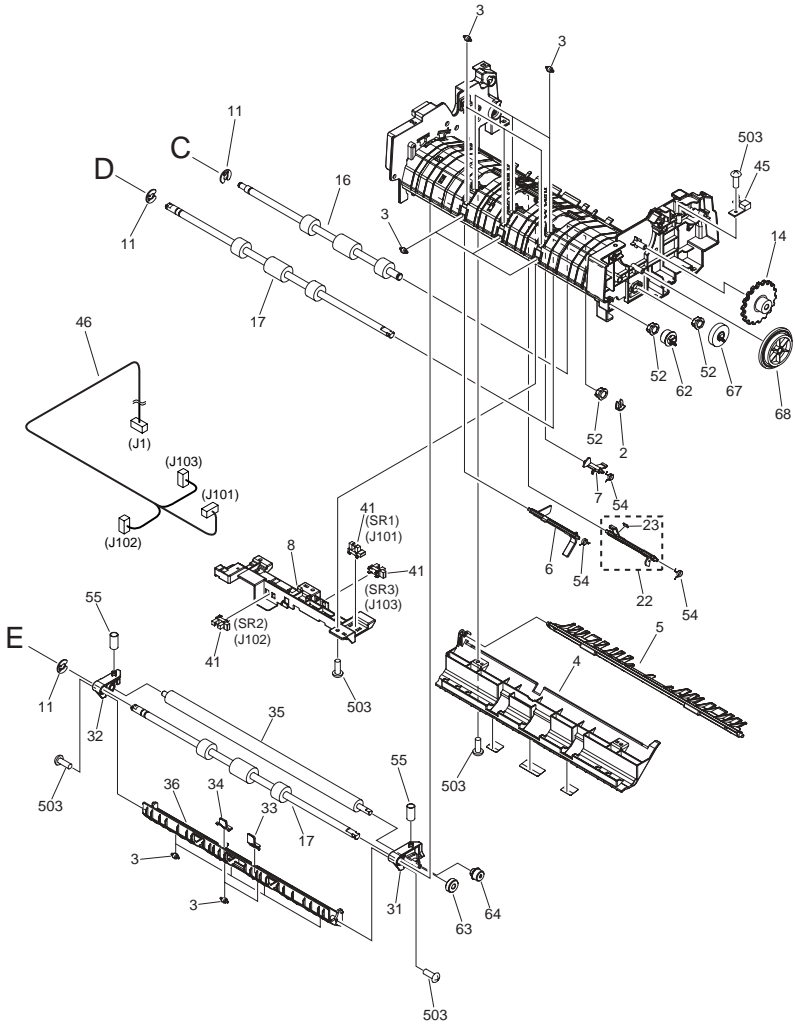


# FIGURE A21 DRIVE ASSEMBLY (ADF model)



| FIGURE & KEY NO. | PARTS NUMBER | R<br>A<br>N<br>K | Q'TY | DESCRIPTION                | SERIAL NUMBER/<br>REMARKS | S<br>V<br>C |
|------------------|--------------|------------------|------|----------------------------|---------------------------|-------------|
| Fig.A21          | NPN          |                  | RF   | DRIVE ASSEMBLY             | ADF model                 |             |
| 1                | FC5-4425-000 |                  | 2    | CLIP                       |                           |             |
| 2                | FC8-6406-000 |                  | 1    | DUCT, ESTRANGEMENT HARNESS |                           |             |
| 3                | FC8-6407-000 |                  | 1    | CAM, ESTRANGEMENT          |                           |             |
| 4                | FK2-0207-000 |                  | 1    | MOTOR, STEPPING, DC        | M2,J89                    |             |
| 5                | FU8-0311-000 |                  | 1    | PULLEY/GEAR, 40T/20T       |                           |             |
| 6                | FU8-0319-000 |                  | 1    | GEAR, 31T                  |                           |             |
| 7                | FU8-0320-000 |                  | 1    | GEAR, 30T                  |                           |             |
| 8                | VS1-7177-004 |                  | 1    | CONNECTOR, SNAP TIGHT, BK  |                           |             |
| 9                | WG8-5696-000 |                  | 1    | PHOTO INTERRUPTER, TLP1243 | SR11,J111                 |             |
| 10               | XA9-0732-000 |                  | 3    | SCREW,RS,M4                |                           |             |
| 11               | XF2-1607-640 |                  | 1    | BELT, TIMING               |                           |             |
| 501              | XB1-2300-309 |                  | 2    | SCREW, MACHINE M3X3,S      |                           |             |
| 502              | XD2-1100-402 |                  | 1    | RETAINING RING (E-TYPE)    |                           |             |





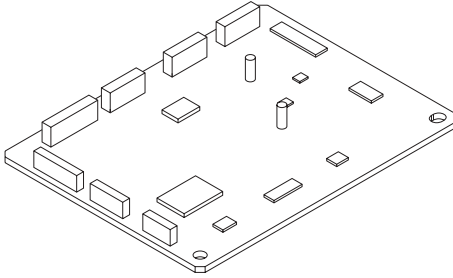
| FIGURE & KEY NO. | PARTS NUMBER | R<br>A<br>N<br>K | Q'TY | DESCRIPTION                  | SERIAL NUMBER/<br>REMARKS | S<br>V<br>C |
|------------------|--------------|------------------|------|------------------------------|---------------------------|-------------|
| Fig.A41          | FM3-6887-000 |                  | 1    | FEEDER ASSEMBLY              | ADF model                 |             |
| 1                | FC5-4353-000 |                  | 1    | FLANGE, BELT                 |                           |             |
| 2                | FC5-4425-000 |                  | 9    | CLIP                         |                           |             |
| 3                | FC6-8973-000 |                  | 15   | ROLLER, PLATEN               |                           |             |
| 4                | FC8-6368-000 |                  | 1    | GUIDE, PLATEN, 2             |                           |             |
| 5                | FC8-6369-000 |                  | 1    | FLAPPER, REVERSE             |                           |             |
| 6                | FC8-6371-000 |                  | 1    | LEVER, READ SENSOR           |                           |             |
| 7                | FC8-6372-000 |                  | 1    | LEVER, PAPER DELIVERY SENSOR |                           |             |
| 8                | FC8-6377-000 |                  | 1    | HOLDER, SENSOR               |                           |             |
| 9                | FC8-6378-000 |                  | 1    | DUCT, HARNESS                |                           |             |
| 10               | FC8-6379-000 |                  | 1    | FLANGE, PULLEY               |                           |             |
| 11               | FC8-6380-000 |                  | 3    | CLIP                         |                           |             |
| 12               | FC8-6382-000 |                  | 1    | ROLLER, BELT TENSION         |                           |             |
| 13               | FC8-6385-000 |                  | 1    | JOINT, DELIVERY GEAR         |                           |             |
| 14               | FC8-6386-000 |                  | 1    | DIAL, JAM                    |                           |             |
| 15               | FC8-6395-000 |                  | 1    | ROLLER, DELIVERY             |                           |             |
| 16               | FC8-6396-000 |                  | 1    | ROLLER, REGISTRATION         |                           |             |
| 17               | FC8-6397-000 |                  | 2    | ROLLER, READ                 |                           |             |
| 18               | FC8-6418-000 |                  | 2    | JOINT, READ PULLEY           |                           |             |
| 19               | FC8-6421-000 |                  | 1    | BELT, TIMING                 |                           |             |
| 20               | FK2-6869-000 |                  | 1    | MOTOR, STEPPING, DC          | M1,J112                   |             |
| 21               | FK2-6870-000 |                  | 2    | CLUTCH, ELECTROMAGNETIC      | CL1,J81 CL2,J83           |             |
| 22               | FL2-9937-000 |                  | 1    | FLAG, REGISTRATION SENSOR    |                           |             |
| 23               | FC8-6402-000 |                  | 1    | DAMPER, SENSOR LEVER         |                           |             |
| 24               | FC8-6383-000 |                  | 1    | JOINT, PICK-UP               |                           |             |
| 25               | FC8-6411-000 |                  | 1    | SPRING, TORSION              |                           |             |
| 26               | FU8-0304-000 |                  | 1    | GEAR, 22T                    |                           |             |
| 27               | FC8-6384-000 |                  | 1    | JOINT, REGISTRATION          |                           |             |
| 28               | FC8-6412-000 |                  | 1    | SPRING, TORSION              |                           |             |
| 29               | FU8-0307-000 |                  | 1    | GEAR, 18T                    |                           |             |
| 30               | FC8-6399-000 |                  | 1    | ELIMINATOR, STATIC CHARGE    |                           |             |
| 31               | FC8-6373-000 |                  | 1    | ARM, PLATEN, FRONT           |                           |             |

| FIGURE & KEY NO. | PARTS NUMBER | R<br>A<br>N<br>K | Q'TY | DESCRIPTION                  | SERIAL NUMBER/<br>REMARKS                                   | S<br>V<br>C |
|------------------|--------------|------------------|------|------------------------------|---|-------------|
| 32               | FC8-6374-000 |                  | 1    | ARM, PLATEN, REAR            |   |             |
| 33               | FC8-6375-000 |                  | 1    | SPACER, READ, FRONT          |   |             |
| 34               | FC8-6376-000 |                  | 1    | SPACER, READ, REAR           |   |             |
| 35               | FC8-6398-000 |                  | 1    | ROLLER, WHITE                |   |             |
| 36               | FL2-9939-000 |                  | 1    | GUIDE, PLATEN, 1             |   |             |
| 37               | FC8-6381-000 |                  | 1    | LINK, SOLENOID               |   |             |
| 38               | FC8-6403-000 |                  | 1    | DAMPER, REV. GUIDE RETAINING |   |             |
| 39               | FK2-6871-000 |                  | 1    | SOLENOID                     | SL2,J6  |             |
| 40               | FU8-0306-000 |                  | 1    | GEAR, 25T                    |   |             |
| 41               | WG8-5696-000 |                  | 6    | PHOTO INTERRUPTER, TLP1243   | SR1,J101 SR2,J102<br>SR3,J103 SR4,J104<br>SR5,J105 SR6,J106 |             |
| 42               | FM3-6898-000 |                  | 1    | GUIDE, SEPARATION REVERSE    |   |             |
| 43               | FL2-9942-000 |                  | 1    | HOLDER, SEPARATION PAD UNIT  |   |             |
| 44               | FU7-2657-000 |                  | 1    | SPRING, COMPRESSION          |   |             |
| 45               | FM3-6916-000 |                  | 1    | LED PCB                      |   |             |
| 46               | FM3-6930-000 |                  | 1    | CABLE, PASS SENSOR           | J1,J101,J102,J103   |             |
| 47               | FM3-6931-000 |                  | 1    | CABLE, PICK-UP SENSOR        | J2,J104,J105,J106   |             |
| 48               | FM3-6934-000 |                  | 1    | CABLE, CLUTCH                | J7,J80,J82  |             |
| 49               | VS1-7177-002 |                  | 2    | CONNECTOR, SNAP TIGHT, BK    |   |             |
| 50               | FU5-1172-000 |                  | 5    | BUSHING                      |   |             |
| 51               | FU5-1626-000 |                  | 1    | BUSHING                      |   |             |
| 52               | FU6-1088-000 |                  | 3    | BUSHING                      |   |             |
| 53               | FU6-1089-000 |                  | 1    | BUSHING                      |   |             |
| 54               | FU7-2658-000 |                  | 3    | SPRING, TORSION              |   |             |
| 55               | FU7-2659-000 |                  | 2    | SPRING, COMPRESSION          |   |             |
| 56               | FU7-2660-000 |                  | 2    | SPRING, TENSION              |   |             |
| 57               | FU8-0303-000 |                  | 1    | PULLEY/GEAR, 27T/22T         |   |             |
| 58               | FU8-0305-000 |                  | 1    | GEAR, 18T                    |   |             |
| 59               | FU8-0308-000 |                  | 1    | GEAR, 22T                    |   |             |
| 60               | FU8-0309-000 |                  | 1    | PULLEY/GEAR, 36T/54T/28T     |   |             |
| 61               | FU8-0310-000 |                  | 2    | PULLEY, 36T                  |   |             |
| 62               | FU8-0312-000 |                  | 1    | GEAR, 18T                    |   |             |

| FIGURE & KEY NO. | PARTS NUMBER | RANK | Q'TY | DESCRIPTION             | SERIAL NUMBER/REMARKS | SVC |
|------------------|--------------|------|------|-------------------------|-----------------------|-----|
| 63               | FU8-0313-000 |      | 1    | GEAR, 18T               |                       |     |
| 64               | FU8-0314-000 |      | 1    | GEAR, 14T               |                       |     |
| 65               | FU8-0315-000 |      | 1    | GEAR, 39T               |                       |     |
| 66               | FU8-0316-000 |      | 1    | GEAR, 21T               |                       |     |
| 67               | FU8-0317-000 |      | 1    | GEAR, 32T               |                       |     |
| 68               | FU8-0318-000 |      | 1    | GEAR, 48T/62T           |                       |     |
| 69               | XA9-1164-000 |      | 8    | SCREW,RS,M3X6.5         |                       |     |
| 501              | XD2-1100-402 |      | 8    | RETAINING RING (E-TYPE) |                       |     |
| 502              | XD3-2200-122 |      | 2    | PIN, DOWEL              |                       |     |
| 503              | XB4-5301-005 |      | 10   | SCREW,P,M3X10           |                       |     |
| 504              | XB1-2300-309 |      | 2    | SCREW, MACHINE M3X3,S   |                       |     |
| 505              | XD2-1100-322 |      | 1    | RETAINING RING (E-TYPE) |                       |     |
| 506              | XD2-1100-642 |      | 2    | RING,E                  |                       |     |
| 507              | XF2-1607-640 |      | 2    | BELT, TIMING            |                       |     |
| 508              | XG9-0507-000 |      | 2    | BEARING, BALL, MF128ZZ  |                       |     |

# FIGURE A90

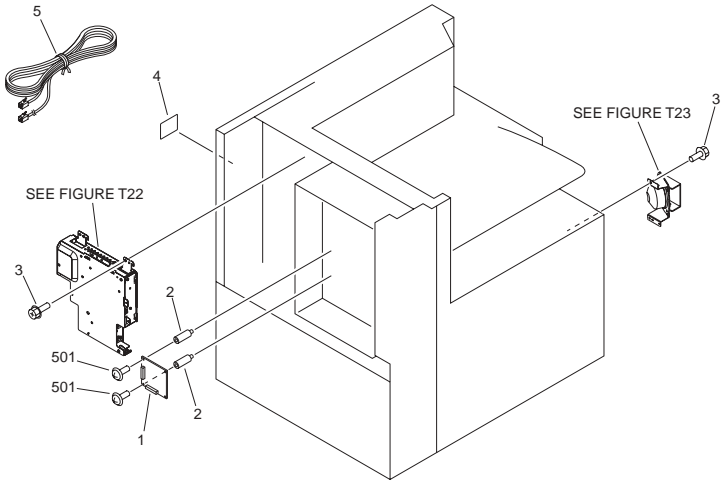
## ADF CONTROLLER PCB ASSEMBLY (ADF model)



| FIGURE & KEY NO. | PARTS NUMBER | RANK | Q'TY | DESCRIPTION                 | SERIAL NUMBER/REMARKS | SVC |
|------------------|--------------|------|------|-----------------------------|-----------------------|-----|
| Fig.A90          | FM3-6914-000 |      | 1    | ADF CONTROLLER PCB ASSEMBLY |                       |     |

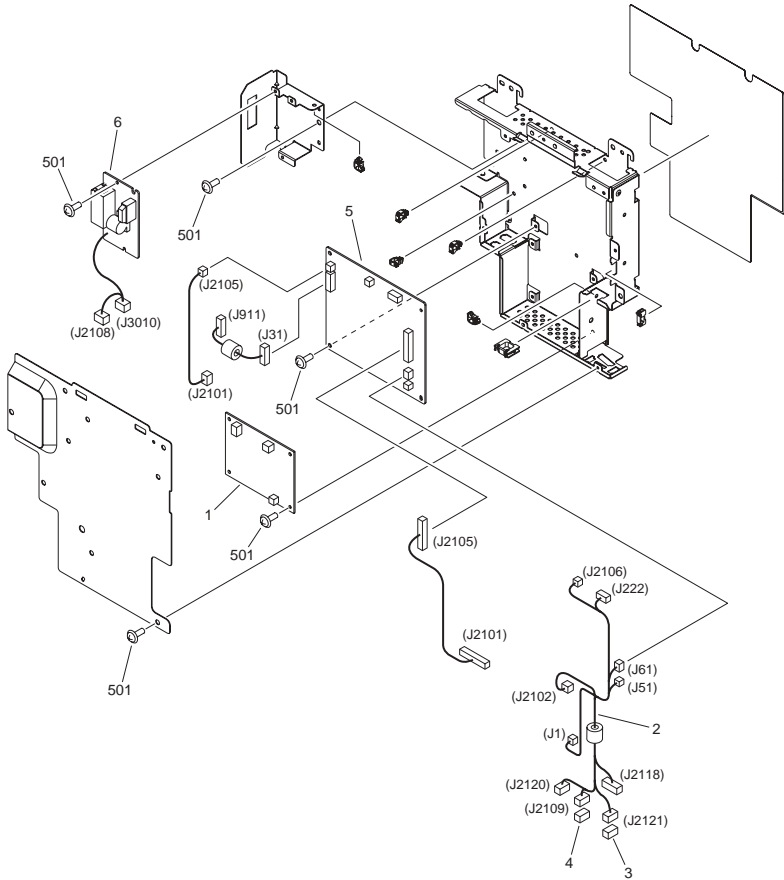


# FIGURE T21 ATTACHMENT PARTS (FAX model)



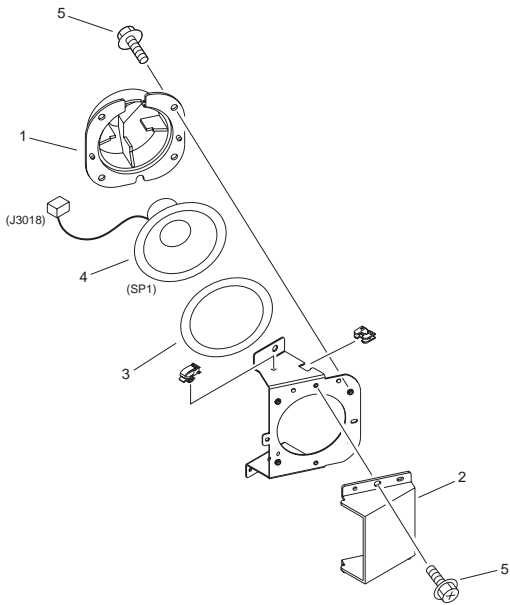
| FIGURE & KEY NO. | PARTS NUMBER | RANK | QTY | DESCRIPTION                   | SERIAL NUMBER/REMARKS | SVC |
|------------------|--------------|------|-----|-------------------------------|-----------------------|-----|
| Fig.T21          | NPN          |      | RF  | ATTACHMENT PARTS              | FAX model             |     |
| 1                | FM3-5617-000 |      | 1   | G3 FAX EXPANSION PCB ASSEMBLY |                       |     |
| 2                | VT2-5198-016 |      | 2   | SPACER, PCB                   |                       |     |
| 3                | XA9-1386-000 |      | 6   | SCREW,RS,M3X8                 |                       |     |
| 4                | FC8-9326-000 |      | 1   | LABEL, MODULAR JACK           |                       |     |
| 5                | HH2-2824-000 |      | 1   | MODULAR CORD, 2P              |                       |     |
| 501              | XB6-7300-607 |      | 4   | SCREW, CROSS-RECESS, FCH      |                       |     |

FIGURE T22  
FAX ASSEMBLY (FAX model)



| FIGURE & KEY NO. | PARTS NUMBER | RANK | Q'TY | DESCRIPTION               | SERIAL NUMBER/REMARKS | SVC |
|------------------|--------------|------|------|---------------------------|-----------------------|-----|
| Fig.T22          | NPN          |      | RF   | FAX ASSEMBLY              | FAX model             |     |
| 1                | FM3-5580-000 |      | 1    | PSEUDO CI2 PCB ASSEMBLY   |                       |     |
| 2                | FM3-5101-000 |      | 1    | CABLE, FAX POWER SUPPLY   |                       |     |
| 3                | VS1-7177-002 |      | 1    | CONNECTOR, SNAP TIGHT, BK |                       |     |
| 4                | VS1-7177-003 |      | 1    | CONNECTOR, SNAP TIGHT, BK |                       |     |
| 5                | FM3-5586-000 |      | 1    | G3 FAX PCB ASSEMBLY       |                       |     |
| 6                | FM3-5587-000 |      | 1    | G3 MODULAR PCB ASSEMBLY   |                       |     |
| 501              | XB6-7300-607 |      | 17   | SCREW, CROSS-RECESS, FCH  |                       |     |

# FIGURE T23 SPEAKER ASSEMBLY (FAX model)



| FIGURE & KEY NO. | PARTS NUMBER | RANK | QTY | DESCRIPTION      | SERIAL NUMBER/REMARKS | SVC |
|------------------|--------------|------|-----|------------------|-----------------------|-----|
| Fig.T23          | NPN          |      | RF  | SPEAKER ASSEMBLY | FAX model             |     |
| 1                | FC5-5472-000 |      | 1   | HOLDER, SPEAKER  |                       |     |
| 2                | FC5-5473-000 |      | 1   | DUCT, SPEAKER    |                       |     |
| 3                | FC6-5059-000 |      | 1   | DAMPER, RUBBER   |                       |     |
| 4                | FK2-0428-000 |      | 1   | SPEAKER          | SP1                   |     |
| 5                | XA9-1386-000 |      | 6   | SCREW,RS,M3X8    |                       |     |

Prepared by  
OIP HFE Promotion Center  
CANON INC.

**Canon**