

# **PARTS CATALOG**

**iR1020/1021/1024/1025  
Series**

**Canon**

**Sep 1 2008**



## **PREFACE**

This Parts Catalog contains listings of parts used

Diagrams are provided with the listings to aid the service technician in identifying clearly, the item to be ordered.

Whenever ordering parts, consult this Parts Catalog for all of the information pertaining to each item. Be sure to include, in the Parts Request, the full item description, the item part number, and the quantity.

***COPYRIGHT (C) 1999 CANON INC.***

Use of this manual should be strictly supervised to avoid disclosure of confidential information.



# Contents

## NUMERICAL INDEX

iR1020/1021/1024/1025 Series(Numerical Index)..... 1-1

## iR1020/1021/1024/1025 Series(Parts Catalog)

A1	ASSEMBLY LOCATION DIAGRAM .....	2-1
A2	OPTION PARTS CATALOG LIST .....	2-3
001	PACKAGE COMPONENTS .....	2-4
100	EXTERNAL COVERS, PANELS, ETC. ....	2-6
101	INTERNAL COMPONENTS 1 .....	2-9
102	INTERNAL COMPONENTS 2 .....	2-13
118	LEFT DOOR ASSEMBLY .....	2-17
130	CONTROL PANEL ASSEMBLY .....	2-19
160	COPYBOARD COVER ASSEMBLY(COPYBOARD model) .....	2-21
161	ADF ASSEMBLY(ADF model) .....	2-24
162	DOCUMENT TRAY ASSEMBLY(ADF model) .....	2-26
163	OPEN/CLOSE PANEL ASSEMBLY(ADF model) .....	2-28
164	PAPER FEED ASSEMBLY(ADF model) .....	2-30
250	MAIN DRIVE ASSEMBLY .....	2-33
251	REVERSE DRIVE ASSEMBLY .....	2-35
300	CASSETTE (EXCEPT CN) .....	2-37
301	CASSETTE (CN) .....	2-39
310	PAPER PICK-UP ASSEMBLY .....	2-41
315	MULTI PAPER PICK-UP TRAY ASS'Y .....	2-44
320	REGISTRATION ASSEMBLY .....	2-47
400	READER ASSEMBLY .....	2-49
460	LASER SCANNER UNIT .....	2-52
640	DEVELOPING UNIT .....	2-53
810	FIXING ASSEMBLY .....	2-56
930	PCB ASSEMBLY .....	2-59
950	IMAGE PROCESSOR PCB ASSEMBLY .....	2-61



# NUMERICAL INDEX

## iR1020/1021/1024/1025 Series(Numerical Index)

PARTS NUMBER	FIGURE & KEY NO.	PARTS NUMBER	FIGURE & KEY NO.	PARTS NUMBER	FIGURE & KEY NO
FA8-2446-000	100 - 27	FC6-7389-000	301 - 12	FC6-7485-000	810 - 6
FA9-3870-000	100 - 25	FC6-7392-000	101 - 34	FC6-7486-000	810 - 7
FB4-2007-000	320 - 20	FC6-7396-000	310 - 19	FC6-7487-000	810 - 20
FB4-9817-030	310 - 8	FC6-7399-030	101 - 27	FC6-7488-000	810 - 8
FB4-9820-000	310 - 2	FC6-7400-000	101 - 2	FC6-7489-000	810 - 9
FB6-1337-000	400 - 1	FC6-7401-000	320 - 1	FC6-7490-020	810 - 10
FC5-4424-000	164 - 2	FC6-7402-020	101 - 28	FC6-7491-000	810 - 11
FC5-4424-000	400 - 2	FC6-7403-000	101 - 29	FC6-7492-000	810 - 12
FC5-4425-000	163 - 1	FC6-7404-000	101 - 30	FC6-7493-000	810 - 13
FC5-4849-000	310 - 10	FC6-7406-020	320 - 2	FC6-7494-000	810 - 14
FC5-4849-000	810 - 25	FC6-7409-000	102 - 4	FC6-7495-000	810 - 15
FC5-4914-000	301 - 13	FC6-7410-000	315 - 10	FC6-7496-000	810 - 16
FC5-4914-000	315 - 30	FC6-7411-020	315 - 1	FC6-7497-000	810 - 21
FC6-4511-000	400 - 22	FC6-7414-000	320 - 3	FC6-7501-000	810 - 26
FC6-7309-000	102 - 44	FC6-7415-000	315 - 2	FC6-7502-000	810 - 27
FC6-7310-000	102 - 45	FC6-7418-000	315 - 15	FC6-7503-000	810 - 28
FC6-7311-000	102 - 46	FC6-7426-000	101 - 26	FC6-7505-000	810 - 22
FC6-7312-000	102 - 47	FC6-7427-000	315 - 4	FC6-7506-000	810 - 17
FC6-7314-000	102 - 49	FC6-7429-000	315 - 5	FC6-7507-000	810 - 18
FC6-7315-000	102 - 50	FC6-7430-000	315 - 6	FC6-7514-000	102 - 57
FC6-7335-000	100 - 2	FC6-7431-000	315 - 7	FC6-7517-000	251 - 1
FC6-7351-000	310 - 30	FC6-7432-000	315 - 8	FC6-7518-000	810 - 19
FC6-7352-000	310 - 9	FC6-7434-000	101 - 5	FC6-7519-000	101 - 9
FC6-7353-000	310 - 3	FC6-7442-040	320 - 15	FC6-7523-000	102 - 55
FC6-7354-000	310 - 11	FC6-7443-020	320 - 16	FC6-7524-000	101 - 56
FC6-7357-000	310 - 12	FC6-7444-000	320 - 17	FC6-7528-000	810 - 40
FC6-7358-000	310 - 4	FC6-7447-000	101 - 39	FC6-7529-000	810 - 41
FC6-7360-000	101 - 32	FC6-7449-000	101 - 41	FC6-7530-050	810 - 42
FC6-7361-000	310 - 13	FC6-7450-000	101 - 42	FC6-7541-000	100 - 20
FC6-7362-000	101 - 33	FC6-7452-000	118 - 1	FC6-7542-000	100 - 21
FC6-7365-000	310 - 18	FC6-7453-000	118 - 8	FC6-7543-000	100 - 22
FC6-7366-000	310 - 5	FC6-7454-000	118 - 2	FC6-7544-000	100 - 23
FC6-7367-000	310 - 6	FC6-7455-000	118 - 3	FC6-7545-000	100 - 15
FC6-7368-000	310 - 7	FC6-7457-000	118 - 9	FC6-7549-000	250 - 1
FC6-7370-000	301 - 18	FC6-7459-000	118 - 10	FC6-7552-000	102 - 5
FC6-7372-000	300 - 4	FC6-7460-000	118 - 11	FC6-7553-000	102 - 6
FC6-7372-000	301 - 4	FC6-7461-000	118 - 6	FC6-7554-000	102 - 52
FC6-7374-000	300 - 9	FC6-7464-000	101 - 44	FC6-7557-000	102 - 8
FC6-7374-000	301 - 9	FC6-7465-000	101 - 45	FC6-7559-000	250 - 11
FC6-7376-000	300 - 6	FC6-7466-000	118 - 7	FC6-7562-000	102 - 54
FC6-7376-000	301 - 6	FC6-7467-020	101 - 6	FC6-7563-000	100 - 19
FC6-7377-000	300 - 1	FC6-7470-000	118 - 18	FC6-7564-000	101 - 11
FC6-7377-000	301 - 1	FC6-7472-000	101 - 53	FC6-7568-000	102 - 9
FC6-7378-000	301 - 16	FC6-7473-000	118 - 17	FC6-7574-000	102 - 42
FC6-7379-000	301 - 14	FC6-7476-000	101 - 49	FC6-7575-000	102 - 10
FC6-7380-000	300 - 7	FC6-7477-000	101 - 52	FC6-7576-000	102 - 56
FC6-7380-000	301 - 7	FC6-7478-000	810 - 36	FC6-7576-000	400 - 27
FC6-7382-000	300 - 2	FC6-7480-000	810 - 1	FC6-7577-000	102 - 11
FC6-7382-000	301 - 2	FC6-7481-000	810 - 2	FC6-7580-000	102 - 39
FC6-7385-000	300 - 12	FC6-7482-000	810 - 3	FC6-7581-000	102 - 26
FC6-7386-000	301 - 17	FC6-7483-000	810 - 4	FC6-7582-000	101 - 50
FC6-7388-000	300 - 12	FC6-7484-000	810 - 5	FC6-7583-000	118 - 16

# NUMERICAL INDEX

## iR1020/1021/1024/1025 Series(Numerical Index)

PARTS NUMBER	FIGURE & KEY NO.	PARTS NUMBER	FIGURE & KEY NO.	PARTS NUMBER	FIGURE & KEY NO
FC6-7585-000	400 - 29	FC6-8973-000	162 - 8	FC7-2941-000	100 - 8
FC6-7591-000	400 - 36	FC6-8973-000	164 - 16	FC7-2942-000	100 - 4
FC6-7592-000	400 - 23	FC7-0534-000	400 - 17	FC7-2943-000	100 - 10
FC6-7595-000	400 - 3	FC7-0542-000	164 - 17	FC7-2944-000	100 - 14
FC6-7598-000	400 - 4	FC7-0545-000	163 - 9	FC7-2945-000	101 - 43
FC6-7600-000	400 - 5	FC7-0546-000	164 - 18	FC7-2946-000	101 - 38
FC6-7601-000	400 - 33	FC7-0547-000	102 - 27	FC7-2947-000	101 - 37
FC6-7604-000	400 - 6	FC7-0552-000	161 - 18	FC7-2948-000	102 - 72
FC6-7606-000	400 - 7	FC7-0553-000	161 - 19	FC7-2950-000	100 - 7
FC6-7612-000	400 - 28	FC7-0557-000	162 - 14	FC7-2951-000	100 - 9
FC6-7618-000	400 - 9	FC7-0559-000	162 - 7	FC7-2952-000	118 - 4
FC6-7630-000	400 - 14	FC7-2792-000	164 - 4	FC7-2953-000	118 - 5
FC6-7642-000	400 - 16	FC7-2793-000	164 - 5	FC7-2954-000	315 - 17
FC6-7643-000	400 - 24	FC7-2800-000	164 - 50	FC7-2955-000	315 - 27
FC6-7722-000	161 - 7	FC7-2805-000	810 - 29	FC7-2956-000	315 - 24
FC6-7730-000	164 - 6	FC7-2858-000	640 - 1	FC7-2957-000	315 - 22
FC6-7731-000	164 - 7	FC7-2859-000	640 - 2	FC7-2958-000	315 - 23
FC6-7732-000	161 - 15	FC7-2864-000	640 - 4	FC7-2960-000	315 - 16
FC6-7733-000	161 - 16	FC7-2865-000	640 - 5	FC7-2961-000	315 - 26
FC6-7733-000	164 - 8	FC7-2867-000	640 - 6	FC7-2962-000	100 - 5
FC6-7734-000	161 - 17	FC7-2868-000	640 - 7	FC7-2964-000	315 - 25
FC6-7736-000	164 - 38	FC7-2870-000	640 - 18	FC7-2965-000	100 - 17
FC6-7737-000	164 - 43	FC7-2872-000	640 - 8	FC7-2966-000	100 - 18
FC6-7738-000	164 - 9	FC7-2881-000	640 - 9	FC7-2967-000	100 - 16
FC6-7742-000	163 - 16	FC7-2882-000	640 - 10	FC7-2968-000	102 - 63
FC6-7745-000	163 - 4	FC7-2883-000	640 - 19	FC7-2969-000	102 - 65
FC6-7746-000	163 - 5	FC7-2886-000	640 - 16	FC7-2970-000	101 - 13
FC6-7747-000	163 - 6	FC7-2891-000	640 - 12	FC7-2971-000	101 - 16
FC6-7748-000	163 - 12	FC7-2893-000	640 - 22	FC7-2972-000	102 - 66
FC6-7750-000	162 - 1	FC7-2894-000	640 - 23	FC7-2973-000	101 - 15
FC6-7754-000	162 - 4	FC7-2895-000	640 - 13	FC7-2974-000	400 - 8
FC6-7755-000	162 - 5	FC7-2896-000	640 - 14	FC7-2975-000	400 - 10
FC6-7756-000	162 - 6	FC7-2909-000	101 - 64	FC7-2976-000	400 - 11
FC6-7758-000	164 - 33	FC7-2911-000	101 - 7	FC7-2977-000	400 - 13
FC6-7759-000	164 - 34	FC7-2914-000	101 - 66	FC7-2978-000	400 - 15
FC6-7760-000	164 - 10	FC7-2915-000	102 - 32	FC7-2979-000	100 - 11
FC6-7761-000	163 - 7	FC7-2916-000	101 - 65	FC7-2980-000	100 - 12
FC6-7763-000	164 - 11	FC7-2917-000	102 - 62	FC7-2981-000	100 - 12
FC6-7764-020	164 - 12	FC7-2919-000	102 - 38	FC7-2982-000	400 - 10
FC6-7765-000	163 - 13	FC7-2920-000	101 - 14	FC7-2989-000	300 - 5
FC6-7766-000	163 - 14	FC7-2921-000	101 - 4	FC7-2989-000	301 - 5
FC6-7767-000	160 - 1	FC7-2923-000	101 - 59	FC7-2990-000	300 - 10
FC6-7767-000	161 - 3	FC7-2926-000	102 - 33	FC7-2990-000	301 - 10
FC6-7769-000	164 - 39	FC7-2927-000	102 - 64	FC7-3399-000	161 - 1
FC6-7770-000	164 - 44	FC7-2929-000	102 - 2	FC7-3400-000	161 - 2
FC6-7772-000	164 - 13	FC7-2930-000	102 - 67	FC7-3407-000	163 - 2
FC6-7776-000	163 - 8	FC7-2931-000	102 - 70	FC7-3409-000	162 - 2
FC6-7784-000	161 - 4	FC7-2932-000	102 - 69	FC7-3411-000	161 - 5
FC6-7787-000	163 - 17	FC7-2933-000	102 - 31	FC7-3416-000	100 - 3
FC6-7789-000	163 - 18	FC7-2934-000	101 - 17	FC7-3417-000	100 - 13
FC6-7790-000	164 - 15	FC7-2935-000	102 - 74	FC7-3418-000	250 - 13
FC6-8971-000	163 - 15	FC7-2937-000	102 - 71	FC7-3842-000	100 - 1



# NUMERICAL INDEX

## iR1020/1021/1024/1025 Series(Numerical Index)

PARTS NUMBER	FIGURE & KEY NO.	PARTS NUMBER	FIGURE & KEY NO.	PARTS NUMBER	FIGURE & KEY NO
FC7-3844-000	100 - 26	FL2-3887-000	310 - 14	FM2-4055-000	950 - 2
FC7-3860-000	101 - 76	FL2-3889-000	300 - 3	FM2-4056-000	950 - 2
FC7-5047-000	101 - 40	FL2-3891-000	301 - 3	FM2-4918-000	102 - 53
FC7-5819-000	320 - 6	FL2-3892-000	320 - 4	FM2-4921-000	930 - 3
FC7-5820-000	320 - 7	FL2-3897-000	315 - 9	FM2-4922-000	102 - 19
FC7-5822-000	320 - 11	FL2-3898-020	315 - 11	FM2-4926-000	102 - 20
FC7-5823-000	320 - 12	FL2-3901-000	118 - 23	FM2-4928-000	101 - 19
FC7-5824-000	320 - 5	FL2-3901-000	320 - 10	FM2-4930-000	102 - 21
FC7-5825-000	320 - 8	FL2-3908-000	810 - 30	FM2-4931-000	310 - 28
FC7-5826-000	320 - 9	FL2-3910-000	101 - 48	FM2-4935-000	102 - 22
FC7-5827-000	320 - 14	FL2-3917-000	250 - 12	FM2-4937-000	102 - 23
FC7-5828-000	320 - 21	FL2-3929-000	400 - 35	FM2-4938-000	102 - 24
FC7-5831-000	301 - 15	FL2-3941-000	400 - 12	FM2-4939-000	400 - 21
FC7-7143-000	101 - 58	FL2-3983-000	161 - 10	FM2-4943-000	810 - 43
FC7-7144-000	101 - 55	FL2-3986-020	163 - 11	FM2-4944-000	101 - 54
FC7-7145-000	101 - 75	FL2-3987-000	162 - 9	FM2-4945-000	102 - 28
FC7-7147-000	118 - 22	FL2-3989-000	163 - 3	FM2-4947-000	164 - 1
FC7-7152-020	320 - 13	FL2-3990-000	164 - 14	FM2-4948-000	161 - 14
FC7-7632-000	400 - 47	FL2-5369-000	640 - 15	FM2-4950-000	161 - 6
FC8-9897-000	310 - 31	FL2-5371-000	640 - 17	FM2-4974-000	161 - 9
FC8-9902-000	102 - 48	FL2-5373-000	640 - 21	FM2-5048-000	102 - 29
FH2-7192-000	001 - 2	FL2-5374-000	640 - 24	FM2-5050-000	102 - 30
FH2-7200-000	001 - 1	FL2-5375-000	400 - 20	FM2-5051-000	102 - 30
FK2-0949-000	950 - IC	FL2-5376-000	400 - 20	FM2-5060-000	950 - 2
FK2-1375-010	930 - 2	FL2-5377-000	400 - 20	FM2-5271-000	460 -
FK2-1376-000	930 - 2	FL2-5378-000	400 - 19	FM2-5274-000	315 - 19
FK2-1377-000	400 - 37	FL2-5379-000	400 - 19	FM2-5280-000	810 - 24
FK2-1378-000	101 - 18	FL2-5380-000	400 - 19	FM2-5283-000	251 - 3
FK2-1383-000	400 - 34	FL2-5383-000	400 - 19	FM2-5284-000	251 - 4
FK2-1385-000	102 - 12	FL2-5384-000	400 - 19	FM2-5296-000	810 - 24
FK2-1386-000	102 - 43	FL2-5385-000	400 - 19	FM2-5328-000	101 - 60
FK2-1392-000	161 - 8	FL2-5386-000	100 - 10	FM2-5329-000	101 - 61
FK2-1393-000	164 - 36	FL2-5390-000	315 - 18	FM2-5331-000	101 - 62
FK2-1394-000	102 - 13	FL2-5610-000	162 - 10	FM2-5332-000	101 - 63
FK2-1395-000	102 - 14	FL2-5611-000	163 - 10	FM2-6087-000	950 - 1
FK2-1396-000	102 - 15	FL2-5612-000	161 - 20	FM2-6088-000	950 - 1
FK2-1398-000	400 - 31	FL2-5613-000	162 - 3	FM2-6089-000	102 - 51
FK2-1399-000	400 - 18	FL2-5615-000	102 - 79	FM2-6090-000	102 - 51
FK2-1400-000	102 - 16	FL3-1203-000	100 - 6	FM2-8207-000	164 - 48
FK2-1401-000	101 - 57	FL3-1204-000	100 - 6	FM2-8208-000	164 - 35
FK2-1408-000	251 - 2	FL3-1205-000	100 - 6	FM2-8214-000	640 -
FK2-1410-000	101 - 8	FL3-1206-000	100 - 6	FM2-8236-000	160 -
FK2-1412-000	310 - 1	FL3-1207-000	100 - 6	FM2-8363-000	400 - 32
FK2-1825-000	400 - 30	FL3-1208-000	100 - 6	FM2-8370-000	101 - 67
FK2-5725-000	950 - 6	FL3-1209-000	100 - 6	FM2-8372-000	102 - 25
FK2-7842-000	001 - 3	FL3-1210-000	100 - 6	FM2-8373-000	101 - 68
FK2-7843-000	001 - 3	FL3-1211-000	100 - 6	FM2-8846-000	163 -
FK2-7844-000	001 - 3	FL3-1212-000	100 - 6	FM2-8848-000	164 - 3
FK2-7845-000	001 - 3	FL3-1213-000	100 - 6	FM2-9039-000	160 - 2
FK2-7848-000	001 - 3	FL3-1214-000	100 - 6	FM2-9040-000	101 - 69
FK2-7849-000	001 - 3	FL3-1215-000	100 - 6	FM2-9041-000	101 - 70
FL2-3887-000	101 - 35	FL3-1216-000	100 - 6	FM2-9042-000	101 - 71

# NUMERICAL INDEX

## iR1020/1021/1024/1025 Series(Numerical Index)

PARTS NUMBER	FIGURE & KEY NO.	PARTS NUMBER	FIGURE & KEY NO.	PARTS NUMBER	FIGURE & KEY NO
FM2-9043-000	101 - 72	FU6-2412-000	101 - 36	FU7-0011-000	310 - 23
FM2-9044-000	118 -	FU6-2413-000	301 - 19	FU7-0012-000	310 - 24
FM2-9045-000	810 -	FU6-2414-000	320 - 19	FU7-0014-000	310 - 26
FM2-9046-000	810 -	FU6-2415-000	101 - 31	FU7-0015-000	310 - 27
FM2-9362-000	640 - 11	FU6-2416-000	320 - 22	FU7-0016-000	310 - 25
FM3-2397-000	101 - 47	FU6-2423-000	315 - 3	FU7-0025-000	315 - 20
FM3-8789-000	950 - 3	FU6-2424-000	315 - 12	FU7-0026-000	315 - 21
FM3-8833-000	102 - 18	FU6-2425-000	315 - 13	FU7-0027-000	101 - 22
FM3-8874-000	930 - 1	FU6-2432-000	101 - 46	FU7-0029-000	101 - 12
FM3-8875-000	930 - 1	FU6-2434-000	118 - 12	FU7-0031-000	251 - 8
FM3-8876-000	930 - 1	FU6-2435-000	118 - 13	FU7-0032-000	118 - 15
FM3-8877-000	930 - 1	FU6-2441-000	102 - 75	FU7-0034-000	810 - 24
FM3-8878-000	101 - 10	FU6-2446-000	118 - 21	FU7-0035-000	101 - 23
FM3-8989-000	130 -	FU6-2462-000	400 - 39	FU7-0036-000	251 - 5
FM3-8990-000	130 -	FU6-2463-000	400 - 38	FU7-0039-000	251 - 6
FM3-8991-000	130 -	FU6-2471-000	810 - 32	FU7-0040-000	251 - 7
FM3-8992-000	130 -	FU6-2472-000	810 - 33	FU7-0045-000	250 - 2
FM3-8993-000	130 -	FU6-2473-000	810 - 31	FU7-0046-000	250 - 3
FM3-8994-000	130 -	FU6-2474-000	810 - 23	FU7-0047-000	250 - 4
FM3-8995-000	130 -	FU6-2506-000	164 - 21	FU7-0048-000	250 - 5
FM3-8997-000	130 -	FU6-2507-000	162 - 11	FU7-0050-000	250 - 7
FM3-8998-000	130 -	FU6-2508-000	162 - 12	FU7-0051-000	250 - 8
FM3-8999-000	130 -	FU6-2510-000	164 - 37	FU7-0052-000	250 - 9
FM3-9000-000	130 -	FU6-2818-000	102 - 41	FU7-0053-000	250 - 10
FM3-9001-000	130 -	FU6-2819-000	102 - 34	FU7-0054-000	310 - 29
FM3-9002-000	130 -	FU6-2820-000	102 - 40	FU7-0055-000	250 - 6
FM3-9003-000	130 -	FU6-2821-000	102 - 35	FU7-0104-000	164 - 22
FM3-9004-000	130 -	FU6-2822-000	102 - 36	FU7-0105-000	164 - 23
FM3-9005-000	130 -	FU6-2823-000	102 - 37	FU7-0106-000	164 - 40
FM3-9097-000	130 -	FU6-2824-000	102 - 73	FU7-0107-000	164 - 41
FM3-9098-000	130 -	FU6-2825-000	102 - 3	FU7-0108-000	164 - 24
FM3-9099-000	130 -	FU6-2828-000	640 - 26	FU7-0110-000	164 - 45
FM3-9100-000	130 -	FU6-2831-000	102 - 60	FU7-0111-000	164 - 46
FM3-9189-000	102 - 82	FU6-2832-000	101 - 71	FU7-0112-000	164 - 25
FM3-9239-000	102 - 18	FU6-2833-000	640 - 3	FU7-0113-000	164 - 26
FM3-9447-000	102 - 18	FU6-8073-000	100 - 24	FU7-0114-000	164 - 19
FS6-1090-000	640 - 25	FU6-8077-000	118 - 19	FU7-0115-000	164 - 27
FS7-8335-000	102 - 1	FU6-8078-000	118 - 20	FU7-0116-000	164 - 28
FU5-1626-000	163 - 28	FU6-8079-000	101 - 74	FU7-0117-020	164 - 29
FU5-1626-000	164 - 20	FU6-8080-000	315 - 28	FU7-0118-000	163 - 21
FU5-1774-000	102 - 7	FU6-8081-000	315 - 29	FU7-0119-000	163 - 22
FU5-1775-000	102 - 61	FU6-8082-000	315 - 29	FU7-0120-000	163 - 23
FU5-1776-000	102 - 68	FU6-8083-000	315 - 29	FU7-0121-000	163 - 19
FU5-4953-000	400 - 25	FU6-8118-000	161 - 13	FU7-0122-000	163 - 25
FU5-9340-000	950 - 4	FU6-8119-000	161 - 13	FU7-0123-000	163 - 26
FU6-2406-000	310 - 15	FU6-8120-000	161 - 13	FU7-0124-000	163 - 27
FU6-2407-000	310 - 16	FU6-8121-000	161 - 12	FU7-0125-000	163 - 24
FU6-2408-020	300 - 11	FU6-8122-000	161 - 12	FU7-0126-000	162 - 13
FU6-2408-020	301 - 11	FU6-8123-000	161 - 12	FU7-0127-000	164 - 30
FU6-2410-000	300 - 8	FU6-8124-000	162 - 15	FU7-0128-000	164 - 47
FU6-2410-000	301 - 8	FU7-0009-000	310 - 21	FU7-0476-000	640 - 27
FU6-2411-000	310 - 20	FU7-0010-000	310 - 22	FU7-0477-000	640 - 28

# NUMERICAL INDEX

## iR1020/1021/1024/1025 Series(Numerical Index)

PARTS NUMBER	FIGURE & KEY NO.	PARTS NUMBER	FIGURE & KEY NO.	PARTS NUMBER	FIGURE & KEY NO
FU7-0478-000	640 - 29	WT2-5056-000	251 - 11		
FU7-0479-000	640 - 30	WT2-5619-000	101 - 3		
FU7-0480-000	640 - 31	WT2-5619-000	102 - 81		
FU7-0481-000	640 - 32	WT2-5619-000	161 - 11		
FU7-0483-000	640 - 33	WT2-5621-000	102 - 59		
FU7-0484-000	640 - 34	WT2-5677-000	102 - 76		
FU7-0485-000	640 - 35	WT2-5760-000	101 - 20		
FU7-0495-000	102 - 17	WT2-5812-000	101 - 21		
FU7-0496-000	640 - 36	XA9-0679-000	400 - 41		
FU7-0497-000	640 - 38	XA9-0679-000	400 - 42		
FU7-0498-000	640 - 37	XA9-0702-000	810 - 38		
FU8-2277-000	118 - 14	XA9-1164-000	101 - 25		
HH2-2824-000	001 - 1	XA9-1567-000	102 - 58		
HK1-0175-000	001 - 1	XA9-1567-000	251 - 9		
HK1-0544-000	001 - 1	XA9-1567-000	400 - 43		
HK1-0547-000	001 - 1	XA9-1567-000	930 - 4		
HK1-0551-000	001 - 1	XB1-2300-409	400 - 502		
MS4-2703-000	640 - 20	XB4-5301-005	162 - 501		
NPN	001 -	XB4-5301-005	163 - 501		
NPN	100 -	XB4-5301-005	164 - 502		
NPN	101 -	XB4-5401-007	118 - 501		
NPN	102 -	XB4-5401-205	161 - 502		
NPN	161 -	XB4-7300-807	640 - 502		
NPN	162 -	XB4-7400-806	300 - 501		
NPN	164 -	XB4-7400-806	301 - 501		
NPN	250 -	XB4-7401-007	160 - 501		
NPN	251 -	XB4-7401-009	101 - 502		
NPN	300 -	XB4-7401-009	310 - 501		
NPN	301 -	XB4-7401-009	320 - 501		
NPN	310 -	XB6-7300-405	640 - 501		
NPN	315 -	XB6-7300-605	102 - 501		
NPN	320 -	XB6-7300-605	161 - 501		
NPN	400 -	XB6-7300-605	164 - 501		
NPN	930 -	XB6-7300-607	101 - 501		
NPN	950 -	XB6-7300-607	400 - 501		
RB2-2973-000	810 - 35	XD1-1106-226	164 - 503		
VT2-5177-005	950 - 5	XD1-1108-215	163 - 502		
WE8-6218-000	400 - 46	XD2-1100-322	640 - 503		
WE8-6383-000	102 - 77	XD9-0134-000	251 - 10		
WE8-6388-000	102 - 78	XD9-0134-000	810 - 39		
WE8-6404-000	001 - 4	XD9-0136-000	163 - 20		
WG8-5696-000	102 - 80	XD9-0136-000	164 - 42		
WG8-5696-000	161 - 21	XD9-0136-000	164 - 51		
WG8-5696-000	164 - 31	XD9-0136-000	400 - 44		
WG8-5776-000	310 - 17	XF2-4607-230	400 - 45		
WG8-5776-000	315 - 14	XF2-4665-530	400 - 26		
WG8-5776-000	320 - 18	XF9-0760-000	164 - 49		
WG8-5776-000	400 - 40				
WG8-5776-000	810 - 37				
WK1-5130-000	950 - BAT				
WP2-5254-030	101 - 51				
WT2-5056-000	101 - 1				



# iR1020/1021/1024/1025 Catalog)

## Series(Parts

### imageRUNNER1021J

<b>120V UL</b>	<b>F19-0531-000</b>	<b>DQJ</b>	COPYBOARD model
----------------	---------------------	------------	-----------------

### imageRUNNER1025

<b>120V UL</b>	<b>F19-0533-000</b>	<b>DQS</b>	COPYBOARD model
----------------	---------------------	------------	-----------------

<b>120V CUBA</b>	<b>F19-0533-000</b>	<b>DSK</b>	COPYBOARD model
------------------	---------------------	------------	-----------------

### imageRUNNER1025iF

<b>120V UL</b>	<b>F19-0535-000</b>	<b>DRL</b>	ADF/FAX/Send model
----------------	---------------------	------------	--------------------

### imageRUNNER1025J

<b>120V UL</b>	<b>F19-0532-000</b>	<b>DQM</b>	COPYBOARD model
----------------	---------------------	------------	-----------------

### imageRUNNER1025N

<b>120V UL</b>	<b>F19-0534-000</b>	<b>DQX</b>	ADF model
----------------	---------------------	------------	-----------

<b>120V CUBA</b>	<b>F19-0534-000</b>	<b>DSL</b>	ADF model
------------------	---------------------	------------	-----------

### iR1020

<b>230V AU</b>	<b>F19-0543-000</b>	<b>DQR</b>	COPYBOARD model
----------------	---------------------	------------	-----------------

<b>230V EUR</b>	<b>F19-0592-000</b>	<b>DQQ</b>	COPYBOARD model
-----------------	---------------------	------------	-----------------

### iR1020J

<b>230V UL</b>	<b>F19-0541-000</b>	<b>DQL</b>	COPYBOARD model
----------------	---------------------	------------	-----------------

<b>230V EUR</b>	<b>F19-0591-000</b>	<b>DQK</b>	<b>COPYBOARD model</b>
-----------------	---------------------	------------	------------------------

## iR1024

<b>230V ASIA</b>	<b>F19-0544-000</b>	<b>DQT</b>	<b>COPYBOARD model</b>
------------------	---------------------	------------	------------------------

<b>230V CN</b>	<b>F19-0562-000</b>	<b>DQU</b>	<b>COPYBOARD model</b>
----------------	---------------------	------------	------------------------

<b>230V KR</b>	<b>F19-0570-000</b>	<b>DQW</b>	<b>COPYBOARD model</b>
----------------	---------------------	------------	------------------------

## iR1024A

<b>230V EUR</b>	<b>F19-0593-000</b>	<b>DQY</b>	<b>ADF model</b>
-----------------	---------------------	------------	------------------

## iR1024F

<b>120V TW</b>	<b>F19-0502-000</b>	<b>DRJ</b>	<b>ADF/FAX model</b>
----------------	---------------------	------------	----------------------

<b>230V ASIA</b>	<b>F19-0546-000</b>	<b>DRB</b>	<b>ADF/FAX model</b>
------------------	---------------------	------------	----------------------

<b>230V AU</b>	<b>F19-0548-000</b>	<b>DRE</b>	<b>ADF/FAX model</b>
----------------	---------------------	------------	----------------------

<b>230V KR</b>	<b>F19-0571-000</b>	<b>DRF</b>	<b>ADF/FAX model</b>
----------------	---------------------	------------	----------------------

<b>230V EUR</b>	<b>F19-0594-000</b>	<b>DRA</b>	<b>ADF/FAX model</b>
-----------------	---------------------	------------	----------------------

## iR1024i

<b>230V EUR</b>	<b>F19-0595-000</b>	<b>DRK</b>	<b>ADF/Send model</b>
-----------------	---------------------	------------	-----------------------

## iR1024iF

<b>230V ASIA</b>	<b>F19-0547-000</b>	<b>DRM</b>	<b>ADF/FAX/Send model</b>
------------------	---------------------	------------	---------------------------

<b>230V AU</b>	<b>F19-0549-000</b>	<b>DRN</b>	<b>ADF/FAX/Send model</b>
----------------	---------------------	------------	---------------------------

<b>230V CN</b>	<b>F19-0563-000</b>	<b>DRP</b>	<b>ADF/FAX/Send model</b>
----------------	---------------------	------------	---------------------------

<b>230V EUR</b>	<b>F19-0596-000</b>	<b>DRQ</b>	<b>ADF/FAX/Send model</b>
-----------------	---------------------	------------	---------------------------

iR1024J

<b>230V UL</b>	<b>F19-0542-000</b>	<b>DQN</b>	COPYBOARD model
<b>230V CN</b>	<b>F19-0561-000</b>	<b>DQP</b>	COPYBOARD model

iR1024N

<b>230V UL</b>	<b>F19-0545-000</b>	<b>DQZ</b>	ADF model
----------------	---------------------	------------	-----------





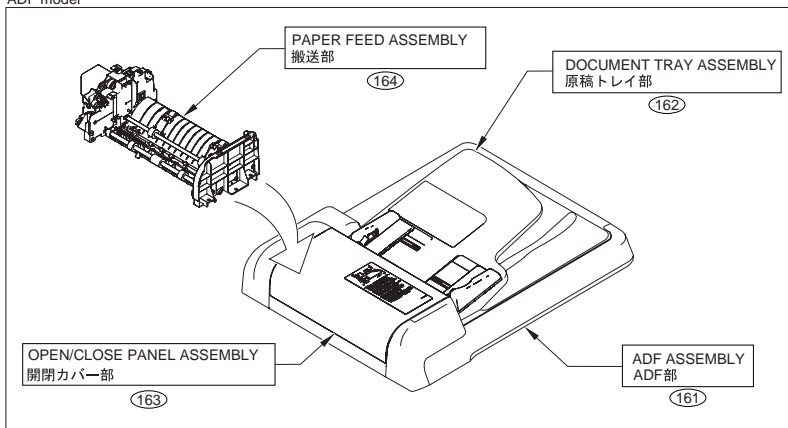
# Contents

A1	ASSEMBLY LOCATION DIAGRAM .....	2-1
A2	OPTION PARTS CATALOG LIST .....	2-3
001	PACKAGE COMPONENTS .....	2-4
100	EXTERNAL COVERS, PANELS, ETC. ....	2-6
101	INTERNAL COMPONENTS 1 .....	2-9
102	INTERNAL COMPONENTS 2 .....	2-13
118	LEFT DOOR ASSEMBLY .....	2-17
130	CONTROL PANEL ASSEMBLY .....	2-19
160	COPYBOARD COVER ASSEMBLY(COPYBOARD model).....	2-21
161	ADF ASSEMBLY(ADF model) .....	2-24
162	DOCUMENT TRAY ASSEMBLY(ADF model) .....	2-26
163	OPEN/CLOSE PANEL ASSEMBLY(ADF model) .....	2-28
164	PAPER FEED ASSEMBLY(ADF model) .....	2-30
250	MAIN DRIVE ASSEMBLY .....	2-33
251	REVERSE DRIVE ASSEMBLY .....	2-35
300	CASSETTE (EXCEPT CN) .....	2-37
301	CASSETTE (CN) .....	2-39
310	PAPER PICK-UP ASSEMBLY .....	2-41
315	MULTI PAPER PICK-UP TRAY ASS'Y.....	2-44
320	REGISTRATION ASSEMBLY .....	2-47
400	READER ASSEMBLY.....	2-49
460	LASER SCANNER UNIT .....	2-52
640	DEVELOPING UNIT .....	2-53
810	FIXING ASSEMBLY.....	2-56
930	PCB ASSEMBLY .....	2-59
950	IMAGE PROCESSOR PCB ASSEMBLY .....	2-61

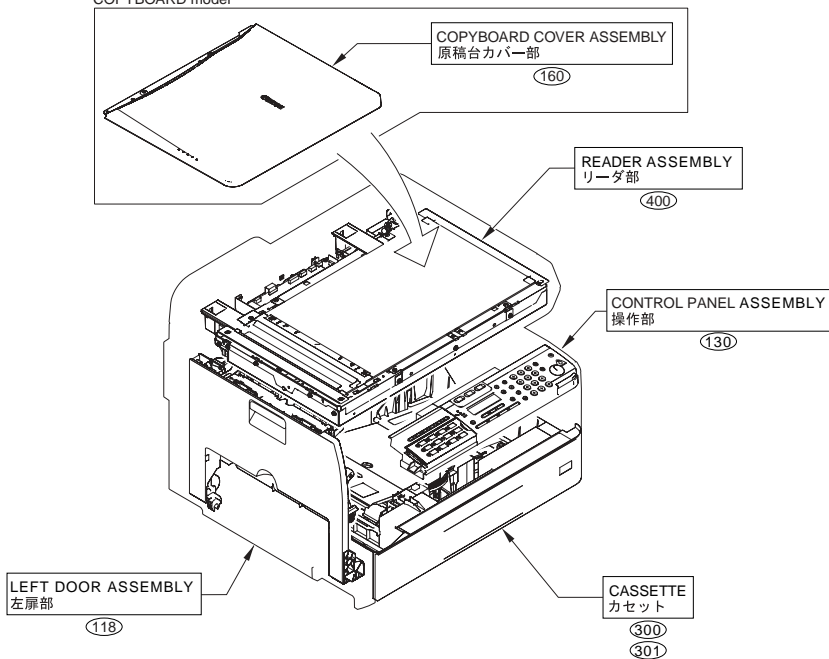


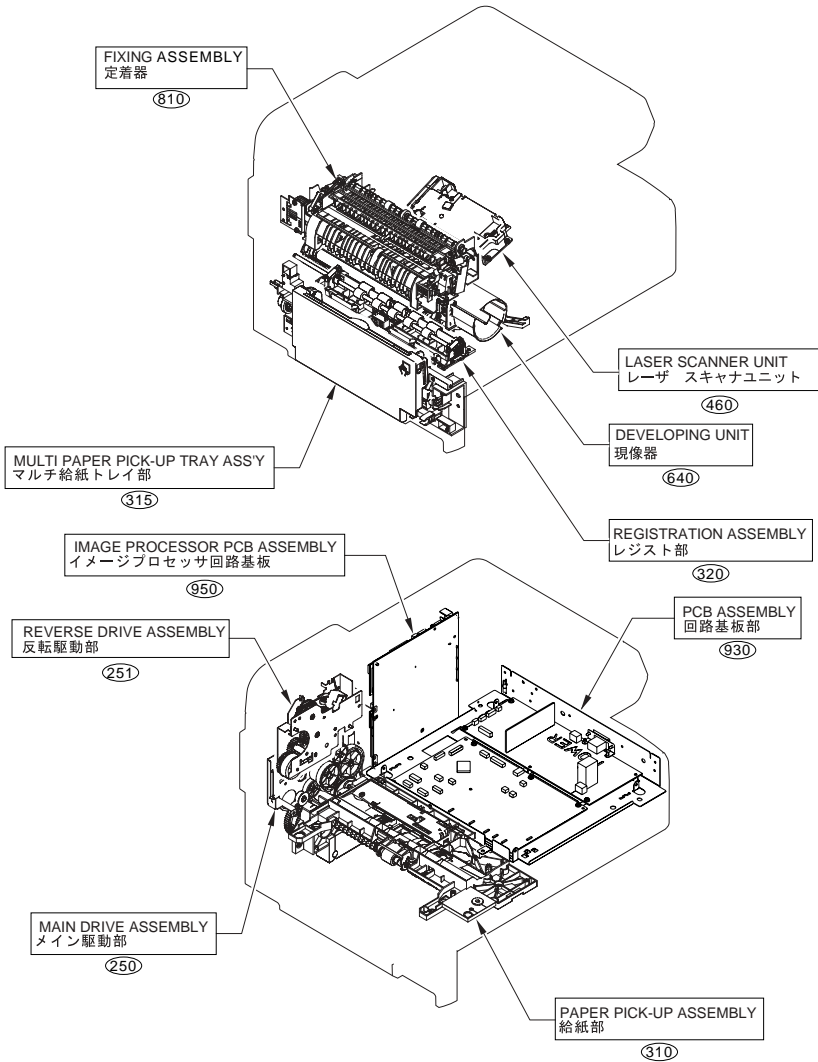
# FIGURE A1 ASSEMBLY LOCATION DIAGRAM

ADF model



COPYBOARD model



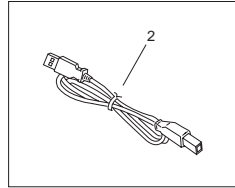
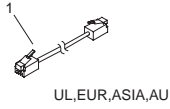


## FIGURE A2 OPTION PARTS CATALOG LIST

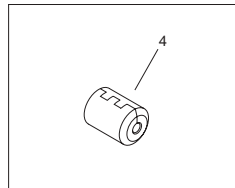
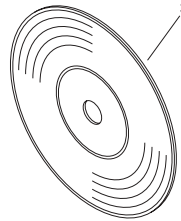
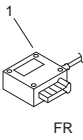
This is the table of the machine's options whose parts catalog is issued.  
本機のオプションで、パーツカタログが発行されている機種の一覧である。

No.	Model Name(English)	Model Name(Japanese)
1	PCL Printer Kit-AB1	PCL Printer Kit-AB1
2	Network Interface Adapter iN-E11	Network Interface Adapter iN-E11
3	Cassette Feeding Module-N2	Cassette Feeding Module-N2
4	Cassette-AD1	Cassette-AD1
5	Card Reader-E1	Card Reader-E1
6	Serial Interface Board-A2	シリアルボードキット・A2

# FIGURE 001 PACKAGE COMPONENTS



DQU, DQW, DRF, DRP



DQX, DRK, DRL, DRM, DSL

FIGURE & KEY NO.	PARTS NUMBER	RANK	Q'TY	DESCRIPTION	SERIAL NUMBER/REMARKS	SVC
Fig.001	NPN		RF	PACKAGE COMPONENTS		
1	HH2-2824-000		1	CORD, MODULAR	UL, EUR, ASIA, AU	
1	HK1-0544-000		1	CORD, MODULAR	DE	
1	HK1-0547-000		1	CORD, MODULAR	FR	
1	FH2-7200-000		1	CORD, MODULAR	KR	
1	HK1-0175-000		1	CORD, MODULAR	KR	
1	HK1-0551-000		1	CORD, MODULAR	GB	
2	FH2-7192-000		1	CABLE, USB	DQU, DQW, DRF, DRP	
3	FK2-7842-000		1	CD-ROM, SOFTWARE	DQS, DQX, DRL, DSK, DSL	
3	FK2-7843-000		1	CD-ROM, SOFTWARE	DQR, DQT, DQU, DQW, DQZ, DRB, DRE, DRF, DRJ, DRM, DRN, DRP	
3	FK2-7844-000		1	CD-ROM, SOFTWARE	DQQ, DQY, DRA	
3	FK2-7845-000		1	CD-ROM, SOFTWARE	DQU, DQW, DRF, DRJ, DRP	
3	FK2-7848-000		1	CD-ROM, SOFTWARE	DRK, DRQ	
3	FK2-7849-000		1	CD-ROM, SOFTWARE	DRK, DRQ	
4	WE8-6404-000		1	CORE, RING	DQX, DRK, DRL, DRM, DSL	

# FIGURE 100 EXTERNAL COVERS, PANELS, ETC.

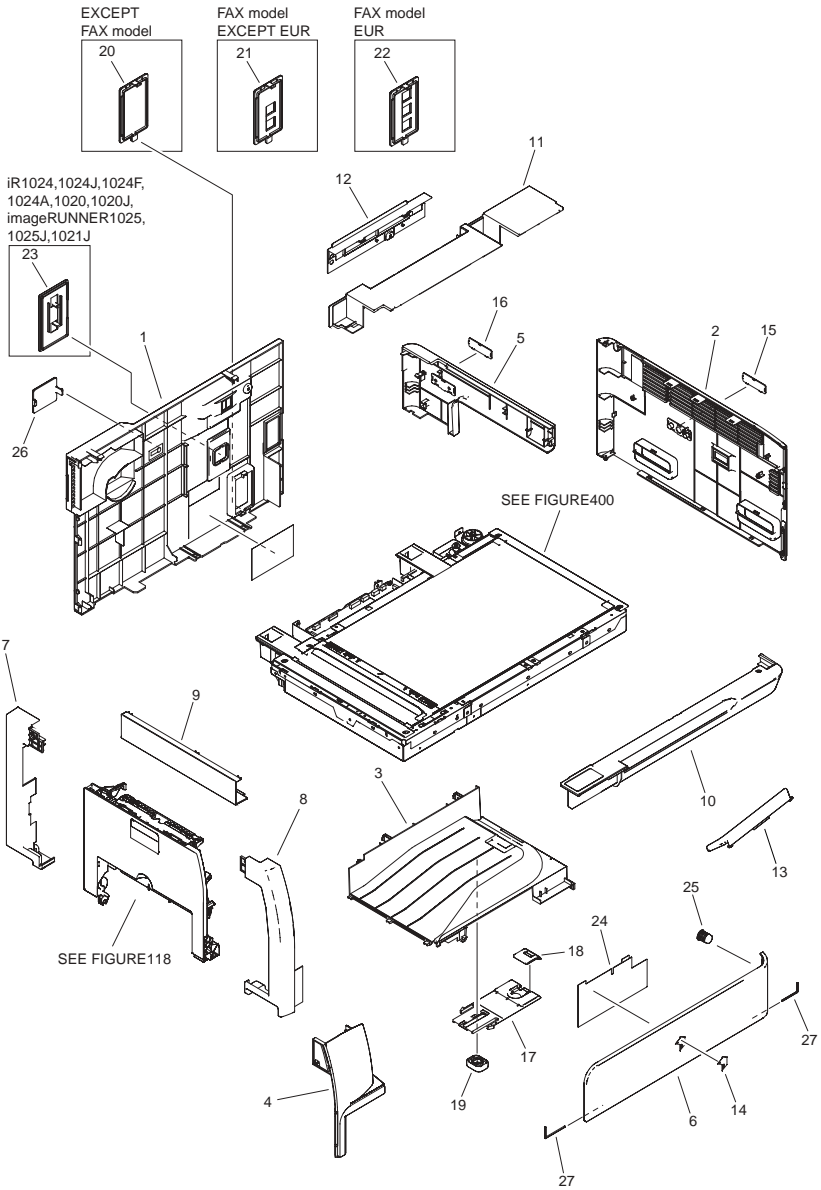




FIGURE & KEY NO.	PARTS NUMBER	R A N K	Q'TY	DESCRIPTION	SERIAL NUMBER/ REMARKS	S V C
Fig.100	NPN		RF	EXTERNAL COVERS, PANELS, ETC.		
1	FC7-3842-000		1	COVER, REAR		
2	FC6-7335-000		1	COVER, RIGHT		
3	FC7-3416-000		1	TRAY, DELIVERY		
4	FC7-2942-000		1	COVER, DELIVERY, FRONT		
5	FC7-2962-000		1	COVER, READER, RIGHT		
6	FL3-1203-000		1	COVER, FRONT	iR1020	
6	FL3-1204-000		1	COVER, FRONT	iR1020J	
6	FL3-1205-000		1	COVER, FRONT	imageRUNNER1021J	
6	FL3-1206-000		1	COVER, FRONT	iR1024	
6	FL3-1207-000		1	COVER, FRONT	iR1024A	
6	FL3-1208-000		1	COVER, FRONT	iR1024F	
6	FL3-1209-000		1	COVER, FRONT	iR1024i	
6	FL3-1210-000		1	COVER, FRONT	iR1024J	
6	FL3-1211-000		1	COVER, FRONT	iR1024N	
6	FL3-1212-000		1	COVER, FRONT	iR1024iF	
6	FL3-1213-000		1	COVER, FRONT	imageRUNNER1025	
6	FL3-1214-000		1	COVER, FRONT	imageRUNNER1025J	
6	FL3-1215-000		1	COVER, FRONT	imageRUNNER1025N	
6	FL3-1216-000		1	COVER, FRONT	imageRUNNER1025iF	
7	FC7-2950-000		1	COVER, LEFT, REAR		
8	FC7-2941-000		1	COVER, LEFT, FRONT		
9	FC7-2951-000		1	COVER, LEFT, UPPER		
10	FL2-5386-000		1	COVER, READER, FRONT	ADF model	
10	FC7-2943-000		1	COVER, READER, FRONT	COPYBOARD model	
11	FC7-2979-000		1	COVER, READER, REAR		
12	FC7-2980-000		1	COVER, READER REAR, SMALL	ADF model	
12	FC7-2981-000		1	COVER, READER REAR, SMALL	COPYBOARD model	
13	FC7-3417-000		1	TRAY, PAPER DELIVERY AUXILIARY		
14	FC7-2944-000		1	EMBLEM		
15	FC6-7545-000		1	COVER, BLANKING		
16	FC7-2967-000		1	COVER, BLANKING		

FIGURE & KEY NO.	PARTS NUMBER	RANK	Q'TY	DESCRIPTION	SERIAL NUMBER/REMARKS	SVC
17	FC7-2965-000		1	STOPPER, PAPER DELIVERY TRAY		
18	FC7-2966-000		1	STOPPER, PAPER DELIVERY TRAY		
19	FC6-7563-000		1	STOPPER, PAPER DELIVERY		
20	FC6-7541-000		1	COVER, MJ BLANKING, 1	EXCEPT FAX model	
21	FC6-7542-000		1	COVER, MJ BLANKING, 2	FAX model EXCEPT EUR	
22	FC6-7543-000		1	COVER, MJ BLANKING, 3	FAX model EUR	
23	FC6-7544-000		1	COVER, LAN BLANKING	iR1024,1024J,1024F,iR1024A,1020,1020J,imageRU NNER1025,1025J,1021J	
24	FU6-8073-000		1	SHEET, BOTTLE OPERATOR		
25	FA9-3870-000		1	CATCH, MAGNET		
26	FC7-3844-000		1	COVER, BLIND		
27	FA8-2446-000		1	PIN, HINGE		

# FIGURE 101 INTERNAL COMPONENTS 1

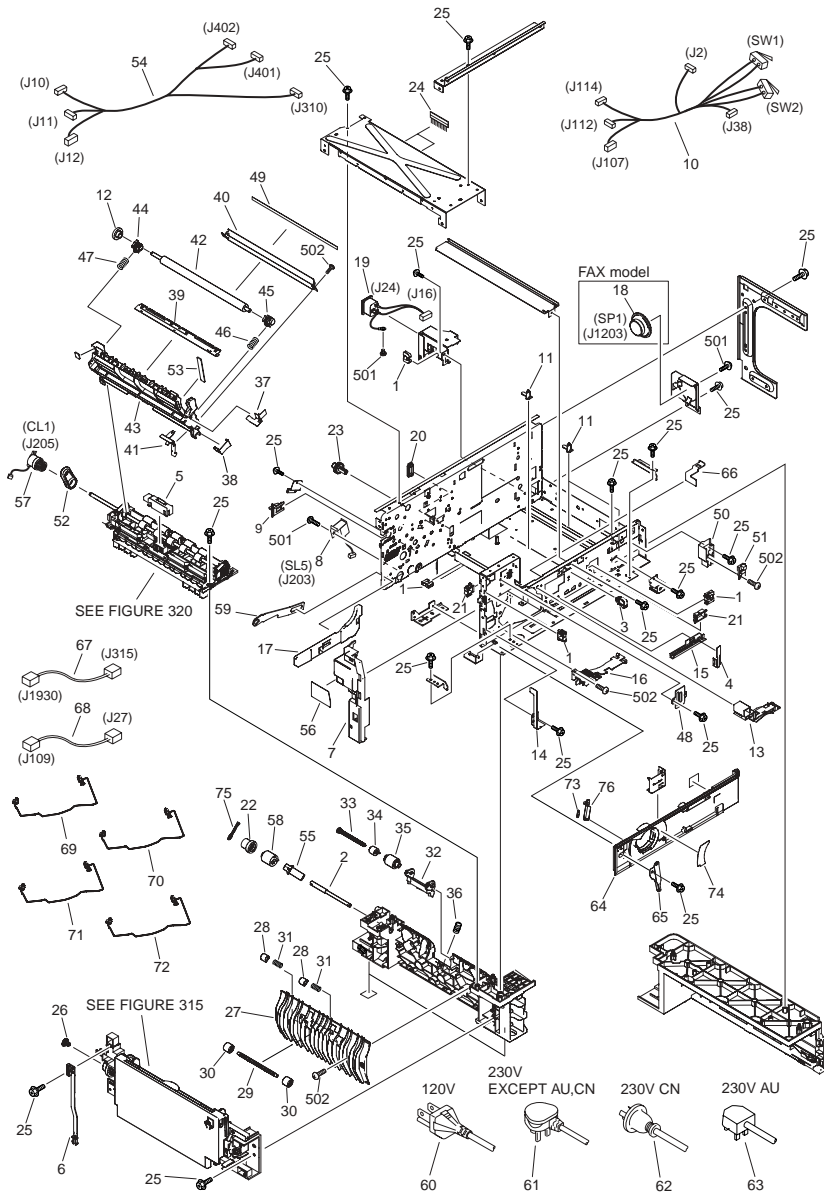


FIGURE & KEY NO.	PARTS NUMBER	R A N K	Q'TY	DESCRIPTION	SERIAL NUMBER/ REMARKS	S V C
Fig.101	NPN		RF	INTERNAL COMPONENTS 1		
1	WT2-5056-000		5	CLIP, CORD		
2	FC6-7400-000		1	SHAFT, JOINT		
3	WT2-5619-000		9	CLIP CLAMP, WIRE		
4	FC7-2921-000		1	SPRING, PLATE		
5	FC6-7434-000		1	COVER, REGISTRATION SENSOR		
6	FC6-7467-020		1	STOPPER, DOOR, LEFT		
7	FC7-2911-000		1	COVER, BLANKING		
8	FK2-1410-000		1	SOLENOID	SL5	
9	FC6-7519-000		1	SUPPORT, ROLLER, FIXING		
10	FM3-8878-000		1	CABLE, INTERLOCK SWITCH	SW1,2	
11	FC6-7564-000		3	SPACER, PCB		
12	FU7-0029-000		1	GEAR, 17T		
13	FC7-2970-000		1	GUIDE, HIGH VOLTAGE, UPPER		
14	FC7-2920-000		1	LEVER, INTERLOCK		
15	FC7-2973-000		1	GUIDE, FIXING AC		
16	FC7-2971-000		1	GUIDE, HIGH VOLTAGE, LOWER		
17	FC7-2934-000		1	GUIDE, CARTRIDGE, REAR		
18	FK2-1378-000		1	SPEAKER	SP1,FAX model	
19	FM2-4928-000		1	CABLE, AC-INLET		
20	WT2-5760-000		1	BUSHING, SQUARE		
21	WT2-5812-000		4	CLIP, CABLE		
22	FU7-0027-000		1	GEAR, 27T		
23	FU7-0035-000		1	GEAR, 19T		
25	XA9-1164-000		AR	SCREW, RS, M3X6.5		
26	FC6-7426-000		1	CAP		
27	FC6-7399-030		1	GUIDE, ROLLER, FEED		
28	FC6-7402-020		2	BUSHING, FEED ROLLER		
29	FC6-7403-000		1	SHAFT, FEED ROLLER		
30	FC6-7404-000		2	ROLLER, FEED		
31	FU6-2415-000		2	SPRING, COMPRESSION		
32	FC6-7360-000		1	PLATE, SEPARATION PRESSURE		

FIGURE & KEY NO.	PARTS NUMBER	R A N K	Q'TY	DESCRIPTION	SERIAL NUMBER/ REMARKS	S V C
33	FC6-7362-000		1	SHAFT, REGISTRATION ROLLER		
34	FC6-7392-000		1	LIMITER, TORQUE		
35	FL2-3887-000		1	ROLLER, FEED		
36	FU6-2412-000		1	SPRING, COMPRESSION		
37	FC7-2947-000		1	PLATE, CONTACT		
38	FC7-2946-000		1	PLATE, HIGH VOLTAGE CONTACT		
39	FC6-7447-000		1	ELIMINATOR, STATIC CHARGE		
40	FC7-5047-000		1	GUIDE, PRE-TRANSFER		
41	FC6-7449-000		1	PLATE, GROUNDING		
42	FC6-7450-000		1	ROLLER, TRANSFER CHARGE		
43	FC7-2945-000		1	FRAME, TRANSFER		
44	FC6-7464-000		1	BUSHING, TRANSFER, REAR		
45	FC6-7465-000		1	BUSHING, TRANSFER, FRONT		
46	FU6-2432-000		1	SPRING, COMPRESSION		
47	FM3-2397-000		1	COMPRESSION SPRING ASSEMBLY		
48	FL2-3910-000		1	PLATE, SUPPORT		
49	FC6-7476-000		1	SHEET, STATIC CHARGE		
50	FC6-7582-000		1	HOLDER, SENSOR		
51	WP2-5254-030		1	HUMIDITY SENSOR UNIT		
52	FC6-7477-000		1	SUPPORT, REGISTRATION SHAFT		
53	FC6-7472-000		1	LABEL		
54	FM2-4944-000		1	CABLE,POWER SUPPLY		
55	FC7-7144-000		1	JOINT		
56	FC6-7524-000		1	LABEL, HIGH TMP. CAUTION R		
57	FK2-1401-000		1	CLUTCH, ELECTROMAGNETIC	CL1	
58	FC7-7143-000		1	LIMITER, TORQUE		
59	FC7-2923-000		1	RINK, ARM		
60	FM2-5328-000		1	CORD, POWER, 120V	120V	
61	FM2-5329-000		1	CORD, POWER, 230V	230V EXCEPT AU,CN	
62	FM2-5331-000		1	CORD, POWER, 230V	230V CN	
63	FM2-5332-000		1	CORD, POWER, 230V	230V AU	
64	FC7-2909-000		1	COVER, INTERNAL		

FIGURE & KEY NO.	PARTS NUMBER	R A N K	Q'TY	DESCRIPTION	SERIAL NUMBER/ REMARKS	S V C
65	FC7-2916-000		1	TAPE, COVER HOLD		
66	FC7-2914-000		1	PLATE, CONTACT		
67	FM2-8370-000		1	CABLE,SOFT-ID		
68	FM2-8373-000		1	CABLE,TONER FULL		
69	FM2-9040-000		1	CABLE, HIGH VOLTAGE., FIXING		
70	FM2-9041-000		1	CABLE, HIGH VOTAGE, ELIM		
71	FM2-9042-000		1	CABLE, HIGH VOLTAGE., TRANSFER		
72	FM2-9043-000		1	CABLE, HIGH VOLTAGE., CORONA		
73	FU6-2832-000		1	SPRING,SHUTTER		
74	FU6-8079-000		1	LABEL,BOTTLE OPERATION		
75	FC7-7145-000		1	PIN, SNAP		
76	FC7-3860-000		1	SHUTTER, INTERNAL		
501	XB6-7300-607		AR	SCREW, TP, M3X6 (S)		
502	XB4-7401-009		AR	SCREW,TAPPING,PAN HEAD,M4X10		



FIGURE & KEY NO.	PARTS NUMBER	R A N K	Q'TY	DESCRIPTION	SERIAL NUMBER/ REMARKS	S V C
Fig.102	NPN		RF	INTERNAL COMPONENTS 2		
1	FS7-8335-000		1	LABEL, LASER CAUTION		
2	FC7-2929-000		1	SHUTTER, LASER		
3	FU6-2825-000		1	SPRING, TORSION		
4	FC6-7409-000		1	PLATE, GROUNDING		
5	FC6-7552-000		1	CAM, COUPLING		
6	FC6-7553-000		1	ARM, COUPLING		
7	FU5-1774-000		1	BUSHING, COUPLING F		
8	FC6-7557-000		1	JOINT, ARM, DOOR		
9	FC6-7568-000		1	GUIDE, HARNESS		
10	FC6-7575-000		1	DUCT, FAN		
11	FC6-7577-000		1	SPACER, PCB		
12	FK2-1385-000		1	MOTOR, MAIN		
13	FK2-1394-000		1	CABLE, FLAT		
14	FK2-1395-000		1	CABLE, FLAT		
15	FK2-1396-000		1	CABLE, FLAT		
16	FK2-1400-000		1	CABLE, FLAT	FAX model	
17	FU7-0495-000		1	GEAR, 91T		
18	FM3-8833-000		1	NCU BOARD ASSY	FAX model EXCEPT AU,TW	
18	FM3-9239-000		1	NCU BOARD ASSY	FAX model AU	
18	FM3-9447-000		1	NCU BOARD ASSY	FAX model TW	
19	FM2-4922-000		1	CABLE, SCSNNER		
20	FM2-4926-000		1	CABLE, RELAY PCB		
21	FM2-4930-000		1	CABLE, MULTI-REGI		
22	FM2-4935-000		1	CABLE, VBAT	FAX model iR1024i	
23	FM2-4937-000		1	CABLE, NCU-PSU	FAX model	
24	FM2-4938-000		1	CABLE, MJ	FAX model	
25	FM2-8372-000		1	CABLE, FIXING HEATER		
26	FC6-7581-000		1	DUCT		
27	FC7-0547-000		1	LABEL, ADDRESS	FAX model iR1024i	
28	FM2-4945-000		1	CABLE, IP-LAN	iR1024i,1024iF,1024N,ima geRUNNER1025iF,1025N	



FIGURE & KEY NO.	PARTS NUMBER	RANK	Q'TY	DESCRIPTION	SERIAL NUMBER/REMARKS	SVC
29	FM2-5048-000		1	NETWORK I/F BORD PCB ASSEMBRY	iR1024i,1024f,1024N,imageRUNNER1025f,1025N	
30	FM2-5050-000		1	MODULAR JACK PCB ASSEMBLY	FAX model EXCEPT EUR	
30	FM2-5051-000		1	MODULAR JACK PCB ASSEMBLY	FAX model EUR	
31	FC7-2933-000		1	SPRING UNIT, CONTACT		
32	FC7-2915-000		1	CATCH, MAGNET		
33	FC7-2926-000		4	SPRING, PLATE		
34	FU6-2819-000		1	SPRING UNIT, CONTACT		
35	FU6-2821-000		1	SPRING UNIT, CONTACT		
36	FU6-2822-000		1	SPRING, PLATE		
37	FU6-2823-000		1	SPRING UNIT, CONTACT		
38	FC7-2919-000		1	SUPPORT,DOOR,FRONT		
39	FC6-7580-000		1	SPRING, PLATE		
40	FU6-2820-000		1	SPRING, PLATE		
41	FU6-2818-000		1	SPRING, PLATE		
42	FC6-7574-000		1	HOLDER, FAN		
43	FK2-1386-000		1	FAN	FM1	
44	FC6-7309-000		1	GUIDE, CONTACT SPRING		
45	FC6-7310-000		5	SPRING, LEAF		
46	FC6-7311-000		1	SPRING, COMPRESSION		
47	FC6-7312-000		1	SPRING, COMPRESSION		
48	FC8-9902-000		1	FILTER, AIR		
49	FC6-7314-000		1	SPRING, COMPRESSION		
50	FC6-7315-000		1	SPRING, COMPRESSION		
51	FM2-6089-000		1	MODEM PCB ASSEMBLY	iR1024f,imageRUNNER1025f	
51	FM2-6090-000		1	MODEM PCB ASSEMBLY	iR1024F	
52	FC6-7554-000		1	ARM, RINK		
53	FM2-4918-000		1	RELAY PCB ASSEMBLY		
54	FC6-7562-000		1	PLATE, GROUNDING		
55	FC6-7523-000		1	LABEL, HIGH TEMPERATURE CAUTIO		
56	FC6-7576-000		1	BUSHING, FFC		
57	FC6-7514-000		1	STOPPER, GEAR, DELIVERY		

FIGURE & KEY NO.	PARTS NUMBER	R A N K	Q'TY	DESCRIPTION	SERIAL NUMBER/ REMARKS	S V C
58	XA9-1567-000		AR	SCREW, RS, M3X8.5		
59	WT2-5621-000		1	CLAMP, EDGE		
60	FU6-2831-000		1	SPRING, COMPRESSION		
61	FU5-1775-000		1	BUSHING		
62	FC7-2917-000		1	GUIDE, CONTACT SPRING		
63	FC7-2968-000		1	GUIDE, HIGH VOLTAGE, RIGHT		
64	FC7-2927-000		1	SPRING, PLATE		
65	FC7-2969-000		1	GUIDE, HIGH VOLTAGE, LEFT		
66	FC7-2972-000		1	GUIDE, POSITIONING		
67	FC7-2930-000		1	GUIDE, CRG, FRONT		
68	FU5-1776-000		1	BUSHING		
69	FC7-2932-000		1	PLATE, GROUNDING		
70	FC7-2931-000		1	BLOCK,DRUM CARTRIDGE		
71	FC7-2937-000		2	CAM, DEVELOPING PRESSURE		
72	FC7-2948-000		1	GUIDE, CONTACT SPRING		
73	FU6-2824-000		1	SPRING, COMPRESSION		
74	FC7-2935-000		1	MOUNT, SENSOR		
75	FU6-2441-000		1	SPRING, COMPRESSION		
76	WT2-5677-000		2	GUIDE,CABLE		
77	WE8-6383-000		1	CORE,RING		
78	WE8-6388-000		1	CORE,RING		
79	FL2-5615-000		1	SHEET,CASSETTE		
80	WG8-5696-000		1	PHOTO INTERRUPTER, TLP1243	SR6	
81	WT2-5619-000		1	SADDLE, WIRE		
82	FM3-9189-000		1	CAPACITOR PCB ASSEMBLY	iR1024i	
501	XB6-7300-605		AR	SCREW, TP, M3X6 (S)		

# FIGURE 118 LEFT DOOR ASSEMBLY

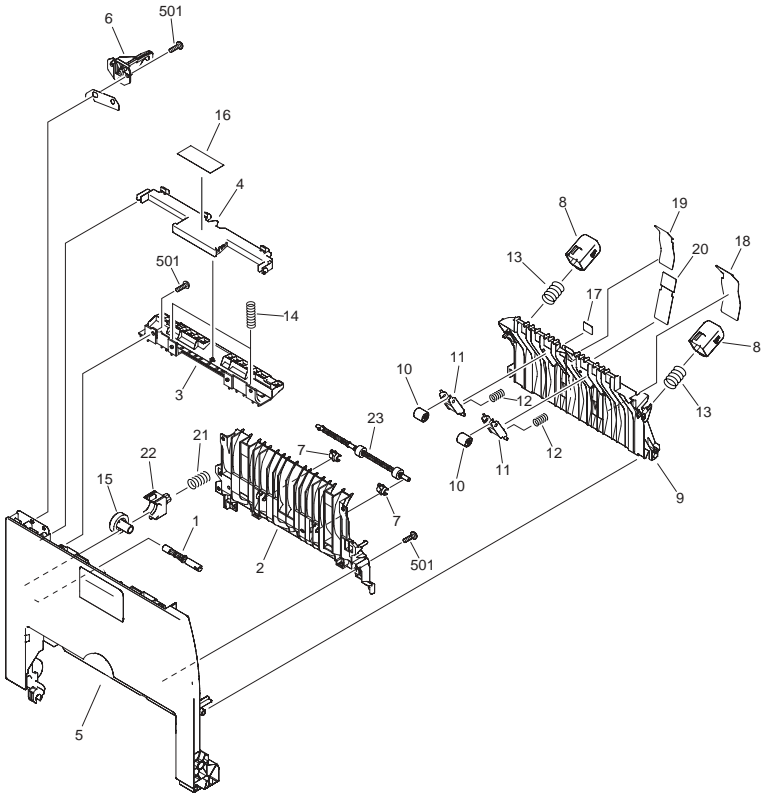
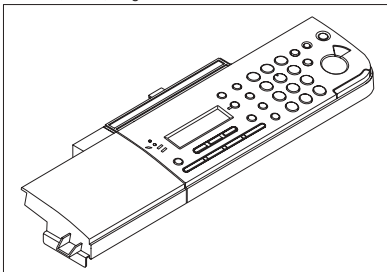


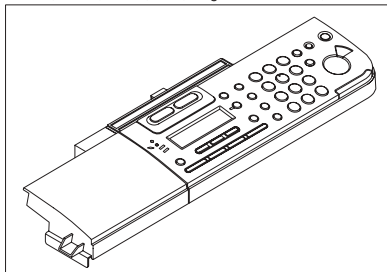
FIGURE & KEY NO.	PARTS NUMBER	R A N K	Q'TY	DESCRIPTION	SERIAL NUMBER/ REMARKS	S V C
Fig.118	FM2-9044-000		1	LEFT DOOR ASSEMBLY		
1	FC6-7452-000		1	SHAFT, ROLLER		
2	FC6-7454-000		1	GUIDE, FEED OUTER		
3	FC6-7455-000		1	GUIDE, FIXING, REAR		
4	FC7-2952-000		1	LEVER, COVER OPEN/CLOSE		
5	FC7-2953-000		1	DOOR, LEFT		
6	FC6-7461-000		1	LEVER, FIXING PRESSURE RELEASE		
7	FC6-7466-000		2	BUSHING, FEED		
8	FC6-7453-000		2	BLOCK, PRESSURE		
9	FC6-7457-000		1	GUIDE, DUPLEXING FEED		
10	FC6-7459-000		2	COLLAR		
11	FC6-7460-000		2	HOLDER, COLLAR		
12	FU6-2434-000		2	SPRING, COMPRESSION		
13	FU6-2435-000		2	SPRING, COMPRESSION		
14	FU8-2277-000		2	SPRING, COMPRESSION		
15	FU7-0032-000		1	GEAR, 19T		
16	FC6-7583-000		1	SHEET, PROTECTION		
17	FC6-7473-000		1	LABEL, HIGH TMP. CAUTION R		
18	FC6-7470-000		1	LABEL, DUPLEX JAM		
19	FU6-8077-000		1	LABEL, DRUM REPLACE, 1		
20	FU6-8078-000		1	LABEL, DRUM REPLACE, 2		
21	FU6-2446-000		1	SPRING, COMPRESSION		
22	FC7-7147-000		1	BUSHING		
23	FL2-3901-000		1	ROLLER, FEED		
501	XB4-5401-007		AR	SCREW, M4X10		

# FIGURE 130 CONTROL PANEL ASSEMBLY

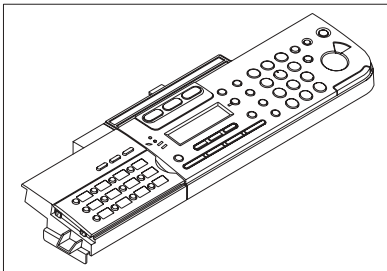
iR1024J,1020J,imageRUNNER1021J



iR1024,1024A,1024N,1020,imageRUNNER1025,1025N



iR1024i



iR1024F,1024iF

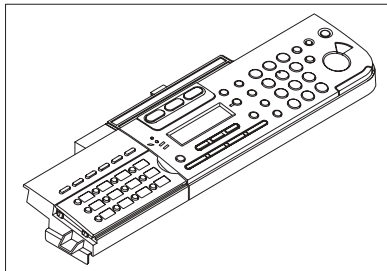


FIGURE & KEY NO.	PARTS NUMBER	R A N K	Q'TY	DESCRIPTION	SERIAL NUMBER/ REMARKS	S V C
Fig.130	FM3-8989-000		1	CONTROL PANEL ASSEMBLY	DQJ,DQM,DQL,DQN	
Fig.130	FM3-8990-000		1	CONTROL PANEL ASSEMBLY	DQK	
Fig.130	FM3-8991-000		1	CONTROL PANEL ASSEMBLY	DQP	
Fig.130	FM3-8992-000		1	CONTROL PANEL ASSEMBLY	DQS,DSK	
Fig.130	FM3-8993-000		1	CONTROL PANEL ASSEMBLY	DQQ	
Fig.130	FM3-8994-000		1	CONTROL PANEL ASSEMBLY	DQU	
Fig.130	FM3-8995-000		1	CONTROL PANEL ASSEMBLY	DQW	
Fig.130	FM3-8997-000		1	CONTROL PANEL ASSEMBLY	DQR,DQT	
Fig.130	FM3-8998-000		1	CONTROL PANEL ASSEMBLY	DQX,DSL	
Fig.130	FM3-8999-000		1	CONTROL PANEL ASSEMBLY	DQY	
Fig.130	FM3-9000-000		1	CONTROL PANEL ASSEMBLY	DQZ	
Fig.130	FM3-9001-000		1	CONTROL PANEL ASSEMBLY	DRA	
Fig.130	FM3-9002-000		1	CONTROL PANEL ASSEMBLY	DRF	
Fig.130	FM3-9003-000		1	CONTROL PANEL ASSEMBLY	DRJ	
Fig.130	FM3-9004-000		1	CONTROL PANEL ASSEMBLY	DRB,DRE	
Fig.130	FM3-9005-000		1	CONTROL PANEL ASSEMBLY	DRK	
Fig.130	FM3-9097-000		1	CONTROL PANEL ASSEMBLY	DRL	
Fig.130	FM3-9098-000		1	CONTROL PANEL ASSEMBLY	DRQ	
Fig.130	FM3-9099-000		1	CONTROL PANEL ASSEMBLY	DRP	
Fig.130	FM3-9100-000		1	CONTROL PANEL ASSEMBLY	DRM,DRN	

FIGURE 160  
COPYBOARD COVER ASSEMBLY(COPYBOARD  
model)

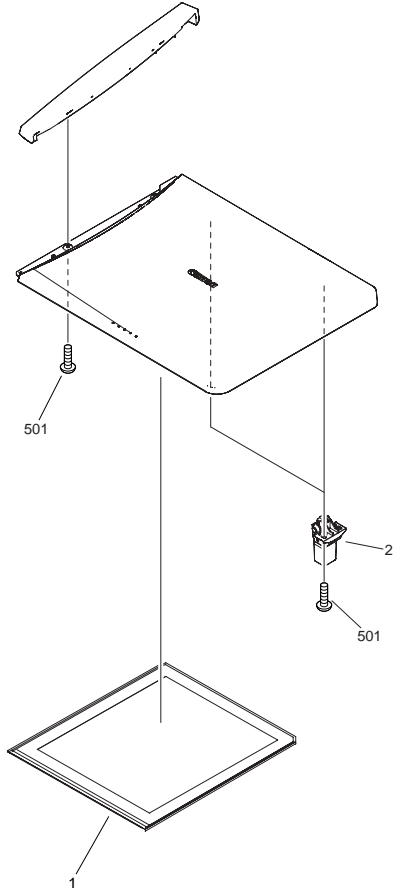




FIGURE & KEY NO.	PARTS NUMBER	RANK	Q'TY	DESCRIPTION	SERIAL NUMBER/REMARKS	SVC
Fig.160	FM2-8236-000		1	COPYBOARD COVER ASSEMBLY	COPYBOARD model	
1	FC6-7767-000		1	WHITE SHEET UNIT		
2	FM2-9039-000		2	HINGE UNIT		
501	XB4-7401-007		6	SCREW,TAPPING,PAN HEAD,M4X10		

# FIGURE 161 ADF ASSEMBLY(ADF model)

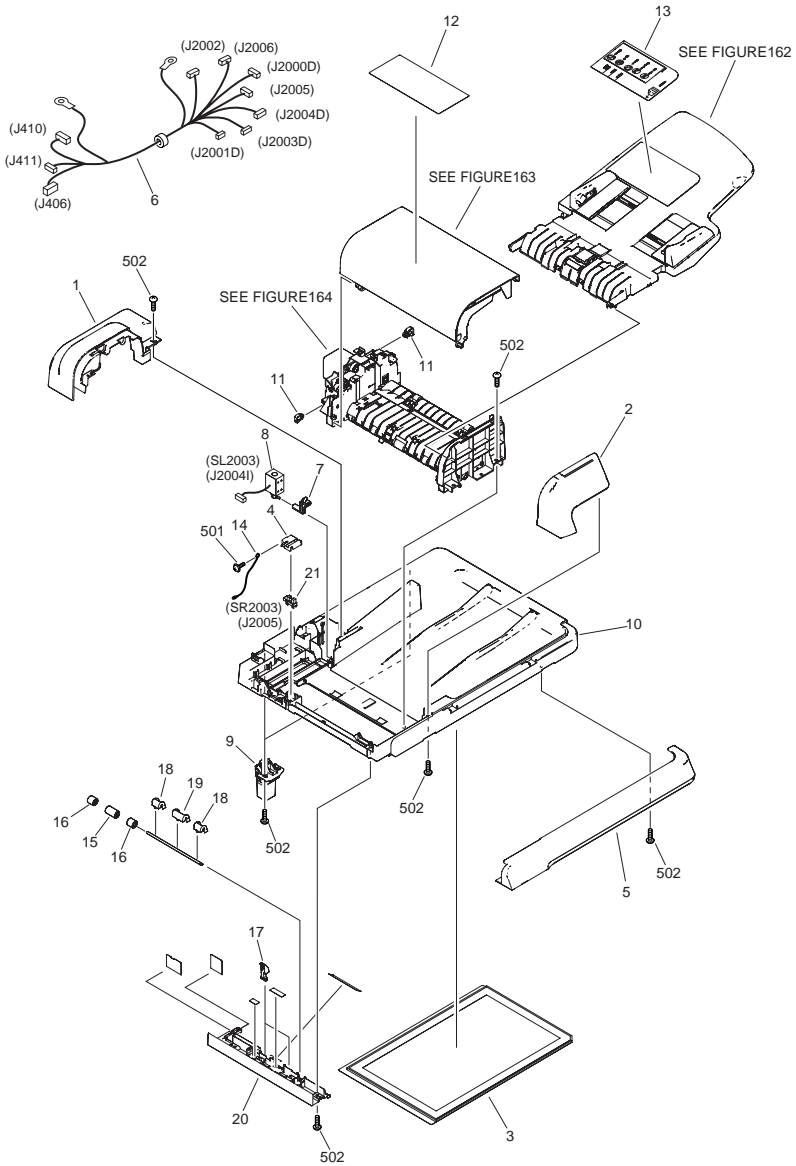


FIGURE & KEY NO.	PARTS NUMBER	R A N K	Q'TY	DESCRIPTION	SERIAL NUMBER/ REMARKS	S V C
Fig.161	NPN		RF	ADF ASSEMBLY	ADF model	
1	FC7-3399-000		1	COVER, REAR		
2	FC7-3400-000		1	COVER, FRONT, S		
3	FC6-7767-000		1	WHITE SHEET UNIT		
4	FC6-7784-000		1	COVER, SENSOR		
5	FC7-3411-000		1	COVER, FRONT, L		
6	FM2-4950-000		1	CABLE, ADF I/F		
7	FC6-7722-000		1	ARM, SOLENOID		
8	FK2-1392-000		1	SOLENOID	SL2300	
9	FM2-4974-000		2	HINGE UNIT		
10	FL2-3983-000		1	FRAME, BASE		
11	WT2-5619-000		2	CLIP CLAMP, WIRE		
12	FU6-8121-000		1	LABEL, BLACK LINE, CLEANING	FOR USA	
12	FU6-8122-000		1	LABEL, BLACK LINE, CLEANING	FOR EUROPA	
12	FU6-8123-000		1	LABEL, BLACK LINE, CLEANING	FOR ASIA	
13	FU6-8118-000		1	LABEL, DOCUMENT SIZE	FOR USA	
13	FU6-8119-000		1	LABEL, DOCUMENT SIZE	FOR EUROPA	
13	FU6-8120-000		1	LABEL, DOCUMENT SIZE	FOR ASIA	
14	FM2-4948-000		1	CABLE, GROUNDING		
15	FC6-7732-000		1	COLLAR		
16	FC6-7733-000		2	COLLAR		
17	FC6-7734-000		2	LEVER, PRESSURE		
18	FC7-0552-000		2	GUIDE, REGISTRATION, SMALL		
19	FC7-0553-000		1	GUIDE, REGISTRATION, LARGE		
20	FL2-5612-000		1	GUIDE, FEED, LOWER		
21	WG8-5696-000		1	PHOTO INTERRUPTER, TLP1243	SR2003	
501	XB6-7300-605		2	SCREW, TP, M3X6 (S)		
502	XB4-5401-205		16	SCREW,P,M4X12		

FIGURE 162  
DOCUMENT TRAY ASSEMBLY(ADF model)

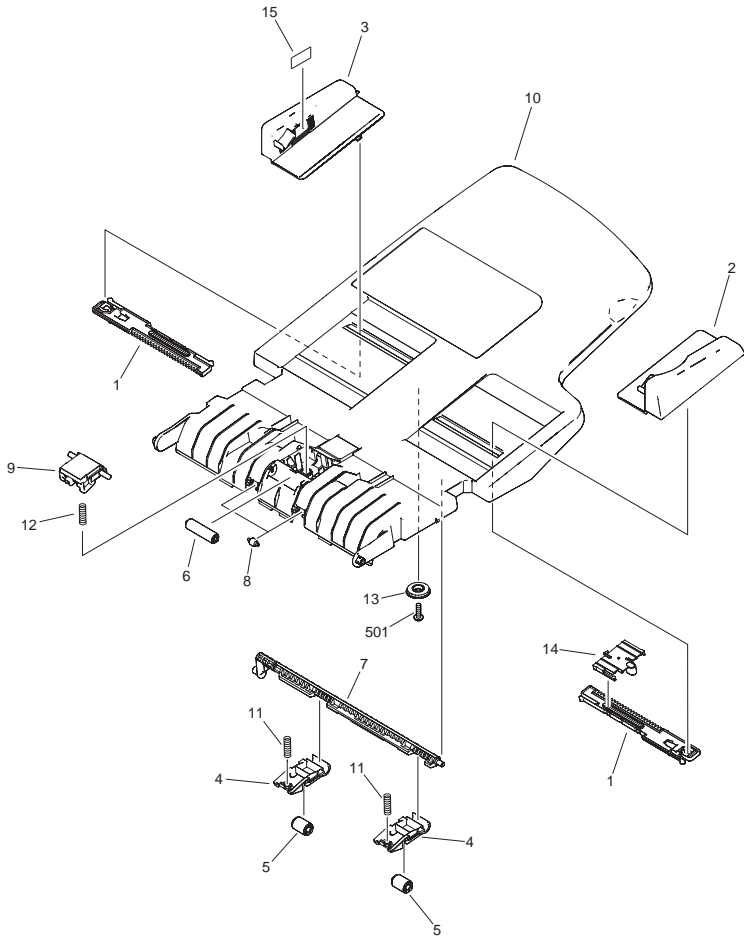


FIGURE & KEY NO.	PARTS NUMBER	R A N K	Q'TY	DESCRIPTION	SERIAL NUMBER/ REMARKS	S V C
Fig.162	NPN		RF	DOCUMENT TRAY ASSEMBLY	ADF model	
1	FC6-7750-000		2	RACK, TRAY		
2	FC7-3409-000		1	GUIDE, SIDE, FRONT		
3	FL2-5613-000		1	GUIDE UNIT		
4	FC6-7754-000		2	HOLDER, COLLAR		
5	FC6-7755-000		2	COLLAR		
6	FC6-7756-000		1	COLLAR		
7	FC7-0559-000		1	SHAFT		
8	FC6-8973-000		2	ROLLER, PLATEN		
9	FL2-3987-000		1	PAD, SEPARATION		
10	FL2-5610-000		1	TRAY, DOCUMENT		
11	FU6-2507-000		2	SPRING, COMPRESSION		
12	FU6-2508-000		1	SPRING, COMPRESSION		
13	FU7-0126-000		1	GEAR, 16T		
14	FC7-0557-000		1	HOLDER, SIDE GUIDE		
15	FU6-8124-000		1	LABEL, DUCUMENT STACK LIMIT		
501	XB4-5301-005		1	SCREW,P,M3X10		

FIGURE 163  
 OPEN/CLOSE PANEL ASSEMBLY(ADF model)

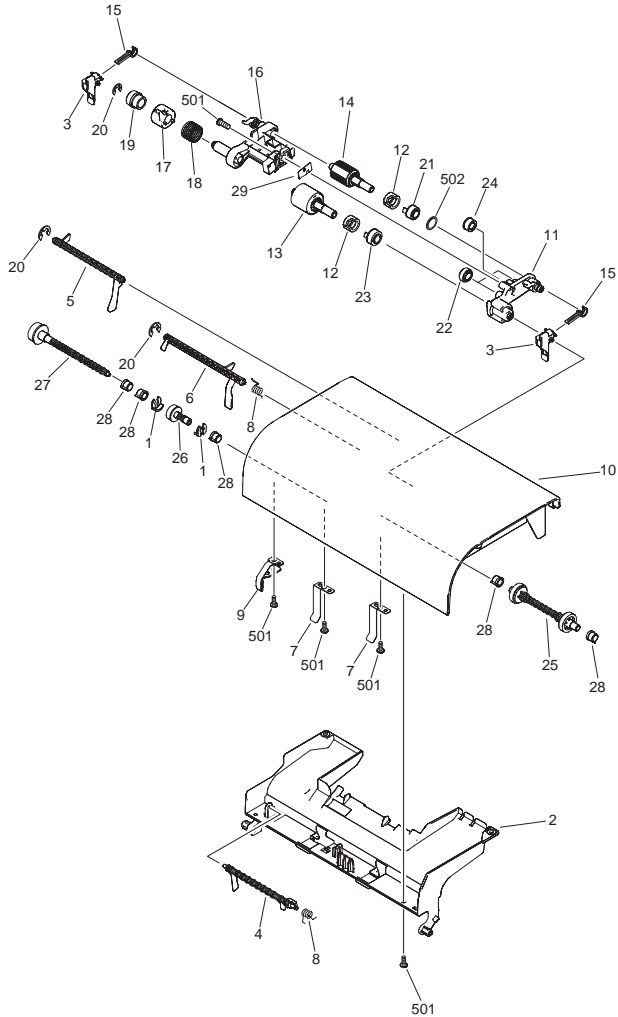


FIGURE & KEY NO.	PARTS NUMBER	R A N K	Q'TY	DESCRIPTION	SERIAL NUMBER/ REMARKS	S V C
Fig.163	FM2-8846-000		1	OPEN/CLOSE PANEL ASSEMBLY	ADF model	
1	FC5-4425-000		2	CLIP		
2	FC7-3407-000		1	GUIDE, OPEN/CLOSE		
3	FL2-3989-000		2	SHUTTER, FRONT		
4	FC6-7745-000		1	LEVER, SENSOR		
5	FC6-7746-000		1	LEVER, SENSOR		
6	FC6-7747-000		1	LEVER, SENSOR		
7	FC6-7761-000		2	SPRING, PLATE		
8	FC6-7776-000		2	SPRING, TORSION		
9	FC7-0545-000		1	BAND, OPEN/CLOSE STOPPER		
10	FL2-5611-000		1	FRAME, OPEN/CLOSE		
11	FL2-3986-020		1	ARM, PICK-UP		
12	FC6-7748-000		2	JOINT		
13	FC6-7765-000		1	ROLLER, SEPARATION		
14	FC6-7766-000		1	ROLLER, PICK-UP		
15	FC6-8971-000		2	LEVER, STOP		
16	FC6-7742-000		1	ARM, PICK-UP, RIGHT		
17	FC6-7787-000		1	JOINT, PICK ARM		
18	FC6-7789-000		1	SPRING, TORSION		
19	FU7-0121-000		1	GEAR, 26T		
20	XD9-0136-000		3	RING, E		
21	FU7-0118-000		1	GEAR, 22T		
22	FU7-0119-000		2	GEAR, 23T		
23	FU7-0120-000		1	GEAR, 26T		
24	FU7-0125-000		1	GEAR, 17T		
25	FU7-0122-000		1	GEAR, 35T/35T		
26	FU7-0123-000		1	GEAR, 26T		
27	FU7-0124-000		1	GEAR, 20T		
28	FU5-1626-000		5	BUSHING		
501	XB4-5301-005		8	SCREW,P,M3X10		
502	XD1-1108-215		1	SHIM		

FIGURE 164  
 PAPER FEED ASSEMBLY(ADF model)

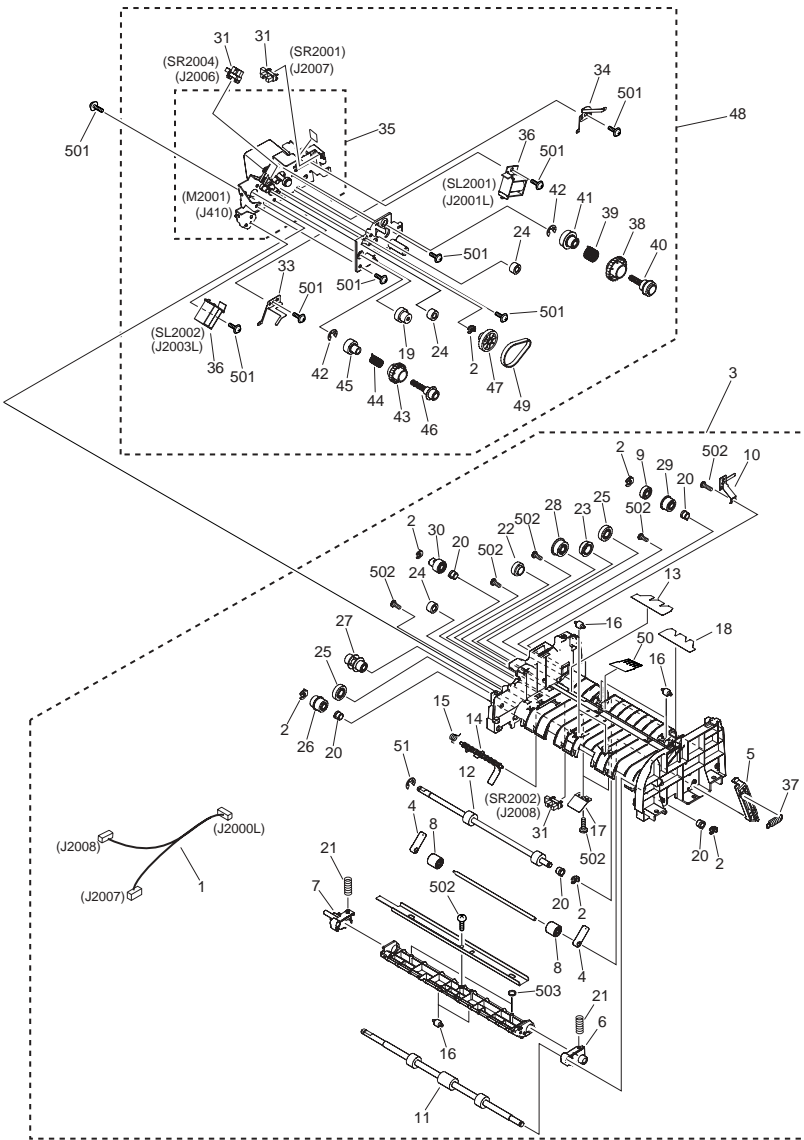




FIGURE & KEY NO.	PARTS NUMBER	R A N K	Q'TY	DESCRIPTION	SERIAL NUMBER/ REMARKS	S V C
Fig.164	NPN		RF	PAPER FEED ASSEMBLY	ADF model	
1	FM2-4947-000		1	CABLE, ADF SENSOR		
2	FC5-4424-000		6	CLIP		
3	FM2-8848-000		1	FEED FRAME UNIT		
4	FC7-2792-000		2	CAM		
5	FC7-2793-000		1	LEVER		
6	FC6-7730-000		1	ARM, PLATEN, FRONT		
7	FC6-7731-000		1	ARM, PLATEN, REAR		
8	FC6-7733-000		2	COLLAR		
9	FC6-7738-000		1	JOINT, GEAR		
10	FC6-7760-000		1	PLATE, GROUNDING		
11	FC6-7763-000		1	ROLLER, REGISTRATION		
12	FC6-7764-020		1	ROLLER, PAPER DELIVERY		
13	FC6-7772-000		1	SHEET, REVERSE		
14	FL2-3990-000		1	LEVER, SENSOR		
15	FC6-7790-000		1	SPRING, TORSION		
16	FC6-8973-000		6	ROLLER, PLATEN		
17	FC7-0542-000		2	SPRING, PLATE		
18	FC7-0546-000		1	SHEET, REVERSE		
19	FU7-0114-000		1	GEAR, 22T/31T		
20	FU5-1626-000		5	BUSHING		
21	FU6-2506-000		2	SPRING, COMPRESSION		
22	FU7-0104-000		1	GEAR, 18T		
23	FU7-0105-000		1	GEAR, 23T		
24	FU7-0108-000		3	GEAR, 22T		
25	FU7-0112-000		2	GEAR, 35T		
26	FU7-0113-000		1	GEAR, 26T/28T		
27	FU7-0115-000		1	GEAR, 22T		
28	FU7-0116-000		1	GEAR, 35T		
29	FU7-0117-020		1	GEAR, 28T		
30	FU7-0127-000		1	GEAR, 28T		
31	WG8-5696-000		3	PHOTO INTERRUPTER, TLP1243	SR2001,2002,2004	

FIGURE & KEY NO.	PARTS NUMBER	R A N K	Q'TY	DESCRIPTION	SERIAL NUMBER/ REMARKS	S V C
33	FC6-7758-000		1	PLATE, GROUNDING		
34	FC6-7759-000		1	PLATE, GROUNDING		
35	FM2-8208-000		1	MOTOR UNIT	M2001	
36	FK2-1393-000		2	SOLENOID	SL2001,2002	
37	FU6-2510-000		1	SPRING, TENSION		
38	FC6-7736-000		1	RATCHET, SEPARATION		
39	FC6-7769-000		1	SPRING, TORSION		
40	FU7-0106-000		1	GEAR, 20T		
41	FU7-0107-000		1	GEAR, 38T		
42	XD9-0136-000		2	RING, E		
43	FC6-7737-000		1	RATCHET, REGISTRATION		
44	FC6-7770-000		1	SPRING, TORSION		
45	FU7-0110-000		1	GEAR, 31T		
46	FU7-0111-000		1	GEAR, 22T		
47	FU7-0128-000		1	GEAR, 18T/51T		
48	FM2-8207-000		1	BELT DRIVE UNIT		
49	XF9-0760-000		1	BELT, TIMING		
50	FC7-2800-000		1	SHEET, FLAG, C		
51	XD9-0136-000		1	RING,E		
501	XB6-7300-605		AR	SCREW, TP, M3X6 (S)		
502	XB4-5301-005		AR	SCREW,P,M3X10		
503	XD1-1106-226		2	SHIM		

FIGURE 250  
MAIN DRIVE ASSEMBLY

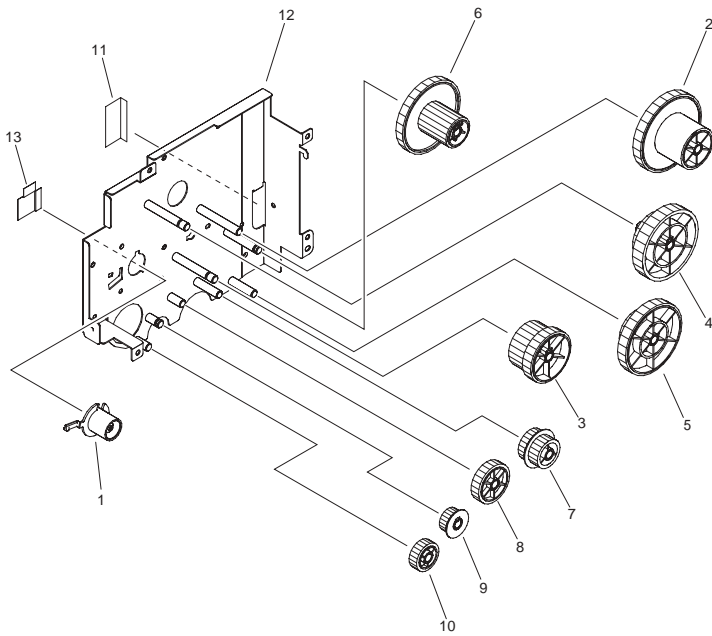


FIGURE & KEY NO.	PARTS NUMBER	R A N K	Q'TY	DESCRIPTION	SERIAL NUMBER/ REMARKS	S V C
Fig.250	NPN		RF	MAIN DRIVE ASSEMBLY		
1	FC6-7549-000		1	BUSHING, COUPLING, R		
2	FU7-0045-000		1	GEAR, 59T/113T		
3	FU7-0046-000		1	GEAR, 74T/64T		
4	FU7-0047-000		1	GEAR, 103T/67T		
5	FU7-0048-000		1	GEAR, 30T/104T		
6	FU7-0055-000		1	GEAR, 107T/43T		
7	FU7-0050-000		1	GEAR, 28T/41T		
8	FU7-0051-000		1	GEAR, 37T		
9	FU7-0052-000		1	GEAR, 20T		
10	FU7-0053-000		1	GEAR, 26T		
11	FC6-7559-000		1	SHEET,BLANKING,2		
12	FL2-3917-000		1	PLATE, MAIN DRIVE		
13	FC7-3418-000		1	SHEET, BLANKING, 1		

FIGURE 251  
REVERSE DRIVE ASSEMBLY

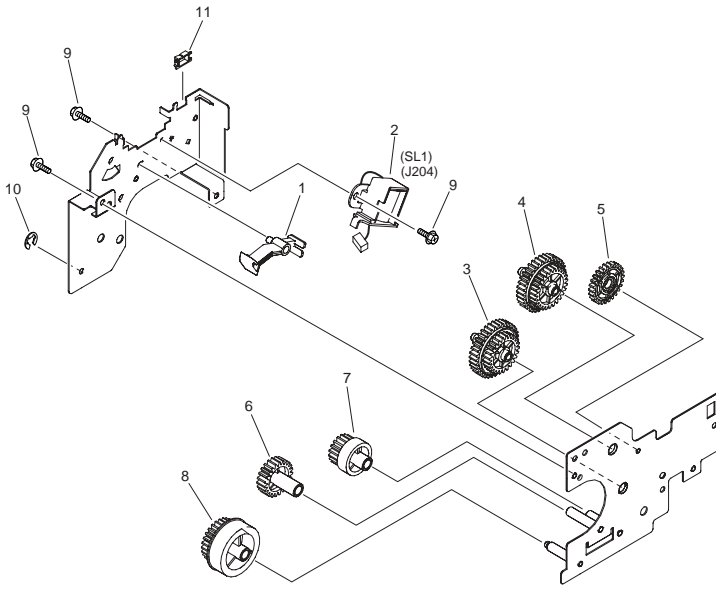


FIGURE & KEY NO.	PARTS NUMBER	R A N K	Q'TY	DESCRIPTION	SERIAL NUMBER/ REMARKS	S V C
Fig.251	NPN		RF	REVERSE DRIVE ASSEMBLY		
1	FC6-7517-000		1	ARM, SOLENOID	SL1	
2	FK2-1408-000		1	SOLENOID		
3	FM2-5283-000		1	GEAR UNIT		
4	FM2-5284-000		1	GEAR UNIT		
5	FU7-0036-000		1	GEAR, 26T		
6	FU7-0039-000		1	GEAR, 23T		
7	FU7-0040-000		1	GEAR, 18T/41T		
8	FU7-0031-000		1	GEAR, 27T/25T		
9	XA9-1567-000		3	SCREW, RS, M3X8.5		
10	XD9-0134-000		1	RING, E		
11	WT2-5056-000		1	CLIP, CABLE		

FIGURE 300  
CASSETTE (EXCEPT CN)

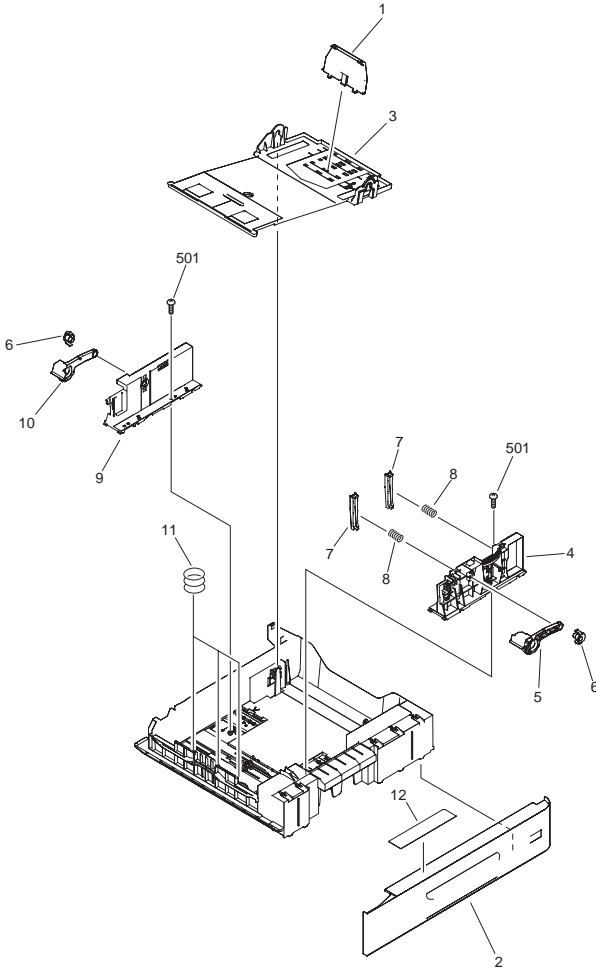


FIGURE & KEY NO.	PARTS NUMBER	R A N K	Q'TY	DESCRIPTION	SERIAL NUMBER/ REMARKS	S V C
Fig.300	NPN		RF	CASSETTE	EXCEPT CN	
1	FC6-7377-000		1	PLATE, SIZE, REAR		
2	FC6-7382-000		1	PANEL, FRONT		
3	FL2-3889-000		1	PLATE, CST, LIFTER		
4	FC6-7372-000		1	PLATE, SIDE LIMIT, FRONT		
5	FC7-2989-000		1	CLAW, SEPARATION, FRONT		
6	FC6-7376-000		2	PIN, SUPPORT, CLAW		
7	FC6-7380-000		2	RETAINER, SHEET		
8	FU6-2410-000		2	SPRING, COMPRESSION		
9	FC6-7374-000		1	PLATE, SIDE LIMIT, REAR		
10	FC7-2990-000		1	CLAW, SEPARATION, REAR		
11	FU6-2408-020		3	SPRING		
12	FC6-7388-000		1	LABEL, CASSETTE OPERATOR	A4	
12	FC6-7385-000		1	LABEL, CASSETTE OPERATOR	LTR	
501	XB4-7400-806		4	SCREW,TAPPING,TRUSS HEAD.M4X8		



FIGURE 301  
CASSETTE (CN)

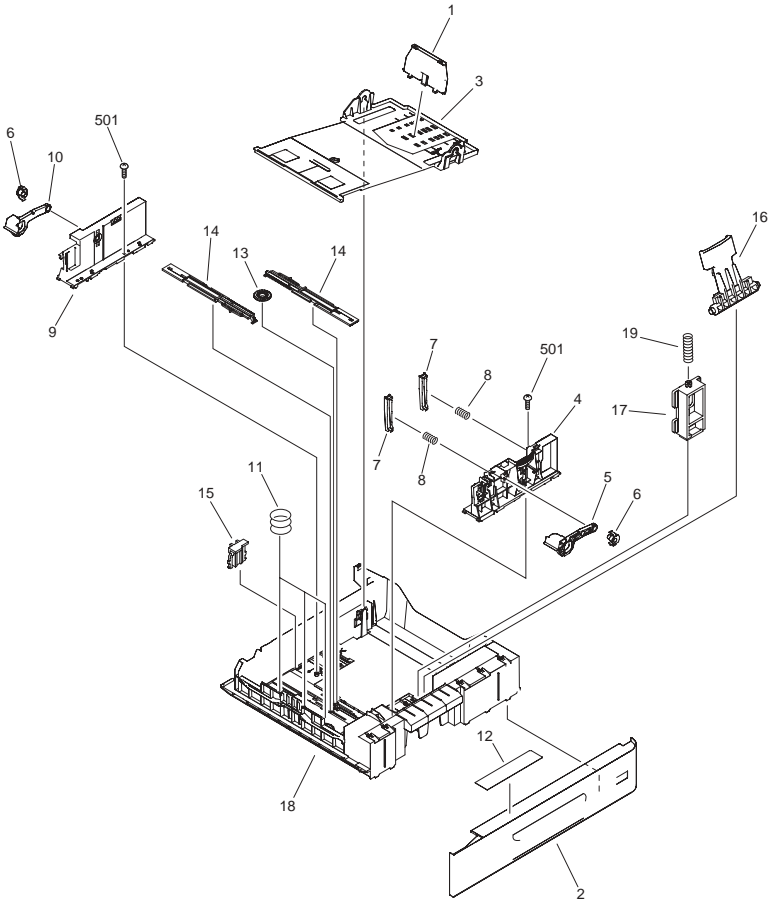


FIGURE & KEY NO.	PARTS NUMBER	R A N K	Q'TY	DESCRIPTION	SERIAL NUMBER/ REMARKS	S V C
Fig.301	NPN		RF	CASSETTE	CN	
1	FC6-7377-000		1	PLATE, SIZE, REAR		
2	FC6-7382-000		1	PANEL, FRONT		
3	FL2-3891-000		1	PLATE, CST, LIFTER		
4	FC6-7372-000		1	PLATE, SIDE LIMIT, FRONT		
5	FC7-2989-000		1	CLAW, SEPARATION, FRONT		
6	FC6-7376-000		2	PIN, SUPPORT, CLAW		
7	FC6-7380-000		2	RETAINER, SHEET		
8	FU6-2410-000		2	SPRING, COMPRESSION		
9	FC6-7374-000		1	PLATE, SIDE LIMIT, REAR		
10	FC7-2990-000		1	CLAW, SEPARATION, REAR		
11	FU6-2408-020		3	SPRING		
12	FC6-7389-000		1	LABEL, CASSETTE OPERATOR		
13	FC5-4914-000		1	GEAR, PINION		
14	FC6-7379-000		2	GEAR, RACK		
15	FC7-5831-000		1	STOPPER		
16	FC6-7378-000		1	LEVER, PAPER SIDE END LOCK		
17	FC6-7386-000		1	LOCK, PAPER SIDE END		
18	FC6-7370-000		1	BODY, CASSETTE		
19	FU6-2413-000		1	SPRING, COMPRESSION		
501	XB4-7400-806		4	SCREW,TAPPING,TRUSS HEAD.M4X8		

# FIGURE 310 PAPER PICK-UP ASSEMBLY

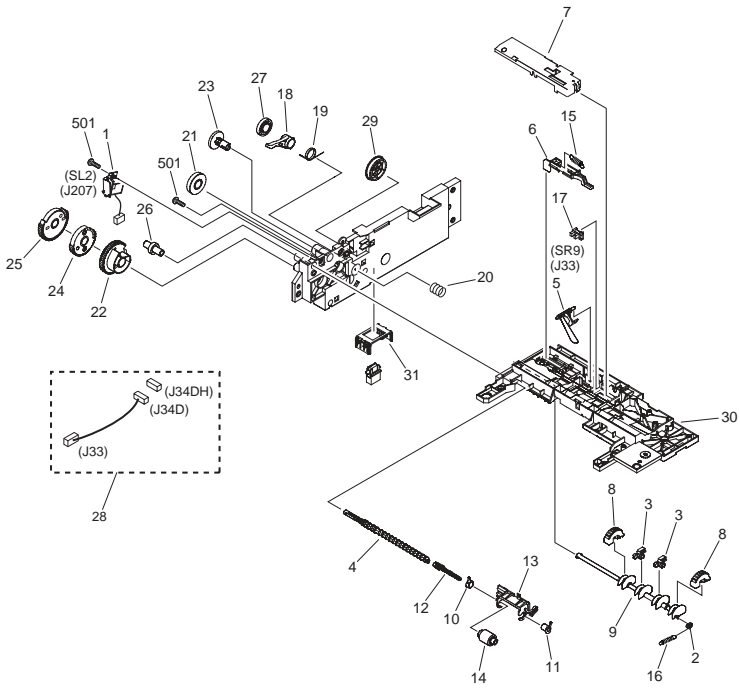


FIGURE & KEY NO.	PARTS NUMBER	R A N K	Q'TY	DESCRIPTION	SERIAL NUMBER/ REMARKS	S V C
Fig.310	NPN		RF	PAPER PICK-UP ASSEMBLY		
1	FK2-1412-000		1	SOLENOID	SL2	
2	FB4-9820-000		1	COLLAR, SPRING		
3	FC6-7353-000		2	BUSHING, PICK-UP ROLLER		
4	FC6-7358-000		1	SHAFT, FEED ROLLER		
5	FC6-7366-000		1	FLAG, SENSOR		
6	FC6-7367-000		1	LEVER, SENSOR		
7	FC6-7368-000		1	COVER, SENSOR		
8	FB4-9817-030		2	ROLLER, PICK-UP		
9	FC6-7352-000		1	SHAFT, PICK-UP ROLLER		
10	FC5-4849-000		1	BUSHING,FACE-DOWN ROLLER		
11	FC6-7354-000		1	BUSHING, FEED ROLLER		
12	FC6-7357-000		1	SHAFT, FEED ROLLER		
13	FC6-7361-000		1	HOLDER, FEED ROLLER		
14	FL2-3887-000		1	ROLLER, FEED		
15	FU6-2406-000		1	SPRING, TENSION		
16	FU6-2407-000		1	SPRING, TENSION		
17	WG8-5776-000		1	IC,PHOTO-INTERRUPTER,SG-2481	SR9	
18	FC6-7365-000		1	LEVER, TRIGGER		
19	FC6-7396-000		1	SPRING, TORSION		
20	FU6-2411-000		1	SPRING, COMPRESSION		
21	FU7-0009-000		1	GEAR, 34T		
22	FU7-0010-000		1	GEAR, 54T		
23	FU7-0011-000		1	GEAR, 29T		
24	FU7-0012-000		1	GEAR, 29T		
25	FU7-0016-000		1	GEAR, 41T		
26	FU7-0014-000		1	GEAR, 17T		
27	FU7-0015-000		1	GEAR, 28T		
28	FM2-4931-000		1	SENSOR CABLE UNIT		
29	FU7-0054-000		1	GEAR, 45T		
30	FC6-7351-000		1	FRAME, PICK-UP, TOP		
31	FC8-9897-000		1	STOPPER, OP-CASSETTE		

FIGURE & KEY NO.	PARTS NUMBER	R A N K	Q'TY	DESCRIPTION	SERIAL NUMBER/ REMARKS	S V C
501	XB4-7401-009		AR	SCREW,TAPPING,PAN HEAD,M4X10		

# FIGURE 315 MULTI PAPER PICK-UP TRAY ASS'Y

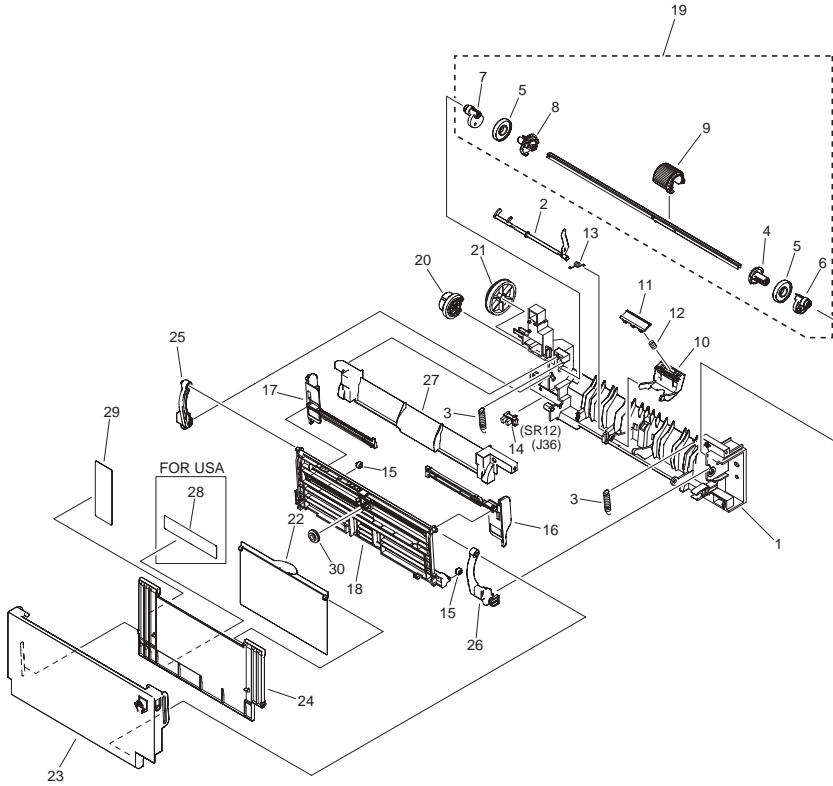


FIGURE & KEY NO.	PARTS NUMBER	R A N K	Q'TY	DESCRIPTION	SERIAL NUMBER/REMARKS	S V C
Fig.315	NPN		RF	MULTI PAPER PICK-UP TRAY ASS'Y		
1	FC6-7411-020		1	FRAME, FEED PICK-UP		
2	FC6-7415-000		1	ARM, SENSOR		
3	FU6-2423-000		2	SPRING, TORSION		
4	FC6-7427-000		1	BUSHING		
5	FC6-7429-000		2	COLLAR		
6	FC6-7430-000		1	CAM, MP, RIGHT		
7	FC6-7431-000		1	CAM, MP, LEFT		
8	FC6-7432-000		1	CAM, ROLLER		
9	FL2-3897-000		1	ROLLER, MP PICK-UP		
10	FC6-7410-000		1	ARM, HOLDER		
11	FL2-3898-020		1	HOLDER, SEPARATION PAD		
12	FU6-2424-000		1	SPRING, COMPRESSION		
13	FU6-2425-000		1	SPRING, TORSION		
14	WG8-5776-000		1	IC.PHOTO-INTERRUPTER,SG-2481	SR12	
15	FC6-7418-000		2	COLLAR		
16	FC7-2960-000		1	SLIDER, WIDTH, R I G H T		
17	FC7-2954-000		1	SLIDER, WIDTH, LEFT		
18	FL2-5390-000		1	TRAY, MULTI-PURPOSE		
19	FM2-5274-000		1	MP PICK-UP ROLLER UNIT		
20	FU7-0025-000		1	GEAR, 30T		
21	FU7-0026-000		1	GEAR, 31T/58T		
22	FC7-2957-000		1	TRAY, EXTENSION, 2		
23	FC7-2958-000		1	COVER		
24	FC7-2956-000		1	TRAY, EXTENSION, 1		
25	FC7-2964-000		1	HINGE, M.P. PICK UP, LEFT		
26	FC7-2961-000		1	HINGE, M.P. PICK UP, RIGHT		
27	FC7-2955-000		1	COVER, MULTI PAPER PICK-UP		
28	FU6-8080-000		1	LABEL, MULTI TRAY SIZE	FOR USA	
29	FU6-8081-000		1	LABEL, MULTI TRAY PAPER SET	FOR EUROPA	
29	FU6-8082-000		1	LABEL, MULTI TRAY PAPER SET	FOR USA	
29	FU6-8083-000		1	LABEL, MULTI TRAY PAPER SET	FOR ASIA	

FIGURE & KEY NO.	PARTS NUMBER	R A N K	Q'TY	DESCRIPTION	SERIAL NUMBER/ REMARKS	S V C
30	FC5-4914-000		1	GEAR		



# FIGURE 320 REGISTRATION ASSEMBLY

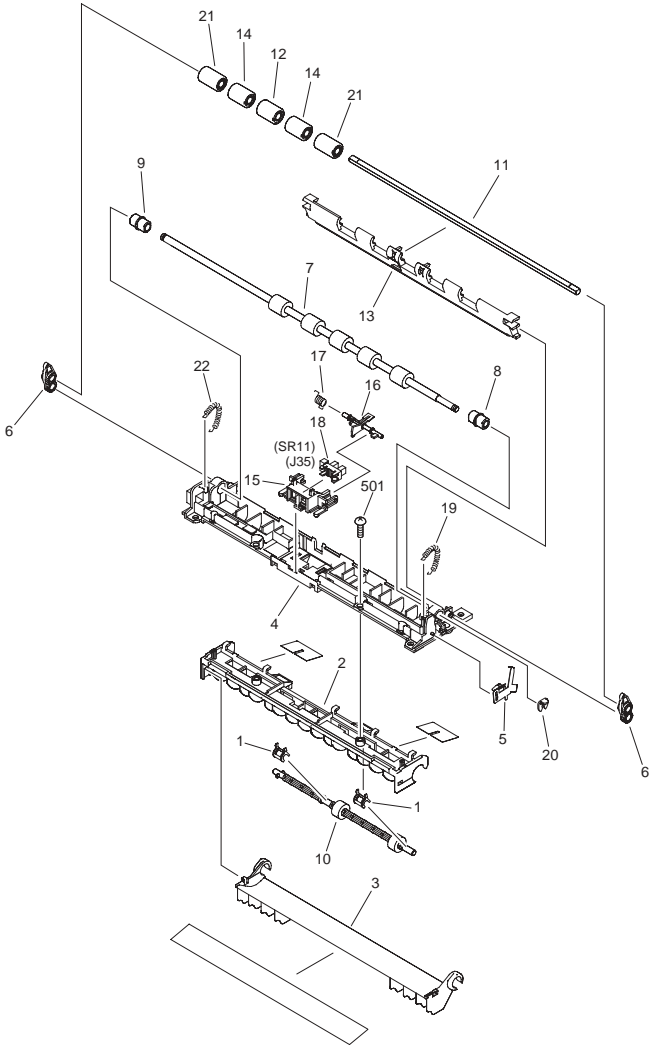


FIGURE & KEY NO.	PARTS NUMBER	R A N K	Q'TY	DESCRIPTION	SERIAL NUMBER/ REMARKS	S V C
Fig.320	NPN		RF	REGISTRATION ASSEMBLY		
1	FC6-7401-000		2	BUSHING, FEED ROLLER		
2	FC6-7406-020		1	GUIDE, DUPLEXING INSIDE		
3	FC6-7414-000		1	COVER, MP PICK-UP, A		
4	FL2-3892-000		1	FRAME, REGISTRATION		
5	FC7-5824-000		1	PLATE, GROUNDING		
6	FC7-5819-000		2	ARM, REG.ROL, PRESSURE		
7	FC7-5820-000		1	ROLLER, REGISTRATION		
8	FC7-5825-000		1	ROLLER, REGISTRATION		
9	FC7-5826-000		1	BUSHING, REGISTRATION ROLLER		
10	FL2-3901-000		1	ROLLER, FEED		
11	FC7-5822-000		1	SHAFT, REGISTRATION ROLLER		
12	FC7-5823-000		1	COLLAR, FEEDER		
13	FC7-7152-020		1	GUIDE, PRE-REGISTRATION		
14	FC7-5827-000		2	COLLAR, FEEDER		
15	FC6-7442-040		1	HOLDER, SENSOR		
16	FC6-7443-020		1	FLAG, SENSOR		
17	FC6-7444-000		1	SPRING, TORSION		
18	WG8-5776-000		1	PHOTO INTERRUPTER SG-2481	SR11	
19	FU6-2414-000		1	SPRING, TENSION		
20	FB4-2007-000		1	RING, RETAINING		
21	FC7-5828-000		2	COLLAR, FEEDER		
22	FU6-2416-000		1	SPRING, TENSION, RED		
501	XB4-7401-009		2	SCREW,TAPPING,PAN HEAD,M4X10		

# FIGURE 400 READER ASSEMBLY

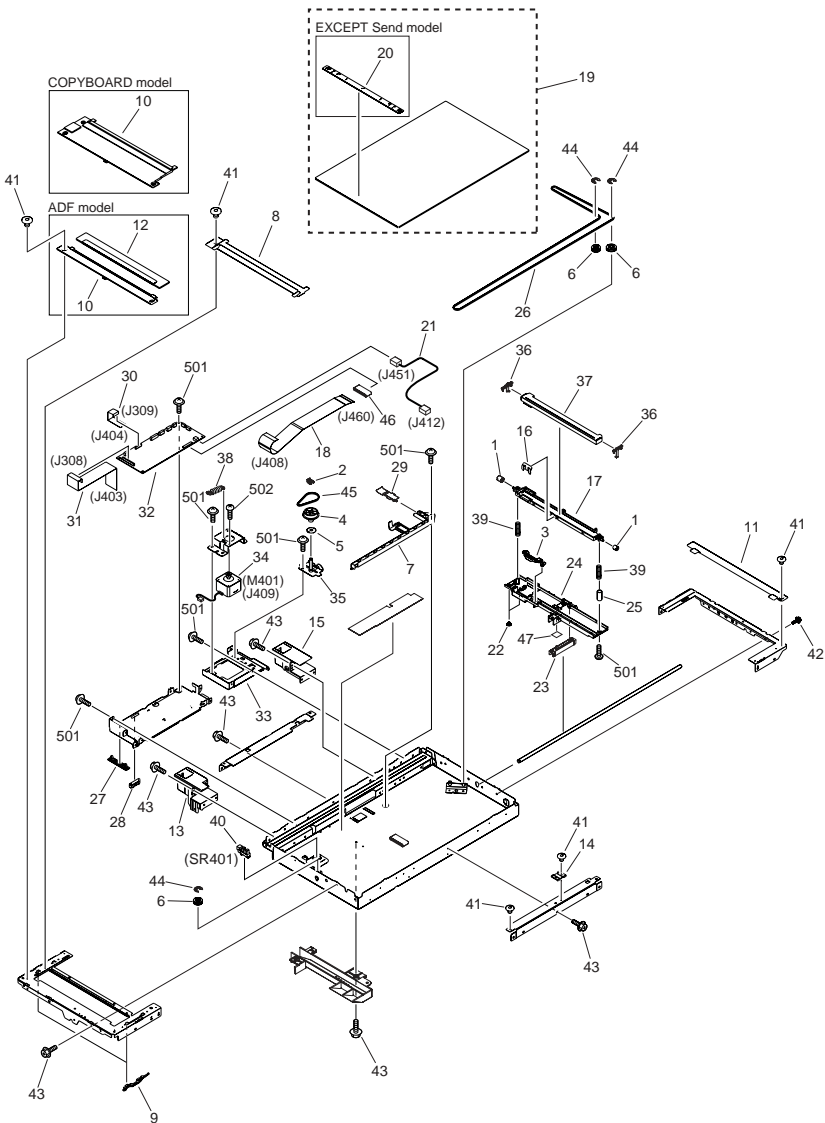


FIGURE & KEY NO.	PARTS NUMBER	R A N K	Q'TY	DESCRIPTION	SERIAL NUMBER/ REMARKS	S V C
Fig.400	NPN		RF	READER ASSEMBLY		
1	FB6-1337-000		2	COLLAR		
2	FC5-4424-000		1	CLIP		
3	FC6-7595-000		1	HOLDER		
4	FC6-7598-000		1	PULLEY, 49T/17T		
5	FC6-7600-000		1	FLANGE, MOTOR PULLEY		
6	FC6-7604-000		3	PULLEY, DRIVEN		
7	FC6-7606-000		1	GUIDE, CABLE		
8	FC7-2974-000		1	MOUNT,JUMP		
9	FC6-7618-000		2	GUIDE, CIS		
10	FC7-2982-000		1	SUPPORT, GLASS, LEFT	COPYBOARD model	
10	FC7-2975-000		1	SUPPORT, GLASS, LEFT	ADF model	
11	FC7-2976-000		1	SUPPORT, GLASS, RIGHT		
12	FL2-3941-000		1	READER GLASS UNIT	ADF model	
13	FC7-2977-000		1	COVER, HINGE, LEFT		
14	FC6-7630-000		1	STOPPER, GLASS, LEFT		
15	FC7-2978-000		1	COVER, HINGE, RIGHT		
16	FC6-7642-000		1	STOPPER, CIS		
17	FC7-0534-000		1	HOLDER, CIS		
18	FK2-1399-000		1	CABLE, FLAT, CIS-READER		
19	FL2-5378-000		1	COPYBOARD GLASS UNIT	DQJ,DQS,DSK,DQM,DQX ,DSL,DQK	
19	FL2-5379-000		1	COPYBOARD GLASS UNIT	DQQ,DQY,DRA	
19	FL2-5380-000		1	COPYBOARD GLASS UNIT	DQR,DQL,DQT,DQU,DQ W,DRB,DRE,DRF,DRJ,D QN,DQP,DQZ	
19	FL2-5383-000		1	COPYBOARD GLASS UNIT	DRL	
19	FL2-5384-000		1	COPYBOARD GLASS UNIT	DRK,DRQ	
19	FL2-5385-000		1	COPYBOARD GLASS UNIT	DRM,DRN,DRP	
20	FL2-5375-000		1	PLATE, SIXE INDEX	DQJ,DQS,DSK,DQM,DQX ,DSL,DQK	
20	FL2-5376-000		1	PLATE, SIXE INDEX	DQQ,DQY,DRA	
20	FL2-5377-000		1	PLATE, SIXE INDEX	DQR,DQL,DQT,DQU,DQ W,DRB,DRE,DRF,DRJ,D QN,DQP,DQZ	

FIGURE & KEY NO.	PARTS NUMBER	R A N K	Q'TY	DESCRIPTION	SERIAL NUMBER/REMARKS	S V C
21	FM2-4939-000		1	CABLE, SENSOR		
22	FC6-4511-000		2	SLIDER		
23	FC6-7592-000		1	HOLDER, RAIL		
24	FC6-7643-000		1	SUPPORT, CIS		
25	FU5-4953-000		1	SHAFT, GUIDE ,CIS		
26	XF2-4665-530		1	BELT, TIMING		
27	FC6-7576-000		1	BUSHING, FFC		
28	FC6-7612-000		1	COVER, FFC		
29	FC6-7585-000		1	COVER, CABLE		
30	FK2-1825-000		1	CABLE, FLAT, READER-IP1		
31	FK2-1398-000		1	CABLE, FLAT, READER-IP2		
32	FM2-8363-000		1	READER CONTROLLER PCB ASSEMBLY		
33	FC6-7601-000		1	STAY, MOTOR		
34	FK2-1383-000		1	MOTOR, READER	M401	
35	FL2-3929-000		1	PLATE, PULLEY TENSION		
36	FC6-7591-000		2	SPACER, CIS		
37	FK2-1377-000		1	CONTACT IMAGE SENSOR UNIT		
38	FU6-2463-000		2	SPRING, TENSION		
39	FU6-2462-000		2	SPRING, COMPRESSION		
40	WG8-5776-000		1	IC,PHOTO-INTERRUPTER,SG-2481	SR401	
41	XA9-0679-000		10	SCREW, MACH., FLAT HEAD, M3X4		
42	XA9-0679-000		10	SCREW, MACH., FLAT HEAD, M3X4		
43	XA9-1567-000		AR	SCREW, RS, M3X8.5		
44	XD9-0136-000		3	RING, E		
45	XF2-4607-230		1	BELT, TIMING		
46	WE8-6218-000		1	CORE, FERRITE		
47	FC7-7632-000		1	SHEET, RETAINING		
501	XB6-7300-607		8	SCREW, TP, M3X6 (S)		
502	XB1-2300-409		2	SCREW, MACHINE M3X4		

# FIGURE 460 LASER SCANNER UNIT

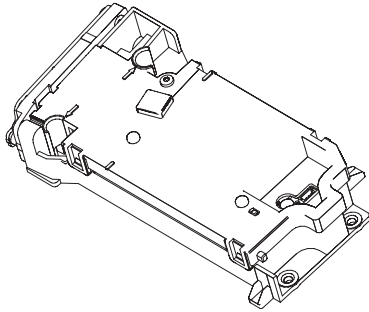


FIGURE & KEY NO.	PARTS NUMBER	RANK	QTY	DESCRIPTION	SERIAL NUMBER/REMARKS	SVC
Fig.460	FM2-5271-000		1	LASER SCANNER UNIT		

# FIGURE 640 DEVELOPING UNIT

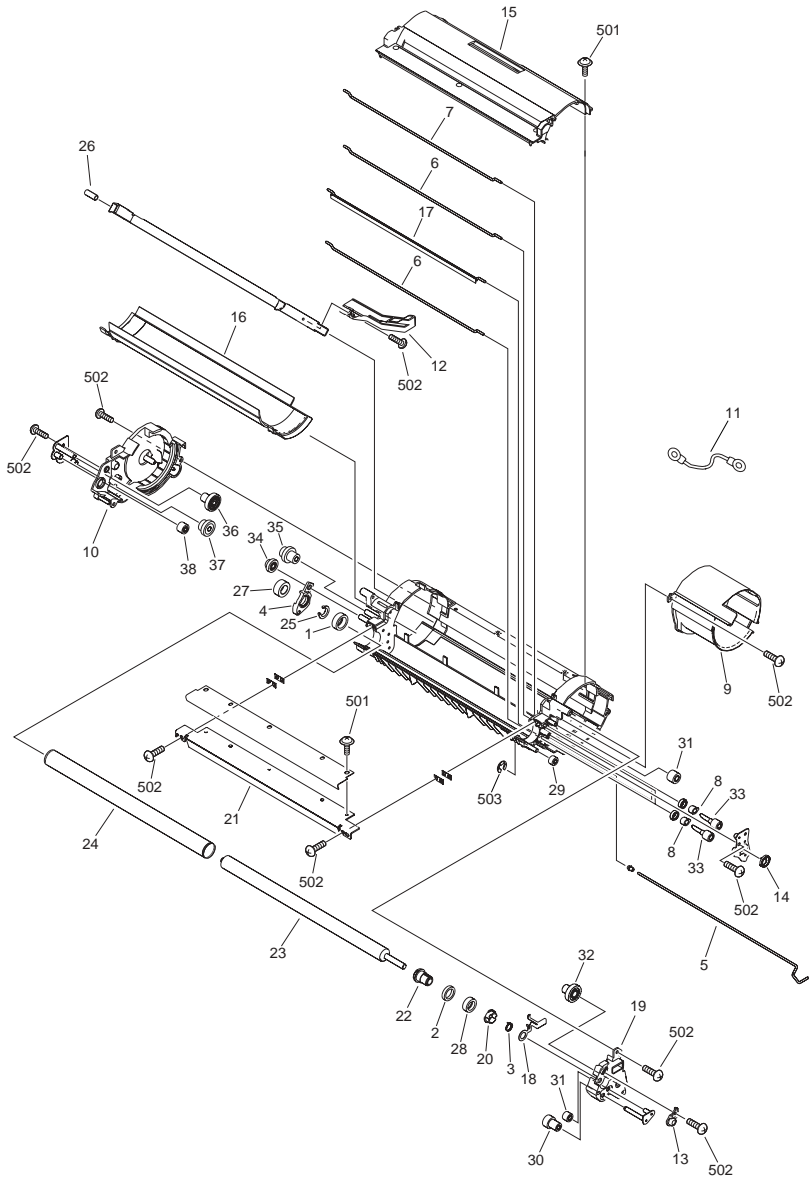


FIGURE & KEY NO.	PARTS NUMBER	R A N K	Q'TY	DESCRIPTION	SERIAL NUMBER/ REMARKS	S V C
Fig.640	FM2-8214-000		1	DEVELOPING UNIT		
1	FC7-2858-000		1	ROLLER, SD		
2	FC7-2859-000		1	ROLLER, SD		
3	FU6-2833-000		1	SPRING, COMPRESSION		
4	FC7-2864-000		1	HOLDER, DEVELOPING BUSHING		
5	FC7-2865-000		1	ROD, DETECTION		
6	FC7-2867-000		2	ROD, STIRRING		
7	FC7-2868-000		1	ROD, SECOND STIRRING		
8	FC7-2872-000		4	BUSHING		
9	FC7-2881-000		1	HOLDER, DEVELOPING		
10	FC7-2882-000		1	HOLDER, DEVELOPING		
11	FM2-9362-000		1	CABLE, DEVELOPING		
12	FC7-2891-000		1	LOCK, DEVELOPING SHUTTER, 2		
13	FC7-2895-000		1	STOPPER, MAGNET		
14	FC7-2896-000		1	BUSHING		
15	FL2-5369-000		1	LID, DEVELOPER TONER		
16	FC7-2886-000		1	SHUTTER, DEVELOPING		
17	FL2-5371-000		1	ROD, DEVELOPING STIRRING		
18	FC7-2870-000		1	PLATE, DEVELOPING ELECTRODE		
19	FC7-2883-000		1	HOLDER, DEVELOPING		
20	MS4-2703-000		1	RING, DEVELOPING BUSHING		
21	FL2-5373-000		1	BLADE, DEVELOPING		
22	FC7-2893-000		1	FLANGE, SLEEVE, FRONT		
23	FC7-2894-000		1	ROLLER, MAGNET		
24	FL2-5374-000		1	SLEEVE, COAT		
25	FS6-1090-000		1	BUSHING		
26	FU6-2828-000		1	SPRING, COMPRESSION		
27	FU7-0476-000		1	GEAR, 24T		
28	FU7-0477-000		1	GEAR, 32T		
29	FU7-0478-000		1	GEAR, 17T		
30	FU7-0479-000		1	GEAR, 25T/17T		
31	FU7-0480-000		2	GEAR, 17T		



FIGURE & KEY NO.	PARTS NUMBER	R A N K	Q'TY	DESCRIPTION	SERIAL NUMBER/ REMARKS	S V C
32	FU7-0481-000		1	GEAR, 38T/17T		
33	FU7-0483-000		4	GEAR, 18T		
34	FU7-0484-000		1	GEAR, 21T/17T		
35	FU7-0485-000		1	GEAR, 34T/18T		
36	FU7-0496-000		1	GEAR, 38T/17T		
37	FU7-0498-000		1	GEAR, 25T/17T		
38	FU7-0497-000		1	GEAR, 18T		
501	XB6-7300-405		AR	SCREW, TP, M3X4		
502	XB4-7300-807		AR	SCREW, TAP TIGHT, BINDING HEAD		
503	XD2-1100-322		1	RETAINING RING(E-TYPE)		

# FIGURE 810 FIXING ASSEMBLY

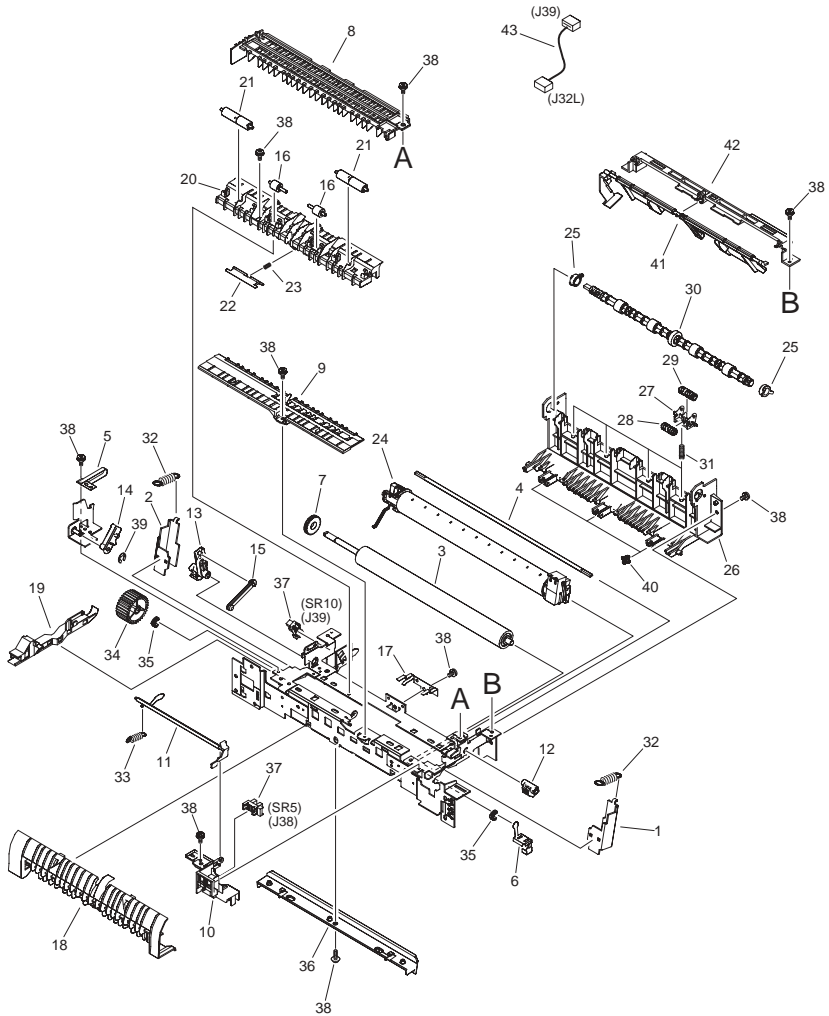


FIGURE & KEY NO.	PARTS NUMBER	R A N K	Q'TY	DESCRIPTION	SERIAL NUMBER/ REMARKS	S V C
Fig.810	FM2-9045-000		1	FIXING ASSEMBLY	120V	
Fig.810	FM2-9046-000		1	FIXING ASSEMBLY	230V	
1	FC6-7480-000		1	PLATE, PRESSURE, FRONT		
2	FC6-7481-000		1	PLATE, PRESSURE, REAR		
3	FC6-7482-000		1	ROLLER, PRESSURE		
4	FC6-7483-000		1	SHAFT, ARM		
5	FC6-7484-000		1	SPRING, PLATE		
6	FC6-7485-000		1	SPRING, PLATE		
7	FC6-7486-000		1	RUBBER, PRESSURE ROLLER		
8	FC6-7488-000		1	GUIDE, REVERSE, UPPER		
9	FC6-7489-000		1	GUIDE, DUPLEXING ENTRANCE		
10	FC6-7490-020		1	MOUNT, DELIVERY SENSOR		
11	FC6-7491-000		1	FLAG, SENSOR		
12	FC6-7492-000		1	ARM, PRESSURE RELEASE, FRONT		
13	FC6-7493-000		1	ARM, PRESSURE RELEASE, REAR		
14	FC6-7494-000		1	ARM, LINK		
15	FC6-7495-000		1	ARM, LINK		
16	FC6-7496-000		2	COLLAR		
17	FC6-7506-000		1	SPRING, PLATE		
18	FC6-7507-000		1	GUIDE, DUPLEXING INNER		
19	FC6-7518-000		1	GUIDE, CABLE		
20	FC6-7487-000		1	GUIDE, REVERSE, LOWER		
21	FC6-7497-000		2	COLLAR		
22	FC6-7505-000		1	FLAG, STOPPER		
23	FU6-2474-000		1	SPRING, COMPRESSION		
24	FM2-5280-000		1	FILM UNIT	120V	
24	FM2-5296-000		1	FILM UNIT	230V	
25	FC5-4849-000		2	BUSHING, DELIVERY ROLLER		
26	FC6-7501-000		1	FRAME, DELIVERY		
27	FC6-7502-000		4	HOLDER, ROLLER		
28	FC6-7503-000		4	ROLLER, PAPER DELIVERY, INSIDE		
29	FC7-2805-000		4	ROLLER, PAPER DELIVERY, OUTER		

FIGURE & KEY NO.	PARTS NUMBER	R A N K	Q'TY	DESCRIPTION	SERIAL NUMBER/ REMARKS	S V C
30	FL2-3908-000		1	ROLLER, DELIVERY		
31	FU6-2473-000		4	SPRING, COMPRESSION		
32	FU6-2471-000		2	SPRING, TENSION		
33	FU6-2472-000		1	SPRING, TENSION		
34	FU7-0034-000		1	GEAR, 32T		
35	RB2-2973-000		2	BUSHING		
36	FC6-7478-000		1	GUIDE, ENTRANCE		
37	WG8-5776-000		2	IC,PHOTO-INTERRUPTER,SG-2481		
38	XA9-0702-000		11	SCREW, W/WASHER, M3X6		
39	XD9-0134-000		1	RING,E		
40	FC6-7528-000		3	ROWEL		
41	FC6-7529-000		1	LEVER, FULL DETECT		
42	FC6-7530-050		1	FRAME, LEVER, SUPPORT		
43	FM2-4943-000		1	CABLE, SENSOR		

# FIGURE 930 PCB ASSEMBLY

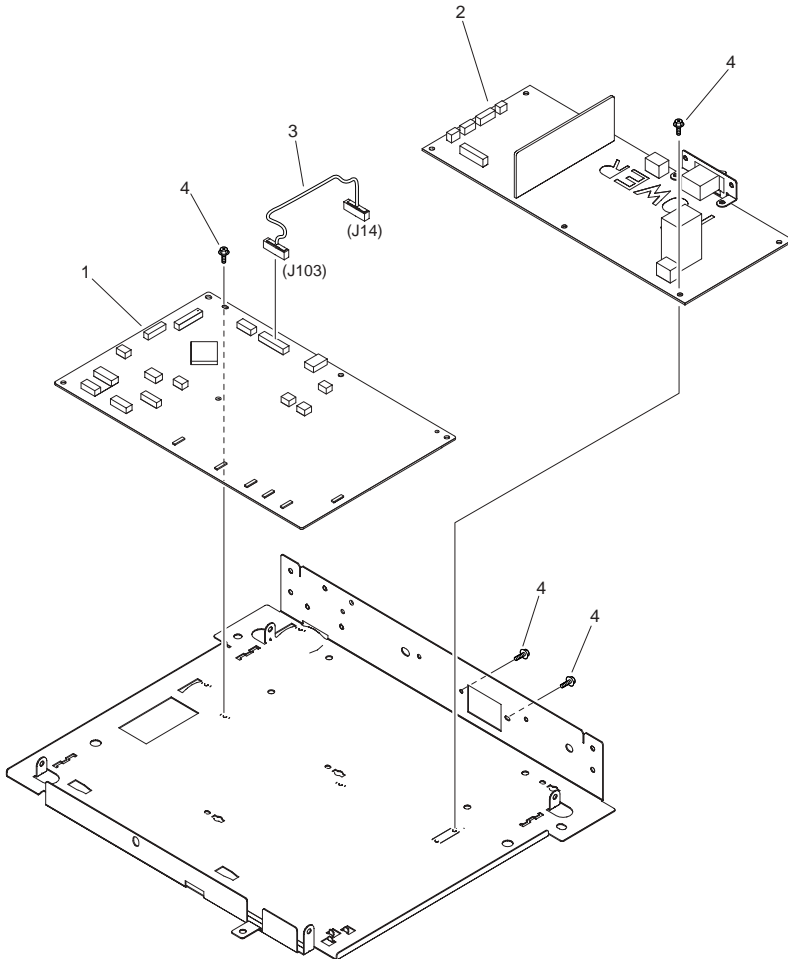


FIGURE & KEY NO.	PARTS NUMBER	RANK	Q'TY	DESCRIPTION	SERIAL NUMBER/REMARKS	SVC
Fig.930	NPN		RF	PCB ASSEMBLY		
1	FM3-8874-000		1	DC CONTROLLER PCB ASSEMBLY	imageRUNNER1021J	
1	FM3-8876-000		1	DC CONTROLLER PCB ASSEMBLY	iR1024F,imageRUNNER1025,1025iF,1025J,1025N	
1	FM3-8875-000		1	DC CONTROLLER PCB ASSEMBLY	iR1020,1020J	
1	FM3-8877-000		1	DC CONTROLLER PCB ASSEMBLY	iR1024,1024A,1024F,1024i,1024iF,1024J,1024N	
2	FK2-1375-010		1	POWER SUPPLY PCB ASSEMBLY	120V	
2	FK2-1376-000		1	POWER SUPPLY PCB ASSEMBLY	230V	
3	FM2-4921-000		1	CABLE, DCCON-PSU		
4	XA9-1567-000		AR	SCREW, RS, M3X8.5		

# FIGURE 950 IMAGE PROCESSOR PCB ASSEMBLY

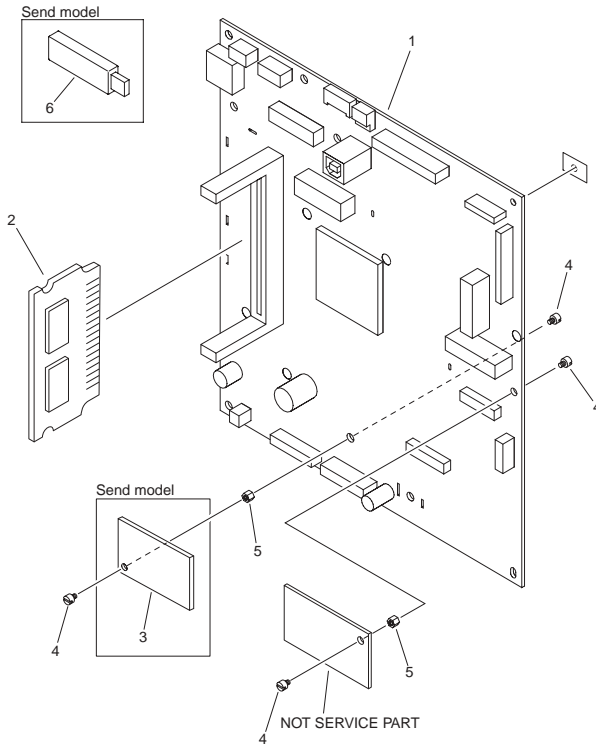


FIGURE & KEY NO.	PARTS NUMBER	R A N K	Q'TY	DESCRIPTION	SERIAL NUMBER/REMARKS	S V C
Fig.950	NPN		RF	IMAGE PROCESSOR PCB ASSEMBLY		
1	FM2-6087-000		1	IMAGE PROCESSOR PCB ASSEMBLY	DQJ,DQK,DQL,DQM,DQN ,DQP	
1	FM2-6088-000		1	IMAGE PROCESSOR PCB ASSEMBLY	EXCEPT DQJ,DQK,DQL,DQM,DQN ,DQP	
2	FM2-5060-000		1	DDR MODULE PCB ASS'Y	DQJ,DQK,DQL,DQM,DQN ,DQP	
2	FM2-4055-000		1	DDR MODULE PCB ASS'Y	EXCEPT DQJ,DQK,DQL,DQM,DQN ,DQP,Send model	
2	FM2-4056-000		1	DDR MODULE PCB ASS'Y	Send model	
3	FM3-8789-000		1	ROM PCB ASSEMBLY	Send model	
4	FU5-9340-000		4	SCREW, STEPPED, M3X4		
5	VT2-5177-005		2	SPACER, METAL		
6	FK2-5725-000		1	MEMORY, USB FLASH, 128M	Send model	
IC	FK2-0949-000		1	IC, UPD65942GC-Y24, GATE ARRAY	IC140	
BAT	WK1-5130-000		1	BATTERY, LITHIUM, CR2032/1HS	BAT1	



Prepared by  
OIP HFE Promotion Center  
CANON INC.

**Canon**