

# Canon SERVICE INFORMATION

Issued by Office Imaging Products Device Quality Assurance Center, Canon Inc.

---

**MODEL: Color imageRUNNER C2050/2020/2058  
iR C2100/2100S/2105/2105S  
CP2150/2120/2155/2125/2150G**

**No. : F-04-E02003/J02003**

**DATE : APR.,2002**

---

## LOCATION

## SUBJECT : Revised Parts Catalog

We are issuing revised Parts Catalog. Please go over the descriptions that follow for the catalog.

The catalog has been revised to accommodate the addition of new models Color imageRUNNER C2058 iR C2105/2105S.

Particulars

Name of Parts Catalog: Color imageRUNNER C2050/2020/2058 iR C2100/2100S/2105/2105S

Type of Revision : Full revision

Kindly replace the previous with the one being issued.

**FY8-31ER-01Y**



# R E V I S I O N P A G E L I S T

COLOR IMAGE READER-A1/B1

Model : \_\_\_\_\_

→ : No modification,	R : Replacement,	S : Supplement,	D : Destroyed,
----------------------	------------------	-----------------	----------------

OLD		REVI-SION	NEW	
FIGURE	PAGE		FIGURE	PAGE
III	1	R	III	1
	2	→		2
	3	R		3
	4	R		4
A	1	R	A	1
	2	R		2
001	1	→	001	1
100	1	→	100	1
	2	→		2
	3	→		3
	4	→		4
110	1	→	110	1
	2	→		2
130	1	R	130	1
	2	R		2
	3	→		3
160	1	→	160	1
210	1	→	210	1
	2	→		2
	3	→		3
	4	→		4
	5	→		5

OLD		REVI-SION	NEW	
FIGURE	PAGE		FIGURE	PAGE
420	1	→	420	1
	2	→		2
430	1	→	430	1
	2	→		2
900	1	→	900	1
	2	→		2
	3	→		3
913	1	→	913	1
917	1	→	917	1
920	1	→	920	1
922	1	→	922	1
925	1	→	925	1
932	1	→	932	1
	2	R		2
935	1	→	935	1
940	1	→	940	1
	2	→		2
	3	→		3
970	1	→	970	1



# R E V I S I O N   P A G E   L I S T

Color imageRUNNER C2050/2020/2058 iR C2100/2100S/2105/2105S  
 Model : CP2150/2120/2155/2125/2150G

→ : No modification,                      R : Replacement,                      S : Supplement,                      D : Destroyed,

OLD		REVI- SION	NEW	
FIGURE	PAGE		FIGURE	PAGE
IV	1	R	IV	1
	2	R		2
	3	R		3
	4	R		4
A	1	→	A	1
	2	R		2
	3	R		3
	4	R		4
002	1	R	002	1
101	1	R	101	1
	2	R		2
	3	R		3
		S		4
102	1	R	102	1
	2	R		2
	3	R		3
103	1	→	103	1
	2	→		2
	3	→		3
104	1	→	104	1
	2	→		2
	3	→		3
105	1	R	105	1

OLD		REVI- SION	NEW	
FIGURE	PAGE		FIGURE	PAGE
105	2	R	105	2
	3	R		3
		S		4
106	1	R	106	1
	2	R		2
	3	R		3
107	1	→	107	1
	2	→		2
	3	→		3
108	1	R	108	1
	2	R		2
109	1	→	109	1
112	1	→	112	1
	2	→		2
	3	→		3
113	1	R	113	1
	2	R		2
	3	R		3
131	1	R	131	1
	2	R		2
	3	→		3
140	1	R	140	1

# R E V I S I O N   P A G E   L I S T

Color imageRUNNER C2050/2020/2058 iR C2100/2100S/2105/2105S  
 Model : CP2150/2120/2155/2125/2150G

→ : No modification,                      R : Replacement,                      S : Supplement,                      D : Destroyed,

OLD		REVI-SION	NEW	
FIGURE	PAGE		FIGURE	PAGE
		S	140	2
190	1	→	190	1
191	1	→	191	1
192	1	→	192	1
193	1	→	193	1
194	1	→	194	1
250	1	→	250	1
	2	→		2
260	1	→	260	1
265	1	R	265	1
	2	R		2
	3	R		3
267	1	→	267	1
	2	R		2
		S		3
270	1	R	270	1
280	1	→	280	1
	2	→		2

OLD		REVI-SION	NEW	
FIGURE	PAGE		FIGURE	PAGE
290	1	R	290	1
	2	R		2
		S		3
300	1	→	300	1
	2	→		2
	3	→		3
305	1	→	305	1
306	1	→	306	1
310	1	R	310	1
	2	R		2
	3	→		3
	4	R		4
	5	R		5
315	1	→	315	1
	2	R		2
	3	R		3
	4	→		4
316	1	→	316	1
	2	→		2
320	1	→	320	1
350	1	R	350	1
	2	R		2

# R E V I S I O N   P A G E   L I S T

Color imageRUNNER C2050/2020/2058 iR C2100/2100S/2105/2105S  
 Model : CP2150/2120/2155/2125/2150G

→ : No modification,                      R : Replacement,                      S : Supplement,                      D : Destroyed,

OLD		REVI- SION	NEW	
FIGURE	PAGE		FIGURE	PAGE
350	3	→	350	3
360	1	R	360	1
	2	R		2
	3	R		3
	4	→		4
	5	→		5
365	1	R	365	1
	2	R		2
370	1	R	370	1
	2	R		2
	3	R		3
371	1	→	371	1
	2	R		2
	3	→		3
510	1	→	510	1
	2	→		2
530	1	R	530	1
	2	R		2
	3	R		3
535	1	R	535	1
	2	R		2
	3	R		3
	4	R		4

OLD		REVI- SION	NEW	
FIGURE	PAGE		FIGURE	PAGE
535	5	R	535	5
		S		6
580	1	→	580	1
620	1	→	620	1
	2	→		2
	3	→		3
710	1	R	710	1
	2	R		2
770	1	R	770	1
	2	R		2
810	1	R	810	1
	2	→		2
	3	R		3
	4	R		4
	5	R		5
	6	R		6
830	1	→	830	1
	2	→		2
910	1	→	910	1
915	1	→	915	1
920	1	→	920	1

# R E V I S I O N P A G E L I S T

Color imageRUNNER C2050/2020/2058 iR C2100/2100S/2105/2105S  
 Model : CP2150/2120/2155/2125/2150G

→ : No modification,      R : Replacement,      S : Supplement,      D : Destroyed,

OLD		REVI- SION	NEW	
FIGURE	PAGE		FIGURE	PAGE
922	1	→	922	1
925	1	→	925	1
930	1	R	930	1
		S		2
933	1	→	933	1
	2	R		2
940	1	→	940	1
965	1	→	965	1
975	1	→	975	1
985	1	→	985	1
		S	996	1
B	1	→	B	1
	2	→		2
	3	→		3
	4	→		4
	5	→		5
	6	R		6
	7	→		7
	8	→		8
	9	→		9
	10	→		10

OLD		REVI- SION	NEW	
FIGURE	PAGE		FIGURE	PAGE
B	11	→	B	11
	12	→		12
	13	R		13
	14	R		14
	15	R		15
	16	R		16
	17	R		17
	18	R		18
	19	R		19
	20	R		20
	21	R		21
	22	R		22
	23	R		23
	24	R		24
	25	R		25
	26	R		26
	27	R		27
	28	R		28
	29	R		29
	30	R		30
	31	R		31
	32	R		32
	33	R		33
	34	R		34
	35	R		35
	36	R		36
	37	R		37



# R E V I S I O N P A G E L I S T

CASSETTE FEEDING UNIT - U1/U2

Model : \_\_\_\_\_

→ : No modification,                      R : Replacement,                      S : Supplement,                      D : Destroyed,

OLD		REVI- SION	NEW	
FIGURE	PAGE		FIGURE	PAGE
Z	1	R	Z	1
	2	R		2
ZA	1	R	ZA	1
		S		2
Z10	1	R	Z10	1
Z11	1	R	Z11	1
	2	R		2
	3	R		3
	4	R		4
Z15	1	R	Z15	1
Z20	1	R	Z20	1
Z32	1	→	Z32	1
Z35	1	R	Z35	1
Z40	1	R	Z40	1
	2	R		2
	3	R		3
	4	R		4
	5	R		5
		S		6
Z90	1	R	Z90	1

OLD		REVI- SION	NEW	
FIGURE	PAGE		FIGURE	PAGE
Z91	1	→	Z91	1
		S	Z95	1
		S		2
ZB	1	R	ZB	1
	2	R		2
	3	R		3
		S		4
		S		5













Color imageRUNNER C2050/2020/  
2058

iR C2100/2100S/2105/2105S

CP2150/2120/2155/2125/2150G

# PARTS CATALOG

REVISION 1

**Canon**

APR. 2002

**FY8-31ER-010**



## PREFACE

This Parts Catalog contains listings of parts used in the Color imageRUNNER C2050/2020/2058 iR C2100/2100S/2105/2105S. Diagrams are provided with the listings to aid the service technician in identifying clearly, the item to be ordered.

Whenever ordering parts, consult this Parts Catalog for all of the information pertaining to each item. Be sure to include, in the Parts Request, the full item description, the item part number and the quantity.

Canon Inc.

Office Imaging Products Device Quality Assurance Center  
5-1, Hakusan 7-chome,  
Toride-city, Ibaraki 302-8501, Japan

*COPYRIGHT © 2002 CANON INC.*

*Printed in Japan*  
*Imprimé au Japon*

# CONTENTS

<p style="text-align: center;">– COLOR IMAGE READER-A1/B1 –</p> <p><b>A. ASSEMBLY LOCATION DIAGRAM</b></p> <p><b>001. SPECIAL TOOLS</b></p> <p>100. EXTERNAL COVERS, PANELS, ETC.</p> <p>110. POWER CORD TERMINAL ASSEMBLY</p> <p>130. READER PANEL-A1/B1 (FOR COLOR IMAGE READER-A1/B1)</p> <p>160. COPYBOARD COVER ASSEMBLY</p> <p>210. READER ASSEMBLY</p> <p>420. MIRROR ASSEMBLY 1</p> <p>430. MIRROR ASSEMBLY 2</p> <p>900. ELECTRICAL COMPONENTS ASSEMBLY</p> <p>913. NOISE FILTER PCB ASSEMBLY</p> <p>917. APC POWER SUPPLY PCB ASSEMBLY (120/220/240V)</p> <p>920. CONTROL PANEL CPU PCB ASSEMBLY</p> <p>922. CONTROL PANEL KEY PCB ASSEMBLY</p> <p>925. CONTROL PANEL INVERTER PCB ASSEMBLY</p> <p>932. READER CONTROLLER PCB ASSEMBLY</p> <p>935. AP-IP PCB ASSEMBLY</p> <p>940. MAIN POWER SUPPLY PCB ASSEMBLY</p> <p>970. INVERTER PCB ASSEMBLY</p> <p>975. ECO-C BOARD PCB ASSEMBLY</p> <p>995. READER-PRINTER INTERFACE PCB ASSEMBLY (FOR COLOR IMAGE READER-A1)</p> <p><b>B. LIST OF CONNECTORS</b></p> <p style="text-align: center;">– Color imageRUNNER C2050/2020/2058 iR C2100/2100S/2105/2105S –</p> <p><b>A. ASSEMBLY LOCATION DIAGRAM</b></p> <p><b>002. ACCESSORIES/SPECIAL TOOLS</b></p> <p>101. EXTERNAL COVERS, PANELS, ETC.</p> <p>102. MACHINE FRONT PLATE</p> <p>103. INTERNAL COMPONENTS 1</p> <p>104. INTERNAL COMPONENTS 2</p> <p>105. INTERNAL COMPONENTS 3</p> <p>106. INTERNAL COMPONENTS 4</p> <p>107. MACHINE REAR PLATE 1</p>	<p>108. MACHINE REAR PLATE 2</p> <p>109. MACHINE BOTTOM PLATE</p> <p>112. POWER CORD TERMINAL ASSEMBLY (100/120V)</p> <p>113. POWER CORD TERMINAL ASSEMBLY (220/240V)</p> <p>131. PRINTER PANEL-A1/B1</p> <p>140. RIGHT DOOR ASSEMBLY</p> <p>190. FIXING FAN ASSEMBLY</p> <p>191. POWER SUPPLY COOLING FAN ASSEMBLY</p> <p>192. PROCESS COOLING FAN ASSEMBLY</p> <p>193. DELIVERY FAN ASSEMBLY (PLAIN TYPE)</p> <p>194. MACHINE COOLING FAN ASSEMBLY</p> <p>250. DRUM DRIVE ASSEMBLY</p> <p>260. PAPER PICK-UP DRIVE ASSEMBLY</p> <p>265. VERTICAL PATH DRIVE ASSEMBLY</p> <p>267. DUPLEXING FEEDER DRIVE ASSEMBLY (DUPLEX TYPE)</p> <p>270. TRANSFER SWING CAM ASSEMBLY</p> <p>280. FIXING DRIVE ASSEMBLY</p> <p>290. FACE DOWN OUTPUT UNIT DRIVE ASSEMBLY (DUPLEX TYPE)</p> <p>300. CASSETTE</p> <p>305. CASSETTE HEATER ASSEMBLY (ACCESSORY)</p> <p>306. RIGHT ENVIRONMENT HEATER ASSEMBLY</p> <p>310. PAPER PICK-UP ASSEMBLY</p> <p>315. MULTI FEED ASSEMBLY</p> <p>316. MULTI FEED TRAY ASSEMBLY</p> <p>320. VERTICAL PATH GUIDE ASSEMBLY</p> <p>350. PAPER DELIVERY ASSEMBLY</p> <p>360. DUPLEX FEEDER ASSEMBLY (DUPLEX TYPE)</p> <p>365. FACE DOWN OUTPUT UNIT-A1/B1(DUPLEX TYPE)</p> <p>370. FACE DOWN OUTPUT ASSEMBLY 1 (DUPLEX)</p> <p>371. FACE DOWN OUTPUT ASSEMBLY 2 (DUPLEX TYPE)</p> <p>510. DRUM UNIT FRAME ASSEMBLY</p> <p>530. TRANSFER LOWER FRAME ASSEMBLY</p> <p>535. TRANSFER ASSEMBLY</p> <p>580. SEPARATION CORONA ASSEMBLY</p> <p>620. HOPPER ASSEMBLY</p> <p>710. TRANSFER BELT CLEANING ASSEMBLY</p> <p>770. WASTE TONER ASSEMBLY</p> <p>810. FIXING ASSEMBLY</p>
---	--

# CONTENTS

<p>830.    <b>FIXING ROLLER CLEANING ASSEMBLY</b></p> <p>910.    <b>DC POWER SUPPLY PCB ASSEMBLY</b></p> <p>915.    <b>DRUM MOTOR DRIVER PCB ASSEMBLY</b></p> <p>920.    <b>CONTROL PANEL CPU PCB ASSEMBLY</b></p> <p>922.    <b>CONTROL PANEL KEY PCB ASSEMBLY</b></p> <p>925.    <b>CONTROL PANEL INVERTER PCB ASSEMBLY</b></p> <p>930.    <b>DC CONTROLLER PCB ASSEMBLY</b></p> <p>933.    <b>SYSTEM CONTROLLER PCB ASSEMBLY</b></p> <p>940.    <b>PAPER PICK-UP PCB ASSEMBLY</b></p> <p>965.    <b>SERIAL DRIVER PCB ASSEMBLY</b></p> <p>975.    <b>ENVIRONMENT MEASURING PCB ASSEMBLY</b></p> <p>985.    <b>BIAS HIGH VOLTAGE PCB ASSEMBLY</b></p> <p>996.    <b>READER-PRINTER INTERFACE PCB ASSEMBLY</b>                  (i. R. C2058, iR C2105/S, CP2155/25/50G)</p> <p><b>B.       LIST OF CONNECTORS</b></p> <p style="text-align: center;">– CASSETTE FEEDING UNIT-U1/U2 –</p> <p><b>ZA.     ASSEMBLY LOCATION DIAGRAM</b></p> <p><b>Z10.    EXTERNAL COVERS, PANELS, ETC.</b></p> <p><b>Z11.    MACHINE INTERNAL COMPONENTS</b></p> <p><b>Z15.    RIGHT DOOR ASSEMBLY</b></p> <p><b>Z20.    MAIN DRIVE ASSEMBLY</b></p> <p><b>Z32.    CASSETTE HEATER ASSEMBLY (ACCESSORY)</b></p> <p><b>Z35.    VERTICAL PATH ASSEMBLY</b></p> <p><b>Z40.    PAPER PICK-UP ASSEMBLY</b></p> <p><b>Z90.    PEDESTAL CONTROLLER PCB ASSEMBLY</b></p> <p><b>Z91.    PEDESTAL PICK-UP PCB ASSEMBLY</b></p> <p><b>Z95.    POWER SUPPLY ASSEMBLY(U2(w/M1) TYPE)</b></p> <p><b>ZB.     LIST OF CONNECTORS</b></p> <p style="text-align: center;">– PLAIN PEDESTAL-B1 –</p> <p><b>Z12.    EXTERNAL COVERS, PANELS, ETC.</b></p> <p><b>Z13.    MACHINE INTERNAL COMPONENTS</b></p>	<p style="text-align: center;">– POWER SUPPLY UNIT-L1 –</p> <p><b>KA.     ASSEMBLY LOCATION DIAGRAM</b></p> <p><b>K90.    POWER SUPPLY UNIT-L1</b>                  (ACCESSORY FOR 100V)</p> <p style="text-align: center;">– POWER SUPPLY UNIT-M1 –</p> <p><b>KA.     ASSEMBLY LOCATION DIAGRAM</b></p> <p><b>K91.    ACCESSORY POWER SUPPLY ASSEMBLY</b></p> <p><b>KB.     LIST OF CONNECTORS</b></p> <p style="text-align: center;">– PDL BOARD-A1 –</p> <p><b>KA.     ASSEMBLY LOCATION DIAGRAM</b></p> <p><b>K92.    COLOR NETWORK PRINTER BOARD-A1</b></p> <p><b>C.      LIST OF STANDARD FASTENERS</b></p> <p><b>D1.     NUMERICAL INDEX</b>                  (COLOR IMAGE READER-A1/B1)</p> <p><b>D2.     NUMERICAL INDEX</b>                  (Color imageRUNNER C2050/2020/2058                  iR C2100/2100S/2105/2105S)</p> <p><b>D3.     NUMERICAL INDEX</b>                  (CASSETTE FEEDING UNIT-U1/U2)</p> <p><b>D4.     NUMERICAL INDEX</b>                  (PLAIN PEDESTAL-B1)</p> <p><b>D5.     NUMERICAL INDEX</b>                  (POWER SUPPLY UNIT-L1)</p> <p><b>D6.     NUMERICAL INDEX</b>                  (POWER SUPPLY UNIT-M1)</p> <p><b>D7.     NUMERICAL INDEX</b>                  (PDL BOARD-A1)</p>
---	---

# COLOR IMAGE READER-A1/B1

## COLOR IMAGE READER-A1

100V 50/60Hz	F13 - 5911	LQB00001 -
120V 60Hz	F13 - 5901	PQS00001 -
220V 50Hz	F13 - 5921	PQB00001 -
120V 60Hz	F13 - 5931	NQN00001 -
220V 50Hz	F13 - 5941	PQE00001 -
240V 50Hz	F13 - 5951	QQP00001 -
240V 50Hz	F13 - 5961	RQB00001 -
220V 50Hz	F13 - 5971	SQB00001 -
220V 50Hz	F13 - 5981	TCH00001 -
220V 50Hz	F13 - 5991	UFD00001 -

## COLOR IMAGE READER-B1

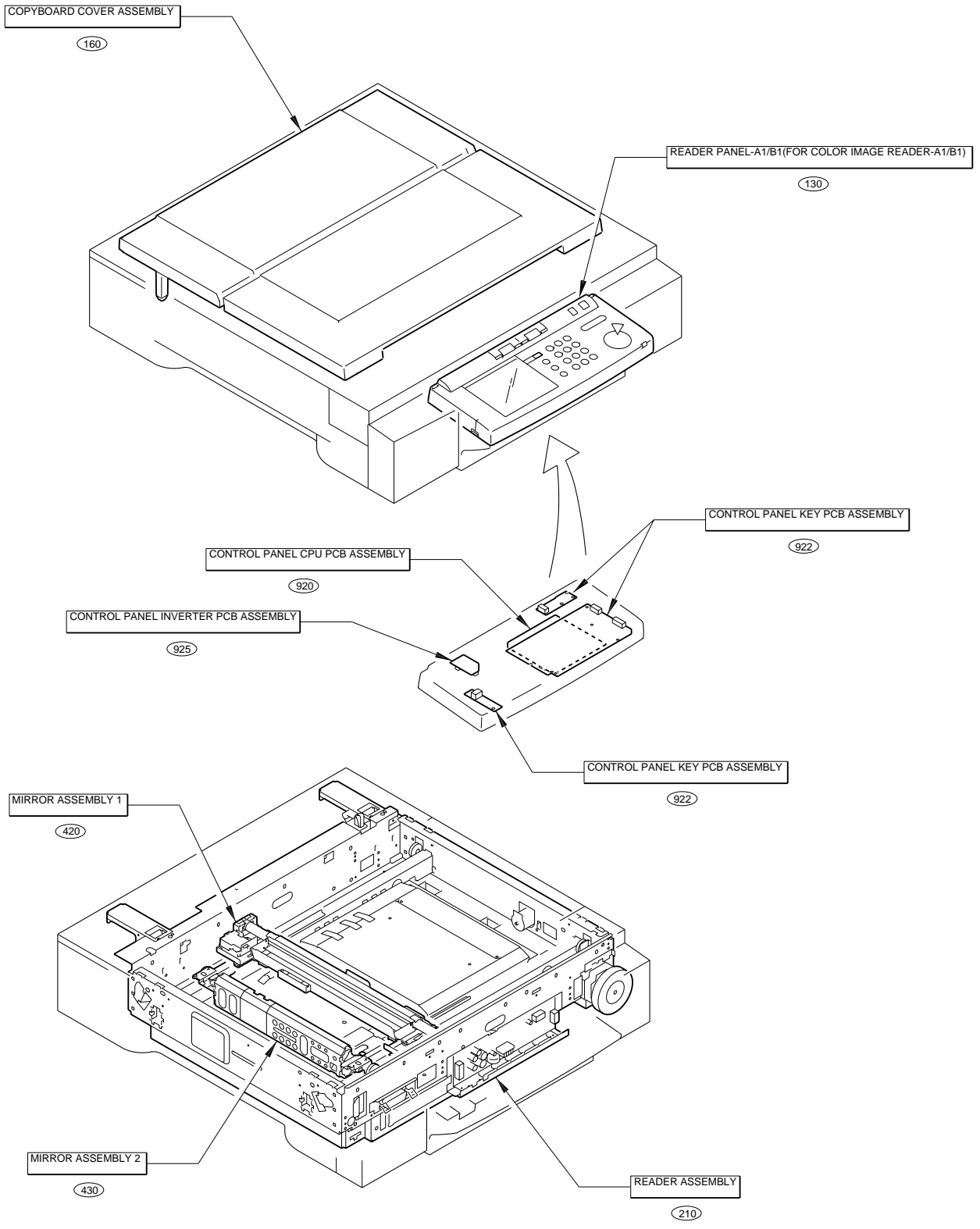
100V 50/60Hz	F13 - 5911	MGJ00001 -
120V 60Hz	F13 - 5901	MQE00001 -
220V 50Hz	F13 - 5921	RSF00001 -
120V 60Hz	F13 - 5931	MQD00001 -
220V 50Hz	F13 - 5941	RFB00001 -
240V 50Hz	F13 - 5951	QEX00001 -
240V 50Hz	F13 - 5961	RFD00001 -
220V 50Hz	F13 - 5971	SEB00001 -
220V 50Hz	F13 - 5981	TEJ00001 -
220V 50Hz	F13 - 5991	UJD00001 -

# CONTENTS

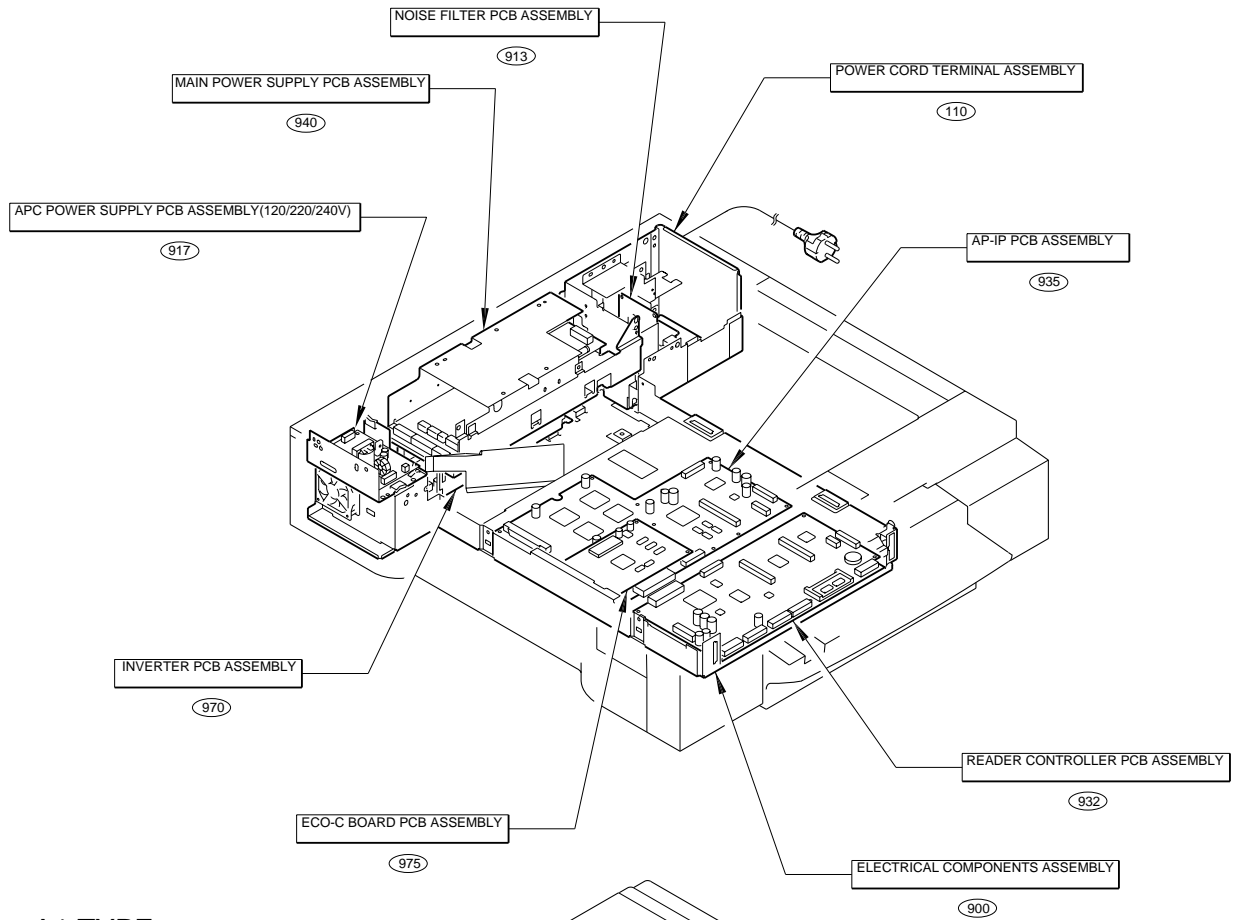
- A. ASSEMBLY LOCATION DIAGRAM
  
- 001. SPECIAL TOOLS
  
- 100. EXTERNAL COVERS, PANELS, ETC.
- 110. POWER CORD TERMINAL ASSEMBLY
- 130. READER PANEL-A1/B1  
(FOR COLOR IMAGE READER-A1/B1)
- 160. COPYBOARD COVER ASSEMBLY
  
- 210. READER ASSEMBLY
  
- 420. MIRROR ASSEMBLY 1
- 430. MIRROR ASSEMBLY 2
  
- 900. ELECTRICAL COMPONENTS ASSEMBLY
- 913. NOISE FILTER PCB ASSEMBLY
- 917. APC POWER SUPPLY PCB ASSEMBLY  
(120/220/240V)
- 920. CONTROL PANEL CPU PCB ASSEMBLY
- 922. CONTROL PANEL KEY PCB ASSEMBLY
- 925. CONTROL PANEL INVERTER PCB ASSEMBLY
- 932. READER CONTROLLER PCB ASSEMBLY
- 935. AP-IP PCB ASSEMBLY
- 940. MAIN POWER SUPPLY PCB ASSEMBLY
- 970. INVERTER PCB ASSEMBLY
- 975. ECO-C BOARD PCB ASSEMBLY
- 995. READER-PRINTER INTERFACE PCB ASSEMBLY  
(FOR COLOR IMAGE READER-A1)
  
- B. LIST OF CONNECTORS
  
- D1. NUMERICAL INDEX



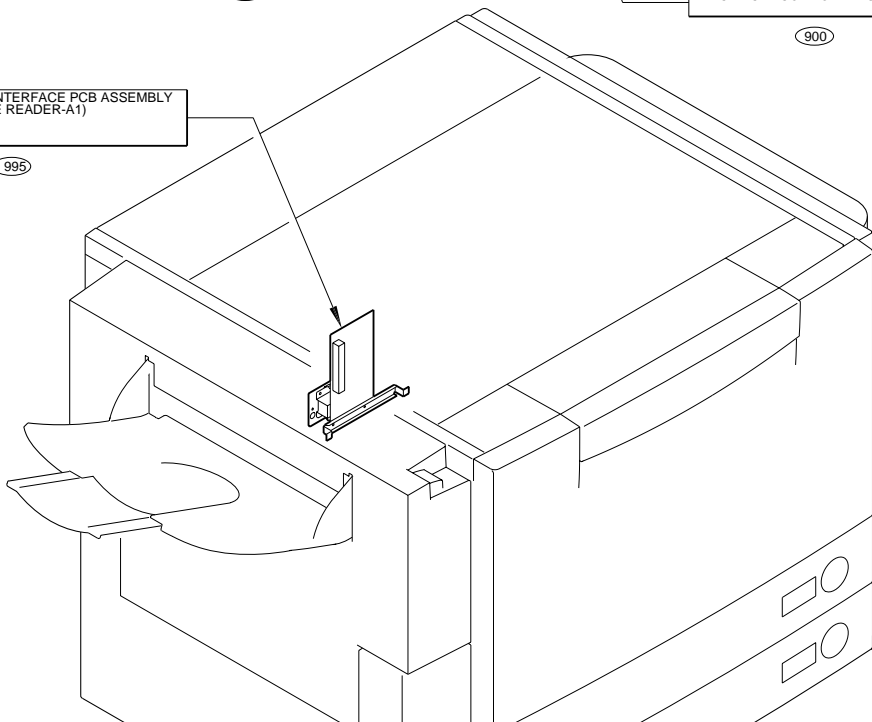
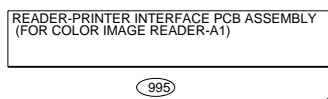
# FIGURE A ASSEMBLY LOCATION DIAGRAM(1/2)



# FIGURE A ASSEMBLY LOCATION DIAGRAM(2/2)



## A1 TYPE





# FIGURE 001 SPECIAL TOOLS

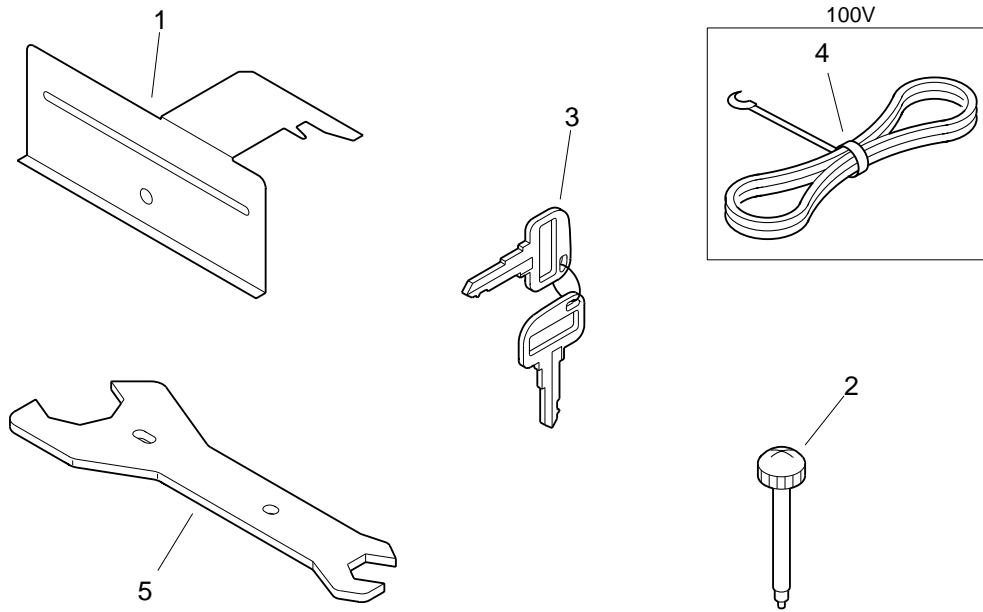


FIGURE & KEY NO.	PART NUMBER	RANK	QTY	DESCRIPTION	SERIAL NUMBER / REMARKS
001 -	NPN		RF	SPECIAL TOOLS	
1	FB4 - 0887 - 000		1	PLATE, MIRROR MOUNTING	
2	FB4 - 0902 - 000		2	SCREW, STEPPED, M4	
3	FF2 - 5915 - 000		1	KEY, SWITCH	
4	FH2 - 5006 - 000		1	WIRE, GROUNDING	100V
5	FY9 - 1027 - 000		1	SPANNER, ADJUSTING	



# FIGURE 100 EXTERNAL COVERS, PANELS, ETC.

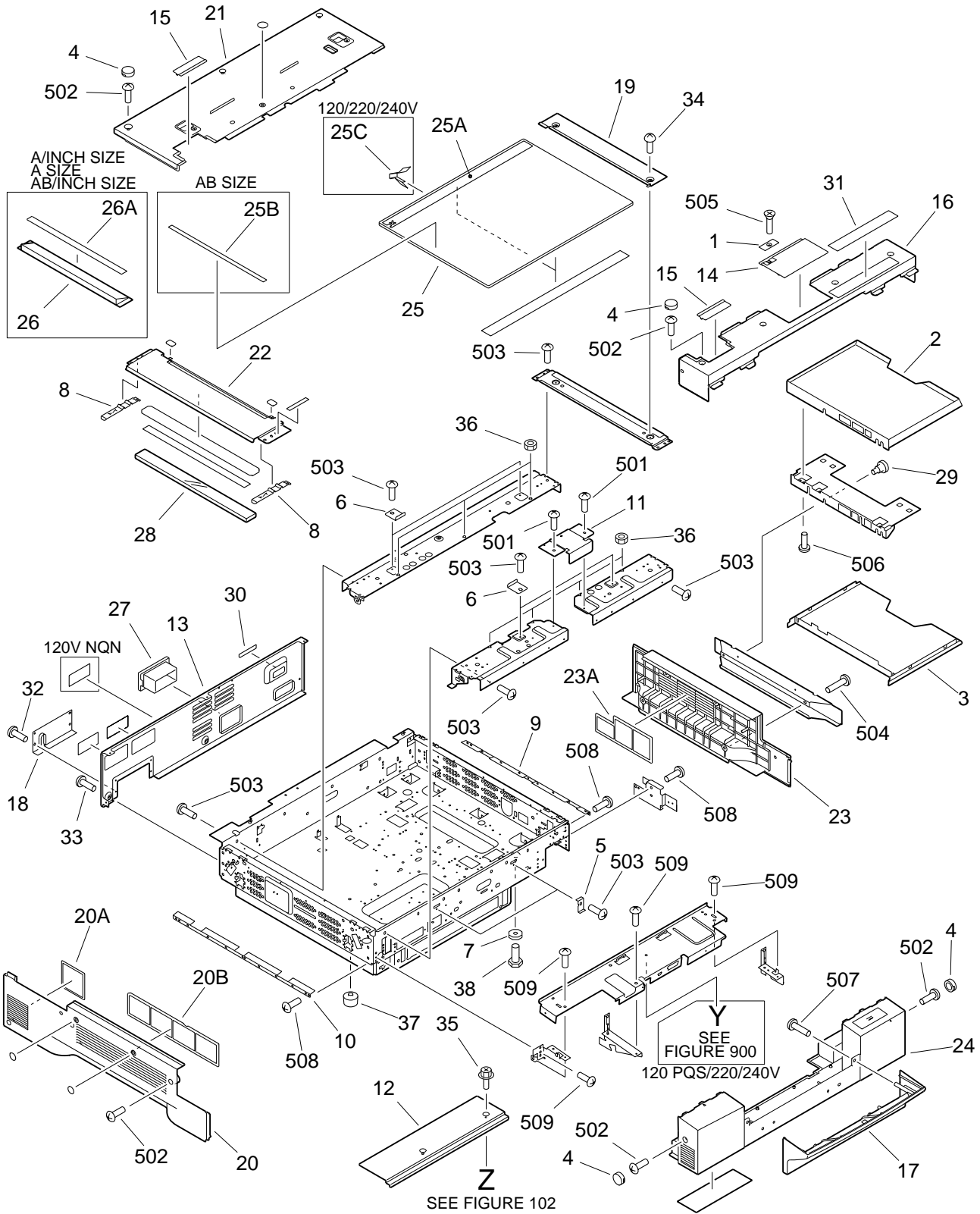
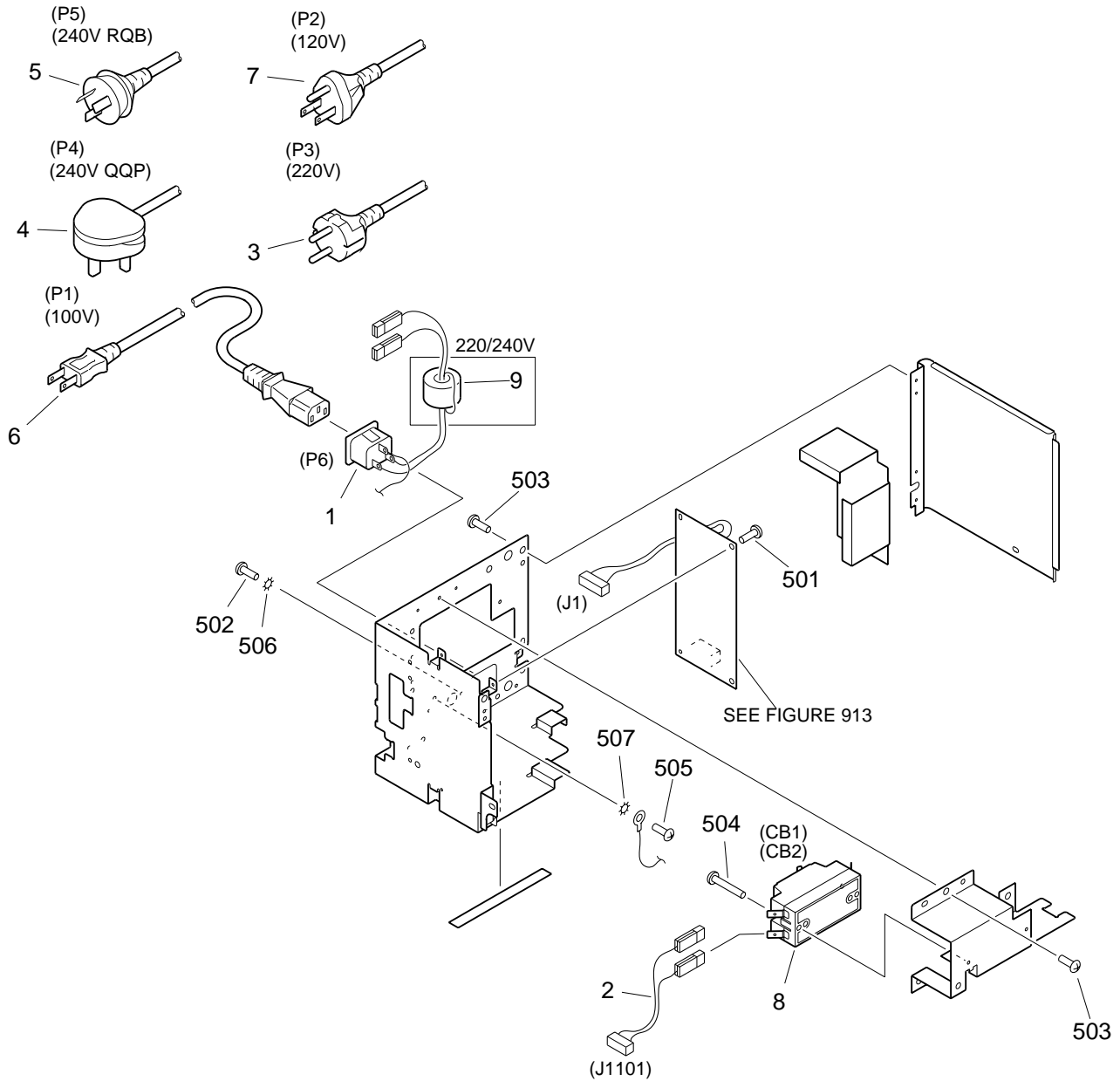


FIGURE & KEY NO.	PART NUMBER	RANK	QTY	DESCRIPTION	SERIAL NUMBER / REMARKS
100 -	NPN		RF	EXTERNAL COVERS, PANELS, ETC.	
1	FA3 - 9315 - 000		1	PLATE, COVER	
2	FB1 - 7737 - 000		1	TRAY, DOCUMENT, UPPER	
3	FB1 - 7738 - 000		1	TRAY, DOCUMENT, LOWER	
4	FB3 - 6085 - 000		9	COVER, HOLE BLANKING	
5	FB4 - 0709 - 000		2	PLATE, ADJUSTING	
6	FB4 - 0715 - 000		4	PLATE, GLASS RETAINING	
7	FB4 - 0753 - 000		1	NUT	
8	FB4 - 0773 - 000		2	SPRING, LEAF	
9	FB4 - 0810 - 000		1	SPRING, LEAF	
10	FB4 - 0811 - 000		1	SPRING, LEAF	
11	FB4 - 0872 - 000		1	COVER, LOWER	
12	FB5 - 1535 - 000		1	PANEL, UPPER, FRONT CENTER	
13	FB5 - 2041 - 000		1	PANEL, REAR	
14	FB5 - 2045 - 000		1	COVER, UPPER	
15	FB5 - 2046 - 000		2	SUPPORT, GLASS, RIGHT	
16	FB5 - 2363 - 000		1	PANEL, FRONT UPPER	
17	FB5 - 2365 - 000		1	PANEL, FRONT, LOWER	
18	FB5 - 2371 - 000		1	COVER, INTERFACE CONNECTOR	
19	FB5 - 2372 - 000		1	PLATE, GLASS RETAINER, RIGHT	
20	FF5 - 9435 - 000		1	PANEL, LEFT	
20 A	FB4 - 0834 - 000		1	FILTER, 3	
20 B	FB4 - 0888 - 000		1	FILTER, 1	
21	FF5 - 9437 - 000		1	PANEL, UPPER, REAR	
22	FF5 - 9438 - 000		1	PLATE, GLASS SUPPORT, LEFT	
23	FF5 - 9513 - 000		1	PANEL, RIGHT	
23 A	FB4 - 0889 - 000		1	FILTER, 2	
24	FF5 - 9514 - 000		1	PANEL, FRONT	
25	FF5 - 9689 - 000		1	GLASS, COPYBOARD	AB SIZE
	FF5 - 9691 - 000		1	GLASS, COPYBOARD	A/INCH SIZE

FIGURE & KEY NO.	PART NUMBER	RANK	QTY	DESCRIPTION	SERIAL NUMBER / REMARKS
100 - 25	FF5 - 9692 - 000		1	GLASS, COPYBOARD	A SIZE
	FF5 - 9693 - 000		1	GLASS, COPYBOARD	AB/INCH SIZE
25 A	FS7 - 8012 - 000		1	PLATE, WIDTH SIZE	AB SIZE
	FS7 - 8013 - 000		1	PLATE, WIDTH SIZE	A/INCH SIZE
	FS7 - 8014 - 000		1	PLATE, WIDTH SIZE	A SIZE
	FS7 - 8015 - 000		1	PLATE, WIDTH SIZE	AB/INCH SIZE
25 B	FS7 - 8016 - 000		1	PLATE, LENGTH SIZE	AB SIZE
25 C	FB4 - 0711 - 000		1	SPRING, LEAF	120/220/240V
26	FF5 - 9695 - 000		1	PLATE, PAPER JUMP SUPPORT	A/INCH SIZE
	FF5 - 9696 - 000		1	PLATE, PAPER JUMP SUPPORT	A SIZE
	FF5 - 9697 - 000		1	PLATE, PAPER JUMP SUPPORT	AB/INCH SIZE
26 A	FS7 - 8018 - 000		1	PLATE, LENGTH SIZE	A/INCH SIZE
	FS7 - 8019 - 000		1	PLATE, LENGTH SIZE	A SIZE
	FS7 - 8020 - 000		1	PLATE, LENGTH SIZE	AB/INCH SIZE
27	FH2 - 6552 - 000		1	COVER, CONNECTOR	
28	FN5 - 4116 - 000		1	PLATE, REFLECTOR	
29	FS5 - 9494 - 000		2	SCREW, STEPPED, M4	
30	FS6 - 8923 - 000		1	LABEL, BREAKER ON/OFF	
31	FS6 - 8966 - 000		1	LABEL, "LEGAL LIMITATIONS"	JAPANESE
	FS6 - 8967 - 000		1	LABEL, "LEGAL LIMITATIONS"	ENGLISH PQS, PQE, ENGLISH RQB, UFD
	FS6 - 8968 - 000		1	LABEL, "LEGAL LIMITATIONS"	FRENCH
	FS6 - 8969 - 000		1	LABEL, "LEGAL LIMITATIONS"	GERMAN
	FS6 - 8970 - 000		1	LABEL, "LEGAL LIMITATIONS"	ENGLISH QQP
	FS6 - 8972 - 000		1	LABEL, "LEGAL LIMITATIONS"	ITALIAN
	FS6 - 8973 - 000		1	LABEL, "LEGAL LIMITATIONS"	ENGLISH NQN
32	XA9 - 0265 - 000		4	SCREW, W/WASHER, TRUSS HEAD	
33	XA9 - 0265 - 000		3	SCREW, W/WASHER, TRUSS HEAD	
34	XA9 - 0385 - 000		2	SCREW, W/WASHER, TRUSS HEAD	
35	XA9 - 0629 - 000		2	SCREW, RS, M4X8	
36	XA9 - 0980 - 000		7	NUT, HEX, M6	

FIGURE & KEY NO.	PART NUMBER	RANK	QTY	DESCRIPTION	SERIAL NUMBER / REMARKS
100 - 37	XH9 - 0105 - 000		3	RUBBER, FOOT	
38	XZ9 - 0444 - 000		1	ADJUSTER	
501	XB1 - 2400 - 505		28	SCREW,MACH.,TRUSS HEAD,M4X5	
502	XB1 - 2400 - 607		AR	SCREW,MACH.,TRUSS HEAD,M4X6	
503	XB1 - 2400 - 609		AR	SCREW,MACH.,TRUSS HEAD,M4X6	
504	XB1 - 2401 - 007		2	SCREW,MACH.,TRUSS HEAD,M4X10	
505	XB1 - 3400 - 806		1	SCREW,MACH.,C.S. HEAD,M4X8	
506	XB4 - 7300 - 609		2	SCREW,TAPPING,TRUSS HEAD,M3X6	
507	XB4 - 7401 - 009		4	SCREW,TAPPING,TRUSS HEAD,M4X10	
508	XB6 - 7300 - 607		17	SCREW,TP,M3X6	
509	XB6 - 7400 - 607		AR	SCREW,TP,M4X6	

# FIGURE 110 POWER CORD TERMINAL ASSEMBLY



NOTE1: This assembly includes the assembly shown in Figure 913.

NOTE2: This assembly does not include the parts shown with key No. 3, 4, 5, 6 and 7.

FIGURE & KEY NO.	PART NUMBER	RANK	QTY	DESCRIPTION	SERIAL NUMBER / REMARKS
110 -	FG6 - 4575 - 000		1	POWER CORD TERMINAL ASSEMBLY	100/120V SEE NOTE 1
	FG6 - 4576 - 000		1	POWER CORD TERMINAL ASSEMBLY	220/240V SEE NOTE 1
	1 FG3 - 0912 - 000		1	AC SOCKET ASSEMBLY	P6
2	FG3 - 0914 - 000		1	CABLE, FILTER BREAKER	J1101
3	FH2 - 5761 - 020		1	CORD, POWER	SEE NOTE 2 220V P3
4	FH2 - 5762 - 000		1	CORD, POWER	SEE NOTE 2 240V QQP P4
5	FH2 - 5763 - 000		1	CORD, POWER	SEE NOTE 2 240V RQB P5
6	FH2 - 6718 - 000		1	POWER CORD	SEE NOTE 2 100V P1
7	FH2 - 6719 - 000		1	POWER CORD	SEE NOTE 2 120V P2
8	FH7 - 7457 - 000		1	BREAKER, CIRCUIT	100/120V CB1
9	FH7 - 7458 - 000		1	BREAKER, CIRCUIT	220/240V CB2
501	WE8 - 5184 - 000		1	FERRITE CORE	220/240V
502	XB1 - 2300 - 607		4	SCREW,MACH.,TRUSS HEAD,M3X6	
503	XB1 - 2400 - 603		1	SCREW,MACH.,TRUSS HEAD,M4X6	
504	XB1 - 2400 - 607		5	SCREW,MACH.,TRUSS HEAD,M4X6	
505	XB1 - 2402 - 009		2	SCREW,MACH.,TRUSS HEAD,M4X20	
506	XB1 - 2500 - 606		1	SCREW,MACH.,TRUSS HEAD,M5X6	
507	XD1 - 4200 - 402		1	WASHER,TOOTHED LOCK	
508	XD1 - 4200 - 502		1	WASHER,TOOTHED LOCK	



# READER PANEL-A1/B1 FIGURE 130 (FOR COLOR IMAGE READER-A1/B1)

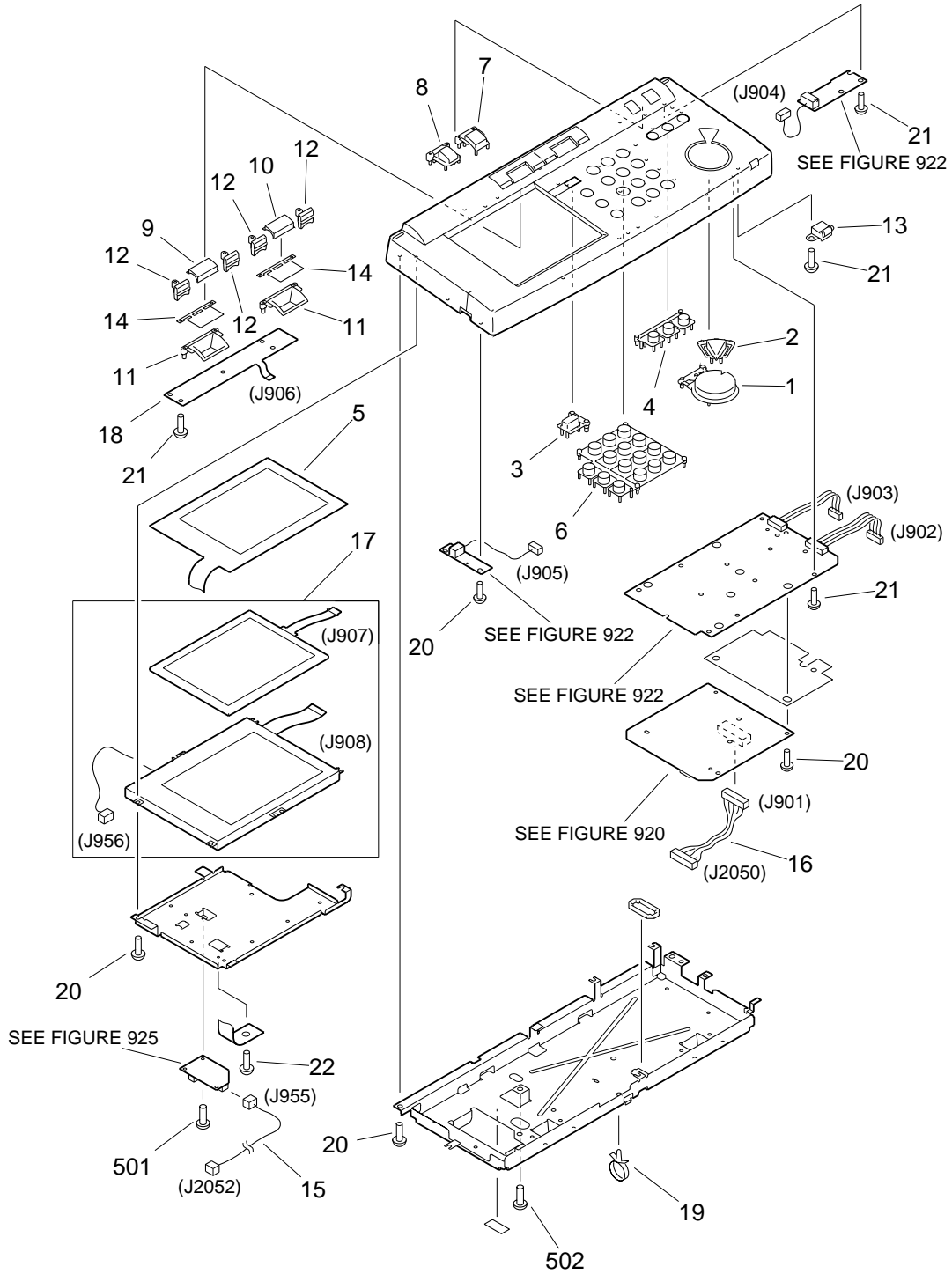


FIGURE & KEY NO.	PART NUMBER	RANK	QTY	DESCRIPTION	SERIAL NUMBER / REMARKS
130 -	NPN		RF	READER PANEL-A1/B1	
1	FB4 - 2581 - 000		1	KEY TOP, COPY	
2	FB4 - 2582 - 000		1	KEY TOP, STOP	
3	FB4 - 2583 - 000		1	KEY TOP, RESET	
4	FB4 - 2585 - 000		1	KEY TOP, 3 CONTINUITY	
5	FB4 - 6704 - 000		1	PLATE, GROUNDING	
6	FB5 - 1789 - 000		1	KEY TOP, NUMBERS	
7	FB5 - 1790 - 000		1	KEY TOP, POWER SUPPLY	
8	FB5 - 1791 - 000		1	KEY TOP, STAND BY	
9	FB5 - 1792 - 000		1	KEY TOP, FUNCTION, COPY	JAPANESE
	FB5 - 1807 - 000		1	KEY TOP, FUNCTION, COPY	ENGLISH
	FB5 - 1808 - 000		1	KEY TOP, FUNCTION, COPY	FRENCH
	FB5 - 1809 - 000		1	KEY TOP, FUNCTION, COPY	GERMAN
	FB5 - 1810 - 000		1	KEY TOP, FUNCTION, COPY	ILLUSTRATION
10	FB5 - 1793 - 000		1	KEY TOP, FUNCTION, EXPANSION	JAPANESE
	FB5 - 1811 - 000		1	KEY TOP, FUNCTION, EXPANSION	ENGLISH
	FB5 - 1812 - 000		1	KEY TOP, FUNCTION, EXPANSION	FRENCH
	FB5 - 1813 - 000		1	KEY TOP, FUNCTION, EXPANSION	GERMAN
	FB5 - 1814 - 000		1	KEY TOP, FUNCTION, EXPANSION	ILLUSTRATION
11	FB5 - 1794 - 000		2	BLOCK, REFLECTOR	
12	FB5 - 1795 - 000		4	COVER, LED	
13	FB5 - 1797 - 000		1	COVER, POWER LED	
14	FB5 - 1798 - 000		2	SHEET, REFLECTOR	
15	FG6 - 4314 - 000		1	CABLE, INVERTER	J955,2052
16	FG6 - 4315 - 000		1	CABLE, JST	J901,2050
17	FG6 - 5428 - 000		1	LCD CONTROL PANEL UNIT	J907,908,956
18	FH6 - 0770 - 000		1	LED PCB ASSEMBLY	J906
19	WT2 - 5565 - 000		1	CLAMP, CABLE	
20	XA9 - 0591 - 000		20	SCREW,M3X8	
21	XA9 - 0591 - 000		23	SCREW,M3X8	

FIGURE & KEY NO.	PART NUMBER	R A N K	Q' T Y	DESCRIPTION	SERIAL NUMBER / REMARKS
130 - 22	XA9 - 0670 - 000		1	SCREW,M3X6	
501	XB1 - 2300 - 609		2	SCREW,MACH.,TRUSS HEAD,M3X6	
502	XB2 - 7400 - 607		1	SCREW,W/WASHER,M4X6	

# FIGURE 160 COPYBOARD COVER ASSEMBLY

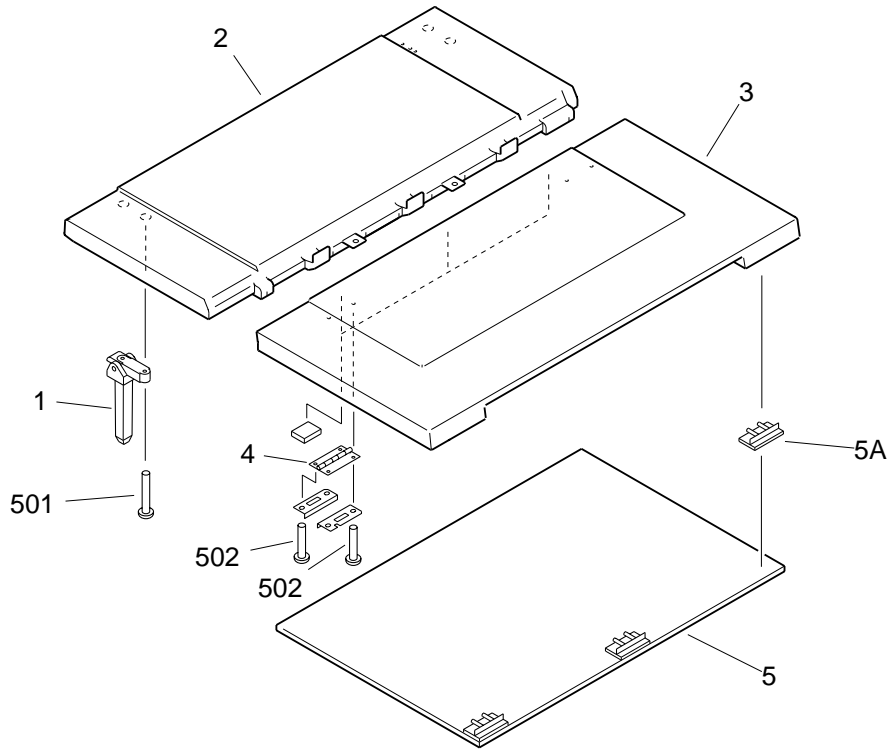


FIGURE & KEY NO.	PART NUMBER	RANK	QTY	DESCRIPTION	SERIAL NUMBER / REMARKS
160 -	FG9 - 3772 - 000		1	COPYBOARD COVER ASSEMBLY	
1	FA9 - 3633 - 000		2	HINGE, COPYBOARD COVER	
2	FA9 - 3666 - 000		1	COVER, COPYBOARD, REAR	
3	FA9 - 3667 - 000		1	COVER, COPYBOARD, FRONT	
4	FA9 - 3703 - 000		2	PLATE, HINGE	
5	FF9 - 1694 - 000		1	CUSHION ASS'Y, COPYBOARD COVER	
5 A	FA9 - 3637 - 000		3	PLATE, CUSHION MOUNTING	
501	XB1 - 2401 - 609		4	SCREW,MACH.,TRUSS HEAD,M4X16	
502	XB4 - 7401 - 209		8	SCREW,TAPPING,TRUSS HEAD,M4X12	

# FIGURE 210 READER ASSEMBLY(1/2)

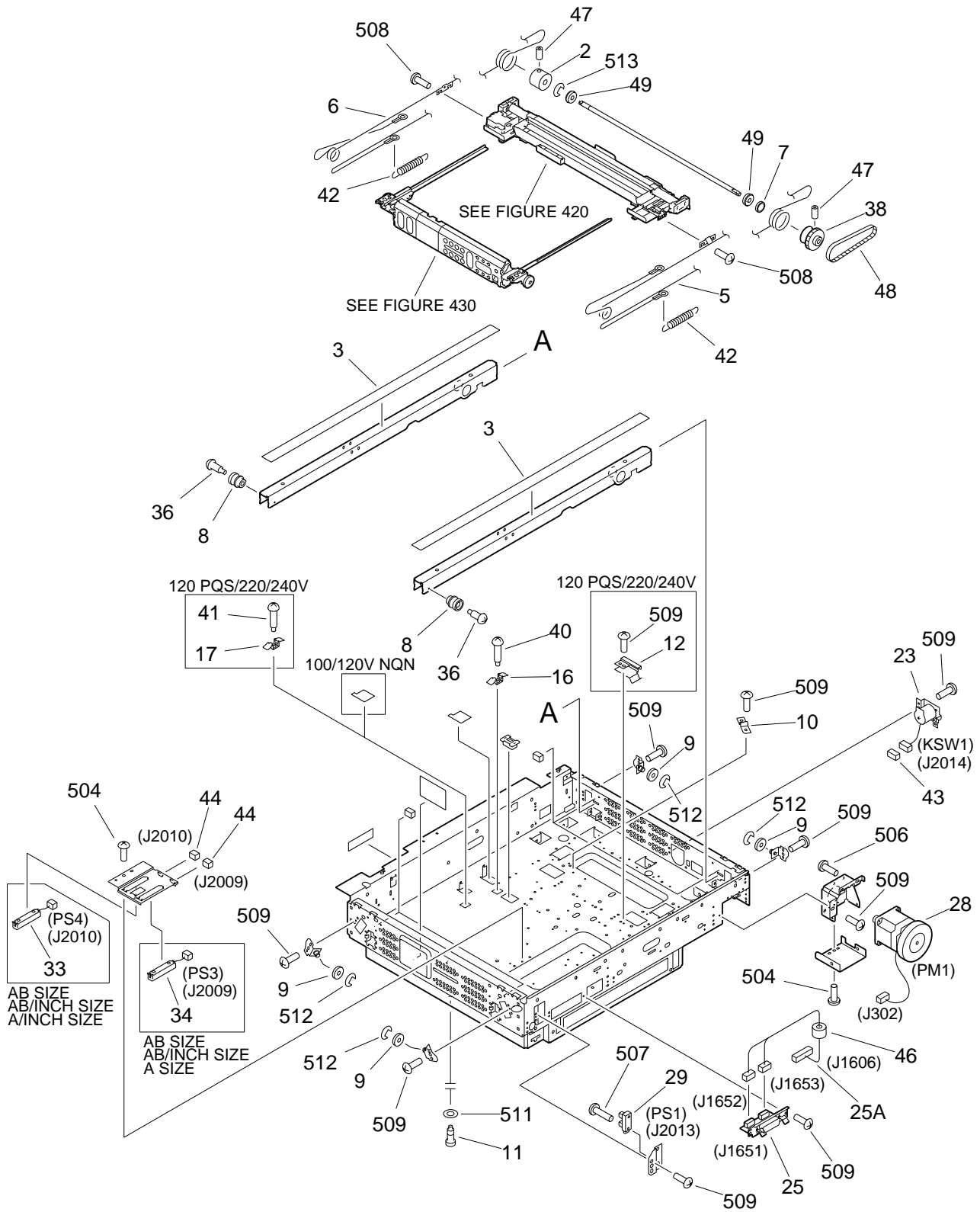




FIGURE & KEY NO.	PART NUMBER	RANK	QTY	DESCRIPTION	SERIAL NUMBER / REMARKS
210 -	NPN		RF	READER ASSEMBLY	
1	FB1 - 6588 - 000		3	SCREW, ADJUSTING	
2	FB1 - 6677 - 030		1	PULLEY	
3	FB4 - 0705 - 000		2	PLATE, RAIL	
4	FB4 - 0726 - 000		2	SPRING, LEAF	
5	FB4 - 0740 - 000		1	WIRE, SCANNER, FRONT	
6	FB4 - 0741 - 000		1	WIRE, SCANNER, REAR	
7	FB4 - 0743 - 000		1	SPACER, PULLEY	
8	FB4 - 0744 - 000		2	PULLEY, TENSION	
9	FB4 - 0778 - 000		4	PULLEY	
10	FB4 - 0816 - 000		1	PLATE, GROUNDING, 3	
11	FB4 - 2692 - 000		2	SCREW, M6X6	
12	FB4 - 9143 - 000		1	SPRING, LEAF	120V PQS 220/240V
13	FB4 - 9144 - 000		1	SPRING, LEAF	120V PQS 220/240V
14	FB4 - 9148 - 000		1	SPRING, LEAF	
15	FB4 - 9148 - 000		1	SPRING, LEAF	
16	FB4 - 9149 - 000		1	SPRING, LEAF	
17	FB4 - 9149 - 000		1	SPRING, LEAF	120V PQS 220/240V
18	FB5 - 2048 - 000		1	MOUNT, SENSING	
19	FF5 - 6576 - 000		1	PLATE, LENS MOUNTING	
20	FG2 - 9434 - 000		1	MOTOR DRIVER POWER CABLE	J301,2002
21	FG2 - 9435 - 000		1	MOTOR DRIVER SIGNAL CABLE	J303,1605
22	FG5 - 9842 - 000		1	MOTOR DRIVER PCB ASSEMBLY	
23	FG5 - 9851 - 000		1	KEY SWITCH UNIT	KSW1 J2014
24	FG6 - 0363 - 000		1	CCD UNIT	
24 A	FG2 - 9438 - 000		1	CABLE, 2	J101,2017
24 B	FG3 - 1175 - 000		1	CABLE, 1	J102,2016
24 C	WT2 - 5565 - 000		1	CLAMP, CABLE	
25	FG6 - 4580 - 000		1	CONNECTOR MOUNTING UNIT	
25 A	FG3 - 1465 - 000		1	CABLE, CONNECTOR MOUNTING	J1606,1652,1653

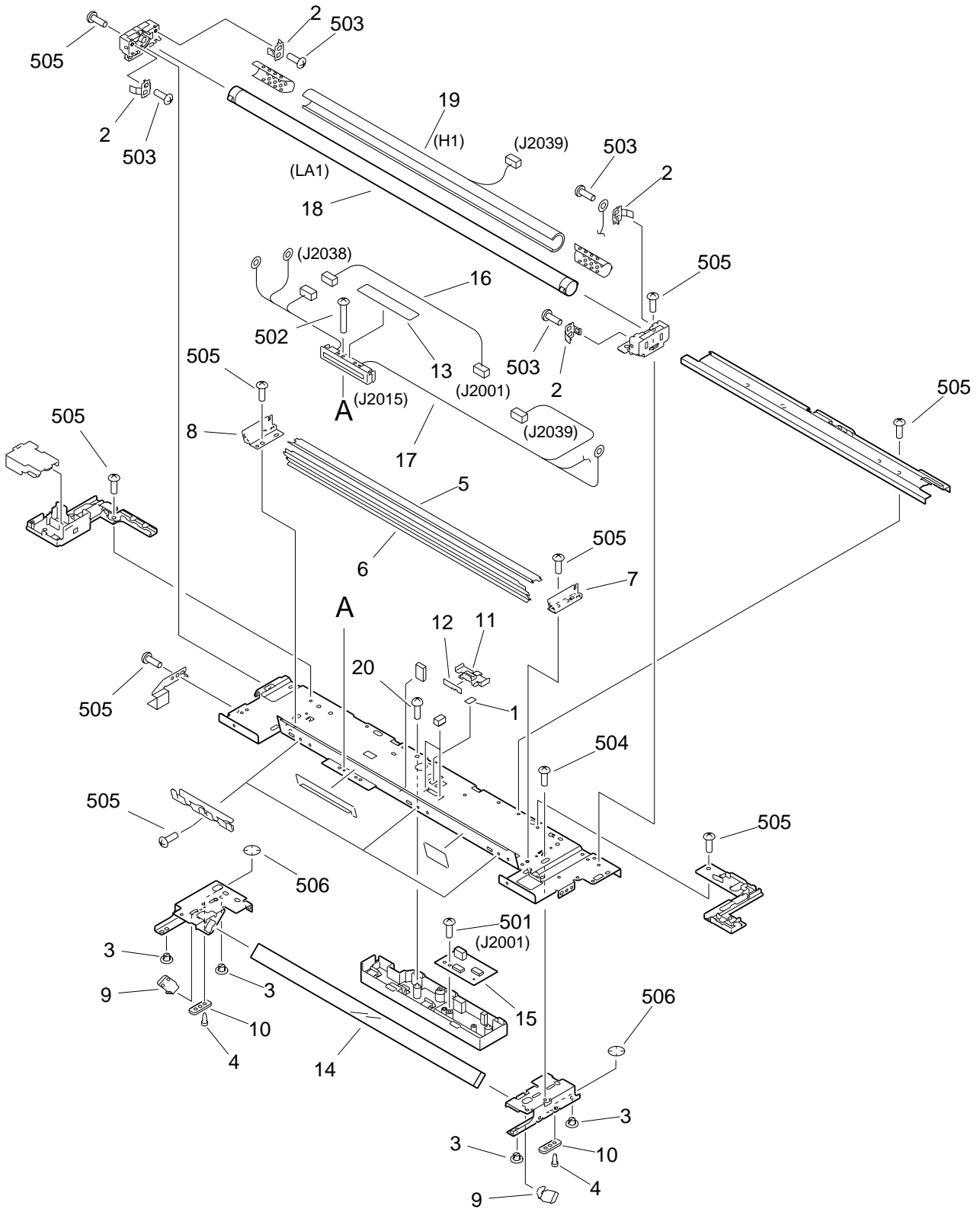
FIGURE & KEY NO.	PART NUMBER	RANK	QTY	DESCRIPTION	SERIAL NUMBER / REMARKS
210 - 25 B	WE8 - 5496 - 000		1	CORE, FERRITE	
26	FH2 - 6451 - 000		1	CABLE, FLUORESCENT	J1610,2018,2037
27	FH2 - 6452 - 000		1	CABLE, FLUORESCENT LAMP	J2015,2037
28	FH6 - 1465 - 000		1	MOTOR, STEPPING	PM1 J302
29	FH7 - 7306 - 000		1	PHOTO-INTERRUPTER	PS1 J2013
30	FH7 - 7312 - 000		1	PHOTO-INTERRUPTER	PS2 J2007
31	FH7 - 7423 - 000		1	SENSOR, DOCUMENT, REAR	AB SIZE, A SIZE, AB/INCH SIZE
	FH7 - 7386 - 000		1	SENSOR, DOCUMENT, REAR	A/INCH SIZE
32	FH7 - 7423 - 000		1	SENSOR, DOCUMENT, REAR	AB SIZE AB/INCH SIZE
	FH7 - 7386 - 000		1	SENSOR, DOCUMENT, REAR	A/INCH SIZE
33	FH7 - 7424 - 000		1	SENSOR, DOCUMENT, FRONT	AB SIZE AB/INCH SIZE
	FH7 - 7388 - 000		1	SENSOR, DOCUMENT, FRONT	A/INCH SIZE
34	FH7 - 7424 - 000		1	SENSOR, DOCUMENT, FRONT	AB SIZE, A SIZE AB/INCH SIZE
35	FS1 - 9054 - 000		1	SCREW, STEPPED, M4	
36	FS1 - 9054 - 000		2	SCREW, STEPPED, M4	
37	FS2 - 2351 - 000		1	SPRING, TENSION	
38	FS5 - 3250 - 000		1	PULLEY, 66T	
39	FS5 - 9162 - 000		2	SCREW, STEPPED, M4	
40	FS5 - 9618 - 000		1	SCREW, STEPPED, M4	
41	FS5 - 9618 - 000		1	SCREW, STEPPED, M4	120V PQS 220/240V
42	FS6 - 2737 - 000		2	SPRING, TENSION	
43	VS1 - 5057 - 002		1	CONNECTOR, SNAP TIGHT	J2014
44	VS1 - 5057 - 003		2	CONNECTOR, SNAP TIGHT	J2009,2010
45	VS1 - 5057 - 003		2	CONNECTOR, SNAP TIGHT	J2011,2012
46	WE8 - 5496 - 000		1	CORE, FERRITE	
47	XA9 - 0546 - 020		4	SETSCREW, M4X6	
48	XF9 - 0422 - 000		1	BELT, TIMING	
49	XG9 - 0249 - 000		2	BEARING, BALL	
501	XB1 - 2301 - 209		2	SCREW, MACH., TRUSS HEAD, M3X12	
502	XB1 - 2400 - 607		AR	SCREW, MACH., TRUSS HEAD, M4X6	



FIGURE & KEY NO.	PART NUMBER	RANK	QTY	DESCRIPTION	SERIAL NUMBER / REMARKS
210 - 503	XB1 - 2400 - 609		1	SCREW,MACH.,TRUSS HEAD,M4X6	
504	XB1 - 2400 - 609		AR	SCREW,MACH.,TRUSS HEAD,M4X6	
505	XB1 - 2400 - 609		1	SCREW,MACH.,TRUSS HEAD,M4X6	
506	XB1 - 2400 - 609		4	SCREW,MACH.,TRUSS HEAD,M4X6	
507	XB1 - 2401 - 009		1	SCREW,MACH.,TRUSS HEAD,M4X10	
508	XB2 - 8300 - 809		4	SCREW,W/WASHER,M3X8	
509	XB6 - 7400 - 607		AR	SCREW,TP,M4X6	
510	XB7 - 2100 - 409		3	NUT,HEX,M4	
511	XD1 - 2101 - 005		2	WASHER,PLAIN	
512	XD2 - 1100 - 642		4	RING,E	
513	XD2 - 1100 - 642		1	RING,E	



# FIGURE 420 MIRROR ASSEMBLY 1



NOTE: This assembly does not include the part shown with key No. 13.

FIGURE & KEY NO.	PART NUMBER	RANK	QTY	DESCRIPTION	SERIAL NUMBER / REMARKS
420 -	FG5 - 9838 - 000		1	MIRROR ASSEMBLY 1	
1	FB1 - 0715 - 000		1	ND FILTER	
2	FB2 - 1954 - 000		4	PLATE, CONTACT	
3	FB3 - 2411 - 000		4	PIN, SLIDE	
4	FB3 - 7692 - 000		4	PIN, PAD, 2	
5	FB4 - 0786 - 000		1	REFLECTOR, LOWER	
6	FB4 - 0787 - 000		1	REFLECTOR, AUXILIARY	
7	FB4 - 0788 - 000		1	REFLECTOR, FRONT	
8	FB4 - 0789 - 000		1	REFLECTOR, REAR	
9	FB4 - 0799 - 000		2	SPRING, LEAF	
10	FB4 - 0802 - 000		2	PAD, OIL	
11	FB4 - 0804 - 000		1	CAP, SENSOR	
12	FB4 - 0832 - 000		1	PLATE, LIGHT BLOCKING	
13	FB4 - 0867 - 000		1	LABEL, "WARNING"	SEE NOTE 100V
	FB4 - 0868 - 000		1	LABEL, "WARNING"	SEE NOTE 120/220/240V
14	FF5 - 6579 - 000		1	MIRROR, 1	
15	FG2 - 9439 - 000		1	LIGHT SENSOR PCB ASSEMBLY	J2001
16	FG2 - 9440 - 000		1	CABLE, EXPOSURE CONTROL	J2001,2038
17	FH2 - 6453 - 000		1	CABLE, FLUORESCENT LAMP	J2015,2038,2039
18	FH7 - 3336 - 000		1	LAMP, FLUORESCENT	LA1
19	FH7 - 4670 - 000		1	HEATER, FLUORESCENT LAMP	H1 J2039
20	XA9 - 0596 - 000		1	SCREW,P,M3X6	
501	XB1 - 2300 - 409		1	SCREW,MACH.,TRUSS HEAD,M3X4	
502	XB1 - 2301 - 209		2	SCREW,MACH.,TRUSS HEAD,M3X12	
503	XB2 - 8300 - 607		4	SCREW,W/WASHER,M3X6	
504	XB2 - 8300 - 809		4	SCREW,W/WASHER,M3X8	
505	XB6 - 7300 - 609		15	SCREW,TP,M3X6	
506	XD2 - 2300 - 202		4	RING,TOOTHED LOCK	

# FIGURE 430 MIRROR ASSEMBLY 2

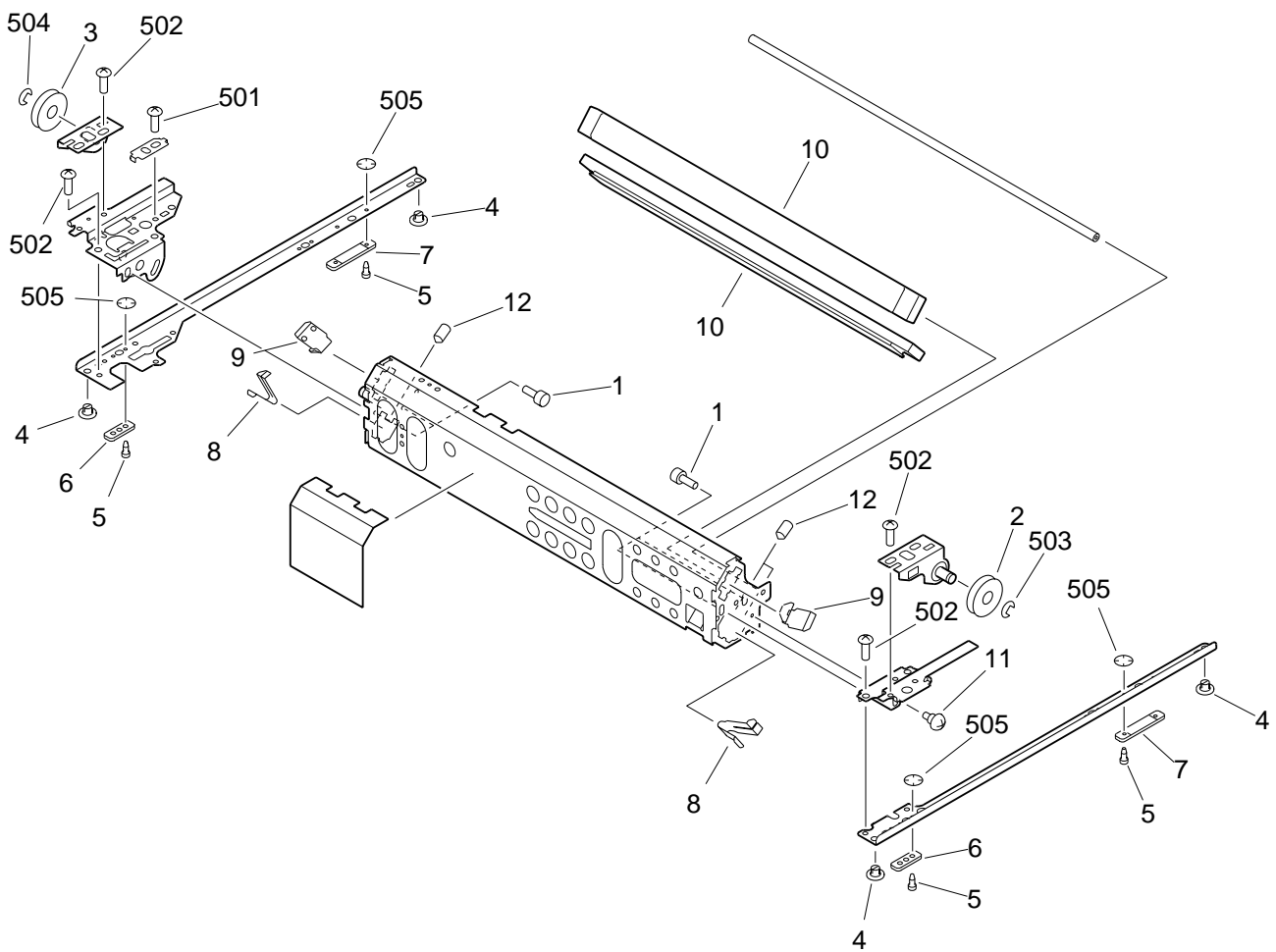


FIGURE & KEY NO.	PART NUMBER	R A N K	Q' T Y	DESCRIPTION	SERIAL NUMBER / REMARKS
430 -	FG5 - 9839 - 000		1	MIRROR ASSEMBLY 2	
1	FA9 - 1990 - 000		4	SCREW,ALLEN HEAD,M3X6	
2	FB1 - 6663 - 000		1	PULLEY	
3	FB1 - 6663 - 000		1	PULLEY	
4	FB3 - 2411 - 000		4	PIN, SLIDE	
5	FB3 - 7692 - 000		8	PIN, PAD, 2	
6	FB4 - 0802 - 000		2	PAD, OIL	
7	FB4 - 0825 - 000		2	PAD, OIL, LEFT	
8	FB4 - 0831 - 000		2	SPRING, LEAF	
9	FB4 - 0864 - 000		2	SPRING, LEAF, MIRROR	
10	FF5 - 6581 - 000		2	MIRROR, 2/3	
11	FS1 - 9009 - 000		2	SCREW,STEPPED,M3	
12	XA9 - 0425 - 000		3	SETSCREW,HEX SOCKET	
501	XB1 - 2300 - 409		3	SCREW,MACH.,TRUSS HEAD,M3X4	
502	XB6 - 7300 - 409		9	SCREW,TP,M3X4	
503	XD2 - 1100 - 642		1	RING,E	
504	XD2 - 1100 - 642		1	RING,E	
505	XD2 - 2300 - 202		8	RING,TOOTHED LOCK	

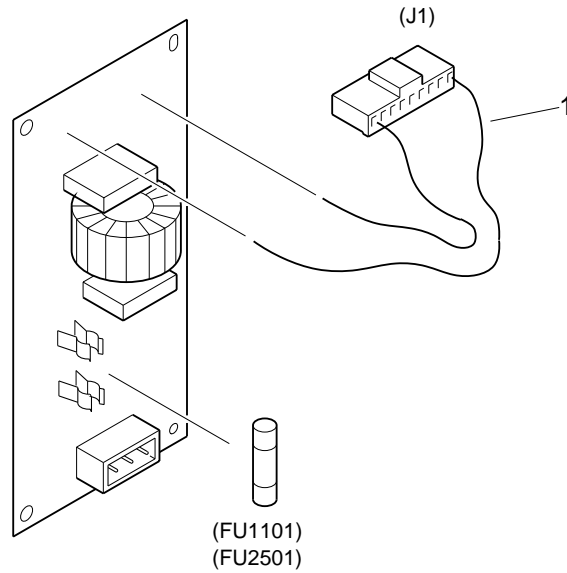


FIGURE & KEY NO.	PART NUMBER	RANK	QTY	DESCRIPTION	SERIAL NUMBER / REMARKS
900 -	NPN		RF	ELECTRICAL COMPONENTS ASSEMBLY	
1	FB4 - 0819 - 000		1	LABEL, "COPY LOAD"	
2	FB4 - 0820 - 000		1	PLATE, GROUNDING	
3	FB4 - 0881 - 000		1	PLATE, GROUNDING	
4	FB4 - 9141 - 000		1	SPRING, LEAF	120V PQS 220/240V
5	FB4 - 9142 - 000		1	SPRING, LEAF	120V PQS 220/240V
6	FB5 - 2385 - 000		1	SPRING, GROUNDING	120V PQS 220/240V
7	FG2 - 9455 - 000		1	CABLE, AC	120/220/240V J2,1801
8	FG2 - 9456 - 000		1	CABLE, INVERTER LAMP	J1003,2018
8 A	WE8 - 5256 - 000		1	CLAMP, FERRITE	
9	FG2 - 9457 - 000		1	CABLE, CCD, 2	100/120V NQN J503,2017
	FG3 - 0919 - 000		1	CABLE, CCD, 2	120 PQS/220/240V J503,2017
9 A	VS1 - 5057 - 015		1	CONNECTOR, SNAP TIGHT	J2017
9 B	WE8 - 5184 - 000		1	FERRITE CORE	
10	FG2 - 9464 - 000		1	CABLE, CCD, 1	J507,2016
10 A	VS1 - 5057 - 013		1	CONNECTOR, SNAP TIGHT	J2016
11	FG3 - 0907 - 000		1	INTERFACE CABLE	J508,1502
11 A	WE8 - 5778 - 000		1	CORE, FERRITE	
12	FG3 - 0913 - 000		1	CABLE, CONTROL PANEL CONNECT	100/120V NQN J1607,1608,2050,2052
	FG3 - 0918 - 000		1	CABLE, CONTROL PANEL CONNECT	120 PQS/220/240V J1607,1608,2050,2052
12 A	VS1 - 5057 - 002		1	CONNECTOR, SNAP TIGHT	J2052
12 B	VS1 - 6319 - 030		1	CONNECTOR, SNAP TIGHT	J2050
12 C	WE8 - 5800 - 000		1	CORE, FERRITE	
13	FG5 - 9881 - 000		1	CABLE, DF LATTICE	J2022,2024
14	FH6 - 1463 - 000		1	FAN, COOLING	FM1 J2031
15	VS1 - 5057 - 003		1	CONNECTOR, SNAP TIGHT	J2031
16	VS1 - 5820 - 002		1	CONNECTOR, SNAP TIGHT	J2042
17	WE8 - 5168 - 000		1	CLAMP, SLEEVE FERRITE	120V PQS 220/240V
18	WE8 - 5496 - 000		1	CORE, FERRITE	
19	WE8 - 5780 - 000		1	CORE, FERRITE	120V PQS 220/240V



FIGURE & KEY NO.	PART NUMBER	RANK	QTY	DESCRIPTION	SERIAL NUMBER / REMARKS
900 - 20	WT2 - 5565 - 000		1	CLAMP, CABLE	
21	XA9 - 0265 - 000		1	SCREW,W/WASHER,TRUSS HEAD	
22	XA9 - 1035 - 000		5	SCREW,M4X4	
501	XB1 - 2400 - 607		AR	SCREW,MACH.,TRUSS HEAD,M4X6	
502	XB1 - 2400 - 607		1	SCREW,MACH.,TRUSS HEAD,M4X6	120V PQS 220/240V
503	XB1 - 2403 - 009		2	SCREW,MACH.,TRUSS HEAD,M4X30	
504	XB6 - 7300 - 607		17	SCREW,TP,M3X6	

# FIGURE 913 NOISE FILTER PCB ASSEMBLY



NOTE: This assembly is included in the assembly shown in Figure 110.

FIGURE & KEY NO.	PART NUMBER	RANK	QTY	DESCRIPTION	SERIAL NUMBER / REMARKS
913 -	FG3 - 0909 - 000		1	NOISE FILTER PCB ASSEMBLY	SEE NOTE 100/120V
	FG3 - 0910 - 000		1	NOISE FILTER PCB ASSEMBLY	SEE NOTE 220/240V
1	FF3 - 2840 - 000		1	CABLE, NOISE FILTER	J1
FU1101	VD7 - 0278 - 001		1	FUSE, 8A, 125V	100/120V FU1101
FU2501	VD7 - 0645 - 001		1	FUSE, 250V, 5A	220/240V FU2501
L1101	FH3 - 8086 - 000		1	COIL, SC	100/120V
L2501	FH3 - 8086 - 000		1	COIL, SC	220/240V

# APC POWER SUPPLY PCB ASSEMBLY (120/220/240V)

## FIGURE 917

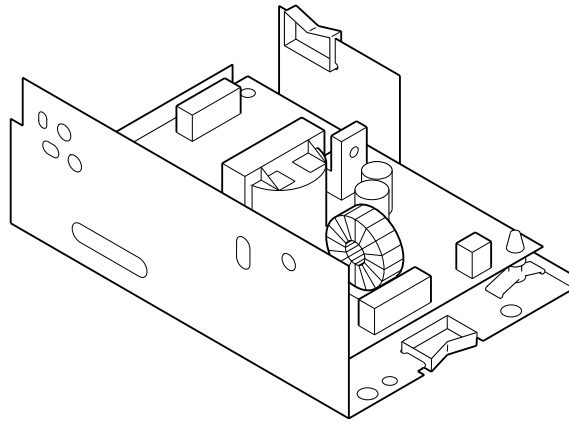


FIGURE & KEY NO.	PART NUMBER	R A N K	Q' T Y	DESCRIPTION	SERIAL NUMBER / REMARKS
917 -	FG5 - 9847 - 000		1	POWER SUPPLY UNIT-L1	120V
	FG5 - 9861 - 000		1	POWER SUPPLY UNIT-L1	220/240V
C1803	FH3 - 0725 - 000		1	COIL, CHOKE	
FU1801	VD7 - 1621 - 002		1	FUSE, 60V, 10A	
FU1802	VD7 - 1621 - 001		1	FUSE, 60V, 1A	
T1801	FH3 - 0695 - 000		1	TRANSFORMER	120V
	FH3 - 0808 - 000		1	TRANSFORMER	220/240V

# FIGURE 920 CONTROL PANEL CPU PCB ASSEMBLY

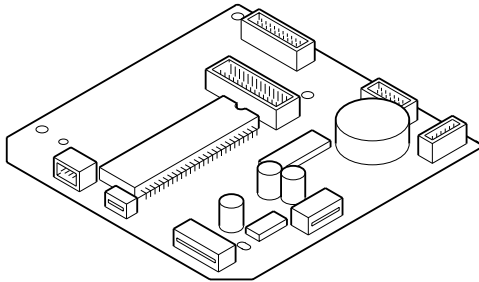


FIGURE & KEY NO.	PART NUMBER	RANK	QTY	DESCRIPTION	SERIAL NUMBER / REMARKS
920 -	FG6 - 4312 - 000		1	CONTROL PANEL CPU PCB ASSEMBLY	
Q919	FH4 - 3738 - 000		1	IC, MB89636RP-G-551-SH, MPU	

# FIGURE 922 CONTROL PANEL KEY PCB ASSEMBLY

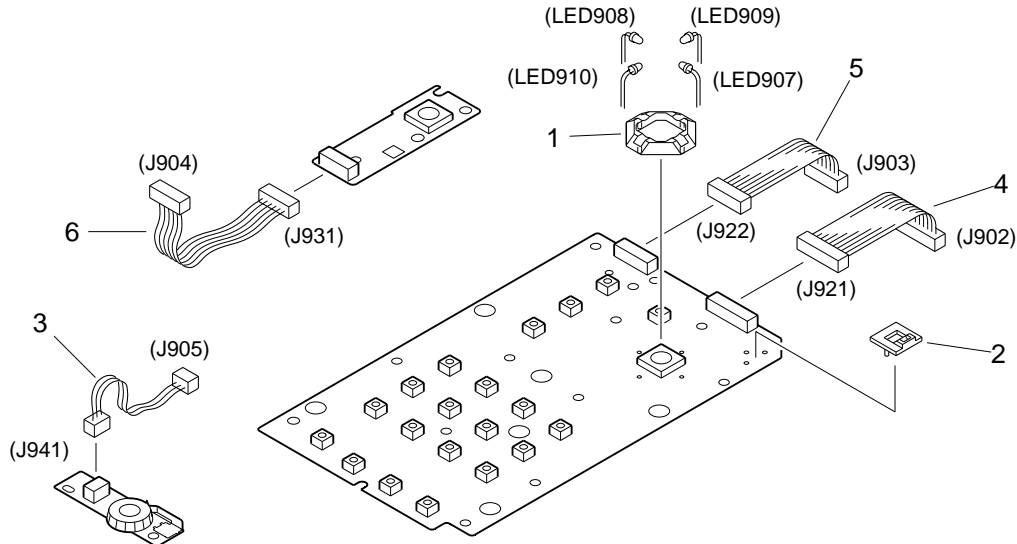


FIGURE & KEY NO.	PART NUMBER	RANK	QTY	DESCRIPTION	SERIAL NUMBER / REMARKS
922 -	FG6 - 4313 - 000		1	CONTROL PANEL KEY PCB ASSEMBLY	
1	FB5 - 2195 - 000		1	HOLDER, LED	
2	FB5 - 3730 - 000		1	HOLDER, LED	
3	FG6 - 4316 - 000		1	CABLE, VARIABLE RESISTOR	J905,941
4	FG6 - 4317 - 000		1	CABLE, CONTROL PANEL, 1	J902,921
5	FG6 - 4318 - 000		1	CABLE, CONTROL PANEL, 2	J903,922
6	FG6 - 4319 - 000		1	CABLE, C. PANEL MICROSWITCH	J904,931
LED907	FH6 - 0768 - 000		1	LED UNIT	
LED908	FH6 - 0768 - 000		1	LED UNIT	
LED909	FH6 - 0767 - 000		1	LED UNIT	
LED910	FH6 - 0767 - 000		1	LED UNIT	
VR941	FH6 - 0745 - 000		1	RESISTOR, VARIABLE	

# FIGURE 925 CONTROL PANEL INVERTER PCB ASSEMBLY

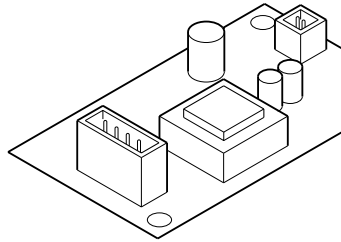
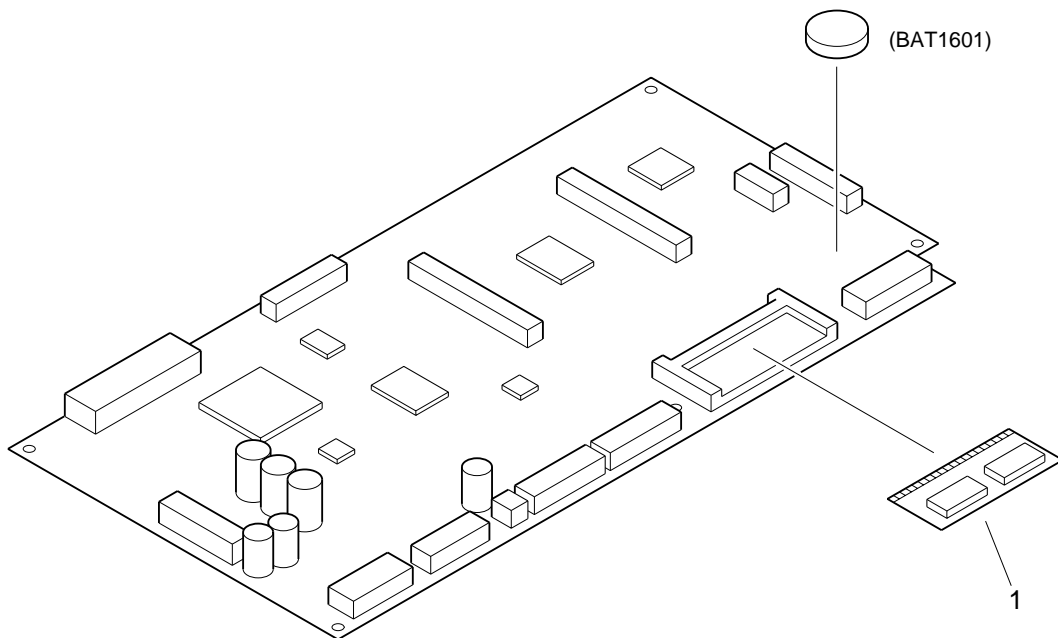


FIGURE & KEY NO.	PART NUMBER	RANK	QTY	DESCRIPTION	SERIAL NUMBER / REMARKS
925 -	FG5 - 5207 - 000		1	CONT. PANEL INVERTER PCB ASS'Y	
F 1	VD5 - 0321 - 001		1	FUSE, 125V, 1A	
T 1	FH3 - 0775 - 000		1	TRANSFORMER, INVERTER	
-----					
-----					

# FIGURE 932 READER CONTROLLER PCB ASSEMBLY



NOTE: This assembly does not include the part shown with key No.1.

FIGURE & KEY NO.	PART NUMBER	RANK	QTY	DESCRIPTION	SERIAL NUMBER / REMARKS
932 -  1	FG3 - 0834 - 000		1	READER CONTROLLER PCB ASSEMBLY	
	FG3 - 0903 - 060		1	DIMM ASS'Y	SEE NOTE JAPANESE
	FG3 - 0849 - 060		1	DIMM ASS'Y	SEE NOTE ITALIAN
	FG3 - 0850 - 060		1	DIMM ASS'Y	SEE NOTE ENGLISH NQN
	FG3 - 0851 - 060		1	DIMM ASS'Y	SEE NOTE ENGLISH PQS,PQE
	FG3 - 0852 - 060		1	DIMM ASS'Y	SEE NOTE ENGLISH QQP
	FG3 - 0853 - 060		1	DIMM ASS'Y	SEE NOTE ENGLISH RQB
	FG3 - 0900 - 060		1	DIMM ASS'Y	SEE NOTE FRENCH
	FG3 - 0901 - 060		1	DIMM ASS'Y	SEE NOTE GERMAN
	FG3 - 0902 - 060		1	DIMM ASS'Y	SEE NOTE ILLUSTRATION
BAT1601	WK1 - 5019 - 000		1	BATTERY,LITHIUM,CR2477-HE6H 3V	
FU1601	VD7 - 1622 - 001		1	FUSE, 2A, 60V	
FU1603	VD7 - 1621 - 001		1	FUSE, 60V, 1A	
IC1602	FH4 - 5950 - 000		1	IC, HG62G027S61F, GATE ARRAY	
IC1604	FH4 - 3702 - 000		1	IC, HD6432653BA12F, MPU	
IC1605	FH4 - 5560 - 000		1	IC, M38881M2-010GP, MCU	
IC1608	FH4 - 5951 - 000		1	IC, UPD65625GB-Y04-9EU,G.ARRAY	
IC1609	FH4 - 5952 - 000		1	IC, UPD65636GB, GATE ARRAY	
IC1635	FH4 - 5851 - 000		1	IC, FH4-5851, HYBRID	



# FIGURE 935 AP-IP PCB ASSEMBLY

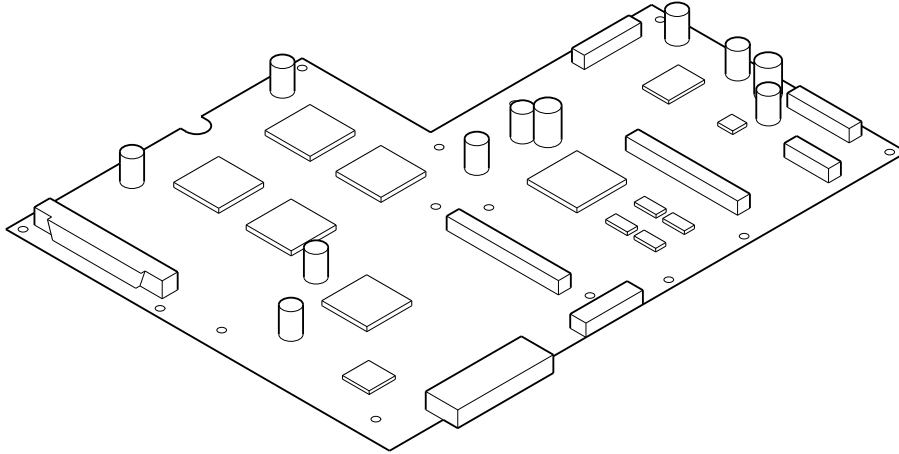


FIGURE & KEY NO.	PART NUMBER	RANK	QTY	DESCRIPTION	SERIAL NUMBER / REMARKS
935 -	FG3 - 0904 - 000		1	AP-IP PCB ASSEMBLY	
I C 1	FH4 - 5947 - 000		1	IC, KZ3S113A21CFP, C-MOS	
I C 6	FH4 - 5944 - 000		1	IC, KZ3S157311CFP, C-MOS	
I C 27	FH4 - 5948 - 000		1	IC, KZ3S157321CFP, C-MOS	
I C 34	FH4 - 5949 - 000		1	IC, HG73C031FD, C-MOS	
I C 36	FH4 - 5942 - 000		1	IC, KZ3S113831CFP, C-MOS	
I C 49	FH4 - 5943 - 000		1	IC, KZ3S157211CFP, C-MOS	
Q5 12	FH4 - 5551 - 000		1	IC, JSC05KR517AJ40, GATE ARRAY	
Q5 13	FH4 - 5959 - 000		1	IC, LF9008, ASIC	



# FIGURE 940 MAIN POWER SUPPLY PCB ASSEMBLY

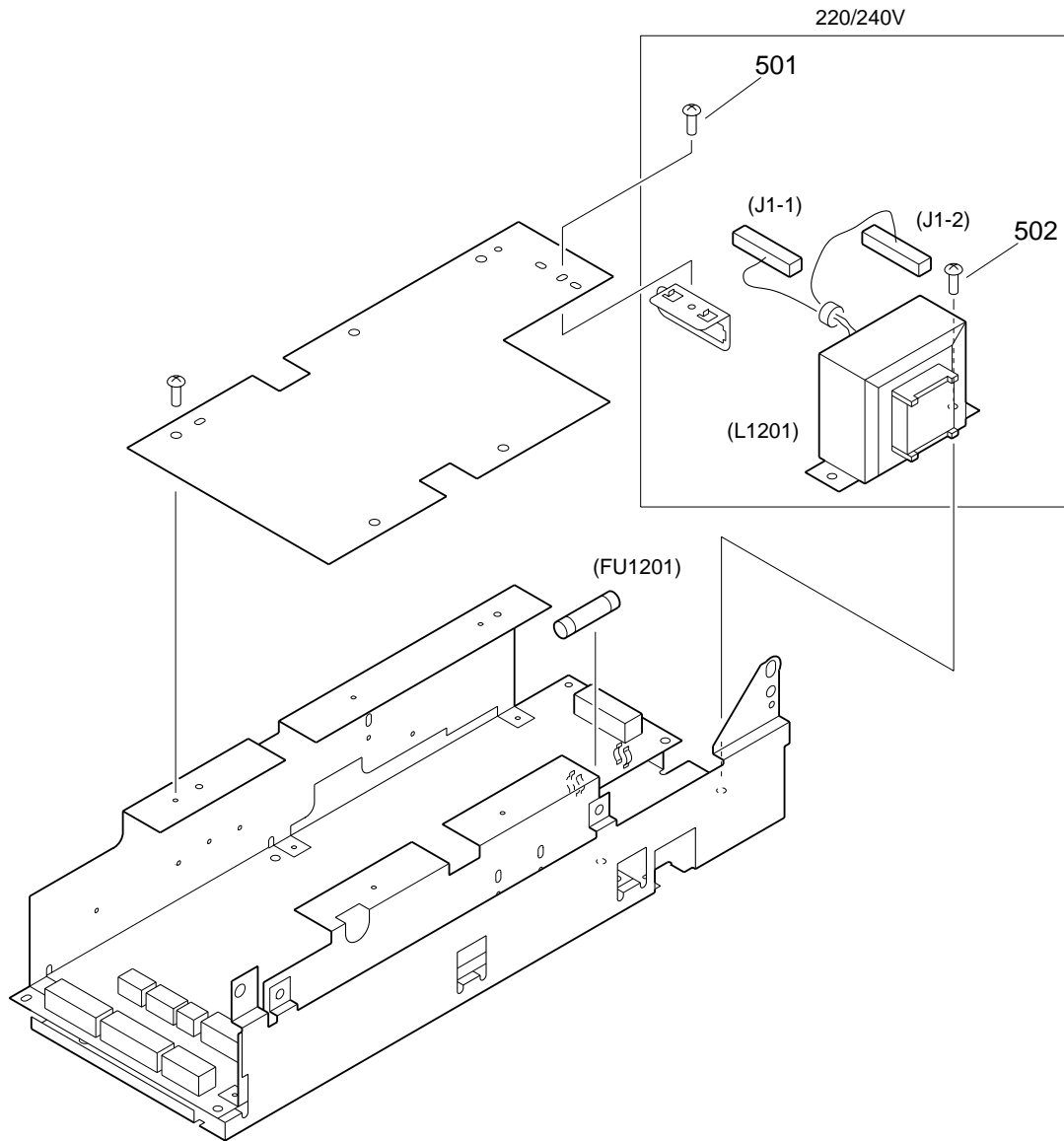


FIGURE & KEY NO.	PART NUMBER	RANK	QTY	DESCRIPTION	SERIAL NUMBER / REMARKS
940 -	FG5 - 9882 - 000		1	MAIN POWER SUPPLY PCB ASS'Y	100/120V
	FG5 - 9883 - 000		1	MAIN POWER SUPPLY PCB ASS'Y	220/240V
501	XB2 - 4300 - 607		1	SCREW,W/WASHER,M3X6	220/240V
502	XB2 - 7400 - 607		2	SCREW,W/WASHER,M4X6	220/240V
CT1301	FH3 - 0665 - 000		1	TRANSFORMER	100/120V
	FH3 - 0666 - 000		1	TRANSFORMER	220/240V
FU1201	VD7 - 0211 - 002		1	FUSE 125V 10A, 737010	100/120V
	VD7 - 0645 - 001		1	FUSE, 250V, 5A	220/240V
FU1501	VD7 - 1621 - 001		1	FUSE, 60V, 1A	
FU1502	VD7 - 1624 - 000		1	FUSE, 60V, 400MA	
FU1503	VD7 - 1624 - 000		1	FUSE, 60V, 400MA	
FU1504	VD7 - 1624 - 000		1	FUSE, 60V, 400MA	
FU1505	VD7 - 1621 - 001		1	FUSE, 60V, 1A	
FU1506	VD7 - 1622 - 001		1	FUSE, 2A, 60V	
FU1507	VD7 - 1624 - 000		1	FUSE, 4A, 60V	
FU1508	VD7 - 1627 - 001		1	FUSE, 7A 60V	
FU1509	VD7 - 1626 - 300		1	FUSE, 60V, 630MA	
FU1511	VD7 - 1625 - 001		1	FUSE, 60V 5A	
FU1512	VD7 - 1622 - 001		1	FUSE, 2A, 60V	
FU1513	VD7 - 1625 - 001		1	FUSE, 60V 5A	
FU1514	VD7 - 1621 - 001		1	FUSE, 60V, 1A	
FU1515	VD7 - 1625 - 000		1	FUSE, 500MA 60V	
FU1516	VD7 - 1622 - 500		1	FUSE, 60V, 250MA	
FU1517	VD7 - 1622 - 500		1	FUSE, 60V, 250MA	
FU1518	VD7 - 1622 - 001		1	FUSE, 2A, 60V	
FU1519	VD7 - 1624 - 000		1	FUSE, 60V, 400MA	
L1201	FH3 - 8083 - 000		1	COIL, CHOKE	220/240V
L1202	RH6 - 3032 - 000		1	COIL, 1MH, 10A	100/120V
	FH6 - 3362 - 000		1	COIL, 8MH, 4A	220/240V
L1203	RH6 - 3032 - 000		1	COIL, 1MH, 10A	100/120V

FIGURE & KEY NO.	PART NUMBER	RANK	QTY	DESCRIPTION	SERIAL NUMBER / REMARKS
940 - L1203	FH6 - 3362 - 000		1	COIL, 8MH, 4A	220/240V
L1301	FH3 - 8085 - 000		1	COIL, CHOKE	
Q1301	FH4 - 5991 - 000		1	IC, H8D2898, HYBRID	
T1201	FH3 - 0713 - 000		1	TRANSFORMER	100/120V
	FH3 - 0714 - 000		1	TRANSFORMER	220/240V
T1301	FH3 - 8084 - 000		1	TRANSFORMER	100/120V
	FH3 - 0899 - 000		1	TRANSFORMER, CONVERTER	220/240V

# FIGURE 970 INVERTER PCB ASSEMBLY

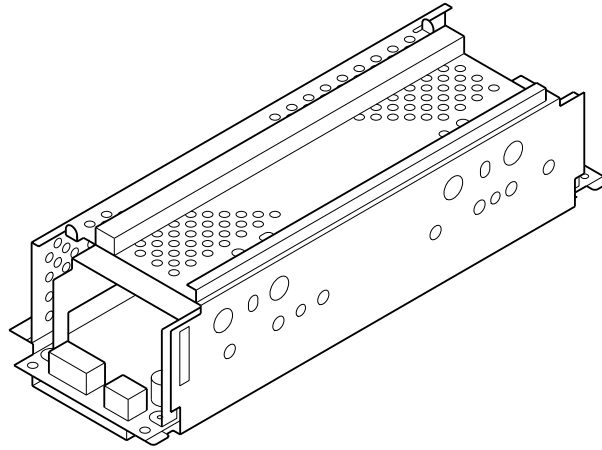


FIGURE & KEY NO.	PART NUMBER	RANK	QTY	DESCRIPTION	SERIAL NUMBER / REMARKS
970 -	FG5 - 9849 - 040		1	INVERTER PCB ASSEMBLY	
L1001	FH3 - 7203 - 000		1	INDUCTOR	
L1002	FH3 - 7202 - 000		1	INDUCTOR	
T1001	FH3 - 0879 - 000		1	TRANSFORMER	
T1002	FH3 - 0666 - 000		1	TRANSFORMER	
T1003	FH3 - 0881 - 000		1	TRANSFORMER	

# FIGURE 975 ECO-C BOARD PCB ASSEMBLY

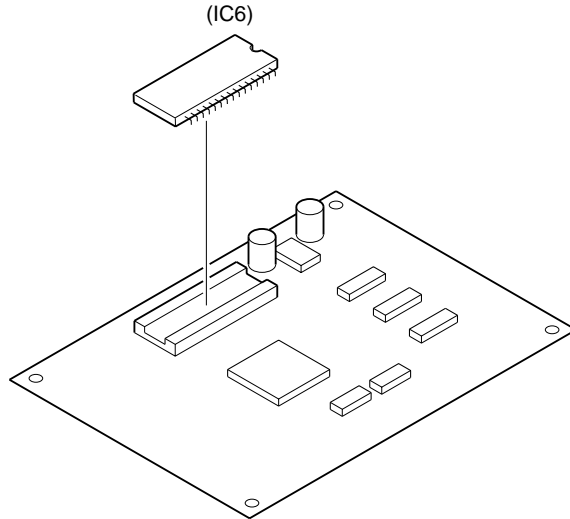


FIGURE & KEY NO.	PART NUMBER	RANK	QTY	DESCRIPTION	SERIAL NUMBER / REMARKS
975 -	FG3 - 0316 - 000		1	ECO-C BOARD PCB ASSEMBLY	
IC6	FH4 - 3788 - 000		1	IC, MSM27C401CZ-NRS, OTP-ROM	

# READER-PRINTER INTERFACE PCB ASSEMBLY (FOR COLOR IMAGE READER-A1)

## FIGURE 995

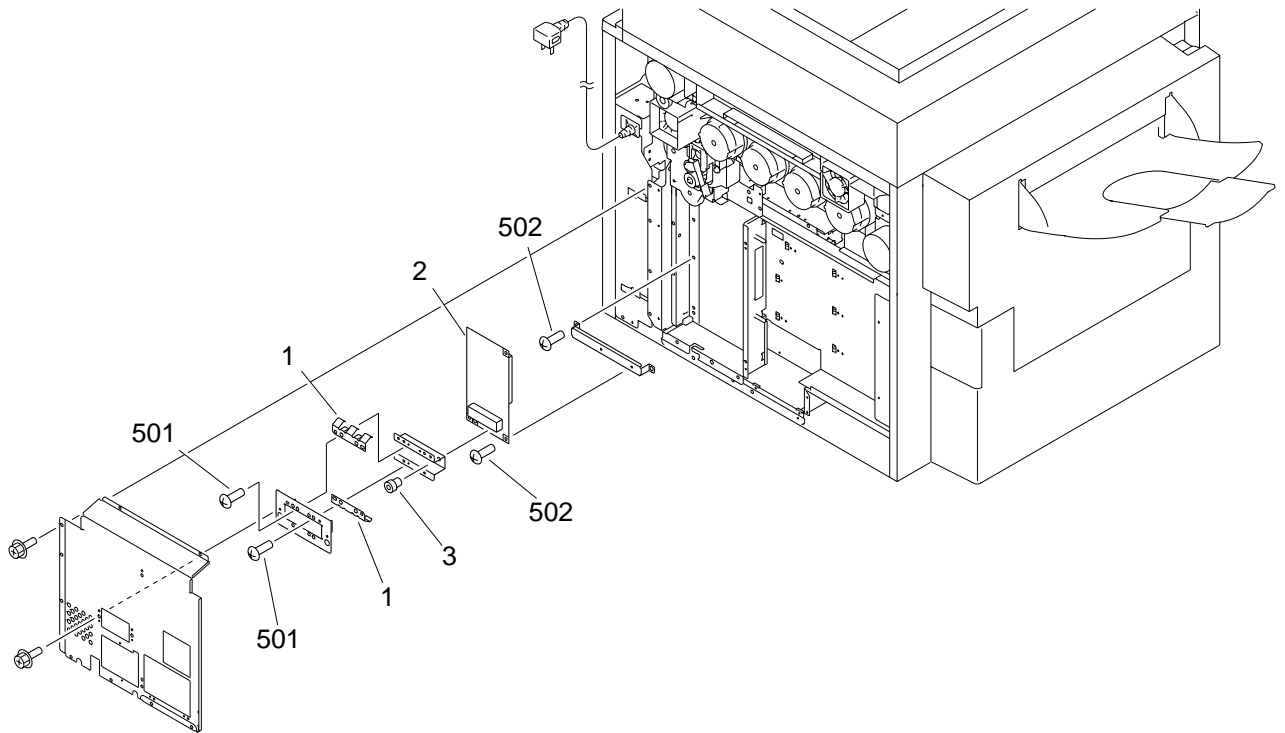
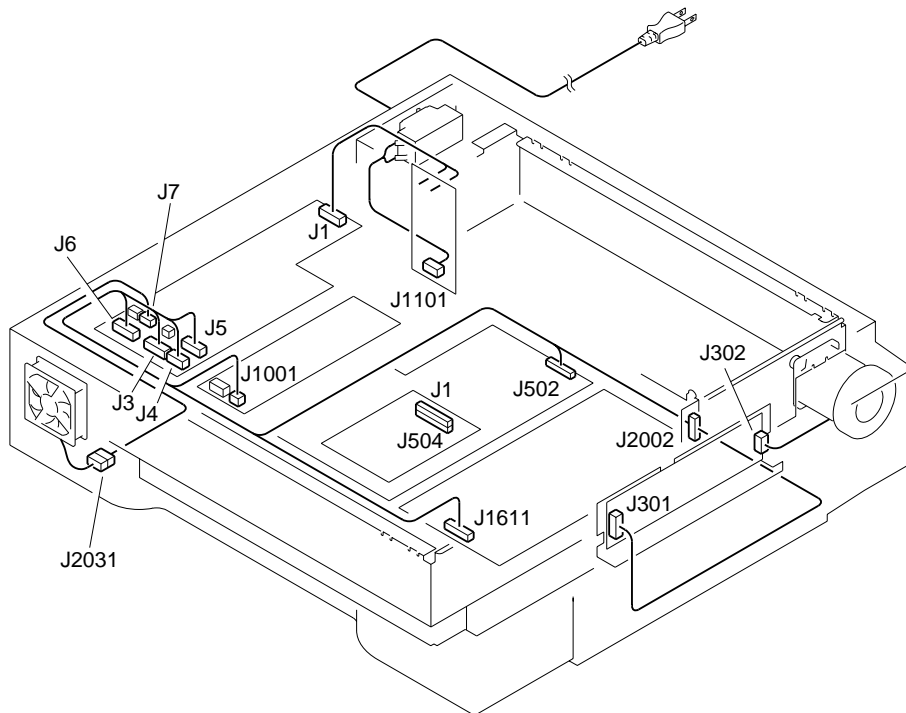
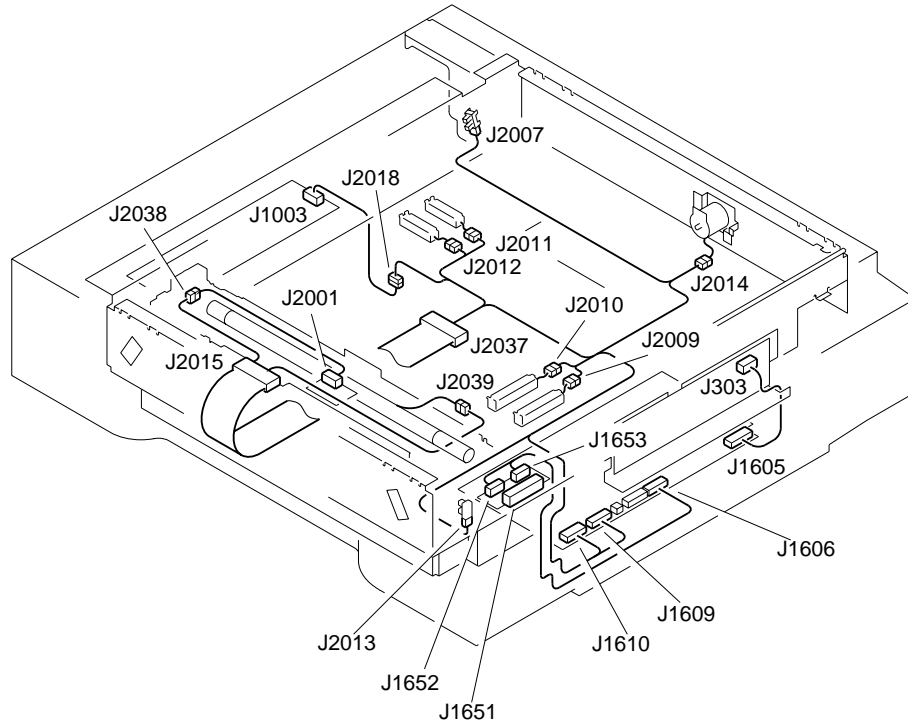


FIGURE & KEY NO.	PART NUMBER	RANK	QTY	DESCRIPTION	SERIAL NUMBER / REMARKS
995 -	FG6 - 4581 - 000		1	READER-PRINTER I/F PCB ASS'Y	FOR READER-A1
1	FB5 - 2389 - 000		2	SPRING, LEAF	
2	FG3 - 0908 - 000		1	INTERFACE PCB ASSEMBLY	
3	WT2 - 5626 - 000		2	LOCK SCREW	
501	XB1 - 2300 - 607		4	SCREW,MACH.,TRUSS HEAD,M3X6	
502	XB1 - 2400 - 607		2	SCREW,MACH.,TRUSS HEAD,M4X6	



# FIGURE B LIST OF CONNECTORS(1/2)



# FIGURE B LIST OF CONNECTORS(2/2)

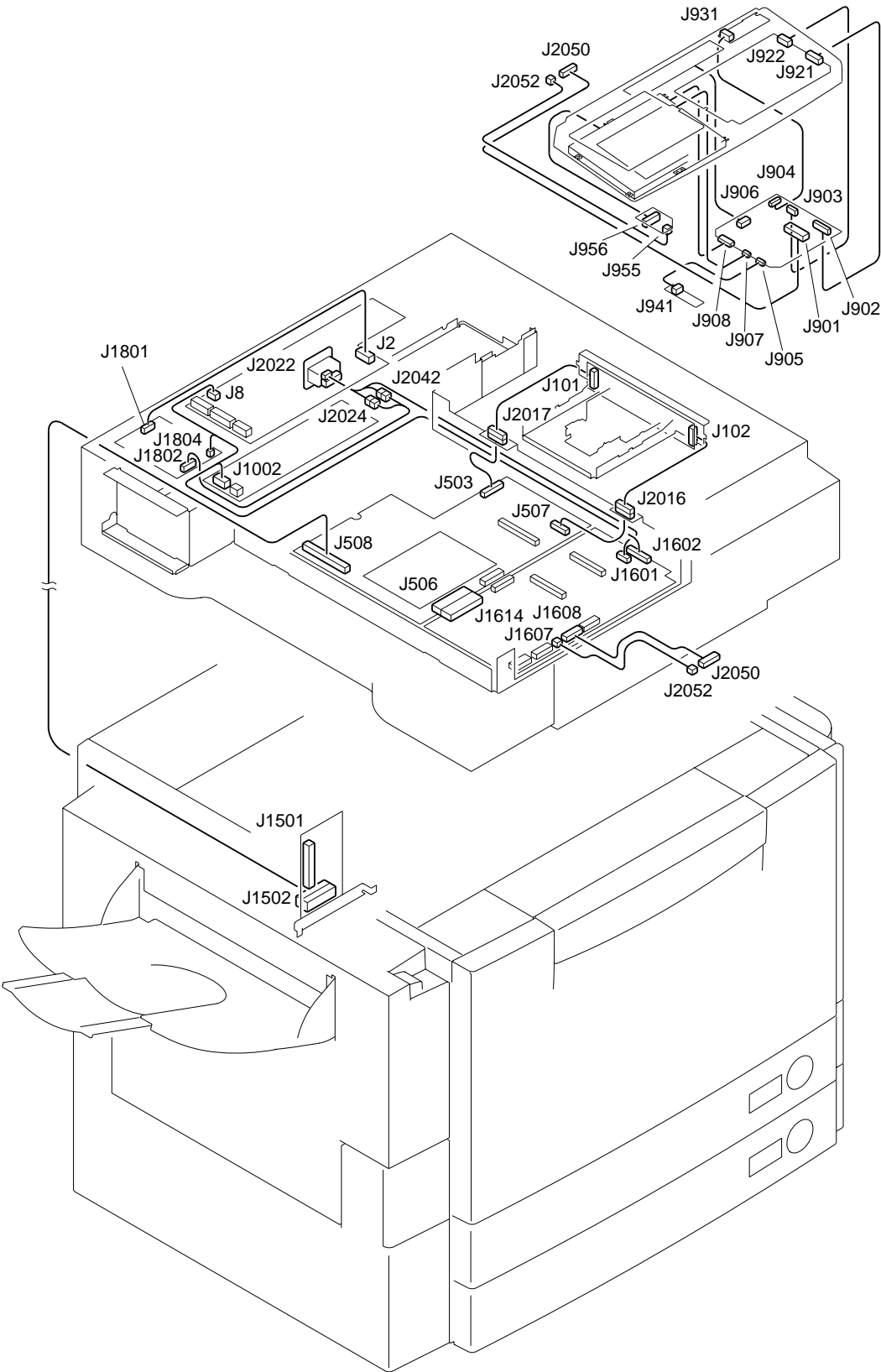


FIGURE & KEY NO.	PART NUMBER	RANK	QTY	DESCRIPTION	SERIAL NUMBER / REMARKS
B -	NPN		RF	LIST OF CONNECTORS	
J 1	PCB			DC POWER SUPPLY	
	PCB			NOISE FILTER	
J 2	PCB			DC POWER SUPPLY	
	VS3 - 5083 - 005		1	CONNECTOR, 5P, FEMALE	120/220/240V
	WS3 - 5160 - 000		2	SOCKET CONTACT, 18-24AWG	120/220/240V
J 3	PCB			DC POWER SUPPLY	
	VS3 - 5083 - 010		1	CONNECTOR, 10P, FEMALE	
	WS3 - 5160 - 000		7	SOCKET CONTACT, 18-24AWG	
J 4	PCB			DC POWER SUPPLY	
	VS3 - 5083 - 006		1	CONNECTOR, 6P, FEMALE	
	WS3 - 5160 - 000		6	SOCKET CONTACT, 18-24AWG	
J 5	PCB			DC POWER SUPPLY	
	VS3 - 5083 - 008		1	CONNECTOR, 8P, FEMALE	
	WS3 - 5160 - 000		5	SOCKET CONTACT, 18-24AWG	
J 6	PCB			DC POWER SUPPLY	
	VS3 - 5083 - 009		1	CONNECTOR, 9P, FEMALE	
	WS3 - 5160 - 000		8	SOCKET CONTACT, 18-24AWG	
J 7	PCB			DC POWER SUPPLY	
	VS1 - 0842 - 005		1	CONNECTOR, 5P, FEMALE	
J 8	PCB			DC POWER SUPPLY	
	VS1 - 0842 - 004		1	CONNECTOR, 4P, FEMALE	
J 1 0 1	PCB			CCD DRIVER	
	VS1 - 0842 - 015		1	CONNECTOR, 15P, FEMALE	
J 1 0 2	PCB			CCD DRIVER	
J 2 0 8	SYS			PRINTER	
	PCB			READER-PRINTER INTERFACE BOARD	
J 3 0 1	PCB			SCANNER MOTOR DRIVER	
	VS3 - 5083 - 009		1	CONNECTOR, 9P, FEMALE	

FIGURE & KEY NO.	PART NUMBER	RANK	QTY	DESCRIPTION	SERIAL NUMBER / REMARKS
B - J 3 0 1	WS3 - 5160 - 000		9	SOCKET CONTACT, 18-24AWG	PM1
J 3 0 2	PCB			SCANNER MOTOR DRIVER	
	NPN			SCANNER MOTOR	
J 3 0 3	PCB			SCANNER MOTOR DRIVER	
	VS1 - 0842 - 008		1	CONNECTOR, 8P, FEMALE	
	VS1 - 0852 - 008		1	CONNECTOR, 8P, FEMALE	
	VS9 - 5009 - 016		1	HOLDER, CONNECTOR, 16P	
J 5 0 2	PCB			AP-IP	
	VS3 - 5083 - 008		1	CONNECTOR, 8P, FEMALE	
	WS3 - 5160 - 000		8	SOCKET CONTACT, 18-24AWG	
J 5 0 3	PCB			AP-IP	
	VS1 - 0842 - 015		1	CONNECTOR, 15P, FEMALE	
J 5 0 6	PCB			READER CONTROLLER	
	PCB			AP-IP	
J 5 0 7	PCB			AP-IP	
	VS1 - 0852 - 012		1	CONNECTOR, 12P, FEMALE	
J 5 0 8	PCB			AP-IP	
	FG3 - 0907 - 000		1	INTERFACE CABLE	
J 9 0 1	PCB			CONTROL PANEL CPU	
	VS1 - 6313 - 015		1	CONNECTOR, 15P, FEMALE	
	VS1 - 6314 - 015		1	CONNECTOR, 15P, FEMALE	
	VT2 - 5161 - 030		1	HOLDER, CONNECTOR, 30P	
J 9 0 2	PCB			CONTROL PANEL CPU	
	VS1 - 6314 - 012		1	CONNECTOR, 12P, FEMALE	
J 9 0 3	PCB			CONTROL PANEL CPU	
	VS1 - 6314 - 009		1	CONNECTOR, 9P, FEMALE	
J 9 0 4	PCB			CONTROL PANEL CPU	
	VS1 - 0842 - 006		1	CONNECTOR, 6P, FEMALE	
J 9 0 5	PCB			CONTROL PANEL CPU	
	VS1 - 0842 - 004		1	CONNECTOR, 4P, FEMALE	

FIGURE & KEY NO.	PART NUMBER	RANK	QTY	DESCRIPTION	SERIAL NUMBER / REMARKS
B - J 9 0 6	PCB			CONTROL PANEL CPU	
	PCB			LED	
J 9 0 7	PCB			CONTROL PANEL CPU	
	NPN			ANALOG TOUCH PANEL	
J 9 0 8	PCB			CONTROL PANEL CPU	
	NPN			LIQUID CRYSTAL PANEL	
J 9 2 1	PCB			CONTROL PANEL KEY	
	VS1 - 6314 - 012		1	CONNECTOR, 12P, FEMALE	
J 9 2 2	PCB			CONTROL PANEL KEY	
	VS1 - 6314 - 009		1	CONNECTOR, 9P, FEMALE	
J 9 3 1	PCB			CONTROL PANEL KEY	
	VS1 - 6023 - 006		1	CONNECTOR, 6P, FEMALE	
J 9 4 1	PCB			CONTROL PANEL KEY	
	VS1 - 5976 - 004		1	CONNECTOR, 4P, MALE	
J 9 5 5	PCB			CONTROL PANEL INVERTER	
J 9 5 6	VS1 - 0842 - 002		1	CONNECTOR, 2P, FEMALE	
	PCB			CONTROL PANEL INVERTER	
	NPN			LIQUID CRYSTAL PANEL	
J 1 0 0 1	PCB			INVERTER	
	VS3 - 5083 - 002		1	CONNECTOR, 2P, FEMALE	
J 1 0 0 2	WS3 - 5160 - 000		2	SOCKET CONTACT, 18-24AWG	
	PCB			INVERTER	
	VS1 - 0842 - 008		1	CONNECTOR, 8P, FEMALE	
J 1 0 0 3	PCB			INVERTER	
	VS3 - 5083 - 005		1	CONNECTOR, 5P, FEMALE	
J 1 1 0 1	WS3 - 5160 - 000		4	SOCKET CONTACT, 18-24AWG	
	PCB			NOISE FILTER	
	VS3 - 5122 - 003		1	CONNECTOR, 3P, MALE	
	WS3 - 5292 - 000		2	SOCKET CONTACT	
J 1 5 0 1	SYS			PRINTER	FOR READER-A1

FIGURE & KEY NO.	PART NUMBER	RANK	QTY	DESCRIPTION	SERIAL NUMBER / REMARKS
B - J 1 5 0 1	PCB			READER-PRINTER INTERFACE BOARD	FOR READER-A1
J 1 5 0 2	PCB			READER-PRINTER INTERFACE BOARD	FOR READER-A1
	FG3 - 0907 - 000		1	INTERFACE CABLE	FOR READER-A1
J 1 6 0 1	PCB			READER CONTROLLER	
	VS1 - 5452 - 005		1	CONNECTOR, 5P, FEMALE	
J 1 6 0 2	PCB			READER CONTROLLER	
	VS1 - 0842 - 013		1	CONNECTOR, 13P, FEMALE	
J 1 6 0 5	PCB			READER CONTROLLER	
	VS1 - 0842 - 008		1	CONNECTOR, 8P, FEMALE	
	VS1 - 0852 - 008		1	CONNECTOR, 8P, FEMALE	
J 1 6 0 6	VS9 - 5009 - 016		1	HOLDER, CONNECTOR, 16P	
	PCB			READER CONTROLLER	
	VS1 - 0842 - 011		1	CONNECTOR, 11P, FEMALE	
	VS1 - 0852 - 011		1	CONNECTOR, 11P, FEMALE	
	VS9 - 5009 - 022		1	HOLDER, CONNECTOR, 22P	
J 1 6 0 7	PCB			READER CONTROLLER	
	VS1 - 0842 - 002		1	CONNECTOR, 2P, FEMALE	
J 1 6 0 8	PCB			READER CONTROLLER	
	VS1 - 6320 - 015		1	CONNECTOR, 15P, FEMALE	
	VS1 - 6321 - 015		1	CONNECTOR, 15P, FEMALE	
J 1 6 0 9	VT2 - 5162 - 030		1	HOLDER, CONNECTOR, 30P	
	PCB			READER CONTROLLER	
	VS1 - 0842 - 012		1	CONNECTOR, 12P, FEMALE	
	VS1 - 0852 - 012		1	CONNECTOR, 12P, FEMALE	
	VS9 - 5009 - 024		1	HOLDER, CONNECTOR, 24P	
J 1 6 1 0	PCB			READER CONTROLLER	
	FH2 - 6451 - 000		1	CABLE, FLUORESCENT	
J 1 6 1 1	PCB			READER CONTROLLER	
	VS3 - 5083 - 007		1	CONNECTOR, 7P, FEMALE	
	WS3 - 5160 - 000		7	SOCKET CONTACT, 18-24AWG	

FIGURE & KEY NO.	PART NUMBER	RANK	QTY	DESCRIPTION	SERIAL NUMBER / REMARKS
B - J 1 6 1 4	PCB			READER CONTROLLER	
	PCB			AP-IP	
J 1 6 5 1	PCB			CONNECTING	
	VS1 - 6409 - 036		1	CONNECTOR, 64P	
J 1 6 5 2	PCB			CONNECTING	
	VS1 - 0842 - 011		1	CONNECTOR, 11P, FEMALE	
J 1 6 5 3	VS1 - 5517 - 011		1	CONNECTOR, 11P	
	PCB			CONNECTING	
	VS1 - 0842 - 010		1	CONNECTOR, 10P, FEMALE	
	VS1 - 5517 - 010		1	CONNECTOR, 10P, FEMALE	
J 1 8 0 1	PCB			APC POWER SUPPLY	120/220/240V
	VS3 - 5083 - 005		1	CONNECTOR, 5P, FEMALE	120/220/240V
	WS3 - 5160 - 000		2	SOCKET CONTACT, 18-24AWG	120/220/240V
J 1 8 0 2	PCB			APC POWER SUPPLY	120/220/240V
	VS3 - 5083 - 006		1	CONNECTOR, 6P, FEMALE	
J 1 8 0 4	WS3 - 5160 - 000		4	SOCKET CONTACT, 18-24AWG	
	PCB			APC POWER SUPPLY	120/220/240V
	VS1 - 0842 - 002		1	CONNECTOR, 2P, FEMALE	
J 2 0 0 1	PCB			LAMP EXPOSURE SENSOR	
	VS1 - 6302 - 003		1	CONNECTOR, 3P, FEMALE	
J 2 0 0 2	WS3 - 5569 - 000		3	SOCKET CONTACT, 22-28AWG	
	VS1 - 5729 - 009		1	CONNECTOR, 9P, MALE	
	VS3 - 5083 - 009		1	CONNECTOR, 9P, FEMALE	
	WS3 - 5160 - 000		9	SOCKET CONTACT, 18-24AWG	
	WS3 - 5301 - 000		9	PIN CONTACT	
J 2 0 0 7	NPN			COVER OPEN/CLOSE SENSOR	PS2
	VS1 - 0842 - 003		1	CONNECTOR, 3P, FEMALE	
J 2 0 0 9	NPN			DOCUMENT SIZE SENSOR 0	PS3
	VS1 - 0842 - 003		1	CONNECTOR, 3P, FEMALE	
	VS1 - 5057 - 003		1	CONNECTOR, SNAP TIGHT	

FIGURE & KEY NO.	PART NUMBER	RANK	QTY	DESCRIPTION	SERIAL NUMBER / REMARKS
B - J 2 0 1 0	NPN			DOCUMENT SIZE SENSOR 1	PS4
	VS1 - 0842 - 003		1	CONNECTOR, 3P, FEMALE	
	VS1 - 5057 - 003		1	CONNECTOR, SNAP TIGHT	
J 2 0 1 1	NPN			DOCUMENT SIZE SENSOR 2	PS5
	VS1 - 0842 - 003		1	CONNECTOR, 3P, FEMALE	
J 2 0 1 2	VS1 - 5057 - 003		1	CONNECTOR, SNAP TIGHT	PS6
	NPN			DOCUMENT SIZE SENSOR 3	
	VS1 - 0842 - 003		1	CONNECTOR, 3P, FEMALE	
J 2 0 1 3	VS1 - 5057 - 003		1	CONNECTOR, SNAP TIGHT	PS1
	NPN			HOME POSITION SENSOR	
J 2 0 1 4	VS1 - 0842 - 003		1	CONNECTOR, 3P, FEMALE	KSW1
	NPN			KEY SWITCH	
	VS1 - 0842 - 002		1	CONNECTOR, 2P, FEMALE	
J 2 0 1 5	VS1 - 5057 - 002		1	CONNECTOR, SNAP TIGHT	
	FH2 - 6452 - 000		1	CABLE, FLUORESCENT LAMP	
J 2 0 1 6	FH2 - 6453 - 000		1	CABLE, FLUORESCENT LAMP	
	VS1 - 0842 - 013		1	CONNECTOR, 13P, FEMALE	
	VS1 - 5057 - 013		1	CONNECTOR, SNAP TIGHT	
J 2 0 1 7	VS1 - 0842 - 015		2	CONNECTOR, 15P, FEMALE	
	VS1 - 5057 - 015		1	CONNECTOR, SNAP TIGHT	
J 2 0 1 8	FH2 - 6451 - 000		1	CABLE, FLUORESCENT	ACCESSORY
	VS1 - 5729 - 005		1	CONNECTOR, 5P, MALE	
	WS3 - 5301 - 000		4	PIN CONTACT	
J 2 0 2 2	SYS			DF	
	FH2 - 6480 - 000		1	CONNECTOR, FEMALE	
J 2 0 2 4	VS1 - 5452 - 007		1	CONNECTOR, 7P, FEMALE	
	WS3 - 5596 - 000		3	PIN CONTACT, 18-24AWG	
	VS4 - 0001 - 002		1	CONNECTOR, 2P, MALE	
	VS4 - 0002 - 002		1	CONNECTOR, 2P, FEMALE	
	WS4 - 0217 - 000		2	SOCKET CONTACT, 22-18AWG	



FIGURE & KEY NO.	PART NUMBER	RANK	QTY	DESCRIPTION	SERIAL NUMBER / REMARKS
B - J 2 0 2 4	WS4 - 0219 - 000		2	PIN CONTACT, 18-22AWG	
J 2 0 3 1	NPN			POWER SUPPLY COOLING FAN	FM1
	VS1 - 0842 - 003		1	CONNECTOR, 3P, FEMALE	
	VS1 - 5057 - 003		1	CONNECTOR, SNAP TIGHT	
J 2 0 3 7	FH2 - 6451 - 000		1	CABLE, FLUORESCENT	
	FH2 - 6452 - 000		1	CABLE, FLUORESCENT LAMP	
J 2 0 3 8	FH2 - 6453 - 000		1	CABLE, FLUORESCENT LAMP	
	VS1 - 6304 - 003		1	CONNECTOR, 3P, MALE	
	WS3 - 5571 - 000		3	PIN CONTACT, 22-28AWG	
J 2 0 3 9	NPN			FLUORESCENT HEATER	H1
	FH2 - 6453 - 000		1	CABLE, FLUORESCENT LAMP	
J 2 0 4 2	VS1 - 5452 - 002		1	CONNECTOR, 2P, FEMALE	
	VS1 - 5820 - 002		1	CONNECTOR, SNAP TIGHT	
	VS3 - 5080 - 002		1	CONNECTOR, 2P, MALE	
	WT1 - 5155 - 000		2	TERMINAL	
J 2 0 5 0	VS1 - 6313 - 015		2	CONNECTOR, 15P, FEMALE	
	VS1 - 6314 - 015		2	CONNECTOR, 15P, FEMALE	
	VS1 - 6319 - 030		1	CONNECTOR, SNAP TIGHT	
	VT2 - 5161 - 030		2	HOLDER, CONNECTOR, 30P	
J 2 0 5 2	VS1 - 0842 - 002		2	CONNECTOR, 2P, FEMALE	
	VS1 - 5057 - 002		1	CONNECTOR, SNAP TIGHT	

**Color imageRUNNER C2050/2020/2058**

**iR C2100/2100S/2105/2105S**

**CP2150/2120/2155/2125/2150G**

## LIST OF SERIAL NUMBER

### CP2120

{ 100V 50/60HZ F13-6011 LQC00001- }

### iR C2100S

{ 120V 60HZ F13-6001 PQT00001-  
 220V 50HZ F13-6021 PQC00001-  
 220V 50HZ F13-6041 PQQ00001-  
 240V 50HZ F13-6051 QQQ00001-  
 240V 50HZ F13-6061 RQC00001-  
 220V 50HZ F13-6071 SQC00001-  
 220V 50HZ F13-6081 TCJ00001-  
 220V 50HZ F13-6091 UFE00001- }

### CP2150

{ 100V 50/60HZ F13-6012 LQD00001- }

### iR C2100

{ 220V 50HZ F13-6022 PQD00001-  
 220V 50HZ F13-6042 PQR00001-  
 240V 50HZ F13-6052 QQP00001-  
 240V 50HZ F13-6062 RQD00001-  
 220V 50HZ F13-6072 SQD00001-  
 220V 50HZ F13-6082 TCK00001-  
 220V 50HZ F13-6092 UFF00001- }

### Color imageRUNNER C2020

{ 120V 60HZ F13-6031 NQP00001- }

### Color imageRUNNER C2050

{ 120V 60HZ F13-6032 NQQ00001- }

### CP2125

{ 100V 50/60HZ F14-3511 MJH00001- }

### iR C2105S

{ 220V 50HZ F14-3581 TEK00001-  
 220V 50HZ F14-3591 UJE00001- }

### CP2155

{ 100V 50/60HZ F14-3512 MJJ00001- }

### iR C2105

{ 220V 50HZ F14-3522 RSG00001-  
 220V 50HZ F14-3542 RFE00001-  
 240V 50HZ F14-3552 QEY00001-  
 240V 50HZ F14-3562 RFF00001-  
 220V 50HZ F14-3572 SEC00001-  
 220V 50HZ F14-3582 TEL00001-  
 220V 50HZ F14-3592 UJF00001-  
 120V 60HZ F14-3502 MQG00001- }

### Color imageRUNNER C2058

{ 120V 60HZ F14-3532 MQF00001- }

### CP2150G

{ 100V 50/60HZ F14-3611 MJK00001- }

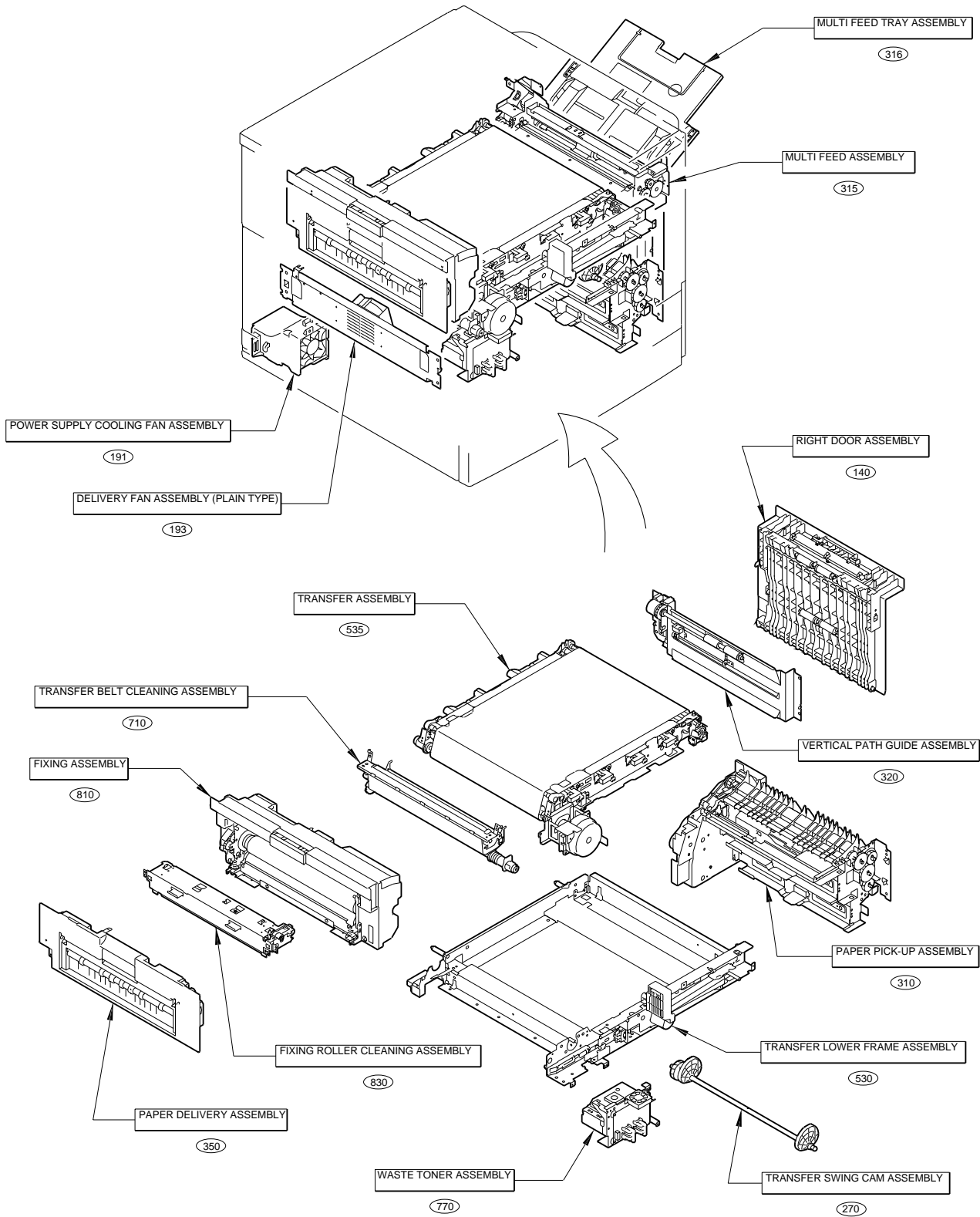


# CONTENTS

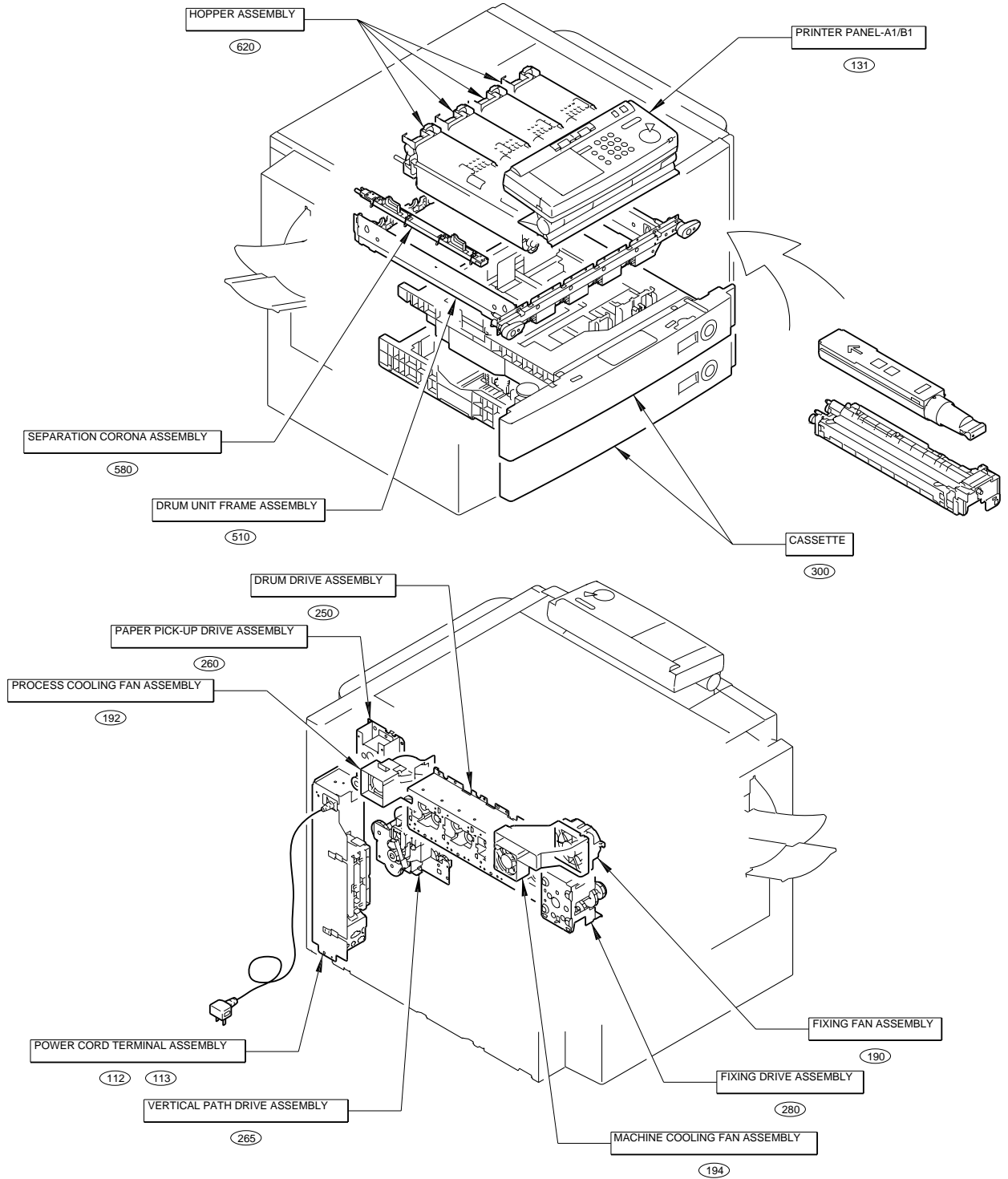
A.	ASSEMBLY LOCATION DIAGRAM	510.	DRUM UNIT FRAME ASSEMBLY
002.	ACCESSORIES/SPECIAL TOOLS	530.	TRANSFER LOWER FRAME ASSEMBLY
101.	EXTERNAL COVERS, PANELS, ETC.	535.	TRANSFER ASSEMBLY
102.	MACHINE FRONT PLATE	580.	SEPARATION CORONA ASSEMBLY
103.	INTERNAL COMPONENTS 1	620.	HOPPER ASSEMBLY
104.	INTERNAL COMPONENTS 2	710.	TRANSFER BELT CLEANING ASSEMBLY
105.	INTERNAL COMPONENTS 3	770.	WASTE TONER ASSEMBLY
106.	INTERNAL COMPONENTS 4	810.	FIXING ASSEMBLY
107.	MACHINE REAR PLATE 1	830.	FIXING ROLLER CLEANING ASSEMBLY
108.	MACHINE REAR PLATE 2	910.	DC POWER SUPPLY PCB ASSEMBLY
109.	MACHINE BOTTOM PLATE	915.	DRUM MOTOR DRIVER PCB ASSEMBLY
112.	POWER CORD TERMINAL ASSEMBLY (100/120V)	920.	CONTROL PANEL CPU PCB ASSEMBLY
113.	POWER CORD TERMINAL ASSEMBLY (220/240V)	922.	CONTROL PANEL KEY PCB ASSEMBLY
131.	PRINTER PANEL-A1/B1	925.	CONTROL PANEL INVERTER PCB ASSEMBLY
140.	RIGHT DOOR ASSEMBLY	930.	DC CONTROLLER PCB ASSEMBLY
190.	FIXING FAN ASSEMBLY	933.	SYSTEM CONTROLLER PCB ASSEMBLY
191.	POWER SUPPLY COOLING FAN ASSEMBLY	940.	PAPER PICK-UP PCB ASSEMBLY
192.	PROCESS COOLING FAN ASSEMBLY	965.	SERIAL DRIVER PCB ASSEMBLY
193.	DELIVERY FAN ASSEMBLY (PLAIN TYPE)	975.	ENVIRONMENT MEASURING PCB ASSEMBLY
194.	MACHINE COOLING FAN ASSEMBLY	985.	BIAS HIGH VOLTAGE PCB ASSEMBLY
250.	DRUM DRIVE ASSEMBLY	996.	READER-PRINTER INTERFACE PCB ASSEMBLY (i. R. C2058, iR C2105/S, CP2155/25/50G)
260.	PAPER PICK-UP DRIVE ASSEMBLY	B.	LIST OF CONNECTORS
265.	VERTICAL PATH DRIVE ASSEMBLY	D2.	NUMERICAL INDEX
267.	DUPLEXING FEEDER DRIVE ASSEMBLY (DUPLEX TYPE)		
270.	TRANSFER SWING CAM ASSEMBLY		
280.	FIXING DRIVE ASSEMBLY		
290.	FACE DOWN OUTPUT UNIT DRIVE ASSEMBLY (DUPLEX TYPE)		
300.	CASSETTE		
305.	CASSETTE HEATER ASSEMBLY (ACCESSORY)		
306.	RIGHT ENVIRONMENT HEATER ASSEMBLY		
310.	PAPER PICK-UP ASSEMBLY		
315.	MULTI FEED ASSEMBLY		
316.	MULTI FEED TRAY ASSEMBLY		
320.	VERTICAL PATH GUIDE ASSEMBLY		
350.	PAPER DELIVERY ASSEMBLY		
360.	DUPLEX FEEDER ASSEMBLY (DUPLEX TYPE)		
365.	FACE DOWN OUTPUT UNIT-A1/B1(DUPLEX TYPE)		
370.	FACE DOWN OUTPUT ASSEMBLY 1 (DUPLEX TYPE)		
371.	FACE DOWN OUTPUT ASSEMBLY 2 (DUPLEX TYPE)		



# FIGURE A ASSEMBLY LOCATION DIAGRAM(1/4)

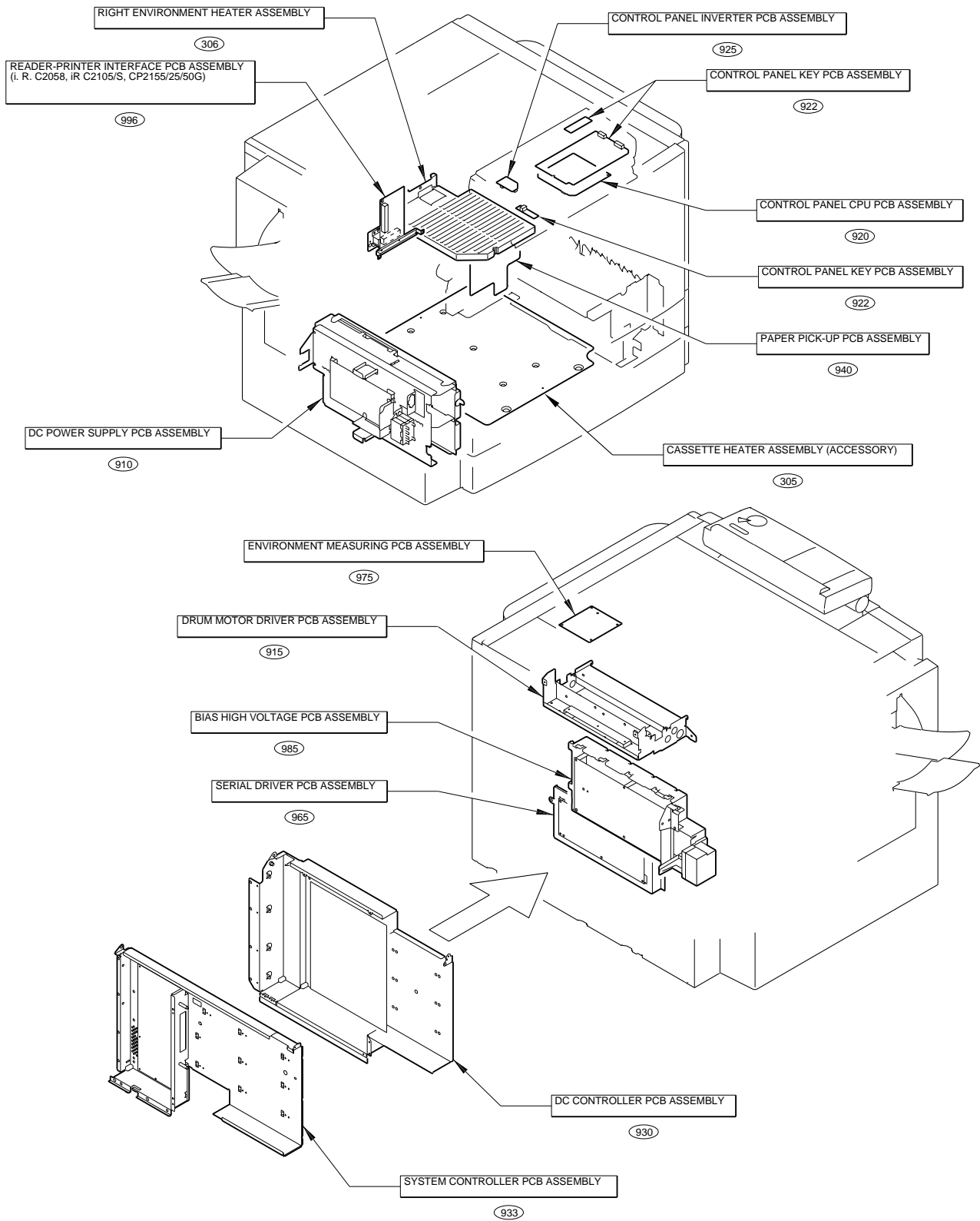


# FIGURE A ASSEMBLY LOCATION DIAGRAM(2/4)



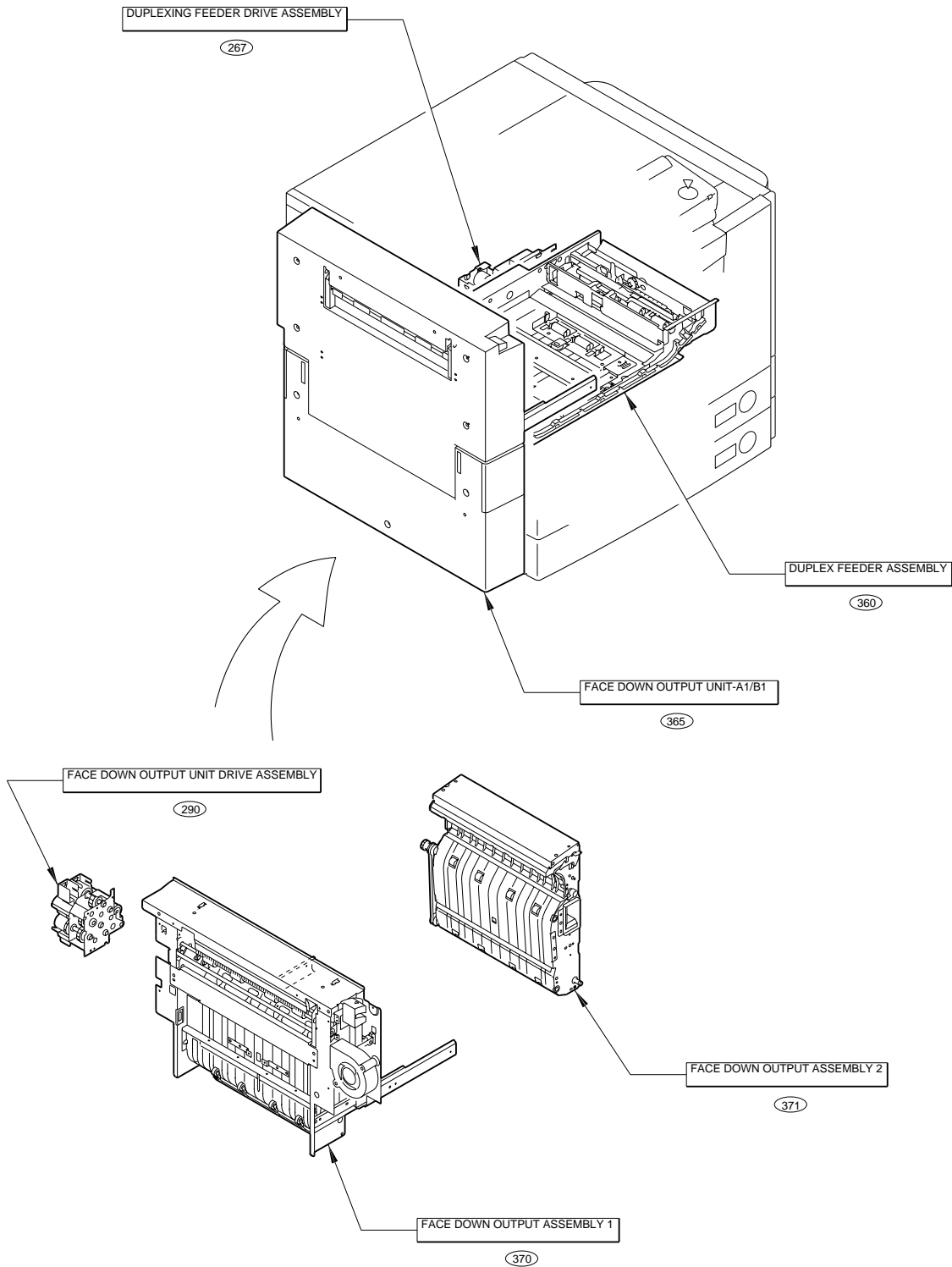


# FIGURE A ASSEMBLY LOCATION DIAGRAM(3/4)



# FIGURE A ASSEMBLY LOCATION DIAGRAM(4/4)

DUPLEX TYPE



# FIGURE 002 ACCESSORIES/SPECIAL TOOLS

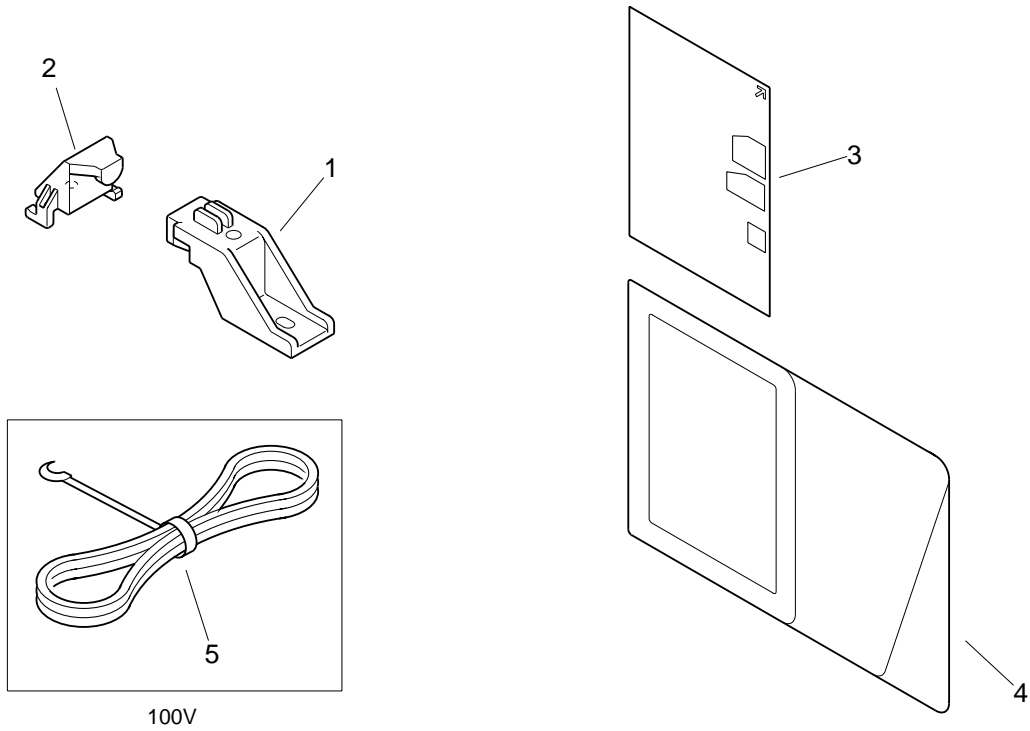


FIGURE & KEY NO.	PART NUMBER	RANK	QTY	DESCRIPTION	SERIAL NUMBER / REMARKS
002 -	NPN		RF	SPECIAL TOOLS	
1	FB5 - 3783 - 000		1	COVER, STOPPER, FRONT	
2	FB5 - 3784 - 000		1	COVER, STOPPER, REAR	
3	FB5 - 8623 - 000		1	SHEET, CASSETTE UNDER	A4 SIZE
	FB5 - 8624 - 000		1	SHEET, CASSETTE UNDER	A4R SIZE
4	FB5 - 8625 - 000		1	SHEET, CASSETTE UNDER	A3 SIZE
	FB5 - 8626 - 000		1	SHEET, CASSETTE UNDER	A5R SIZE
	FB5 - 8627 - 000		1	SHEET, CASSETTE UNDER	B5 SIZE
	FB5 - 8628 - 000		1	SHEET, CASSETTE UNDER	B5R SIZE
	FB5 - 8629 - 000		1	SHEET, CASSETTE UNDER	B4 SIZE
4	FF6 - 0991 - 000		1	CASE, CASSETTE UNDER SHEET	
5	FH2 - 5006 - 000		1	WIRE, GROUNDING	100V



# FIGURE 101 EXTERNAL COVERS, PANELS, ETC.

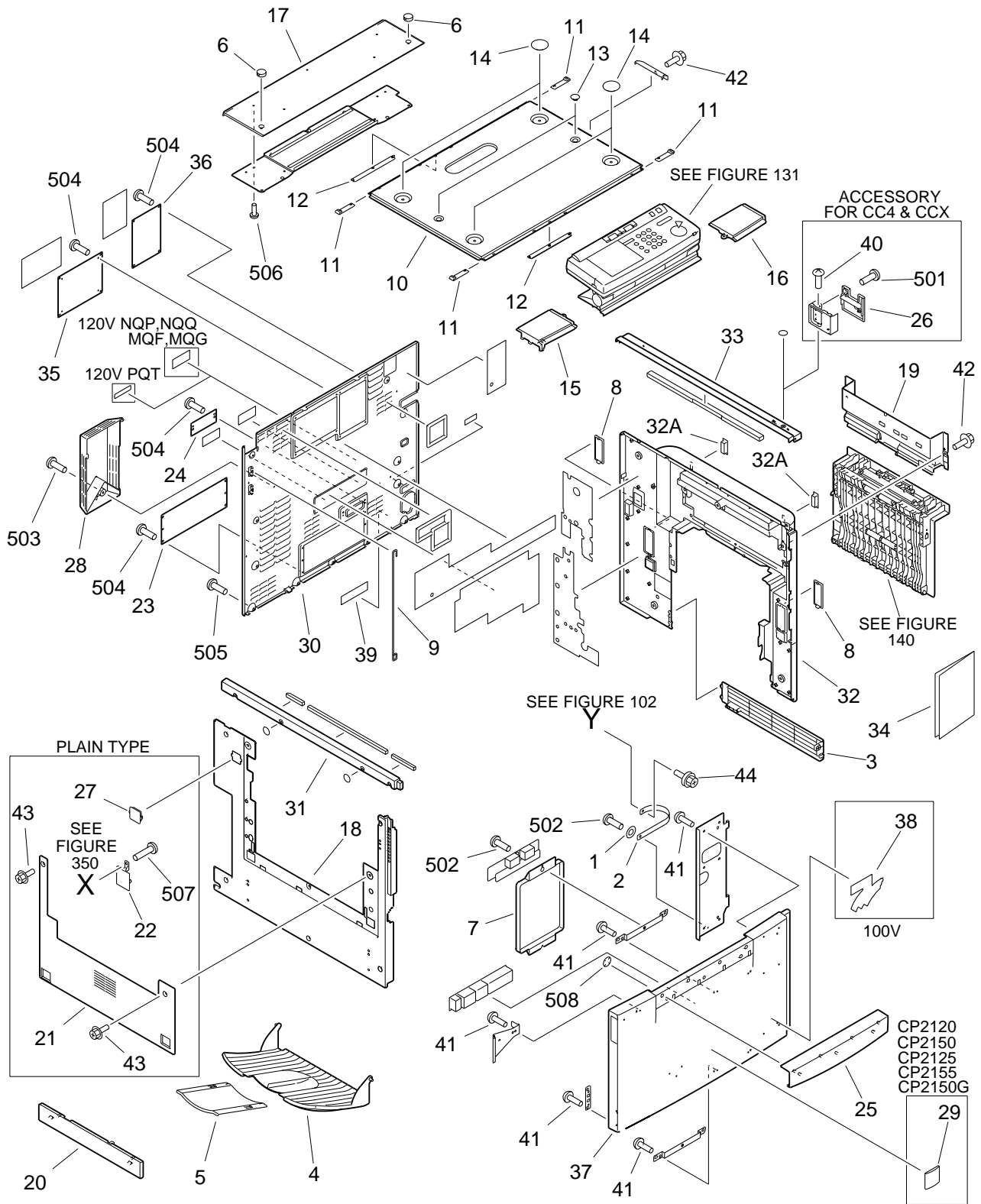


FIGURE & KEY NO.	PART NUMBER	RANK	QTY	DESCRIPTION	SERIAL NUMBER / REMARKS
101 -	NPN		RF	EXTERNAL COVERS, PANELS, ETC.	
1	FA2 - 7162 - 000		1	WASHER, PLAIN	
2	FA6 - 0745 - 000		1	TAPE, DOOR	
3	FB3 - 2259 - 000		1	COVER, LOWER, RIGHT	
4	FB3 - 3142 - 000		1	TRAY, DELIVERY PAPER, 1	
5	FB3 - 3143 - 020		1	TRAY, DELIVERY PAPER, 2	
6	FB3 - 6085 - 000		2	COVER, HOLE BLANKING	
7	FB3 - 7117 - 000		1	HOLDER, SERVICE RECORD	
8	FB4 - 7478 - 000		2	COVER, LATCH, RIGHT	
9	FB5 - 1428 - 000		1	ROD	
10	FB5 - 1522 - 000		1	PANEL, UPPER	
11	FB5 - 1523 - 000		4	PLATE, SLIDER, EDGE	
12	FB5 - 1524 - 000		2	PLATE, SLIDER, CENTER	
13	FB5 - 1525 - 000		2	CAP, TOP PANEL, SMALL	
14	FB5 - 1526 - 000		4	CAP, TOP PANEL, LARGE	
15	FB5 - 1533 - 000		1	PANEL, UPPER, FRONT LEFT	
16	FB5 - 1534 - 000		1	PANEL, UPPER, FRONT RIGHT	
17	FB5 - 1536 - 000		1	PANEL, UPPER, REAR	
18	FB5 - 1540 - 000		1	PANEL, LEFT, LARGE	
19	FB5 - 1542 - 000		1	PANEL, MULTI PAPER PICK-UP	
20	FB5 - 1544 - 000		1	PANEL, PAPER DELIVERY, LOWER	
21	FB5 - 1546 - 000		1	PANEL, LEFT, SMALL	PLAIN TYPE
22	FB5 - 1602 - 000		1	COVER, PAPER DELIVERY	PLAIN TYPE
23	FB5 - 2357 - 000		1	PLATE, ROM COVER	
24	FB5 - 2358 - 000		1	PLATE, INTERFACE COVER	
25	FB5 - 2359 - 000		1	PANEL, FRONT, 2	
26	FB5 - 3765 - 000		1	COVER, MOUNT PLATE	ACCESSORY FOR CC4 & CCX
27	FB5 - 3839 - 000		1	CAP, BLANKING	PLAIN TYPE
28	FB5 - 3950 - 000		1	PANEL, EXHAUST	
29	FB5 - 8343 - 000		1	EMBLEM	CP2120

FIGURE & KEY NO.	PART NUMBER	RANK	QTY	DESCRIPTION	SERIAL NUMBER / REMARKS
101 - 29	FB5 - 8344 - 000		1	EMBLEM	CP2150
	FB6 - 4291 - 000		1	EMBLEM	CP2125
	FB6 - 4292 - 000		1	EMBLEM	CP2155
	FB6 - 4293 - 000		1	EMBLEM	CP2150G
30	FF5 - 9373 - 000		1	PANEL, REAR	
31	FF5 - 9391 - 000		1	PANEL, UPPER, LEFT	
32	FF6 - 0628 - 000		1	PANEL, RIGHT	
32 A	XZ9 - 0407 - 000		2	LATCH, MAGNET	
33	FF6 - 0632 - 000		1	PANEL, UPPER, RIGHT	
34	FF6 - 0805 - 000		1	LABEL, SERVICE	
35	FF6 - 0995 - 000		1	COVER, ASSIST	
36	FF6 - 0996 - 000		1	PLATE, ACCESSORY COVER	
37	FG6 - 6793 - 000		1	FRONT PANEL UNIT	CP2120/2150/2125 /2155/2150G
	FG6 - 4202 - 000		1	FRONT PANEL UNIT	imageRUNNER C2020
	FG6 - 4203 - 000		1	FRONT PANEL UNIT	imageRUNNER C2050
	FG6 - 4204 - 000		1	FRONT PANEL UNIT	iR C2100S
	FG6 - 4205 - 000		1	FRONT PANEL UNIT	iR C2100
	FG6 - 9308 - 000		1	FRONT PANEL UNIT	iR C2105S
	FG6 - 9309 - 000		1	FRONT PANEL UNIT	iR C2105
	FG6 - 9425 - 000		1	FRONT PANEL UNIT	imageRUNNER C2058
38	FS6 - 8563 - 000		1	LABEL, BRUSH MARK	100V
39	FS6 - 8901 - 000		1	LABEL, POWER SUPPLY CORD	
40	XA9 - 0265 - 000		1	SCREW,W/WASHER,TRUSS HEAD	ACCESSORY FOR CC4 & CCX
41	XA9 - 0605 - 000		14	SCREW,M4X8	
42	XA9 - 0629 - 000		AR	SCREW,RS,M4X8	
43	XA9 - 0774 - 000		2	SCREW,RS,M4X16	PLAIN TYPE
44	XA9 - 0783 - 000		1	SCREW,W/WASHER,RS,M4X12	
501	XB1 - 2400 - 607		3	SCREW,MACH.,TRUSS HEAD,M4X6	ACCESSORY FOR CC4 & CCX
502	XB1 - 2400 - 609		3	SCREW,MACH.,TRUSS HEAD,M4X6	
503	XB1 - 2400 - 609		AR	SCREW,MACH.,TRUSS HEAD,M4X6	

FIGURE & KEY NO.	PART NUMBER	RANK	QTY	DESCRIPTION	SERIAL NUMBER / REMARKS
101 - 504	XB2 - 7400 - 607		10	SCREW,W/WASHER,M4X6	imageRUNNER C2050 imageRUNNER C2020
	XB2 - 7400 - 607		8	SCREW,W/WASHER,M4X6	iR C2100/2100S CP2150/2120/2150G
505	XB2 - 7400 - 607		21	SCREW,W/WASHER,M4X6	imageRUNNER C2058 iR C2105/2105S CP2155/2125
506	XB4 - 7300 - 609		5	SCREW,TAPPING,TRUSS HEAD,M3X6	
507	XB4 - 7401 - 009		1	SCREW,TAPPING,TRUSS HEAD,M4X10	
508	XD2 - 2300 - 802		7	RING,TOOTHED LOCK	



# FIGURE 102 MACHINE FRONT PLATE

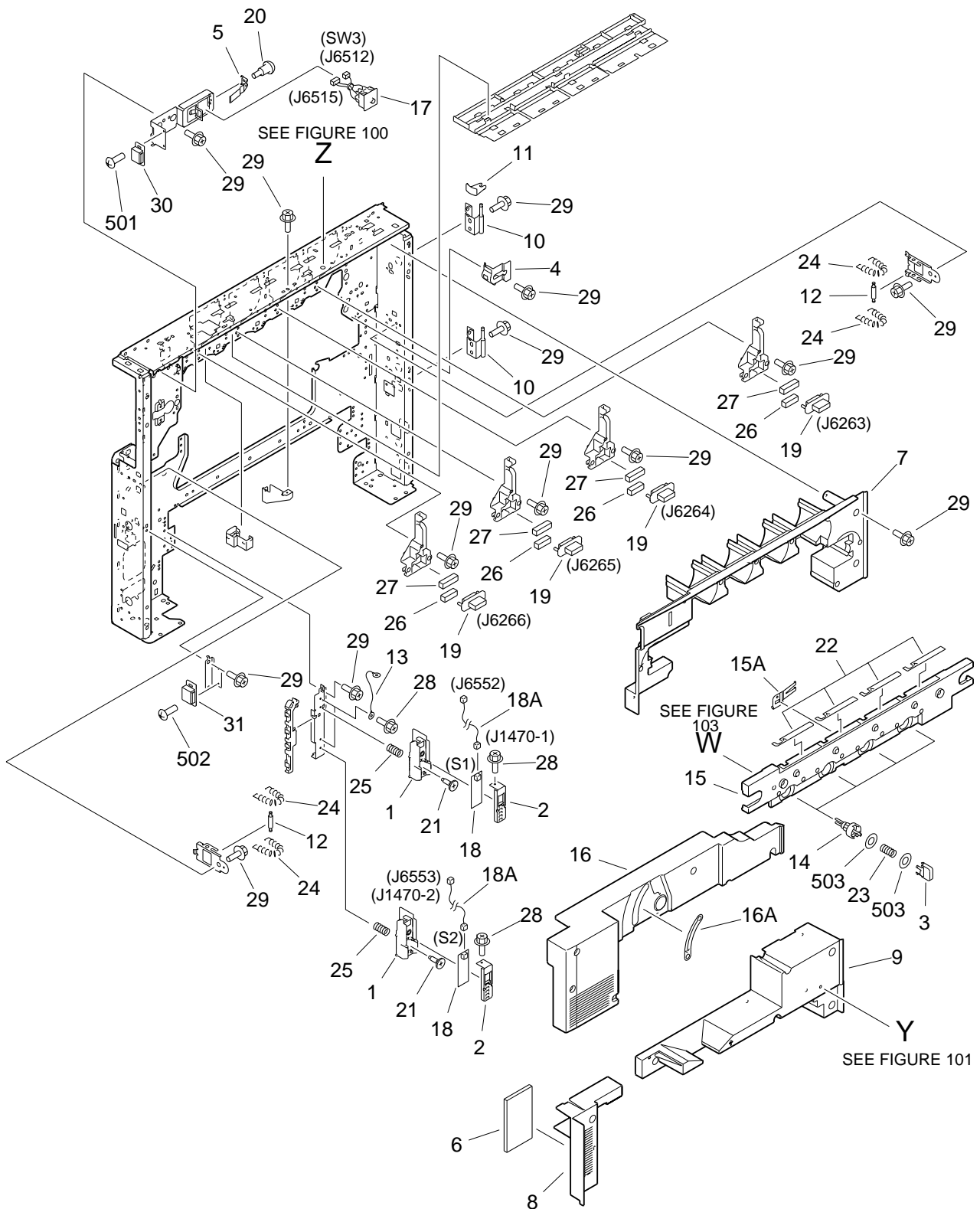


FIGURE & KEY NO.	PART NUMBER	RANK	QTY	DESCRIPTION	SERIAL NUMBER / REMARKS
102 -	NPN		RF	MACHINE FRONT PLATE	
1	FB3 - 2947 - 000		2	HOLDER, PCB	
2	FB3 - 2948 - 000		2	COVER, SIZE SENSOR PCB	
3	FB5 - 0804 - 000		4	COVER, DRUM CARTRIDGE KNOB	
4	FB5 - 1034 - 000		1	GUIDE, REGIST. JAM CLEAR	imageRUNNER C2050 imageRUNNER C2020
	FB6 - 4286 - 000		1	GUIDE, REGIST. JAM CLEAR	iR C2100/2100S CP2150/2120 imageRUNNER C2058 iR C2105/2105S CP2155/2125/2150G
5	FB5 - 1097 - 020		1	SPRING, LEAF	
6	FB5 - 1463 - 000		1	FILTER, DUST-PROOF	
7	FB5 - 2341 - 000		1	COVER, DRUM CARTRIDGE INTERNAL	imageRUNNER C2050 imageRUNNER C2020 iR C2100/2100S CP2150/2120
	FB6 - 4285 - 000		1	COVER, DRUM CARTRIDGE INTERNAL	imageRUNNER C2058 iR C2105/2105S CP2155/2125/2150G
8	FB5 - 2344 - 000		1	COVER, LOWER INTERNAL, LEFT	
9	FB5 - 2346 - 000		1	COVER, LOWER INTERNAL, RIGHT	
10	FB5 - 2352 - 000		2	HINGE, FRONT PANEL	
11	FB5 - 3924 - 000		1	RETAINER	
12	FB5 - 3933 - 000		2	ROLLER, FRAME LOCK	
13	FF3 - 1171 - 000		2	CABLE, GROUNDING	
14	FF5 - 9282 - 000		4	KNOB, DRUM CARTRIDGE	
15	FF6 - 0615 - 000		1	PANEL, KIT FRAME	
15 A	FB5 - 3892 - 000		1	SPRING, GROUNDING	
16	FF6 - 0617 - 000		1	COVER, TRANSFER INTERNAL	
16 A	FS6 - 8877 - 000		1	LABEL, LOWER FRAME LEVER	
17	FG3 - 0721 - 000		1	CABLE, FRONT DOOR SWITCH	SW3 J6512,6515
18	FG5 - 6288 - 000		2	CASSETTE SIZE SENSOR PCB UNIT	S1,2 J1470-1,1470-2
18 A	FF3 - 1170 - 000		1	CABLE, C. SIZE SENSOR PCB	J1470-1,6552 J1470-2,6553
19	FH2 - 6819 - 000		4	CONNECTOR, 21P, DRAWER	J6263-6266
20	FS1 - 9010 - 000		1	SCREW, STEPPED, M3	

FIGURE & KEY NO.	PART NUMBER	RANK	QTY	DESCRIPTION	SERIAL NUMBER / REMARKS
102 - 21	FS5 - 9397 - 000		2	PIN, PLATE HOLDER	
22	FS6 - 8874 - 000		1	LABEL, FRAME COLOR	
23	FS7 - 2276 - 000		4	SPRING, COMPRESSION	
24	FS7 - 2544 - 000		4	SPRING, TENSION	
25	FS7 - 2547 - 000		2	SPRING, COMPRESSION	
26	VS1 - 5452 - 010		4	CONNECTOR, 10P, FEMALE	J6263-6266
27	VS1 - 5452 - 011		4	CONNECTOR, 11P, FEMALE	J6263-6266
28	XA9 - 0626 - 000		4	SCREW,RS,M3X6	
29	XA9 - 0629 - 000		AR	SCREW,RS,M4X8	
30	XZ9 - 0428 - 000		1	MAGNET CATCH	
31	XZ9 - 0428 - 000		1	MAGNET CATCH	
501	XB1 - 2300 - 609		2	SCREW,MACH.,TRUSS HEAD,M3X6	
502	XB1 - 2300 - 609		2	SCREW,MACH.,TRUSS HEAD,M3X6	
503	XD1 - 1104 - 125		8	SHIM	



# FIGURE 103 INTERNAL COMPONENTS 1

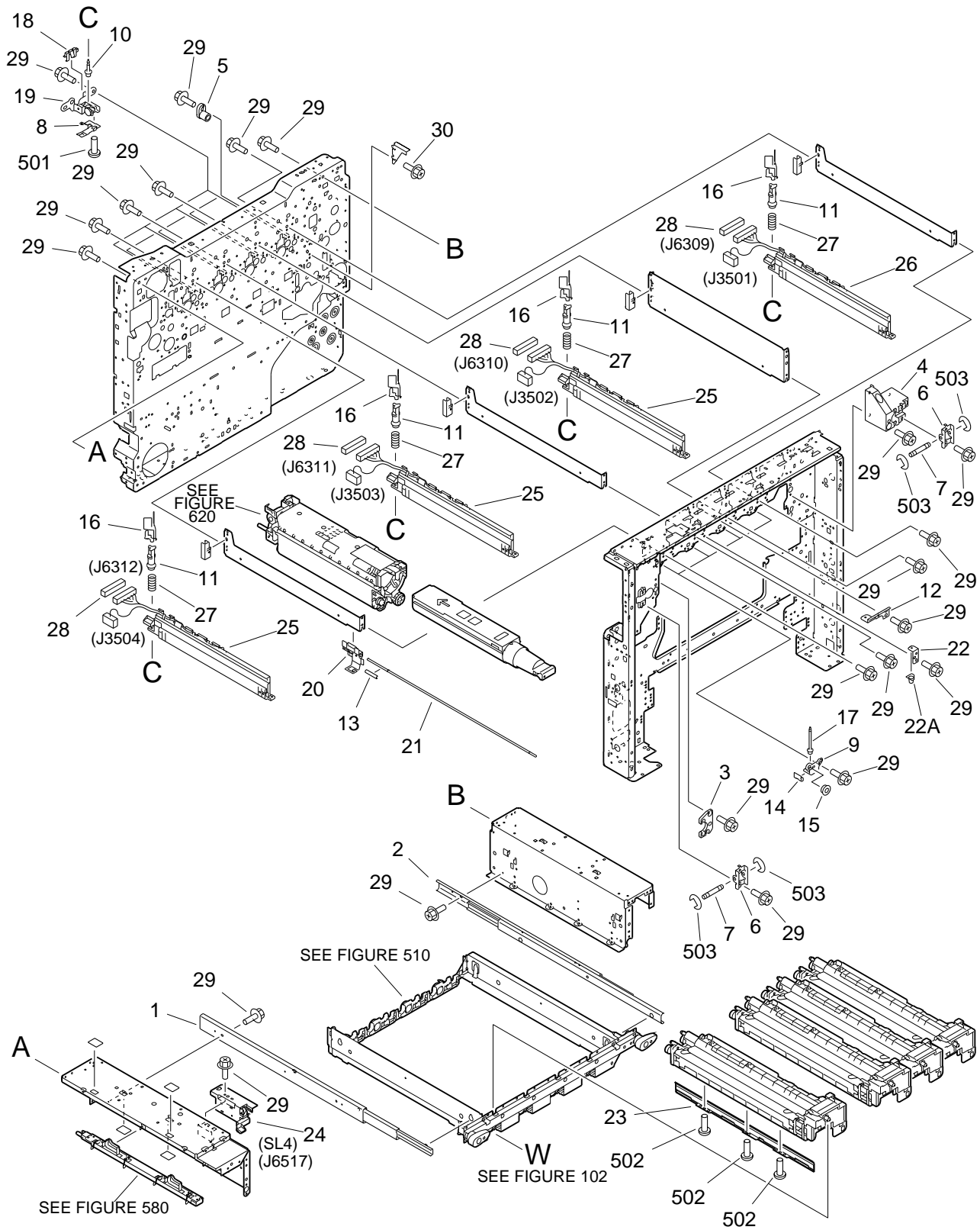


FIGURE & KEY NO.	PART NUMBER	RANK	QTY	DESCRIPTION	SERIAL NUMBER / REMARKS
103 -	NPN		RF	INTERNAL COMPONENTS 1	
1	FB5 - 0782 - 000		1	RAIL, KIT FRAME, LEFT	
2	FB5 - 0783 - 000		1	RAIL, KIT FRAME, RIGHT	
3	FB5 - 0784 - 000		1	BLOCK, PIN GUIDE, LEFT FRONT	
4	FB5 - 0785 - 000		1	BLOCK, PIN GUIDE, RIGHT FRONT	
5	FB5 - 0786 - 000		4	GUIDE, PIN, REAR	
6	FB5 - 0788 - 000		2	PLATE, DRUM KIT FIXING	
7	FB5 - 0789 - 000		2	SHAFT, DRUM KIT FIXING	
8	FB5 - 0941 - 000		4	SPRING, LEAF	
9	FB5 - 0943 - 000		4	BLOCK, STOPPER, FRONT	
10	FB5 - 0947 - 000		4	SCREW, FOCUS ADJUSTMENT	
11	FB5 - 0948 - 000		4	BLOCK, STOPPER	
12	FB5 - 1515 - 000		4	PLATE, HOPPER SUPPORT, UPPER	
13	FB5 - 3776 - 000		4	SHAFT, STOPPER	
14	FB5 - 3818 - 000		4	BLOCK, SHUTTER SLIDER	
15	FB5 - 3857 - 000		4	BUSHING	
16	FB5 - 3941 - 000		4	RETAINER, STOPPER	
17	FB5 - 3945 - 000		4	SCREW, FOCUS ADJUSTMENT	
18	FB5 - 8387 - 000		1	SPRING, GROUNDING	
19	FF5 - 9349 - 000		4	PLATE, STOPPER, REAR	
20	FF5 - 9350 - 000		4	CLEANING UNIT	
21	FF5 - 9351 - 000		4	ROD, CLEANING	
22	FF6 - 0804 - 000		4	PLATE, HOPPER SUPPORT, LOWER	
22 A	FB5 - 8385 - 000		1	CAP, DUST-PROOF	
23	FF6 - 0984 - 000		1	SHEET	YELLOW
	FF6 - 0994 - 000		1	SHEET	MAGENTA/CYAN
	FF6 - 0796 - 000		1	SHEET	BLACK
24	FG6 - 4174 - 000		1	CLEANING SOLENOID ASSEMBLY	SL4 J6517
25	FH7 - 3383 - 000		3	LED EXPOSURE PCB ASSEMBLY	MAGENTA/CYAN/BLACK J3502-3504,6310-6312
26	FH7 - 3384 - 000		1	LED EXPOSURE PCB ASSEMBLY	YELLOW J3501,6309

FIGURE & KEY NO.	PART NUMBER	R A N K	Q' T Y	DESCRIPTION	SERIAL NUMBER / REMARKS
103 - 27	FS7 - 2294 - 000		4	SPRING, COMPRESSION	
28	VS1 - 6318 - 020		4	CONNECTOR, SNAP TIGHT	J6309-6312
29	XA9 - 0629 - 000		AR	SCREW,RS,M4X8	
30	XA9 - 0629 - 000		1	SCREW,RS,M4X8	
501	XA1 - 1260 - 307		4	SCREW,MACH.,PAN HEAD,M2.6X3	
502	XB4 - 7300 - 809		3	SCREW,TAPPING,TRUSS HEAD,M3X8	
503	XD2 - 1100 - 402		4	RING,E	





# FIGURE 104 INTERNAL COMPONENTS 2

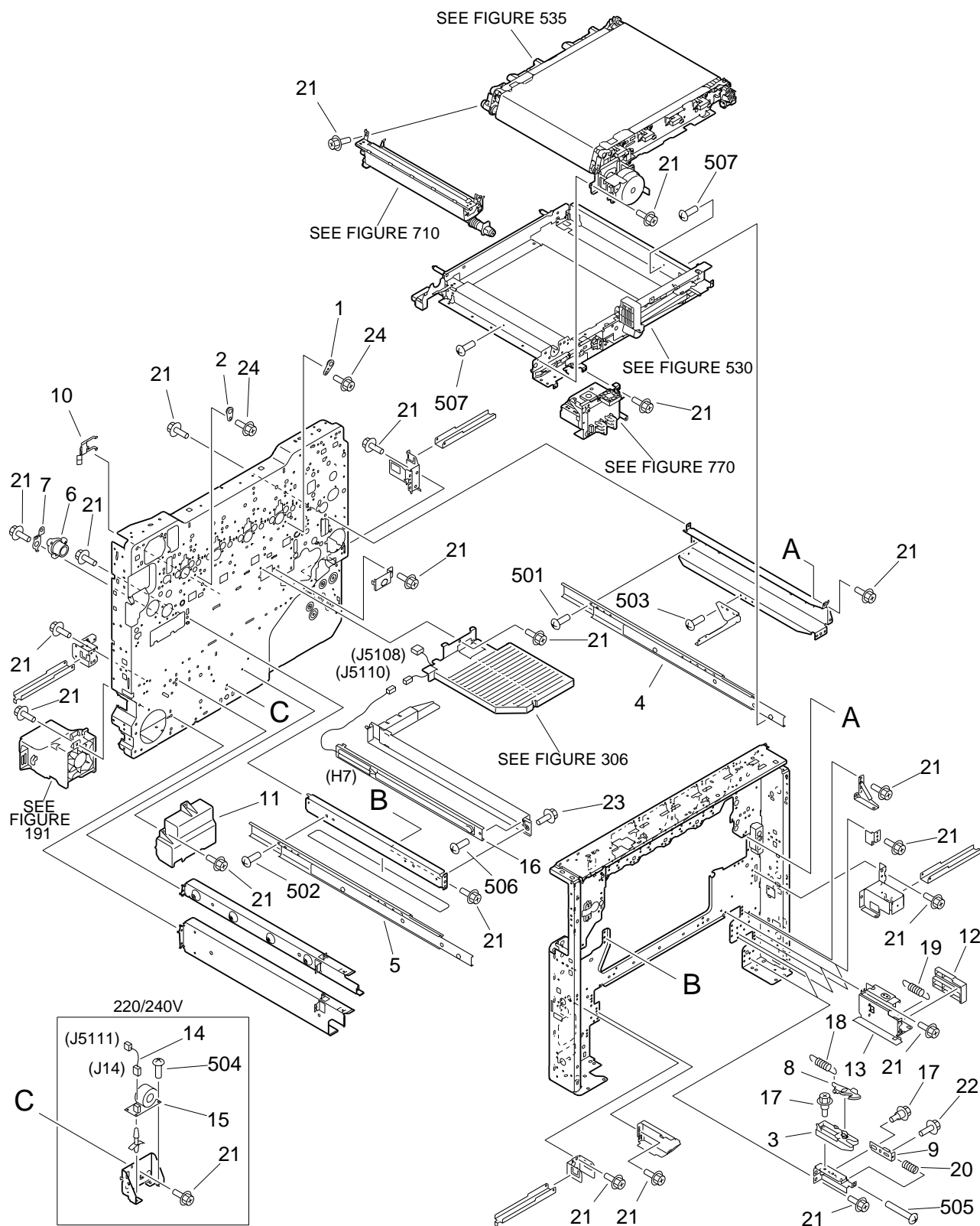
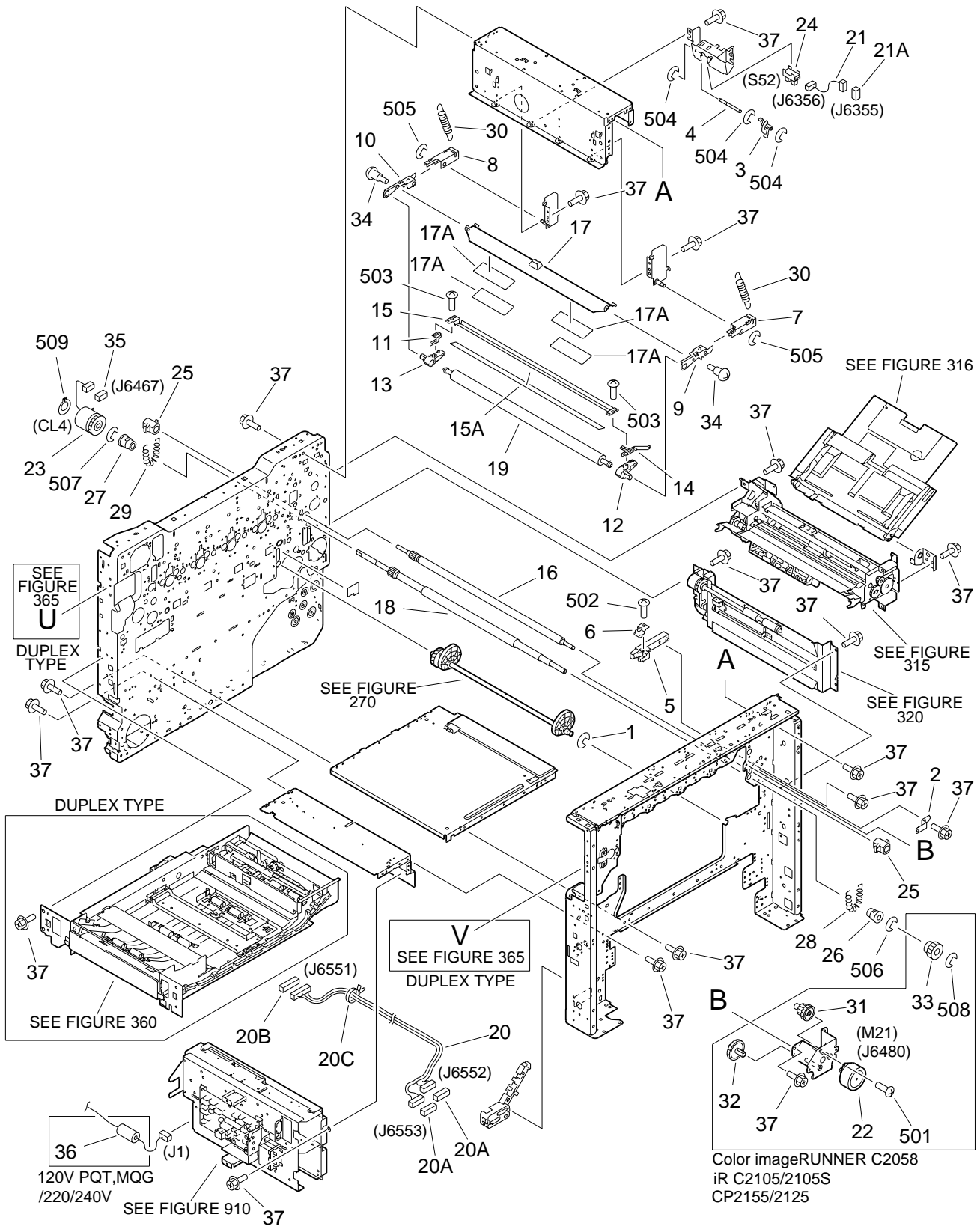


FIGURE & KEY NO.	PART NUMBER	RANK	QTY	DESCRIPTION	SERIAL NUMBER / REMARKS
104 -	NPN		RF	INTERNAL COMPONENTS 2	
1	FB2 - 3664 - 000		1	SUPPORT, PIN, 1	
2	FB2 - 3665 - 000		1	SUPPORT, PIN, 2	
3	FB3 - 2937 - 000		2	BLOCK, CASSETTE STOP	
4	FB5 - 1231 - 000		1	RAIL, TRANSFER ACCURATE	
5	FB5 - 1231 - 000		1	RAIL, TRANSFER ACCURATE	
6	FB5 - 1417 - 000		1	HOLDER, TRANSFER POSITIONING	
7	FB5 - 1418 - 000		1	SPRING, GROUNDING	
8	FB5 - 1471 - 000		2	LEVER, CASSETTE CLICK	
9	FB5 - 1473 - 000		2	PLATE, SIDE REGISTRATION	
10	FB5 - 3842 - 000		1	SPRING, GROUNDING	
11	FB5 - 3897 - 000		1	COVER, POWER TRANSIT PCB	
12	FB5 - 3928 - 000		2	COVER, RIGHT RAIL	
13	FF5 - 9338 - 000		2	RAIL, CASSETTE, RIGHT	
14	FG3 - 0797 - 000		1	CABLE, POWER TRANSIT PCB	220/240V J14,5111
15	FG6 - 5869 - 000		1	POWER TRANSIT PCB ASSEMBLY	220/240V
16	FH7 - 4647 - 000		1	HEATER, STICK	100V H7 J5110
	FH7 - 4658 - 000		1	HEATER, STICK	120V H7 J5110
	FH7 - 4649 - 000		1	HEATER, STICK	220/240V H7 J5110
17	FS5 - 9608 - 000		6	SCREW,RS STEPPED,M4.1	
18	FS7 - 2287 - 000		2	SPRING, TENSION	
19	FS7 - 2288 - 000		2	SPRING, TENSION	
20	FS7 - 2305 - 000		2	SPRING, COMPRESSION	
21	XA9 - 0629 - 000		AR	SCREW,RS,M4X8	
22	XA9 - 0629 - 000		2	SCREW,RS,M4X8	
23	XA9 - 0629 - 000		1	SCREW,RS,M4X8	
24	XA9 - 0629 - 000		3	SCREW,RS,M4X8	
501	XB1 - 2400 - 407		2	SCREW,MACH.,TRUSS HEAD,M4X4	
502	XB1 - 2400 - 407		2	SCREW,MACH.,TRUSS HEAD,M4X4	
503	XB1 - 2400 - 609		2	SCREW,MACH.,TRUSS HEAD,M4X6	

FIGURE & KEY NO.	PART NUMBER	R A N K	Q' T Y	DESCRIPTION	SERIAL NUMBER / REMARKS
104 - 504	XB1 - 2400 - 609		2	SCREW,MACH.,TRUSS HEAD,M4X6	220/240V
505	XB1 - 2402 - 009		2	SCREW,MACH.,TRUSS HEAD,M4X20	
506	XB4 - 7400 - 809		1	SCREW,TAPPING,TRUSS HEAD,M4X8	
507	XB6 - 7400 - 505		10	SCREW,TP,M4X5	



# FIGURE 105 INTERNAL COMPONENTS 3



Color imageRUNNER C2058  
 iR C2105/2105S  
 CP2155/2125

FIGURE & KEY NO.	PART NUMBER	RANK	QTY	DESCRIPTION	SERIAL NUMBER / REMARKS
105 -	NPN		RF	INTERNAL COMPONENTS 3	
1	FA4 - 1159 - 000		1	RING, RETAINING	
2	FB5 - 1033 - 000		1	PLATE, REGIST. GROUNDING	
3	FB5 - 1036 - 000		1	FLAG, REGIST. REAR SENSOR	
4	FB5 - 1038 - 000		1	SHAFT, REGIST. REAR SENSOR	
5	FB5 - 1255 - 000		1	BLOCK, END LIMIT, FRONT	
6	FB5 - 1257 - 000		1	BLOCK, THRUST LIMIT	
7	FB5 - 1259 - 000		1	PLATE, FEED AUX. ROLLER, FRONT	
8	FB5 - 1260 - 000		1	PLATE, FEED AUX. ROLLER, REAR	
9	FB5 - 1261 - 000		1	ARM, SEPARATION, FRONT	
10	FB5 - 1262 - 000		1	ARM, SEPARATION, REAR	
11	FB5 - 1278 - 000		1	BRUSH, STATIC CHARGE ELIMINATE	
12	FB5 - 1467 - 000		1	HOLDER, SEP. UP. ROLLER, FRONT	
13	FB5 - 1468 - 000		1	HOLDER, SEP. UP. ROLLER, REAR	
14	FB5 - 1469 - 000		1	SPRING, GROUNDING	
15	FF5 - 9244 - 000		1	PLATE, FEED AUX.ROLLER SCRAPER	
15 A	FB5 - 1465 - 000		1	SHEET, SCRAPER	
16	FF5 - 9254 - 000		1	ROLLER, REGISTRATION, 2	
17	FF6 - 0799 - 000		1	GUIDE, PAPER TRANSFER INLET	
17 A	FB5 - 3952 - 000		4	SHEET, PAPER GUIDE	
18	FF6 - 0801 - 000		1	ROLLER, REGISTRATION, 1	imageRUNNER C2050 imageRUNNER C2020 iR C2100/2100S CP2150/2120/2150G
	FF6 - 2236 - 000		1	ROLLER, REGISTRATION, 1	imageRUNNER C2058 iR C2105/2105S CP2155/2125
19	FF6 - 0989 - 000		1	ROLLER, SEPARATION, UPPER	
20	FG3 - 0720 - 000		1	CABLE, P. SUPPLY REVERSE SIDE	J6551-6553
20 A	VS1 - 5057 - 006		2	CONNECTOR, SNAP TIGHT	J6552,6553
20 B	VS1 - 6318 - 012		1	CONNECTOR, SNAP TIGHT	J6551
20 C	WT2 - 5178 - 000		1	CLIP, CABLE	
21	FG3 - 0729 - 000		1	CABLE, REGIST. REAR SENSOR	J6355,6356

FIGURE & KEY NO.	PART NUMBER	RANK	QTY	DESCRIPTION	SERIAL NUMBER / REMARKS
105 - 21 A	VS1 - 5057 - 003		1	CONNECTOR, SNAP TIGHT	J6355
22	FH6 - 1970 - 000		1	MOTOR, STEPPING	imageRUNNER C2058 iR C2105/2105S CP2155/2125 M21 J6480
23	FH7 - 5915 - 000		1	CLUTCH, ELECTROMAGNETIC	CL4 J6467
24	FH7 - 7394 - 000		1	PHOTO-INTERRUPTER	S52 J6356
25	FS1 - 1595 - 000		2	BUSHING	
26	FS5 - 1466 - 000		1	BUSHING	
27	FS5 - 1466 - 000		1	BUSHING	
28	FS7 - 2263 - 000		1	SPRING, TENSION	
29	FS7 - 2264 - 000		1	SPRING, TENSION	
30	FS7 - 2283 - 000		2	SPRING, TENSION	
31	FU3 - 0388 - 000		1	GEAR, 20T/45T	imageRUNNER C2058 iR C2105/2105S CP2155/2125
32	FU3 - 0389 - 000		1	GEAR, 37T	imageRUNNER C2058 iR C2105/2105S CP2155/2125
33	FU3 - 0390 - 000		1	GEAR, 22T	imageRUNNER C2058 iR C2105/2105S CP2155/2125
34	RS5 - 9057 - 000		2	SCREW, STEPPED, M3X8	
35	VS1 - 5057 - 002		1	CONNECTOR, SNAP TIGHT	J6467
36	WE8 - 5648 - 000		1	CORE, SLEEVE FERRITE	120V PQT, MQG 220/240V
37	XA9 - 0629 - 000		AR	SCREW, RS, M4X8	
501	XB1 - 1300 - 407		2	SCREW, MACH., PAN HEAD, M3X4	imageRUNNER C2058 iR C2105/2105S CP2155/2125
502	XB1 - 2300 - 609		1	SCREW, MACH., TRUSS HEAD, M3X6	
503	XB4 - 7300 - 809		2	SCREW, TAPPING, TRUSS HEAD, M3X8	
504	XD2 - 1100 - 242		3	RING, E	
505	XD2 - 1100 - 502		2	RING, E	
506	XD2 - 1100 - 642		1	RING, E	
507	XD2 - 1100 - 642		1	RING, E	imageRUNNER C2050 imageRUNNER C2020 iR C2100/2100S CP2150/2120/2150G

FIGURE & KEY NO.	PART NUMBER	R A N K	Q' T Y	DESCRIPTION	SERIAL NUMBER / REMARKS
105 - 508	XD2 - 1100 - 642		2	RING,E	imageRUNNER C2058 iR C2105/2105S CP2155/2125
509	XD2 - 2100 - 802		1	RING,GRIP	



# FIGURE 106 INTERNAL COMPONENTS 4

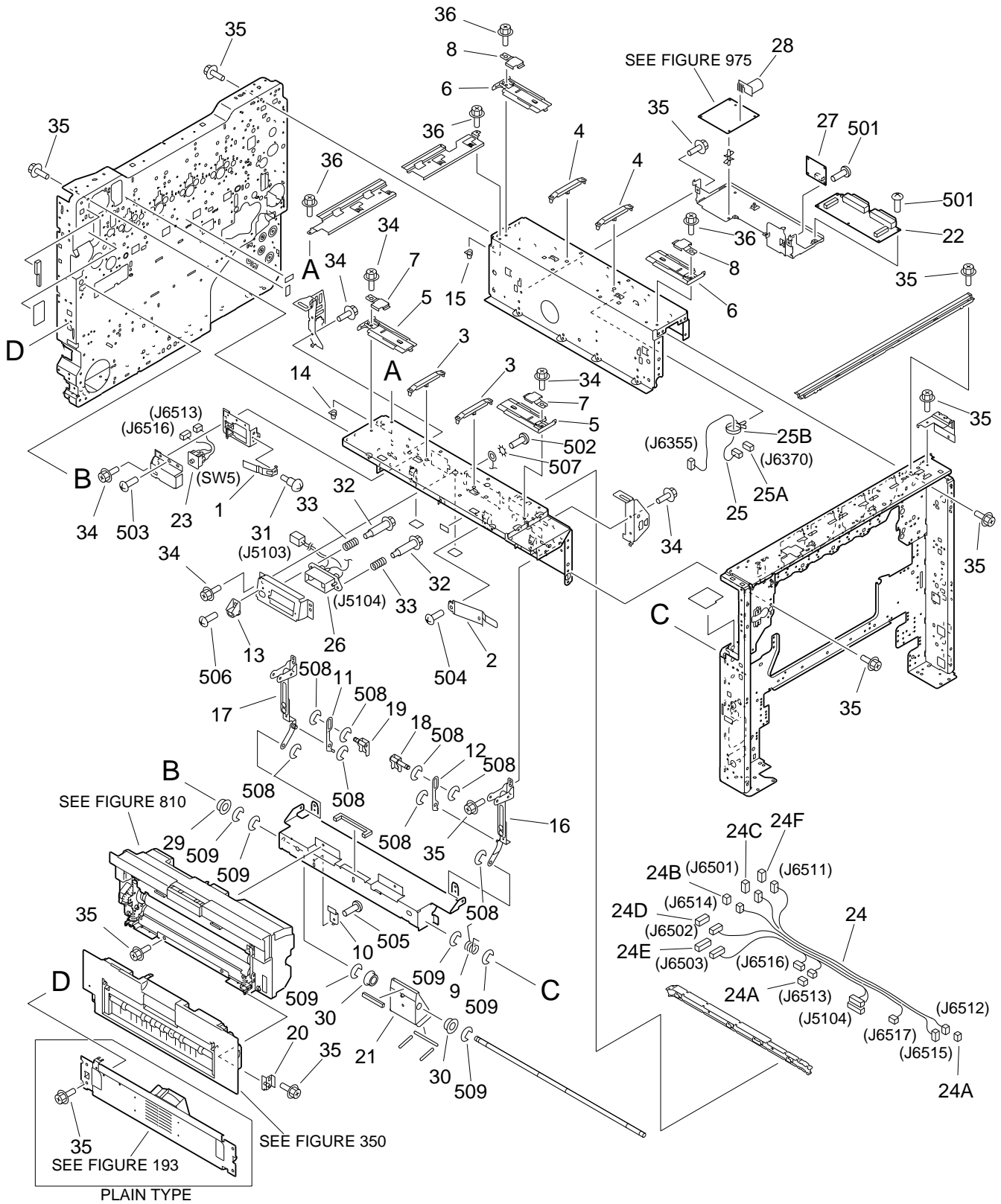


FIGURE & KEY NO.	PART NUMBER	RANK	QTY	DESCRIPTION	SERIAL NUMBER / REMARKS
106 -	NPN		RF	INTERNAL COMPONENTS 4	
1	FB5 - 1097 - 020		1	SPRING, LEAF	
2	FB5 - 1374 - 000		1	SPRING, LEAF	
3	FB5 - 1497 - 000		2	PLATE, UPPER PANEL AUXILIARY	
4	FB5 - 1497 - 000		2	PLATE, UPPER PANEL AUXILIARY	
5	FB5 - 1498 - 000		2	MOUNT, GROUNDING PLATE	
6	FB5 - 1498 - 000		2	MOUNT, GROUNDING PLATE	
7	FB5 - 1514 - 000		2	PLATE, GROUNDING	
8	FB5 - 1514 - 000		2	PLATE, GROUNDING	
9	FB5 - 1574 - 000		1	SPRING, TORSION	
10	FB5 - 1575 - 000		1	SPRING, LEAF	
11	FB5 - 1576 - 000		1	LINK, PRESSURE RELEASE, REAR	
12	FB5 - 1577 - 000		1	LINK, PRESSURE RELEASE, FRONT	
13	FB5 - 1584 - 000		1	BLOCK, FIXING CONNECTOR SLEEVE	
14	FB5 - 8385 - 000		1	CAP, DUST-PROOF	
15	FB5 - 8385 - 000		1	CAP, DUST-PROOF	
16	FF5 - 9291 - 000		1	LINK, FIXING SUPPORT, FRONT	
17	FF5 - 9292 - 000		1	LINK, FIXING SUPPORT, REAR	
18	FF5 - 9293 - 000		1	PIN, PRESS. RELEASE SUPPORT, F	
19	FF5 - 9294 - 000		1	PIN, PRESS. RELEASE SUPPORT, R	
20	FF5 - 9310 - 000		1	PIN, DELIVERY POSITIONING, F	
21	FF5 - 9374 - 000		1	DUCT, CONNECTING	
22	FG3 - 0663 - 000		1	BICENTRO INTERFACE PCB ASS'Y	
23	FG3 - 0718 - 000		1	CABLE, FIXING DOOR SWITCH	SW5 J6513,6516
24	FG3 - 0719 - 000		1	CABLE, LEFT UPPER	J5104,6501-6503, J6511-6517
24 A	VS1 - 5057 - 002		1	CONNECTOR, SNAP TIGHT	J6512,6513
24 B	VS1 - 5057 - 003		1	CONNECTOR, SNAP TIGHT	J6514
24 C	VS1 - 5820 - 003		1	CONNECTOR, SNAP TIGHT	J6501
24 D	VS1 - 5820 - 006		1	CONNECTOR, SNAP TIGHT	J6502
24 E	VS1 - 5820 - 009		1	CONNECTOR, SNAP TIGHT	J6503

FIGURE & KEY NO.	PART NUMBER	RANK	QTY	DESCRIPTION	SERIAL NUMBER / REMARKS
106 - 24 F	VS1 - 6318 - 006		1	CONNECTOR, SNAP TIGHT	J6511
25	FG3 - 0741 - 000		1	CABLE, REGIST.R.SENSOR CONNECT	J6355,6370
25 A	VS1 - 5057 - 003		1	CONNECTOR, SNAP TIGHT	J6370
25 B	WT2 - 5178 - 000		1	CLIP, CABLE	
26	FG3 - 0770 - 000		1	CABLE, FIXING DRAWER	J5103,5104
27	FG6 - 4277 - 000		1	ECO-IDENTITY PCB ASSEMBLY	
28	FH4 - 5121 - 000		1	SENSOR, RHV-135	
29	FS1 - 1156 - 000		1	BUSHING	
30	FS1 - 1449 - 000		2	BUSHING	
31	FS1 - 9010 - 000		1	SCREW, STEPPED, M3	
32	FS5 - 9282 - 000		2	SCREW, STEPPED	
33	FS7 - 2303 - 000		2	SPRING, COMPRESSION	
34	XA9 - 0629 - 000		7	SCREW,RS,M4X8	
35	XA9 - 0629 - 000	AR		SCREW,RS,M4X8	
36	XA9 - 0629 - 000		2	SCREW,RS,M4X8	
5 0 1	XB1 - 2400 - 606		6	SCREW,MACH.,TRUSS HEAD,M4X6	
5 0 2	XB1 - 2400 - 607		1	SCREW,MACH.,TRUSS HEAD,M4X6	
5 0 3	XB1 - 2400 - 609		1	SCREW,MACH.,TRUSS HEAD,M4X6	
5 0 4	XB1 - 2400 - 609		1	SCREW,MACH.,TRUSS HEAD,M4X6	
5 0 5	XB1 - 2400 - 609		1	SCREW,MACH.,TRUSS HEAD,M4X6	
5 0 6	XB1 - 2400 - 609		1	SCREW,MACH.,TRUSS HEAD,M4X6	
5 0 7	XD1 - 4200 - 402		1	WASHER,TOOTHED LOCK	
5 0 8	XD2 - 1100 - 502		8	RING,E	
5 0 9	XD2 - 1100 - 642		5	RING,E	



# FIGURE 107 MACHINE REAR PLATE 1

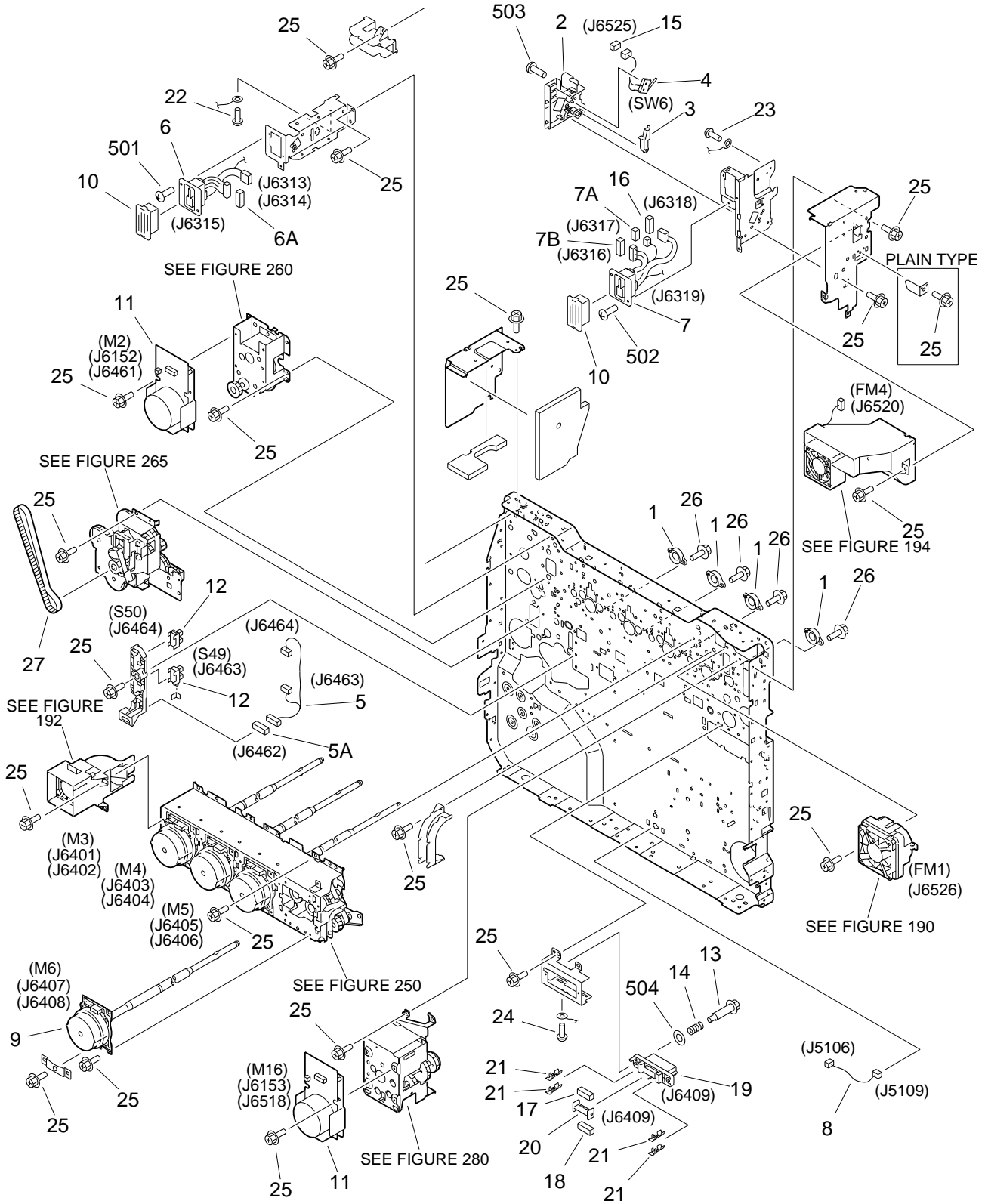


FIGURE & KEY NO.	PART NUMBER	RANK	QTY	DESCRIPTION	SERIAL NUMBER / REMARKS
107 -	NPN		RF	MACHINE REAR PLATE 1	
1	FB5 - 0787 - 000		4	BEARING, BALL	
2	FB5 - 3836 - 000		1	COVER, DUPLEX SWITCH	
3	FB5 - 3837 - 000		1	ARM, DUPLEX SWITCH	
4	FG3 - 0699 - 000		1	CABLE, DUPLEX SENSOR	SW6 J6525
5	FG3 - 0734 - 000		1	CABLE, TRANSFER SWING SENSOR	J6462-6464
5 A	VS1 - 6318 - 006		1	CONNECTOR, SNAP TIGHT	J6462
6	FG3 - 0735 - 000		1	CABLE, LATTICE CONNECTOR, 1	J6313-6315
6 A	VS1 - 5820 - 007		1	CONNECTOR, SNAP TIGHT	J6314
7	FG3 - 0736 - 000		1	CABLE, LATTICE CONNECTOR, 2	J6316-6319
7 A	VS1 - 5057 - 002		1	CONNECTOR, SNAP TIGHT	J6317
7 B	VS1 - 5820 - 005		1	CONNECTOR, SNAP TIGHT	J6316
8	FG3 - 0749 - 000		1	CABLE, CASSETTE HEATER CONNECT	J5106,5109
9	FG6 - 7789 - 000		1	DRUM MOTOR UNIT	M3 J6401,6402 M4 J6403,6404 M5 J6405,6406 M6 J6407,6408
10	FH2 - 6552 - 000		2	COVER, CONNECTOR	
11	FH6 - 1695 - 000		2	MOTOR, DC38V	M2 J6152,6461 M16 J6153,6518
12	FH7 - 7394 - 000		2	PHOTO-INTERRUPTER	S49,50 J6463,6464
13	FS5 - 9282 - 000		2	SCREW, STEPPED	
14	FS7 - 2278 - 000		2	SPRING, COMPRESSION	
15	VS1 - 5057 - 003		1	CONNECTOR, SNAP TIGHT	J6525
16	VS1 - 5820 - 007		1	CONNECTOR, SNAP TIGHT	J6318
17	VS1 - 6313 - 016		1	CONNECTOR, 16P, FEMALE	J6409
18	VS1 - 6314 - 016		1	CONNECTOR, 16P, FEMALE	J6409
19	VS1 - 6328 - 032		1	CONNECTOR, 32P, FEMALE	J6409
20	VT2 - 5161 - 032		1	HOLDER, CONNECTOR, 32P	
21	WS3 - 5607 - 000		4	SOCKET CONTACT, 20-24AWG	J6409
22	XA9 - 0265 - 000		1	SCREW,W/WASHER,TRUSS HEAD	
23	XA9 - 0265 - 000		1	SCREW,W/WASHER,TRUSS HEAD	
24	XA9 - 0265 - 000		1	SCREW,W/WASHER,TRUSS HEAD	

FIGURE & KEY NO.	PART NUMBER	RANK	QTY	DESCRIPTION	SERIAL NUMBER / REMARKS
107 - 25	XA9 - 0629 - 000		AR	SCREW,RS,M4X8	
26	XA9 - 0629 - 000		8	SCREW,RS,M4X8	
27	XF2 - 3312 - 660		1	BELT, TIMMING	
501	XB1 - 2300 - 607		2	SCREW,MACH.,TRUSS HEAD,M3X6	
502	XB1 - 2300 - 607		2	SCREW,MACH.,TRUSS HEAD,M3X6	
503	XB1 - 2400 - 607		1	SCREW,MACH.,TRUSS HEAD,M4X6	
504	XD1 - 1104 - 132		2	SHIM	





# FIGURE 108 MACHINE REAR PLATE 2

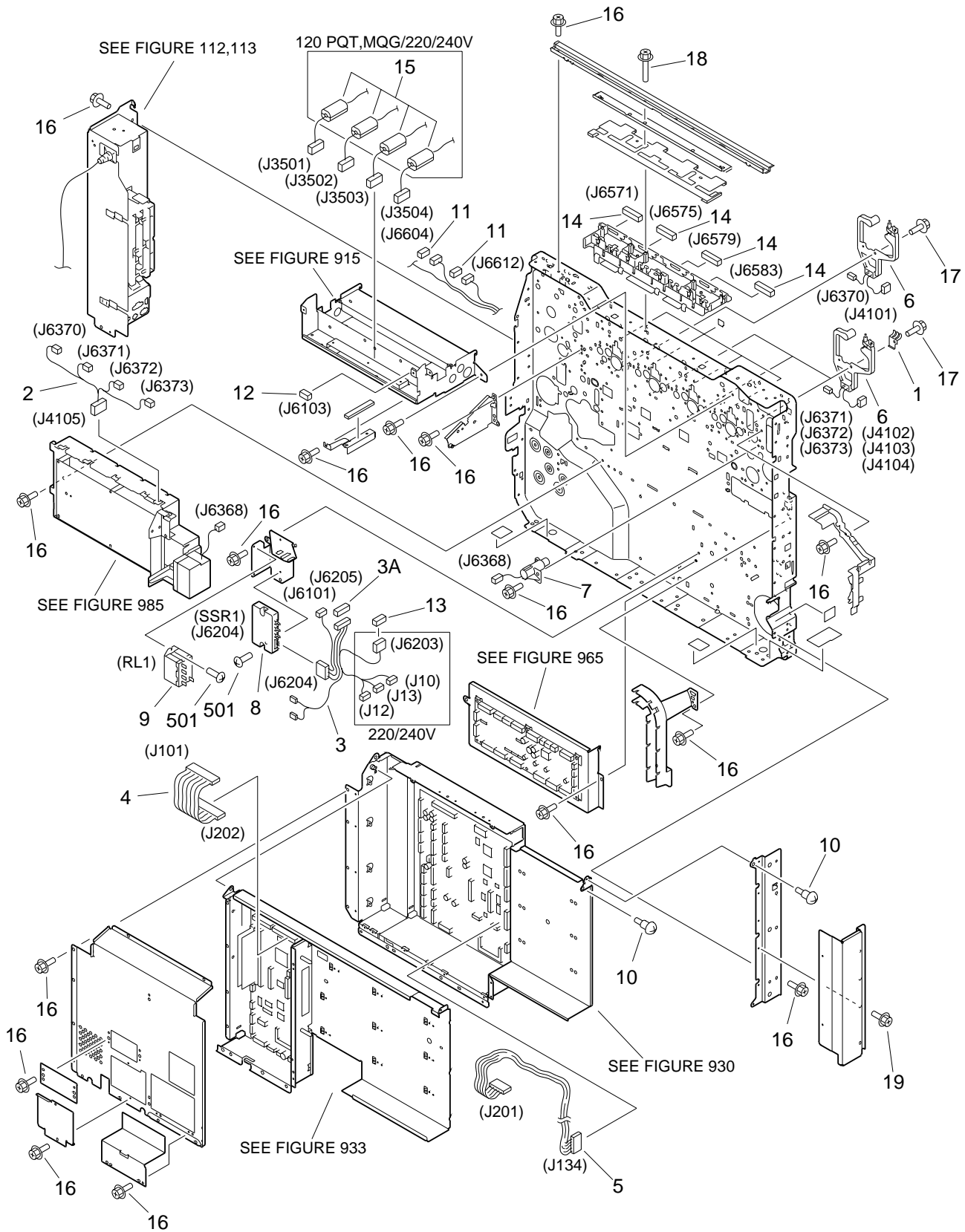


FIGURE & KEY NO.	PART NUMBER	RANK	QTY	DESCRIPTION	SERIAL NUMBER / REMARKS
108 -	NPN		RF	MACHINE REAR PLATE 2	
1	FB5 - 8386 - 000		3	SRRING, GROUNDING	
2	FG3 - 0744 - 000		1	CABLE, LED EXPOSURE-H. VOLTAGE	J4105,6370-6373
3	FG3 - 0748 - 000		1	CABLE, SSR/AC RELAY	100/120V J6101,6204,6205
	FG3 - 0746 - 000		1	CABLE, SSR/AC RELAY	220/240V J10,12,13, J6101,6203-6205
3 A	VS1 - 5057 - 007		1	CONNECTOR, SNAP TIGHT	J6205
4	FH2 - 6779 - 000		1	CABLE, FLAT, 1	J134,201
5	FH2 - 6780 - 000		1	CABLE, FLAT, 2	J101,202
6	FH2 - 9237 - 000		4	CONNECTOR, DRUM KIT H. V. T.	J4101-4104,6370-6373
7	FH2 - 9241 - 000		1	CONNECTOR, SEPARATION H. V. T.	J6368
8	FH4 - 6056 - 000		1	SSR	100/120V SSR1 J6204
	FH4 - 6137 - 000		1	SSR	220/240V SSR1 J6204
9	FH7 - 6307 - 000		1	RELAY	RL1
10	FS1 - 9076 - 000		2	SCREW,STEPPED,M4	
11	VS1 - 5057 - 002		2	CONNECTOR, SNAP TIGHT	J6604,6612
12	VS1 - 5057 - 003		1	CONNECTOR, SNAP TIGHT	J6103
13	VS1 - 6318 - 006		1	CONNECTOR, SNAP TIGHT	J6203
14	VS1 - 6318 - 011		4	CONNECTOR, SNAP TIGHT	J6571,6575,6579,6583
15	WE8 - 5741 - 000		4	CORE, FERRITE	120V PQT,MQG 220/240V
16	XA9 - 0629 - 000		AR	SCREW,RS,M4X8	
17	XA9 - 0629 - 000		12	SCREW,RS,M4X8	
18	XA9 - 0632 - 000		3	SCREW,RS,M4X26	
19	XA9 - 0864 - 000		4	SCREW,RS,M4X6	
501	XB1 - 2400 - 809		4	SCREW,MACH.,TRUSS HEAD,M4X8	

# FIGURE 109 MACHINE BOTTOM PLATE

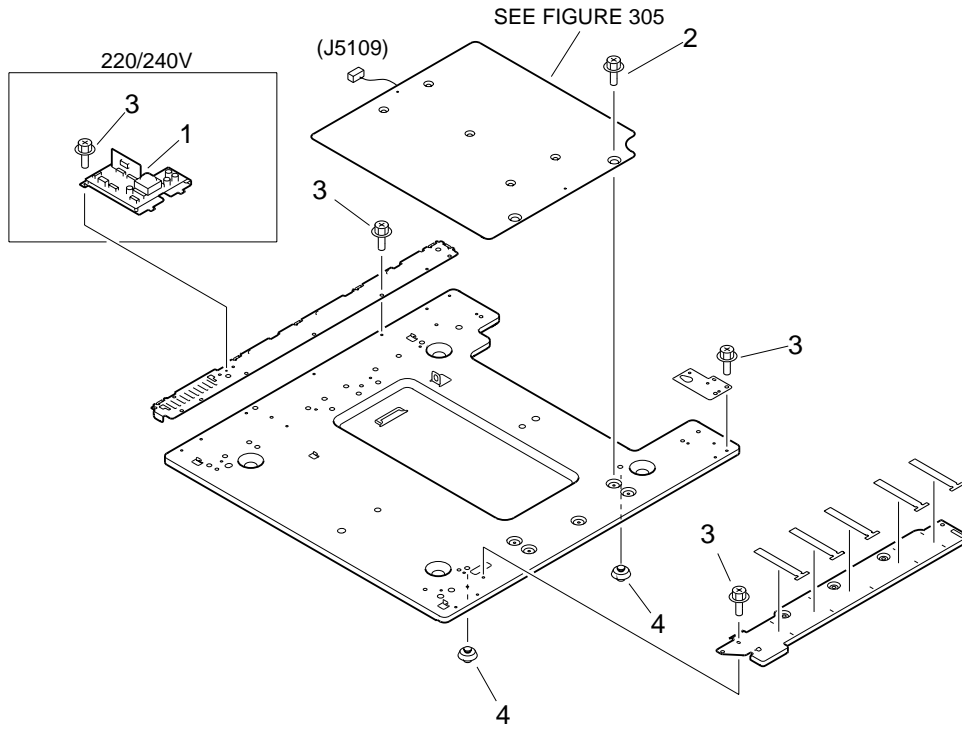


FIGURE & KEY NO.	PART NUMBER	RANK	QTY	DESCRIPTION	SERIAL NUMBER / REMARKS
109 -	NPN		RF	MACHINE BOTTOM PLATE	
1	FG6 - 4223 - 000		1	SWITCH CUT PCB ASSEMBLY	220/240V
2	XA9 - 0629 - 000		2	SCREW,RS,M4X8	
3	XA9 - 0629 - 000	AR		SCREW,RS,M4X8	
4	XH9 - 0059 - 000		2	FOOT, RUBBER	
-----					
-----					



# FIGURE 112 POWER CORD TERMINAL ASSEMBLY (100/120V)

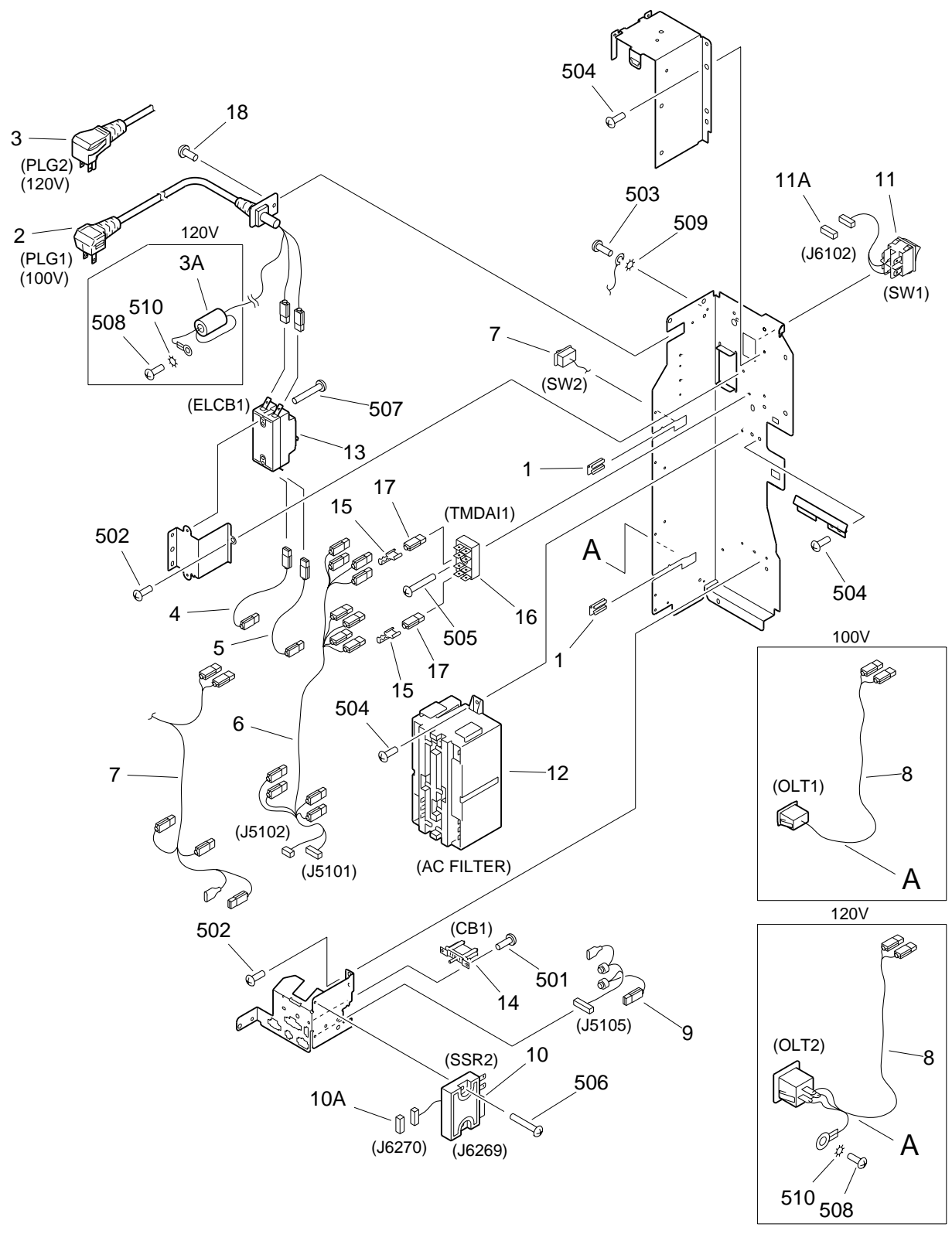


FIGURE & KEY NO.	PART NUMBER	RANK	QTY	DESCRIPTION	SERIAL NUMBER / REMARKS
112 -	FG6 - 4123 - 000		1	POWER CORD TERMINAL ASSEMBLY	100V
	FG6 - 4273 - 000		1	POWER CORD TERMINAL ASSEMBLY	120V
1	FB5 - 3760 - 000		2	COVER, GAP	
2	FF3 - 3827 - 000		1	CORD, POWER	100V PLG1
3	FF3 - 3828 - 000		1	CORD, POWER	120V PLG2
3 A	WE8 - 5717 - 000		1	CORE, FERRITE	120V
4	FG3 - 0704 - 000		1	CABLE, AC, 1	
5	FG3 - 0705 - 000		1	CABLE, AC, 2	
6	FG3 - 0706 - 000		1	CABLE, POWER CORD TERMINAL	J5101,5102
7	FG3 - 0707 - 000		1	CABLE, ENVIRONMENT SWITCH	SW2
8	FG3 - 0708 - 000		1	CABLE, OUTLET	100V OLT1
	FG3 - 0766 - 000		1	CABLE, OUTLET	120V OLT2
9	FG3 - 0709 - 000		1	CABLE, HEATER CONNECT	J5105
10	FG3 - 0710 - 000		1	CABLE, SSR	SSR2 J6269,6270
10 A	VS1 - 5057 - 003		1	CONNECTOR, SNAP TIGHT	J6270
11	FG3 - 0711 - 000		1	CABLE, MAIN SWITCH SHUT OFF	SW1 J6102
11 A	VS1 - 5057 - 003		1	CONNECTOR, SNAP TIGHT	J6102
12	FG6 - 4124 - 000		1	NOISE FILTER PCB ASSEMBLY	AC FILTER
13	FH7 - 6310 - 000		1	BREAKER, ELECTRIC LEAKAGE	ELCB1
14	WD3 - 5072 - 000		1	BREAKER, CIRCUIT	CB1
15	WT1 - 0017 - 000		2	SOCKET, FASTEN 250, 16-20AWG	
16	WT1 - 5020 - 000		1	MOUNT, TERMINAL	TMDA11
17	WT2 - 5436 - 000		2	SLEEVE, ONE TOUCH	
18	XA9 - 0739 - 000		1	SCREW,TP,M4X8	
501	XB1 - 2300 - 609		2	SCREW,MACH.,TRUSS HEAD,M3X6	
502	XB1 - 2400 - 407		4	SCREW,MACH.,TRUSS HEAD,M4X4	
503	XB1 - 2400 - 603		1	SCREW,MACH.,TRUSS HEAD,M4X6	
504	XB1 - 2400 - 609		8	SCREW,MACH.,TRUSS HEAD,M4X6	
505	XB1 - 2401 - 009		1	SCREW,MACH.,TRUSS HEAD,M4X10	
506	XB1 - 2401 - 209		2	SCREW,MACH.,TRUSS HEAD,M4X12	

FIGURE & KEY NO.	PART NUMBER	R A N K	Q' T Y	DESCRIPTION	SERIAL NUMBER / REMARKS
112 - 507	XB1 - 2402 - 009		2	SCREW,MACH.,TRUSS HEAD,M4X20	
508	XB1 - 2500 - 603		2	SCREW,MACH.,TRUSS HEAD,M5X6	120V
509	XD1 - 4200 - 402		1	WASHER,TOOTHED LOCK	
510	XD1 - 4200 - 502		2	WASHER,TOOTHED LOCK	120V





# FIGURE 113 POWER CORD TERMINAL ASSEMBLY (220/240V)

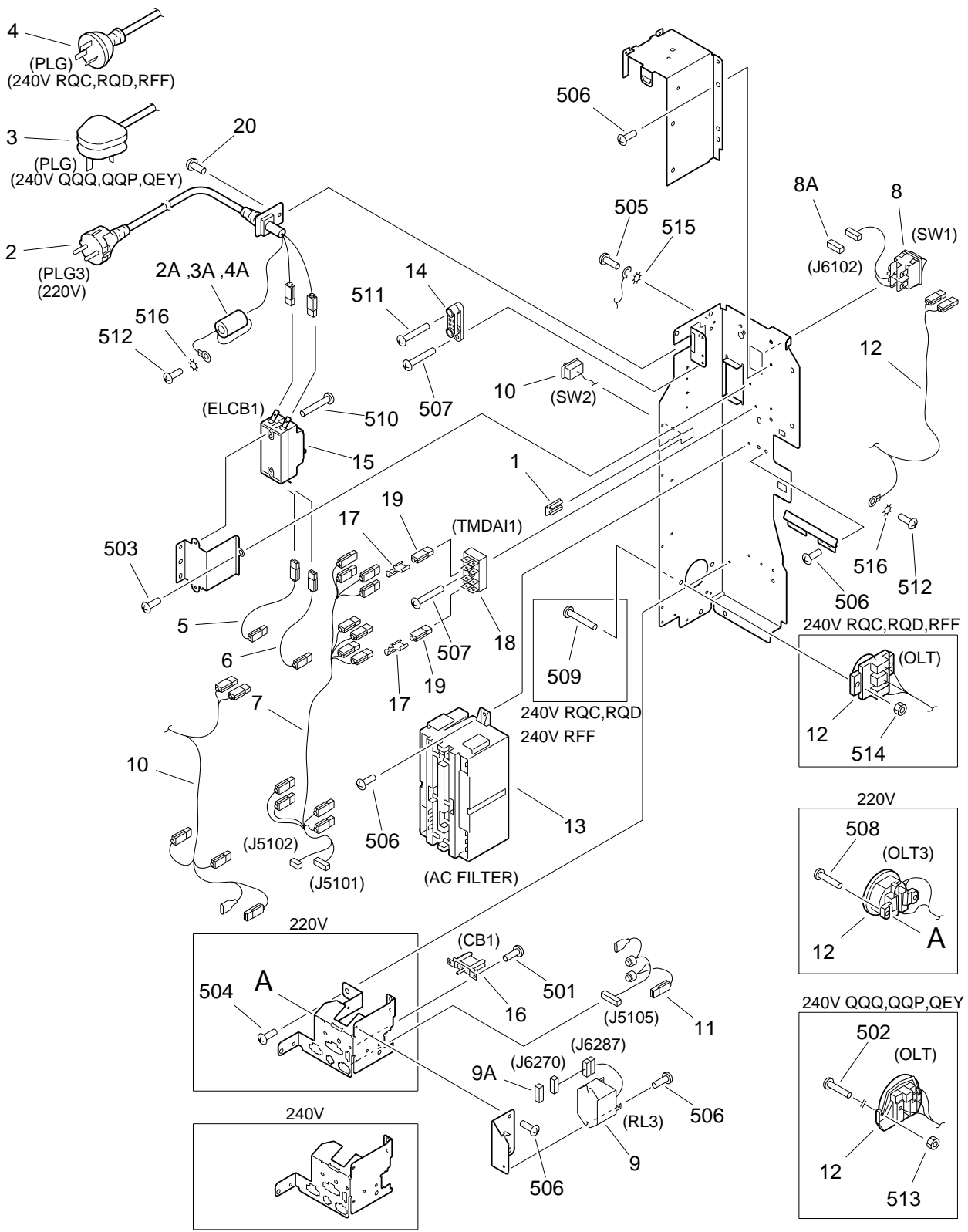


FIGURE & KEY NO.	PART NUMBER	RANK	QTY	DESCRIPTION	SERIAL NUMBER / REMARKS
113 -	FG6 - 4274 - 000		1	POWER CORD TERMINAL ASSEMBLY	220V
	FG6 - 4275 - 000		1	POWER CORD TERMINAL ASSEMBLY	240V QQQ,QQP,QEY
	FG6 - 4276 - 000		1	POWER CORD ASSEMBLY	240V RQC,RQD,RFF
	1 FB5 - 3760 - 000		1	COVER, GAP	
	2 FF3 - 3829 - 000		1	CORD, POWER	220V PLG3
2 A	WE8 - 5717 - 000		1	CORE, FERRITE	
3	FF3 - 3830 - 000		1	CORD, POWER	240V QQQ,QQP,QEY PLG
3 A	WE8 - 5717 - 000		1	CORE, FERRITE	
4	FF3 - 3831 - 000		1	CORD, POWER	240V RQC,RQD,RFF PLG
4 A	WE8 - 5717 - 000		1	CORE, FERRITE	
5	FG3 - 0704 - 000		1	CABLE, AC, 1	
6	FG3 - 0705 - 000		1	CABLE, AC, 2	
7	FG3 - 0706 - 000		1	CABLE, POWER CORD TERMINAL	
8	FG3 - 0711 - 000		1	CABLE, MAIN SWITCH SHUT OFF	SW1 J6102
8 A	VS1 - 5057 - 003		1	CONNECTOR, SNAP TIGHT	J6102
9	FG3 - 0714 - 000		1	CABLE, RELAY	RL3 J6270,6287
9 A	VS1 - 5057 - 003		1	CONNECTOR, SNAP TIGHT	J6270
10	FG3 - 0764 - 000		1	CABLE, ENVIRONMENT SWITCH	SW2
11	FG3 - 0765 - 000		1	CABLE, HEATER CONNECT	J5105
12	FG3 - 0767 - 000		1	CABLE, OUTLET	220V OLT3
	FG3 - 0768 - 000		1	CABLE, OUTLET	240V QQQ,QQP,QEY OLT
	FG3 - 0769 - 000		1	CABLE, OUTLET	240V RQC,RQD,RFF OLT
13	FG6 - 4302 - 000		1	NOISE FILTER PCB ASSEMBLY	AC FILTER
14	FH2 - 5043 - 000		1	CLIP, POWER CORD	
15	FH7 - 6311 - 000		1	BREAKER, ELECTRIC LEAKAGE	ELCB1
16	WD3 - 5072 - 000		1	BREAKER, CIRCUIT	CB1
17	WT1 - 0017 - 000		2	SOCKET, FASTEN 250, 16-20AWG	
18	WT1 - 5020 - 000		1	MOUNT, TERMINAL	TMDA11
19	WT2 - 5436 - 000		2	SLEEVE, ONE TOUCH	
20	XA9 - 0739 - 000		1	SCREW,TP,M4X8	

FIGURE & KEY NO.	PART NUMBER	RANK	QTY	DESCRIPTION	SERIAL NUMBER / REMARKS
113 - 501	XB1 - 2300 - 609		3	SCREW,MACH.,TRUSS HEAD,M3X6	
502	XB1 - 2301 - 207		2	SCREW,MACH.,TRUSS HEAD,M3X12	240V QQQ,QQP,QEY
503	XB1 - 2400 - 407		4	SCREW,MACH.,TRUSS HEAD,M4X4	
504	XB1 - 2400 - 407		1	SCREW,MACH.,TRUSS HEAD,M4X4	220V
505	XB1 - 2400 - 603		1	SCREW,MACH.,TRUSS HEAD,M4X6	
506	XB1 - 2400 - 609		10	SCREW,MACH.,TRUSS HEAD,M4X6	
507	XB1 - 2401 - 009		2	SCREW,MACH.,TRUSS HEAD,M4X10	
508	XB1 - 2401 - 209		2	SCREW,MACH.,TRUSS HEAD,M4X12	220V
509	XB1 - 2401 - 607		2	SCREW,MACH.,TRUSS HEAD,M4X16	240V RQC,RQD,RFF
510	XB1 - 2402 - 009		2	SCREW,MACH.,TRUSS HEAD,M4X20	
511	XB1 - 2402 - 509		2	SCREW,MACH.,TRUSS HEAD,M4X25	
512	XB1 - 2500 - 603		2	SCREW,MACH.,TRUSS HEAD,M5X6	
513	XB7 - 2100 - 309		2	NUT,HEX,M3	240V QQQ,QQP,QEY
514	XB7 - 2100 - 409		2	NUT,HEX,M4	240V RQC,RQD,RFF
515	XD1 - 4200 - 402		1	WASHER,TOOTHED LOCK	
516	XD1 - 4200 - 502		2	WASHER,TOOTHED LOCK	



# FIGURE 131 PRINTER PANEL-A1/B1

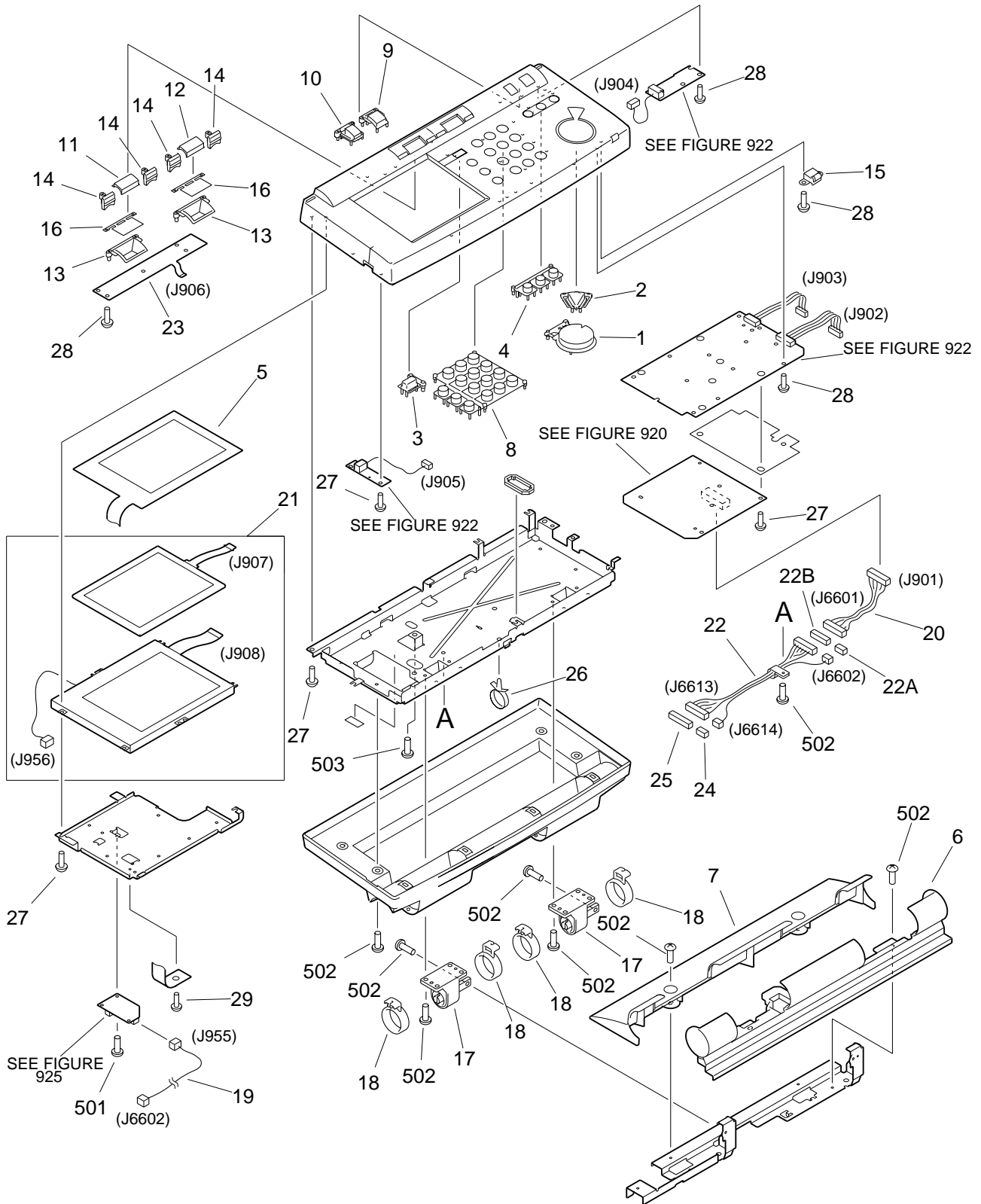


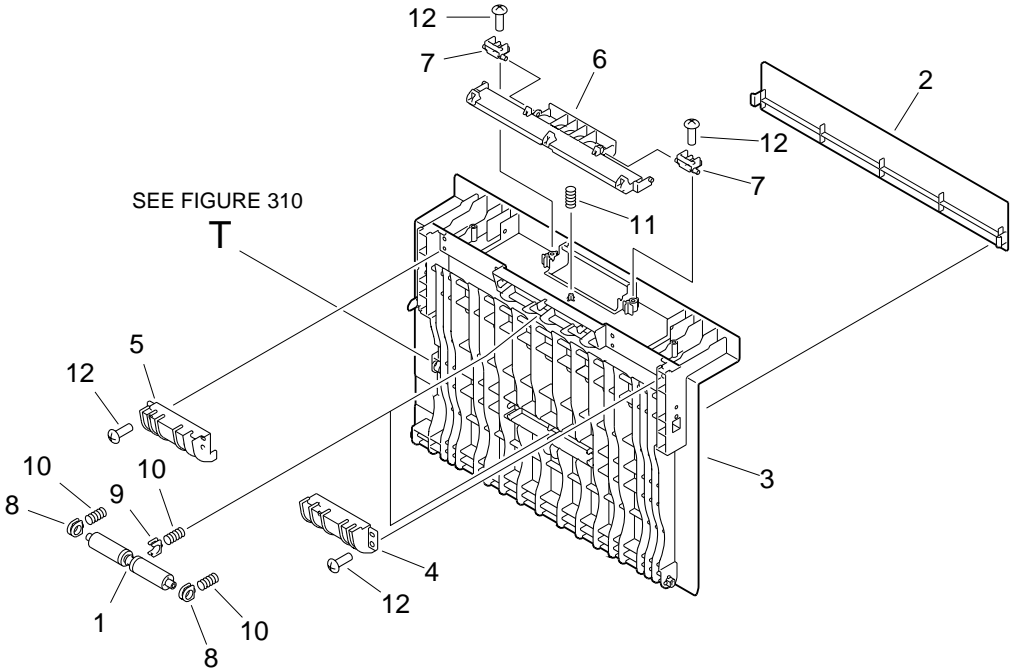
FIGURE & KEY NO.	PART NUMBER	RANK	QTY	DESCRIPTION	SERIAL NUMBER / REMARKS
131 -	NPN		RF	PRINTER PANEL-A1/B1	
1	FB4 - 2581 - 000		1	KEY TOP, COPY	
2	FB4 - 2582 - 000		1	KEY TOP, STOP	
3	FB4 - 2583 - 000		1	KEY TOP, RESET	
4	FB4 - 2585 - 000		1	KEY TOP, 3 CONTINUITY	
5	FB4 - 6704 - 000		1	PLATE, GROUNDING	
6	FB5 - 1531 - 000		1	PANEL, UPPER, FRONT MIDDLE 1	
7	FB5 - 1532 - 000		1	PANEL, UPPER, FRONT MIDDLE 2	
8	FB5 - 1789 - 000		1	KEY TOP, NUMBERS	
9	FB5 - 1790 - 000		1	KEY TOP, POWER SUPPLY	
10	FB5 - 1791 - 000		1	KEY TOP, STAND BY	
11	FB5 - 1792 - 000		1	KEY TOP, FUNCTION, COPY	JAPANESE
	FB5 - 1807 - 000		1	KEY TOP, FUNCTION, COPY	ENGLISH
	FB5 - 1808 - 000		1	KEY TOP, FUNCTION, COPY	FRENCH
	FB5 - 1809 - 000		1	KEY TOP, FUNCTION, COPY	GERMAN
12	FB5 - 1810 - 000		1	KEY TOP, FUNCTION, COPY	ILLUSTRATION
	FB5 - 1793 - 000		1	KEY TOP, FUNCTION, EXPANSION	JAPANESE
	FB5 - 1811 - 000		1	KEY TOP, FUNCTION, EXPANSION	ENGLISH
	FB5 - 1812 - 000		1	KEY TOP, FUNCTION, EXPANSION	FRENCH
	FB5 - 1813 - 000		1	KEY TOP, FUNCTION, EXPANSION	GERMAN
13	FB5 - 1814 - 000		1	KEY TOP, FUNCTION, EXPANSION	ILLUSTRATION
14	FB5 - 1794 - 000		2	BLOCK, REFLECTOR	
15	FB5 - 1795 - 000		4	COVER, LED	
16	FB5 - 1797 - 000		1	COVER, POWER LED	
17	FB5 - 1798 - 000		2	SHEET, REFLECTOR	
18	FB5 - 1799 - 000		2	HINGE, LOCK	
19	FB5 - 2591 - 000		4	COVER, CLEARANCE	
20	FG6 - 4314 - 000		1	CABLE, INVERTER	J955,6602
21	FG6 - 4315 - 000		1	CABLE, JST	J901,6601
22	FG6 - 5428 - 000		1	LCD CONTROL PANEL UNIT	J907,908,956

FIGURE & KEY NO.	PART NUMBER	RANK	QTY	DESCRIPTION	SERIAL NUMBER / REMARKS
131 - 22	FG6 - 6079 - 000		1	CABLE, CONTROL CONNECTING	J6601,6602,6613,6614
22 A	VS1 - 5057 - 002		1	CONNECTOR, SNAP TIGHT	J6602
22 B	VS1 - 6319 - 030		1	CONNECTOR, SNAP TIGHT	J6601
23	FH6 - 0770 - 000		1	LED PCB ASSEMBLY	J906
24	VS1 - 5057 - 002		1	CONNECTOR, SNAP TIGHT	J6614
25	VS1 - 6319 - 030		1	CONNECTOR, SNAP TIGHT	J6613
26	WT2 - 5565 - 000		1	CLAMP, CABLE	
27	XA9 - 0591 - 000		20	SCREW,M3X8	
28	XA9 - 0591 - 000		23	SCREW,M3X8	
29	XA9 - 0670 - 000		1	SCREW,M3X6	
501	XB1 - 2300 - 609		2	SCREW,MACH.,TRUSS HEAD,M3X6	
502	XB1 - 2400 - 607		8	SCREW,MACH.,TRUSS HEAD,M4X6	
503	XB2 - 7400 - 607		1	SCREW,W/WASHER,M4X6	





# FIGURE 140 RIGHT DOOR ASSEMBLY



NOTE: This assembly does not include the part shown with key No.2.

FIGURE & KEY NO.	PART NUMBER	RANK	QTY	DESCRIPTION	SERIAL NUMBER / REMARKS
140 -   1	FG6 - 4137 - 000		1	RIGHT DOOR ASSEMBLY	imageRUNNER C2050 imageRUNNER C2020 iR C2100/2100S CP2150/2120
	FG6 - 9291 - 000		1	RIGHT DOOR ASSEMBLY	imageRUNNER C2058 iR C2105/2105S CP2155/2125/2150G
	FB3 - 2811 - 000		2	ROLLER, BELT IDLER	imageRUNNER C2050 imageRUNNER C2020
	FG6 - 9254 - 000		2	ROLLER, BELT IDLER	iR C2100/2100S CP2150/2120 imageRUNNER C2058 iR C2105/2105S CP2155/2125/2150G
2	FB4 - 1967 - 000		1	PLATE, BLANKING	SEE NOTE
3	FB5 - 1451 - 000		1	PANEL, RIGHT DOOR	
4	FB5 - 1452 - 000		1	GUIDE, PAPER UPPER, FRONT	
5	FB5 - 1453 - 000		1	GUIDE, PAPER UPPER, REAR	
6	FB5 - 1454 - 000		1	HANDLE	
7	FB5 - 1455 - 000		2	BLOCK, HANDLE SHAFT	
8	FS5 - 1595 - 000		4	BUSHING, VERTICAL ROLLER	
9	FS5 - 1598 - 000		2	BUSHING, VERTICAL ROLLER	
10	FS6 - 2308 - 000		6	SPRING, COMPRESSION	
11	FS7 - 2274 - 000		1	SPRING, COMPRESSION	
12	XA9 - 0605 - 000		6	SCREW,M4X8	

# FIGURE 190 FIXING FAN ASSEMBLY

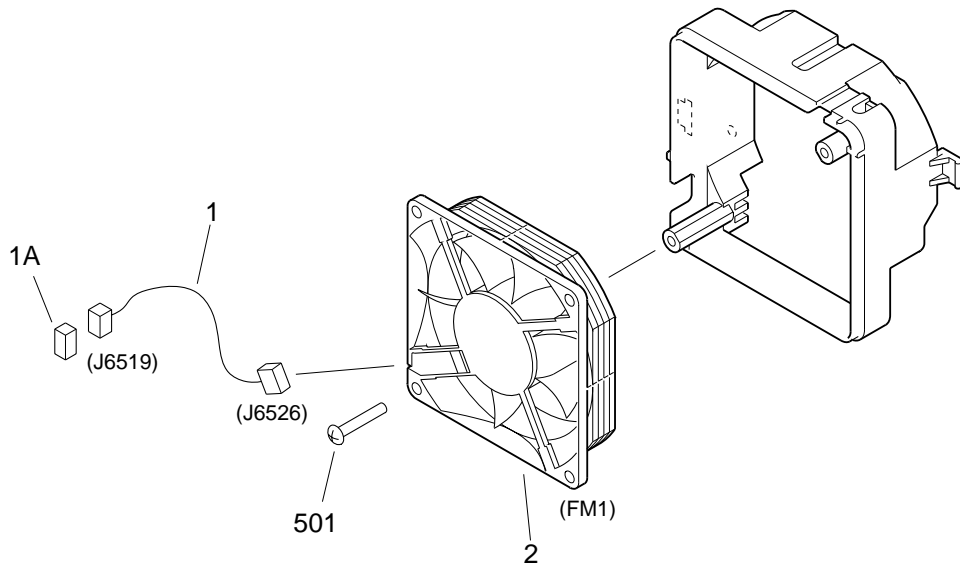


FIGURE & KEY NO.	PART NUMBER	RANK	QTY	DESCRIPTION	SERIAL NUMBER / REMARKS
190 -	FG6 - 4224 - 000		1	FIXING FAN ASSEMBLY	
1	FG3 - 0796 - 000		1	CABLE, FIXING FAN	J6519,6526
1 A	VS1 - 5057 - 003		1	CONNECTOR, SNAP TIGHT	J6519
2	FH6 - 1700 - 000		1	FAN, COOLING	FM1 J6526
501	XB4 - 7401 - 209		2	SCREW,TAPPING,TRUSS HEAD,M4X12	
-----					
-----					

# FIGURE 191 POWER SUPPLY COOLING FAN ASSEMBLY

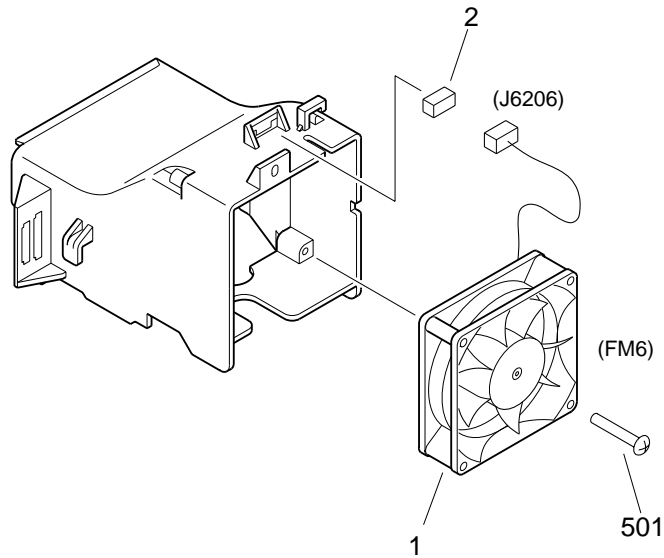


FIGURE & KEY NO.	PART NUMBER	RANK	QTY	DESCRIPTION	SERIAL NUMBER / REMARKS
191 -	FG6 - 4226 - 000		1	POWER SUPPLY COOLING FAN ASS'Y	
1	FH6 - 1729 - 000		1	FAN, COOLING	FM6 J6206
2	VS1 - 5057 - 003		1	CONNECTOR, SNAP TIGHT	J6206
501	XB4 - 7403 - 509		2	SCREW,TAPPING,TRUSS HEAD,M4X35	
-----					
-----					

# FIGURE 192 PROCESS COOLING FAN ASSEMBLY

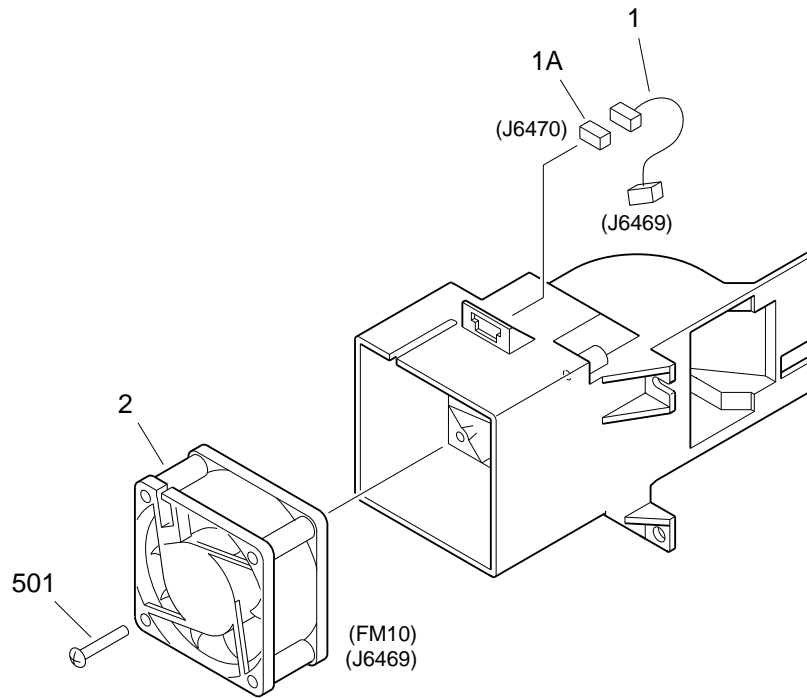
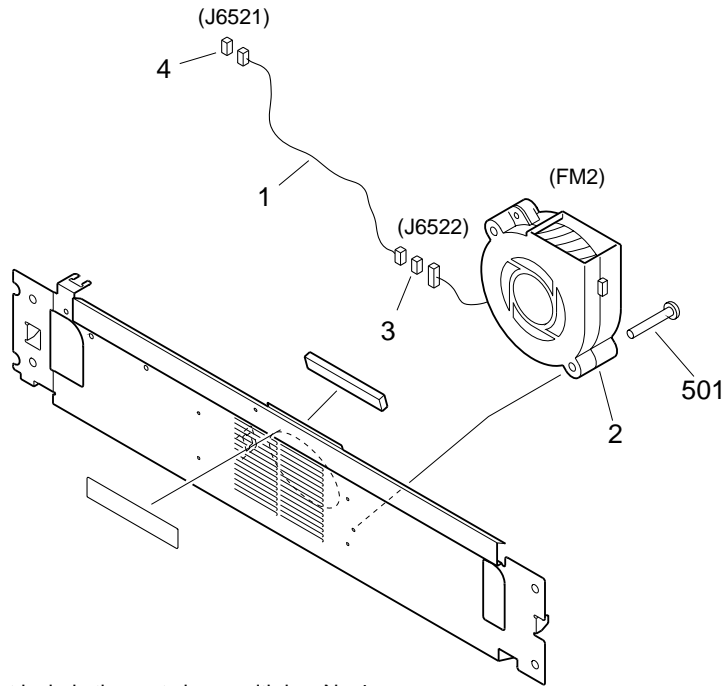


FIGURE & KEY NO.	PART NUMBER	RANK	QTY	DESCRIPTION	SERIAL NUMBER / REMARKS
192 -	FG6 - 4227 - 000		1	PROCESS COOLING FAN ASSEMBLY	
1	FG3 - 0793 - 000		1	CABLE, PROCESS COOLING FAN	J6469,6470
1A	VS1 - 5057 - 003		1	CONNECTOR, SNAP TIGHT	J6470
2	FH6 - 1544 - 000		1	FAN, COOLING	FM10 J6469
501	XB4 - 7403 - 509		2	SCREW,TAPPING,TRUSS HEAD,M4X35	

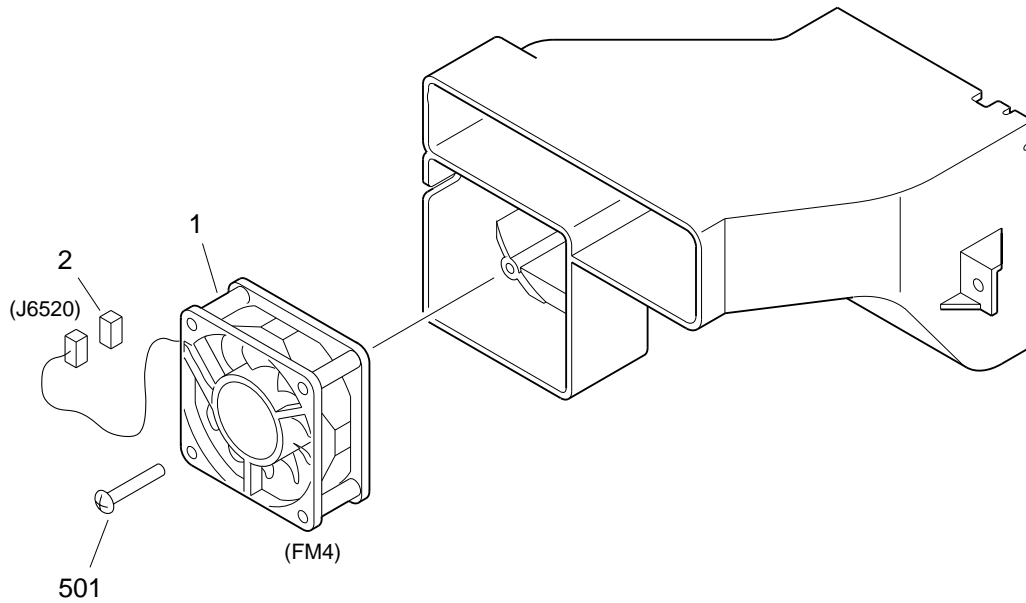
# FIGURE 193 DELIVERY FAN ASSEMBLY (PLAIN TYPE)



NOTE: This assembly does not include the part shown with key No.4.

FIGURE & KEY NO.	PART NUMBER	RANK	QTY	DESCRIPTION	SERIAL NUMBER / REMARKS
193 -	FG6 - 5854 - 000		1	DELIVERY FAN ASSEMBLY	PLAIN TYPE
1	FG3 - 0717 - 000		1	CABLE, DELIVERY FAN CONNECTING	J6521,6522
2	FH6 - 1701 - 000		1	FAN, COOLING	FM2 J6522
3	VS1 - 5057 - 003		1	CONNECTOR, SNAP TIGHT	J6522
4	VS1 - 5057 - 003		1	CONNECTOR, SNAP TIGHT	SEE NOTE J6521
501	XB1 - 2404 - 009		2	SCREW, MACH., TRUSS HEAD, M4X40	

# FIGURE 194 MACHINE COOLING FAN ASSEMBLY



NOTE: This assembly does not include the part shown with key No.2.

FIGURE & KEY NO.	PART NUMBER	RANK	QTY	DESCRIPTION	SERIAL NUMBER / REMARKS
194 -	FG6 - 5855 - 000		1	MACHINE COOLING FAN ASSEMBLY	
1	FH6 - 1579 - 000		1	FAN, COOLING	FM4 J6520
2	VS1 - 5057 - 003		1	CONNECTOR, SNAP TIGHT	SEE NOTE J6520
501	XB4 - 7403 - 509		2	SCREW, TAPPING, TRUSS HEAD, M4X35	
-----					
-----					





# FIGURE 250 DRUM DRIVE ASSEMBLY

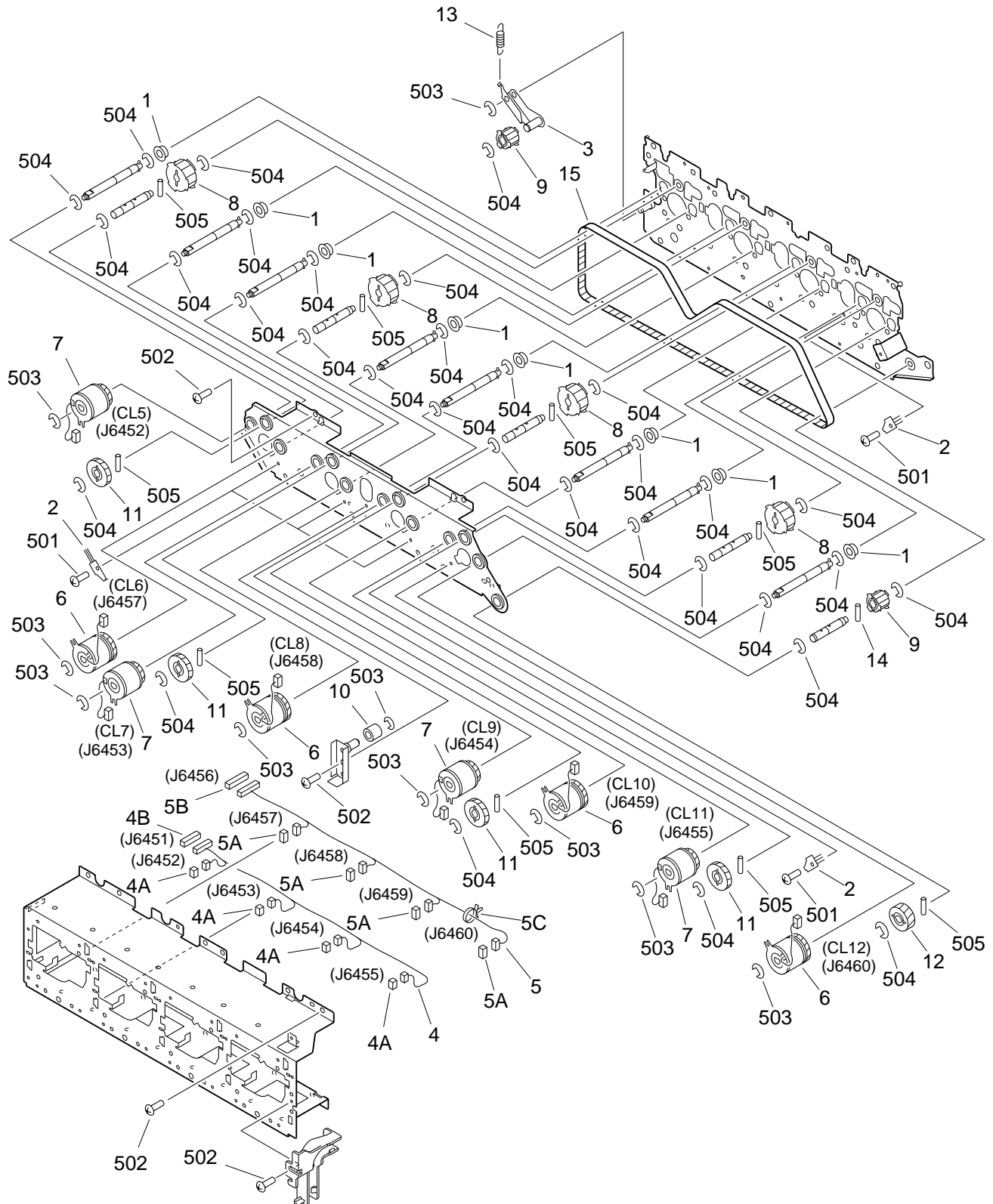


FIGURE & KEY NO.	PART NUMBER	RANK	QTY	DESCRIPTION	SERIAL NUMBER / REMARKS
250 -	FG6 - 4154 - 000		1	DRUM DRIVE ASSEMBLY	
1	FA9 - 2112 - 000		8	BUSHING	
2	FB2 - 4375 - 000		5	BRUSH, GROUNDING	
3	FF5 - 9278 - 000		1	PLATE, TENSIONER	
4	FG3 - 0737 - 000		1	CABLE, DRUM DRIVE, 1	J6451-6455
4 A	VS1 - 5057 - 002		4	CONNECTOR, SNAP TIGHT	J6452-6455
4 B	VS1 - 6318 - 008		1	CONNECTOR, SNAP TIGHT	J6451
5	FG3 - 0738 - 000		1	CABLE, DRUM DRIVE, 2	J6456-6460
5 A	VS1 - 5057 - 003		4	CONNECTOR, SNAP TIGHT	J6457-6460
5 B	VS1 - 6318 - 011		1	CONNECTOR, SNAP TIGHT	J6456
5 C	WT2 - 5178 - 000		1	CLIP, CABLE	
6	FH7 - 5916 - 000		4	CLUTCH, ELECTROMAGNETIC	CL6,8,10,12 J6457-6460
7	FH7 - 5917 - 000		4	CLUTCH, ELECTROMAGNETIC	CL5,7,9,11 J6452-6455
8	FS5 - 3775 - 000		4	PULLEY, 50T	
9	FS5 - 3776 - 000		2	PULLEY, 30T	
10	FS5 - 6718 - 000		1	ROLLER, IDLER	
11	FS7 - 0550 - 000		4	GEAR, 35T	
12	FS7 - 0551 - 000		1	GEAR, 25T	
13	FS7 - 2275 - 000		1	SPRING, TENSION	
14	XD9 - 0108 - 000		1	PIN,DOWEL	
15	XF2 - 1143 - 310		1	BELT, TIMING	
501	XB1 - 2400 - 606		5	SCREW,MACH.,TRUSS HEAD,M4X6	
502	XB1 - 2400 - 609		13	SCREW,MACH.,TRUSS HEAD,M4X6	
503	XD2 - 1100 - 402		10	RING,E	
504	XD2 - 1100 - 642		33	RING,E	
505	XD3 - 2200 - 182		9	PIN,DOWEL	

# FIGURE 260 PAPER PICK-UP DRIVE ASSEMBLY

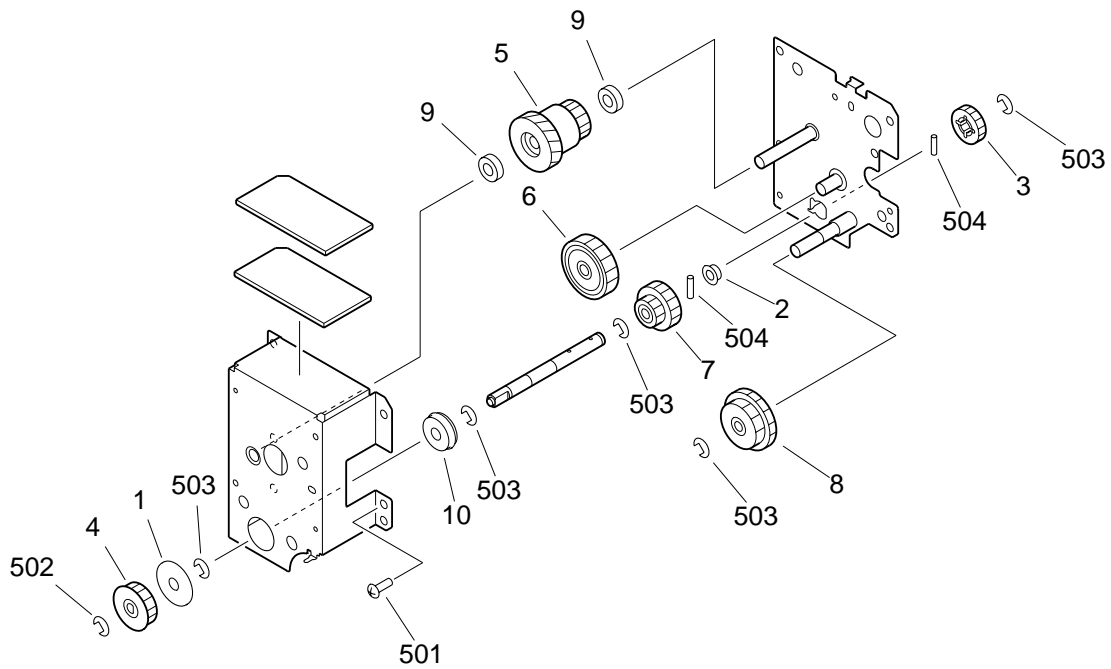


FIGURE & KEY NO.	PART NUMBER	RANK	QTY	DESCRIPTION	SERIAL NUMBER / REMARKS
260 -	FG6 - 4134 - 000		1	PAPER PICK-UP DRIVE ASSEMBLY	
1	FB5 - 2301 - 000		1	FLANGE	
2	FS1 - 1465 - 000		1	BUSHING	
3	FS3 - 0942 - 000		1	GEAR, 21T	
4	FS5 - 3774 - 000		1	PULLEY, 28T	
5	FS7 - 0502 - 000		1	GEAR, 33T/54T	
6	FS7 - 0503 - 000		1	GEAR, 48T	
7	FS7 - 0504 - 000		1	GEAR, 21T/36T	
8	FS7 - 0505 - 000		1	GEAR, 28T/46T	
9	XG9 - 0172 - 000		2	BEARING, BALL	
10	XG9 - 0249 - 000		1	BEARING, BALL	
501	XB1 - 2400 - 609		2	SCREW, MACH., TRUSS HEAD, M4X6	
502	XD2 - 1100 - 402		1	RING, E	
503	XD2 - 1100 - 642		5	RING, E	
504	XD3 - 2200 - 142		2	PIN, DOWEL	



# FIGURE 265 VERTICAL PATH DRIVE ASSEMBLY

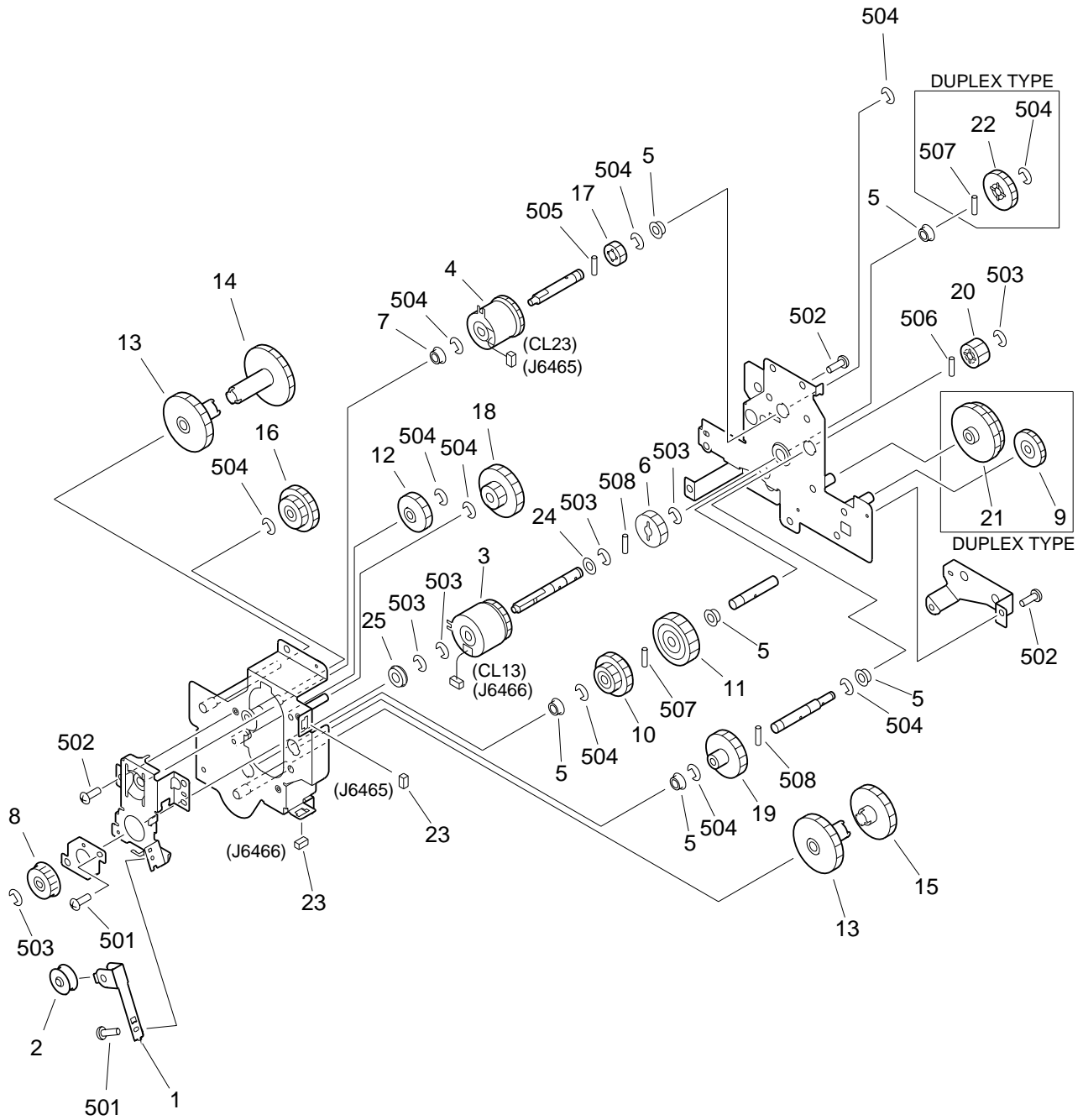


FIGURE & KEY NO.	PART NUMBER	RANK	QTY	DESCRIPTION	SERIAL NUMBER / REMARKS
265 -	FG6 - 7803 - 000		1	VERTICAL PATH DRIVE ASSEMBLY	PLAIN TYPE
	FG6 - 4135 - 000		1	VERTICAL PATH DRIVE ASSEMBLY	DUPLEX TYPE
	1 FB3 - 2584 - 000		1	SPRING, LEAF	
2	FB3 - 2588 - 000		1	ROLLER, TENSIONER	
3	FH7 - 5764 - 000		1	CLUTCH, ELECTROMAGNETIC	CL13 J6466
4	FH7 - 5914 - 000		1	CLUTCH, ELECTROMAGNETIC	CL23 J6465
5	FS1 - 1186 - 000		6	BUSHING	
6	FS5 - 0677 - 000		1	GEAR, 26T	
7	FS5 - 1004 - 000		1	BUSHING, POLYACETAR	
8	FS5 - 3774 - 000		1	PULLEY, 28T	
9	FS7 - 0058 - 000		1	GEAR, 28T	DUPLEX TYPE
10	FS7 - 0522 - 000		1	GEAR, 21T/33T	
11	FS7 - 0523 - 000		1	ONE-WAY GEAR, 39T	
12	FS7 - 0524 - 000		1	GEAR, 29T	
13	FS7 - 0525 - 000		2	GEAR, 46T	
14	FS7 - 0526 - 000		1	GEAR, 48T	
15	FS7 - 0527 - 000		1	GEAR, 42T	
16	FS7 - 0530 - 000		1	GEAR, 24T/35T	
17	FS7 - 0531 - 000		1	GEAR, 16T	
18	FS7 - 0532 - 000		1	GEAR, 18T/40T	
19	FS7 - 0533 - 000		1	GEAR, 36T	
20	FS7 - 0534 - 000		1	GEAR, 17T	
21	FS7 - 0588 - 000		1	GEAR, 42T/46T	DUPLEX TYPE
22	FS7 - 0593 - 000		1	GEAR, 30T	DUPLEX TYPE
23	VS1 - 5057 - 002		2	CONNECTOR, SNAP TIGHT	J6465,6466
24	XD9 - 0169 - 000		1	WASHER, WAVE	
25	XG9 - 0250 - 000		1	BEARING, BALL	
501	XB1 - 2300 - 609		1	SCREW,MACH.,TRUSS HEAD,M3X6	
502	XB1 - 2400 - 609		9	SCREW,MACH.,TRUSS HEAD,M4X6	DUPLEX TYPE
	XB1 - 2400 - 609		7	SCREW,MACH.,TRUSS HEAD,M4X6	PLAIN TYPE

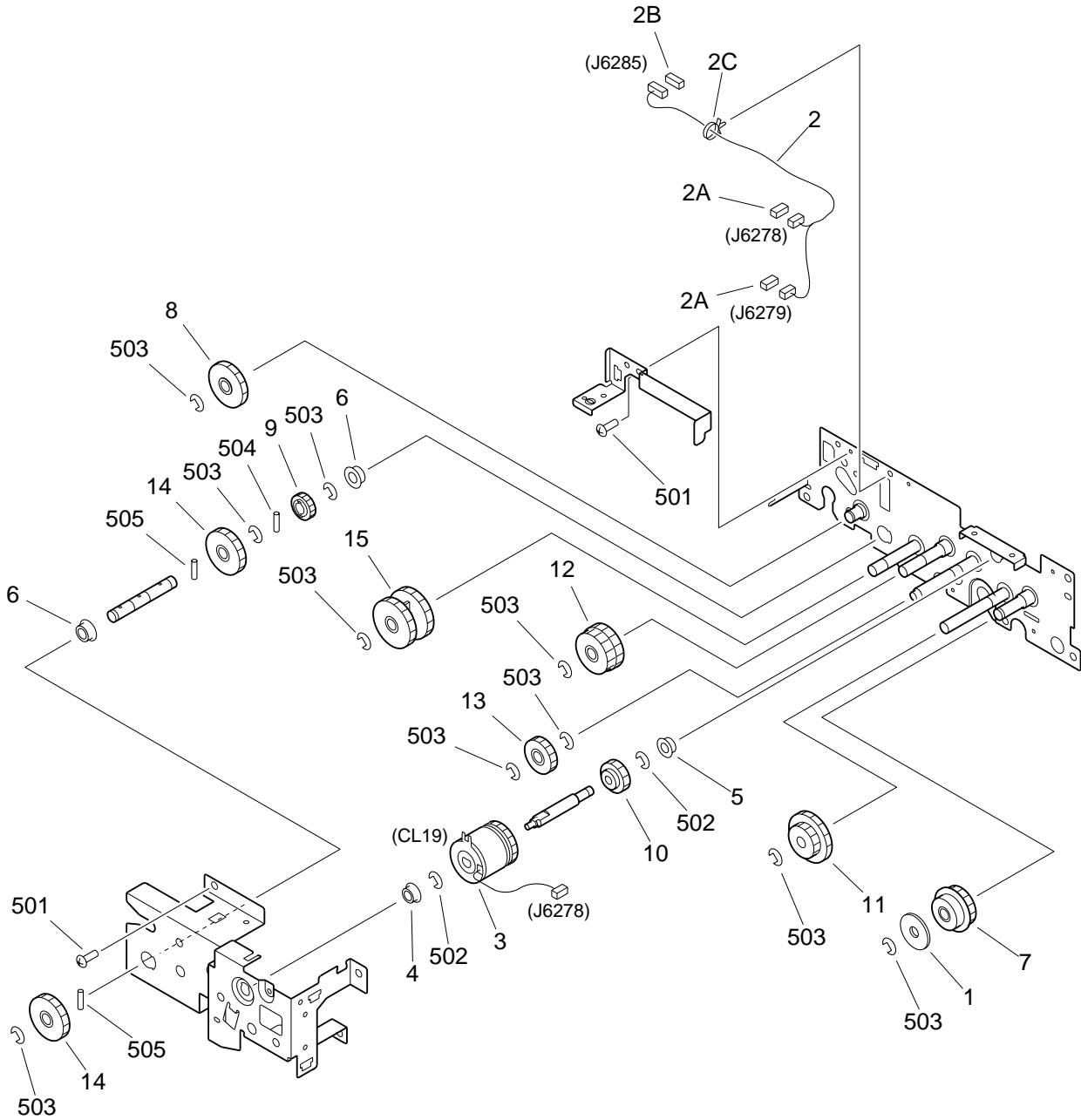
FIGURE & KEY NO.	PART NUMBER	RANK	QTY	DESCRIPTION	SERIAL NUMBER / REMARKS
265 - 503	XD2 - 1100 - 402		5	RING,E	
504	XD2 - 1100 - 642		11	RING,E	DUPLEX TYPE
	XD2 - 1100 - 642		10	RING,E	PLAIN TYPE
505	XD3 - 2200 - 102		1	PIN,DOWEL	
506	XD3 - 2200 - 122		1	PIN,DOWEL	
507	XD3 - 2200 - 162		2	PIN,DOWEL	DUPLEX TYPE
	XD3 - 2200 - 162		1	PIN,DOWEL	PLAIN TYPE
508	XD3 - 2200 - 182		2	PIN,DOWEL	





# DUPLEXING FEEDER DRIVE ASSEMBLY (DUPLEX TYPE)

## FIGURE 267



NOTE: This assembly is included in the assembly shown in Figure 360.

FIGURE & KEY NO.	PART NUMBER	RANK	QTY	DESCRIPTION	SERIAL NUMBER / REMARKS
267 -	FG6 - 4186 - 000		1	DUPLEXING FEEDER DRIVE ASS'Y	imageRUNNER C2050 imageRUNNER C2020 iR C2100/2100S CP2150/2120/2150G DUPLEX TYPE SEE NOTE
	FG6 - 9297 - 000		1	DUPLEXING FEEDER DRIVE ASS'Y	imageRUNNER C2058 iR C2105/2105S CP2155/2125 DUPLEX TYPE SEE NOTE
1	FB5 - 2282 - 000		1	FLANGE	
2	FG3 - 0762 - 000		1	CABLE, DUPLEXING CLUTCH	J6278,6279,6285
2 A	VS1 - 5057 - 002		1	CONNECTOR, SNAP TIGHT	J6278,6279
2 B	VS1 - 5057 - 004		1	CONNECTOR, SNAP TIGHT	J6285
2 C	WT2 - 5041 - 000		1	CLAMP, CABLE	
3	FH7 - 5918 - 000		1	CLUTCH, ELECTROMAGNETIC	CL19 J6278
4	FS1 - 1433 - 000		1	BUSHING	
5	FS1 - 1508 - 000		1	BUSHING	
6	FS1 - 1510 - 000		2	BUSHING	
7	FS5 - 3777 - 000		1	GEAR, 28T/ PULLEY, 38T	
8	FS6 - 0367 - 000		1	GEAR, 30T	
9	FS6 - 0627 - 000		1	GEAR, 16T	
10	FS7 - 0038 - 000		1	GEAR, 21T	
11	FS7 - 0589 - 000		1	GEAR, 22T/34T	
12	FS7 - 0590 - 000		1	GEAR, 28T/30T	imageRUNNER C2050 imageRUNNER C2020
	FU3 - 0393 - 000		1	GEAR, 30T/34T	iR C2100/2100S CP2150/2120/2150G imageRUNNER C2058 iR C2105/2105S CP2155/2125
13	FS7 - 0592 - 000		1	GEAR, 23T	imageRUNNER C2050 imageRUNNER C2020 iR C2100/2100S CP2150/2120/2150G
	FS6 - 0081 - 000		1	GEAR, 20T	imageRUNNER C2058 iR C2105/2105S CP2155/2125
14	FS7 - 0593 - 000		2	GEAR, 30T	
15	FS7 - 0595 - 000		1	GEAR, 33T/34T	
501	XB1 - 2400 - 609		5	SCREW,MACH.,TRUSS HEAD,M4X6	

FIGURE & KEY NO.	PART NUMBER	R A N K	Q' T Y	DESCRIPTION	SERIAL NUMBER / REMARKS
267 - 502	XD2 - 1100 - 502		2	RING,E	
503	XD2 - 1100 - 642		11	RING,E	
504	XD3 - 2200 - 102		1	PIN,DOWEL	
505	XD3 - 2200 - 162		2	PIN,DOWEL	

# FIGURE 270 TRANSFER SWING CAM ASSEMBLY

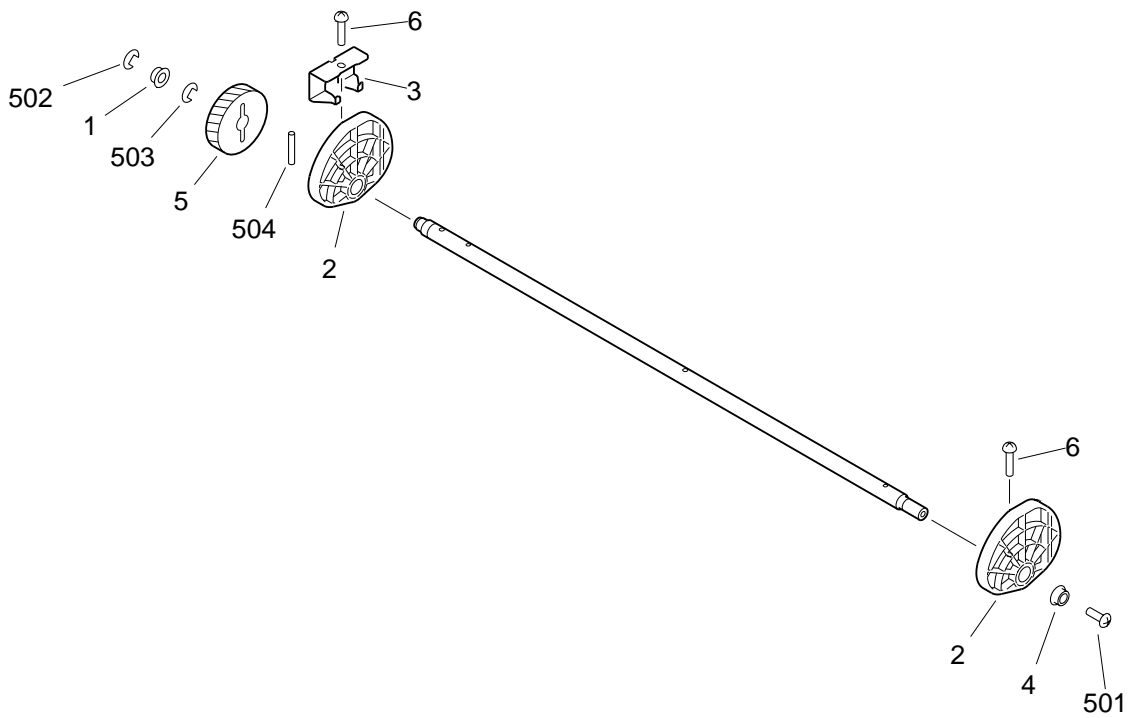


FIGURE & KEY NO.	PART NUMBER	RANK	QTY	DESCRIPTION	SERIAL NUMBER / REMARKS
270 -	FG6 - 4183 - 020		1	TRANSFER SWING CAM ASSEMBLY	
1	FA9 - 2112 - 000		1	BUSHING	
2	FB5 - 1111 - 000		2	CAM	
3	FB5 - 9727 - 000		1	STOP CAM	
4	FS1 - 1202 - 000		1	BUSHING	
5	FS7 - 0540 - 000		1	GEAR, 38T	
6	XA9 - 1141 - 000		2	SCREW,TP,M4X18	
501	XB1 - 2500 - 609		1	SCREW,MACH.,TRUSS HEAD,M5X6	
502	XD2 - 1100 - 502		1	RING,E	
503	XD2 - 1100 - 802		1	RING,E	
504	XD3 - 2300 - 262		1	PIN,DOWEL	

# FIGURE 280 FIXING DRIVE ASSEMBLY

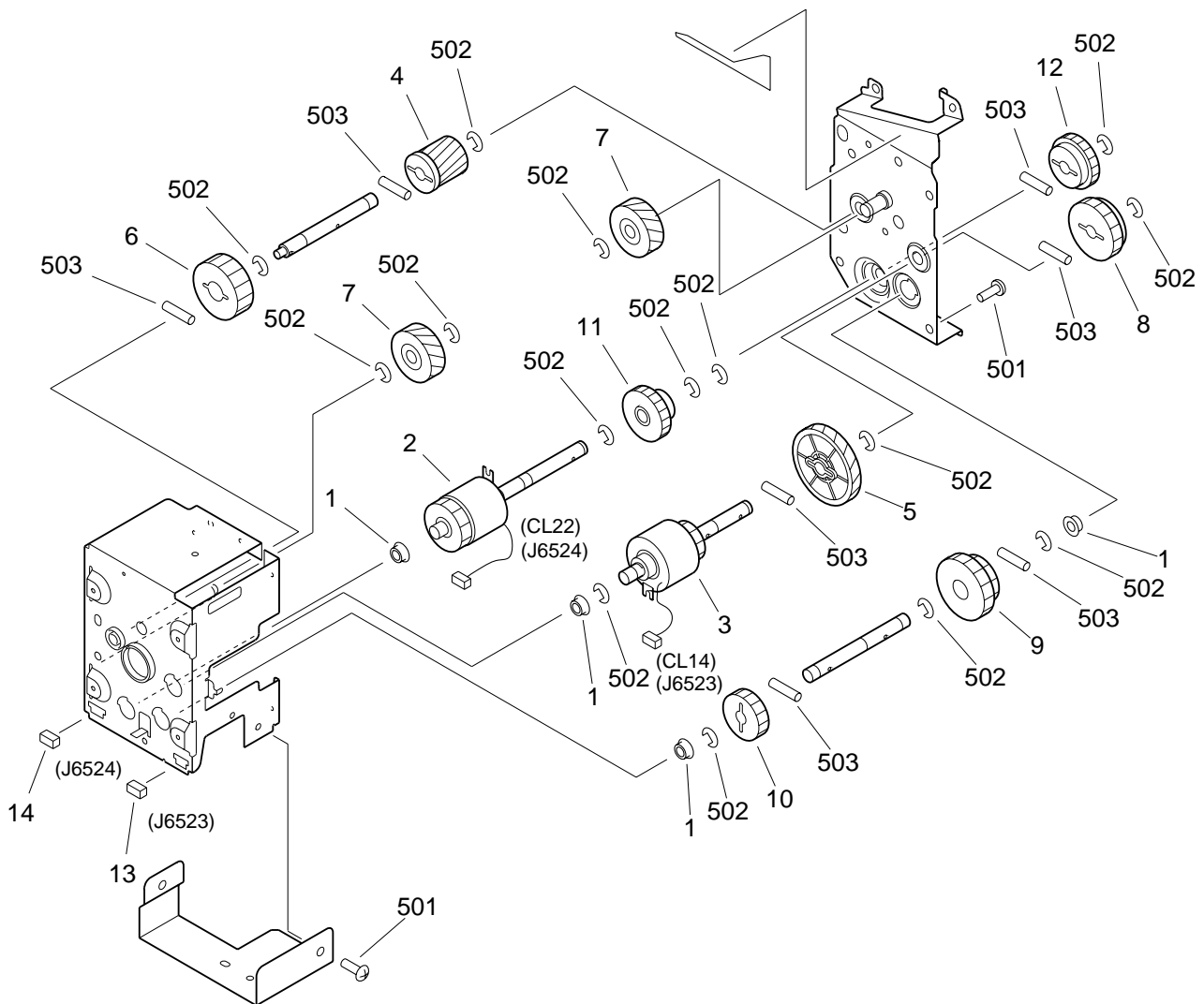


FIGURE & KEY NO.	PART NUMBER	RANK	QTY	DESCRIPTION	SERIAL NUMBER / REMARKS
280 -	FG6 - 4155 - 000		1	FIXING DRIVE ASSEMBLY	
1	FA9 - 2112 - 000		4	BUSHING	
2	FG6 - 4243 - 000		1	FIXING HIGH SPEED CLUTCH UNIT	CL22 J6524
3	FG6 - 4244 - 000		1	FIXING CLUTCH UNIT	CL14 J6523
4	FS7 - 0548 - 000		1	GEAR, 21T	
5	FS7 - 0549 - 000		1	GEAR, 46T	
6	FS7 - 0558 - 000		1	GEAR, 54T	
7	FS7 - 0560 - 000		2	GEAR, 30T	
8	FS7 - 0562 - 000		1	GEAR, 34T	
9	FS7 - 0563 - 000		1	GEAR, 27T/46T	
10	FS7 - 0564 - 000		1	GEAR, 34T	
11	FS7 - 0565 - 000		1	GEAR, 30T ONE-WAY	
12	FS7 - 0566 - 000		1	GEAR, 30T	
13	VS1 - 5057 - 002		1	CONNECTOR, SNAP TIGHT	J6523
14	VS1 - 5057 - 003		1	CONNECTOR, SNAP TIGHT	J6524
501	XB6 - 7400 - 605		8	SCREW,TP,M4X6	
502	XD2 - 1100 - 642		15	RING,E	
503	XD3 - 2200 - 182		7	PIN,DOWEL	

# FACE DOWN OUTPUT UNIT DRIVE ASSEMBLY (DUPLEX TYPE)

## FIGURE 290

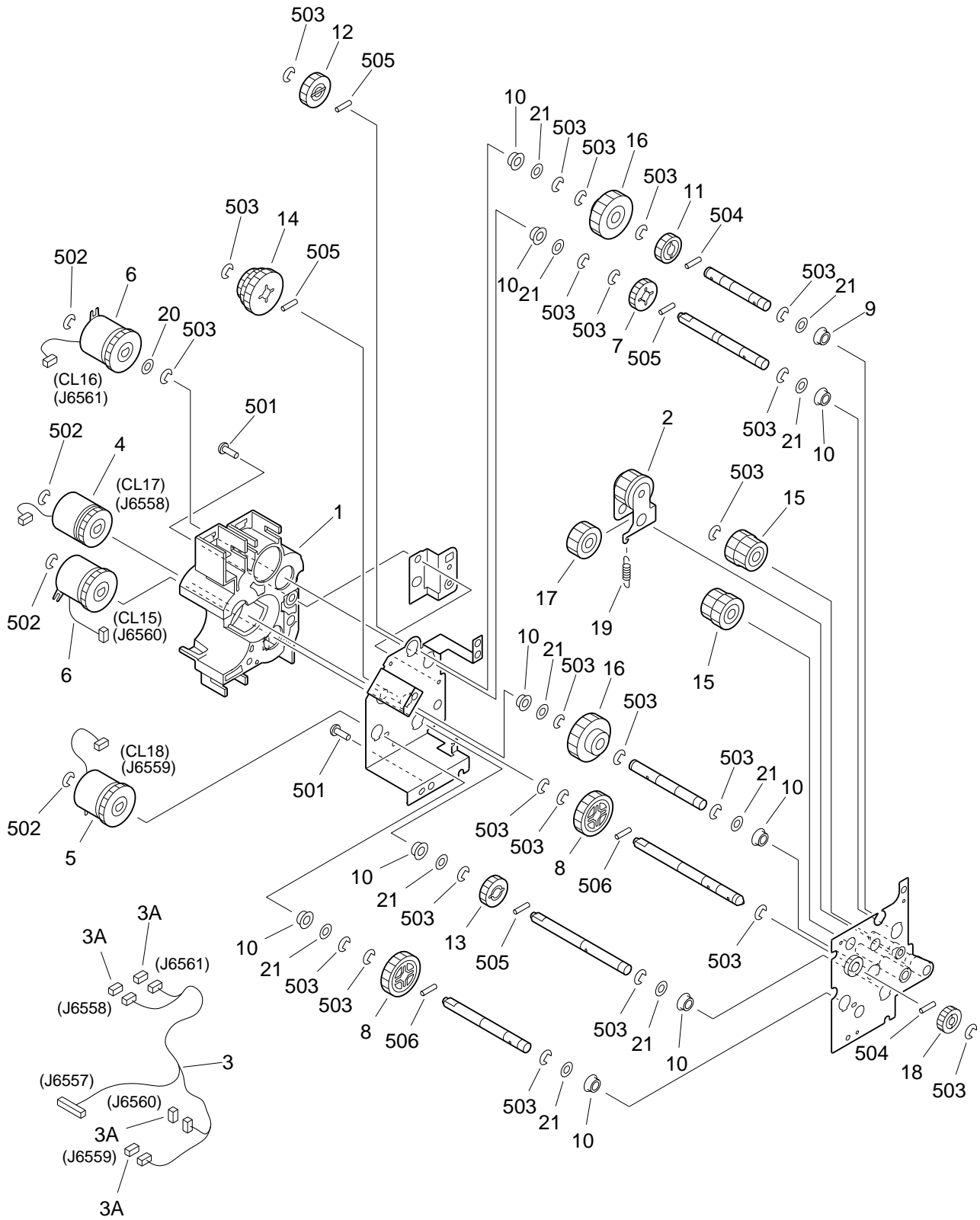


FIGURE & KEY NO.	PART NUMBER	RANK	QTY	DESCRIPTION	SERIAL NUMBER / REMARKS
290 -	FG6 - 4188 - 000		1	FACE DOWN OUTPUT DRIVE ASS'Y	imageRUNNER C2050 imageRUNNER C2020 iR C2100/2100S CP2150/2120/2150G DUPLEX TYPE
	FG6 - 9293 - 000		1	FACE DOWN OUTPUT DRIVE ASS'Y	imageRUNNER C2058 iR C2105/2105S CP2155/2125 DUPLEX TYPE
1	FB5 - 1764 - 000		1	HOLDER, CLUTCH	
2	FF5 - 9285 - 000		1	ARM, TENSIONER	
3	FG3 - 0756 - 000		1	CABLE, DUPLEX DELIVERY DRIVE	J6557-6561
3 A	VS1 - 5057 - 002		4	CONNECTOR, SNAP TIGHT	J6558-6561
4	FH7 - 5918 - 000		1	CLUTCH, ELECTROMAGNETIC	CL17 J6558
5	FH7 - 5922 - 000		1	CLUTCH, ELECTROMAGNETIC	CL18 J6559
6	FH7 - 5922 - 000		2	CLUTCH, ELECTROMAGNETIC	imageRUNNER C2050 imageRUNNER C2020 iR C2100/2100S CP2150/2120/2150G CL15,16 J6560,6561
	FH6 - 5050 - 000		2	CLUTCH, ELECTROMAGNETIC	imageRUNNER C2058 iR C2105/2105S
7	FS1 - 0542 - 000		1	GEAR, 22T	CP2155/2125 CL15,16 J6560,6561
8	FS1 - 0578 - 000		2	GEAR, 32T	
9	FS1 - 1341 - 000		1	BUSHING	
10	FS1 - 1510 - 000		9	BUSHING	
11	FS6 - 0025 - 000		1	GEAR, 19T	
12	FS7 - 0018 - 000		1	GEAR, 24T	imageRUNNER C2050 imageRUNNER C2020 iR C2100/2100S CP2150/2120/2150G
	FU3 - 0392 - 000		1	GEAR, 21T	imageRUNNER C2058 iR C2105/2105S CP2155/2125
13	FS7 - 0597 - 000		1	GEAR, 22T	
14	FS7 - 0598 - 000		1	GEAR, 24T/28T/32T	imageRUNNER C2050 imageRUNNER C2020 iR C2100/2100S CP2150/2120/2150G
	FU3 - 0391 - 000		1	GEAR, 21T/28T/32T	imageRUNNER C2058 iR C2105/2105S CP2155/2125



FIGURE & KEY NO.	PART NUMBER	R A N K	Q' T Y	DESCRIPTION	SERIAL NUMBER / REMARKS
290 - 15	FS7 - 0599 - 000		2	REAR, 22T/24T	
16	FS7 - 0680 - 000		2	GEAR, 34T	
17	FS7 - 0681 - 000		1	GEAR, 24T	
18	FS7 - 0686 - 000		1	GEAR, 18T	
19	FS7 - 2355 - 000		1	SPRING, TENSION	
20	XD9 - 0169 - 000		1	WASHER, WAVE	
21	XD9 - 0202 - 000		10	WASHER	
501	XB1 - 2400 - 607		6	SCREW,MACH.,TRUSS HEAD,M4X6	
502	XD2 - 1100 - 402		4	RING,E	
503	XD2 - 1100 - 642		24	RING,E	
504	XD3 - 2200 - 122		2	PIN,DOWEL	
505	XD3 - 2200 - 142		4	PIN,DOWEL	
506	XD3 - 2200 - 182		2	PIN,DOWEL	



# FIGURE 300 CASSETTE

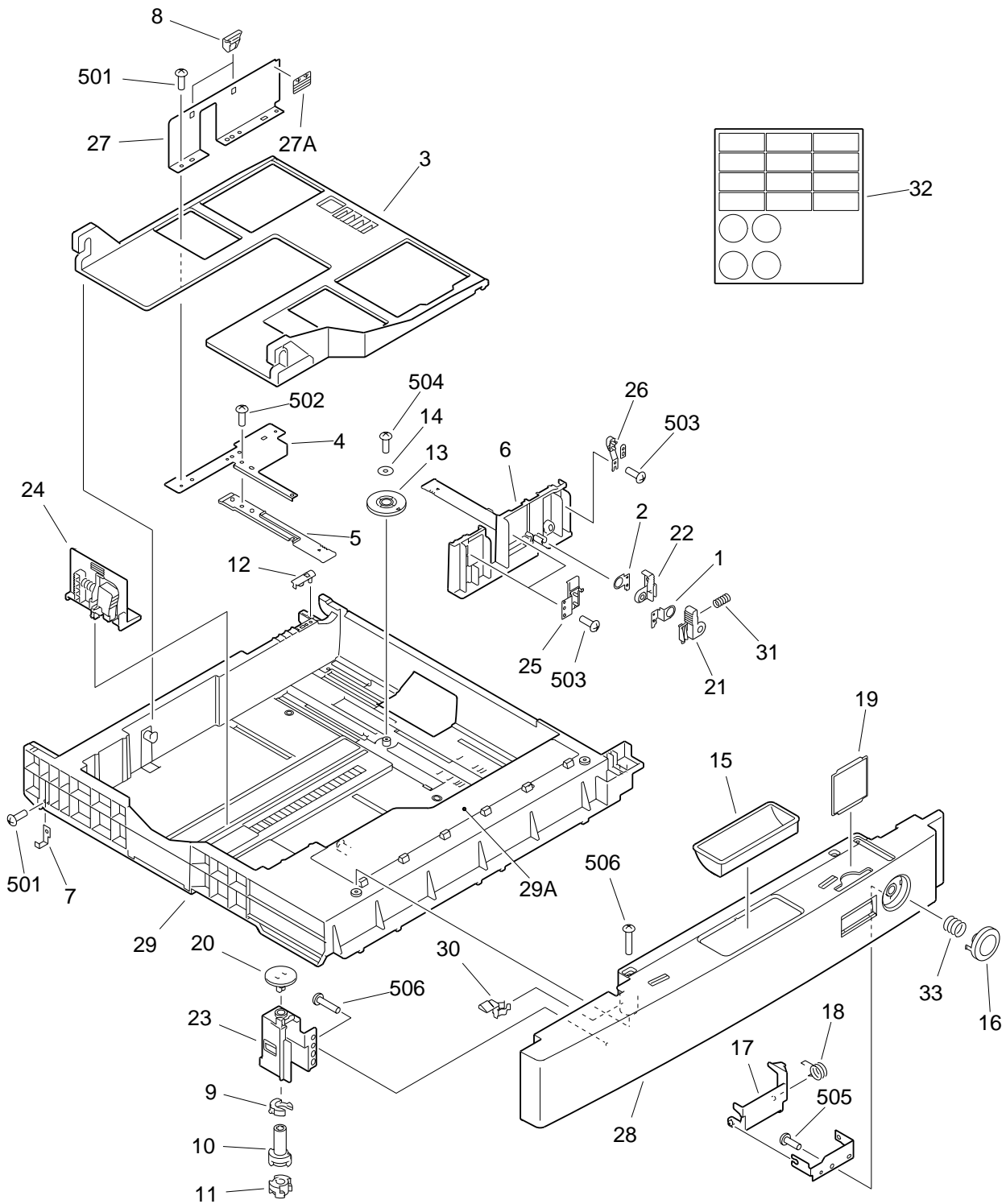


FIGURE & KEY NO.	PART NUMBER	RANK	QTY	DESCRIPTION	SERIAL NUMBER / REMARKS
300 -	NPN		RF	CASSETTE	
1	FA9 - 3313 - 000		1	PLATE, STOP, 1	
2	FA9 - 3314 - 000		1	PLATE, STOP, 2	
3	FB3 - 2922 - 000		1	PLATE, PAPER LIFTING	
4	FB3 - 2926 - 000		1	PLATE, SIDE END	
5	FB3 - 2927 - 000		1	RACK, MANUAL	
6	FB3 - 2928 - 000		1	PLATE, SIZE END, FRONT	
7	FB3 - 2930 - 000		2	PLATE, STOP	
8	FB3 - 2934 - 000		2	CLAW, SIDE	
9	FB3 - 2941 - 000		1	CAM, SIZE SENSOR, 1	
10	FB3 - 2942 - 000		1	CAM, SIZE SENSOR, 2	
11	FB3 - 2943 - 000		1	CAM, SIZE SENSOR, 3	
12	FB3 - 2953 - 000		1	BLOCK, SLIDER	
13	FB3 - 2955 - 000		1	GEAR, 20T	
14	FB3 - 2956 - 000		1	RING, GEAR STOP	
15	FB4 - 3954 - 000		1	KNOB	
16	FB5 - 1482 - 000		1	BUTTON, CASSETTE PUSH	
17	FB5 - 1484 - 000		1	LEVER, CLICK RELEASE	LARGE
	FB5 - 1485 - 000		1	LEVER, CLICK RELEASE	MIDDLE
18	FB5 - 1488 - 000		1	SPRING, TORSION	
19	FB5 - 1489 - 000		1	PLATE, SIZE	
20	FB5 - 3811 - 000		1	KNOB, SIZE SENSOR	
21	FB5 - 3812 - 000		1	KNOB, FRONT SIDE END PLATE, 1	
22	FB5 - 3813 - 000		1	KNOB, FRONT SIDE END PLATE, 2	
23	FB5 - 3906 - 000		1	COVER, CAM	
24	FB5 - 8353 - 000		1	PLATE, PAPER END SIDE LIMIT	
25	FF5 - 4491 - 000		2	BLOCK, SIDE, 2	
26	FF5 - 4548 - 030		1	BLOCK, SIDE, 1	
27	FF5 - 4569 - 020		1	PLATE, SIDE END, REAR	
27 A	FS6 - 8116 - 000		1	LABEL, "PAPER HEIGHT"	

FIGURE & KEY NO.	PART NUMBER	RANK	QTY	DESCRIPTION	SERIAL NUMBER / REMARKS
300 - 28	FF5 - 9355 - 000		1	PANEL, CASSETTE, FRONT	
29	FF5 - 9358 - 000	N	1	BODY, CASSETTE	LARGE
	FF5 - 9359 - 000	N	1	BODY, CASSETTE	MIDDLE
29A	FS6 - 8879 - 000		1	LABEL, "PAPER SUPPLY"	LARGE
	FS6 - 8869 - 000		1	LABEL, "PAPER SUPPLY"	MIDDLE
30	FF6 - 0797 - 000		1	BLOCK, WASTE TONER SUPPORT	
31	FS5 - 2650 - 000		1	SPRING, COMPRESSION	
32	FS6 - 8867 - 000		1	LABEL, CASSETTE SIZE	
33	FS7 - 2289 - 000		1	SPRING, COMPRESSION	
501	XB1 - 2300 - 409		5	SCREW,MACH.,TRUSS HEAD,M3X4	
502	XB1 - 2300 - 609		2	SCREW,MACH.,TRUSS HEAD,M3X6	
503	XB4 - 7300 - 609		3	SCREW,TAPPING,TRUSS HEAD,M3X6	
504	XB4 - 7300 - 809		1	SCREW,TAPPING,TRUSS HEAD,M3X8	
505	XB4 - 7400 - 809		1	SCREW,TAPPING,TRUSS HEAD,M4X8	
506	XB4 - 7401 - 207		3	SCREW,TAPPING,TRUSS HEAD,M4X12	

# FIGURE 305 CASSETTE HEATER ASSEMBLY (ACCESSORY)

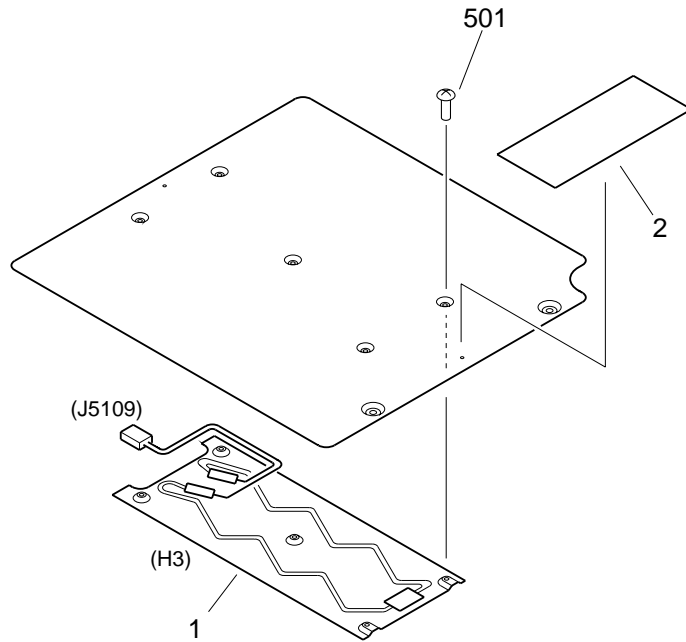
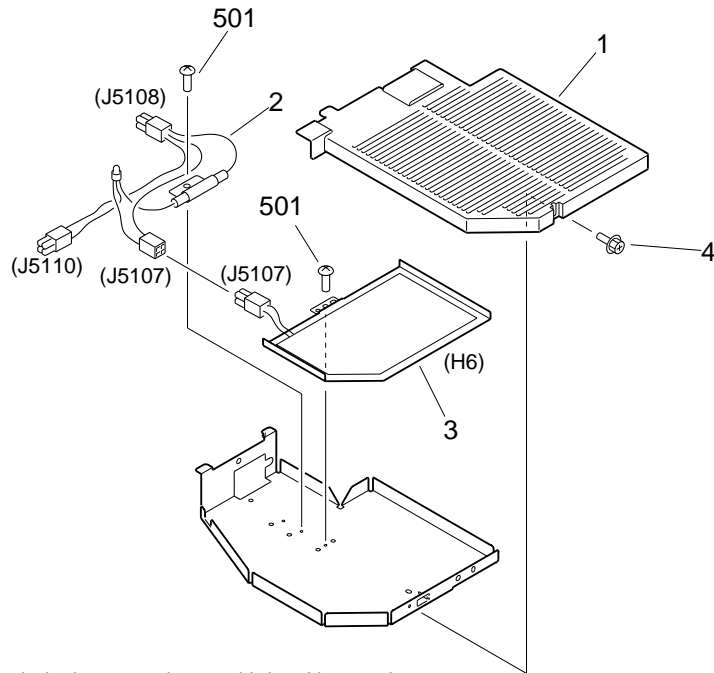


FIGURE & KEY NO.	PART NUMBER	RANK	QTY	DESCRIPTION	SERIAL NUMBER / REMARKS
305 -	NPN		RF	CASSETTE HEATER ASSEMBLY	ACCESSORY
1	FH7 - 4576 - 000		1	HEATER, CASSETTE	100V H3 J5109
	FH7 - 4669 - 000		1	HEATER	120V H3 J5109
	FH7 - 4509 - 000		1	HEATER, CASSETTE	220/240V H3 J5109
2	FS6 - 8904 - 000		1	LABEL, CASSETTE HEATER	
501	XB1 - 2400 - 407		5	SCREW,MACH.,TRUSS HEAD,M4X4	

# FIGURE 306 RIGHT ENVIRONMENT HEATER ASSEMBLY



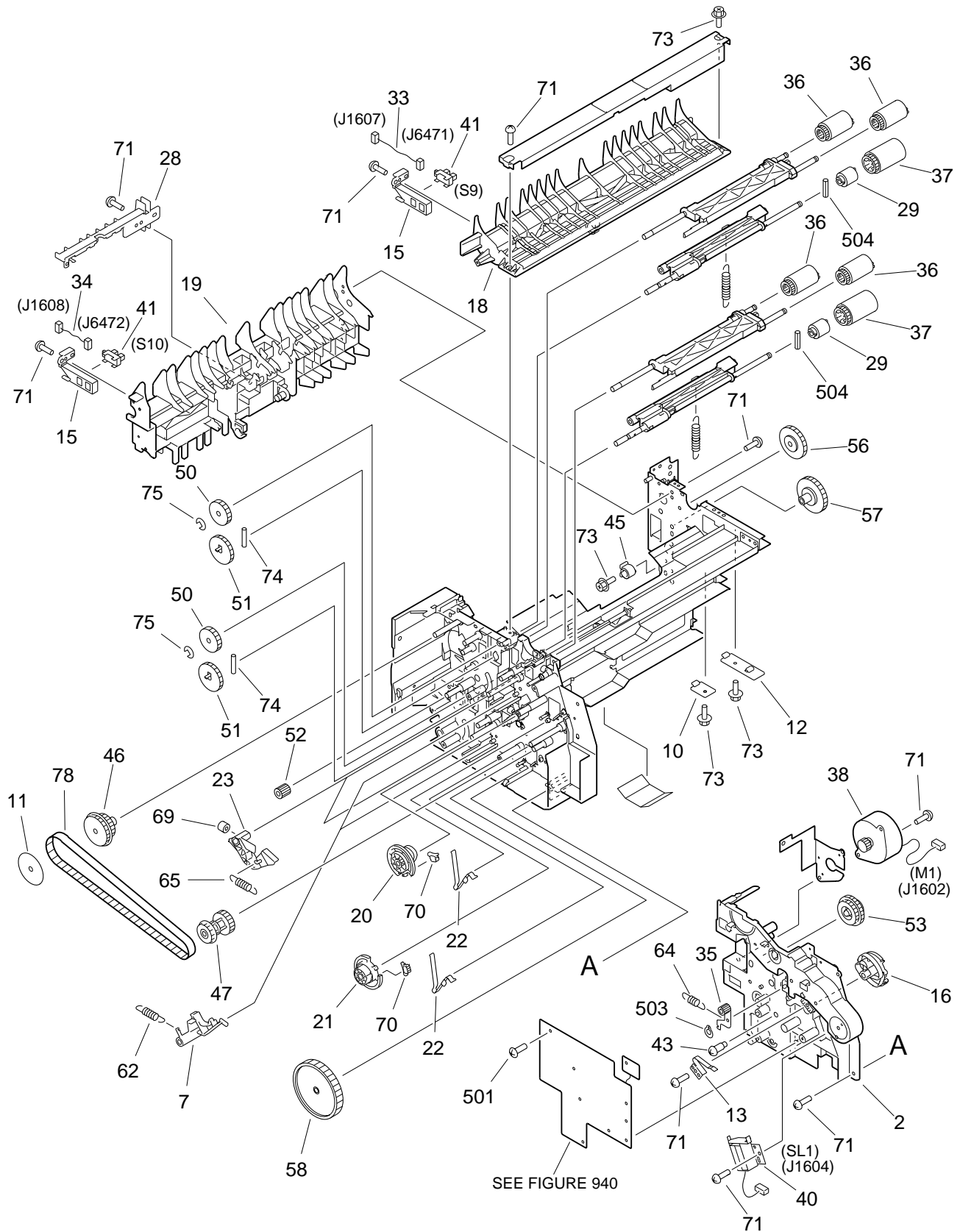
NOTE: This assembly does not include the parts shown with key No. 1 and 4.

FIGURE & KEY NO.	PART NUMBER	RANK	QTY	DESCRIPTION	SERIAL NUMBER / REMARKS
306 -	FG6 - 4233 - 000		1	RIGHT ENVIRONMENT HEATER ASS'Y	100V
	FG6 - 4253 - 000		1	RIGHT ENVIRONMENT HEATER ASS'Y	120V
	FG6 - 4254 - 000		1	RIGHT ENVIRONMENT HEATER ASS'Y	220/240V
	1	FB5 - 3782 - 000		1	COVER, HEATER
2	FG3 - 0817 - 000		1	CABLE, THERMAL SWITCH	100/120V J5107,5108,5110
3	FG3 - 0818 - 000		1	CABLE, THERMAL SWITCH	220/240V J5107,5108,5110
	FH7 - 4646 - 000		1	HEATER, FLAT	100V H6 J5107
	FH7 - 4657 - 000		1	HEATER, FLAT	120V H6 J5107
	FH7 - 4648 - 000		1	HEATER, FLAT	220/240V H6 J5107
4	XA9 - 0629 - 000		1	SCREW,RS,M4X8	SEE NOTE
501	XB1 - 2400 - 407		2	SCREW,MACH.,TRUSS HEAD,M4X4	





# FIGURE 310 PAPER PICK-UP ASSEMBLY(1/2)



NOTE1: This assembly includes the assembly shown in Figure 940.

NOTE2: This assembly does not include the part shown with key No. 72.

# FIGURE 310 PAPER PICK-UP ASSEMBLY(2/2)

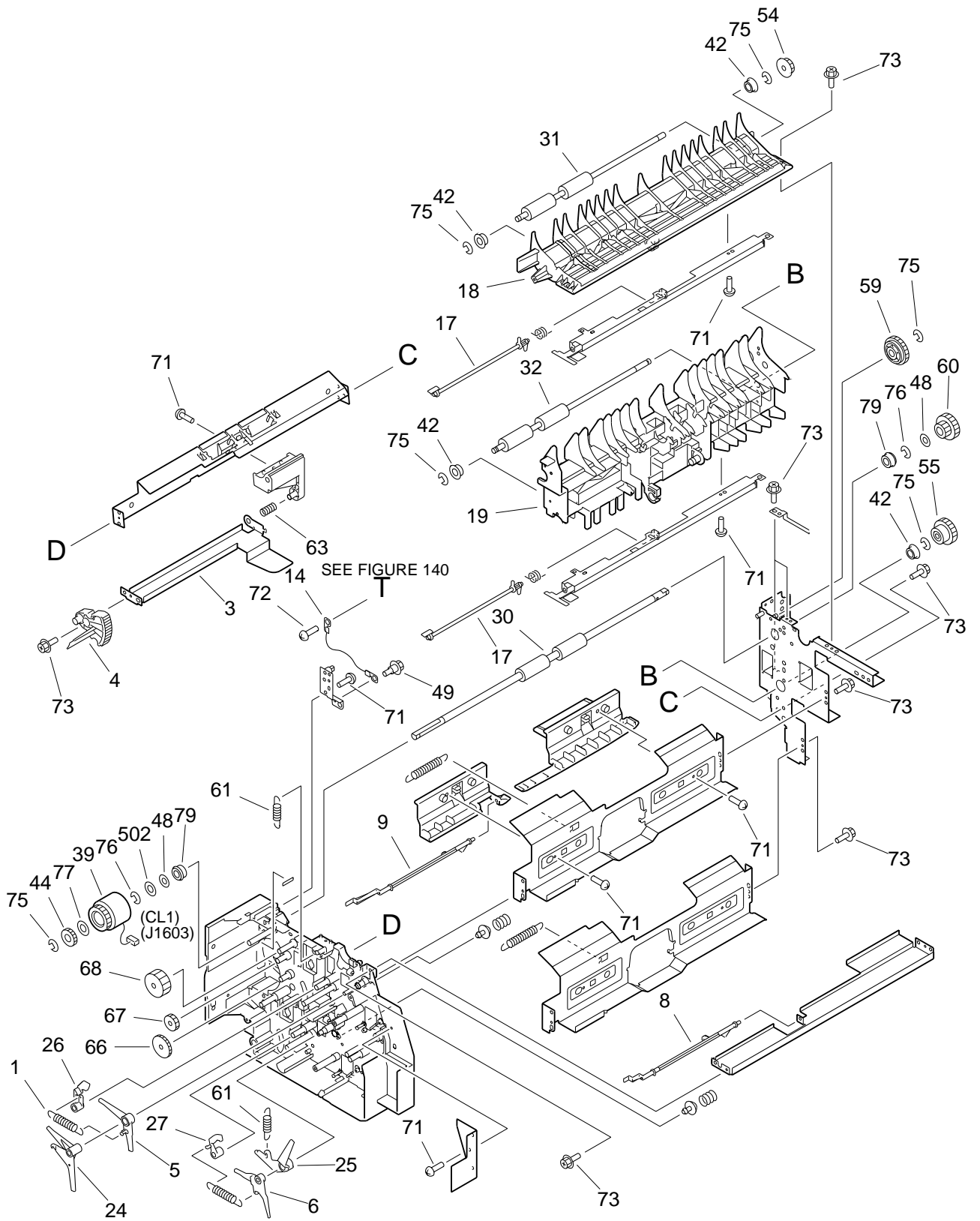


FIGURE & KEY NO.	PART NUMBER	RANK	QTY	DESCRIPTION	SERIAL NUMBER / REMARKS
310 -	FG6 - 4142 - 000		1	PAPER PICK-UP ASSEMBLY	SEE NOTE 1
1	FA9 - 3611 - 000		1	SPRING, TENSION	
2	FB3 - 2844 - 000		1	COVER, FRAME	
3	FB3 - 2855 - 000		2	PLATE, PAPER SUPPORT	
4	FB3 - 2856 - 000		2	GEAR, RATCHET	
5	FB3 - 2863 - 000		1	LEVER, LIFTER, UPPER	
6	FB3 - 2864 - 000		1	LEVER, LIFTER, LOWER	
7	FB3 - 2868 - 020		2	CLAW, LIFTER LOCK	
8	FB3 - 2880 - 000		1	FLAG, PAPER SENSOR, UPPER	
9	FB3 - 2881 - 000		1	FLAG, PAPER SENSOR, LOWER	
10	FB3 - 2894 - 020		1	GUIDE, LOWER CASSETTE	
11	FB3 - 2896 - 000		1	PLATE, BELT SUPPORT	
12	FB3 - 2897 - 020		1	GUIDE, UPPER CASSETTE	
13	FB3 - 2898 - 020		1	SPRING, LEAF	
14	FB3 - 5597 - 000		1	WIRE, DOOR SUPPORT	
15	FB4 - 2817 - 000		2	MOUNT, SENSOR	
16	FB4 - 2987 - 000		1	CAM, PAPER PICK-UP ROLLER	
17	FB4 - 3343 - 000		2	FLAG, RETRY SENSOR	
18	FB4 - 3800 - 000		1	GUIDE, C. PEDESTAL, UPPER	
19	FB4 - 3801 - 000		1	GUIDE, C. PEDESTAL, MIDDLE	
20	FB4 - 5347 - 000		1	CAM, LIFT UP, UPPER	
21	FB4 - 5348 - 000		1	CAM, LIFT UP, LOWER	
22	FB4 - 5349 - 000		2	SPRING, LEAF	
23	FB4 - 5350 - 000		2	CLAW, LIFTER ARM	
24	FB4 - 5364 - 000		1	ARM, LIFTER, UPPER	
25	FB4 - 5365 - 000		1	ARM, LIFTER, LOWER	
26	FB4 - 5366 - 000		1	LEVER, PICK LOCK, UPPER	
27	FB4 - 5367 - 000		1	LEVER, PICK LOCK, LOWER	
28	FB4 - 6700 - 000		1	COVER, VERTICAL PATH SENSOR	
29	FB5 - 2946 - 000		2	LIMITER, TORQUE	

FIGURE & KEY NO.	PART NUMBER	RANK	QTY	DESCRIPTION	SERIAL NUMBER / REMARKS
310 - 30	FB5 - 3851 - 000		1	ROLLER, VERTICAL PATH	
31	FB5 - 3852 - 000		1	ROLLER, PAPER FEED, UPPER	
32	FB5 - 3853 - 000		1	ROLLER, PAPER FEED, LOWER	
33	FF3 - 2974 - 000		1	CABLE, UPPER RETRY SENSOR	J1607,6471
34	FF3 - 2975 - 000		1	CABLE, LOWER RETRY SENSOR	J1608,6472
35	FF5 - 4524 - 020		1	PLATE, TENSION	
36	FF5 - 4552 - 020		4	ROLLER, PAPER PICK-UP	
37	FF5 - 4634 - 020		2	ROLLER, PAPER SEPARATION	
38	FH6 - 1696 - 000		1	MOTOR, STEPPING	M1 J1602
39	FH7 - 5770 - 000		1	CLUTCH, ELECTROMAGNETIC	CL1 J1603
40	FH7 - 5782 - 000		1	SOLENOID	SL1 J1604
41	FH7 - 7394 - 000		2	PHOTO-INTERRUPTER	S9,10 J6471,6472
42	FS1 - 1512 - 000		4	BUSHING	
43	FS1 - 9010 - 000		2	SCREW, STEPPED, M3	
44	FS5 - 0390 - 000		1	GEAR, 16T	
45	FS5 - 1589 - 000		1	BUSHING	
46	FS5 - 3619 - 000		1	GEAR PULLEY, 28T/50T	
47	FS5 - 3620 - 000		1	GEAR PULLEY, 32T/50T	
48	FS5 - 6487 - 000		2	SHIM	
49	FS5 - 9164 - 000		1	SCREW,RS STEPPED,M4	
50	FS6 - 0564 - 000		2	GEAR, 35T	
51	FS6 - 0565 - 000		2	GEAR, 42T	
52	FS6 - 0569 - 000		1	GEAR, 14T	
53	FS6 - 0570 - 000		1	GEAR, 35T/44T	
54	FS6 - 0572 - 000		1	GEAR, 16T	
55	FS6 - 0573 - 000		1	GEAR, 28T	
56	FS6 - 0574 - 000		1	GEAR, 38T	
57	FS6 - 0575 - 000		1	GEAR, 42T	
58	FS6 - 0576 - 000		1	GEAR, 86T	
59	FS6 - 0631 - 000		1	GEAR, 24T	

FIGURE & KEY NO.	PART NUMBER	RANK	QTY	DESCRIPTION	SERIAL NUMBER / REMARKS
310 - 60	FS6 - 0637 - 000		1	GEAR, 16T/28T	
61	FS6 - 2325 - 000		2	SPRING, TENSION	
62	FS6 - 2328 - 020		2	SPRING, TENSION	
63	FS6 - 2330 - 000		2	SPRING, COMPRESSION	
64	FS6 - 2331 - 000		1	SPRING, TENSION	
65	FS6 - 2900 - 000		2	SPRING, TENSION	
66	FS7 - 0103 - 000		1	GEAR, 35T	
67	FS7 - 0104 - 000		1	GEAR, 24T	
68	FS7 - 0105 - 000		1	GEAR, 35T	
69	RB1 - 6539 - 000		2	DAMPER	
70	RB1 - 6592 - 000		2	GEAR, 3T	
71	XA9 - 0591 - 000		30	SCREW,M3X8	
72	XA9 - 0605 - 000		1	SCREW,M4X8	SEE NOTE 2
73	XA9 - 0724 - 000		16	SCREW,RS,M3X8	
74	XD9 - 0104 - 000		2	PIN,DOWEL	
75	XD9 - 0131 - 000		10	RING,E	
76	XD9 - 0137 - 000		1	RING,E	
77	XD9 - 0205 - 000		1	WASHER, WAVE	
78	XF9 - 0568 - 000		1	BELT, TIMING	
79	XG9 - 0403 - 000		2	BEARING, BALL	
501	XB1 - 2300 - 805		1	SCREW,MACH.,TRUSS HEAD,M3X8	
502	XD1 - 1108 - 225		1	SHIM	
503	XD2 - 2100 - 402		1	RING,GRIP	
504	XD3 - 1200 - 122		4	PIN,SPRING	



# FIGURE 315 MULTI FEED ASSEMBLY

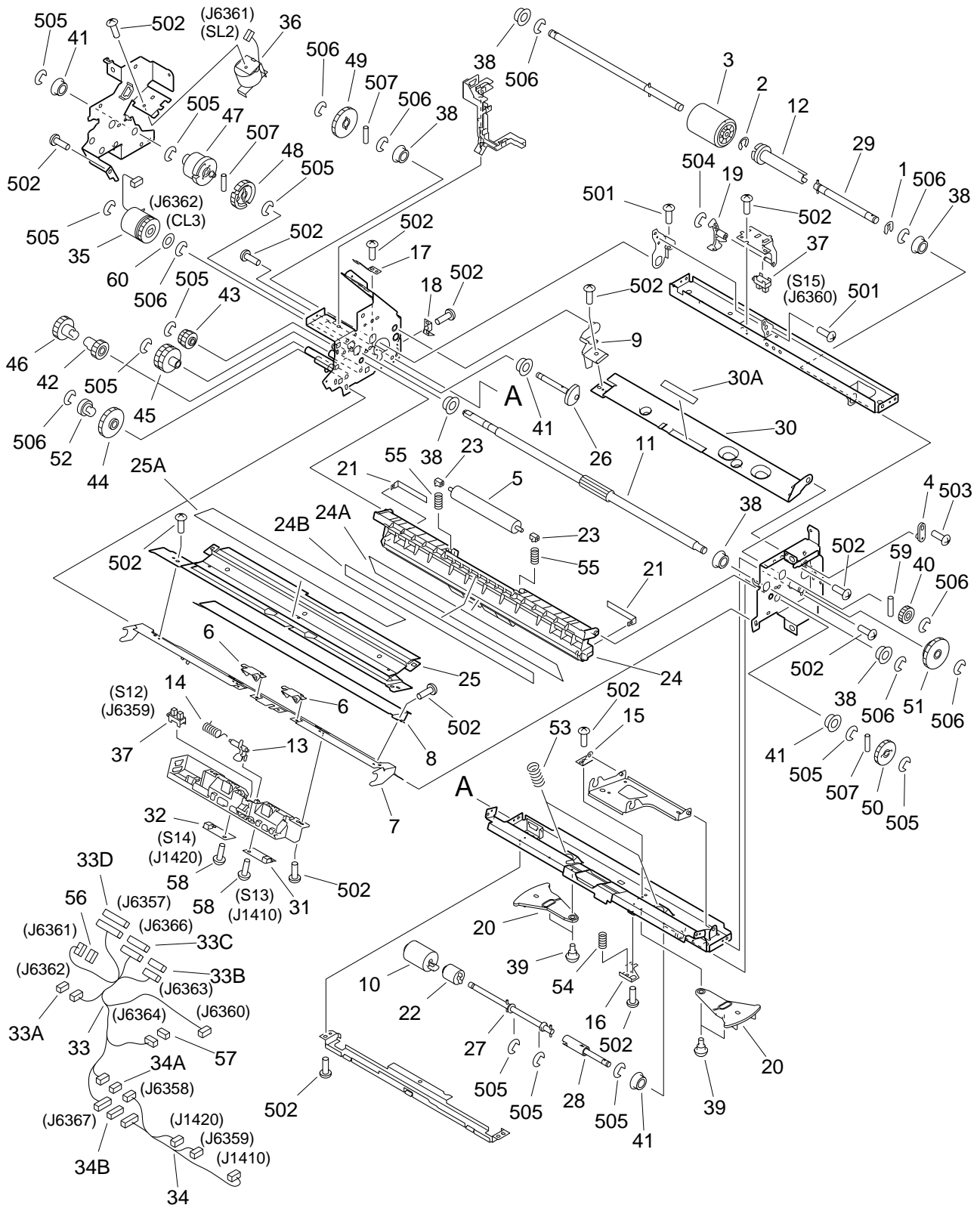


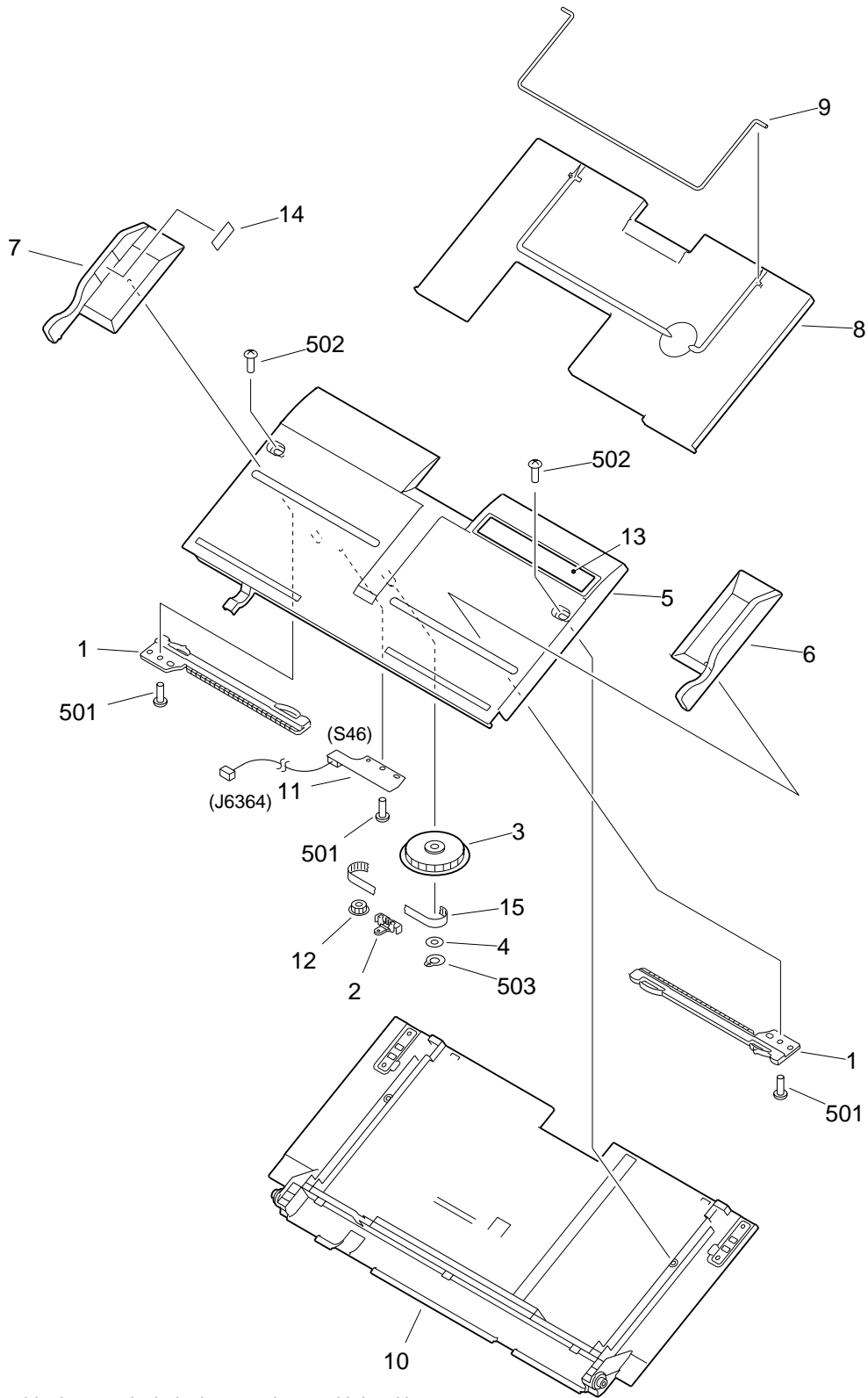
FIGURE & KEY NO.	PART NUMBER	RANK	QTY	DESCRIPTION	SERIAL NUMBER / REMARKS
315 -	FG6 - 4132 - 010		1	MULTI FEED ASSEMBLY	
1	FA3 - 8727 - 000		1	RING, RETAINING	
2	FA4 - 1159 - 000		1	RING, RETAINING	
3	FB1 - 8581 - 000		1	ROLLER, MULTI FEED	
4	FB1 - 8761 - 000		1	SHAFT, PLATE	
5	FB2 - 7546 - 000		1	ROLLER, SUB	
6	FB5 - 0855 - 000		2	COVER, OHP SENSOR	
7	FB5 - 0867 - 000		1	GUIDE, REGIST. FRONT, LOWER	
8	FB5 - 0868 - 000		1	GUIDE, REGIST. FRONT, MIDDLE	
9	FB5 - 0870 - 000		1	HOLDER, MIDDLE PLATE	
10	FB5 - 0873 - 000		1	ROLLER, SEPARATION	
11	FB5 - 0874 - 000		1	ROLLER, EXTRACTION DRIVE	
12	FB5 - 0879 - 000		1	COUPLING	
13	FB5 - 0885 - 000		1	FLAG, REGIST. FRONT SENSOR	
14	FB5 - 0887 - 000		1	SPRING, TORSION	
15	FB5 - 0888 - 000		1	PLATE, SEPARATION HOLDER	
16	FB5 - 0889 - 000		1	PLATE, SEPARATION PRESSURE	
17	FB5 - 0890 - 000		1	SPRING, LEAF	
18	FB5 - 0893 - 000		1	PLATE, MULTI TRAY STOPPER	
19	FB5 - 0895 - 000		1	FLAG, PAPER SENSOR	
20	FB5 - 0898 - 000		2	PLATE, GUIDE PRESSURE	
21	FB5 - 0900 - 000		2	SPRING, LEAF	
22	FB5 - 2946 - 000		1	LIMITER, TORQUE	
23	FB5 - 8363 - 000		2	BUSHING	
24	FF5 - 9261 - 000		1	GUIDE, EXTRACTION	
24 A	FB5 - 0860 - 000		1	SHEET, REGISTRATION	
24 B	FB5 - 3953 - 000		1	SHEET, REGISTRATION GUIDE	
25	FF5 - 9262 - 000		1	GUIDE, REGIST. FRONT, UPPER	
25 A	FB5 - 0897 - 000		1	SHEET, PAPER DUST-PROOF	
26	FF5 - 9263 - 000		1	CAM, MIDDLE PLATE	



FIGURE & KEY NO.	PART NUMBER	RANK	QTY	DESCRIPTION	SERIAL NUMBER / REMARKS
315 - 27	FF5 - 9264 - 000		1	SHAFT, SEPARATION ROLLER	
28	FF5 - 9265 - 000		1	SHAFT, SEPARATION DRIVE	
29	FF5 - 9266 - 000		1	SHAFT, SEP. DRIVE CONNECT	
30	FF5 - 9354 - 000		1	PLATE, MULTI FEED MIDDLE	
30 A	FB1 - 8584 - 000		1	SHEET, MIDDLE PLATE	
31	FG3 - 0668 - 020		1	OHP FRONT SENSOR PCB ASSEMBLY	S13 J1410
32	FG3 - 0669 - 020		1	OHP REAR SENSOR PCB ASSEMBLY	S14 J1420
33	FG3 - 0726 - 000		1	CABLE, MULTI FEED	J6357,6358,6360-6364 J6366,6367
33 A	VS1 - 5057 - 002		1	CONNECTOR, SNAP TIGHT	J6362
33 B	VS1 - 6318 - 004		1	CONNECTOR, SNAP TIGHT	J6363
33 C	VS1 - 6318 - 006		1	CONNECTOR, SNAP TIGHT	J6366
33 D	VS1 - 6318 - 010		1	CONNECTOR, SNAP TIGHT	J6357
34	FG3 - 0727 - 000		1	CABLE, REGIST. FRONT SENSOR	J1410,1420,6358, J6359,6367
34 A	VS1 - 5057 - 003		1	CONNECTOR, SNAP TIGHT	J6358
34 B	VS1 - 6318 - 006		1	CONNECTOR, SNAP TIGHT	J6367
35	FH7 - 5915 - 000		1	CLUTCH, ELECTROMAGNETIC	CL3 J6362
36	FH7 - 5923 - 000		1	SOLENOID	SL2 J6361
37	FH7 - 7394 - 000		2	PHOTO-INTERRUPTER	S12,15 J6359,6360
38	FS1 - 1341 - 000		6	BUSHING	
39	FS2 - 9475 - 000		4	SCREW, STEPPED, M3	
40	FS5 - 0351 - 000		1	GEAR, 18T	
41	FS5 - 1581 - 000		4	BUSHING	
42	FS7 - 0506 - 000		1	GEAR, 25T	
43	FS7 - 0507 - 000		1	GEAR, 16T/23T	
44	FS7 - 0508 - 000		1	GEAR, 46T	
45	FS7 - 0509 - 000		1	GEAR, 28T/36T	
46	FS7 - 0510 - 000		1	GEAR, 24T	
47	FS7 - 0511 - 000		1	CAM GEAR, 34T	
48	FS7 - 0512 - 000		1	CAM GEAR, 34T	
49	FS7 - 0513 - 000		1	GEAR, 35T	

FIGURE & KEY NO.	PART NUMBER	RANK	QTY	DESCRIPTION	SERIAL NUMBER / REMARKS
315 - 50	FS7 - 0514 - 000		1	GEAR, 28T	
51	FS7 - 0515 - 000		1	GEAR, 21T/36T	
52	FS7 - 0517 - 000		1	GEAR, 20T	
53	FS7 - 2261 - 000		2	SPRING, COMPRESSION	
54	FS7 - 2262 - 000		1	SPRING, COMPRESSION	
55	FS7 - 2265 - 000		2	SPRING, COMPRESSION	
56	VS1 - 5057 - 002		1	CONNECTOR, SNAP TIGHT	J6361
57	VS1 - 5057 - 004		1	CONNECTOR, SNAP TIGHT	J6364
58	XA9 - 0596 - 000		4	SCREW,P,M3X6	
59	XD9 - 0104 - 000		1	PIN,DOWEL	
60	XD9 - 0169 - 000		1	WASHER, WAVE	
501	XB1 - 2300 - 407		2	SCREW,MACH.,TRUSS HEAD,M3X4	
502	XB1 - 2300 - 609		26	SCREW,MACH.,TRUSS HEAD,M3X6	
503	XB1 - 2400 - 609		1	SCREW,MACH.,TRUSS HEAD,M4X6	
504	XD2 - 1100 - 322		1	RING,E	
505	XD2 - 1100 - 502		11	RING,E	
506	XD2 - 1100 - 642		11	RING,E	
507	XD3 - 2200 - 162		3	PIN,DOWEL	

# FIGURE 316 MULTI FEED TRAY ASSEMBLY



NOTE: This assembly does not include the part shown with key No.13.

FIGURE & KEY NO.	PART NUMBER	RANK	QTY	DESCRIPTION	SERIAL NUMBER / REMARKS
316 -	FG6 - 4133 - 000		1	MULTI FEED TRAY ASSEMBLY	
1	FB1 - 8619 - 000		2	RACK	
2	FB1 - 8621 - 000		1	PLATE, LOCK	
3	FB1 - 8625 - 000		1	GEAR, 18T	
4	FB3 - 2836 - 000		2	RING, BELT STOP	
5	FB5 - 0857 - 000		1	TRAY, MULTI FEED	
6	FB5 - 0858 - 000		1	PANEL, SIDE LIMIT, FRONT	
7	FB5 - 0859 - 000		1	PANEL, SIDE LIMIT, REAR	
8	FB5 - 0892 - 000		1	TRAY, SLIDE	
9	FB5 - 0899 - 000		1	TRAY, SUB	
10	FF5 - 9256 - 000		1	PANEL, MULTI FEED TRAY	
11	FG3 - 0694 - 000		1	MULTI VARIABLE PCB ASSEMBLY	S46 J6364
12	FS5 - 3177 - 000		1	PULLEY, IDLER	
13	FS6 - 8862 - 000		1	LABEL, PAPER SIZE	SEE NOTE AB SIZE
	FS6 - 8863 - 000		1	LABEL, PAPER SIZE	SEE NOTE A/INCH SIZE
	FS6 - 8864 - 000		1	LABEL, PAPER SIZE	SEE NOTE A SIZE
	FS6 - 8865 - 000		1	LABEL, PAPER SIZE	SEE NOTE AB/INCH SIZE
14	FS6 - 8866 - 000		1	LABEL, "PAPER HEIGHT"	
15	XF9 - 0393 - 000		1	BELT, TIMING	
501	XB4 - 7300 - 609		3	SCREW,TAPPING,TRUSS HEAD,M3X6	
502	XB4 - 7401 - 007		2	SCREW,TAPPING,TRUSS HEAD,M4X10	
503	XD2 - 2100 - 502		1	RING,GRIP	

# FIGURE 320 VERTICAL PATH GUIDE ASSEMBLY

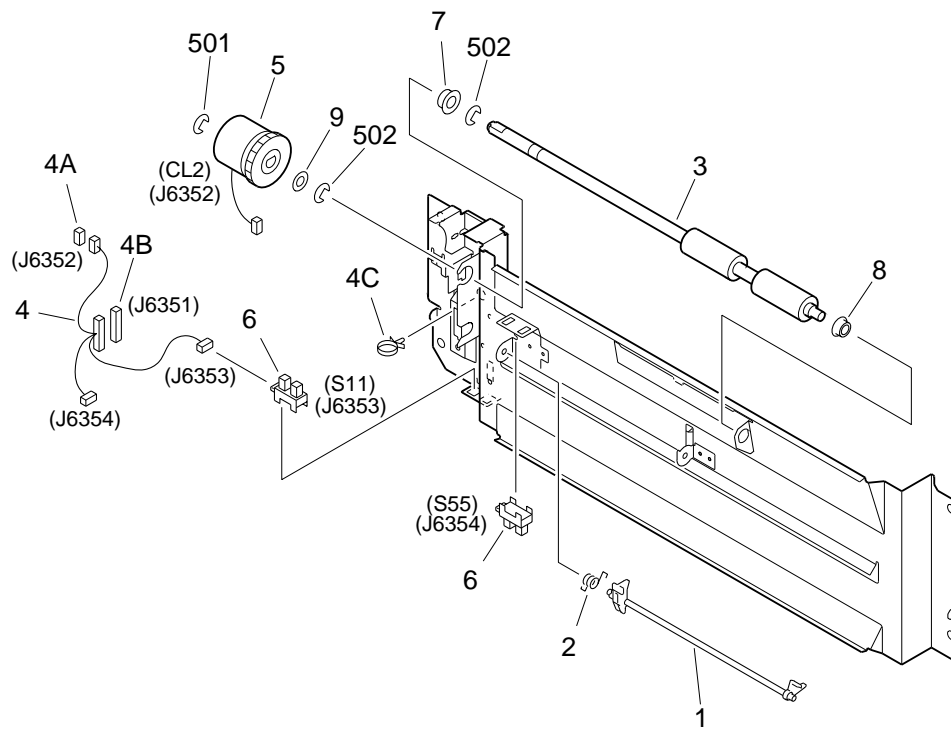
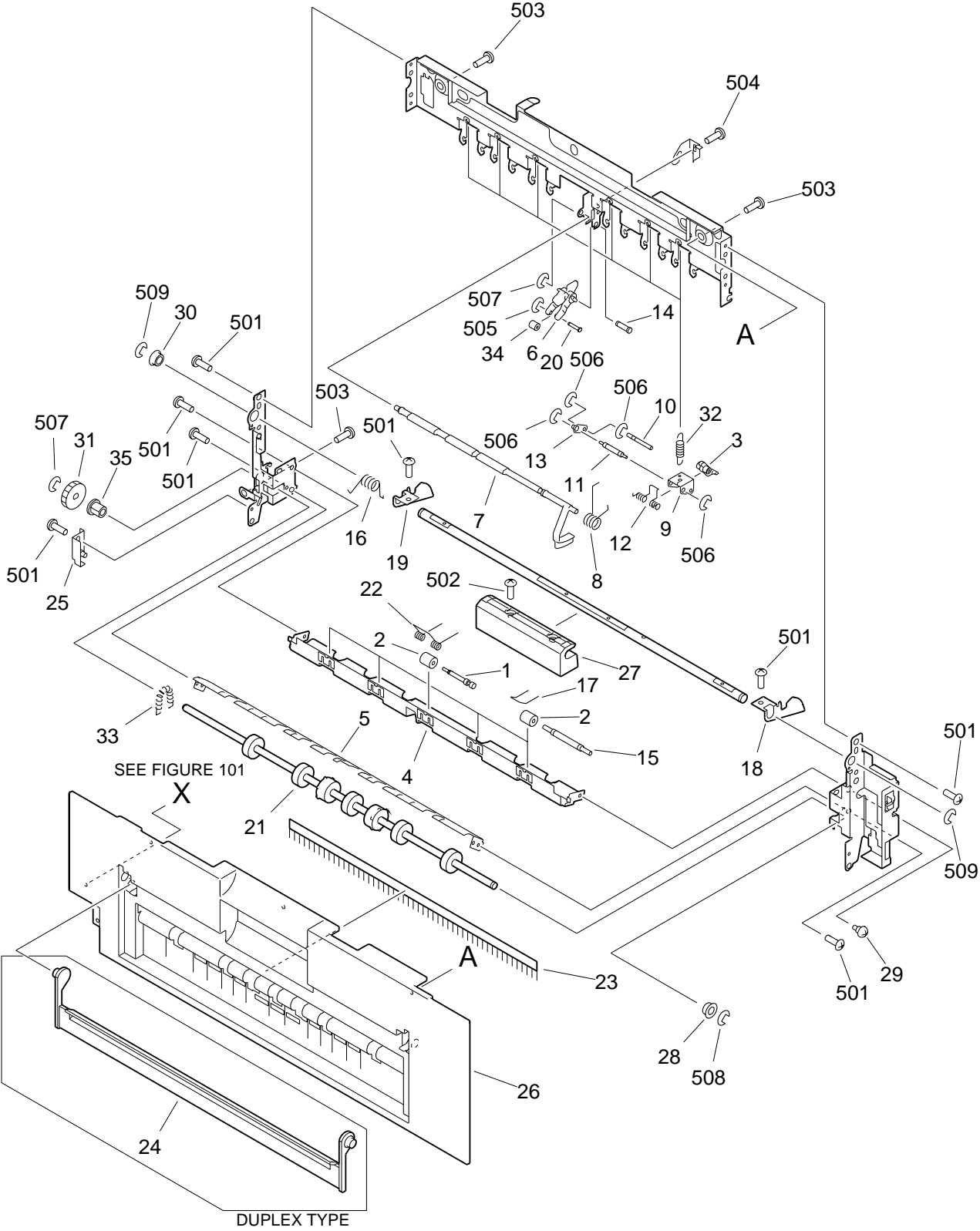


FIGURE & KEY NO.	PART NUMBER	RANK	QTY	DESCRIPTION	SERIAL NUMBER / REMARKS
320 -	FG6 - 4136 - 000		1	VERTICAL PATH GUIDE ASSEMBLY	
1	FB5 - 1214 - 000		1	FLAG, VERTICAL PATH SENSOR	
2	FB5 - 1215 - 000		1	SPRING, TORSION	
3	FB5 - 1216 - 000		1	ROLLER, VERTICAL PATH	
4	FG3 - 0728 - 000		1	CABLE, VERTICAL PATH	J6351-6354
4A	VS1 - 5057 - 002		1	CONNECTOR, SNAP TIGHT	J6352
4B	VS1 - 5057 - 008		1	CONNECTOR, SNAP TIGHT	J6351
4C	WT2 - 5041 - 000		1	CLAMP, CABLE	
5	FH7 - 5914 - 000		1	CLUTCH, ELECTROMAGNETIC	CL2 J6352
6	FH7 - 7394 - 000		2	PHOTO-INTERRUPTER	S11,55 J6353,6354
7	FS1 - 1510 - 000		1	BUSHING	
8	FS1 - 1512 - 000		1	BUSHING	
9	XD9 - 0169 - 000		1	WASHER, WAVE	
501	XD2 - 1100 - 502		1	RING,E	
502	XD2 - 1100 - 642		2	RING,E	



# FIGURE 350 PAPER DELIVERY ASSEMBLY



NOTE: This assembly does not include the part shown with key No. 24.

FIGURE & KEY NO.	PART NUMBER	RANK	QTY	DESCRIPTION	SERIAL NUMBER / REMARKS
350 -	FG6 - 4173 - 000		1	PAPER DELIVERY ASSEMBLY	
1	FA9 - 3781 - 000		1	SHAFT, DELIVERY ROLLER	
2	FB4 - 6635 - 000		5	ROLLER, DELIVERY	
3	FB5 - 1191 - 000		6	CLAW, SEPARATION	
4	FB5 - 1196 - 000		1	GUIDE, DELIVERY, UPPER	
5	FB5 - 1197 - 000		1	GUIDE, DELIVERY, LOWER	
6	FB5 - 1198 - 000		1	FLAG, DELIVERY SENSOR	
7	FB5 - 1199 - 000		1	FLAG, DELIVERY SENSOR	
8	FB5 - 1200 - 000		1	SPRING, TORSION	
9	FB5 - 1201 - 000		6	HOLDER, SEPARATION CLAW	
10	FB5 - 1202 - 000		6	SHAFT, SEPARATION CLAW	
11	FB5 - 1203 - 000		6	SHAFT, SEPARATION CLAW HOLDER	
12	FB5 - 1204 - 000		6	SPRING, TORSION	
13	FB5 - 1205 - 000		6	PLATE, SEP. CLAW SHAFT SUPPORT	
14	FB5 - 1206 - 000		1	SHAFT, DELIVERY SENSOR ARM	
15	FB5 - 1207 - 000		4	SHAFT, DELIVERY ROLLER	
16	FB5 - 1209 - 000		1	SPRING, TORSION	
17	FB5 - 1210 - 000		4	SPRING, TORSION	
18	FB5 - 1603 - 000		1	HOOK, DELIVERY, FRONT	
19	FB5 - 1604 - 000		1	HOOK, DELIVERY, REAR	
20	FB5 - 1612 - 000		1	SHAFT, SENSOR ROLLER	
21	FB5 - 1616 - 000		1	ROLLER, PAPER DELIVERY	
22	FB5 - 1617 - 000		1	SPRING, TORSION	
23	FB5 - 1618 - 000		1	ELIMINATOR, STATIC CHARGE	
24	FB5 - 1656 - 000		1	GUIDE, DUPLEX PAPER INLET	SEE NOTE DUPLEX TYPE
25	FF5 - 9311 - 000		1	PLATE, DELIVERY HOLDER	
26	FF5 - 9377 - 000		1	PANEL, DERIVERY	
27	FF6 - 0795 - 000		1	HANDLE, PAPER DELIVERY UNIT	
28	FS1 - 1508 - 000		1	BUSHING	
29	FS1 - 9199 - 000		1	SCREW, STEPPED, M4	

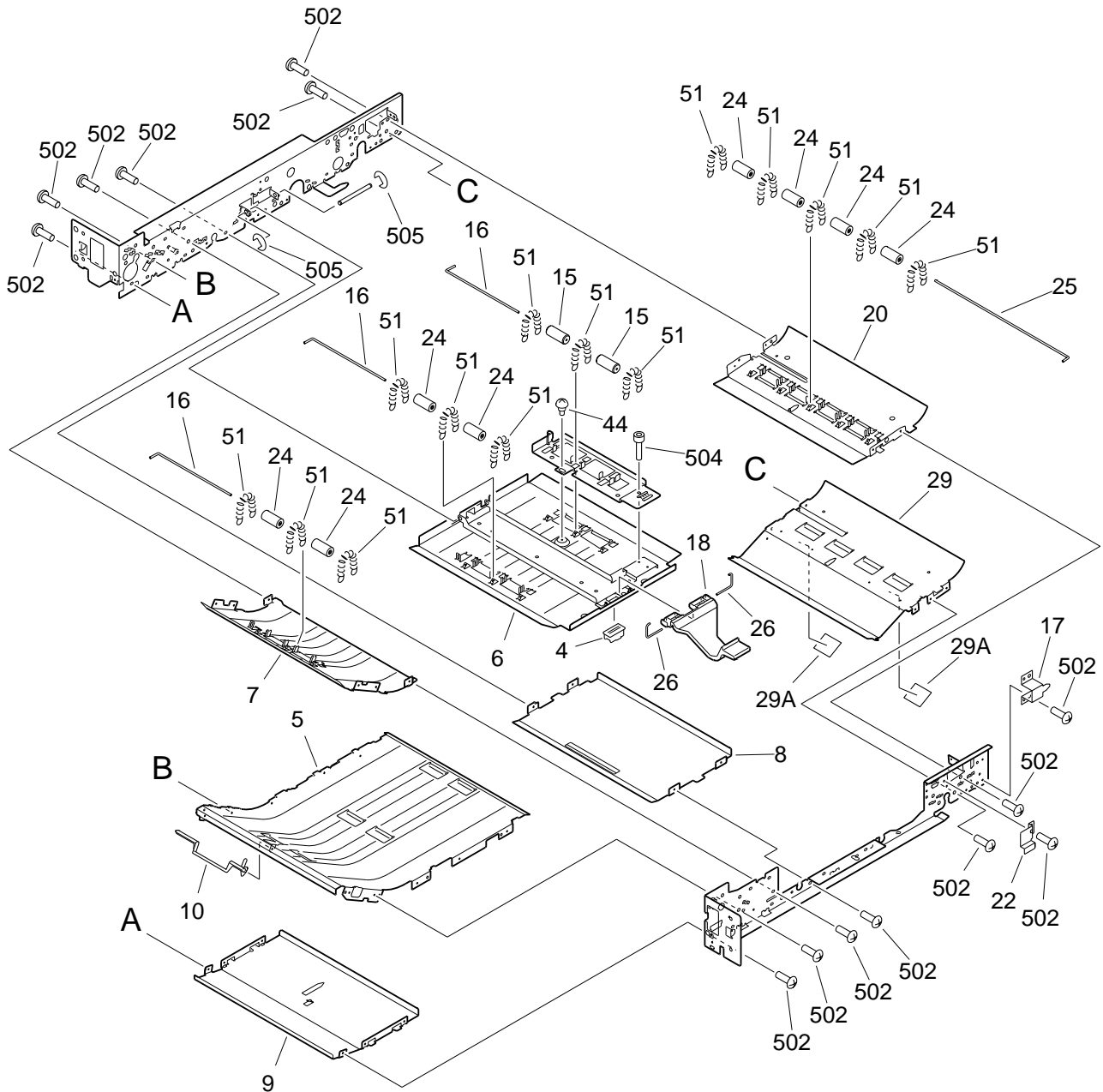


FIGURE & KEY NO.	PART NUMBER	RANK	QTY	DESCRIPTION	SERIAL NUMBER / REMARKS
350 - 30	FS2 - 1008 - 000		1	BUSHING	
31	FS5 - 0232 - 000		1	GEAR, ROLLER	
32	FS7 - 2354 - 000		6	SPRING, TENSION	
33	FS7 - 2359 - 000		1	SPRING, TENSION	
34	RB2 - 0493 - 000		1	ROLLER, PAPER SENSOR	
35	XG9 - 0423 - 000		1	BUSHING	
501	XB1 - 2400 - 609		8	SCREW,MACH.,TRUSS HEAD,M4X6	
502	XB2 - 4400 - 805		2	SCREW,W/WASHER,M4X8	
503	XB4 - 7400 - 809		3	SCREW,TAPPING,TRUSS HEAD,M4X8	
504	XB6 - 7300 - 609		1	SCREW,TP,M3X6	
505	XD2 - 1100 - 132		1	RING,E	
506	XD2 - 1100 - 242		24	RING,E	
507	XD2 - 1100 - 322		2	RING,E	
508	XD2 - 1100 - 502		1	RING,E	
509	XD2 - 1100 - 642		2	RING,E	



# DUPLIX FEEDER ASSEMBLY (DUPLIX TYPE)(1/2)

## FIGURE 360



NOTE1: This assembly includes the assembly shown in Figure 267.

NOTE2: This assembly does not include the parts shown with key No. 18 and 26.

# DUPLIX FEEDER ASSEMBLY (DUPLIX TYPE)(2/2)

## FIGURE 360

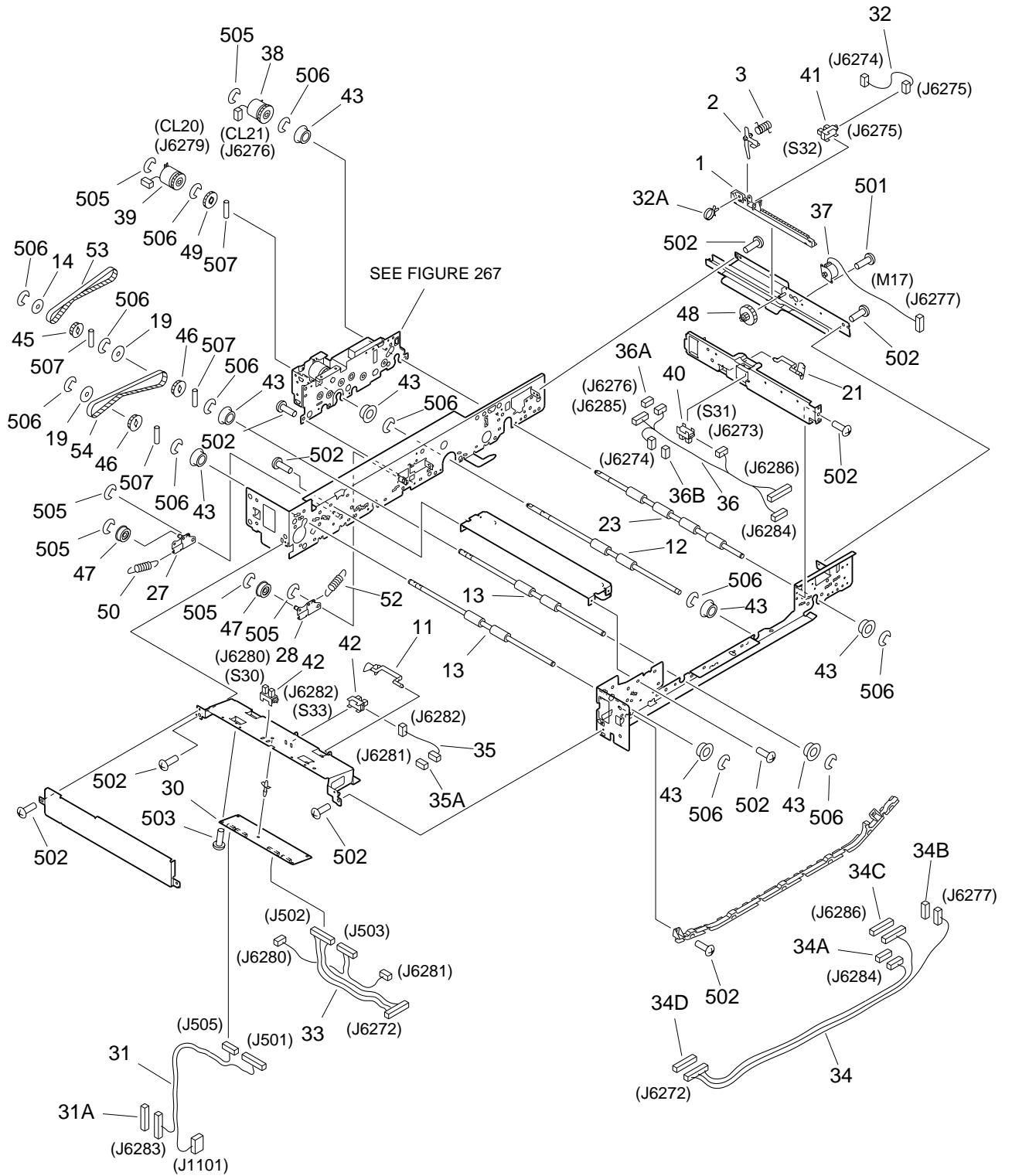


FIGURE & KEY NO.	PART NUMBER	RANK	QTY	DESCRIPTION	SERIAL NUMBER / REMARKS
360 -	FG6 - 4185 - 000		1	DUPLEX FEEDER ASSEMBLY	DUPLEX TYPE SEE NOTE 1
1	FB3 - 2994 - 000		1	BLOCK, SLIDE	
2	FB3 - 2995 - 000		1	LINK, SIDE REGISTRATION	
3	FB3 - 2996 - 000		1	SPRING, TORSION	
4	FB3 - 2997 - 000		1	MAGNET CATCH	
5	FB5 - 2265 - 000		1	GUIDE, DUPLEX PAPER, LOWER	
6	FB5 - 2266 - 000		1	GUIDE, DUPLEX PAPER, UPPER	
7	FB5 - 2267 - 000		1	GUIDE, DUPLEX PAPER INLET	
8	FB5 - 2268 - 000		1	GUIDE, PAPER REVERSE UPPER, 1	
9	FB5 - 2269 - 000		1	GUIDE, PAPER REVERSE UPPER, 2	
10	FB5 - 2272 - 000		1	FLAG, DUPLEX INLET SENSOR	
11	FB5 - 2275 - 000		1	FLAG, DUPLEX SENSOR, LOWER	
12	FB5 - 2279 - 000		1	ROLLER, DUPLEX FEEDER	
13	FB5 - 2280 - 000		2	ROLLER, DUPLEX INLET	
14	FB5 - 2282 - 000		1	FLANGE	
15	FB5 - 2283 - 000		2	ROLLER, 1	
16	FB5 - 2284 - 000		3	SHAFT, ROLLER, 1	
17	FB5 - 2285 - 000		1	PLATE, POSITIONING	
18	FB5 - 2288 - 000		1	HANDLE, DUPLEX OPEN/CLOSE	SEE NOTE 2
19	FB5 - 2301 - 000		2	FLANGE	
20	FB5 - 2306 - 000		1	GUIDE, RE-PICK-UP, UPPER	
21	FB5 - 2308 - 020		1	FLAG, RE-PICK-UP SENSOR	
22	FB5 - 2310 - 000		1	PLATE, CABLE RETAINER	
23	FB5 - 2311 - 000		1	ROLLER, RE-PICK-UP	
24	FB5 - 2312 - 000		8	ROLLER, 2	
25	FB5 - 2313 - 000		1	SHAFT, ROLLER, 2	
26	FB5 - 2317 - 000		2	PIN, HINGE	SEE NOTE 2
27	FF5 - 9287 - 000		1	SUPPORT, TENSIONER, 1	
28	FF5 - 9288 - 000		1	SUPPORT, TENSIONER, 2	
29	FF6 - 0789 - 000		1	GUIDE, RE-PICK-UP, LOWER	

FIGURE & KEY NO.	PART NUMBER	RANK	QTY	DESCRIPTION	SERIAL NUMBER / REMARKS
360 - 29 A	FB5 - 3931 - 000		2	SHEET, PAPER GUIDE	
30	FG3 - 0665 - 000		1	DUPLEX DRIVER PCB ASSEMBLY	
31	FG3 - 0747 - 000		1	CABLE, DUPLEX CONNECTING	J501,505,1101,6283
31 A	VS1 - 6318 - 008		1	CONNECTOR, SNAP TIGHT	J6283
32	FG3 - 0751 - 000		1	CABLE, SIDE REGIST. SENSOR	J6274,6275
32 A	WT2 - 5041 - 000		1	CLAMP, CABLE	
33	FG3 - 0752 - 000		1	CABLE, DUPLEX UNIT, 1	J502,503,6272,6280, J6281
34	FG3 - 0753 - 000		1	CABLE, DUPLEX UNIT, 2	J6272,6277,6284,6286
34 A	VS1 - 5057 - 004		1	CONNECTOR, SNAP TIGHT	J6284
34 B	VS1 - 5057 - 006		1	CONNECTOR, SNAP TIGHT	J6277
34 C	VS1 - 6318 - 008		1	CONNECTOR, SNAP TIGHT	J6286
34 D	VS1 - 6319 - 020		1	CONNECTOR, SNAP TIGHT	J6272
35	FG3 - 0754 - 000		1	CABLE, DUPLEX REVERSE SENSOR	J6281,6282
35 A	VS1 - 5057 - 003		1	CONNECTOR, SNAP TIGHT	J6281
36	FG3 - 0763 - 000		1	CABLE, DUPLEX UNIT, 3	J6273,6274,6276, J6284-6286
36 A	VS1 - 5057 - 002		1	CONNECTOR, SNAP TIGHT	J6276
36 B	VS1 - 5057 - 003		1	CONNECTOR, SNAP TIGHT	J6274
37	FH6 - 1253 - 000		1	MOTOR, STEPPING	M17 J6277
38	FH7 - 5914 - 000		1	CLUTCH, ELECTROMAGNETIC	CL21 J6276
39	FH7 - 5918 - 000		1	CLUTCH, ELECTROMAGNETIC	CL20 J6279
40	FH7 - 7394 - 000		1	PHOTO-INTERRUPTER	S31 J6273
41	FH7 - 7394 - 000		1	PHOTO-INTERRUPTER	S32 J6275
42	FH7 - 7394 - 000		2	PHOTO-INTERRUPTER	S30,33 J6280,6282
43	FS1 - 1510 - 000		8	BUSHING	
44	FS1 - 9078 - 000		1	SCREW, STEPPED, M4	
45	FS5 - 3778 - 000		1	PULLEY, 38T	
46	FS5 - 3779 - 000		2	PULLEY, 43T	
47	FS6 - 0381 - 000		2	PULLEY	
48	FS6 - 0557 - 000		1	GEAR, 12T/36T	
49	FS7 - 0591 - 000		1	GEAR, 28T	

FIGURE & KEY NO.	PART NUMBER	RANK	QTY	DESCRIPTION	SERIAL NUMBER / REMARKS
360 - 50	FS7 - 2291 - 000		1	SPRING, TENSION	
51	FS7 - 2292 - 000		14	SPRING, TENSION	
52	FS7 - 2357 - 000		1	SPRING, TENSION	
53	XF9 - 0709 - 000		1	BELT, TIMING	
54	XF9 - 0710 - 000		1	BELT, TIMING	
501	XB1 - 2300 - 609		2	SCREW,MACH.,TRUSS HEAD,M3X6	
502	XB1 - 2400 - 609		51	SCREW,MACH.,TRUSS HEAD,M4X6	
503	XB1 - 2400 - 609		4	SCREW,MACH.,TRUSS HEAD,M4X6	
504	XB7 - 1040 - 069		1	SCREW,ALLEN HEAD,M4X6	
505	XD2 - 1100 - 502		8	RING,E	
506	XD2 - 1100 - 642		12	RING,E	
507	XD3 - 2200 - 142		4	PIN,DOWEL	





# FIGURE 365 FACE DOWN OUTPUT UNIT-A1/B1(DUPLEX TYPE)

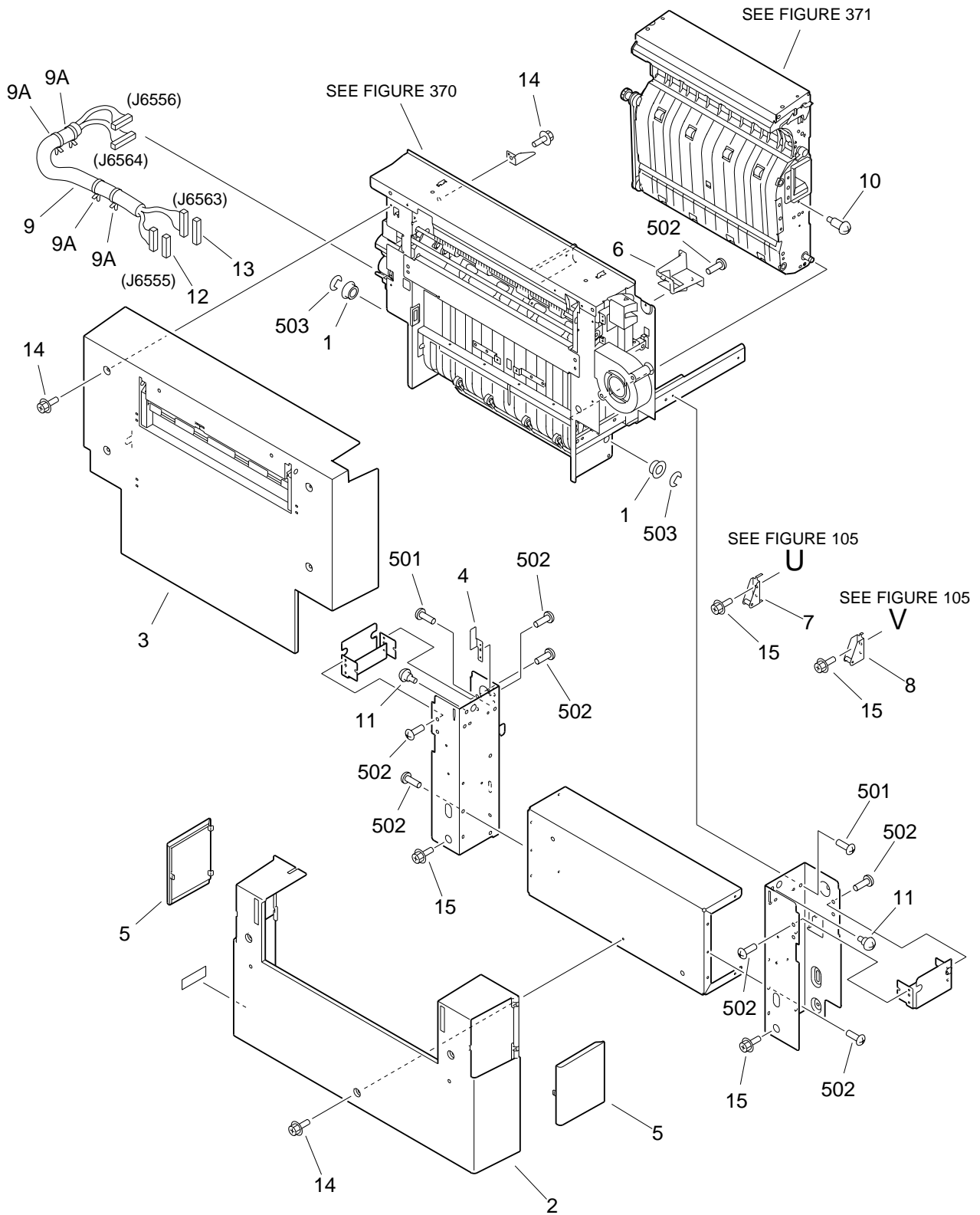


FIGURE & KEY NO.	PART NUMBER	RANK	QTY	DESCRIPTION	SERIAL NUMBER / REMARKS
365 -	NPN		RF	FACE DOWN OUTPUT UNIT-A1/B1	DUPLEX TYPE
1	FA9 - 2112 - 000		2	BUSHING	
2	FB5 - 1678 - 000		1	PANEL, DUPLEX, 1	
3	FB5 - 1681 - 000		1	PANEL, DUPLEX, 2	
4	FB5 - 1700 - 000		1	PLATE, SENSOR FLAG	
5	FB5 - 1731 - 000		2	PANEL, BLANKING	
6	FB5 - 3792 - 000		1	PANEL, DUPLEX, 3	
7	FF6 - 0619 - 000		1	HOOK, DUPLEX MOUNT, FRONT	
8	FF6 - 0620 - 000		1	HOOK, DUPLEX MOUNT, REAR	
9	FG3 - 0759 - 000		1	CABLE, DUPLEX OUTER	J6555,6556,6563,6564
9 A	WT2 - 5178 - 000		4	CLIP, CABLE	
10	FS1 - 9076 - 000		1	SCREW, STEPPED, M4	
11	FS1 - 9255 - 000		2	SCREW, STEPPED, M4	
12	VS1 - 6318 - 011		1	CONNECTOR, SNAP TIGHT	J6555
13	VS1 - 6318 - 013		1	CONNECTOR, SNAP TIGHT	J6563
14	XA9 - 0629 - 000		5	SCREW, RS, M4X8	
15	XA9 - 0774 - 000		8	SCREW, RS, M4X16	
501	XB1 - 2400 - 609		4	SCREW, MACH., TRUSS HEAD, M4X6	
502	XB1 - 2400 - 609		15	SCREW, MACH., TRUSS HEAD, M4X6	
503	XD2 - 1100 - 642		2	RING, E	

# FACE DOWN OUTPUT ASSEMBLY 1 (DUPLIX TYPE)

## FIGURE 370

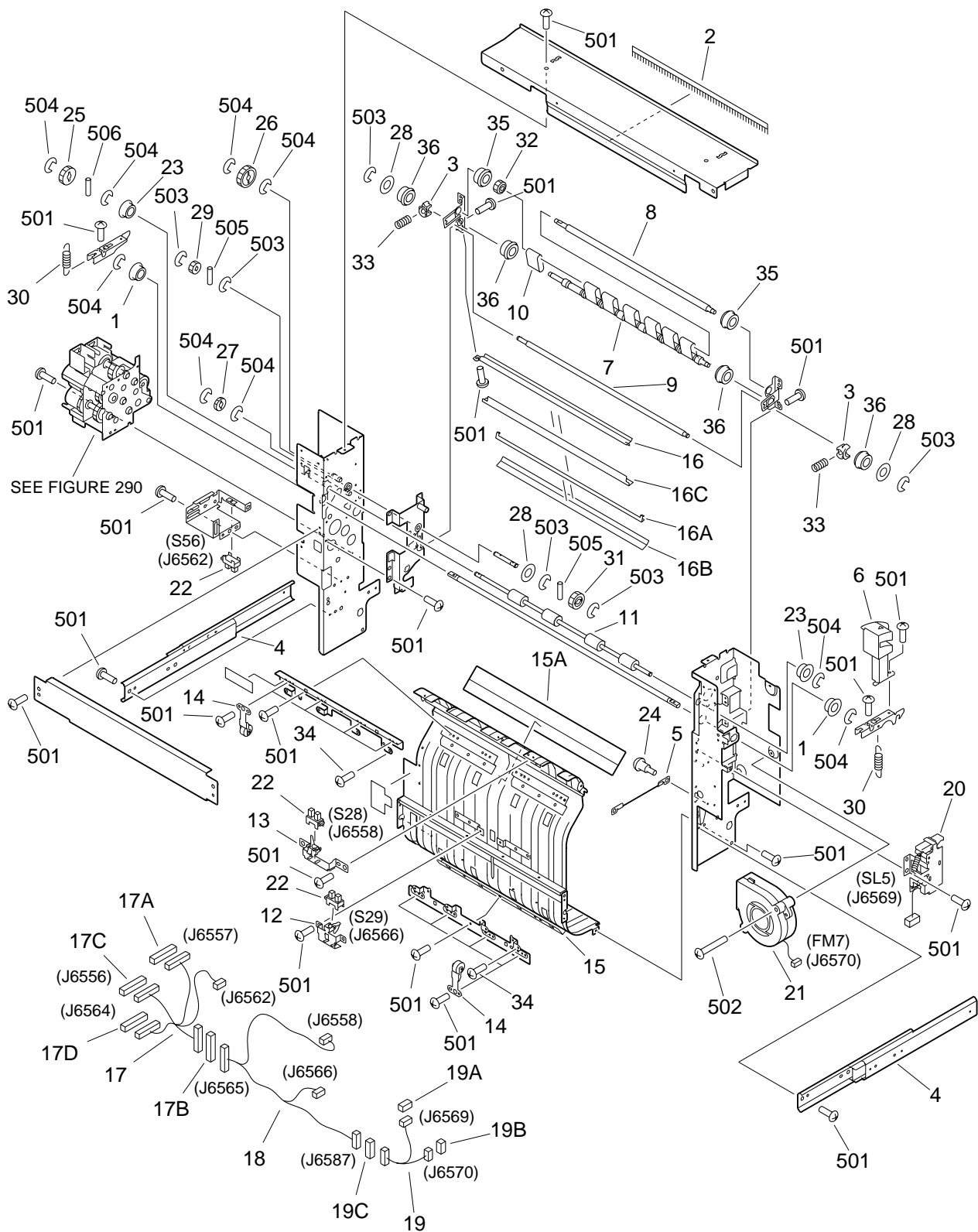


FIGURE & KEY NO.	PART NUMBER	RANK	QTY	DESCRIPTION	SERIAL NUMBER / REMARKS
370 -	NPN		RF	FACE DOWN OUTPUT ASSEMBLY 1	DUPLEX TYPE
1	FA9 - 2112 - 000		2	BUSHING	
2	FA9 - 3466 - 000		1	ELIMINATOR, STATIC CHARGE	
3	FB4 - 4661 - 000		2	BUSHING	
4	FB5 - 1668 - 000		2	RAIL, ACCURATE	
5	FB5 - 1719 - 000		1	WIRE, DUPLEX INTERNAL SUPPORT	
6	FB5 - 1724 - 000		1	HANDLE	
7	FB5 - 3863 - 000		1	SHAFT, CURL RELEASE PULLEY	
8	FB5 - 3864 - 000		1	SHAFT, CURL RELEASE DRIVE	imageRUNNER C2050 imageRUNNER C2020 iR C2100/2100S CP2150/2120/2150G
	FB6 - 4288 - 000		1	SHAFT, CURL RELEASE DRIVE	imageRUNNER C2058 iR C2105/2105S CP2155/2125
9	FB5 - 3865 - 000		1	SHAFT, CURL RELEASE PRESSURE	
10	FB5 - 3871 - 000		7	BELT, PAPER FEED	
11	FB5 - 9718 - 000		1	ROLLER, PAPER DELIVERY	
12	FF5 - 5792 - 000		1	MOUNT, PAPER SENSOR	
13	FF5 - 9341 - 000		1	MOUNT, DELIVERY SENSOR	
14	FF5 - 9367 - 000		8	ROLLER, PAPER DELIVERY	
15	FF5 - 9379 - 000		1	GUIDE, DUPLEX PAPER, LEFT	
15 A	FB5 - 3875 - 000		1	SHEET, MYLAR	
16	FF5 - 9390 - 000		1	GUIDE, PAPER LEADING EDGE	
16 A	FB5 - 3876 - 000		1	PLATE, LEADING EDGE GUIDE	
16 B	FB5 - 3877 - 000		1	SHEET, MYLAR	
16 C	FB5 - 3895 - 000		1	SHEET, BELT INTRODUCTION	
17	FG3 - 0755 - 000		1	CABLE, DUPLEX DELIVERY CONNECT	J6556,6557,6562, J6564,6565
17 A	VS1 - 5057 - 008		1	CONNECTOR, SNAP TIGHT	J6557
17 B	VS1 - 6318 - 011		1	CONNECTOR, SNAP TIGHT	J6565
17 C	VS1 - 6318 - 012		1	CONNECTOR, SNAP TIGHT	J6556
17 D	VS1 - 6318 - 013		1	CONNECTOR, SNAP TIGHT	J6564
18	FG3 - 0757 - 000		1	CABLE, DUPLEX DELIVERY, 1	J6558,6565,6566,6587

FIGURE & KEY NO.	PART NUMBER	RANK	QTY	DESCRIPTION	SERIAL NUMBER / REMARKS
370 - 19	FG3 - 0758 - 000		1	CABLE, DUPLEX DELIVERY, 2	J6569,6570,6587
19A	VS1 - 5057 - 002		1	CONNECTOR, SNAP TIGHT	J6569
19B	VS1 - 5057 - 003		1	CONNECTOR, SNAP TIGHT	J6570
19C	VS1 - 5057 - 005		1	CONNECTOR, SNAP TIGHT	J6587
20	FG6 - 5868 - 000		1	SOLENOID UNIT	SL5 J6569
21	FH6 - 1701 - 000		1	FAN, COOLING	FM7 J6570
22	FH7 - 7394 - 000		3	PHOTO-INTERRUPTER	S28,29,56 J6558,6566,6562
23	FS1 - 1508 - 000		2	BUSHING	
24	FS1 - 9076 - 000		1	SCREW,STEPPED,M4	
25	FS5 - 0708 - 000		1	GEAR, 19T	
26	FS5 - 0724 - 000		1	GEAR, 32T	
27	FS5 - 0804 - 000		1	GEAR, 19T	
28	FS5 - 6488 - 000		8	WASHER	
29	FS6 - 0689 - 000		1	GEAR, 17T	
30	FS6 - 2674 - 000		2	SPRING, TENSION	
31	FS7 - 0682 - 000		1	GEAR, 22T	
32	FS7 - 0683 - 000		1	GEAR, 16T	
33	FS7 - 2361 - 000		2	SPRING, COMPRESSION	
34	XA9 - 0687 - 000		8	SCREW,MACH.,TRUSS HEAD,M4X8	
35	XG9 - 0242 - 000		2	BEARING, BALL, MR106ZZMC3D4ML	
36	XG9 - 0291 - 000		4	BEARING, BALL	
501	XB1 - 2400 - 609		52	SCREW,MACH.,TRUSS HEAD,M4X6	
502	XB1 - 2403 - 509		2	SCREW,MACH.,TRUSS HEAD,M4X35	
503	XD2 - 1100 - 502		9	RING,E	
504	XD2 - 1100 - 642		7	RING,E	
505	XD3 - 2200 - 102		2	PIN,DOWEL	
506	XD3 - 2200 - 122		2	PIN,DOWEL	



# FACE DOWN OUTPUT ASSEMBLY 2 (DUPLEX TYPE)

## FIGURE 371

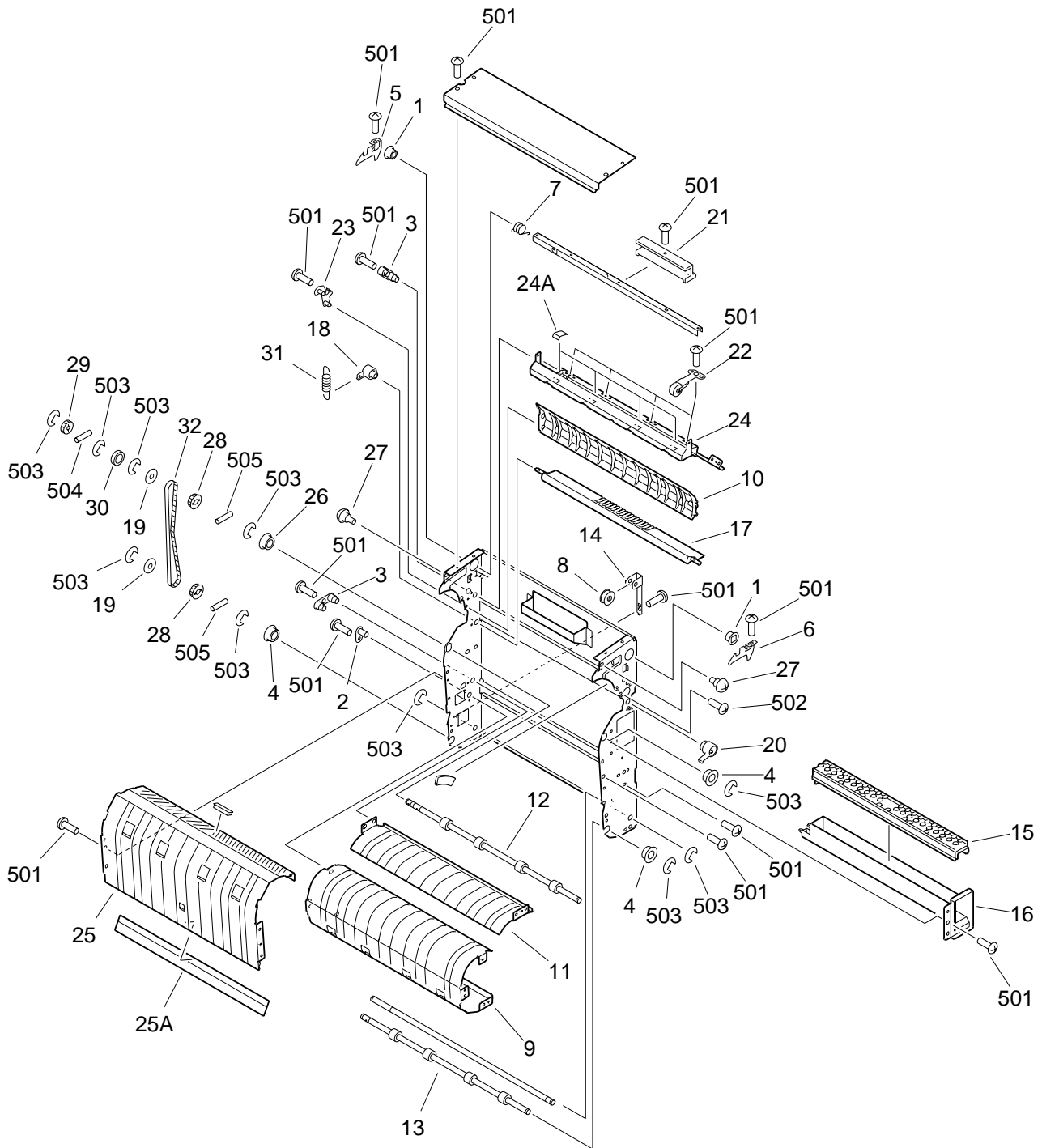


FIGURE & KEY NO.	PART NUMBER	RANK	QTY	DESCRIPTION	SERIAL NUMBER / REMARKS
371 -	FG6 - 4191 - 030		1	FACE DOWN OUTPUT ASSEMBLY 2	DUPLEX TYPE
1	FA2 - 8225 - 000		2	BUSHING	
2	FA4 - 1149 - 000		3	PIN, PLATE	
3	FA5 - 2163 - 000		3	PIN, GUIDE, 2	
4	FA9 - 2112 - 000		3	BUSHING	
5	FB1 - 7039 - 000		1	LATCH, REAR	
6	FB1 - 7040 - 000		1	LATCH, FRONT	
7	FB1 - 7045 - 000		1	SPRING, TORSION	
8	FB3 - 2588 - 000		1	ROLLER, TENSIONER	
9	FB5 - 1653 - 000		1	GUIDE, DUPLEX PAPER, LOWER	
10	FB5 - 1655 - 000		1	GUIDE, DUPLEX PAPER, MIDDLE	
11	FB5 - 1657 - 000		1	GUIDE, DUPLEX P., RIGHT LOWER	
12	FB5 - 1659 - 000		1	ROLLER, REVERSE, UPPER	
13	FB5 - 1660 - 000		1	ROLLER, REVERSE, LOWER	
14	FB5 - 1677 - 000		1	HOLDER, TENSIONER ROLLER	
15	FB5 - 1685 - 000		1	DUCT, CURL RELEASE, UPPER	
16	FB5 - 1686 - 000		1	DUCT, CURL RELEASE, LOWER	
17	FB5 - 1691 - 020		1	DEFLECTOR	
18	FB5 - 1699 - 000		1	LINK, DEFLECTOR	
19	FB5 - 1716 - 000		2	FLANGE	
20	FB5 - 1725 - 000		1	BUSHING, DEFLECTOR	
21	FB5 - 3820 - 000		1	KNOB	
22	FF5 - 9367 - 000		4	ROLLER, PAPER DELIVERY	
23	FF5 - 9380 - 000		1	PLATE, GUIDE SUPPORT	
24	FF5 - 9386 - 000		1	GUIDE, DUPLEX PAPER, UPPER	
24 A	FB5 - 1711 - 000		4	SHEET, PAPER GUIDE	
25	FF5 - 9387 - 020		1	GUIDE, DUPLEX P., RIGHT UPPER	
25 A	FB5 - 1718 - 000		1	SHEET, DUPLEX REVERSE	
26	FS1 - 1341 - 000		1	BUSHING	
27	FS1 - 9053 - 000		2	SCREW, STEPPED, M4	



FIGURE & KEY NO.	PART NUMBER	RANK	QTY	DESCRIPTION	SERIAL NUMBER / REMARKS
371 - 28	FS2 - 3488 - 000		2	PULLEY, 32T	
29	FS5 - 0351 - 000		1	GEAR, 18T	
30	FS5 - 6737 - 000		1	COLLER	
31	FS7 - 2360 - 000		1	SPRING, TENSION	
32	XF9 - 0711 - 000		1	BELT, TIMING	
501	XB1 - 2400 - 609		27	SCREW,MACH.,TRUSS HEAD,M4X6	
502	XB4 - 7300 - 809		1	SCREW,TAPPING,TRUSS HEAD,M3X8	
503	XD2 - 1100 - 642		10	RING,E	
504	XD3 - 2200 - 122		1	PIN,DOWEL	
505	XD3 - 2200 - 142		2	PIN,DOWEL	



# FIGURE 510 DRUM UNIT FRAME ASSEMBLY

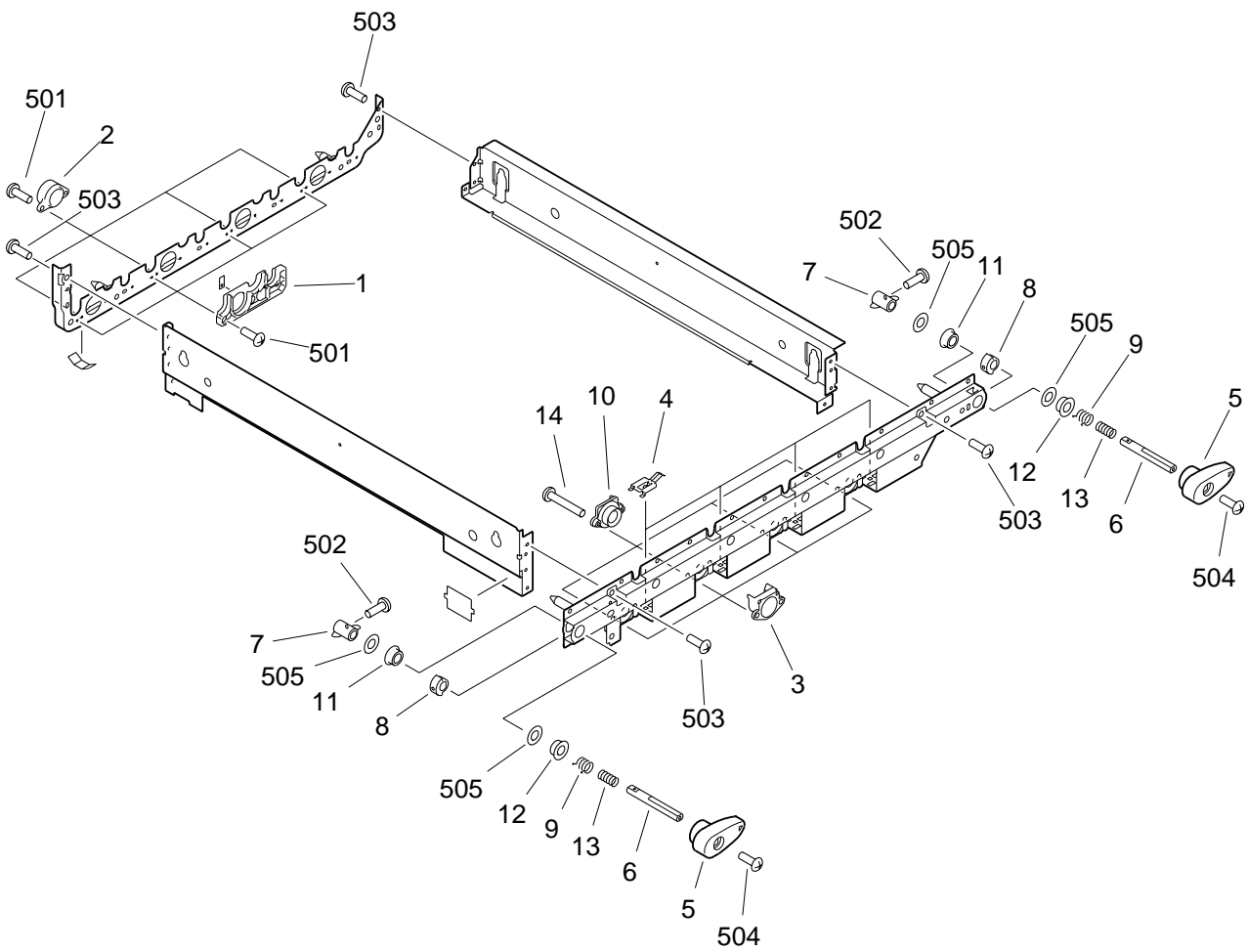


FIGURE & KEY NO.	PART NUMBER	RANK	QTY	DESCRIPTION	SERIAL NUMBER / REMARKS
510 -	NPN		RF	DRUM UNIT FRAME ASSEMBLY	
1	FB5 - 0798 - 000		4	GUIDE, DRUM UNIT, REAR	
2	FB5 - 0829 - 000		4	BUSHING	
3	FB5 - 0831 - 000		4	BLOCK, DRUM UNIT GUIDE, FRONT	
4	FB5 - 0832 - 000		4	PLATE, DEVELOP GROUNDING	
5	FB5 - 0834 - 000		2	HANDLE, DRUM UNIT FRAME	
6	FB5 - 0835 - 000		2	SHAFT, DRUM UNIT HANDLE	
7	FB5 - 0836 - 000		2	CAM	
8	FB5 - 0837 - 000		2	BLOCK, STOPPER	
9	FB5 - 0838 - 000		2	SPRING, TORSION	
10	FB5 - 0840 - 000		4	GUIDE, KNOB	
11	FS5 - 1917 - 000		2	BUSHING	
12	FS5 - 1918 - 000		2	BUSHING	
13	FS7 - 2277 - 000		2	SPRING, COMPRESSION	
14	XA9 - 0475 - 000		8	SCREW, M3X10	
501	XB1 - 2300 - 605		16	SCREW,MACH.,TRUSS HEAD,M3X6	
502	XB1 - 2300 - 609		2	SCREW,MACH.,TRUSS HEAD,M3X6	
503	XB1 - 2400 - 609		8	SCREW,MACH.,TRUSS HEAD,M4X6	
504	XB6 - 7400 - 605		2	SCREW,TP,M4X6	
505	XD1 - 1108 - 215		4	SHIM	

# FIGURE 530 TRANSFER LOWER FRAME ASSEMBLY

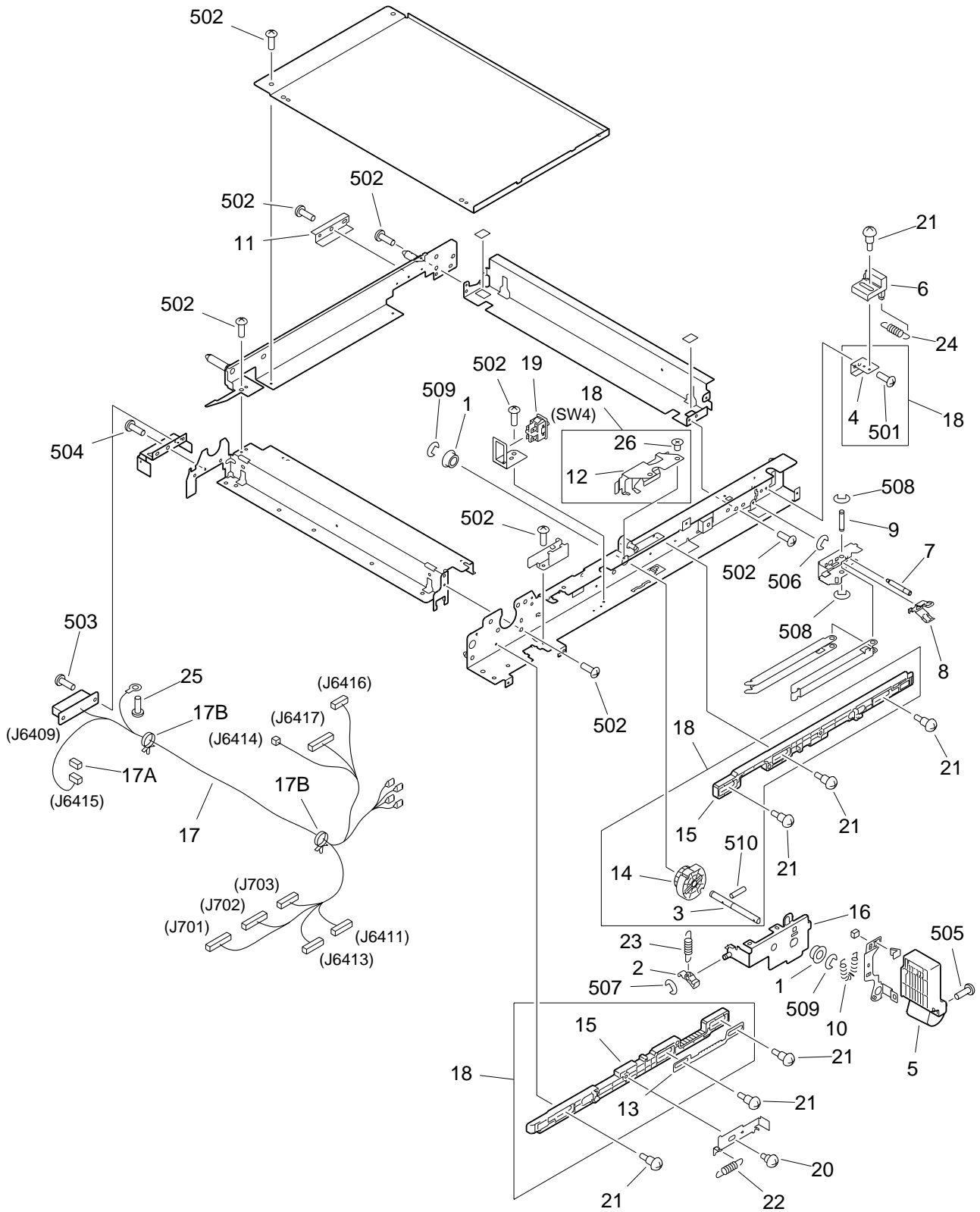


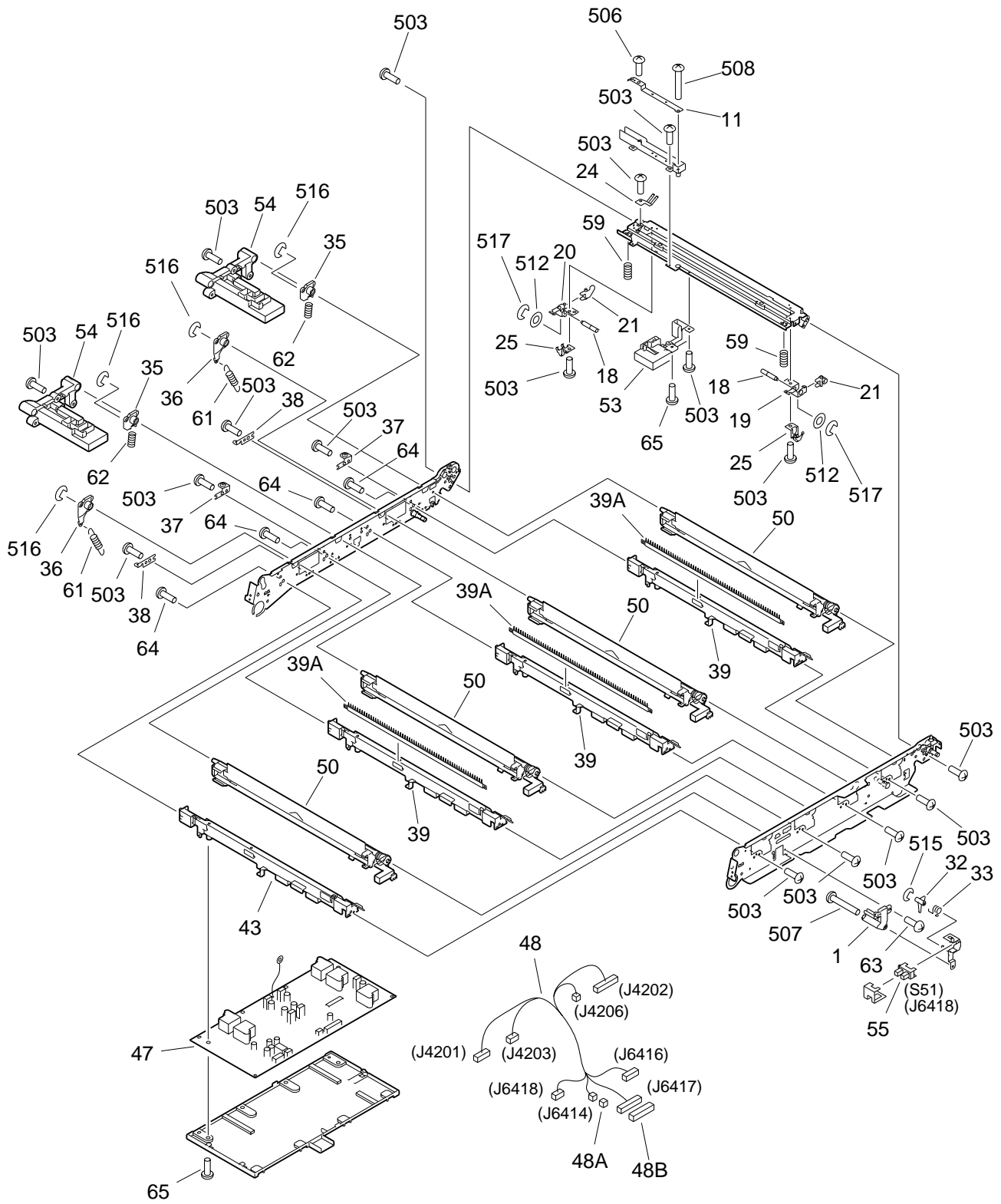
FIGURE & KEY NO.	PART NUMBER	RANK	QTY	DESCRIPTION	SERIAL NUMBER / REMARKS
530 -	NPN		RF	TRANSFER LOWER FRAME ASSEMBLY	
1	FA9 - 2112 - 000		2	BUSHING	
2	FB5 - 1234 - 000		1	BLOCK, LEFT LOCK	
3	FB5 - 1235 - 000		1	SHAFT, HANDLE	
4	FB5 - 1248 - 020		1	PLATE, RIGHT LOCK SUPPORT	
5	FB5 - 1250 - 000		1	HANDLE, TRANSFER LOWER FRAME	
6	FB5 - 1251 - 000		1	BLOCK, RIGHT LOCK	
7	FB5 - 1420 - 000		1	SCREW, TRANSFER STAND FIXING	
8	FB5 - 1492 - 000		1	SPRING, LEAF	
9	FB5 - 1493 - 000		1	SHAFT, TRANSFER STANDING	
10	FB5 - 8362 - 000		1	SPRING, TENSION	
11	FB5 - 8367 - 000		1	PLATE, SWING	
12	FB6 - 4297 - 000		1	PLATE, AUXILIARY	
13	FB6 - 4298 - 000		2	PLATE, RACK	
14	FB6 - 4299 - 000		1	CAM GEAR, 30T	
15	FB6 - 4300 - 000		2	PLATE, SLIDE LOCK	
16	FF6 - 0793 - 000		1	PLATE, SHAFT SUPPORT	
17	FG3 - 0722 - 000		1	CABLE, TRANSFER LOWER DRAWER	J701-703,6409,6411, J6413-6417
17 A	VS1 - 5057 - 002		1	CONNECTOR, SNAP TIGHT	J6415
17 B	WT2 - 5178 - 000		3	CLIP, CABLE	
18	FG6 - 9430 - 000		1	TRANSFER HANDLE GEAR UNIT	
19	FH7 - 6329 - 000		1	SWITCH, LINE INTERRUPT	SW4
20	FS1 - 9002 - 000		1	SCREW, STEPPED, M4	
21	FS1 - 9073 - 000		8	SCREW, STEPPED, M4	
22	FS7 - 2279 - 000		1	SPRING, TENSION	
23	FS7 - 2281 - 000		1	SPRING, TENSION	
24	FS7 - 2282 - 000		1	SPRING, TENSION	
25	XA9 - 0265 - 000		1	SCREW, W/WASHER, TRUSS HEAD	
26	XA9 - 0271 - 000		2	SCREW, M4X6	
501	XB1 - 2400 - 609		1	SCREW, MACH., TRUSS HEAD, M4X6	







# FIGURE 535 TRANSFER ASSEMBLY(1/2)



# FIGURE 535 TRANSFER ASSEMBLY(2/2)

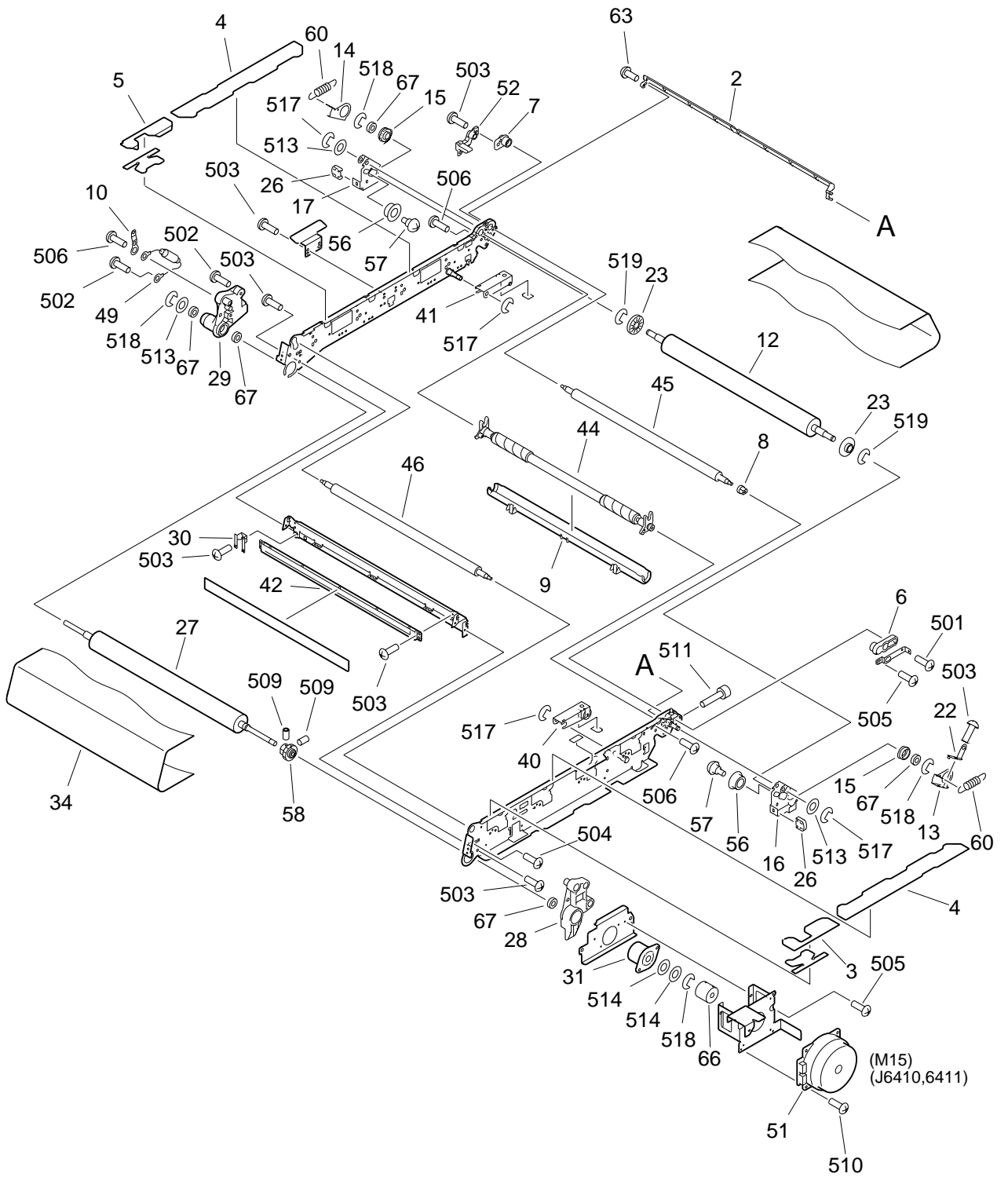


FIGURE & KEY NO.	PART NUMBER	RANK	QTY	DESCRIPTION	SERIAL NUMBER / REMARKS
535 -	FG6 - 4157 - 070		1	TRANSFER ASSEMBLY	imageRUNNER C2050 imageRUNNER C2020 iR C2100/2100S CP2150/2120 imageRUNNER C2058 iR C2105/2105S CP2155/2125/2150G
	FG6 - 9302 - 000		1	TRANSFER ASSEMBLY	
	1 FB5 - 1279 - 000		1	MOUNT, HOME POSITION SENSOR	
2	FB5 - 1280 - 000		1	GUIDE, TRANSFER	
3	FB5 - 1284 - 000		1	SHEET, BELT SUPPORT, FRONT	
4	FB5 - 1285 - 000		2	SHEET, COVER	
5	FB5 - 1288 - 000		1	SHEET, BELT SUPPORT, REAR	
6	FB5 - 1293 - 000		1	HOLDER, RIGHT UPPER ROLLER, F.	
7	FB5 - 1294 - 000		1	HOLDER, RIGHT UPPER ROLLER, R.	
8	FB5 - 1295 - 000		1	BEARING, BALL	
9	FB5 - 1298 - 000		1	COVER, SEPARATION ROLLER	
10	FB5 - 1300 - 000		1	SPRING, LEAF	
11	FB5 - 1303 - 000		1	SPRING, LEAF	
12	FB5 - 1305 - 000		1	ROLLER, TENSION	
13	FB5 - 1306 - 000		1	PLATE, TENSIONER SUPPORT, F.	
14	FB5 - 1307 - 000		1	PLATE, TENSIONER SUPPORT, R.	
15	FB5 - 1308 - 000		2	HOLDER, BEARING	
16	FB5 - 1309 - 000		1	PLATE, TENSIONER ARM, FRONT	
17	FB5 - 1310 - 000		1	PLATE, TENSIONER ARM, REAR	
18	FB5 - 1311 - 000		2	PIN, LOCK	
19	FB5 - 1312 - 000		1	PLATE, LOCK PIN, FRONT	
20	FB5 - 1313 - 000		1	PLATE, LOCK PIN, REAR	
21	FB5 - 1314 - 000		2	LEVER, LOCK RELEASE	
22	FB5 - 1315 - 000		1	SPRING, GROUNDING	
23	FB5 - 1316 - 000		2	GUIDE, RIB LIMIT	
24	FB5 - 1317 - 020		1	SPRING, GROUNDING	
25	FB5 - 1318 - 000		2	SPRING, LEAF	
26	FB5 - 1319 - 000		2	GUIDE, THRUST	

FIGURE & KEY NO.	PART NUMBER	RANK	QTY	DESCRIPTION	SERIAL NUMBER / REMARKS
535 - 27	FB5 - 1320 - 000		1	ROLLER, DRIVE	
28	FB5 - 1322 - 000		1	HOLDER, DRIVE ROLLER, FRONT	
29	FB5 - 1323 - 000		1	HOLDER, DRIVE ROLLER, REAR	
30	FB5 - 1324 - 000		1	SPRING, GROUNDING	
31	FB5 - 1325 - 000		1	HOLDER, LOWER DRIVE PLATE	
32	FB5 - 1331 - 000		1	ARM, HOME POSITION SENSOR	
33	FB5 - 1333 - 000		1	SPRING, TORSION	
34	FB5 - 3929 - 000		1	BELT, TRANSFER	
35	FB5 - 3939 - 000		2	BLOCK, POSITIONING, 1	
36	FB5 - 3940 - 000		2	BLOCK, POSITIONING, 2	
37	FB5 - 8341 - 000		2	PLATE, SPRING SUPPORT	
38	FB5 - 8342 - 000		2	PLATE, SPRING HOOK	
39	FF5 - 9324 - 000		3	CROSSMEMBER, BLADE	
39 A	FB2 - 0573 - 000		1	ELIMINATOR, STATIC CHARGE	
40	FF5 - 9325 - 000		1	ARM, CAM FOLLOWER, FRONT	
41	FF5 - 9326 - 000		1	ARM, CAM FOLLOWER, REAR	
42	FF5 - 9327 - 000		1	CASE, BELT SCRAPER	
43	FF6 - 0800 - 000		1	CROSSMEMBER, BLADE	
44	FF6 - 0986 - 000		1	ROLLER, SEPARATION, LOWER	
45	FF6 - 0987 - 000		1	ROLLER, SEPARATION, UPPER	
46	FF6 - 0988 - 000		1	ROLLER, SEPARATION, LEFT UPPER	
47	FG3 - 0651 - 000		1	H. V. TRANSFER PCB ASSEMBLY	imageRUNNER C2050 imageRUNNER C2020 iR C2100/2100S CP2150/2120
	FG3 - 0652 - 000		1	H. V. TRANSFER PCB ASSEMBLY	imageRUNNER C2058 iR C2105/2105S CP2155/2125/2150G
48	FG3 - 0723 - 000		1	CABLE, TRANSFER UNIT	J4201-4203,4206, J6414,6416-6418
48 A	VS1 - 5057 - 002		1	CONNECTOR, SNAP TIGHT	J6414
48 B	VS1 - 6318 - 016		1	CONNECTOR, SNAP TIGHT	J6417
49	FG3 - 0761 - 000		1	CABLE, TRANSFER VARISTOR	
50	FG6 - 4159 - 030		4	TRANSFER BLADE UNIT	

FIGURE & KEY NO.	PART NUMBER	RANK	QTY	DESCRIPTION	SERIAL NUMBER / REMARKS
535 - 51	FG6 - 7790 - 000		1	MOTOR UNIT	M15 J6410,6411
52	FH2 - 9238 - 000		1	CONNECTOR, SEPARATION H.V.T.	
53	FH2 - 9239 - 000		1	CONNECTOR, SEP. POWER SUPPLY	
54	FH2 - 9240 - 000		2	CONNECTOR, H. V. TRANSFER	
55	FH7 - 7394 - 000		1	PHOTO-INTERRUPTER	S51 J6418
56	FS1 - 1413 - 000		2	BUSHING	
57	FS1 - 9102 - 000		2	SCREW, STEPPED, M3	
58	FS7 - 0556 - 000		1	GEAR, 27T	
59	FS7 - 2268 - 000		2	SPRING, COMPRESSION	
60	FS7 - 2269 - 000		2	SPRING, TENSION	
61	FS7 - 2545 - 000		2	SPRING, TENSION	
62	FS7 - 2546 - 000		2	SPRING, COMPRESSION	
63	XA9 - 0385 - 000		2	SCREW, W/WASHER, TRUSS HEAD	
64	XA9 - 0605 - 000		4	SCREW, M4X8	
65	XA9 - 0606 - 000		3	SCREW, P, M4X10	
66	XF9 - 0708 - 000		1	COUPLING	
67	XG9 - 0415 - 000		5	BEARING, BALL	
501	XB1 - 2300 - 405		5	SCREW, MACH., TRUSS HEAD, M3X4	
502	XB1 - 2300 - 607		3	SCREW, MACH., TRUSS HEAD, M3X6	
503	XB1 - 2300 - 609		34	SCREW, MACH., TRUSS HEAD, M3X6	
504	XB1 - 2400 - 809		2	SCREW, MACH., TRUSS HEAD, M4X8	
505	XB2 - 8300 - 609		3	SCREW, W/WASHER, M3X6	
506	XB4 - 7300 - 807		4	SCREW, TAPPING, TRUSS HEAD, M3X8	
507	XB4 - 7301 - 009		1	SCREW, TAPPING, TRUSS HEAD, M3X10	
508	XB4 - 7301 - 607		1	SCREW, TAP TIGHT, BINDING HEAD	
509	XB6 - 2300 - 609		2	SETSCREW, M3X6	
510	XB6 - 7300 - 809		4	SCREW, TP, M3X8	
511	XB7 - 1030 - 109		1	SCREW, ALLEN HEAD, M3X10	
512	XD1 - 1106 - 225		2	SHIM	
513	XD1 - 1108 - 215		3	SHIM	

FIGURE & KEY NO.	PART NUMBER	R A N K	Q' T Y	DESCRIPTION	SERIAL NUMBER / REMARKS
535 - 514	XD1 - 1108 - 225		2	SHIM	
515	XD2 - 1100 - 322		1	RING,E	
516	XD2 - 1100 - 322		4	RING,E	
517	XD2 - 1100 - 502		6	RING,E	
518	XD2 - 1100 - 642		4	RING,E	
519	XD2 - 1100 - 802		2	RING,E	

# FIGURE 580 SEPARATION CORONA ASSEMBLY

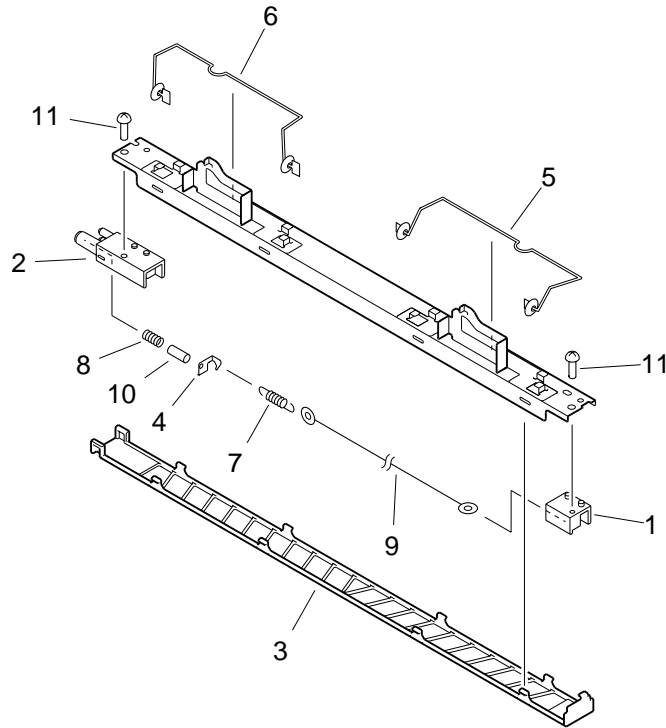
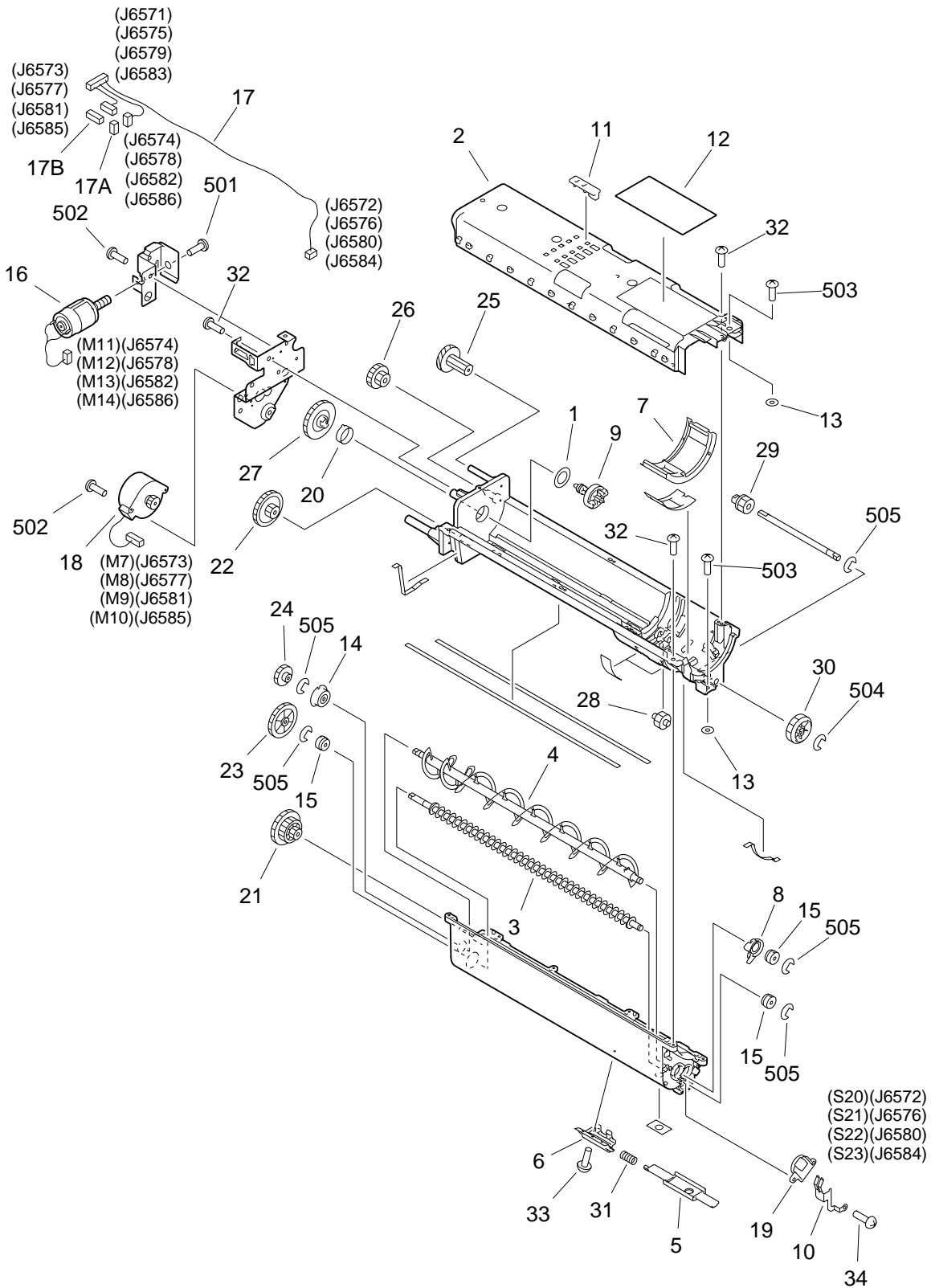


FIGURE & KEY NO.	PART NUMBER	RANK	QTY	DESCRIPTION	SERIAL NUMBER / REMARKS
580 -	FG6 - 4167 - 000		1	SEPARATION CORONA ASSEMBLY	
1	FB5 - 1364 - 000		1	BLOCK, TRANSFER, FRONT	
2	FB5 - 1365 - 000		1	BLOCK, TRANSFER, REAR	
3	FB5 - 1366 - 000		1	COVER, SHIELD	
4	FB5 - 1370 - 000		1	PLATE, TERMINAL	
5	FF6 - 0629 - 000		1	ROWEL	
6	FF6 - 0630 - 000		1	ROWEL	
7	FS2 - 2551 - 000		1	SPRING, TENSION	
8	FS7 - 2358 - 000		1	SPRING, COMPRESSION	
9	FY3 - 0040 - 000		1	WIRE, CORONA, 0.06MM (20M)	
10	VR7 - 9240 - 103		1	RESISTOR, 10KOHM, 1/2W	
11	XA9 - 0596 - 000		2	SCREW,P,M3X6	





# FIGURE 620 HOPPER ASSEMBLY



NOTE: This assembly does not include the part shown with key No. 11.

FIGURE & KEY NO.	PART NUMBER	RANK	QTY	DESCRIPTION	SERIAL NUMBER / REMARKS
620 -	FG6 - 4143 - 000		4	HOPPER ASSEMBLY	
1	FB2 - 3843 - 000		1	WASHER	
2	FB5 - 0998 - 000		1	COVER, HOPPER	
3	FB5 - 1000 - 000		1	SCREW, TONER FEED	
4	FB5 - 1001 - 000		1	BLADE, STIRRING	
5	FB5 - 1002 - 000		1	SHUTTER, 1	
6	FB5 - 1004 - 000		1	HOLDER, SPRING	
7	FB5 - 1005 - 000		1	SHUTTER, 2	
8	FB5 - 1007 - 000		1	BLOCK, WIPER	
9	FB5 - 1008 - 000		1	COUPLING	
10	FB5 - 1014 - 000		1	PLATE, SENSOR GROUNDING	
11	FB5 - 1017 - 000		4	BLOCK, HOPPER STOPPER	SEE NOTE
12	FB5 - 3898 - 000		1	LABEL, "CAUTION, HOPPER"	
13	FC2 - 2121 - 000		2	WASHER	
14	FF5 - 2128 - 000		1	BUSHING, FEED SCREW	
15	FF5 - 4081 - 000		3	BUSHING	
16	FG3 - 0698 - 000		1	TONER CARTRIDGE MOTOR UNIT	M11-14 J6574,6578,6582,6586
17	FG3 - 0732 - 000		1	CABLE, HOPPER	J6571-6586
17 A	VS1 - 5057 - 002		1	CONNECTOR, SNAP TIGHT	J6574,6578,6582,6586
17 B	VS1 - 5057 - 006		1	CONNECTOR, SNAP TIGHT	J6573,6577,6581,6585
18	FH6 - 1697 - 000		1	MOTOR, STEPPING	M7-10 J6573,6577,6581,6585
19	FH7 - 7422 - 000		1	SENSOR, TONER	S20-23 J6572,6576,6580,6584
20	FS1 - 1594 - 000		1	BUSHING	
21	FS7 - 0568 - 000		1	GEAR, 18T/30T/45T	
22	FS7 - 0569 - 000		1	GEAR, 15T/62T	
23	FS7 - 0570 - 000		1	GEAR, 45T	
24	FS7 - 0571 - 000		1	GEAR, 25T	
25	FS7 - 0573 - 000		1	GEAR, 18T/45T	
26	FS7 - 0574 - 000		1	GEAR, 16T/40T	
27	FS7 - 0575 - 000		1	GEAR, 50T	

FIGURE & KEY NO.	PART NUMBER	RANK	QTY	DESCRIPTION	SERIAL NUMBER / REMARKS
620 - 28	FS7 - 0581 - 000		1	GEAR, 14T	
29	FS7 - 0582 - 000		1	GEAR, 14T	
30	FS7 - 0583 - 000		1	GEAR, 22T	
31	FS7 - 2267 - 000		1	SPRING, COMPRESSION	
32	XA9 - 0475 - 000		13	SCREW, M3X10	
33	XA9 - 0596 - 000		1	SCREW,P,M3X6	
34	XA9 - 0614 - 000		2	SCREW,P,M3X8	
501	XB1 - 2260 - 407		2	SCREW,MACH.,TRUSS HEAD,M2.6X4	
502	XB1 - 2300 - 609		5	SCREW,MACH.,TRUSS HEAD,M3X6	
503	XB1 - 2400 - 609		2	SCREW,MACH.,TRUSS HEAD,M4X6	
504	XD2 - 1100 - 322		1	RING,E	
505	XD2 - 1100 - 502		5	RING,E	



# FIGURE 710 TRANSFER BELT CLEANING ASSEMBLY

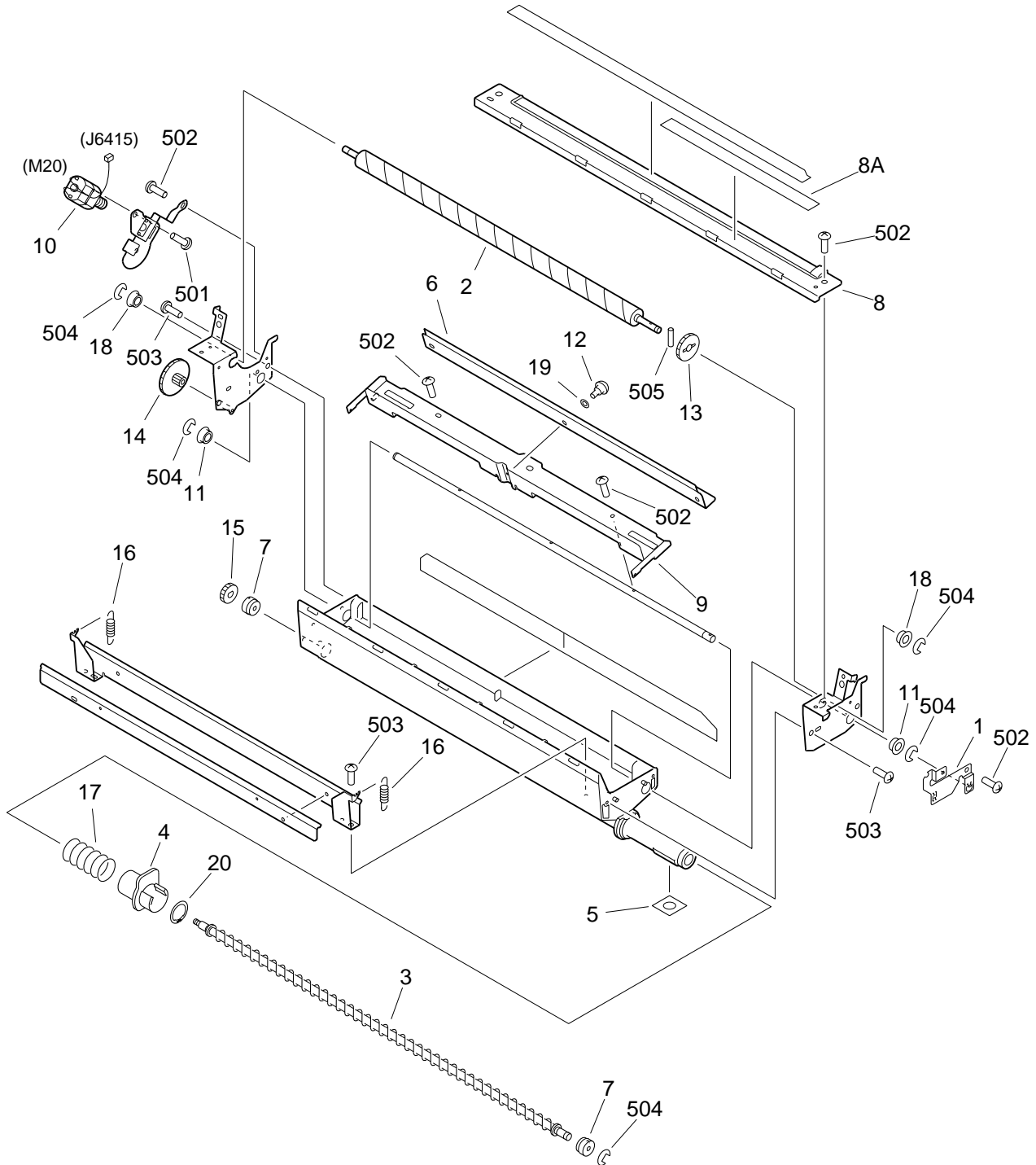


FIGURE & KEY NO.	PART NUMBER	RANK	QTY	DESCRIPTION	SERIAL NUMBER / REMARKS
710 -	FG6 - 9427 - 000		1	TRANSFER BELT CLEANER ASSEMBLY	
1	FB5 - 1379 - 000		1	PLATE, GROUNDING	
2	FB5 - 1380 - 000		1	ROLLER, CLEANING BRUSH	
3	FB5 - 1390 - 000		1	FEED SCREW, WASTE TONER	
4	FB5 - 1396 - 000		1	BLOCK, SHUTTER	
5	FB5 - 1404 - 000		1	SEAL, SHUTTER	
6	FB6 - 4294 - 000		1	BLADE, CLEANING	
7	FF5 - 4081 - 000		2	BUSHING	
8	FF5 - 9314 - 000		1	COVER, CASE	
8 A	FS6 - 8881 - 000		1	LABEL, "WARNING, HIGH TEMP."	
9	FF6 - 2239 - 020		1	HOLDER, BLADE	
10	FG3 - 0676 - 000		1	WASTE TONER MOTOR UNIT	M20 J6415
11	FS1 - 1206 - 000		2	BUSHING	
12	FS1 - 9010 - 000		1	SCREW, STEPPED, M3	
13	FS7 - 0576 - 000		1	GEAR, 27T	
14	FS7 - 0577 - 000		1	GEAR, 12T/50T	
15	FS7 - 0579 - 000		1	GEAR, 25T	
16	FS7 - 2284 - 000		2	SPRING, TENSION	
17	FS7 - 2285 - 000		1	SPRING, COMPRESSION	
18	RS1 - 1042 - 000		2	BUSHING	
19	XD9 - 0079 - 000		1	WASHER, WAVE	
20	XD9 - 0194 - 000		1	RING,C,INTERNAL	
501	XB1 - 2200 - 309		2	SCREW,MACH.,TRUSS HEAD,M2X3	
502	XB1 - 2300 - 609		8	SCREW,MACH.,TRUSS HEAD,M3X6	
503	XB4 - 7300 - 809		6	SCREW,TAPPING,TRUSS HEAD,M3X8	
504	XD2 - 1100 - 502		5	RING,E	
505	XD3 - 2200 - 122		1	PIN,DOWEL	

# FIGURE 770 WASTE TONER ASSEMBLY

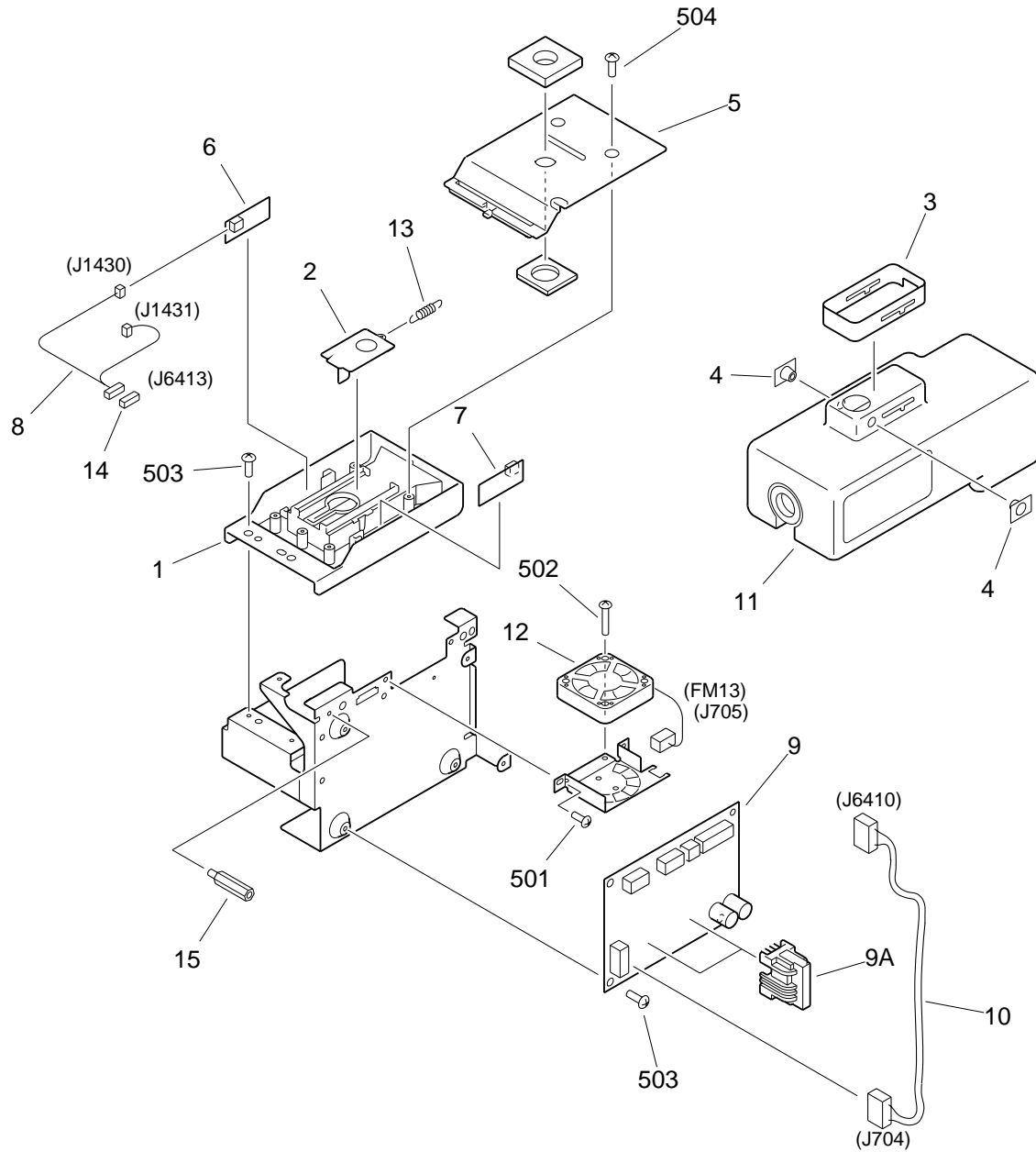
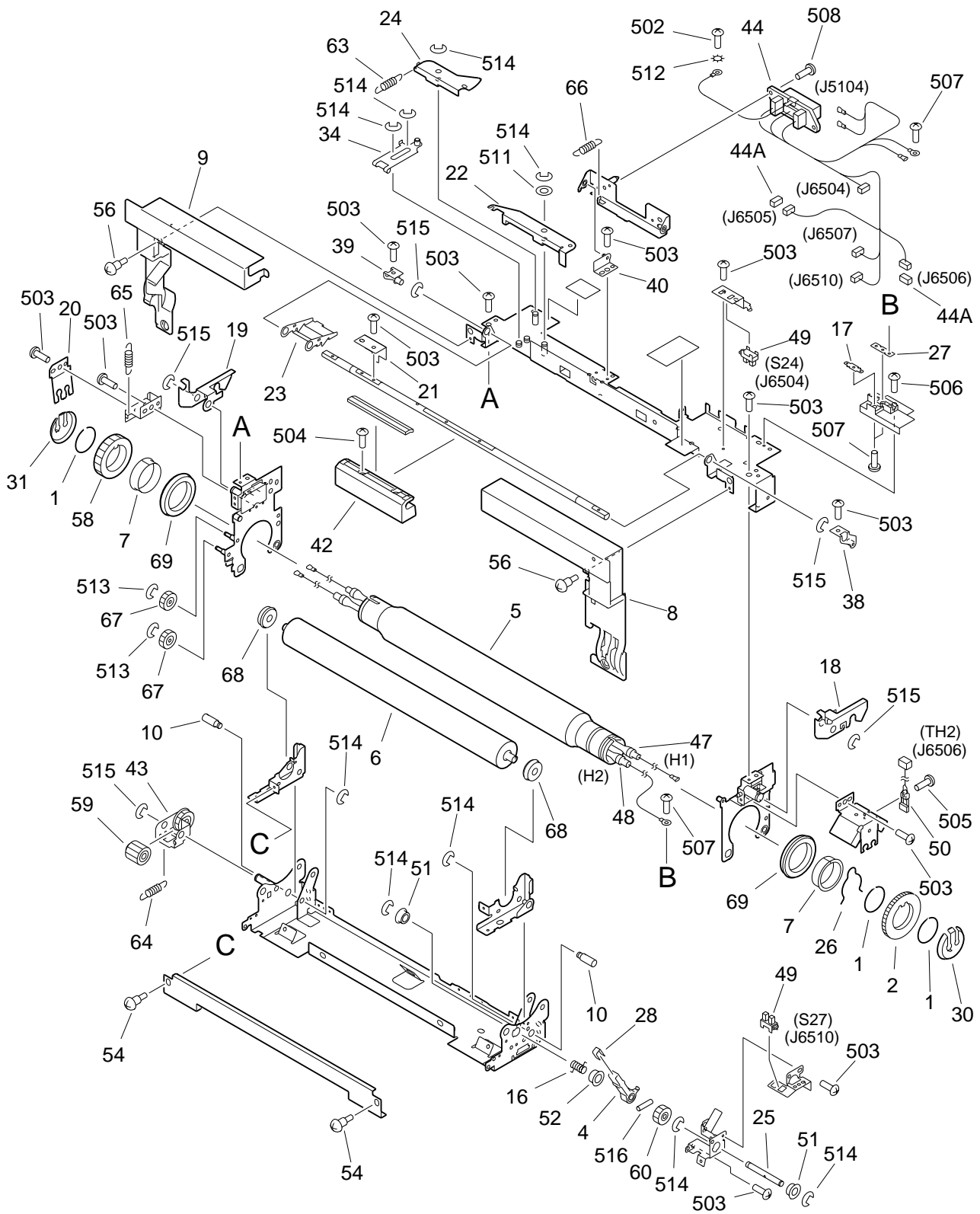


FIGURE & KEY NO.	PART NUMBER	RANK	QTY	DESCRIPTION	SERIAL NUMBER / REMARKS
770 -	FG6 - 7791 - 000		1	WASTE TONER ASSEMBLY	
1	FB5 - 1395 - 000		1	HOLDER, SENSOR	
2	FB5 - 1397 - 000		1	FLAG, SENSOR	
3	FB5 - 1407 - 000		1	CAP, SENSOR	
4	FB5 - 9728 - 000		2	COVER, WASTE TONER SHIELD	
5	FF5 - 9316 - 000		1	COVER, SENSOR	
6	FG3 - 0692 - 000		1	REMNANT SENSOR RADIANT P. UNIT	J1430
7	FG3 - 0693 - 000		1	REMNANT SENSOR RECEIVE P. UNIT	J1431
8	FG3 - 0724 - 000		1	CABLE, WASTE TONER SENSOR	J1430,1431,6413
9	FG3 - 0820 - 000		1	TRANSFER BELT AC PCB ASSEMBLY	
9 A	FH3 - 0963 - 000		2	TRANSFORMER	
10	FG6 - 0822 - 000		1	CABLE, H. V. TRANSFER MOTOR	J704,6410
11	FG6 - 6795 - 020		1	WASTE TONER CASE UNIT	
12	FH6 - 1486 - 000		1	FAN, COOLING	FM13 J705
13	FS7 - 2286 - 000		1	SPRING, TENSION	
14	VS1 - 6318 - 007		1	CONNECTOR, SNAP TIGHT	J6413
15	VT2 - 5169 - 025		1	SPACER	
501	XB1 - 2300 - 609		2	SCREW,MACH.,TRUSS HEAD,M3X6	
502	XB1 - 2301 - 409		2	SCREW,MACH.,TRUSS HEAD,M3X14	
503	XB1 - 2400 - 609		9	SCREW,MACH.,TRUSS HEAD,M4X6	
504	XB4 - 7300 - 809		2	SCREW,TAPPING,TRUSS HEAD,M3X8	



# FIGURE 810 FIXING ASSEMBLY(1/2)



NOTE: This assembly includes the assembly shown in Figure 830.

# FIGURE 810 FIXING ASSEMBLY(2/2)

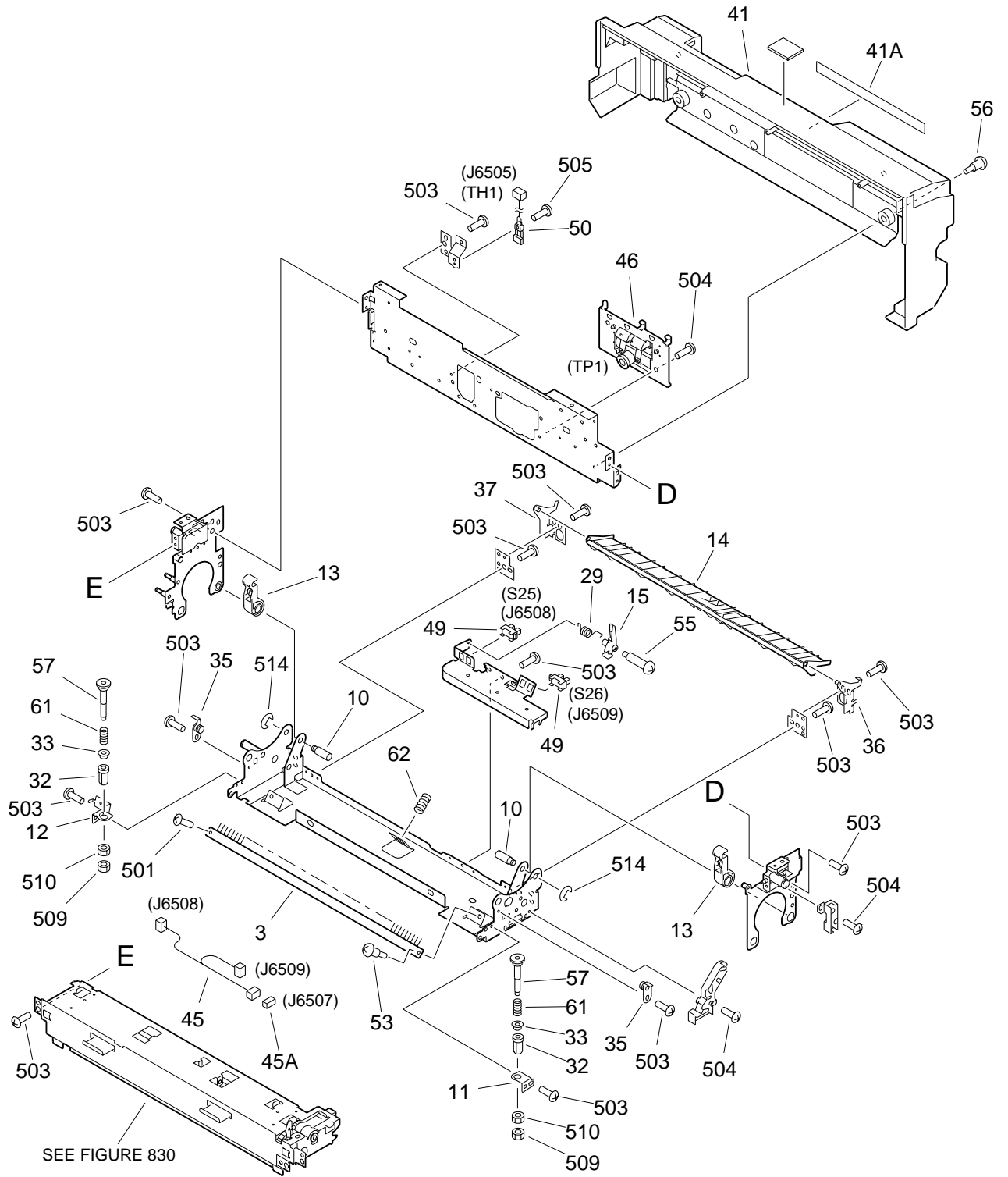


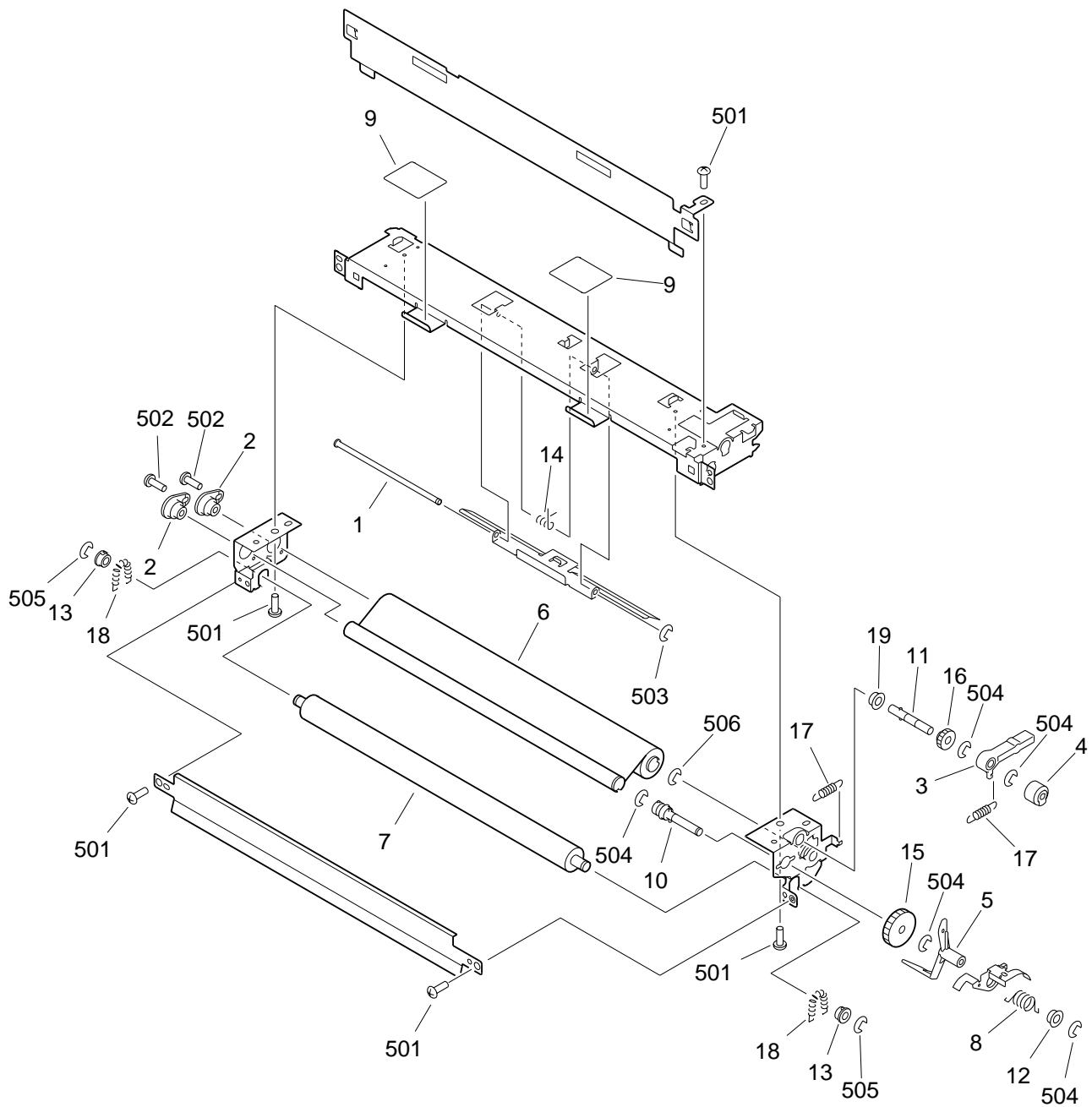
FIGURE & KEY NO.	PART NUMBER	RANK	QTY	DESCRIPTION	SERIAL NUMBER / REMARKS
810 -	FG6 - 4170 - 000		1	FIXING ASSEMBLY	100V SEE NOTE
	FG6 - 4171 - 000		1	FIXING ASSEMBLY	120V SEE NOTE
	FG6 - 4172 - 000		1	FIXING ASSEMBLY	220/240V SEE NOTE
	1 FA3 - 8894 - 000		3	RING, RETAINING	
	2 FB1 - 6825 - 000		1	GEAR, 52T	
3	FB1 - 7234 - 000		1	ELIMINATOR, STATIC CHARGE	
4	FB4 - 6646 - 000		1	ARM, ONE-WAY	
5	FB5 - 1131 - 000		1	ROLLER, FIXING	
6	FB5 - 1132 - 000		1	ROLLER, PRESSURE	
7	FB5 - 1134 - 000		2	BUSHING	
8	FB5 - 1139 - 000		1	PANEL, DELIVERY UPPER, FRONT	
9	FB5 - 1140 - 000		1	PANEL, DELIVERY UPPER, REAR	
10	FB5 - 1144 - 000		4	SHAFT, PRESSURE	
11	FB5 - 1146 - 000		1	HOLDER, PRESSURE, FRONT	
12	FB5 - 1147 - 000		1	HOLDER, PRESSURE, REAR	
13	FB5 - 1148 - 000		2	LEVER, PRESSURE RELEASE	
14	FB5 - 1152 - 000		1	GUIDE, FIXING INLET	
15	FB5 - 1155 - 000		1	FLAG, FIXING INLET SENSOR	
16	FB5 - 1168 - 000		1	SPRING, TORSION	
17	FB5 - 1171 - 000		1	TERMINAL, 2	
18	FB5 - 1172 - 000		1	HOOK, FIXING, FRONT	
19	FB5 - 1173 - 000		1	HOOK, FIXING, REAR	
20	FB5 - 1180 - 000		1	SPRING, LEAF	
21	FB5 - 1183 - 000		1	PLATE, SWITCH RELEASE	
22	FB5 - 1184 - 000		1	LEVER, DELIVERY SWITCH	
23	FB5 - 1187 - 000		1	LEVER, FIXING LOCK	
24	FB5 - 1190 - 000		1	PLATE, SWITCH ARM	
25	FB5 - 1555 - 000		1	SHAFT, JAM RESET LEVER	
26	FB5 - 1558 - 000		1	RING, RETAINING	
27	FB5 - 1559 - 000		1	TERMINAL, 3	

FIGURE & KEY NO.	PART NUMBER	RANK	QTY	DESCRIPTION	SERIAL NUMBER / REMARKS
810 - 28	FB5 - 1562 - 020		1	SEAL, JAM RESET	
29	FB5 - 1564 - 000		1	SPRING, TORSION	
30	FB5 - 1565 - 000		1	COVER, HEATER, FRONT	
31	FB5 - 1566 - 000		1	COVER, HEATER, REAR	
32	FB5 - 1569 - 000		2	SCREW, PRESSURE ADJUSTING	
33	FB5 - 1570 - 000		2	SPACER, PRESSURE	
34	FF5 - 9295 - 000		1	PLATE, SLIDE LEVER	
35	FF5 - 9298 - 000		2	PLATE, FIXING POSITIONING	
36	FF5 - 9299 - 000		1	HOLDER, INLET GUIDE, FRONT	
37	FF5 - 9300 - 000		1	HOLDER, INLET GUIDE, REAR	
38	FF5 - 9305 - 000		1	SUPPORT, HOOK LEVER, FRONT	
39	FF5 - 9306 - 000		1	SUPPORT, HOOK LEVER, REAR	
40	FF5 - 9308 - 000		1	PLATE, CONNECTOR SHAFT MOUNT	
41	FF5 - 9376 - 000		1	COVER, FIXING	
41 A	FS6 - 8902 - 000		1	LABEL, "WARNING HIGH TEMP."	
42	FF6 - 0795 - 000		1	HANDLE, PAPER DELIVERY UNIT	
43	FF6 - 0802 - 000		1	ARM, DRIVE INLET	
44	FG3 - 0715 - 000		1	CABLE, FIXING DRAWER	J5104,6504-6507,6510
44 A	VS1 - 5057 - 002		2	CONNECTOR, SNAP TIGHT	J6505,6506
45	FG3 - 0716 - 000		1	CABLE, FIXING SENSOR	J6507-6509
45 A	VS1 - 5057 - 006		1	CONNECTOR, SNAP TIGHT	J6507
46	FG6 - 6798 - 000		1	THERMOSWITCH UNIT	TP1
47	FH7 - 4640 - 000		1	HEATER, HALOGEN, MAIN	100V H1
	FH7 - 4642 - 000		1	HEATER, HALOGEN, MAIN	120V H1
	FH7 - 4644 - 000		1	HEATER, HALOGEN, MAIN	220/240V H1
48	FH7 - 4641 - 000		1	HEATER, HALOGEN, SUB	100V H2
	FH7 - 4643 - 000		1	HEATER, HALOGEN, SUB	120V H2
	FH7 - 4645 - 000		1	HEATER, HALOGEN, SUB	220/240V H2
49	FH7 - 7394 - 000		4	PHOTO-INTERRUPTER	S24-27 J6504,6508-6510
50	FH7 - 7519 - 000		2	THERMISTOR UNIT	TH1,2 J6505,6506

FIGURE & KEY NO.	PART NUMBER	RANK	QTY	DESCRIPTION	SERIAL NUMBER / REMARKS
810 - 51	FS1 - 1508 - 000		2	BUSHING	
52	FS1 - 1512 - 000		1	BUSHING	
53	FS1 - 9120 - 000		1	SCREW, STEPPED, M3	
54	FS2 - 9267 - 000		2	SCREW, STEPPED, M4	
55	FS5 - 9212 - 000		1	SCREW, STEPPED, M3	
56	FS5 - 9213 - 000		8	SCREW, STEPPED, M4X7	
57	FS5 - 9611 - 000		2	SCREW, STEPPED, M4	
58	FS7 - 0584 - 000		1	GEAR, 46T	
59	FS7 - 0586 - 000		1	GEAR, 19T	
60	FS7 - 0587 - 000		1	GEAR, 18T	
61	FS7 - 2295 - 000		2	SPRING, COMPRESSION	
62	FS7 - 2296 - 000		1	SPRING, COMPRESSION	
63	FS7 - 2297 - 000		1	SPRING, TENSION	
64	FS7 - 2298 - 000		1	SPRING, TENSION	
65	FS7 - 2309 - 000		1	SPRING, TENSION	
66	FS7 - 2310 - 000		1	SPRING, TENSION	
67	RS5 - 0751 - 000		2	GEAR, 18T	
68	XG9 - 0182 - 000		2	BEARING, BALL	
69	XG9 - 0422 - 000		2	BEARING, BALL	
501	XB1 - 2300 - 609		1	SCREW, MACH., TRUSS HEAD, M3X6	
502	XB1 - 2400 - 607		1	SCREW, MACH., TRUSS HEAD, M4X6	
503	XB1 - 2400 - 609		31	SCREW, MACH., TRUSS HEAD, M4X6	
504	XB2 - 4400 - 805		6	SCREW, W/WASHER, M4X8	
505	XB2 - 8301 - 005		2	SCREW, W/WASHER, M3X10	
506	XB2 - 8400 - 609		1	SCREW, W/WASHER, M4X6	
507	XB2 - 8400 - 806		4	SCREW, W/WASHER, M4X8	
508	XB2 - 8401 - 009		2	SCREW, W/WASHER, M4X10	
509	XB7 - 2100 - 309		2	NUT, HEX, M3	
510	XB7 - 2200 - 609		2	NUT, HEX, M6	
511	XD1 - 1106 - 235		1	SHIM	



# FIGURE 830 FIXING ROLLER CLEANING ASSEMBLY



NOTE: This assembly is included in the assembly shown in Figure 810.

FIGURE & KEY NO.	PART NUMBER	RANK	QTY	DESCRIPTION	SERIAL NUMBER / REMARKS
830 -	FG6 - 4169 - 000		1	FIXING ROLLER CLEANING ASS'Y	SEE NOTE
1	FA6 - 3071 - 000		1	ROD, PLATE MOUNTING	
2	FB2 - 1371 - 000		2	HOLDER, CLEANING ROLLER	
3	FB4 - 6646 - 000		1	ARM, ONE-WAY	
4	FB4 - 6647 - 000		1	BUSHING	
5	FB5 - 1629 - 000		1	FLAG, ROLL REMNANT SENSOR	
6	FB5 - 1630 - 000		1	ROLL, CLEANING	
7	FB5 - 1631 - 000		1	ROLLER, PRESSURE	
8	FB5 - 1633 - 000		1	SPRING, TORSION	
9	FB5 - 1634 - 000		2	SEAL, HANDLE	
10	FF5 - 9318 - 000		1	SHAFT, CLEANING ROLL	
11	FF5 - 9319 - 000		1	SHAFT, CLEANING ROLL ARM	
12	FS1 - 1508 - 000		2	BUSHING	
13	FS2 - 1256 - 000		2	BUSHING	
14	FS5 - 2586 - 000		1	SPRING, TORSION	
15	FS7 - 0163 - 000		1	GEAR, 46T	
16	FS7 - 0164 - 000		1	GEAR, 22T	
17	FS7 - 2298 - 000		2	SPRING, TENSION	
18	FS7 - 2362 - 000		2	SPRING, TENSION	
19	RS1 - 1016 - 000		1	BUSHING	
501	XB1 - 2400 - 409		5	SCREW,MACH.,TRUSS HEAD,M4X4	
502	XB2 - 4400 - 805		2	SCREW,W/WASHER,M4X8	
503	XD2 - 1100 - 322		1	RING,E	
504	XD2 - 1100 - 502		5	RING,E	
505	XD2 - 1100 - 642		2	RING,E	
506	XD2 - 1100 - 802		1	RING,E	



# FIGURE 910 DC POWER SUPPLY PCB ASSEMBLY

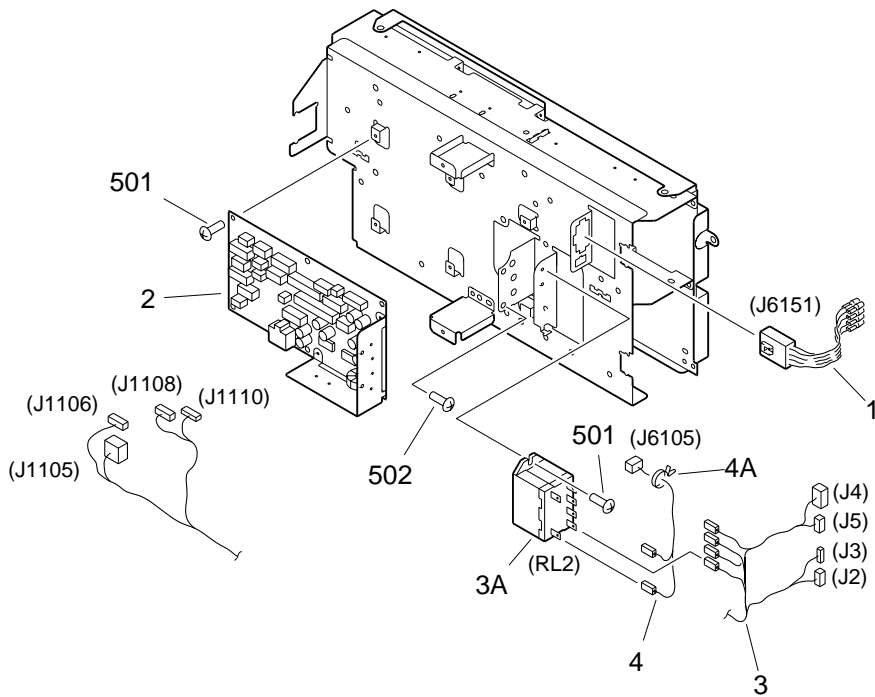


FIGURE & KEY NO.	PART NUMBER	RANK	QTY	DESCRIPTION	SERIAL NUMBER / REMARKS
910 -	FG6 - 4241 - 000		1	DC POWER SUPPLY PCB ASSEMBLY	100/120V
	FG6 - 4242 - 000		1	DC POWER SUPPLY PCB ASSEMBLY	220/240V
	1	FF3 - 3826 - 000	1	CABLE, +5V	J6,6151
	2	FG3 - 0662 - 000	1	POWER SUPPLY PCB ASSEMBLY	100/120V
		FG3 - 0673 - 000	1	POWER SUPPLY PCB ASSEMBLY	220/240V
3	FG3 - 0712 - 000		1	CABLE, POWER SUPPLY	J2-5,1105,1106,1108 J1110
3 A	FH7 - 6307 - 000		1	RELAY	RL2
4	FG3 - 0750 - 000		1	CABLE, DC RELAY	J6105
4 A	WT2 - 5178 - 000		1	CLIP, CABLE	
501	XB1 - 2400 - 607		3	SCREW,MACH.,TRUSS HEAD,M4X6	
502	XB1 - 2400 - 607		7	SCREW,MACH.,TRUSS HEAD,M4X6	

# FIGURE 915 DRUM MOTOR DRIVER PCB ASSEMBLY

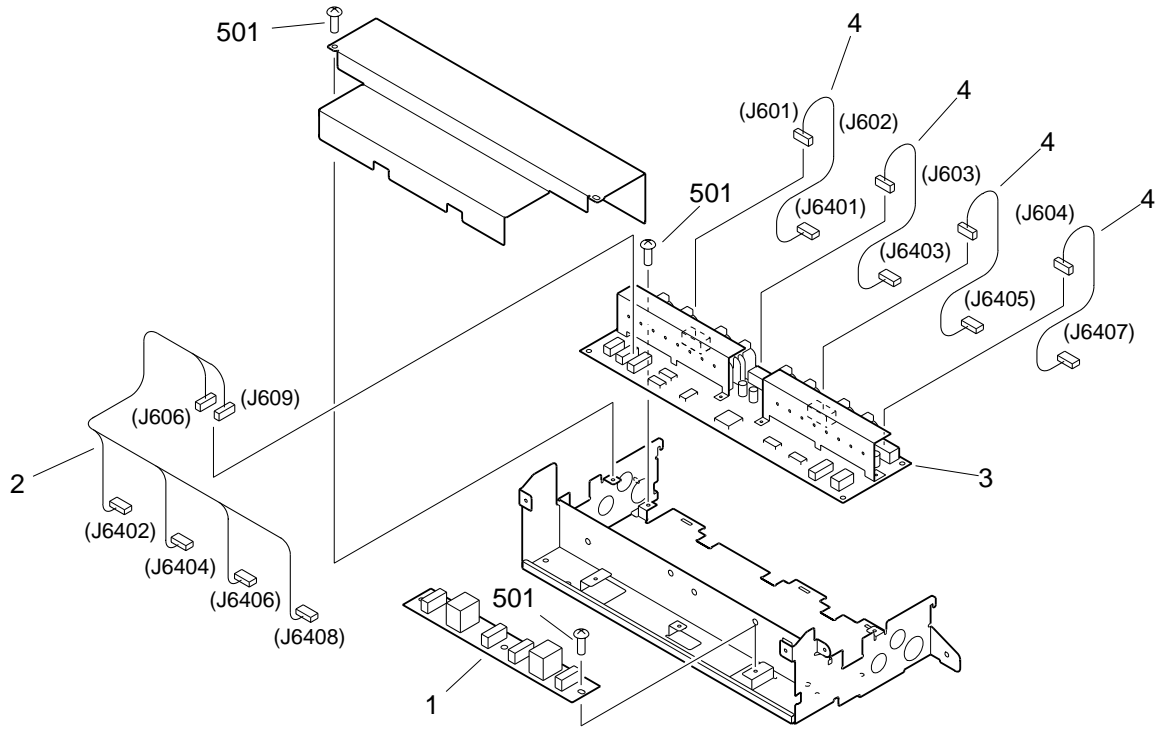


FIGURE & KEY NO.	PART NUMBER	RANK	QTY	DESCRIPTION	SERIAL NUMBER / REMARKS
915 -	FG6 - 4206 - 000		1	DRUM MOTOR DRIVER PCB ASSEMBLY	
1	FG3 - 0654 - 000		1	LED EXPOSURE POWER PCB ASS'Y	
2	FG3 - 0739 - 000		1	CABLE, ENCODER	J606,609,6402,6404, J6406,6408
3	FG3 - 0819 - 000		1	DC-AC PCB ASSEMBLY	
4	FG3 - 0821 - 000		4	CABLE, DRUM MOTOR HIGH VOLTAGE	J601-604 J6401,6403,6405,6407
501	XB1 - 2400 - 607		11	SCREW,MACH.,TRUSS HEAD,M4X6	

# FIGURE 920 CONTROL PANEL CPU PCB ASSEMBLY

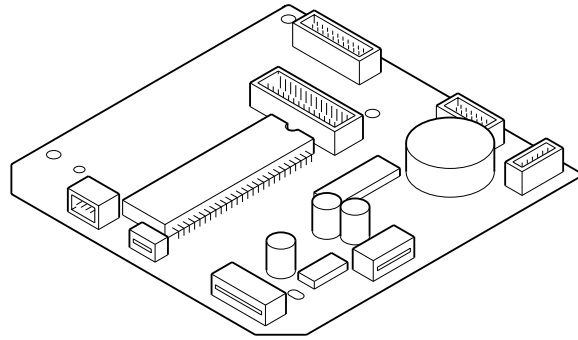


FIGURE & KEY NO.	PART NUMBER	RANK	QTY	DESCRIPTION	SERIAL NUMBER / REMARKS
920 -	FG6 - 4312 - 000		1	CONTROL PANEL CPU PCB ASSEMBLY	
Q9 19	FH4 - 3738 - 000		1	IC, MB89636RP-G-551-SH, MPU	
-----					
-----					

# FIGURE 922 CONTROL PANEL KEY PCB ASSEMBLY

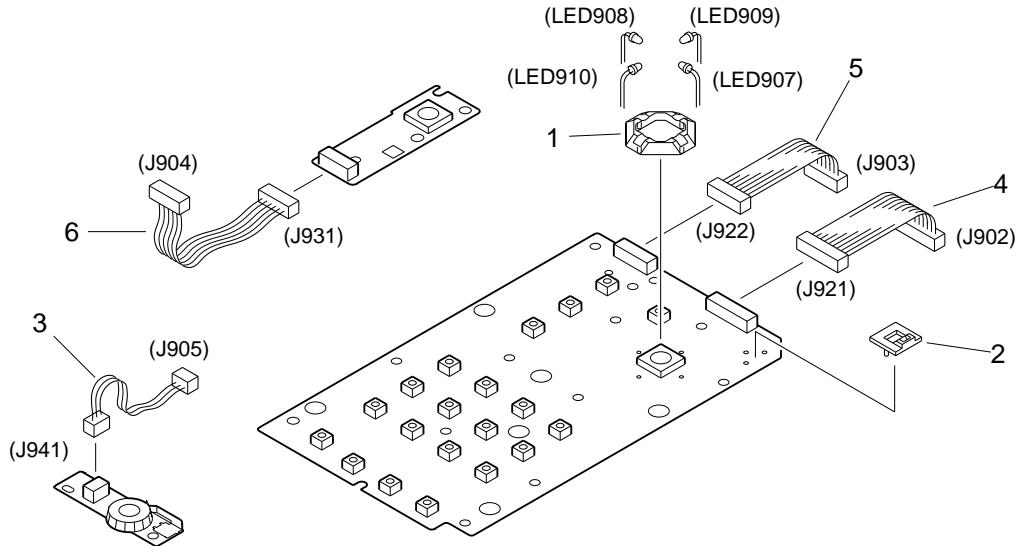


FIGURE & KEY NO.	PART NUMBER	RANK	QTY	DESCRIPTION	SERIAL NUMBER / REMARKS
922 -	FG6 - 4313 - 000		1	CONTROL PANEL KEY PCB ASSEMBLY	
1	FB5 - 2195 - 000		1	HOLDER, LED	
2	FB5 - 3730 - 000		1	HOLDER, LED	
3	FG6 - 4316 - 000		1	CABLE, VARIABLE RESISTOR	J905,941
4	FG6 - 4317 - 000		1	CABLE, CONTROL PANEL, 1	J902,921
5	FG6 - 4318 - 000		1	CABLE, CONTROL PANEL, 2	J903,922
6	FG6 - 4319 - 000		1	CABLE, C. PANEL MICROSWITCH	J904,931
LED907	FH6 - 0768 - 000		1	LED UNIT	
LED908	FH6 - 0768 - 000		1	LED UNIT	
LED909	FH6 - 0767 - 000		1	LED UNIT	
LED910	FH6 - 0767 - 000		1	LED UNIT	
VR941	FH6 - 0745 - 000		1	RESISTOR, VARIABLE	

# FIGURE 925 CONTROL PANEL INVERTER PCB ASSEMBLY

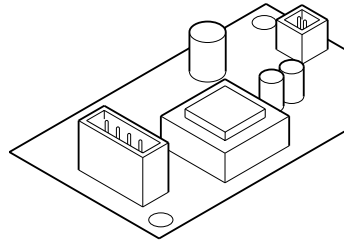


FIGURE & KEY NO.	PART NUMBER	RANK	QTY	DESCRIPTION	SERIAL NUMBER / REMARKS
925 -	FG3 - 1230 - 000		1	CONT. PANEL INVERTER PCB ASSY	
F1	VD5 - 0321 - 001		1	FUSE, 125V, 1A	
T1	FH3 - 0775 - 000		1	TRANSFORMER, INVERTER	
-----					
-----					



# FIGURE 930 DC CONTROLLER PCB ASSEMBLY

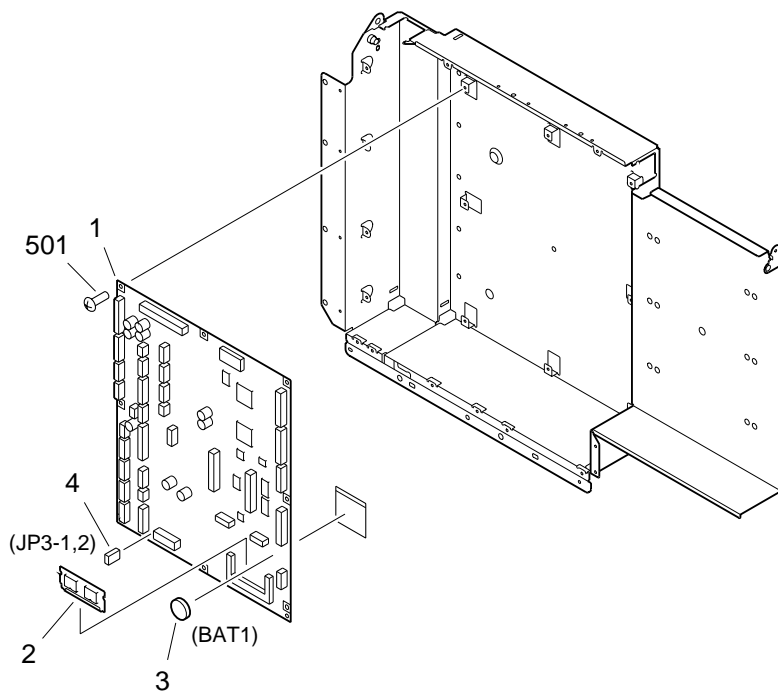


FIGURE & KEY NO.	PART NUMBER	RANK	QTY	DESCRIPTION	SERIAL NUMBER / REMARKS
930 - 1	NPN		RF	DC CONTROLLER PCB ASSEMBLY	
	FG3 - 0644 - 000		1	DC CONTROLLER PCB ASSEMBLY	imageRUNNER C2050 imageRUNNER C2020 iR C2100S CP2150/2120 100/120V
	FG3 - 0671 - 000		1	DC CONTROLLER PCB ASSEMBLY	iR C2100/2100S 220/240V
	FG3 - 0823 - 000		1	DC CONTROLLER PCB ASSEMBLY	imageRUNNER C2058 iR C2105
2					CP2155/2125 100/120V
	FG3 - 0825 - 000		1	DC CONTROLLER PCB ASSEMBLY	iR C2105/2105S 220/240V
	FG3 - 0680 - 000		1	DC CONTROLLER PCB ASSEMBLY	CP2150G
	FG3 - 0675 - 070		1	DIMM ASS'Y	imageRUNNER C2050 imageRUNNER C2020 iR C2100/2100S CP2150/2120
3 4	FG3 - 0678 - 000		1	DIMM ASS'Y	imageRUNNER C2058 iR C2105/2105S CP2155/2125
	FG3 - 0679 - 000		1	DIMM ASS'Y	CP2150G
	WK1 - 5019 - 000		1	BATTERY,LITHIUM,CR2477-HE6H 3V	
	WS1 - 0172 - 000		1	SHORT PLUG, DIC-S252	JP3-1,2
501	XB1 - 2400 - 606		8	SCREW,MACH.,TRUSS HEAD,M4X6	



# FIGURE 933 SYSTEM CONTROLLER PCB ASSEMBLY

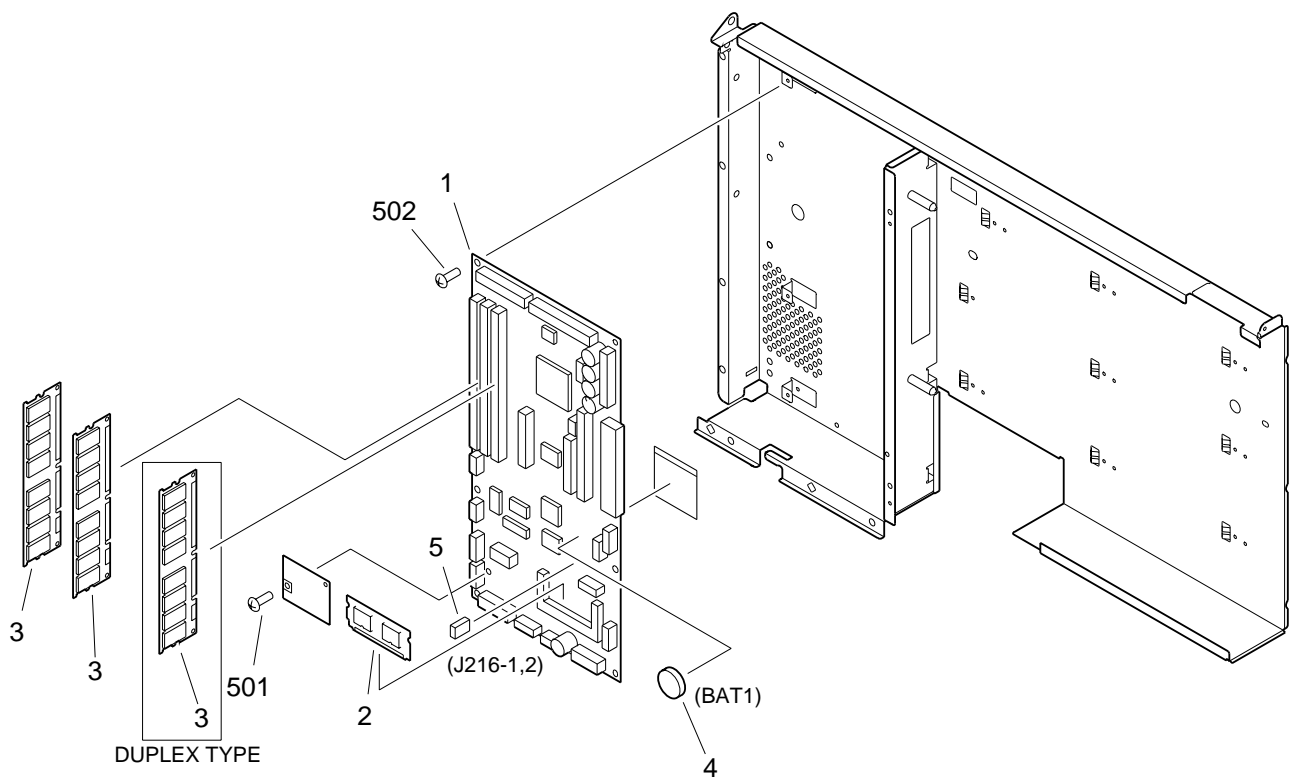
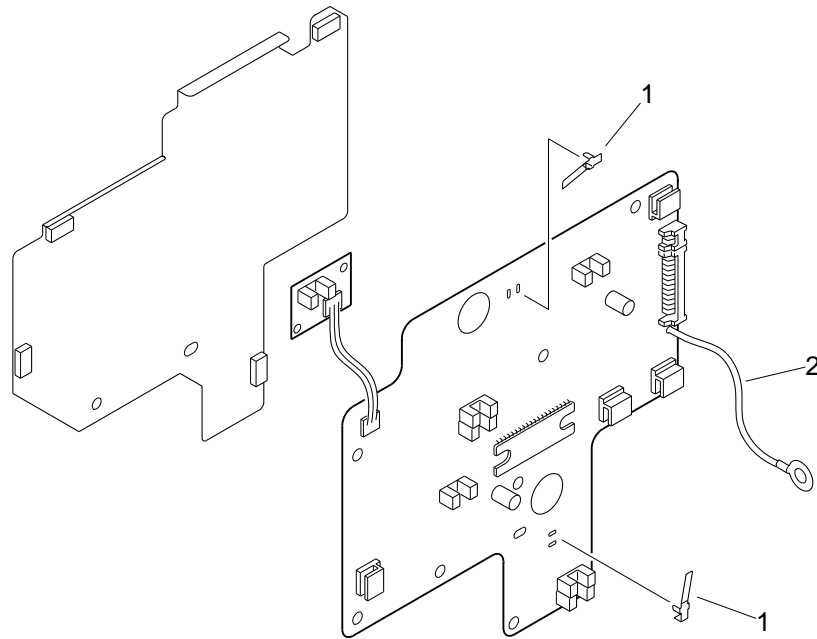


FIGURE & KEY NO.	PART NUMBER	RANK	QTY	DESCRIPTION	SERIAL NUMBER / REMARKS
933 -	NPN		RF	SYSTEM CONTROLLER PCB ASSEMBLY	
1	FG3 - 0645 - 000		1	SYSTEM CONTROLLER PCB ASSEMBLY	
2	FG3 - 0782 - 060		1	DIMM ASS'Y	JAPANESE
	FG3 - 0783 - 060		1	DIMM ASS'Y	ENGLISH NQP
	FG3 - 0784 - 000		1	DIMM ASS'Y	ENGLISH PQT
	FG3 - 0785 - 060		1	DIMM ASS'Y	ENGLISH PQQ,PQR,NQQ ENGLISH RFE,MQF,MQG
	FG3 - 0786 - 060		1	DIMM ASS'Y	ENGLISH QQQ,QQP,QEY
	FG3 - 0787 - 060		1	DIMM ASS'Y	ENGLISH RQC,RQD,RFF
	FG3 - 0788 - 060		1	DIMM ASS'Y	FRENCH
	FG3 - 0789 - 060		1	DIMM ASS'Y	GERMAN
	FG3 - 0790 - 060		1	DIMM ASS'Y	ITALIAN
	FG3 - 0791 - 060		1	DIMM ASS'Y	ILLUSTRATION
3	WA7 - 1372 - 000		2	DIMM, MB8508S064DZ-102DG	PLAIN TYPE
	WA7 - 1372 - 000		3	DIMM, MB8508S064DZ-102DG	DUPLEX TYPE
4	WK1 - 5007 - 000		1	BATTERY, LITHIUM, CR2354-1GU4	BAT1
5	WS1 - 0172 - 000		1	SHORT PLUG, DIC-S252	J216-1,2
5 0 1	XB1 - 2300 - 407		1	SCREW,MACH.,TRUSS HEAD,M3X4	
5 0 2	XB1 - 2400 - 606		9	SCREW,MACH.,TRUSS HEAD,M4X6	

# FIGURE 940 PAPER PICK-UP PCB ASSEMBLY



NOTE: This assembly is included in the assembly shown in Figure 310.

FIGURE & KEY NO.	PART NUMBER	RANK	QTY	DESCRIPTION	SERIAL NUMBER / REMARKS
940 -	FG6 - 4201 - 000		1	PAPER PICK-UP PCB ASSEMBLY	SEE NOTE
1	FB3 - 2872 - 000		2	SPRING, LEAF	
2	FF3 - 4119 - 000		1	CABLE, GROUNDING	
FU1	VD5 - 0323 - 001		1	FUSE, 251003	
-----					
-----					

# FIGURE 965 SERIAL DRIVER PCB ASSEMBLY

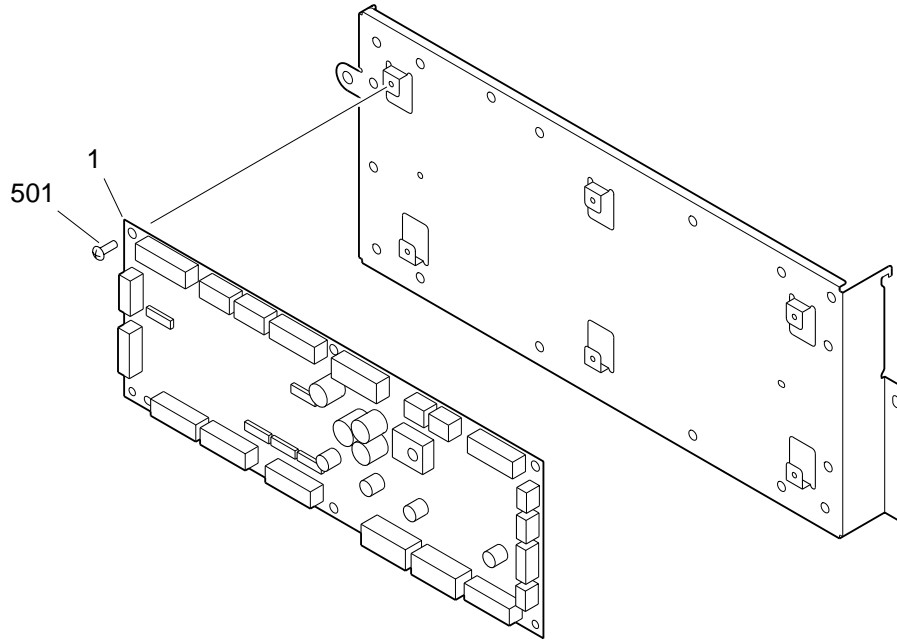


FIGURE & KEY NO.	PART NUMBER	RANK	QTY	DESCRIPTION	SERIAL NUMBER / REMARKS
965 -	NPN		RF	SERIAL DRIVER PCB ASSEMBLY	
1	FG3 - 0646 - 000		1	SERIAL DRIVER PCB ASSEMBLY	
501	XB1 - 2400 - 607		6	SCREW,MACH.,TRUSS HEAD,M4X6	
-----					
-----					

# FIGURE 975 ENVIRONMENT MEASURING PCB ASSEMBLY

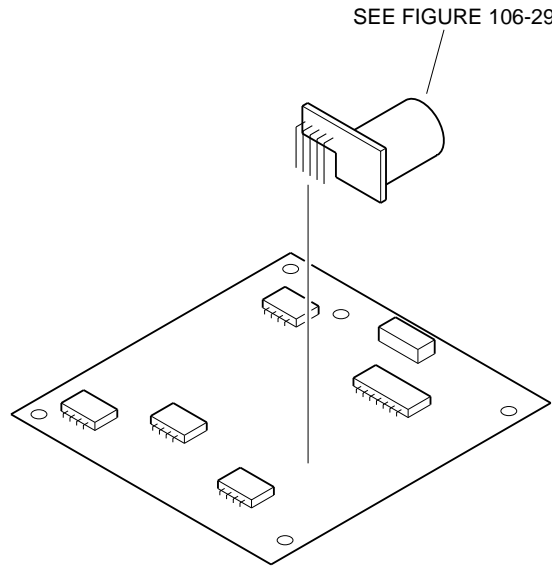


FIGURE & KEY NO.	PART NUMBER	RANK	QTY	DESCRIPTION	SERIAL NUMBER / REMARKS
975 -	FG5 - 3064 - 000		1	ENV. MEASURING PCB ASSEMBLY	

# FIGURE 985 BIAS HIGH VOLTAGE PCB ASSEMBLY

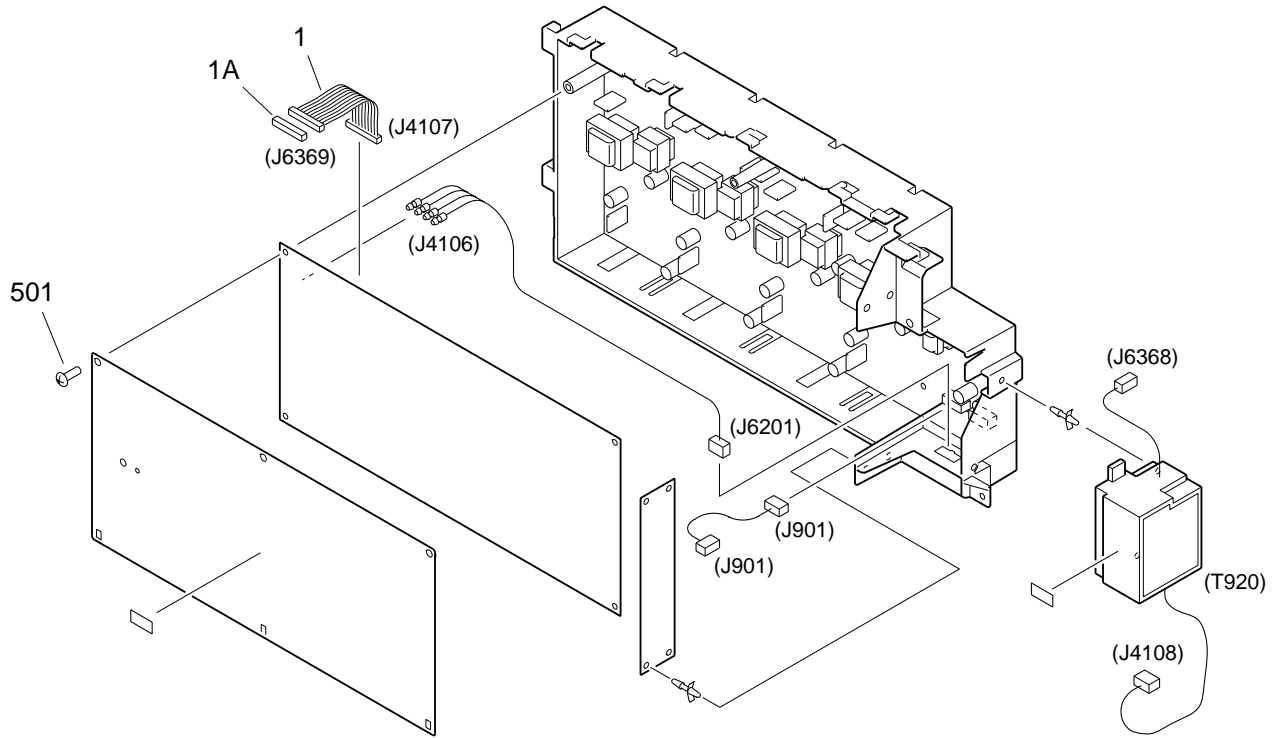


FIGURE & KEY NO.	PART NUMBER	RANK	QTY	DESCRIPTION	SERIAL NUMBER / REMARKS
985 -	FG6 - 4192 - 000		1	BIAS HIGH VOLTAGE PCB ASSEMBLY	
1	FG3 - 0745 - 000		1	CABLE, SIGNAL	J4107,6369
1 A	VS1 - 6318 - 020		1	CONNECTOR, SNAP TIGHT	J6369
501	XB4 - 7401 - 009		4	SCREW,TAPPING,TRUSS HEAD,M4X10	
T920	FH3 - 0931 - 000		1	TRANSFORMER	J4108,6368
-----					
-----					

# READER-PRINTER INTERFACE PCB ASSEMBLY FIGURE 996 (i. R. C2058, iR C2105/S, CP2155/25/50G)

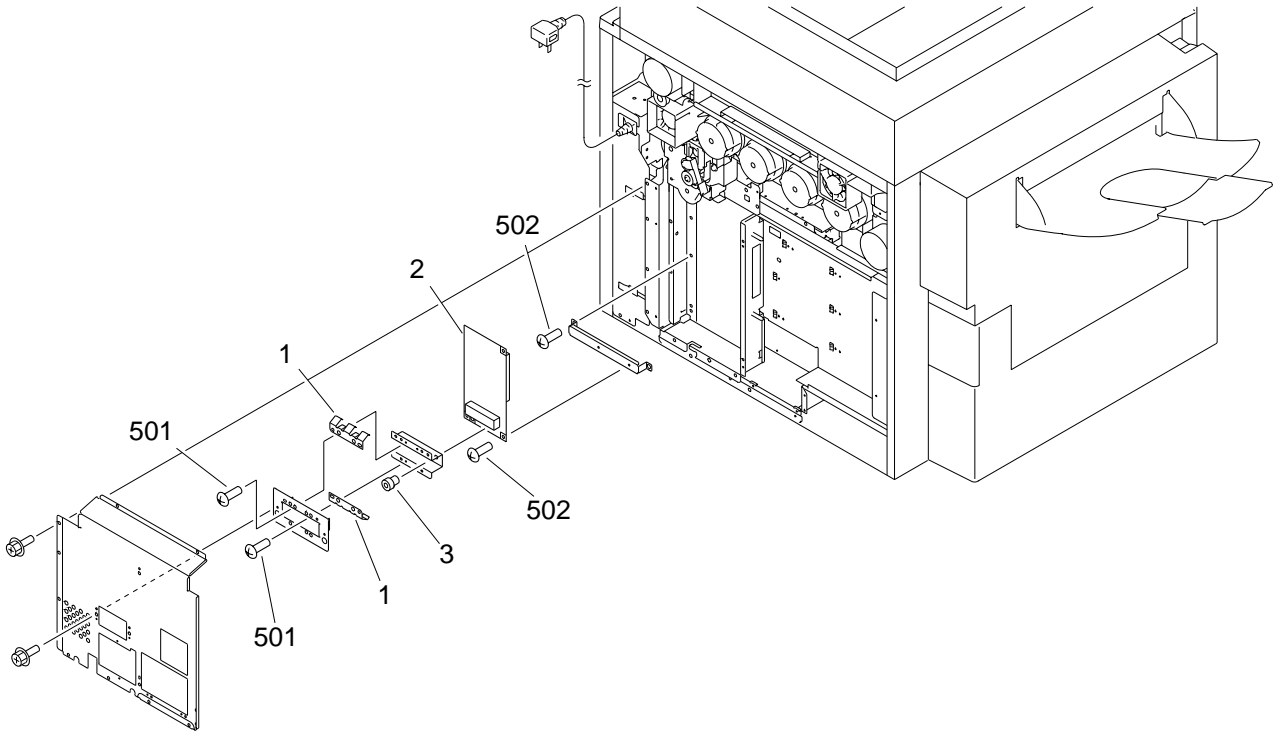
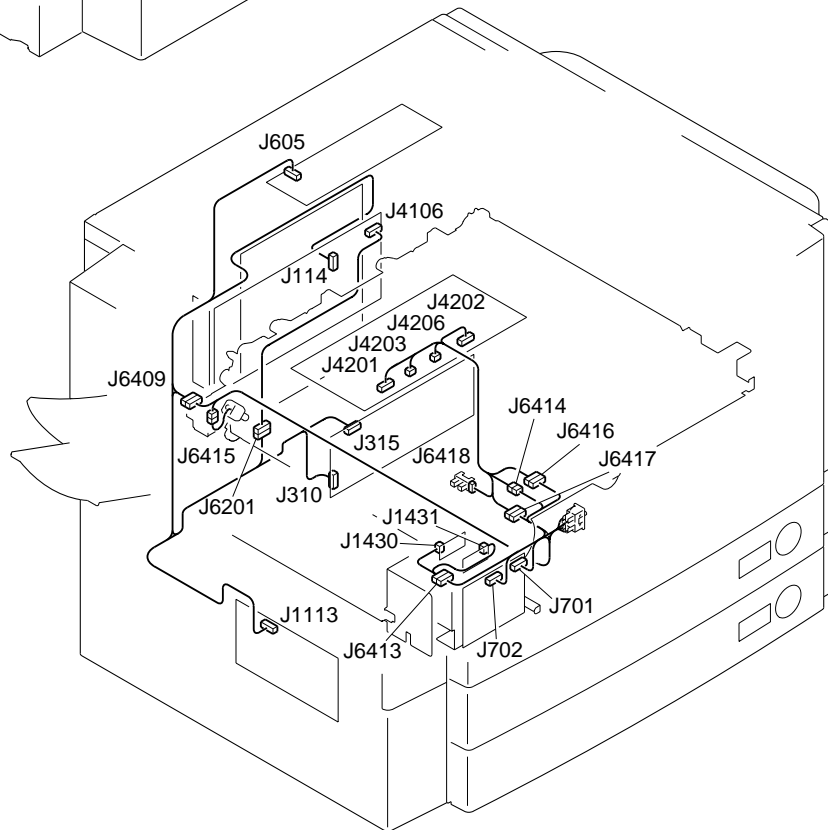
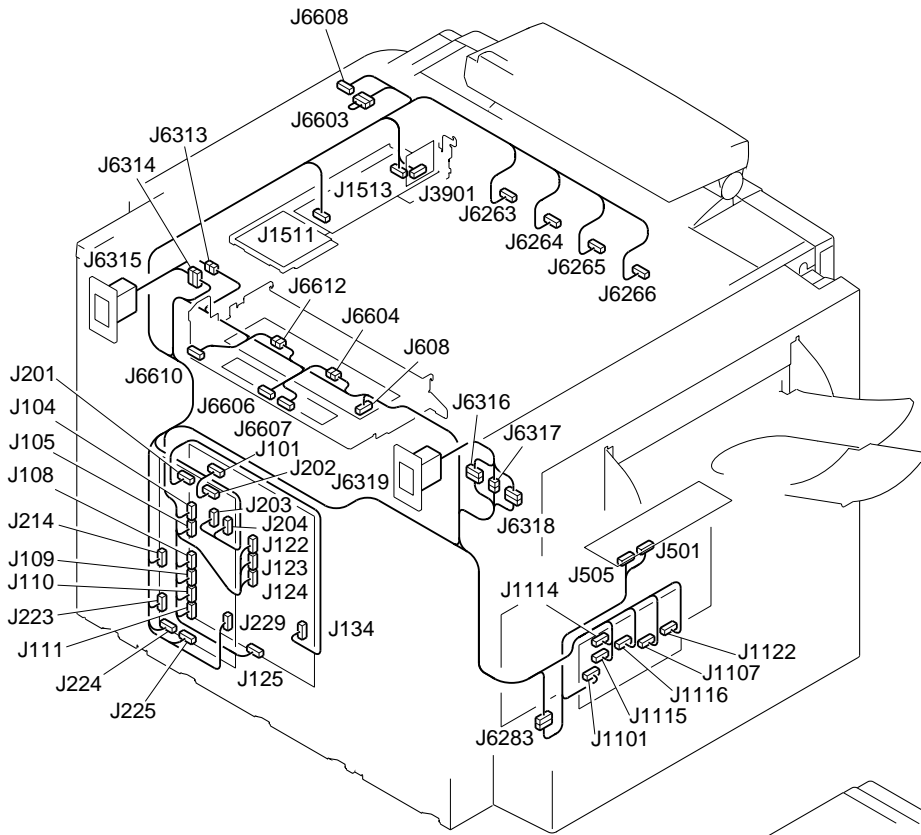


FIGURE & KEY NO.	PART NUMBER	RANK	QTY	DESCRIPTION	SERIAL NUMBER / REMARKS
996 -	FG6 - 4581 - 000		1	READER-PRINTER I/F PCB ASS'Y	imageRUNNER C2058 iR C2105/2105S CP2155/2125/2150G
1	FB5 - 2389 - 000		2	SPRING, LEAF	
2	FG3 - 0908 - 000		1	INTERFACE PCB ASSEMBLY	
3	WT2 - 5626 - 000		2	LOCK SCREW	
501	XB1 - 2300 - 607		4	SCREW,MACH.,TRUSS HEAD,M3X6	
502	XB1 - 2400 - 607		2	SCREW,MACH.,TRUSS HEAD,M4X6	

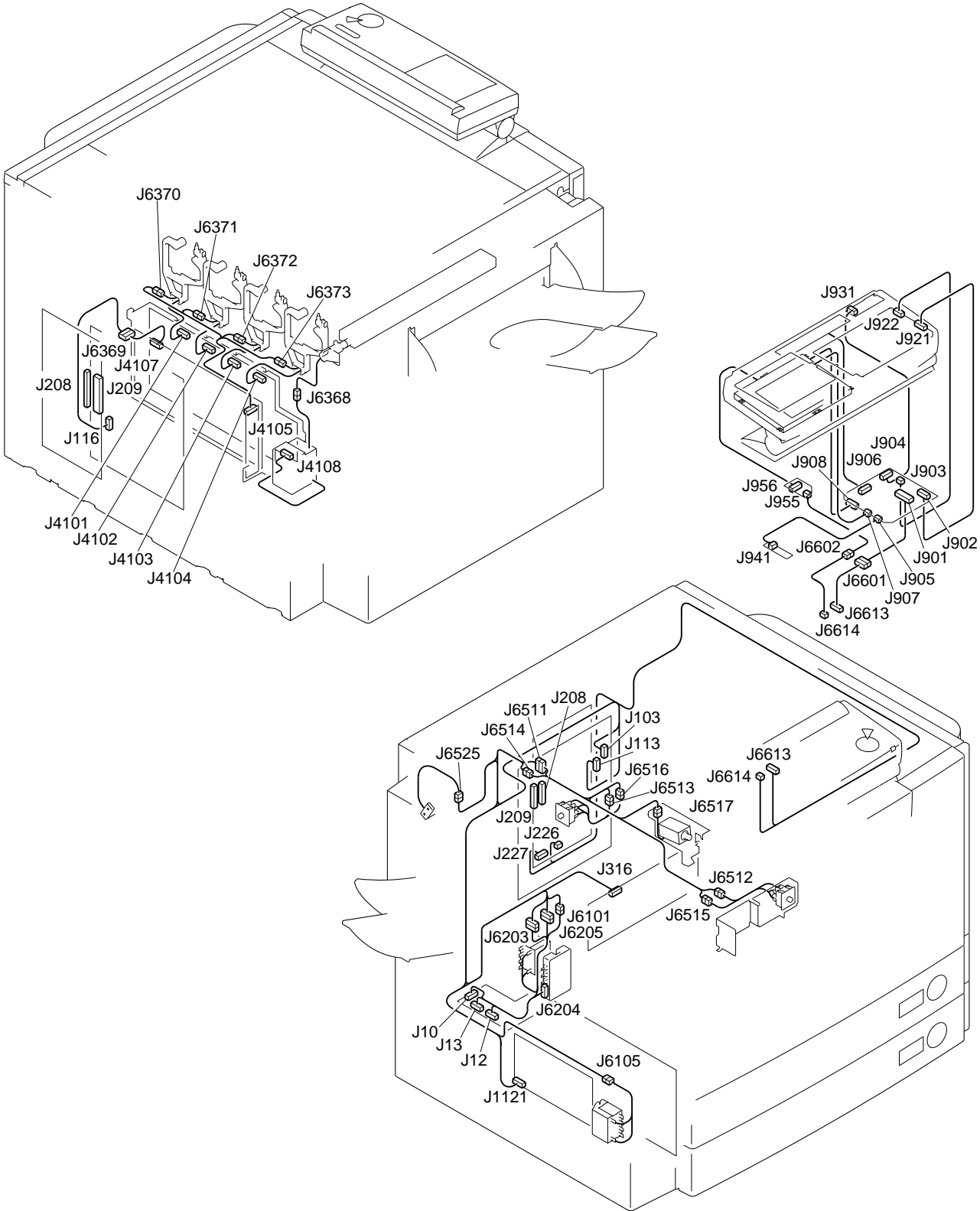




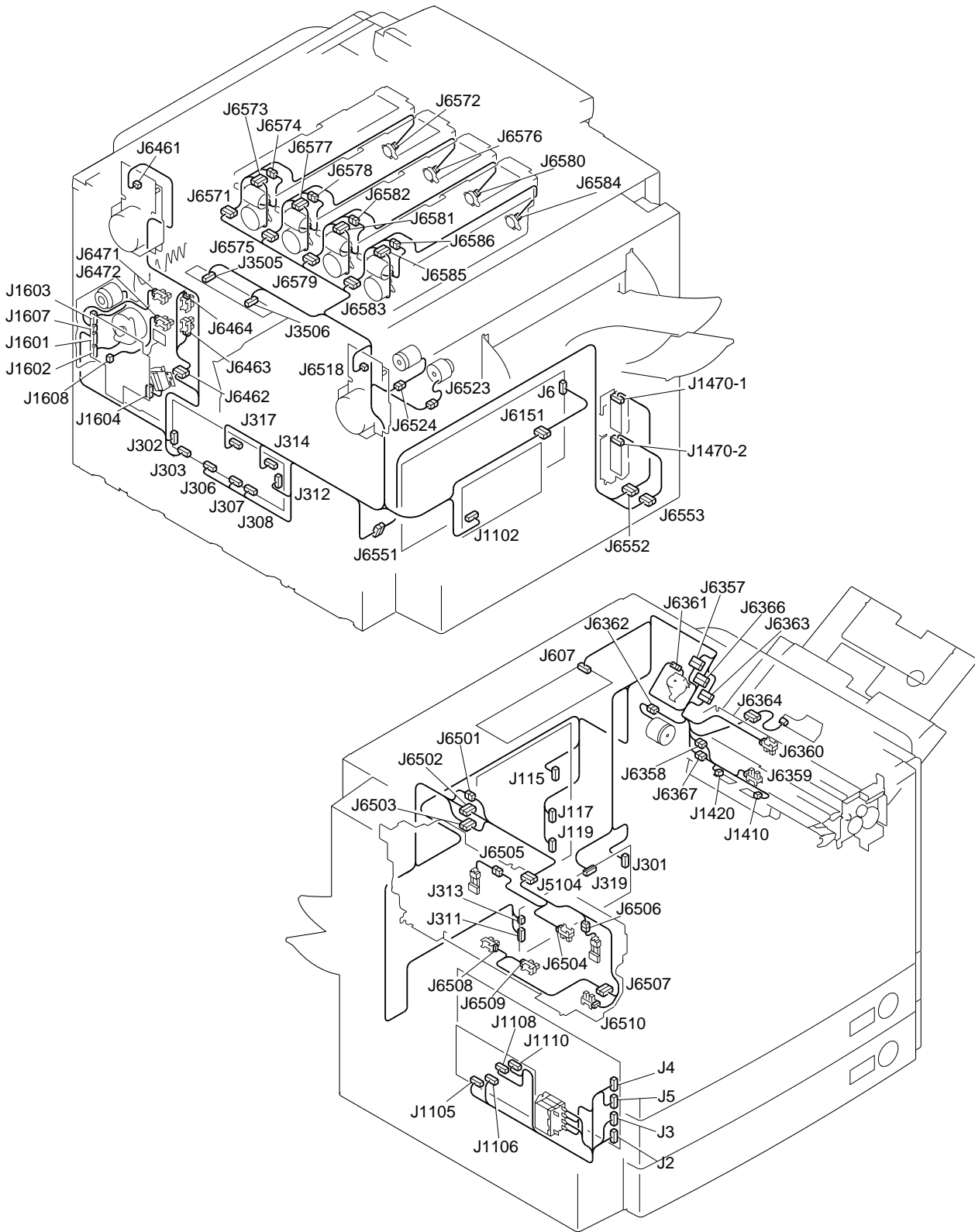
# FIGURE B LIST OF CONNECTORS(1/6)



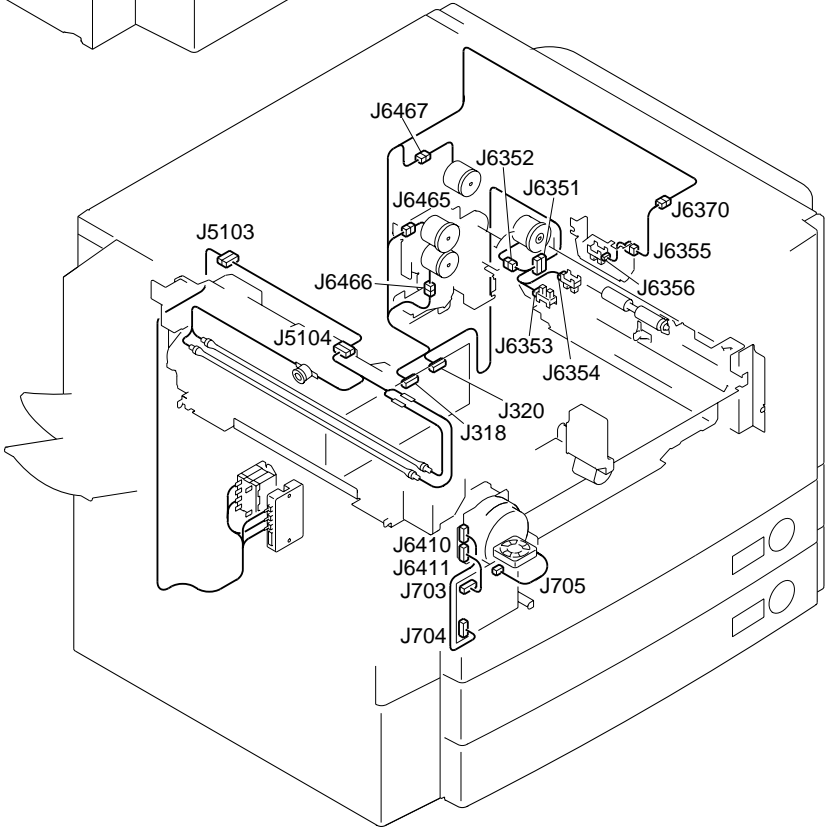
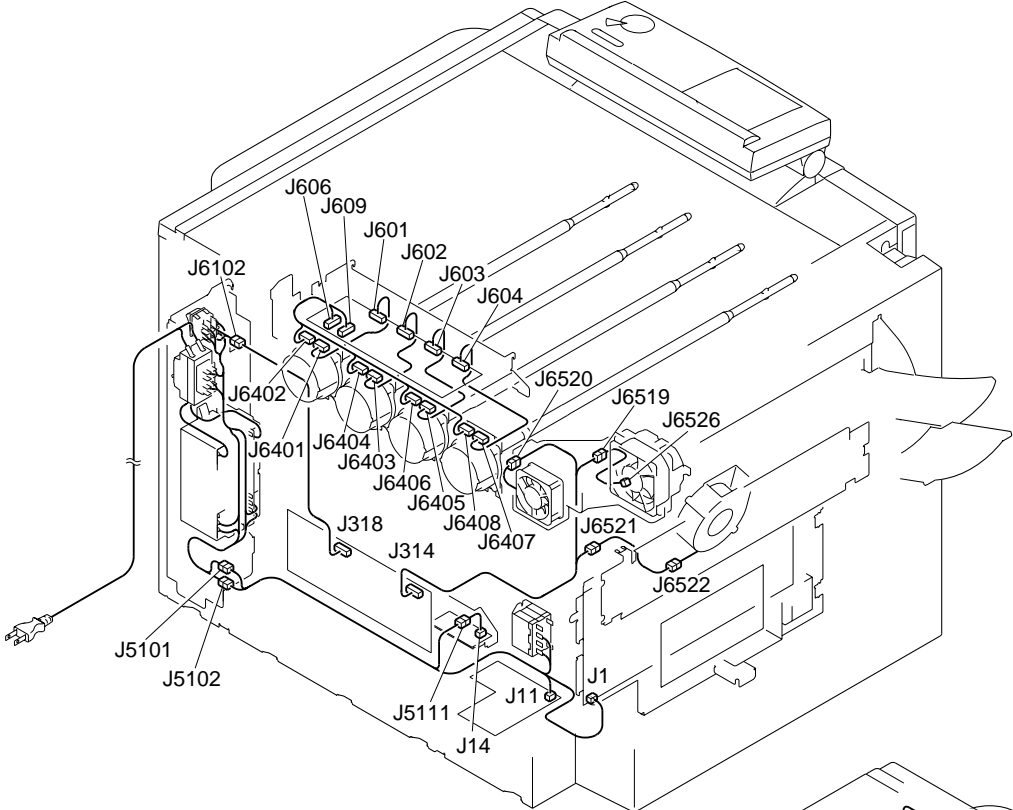
# FIGURE B LIST OF CONNECTORS(2/6)



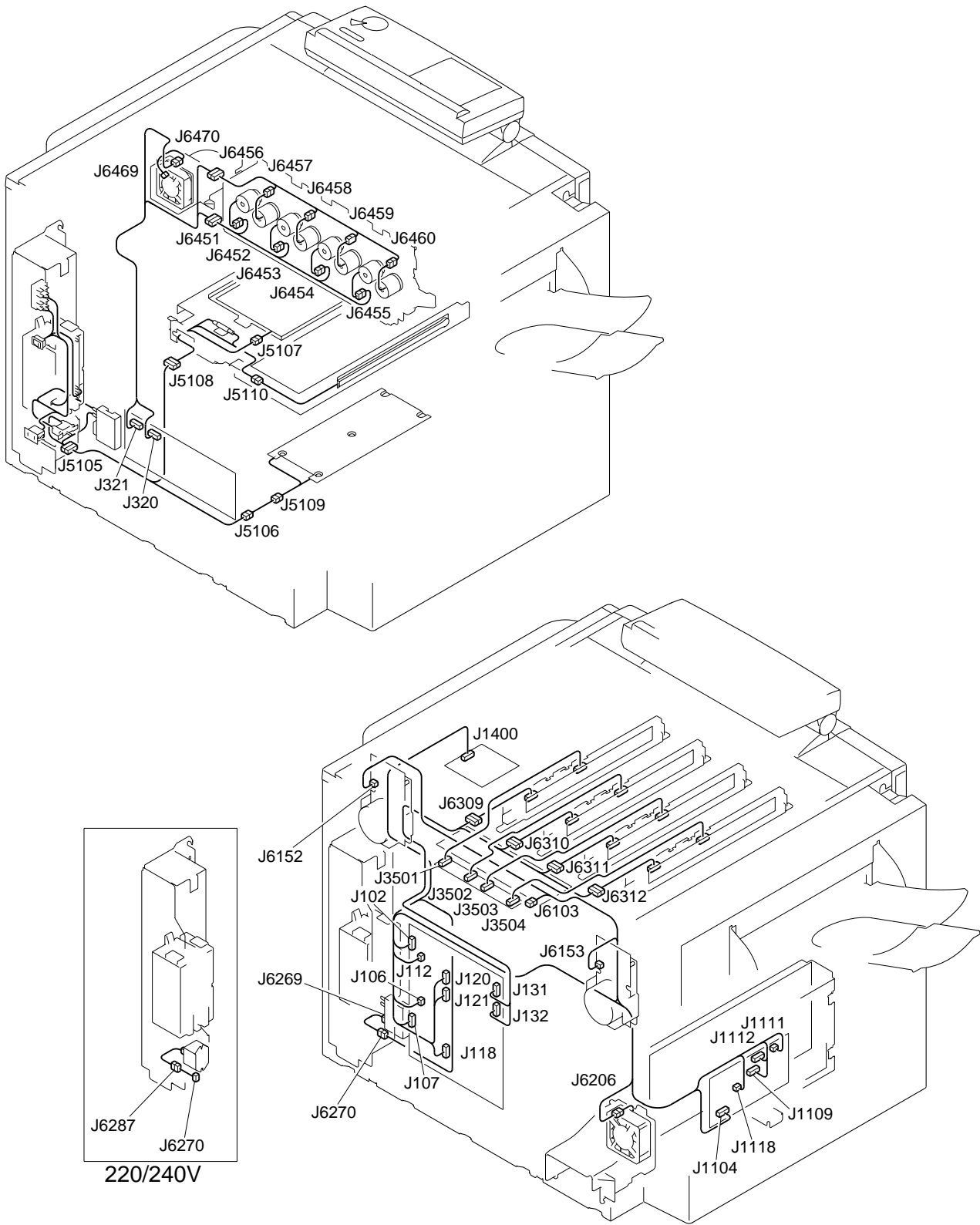
# FIGURE B LIST OF CONNECTORS(3/6)



# FIGURE B LIST OF CONNECTORS(4/6)



# FIGURE B LIST OF CONNECTORS(5/6)



# FIGURE B LIST OF CONNECTORS(6/6)

DUPLEX TYPE

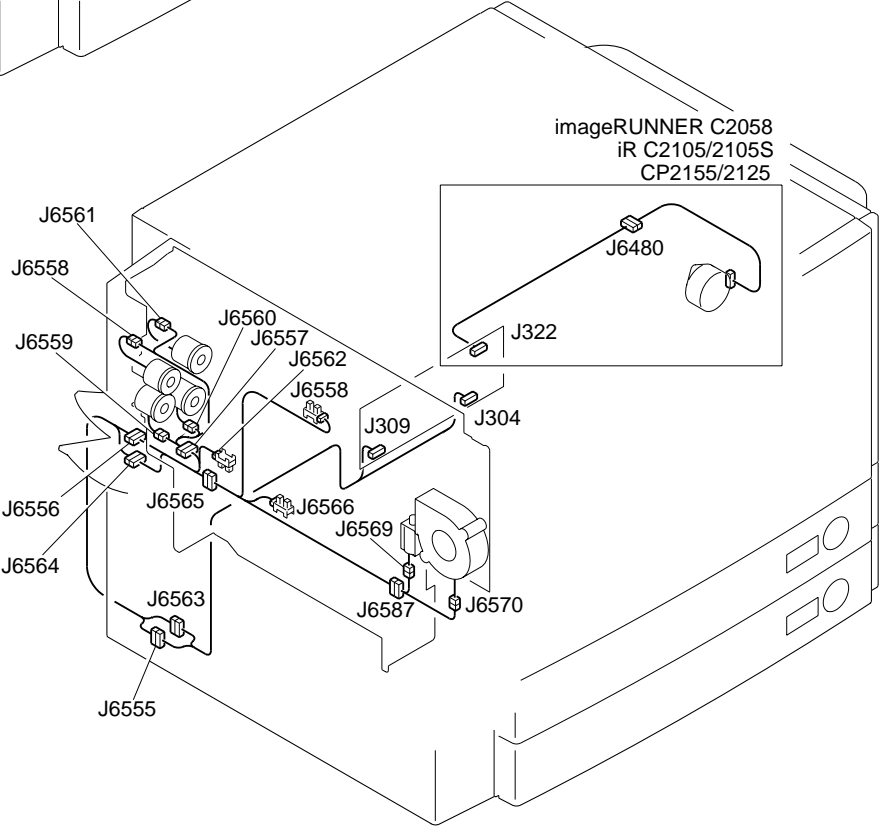
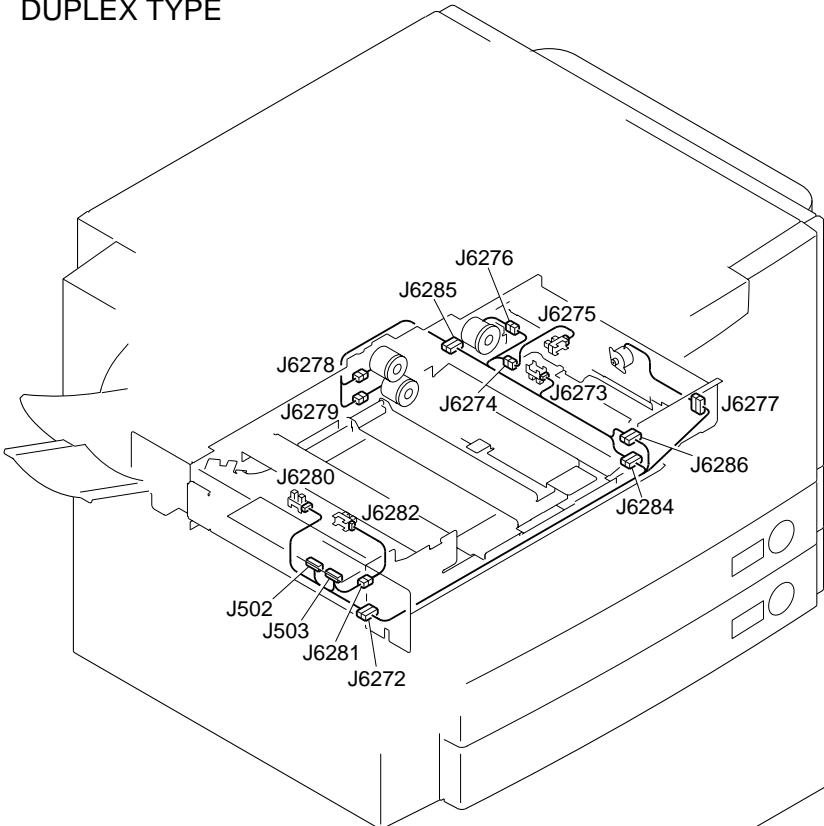


FIGURE & KEY NO.	PART NUMBER	RANK	QTY	DESCRIPTION	SERIAL NUMBER / REMARKS
B -	NPN		RF	LIST OF CONNECTORS	
J 1	PCB			DC POWER SUPPLY	
	VS1 - 6380 - 003		1	CONNECTOR, 3P, MALE	
	WS3 - 5292 - 000		2	SOCKET CONTACT	
J 2	PCB			DC POWER SUPPLY	
	VS3 - 5083 - 007		1	CONNECTOR, 7P, FEMALE	
	WS3 - 5160 - 000		7	SOCKET CONTACT, 18-24AWG	
J 3	PCB			DC POWER SUPPLY	
	VS1 - 6314 - 009		1	CONNECTOR, 9P, FEMALE	
J 4	PCB			DC POWER SUPPLY	
	VS1 - 6380 - 006		1	CONNECTOR, 6P, MALE	
	WS3 - 5292 - 000		6	SOCKET CONTACT	
J 5	PCB			DC POWER SUPPLY	
	VS3 - 5083 - 006		1	CONNECTOR, 6P, FEMALE	
	WS3 - 5160 - 000		6	SOCKET CONTACT, 18-24AWG	
J 6	PCB			DC POWER SUPPLY	
	WT1 - 5276 - 000		8	PIN CONTACT	
J 10	PCB			SWITCH CUT	220/240V
	VS1 - 6314 - 006		1	CONNECTOR, 6P, FEMALE	220/240V
J 11	PCB			SWITCH CUT	220/240V
	VS3 - 5083 - 003		1	CONNECTOR, 3P, FEMALE	220/240V
	WS3 - 5160 - 000		2	SOCKET CONTACT, 18-24AWG	220/240V
J 12	PCB			SWITCH CUT	220/240V
	VS1 - 6314 - 007		1	CONNECTOR, 7P, FEMALE	220/240V
J 13	PCB			SWITCH CUT	220/240V
	VS1 - 5824 - 005		1	CONNECTOR, 5P, FEMALE	220/240V
	WS3 - 5358 - 000		5	SOCKET CONTACT, 22-26AWG	220/240V
J 14	PCB			POWER TRANSIT	220/240V
	VS3 - 5083 - 003		1	CONNECTOR, 3P, FEMALE	220/240V
	WS3 - 5160 - 000		2	SOCKET CONTACT, 18-24AWG	220/240V

FIGURE & KEY NO.	PART NUMBER	RANK	QTY	DESCRIPTION	SERIAL NUMBER / REMARKS
B - J 1 0 1	PCB			DC CONTROLLER	
	FH2 - 6780 - 000		1	CABLE, FLAT, 2	
J 1 0 2	PCB			DC CONTROLLER	
	VS3 - 5083 - 010		1	CONNECTOR, 10P, FEMALE	
	WS3 - 5160 - 000		10	SOCKET CONTACT, 18-24AWG	
J 1 0 3	PCB			DC CONTROLLER	
	VS1 - 6534 - 008		1	CONNECTOR, 9P, FEMALE	
	WS3 - 5658 - 000		6	SOCKET CONTACT	
J 1 0 4	PCB			DC CONTROLLER	
	VS1 - 5452 - 005		1	CONNECTOR, 5P, FEMALE	
J 1 0 5	PCB			DC CONTROLLER	
	VS1 - 5452 - 007		1	CONNECTOR, 7P, FEMALE	
J 1 0 6	PCB			DC CONTROLLER	
	VS1 - 6321 - 002		1	CONNECTOR, 2P, FEMALE	
J 1 0 7	PCB			DC CONTROLLER	
J 1 0 8	VS1 - 6314 - 006		1	CONNECTOR, 6P, FEMALE	
	PCB			DC CONTROLLER	
	VS1 - 5452 - 006		1	CONNECTOR, 6P, FEMALE	
	VS1 - 6084 - 006		1	CONNECTOR, 6P, FEMALE	
	VS1 - 6197 - 012		1	HOLDER, CONNECTOR, 12P	
J 1 0 9	PCB			DC CONTROLLER	
	VS1 - 5452 - 007		1	CONNECTOR, 7P, FEMALE	
	VS1 - 6084 - 007		1	CONNECTOR, 7P, FEMALE	
	VS1 - 6197 - 014		1	HOLDER, CONNECTOR, 14P	
J 1 1 0	PCB			DC CONTROLLER	
J 1 1 1	VS1 - 5452 - 006		1	CONNECTOR, 6P, FEMALE	
	VS1 - 6084 - 006		1	CONNECTOR, 6P, FEMALE	
	VS1 - 6197 - 012		1	HOLDER, CONNECTOR, 12P	
	PCB			DC CONTROLLER	
	VS1 - 5452 - 007		1	CONNECTOR, 7P, FEMALE	



FIGURE & KEY NO.	PART NUMBER	RANK	QTY	DESCRIPTION	SERIAL NUMBER / REMARKS
B - J 1 1 1	VS1 - 6084 - 007		1	CONNECTOR, 7P, FEMALE	
	VS1 - 6197 - 014		1	HOLDER, CONNECTOR, 14P	
J 1 1 2	PCB			DC CONTROLLER	
	VS1 - 6321 - 003		1	CONNECTOR, 3P, FEMALE	
J 1 1 3	PCB			DC CONTROLLER	
-----					
	VS1 - 6314 - 007		1	CONNECTOR, 7P, FEMALE	
J 1 1 4	PCB			DC CONTROLLER	
	VS1 - 6314 - 013		1	CONNECTOR, 13P, FEMALE	
J 1 1 5	PCB			DC CONTROLLER	
	VS1 - 5452 - 006		1	CONNECTOR, 6P, FEMALE	
-----					
J 1 1 6	PCB			DC CONTROLLER	
	VS1 - 6314 - 020		1	CONNECTOR, 20P, FEMALE	
J 1 1 7	PCB			DC CONTROLLER	
	VS1 - 6314 - 011		1	CONNECTOR, 11P, FEMALE	
J 1 1 8	PCB			DC CONTROLLER	
-----					
	VS1 - 6321 - 003		1	CONNECTOR, 3P, FEMALE	
J 1 1 9	PCB			DC CONTROLLER	
	VS1 - 6314 - 016		1	CONNECTOR, 16P, FEMALE	
J 1 2 0	PCB			DC CONTROLLER	
	VS1 - 6314 - 009		1	CONNECTOR, 9P, FEMALE	
-----					
J 1 2 1	PCB			DC CONTROLLER	
	VS1 - 6314 - 006		1	CONNECTOR, 6P, FEMALE	
J 1 2 2	PCB			DC CONTROLLER	
	VS1 - 6314 - 008		1	CONNECTOR, 8P, FEMALE	
J 1 2 3	PCB			DC CONTROLLER	
-----					
	VS1 - 6321 - 002		1	CONNECTOR, 2P, FEMALE	
J 1 2 4	PCB			DC CONTROLLER	
	VS1 - 5452 - 008		1	CONNECTOR, 8P, FEMALE	
J 1 2 5	PCB			DC CONTROLLER	
	VS1 - 6313 - 020		1	CONNECTOR, 20P, FEMALE	

FIGURE & KEY NO.	PART NUMBER	RANK	QTY	DESCRIPTION	SERIAL NUMBER / REMARKS	
B - J 1 2 5	VS1 - 6314 - 020		1	CONNECTOR, 20P, FEMALE		
	VT2 - 5161 - 040		1	HOLDER, CONNECTOR, 40P		
	J 1 3 1	PCB			DC CONTROLLER	
		VS1 - 6313 - 020		1	CONNECTOR, 20P, FEMALE	
		VS1 - 6314 - 020		1	CONNECTOR, 20P, FEMALE	
J 1 3 2	VT2 - 5161 - 040		1	HOLDER, CONNECTOR, 40P		
	PCB			DC CONTROLLER		
	VS1 - 6313 - 020		1	CONNECTOR, 20P, FEMALE		
	VS1 - 6314 - 020		1	CONNECTOR, 20P, FEMALE		
	VT2 - 5161 - 040		1	HOLDER, CONNECTOR, 40P		
J 1 3 4	PCB			DC CONTROLLER		
	FH2 - 6779 - 000		1	CABLE, FLAT, 1		
J 2 0 1	PCB			SYSTEM CONTROLLER		
	FH2 - 6779 - 000		1	CABLE, FLAT, 1		
J 2 0 2	PCB			SYSTEM CONTROLLER		
J 2 0 3	FH2 - 6780 - 000		1	CABLE, FLAT, 2		
	PCB			SYSTEM CONTROLLER		
	VS3 - 5083 - 004		1	CONNECTOR, 4P, FEMALE		
	WS3 - 5160 - 000		4	SOCKET CONTACT, 18-24AWG		
J 2 0 4	PCB			SYSTEM CONTROLLER		
J 2 0 8	VS3 - 5083 - 012		1	CONNECTOR, 12P, FEMALE		
	WS3 - 5160 - 000		12	SOCKET CONTACT, 18-24AWG		
	SYS			TO INTERFACE		
J 2 0 9	PCB			SYSTEM CONTROLLER		
	SYS			TO ACCESSORY BOARD	ACCESSORY	
J 2 1 4	PCB			SYSTEM CONTROLLER		
	PCB			SYSTEM CONTROLLER		
	VS1 - 5824 - 004		1	CONNECTOR, 4P, FEMALE		
	WS3 - 5358 - 000		4	SOCKET CONTACT, 22-26AWG		
J 2 2 3	PCB			SYSTEM CONTROLLER		

FIGURE & KEY NO.	PART NUMBER	RANK	QTY	DESCRIPTION	SERIAL NUMBER / REMARKS
B - J 2 2 3	VS1 - 6314 - 010		1	CONNECTOR, 10P, FEMALE	
J 2 2 4	PCB			SYSTEM CONTROLLER	
	VS1 - 6313 - 020		1	CONNECTOR, 20P, FEMALE	
	VS1 - 6314 - 020		1	CONNECTOR, 20P, FEMALE	
	VT2 - 5161 - 040		1	HOLDER, CONNECTOR, 40P	
J 2 2 5	PCB			SYSTEM CONTROLLER	
	VS1 - 6314 - 006		1	CONNECTOR, 6P, FEMALE	
J 2 2 6	PCB			SYSTEM CONTROLLER	
	VS1 - 6321 - 002		1	CONNECTOR, 2P, FEMALE	
J 2 2 7	PCB			SYSTEM CONTROLLER	
	VS1 - 6313 - 015		1	CONNECTOR, 15P, FEMALE	
	VS1 - 6314 - 015		1	CONNECTOR, 15P, FEMALE	
	VT2 - 5161 - 030		1	HOLDER, CONNECTOR, 30P	
J 2 2 9	PCB			SYSTEM CONTROLLER	
	VS1 - 6314 - 010		1	CONNECTOR, 10P, FEMALE	
J 3 0 1	PCB			SERIAL DRIVER	
	VS1 - 6314 - 011		1	CONNECTOR, 11P, FEMALE	
J 3 0 2	PCB			SERIAL DRIVER	
	VS1 - 6314 - 018		1	CONNECTOR, 18P, FEMALE	
J 3 0 3	PCB			SERIAL DRIVER	
J 3 0 4	PCB			SERIAL DRIVER	
	VS1 - 6314 - 012		1	CONNECTOR, 12P, FEMALE	
	VS1 - 6314 - 011		1	CONNECTOR, 11P, FEMALE	
J 3 0 6	PCB			SERIAL DRIVER	
	VS1 - 6314 - 013		1	CONNECTOR, 13P, FEMALE	
J 3 0 7	PCB			SERIAL DRIVER	
	VS1 - 6313 - 012		1	CONNECTOR, 12P, FEMALE	
	VS1 - 6314 - 012		1	CONNECTOR, 12P, FEMALE	
	VT2 - 5161 - 024		1	HOLDER, CONNECTOR, 24P	
J 3 0 8	PCB			SERIAL DRIVER	

FIGURE & KEY NO.	PART NUMBER	RANK	QTY	DESCRIPTION	SERIAL NUMBER / REMARKS
B - J 3 0 8	VS1 - 6313 - 011		1	CONNECTOR, 11P, FEMALE	
	VS1 - 6314 - 011		1	CONNECTOR, 11P, FEMALE	
	VT2 - 5161 - 022		1	HOLDER, CONNECTOR, 22P	
J 3 0 9	PCB			SERIAL DRIVER	
	VS1 - 6314 - 013		1	CONNECTOR, 13P, FEMALE	
J 3 1 0	PCB			SERIAL DRIVER	
	VS1 - 6314 - 004		1	CONNECTOR, 4P, FEMALE	
J 3 1 1	PCB			SERIAL DRIVER	
	VS1 - 5452 - 009		1	CONNECTOR, 9P, FEMALE	
J 3 1 2	PCB			SERIAL DRIVER	
J 3 1 3	VS1 - 6314 - 006		1	CONNECTOR, 6P, FEMALE	
	PCB			SERIAL DRIVER	
	VS1 - 5452 - 003		1	CONNECTOR, 3P, FEMALE	
J 3 1 4	PCB			SERIAL DRIVER	
	VS1 - 6314 - 013		1	CONNECTOR, 13P, FEMALE	
J 3 1 5	PCB			SERIAL DRIVER	
	VS1 - 6314 - 007		1	CONNECTOR, 7P, FEMALE	
J 3 1 6	PCB			SERIAL DRIVER	
	VS1 - 6314 - 006		1	CONNECTOR, 6P, FEMALE	
J 3 1 7	PCB			SERIAL DRIVER	
J 3 1 8	VS1 - 6534 - 008		1	CONNECTOR, 9P, FEMALE	
	WS3 - 5658 - 000		8	SOCKET CONTACT	
	PCB			SERIAL DRIVER	
	VS1 - 6314 - 013		1	CONNECTOR, 13P, FEMALE	
J 3 1 9	PCB			SERIAL DRIVER	
J 3 2 0	VS1 - 6314 - 010		1	CONNECTOR, 10P, FEMALE	
	PCB			SERIAL DRIVER	
	VS1 - 6314 - 009		1	CONNECTOR, 9P, FEMALE	
J 3 2 1	PCB			SERIAL DRIVER	
	VS1 - 6314 - 019		1	CONNECTOR, 19P, FEMALE	

FIGURE & KEY NO.	PART NUMBER	RANK	QTY	DESCRIPTION	SERIAL NUMBER / REMARKS
B - J 3 2 2	PCB			SERIAL DRIVER	imageRUNNER C2058 iR C2105/2105S CP2155/2125
	VS1 - 6321 - 004		1	CONNECTOR, 4P, FEMALE	imageRUNNER C2058 iR C2105/2105S CP2155/2125
J 5 0 1	PCB			DUPLEX DRIVER	DUPLEX TYPE
	VS1 - 6314 - 008		1	CONNECTOR, 8P, FEMALE	DUPLEX TYPE
J 5 0 2	PCB			DUPLEX DRIVER	DUPLEX TYPE
	VS1 - 6313 - 010		1	CONNECTOR, 10P, FEMALE	DUPLEX TYPE
	VS1 - 6314 - 010		1	CONNECTOR, 10P, FEMALE	DUPLEX TYPE
	VT2 - 5161 - 020		1	HOLDER, CONNECTOR, 20P	DUPLEX TYPE
J 5 0 3	PCB			DUPLEX DRIVER	DUPLEX TYPE
	VS1 - 6314 - 006		1	CONNECTOR, 6P, FEMALE	DUPLEX TYPE
J 5 0 5	PCB			DUPLEX DRIVER	DUPLEX TYPE
	VS1 - 6534 - 004		1	CONNECTOR, 4P, FEMALE	DUPLEX TYPE
	WS3 - 5658 - 000		4	SOCKET CONTACT	DUPLEX TYPE
J 6 0 1	PCB			DRUM MOTOR DRIVER	
	VS3 - 5083 - 005		1	CONNECTOR, 5P, FEMALE	
	WS3 - 5160 - 000		5	SOCKET CONTACT, 18-24AWG	
J 6 0 2	PCB			DRUM MOTOR DRIVER	
	VS3 - 5083 - 005		1	CONNECTOR, 5P, FEMALE	
J 6 0 3	PCB			DRUM MOTOR DRIVER	
	VS3 - 5083 - 005		1	CONNECTOR, 5P, FEMALE	
	WS3 - 5160 - 000		5	SOCKET CONTACT, 18-24AWG	
J 6 0 4	PCB			DRUM MOTOR DRIVER	
	VS3 - 5083 - 005		1	CONNECTOR, 5P, FEMALE	
	WS3 - 5160 - 000		5	SOCKET CONTACT, 18-24AWG	
J 6 0 5	PCB			DRUM MOTOR DRIVER	
	VS1 - 6314 - 010		1	CONNECTOR, 10P, FEMALE	
J 6 0 6	PCB			DRUM MOTOR DRIVER	

FIGURE & KEY NO.	PART NUMBER	RANK	QTY	DESCRIPTION	SERIAL NUMBER / REMARKS
B - J 6 0 6	VS1 - 6314 - 010		1	CONNECTOR, 10P, FEMALE	
J 6 0 7	PCB			DRUM MOTOR DRIVER	
	VS1 - 6314 - 007		1	CONNECTOR, 7P, FEMALE	
J 6 0 8	PCB			DRUM MOTOR DRIVER	
	VS3 - 5083 - 004		1	CONNECTOR, 4P, FEMALE	
	WS3 - 5160 - 000		4	SOCKET CONTACT, 18-24AWG	
J 6 0 9	PCB			DRUM MOTOR DRIVER	
	VS1 - 6314 - 011		1	CONNECTOR, 11P, FEMALE	
J 7 0 1	PCB			TRANSFER BELT AC	
	FG3 - 0722 - 000		1	CABLE, TRANSFER LOWER DRAWER	
J 7 0 2	PCB			TRANSFER BELT AC	
	FG3 - 0722 - 000		1	CABLE, TRANSFER LOWER DRAWER	
J 7 0 3	PCB			TRANSFER BELT AC	
	FG3 - 0722 - 000		1	CABLE, TRANSFER LOWER DRAWER	
J 7 0 4	PCB			TRANSFER BELT AC	
	VS3 - 5083 - 005		1	CONNECTOR, 5P, FEMALE	
	WS3 - 5160 - 000		5	SOCKET CONTACT, 18-24AWG	
J 7 0 5	PCB			TRANSFER BELT AC	
	NPN		1	TRANS. BELT MOTOR COOLING FAN	FM13
J 9 0 1	PCB			CONTROL PANEL CPU	
	VS1 - 6313 - 015		1	CONNECTOR, 15P, FEMALE	
	VS1 - 6314 - 015		1	CONNECTOR, 15P, FEMALE	
	VT2 - 5161 - 030		1	HOLDER, CONNECTOR, 30P	
J 9 0 2	PCB			CONTROL PANEL CPU	
	VS1 - 6314 - 012		1	CONNECTOR, 12P, FEMALE	
J 9 0 3	PCB			CONTROL PANEL CPU	
	VS1 - 6314 - 009		1	CONNECTOR, 9P, FEMALE	
J 9 0 4	PCB			CONTROL PANEL CPU	
	VS1 - 0842 - 006		1	CONNECTOR, 6P, FEMALE	
J 9 0 5	PCB			CONTROL PANEL CPU	

FIGURE & KEY NO.	PART NUMBER	RANK	QTY	DESCRIPTION	SERIAL NUMBER / REMARKS
B - J 9 0 5	VS1 - 0842 - 004		1	CONNECTOR, 4P, FEMALE	
J 9 0 6	PCB			CONTROL PANEL CPU	
	PCB			LED	
J 9 0 7	PCB			CONTROL PANEL CPU	
	NPN			ANALOG TOUCH PANEL	
J 9 0 8	PCB			CONTROL PANEL CPU	
	NPN			LIQUID CRYSTAL PANEL	
J 9 2 1	PCB			CONTROL PANEL KEY	
	VS1 - 6314 - 012		1	CONNECTOR, 12P, FEMALE	
J 9 2 2	PCB			CONTROL PANEL KEY	
J 9 3 1	VS1 - 6314 - 009		1	CONNECTOR, 9P, FEMALE	
	PCB			CONTROL PANEL KEY	
	VS1 - 6023 - 006		1	CONNECTOR, 6P, FEMALE	
J 9 4 1	PCB			CONTROL PANEL KEY	
	VS1 - 5976 - 004		1	CONNECTOR, 4P, MALE	
J 9 5 5	PCB			CONTROL PANEL INVERTER	
	VS1 - 0842 - 002		1	CONNECTOR, 2P, FEMALE	
J 9 5 6	PCB			CONTROL PANEL INVERTER	
	NPN			LIQUID CRYSTAL PANEL	
J 1 1 0 1	PCB			POWER SUPPLY	
J 1 1 0 2	VS1 - 6534 - 004		1	CONNECTOR, 4P, FEMALE	DUPLEX TYPE
	WS3 - 5658 - 000		4	SOCKET CONTACT	DUPLEX TYPE
	PCB			POWER SUPPLY	
	VS1 - 6534 - 008		1	CONNECTOR, 9P, FEMALE	
	WS3 - 5658 - 000		8	SOCKET CONTACT	
J 1 1 0 4	PCB			POWER SUPPLY	
	VS3 - 5083 - 004		1	CONNECTOR, 4P, FEMALE	
	WS3 - 5160 - 000		4	SOCKET CONTACT, 18-24AWG	
J 1 1 0 5	PCB			POWER SUPPLY	
	VS1 - 6380 - 006		1	CONNECTOR, 6P, MALE	

FIGURE & KEY NO.	PART NUMBER	RANK	QTY	DESCRIPTION	SERIAL NUMBER / REMARKS
B - J 1 1 0 5	WS3 - 5292 - 000		6	SOCKET CONTACT	
J 1 1 0 6	PCB			POWER SUPPLY	
	VS3 - 5083 - 007		1	CONNECTOR, 7P, FEMALE	
	WS3 - 5160 - 000		7	SOCKET CONTACT, 18-24AWG	
J 1 1 0 7	PCB			POWER SUPPLY	
	VS3 - 5083 - 012		1	CONNECTOR, 12P, FEMALE	
	WS3 - 5160 - 000		12	SOCKET CONTACT, 18-24AWG	
J 1 1 0 8	PCB			POWER SUPPLY	
	VS3 - 5083 - 006		1	CONNECTOR, 6P, FEMALE	
	WS3 - 5160 - 000		6	SOCKET CONTACT, 18-24AWG	
J 1 1 0 9	PCB			POWER SUPPLY	
	VS3 - 5083 - 010		1	CONNECTOR, 10P, FEMALE	
	WS3 - 5160 - 000		10	SOCKET CONTACT, 18-24AWG	
J 1 1 1 0	PCB			POWER SUPPLY	
	VS1 - 6314 - 009		1	CONNECTOR, 9P, FEMALE	
J 1 1 1 1	PCB			POWER SUPPLY	
	VS1 - 6321 - 002		1	CONNECTOR, 2P, FEMALE	
J 1 1 1 2	PCB			POWER SUPPLY	
	VS1 - 6314 - 007		1	CONNECTOR, 7P, FEMALE	
J 1 1 1 3	PCB			POWER SUPPLY	
	VS1 - 6534 - 008		1	CONNECTOR, 9P, FEMALE	
	WS3 - 5658 - 000		8	SOCKET CONTACT	
J 1 1 1 4	PCB			POWER SUPPLY	
	VS3 - 5083 - 003		1	CONNECTOR, 3P, FEMALE	
	WS3 - 5160 - 000		3	SOCKET CONTACT, 18-24AWG	
J 1 1 1 5	PCB			POWER SUPPLY	
	VS1 - 6321 - 004		1	CONNECTOR, 4P, FEMALE	
J 1 1 1 6	PCB			POWER SUPPLY	
	VS3 - 5083 - 004		1	CONNECTOR, 4P, FEMALE	
	WS3 - 5160 - 000		4	SOCKET CONTACT, 18-24AWG	



FIGURE & KEY NO.	PART NUMBER	RANK	QTY	DESCRIPTION	SERIAL NUMBER / REMARKS
B - J 1 1 1 8	PCB			POWER SUPPLY	
	VS1 - 6321 - 002		1	CONNECTOR, 2P, FEMALE	
J 1 1 2 1	PCB			POWER SUPPLY	220/240V
	VS1 - 6314 - 006		1	CONNECTOR, 6P, FEMALE	
J 1 1 2 2	PCB			POWER SUPPLY	
	VS3 - 5083 - 004		1	CONNECTOR, 4P, FEMALE	
	WS3 - 5160 - 000		4	SOCKET CONTACT, 18-24AWG	
J 1 4 0 0	PCB			ENVIRONMENT MEASURING	
	VS1 - 6321 - 006		1	CONNECTOR, 6P, FEMALE	
J 1 4 1 0	NPN			OHP SENSOR	S13
	VS1 - 6321 - 003		1	CONNECTOR, 3P, FEMALE	
J 1 4 2 0	NPN			OHP SENSOR	S14
	VS1 - 6321 - 003		1	CONNECTOR, 3P, FEMALE	
J 1 4 3 0	PCB			REMNANT SENSOR RADIANT	
	VS1 - 6321 - 002		1	CONNECTOR, 2P, FEMALE	
J 1 4 3 1	PCB			REMNANT SENSOR RECEIVE	
	VS1 - 6321 - 003		1	CONNECTOR, 3P, FEMALE	
J 1 4 7 0 - 1	NPN			UPPER CASSETTE SIZE SENSOR	S1
	VS1 - 0978 - 006		1	CONNECTOR, 6P, FEMALE	
J 1 4 7 0 - 2	NPN			LOWER CASSETTE SIZE SENSOR	S2
	VS1 - 0978 - 006		1	CONNECTOR, 6P, FEMALE	
J 1 5 1 1	PCB			BICENTRO INTERFACE	
	VS1 - 6313 - 019		1	CONNECTOR, 19P, FEMALE	
	VS1 - 6314 - 019		1	CONNECTOR, 19P, FEMALE	
	VT2 - 5161 - 038		1	HOLDER, CONNECTOR, 38P	
J 1 5 1 3	PCB			BICENTRO INTERFACE	
	VS1 - 6313 - 020		1	CONNECTOR, 20P, FEMALE	
	VS1 - 6314 - 020		1	CONNECTOR, 20P, FEMALE	
	VT2 - 5161 - 040		1	HOLDER, CONNECTOR, 40P	
J 1 6 0 1	PCB			PAPER PICK-UP	

FIGURE & KEY NO.	PART NUMBER	RANK	QTY	DESCRIPTION	SERIAL NUMBER / REMARKS
B - J 1 6 0 1	VS1 - 6314 - 018		1	CONNECTOR, 18P, FEMALE	
J 1 6 0 2	PCB			PAPER PICK-UP	
	NPN			CASSETTE PAPER PICK-UP MOTOR	M1
J 1 6 0 3	PCB			PAPER PICK-UP	
	NPN			PAPER PICK-UP CLUTCH	CL1
J 1 6 0 4	PCB			PAPER PICK-UP	
	NPN			PICK-UP ROLLER DOWN SOLENOID	SL1
J 1 6 0 7	PCB			PAPER PICK-UP	
	VS1 - 6314 - 003		1	CONNECTOR, 3P, FEMALE	
J 1 6 0 8	PCB			PAPER PICK-UP	
J 3 5 0 1	VS1 - 6321 - 003		1	CONNECTOR, 3P, FEMALE	
	PCB			LED EXPOSURE	YELLOW
	PCB			LED EXPOSURE POWER	
J 3 5 0 2	PCB			LED EXPOSURE	MAGENTA
	PCB			LED EXPOSURE POWER	
J 3 5 0 3	PCB			LED EXPOSURE	CYAN
	PCB			LED EXPOSURE POWER	
J 3 5 0 4	PCB			LED EXPOSURE	BLACK
	PCB			LED EXPOSURE POWER	
J 3 5 0 5	PCB			LED EXPOSURE POWER	
J 3 5 0 6	VS1 - 6380 - 004		1	CONNECTOR, 4P, MALE	
	WS3 - 5292 - 000		4	SOCKET CONTACT	
	PCB			LED EXPOSURE POWER	
	VS1 - 6380 - 004		1	CONNECTOR, 4P, MALE	
	WS3 - 5292 - 000		4	SOCKET CONTACT	
J 3 9 0 1	PCB			ECO-IDENTITY	
	VS1 - 6314 - 010		1	CONNECTOR, 10P, FEMALE	
J 4 1 0 1	PCB			BIAS HIGH VOLTAGE	
	FH2 - 9237 - 000		1	CONNECTOR, DRUM KIT H. V. T.	
J 4 1 0 2	PCB			BIAS HIGH VOLTAGE	

FIGURE & KEY NO.	PART NUMBER	RANK	QTY	DESCRIPTION	SERIAL NUMBER / REMARKS
B - J 4 1 0 2	FH2 - 9237 - 000		1	CONNECTOR, DRUM KIT H. V. T.	
J 4 1 0 3	PCB			BIAS HIGH VOLTAGE	
	FH2 - 9237 - 000		1	CONNECTOR, DRUM KIT H. V. T.	
J 4 1 0 4	PCB			BIAS HIGH VOLTAGE	
	FH2 - 9237 - 000		1	CONNECTOR, DRUM KIT H. V. T.	
J 4 1 0 5	PCB			BIAS HIGH VOLTAGE	
	VS3 - 5083 - 004		1	CONNECTOR, 4P, FEMALE	
	WS3 - 5160 - 000		4	SOCKET CONTACT, 18-24AWG	
J 4 1 0 6	PCB			BIAS HIGH VOLTAGE	
	WT1 - 0246 - 000		4	SOCKET CONTACT, AWG22-18	
J 4 1 0 7	PCB			BIAS HIGH VOLTAGE	
	VS1 - 6314 - 020		1	CONNECTOR, 20P, FEMALE	
J 4 1 0 8	PCB			BIAS HIGH VOLTAGE	
	PCB			TRANSFER	
J 4 2 0 1	PCB			HIGH VOLTAGE TRANSFER	
	VS3 - 5083 - 004		1	CONNECTOR, 4P, FEMALE	
	WS3 - 5160 - 000		4	SOCKET CONTACT, 18-24AWG	
J 4 2 0 2	PCB			HIGH VOLTAGE TRANSFER	
	VS1 - 6314 - 016		1	CONNECTOR, 16P, FEMALE	
J 4 2 0 3	PCB			HIGH VOLTAGE TRANSFER	
J 4 2 0 6	VS1 - 6321 - 003		1	CONNECTOR, 3P, FEMALE	
	PCB			HIGH VOLTAGE TRANSFER	
	VS1 - 6321 - 002		1	CONNECTOR, 2P, FEMALE	
J 5 1 0 1	VS1 - 6380 - 003		1	CONNECTOR, 3P, MALE	
	VS3 - 5121 - 003		1	CONNECTOR, 3P, FEMALE	
J 5 1 0 2	WS3 - 5291 - 000		3	PIN CONTACT	
	WS3 - 5292 - 000		2	SOCKET CONTACT	
	VS1 - 6380 - 002		1	CONNECTOR, 2P, MALE	
	VS3 - 5121 - 002		1	CONNECTOR, 2P, FEMALE	
	WS3 - 5291 - 000		2	PIN CONTACT	

FIGURE & KEY NO.	PART NUMBER	RANK	QTY	DESCRIPTION	SERIAL NUMBER / REMARKS
B - J 5 1 0 2	WS3 - 5292 - 000		2	SOCKET CONTACT	
J 5 1 0 3	FG3 - 0770 - 000		1	CABLE, FIXING DRAWER	
	VS1 - 6380 - 004		1	CONNECTOR, 4P, MALE	
	WS3 - 5292 - 000		4	SOCKET CONTACT	
J 5 1 0 4	FG3 - 0715 - 000		1	CABLE, FIXING DRAWER	
	FG3 - 0770 - 000		1	CABLE, FIXING DRAWER	
	VS1 - 5452 - 010		1	CONNECTOR, 10P, FEMALE	
	VS1 - 5452 - 011		1	CONNECTOR, 11P, FEMALE	
J 5 1 0 5	VS4 - 0001 - 006		1	CONNECTOR, 6P, MALE	
	VS4 - 0002 - 006		1	CONNECTOR, 6P, FEMALE	
	WS4 - 0219 - 000		5	PIN CONTACT, 18-22AWG	
	WS4 - 0217 - 000		6	SOCKET CONTACT, 22-18AWG	
J 5 1 0 6	VS4 - 0001 - 002		1	CONNECTOR, 2P, MALE	
	VS4 - 0002 - 002		1	CONNECTOR, 2P, FEMALE	
	WS4 - 0219 - 000		2	PIN CONTACT, 18-22AWG	
J 5 1 0 7	WS4 - 0217 - 000		2	SOCKET CONTACT, 22-18AWG	
	NPN			RIGHT ENVIRONMENT HEATER	H6
	NPN			THERMAL SWITCH 1	TP3
	VS4 - 0001 - 003		1	CONNECTOR, 3P, MALE	100/120V
	WS4 - 0219 - 000		2	PIN CONTACT, 18-22AWG	100/120V
J 5 1 0 8	NPN			RIGHT ENVIRONMENT HEATER	H6
	NPN			THERMAL SWITCH 1	TP3
	NPN			THERMAL SWITCH 2	TP4
	VS4 - 0001 - 004		1	CONNECTOR, 4P, MALE	100/120V
	VS4 - 0002 - 004		1	CONNECTOR, 4P, FEMALE	
J 5 1 0 9	WS4 - 0219 - 000		3	PIN CONTACT, 18-22AWG	100/120V
	WS4 - 0217 - 000		3	SOCKET CONTACT, 22-18AWG	
	NPN			CASSETTE HEATER	H3
	VS4 - 0002 - 002		1	CONNECTOR, 2P, FEMALE	
	WS4 - 0217 - 000		2	SOCKET CONTACT, 22-18AWG	

FIGURE & KEY NO.	PART NUMBER	RANK	QTY	DESCRIPTION	SERIAL NUMBER / REMARKS
B - J 5 1 1 0	NPN			STICK HEATER	H7
	NPN			THERMAL SWITCH 2	TP4
	VS4 - 0001 - 002		1	CONNECTOR, 2P, MALE	100/120V
	WS4 - 0219 - 000		2	PIN CONTACT, 18-22AWG	100/120V
J 5 1 1 1	VS1 - 5729 - 003		1	CONNECTOR, 3P, MALE	220/240V
J 6 1 0 1	VS3 - 5083 - 003		1	CONNECTOR, 3P, FEMALE	220/240V
	WS3 - 5301 - 000		2	PIN CONTACT	220/240V
	WS3 - 5160 - 000		2	SOCKET CONTACT, 18-24AWG	220/240V
	VS1 - 6534 - 002		1	CONNECTOR, 2P, FEMALE	
	VS1 - 6535 - 002		1	CONNECTOR, 2P, MALE	
J 6 1 0 2	WS3 - 5658 - 000		2	SOCKET CONTACT	
	WS3 - 5659 - 000		2	PIN CONTACT	
	VS1 - 6321 - 003		1	CONNECTOR, 3P, FEMALE	
	VS1 - 5824 - 003		1	CONNECTOR, 3P, FEMALE	
	WS3 - 5358 - 000		2	SOCKET CONTACT, 22-26AWG	
J 6 1 0 3	VS1 - 5057 - 003		1	CONNECTOR, SNAP TIGHT	
	VS1 - 6321 - 003		1	CONNECTOR, 3P, FEMALE	
	VS1 - 5057 - 003		1	CONNECTOR, SNAP TIGHT	
J 6 1 0 5	VS1 - 6534 - 002		1	CONNECTOR, 2P, FEMALE	
	VS1 - 6535 - 002		1	CONNECTOR, 2P, MALE	
J 6 1 5 1	WS3 - 5658 - 000		2	SOCKET CONTACT	
	WS3 - 5659 - 000		2	PIN CONTACT	
	VS1 - 6380 - 008		1	CONNECTOR, 8P, MALE	
	VS3 - 5121 - 008		1	CONNECTOR, 8P, MALE	
	WS3 - 5291 - 000		1	PIN CONTACT	
J 6 1 5 2	WS3 - 5292 - 000		8	SOCKET CONTACT	
	NPN			PAPER PICK-UP MOTOR	M2
	VS3 - 5083 - 002		1	CONNECTOR, 2P, FEMALE	
J 6 1 5 3	WS3 - 5160 - 000		2	SOCKET CONTACT, 18-24AWG	
	NPN			FIXING MOTOR	M16

FIGURE & KEY NO.	PART NUMBER	RANK	QTY	DESCRIPTION	SERIAL NUMBER / REMARKS	
B - J 6 1 5 3	VS3 - 5083 - 002		1	CONNECTOR, 2P, FEMALE		
	WS3 - 5160 - 000		2	SOCKET CONTACT, 18-24AWG		
	J 6 2 0 1	VS1 - 6534 - 004		1	CONNECTOR, 4P, FEMALE	
		VS1 - 6535 - 004		1	CONNECTOR, 4P, MALE	
		WS3 - 5658 - 000		4	SOCKET CONTACT	
J 6 2 0 3	WS3 - 5659 - 000		4	PIN CONTACT		
	VS1 - 6314 - 006		1	CONNECTOR, 6P, FEMALE		
	VS1 - 6314 - 006		1	CONNECTOR, 6P, FEMALE	220/240V	
	VS1 - 6318 - 006		1	CONNECTOR, SNAP TIGHT		
J 6 2 0 4	NPN		FIXING SSR	SSR1		
J 6 2 0 5	VS3 - 0044 - 005		1	CONNECTOR, 5P, FEMALE		
	WS3 - 0916 - 000		5	SOCKET CONTACT, 18-24AWG		
	VS1 - 5824 - 007		1	CONNECTOR, 7P, FEMALE	100/120V	
	VS1 - 6321 - 007		1	CONNECTOR, 7P, FEMALE		
	VS1 - 6321 - 007		1	CONNECTOR, 7P, FEMALE	220/240V	
J 6 2 0 6	WS3 - 5358 - 000		5	SOCKET CONTACT, 22-26AWG	100/120V	
	VS1 - 5057 - 007		1	CONNECTOR, SNAP TIGHT		
	NPN			POWER SUPPLY COOLING FAN	FM6	
	VS1 - 6321 - 003		1	CONNECTOR, 3P, FEMALE		
	VS1 - 5057 - 003		1	CONNECTOR, SNAP TIGHT		
J 6 2 6 3	SYS			TO CARTRIDGE	ACCESSORY	
	FH2 - 6819 - 000		1	CONNECTOR, 21P, DRAWER		
	VS1 - 5452 - 010		1	CONNECTOR, 10P, FEMALE		
	VS1 - 5452 - 011		1	CONNECTOR, 11P, FEMALE		
J 6 2 6 4	SYS		TO CARTRIDGE	ACCESSORY		
J 6 2 6 5	FH2 - 6819 - 000		1	CONNECTOR, 21P, DRAWER		
	VS1 - 5452 - 010		1	CONNECTOR, 10P, FEMALE		
	VS1 - 5452 - 011		1	CONNECTOR, 11P, FEMALE		
	SYS			TO CARTRIDGE	ACCESSORY	
	FH2 - 6819 - 000		1	CONNECTOR, 21P, DRAWER		

FIGURE & KEY NO.	PART NUMBER	RANK	QTY	DESCRIPTION	SERIAL NUMBER / REMARKS
B - J 6 2 6 5	VS1 - 5452 - 010		1	CONNECTOR, 10P, FEMALE	ACCESSORY
	VS1 - 5452 - 011		1	CONNECTOR, 11P, FEMALE	
J 6 2 6 6	SYS			TO CARTRIDGE	
	FH2 - 6819 - 000		1	CONNECTOR, 21P, DRAWER	
	VS1 - 5452 - 010		1	CONNECTOR, 10P, FEMALE	
-----					
J 6 2 6 9	VS1 - 5452 - 011		1	CONNECTOR, 11P, FEMALE	SSR2 100/120V
	NPN			CASSETTE HEATER SSR	
	VS3 - 0047 - 003		1	CONNECTOR, 3P, FEMALE	
	WS3 - 0916 - 000		2	SOCKET CONTACT, 18-24AWG	220/240V
J 6 2 7 0	VS1 - 5824 - 003		1	CONNECTOR, 3P, FEMALE	
-----					
	VS1 - 5824 - 003		1	CONNECTOR, 3P, FEMALE	220/240V 100/120V
	VS1 - 6321 - 003		1	CONNECTOR, 3P, FEMALE	
	WS3 - 5358 - 000		2	SOCKET CONTACT, 22-26AWG	
	WS3 - 5358 - 000		2	SOCKET CONTACT, 22-26AWG	
	VS1 - 5057 - 003		1	CONNECTOR, SNAP TIGHT	
-----					
J 6 2 7 2	VS1 - 5057 - 003		1	CONNECTOR, SNAP TIGHT	220/240V
	VS1 - 6313 - 010		2	CONNECTOR, 10P, FEMALE	DUPLEX TYPE
	VS1 - 6314 - 010		2	CONNECTOR, 10P, FEMALE	DUPLEX TYPE
	VS1 - 6319 - 020		1	CONNECTOR, SNAP TIGHT	DUPLEX TYPE
	VT2 - 5161 - 020		2	HOLDER, CONNECTOR, 20P	DUPLEX TYPE
-----					
J 6 2 7 3	NPN			RE-PICK-UP SENSOR	DUPLEX TYPE S31
	VS1 - 6321 - 003		1	CONNECTOR, 3P, FEMALE	DUPLEX TYPE
J 6 2 7 4	VS1 - 5057 - 003		1	CONNECTOR, SNAP TIGHT	DUPLEX TYPE
	VS1 - 5824 - 003		1	CONNECTOR, 3P, FEMALE	DUPLEX TYPE
	VS1 - 6321 - 003		1	CONNECTOR, 3P, FEMALE	DUPLEX TYPE
-----					
J 6 2 7 5	WS3 - 5358 - 000		3	SOCKET CONTACT, 22-26AWG	DUPLEX TYPE
	NPN			SIDE REGISTRATION SENSOR	DUPLEX TYPE S32
	VS1 - 5824 - 003		1	CONNECTOR, 3P, FEMALE	DUPLEX TYPE
	WS3 - 5358 - 000		3	SOCKET CONTACT, 22-26AWG	DUPLEX TYPE
J 6 2 7 6	NPN			RE-PICK-UP CLUTCH	DUPLEX TYPE CL21

FIGURE & KEY NO.	PART NUMBER	RANK	QTY	DESCRIPTION	SERIAL NUMBER / REMARKS
B - J 6 2 7 6	VS1 - 6321 - 002		1	CONNECTOR, 2P, FEMALE	DUPLEX TYPE
	VS1 - 5057 - 002		1	CONNECTOR, SNAP TIGHT	DUPLEX TYPE
J 6 2 7 7	NPN			SIDE REGIST. ADJUSTING MOTOR	DUPLEX TYPE M17
	VS1 - 6321 - 006		1	CONNECTOR, 6P, FEMALE	DUPLEX TYPE
	VS1 - 5057 - 006		1	CONNECTOR, SNAP TIGHT	DUPLEX TYPE
J 6 2 7 8	NPN			DUPLEX CLUTCH	DUPLEX TYPE CL19
	VS1 - 6321 - 002		1	CONNECTOR, 2P, FEMALE	DUPLEX TYPE
	VS1 - 5057 - 002		1	CONNECTOR, SNAP TIGHT	DUPLEX TYPE
J 6 2 7 9	NPN			DUPLEXING DOUBLE SPEED CLUTCH	DUPLEX TYPE CL20
	VS1 - 6321 - 002		1	CONNECTOR, 2P, FEMALE	DUPLEX TYPE
J 6 2 8 0	VS1 - 5057 - 002		1	CONNECTOR, SNAP TIGHT	DUPLEX TYPE
	NPN			DUPLEX INLET SENSOR	DUPLEX TYPE S30
	VS1 - 6321 - 003		1	CONNECTOR, 3P, FEMALE	DUPLEX TYPE
J 6 2 8 1	VS1 - 6321 - 003		2	CONNECTOR, 3P, FEMALE	DUPLEX TYPE
	VS1 - 5057 - 003		1	CONNECTOR, SNAP TIGHT	DUPLEX TYPE
J 6 2 8 2	NPN			DUPLEX REVERSE SENSOR	DUPLEX TYPE S33
	VS1 - 6321 - 003		1	CONNECTOR, 3P, FEMALE	DUPLEX TYPE
J 6 2 8 3	VS1 - 6314 - 008		1	CONNECTOR, 8P, FEMALE	
	VS1 - 6314 - 008		1	CONNECTOR, 8P, FEMALE	DUPLEX TYPE
	VS1 - 6318 - 008		1	CONNECTOR, SNAP TIGHT	DUPLEX TYPE
J 6 2 8 4	VS1 - 5057 - 004		1	CONNECTOR, SNAP TIGHT	DUPLEX TYPE
	VS1 - 6321 - 004		2	CONNECTOR, 4P, FEMALE	DUPLEX TYPE
J 6 2 8 5	VS1 - 5057 - 004		1	CONNECTOR, SNAP TIGHT	DUPLEX TYPE
	VS1 - 6321 - 004		2	CONNECTOR, 4P, FEMALE	DUPLEX TYPE
J 6 2 8 6	VS1 - 6314 - 008		2	CONNECTOR, 8P, FEMALE	DUPLEX TYPE
J 6 2 8 7	VS1 - 6318 - 008		1	CONNECTOR, SNAP TIGHT	DUPLEX TYPE
	VS1 - 6534 - 002		1	CONNECTOR, 2P, FEMALE	220/240V
	VS1 - 6535 - 002		1	CONNECTOR, 2P, MALE	220/240V
	WS3 - 5658 - 000		2	SOCKET CONTACT	220/240V
	WS3 - 5659 - 000		2	PIN CONTACT	220/240V



FIGURE & KEY NO.	PART NUMBER	RANK	QTY	DESCRIPTION	SERIAL NUMBER / REMARKS
B - J 6 3 0 9	PCB			LED EXPOSURE	YELLOW
	VS1 - 6314 - 020		1	CONNECTOR, 20P, FEMALE	
	VS1 - 6318 - 020		1	CONNECTOR, SNAP TIGHT	
J 6 3 1 0	PCB			LED EXPOSURE	MAGENTA
	VS1 - 6313 - 020		1	CONNECTOR, 20P, FEMALE	
J 6 3 1 1	VS1 - 6318 - 020		1	CONNECTOR, SNAP TIGHT	CYAN
	PCB			LED EXPOSURE	
	VS1 - 6314 - 020		1	CONNECTOR, 20P, FEMALE	
J 6 3 1 2	VS1 - 6318 - 020		1	CONNECTOR, SNAP TIGHT	BLACK
	PCB			LED EXPOSURE	
J 6 3 1 3	VS1 - 6313 - 020		1	CONNECTOR, 20P, FEMALE	
	VS1 - 6318 - 020		1	CONNECTOR, SNAP TIGHT	
	VS4 - 0001 - 003		1	CONNECTOR, 3P, MALE	
	VS4 - 0002 - 003		1	CONNECTOR, 3P, FEMALE	
	WS4 - 0217 - 000		3	SOCKET CONTACT, 22-18AWG	
J 6 3 1 4	WS4 - 0219 - 000		3	PIN CONTACT, 18-22AWG	ACCESSORY
	VS1 - 5452 - 007		2	CONNECTOR, 7P, FEMALE	
	VS1 - 5820 - 007		1	CONNECTOR, SNAP TIGHT	
J 6 3 1 5	SYS			TO OPTION CASSETTE	ACCESSORY
	FH2 - 6480 - 000		1	CONNECTOR, FEMALE	
J 6 3 1 6	WS3 - 5596 - 000		4	PIN CONTACT, 18-24AWG	
	VS1 - 5452 - 005		2	CONNECTOR, 5P, FEMALE	
	VS1 - 5820 - 005		1	CONNECTOR, SNAP TIGHT	
J 6 3 1 7	VS1 - 5057 - 002		1	CONNECTOR, SNAP TIGHT	
	VS1 - 5824 - 002		1	CONNECTOR, 2P, FEMALE	
J 6 3 1 8	VS1 - 6321 - 002		1	CONNECTOR, 2P, FEMALE	
	WS3 - 5358 - 000		2	SOCKET CONTACT, 22-26AWG	
	VS1 - 5452 - 007		2	CONNECTOR, 7P, FEMALE	
	VS1 - 5820 - 007		1	CONNECTOR, SNAP TIGHT	
J 6 3 1 9	SYS			TO FINISHER/PAPER DECK	ACCESSORY

FIGURE & KEY NO.	PART NUMBER	RANK	QTY	DESCRIPTION	SERIAL NUMBER / REMARKS	
B - J 6 3 1 9	FH2 - 6480 - 000		1	CONNECTOR, FEMALE		
	VS1 - 5452 - 007		1	CONNECTOR, 7P, FEMALE		
	WS3 - 5596 - 000		3	PIN CONTACT, 18-24AWG		
	J 6 3 5 1	VS1 - 5057 - 008		1	CONNECTOR, SNAP TIGHT	
		VS1 - 6321 - 008		2	CONNECTOR, 8P, FEMALE	
J 6 3 5 2	NPN			VERTICAL PATH CLUTCH	CL2	
	VS1 - 5057 - 002		1	CONNECTOR, SNAP TIGHT		
	VS1 - 6321 - 002		1	CONNECTOR, 2P, FEMALE		
J 6 3 5 3	NPN			VERTICAL PATH SENSOR	S11	
	VS1 - 6321 - 003		1	CONNECTOR, 3P, FEMALE		
J 6 3 5 4	NPN			VERTICAL PATH DOOR SENSOR	S55	
	VS1 - 6321 - 003		1	CONNECTOR, 3P, FEMALE		
J 6 3 5 5	VS1 - 5057 - 003		1	CONNECTOR, SNAP TIGHT		
	VS1 - 6321 - 003		2	CONNECTOR, 3P, FEMALE		
J 6 3 5 6	NPN			REGISTRATION REAR SENSOR	S52	
J 6 3 5 7	VS1 - 6321 - 003		1	CONNECTOR, 3P, FEMALE		
	VS1 - 6314 - 010		2	CONNECTOR, 10P, FEMALE		
	VS1 - 6318 - 010		1	CONNECTOR, SNAP TIGHT		
J 6 3 5 8	VS1 - 5057 - 003		1	CONNECTOR, SNAP TIGHT		
	VS1 - 6321 - 003		2	CONNECTOR, 3P, FEMALE		
J 6 3 5 9	NPN			REGISTRATION FRONT SENSOR	S12	
	VS1 - 6321 - 003		1	CONNECTOR, 3P, FEMALE		
J 6 3 6 0	NPN			MULTI PAPER FEED SENSOR	S15	
	VS1 - 6321 - 003		1	CONNECTOR, 3P, FEMALE		
J 6 3 6 1	NPN			MIDDLE PLATE RELEASE SOLENOID	SL2	
J 6 3 6 2	VS1 - 5057 - 002		1	CONNECTOR, SNAP TIGHT		
	VS1 - 6321 - 002		1	CONNECTOR, 2P, FEMALE		
	NPN			MANUAL FEED CLUTCH	CL3	
	VS1 - 5057 - 002		1	CONNECTOR, SNAP TIGHT		
	VS1 - 6321 - 002		1	CONNECTOR, 2P, FEMALE		

FIGURE & KEY NO.	PART NUMBER	RANK	QTY	DESCRIPTION	SERIAL NUMBER / REMARKS
B - J 6 3 6 3	VS1 - 6314 - 004		2	CONNECTOR, 4P, FEMALE	S46
	VS1 - 6318 - 004		1	CONNECTOR, SNAP TIGHT	
	J 6 3 6 4	NPN		MANUAL FEED PAPER WIDTH SENSOR	
	VS1 - 5057 - 004		1	CONNECTOR, SNAP TIGHT	
	VS1 - 6321 - 004		1	CONNECTOR, 4P, FEMALE	
J 6 3 6 6	VS1 - 6314 - 006		2	CONNECTOR, 6P, FEMALE	
	VS1 - 6318 - 006		1	CONNECTOR, SNAP TIGHT	
J 6 3 6 7	VS1 - 6314 - 006		2	CONNECTOR, 6P, FEMALE	
	VS1 - 6318 - 006		1	CONNECTOR, SNAP TIGHT	
J 6 3 6 8	PCB			TRANSFER	
J 6 3 6 9	FH2 - 9241 - 000		1	CONNECTOR, SEPARATION H. V. T.	
	VS1 - 6314 - 020		2	CONNECTOR, 20P, FEMALE	
	VS1 - 6318 - 020		1	CONNECTOR, SNAP TIGHT	
J 6 3 7 0	FH2 - 9237 - 000		1	CONNECTOR, DRUM KIT H. V. T.	
	VS1 - 5057 - 003		1	CONNECTOR, SNAP TIGHT	
J 6 3 7 1	VS1 - 6321 - 003		2	CONNECTOR, 3P, FEMALE	
	VS4 - 0001 - 001		1	CONNECTOR, 1P, MALE	
	WS4 - 0219 - 000		1	PIN CONTACT, 18-22AWG	
	FH2 - 9237 - 000		1	CONNECTOR, DRUM KIT H. V. T.	
	VS4 - 0001 - 001		1	CONNECTOR, 1P, MALE	
J 6 3 7 2	WS4 - 0219 - 000		1	PIN CONTACT, 18-22AWG	
	FH2 - 9237 - 000		1	CONNECTOR, DRUM KIT H. V. T.	
	VS4 - 0001 - 001		1	CONNECTOR, 1P, MALE	
	WS4 - 0219 - 000		1	PIN CONTACT, 18-22AWG	
J 6 3 7 3	FH2 - 9237 - 000		1	CONNECTOR, DRUM KIT H. V. T.	
J 6 4 0 1	VS4 - 0001 - 001		1	CONNECTOR, 1P, MALE	YELLOW M3
	WS4 - 0219 - 000		1	PIN CONTACT, 18-22AWG	
	NPN			DRUM MOTOR	
	VS3 - 5083 - 005		1	CONNECTOR, 5P, FEMALE	
	WS3 - 5160 - 000		5	SOCKET CONTACT, 18-24AWG	

FIGURE & KEY NO.	PART NUMBER	RANK	QTY	DESCRIPTION	SERIAL NUMBER / REMARKS
B - J 6 4 0 2	NPN			DRUM MOTOR	YELLOW M3
	VS1 - 6314 - 006		1	CONNECTOR, 6P, FEMALE	
J 6 4 0 3	NPN			DRUM MOTOR	MAGENTA M4
	VS3 - 5083 - 005		1	CONNECTOR, 5P, FEMALE	
	WS3 - 5160 - 000		5	SOCKET CONTACT, 18-24AWG	
J 6 4 0 4	NPN			DRUM MOTOR	MAGENTA M4
	VS1 - 6314 - 006		1	CONNECTOR, 6P, FEMALE	
J 6 4 0 5	NPN			DRUM MOTOR	CYAN M5
	VS3 - 5083 - 005		1	CONNECTOR, 5P, FEMALE	
	WS3 - 5160 - 000		5	SOCKET CONTACT, 18-24AWG	
J 6 4 0 6	NPN			DRUM MOTOR	CYAN M5
	VS1 - 6314 - 006		1	CONNECTOR, 6P, FEMALE	
J 6 4 0 7	NPN			DRUM MOTOR	BLACK M6
	VS3 - 5083 - 005		1	CONNECTOR, 5P, FEMALE	
	WS3 - 5160 - 000		5	SOCKET CONTACT, 18-24AWG	
J 6 4 0 8	NPN			DRUM MOTOR	BLACK M6
	VS1 - 6314 - 006		1	CONNECTOR, 6P, FEMALE	
J 6 4 0 9	FG3 - 0722 - 000		1	CABLE, TRANSFER LOWER DRAWER	
	VS1 - 6313 - 016		1	CONNECTOR, 16P, FEMALE	
	VS1 - 6314 - 016		1	CONNECTOR, 16P, FEMALE	
J 6 4 1 0	VS1 - 6328 - 032		1	CONNECTOR, 32P, FEMALE	M15
	VT2 - 5161 - 032		1	HOLDER, CONNECTOR, 32P	
	WS3 - 5607 - 000		4	SOCKET CONTACT, 20-24AWG	
J 6 4 1 1	NPN			TRANSFER MOTOR	M15
	VS3 - 5083 - 005		1	CONNECTOR, 5P, FEMALE	
J 6 4 1 3	WS3 - 5160 - 000		5	SOCKET CONTACT, 18-24AWG	M15
	NPN			TRANSFER MOTOR	
J 6 4 1 3	FG3 - 0722 - 000		1	CABLE, TRANSFER LOWER DRAWER	
	FG3 - 0722 - 000		1	CABLE, TRANSFER LOWER DRAWER	
	VS1 - 6314 - 007		1	CONNECTOR, 7P, FEMALE	

FIGURE & KEY NO.	PART NUMBER	RANK	QTY	DESCRIPTION	SERIAL NUMBER / REMARKS
B - J 6 4 1 3	VS1 - 6318 - 007		1	CONNECTOR, SNAP TIGHT	
J 6 4 1 4	FG3 - 0722 - 000		1	CABLE, TRANSFER LOWER DRAWER	
	VS1 - 5057 - 002		1	CONNECTOR, SNAP TIGHT	
	VS1 - 6321 - 002		1	CONNECTOR, 2P, FEMALE	
J 6 4 1 5	NPN			WASTE TONER FEED MOTOR	M20
-----					
	FG3 - 0722 - 000		1	CABLE, TRANSFER LOWER DRAWER	
J 6 4 1 6	FG3 - 0722 - 000		1	CABLE, TRANSFER LOWER DRAWER	
	VS1 - 6535 - 004		1	CONNECTOR, 4P, MALE	
	WS3 - 5659 - 000		4	PIN CONTACT	
J 6 4 1 7	FG3 - 0722 - 000		1	CABLE, TRANSFER LOWER DRAWER	
-----					
	VS1 - 6314 - 016		1	CONNECTOR, 16P, FEMALE	
	VS1 - 6318 - 016		1	CONNECTOR, SNAP TIGHT	
J 6 4 1 8	NPN			TRANSFER BELT H. P. SENSOR	S51
	VS1 - 6321 - 003		1	CONNECTOR, 3P, FEMALE	
J 6 4 5 1	VS1 - 6314 - 008		2	CONNECTOR, 8P, FEMALE	
-----					
	VS1 - 6318 - 008		1	CONNECTOR, SNAP TIGHT	
J 6 4 5 2	NPN			DEVELOPING CLUTCH	YELLOW CL5
	VS1 - 5057 - 002		1	CONNECTOR, SNAP TIGHT	
	VS1 - 6321 - 002		1	CONNECTOR, 2P, FEMALE	
J 6 4 5 3	NPN			DEVELOPING CLUTCH	MAGENTA CL7
-----					
	VS1 - 5057 - 002		1	CONNECTOR, SNAP TIGHT	
	VS1 - 6321 - 002		1	CONNECTOR, 2P, FEMALE	
J 6 4 5 4	NPN			DEVELOPING CLUTCH	CYAN CL9
	VS1 - 5057 - 002		1	CONNECTOR, SNAP TIGHT	
	VS1 - 6321 - 002		1	CONNECTOR, 2P, FEMALE	
-----					
J 6 4 5 5	NPN			DEVELOPING CLUTCH	BLACK CL11
	VS1 - 5057 - 002		1	CONNECTOR, SNAP TIGHT	
	VS1 - 6321 - 002		1	CONNECTOR, 2P, FEMALE	
J 6 4 5 6	VS1 - 6314 - 011		2	CONNECTOR, 11P, FEMALE	
	VS1 - 6318 - 011		1	CONNECTOR, SNAP TIGHT	

FIGURE & KEY NO.	PART NUMBER	RANK	QTY	DESCRIPTION	SERIAL NUMBER / REMARKS
B - J 6 4 5 7	NPN			CORONA CLUTCH	YELLOW CL6
	VS1 - 5057 - 003		1	CONNECTOR, SNAP TIGHT	
	VS1 - 6321 - 003		1	CONNECTOR, 3P, FEMALE	
J 6 4 5 8	NPN			CORONA CLUTCH	MAGENTA CL8
	VS1 - 5057 - 003		1	CONNECTOR, SNAP TIGHT	
J 6 4 5 9	VS1 - 6321 - 003		1	CONNECTOR, 3P, FEMALE	CYAN CL10
	NPN			CORONA CLUTCH	
	VS1 - 5057 - 003		1	CONNECTOR, SNAP TIGHT	
J 6 4 6 0	VS1 - 6321 - 003		1	CONNECTOR, 3P, FEMALE	BLACK CL12
	NPN			CORONA CLUTCH	
J 6 4 6 1	VS1 - 5057 - 003		1	CONNECTOR, SNAP TIGHT	M2
	VS1 - 6321 - 003		1	CONNECTOR, 3P, FEMALE	
	NPN			PAPER PICK-UP MOTOR	
J 6 4 6 2	VS1 - 6314 - 006		1	CONNECTOR, 6P, FEMALE	
	VS1 - 6314 - 006		2	CONNECTOR, 6P, FEMALE	
J 6 4 6 3	VS1 - 6318 - 006		1	CONNECTOR, SNAP TIGHT	S49
	NPN			TRANSFER SWING SENSOR 1	
J 6 4 6 4	VS1 - 6321 - 003		1	CONNECTOR, 3P, FEMALE	S50
	NPN			TRANSFER SWING SENSOR 2	
J 6 4 6 5	VS1 - 6321 - 003		1	CONNECTOR, 3P, FEMALE	CL23
	NPN			TRANSFER SWING CLUTCH	
	VS1 - 5057 - 002		1	CONNECTOR, SNAP TIGHT	
J 6 4 6 6	VS1 - 6321 - 002		1	CONNECTOR, 2P, FEMALE	CL13
	NPN			PICKUP ACCELERATOR CLUTCH	
J 6 4 6 7	VS1 - 5057 - 002		1	CONNECTOR, SNAP TIGHT	CL4
	VS1 - 6321 - 002		1	CONNECTOR, 2P, FEMALE	
	NPN			REGISTRATION CLUTCH	
J 6 4 6 9	NPN			PROCESS COOLING FAN	FM10

FIGURE & KEY NO.	PART NUMBER	RANK	QTY	DESCRIPTION	SERIAL NUMBER / REMARKS
B - J 6 4 6 9	VS1 - 6321 - 003		1	CONNECTOR, 3P, FEMALE	
J 6 4 7 0	VS1 - 5057 - 003		1	CONNECTOR, SNAP TIGHT	
	VS1 - 6321 - 003		2	CONNECTOR, 3P, FEMALE	
J 6 4 7 1	NPN			UPPER P. PICK-UP RETRY SENSOR	S9
	VS1 - 6321 - 003		1	CONNECTOR, 3P, FEMALE	
J 6 4 7 2	NPN			LOWER P. PICK-UP RETRY SENSOR	S10
	VS1 - 6321 - 003		1	CONNECTOR, 3P, FEMALE	
J 6 4 8 0	PCB			REGISTRATION MOTOR	imageRUNNER C2058 iR C2105/2105S CP2155/2125 M21
	VS1 - 6321 - 004		1	CONNECTOR, 4P, FEMALE	imageRUNNER C2058 iR C2105/2105S
J 6 5 0 1	VS1 - 5452 - 003		2	CONNECTOR, 3P, FEMALE	CP2155/2125
	VS1 - 5820 - 003		1	CONNECTOR, SNAP TIGHT	
J 6 5 0 2	VS1 - 5452 - 006		2	CONNECTOR, 6P, FEMALE	
	VS1 - 5820 - 006		1	CONNECTOR, SNAP TIGHT	
J 6 5 0 3	VS1 - 5452 - 009		2	CONNECTOR, 9P, FEMALE	
	VS1 - 5820 - 009		1	CONNECTOR, SNAP TIGHT	
J 6 5 0 4	NPN			CLEANING ROLLER SENSOR	S24
	FG3 - 0715 - 000		1	CABLE, FIXING DRAWER	
J 6 5 0 5	NPN			FIXING THERMISTOR 1	TH1
J 6 5 0 6	FG3 - 0715 - 000		1	CABLE, FIXING DRAWER	TH2
	NPN			FIXING THERMISTOR 2	
	FG3 - 0715 - 000		1	CABLE, FIXING DRAWER	
J 6 5 0 7	FG3 - 0715 - 000		1	CABLE, FIXING DRAWER	
	VS1 - 5057 - 006		1	CONNECTOR, SNAP TIGHT	
J 6 5 0 8	VS1 - 5824 - 006		1	CONNECTOR, 6P, FEMALE	S25
	WS3 - 5358 - 000		6	SOCKET CONTACT, 22-26AWG	
	NPN			FIXING PAPER INLET SENSOR	
	VS1 - 5824 - 003		1	CONNECTOR, 3P, FEMALE	
	WS3 - 5358 - 000		3	SOCKET CONTACT, 22-26AWG	

FIGURE & KEY NO.	PART NUMBER	RANK	QTY	DESCRIPTION	SERIAL NUMBER / REMARKS
B - J 6 5 0 9	NPN			FIXING PAPER INLET LOOP SENSOR	S26
	VS1 - 5824 - 003		1	CONNECTOR, 3P, FEMALE	
	WS3 - 5358 - 000		3	SOCKET CONTACT, 22-26AWG	
J 6 5 1 0	NPN			INTERNAL PAPER DELIVERY SENSOR	S27
	FG3 - 0715 - 000		1	CABLE, FIXING DRAWER	
J 6 5 1 1	VS1 - 6314 - 006		2	CONNECTOR, 6P, FEMALE	
	VS1 - 6318 - 006		1	CONNECTOR, SNAP TIGHT	
J 6 5 1 2	VS1 - 5057 - 002		1	CONNECTOR, SNAP TIGHT	
	VS1 - 5824 - 002		1	CONNECTOR, 2P, FEMALE	
	VS1 - 6321 - 002		1	CONNECTOR, 2P, FEMALE	
J 6 5 1 3	WS3 - 5358 - 000		2	SOCKET CONTACT, 22-26AWG	
	VS1 - 5057 - 002		1	CONNECTOR, SNAP TIGHT	
	VS1 - 5824 - 002		1	CONNECTOR, 2P, FEMALE	
	VS1 - 6321 - 002		1	CONNECTOR, 2P, FEMALE	
J 6 5 1 4	WS3 - 5358 - 000		2	SOCKET CONTACT, 22-26AWG	
	VS1 - 5057 - 003		1	CONNECTOR, SNAP TIGHT	
	VS1 - 5824 - 003		2	CONNECTOR, 3P, FEMALE	
J 6 5 1 5	VS1 - 6534 - 003		1	CONNECTOR, 3P, FEMALE	
	VS1 - 6535 - 003		1	CONNECTOR, 3P, MALE	
J 6 5 1 6	WS3 - 5658 - 000		2	SOCKET CONTACT	
	WS3 - 5659 - 000		2	PIN CONTACT	
	VS1 - 6534 - 003		1	CONNECTOR, 3P, FEMALE	
	VS1 - 6535 - 003		1	CONNECTOR, 3P, MALE	
	WS3 - 5658 - 000		2	SOCKET CONTACT	
J 6 5 1 7	WS3 - 5659 - 000		2	PIN CONTACT	SL4
	NPN			CLEANING BELT SOLENOID	
J 6 5 1 8	VS1 - 6321 - 002		1	CONNECTOR, 2P, FEMALE	M16
	NPN			FIXING MOTOR	
	VS1 - 6314 - 006		1	CONNECTOR, 6P, FEMALE	



FIGURE & KEY NO.	PART NUMBER	RANK	QTY	DESCRIPTION	SERIAL NUMBER / REMARKS
B - J 6 5 1 9	VS1 - 5057 - 003		1	CONNECTOR, SNAP TIGHT	FM4
	VS1 - 6321 - 003		2	CONNECTOR, 3P, FEMALE	
J 6 5 2 0	NPN			MACHINE COOLING FAN	
	VS1 - 5057 - 003		1	CONNECTOR, SNAP TIGHT	
	VS1 - 6321 - 003		1	CONNECTOR, 3P, FEMALE	
J 6 5 2 1	VS1 - 5057 - 003		1	CONNECTOR, SNAP TIGHT	FM2 PLAIN TYPE
	VS1 - 6321 - 003		2	CONNECTOR, 3P, FEMALE	
J 6 5 2 2	NPN			PAPER DELIVERY FAN	
	VS1 - 5057 - 003		1	CONNECTOR, SNAP TIGHT	
	VS1 - 6321 - 003		1	CONNECTOR, 3P, FEMALE	
J 6 5 2 3	NPN			FIXING CLUTCH	CL14
	VS1 - 5057 - 002		1	CONNECTOR, SNAP TIGHT	
	VS1 - 6321 - 002		1	CONNECTOR, 2P, FEMALE	
J 6 5 2 4	NPN			FIXING ACCELERATOR CLUTCH	CL22
	VS1 - 5057 - 003		1	CONNECTOR, SNAP TIGHT	
J 6 5 2 5	VS1 - 6321 - 003		1	CONNECTOR, 3P, FEMALE	FM1
	VS1 - 5057 - 003		1	CONNECTOR, SNAP TIGHT	
	VS1 - 5824 - 003		2	CONNECTOR, 3P, FEMALE	
	WS3 - 5358 - 000		4	SOCKET CONTACT, 22-26AWG	
J 6 5 2 6	NPN			FIXING FAN	
J 6 5 5 1	VS1 - 6321 - 003		1	CONNECTOR, 3P, FEMALE	
	VS1 - 6314 - 012		2	CONNECTOR, 12P, FEMALE	
	VS1 - 6318 - 012		1	CONNECTOR, SNAP TIGHT	
J 6 5 5 2	VS1 - 0842 - 006		1	CONNECTOR, 6P, FEMALE	
	VS1 - 5057 - 006		1	CONNECTOR, SNAP TIGHT	
J 6 5 5 3	VS1 - 6321 - 006		1	CONNECTOR, 6P, FEMALE	
	VS1 - 0842 - 006		1	CONNECTOR, 6P, FEMALE	
	VS1 - 5057 - 006		1	CONNECTOR, SNAP TIGHT	
	VS1 - 6321 - 006		1	CONNECTOR, 6P, FEMALE	
J 6 5 5 5	VS1 - 6314 - 011		2	CONNECTOR, 11P, FEMALE	

FIGURE & KEY NO.	PART NUMBER	RANK	QTY	DESCRIPTION	SERIAL NUMBER / REMARKS
B - J 6 5 5 5	VS1 - 6318 - 011		1	CONNECTOR, SNAP TIGHT	DUPLEX TYPE
	J 6 5 5 6	VS1 - 6314 - 012	2	CONNECTOR, 12P, FEMALE	DUPLEX TYPE
		VS1 - 6318 - 012	1	CONNECTOR, SNAP TIGHT	DUPLEX TYPE
	J 6 5 5 7	VS1 - 5057 - 008	1	CONNECTOR, SNAP TIGHT	DUPLEX TYPE
		VS1 - 6321 - 008	2	CONNECTOR, 8P, FEMALE	DUPLEX TYPE
J 6 5 5 8	NPN			FACE DOWN REVERSING CLUTCH	DUPLEX TYPE CL17
	NPN			EXTERNAL PAPER DELIVERY SENSOR	DUPLEX TYPE S28
	VS1 - 5057 - 002		1	CONNECTOR, SNAP TIGHT	DUPLEX TYPE
	VS1 - 6321 - 002		1	CONNECTOR, 2P, FEMALE	DUPLEX TYPE
	VS1 - 6321 - 003		1	CONNECTOR, 3P, FEMALE	DUPLEX TYPE
J 6 5 5 9	NPN			REVERSAL ASSEMBLY CW CLUTCH	DUPLEX TYPE CL18
	VS1 - 5057 - 002		1	CONNECTOR, SNAP TIGHT	DUPLEX TYPE
	VS1 - 6321 - 002		1	CONNECTOR, 2P, FEMALE	DUPLEX TYPE
J 6 5 6 0	NPN			FACE DOWN DOUBLE SPEED CLUTCH	DUPLEX TYPE CL15
	VS1 - 5057 - 002		1	CONNECTOR, SNAP TIGHT	DUPLEX TYPE
J 6 5 6 1	VS1 - 6321 - 002		1	CONNECTOR, 2P, FEMALE	DUPLEX TYPE
	NPN			EXT. DEL. DOUBLE SPEED CLUTCH	DUPLEX TYPE CL16
	VS1 - 5057 - 002		1	CONNECTOR, SNAP TIGHT	DUPLEX TYPE
J 6 5 6 2	VS1 - 6321 - 002		1	CONNECTOR, 2P, FEMALE	DUPLEX TYPE
	NPN			BACK SURFACE UNIT SENSOR	DUPLEX TYPE S56
J 6 5 6 3	VS1 - 6321 - 003		1	CONNECTOR, 3P, FEMALE	DUPLEX TYPE
	VS1 - 6314 - 013		1	CONNECTOR, 13P, FEMALE	
	VS1 - 6314 - 013		1	CONNECTOR, 13P, FEMALE	DUPLEX TYPE
	VS1 - 6318 - 013		1	CONNECTOR, SNAP TIGHT	DUPLEX TYPE
J 6 5 6 4	VS1 - 6314 - 013		2	CONNECTOR, 13P, FEMALE	DUPLEX TYPE
J 6 5 6 5	VS1 - 6318 - 013		1	CONNECTOR, SNAP TIGHT	DUPLEX TYPE
	VS1 - 6314 - 011		2	CONNECTOR, 11P, FEMALE	DUPLEX TYPE
	VS1 - 6318 - 011		1	CONNECTOR, SNAP TIGHT	DUPLEX TYPE
J 6 5 6 6	NPN			DELIVERY VERTICAL PATH SENSOR	DUPLEX TYPE S29
	VS1 - 6321 - 003		1	CONNECTOR, 3P, FEMALE	DUPLEX TYPE

FIGURE & KEY NO.	PART NUMBER	RANK	QTY	DESCRIPTION	SERIAL NUMBER / REMARKS
B - J 6 5 6 9	NPN			P. DELIVERY FLAPPER SOLENOID	DUPLEX TYPE SL5
	VS1 - 5057 - 002		1	CONNECTOR, SNAP TIGHT	DUPLEX TYPE
	VS1 - 6321 - 002		1	CONNECTOR, 2P, FEMALE	DUPLEX TYPE
J 6 5 7 0	NPN			CURL RELEASE FAN	
	VS1 - 5057 - 003		1	CONNECTOR, SNAP TIGHT	DUPLEX TYPE
J 6 5 7 1	VS1 - 6321 - 003		1	CONNECTOR, 3P, FEMALE	DUPLEX TYPE
	VS1 - 6314 - 011		2	CONNECTOR, 11P, FEMALE	
	VS1 - 6318 - 011		1	CONNECTOR, SNAP TIGHT	
J 6 5 7 2	NPN			BUFFER SENSOR	YELLOW S20
	VS1 - 6321 - 003		1	CONNECTOR, 3P, FEMALE	
J 6 5 7 3	PCB			BUFFER MOTOR	YELLOW M7
	VS1 - 5057 - 006		1	CONNECTOR, SNAP TIGHT	
	VS1 - 6321 - 006		1	CONNECTOR, 6P, FEMALE	
J 6 5 7 4	NPN			TONER CARTRIDGE MOTOR	YELLOW M11
	VS1 - 5057 - 002		1	CONNECTOR, SNAP TIGHT	
J 6 5 7 5	VS1 - 6321 - 002		1	CONNECTOR, 2P, FEMALE	
	VS1 - 6313 - 011		1	CONNECTOR, 11P, FEMALE	
	VS1 - 6314 - 011		1	CONNECTOR, 11P, FEMALE	
	VS1 - 6318 - 011		1	CONNECTOR, SNAP TIGHT	
J 6 5 7 6	NPN		BUFFER SENSOR	MAGENTA S21	
J 6 5 7 7	VS1 - 6321 - 003		1	CONNECTOR, 3P, FEMALE	
	PCB			BUFFER MOTOR	MAGENTA M8
	VS1 - 5057 - 006		1	CONNECTOR, SNAP TIGHT	
J 6 5 7 8	VS1 - 6321 - 006		1	CONNECTOR, 6P, FEMALE	
	NPN			TONER CARTRIDGE MOTOR	MEGENTA M12
J 6 5 7 9	VS1 - 5057 - 002		1	CONNECTOR, SNAP TIGHT	
	VS1 - 6321 - 002		1	CONNECTOR, 2P, FEMALE	
	VS1 - 6314 - 011		2	CONNECTOR, 11P, FEMALE	
	VS1 - 6318 - 011		1	CONNECTOR, SNAP TIGHT	
J 6 5 8 0	NPN		BUFFER SENSOR	CYAN S22	

FIGURE & KEY NO.	PART NUMBER	RANK	QTY	DESCRIPTION	SERIAL NUMBER / REMARKS
B - J 6 5 8 0	VS1 - 6321 - 003		1	CONNECTOR, 3P, FEMALE	
J 6 5 8 1	PCB			BUFFER MOTOR	CYAN M9
	VS1 - 5057 - 006		1	CONNECTOR, SNAP TIGHT	
	VS1 - 6321 - 006		1	CONNECTOR, 6P, FEMALE	
J 6 5 8 2	NPN			TONER CARTRIDGE MOTOR	CYAN M13
	VS1 - 5057 - 002		1	CONNECTOR, SNAP TIGHT	
	VS1 - 6321 - 002		1	CONNECTOR, 2P, FEMALE	
J 6 5 8 3	VS1 - 6313 - 011		1	CONNECTOR, 11P, FEMALE	
	VS1 - 6314 - 011		1	CONNECTOR, 11P, FEMALE	
	VS1 - 6318 - 011		1	CONNECTOR, SNAP TIGHT	
J 6 5 8 4	NPN			BUFFER SENSOR	BLACK S23
	VS1 - 6321 - 003		1	CONNECTOR, 3P, FEMALE	
J 6 5 8 5	PCB			BUFFER MOTOR	BLACK M10
	VS1 - 5057 - 006		1	CONNECTOR, SNAP TIGHT	
	VS1 - 6321 - 006		1	CONNECTOR, 6P, FEMALE	
J 6 5 8 6	NPN			TONER CARTRIDGE MOTOR	BLACK M14
	VS1 - 5057 - 002		1	CONNECTOR, SNAP TIGHT	
	VS1 - 6321 - 002		1	CONNECTOR, 2P, FEMALE	
J 6 5 8 7	VS1 - 5057 - 005		1	CONNECTOR, SNAP TIGHT	DUPLEX TYPE
	VS1 - 6321 - 005		2	CONNECTOR, 5P, FEMALE	DUPLEX TYPE
J 6 6 0 1	VS1 - 6313 - 015		2	CONNECTOR, 15P, FEMALE	
	VS1 - 6314 - 015		2	CONNECTOR, 15P, FEMALE	
	VS1 - 6319 - 030		1	CONNECTOR, SNAP TIGHT	
	VT2 - 5161 - 030		2	HOLDER, CONNECTOR, 30P	
J 6 6 0 2	VS1 - 0842 - 002		2	CONNECTOR, 2P, FEMALE	
J 6 6 0 3	VS1 - 5057 - 002		1	CONNECTOR, SNAP TIGHT	
	SYS			TO CC4	ACCESSORY
	VS1 - 0279 - 004		1	CONNECTOR, 4P, FEMALE	
	VS1 - 0280 - 004		1	CONNECTOR, 4P, MALE	
	WS3 - 0469 - 000		2	SOCKET CONTACT, 26-30AWG	

FIGURE & KEY NO.	PART NUMBER	RANK	QTY	DESCRIPTION	SERIAL NUMBER / REMARKS
B - J 6 6 0 3	WS3 - 0885 - 000		4	PIN CONTACT, 20-30AWG	
J 6 6 0 4	VS1 - 5057 - 002		1	CONNECTOR, SNAP TIGHT	
	VS1 - 6321 - 002		2	CONNECTOR, 2P, FEMALE	
J 6 6 0 6	SYS			TO CCX CONTROLLER	ACCESSORY
	VS1 - 6321 - 008		1	CONNECTOR, 8P, FEMALE	
J 6 6 0 7	SYS			TO CCX CONTROLLER	ACCESSORY
	VS1 - 6321 - 009		1	CONNECTOR, 9P, FEMALE	
J 6 6 0 8	SYS			TO CCX	ACCESSORY
	VS1 - 6321 - 009		1	CONNECTOR, 9P, FEMALE	
J 6 6 1 0	SYS			TO COIN ROBO	ACCESSORY
	VS1 - 6321 - 012		1	CONNECTOR, 12P, FEMALE	
J 6 6 1 2	VS1 - 5057 - 002		1	CONNECTOR, SNAP TIGHT	
	VS1 - 6321 - 002		2	CONNECTOR, 2P, FEMALE	
J 6 6 1 3	VS1 - 6313 - 015		2	CONNECTOR, 15P, FEMALE	
	VS1 - 6314 - 015		2	CONNECTOR, 15P, FEMALE	
	VS1 - 6319 - 030		1	CONNECTOR, SNAP TIGHT	
	VT2 - 5161 - 030		2	HOLDER, CONNECTOR, 30P	
J 6 6 1 4	VS1 - 0842 - 002		1	CONNECTOR, 2P, FEMALE	
	VS1 - 5057 - 002		1	CONNECTOR, SNAP TIGHT	
	VS1 - 6321 - 002		1	CONNECTOR, 2P, FEMALE	

# CASSETTE FEEDING UNIT-U1/U2

## U2/U2 (w/M1)

F25 - 3811	XBJ00001 -
F25 - 3821	XHG00001 -
F25 - 3831	XHK00001 -

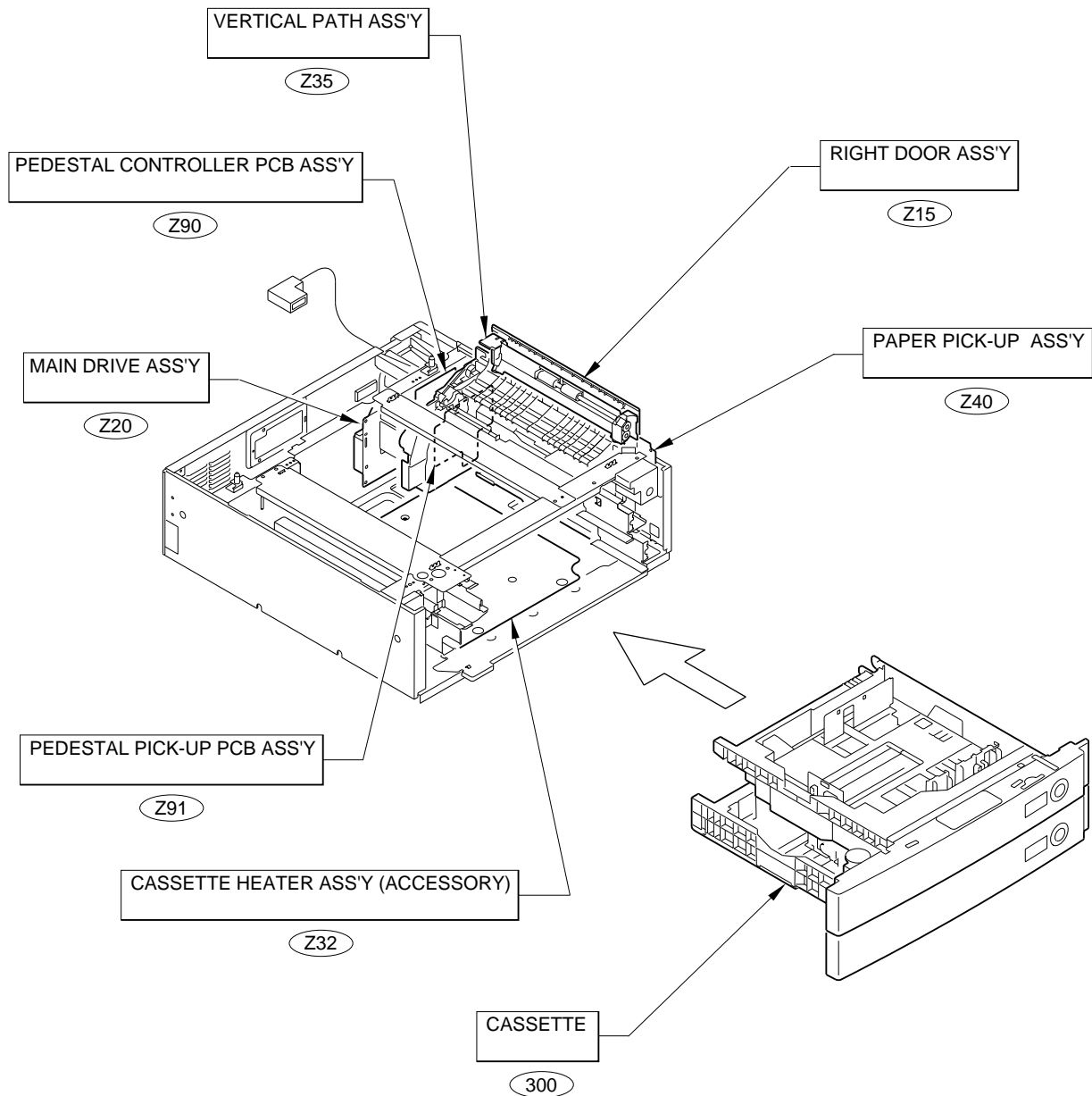
# CONTENTS

- ZA. ASSEMBLY LOCATION DIAGRAM**
  
- Z10. EXTERNAL COVERS, PANELS, ETC.**
- Z11. MACHINE INTERNAL COMPONENTS**
- Z15. RIGHT DOOR ASSEMBLY**
  
- Z20. MAIN DRIVE ASSEMBLY**
  
- Z32. CASSETTE HEATER ASSEMBLY (ACCESSORY)**
- Z35. VERTICAL PATH ASSEMBLY**
  
- Z40. PAPER PICK-UP ASSEMBLY**
  
- Z90. PEDESTAL CONTROLLER PCB ASSEMBLY**
- Z91. PEDESTAL PICK-UP PCB ASSEMBLY**
- Z95. POWER SUPPLY ASSEMBLY (U2(w/M1) TYPE)**
  
- ZB. LIST OF CONNECTORS**
  
- D3. NUMERICAL INDEX**



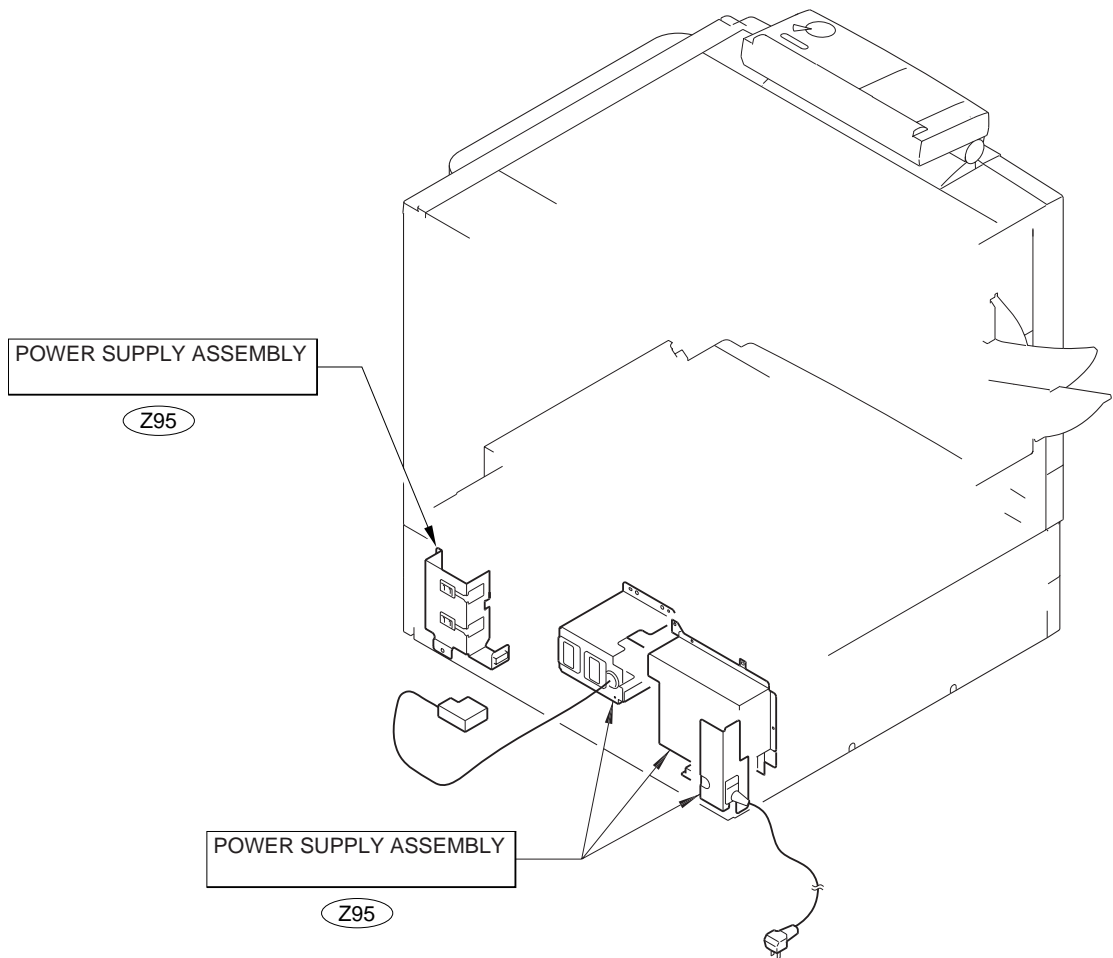


# FIGURE ZA ASSEMBLY LOCATION DIAGRAM (1/2)



# FIGURE ZA ASSEMBLY LOCATION DIAGRAM (2/2)

Cassette Feeding Unit-U2(w/M1) TYPE



# FIGURE Z10 EXTERNAL COVERS, PANELS, ETC.

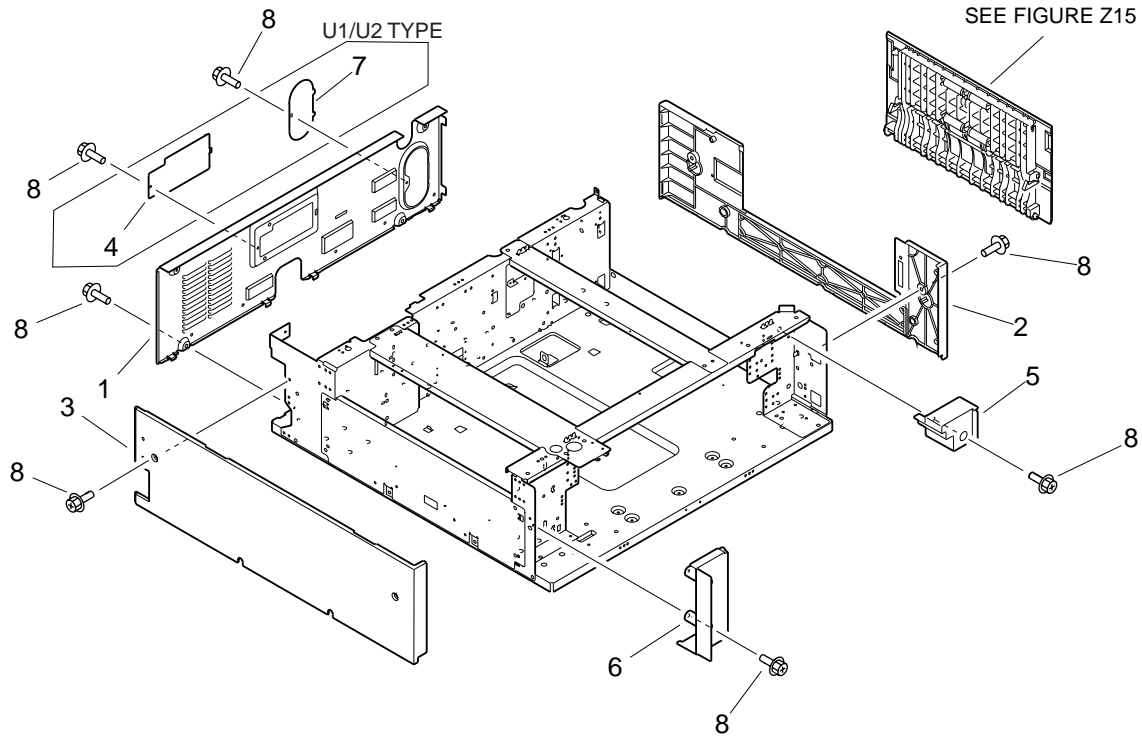
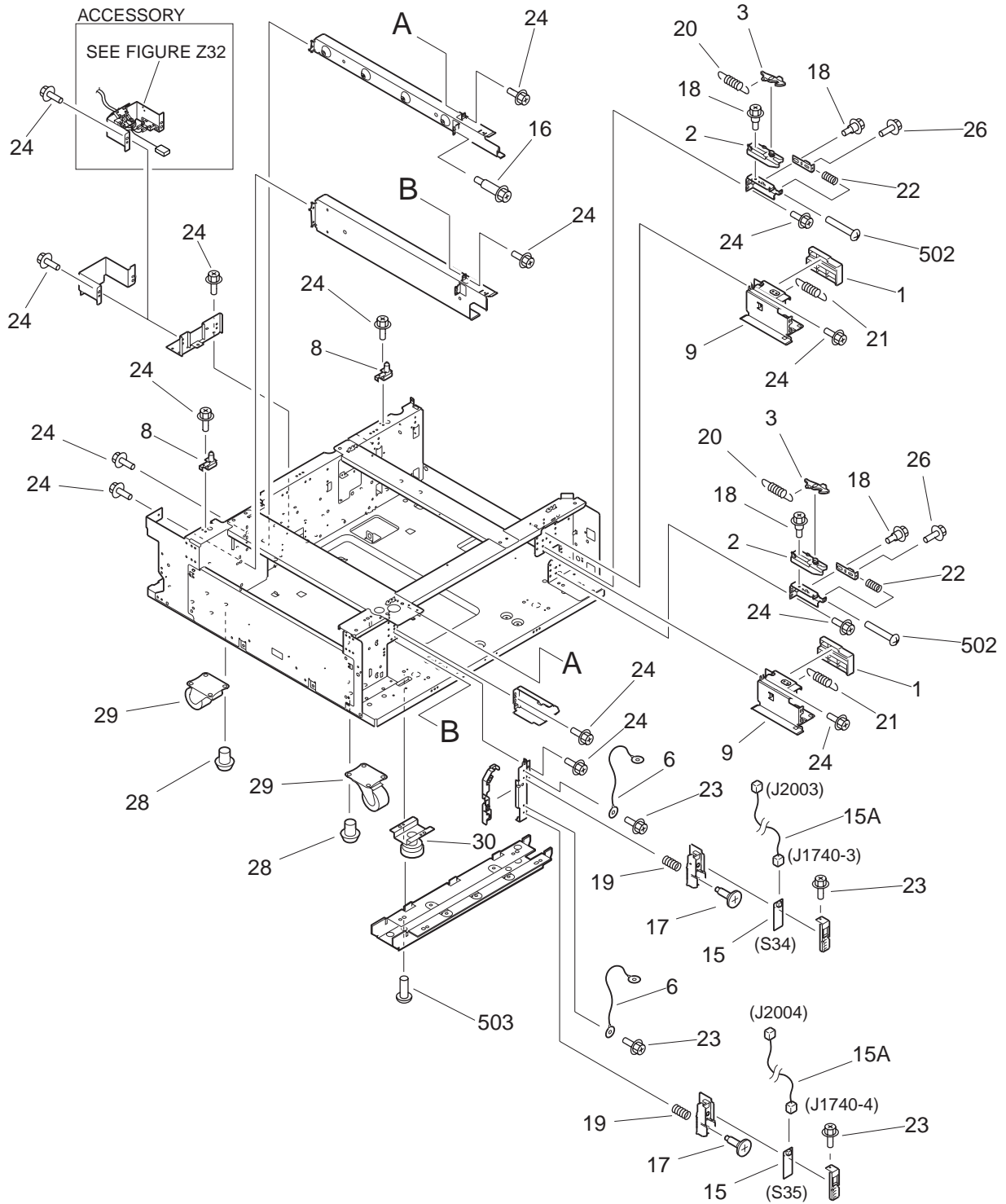


FIGURE & KEY NO.	PART NUMBER	RANK	QTY	DESCRIPTION	SERIAL NUMBER / REMARKS
Z10 -	NPN		RF	EXTERNAL COVERS, PANELS, ETC.	
1	FB5-1746-000		1	PANEL, REAR	
2	FB5-1747-000		1	PANEL, RIGHT	
3	FB5-1748-000		1	PANEL, LEFT	
4	FB5-3769-000		1	COVER, CONNECTOR MOUNT	U1/U2 TYPE
5	FB5-3771-000		1	COVER, INTERNAL, RIGHT	
6	FB5-3772-000		1	COVER, INTERNAL, LEFT	
7	FB5-3855-000		1	COVER, OUTLET MOUNT	U1/U2 TYPE
8	XA9-0732-000		AR	SCREW,RS,M4X8	



# FIGURE Z11 MACHINE INTERNAL COMPONENTS (1/2)



# FIGURE Z11 MACHINE INTERNAL COMPONENTS (2/2)

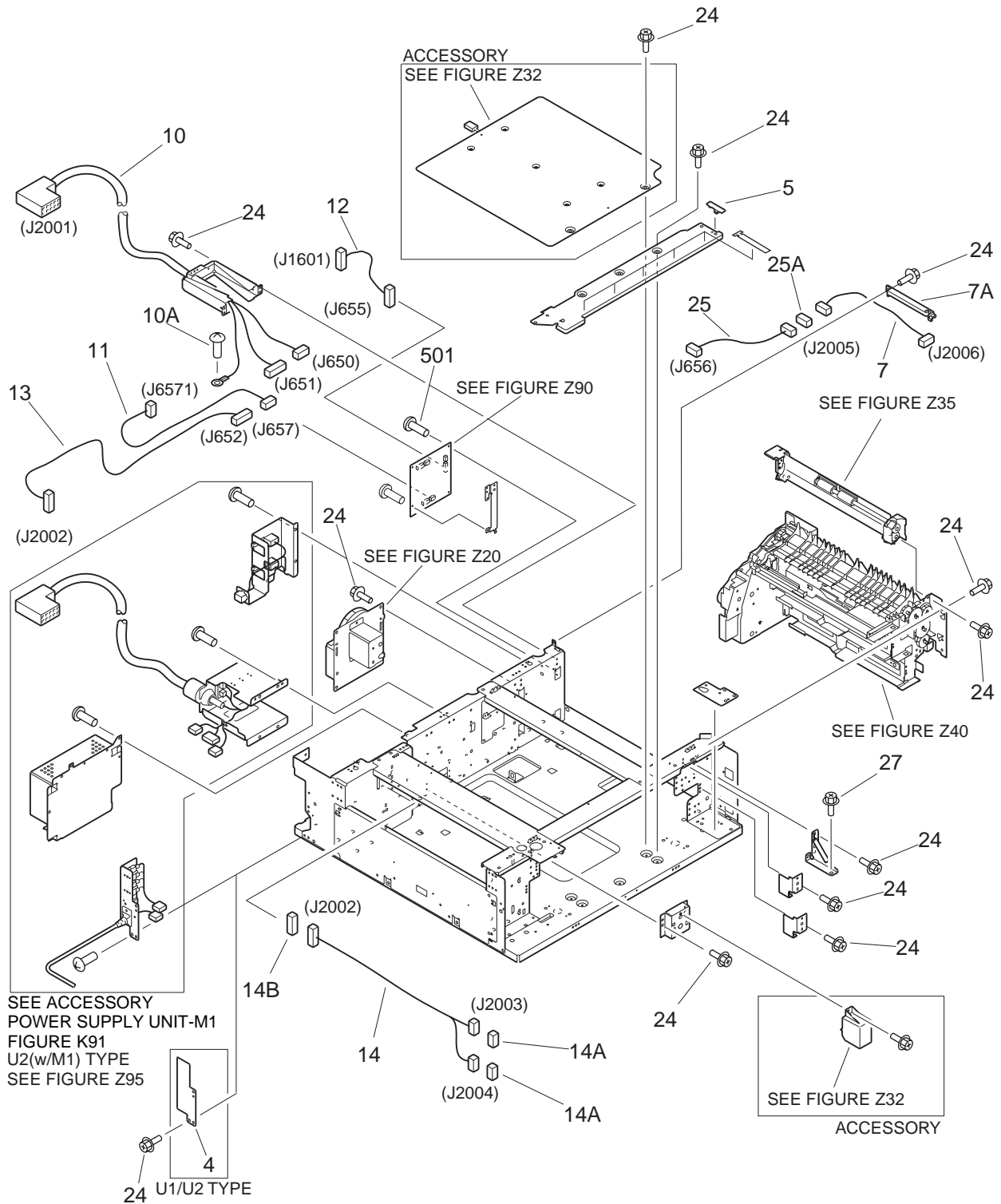


FIGURE & KEY NO.	PART NUMBER	RANK	QTY	DESCRIPTION	SERIAL NUMBER / REMARKS
Z11 -	NPN		RF	MACHINE INTERNAL COMPONENTS	
1	FB5-3928-000		2	COVER, RIGHT RAIL	
2	FB3-2937-000		2	BLOCK, CASSETTE STOP	
3	FB5-1471-000		2	LEVER, CLICK	
4	FB5-3773-000		1	COVER, CABLE MOUNT	U1/U2 TYPE
5	FB5-3801-000		1	PLATE, C. RIGHT RAIL SPACER	
6	FF3-1171-000		2	CABLE, GROUNDING	
7	FF3-1318-000		1	CABLE, RIGHT DOOR	J2005,2006
7A	FB3-4158-000		1	COVER, CABLE	
8	FF6-0792-000		2	PIN, POSITIONING	
9	FF5-9338-000		2	RAIL, RIGHT	
10	FG3-0800-000		1	INTERFACE CABLE	J650,651,2001
10A	XA9-0265-000		1	SCREW,W/WASHER,TRUSS HEAD	
11	FG3-0801-000		1	CABLE, MOTOR	U1 TYPE J657,6571
	FG3-0830-000		1	CABLE, MOTOR	U2/U2(W/M1) TYPE J657,6571
12	FG3-0802-000		1	CABLE, PAPER PICK-UP	J655,1601
13	FG3-0803-000		1	CABLE, SIZE SENSOR	J652,2002
14	FG3-0804-000		1	CABLE, SIZE SENSOR CONNECTING	J2002-2004
14A	VS1-5057-006		2	CONNECTOR, SNAP TIGHT	J2003,2004
14B	VS1-5057-012		1	CONNECTOR, SNAP TIGHT	J2002
15	FG5-6288-000		2	CASSETTE SIZE SENSOR PCB ASS'Y	S34,35
15A	FF3-1170-000		1	CABLE, CASSETTE SIZE	J2003,1740-3 J2004,1740-4
16	FS5-9222-000		1	SCREW,STEPPED,M4	
17	FS5-9397-000		2	SCREW,STEPPED,M4	
18	FS5-9608-000		6	SCREW,STEPPED,M6.2X2.1	
19	FS7-2547-000		2	SPRING,COMPRESSION	
20	FS7-2287-000		2	SPRING, TENSION	
21	FS7-2288-000		2	SPRING, TENSION	
22	FS7-2305-000		2	SPRING, COMPRESSION	
23	XA9-0626-000		4	SCREW,RS,M3X6	

FIGURE & KEY NO.	PART NUMBER	RANK	QTY	DESCRIPTION	SERIAL NUMBER / REMARKS
Z11 - 24	XA9-0732-000		AR	SCREW,RS,M4X8	
25	FF3-4134-000		1	CABLE, PICK-UP CONNECTING	J656,2005
25A	VS1-5057-003		1	CONNECTOR, SNAP TIGHT	J2005
26	XA9-0629-000		2	SCREW,RS,M4X8	
27	XA9-0857-000		1	SCREW,RS,M4X8	
28	XA9-0790-000		16	SCREW,ALLEN HEAD,M8X8	
29	XZ9-0367-000		4	CASTER	
30	XZ9-0410-000		2	FOOT, HEIGHT-ADJUSTING	
501	XB1-2300-607		4	SCREW,MACH.,TRUSS HEAD,M3X6	
502	XB1-2402-009		2	SCREW,MACH.,TRUSS HEAD,M4X20	
503	XB6-7400-609		4	SCREW,TP,M4X6	



# FIGURE Z15 RIGHT DOOR ASSEMBLY

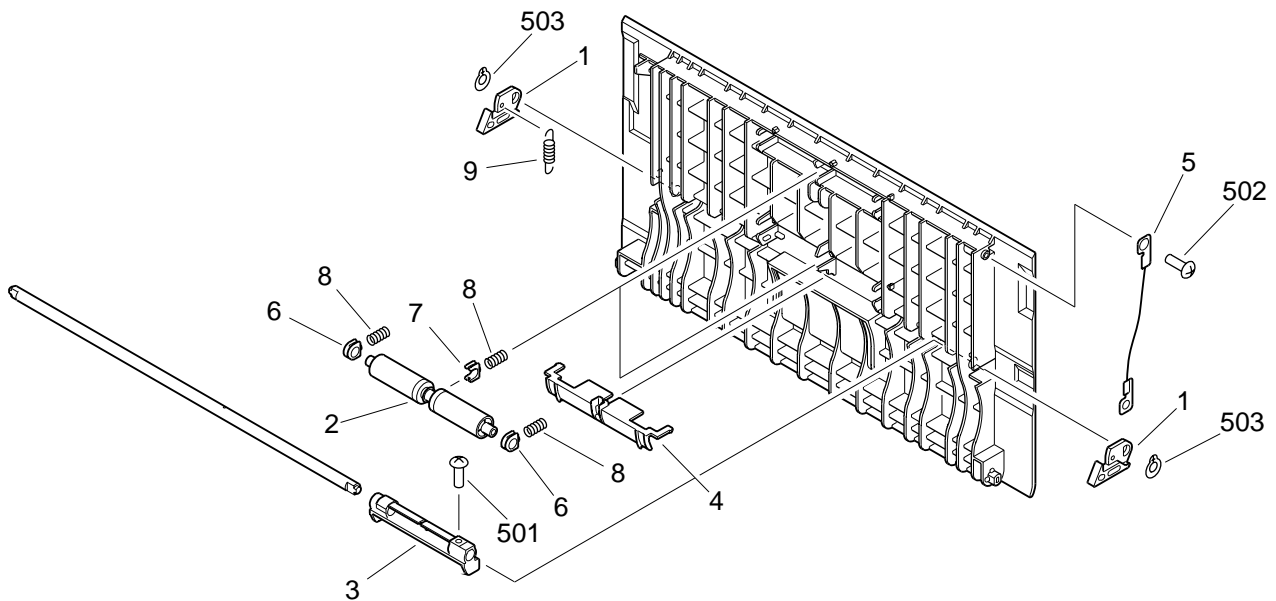


FIGURE & KEY NO.	PART NUMBER	RANK	QTY	DESCRIPTION	SERIAL NUMBER / REMARKS
Z15 -	FG6-5198-000		1	RIGHT DOOR ASSEMBLY	U1 TYPE
	FG6-9256-000		1	RIGHT DOOR ASSEMBLY	U2/U2(W/M1) TYPE
1	FB3-2837-000		2	HOOK, RIGHT DOOR	
2	FB3-2811-000		2	ROLLER, BELT IDLER	U1 TYPE
	FG6-9254-000		2	ROLLER, BELT IDLER	U2/U2(W/M1) TYPE
3	FB3-4151-000		1	KNOB	
4	FB3-4154-000		1	COVER, KNOB	
5	FB5-2340-000		1	WIRE, DOOR STOP	
6	FS5-1595-000		4	BLOCK, ROLLER	
7	FS5-1598-000		2	BLOCK, ROLLER	
8	FS6-2308-000		6	SPRING, COMPRESSION	
9	FS7-2363-000		1	SPRING, TENSION	
501	XB1-2400-809		1	SCREW,MACH.,TRUSS HEAD,M4X8	
502	XB4-7400-809		1	SCREW,TAPPING,TRUSS HEAD,M4X8	
503	XD2-2100-502		2	RING,GRIP	

# FIGURE Z20 MAIN DRIVE ASSEMBLY

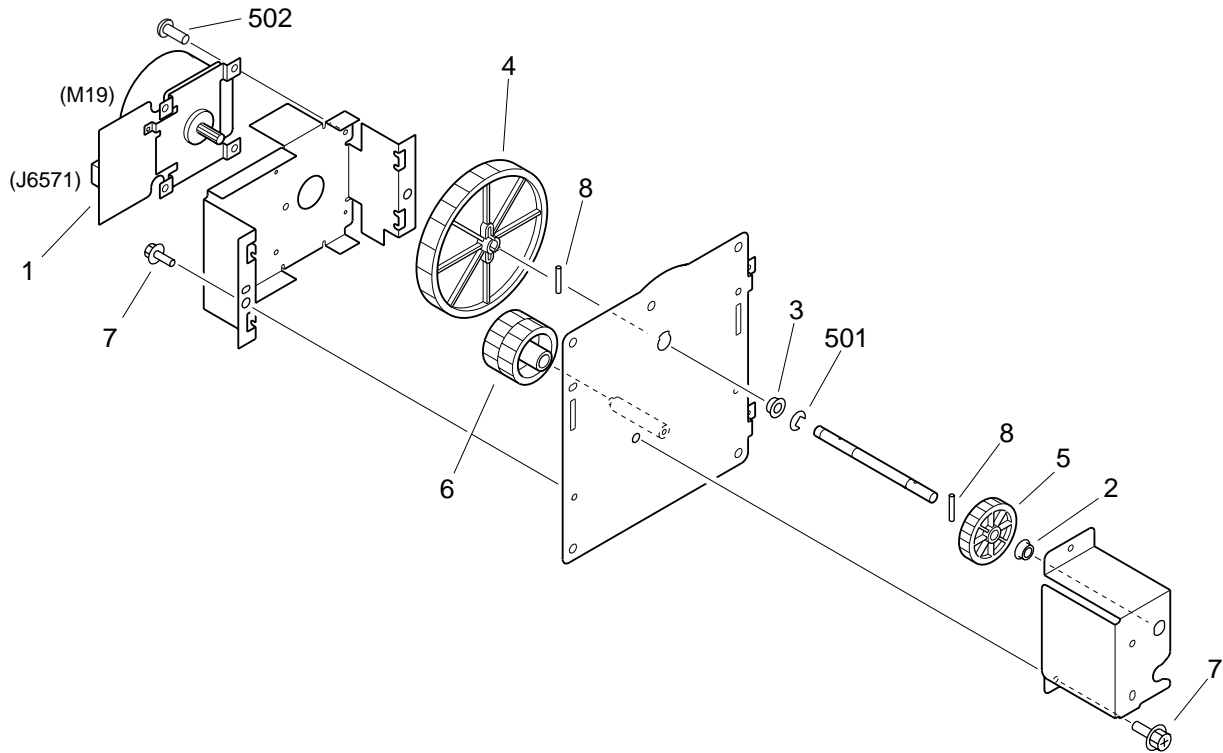


FIGURE & KEY NO.	PART NUMBER	RANK	QTY	DESCRIPTION	SERIAL NUMBER / REMARKS
Z20 -	FG6-5197-000		1	MAIN DRIVE ASSEMBLY	U1 TYPE
	FG6-9257-000		1	MAIN DRIVE ASSEMBLY	U2/U2(W/M1) TYPE
1	FH6-1699-000		1	MOTOR, DC BRUSH	U1 TYPE M19 J6571
	FH6-1732-000		1	MOTOR, DC BRUSH	U2/U2(W/M1) TYPE M19 J6571
2	FS1-1401-000		1	BUSHING	
3	FS5-1685-000		1	BUSHING	
4	FS6-0634-000		1	GEAR, 88T	
5	FS6-0635-000		1	GEAR, 44T	
6	FS7-0521-000		1	GEAR, 65T/33T	
7	XA9-0732-000		4	SCREW,RS,M4X8	
8	XD9-0121-000		2	PIN,DOWEL	
501	XD2-1200-502		1	RING,E	
502	XB6-7300-609		4	SCREW,TP,M3X6	

# FIGURE Z32 CASSETTE HEATER ASSEMBLY (ACCESSORY)

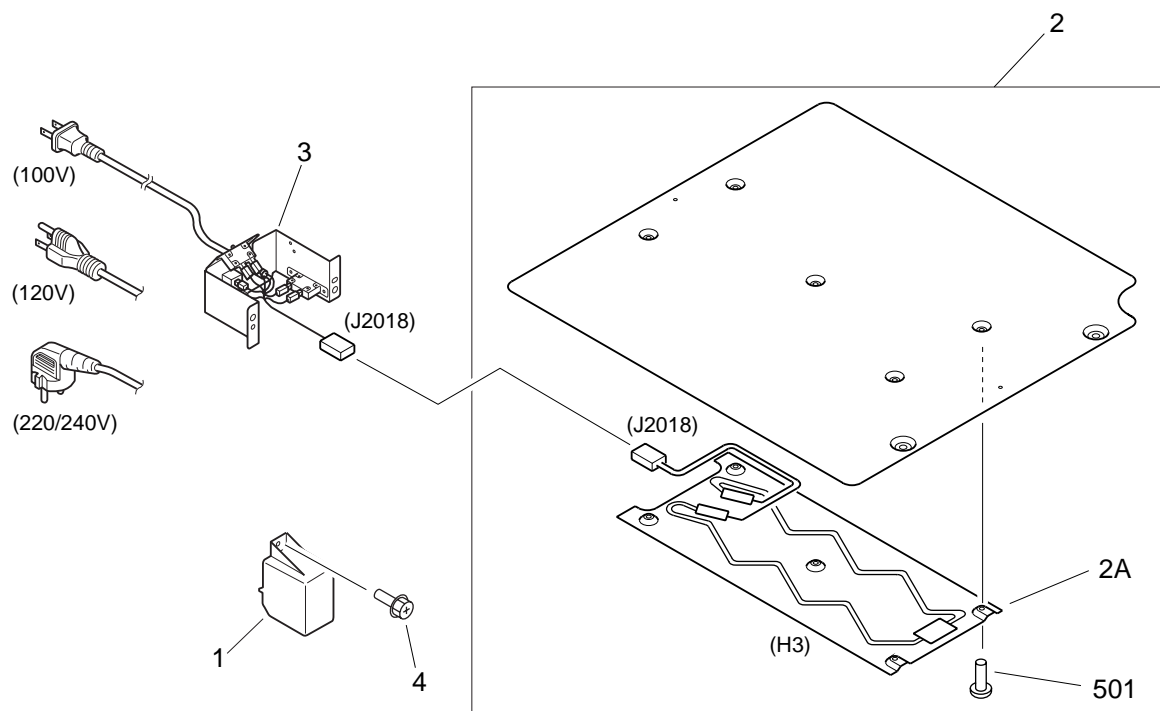


FIGURE & KEY NO.	PART NUMBER	RANK	QTY	DESCRIPTION	SERIAL NUMBER / REMARKS
Z32 -	NPN		RF	CASSETTE HEATER ASSEMBLY	ACCESSORY
1	FB5-1529-000		1	COVER, C. HEATER CONNECTOR	
2	FG6-5866-000		1	CASSETTE HEATER ASSEMBLY	120V
	FG6-5867-000		1	CASSETTE HEATER UNIT	220/240V
2A	FH7-4509-000		1	HEATER, CASSETTE	220/240V H3 J2018
	FH7-4669-000		1	HEATER	120V H3 J2018
3	FG6-5872-000		1	POWER CORD TERMINAL UNIT	120V J2018
	FG6-5874-000		1	POWER CORD TERMINAL UNIT	220/240V J2018
4	XA9-0629-000		3	SCREW,RS,M4X8	
501	XB1-2400-407		5	SCREW,MACH.,TRUSS HEAD,M4X4	

# FIGURE Z35 VERTICAL PATH ASSEMBLY

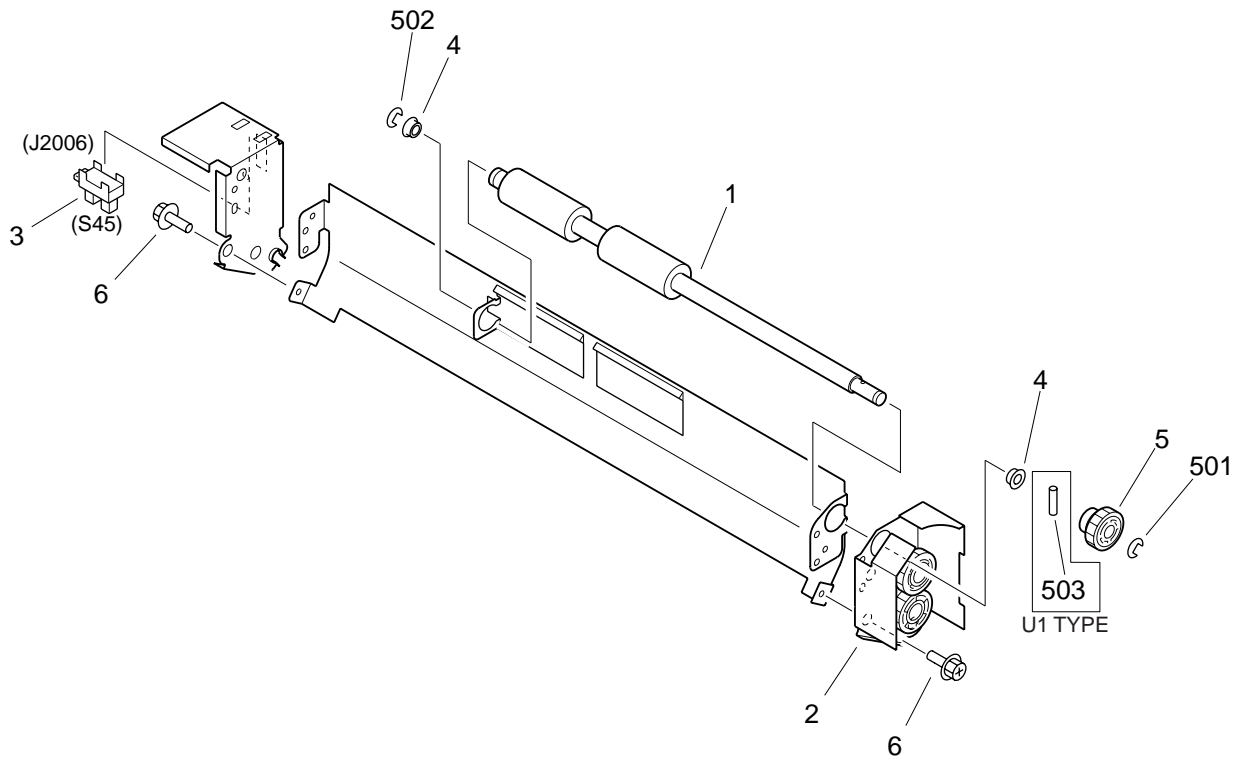
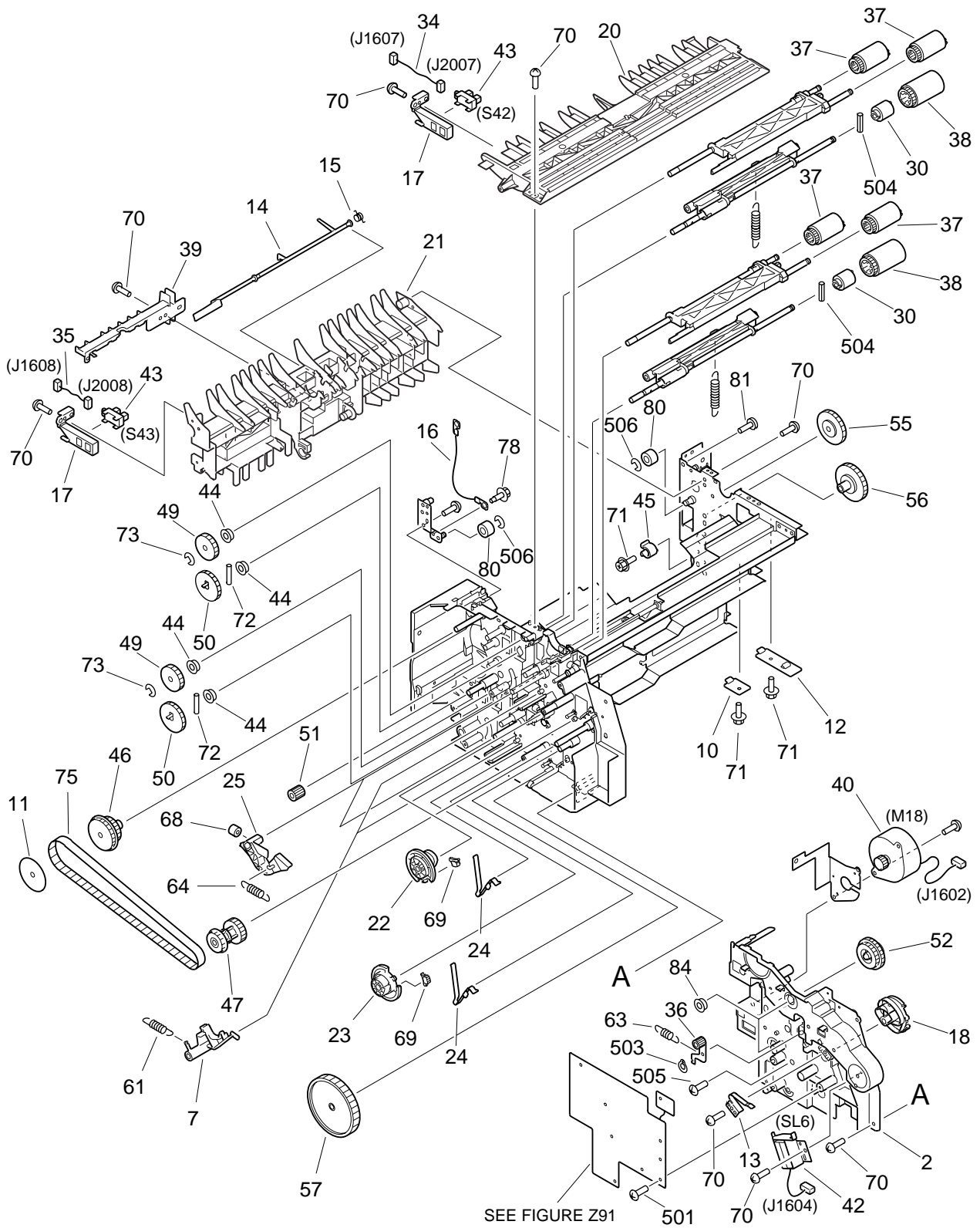


FIGURE & KEY NO.	PART NUMBER	RANK	QTY	DESCRIPTION	SERIAL NUMBER / REMARKS
Z35 -	FG6-5861-000		1	VERTICAL PATH ASSEMBLY	U1 TYPE
	FG6-9255-000		1	VERTICAL PATH ASSEMBLY	U2/U2(W/M1) TYPE
1	FB5-3858-000		1	ROLLER, VERTICAL PATH	U1 TYPE
	FB6-4245-000		1	ROLLER, VERTICAL PATH	U2/U2(W/M1) TYPE
2	FF5-4908-000		1	BOX, GEAR	
3	FH7-7462-000		1	PHOTO-INTERRUPTER	S45 J2006
4	FS5-1594-020		2	BUSHING	
5	FS6-0629-000		1	GEAR, 16T	U1 TYPE
	FU3-0386-000		1	GEAR, 16T	U2/U2(W/M1) TYPE
6	XA9-0626-000		4	SCREW,RS,M3X6	
501	XD2-1100-502		1	RING,E	
502	XD2-1100-642		1	RING,E	
503	XD3-2200-082		1	PIN,DOWEL	U1 TYPE

# FIGURE Z40

## PAPER PICK-UP ASSEMBLY(1/2)



NOTE : This assembly includes the assembly shown in Figure Z91 .



FIGURE & KEY NO.	PART NUMBER	R A N K	Q' T Y	DESCRIPTION	SERIAL NUMBER / REMARKS
Z40 -	FG6-5196-000		1	PAPER PICK-UP ASSEMBLY	SEE NOTE
1	FA9-3611-000		1	SPRING, TENSION	
2	FB3-2844-000		1	COVER, FRAME	
3	FB3-2855-020		2	PLATE, LIFTER	
4	FB3-2856-020		2	GEAR, RATCHET	
5	FB3-2863-000		1	LEVER, LIFTER, UPPER	
6	FB3-2864-000		1	LEVER, LIFTER, LOWER	
7	FB3-2868-020		2	CLAW, LIFTER LOCK	
8	FB3-2880-000		1	FLAG, PAPER SENSOR, UPPER	
9	FB3-2881-000		1	FLAG, PAPER SENSOR, LOWER	
10	FB3-2894-020		1	GUIDE, LOWER CASSETTE	
11	FB3-2896-000		1	PLATE, BELT SUPPORT	
12	FB3-2897-020		1	GUIDE, UPPER CASSETTE	
13	FB3-2898-020		1	SPRING, LEAF	
14	FB3-4149-000		1	FLAG, VERTICAL SENSOR	
15	FB3-4155-000		1	SPRING, TORSION	
16	FB3-5597-000		1	WIRE, DELIVERY SUPPORT	
17	FB4-2817-000		2	MOUNT, SENSOR	
18	FB4-2987-000		1	CAM, PAPER PICK-UP ROLLER	
19	FB4-3343-020		2	FLAG, RETRY SENSOR	
20	FB4-3800-000		1	GUIDE, UPPER	
21	FB4-3801-000		1	GUIDE, MIDDLE	
22	FB4-5347-000		1	CAM, LIFT UP, UPPER	
23	FB4-5348-000		1	CAM, LIFT UP, LOWER	
24	FB4-5349-000		2	SPRING, LEAF	
25	FB4-5350-000		2	CLAW, LIFTER ARM	
26	FB4-5364-000		1	ARM, LIFTER, UPPER	
27	FB4-5365-000		1	ARM, LIFTER, LOWER	
28	FB4-5366-000		1	LEVER, PICK LOCK, UPPER	
29	FB4-5367-000		1	LEVER, PICK LOCK, LOWER	

FIGURE & KEY NO.	PART NUMBER	R A N K	Q' T Y	DESCRIPTION	SERIAL NUMBER / REMARKS
Z40 - 30	RB2-3713-000		2	LIMITER, TORQUE	
31	FB5-3851-000		1	ROLLER, VERTICAL PATH	
32	FB5-3852-000		1	ROLLER, PAPER FEED, UPPER	
33	FB5-3853-000		1	ROLLER, PAPER FEED, LOWER	
34	FF3-2974-000		1	CABLE, UPPER RETRY SENSOR	J1607,2007
35	FF3-2975-000		1	CABLE, LOWER RETRY SENSOR	J1608,2008
36	FF5-4524-020		1	PLATE, TENSION	
37	FF5-4552-020		4	ROLLER, PAPER PICK-UP	
38	FF5-4634-020		2	ROLLER, PAPER SEPARATION	
39	FB4-6700-000		1	COVER,VERTICAL PATH SENSOR	
40	FH6-1696-000		1	MOTOR,STEPPING	M18 J1602
41	FH7-5770-000		1	CLUTCH, ELECTROMAGNETIC	CL24 J1603
42	FH7-5782-000		1	SOLENOID	SL6 J1604
43	FH7-7462-000		2	PHOTO-INTERRUPTER	S42,43 J2007,2008
44	FS1-1512-000		4	BUSHING	
45	FS5-1589-000		1	BUSHING	
46	FS5-3619-000		1	PULLEY, 28T/60T	
47	FS5-3620-000		1	PULLEY, 32T/40T	
48	FS5-6487-000		2	WASHER	
49	FS6-0564-000		2	GEAR, 35T	
50	FS6-0565-000		2	GEAR, 42T	
51	FS6-0569-000		1	GEAR, 14T	
52	FS6-0570-000		1	GEAR, 35T/44T	
53	FS6-0572-000		1	GEAR, 16T	
54	FS6-0573-000		1	GEAR, 28T	
55	FS6-0574-000		1	GEAR, 38T	
56	FS6-0575-000		1	GEAR, 42T	
57	FS6-0576-000		1	GEAR, 86T	
58	FS6-0631-000		1	GEAR, 24T	
59	FS6-0637-000		1	GEAR, 16T/28T	



FIGURE & KEY NO.	PART NUMBER	R A N K	Q' T Y	DESCRIPTION	SERIAL NUMBER / REMARKS
Z40 - 60	FS6-2325-000		2	SPRING, TENSION	
61	FS6-2328-020		2	SPRING, TENSION	
62	FS6-2330-000		2	SPRING, COMPRESSION	
63	FS6-2331-000		1	SPRING, TENSION	
64	FS6-2900-000		2	SPRING, TENSION	
65	FS7-0103-000		1	GEAR, 35T	
66	FS7-0104-000		1	GEAR, 24T	
67	FS7-0105-000		1	GEAR, 35T	
68	RB1-6539-000		2	DAMPER	
69	RB1-6592-000		2	GEAR, 3T	
70	XA9-0591-000		30	SCREW,M3X8	
71	XA9-0724-000		16	SCREW,RS,M3X8	
72	XD9-0104-000		2	PIN,DOWEL	
73	XD9-0131-000		10	RING,E	
74	XD9-0137-000		2	RING,E	
75	XF9-0568-000		1	BELT, TIMING	
76	FS5-0390-000		1	GEAR, 16T	
77	XD9-0205-000		1	WASHER,WAVE	
78	FS5-9164-000		1	SCREW,STEPPED,RS, M4X6.2	
79	XG9-0403-000		2	BEARING, BALL	
80	FB3-2965-000		2	COLLAR	
81	XA9-0679-000		1	SCREW,MACH.,FLAT HEAD,M3X4	
82	FS5-1164-000		2	BUSHING, UPPER ROLLER	
83	FS5-1597-000		2	BUSHING	
84	FS5-1219-000		2	BUSHING	
85	FB5-8358-000		1	PLATE, SPACER	
501	XB1-2300-805		1	SCREW,MACH.,TRUSS HEAD,M3X8	
502	XD1-1108-225		1	SHIM	
503	XD2-2100-402		1	RING,GRIP	
504	XD3-1200-122		4	PIN,SPRING	

FIGURE & KEY NO.	PART NUMBER	R A N K	Q' T Y	DESCRIPTION	SERIAL NUMBER / REMARKS
Z40 - 505	XB6-7300-605		1	SCREW,TP,M3X6	
506	XD2-1100-322		2	RING,E	

# FIGURE Z90 PEDESTAL CONTROLLER PCB ASSEMBLY

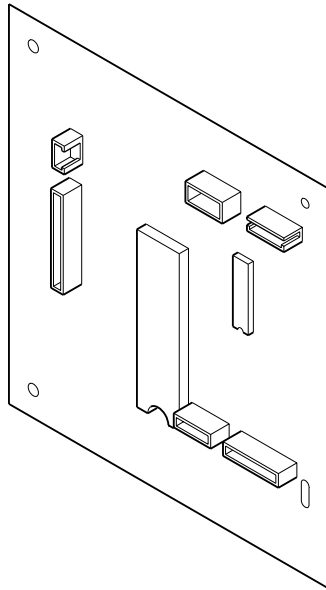
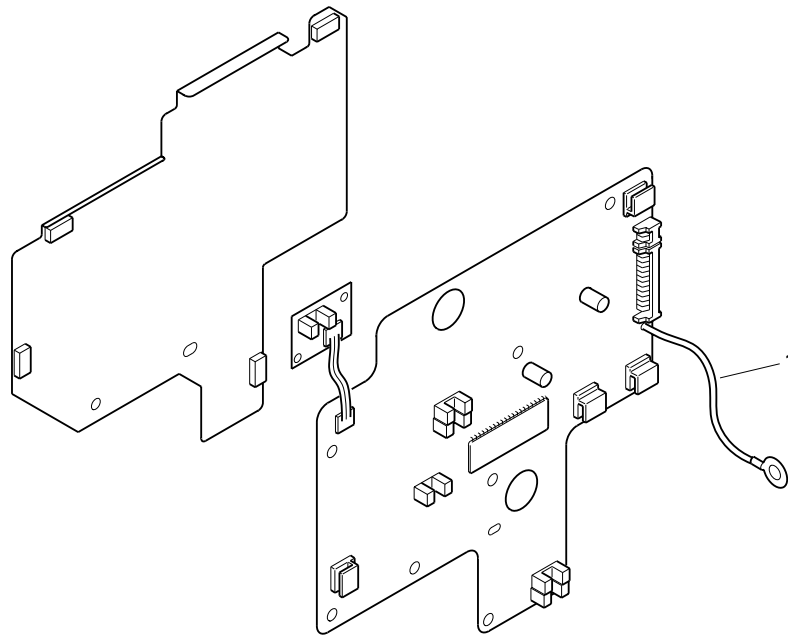


FIGURE & KEY NO.	PART NUMBER	RANK	QTY	DESCRIPTION	SERIAL NUMBER / REMARKS
Z90 -	FG3-0695-000		1	PEDESTAL CONTROLLER PCB ASS'Y	U1 TYPE
	FG3-0828-000		1	PEDESTAL CONTROLLER PCB ASS'Y	U2/U2(W/M1) TYPE
FU1	VD7-0791-001		1	FUSE, 125V, 1A	
FU2	VD7-0795-001		1	FUSE, 125V, 5A	
IC1	WA3-1982-000		1	IC, TC74HC14P, CMOS	
IC2	FH4-5724-000		1	IC, TC140G06AN-0051,GATE ARRAY	
IC3	WA4-6673-000		1	IC, PST600F, RESET	

# FIGURE Z91 PEDESTAL PICK-UP PCB ASSEMBLY



NOTE : This assembly is included in the assembly shown in Figure Z40.

FIGURE & KEY NO.	PART NUMBER	RANK	QTY	DESCRIPTION	SERIAL NUMBER / REMARKS
Z91 -	FG6-5862-000		1	PEDESTAL PICK-UP PCB ASSEMBLY	SEE NOTE
1	FF3-4119-000		1	CABLE, GROUNDING	
FU1	VD5-0323-001		1	FUSE, 251003	
IC1601	WA4-6905-000		1	IC, LB1845, DRIVER	
-----					
-----					

# FIGURE Z95 POWER SUPPLY ASSEMBLY (U2(w/M1) TYPE)

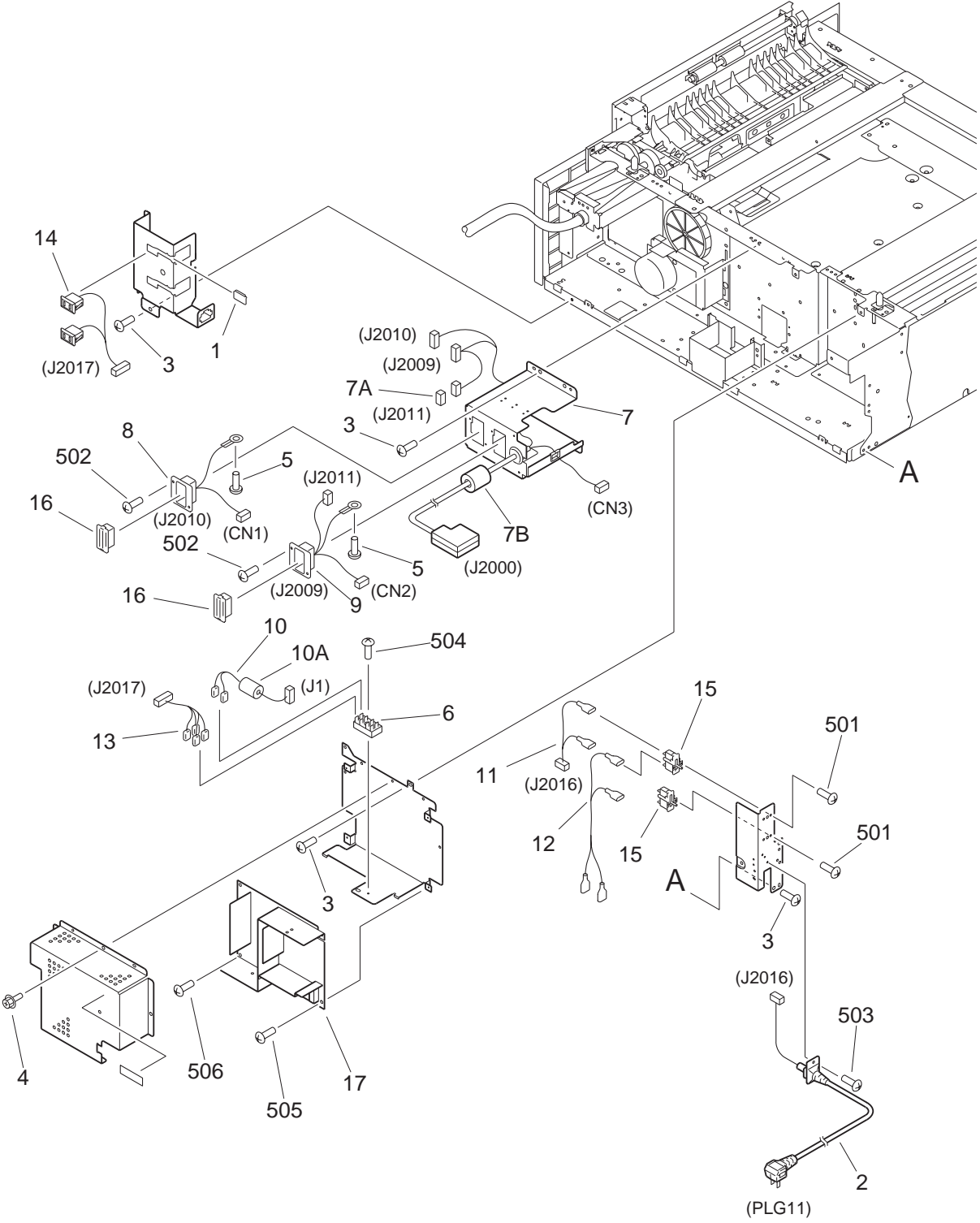
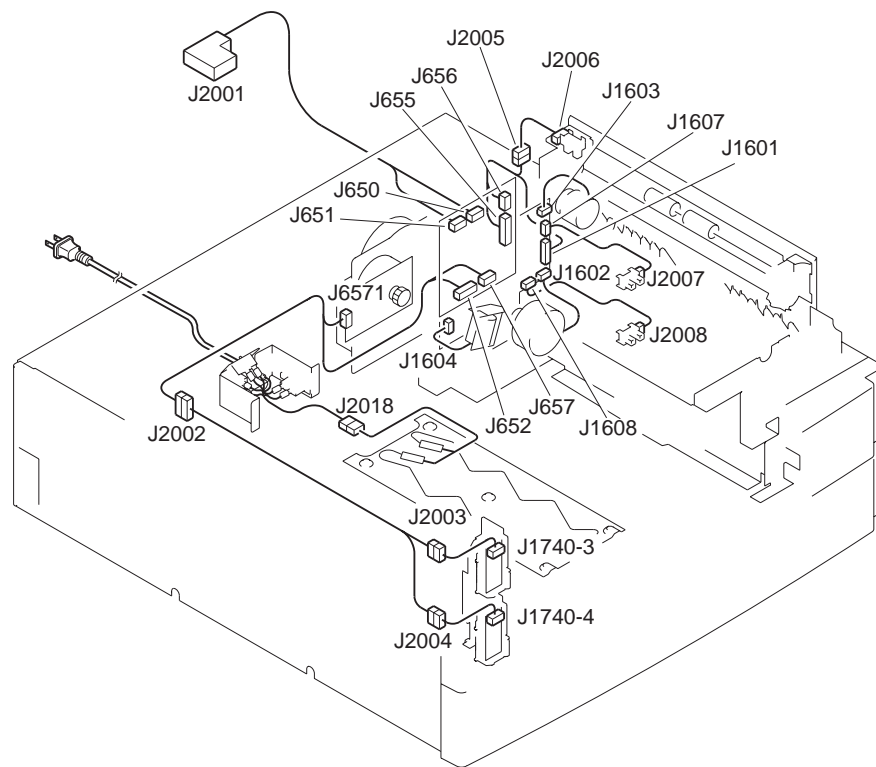


FIGURE & KEY NO.	PART NUMBER	RANK	QTY	DESCRIPTION	SERIAL NUMBER / REMARKS
Z95 -	NPN		RF	POWER SUPPLY ASS'Y	U2(W/M1) TYPE
1	FB5-3760-000		2	COVER, BETWEEN	
2	FF3-3887-000		1	CORD, POWER	PLG11
3	XA9-0892-000		9	SCREW,MACH.,TRUSS HEAD,M4X6	
4	XA9-0629-000		3	SCREW,RS,M4X8	
5	XA9-0265-000		3	SCREW,W/WASHER,TRUSS HEAD	
6	WT1-5020-000		1	MOUNT, TERMINAL	
7	FG3-0805-000		1	CABLE,INTERFACE	J2000,2009-2011,CN3
7A	VS1-5820-002		1	CONNECTOR, SNAP TIGHT	J2011
7B	WE8-5104-000		1	FERRITE CORE	
8	FG3-0806-000		1	CABLE,DECK INTERFACE	J2010,CN1
9	FG3-0807-000		1	CABLE,FINISHER INTERFACE	J2009,2011,CN2
10	FG3-0808-000		1	CABLE, AC	J1
10A	WE8-5668-000		1	CORE,FERRITE	
11	FG3-0809-000		1	CABLE, AC CONNECTING	J2016
12	FG3-0810-000		1	CABLE, BREAKER CONNECTING	
13	FG3-0811-000		1	CABLE, TERMINAL CONNECTING	J2017
14	FG3-0812-000		1	CABLE, OUTLET	J2017
15	WD3-5073-000		2	CIRCUIT BREAKER	
16	FH2-6552-000		2	COVER, CONNECTOR	
17	FH3-2580-000		1	SWITCHING P. SUPPLY PCB ASS'Y	
501	XB1-2300-607		4	SCREW,MACH.,TRUSS HEAD,M3X6	
502	XB1-2300-806		4	SCREW,MACH.,TRUSS HEAD,M3X8	
503	XB1-2400-807		1	SCREW,MACH.,TRUSS HEAD,M4X8	
504	XB1-2400-809		1	SCREW,MACH.,TRUSS HEAD,M4X8	
505	XB2-8300-806		2	SCREW,W/WASHER,M3X8	
506	XB2-7300-606		2	SCREW,W/WASHER,M3X6	

# FIGURE ZB LIST OF CONNECTORS (1/2)



# FIGURE ZB LIST OF CONNECTORS (2/2)

Cassette Feeding Unit-U2(w/M1) TYPE

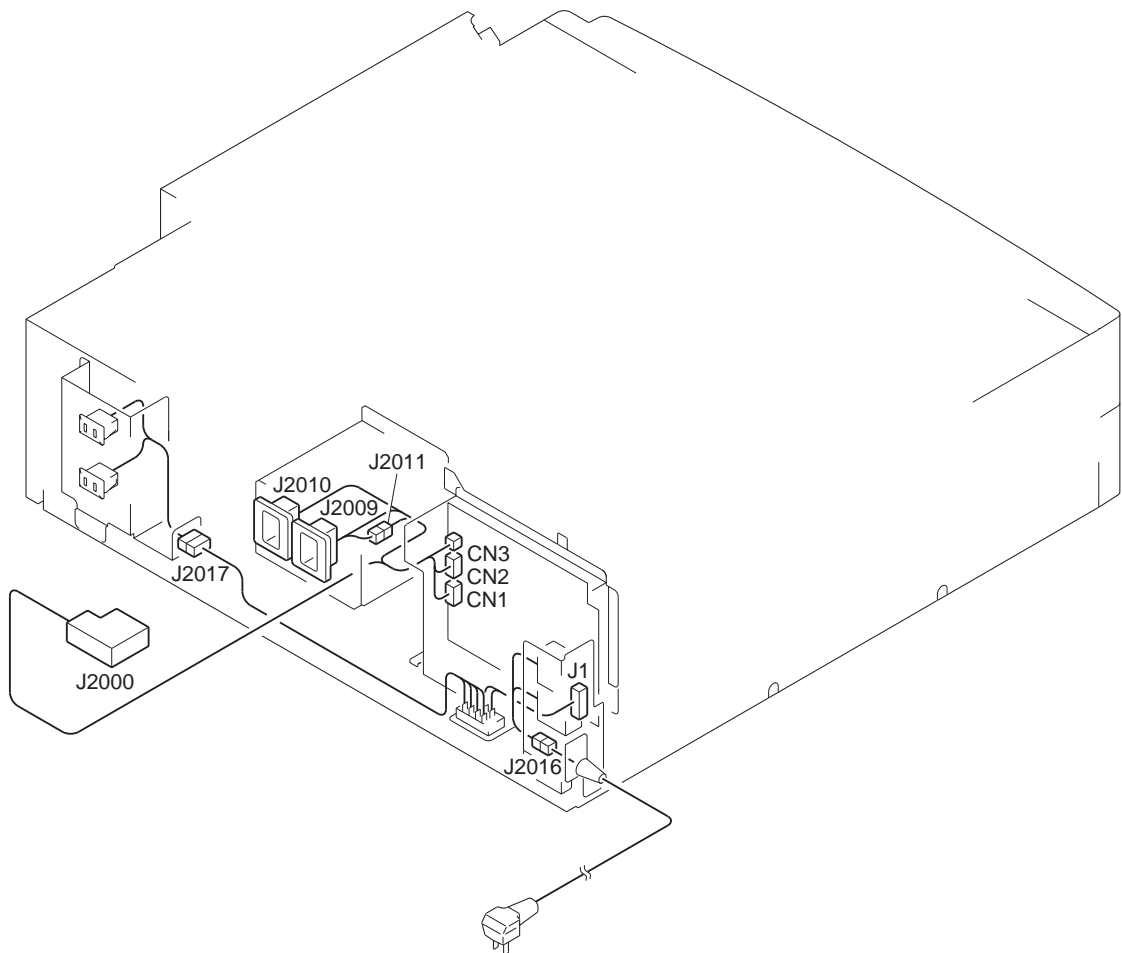




FIGURE & KEY NO.	PART NUMBER	RANK	QTY	DESCRIPTION	SERIAL NUMBER / REMARKS
Z B -	NPN		RF	LIST OF CONNECTORS	
CN1	PCB			SWITCHING POWER SUPPLY	U2(W/M1) TYPE
	VS3-5083-004		1	CONNECTOR, 4P, FEMALE	U2(W/M1) TYPE
	WS3-5160-000		3	SOCKET CONTACT, 18-24AWG	U2(W/M1) TYPE
CN2	PCB			SWITCHING POWER SUPPLY	U2(W/M1) TYPE
	VS3-5083-003		1	CONNECTOR, 3P, FEMALE	U2(W/M1) TYPE
	WS3-5160-000		3	SOCKET CONTACT, 18-24AWG	U2(W/M1) TYPE
CN3	PCB			SWITCHING POWER SUPPLY	U2(W/M1) TYPE
	VS1-6258-002		1	CONNECTOR, 2P, FEMALE	U2(W/M1) TYPE
	WS3-5160-000		2	SOCKET CONTACT, 18-24AWG	U2(W/M1) TYPE
J1	PCB			SWITCHING POWER SUPPLY	U2(W/M1) TYPE
	VS3-5083-005		1	CONNECTOR, 5P, FEMALE	U2(W/M1) TYPE
	WS3-5160-000		4	SOCKET CONTACT, 18-24AWG	U2(W/M1) TYPE
J650	PCB			PEDESTAL CONTROLLER	
	VS3-5083-004		1	CONNECTOR, 4P, FEMALE	
	WS3-5160-000		3	SOCKET CONTACT, 18-24AWG	
J651	PCB			PEDESTAL CONTROLLER	
	VS1-0842-007		1	CONNECTOR, 7P, FEMALE	
J652	PCB			PEDESTAL CONTROLLER	
	VS1-6314-014		1	CONNECTOR, 14P, MALE	
J655	PCB			PEDESTAL CONTROLLER	
	VS1-6314-018		1	CONNECTOR, 18P, MALE	
J657	PCB			PEDESTAL CONTROLLER	
	VS1-6314-007		1	CONNECTOR, 7P, FEMALE	U1 TYPE
	VS1-6314-008		1	CONNECTOR, 8P, FEMALE	U2/U2(W/M1) TYPE
J1601	PCB			PEDESTAL PICK-UP	
	VS1-6314-018		1	CONNECTOR, 18P, MALE	
J1602	NPN			PAPER PICK-UP MOTOR	M18
	PCB			PEDESTAL PICK-UP	
J1603	NPN			PAPER PICK-UP CLUTCH	CL24

FIGURE & KEY NO.	PART NUMBER	R A N K	Q' T Y	DESCRIPTION	SERIAL NUMBER / REMARKS
Z B - J1603	PCB			PEDESTAL PICK-UP	
J1604	NPN			PAPER PICK-UP SOLENOID	SL6
	PCB			PEDESTAL PICK-UP	
J1607	PCB			PEDESTAL PICK-UP	
	VS1-6321-003		1	CONNECTOR, 3P, FEMALE	
J1608	PCB			PEDESTAL PICK-UP	
	VS1-6321-003		1	CONNECTOR, 3P, FEMALE	
J1740-3	PCB			CASSETTE SIZE SENSOR	S34
	VS1-0978-006		1	CONNECTOR, 6P, FEMALE	
J1740-4	PCB			CASSETTE SIZE SENSOR	S35
J2000	VS1-0978-006		1	CONNECTOR, 6P, FEMALE	
	FH2-6481-000		1	HOUSING	U2(W/M1) TYPE
	SYS			TO PRINTER	U2(W/M1) TYPE
	VS1-5452-007		1	CONNECTOR, 7P, FEMALE	U2(W/M1) TYPE
	VS1-5452-008		1	CONNECTOR, 8P, FEMALE	U2(W/M1) TYPE
J2001	WS3-5044-000		3	SOCKET, CONTACT, 18-24AWG	U2(W/M1) TYPE
	FH2-6481-000		1	HOUSING	
	FH2-6482-000		1	COVER, PLUG, A	
	FH2-6483-000		1	COVER, PLUG, B	
	VS1-5452-008		1	CONNECTOR, 8P, FEMALE	
J2002	WS3-5018-000		4	SOCKET, CONTACT, AWG18-24	
	VS1-5057-012		1	CONNECTOR, SNAP TIGHT	
	VS1-6320-012		1	CONNECTOR, 12P, MALE	
J2003	VS1-0842-006		1	CONNECTOR, 6P, FEMALE	
	VS1-5057-006		1	CONNECTOR, SNAP TIGHT	
J2004	VS1-6320-006		1	CONNECTOR, 6P, FEMALE	
	VS1-0842-006		1	CONNECTOR, 6P, FEMALE	
	VS1-5057-006		1	CONNECTOR, SNAP TIGHT	
	VS1-6320-006		1	CONNECTOR, 6P, FEMALE	
J2005	VS1-0842-003		1	CONNECTOR, 3P, FEMALE	

FIGURE & KEY NO.	PART NUMBER	RANK	QTY	DESCRIPTION	SERIAL NUMBER / REMARKS
Z B - J2006	NPN			RIGHT DOOR SENSOR	S45
	VS1-0842-003		1	CONNECTOR, 3P, FEMALE	
J2007	NPN			CASSETTE 3 PICK-UP SENSOR	S42
	VS1-6314-003		1	CONNECTOR, 3P, MALE	
J2008	NPN			CASSETTE 4 PICK-UP SENSOR	S43
	VS1-6321-003		1	CONNECTOR, 3P, FEMALE	
J2009	FH2-6480-000		1	CONNECTOR, FEMALE	U2(W/M1) TYPE
	SYS			TO 3.5K PAPER DECK	U2(W/M1) TYPE
	SYS			TO FINISHER	U2(W/M1) TYPE
	VS1-5452-007		1	CONNECTOR, 7P, FEMALE	U2(W/M1) TYPE
	WS3-5596-000		3	PIN CONTACT, 18-24AWG	U2(W/M1) TYPE
J2010	FH2-6480-000		1	CONNECTOR, FEMALE	U2(W/M1) TYPE
	VS1-5452-008		1	CONNECTOR, 8P, FEMALE	U2(W/M1) TYPE
	WS3-5596-000		4	PIN CONTACT, 18-24AWG	U2(W/M1) TYPE
J2011	VS1-5452-002		1	CONNECTOR, 2P, FEMALE	U2(W/M1) TYPE
	VS1-5820-002		1	CONNECTOR, SNAP TIGHT	U2(W/M1) TYPE
J2016	VS3-5121-002		1	CONNECTOR, 2P, MALE	U2(W/M1) TYPE
	VS3-5122-002		1	CONNECTOR, 2P, MALE	U2(W/M1) TYPE
	WS3-5291-000		2	PIN CONTACT	U2(W/M1) TYPE
	WS3-5292-000		2	SOCKET CONTACT	U2(W/M1) TYPE
J2017	VS1-6380-006		1	CONNECTOR, 6P, MALE	U2(W/M1) TYPE
	VS3-5121-006		1	CONNECTOR, 6P, MALE	U2(W/M1) TYPE
	WS3-5291-000		4	PIN CONTACT	U2(W/M1) TYPE
	WS3-5292-000		4	SOCKET CONTACT	U2(W/M1) TYPE
J2018	NPN			PEDESTAL HEATER	H3 ACCESSORY
	VS1-0002-002		1	PIN ASSEMBLY, 2P	ACCESSORY
	WS4-0217-000		1	SOCKET CONTACT, 22-18AWG	ACCESSORY
J6571	NPN			PEDESTAL MAIN MOTOR	M19
	VS1-6314-007		1	CONNECTOR, 7P, FEMALE	U1 TYPE
	VS1-6314-008		1	CONNECTOR, 8P, FEMALE	U2/U2(W/M1) TYPE

# PLAIN PEDESTAL-B1

[ F32 - 2711 XBM00001 - ]

# CONTENTS

**Z12. EXTERNAL COVERS, PANELS, ETC.**

**Z13. MACHINE INTERNAL COMPONENTS**

**D4. NUMERICAL INDEX**

# FIGURE Z12 EXTERNAL COVERS, PANELS, ETC.

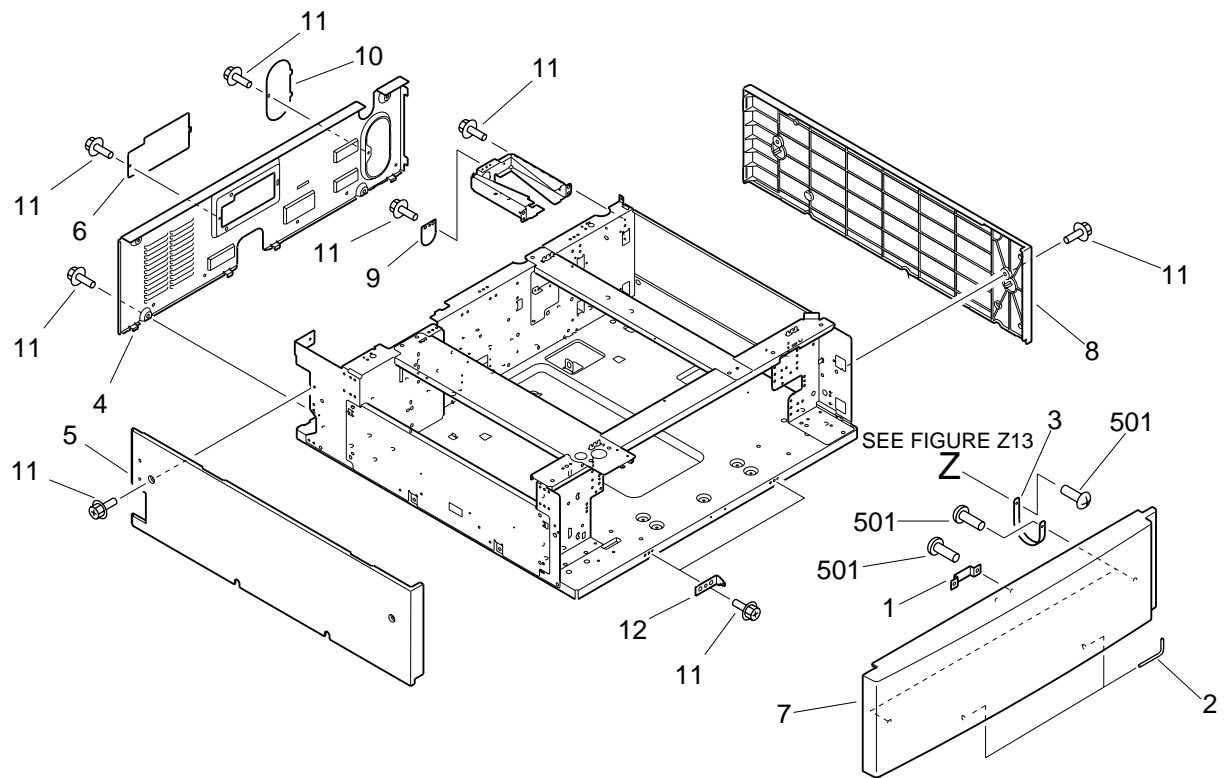


FIGURE & KEY NO.	PART NUMBER	RANK	QTY	DESCRIPTION	SERIAL NUMBER / REMARKS
Z12 -	NPN		RF	EXTERNAL COVERS, PANELS, ETC.	
1	FB1-6053-000		1	PLATE, CATCH	
2	FB3-2224-000		2	PIN, HINGE	
3	FB3-4168-000		2	STRAP, DOOR SUPPORT	
4	FB5-1746-000		1	PANEL, REAR	
5	FB5-1748-000		1	PANEL, LEFT	
6	FB5-3769-000		1	COVER, CONNECTOR MOUNT	
7	FB5-3777-000		1	PANEL, FRONT	
8	FB5-3779-000		1	PANEL, RIGHT	
9	FB5-3781-000		1	COVER, BLANKING	
10	FB5-3855-000		1	COVER, OUTLET MOUNT	
11	XA9-0732-000		AR	SCREW,RS,M4X8	
12	FB3-4171-000		2	HINGE	
501	XB4-7400-809		4	SCREW,TAPPING,TRUSS HEAD,M4X8	









# POWER SUPPLY UNIT - L1

{ 100V 50/60HZ    F24-8711    }





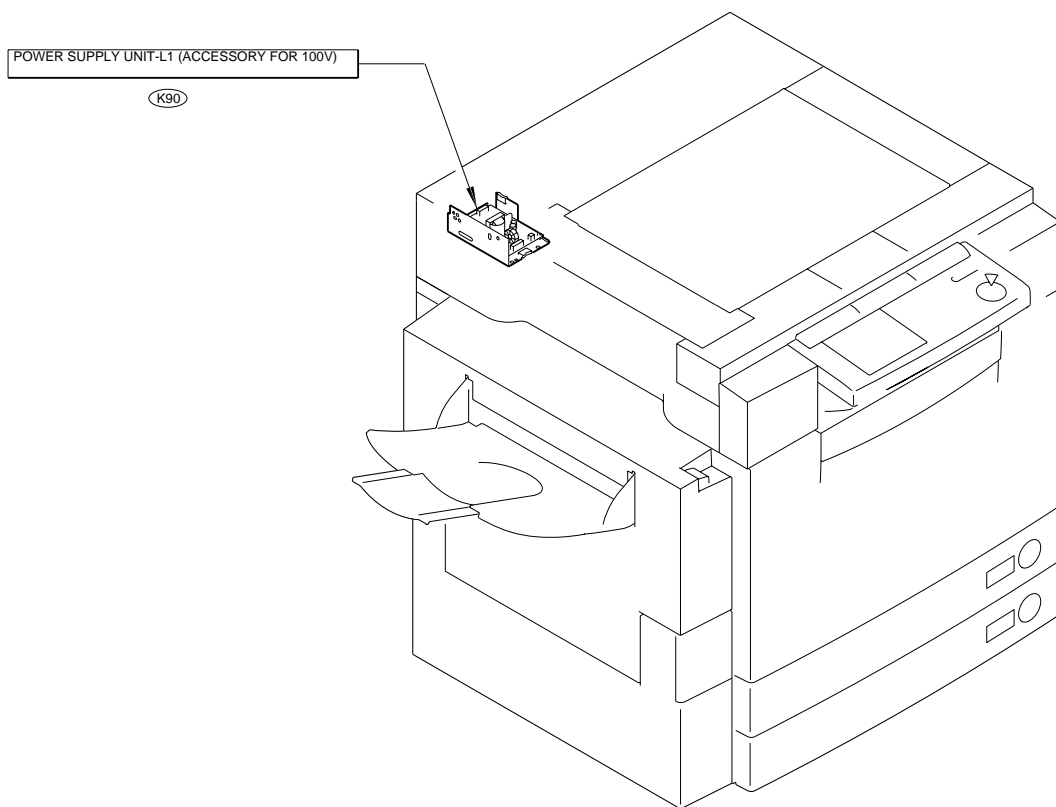
# CONTENTS

**KA. ASSEMBLY LOCATION DIAGRAM**

**K90. POWER SUPPLY UNIT-L1  
(ACCESSORY FOR 100V)**

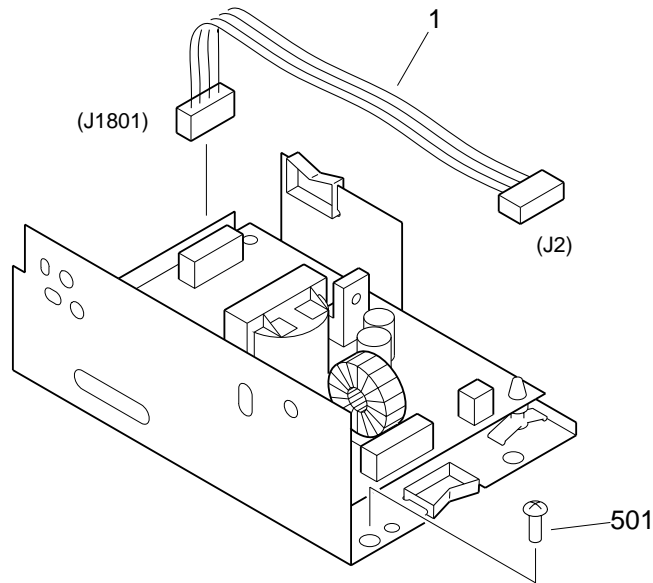
**D5. NUMERICAL INDEX**

# FIGURE KA ASSEMBLY LOCATION DIAGRAM



# POWER SUPPLY UNIT-L1 (ACCESSORY FOR 100V)

## FIGURE K90



NOTE: This assembly does not include the parts shown with key No. 1 and 501.

FIGURE & KEY NO.	PART NUMBER	RANK	QTY	DESCRIPTION	SERIAL NUMBER / REMARKS
K90 -	FG5 - 9847 - 000		1	POWER SUPPLY UNIT-L1	ACCESSORY FOR 100V
1	FG2 - 9455 - 000		1	CABLE, AC	SEE NOTE J2,1801
501	XB1 - 2400 - 607		3	SCREW,MACH.,TRUSS HEAD,M4X6	SEE NOTE
L1801	FH3 - 0725 - 000		1	COIL, CHOKE	
T1801	FH3 - 0695 - 000		1	TRANSFORMER	

# POWER SUPPLY UNIT - M1

100V 50/60HZ	F24-8712
120V 60HZ	F24-8732
240V 50HZ UK	F24-8752
240V 50HZ CA	F24-8762
220V 50HZ	F24-8792



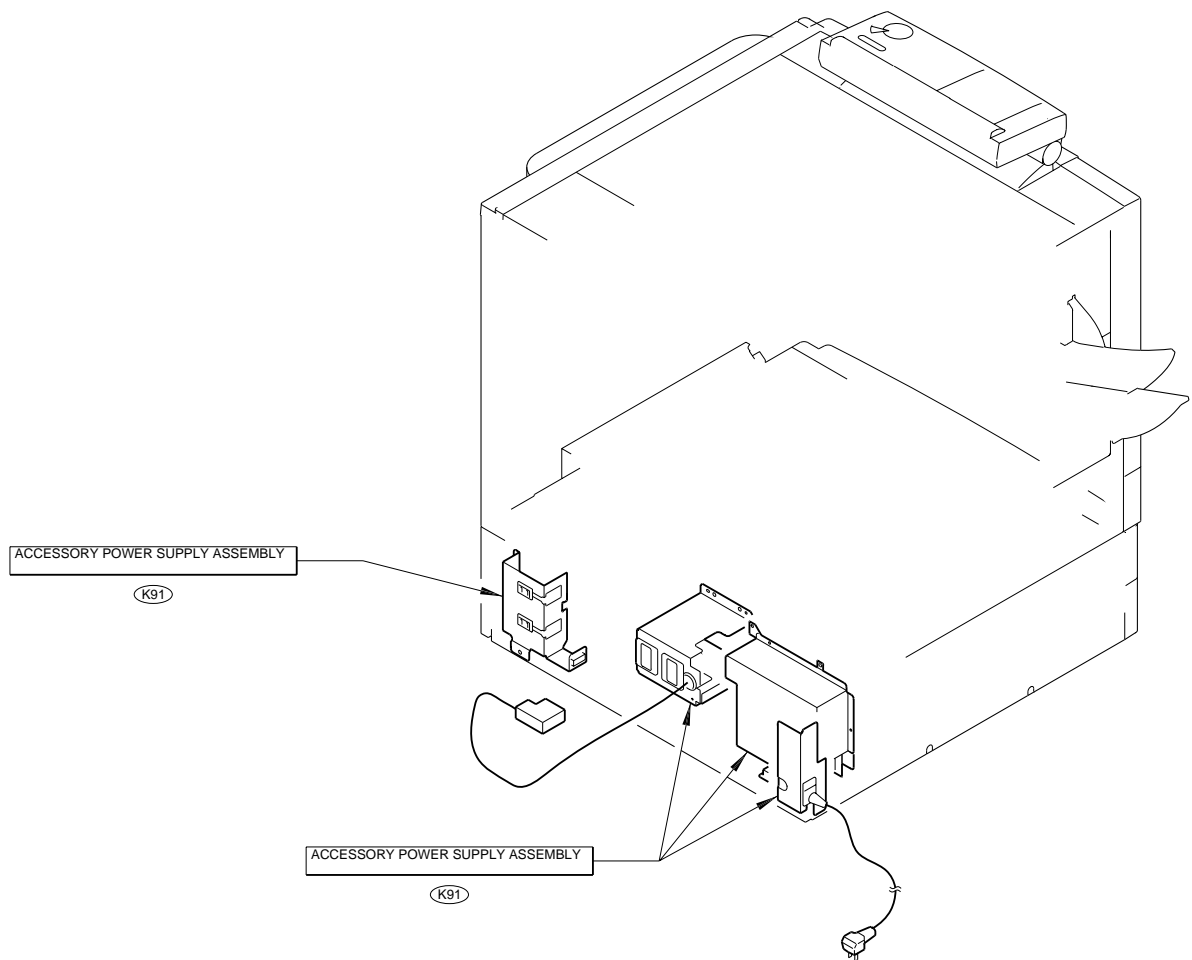




# CONTENTS

- KA. ASSEMBLY LOCATION DIAGRAM**
- K91. ACCESSORY POWER SUPPLY ASSEMBLY**
- KB. LIST OF CONNECTORS**
- D6. NUMERICAL INDEX**

# FIGURE KA ASSEMBLY LOCATION DIAGRAM



# FIGURE K91 ACCESSORY POWER SUPPLY ASSEMBLY

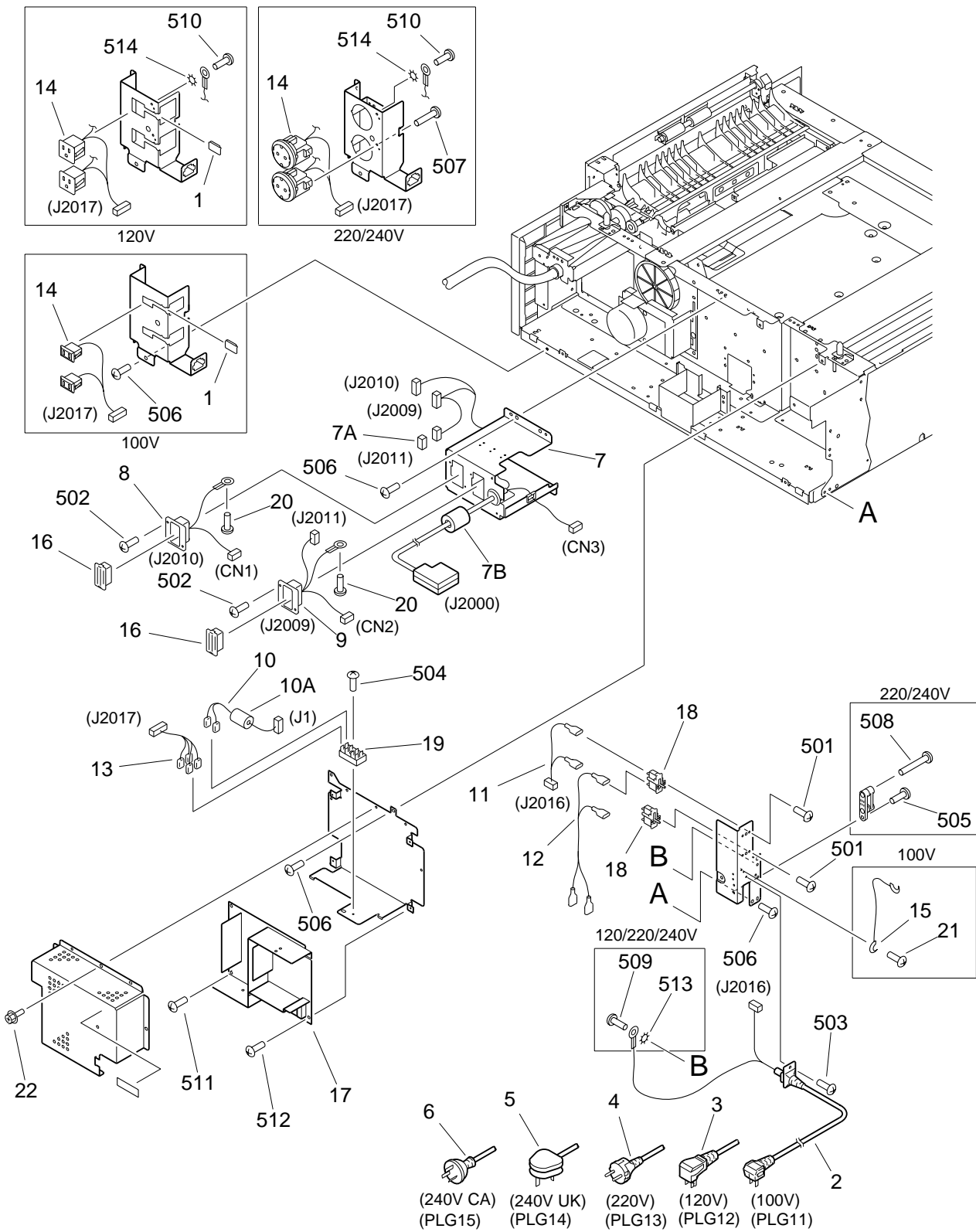


FIGURE & KEY NO.	PART NUMBER	RANK	QTY	DESCRIPTION	SERIAL NUMBER / REMARKS
K91 -	NPN		RF	ACCESSORY POWER SUPPLY ASS'Y	
1	FB5 - 3760 - 000		2	COVER, GAP	100/120V
2	FF3 - 3887 - 000		1	CORD, POWER	100V PLG11
3	FF3 - 3888 - 000		1	CORD, POWER	120V PLG12
4	FF3 - 3889 - 000		1	CORD, POWER	220V PLG13
5	FF3 - 3890 - 000		1	CORD, POWER	240V UK PLG14
6	FF3 - 3891 - 000		1	CORD, POWER	240V CA PLG15
7	FG3 - 0805 - 000		1	CABLE, INTERFACE	J2000,2009-2011,CN3
7 A	VS1 - 5820 - 002		1	CONNECTOR, SNAP TIGHT	J2011
7 B	WE8 - 5104 - 000		1	FERRITE CORE	
8	FG3 - 0806 - 000		1	CABLE, DECK INTERFACE	J2010,CN1
9	FG3 - 0807 - 000		1	CABLE, FINISHER INTERFACE	J2009,2011,CN2
10	FG3 - 0808 - 000		1	CABLE, AC	J1
10 A	WE8 - 5668 - 000		1	CORE, FERRITE	
11	FG3 - 0809 - 000		1	CABLE, AC CONNECTING	J2016
12	FG3 - 0810 - 000		1	CABLE, BREAKER CONNECTING	
13	FG3 - 0811 - 000		1	CABLE, TERMINAL CONNECTING	J2017
14	FG3 - 0812 - 000		1	CABLE, OUTLET	100V J2017
	FG3 - 0813 - 000		1	CABLE, OUTLET	120V J2017
	FG3 - 0814 - 000		1	CABLE, OUTLET	220/240V J2017
15	FH2 - 5006 - 000		1	WIRE, GROUNDING	
16	FH2 - 6552 - 000		2	COVER, CONNECTOR	
17	FH3 - 2580 - 000		1	SWITCHING P. SUPPLY PCB ASS'Y	100/120V
	FH3 - 2581 - 000		1	SWITCHING P. SUPPLY PCB ASS'Y	220/240V
18	WD3 - 5073 - 000		2	CIRCUIT BREAKER	
19	WT1 - 5020 - 000		1	MOUNT, TERMINAL	
20	XA9 - 0265 - 000		3	SCREW,W/WASHER,TRUSS HEAD	
21	XA9 - 0265 - 000		1	SCREW,W/WASHER,TRUSS HEAD	100V
22	XA9 - 0629 - 000		3	SCREW,RS,M4X8	
501	XB1 - 2300 - 607		4	SCREW,MACH.,TRUSS HEAD,M3X6	

FIGURE & KEY NO.	PART NUMBER	RANK	QTY	DESCRIPTION	SERIAL NUMBER / REMARKS
K91 - 502	XB1 - 2300 - 806		4	SCREW,MACH.,TRUSS HEAD,M3X8	
503	XB1 - 2400 - 807		1	SCREW,MACH.,TRUSS HEAD,M4X8	
504	XB1 - 2400 - 809		1	SCREW,MACH.,TRUSS HEAD,M4X8	
505	XB1 - 2400 - 809		1	SCREW,MACH.,TRUSS HEAD,M4X8	220/240V
506	XB1 - 2400 - 809		10	SCREW,MACH.,TRUSS HEAD,M4X8	
507	XB1 - 2401 - 209		4	SCREW,MACH.,TRUSS HEAD,M4X12	220/240V
508	XB1 - 2402 - 509		2	SCREW,MACH.,TRUSS HEAD,M4X25	220/240V
509	XB1 - 2500 - 606		1	SCREW,MACH.,TRUSS HEAD,M5X6	120/220/240V
510	XB1 - 2500 - 606		2	SCREW,MACH.,TRUSS HEAD,M5X6	120/220/240V
511	XB2 - 7300 - 606		2	SCREW,W/WASHER,M3X6	
512	XB2 - 8300 - 806		2	SCREW,W/WASHER,M3X8	
513	XD1 - 4200 - 502		1	WASHER,TOOTHED LOCK	120/220/240V
514	XD1 - 4200 - 502		2	WASHER,TOOTHED LOCK	120/220/240V





# FIGURE KB LIST OF CONNECTORS

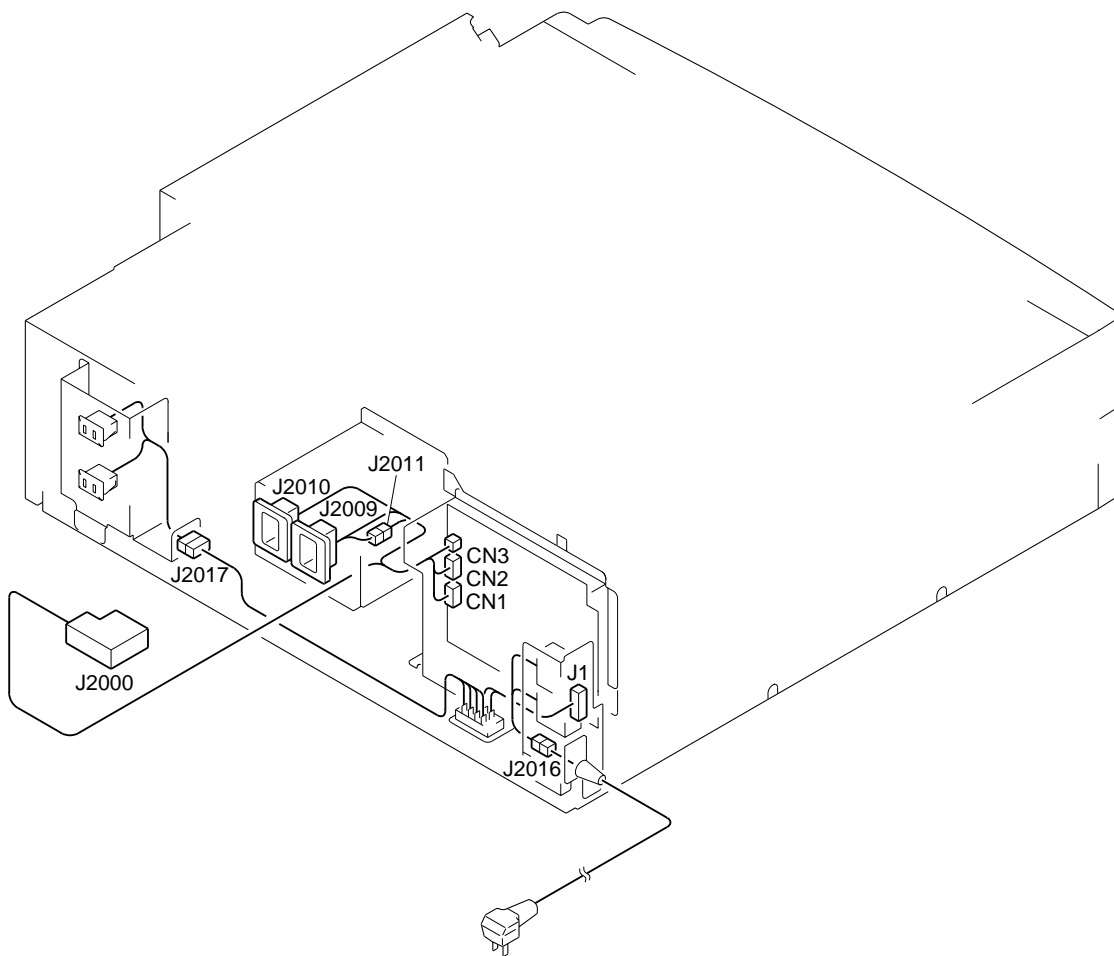


FIGURE & KEY NO.	PART NUMBER	RANK	QTY	DESCRIPTION	SERIAL NUMBER / REMARKS
KB -  CN 1	NPN		RF	LIST OF CONNECTORS	
	PCB			SWITCHING POWER SUPPLY	
	VS3 - 5083 - 004		1	CONNECTOR, 4P, FEMALE	
	WS3 - 5160 - 000		3	SOCKET CONTACT, 18-24AWG	
	CN 2	PCB		SWITCHING POWER SUPPLY	
CN 3	VS3 - 5083 - 003		1	CONNECTOR, 3P, FEMALE	
	WS3 - 5160 - 000		3	SOCKET CONTACT, 18-24AWG	
	PCB			SWITCHING POWER SUPPLY	
	VS1 - 6258 - 002		1	CONNECTOR, 2P, FEMALE	
	WS3 - 5160 - 000		2	SOCKET CONTACT, 18-24AWG	
J 1	PCB			SWITCHING POWER SUPPLY	
	VS3 - 5083 - 005		1	CONNECTOR, 5P, FEMALE	
	WS3 - 5160 - 000		4	SOCKET CONTACT, 18-24AWG	
	J 2 0 0 0	SYS		TO PRINTER	
	FH2 - 6481 - 000		1	CONNECTOR, 4P, FEMALE	
J 2 0 0 9	VS1 - 5452 - 007		1	CONNECTOR, 7P, FEMALE	
	VS1 - 5452 - 008		1	CONNECTOR, 8P, FEMALE	
	WS3 - 5044 - 000		3	SOCKET, CONTACT, 18-24AWG	
	SYS			TO FINISHER	ACCESSORY
	FH2 - 6480 - 000		1	CONNECTOR, FEMALE	
J 2 0 1 0	VS1 - 5452 - 007		1	CONNECTOR, 7P, FEMALE	
	WS3 - 5596 - 000		3	PIN CONTACT, 18-24AWG	
	SYS			TO 3.5K PAPER DECK	ACCESSORY
	FH2 - 6480 - 000		1	CONNECTOR, FEMALE	
	VS1 - 5452 - 008		1	CONNECTOR, 8P, FEMALE	
J 2 0 1 1	WS3 - 5596 - 000		4	PIN CONTACT, 18-24AWG	
	VS1 - 5452 - 002		2	CONNECTOR, 2P, FEMALE	
	VS1 - 5820 - 002		1	CONNECTOR, SNAP TIGHT	
J 2 0 1 6	VS3 - 5121 - 002		1	CONNECTOR, 2P, FEMALE	
	VS3 - 5122 - 002		1	CONNECTOR, 2P, MALE	

FIGURE & KEY NO.	PART NUMBER	RANK	QTY	DESCRIPTION	SERIAL NUMBER / REMARKS
KB - J 2 0 1 6	WS3 - 5291 - 000		2	PIN CONTACT	
	WS3 - 5292 - 000		2	SOCKET CONTACT	
J 2 0 1 7	VS1 - 6380 - 006		1	CONNECTOR, 6P, MALE	
	VS3 - 5121 - 006		1	CONNECTOR, 6P, FEMALE	
	WS3 - 5291 - 000		4	PIN CONTACT	
	WS3 - 5292 - 000		4	SOCKET CONTACT	

# PDL BOARD-A1

[ F61-7903 ]

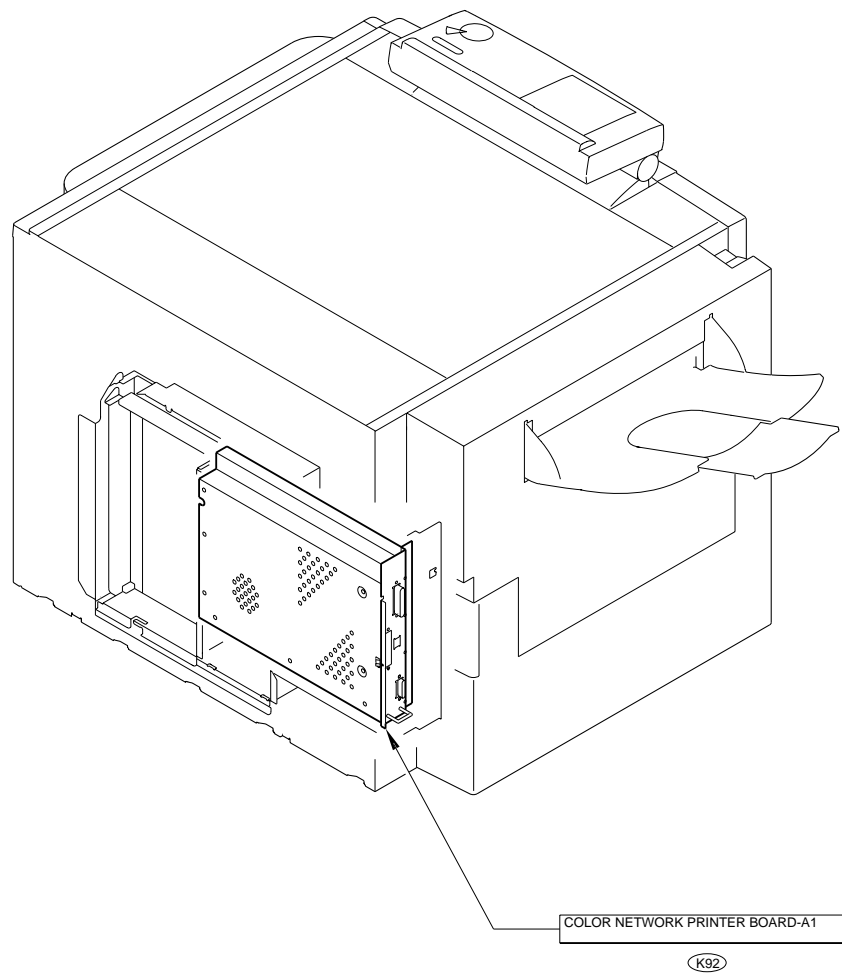




# CONTENTS

- KA. ASSEMBLY LOCATION DIAGRAM**
- K92. COLOR NETWORK PRINTER BOARD-A1**
- D7. NUMERICAL INDEX**

# FIGURE KA ASSEMBLY LOCATION DIAGRAM





# FIGURE K92 COLOR NETWORK PRINTER BOARD-A1

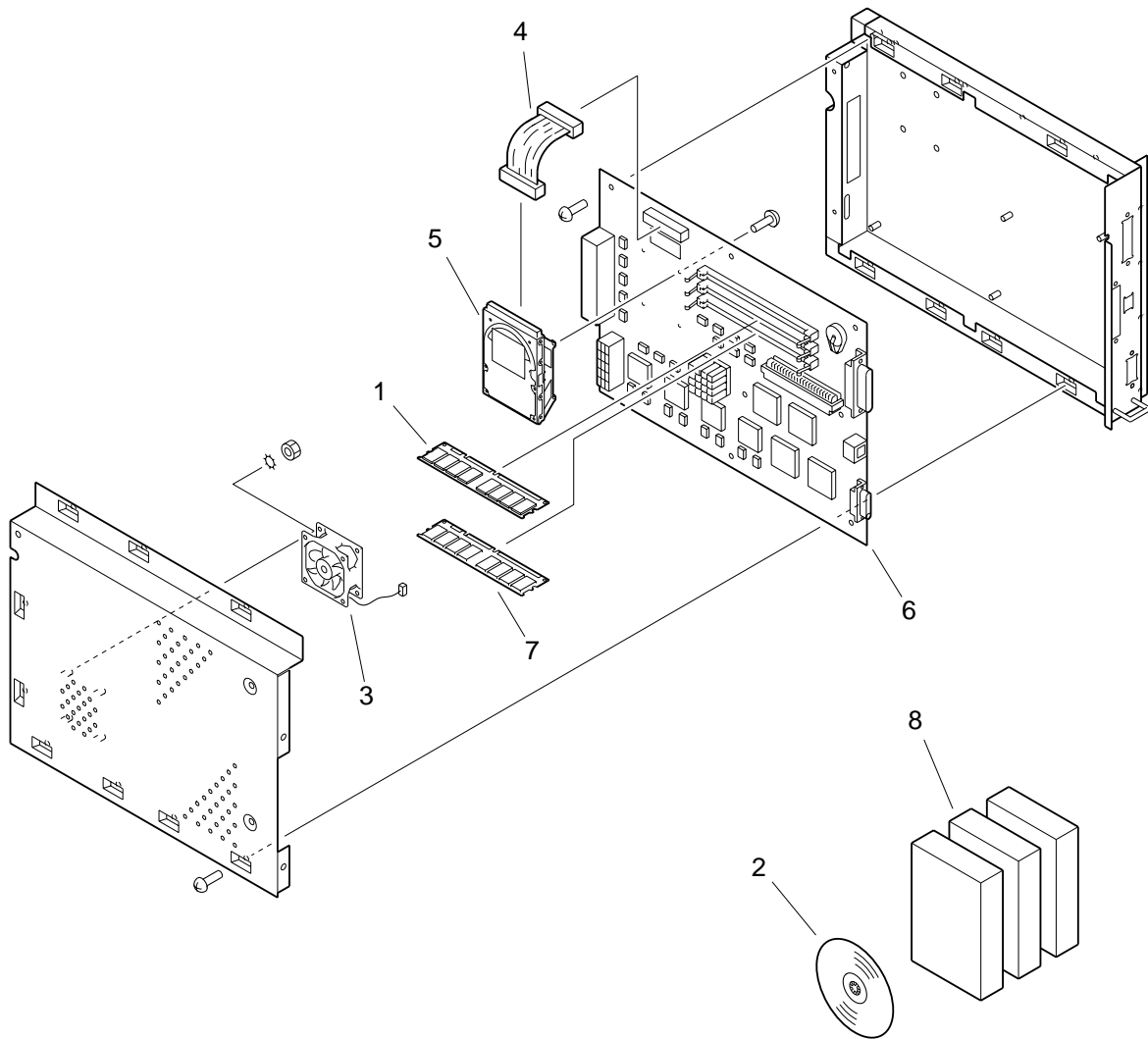


FIGURE & KEY NO.	PART NUMBER	RANK	QTY	DESCRIPTION	SERIAL NUMBER / REMARKS
K92 -	NPN		RF	COLOR NETWORK PRINTER BOARD-A1	
1	FE1 - 4868 - 000		1	DIMM ASSEMBLY	128M RAM
2	FE1 - 5307 - 000		1	CD-ROM, SYSTEM SOFTWARE	
3	FE1 - 5309 - 000		1	FAN, COOLING	
4	FE1 - 5310 - 000		1	CABLE, FLAT	
5	FE1 - 5311 - 000		1	HARD-DISK DRIVE UNIT	
6	FE1 - 5312 - 000		1	MOTHER BOARD PCB ASSEMBLY	KANJI
	FE1 - 5308 - 000		1	MOTHER BOARD PCB ASSEMBLY	ROMAN
7	FE1 - 5313 - 000		1	DIMM ASSEMBLY	32MB RAM
8	FE1 - 5321 - 000		1	MEDIA PACK	



# D1 NUMERICAL INDEX (COLOR IMAGE READER-A1/B1)

PART NUMBER	FIGURE & KEY NO.	PART NUMBER	FIGURE & KEY NO.	PART NUMBER	FIGURE & KEY NO.
FA3 - 9315 - 000	100 - 1	FB5 - 1810 - 000	130 - 9	FG6 - 4316 - 000	922 - 3
FA9 - 1990 - 000	430 - 1	FB5 - 1811 - 000	130 - 10	FG6 - 4317 - 000	922 - 4
FA9 - 3633 - 000	160 - 1	FB5 - 1812 - 000	130 - 10	FG6 - 4318 - 000	922 - 5
FA9 - 3637 - 000	160 - 5 A	FB5 - 1813 - 000	130 - 10	FG6 - 4319 - 000	922 - 6
FA9 - 3666 - 000	160 - 2	FB5 - 1814 - 000	130 - 10	FG6 - 4575 - 000	110 -
FA9 - 3667 - 000	160 - 3	FB5 - 2041 - 000	100 - 13	FG6 - 4576 - 000	110 -
FA9 - 3703 - 000	160 - 4	FB5 - 2045 - 000	100 - 14	FG6 - 4580 - 000	210 - 25
FB1 - 0715 - 000	420 - 1	FB5 - 2046 - 000	100 - 15	FG6 - 4581 - 000	995 -
FB1 - 6588 - 000	210 - 1	FB5 - 2048 - 000	210 - 18	FG6 - 5428 - 000	130 - 17
FB1 - 6663 - 000	430 - 2	FB5 - 2195 - 000	922 - 1	FG9 - 3772 - 000	160 -
	430 - 3	FB5 - 2363 - 000	100 - 16	FH2 - 5006 - 000	001 - 4
FB1 - 6677 - 030	210 - 2	FB5 - 2365 - 000	100 - 17	FH2 - 5761 - 020	110 - 3
FB1 - 7737 - 000	100 - 2	FB5 - 2371 - 000	100 - 18	FH2 - 5762 - 000	110 - 4
FB1 - 7738 - 000	100 - 3	FB5 - 2372 - 000	100 - 19	FH2 - 5763 - 000	110 - 5
FB2 - 1954 - 000	420 - 2	FB5 - 2385 - 000	900 - 6	FH2 - 6451 - 000	210 - 26
FB3 - 2411 - 000	420 - 3	FB5 - 2389 - 000	995 - 1		B - J 16 10
	430 - 4	FB5 - 3730 - 000	922 - 2		B - J 20 18
FB3 - 6085 - 000	100 - 4	FF2 - 5915 - 000	001 - 3		B - J 20 37
FB3 - 7692 - 000	420 - 4	FF3 - 2840 - 000	913 - 1	FH2 - 6452 - 000	210 - 27
	430 - 5	FF5 - 6576 - 000	210 - 19		B - J 20 15
FB4 - 0705 - 000	210 - 3	FF5 - 6579 - 000	420 - 14		B - J 20 37
FB4 - 0709 - 000	100 - 5	FF5 - 6581 - 000	430 - 10	FH2 - 6453 - 000	420 - 17
FB4 - 0711 - 000	100 - 2.5 C	FF5 - 9435 - 000	100 - 20		B - J 20 15
FB4 - 0715 - 000	100 - 6	FF5 - 9437 - 000	100 - 21		B - J 20 38
FB4 - 0726 - 000	210 - 4	FF5 - 9438 - 000	100 - 22		B - J 20 39
FB4 - 0740 - 000	210 - 5	FF5 - 9513 - 000	100 - 23	FH2 - 6480 - 000	B - J 20 22
FB4 - 0741 - 000	210 - 6	FF5 - 9514 - 000	100 - 24	FH2 - 6552 - 000	100 - 27
FB4 - 0743 - 000	210 - 7	FF5 - 9689 - 000	100 - 25	FH2 - 6718 - 000	110 - 6
FB4 - 0744 - 000	210 - 8	FF5 - 9691 - 000	100 - 25	FH2 - 6719 - 000	110 - 7
FB4 - 0753 - 000	100 - 7	FF5 - 9692 - 000	100 - 25	FH3 - 0665 - 000	940 - CT 130 1
FB4 - 0773 - 000	100 - 8	FF5 - 9693 - 000	100 - 25	FH3 - 0666 - 000	940 - CT 130 1
FB4 - 0778 - 000	210 - 9	FF5 - 9695 - 000	100 - 26		970 - T 100 2
FB4 - 0786 - 000	420 - 5	FF5 - 9696 - 000	100 - 26	FH3 - 0695 - 000	917 - T 180 1
FB4 - 0787 - 000	420 - 6	FF5 - 9697 - 000	100 - 26	FH3 - 0713 - 000	940 - T 120 1
FB4 - 0788 - 000	420 - 7	FF9 - 1694 - 000	160 - 5	FH3 - 0714 - 000	940 - T 120 1
FB4 - 0789 - 000	420 - 8	FG2 - 9434 - 000	210 - 20	FH3 - 0725 - 000	917 - C 180 3
FB4 - 0799 - 000	420 - 9	FG2 - 9435 - 000	210 - 21	FH3 - 0775 - 000	925 - T 1
FB4 - 0802 - 000	420 - 10	FG2 - 9438 - 000	210 - 24 A	FH3 - 0808 - 000	917 - T 180 1
	430 - 6	FG2 - 9439 - 000	420 - 15	FH3 - 0879 - 000	970 - T 100 1
FB4 - 0804 - 000	420 - 11	FG2 - 9440 - 000	420 - 16	FH3 - 0881 - 000	970 - T 100 3
FB4 - 0810 - 000	100 - 9	FG2 - 9455 - 000	900 - 7	FH3 - 0899 - 000	940 - T 130 1
FB4 - 0811 - 000	100 - 10	FG2 - 9456 - 000	900 - 8	FH3 - 7202 - 000	970 - L 100 2
FB4 - 0816 - 000	210 - 10	FG2 - 9457 - 000	900 - 9	FH3 - 7203 - 000	970 - L 100 1
FB4 - 0819 - 000	900 - 1	FG2 - 9464 - 000	900 - 10	FH3 - 8083 - 000	940 - L 120 1
FB4 - 0820 - 000	900 - 2	FG3 - 0316 - 000	975 -	FH3 - 8084 - 000	940 - T 130 1
FB4 - 0825 - 000	430 - 7	FG3 - 0834 - 000	932 -	FH3 - 8085 - 000	940 - L 130 1
FB4 - 0831 - 000	430 - 8	FG3 - 0849 - 060	932 - 1	FH3 - 8086 - 000	913 - L 110 1
FB4 - 0832 - 000	420 - 12	FG3 - 0850 - 060	932 - 1		913 - L 250 1
FB4 - 0834 - 000	100 - 20 A	FG3 - 0851 - 060	932 - 1	FH4 - 3702 - 000	932 - I C 160 4
FB4 - 0864 - 000	430 - 9	FG3 - 0852 - 060	932 - 1	FH4 - 3738 - 000	920 - Q9 19
FB4 - 0867 - 000	420 - 13	FG3 - 0853 - 060	932 - 1	FH4 - 3788 - 000	975 - I C 6
FB4 - 0868 - 000	420 - 13	FG3 - 0900 - 060	932 - 1	FH4 - 5551 - 000	935 - Q5 12
FB4 - 0872 - 000	100 - 11	FG3 - 0901 - 060	932 - 1	FH4 - 5560 - 000	932 - I C 160 5
FB4 - 0881 - 000	900 - 3	FG3 - 0902 - 060	932 - 1	FH4 - 5851 - 000	932 - I C 163 5
FB4 - 0887 - 000	001 - 1	FG3 - 0903 - 060	932 - 1	FH4 - 5942 - 000	935 - I C 36
FB4 - 0888 - 000	100 - 20 B	FG3 - 0904 - 000	935 -	FH4 - 5943 - 000	935 - I C 49
FB4 - 0889 - 000	100 - 23 A	FG3 - 0907 - 000	900 - 11	FH4 - 5944 - 000	935 - I C 6
FB4 - 0902 - 000	001 - 2		B - J 50 8	FH4 - 5947 - 000	935 - I C 1
FB4 - 2581 - 000	130 - 1		B - J 150 2	FH4 - 5948 - 000	935 - I C 27
FB4 - 2582 - 000	130 - 2	FG3 - 0908 - 000	995 - 2	FH4 - 5949 - 000	935 - I C 34
FB4 - 2583 - 000	130 - 3	FG3 - 0909 - 000	913 -	FH4 - 5950 - 000	932 - I C 160 2
FB4 - 2585 - 000	130 - 4	FG3 - 0910 - 000	913 -	FH4 - 5951 - 000	932 - I C 160 8
FB4 - 2692 - 000	210 - 11	FG3 - 0912 - 000	110 - 1	FH4 - 5952 - 000	932 - I C 160 9
FB4 - 6704 - 000	130 - 5	FG3 - 0913 - 000	900 - 12	FH4 - 5959 - 000	935 - Q5 13
FB4 - 9141 - 000	900 - 4	FG3 - 0914 - 000	110 - 2	FH4 - 5991 - 000	940 - Q130 1
FB4 - 9142 - 000	900 - 5	FG3 - 0918 - 000	900 - 12	FH6 - 0745 - 000	922 - VR94 1
FB4 - 9143 - 000	210 - 12	FG3 - 0919 - 000	900 - 9	FH6 - 0767 - 000	922 - LED90 9
FB4 - 9144 - 000	210 - 13	FG3 - 1175 - 000	210 - 24 B		922 - LED91 0
FB4 - 9148 - 000	210 - 14	FG3 - 1465 - 000	210 - 25 A	FH6 - 0768 - 000	922 - LED90 7
	210 - 15	FG5 - 5207 - 000	925 -		922 - LED90 8
FB4 - 9149 - 000	210 - 16	FG5 - 9838 - 000	420 -	FH6 - 0770 - 000	130 - 18
	210 - 17	FG5 - 9839 - 000	430 -	FH6 - 1463 - 000	900 - 14
FB5 - 1535 - 000	100 - 12	FG5 - 9842 - 000	210 - 22	FH6 - 1465 - 000	210 - 28
FB5 - 1789 - 000	130 - 6	FG5 - 9847 - 000	917 -	FH6 - 3362 - 000	940 - L 120 2
FB5 - 1790 - 000	130 - 7	FG5 - 9849 - 040	970 -		940 - L 120 3
FB5 - 1791 - 000	130 - 8	FG5 - 9851 - 000	210 - 23	FH7 - 3336 - 000	420 - 18
FB5 - 1792 - 000	130 - 9	FG5 - 9861 - 000	917 -	FH7 - 4670 - 000	420 - 19
FB5 - 1793 - 000	130 - 10	FG5 - 9881 - 000	900 - 13	FH7 - 7306 - 000	210 - 29
FB5 - 1794 - 000	130 - 11	FG5 - 9882 - 000	940 -	FH7 - 7312 - 000	210 - 30
FB5 - 1795 - 000	130 - 12	FG5 - 9883 - 000	940 -	FH7 - 7386 - 000	210 - 31
FB5 - 1797 - 000	130 - 13	FG6 - 0363 - 000	210 - 24		210 - 32
FB5 - 1798 - 000	130 - 14	FG6 - 4312 - 000	920 -	FH7 - 7388 - 000	210 - 33
FB5 - 1807 - 000	130 - 9	FG6 - 4313 - 000	922 -	FH7 - 7423 - 000	210 - 31
FB5 - 1808 - 000	130 - 9	FG6 - 4314 - 000	130 - 15		210 - 32
FB5 - 1809 - 000	130 - 9	FG6 - 4315 - 000	130 - 16	FH7 - 7424 - 000	210 - 33

# D1 NUMERICAL INDEX (COLOR IMAGE READER-A1/B1)

PART NUMBER	FIGURE & KEY NO.	PART NUMBER	FIGURE & KEY NO.	PART NUMBER	FIGURE & KEY NO.
FH7 - 7424 - 000	210 - 34	VS1 - 0842 - 014	B - J 102	WK1 - 5019 - 000	932 - BAT1601
FH7 - 7457 - 000	110 - 8	VS1 - 0842 - 015	B - J 101	WS3 - 5160 - 000	B - J 2
FH7 - 7458 - 000	110 - 8		B - J 503		B - J 3
FN5 - 4116 - 000	100 - 28		B - J2017		B - J 4
FS1 - 9009 - 000	430 - 11	VS1 - 0852 - 008	B - J 303		B - J 5
FS1 - 9054 - 000	210 - 35		B - J1605		B - J 6
	210 - 36	VS1 - 0852 - 011	B - J1606		B - J 301
FS2 - 2351 - 000	210 - 37	VS1 - 0852 - 012	B - J 507		B - J 502
FS5 - 3250 - 000	210 - 38		B - J1609		B - J1001
FS5 - 9162 - 000	210 - 39	VS1 - 5057 - 002	210 - 43		B - J1003
FS5 - 9494 - 000	100 - 29		900 - 12A		B - J1611
FS5 - 9618 - 000	210 - 40		B - J2014		B - J1801
	210 - 41		B - J2052		B - J1802
FS6 - 2737 - 000	210 - 42	VS1 - 5057 - 003	210 - 44		B - J2002
FS6 - 8923 - 000	100 - 30		210 - 45	WS3 - 5292 - 000	B - J1101
FS6 - 8966 - 000	100 - 31		900 - 15	WS3 - 5301 - 000	B - J2002
FS6 - 8967 - 000	100 - 31		B - J2009		B - J2018
FS6 - 8968 - 000	100 - 31		B - J2010	WS3 - 5569 - 000	B - J2001
FS6 - 8969 - 000	100 - 31		B - J2011	WS3 - 5571 - 000	B - J2038
FS6 - 8970 - 000	100 - 31		B - J2012	WS3 - 5596 - 000	B - J2022
FS6 - 8972 - 000	100 - 31		B - J2031	WS4 - 0217 - 000	B - J2024
FS6 - 8973 - 000	100 - 31	VS1 - 5057 - 013	900 - 10A	WS4 - 0219 - 000	B - J2024
FS7 - 8012 - 000	100 - 25A		B - J2016	WT1 - 5155 - 000	B - J2042
FS7 - 8013 - 000	100 - 25A	VS1 - 5057 - 015	900 - 9A	WT2 - 5565 - 000	130 - 19
FS7 - 8014 - 000	100 - 25A		B - J2017		210 - 24C
FS7 - 8015 - 000	100 - 25A	VS1 - 5452 - 002	B - J2042		900 - 20
FS7 - 8016 - 000	100 - 25B	VS1 - 5452 - 005	B - J1601	WT2 - 5626 - 000	995 - 3
FS7 - 8018 - 000	100 - 26A	VS1 - 5452 - 007	B - J2022	XA9 - 0265 - 000	100 - 32
FS7 - 8019 - 000	100 - 26A	VS1 - 5517 - 010	B - J1653		100 - 33
FS7 - 8020 - 000	100 - 26A	VS1 - 5517 - 011	B - J1652		900 - 21
FY9 - 1027 - 000	001 - 5	VS1 - 5729 - 005	B - J2018	XA9 - 0385 - 000	100 - 34
RH6 - 3032 - 000	940 - L1202	VS1 - 5729 - 009	B - J2002	XA9 - 0425 - 000	430 - 12
	940 - L1203	VS1 - 5820 - 002	900 - 16	XA9 - 0546 - 020	210 - 47
	925 - F1		B - J2042	XA9 - 0591 - 000	130 - 20
VD5 - 0321 - 001	940 - FU1201	VS1 - 5976 - 004	B - J 941		130 - 21
VD7 - 0211 - 002	913 - FU1101	VS1 - 6023 - 006	B - J 931	XA9 - 0596 - 000	420 - 20
VD7 - 0278 - 001	913 - FU2501	VS1 - 6302 - 003	B - J2001	XA9 - 0629 - 000	100 - 35
VD7 - 0645 - 001	940 - FU1201	VS1 - 6304 - 003	B - J2038	XA9 - 0670 - 000	130 - 22
	917 - FU1802	VS1 - 6313 - 015	B - J 901	XA9 - 0980 - 000	100 - 36
VD7 - 1621 - 001	932 - FU1603		B - J2050	XA9 - 1035 - 000	900 - 22
	940 - FU1501	VS1 - 6314 - 009	B - J 903	XB1 - 2300 - 409	420 - 501
	940 - FU1505		B - J 922		430 - 501
	940 - FU1514	VS1 - 6314 - 012	B - J 902	XB1 - 2300 - 607	110 - 501
VD7 - 1621 - 002	917 - FU1801		B - J 921		995 - 501
VD7 - 1622 - 001	932 - FU1601	VS1 - 6314 - 015	B - J 901	XB1 - 2300 - 609	130 - 501
	940 - FU1506		B - J2050	XB1 - 2301 - 209	210 - 501
	940 - FU1512	VS1 - 6319 - 030	900 - 12B		420 - 502
	940 - FU1518		B - J2050	XB1 - 2400 - 505	100 - 501
VD7 - 1622 - 500	940 - FU1516	VS1 - 6320 - 015	B - J1608	XB1 - 2400 - 603	110 - 502
	940 - FU1517	VS1 - 6321 - 015	B - J1608	XB1 - 2400 - 607	100 - 502
VD7 - 1624 - 000	940 - FU1502	VS1 - 6409 - 036	B - J1651		110 - 503
	940 - FU1503	VS3 - 5080 - 002	B - J2042		210 - 502
	940 - FU1504	VS3 - 5083 - 002	B - J1001		900 - 501
	940 - FU1507	VS3 - 5083 - 005	B - J 2		900 - 502
	940 - FU1519		B - J1003		995 - 502
VD7 - 1625 - 000	940 - FU1515		B - J1801	XB1 - 2400 - 609	100 - 503
VD7 - 1625 - 001	940 - FU1511	VS3 - 5083 - 006	B - J 4		210 - 503
	940 - FU1513		B - J1802		210 - 504
VD7 - 1626 - 300	940 - FU1509	VS3 - 5083 - 007	B - J1611		210 - 505
VD7 - 1627 - 001	940 - FU1508	VS3 - 5083 - 008	B - J 5		210 - 506
VS1 - 0842 - 002	B - J 955		B - J 502	XB1 - 2401 - 007	100 - 504
	B - J1607	VS3 - 5083 - 009	B - J 6	XB1 - 2401 - 009	210 - 507
	B - J1804		B - J 301	XB1 - 2401 - 609	160 - 501
	B - J2014		B - J2002	XB1 - 2402 - 009	110 - 504
	B - J2052	VS3 - 5083 - 010	B - J 3	XB1 - 2403 - 009	900 - 503
VS1 - 0842 - 003	B - J2007	VS3 - 5122 - 003	B - J1101	XB1 - 2500 - 606	110 - 505
	B - J2009	VS4 - 0001 - 002	B - J2024	XB1 - 3400 - 806	100 - 505
	B - J2010	VS4 - 0002 - 002	B - J2024	XB2 - 4300 - 607	940 - 501
	B - J2011	VS9 - 5009 - 016	B - J 303	XB2 - 7400 - 607	130 - 502
	B - J2012		B - J1605		940 - 502
	B - J2013	VS9 - 5009 - 022	B - J1606	XB2 - 8300 - 607	420 - 503
	B - J2031	VS9 - 5009 - 024	B - J1609	XB2 - 8300 - 809	210 - 508
VS1 - 0842 - 004	B - J 8	VT2 - 5161 - 030	B - J 901		420 - 504
	B - J 905		B - J2050	XB4 - 7300 - 609	100 - 506
VS1 - 0842 - 005	B - J 7	VT2 - 5162 - 030	B - J1608	XB4 - 7401 - 009	100 - 507
VS1 - 0842 - 006	B - J 904	WE8 - 5168 - 000	900 - 17	XB4 - 7401 - 209	160 - 502
VS1 - 0842 - 008	B - J 303	WE8 - 5184 - 000	110 - 9	XB6 - 7300 - 409	430 - 502
	B - J1002		900 - 9B	XB6 - 7300 - 607	100 - 508
	B - J1605	WE8 - 5256 - 000	900 - 8A		900 - 504
VS1 - 0842 - 010	B - J1653	WE8 - 5496 - 000	210 - 25B	XB6 - 7300 - 609	420 - 505
VS1 - 0842 - 011	B - J1606		210 - 46	XB6 - 7400 - 607	100 - 509
	B - J1652		900 - 18		210 - 509
VS1 - 0842 - 012	B - J1609	WE8 - 5778 - 000	900 - 11A	XB7 - 2100 - 409	210 - 510
VS1 - 0842 - 013	B - J1602	WE8 - 5780 - 000	900 - 19	XD1 - 2101 - 005	210 - 511
	B - J2016	WE8 - 5800 - 000	900 - 12C	XD1 - 4200 - 402	110 - 506

# D1 NUMERICAL INDEX (COLOR IMAGE READER-A1/B1)

PART NUMBER	FIGURE & KEY NO.	PART NUMBER	FIGURE & KEY NO.	PART NUMBER	FIGURE & KEY NO.
XD1 - 4200 - 502	110 - 5 0 7				
XD2 - 1100 - 642	210 - 5 1 2				
	210 - 5 1 3				
	430 - 5 0 3				
	430 - 5 0 4				
XD2 - 2300 - 202	420 - 5 0 6				
	430 - 5 0 5				
XF9 - 0422 - 000	210 - 4 8				
XG9 - 0249 - 000	210 - 4 9				
XH9 - 0105 - 000	100 - 3 7				
XZ9 - 0444 - 000	100 - 3 8				

# D2 NUMERICAL INDEX (Color imageRUNNER C2050/2020/2058 iR C2100/2100S/2105/2105S)

PART NUMBER	FIGURE & KEY NO.	PART NUMBER	FIGURE & KEY NO.	PART NUMBER	FIGURE & KEY NO.
FA2 - 7162 - 000	101 - 1	FB4 - 2582 - 000	131 - 2	FB5 - 1097 - 020	102 - 5
FA2 - 8225 - 000	371 - 1	FB4 - 2583 - 000	131 - 3		106 - 1
FA3 - 8727 - 000	315 - 1	FB4 - 2585 - 000	131 - 4	FB5 - 1111 - 000	270 - 2
FA3 - 8894 - 000	810 - 1	FB4 - 2817 - 000	310 - 15	FB5 - 1131 - 000	810 - 5
FA4 - 1149 - 000	371 - 2	FB4 - 2987 - 000	310 - 16	FB5 - 1132 - 000	810 - 6
FA4 - 1159 - 000	105 - 1	FB4 - 3343 - 000	310 - 17	FB5 - 1134 - 000	810 - 7
	315 - 2	FB4 - 3800 - 000	310 - 18	FB5 - 1139 - 000	810 - 8
FA5 - 2163 - 000	371 - 3	FB4 - 3801 - 000	310 - 19	FB5 - 1140 - 000	810 - 9
FA6 - 0745 - 000	101 - 2	FB4 - 3954 - 000	300 - 15	FB5 - 1144 - 000	810 - 10
FA6 - 3071 - 000	830 - 1	FB4 - 4661 - 000	370 - 3	FB5 - 1146 - 000	810 - 11
FA9 - 2112 - 000	250 - 1	FB4 - 5347 - 000	310 - 20	FB5 - 1147 - 000	810 - 12
	270 - 1	FB4 - 5348 - 000	310 - 21	FB5 - 1148 - 000	810 - 13
	280 - 1	FB4 - 5349 - 000	310 - 22	FB5 - 1152 - 000	810 - 14
	365 - 1	FB4 - 5350 - 000	310 - 23	FB5 - 1155 - 000	810 - 15
	370 - 1	FB4 - 5364 - 000	310 - 24	FB5 - 1168 - 000	810 - 16
	371 - 4	FB4 - 5365 - 000	310 - 25	FB5 - 1171 - 000	810 - 17
	530 - 1	FB4 - 5366 - 000	310 - 26	FB5 - 1172 - 000	810 - 18
FA9 - 3313 - 000	300 - 1	FB4 - 5367 - 000	310 - 27	FB5 - 1173 - 000	810 - 19
FA9 - 3314 - 000	300 - 2	FB4 - 6635 - 000	350 - 2	FB5 - 1180 - 000	810 - 20
FA9 - 3466 - 000	370 - 2	FB4 - 6646 - 000	810 - 4	FB5 - 1183 - 000	810 - 21
FA9 - 3611 - 000	310 - 1		830 - 3	FB5 - 1184 - 000	810 - 22
FA9 - 3781 - 000	350 - 1	FB4 - 6647 - 000	830 - 4	FB5 - 1187 - 000	810 - 23
FB1 - 6825 - 000	810 - 2	FB4 - 6700 - 000	310 - 28	FB5 - 1190 - 000	810 - 24
FB1 - 7039 - 000	371 - 5	FB4 - 6704 - 000	131 - 5	FB5 - 1191 - 000	350 - 3
FB1 - 7040 - 000	371 - 6	FB4 - 7478 - 000	101 - 8	FB5 - 1196 - 000	350 - 4
FB1 - 7045 - 000	371 - 7	FB5 - 0782 - 000	103 - 1	FB5 - 1197 - 000	350 - 5
FB1 - 7234 - 000	810 - 3	FB5 - 0783 - 000	103 - 2	FB5 - 1198 - 000	350 - 6
FB1 - 8581 - 000	315 - 3	FB5 - 0784 - 000	103 - 3	FB5 - 1199 - 000	350 - 7
FB1 - 8584 - 000	315 - 30 A	FB5 - 0785 - 000	103 - 4	FB5 - 1200 - 000	350 - 8
FB1 - 8619 - 000	316 - 1	FB5 - 0786 - 000	103 - 5	FB5 - 1201 - 000	350 - 9
FB1 - 8621 - 000	316 - 2	FB5 - 0787 - 000	107 - 1	FB5 - 1202 - 000	350 - 10
FB1 - 8625 - 000	316 - 3	FB5 - 0788 - 000	103 - 6	FB5 - 1203 - 000	350 - 11
FB1 - 8761 - 000	315 - 4	FB5 - 0789 - 000	103 - 7	FB5 - 1204 - 000	350 - 12
FB2 - 0573 - 000	535 - 39 A	FB5 - 0798 - 000	510 - 1	FB5 - 1205 - 000	350 - 13
FB2 - 1371 - 000	830 - 2	FB5 - 0804 - 000	102 - 3	FB5 - 1206 - 000	350 - 14
FB2 - 3664 - 000	104 - 1	FB5 - 0829 - 000	510 - 2	FB5 - 1207 - 000	350 - 15
FB2 - 3665 - 000	104 - 2	FB5 - 0831 - 000	510 - 3	FB5 - 1209 - 000	350 - 16
FB2 - 3843 - 000	620 - 1	FB5 - 0832 - 000	510 - 4	FB5 - 1210 - 000	350 - 17
FB2 - 4375 - 000	250 - 2	FB5 - 0834 - 000	510 - 5	FB5 - 1214 - 000	320 - 1
FB2 - 7546 - 000	315 - 5	FB5 - 0835 - 000	510 - 6	FB5 - 1215 - 000	320 - 2
FB3 - 2259 - 000	101 - 3	FB5 - 0836 - 000	510 - 7	FB5 - 1216 - 000	320 - 3
FB3 - 2584 - 000	265 - 1	FB5 - 0837 - 000	510 - 8	FB5 - 1231 - 000	104 - 4
FB3 - 2588 - 000	265 - 2	FB5 - 0838 - 000	510 - 9		104 - 5
	371 - 8	FB5 - 0840 - 000	510 - 10	FB5 - 1234 - 000	530 - 2
FB3 - 2811 - 000	140 - 1	FB5 - 0855 - 000	315 - 6	FB5 - 1235 - 000	530 - 3
FB3 - 2836 - 000	316 - 4	FB5 - 0857 - 000	316 - 5	FB5 - 1248 - 020	530 - 4
FB3 - 2844 - 000	310 - 2	FB5 - 0858 - 000	316 - 6	FB5 - 1250 - 000	530 - 5
FB3 - 2855 - 000	310 - 3	FB5 - 0859 - 000	316 - 7	FB5 - 1251 - 000	530 - 6
FB3 - 2856 - 000	310 - 4	FB5 - 0860 - 000	315 - 24 A	FB5 - 1255 - 000	105 - 5
FB3 - 2863 - 000	310 - 5	FB5 - 0867 - 000	315 - 7	FB5 - 1257 - 000	105 - 6
FB3 - 2864 - 000	310 - 6	FB5 - 0868 - 000	315 - 8	FB5 - 1259 - 000	105 - 7
FB3 - 2868 - 020	310 - 7	FB5 - 0870 - 000	315 - 9	FB5 - 1260 - 000	105 - 8
FB3 - 2872 - 000	940 - 1	FB5 - 0873 - 000	315 - 10	FB5 - 1261 - 000	105 - 9
FB3 - 2880 - 000	310 - 8	FB5 - 0874 - 000	315 - 11	FB5 - 1262 - 000	105 - 10
FB3 - 2881 - 000	310 - 9	FB5 - 0879 - 000	315 - 12	FB5 - 1278 - 000	105 - 11
FB3 - 2894 - 020	310 - 10	FB5 - 0885 - 000	315 - 13	FB5 - 1279 - 000	535 - 1
FB3 - 2896 - 000	310 - 11	FB5 - 0887 - 000	315 - 14	FB5 - 1280 - 000	535 - 2
FB3 - 2897 - 020	310 - 12	FB5 - 0888 - 000	315 - 15	FB5 - 1284 - 000	535 - 3
FB3 - 2898 - 020	310 - 13	FB5 - 0889 - 000	315 - 16	FB5 - 1285 - 000	535 - 4
FB3 - 2922 - 000	300 - 3	FB5 - 0890 - 000	315 - 17	FB5 - 1288 - 000	535 - 5
FB3 - 2926 - 000	300 - 4	FB5 - 0892 - 000	316 - 8	FB5 - 1293 - 000	535 - 6
FB3 - 2927 - 000	300 - 5	FB5 - 0893 - 000	315 - 18	FB5 - 1294 - 000	535 - 7
FB3 - 2928 - 000	300 - 6	FB5 - 0895 - 000	315 - 19	FB5 - 1295 - 000	535 - 8
FB3 - 2930 - 000	300 - 7	FB5 - 0897 - 000	315 - 25 A	FB5 - 1298 - 000	535 - 9
FB3 - 2934 - 000	300 - 8	FB5 - 0898 - 000	315 - 20	FB5 - 1300 - 000	535 - 10
FB3 - 2937 - 000	104 - 3	FB5 - 0899 - 000	316 - 9	FB5 - 1303 - 000	535 - 11
FB3 - 2941 - 000	300 - 9	FB5 - 0900 - 000	315 - 21	FB5 - 1305 - 000	535 - 12
FB3 - 2942 - 000	300 - 10	FB5 - 0941 - 000	103 - 8	FB5 - 1306 - 000	535 - 13
FB3 - 2943 - 000	300 - 11	FB5 - 0943 - 000	103 - 9	FB5 - 1307 - 000	535 - 14
FB3 - 2947 - 000	102 - 1	FB5 - 0947 - 000	103 - 10	FB5 - 1308 - 000	535 - 15
FB3 - 2948 - 000	102 - 2	FB5 - 0948 - 000	103 - 11	FB5 - 1309 - 000	535 - 16
FB3 - 2953 - 000	300 - 12	FB5 - 0998 - 000	620 - 2	FB5 - 1310 - 000	535 - 17
FB3 - 2955 - 000	300 - 13	FB5 - 1000 - 000	620 - 3	FB5 - 1311 - 000	535 - 18
FB3 - 2956 - 000	300 - 14	FB5 - 1001 - 000	620 - 4	FB5 - 1312 - 000	535 - 19
FB3 - 2994 - 000	360 - 1	FB5 - 1002 - 000	620 - 5	FB5 - 1313 - 000	535 - 20
FB3 - 2995 - 000	360 - 2	FB5 - 1004 - 000	620 - 6	FB5 - 1314 - 000	535 - 21
FB3 - 2996 - 000	360 - 3	FB5 - 1005 - 000	620 - 7	FB5 - 1315 - 000	535 - 22
FB3 - 2997 - 000	360 - 4	FB5 - 1007 - 000	620 - 8	FB5 - 1316 - 000	535 - 23
FB3 - 3142 - 000	101 - 4	FB5 - 1008 - 000	620 - 9	FB5 - 1317 - 020	535 - 24
FB3 - 3143 - 020	101 - 5	FB5 - 1014 - 000	620 - 10	FB5 - 1318 - 000	535 - 25
FB3 - 5597 - 000	310 - 14	FB5 - 1017 - 000	620 - 11	FB5 - 1319 - 000	535 - 26
FB3 - 6085 - 000	101 - 6	FB5 - 1033 - 000	105 - 2	FB5 - 1320 - 000	535 - 27
FB3 - 7117 - 000	101 - 7	FB5 - 1034 - 000	102 - 4	FB5 - 1322 - 000	535 - 28
FB4 - 1967 - 000	140 - 2	FB5 - 1036 - 000	105 - 3	FB5 - 1323 - 000	535 - 29
FB4 - 2581 - 000	131 - 1	FB5 - 1038 - 000	105 - 4	FB5 - 1324 - 000	535 - 30

# D2 NUMERICAL INDEX (Color imageRUNNER C2050/2020/2058) iR C2100/2100S/2105/2105S

PART NUMBER	FIGURE & KEY NO.	PART NUMBER	FIGURE & KEY NO.	PART NUMBER	FIGURE & KEY NO.
FB5 - 1325 - 000	535 - 3 1	FB5 - 1634 - 000	830 - 9	FB5 - 3784 - 000	002 - 2
FB5 - 1331 - 000	535 - 3 2	FB5 - 1653 - 000	371 - 9	FB5 - 3792 - 000	365 - 6
FB5 - 1333 - 000	535 - 3 3	FB5 - 1655 - 000	371 - 1 0	FB5 - 3811 - 000	300 - 2 0
FB5 - 1364 - 000	580 - 1	FB5 - 1656 - 000	350 - 2 4	FB5 - 3812 - 000	300 - 2 1
FB5 - 1365 - 000	580 - 2	FB5 - 1657 - 000	371 - 1 1	FB5 - 3813 - 000	300 - 2 2
FB5 - 1366 - 000	580 - 3	FB5 - 1659 - 000	371 - 1 2	FB5 - 3818 - 000	103 - 1 4
FB5 - 1370 - 000	580 - 4	FB5 - 1660 - 000	371 - 1 3	FB5 - 3820 - 000	371 - 2 1
FB5 - 1374 - 000	106 - 2	FB5 - 1668 - 000	370 - 4	FB5 - 3836 - 000	107 - 2
FB5 - 1379 - 000	710 - 1	FB5 - 1677 - 000	371 - 1 4	FB5 - 3837 - 000	107 - 3
FB5 - 1380 - 000	710 - 2	FB5 - 1678 - 000	365 - 2	FB5 - 3839 - 000	101 - 2 7
FB5 - 1390 - 000	710 - 3	FB5 - 1681 - 000	365 - 3	FB5 - 3842 - 000	104 - 1 0
FB5 - 1395 - 000	770 - 1	FB5 - 1685 - 000	371 - 1 5	FB5 - 3851 - 000	310 - 3 0
FB5 - 1396 - 000	710 - 4	FB5 - 1686 - 000	371 - 1 6	FB5 - 3852 - 000	310 - 3 1
FB5 - 1397 - 000	770 - 2	FB5 - 1691 - 020	371 - 1 7	FB5 - 3853 - 000	310 - 3 2
FB5 - 1404 - 000	710 - 5	FB5 - 1699 - 000	371 - 1 8	FB5 - 3857 - 000	103 - 1 5
FB5 - 1407 - 000	770 - 3	FB5 - 1700 - 000	365 - 4	FB5 - 3863 - 000	370 - 7
FB5 - 1417 - 000	104 - 6	FB5 - 1711 - 000	371 - 2 4 A	FB5 - 3864 - 000	370 - 8
FB5 - 1418 - 000	104 - 7	FB5 - 1716 - 000	371 - 1 9	FB5 - 3865 - 000	370 - 9
FB5 - 1420 - 000	530 - 7	FB5 - 1718 - 000	371 - 2 5 A	FB5 - 3871 - 000	370 - 1 0
FB5 - 1428 - 000	101 - 9	FB5 - 1719 - 000	370 - 5	FB5 - 3875 - 000	370 - 1 5 A
FB5 - 1451 - 000	140 - 3	FB5 - 1724 - 000	370 - 6	FB5 - 3876 - 000	370 - 1 6 A
FB5 - 1452 - 000	140 - 4	FB5 - 1725 - 000	371 - 2 0	FB5 - 3877 - 000	370 - 1 6 B
FB5 - 1453 - 000	140 - 5	FB5 - 1731 - 000	365 - 5	FB5 - 3892 - 000	102 - 1 5 A
FB5 - 1454 - 000	140 - 6	FB5 - 1764 - 000	290 - 1	FB5 - 3895 - 000	370 - 1 6 C
FB5 - 1455 - 000	140 - 7	FB5 - 1789 - 000	131 - 8	FB5 - 3897 - 000	104 - 1 1
FB5 - 1463 - 000	102 - 6	FB5 - 1790 - 000	131 - 9	FB5 - 3898 - 000	620 - 1 2
FB5 - 1465 - 000	105 - 1 5 A	FB5 - 1791 - 000	131 - 1 0	FB5 - 3906 - 000	300 - 2 3
FB5 - 1467 - 000	105 - 1 2	FB5 - 1792 - 000	131 - 1 1	FB5 - 3924 - 000	102 - 1 1
FB5 - 1468 - 000	105 - 1 3	FB5 - 1793 - 000	131 - 1 2	FB5 - 3928 - 000	104 - 1 2
FB5 - 1469 - 000	105 - 1 4	FB5 - 1794 - 000	131 - 1 3	FB5 - 3929 - 000	535 - 3 4
FB5 - 1471 - 000	104 - 8	FB5 - 1795 - 000	131 - 1 4	FB5 - 3931 - 000	360 - 2 9 A
FB5 - 1473 - 000	104 - 9	FB5 - 1797 - 000	131 - 1 5	FB5 - 3933 - 000	102 - 1 2
FB5 - 1482 - 000	300 - 1 6	FB5 - 1798 - 000	131 - 1 6	FB5 - 3939 - 000	535 - 3 5
FB5 - 1484 - 000	300 - 1 7	FB5 - 1799 - 000	131 - 1 7	FB5 - 3940 - 000	535 - 3 6
FB5 - 1485 - 000	300 - 1 7	FB5 - 1807 - 000	131 - 1 1	FB5 - 3941 - 000	103 - 1 6
FB5 - 1488 - 000	300 - 1 8	FB5 - 1808 - 000	131 - 1 1	FB5 - 3945 - 000	103 - 1 7
FB5 - 1489 - 000	300 - 1 9	FB5 - 1809 - 000	131 - 1 1	FB5 - 3950 - 000	101 - 2 8
FB5 - 1492 - 000	530 - 8	FB5 - 1810 - 000	131 - 1 1	FB5 - 3952 - 000	105 - 1 7 A
FB5 - 1493 - 000	530 - 9	FB5 - 1811 - 000	131 - 1 2	FB5 - 3953 - 000	315 - 2 4 B
FB5 - 1497 - 000	106 - 3	FB5 - 1812 - 000	131 - 1 2	FB5 - 8341 - 000	535 - 3 7
	106 - 4	FB5 - 1813 - 000	131 - 1 2	FB5 - 8342 - 000	535 - 3 8
FB5 - 1498 - 000	106 - 5	FB5 - 1814 - 000	131 - 1 2	FB5 - 8343 - 000	101 - 2 9
	106 - 6	FB5 - 2195 - 000	922 - 1	FB5 - 8344 - 000	101 - 2 9
FB5 - 1514 - 000	106 - 7	FB5 - 2265 - 000	360 - 5	FB5 - 8353 - 000	300 - 2 4
	106 - 8	FB5 - 2266 - 000	360 - 6	FB5 - 8362 - 000	530 - 1 0
FB5 - 1515 - 000	103 - 1 2	FB5 - 2267 - 000	360 - 7	FB5 - 8363 - 000	315 - 2 3
FB5 - 1522 - 000	101 - 1 0	FB5 - 2268 - 000	360 - 8	FB5 - 8367 - 000	530 - 1 1
FB5 - 1523 - 000	101 - 1 1	FB5 - 2269 - 000	360 - 9	FB5 - 8385 - 000	103 - 2 2 A
FB5 - 1524 - 000	101 - 1 2	FB5 - 2272 - 000	360 - 1 0		106 - 1 4
FB5 - 1525 - 000	101 - 1 3	FB5 - 2275 - 000	360 - 1 1		106 - 1 5
FB5 - 1526 - 000	101 - 1 4	FB5 - 2279 - 000	360 - 1 2	FB5 - 8386 - 000	108 - 1
FB5 - 1531 - 000	131 - 6	FB5 - 2280 - 000	360 - 1 3	FB5 - 8387 - 000	103 - 1 8
FB5 - 1532 - 000	131 - 7	FB5 - 2282 - 000	267 - 1	FB5 - 8623 - 000	002 - 3
FB5 - 1533 - 000	101 - 1 5		360 - 1 4	FB5 - 8624 - 000	002 - 3
FB5 - 1534 - 000	101 - 1 6	FB5 - 2283 - 000	360 - 1 5	FB5 - 8625 - 000	002 - 3
FB5 - 1536 - 000	101 - 1 7	FB5 - 2284 - 000	360 - 1 6	FB5 - 8626 - 000	002 - 3
FB5 - 1540 - 000	101 - 1 8	FB5 - 2285 - 000	360 - 1 7	FB5 - 8627 - 000	002 - 3
FB5 - 1542 - 000	101 - 1 9	FB5 - 2288 - 000	360 - 1 8	FB5 - 8628 - 000	002 - 3
FB5 - 1544 - 000	101 - 2 0	FB5 - 2301 - 000	260 - 1	FB5 - 8629 - 000	002 - 3
FB5 - 1546 - 000	101 - 2 1		360 - 1 9	FB5 - 9718 - 000	370 - 1 1
FB5 - 1555 - 000	810 - 2 5	FB5 - 2306 - 000	360 - 2 0	FB5 - 9727 - 000	270 - 3
FB5 - 1558 - 000	810 - 2 6	FB5 - 2308 - 020	360 - 2 1	FB5 - 9728 - 000	770 - 4
FB5 - 1559 - 000	810 - 2 7	FB5 - 2310 - 000	360 - 2 2	FB6 - 4285 - 000	102 - 7
FB5 - 1562 - 020	810 - 2 8	FB5 - 2311 - 000	360 - 2 3	FB6 - 4286 - 000	102 - 4
FB5 - 1564 - 000	810 - 2 9	FB5 - 2312 - 000	360 - 2 4	FB6 - 4288 - 000	370 - 8
FB5 - 1565 - 000	810 - 3 0	FB5 - 2313 - 000	360 - 2 5	FB6 - 4291 - 000	101 - 2 9
FB5 - 1566 - 000	810 - 3 1	FB5 - 2317 - 000	360 - 2 6	FB6 - 4292 - 000	101 - 2 9
FB5 - 1569 - 000	810 - 3 2	FB5 - 2341 - 000	102 - 7	FB6 - 4293 - 000	101 - 2 9
FB5 - 1570 - 000	810 - 3 3	FB5 - 2344 - 000	102 - 8	FB6 - 4294 - 000	710 - 6
FB5 - 1574 - 000	106 - 9	FB5 - 2346 - 000	102 - 9	FB6 - 4297 - 000	530 - 1 2
FB5 - 1575 - 000	106 - 1 0	FB5 - 2352 - 000	102 - 1 0	FB6 - 4298 - 000	530 - 1 3
FB5 - 1576 - 000	106 - 1 1	FB5 - 2357 - 000	101 - 2 3	FB6 - 4299 - 000	530 - 1 4
FB5 - 1577 - 000	106 - 1 2	FB5 - 2358 - 000	101 - 2 4	FB6 - 4300 - 000	530 - 1 5
FB5 - 1584 - 000	106 - 1 3	FB5 - 2359 - 000	101 - 2 5	FC2 - 2121 - 000	620 - 1 3
FB5 - 1602 - 000	101 - 2 2	FB5 - 2389 - 000	996 - 1	FF3 - 1170 - 000	102 - 1 8 A
FB5 - 1603 - 000	350 - 1 8	FB5 - 2591 - 000	131 - 1 8	FF3 - 1171 - 000	102 - 1 3
FB5 - 1604 - 000	350 - 1 9	FB5 - 2946 - 000	310 - 2 9	FF3 - 2974 - 000	310 - 3 3
FB5 - 1612 - 000	350 - 2 0		315 - 2 2	FF3 - 2975 - 000	310 - 3 4
FB5 - 1616 - 000	350 - 2 1	FB5 - 3730 - 000	922 - 2	FF3 - 3826 - 000	910 - 1
FB5 - 1617 - 000	350 - 2 2	FB5 - 3760 - 000	112 - 1	FF3 - 3827 - 000	112 - 2
FB5 - 1618 - 000	350 - 2 3		113 - 1	FF3 - 3828 - 000	112 - 3
FB5 - 1629 - 000	830 - 5	FB5 - 3765 - 000	101 - 2 6	FF3 - 3829 - 000	113 - 2
FB5 - 1630 - 000	830 - 6	FB5 - 3776 - 000	103 - 1 3	FF3 - 3830 - 000	113 - 3
FB5 - 1631 - 000	830 - 7	FB5 - 3782 - 000	306 - 1	FF3 - 3831 - 000	113 - 4
FB5 - 1633 - 000	830 - 8	FB5 - 3783 - 000	002 - 1	FF3 - 4119 - 000	940 - 2



# D2 NUMERICAL INDEX (Color imageRUNNER C2050/2020/2058 iR C2100/2100S/2105/2105S)

PART NUMBER	FIGURE & KEY NO.	PART NUMBER	FIGURE & KEY NO.	PART NUMBER	FIGURE & KEY NO.
FF5 - 2128 - 000	620 - 14	FF6 - 0805 - 000	101 - 34	FG3 - 0739 - 000	915 - 2
FF5 - 4081 - 000	620 - 15	FF6 - 0984 - 000	103 - 23	FG3 - 0741 - 000	106 - 2.5
	710 - 7	FF6 - 0986 - 000	535 - 44	FG3 - 0744 - 000	108 - 2
FF5 - 4491 - 000	300 - 2.5	FF6 - 0987 - 000	535 - 45	FG3 - 0745 - 000	985 - 1
FF5 - 4524 - 020	310 - 3.5	FF6 - 0988 - 000	535 - 46	FG3 - 0746 - 000	108 - 3
FF5 - 4548 - 030	300 - 2.6	FF6 - 0989 - 000	105 - 19	FG3 - 0747 - 000	360 - 3.1
FF5 - 4552 - 020	310 - 3.6	FF6 - 0991 - 000	002 - 4	FG3 - 0748 - 000	108 - 3
FF5 - 4569 - 020	300 - 2.7	FF6 - 0994 - 000	103 - 2.3	FG3 - 0749 - 000	107 - 8
FF5 - 4634 - 020	310 - 3.7	FF6 - 0995 - 000	101 - 3.5	FG3 - 0750 - 000	910 - 4
FF5 - 5792 - 000	370 - 1.2	FF6 - 0996 - 000	101 - 3.6	FG3 - 0751 - 000	360 - 3.2
FF5 - 9244 - 000	105 - 1.5	FF6 - 2236 - 000	105 - 1.8	FG3 - 0752 - 000	360 - 3.3
FF5 - 9254 - 000	105 - 1.6	FF6 - 2239 - 020	710 - 9	FG3 - 0753 - 000	360 - 3.4
FF5 - 9256 - 000	316 - 1.0	FG3 - 0644 - 000	930 - 1	FG3 - 0754 - 000	360 - 3.5
FF5 - 9261 - 000	315 - 2.4	FG3 - 0645 - 000	933 - 1	FG3 - 0755 - 000	370 - 1.7
FF5 - 9262 - 000	315 - 2.5	FG3 - 0646 - 000	965 - 1	FG3 - 0756 - 000	290 - 3
FF5 - 9263 - 000	315 - 2.6	FG3 - 0651 - 000	535 - 4.7	FG3 - 0757 - 000	370 - 1.8
FF5 - 9264 - 000	315 - 2.7	FG3 - 0652 - 000	535 - 4.7	FG3 - 0758 - 000	370 - 1.9
FF5 - 9265 - 000	315 - 2.8	FG3 - 0654 - 000	915 - 1	FG3 - 0759 - 000	365 - 9
FF5 - 9266 - 000	315 - 2.9	FG3 - 0662 - 000	910 - 2	FG3 - 0761 - 000	535 - 4.9
FF5 - 9278 - 000	250 - 3	FG3 - 0663 - 000	106 - 2.2	FG3 - 0762 - 000	267 - 2
FF5 - 9282 - 000	102 - 1.4	FG3 - 0665 - 000	360 - 3.0	FG3 - 0763 - 000	360 - 3.6
FF5 - 9285 - 000	290 - 2	FG3 - 0668 - 020	315 - 3.1	FG3 - 0764 - 000	113 - 1.0
FF5 - 9287 - 000	360 - 2.7	FG3 - 0669 - 020	315 - 3.2	FG3 - 0765 - 000	113 - 1.1
FF5 - 9288 - 000	360 - 2.8	FG3 - 0671 - 000	930 - 1	FG3 - 0766 - 000	112 - 8
FF5 - 9291 - 000	106 - 1.6	FG3 - 0673 - 000	910 - 2	FG3 - 0767 - 000	113 - 1.2
FF5 - 9292 - 000	106 - 1.7	FG3 - 0675 - 070	930 - 2	FG3 - 0768 - 000	113 - 1.2
FF5 - 9293 - 000	106 - 1.8	FG3 - 0676 - 000	710 - 1.0	FG3 - 0769 - 000	113 - 1.2
FF5 - 9294 - 000	106 - 1.9	FG3 - 0678 - 000	930 - 2	FG3 - 0770 - 000	106 - 2.6
FF5 - 9295 - 000	810 - 3.4	FG3 - 0679 - 000	930 - 2		B - J 5 1 0 3
FF5 - 9298 - 000	810 - 3.5	FG3 - 0680 - 000	930 - 1		B - J 5 1 0 4
FF5 - 9299 - 000	810 - 3.6	FG3 - 0692 - 000	770 - 6	FG3 - 0782 - 060	933 - 2
FF5 - 9300 - 000	810 - 3.7	FG3 - 0693 - 000	770 - 7	FG3 - 0783 - 060	933 - 2
FF5 - 9305 - 000	810 - 3.8	FG3 - 0694 - 000	316 - 1.1	FG3 - 0784 - 000	933 - 2
FF5 - 9306 - 000	810 - 3.9	FG3 - 0698 - 000	620 - 1.6	FG3 - 0785 - 060	933 - 2
FF5 - 9308 - 000	810 - 4.0	FG3 - 0699 - 000	107 - 4	FG3 - 0786 - 060	933 - 2
FF5 - 9310 - 000	106 - 2.0	FG3 - 0704 - 000	112 - 4	FG3 - 0787 - 060	933 - 2
FF5 - 9311 - 000	350 - 2.5		113 - 5	FG3 - 0788 - 060	933 - 2
FF5 - 9314 - 000	710 - 8	FG3 - 0705 - 000	112 - 5	FG3 - 0789 - 060	933 - 2
FF5 - 9316 - 000	770 - 5		113 - 6	FG3 - 0790 - 060	933 - 2
FF5 - 9318 - 000	830 - 1.0	FG3 - 0706 - 000	112 - 6	FG3 - 0791 - 060	933 - 2
FF5 - 9319 - 000	830 - 1.1		113 - 7	FG3 - 0793 - 000	192 - 1
FF5 - 9324 - 000	535 - 3.9	FG3 - 0707 - 000	112 - 7	FG3 - 0796 - 000	190 - 1
FF5 - 9325 - 000	535 - 4.0	FG3 - 0708 - 000	112 - 8	FG3 - 0797 - 000	104 - 1.4
FF5 - 9326 - 000	535 - 4.1	FG3 - 0709 - 000	112 - 9	FG3 - 0817 - 000	306 - 2
FF5 - 9327 - 000	535 - 4.2	FG3 - 0710 - 000	112 - 1.0	FG3 - 0818 - 000	306 - 2
FF5 - 9338 - 000	104 - 1.3	FG3 - 0711 - 000	112 - 1.1	FG3 - 0819 - 000	915 - 3
FF5 - 9341 - 000	370 - 1.3		113 - 8	FG3 - 0820 - 000	770 - 9
FF5 - 9349 - 000	103 - 1.9	FG3 - 0712 - 000	910 - 3	FG3 - 0821 - 000	915 - 4
FF5 - 9350 - 000	103 - 2.0	FG3 - 0714 - 000	113 - 9	FG3 - 0823 - 000	930 - 1
FF5 - 9351 - 000	103 - 2.1	FG3 - 0715 - 000	810 - 4.4	FG3 - 0825 - 000	930 - 1
FF5 - 9354 - 000	315 - 3.0		B - J 5 1 0 4	FG3 - 0827 - 000	965 - 1
FF5 - 9355 - 000	300 - 2.8		B - J 6 5 0 4	FG3 - 0832 - 000	965 - 1
FF5 - 9358 - 000	300 - 2.9		B - J 6 5 0 5	FG3 - 0908 - 000	996 - 2
FF5 - 9359 - 000	300 - 2.9		B - J 6 5 0 6	FG3 - 1230 - 000	925 -
FF5 - 9367 - 000	370 - 1.4		B - J 6 5 0 7	FG5 - 3064 - 000	975 -
	371 - 2.2		B - J 6 5 1 0	FG5 - 6288 - 000	102 - 1.8
FF5 - 9373 - 000	101 - 3.0	FG3 - 0716 - 000	810 - 4.5	FG6 - 0822 - 000	770 - 1.0
FF5 - 9374 - 000	106 - 2.1	FG3 - 0717 - 000	193 - 1	FG6 - 4123 - 000	112 -
FF5 - 9376 - 000	810 - 4.1	FG3 - 0718 - 000	106 - 2.3	FG6 - 4124 - 000	112 - 1.2
FF5 - 9377 - 000	350 - 2.6	FG3 - 0719 - 000	106 - 2.4	FG6 - 4132 - 010	315 -
FF5 - 9379 - 000	370 - 1.5	FG3 - 0720 - 000	105 - 2.0	FG6 - 4133 - 000	316 -
FF5 - 9380 - 000	371 - 2.3	FG3 - 0721 - 000	102 - 1.7	FG6 - 4134 - 000	260 -
FF5 - 9386 - 000	371 - 2.4	FG3 - 0722 - 000	530 - 1.7	FG6 - 4135 - 000	265 -
FF5 - 9387 - 020	371 - 2.5		B - J 7 0 1	FG6 - 4136 - 000	320 -
FF5 - 9390 - 000	370 - 1.6		B - J 7 0 2	FG6 - 4137 - 000	140 -
FF5 - 9391 - 000	101 - 3.1		B - J 7 0 3	FG6 - 4142 - 000	310 -
FF6 - 0615 - 000	102 - 1.5		B - J 6 4 0 9	FG6 - 4143 - 000	620 -
FF6 - 0617 - 000	102 - 1.6		B - J 6 4 1 1	FG6 - 4154 - 000	250 -
FF6 - 0619 - 000	365 - 7		B - J 6 4 1 3	FG6 - 4155 - 000	280 -
FF6 - 0620 - 000	365 - 8		B - J 6 4 1 4	FG6 - 4157 - 070	535 -
FF6 - 0628 - 000	101 - 3.2		B - J 6 4 1 5	FG6 - 4159 - 030	535 - 5.0
FF6 - 0629 - 000	580 - 5		B - J 6 4 1 6	FG6 - 4167 - 000	580 -
FF6 - 0630 - 000	580 - 6		B - J 6 4 1 7	FG6 - 4169 - 000	830 -
FF6 - 0632 - 000	101 - 3.3	FG3 - 0723 - 000	535 - 4.8	FG6 - 4170 - 000	810 -
FF6 - 0789 - 000	360 - 2.9	FG3 - 0724 - 000	770 - 8	FG6 - 4171 - 000	810 -
FF6 - 0793 - 000	530 - 1.6	FG3 - 0726 - 000	315 - 3.3	FG6 - 4172 - 000	810 -
FF6 - 0795 - 000	350 - 2.7	FG3 - 0727 - 000	315 - 3.4	FG6 - 4173 - 000	350 -
	810 - 4.2	FG3 - 0728 - 000	320 - 4	FG6 - 4174 - 000	103 - 2.4
FF6 - 0796 - 000	103 - 2.3	FG3 - 0729 - 000	105 - 2.1	FG6 - 4183 - 020	270 -
FF6 - 0797 - 000	300 - 3.0	FG3 - 0732 - 000	620 - 1.7	FG6 - 4185 - 000	360 -
FF6 - 0799 - 000	105 - 1.7	FG3 - 0734 - 000	107 - 5	FG6 - 4186 - 000	267 -
FF6 - 0800 - 000	535 - 4.3	FG3 - 0735 - 000	107 - 6	FG6 - 4188 - 000	290 -
FF6 - 0801 - 000	105 - 1.8	FG3 - 0736 - 000	107 - 7	FG6 - 4191 - 030	371 -
FF6 - 0802 - 000	810 - 4.3	FG3 - 0737 - 000	250 - 4	FG6 - 4192 - 000	985 -
FF6 - 0804 - 000	103 - 2.2	FG3 - 0738 - 000	250 - 5	FG6 - 4201 - 000	940 -

# D2 NUMERICAL INDEX (Color imageRUNNER C2050/2020/2058) iR C2100/2100S/2105/2105S

PART NUMBER	FIGURE & KEY NO.	PART NUMBER	FIGURE & KEY NO.	PART NUMBER	FIGURE & KEY NO.
FG6 - 4202 - 000	101 - 3 7	FH3 - 0931 - 000	985 - T 9 2 0	FS1 - 1413 - 000	535 - 5 6
FG6 - 4203 - 000	101 - 3 7	FH3 - 0963 - 000	770 - 9 A	FS1 - 1433 - 000	267 - 4
FG6 - 4204 - 000	101 - 3 7	FH4 - 3738 - 000	920 - Q 9 1 9	FS1 - 1449 - 000	106 - 3 0
FG6 - 4205 - 000	101 - 3 7	FH4 - 5121 - 000	106 - 2 8	FS1 - 1465 - 000	260 - 2
FG6 - 4206 - 000	915 -	FH4 - 6056 - 000	108 - 8	FS1 - 1508 - 000	267 - 5
FG6 - 4223 - 000	109 - 1	FH4 - 6137 - 000	108 - 8		350 - 2 8
FG6 - 4224 - 000	190 -	FH6 - 0745 - 000	922 - VR 9 4 1		370 - 2 3
FG6 - 4226 - 000	191 -	FH6 - 0767 - 000	922 - LED 9 0 9		810 - 5 1
FG6 - 4227 - 000	192 -		922 - LED 9 1 0		830 - 1 2
FG6 - 4233 - 000	306 -	FH6 - 0768 - 000	922 - LED 9 0 7	FS1 - 1510 - 000	267 - 6
FG6 - 4241 - 000	910 -		922 - LED 9 0 8		290 - 1 0
FG6 - 4242 - 000	910 -	FH6 - 0770 - 000	131 - 2 3		320 - 7
FG6 - 4243 - 000	280 - 2	FH6 - 1253 - 000	360 - 3 7		360 - 4 3
FG6 - 4244 - 000	280 - 3	FH6 - 1486 - 000	770 - 1 2	FS1 - 1512 - 000	310 - 4 2
FG6 - 4253 - 000	306 -	FH6 - 1544 - 000	192 - 2		320 - 8
FG6 - 4254 - 000	306 -	FH6 - 1579 - 000	194 - 1		810 - 5 2
FG6 - 4273 - 000	112 -	FH6 - 1695 - 000	107 - 1 1	FS1 - 1594 - 000	620 - 2 0
FG6 - 4274 - 000	113 -	FH6 - 1696 - 000	310 - 3 8	FS1 - 1595 - 000	105 - 2 5
FG6 - 4275 - 000	113 -	FH6 - 1697 - 000	620 - 1 8	FS1 - 9002 - 000	530 - 2 0
FG6 - 4276 - 000	113 -	FH6 - 1700 - 000	190 - 2	FS1 - 9010 - 000	102 - 2 0
FG6 - 4277 - 000	106 - 2 7	FH6 - 1701 - 000	193 - 2		106 - 3 1
FG6 - 4302 - 000	113 - 1 3		370 - 2 1		310 - 4 3
FG6 - 4312 - 000	920 -	FH6 - 1729 - 000	191 - 1		710 - 1 2
FG6 - 4313 - 000	922 -	FH6 - 1970 - 000	105 - 2 2	FS1 - 9053 - 000	371 - 2 7
FG6 - 4314 - 000	131 - 1 9	FH6 - 5050 - 000	290 - 6	FS1 - 9073 - 000	530 - 2 1
FG6 - 4315 - 000	131 - 2 0	FH7 - 3383 - 000	103 - 2 5	FS1 - 9076 - 000	108 - 1 0
FG6 - 4316 - 000	922 - 3	FH7 - 3384 - 000	103 - 2 6		365 - 1 0
FG6 - 4317 - 000	922 - 4	FH7 - 4509 - 000	305 - 1		370 - 2 4
FG6 - 4318 - 000	922 - 5	FH7 - 4576 - 000	305 - 1	FS1 - 9078 - 000	360 - 4 4
FG6 - 4319 - 000	922 - 6	FH7 - 4640 - 000	810 - 4 7	FS1 - 9102 - 000	535 - 5 7
FG6 - 4581 - 000	996 -	FH7 - 4641 - 000	810 - 4 8	FS1 - 9120 - 000	810 - 5 3
FG6 - 5428 - 000	131 - 2 1	FH7 - 4642 - 000	810 - 4 7	FS1 - 9199 - 000	350 - 2 9
FG6 - 5854 - 000	193 -	FH7 - 4643 - 000	810 - 4 8	FS1 - 9255 - 000	365 - 1 1
FG6 - 5855 - 000	194 -	FH7 - 4644 - 000	810 - 4 7	FS2 - 1008 - 000	350 - 3 0
FG6 - 5868 - 000	370 - 2 0	FH7 - 4645 - 000	810 - 4 8	FS2 - 1256 - 000	830 - 1 3
FG6 - 5869 - 000	104 - 1 5	FH7 - 4646 - 000	306 - 3	FS2 - 2551 - 000	580 - 7
FG6 - 6079 - 000	131 - 2 2	FH7 - 4647 - 000	104 - 1 6	FS2 - 3488 - 000	371 - 2 8
FG6 - 6793 - 000	101 - 3 7	FH7 - 4648 - 000	306 - 3	FS2 - 9267 - 000	810 - 5 4
FG6 - 6795 - 020	770 - 1 1	FH7 - 4649 - 000	104 - 1 6	FS2 - 9475 - 000	315 - 3 9
FG6 - 6798 - 000	810 - 4 6	FH7 - 4657 - 000	306 - 3	FS3 - 0942 - 000	260 - 3
FG6 - 7789 - 000	107 - 9	FH7 - 4658 - 000	104 - 1 6	FS5 - 0232 - 000	350 - 3 1
FG6 - 7790 - 000	535 - 5 1	FH7 - 4669 - 000	305 - 1	FS5 - 0351 - 000	315 - 4 0
FG6 - 7791 - 000	770 -	FH7 - 5764 - 000	265 - 3		371 - 2 9
FG6 - 7803 - 000	265 -	FH7 - 5770 - 000	310 - 3 9	FS5 - 0390 - 000	310 - 4 4
FG6 - 9254 - 000	140 - 1	FH7 - 5782 - 000	310 - 4 0	FS5 - 0677 - 000	265 - 6
FG6 - 9291 - 000	140 -	FH7 - 5914 - 000	265 - 4	FS5 - 0708 - 000	370 - 2 5
FG6 - 9293 - 000	290 -		320 - 5	FS5 - 0724 - 000	370 - 2 6
FG6 - 9297 - 000	267 -		360 - 3 8	FS5 - 0804 - 000	370 - 2 7
FG6 - 9302 - 000	535 -	FH7 - 5915 - 000	105 - 2 3	FS5 - 1004 - 000	265 - 7
FG6 - 9308 - 000	101 - 3 7		315 - 3 5	FS5 - 1466 - 000	105 - 2 6
FG6 - 9309 - 000	101 - 3 7	FH7 - 5916 - 000	250 - 6		105 - 2 7
FG6 - 9425 - 000	101 - 3 7	FH7 - 5917 - 000	250 - 7	FS5 - 1581 - 000	315 - 4 1
FG6 - 9427 - 000	710 -	FH7 - 5918 - 000	267 - 3	FS5 - 1589 - 000	310 - 4 5
FG6 - 9430 - 000	530 - 1 8		290 - 4	FS5 - 1595 - 000	140 - 8
FH2 - 5006 - 000	002 - 5		360 - 3 9	FS5 - 1598 - 000	140 - 9
FH2 - 5043 - 000	113 - 1 4	FH7 - 5922 - 000	290 - 5	FS5 - 1917 - 000	510 - 1 1
FH2 - 6480 - 000	B - J 6 3 1 5		290 - 6	FS5 - 1918 - 000	510 - 1 2
	B - J 6 3 1 9	FH7 - 5923 - 000	315 - 3 6	FS5 - 2586 - 000	830 - 1 4
FH2 - 6552 - 000	107 - 1 0	FH7 - 6307 - 000	108 - 9	FS5 - 2650 - 000	300 - 3 1
FH2 - 6779 - 000	108 - 4		910 - 3 A	FS5 - 3177 - 000	316 - 1 2
	B - J 1 3 4	FH7 - 6310 - 000	112 - 1 3	FS5 - 3619 - 000	310 - 4 6
	B - J 2 0 1	FH7 - 6311 - 000	113 - 1 5	FS5 - 3620 - 000	310 - 4 7
FH2 - 6780 - 000	108 - 5	FH7 - 6329 - 000	530 - 1 9	FS5 - 3774 - 000	260 - 4
	B - J 1 0 1	FH7 - 7394 - 000	105 - 2 4		265 - 8
	B - J 2 0 2		107 - 1 2	FS5 - 3775 - 000	250 - 8
FH2 - 6819 - 000	102 - 1 9		310 - 4 1	FS5 - 3776 - 000	250 - 9
	B - J 6 2 6 3		315 - 3 7	FS5 - 3777 - 000	267 - 7
	B - J 6 2 6 4		320 - 6	FS5 - 3778 - 000	360 - 4 5
	B - J 6 2 6 5		360 - 4 0	FS5 - 3779 - 000	360 - 4 6
	B - J 6 2 6 6		360 - 4 1	FS5 - 6487 - 000	310 - 4 8
FH2 - 9237 - 000	108 - 6		360 - 4 2	FS5 - 6488 - 000	370 - 2 8
	B - J 4 1 0 1		370 - 2 2	FS5 - 6718 - 000	250 - 1 0
	B - J 4 1 0 2		535 - 5 5	FS5 - 6737 - 000	371 - 3 0
	B - J 4 1 0 3		810 - 4 9	FS5 - 9164 - 000	310 - 4 9
	B - J 4 1 0 4	FH7 - 7422 - 000	620 - 1 9	FS5 - 9212 - 000	810 - 5 5
	B - J 6 3 7 0	FH7 - 7519 - 000	810 - 5 0	FS5 - 9213 - 000	810 - 5 6
	B - J 6 3 7 1	FS1 - 0542 - 000	290 - 7	FS5 - 9282 - 000	106 - 3 2
	B - J 6 3 7 2	FS1 - 0578 - 000	290 - 8		107 - 1 3
	B - J 6 3 7 3	FS1 - 1156 - 000	106 - 2 9	FS5 - 9397 - 000	102 - 2 1
FH2 - 9238 - 000	535 - 5 2	FS1 - 1186 - 000	265 - 5	FS5 - 9608 - 000	104 - 1 7
FH2 - 9239 - 000	535 - 5 3	FS1 - 1202 - 000	270 - 4	FS5 - 9611 - 000	810 - 5 7
FH2 - 9240 - 000	535 - 5 4	FS1 - 1206 - 000	710 - 1 1	FS6 - 0025 - 000	290 - 1 1
FH2 - 9241 - 000	108 - 7	FS1 - 1341 - 000	290 - 9	FS6 - 0081 - 000	267 - 1 3
	B - J 6 3 6 8		315 - 3 8	FS6 - 0367 - 000	267 - 8
FH3 - 0775 - 000	925 - T 1		371 - 2 6	FS6 - 0381 - 000	360 - 4 7

# D2 NUMERICAL INDEX (Color imageRUNNER C2050/2020/2058 iR C2100/2100S/2105/2105S)

PART NUMBER	FIGURE & KEY NO.	PART NUMBER	FIGURE & KEY NO.	PART NUMBER	FIGURE & KEY NO.
FS6 - 0557 - 000	360 - 4 8	FS7 - 0569 - 000	620 - 2 2	RB1 - 6539 - 000	310 - 6 9
FS6 - 0564 - 000	310 - 5 0	FS7 - 0570 - 000	620 - 2 3	RB1 - 6592 - 000	310 - 7 0
FS6 - 0565 - 000	310 - 5 1	FS7 - 0571 - 000	620 - 2 4	RB2 - 0493 - 000	350 - 3 4
FS6 - 0569 - 000	310 - 5 2	FS7 - 0573 - 000	620 - 2 5	RS1 - 1016 - 000	830 - 1 9
FS6 - 0570 - 000	310 - 5 3	FS7 - 0574 - 000	620 - 2 6	RS1 - 1042 - 000	710 - 1 8
FS6 - 0572 - 000	310 - 5 4	FS7 - 0575 - 000	620 - 2 7	RS5 - 0751 - 000	810 - 6 7
FS6 - 0573 - 000	310 - 5 5	FS7 - 0576 - 000	710 - 1 3	RS5 - 9057 - 000	105 - 3 4
FS6 - 0574 - 000	310 - 5 6	FS7 - 0577 - 000	710 - 1 4	VD5 - 0321 - 001	925 - F 1
FS6 - 0575 - 000	310 - 5 7	FS7 - 0579 - 000	710 - 1 5	VD5 - 0323 - 001	940 - F U1
FS6 - 0576 - 000	310 - 5 8	FS7 - 0581 - 000	620 - 2 8	VR7 - 9240 - 103	580 - 1 0
FS6 - 0627 - 000	267 - 9	FS7 - 0582 - 000	620 - 2 9	VS1 - 0279 - 004	B - J 6 6 0 3
FS6 - 0631 - 000	310 - 5 9	FS7 - 0583 - 000	620 - 3 0	VS1 - 0280 - 004	B - J 6 6 0 3
FS6 - 0637 - 000	310 - 6 0	FS7 - 0584 - 000	810 - 5 8	VS1 - 0842 - 002	B - J 9 5 5
FS6 - 0689 - 000	370 - 2 9	FS7 - 0586 - 000	810 - 5 9		B - J 6 6 0 2
FS6 - 2308 - 000	140 - 1 0	FS7 - 0587 - 000	810 - 6 0		B - J 6 6 1 4
FS6 - 2325 - 000	310 - 6 1	FS7 - 0588 - 000	265 - 2 1	VS1 - 0842 - 004	B - J 9 0 5
FS6 - 2328 - 020	310 - 6 2	FS7 - 0589 - 000	267 - 1 1	VS1 - 0842 - 006	B - J 9 0 4
FS6 - 2330 - 000	310 - 6 3	FS7 - 0590 - 000	267 - 1 2		B - J 6 5 5 2
FS6 - 2331 - 000	310 - 6 4	FS7 - 0591 - 000	360 - 4 9		B - J 6 5 5 3
FS6 - 2674 - 000	370 - 3 0	FS7 - 0592 - 000	267 - 1 3	VS1 - 0978 - 006	B - J 1470 - 1
FS6 - 2900 - 000	310 - 6 5	FS7 - 0593 - 000	265 - 2 2		B - J 1470 - 2
FS6 - 8116 - 000	300 - 2 7 A		267 - 1 4		105 - 3 5
FS6 - 8563 - 000	101 - 3 8	FS7 - 0595 - 000	267 - 1 5	VS1 - 5057 - 002	106 - 2 4 A
FS6 - 8862 - 000	316 - 1 3	FS7 - 0597 - 000	290 - 1 3		107 - 7 A
FS6 - 8863 - 000	316 - 1 3	FS7 - 0598 - 000	290 - 1 4		108 - 1 1
FS6 - 8864 - 000	316 - 1 3	FS7 - 0599 - 000	290 - 1 5		131 - 2 2 A
FS6 - 8865 - 000	316 - 1 3	FS7 - 0680 - 000	290 - 1 6		131 - 2 4
FS6 - 8866 - 000	316 - 1 4	FS7 - 0681 - 000	290 - 1 7		250 - 4 A
FS6 - 8867 - 000	300 - 3 2	FS7 - 0682 - 000	370 - 3 1		265 - 2 3
FS6 - 8869 - 000	300 - 2 9 A	FS7 - 0683 - 000	370 - 3 2		267 - 2 A
FS6 - 8874 - 000	102 - 2 2	FS7 - 0686 - 000	290 - 1 8		280 - 1 3
FS6 - 8877 - 000	102 - 1 6 A	FS7 - 2261 - 000	315 - 5 3		290 - 3 A
FS6 - 8879 - 000	300 - 2 9 A	FS7 - 2262 - 000	315 - 5 4		315 - 3 3 A
FS6 - 8881 - 000	710 - 8 A	FS7 - 2263 - 000	105 - 2 8		315 - 5 6
FS6 - 8901 - 000	101 - 3 9	FS7 - 2264 - 000	105 - 2 9		320 - 4 A
FS6 - 8902 - 000	810 - 4 1 A	FS7 - 2265 - 000	315 - 5 5		360 - 3 6 A
FS6 - 8904 - 000	305 - 2	FS7 - 2267 - 000	620 - 3 1		370 - 1 9 A
FS7 - 0018 - 000	290 - 1 2	FS7 - 2268 - 000	535 - 5 9		530 - 1 7 A
FS7 - 0038 - 000	267 - 1 0	FS7 - 2269 - 000	535 - 6 0		535 - 4 8 A
FS7 - 0058 - 000	265 - 9	FS7 - 2274 - 000	140 - 1 1		620 - 1 7 A
FS7 - 0103 - 000	310 - 6 6	FS7 - 2275 - 000	250 - 1 3		810 - 4 4 A
FS7 - 0104 - 000	310 - 6 7	FS7 - 2276 - 000	102 - 2 3		B - J 6 2 7 6
FS7 - 0105 - 000	310 - 6 8	FS7 - 2277 - 000	510 - 1 3		B - J 6 2 7 8
FS7 - 0163 - 000	830 - 1 5	FS7 - 2278 - 000	107 - 1 4		B - J 6 2 7 9
FS7 - 0164 - 000	830 - 1 6	FS7 - 2279 - 000	530 - 2 2		B - J 6 3 1 7
FS7 - 0502 - 000	260 - 5	FS7 - 2281 - 000	530 - 2 3		B - J 6 3 5 2
FS7 - 0503 - 000	260 - 6	FS7 - 2282 - 000	530 - 2 4		B - J 6 3 6 1
FS7 - 0504 - 000	260 - 7	FS7 - 2283 - 000	105 - 3 0		B - J 6 3 6 2
FS7 - 0505 - 000	260 - 8	FS7 - 2284 - 000	710 - 1 6		B - J 6 4 1 4
FS7 - 0506 - 000	315 - 4 2	FS7 - 2285 - 000	710 - 1 7		B - J 6 4 5 2
FS7 - 0507 - 000	315 - 4 3	FS7 - 2286 - 000	770 - 1 3		B - J 6 4 5 3
FS7 - 0508 - 000	315 - 4 4	FS7 - 2287 - 000	104 - 1 8		B - J 6 4 5 4
FS7 - 0509 - 000	315 - 4 5	FS7 - 2288 - 000	104 - 1 9		B - J 6 4 5 5
FS7 - 0510 - 000	315 - 4 6	FS7 - 2289 - 000	300 - 3 3		B - J 6 4 6 5
FS7 - 0511 - 000	315 - 4 7	FS7 - 2291 - 000	360 - 5 0		B - J 6 4 6 6
FS7 - 0512 - 000	315 - 4 8	FS7 - 2292 - 000	360 - 5 1		B - J 6 4 6 7
FS7 - 0513 - 000	315 - 4 9	FS7 - 2294 - 000	103 - 2 7		B - J 6 5 1 2
FS7 - 0514 - 000	315 - 5 0	FS7 - 2295 - 000	810 - 6 1		B - J 6 5 1 3
FS7 - 0515 - 000	315 - 5 1	FS7 - 2296 - 000	810 - 6 2		B - J 6 5 2 3
FS7 - 0517 - 000	315 - 5 2	FS7 - 2297 - 000	810 - 6 3		B - J 6 5 5 8
FS7 - 0522 - 000	265 - 1 0	FS7 - 2298 - 000	810 - 6 4		B - J 6 5 5 9
FS7 - 0523 - 000	265 - 1 1		830 - 1 7		B - J 6 5 6 0
FS7 - 0524 - 000	265 - 1 2		106 - 3 3		B - J 6 5 6 1
FS7 - 0525 - 000	265 - 1 3	FS7 - 2303 - 000	104 - 2 0		B - J 6 5 6 9
FS7 - 0526 - 000	265 - 1 4	FS7 - 2305 - 000	810 - 6 5		B - J 6 5 7 4
FS7 - 0527 - 000	265 - 1 5	FS7 - 2309 - 000	810 - 6 6		B - J 6 5 7 8
FS7 - 0530 - 000	265 - 1 6	FS7 - 2310 - 000	810 - 6 6		B - J 6 5 8 2
FS7 - 0531 - 000	265 - 1 7	FS7 - 2354 - 000	350 - 3 2		B - J 6 5 8 2
FS7 - 0532 - 000	265 - 1 8	FS7 - 2355 - 000	290 - 1 9		B - J 6 5 8 6
FS7 - 0533 - 000	265 - 1 9	FS7 - 2357 - 000	360 - 5 2		B - J 6 6 0 2
FS7 - 0534 - 000	265 - 2 0	FS7 - 2358 - 000	580 - 8		B - J 6 6 0 4
FS7 - 0540 - 000	270 - 5	FS7 - 2359 - 000	350 - 3 3		B - J 6 6 1 2
FS7 - 0548 - 000	280 - 4	FS7 - 2360 - 000	371 - 3 1		B - J 6 6 1 4
FS7 - 0549 - 000	280 - 5	FS7 - 2361 - 000	370 - 3 3	VS1 - 5057 - 003	105 - 2 1 A
FS7 - 0550 - 000	250 - 1 1	FS7 - 2362 - 000	830 - 1 8		106 - 2 4 B
FS7 - 0551 - 000	250 - 1 2	FS7 - 2544 - 000	102 - 2 4		106 - 2 5 A
FS7 - 0556 - 000	535 - 5 8	FS7 - 2545 - 000	535 - 6 1		107 - 1 5
FS7 - 0558 - 000	280 - 6	FS7 - 2546 - 000	535 - 6 2		108 - 1 2
FS7 - 0560 - 000	280 - 7	FS7 - 2547 - 000	102 - 2 5		112 - 1 0 A
FS7 - 0562 - 000	280 - 8	FU3 - 0388 - 000	105 - 3 1		112 - 1 1 A
FS7 - 0563 - 000	280 - 9	FU3 - 0389 - 000	105 - 3 2		113 - 8 A
FS7 - 0564 - 000	280 - 1 0	FU3 - 0390 - 000	105 - 3 3		113 - 9 A
FS7 - 0565 - 000	280 - 1 1	FU3 - 0391 - 000	290 - 1 4		190 - 1 A
FS7 - 0566 - 000	280 - 1 2	FU3 - 0392 - 000	290 - 1 2		191 - 2
FS7 - 0568 - 000	620 - 2 1	FU3 - 0393 - 000	267 - 1 2		192 - 1 A
		FY3 - 0040 - 000	580 - 9		193 - 3

# D2 NUMERICAL INDEX (Color imageRUNNER C2050/2020/2058) iR C2100/2100S/2105/2105S

PART NUMBER	FIGURE & KEY NO.	PART NUMBER	FIGURE & KEY NO.	PART NUMBER	FIGURE & KEY NO.	
VS1 - 5057 - 003	193 - 4	VS1 - 5452 - 011	B - J6266	VS1 - 6314 - 007	B - J 315	
	194 - 2	VS1 - 5729 - 003	B - J5111		B - J 607	
	250 - 5A	VS1 - 5820 - 003	106 - 24C		B - J 1112	
	280 - 14		B - J6501		B - J6413	
	315 - 34A	VS1 - 5820 - 005	107 - 7B	VS1 - 6314 - 008	B - J 122	
	360 - 35A		B - J6316		B - J 501	
	360 - 36B	VS1 - 5820 - 006	106 - 24D		B - J6283	
	370 - 19B		B - J6502		B - J6283	
	B - J6102	VS1 - 5820 - 007	107 - 6A		B - J6286	
	B - J6103		107 - 16	VS1 - 6314 - 009	B - J6451	
	B - J6206		B - J6314		B - J 3	
	B - J6270		B - J6318		B - J 120	
	B - J6270	VS1 - 5820 - 009	106 - 24E		B - J 320	
	B - J6274		B - J6503		B - J 903	
	B - J6281	VS1 - 5824 - 002	B - J6317		B - J 922	
	B - J6355		B - J6512		B - J 1110	
	B - J6358		B - J6513	VS1 - 6314 - 010	B - J 223	
	B - J6370	VS1 - 5824 - 003	B - J6102		B - J 229	
	B - J6457		B - J6270		B - J 319	
	B - J6458		B - J6270		B - J 502	
	B - J6459		B - J6274		B - J 605	
	B - J6460		B - J6275		B - J 606	
	B - J6470		B - J6508		B - J3901	
	B - J6514		B - J6509		B - J6272	
	B - J6519		B - J6514		B - J6357	
	B - J6520		B - J6525	VS1 - 6314 - 011	B - J 117	
	B - J6521	VS1 - 5824 - 004	B - J 214		B - J 301	
	B - J6522	VS1 - 5824 - 005	B - J 13		B - J 304	
	B - J6524	VS1 - 5824 - 006	B - J6507		B - J 308	
	B - J6525	VS1 - 5824 - 007	B - J6205		B - J 609	
	B - J6570	VS1 - 5976 - 004	B - J 941		B - J6456	
	VS1 - 5057 - 004	267 - 2B	VS1 - 6023 - 006	B - J 931		B - J6555
		315 - 57	VS1 - 6084 - 006	B - J 108		B - J6565
		360 - 34A		B - J 110		B - J6571
		B - J6284	VS1 - 6084 - 007	B - J 109		B - J6575
	B - J6285		B - J 111		B - J6579	
	B - J6364	VS1 - 6197 - 012	B - J 108		B - J6583	
	VS1 - 5057 - 005	370 - 19C	VS1 - 6197 - 014	B - J 110	VS1 - 6314 - 012	B - J 303
	B - J6587		B - J 109		B - J 307	
	VS1 - 5057 - 006	105 - 20A	VS1 - 6313 - 010	B - J 111		B - J 902
360 - 34B			B - J 502		B - J 921	
620 - 17B		VS1 - 6313 - 011	B - J6272		B - J6551	
810 - 45A			B - J 308	VS1 - 6314 - 013	B - J6556	
B - J6277		B - J6575		B - J 114		
B - J6507		B - J6583		B - J 306		
B - J6552	VS1 - 6313 - 012	B - J 307		B - J 309		
B - J6553	VS1 - 6313 - 015	B - J 227		B - J 314		
B - J6573		B - J 901		B - J 318		
B - J6577		B - J6601		B - J6563		
B - J6581		B - J6613		B - J6563		
B - J6585	VS1 - 6313 - 016	107 - 17		B - J6564		
VS1 - 5057 - 007	108 - 3A		B - J6409	VS1 - 6314 - 015	B - J 227	
	B - J6205	VS1 - 6313 - 019	B - J1511		B - J 901	
VS1 - 5057 - 008	320 - 4B	VS1 - 6313 - 020	B - J 125		B - J6601	
	370 - 17A		B - J 131		B - J6613	
B - J6351		B - J 132	VS1 - 6314 - 016	107 - 18		
B - J6557		B - J 224		B - J 119		
VS1 - 5452 - 003	B - J 313		B - J1513		B - J4202	
	B - J6501		B - J6310		B - J6409	
VS1 - 5452 - 005	B - J 104		B - J6312		B - J6417	
	B - J6316	VS1 - 6314 - 003	B - J1607	VS1 - 6314 - 018	B - J 302	
VS1 - 5452 - 006	B - J 108	VS1 - 6314 - 004	B - J 310		B - J1601	
	B - J 110		B - J6363	VS1 - 6314 - 019	B - J 321	
	B - J 115	VS1 - 6314 - 006	B - J 10		B - J1511	
	B - J6502		B - J 107	VS1 - 6314 - 020	B - J 116	
VS1 - 5452 - 007	B - J 105		B - J 121		B - J 125	
	B - J 109		B - J 225		B - J 131	
	B - J 111		B - J 312		B - J 132	
	B - J6314		B - J 316		B - J 224	
	B - J6318		B - J 503		B - J 1513	
	B - J6319		B - J1121		B - J4107	
	B - J 124		B - J6203		B - J6309	
	B - J 311		B - J6203		B - J6311	
	B - J6503		B - J6366		B - J6369	
	B - J6503		B - J6367	VS1 - 6318 - 004	315 - 33B	
VS1 - 5452 - 010	102 - 26		B - J6402		B - J6363	
	B - J5104		B - J6404	VS1 - 6318 - 006	106 - 24F	
	B - J6263		B - J6406		107 - 5A	
	B - J6264		B - J6408		108 - 13	
	B - J6265		B - J6461		315 - 33C	
	B - J6266		B - J6462		315 - 34B	
	B - J6266		B - J6511		B - J6203	
	B - J6263		B - J6518		B - J6366	
	B - J6264	VS1 - 6314 - 007	B - J 12		B - J6367	
	B - J6265		B - J 113		B - J6462	

# D2 NUMERICAL INDEX (Color imageRUNNER C2050/2020/2058 iR C2100/2100S/2105/2105S)

PART NUMBER	FIGURE & KEY NO.	PART NUMBER	FIGURE & KEY NO.	PART NUMBER	FIGURE & KEY NO.
VS1 - 6318 - 006	B - J 6511	VS1 - 6321 - 003	B - J 1410	VS1 - 6534 - 003	B - J 6516
VS1 - 6318 - 007	770 - 14		B - J 1420	VS1 - 6534 - 004	B - J 505
	B - J 6413		B - J 1431		B - J 1101
VS1 - 6318 - 008	250 - 4B		B - J 1608		B - J 6201
	360 - 31A		B - J 4203	VS1 - 6534 - 008	B - J 103
	360 - 34C		B - J 6102		B - J 317
	B - J 6283		B - J 6103		B - J 1102
	B - J 6286		B - J 6206		B - J 1113
	B - J 6451		B - J 6270	VS1 - 6535 - 002	B - J 6101
VS1 - 6318 - 010	315 - 33D		B - J 6273		B - J 6105
	B - J 6357		B - J 6274		B - J 6287
VS1 - 6318 - 011	108 - 14		B - J 6280	VS1 - 6535 - 003	B - J 6515
	250 - 5B		B - J 6281		B - J 6516
	365 - 12		B - J 6282	VS1 - 6535 - 004	B - J 6201
	370 - 17B		B - J 6353		B - J 6416
	B - J 6456		B - J 6354	VS3 - 0044 - 005	B - J 6204
	B - J 6555		B - J 6355	VS3 - 0047 - 003	B - J 6269
	B - J 6565		B - J 6356	VS3 - 5083 - 002	B - J 6152
	B - J 6571		B - J 6358		B - J 6153
	B - J 6575		B - J 6359	VS3 - 5083 - 003	B - J 11
	B - J 6579		B - J 6360		B - J 14
	B - J 6583		B - J 6370		B - J 1114
VS1 - 6318 - 012	105 - 20B		B - J 6418		B - J 5111
	370 - 17C		B - J 6457	VS3 - 5083 - 004	B - J 203
	B - J 6551		B - J 6458		B - J 608
	B - J 6556		B - J 6459		B - J 1104
VS1 - 6318 - 013	365 - 13		B - J 6460		B - J 1116
	370 - 17D		B - J 6463		B - J 1122
	B - J 6563		B - J 6464		B - J 4105
	B - J 6564		B - J 6469		B - J 4201
VS1 - 6318 - 016	535 - 48B		B - J 6470	VS3 - 5083 - 005	B - J 601
	B - J 6417		B - J 6471		B - J 602
VS1 - 6318 - 020	103 - 28		B - J 6472		B - J 603
	985 - 1A		B - J 6519		B - J 604
	B - J 6309		B - J 6520		B - J 704
	B - J 6310		B - J 6521		B - J 6401
	B - J 6311		B - J 6522		B - J 6403
	B - J 6312		B - J 6524		B - J 6405
	B - J 6369		B - J 6526		B - J 6407
VS1 - 6319 - 020	360 - 34D		B - J 6558		B - J 6410
	B - J 6272		B - J 6562	VS3 - 5083 - 006	B - J 5
VS1 - 6319 - 030	131 - 22B		B - J 6566		B - J 1108
	131 - 25		B - J 6570	VS3 - 5083 - 007	B - J 2
	B - J 6601		B - J 6572		B - J 1106
	B - J 6613		B - J 6576	VS3 - 5083 - 010	B - J 102
VS1 - 6321 - 002	B - J 106		B - J 6580		B - J 1109
	B - J 123	VS1 - 6321 - 004	B - J 6584	VS3 - 5083 - 012	B - J 204
	B - J 226		B - J 322		B - J 1107
	B - J 1111		B - J 1115	VS3 - 5121 - 002	B - J 5102
	B - J 1118		B - J 6284	VS3 - 5121 - 003	B - J 5101
	B - J 1430		B - J 6285	VS3 - 5121 - 008	B - J 6151
	B - J 4206		B - J 6364	VS4 - 0001 - 001	B - J 6370
	B - J 6276		B - J 6480		B - J 6371
	B - J 6278	VS1 - 6321 - 005	B - J 6587		B - J 6372
	B - J 6279	VS1 - 6321 - 006	B - J 1400		B - J 6373
	B - J 6317		B - J 6277	VS4 - 0001 - 002	B - J 5106
	B - J 6352		B - J 6552		B - J 5110
	B - J 6361		B - J 6553	VS4 - 0001 - 003	B - J 5107
	B - J 6362		B - J 6573		B - J 6313
	B - J 6414		B - J 6577	VS4 - 0001 - 004	B - J 5108
	B - J 6452		B - J 6581	VS4 - 0001 - 006	B - J 5105
	B - J 6453		B - J 6585	VS4 - 0002 - 002	B - J 5106
	B - J 6454	VS1 - 6321 - 007	B - J 6205		B - J 5109
	B - J 6455		B - J 6205	VS4 - 0002 - 003	B - J 6313
	B - J 6465	VS1 - 6321 - 008	B - J 6351	VS4 - 0002 - 004	B - J 5108
	B - J 6466		B - J 6557	VS4 - 0002 - 006	B - J 5105
	B - J 6467		B - J 6606	VT2 - 5161 - 020	B - J 502
	B - J 6512	VS1 - 6321 - 009	B - J 6607		B - J 6272
	B - J 6513		B - J 6608	VT2 - 5161 - 022	B - J 308
	B - J 6517		B - J 6610	VT2 - 5161 - 024	B - J 307
	B - J 6523	VS1 - 6321 - 012	B - J 6610	VT2 - 5161 - 030	B - J 227
	B - J 6558	VS1 - 6328 - 032	107 - 19		B - J 901
	B - J 6559		B - J 6409		B - J 601
	B - J 6560	VS1 - 6380 - 002	B - J 5102		B - J 6613
	B - J 6561	VS1 - 6380 - 003	B - J 1		B - J 20
	B - J 6569		B - J 5101	VT2 - 5161 - 032	107 - 20
	B - J 6574	VS1 - 6380 - 004	B - J 3505		B - J 6409
	B - J 6578		B - J 3506	VT2 - 5161 - 038	B - J 1511
	B - J 6582		B - J 5103	VT2 - 5161 - 040	B - J 125
	B - J 6586	VS1 - 6380 - 006	B - J 4		B - J 131
	B - J 6604		B - J 1105		B - J 132
	B - J 6612	VS1 - 6380 - 008	B - J 6151		B - J 224
	B - J 6614	VS1 - 6534 - 002	B - J 6101		B - J 1513
VS1 - 6321 - 003	B - J 112		B - J 6105	VT2 - 5169 - 025	770 - 15
	B - J 118	VS1 - 6534 - 003	B - J 6287	WA7 - 1372 - 000	933 - 3
			B - J 6515		933 - 3



# D2 NUMERICAL INDEX (Color imageRUNNER C2050/2020/2058 iR C2100/2100S/2105/2105S)

PART NUMBER	FIGURE & KEY NO.	PART NUMBER	FIGURE & KEY NO.	PART NUMBER	FIGURE & KEY NO.
XB1 - 2400 - 609	265 - 502	XD1 - 1106 - 225	535 - 512	XD3 - 2200 - 142	360 - 507
	265 - 502		810 - 511		371 - 505
	267 - 501		510 - 505		265 - 507
	315 - 503		535 - 513		265 - 507
	350 - 501		310 - 502		267 - 505
	360 - 502	535 - 514	315 - 507		
	360 - 503	XD1 - 1108 - 225	106 - 507	XD3 - 2200 - 182	250 - 505
	365 - 501		112 - 509		265 - 508
	365 - 502		113 - 515		280 - 503
	370 - 501		810 - 512		290 - 506
	371 - 501		112 - 510		530 - 510
	510 - 503	XD1 - 4200 - 502	113 - 516	XD3 - 2300 - 182	530 - 510
	530 - 501		350 - 505	XD3 - 2300 - 262	270 - 504
	530 - 502		105 - 504	XD9 - 0079 - 000	710 - 19
	620 - 503		350 - 506	XD9 - 0104 - 000	310 - 74
	770 - 503		315 - 504	XD9 - 0108 - 000	315 - 59
	810 - 503	XD2 - 1100 - 132	350 - 507	XD9 - 0131 - 000	250 - 14
	108 - 501		530 - 506	XD9 - 0137 - 000	310 - 75
	530 - 503		535 - 515	XD9 - 0137 - 000	310 - 76
	535 - 504		535 - 516	XD9 - 0169 - 000	265 - 24
112 - 505	620 - 504			290 - 20	
113 - 507	810 - 513		315 - 60		
XB1 - 2401 - 009	112 - 506	XD2 - 1100 - 402	830 - 503	XD9 - 0194 - 000	320 - 9
	113 - 508		103 - 503	710 - 20	
XB1 - 2401 - 209	113 - 509		250 - 503	XD9 - 0202 - 000	290 - 21
	104 - 505		260 - 502	XD9 - 0205 - 000	310 - 77
XB1 - 2401 - 607	112 - 507		265 - 503	XF2 - 1143 - 310	250 - 15
	113 - 510		290 - 502	XF2 - 3312 - 660	107 - 27
XB1 - 2402 - 509	113 - 511		105 - 505	XF9 - 0393 - 000	316 - 15
	370 - 502		106 - 508	XF9 - 0568 - 000	310 - 78
XB1 - 2403 - 509	193 - 501		267 - 502	XF9 - 0708 - 000	535 - 66
XB1 - 2404 - 009	112 - 508		270 - 502	XF9 - 0709 - 000	360 - 53
XB1 - 2500 - 603	113 - 512	315 - 505	XF9 - 0710 - 000	360 - 54	
	270 - 501	320 - 501	XF9 - 0711 - 000	371 - 32	
XB1 - 2500 - 609	350 - 502	350 - 508	XG9 - 0172 - 000	260 - 9	
	810 - 504	360 - 505	XG9 - 0182 - 000	810 - 68	
XB2 - 4400 - 805	830 - 502	370 - 503	XG9 - 0242 - 000	370 - 35	
	101 - 504	530 - 507	XG9 - 0249 - 000	260 - 10	
XB2 - 7400 - 607	101 - 504	530 - 508	XG9 - 0250 - 000	265 - 25	
	101 - 505	535 - 517	XG9 - 0291 - 000	370 - 36	
	131 - 503	620 - 505	XG9 - 0403 - 000	310 - 79	
	XB2 - 8300 - 609	710 - 504	710 - 504	XG9 - 0415 - 000	535 - 67
		810 - 505	810 - 514	XG9 - 0422 - 000	810 - 69
	810 - 506	830 - 504	XG9 - 0423 - 000	350 - 35	
	XB2 - 8400 - 609	530 - 504	105 - 506	XH9 - 0059 - 000	109 - 4
		810 - 507	105 - 507	XZ9 - 0407 - 000	101 - 32 A
	XB2 - 8401 - 009	810 - 508	105 - 508	XZ9 - 0428 - 000	102 - 30
		101 - 506	106 - 509		102 - 31
XB4 - 7300 - 609	300 - 503	250 - 504			
	316 - 501	260 - 503			
XB4 - 7300 - 807	535 - 506	265 - 504			
	103 - 502	265 - 504			
	105 - 503	267 - 503			
	300 - 504	280 - 502			
	371 - 502	290 - 503			
	710 - 503	315 - 506			
	770 - 504	320 - 502			
	XB4 - 7301 - 009	535 - 507	350 - 509		
		535 - 508	360 - 506		
	XB4 - 7301 - 607	104 - 506	365 - 503		
300 - 505		370 - 504			
XB4 - 7400 - 809	350 - 503	371 - 503			
	316 - 502	530 - 509			
XB4 - 7401 - 007	101 - 507	535 - 518			
	985 - 501	810 - 515			
XB4 - 7401 - 207	300 - 506	830 - 505			
	190 - 501	270 - 503			
XB4 - 7401 - 209	191 - 501	535 - 519			
	192 - 501	830 - 506			
XB4 - 7403 - 509	194 - 501	310 - 503			
	535 - 509	316 - 503			
XB6 - 2300 - 609	350 - 504	XD2 - 2100 - 402	316 - 503		
XB6 - 7300 - 609	535 - 510	XD2 - 2100 - 502	105 - 509		
XB6 - 7300 - 809	104 - 507	XD2 - 2100 - 802	101 - 508		
XB6 - 7400 - 505	280 - 501	XD2 - 2300 - 802	310 - 504		
XB6 - 7400 - 605	510 - 504	XD3 - 1200 - 122	265 - 505		
	530 - 505	XD3 - 2200 - 102	267 - 504		
XB6 - 7400 - 807	535 - 511		370 - 505		
	360 - 504	XD3 - 2200 - 122	265 - 506		
XB7 - 1030 - 109	113 - 513		290 - 504		
	810 - 509		370 - 506		
XB7 - 2100 - 309	113 - 514		371 - 504		
	810 - 510		710 - 505		
XB7 - 2100 - 409	102 - 503		810 - 516		
XD1 - 1104 - 125	107 - 504	XD3 - 2200 - 142	260 - 504		
XD1 - 1104 - 132			290 - 505		

PART NUMBER	FIGURE & KEY NO.	PART NUMBER	FIGURE & KEY NO.	PART NUMBER	FIGURE & KEY NO.
FA9-3611-000	Z40 - 1	FG3-0828-000	Z90 -	PCB	Z B - J1
FB3-2811-000	Z15 - 2	FG3-0830-000	Z11 - 11		Z B - J650
FB3-2837-000	Z15 - 1	FG5-6288-000	Z11 - 15		Z B - J651
FB3-2844-000	Z40 - 2	FG6-5196-000	Z40 -		Z B - J652
FB3-2855-020	Z40 - 3	FG6-5197-000	Z20 -		Z B - J655
FB3-2856-020	Z40 - 4	FG6-5198-000	Z15 -		Z B - J657
FB3-2863-000	Z40 - 5	FG6-5861-000	Z35 -		Z B - J1601
FB3-2864-000	Z40 - 6	FG6-5862-000	Z91 -		Z B - J1602
FB3-2868-020	Z40 - 7	FG6-5866-000	Z32 - 2		Z B - J1603
FB3-2880-000	Z40 - 8	FG6-5867-000	Z32 - 2		Z B - J1604
FB3-2881-000	Z40 - 9	FG6-5872-000	Z32 - 3		Z B - J1607
FB3-2894-020	Z40 - 10	FG6-5874-000	Z32 - 3		Z B - J1608
FB3-2896-000	Z40 - 11	FG6-9254-000	Z15 - 2		Z B - J1740-3
FB3-2897-020	Z40 - 12	FG6-9255-000	Z35 -		Z B - J1740-4
FB3-2898-020	Z40 - 13	FG6-9256-000	Z15 -	RB1-6539-000	Z40 - 68
FB3-2937-000	Z11 - 2	FG6-9257-000	Z20 -	RB1-6592-000	Z40 - 69
FB3-2965-000	Z40 - 80	FH2-6480-000	Z B - J2009	RB2-3713-000	Z40 - 30
FB3-4149-000	Z40 - 14		Z B - J2010	VD5-0323-001	Z91 - FU1
FB3-4151-000	Z15 - 3	FH2-6481-000	Z B - J2000	VD7-0791-001	Z90 - FU1
FB3-4154-000	Z15 - 4		Z B - J2001	VD7-0795-001	Z90 - FU2
FB3-4155-000	Z40 - 15	FH2-6482-000	Z B - J2001	VS1-0002-002	Z B - J2018
FB3-4158-000	Z11 - 7A	FH2-6483-000	Z B - J2001	VS1-0842-003	Z B - J2005
FB3-5597-000	Z40 - 16	FH2-6552-000	Z95 - 16		Z B - J2006
FB4-2817-000	Z40 - 17	FH3-2580-000	Z95 - 17	VS1-0842-006	Z B - J2003
FB4-2987-000	Z40 - 18	FH4-5724-000	Z90 - IC2		Z B - J2004
FB4-3343-020	Z40 - 19	FH6-1696-000	Z40 - 40	VS1-0842-007	Z B - J651
FB4-3800-000	Z40 - 20	FH6-1699-000	Z20 - 1	VS1-0978-006	Z B - J1740-3
FB4-3801-000	Z40 - 21	FH6-1732-000	Z20 - 1		Z B - J1740-4
FB4-5347-000	Z40 - 22	FH7-4509-000	Z32 - 2A	VS1-5057-003	Z11 - 25A
FB4-5348-000	Z40 - 23	FH7-4669-000	Z32 - 2A	VS1-5057-006	Z11 - 14A
FB4-5349-000	Z40 - 24	FH7-5770-000	Z40 - 41		Z B - J2003
FB4-5350-000	Z40 - 25	FH7-5782-000	Z40 - 42		Z B - J2004
FB4-5364-000	Z40 - 26	FH7-7462-000	Z35 - 3	VS1-5057-012	Z11 - 14B
FB4-5365-000	Z40 - 27		Z40 - 43		Z B - J2002
FB4-5366-000	Z40 - 28	FS1-1401-000	Z20 - 2	VS1-5452-002	Z B - J2011
FB4-5367-000	Z40 - 29	FS1-1512-000	Z40 - 44	VS1-5452-007	Z B - J2000
FB4-6700-000	Z40 - 39	FS5-0390-000	Z40 - 76		Z B - J2009
FB5-1471-000	Z11 - 3	FS5-1164-000	Z40 - 82	VS1-5452-008	Z B - J2000
FB5-1529-000	Z32 - 1	FS5-1219-000	Z40 - 84		Z B - J2001
FB5-1746-000	Z10 - 1	FS5-1589-000	Z40 - 45		Z B - J2010
FB5-1747-000	Z10 - 2	FS5-1594-020	Z35 - 4	VS1-5820-002	Z95 - 7A
FB5-1748-000	Z10 - 3	FS5-1595-000	Z15 - 6		Z B - J2011
FB5-2340-000	Z15 - 5	FS5-1597-000	Z40 - 83	VS1-6258-002	Z B - CN3
FB5-3760-000	Z95 - 1	FS5-1598-000	Z15 - 7	VS1-6314-003	Z B - J2007
FB5-3769-000	Z10 - 4	FS5-1685-000	Z20 - 3	VS1-6314-007	Z B - J657
FB5-3771-000	Z10 - 5	FS5-3619-000	Z40 - 46		Z B - J6571
FB5-3772-000	Z10 - 6	FS5-3620-000	Z40 - 47	VS1-6314-008	Z B - J657
FB5-3773-000	Z11 - 4	FS5-6487-000	Z40 - 48		Z B - J6571
FB5-3801-000	Z11 - 5	FS5-9164-000	Z40 - 78	VS1-6314-014	Z B - J652
FB5-3851-000	Z40 - 31	FS5-9222-000	Z11 - 16	VS1-6314-018	Z B - J655
FB5-3852-000	Z40 - 32	FS5-9397-000	Z11 - 17		Z B - J1601
FB5-3853-000	Z40 - 33	FS5-9608-000	Z11 - 18	VS1-6320-006	Z B - J2003
FB5-3855-000	Z10 - 7	FS6-0564-000	Z40 - 49		Z B - J2004
FB5-3858-000	Z35 - 1	FS6-0565-000	Z40 - 50	VS1-6320-012	Z B - J2002
FB5-3928-000	Z11 - 1	FS6-0569-000	Z40 - 51	VS1-6321-003	Z B - J1607
FB5-8358-000	Z40 - 85	FS6-0570-000	Z40 - 52		Z B - J1608
FB6-4245-000	Z35 - 1	FS6-0572-000	Z40 - 53		Z B - J2008
FF3-1170-000	Z11 - 15A	FS6-0573-000	Z40 - 54	VS1-6380-006	Z B - J2017
FF3-1171-000	Z11 - 6	FS6-0574-000	Z40 - 55	VS3-5083-003	Z B - CN2
FF3-1318-000	Z11 - 7	FS6-0575-000	Z40 - 56	VS3-5083-004	Z B - CN1
FF3-2974-000	Z40 - 34	FS6-0576-000	Z40 - 57		Z B - J650
FF3-2975-000	Z40 - 35	FS6-0629-000	Z35 - 5	VS3-5083-005	Z B - J1
FF3-3887-000	Z95 - 2	FS6-0631-000	Z40 - 58	VS3-5121-002	Z B - J2016
FF3-4119-000	Z91 - 1	FS6-0634-000	Z20 - 4	VS3-5121-006	Z B - J2017
FF3-4134-000	Z11 - 25	FS6-0635-000	Z20 - 5	VS3-5122-002	Z B - J2016
FF5-4524-020	Z40 - 36	FS6-0637-000	Z40 - 59	WA3-1982-000	Z90 - IC1
FF5-4552-020	Z40 - 37	FS6-2308-000	Z15 - 8	WA4-6673-000	Z90 - IC3
FF5-4634-020	Z40 - 38	FS6-2325-000	Z40 - 60	WA4-6905-000	Z91 - IC1601
FF5-4908-000	Z35 - 2	FS6-2328-020	Z40 - 61	WD3-5073-000	Z95 - 15
FF5-9338-000	Z11 - 9	FS6-2330-000	Z40 - 62	WE8-5104-000	Z95 - 7B
FF6-0792-000	Z11 - 8	FS6-2331-000	Z40 - 63	WE8-5668-000	Z95 - 10A
FG3-0695-000	Z90 -	FS6-2900-000	Z40 - 64	WS3-5018-000	Z B - J2001
FG3-0800-000	Z11 - 10	FS7-0103-000	Z40 - 65	WS3-5044-000	Z B - J2000
FG3-0801-000	Z11 - 11	FS7-0104-000	Z40 - 66	WS3-5160-000	Z B - CN1
FG3-0802-000	Z11 - 12	FS7-0105-000	Z40 - 67		Z B - CN2
FG3-0803-000	Z11 - 13	FS7-0521-000	Z20 - 6		Z B - CN3
FG3-0804-000	Z11 - 14	FS7-2287-000	Z11 - 20		Z B - J1
FG3-0805-000	Z95 - 7	FS7-2288-000	Z11 - 21		Z B - J650
FG3-0806-000	Z95 - 8	FS7-2305-000	Z11 - 22	WS3-5291-000	Z B - J2016
FG3-0807-000	Z95 - 9	FS7-2363-000	Z15 - 9		Z B - J2017
FG3-0808-000	Z95 - 10	FS7-2547-000	Z11 - 19	WS3-5292-000	Z B - J2016
FG3-0809-000	Z95 - 11	FU3-0386-000	Z35 - 5		Z B - J2017
FG3-0810-000	Z95 - 12	PCB	Z B - CN1	WS3-5596-000	Z B - J2009
FG3-0811-000	Z95 - 13		Z B - CN2		Z B - J2010
FG3-0812-000	Z95 - 14		Z B - CN3	WS4-0217-000	Z B - J2018



# D3

## NUMERICAL INDEX (CASSETTE FEEDING UNIT-U1/U2)

PART NUMBER	FIGURE & KEY NO.	PART NUMBER	FIGURE & KEY NO.	PART NUMBER	FIGURE & KEY NO.
WT1-5020-000	Z95 - 6				
XA9-0265-000	Z11 - 10A				
	Z95 - 5				
XA9-0591-000	Z40 - 70				
XA9-0626-000	Z11 - 23				
	Z35 - 6				
XA9-0629-000	Z11 - 26				
	Z32 - 4				
	Z95 - 4				
XA9-0679-000	Z40 - 81				
XA9-0724-000	Z40 - 71				
XA9-0732-000	Z10 - 8				
	Z11 - 24				
	Z20 - 7				
XA9-0790-000	Z11 - 28				
XA9-0857-000	Z11 - 27				
XA9-0892-000	Z95 - 3				
XB1-2300-607	Z11 - 501				
	Z95 - 501				
XB1-2300-805	Z40 - 501				
XB1-2300-806	Z95 - 502				
XB1-2400-407	Z32 - 501				
XB1-2400-807	Z95 - 503				
XB1-2400-809	Z15 - 501				
	Z95 - 504				
XB1-2402-009	Z11 - 502				
XB2-7300-606	Z95 - 506				
XB2-8300-806	Z95 - 505				
XB4-7400-809	Z15 - 502				
XB6-7300-605	Z40 - 505				
XB6-7300-609	Z20 - 502				
XB6-7400-609	Z11 - 503				
XD1-1108-225	Z40 - 502				
XD2-1100-322	Z40 - 506				
XD2-1100-502	Z35 - 501				
XD2-1100-642	Z35 - 502				
XD2-1200-502	Z20 - 501				
XD2-2100-402	Z40 - 503				
XD2-2100-502	Z15 - 503				
XD3-1200-122	Z40 - 504				
XD3-2200-082	Z35 - 503				
XD9-0104-000	Z40 - 72				
XD9-0121-000	Z20 - 8				
XD9-0131-000	Z40 - 73				
XD9-0137-000	Z40 - 74				
XD9-0205-000	Z40 - 77				
XF9-0568-000	Z40 - 75				
XG9-0403-000	Z40 - 79				
XZ9-0367-000	Z11 - 29				
XZ9-0410-000	Z11 - 30				

# D4 NUMERICAL INDEX (PLAIN PEDESTAL-B1)

PART NUMBER	FIGURE & KEY NO.	PART NUMBER	FIGURE & KEY NO.	PART NUMBER	FIGURE & KEY NO.
FB1 - 6053 - 000	Z12 - 1				
FB3 - 2224 - 000	Z12 - 2				
FB3 - 4168 - 000	Z12 - 3				
FB3 - 4171 - 000	Z12 - 12				
FB3 - 4172 - 000	Z13 - 1				
FB5 - 1746 - 000	Z12 - 4				
FB5 - 1748 - 000	Z12 - 5				
FB5 - 3769 - 000	Z12 - 6				
FB5 - 3773 - 000	Z13 - 2				
FB5 - 3777 - 000	Z12 - 7				
FB5 - 3779 - 000	Z12 - 8				
FB5 - 3781 - 000	Z12 - 9				
FB5 - 3855 - 000	Z12 - 10				
FF5 - 9372 - 000	Z13 - 4				
FF6 - 0792 - 000	Z13 - 3				
XA9 - 0732 - 000	Z12 - 11				
	Z13 - 6				
XA9 - 0790 - 000	Z13 - 7				
XB4 - 7400 - 809	Z12 - 501				
XZ9 - 0367 - 000	Z13 - 8				
XZ9 - 0410 - 000	Z13 - 5				

# D5 NUMERICAL INDEX (POWER SUPPLY UNIT-L1)

PART NUMBER	FIGURE & KEY NO.	PART NUMBER	FIGURE & KEY NO.	PART NUMBER	FIGURE & KEY NO.
FG2- 9455- 000 FG5- 9847- 000 FH3- 0695- 000 FH3- 0725- 000 XB1- 2400- 607	K90 - 1 K90 - K90 - T 1 8 0 1 K90 - L 1 8 0 1 K90 - 5 0 1				

# D6 NUMERICAL INDEX (POWER SUPPLY UNIT-M1)

PART NUMBER	FIGURE & KEY NO.	PART NUMBER	FIGURE & KEY NO.	PART NUMBER	FIGURE & KEY NO.
FB5-3760-000	K91 - 1				
FF3-3887-000	K91 - 2				
FF3-3888-000	K91 - 3				
FF3-3889-000	K91 - 4				
FF3-3890-000	K91 - 5				
FF3-3891-000	K91 - 6				
FG3-0805-000	K91 - 7				
FG3-0806-000	K91 - 8				
FG3-0807-000	K91 - 9				
FG3-0808-000	K91 - 10				
FG3-0809-000	K91 - 11				
FG3-0810-000	K91 - 12				
FG3-0811-000	K91 - 13				
FG3-0812-000	K91 - 14				
FG3-0813-000	K91 - 14				
FG3-0814-000	K91 - 14				
FH2-5006-000	K91 - 15				
FH2-6480-000	KB - J2009				
	KB - J2010				
	KB - J2000				
FH2-6481-000	K91 - 16				
FH2-6552-000	K91 - 17				
FH3-2580-000	K91 - 17				
FH3-2581-000	K91 - 17				
VS1-5452-002	KB - J2011				
VS1-5452-007	KB - J2000				
	KB - J2009				
VS1-5452-008	KB - J2000				
	KB - J2010				
VS1-5820-002	K91 - 7A				
	KB - J2011				
VS1-6258-002	KB - CN3				
VS1-6380-006	KB - J2017				
VS3-5083-003	KB - CN2				
VS3-5083-004	KB - CN1				
VS3-5083-005	KB - J 1				
VS3-5121-002	KB - J2016				
VS3-5121-006	KB - J2017				
VS3-5122-002	KB - J2016				
WD3-5073-000	K91 - 18				
WE8-5104-000	K91 - 7B				
WE8-5668-000	K91 - 10A				
WS3-5044-000	KB - J2000				
WS3-5160-000	KB - CN1				
	KB - CN2				
	KB - CN3				
	KB - J 1				
WS3-5291-000	KB - J2016				
	KB - J2017				
WS3-5292-000	KB - J2016				
	KB - J2017				
WS3-5596-000	KB - J2009				
	KB - J2010				
WT1-5020-000	K91 - 19				
XA9-0265-000	K91 - 20				
	K91 - 21				
XA9-0629-000	K91 - 22				
XB1-2300-607	K91 - 501				
XB1-2300-806	K91 - 502				
XB1-2400-807	K91 - 503				
XB1-2400-809	K91 - 504				
	K91 - 505				
	K91 - 506				
XB1-2401-209	K91 - 507				
XB1-2402-509	K91 - 508				
XB1-2500-606	K91 - 509				
	K91 - 510				
XB2-7300-606	K91 - 511				
XB2-8300-806	K91 - 512				
XD1-4200-502	K91 - 513				
	K91 - 514				

# D7 NUMERICAL INDEX (PDL BOARD-A1)

PART NUMBER	FIGURE & KEY NO.	PART NUMBER	FIGURE & KEY NO.	PART NUMBER	FIGURE & KEY NO.
FE1-4868-000	K92 - 1				
FE1-5307-000	K92 - 2				
FE1-5308-000	K92 - 6				
FE1-5309-000	K92 - 3				
FE1-5310-000	K92 - 4				
FE1-5311-000	K92 - 5				
FE1-5312-000	K92 - 6				
FE1-5313-000	K92 - 7				
FE1-5321-000	K92 - 8				



Prepared by  
OFFICE IMAGING PRODUCTS DEVICE QUALITY ASSURANCE CENTER  
CANON INC.  
Printed in Japan

REVISION 0 [ OCT. 2000 ]  
REVISION 1 [ APR. 2002 ]

5-1, Hakusan 7-chome, Toride-shi, Ibaraki 302-8501, Japan



This publication is  
printed on 100%  
recycled paper.

**Canon**