

imageRUNNER
ADVANCE DX
C7780i/C7770i/C7765i

PARTS
CATALOG



Canon

April 20, 2020
Rev. 0

Index

SNL	Product Code No./Serial No.
A1A	ASSEMBLY LOCATION DIAGRAM (CASSETTE HEATER model)
A1B	ASSEMBLY LOCATION DIAGRAM (DECURLER model)
A2	OPTION PARTS CATALOG LIST
001B	ACCESSORIES (120V, 208V)
001C	ACCESSORIES (230V)
100B	EXTERNAL COVERS, PANELS, ETC.
101	INTERNAL COMPONENTS 1
102B	INTERNAL COMPONENTS 2
103	INTERNAL COMPONENTS 3
104A	INTERNAL COMPONENTS 4
105	INTERNAL COMPONENTS 5
106A	INTERNAL COMPONENTS 6 (WITH CASSETTE HEATER)
106B	INTERNAL COMPONENTS 6 (WITHOUT CASSETTE HEATER)
107	MACHINE BOTTOM PLATE
108	MACHINE REAR PLATE 1
109	MACHINE REAR PLATE 2
110	MACHINE REAR PLATE 3
111	MACHINE REAR PLATE 4
112	MACHINE REAR PLATE 5
113	MACHINE REAR PLATE 6
114	MACHINE REAR PLATE 7
115	MACHINE REAR PLATE 8
116	MULTI DOOR ASSEMBLY
117	VERTICAL PATH DOOR ASSEMBLY
118	REVERSE DELIVERY DOOR ASSEMBLY
119	FRONT INNER DOOR ASSEMBLY
130	FLAT CONTROL PANEL ASSEMBLY
132	CONTROL LEFT COVER ASS'Y
140B	POWER SUPPLY ASSEMBLY (208V)
140C	POWER SUPPLY ASSEMBLY (120V)
140D	POWER SUPPLY ASSEMBLY (230V C7780i)
140E	POWER SUPPLY ASSEMBLY (230V C7770i, C7765i)
191	PRE-FIXING FEED FAN ASSEMBLY
192	FIXING EXHAUST FAN ASSEMBLY
193	PRIMARY CORONA EXHAUST ASS'Y
250	DRUM DRIVE ASS'Y, (Y/M/C)
251	DRUM DRIVE ASSEMBLY, BLACK
260	DECK DRIVE ASSEMBLY, LEFT
261	VERTICAL PATH DRIVE ASS'Y

Index

263	MULTI DRIVE ASSEMBLY
270	DEVELOPING DRIVE ASS'Y, COLOR
271	DEVELOPING DRIVE ASS'Y, BLACK
272	2ND TRNS. EST. DRIVE ASS'Y
273	WASTE TONER DRIVE ASSEMBLY
300	PAPER DECK ASSEMBLY, RIGHT
301	PAPER DECK ASSEMBLY, LEFT
302	CASSETTE ASSEMBLY
305	CASSETTE HEATER ASSEMBLY (CASSETTE HEATER model)
310	PAPER PICK-UP ASSEMBLY (RIGHT)
311	PAPER PICK-UP ASSEMBLY (LEFT)
315B	MULTI TRAY ASSEMBLY
316	MULTI DOOR PAPER PICK-UP ASS'Y
320	REGISTRATION ASSEMBLY
321	REG. PATCH SENSING ASSEMBLY
330	FIXING/FEED ASSEMBLY
331	PRE-FIXING PAPER FEED ASSEMBLY
350	REVERSE PAPER DELIVERY ASS'Y
460A	LASER SCANNER ASSEMBLY (COLOR)
460B	LASER SCANNER ASSEMBLY
510	HOLDER UNIT, DRUM UNIT
530	I. T. B. FRAME ASSEMBLY
531	TRANSFER PRESSURE ASS'Y, FRONT
532	PRE-TRANSFER CORONA ASSEMBLY
533	TRANSFER CLEANING ASSEMBLY
550	PRIMARY CORONA ASSEMBLY
580	SECONDARY TRANSFER ASSEMBLY
620	HOPPER MOUNT ASSEMBLY, COLOR
621	HOPPER ASSEMBLY, COLOR
622	HOPPER ASSEMBLY, BLACK
623	BOTTLE TRAY ASSEMBLY, COLOR
624	BOTTLE TRAY ASSEMBLY, BLACK
625	TONER CONTAINER COVER ASS'Y
640	DEVELOPING ASSEMBLY
770	WASTE TONER FEEDER ASSEMBLY
771	WASTE TONER BOTTLE CASE ASS'Y
772	CONTAINER, WASTE TONER, WT-204
810A	FIXING ASSEMBLY, 100V/120V
810B	FIXING ASSEMBLY, 200V/208V/230V
811	FIXING BASE ASSEMBLY

Index

812	FIXING FRAME ASSEMBLY
830	FIXING CLEANER ASSEMBLY
840	FIXING DRIVE ASSEMBLY
850	INNER PAPER DELIVERY ASSEMBLY
900A	CONTROLLER BOX ASSEMBLY
910	DC POWER SUPPLY BOX ASSEMBLY
911	IH POWER SUPPLY BOX ASSEMBLY
912	HEATER POWER SUPPLY PCB ASS'Y
913	RELAY PCB ASSEMBLY
930	DC CONTROLLER PCB ASS'Y
931	RISER PCB ASSEMBLY
932A	MAIN CONTROLLER PCB ASSEMBLY (C7780 Series)
932B	MAIN CONTROLLER PCB ASSEMBLY (C7770 Series)
932C	MAIN CONTROLLER PCB ASSEMBLY (C7765 Series)
950	LASER INTERFACE PCB ASSEMBLY
960	PAPER PICK-UP DRIVER PCB ASS'Y
961	MULTI DRIVER PCB ASSEMBLY
962	SIDE DRIVER PCB ASSEMBLY
965	FIXING/FEEDER DRIVER PCB ASS'Y
967	DRUM DRIVER PCB ASS'Y
983	DRUM POST HIGH VOLTAGE ASS'Y
984	POST HIGH VOLTAGE PCB ASSEMBLY
985	COLOR 1ST CORONA H. V. PCB
987	2ND TRANSFER HIGH VOLTAGE PCB
B01	MOUNTING HARDWARE (ADF model)
B11B	INTERNAL COMPONENTS 1 (ADF model)
B12B	INTERNAL COMPONENTS 2 (ADF model)
B13	INTERNAL COMPONENTS 3 (ADF model)
B14	INTERNAL COMPONENTS 4 (ADF model)
B15	DOCUMENT TRAY ASSEMBLY (ADF model)
B16	OPEN/CLOSE COVER ASSEMBLY (ADF model)
B17	BASE FRAME ASSEMBLY (ADF model)
B40	PLATEN GUIDE ASS'Y (ADF model)
B90	DF DRIVER PCB ASSEMBLY (ADF model)
D11B	READER ASSEMBLY (ADF model)
D90A	READER CONTROLLER PCB ASSEMBLY (ADF model)
M01	DECURLER PATH ACCESSORY ASS'Y (DECURLER model)
M30	DECURLER PATH ASSEMBLY (DECURLER model)
M31	ROTATION FRAME ASSEMBLY (DECURLER model)
ZZA	MECHANICAL STANDARD PARTS (HOW TO USE)

Index

ZZB	MECHANICAL STANDARD PARTS (SCREWS)
ZZC	MECHANICAL STANDARD PARTS (BOLTS)
ZZD	MECHANICAL STANDARD PARTS (NUTS)
ZZE	MECHANICAL STANDARD PARTS (RETAINING RINGS)

Figure SNL (1/2) Product Code No./Serial No.

	Product Code No.	Model Name	Remarks	Serial No.
1	F17-5231-000	imageRUNNER ADVANCE DX C7780i	208V DECURLER model	24B
2	F17-5236-000	imageRUNNER ADVANCE DX C7780i	208V DECURLER model	3FD
3	F17-5241-000	imageRUNNER ADVANCE DX C7780i	230V CASSETTE HEATER model	24C
4	F17-5246-000	imageRUNNER ADVANCE DX C7780i	230V CASSETTE HEATER model	3FF
5	F17-5232-000	imageRUNNER ADVANCE DX C7770i	120V DECURLER model	24H
6	F17-5237-000	imageRUNNER ADVANCE DX C7770i	120V DECURLER model	3FK
7	F17-5242-000	imageRUNNER ADVANCE DX C7770i	230V CASSETTE HEATER model	24J
8	F17-5247-000	imageRUNNER ADVANCE DX C7770i	230V CASSETTE HEATER model	3FM
9	F17-5234-000	imageRUNNER ADVANCE DX C7765i	120V DECURLER model	24P
10	F17-5239-000	imageRUNNER ADVANCE DX C7765i	120V DECURLER model	3FR
11	F17-5244-000	imageRUNNER ADVANCE DX C7765i	230V CASSETTE HEATER model	24Q
12	F17-5249-000	imageRUNNER ADVANCE DX C7765i	230V CASSETTE HEATER model	3FT

Figure SNL (2/2) Product Code No./Serial No.

	中オーダー	製品名	備考	シリアル No.
1	F17-5231-000	imageRUNNER ADVANCE DX C7780i	208V DECURLER model	24B
2	F17-5236-000	imageRUNNER ADVANCE DX C7780i	208V DECURLER model	3FD
3	F17-5241-000	imageRUNNER ADVANCE DX C7780i	230V CASSETTE HEATER model	24C
4	F17-5246-000	imageRUNNER ADVANCE DX C7780i	230V CASSETTE HEATER model	3FF
5	F17-5232-000	imageRUNNER ADVANCE DX C7770i	120V DECURLER model	24H
6	F17-5237-000	imageRUNNER ADVANCE DX C7770i	120V DECURLER model	3FK
7	F17-5242-000	imageRUNNER ADVANCE DX C7770i	230V CASSETTE HEATER model	24J
8	F17-5247-000	imageRUNNER ADVANCE DX C7770i	230V CASSETTE HEATER model	3FM
9	F17-5234-000	imageRUNNER ADVANCE DX C7765i	120V DECURLER model	24P
10	F17-5239-000	imageRUNNER ADVANCE DX C7765i	120V DECURLER model	3FR
11	F17-5244-000	imageRUNNER ADVANCE DX C7765i	230V CASSETTE HEATER model	24Q
12	F17-5249-000	imageRUNNER ADVANCE DX C7765i	230V CASSETTE HEATER model	3FT

FIGURE & KEY NO.	PART NUMBER	RANK	QTY	DESCRIPTION	SERIAL NUMBER /REMARKS
SNL	NPN		RF	Product Code No./Serial No.	
1	F17-5231-000		1	imageRUNNER ADVANCE DX C7780i	24B 208V DECURLER model
2	F17-5236-000		1	imageRUNNER ADVANCE DX C7780i	3FD 208V DECURLER model
3	F17-5241-000		1	imageRUNNER ADVANCE DX C7780i	24C 230V CASSETTE HEATER model
4	F17-5246-000		1	imageRUNNER ADVANCE DX C7780i	3FF 230V CASSETTE HEATER model
5	F17-5232-000		1	imageRUNNER ADVANCE DX C7770i	24H 120V DECURLER model
6	F17-5237-000		1	imageRUNNER ADVANCE DX C7770i	3FK 120V DECURLER model
7	F17-5242-000		1	imageRUNNER ADVANCE DX C7770i	24J 230V CASSETTE HEATER model
8	F17-5247-000		1	imageRUNNER ADVANCE DX C7770i	3FM 230V CASSETTE HEATER model
9	F17-5234-000		1	imageRUNNER ADVANCE DX C7765i	24P 120V DECURLER model
10	F17-5239-000		1	imageRUNNER ADVANCE DX C7765i	3FR 120V DECURLER model
11	F17-5244-000		1	imageRUNNER ADVANCE DX C7765i	24Q 230V CASSETTE HEATER model
12	F17-5249-000		1	imageRUNNER ADVANCE DX C7765i	3FT 230V CASSETTE HEATER model

Figure A1A (1/8) ASSEMBLY LOCATION DIAGRAM (CASSETTE HEATER model)

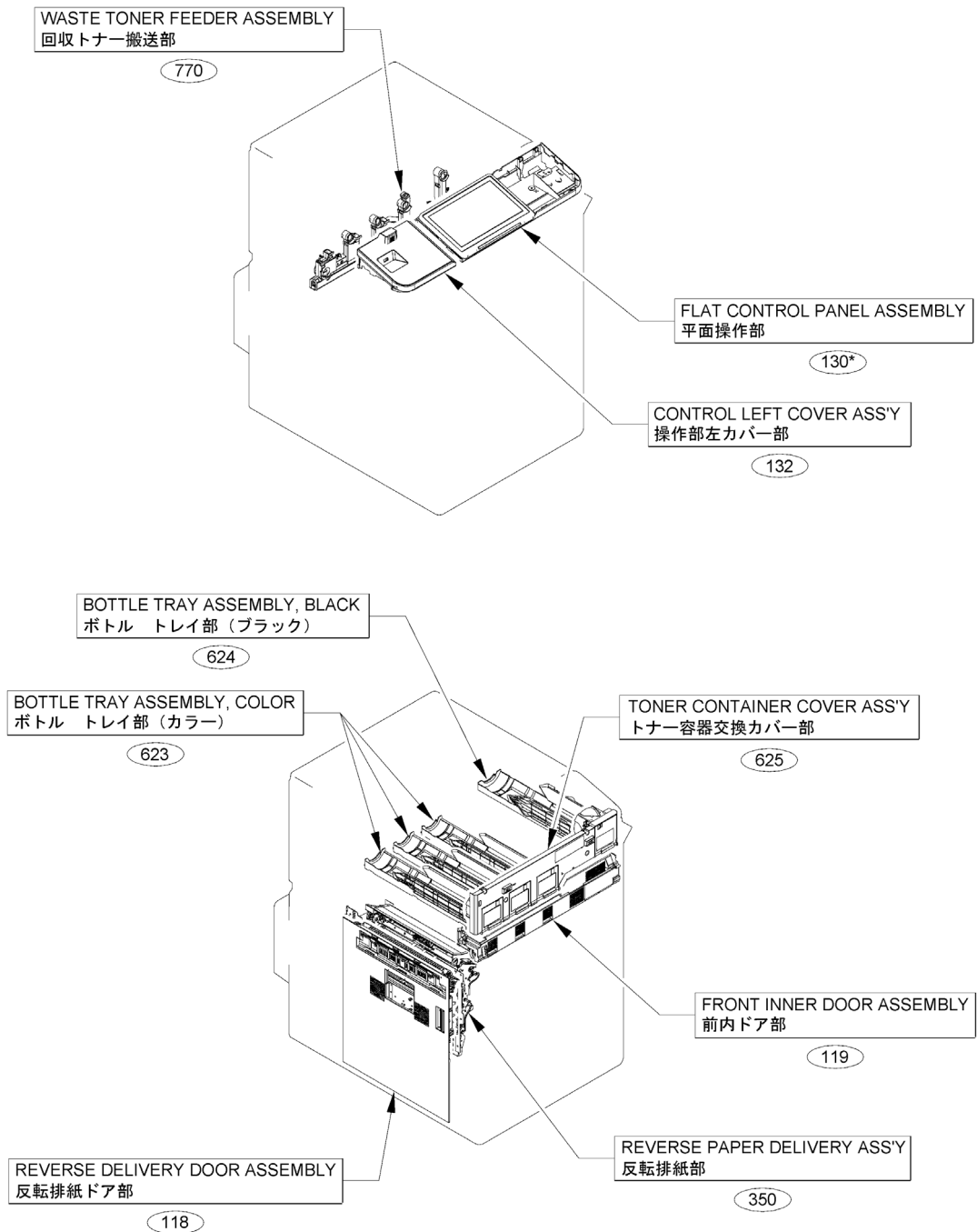


Figure A1A (2/8) ASSEMBLY LOCATION DIAGRAM (CASSETTE HEATER model)

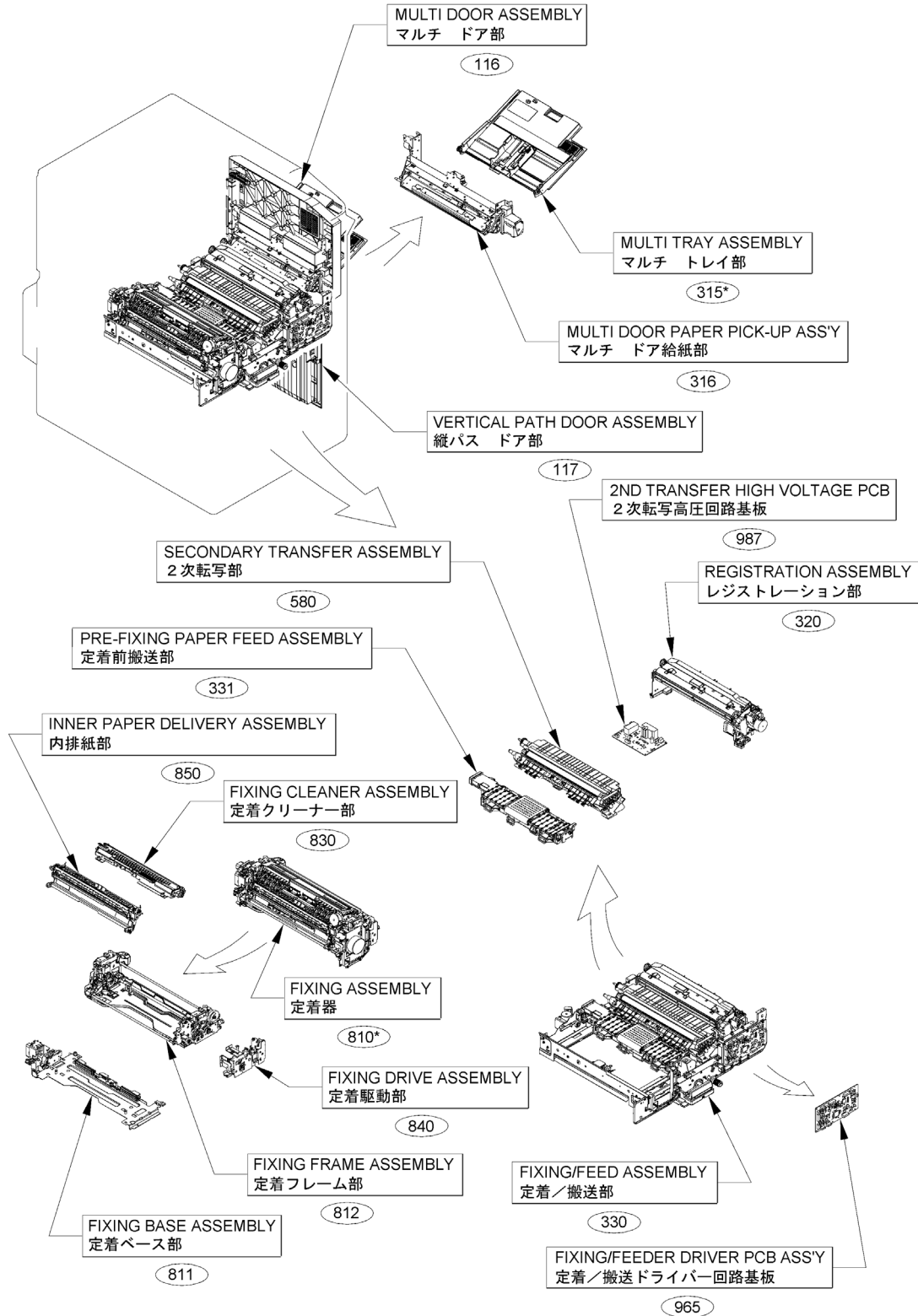


Figure A1A (3/8) ASSEMBLY LOCATION DIAGRAM (CASSETTE HEATER model)

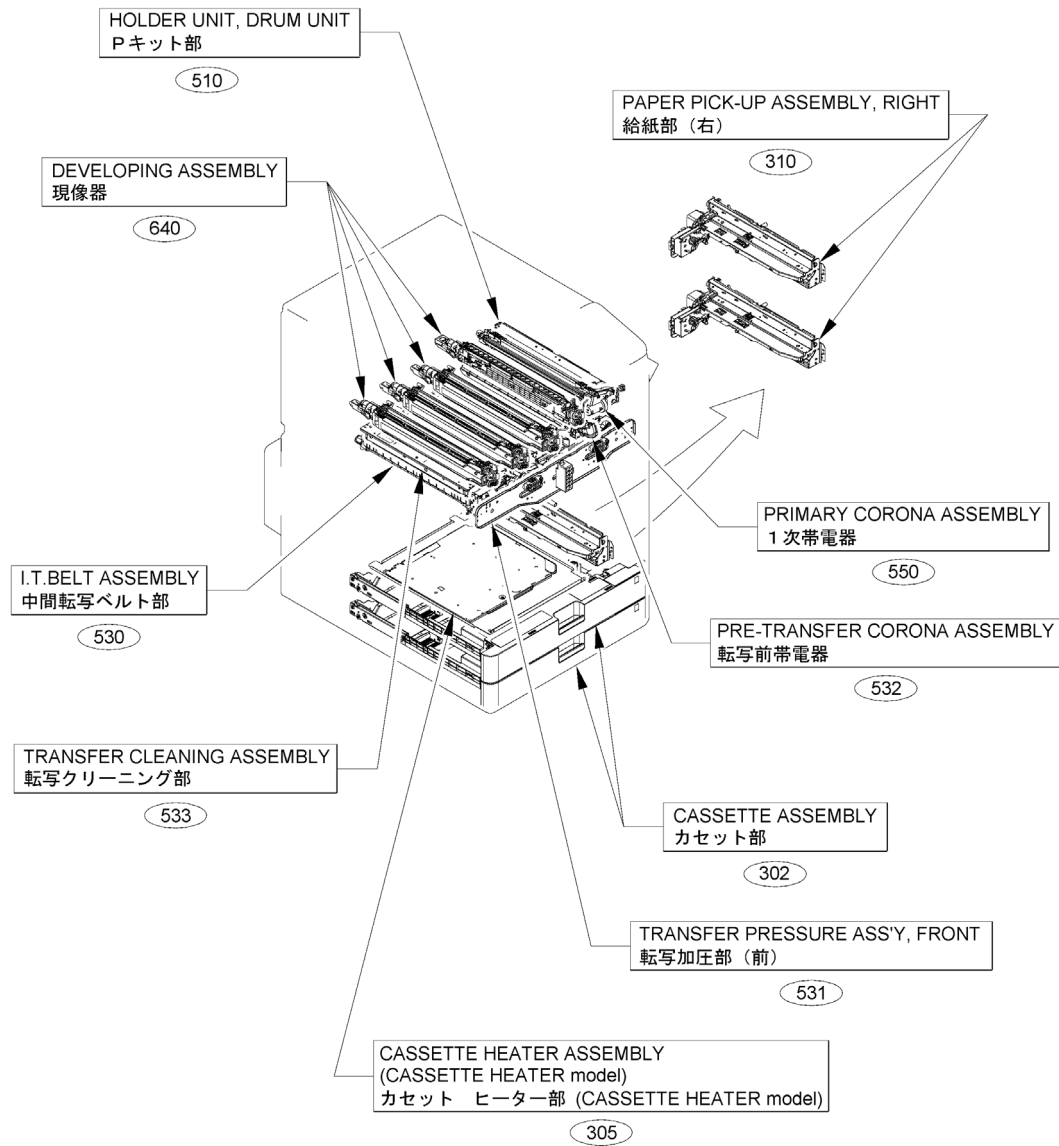


Figure A1A (4/8) ASSEMBLY LOCATION DIAGRAM (CASSETTE HEATER model)

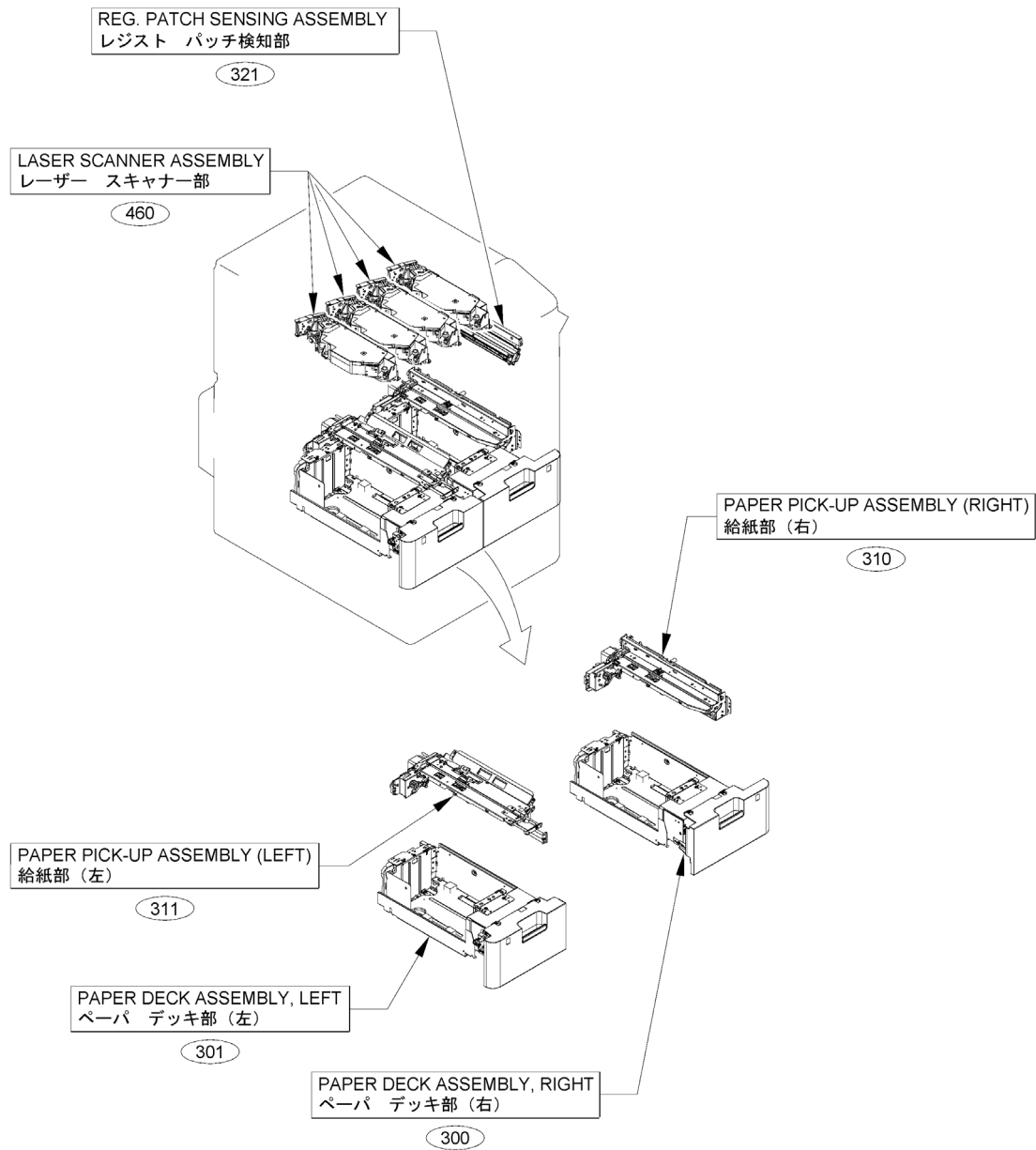


Figure A1A (5/8) ASSEMBLY LOCATION DIAGRAM (CASSETTE HEATER model)

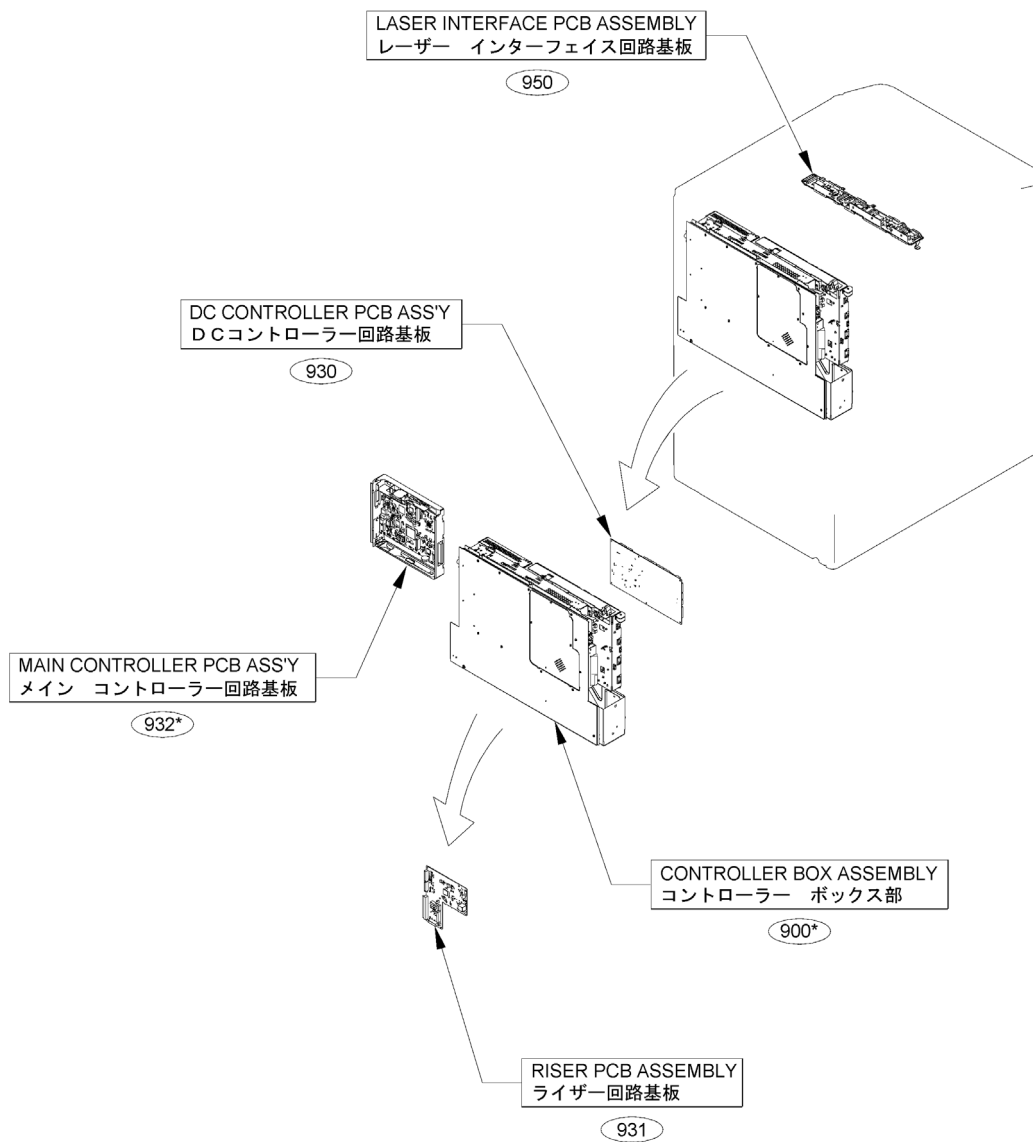


Figure A1A (6/8) ASSEMBLY LOCATION DIAGRAM (CASSETTE HEATER model)

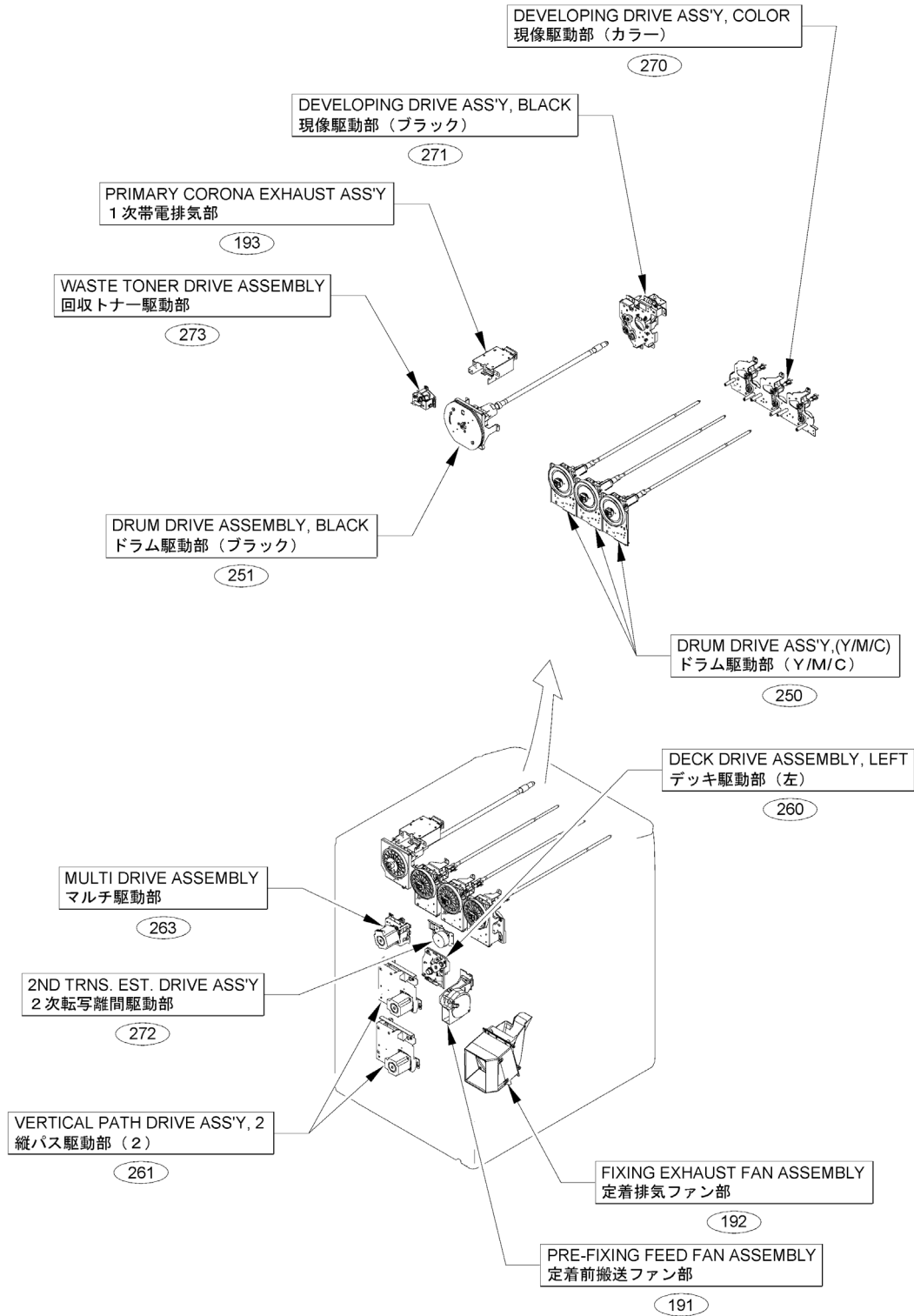


Figure A1A (7/8) ASSEMBLY LOCATION DIAGRAM (CASSETTE HEATER model)

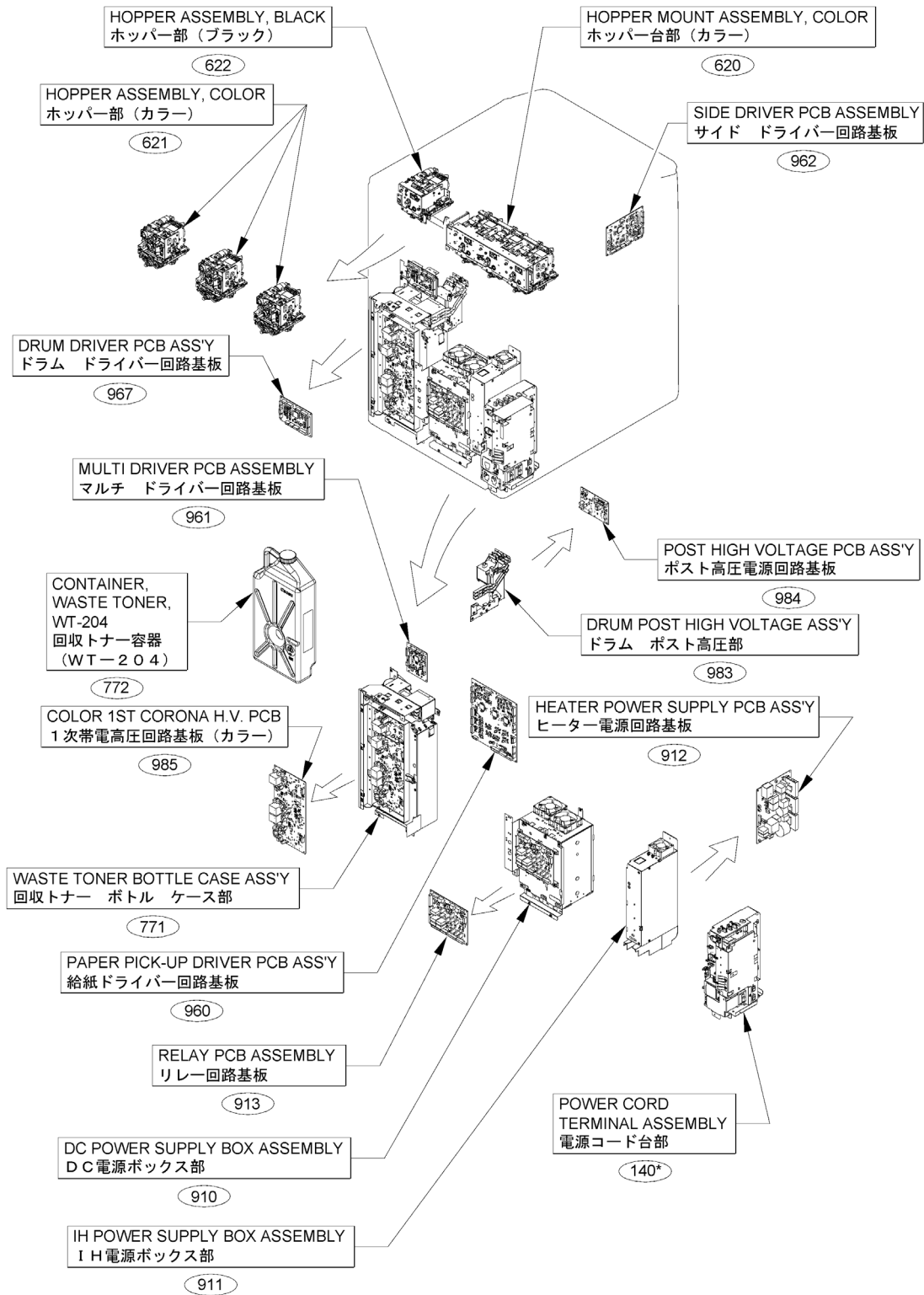


Figure A1A (8/8) ASSEMBLY LOCATION DIAGRAM (CASSETTE HEATER model)

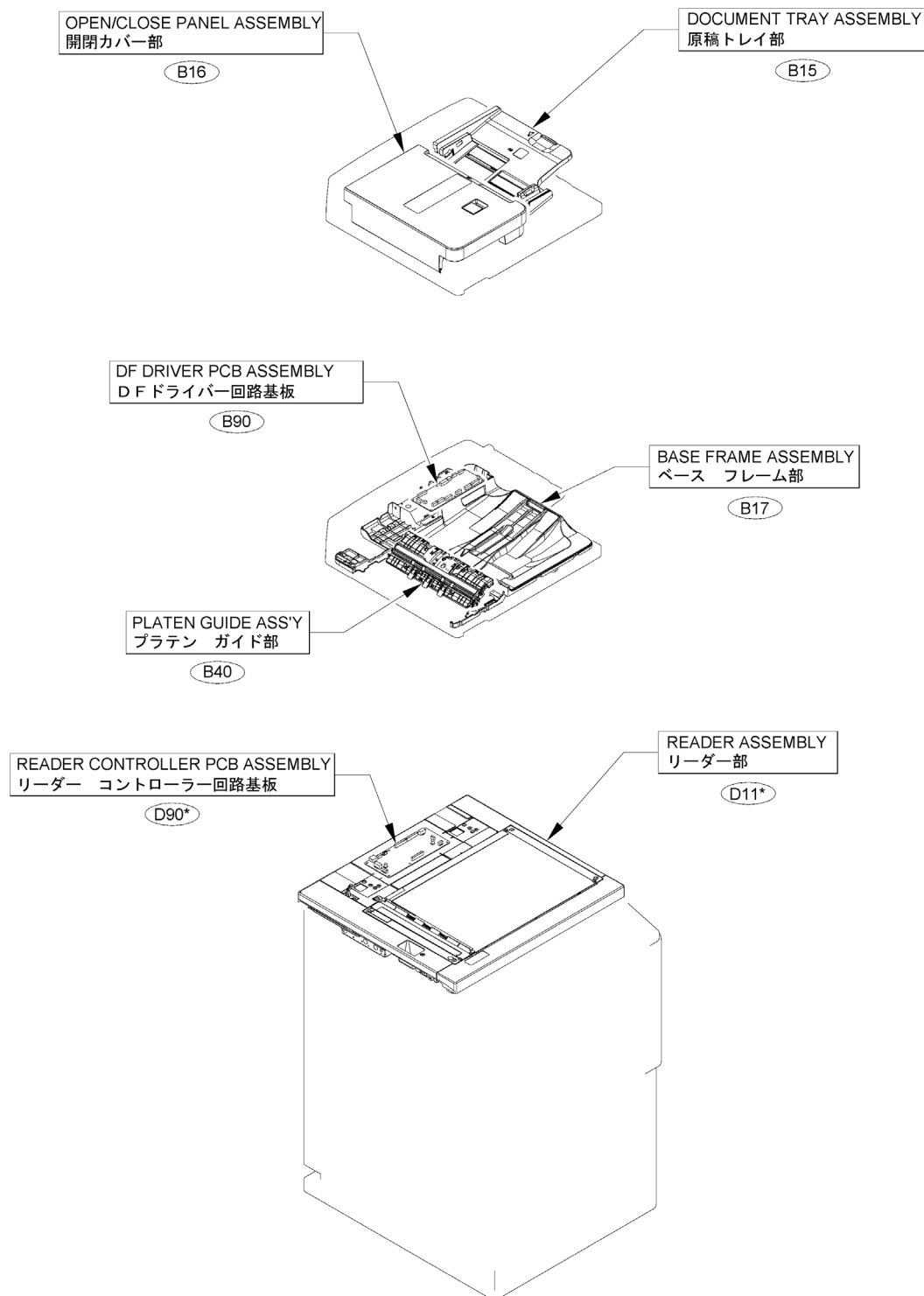


Figure A1B (1/8) ASSEMBLY LOCATION DIAGRAM (DECURLER mode I)

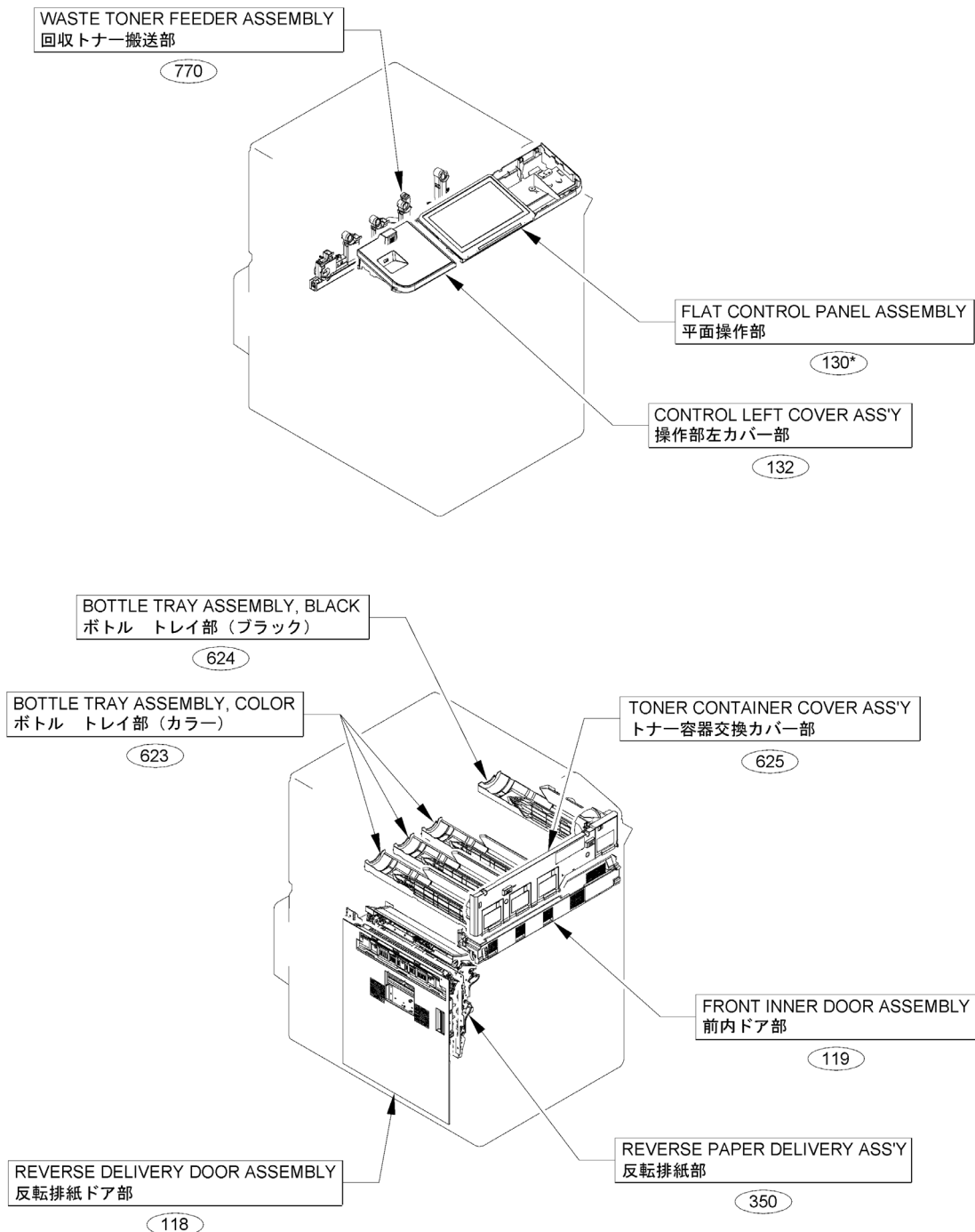


Figure A1B (2/8) ASSEMBLY LOCATION DIAGRAM (DECURLER mode I)

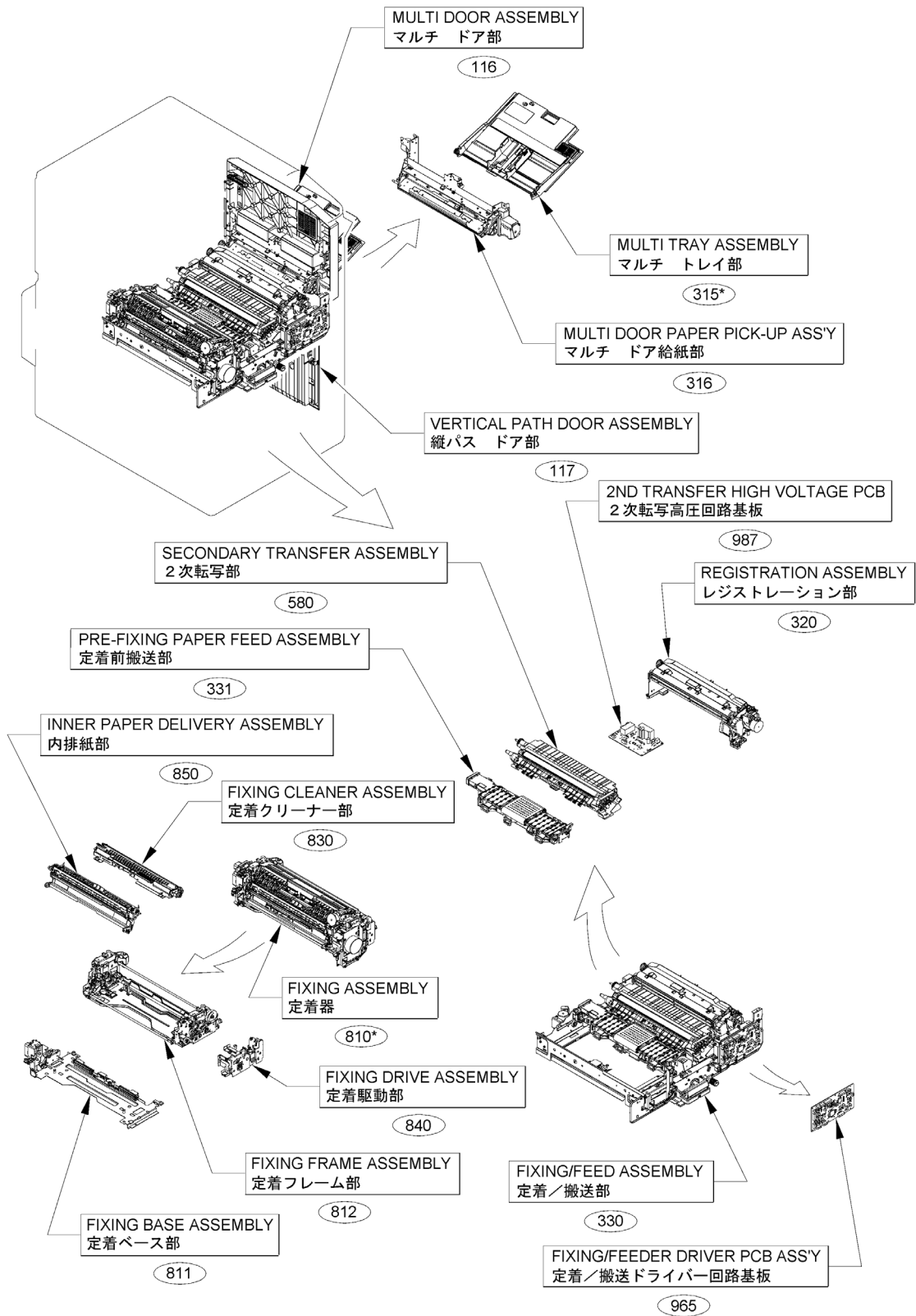


Figure A1B (3/8) ASSEMBLY LOCATION DIAGRAM (DECURLER mode I)

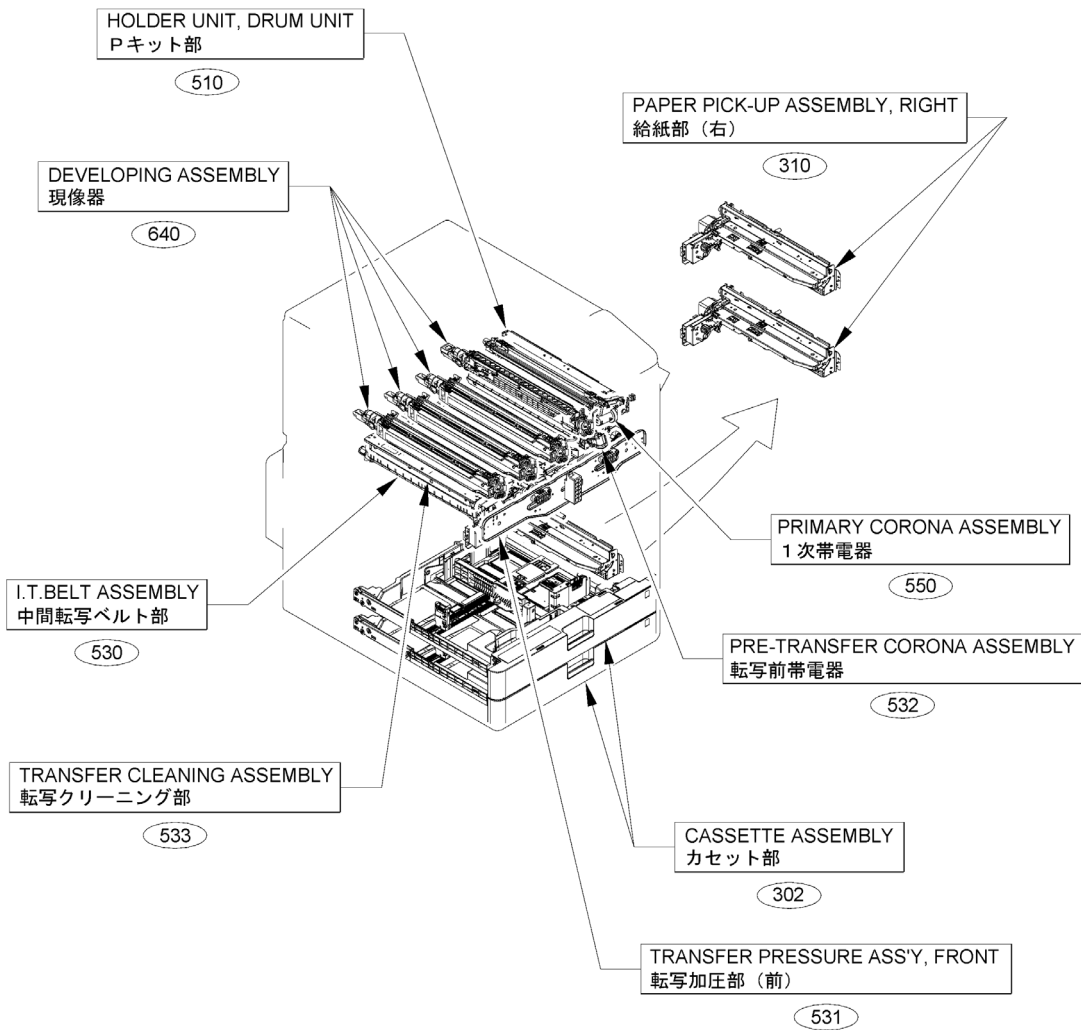


Figure A1B (4/8) ASSEMBLY LOCATION DIAGRAM (DECURLER mode I)

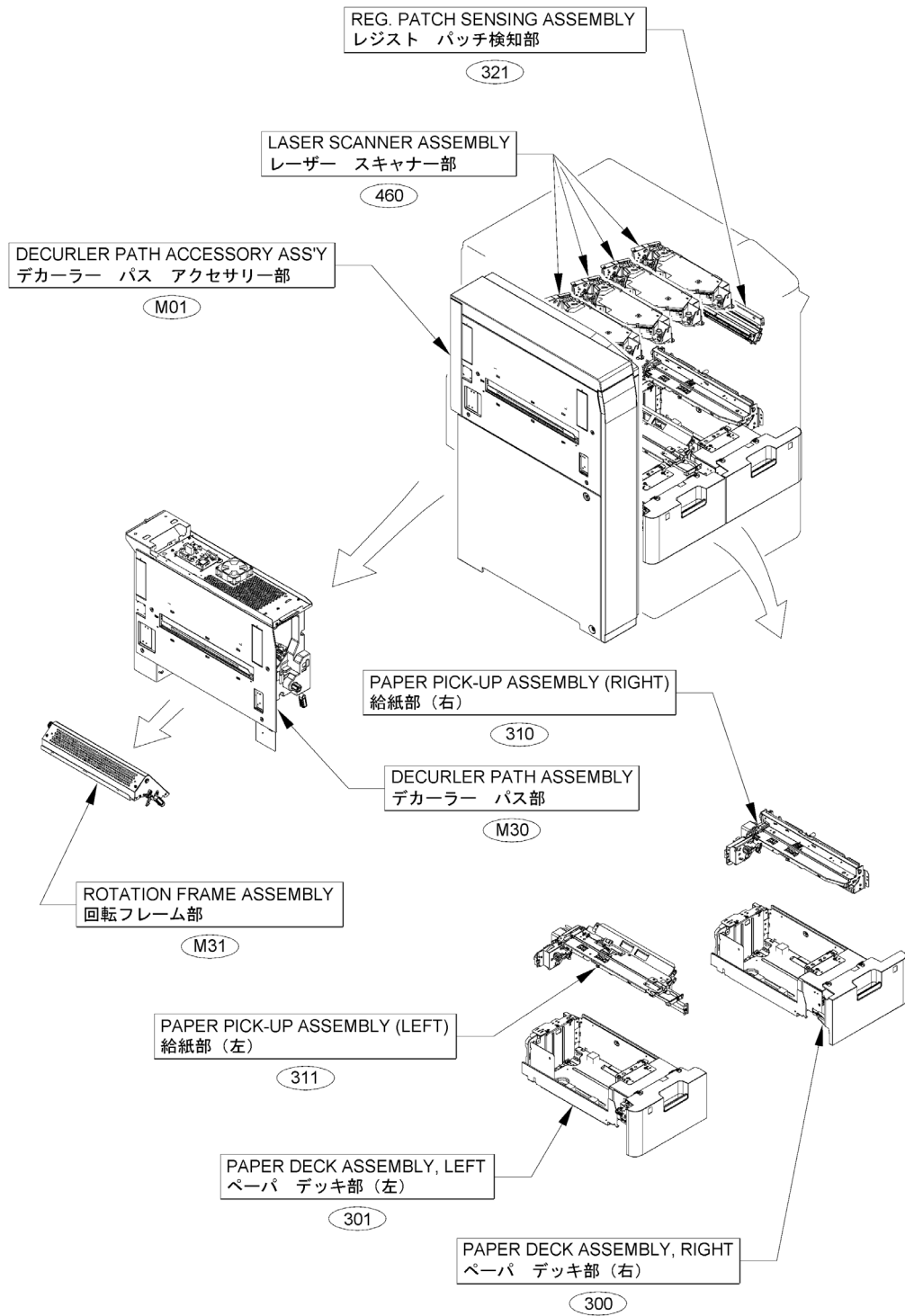


Figure A1B (5/8) ASSEMBLY LOCATION DIAGRAM (DECURLER mode I)

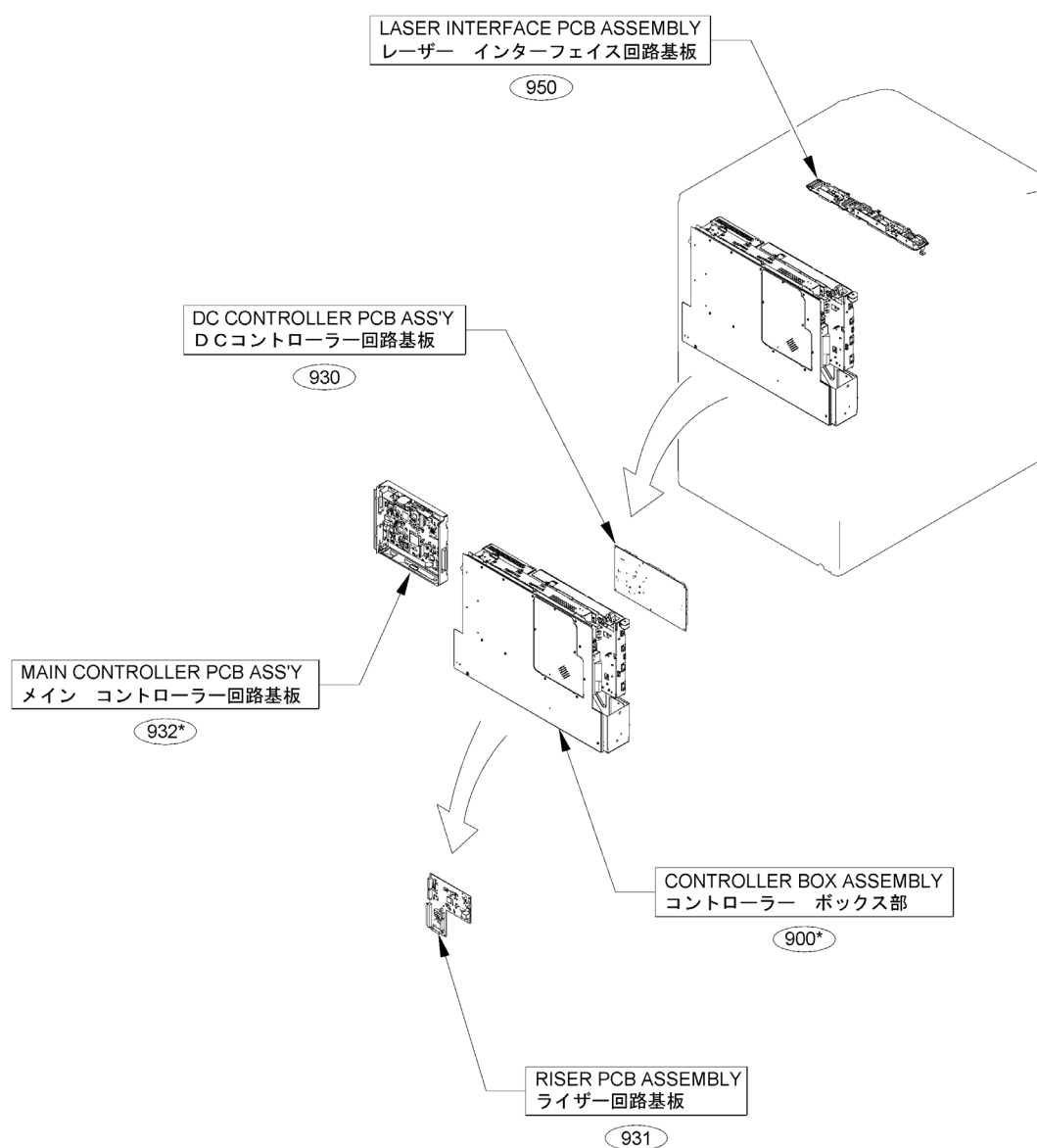


Figure A1B (6/8) ASSEMBLY LOCATION DIAGRAM (DECURLER mode I)

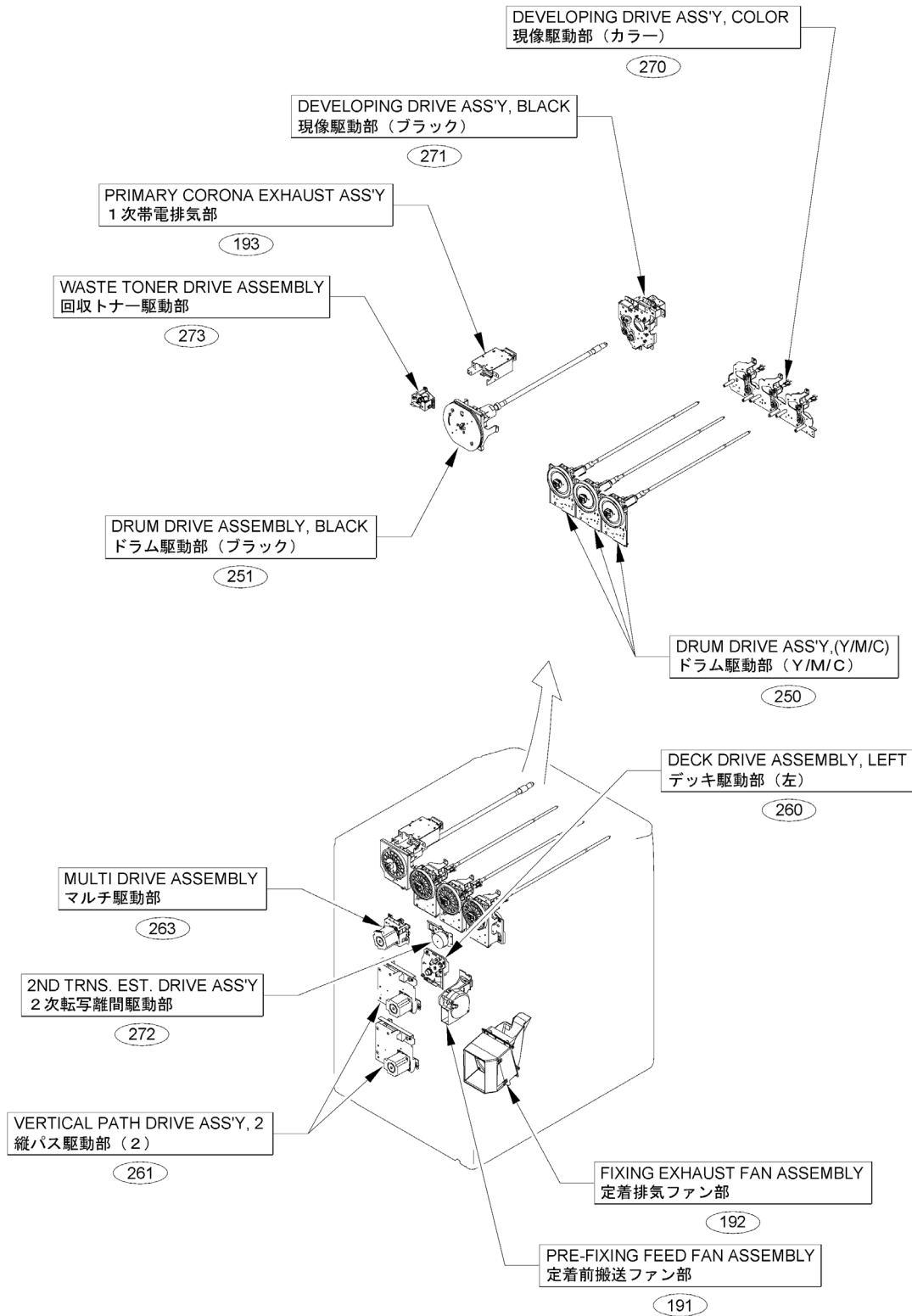


Figure A1B (7/8) ASSEMBLY LOCATION DIAGRAM (DECURLER mode I)

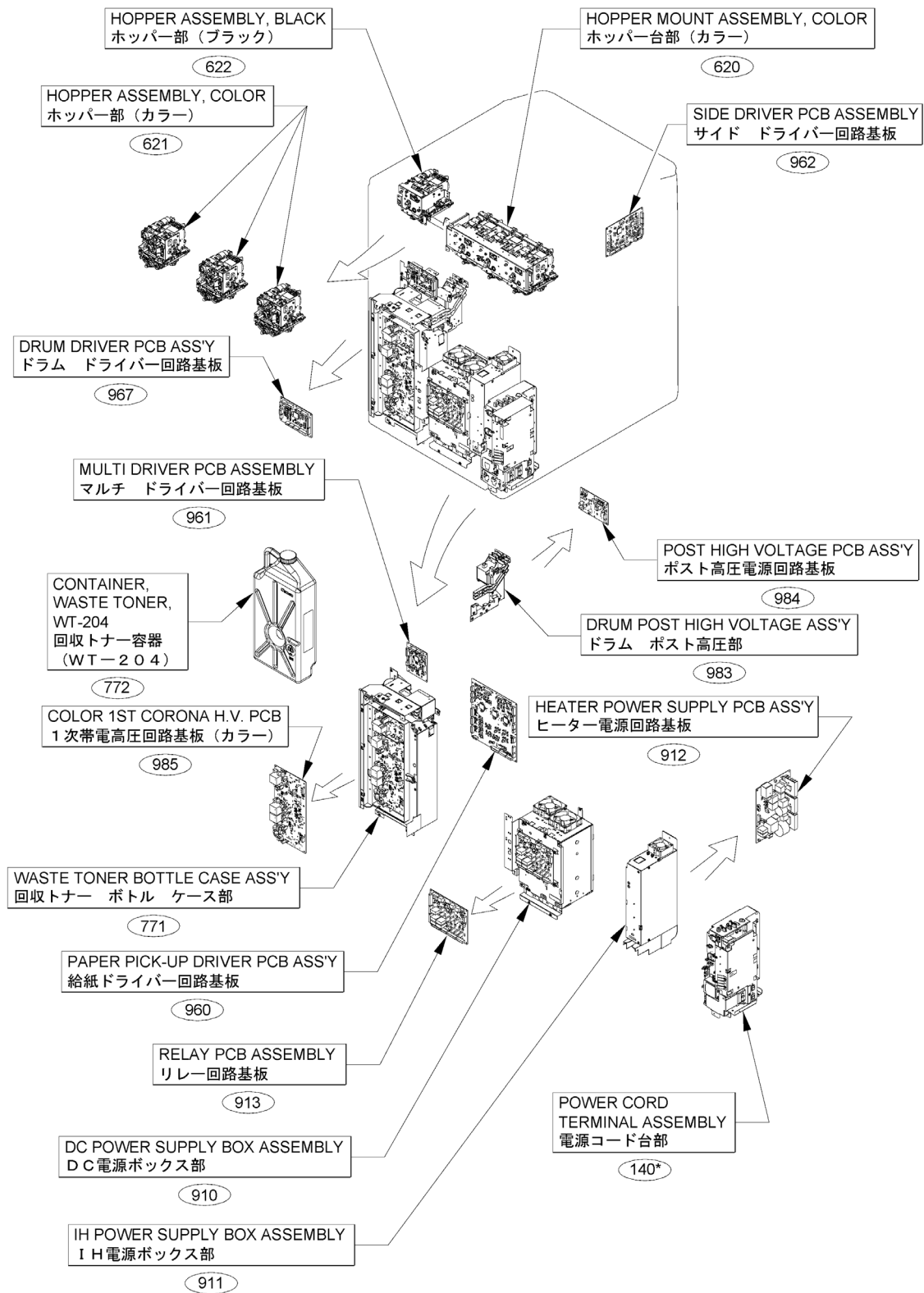


Figure A1B (8/8) ASSEMBLY LOCATION DIAGRAM (DECURLER mode I)

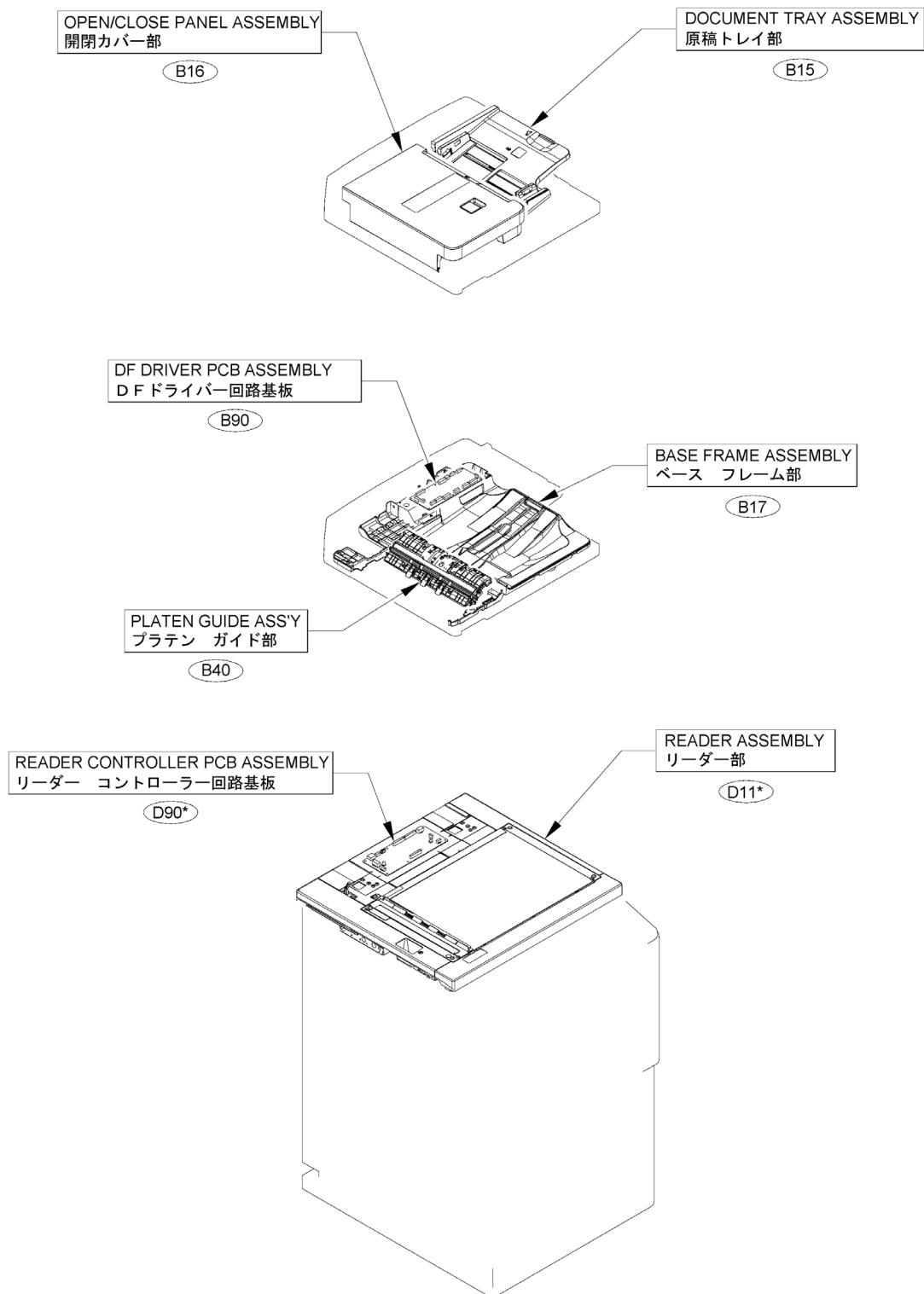


Figure A2 (1/2)OPTION PARTS CATALOG LIST

This is the table of the machine's options whose parts catalog is issued.
 本機のオプションで、パーツカタログが発行されている機種の一覧である。

No.	Model Name(English)	Model Name(Japanese)
1	(JAPAN ONLY)	原稿台カバー・Y 2
2	ADF Access Handle-A1	A D Fアクセスハンドル・A 1
3	Printer Cover-H2	プリンタカバー・H 2
4	Upright Control Panel-J1	立面操作部・J 1
5	NFC Kit-E1	N F Cキット・E 1
6	Paper Deck Unit-E1	ペーパーデッキユニット・E 1
7	POD Deck Lite-C1	P O Dデッキライト・C 1
8	Multi-drawer Paper Deck-C1	多段デッキ・C 1
9	Tab Feeding Attachment-F1	インデックス紙アタッチメント・F 1
10	Envelope Feeder Attachment-F1	封筒搬送キット・F 1
11	Envelope Feeder Attachment-G1	封筒搬送キット・G 1
12	Double Feeding Detection Kit-A1 (Paper Deck/Multi-Drawer Paper Deck)	重送検知キット・A1 (ペーパーデッキ/多段デッキ)
13	Copy Tray-R1/R2	コピートレイ・R 1 / R 2
14	Staple Finisher-X1/Booklet Finisher-X1	ステイブルフィニッシャー・X 1 / 中綴じフィニッシャー・X 1
15	Staple Finisher-AC1/Booklet Finisher-AC1	ステイブルフィニッシャー・A C 1 / 中綴じフィニッシャー・A C 1
16	Document Insertion Unit-N1	インサーター・N 1
17	Document Insertion Unit-Q1	(日本仕向けなし)
18	2/3 Hole, 2/4 Hole, 4 Hole Puncher Unit-A1	2 / 3 穴、2 / 4 穴、 4 穴パンチャーユニット・A 1
19	Puncher Unit-BE1/BF1/BG1/BH1	パンチャーユニット・B E 1 / B F 1 / B G 1 / B H 1
20	Multi Function Professional Puncher-B1	(日本仕向けなし)
21	Document Insertion / Folding Unit-K1	ペーパーフォールディング インサーターユニット・K 1
22	Paper Folding Unit-J1	ペーパーフォールディングユニット・J 1
23	Inner Booklet Trimmer-A1	インナートリマー・A 1
24	BUFFER PASS UNIT-M1	バッファークラスユニット・M 1
25	Reader Heater-P1	Reader Heater-P1
26	Cassette Heater Unit-38	カセットヒーターユニット 3 8
27	Paper Deck Heater Unit-A1	ペーパーデッキヒーターユニット・A 1
28	Utility Tray-B1	ユーティリティートレイ・B 1
29	Copy Card Reader Attachment-A4	コピーカードリーダー取付けキット・A 4
30	Numeric Keypad-A1	テンキー・A 1
31	Super G3 FAX Board-AS1	スーパーG3 FAX ボード・A S 1
32	Super G3 FAX Board-AS2	(日本仕向けなし)
33	SUPER G3 FAX BD-BA1	スーパーG3 FAX ボード・B A 1
34	Super G3 2nd Line Fax Board-AS1	G 3 回線増設キット (2 回線) ・A S 1
35	Super G3 2nd Line Fax Board-AS2	(日本仕向けなし)
36	Super G3 3rd/4th Line Fax Board-AS1	G 3 回線増設キット (3 ・ 4 回線) ・A S 1
37	Super G3 3rd/4th Line Fax Board-AS2	(日本仕向けなし)
38	FAX BD(2LINE)-BA1	G 3 回線増設キット (2 回線) ・B A 1
39	(JAPAN ONLY)	ハンドセット・G2
40	imagePASS-N2	imagePASS-N2
41	Voice Guidance Kit-G1	音声ガイダンスキット・G 1
42	Voice Operation Kit-D1	音声操作キット・D 1

Figure A2 (2/2) OPTION PARTS CATALOG LIST

This is the table of the machine's options whose parts catalog is issued.
 本機のオプションで、パーツカタログが発行されている機種の一覧である。

No.	Model Name(English)	Model Name(Japanese)
43	(JAPAN ONLY)	i R - A D V 課金装置接続キット・A 3
44	Serial Interface Kit-K3	シリアルインターフェースキット・K 3
45	Copy Control Interface Kit-A1	コントロールインターフェースキット・A 1
46	2.5inch/1TB HDD-P1/250GB HDD-N1	オプションHDD (2 . 5 i n c h / 1 T B) ・ P 1 / (2 . 5 i n c h / 2 5 0 G B) ・ N 1
47	HDD Mirroring Kit-J1	HDDミラーリングキット・J 1
48	Copy Card Reader-F1	コピーカードリーダー・F 1
49	Connection Kit-A2 for Bluetooth LE	拡張キット・A 2 f o r B l u e t o o t h L E

Figure 001B ACCESSORIES (120V, 208V)

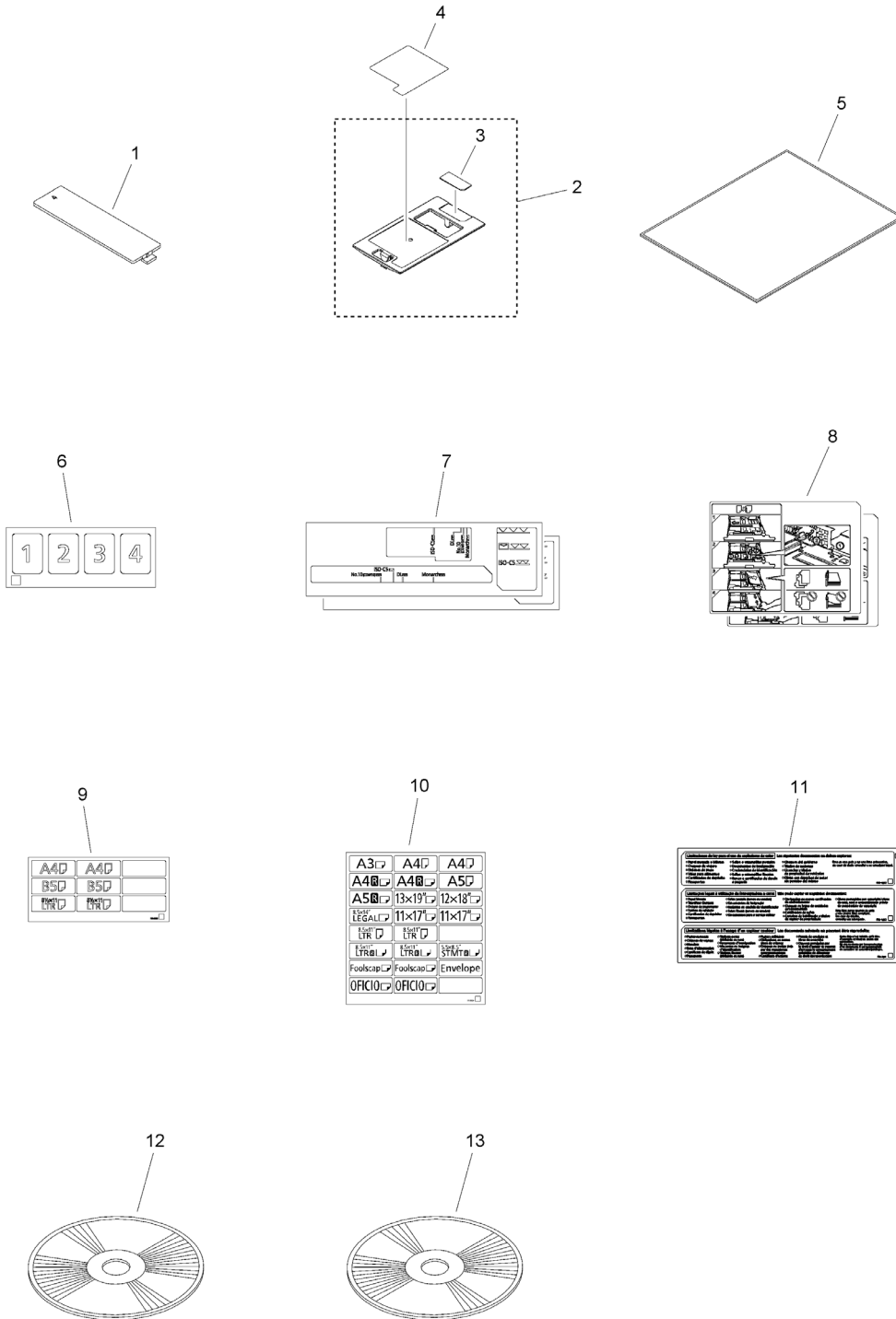


FIGURE & KEY NO.	PART NUMBER	RANK	QTY	DESCRIPTION	SERIAL NUMBER /REMARKS
001B	NPN		RF	ACCESSORIES	120V, 208V
1	FE2-H715-000		1	COVER, READER, LEFT UPPER	
2	FL0-3261-000		1	PLATE, LIFTING	
3	FL3-6526-000		1	SHEET, SEPARATION	
4	FE3-9943-000		1	LABEL, MOUNTING INSTRUCTION	
5	FE2-A001-000		1	CLOTH, CLEANING	
6	FL0-6118-000		1	LABEL, CASSETTE NUMBER	
7	FE2-C589-000		2	LABEL, ENVELOPE SIZE	
8	FU8-8145-010		2	LABEL, INDEX PAPER SET	
9	FE4-5895-000		1	LABEL, PAPER SIZE	
10	FE8-8834-000		1	LABEL, PAPER SIZE	
11	FE8-6158-000		1	LABEL, COPY INHIBITED	
12	FK4-6853-000		1	CD-ROM, SOFTWARE FOR UFR II	
13	FK4-6854-000		1	CD-ROM, USER SOFTWARE, PCL	

Figure 001C ACCESSORIES (230V)

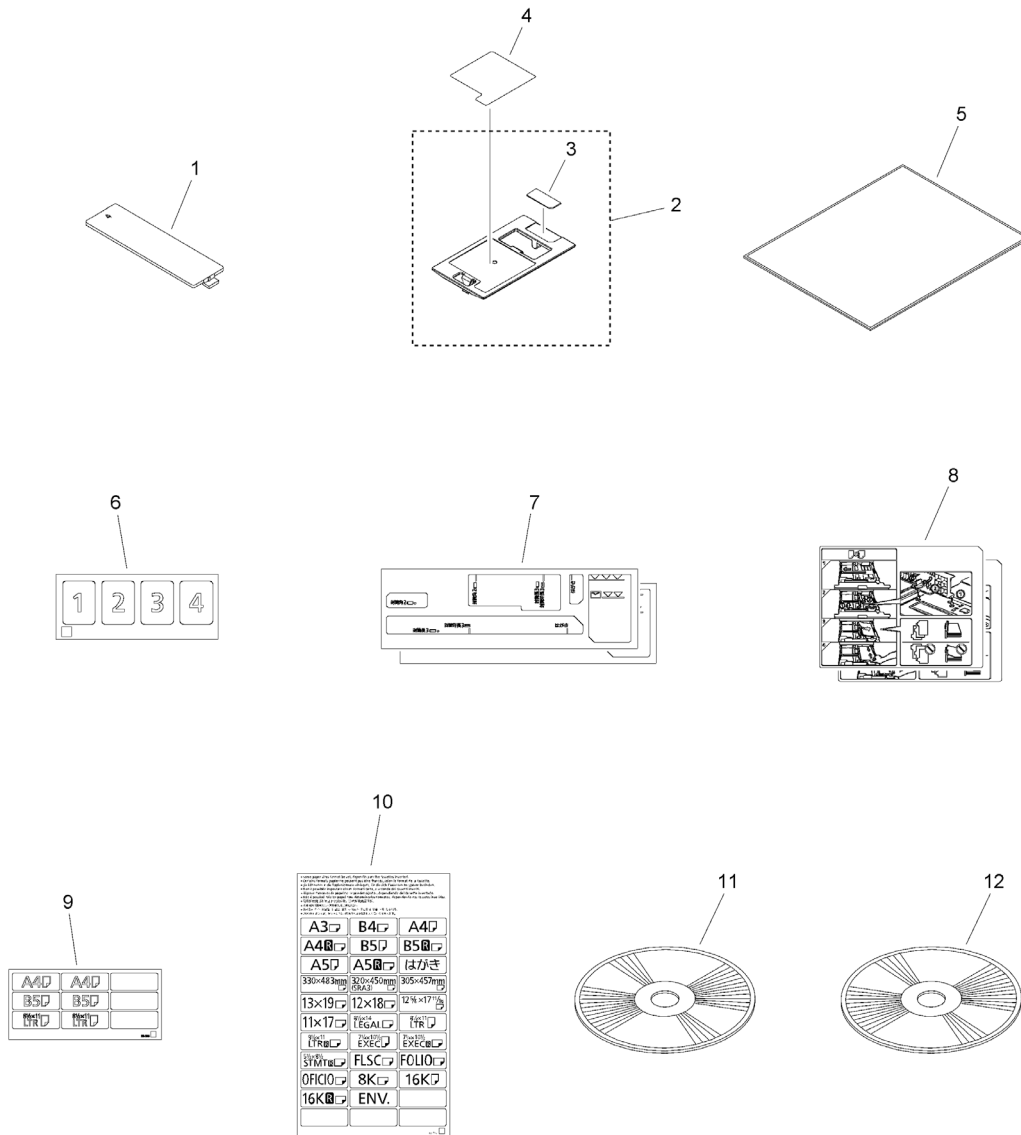


FIGURE & KEY NO.	PART NUMBER	RANK	QTY	DESCRIPTION	SERIAL NUMBER /REMARKS
001C	NPN		RF	ACCESSORIES	230V
1	FE2-H715-000		1	COVER, READER, LEFT UPPER	
2	FL0-3261-000		1	PLATE, LIFTING	
3	FL3-6526-000		1	SHEET, SEPARATION	
4	FE3-9943-000		1	LABEL, MOUNTING INSTRUCTION	
5	FE2-A001-000		1	CLOTH, CLEANING	
6	FL0-6118-000		1	LABEL, CASSETTE NUMBER	
7	FE2-C589-000		2	LABEL, ENVELOPE SIZE	
8	FU8-8145-010		2	LABEL, INDEX PAPER SET	
9	FE4-5895-000		1	LABEL, PAPER SIZE	
10	FE4-5866-000		1	LABEL, PAPER SIZE	
11	FK4-6853-000		1	CD-ROM, SOFTWARE FOR UFR II	
12	FK4-6854-000		1	CD-ROM, USER SOFTWARE, PCL	

Figure 100B (1/2)EXTERNAL COVERS, PANELS, ETC.

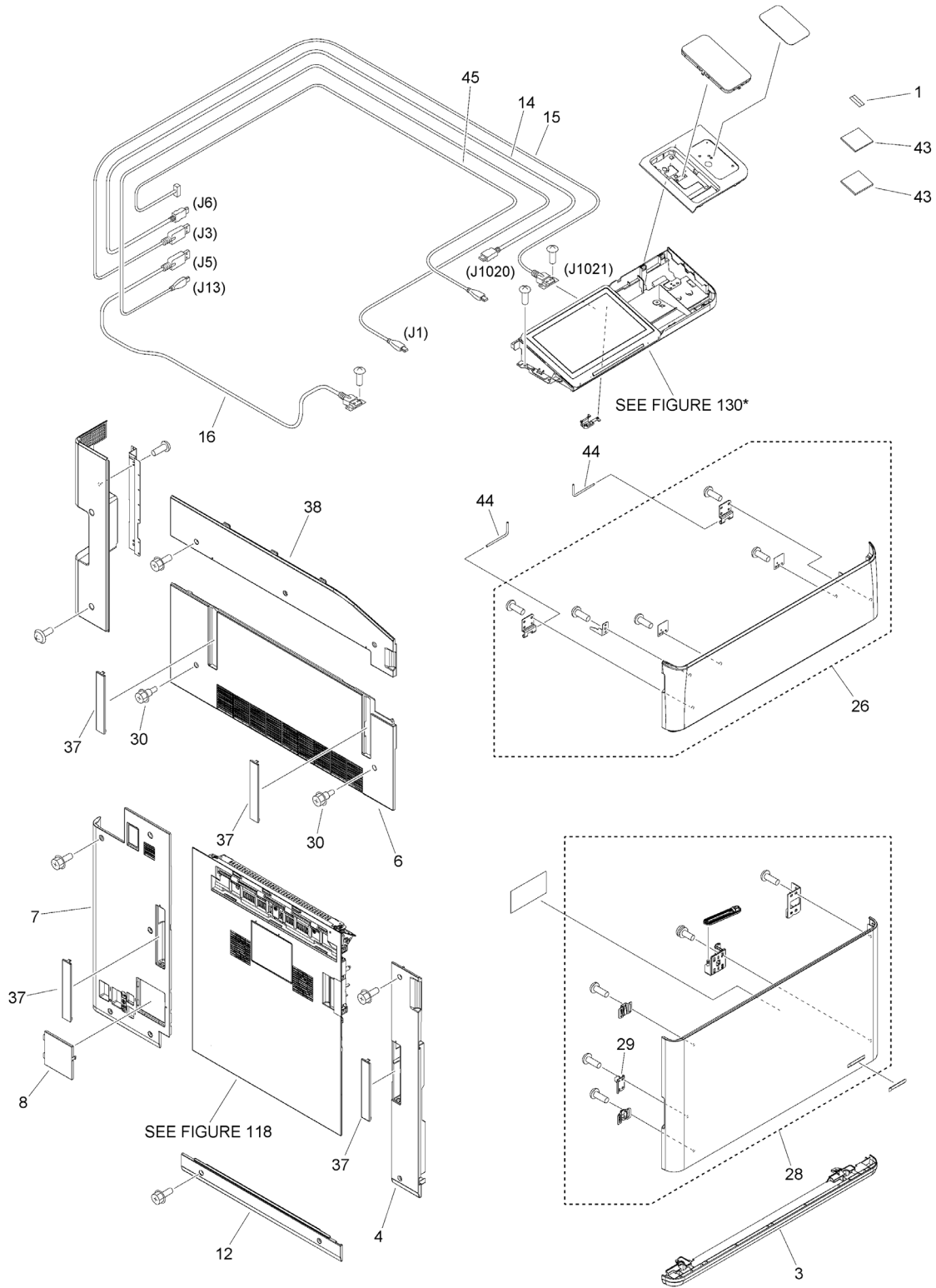


Figure 100B (2/2) EXTERNAL COVERS, PANELS, ETC.

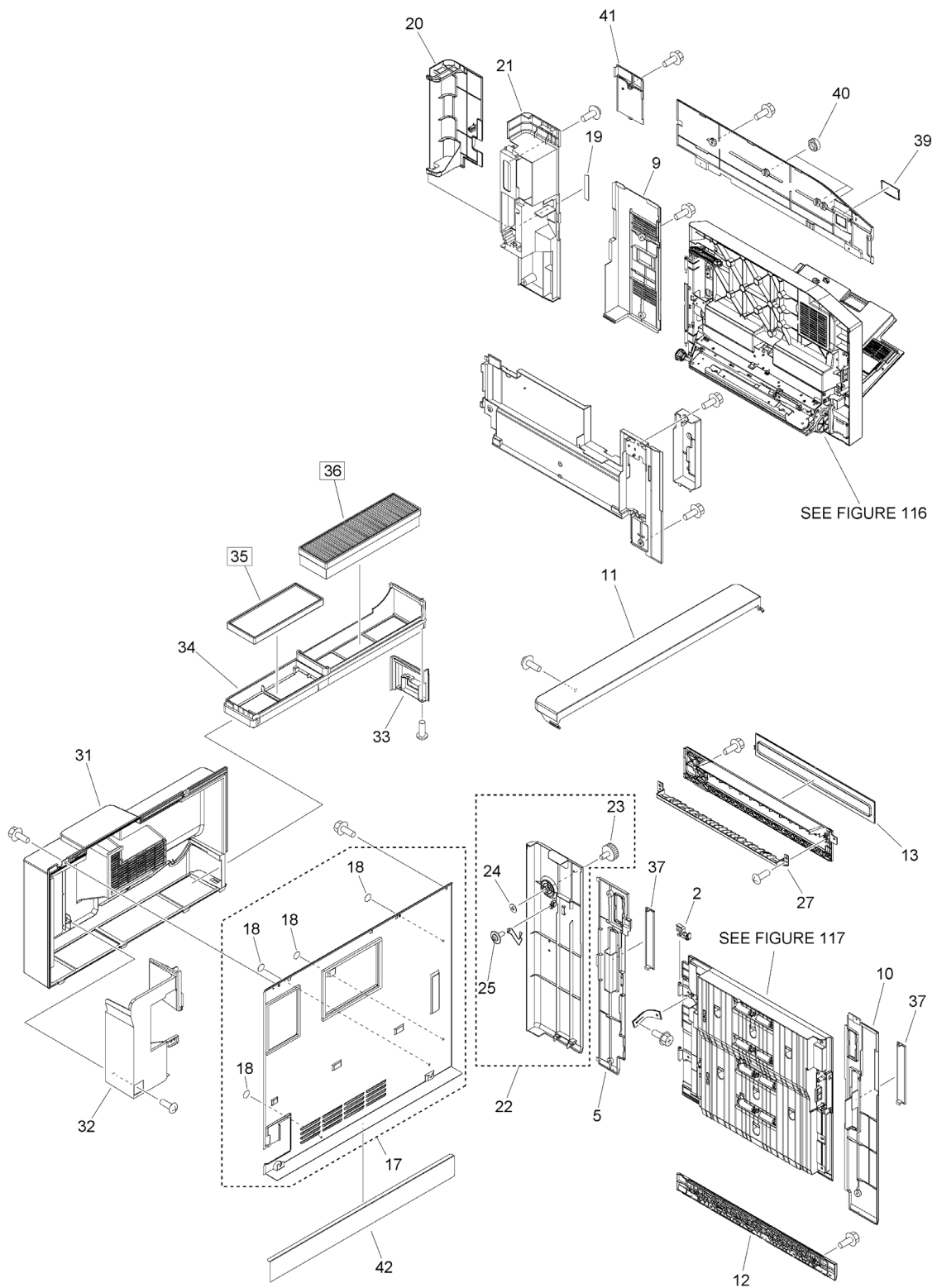


FIGURE & KEY NO.	PART NUMBER	RANK	QTY	DESCRIPTION	SERIAL NUMBER /REMARKS
100B	NPN		RF	EXTERNAL COVERS, PANELS, ETC.	
1	FE4-7895-000		1	TAPE, DUPLEXING	
2	FE3-6396-000		1	STOPPER	
3	FE8-0398-000		1	COVER, CASSETTE, LOWER	
4	FE8-0399-000		1	COVER, LEFT LOWER, FRONT	
5	FE8-0529-000		1	COVER, RIGHT LOWER REAR, 2	
6	FE8-1008-000		1	COVER, LEFT CENTER	
7	FE8-1009-000		1	COVER, LEFT LOWER, REAR	
8	FE8-1010-000		1	COVER, CONNECTOR	
9	FE8-1011-000		1	COVER, RIGHT CENTER	
10	FE8-1013-000		1	COVER, RIGHT LOWER, FRONT	
11	FE8-1017-000		1	COVER, BOX, UPPER	
12	FE8-1019-000		2	COVER, LOWER	
13	FE8-1020-000		1	PANEL, DECK	
14	FK4-6465-000		1	CABLE, USER INTERFACE	
15	FK4-6468-000		1	CABLE, USB	
16	FK4-3624-000		1	CABLE, USB, EXTENSION	
17	FL0-7783-000		1	PANEL, REAR LOWER	
18	FE4-5428-000		6	SEAL	
19	FE4-5882-000		1	LABEL, USB LAN INDICATION	
20	FE8-0528-000		1	COVER, RIGHT REAR, 1	
21	FE8-0527-000		1	COVER, SIDE	
22	FM1-L193-000		1	COVER, RIGHT LOWER REAR, 1	
23	FB2-5500-020		1	SCREW, M4X9	
24	FC2-2121-000		1	WASHER	
25	XA9-1013-000		1	SCREW, M3X8	
26	FM1-L194-000		1	TONER EXCHANGE COVER ASSEMBLY	
27	FE8-1015-000		1	GUIDE, DECK	
28	FM1-Z350-000		1	COVER ASSEMBLY, FRONT	
29	FE8-0395-010		1	PLATE, DOOR	
30	FS5-9217-010		2	SCREW, STEPPED, M4	
31	FL0-7924-000		1	COVER, SILENCER	
32	FL0-7925-000		1	PLATE, DUCT PARTITION	
33	FE8-0247-000		1	COVER, FILTER CASE	
34	FL0-7926-000		1	LID, OZONE FILTER	
35	FL0-7930-000		1	FILTER, OZONE	[DP]
36	FL1-5570-000		1	FILTER, AIR	[DP]
37	FE8-1021-000		6	COVER, HANDLE	
38	FE8-1023-000		1	COVER, LEFT UPPER	
39	FC8-1844-000		1	COVER, MAIN SWITCH	
40	FE4-7426-000		3	CAP	
41	FE8-1016-000		1	COVER, RIGHT, REA	
42	FL1-1087-000		1	SHEET, CURTAIN, REAR LOWER	
43	FE4-7896-000		2	CUSHION	

FIGURE & KEY NO.	PART NUMBER	R A N K	QTY	DESCRIPTION	SERIAL NUMBER /REMARKS
44	FU6-4563-000		2	PIN, HINGE	
45	FK4-6781-000		1	CABLE, USER INTERFACE, POWER	

Figure 101 INTERNAL COMPONENTS 1

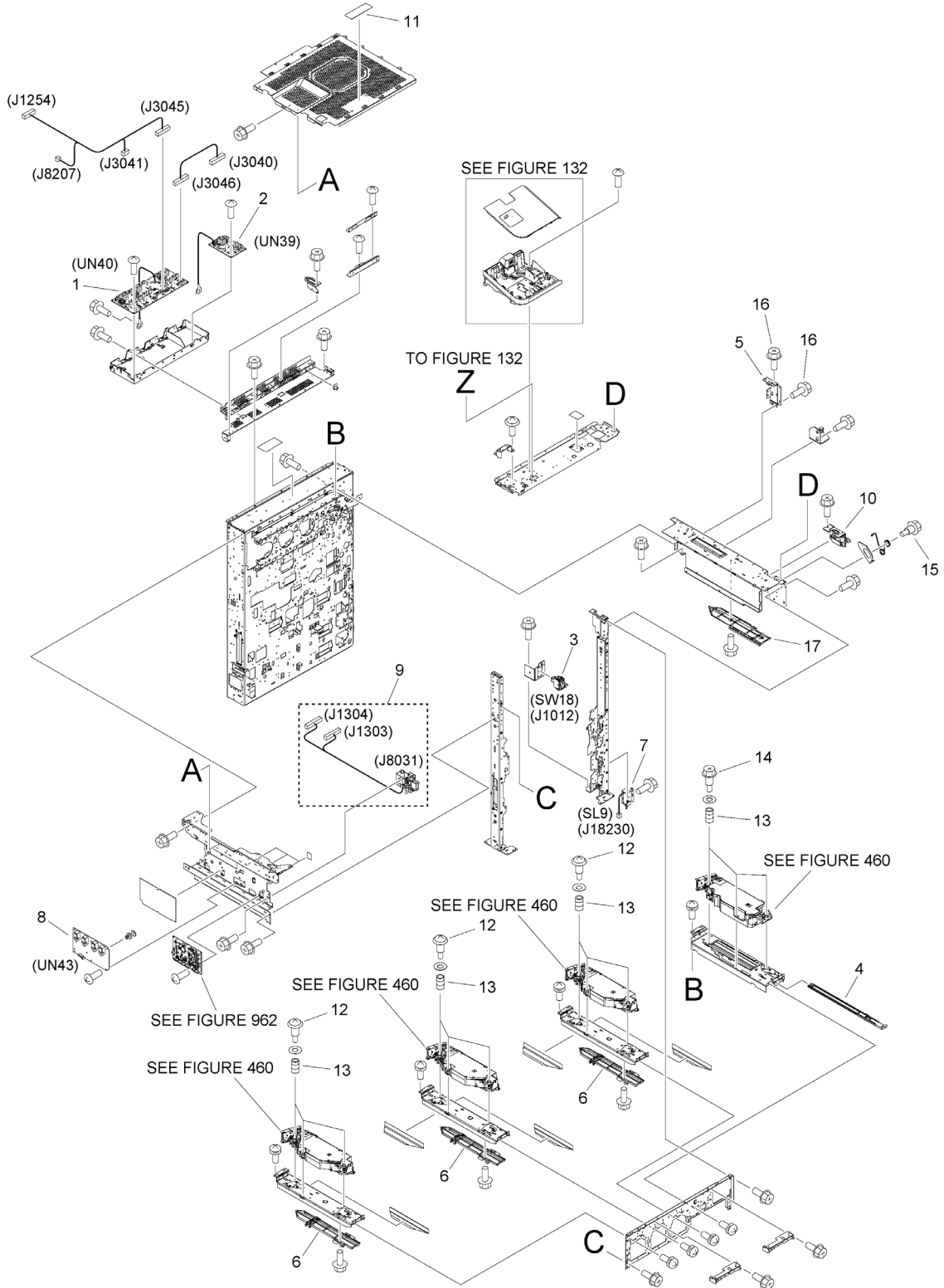


FIGURE & KEY NO.	PART NUMBER	RANK	QTY	DESCRIPTION	SERIAL NUMBER /REMARKS
101	NPN		RF	INTERNAL COMPONENTS 1	
1	FM1-V875-000		1	DEV. H.V. PCB ASSEMBLY, COLOR	UN40
2	FM1-V876-000		1	DEV. H.V. PCB ASSEMBLY, BLACK	UN39
3	FK3-2575-000		1	SWITCH	SW18
4	FL2-8925-000		1	GLASS, DUST-PROOF	
5	FC8-1845-000		1	PLATE, MAIN SWITCH	
6	FC9-4056-010		3	GUIDE, INSERT, COLOR	
7	FM0-0875-010		1	SOLENOID UNIT	SL9
8	FM0-0882-000		1	HIGH VOLTAGE PCB ASS'Y	UN43
9	FM1-L571-000		1	FR. INNER DOOR DRAWER ASSEMBLY	
10	FM3-9972-000		1	MAIN SWITCH ASS'Y	
11	FS5-8623-000		1	LABEL, WARNING LESER	
12	FU5-9900-000		9	SCREW, STEPPED, M4	
13	FU5-2682-000		12	SPRING	
14	FU5-9596-000		3	SCREW,STEPPED,RS,M3	
15	FS5-9277-020		1	SCREW, STEPPED, M4	
16	XA9-0684-000		6	SCREW,M4X6	
17	FC9-4057-000		1	GUIDE,INSERT,BLACK	

Figure 102B INTERNAL COMPONENTS 2

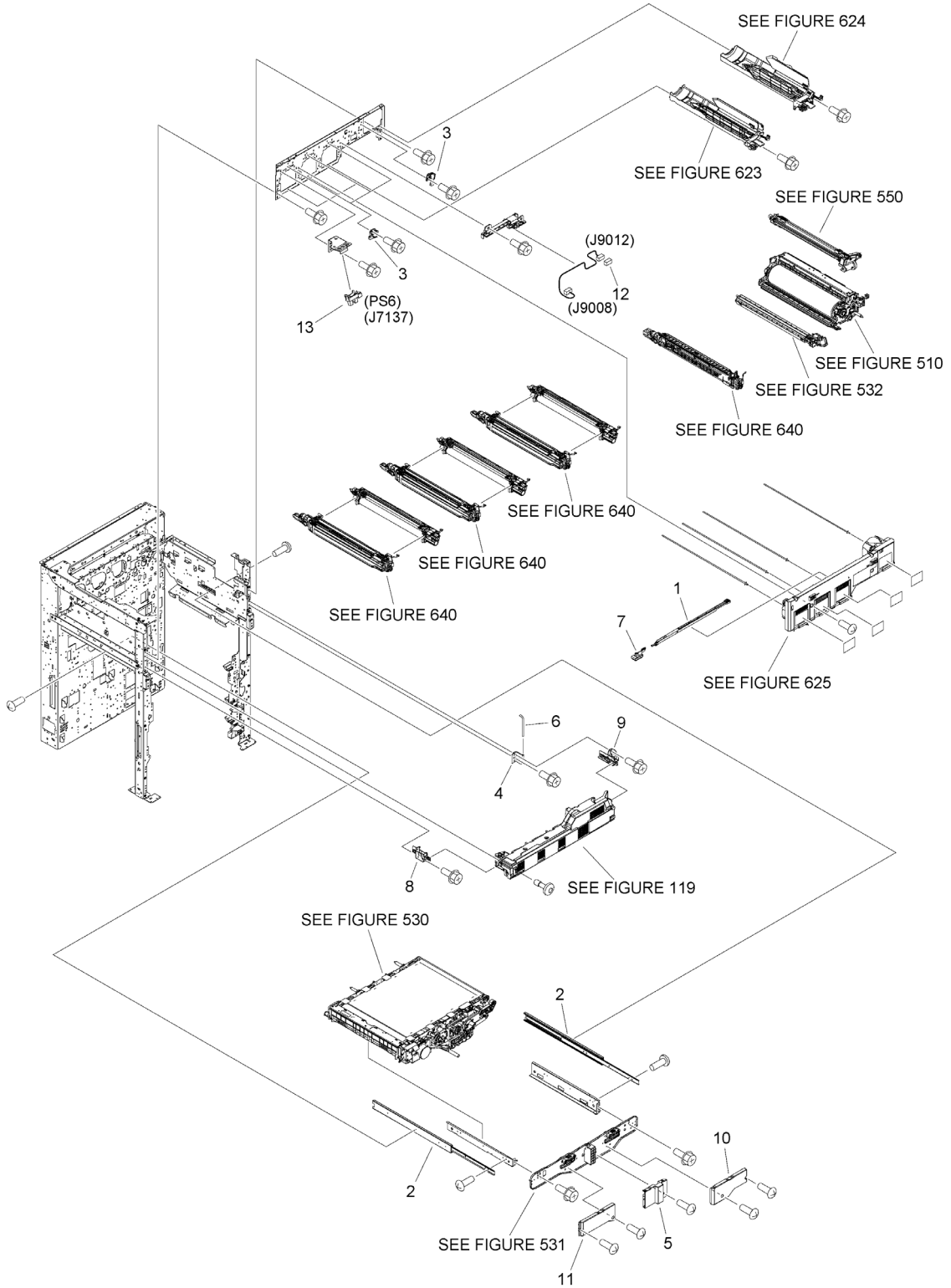


FIGURE & KEY NO.	PART NUMBER	RANK	QTY	DESCRIPTION	SERIAL NUMBER /REMARKS
102B	NPN		RF	INTERNAL COMPONENTS 2	
1	FC8-2339-000		1	ROD, GLASS CLEANING	
2	FC8-9059-000		2	RAIL, SLIDE	
3	FM0-4905-000		4	TONER CONTAINER ID SENSOR UNIT	
4	FC9-3889-000		1	HINGE	
5	FC9-4108-000		1	COVER, I.T.B. INNER	
6	FC9-8402-000		1	SHAFT, HINGE	
7	FL2-4425-000		1	CLEANING PAD UNIT	
8	FM3-9886-000		1	RAIL ASSEMBLY, LEFT	
9	FM3-9887-000		1	RAIL ASSEMBLY, RIGHT	
10	FC9-4107-000		1	COVER, I.T.B. INNER, RIGHT	
11	FC9-4109-000		1	COVER, I.T.B. INNER, LEFT	
12	VS1-8959-005		1	CONNECTOR, SNAP TIGHT, 5P, W	
13	WG8-5783-000		1	IC,PHOTO-INTERRUPTER,LG248NL1A	PS6

Figure 103 INTERNAL COMPONENTS 3

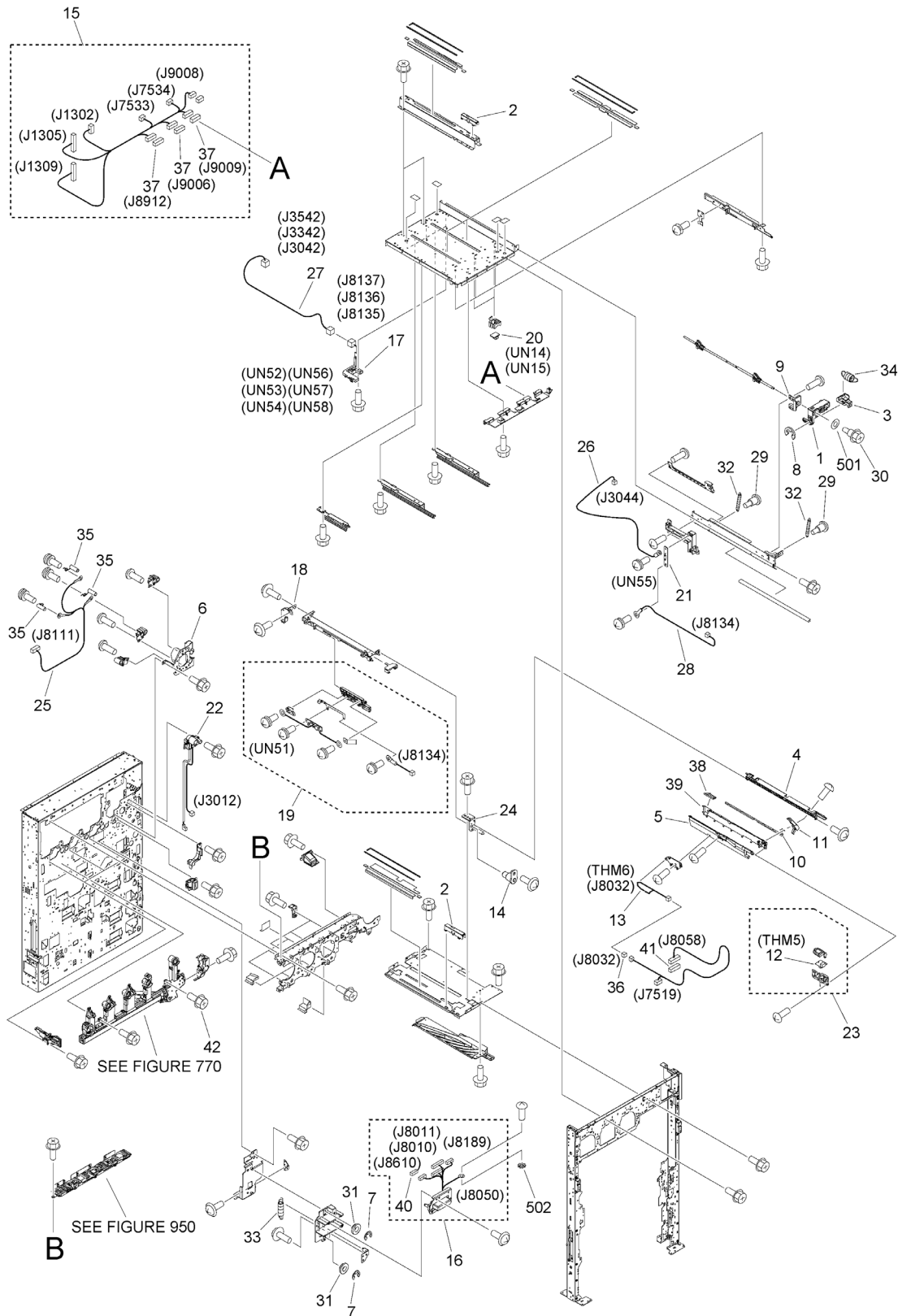


FIGURE & KEY NO.	PART NUMBER	RANK	QTY	DESCRIPTION	SERIAL NUMBER /REMARKS
103	NPN		RF	INTERNAL COMPONENTS 3	
1	FC8-2311-000		1	LEVER, ESTRANGEMENT	
2	FC8-2334-000		3	GUIDE, CLEANER	
3	FC8-2645-000		1	LEVER, LOCK	
4	FC8-2647-000		1	RAIL, PRIMARY CORONA	
5	FC8-2646-000		1	DUCT, PRIMARY, LEFT	
6	FC8-1936-000		1	SUPPORT, POWER DISPATCHING	
7	XD9-0395-000		11	RING, E	
8	XD9-0134-000		2	RING, E	
9	FC9-3999-000		1	HOLDER, CAM SHAFT	
10	FC9-9331-000		1	SHEET, GROUNDING	
11	FE8-0456-000		1	PLATE, GROUNDING	
12	FK2-0607-000		1	THERMOSENSOR	THM5
13	FK2-7919-000		1	THERMISTOR UNIT	THM6
14	FL2-8865-000		1	HINGE	
15	FM1-V827-000		1	CABLE, SENSOR CONNECTING	
16	FM1-K309-000		1	I.T.BELT DRAWER ASSEMBLY	
17	FM0-1389-000		3	DEV. TERMINAL HOLDER ASSEMBLY	UN52, UN53, UN54, UN56, UN57, UN58
18	FM3-4961-000		1	BYPASS ASSEMBLY	
19	FM0-1546-000		1	DEVELOPING MOUNT UNIT	
20	FM3-7941-000		2	TEMPERATURE SENSOR PCB ASS'Y	UN14, UN15
21	FM3-9593-000		1	H.V. RESISTOR PCB ASSEMBLY	UN55
22	FM3-9890-010		1	PRIMARY H.V. CONNECTOR ASS'Y	
23	FM3-9891-000		1	SENSOR UNIT, THERMO	
24	FM3-9959-000		1	DEVELOPING RAIL MOUNT ASS'Y	
25	FM4-1356-000		1	CABLE, DRUM HEATER	
26	FM4-1410-010		1	CABLE, DEVELOPING, BLACK	
27	FM4-1411-000		3	CABLE, DEVELOPING, COLOR	
28	FM4-1430-000		1	CABLE, BIAS CONNECTING, BLACK	
29	FS1-9102-020		2	SCREW, STEPPED, M3	
30	FS5-9277-020		2	SCREW, STEPPED, M4	
31	FU6-1182-000		2	BUSHING	
32	FU7-2316-000		2	SPRING, TENSION	
33	FU7-2344-000		1	SPRING, TENSION	
34	FU7-2347-000		1	SPRING, TENSION	
35	FU7-2389-000		3	SPRING, COMPRESSION	
36	VS1-7177-002		1	CONNECTOR, SNAP TIGHT, BK	
37	VS1-8412-011		3	CONNECTOR, SNAP TIGHT, BL	
38	FC9-0439-000		1	SEAL, PRIMARY DUCT	
39	FC9-0438-000		1	DUCT, PRIMARY, RIGHT	
40	VS1-8412-003		1	CONNECTOR, SNAP TIGHT, BL	
41	VS1-8412-007		1	CONNECTOR, SNAP TIGHT, BL	
42	XA9-1386-000		15	SCREW,RS,M3X8	

FIGURE & KEY NO.	PART NUMBER	R A N K	QTY	DESCRIPTION	SERIAL NUMBER /REMARKS
501	XD1-1106-212		1	WASHER,COP	
502	XD1-4200-402		2	WASHER, TOOTHED LOCK, M4	

Figure 104A INTERNAL COMPONENTS 4

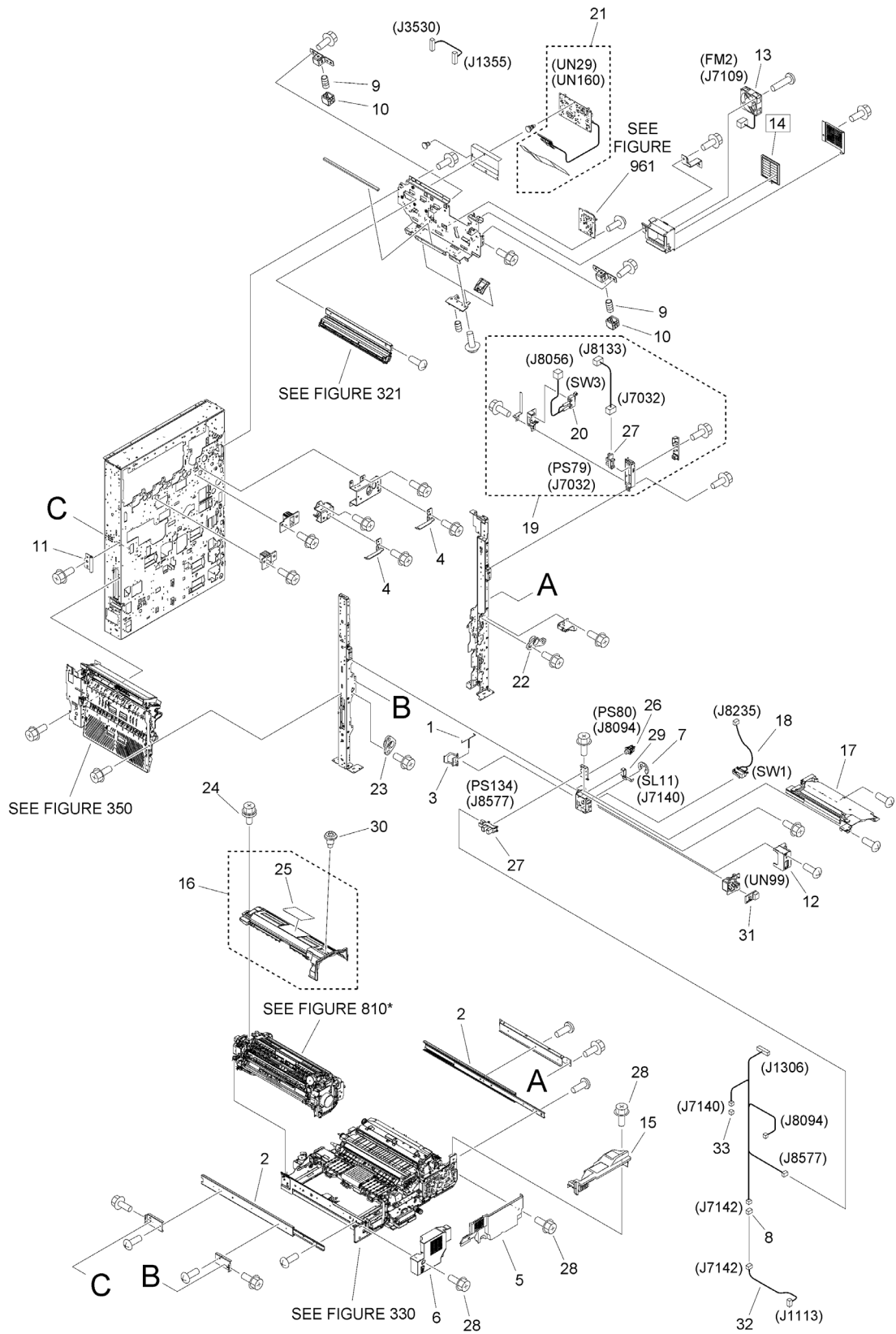


FIGURE & KEY NO.	PART NUMBER	RANK	QTY	DESCRIPTION	SERIAL NUMBER /REMARKS
104A	NPN		RF	INTERNAL COMPONENTS 4	
1	FE8-0389-000		1	SPRING, LEAF	
2	FC0-8153-000		2	RAIL, SLIDE	
3	FE8-0413-000		1	PLATE, DOOR SWITCH	
4	FC0-8160-000		2	SPRING, LEAF	
5	FC8-1975-030		1	COVER, FIXING/FEED, RIGHT	
6	FM1-L305-000		1	COVER, FIXING/FEED, LEFT	
7	XD9-0134-000		1	RING, E	
8	VS1-7177-003		1	CONNECTOR, SNAP TIGHT, BK	
9	FU7-2352-000		2	SPRING, COMPRESSION	
10	FC8-8802-000		2	BLOCK, PUSHING	
11	FC9-3832-000		1	HINGE	
12	FL1-1457-000		1	COVER, DOOR SWITCH INNER	
13	FK2-0360-000		1	FAN	FM2
14	FL2-0439-000		1	FILTER, DUST	[DP]
15	FL2-8906-050		1	COVER, FIXING/FEEDER SUB	
16	FL0-7633-000		1	FIXING COVER ASSEMBLY	
17	FM1-L268-000		1	FIXING DUCT ASSEMBLY	
18	FM1-X840-000		1	CABLE, DOOR SWITCH, FRONT	SW1
19	FM3-9823-000		1	MULTI DOOR SWITCH ASSY	
20	FM4-1392-000		1	CABLE, DOOR SWITCH	SW3
21	FM1-P017-010		1	POTENTIAL CONTROL PCB ASSEMBLY	UN29, UN160
22	FU6-1601-000		1	BUSHING	
23	FU6-1602-000		1	BUSHING	
24	XA9-1933-000		1	SCREW, W/WASHER, M4X8	
25	FU8-8010-000		1	LABEL, HIGH TMP. CAUTION	
26	WC2-5803-000		1	SWITCH	PS80
27	WG8-5848-000		2	IC, PHOTO-INTERRUPTER	PS79, PS134
28	XA9-1386-000		5	SCREW,RS,M3X8	
29	FM1-L228-000		1	DOOR SHUTTER UNIT, FRONT	SL11
30	FS2-9001-020		1	SCREW, STEPPED, M4	
31	FM1-V871-000		1	LED ILLUMINATION UNIT	UN99
32	FM1-V907-000		1	CABLE, LED, FRONT DOOR	
33	VS1-7177-002		1	CONNECTOR, SNAP TIGHT, BK	

Figure 105 INTERNAL COMPONENTS 5

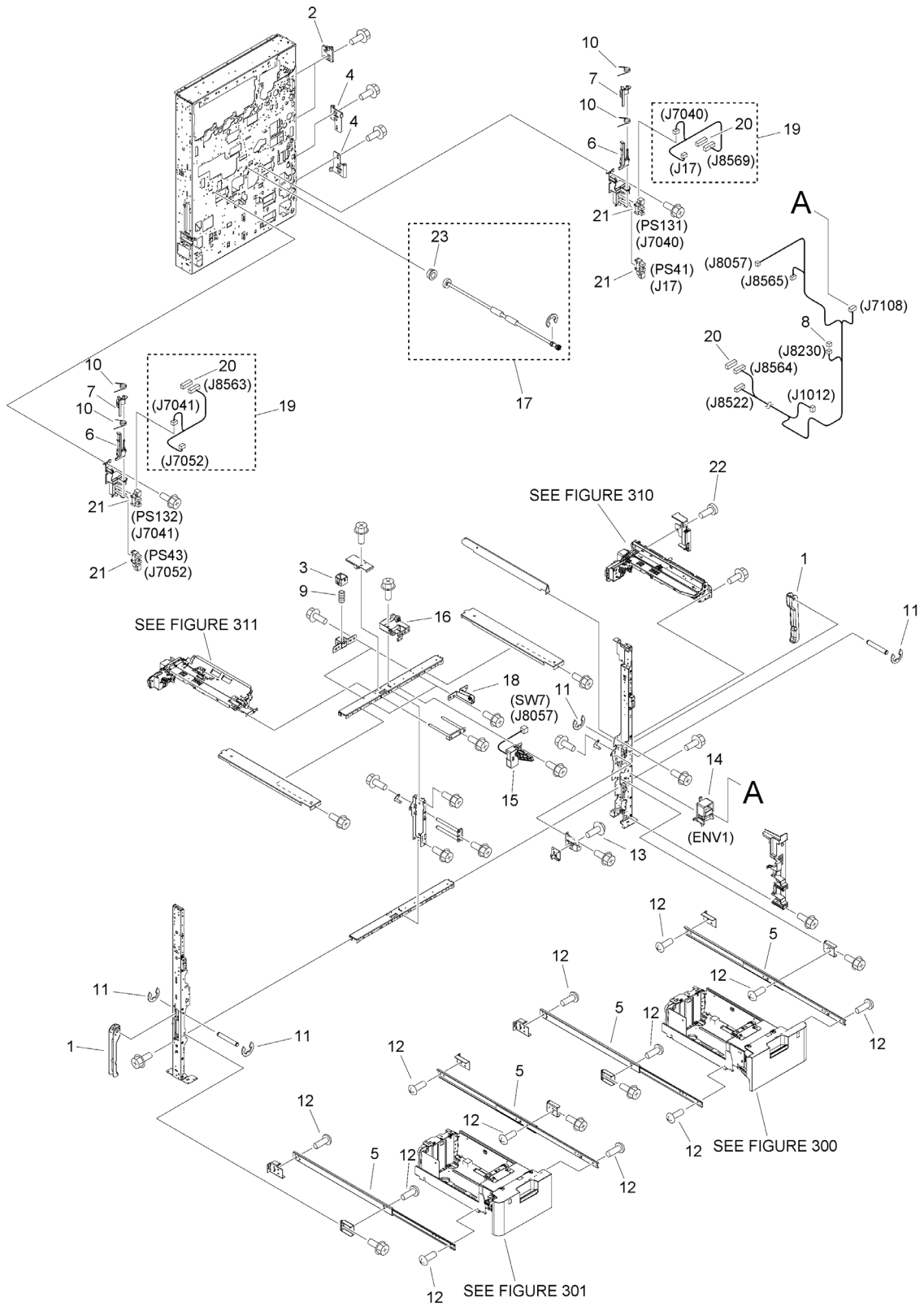


FIGURE & KEY NO.	PART NUMBER	RANK	QTY	DESCRIPTION	SERIAL NUMBER /REMARKS
105	NPN		RF	INTERNAL COMPONENTS 5	
1	FB2-8094-020		2	KNOB, 1	
2	FC0-9971-000		2	PLATE, HINGE	
3	FC8-8802-000		2	BLOCK, PUSHING	
4	FE8-0879-010		2	PLATE, HINGE	
5	FE2-3074-010		4	RAIL, SLIDE	
6	FE4-9842-000		2	FLAG, SENSOR, 1	
7	FE4-9843-000		2	FLAG, SENSOR, 2	
8	VS1-7177-002		1	CONNECTOR, SNAP TIGHT, BK	
9	FU7-2352-000		2	SPRING, COMPRESSION	
10	FC9-3968-000		4	SPRING, TORSION	
11	XD9-0396-000		4	RING, E	
12	XA9-1934-000		8	SCREW, M4X4	
13	XA9-0926-000		2	SCREW, TP, M4X8	
14	FM1-D450-000		1	SENSOR UNIT, ENVIRONMENT	ENV1
15	FM3-4952-020		1	INTERLOCK SWITCH UNIT	SW7
16	FM1-V776-000		1	FIXING/FEEDER LOCK ASSEMBLY	
17	FM1-V775-000		1	ROLLER ASS'Y, PAPER FEED, LEFT	
18	FM3-9976-000		2	GUIDE STOPPER ASSEMBLY	
19	FM1-V851-000		2	CABLE, DECK REMNANT DETECT	
20	VS1-8412-007		3	CONNECTOR, SNAP TIGHT, BL	
21	WG8-5848-000		4	IC, PHOTO-INTERRUPTER	PS41, PS43, PS131, PS132
22	XA9-1135-000		1	SCREW,RS,M4X8	
23	FS1-1189-000		1	BUSHING, ABS	

FIGURE & KEY NO.	PART NUMBER	RANK	QTY	DESCRIPTION	SERIAL NUMBER /REMARKS
106A	NPN		RF	INTERNAL COMPONENTS 6	WITH CASSETTE HEATER
1	FC2-2121-000		2	WASHER	
2	FC8-4999-000		4	ROLLER, RAIL	
3	FE8-0877-000		1	MOUNT, HOOK	
4	WG8-5783-000		7	IC,PHOTO-INTERRUPTER,LG248NL1A	PS39, PS122, PS123, PS124, PS125, PS126, PS127
5	XA9-0961-000		2	SCREW, W/WASHER, M4X10	
6	FC9-8432-000		1	HINGE	
7	FE2-0063-010		2	WIRE	
8	FE3-6365-000		2	PULLEY	
9	FE4-0758-000		2	SHEET, SILENCER SPONGE	
10	FM4-1294-000		2	CABLE, CASSETTE SIZE, 2	
11	FL3-9417-010		2	ARM, ROLLER	
12	FS5-9162-020		2	SCREW, STEPPED	
13	XA9-0679-000		2	SCREW, MACH., FLAT HEAD, M3X4	
14	FU9-2375-000		2	SPRING, TENSION	
15	XA9-0994-000		2	SCREW, TP, M4X6	
16	XD9-0154-000		2	WASHER, SHIM	
17	XG9-0795-000		2	BEARING, BALL, L-1060ZZHPOP25L	
18	VS1-8412-011		2	CONNECTOR, SNAP TIGHT, BL	
19	FM1-L199-000		1	FEED ROLLER UNIT, RIGHT	
20	FM1-C638-000		2	SWITCH HOLDER UNIT	
21	FM0-1467-010		2	CASSETTE SIZE SENSING ASSEMBLY	
22	XD9-0134-000		2	RING, E	
23	FS1-1189-000		1	BUSHING, ABS	
24	FM1-C678-000		1	INDEX PAPER GUIDE ASS'Y	
501	XB3-6400-805		2	SCREW,RS,M4X8	

Figure 106B INTERNAL COMPONENTS 6 (WITHOUT CASSETTE HEATER)

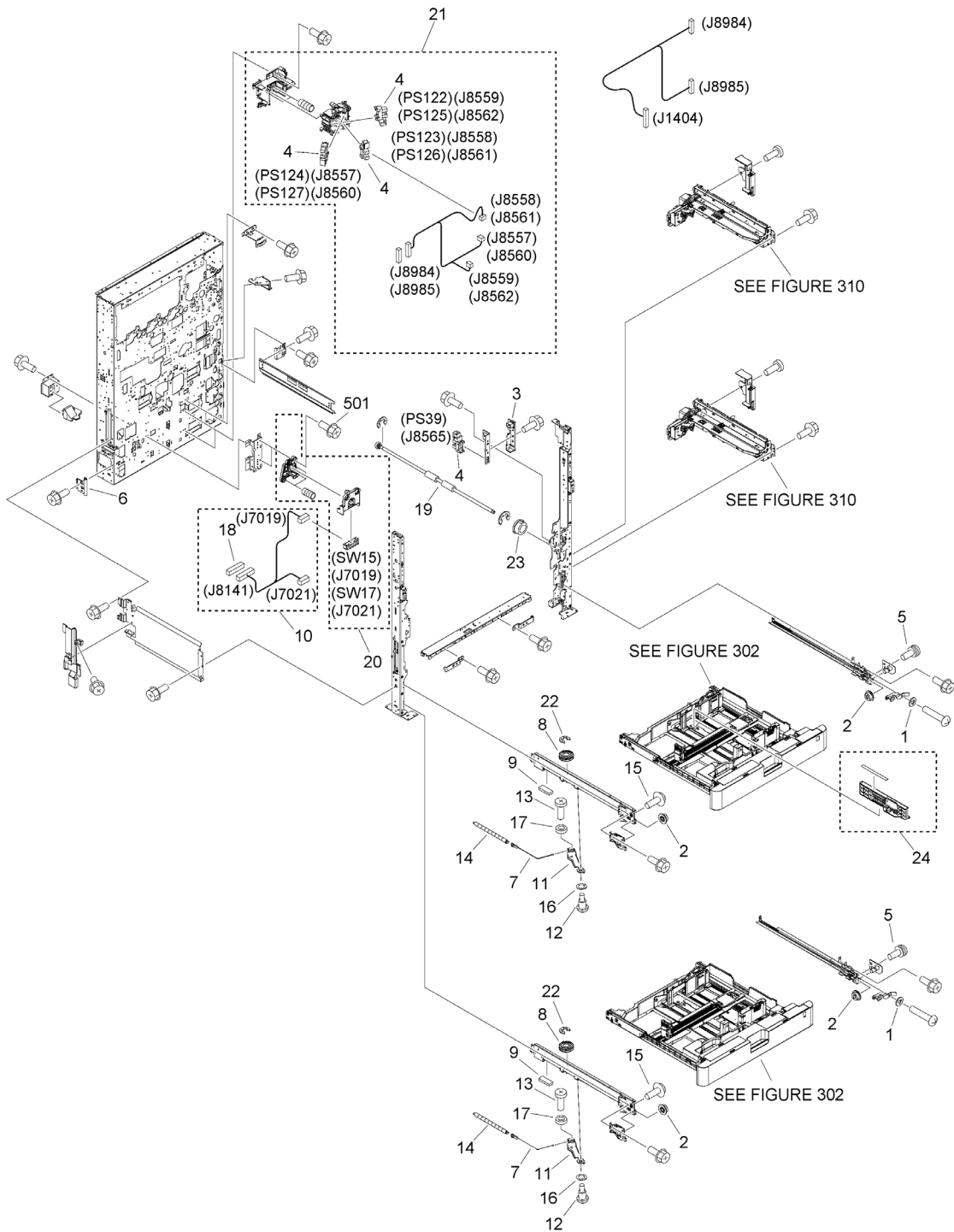


FIGURE & KEY NO.	PART NUMBER	RANK	QTY	DESCRIPTION	SERIAL NUMBER /REMARKS
106B	NPN		RF	INTERNAL COMPONENTS 6	WITHOUT CASSETTE HEATER
1	FC2-2121-000		2	WASHER	
2	FC8-4999-000		4	ROLLER, RAIL	
3	FE8-0877-000		1	MOUNT, HOOK	
4	WG8-5783-000		7	IC,PHOTO-INTERRUPTER,LG248NL1A	PS39, PS122, PS123, PS124, PS125, PS126, PS127
5	XA9-0961-000		2	SCREW, W/WASHER, M4X10	
6	FC9-8432-000		1	HINGE	
7	FE2-0063-010		2	WIRE	
8	FE3-6365-000		2	PULLEY	
9	FE4-0758-000		2	SHEET, SILENCER SPONGE	
10	FM4-1294-000		2	CABLE, CASSETTE SIZE, 2	
11	FL3-9417-010		2	ARM, ROLLER	
12	FS5-9162-020		2	SCREW, STEPPED	
13	XA9-0679-000		2	SCREW, MACH., FLAT HEAD, M3X4	
14	FU9-2375-000		2	SPRING, TENSION	
15	XA9-0994-000		2	SCREW, TP, M4X6	
16	XD9-0154-000		2	WASHER, SHIM	
17	XG9-0795-000		2	BEARING, BALL, L-1060ZZHPOP25L	
18	VS1-8412-011		2	CONNECTOR, SNAP TIGHT, BL	
19	FM1-L199-000		1	FEED ROLLER UNIT, RIGHT	
20	FM1-C638-000		2	SWITCH HOLDER UNIT	
21	FM0-1467-010		2	CASSETTE SIZE SENSING ASSEMBLY	
22	XD9-0134-000		2	RING, E	
23	FS1-1189-000		1	BUSHING, ABS	
24	FM1-C678-000		1	INDEX PAPER GUIDE ASS'Y	
501	XB3-6400-805		2	SCREW,RS,M4X8	

Figure 107 MACHINE BOTTOM PLATE

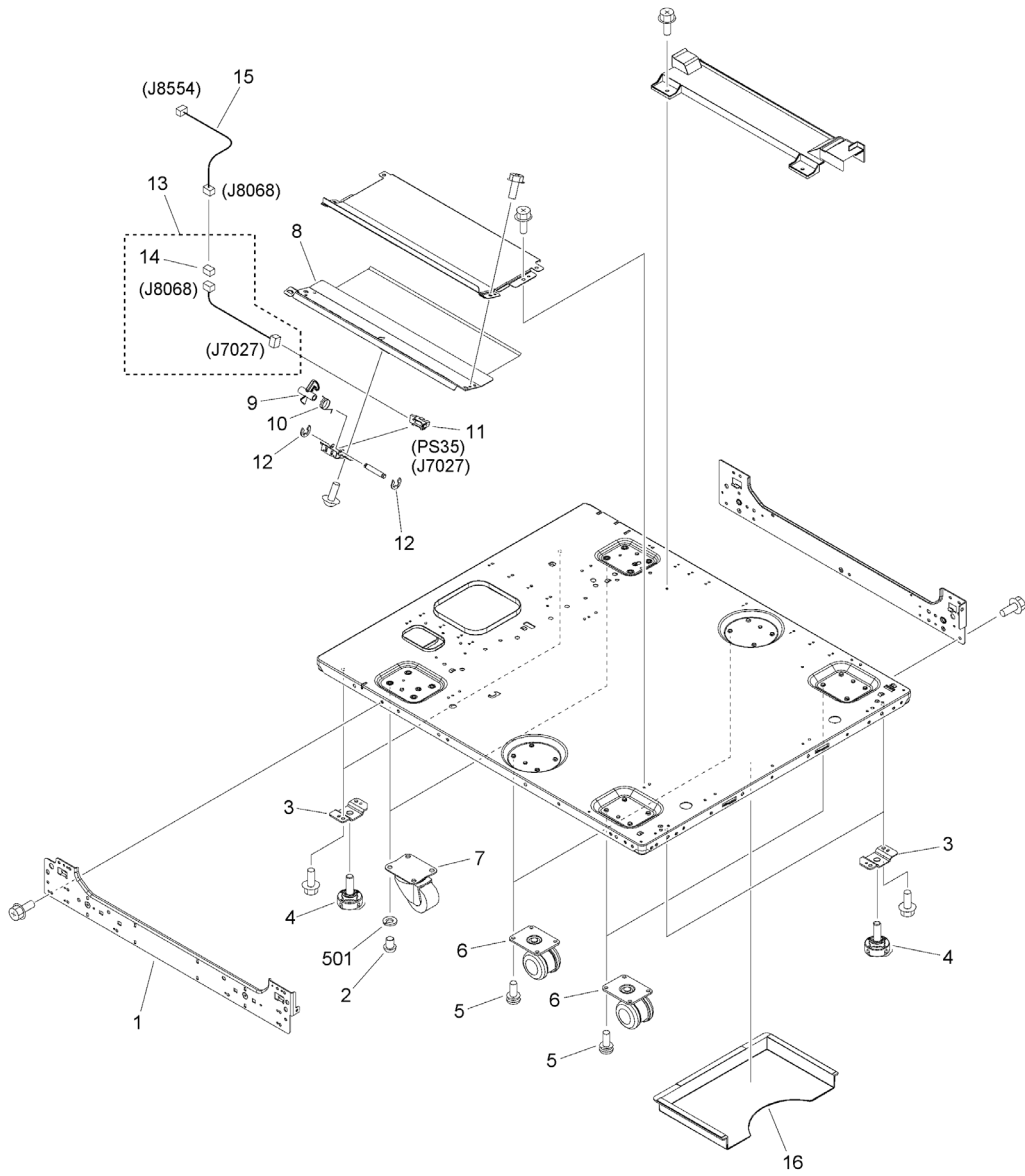


FIGURE & KEY NO.	PART NUMBER	RANK	QTY	DESCRIPTION	SERIAL NUMBER /REMARKS
107	NPN		RF	MACHINE BOTTOM PLATE	
1	FC8-1832-010		1	CROSSMEMBER, LEFT LOWER	
2	FB4-1340-000		8	SCREW,ALLEN HEAD,M8X10	
3	FC5-2687-000		4	PLATE, ADJUSTER MOUNTING	
4	FC8-6639-000		4	ADJUSTER	
5	FE4-0430-000		16	SCREW, W/WASHER, M6	
6	FM1-J255-000		4	CASTER	
7	XZ9-0409-020		2	CASTER	
8	FL2-8698-000		1	GUIDE, DELIVERY 3	
9	FC9-3779-000		1	FLAG, REVERSE V. PATH SENSOR	
10	FC9-3836-000		1	SPRING, TORSION	
11	WG8-5848-000		1	IC, PHOTO-INTERRUPTER	PS35
12	XD9-0134-000		2	RING, E	
13	FM4-1397-000		1	CABLE, RIGHT VERTICAL PATH, 3	
14	VS1-8412-003		1	CONNECTOR, SNAP TIGHT, BL	
15	FM1-V975-000		1	CABLE, CONNECTING, 3	
16	FE4-3758-000		1	HOLDER, SERVICE BOOK	
501	XD1-3100-805		8	WASHER,SPRING	

Figure 108 MACHINE REAR PLATE 1

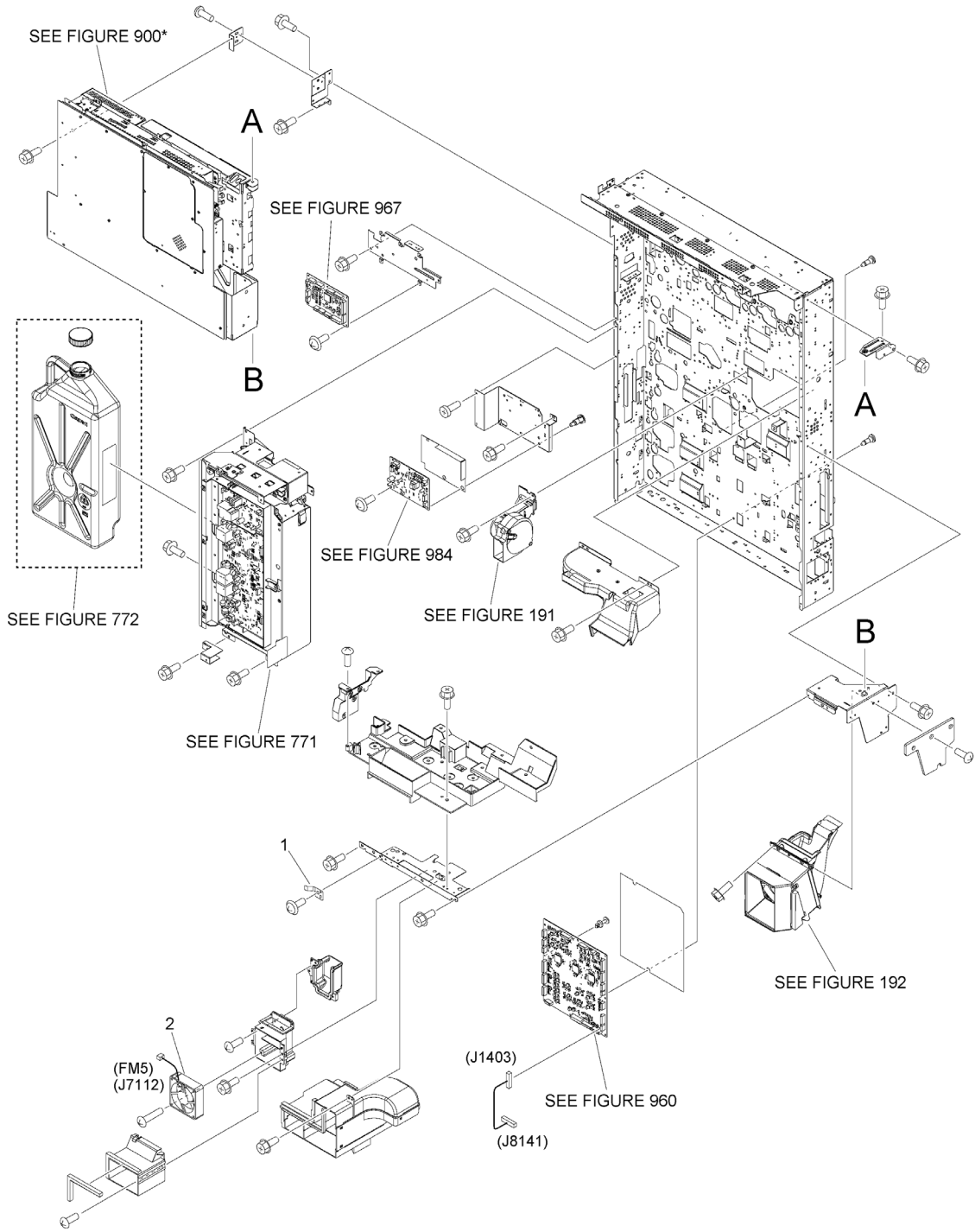


FIGURE & KEY NO.	PART NUMBER	RANK	QTY	DESCRIPTION	SERIAL NUMBER /REMARKS
108	NPN		RF	MACHINE REAR PLATE 1	
1	FC8-4933-000		1	SPRING	
2	FL3-8779-000		1	FAN	FM5

Figure 109 MACHINE REAR PLATE 2

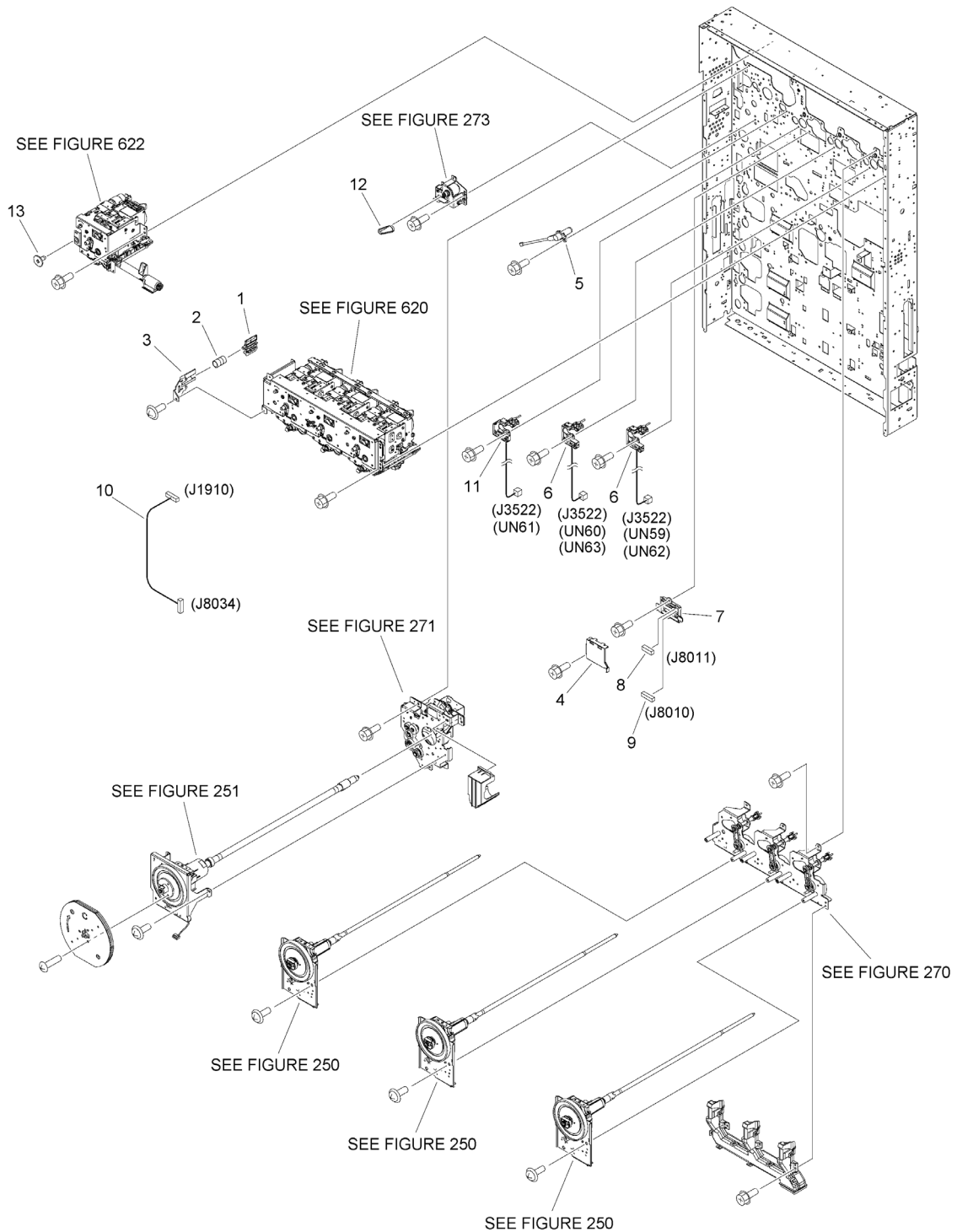


FIGURE & KEY NO.	PART NUMBER	RANK	QTY	DESCRIPTION	SERIAL NUMBER /REMARKS
109	NPN		RF	MACHINE REAR PLATE 2	
1	FC8-2791-000		1	RACK, SHUTTER	
2	FC8-2792-000		1	SPRING, COMPRESSION	
3	FC9-3670-000		1	STOPPER, SHUTTER RACK	
4	FC9-3786-020		1	COVER, I.T.B. CABLE	
5	FK3-4046-000		1	CONNECTOR	
6	FM0-1503-000		2	CORONA TERMINAL UNIT, Y . M	UN59, UN60, UN62, UN63
7	FC9-3867-010		1	MOUNT, CONNECTOR	
8	VS1-8412-015		1	CONNECTOR, SNAP TIGHT, BL	
9	VS1-8412-019		1	CONNECTOR, SNAP TIGHT, BL	
10	FM1-V833-000		1	CABLE, DRIVE MOTOR CONNECTING	
11	FM3-4981-000		1	CORONA TERMINAL UNIT, C	UN61
12	XF2-1606-740		1	BELT, TIMING	
13	FS2-9012-000		1	SCREW, STEPPED M2.2	

Figure 110 MACHINE REAR PLATE 3

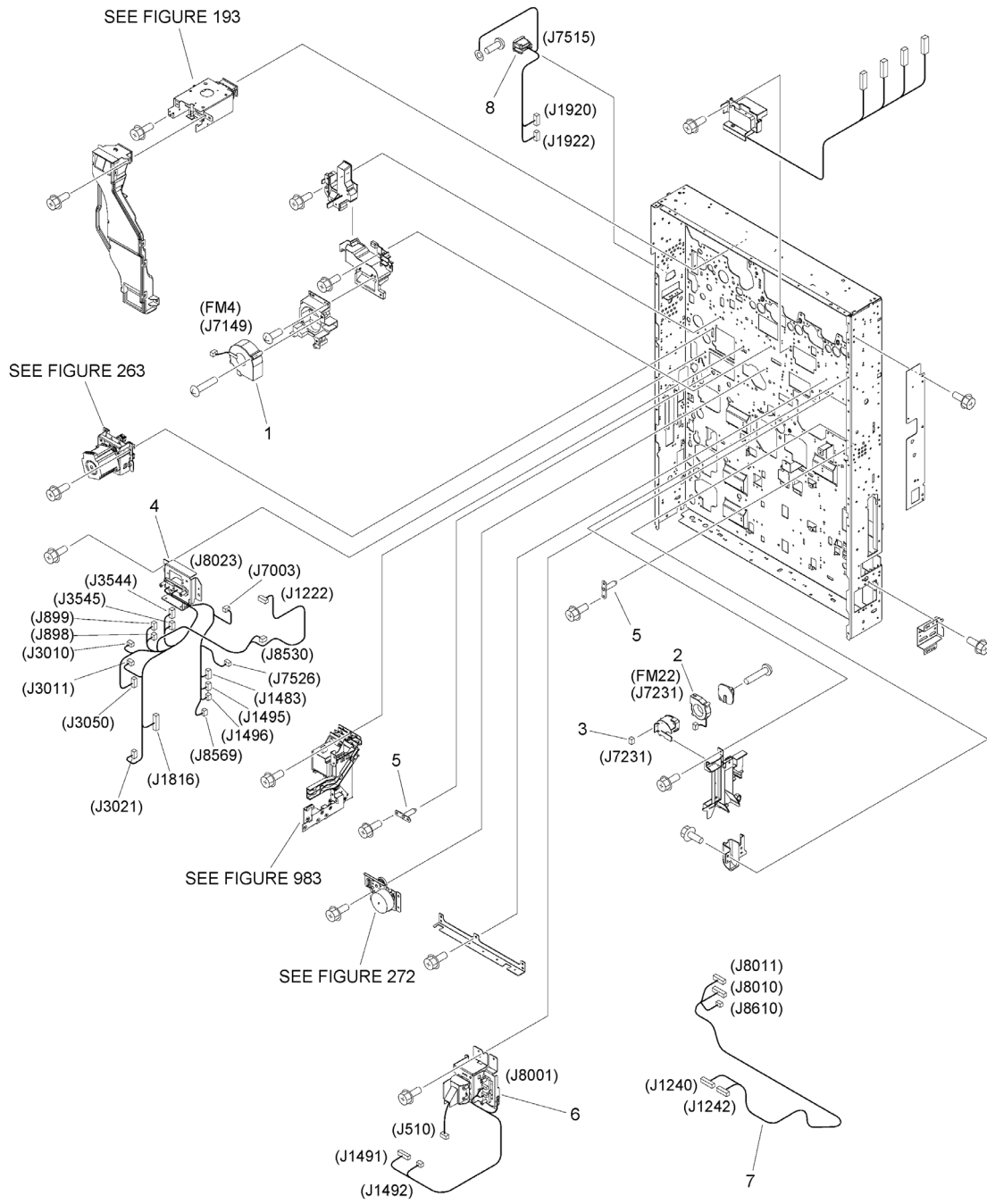


FIGURE & KEY NO.	PART NUMBER	RANK	QTY	DESCRIPTION	SERIAL NUMBER /REMARKS
110	NPN		RF	MACHINE REAR PLATE 3	
1	FL3-7770-000		1	FAN	FM4
2	FK3-3986-000		1	FAN	FM22
3	VS1-7177-003		1	CONNECTOR, SNAP TIGHT, BK	
4	FM1-L186-000		1	FIXING/FEEDER DRAWER ASSEMBLY	
5	FL2-8660-000		2	PLATE, POSITION, FIXING/FEEDER	
6	FM1-L578-010		1	FIXING DRAWER ASSEMBLY	
7	FM1-V829-000		1	CABLE, DRAWER CONNECTING	
8	FM1-V835-000		1	CABLE, LATTICE, 3.5K	

Figure 111 MACHINE REAR PLATE 4

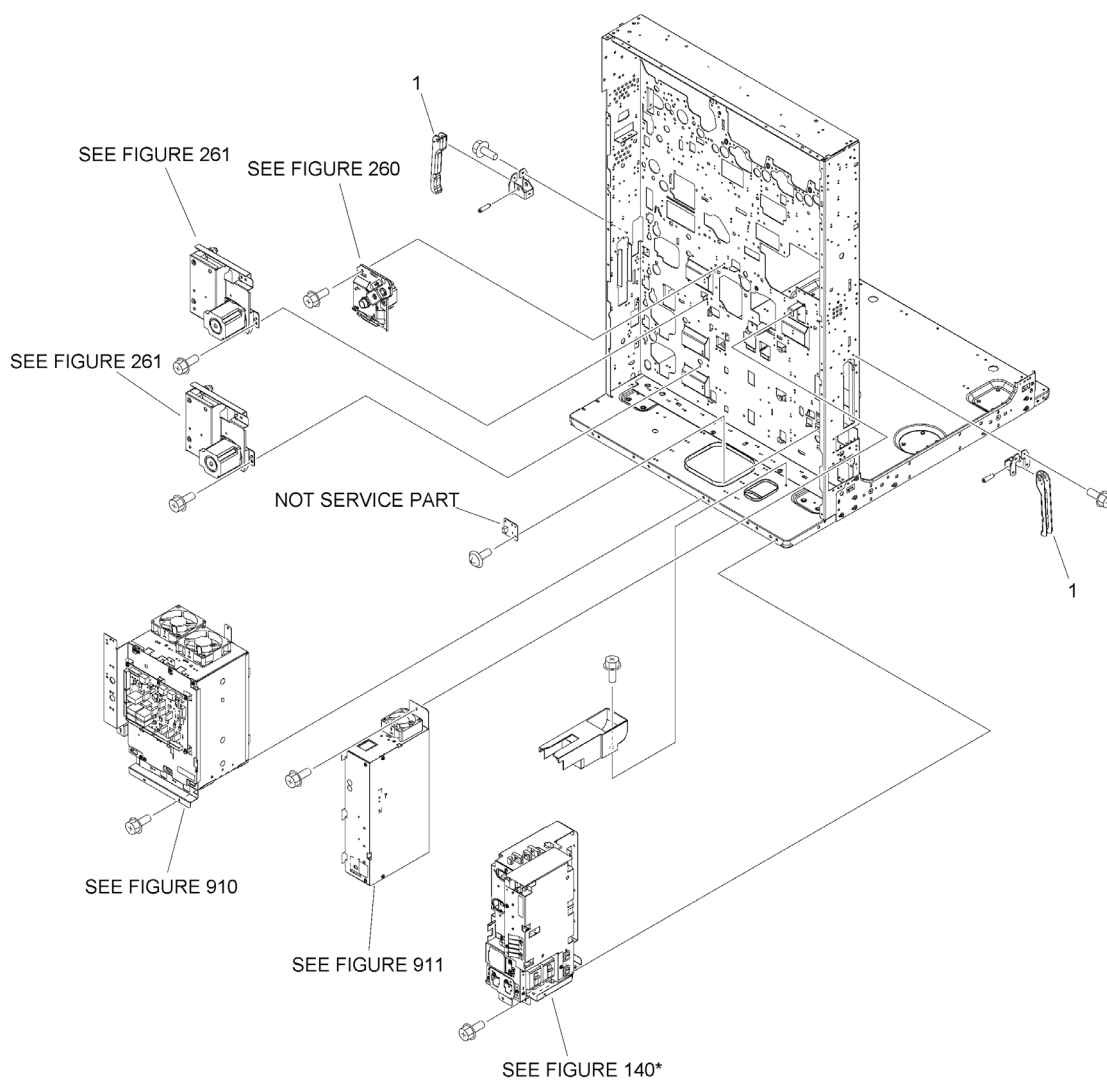


FIGURE & KEY NO.	PART NUMBER	R A N K	QTY	DESCRIPTION	SERIAL NUMBER /REMARKS
111	NPN		RF	MACHINE REAR PLATE 4	
1	FB2-8094-020		2	KNOB, 1	

Figure 112 MACHINE REAR PLATE 5

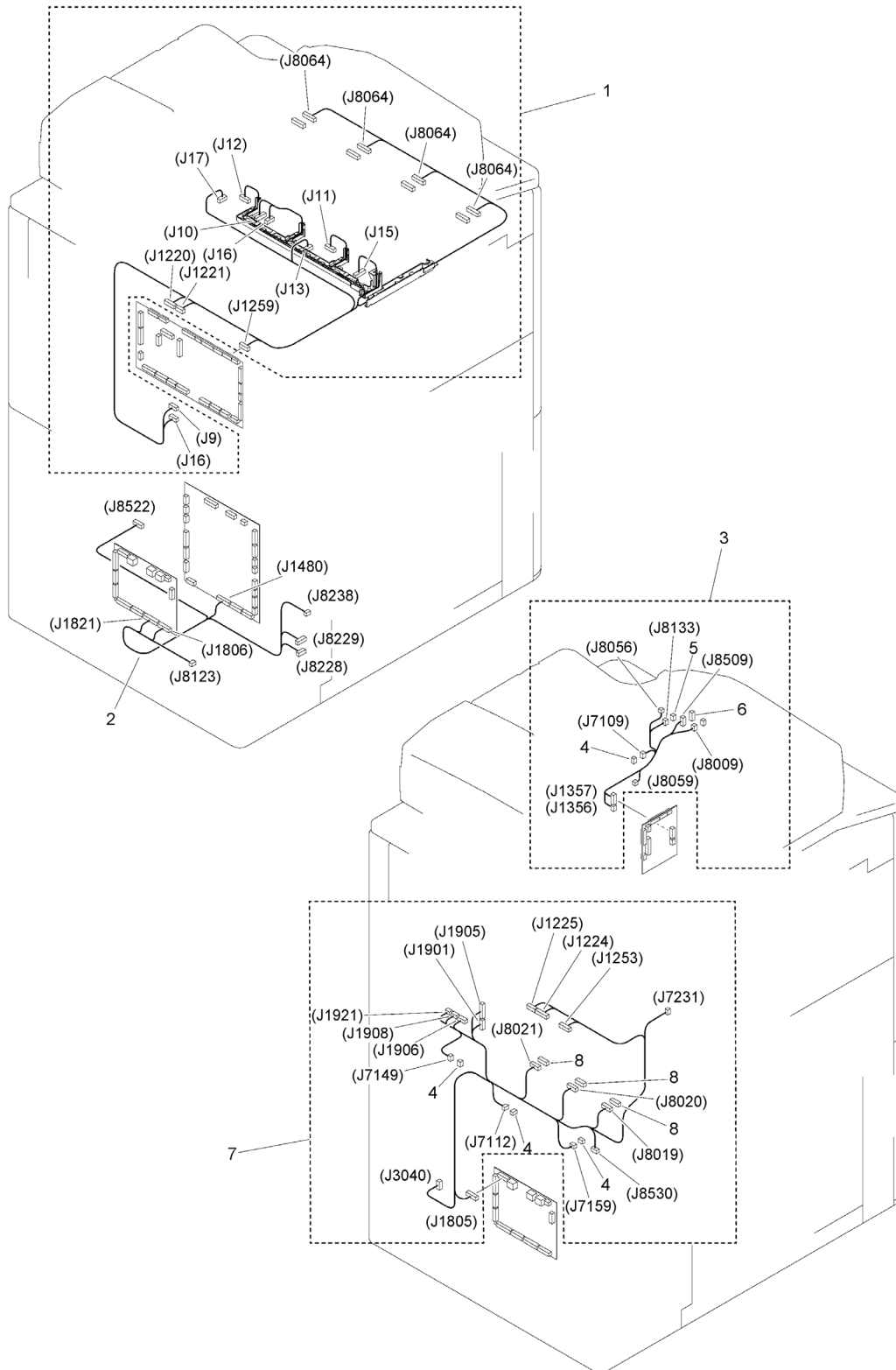


FIGURE & KEY NO.	PART NUMBER	RANK	QTY	DESCRIPTION	SERIAL NUMBER /REMARKS
112	NPN		RF	MACHINE REAR PLATE 5	
1	FM1-L187-000		1	SCANNER MAIN CABLE ASSEMBLY	
2	FM1-V812-000		1	CABLE, RELAY POWER SUPPLY	
3	FM1-V837-000		1	CABLE, PROCESS UNIT CONNECTING	
4	VS1-7177-003		4	CONNECTOR, SNAP TIGHT, BK	
5	VS1-8412-003		1	CONNECTOR, SNAP TIGHT, BL	
6	VS1-8412-013		1	CONNECTOR, SNAP TIGHT, BL	
7	FM1-V817-000		1	CABLE, SIGNAL MAIN	
8	VS1-8412-017		3	CONNECTOR, SNAP TIGHT, BL	

Figure 113 MACHINE REAR PLATE 6

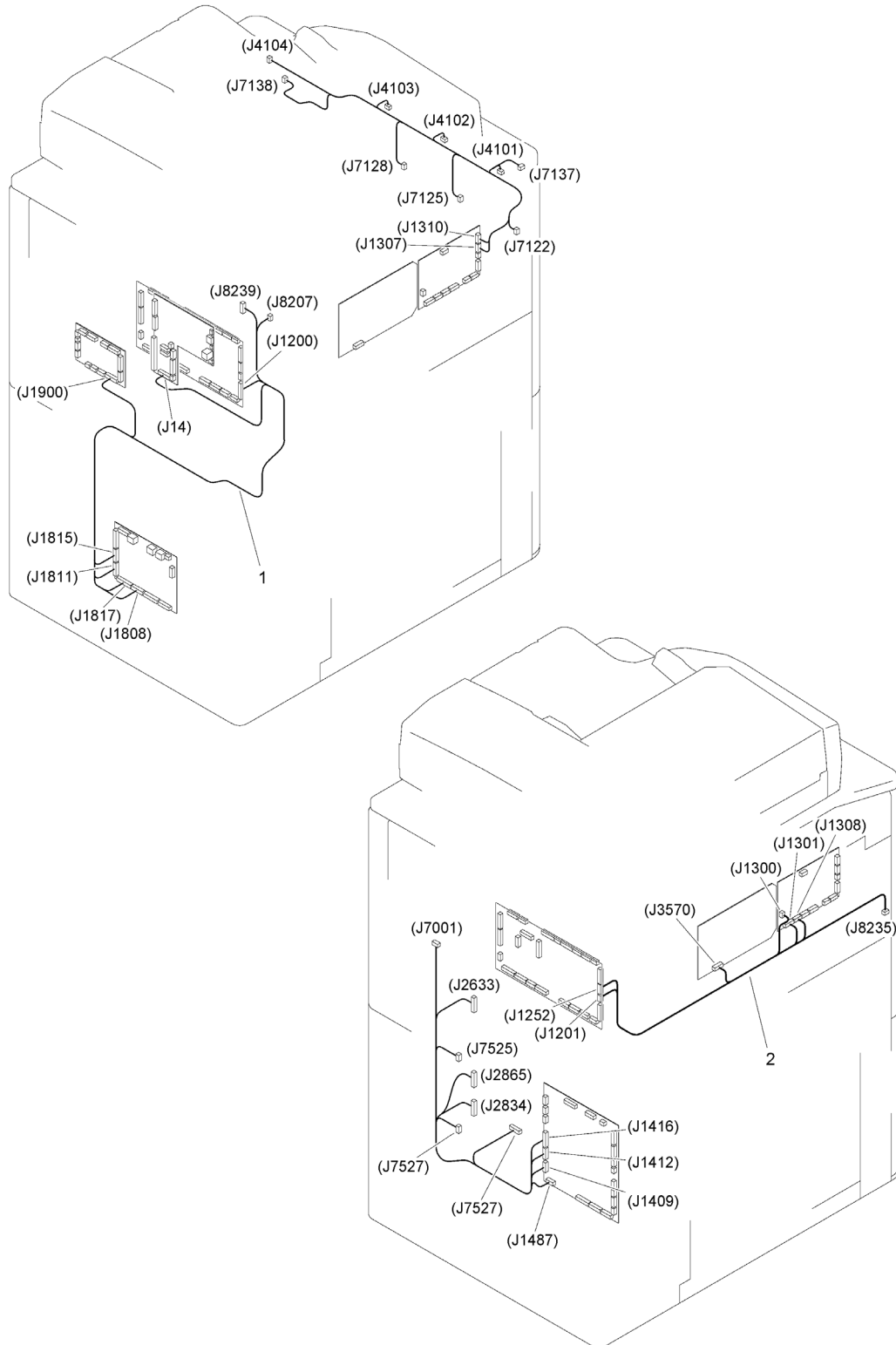


FIGURE & KEY NO.	PART NUMBER	R A N K	QTY	DESCRIPTION	SERIAL NUMBER /REMARKS
113	NPN		RF	MACHINE REAR PLATE 6	
1	FM1-V818-000		1	CABLE, DC POWER SUPPLY MAIN	
2	FM1-V823-000		1	CABLE, DC CONTROLLER/SIDE	

Figure 114 MACHINE REAR PLATE 7

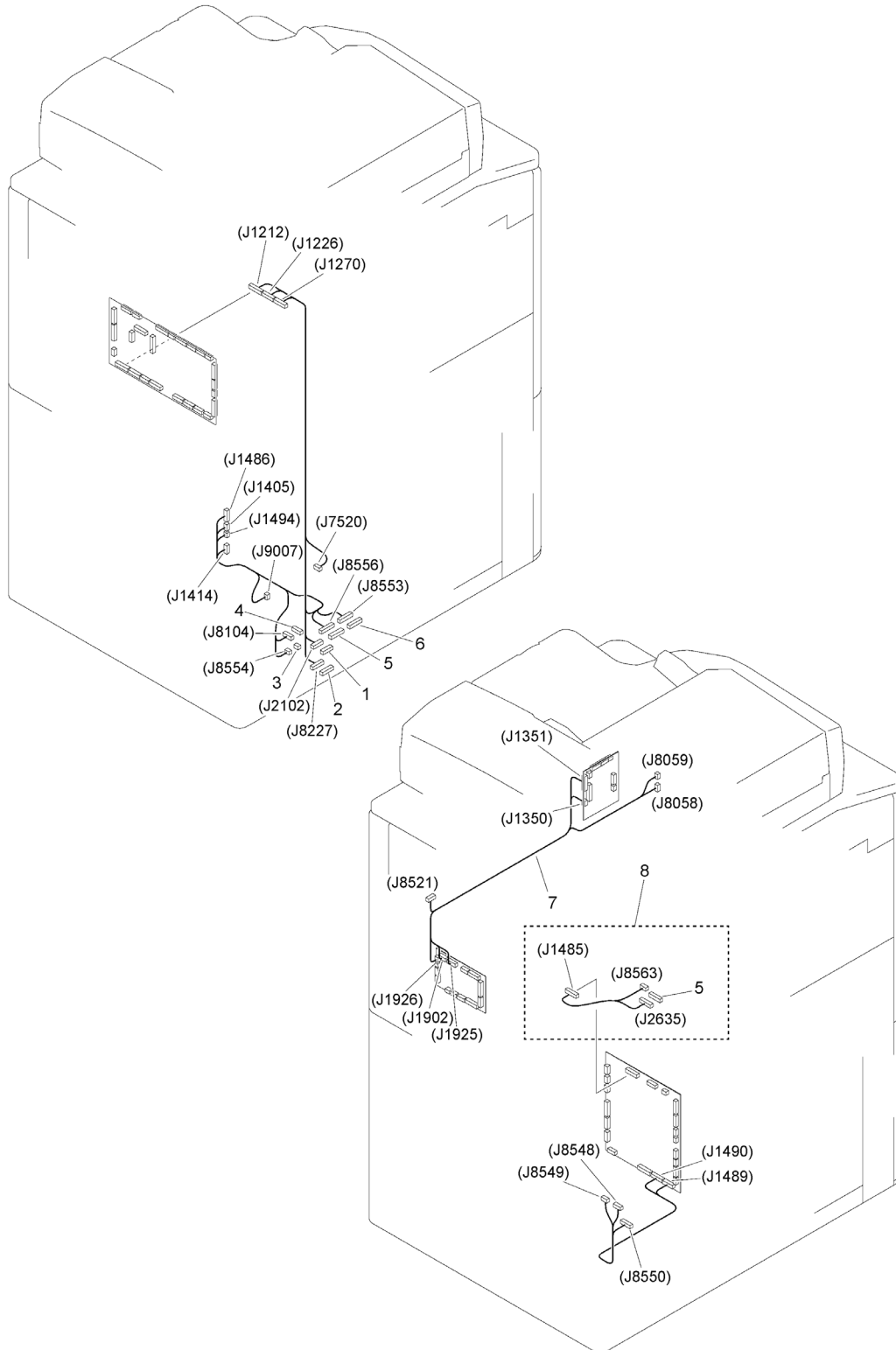


FIGURE & KEY NO.	PART NUMBER	RANK	QTY	DESCRIPTION	SERIAL NUMBER /REMARKS
114	NPN		RF	MACHINE REAR PLATE 7	
1	VS1-7177-007		1	CONNECTOR, 7P, FEMALE, BK	
2	VS1-7177-009		1	CONNECTOR, WIRE TO WIRE, 9P	
3	VS1-8412-003		1	CONNECTOR, SNAP TIGHT, BL	
4	VS1-8412-013		1	CONNECTOR, SNAP TIGHT, BL	
5	VS1-8412-019		2	CONNECTOR, SNAP TIGHT, BL	
6	VS1-8412-025		1	CONNECTOR, SNAP TIGHT, BL	
7	FM1-V843-010		1	CABLE, DRUM/MULTI	
8	FM1-V850-010		1	CABLE, DECK CONNECTING, LEFT	

Figure 115 MACHINE REAR PLATE 8

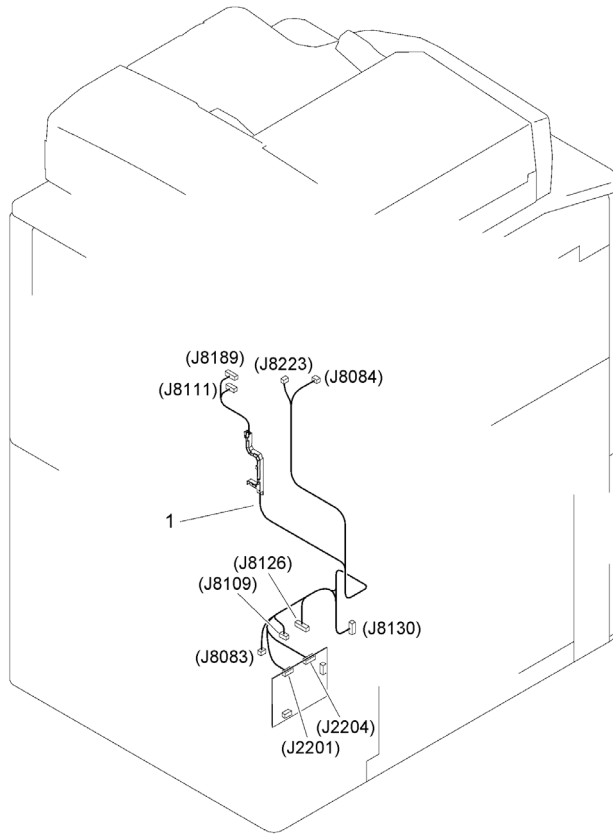


FIGURE & KEY NO.	PART NUMBER	R A N K	QTY	DESCRIPTION	SERIAL NUMBER /REMARKS
115	NPN		RF	MACHINE REAR PLATE 8	
1	FM2-J929-000		1	CABLE, CASSETTE DRUM HEATER	

Figure 116 MULTI DOOR ASSEMBLY

NOTE : This assembly includes the assemblies shown in Figure 315 and 316.

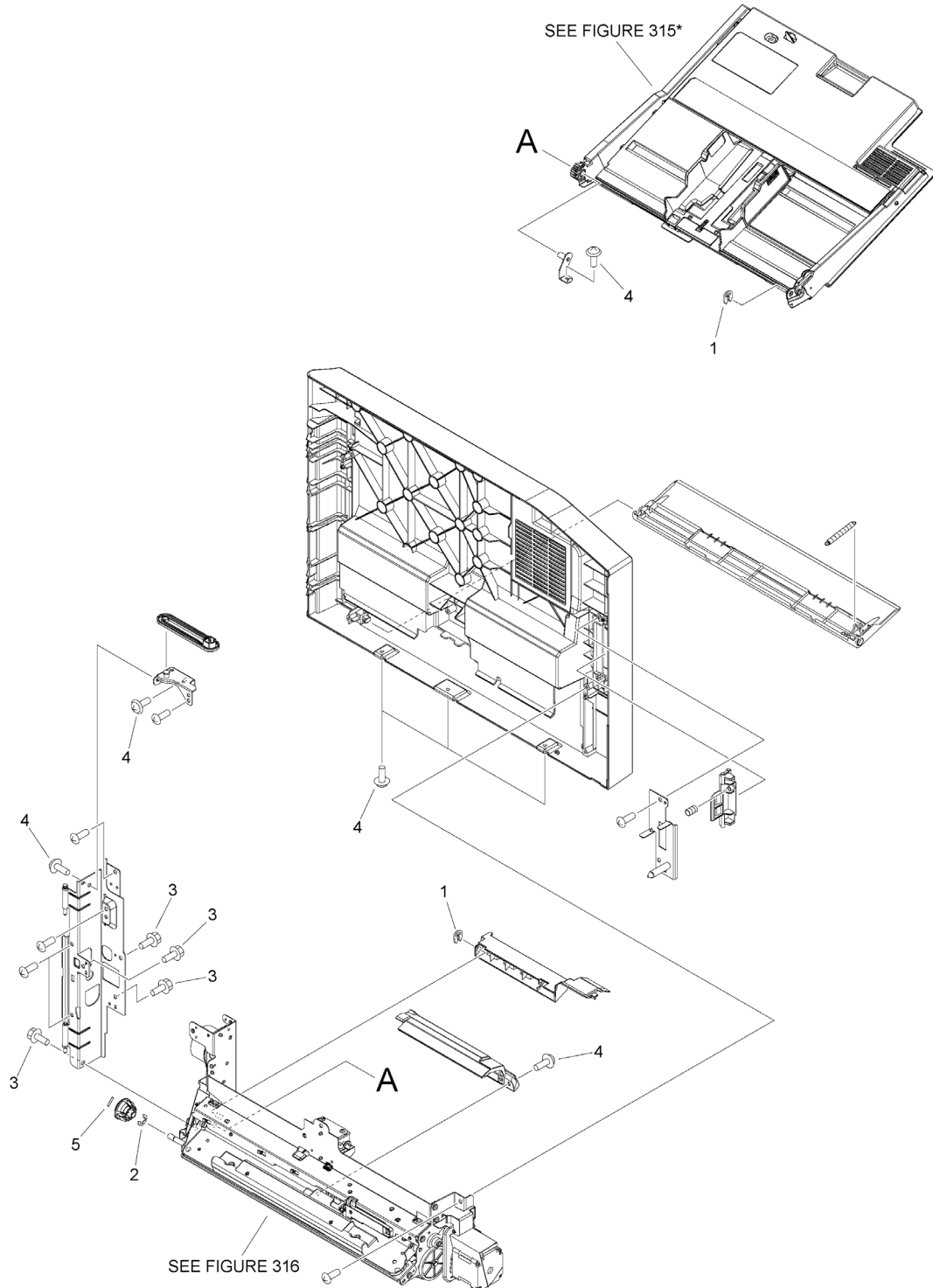


FIGURE & KEY NO.	PART NUMBER	RANK	QTY	DESCRIPTION	SERIAL NUMBER /REMARKS
116	FM1-L297-010		1	MULTI DOOR ASSEMBLY	SEE NOTE
1	FC6-3002-000		2	RING, RESIN, RETAINING	
2	XD9-0395-000		1	RING, E	
3	XA9-0732-010		4	SCREW,RS,M4X8	
4	XA9-2010-000		8	SCREW, TP, M3X6	
5	XD9-0289-000		1	PIN, PARALLEL	

Figure 117 VERTICAL PATH DOOR ASSEMBLY

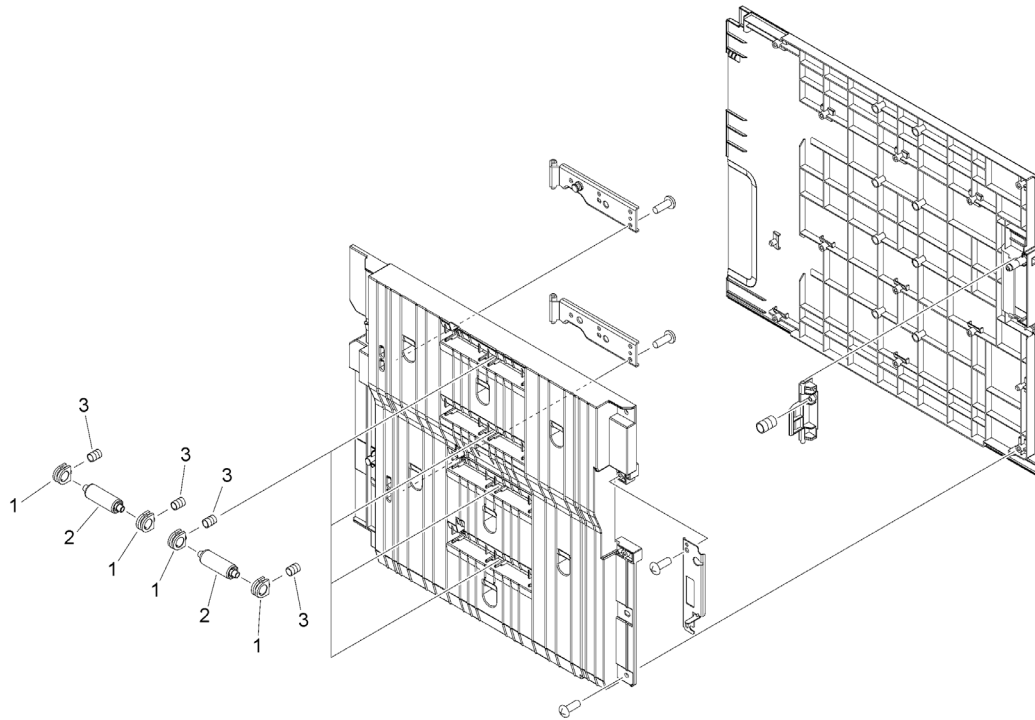


FIGURE & KEY NO.	PART NUMBER	RANK	QTY	DESCRIPTION	SERIAL NUMBER /REMARKS
117	FM1-L200-000		1	VERTICAL PATH DOOR ASSEMBLY	
1	FC7-7209-000		16	BUSHING, VERTICAL ROLLER	
2	FC8-3782-000		8	ROLLER, PAPER FEED	
3	FS7-2788-000		16	SPRING, COMPRESSION	

Figure 118 REVERSE DELIVERY DOOR ASSEMBLY

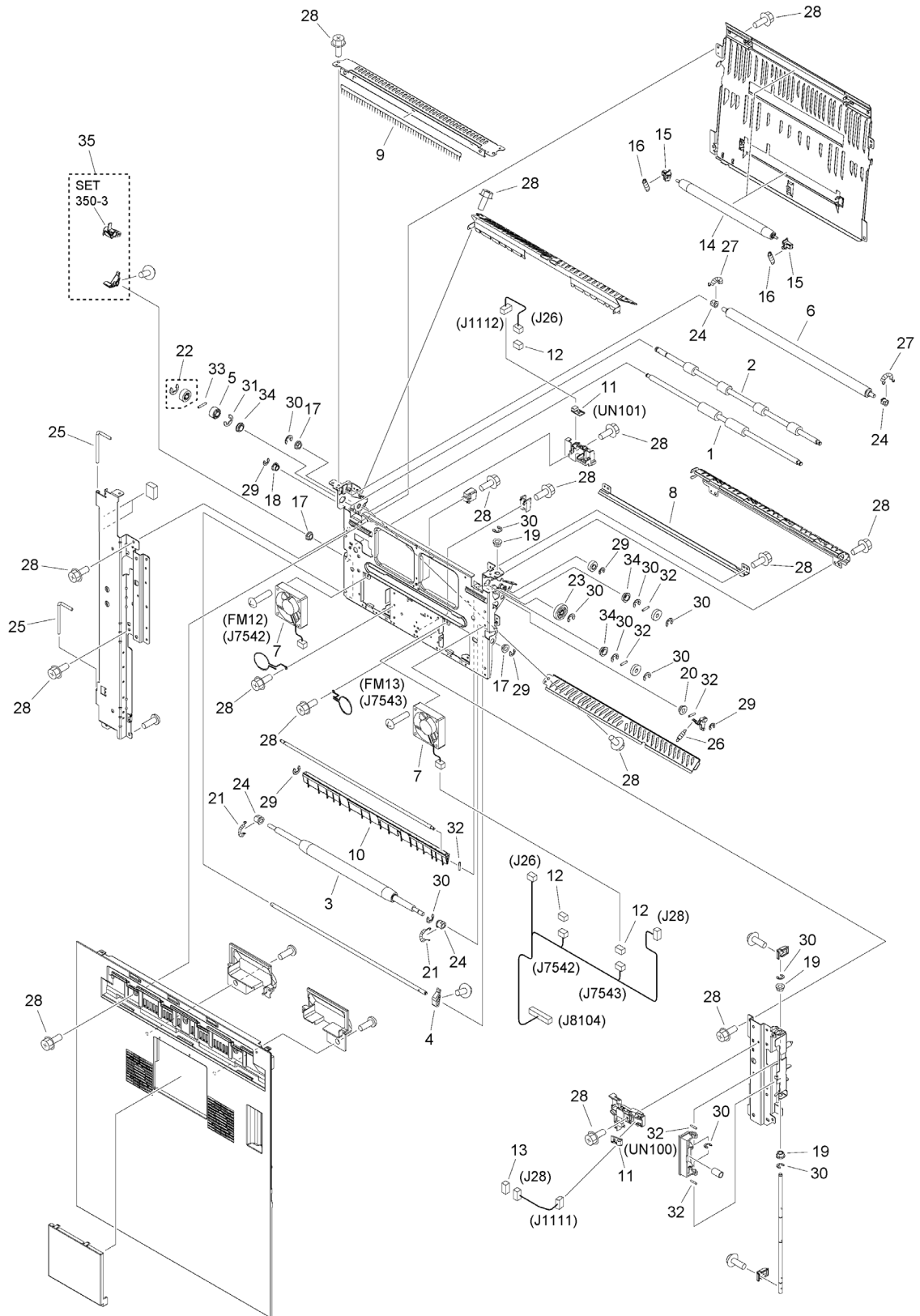


FIGURE & KEY NO.	PART NUMBER	RANK	QTY	DESCRIPTION	SERIAL NUMBER /REMARKS
118	FM1-L223-010		1	REVERSE DELIVERY DOOR ASSEMBLY	
1	FC8-2571-000		1	ROLLER, OUTER DELI. DRIVE	
2	FC8-2572-000		1	ROLLER, OUTER DELIVERY DRIVE	
3	FC8-2576-000		1	ROLLER, ESTRANGEMENT FOLLOWER	
4	FC8-2597-000		1	ARM,ROLLER ESTRANGEMENT,FRONT	
5	FC8-2606-010		1	ROLLER, SIDE END	
6	FC9-3777-000		1	ROLLER,OUTER DELIVERY FOLLOWER	
7	FK2-0472-010		2	FAN	FM12, FM13
8	FL2-8869-010		1	GUIDE, DELIVERY OUTLET, UPPER	
9	FC6-4009-000		1	ELIMINATOR,STATIC CHARGE	
10	FL3-4355-000		1	FLAPPER, REVERSE	
11	FM1-V871-000		2	LED ILLUMINATION UNIT	UN100, UN101
12	VS1-7177-003		3	CONNECTOR, SNAP TIGHT, BK	
13	VS1-7177-004		1	CONNECTOR, SNAP TIGHT, BK	
14	FC9-4094-010		2	ROLLER, REVERSE DRIVEN	
15	FE8-2440-000		4	BUSHING	
16	FU7-2351-000		4	SPRING, TENSION	
17	FS1-1569-000		3	BUSHING	
18	FU5-1442-000		1	BUSHING	
19	FU5-1453-000		3	BUSHING	
20	FU5-1469-000		1	BUSHING, POLYACETAR	
21	FU5-2139-040		2	SPRING, TENSION	
22	FM1-V108-000		1	18T GEAR KIT	
23	FU6-0072-000		1	GEAR, 32T	
24	FU6-1190-000		4	BUSHING	
25	FU6-4563-000		2	PIN, HINGE	
26	FU7-2322-000		1	SPRING, TENSION	
27	FU8-2355-000		2	SPRING, TENSION	
28	XA9-1386-000		28	SCREW,RS,M3X8	
29	XD9-0134-000		5	RING, E	
30	XD9-0136-000		11	RING, E	
31	XD9-0137-010		3	RING, E	
32	XD9-0288-000		6	PIN, DOWEL	
33	XD9-0289-000		1	PIN, PARALLEL	
34	XG9-0709-000		3	BEARING, BALL, MF128ZZ-3	
35	FM1-D469-000		1	ARM KIT	

Figure 119 FRONT INNER DOOR ASSEMBLY

NOTE : This assembly does not include the parts shown with key No. 2 and 8.

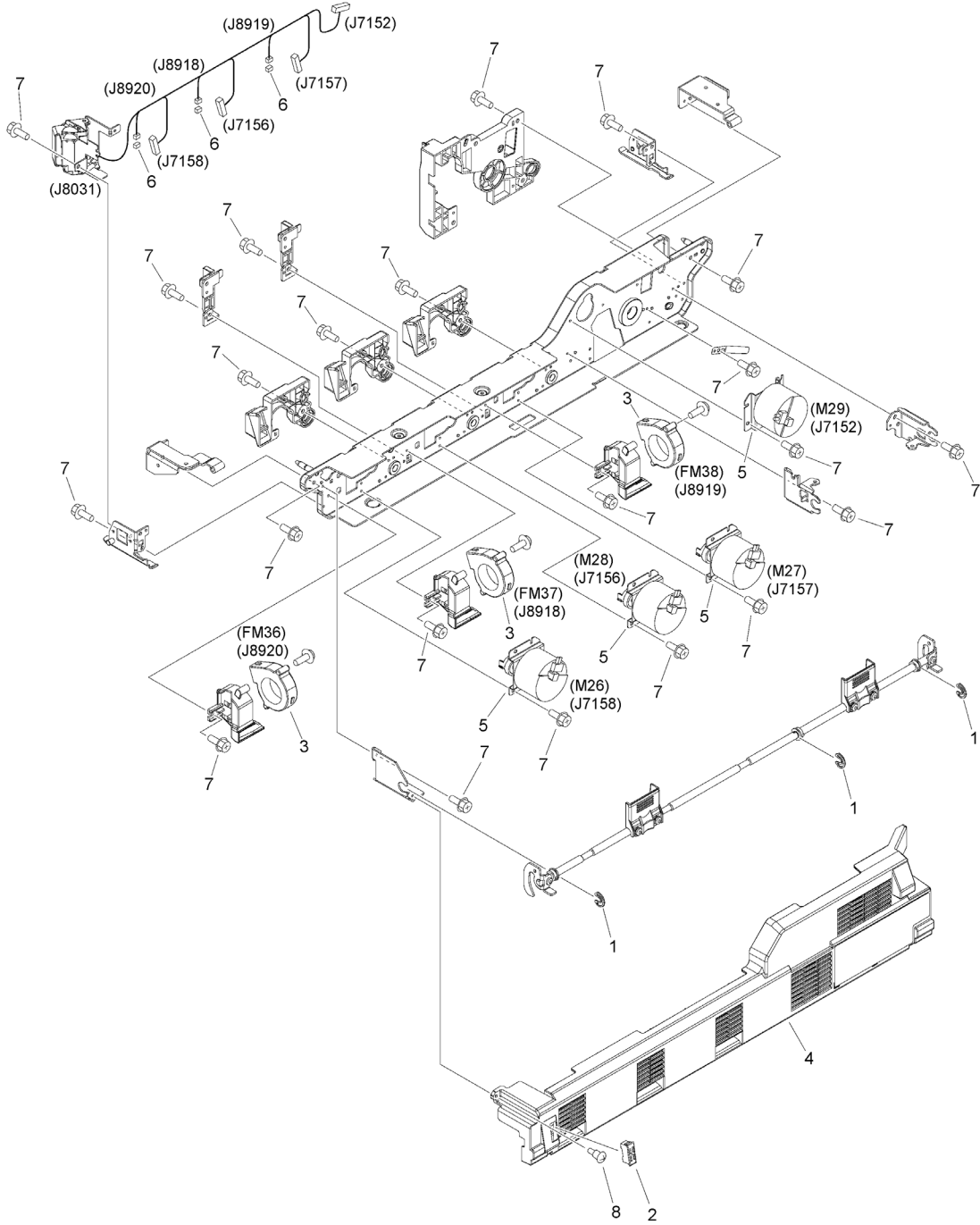


FIGURE & KEY NO.	PART NUMBER	RANK	QTY	DESCRIPTION	SERIAL NUMBER /REMARKS
119	FM1-N507-000		1	FRONT INNER DOOR ASSEMBLY	
1	FC5-2715-000		3	RING, RETAINING	
2	XZ9-0603-000		1	CATCH, MAGNET	SEE NOTE
3	FK3-3986-000		3	FAN	FM36, FM37, FM38
4	FL0-7773-000		1	COVER, INNER, FRONT	
5	FM0-1351-000		4	DEV. STIRRING MOTOR ASS'Y	M26, M27, M28, M29
6	VS1-7177-003		3	CONNECTOR, SNAP TIGHT, BK	
7	XA9-1386-000		15	SCREW,RS,M3X8	
8	FS1-9253-020		2	SCREW, STEPPED M4X8	SEE NOTE

Figure 130 FLAT CONTROL PANEL ASSEMBLY

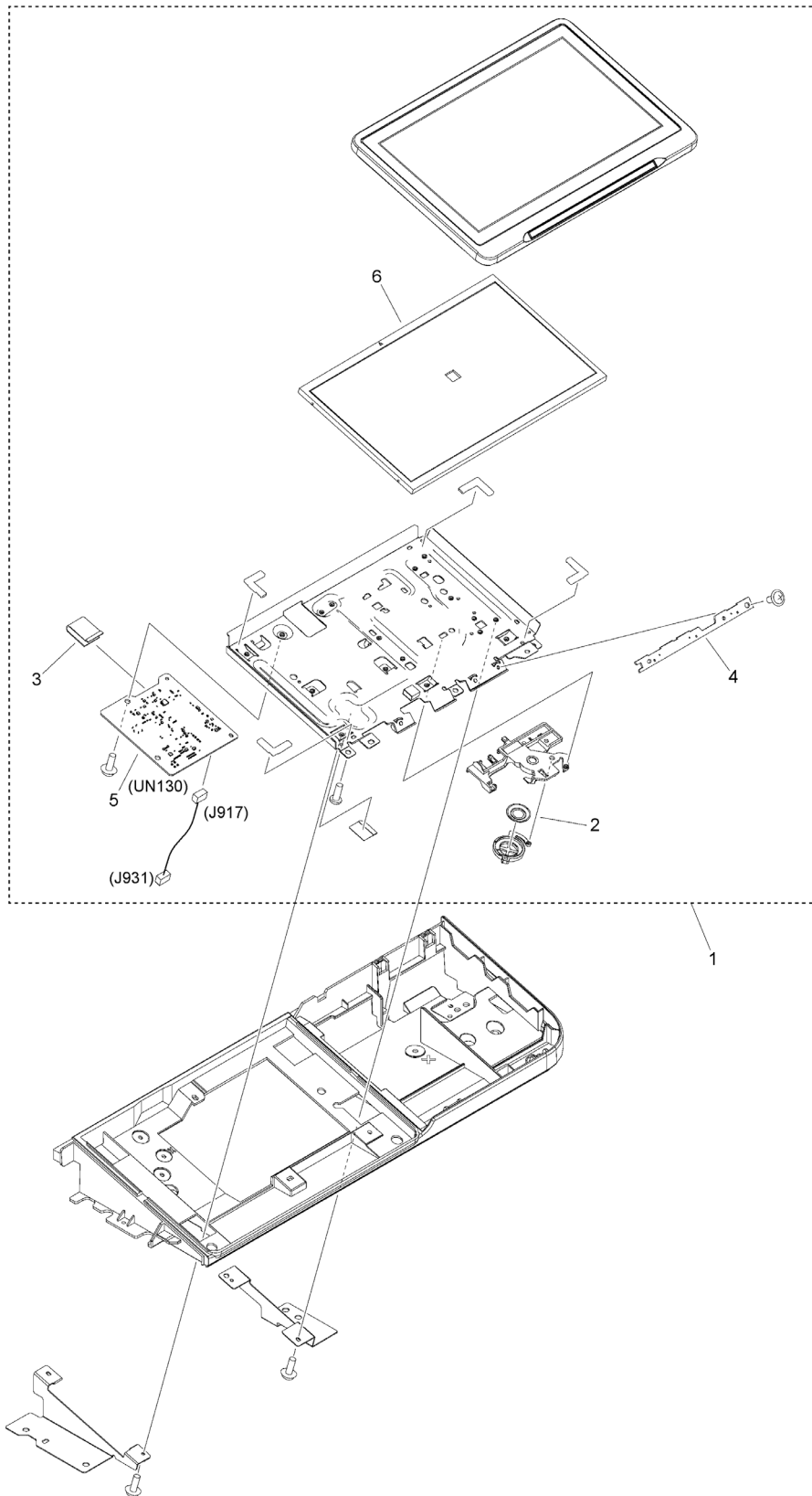


FIGURE & KEY NO.	PART NUMBER	RANK	QTY	DESCRIPTION	SERIAL NUMBER /REMARKS
130	NPN		RF	CONTROL PANEL ASSEMBLY	
1	FM1-X153-000		1	CONTROL PANEL ASSEMBLY	
2	FK4-2377-000		1	SPEAKER	
3	FK4-4895-000		1	CABLE, FLAT	
4	FM2-A912-000		1	CONTROL PANEL LED PCB ASSEMBLY	
5	FM2-K897-000		1	CONTROL PANEL MAIN PCB ASS'Y	UN130
6	FK4-2375-000		1	LCD UNIT	

Figure 132 CONTROL LEFT COVER ASS'Y

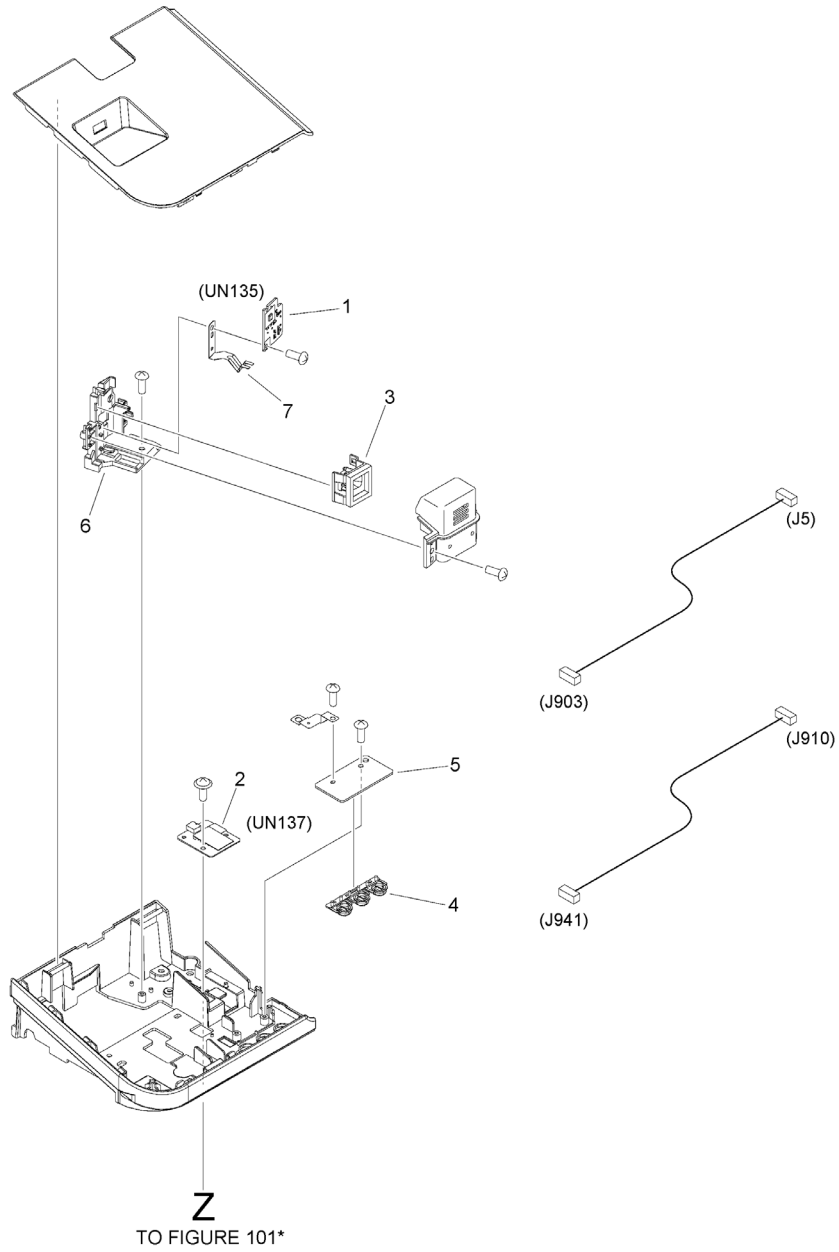


FIGURE & KEY NO.	PART NUMBER	RANK	QTY	DESCRIPTION	SERIAL NUMBER /REMARKS
132	NPN		RF	CONTROL LEFT COVER ASS'Y	
1	FM1-W896-000		1	INTERFACE SENSOR PCB ASSEMBLY	UN135
2	FM1-N784-000		1	WIRELESS NETWORK PCB ASSEMBLY	UN137
3	FL1-5184-000		1	APERTURE, SENSOR	
4	FE2-E393-000		1	KEY TOP, SWITCH	
5	FM2-M874-000		1	SWITCH PCB ASSEMBLY	
6	FE2-A468-000		1	MOTION SENSOR HOLDER	
7	FE2-A471-000		1	SPRING, GROUNDING	

Figure 140B POWER SUPPLY ASSEMBLY (208V)

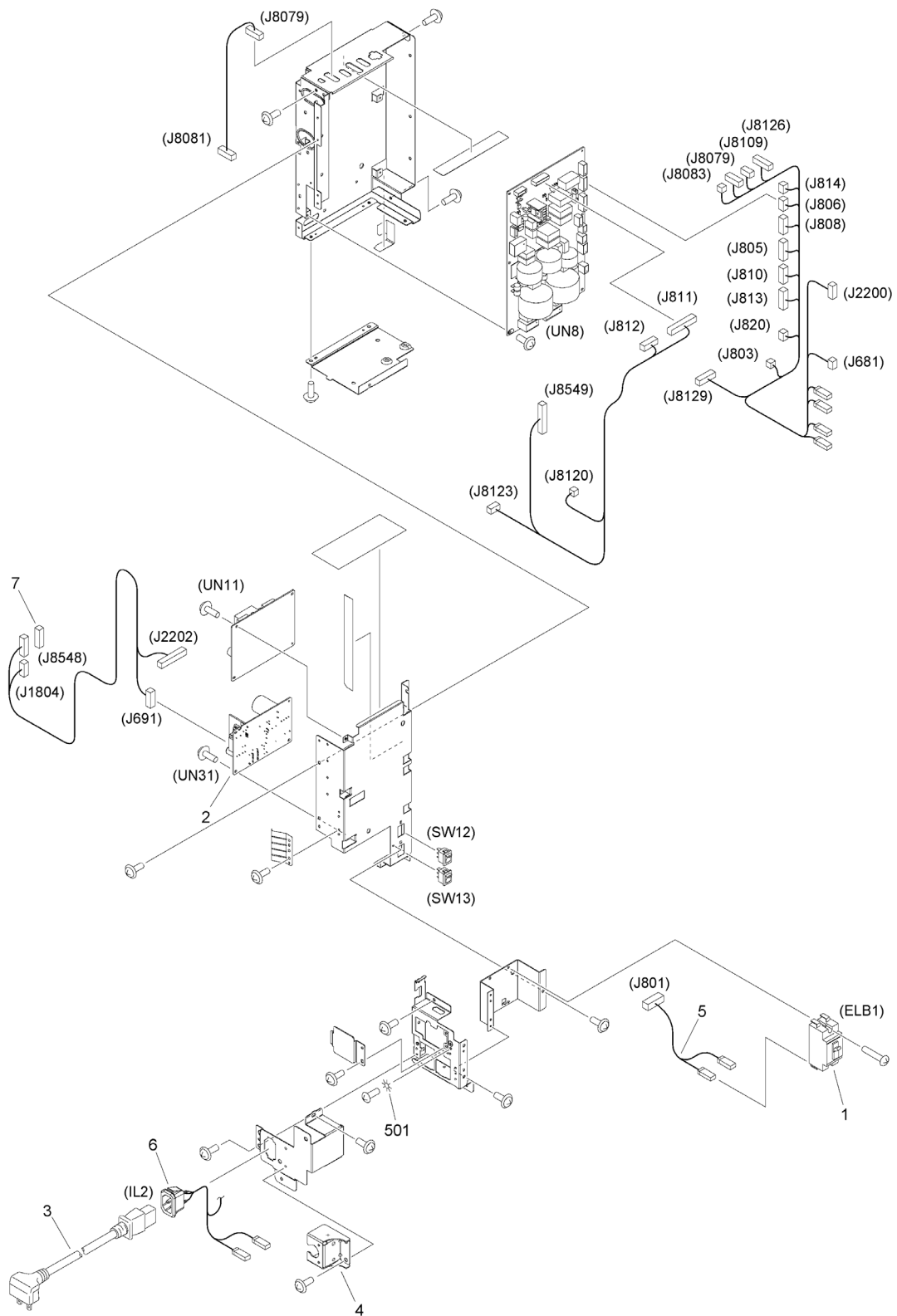


FIGURE & KEY NO.	PART NUMBER	RANK	QTY	DESCRIPTION	SERIAL NUMBER /REMARKS
140B	FM2-Q884-000		1	POWER SUPPLY ASSEMBLY	208V
1	FK2-7358-000		1	BREAKER, ELECTRIC LEAKAGE	ELB1
2	FK4-2679-000		1	ALL NIGHT POWER SUPPLY PCB	UN31
3	FK2-2982-000		1	CORD, POWER SUPPLY, 200V	
4	FL3-9169-000		1	COVER, PLUG, H	
5	FM4-1343-000		1	CABLE, BREAKER 1	
6	FM4-1462-000		1	CABLE, INLET	IL2
7	VS1-8412-015		1	CONNECTOR, SNAP TIGHT, BL	
501	XD1-4200-402		1	WASHER, TOOTHED LOCK, M4	

Figure 140C POWER SUPPLY ASSEMBLY (120V)

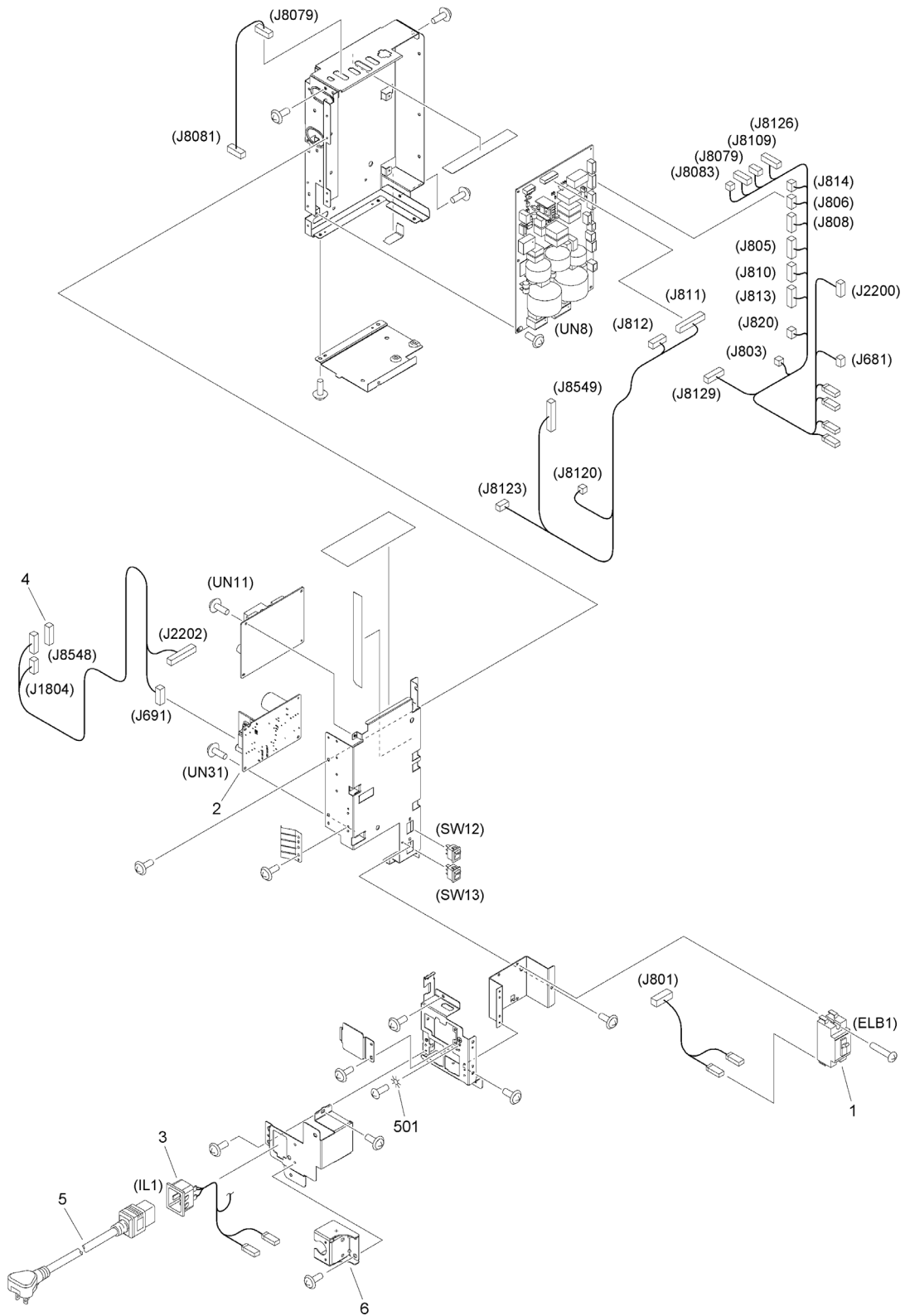


FIGURE & KEY NO.	PART NUMBER	RANK	QTY	DESCRIPTION	SERIAL NUMBER /REMARKS
140C	FM2-Q891-000		1	POWER SUPPLY ASSEMBLY	120V
1	FK2-7359-000		1	BREAKER, ELECTRIC LEAKAGE	ELB1
2	FK4-2679-000		1	ALL NIGHT POWER SUPPLY PCB	UN31
3	FM0-2094-000		1	CABLE, INLET	IL1
4	VS1-8412-015		1	CONNECTOR, SNAP TIGHT, BL	
5	FK3-2053-000		1	CORD, POWER SUPPLY, 120V	
6	FL3-9168-000		1	COVER, PLUG	
501	XD1-4200-402		1	WASHER, TOOTHED LOCK, M4	

Figure 140D POWER SUPPLY ASSEMBLY (230V C7780i)

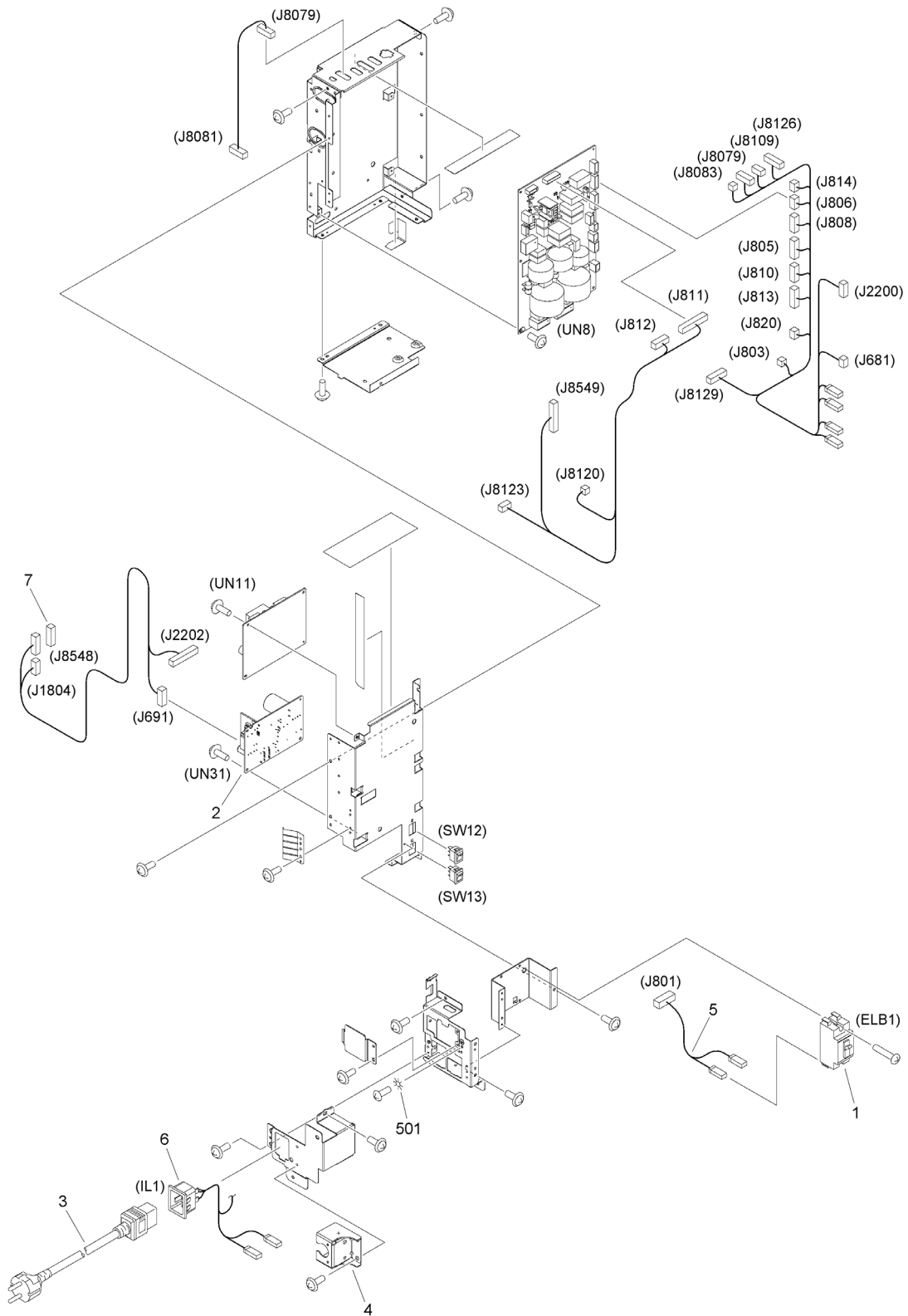


FIGURE & KEY NO.	PART NUMBER	RANK	QTY	DESCRIPTION	SERIAL NUMBER /REMARKS
140D	FM2-Q886-000		1	POWER SUPPLY ASSEMBLY	230V C7780i
1	FH7-7626-000		1	BREAKER,ELECTRIC LEAKAGE	ELB1
2	FK4-2679-000		1	ALL NIGHT POWER SUPPLY PCB	UN31
3	FK3-2289-000		1	CORD, POWER, 230V	
4	FL3-9168-000		1	COVER, PLUG	
5	FM4-1343-000		1	CABLE, BREAKER 1	
6	FM0-2094-000		1	CABLE, INLET	IL1
7	VS1-8412-015		1	CONNECTOR, SNAP TIGHT, BL	
501	XD1-4200-402		1	WASHER, TOOTHED LOCK, M4	

FIGURE & KEY NO.	PART NUMBER	RANK	QTY	DESCRIPTION	SERIAL NUMBER /REMARKS
140E	FM2-Q885-000		1	POWER SUPPLY ASSEMBLY	230V C7770i, C7765i
1	FH7-7625-030		1	BREAKER, ELECTRIC LEAKAGE	ELB1
2	FK4-2679-000		1	ALL NIGHT POWER SUPPLY PCB	UN31
3	VS1-8412-015		1	CONNECTOR, SNAP TIGHT, BL	
4	FH2-7080-010		1	CORD, POWER, 230V	SEE NOTE
5	FM4-1343-000		1	CABLE, BREAKER 1	
6	FM4-1462-000		1	CABLE, INLET	IL2
501	XD1-4200-402		1	WASHER, TOOTHED LOCK, M4	

Figure 191 PRE-FIXING FEED FAN ASSEMBLY

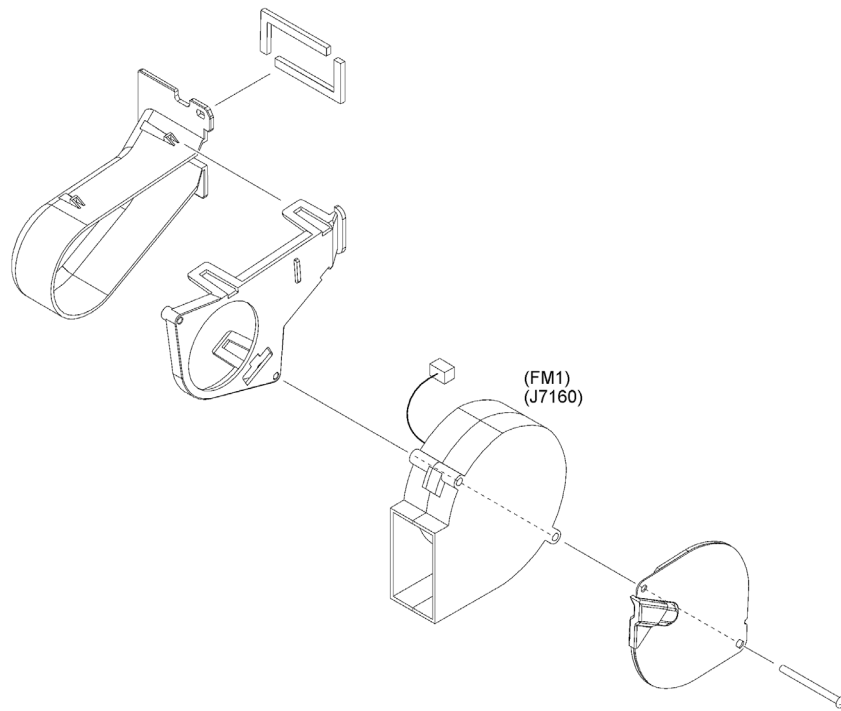


FIGURE & KEY NO.	PART NUMBER	R A N K	QTY	DESCRIPTION	SERIAL NUMBER /REMARKS
191	FM0-2289-000		1	PRE-FIXING FEED FAN ASSEMBLY	

Figure 192 FIXING EXHAUST FAN ASSEMBLY

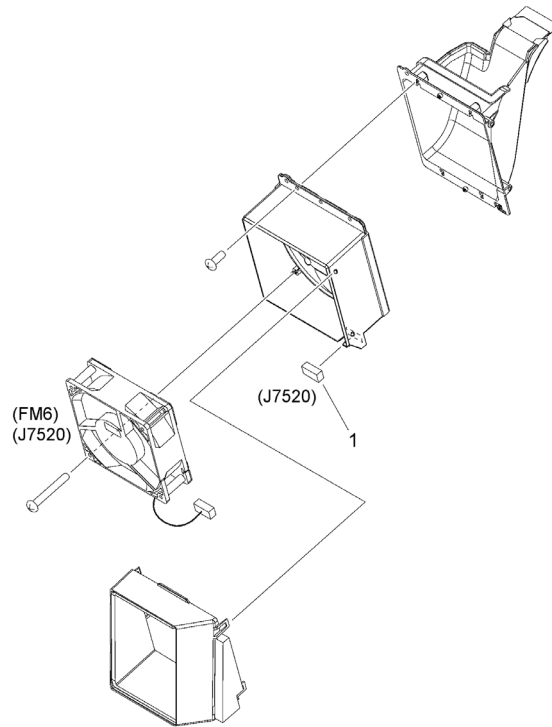


FIGURE & KEY NO.	PART NUMBER	R A N K	QTY	DESCRIPTION	SERIAL NUMBER /REMARKS
192	FM1-L269-000		1	FIXING EXHAUST FAN ASSEMBLY	
1	VS1-7177-004		1	CONNECTOR, SNAP TIGHT, BK	

Figure 193 PRIMARY CORONA EXHAUST ASS'Y

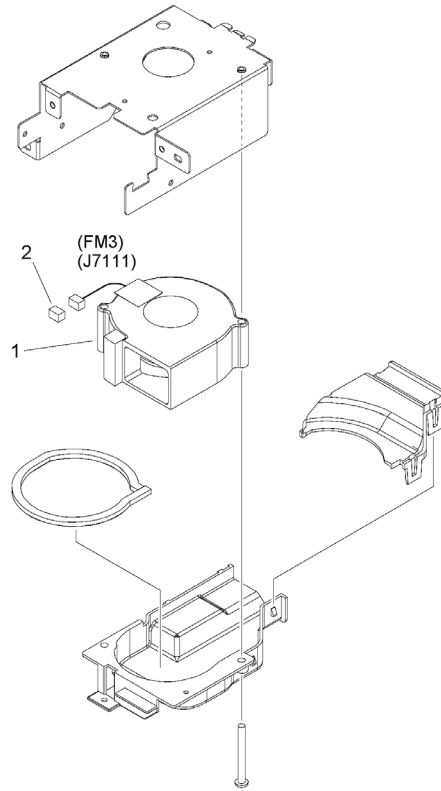


FIGURE & KEY NO.	PART NUMBER	R A N K	QTY	DESCRIPTION	SERIAL NUMBER /REMARKS
193	FM0-1494-010		1	PRIMARY CORONA EXHAUST ASS'Y	
1	FL3-7770-000		1	FAN	FM3
2	VS1-7177-003		1	CONNECTOR, SNAP TIGHT, BK	

Figure 250 DRUM DRIVE ASS'Y, (Y/M/C)

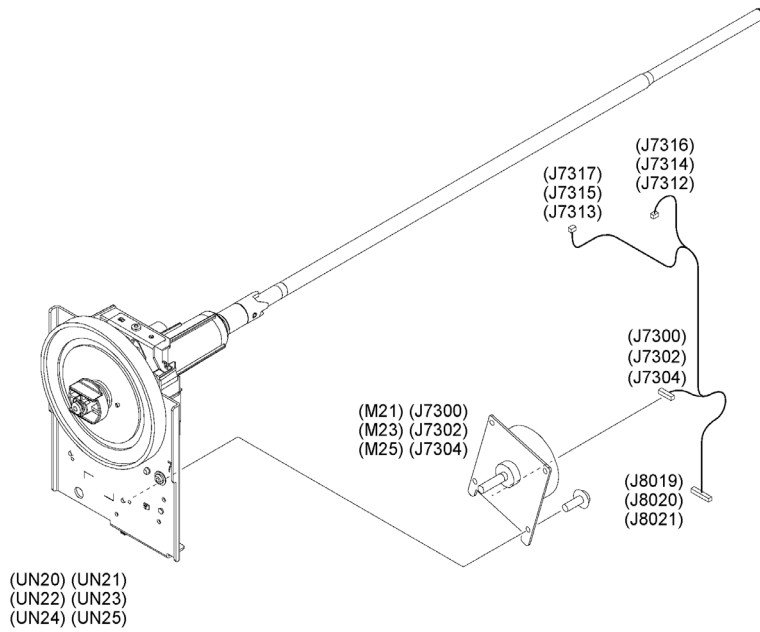


FIGURE & KEY NO.	PART NUMBER	RANK	QTY	DESCRIPTION	SERIAL NUMBER /REMARKS
250	FM1-X383-000		1	DRUM DRIVE ASS'Y,(Y/M/C)	UN20, UN21, UN22, UN23, UN24, UN25
1	FK4-6424-000		1	MOTOR, DC BRUSHLESS	M21,M23,M25
2	FM2-M870-000		1	CABLE, DRUM DRIVE UNIT, COLOR	

Figure 251 DRUM DRIVE ASSEMBLY, BLACK

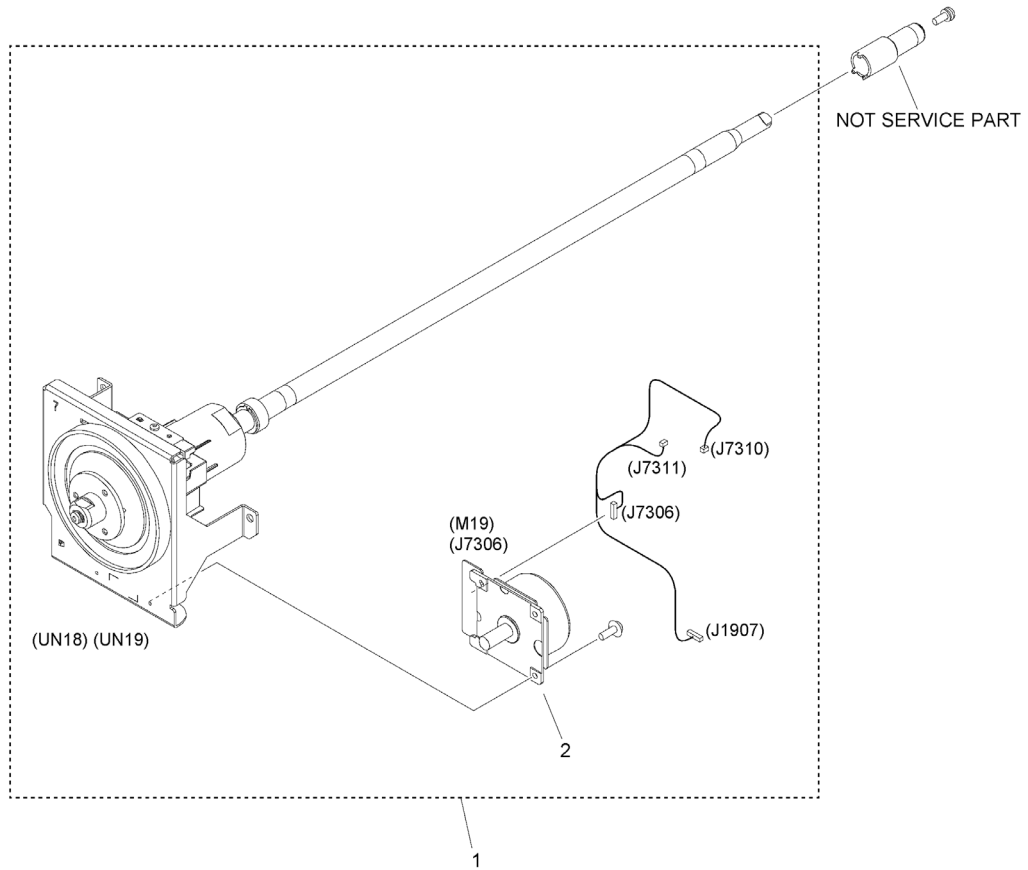


FIGURE & KEY NO.	PART NUMBER	RANK	QTY	DESCRIPTION	SERIAL NUMBER /REMARKS
251	NPN		RF	DRUM DRIVE ASSEMBLY, BLACK	
1	FM1-X384-000		1	DRUM DRIVE ASSEMBLY, BLACK	UN18, UN19
2	FK4-6426-000		1	MOTOR, DC BRUSHLESS	M19

Figure 260 DECK DRIVE ASSEMBLY, LEFT

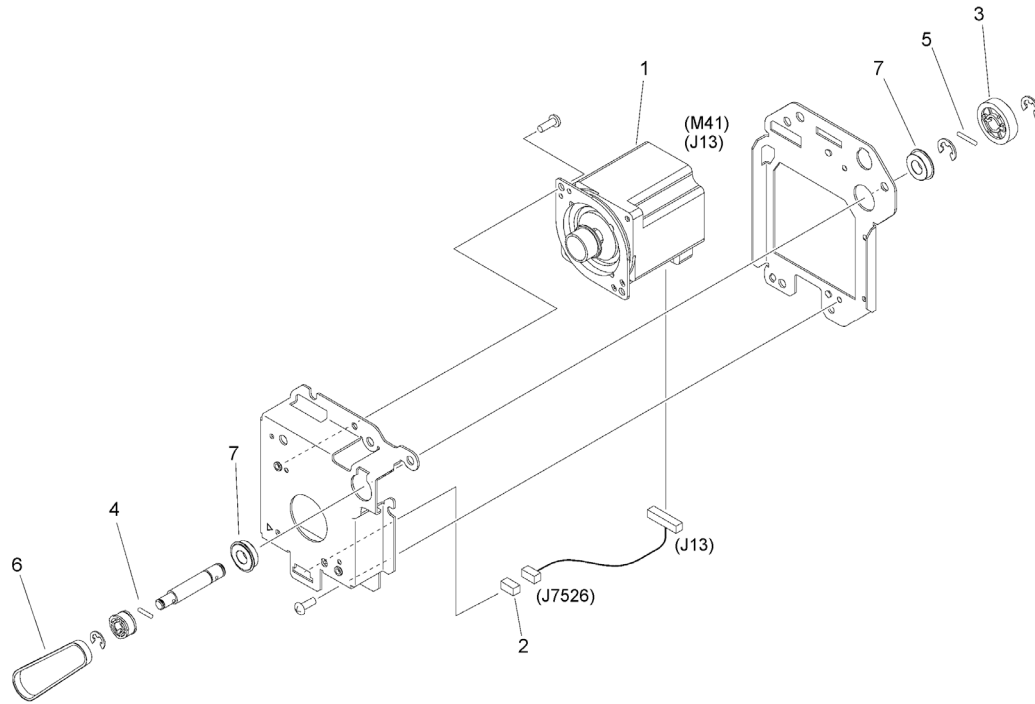


FIGURE & KEY NO.	PART NUMBER	RANK	QTY	DESCRIPTION	SERIAL NUMBER /REMARKS
260	FM1-X397-000		1	DECK DRIVE ASSEMBLY, LEFT	
1	FM2-M967-000		1	MOTOR, STEPPING, DC	M41
2	VS1-7177-004		1	CONNECTOR, SNAP TIGHT, BK	
3	FU8-0335-000		1	GEAR, 28T	
4	XD9-0288-000		1	PIN, DOWEL	
5	XD9-0290-000		1	PIN, PARALLEL	
6	XF2-1608-340		1	BELT, TIMING	
7	XG9-0794-000		2	BEARING, BALL, LNR-1680KKR	

Figure 261 VERTICAL PATH DRIVE ASS'Y

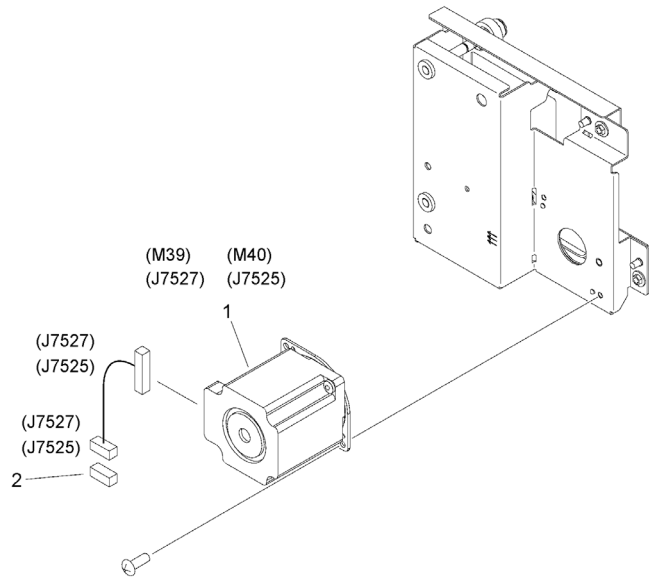


FIGURE & KEY NO.	PART NUMBER	RANK	QTY	DESCRIPTION	SERIAL NUMBER /REMARKS
261	FM1-X382-000		1	VERTICAL PATH DRIVE ASSY	
1	FM2-M967-000		1	MOTOR, STEPPING, DC	M39, M40
2	VS1-7177-005		1	CONNECTOR, SNAP TIGHT, BK	

Figure 263 MULTI DRIVE ASSEMBLY

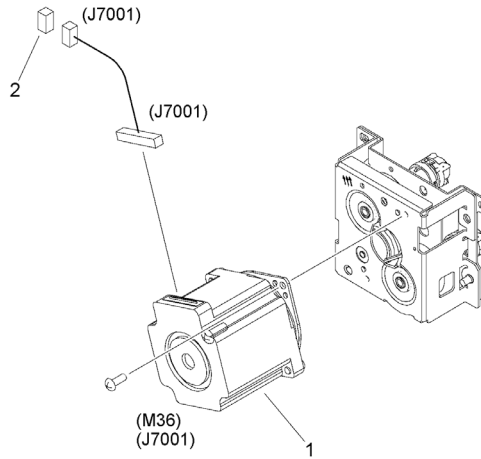


FIGURE & KEY NO.	PART NUMBER	RANK	QTY	DESCRIPTION	SERIAL NUMBER /REMARKS
263	FM1-X396-000		1	MULTI DRIVE ASSEMBLY	
1	FM2-M967-000		1	MOTOR, STEPPING, DC	M36
2	VS1-7177-004		1	CONNECTOR, SNAP TIGHT, BK	

Figure 270 DEVELOPING DRIVE ASS'Y, COLOR

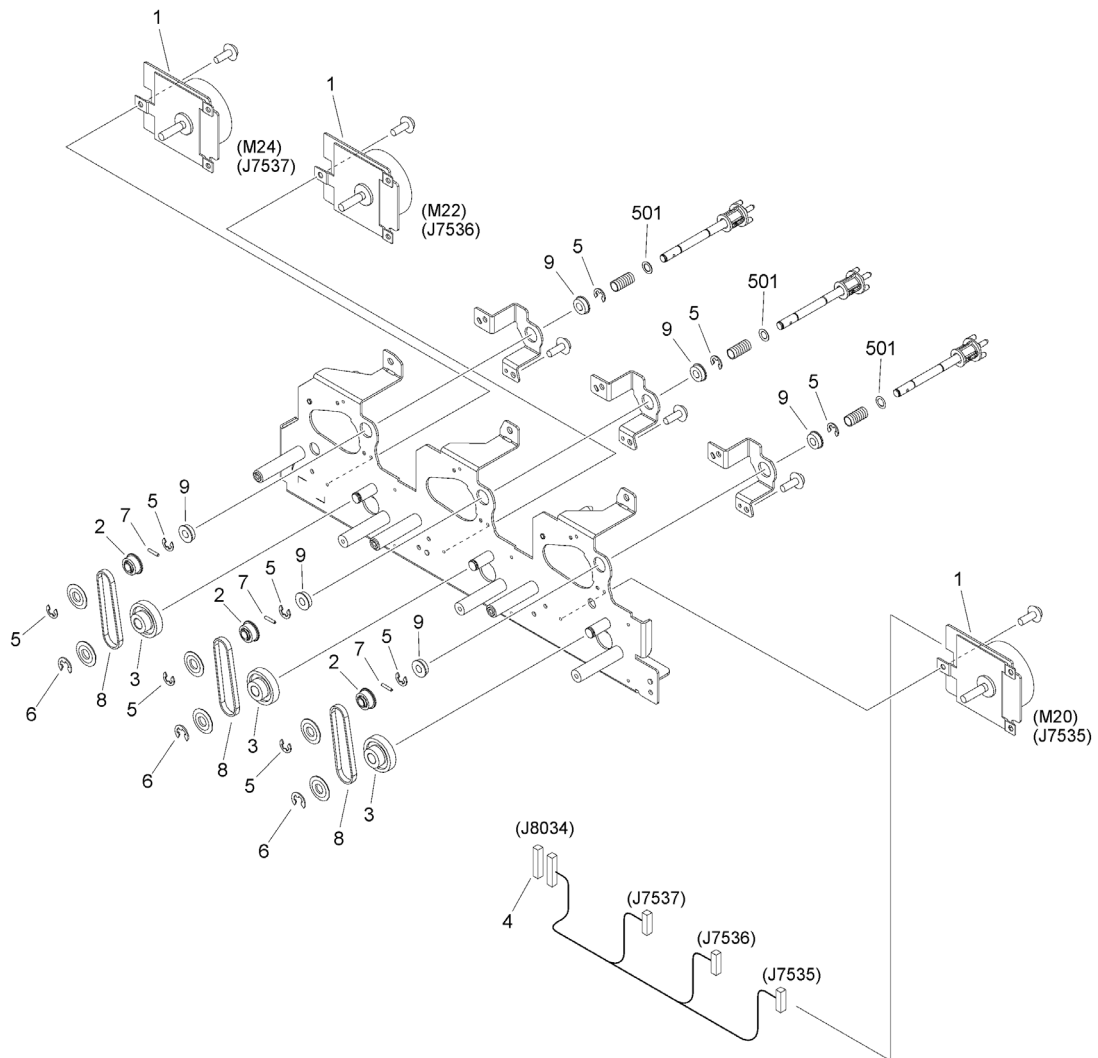


FIGURE & KEY NO.	PART NUMBER	RANK	QTY	DESCRIPTION	SERIAL NUMBER /REMARKS
270	FM0-1342-010		1	DEVELOPING DRIVE ASS'Y, COLOR	
1	FK2-7897-000		3	MOTOR, DC	M20, M22, M24
2	FU6-3385-000		3	PULLEY, 22T	
3	FU7-0999-000		3	GEAR, 25T/50T	
4	VS1-8412-023		1	CONNECTOR, SNAP TIGHT, BL	
5	XD9-0395-000		9	RING, E	
6	XD9-0396-000		3	RING, E	
7	XD9-0288-000		3	PIN, DOWEL	
8	XF2-1607-240		3	BELT, TIMING	
9	XG9-0797-000		6	BEARING, BALL, LF-1260ZZRPOP25	
501	XD1-1106-222		3	WASHER,COP	

Figure 271 DEVELOPING DRIVE ASS'Y, BLACK

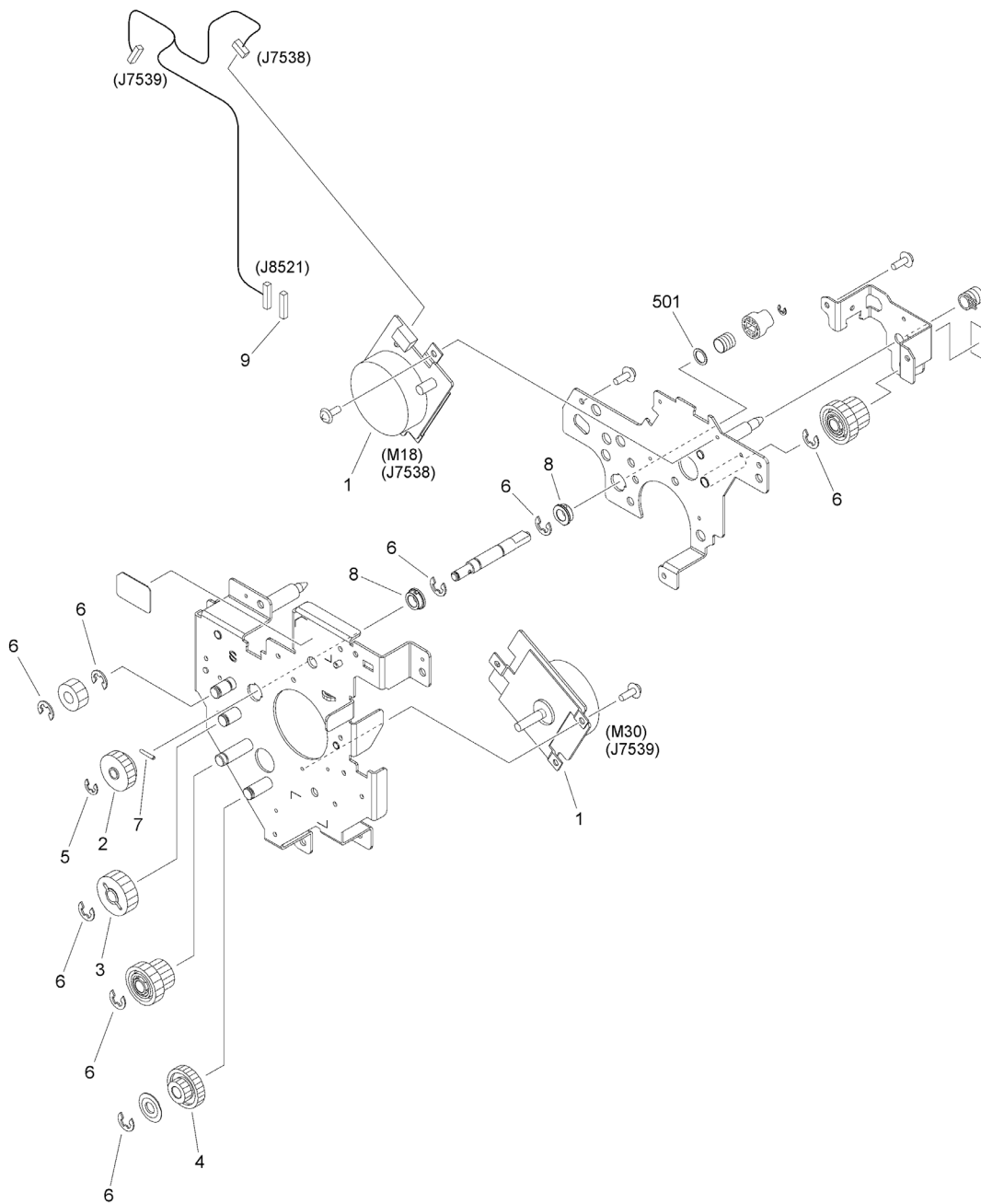


FIGURE & KEY NO.	PART NUMBER	RANK	QTY	DESCRIPTION	SERIAL NUMBER /REMARKS
271	FM1-L345-000		1	DEVELOPING DRIVE ASS'Y, BLACK	
1	FK2-7897-000		2	MOTOR, DC	M18, M30
2	FU6-0261-000		1	GEAR, 27T	
3	FU6-0603-000		1	GEAR, 30T	
4	FU7-0999-000		1	GEAR, 25T/50T	
5	XD9-0395-000		1	RING, E	
6	XD9-0396-000		8	RING, E	
7	XD9-0289-000		1	PIN, PARALLEL	
8	XG9-0737-000		2	BUSHING	
9	VS1-8412-015		1	CONNECTOR, SNAP TIGHT, BL	
501	XD1-1108-215		1	WASHER,COP	

Figure 272 2ND TRNS. EST. DRIVE ASS'Y

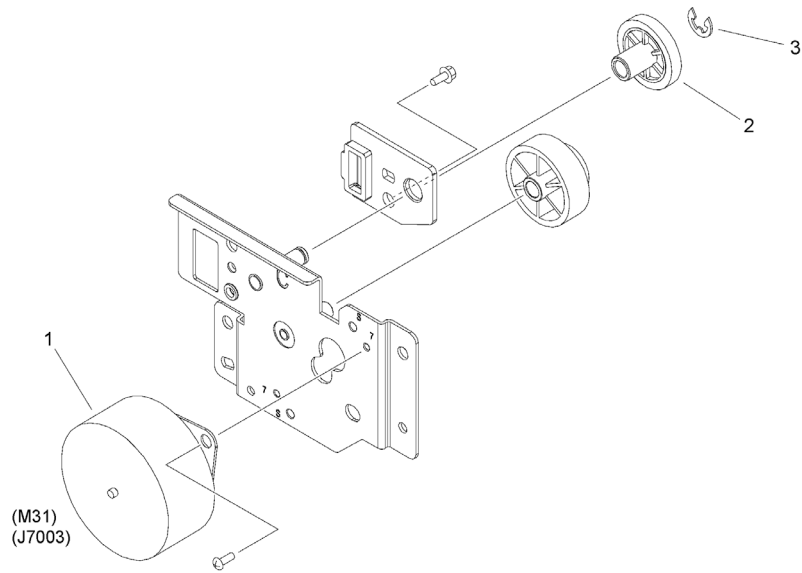


FIGURE & KEY NO.	PART NUMBER	RANK	QTY	DESCRIPTION	SERIAL NUMBER /REMARKS
272	FM1-L404-000		1	2ND TRNS. EST. DRIVE ASS'Y	
1	FK4-0640-000		1	MOTOR, STEPPING	M31
2	FU6-0678-000		1	GEAR, 24T	
3	XD9-0395-000		1	RING, E	

Figure 273 WASTE TONER DRIVE ASSEMBLY

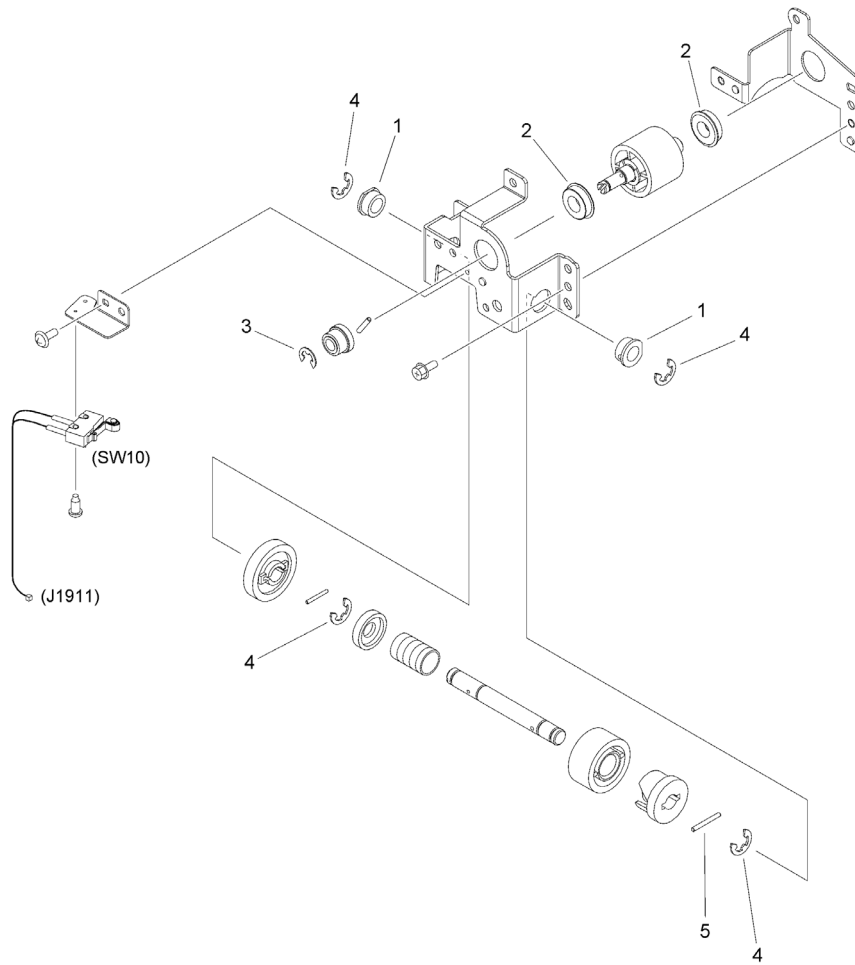


FIGURE & KEY NO.	PART NUMBER	R A N K	QTY	DESCRIPTION	SERIAL NUMBER /REMARKS
273	FM1-L605-000		1	WASTE TONER DRIVE ASSEMBLY	
1	FU6-1184-000		2	BUSHING	
2	XG9-0794-000		2	BEARING, BALL, LNR-1680KKR	
3	XD9-0395-000		1	RING, E	
4	XD9-0396-000		4	RING, E	
5	XD9-0292-000		1	PIN, PARALLEL	

Figure 300 PAPER DECK ASSEMBLY, RIGHT

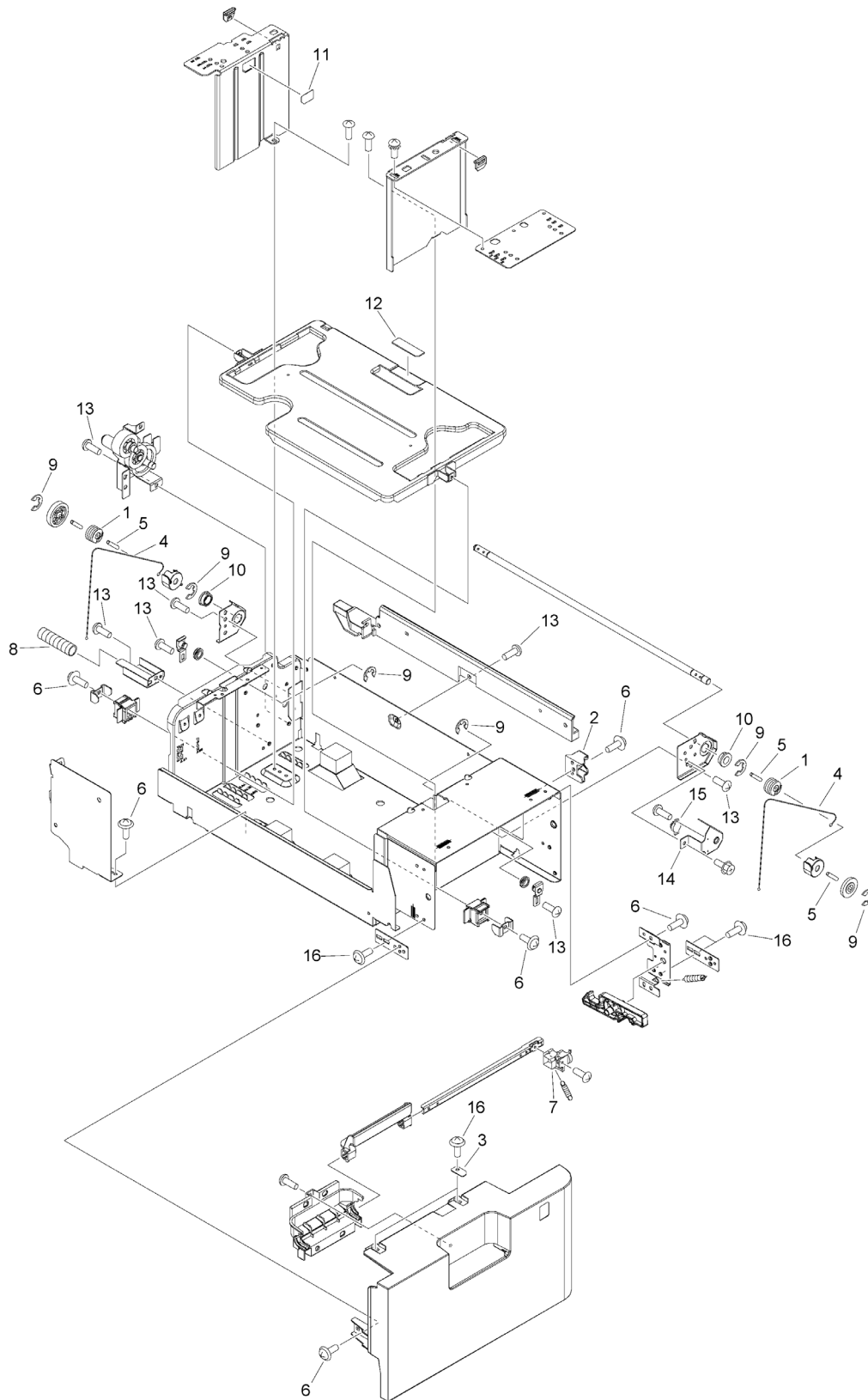


FIGURE & KEY NO.	PART NUMBER	RANK	QTY	DESCRIPTION	SERIAL NUMBER /REMARKS
300	FM1-L245-000		1	PAPER DECK ASSEMBLY, RIGHT	
1	FB2-8465-000		2	PULLEY, LIFTING	
2	FC9-9359-010		1	BLOCK, POSITIONING	
3	FE3-8153-000		2	WASHER	
4	FC8-2529-000		2	WIRE	
5	XD9-0334-000		3	PIN, DOWEL	
6	XA9-1450-000		15	SCREW, TP, M4X6	
7	FE4-1289-010		1	LEVER, DECK	
8	FU8-2361-000		1	SPRING, COMPRESSION	
9	XD9-0396-000		6	RING, E	
10	XG9-0737-000		2	BUSHING	
11	FC8-4964-010		1	LABEL, HEIGHT LIMIT, S	
12	FC9-7171-000		1	SHEET, SEPARATION	
13	XA9-1934-000		15	SCREW, M4X4	
14	FC6-3764-000		1	HOLDER,DAMPER	
15	XH9-0148-000		1	DAMPER, OIL	
16	XA9-1249-010		5	SCREW,TP M4X8	

Figure 301 PAPER DECK ASSEMBLY, LEFT

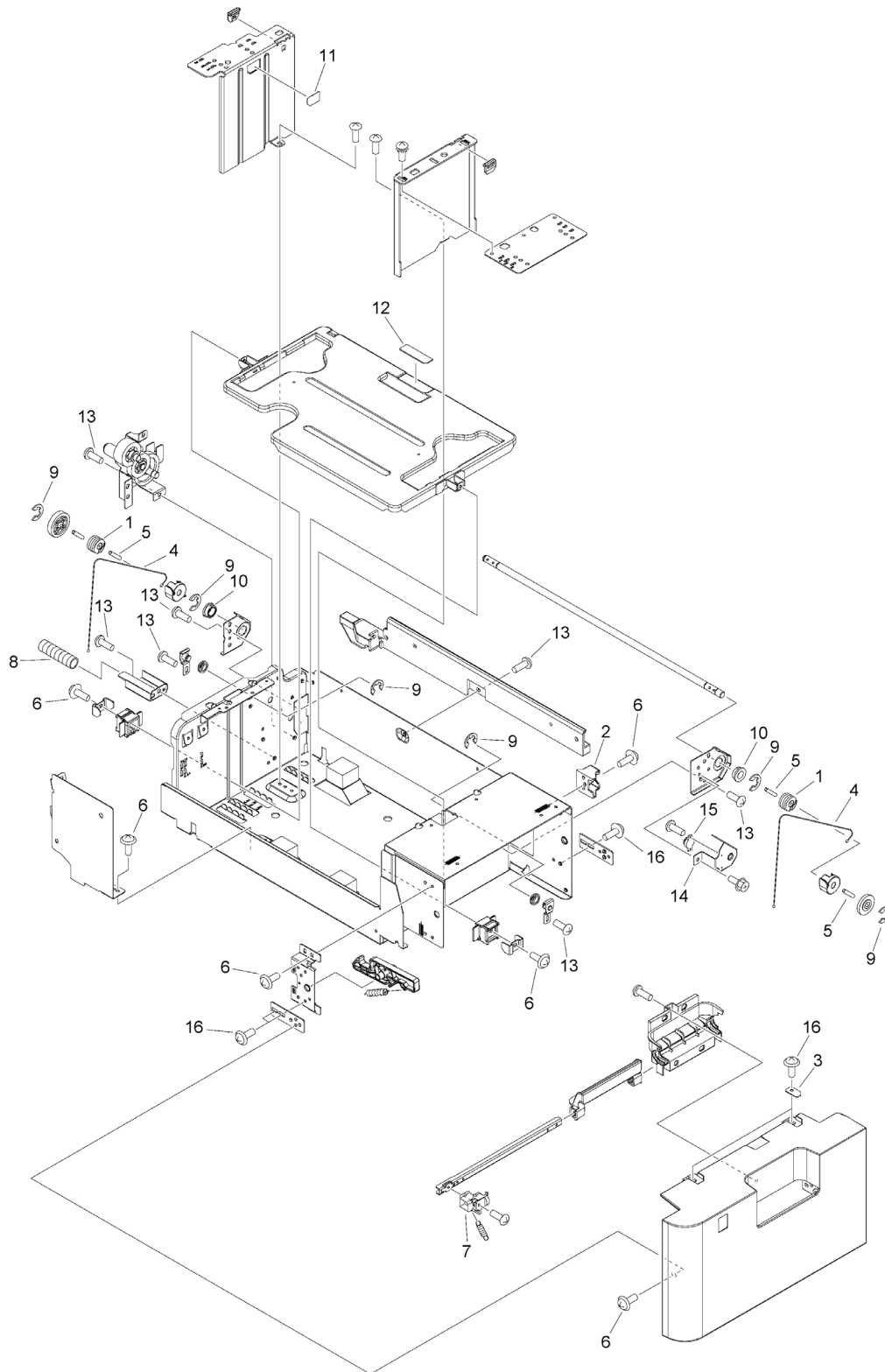


FIGURE & KEY NO.	PART NUMBER	RANK	QTY	DESCRIPTION	SERIAL NUMBER /REMARKS
301	FM1-L251-000		1	PAPER DECK ASSEMBLY, LEFT	
1	FB2-8465-000		2	PULLEY, LIFTING	
2	FC9-9359-010		1	BLOCK, POSITIONING	
3	FE3-8153-000		2	WASHER	
4	FC8-2529-000		2	WIRE	
5	XD9-0334-000		3	PIN, DOWEL	
6	XA9-1450-000		15	SCREW, TP, M4X6	
7	FE4-1289-010		1	LEVER, DECK	
8	FU8-2361-000		1	SPRING, COMPRESSION	
9	XD9-0396-000		6	RING, E	
10	XG9-0737-000		2	BUSHING	
11	FC8-4964-010		1	LABEL, HEIGHT LIMIT, S	
12	FC9-7171-000		1	SHEET, SEPARATION	
13	XA9-1934-000		15	SCREW, M4X4	
14	FC6-3764-000		1	HOLDER,DAMPER	
15	XH9-0148-000		1	DAMPER, OIL	
16	XA9-1249-010		5	SCREW, TP, M4X8	

Figure 302 CASSETTE ASSEMBLY

NOTE : Several kinds of labels are attached on the board for the parts of Key No. 32 and 33.

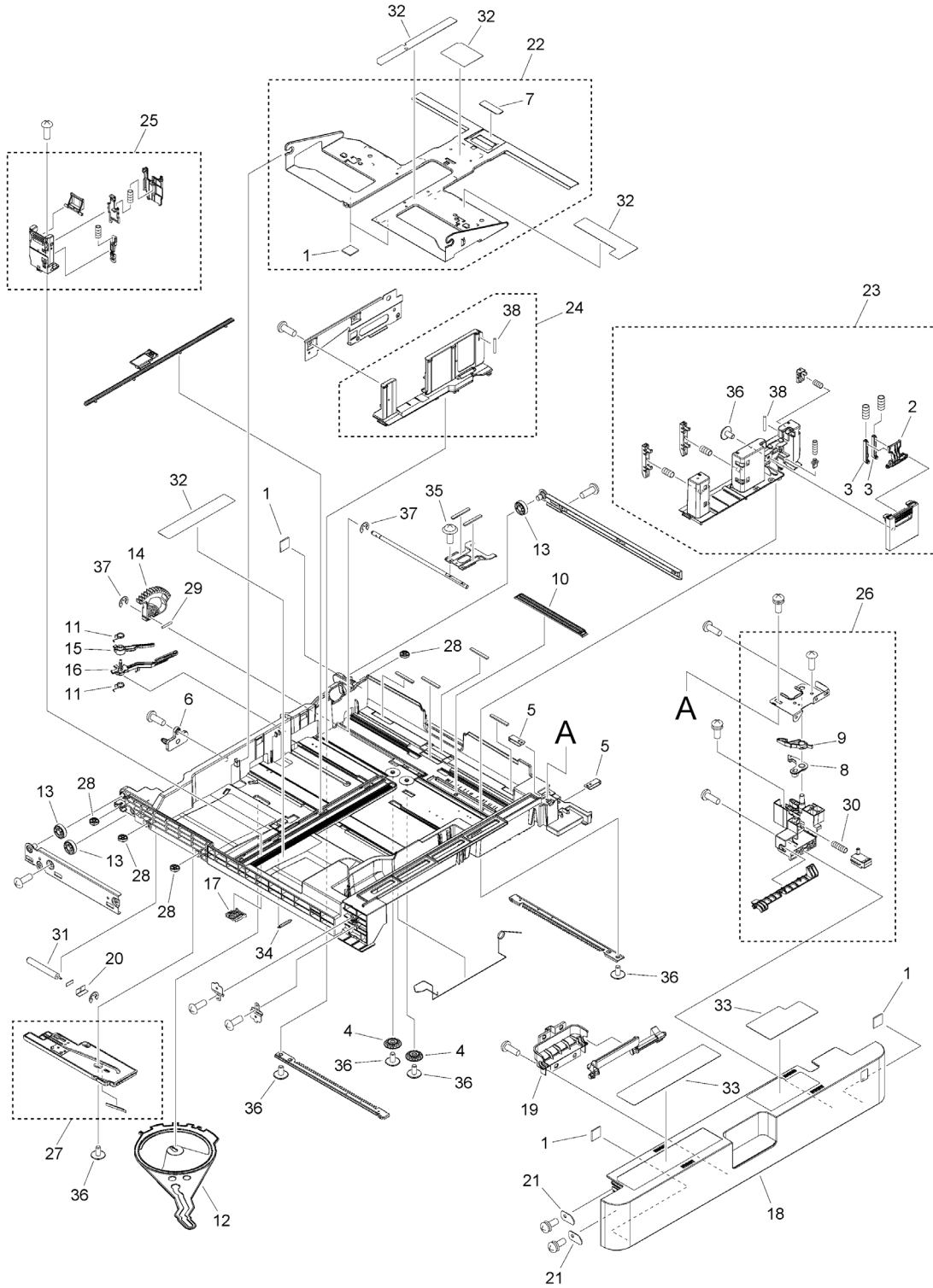


FIGURE & KEY NO.	PART NUMBER	RANK	QTY	DESCRIPTION	SERIAL NUMBER /REMARKS
302	FM1-V718-000		1	CASSETTE ASSEMBLY	
1	FC8-1205-000		5	PAD, PAPER PICK-UP HOLDER	
2	FC8-2462-000		1	KNOB, PAPER SIDE END	
3	FC8-2463-000		2	STOPPER	
4	FC8-4990-000		2	GEAR, 14T	
5	FC9-0128-000		2	PLATE, COVER MOUNTING, R	
6	FC9-3831-000		1	PIN, SIZE DETECT	
7	FC9-7171-000		1	SHEET, SEPARATION	
8	FC9-7259-000		1	ARM, LOCK, A	
9	FC9-7260-000		1	ARM, LOCK, B	
10	FE2-0026-010		1	PLATE, FREE STOP	
11	FE2-0027-010		2	SPRING, TORSION	
12	FE2-0029-010		1	LINK, BACK END DETECT	
13	FE3-6350-000		3	ROLLER, CASSETTE SWING	
14	FE3-6354-000		1	GEAR, 14T	
15	FE3-6355-010		1	LEVER, DETECT, U	
16	FE3-6356-010		1	LEVER, DETECT, L	
17	FE3-6357-000		1	PLATE, LINK	
18	FE4-9841-010		1	COVER, CASSETTE, FRONT	
19	FE4-5426-000		1	SUPPORT, LEVER	
20	FE4-0787-000		1	SHEET, STOPPER	
21	FE3-8153-000		2	WASHER	
22	FL3-7685-010		1	PLATE, LIFTING	
23	FM0-1415-000		1	SIDE END PLATE ASSEMBLY, FRONT	
24	FM0-1416-010		1	SIDE END PLATE ASSEMBLY, REAR	
25	FM0-1417-010		1	BACK END LIMIT PLATE ASSEMBLY	
26	FM0-1418-010		1	CST. LOCK ASSEMBLY	
27	FM1-C666-020		1	GUIDE, CASSETTE	
28	FS5-6945-000		4	COLLAR, REGISTRATION MULTI	
29	XD9-0359-000		1	PIN, PARALLEL	
30	FU7-2518-000		1	SPRING, COMPRESSION	
31	FE4-0765-010		1	DAMPER UNIT	
32	FE2-C587-000		1	LABEL, CASSETTE BODY	SEE NOTE
33	FE2-A881-000		1	LABEL, CASSETTE COVER, FRONT	SEE NOTE
34	FU9-2418-000		1	SPRING, TENSION	
35	XA9-0807-000		2	SCREW, W/SEAL, M3X6	
36	XA9-1523-000		10	SCREW, B, M4X8	
37	XD9-0394-000		2	RING, E	
38	XD9-0290-000		2	PIN, PARALLEL	

Figure 305 CASSETTE HEATER ASSEMBLY (CASSETTE HEATER model)

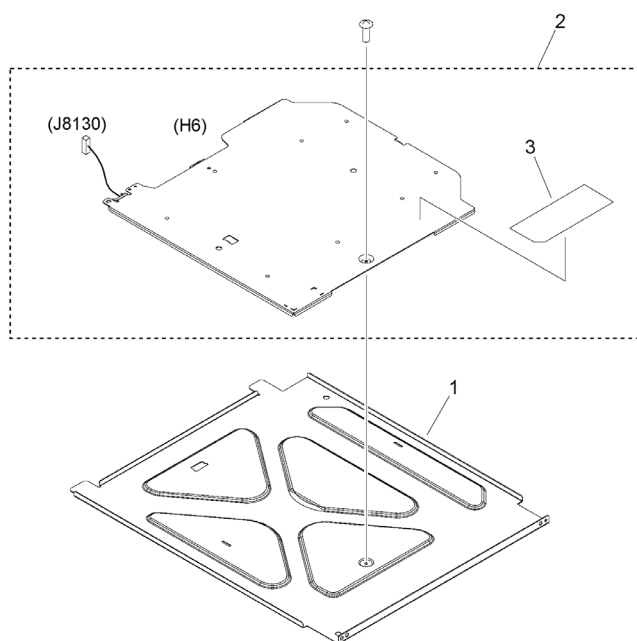


FIGURE & KEY NO.	PART NUMBER	R A N K	QTY	DESCRIPTION	SERIAL NUMBER /REMARKS
305	FM3-4855-000		1	CASSETTE HEATER ASSEMBLY	CASSETTE HEATER model
1	FC9-3675-000		1	MOUNT, CASSETTE HEATER	
2	FM0-4834-000		1	CASSETTE HEATER ASSEMBLY	H6
3	FU6-8647-000		1	LABEL, HIGH TMP. CAUTION	

Figure 310 (1/2) PAPER PICK-UP ASSEMBLY (RIGHT)

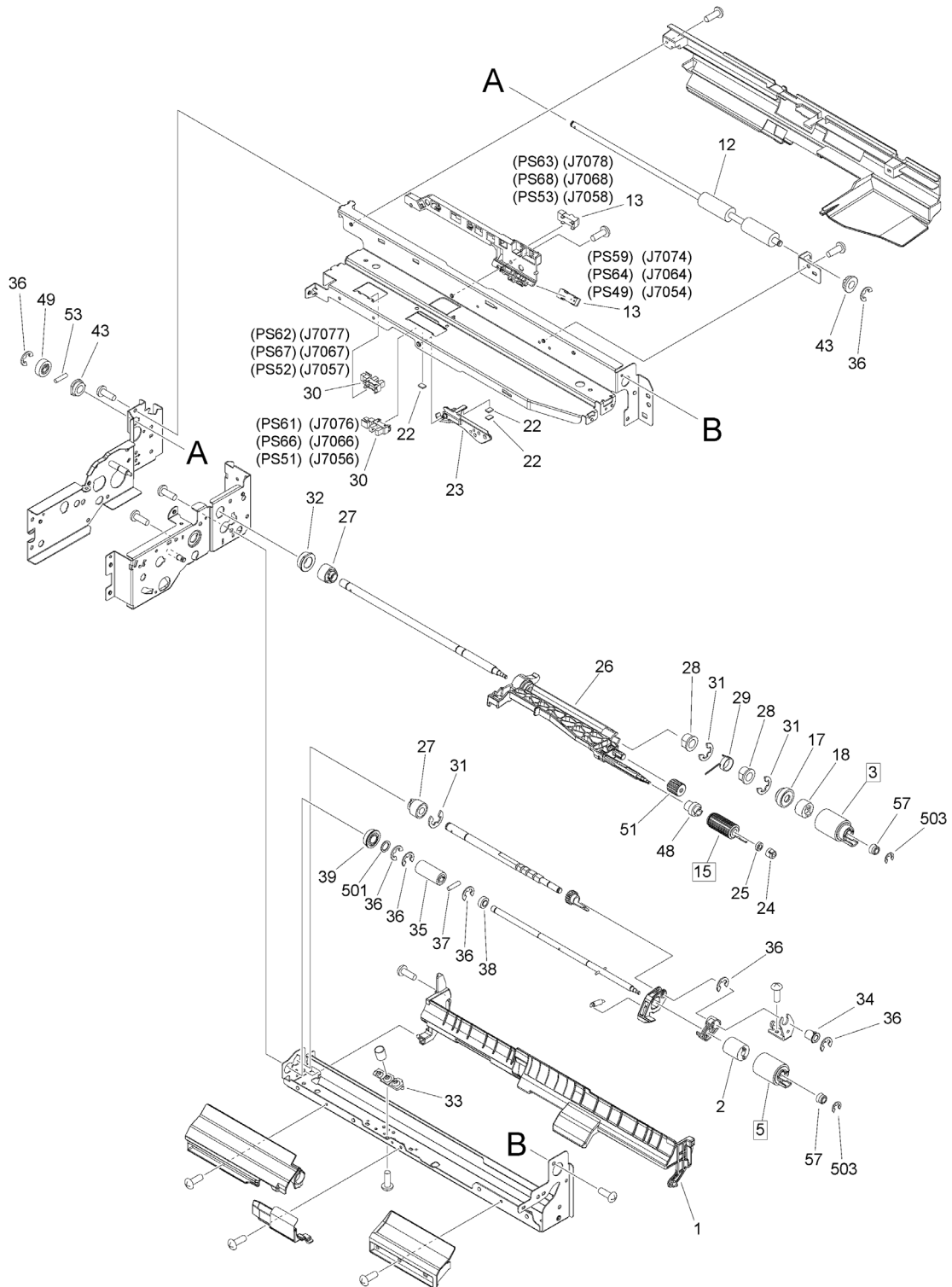


Figure 310 (2/2) PAPER PICK-UP ASSEMBLY (RIGHT)

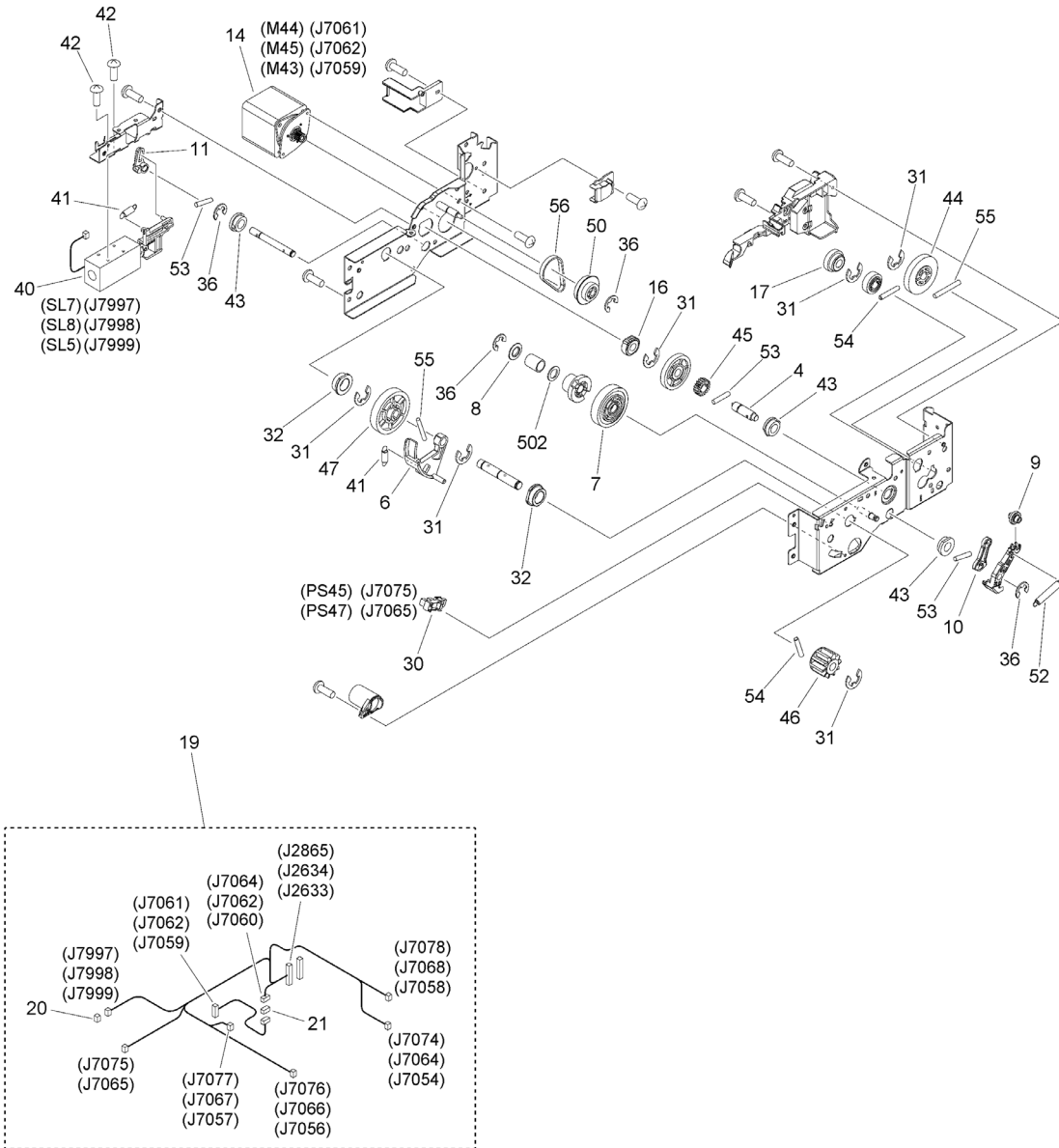


FIGURE & KEY NO.	PART NUMBER	RANK	QTY	DESCRIPTION	SERIAL NUMBER /REMARKS
310	FM1-T655-010		1	PAPER PICK-UP ASSEMBLY	RIGHT
1	FC0-9443-000		1	GUIDE, PAPER PICK-UP	
2	FC0-9445-000		1	LIMITTER, TORQUE	
3	FC0-9450-000		1	ROLLER, PAPER FEED	[DP]
4	FC0-9490-000		1	SHAFT, TRANSMISSION	
5	FC0-9631-000		1	ROLLER, SEPARATION	[DP]
6	FC0-9793-000		1	LEVER, PAPER SENSOR	
7	FC0-9799-000		1	GEAR, 48T	
8	FC9-0402-000		1	FLANGE, PULLEY	
9	FC9-7261-000		1	ROLLER, LINK	
10	FE2-0282-010		1	LEVER, PAPER PICK-UP PICK, H	
11	FE2-0283-000		1	LEVER, PAPER PICK-UP PICK, S	
12	FE8-6577-000		1	ROLLER, VERTICAL PATH	
13	FK2-6470-000		2	PHOTO-SENSOR, KUA0055C	PS49, PS53, PS59, PS63, PS64, PS68
14	FK3-3209-010		1	MOTOR, STEPPING, DC	M43, M44, M45
15	FL0-4500-000		1	ROLLER, PAPER PICK-UP	[DP]
16	FL2-8683-000		1	BUSHING	
17	FL3-7673-000		2	GEAR, 24T	
18	FL3-7676-000		1	CLUTCH, ONE-WAY	
19	FM0-2826-000		1	CABLE, PAPER PICK-UP UNIT	
20	VS1-7177-002		1	CONNECTOR, SNAP TIGHT, BK	
21	VS1-7177-004		1	CONNECTOR, SNAP TIGHT, BK	
22	FC0-2118-010		3	DAMPER	
23	FC0-9425-000		1	FLAG, SENSOR	
24	FC8-0785-000		1	HEAD, ROLLER SHAFT	
25	FE2-0286-000		1	RING, RETAINING	
26	FL0-1895-000		1	HOLDER, ROLLER SUPPORT	
27	FL3-7710-000		2	CLUTCH, ONE-WAY	
28	FS5-1605-000		2	BUSHING	
29	FU9-2403-000		1	SPRING, TORSION	
30	WG8-5783-000		3	IC,PHOTO-INTERRUPTER,LG248NL1A	PS45, PS47, PS51, PS52, PS61, PS62, PS66, PS67
31	XD9-0396-000		9	RING, E	
32	XG9-0737-000		3	BUSHING	
33	FC0-9789-000		1	PLATE, ADJUST	
34	FS6-1067-000		1	BUSHING	
35	FU9-0987-000		1	GEAR, 16T	
36	XD9-0395-000		11	RING, E	
37	XD9-0287-000		1	PIN, DOWEL	
38	XG9-0706-000		1	BEARING, BALL, MR126ZZ-1	
39	XG9-0805-000		1	BEARING, BALL, LF-1260ZZR	
40	FL0-1932-000		1	SOLENOID	SL5, SL7, SL8
41	FU9-2399-000		2	SPRING, TENSION	

FIGURE & KEY NO.	PART NUMBER	RANK	QTY	DESCRIPTION	SERIAL NUMBER /REMARKS
42	XA9-2008-000		2	SCREW,M3X4	
43	FS1-1508-000		5	BUSHING	
44	FS5-0662-000		1	GEAR, 36T	
45	FS7-0652-000		1	GEAR, 18T	
46	FU0-0010-000		1	GEAR, 10T	
47	FU0-0117-000		1	GEAR, 52T	
48	FU0-0123-000		1	GEAR, 16T	
49	FU3-0277-000		1	GEAR, 16T	
50	FU5-0330-000		1	PULLEY, 40T/GEAR, 20T	
51	FU9-0983-000		1	GEAR, 15T	
52	FU9-2378-000		1	SPRING, TENSION	
53	XD9-0288-000		4	PIN, DOWEL	
54	XD9-0289-000		2	PIN, PARALLEL	
55	XD9-0291-000		2	PIN, PARALLEL	
56	XF2-1605-640		1	BELT, TIMING	
57	FE2-B350-000		2	RING, STOPPER	
501	XD1-1106-216		1	SHIM	
502	XD1-1106-225		1	WASHER,COP	
503	XD2-1200-202		2	E RING	

Figure 311 (1/2) PAPER PICK-UP ASSEMBLY (LEFT)

NOTE : This assembly does not include the parts shown inside the frame.

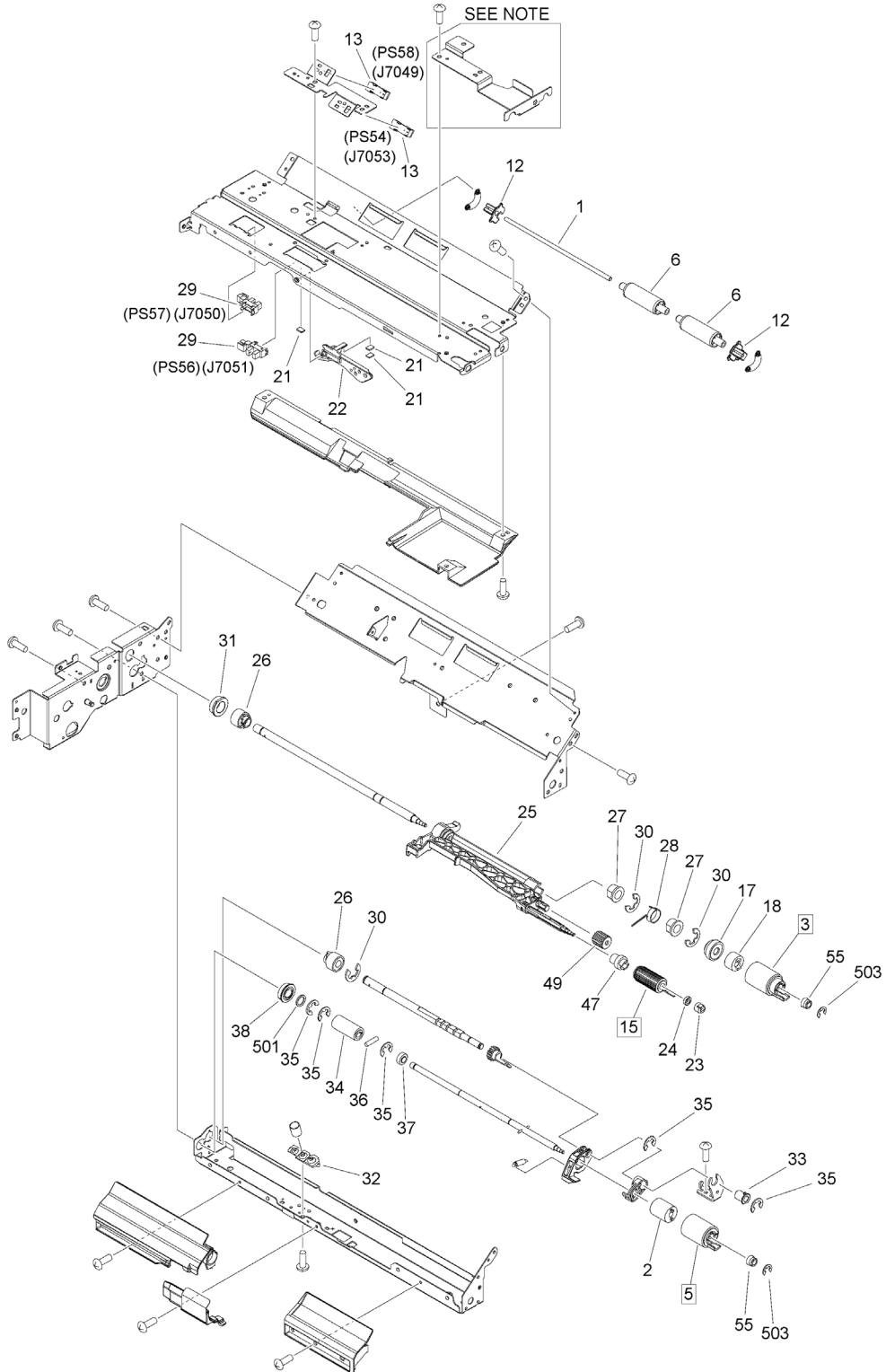


Figure 311 (2/2) PAPER PICK-UP ASSEMBLY (LEFT)

NOTE : This assembly does not include the parts shown inside the frame.

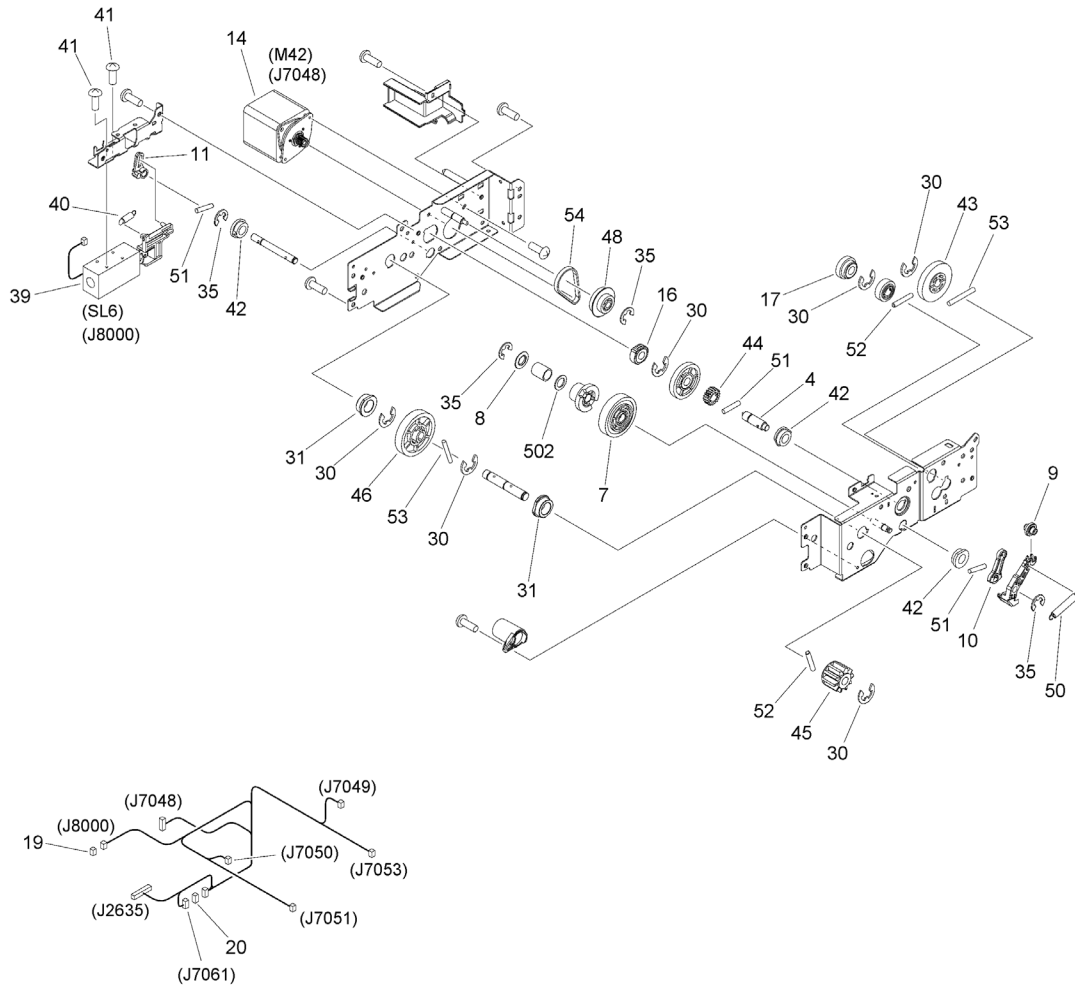


FIGURE & KEY NO.	PART NUMBER	RANK	QTY	DESCRIPTION	SERIAL NUMBER /REMARKS
311	FM1-V740-010		1	PAPER PICK-UP ASSEMBLY	LEFT
1	FC8-2608-010		1	SHAFT, ROLLER	
2	FC0-9445-000		1	LIMITTER, TORQUE	
3	FC0-9450-000		1	ROLLER, PAPER FEED	[DP]
4	FC0-9490-000		1	SHAFT, TRANSMISSION	
5	FC0-9631-000		1	ROLLER, SEPARATION	[DP]
6	FC8-2607-000		2	ROLLER, DRIVEN	
7	FC0-9799-000		1	GEAR, 48T	
8	FC9-0402-000		1	FLANGE, PULLEY	
9	FC9-7261-000		1	ROLLER, LINK	
10	FE2-0282-010		1	LEVER, PAPER PICK-UP PICK, H	
11	FE2-0283-000		1	LEVER, PAPER PICK-UP PICK, S	
12	FE8-2440-000		2	BUSHING	
13	FK2-6470-000		2	PHOTO-SENSOR, KUA0055C	PS54, PS58
14	FK3-3209-010		1	MOTOR, STEPPING, DC	M42
15	FL0-4500-000		1	ROLLER, PAPER PICK-UP	[DP]
16	FL2-8683-000		1	BUSHING	
17	FL3-7673-000		2	GEAR, 24T	
18	FL3-7676-000		1	CLUTCH, ONE-WAY	
19	VS1-7177-002		1	CONNECTOR, SNAP TIGHT, BK	
20	VS1-7177-004		1	CONNECTOR, SNAP TIGHT, BK	
21	FC0-2118-010		3	DAMPER	
22	FC0-9425-000		1	FLAG, SENSOR	
23	FC8-0785-000		1	HEAD, ROLLER SHAFT	
24	FE2-0286-000		1	RING, RETAINING	
25	FL0-1895-000		1	HOLDER, ROLLER SUPPORT	
26	FL3-7710-000		2	CLUTCH, ONE-WAY	
27	FS5-1605-000		2	BUSHING	
28	FU9-2403-000		1	SPRING, TORSION	
29	WG8-5783-000		2	IC,PHOTO-INTERRUPTER,LG248NL1A	PS56, PS57
30	XD9-0396-000		9	RING, E	
31	XG9-0737-000		3	BUSHING	
32	FC0-9789-000		1	PLATE, ADJUST	
33	FS6-1067-000		1	BUSHING	
34	FU9-0987-000		1	GEAR, 16T	
35	XD9-0395-000		9	RING, E	
36	XD9-0287-000		1	PIN, DOWEL	
37	XG9-0706-000		1	BEARING, BALL, MR126ZZ-1	
38	XG9-0805-000		1	BEARING, BALL, LF-1260ZZR	
39	FL0-1932-000		1	SOLENOID	SL6
40	FU9-2399-000		1	SPRING, TENSION	
41	XA9-2008-000		2	SCREW,M3X4	
42	FS1-1508-000		3	BUSHING	
43	FS5-0662-000		1	GEAR, 36T	

FIGURE & KEY NO.	PART NUMBER	RANK	QTY	DESCRIPTION	SERIAL NUMBER /REMARKS
44	FS7-0652-000		1	GEAR, 18T	
45	FU0-0010-000		1	GEAR, 10T	
46	FU0-0117-000		1	GEAR, 52T	
47	FU0-0123-000		1	GEAR, 16T	
48	FU5-0330-000		1	PULLEY, 40T/GEAR, 20T	
49	FU9-0983-000		1	GEAR, 15T	
50	FU9-2378-000		1	SPRING, TENSION	
51	XD9-0288-000		3	PIN, DOWEL	
52	XD9-0289-000		2	PIN, PARALLEL	
53	XD9-0291-000		2	PIN, PARALLEL	
54	XF2-1605-640		1	BELT, TIMING	
55	FE2-B350-000		2	RING, STOPPER	
501	XD1-1106-216		1	SHIM	
502	XD1-1106-225		1	WASHER,COP	
503	XD2-1200-202		2	E RING	

Figure 315B MULTI TRAY ASSEMBLY

NOTE 1 : This assembly is included in the assembly shown in Figure 116. NOTE 2 : This assembly does not include the part shown with key No. 5. NOTE 3 : Several kinds of labels are attached on the board for the parts of Key No. 5.

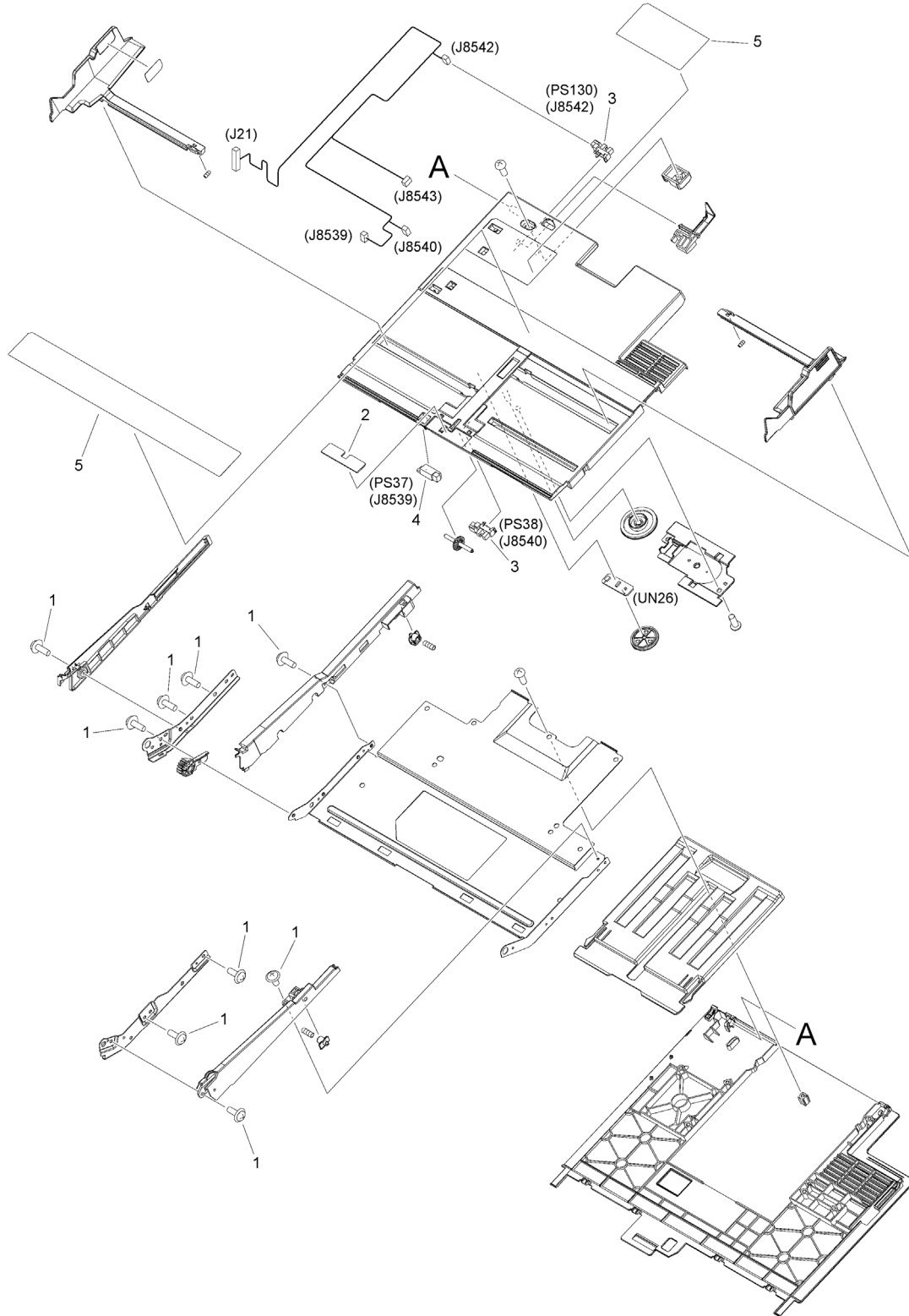


FIGURE & KEY NO.	PART NUMBER	RANK	QTY	DESCRIPTION	SERIAL NUMBER /REMARKS
315B	FM1-L335-000		1	MULTI TRAY ASSEMBLY	SEE NOTE 1
1	XA9-2010-000		9	SCREW, TP, M3X6	
2	FB6-4937-000		1	SHEET, SEPARATION	
3	WG8-5783-000		2	IC,PHOTO-INTERRUPTER,LG248NL1A	PS38, PS130
4	WP2-5428-000		1	IC,PHOTO SENSOR, PS126EL1	PS37
5	FE2-C646-000		1	LABEL, MANUAL FEED SIZE	A/ INCH SIZE SEE NOTE 2 SEE NOTE 3
5	FE2-C648-000		1	LABEL, MANUAL FEED SIZE	A/ B/ K/ INCH SIZE SEE NOTE 2 SEE NOTE 3

FIGURE & KEY NO.	PART NUMBER	RANK	QTY	DESCRIPTION	SERIAL NUMBER /REMARKS
316	FM1-T657-000		1	MULTI DOOR PAPER PICK-UP ASS'Y	SEE NOTE
1	FC0-9445-000		1	LIMITTER, TORQUE	
2	FC0-9631-000		1	ROLLER, SEPARATION	[DP]
3	FC8-0785-000		2	HEAD, ROLLER SHAFT	
4	FC9-0402-000		2	FLANGE, PULLEY	
5	FE2-0286-000		2	RING, RETAINING	
6	FK2-6470-000		1	PHOTO-SENSOR, KUA0055C	PS129
7	FL3-7676-000		1	CLUTCH, ONE-WAY	
8	FS1-1508-000		3	BUSHING	
9	FS5-1605-000		3	BUSHING	
10	FU9-0987-000		1	GEAR, 16T	
11	VS1-7177-004		1	CONNECTOR, SNAP TIGHT, BK	
12	WG8-5783-000		2	IC,PHOTO-INTERRUPTER,LG248NL1A	PS128, PS136
13	XG9-0805-000		1	BEARING, BALL, LF-1260ZZR	
14	XD9-0136-000		15	RING, E	
15	XD9-0137-010		2	RING, E	
16	XD9-0287-000		1	PIN, DOWEL	
17	XD9-0291-000		2	PIN, PARALLEL	
18	XG9-0706-000		1	BEARING, BALL, MR126ZZ-1	
19	FC6-3002-000		1	RING, RESIN, RETAINING	
20	FC8-2607-000		2	ROLLER, DRIVEN	
21	FC8-2608-010		1	SHAFT, ROLLER	
22	FE8-2440-000		2	BUSHING	
23	FK4-0641-000		1	MOTOR, STEPPING	M90
24	FL1-3428-000		1	ROLLER, PAPER FEED	[DP]
25	FL1-3427-000		1	ROLLER, PAPER PICK-UP	[DP]
26	FM2-J807-000		1	MOTOR, STEPPING, DC	M91
27	FU8-0229-000		1	GEAR, 16T/50T	
28	FU8-0230-000		1	GEAR, 25T/48T	
29	VS1-7177-003		1	CONNECTOR, SNAP TIGHT, BK	
30	VS1-7177-012		1	CONNECTOR, SNAP TIGHT, BK	
31	XA9-2010-000		44	SCREW, TP, M3X6	
32	XD9-0134-000		1	RING, E	
33	FE2-B350-000		1	RING, STOPPER	
501	XD1-1106-216		1	SHIM	

Figure 320 REGISTRATION ASSEMBLY

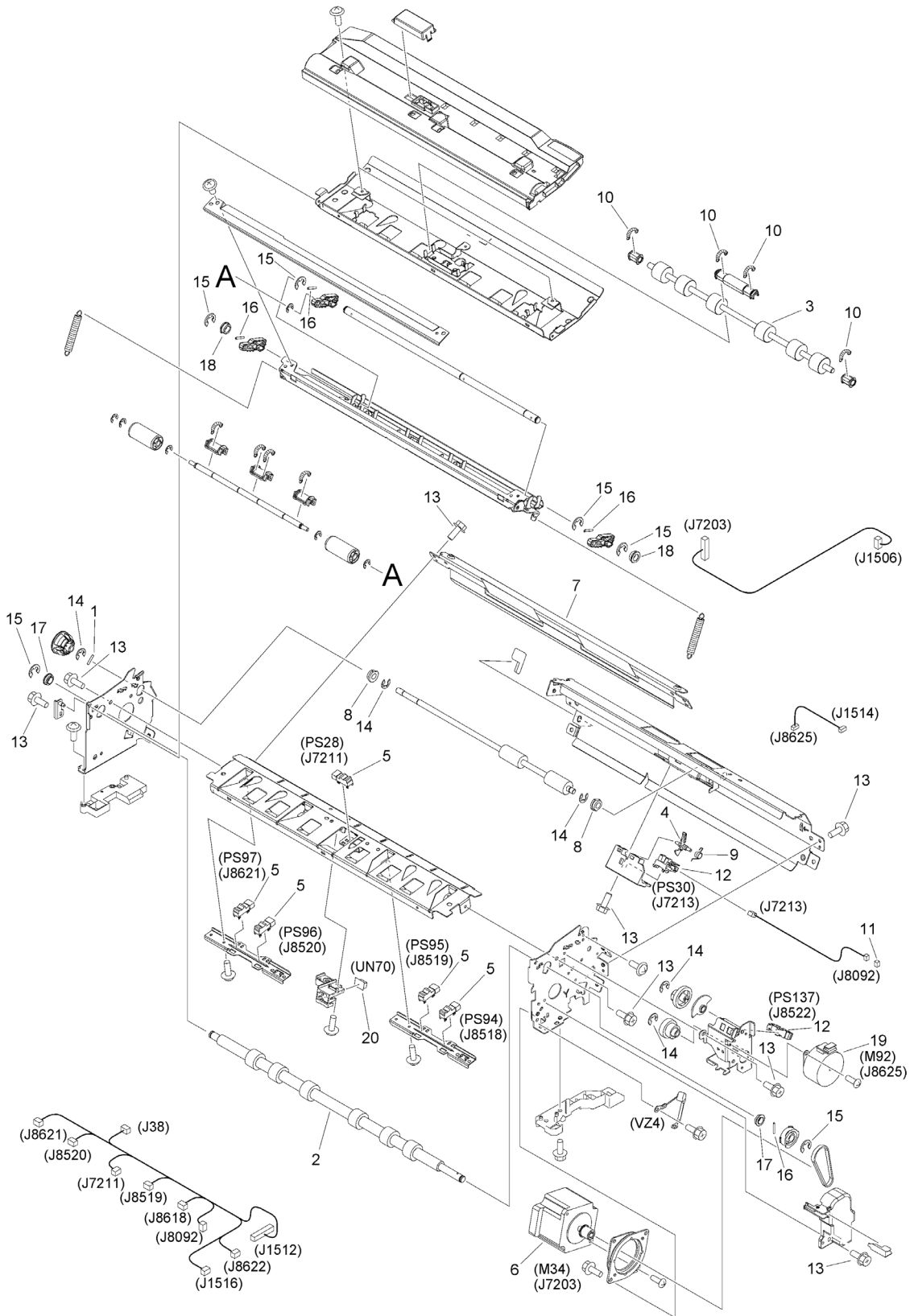


FIGURE & KEY NO.	PART NUMBER	RANK	QTY	DESCRIPTION	SERIAL NUMBER /REMARKS
320	FM1-X399-000		1	REGISTRATION ASSEMBLY	
1	XD9-0289-000		1	PIN, PARALLEL	
2	FC8-2803-000		1	ROLLER, REGISTRATION DRIVE	
3	FC8-2804-000		1	ROLLER, REGISTRATION FOLLOWER	
4	FC9-3720-000		1	FLAG, SENSOR	
5	FK2-6470-000		5	PHOTO-SENSOR, KUA0055C	PS28, PS94, PS95, PS96, PS97
6	FM2-M882-000		1	MOTOR, STEPPING, DC	M34
7	FL2-8851-010		1	GUIDE, CROSSING	
8	FS1-1508-000		2	BUSHING	
9	FU7-2350-000		1	SPRING, TORSION	
10	FU7-2351-000		4	SPRING, TENSION	
11	VS1-7177-003		1	CONNECTOR, SNAP TIGHT, BK	
12	WG8-5783-000		2	IC,PHOTO-INTERRUPTER,LG248NL1A	PS30, PS137
13	XA9-1386-000		20	SCREW,RS,M3X8	
14	XD9-0136-000		11	RING, E	
15	XD9-0137-010		6	RING, E	
16	XD9-0290-000		4	PIN, PARALLEL	
17	XG9-0709-000		2	BEARING, BALL, MF128ZZ-3	
18	XG9-0737-000		2	BUSHING	
19	FK4-0641-000		1	MOTOR, STEPPING	M92
20	FM3-7941-000		1	TEMPERATURE SENSOR PCB ASS'Y	UN70

Figure 321 REG. PATCH SENSING ASSEMBLY

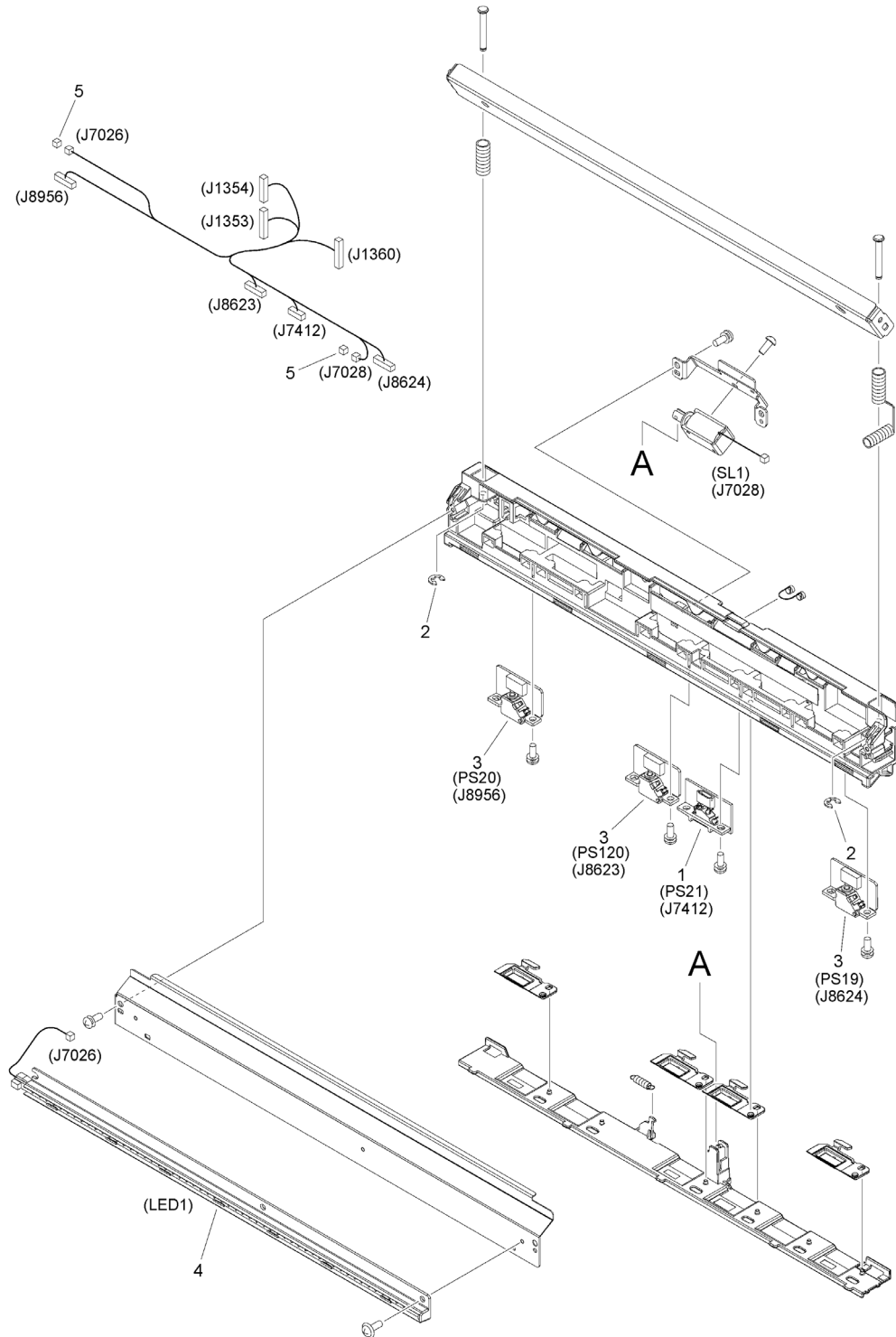


FIGURE & KEY NO.	PART NUMBER	RANK	QTY	DESCRIPTION	SERIAL NUMBER /REMARKS
321	FM1-L347-000		1	REG. PATCH SENSING ASSEMBLY	
1	FK3-3203-000		1	PHOTO-SENSOR, YA-HA26	PS21
2	XD9-0134-000		2	RING, E	
3	FM0-1481-010		3	REGIST. SENSOR PCB ASSEMBLY	PS19, PS20, PS120
4	FM3-4867-000		1	PRE-EXPOSURE ASSEMBLY	LED1
5	VS1-7177-002		2	CONNECTOR, SNAP TIGHT, BK	

Figure 330 (1/3)FIXING/FEED ASSEMBLY

NOTE 1 : This assembly does not included the assemblies shown in Figure 320, 331 and 580. NOTE 2 : This assembly includes the assemblies shown in Figure 965 and 987.

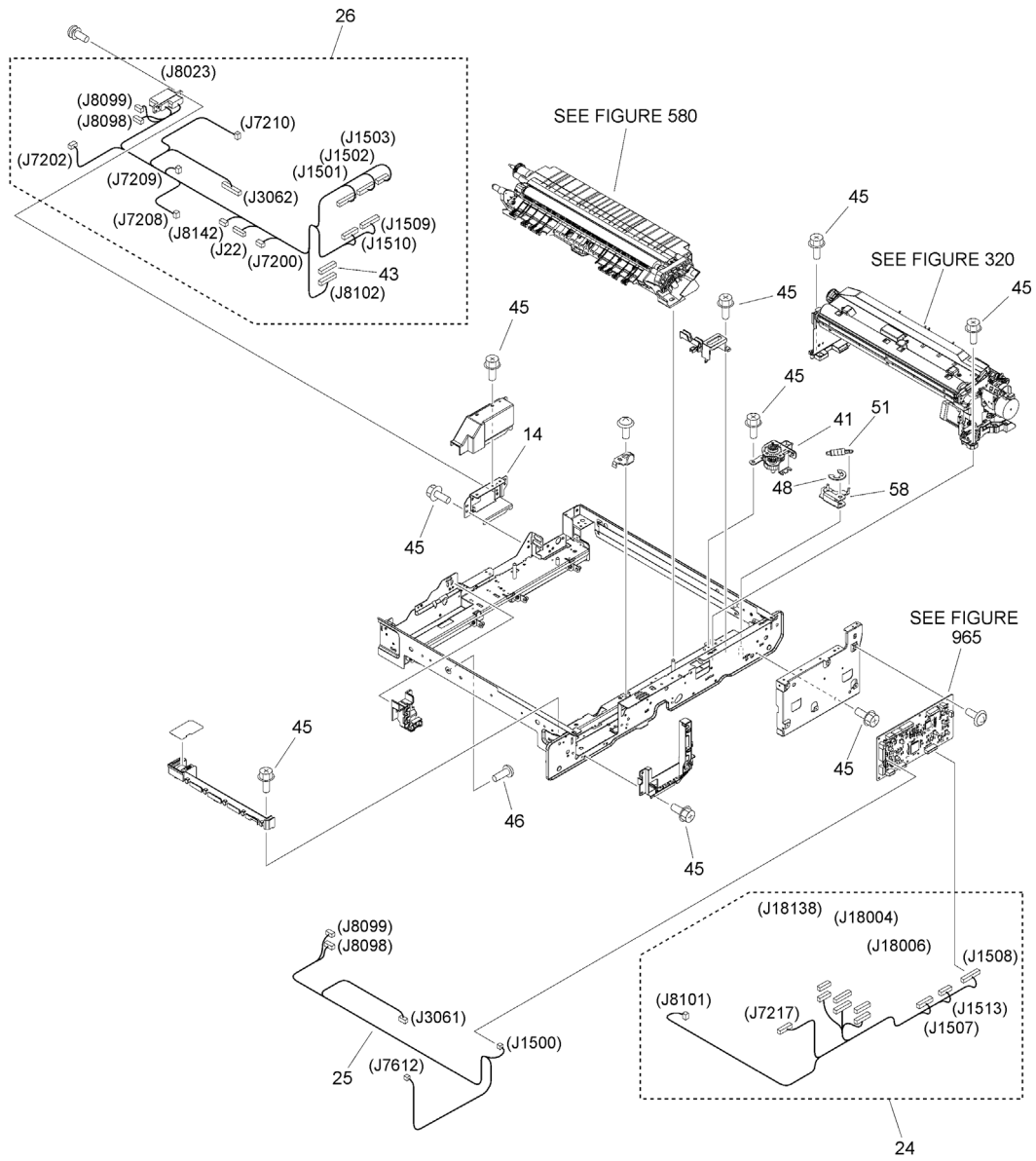


Figure 330 (2/3) FIXING/FEED ASSEMBLY

NOTE 1 : This assembly does not included the assemblies shown in Figure 320, 331 and 580. NOTE 2 : This assembly includes the assemblies shown in Figure 965 and 987.

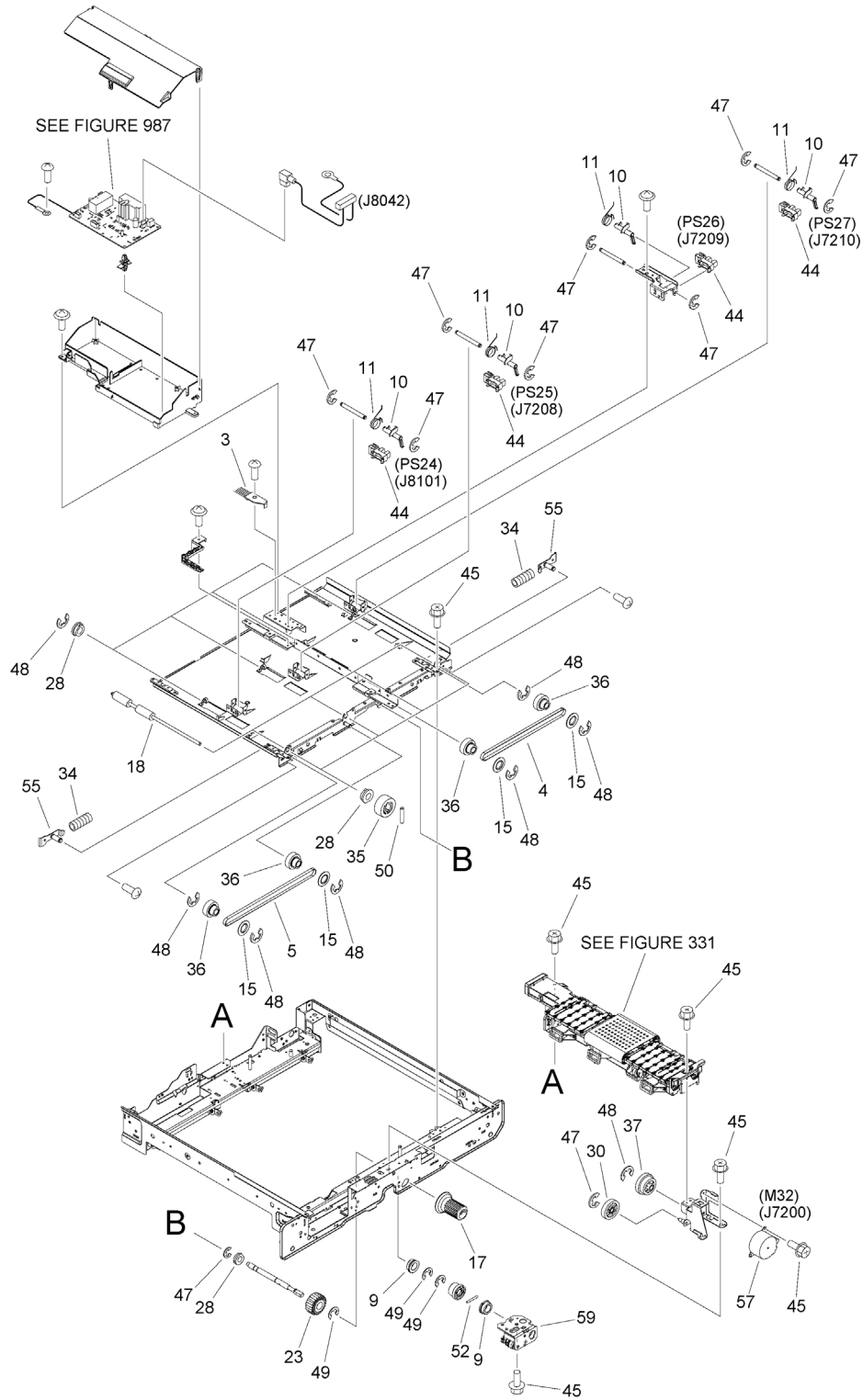


Figure 330 (3/3) FIXING/FEED ASSEMBLY

NOTE 1 : This assembly does not included the assemblies shown in Figure 320, 331 and 580. NOTE 2 : This assembly includes the assemblies shown in Figure 965 and 987.

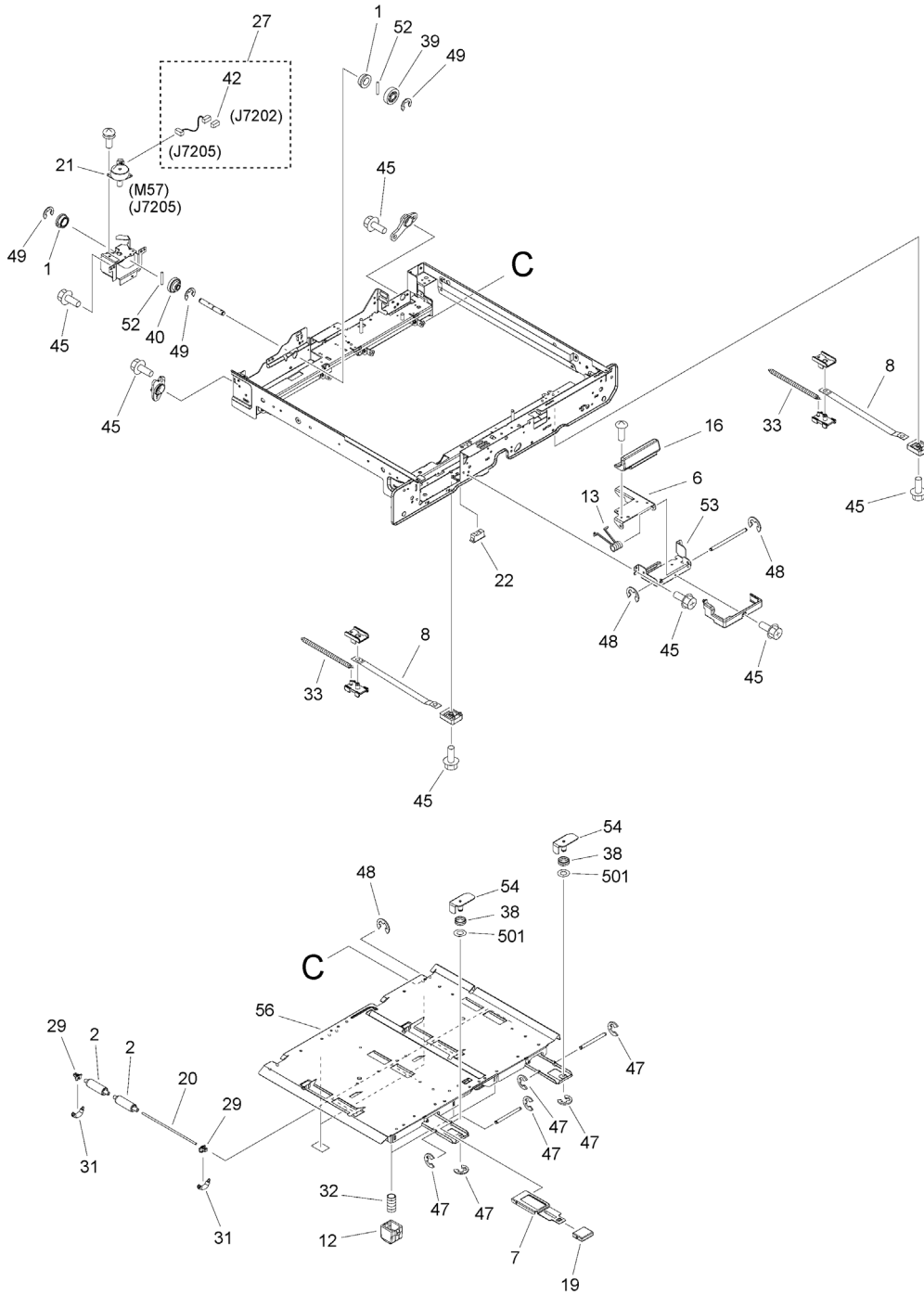


FIGURE & KEY NO.	PART NUMBER	RANK	QTY	DESCRIPTION	SERIAL NUMBER /REMARKS
330	FM1-W592-000		1	FIXING/FEED ASSEMBLY	
1	FA9-2112-000		2	BUSHING, PL	
2	FC8-2607-000		8	ROLLER, DRIVEN	
3	FC6-9029-000		1	BRUSH, GROUNDING	
4	XF2-1616-040		1	BELT, TIMING	
5	XF2-1617-440		1	BELT, TIMING	
6	FC8-1951-000		1	HOOK	
7	FC8-1962-000		1	PLATE, HANDLE	
8	FC8-1968-000		2	TAPE, SUPPORT	
9	XG9-0737-000		2	BUSHING	
10	FC8-2611-000		4	FLAG, DUPLEXING SENSOR	
11	FC8-2615-000		4	SPRING, TORSION	
12	FC8-8802-000		3	BLOCK, PUSHING	
13	FC9-0371-000		1	SPRING, TORSION	
14	FC9-0401-010		1	MOUNT,CONNECTOR	
15	FC9-0402-000		4	FLANGE, PULLEY	
16	FC9-4120-000		1	HANDLE	
17	FC9-7525-000		1	KNOB, REGISTRATION	
18	FC9-8388-000		4	ROLLER, DUPLEXING	
19	FC9-8425-000		1	LEVER, GUIDE	
20	FC8-2608-010		4	SHAFT, ROLLER	
21	FK3-2288-000		1	MOTOR, STEPPING, DC	M57
22	XZ9-0603-000		2	CATCH, MAGNET	
23	FL3-5201-000		1	GEAR, 24T	
24	FM1-V838-000		1	CABLE, SIGNAL	
25	FM1-V856-000		1	CABLE, FIXING/FEEDER POWER	
26	FM1-W821-000		1	CABLE, FIX/FEED DRAWER MAIN	
27	FM0-2127-000		1	CABLE, MOTOR CONNECTING	
28	FS1-1508-000		9	BUSHING	
29	FE8-2440-000		8	BUSHING	
30	FU6-0072-000		1	GEAR, 32T	
31	FU7-2351-000		8	SPRING, TENSION	
32	FU7-2352-000		3	SPRING, COMPRESSION	
33	FU7-2359-000		2	SPRING, TENSION	
34	FU7-2379-000		2	SPRING, COMPRESSION	
35	FU8-0055-000		4	GEAR, 18T	
36	FU8-0056-000		4	GEAR, 19T/PULLEY, 16T	
37	FU8-0067-000		1	GEAR, 28T/34T	
38	FU8-2365-000		2	SPRING, COMPRESSION	
39	FU9-0810-000		1	GEAR, 26T	
40	FU9-0826-000		1	GEAR, 58T/34T	
41	FM1-W591-000		1	REG. ALIGNMENT ASSEMBLY	
42	VS1-7177-004		1	CONNECTOR, SNAP TIGHT, BK	
43	VS1-8412-013		1	CONNECTOR, SNAP TIGHT, BL	

FIGURE & KEY NO.	PART NUMBER	RANK	QTY	DESCRIPTION	SERIAL NUMBER /REMARKS
44	WG8-5783-000		4	IC,PHOTO-INTERRUPTER,LG248NL1A	PS24, PS25, PS26, PS27
45	XA9-1386-000		15	SCREW,RS,M3X8	
46	XA9-1659-000		1	SCREW,M3X4	
47	XD9-0134-000		16	RING, E	
48	XD9-0395-000		15	RING, E	
49	XD9-0396-000		6	RING, E	
50	XD9-0288-000		4	PIN, DOWEL	
51	FU2-2694-000		1	SPRING, TENSION	
52	XD9-0290-000		3	PIN, PARALLEL	
53	FC8-1950-000		1	BASE, HANDLE	
54	FL3-4091-000		2	PLATE, MAGNET	
55	FL2-8749-000		2	SUPPORT, IDLER GEAR	
56	FC0-8719-010		1	GUIDE, DUPLEXING, LOWER	
57	FK2-7903-000		1	MOTOR, STEPPING, DC	M32
58	FL1-7972-000		1	PLATE, REG. POSITIONING	
59	FM1-W026-000		1	DUPLEXING IDLER DRIVE ASSEMBLY	
501	XD1-1104-132		2	SHIM, CIRCULAR	

Figure 331 PRE-FIXING PAPER FEED ASSEMBLY

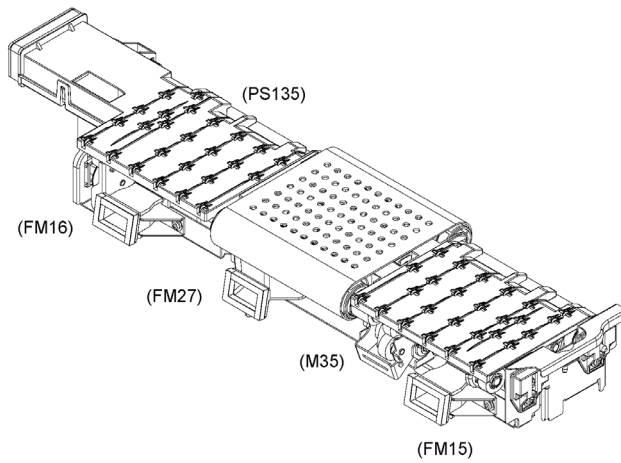


FIGURE & KEY NO.	PART NUMBER	R A N K	QTY	DESCRIPTION	SERIAL NUMBER /REMARKS
331	FM1-L427-010		1	PRE-FIXING PAPER FEED ASSEMBLY	FM15, FM16, FM27, M35, PS135

Figure 350 (1/2) REVERSE PAPER DELIVERY ASS'Y

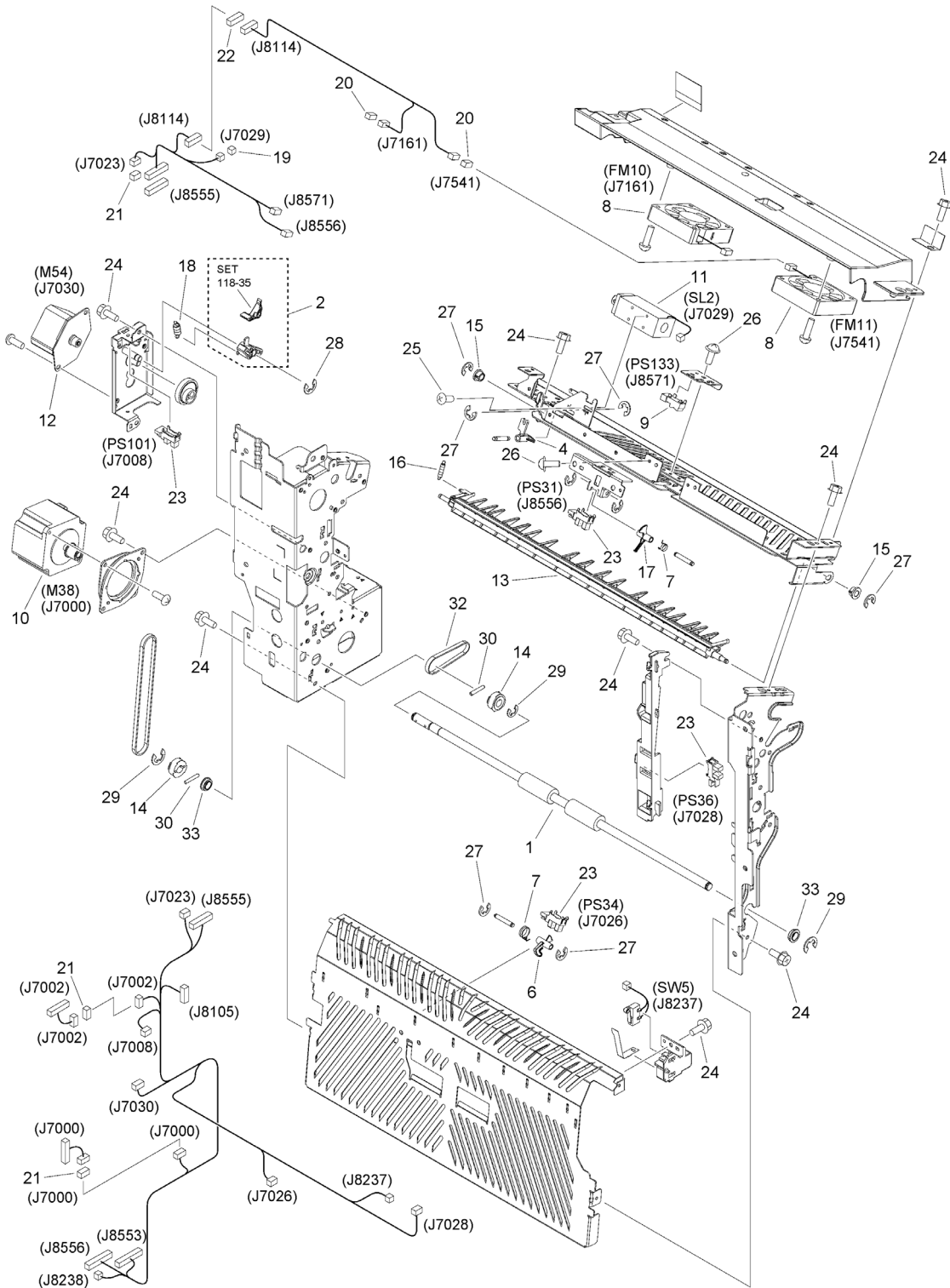


Figure 350 (2/2) REVERSE PAPER DELIVERY ASS'Y

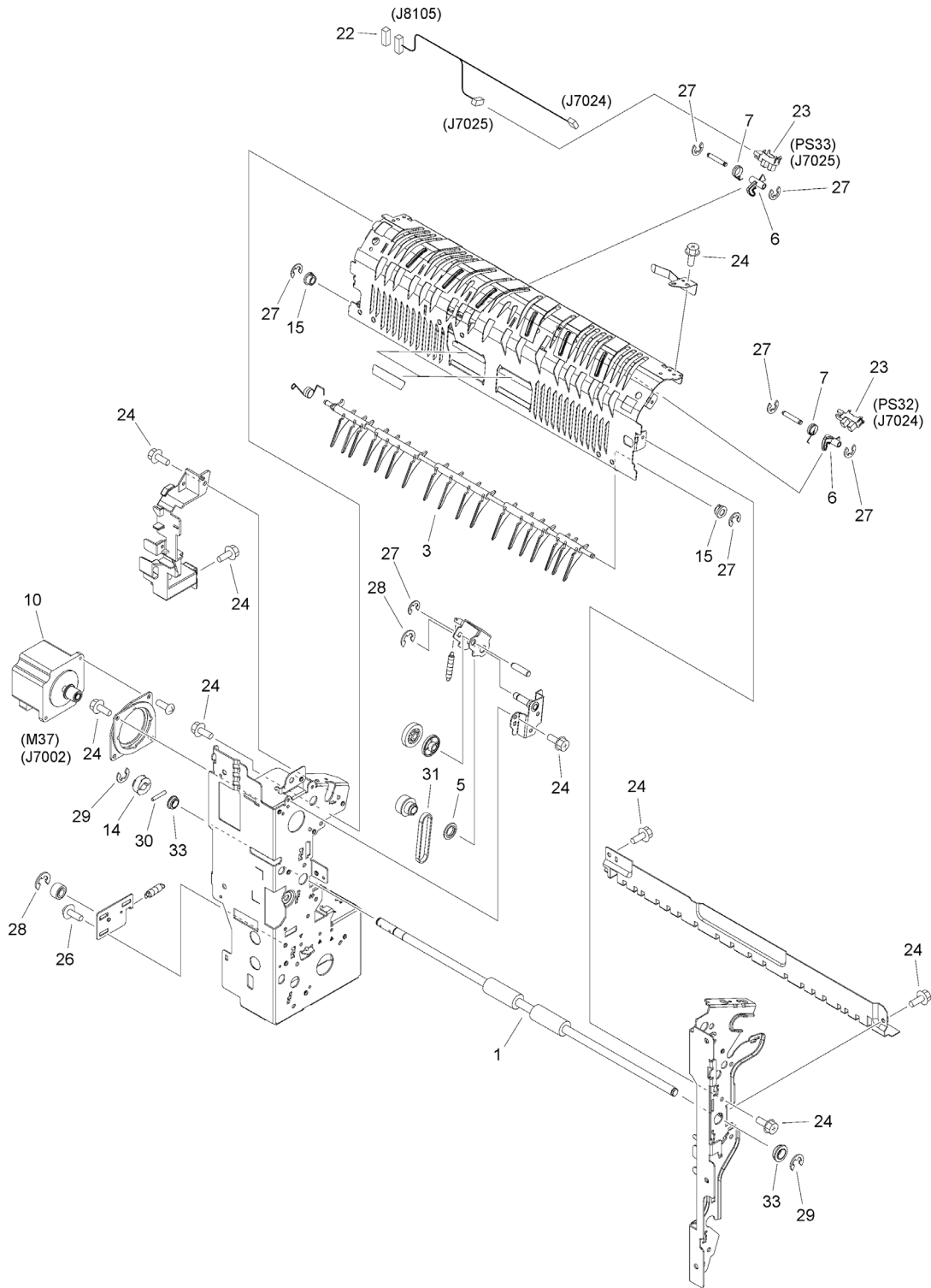


FIGURE & KEY NO.	PART NUMBER	RANK	QTY	DESCRIPTION	SERIAL NUMBER /REMARKS
350	FM1-X391-000		1	REVERSE PAPER DELIVERY ASSY	
1	FC0-8177-000		2	ROLLER, REVERSE DRIVE	
2	FM1-D469-000		1	ARM KIT	
3	FC8-2567-000		1	FLAPPER, DUPLEXING	
4	FC8-2573-010		1	ARM, EXCHANGE FLAPPER	
5	FC8-8976-000		1	FLANGE, PULLEY	
6	FC9-3779-000		3	FLAG, REVERSE V. PATH SENSOR	
7	FC9-3836-000		4	SPRING, TORSION	
8	FK2-0472-010		2	FAN	FM10, FM11
9	FK2-6470-000		1	PHOTO-SENSOR, KUA0055C	PS133
10	FM2-M882-000		2	MOTOR, STEPPING, DC	M37, M38
11	FL2-8909-000		1	SOLENOID	SL2
12	FM0-0765-000		1	MOTOR, STEPPING, DC	M54
13	FM0-3014-000		1	EXCHANGE FLAPPER UNIT	
14	FS5-3805-000		3	PULLEY, 28T	
15	FU5-1442-000		4	BUSHING	
16	FU7-2320-000		1	SPRING, TENSION	
17	FC9-3782-000		1	FLAG, OUTER DELIVERY SENSOR	
18	FU9-2253-000		1	SPRING, TENSION	
19	VS1-7177-002		1	CONNECTOR, SNAP TIGHT, BK	
20	VS1-7177-003		2	CONNECTOR, SNAP TIGHT, BK	
21	VS1-7177-004		3	CONNECTOR, SNAP TIGHT, BK	
22	VS1-7177-006		2	CONNECTOR, SNAP TIGHT, BK	
23	WG8-5848-000		6	IC, PHOTO-INTERRUPTER	PS31, PS32, PS33, PS34, PS36, PS101
24	XA9-1386-000		28	SCREW,RS,M3X8	
25	XA9-2008-000		2	SCREW,M3X4	
26	XA9-2010-000		4	SCREW, TP, M3X6	
27	XD9-0134-000		15	RING, E	
28	XD9-0136-000		3	RING, E	
29	XD9-0137-010		5	RING, E	
30	XD9-0289-000		3	PIN, PARALLEL	
31	XF2-1606-140		1	BELT, TIMING	
32	XF2-1606-540		1	BELT, TIMING	
33	XG9-0709-000		4	BEARING, BALL, MF128ZZ-3	

Figure 460A LASER SCANNER ASSEMBLY (COLOR)

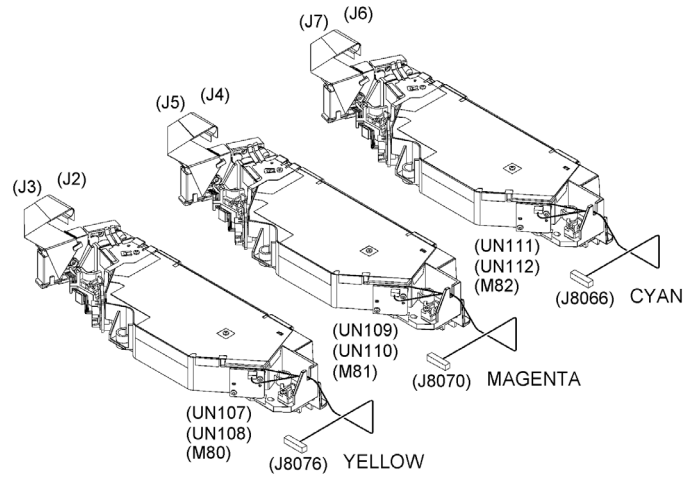


FIGURE & KEY NO.	PART NUMBER	R A N K	QTY	DESCRIPTION	SERIAL NUMBER /REMARKS
460A	FM1-L151-010		1	LASER SCANNER ASSEMBLY	UN107, UN108, UN109, UN110, UN111, UN112, M80, M81, M82 COLOR

Figure 460B LASER SCANNER ASSEMBLY

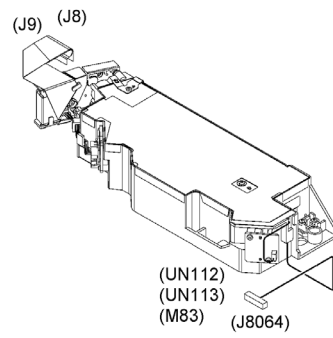


FIGURE & KEY NO.	PART NUMBER	R A N K	QTY	DESCRIPTION	SERIAL NUMBER /REMARKS
460B	FM1-L152-000		1	LASER SCANNER ASSEMBLY	UN112, UN113, M83 BLACK

Figure 510 HOLDER UNIT, DRUM UNIT

NOTE 1 : This assembly does not include the parts shown with key No. 5 and 9. NOTE 2 : This assembly does not include the parts shown inside the frame.

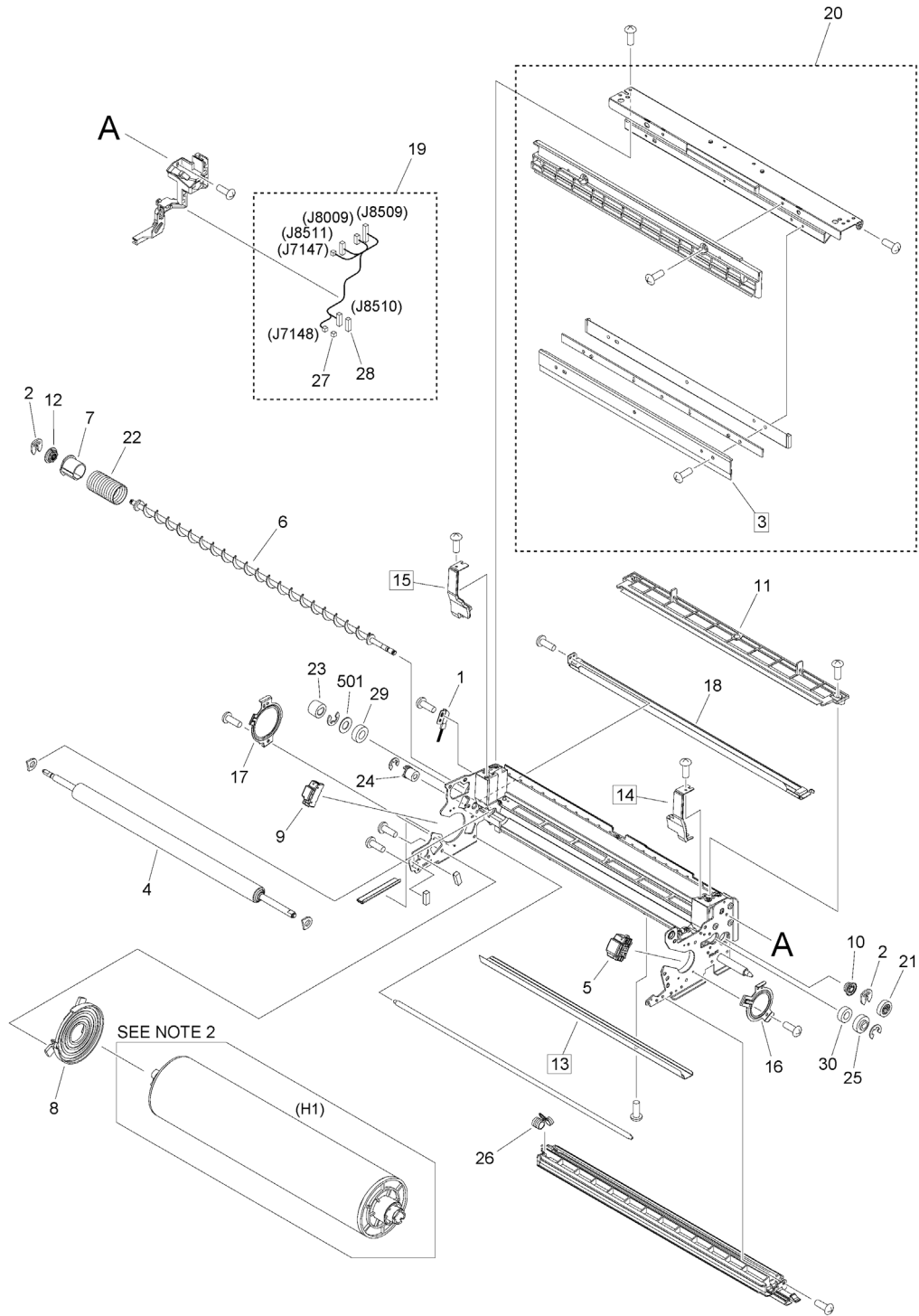


FIGURE & KEY NO.	PART NUMBER	RANK	QTY	DESCRIPTION	SERIAL NUMBER /REMARKS
510	FM1-P093-000		1	HOLDER UNIT, DRUM UNIT	SEE NOTE 2
1	FC6-1035-000		1	BRUSH, STATIC CHARGE ELIMINATE	
2	FC6-3002-000		2	RING, RESIN, RETAINING	
3	FC8-2281-000		1	BLADE, CLEANER, BLACK	[DP]
4	FC0-9864-000		1	BRUSH, CLEANING	
5	FC8-2315-000		1	SPACER, SLEEVE DRUM, FRONT	SEE NOTE 1
6	FC8-2544-000		1	SCREW, CREAMING	
7	FC8-2545-000		1	SHUTTER, WASTE TONER	
8	FC8-2644-000		1	RING, SLIP	
9	FC9-0393-000		1	SPACER, SLEEVE DRUM, REAR	SEE NOTE 1
10	FL1-0502-000		1	BUSHING	
11	FL2-2704-000		1	PLATE, PARTITION, CENTER	
12	FL2-8598-000		1	BUSHING	
13	FL2-8652-010		1	SHEET, SCRAPER	[DP]
14	FL2-8653-000		1	SCRAPER, SIDE END, FRONT	[DP]
15	FL2-8654-000		1	SCRAPER, SIDE END, REAR	[DP]
16	FL2-8848-000		1	HOLDER, BEARING, F	
17	FL2-8849-000		1	HOLDER, BEARING, R	
18	FL0-1270-000		1	MOUNT,CLEANER TONER CATCH,LW.	
19	FM0-2115-000		1	CABLE, PROCESS UNIT	
20	FM1-L385-000		1	BLADE ASSEMBLY(BK)	
21	FU3-0317-000		1	GEAR, 21T	
22	FU7-2314-000		1	SPRING, COMPRESSION	
23	FU8-0037-000		1	GEAR, 18T	
24	FU8-0038-000		1	GEAR, 24T	
25	FU8-0052-000		1	GEAR, 19T	
26	FU9-2270-000		1	SPRING, GROUNDING	
27	VS1-7177-002		1	CONNECTOR, SNAP TIGHT, BK	
28	VS1-8412-007		1	CONNECTOR, SNAP TIGHT, BL	
29	XG9-0725-000		1	BEARING, BALL, MR126-2RS,	
30	XG9-0814-000		1	BEARING, BALL, L-1680DDRPOP25L	
501	XD1-1106-235		1	WASHER,COP	

Figure 530 (1/3) I. T. B. FRAME ASSEMBLY

NOTE 1 : This assembly does not included the assemblies shown in Figure 533. NOTE 2 : This assembly does not include the parts shown with key No. 18 and 74 and 75.

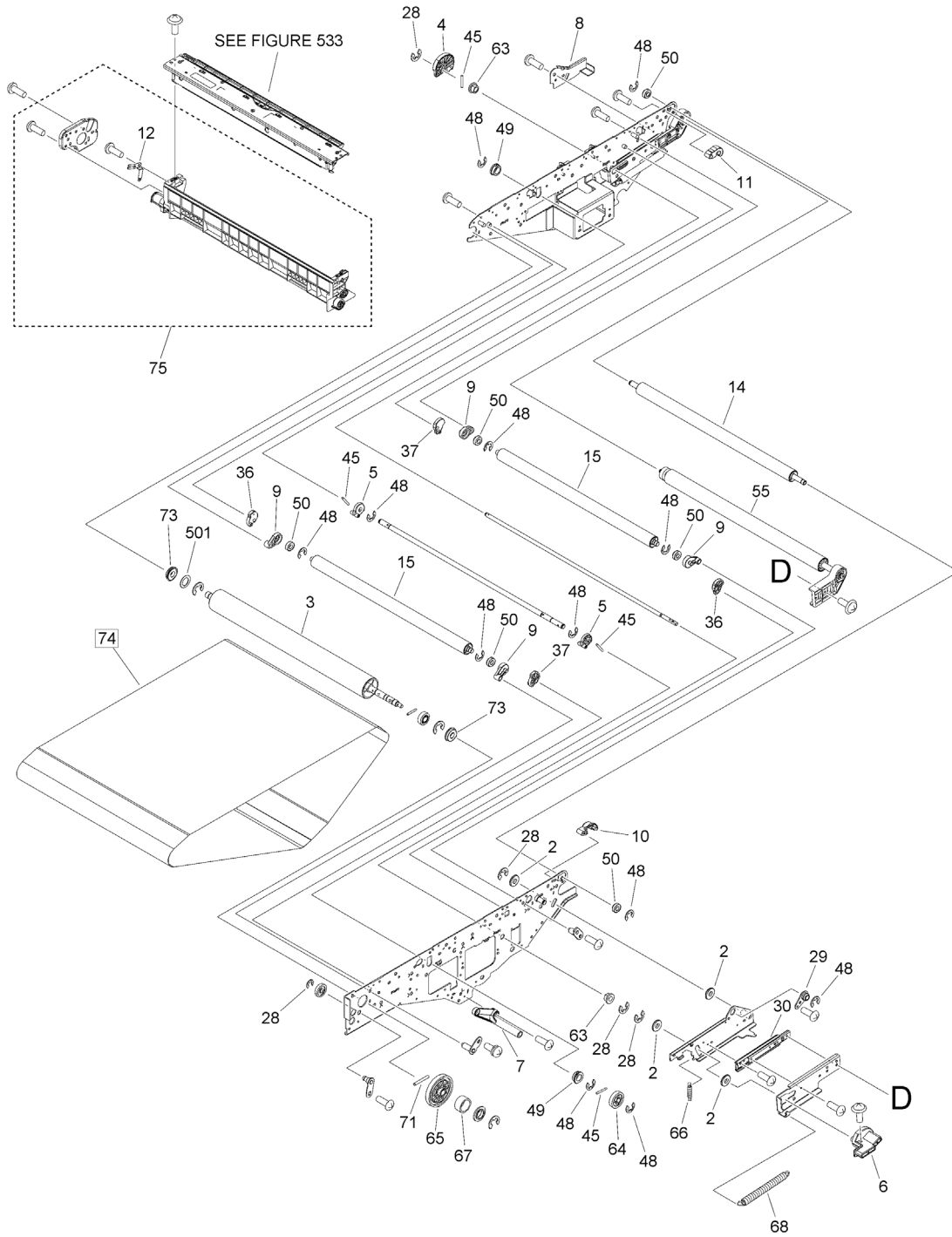


Figure 530 (3/3) I. T. B. FRAME ASSEMBLY

NOTE 1 : This assembly does not included the assemblies shown in Figure 533. NOTE 2 : This assembly does not include the parts shown with key No. 18 and 74 and 75.

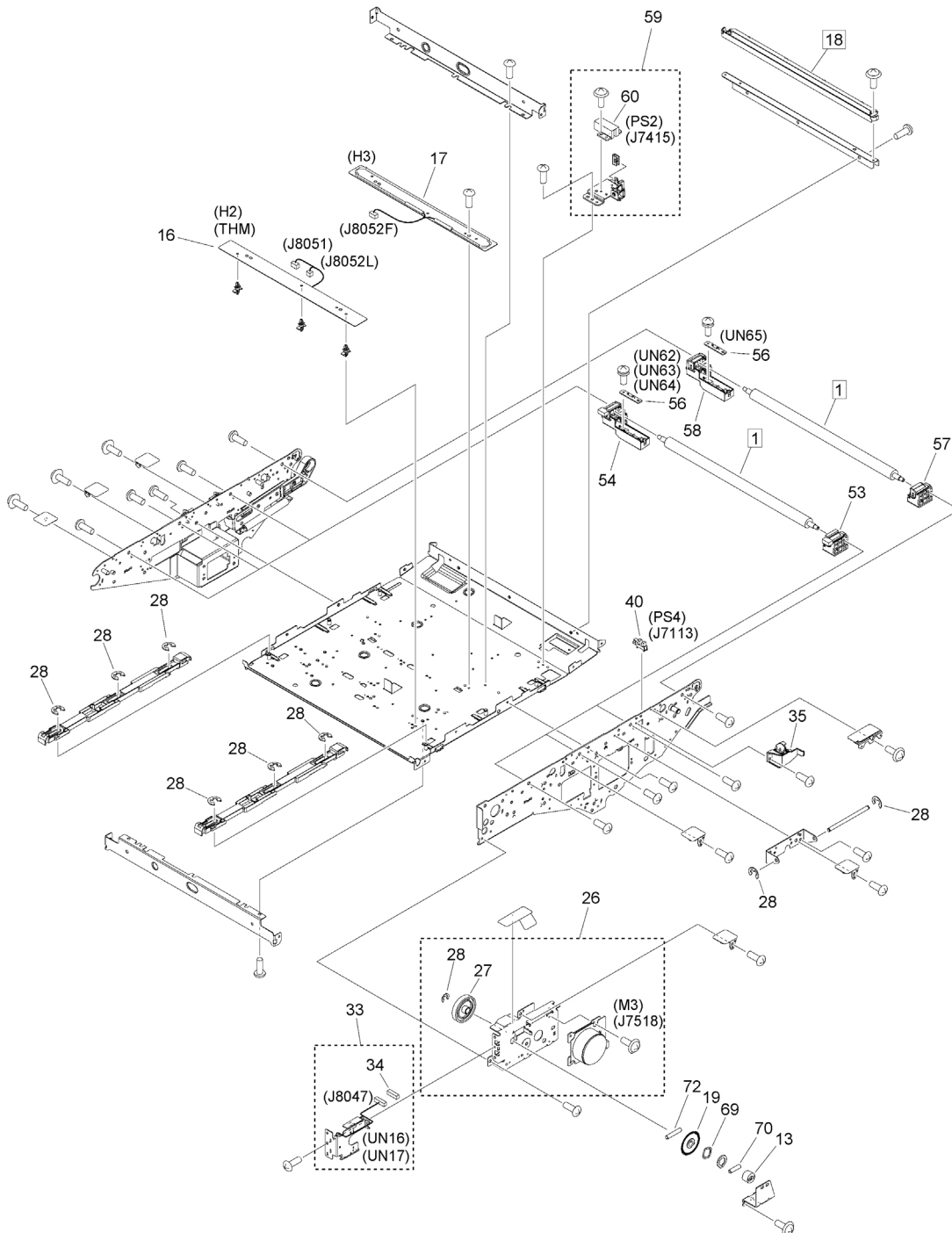


FIGURE & KEY NO.	PART NUMBER	RANK	QTY	DESCRIPTION	SERIAL NUMBER /REMARKS
530	FM1-Z043-000		1	I.T.B. FRAME ASSEMBLY	SEE NOTE 1
1	FC0-2331-000		4	ROLLER, TRANSFER, 1	[DP]
2	FC5-9151-000		4	COLLAR, SLIDE	
3	FC8-1698-000		1	ROLLER, DRIVE	
4	FC8-1727-000		1	CAM, STOPPER	
5	FC8-1736-000		2	CAM, TRANSFER DESORPTION	
6	FC8-1755-000		1	CAM, STOPPER, FRONT	
7	FC8-1761-010		1	FOOT, SUPPORT	
8	FC8-1791-000		1	SUPPORT, REAR	
9	FC8-1792-010		4	HOLDER, ROLLER	
10	FC9-3787-010		1	HOLDER, ROLLER, FRONT	
11	FC9-3788-010		1	HOLDER, ROLLER, REAR	
12	FE8-0436-000		1	SPRING, GROUNDING	
13	FC9-9380-000		1	LIMITTER, TORQUE	
14	FE4-0111-000		2	ROLLER, IDLER, A	
15	FE4-0112-000		2	ROLLER, IDLER, B	
16	FK3-2576-000		1	HEATER UNIT	H2, THM
17	FK3-2577-000		1	HEATER UNIT	H3
18	FL1-2173-020		1	SCRAPER, BELT INTERNAL	SEE NOTE 2 [DP]
19	FL2-8809-000		1	WHEEL, CORD, 2	
20	FM0-0655-000		1	STEERING CAM DRIVE ASSEMBLY	
21	VS1-7177-003		2	CONNECTOR, SNAP TIGHT, BK	
22	VS1-7177-004		2	CONNECTOR, SNAP TIGHT, BK	
23	WG8-5783-000		1	IC,PHOTO-INTERRUPTER,LG248NL1A	PS3
24	FM0-0656-000		1	DESORPTION DRIVE ASSEMBLY	
25	XD9-0394-000		3	RING, E	
26	FM1-X385-000		1	I.T.BELT DRIVE ASSEMBLY	
27	FU2-0589-000		1	GEAR, 22T/88T	
28	XD9-0395-000		14	RING, E	
29	FC8-4623-000		1	BUSHING	
30	FC9-4063-000		1	RAIL, SLIDE	
31	FM2-M864-000		1	CABLE, I.T.B. MAIN	
32	VS1-7177-002		1	CONNECTOR, SNAP TIGHT, BK	
33	FM0-2323-000		1	ENCODER UNIT	UN16, UN17
34	VS1-8412-007		1	CONNECTOR, SNAP TIGHT, BL	
35	FM0-3011-000		1	GUIDE UNIT	
36	FC8-1711-010		2	CAM, DESORPTION, 1	
37	FC8-1712-010		2	CAM, DESORPTION, 2	
38	FC8-1779-000		2	LEVER, LIFT UP	
39	FC8-1780-000		4	CAM, LIFT UP	
40	WG8-5848-000		1	IC, PHOTO-INTERRUPTER	PS4
41	FM3-9597-000		1	I.T.BELT PCB ASSEMBLY	UN28
42	FS5-1474-000		4	BUSHING COP	

FIGURE & KEY NO.	PART NUMBER	RANK	QTY	DESCRIPTION	SERIAL NUMBER /REMARKS
43	FU8-2380-000		2	SPRING, TORSION	
44	FE8-8766-000		2	PIN, PARALLEL	
45	XD9-0291-000		10	PIN, PARALLEL	
46	FM1-L342-000		1	SECONDARY TRANSFER HOLDER UNIT	
47	FC7-9325-000		1	ROLLER, TRANSFER, 2	[DP]
48	XD9-0396-000		14	RING, E	
49	XG9-0737-000		3	BUSHING	
50	XG9-0780-000		10	BEARING, BALL, 688ZZ	
51	FC8-1716-020		1	HOLDER, GUIDE	
52	FL3-2302-000		1	VARISTOR	VZ1
53	FM1-L351-010		3	HOLDER ASSY, FRONT	
54	FM1-L353-010		3	HOLDER ASSY, REAR	
55	FM1-M180-000		1	STEERING ROLLER ASSEMBLY	
56	FM2-7196-000		4	HVR PCB ASSEMBLY	
57	FM3-4898-040		1	HOLDER ASSY, FRONT	
58	FM3-4899-040		1	HOLDER ASSY, REAR	
59	FM3-4906-000		1	PHOTO SENSOR UNIT, EDGE	
60	FK2-7866-000		1	IC, PHOTO-SENSOR, HYBRID	PS2
61	FM3-4909-000		1	TRANSFER H.V. CABLE UNIT	
62	FM4-1451-010		1	CABLE, I.T.B. UNIT	
63	FS1-1205-000		2	BUSHING	
64	FU2-1816-000		1	GEAR, 34T	
65	FU7-0996-000		1	GEAR, 88T	
66	FU7-2302-000		1	SPRING, TENSION	
67	FU8-2366-000		1	SPRING, COMPRESSION	
68	FU8-2373-000		1	SPRING, TENSION	
69	XD9-0252-000		1	WASHER,WAVE	
70	XD9-0287-000		1	PIN, DOWEL	
71	XD9-0303-000		1	PIN, DOWEL	
72	XD9-0305-000		1	PIN, PARALLEL	
73	XG9-0789-000		2	BEARING, BALL, 6900ZZ1NXRC3	
74	FM1-W109-000		1	BELT, INTER. TRANSFER	SEE NOTE 2 [DP]
75	FM1-V658-000		1	WASTE TONER FEED ASSEMBLY	SEE NOTE 2
501	XD1-1100-225		1	WASHER, COP	
502	XD1-4200-402		1	WASHER, TOOTHED LOCK, M4	

FIGURE & KEY NO.	PART NUMBER	R A N K	QTY	DESCRIPTION	SERIAL NUMBER /REMARKS
531	NPN		RF	TRANSFER PRESSURE ASSY, FRONT	
1	FC0-8160-000		2	SPRING, LEAF	
2	FC8-1790-000		2	LINK, LIFT UP, 2	
3	FC8-1798-000		1	LEVER, OPERATOR	
501	XD1-1106-235		4	WASHER,COP	

Figure 532 PRE-TRANSFER CORONA ASSEMBLY

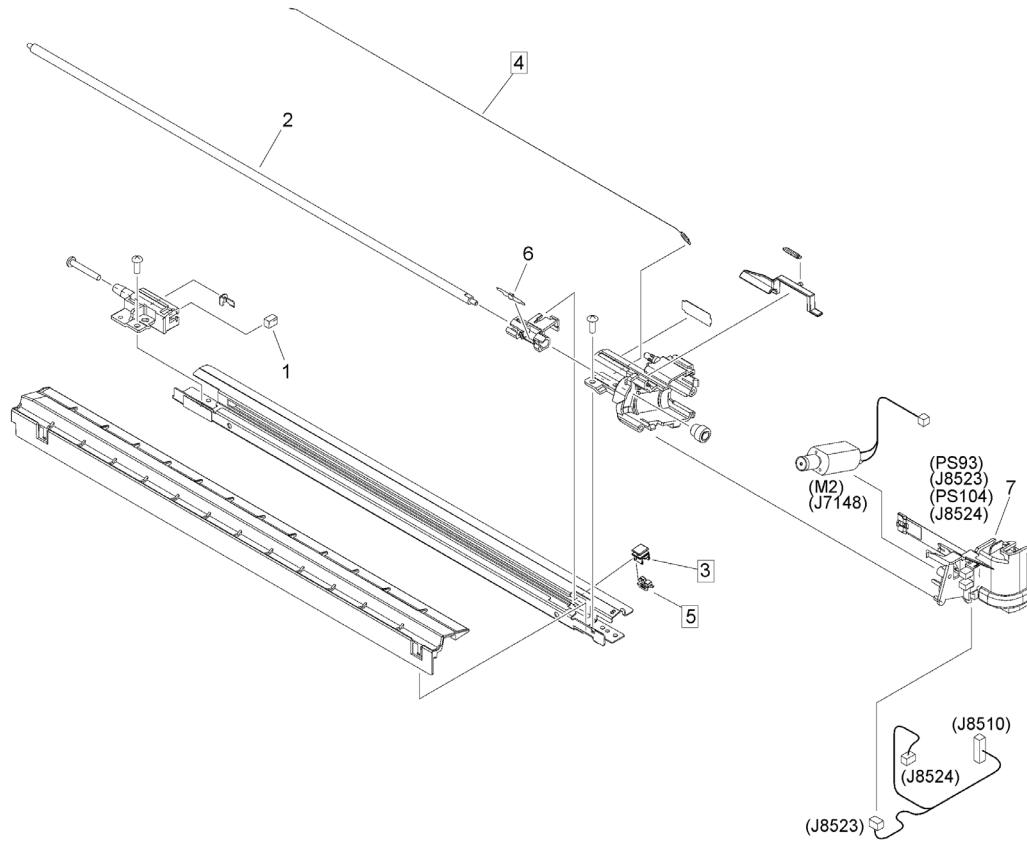


FIGURE & KEY NO.	PART NUMBER	RANK	QTY	DESCRIPTION	SERIAL NUMBER /REMARKS
532	FM0-1464-010		1	PRE-TRANSFER CORONA ASSEMBLY	[DP]
1	FA4-1864-000		1	DAMPER	
2	FC5-1810-000		1	SCREW, LEAD	
3	FL2-7750-010		1	SLIDER, PAD	[DP]
4	FL2-8807-000		1	PRE-TRANSFER CORONA LINE ASS'Y	[DP]
5	FL3-7560-000		1	HOLDER, WIRE CLEANING PAD	[DP]
6	FL1-3534-000		1	SPRING, LEAF	
7	FM0-0863-010		1	SHUTTER BLOCK UNIT	PS93, PS104

Figure 533 TRANSFER CLEANING ASSEMBLY

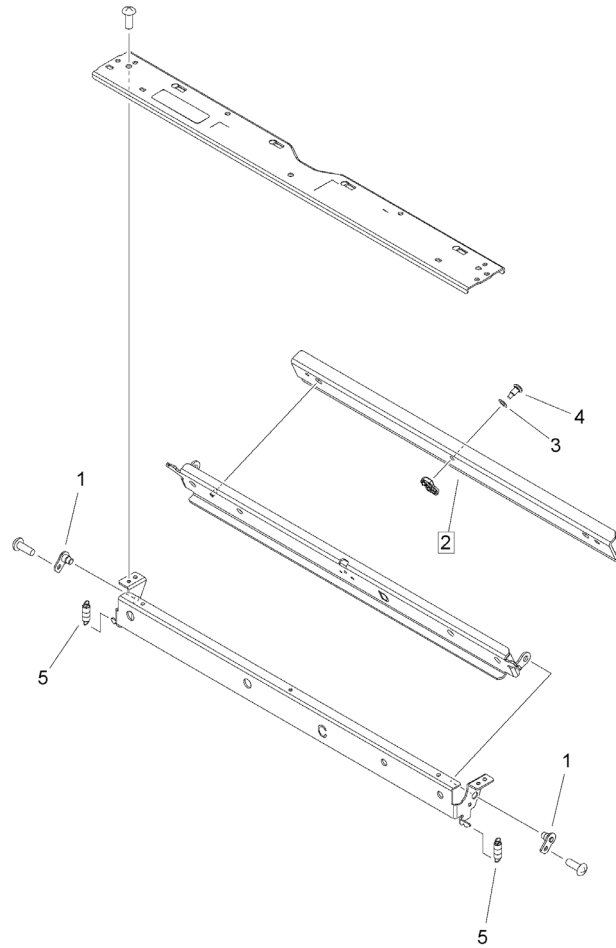


FIGURE & KEY NO.	PART NUMBER	RANK	QTY	DESCRIPTION	SERIAL NUMBER /REMARKS
533	NPN		RF	TRANSFER CLEANING ASSEMBLY	
1	FL0-7997-000		2	SUPPORT, BLADE ROTATION	
2	FL1-7724-000		1	PLATE, BLADE	[DP]
3	XD9-0160-000		1	WASHER,WAVE	
4	FU5-9331-000		1	SCREW, STEPPED, M4	
5	FU8-2376-000		2	SPRING, PRESSURE	

Figure 550 PRIMARY CORONA ASSEMBLY

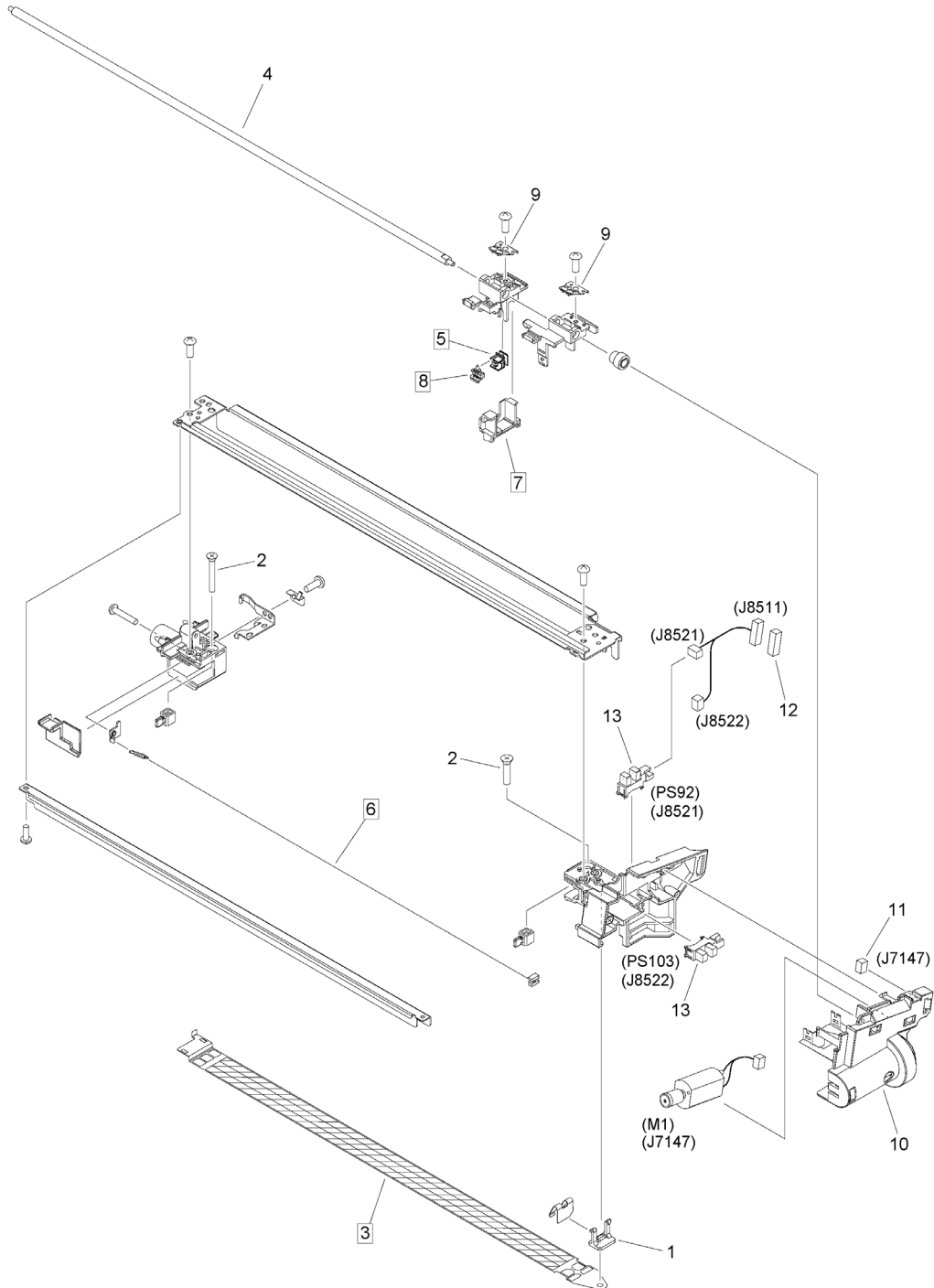


FIGURE & KEY NO.	PART NUMBER	RANK	QTY	DESCRIPTION	SERIAL NUMBER /REMARKS
550	FM1-L382-010		1	PRIMARY CORONA ASSEMBLY	[DP]
1	FB2-2959-000		1	LEVER, GRID	
2	XA9-0228-000		2	SCREW, INSUL., C.S.HEAD	
3	FC0-9857-010		1	PLATE, ETCHING GRID	[DP]
4	FC5-1810-000		1	SCREW, LEAD	
5	FL2-7750-010		1	SLIDER, PAD	[DP]
6	FL2-8915-010		1	PRIMARY CORONA WIRE ASS'Y	[DP]
7	FL3-4090-000		1	SLIDER, PAD	[DP]
8	FL3-7560-000		1	HOLDER, WIRE CLEANING PAD	[DP]
9	FL3-8789-000		2	PIN, SLIDER	
10	FM0-0894-000		1	MOTOR COVER UNIT	
11	VS1-7177-002		1	CONNECTOR, SNAP TIGHT, BK	
12	VS1-8412-007		1	CONNECTOR, SNAP TIGHT, BL	
13	WG8-5848-000		2	IC, PHOTO-INTERRUPTER	PS92, PS103

Figure 580 SECONDARY TRANSFER ASSEMBLY

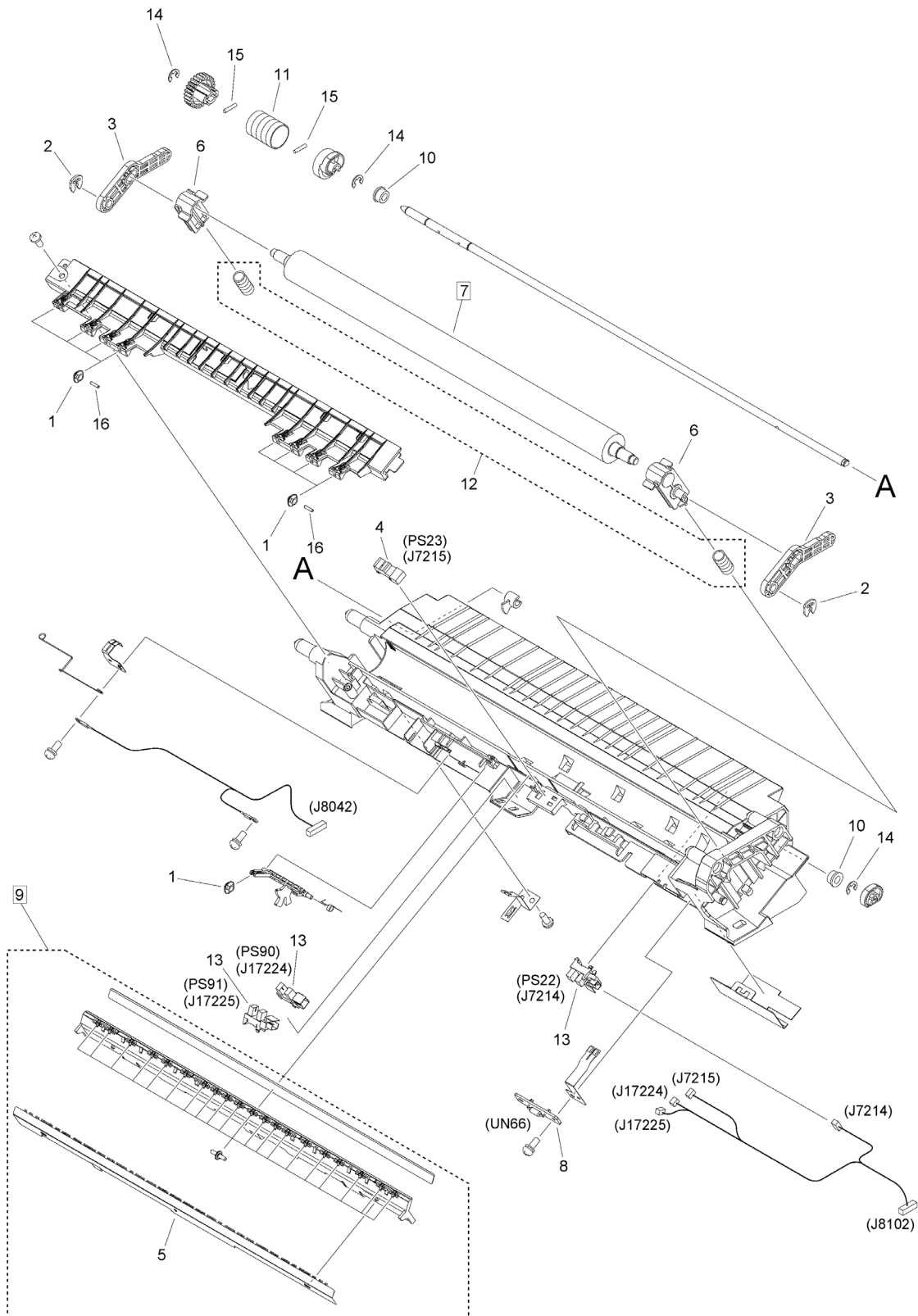


FIGURE & KEY NO.	PART NUMBER	RANK	QTY	DESCRIPTION	SERIAL NUMBER /REMARKS
580	FM1-L378-010		1	SECONDARY TRANSFER ASSEMBLY	
1	FB6-3150-000		9	ROLLER, TRANSFER SENSOR	
2	FC6-3002-000		2	RING, RESIN, RETAINING	
3	FC9-0252-010		2	ARM, SECONDARY TRANSFER	
4	FK2-6470-000		1	PHOTO-SENSOR, KUA0055C	PS23
5	FL2-8872-000		1	ELIMINATOR, STATIC CHARGE	
6	FL3-6675-000		2	HOLDER, 2ND TRNSFR. ROLLER	
7	FE8-0387-000		1	ROLLER, 2ND TRNSFR. OUTER	[DP]
8	FM2-7196-000		1	HVR PCB ASSEMBLY	UN66
9	FM3-9841-000		1	2ND TRNSFR. ELIMINATOR ASS'Y	[DP]
10	FS1-1508-000		2	BUSHING	
11	FS4-2136-000		1	SPRING, COMPRESSION	
12	FM1-U406-000		1	SPRING SET	
13	WG8-5783-000		3	IC,PHOTO-INTERRUPTER,LG248NL1A	PS22, PS90, PS91
14	XD9-0395-000		3	RING, E	
15	XD9-0288-000		2	PIN, DOWEL	
16	XD9-0287-000		8	PIN, DOWEL	

Figure 620 HOPPER MOUNT ASSEMBLY, COLOR

NOTE : This assembly includes the assembly shown in Figure 621.

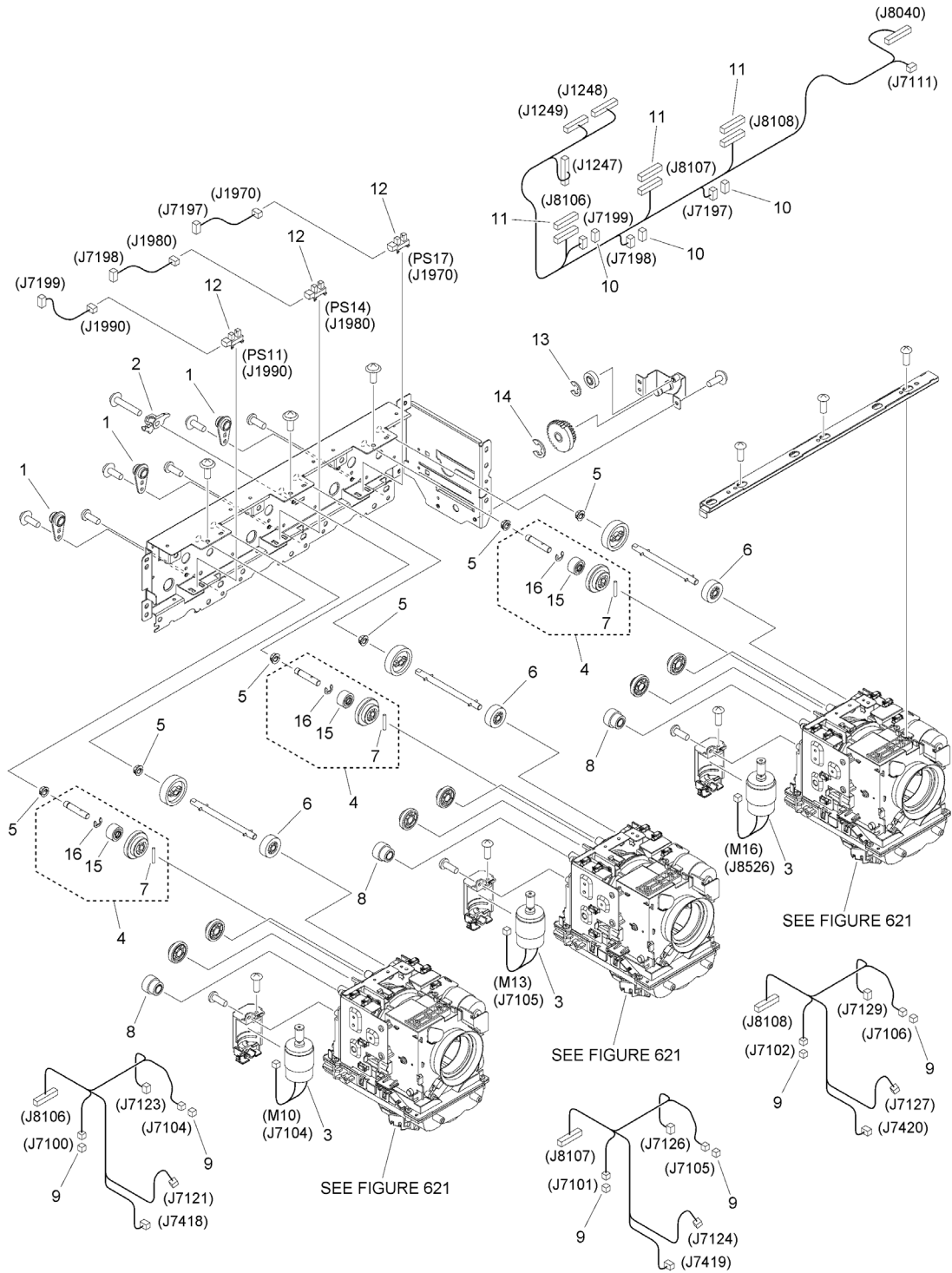


FIGURE & KEY NO.	PART NUMBER	RANK	QTY	DESCRIPTION	SERIAL NUMBER /REMARKS
620	FM1-L391-010		1	HOPPER MOUNT ASSEMBLY, COLOR	SEE NOTE
1	FC8-4623-000		3	BUSHING	
2	FC9-5461-000		1	ARM, ROLLER ESTRANGEMENT, REAR	
3	FM0-0756-000		3	HOPPER MOTOR UNIT	M10, M13, M16
4	FM0-2702-010		3	ONE-WAY SHAFT UNIT	
5	FU5-1451-000		6	BUSHING	
6	FU9-0880-000		3	GEAR, 16T	
7	XD9-0289-000		3	PIN, PARALLEL	
8	FU9-0885-000		3	GEAR, 28T/16T	
9	VS1-7177-002		6	CONNECTOR, SNAP TIGHT, BK	
10	VS1-7177-005		3	CONNECTOR, SNAP TIGHT, BK	
11	VS1-8412-013		3	CONNECTOR, SNAP TIGHT, BL	
12	WG8-5848-000		3	IC, PHOTO-INTERRUPTER	PS11, PS14, PS17
13	XD9-0134-000		1	RING, E	
14	XD9-0396-000		1	RING, E	
15	FL3-8703-000		3	GEAR, 18T	
16	XD9-0395-000		3	RING, E	

Figure 621 HOPPER ASSEMBLY, COLOR

NOTE : This assembly is included in the assembly shown in Figure 620.

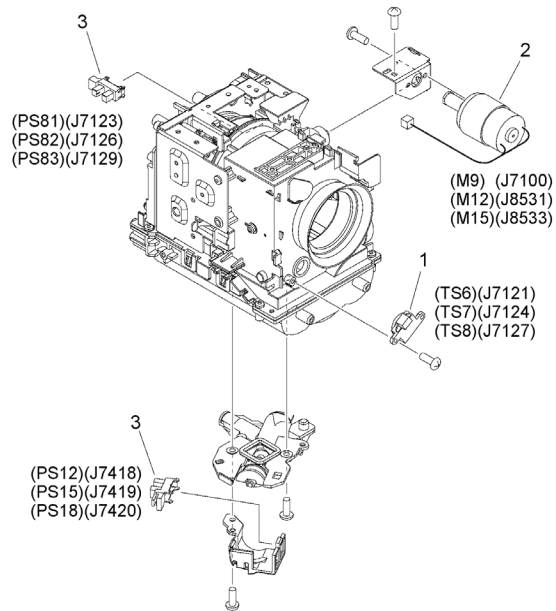


FIGURE & KEY NO.	PART NUMBER	RANK	QTY	DESCRIPTION	SERIAL NUMBER /REMARKS
621	FM1-L402-000		1	HOPPER ASSEMBLY, COLOR	SEE NOTE
1	FK2-0590-000		1	TONER SENSOR UNIT	TS6, TS7, TS8
2	FM0-0756-000		1	HOPPER MOTOR UNIT	M9, M12, M15
3	WG8-5848-000		2	IC, PHOTO-INTERRUPTER	PS12, PS15, PS18, PS81, PS82, PS83

Figure 622 HOPPER ASSEMBLY, BLACK

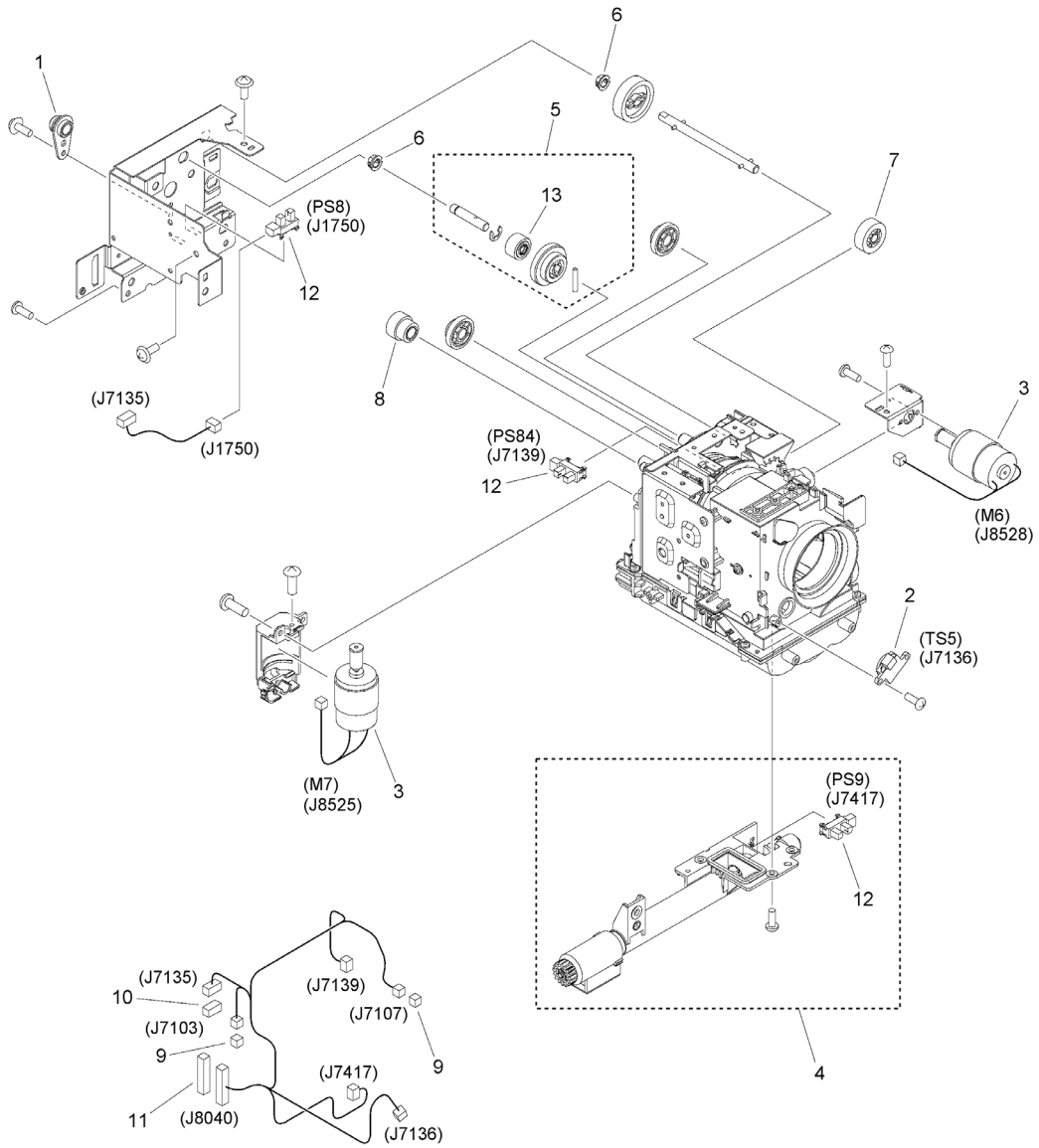


FIGURE & KEY NO.	PART NUMBER	RANK	QTY	DESCRIPTION	SERIAL NUMBER /REMARKS
622	FM1-L390-010		1	HOPPER ASSEMBLY, BLACK	
1	FC8-4623-000		1	BUSHING	
2	FK2-0590-000		1	TONER SENSOR UNIT	TS5
3	FM0-0756-000		2	HOPPER MOTOR UNIT	M6, M7
4	FM0-0860-000		1	SUPPLY PIPE ASSEMBLY, BLACK	
5	FM0-2702-010		1	ONE-WAY SHAFT UNIT	
6	FU5-1451-000		2	BUSHING	
7	FU9-0880-000		1	GEAR, 16T	
8	FU9-0885-000		1	GEAR, 28T/16T	
9	VS1-7177-002		2	CONNECTOR, SNAP TIGHT, BK	
10	VS1-7177-004		1	CONNECTOR, SNAP TIGHT, BK	
11	VS1-8412-017		1	CONNECTOR, SNAP TIGHT, BL	
12	WG8-5848-000		3	IC, PHOTO-INTERRUPTER	PS8, PS9, PS84
13	FL3-8703-000		1	GEAR, 18T	

Figure 623 BOTTLE TRAY ASSEMBLY, COLOR

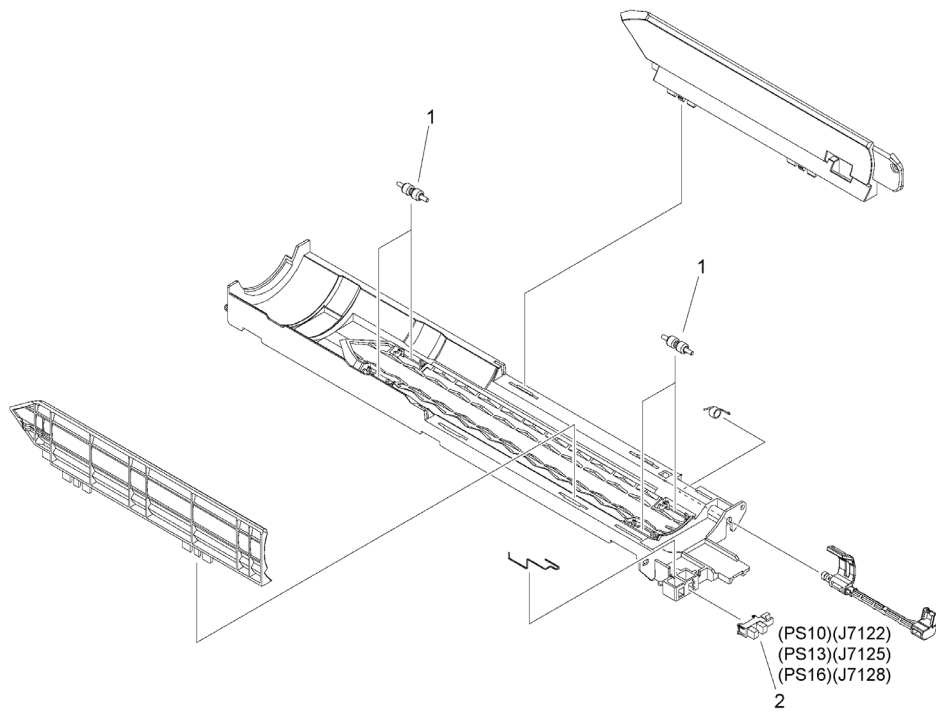


FIGURE & KEY NO.	PART NUMBER	RANK	QTY	DESCRIPTION	SERIAL NUMBER /REMARKS
623	FM1-L604-000		1	BOTTLE TRAY ASSEMBLY, COLOR	
1	FC8-4649-000		4	ROLLER, BOTTLE TRAY	
2	WG8-5783-000		1	IC,PHOTO-INTERRUPTER,LG248NL1A	PS10, PS13, PS16

Figure 624 BOTTLE TRAY ASSEMBLY, BLACK

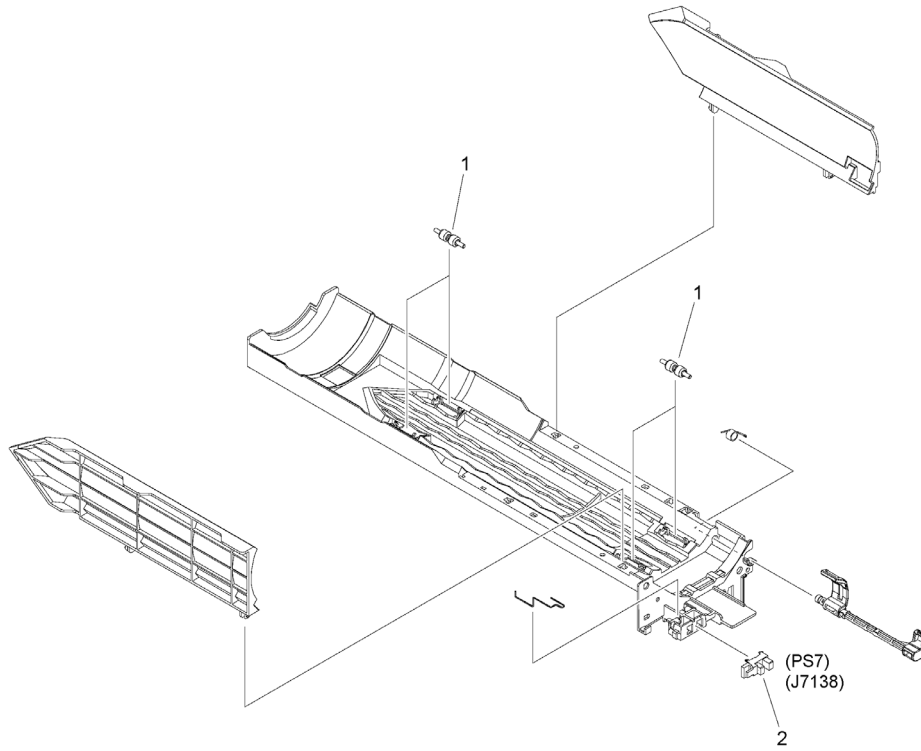


FIGURE & KEY NO.	PART NUMBER	RANK	QTY	DESCRIPTION	SERIAL NUMBER /REMARKS
624	FM1-L310-000		1	BOTTLE TRAY ASSEMBLY, BLACK	
1	FC8-4649-000		4	ROLLER, BOTTLE TRAY	
2	WG8-5783-000		1	IC,PHOTO-INTERRUPTER,LG248NL1A	PS7

Figure 625 TONER CONTAINER COVER ASS'Y

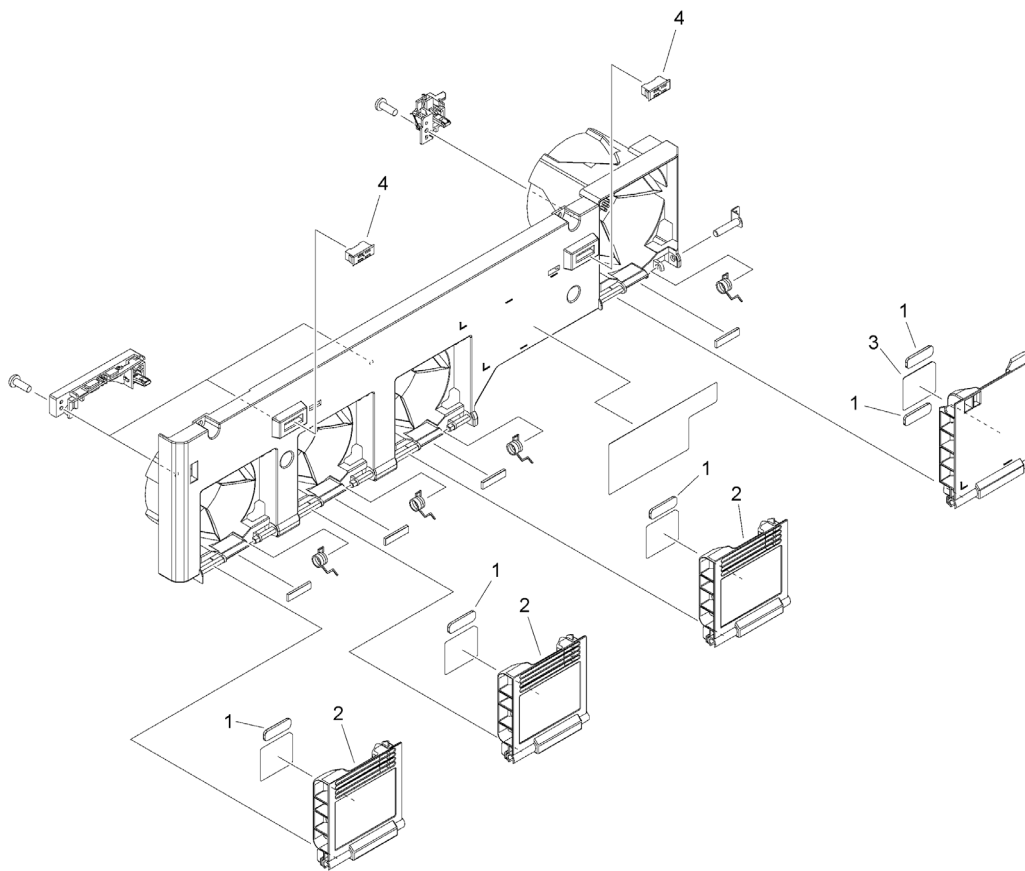


FIGURE & KEY NO.	PART NUMBER	RANK	QTY	DESCRIPTION	SERIAL NUMBER /REMARKS
625	FM1-L403-000		1	TONER CONTAINER COVER ASS'Y	
1	FC0-0793-000		5	SHEET, INNER DOOR	
2	FC8-4662-010		3	DOOR, BOTTLE EXCHANGE INNER	
3	FC8-4666-000		1	LABEL, COLOR, BLACK	
4	XZ9-0603-000		2	CATCH, MAGNET	

Figure 640 DEVELOPING ASSEMBLY

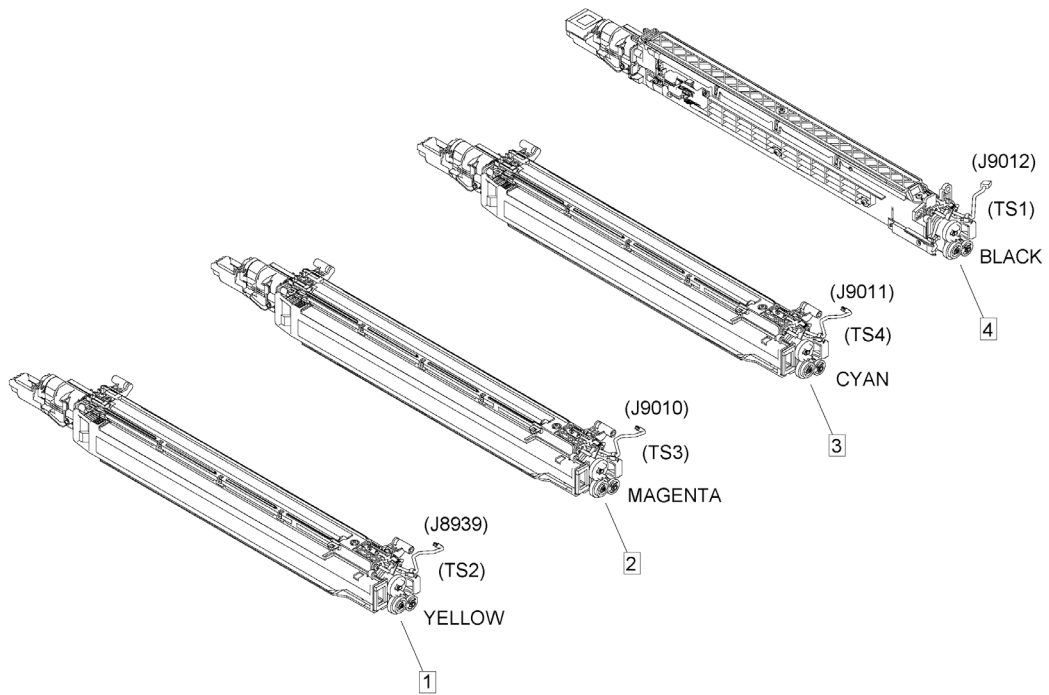


FIGURE & KEY NO.	PART NUMBER	RANK	QTY	DESCRIPTION	SERIAL NUMBER /REMARKS
640	NPN		RF	DEVELOPING ASSEMBLY	
1	FM1-P089-010		1	DEVELOPING ASSEMBLY, Y	TS2 [DP]
2	FM1-P090-010		1	DEVELOPING ASSEMBLY, M	TS3 [DP]
3	FM1-P091-010		1	DEVELOPING ASSEMBLY, C	TS4 [DP]
4	FM1-P092-010		1	DEVELOPING ASSEMBLY, BK	TS1 [DP]

Figure 770 WASTE TONER FEEDER ASSEMBLY

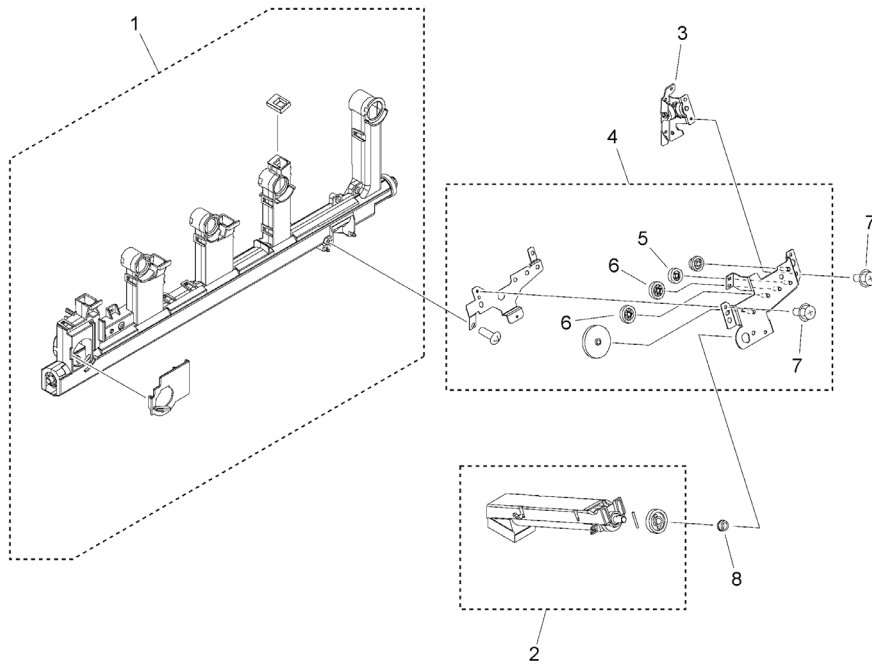


FIGURE & KEY NO.	PART NUMBER	RANK	QTY	DESCRIPTION	SERIAL NUMBER /REMARKS
770	NPN		RF	WASTE TONER FEEDER ASSEMBLY	
1	FM1-L380-000		1	WASTE TONER FIRST FEED ASS'Y	
2	FM1-L381-000		1	WASTE TONER SECOND FEED ASS'Y	
3	FM3-4922-000		1	WASTE TONER FEED GEAR ASS'Y, 1	
4	FM3-4928-000		1	WASTE TONER FEED GEAR ASS'Y, 2	
5	FU6-0092-000		1	GEAR, 21T	
6	FU6-0098-000		2	GEAR, 25T	
7	XA9-1386-000		2	SCREW,RS,M3X8	
8	FU6-1184-000		1	BUSHING	

Figure 771 WASTE TONER BOTTLE CASE ASS'Y

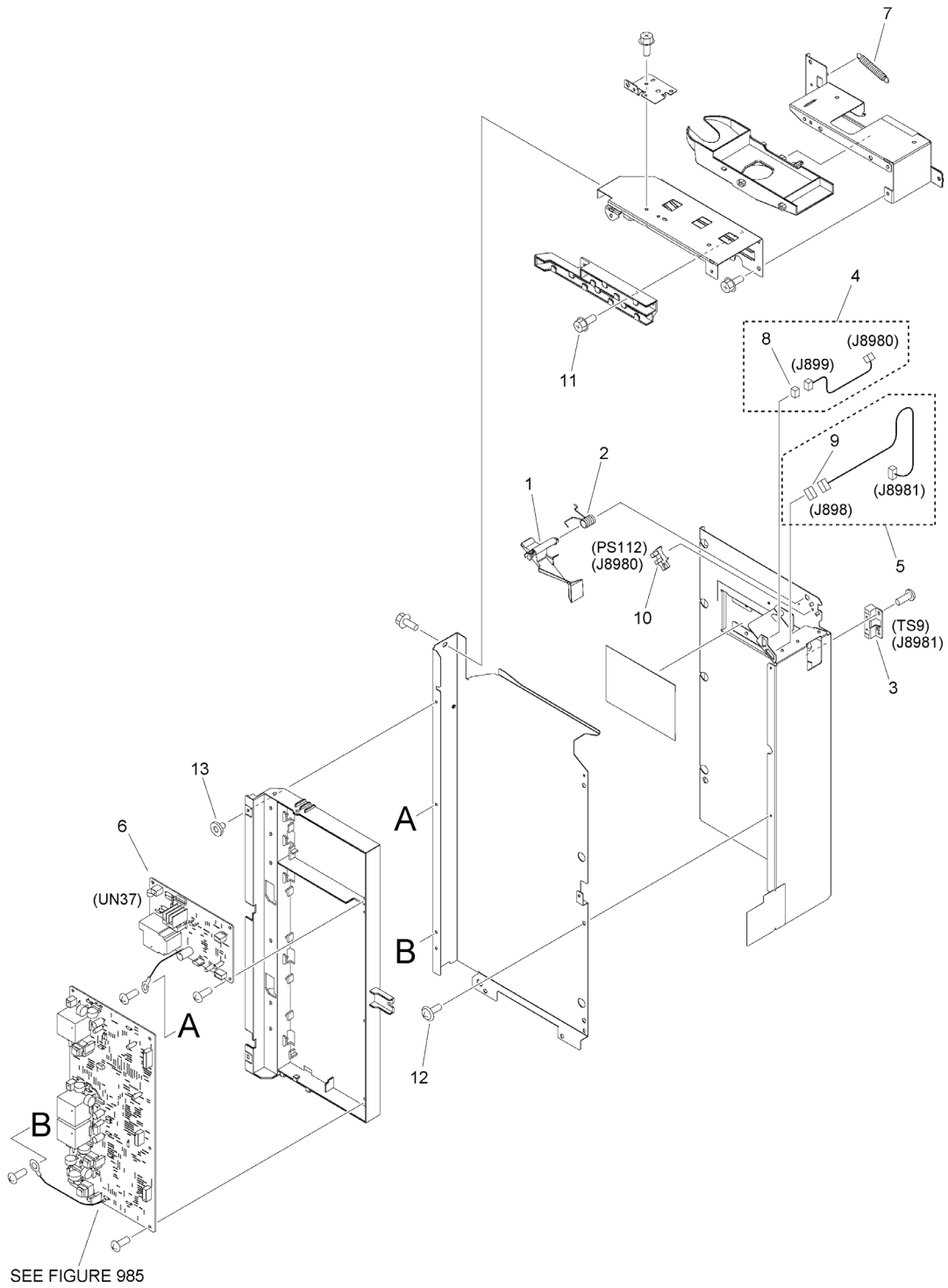


FIGURE & KEY NO.	PART NUMBER	RANK	QTY	DESCRIPTION	SERIAL NUMBER /REMARKS
771	NPN		RF	WASTE TONER BOTTLE CASE ASSY	
1	FC0-8158-000		1	LEVER, SENSING	
2	FC0-8159-000		1	SPRING, TORSION	
3	FK2-0003-010		1	RECONDITIONED PHOTO SENSOR	TS9
4	FM0-0831-000		1	CABLE, BOTTLE SENSING	
5	FM0-2069-000		1	CABLE, WASTE TONER	
6	FM1-V874-000		1	BLACK 1ST CORONA H.V. PCB	UN37
7	FU9-2276-000		1	SPRING, TENSION	
8	VS1-7177-003		1	CONNECTOR, SNAP TIGHT, BK	
9	VS1-7177-004		1	CONNECTOR, SNAP TIGHT, BK	
10	WG8-5848-000		1	IC, PHOTO-INTERRUPTER	PS112
11	XA9-1386-000		2	SCREW,RS,M3X8	
12	XA9-1503-000		3	SCREW, TAP, M3X6	
13	XA9-2017-000		3	SCREW, PANHEAD MACHINE M4X6	

Figure 772 CONTAINER, WASTE TONER, WT-204

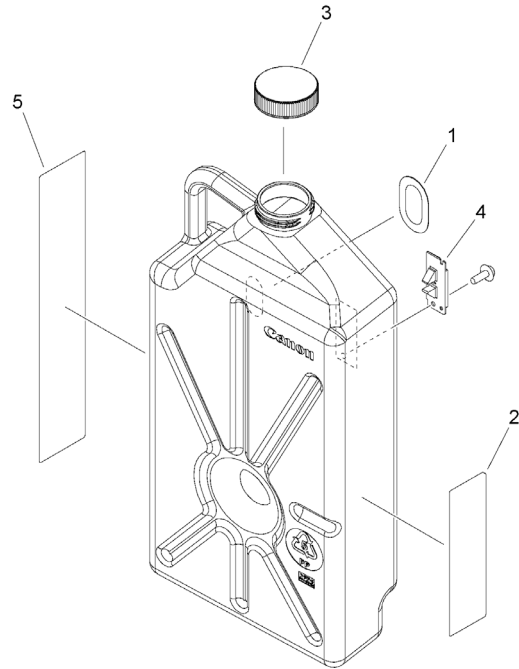


FIGURE & KEY NO.	PART NUMBER	RANK	QTY	DESCRIPTION	SERIAL NUMBER /REMARKS
772	FM1-P094-020		1	CONTAINER, WASTE TONER, WT-204	[DP]
1	FC6-1384-000		1	SHEET, BOTTLE WINDOW	
2	FE8-8946-000		1	LABEL, CAUTION	
3	FL3-9150-000		1	CAP, WASTE TONER	
4	FL3-7570-000		1	PRISM	
5	FU8-8005-010		1	LABEL, WASTE TONER	

FIGURE & KEY NO.	PART NUMBER	RANK	QTY	DESCRIPTION	SERIAL NUMBER /REMARKS
810A	NPN		RF	FIXING ASSEMBLY, 100V/120V	
1	FB5-9104-010		1	ELIMINATOR, STATIC CHARGE	
2	FC0-7967-000		1	ROLLER, HEAT	[DP]
3	FC0-7970-000		1	PLATE, SEPARATION	
4	FC0-7998-000		1	HOUSING, BEARING	
5	FC0-8092-000		1	PLATE, MOVE, FRONT	
6	FC0-8093-000		1	PLATE, MOVE, REAR	
7	FE8-0084-000		1	GUIDE, FIXING, UPPER	
8	FC0-8101-000		2	SHAFT	
9	FC0-8103-000		1	HOLDER, GEAR	
10	FC0-8104-000		1	SPRING, LEAF, GEAR	
11	FC0-9148-000		1	HOUSING, BEARING	
12	FH7-7586-020		1	THERMISTOR UNIT	THM16
13	FK4-3919-000		1	MOTOR, STEPPING, DC	M56
14	FK4-3918-000		1	MOTOR, DC	M48
15	FM0-0387-010		1	PRESSURE ROLLER UNIT	[DP]
16	FM1-P109-000		1	HEATER UNIT, 100V/120V	H4
17	FM1-K788-010		1	ENTRANCE GUIDE ASSEMBLY	
18	FM0-2141-010		1	CABLE, FIXING UNIT, UPPER	
19	FM0-2143-000		1	CABLE, FIXING UNIT, LOWER	
20	FM1-N742-020		1	FIXING FILM UNIT	UN105, THM 11, THM 12, THM 13, THM 14, THM 15, TP2 [DP]
21	FU9-0905-000		1	GEAR, 27T	
22	FU9-0831-000		1	GEAR, 35T/22T	
23	FU9-0832-000		1	GEAR, 26T	
24	FU9-0897-000		1	GEAR, 41T	
25	FU9-2230-000		2	SPRING, TENSION	
26	FU9-2233-000		2	SPRING, TENSION	
27	FU9-2234-000		2	SPRING, COMPRESSION	
28	WG8-5783-000		2	IC,PHOTO-INTERRUPTER,LG248NL1A	PS70, PS99
29	XG9-0797-000		1	BEARING, BALL, LF-1260ZZRPOP25	
30	XG9-0876-000		2	BEARING, BALL, LNR-1680KKR	[DP]
31	VS1-7177-003		1	CONNECTOR, SNAP TIGHT, BK	
32	XA9-1933-000		4	SCREW, W/WASHER, M4X8	

Figure 810B FIXING ASSEMBLY, 200V/208V/230V

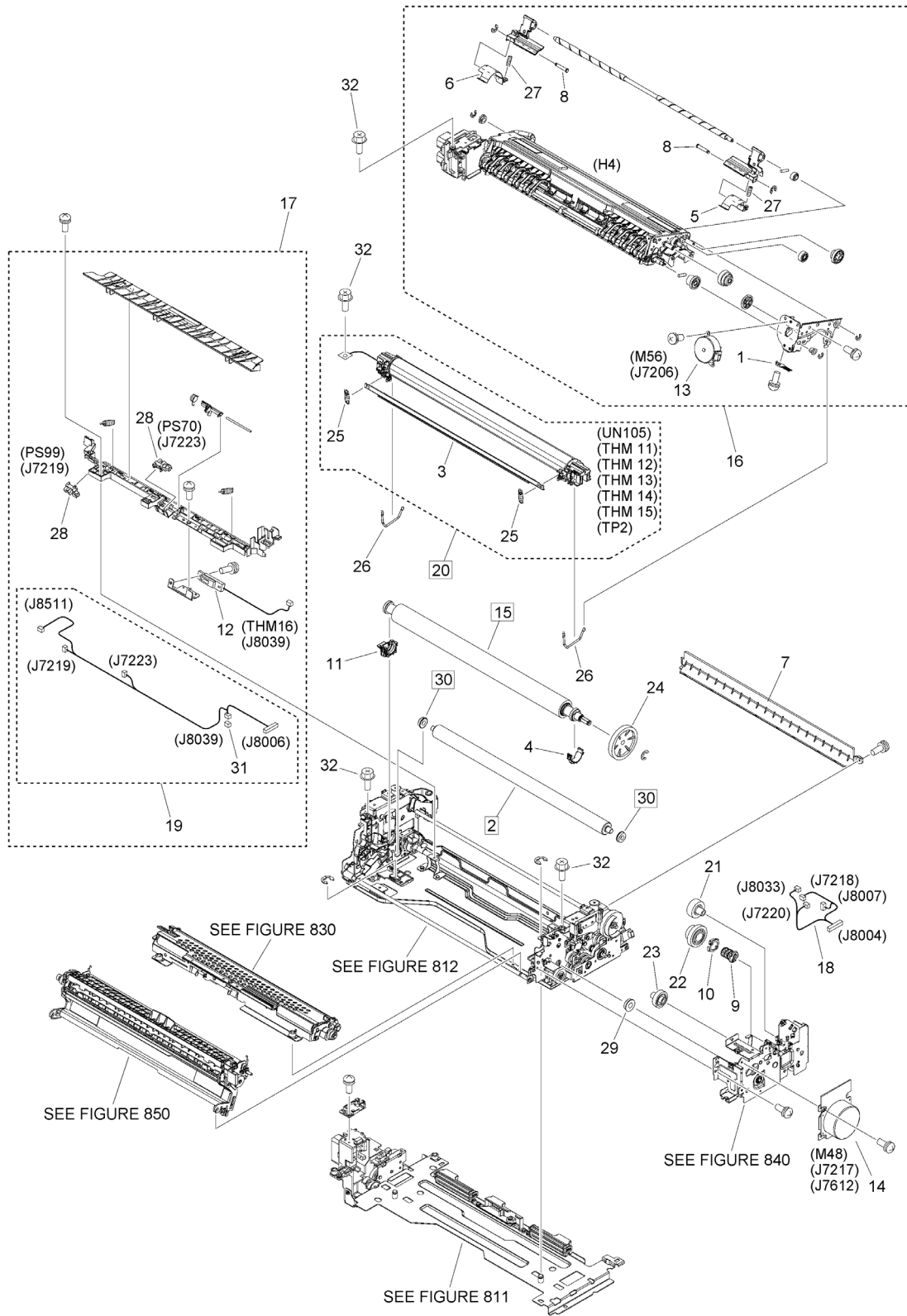


FIGURE & KEY NO.	PART NUMBER	RANK	QTY	DESCRIPTION	SERIAL NUMBER /REMARKS
810B	NPN		RF	FIXING ASSEMBLY,200V/208V/230V	
1	FB5-9104-010		1	ELIMINATOR, STATIC CHARGE	
2	FC0-7967-000		1	ROLLER, HEAT	[DP]
3	FC0-7970-000		1	PLATE, SEPARATION	
4	FC0-7998-000		1	HOUSING, BEARING	
5	FC0-8092-000		1	PLATE, MOVE, FRONT	
6	FC0-8093-000		1	PLATE, MOVE, REAR	
7	FE8-0084-000		1	GUIDE, FIXING, UPPER	
8	FC0-8101-000		2	SHAFT	
9	FC0-8103-000		1	HOLDER, GEAR	
10	FC0-8104-000		1	SPRING, LEAF, GEAR	
11	FC0-9148-000		1	HOUSING, BEARING	
12	FH7-7586-020		1	THERMISTOR UNIT	THM16
13	FK4-3919-000		1	MOTOR, STEPPING, DC	M56
14	FK4-3918-000		1	MOTOR, DC	M48
15	FM0-0387-010		1	PRESSURE ROLLER UNIT	[DP]
16	FM1-P110-000		1	HEATER UNIT, 200V/208V/230V	H4
17	FM1-K788-010		1	ENTRANCE GUIDE ASSEMBLY	
18	FM0-2141-010		1	CABLE, FIXING UNIT, UPPER	
19	FM0-2143-000		1	CABLE, FIXING UNIT, LOWER	
20	FM1-N742-020		1	FIXING FILM UNIT	UN105, THM 11, THM 12, THM 13, THM 14, THM 15, TP2 [DP]
21	FU9-0905-000		1	GEAR, 27T	
22	FU9-0831-000		1	GEAR, 35T/22T	
23	FU9-0832-000		1	GEAR, 26T	
24	FU9-0897-000		1	GEAR, 41T	
25	FU9-2230-000		2	SPRING, TENSION	
26	FU9-2233-000		2	SPRING, TENSION	
27	FU9-2234-000		2	SPRING, COMPRESSION	
28	WG8-5783-000		2	IC,PHOTO-INTERRUPTER,LG248NL1A	PS70, PS99
29	XG9-0797-000		1	BEARING, BALL, LF-1260ZZRPOP25	
30	XG9-0876-000		2	BEARING, BALL, LNR-1680KKR	[DP]
31	VS1-7177-003		1	CONNECTOR, SNAP TIGHT, BK	
32	XA9-1933-000		4	SCREW, W/WASHER, M4X8	

Figure 811 FIXING BASE ASSEMBLY

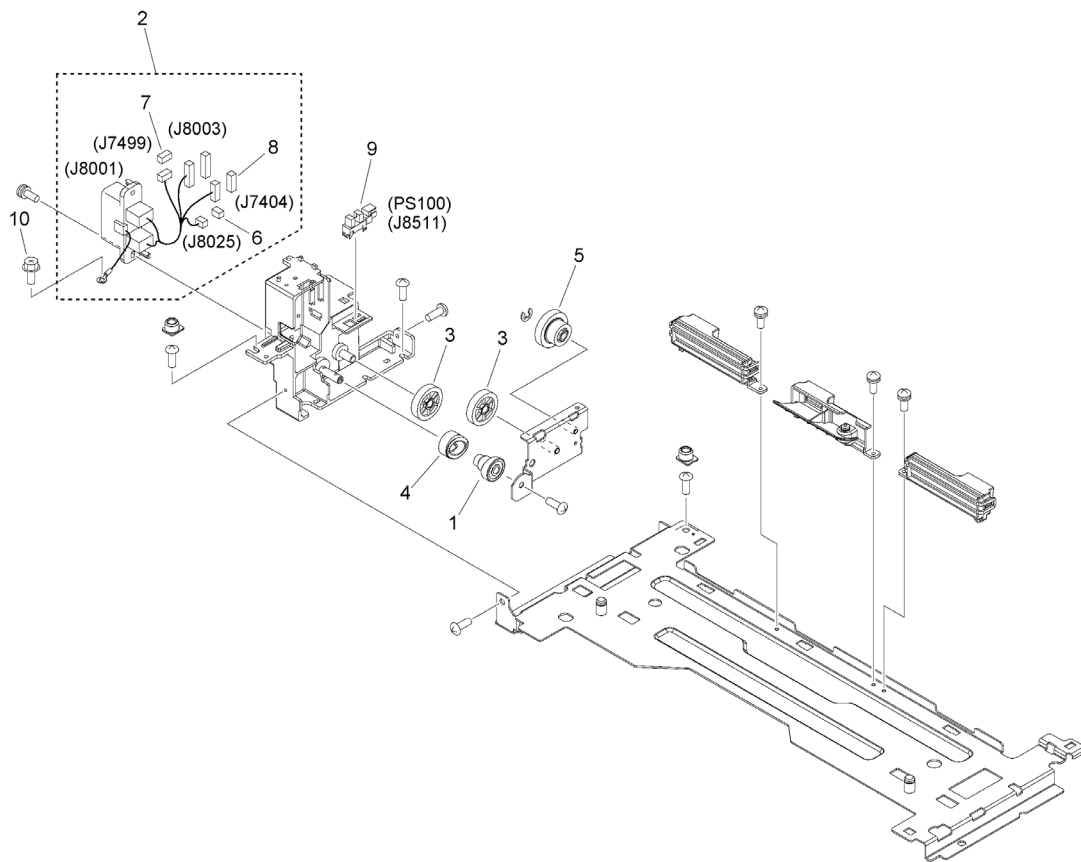


FIGURE & KEY NO.	PART NUMBER	RANK	QTY	DESCRIPTION	SERIAL NUMBER /REMARKS
811	NPN		RF	FIXING BASE ASSEMBLY	
1	FC0-7995-000		1	CAM, RECIPROCATING	
2	FM1-V888-010		1	CABLE, FIXING UNIT DRAWER	
3	FU6-0072-000		2	GEAR, 32T	
4	FU9-0811-000		1	GEAR, 22T	
5	FU9-0812-000		1	GEAR, 34T/21T	
6	VS1-7177-003		1	CONNECTOR, SNAP TIGHT, BK	
7	VS1-7177-004		1	CONNECTOR, SNAP TIGHT, BK	
8	VS1-7177-006		1	CONNECTOR, SNAP TIGHT, BK	
9	WG8-5783-000		1	IC,PHOTO-INTERRUPTER,LG248NL1A	PS100
10	XA9-1933-000		1	SCREW, W/WASHER, M4X8	

Figure 812 FIXING FRAME ASSEMBLY

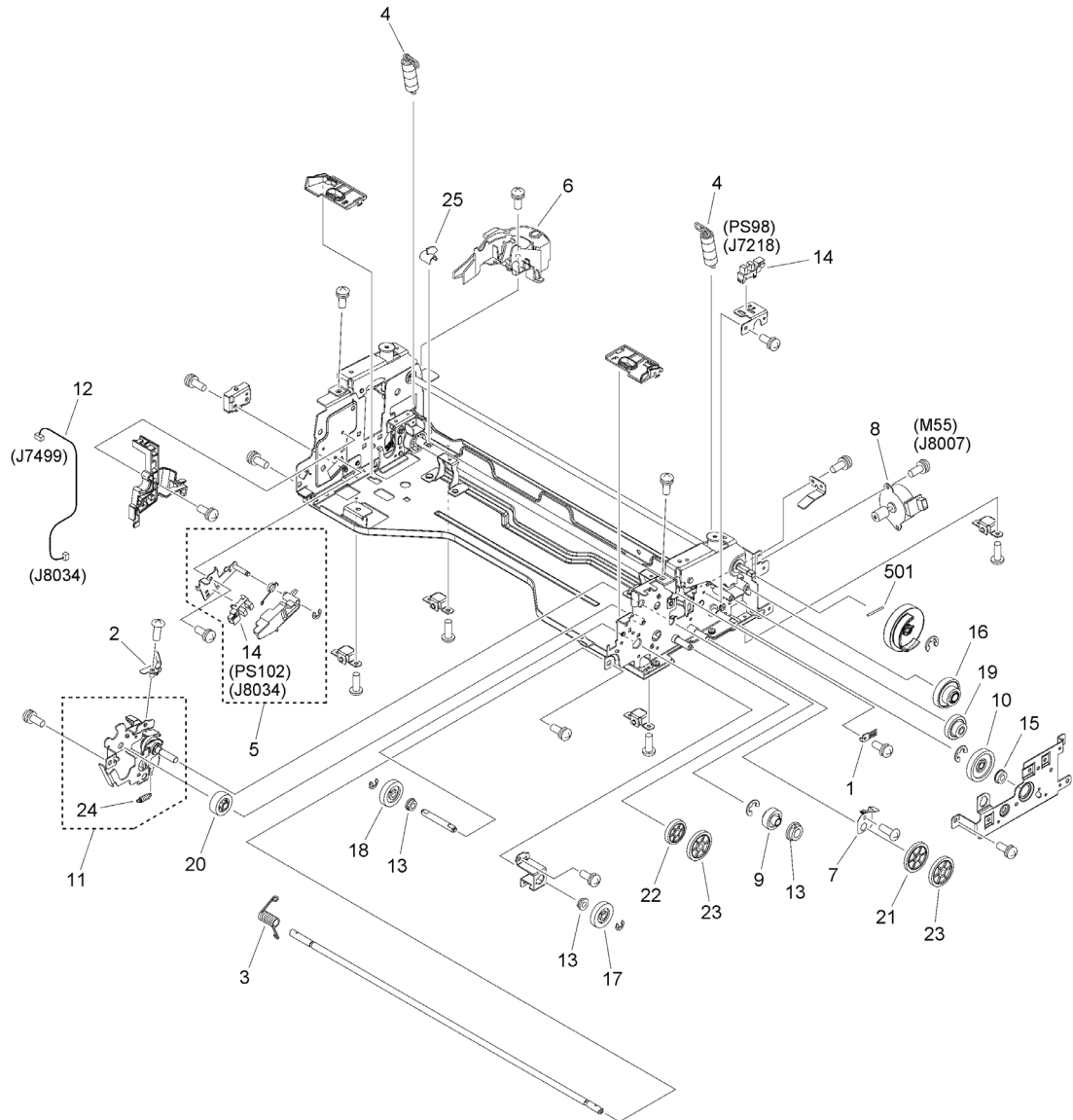


FIGURE & KEY NO.	PART NUMBER	RANK	QTY	DESCRIPTION	SERIAL NUMBER /REMARKS
812	NPN		RF	FIXING FRAME ASSEMBLY	
1	FB5-9104-010		1	ELIMINATOR, STATIC CHARGE	
2	FC0-7972-000		1	PLATE, STATIC CHARGE	
3	FC0-8063-000		1	SPRING, TORSION	
4	FU9-2228-000		2	SPRING, TENSION	
5	FM0-0406-000		1	CLEANING REMNANT DETECT ASS'Y	
6	FE8-0086-010		1	GUIDE, CABLE	
7	FC0-9142-000		1	SPRING, GROUNDING	
8	FK3-2288-000		1	MOTOR, STEPPING, DC	M55
9	FL3-7162-000		1	GEAR, 38T	
10	FL3-7163-000		1	GEAR, 62T	
11	FM1-R354-000		1	CLEANER DRIVE ASSEMBLY	
12	FM1-X804-000		1	CABLE, SENSOR	
13	FS1-1508-000		3	BUSHING	
14	WG8-5783-000		2	IC,PHOTO-INTERRUPTER,LG248NL1A	PS98, PS102
15	XG9-0797-000		1	BEARING, BALL, LF-1260ZZRPOP25	
16	FU9-0826-000		1	GEAR, 58T/34T	
17	FU9-0833-000		1	GEAR, 17T	
18	FU9-0834-000		1	GEAR, 24T	
19	FU9-0891-000		1	GEAR, 46T/27T	
20	FU9-0893-000		1	GEAR, 20T	
21	FU9-0945-000		1	GEAR, 58T/34T	
22	FU9-0946-000		1	GEAR, 47T	
23	FU9-0947-000		2	GEAR, 58T/23T	
24	FU9-2231-000		1	SPRING, TENSION	
25	FC0-8069-010		1	FLAG, CAM SENSOR	
501	XD3-2200-202		1	PIN, M2 X20	

Figure 830 FIXING CLEANER ASSEMBLY

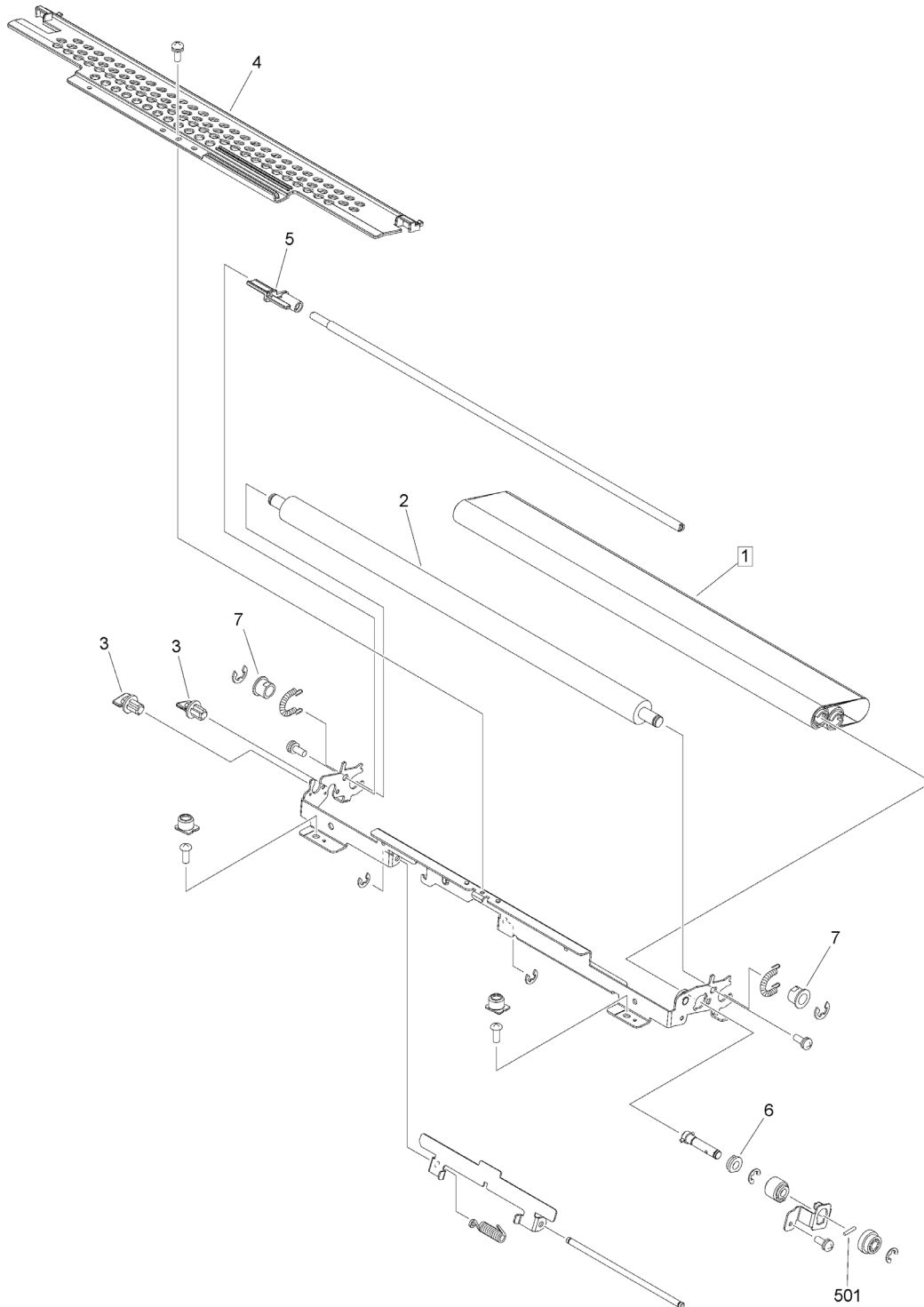


FIGURE & KEY NO.	PART NUMBER	RANK	QTY	DESCRIPTION	SERIAL NUMBER /REMARKS
830	FM0-0393-000		1	FIXING CLEANER ASSEMBLY	
1	FC0-8030-000		1	SHEET, CLEANER SUPPLY ROLL	[DP]
2	FC0-8031-000		1	ROLLER, CLEANING	
3	FC0-8041-000		2	LEVER, ATTACHMENT	
4	FC0-8042-000		1	COVER, FIXING CLEANER	
5	FC0-8043-010		1	LEVER, CLEANER REMNANT SENSING	
6	FS1-1508-000		1	BUSHING	
7	FS2-1256-000		2	BUSHING	
501	XD3-2200-102		1	PIN, PARALLEL	

Figure 840 FIXING DRIVE ASSEMBLY

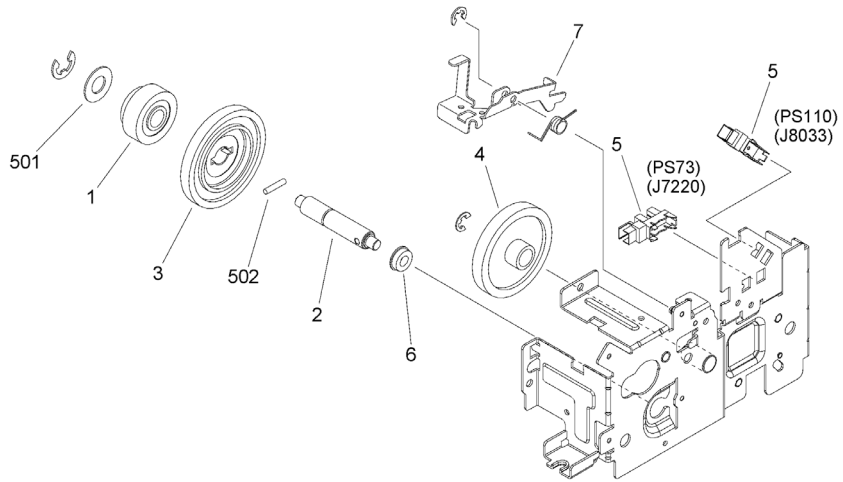


FIGURE & KEY NO.	PART NUMBER	RANK	QTY	DESCRIPTION	SERIAL NUMBER /REMARKS
840	NPN		RF	FIXING DRIVE ASSEMBLY	
1	FL3-7153-000		1	GEAR, 21T	
2	FU7-5968-000		1	SHAFT, TRANSMISSION	
3	FU9-0828-000		1	GEAR, 87T/22T	
4	FU9-0830-000		1	GEAR, 50T	
5	WG8-5783-000		2	IC,PHOTO-INTERRUPTER,LG248NL1A	PS73, PS110
6	XG9-0797-000		1	BEARING, BALL, LF-1260ZZRPOP25	
7	FE8-5620-000		1	ARM, ROTATION LIMIT	
501	XD1-1200-239		1	WASHER, PLAIN	
502	XD3-2300-142		1	PIN, DOWEL	

Figure 850 INNER PAPER DELIVERY ASSEMBLY

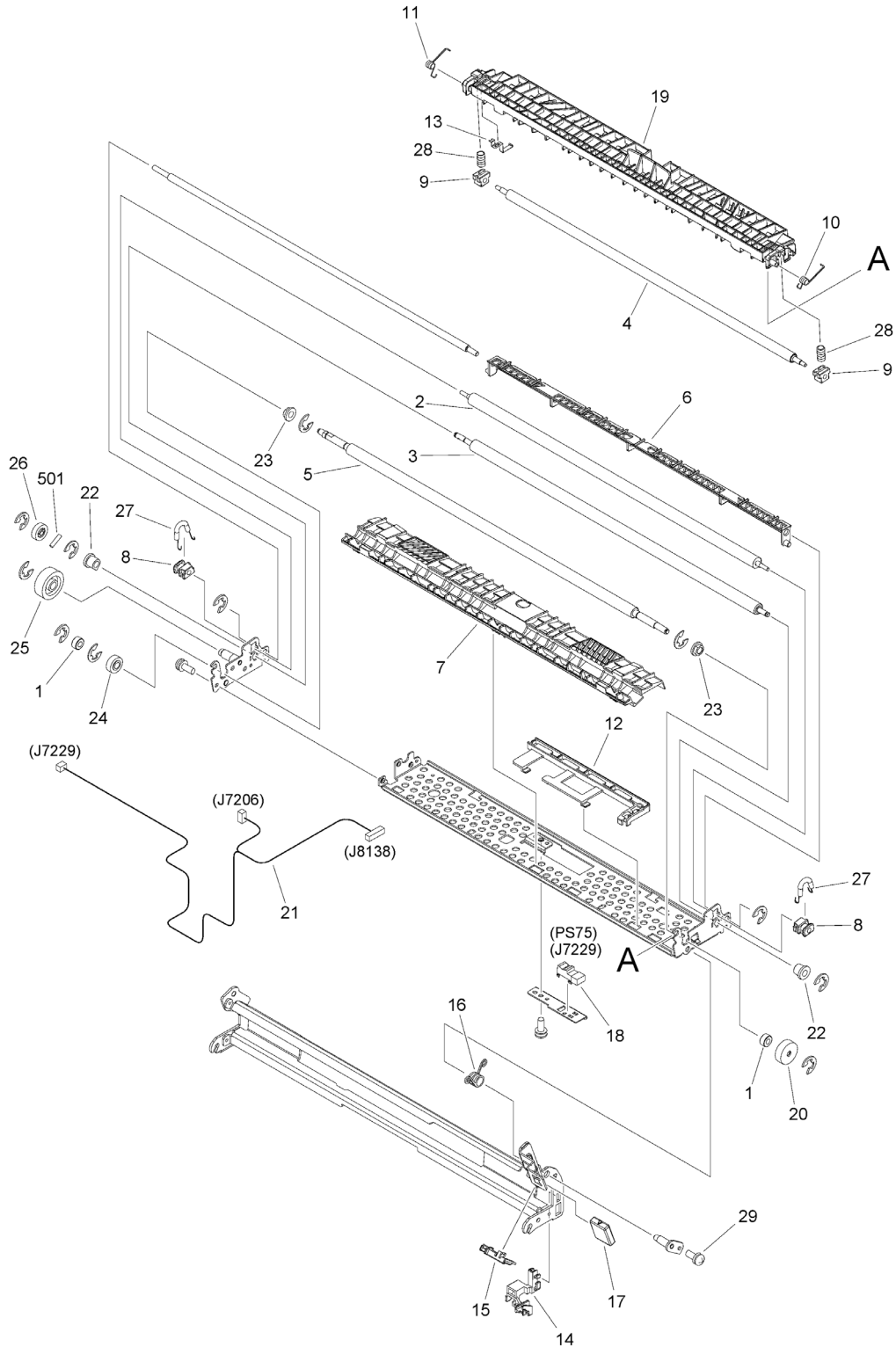


FIGURE & KEY NO.	PART NUMBER	RANK	QTY	DESCRIPTION	SERIAL NUMBER /REMARKS
850	NPN		RF	INNER PAPER DELIVERY ASSEMBLY	
1	FB3-2706-000		2	BUSHING	
2	FE8-0077-000		1	ROLLER, UPPER, 1	
3	FE8-0078-000		1	ROLLER, LOWER, 1	
4	FC0-8003-000		1	ROLLER, UPPER, 2	
5	FC0-8004-000		1	ROLLER, LOWER, 2	
6	FC0-8005-000		1	GUIDE, LOWER, 1	
7	FC0-8007-010		1	GUIDE, LOWER, 2	
8	FC0-8008-000		2	BUSHING	
9	FC0-8009-000		2	BUSHING	
10	FC0-8010-000		1	SPRING, TORSION	
11	FC0-8011-000		1	SPRING, TORSION	
12	FC0-8017-000		1	GUIDE, CABLE, 1	
13	FC0-8019-000		1	PLATE, GROUNDING	
14	FC0-8027-000		1	GUIDE, CABLE, 2	
15	FC0-8028-000		1	GUIDE, CABLE, 3	
16	FC0-8029-000		1	SPRING, TORSION	
17	FC9-8425-000		1	LEVER, GUIDE	
18	FK2-6470-000		1	PHOTO-SENSOR, KUA0095C	PS75
19	FL3-7160-020		1	GUIDE, PAPER DELIVERY, UPPER	
20	FL3-7161-000		1	GEAR, 18T	
21	FM0-2142-010		1	CABLE, MOTOR	
22	FS1-1528-000		2	BUSHING, PL	
23	FS1-1569-000		2	BUSHING	
24	FU9-0815-000		1	GEAR, 16T	
25	FU9-0816-000		1	GEAR, 30T	
26	FU9-0817-000		1	GEAR, 16T	
27	FU9-2226-000		2	SPRING, TENSION	
28	FU9-2227-000		2	SPRING, COMPRESSION	
29	XA9-1420-000		1	SCREW, W/WASHER, M3X8	
501	XD3-2200-082		1	PIN, PARALLEL	

Figure 900A CONTROLLER BOX ASSEMBLY

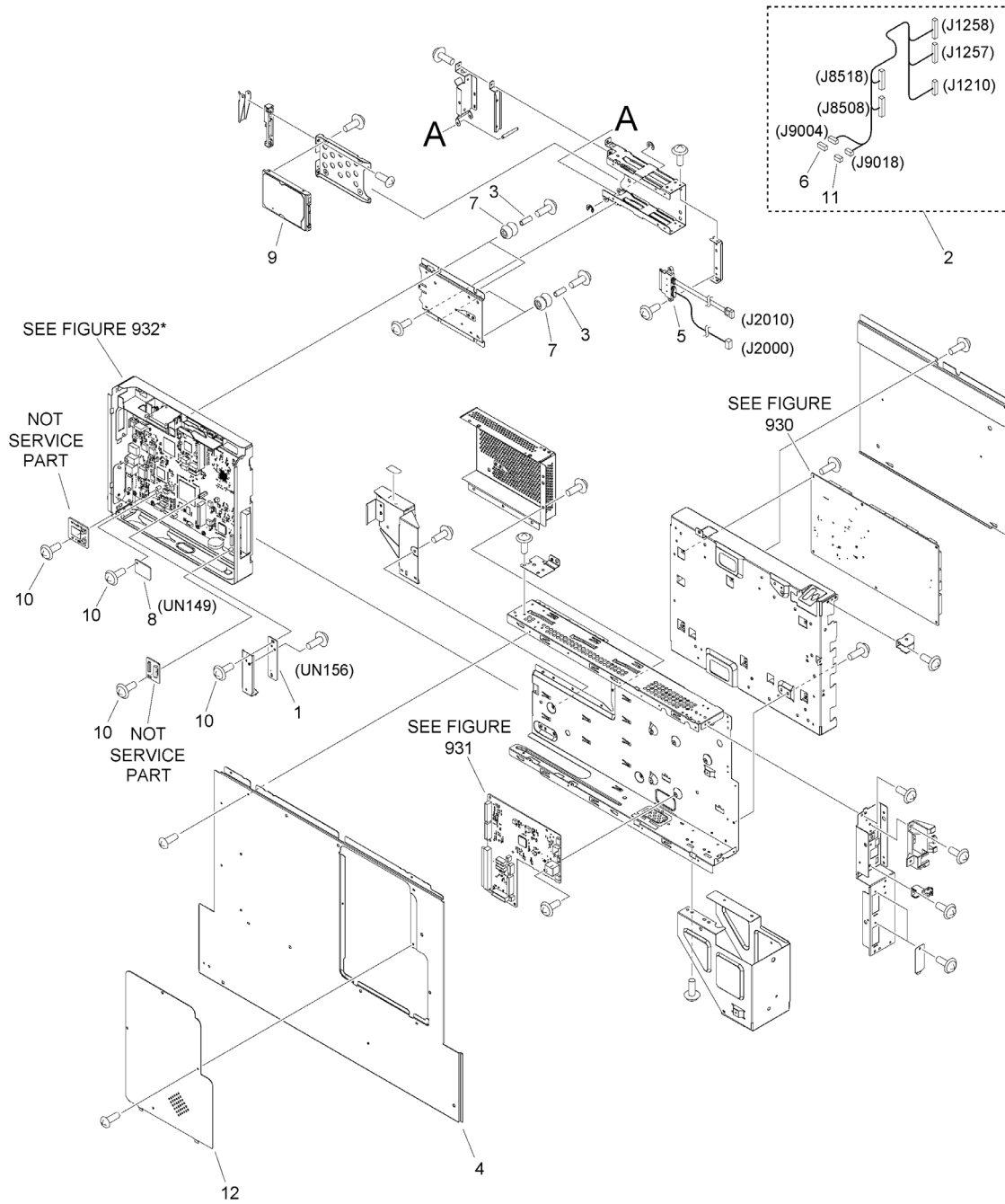


FIGURE & KEY NO.	PART NUMBER	RANK	QTY	DESCRIPTION	SERIAL NUMBER /REMARKS
900A	NPN		RF	CONTROLLER BOX ASSEMBLY	
1	FM1-T849-000		1	BYPASS PCB ASSEMBLY	UN156
2	FM1-V825-000		1	CABLE, DC CONTROLLER RISER	
3	XZ1-1301-005		4	SPACER	
4	FL0-7786-000		1	COVER, REAR UPPER	
5	FK4-2497-000		1	CABLE, HARD DISK DRIVE, 1	
6	VS1-7177-005		1	CONNECTOR, SNAP TIGHT, BK	
7	XH9-0149-000		4	DAMPER, CUSHION	
8	FM1-M981-000		1	TPM PCB ASSEMBLY	UN149
9	FK4-1550-010		1	HARD DISK DRIVE, MQ01ABF032	
10	XA9-1979-000		6	SCREW, MACH. PAN HEAD, M3X4	
11	VS1-7177-004		1	CONNECTOR, SNAP TIGHT, BK	
12	FE4-1637-010		1	COVER, REAR, SMALL	

Figure 910 DC POWER SUPPLY BOX ASSEMBLY

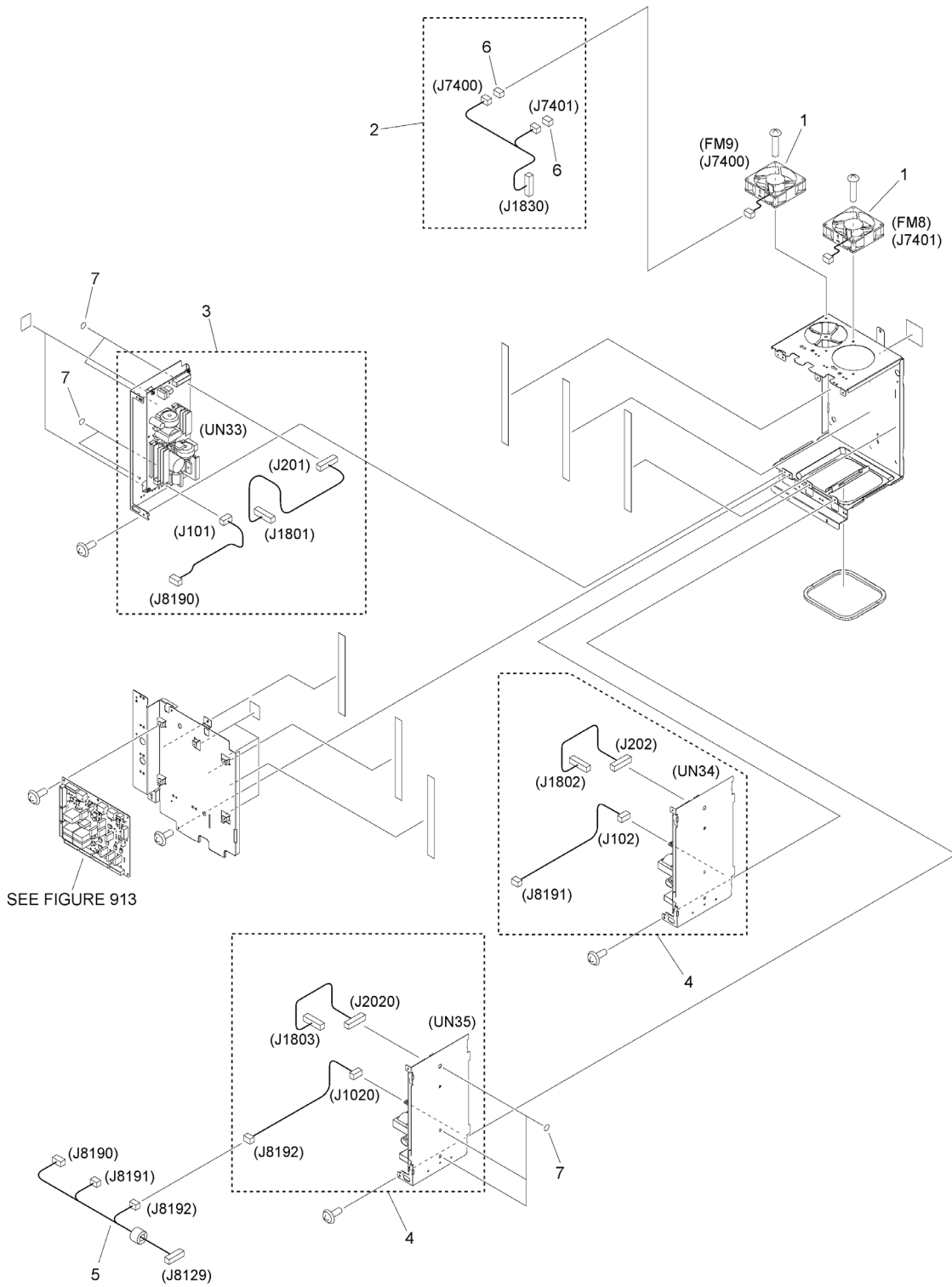


FIGURE & KEY NO.	PART NUMBER	RANK	QTY	DESCRIPTION	SERIAL NUMBER /REMARKS
910	NPN		RF	DC POWER SUPPLY BOX ASSEMBLY	
1	FK2-6818-000		2	FAN	FM8, FM9
2	FM0-2067-000		1	CABLE, POWER SUPPLY FAN	
3	FM1-L373-020		1	DC POWER SUPPLY ASSEMBLY, 12V	UN33
4	FM1-L372-010		2	DC POWER SUPPLY ASSEMBLY, 24V	UN34, UN35
5	FM1-V813-000		1	CABLE, POWER SUPPLY CONNECTING	
6	VS1-7177-003		2	CONNECTOR, SNAP TIGHT, BK	
7	FC8-6109-000		7	SEAL	

Figure 911 IH POWER SUPPLY BOX ASSEMBLY

NOTE : This assembly includes the assembly shown in Figure 912.

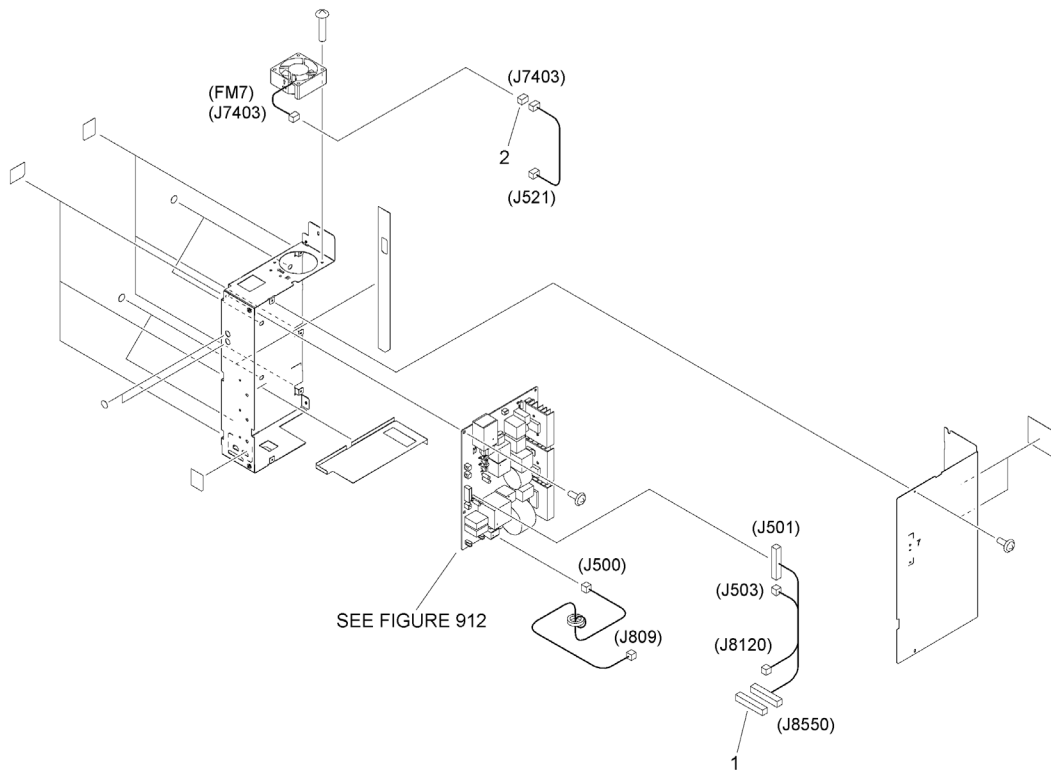


FIGURE & KEY NO.	PART NUMBER	RANK	QTY	DESCRIPTION	SERIAL NUMBER /REMARKS
911	FM1-L178-000		1	IH POWER SUPPLY BOX ASSEMBLY	SEE NOTE
1	VS1-8412-023		1	CONNECTOR, SNAP TIGHT, BL	
2	VS1-7177-003		1	CONNECTOR, SNAP TIGHT, BK	

Figure 912 HEATER POWER SUPPLY PCB ASS'Y

NOTE : This assembly is included in the assembly shown in Figure 911.

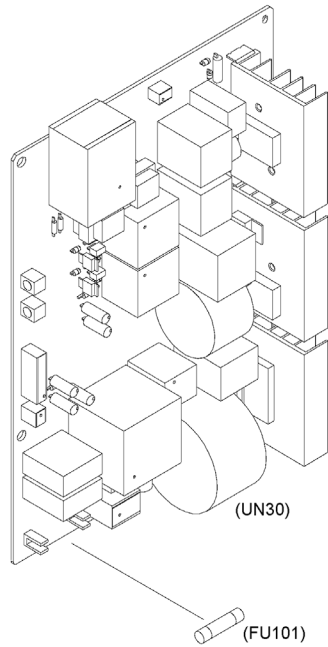


FIGURE & KEY NO.	PART NUMBER	R A N K	QTY	DESCRIPTION	SERIAL NUMBER /REMARKS
912	FM1-V872-010		1	HEATER POWER SUPPLY PCB ASS'Y	UN30 SEE NOTE

Figure 913 RELAY PCB ASSEMBLY

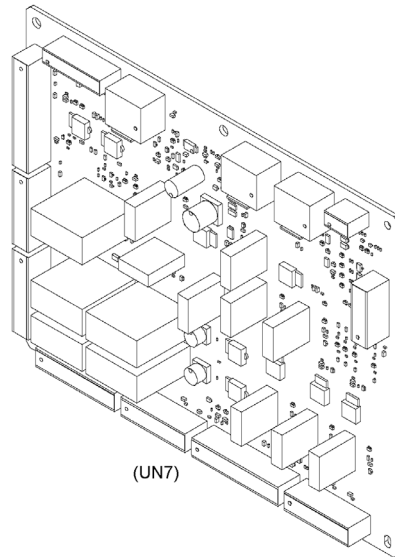


FIGURE & KEY NO.	PART NUMBER	R A N K	QTY	DESCRIPTION	SERIAL NUMBER /REMARKS
913	FM2-M890-000		1	RELAY PCB ASSEMBLY	UN7

Figure 930 DC CONTROLLER PCB ASS'Y

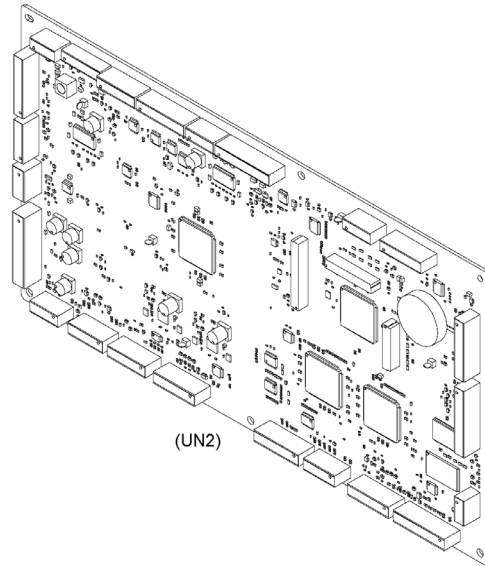


FIGURE & KEY NO.	PART NUMBER	R A N K	QTY	DESCRIPTION	SERIAL NUMBER /REMARKS
930	FM2-M884-000		1	DC CONTROLLER PCB ASS'Y	UN2

Figure 931 RISER PCB ASSEMBLY

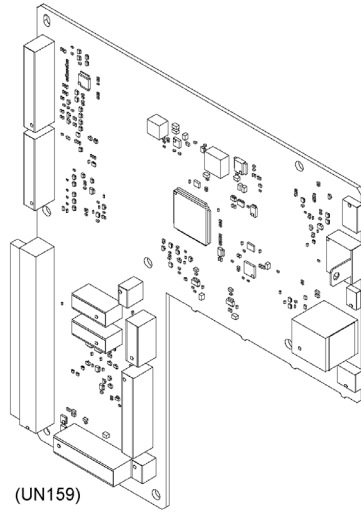


FIGURE & KEY NO.	PART NUMBER	R A N K	QTY	DESCRIPTION	SERIAL NUMBER /REMARKS
931	FM1-V885-000		1	RISER PCB ASSEMBLY	UN159

Figure 932A MAIN CONTROLLER PCB ASSEMBLY (C7780 Series)

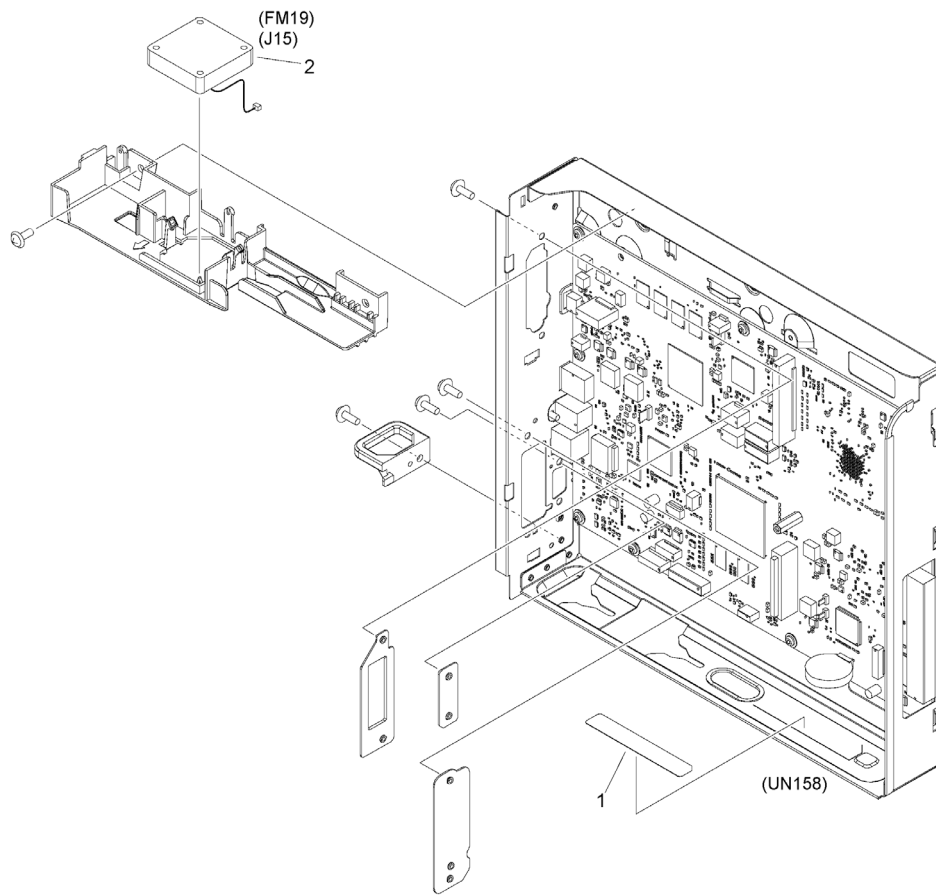


FIGURE & KEY NO.	PART NUMBER	RANK	QTY	DESCRIPTION	SERIAL NUMBER /REMARKS
932A	FM1-Y715-000		1	MAIN CONTROLLER PCB ASSEMBLY	UN158 C7780 Series
1	FC0-5049-000		1	LABEL, MEMORY CAUTION	
2	FK4-2852-000		1	FAN	FM19

Figure 932B MAIN CONTROLLER PCB ASSEMBLY (C7770 Series)

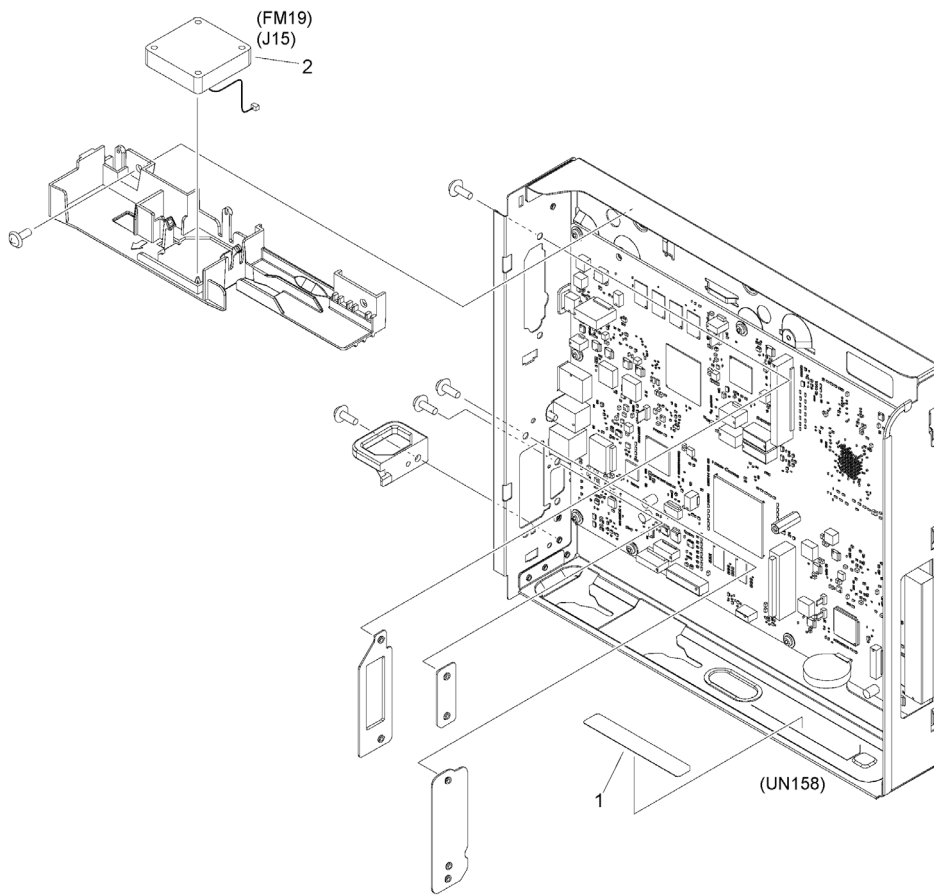


FIGURE & KEY NO.	PART NUMBER	RANK	QTY	DESCRIPTION	SERIAL NUMBER /REMARKS
932B	FM1-Y716-000		1	MAIN CONTROLLER PCB ASSEMBLY	UN158 C7770 Series
1	FC0-5049-000		1	LABEL, MEMORY CAUTION	
2	FK4-2852-000		1	FAN	FM19

Figure 932C MAIN CONTROLLER PCB ASSEMBLY (C7765 Series)

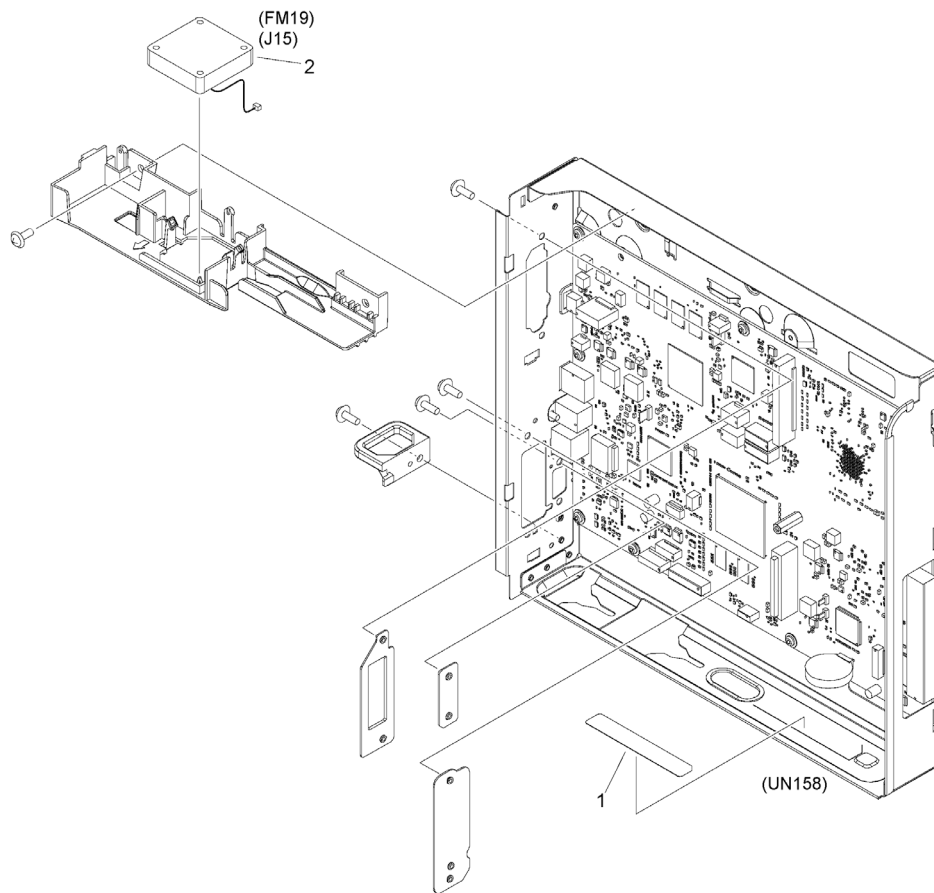


FIGURE & KEY NO.	PART NUMBER	RANK	QTY	DESCRIPTION	SERIAL NUMBER /REMARKS
932C	FM1-Y717-000		1	MAIN CONTROLLER PCB ASSEMBLY	UN158 C7765 Series
1	FC0-5049-000		1	LABEL, MEMORY CAUTION	
2	FK4-2852-000		1	FAN	FM19

Figure 950 LASER INTERFACE PCB ASSEMBLY

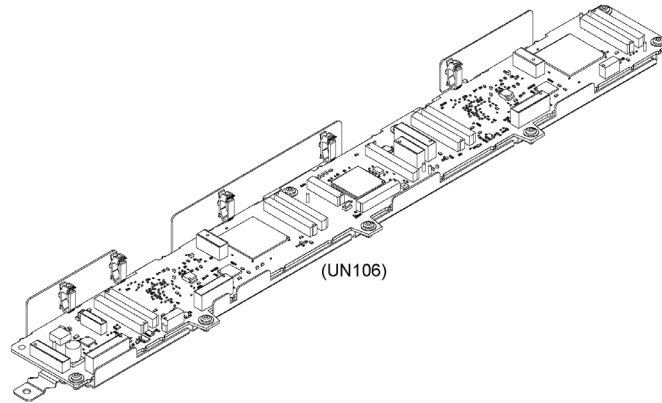


FIGURE & KEY NO.	PART NUMBER	R A N K	QTY	DESCRIPTION	SERIAL NUMBER /REMARKS
950	FM1-L179-010		1	LASER INTERFACE PCB ASSEMBLY	UN106

Figure 960 PAPER PICK-UP DRIVER PCB ASS'Y

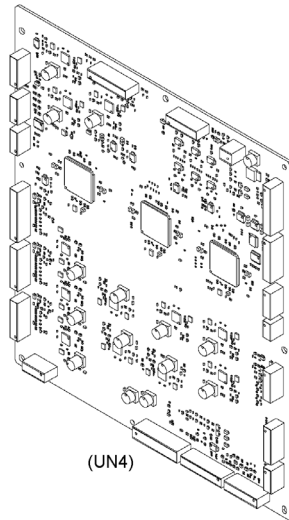


FIGURE & KEY NO.	PART NUMBER	R A N K	QTY	DESCRIPTION	SERIAL NUMBER /REMARKS
960	FM1-V865-000		1	PAPER PICK-UP DRIVER PCB ASS'Y	UN4

Figure 961 MULTI DRIVER PCB ASSEMBLY

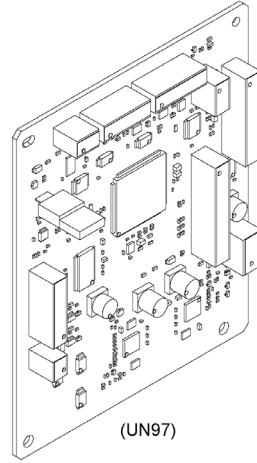


FIGURE & KEY NO.	PART NUMBER	R A N K	QTY	DESCRIPTION	SERIAL NUMBER /REMARKS
961	FM2-L950-000		1	MULTI DRIVER PCB ASSEMBLY	UN97

Figure 962 SIDE DRIVER PCB ASSEMBLY

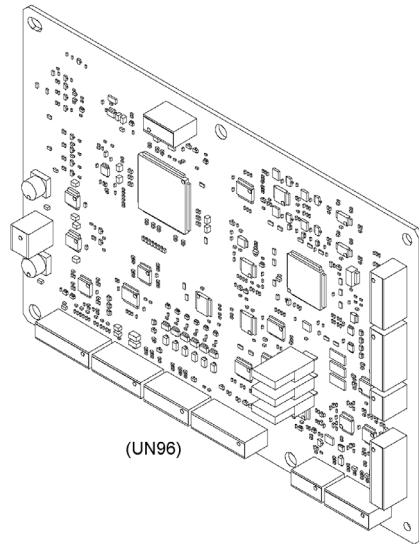


FIGURE & KEY NO.	PART NUMBER	R A N K	QTY	DESCRIPTION	SERIAL NUMBER /REMARKS
962	FM1-Y884-000		1	SIDE DRIVER PCB ASSEMBLY	UN96

Figure 965 **FIXING/FEEDER DRIVER PCB ASS'Y**

NOTE : This assembly is included in the assembly shown in Figure 330.

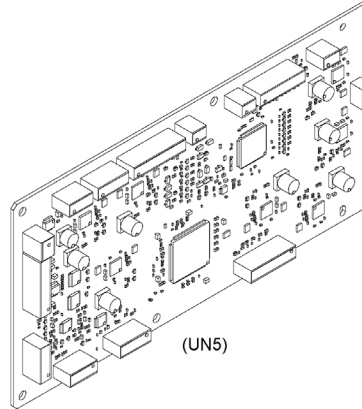


FIGURE & KEY NO.	PART NUMBER	R A N K	QTY	DESCRIPTION	SERIAL NUMBER /REMARKS
965	FM2-L951-000		1	FIXING/FEEDER DRIVER PCB ASS'Y	UN5 SEE NOTE

Figure 967 DRUM DRIVER PCB ASS'Y

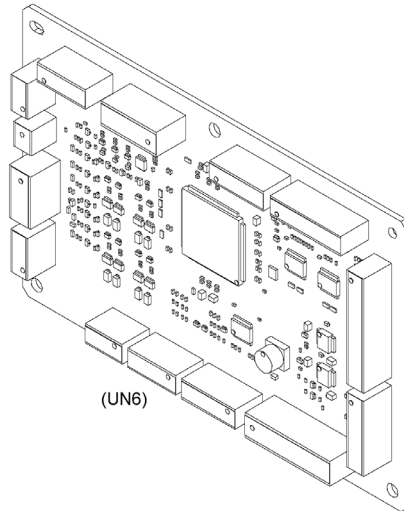


FIGURE & KEY NO.	PART NUMBER	R A N K	QTY	DESCRIPTION	SERIAL NUMBER /REMARKS
967	FM2-M863-000		1	DRUM DRIVER PCB ASS'Y	UN6

Figure 983 DRUM POST HIGH VOLTAGE ASS'Y

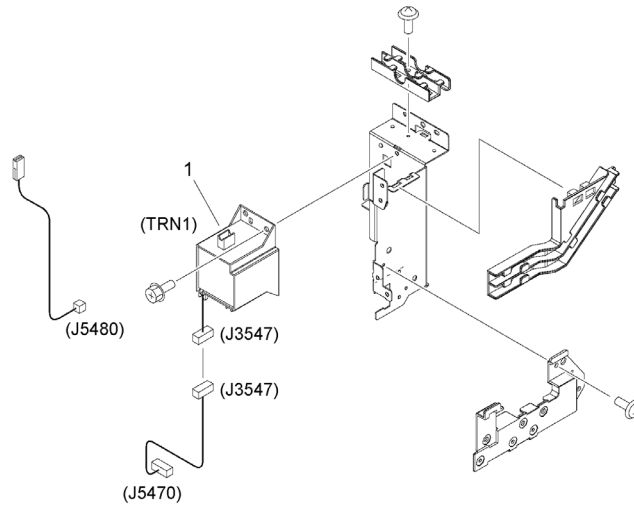


FIGURE & KEY NO.	PART NUMBER	R A N K	QTY	DESCRIPTION	SERIAL NUMBER /REMARKS
983	FM1-L184-000		1	DRUM POST HIGH VOLTAGE ASS'Y	
1	FK2-7718-000		1	TRANSFORMER, H.V.	

Figure 984 POST HIGH VOLTAGE PCB ASSEMBLY

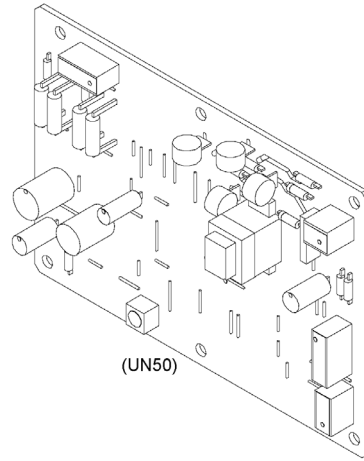


FIGURE & KEY NO.	PART NUMBER	R A N K	QTY	DESCRIPTION	SERIAL NUMBER /REMARKS
984	FM1-V877-000		1	POST HIGH VOLTAGE PCB ASSEMBLY	UN50

Figure 985 COLOR 1ST CORONA H. V. PCB

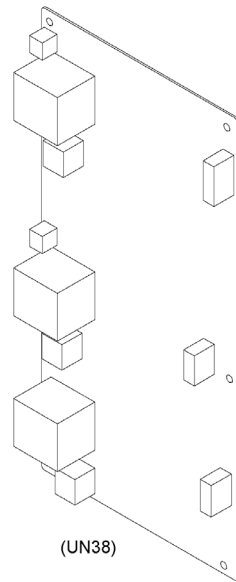


FIGURE & KEY NO.	PART NUMBER	R A N K	QTY	DESCRIPTION	SERIAL NUMBER /REMARKS
985	FM2-M878-000		1	COLOR 1ST CORONA H.V. PCB	UN38

Figure 987 2ND TRANSFER HIGH VOLTAGE PCB

NOTE : This assembly is included in the assembly shown in Figure 330.

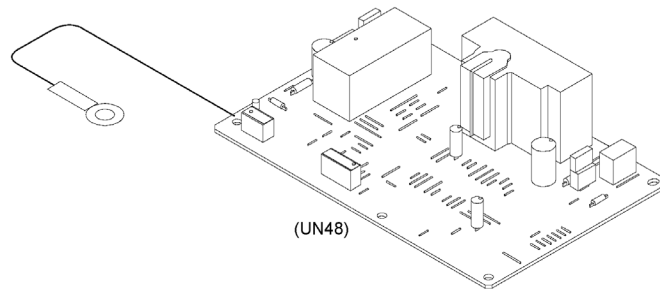


FIGURE & KEY NO.	PART NUMBER	R A N K	QTY	DESCRIPTION	SERIAL NUMBER /REMARKS
987	FM1-V878-000		1	2ND TRANSFER HIGH VOLTAGE PCB	UN48 SEE NOTE

Figure B01 MOUNTING HARDWARE (ADF model)

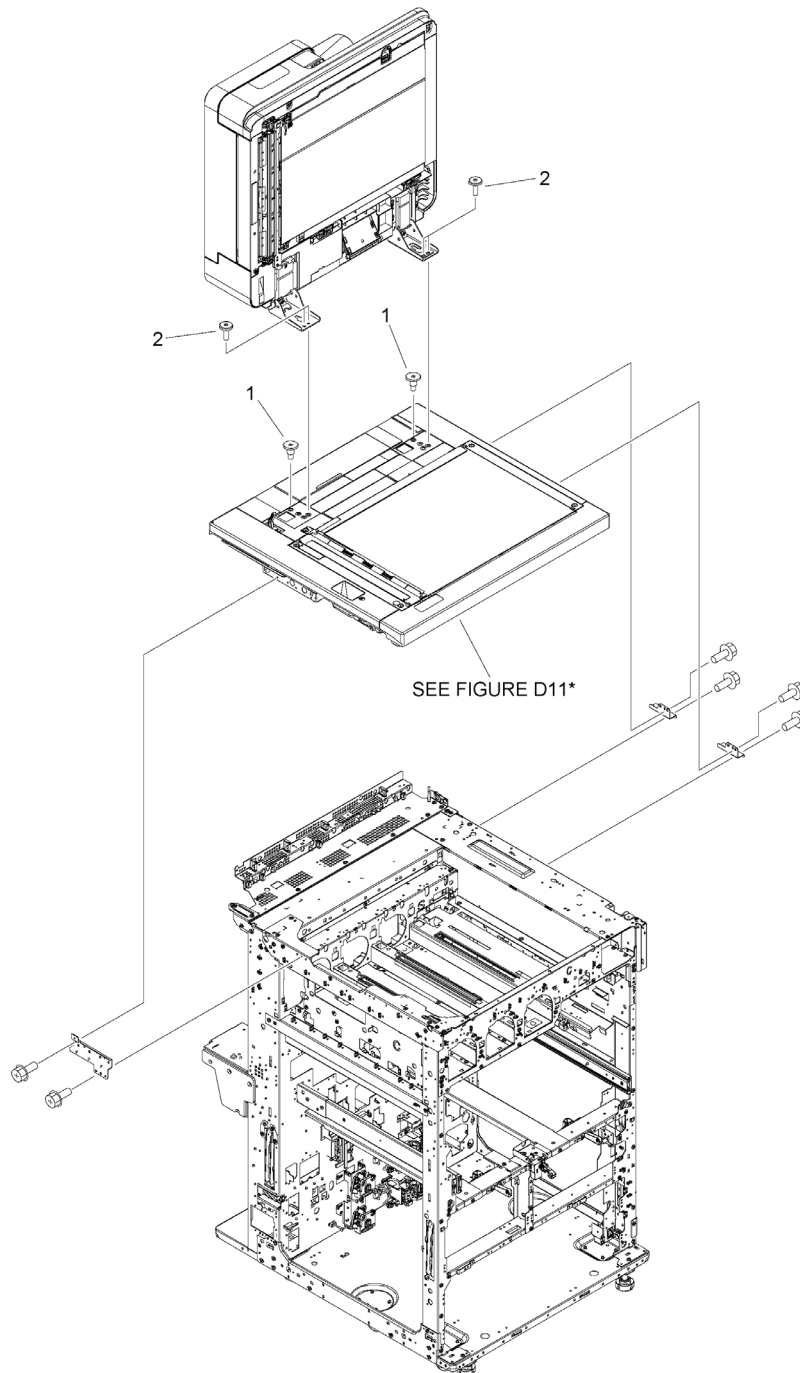


FIGURE & KEY NO.	PART NUMBER	R A N K	QTY	DESCRIPTION	SERIAL NUMBER /REMARKS
B01	NPN		RF	MOUNTING HARDWARE	ADF model
1	FE2-F749-000		2	SCREW, STEPPED, M5X6	
2	FE2-F750-000		4	SCREW, FIXED, M4	

Figure B11B INTERNAL COMPONENTS 1 (ADF model)

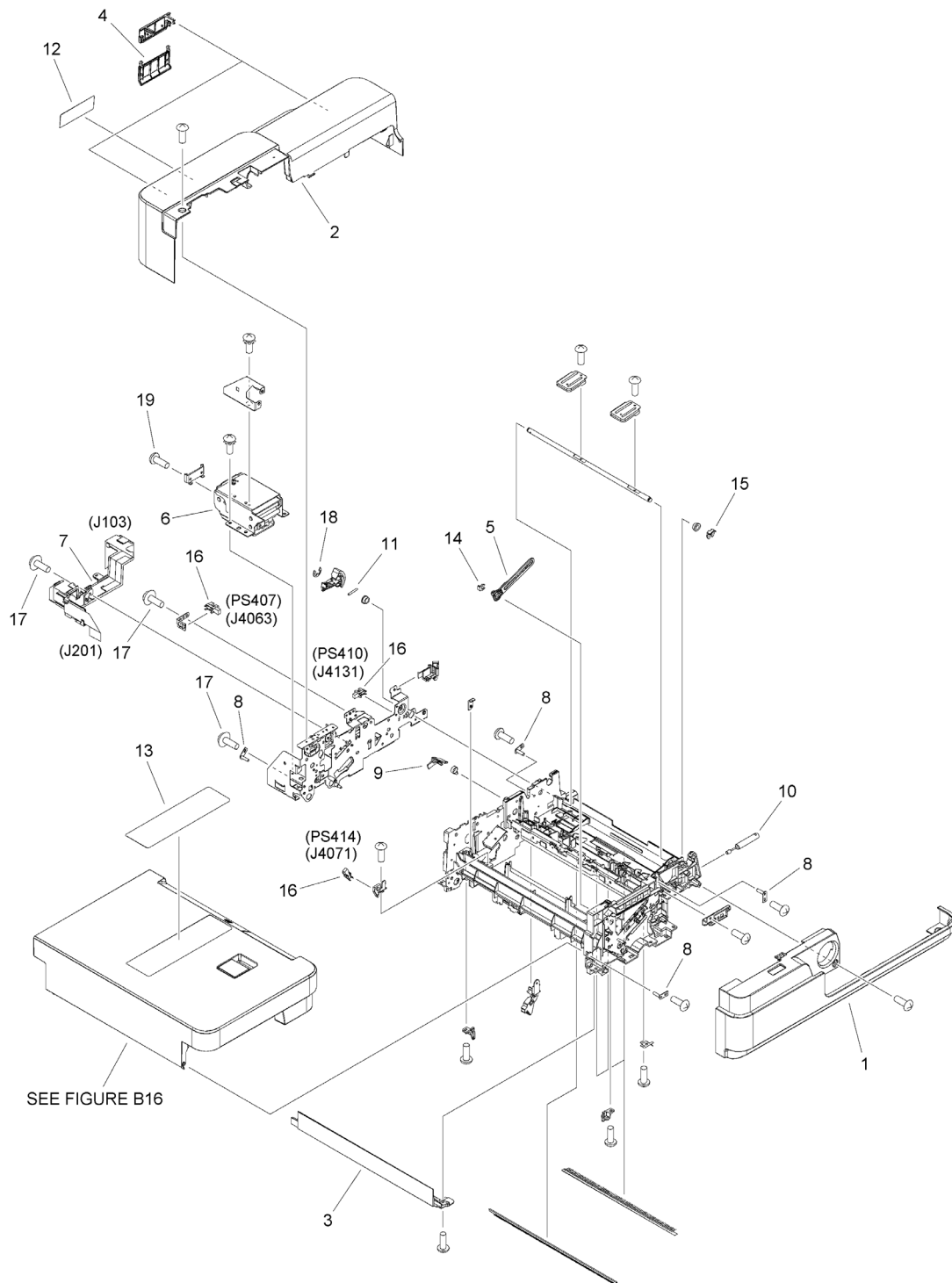


FIGURE & KEY NO.	PART NUMBER	RANK	QTY	DESCRIPTION	SERIAL NUMBER /REMARKS
B11B	NPN		RF	INTERNAL COMPONENTS 1	ADF model
1	FM1-U274-000		1	FRONT COVER ASSEMBLY	
2	FM1-U272-000		1	REAR COVER ASSEMBLY	
3	FE8-9895-000		1	COVER, LEFT, LOWER	
4	FE2-A749-000		2	COVER, HINGE 2	
5	FE8-9253-000		1	STOPPER, OPEN/CLOSE	
6	FE8-9880-000		1	HINGE, LEFT	
7	FM2-A274-000		1	FLAT CABLE UNIT	
8	FL1-2829-000		4	SHAFT, OPEN/CLOSE	
9	FE8-9257-000		1	FLAG, OPEN/CLOSE SENSOR	
10	FE2-D485-000		1	DAMPER UNIT, OIL	
11	XD9-0359-000		1	PIN, PARALLEL	
12	FE2-C909-000		1	LABEL, CAUTION	
13	FE2-C419-000		1	LABEL, PROHIBITION DOCUMENT	
14	FE8-5515-000		1	CLIP	
15	FC5-4425-000		1	CLIP	
16	WG8-5935-000		3	IC, PHOTO INTERRUPTER	PS407, PS410, PS414
17	XA9-1671-000		15	SCREW, D, M3X8	
18	XD9-0395-000		1	RETAINING RING (E-TYPE)	
19	XA9-2014-000		2	SCREW, MACH. TRUSS HEAD, M4X6	

Figure B12B INTERNAL COMPONENTS 2 (ADF model)

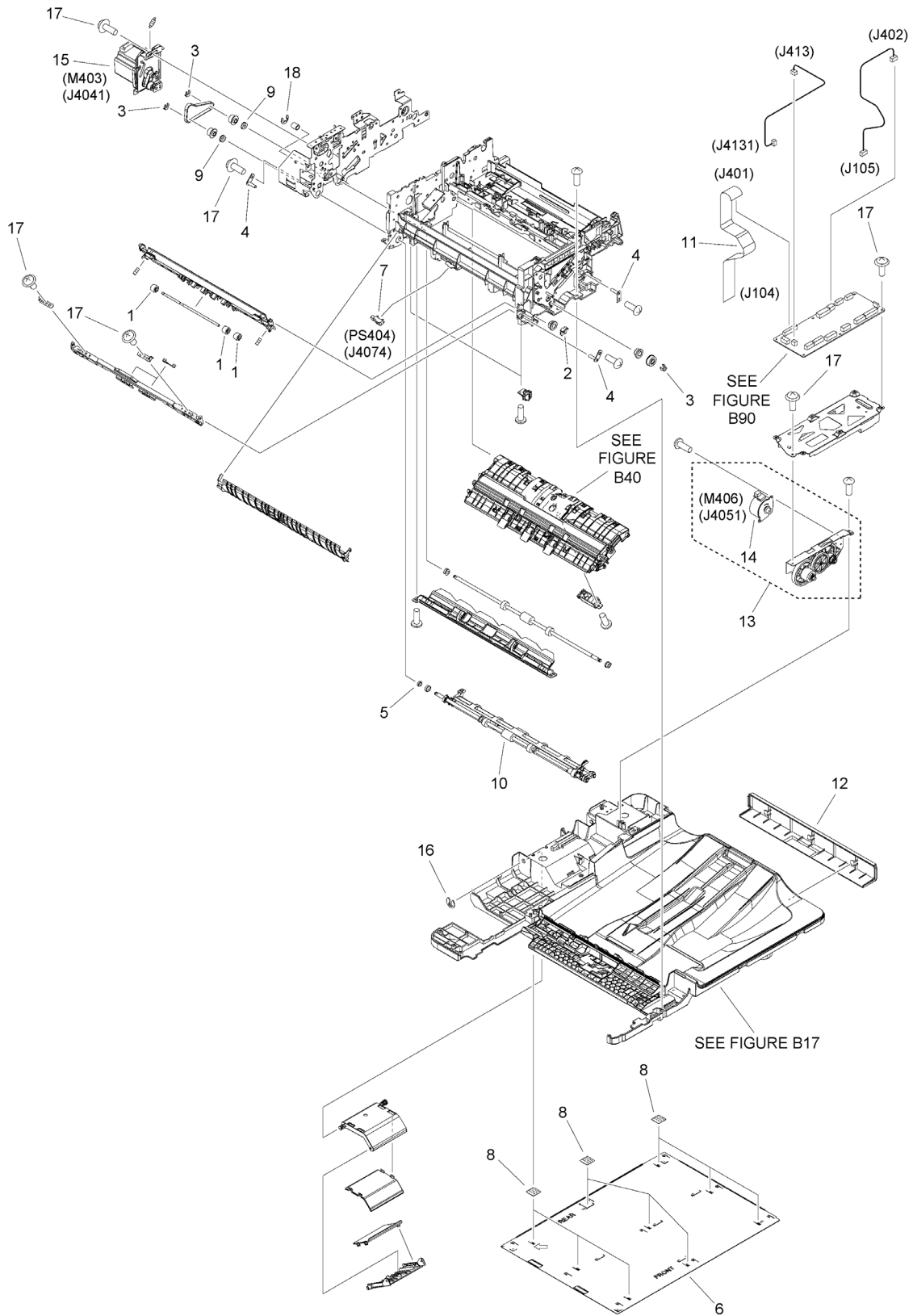
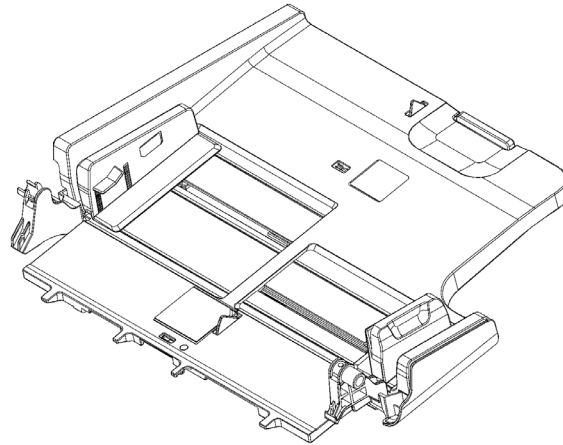


FIGURE & KEY NO.	PART NUMBER	RANK	QTY	DESCRIPTION	SERIAL NUMBER /REMARKS
B12B	NPN		RF	INTERNAL COMPONENTS 2	ADF model
1	FC0-1296-000		3	ROLLER	
2	FC5-4425-000		1	CLIP	
3	FE8-5515-000		3	CLIP	
4	FL1-2829-000		3	SHAFT, OPEN/CLOSE	
5	FE8-5380-000		1	ROLLER, DESORPTION SLIDE	
6	FE3-5529-010		1	PANEL, COPYBOARD	
7	WG8-6233-000		1	PHOTO-INTERRUPTER	PS404
8	FE8-5725-000		9	SPONGE, SHEET, WHITE	
9	XG9-0805-000		2	BEARING, BALL, LF-1260ZZR	
10	FM1-U342-000		1	PLATEN ROLLER ASS'Y	
11	FK4-3337-000		1	CABLE, FLAT	
12	FE8-9900-000		1	COVER, RIGHT	
13	FM1-U405-000		1	LIFTER DRIVE ASSEMBLY	
14	FK4-3336-000		1	MOTOR, STEPPING, DC	M406
15	FM1-U404-000		1	MOTOR ASS'Y	M403
16	FE8-5516-000		1	RING, RETAINING	
17	XA9-1671-000		15	SCREW, D, M3X8	
18	XD9-0395-000		1	RETAINING RING (E-TYPE)	

FIGURE & KEY NO.	PART NUMBER	RANK	QTY	DESCRIPTION	SERIAL NUMBER /REMARKS
B13	NPN		RF	INTERNAL COMPONENTS 3	ADF model
1	FC5-4425-000		2	CLIP	
2	FE8-5162-000		5	CLIP	
3	FE8-5515-000		3	CLIP	
4	FE8-5156-000		1	DIAL, JAM CLEARING	
5	FL1-5310-000		1	PULLEY, 34T	
6	FL1-5503-000		1	GLASS, READER	
7	FM1-T962-000		2	MOTOR ASS'Y	M401, M404
8	FM1-U403-000		1	PAPER PICK-UP MOTOR ASS'Y	
9	FK4-3336-000		1	MOTOR, STEPPING, DC	M405
10	WG8-5935-000		1	IC, PHOTO INTERRUPTER	PS408
11	FM1-W515-000		1	MOTOR ASS'Y	M402
12	XD9-0395-000		3	RETAINING RING (E-TYPE)	
13	XD9-0328-000		2	PIN, PARALLEL	
14	XG9-0497-000		2	BEARING, BALL, MR106ZZ,	
15	XG9-0805-000		2	BEARING, BALL, LF-1260ZZR	
16	XA9-2014-000		1	SCREW, MACH. TRUSS HEAD, M4X6	
17	XA9-1671-000		15	SCREW, D, M3X8	
18	FE2-E187-000		2	CLIP	

FIGURE & KEY NO.	PART NUMBER	RANK	QTY	DESCRIPTION	SERIAL NUMBER /REMARKS
B14	NPN		RF	INTERNAL COMPONENTS 4	ADF model
1	WG8-6233-000		7	PHOTO-INTERRUPTER	PS401, PS402, PS403, PS417, PS418, PS419, PS420
2	FS5-9284-020		1	SCREW, STEPPED	
3	FM2-A693-000		1	SCANNER UNIT	
4	FM1-T423-000		1	SEPARATION ROLLER UNIT	[DP]
5	FM1-T424-000		1	LOWER EXTRACTION GUIDE ASS'Y	
6	FL1-4610-000		1	PAD, SEPARATION	
7	FL4-0117-000		1	GUIDE, SEPARATION	
8	FM1-K086-010		1	DOUBLE FEED DETECTION KIT	UN402, UN403
9	XA9-1671-000		1	SCREW, D, M3X8	

Figure B15 DOCUMENT TRAY ASSEMBLY (ADF model)



(LED402)(VR401)(PS409)(PS411)(PS412)(PS413)(PS415)

FIGURE & KEY NO.	PART NUMBER	R A N K	QTY	DESCRIPTION	SERIAL NUMBER /REMARKS
B15	FM1-T421-000		1	DOCUMENT TRAY ASSEMBLY	LED402, VR401, PS409, PS411, PS412, PS413, PS415 ADF model

Figure B16 OPEN/CLOSE COVER ASSEMBLY (ADF model)

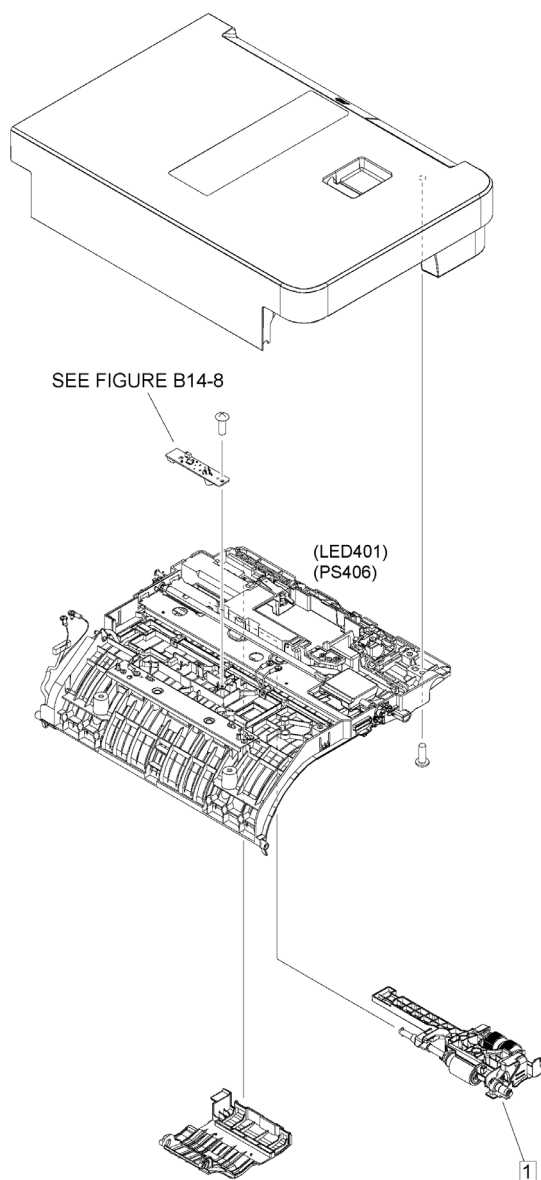


FIGURE & KEY NO.	PART NUMBER	RANK	QTY	DESCRIPTION	SERIAL NUMBER /REMARKS
B16	FM1-T420-000		1	OPEN/CLOSE COVER ASSEMBLY	LED401, PS406 ADF model
1	FM1-T417-000		1	PAPER PICK-UP ROLLER ASSEMBLY	[DP]

Figure B17 BASE FRAME ASSEMBLY (ADF model)

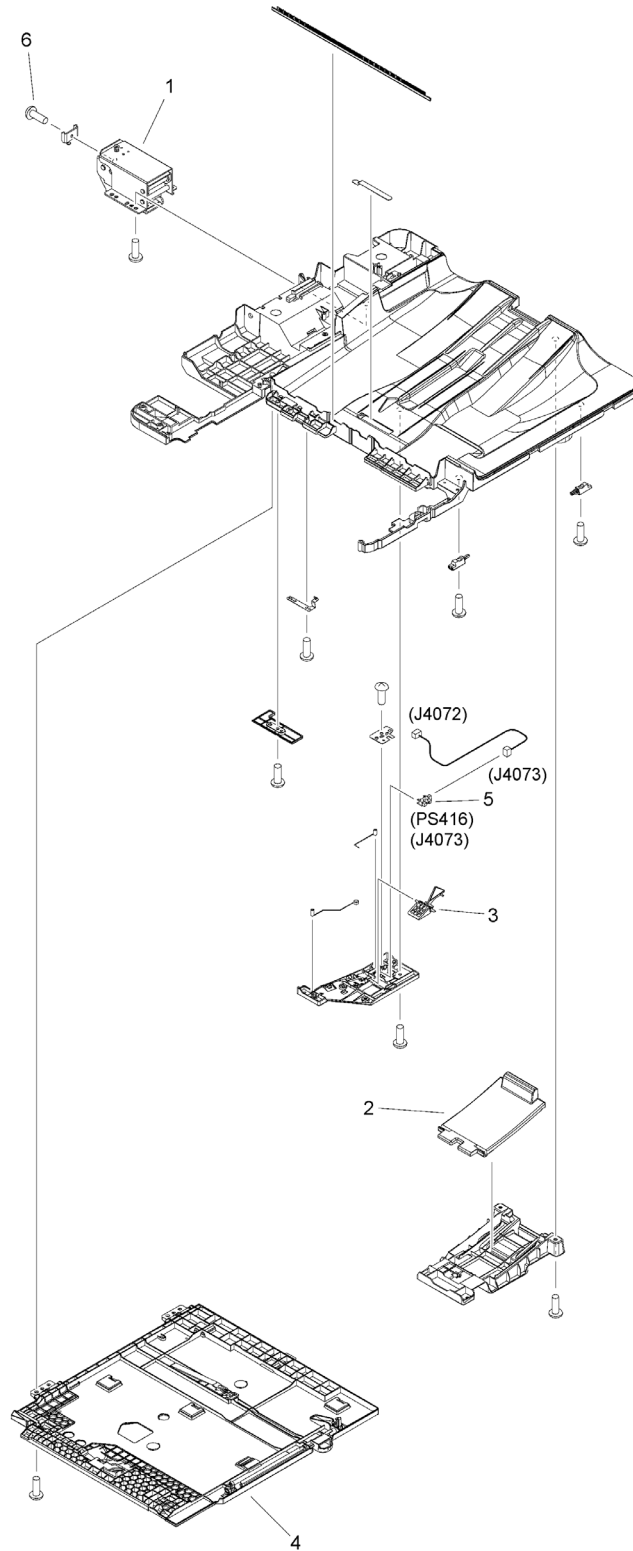


FIGURE & KEY NO.	PART NUMBER	RANK	QTY	DESCRIPTION	SERIAL NUMBER /REMARKS
B17	NPN		RF	BASE FRAME ASSEMBLY	ADF model
1	FE8-9881-000		1	HINGE, RIGHT	
2	FE2-A477-000		1	TRAY, PAPER DELIVERY EXTENSION	
3	FE8-9893-000		1	FLAG, PAPER DELIVERY SENSOR	
4	FM1-U273-000		1	WHITE PLATE SUPPORT ASSEMBLY	
5	WG8-5935-000		1	IC, PHOTO INTERRUPTER	PS416
6	XA9-2014-000		1	SCREW, MACH. TRUSS HEAD, M4X6	

Figure B40 PLATEN GUIDE ASS'Y (ADF model)

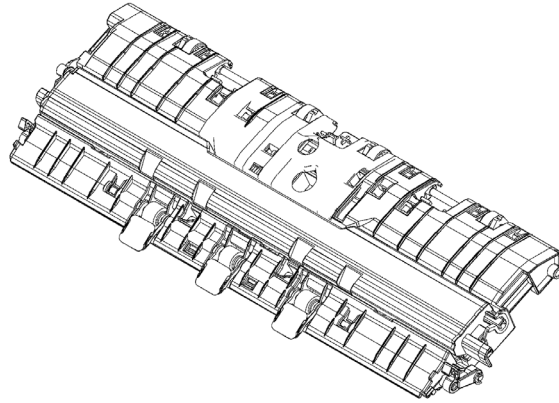


FIGURE & KEY NO.	PART NUMBER	R A N K	QTY	DESCRIPTION	SERIAL NUMBER /REMARKS
B40	FM1-U343-000		1	PLATEN GUIDE ASSY	ADF model

Figure B90 DF DRIVER PCB ASSEMBLY (ADF model)

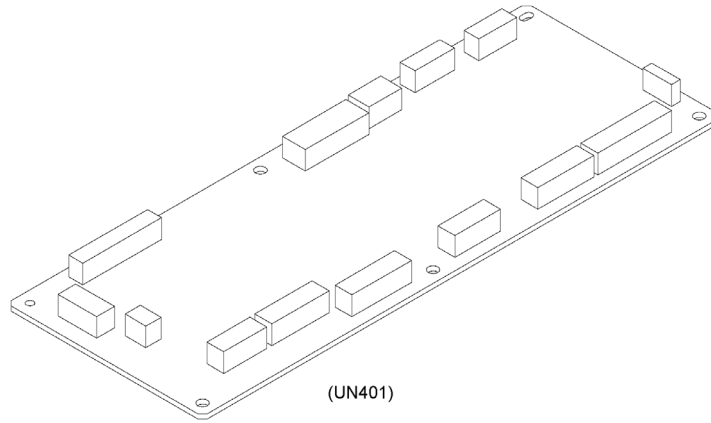


FIGURE & KEY NO.	PART NUMBER	R A N K	QTY	DESCRIPTION	SERIAL NUMBER /REMARKS
B90	FM1-T957-000		1	DF DRIVER PCB ASSEMBLY	UN401 ADF model

Figure D11B READER ASSEMBLY (ADF model)

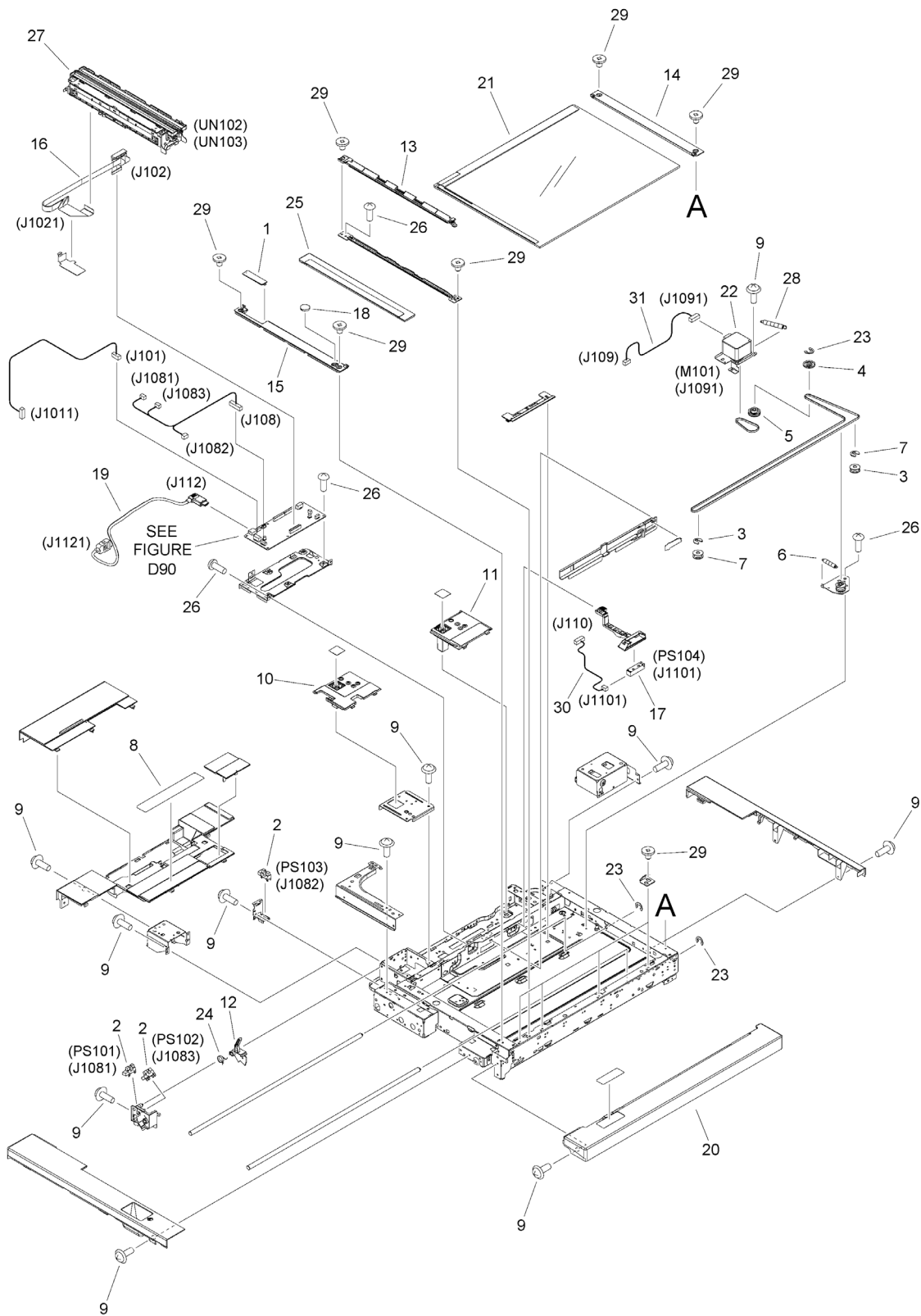


FIGURE & KEY NO.	PART NUMBER	RANK	QTY	DESCRIPTION	SERIAL NUMBER /REMARKS
D11B	NPN		RF	READER ASSEMBLY	ADF model
1	FE2-H715-000		1	COVER, READER, LEFT UPPER	
2	WG8-5935-000		3	IC, PHOTO INTERRUPTER	PS101, PS102, PS103
3	FE8-5627-000		2	PULLEY	
4	FE8-5626-000		1	PULLEY	
5	FL0-0825-000		1	PULLEY, 24T/41T	
6	FU2-2214-000		1	SPRING, TENSION	
7	FE8-5516-000		2	RING, RETAINING	
8	FE8-4672-000		1	LABEL, COPY INHIBITED	
9	XA9-2050-000		15	SCREW, SELF-TAPPING, M3	
10	FE2-A113-000		1	COVER, HINGE LOWER, LEFT	
11	FE2-A114-000		1	COVER, HINGE LOWER, RIGHT	
12	FE8-5215-000		1	FLAG, OPEN/CLOSE SENSOR	
13	FE8-9350-000		1	COVER, GLASS SUPPORT	
14	FE8-5747-000		1	COVER, GLASS RETAINING	
15	FE2-A110-000		1	COVER, GLASS RETAINING, LEFT	
16	FK4-3319-000		1	CABLE, FLAT	
17	FK4-4384-000		1	IC, PHOTO SENSOR,DOCUMENT SIZE	PS104
18	FE3-9178-000		1	CAP	
19	FK4-2202-000		1	CABLE, INTERFACE	
20	FE2-A150-000		1	COVER, READER, FRONT	
21	FL1-5546-000		1	GLASS, COPYBOARD	
22	FM1-T727-000		1	MOTOR ASS'Y	M101
23	XD9-0395-000		3	RETAINING RING (E-TYPE)	
24	FU2-2215-000		1	SPRING, TORSION	
25	FL1-5083-000		1	GLASS, READER	
26	XA9-1116-030		13	SCREW,M3X5	
27	FM2-A692-000		1	SCANNER UNIT	UN102, UN103
28	FU2-2200-000		1	SPRING, TENSION	
29	XA9-1415-000		10	SCREW, FLAT HEAD, M4	
30	FM1-T947-000		1	CABLE, SIZE SENSING	
31	FM1-T941-000		1	CABLE, OPTICAL MOTOR	

Figure D90A READER CONTROLLER PCB ASSEMBLY (ADF model)

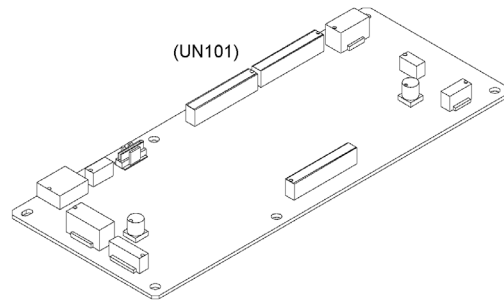


FIGURE & KEY NO.	PART NUMBER	R A N K	QTY	DESCRIPTION	SERIAL NUMBER /REMARKS
D90A	FM1-T937-000		1	READER CONTROLLER PCB ASSEMBLY	UN101 ADF model

Figure M01 DECURLER PATH ACCESSORY ASS'Y (DECURLER mode I)

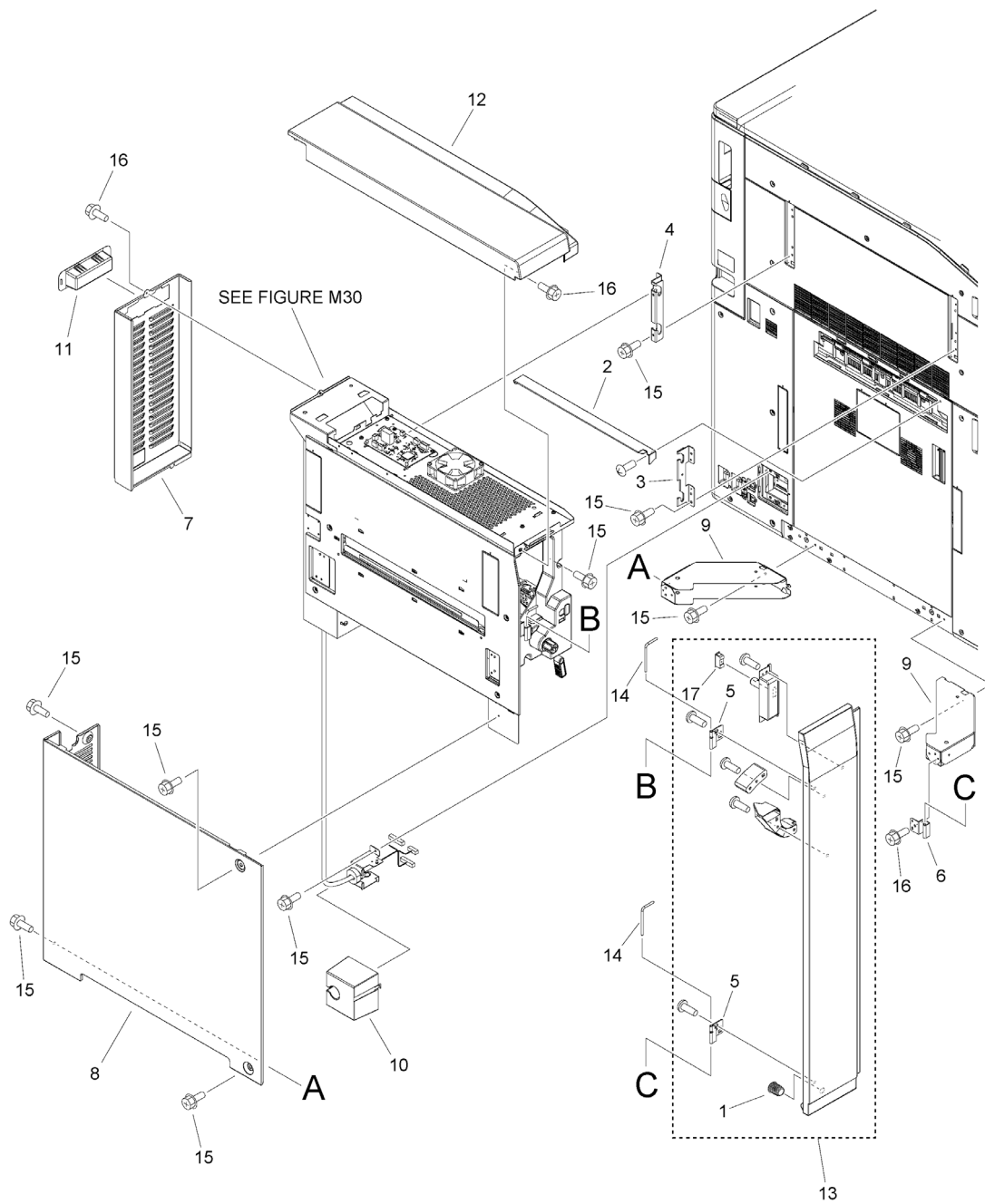


FIGURE & KEY NO.	PART NUMBER	RANK	QTY	DESCRIPTION	SERIAL NUMBER /REMARKS
M01	NPN		RF	DECURLER PATH ACCESSORY ASS'Y	DECURLER model
1	FA9-3870-000		1	CATCH, MAGNET	
2	FE8-0953-000		1	GUIDE, PAPER DELIVERY, UPPER	
3	FC8-9026-000		1	PLATE, BUFFER MOUNTING, FRONT	
4	FC8-9027-000		1	PLATE, BUFFER MOUNTING, REAR	
5	FC8-9030-000		2	HINGE	
6	FC8-9033-000		1	HINGE	
7	FE8-1776-000		1	COVER, REAR	
8	FE8-0948-000		1	COVER, LEFT LOWER	
9	FC9-3929-000		2	SUPPORT,COVER	
10	FE8-0947-000		1	COVER,CONNECTOR	
11	FE8-0943-000		1	HANDLE	
12	FL0-7900-000		1	COVER, UPPER	
13	FM1-L217-000		1	FRONT COVER ASSEMBLY	
14	FU6-4563-000		2	PIN, HINGE	
15	XA9-0732-010		9	SCREW,RS,M4X8	
16	XA9-1386-000		5	SCREW,RS,M3X8	
17	XZ9-0603-000		1	CATCH, MAGNET	

Figure M30 (1/3)DECURLER PATH ASSEMBLY (DECURLER model)

NOTE : This assembly includes the assemblies shown in Figure M31.

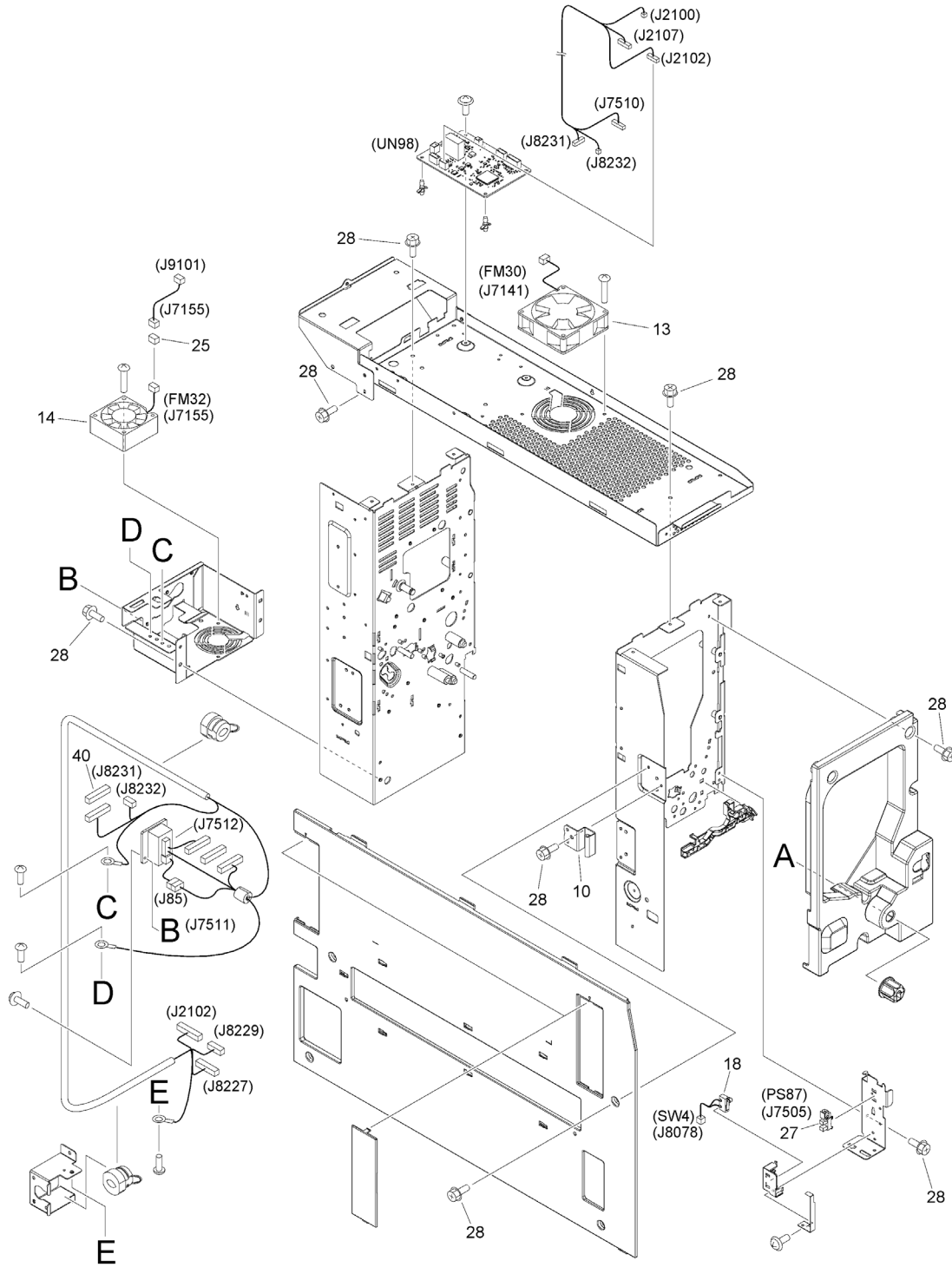


Figure M30 (2/3) DECURLER PATH ASSEMBLY (DECURLER model)

NOTE : This assembly includes the assemblies shown in Figure M31.

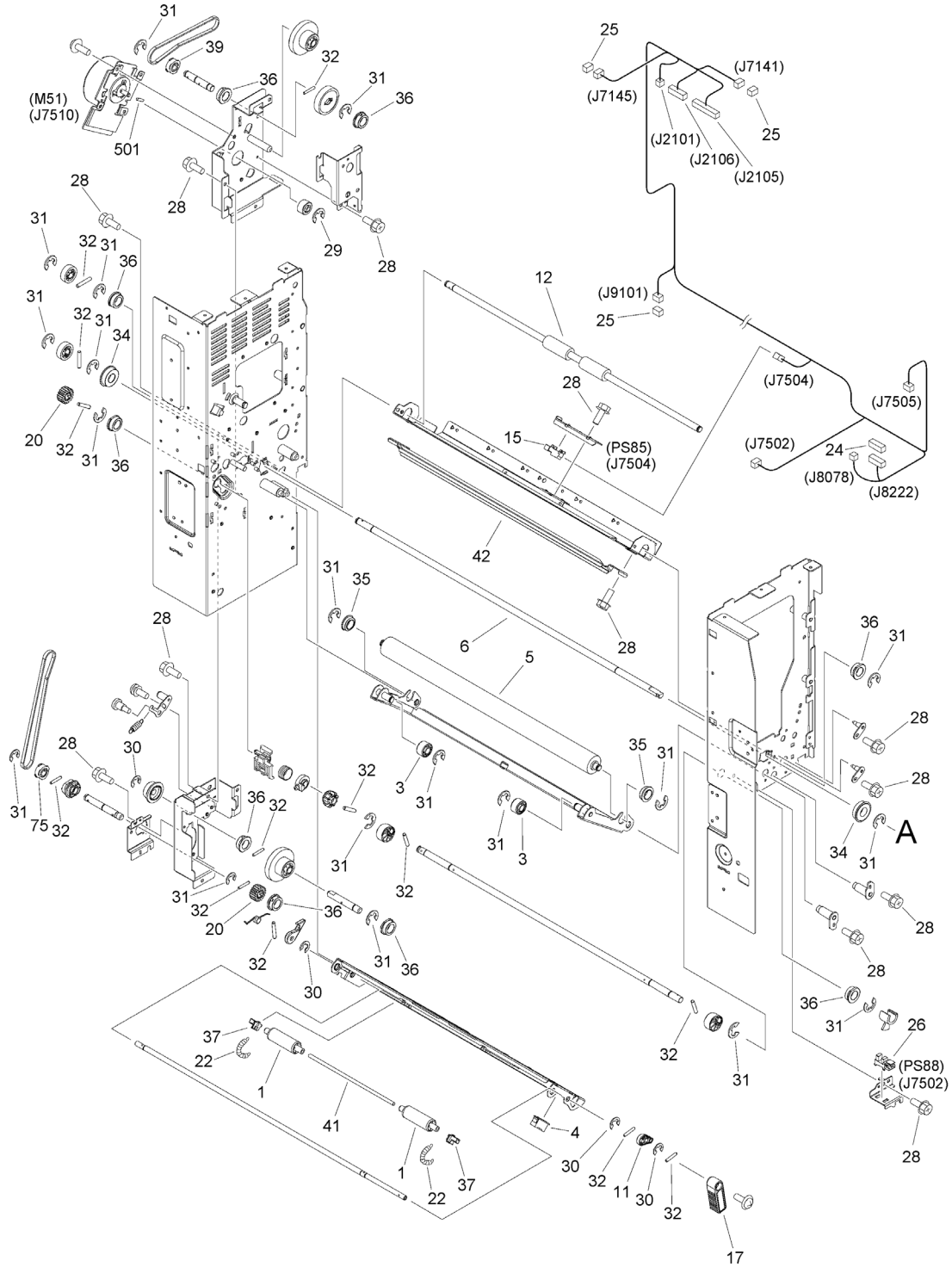


Figure M30 (3/3) DECURLER PATH ASSEMBLY (DECURLER model)

NOTE : This assembly includes the assemblies shown in Figure M31.

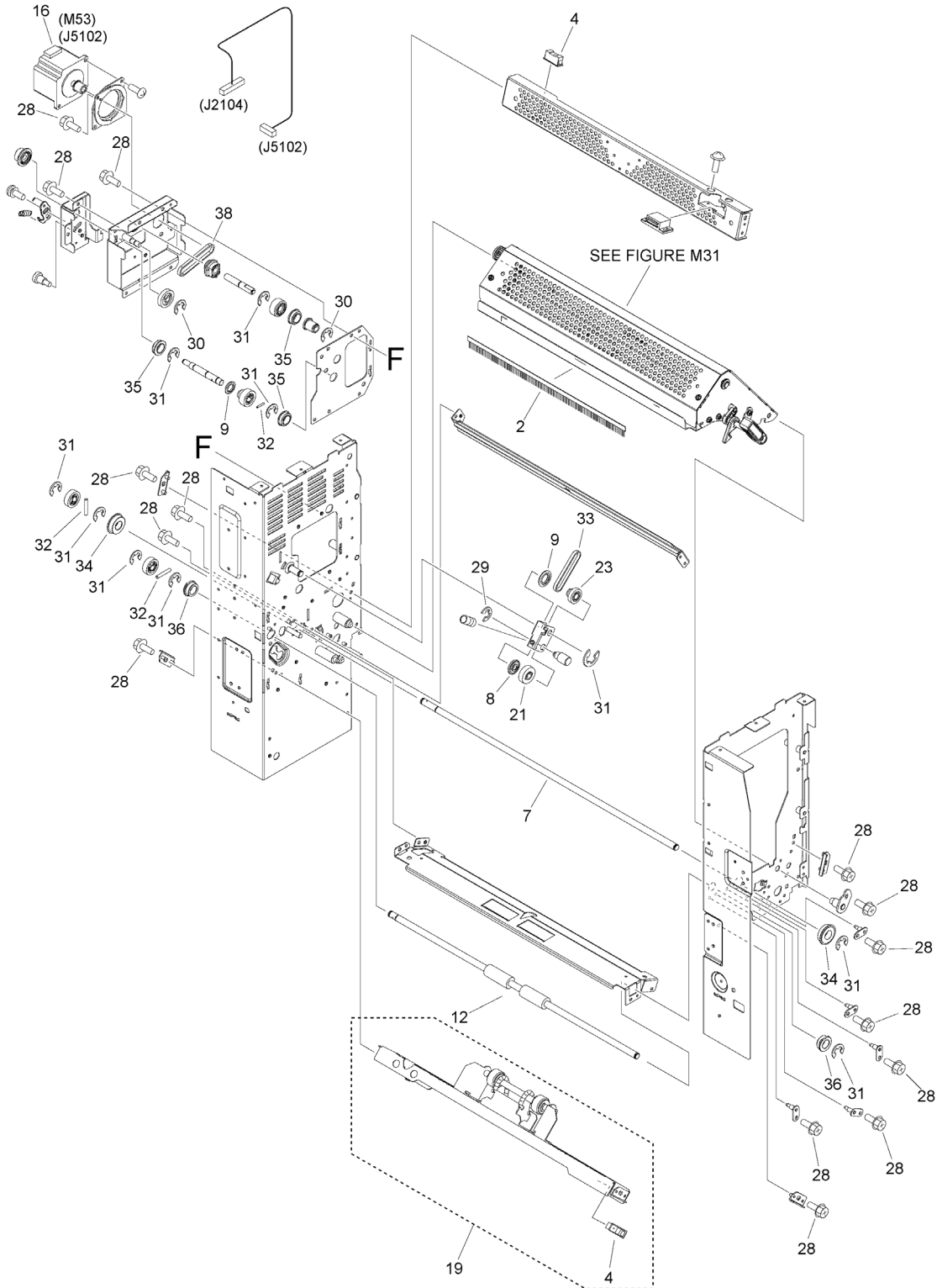


FIGURE & KEY NO.	PART NUMBER	RANK	QTY	DESCRIPTION	SERIAL NUMBER /REMARKS
M30	FM1-L202-020		1	DECURLER PATH ASSEMBLY	DECURLER model SEE NOTE
1	FC8-2607-000		2	ROLLER, DRIVEN	
2	FC6-4009-000		1	ELIMINATOR,STATIC CHARGE	
3	FC8-2606-010		2	ROLLER, SIDE END	
4	XZ9-0603-000		2	CATCH, MAGNET	
5	FC8-8963-000		1	ROLLER, PAPER FEED	
6	FC8-8967-000		1	ROLLER, PAPER FEED, LOWER	
7	FC8-8970-010		1	ROLLER, PAPER FEED, UPPER	
8	FC8-8973-000		1	ROLLER, SIDE END	
9	FC8-8976-000		2	FLANGE, PULLEY	
10	FC8-9033-000		1	HINGE	
11	FC9-3952-000		1	LOCK, HOOK	
12	FC9-6209-000		2	ROLLER, PAPER FEED	
13	FK2-0360-000		1	FAN	FM30
14	FK2-3679-000		1	FAN	FM32
15	FK2-6470-000		1	PHOTO-SENSOR, KUA0055C	PS85
16	FK3-2298-000		1	MOTOR, STEPPING, DC	M53
17	FL2-8738-010		1	KNOB, DECURLER	
18	FM4-1438-000		1	CABLE, DOOR SWITCH	SW4
19	FM4-4346-010		1	BACK-UP CROSSMEMBER UNIT, LW.	
20	FU6-0029-000		2	GEAR, 18T	
21	FU6-0733-000		1	GEAR, 21T	
22	FU7-2351-000		2	SPRING, TENSION	
23	FU8-0075-010		1	GEAR, 18T/PULLEY, 20T	
24	VS1-8959-006		1	CONNECTOR, SNAP TIGHT, 6P, W	
25	VS1-7177-003		4	CONNECTOR, SNAP TIGHT, BK	
26	WG8-5783-000		1	IC,PHOTO-INTERRUPTER,LG248NL1A	PS88
27	WG8-5848-000		1	IC, PHOTO-INTERRUPTER	PS87
28	XA9-1386-000		15	SCREW,RS,M3X8	
29	XD9-0134-000		2	RING, E	
30	XD9-0395-000		7	RING, E	
31	XD9-0396-000		30	RING, E	
32	XD9-0289-000		17	PIN, PARALLEL	
33	XF2-1606-540		1	BELT, TIMING	
34	XG9-0793-000		4	BEARING, BALL, L-1680KKRP0P25L	
35	XG9-0709-000		5	BEARING, BALL, MF128ZZ-3	
36	XG9-0737-000		11	BUSHING	
37	FE8-2440-000		2	BUSHING	
38	XF2-1607-040		1	BELT, TIMING	
39	FS5-3805-000		2	PULLEY, 28T	
40	VS1-7177-007		1	CONNECTOR, 7P, FEMALE, BK	
41	FC8-2608-010		1	SHAFT, ROLLER	
42	FL0-1259-000		1	GUIDE, FRAME	

FIGURE & KEY NO.	PART NUMBER	R A N K	QTY	DESCRIPTION	SERIAL NUMBER /REMARKS
501	XD3-2200-082		1	PIN, PARALLEL	

Figure M31 ROTATION FRAME ASSEMBLY (DECURLER model)

NOTE : This assembly is included in the assembly shown in Figure M30.

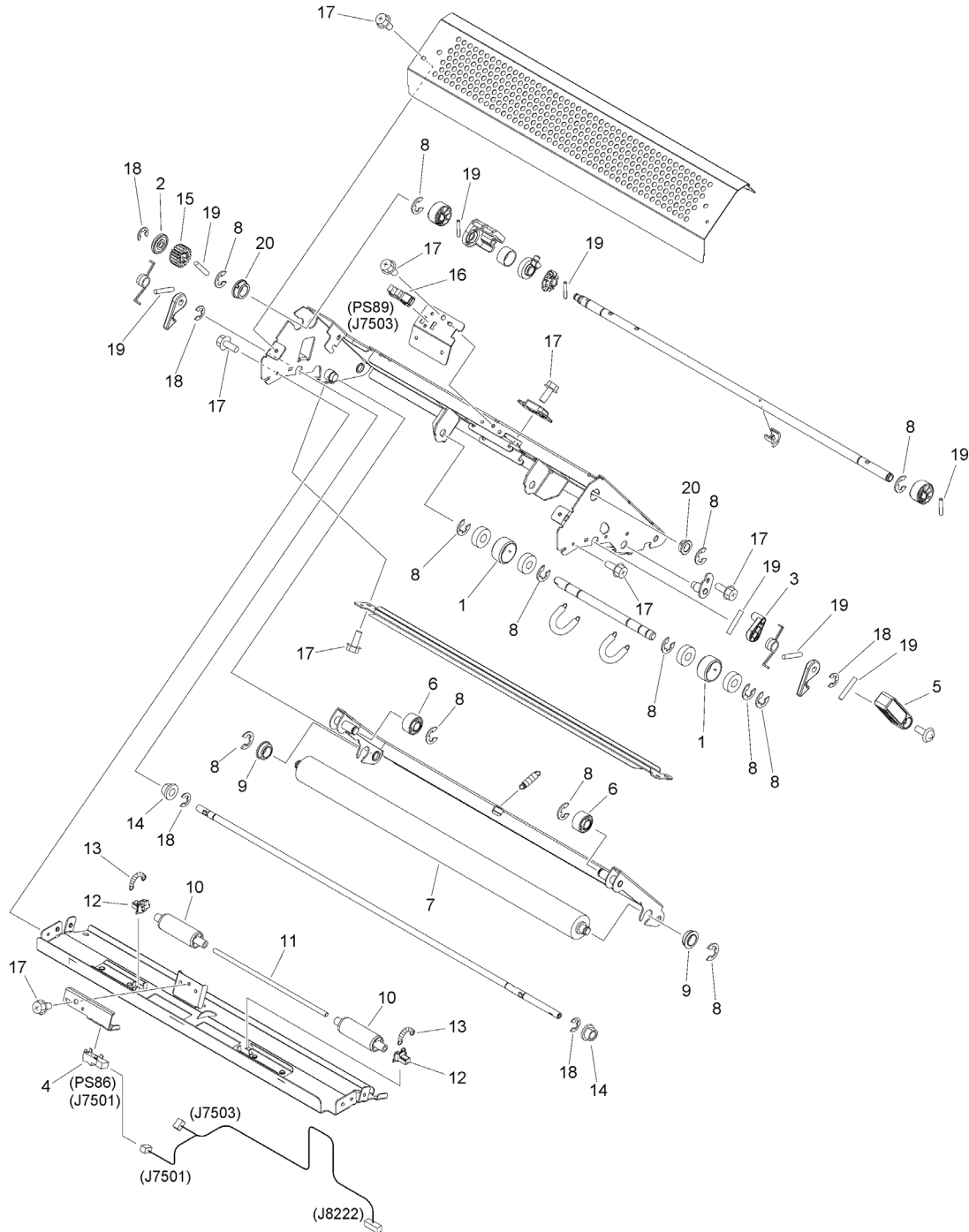


FIGURE & KEY NO.	PART NUMBER	RANK	QTY	DESCRIPTION	SERIAL NUMBER /REMARKS
M31	FM1-L210-000		1	ROTATION FRAME ASSEMBLY	DECURLER model SEE NOTE
1	FC8-6462-000		2	ROLLER, BACK-UP	
2	FC8-8973-000		1	ROLLER, SIDE END	
3	FC9-3952-000		1	LOCK, HOOK	
4	FK2-6470-000		1	PHOTO-SENSOR, KUA0055C	PS86
5	FL2-8738-010		1	KNOB, DECURLER	
6	FC8-2606-010		2	ROLLER, SIDE END	
7	FC8-8963-000		1	ROLLER, PAPER FEED	
8	XD9-0396-000		13	RING, E	
9	XG9-0709-000		2	BEARING, BALL, MF128ZZ-3	
10	FC8-2607-000		2	ROLLER, DRIVEN	
11	FC8-2608-010		1	SHAFT, ROLLER	
12	FE8-2440-000		2	BUSHING	
13	FU7-2351-000		2	SPRING, TENSION	
14	FU5-1453-000		2	BUSHING	
15	FU6-0029-000		1	GEAR, 18T	
16	WG8-5848-000		1	IC, PHOTO-INTERRUPTER	PS89
17	XA9-1386-000		12	SCREW,RS,M3X8	
18	XD9-0395-000		5	RING, E	
19	XD9-0289-000		8	PIN, PARALLEL	
20	XG9-0737-000		2	BUSHING	

Figure ZZA MECHANICAL STANDARD PARTS (HOW TO USE)

Mechanical standard parts 機械標準部品

About a mechanical standard parts

A Mechanical standard parts is a mechanical part which not parts peculiar to a product.
They are parts which are common to a Canon product and are used, such as a screw and a washer.
The Fig No. and parts number of the mechanical standard parts are not listed in the product parts catalog.
Refer to the parts catalog of mechanical standard parts when checking the parts number for screw or washer etc. and identify them by part shape or size.

機械標準部品とは

機械標準部品とは、製品特有の部品ではなく、ねじやワッシャなどキヤノン製品共通で使用されている機械部品（メカ部品）のことです。
製品のパーツカタログには、機械標準部品のFig No.や部品番号は記載していません。
ねじや、ワッシャ等の部品番号を調べるときは、機械標準部品のパーツカタログを参照し、部品の形状や大きさから判断し、使用している部品を調べてください。

Material and surface treatment of a mechanical standard parts

Material and surface treatment of mechanical standard parts are assigned commonly for each part.
Refer to the Table 1 for the parts which material and surface treatment are assigned as numbers.

機械標準部品の材料および表面処理

機械標準部品の材料および表面処理については、各種部品共通で決められています。
材料および表面処理が番号で決められている部品については、表1を参照してください。

Table 1 Material and Surface treatment
表1 材料および表面処理

No. 番号	Material 材料	Surface treatment 表面処理	Color 色
1	Stainless steel ステンレス	Stainless steel black coloring (BC4) ステンレス黒着色(BC4)	Black 黒
2		not to be given なし	White 白
3	Brass 黄銅	Regular nickel plating (NL) 普通ニッケルメッキ(NL)	White 白
4		Black nickel plating (BN) 黒色ニッケルメッキ(BN)	Black 黒
5	Steel 鋼	White zinc trivalent chromate treating (ZC3) 白色亜鉛3価クロメート(ZC3)	White 白
6		Regular nickel chromium plating (NC) 普通ニッケルクロムメッキ(NC)	White 白
7		Regular nickel plating (NL) 普通ニッケルメッキ(NL)	White 白
8		Iron and steel phosphating (P1) 鉄鋼燐酸塩処理(P1)	Black 黒
9		Black zinc trivalent chromate treating (BZ3) 黒色亜鉛3価クロメート(BZ3)	Black 黒

Figure ZZB (1/7)MECHANICAL STANDARD PARTS (SCREWS)

1. Screws
ねじ

How to read Parts Numbers
部品番号の見方

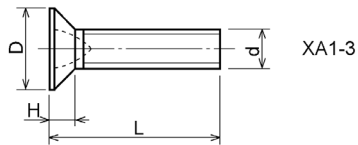
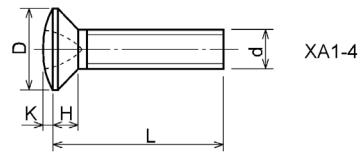
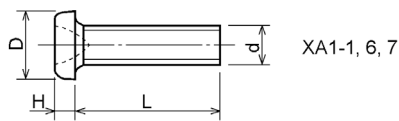
Screws
ねじ

XB1-2400-609

Type No.
類別番号
Normal designation (d)
ねじの呼び (d)
Length (L)
ねじの長さ (L)
Material and Surface treatment
材料および表面処理

XB1-2 expresses Binding head machine screw.
XB1-2は、バインドねじを表す
40 expresses M4.0.
40は、M4.0を表す
0-60 expresses a length of 6.0mm.
0-60は、6.0mmの長さを表す
9 expresses Steel (Black zinc trivalent chromate
treating) from Table 1.
9は、表1より鋼（黒色亜鉛3価クロメート）を表す

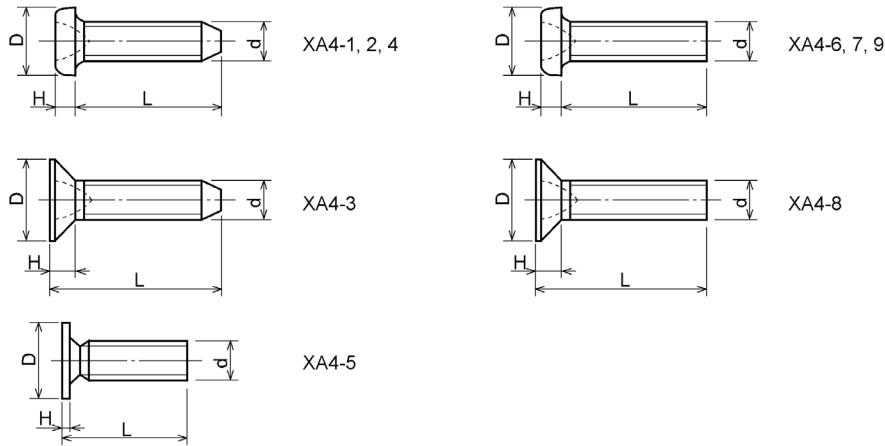
1-1. Cross Recessed Head Screws for Precision Equipments
精密機器用十字穴付き小ねじ



Type No. 類別番号	Type 類別	Head size (mm) 頭部寸法 (mm)						
		M1.4	M1.6	M1.7	M2	M2.5	M2.6	
XA1-1	Pan head Class 1 なべ1種	D	2	2.4	2.5	3	3.8	4
		H	0.5	0.55	0.5	0.6	0.9	0.8
XA1-3	Countersunk head Class 1 さら1種	D	2	2.4	2.5	3	3.8	4
		H	0.48	0.55	0.58	0.73	0.85	0.93
XA1-4	Oval countersunk head Class 1 丸さら1種	D	2	2.4	2.5	3	3.8	4
		H + K	0.68	0.8	0.88	1	1.25	1.3
XA1-6	Pan head Class 3 なべ3種	D	2.5	2.8	3	3.5	4.3	4.5
		H	0.8	0.85	0.9	1	1.3	1.2
XA1-7	Pan head Class 2 なべ2種	D	2.5	2.8	3	3.5	4.3	4.5
		H	0.5	0.55	0.5	0.6	0.9	0.8

Figure ZZB (2/7) MECHANICAL STANDARD PARTS (SCREWS)

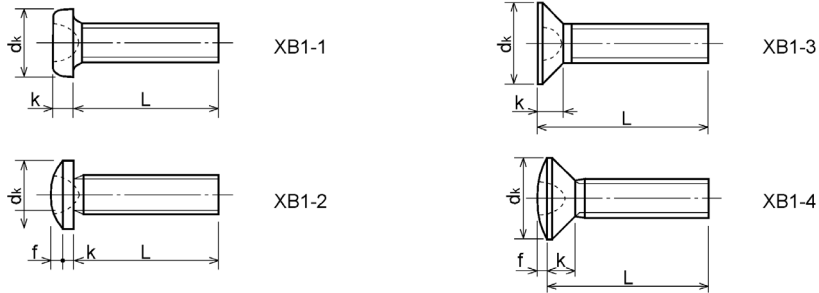
1-2. Precision Tapping Screws
精密用タッピンねじ



Type No. 類別番号	Type 類別	Head size (mm) 頭部寸法 (mm)						
		M1.4	M1.6	M1.7	M2	M2.5	M2.6	
XA4-1	With tapered end pan head Class 1 絞り-なべ1種	D XA4-1	2	2.4	2.5	3	3.8	4
		H XA4-1	0.5	0.55	0.5	0.6	0.9	0.8
XA4-2	With tapered end pan head Class 3 絞り-なべ3種	D XA4-2	2.5	2.8	3	3.5	4.3	4.5
		H XA4-2	0.8	0.85	0.9	1	1.3	1.2
XA4-3	With tapered end countersunk head 絞り-さら	D XA4-3	2	2.4	2.5	3	3.8	4
		H XA4-3	0.48	0.55	0.58	0.73	0.85	0.93
XA4-4	With tapered end pan head Class 2 絞り-なべ2種	D XA4-4	2.5	2.8	3	3.5	4.3	4.5
		H XA4-4	0.5	0.55	0.5	0.6	0.9	0.8
XA4-5	With parallel end ultra thin head ストレート-超薄頭	D XA4-5	2.5	2.8	3	-	-	-
		H XA4-5	0.2	0.2	0.2	-	-	-
XA4-6	With parallel end pan head Class 1 ストレート-なべ1種	D XA4-6	2	2.4	2.5	3	3.8	4
		H XA4-6	0.5	0.55	0.5	0.6	0.9	0.8
XA4-7	With parallel end pan head Class 3 ストレート-なべ3種	D XA4-7	2.5	2.8	3	3.5	4.3	4.5
		H XA4-7	0.8	0.85	0.9	1	1.3	1.2
XA4-8	With parallel end countersunk head ストレート-さら	D XA4-8	2	2.4	2.5	3	3.8	4
		H XA4-8	0.48	0.55	0.58	0.73	0.85	0.93
XA4-9	With parallel end pan head Class 2 ストレート-なべ2種	D XA4-9	2.5	2.8	3	3.5	4.3	4.5
		H XA4-9	0.5	0.55	0.5	0.6	0.9	0.8

Figure ZZB (3/7)MECHANICAL STANDARD PARTS (SCREWS)

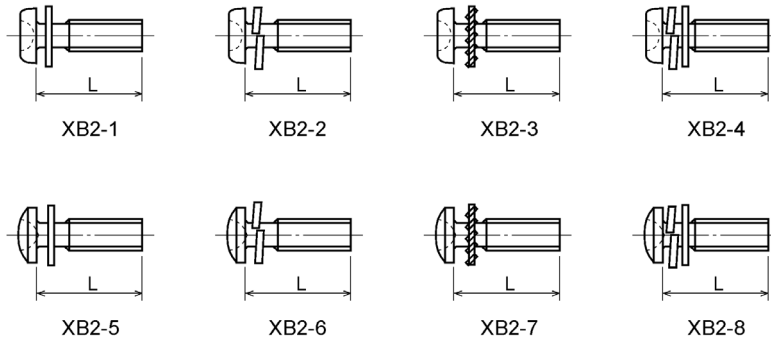
1-3. Cross Recessed Head Screws
一般用十字穴付き小ねじ



Type No. 類別番号	Type 類別	Head size (mm) 頭部寸法 (mm)					
		M2	M2.5	M2.6	M3	M4	M5
XB1-1	Pan head なべ	3.5	4.5	4.5	5.5	7	9
XB1-2	Binding head バインド	1.2	1.5	1.6	1.9	2.5	3.1
XB1-3	Countersunk head さら	4	5	-	6	8	10
XB1-4	Oval countersunk head 丸さら	1.6	2	-	2.45	3.2	4
	Screw part length ねじ部長さ b	8	12	12	12	16	20

Figure ZZB (4/7) MECHANICAL STANDARD PARTS (SCREWS)

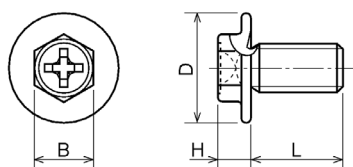
1-4. Cross Recessed Head Screws with Captive Washer
座金組込み十字穴付き小ねじ



Type No. 類別番号	Type 類別
XB2-1	Pan head + Plain washer (circular bright) なべねじ+平座金
XB2-2	Pan head + Spring washer なべねじ+ばね座金
XB2-3	Pan head + Toothed lock washer なべねじ+歯付座金
XB2-4	Pan head + Spring washer and plain washer (circular bright) なべねじ+(ばね+平)座金
XB2-5	Binding head + Plain washer (circular bright) バインドねじ+平座金
XB2-6	Binding head + Spring washer バインドねじ+ばね座金
XB2-7	Binding head + Toothed lock washer バインドねじ+歯付座金
XB2-8	Binding head + Spring washer and plain washer (circular bright) バインドねじ+(ばね+平)座金

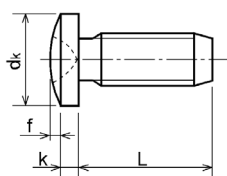
Figure ZZB (5/7) MECHANICAL STANDARD PARTS (SCREWS)

1-5. Hexagon Head Tapping Screws for Matallic Materials
 金属用六角タッピンねじ



Type No. 類別番号	Type 類別	Head size (mm) 頭部寸法 (mm)		
		M3	M4	
XB3-6	For metallic materials 金属用タッピン	D	8	10
		B	5.5	5.5
XB3-7	For metallic materials with clawed 金属用タッピン-つめ付き	H XB3-6	3.1	3.1
		H XB3-7	3.2	3.2

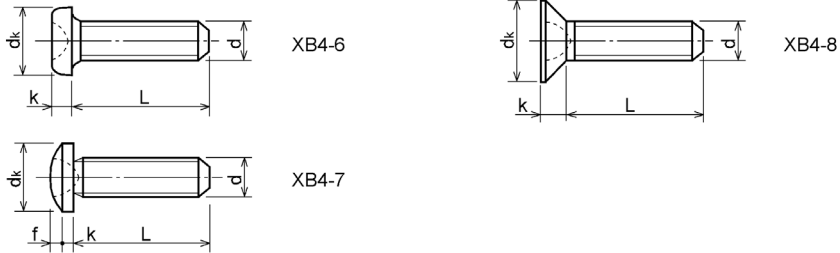
1-6. Special Tapping Screws
 特殊タッピンねじ



Type No. 類別番号	Type 類別	Head size (mm) 頭部寸法 (mm)		
		M3	M4	
XB4-5	Binding head バインド	dk	6.3	8.3
		k	1.3	1.7
		k+f	1.9	2.5

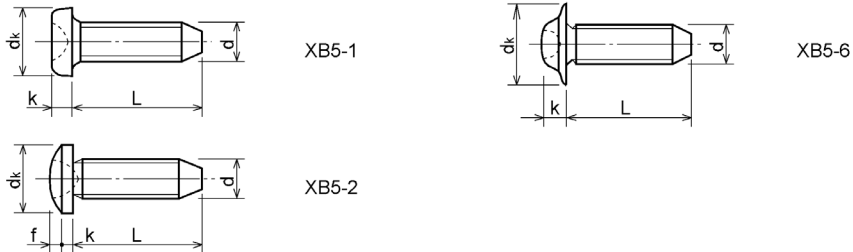
Figure ZZB (6/7) MECHANICAL STANDARD PARTS (SCREWS)

1-7. General Head Tapping Screws
一般用タッピンねじ



Type No. 類別番号	Type 類別	Head size (mm) 頭部寸法 (mm)						
		M2	M2.5	M2.6	M3	M4	M5	
XB4-6	Pan head なべ	dk XB4-6	3.5	4.5	4.5	5.5	7	9
		k XB4-6	1.3	1.7	1.7	2	2.6	3.3
XB4-7	Binding head バインド	dk XB4-7	4.3	5.3	5.5	6.3	8.3	10.3
		k+f XB4-7	1.2	1.5	1.6	1.9	2.5	3.1
XB4-8	Countersunk head さら	dk XB4-8	4	5	5.2	6	8	10
		k XB4-8	1.2	1.45	1.5	1.75	2.3	2.8

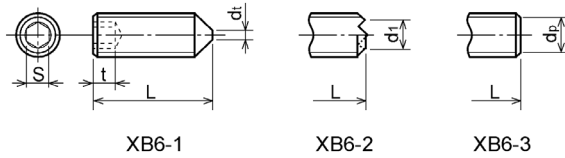
1-8. Tapping Screws for Metallic Materials
金属用タッピンねじ



Type No. 類別番号	Type 類別	Head size (mm) 頭部寸法 (mm)					
		M2.5	M2.6	M3	M4	M5	
XB5-1	Pan head なべ	dk XB5-1	4.5	4.5	5.5	7	9
		k XB5-1	1.7	1.7	2	2.6	3.3
XB5-2	Binding head バインド	dk XB5-2	5.5	5.5	6.3	8.3	10.3
		k+f XB5-2	1.6	1.6	1.9	2.5	3.1
XB5-6	Flanged pan head つば付きなべ	dk XB5-6	6.5	6.5	8	10	12
		k XB5-6	2.1	2.1	1.75	3.2	4

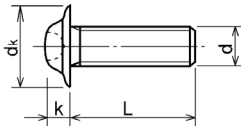
Figure ZZB (7/7) MECHANICAL STANDARD PARTS (SCREWS)

1-9. Hexagon Socket Set Screws
六角穴付き止めねじ



Type No. 類別番号	Type 類別	Head size (mm) 頭部寸法 (mm)						
		M1.6 M1.7	M2	M2.5 M2.6	M3	M5	M5	M6
S		0.7	0.9	1.3	1.5	2	2.5	3
t		1.5	1.7	2	2	2.5	3	3.5
dt max XB6-1		0.4	0.5	0.65	0.75	1	1.25	1.5
d1 max XB6-2		-	1.2	1.5	1.7	2.2	2.8	3.3
d1 min XB6-2		-	1	1.2	1.4	1.9	2.4	2.9
dp max XB6-3		0.8	1	1.5	2	2.5	3.5	4
dp min XB6-3		0.55	0.75	1.25	1.75	2.25	3.2	3.7

1-10. Flanged Pan Head Machine Screws
つば付きなべ小ねじ

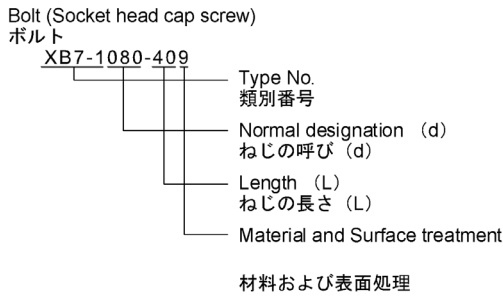


Type No. 類別番号	Type 類別	Head size (mm) 頭部寸法 (mm)				
		M2	M2.5 M2.6	M3	M5	M5
dk		5	6.5	8	10	12
k		1.7	2.1	2.5	3.2	4

Figure ZZC MECHANICAL STANDARD PARTS (BOLTS)

2. Bolts (Socket head cap screw)
ボルト

How to read Parts Numbers
部品番号の見方



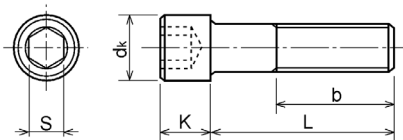
XB7-1 expresses Hexagon socket head cap screws.
XB7-1は、六角穴付きボルトを表す

080 expresses M8.0.
080は、M8.0を表す

40 expresses a length of 40mm.
40は、40mmの長さを表す

9 expresses Steel (Black zinc trivalent chromate treating) from Table 1.
9は、表1より鋼（黒色亜鉛3価クロメート）を表す

2-1. Hexagon socket head cap screws
六角穴付きボルト



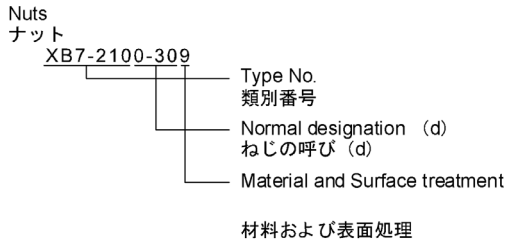
Type No. 類別番号	Type 類別
XB7-1	Hexagon socket head cap screws 六角穴付きボルト

	Head size (mm) 頭部寸法 (mm)						
	M3	M4	M5	M6	M8	M10	M12
S	2.5	3	4	5	6	8	10
dk	5.5	7	8.5	10	13	16	18
K	3	4	5	6	8	10	12
Screw part length ねじ部長さ b_{max}	18	20	22	24	28	32	36

Figure ZZD MECHANICAL STANDARD PARTS (NUTS)

3. Nuts
ナット

How to read Parts Numbers
部品番号の見方

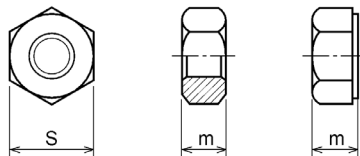


XB7-210 expresses Hexagon nut class 1.
XB7-210は、六角ナット1種を表す

0-30 expresses M3.0.
0-30は、M3.0を表す

9 expresses Steel (Black zinc trivalent chromate treating) from Table 1.
9は、表1より鋼（黒色亜鉛3価クロメート）を表す

3-1. Hexagon Nuts and Hexagon Thin Nuts
六角ナット



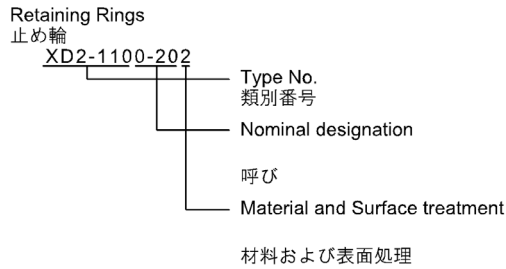
Type No. 類別番号	Type 類別
XB7-210	Hexagon nut Class 1 六角ナット-1種
XB7-220	Hexagon nut Class 3 六角ナット-3種
XB7-230	Hexagon nut Style 1 double chamfered 六角ナット-スタイル1-両面とり
XB7-231	Hexagon nut Style 1 washer faced 六角ナット-スタイル1-座付き
XB7-240	Hexagon nut Style 2 double chamfered 六角ナット-スタイル2-両面とり
XB7-241	Hexagon nut Style 2 washer faced 六角ナット-スタイル2-座付き
XB7-250	Hexagon nut 六角ナット
XB7-260	Hexagon thin nut double chamfered 六角低ナット-両面とり
XB7-270	Hexagon thin nut not chamfered 六角低ナット-面とり無し

	Head size (mm) 頭部寸法 (mm)						
	M2	M2.5	M3	M4	M5	M6	M8
S	4	5	5.5	7	8	10	13
m XB7-210	1.6	2	2.4	3.2	4	5	6.5
m XB7-220	1.2	1.6	1.8	2.4	3.2	3.6	5
m XB7-230, 231	1.6	2	2.4	3.2	4.7	5.2	6.8
m XB7-240, 241	-	-	-	-	5.1	5.7	7.5
m XB7-250	-	-	-	-	5.6	6.1	7.9
m XB7-260	1.2	1.6	1.8	2.2	2.7	3.2	4
m XB7-270	1.2	1.6	1.8	2.2	2.7	3.2	4

Figure ZZE (1/3)MECHANICAL STANDARD PARTS (RETAINING RINGS)

5. Retaining Rings
止め輪

How to read Parts Numbers
部品番号の見方

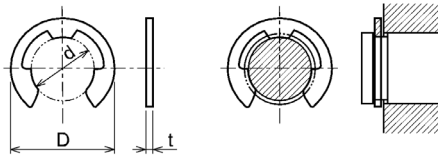


XD2-110 expresses retaining ring-E type (Type1).
XD2-110は、E形止め輪（1種）を表す

0-20 expresses a 020 of nominal designation.
(See Table 5)
0-20は、呼び020を表す（表5参照）

2 expresses Stainless steel (Surface treatment is not to be given) from Table 1.
2は、表1よりステンレス（表面処理なし）を表す

5-1. Retaining Rings - E type
E形止め輪



Type No. 類別番号	Type 類別
XD2-110	Retaining ring - E type (Type 1) E形止め輪（1種）
XD2-120	Retaining ring - E type (Type 2) E形止め輪（2種）

Table 5 表5

Type 種類	Nominal designation 呼び	d (mm)	D (mm)	t (mm)
Type 1 1種	007	0.65	2	0.2
	010	0.95	2.8	0.2
	013	1.25	3.3	0.3
	017	1.65	4.2	0.4
	020	1.95	4.6	0.5
	024	2.35	6	0.6
	028	2.74	6.5	0.6
	032	3.14	7.2	0.6
	037	3.64	8	0.7
	040	3.93	10	0.7
	042	4.13	10	0.7
	050	4.93	11	0.7
	058	5.73	12	0.7
	060	5.93	12.7	0.9
064	6.32	13.5	0.9	
074	7.31	15	0.9	
080	7.91	16.5	1	
Type 2 2種	008	0.8	2	0.2
	012	1.2	3	0.3
	015	1.5	4	0.4
	020	2	5	0.4
	025	2.5	6	0.4
	030	3	7	0.6
	040	4	9	0.6
	050	5	11	0.6
	060	6	12	0.8
	070	7	14	0.8
	080	8	16	0.8
	090	9	18	0.8
100	10	20	1	

Figure ZZE (2/3)MECHANICAL STANDARD PARTS (RETAINING RINGS)

5-2. Grip Rings
グリップ止め輪

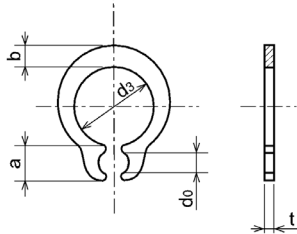


Table 5 表5

Nominal designation 呼び	d_3 (mm)	t (mm)	b (mm)	a (mm)	d_o (mm)
020	1.9	0.5	1	1.8	0.8
025	2.35	0.5	1.2	1.9	0.9
030	2.85	0.6	1.4	1.9	0.9
035	3.3	0.6	1.6	2	0.9
040	3.8	0.8	1.8	2.8	1.2
045	4.25	0.8	2	2.9	1.3
050	4.75	0.8	2.2	2.9	1.3
060	5.7	1	2.4	3.1	1.4
070	6.7	1	2.7	3.3	1.4
080	7.7	1	3	3.5	1.4
090	8.65	1.2	3.3	4.7	1.5
100	9.65	1.2	3.5	4.7	2

Type No. 類別番号	Type 類別
XD2-210	Grip ring グリップ止め輪

5-3. Toothed Retaining Rings
歯付き形止め輪

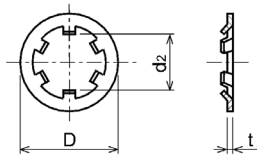


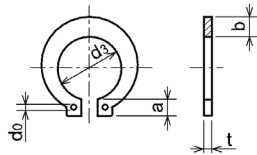
Table 5 表5

Nominal designation 呼び	d_z (mm)	D (mm)	t (mm)	No of teeth 歯数
015	1.4	5.2	0.25	3
020	1.9	6	0.25	3
024	2.3	6.4	0.25	3
030	2.8	8	0.25	4
040	3.8	9	0.25	4
050	4.8	10	0.25	5
060	5.8	11	0.25	5
080	7.8	13	0.25	5
100	9.8	15.4	0.25	6

Type No. 類別番号	Type 類別
XD2-230	Toothed retaining ring 歯付き形止め輪

Figure ZZE (3/3)MECHANICAL STANDARD PARTS (RETAINING RINGS)

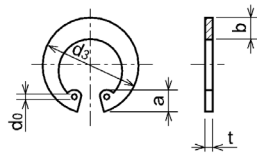
5-4. Retaining Rings - C Type
C形止め輪



Type No. 類別番号	Type 類別
XD2-310	Retaining ring - C type for shaft C形止め輪 軸用

Table 5 表5

Nominal designation 呼び	d ₃ (mm)	t (mm)	b (mm)	a (mm)	d ₀ (mm)
010	9.3	1	1.6	3	1.2
012	11.1	1	1.8	3.2	1.5
014	12.9	1	2	3.4	1.7
015	13.8	1	2.1	3.5	1.7
016	14.7	1	2.2	3.6	1.7
017	15.7	1	2.2	3.7	1.7
018	16.5	1.2	2.6	3.8	1.7
020	18.5	1.2	2.7	3.9	2
022	20.5	1.2	2.7	4.1	2
025	23.2	1.2	3.1	4.3	2
028	25.9	1.5	3.1	4.6	2
030	27.9	1.5	3.5	4.8	2
032	29.6	1.5	3.5	5	2.5
035	32.2	1.5	4	5.4	2.5



Type No. 類別番号	Type 類別
XD2-320	Retaining ring - C type for hole C形止め輪 穴用

Table 5 表5

Nominal designation 呼び	d ₃ (mm)	t (mm)	b (mm)	a (mm)	d ₀ (mm)
010	10.7	1	1.8	3.1	1.2
011	11.8	1	1.8	3.2	1.2
012	13	1	1.8	3.3	1.5
014	15.1	1	2	3.6	1.7
016	17.3	1	2	3.7	1.7
018	19.5	1	2.5	4	1.7
019	20.5	1	2.5	4	2
020	21.5	1	2.5	4	2
022	23.5	1	2.5	4.1	2
025	26.9	1.2	3	4.4	2
028	30.1	1.2	3	4.6	2
030	32.1	1.2	3	4.7	2
032	34.4	1.2	3.5	5.2	2.5
035	37.8	1.5	3.5	5.2	2.5
037	39.8	1.5	3.5	5.2	2.5
040	43.5	1.8	4	5.7	2.5
042	45.5	1.8	4	5.8	2.5
045	48.5	1.8	4.5	5.9	2.5
047	50.5	1.8	4.5	6.1	2.5
050	54.2	2	4.5	6.5	2.5
052	56.2	2	5.1	6.5	2.5
055	59.2	2	5.1	6.5	2.5
060	64.2	2	5.1	6.8	2.5
062	66.2	2	5.5	6.9	2.5
068	72.5	2.5	6	7.4	2.5
072	76.5	2.5	6.6	7.4	2.5
075	79.5	2.5	6.6	7.8	2.5
080	85.5	2.5	7	8	2.5
085	90.5	3	7	8	3
090	95.5	3	7.6	8.3	3
095	100.5	3	8	8.5	3